



Illustrated Parts Manual

Models
1200SJP
1350SJP

PVC
2001
2007

P/N
31215056

June 1, 2021 - Rev D

ANSI

CE



AS/NZS



An Oshkosh Corporation Company

REVISION LOG

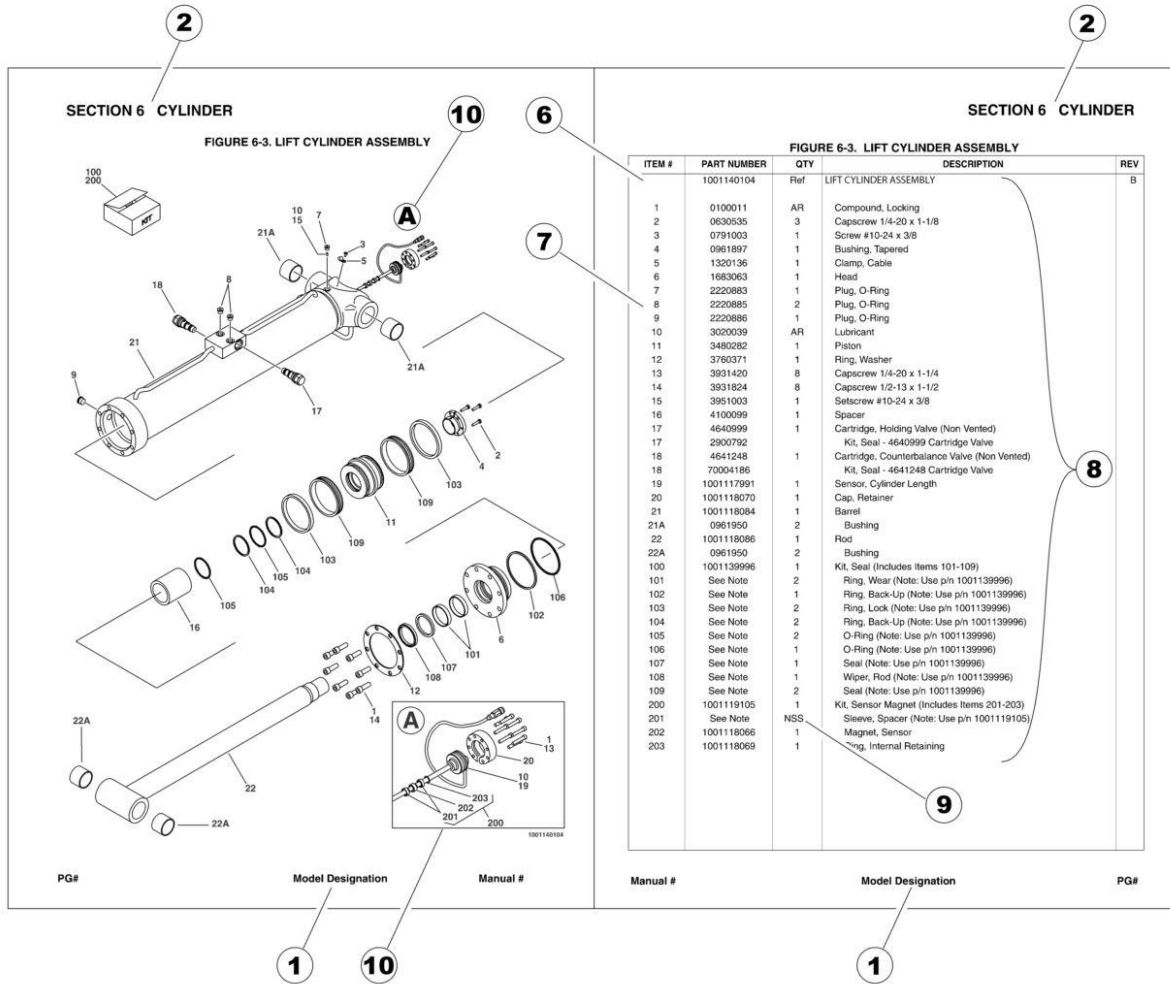
November 1, 2019 - A - Original Issue of Manual (Edited to B/M 1001261213 Revision B and B/M 1001271213 Revision A)

June 15, 2020 - B - Revised Manual (Edited to B/M 1001261213 Revision G and B/M 1001271213 Revision F)

December 1, 2020 - C- Revised Manual (Edited to B/M 1001261213 Revision G and B/M 1001271213 Revision F)

June 1, 2021 - D - Revised Manual (Edited to B/M 1001261213 Revision G and B/M 1001271213 Revision F)

GENERAL INFORMATION



1) MACHINE IDENTIFICATION

Machines are identified by model and in some cases a combination of models, serial number (SN) or regional standard (i.e ANSI, CE, CSA). Components may also be identified by SN or manufacturer. Common components that may be identified by these characteristics are engines and hydraulic components.

2) PARTS MANUAL ORGANIZATION

Product information in this manual is organized under section titles. Frame, Cylinder, Hydraulic and Electrical are a few examples. Each section is organized by figure and page number. The information within the Figure is then organized by item number, part number, description and corresponding illustration (s).

3) TABLE OF CONTENTS (NOT SHOWN)

A table of contents is found toward the beginning of the manual. Figure number, description and page number are provided for quick reference to the page containing the related information.

4) RECOMMENDED SPARE PARTS (NOT SHOWN)

The Recommended Spare Parts List, located near the end of the manual, reference most frequently used maintenance parts.

5) PART NUMBER INDEX (NOT SHOWN)

A numerical index listing all part numbers and the corresponding page number(s) appears at the back of the manual.

GENERAL INFORMATION

6) NON-SERVICED PARTS

In some instances, it is necessary to display non-serviced parts, assemblies or installations. In the case of assemblies and installations there will be a Ref in the Qty. column. In case of parts that are not available for service within assemblies or components, there will be a NSS (Not Sold Separately) or NLA (No Longer Available) listed in the Qty. column of the manual.

7) PARTS LIST ITEM NUMBERS

Numbers shown in the item# column correspond to numbers used in the associated illustration (s). Item numbers which are missing from the sequence in the parts list are not used on that page.

8) INDENTED PARTS DESCRIPTION

An indented part description is included in the item under which it is indented.

9) ABBREVIATION AND SYMBOLS

AC.....	Alternating Current	L.....	Liter
ADE.....	Advanced Design Electronics	LB(LBS).....	Pounds
AG.....	Agricultural	LCD.....	Liquid Crystal Display
ANSI.....	American National Standards Institute	LED.....	Light Emitting Diodes
AR.....	As Required	LH.....	Left Hand
ASSY.....	Assembly	LRC.....	Low Rated Countries
AUS.....	Australia	LSS.....	Load Sensing System
AUX.....	Auxiliary	M(m).....	Metric/Meter
AWG.....	American Wire Gauge	MM(mm).....	Milimeter
B/M.....	Bill of Material	mA.....	Miliamps
CAC.....	Charge Air Cooler	NLA.....	No Longer Available
CE.....	European Conformity	NPT.....	National Pipe Threads
CCW.....	Counter Clockwise	NSS.....	Not Sold Separately
CM.....	Centimeter	OD.....	Outside Diameter
CW.....	Clockwise	ORB.....	O-Ring Boss
CSA.....	Canadian Standards Association	ORFS.....	O-Ring Face Seal
CYL.....	Cylinder	OZ (oz).....	Ounces
DIA.....	Diameter	PG.....	Page
DC.....	Direct Current	PN.....	Part Number
DEF.....	Diesel Exhaust Fluid	QT(qt.).....	Quarts
EMS.....	Emergency Stop	QTY.....	Quantity
ENG.....	Engine	REF.....	Reference
FT(ft).....	Feet	REV.....	Revision Level
GA(Ga).....	Gauge	RH.....	Right Hand
HRC.....	High Rated Countries	SAE.....	Society of Automotive Engineers
HVAC.....	Heating, Ventilating, and Air Conditioning	SN.....	Serial Number
HYD.....	Hydraulic	SPEC(S).....	Specifications
Hz.....	Hertz	T/T.....	Turntable
ID.....	Inside Diameter	UGM.....	Universal Ground Module
IN.....	inches	V.....	Volts
ISO.....	International Organization for Standards	W.....	Watts
JIC.....	Joint Industry Council	#.....	Number
KG.....	Kilogram		

10) ILLUSTRATION REFERENCE LETTERS

When necessary, illustrations may contain reference letters that are intended to track information (i. e. hoses, harnesses) from one point to another or to track visual enlargement of components to show details that may be located in another area on the illustration.

Note: Due to continuous product improvements, JLG Industries, Inc. reserves the right to make specification changes without prior notification. Contact JLG Industries, Inc. for updated information.

TABLE OF CONTENTS

SECTION 1 - FRAME.....	17
FIGURE 1-1. AXLE INSTALLATION - FIXED.....	18
FIGURE 1-2. AXLE INSTALLATION - OSCILLATING.....	22
FIGURE 1-3. STEER INSTALLATION.....	26
FIGURE 1-4. WHEEL DRIVE INSTALLATION - BONFIGLIOLI	28
FIGURE 1-5. WHEEL DRIVE INSTALLATION - REGGIANA RIDUTTORI	30
FIGURE 1-6. DRIVE HUB AND MOTOR ASSEMBLY - BONFIGLIOLI.....	32
FIGURE 1-7. DRIVE HUB AND MOTOR ASSEMBLY - REGGIANA RIDUTTORI.....	34
FIGURE 1-8. DRIVE HUB ASSEMBLY - BONFIGLIOLI.....	36
FIGURE 1-9. DRIVE HUB ASSEMBLY - REGGIANA RIDUTTORI.....	40
FIGURE 1-10. DRIVE MOTOR ASSEMBLY	44
FIGURE 1-11. TIRE AND WHEEL INSTALLATION - FOAM - FILLED	46
FIGURE 1-12. TIRE AND WHEEL INSTALLATION - SOLID	48
FIGURE 1-13. TIRE AND WHEEL INSTALLATION - SOLID NON MARKING	50
FIGURE 1-14. FRAME VALVES INSTALLATION - WITH 1 CELL LSS	52
FIGURE 1-15. STEER VALVE ASSEMBLY	54
FIGURE 1-16. TRACTION VALVE ASSEMBLY.....	56
FIGURE 1-17. FRAME COVERS INSTALLATION - ABS.....	58
FIGURE 1-18. FRAME COVERS INSTALLATION - STEEL	60
SECTION 2 - TURNTABLE.....	63
FIGURE 2-1. TURNTABLE VALVES INSTALLATION - WITH 1 CELL LSS	64
FIGURE 2-2. BATTERY AND AUXILIARY PUMP INSTALLATION - ABS HOODS	66
FIGURE 2-3. BATTERY AND AUXILIARY PUMP INSTALLATION - STEEL HOODS.....	68
FIGURE 2-4. AUXILIARY PUMP ASSEMBLY.....	70
FIGURE 2-5. MAIN VALVE ASSEMBLY	72
FIGURE 2-6. SWING DRIVE INSTALLATION	76
FIGURE 2-7. TURNTABLE BEARING AND LUBE INSTALLATION	78
FIGURE 2-8. TURNTABLE LOCK INSTALLATION.....	80
FIGURE 2-9. PINION SHIELD INSTALLATION	82
FIGURE 2-10. EXTREME HOSTILE PACKAGE INSTALLATION (OPTIONAL)	84
FIGURE 2-11. SWING MOTOR/HUB ASSEMBLY.....	86
FIGURE 2-12. ROTARY COUPLING AND COLLECTOR RING INSTALLATION.....	90
FIGURE 2-13. TANK INSTALLATION - WITH ABS HOODS	92
FIGURE 2-14. TANK INSTALLATION - WITH STEEL HOODS	94
FIGURE 2-15. TANK INSTALLATION - WITH STEEL HOODS AND 52.8 GAL/200 L FUEL TANK	96
FIGURE 2-16. HYDRAULIC OIL TANK ASSEMBLY.....	98
FIGURE 2-17. HYDRAULIC OIL COOLER INSTALLATION - DEUTZ TD2011 ENGINES WITH REXROTH PUMPS (OPTIONAL)	100
FIGURE 2-18. HYDRAULIC OIL COOLER INSTALLATION - DEUTZ TD2011 ENGINES WITH SAUER PUMPS (OPTIONAL)	102
FIGURE 2-19. HYDRAULIC OIL COOLER INSTALLATION - DEUTZ TCD2.9L4 ENGINES AND DEUTZ TCD2.9L4 (STAGE V) ENGINES WITH REXROTH PUMPS (OPTIONAL).....	104
FIGURE 2-20. HYDRAULIC OIL COOLER INSTALLATION - DEUTZ TCD2.9L4 ENGINES WITH REXROTH PUMPS (OPTIONAL) (CHINA SPEC ONLY)	106
FIGURE 2-21. HYDRAULIC OIL COOLER INSTALLATION – DEUTZ TCD2.9L4 ENGINES AND DEUTZ TCD2.9L4 (STAGE V) ENGINES WITH SAUER PUMPS (OPTIONAL).....	108

TABLE OF CONTENTS

FIGURE 2-22. HYDRAULIC OIL COOLER INSTALLATION - DEUTZ TCD2.9L4 ENGINES WITH SAUER PUMPS (OPTIONAL) (CHINA SPEC ONLY)	110
FIGURE 2-23. GROUND CONTROL BOX INSTALLATION - DEUTZ TD2011 ENGINES WITH REXROTH PUMPS (CE SPECS)	112
FIGURE 2-24. GROUND CONTROL BOX INSTALLATION – DEUTZ TD2011 ENGINES WITH SAUER PUMPS (CE SPECS)	114
FIGURE 2-25. GROUND CONTROL BOX INSTALLATION – DEUTZ TCD2.9L4 ENGINES (ANSI, ANSI EXPORT, CSA, CHINA AND JAPANESE SPECS).....	116
FIGURE 2-26. GROUND CONTROL BOX INSTALLATION - DEUTZ TD2.9L4 ENGINES WITH REXROTH PUMPS (ANSI EXPORT AND AUSTRALIAN SPECS)	118
FIGURE 2-27. GROUND CONTROL BOX INSTALLATION - DEUTZ TD2.9L4 ENGINES WITH SAUER PUMPS (ANSI EXPORT AND AUSTRALIAN SPECS).....	120
FIGURE 2-28. GROUND CONTROL BOX INSTALLATION - DEUTZ TCD2.9L4 ENGINES (CE SPECS)	122
FIGURE 2-29. GROUND CONTROL BOX ASSEMBLY (ALL SPECS EXCEPT CE SPECS)	124
FIGURE 2-30. GROUND CONTROL BOX ASSEMBLY (CE SPECS) (PVC2001)	126
FIGURE 2-31. KEYSWITCH INSTALLATION.....	130
FIGURE 2-32. LIGHT PANEL INSTALLATION (USA BUILT MACHINES)	132
FIGURE 2-33. LIGHT PANEL INSTALLATION (CHINA BUILT MACHINES)	134
FIGURE 2-34. ALARM INSTALLATION.....	136
FIGURE 2-35. ALARM AMBIENT (WHITE NOISE) INSTALLATION (ALARM WITH HORIZONTAL BAR GRILLE)	138
FIGURE 2-36. ALARM AMBIENT (WHITE NOISE) INSTALLATION (ALARM WITH CROSS HATCH GRILLE)	140
FIGURE 2-37. STROBE LIGHT INSTALLATION (AMBER).....	142
FIGURE 2-38. STROBE LIGHT INSTALLATION (BLUE)	144
FIGURE 2-39. STROBE LIGHT INSTALLATION (RED).....	146
FIGURE 2-40. ENGINE TRAY JACK INSTALLATION - DEUTZ TD2011 ENGINES.....	148
FIGURE 2-41. ENGINE TRAY JACK INSTALLATION - DEUTZ TD2.9L4/TCD2.9L4 ENGINES AND DEUTZ TCD2.9L4 (STAGE V) ENGINES	150
FIGURE 2-42. HOOD INSTALLATIONS - DEUTZ TD2011 ENGINES (ABS).....	152
FIGURE 2-43. HOOD INSTALLATION - DEUTZ TCD2.9L4 ENGINES (ABS) (PVC2001).....	156
FIGURE 2-44. HOOD INSTALLATION - DEUTZ TCD2.9L4 ENGINES (ABS) (PVC2007).....	162
FIGURE 2-45. HOOD INSTALLATION- DEUTZ TD2011/TD2.9L4 ENGINES (STEEL)	168
FIGURE 2-46. HOOD INSTALLATION - DEUTZ TCD2.9L4 ENGINES (STEEL)	172
SECTION 3 - ENGINE	177
FIGURE 3-1. DEUTZ TD2011 DIESEL ENGINE INSTALLATION - WITH REXROTH PUMPS AND ABS HOODS (WITHOUT SKYPOWER AND WITHOUT COLD WEATHER PLUS PACKAGE).....	178
FIGURE 3-2. DEUTZ TD2011 DIESEL ENGINE INSTALLATION - WITH REXROTH PUMPS AND ABS HOODS (WITH SKYPOWER AND WITHOUT COLD WEATHER PLUS PACKAGE).....	182
FIGURE 3-3. DEUTZ TD2011 DIESEL ENGINE INSTALLATION - WITH REXROTH PUMPS AND STEEL HOOD (WITHOUT SKYPOWER AND WITHOUT COLD WEATHER PLUS PACKAGE).....	186
FIGURE 3-4. DEUTZ TD2011 DIESEL ENGINE INSTALLATION - WITH REXROTH PUMPS AND STEEL HOODS (WITH SKYPOWER AND WITHOUT COLD WEATHER PLUS PACKAGE).....	190
FIGURE 3-5. DEUTZ TD2011 DIESEL ENGINE INSTALLATION – WITH REXROTH PUMPS AND STEEL HOODS (WITH SKYPOWER AND WITH COLD WEATHER PLUS PACKAGE)	194
FIGURE 3-6. DEUTZ TD2011 DIESEL ENGINE INSTALLATION - WITH SAUER PUMPS AND ABS HOODS (WITHOUT SKYPOWER AND WITHOUT COLD WEATHER PLUS PACKAGE).....	198
FIGURE 3-7. DEUTZ TD2011 DIESEL ENGINE INSTALLATION - WITH SAUER PUMPS AND ABS HOODS (WITH SKYPOWER AND WITHOUT COLD WEATHER PLUS PACKAGE)	202
FIGURE 3-8. DEUTZ TD2011 DIESEL ENGINE INSTALLATION - WITH SAUER PUMPS AND STEEL HOODS (WITHOUT SKYPOWER AND WITHOUT COLD WEATHER PLUS PACKAGE).....	206
FIGURE 3-9. DEUTZ TD2011 DIESEL ENGINE INSTALLATION - WITH SAUER PUMPS AND STEEL HOODS (WITH SKYPOWER AND WITH COLD WEATHER PLUS PACKAGE)	210

TABLE OF CONTENTS

FIGURE 3-10. DEUTZ TD2011 DIESEL ENGINE INSTALLATION - WITH SAUER PUMPS AND STEEL HOODS (WITH SKYPOWER AND WITHOUT COLD WEATHER PLUS PACKAGE)	214
FIGURE 3-11. DEUTZ TD2011 ENGINE ASSEMBLY - WITH REXROTH PUMPS (WITHOUT SKYPOWER AND WITHOUT COLD WEATHER PLUS PACKAGE) (PVC2001)	218
FIGURE 3-12. DEUTZ TD2011 ENGINE ASSEMBLY - WITH REXROTH PUMPS (WITHOUT SKYPOWER AND WITHOUT COLD WEATHER PLUS PACKAGE) (PVC2007)	222
FIGURE 3-13. DEUTZ TD2011 ENGINE ASSEMBLY - WITH REXROTH PUMPS (WITH SKYPOWER AND WITHOUT COLD WEATHER PLUS PACKAGE) (PVC2001)	226
FIGURE 3-14. DEUTZ TD2011 ENGINE ASSEMBLY - WITH REXROTH PUMPS (WITH SKYPOWER AND WITHOUT COLD WEATHER PLUS PACKAGE) (PVC2007)	230
FIGURE 3-15. DEUTZ TD2011 ENGINE ASSEMBLY - WITH REXROTH PUMPS (WTH SKYPOWER AND WITH COLD WEATHER PLUS PACKAGE) (PVC2001)	234
FIGURE 3-16. DEUTZ TD2011 ENGINE ASSEMBLY - WITH REXROTH PUMPS (WTH SKYPOWER AND WITH COLD WEATHER PLUS PACKAGE) (PVC2007)	238
FIGURE 3-17. DEUTZ TD2011 ENGINE ASSEMBLY - WITH SAUER PUMPS (WITHOUT SKYPOWER AND WITHOUT COLD WEATHER PLUS PACKAGE) (PVC2001)	242
FIGURE 3-18. DEUTZ TD2011 ENGINE ASSEMBLY - WITH SAUER PUMPS (WITHOUT SKYPOWER AND WITHOUT COLD WEATHER PLUS PACKAGE) (PVC2007)	246
FIGURE 3-19. DEUTZ TD2011 ENGINE ASSEMBLY - WITH SAUER PUMPS (WITH SKYPOWER AND WITHOUT COLD WEATHER PLUS PACKAGE) (PVC2001)	250
FIGURE 3-20. DEUTZ TD2011 ENGINE ASSEMBLY - WITH SAUER PUMPS (WITH SKYPOWER AND WITHOUT COLD WEATHER PLUS PACKAGE) (PVC2007)	254
FIGURE 3-21. DEUTZ TD2011 ENGINE ASSEMBLY - WITH SAUER PUMPS (WITH SKYPOWER AND WITH COLD WEATHER PLUS PACKAGE) (PVC2001)	258
FIGURE 3-22. DEUTZ TD2011 ENGINE ASSEMBLY - WITH SAUER PUMPS (WITH SKYPOWER AND WITH COLD WEATHER PLUS PACKAGE) (PVC2007)	262
FIGURE 3-23. DEUTZ TD2011 ENGINE COMPONENTS	266
FIGURE 3-24. DEUTZ TD2.9L4 DIESEL ENGINE INSTALLATION - WITH REXROTH PUMPS AND STEEL HOODS (CHINA SPEC ONLY)	270
FIGURE 3-25. DEUTZ TD2.9L4 DIESEL ENGINE INSTALLATION - WITH SAUER PUMPS AND STEEL HOODS (CHINA SPEC ONLY)	274
FIGURE 3-26. DEUTZ TD2.9L4 ENGINE SUB-ASSEMBLY - WITH REXROTH PUMP (CHINA SPEC ONLY)	278
FIGURE 3-27. DEUTZ TD2.9L4 ENGINE SUB-ASSEMBLY - WITH SAUER PUMPS (CHINA SPEC ONLY)	280
FIGURE 3-28. DEUTZ TD2.9L4 ENGINE ASSEMBLY (CHINA SPEC ONLY) (PVC2001)	282
FIGURE 3-29. DEUTZ TD2.9L4 ENGINE ASSEMBLY (CHINA SPEC ONLY) (PVC2007)	288
FIGURE 3-30. DEUTZ TD2.9L4 ENGINE COMPONENTS (CHINA SPEC ONLY)	294
FIGURE 3-31. DEUTZ TCD2.9L4 DIESEL ENGINE INSTALLATION - WITH REXROTH PUMPS AND ABS HOODS (WITHOUT COLD WEATHER PLUS PACKAGE)	298
FIGURE 3-32. DEUTZ TCD2.9L4 DIESEL ENGINE INSTALLATION - WITH REXROTH PUMPS AND STEEL HOODS (WITHOUT COLD WEATHER PLUS PACKAGE)	302
FIGURE 3-33. DEUTZ TCD2.9L4 DIESEL ENGINE INSTALLATION - WITH REXROTH PUMPS AND STEEL HOODS (WITH COLD WEATHER PLUS PACKAGE)	306
FIGURE 3-34. DEUTZ TCD2.9L4 DIESEL ENGINE INSTALLATION - WITH SAUER PUMPS AND ABS HOODS (WITHOUT COLD WEATHER PLUS PACKAGE)	310
FIGURE 3-35. DEUTZ TCD2.9L4 DIESEL ENGINE INSTALLATION - WITH SAUER PUMPS AND STEEL HOODS (WITHOUT COLD WEATHER PLUS PACKAGE)	314
FIGURE 3-36. DEUTZ TCD2.9L4 DIESEL ENGINE INSTALLATION - WITH SAUER PUMPS AND STEEL HOODS (WITH COLD WEATHER PLUS PACKAGE)	318
FIGURE 3-37. DEUTZ TCD2.9L4 ENGINE SUB-ASSEMBLY - WITH REXROTH PUMP (WITHOUT COLD WEATHER PLUS PACKAGE)	322
FIGURE 3-38. DEUTZ TCD2.9L4 ENGINE SUB-ASSEMBLY - WITH REXROTH PUMP (WITH COLD WEATHER PLUS PACKAGE)	324

TABLE OF CONTENTS

FIGURE 3-39. DEUTZ TCD2.9L4 ENGINE SUB-ASSEMBLY - WITH SAUER PUMP (WITHOUT COLD WEATHER PLUS PACKAGE).....	326
FIGURE 3-40. DEUTZ TCD2.9L4 ENGINE SUB-ASSEMBLY - WITH SAUER PUMPS (WITH COLD WEATHER PLUS PACKAGE).....	328
FIGURE 3-41. DEUTZ TCD2.9L4 ENGINE ASSEMBLY (WITHOUT COLD WEATHER PLUS PACKAGE).....	330
FIGURE 3-42. DEUTZ TCD2.9L4 ENGINE ASSEMBLY (WITH COLD WEATHER PLUS PACKAGE).....	336
FIGURE 3-43. DEUTZ TCD2.9L4 ENGINE COMPONENTS.....	342
FIGURE 3-44. DEUTZ TCD2.9L4 (STAGE V) DIESEL ENGINE INSTALLATION - WITH SAUER PUMPS AND ABS HOODS (WITHOUT COLD WEATHER PLUS PACKAGE) (PVC2001).....	346
FIGURE 3-45. DEUTZ TCD2.9L4 (STAGE V) DIESEL ENGINE INSTALLATION - WITH REXROTH PUMPS AND ABS HOODS (WITHOUT COLD WEATHER PLUS PACKAGE) (PVC2001).....	350
FIGURE 3-46. DEUTZ TCD2.9L4 (STAGE V) ENGINE SUB-ASSEMBLY - WITH SAUER PUMP AND ABS HOODS (WITHOUT COLD WEATHER PLUS PACKAGE) (PVC2001).....	354
FIGURE 3-47. DEUTZ TCD2.9L4 (STAGE V) ENGINE SUB-ASSEMBLY - WITH REXROTH PUMP AND ABS HOODS (WITHOUT COLD WEATHER PLUS PACKAGE) (PVC2001).....	356
FIGURE 3-48. DEUTZ TCD2.9L4 (STAGE V) ENGINE ASSEMBLY (WITHOUT COLD WEATHER PLUS PACKAGE) (PVC2001).....	358
FIGURE 3-49. DEUTZ TCD2.9L4 (STAGE V) ENGINE COMPONENTS (PVC2001).....	364
FIGURE 3-50. DEUTZ TCD2.9L4 (STAGE V) DIESEL ENGINE INSTALLATION - WITH SAUER PUMPS AND ABS HOODS (WITHOUT COLD WEATHER PLUS PACKAGE) (PVC2007).....	368
FIGURE 3-51. DEUTZ TCD2.9L4 (STAGE V) DIESEL ENGINE INSTALLATION - WITH REXROTH PUMPS AND ABS HOODS (WITHOUT COLD WEATHER PLUS PACKAGE) (PVC2007).....	372
FIGURE 3-52. DEUTZ TCD2.9L4 (STAGE V) ENGINE SUB-ASSEMBLY - WITH SAUER PUMP AND ABS HOODS (WITHOUT COLD WEATHER PLUS PACKAGE) (PVC2007).....	376
FIGURE 3-53. DEUTZ TCD2.9L4 (STAGE V) ENGINE SUB-ASSEMBLY - WITH REXROTH PUMP AND ABS HOODS (WITHOUT COLD WEATHER PLUS PACKAGE) (PVC2007).....	378
FIGURE 3-54. DEUTZ TCD2.9L4 (STAGE V) ENGINE ASSEMBLY (WITHOUT COLD WEATHER PLUS PACKAGE) (PVC2007).....	380
FIGURE 3-55. DEUTZ TCD2.9L4 (STAGE V) ENGINE COMPONENTS (PVC2007).....	386
FIGURE 3-56. PUMP ASSEMBLY (REXROTH) (DEUTZ TD2011 ENGINES).....	390
FIGURE 3-57. PUMP ASSEMBLY (REXROTH) (DEUTZ TCD2.9L4 ENGINES).....	396
FIGURE 3-58. PUMP ASSEMBLY (SAUER TANDEM).....	402
FIGURE 3-59. PUMP ASSEMBLY (SAUER PISTON).....	406
FIGURE 3-60. PUMP ASSEMBLY (SAUER GEAR).....	410
FIGURE 3-61. PUMP COUPLING KIT.....	412
FIGURE 3-62. WATER/FUEL SEPARATOR INSTALLATION - DEUTZ TD2011 ENGINE.....	414
FIGURE 3-63. FUEL PUMP/FILTER BRACKET ASSEMBLY - DEUTZ TCD2.9L4 ENGINE AND DEUTZ TCD2.9L4 (STAGE V) ENGINE.....	416
FIGURE 3-64. FUEL PUMP/FILTER BRACKET ASSEMBLY - DEUTZ TD2.9L4 ENGINE (CHINA SPECS ONLY).....	418
FIGURE 3-65. FUEL FILTER/WATER SEPARATOR INSTALLATION - DEUTZ TD2.9L4 ENGINE.....	420
FIGURE 3-66. SPARK ARRESTING CATALYTIC MUFFLER - DEUTZ TD2011 ENGINES (OPTIONAL).....	422
FIGURE 3-67. 2500W GENERATOR INSTALLATION - 60HZ SPEC (DEUTZ TD2011 ENGINES) (OPTIONAL).....	424
FIGURE 3-68. 2500W GENERATOR INSTALLATION - 50HZ SPEC (DEUTZ TD2011 ENGINES) (OPTIONAL).....	428
FIGURE 3-69. 4000W GENERATOR INSTALLATION - 60HZ SPEC (DEUTZ TD2011 ENGINES) (OPTIONAL).....	432
FIGURE 3-70. 4000W GENERATOR INSTALLATION - 50HZ SPEC (DEUTZ TD2011 ENGINES) (OPTIONAL).....	436
FIGURE 3-71. 4000W GENERATOR INSTALLATION - 60HZ SPEC (DEUTZ TCD2.9L4 ENGINES) (OPTIONAL).....	440
FIGURE 3-72. 4000W GENERATOR INSTALLATION - 50HZ SPEC (DEUTZ TCD2.9L4 ENGINES AND DEUTZ TCD2.9L4 (STAGE V) ENGINES) (OPTIONAL).....	444
FIGURE 3-73. 7500W SKYPOWER GENERATOR INSTALLATION - 60HZ SPEC (DEUTZ TD2011 ENGINES) (OPTIONAL).....	448
FIGURE 3-74. 7500W SKYPOWER GENERATOR INSTALLATION - 50HZ SPEC (DEUTZ TD2011 ENGINES) (OPTIONAL).....	452

TABLE OF CONTENTS

FIGURE 3-75. 7500W SKYPOWER GENERATOR INSTALLATION - 60HZ SPEC (DEUTZ TCD2.9L4 ENGINES) (OPTIONAL)	456
FIGURE 3-76. 7500W SKYPOWER GENERATOR INSTALLATION - 50HZ SPEC (DEUTZ TCD2.9L4 ENGINES) (OPTIONAL)	460
SECTION 4 - BOOM	463
FIGURE 4-1. BOOM INSTALLATION - WITHOUT COLD WEATHER PLUS PACKAGE (1200SJP)	464
FIGURE 4-2. BOOM INSTALLATION - WITH COLD WEATHER PLUS PACKAGE (1200SJP)	466
FIGURE 4-3. BOOM INSTALLATION - WITHOUT COLD WEATHER PLUS PACKAGE (1350SJP)	468
FIGURE 4-4. BOOM INSTALLATION - WITH COLD WEATHER PLUS PACKAGE (1350SJP)	470
FIGURE 4-5. BOOM ASSEMBLY - WITHOUT COLD WEATHER PLUS PACKAGE (1200SJP)	472
FIGURE 4-6. BOOM ASSEMBLY - WITH COLD WEATHER PLUS PACKAGE (1200SJP)	480
FIGURE 4-7. BOOM ASSEMBLY - WITHOUT COLD WEATHER PLUS PACKAGE (1350SJP)	488
FIGURE 4-8. BOOM ASSEMBLY - WITH COLD WEATHER PLUS PACKAGE (1350SJP)	496
FIGURE 4-9. WIRE ROPE TOOLS INSTALLATION (OPTIONAL)	504
FIGURE 4-10. PLATFORM ROTATE ASSEMBLY	506
FIGURE 4-11. JIB ROTATE ASSEMBLY	508
FIGURE 4-12. POWER TRACK INSTALLATION (1200SJP)	510
FIGURE 4-13. POWER TRACK INSTALLATION (1350SJP)	514
FIGURE 4-14. BOOM SENSORS AND SWITCHES INSTALLATION	518
FIGURE 4-15. PLATFORM SUPPORT INSTALLATION	522
FIGURE 4-16. CONTROL VALVE INSTALLATION	524
FIGURE 4-17. CONTROL VALVE ASSEMBLY	526
SECTION 5 - PLATFORM	529
FIGURE 5-1. PLATFORM ASSEMBLY - 36IN X 6FT (91.5CM X 1.83M) WITH SWING GATE	530
FIGURE 5-2. PLATFORM ASSEMBLY - 36IN X 8FT (91.5CM X 2.44M) WITH SWING GATE	532
FIGURE 5-3. PLATFORM ASSEMBLY - 30IN X 3FT (76CM X .91M) - WITH DROP BAR	534
FIGURE 5-4. PLATFORM ASSEMBLY - 30IN X 4FT (76.2CM X 1.22M) WITH DROP BAR	536
FIGURE 5-5. PLATFORM ASSEMBLY - 36IN X 6FT (91.5CM X 1.83M) WITH DROP BAR	538
FIGURE 5-6. PLATFORM ASSEMBLY - 36IN X 8FT (91.5CM X 2.44M) WITH DROP BAR	540
FIGURE 5-7. PLATFORM ASSEMBLY - 36IN X 6FT (91.5CM X 1.83M) WITH FALL ARREST (ANSI, ANSI EXPORT AND CHINA SPECS)	542
FIGURE 5-8. PLATFORM ASSEMBLY - 36IN X 8FT (91.5CM X 2.44M) WITH FALL ARREST (ANSI SPEC)	544
FIGURE 5-9. PLATFORM ASSEMBLY - 36IN X 8FT (91.5CM X 2.44M) WITH FALL ARREST (AUSTRALIAN SPECS)	546
FIGURE 5-10. PLATFORM ASSEMBLY - 36IN X 6FT (91.5CM X 1.83M) TRI-ENTRY WITH SWING GATE	548
FIGURE 5-11. PLATFORM ASSEMBLY - 36IN X 6FT (91.5CM X 1.83M) TRI-ENTRY WITH DROPBAR	550
FIGURE 5-12. PLATFORM ASSEMBLY - 36IN X 8FT (91.5CM X 2.44M) WITH TRI-ENTRY (1 GATE/2 DROP BARS)	552
FIGURE 5-13. PLATFORM ASSEMBLY - 36IN X 8FT (91.5CM X 2.44M) WITH TRI-ENTRY (3 DROP BARS)	554
FIGURE 5-14. TRAY ASSEMBLY	556
FIGURE 5-15. PLATFORM CONTROLS INSTALLATION	558
FIGURE 5-16. PLATFORM CONSOLE	560
FIGURE 5-17. LIGHT PANEL INSTALLATION (USA BUILT MACHINES)	564
FIGURE 5-18. LIGHT PANEL INSTALLATION (CHINA BUILT MACHINES)	566
FIGURE 5-19. CONTROLLER ASSEMBLY (LIFT AND SWING)	568
FIGURE 5-20. CONTROLLER ASSEMBLY (DRIVE AND STEER)	572
FIGURE 5-21. BOOM CONTROL SELECT SWITCH INSTALLATION	574

TABLE OF CONTENTS

FIGURE 5-22. FOOTSWITCH ASSEMBLY	576
FIGURE 5-23. SKYGUARD BAR INSTALLATION.....	578
FIGURE 5-24. SKYEYE INSTALLATION.....	580
FIGURE 5-25. SKYGLAZIER INSTALLATION (ANSI AND CSA SPECS).....	582
FIGURE 5-26. SKYGLAZIER INSTALLATION (BRAZIL SPECS).....	584
FIGURE 5-27. SKYGLAZIER INSTALLATION (DANISH SPECS).....	586
FIGURE 5-28. SKYGLAZIER INSTALLATION (FINNISH SPECS).....	588
FIGURE 5-29. SKYGLAZIER INSTALLATION (FRENCH SPECS)	590
FIGURE 5-30. SKYGLAZIER INSTALLATION (GERMAN SPECS)	592
FIGURE 5-31. SKYGLAZIER INSTALLATION (ITALIAN SPECS).....	594
FIGURE 5-32. SKYGLAZIER INSTALLATION (LATIN AMERICAN SPECS)	596
FIGURE 5-33. SKYGLAZIER INSTALLATION (PORTUGUESE SPECS).....	598
FIGURE 5-34. SKYGLAZIER INSTALLATION (SPANISH SPECS)	600
FIGURE 5-35. SKYGLAZIER INSTALLATION (SWEDISH SPECS).....	602
FIGURE 5-36. SKYGLAZIER INSTALLATION (UK SPECS)	604
FIGURE 5-37. SKYLINE INSTALLATION	606
FIGURE 5-38. SKYWELDER/SKYCUTTER COMBO INSTALLATION (60HZ) (ANSI, ANSI EXPORT, CHINA, CSA AND JAPANESE SPECS)	608
FIGURE 5-39. SKYWELDER INSTALLATION (50HZ) (ANSI EXPORT, AUSTRALIAN, CE, CHINA AND JAPANESE SPECS)	612
FIGURE 5-40. SKYWELDER INSTALLATION (60HZ) (ANSI, ANSI EXPORT, CSA AND JAPANESE SPECS)	614
FIGURE 5-41. SKYWELDER PREP PACKAGE (60HZ) (ANSI, ANSI EXPORT, CSA AND CHINA SPECS)	616
FIGURE 5-42. WELDER ASSEMBLY	618
FIGURE 5-43. SKYCUTTER INSTALLATION (ANSI, ANSI EXPORT, CHINA, CSA AND JAPANESE SPECS)	620
FIGURE 5-44. PLASMA CUTTER ASSEMBLY	622
FIGURE 5-45. PIPE RACK INSTALLATION (ANSI SPEC).....	624
FIGURE 5-46. PIPE RACK INSTALLATION (AUSTRALIAN AND CE SPECS).....	626
FIGURE 5-47. PIPE RACK INSTALLATION (KOREAN SPEC).....	628
FIGURE 5-48. FALL ARREST INSTALLATION (BOLT - ON EXTERNAL) 4FFT/1.22M PLATFORM).....	630
FIGURE 5-49. FALL ARREST INSTALLATION (BOLT - ON EXTERNAL) 6FT/1.82M PLATFORM (.....	632
FIGURE 5-50. FALL ARREST INSTALLATION (BOLT - ON EXTERNAL) 6FT/1.82M PLATFORM	634
FIGURE 5-51. FALL ARREST INSTALLATION (BOLT - ON EXTERNAL) 8FT/2.4M PLATFORM	636
SECTION 6 - CYLINDER.....	639
FIGURE 6-1. AXLE EXTENSION CYLINDER ASSEMBLY	640
FIGURE 6-2. AXLE LOCKOUT CYLINDER ASSEMBLY.....	642
FIGURE 6-3. PLATFORM LEVEL CYLINDER ASSEMBLY - WITHOUT COLD WEATHER PLUS PACKAGE	644
FIGURE 6-4. PLATFORM LEVEL CYLINDER ASSEMBLY - WITH COLD WEATHER PLUS PACKAGE	646
FIGURE 6-5. LIFT CYLINDER ASSEMBLY	648
FIGURE 6-6. JIB CYLINDER ASSEMBLY - WITH OR WITHOUT COLD WEATHER PLUS PACKAGE	650
FIGURE 6-7. STEER CYLINDER ASSEMBLY	652
FIGURE 6-8. TELESCOPE CYLINDER ASSEMBLY (1200SJP).....	654
FIGURE 6-9. TELESCOPE CYLINDER ASSEMBLY (1350SJP).....	656
SECTION 7 - HYDRAULIC	659
FIGURE 7-1. HYDRAULIC DIAGRAM - BOOM (1200SJP)	660
FIGURE 7-2. HYDRAULIC DIAGRAM - BOOM (1350SJP)	662

TABLE OF CONTENTS

FIGURE 7-3. HYDRAULIC DIAGRAM - DRIVE	664
FIGURE 7-4. HYDRAULIC DIAGRAM - OSCILLATING AXLE.....	668
FIGURE 7-5. HYDRAULIC DIAGRAM - STEER	670
FIGURE 7-6. HYDRAULIC DIAGRAM - TURNTABLE (DEUTZ TD2011 ENGINES WITH REXROTH PUMPS).....	672
FIGURE 7-7. HYDRAULIC DIAGRAM - TURNTABLE (DEUTZ TCD2.9L4 ENGINES AND DEUTZ TCD2.9L4 (STAGE V) ENGINES WITH REXROTH PUMPS).....	676
FIGURE 7-8. HYDRAULIC DIAGRAM - TURNTABLE (WITH SAUER PUMPS).....	680
SECTION 8 - ELECTRICAL.....	683
FIGURE 8-1. AC BOX AT PLATFORM - 110V (ANSI SPECS).....	684
FIGURE 8-2. AC BOX AT PLATFORM - 110V GFI RECEPTACLE (ANSI, CSA AND JAPANESE SPECS).....	686
FIGURE 8-3. AC BOX AT PLATFORM - 220V GFI RECEPTACLE (ANSI, CSA AND JAPANESE SPECS).....	688
FIGURE 8-4. AC BOX AT PLATFORM INSTALLATION - BOX WITH COVER (2X4 BOX) WITH 4000W GENERATOR (AUSTRALIAN SPECS).....	690
FIGURE 8-5. AC BOX AT PLATFORM INSTALLATION - 110V IEC 60309 YELLOW WITHOUT 2500W GENERATOR (CE SPECS)	692
FIGURE 8-6. AC BOX AT PLATFORM INSTALLATION - 110V IEC 60309 YELLOW WITHOUT 4000W GENERATOR (CE SPECS)	694
FIGURE 8-7. AC BOX AT PLATFORM INSTALLATION - 220V IEC 60309 BLUE WITHOUT 2500W GENERATOR (CE SPECS)	696
FIGURE 8-8. AC BOX AT PLATFORM INSTALLATION - 220V IEC 60309 BLUE WITHOUT 4000W GENERATOR (CE SPECS)	698
FIGURE 8-9. AC BOX AT PLATFORM INSTALLATION - 220V CEE7 POST GROUND (2X4 BOX) WITHOUT 2500W GENERATOR (CE SPECS)	700
FIGURE 8-10. AC BOX AT PLATFORM INSTALLATION - 220V CEE7 POST GROUND (2X4 BOX) WITHOUT 4000W GENERATOR (CE SPECS)	702
FIGURE 8-11. AC BOX AT PLATFORM INSTALLATION - 220V CEE7 SIDE GROUND (2X4 BOX) WITHOUT 2500W GENERATOR (CE SPECS)	704
FIGURE 8-12. AC BOX AT PLATFORM INSTALLATION - 220V CEE7 SIDE GROUND (2X4 BOX) WITHOUT 4000W GENERATOR (CE SPECS)	706
FIGURE 8-13. AC BOX AT PLATFORM INSTALLATION - 220V AFSINT 107 KEYED GROUND (2X4 BOX) WITHOUT 2500W GENERATOR (CE SPECS)	708
FIGURE 8-14. AC BOX AT PLATFORM INSTALLATION - 240V (WITH 4000W GENERATOR) (ANSI, ANSI EXPORT, CSA AND JAPANESE SPECS).....	710
FIGURE 8-15. AC BOX AT PLATFORM INSTALLATION - 240V (WITH 7500W SKYPOWER GENERATOR) (ALL SPECS EXCEPT AUSTRALIAN & CE SPECS)	712
FIGURE 8-16. AC BOX AT PLATFORM INSTALLATION - 220V AFSINT 107 KEYED GROUND (2X4 BOX) WITHOUT 4000W GENERATOR (CE SPECS)	714
FIGURE 8-17. AC 16 AMP BREAKER BOX INSTALLATION (CE SPECS).....	716
FIGURE 8-18. ANALYZER CABLE HARNESS	718
FIGURE 8-19. AXLE POWER TRACK HARNESS ASSEMBLY.....	720
FIGURE 8-20. BATTERY DISCONNECT SWITCH.....	722
FIGURE 8-21. BEACON LIGHT HARNESS (BLUE BEACON LIGHT ONLY)	724
FIGURE 8-22. B.L.A.M. TO BOOM LENGTH SENSOR HARNESS.....	726
FIGURE 8-23. B.L.A.M. TO BOOM ANGLE SENSOR HARNESS (LEFT SIDE).....	728
FIGURE 8-24. B.L.A.M. TO BOOM ANGLE SENSOR HARNESS (RIGHT SIDE)	730
FIGURE 8-25. B.L.A.M. HARNESS.....	732
FIGURE 8-26. BOOM CABLES INSTALLATION (ANSI, ANSI EXPORT, CHINA, CSA AND JAPANESE SPECS) (1200SJP) ..	734
FIGURE 8-27. BOOM CABLES INSTALLATION (ANSI, ANSI EXPORT, CHINA, CSA AND JAPANESE SPECS) (1350SJP) ..	736
FIGURE 8-28. BOOM CABLES INSTALLATION (AUSTRALIAN AND CE SPECS) (1200SJP)	738

TABLE OF CONTENTS

FIGURE 8-29. BOOM CABLES INSTALLATION (AUSTRALIAN AND CE SPECS) (1350SJP)	740
FIGURE 8-30. BOOM CABLES INSTALLATION - WITH 4000W GENERATOR (1200SJP)	742
FIGURE 8-31. BOOM CABLES INSTALLATION - WITH 4000W GENERATOR (1350SJP)	744
FIGURE 8-32. BOOM CABLES INSTALLATION - WITH 7500W GENERATOR (1200SJP)	746
FIGURE 8-33. BOOM CABLES INSTALLATION - WITH 7500W GENERATOR (1350SJP)	748
FIGURE 8-34. BREAKER BOX KIT - 16 AMP (2500W GENERATOR)	750
FIGURE 8-35. BREAKER BOX KIT - 16 AMP (4000W GENERATOR)	752
FIGURE 8-36. CHASSIS HARNESS ASSEMBLY	754
FIGURE 8-37. CLEARSKY READY HARNESS (PVC2001)	756
FIGURE 8-38. CLEARSKY READY HARNESS (PVC2007)	758
FIGURE 8-39. DUAL CAPACITY JIB POSITION SWITCH HARNESS	760
FIGURE 8-40. ENGINE HARNESS - DEUTZ TD2011 ENGINES	762
FIGURE 8-41. ENGINE HARNESS - DEUTZ TCD2.9L4 ENGINES AND DEUTZ TCD2.9L4 (STAGE V) ENGINES (PVC2001)	764
FIGURE 8-42. ENGINE HARNESS - DEUTZ TCD2.9L4 ENGINES AND DEUTZ TCD2.9L4 (STAGE V) ENGINES (PVC2007)	768
FIGURE 8-43. FUEL FILTER HARNESS - DEUTZ TCD2.9L4 ENGINES AND UTZ TCD2.9L4 (STAGE V) ENGINES	772
FIGURE 8-44. FUEL HARNESS - DEUTZ TCD2.9L4 ENGINES AND DEUTZ TCD2.9L4 (STAGE V) ENGINES	774
FIGURE 8-45. GENERATOR HARNESS - 4000W GENERATOR	776
FIGURE 8-46. GENERATOR HARNESS - 7500W GENERATOR	778
FIGURE 8-47. GROUND CONTROL BOX HARNESS	780
FIGURE 8-48. GROUND CONTROLS TO ENGINE HARNESS	784
FIGURE 8-49. JIB STOW SWITCH HARNESS	786
FIGURE 8-50. LOAD SENSING PIN HARNESS	788
FIGURE 8-51. LOCKOUT VALVE HARNESS (PVC2001)	790
FIGURE 8-52. LOCKOUT VALVE HARNESS (PVC2007)	792
FIGURE 8-53. MAIN BOOM CONTROL CABLE HARNESS (1200SJP)	794
FIGURE 8-54. MAIN BOOM CONTROL CABLE HARNESS (1350SJP)	796
FIGURE 8-55. MAIN VALVE HARNESS (PVC2001)	798
FIGURE 8-56. MAIN VALVE HARNESS (PVC2007)	800
FIGURE 8-57. PLATFORM CONSOLE BOX HARNESS	802
FIGURE 8-58. PLATFORM INTERFACE HARNESS	806
FIGURE 8-59. PLATFORM VALVE HARNESS (PVC2001)	808
FIGURE 8-60. PLATFORM VALVE HARNESS (PVC2007)	810
FIGURE 8-61. PUMP ADAPTER HARNESS - SAUER PUMPS	812
FIGURE 8-62. RECEPTACLE BOX KIT - 110V IEC YELLOW WITHOUT 2500W GENERATOR (CE SPECS)	814
FIGURE 8-63. RECEPTACLE BOX KIT - 220V IEC BLUE WITHOUT 2500W GENERATOR (CE SPECS)	816
FIGURE 8-64. RECEPTACLE BOX KIT - 220V CEE7 POST GROUND WITHOUT 2500W GENERATOR (2X4 BOX) (CE SPECS)	818
FIGURE 8-65. RECEPTACLE BOX KIT - 220V CEE7 SIDE GROUND WITHOUT 2500W GENERATOR (2X4 BOX) (CE SPECS)	820
FIGURE 8-66. RECEPTACLE BOX KIT - 220V AFSINT 107 KEYED GROUND WITHOUT 2500W GENERATOR (2X4 BOX) (CE SPECS)	822
FIGURE 8-67. SKYEYE INTERMEDIATE HARNESS	824
FIGURE 8-68. SKYEYE EMITTER HARNESS	826
FIGURE 8-69. SKYEYE RECEIVER HARNESS	828
FIGURE 8-70. SKYLINE HARNESS	830
FIGURE 8-71. STROBE LIGHT HARNESS (AMBER)	832

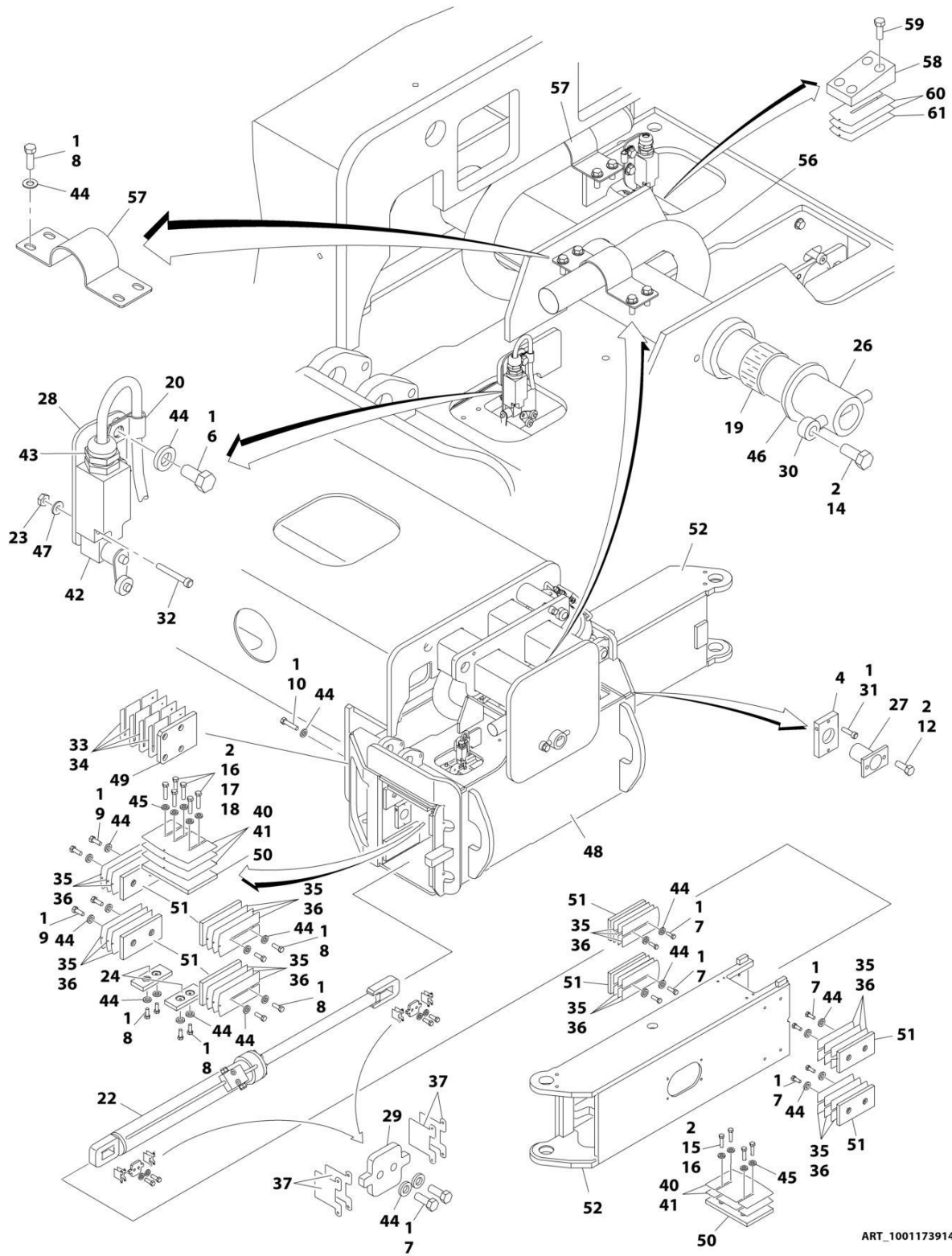
TABLE OF CONTENTS

FIGURE 8-72. TILT SENSOR HARNESS (LEFT)	834
FIGURE 8-73. TILT SENSOR HARNESS (RIGHT).....	836
SECTION 9 - DECALS.....	839
FIGURE 9-1. DECAL INSTALLATION - ANSI SPEC	840
FIGURE 9-2. DECAL INSTALLATION - AUSTRALIAN SPEC	842
FIGURE 9-3. DECAL INSTALLATION - BRAZIL SPEC (PORTGUESE/ENGLISH).....	844
FIGURE 9-4. DECAL INSTALLATION - CE SPEC.....	846
FIGURE 9-5. DECAL INSTALLATION - CHINESE SPEC (CHINESE/ENGLISH).....	848
FIGURE 9-6. DECAL INSTALLATION - CSA SPEC (ENGLISH/FRENCH)	850
FIGURE 9-7. DECAL INSTALLATION - JAPANESE SPEC (JAPANESE/ENGLISH)	852
FIGURE 9-8. DECAL INSTALLATION - KOREAN SPEC (KOREAN/ENGLISH)	854
FIGURE 9-9. DECAL INSTALLATION - LATIN AMERICAN SPEC (SPANISH/ENGLISH)	856
FIGURE 9-10. DECAL INSTALLATION - OPTIONS	858
FIGURE 9-11. SKYCUTTER DECAL INSTALLATION (ANSI, ANSI EXPORT, CHINESE & CSA SPECS).....	862
FIGURE 9-12. SKYCUTTER DECAL INSTALLATION (JAPANESE SPECS).....	864
FIGURE 9-13. SKYWELDER DECAL INSTALLATION - 50HZ	866
FIGURE 9-14. SKYWELDER DECAL INSTALLATION - 60HZ	868
SECTION 10 - RECOMMENDED SERVICE PARTS STOCK	871
FIGURE 10-1. RECOMMENDED SERVICE PARTS STOCK	872
SECTION 11 - SPECIAL OPTIONS.....	875
FIGURE 11-1. SPECIAL OPTIONS.....	876
PART NUMBER INDEX	881

SECTION 1 - FRAME

SECTION 1 - FRAME

FIGURE 1-1. AXLE INSTALLATION - FIXED



ART_1001173914_J

SECTION 1 - FRAME

FIGURE 1-1. AXLE INSTALLATION - FIXED

ITEM	PART NUMBER	QTY	DESCRIPTION	REV
	1001173914	Ref	AXLE INSTALLATION - FIXED	J
1	0100011	AR	Compound, Locking	
2	0100019	AR	Compound, Locking	
4	0363037	4	Bar, Stop	
6	0641606	8	Bolt 3/8 x 3/4	
7	0641608	48	Bolt 3/8 x 1	
8	0641609	64	Bolt 3/8 x 1-1/8	
9	0641611	16	Bolt 3/8 x 1-3/8	
10	0641613	8	Bolt 3/8 x 1-5/8	
12	0641808	8	Bolt 1/2 x 1	
14	0642214	1	Bolt 3/4 x 1-3/4	
15	0681813	12	Bolt 1/2 x 1-5/8 Grade 8	
16	0681814	18	Bolt 1/2 x 1-3/4 Grade 8	
17	0681815	12	Bolt 1/2 x 1-7/8 Grade 8	
18	0681816	6	Bolt 1/2 x 2 Grade 8	
19	0962033	2	Bushing	
20	1320263	4	Clamp, Cable	
22	1001251020	4	Axle Extension Cylinder Assembly (See Separate Breakdown in CYLINDER SECTION)	
23	3310805	8	Nut #8	
24	3340881	8	Pad, Wear	
26	3422918	1	Pin	
27	3422960	4	Pin	
28	3573294	4	Plate	
29	3573335	8	Plate	
30	3841287	1	Keeper, Pin	
31	3900270	4	Bolt 1/2 x 1-1/2	
32	3930820	8	Capscrew #8 x 1-1/4	
33	4071035	2	Shim #18 Gauge	
34	4071036	4	Shim #11 Gauge	
35	4071039	10	Shim #18 Gauge	
36	4071040	36	Shim #11 Gauge	
37	4071042	24	Shim #16 Gauge	
40	4071054	8	Shim #18 Gauge	
41	4071055	12	Shim #11 Gauge	
42	4360578	4	Switch, Limit	
43	4460968	4	Connector, Strain Relief	
44	4711600	144	Washer 3/8	
45	4711800	48	Washer 1/2	
46	4740461	1	Thrustwasher	
47	4750800	8	Washer #8	
48	4846383	1	Box, Axle Pivot	
49	1001161401	2	Pad, Axle	
50	1001161402	8	Pad, Wear	
51	1001161403	32	Pad, Wear	
52	4846637	4	Extension, Axle	
55	4240155	6	Strap (Not Shown)	
56	1001193674	4	Sleeve, Nylon	
57	1001191541	8	Bracket, Hose Mount	
58	0363076	2	Bar	

SECTION 1 - FRAME

ITEM	PART NUMBER	QTY	DESCRIPTION	REV
59	0641814	4	Bolt 1/2 x 1-3/4	
60	4071049	4	Shim #11 Gauge	
61	4071050	2	Shim #16 Gauge	
62	2220235	1	Plug (Not Shown - Located on Junction Manifold)	

SECTION 1 - FRAME

FIGURE 1-2. AXLE INSTALLATION - OSCILLATING

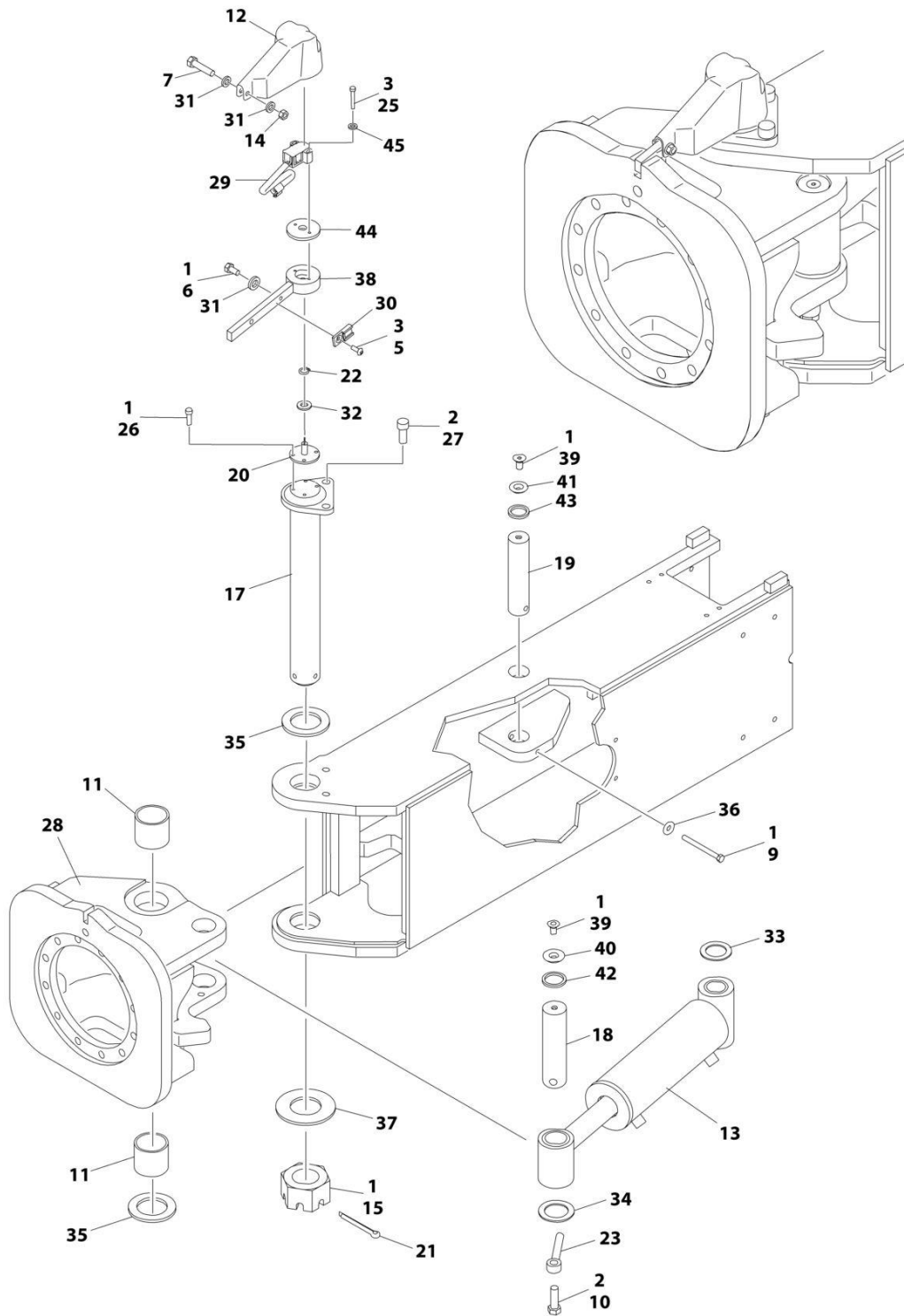
ITEM	PART NUMBER	QTY	DESCRIPTION	REV
	1001173913	Ref	AXLE INSTALLATION - OSCILLATING	I
1	0100011	AR	Compound, Locking	
2	0100019	AR	Compound, Locking	
4	0363037	4	Bar, Stop	
5	0641606	8	Bolt 3/8 x 3/4	
6	0641608	48	Bolt 3/8 x 1	
7	0641609	64	Bolt 3/6 x 1-1/8	
8	0641611	16	Bolt 3/8 x 1-3/8	
9	0641613	8	Bolt 3/8 x 1-5/8	
11	0641808	8	Bolt 1/2 x 1	
12	0642020	4	Bolt 5/8 x 2-1/2	
13	0642214	1	Bolt 3/4 x 1-3/4	
14	0681813	12	Bolt 1/2 x 1-5/8 Grade 8	
15	0681814	18	Bolt 1/2 x 1-3/4 Grade 8	
16	0681815	12	Bolt 1/2 x 1-7/8 Grade 8	
17	0681816	6	Bolt 1/2 x 2 Grade 8	
18	0962033	2	Bushing	
19	1320263	4	Clamp, Cable	
21	1001228019	2	Oscillating Axle Cylinder Assembly (See Separate Breakdown in CYLINDER SECTION)	
22	1001251020	4	Axle Extension Cylinder Assembly (See Separate Breakdown in CYLINDER SECTION)	
23	3310805	8	Nut #8	
24	3312005	4	Nut 5/8	
25	3340881	8	Pad, Wear	
27	3422833	2	Pin	
28	3422915	2	Pin	
29	3422918	1	Pin	
30	3422960	4	Pin	
31	3520054	4	Plug	
32	3573294	4	Plate	
33	3573335	8	Plate	
34	3841258	4	Keeper, Pin	
35	3841287	1	Keeper, Pin	
36	3900270	4	Bolt 1/2 x 1-1/2	
37	3930820	8	Capscrew #8 x 1-1/4	
38	4071035	2	Shim #18 Gauge	
39	4071036	4	Shim #11 Gauge	
40	4071039	10	Shim #18 Gauge	
41	4071040	36	Shim #11 Gauge	
42	4071042	24	Shim #16 Gauge	
43	4071054	8	Shim #18 Gauge	
44	4071055	12	Shim #11 Gauge	
45	4360578	4	Switch, Limit	
46	4460968	4	Connector, Strain Relief	
47	4711600	144	Washer 3/8	
48	4711800	48	Washer 1/2	
49	4712000	4	Washer 5/8	
50	4740461	1	Thrustwasher	
51	4750800	8	Washer #8	

SECTION 1 - FRAME

ITEM	PART NUMBER	QTY	DESCRIPTION	REV
52	4846383	1	Box, Axle Pivot	
53	1001161401	2	Pad, Axle	
54	1001161402	8	Pad, Wear	
55	1001161403	32	Pad, Wear	
56	4846637	4	Extension, Axle	
59	4240155	6	Strap (Not Shown)	
60	1001193674	4	Sleeve, Nylon	
61	1001191541	8	Bracket, Hose Mount	

SECTION 1 - FRAME

FIGURE 1-3. STEER INSTALLATION



ART_0271520

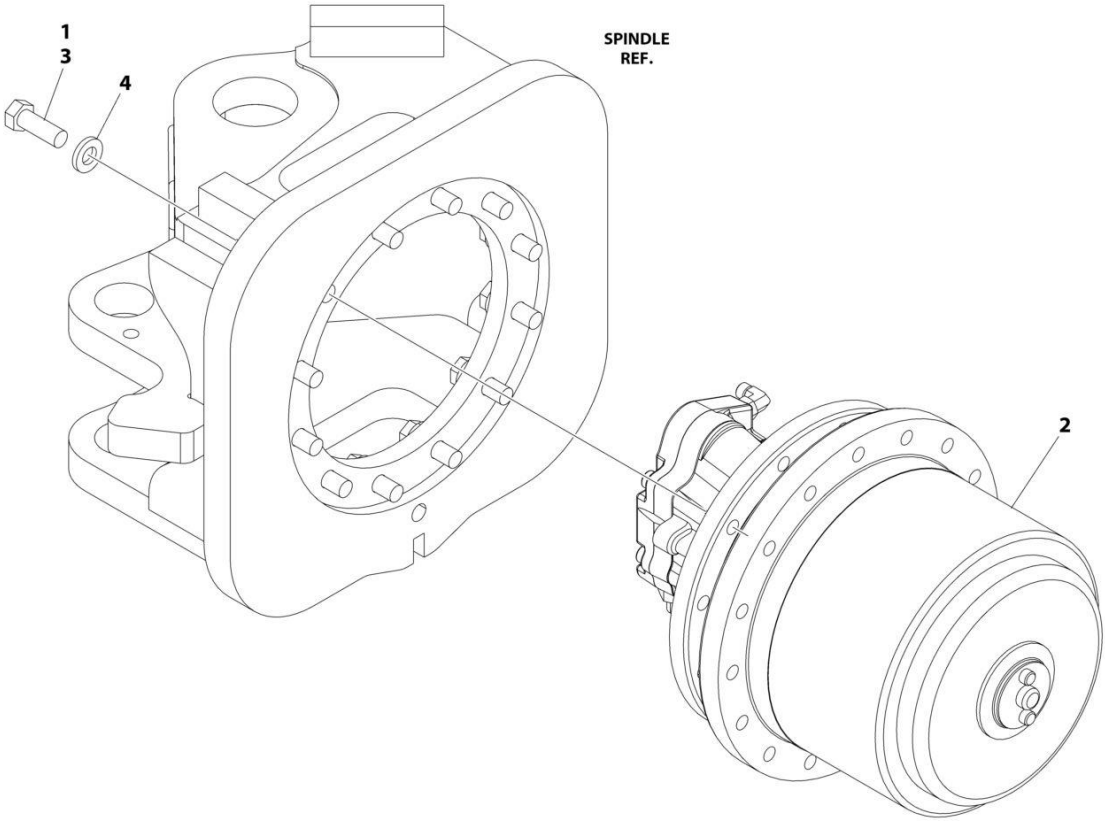
SECTION 1 - FRAME

FIGURE 1-3. STEER INSTALLATION

ITEM	PART NUMBER	QTY	DESCRIPTION	REV
	0271520	Ref	STEER INSTALLATION	L
1	0100011	AR	Compound, Locking	
2	0100019	AR	Compound, Locking	
3	0100035	AR	Compound, Locking	
5	0630464	4	Screw #10 x 1/2	
6	0641505	4	Bolt 5/16 x 5/8	
7	0641511	4	Bolt 5/16 x 1-3/8	
9	0641634	4	Bolt 3/8 x 4-1/4	
10	0642016	4	Bolt 5/8 x 2	
11	0962423	8	Bushing	
12	1671040	4	Cover, Sensor	
13	1001228031	4	Steer Cylinder Assembly (See Separate Breakdown in CYLINDER Section)	
14	3311505	4	Nut 5/16	
15	3300464	4	Nut, Slotted	
17	3422917	4	Kingpin	
18	3422940	4	Pin, Steer Cylinder (Outer)	
19	3422941	4	Pin, Steer Cylinder (Inner)	
20	3423256	4	Pin, Sensor	
21	3451214	4	Pin, Cotter 3/8 x 3-1/2	
22	3760383	4	Ring, Retaining	
23	3841258	4	Keeper, Pin	
25	3931020	8	Capscrew #10 x 1-1/4	
26	3931412	16	Capscrew 1/4 x 3/4	
27	3932024	8	Capscrew 5/8 x 1-1/2	
28	1001099632	4	Spindle	
29	4360505	4	Switch, Rotary Angle Sensor (Steer)	
30	4460914	4	Terminal	
31	4711500	12	Washer 5/16	
32	4711800	4	Washer 1/2	
33	4740181	4	Thrustwasher	
34	4740229	4	Thrustwasher	
35	4740505	8	Thrustwasher	
36	4751600	4	Washer 3/8	
37	4755000	4	Washer 2-1/2	
38	0200833	4	Arm, Steer	
39	0741606	8	Screw 3/8 x 3/4	
40	1120549	4	Cap, Seal (Outer)	
41	1120550	4	Cap, Seal (Inner)	
42	3960551	4	Seal (Outer)	
43	3960552	4	Seal (Inner)	
44	0080277	4	Adapter, Angle Sensor Pilot	
45	4811600	8	Washer M5	

SECTION 1 - FRAME

FIGURE 1-4. WHEEL DRIVE INSTALLATION - BONFIGLIOLI



ART_0275685

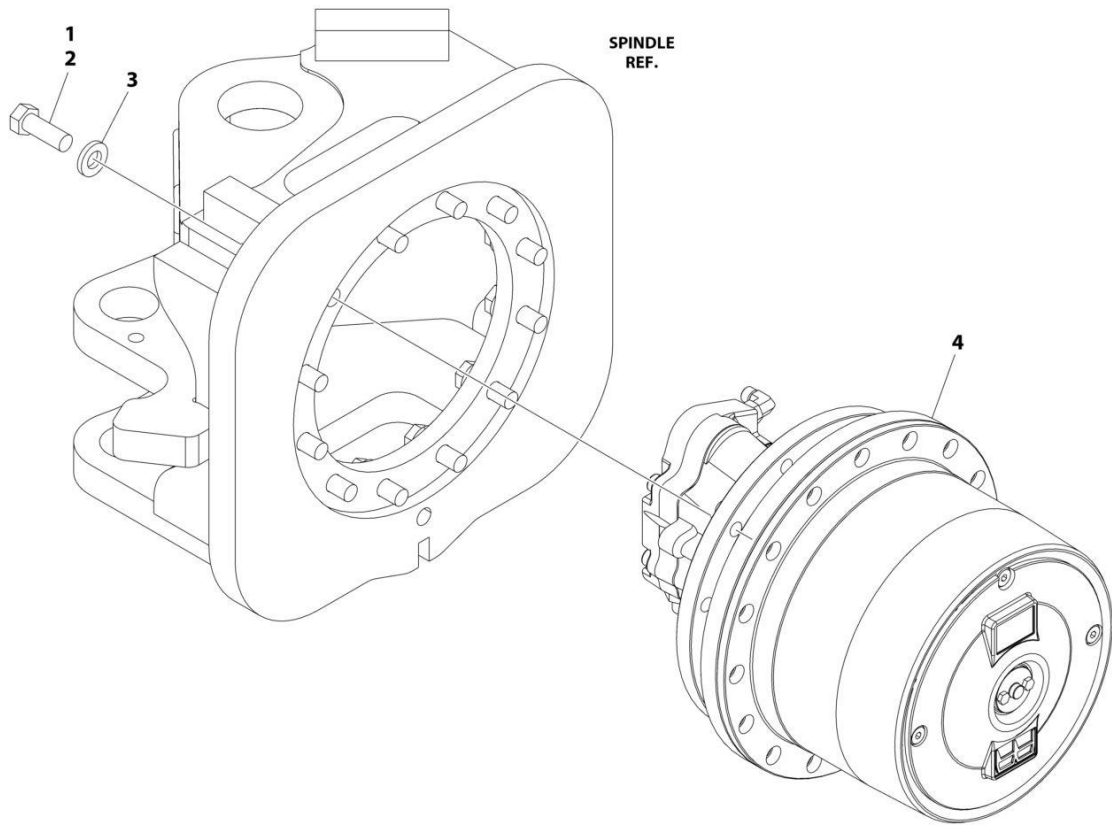
SECTION 1 - FRAME

FIGURE 1-4. WHEEL DRIVE INSTALLATION - BONFIGLIOLI

ITEM	PART NUMBER	QTY	DESCRIPTION	REV
	0275685	Ref	WHEEL DRIVE INSTALLATION - BONFIGLIOLI	C
1	0100019	AR	Compound, Locking	
2	2780286	4	Drive Hub and Motor Assembly - Bonfiglioli (See Separate Breakdown in this Section)	
3	0701617	48	Bolt M16 x 45 (12 Per Wheel)	
4	4892000	48	Washer 5/8 (12 Per Wheel)	

SECTION 1 - FRAME

FIGURE 1-5. WHEEL DRIVE INSTALLATION - REGGIANA RIDUTTORI



ART_1001104324

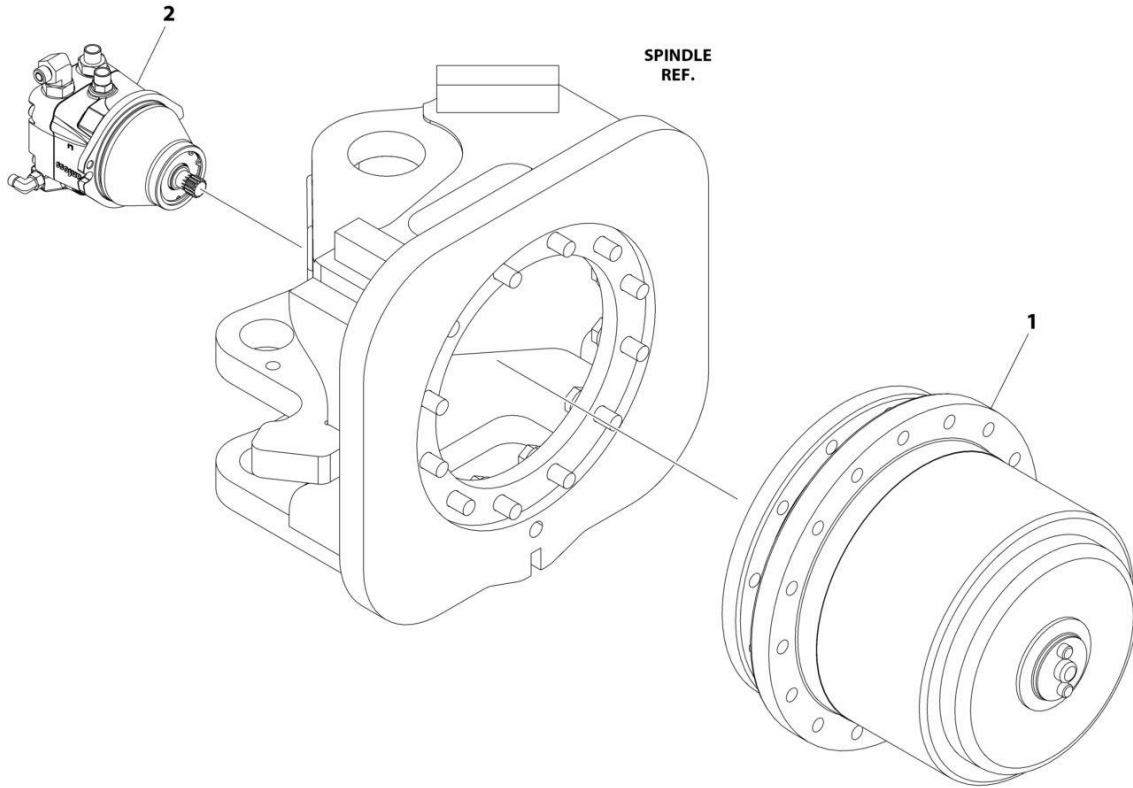
SECTION 1 - FRAME

FIGURE 1-5. WHEEL DRIVE INSTALLATION - REGGIANA RIDUTTORI

ITEM	PART NUMBER	QTY	DESCRIPTION	REV
	1001104324	Ref	WHEEL DRIVE INSTALLATION - REGGIANA RIDUTTORI	B
1	0100019	AR	Compound, Locking	
2	0701617	48	Bolt M16 x 45 (12 Per Wheel)	
3	4892000	48	Washer 5/8 (12 Per Wheel)	
4	1001104315	4	Drive Hub and Motor Assembly - Reggiana Riduttori (See Separate Breakdown in this Section)	

SECTION 1 - FRAME

FIGURE 1-6. DRIVE HUB AND MOTOR ASSEMBLY - BONFIGLIOLI



ART_2780286

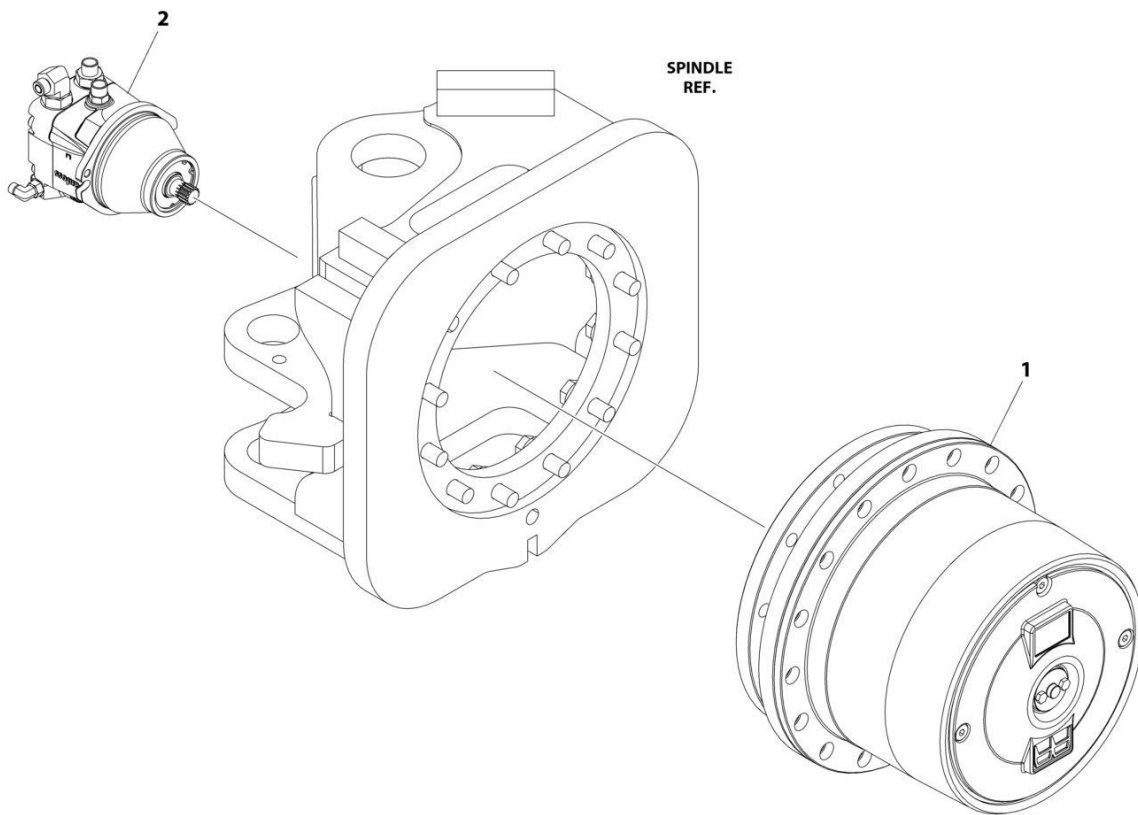
SECTION 1 - FRAME

FIGURE 1-6. DRIVE HUB AND MOTOR ASSEMBLY - BONFIGLIOLI

ITEM	PART NUMBER	QTY	DESCRIPTION	REV
	2780286	Ref	DRIVE HUB AND MOTOR ASSEMBLY - BONFIGLIOLI Note: Various brands used on Machines. When replacing complete hub, note that all 4 hubs must be the same brand. Note: Various brands used on Machines. Identify brand before ordering replacement parts.	D
		Ref		
		Ref		
1	1001093243	4	Drive Hub Assembly - Bonfiglioli (See Separate Breakdown in this Section)	
2	3160339	4	Drive Motor Assembly (See Separate Breakdown in this Section)	

SECTION 1 - FRAME

FIGURE 1-7. DRIVE HUB AND MOTOR ASSEMBLY - REGGIANA RIDUTTORI



ART_1001104315

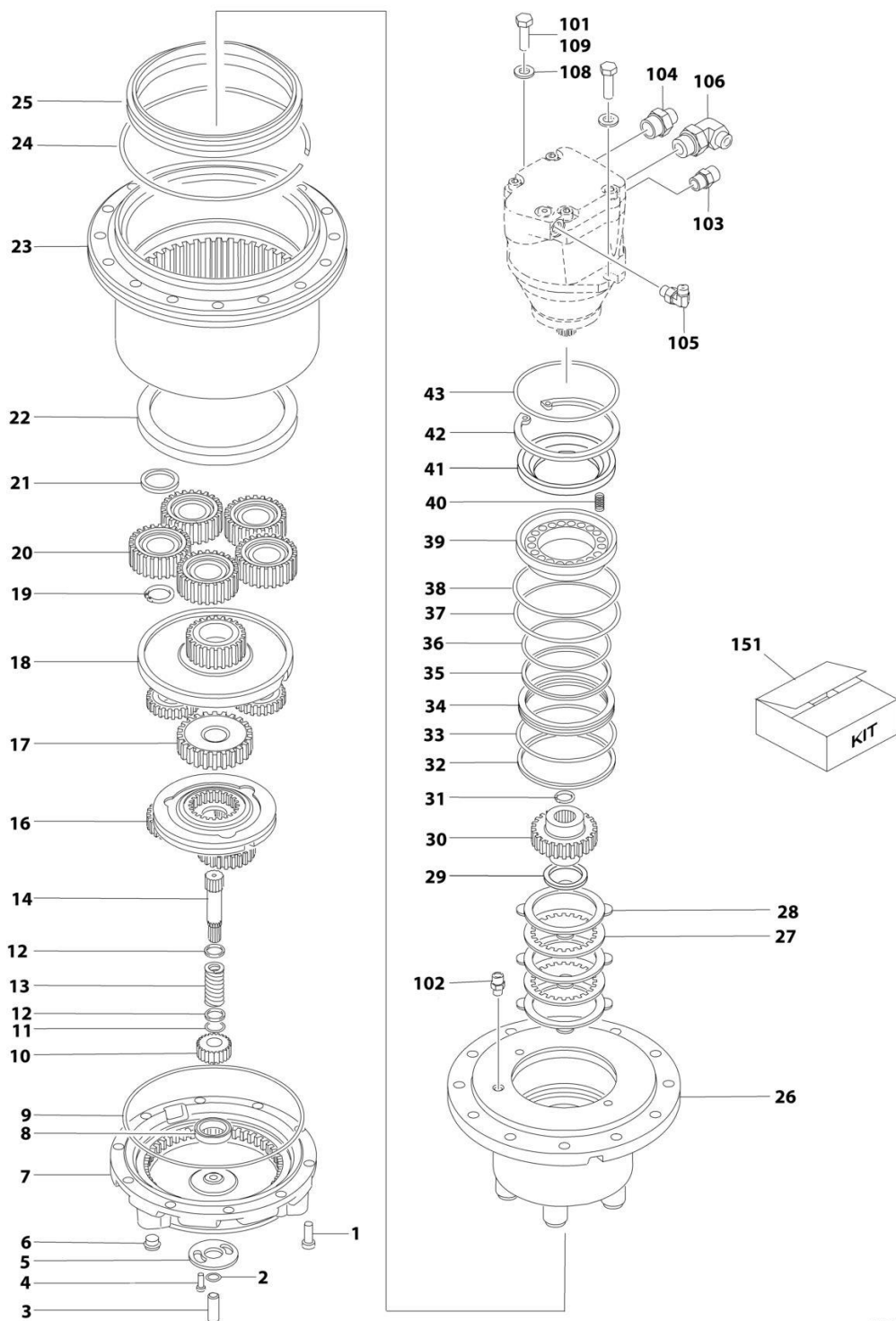
SECTION 1 - FRAME

FIGURE 1-7. DRIVE HUB AND MOTOR ASSEMBLY - REGGIANA RIDUTTORI

ITEM	PART NUMBER	QTY	DESCRIPTION	REV
	1001104315	Ref	DRIVE HUB AND MOTOR ASSEMBLY - REGGIANA RIDUTTORI Note: Various brands used on Machines. When replacing complete hub, note that all 4 hubs must be the same brand. Note: Various brands used on Machines. Identify brand before ordering replacement parts.	B
		Ref		
		Ref		
1	1001104325	4	Drive Hub Assembly - Reggiana Riduttori (See Separate Breakdown in this Section)	
2	3160339	4	Drive Motor Assembly (See Separate Breakdown in this Section)	

SECTION 1 - FRAME

FIGURE 1-8. DRIVE HUB ASSEMBLY - BONFIGLIOLI



ART_1001093243

SECTION 1 - FRAME

FIGURE 1-8. DRIVE HUB ASSEMBLY - BONFIGLIOLI

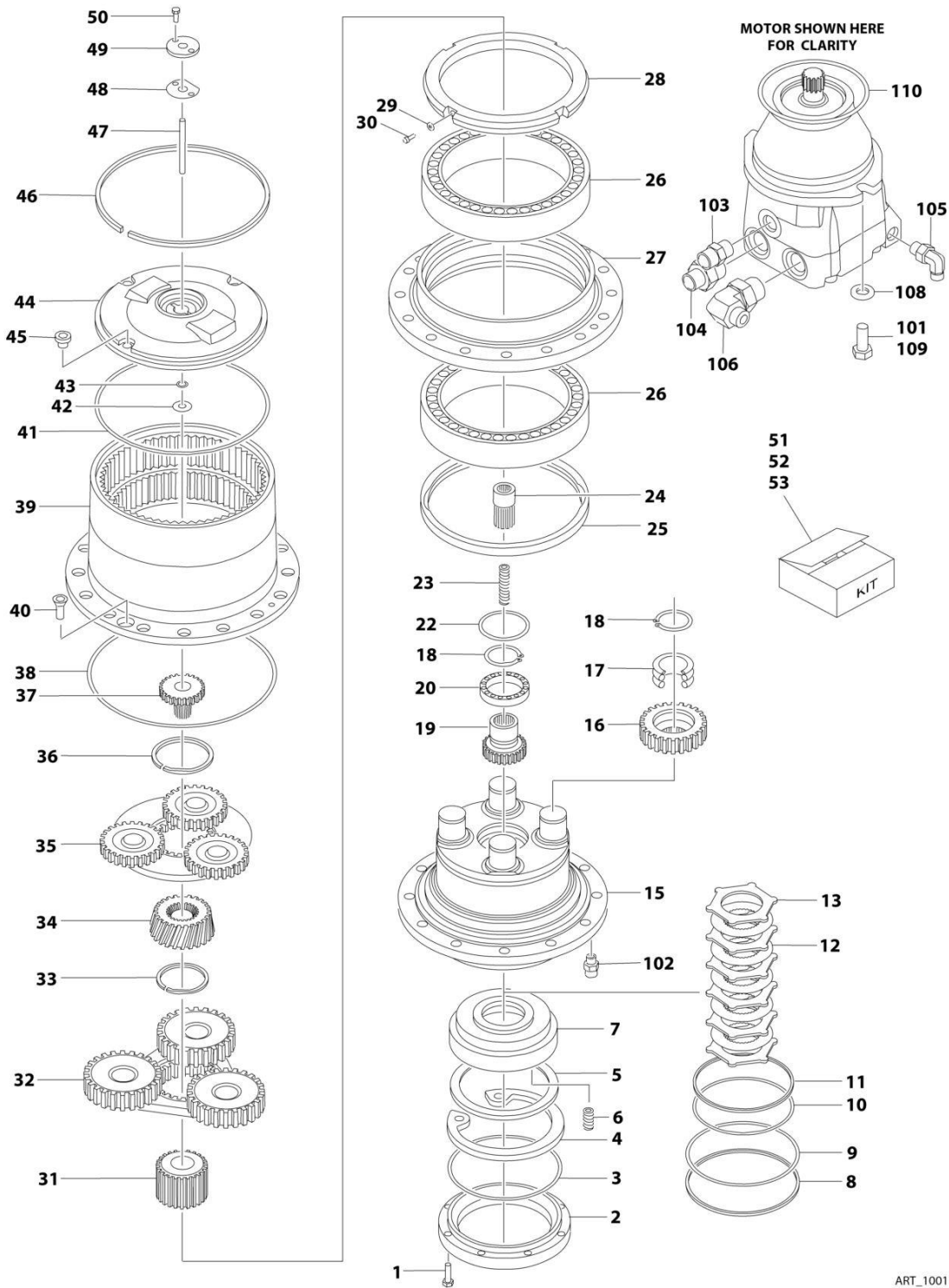
ITEM	PART NUMBER	QTY	DESCRIPTION	REV
	1001093243	Ref	DRIVE HUB ASSEMBLY - BONFIGLIOLI	F
		Ref	Note: Various brands used on Machines. Identify brand before ordering replacement parts.	
	1001093242	1	Hub, Torque - Bonfiglioli	
1	70000810	10	Bolt M10 x 25	
2	70000811	1	O-Ring	
3	70000812	1	Pin	
4	70000813	2	Bolt M8 x 16	
5	70002393	1	Cap, Disconnect	
6	See Note	2	Plug (Note: Not Available for Purchase)	
7	70002394	1	Cover Assembly (Includes Items 2-6 & 8)	
8	70000816	1	Pad	
9	70000817	1	O-Ring	
10	70000818	1	Gear, Primary Sun	
11	See Note	NSS	Ring, Neoprene (Note: Use Item 151)	
12	See Note	NSS	Washer (Note: Use Item 151)	
13	See Note	NSS	Spring (Note: Use Item 151)	
14	See Note	NSS	Shaft (Note: Use Item 151)	
16	70000820	1	Reduction Assembly, Primary	
17	70000821	1	Gear, Secondary Sun	
18	70000822	1	Reduction Assembly, Secondary	
19	70000823	5	Snap Ring	
20	70000824	5	Gear Assembly, Planetary	
21	70000825	5	Spacer	
22	70000826	1	Nut	
23	70002395	1	Housing (Includes Bearing)	
24	70002396	2	Ball Bearing	
25	70002397	1	Seal	
26	See Note	NSS	Spindle (Note: Not Available - Purchase Complete Assembly)	
27	70000834	4	Disc, Steel	
28	70000835	5	Disc, Lined	
29	70000836	1	Spacer	
30	70002398	1	Shaft, Brake	
31	70000838	1	Snap Ring	
32	70000839	1	Ring, Back-up	
33	70000840	1	O-Ring	
34	70000841	1	Spacer	
35	70000842	1	Ring, Back-up	
36	70000843	1	O-Ring	
37	70000844	1	O-Ring	
38	70000845	1	Ring, Back-up	
39	70000846	1	Piston, Brake	
40	70000847	15	Spring	
41	70000848	1	Plate, Spring Retainer	
42	70000849	1	Snap Ring	
48	70002399	1	O-Ring	
101	0761215	2	Bolt M12 x 35	
102	2110404	1	Fitting, Adapter	
103	2110808	1	Fitting, Adapter	
104	2110812	1	Fitting, Adapter	

SECTION 1 - FRAME

ITEM	PART NUMBER	QTY	DESCRIPTION	REV
105	2130406	1	Fitting, 90 Adapter	
106	2130812	1	Fitting, 90 Adapter	
108	5241200	2	Washer M12	
109	0100011	AR	Compound, Locking	
151	70000819	1	Brake Shaft Kit (Includes Items 11-14)	

SECTION 1 - FRAME

FIGURE 1-9. DRIVE HUB ASSEMBLY - REGGIANA RIDUTTORI



ART_1001104325

SECTION 1 - FRAME

FIGURE 1-9. DRIVE HUB ASSEMBLY - REGGIANA RIDUTTORI

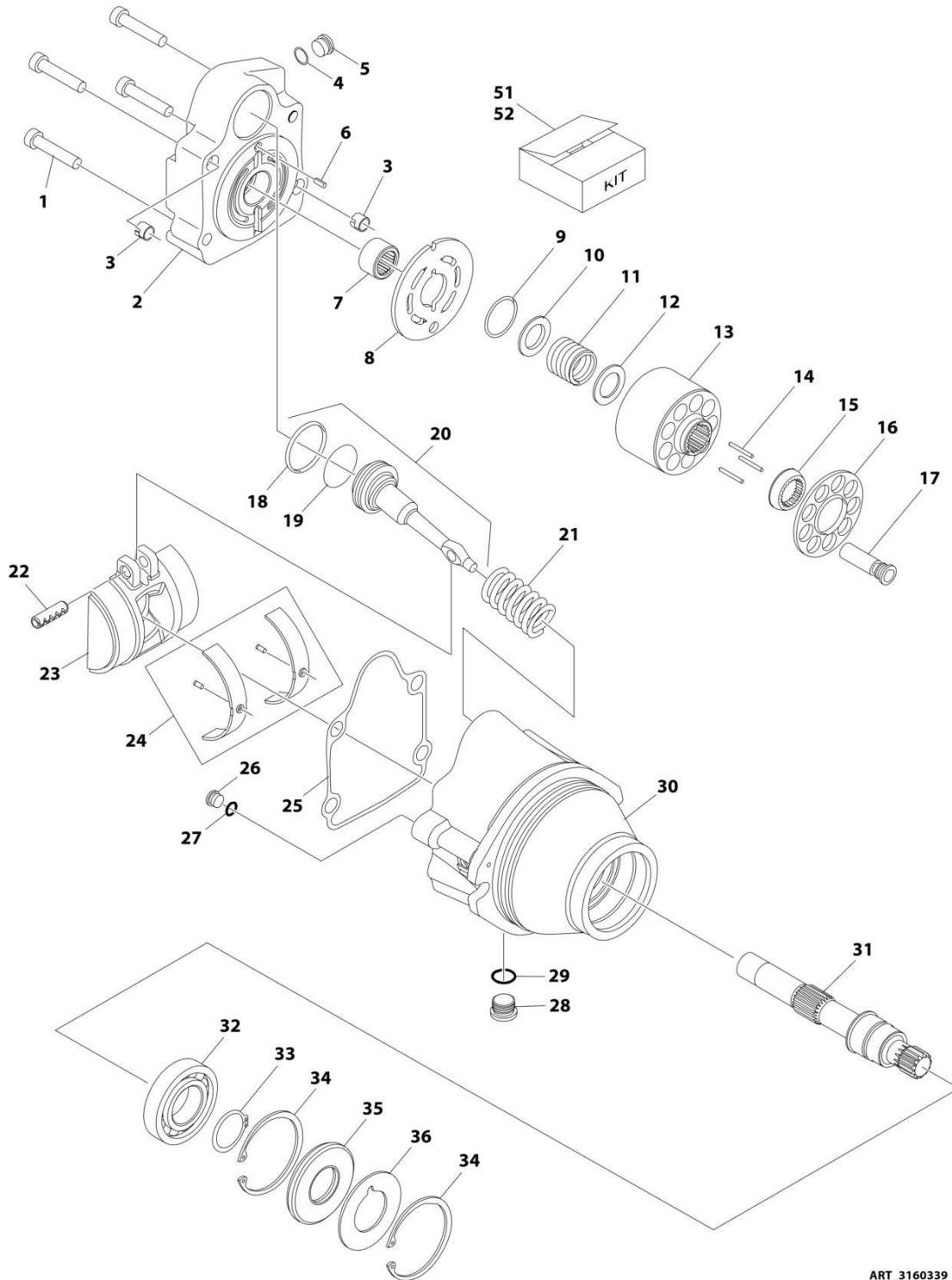
ITEM	PART NUMBER	QTY	DESCRIPTION	REV
	1001104325	Ref	DRIVE HUB ASSEMBLY - REGGIANA RIDUTTORI	G
		Ref	Note: Various brands used on Machines. Identify brand before ordering replacement parts.	
	1001101550	1	Hub, Torque	C
1	70002015	8	Bolt M8 x 25	
2	70002016	1	Ring, Motor Support	
3	See Note	NSS	O-Ring (Note: Use Item 51)	
4	70002018	1	Snap Ring	
5	70002019	1	Retainer, Spring	
6	70002020	9	Spring	
7	70002021	1	Piston	
8	See Note	NSS	Ring, Back-up (Note: Use Item 51 or 53)	
9	See Note	NSS	O-Ring (Note: Use Item 51 or 53)	
10	See Note	NSS	O-Ring (Note: Use Item 51 or 53)	
11	See Note	NSS	Ring, Back-up (Note: Use Item 51 or 53)	
12	70002026	5	Disc, Friction	
13	70002027	6	Disc, Steel	
15	70002029	1	Spindle	
16	70002030	4	Gear, Planetary	
17	70002031	4	Bearing	
18	70002032	5	Snap Ring	
19	70002033	1	Gear, Brake/Input	
20	70002034	1	Bearing	
22	70002035	1	Ring, Wear	
23	70002036	1	Spring	
24	70002037	1	Shaft, Engagement	
25	See Note	NSS	Seal (Note: Use Item 51)	
26	70002039	2	Bearing Assembly	
27	70002040	1	Support, Hub	
28	70002041	1	Nut, Retaining	
29	70002674	4	Washer	
30	70002674	4	Screw	
31	70002044	1	Gear, Planetary Sun	
32	70002045	1	Reduction Assembly, Secondary	
33	70002046	1	Snap Ring	
34	70002047	1	Gear, Secondary Input Sun	
35	70002048	1	Reduction Assembly, Primary	
36	70002049	1	Snap Ring	
37	70002050	1	Gear, Primary Input Sun	
38	See Note	NSS	O-Ring (Note: Use Item 51)	
39	See Note	NSS	Housing, Hub (Note: Not Available - Purchase Complete Assembly)	
40	70002052	2	Screw, Countersunk	
41	See Note	NSS	O-Ring (Note: Use Item 51 or 52)	
42	See Note	NSS	Thrustwasher (Note: Use Item 52)	
43	See Note	NSS	O-Ring (Note: Use Item 51 or 52)	
44	See Note	NSS	Cover, Hub (Note: Use Item 52)	
45	70002057	3	Plug	
46	See Note	NSS	Snap Ring (Note: Use Item 52)	
47	See Note	NSS	Pin, Engagement (Note: Use Item 52)	

SECTION 1 - FRAME

ITEM	PART NUMBER	QTY	DESCRIPTION	REV
48	See Note	NSS	Gasket (Note: Use Item 51 or 52)	
49	See Note	NSS	Cover, Engagement (Note: Use Item 52)	
50	See Note	NSS	Screw (Note: Use Item 52)	
51	70002248	1	Seal Kit (Includes Items 3, 8-11, 25, 38, 41, 43 & 48)	
52	70002247	1	Cover Kit (Includes Items 41-50)	
53	70002249	1	Brake Kit (Includes Items 4-13)	
101	0761214	2	Bolt M12 x 30	
102	2110404	1	Fitting, Adapter	
103	2110808	1	Fitting, Adapter	
104	2110812	1	Fitting, Adapter	
105	2130406	1	Fitting, 90 Adapter	
106	2130812	1	Fitting, 90 Adapter	
108	5241200	2	Washer M12	
109	0100011	AR	Compound, Locking	
110	3790158	1	O-Ring	

SECTION 1 - FRAME

FIGURE 1-10. DRIVE MOTOR ASSEMBLY



ART_3160339

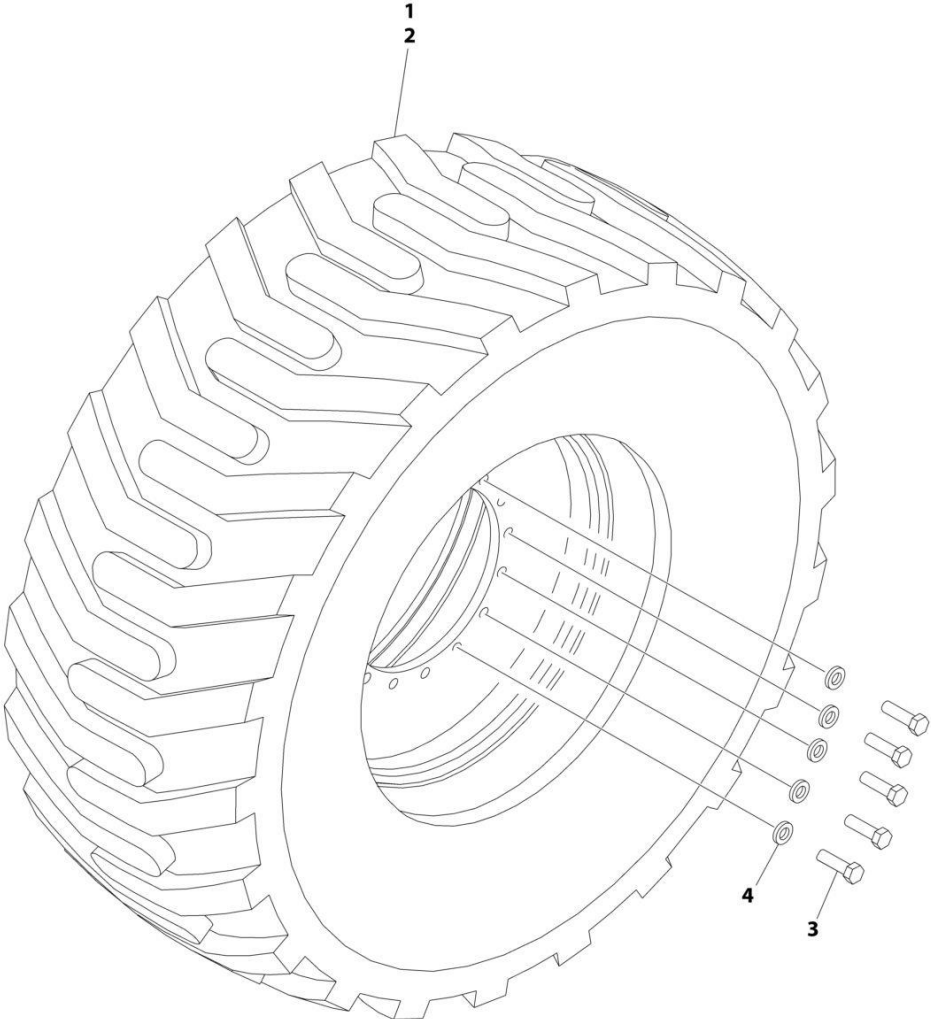
SECTION 1 - FRAME

FIGURE 1-10. DRIVE MOTOR ASSEMBLY

ITEM	PART NUMBER	QTY	DESCRIPTION	REV
	3160339	Ref	DRIVE MOTOR ASSEMBLY	D
1	7022368	4	Bolt	
2	70000859	1	End Cap, Motor	
3	70003628	2	Locating Pin	
4	See Note	NSS	O-Ring (Note: Use Item 51)	
5	7007420	1	Plug (Includes Item 4)	
6	7007446	1	Pin, Dowel	
7	7021249	1	Bearing, Needle	
8	70000854	1	Plate, Valve	
9	7022311	1	Snap Ring	
10	7022314	1	Retainer, Spring	
11	7024867	1	Spring	
12	7024868	1	Washer	
13	70000855	1	Block, Cylinder	
14	7021275	3	Pin, Slipper	
15	70000856	1	Guide	
16	70000857	1	Retainer, Slipper	
17	7024865	9	Piston, Cylinder	
18	See Note	NSS	Ring, Piston (Note: Use Item 51)	
19	See Note	NSS	O-Ring (Note: Use Item 51)	
20	70000860	1	Piston, Servo (Includes Items 18 & 19)	
21	70000861	1	Spring	
22	See Note	NSS	Pin (Note: Not Available for Purchase)	
23	70000853	1	Swash Plate	
24	70000852	1	Bearing Kit	
25	See Note	NSS	Gasket (Note: Use Item 51)	
26	See Note	NSS	Plug (Note: Not Available for Purchase)	
27	See Note	NSS	O-Ring (Note: Use Item 51)	
28	7022321	1	Plug (Includes Item 29)	
29	See Note	NSS	O-Ring (Note: Use Item 51)	
30	See Note	NSS	Housing (Note: Not Available - Purchase Complete Motor)	
31	70000858	1	Shaft	
32	7007437	1	Bearing	
33	7007439	1	Snap Ring	
34	7007438	2	Snap Ring	
35	See Note	NSS	Seal (Note: Use Item 51)	
36	7022371	1	Washer, Seal Support	
51	70000862	1	Kit 1 - Motor Seal Kit (Includes Items 4, 18, 19, 25, 27, 29 & 35)	
52	7027740	1	Kit 2 - Cylinder Block Kit (Includes Items 9-17)	

SECTION 1 - FRAME

FIGURE 1-11. TIRE AND WHEEL INSTALLATION - FOAM - FILLED



ART_0271852

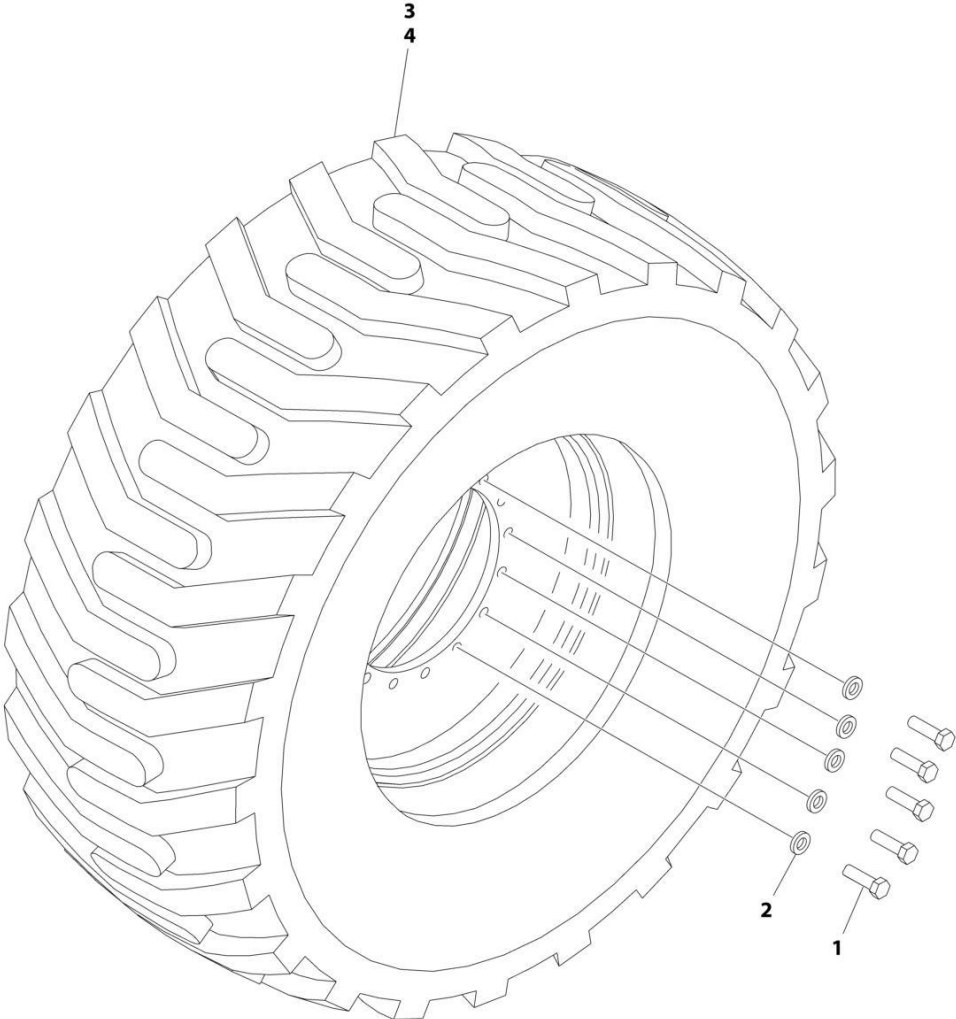
SECTION 1 - FRAME

FIGURE 1-11. TIRE AND WHEEL INSTALLATION - FOAM - FILLED

ITEM	PART NUMBER	QTY	DESCRIPTION	REV
	0271852	Ref	TIRE AND WHEEL INSTALLATION - FOAM - FILLED	B
		Ref	Note: Assemblies may require ballast/foam filling to manufacturer's specifications prior to installing on a machine. Refer to Operation and Safety or Service and Maintenance Manuals. Purchase individual tire and/or rim only if able to foam fill tire and wheel assembly, otherwise, purchase complete assembly.	
1	0272055	2	Right Side Tire and Wheel Assembly - Foam - Filled	
2	0272056	2	Left Side Tire and Wheel Assembly - Foam - Filled	
3	0701619	64	Bolt M16 x 55 (16 Per Wheel)	
4	4892000	64	Washer 5/8 (16 Per Wheel)	

SECTION 1 - FRAME

FIGURE 1-12. TIRE AND WHEEL INSTALLATION - SOLID



ART_1001115961

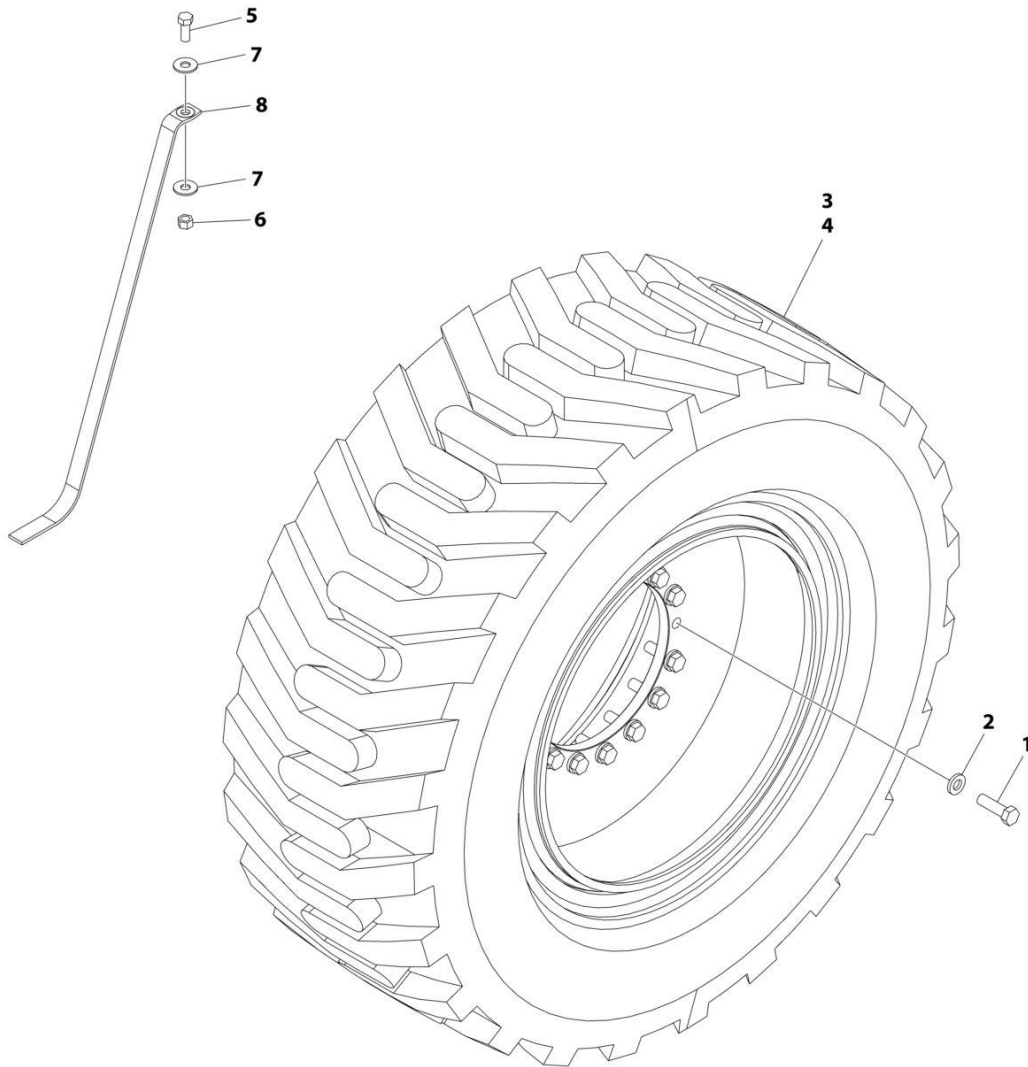
SECTION 1 - FRAME

FIGURE 1-12. TIRE AND WHEEL INSTALLATION - SOLID

ITEM	PART NUMBER	QTY	DESCRIPTION	REV
	1001115961	Ref	TIRE AND WHEEL INSTALLATION - SOLID	A
1	0701619	64	Bolt M16 x 55 (16 Per Wheel)	
2	4892000	64	Washer 5/8 (16 Per Wheel)	
3	1001112716	2	Right Side Tire and Wheel Assembly - Solid	
4	1001112669	2	Left Side Tire and Wheel Assembly - Solid	

SECTION 1 - FRAME

FIGURE 1-13. TIRE AND WHEEL INSTALLATION - SOLID NON MARKING



ART_1001223883

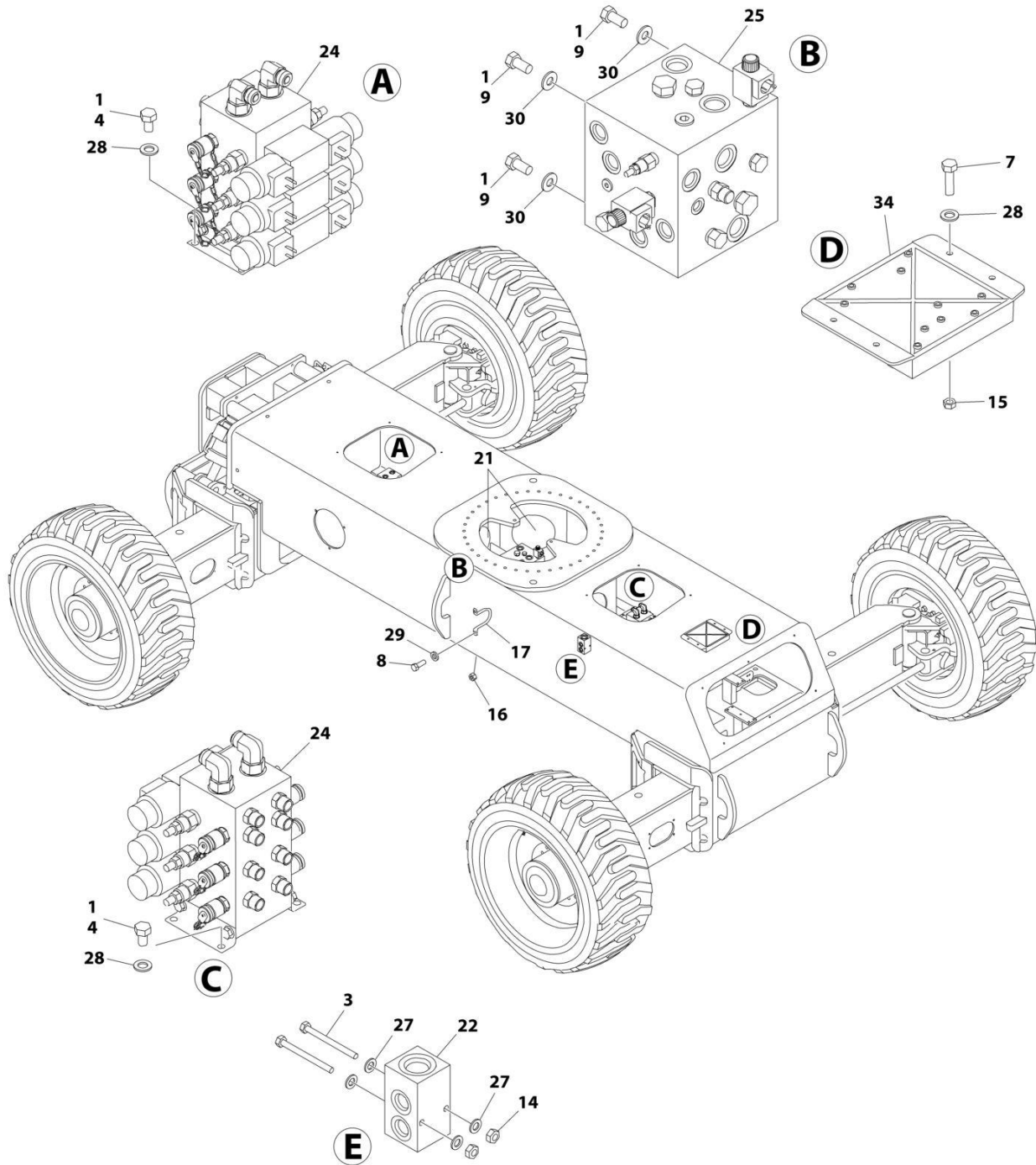
SECTION 1 - FRAME

FIGURE 1-13. TIRE AND WHEEL INSTALLATION - SOLID NON MARKING

ITEM	PART NUMBER	QTY	DESCRIPTION	REV
	1001223883	Ref	TIRE AND WHEEL INSTALLATION - SOLID NON MARKING	B
1	0701619	64	Bolt M16 x 55 (16 Per Wheel)	
2	4892000	64	Washer 5/8 (16 Per Wheel)	
3	1001216876	2	Left Side Tire and Wheel Assembly - Solid	
4	1001216877	2	Right Side Tire and Wheel Assembly - Solid	
5	0641810	1	Bolt 1/2 x 1-1/4	
6	3311805	1	Nut 1/2	
7	4751800	2	Washer 1/2	
8	1001275637	1	Strap, Anti-static	

SECTION 1 - FRAME

FIGURE 1-14. FRAME VALVES INSTALLATION - WITH 1 CELL LSS



ART_1001219990_10F3

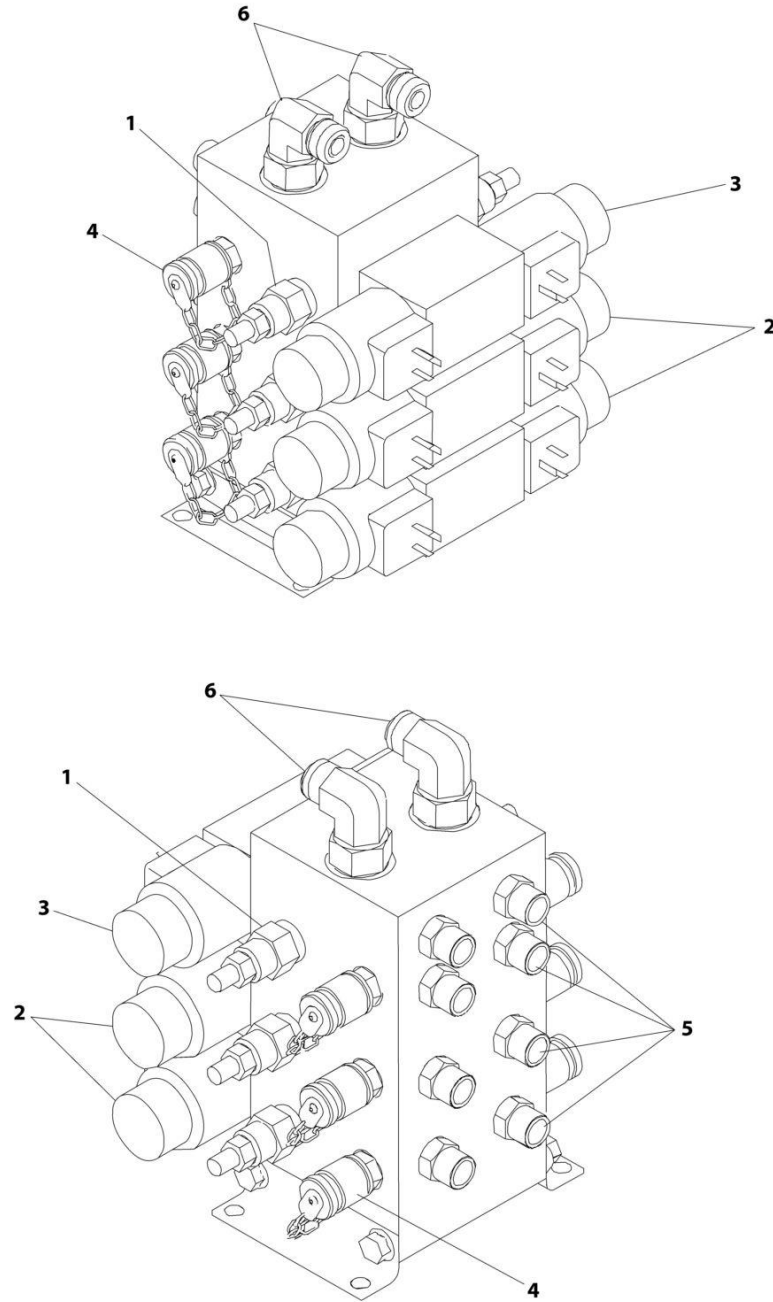
SECTION 1 - FRAME

FIGURE 1-14. FRAME VALVES INSTALLATION - WITH 1 CELL LSS

ITEM	PART NUMBER	QTY	DESCRIPTION	REV
	1001219990	Ref	FRAME VALVES INSTALLATION - WITH 1 CELL LSS	C
1	0100011	AR	Compound, Locking	
3	0641424	2	Bolt 1/4 x 3	
4	0641504	8	Bolt 5/16 x 1/2	
7	0641509	4	Bolt 5/16 x 1-1/8	
8	0641608	4	Bolt 3/8 x 1	
9	0641808	4	Bolt 1/2 x 1	
14	3311405	2	Nut 1/4	
15	3311505	4	Nut 5/16	
16	3311605	4	Nut 3/8	
17	3841340	2	Loop, Hose	
21	4060808	124 in/ 3.2m	Flex-Trim	
22	4641155	1	Manifold, Junction	
24	4641268	2	Valve Assembly - Steer (See Separate Breakdown in this Section)	
25	4641454	1	Valve Assembly - Traction (See Separate Breakdown in this Section)	
27	4711400	4	Washer 1/4	
28	4711500	16	Washer 5/16	
29	4711600	2	Washer 3/8	
30	4711800	4	Washer 1/2	
34	100112758	1	Module (Chassis) (Note: Re-calibration Required when Replaced)	

SECTION 1 - FRAME

FIGURE 1-15. STEER VALVE ASSEMBLY



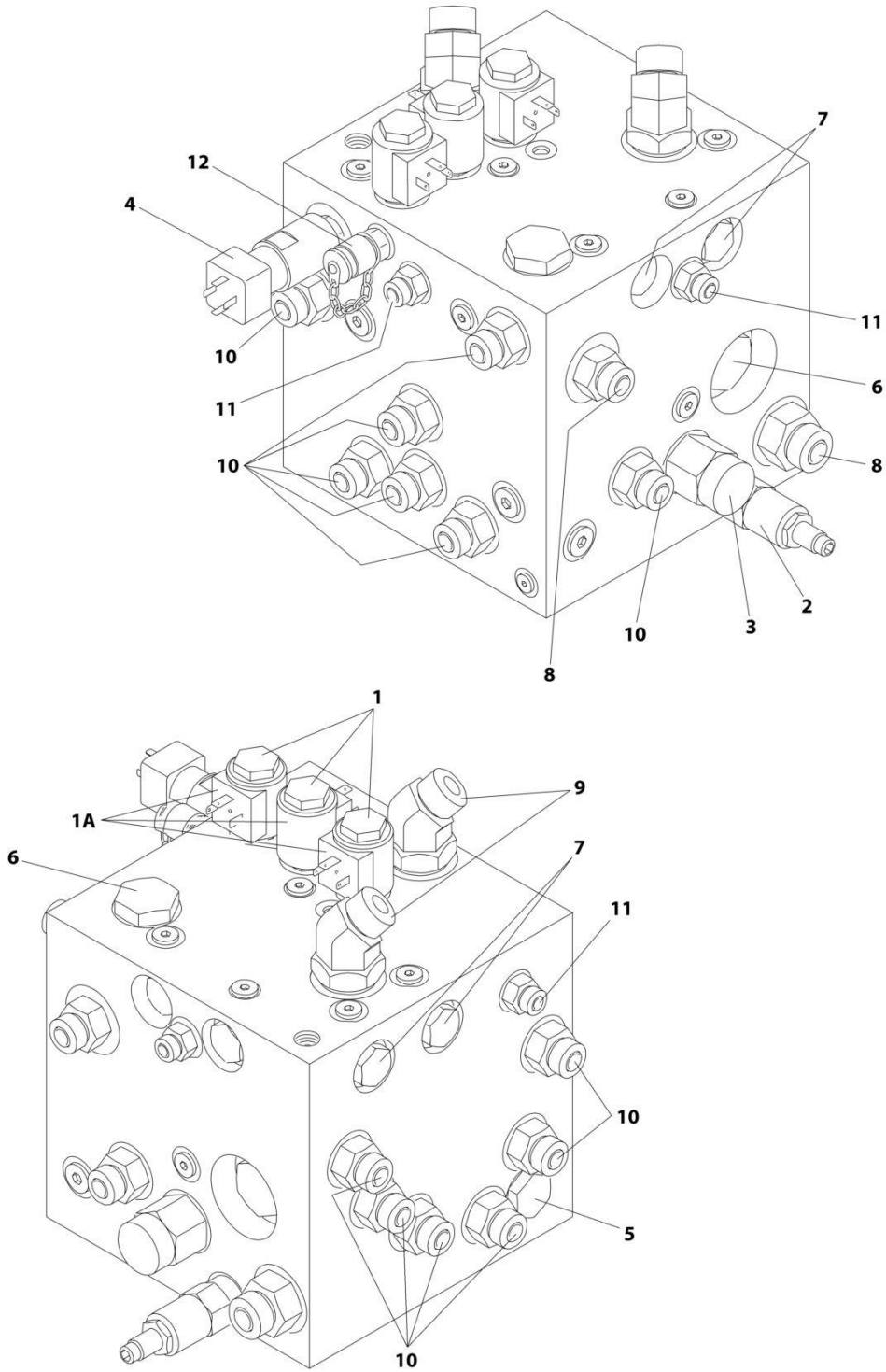
ART_4641268

FIGURE 1-15. STEER VALVE ASSEMBLY

ITEM	PART NUMBER	QTY	DESCRIPTION	REV
	4641268	Ref	STEER VALVE ASSEMBLY	C
1	7026028	12	Cartridge (6 Per Valve)	
1	7011346	12	Seal Kit - Cartridge (1 Per Cartridge)	
2	7024927	4	Valve (2 Per Valve)	
2	7012773	4	Seal Kit - Cartridge (1 Per Cartridge)	
2	7018991	8	Coil (2 Per Valve)	
3	70001976	2	Valve (1 Per Valve)	
3	7012773	2	Seal Kit - Cartridge (1 Per Cartridge)	
3	7018991	4	Coil (2 Per Valve)	
3	70001939	2	Orifice	
4	2221086	6	Check, Pressure	
5	2110606	8	Fitting, Straight	
6	2130810	2	Fitting, 90	

SECTION 1 - FRAME

FIGURE 1-16. TRACTION VALVE ASSEMBLY



ART_4641454

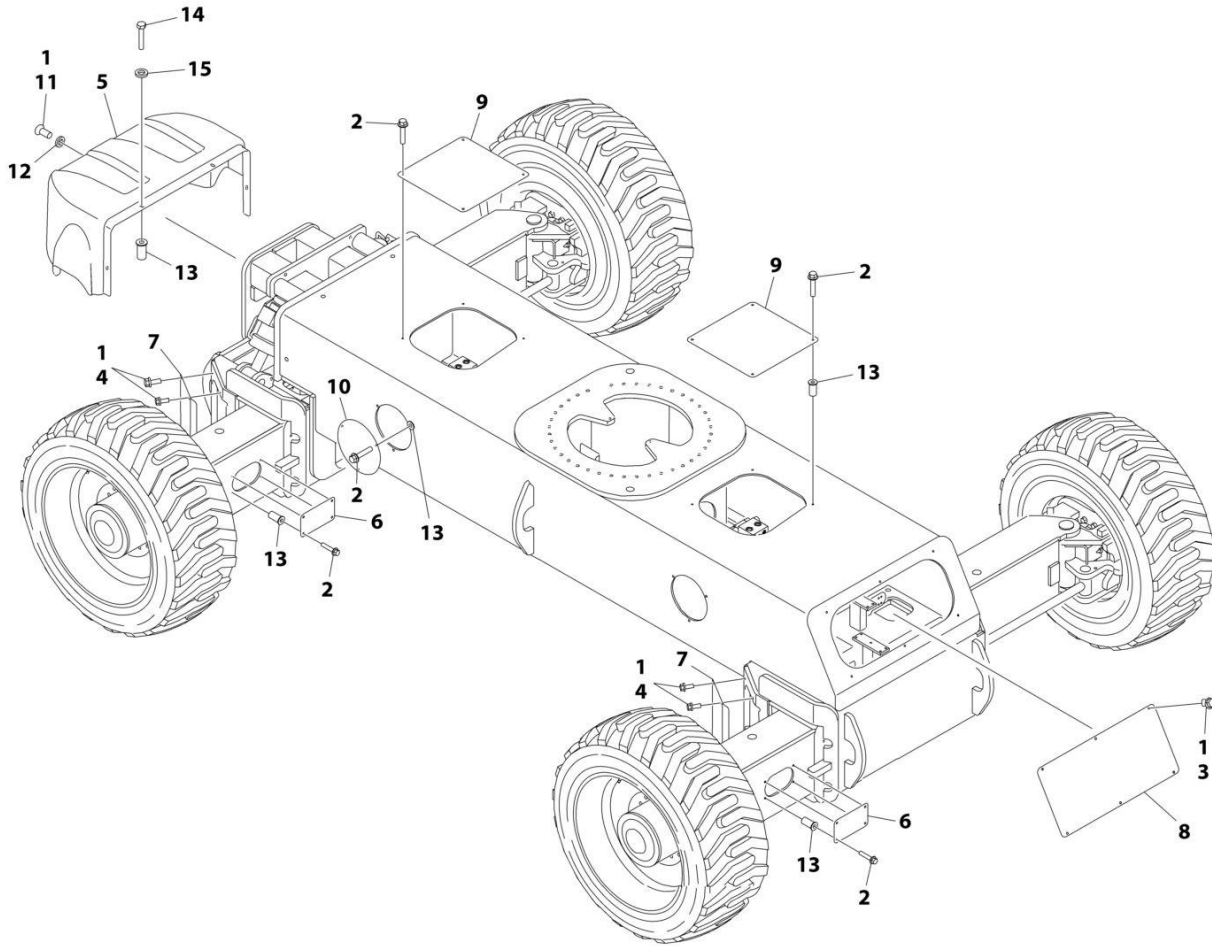
SECTION 1 - FRAME

FIGURE 1-16. TRACTION VALVE ASSEMBLY

ITEM	PART NUMBER	QTY	DESCRIPTION	REV
	4641454	Ref	TRACTION VALVE ASSEMBLY	E
1	7012941	3	Cartridge, Valve (Steer, Brake and Axle Lockout)	
1	7010543	3	Seal Kit - 7012941 Cartridge	
1A	7012944	2	Coil	
2	70000801	1	Cartridge, Valve (Relief)	
2	7012998	1	Seal Kit - 70000801 Cartridge	
3	70000802	1	Cartridge, Valve (Pilot)	
3	7012942	1	Seal Kit - 70000802 Cartridge	
4	70000803	1	Pressure Switch	
5	70000804	1	Cartridge, Valve (Shuttle)	
5	70000805	1	Seal Kit - 70000804 Cartridge	
6	70000806	2	Cartridge, Valve (Flow Divider)	
6	7017405	2	Seal Kit - 70000806 Cartridge	
7	7012955	4	Cartridge, Valve (Check)	
7	7012967	4	Seal Kit - 7012955 Cartridge	
8	2111012	2	Fitting, Straight	
9	2151012	2	Fitting, 45	
10	2110810	13	Fitting, Straight	
11	2110406	3	Fitting, Straight	
12	2221086	1	Check, Pressure	
13	2220883	1	Plug, #4 (Not Shown)	

SECTION 1 - FRAME

FIGURE 1-17. FRAME COVERS INSTALLATION - ABS



ART_1001176346

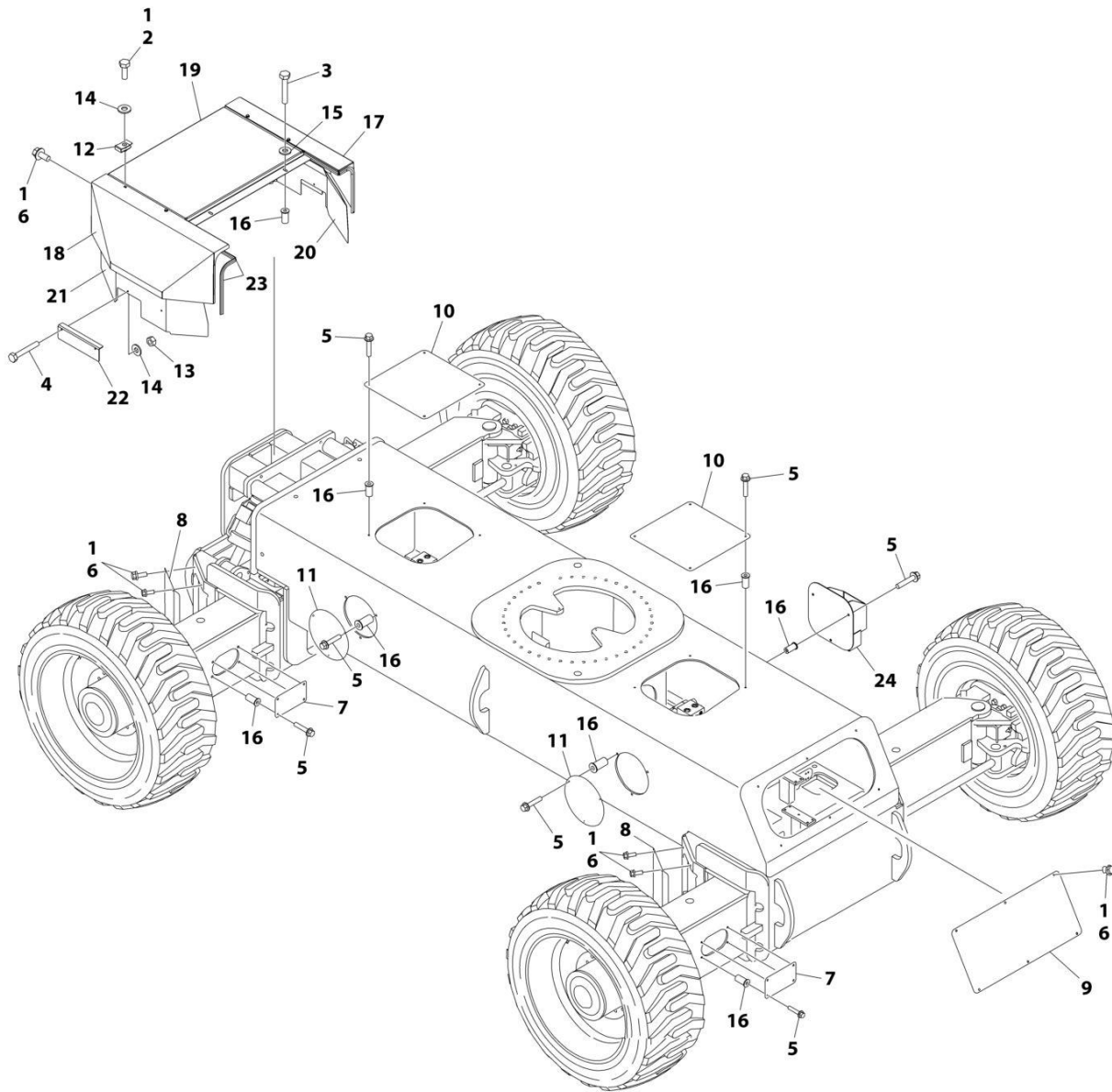
SECTION 1 - FRAME

FIGURE 1-17. FRAME COVERS INSTALLATION - ABS

ITEM	PART NUMBER	QTY	DESCRIPTION	REV
	1001176346	Ref	FRAME COVERS INSTALLATION - ABS	C
1	0100011	AR	Compound, Locking	
2	0791410	36	Screw 1/4 x 1-1/4	
3	0791604	6	Screw 3/8 x 1/2	
4	0791607	16	Screw 3/8 x 7/8	
5	1670996	1	Cover, Front	
6	1671045	4	Plate, Cover (Axle Side)	
7	1671046	4	Plate, Cover (Axle Corner)	
8	1671047	1	Plate, Cover (Rear)	
9	1671048	2	Plate, Cover (Frame Top)	
10	1671049	4	Plate, Cover (Frame Side)	
11	3900283	3	Screw 3/8 x 3/4	
12	4751600	3	Washer 3/8	
13	8580420	40	Nut, Well	
14	0641412	4	Bolt 1/4 x 1-1/2	
15	4740430	4	Washer, Fender	

SECTION 1 - FRAME

FIGURE 1-18. FRAME COVERS INSTALLATION - STEEL



ART_1001176347

SECTION 1 - FRAME

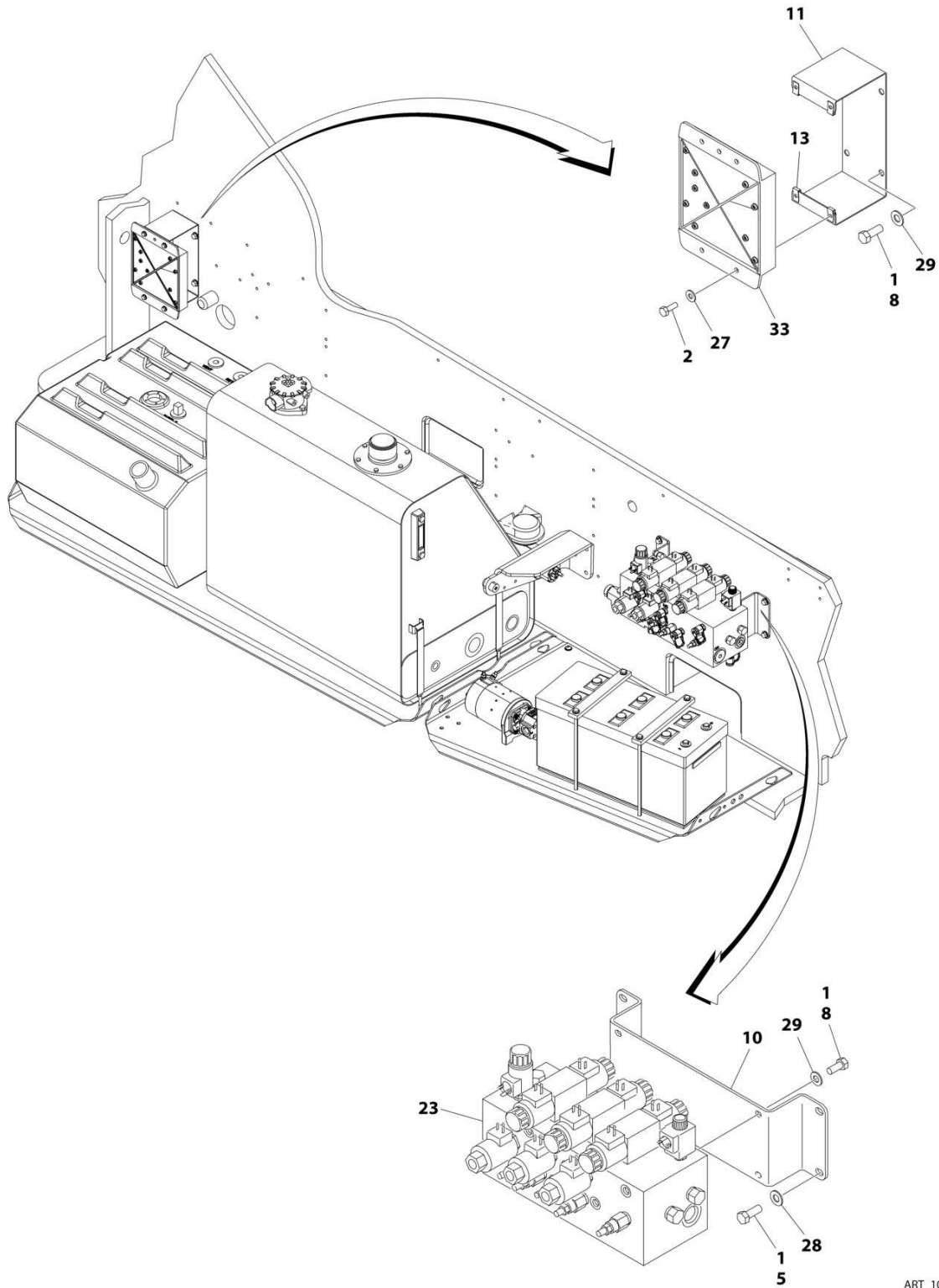
FIGURE 1-18. FRAME COVERS INSTALLATION - STEEL

ITEM	PART NUMBER	QTY	DESCRIPTION	REV
	1001176347	Ref	FRAME COVERS INSTALLATION (STEEL)	C
		Ref	Note: Only Available on ANSI, ANSI Export and Japanese Specs.	
1	0100011	AR	Compound, Locking	
2	0641406	8	Screw 1/4 x 3/4	
3	0641412	2	Bolt 1/4 x 1-1/2	
4	0641414	4	Screw 1/4 x 1-3/4	
5	0791410	36	Screw 1/4 x 1-1/4	
6	0791604	25	Screw 3/8 x 1/2	
7	1671045	4	Plate, Cover (Axle Side)	
8	1671046	4	Plate, Cover (Axle Corner)	
9	1671047	1	Plate, Cover (Rear)	
10	1671048	2	Plate, Cover (Frame Top)	
11	1671049	3	Plate, Cover (Frame Side)	
12	3300454	8	Nut 1/4	
13	3311405	4	Nut 1/4	
14	4711400	12	Washer 1/4	
15	4740430	2	Washer, Fender	
16	8580420	38	Nut, Well	
17	1001110108	1	Cover - RH Side	
18	1001110109	1	Cover - LH Side	
19	1001110110	1	Cover - Center Side	
20	1001110111	1	Shift - RH Side	
21	1001110112	1	Shift - LH Side	
22	1001110113	2	Plate	
23	1001110513	51 in /5.5m	Seal	
24	1001110877	1	Mount, Fire Extinguisher	

SECTION 2 - TURNTABLE

SECTION 2 - TURNTABLE

FIGURE 2-1. TURNTABLE VALVES INSTALLATION - WITH 1 CELL LSS



ART_1001219990_2OF3

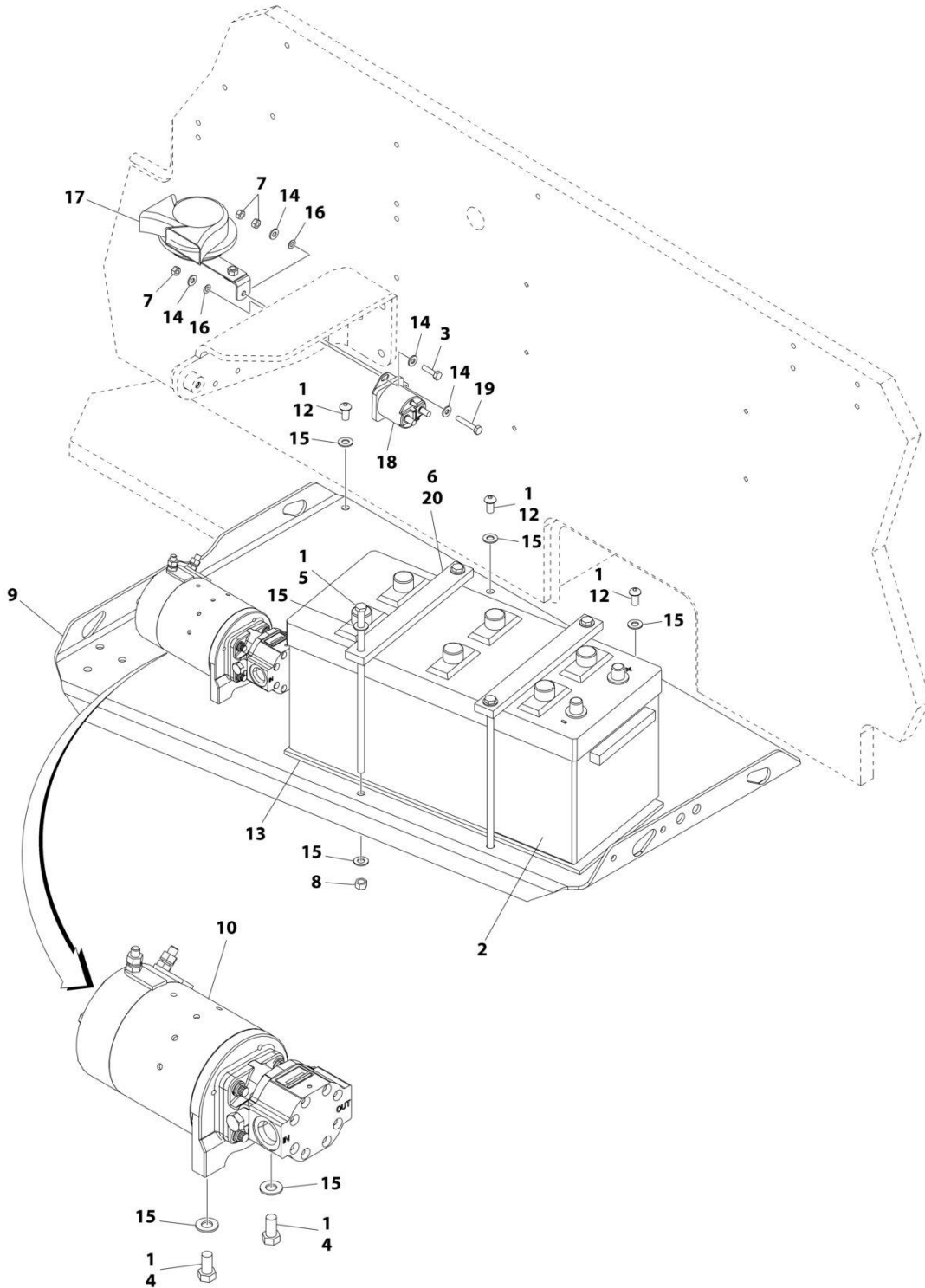
SECTION 2 - TURNTABLE

FIGURE 2-1. TURNTABLE VALVES INSTALLATION - WITH 1 CELL LSS

ITEM	PART NUMBER	QTY	DESCRIPTION	REV
	1001219990	Ref	TURNTABLE VALVES INSTALLATION - WITH 1 CELL LSS	C
1	0100011	AR	Compound, Locking	
2	0641406	4	Bolt 1/4 x 3/4	
5	0641506	4	Bolt 5/16 x 3/4	
8	0641608	8	Bolt 3/8 x 1	
10	0902755	1	Bracket, Valve Mounting	
11	0902800	1	Bracket, Module Mounting	
13	3300454	1	Nut, Special	
23	1001270105	1	Main Valve Assembly (See Separate Breakdown in this Section)	
27	4711400	1	Washer 1/4	
28	4711500	1	Washer 5/16	
29	4711600	1	Washer 3/8	
33	1001227960	1	Module, B.L.A.M. (Note: Control System must be Re-calibrated when Module is Replaced)	
33	2915024	1	Update Kit (Includes Cables, Programming Instructions and CD Software)	

SECTION 2 - TURNTABLE

FIGURE 2-2. BATTERY AND AUXILIARY PUMP INSTALLATION - ABS HOODS



ART_0271795

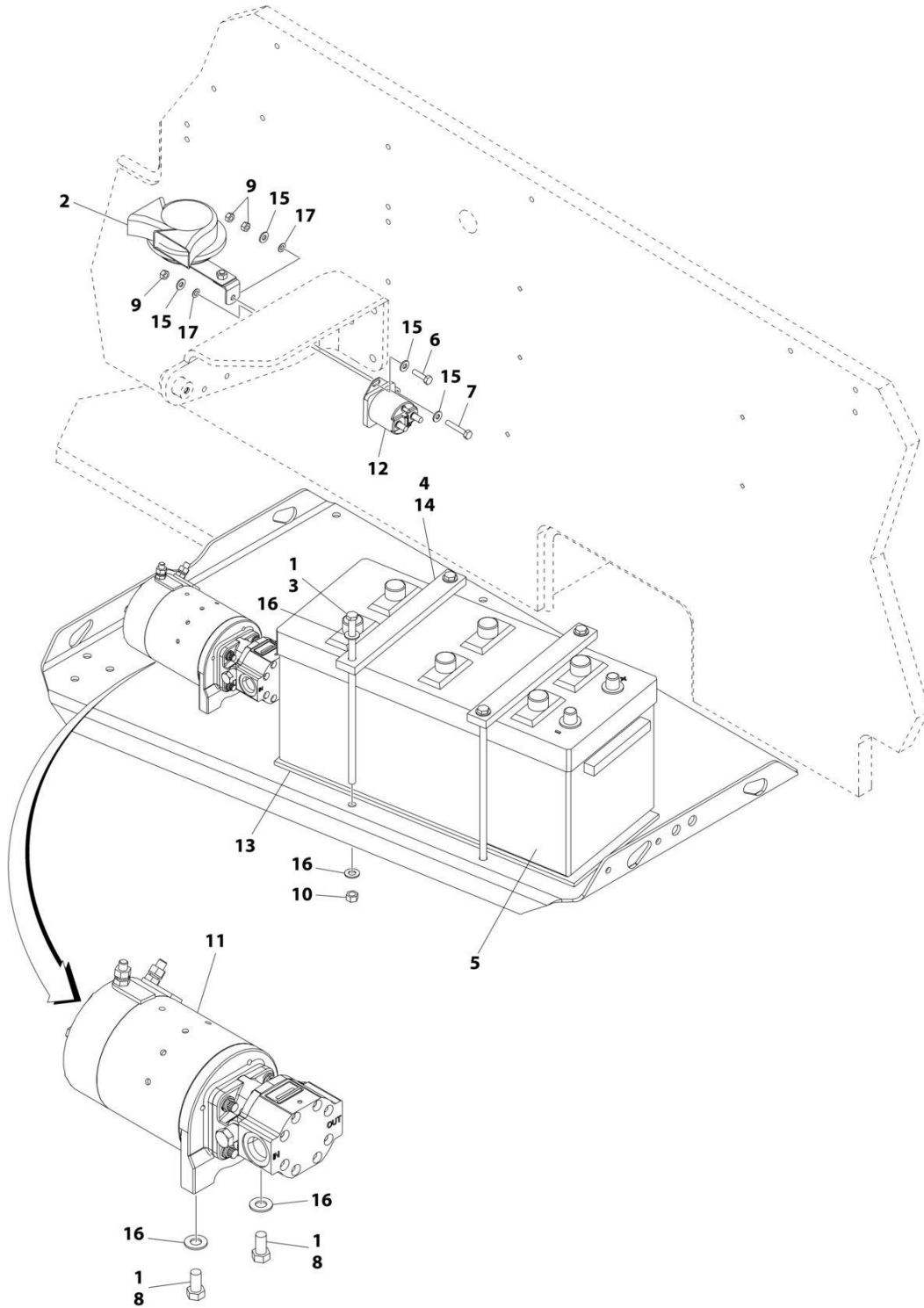
SECTION 2 - TURNTABLE

FIGURE 2-2. BATTERY AND AUXILIARY PUMP INSTALLATION - ABS HOODS

ITEM	PART NUMBER	QTY	DESCRIPTION	REV
	0271795	Ref	BATTERY AND AUXILIARY PUMP INSTALLATION - ABS HOODS	E
1	0100011	AR	Compound, Locking	
2	0400020	1	Battery	
3	0641408	1	Bolt 1/4 x 1	
4	0641606	2	Bolt 3/8 x 3/4	
5	0236768	4	Rod, Hold-down	
6	0363062	2	Bar, Battery	
7	3311405	3	Nut 1/4	
8	3311601	4	Nut 3/8	
9	3573259	1	Tray	
10	3600424	1	Auxiliary Pump Assembly (See Separate Breakdown in this Section)	
12	3900283	7	Screw 3/8 x 3/4	
13	3980006	1	Seat, Battery	
14	4711400	4	Washer 1/4	
15	4711600	17	Washer 3/8	
16	4791400	2	Starwasher 1/4	
17	0140001	1	Horn	
18	3740140	1	Relay	
19	0641412	1	Bolt 1/4 x 1-1/2	
20	4420037	17 in /43cm	Tape, Insulation	

SECTION 2 - TURNTABLE

FIGURE 2-3. BATTERY AND AUXILIARY PUMP INSTALLATION - STEEL HOODS



ART_1001110740

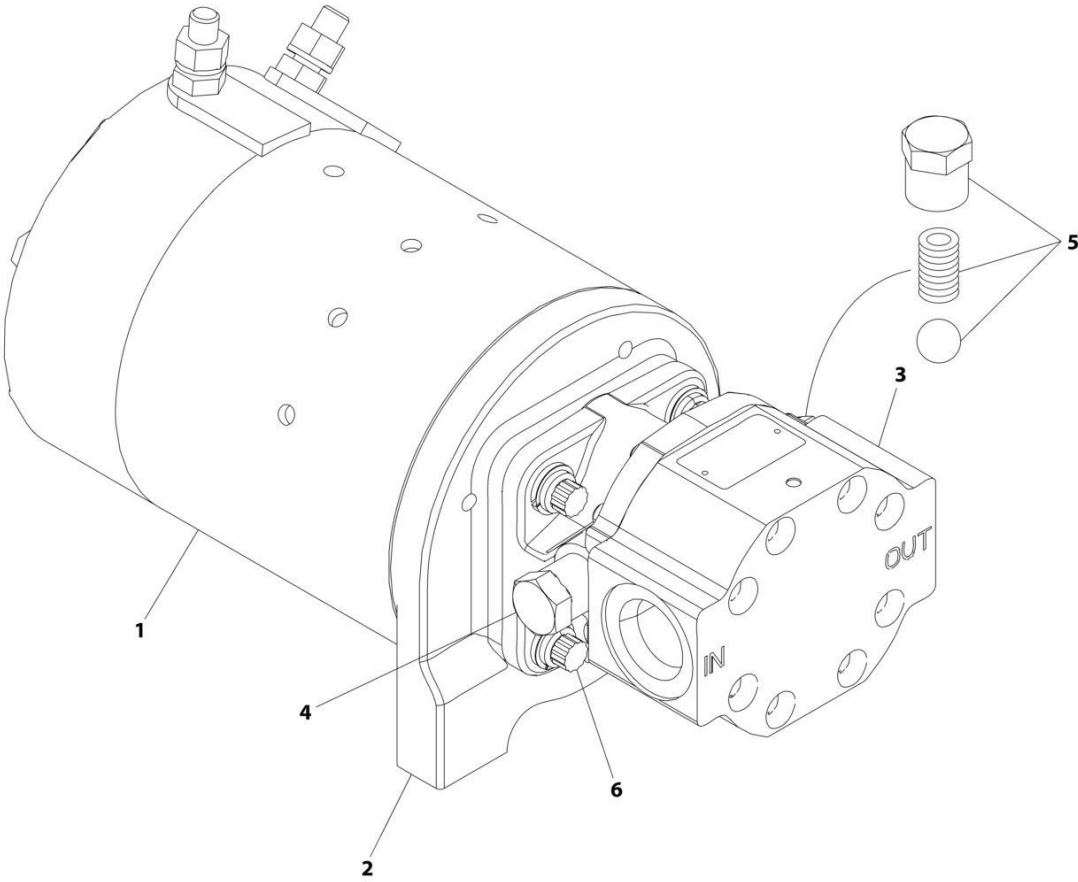
SECTION 2 - TURNTABLE

FIGURE 2-3. BATTERY AND AUXILIARY PUMP INSTALLATION - STEEL HOODS

ITEM	PART NUMBER	QTY	DESCRIPTION	REV
	1001110740	Ref	BATTERY AND AUXILIARY PUMP INSTALLATION – STEEL HOODS	A
1	0100011	AR	Compound, Locking	
2	0140001	1	Horn	
3	0236768	4	Rod, Hold-down	
4	0363062	2	Bar, Battery	
5	0400020	1	Battery	
6	0641408	1	Bolt 1/4 x 1	
7	0641412	1	Bolt 1/4 x 1-1/2	
8	0641606	2	Bolt 3/8 x 3/4	
9	3311405	3	Nut 1/4	
10	3311601	4	Nut 3/8	
11	3600424	1	Auxiliary Pump Assembly (See Separate Breakdown in this Section)	
12	3740067	1	Relay	
13	3980006	1	Seat, battery	
14	4420037	17 in /43cm	Tape, Insulation	
15	4711400	4	Washer 1/4	
16	4711600	10	Washer 3/8	
17	4791400	2	Starwasher 1/4	

SECTION 2 - TURNTABLE

FIGURE 2-4. AUXILIARY PUMP ASSEMBLY



ART_3600424

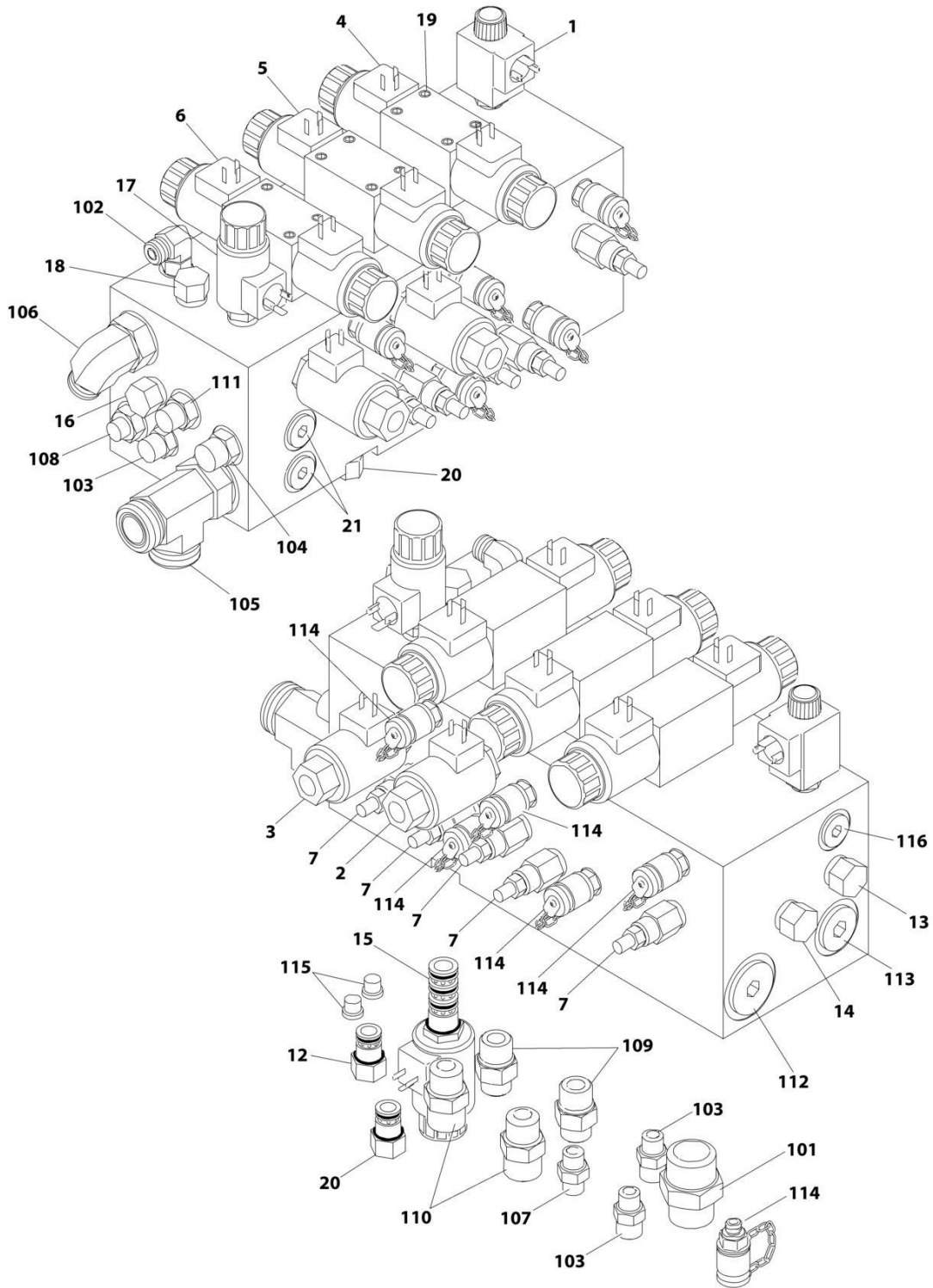
SECTION 2 - TURNTABLE

FIGURE 2-4. AUXILIARY PUMP ASSEMBLY

ITEM	PART NUMBER	QTY	DESCRIPTION	REV
	3600424	Ref	AUXILIARY PUMP ASSEMBLY	B
1	70001056	1	Motor Service Replacement Kit (Includes Motor, p/n 7011062 Adapter, p/n 7011016 Coupling and qty 2 Setscrews)	
1	See Note	1	Brush Kit (Note: Not Available For Purchase)	
2	7011062	1	Bracket, Motor/Pump (Part of Item 1)	
2	7011016	1	Coupling (Part of Items 1 & 3)	
2	7011044	1	Gasket (Part of Item 3)	
3	7029593	1	Pump Service Replacement Kit (Includes Pump, p/n 7011016 Coupling, qty 2 Gaskets and qty 4 each of Screws and Washers)	
3	See Note	1	Seal, Shaft (Note: Not Available For Purchase)	
4	7029593	1	Valve Components	
5	7029593	1	Valve Components	
6	7011048	4	Screw	
6	7011043	4	Washer	

SECTION 2 - TURNTABLE

FIGURE 2-5. MAIN VALVE ASSEMBLY



ART_1001270105

SECTION 2 - TURNTABLE

FIGURE 2-5. MAIN VALVE ASSEMBLY

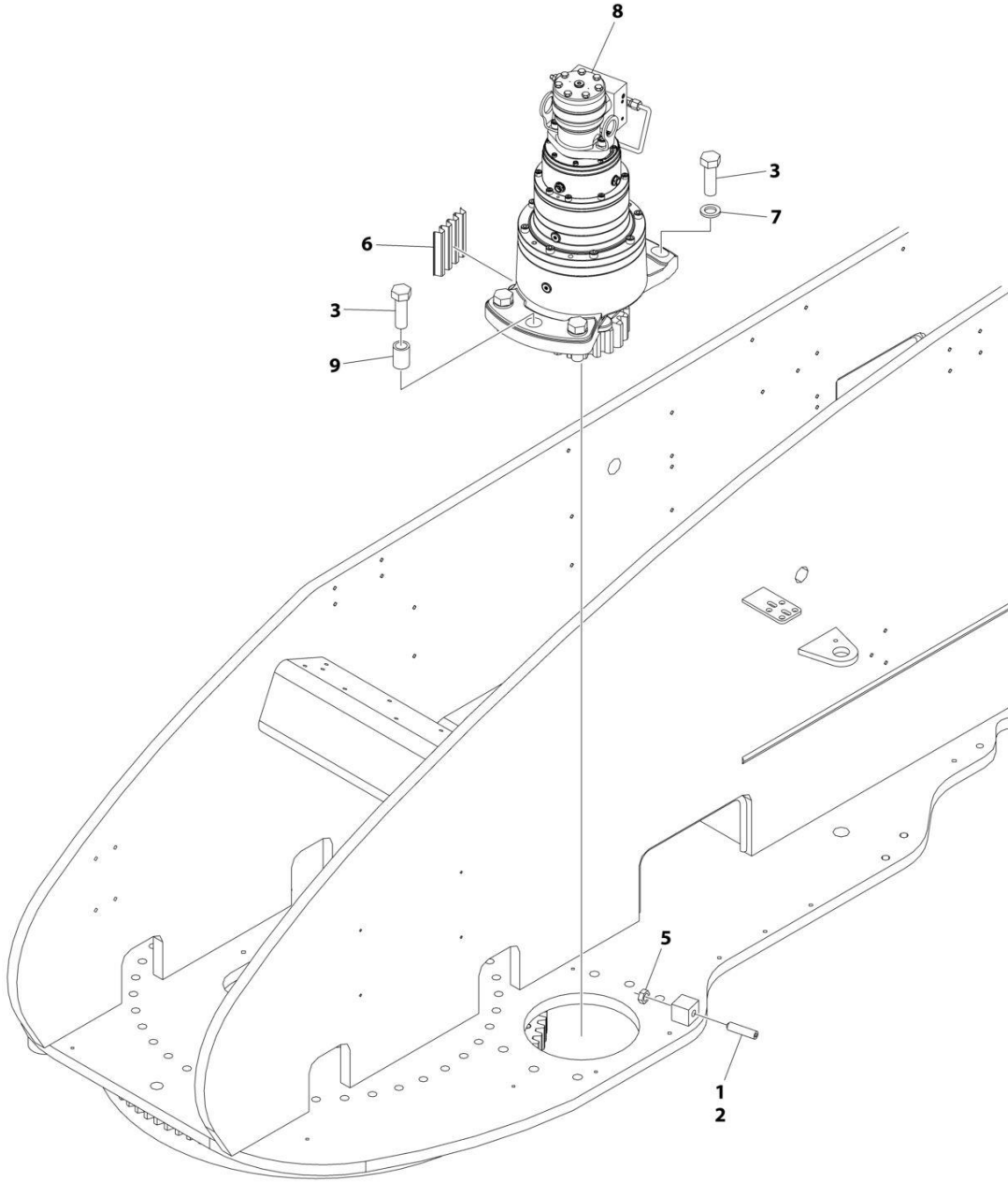
ITEM	PART NUMBER	QTY	DESCRIPTION	REV
	1001270105	Ref	MAIN VALVE ASSEMBLY	B
1	7024573	1	Cartridge, Solenoid Valve (Dump)	
1	7024574	1	Seal Kit - Cartridge	
1	7011354	1	Coil	
2	7021636	1	Cartridge, Solenoid Valve (Lift Flow)	
2	7017495	1	Seal Kit - Cartridge	
2	7017451	1	Coil	
3	7021636	1	Cartridge, Solenoid Valve (Tele Flow)	
3	7017495	1	Seal Kit - Cartridge	
3	7017451	1	Coil	
4	7024924	1	Control Valve Assembly (Swing)	
4	7012773	1	Seal Kit - Valve	
4	7018991	2	Coil	
4	7021375	2	Nut, Coil	
5	7024925	1	Control Valve Assembly (Lift)	
5	7012773	1	Seal Kit - Valve	
5	7018991	2	Coil	
5	7021375	2	Nut, Coil	
6	70001976	1	Control Valve Assembly (Tele)	
6	7012773	1	Seal Kit - Valve	
6	7018991	2	Coil	
6	7021375	2	Nut, Coil	
7	7026007	5	Cartridge, Relief Valve (Swing/Lift Up/Lift Down/Tele In/Tele Out)	
7	7024574	1	Seal Kit - Cartridge	
12	7026000	1	Cartridge, Check Valve	
12	7011311	1	Seal Kit - Cartridge	
13	7026001	1	Cartridge, Check Valve	
13	7011311	1	Seal Kit - Cartridge	
14	7026002	1	Cartridge, Shuttle Valve	
14	2900770	1	Seal Kit - Cartridge	
15	7024570	1	Cartridge, Solenoid Valve (Aux Lift Down Select)	
15	70001930	1	Seal Kit - Cartridge	
15	7024571	1	Coil	
16	7026003	1	Cartridge, Pilot Valve	
16	7026004	1	Seal Kit - Cartridge	
17	7026005	1	Cartridge, Solenoid Valve (Aux Lift Down)	
17	7026006	1	Seal Kit - Cartridge	
17	7024571	1	Coil	
18	7026008	1	Cartridge, Check Valve	
18	7011346	1	Seal Kit - Cartridge	
19	7018942	12	Capscrew #10 x 2	
20	7026016	1	Cartridge, Valve	
20	7011346	1	Seal Kit - Cartridge	
21	70002759	1	Plug with O-Ring (Valve p/n 4641222 Only)	
	1001270105	Ref	Main Valve Assembly (Fitting Information)	A
101	2111216	1	Fitting, Straight	
102	2130606	1	Fitting, Elbow	
103	2110606	3	Fitting, Straight	
104	2110808	1	Fitting, Straight	
105	2170316	1	Fitting, Tee	

SECTION 2 - TURNTABLE

ITEM	PART NUMBER	QTY	DESCRIPTION	REV
106	2131012	1	Fitting, Elbow	
107	2110406	1	Fitting, Straight	
108	2110408	1	Fitting, Straight	
109	2110810	2	Fitting, Straight	
110	2111010	2	Fitting, Straight	
111	2110608	1	Fitting, Straight	
112	2220890	1	Plug	
113	70002760	1	Plug	
114	2221086	6	Check, Pressure	
115	70002758	2	Fitting, Plug	
116	70002759	1	Plug with O-Ring	

SECTION 2 - TURNTABLE

FIGURE 2-6. SWING DRIVE INSTALLATION



ART_1001228617

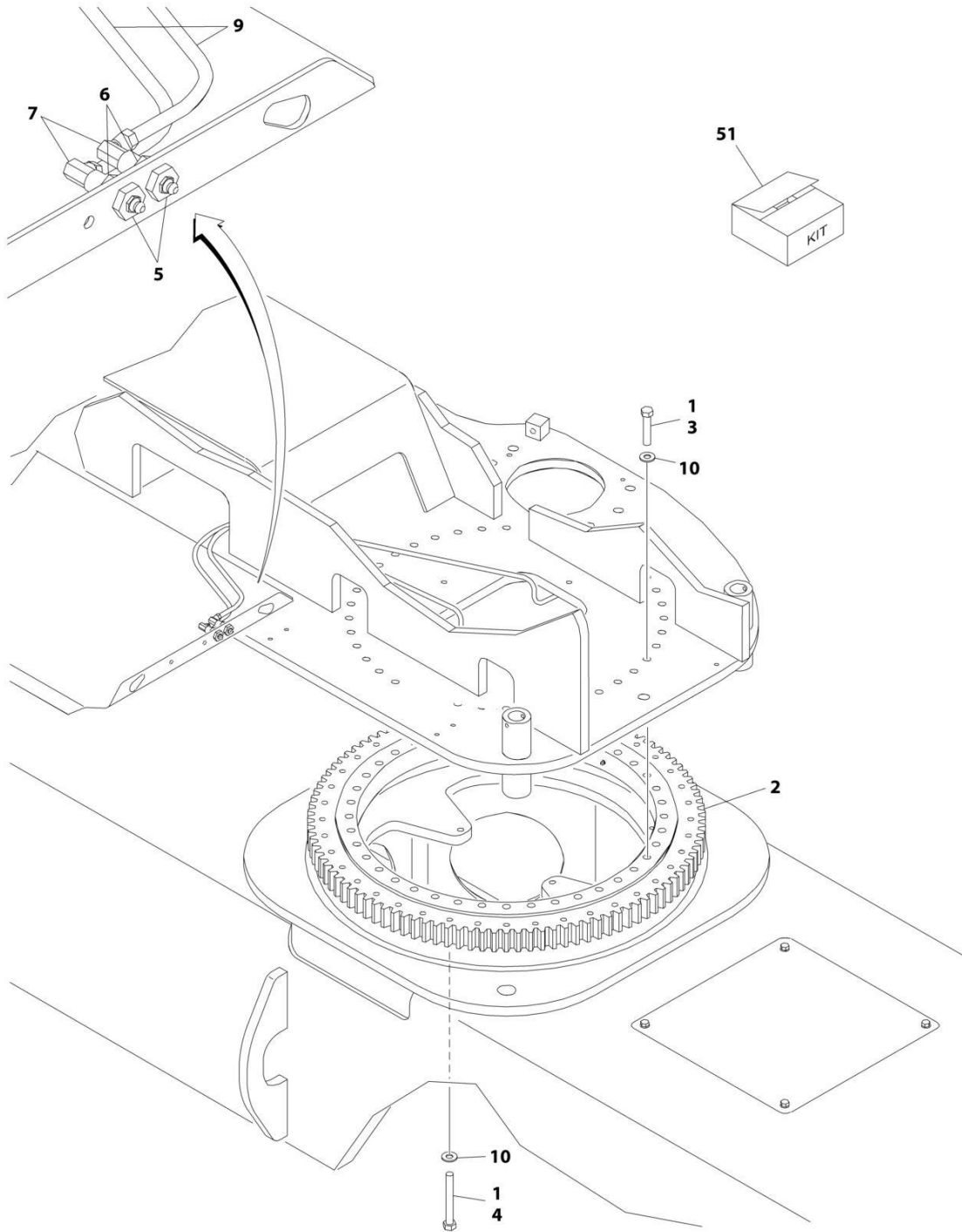
SECTION 2 - TURNTABLE

FIGURE 2-6. SWING DRIVE INSTALLATION

ITEM	PART NUMBER	QTY	DESCRIPTION	REV
	1001228617	Ref	SWING DRIVE INSTALLATION	E
1	0100019	AR	Compound, Locking	
2	3952020	1	Setscrew 5/8 x 2-1/2	
3	0682422	6	Bolt 7/8 x 2-3/4 Grade 8	
5	3312002	1	Nut 5/8	
6	4071041	1	Shim	
7	4892400	5	Washer 7/8	
8	1001228488	1	Swing Motor/Hub Assembly (See Separate Breakdown in this Section)	
9	1001229058	1	Sleeve	

SECTION 2 - TURNTABLE

FIGURE 2-7. TURNTABLE BEARING AND LUBE INSTALLATION



ART_0271512

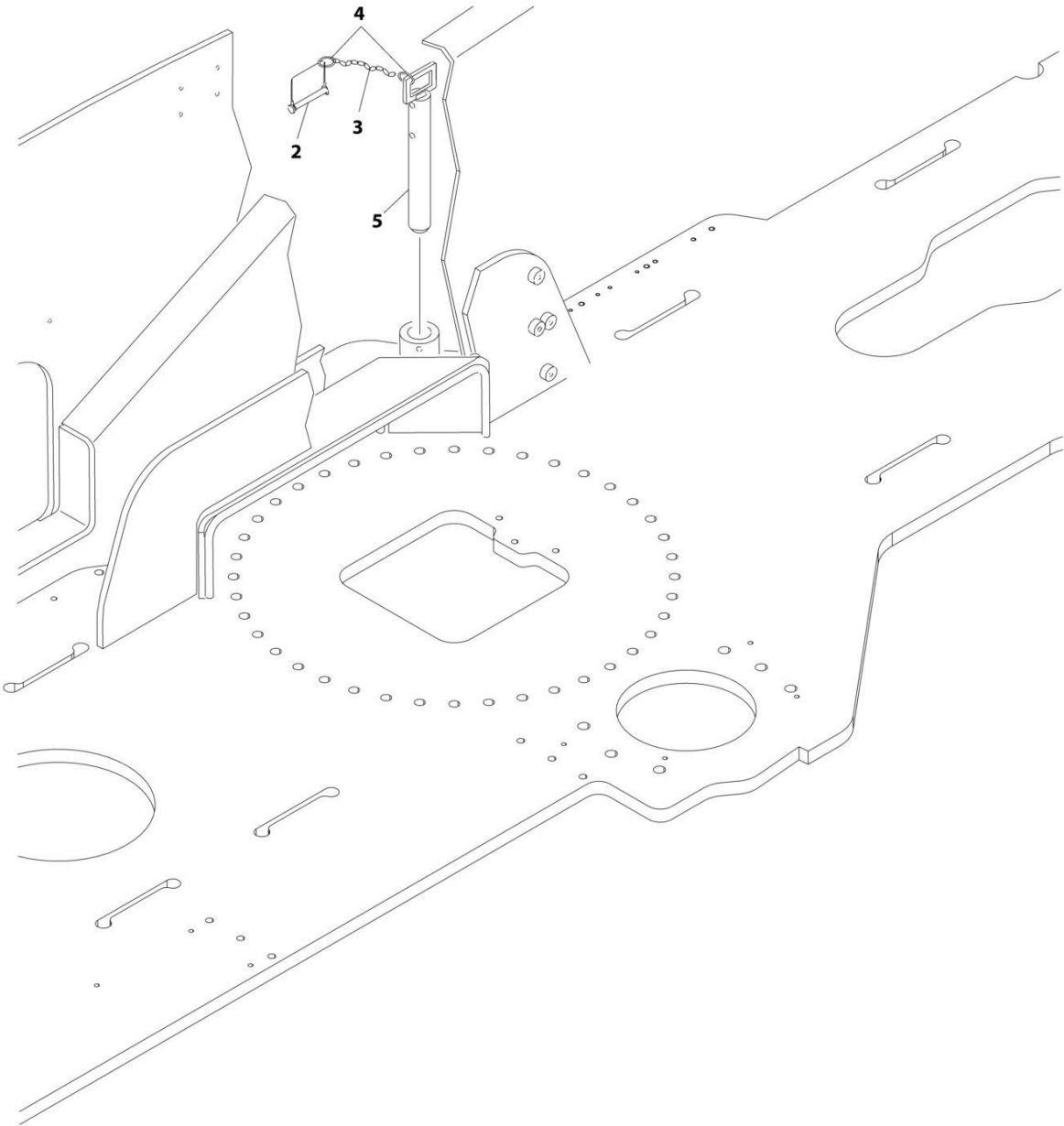
SECTION 2 - TURNTABLE

FIGURE 2-7. TURNTABLE BEARING AND LUBE INSTALLATION

ITEM	PART NUMBER	QTY	DESCRIPTION	REV
	0271512	Ref	TURNTABLE BEARING AND LUBE INSTALLATION	B
1	0100019	AR	Compound, Locking	
2	0440251	1	Bearing, Turntable	
3	0682026	40	Bolt 5/8 x 3-1/4 Grade 8	
4	0682040	40	Bolt 5/8 x 5 Grade 8	
5	2160002	2	Fitting, Grease	
6	2180344	2	Fitting, Bulkhead	
7	2220063	2	Fitting, Adapter	
9	2750528	2	Hose	
10	4892000	80	Washer 5/8	
51	2915072	1	Bearing Kit (Includes Items 2, 3, 4 & 10)	

SECTION 2 - TURNTABLE

FIGURE 2-8. TURNTABLE LOCK INSTALLATION



ART_0239842

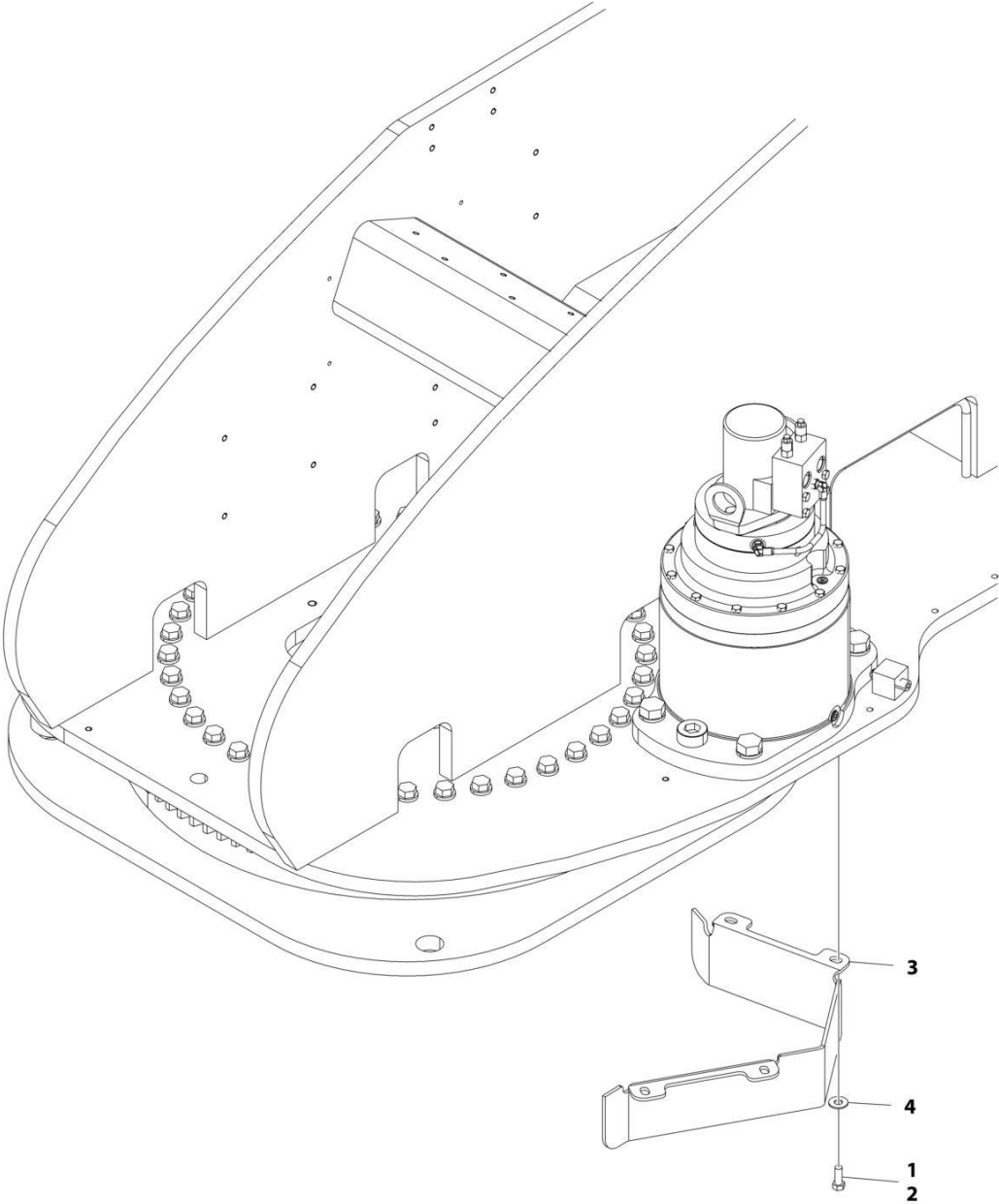
SECTION 2 - TURNTABLE

FIGURE 2-8. TURNTABLE LOCK INSTALLATION

ITEM	PART NUMBER	QTY	DESCRIPTION	REV
	0239842	Ref	TURNTABLE LOCK INSTALLATION	B
2	3421565	1	Pin, Snap	
3	1260017	9 in/23cm	Chain - #3	
4	3760170	2	Ring, Quick Release	
5	3421563	1	Pin, Turntable Lock	

SECTION 2 - TURNTABLE

FIGURE 2-9. PINION SHIELD INSTALLATION



ART_0271874

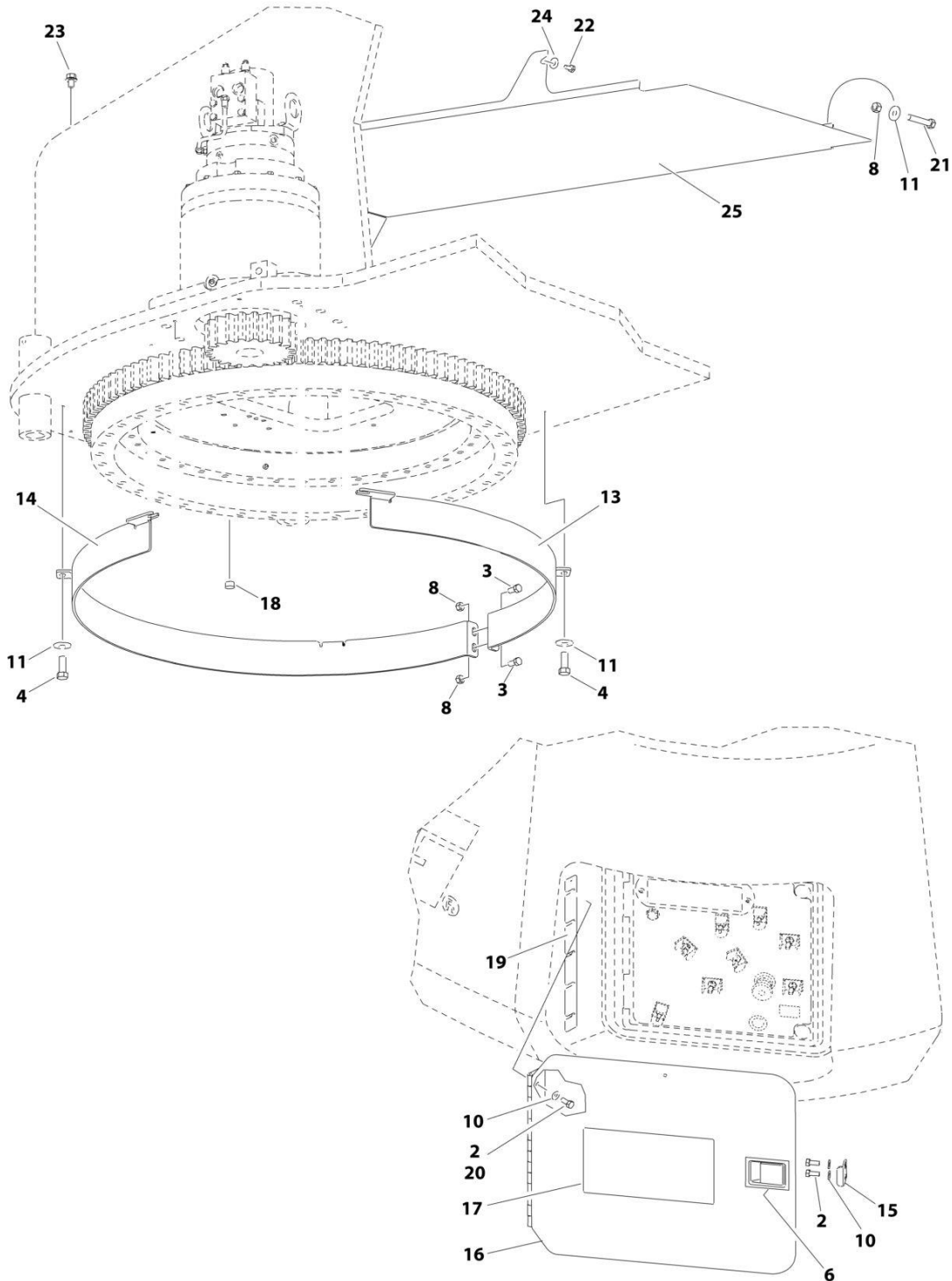
SECTION 2 - TURNTABLE

FIGURE 2-9. PINION SHIELD INSTALLATION

ITEM	PART NUMBER	QTY	DESCRIPTION	REV
	0271874	Ref	PINION SHIELD INSTALLATION	A
1	0100011	AR	Compound, Locking	
2	0641608	4	Bolt 3/8 x 1	
3	3573355	1	Plate, Pinion	
4	4751600	4	Washer 3/8	

SECTION 2 - TURNTABLE

FIGURE 2-10. EXTREME HOSTILE PACKAGE INSTALLATION (OPTIONAL)



ART_1001111219

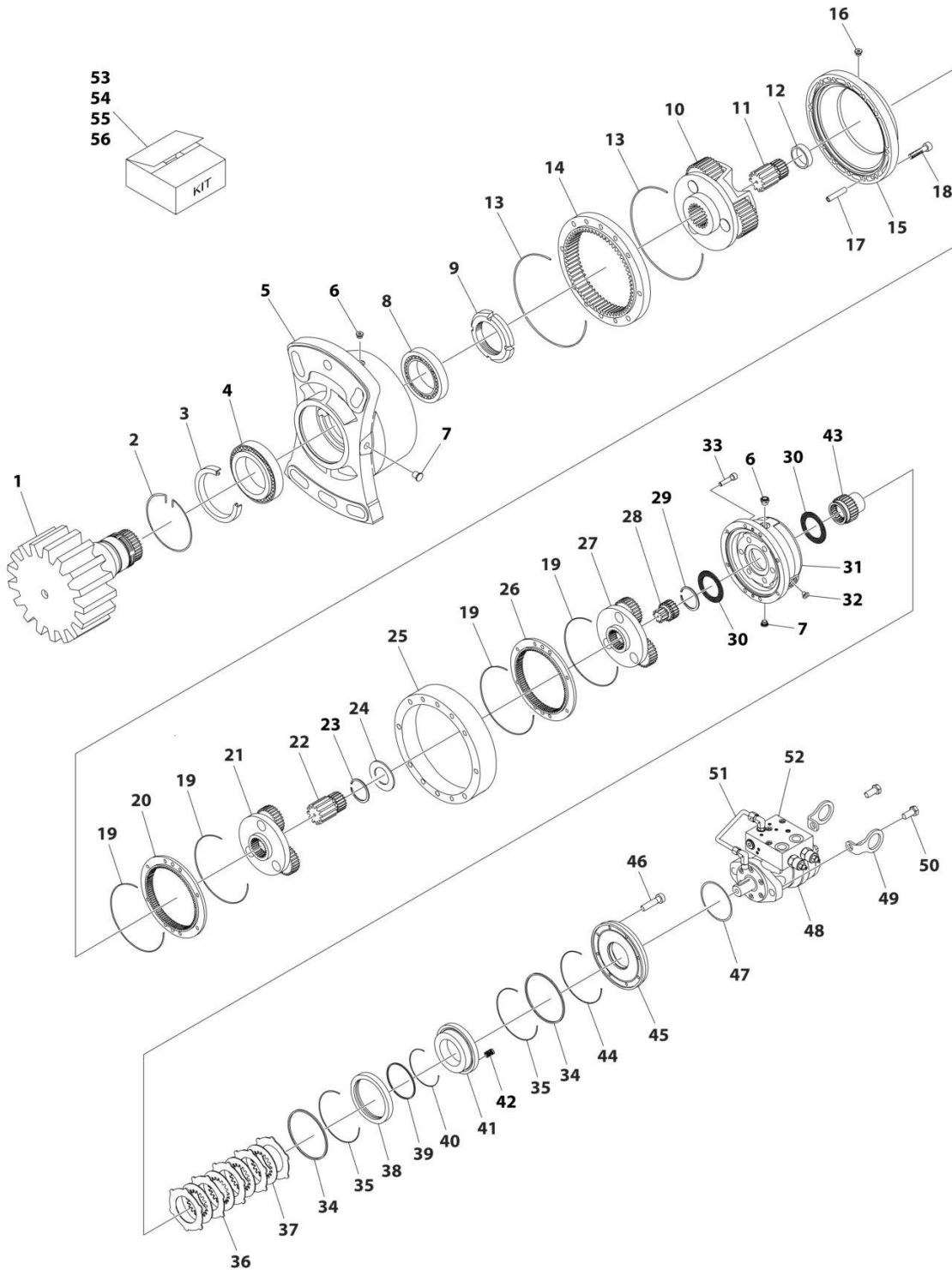
SECTION 2 - TURNTABLE

FIGURE 2-10. EXTREME HOSTILE PACKAGE INSTALLATION (OPTIONAL)

ITEM	PART NUMBER	QTY	DESCRIPTION	REV
	1001111219	Ref	EXTREME HOSTILE PACKAGE INSTALLATION (OPTIONAL)	G
2	0641506	5	Bolt 5/16 x 3/4	
3	0641606	2	Bolt 3/8 x 3/4	
4	0641608	3	Bolt 3/8 x 1	
6	2940045	1	Latch, Paddle	
8	3311605	AR	Nut 3/8	
10	4711500	7	Washer 5/16	
11	4751600	AR	Washer 3/8	
12	1001110940	1	Filter, Hydraulic Tank (Not Shown)	
13	1001111175	1	Plate, Bearing Cover	
14	1001111176	1	Plate, Bearing Cover	
15	1001112911	1	Plate, Striker	
16	1001111193	1	Door	
17	1001113173	1	Decal - Emergency Stop	
18	1001114392	1	Plug, Rubber	
19	1001115168	1	Shim	
20	0100011	AR	Compound, Locking	
21	0630511	1	Bolt 3/8 x 2	
22	0641404	1	Bolt 1/4 x 1/2	
23	0791604	2	Bolt 3/8 x 1/2	
24	4751400	1	Washer 1/4	
25	1001115440	1	Shield, Turntable	

SECTION 2 - TURNTABLE

FIGURE 2-11. SWING MOTOR/HUB ASSEMBLY



ART_1001228488

SECTION 2 - TURNTABLE

FIGURE 2-11. SWING MOTOR/HUB ASSEMBLY

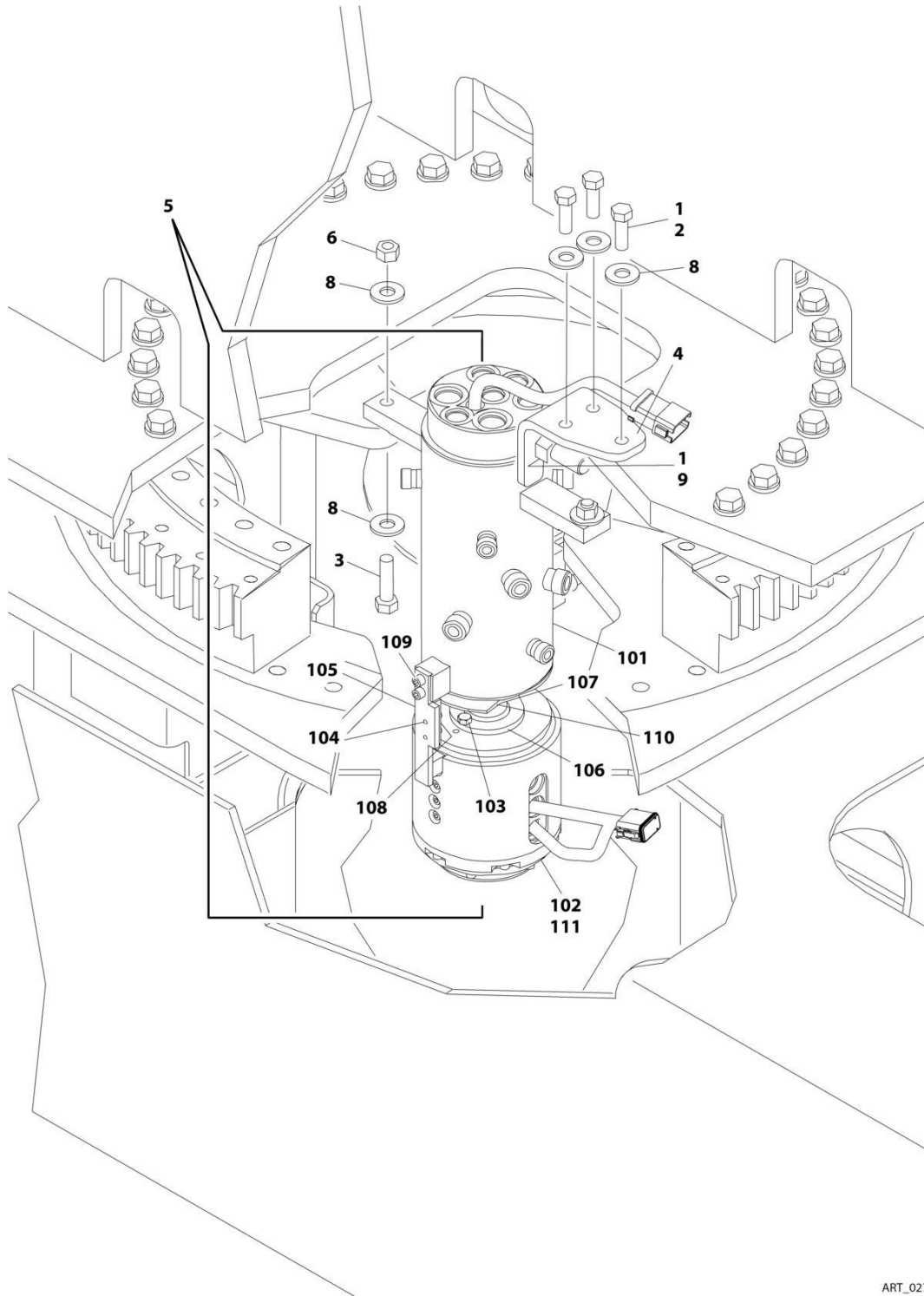
ITEM	PART NUMBER	QTY	DESCRIPTION	REV
	1001228488	Ref	SWING MOTOR/HUB ASSEMBLY	B
1	See Note	NSS	Shaft (Note: Use Item 56)	
2	70004467	1	Ring	
3	See Note	NSS	Seal, Oil (Note: Use Item 53)	
4	See Note	NSS	Bearing (Note: Use Item 55)	
5	See Note	NSS	Support, Output (Note: Not Available for Purchase)	
6	70002057	5	Plug with O-Ring	
7	70004469	2	Plug with O-Ring	
8	See Note	NSS	Bearing (Note: Use Item 55)	
9	See Note	NSS	Nut, Ring (Note: Use Item 56)	
10	70006986	1	Reduction, Gear - Complete	
11	70006987	1	Pinion	
12	70004477	1	Spacer	
13	See Note	NSS	O-Ring (Note: Use Item 53)	
14	70004474	1	Ring, Planetary	
15	70006988	1	Spacer	
16	70002057	2	Plug with O-Ring	
17	70006989	4	Pin, Spring	
18	70004480	8	Capscrew M10 x 55	
19	See Note	NSS	O-Ring (Note: Use Item 53)	
20	70006990	1	Ring, Planetary	
21	70006991	1	Reduction, Gear - Complete	
22	70006992	1	Pinion	
23	70002032	1	Ring	
24	70006993	1	Spacer	
25	70006994	1	Spacer	
26	70004481	1	Ring, Planetary	
27	70006995	1	Reduction, Gear - Complete	
28	70006996	1	Pinion	
29	70006997	1	Ring	
30	70006998	2	Washer	
31	See Note	NSS	Housing, Brake (Note: Not Available for Purchase)	
32	70006999	1	Plug	
33	70007000	8	Capscrew M8 x 90	
34	See Note	NSS	Seal (Note: Use Item 53 or 54)	
35	See Note	NSS	O-Ring (Note: Use Item 53 or 54)	
36	See Note	NSS	Disc, Steel (Note: Use Item 54)	
37	See Note	NSS	Disc (Note: Use Item 54)	
38	70005317	1	Spacer	
39	See Note	NSS	Seal (Note: Use Item 53 or 54)	
40	See Note	NSS	O-Ring (Note: Use Item 53 or 54)	
41	70005318	1	Piston, Brake	
42	See Note	NSS	Spring, Brake (Note: Use Item 54)	
43	70007001	1	Shaft, Input	
44	See Note	NSS	O-Ring (Note: Use Item 53 or 54)	
45	70007002	1	Cover	
46	70007003	8	Screw M6 x 25	
47	See Note	NSS	O-Ring (Note: Use Item 53)	
48	70007009	1	Motor	
48	70007011	1	Seal Kit	

SECTION 2 - TURNTABLE

ITEM	PART NUMBER	QTY	DESCRIPTION	REV
49	See Note	NSS	Lug, Lifting (Note: Not Available for Purchase)	
50	70004494	2	Capscrew M12 x 35	
51	70007004	1	Brake, Valve Adapter	
52	70007010	1	Valve	
52	70007012	1	Seal Kit	
52	70007013	1	Hardware Kit	
53	70007005	1	Seal Kit – Brake and Hub (Includes Items 3, 13, 19, 34, 35, 39, 40, 44 & 47)	
54	70007006	1	Seal Kit – Brake (Includes Items 34-37, 39, 40, 42 & 44)	
55	70007007	1	Bearing Kit (Includes Items 4 & 8)	
56	70007008	1	Output Shaft Kit (Includes Items 1 & 9)	

SECTION 2 - TURNTABLE

FIGURE 2-12. ROTARY COUPLING AND COLLECTOR RING INSTALLATION



ART_0271688

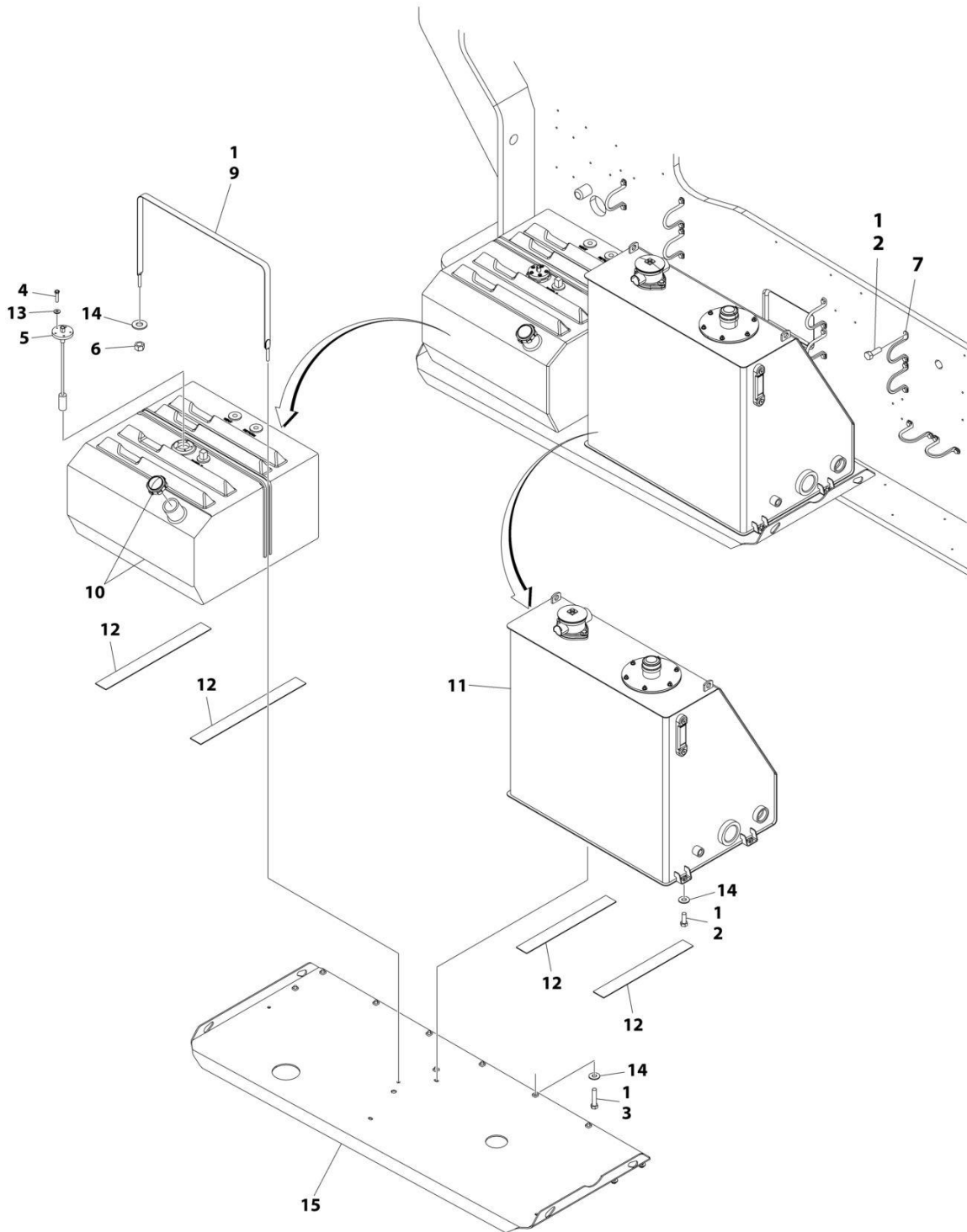
SECTION 2 - TURNTABLE

FIGURE 2-12. ROTARY COUPLING AND COLLECTOR RING INSTALLATION

ITEM	PART NUMBER	QTY	DESCRIPTION	REV
	0271688	Ref	ROTARY COUPLING AND COLLECTOR RING INSTALLATION	E
1	0100011	AR	Compound, Locking	
2	0641812	3	Bolt 1/2 x 1-1/2	
3	0641820	2	Bolt 1/2 x 2-1/2	
4	0902915	1	Bracket, Swivel	
5	1660302	1	Rotary Coupling and Collector Ring Assembly (See Items 101-111 for Breakdown)	
6	3311805	2	Nut 1/2	
8	4751800	7	Washer 1/2	
9	3322201	2	Nut 3/4	
	1660302	Ref	ROTARY COUPLING AND COLLECTOR RING ASSEMBLY	C
101	70001102	1	Coupling, Rotary	
101	See Note	1	Bearing (Note: Not Available For Purchase)	
101	70001101	1	Seal Kit - Coupling	
102	7026029	1	Contactora, Rotary Circuit (Does not include connector or pins)	
103	0641506	4	Bolt 5/16 x 3/4	
104	3931512	2	Capscrew 5/16 x 3/4	
105	70000780	1	Arm, Torque	
106	80334251	1	Adapter	
107	7026030	1	Plate, Cam	
108	7026031	1	Sensor, Proximity	
109	3931008	2	Capscrew #10 x 1/2	
110	7026032	1	Pin, Dowel	
111	0100048	AR	Grease, Silicone (Apply to Contactora Connector)	

SECTION 2 - TURNTABLE

FIGURE 2-13. TANK INSTALLATION - WITH ABS HOODS



ART_0271572

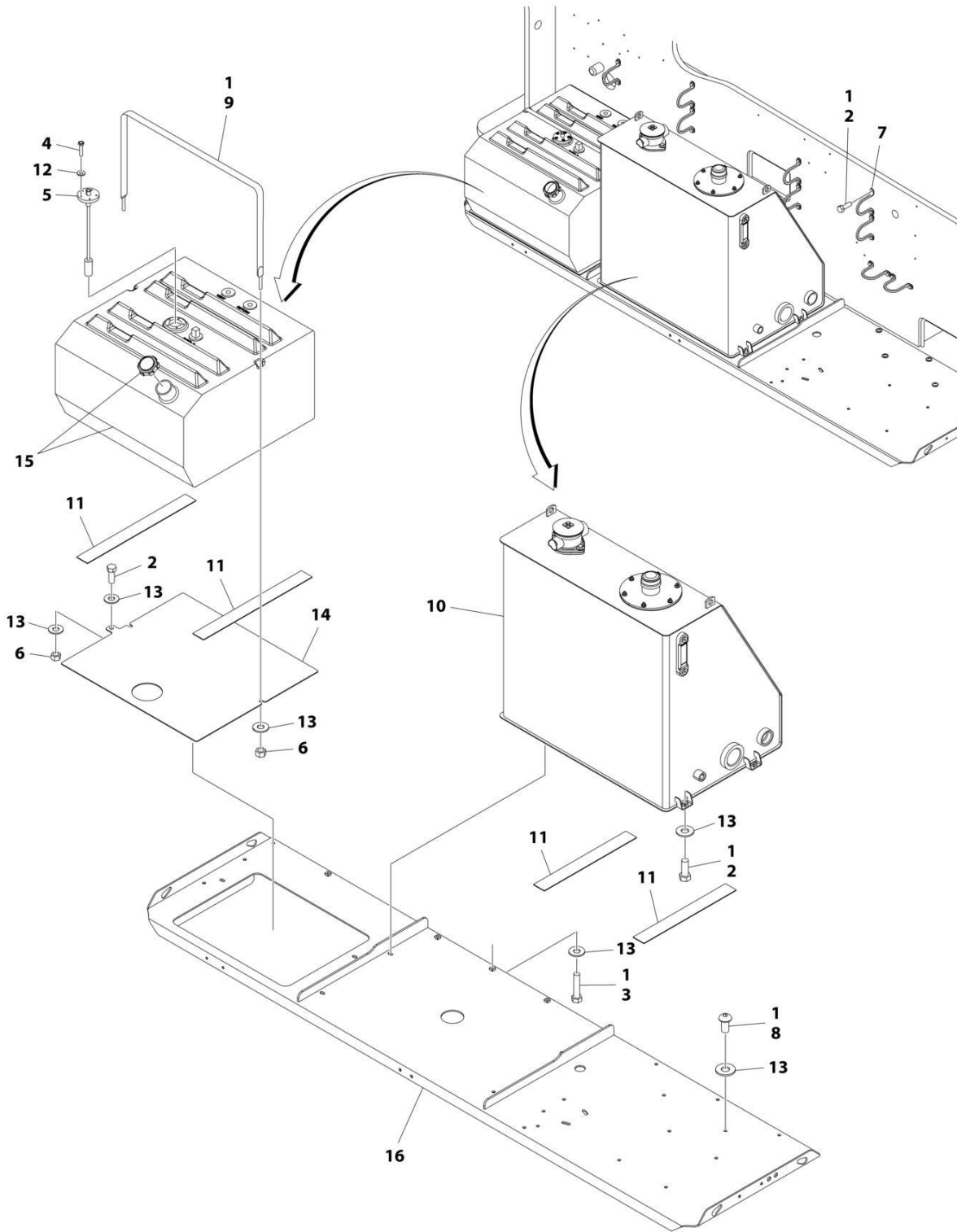
SECTION 2 - TURNTABLE

FIGURE 2-13. TANK INSTALLATION - WITH ABS HOODS

ITEM	PART NUMBER	QTY	DESCRIPTION	REV
	0271572	Ref	TANKS INSTALLATION - WITH ABS HOODS	C
1	0100011	AR	Compound, Locking	
2	0641608	22	Bolt 3/8 x 1	
3	0641614	10	Bolt 3/8 x 1-3/4	
4	0731007	5	Screw, Machine #10 x 7/8	
5	2420191	1	Gauge, Fuel	
6	3311601	2	Nut 3/8	
7	3841340	9	Loop, Hose	
9	4240139	1	Strap, Tank	
10	1001160567	1	Tank, Fuel	
10	70004414	1	Cap	
10	7020043	1	Tube, Pick up	
11	4400457	1	Tank, Hydraulic Oil (See Separate Breakdown in this Section)	
12	4420038	74 in /1.9m	Tape	
13	4751000	5	Washer #10	
14	4751600	16	Washer 3/8	
15	4846476	1	Tray	

SECTION 2 - TURNTABLE

FIGURE 2-14. TANK INSTALLATION - WITH STEEL HOODS



ART_1001173915

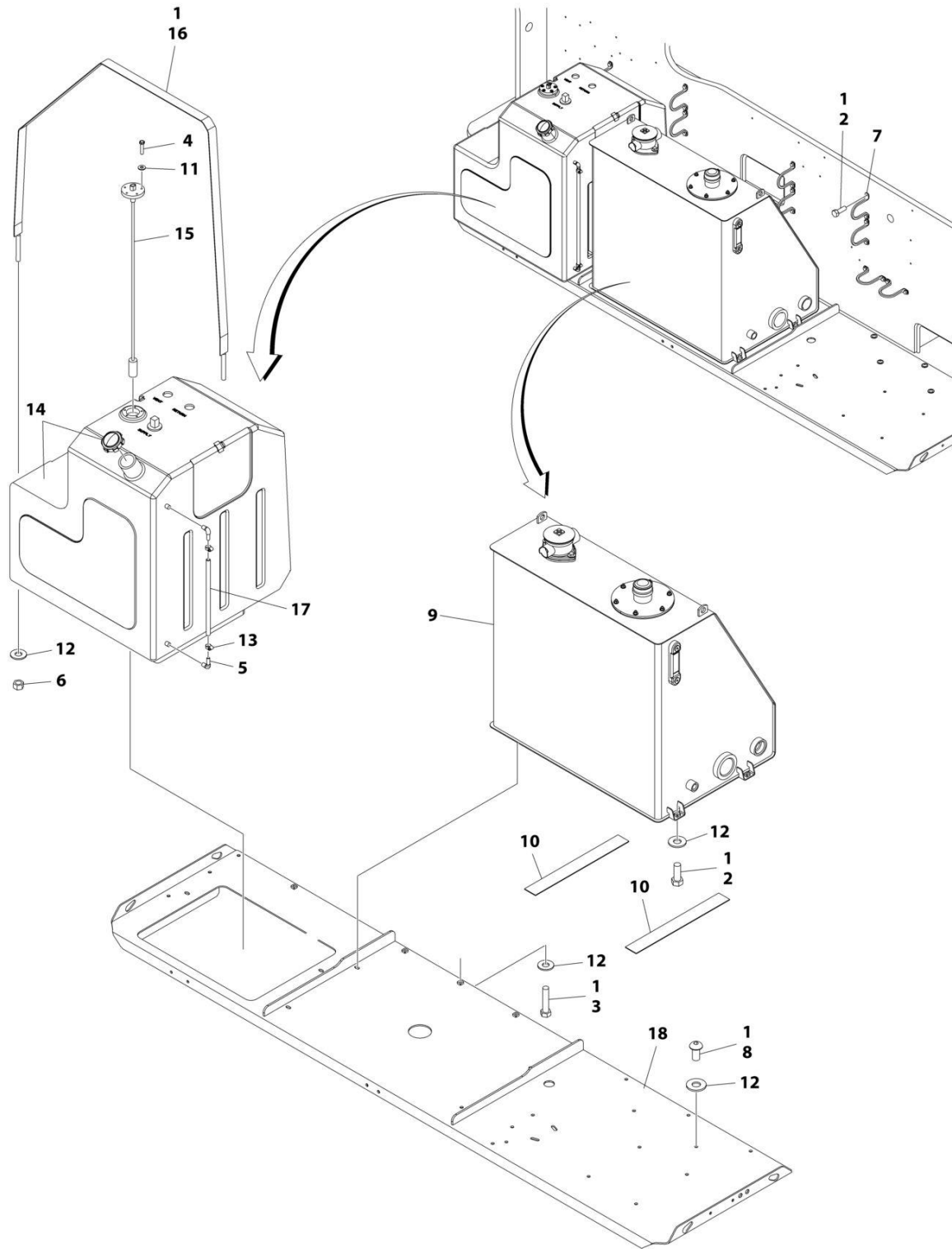
SECTION 2 - TURNTABLE

FIGURE 2-14. TANK INSTALLATION - WITH STEEL HOODS

ITEM	PART NUMBER	QTY	DESCRIPTION	REV
	1001173915	Ref	TANKS INSTALLATION - WITH STEEL HOODS	C
1	0100011	AR	Compound, Locking	
2	0641608	23	Bolt 3/8 x 1	
3	0641614	10	Bolt 3/8 x 1-3/4	
4	0731007	5	Screw, Machine #10 x 7/8	
5	2420191	1	Gauge, Fuel	
6	3311601	3	Nut 3/8	
7	3841340	9	Loop, Hose	
8	3900283	6	Screw 3/8 x 3/4	
9	4240139	1	Strap, Tank	
10	4400457	1	Tank, Hydraulic Oil (See Separate Breakdown in this Section)	
11	4420038	74 in /1.9m	Tape	
12	4751000	5	Washer #10	
13	4751600	24	Washer 3/8	
14	1001107359	1	Plate, Support	
15	1001160567	1	Tank, Fuel	
15	70004414	1	Cap	
15	7020043	1	Tube, Pick up	
16	1001173171	1	Tray	

SECTION 2 - TURNTABLE

FIGURE 2-15. TANK INSTALLATION - WITH STEEL HOODS AND 52.8 GAL/200 L FUEL TANK



ART_1001173918

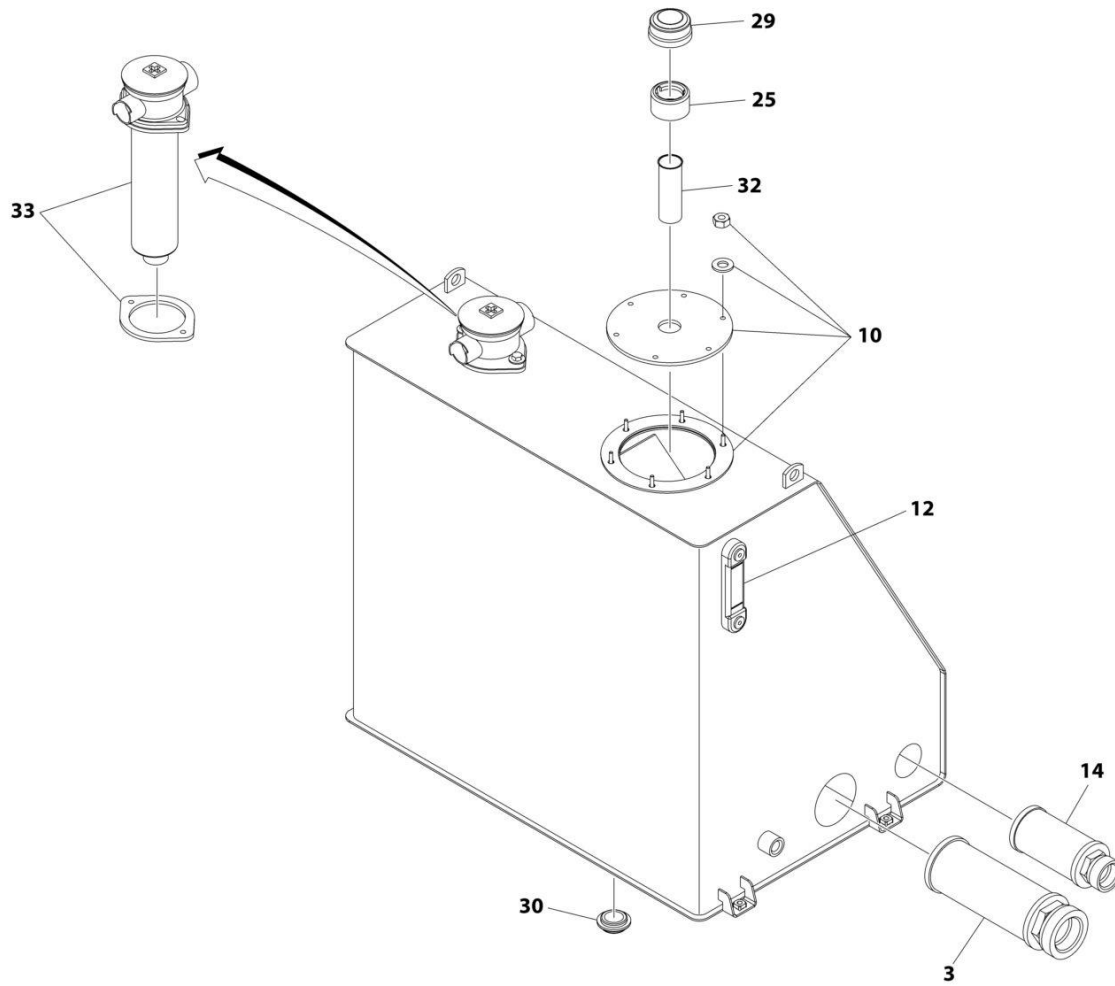
SECTION 2 - TURNTABLE

FIGURE 2-15. TANK INSTALLATION - WITH STEEL HOODS AND 52.8 GAL/200 L FUEL TANK

ITEM	PART NUMBER	QTY	DESCRIPTION	REV
	1001173918	Ref	TANKS INSTALLATION - WITH STEEL HOODS AND 52.8 GAL/200 L FUEL TANK	C
1	0100011	AR	Compound, Locking	
2	0641608	22	Bolt 3/8 x 1	
3	0641614	10	Bolt 3/8 x 1-3/4	
4	0731007	5	Screw, Machine #10 x 7/8	
5	2180467	2	Fitting, Barb	
6	3311601	2	Nut 3/8	
7	3841340	9	Loop, Hose	
8	3900283	6	Screw 3/8 x 3/4	
9	4400457	1	Tank, Hydraulic Oil (See Separate Breakdown in this Section)	
10	4420038	74 in/1.9m	Tape	
11	4751000	5	Washer #10	
12	4751600	22	Washer 3/8	
13	8405009	2	Clamp	
14	1001108579	1	Tank, Fuel	
14	7016314	1	Cap	
14	70004413	1	Tube, Pick up	
15	1001109048	1	Gauge, Fuel	
16	1001110059	1	Strap, Tank Mounting	
17	1001113103	19.5 in /0.5m	Tube, Sight	
18	1001173171	1	Tray	

SECTION 2 - TURNTABLE

FIGURE 2-16. HYDRAULIC OIL TANK ASSEMBLY



ART_4400457

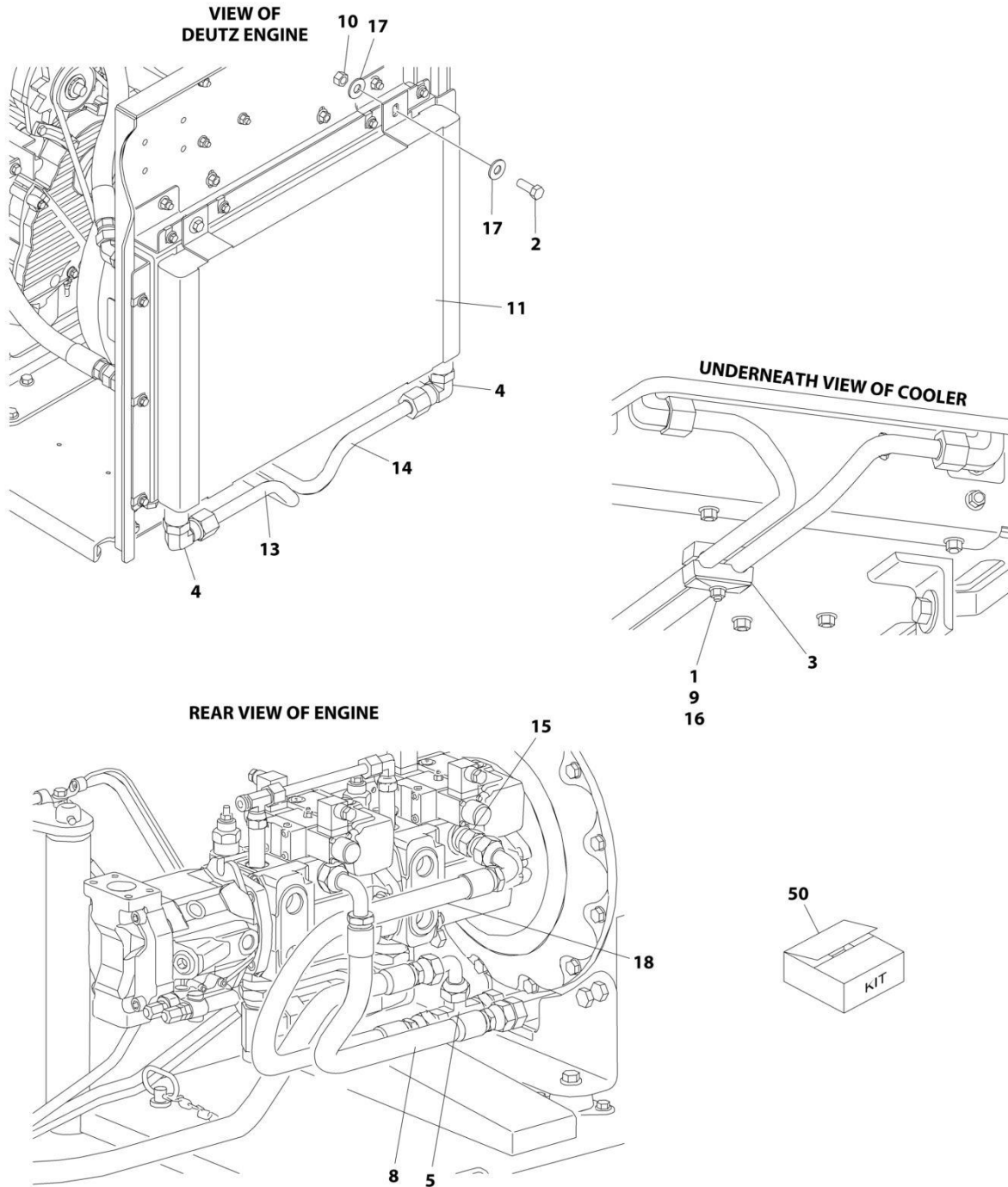
SECTION 2 - TURNTABLE

FIGURE 2-16. HYDRAULIC OIL TANK ASSEMBLY

ITEM	PART NUMBER	QTY	DESCRIPTION	REV
	4400457	Ref	HYDRAULIC OIL TANK ASSEMBLY	E
3	7026571	1	Strainer, Suction	
10	7024439	1	Cover	
10	7023306	1	Seal, Cover Plate	
10	7024440	1	Gasket	
12	7024441	1	Gauge, Sight	
14	7024442	1	Strainer	
25	7024445	1	Strainer (Filler Neck)	
29	7024444	1	Cap, Fill	
30	7024446	1	Plug, Magnetic	
32	7024443	1	Neck, Filler	
33	7024374	1	Filter, Hydraulic Oil	
33	7024375	1	Element, Filter	
33	7023347	1	Gasket, Filter Mounting Flange	

SECTION 2 - TURNTABLE

FIGURE 2-17. HYDRAULIC OIL COOLER INSTALLATION - DEUTZ TD2011 ENGINES WITH REXROTH PUMPS (OPTIONAL)



ART_0272080

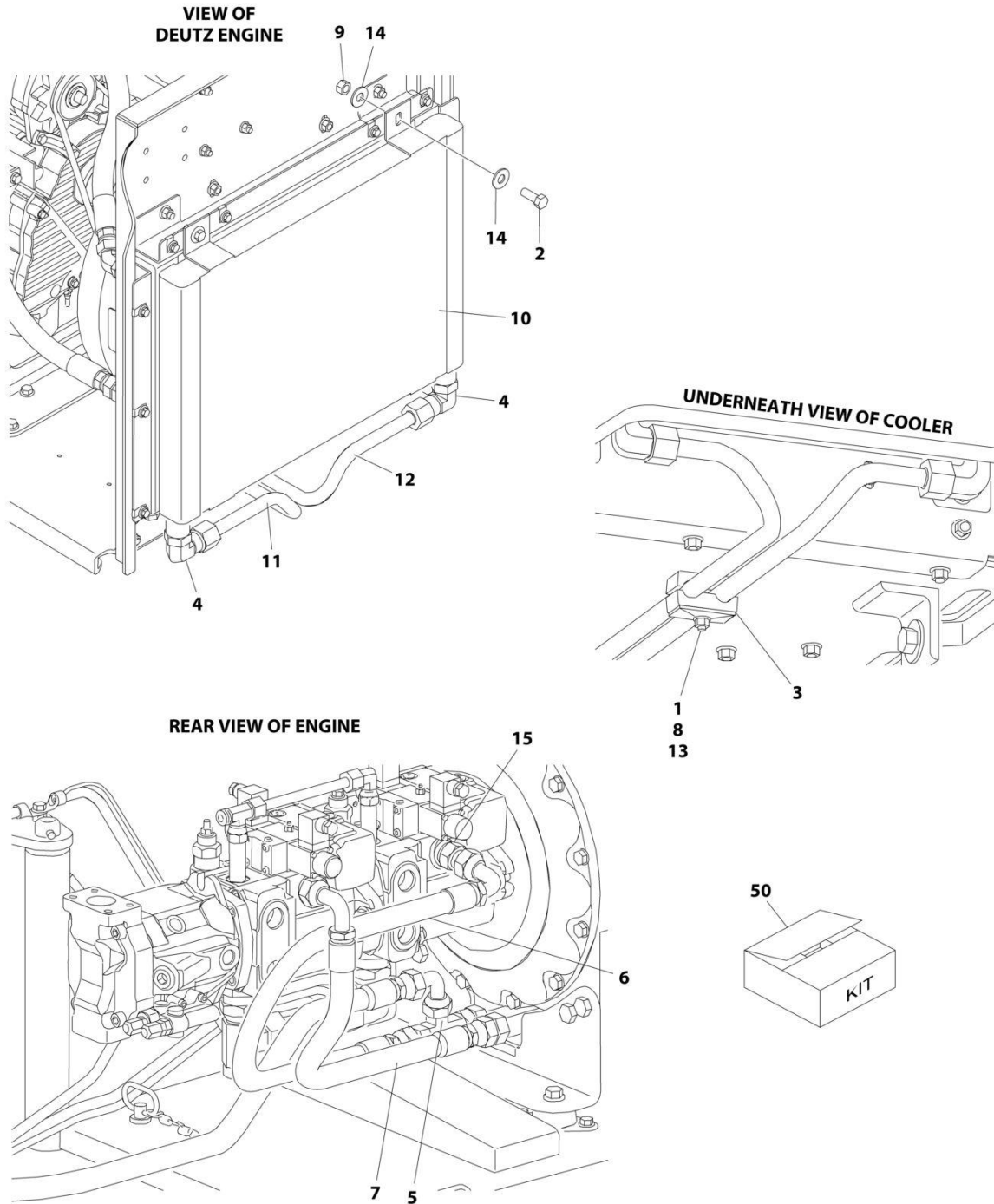
SECTION 2 - TURNTABLE

FIGURE 2-17. HYDRAULIC OIL COOLER INSTALLATION - DEUTZ TD2011 ENGINES WITH REXROTH PUMPS (OPTIONAL)

ITEM	PART NUMBER	QTY	DESCRIPTION	REV
	0272080	Ref	HYDRAULIC OIL COOLER INSTALLATION - DEUTZ TD2011 ENGINES WITH REXROTH PUMPS (OPTIONAL)	B
		Ref	Note: See Engine Installation for Engine Oil Cooler.	
1	0641520	2	Bolt 5/16 x 2-1/2	
2	0641608	4	Bolt 3/8 x 1	
3	1320162	2	Clamp, Hose	
4	2131212	2	Fitting, Elbow	
5	2170712	1	Fitting, Tee	
8	2753778	1	Hose	
9	3311505	2	Nut 5/16	
10	3311605	4	Nut 3/8	
11	3620034	1	Cooler, Hydraulic Oil	
13	4568426	1	Tube	
14	4568427	1	Tube	
15	4641247	1	Valve, Check	
16	4711500	4	Washer 5/16	
17	4751600	8	Washer 3/8	
18	2753843	1	Hose	
50	1001120564	1	Oil Cooler Add-on Kit (Includes Items 1-18)	

SECTION 2 - TURNTABLE

FIGURE 2-18. HYDRAULIC OIL COOLER INSTALLATION - DEUTZ TD2011 ENGINES WITH SAUER PUMPS (OPTIONAL)



ART_1001118957

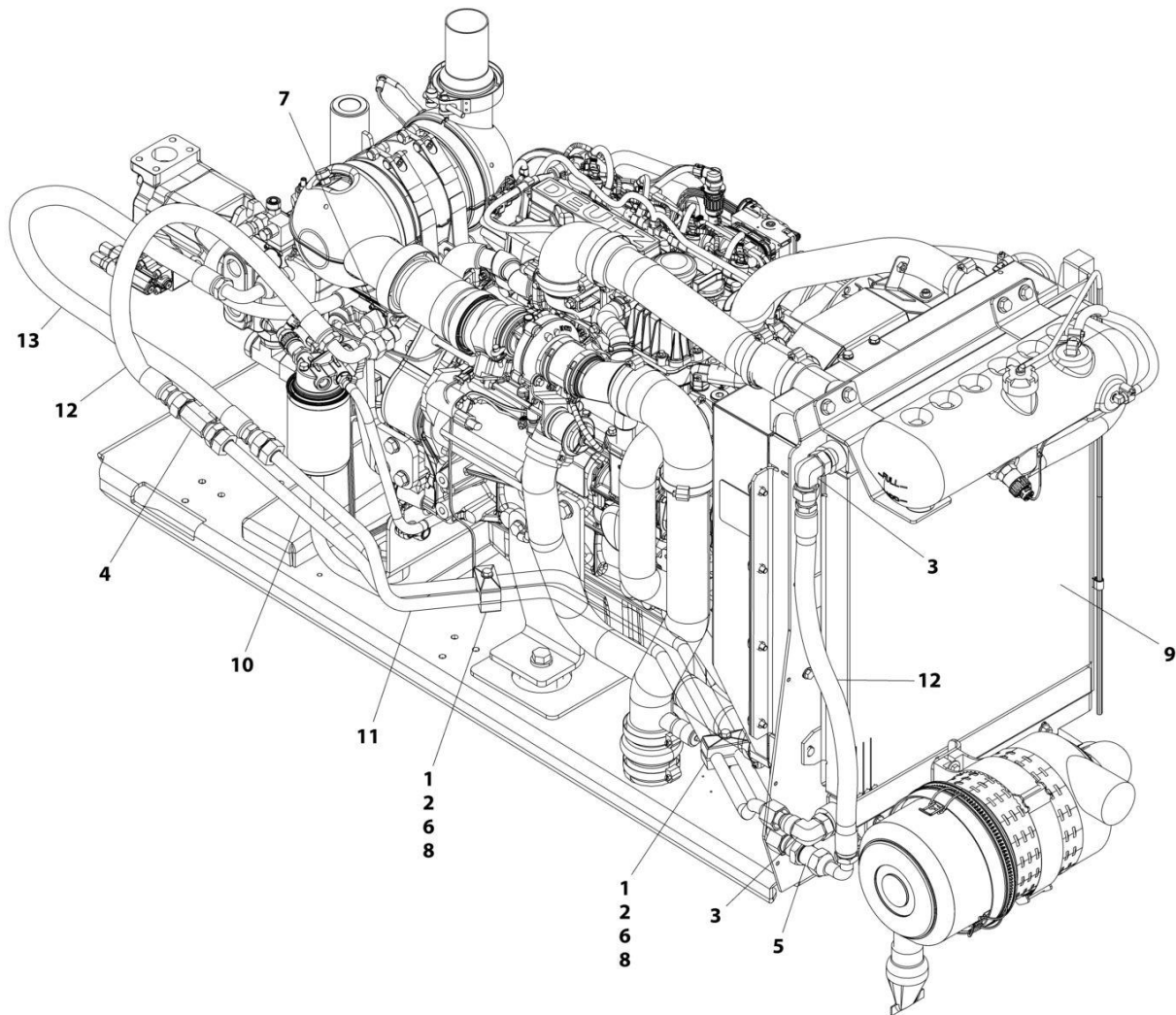
SECTION 2 - TURNTABLE

FIGURE 2-18. HYDRAULIC OIL COOLER INSTALLATION - DEUTZ TD2011 ENGINES WITH SAUER PUMPS (OPTIONAL)

ITEM	PART NUMBER	QTY	DESCRIPTION	REV
	1001118957	Ref	HYDRAULIC OIL COOLER INSTALLATION - DEUTZ TD2011 ENGINES WITH SAUER PUMPS (OPTIONAL)	B
		Ref	Note: See Engine Installation for Engine Oil Cooler.	
1	0641520	2	Bolt 5/16 x 2-1/2	
2	0641608	4	Bolt 3/8 x 1	
3	1320162	2	Clamp, Hose	
4	2131212	2	Fitting, Elbow	
5	2170712	1	Fitting, Tee	
6	2753778	1	Hose	
7	2753999	1	Hose	
8	3311505	2	Nut 5/16	
9	3311605	4	Nut 3/8	
10	3620034	1	Cooler, Hydraulic Oil	
11	4568426	1	Tube	
12	4568427	1	Tube	
13	4711500	4	Washer 5/16	
14	4751600	8	Washer 3/8	
15	1001109677	1	Valve, Check	
50	1001120564	1	Oil Cooler Add-on Kit Options (Includes Items 1-15):	

SECTION 2 - TURNTABLE

FIGURE 2-19. HYDRAULIC OIL COOLER INSTALLATION - DEUTZ TCD2.9L4 ENGINES AND DEUTZ TCD2.9L4 (STAGE V) ENGINES WITH REXROTH PUMPS (OPTIONAL)



ART_1001139494

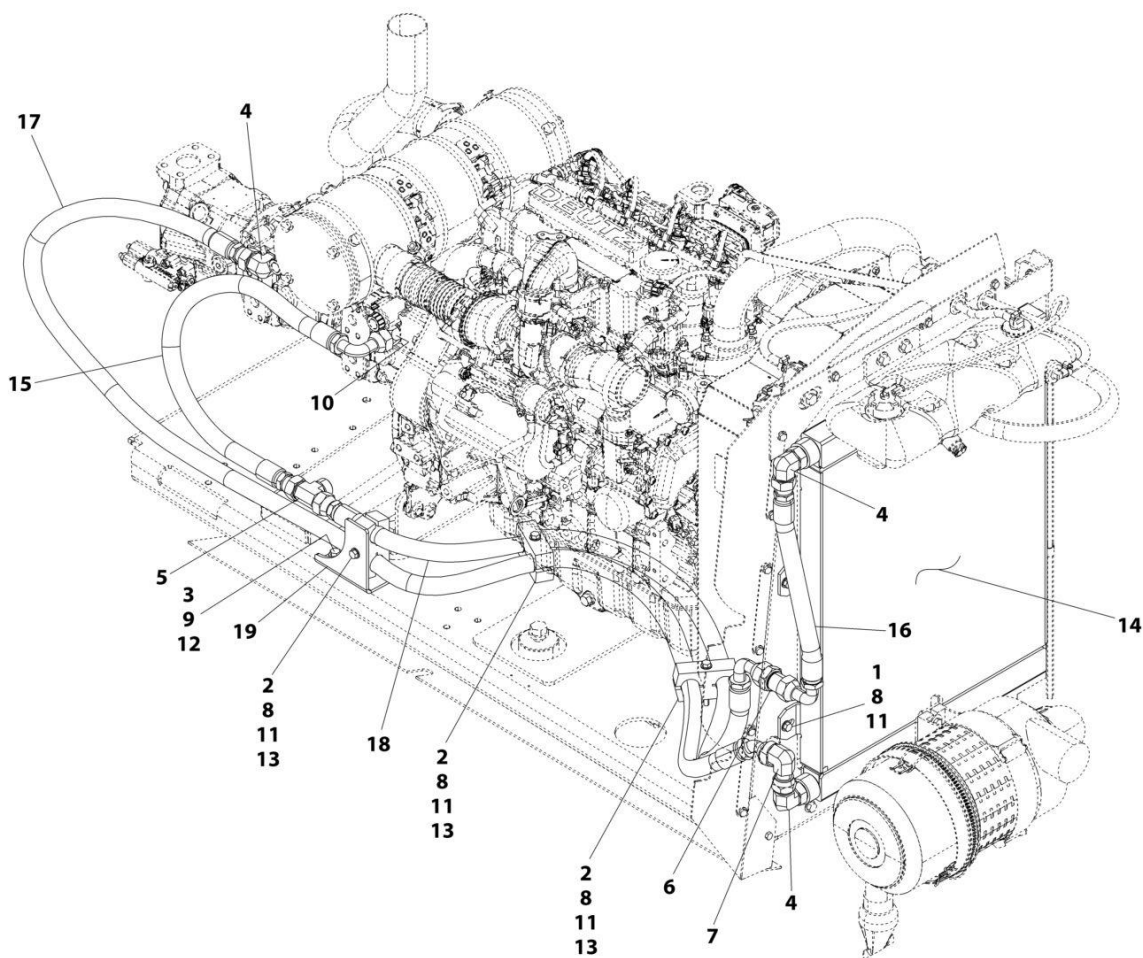
SECTION 2 - TURNTABLE

FIGURE 2-19. HYDRAULIC OIL COOLER INSTALLATION - DEUTZ TCD2.9L4 ENGINES AND DEUTZ TCD2.9L4 (STAGE V) ENGINES WITH REXROTH PUMPS (OPTIONAL)

ITEM	PART NUMBER	QTY	DESCRIPTION	REV
	1001139494	Ref	HYDRAULIC OIL COOLER INSTALLATION - DEUTZ TCD2.9L4 ENGINES WITH REXROTH PUMPS (OPTIONAL)	E
		Ref	Note: See Engine Installation for Engine Oil Cooler.	
1	0641520	2	Bolt 5/16 x 2-1/2	
2	1320162	2	Clamp, Hose	
3	2131212	2	Fitting, 90	
4	2170712	1	Fitting, Tee	
5	2171112	1	Fitting, Straight	
6	3311505	2	Nut 5/16	
7	4641247	1	Valve	
8	4711500	4	Washer 5/16	
9	1001135124	1	Cooler, Hydraulic Oil	
10	1001139665	1	Tube	
11	1001139666	1	Tube	
12	1001143087	2	Hose	
13	1001143123	1	Hose	

SECTION 2 - TURNTABLE

FIGURE 2-20. HYDRAULIC OIL COOLER INSTALLATION - DEUTZ TCD2.9L4 ENGINES WITH REXROTH PUMPS (OPTIONAL) (CHINA SPEC ONLY)



ART_1001221802

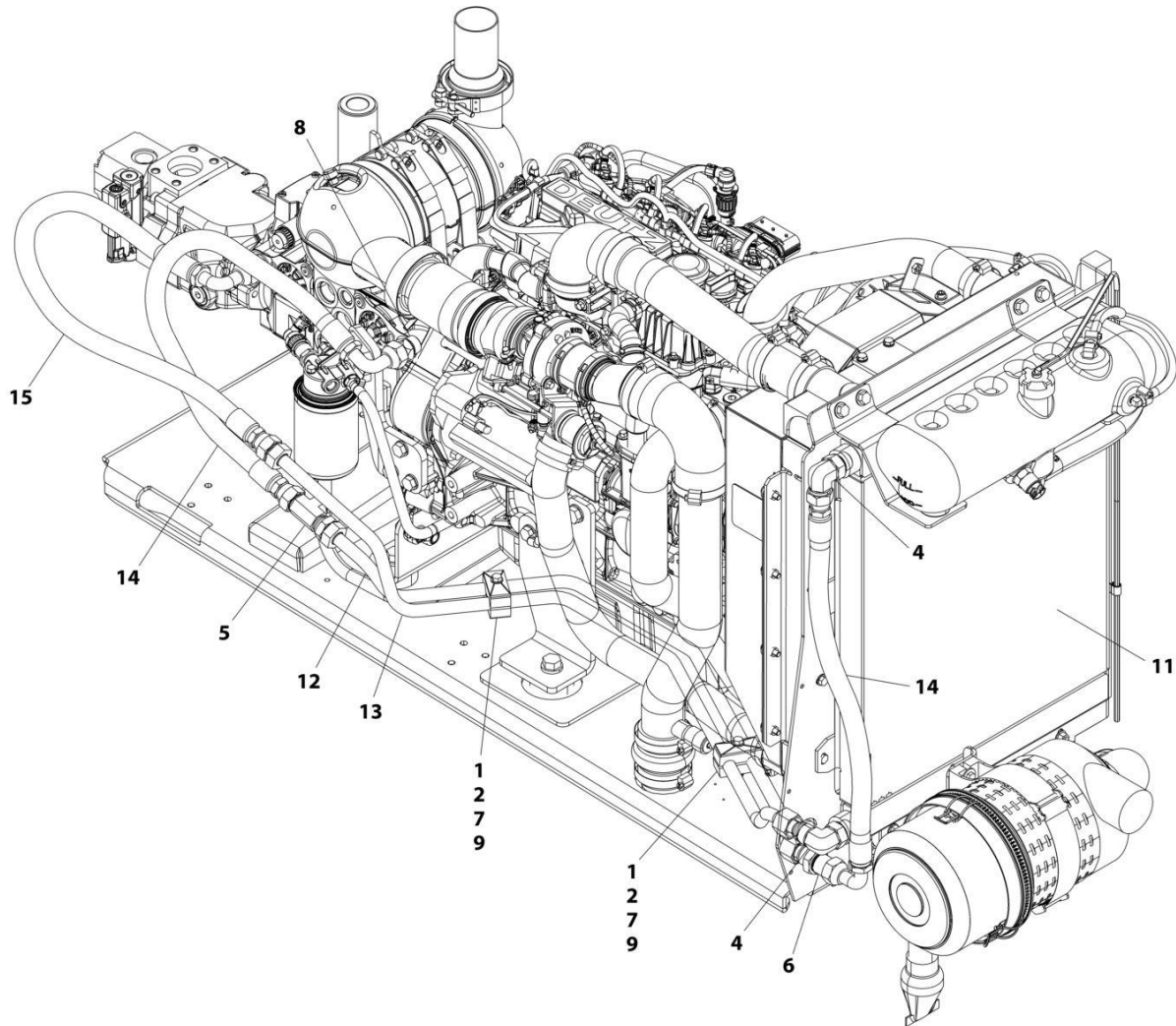
SECTION 2 - TURNTABLE

FIGURE 2-20. HYDRAULIC OIL COOLER INSTALLATION - DEUTZ TCD2.9L4 ENGINES WITH REXROTH PUMPS (OPTIONAL) (CHINA SPEC ONLY)

ITEM	PART NUMBER	QTY	DESCRIPTION	REV
	1001221802	Ref	HYDRAULIC OIL COOLER INSTALLATION - DEUTZ TCD2.9L4 ENGINES WITH REXROTH PUMPS (OPTIONAL)	A
1	0641508	4	Bolt 5/16 x 1	
2	0641524	3	Bolt 5/16 x 3	
3	0641609	2	Bolt 3/8 x 1-1/8	
4	2131212	3	Fitting, 90 ORFS/ORB	
5	2170512	1	Fitting, Tee ORFS/ORFS/ORFS	
6	2171112	1	Fitting, Straight ORFS/ORFS	
7	2172112	1	Fitting, 90 ORFS/FSORFS	
8	3311505	7	Nut 5/16	
9	3311605	2	Nut 3/8	
10	4641247	1	Valve	
11	4711500	14	Washer 5/16	
12	4711600	4	Washer 3/8	
13	8750024	3	Clamp	
14	1001135124	1	Cooler, Hydraulic Oil	
15	1001143087	1	Hose	
16	1001181129	1	Hose	
17	1001188376	1	Hose	
18	1001188382	1	Hose	
19	1001220560	1	Bracket	

SECTION 2 - TURNTABLE

FIGURE 2-21. HYDRAULIC OIL COOLER INSTALLATION – DEUTZ TCD2.9L4 ENGINES AND DEUTZ TCD2.9L4 (STAGE V) ENGINES WITH SAUER PUMPS (OPTIONAL)



ART_1001139492

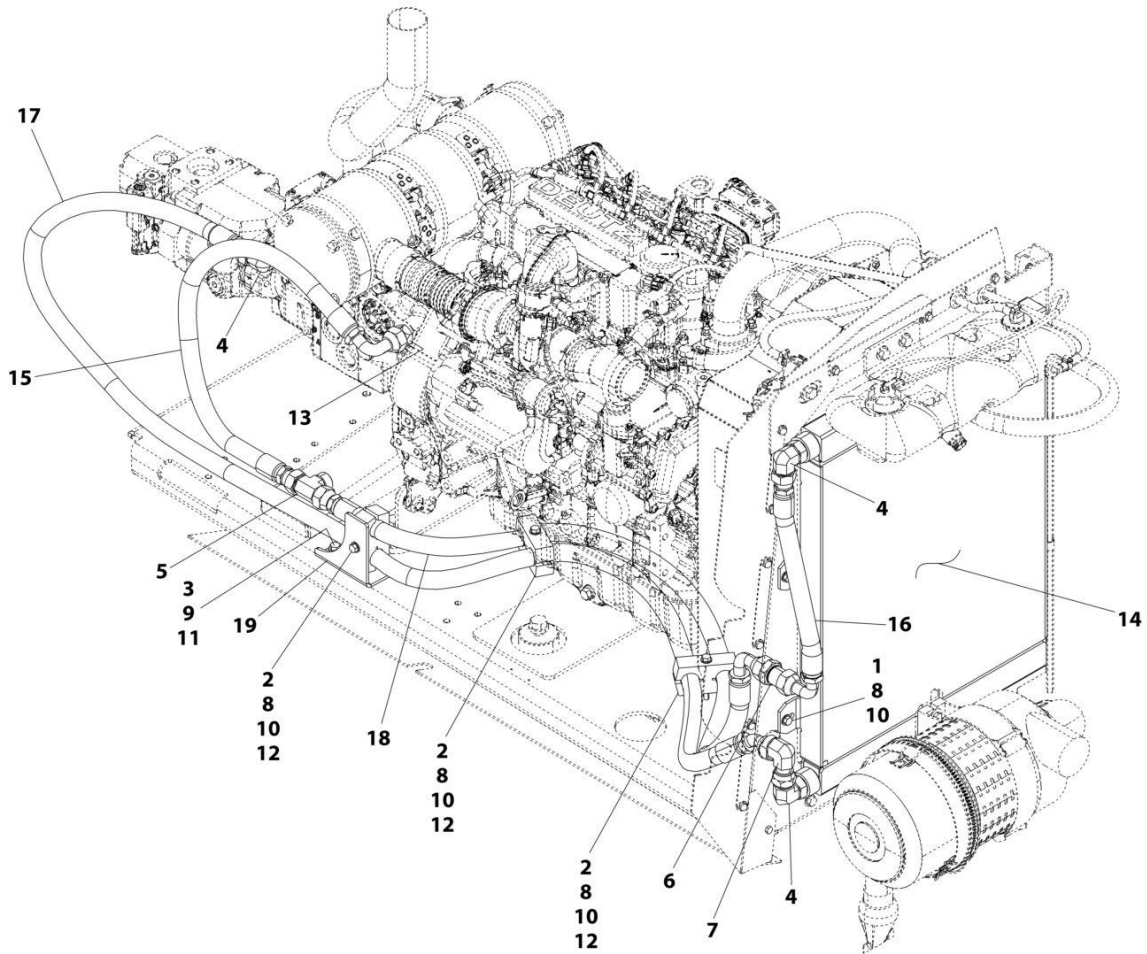
SECTION 2 - TURNTABLE

FIGURE 2-21. HYDRAULIC OIL COOLER INSTALLATION – DEUTZ TCD2.9L4 ENGINES AND DEUTZ TCD2.9L4 (STAGE V) ENGINES WITH SAUER PUMPS (OPTIONAL)

ITEM	PART NUMBER	QTY	DESCRIPTION	REV
	1001139492	Ref	HYDRAULIC OIL COOLER INSTALLATION - DEUTZ TCD2.9L4 ENGINES WITH SAUER PUMPS (OPTIONAL)	E
		Ref	Note: See Engine Installation for Engine Oil Cooler	
1	0641520	2	Bolt 5/16 x 2-1/2	
2	1320162	2	Clamp, Hose	
4	2131212	2	Fitting, 90	
5	2170712	1	Fitting, Tee	
6	2171112	1	Fitting, Straight	
7	3311505	2	Nut 5/16	
8	1001109677	1	Valve	
9	4711500	4	Washer 5/16	
11	1001135124	1	Cooler, Hydraulic Oil	
12	1001139665	1	Tube	
13	1001139666	1	Tube	
14	1001143087	2	Hose	
15	1001143123	1	Hose	

SECTION 2 - TURNTABLE

FIGURE 2-22. HYDRAULIC OIL COOLER INSTALLATION - DEUTZ TCD2.9L4 ENGINES WITH SAUER PUMPS (OPTIONAL) (CHINA SPEC ONLY)



ART_1001221666

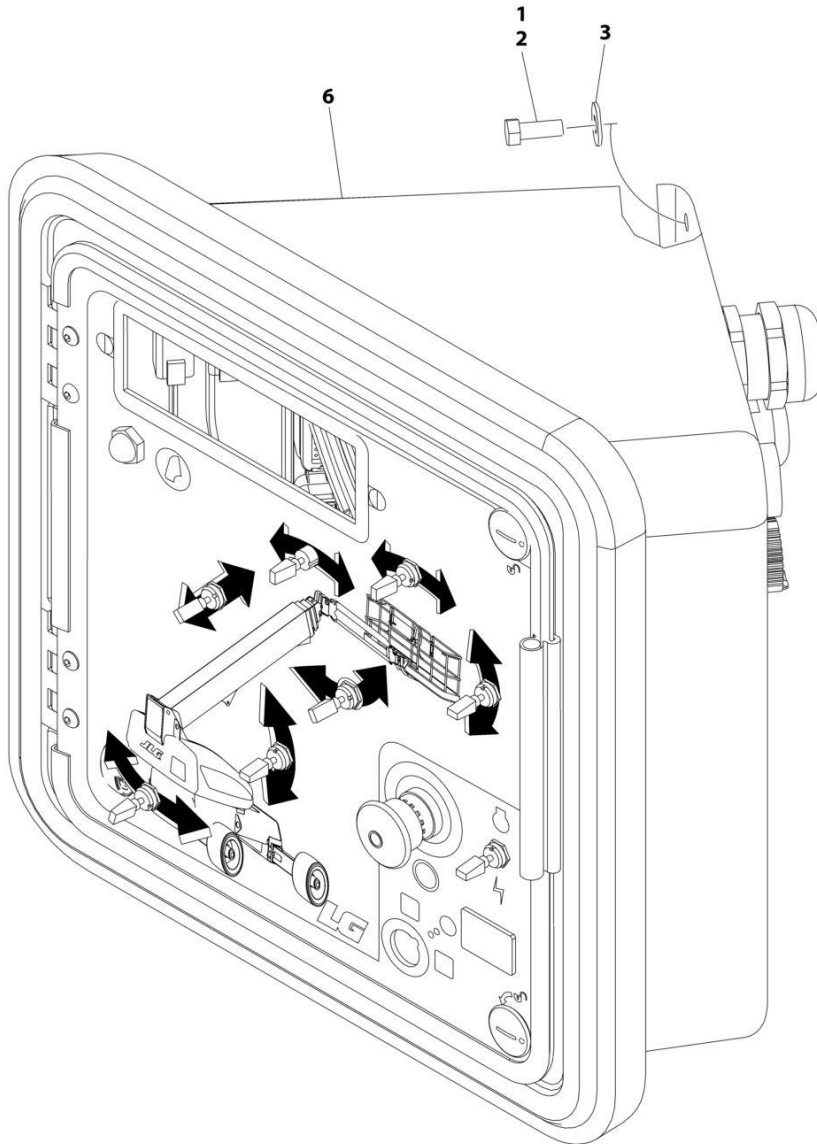
SECTION 2 - TURNTABLE

FIGURE 2-22. HYDRAULIC OIL COOLER INSTALLATION - DEUTZ TCD2.9L4 ENGINES WITH SAUER PUMPS (OPTIONAL) (CHINA SPEC ONLY)

ITEM	PART NUMBER	QTY	DESCRIPTION	REV
	1001221666	Ref	HYDRAULIC OIL COOLER INSTALLATION - DEUTZ TCD2.9L4 ENGINES WITH SAUER PUMPS (OPTIONAL)	A
1	0641508	4	Bolt 5/16 x 1	
2	0641524	3	Bolt 5/16 x 3	
3	0641609	2	Bolt 3/8 x 1-1/8	
4	2131212	3	Fitting, 90 ORFS/ORB	
5	2170512	1	Fitting, Tee ORFS/ORFS/ORFS	
6	2171112	1	Fitting, Straight ORFS/ORFS	
7	2172112	1	Fitting, 90 ORFS/FSORFS	
8	3311505	7	Nut 5/16	
9	3311605	2	Nut 3/8	
10	4711500	14	Washer 5/16	
11	4711600	4	Washer 3/8	
12	8750024	3	Clamp	
13	1001109677	1	Valve	
14	1001135124	1	Cooler, Hydraulic Oil	
15	1001143087	1	Hose	
16	1001181129	1	Hose	
17	1001188376	1	Hose	
18	1001188382	1	Hose	
19	1001220560	1	Bracket	

SECTION 2 - TURNTABLE

FIGURE 2-23. GROUND CONTROL BOX INSTALLATION - DEUTZ TD2011 ENGINES WITH REXROTH PUMPS (CE SPECS)



ART_1001243974

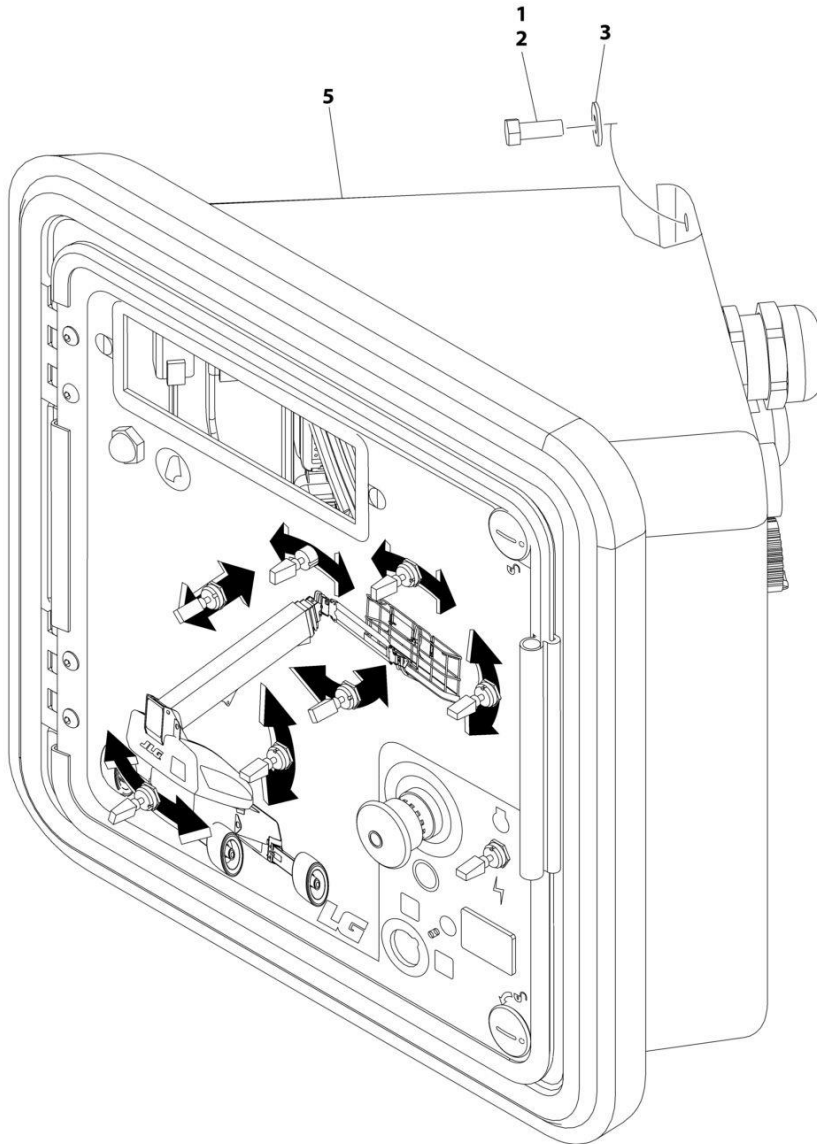
SECTION 2 - TURNTABLE

FIGURE 2-23. GROUND CONTROL BOX INSTALLATION - DEUTZ TD2011 ENGINES WITH REXROTH PUMPS (CE SPECS)

ITEM	PART NUMBER	QTY	DESCRIPTION	REV
	1001243974	Ref	GROUND CONTROL BOX INSTALLATION - DEUTZ TD2011 ENGINES WITH REXROTH PUMPS	B
1	0100011	AR	Compound, Locking	
2	3931616	4	Bolt 3/8 x 3/4	
3	4751600	4	Washer 3/8	
4	1001119456	2	Harness, Pump Adapter (Not Shown) (See Separate Breakdown in ELECTRICAL SECTION)	
5	1001119470	1	Harness, Engine (Not Shown) (See Separate Breakdown in ELECTRICAL SECTION)	
6	1001243954	1	Ground Control Box Assembly (See Separate Breakdown in this Section)	

SECTION 2 - TURNTABLE

FIGURE 2-24. GROUND CONTROL BOX INSTALLATION – DEUTZ TD2011 ENGINES WITH SAUER PUMPS (CE SPECS)



ART_1001243973

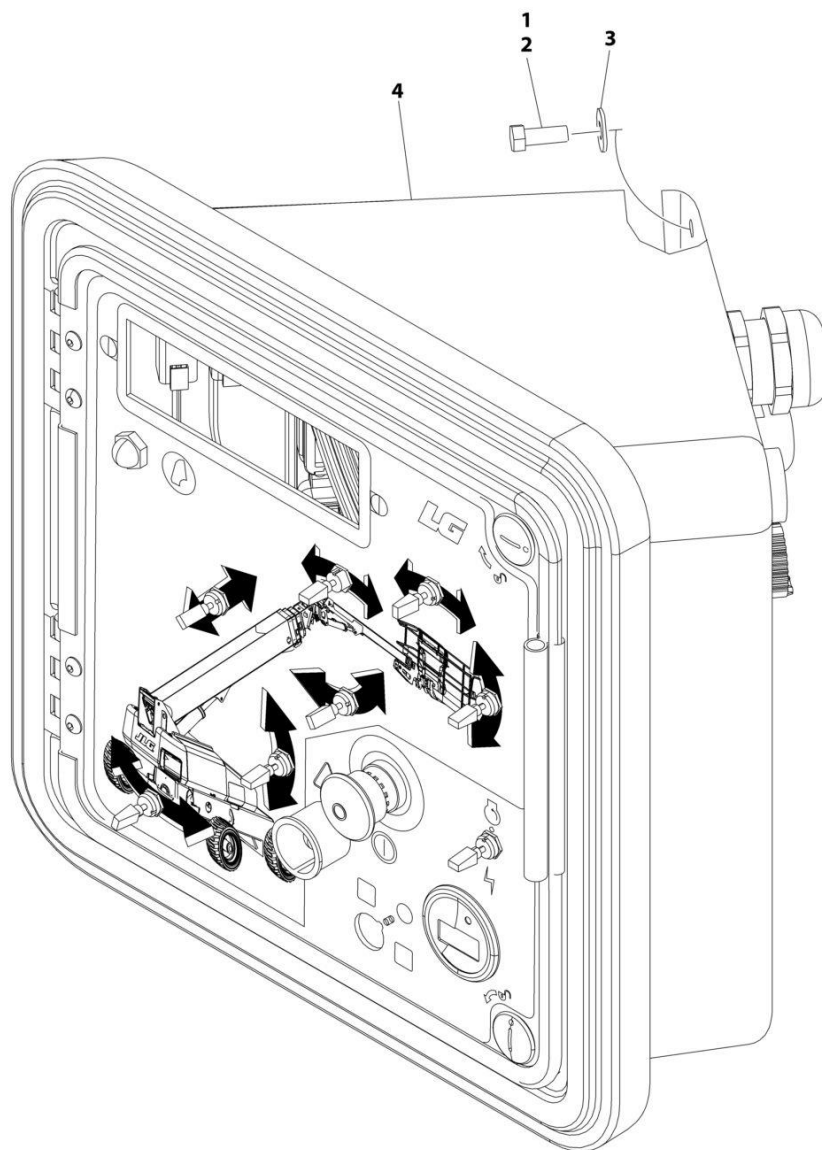
SECTION 2 - TURNTABLE

FIGURE 2-24. GROUND CONTROL BOX INSTALLATION – DEUTZ TD2011 ENGINES WITH SAUER PUMPS (CE SPECS)

ITEM	PART NUMBER	QTY	DESCRIPTION	REV
	1001243973	Ref	GROUND CONTROL BOX INSTALLATION – DEUTZ TD2011 ENGINES WITH SAUER PUMPS	B
1	0100011	AR	Compound, Locking	
2	3931616	4	Bolt 3/8 x 3/4	
3	4751600	4	Washer 3/8	
4	1001119470	1	Harness, Engine (Not Shown) (See Separate Breakdown in ELECTRICAL SECTION)	
5	1001243954	1	Ground Control Box Assembly (See Separate Breakdown in this Section)	

SECTION 2 - TURNTABLE

FIGURE 2-25. GROUND CONTROL BOX INSTALLATION – DEUTZ TCD2.9L4 ENGINES (ANSI, ANSI EXPORT, CSA, CHINA AND JAPANESE SPECS)



ART_1001244081

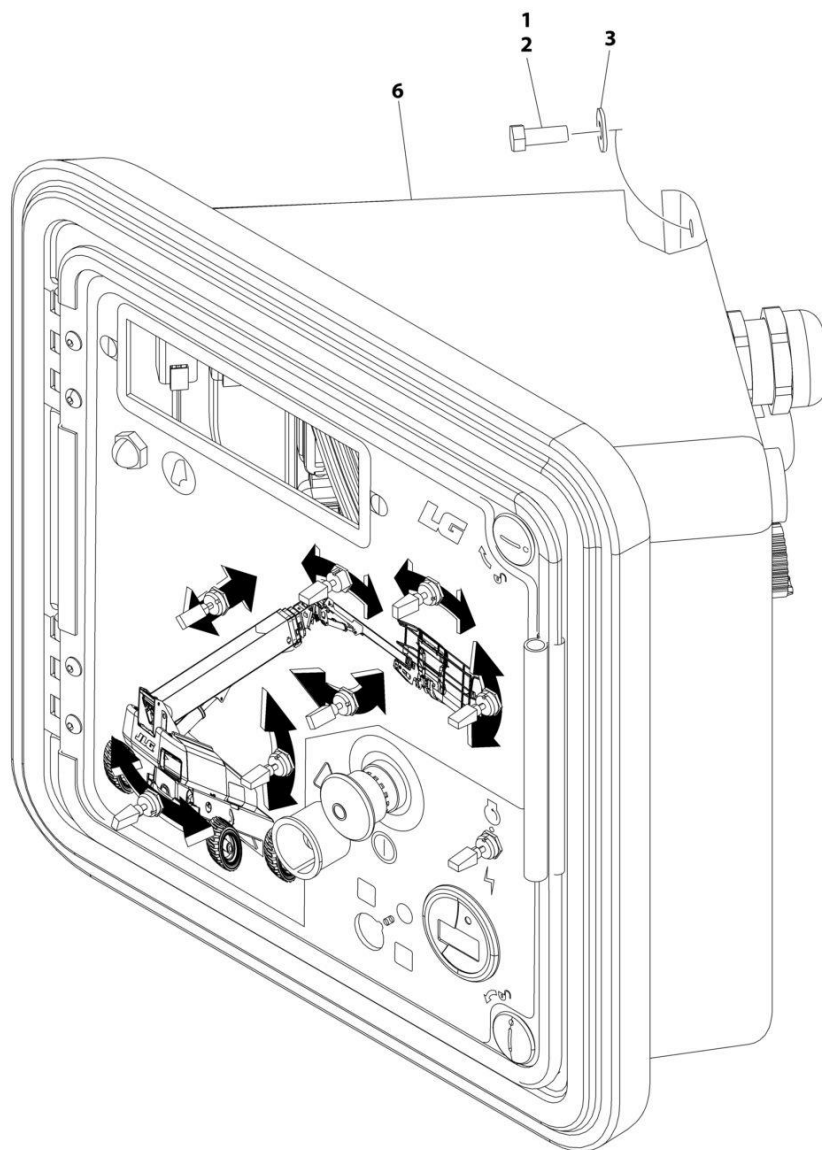
SECTION 2 - TURNTABLE

FIGURE 2-25. GROUND CONTROL BOX INSTALLATION – DEUTZ TCD2.9L4 ENGINES (ANSI, ANSI EXPORT, CSA, CHINA AND JAPANESE SPECS)

ITEM	PART NUMBER	QTY	DESCRIPTION	REV
	1001244081	Ref	GROUND CONTROL BOX INSTALLATION – DEUTZ TCD2.9L4 ENGINES	B
1	0100011	AR	Compound, Locking	
2	3931616	4	Bolt 3/8 x 3/4	
3	4751600	4	Washer 3/8	
4	1001243924	1	Ground Control Box Assembly (See Separate Breakdown in this Section)	

SECTION 2 - TURNTABLE

FIGURE 2-26. GROUND CONTROL BOX INSTALLATION - DEUTZ TD2.9L4 ENGINES WITH REXROTH PUMPS (ANSI EXPORT AND AUSTRALIAN SPECS)



ART_1001244082

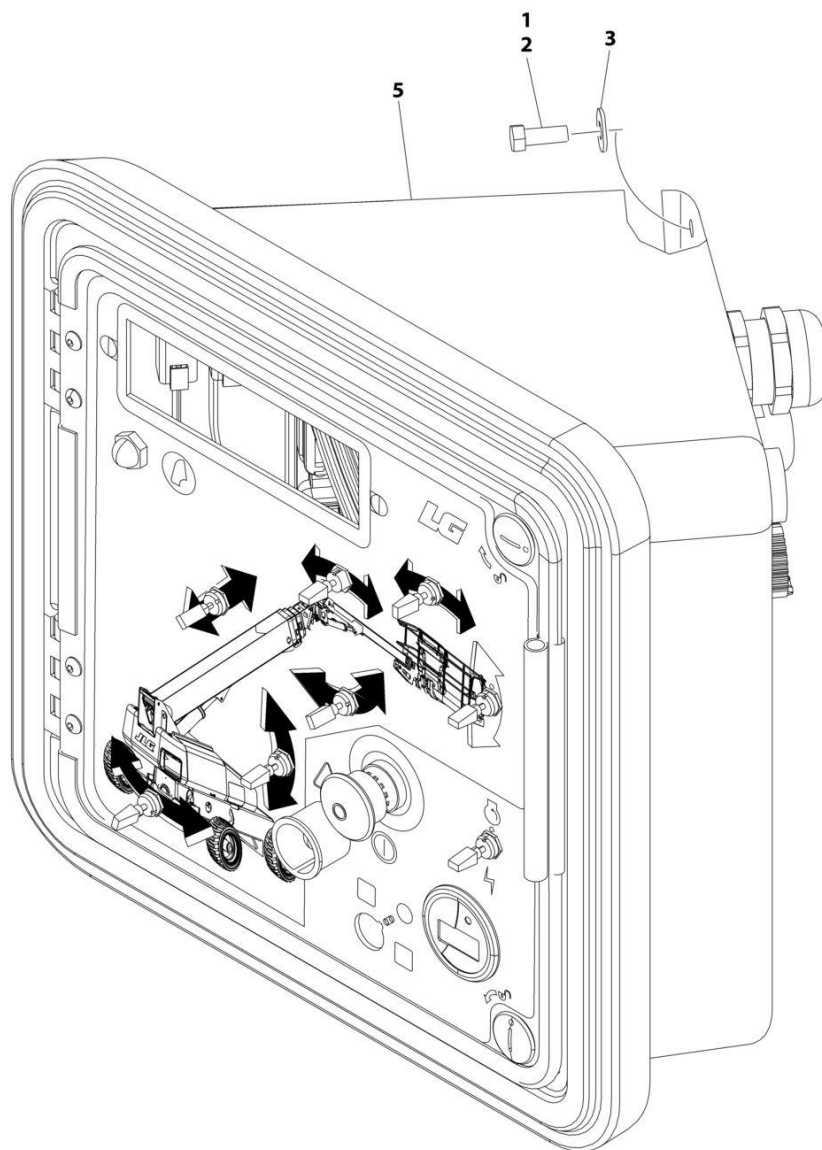
SECTION 2 - TURNTABLE

FIGURE 2-26. GROUND CONTROL BOX INSTALLATION - DEUTZ TD2.9L4 ENGINES WITH REXROTH PUMPS (ANSI EXPORT AND AUSTRALIAN SPECS)

ITEM	PART NUMBER	QTY	DESCRIPTION	REV
	1001244082	Ref	GROUND CONTROL BOX INSTALLATION - DEUTZ TD2.9L4 ENGINES WITH REXROTH PUMPS	B
1	0100011	AR	Compound, Locking	
2	3931616	4	Bolt 3/8 x 3/4	
3	4751600	4	Washer 3/8	
4	1001119456	2	Harness, Pump Adapter (Not Shown) (See Separate Breakdown in ELECTRICAL SECTION)	
5	1001119470	1	Harness, Engine (Not Shown) (See Separate Breakdown in ELECTRICAL SECTION)	
6	1001243924	1	Ground Control Box Assembly (See Separate Breakdown in this Section)	

SECTION 2 - TURNTABLE

FIGURE 2-27. GROUND CONTROL BOX INSTALLATION - DEUTZ TD2.9L4 ENGINES WITH SAUER PUMPS (ANSI EXPORT AND AUSTRALIAN SPECS)



ART_1001244083

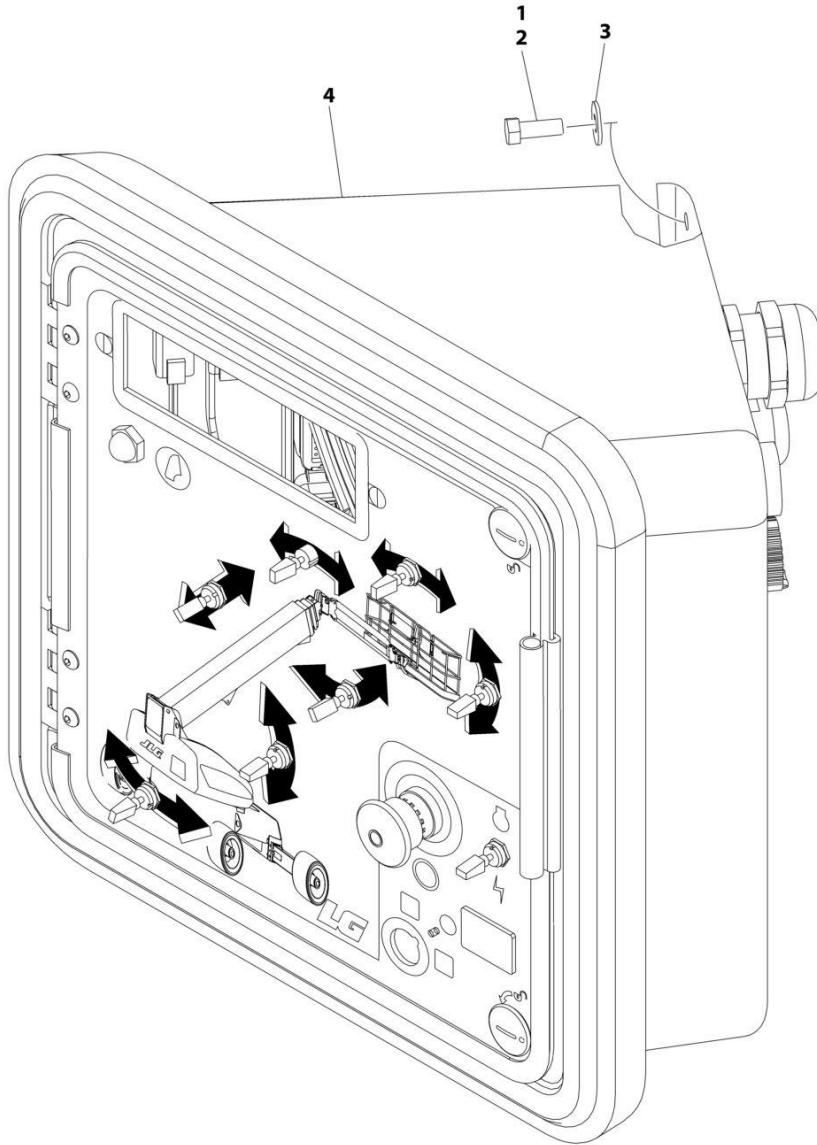
SECTION 2 - TURNTABLE

FIGURE 2-27. GROUND CONTROL BOX INSTALLATION - DEUTZ TD2.9L4 ENGINES WITH SAUER PUMPS (ANSI EXPORT AND AUSTRALIAN SPECS)

ITEM	PART NUMBER	QTY	DESCRIPTION	REV
	1001244083	Ref	GROUND CONTROL BOX INSTALLATION - DEUTZ TD2.9L4 ENGINES WITH SAUER PUMPS	B
1	0100011	AR	Compound, Locking	
2	3931616	4	Bolt 3/8 x 3/4	
3	4751600	4	Washer 3/8	
4	1001119470	1	Harness, Engine (Not Shown) (See Separate Breakdown in ELECTRICAL SECTION)	
5	1001243924	1	Ground Control Box Assembly (See Separate Breakdown in this Section)	

SECTION 2 - TURNTABLE

FIGURE 2-28. GROUND CONTROL BOX INSTALLATION - DEUTZ TCD2.9L4 ENGINES (CE SPECS)



ART_1001243976

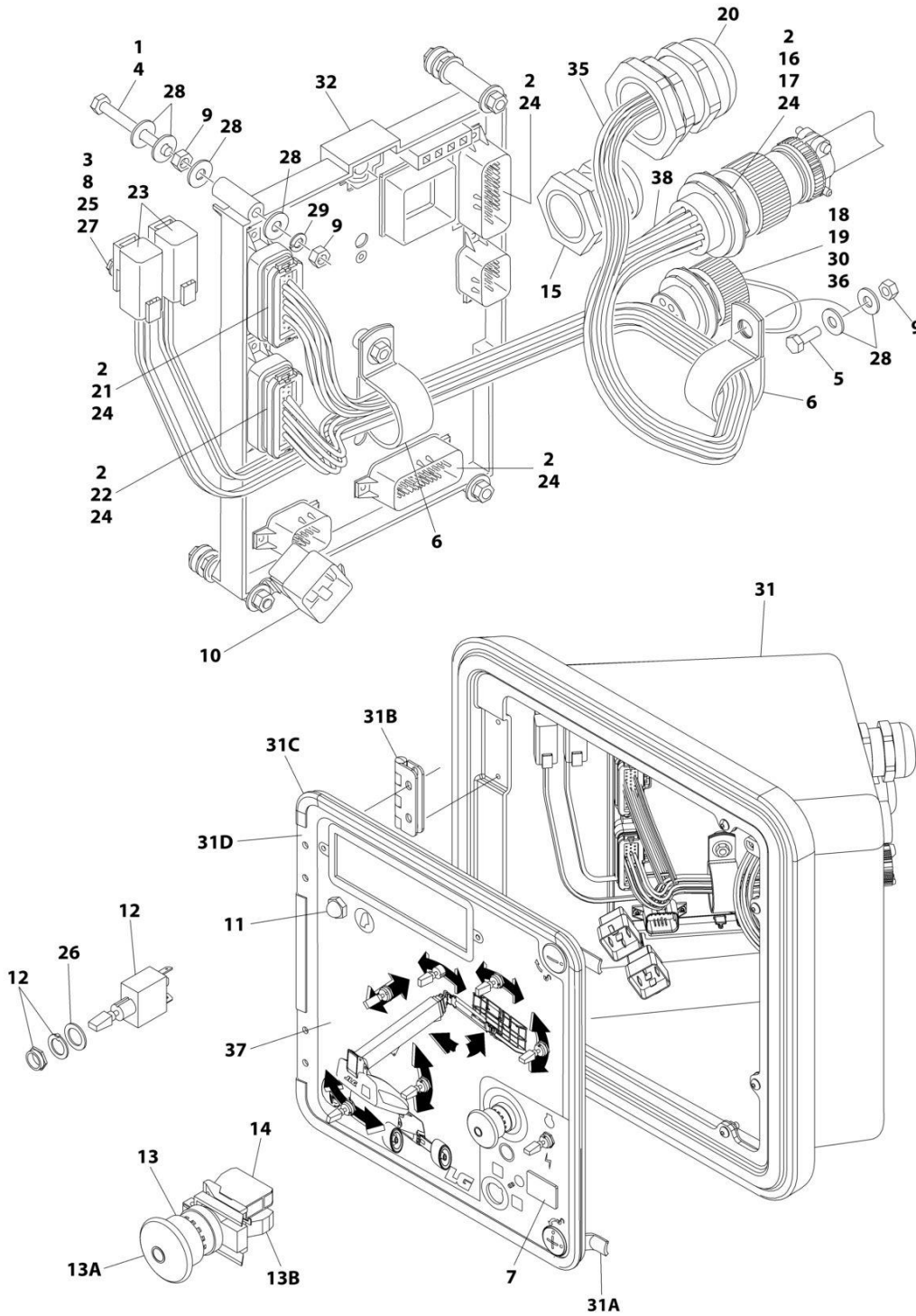
SECTION 2 - TURNTABLE

FIGURE 2-28. GROUND CONTROL BOX INSTALLATION - DEUTZ TCD2.9L4 ENGINES (CE SPECS)

ITEM	PART NUMBER	QTY	DESCRIPTION	REV
	1001243976	Ref	GROUND CONTROL BOX INSTALLATION - DEUTZ TCD2.9L4 ENGINES	B
1	0100011	AR	Compound, Locking	
2	3931616	4	Bolt 3/8 x 3/4	
3	4751600	4	Washer 3/8	
4	1001243954	1	Ground Control Box Assembly (See Separate Breakdown in this Section)	

SECTION 2 - TURNTABLE

FIGURE 2-29. GROUND CONTROL BOX ASSEMBLY (ALL SPECS EXCEPT CE SPECS)



ART_1001243924

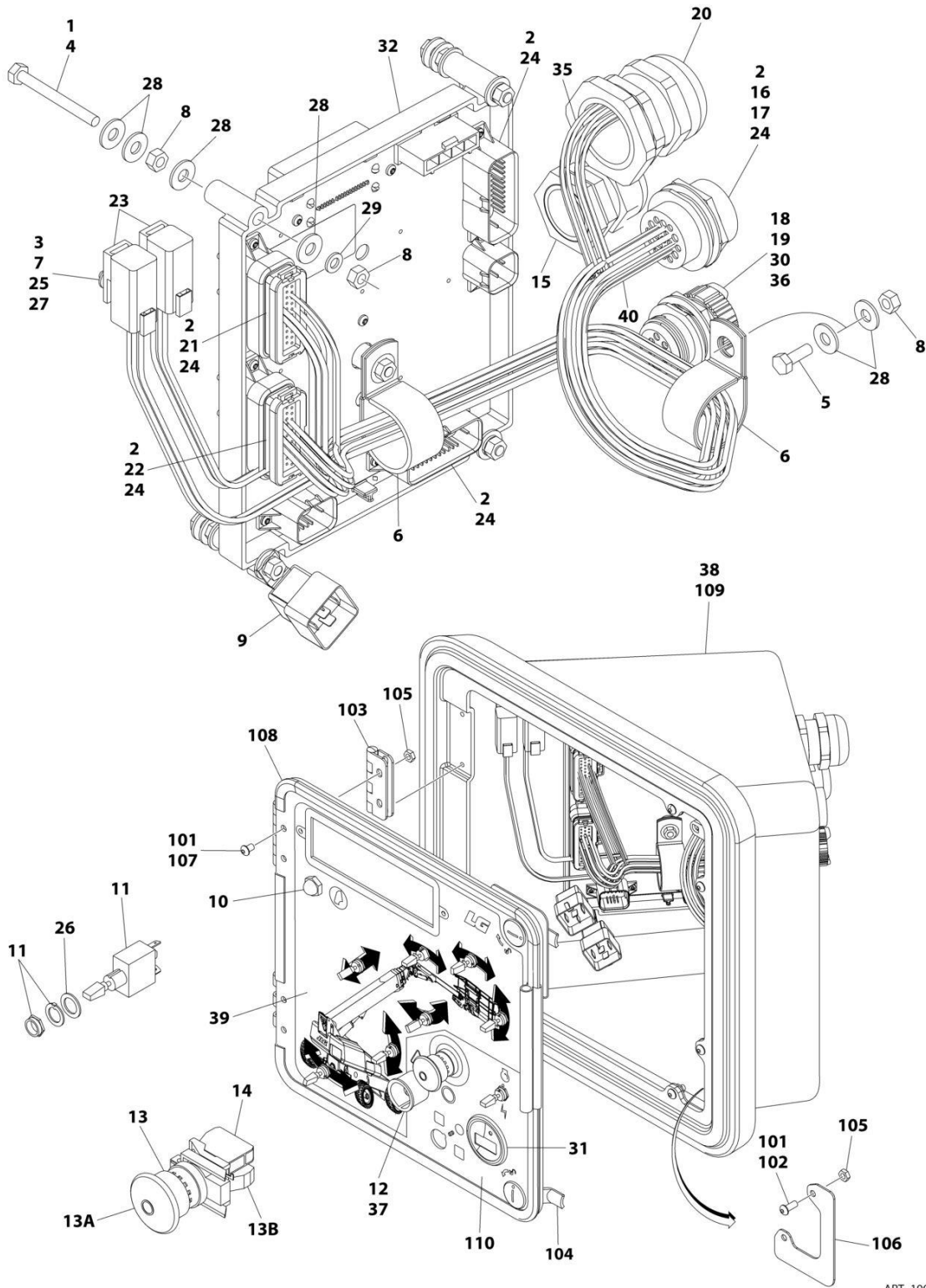
SECTION 2 - TURNTABLE

FIGURE 2-29. GROUND CONTROL BOX ASSEMBLY (ALL SPECS EXCEPT CE SPECS)

ITEM	PART NUMBER	QTY	DESCRIPTION	REV
	1001243924	Ref	GROUND CONTROL BOX ASSEMBLY	A
1	0100035	AR	Compound, Locking	
2	0100048	AR	Grease, Dielectric	
3	0630464	2	Screw #10 x 1/2	
4	0630548	5	Screw, Self Tapping	
5	0641406	1	Bolt 1/4 x 3/4	
6	1320095	2	Clamp	
7	2420172	1	Hourmeter	
8	3311001	2	Nut #10	
9	3311401	11	Nut 1/4	
10	3740049	1	Relay	
11	4360274	1	Switch, Pushbutton	
12	4360328	8	Switch, Toggle	
13	4360475	1	Switch, Push-Pull Emergency	
13A	7020175	1	Cap	
13B	7020176	1	Block, Contact	
14	4360476	1	Block, Contact	
15	4460426	1	Connector, Strain Relief	
16	4460470	1	Nut, Terminal	
17	4460471	1	Washer, Terminal	
18	4460496	1	Terminal, Washer	
19	4460497	1	Nut, Strain Relief	
20	4460526	1	Connector, Strain Relief	
21	4460874	1	Connector, White	
22	4460875	1	Connector, Gray	
23	4460892	2	Connector, Buss Bar - 6 Position	
24	4460905	4	Connector, Plug	
25	4460914	2	Base, Terminal	
26	4740444	8	Washer	
27	4751000	2	Washer #10	
28	4751400	22	Washer 1/4	
29	4761400	5	Washer 1/4	
30	1001106736	1	Cap, Dust	
31	1001110014	1	Box Assembly	
31A	1001242373	2	Latch	
31B	2600279	2	Hinge	
31C	3960418	53 in /1.4m	Seal	
31D	3380465	1	Panel, Front	
32	1001110084	1	Module, Ground Control (Note: Control System must be recalibrated when Module is replaced)	
34	1001116369	1	Harness, Valve (Not Shown) (See Separate Breakdown in ELECTRICAL SECTION)	
35	1001119372	1	Harness, Ground Control Box (See Separate Breakdown in ELECTRICAL SECTION)	
36	1001120337	1	Harness, ClearSky Ready (See Separate Breakdown in ELECTRICAL SECTION)	
37	1001221438	1	Decal - Lid	
38	1001241890	1	Harness, Ground Control Box (See Separate Breakdown in ELECTRICAL SECTION)	

SECTION 2 - TURNTABLE

FIGURE 2-30. GROUND CONTROL BOX ASSEMBLY (CE SPECS) (PVC2001)



ART_1001243954

SECTION 2 - TURNTABLE

FIGURE 2-30. GROUND CONTROL BOX ASSEMBLY (CE SPECS) (PVC2001)

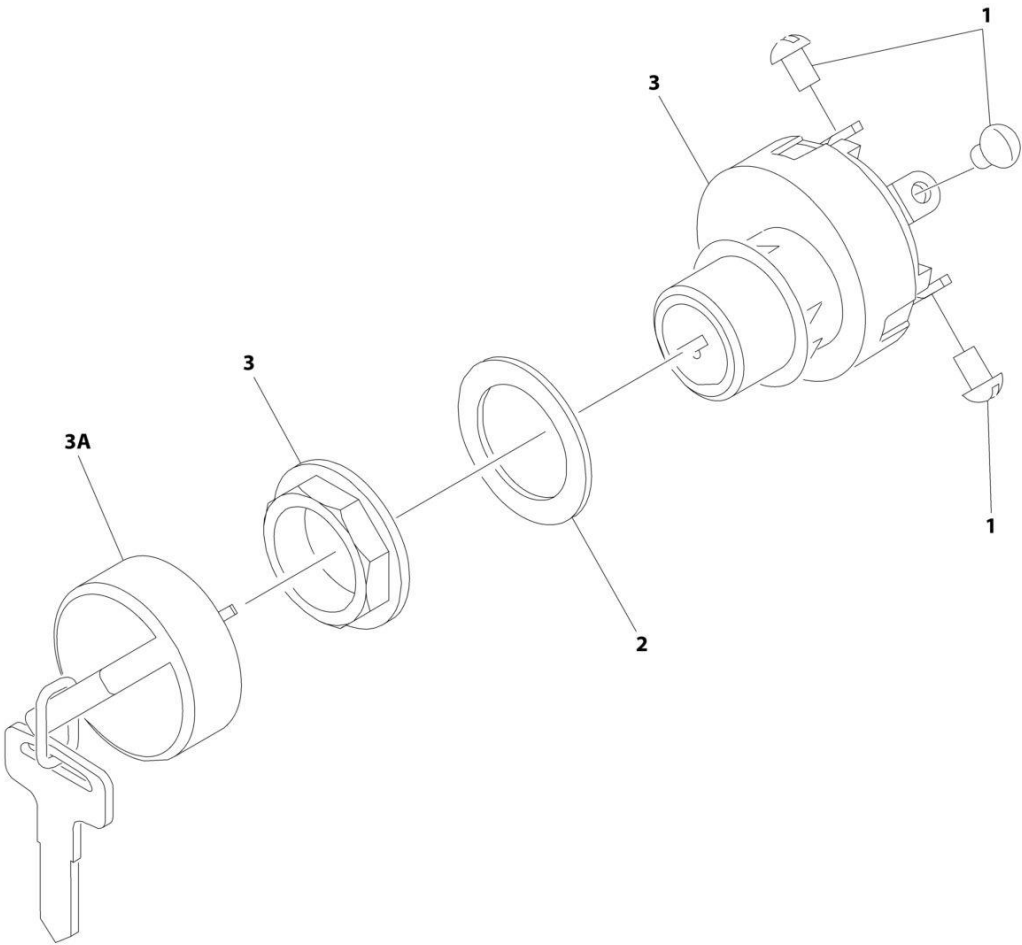
ITEM	PART NUMBER	QTY	DESCRIPTION	REV
	1001243954	Ref	GROUND CONTROL BOX ASSEMBLY	A
1	0100035	AR	Compound, Locking	
2	0100048	AR	Grease, Dielectric	
3	0630464	2	Screw #10 x 1/2	
4	0630548	5	Screw, Self Tapping	
5	0641406	1	Bolt 1/4 x 3/4	
6	1320095	2	Clamp	
7	3311001	2	Nut #10	
8	3311401	11	Nut 1/4	
9	3740049	1	Relay	
10	4360274	1	Switch, Pushbutton	
11	4360328	8	Switch, Toggle	
12	4360387	1	Switch, Push Button	
13	4360475	1	Switch, Push-Pull Emergency	
13A	7020175	1	Cap	
13B	7020176	1	Block, Contact	
14	4360476	1	Block, Contact	
15	4460426	1	Connector, Strain Relief	
16	4460470	1	Nut, Terminal	
17	4460471	1	Washer, Terminal	
18	4460496	1	Terminal, Washer	
19	4460497	1	Nut, Strain Relief	
20	4460526	1	Connector, Strain Relief	
21	4460874	1	Connector, White	
22	4460875	1	Connector, Gray	
23	4460892	2	Connector, Buss Bar - 6 Position	
24	4460905	4	Connector, Plug	
25	4460914	2	Base, Terminal	
26	4740444	8	Washer	
27	4751000	2	Washer #10	
28	4751400	22	Washer 1/4	
29	4761400	5	Washer 1/4	
30	1001106736	1	Cap, Dust	
31	1001109503	1	Gauge, Indicator	
32	1001110084	1	Module, Ground Control (Note: Control System must be recalibrated when Module is replaced)	
34	1001116369	1	Harness, Valve (Not Shown) (See Separate Breakdown in ELECTRICAL SECTION)	
35	1001119372	1	Harness, Ground Control Box (See Separate Breakdown in ELECTRICAL SECTION)	
36	1001120337	1	Harness, ClearSky Ready (See Separate Breakdown in ELECTRICAL SECTION)	
37	1001176469	1	Shroud	
38	1001184937	1	Box Assembly (See Items 101-110 for Breakdown)	
39	1001221439	1	Decal - Lid	
40	1001241890	1	Harness, Ground Control Box (See Separate Breakdown in ELECTRICAL SECTION)	
	1001184937	Ref	BOX ASSEMBLY	A
101	0100011	AR	Compound, Locking	
102	0630407	4	Screw 1/4 x 5/8	
103	2600279	2	Hinge	

SECTION 2 - TURNTABLE

ITEM	PART NUMBER	QTY	DESCRIPTION	REV
104	1001242373	2	Latch	
105	3311402	8	Nut 1/4	
106	3573144	2	Plate, Latch	
107	3900251	8	Screw 1/4 x 3/8	
108	3960418	53 in /1.4m	Seal	
109	1001110064	1	Box	
110	1001184936	1	Lid	

SECTION 2 - TURNTABLE

FIGURE 2-31. KEYSWITCH INSTALLATION



ART_0259666

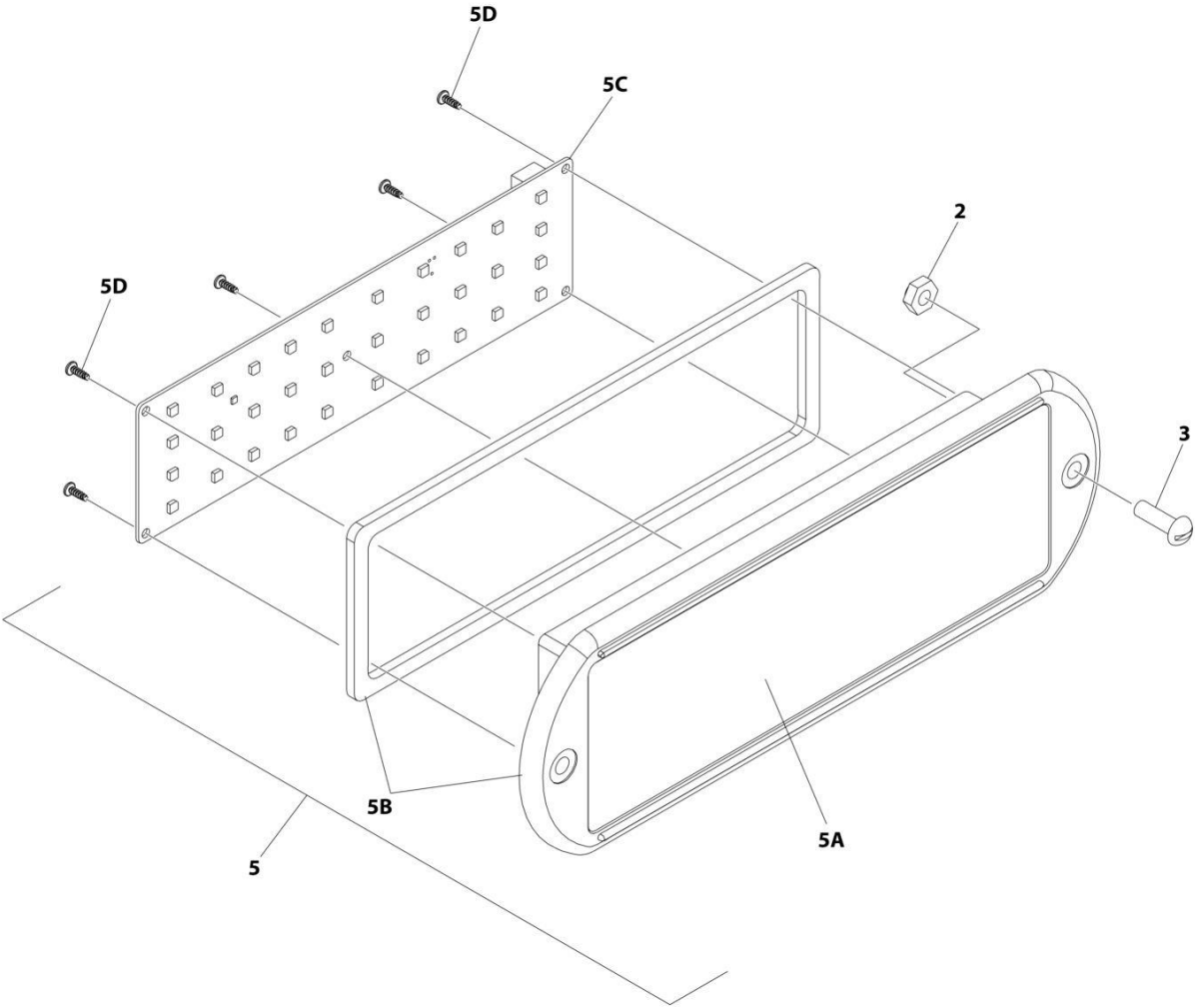
SECTION 2 - TURNTABLE

FIGURE 2-31. KEYSWITCH INSTALLATION

ITEM	PART NUMBER	QTY	DESCRIPTION	REV
	0259666	Ref	KEYSWITCH INSTALLATION	B
1	3910804	6	Screw #8 x 1/8	
2	1001151393	1	Shim .063	
3	4360469	1	Keyswitch	
3A	2860030	1	Key, Replacement	

SECTION 2 - TURNTABLE

FIGURE 2-32. LIGHT PANEL INSTALLATION (USA BUILT MACHINES)



ART_1001233959_10F2

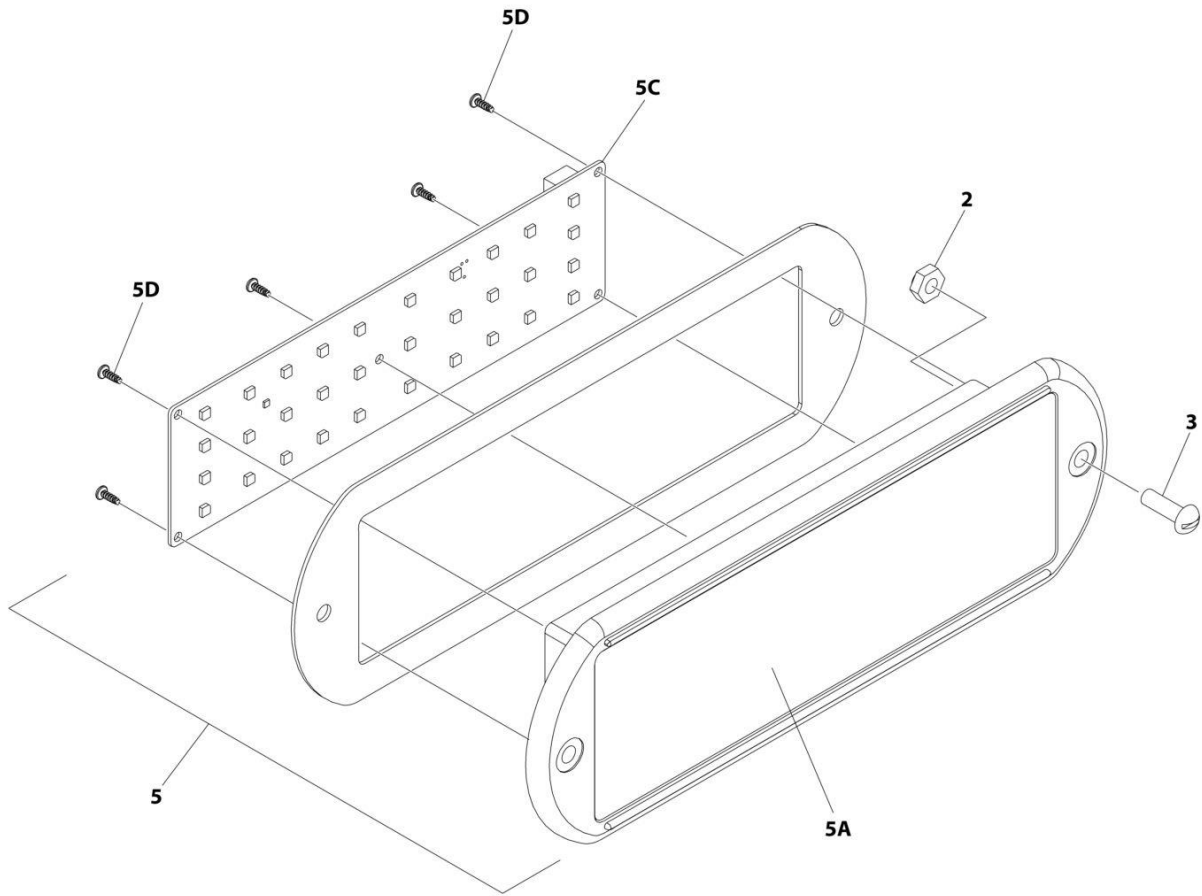
SECTION 2 - TURNTABLE

FIGURE 2-32. LIGHT PANEL INSTALLATION (USA BUILT MACHINES)

ITEM	PART NUMBER	QTY	DESCRIPTION	REV
	1001233959	Ref	LIGHT PANEL INSTALLATION	C
2	3300408	2	Nut, Nylon Insert	
3	0630518	2	Screw #10 x 3/4	
5	1001237546	1	Light Panel Assembly	
5A	1001236091	1	Lens, I-Con/Bezel	
5C	1001187807	1	Panel, LED Light	
5D		Ref	Screw	

SECTION 2 - TURNTABLE

FIGURE 2-33. LIGHT PANEL INSTALLATION (CHINA BUILT MACHINES)



ART_1001241398_B_10F2

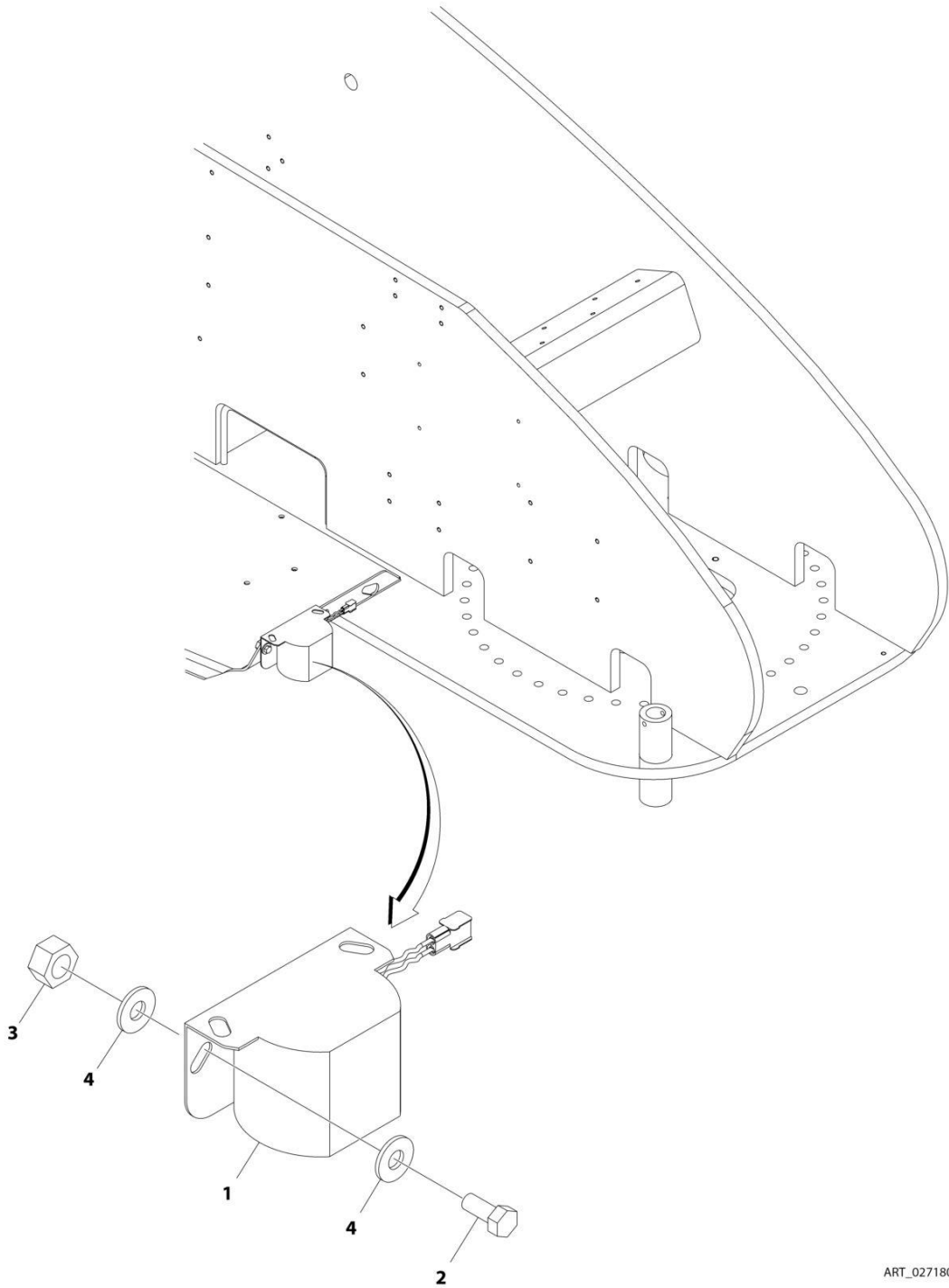
SECTION 2 - TURNTABLE

FIGURE 2-33. LIGHT PANEL INSTALLATION (CHINA BUILT MACHINES)

ITEM	PART NUMBER	QTY	DESCRIPTION	REV
	1001241398	Ref	LIGHT PANEL INSTALLATION	B
2	3300408	2	Nut, Nylon Insert	
3	3911010	2	Screw #10 x 5/8	
5	1001238673	1	Light Panel Assembly	
5A	1001236091	1	Lens, I-Con	
5C	1001238732	1	Panel, LED Light	
5D		Ref	Screw	

SECTION 2 - TURNTABLE

FIGURE 2-34. ALARM INSTALLATION



ART_0271806

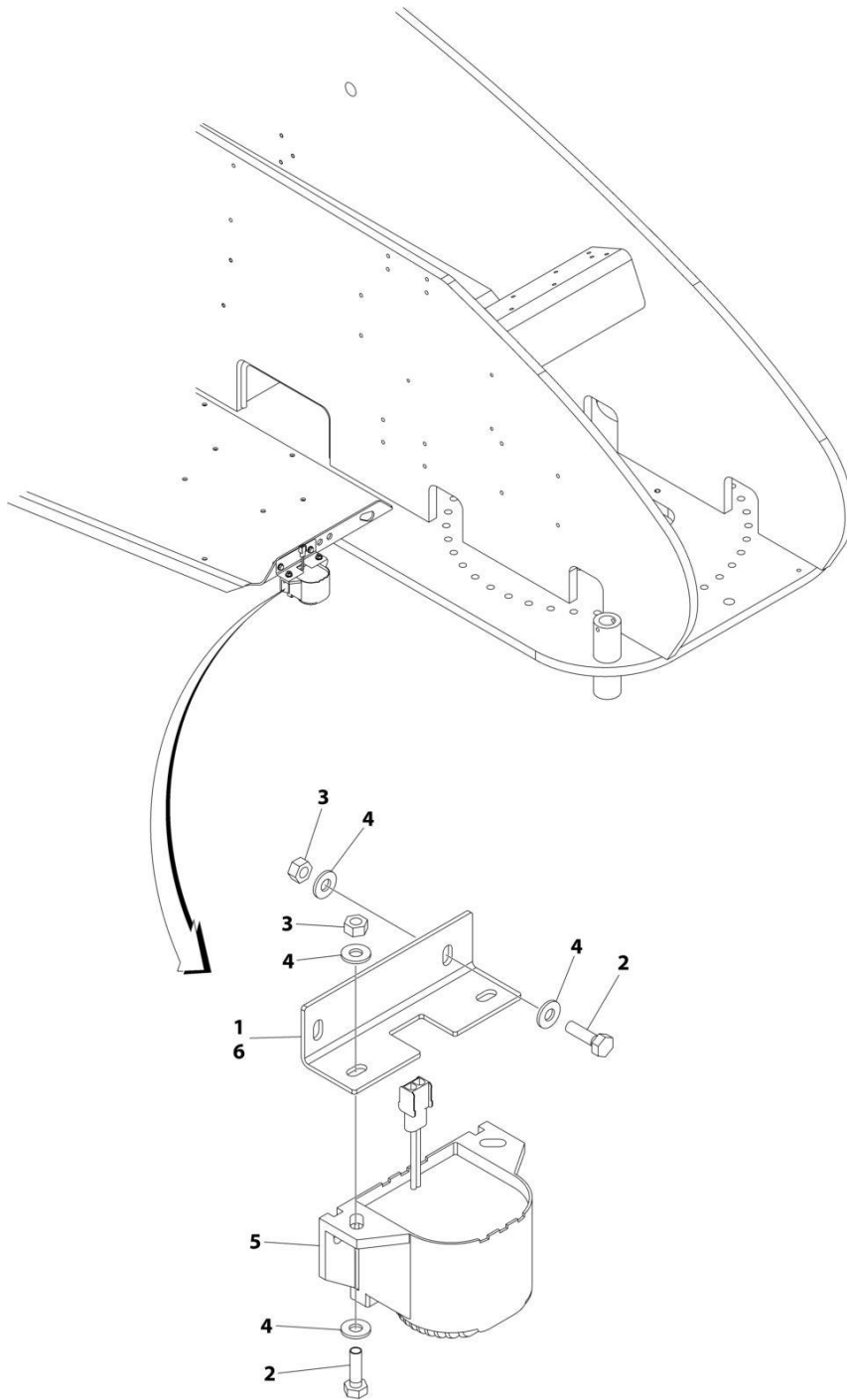
SECTION 2 - TURNTABLE

FIGURE 2-34. ALARM INSTALLATION

ITEM	PART NUMBER	QTY	DESCRIPTION	REV
	0271806	Ref	ALARMS INSTALLATION	A
1	0257887	1	Alarm	
1	0140032	1	Alarm	
1	2820035	6 in/15cm	Loom	
1	4460424	1	Plug	
1	4460268	2	Socket, Female	
2	0641506	2	Bolt 5/16 x 3/4	
3	3311505	2	Nut 5/16	
4	4751500	4	Washer 5/16	

SECTION 2 - TURNTABLE

FIGURE 2-35. ALARM AMBIENT (WHITE NOISE) INSTALLATION (ALARM WITH HORIZONTAL BAR GRILLE)



ART_1001241383

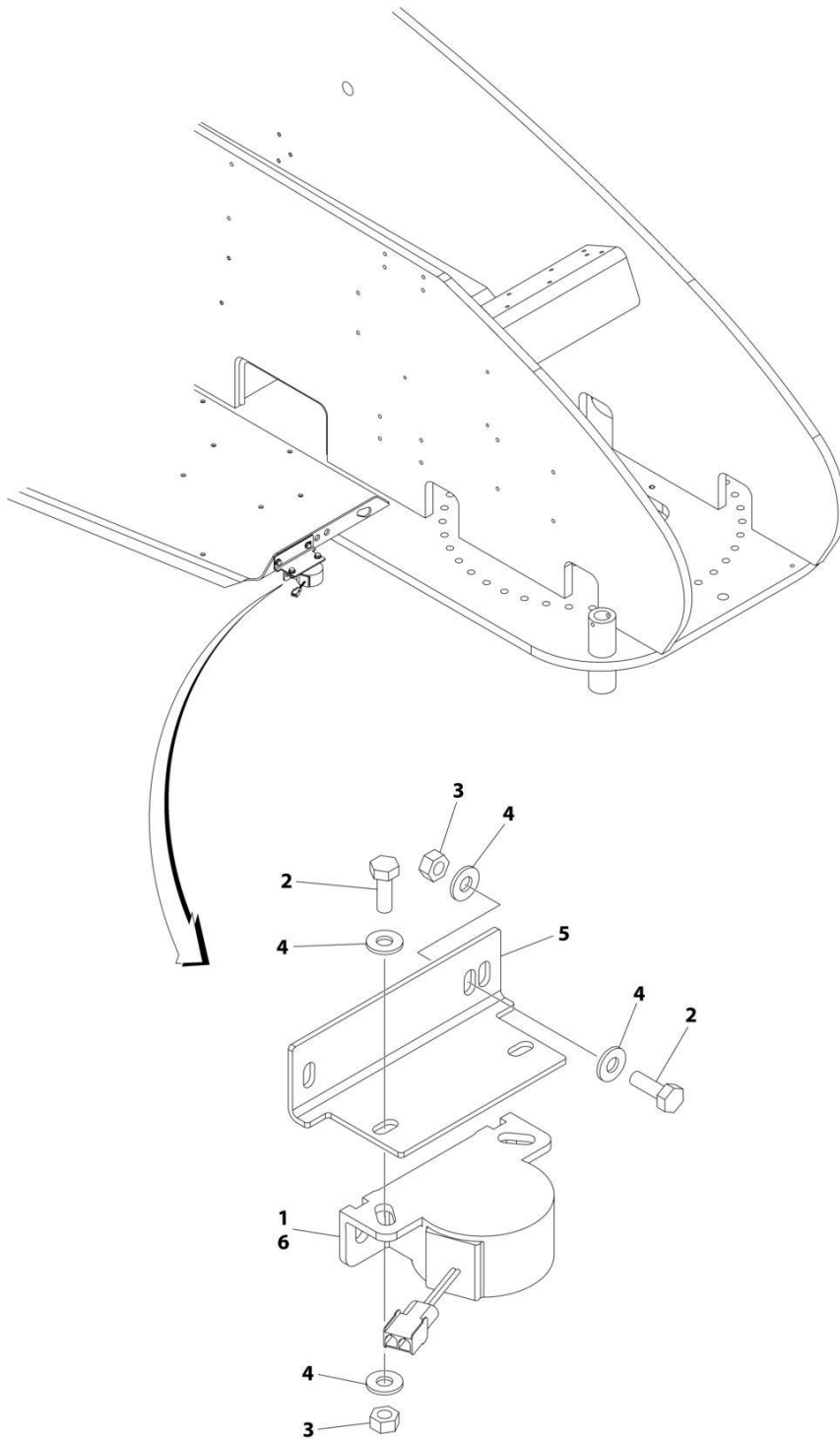
SECTION 2 - TURNTABLE

FIGURE 2-35. ALARM AMBIENT (WHITE NOISE) INSTALLATION (ALARM WITH HORIZONTAL BAR GRILLE)

ITEM	PART NUMBER	QTY	DESCRIPTION	REV
	1001241383	Ref	ALARM AMBIENT (WHITE NOISE) INSTALLATION	A
1	0100048	AR	Grease, Dielectric	
2	0641407	4	Bolt 1/4 x 7/8	
3	3311405	4	Nut 1/4	
4	4711400	8	Washer 1/4	
5	1001243731	1	Alarm	
5	1001182806	1	Alarm	
5	4460424	1	Plug	
5	4460268	2	Socket, Female	
6	1001243849	1	Plate	

SECTION 2 - TURNTABLE

FIGURE 2-36. ALARM AMBIENT (WHITE NOISE) INSTALLATION (ALARM WITH CROSS HATCH GRILLE)



ART_1001239281

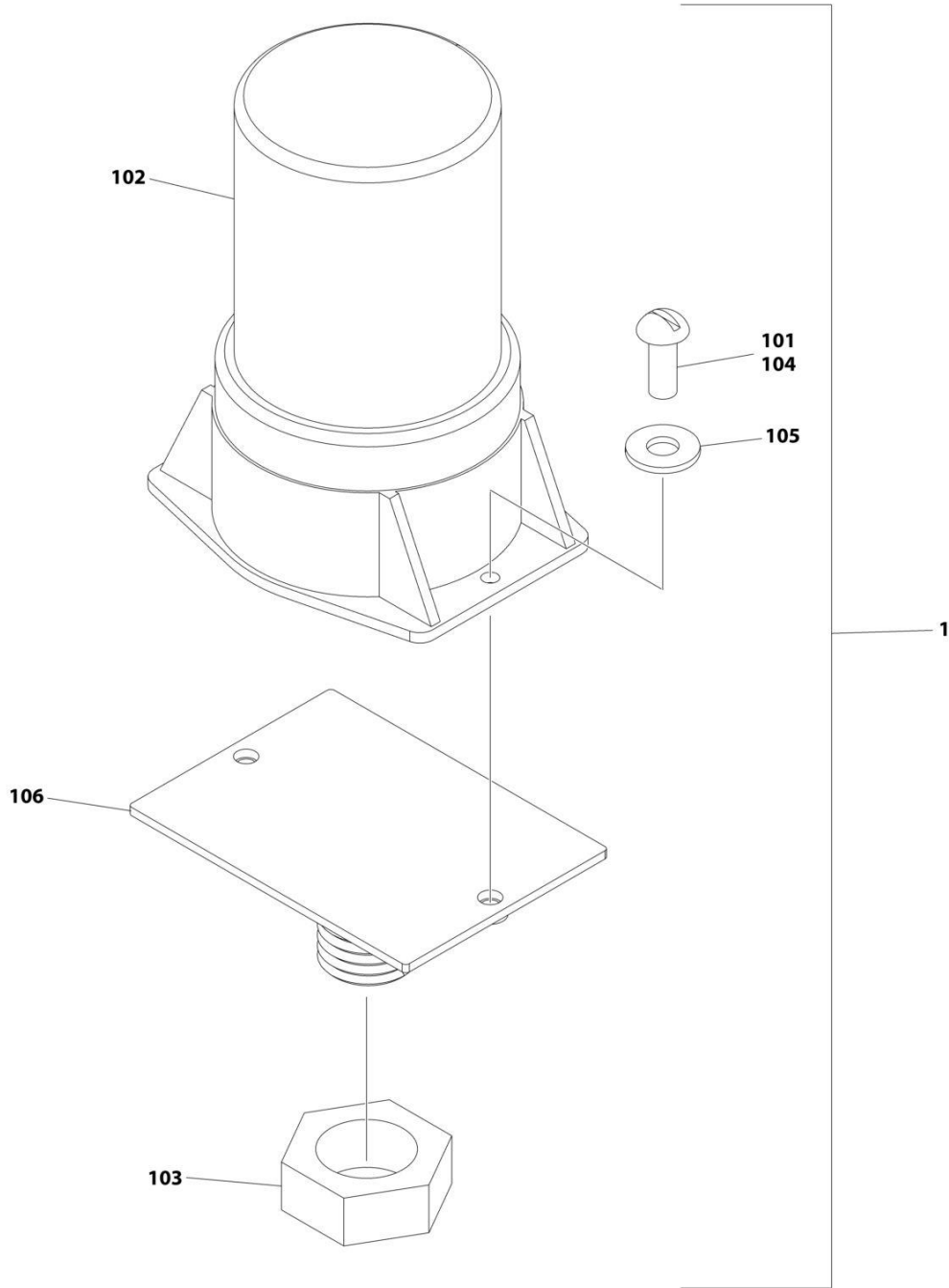
SECTION 2 - TURNTABLE

FIGURE 2-36. ALARM AMBIENT (WHITE NOISE) INSTALLATION (ALARM WITH CROSS HATCH GRILLE)

ITEM	PART NUMBER	QTY	DESCRIPTION	REV
	1001239281	Ref	BACKUP ALARM (WHITE NOISE) INSTALLATION	A
1	0100048	AR	Grease, Dielectric	
2	0641406	4	Bolt 1/4 x 3/4	
3	3311405	4	Nut 1/4	
4	4711400	8	Washer 1/4	
5	1001231886	1	Plate	
6	1001243734	1	Alarm	
6	1001184682	1	Alarm	
6	4460424	1	Plug	
6	4460268	2	Socket, Female	

SECTION 2 - TURNTABLE

FIGURE 2-37. STROBE LIGHT INSTALLATION (AMBER)



ART_1001149955

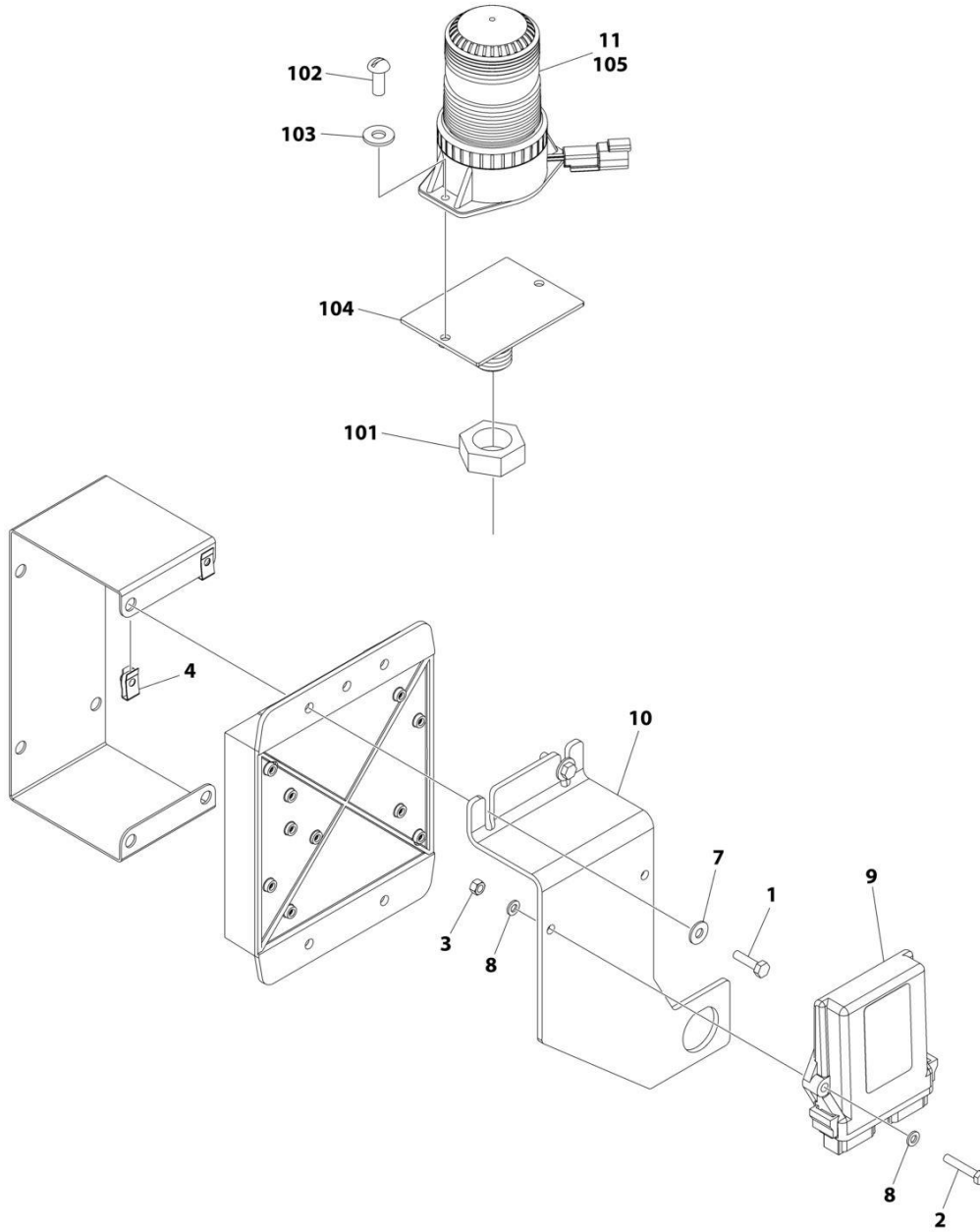
SECTION 2 - TURNTABLE

FIGURE 2-37. STROBE LIGHT INSTALLATION (AMBER)

ITEM	PART NUMBER	QTY	DESCRIPTION	REV
	1001149955	Ref	STROBE LIGHT INSTALLATION (AMBER)	B
1	1001150406	1	Strobe Light Assembly (Includes Items 101-106)	D
2	1001149818	1	Harness, Strobe Light (Not Shown - See Separate Breakdown in ELECTRICAL SECTION)	
101	0100035	AR	Compound, Locking	
102	2920161	1	Strobe Light/Harness Assembly	
102	7016319	1	Bulb	
102	7016372	1	Lens	
103	3312602	1	Nut 1	
104	3900085	2	Screw #10 x 1/2	
105	4751000	2	Washer 1/4	
106	1001149994	1	Mount Strobe	

SECTION 2 - TURNTABLE

FIGURE 2-38. STROBE LIGHT INSTALLATION (BLUE)



ART_1001244026-A

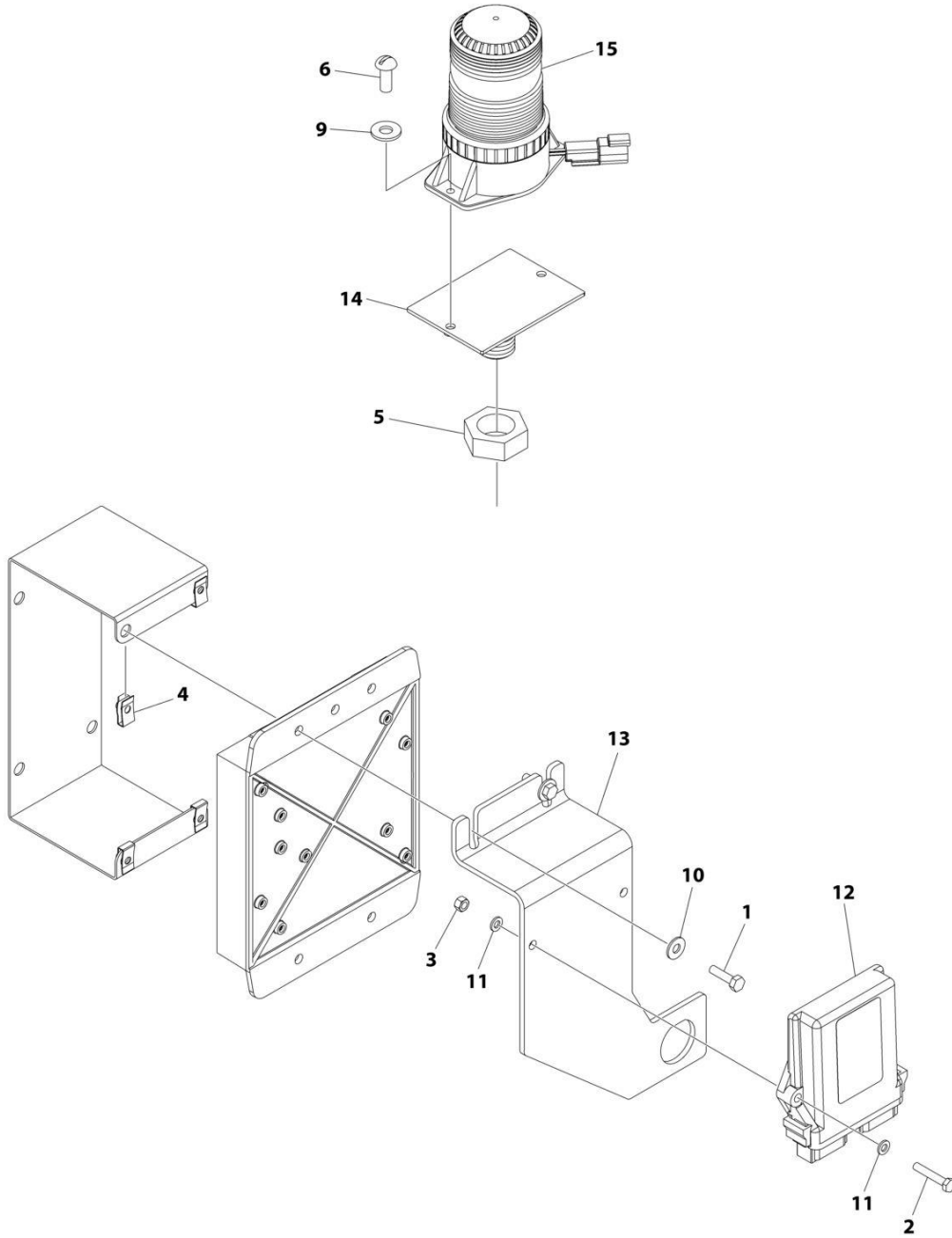
SECTION 2 - TURNTABLE

FIGURE 2-38. STROBE LIGHT INSTALLATION (BLUE)

ITEM	PART NUMBER	QTY	DESCRIPTION	REV
	1001244026	Ref	STROBE LIGHT INSTALLATION (BLUE)	A
1	0641408	2	Bolt 1/4 x 1	
2	0700615	2	Bolt M6 x 35	
3	3290607	2	Nut M6 x 1	
4	3300454	2	Nut 1/4	
5	4240032	AR	Tie-Strap (Not Shown)	
6	4460488	AR	Mounting Base (Not Shown)	
7	4751400	2	Washer 1/4	
8	4811700	4	Washer M6	
9	1001142683	1	Module, Control Beacon	
10	1001142719	1	Bracket	
11	1001217005	1	Blue Beacon Light Kit (See Items 101-105 for Breakdown)	
12	1001142736	1	Harness, Beacon Control (Not Shown - See Separate Breakdown in ELECTRICAL SECTION)	
101	3312602	1	Nut 1/4	
102	3900085	2	Screw 10 x 1/2	
103	4751000	2	Washer #10	
104	1001149994	1	Mount, Beacon	
105	1001200910	1	Light, Strobe	
105	7028909	1	Connector - 2 Position	
105	4460943	2	Pin, Male	

SECTION 2 - TURNTABLE

FIGURE 2-39. STROBE LIGHT INSTALLATION (RED)



ART_1001244027

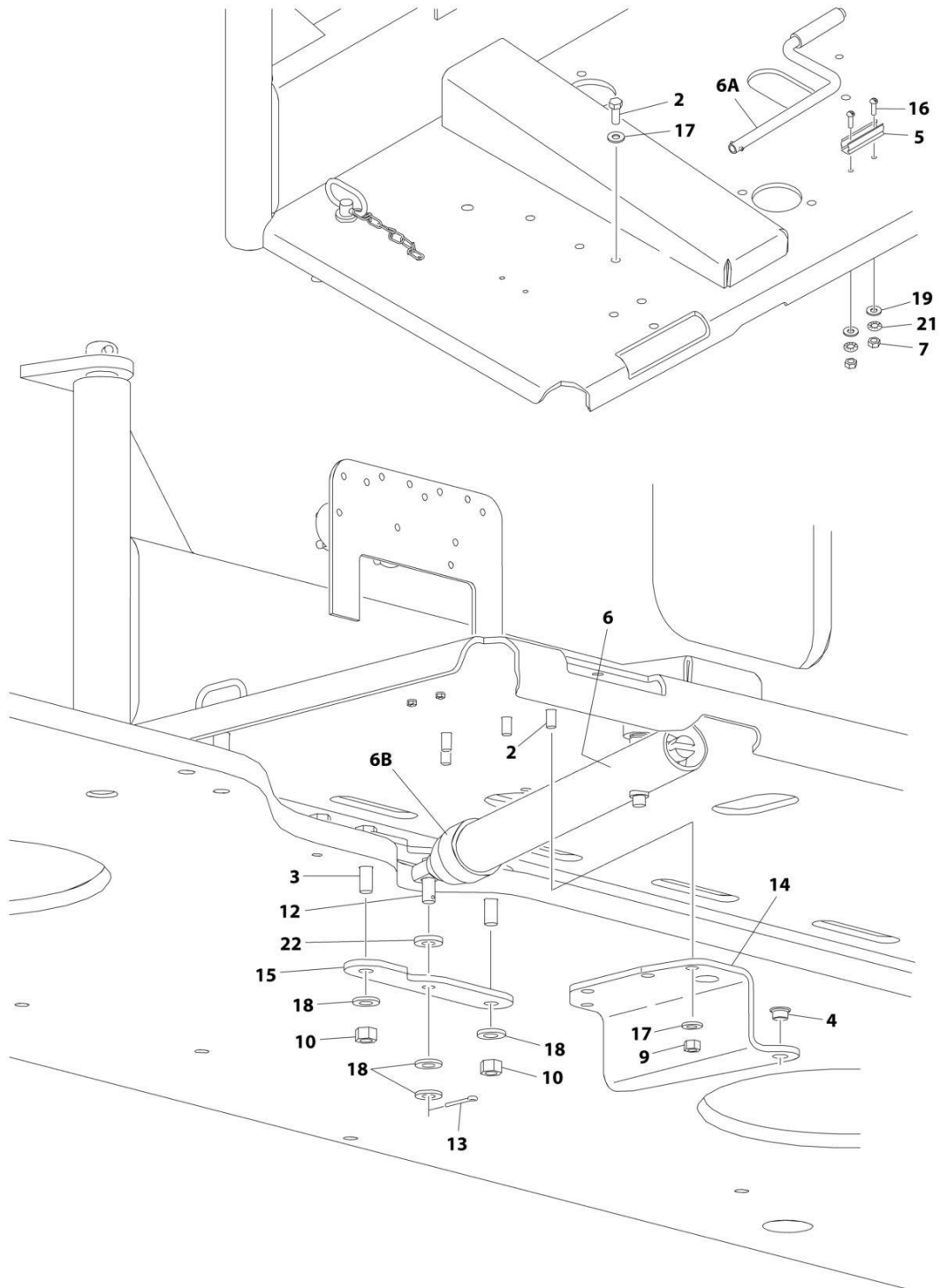
SECTION 2 - TURNTABLE

FIGURE 2-39. STROBE LIGHT INSTALLATION (RED)

ITEM	PART NUMBER	QTY	DESCRIPTION	REV
	1001244027	Ref	STROBE LIGHT INSTALLATION (RED)	A
1	0641408	2	Bolt 1/4 x 1	
2	0700615	2	Bolt M6 x 35	
3	3290607	2	Nut M6 x 1	
4	3300454	2	Nut	
5	3312602	1	Nut 1	
6	3900085	2	Screw 10 x 1/2	
7	4240032	AR	Tie-Strap (Not Shown)	
8	4460488	AR	Mounting Base (Not Shown)	
9	4751000	2	Washer #10	
10	4751400	2	Washer 1/4	
11	4811700	4	Washer M6	
12	1001142683	1	Module, Control Beacon	
13	1001142719	1	Bracket	
14	1001149994	1	Mount, Beacon	
15	1001207004	1	Light, Strobe	
15	7028909	1	Connector - 2 Position	
15	4460943	2	Pin, Male	
16	1001142736	1	Harness, Beacon Control (Not Shown - See Separate Breakdown in ELECTRICAL SECTION)	

SECTION 2 - TURNTABLE

FIGURE 2-40. ENGINE TRAY JACK INSTALLATION - DEUTZ TD2011 ENGINES



ART_0272064

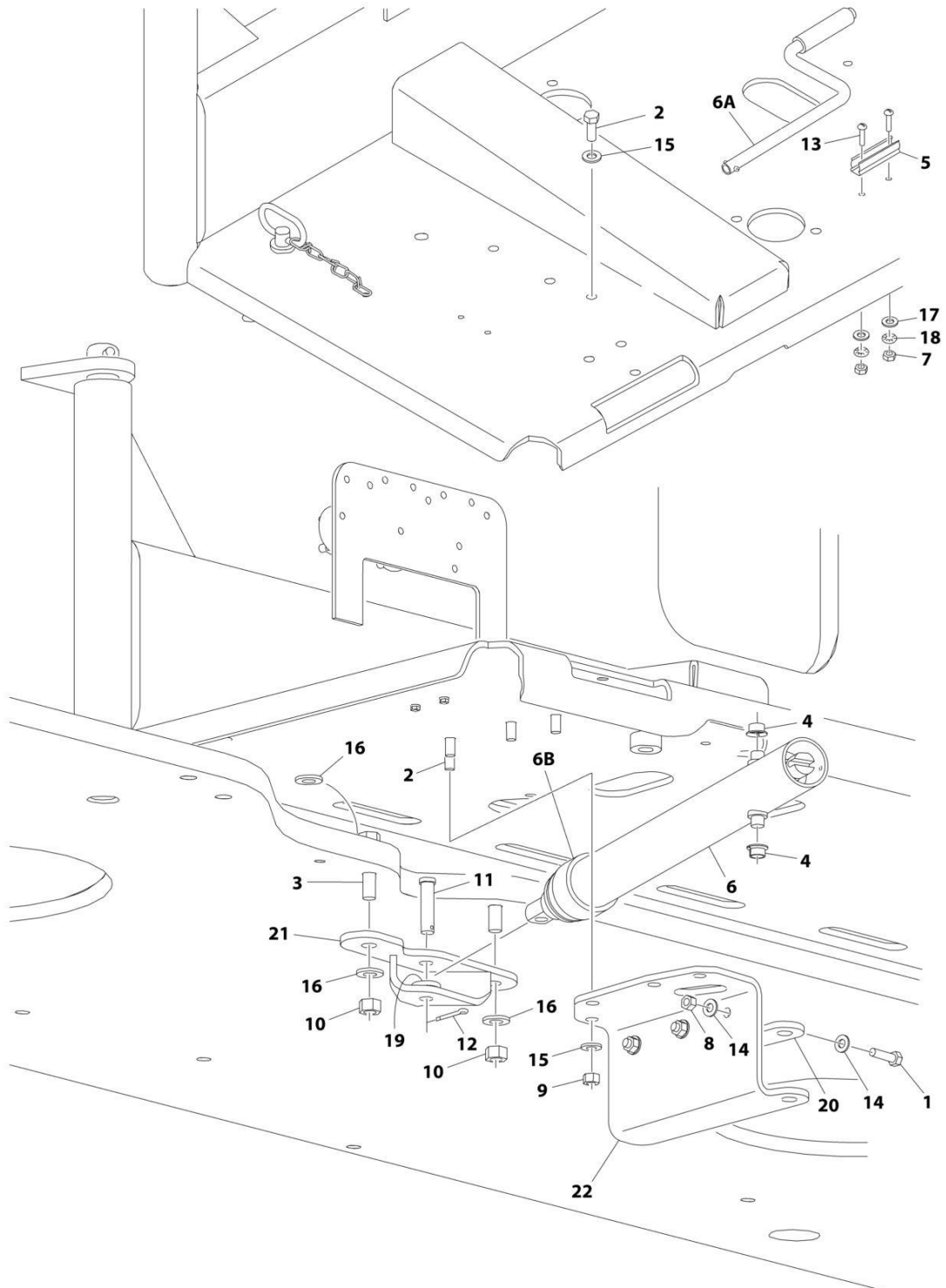
SECTION 2 - TURNTABLE

FIGURE 2-40. ENGINE TRAY JACK INSTALLATION - DEUTZ TD2011 ENGINES

ITEM	PART NUMBER	QTY	DESCRIPTION	REV
	0272064	Ref	ENGINE TRAY JACK INSTALLATION	C
2	0641608	4	Bolt 3/8 x 1	
3	0641818	2	Bolt 1/2 x 2-1/4	
4	0962051	2	Bearing, Flanged	
5	1380147	1	Clip, Spring	
6	2840016	1	Jack and Handle Assembly	
6A		Ref	Handle Options:	
6A	7016374	1	Burr Manufacturing Brand	
6A	7024598	1	Hammerblow Corp Brand	
6B	7016322	1	Wiper (Burr Manufacturing Brand Only)	
7	3310601	2	Nut #6	
9	3311605	4	Nut 3/8	
10	3311805	2	Nut 1/2	
12	3430816	1	Pin, Clevis	
13	3450404	1	Pin, Cotter 1/8 x 1	
14	3537445	1	Bracket	
15	3573454	2	Plate	
16	3910608	2	Screw #6 x 1/2	
17	4711600	8	Washer 3/8	
18	4711800	4	Washer 1/2	
19	4750600	2	Washer #6	
21	4770600	2	Starwasher #6	
22	4891800	1	Washer 1/2	

SECTION 2 - TURNTABLE

FIGURE 2-41. ENGINE TRAY JACK INSTALLATION - DEUTZ TD2.9L4/TCD2.9L4 ENGINES AND DEUTZ TCD2.9L4 (STAGE V) ENGINES



ART_1001143294

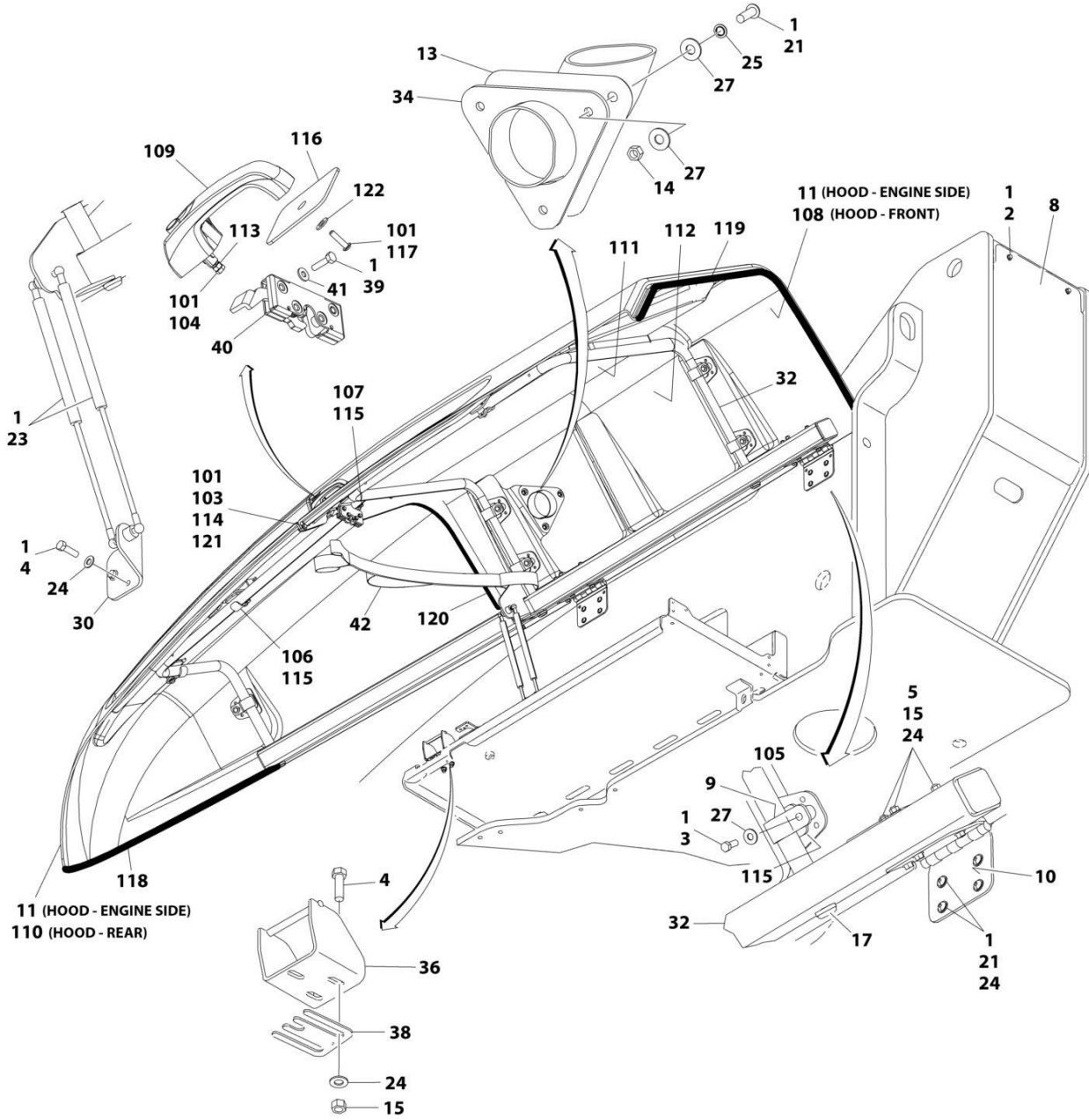
SECTION 2 - TURNTABLE

FIGURE 2-41. ENGINE TRAY JACK INSTALLATION - DEUTZ TD2.9L4/TCD2.9L4 ENGINES AND DEUTZ TCD2.9L4 (STAGE V) ENGINES

ITEM	PART NUMBER	QTY	DESCRIPTION	REV
	1001143294	Ref	ENGINE TRAY JACK INSTALLATION	A
1	0641509	3	Bolt 5/16 x 1-1/8	
2	0641608	4	Bolt 3/8 x 1	
3	0641816	2	Bolt 1/2 x 2	
4	0962051	2	Bearing, Flanged	
5	1380147	1	Clip, Spring	
6	2840016	1	Jack and Handle Assembly	
6A		Ref	Handle Options:	
6A	7016374	1	Burr Manufacturing Brand (Identified by 4in handle offset)	
6A	7024598	1	Hammerblow Corp Brand (Identified by 4-1/2in handle offset)	
6B	7016322	1	Wiper (Burr Manufacturing Brand Only)	
7	3310601	2	Nut #6	
8	3311505	3	Nut 5/16	
9	3311605	4	Nut 3/8	
10	3311805	2	Nut 1/2	
11	3430816	1	Pin, Clevis	
12	3450404	1	Pin, Cotter 1/8 x 1	
13	3910608	2	Screw #6 x 1/2	
14	4711500	6	Washer 5/16	
15	4711600	8	Washer 3/8	
16	4711800	4	Washer 1/2	
17	4750600	2	Washer #6	
18	4770600	2	Starwasher #6	
19	4891800	1	Washer 1/2	
20	1001131482	1	Plate, Jack Bracket	
21	1001135663	1	Support, Engine Tray Jack	
22	1001143298	1	Plate, Jack Bracket	

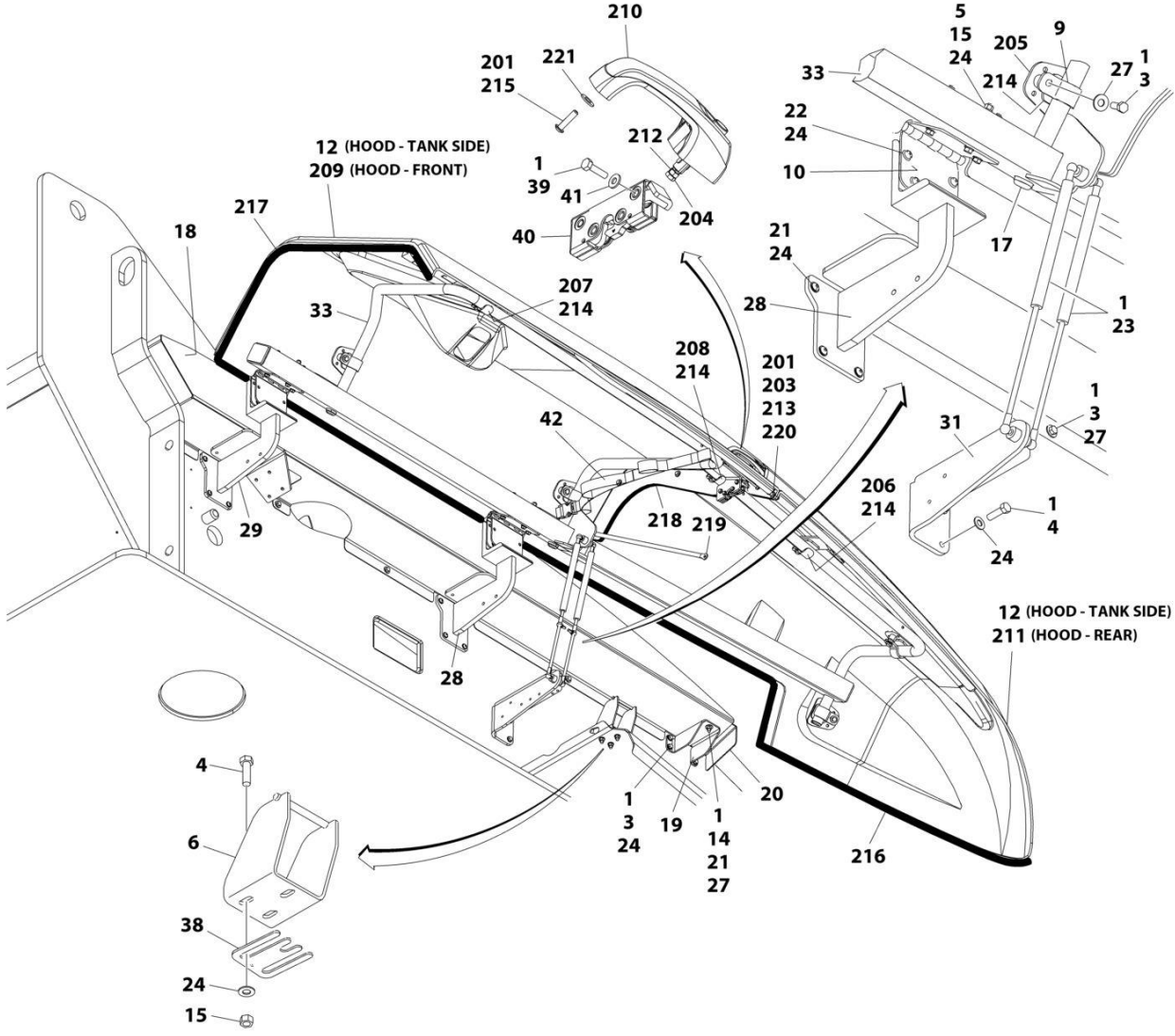
SECTION 2 - TURNTABLE

FIGURE 2-42. HOOD INSTALLATIONS - DEUTZ TD2011 ENGINES (ABS)



ART_0271595_G_10F2

SECTION 2 - TURNTABLE



ART_0271595_G_2OF2

SECTION 2 - TURNTABLE

FIGURE 2-42. HOOD INSTALLATIONS - DEUTZ TD2011 ENGINES (ABS)

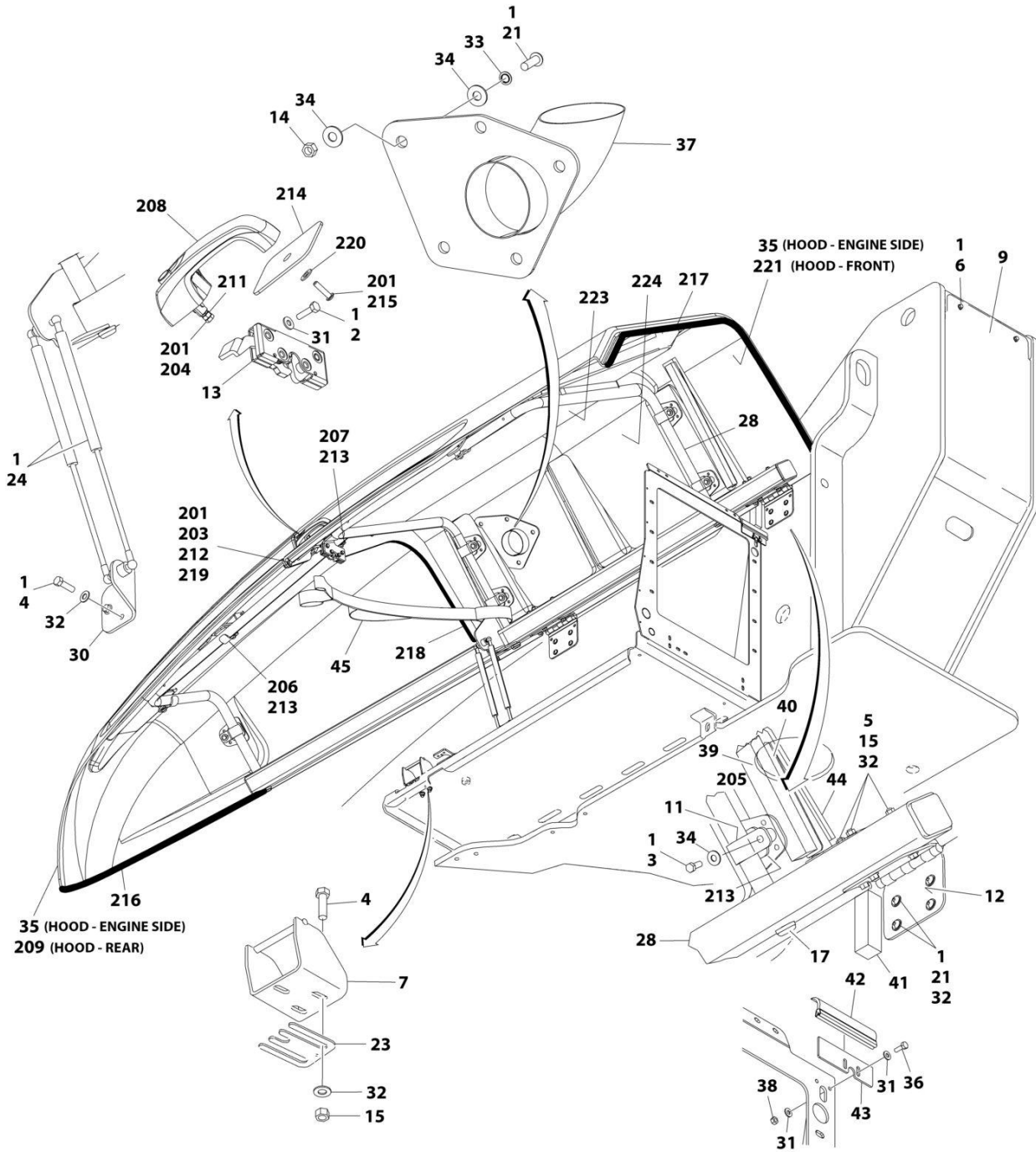
ITEM	PART NUMBER	QTY	DESCRIPTION	REV
	0271595	Ref	HOOD INSTALLATIONS - DEUTZ TD2011 ENGINES (ABS)	G
1	0100011	AR	Compound, Locking	
2	0791604	2	Screw 3/8 x 1/2	
3	0641608	24	Bolt 3/8 x 1	
4	0641610	12	Bolt 3/8 x 1-1/4	
5	0641630	12	Bolt 3/8 x 3-3/4	
6	0903156	1	Bracket	
8	1671038	1	Cover, Turntable	
9	2080051	16	Clamp	
10	2600280	4	Hinge	
11	1671192	1	Hood, Engine Side (See Items 101-123 for Breakdown)	
		Ref	Note: Replacement decals must be ordered separately - See DECAL SECTION.	
12	1671194	1	Hood, Tank Side (See Items 201-225 for Breakdown)	
		Ref	Note: Replacement decals must be ordered separately - See DECAL SECTION.	
13	2820141	1	Shield, Heat	
14	3311601	5	Nut 3/8	
15	3311605	18	Nut 3/8	
17	3520186	6	Plug	
18	3573231	1	Trough, Powertrack	
19	3573232	1	Mount, Trough	
20	3573233	1	Plate, Seal Mounting	
21	3900232	21	Screw 3/8 x 1-1/4	
22	3900283	16	Screw 3/8 x 3/4	
23	4160194	4	Spring, Gas	
24	4711600	70	Washer 3/8	
25	4740500	3	Washer, Nylon	
27	4751600	38	Washer 3/8	
28	4340923	1	Support, Rear Hood	
29	4340924	1	Support, Front Hood	
30	4341001	1	Mount, Gas Spring	
31	4340999	1	Mount, Gas Spring	
32	4340996	1	Support, Engine Side Hood	
33	4340995	1	Support, Tank Side Hood	
34	4846503	1	Stack, Exhaust	
36	0903154	1	Bracket, Latch	
37	3520034	2	Plug (Not Shown - Located in Boom Rest)	
38	4071048	2	Shim	
39	0641408	8	Bolt 1/4 x 1	
40	2940173	2	Latch, Rotary	
41	4711400	8	Washer 1/4	
42	1001160505	2	Strap	
	1671192	Ref	ENGINE SIDE HOOD ASSEMBLIES (ABS)	B
101	0100011	AR	Compound, Locking	
102	0100081	AR	Adhesive (Not Shown)	
103	0641506	10	Bolt 5/16 x 3/4	
104	0760608	1	Screw M6 x 16	
105	0902746	7	Bracket	
106	0902761	1	Bracket	

SECTION 2 - TURNTABLE

ITEM	PART NUMBER	QTY	DESCRIPTION	REV
107	0903161	1	Bracket	
108	1671191	1	Hood - Front	
109	2560187	1	Handle, Push Button	
110	2680496	1	Hood - Rear	
111	2820145	1	Insulation	
112	2820146	1	Insulation	
113	3290601	1	Nut M6 x 1	
114	3311501	10	Nut 5/16	
115	3340877	9	Pad	
116	3575782	1	Plate, Handle Backing	
117	3900363	2	Screw M6 x 1 x 25	
118	3960464	12 ft /3.7m	Seal, Hood	
119	4060804	61 in /1.6m	Flex-Trim	
120	4060806	49 in /1.3m	Flex-Trim	
121	4751500	20	Washer 5/16	
122	4811900	2	Washer M8	
	1671194	Ref	TANK SIDE HOOD ASSEMBLY (ABS)	A
201	0100011	AR	Compound, Locking	
202	0100081	AR	Adhesive (Not Shown)	
203	0641506	9	Bolt 5/16 x 3/4	
204	0760608	1	Screw M6 x 16	
205	0902746	4	Bracket	
206	0902762	1	Bracket	
207	0902763	1	Bracket	
208	0903162	1	Bracket	
209	1671193	1	Hood - Front	
210	2560187	1	Handle, Push Button	
211	2680498	1	Hood - Rear	
212	3290601	1	Nut M6	
213	3311501	9	Nut 5/16	
214	3340877	7	Pad	
215	3900363	2	Screw M6 x 1 x 25	
216	3960464	149 in /3.8m	Seal, Hood	
217	4060804	53 in /1.4m	Flex-Trim	
218	4060806	40 in /1.2m	Flex-Trim	
219	4240150	1	Strap, Ground	
220	4751500	18	Washer 5/16	
221	4811900	2	Washer M8	

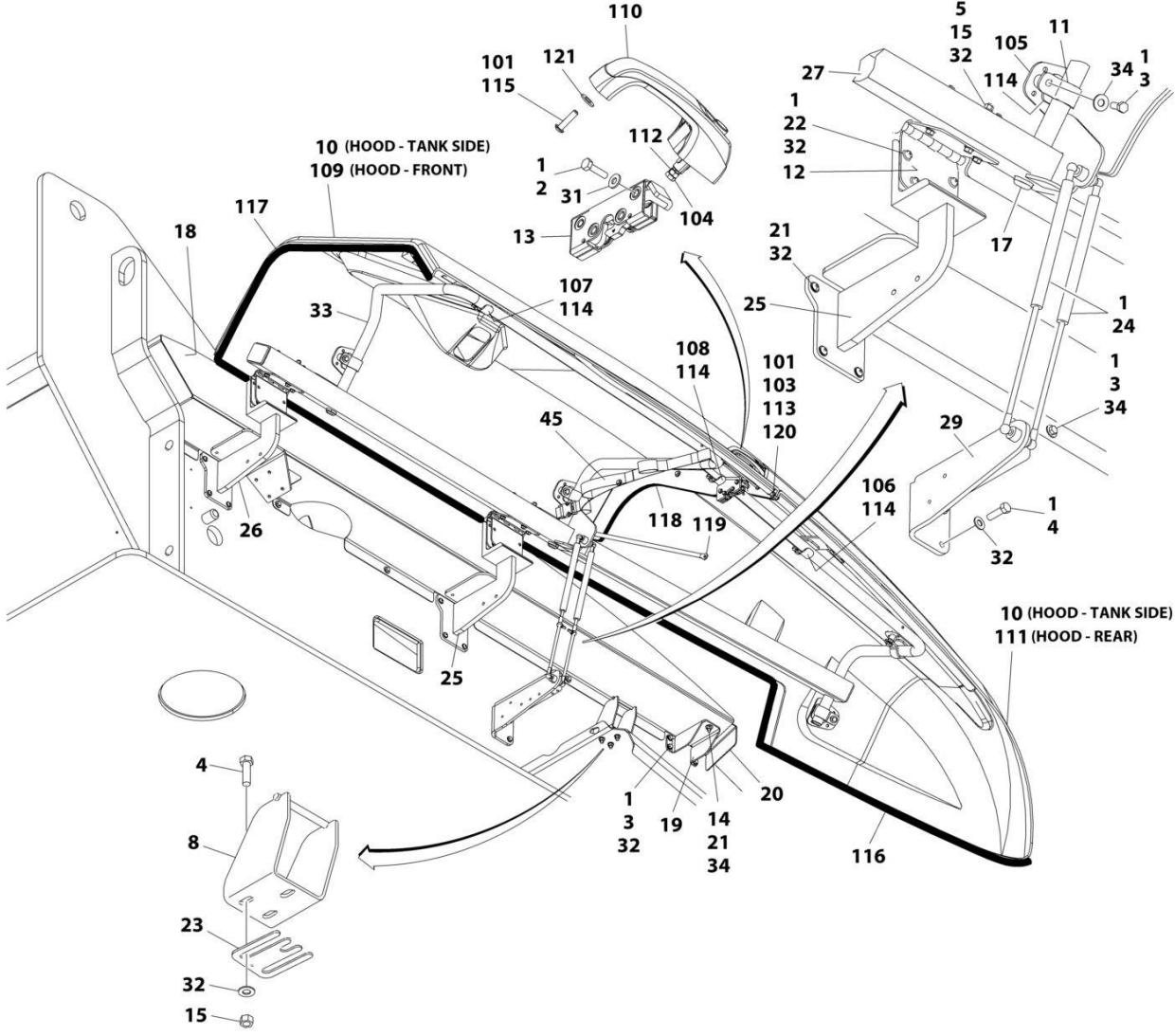
SECTION 2 - TURNTABLE

FIGURE 2-43. HOOD INSTALLATION - DEUTZ TCD2.9L4 ENGINES (ABS) (PVC2001)



ART_1001142024_D_10F2

SECTION 2 - TURNTABLE



ART_1001142024_D_20F2

SECTION 2 - TURNTABLE

FIGURE 2-43. HOOD INSTALLATION - DEUTZ TCD2.9L4 ENGINES (ABS) (PVC2001)

ITEM	PART NUMBER	QTY	DESCRIPTION	REV
	1001142024	Ref	HOOD INSTALLATION - DEUTZ TCD2.9L4 ENGINES (ABS)	D
1	0100011	AR	Compound, Locking	
2	0641408	8	Bolt 1/4 x 1	
3	0641608	24	Bolt 3/8 x 1	
4	0641610	12	Bolt 3/8 x 1-1/4	
5	0641630	12	Bolt 3/8 x 3-3/4	
6	0791604	2	Screw 3/8 x 1/2	
7	0903154	1	Bracket, Latch	
8	0903156	1	Bracket	
9	1671038	1	Cover, Turntable	
10	1671194	1	Hood, Tank Side (See Items 101-121 for Breakdown)	
		Ref	Note: Replacement decals must be ordered separately - See DECAL SECTION.	
11	2080051	16	Clamp	
12	2600280	4	Hinge	
13	2940173	2	Latch, Rotary	
14	3311601	7	Nut 3/8	
15	3311605	18	Nut 3/8	
16	3520034	2	Plug (Not Shown - Located in Boom Rest)	
17	3520186	6	Plug	
18	3573231	1	Trough, Powertrack	
19	3573232	1	Mount, Trough	
20	3573233	1	Plate, Seal Mounting	
21	3900232	23	Screw 3/8 x 1-1/4	
22	3900283	16	Screw 3/8 x 3/4	
23	4071048	2	Shim	
24	4160194	4	Spring, Gas	
25	4340923	1	Support, Rear Hood	
26	4340924	1	Support, Front Hood	
27	4340995	1	Support, Tank Side Hood	
28	4340996	1	Support, Engine Side Hood	
29	4340999	1	Mount, Gas Spring	
30	4341001	1	Mount, Gas Spring	
31	4711400	12	Washer 1/4	
32	4711600	70	Washer 3/8	
33	4740500	5	Washer, Nylon	
34	4751600	42	Washer 3/8	
35	1001142023	1	Hood, Engine Side (See Items 201-224 for Breakdown)	
		Ref	Note: Replacement decals must be ordered separately - See DECAL SECTION.	
36	0641406	2	Bolt 1/4 x 3/4	
37	1001142181	1	Stack, Exhaust	
38	3311405	2	Nut 1/4	
39	1001140485	1	Seal	
40	1001142144	1	Bracket	
41	1001146132	1	Seal	
42	1001146178	1	Seal	
43	1001146183	1	Plate	
44	1001146142	1	Seal	
45	1001160505	2	Strap	

SECTION 2 - TURNTABLE

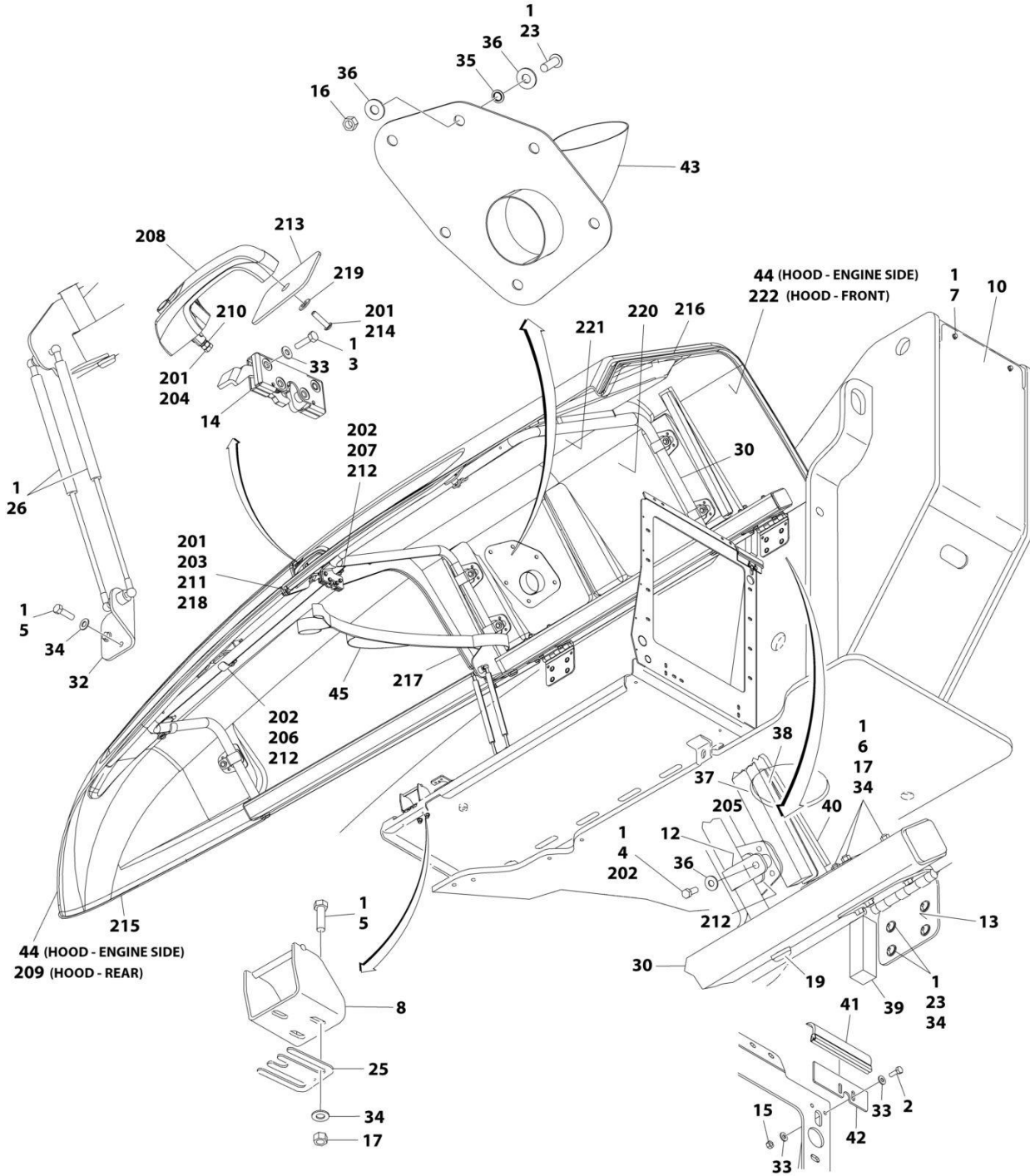
ITEM	PART NUMBER	QTY	DESCRIPTION	REV
	1671194	Ref	TANK SIDE HOOD ASSEMBLY (ABS)	A
101	0100011	AR	Compound, Locking	
102	0100081	AR	Adhesive (Not Shown)	
103	0641506	9	Bolt 5/16 x 3/4	
104	0760608	1	Screw M6 x 16	
105	0902746	4	Bracket	
106	0902762	1	Bracket	
107	0902763	1	Bracket	
108	0903162	1	Bracket	
109	1671193	1	Hood - Front	
110	2560187	1	Handle, Push Button	
111	2680498	1	Hood - Rear	
112	3290601	1	Nut M6	
113	3311501	9	Nut 5/16	
114	3340877	7	Pad	
115	3900363	2	Screw M6 x 25	
116	3960464	12.4 ft /3.8m	Seal, Hood	
117	4060804	4.4 ft /1.4m	Flex-Trim	
118	4060806	3.3 ft /1.2m	Flex-Trim	
119	4240150	1	Strap, Ground	
120	4751500	18	Washer 5/16	
121	4811900	2	Washer M8	
	1001142023	Ref	ENGINE SIDE HOOD ASSEMBLY (ABS)	D
201	0100011	AR	Compound, Locking	
202	0100081	AR	Adhesive (Not Shown)	
203	0641510	10	Bolt 5/16 x 1-1/4	
204	0760608	1	Screw M6 x 16	
205	0902746	7	Bracket	
206	0902761	1	Bracket	
207	0903161	1	Bracket	
208	2560187	1	Handle, Push Button	
209	2680496	1	Hood - Rear	
211	3290601	1	Nut M6	
212	3311501	10	Nut 5/16	
213	3340877	9	Pad	
214	3575782	1	Plate, Handle Backing	
215	3900363	2	Screw M6 x 25	
216	3960464	12 ft /3.7m	Seal, Hood	
217	4060804	5.1 ft /1.6m	Flex-Trim	
218	4060806	4.1 ft /1.3m	Flex-Trim	
219	4751500	20	Washer 5/16	
220	4811900	2	Washer M8	
221	1001142021	1	Hood - Front	
		Ref	Note: When installing a replacement hood, heat shields (item 223) must be installed on the replacement hood before being place in service. Heat shield must be purchased separately.	
223	1001152566	AR	Insulation	

SECTION 2 - TURNTABLE

ITEM	PART NUMBER	QTY	DESCRIPTION	REV
224	1001117140	AR	Tape, Aluminized	

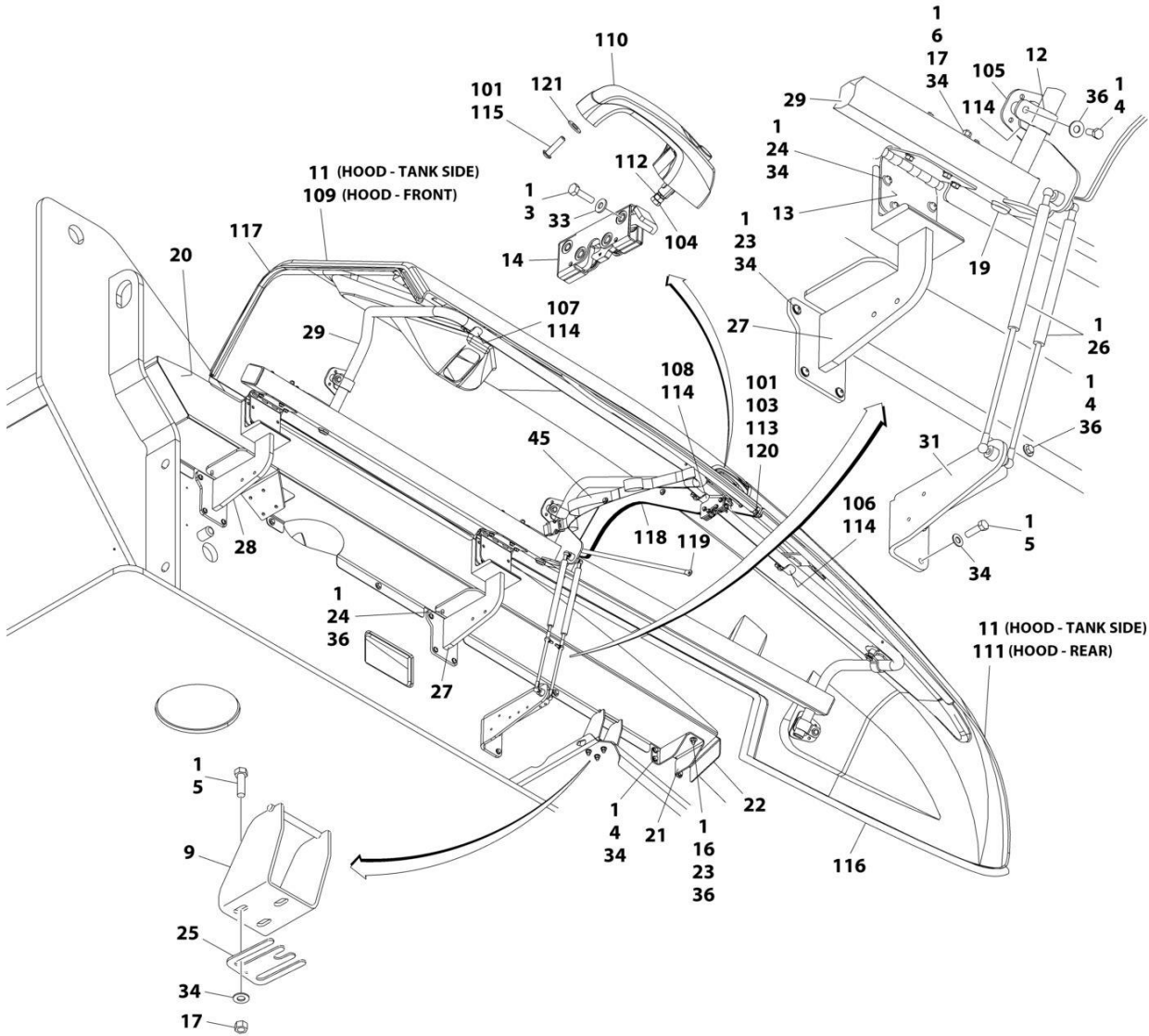
SECTION 2 - TURNTABLE

FIGURE 2-44. HOOD INSTALLATION - DEUTZ TCD2.9L4 ENGINES (ABS) (PVC2007)



ART_1001237127_10F2

SECTION 2 - TURNTABLE



ART_1001237127_2OF2

SECTION 2 - TURNTABLE

FIGURE 2-44. HOOD INSTALLATION - DEUTZ TCD2.9L4 ENGINES (ABS) (PVC2007)

ITEM	PART NUMBER	QTY	DESCRIPTION	REV
	1001237127	Ref	HOOD INSTALLATION - DEUTZ TCD2.9L4 ENGINES (ABS)	B
1	0100011	AR	Compound, Locking	
2	0641406	2	Bolt 1/4 x 3/4	
3	0641408	8	Bolt 1/4 x 1	
4	0641608	24	Bolt 3/8 x 1	
5	0641610	12	Bolt 3/8 x 1-1/4	
6	0641630	12	Bolt 3/8 x 3-3/4	
7	0791604	2	Screw 3/8 x 1/2	
8	0903154	1	Bracket, Latch	
9	0903156	1	Bracket	
10	1671038	1	Cover, Turntable	
11	1671194	1	Hood, Tank Side (See Items 101-121 for Breakdown)	
		Ref	Note: Replacement decals must be ordered separately - See DECAL SECTION.	
12	2080051	16	Clamp	
13	2600280	4	Hinge	
14	2940173	2	Latch, Rotary	
15	3311405	2	Nut 1/4	
16	3311601	8	Nut 3/8	
17	3311605	18	Nut 3/8	
18	3520034	2	Plug (Not Shown - Located in Boom Rest)	
19	3520186	6	Plug	
20	3573231	1	Trough, Powertrack	
21	3573232	1	Mount, Trough	
22	3573233	1	Plate, Seal Mounting	
23	3900232	24	Screw 3/8 x 1-1/4	
24	3900283	16	Screw 3/8 x 3/4	
25	4071048	2	Shim	
26	4160194	4	Spring, Gas	
27	4340923	1	Support, Rear Hood	
28	4340924	1	Support, Front Hood	
29	4340995	1	Support, Tank Side Hood	
30	4340996	1	Support, Engine Side Hood	
31	4340999	1	Mount, Gas Spring	
32	4341001	1	Mount, Gas Spring	
33	4711400	12	Washer 1/4	
34	4711600	70	Washer 3/8	
35	4740500	6	Washer, Nylon	
36	4751600	44	Washer 3/8	
37	1001140485	1	Seal	
38	1001142144	1	Bracket	
39	1001146132	1	Seal	
40	1001146142	1	Seal	
41	1001146178	1	Seal	
42	1001146183	1	Plate	
43	1001236408	1	Stack, Exhaust	
44	1001237125	1	Hood, Engine Side (See Items 201-222 for Breakdown)	
		Ref	Note: Replacement decals must be ordered separately - See DECAL SECTION.	
45	1001160505	2	Strap	

SECTION 2 - TURNTABLE

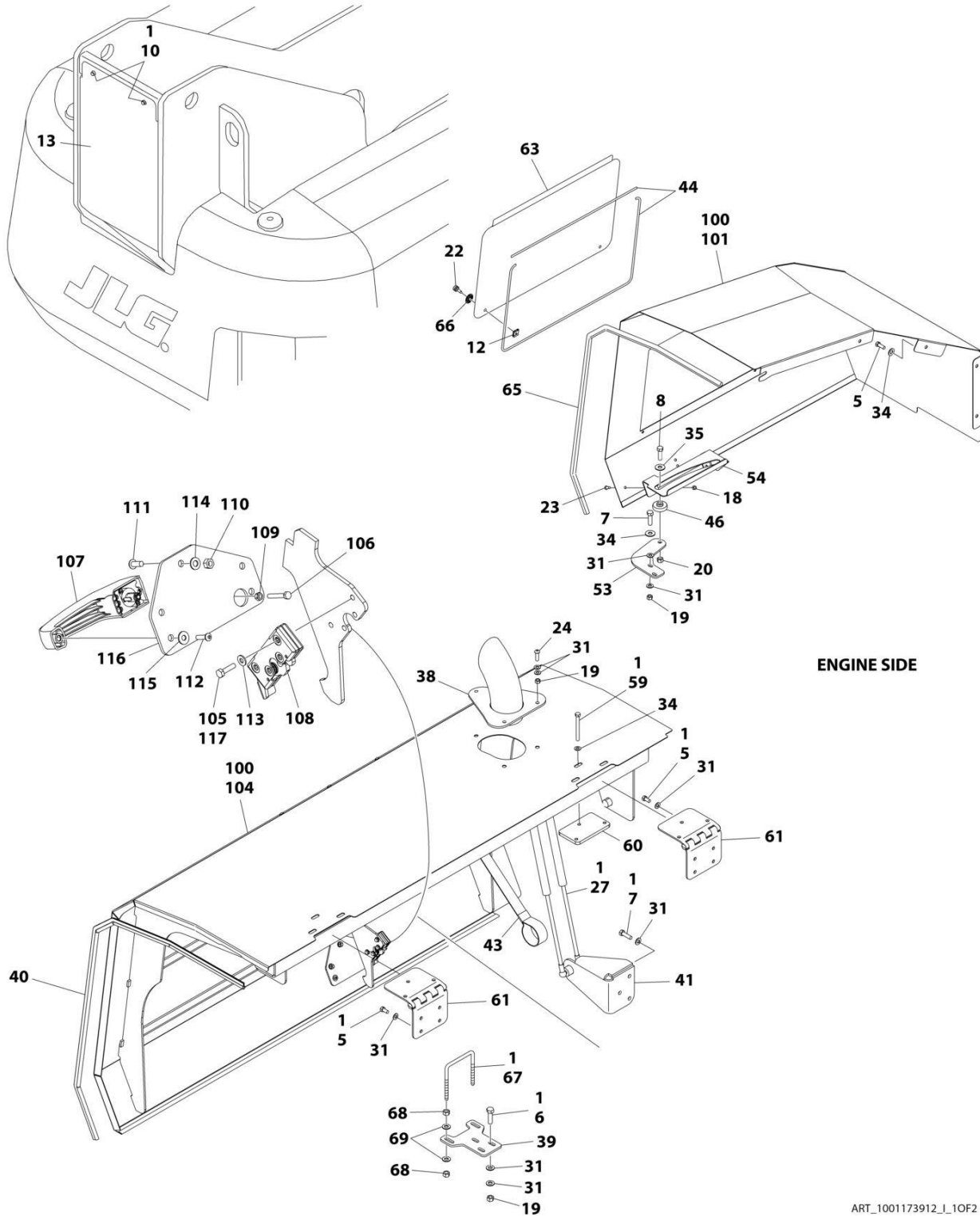
ITEM	PART NUMBER	QTY	DESCRIPTION	REV
	1671194	Ref	TANK SIDE HOOD ASSEMBLY (ABS)	A
101	0100011	AR	Compound, Locking	
102	0100081	AR	Adhesive (Not Shown)	
103	0641506	9	Bolt 5/16 x 3/4	
104	0760608	1	Screw M6 x 16	
105	0902746	4	Bracket	
106	0902762	1	Bracket	
107	0902763	1	Bracket	
108	0903162	1	Bracket	
109	1671193	1	Hood - Front	
110	2560187	1	Handle, Push Button	
111	2680498	1	Hood - Rear	
112	3290601	1	Nut M6	
113	3311501	9	Nut 5/16	
114	3340877	7	Pad	
115	3900363	2	Screw M6 x 25	
116	3960464	12.4 ft /3.8m	Seal, Hood	
117	4060804	4.4 ft /1.4m	Flex-Trim	
118	4060806	3.3 ft /1.2m	Flex-Trim	
119	4240150	1	Strap, Ground	
120	4751500	18	Washer 5/16	
121	4811900	2	Washer M8	
	1001237125	Ref	ENGINE SIDE HOOD ASSEMBLY (ABS)	A
201	0100011	AR	Compound, Locking	
202	0100081	AR	Adhesive	
203	0641510	10	Bolt 5/16 x 1-1/4	
204	0760608	1	Screw M6 x 16	
205	0902746	7	Bracket	
206	0902761	1	Bracket	
207	0903161	1	Bracket	
208	2560187	1	Handle, Push Button	
209	2680496	1	Hood - Rear	
210	3290601	1	Nut M6	
211	3311501	10	Nut 5/16	
212	3340877	9	Pad	
213	3575782	1	Plate, Handle Backing	
214	3900363	2	Screw M6 x 25	
215	3960464	12 ft /3.7m	Seal, Hood	
216	4060804	5.1 ft /1.6m	Flex-Trim	
217	4060806	4.1 ft /1.3m	Flex-Trim	
218	4751500	20	Washer 5/16	
219	4811900	2	Washer M8	
220	1001117140	AR	Tape, Aluminized	
221	1001152566	AR	Insulation	
222	1001237124	1	Hood - Engine Side Front	

SECTION 2 - TURNTABLE

ITEM	PART NUMBER	QTY	DESCRIPTION	REV
		Ref	Note: When installing a replacement hood, heat shields (item 223) must be installed on the replacement hood before being place in service. Heat shield must be purchased separately.	

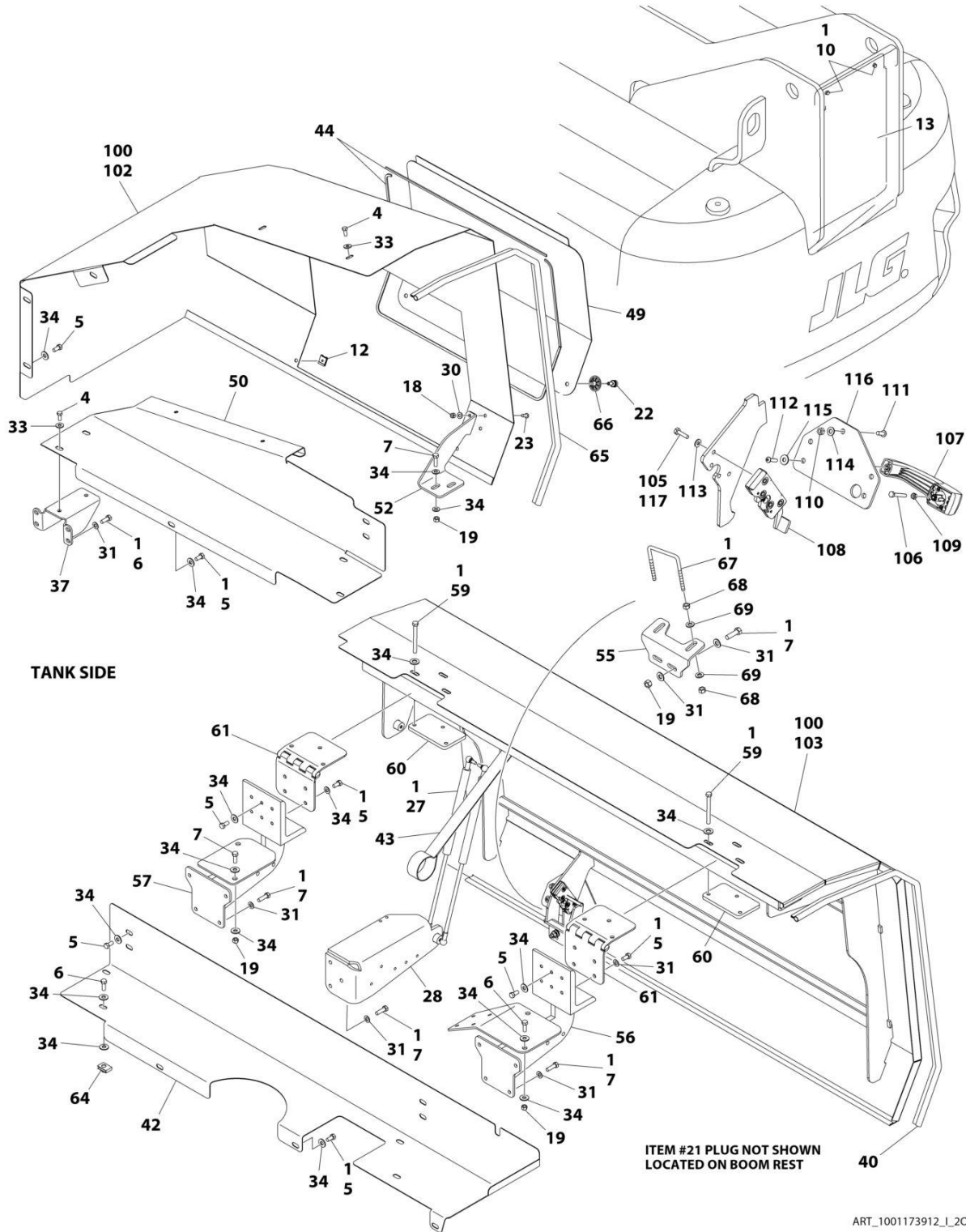
SECTION 2 - TURNTABLE

FIGURE 2-45. HOOD INSTALLATION- DEUTZ TD2011/TD2.9L4 ENGINES (STEEL)



ART_1001173912_L_10F2

SECTION 2 - TURNTABLE



ART_1001173912_I_20F2

SECTION 2 - TURNTABLE

FIGURE 2-45. HOOD INSTALLATION- DEUTZ TD2011/TD2.9L4 ENGINES (STEEL)

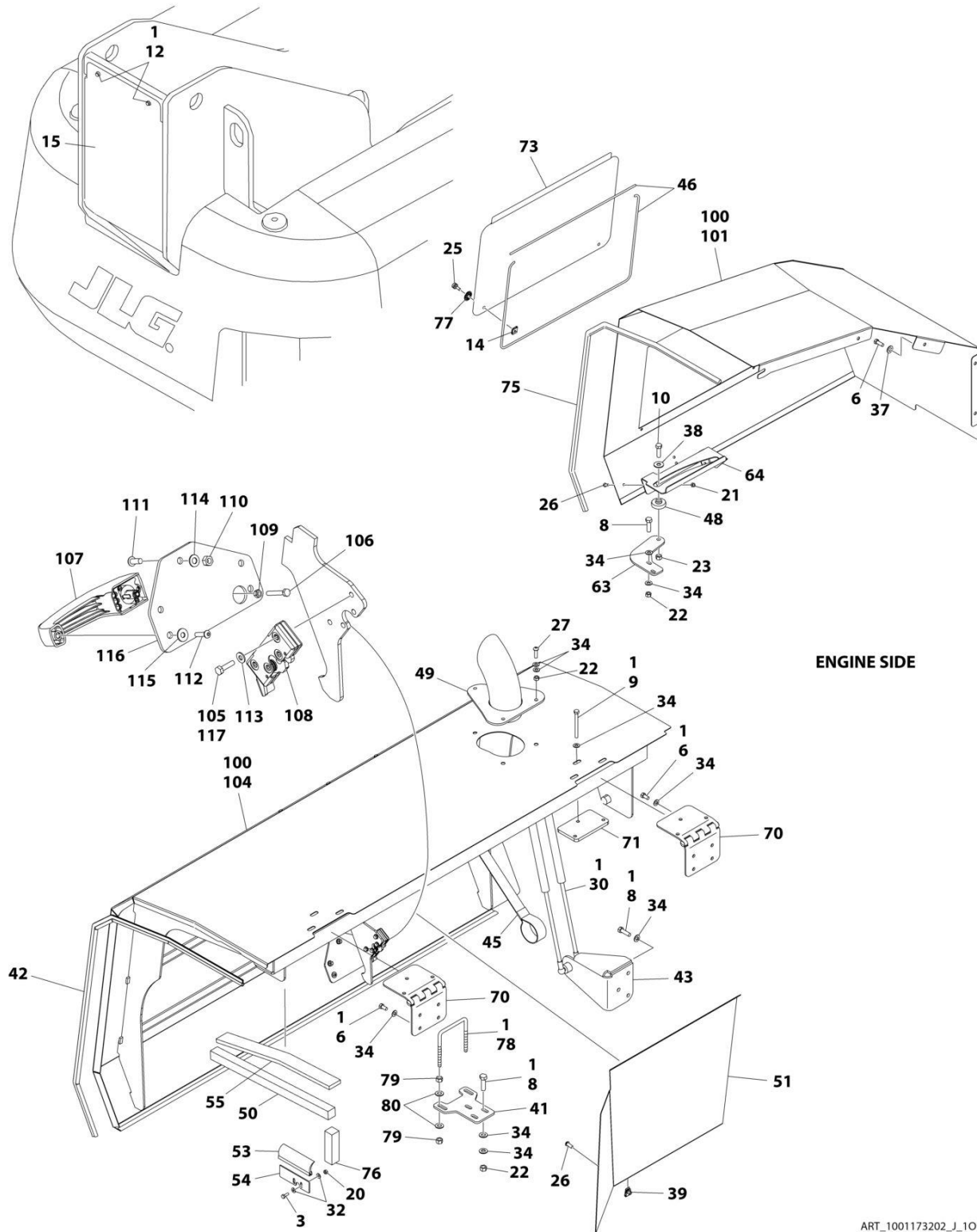
ITEM	PART NUMBER	QTY	DESCRIPTION	REV
	1001173912	Ref	HOOD INSTALLATION - DEUTZ TD2011/TD2.9L4 ENGINES (STEEL)	I
		Ref	Note: Replacement Decals Must be Ordered Separately - See DECAL SECTION.	
1	0100011	AR	Compound, Locking	
4	0641506	AR	Bolt 5/16 x 3/4	
5	0641606	32	Bolt 3/8 x 3/4	
6	0641608	8	Bolt 3/8 x 1	
7	0641610	AR	Bolt 3/8 x 1-1/4	
8	0641813	1	Bolt 1/2 x 1-5/8	
10	0791604	2	Screw 3/8 x 1/2	
12	1380169	4	Clip	
13	1671038	1	Cover	
18	3311505	5	Nut 5/16	
19	3311605	AR	Nut 3/8	
20	3311805	1	Nut 1/2	
21	3520034	2	Plug, Hole	
22	3900174	4	Screw, Thumb	
23	3900210	5	Screw 5/16 x 3/4	
24	3900232	3	Screw 3/8 x 1-1/4	
27	4160194	4	Spring, Gas	
28	4340999	1	Mount, Gas Spring	
30	4711500	2	Washer 5/16	
31	4711600	54	Washer 3/8	
33	4751500	4	Washer 5/16	
34	4751600	AR	Washer 3/8	
35	4751800	1	Washer 1/2	
37	3573232	1	Support, Power Track Trough	
38	1001110027	1	Stack, Exhaust	
39	1001250296	1	Bracket, Striker	
40	1001110433	AR	Seal	
41	1001110486	1	Mount, Gas Spring	
42	1001175859	1	Plate, Power Track Trough	
43	1001112691	2	Strap, Hand Pull	
44	1001113047	14.5 ft/ 4.4m	Seal	
46	1001131462	1	Pad, Hood Slide	
49	1001173166	1	Cover, Access (Tank Side)	
50	1001173170	1	Plate, Power Track Trough	
52	1001173185	1	Plate, Mounting	
53	1001173186	1	Bracket, Engine Tray	
54	1001173187	1	Bracket, Engine Tray	
55	1001250297	1	Bracket, Hood Latch	
56	1001173647	1	Support, Front Hood	
57	1001173651	1	Support, Front Hood	
59	0641630	12	Bolt 3/8 x 3-3/4	
60	1001175880	4	Plate	
61	1001175879	4	Hinge, Offset Hood	
63	1001180051	1	Cover, Access (Engine Side)	
64	88662523	4	Nut, Tinnerman	

SECTION 2 - TURNTABLE

ITEM	PART NUMBER	QTY	DESCRIPTION	REV
65	3960447	10 ft/ 3.1m	Seal, Self-Gripping	
66	3760308	4	Retainer	
67	1001243414	2	U - Bolt	
68	3311601	8	Nut 3/8	
69	4891600	8	Washer 3/8	
100	1001175250	1	Kit, Hood	F
101	1001173163	1	Hood, Engine Side - Rear	
102	1001173164	1	Hood, Tank Side - Rear	
103	1001173183	1	Hood, Tank Side - Front	
104	1001174331	1	Hood, Engine Side - Front	
105	0641408	8	Bolt 1/4 x 1	
106	0700616	2	Bolt M6 x 40	
107	2560187	2	Handle, Push Button	
108	2940173	2	Latch, Rotary	
109	3290601	2	Nut M6	
110	3311505	6	Nut 5/16	
111	3900210	6	Screw 5/16 x 3/4	
112	3900363	4	Screw M6 x 25	
113	4711400	8	Washer 1/4	
114	4711500	6	Washer 5/16	
115	4751400	4	Washer 1/4	
116	1001116290	2	Plate, Latch Mounting	
117	0100011	AR	Compound, Locking	

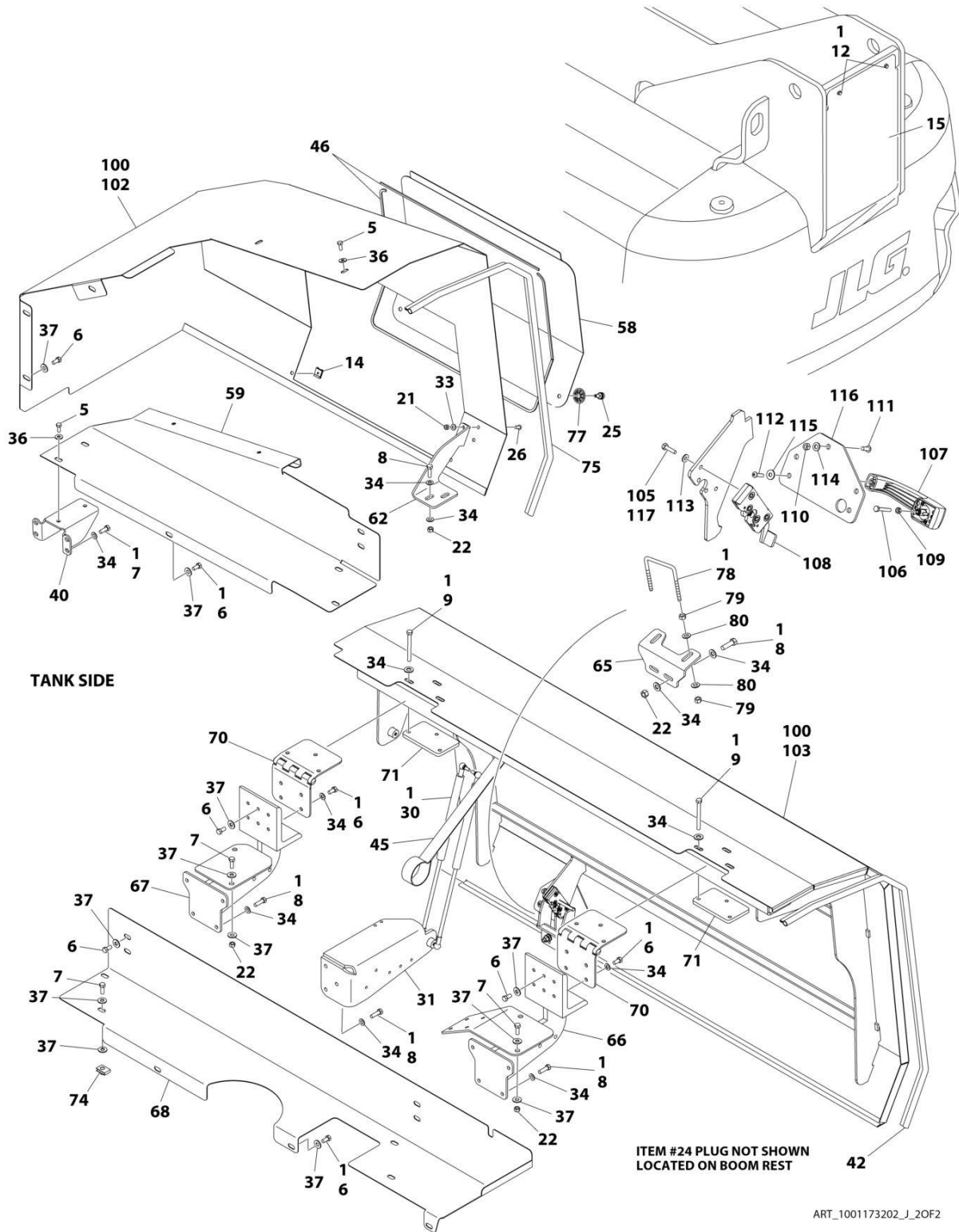
SECTION 2 - TURNTABLE

FIGURE 2-46. HOOD INSTALLATION - DEUTZ TCD2.9L4 ENGINES (STEEL)



ART_1001173202_J_1OF2

SECTION 2 - TURNTABLE



SECTION 2 - TURNTABLE

FIGURE 2-46. HOOD INSTALLATION - DEUTZ TCD2.9L4 ENGINES (STEEL)

ITEM	PART NUMBER	QTY	DESCRIPTION	REV
	1001173202	Ref	HOOD INSTALLATION - DEUTZ TCD2.9L4 ENGINES (STEEL)	J
		Ref	Note: Replacement Decals Must be Ordered Separately - See DECAL SECTION.	
1	0100011	AR	Compound, Locking	
3	0641406	2	Bolt 1/4 x 3/4	
5	0641506	AR	Bolt 5/16 x 3/4	
6	0641606	32	Bolt 3/8 x 3/4	
7	0641608	8	Bolt 3/8 x 1	
8	0641610	AR	Bolt 3/8 x 1-1/4	
9	0641630	12	Bolt 3/8 x 3-3/4	
10	0641813	1	Bolt 1/2 x 1-5/8	
12	0791604	2	Screw 3/8 x 1/2	
14	1380169	4	Clip	
15	1671038	1	Cover	
20	3311405	2	Nut 1/4	
21	3311505	5	Nut 5/16	
22	3311605	AR	Nut 3/8	
23	3311805	1	Nut 1/2	
24	3520034	2	Plug, Hole	
25	3900174	4	Screw, Thumb	
26	3900210	10	Screw 5/16 x 3/4	
27	3900232	3	Screw 3/8 x 1-1/4	
31	4340999	1	Mount, Gas Spring	
32	4711400	4	Washer 1/4	
33	4711500	2	Washer 5/16	
34	4711600	72	Washer 3/8	
36	4751500	AR	Washer 5/16	
37	4751600	AR	Washer 3/8	
38	4751800	1	Washer 1/2	
39	8310658	5	Nut .312 x 1	
40	3573232	1	Support, Power Track Trough	
41	1001250296	1	Bracket, Striker	
42	1001110433	AR	Seal	
43	1001110486	1	Mount, Gas Spring	
45	1001112691	2	Strap, Hand Pull	
46	1001113047	14.5 ft/ 4.2m	Seal	
48	1001131462	1	Pad, Hood Slide	
49	1001139778	1	Stack, Exhaust	
50	1001140485	1	Seal	
51	1001145162	1	Panel, Heat Deflector	
53	1001146178	1	Seal	
54	1001146183	1	Plate	
55	1001146244	1	Seal	
58	1001173166	1	Cover, Access (Tank Side)	
59	1001173170	1	Plate, Power Track Trough	
62	1001173185	1	Plate, Mounting	
63	1001173186	1	Bracket, Engine Tray	
64	1001173187	1	Bracket, Engine Tray	
65	1001250297	1	Bracket, Hood	

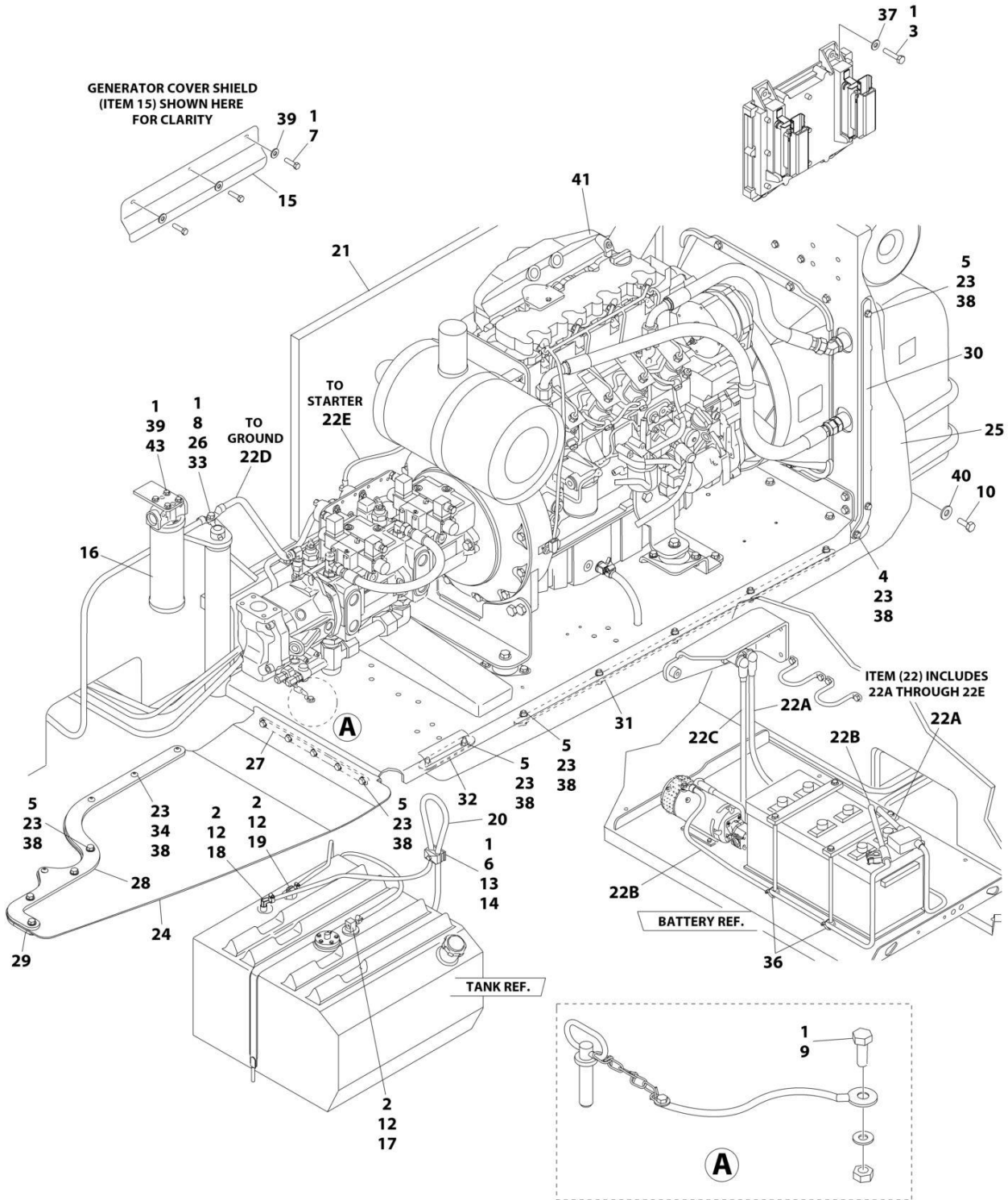
SECTION 2 - TURNTABLE

ITEM	PART NUMBER	QTY	DESCRIPTION	REV
66	1001173647	1	Support, Front Hood	
67	1001173651	1	Support, Front Hood	
68	1001175859	1	Plate, Power Track Trough	
70	1001175879	4	Hinge, Offset Hood	
71	1001175880	4	Plate	
73	1001180051	1	Cover, Access (Engine Side)	
74	88662523	1	Nut, Tinnerman	
75	3960447	10 ft/ 3.1m	Seal, Self-Gripping	
76	1001146132	1	Seal	
77	3760308	4	Retainer	
78	1001243414	2	U - Bolt	
79	3311601	8	Nut 3/8	
80	4891600	8	Washer 3/8	
100	1001175237	1	Kit, Hood	H
101	1001173163	1	Hood, Engine Side - Rear	
102	1001173164	1	Hood, Tank Side - Rear	
103	1001173183	1	Hood, Tank Side - Front	
104	1001173184	1	Hood, Engine Side - Front	
105	0641408	8	Bolt 1/4 x 1	
106	0700616	2	Bolt M6 x 40	
107	2560187	2	Handle, Push Button	
108	2940173	2	Latch, Rotary	
109	3290601	2	Nut M6	
110	3311505	6	Nut 5/16	
111	3900210	6	Screw 5/16 x 3/4	
112	3900363	4	Screw M6 x 25	
113	4711400	8	Washer 1/4	
114	4711500	6	Washer 5/16	
115	4751400	4	Washer 1/4	
116	1001116290	2	Plate, Latch Mounting	
117	0100011	1	Compound, Locking	

SECTION 3 - ENGINE

SECTION 3 - ENGINE

FIGURE 3-1. DEUTZ TD2011 DIESEL ENGINE INSTALLATION - WITH REXROTH PUMPS AND ABS HOODS (WITHOUT SKYPOWER AND WITHOUT COLD WEATHER PLUS PACKAGE)



ART_1001098512

SECTION 3 - ENGINE

FIGURE 3-1. DEUTZ TD2011 DIESEL ENGINE INSTALLATION - WITH REXROTH PUMPS AND ABS HOODS (WITHOUT SKYPOWER AND WITHOUT COLD WEATHER PLUS PACKAGE)

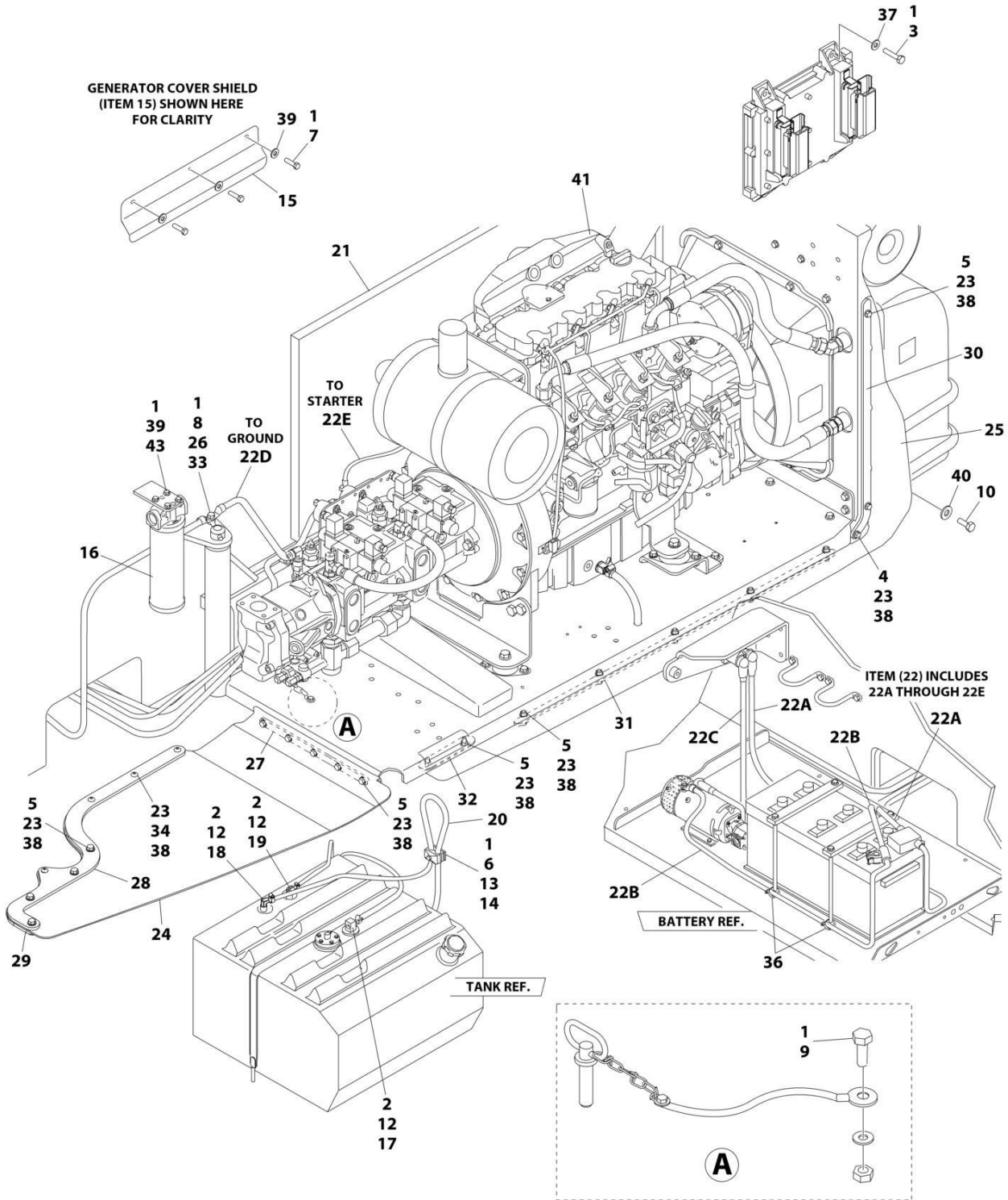
ITEM	PART NUMBER	QTY	DESCRIPTION	REV
	1001098512	Ref	DEUTZ TD2011 DIESEL ENGINE INSTALLATION - WITH REXROTH PUMPS AND ABS HOODS (WITHOUT SKYPOWER AND WITHOUT COLD WEATHER PLUS PACKAGE)	G
1	0100011	AR	Compound, Locking	
2	0100079	AR	Sealant, Pipe	
3	0641410	4	Bolt 1/4 x 1-1/4	
4	0641506	1	Bolt 5/16 x 3/4	
5	0641509	18	Bolt 5/16 x 1-1/8	
6	0641511	1	Bolt 5/16 x 1-3/8	
7	0641605	3	Bolt 3/8 x 5/8	
8	0641610	1	Bolt 3/8 x 1-1/4	
9	0641808	1	Bolt 1/2 x 1	
10	0642010	1	Bolt 5/8 x 1-1/4	
12	1320022	3	Clamp	
13	1320187	1	Clamp, Twin	
14	1320190	1	Cover, Clamp	
15	1671121	1	Cover, Generator	
16	1001108617	1	Pressure Filter	
16	70002231	1	Element, Filter	
17	2180348	1	Fitting, Barbed	
18	2220313	1	Fitting, Elbow Barbed	
19	2221176	1	Fitting, Elbow	
20	2750532	5 ft/ 1.5m	Hose	
21	2820170	1	Insulation, Sound Absorbing	
22	2902099	1	Battery Cable Kit	
22A	7024580	1	Cable, Red (To Aux Pump Relay, Battery Positive Terminal and Start Relay)	
22B	7024581	1	Cable, Black (To Aux Pump, Battery Negative Terminal and Ground at Tray Pivot)	
22C	7024582	1	Cable, Red (Aux Pump Relay to Aux Pump)	
22D	7024583	1	Cable, Black (Tray Pivot to Engine Mount)	
22E	7024584	1	Cable, Red (Start Relay to Starter)	
23	3311505	23	Nut 5/16	
24	3380472	1	Panel, Rubber	
25	3380473	1	Panel, Rubber	
26	3422446	1	Pin	
27	3573644	1	Plate, Tray Clamp	
28	3573645	1	Plate, Top Clamp	
29	3573646	1	Plate, Bottom Clamp	
30	3573669	1	Plate, Clamp	
31	3573727	1	Plate, Tray Clamp	
32	3573728	1	Plate, Tray Clamp	
33	3841143	1	Keeper, Pin	
34	3900272	4	Screw 5/16 x 1-3/4	
35	4240018	2	Strap, Tie (Not Shown)	
36	4240099	AR	Strap, Tie	
37	4711400	4	Washer 1/4	
38	4711500	42	Washer 5/16	
39	4711600	7	Washer 3/8	
40	4752000	1	Washer 5/8	

SECTION 3 - ENGINE

ITEM	PART NUMBER	QTY	DESCRIPTION	REV
41	1001098513	1	Engine Assembly with Pumps (See Separate Breakdown in this Section)	
43	0641606	4	Bolt 3/8 x 3/4	

SECTION 3 - ENGINE

FIGURE 3-2. DEUTZ TD2011 DIESEL ENGINE INSTALLATION - WITH REXROTH PUMPS AND ABS HOODS (WITH SKYPOWER AND WITHOUT COLD WEATHER PLUS PACKAGE)



ART_1001098516

SECTION 3 - ENGINE

FIGURE 3-2. DEUTZ TD2011 DIESEL ENGINE INSTALLATION - WITH REXROTH PUMPS AND ABS HOODS (WITH SKYPOWER AND WITHOUT COLD WEATHER PLUS PACKAGE)

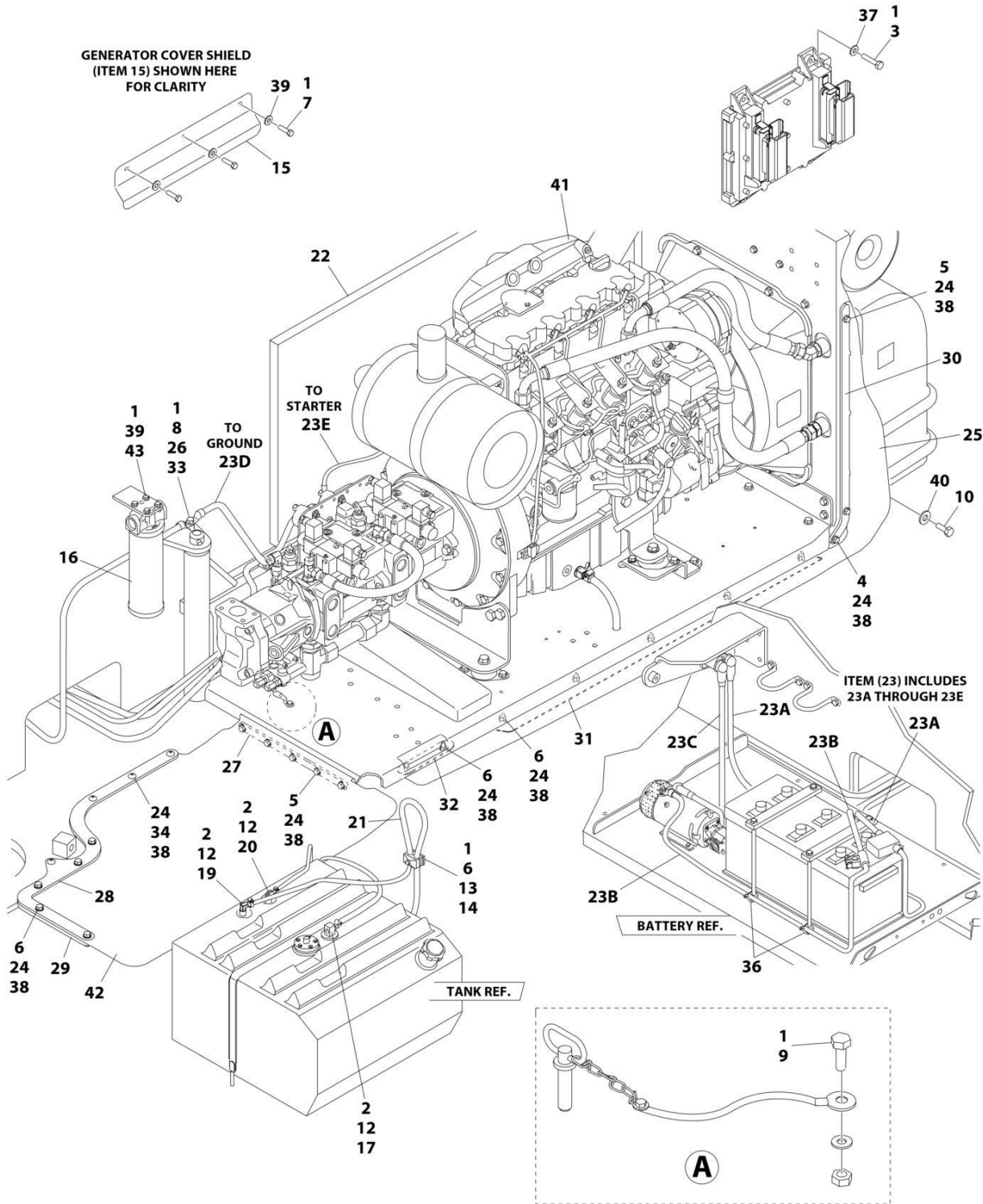
ITEM	PART NUMBER	QTY	DESCRIPTION	REV
	1001098516	Ref	DEUTZ TD2011 DIESEL ENGINE INSTALLATION - WITH REXROTH PUMPS AND ABS HOODS (WITH SKYPOWER AND WITHOUT COLD WEATHER PLUS PACKAGE)	G
1	0100011	AR	Compound, Locking	
2	0100079	AR	Sealant, Pipe	
3	0641410	4	Bolt 1/4 x 1-1/4	
4	0641506	1	Bolt 5/16 x 3/4	
5	0641509	18	Bolt 5/16 x 1-1/8	
6	0641511	1	Bolt 5/16 x 1-3/8	
7	0641605	3	Bolt 3/8 x 5/8	
8	0641610	1	Bolt 3/8 x 1-1/4	
9	0641808	1	Bolt 1/2 x 1	
10	0642010	1	Bolt 5/8 x 1-1/4	
12	1320022	3	Clamp	
13	1320187	1	Clamp, Twin	
14	1320190	1	Cover, Clamp	
15	1671121	1	Cover, Generator	
16	1001108617	1	Pressure Filter	
16	70002231	1	Element, Filter	
17	2180348	1	Fitting, Barbed	
18	2220313	1	Fitting, Elbow Barbed	
19	2221176	1	Fitting, Elbow	
20	2750532	5 ft/ 1.5m	Hose	
21	2820170	1	Insulation, Sound Absorbing	
22	2902099	1	Battery Cable Kit	
22A	7024580	1	Cable, Red (To Aux Pump Relay, Battery Positive Terminal and Start Relay)	
22B	7024581	1	Cable, Black (To Aux Pump, Battery Negative Terminal and Ground at Tray Pivot)	
22C	7024582	1	Cable, Red (Aux Pump Relay to Aux Pump)	
22D	7024583	1	Cable, Black (Tray Pivot to Engine Mount)	
22E	7024584	1	Cable, Red (Start Relay to Starter)	
23	3311505	23	Nut 5/16	
24	3380472	1	Panel, Rubber	
25	3380473	1	Panel, Rubber	
26	3422446	1	Pin	
27	3573644	1	Plate, Tray Clamp	
28	3573645	1	Plate, Top Clamp	
29	3573646	1	Plate, Bottom Clamp	
30	3573669	1	Plate, Clamp	
31	3573727	1	Plate, Tray Clamp	
32	3573728	1	Plate, Tray Clamp	
33	3841143	1	Keeper, Pin	
34	3900272	4	Screw 5/16 x 1-3/4	
35	4240018	2	Strap, Tie (Not Shown)	
36	4240099	AR	Strap, Tie	
37	4711400	4	Washer 1/4	
38	4711500	42	Washer 5/16	
39	4711600	7	Washer 3/8	
40	4752000	1	Washer 5/8	

SECTION 3 - ENGINE

ITEM	PART NUMBER	QTY	DESCRIPTION	REV
41	1001098530	1	Engine Assembly with Pumps (See Separate Breakdown in this Section)	
43	0641606	4	Bolt 3/8 x 3/4	

SECTION 3 - ENGINE

FIGURE 3-3. DEUTZ TD2011 DIESEL ENGINE INSTALLATION - WITH REXROTH PUMPS AND STEEL HOOD (WITHOUT SKYPOWER AND WITHOUT COLD WEATHER PLUS PACKAGE)



ART_1001117370

SECTION 3 - ENGINE

FIGURE 3-3. DEUTZ TD2011 DIESEL ENGINE INSTALLATION - WITH REXROTH PUMPS AND STEEL HOOD (WITHOUT SKYPOWER AND WITHOUT COLD WEATHER PLUS PACKAGE)

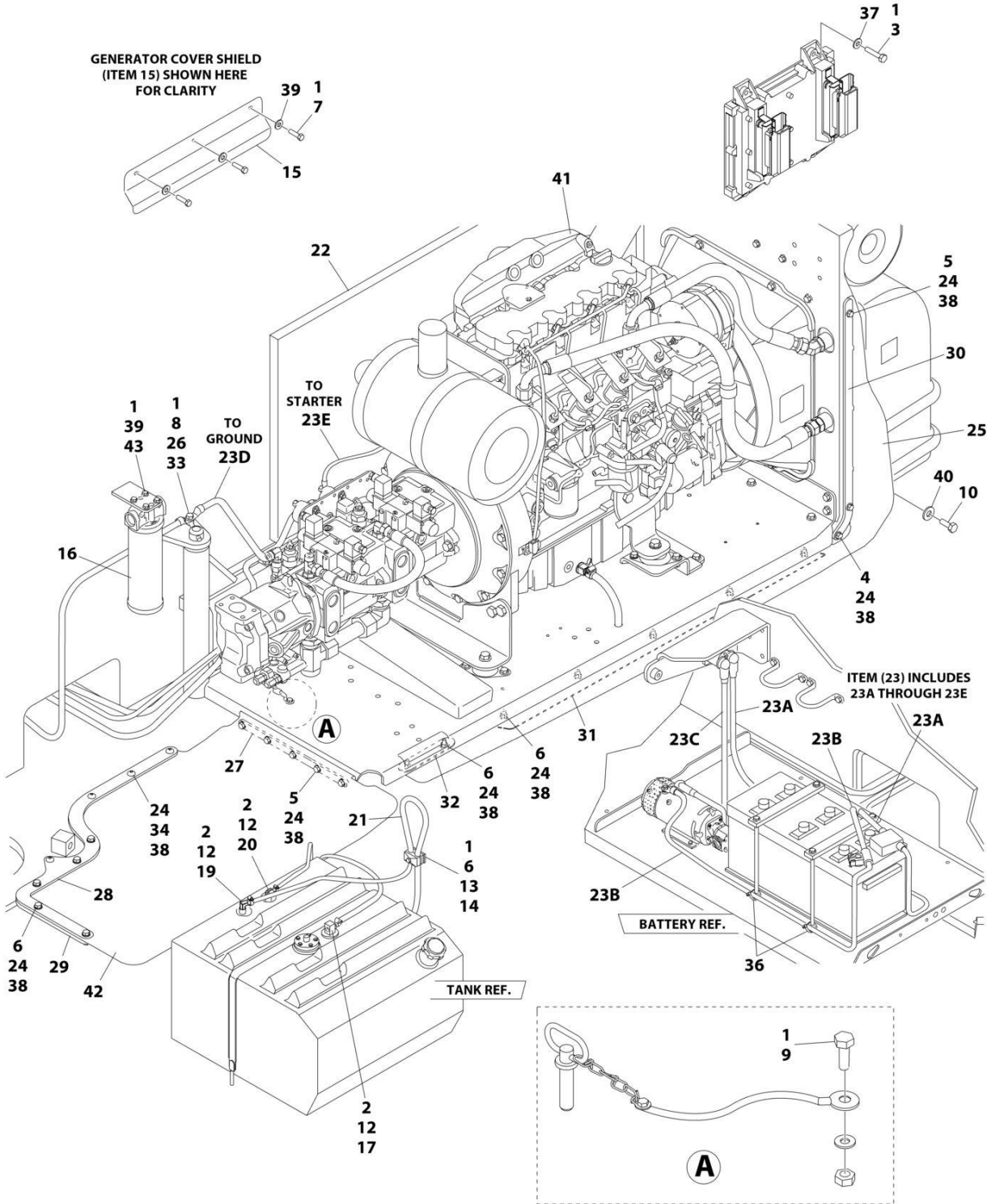
ITEM	PART NUMBER	QTY	DESCRIPTION	REV
	1001117370	Ref	DEUTZ TD2011 DIESEL ENGINE INSTALLATION - WITH REXROTH PUMPS AND STEEL HOOD (WITHOUT SKYPOWER AND WITHOUT COLD WEATHER PLUS PACKAGE)	D
1	0100011	AR	Compound, Locking	
2	0100079	AR	Sealant, Pipe	
3	0641410	4	Bolt 1/4 x 1-1/4	
4	0641506	1	Bolt 5/16 x 3/4	
5	0641509	7	Bolt 5/16 x 1-1/8	
6	0641511	13	Bolt 5/16 x 1-3/8	
7	0641605	3	Bolt 3/8 x 5/8	
8	0641610	1	Bolt 3/8 x 1-1/4	
9	0641808	1	Bolt 1/2 x 1	
10	0642010	1	Bolt 5/8 x 1-1/4	
12	1320022	3	Clamp	
13	1320187	1	Clamp, Twin	
14	1320190	1	Cover, Clamp	
15	1671121	1	Cover, Generator	
16	1001108617	1	Pressure Filter	
16	70002231	1	Element, Filter	
17	2180348	1	Fitting, Barbed	
19	2220313	1	Fitting, Elbow Barbed	
20	2221176	1	Fitting, Elbow	
21	2750532	5 ft/ 1.5m	Hose	
22	2820170	1	Insulation, Sound Absorbing	
23	2902099	1	Battery Cable Kit	
23A	7024580	1	Cable, Red (To Aux Pump Relay, Battery Positive Terminal and Start Relay)	
23B	7024581	1	Cable, Black (To Aux Pump, Battery Negative Terminal and Ground at Tray Pivot)	
23C	7024582	1	Cable, Red (Aux Pump Relay to Aux Pump)	
23D	7024583	1	Cable, Black (Tray Pivot to Engine Mount)	
23E	7024584	1	Cable, Red (Start Relay to Starter)	
24	3311505	24	Nut 5/16	
25	3380473	1	Panel, Rubber	
26	3422446	1	Pin	
27	3573644	1	Plate, Tray Clamp	
28	1001112878	1	Plate, Top Clamp	
29	1001112879	1	Plate, Bottom Clamp	
30	3573669	1	Plate, Clamp	
31	1001112880	1	Plate, Tray Clamp	
32	3573728	1	Plate, Tray Clamp	
33	3841143	1	Keeper, Pin	
34	3900272	4	Screw 5/16 x 1-3/4	
35	4240018	2	Strap, Tie (Not Shown)	
36	4240099	AR	Strap, Tie	
37	4711400	4	Washer 1/4	
38	4711500	44	Washer 5/16	
39	4711600	7	Washer 3/8	
40	4752000	1	Washer 5/8	

SECTION 3 - ENGINE

ITEM	PART NUMBER	QTY	DESCRIPTION	REV
41	1001098513	1	Engine Assembly with Pumps (See Separate Breakdown in this Section)	
42	1001111132	1	Panel, Rubber	
43	0641606	4	Bolt 3/8 x 3/4	

SECTION 3 - ENGINE

FIGURE 3-4. DEUTZ TD2011 DIESEL ENGINE INSTALLATION - WITH REXROTH PUMPS AND STEEL HOODS (WITH SKYPOWER AND WITHOUT COLD WEATHER PLUS PACKAGE)



ART_1001117371

SECTION 3 - ENGINE

FIGURE 3-4. DEUTZ TD2011 DIESEL ENGINE INSTALLATION - WITH REXROTH PUMPS AND STEEL HOODS (WITH SKYPOWER AND WITHOUT COLD WEATHER PLUS PACKAGE)

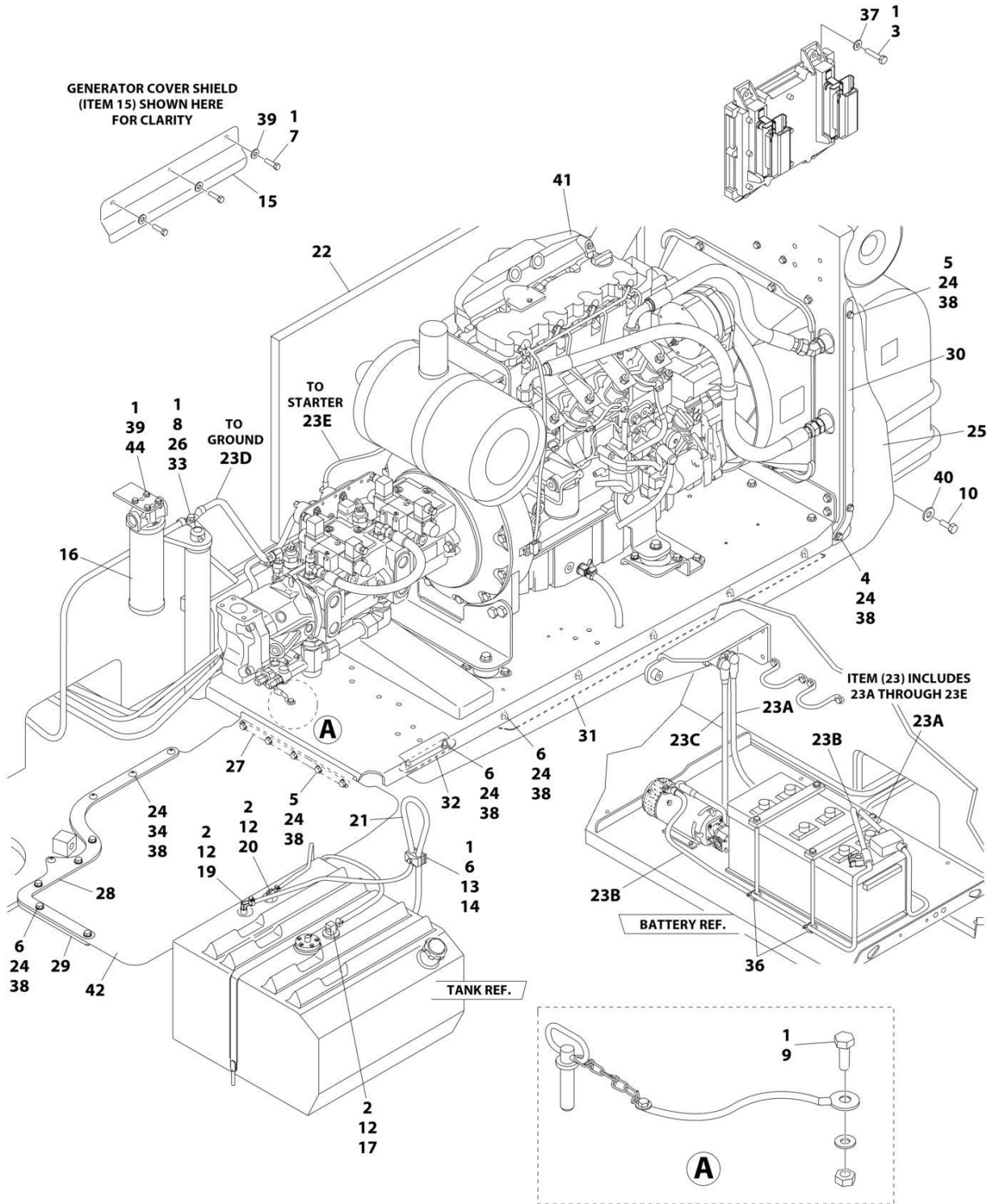
ITEM	PART NUMBER	QTY	DESCRIPTION	REV
	1001117371	Ref	DEUTZ TD2011 DIESEL ENGINE INSTALLATION - WITH REXROTH PUMPS AND STEEL HOODS (WITH SKYPOWER AND WITHOUT COLD WEATHER PLUS PACKAGE)	D
1	0100011	AR	Compound, Locking	
2	0100079	AR	Sealant, Pipe	
3	0641410	4	Bolt 1/4 x 1-1/4	
4	0641506	1	Bolt 5/16 x 3/4	
5	0641509	7	Bolt 5/16 x 1-1/8	
6	0641511	13	Bolt 5/16 x 1-3/8	
7	0641605	3	Bolt 3/8 x 5/8	
8	0641610	1	Bolt 3/8 x 1-1/4	
9	0641808	1	Bolt 1/2 x 1	
10	0642010	1	Bolt 5/8 x 1-1/4	
12	1320022	3	Clamp	
13	1320187	1	Clamp, Twin	
14	1320190	1	Cover, Clamp	
15	1671121	1	Cover, Generator	
16	1001108617	1	Pressure Filter	
16	70002231	1	Element, Filter	
17	2180348	1	Fitting, Barbed	
19	2220313	1	Fitting, Elbow Barbed	
20	2221176	1	Fitting, Elbow	
21	2750532	5 ft/ 1.5m	Hose	
22	2820170	1	Insulation, Sound Absorbing	
23	2902099	1	Battery Cable Kit	
23A	7024580	1	Cable, Red (To Aux Pump Relay, Battery Positive Terminal and Start Relay)	
23B	7024581	1	Cable, Black (To Aux Pump, Battery Negative Terminal and Ground at Tray Pivot)	
23C	7024582	1	Cable, Red (Aux Pump Relay to Aux Pump)	
23D	7024583	1	Cable, Black (Tray Pivot to Engine Mount)	
23E	7024584	1	Cable, Red (Start Relay to Starter)	
24	3311505	24	Nut 5/16	
25	3380473	1	Panel, Rubber	
26	3422446	1	Pin	
27	3573644	1	Plate, Tray Clamp	
28	1001112878	1	Plate, Top Clamp	
29	1001112879	1	Plate, Bottom Clamp	
30	3573669	1	Plate, Clamp	
31	1001112880	1	Plate, Tray Clamp	
32	3573728	1	Plate, Tray Clamp	
33	3841143	1	Keeper, Pin	
34	3900272	4	Screw 5/16 x 1-3/4	
35	4240018	2	Strap, Tie (Not Shown)	
36	4240099	AR	Strap, Tie	
37	4711400	4	Washer 1/4	
38	4711500	44	Washer 5/16	
39	4711600	7	Washer 3/8	
40	4752000	1	Washer 5/8	

SECTION 3 - ENGINE

ITEM	PART NUMBER	QTY	DESCRIPTION	REV
41	1001098530	1	Engine Assembly with Pumps (See Separate Breakdown in this Section)	
42	1001111132	1	Panel, Rubber	
43	0641606	4	Bolt 3/8 x 3/4	

SECTION 3 - ENGINE

FIGURE 3-5. DEUTZ TD2011 DIESEL ENGINE INSTALLATION – WITH REXROTH PUMPS AND STEEL HOODS (WITH SKYPOWER AND WITH COLD WEATHER PLUS PACKAGE)



ART_1001116015

SECTION 3 - ENGINE

FIGURE 3-5. DEUTZ TD2011 DIESEL ENGINE INSTALLATION – WITH REXROTH PUMPS AND STEEL HOODS (WITH SKYPOWER AND WITH COLD WEATHER PLUS PACKAGE)

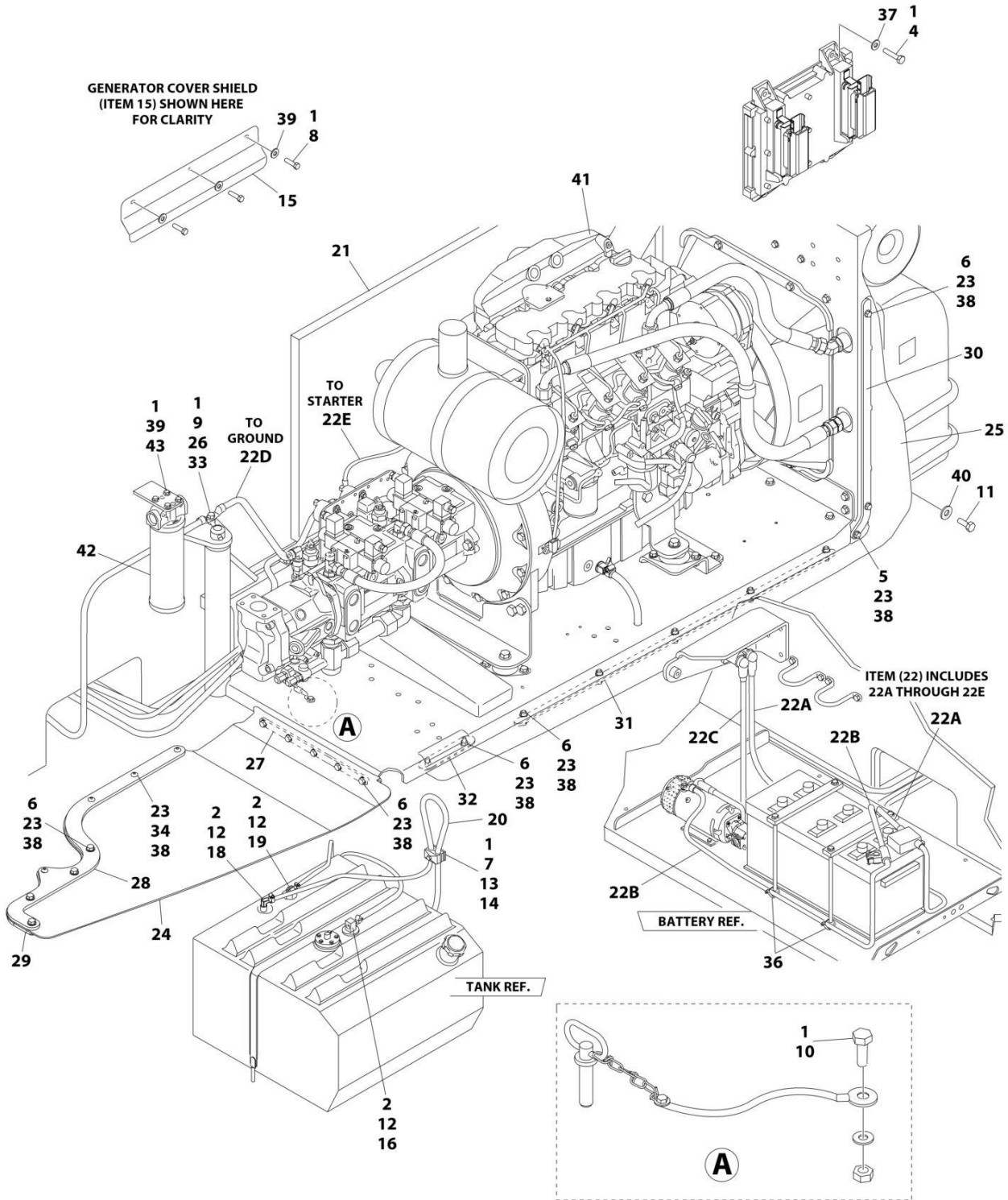
ITEM	PART NUMBER	QTY	DESCRIPTION	REV
	1001116015	Ref	DEUTZ TD2011 DIESEL ENGINE INSTALLATION - WITH REXROTH PUMPS AND STEEL HOODS (WITH SKYPOWER AND WITH COLD WEATHER PLUS PACKAGE)	D
1	0100011	AR	Compound, Locking	
2	0100079	AR	Sealant, Pipe	
3	0641410	4	Bolt 1/4 x 1-1/4	
4	0641506	1	Bolt 5/16 x 3/4	
5	0641509	7	Bolt 5/16 x 1-1/8	
6	0641511	13	Bolt 5/16 x 1-3/8	
7	0641605	3	Bolt 3/8 x 5/8	
8	0641610	1	Bolt 3/8 x 1-1/4	
9	0641808	1	Bolt 1/2 x 1	
10	0642010	1	Bolt 5/8 x 1-1/4	
12	1320022	3	Clamp	
13	1320187	1	Clamp, Twin	
14	1320190	1	Cover, Clamp	
15	1671121	1	Cover, Generator	
16	1001108617	1	Pressure Filter	
16	70002231	1	Element, Filter	
17	2180348	1	Fitting, Barbed	
19	2220313	1	Fitting, Elbow Barbed	
20	2221176	1	Fitting, Elbow	
21	2750532	5 ft/ 1.5m	Hose	
22	2820170	1	Insulation, Sound Absorbing	
23	2902099	1	Battery Cable Kit	
23A	7024580	1	Cable, Red (To Aux Pump Relay, Battery Positive Terminal and Start Relay)	
23B	7024581	1	Cable, Black (To Aux Pump, Battery Negative Terminal and Ground at Tray Pivot)	
23C	7024582	1	Cable, Red (Aux Pump Relay to Aux Pump)	
23D	7024583	1	Cable, Black (Tray Pivot to Engine Mount)	
23E	7024584	1	Cable, Red (Start Relay to Starter)	
24	3311505	24	Nut 5/16	
25	3380473	1	Panel, Rubber	
26	3422446	1	Pin	
27	3573644	1	Plate, Tray Clamp	
28	1001112878	1	Plate, Top Clamp	
29	1001112879	1	Plate, Bottom Clamp	
30	3573669	1	Plate, Clamp	
31	1001112880	1	Plate, Tray Clamp	
32	3573728	1	Plate, Tray Clamp	
33	3841143	1	Keeper, Pin	
34	3900272	4	Screw, Button 5/16 x 1-3/4	
35	4240018	2	Strap, Tie (Not Shown)	
36	4240099	AR	Strap, Tie	
37	4711400	4	Washer 1/4	
38	4711500	44	Washer 5/16	
39	4711600	7	Washer 3/8	
40	4752000	1	Washer 5/8	

SECTION 3 - ENGINE

ITEM	PART NUMBER	QTY	DESCRIPTION	REV
41	1001098531	1	Engine Assembly with Pumps (See Separate Breakdown in this Section)	
42	1001111132	1	Panel, Rubber	
43	1702942	1	Decal - Block Heater (Not Shown)	
44	0641606	4	Bolt 3/8 x 3/4	

SECTION 3 - ENGINE

FIGURE 3-6. DEUTZ TD2011 DIESEL ENGINE INSTALLATION - WITH SAUER PUMPS AND ABS HOODS (WITHOUT SKYPOWER AND WITHOUT COLD WEATHER PLUS PACKAGE)



ART_1001098712

SECTION 3 - ENGINE

FIGURE 3-6. DEUTZ TD2011 DIESEL ENGINE INSTALLATION - WITH SAUER PUMPS AND ABS HOODS (WITHOUT SKYPOWER AND WITHOUT COLD WEATHER PLUS PACKAGE)

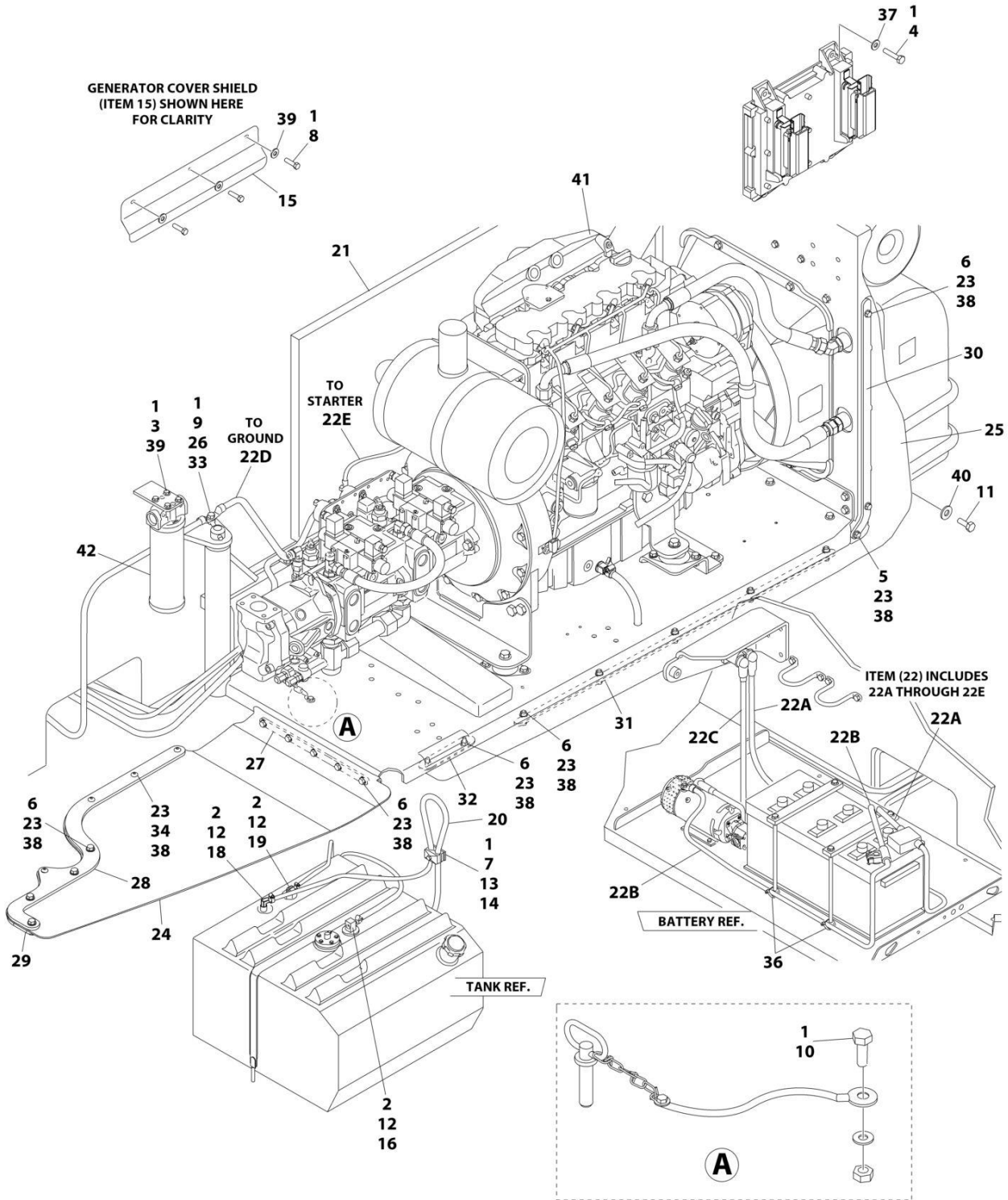
ITEM	PART NUMBER	QTY	DESCRIPTION	REV
	1001118712	Ref	DEUTZ TD2011 DIESEL ENGINE INSTALLATION - WITH SAUER PUMPS AND ABS HOODS (WITHOUT SKYPOWER AND WITHOUT COLD WEATHER PLUS PACKAGE)	E
1	0100011	AR	Compound, Locking	
2	0100079	AR	Sealant, Pipe	
3	0641410	4	Bolt 1/4 x 1-1/4	
4	0641506	1	Bolt 5/16 x 3/4	
5	0641509	18	Bolt 5/16 x 1-1/8	
6	0641511	1	Bolt 5/16 x 1-3/8	
7	0641605	3	Bolt 3/8 x 5/8	
8	0641610	1	Bolt 3/8 x 1-1/4	
9	0641808	1	Bolt 1/2 x 1	
10	0642010	1	Bolt 5/8 x 1-1/4	
12	1320022	3	Clamp	
13	1320187	1	Clamp, Twin	
14	1320190	1	Cover, Clamp	
15	1671121	1	Cover, Generator	
16	2180348	1	Fitting, Barbed	
18	2220313	1	Fitting, Elbow Barbed	
19	2221176	1	Fitting, Elbow	
20	2750532	5 ft/ 1.5m	Hose	
21	2820170	1	Insulation, Sound Absorbing	
22	2902099	1	Battery Cable Kit	
22A	7024580	1	Cable, Red (To Aux Pump Relay, Battery Positive Terminal and Start Relay)	
22B	7024581	1	Cable, Black (To Aux Pump, Battery Negative Terminal and Ground at Tray Pivot)	
22C	7024582	1	Cable, Red (Aux Pump Relay to Aux Pump)	
22D	7024583	1	Cable, Black (Tray Pivot to Engine Mount)	
22E	7024584	1	Cable, Red (Start Relay to Starter)	
23	3311505	23	Nut 5/16	
24	3380472	1	Panel, Rubber	
25	3380473	1	Panel, Rubber	
26	3422446	1	Pin	
27	3573644	1	Plate, Tray Clamp	
28	3573645	1	Plate, Top Clamp	
29	3573646	1	Plate, Bottom Clamp	
30	3573669	1	Plate, Clamp	
31	3573727	1	Plate, Tray Clamp	
32	3573728	1	Plate, Tray Clamp	
33	3841143	1	Keeper, Pin	
34	3900272	4	Screw, Button 5/16 x 1-3/4	
35	4240018	2	Strap, Tie (Not Shown)	
36	4240099	AR	Strap, Tie	
37	4711400	4	Washer 1/4	
38	4711500	42	Washer 5/16	
39	4711600	7	Washer 3/8	
40	4752000	1	Washer 5/8	
41	1001107971	1	Engine Assembly with Pumps (See Separate Breakdown in this Section)	

SECTION 3 - ENGINE

ITEM	PART NUMBER	QTY	DESCRIPTION	REV
42	1001108617	1	Pressure Filter	
42	70002231	1	Element, Filter	
43	0641606	4	Bolt 3/8 x 3/4	

SECTION 3 - ENGINE

FIGURE 3-7. DEUTZ TD2011 DIESEL ENGINE INSTALLATION - WITH SAUER PUMPS AND ABS HOODS (WITH SKYPOWER AND WITHOUT COLD WEATHER PLUS PACKAGE)



ART_1001098713

SECTION 3 - ENGINE

FIGURE 3-7. DEUTZ TD2011 DIESEL ENGINE INSTALLATION - WITH SAUER PUMPS AND ABS HOODS (WITH SKYPOWER AND WITHOUT COLD WEATHER PLUS PACKAGE)

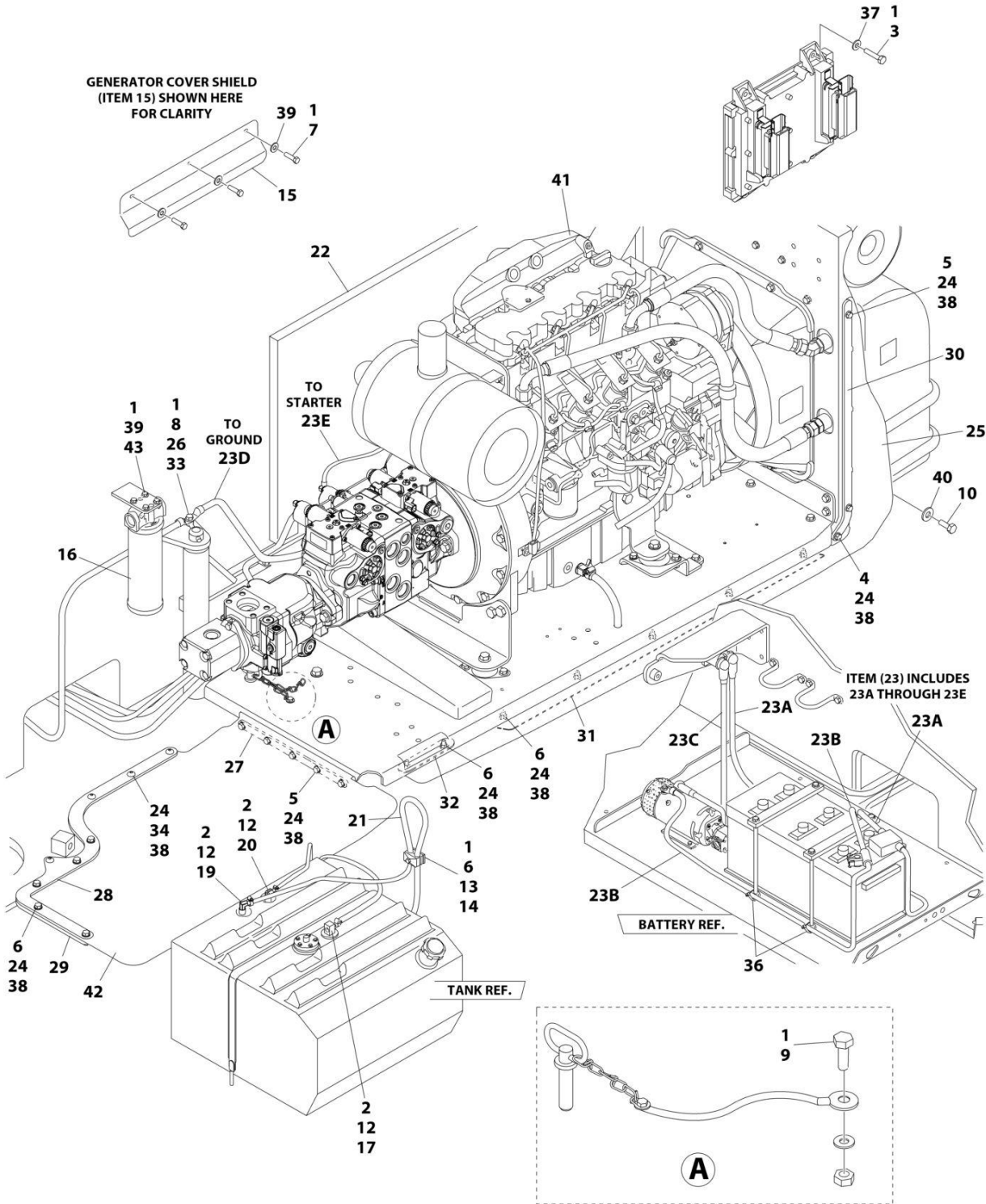
ITEM	PART NUMBER	QTY	DESCRIPTION	REV
	1001118713	Ref	DEUTZ TD2011 DIESEL ENGINE INSTALLATION - WITH SAUER PUMPS AND ABS HOODS (WITH SKYPOWER AND WITHOUT COLD WEATHER PLUS PACKAGE)	E
1	0100011	AR	Compound, Locking	
2	0100079	AR	Sealant, Pipe	
3	0641606	4	Bolt 3/8 x 3/4	
4	0641410	4	Bolt 1/4 x 1-1/4	
5	0641506	1	Bolt 5/16 x 3/4	
6	0641509	18	Bolt 5/16 x 1-1/8	
7	0641511	1	Bolt 5/16 x 1-3/8	
8	0641605	3	Bolt 3/8 x 5/8	
9	0641610	1	Bolt 3/8 x 1-1/4	
10	0641808	1	Bolt 1/2 x 1	
11	0642010	1	Bolt 5/8 x 1-1/4	
12	1320022	3	Clamp	
13	1320187	1	Clamp, Twin	
14	1320190	1	Cover, Clamp	
15	1671121	1	Cover, Generator	
16	2180348	1	Fitting, Barbed	
18	2220313	1	Fitting, Elbow Barbed	
19	2221176	1	Fitting, Elbow	
20	2750532	5 ft/ 1.5m	Hose	
21	2820170	1	Insulation, Sound Absorbing	
22	2902099	1	Battery Cable Kit	
22A	7024580	1	Cable, Red (To Aux Pump Relay, Battery Positive Terminal and Start Relay)	
22B	7024581	1	Cable, Black (To Aux Pump, Battery Negative Terminal and Ground at Tray Pivot)	
22C	7024582	1	Cable, Red (Aux Pump Relay to Aux Pump)	
22D	7024583	1	Cable, Black (Tray Pivot to Engine Mount)	
22E	7024584	1	Cable, Red (Start Relay to Starter)	
23	3311505	23	Nut 5/16	
24	3380472	1	Panel, Rubber	
25	3380473	1	Panel, Rubber	
26	3422446	1	Pin	
27	3573644	1	Plate, Tray Clamp	
28	3573645	1	Plate, Top Clamp	
29	3573646	1	Plate, Bottom Clamp	
30	3573669	1	Plate, Clamp	
31	3573727	1	Plate, Tray Clamp	
32	3573728	1	Plate, Tray Clamp	
33	3841143	1	Keeper, Pin	
34	3900272	4	Screw, Button 5/16 x 1-3/4	
35	4240018	2	Strap, Tie (Not Shown)	
36	4240099	AR	Strap, Tie	
37	4711400	4	Washer 1/4	
38	4711500	42	Washer 5/16	
39	4711600	7	Washer 3/8	
40	4752000	1	Washer 5/8	

SECTION 3 - ENGINE

ITEM	PART NUMBER	QTY	DESCRIPTION	REV
41	1001107973	1	Engine Assembly with Pumps (See Separate Breakdown in this Section)	
42	1001108617	1	Pressure Filter	
42	70002231	1	Element, Filter	

SECTION 3 - ENGINE

FIGURE 3-8. DEUTZ TD2011 DIESEL ENGINE INSTALLATION - WITH SAUER PUMPS AND STEEL HOODS (WITHOUT SKYPOWER AND WITHOUT COLD WEATHER PLUS PACKAGE)



ART_1001119052

SECTION 3 - ENGINE

FIGURE 3-8. DEUTZ TD2011 DIESEL ENGINE INSTALLATION - WITH SAUER PUMPS AND STEEL HOODS (WITHOUT SKYPOWER AND WITHOUT COLD WEATHER PLUS PACKAGE)

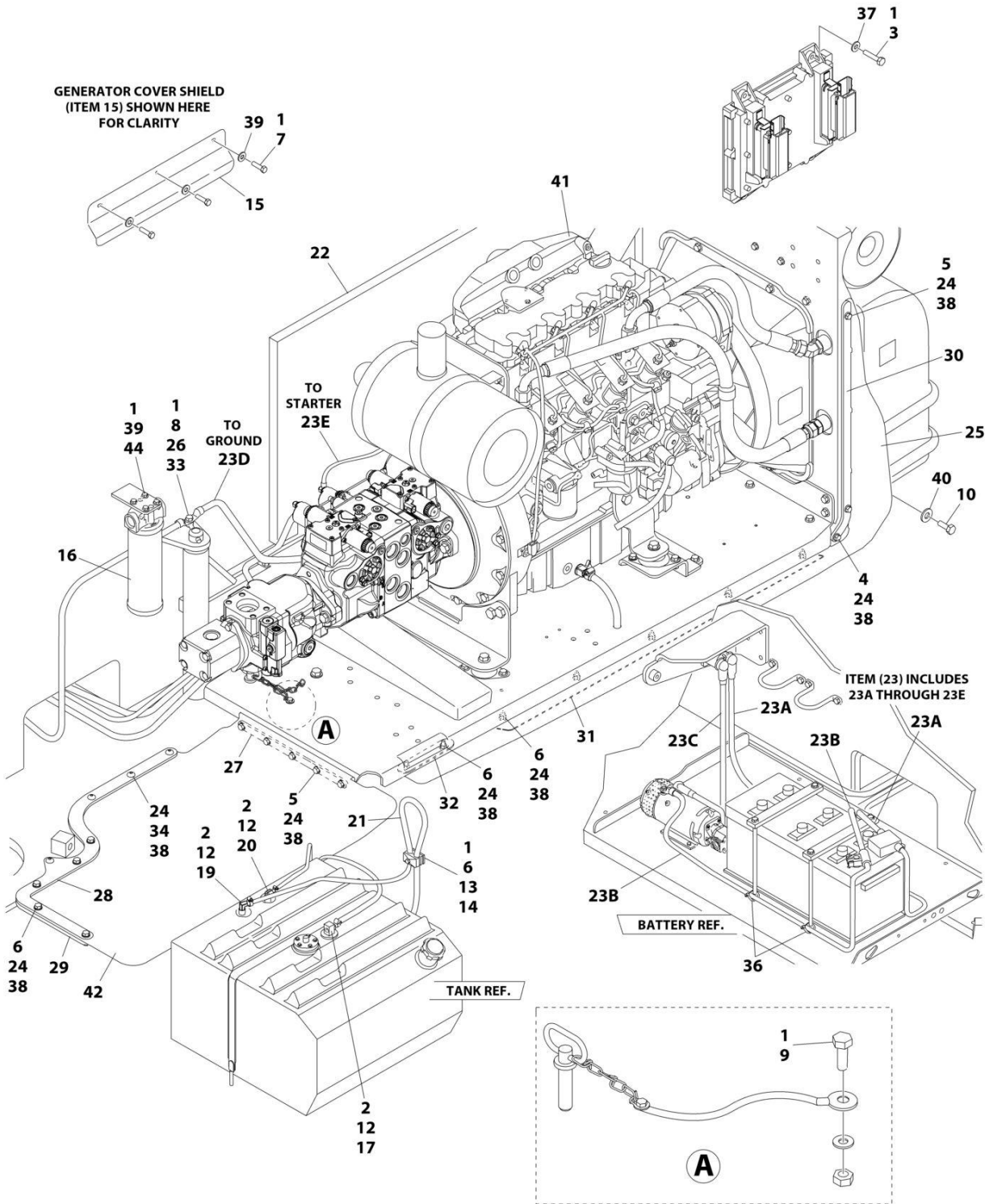
ITEM	PART NUMBER	QTY	DESCRIPTION	REV
	1001119052	Ref	DEUTZ TD2011 DIESEL ENGINE INSTALLATION - WITH SAUER PUMPS AND STEEL HOODS (WITHOUT SKYPOWER AND WITHOUT COLD WEATHER PLUS PACKAGE)	D
1	0100011	AR	Compound, Locking	
2	0100079	AR	Sealant, Pipe	
3	0641410	4	Bolt 1/4 x 1-1/4	
4	0641506	1	Bolt 5/16 x 3/4	
5	0641509	7	Bolt 5/16 x 1-1/8	
6	0641511	13	Bolt 5/16 x 1-3/8	
7	0641605	3	Bolt 3/8 x 5/8	
8	0641610	1	Bolt 3/8 x 1-1/4	
9	0641808	1	Bolt 1/2 x 1	
10	0642010	1	Bolt 5/8 x 1-1/4	
12	1320022	3	Clamp	
13	1320187	1	Clamp, Twin	
14	1320190	1	Cover, Clamp	
15	1671121	1	Cover, Generator	
16	1001108617	1	Pressure Filter	
16	70002231	1	Element, Filter	
17	2180348	1	Fitting, Barbed	
19	2220313	1	Fitting, Elbow Barbed	
20	2221176	1	Fitting, Elbow	
21	2750532	5 ft/ 1.5m	Hose	
22	2820170	1	Insulation, Sound Absorbing	
23	2902099	1	Battery Cable Kit	
23A	7024580	1	Cable, Red (To Aux Pump Relay, Battery Positive Terminal and Start Relay)	
23B	7024581	1	Cable, Black (To Aux Pump, Battery Negative Terminal and Ground at Tray Pivot)	
23C	7024582	1	Cable, Red (Aux Pump Relay to Aux Pump)	
23D	7024583	1	Cable, Black (Tray Pivot to Engine Mount)	
23E	7024584	1	Cable, Red (Start Relay to Starter)	
24	3311505	24	Nut 5/16	
25	3380473	1	Panel, Rubber	
26	3422446	1	Pin	
27	3573644	1	Plate, Tray Clamp	
28	1001112878	1	Plate, Top Clamp	
29	1001112879	1	Plate, Bottom Clamp	
30	3573669	1	Plate, Clamp	
31	1001112880	1	Plate, Tray Clamp	
32	3573728	1	Plate, Tray Clamp	
33	3841143	1	Keeper, Pin	
34	3900272	4	Screw 5/16 x 1-3/4	
35	4240018	2	Strap, Tie (Not Shown)	
36	4240099	AR	Strap, Tie	
37	4711400	4	Washer 1/4	
38	4711500	44	Washer 5/16	
39	4711600	7	Washer 3/8	
40	4752000	1	Washer 5/8	

SECTION 3 - ENGINE

ITEM	PART NUMBER	QTY	DESCRIPTION	REV
41	1001107971	1	Engine Assembly with Pumps (See Separate Breakdown in this Section)	
42	1001111132	1	Panel, Rubber	
43	0641606	4	Bolt 3/8 x 3/4	

SECTION 3 - ENGINE

FIGURE 3-9. DEUTZ TD2011 DIESEL ENGINE INSTALLATION - WITH SAUER PUMPS AND STEEL HOODS (WITH SKYPOWER AND WITH COLD WEATHER PLUS PACKAGE)



ART_1001119054

SECTION 3 - ENGINE

FIGURE 3-9. DEUTZ TD2011 DIESEL ENGINE INSTALLATION - WITH SAUER PUMPS AND STEEL HOODS (WITH SKYPOWER AND WITH COLD WEATHER PLUS PACKAGE)

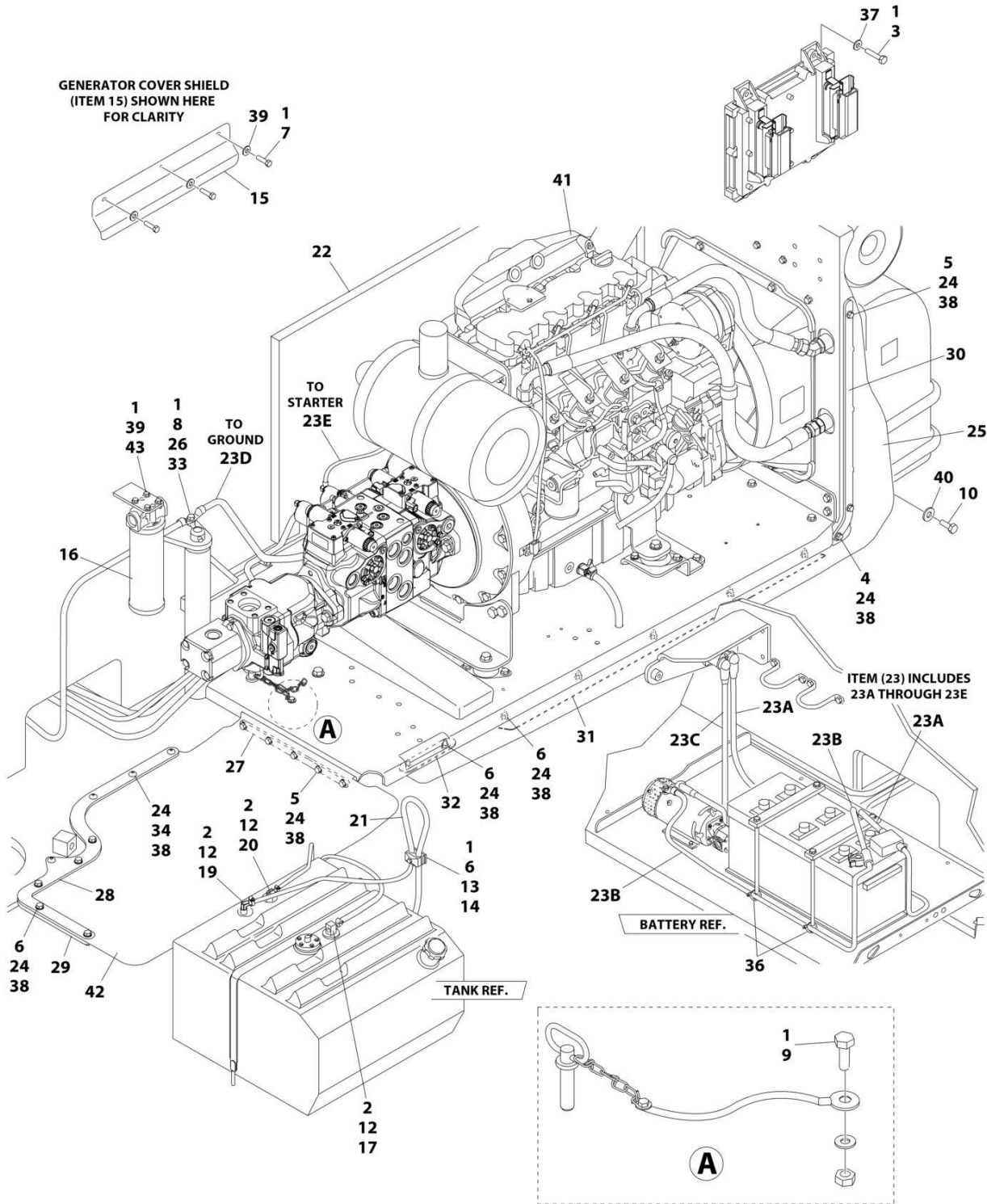
ITEM	PART NUMBER	QTY	DESCRIPTION	REV
	1001119054	Ref	DEUTZ TD2011 DIESEL ENGINE INSTALLATION - WITH SAUER PUMPS AND STEEL HOODS (WITH SKYPOWER AND WITH COLD WEATHER PLUS PACKAGE)	D
1	0100011	AR	Compound, Locking	
2	0100079	AR	Sealant, Pipe	
3	0641410	4	Bolt 1/4 x 1-1/4	
4	0641506	1	Bolt 5/16 x 3/4	
5	0641509	7	Bolt 5/16 x 1-1/8	
6	0641511	13	Bolt 5/16 x 1-3/8	
7	0641605	3	Bolt 3/8 x 5/8	
8	0641610	1	Bolt 3/8 x 1-1/4	
9	0641808	1	Bolt 1/2 x 1	
10	0642010	1	Bolt 5/8 x 1-1/4	
12	1320022	3	Clamp	
13	1320187	1	Clamp, Twin	
14	1320190	1	Cover, Clamp	
15	1671121	1	Cover, Generator	
16	1001108617	1	Pressure Filter	
16	70002231	1	Element, Filter	
17	2180348	1	Fitting, Barbed	
19	2220313	1	Fitting, Elbow Barbed	
20	2221176	1	Fitting, Elbow	
21	2750532	5 ft/ 1.5m	Hose	
22	2820170	1	Insulation, Sound Absorbing	
23	2902099	1	Battery Cable Kit	
23A	7024580	1	Cable, Red (To Aux Pump Relay, Battery Positive Terminal and Start Relay)	
23B	7024581	1	Cable, Black (To Aux Pump, Battery Negative Terminal and Ground at Tray Pivot)	
23C	7024582	1	Cable, Red (Aux Pump Relay to Aux Pump)	
23D	7024583	1	Cable, Black (Tray Pivot to Engine Mount)	
23E	7024584	1	Cable, Red (Start Relay to Starter)	
24	3311505	24	Nut 5/16	
25	3380473	1	Panel, Rubber	
26	3422446	1	Pin	
27	3573644	1	Plate, Tray Clamp	
28	1001112878	1	Plate, Top Clamp	
29	1001112879	1	Plate, Bottom Clamp	
30	3573669	1	Plate, Clamp	
31	1001112880	1	Plate, Tray Clamp	
32	3573728	1	Plate, Tray Clamp	
33	3841143	1	Keeper, Pin	
34	3900272	4	Screw 5/16 x 1-3/4	
35	4240018	2	Strap, Tie (Not Shown)	
36	4240099	AR	Strap, Tie	
37	4711400	4	Washer 1/4	
38	4711500	44	Washer 5/16	
39	4711600	7	Washer 3/8	
40	4752000	1	Washer 5/8	

SECTION 3 - ENGINE

ITEM	PART NUMBER	QTY	DESCRIPTION	REV
41	1001107975	1	Engine Assembly with Pumps (See Separate Breakdown in this Section)	
42	1001111132	1	Panel, Rubber	
43	1702942	1	Decal - Block Heater (Not Shown)	
44	0641606	4	Bolt 3/8 x 3/4	

SECTION 3 - ENGINE

FIGURE 3-10. DEUTZ TD2011 DIESEL ENGINE INSTALLATION - WITH SAUER PUMPS AND STEEL HOODS (WITH SKYPOWER AND WITHOUT COLD WEATHER PLUS PACKAGE)



ART_1001119053

SECTION 3 - ENGINE

FIGURE 3-10. DEUTZ TD2011 DIESEL ENGINE INSTALLATION - WITH SAUER PUMPS AND STEEL HOODS (WITH SKYPOWER AND WITHOUT COLD WEATHER PLUS PACKAGE)

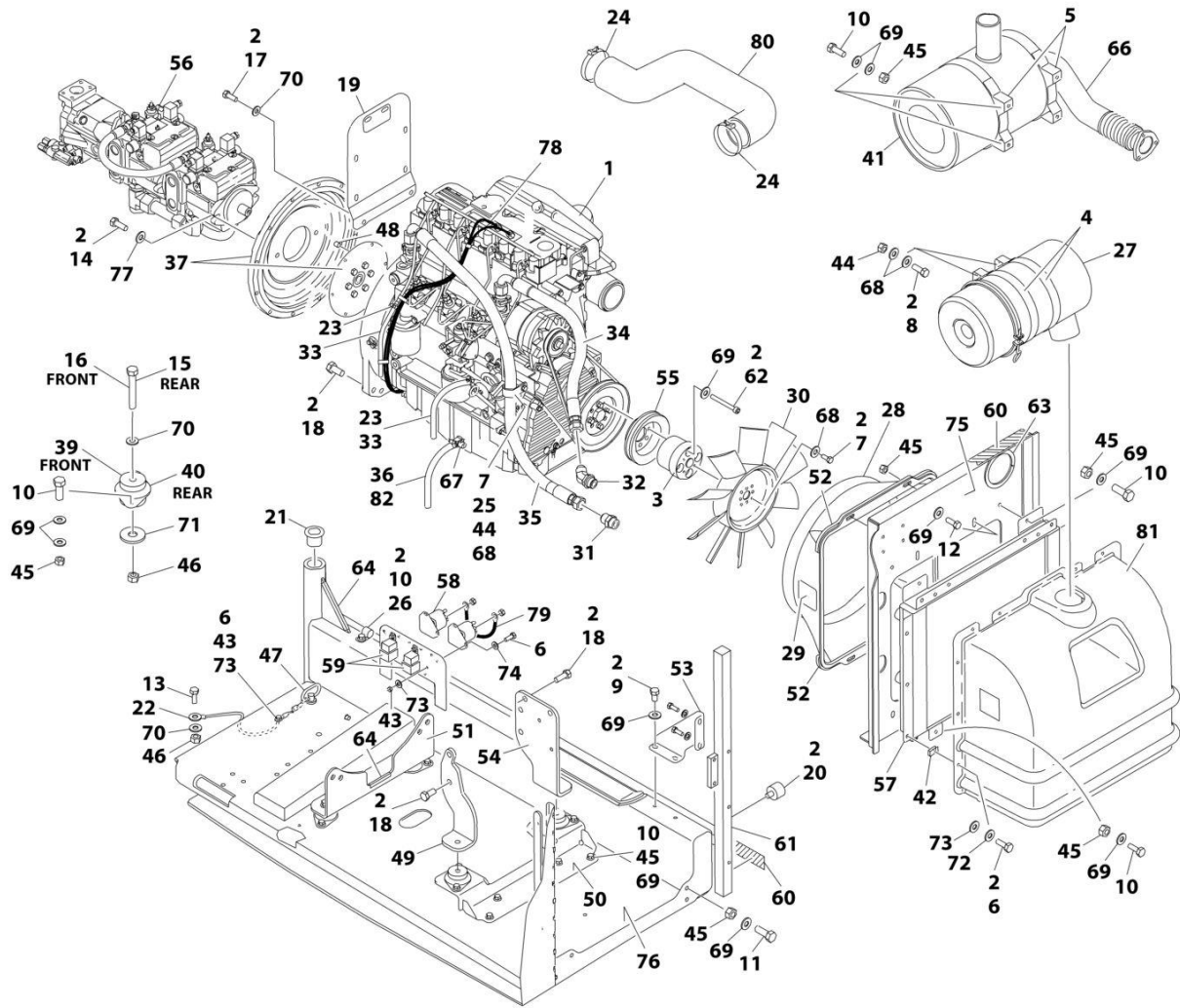
ITEM	PART NUMBER	QTY	DESCRIPTION	REV
	1001119053	Ref	DEUTZ TD2011 DIESEL ENGINE INSTALLATION - WITH SAUER PUMPS AND STEEL HOODS (WITH SKYPOWER AND WITHOUT COLD WEATHER PLUS PACKAGE)	D
1	0100011	AR	Compound, Locking	
2	0100079	AR	Sealant, Pipe	
3	0641410	4	Bolt 1/4 x 1-1/4	
4	0641506	1	Bolt 5/16 x 3/4	
5	0641509	7	Bolt 5/16 x 1-1/8	
6	0641511	13	Bolt 5/16 x 1-3/8	
7	0641605	3	Bolt 3/8 x 5/8	
8	0641610	1	Bolt 3/8 x 1-1/4	
9	0641808	1	Bolt 1/2 x 1	
10	0642010	1	Bolt 5/8 x 1-1/4	
12	1320022	3	Clamp	
13	1320187	1	Clamp, Twin	
14	1320190	1	Cover, Clamp	
15	1671121	1	Cover, Generator	
16	1001108617	1	Pressure Filter	
16	70002231	1	Element, Filter	
17	2180348	1	Fitting, Barbed	
19	2220313	1	Fitting, Elbow Barbed	
20	2221176	1	Fitting, Elbow	
21	2750532	5 ft/ 1.5m	Hose	
22	2820170	1	Insulation, Sound Absorbing	
23	2902099	1	Battery Cable Kit	
23A	7024580	1	Cable, Red (To Aux Pump Relay, Battery Positive Terminal and Start Relay)	
23B	7024581	1	Cable, Black (To Aux Pump, Battery Negative Terminal and Ground at Tray Pivot)	
23C	7024582	1	Cable, Red (Aux Pump Relay to Aux Pump)	
23D	7024583	1	Cable, Black (Tray Pivot to Engine Mount)	
23E	7024584	1	Cable, Red (Start Relay to Starter)	
24	3311505	24	Nut 5/16	
25	3380473	1	Panel, Rubber	
26	3422446	1	Pin	
27	3573644	1	Plate, Tray Clamp	
28	1001112878	1	Plate, Top Clamp	
29	1001112879	1	Plate, Bottom Clamp	
30	3573669	1	Plate, Clamp	
31	1001112880	1	Plate, Tray Clamp	
32	3573728	1	Plate, Tray Clamp	
33	3841143	1	Keeper, Pin	
34	3900272	4	Screw 5/16 x 1-3/4	
35	4240018	2	Strap, Tie (Not Shown)	
36	4240099	AR	Strap, Tie	
37	4711400	4	Washer 1/4	
38	4711500	44	Washer 5/16	
39	4711600	7	Washer 3/8	
40	4752000	1	Washer 5/8	

SECTION 3 - ENGINE

ITEM	PART NUMBER	QTY	DESCRIPTION	REV
41	1001107973	1	Engine Assembly with Pumps (See Separate Breakdown in this Section)	
42	1001111132	1	Panel, Rubber	
43	0641606	4	Bolt 3/8 x 3/4	

SECTION 3 - ENGINE

FIGURE 3-11. DEUTZ TD2011 ENGINE ASSEMBLY - WITH REXROTH PUMPS (WITHOUT SKYPOWER AND WITHOUT COLD WEATHER PLUS PACKAGE) (PVC2001)



ART_1001098513

SECTION 3 - ENGINE

FIGURE 3-11. DEUTZ TD2011 ENGINE ASSEMBLY - WITH REXROTH PUMPS (WITHOUT SKYPOWER AND WITHOUT COLD WEATHER PLUS PACKAGE) (PVC2001)

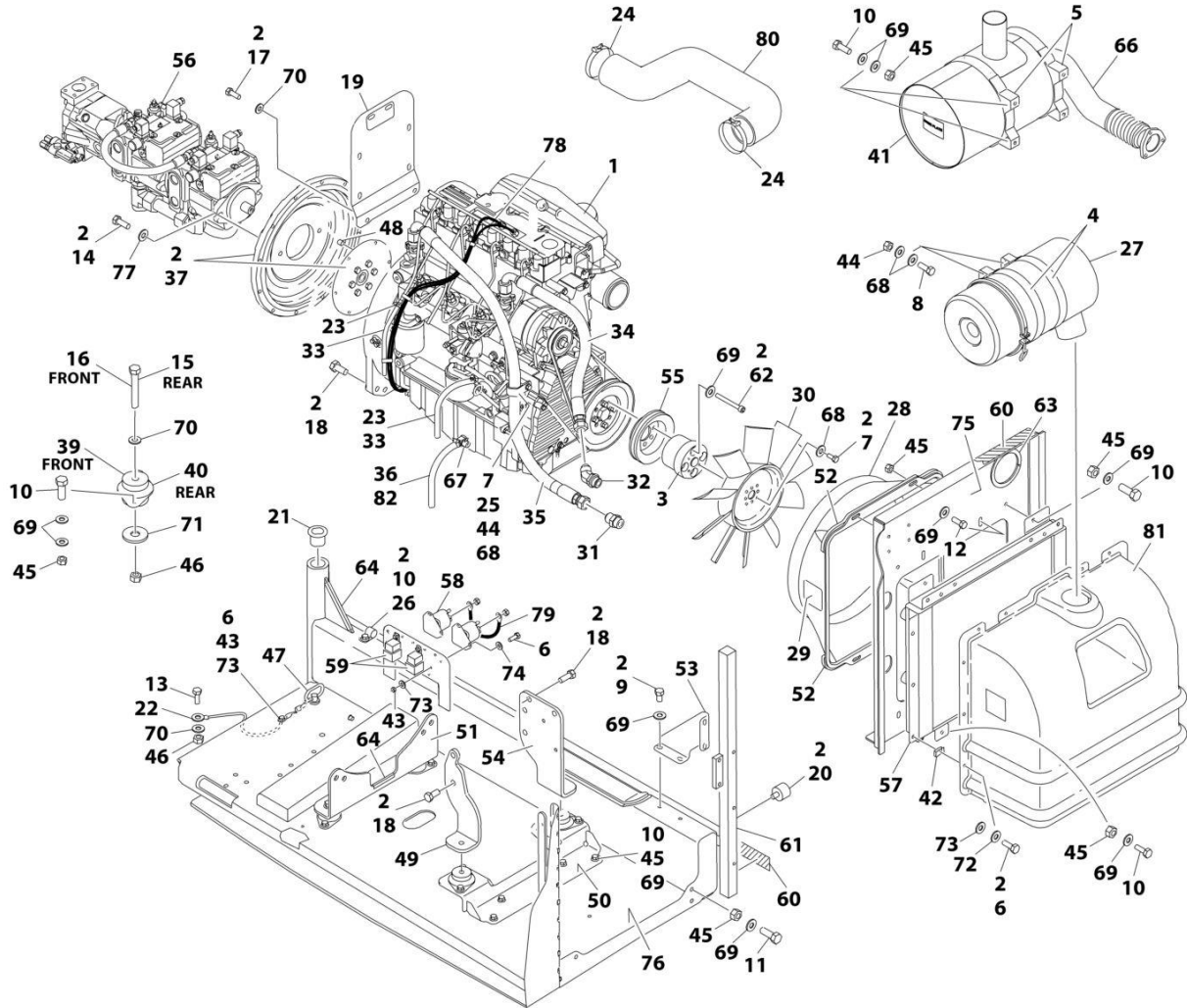
ITEM	PART NUMBER	QTY	DESCRIPTION	REV
	1001098513	Ref	DEUTZ TD2011 ENGINE ASSEMBLY - WITH REXROTH PUMPS	J
1	1001098601	1	Engine, Deutz TD2011 Components (See Separate Breakdown in this Section)	
2	0100011	AR	Compound, Locking	
3	0080237	1	Spacer, Fan	
4	0340003	2	Band, Air Cleaner	
5	0340051	2	Band, Muffler	
6	0641406	15	Bolt 1/4 x 3/4	
7	0641506	5	Bolt 5/16 x 3/4	
8	0641507	4	Bolt 5/16 x 7/8	
9	0641605	4	Bolt 3/8 x 5/8	
10	0641608	25	Bolt 3/8 x 1	
11	0641609	2	Bolt 3/8 x 1-1/8	
12	0641610	4	Bolt 3/8 x 1-1/4	
13	0641808	1	Bolt 1/2 x 1	
14	0641812	2	Bolt 1/2 x 1-1/2	
15	0641818	2	Bolt 1/2 x 2-1/4	
16	0641826	2	Bolt 1/2 x 3-1/4	
17	0711214	2	Bolt M12 x 30	
18	0771414	10	Bolt M14 x 30	
19	1001112766	1	Bracket, Muffler	
20	0940070	1	Bumper	
21	0961986	2	Bushing, Flanged	
22	1001131542	1	Lanyard	
23	1320022	3	Clamp	
24	1320058	2	Clamp	
25	1320060	1	Clamp	
26	1320223	1	J-Clip	
27	1340065	1	Air Cleaner Assembly	
27	7003655	1	Element, Air Cleaner	
27	7015013	1	Baffle, Rubber	
27	7015014	1	Clamp, Cap	
27	7015015	1	Cup	
27	7015003	1	Wingnut	
28	1671023	1	Shroud, Fan	
29	1703162	2	Decal - Fan Blade	
30	2060025	1	Fan	
31	2220451	1	Fitting, Straight	
32	2220498	1	Fitting, Elbow	
33	2720058	34 ft/ 10.3m	Hose	
34	2720500	1	Hose, Oil Cooler (Top)	
35	2720501	1	Hose, Oil Cooler (Bottom)	
36	2750532	0.75 ft /0.2m	Hose	
37	2902065	1	Pump Coupling Kit (See Separate Breakdown in this Section)	
39	3200362	2	Mount, Motor (Front)	
40	3200401	2	Mount, Motor (Rear)	
41	3220126	1	Muffler, Spark Arresting	

SECTION 3 - ENGINE

ITEM	PART NUMBER	QTY	DESCRIPTION	REV
41	70003555	1	Clamp	
42	3300454	10	Nut 1/4	
43	3311405	5	Nut 1/4	
44	3311505	5	Nut 5/16	
45	3311605	30	Nut 3/8	
46	3311805	5	Nut 1/2	
47	3422532	1	Pin, Hitch	
48	3520054	2	Plug	
49	3537416	1	Plate, Mounting (Front Right)	
50	3539971	1	Bracket, Engine Mounting (Front)	
51	3573142	1	Bracket, Engine Mounting (Rear)	
52	3573411	2	Plate, Clamp	
53	3573412	1	Gusset	
54	3573529	1	Plate, Mounting (Front Left)	
55	3580158	1	Pulley	
56	3600339	1	Pump Assembly - Rexroth (See Separate Breakdown in this Section)	
57	1001145382	1	Cooler, Engine Oil	
58	3740067	2	Relay, Start	
59	3740080	2	Relay	
60	3960543	1	Seal	
61	3960544	1	Seal	
62	4032022	4	Capscrew M10 x 90	
63	4060804	0.98 ft /0.3m	Flex-Trim	
64	4060805	0.67 ft /0.2m	Flex-Trim	
65	4240099	AR	Tie, Wire (Not Shown)	
66	4568293	1	Pipe, Exhaust	
67	4640751	1	Valve, Oil Drain	
68	4711500	13	Washer 5/16	
69	4711600	68	Washer 3/8	
70	4711800	7	Washer 1/2	
71	4740274	4	Washer, Snubbing	
72	4740518	10	Washer, Nylon	
73	4751400	20	Washer 1/4	
74	4791400	4	Washer 1/4	
75	4846552	1	Plate, Oil Cooler Mounting	
76	4846946	1	Tray	
77	4891800	2	Washer 1/2 Hardened	
78	4923468	1	Harness, Glow Plugs	
79	4923592	1	Cable, Jumper	
80	1001225118	1	Hose, Air Intake	
81	0272060	1	Box, Air Intake	
82	8410013	1	Clamp, Gear	

SECTION 3 - ENGINE

FIGURE 3-12. DEUTZ TD2011 ENGINE ASSEMBLY - WITH REXROTH PUMPS (WITHOUT SKYPOWER AND WITHOUT COLD WEATHER PLUS PACKAGE) (PVC2007)



ART_1001098513_M

SECTION 3 - ENGINE

FIGURE 3-12. DEUTZ TD2011 ENGINE ASSEMBLY - WITH REXROTH PUMPS (WITHOUT SKYPOWER AND WITHOUT COLD WEATHER PLUS PACKAGE) (PVC2007)

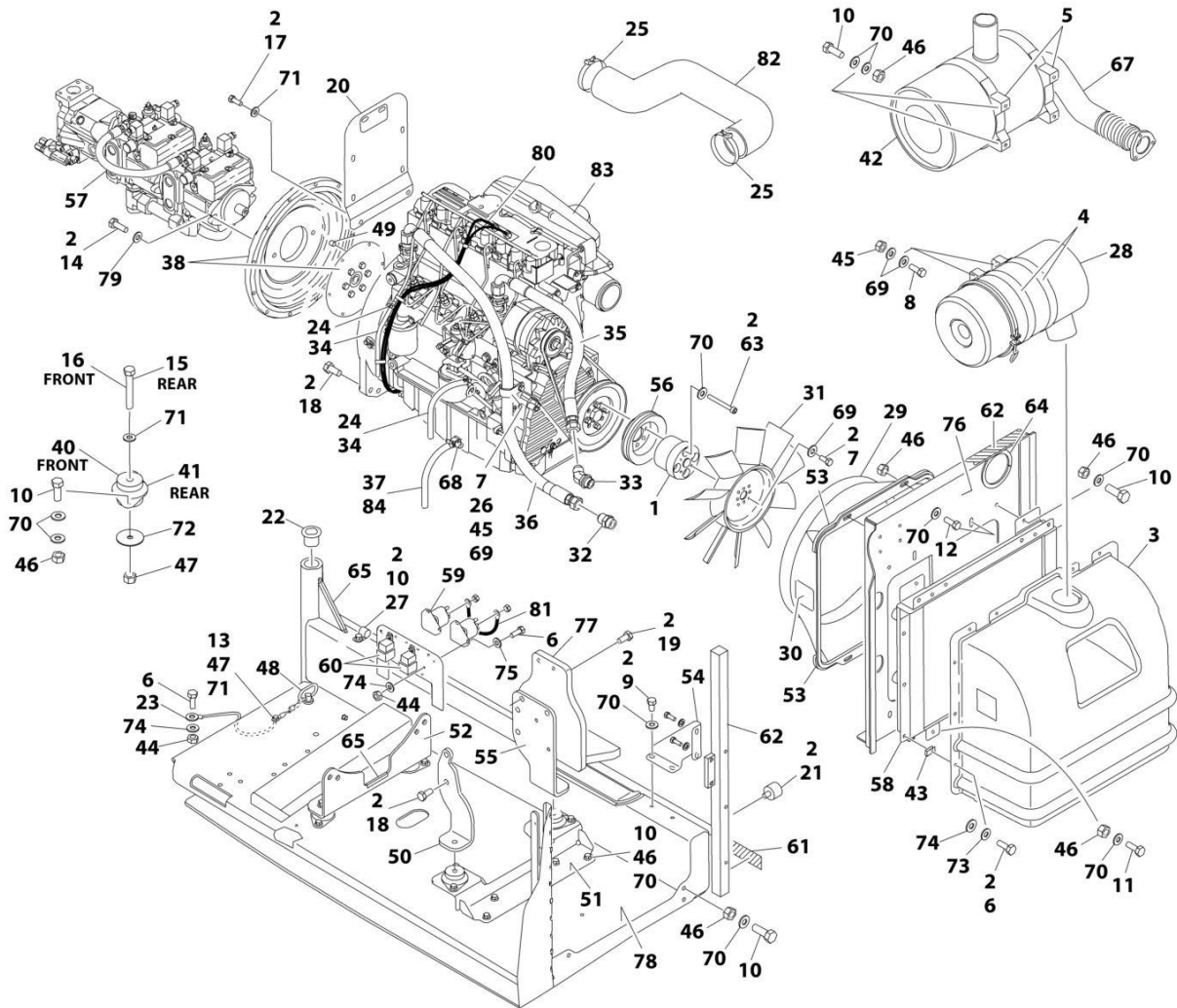
ITEM	PART NUMBER	QTY	DESCRIPTION	REV
	1001098513	Ref	DEUTZ TD2011 ENGINE ASSEMBLY - WITH REXROTH PUMPS	M
1	1001098601	1	Engine, Deutz TD2011 Components (See Separate Breakdown in this Section)	
2	0100011	AR	Compound, Locking	
3	0080237	1	Spacer, Fan	
4	0340003	2	Band, Air Cleaner	
5	0340051	2	Band, Muffler	
6	0641406	15	Bolt 1/4 x 3/4	
7	0641506	5	Bolt 5/16 x 3/4	
8	0641507	4	Bolt 5/16 x 7/8	
9	0641605	4	Bolt 3/8 x 5/8	
10	0641608	25	Bolt 3/8 x 1	
11	0641609	2	Bolt 3/8 x 1-1/8	
12	0641610	4	Bolt 3/8 x 1-1/4	
13	0641808	1	Bolt 1/2 x 1	
14	0641812	2	Bolt 1/2 x 1-1/2	
15	0641818	2	Bolt 1/2 x 2-1/4	
16	0641826	2	Bolt 1/2 x 3-1/4	
17	0711214	2	Bolt M12 x 30	
18	0771414	10	Bolt M14 x 30	
19	1001112766	1	Bracket, Muffler	
20	0940070	1	Bumper	
21	0961986	2	Bushing, Flanged	
22	1001131542	1	Lanyard	
23	1320022	3	Clamp	
24	1320058	2	Clamp	
25	1320060	1	Clamp	
26	1320223	1	J-Clip	
27	1340065	1	Air Cleaner Assembly	
27	7003655	1	Element, Air Cleaner	
27	7015013	1	Baffle, Rubber	
27	7015014	1	Clamp, Cap	
27	7015015	1	Cup	
27	7015003	1	Wingnut	
28	1671023	1	Shroud, Fan	
29	1703162	2	Decal - Fan Blade	
30	2060025	1	Fan	
31	2220451	1	Fitting, Straight	
32	2220498	1	Fitting, Elbow	
33	2720058	34 ft/ 10.3m	Hose	
34	2720500	1	Hose, Oil Cooler (Top)	
35	2720501	1	Hose, Oil Cooler (Bottom)	
36	2750532	0.75 ft /0.2m	Hose	
37	2902065	1	Pump Coupling Kit (See Separate Breakdown in this Section)	
39	3200362	2	Mount, Motor (Front)	
40	3200401	2	Mount, Motor (Rear)	
41	1001257277	1	Muffler, Spark Arresting	

SECTION 3 - ENGINE

ITEM	PART NUMBER	QTY	DESCRIPTION	REV
42	3300454	10	Nut 1/4	
43	3311405	5	Nut 1/4	
44	3311505	5	Nut 5/16	
45	3311605	30	Nut 3/8	
46	3311805	5	Nut 1/2	
47	3422532	1	Pin, Hitch	
48	3520054	2	Plug	
49	3537416	1	Plate, Mounting (Front Right)	
50	3539971	1	Bracket, Engine Mounting (Front)	
51	3573142	1	Bracket, Engine Mounting (Rear)	
52	3573411	2	Plate, Clamp	
53	3573412	1	Gusset	
54	3573529	1	Plate, Mounting (Front Left)	
55	3580158	1	Pulley	
56	3600339	1	Pump Assembly - Rexroth (See Separate Breakdown in this Section)	
57	1001145382	1	Cooler, Engine Oil	
58	3740067	2	Relay, Start	
59	3740080	2	Relay	
60	3960543	1	Seal	
61	3960544	1	Seal	
62	4032022	4	Capscrew M10 x 90	
63	4060804	0.98 ft /0.3m	Flex-Trim	
64	4060805	0.67 ft /0.2m	Flex-Trim	
65	4240099	AR	Tie, Wire (Not Shown)	
66	4568293	1	Pipe, Exhaust	
67	4640751	1	Valve, Oil Drain	
68	4711500	13	Washer 5/16	
69	4711600	68	Washer 3/8	
70	4711800	7	Washer 1/2	
71	4740274	4	Washer, Snubbing	
72	4740518	10	Washer, Nylon	
73	4751400	20	Washer 1/4	
74	4791400	4	Washer 1/4	
75	4846552	1	Plate, Oil Cooler Mounting	
76	4846946	1	Tray	
77	4891800	2	Washer 1/2 Hardened	
78	4923468	1	Harness, Glow Plugs	
79	4923592	1	Cable, Jumper	
80	1001225118	1	Hose, Air Intake	
81	0272060	1	Box, Air Intake	
82	8410013	1	Clamp, Gear	

SECTION 3 - ENGINE

FIGURE 3-13. DEUTZ TD2011 ENGINE ASSEMBLY - WITH REXROTH PUMPS (WITH SKYPOWER AND WITHOUT COLD WEATHER PLUS PACKAGE) (PVC2001)



ART_1001098530

SECTION 3 - ENGINE

FIGURE 3-13. DEUTZ TD2011 ENGINE ASSEMBLY - WITH REXROTH PUMPS (WITH SKYPOWER AND WITHOUT COLD WEATHER PLUS PACKAGE) (PVC2001)

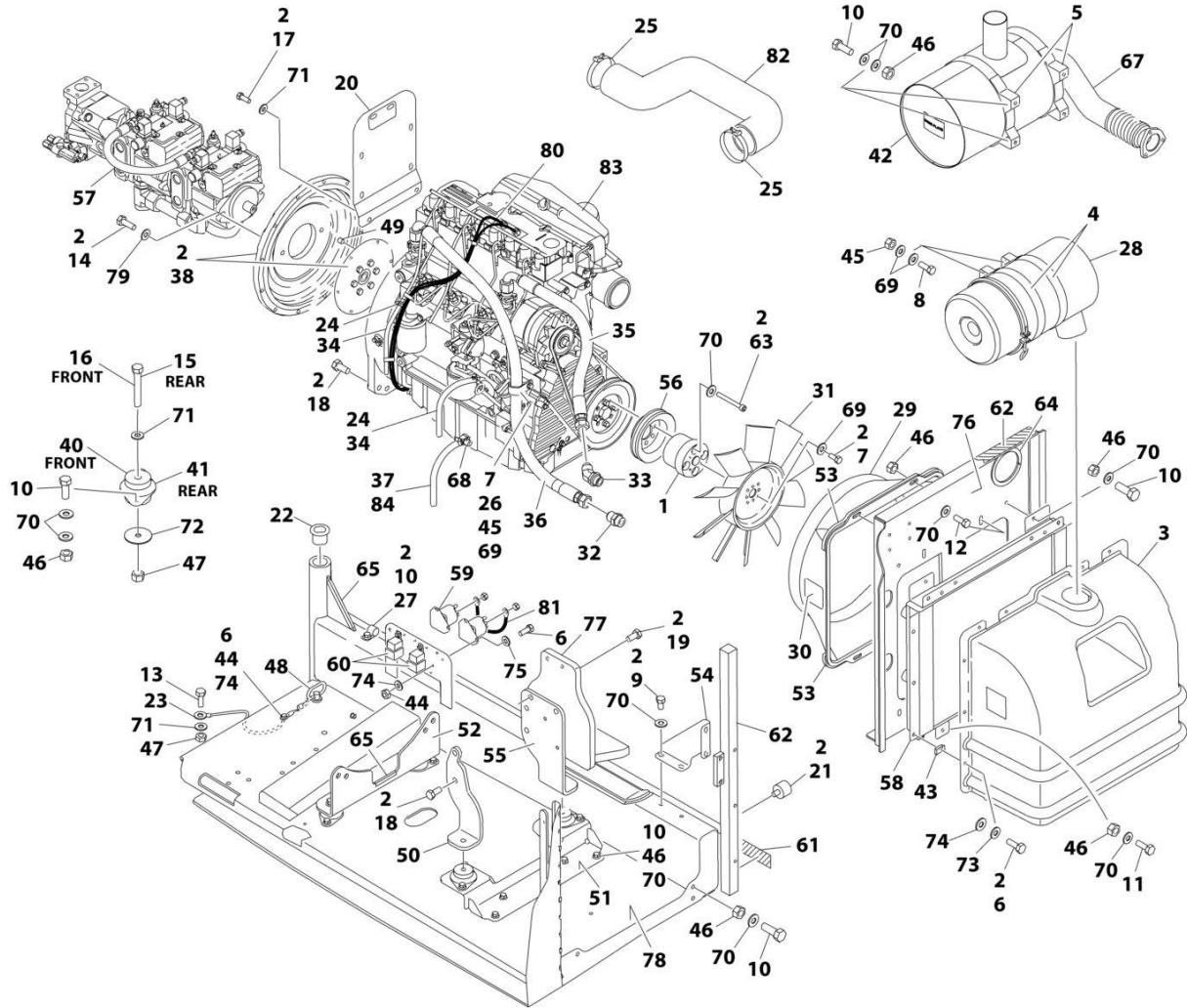
ITEM	PART NUMBER	QTY	DESCRIPTION	REV
	1001098530	Ref	DEUTZ TD2011 ENGINE ASSEMBLY - WITH REXROTH PUMPS (WITH SKYPOWER AND WITHOUT COLD WEATHER PLUS PACKAGE)	K
1	0080244	1	Spacer, Fan	
2	0100011	AR	Compound, Locking	
3	0272060	1	Box, Air Intake	
4	0340003	2	Band, Air Cleaner	
5	0340051	2	Band, Muffler	
6	0641406	15	Bolt 1/4 x 3/4	
7	0641506	5	Bolt 5/16 x 3/4	
8	0641507	4	Bolt 5/16 x 7/8	
9	0641605	4	Bolt 3/8 x 5/8	
10	0641608	25	Bolt 3/8 x 1	
11	0641609	2	Bolt 3/8 x 1-1/8	
12	0641610	4	Bolt 3/8 x 1-1/4	
13	0641808	1	Bolt 1/2 x 1	
14	0641812	2	Bolt 1/2 x 1-1/2	
15	0641818	2	Bolt 1/2 x 2-1/4	
16	0641826	2	Bolt 1/2 x 3-1/4	
17	0711214	2	Bolt M12 x 30	
18	0771414	6	Bolt M14 x 30	
19	0711417	4	Bolt M14 x 45	
20	1001112766	1	Bracket, Muffler	
21	0940070	1	Bumper	
22	0961986	2	Bushing, Flanged	
23	1001131542	1	Lanyard	
24	1320022	2	Clamp	
25	1320058	2	Clamp	
26	1320060	1	Clamp	
27	1320223	1	J-Clip	
28	1340065	1	Air Cleaner Assembly	
28	7003655	1	Element, Air Cleaner	
28	7015013	1	Baffle, Rubber	
28	7015014	1	Clamp, Cap	
28	7015015	1	Cup	
28	7015003	1	Wingnut	
29	1671023	1	Shroud, Fan	
30	1703162	2	Decal - Fan Blade	
31	2060025	1	Fan	
32	2220451	1	Fitting, Straight	
33	2220498	1	Fitting, Elbow	
34	2720058	34 ft/ 10.3m	Hose	
35	2720500	1	Hose, Oil Cooler (Top)	
36	2720501	1	Hose, Oil Cooler (Bottom)	
37	2750532	0.75 ft /0.2m	Hose	
38	2902065	1	Pump Coupling Kit (See Separate Breakdown in this Section)	
40	3200362	2	Mount, Motor (Front)	
41	3200401	2	Mount, Motor (Rear)	

SECTION 3 - ENGINE

ITEM	PART NUMBER	QTY	DESCRIPTION	REV
42	3220126	1	Muffler	
42	70003555	1	Clamp	
43	3300454	10	Nut	
44	3311405	5	Nut 1/4	
45	3311505	5	Nut 5/16	
46	3311605	30	Nut 3/8	
47	3311805	5	Nut 1/2	
48	3422532	1	Pin, Hitch	
49	3520054	2	Plug	
50	3537416	1	Plate, Mounting (Front Right)	
51	3539971	1	Bracket, Engine Mounting (Front)	
52	3573142	1	Bracket, Engine Mounting (Rear)	
53	3573411	2	Plate, Clamp	
54	3573412	1	Gusset	
55	3573529	1	Plate, Mounting (Front Left)	
56	3580320	1	Pulley	
57	3600339	1	Pump Assembly - Rexroth (See Separate Breakdown in this Section)	
58	1001145382	1	Cooler, Engine Oil	
59	3740067	2	Relay, Start	
60	3740080	2	Relay	
61	3960543	1	Seal	
62	3960544	1	Seal	
63	4032022	4	Capscrew M10 x 90	
64	4060804	0.98 ft /0.3m	Flex-Trim	
65	4060805	0.67 ft /0.2m	Flex-Trim	
66	4240099	AR	Tie, Wire (Not Shown)	
67	4568293	1	Pipe, Exhaust	
68	4640751	1	Valve, Oil Drain	
69	4711500	13	Washer 5/16	
70	4711600	68	Washer 3/8	
71	4711800	7	Washer 1/2	
72	4740274	4	Washer, Snubbing	
73	4740518	10	Washer, Nylon	
74	4751400	20	Washer 1/4	
75	4791400	4	Washer 1/4	
76	4846552	1	Plate, Oil Cooler Mounting	
77	4846945	1	Mount, Generator	
78	4846946	1	Tray	
79	4891800	2	Washer 1/2	
80	4923468	1	Harness, Glow Plugs	
81	4923592	1	Cable, Jumper	
82	1001225118	1	Hose, Air Intake	
83	1001098601	1	Engine, Deutz TD2011 Components (See Separate Breakdown in this Section)	
84	8410013	1	Clamp, Gear	

SECTION 3 - ENGINE

FIGURE 3-14. DEUTZ TD2011 ENGINE ASSEMBLY - WITH REXROTH PUMPS (WITH SKYPOWER AND WITHOUT COLD WEATHER PLUS PACKAGE) (PVC2007)



ART_1001098530_N

SECTION 3 - ENGINE

FIGURE 3-14. DEUTZ TD2011 ENGINE ASSEMBLY - WITH REXROTH PUMPS (WITH SKYPOWER AND WITHOUT COLD WEATHER PLUS PACKAGE) (PVC2007)

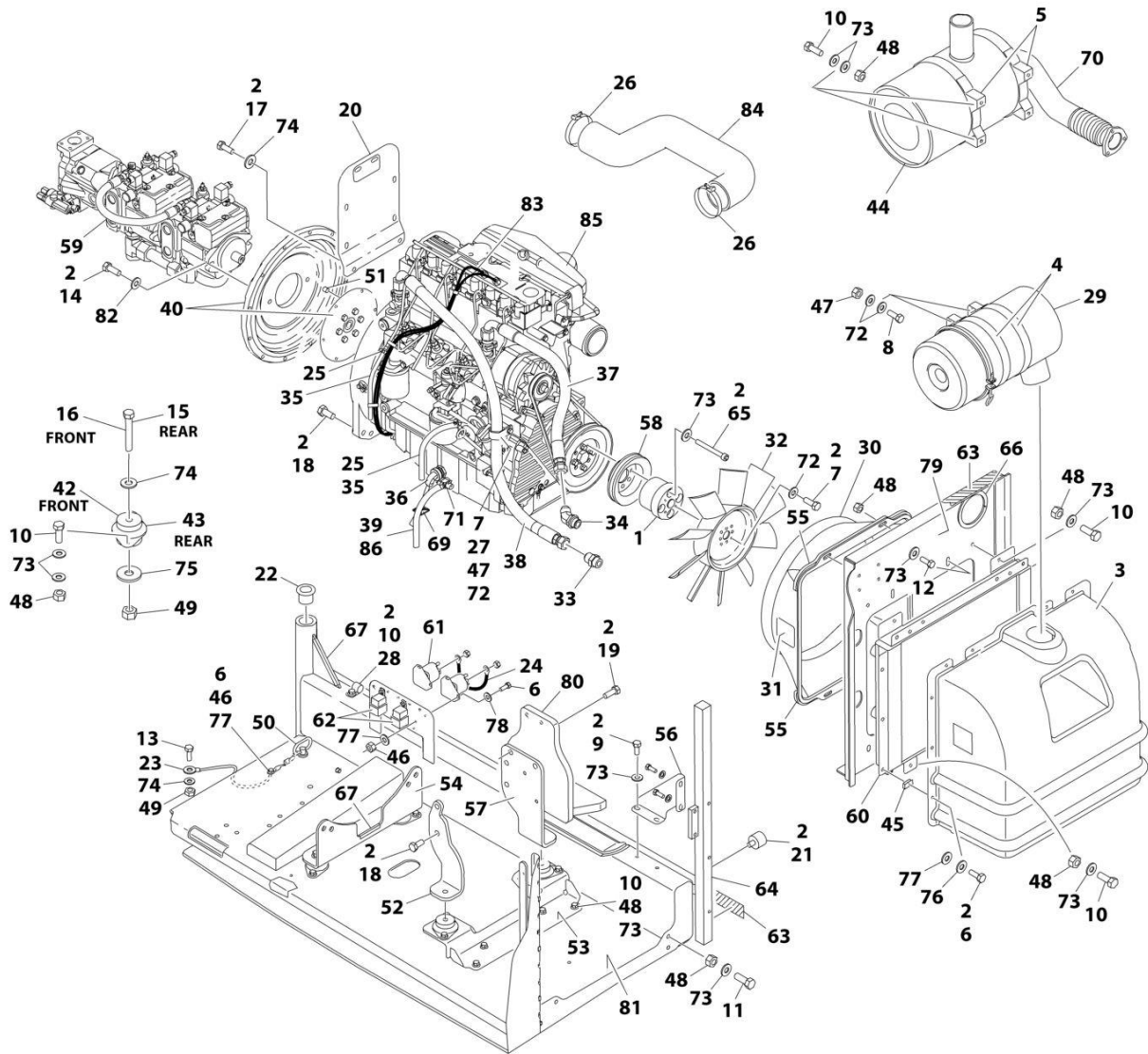
ITEM	PART NUMBER	QTY	DESCRIPTION	REV
	1001098530	Ref	DEUTZ TD2011 ENGINE ASSEMBLY - WITH REXROTH PUMPS (WITH SKYPOWER AND WITHOUT COLD WEATHER PLUS PACKAGE)	N
1	0080244	1	Spacer, Fan	
2	0100011	AR	Compound, Locking	
3	0272060	1	Box, Air Intake	
4	0340003	2	Band, Air Cleaner	
5	0340051	2	Band, Muffler	
6	0641406	15	Bolt 1/4 x 3/4	
7	0641506	5	Bolt 5/16 x 3/4	
8	0641507	4	Bolt 5/16 x 7/8	
9	0641605	4	Bolt 3/8 x 5/8	
10	0641608	25	Bolt 3/8 x 1	
11	0641609	2	Bolt 3/8 x 1-1/8	
12	0641610	4	Bolt 3/8 x 1-1/4	
13	0641808	1	Bolt 1/2 x 1	
14	0641812	2	Bolt 1/2 x 1-1/2	
15	0641818	2	Bolt 1/2 x 2-1/4	
16	0641826	2	Bolt 1/2 x 3-1/4	
17	0711214	2	Bolt M12 x 30	
18	0771414	6	Bolt M14 x 30	
19	0711417	4	Bolt M14 x 45	
20	1001112766	1	Bracket, Muffler	
21	0940070	1	Bumper	
22	0961986	2	Bushing, Flanged	
23	1001131542	1	Lanyard	
24	1320022	2	Clamp	
25	1320058	2	Clamp	
26	1320060	1	Clamp	
27	1320223	1	J-Clip	
28	1340065	1	Air Cleaner Assembly	
28	7003655	1	Element, Air Cleaner	
28	7015013	1	Baffle, Rubber	
28	7015014	1	Clamp, Cap	
28	7015015	1	Cup	
28	7015003	1	Wingnut	
29	1671023	1	Shroud, Fan	
30	1703162	2	Decal - Fan Blade	
31	2060025	1	Fan	
32	2220451	1	Fitting, Straight	
33	2220498	1	Fitting, Elbow	
34	2720058	34 ft/ 10.3m	Hose	
35	2720500	1	Hose, Oil Cooler (Top)	
36	2720501	1	Hose, Oil Cooler (Bottom)	
37	2750532	0.75 ft /0.2m	Hose	
38	2902065	1	Pump Coupling Kit (See Separate Breakdown in this Section)	
40	3200362	2	Mount, Motor (Front)	
41	3200401	2	Mount, Motor (Rear)	

SECTION 3 - ENGINE

ITEM	PART NUMBER	QTY	DESCRIPTION	REV
42	1001257277	1	Muffler	
43	3300454	10	Nut	
44	3311405	5	Nut 1/4	
45	3311505	5	Nut 5/16	
46	3311605	30	Nut 3/8	
47	3311805	5	Nut 1/2	
48	3422532	1	Pin, Hitch	
49	3520054	2	Plug	
50	3537416	1	Plate, Mounting (Front Right)	
51	3539971	1	Bracket, Engine Mounting (Front)	
52	3573142	1	Bracket, Engine Mounting (Rear)	
53	3573411	2	Plate, Clamp	
54	3573412	1	Gusset	
55	3573529	1	Plate, Mounting (Front Left)	
56	3580320	1	Pulley	
57	3600339	1	Pump Assembly - Rexroth (See Separate Breakdown in this Section)	
58	1001145382	1	Cooler, Engine Oil	
59	3740067	2	Relay, Start	
60	3740080	2	Relay	
61	3960543	1	Seal	
62	3960544	1	Seal	
63	4032022	4	Capscrew M10 x 90	
64	4060804	0.98 ft /0.3m	Flex-Trim	
65	4060805	0.67 ft /0.2m	Flex-Trim	
66	4240099	AR	Tie, Wire (Not Shown)	
67	4568293	1	Pipe, Exhaust	
68	4640751	1	Valve, Oil Drain	
69	4711500	13	Washer 5/16	
70	4711600	68	Washer 3/8	
71	4711800	7	Washer 1/2	
72	4740274	4	Washer, Snubbing	
73	4740518	10	Washer, Nylon	
74	4751400	20	Washer 1/4	
75	4791400	4	Washer 1/4	
76	4846552	1	Plate, Oil Cooler Mounting	
77	4846945	1	Mount, Generator	
78	4846946	1	Tray	
79	4891800	2	Washer 1/2	
80	4923468	1	Harness, Glow Plugs	
81	4923592	1	Cable, Jumper	
82	1001225118	1	Hose, Air Intake	
83	1001098601	1	Engine, Deutz TD2011 Components (See Separate Breakdown in this Section)	
84	8410013	1	Clamp, Gear	

SECTION 3 - ENGINE

FIGURE 3-15. DEUTZ TD2011 ENGINE ASSEMBLY - WITH REXROTH PUMPS (WTH SKYPOWER AND WITH COLD WEATHER PLUS PACKAGE) (PVC2001)



ART_1001098531

SECTION 3 - ENGINE

FIGURE 3-15. DEUTZ TD2011 ENGINE ASSEMBLY - WITH REXROTH PUMPS (WITH SKYPOWER AND WITH COLD WEATHER PLUS PACKAGE) (PVC2001)

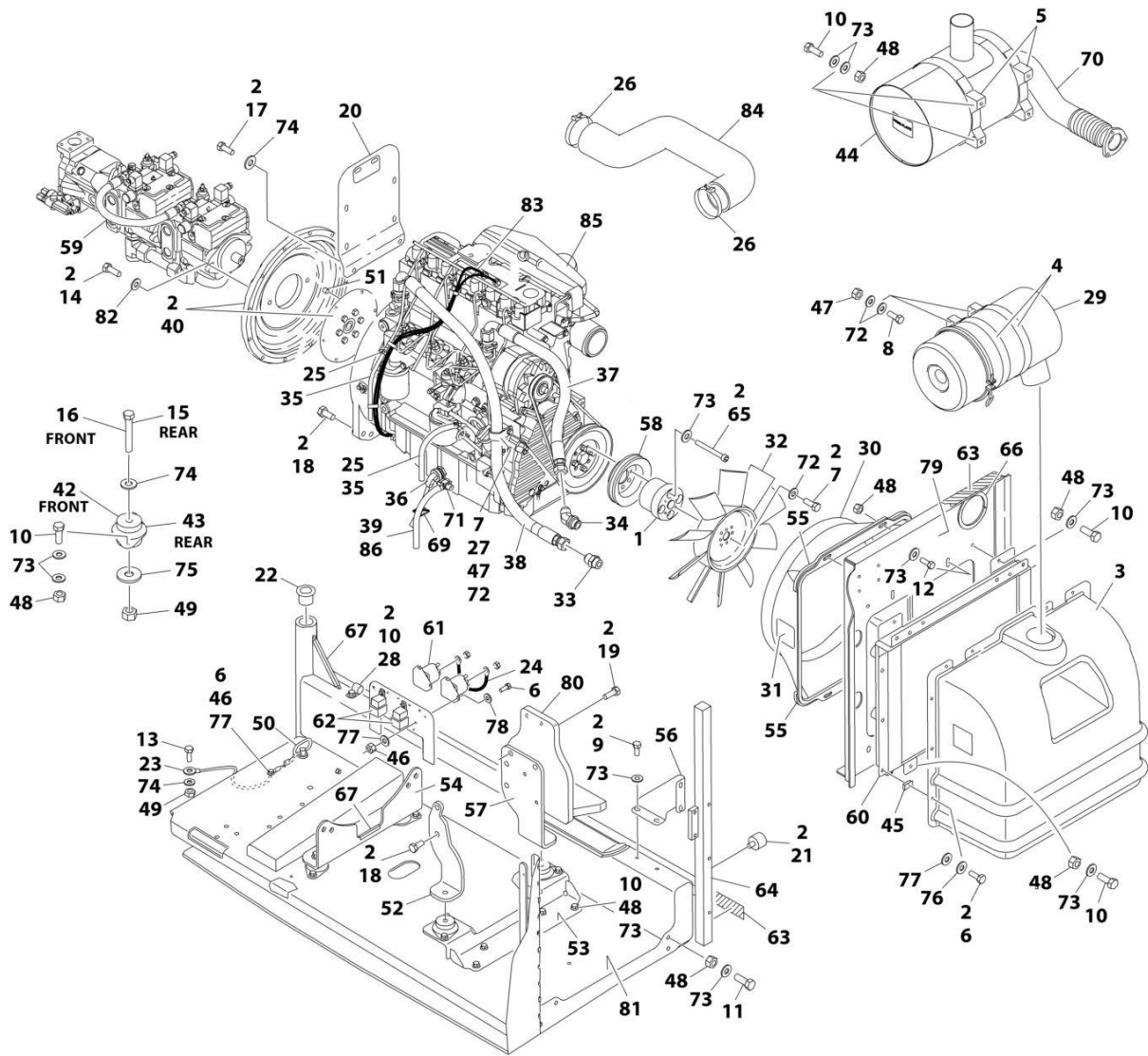
ITEM	PART NUMBER	QTY	DESCRIPTION	REV
	1001098531	Ref	DEUTZ TD2011 ENGINE ASSEMBLY - WITH REXROTH PUMPS (WITH SKYPOWER AND WITH COLD WEATHER PLUS PACKAGE)	K
1	0080244	1	Spacer, Fan	
2	0100011	AR	Compound, Locking	
3	0272060	1	Box, Air Intake	
4	0340003	2	Band, Air Cleaner	
5	0340051	2	Band, Muffler	
6	0641406	15	Bolt 1/4 x 3/4	
7	0641506	5	Bolt 5/16 x 3/4	
8	0641507	4	Bolt 5/16 x 7/8	
9	0641605	4	Bolt 3/8 x 5/8	
10	0641608	25	Bolt 3/8 x 1	
11	0641609	2	Bolt 3/8 x 1-1/8	
12	0641610	4	Bolt 3/8 x 1-1/4	
13	0641808	1	Bolt 1/2 x 1	
14	0641812	2	Bolt 1/2 x 1-1/2	
15	0641818	2	Bolt 1/2 x 2-1/4	
16	0641826	2	Bolt 1/2 x 3-1/4	
17	0711214	2	Bolt M12 x 30	
18	0771414	6	Bolt M14 x 30	
19	0711417	4	Bolt M14 x 45	
20	1001112766	1	Bracket, Muffler	
21	0940070	1	Bumper	
22	0961986	2	Bushing, Flanged	
23	1001131542	1	Lanyard	
24	1060904	1	Cable, Jumper	
25	1320022	2	Clamp	
26	1320058	2	Clamp	
27	1320060	1	Clamp	
28	1320223	1	J-Clip	
29	1340065	1	Air Cleaner Assembly	
29	7003655	1	Element, Air Cleaner	
29	7015013	1	Baffle, Rubber	
29	7015014	1	Clamp, Cap	
29	7015015	1	Cup	
29	7015003	1	Wingnut	
30	1671023	1	Shroud, Fan	
31	1703162	2	Decal - Fan Blade	
32	2060025	1	Fan	
33	2220451	1	Fitting, Straight	
34	2220498	1	Fitting, Elbow	
35	2720058	34 ft/ 10.3m	Hose	
36	2580062	1	Heater, Engine Block	
37	2720500	1	Hose, Oil Cooler (Top)	
38	2720501	1	Hose, Oil Cooler (Bottom)	
39	2750532	0.75 ft /0.2m	Hose	
40	2902065	1	Pump Coupling Kit (See Separate Breakdown in this Section)	

SECTION 3 - ENGINE

ITEM	PART NUMBER	QTY	DESCRIPTION	REV
42	3200362	2	Mount, Motor (Front)	
43	3200401	2	Mount, Motor (Rear)	
44	3220126	1	Muffler	
44	70003555	1	Clamp	
45	3300454	10	Nut 1/4	
46	3311405	5	Nut 1/4	
47	3311505	5	Nut 5/16	
48	3311605	30	Nut 3/8	
49	3311805	5	Nut 1/2	
50	3422532	1	Pin, Hitch	
51	3520054	2	Plug	
52	3537416	1	Plate, Mounting (Front Right)	
53	3539971	1	Bracket, Engine Mounting (Front)	
54	3573142	1	Bracket, Engine Mounting (Rear)	
55	3573411	2	Plate, Clamp	
56	3573412	1	Gusset	
57	3573529	1	Plate, Mounting (Front Left)	
58	3580320	1	Pulley	
59	3600339	1	Pump Assembly - Rexroth (See Separate Breakdown in this Section)	
60	1001145382	1	Cooler, Engine Oil	
61	3740067	2	Relay, Start	
62	3740080	2	Relay	
63	3960543	1	Seal	
64	3960544	1	Seal	
65	4032022	4	Capscrew M10 x 90	
66	4060804	0.98 ft /0.3m	Flex-Trim	
67	4060805	0.67 ft /0.2m	Flex-Trim	
68	4240099	AR	Tie, Wire (Not Shown)	
69	4460234	3	Mount, Wire Tie	
70	4568293	1	Pipe, Exhaust	
71	4640751	1	Valve, Oil Drain	
72	4711500	13	Washer 5/16	
73	4711600	68	Washer 3/8	
74	4711800	7	Washer 1/2	
75	4740274	4	Washer, Snubbing	
76	4740518	10	Washer, Nylon	
77	4751400	20	Washer 1/4	
78	4791400	4	Washer 1/4	
79	4846552	1	Plate, Oil Cooler Mounting	
80	4846945	1	Mount, Generator	
81	4846946	1	Tray	
82	4891800	2	Washer 1/2 Hardened	
83	4923468	1	Harness, Glow Plugs	
84	1001225118	1	Hose, Air Intake	
85	1001098601	1	Engine, Deutz TD2011 Components (See Separate Breakdown in this Section)	
86	8410013	1	Clamp, Gear	

SECTION 3 - ENGINE

FIGURE 3-16. DEUTZ TD2011 ENGINE ASSEMBLY - WITH REXROTH PUMPS (WTH SKYPOWER AND WITH COLD WEATHER PLUS PACKAGE) (PVC2007)



ART_1001098531_N

SECTION 3 - ENGINE

FIGURE 3-16. DEUTZ TD2011 ENGINE ASSEMBLY - WITH REXROTH PUMPS (WITH SKYPOWER AND WITH COLD WEATHER PLUS PACKAGE) (PVC2007)

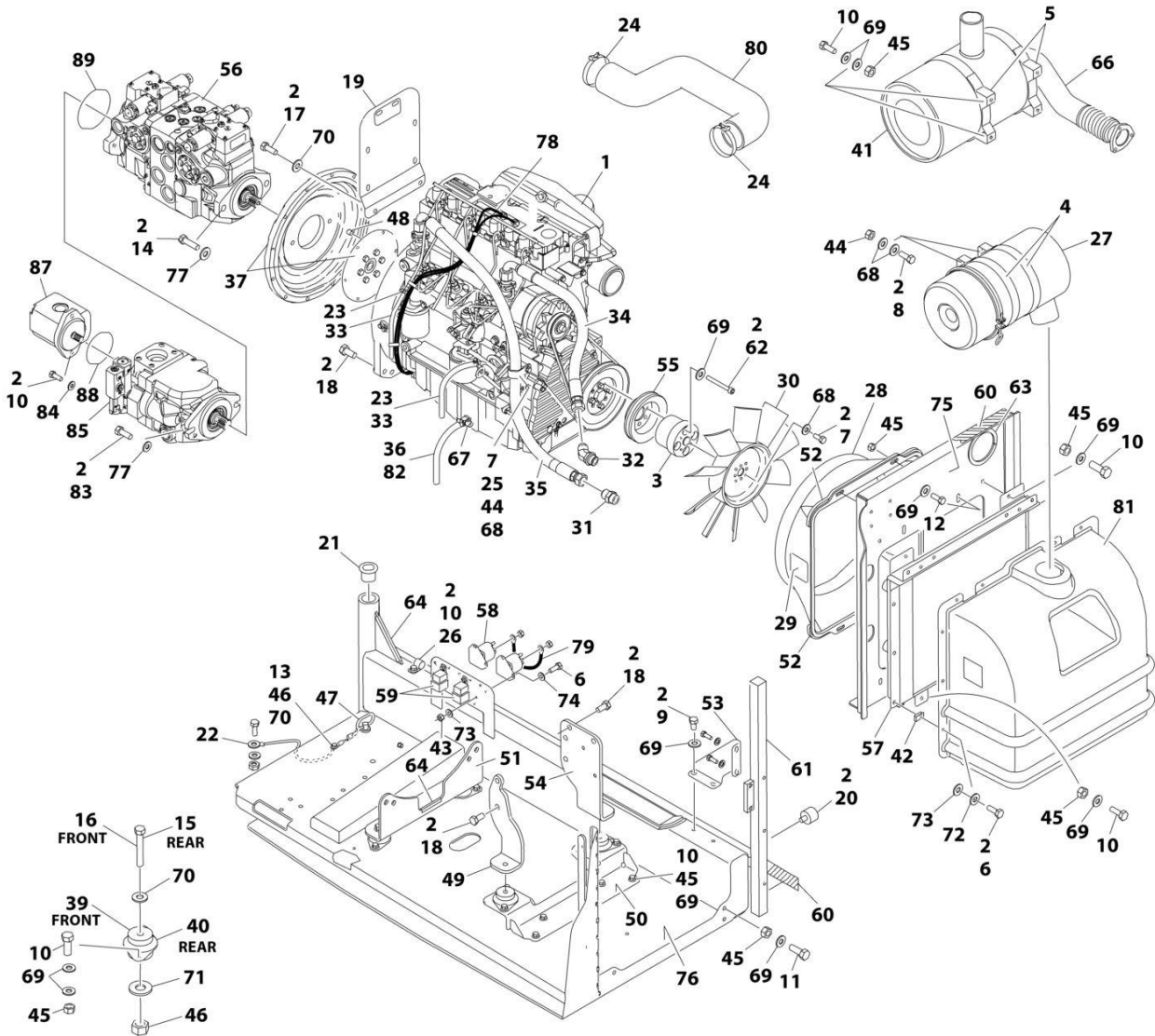
ITEM	PART NUMBER	QTY	DESCRIPTION	REV
	1001098531	Ref	DEUTZ TD2011 ENGINE ASSEMBLY - WITH REXROTH PUMPS (WITH SKYPOWER AND WITH COLD WEATHER PLUS PACKAGE)	N
1	0080244	1	Spacer, Fan	
2	0100011	AR	Compound, Locking	
3	0272060	1	Box, Air Intake	
4	0340003	2	Band, Air Cleaner	
5	0340051	2	Band, Muffler	
6	0641406	15	Bolt 1/4 x 3/4	
7	0641506	5	Bolt 5/16 x 3/4	
8	0641507	4	Bolt 5/16 x 7/8	
9	0641605	4	Bolt 3/8 x 5/8	
10	0641608	25	Bolt 3/8 x 1	
11	0641609	2	Bolt 3/8 x 1-1/8	
12	0641610	4	Bolt 3/8 x 1-1/4	
13	0641808	1	Bolt 1/2 x 1	
14	0641812	2	Bolt 1/2 x 1-1/2	
15	0641818	2	Bolt 1/2 x 2-1/4	
16	0641826	2	Bolt 1/2 x 3-1/4	
17	0711214	2	Bolt M12 x 30	
18	0771414	6	Bolt M14 x 30	
19	0711417	4	Bolt M14 x 45	
20	1001112766	1	Bracket, Muffler	
21	0940070	1	Bumper	
22	0961986	2	Bushing, Flanged	
23	1001131542	1	Lanyard	
24	1060904	1	Cable, Jumper	
25	1320022	2	Clamp	
26	1320058	2	Clamp	
27	1320060	1	Clamp	
28	1320223	1	J-Clip	
29	1340065	1	Air Cleaner Assembly	
29	7003655	1	Element, Air Cleaner	
29	7015013	1	Baffle, Rubber	
29	7015014	1	Clamp, Cap	
29	7015015	1	Cup	
29	7015003	1	Wingnut	
30	1671023	1	Shroud, Fan	
31	1703162	2	Decal - Fan Blade	
32	2060025	1	Fan	
33	2220451	1	Fitting, Straight	
34	2220498	1	Fitting, Elbow	
35	2720058	34 ft/ 10.3m	Hose	
36	2580062	1	Heater, Engine Block	
37	2720500	1	Hose, Oil Cooler (Top)	
38	2720501	1	Hose, Oil Cooler (Bottom)	
39	2750532	0.75 ft /0.2m	Hose	
40	2902065	1	Pump Coupling Kit (See Separate Breakdown in this Section)	

SECTION 3 - ENGINE

ITEM	PART NUMBER	QTY	DESCRIPTION	REV
42	3200362	2	Mount, Motor (Front)	
43	3200401	2	Mount, Motor (Rear)	
44	1001257277	1	Muffler	
45	3300454	10	Nut 1/4	
46	3311405	5	Nut 1/4	
47	3311505	5	Nut 5/16	
48	3311605	30	Nut 3/8	
49	3311805	5	Nut 1/2	
50	3422532	1	Pin, Hitch	
51	3520054	2	Plug	
52	3537416	1	Plate, Mounting (Front Right)	
53	3539971	1	Bracket, Engine Mounting (Front)	
54	3573142	1	Bracket, Engine Mounting (Rear)	
55	3573411	2	Plate, Clamp	
56	3573412	1	Gusset	
57	3573529	1	Plate, Mounting (Front Left)	
58	3580320	1	Pulley	
59	3600339	1	Pump Assembly - Rexroth (See Separate Breakdown in this Section)	
60	1001145382	1	Cooler, Engine Oil	
61	3740067	2	Relay, Start	
62	3740080	2	Relay	
63	3960543	1	Seal	
64	3960544	1	Seal	
65	4032022	4	Capscrew M10 x 90	
66	4060804	0.98 ft /0.3m	Flex-Trim	
67	4060805	0.67 ft /0.2m	Flex-Trim	
68	4240099	AR	Tie, Wire (Not Shown)	
69	4460234	3	Mount, Wire Tie	
70	4568293	1	Pipe, Exhaust	
71	4640751	1	Valve, Oil Drain	
72	4711500	13	Washer 5/16	
73	4711600	68	Washer 3/8	
74	4711800	7	Washer 1/2	
75	4740274	4	Washer, Snubbing	
76	4740518	10	Washer, Nylon	
77	4751400	20	Washer 1/4	
78	4791400	4	Washer 1/4	
79	4846552	1	Plate, Oil Cooler Mounting	
80	4846945	1	Mount, Generator	
81	4846946	1	Tray	
82	4891800	2	Washer 1/2 Hardened	
83	4923468	1	Harness, Glow Plugs	
84	1001225118	1	Hose, Air Intake	
85	1001098601	1	Engine, Deutz TD2011 Components (See Separate Breakdown in this Section)	
86	8410013	1	Clamp, Gear	

SECTION 3 - ENGINE

FIGURE 3-17. DEUTZ TD2011 ENGINE ASSEMBLY - WITH SAUER PUMPS (WITHOUT SKYPOWER AND WITHOUT COLD WEATHER PLUS PACKAGE) (PVC2001)



ART_1001107971

SECTION 3 - ENGINE

FIGURE 3-17. DEUTZ TD2011 ENGINE ASSEMBLY - WITH SAUER PUMPS (WITHOUT SKYPOWER AND WITHOUT COLD WEATHER PLUS PACKAGE) (PVC2001)

ITEM	PART NUMBER	QTY	DESCRIPTION	REV
	1001107971	Ref	DEUTZ TD2011 ENGINE ASSEMBLY - WITH SAUER PUMPS (WITHOUT SKYPOWER AND WITHOUT COLD WEATHER PLUS PACKAGE)	J
1	1001098601	1	Engine, Deutz TD2011 Components (See Separate Breakdown in this Section)	
2	0100011	AR	Compound, Locking	
3	0080237	1	Spacer, Fan	
4	0340003	2	Band, Air Cleaner	
5	0340051	2	Band, Muffler	
6	0641406	15	Bolt 1/4 x 3/4	
7	0641506	5	Bolt 5/16 x 3/4	
8	0641507	4	Bolt 5/16 x 7/8	
9	0641605	4	Bolt 3/8 x 5/8	
10	0641608	27	Bolt 3/8 x 1	
11	0641609	2	Bolt 3/8 x 1-1/8	
12	0641610	4	Bolt 3/8 x 1-1/4	
13	0641808	1	Bolt 1/2 x 1	
14	0641814	2	Bolt 1/2 x 1-3/4	
15	0641818	2	Bolt 1/2 x 2-1/4	
16	0641826	2	Bolt 1/2 x 3-1/4	
17	0711214	2	Bolt M12 x 30	
18	0771414	10	Bolt M14 x 30	
19	1001112766	1	Bracket, Muffler	
20	0940070	1	Bumper	
21	0961986	2	Bushing, Flanged	
22	1001131542	1	Lanyard	
23	1320022	3	Clamp	
24	1320058	2	Clamp	
25	1320060	1	Clamp	
26	1320223	1	J-Clip	
27	1340065	1	Air Cleaner Assembly	
27	7003655	1	Element, Air Cleaner	
27	7015013	1	Baffle, Rubber	
27	7015014	1	Clamp, Cap	
27	7015015	1	Cup	
27	7015003	1	Wingnut	
28	1671023	1	Shroud, Fan	
29	1703162	2	Decal - Fan Blade	
30	2060025	1	Fan	
31	2220451	1	Fitting, Straight	
32	2220498	1	Fitting, Elbow	
33	2720058	34 ft /10.3m	Hose	
34	2720500	1	Hose, Oil Cooler (Top)	
35	2720501	1	Hose, Oil Cooler (Bottom)	
36	2750532	0.75 ft /0.2m	Hose	
37	2902065	1	Pump Coupling Kit (See Separate Breakdown in this Section)	
39	3200362	2	Mount, Motor (Front)	
40	3200401	2	Mount, Motor (Rear)	

SECTION 3 - ENGINE

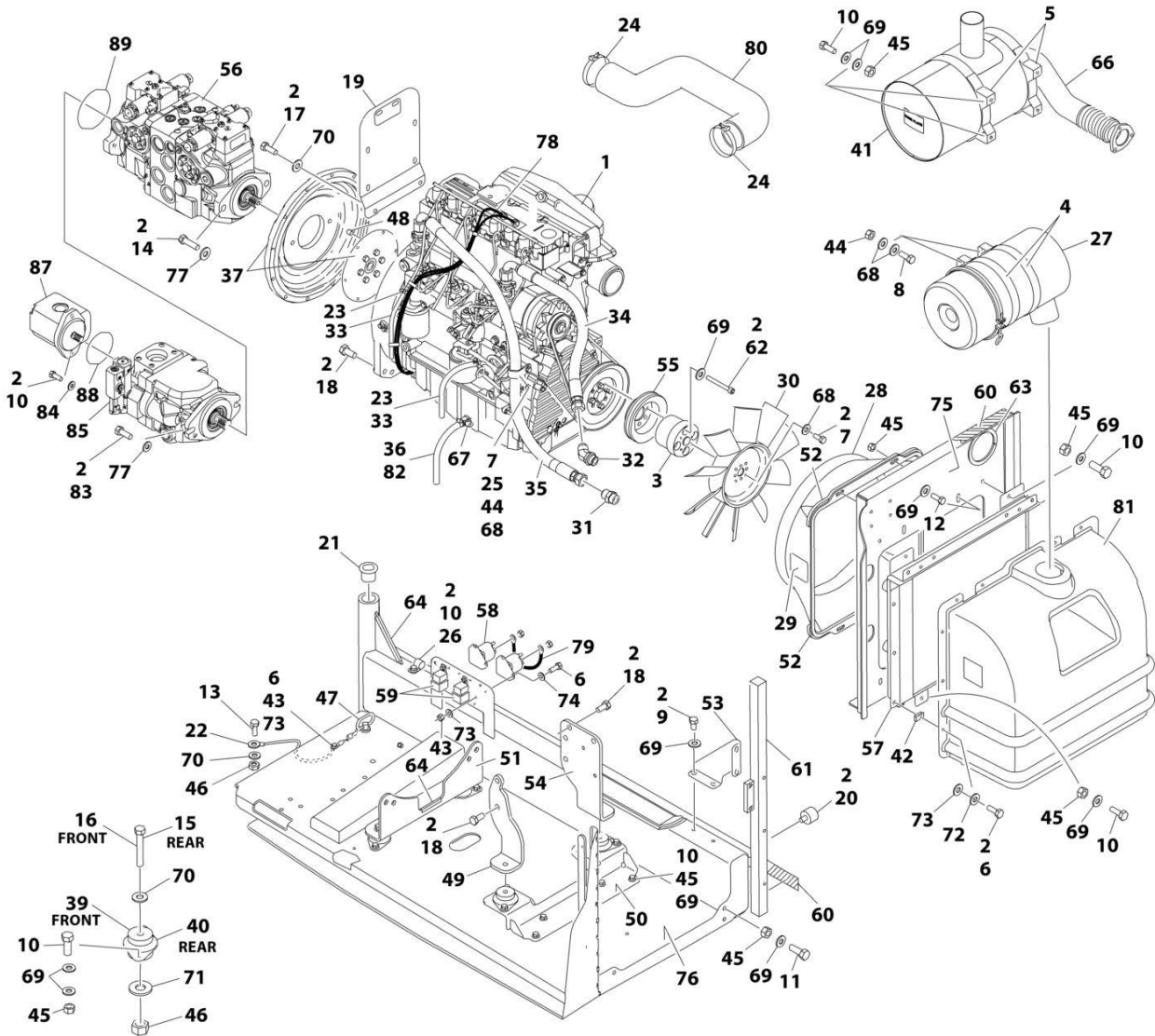
ITEM	PART NUMBER	QTY	DESCRIPTION	REV
41	3220126	1	Muffler	
41	70003555	1	Clamp	
42	3300454	10	Nut 1/4	
43	3311405	5	Nut 1/4	
44	3311505	5	Nut 5/16	
45	3311605	30	Nut 3/8	
46	3311805	5	Nut 1/2	
47	3422532	1	Pin, Hitch	
48	3520054	2	Plug	
49	3537416	1	Plate, Mounting (Front Right)	
50	3539971	1	Bracket, Engine Mounting (Front)	
51	3573142	1	Bracket, Engine Mounting (Rear)	
52	3573411	2	Plate, Clamp	
53	3573412	1	Gusset	
54	3573529	1	Plate, Mounting (Front Left)	
55	3580158	1	Pulley	
56	1001108616	1	Pump Assembly - Sauer (See Separate Breakdown in this Section)	
57	1001145382	1	Cooler, Engine Oil	
58	3740067	2	Relay, Start	
59	3740080	2	Relay	
60	3960543	1	Seal	
61	3960544	1	Seal	
62	4032022	4	Capscrew M10 x 90	
63	4060804	0.98 ft /0.3m	Flex-Trim	
64	4060805	0.67 ft /0.2m	Flex-Trim	
65	4240099	AR	Tie, Wire (Not Shown)	
66	4568293	1	Pipe, Exhaust	
67	4640751	1	Valve, Oil Drain	
68	4711500	13	Washer 5/16	
69	4711600	68	Washer 3/8	
70	4711800	7	Washer 1/2	
71	4740274	4	Washer, Snubbing	
72	4740518	10	Washer, Nylon	
73	4751400	20	Washer 1/4	
74	4791400	4	Washer 1/4	
75	4846552	1	Plate, Oil Cooler Mounting	
76	4846946	1	Tray	
77	4891800	4	Washer 1/2	
78	4923468	1	Harness, Glow Plugs	
79	4923592	1	Cable, Jumper	
80	1001225118	1	Hose, Air Intake	
81	0272060	1	Box, Air Intake	
82	8410013	1	Clamp, Gear	
83	0761215	2	Bolt M12 x 35mm	
84	4891600	2	Washer 3/8	
85	1001171095	1	Pump Assembly - Sauer Piston (See Separate Breakdown in this Section)	
87	1001112927	1	Pump Assembly - Sauer Gear (See Separate Breakdown in this Section)	
88	3790152	1	O-Ring	

SECTION 3 - ENGINE

ITEM	PART NUMBER	QTY	DESCRIPTION	REV
89	3790155	1	O-Ring	

SECTION 3 - ENGINE

FIGURE 3-18. DEUTZ TD2011 ENGINE ASSEMBLY - WITH SAUER PUMPS (WITHOUT SKYPOWER AND WITHOUT COLD WEATHER PLUS PACKAGE) (PVC2007)



ART_1001107971_M

SECTION 3 - ENGINE

FIGURE 3-18. DEUTZ TD2011 ENGINE ASSEMBLY - WITH SAUER PUMPS (WITHOUT SKYPOWER AND WITHOUT COLD WEATHER PLUS PACKAGE) (PVC2007)

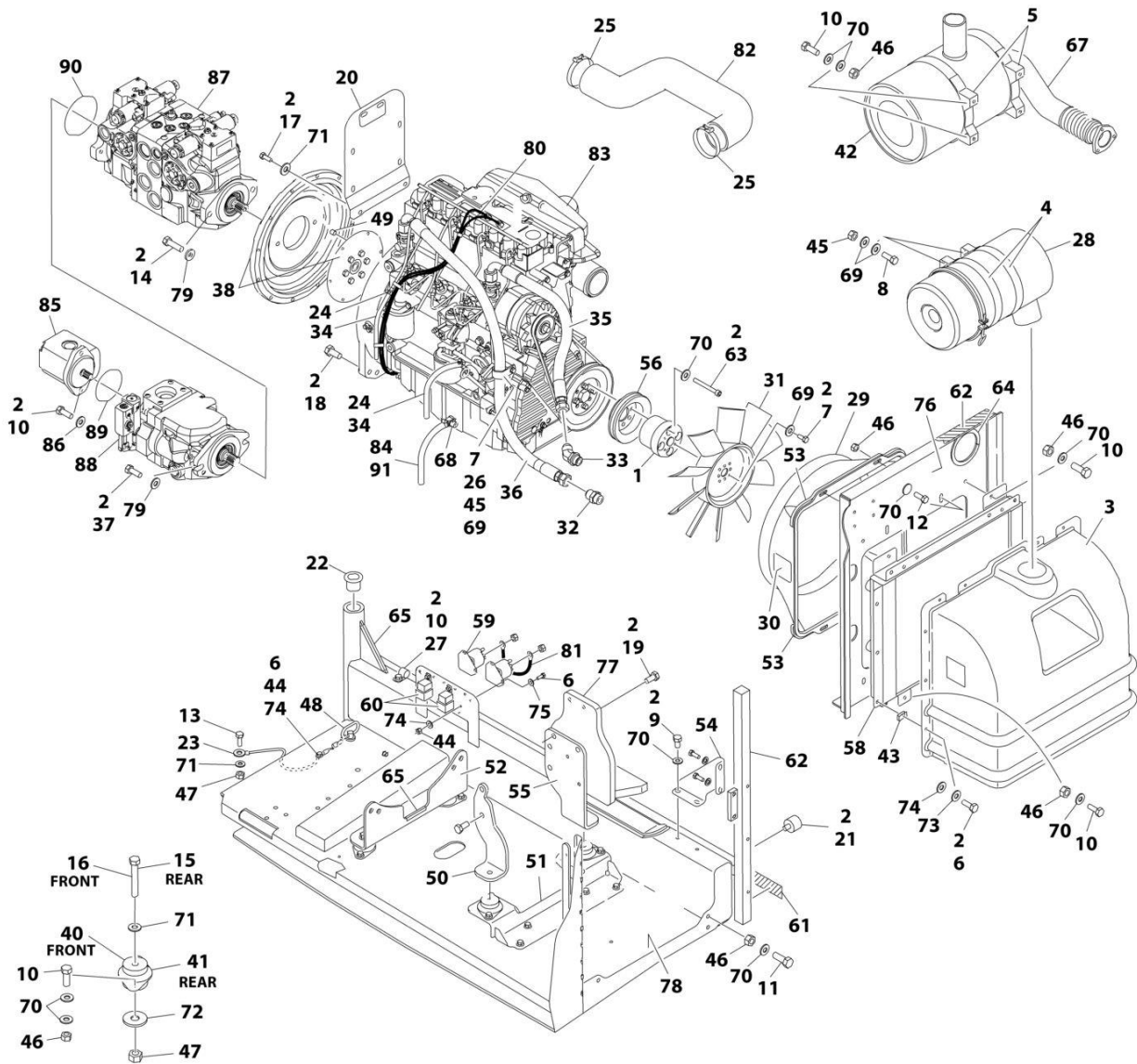
ITEM	PART NUMBER	QTY	DESCRIPTION	REV
	1001107971	Ref	DEUTZ TD2011 ENGINE ASSEMBLY - WITH SAUER PUMPS (WITHOUT SKYPOWER AND WITHOUT COLD WEATHER PLUS PACKAGE)	M
1	1001098601	1	Engine, Deutz TD2011 Components (See Separate Breakdown in this Section)	
2	0100011	AR	Compound, Locking	
3	0080237	1	Spacer, Fan	
4	0340003	2	Band, Air Cleaner	
5	0340051	2	Band, Muffler	
6	0641406	15	Bolt 1/4 x 3/4	
7	0641506	5	Bolt 5/16 x 3/4	
8	0641507	4	Bolt 5/16 x 7/8	
9	0641605	4	Bolt 3/8 x 5/8	
10	0641608	27	Bolt 3/8 x 1	
11	0641609	2	Bolt 3/8 x 1-1/8	
12	0641610	4	Bolt 3/8 x 1-1/4	
13	0641808	1	Bolt 1/2 x 1	
14	0641814	2	Bolt 1/2 x 1-3/4	
15	0641818	2	Bolt 1/2 x 2-1/4	
16	0641826	2	Bolt 1/2 x 3-1/4	
17	0711214	2	Bolt M12 x 30	
18	0771414	10	Bolt M14 x 30	
19	1001112766	1	Bracket, Muffler	
20	0940070	1	Bumper	
21	0961986	2	Bushing, Flanged	
22	1001131542	1	Lanyard	
23	1320022	3	Clamp	
24	1320058	2	Clamp	
25	1320060	1	Clamp	
26	1320223	1	J-Clip	
27	1340065	1	Air Cleaner Assembly	
27	7003655	1	Element, Air Cleaner	
27	7015013	1	Baffle, Rubber	
27	7015014	1	Clamp, Cap	
27	7015015	1	Cup	
27	7015003	1	Wingnut	
28	1671023	1	Shroud, Fan	
29	1703162	2	Decal - Fan Blade	
30	2060025	1	Fan	
31	2220451	1	Fitting, Straight	
32	2220498	1	Fitting, Elbow	
33	2720058	34 ft /10.3m	Hose	
34	2720500	1	Hose, Oil Cooler (Top)	
35	2720501	1	Hose, Oil Cooler (Bottom)	
36	2750532	0.75 ft /0.2m	Hose	
37	2902065	1	Pump Coupling Kit (See Separate Breakdown in this Section)	
39	3200362	2	Mount, Motor (Front)	
40	3200401	2	Mount, Motor (Rear)	

SECTION 3 - ENGINE

ITEM	PART NUMBER	QTY	DESCRIPTION	REV
41	1001257277	1	Muffler	
42	3300454	10	Nut 1/4	
43	3311405	5	Nut 1/4	
44	3311505	5	Nut 5/16	
45	3311605	30	Nut 3/8	
46	3311805	5	Nut 1/2	
47	3422532	1	Pin, Hitch	
48	3520054	2	Plug	
49	3537416	1	Plate, Mounting (Front Right)	
50	3539971	1	Bracket, Engine Mounting (Front)	
51	3573142	1	Bracket, Engine Mounting (Rear)	
52	3573411	2	Plate, Clamp	
53	3573412	1	Gusset	
54	3573529	1	Plate, Mounting (Front Left)	
55	3580158	1	Pulley	
56	1001108616	1	Pump Assembly - Sauer (See Separate Breakdown in this Section)	
57	1001145382	1	Cooler, Engine Oil	
58	3740067	2	Relay, Start	
59	3740080	2	Relay	
60	3960543	1	Seal	
61	3960544	1	Seal	
62	4032022	4	Capscrew M10 x 90	
63	4060804	0.98 ft /0.3m	Flex-Trim	
64	4060805	0.67 ft /0.2m	Flex-Trim	
65	4240099	AR	Tie, Wire (Not Shown)	
66	4568293	1	Pipe, Exhaust	
67	4640751	1	Valve, Oil Drain	
68	4711500	13	Washer 5/16	
69	4711600	68	Washer 3/8	
70	4711800	7	Washer 1/2	
71	4740274	4	Washer, Snubbing	
72	4740518	10	Washer, Nylon	
73	4751400	20	Washer 1/4	
74	4791400	4	Washer 1/4	
75	4846552	1	Plate, Oil Cooler Mounting	
76	4846946	1	Tray	
77	4891800	4	Washer 1/2	
78	4923468	1	Harness, Glow Plugs	
79	4923592	1	Cable, Jumper	
80	1001225118	1	Hose, Air Intake	
81	0272060	1	Box, Air Intake	
82	8410013	1	Clamp, Gear	
83	0761215	2	Bolt M12 x 35mm	
84	4891600	2	Washer 3/8	
85	1001171095	1	Pump Assembly - Sauer Piston (See Separate Breakdown in this Section)	
87	1001112927	1	Pump Assembly - Sauer Gear (See Separate Breakdown in this Section)	
88	3790152	1	O-Ring	
89	3790155	1	O-Ring	

SECTION 3 - ENGINE

FIGURE 3-19. DEUTZ TD2011 ENGINE ASSEMBLY - WITH SAUER PUMPS (WITH SKYPOWER AND WITHOUT COLD WEATHER PLUS PACKAGE) (PVC2001)



ART_1001107973

SECTION 3 - ENGINE

FIGURE 3-19. DEUTZ TD2011 ENGINE ASSEMBLY - WITH SAUER PUMPS (WITH SKYPOWER AND WITHOUT COLD WEATHER PLUS PACKAGE) (PVC2001)

ITEM	PART NUMBER	QTY	DESCRIPTION	REV
	1001107973	Ref	DEUTZ TD2011 ENGINE ASSEMBLY - WITH SAUER PUMPS (WITH SKYPOWER AND WITHOUT COLD WEATHER PLUS PACKAGE)	J
1	0080244	1	Spacer, Fan	
2	0100011	AR	Compound, Locking	
3	0272060	1	Box, Air Intake	
4	0340003	2	Band, Air Cleaner	
5	0340051	2	Band, Muffler	
6	0641406	15	Bolt 1/4 x 3/4	
7	0641506	5	Bolt 5/16 x 3/4	
8	0641507	4	Bolt 5/16 x 7/8	
9	0641605	4	Bolt 3/8 x 5/8	
10	0641608	27	Bolt 3/8 x 1	
11	0641609	2	Bolt 3/8 x 1-1/8	
12	0641610	4	Bolt 3/8 x 1-1/4	
13	0641808	1	Bolt 1/2 x 1	
14	0641814	2	Bolt 1/2 x 1-3/4	
15	0641818	2	Bolt 1/2 x 2-1/4	
16	0641826	2	Bolt 1/2 x 3-1/4	
17	0711214	2	Bolt M12 x 30	
18	0771414	6	Bolt M14 x 30	
19	0711417	4	Bolt M14 x 45	
20	1001112766	1	Bracket, Muffler	
21	0940070	1	Bumper	
22	0961986	2	Bushing, Flanged	
23	1001131542	1	Lanyard	
24	1320022	2	Clamp	
25	1320058	2	Clamp	
26	1320060	1	Clamp	
27	1320223	1	J-Clip	
28	1340065	1	Air Cleaner Assembly	
28	7003655	1	Element, Air Cleaner	
28	7015013	1	Baffle, Rubber	
28	7015014	1	Clamp, Cap	
28	7015015	1	Cup	
28	7015003	1	Wingnut	
29	1671023	1	Shroud, Fan	
30	1703162	2	Decal - Fan Blade	
31	2060025	1	Fan	
32	2220451	1	Fitting, Straight	
33	2220498	1	Fitting, Elbow	
34	2720058	34 ft/ 10.3m	Hose	
35	2720500	1	Hose, Oil Cooler (Top)	
36	2720501	1	Hose, Oil Cooler (Bottom)	
37	0761215	2	Bolt M12 x 35mm	
38	2902065	1	Pump Coupling Kit (See Separate Breakdown in this Section)	
40	3200362	2	Mount, Motor (Front)	
41	3200401	2	Mount, Motor (Rear)	

SECTION 3 - ENGINE

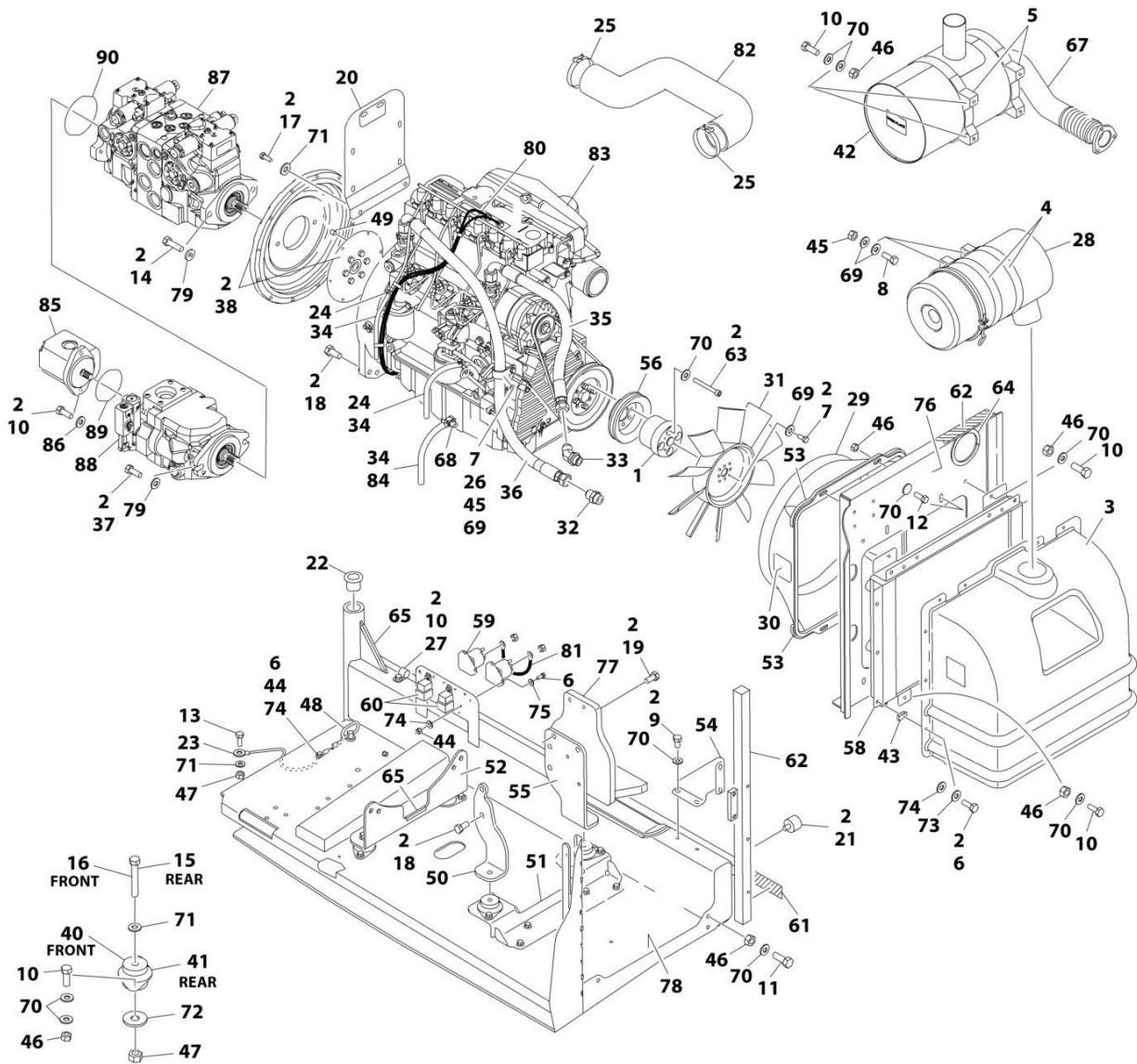
ITEM	PART NUMBER	QTY	DESCRIPTION	REV
42	3220126	1	Muffler	
42	70003555	1	Clamp	
43	3300454	10	Nut	
44	3311405	5	Nut 1/4	
45	3311505	5	Nut 5/16	
46	3311605	30	Nut 3/8	
47	3311805	5	Nut 1/2	
48	3422532	1	Pin, Hitch	
49	3520054	2	Plug	
50	3537416	1	Plate, Mounting (Front Right)	
51	3539971	1	Bracket, Engine Mounting (Front)	
52	3573142	1	Bracket, Engine Mounting (Rear)	
53	3573411	2	Plate, Clamp	
54	3573412	1	Gusset	
55	3573529	1	Plate, Mounting (Front Left)	
56	3580320	1	Pulley	
58	1001145382	1	Cooler, Engine Oil	
59	3740067	2	Relay, Start	
60	3740080	2	Relay	
61	3960543	1	Seal	
62	3960544	1	Seal	
63	4032022	4	Capscrew M10 x 90	
64	4060804	0.98 ft /0.3m	Flex-Trim	
65	4060805	0.67 ft /0.2m	Flex-Trim	
66	4240099	AR	Tie, Wire (Not Shown)	
67	4568293	1	Pipe, Exhaust	
68	4640751	1	Valve, Oil Drain	
69	4711500	13	Washer 5/16	
70	4711600	68	Washer 3/8	
71	4711800	7	Washer 1/2	
72	4740274	4	Washer, Snubbing	
73	4740518	10	Washer, Nylon	
74	4751400	20	Washer 1/4	
75	4791400	4	Washer 1/4	
76	4846552	1	Plate, Oil Cooler Mounting	
77	4846945	1	Mount, Generator	
78	4846946	1	Tray	
79	4891800	4	Washer 1/2	
80	4923468	1	Harness, Glow Plugs	
81	4923592	1	Cable, Jumper	
82	1001225118	1	Hose, Air Intake	
83	1001098601	1	Engine, Deutz TD2011 Components (See Separate Breakdown in this Section)	
84	8410013	1	Clamp, Gear	
85	1001112927	1	Pump Assembly - Sauer Gear (See Separate Breakdown in this Section)	
86	4891600	2	Washer 3/8	
87	1001108616	1	Pump Assembly - Sauer (See Separate Breakdown in this Section)	
88	1001171095	1	Pump Assembly - Sauer Piston (See Separate Breakdown in this Section)	

SECTION 3 - ENGINE

ITEM	PART NUMBER	QTY	DESCRIPTION	REV
89	3790152	1	O-Ring	
90	3790155	1	O-Ring	
91	2750532	0.8 ft/ 0.2m	Hose	

SECTION 3 - ENGINE

FIGURE 3-20. DEUTZ TD2011 ENGINE ASSEMBLY - WITH SAUER PUMPS (WITH SKYPOWER AND WITHOUT COLD WEATHER PLUS PACKAGE) (PVC2007)



ART_1001107973_M

SECTION 3 - ENGINE

FIGURE 3-20. DEUTZ TD2011 ENGINE ASSEMBLY - WITH SAUER PUMPS (WITH SKYPOWER AND WITHOUT COLD WEATHER PLUS PACKAGE) (PVC2007)

ITEM	PART NUMBER	QTY	DESCRIPTION	REV
	1001107973	Ref	DEUTZ TD2011 ENGINE ASSEMBLY - WITH SAUER PUMPS (WITH SKYPOWER AND WITHOUT COLD WEATHER PLUS PACKAGE)	N
1	0080244	1	Spacer, Fan	
2	0100011	AR	Compound, Locking	
3	0272060	1	Box, Air Intake	
4	0340003	2	Band, Air Cleaner	
5	0340051	2	Band, Muffler	
6	0641406	15	Bolt 1/4 x 3/4	
7	0641506	5	Bolt 5/16 x 3/4	
8	0641507	4	Bolt 5/16 x 7/8	
9	0641605	4	Bolt 3/8 x 5/8	
10	0641608	27	Bolt 3/8 x 1	
11	0641609	2	Bolt 3/8 x 1-1/8	
12	0641610	4	Bolt 3/8 x 1-1/4	
13	0641808	1	Bolt 1/2 x 1	
14	0641814	2	Bolt 1/2 x 1-3/4	
15	0641818	2	Bolt 1/2 x 2-1/4	
16	0641826	2	Bolt 1/2 x 3-1/4	
17	0711214	2	Bolt M12 x 30	
18	0771414	6	Bolt M14 x 30	
19	0711417	4	Bolt M14 x 45	
20	1001112766	1	Bracket, Muffler	
21	0940070	1	Bumper	
22	0961986	2	Bushing, Flanged	
23	1001131542	1	Lanyard	
24	1320022	2	Clamp	
25	1320058	2	Clamp	
26	1320060	1	Clamp	
27	1320223	1	J-Clip	
28	1340065	1	Air Cleaner Assembly	
28	7003655	1	Element, Air Cleaner	
28	7015013	1	Baffle, Rubber	
28	7015014	1	Clamp, Cap	
28	7015015	1	Cup	
28	7015003	1	Wingnut	
29	1671023	1	Shroud, Fan	
30	1703162	2	Decal - Fan Blade	
31	2060025	1	Fan	
32	2220451	1	Fitting, Straight	
33	2220498	1	Fitting, Elbow	
34	2720058	34 ft/ 10.3m	Hose	
35	2720500	1	Hose, Oil Cooler (Top)	
36	2720501	1	Hose, Oil Cooler (Bottom)	
37	0761215	2	Bolt M12 x 35mm	
38	2902065	1	Pump Coupling Kit (See Separate Breakdown in this Section)	
40	3200362	2	Mount, Motor (Front)	
41	3200401	2	Mount, Motor (Rear)	

SECTION 3 - ENGINE

ITEM	PART NUMBER	QTY	DESCRIPTION	REV
42	1001257277	1	Muffler	
43	3300454	10	Nut	
44	3311405	5	Nut 1/4	
45	3311505	5	Nut 5/16	
46	3311605	30	Nut 3/8	
47	3311805	5	Nut 1/2	
48	3422532	1	Pin, Hitch	
49	3520054	2	Plug	
50	3537416	1	Plate, Mounting (Front Right)	
51	3539971	1	Bracket, Engine Mounting (Front)	
52	3573142	1	Bracket, Engine Mounting (Rear)	
53	3573411	2	Plate, Clamp	
54	3573412	1	Gusset	
55	3573529	1	Plate, Mounting (Front Left)	
56	3580320	1	Pulley	
58	1001145382	1	Cooler, Engine Oil	
59	3740067	2	Relay, Start	
60	3740080	2	Relay	
61	3960543	1	Seal	
62	3960544	1	Seal	
63	4032022	4	Capscrew M10 x 90	
64	4060804	0.98 ft /0.3m	Flex-Trim	
65	4060805	0.67 ft /0.2m	Flex-Trim	
66	4240099	AR	Tie, Wire (Not Shown)	
67	4568293	1	Pipe, Exhaust	
68	4640751	1	Valve, Oil Drain	
69	4711500	13	Washer 5/16	
70	4711600	68	Washer 3/8	
71	4711800	7	Washer 1/2	
72	4740274	4	Washer, Snubbing	
73	4740518	10	Washer, Nylon	
74	4751400	20	Washer 1/4	
75	4791400	4	Washer 1/4	
76	4846552	1	Plate, Oil Cooler Mounting	
77	4846945	1	Mount, Generator	
78	4846946	1	Tray	
79	4891800	4	Washer 1/2	
80	4923468	1	Harness, Glow Plugs	
81	4923592	1	Cable, Jumper	
82	1001225118	1	Hose, Air Intake	
83	1001098601	1	Engine, Deutz TD2011 Components (See Separate Breakdown in this Section)	
84	8410013	1	Clamp, Gear	
85	1001112927	1	Pump Assembly - Sauer Gear (See Separate Breakdown in this Section)	
86	4891600	2	Washer 3/8	
87	1001108616	1	Pump Assembly - Sauer (See Separate Breakdown in this Section)	
88	1001171095	1	Pump Assembly - Sauer Piston (See Separate Breakdown in this Section)	
89	3790152	1	O-Ring	

SECTION 3 - ENGINE

ITEM	PART NUMBER	QTY	DESCRIPTION	REV
90	3790155	1	O-Ring	
91	2750532	0.8 ft/ 0.2m	Hose	

SECTION 3 - ENGINE

FIGURE 3-21. DEUTZ TD2011 ENGINE ASSEMBLY - WITH SAUER PUMPS (WITH SKYPOWER AND WITH COLD WEATHER PLUS PACKAGE) (PVC2001)

ITEM	PART NUMBER	QTY	DESCRIPTION	REV
	1001107975	Ref	DEUTZ TD2011 ENGINE ASSEMBLY - WITH SAUER PUMPS (WITH SKYPOWER AND WITH COLD WEATHER PLUS PACKAGE)	J
1	0080244	1	Spacer, Fan	
2	0100011	AR	Compound, Locking	
3	0272060	1	Box, Air Intake	
4	0340003	2	Band, Air Cleaner	
5	0340051	2	Band, Muffler	
6	0641406	15	Bolt 1/4 x 3/4	
7	0641506	5	Bolt 5/16 x 3/4	
8	0641507	4	Bolt 5/16 x 7/8	
9	0641605	4	Bolt 3/8 x 5/8	
10	0641608	27	Bolt 3/8 x 1	
11	0641609	2	Bolt 3/8 x 1-1/8	
12	0641610	4	Bolt 3/8 x 1-1/4	
13	0641808	1	Bolt 1/2 x 1	
14	0641814	2	Bolt 1/2 x 1-3/4	
15	0641818	2	Bolt 1/2 x 2-1/4	
16	0641826	2	Bolt 1/2 x 3-1/4	
17	0711214	2	Bolt M12 x 30	
18	0771414	6	Bolt M14 x 30	
19	0711417	4	Bolt M14 x 45	
20	1001112766	1	Bracket, Muffler	
21	0940070	1	Bumper	
22	0961986	2	Bushing, Flanged	
23	1001131542	1	Lanyard	
24	1060904	1	Cable, Jumper	
25	1320022	2	Clamp	
26	1320058	2	Clamp	
27	1320060	1	Clamp	
28	1320223	1	J-Clip	
29	1340065	1	Air Cleaner Assembly	
29	7003655	1	Element, Air Cleaner	
29	7015013	1	Baffle, Rubber	
29	7015014	1	Clamp, Cap	
29	7015015	1	Cup	
29	7015003	1	Wingnut	
30	1671023	1	Shroud, Fan	
31	1703162	2	Decal - Fan Blade	
32	2060025	1	Fan	
33	2220451	1	Fitting, Straight	
34	2220498	1	Fitting, Elbow	
35	2720058	34 ft/ 10.3m	Hose	
36	2580062	1	Heater, Engine Block	
37	2720500	1	Hose, Oil Cooler (Top)	
38	2720501	1	Hose, Oil Cooler (Bottom)	
39	2750532	0.75 ft /0.2m	Hose	
40	2902065	1	Pump Coupling Kit (See Separate Breakdown in this Section))	

SECTION 3 - ENGINE

ITEM	PART NUMBER	QTY	DESCRIPTION	REV
42	3200362	2	Mount, Motor (Front)	
43	3200401	2	Mount, Motor (Rear)	
44	3220126	1	Muffler	
44	70003555	1	Clamp	
45	3300454	10	Nut	
46	3311405	5	Nut 1/4	
47	3311505	5	Nut 5/16	
48	3311605	30	Nut 3/8	
49	3311805	5	Nut 1/2	
50	3422532	1	Pin, Hitch	
51	3520054	2	Plug	
52	3537416	1	Plate, Mounting (Front Right)	
53	3539971	1	Bracket, Engine Mounting (Front)	
54	3573142	1	Bracket, Engine Mounting (Rear)	
55	3573411	2	Plate, Clamp	
56	3573412	1	Gusset	
57	3573529	1	Plate, Mounting (Front Left)	
58	3580320	1	Pulley	
60	1001145382	1	Cooler, Engine Oil	
61	3740067	2	Relay, Start	
62	3740080	2	Relay	
63	3960543	1	Seal	
64	3960544	1	Seal	
65	4032022	4	Capscrew M10 x 90	
66	4060804	0.98 ft /0.3m	Flex-Trim	
67	4060805	0.67 ft /0.2m	Flex-Trim	
68	4240099	AR	Tie, Wire (Not Shown)	
69	4460234	3	Mount, Wire Tie	
70	4568293	1	Pipe, Exhaust	
71	4640751	1	Valve, Oil Drain	
72	4711500	13	Washer 5/16	
73	4711600	68	Washer 3/8	
74	4711800	7	Washer 1/2	
75	4740274	4	Washer, Snubbing	
76	4740518	10	Washer, Nylon	
77	4751400	20	Washer 1/4	
78	4791400	4	Washer 1/4	
79	4846552	1	Plate, Oil Cooler Mounting	
80	4846945	1	Mount, Generator	
81	4846946	1	Tray	
82	4891800	4	Washer 1/2	
83	4923468	1	Harness, Glow Plugs	
84	1001225118	1	Hose, Air Intake	
85	1001098601	1	Engine, Deutz TD2011 Components (See Separate Breakdown in this Section)	
86	8410013	1	Clamp, Gear	
87	0761215	2	Bolt M12 x 35	
88	1001112927	1	Pump Assembly - Sauer Gear (See Separate Breakdown in this Section)	
89	4891600	2	Washer 3/8	

SECTION 3 - ENGINE

ITEM	PART NUMBER	QTY	DESCRIPTION	REV
90	1001108616	1	Pump Assembly - Sauer Tandem (See Separate Breakdown in this Section)	
91	1001171095	1	Pump Assembly - Sauer Piston (See Separate Breakdown in this Section)	
92	3790152	1	O-Ring	
93	3790155	1	O-Ring	

SECTION 3 - ENGINE

FIGURE 3-22. DEUTZ TD2011 ENGINE ASSEMBLY - WITH SAUER PUMPS (WITH SKYPOWER AND WITH COLD WEATHER PLUS PACKAGE) (PVC2007)

ITEM	PART NUMBER	QTY	DESCRIPTION	REV
	1001107975	Ref	DEUTZ TD2011 ENGINE ASSEMBLY - WITH SAUER PUMPS (WITH SKYPOWER AND WITH COLD WEATHER PLUS PACKAGE)	M
1	0080244	1	Spacer, Fan	
2	0100011	AR	Compound, Locking	
3	0272060	1	Box, Air Intake	
4	0340003	2	Band, Air Cleaner	
5	0340051	2	Band, Muffler	
6	0641406	15	Bolt 1/4 x 3/4	
7	0641506	5	Bolt 5/16 x 3/4	
8	0641507	4	Bolt 5/16 x 7/8	
9	0641605	4	Bolt 3/8 x 5/8	
10	0641608	27	Bolt 3/8 x 1	
11	0641609	2	Bolt 3/8 x 1-1/8	
12	0641610	4	Bolt 3/8 x 1-1/4	
13	0641808	1	Bolt 1/2 x 1	
14	0641814	2	Bolt 1/2 x 1-3/4	
15	0641818	2	Bolt 1/2 x 2-1/4	
16	0641826	2	Bolt 1/2 x 3-1/4	
17	0711214	2	Bolt M12 x 30	
18	0771414	6	Bolt M14 x 30	
19	0711417	4	Bolt M14 x 45	
20	1001112766	1	Bracket, Muffler	
21	0940070	1	Bumper	
22	0961986	2	Bushing, Flanged	
23	1001131542	1	Lanyard	
24	1060904	1	Cable, Jumper	
25	1320022	2	Clamp	
26	1320058	2	Clamp	
27	1320060	1	Clamp	
28	1320223	1	J-Clip	
29	1340065	1	Air Cleaner Assembly	
29	7003655	1	Element, Air Cleaner	
29	7015013	1	Baffle, Rubber	
29	7015014	1	Clamp, Cap	
29	7015015	1	Cup	
29	7015003	1	Wingnut	
30	1671023	1	Shroud, Fan	
31	1703162	2	Decal - Fan Blade	
32	2060025	1	Fan	
33	2220451	1	Fitting, Straight	
34	2220498	1	Fitting, Elbow	
35	2720058	34 ft/ 10.3m	Hose	
36	2580062	1	Heater, Engine Block	
37	2720500	1	Hose, Oil Cooler (Top)	
38	2720501	1	Hose, Oil Cooler (Bottom)	
39	2750532	0.75 ft /0.2m	Hose	
40	2902065	1	Pump Coupling Kit (See Separate Breakdown in this Section))	

SECTION 3 - ENGINE

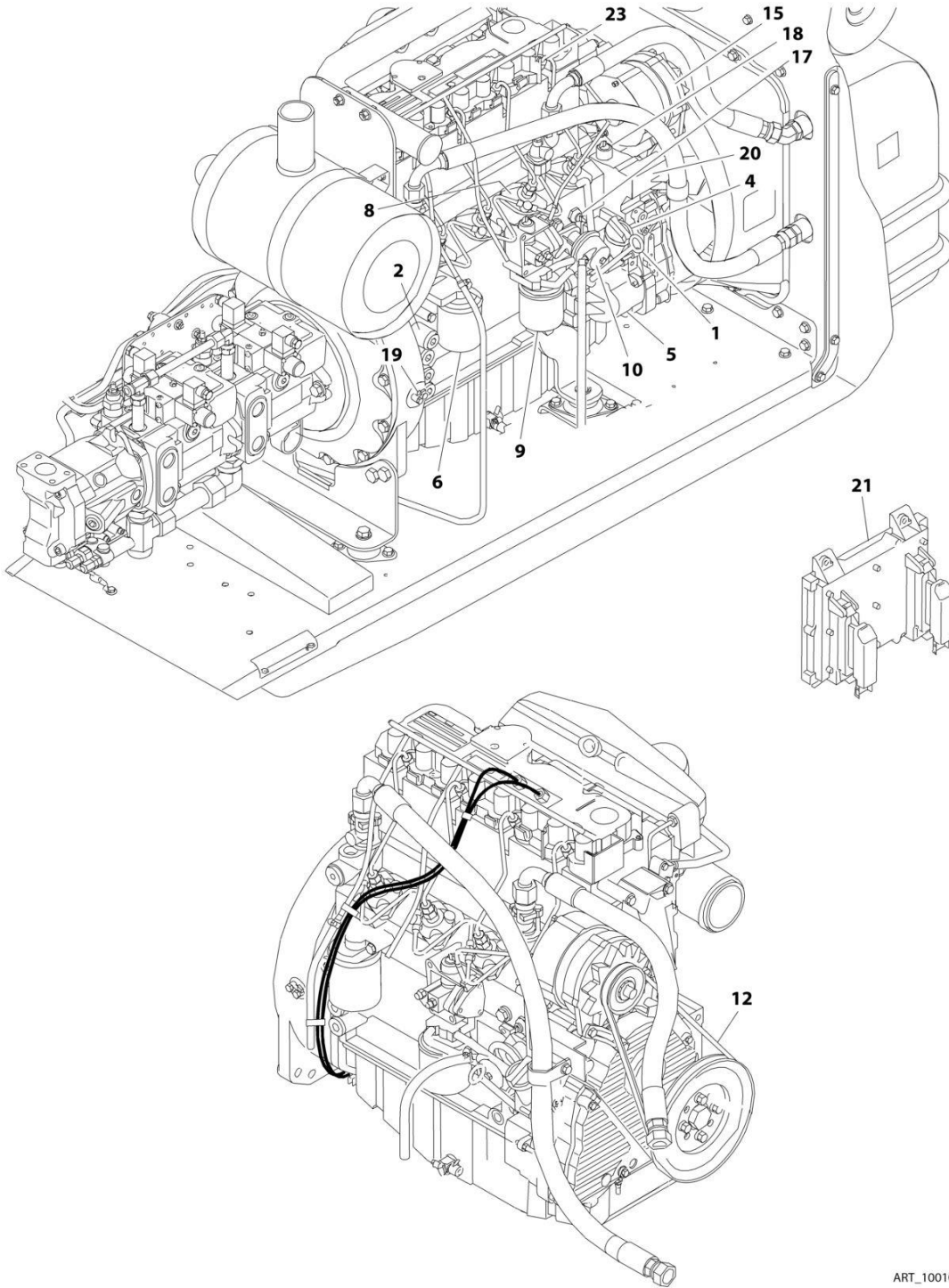
ITEM	PART NUMBER	QTY	DESCRIPTION	REV
42	3200362	2	Mount, Motor (Front)	
43	3200401	2	Mount, Motor (Rear)	
44	1001257277	1	Muffler	
45	3300454	10	Nut	
46	3311405	5	Nut 1/4	
47	3311505	5	Nut 5/16	
48	3311605	30	Nut 3/8	
49	3311805	5	Nut 1/2	
50	3422532	1	Pin, Hitch	
51	3520054	2	Plug	
52	3537416	1	Plate, Mounting (Front Right)	
53	3539971	1	Bracket, Engine Mounting (Front)	
54	3573142	1	Bracket, Engine Mounting (Rear)	
55	3573411	2	Plate, Clamp	
56	3573412	1	Gusset	
57	3573529	1	Plate, Mounting (Front Left)	
58	3580320	1	Pulley	
60	1001145382	1	Cooler, Engine Oil	
61	3740067	2	Relay, Start	
62	3740080	2	Relay	
63	3960543	1	Seal	
64	3960544	1	Seal	
65	4032022	4	Capscrew M10 x 90	
66	4060804	0.98 ft /0.3m	Flex-Trim	
67	4060805	0.67 ft /0.2m	Flex-Trim	
68	4240099	AR	Tie, Wire (Not Shown)	
69	4460234	3	Mount, Wire Tie	
70	4568293	1	Pipe, Exhaust	
71	4640751	1	Valve, Oil Drain	
72	4711500	13	Washer 5/16	
73	4711600	68	Washer 3/8	
74	4711800	7	Washer 1/2	
75	4740274	4	Washer, Snubbing	
76	4740518	10	Washer, Nylon	
77	4751400	20	Washer 1/4	
78	4791400	4	Washer 1/4	
79	4846552	1	Plate, Oil Cooler Mounting	
80	4846945	1	Mount, Generator	
81	4846946	1	Tray	
82	4891800	4	Washer 1/2	
83	4923468	1	Harness, Glow Plugs	
84	1001225118	1	Hose, Air Intake	
85	1001098601	1	Engine, Deutz TD2011 Components (See Separate Breakdown in this Section)	
86	8410013	1	Clamp, Gear	
87	0761215	2	Bolt M12 x 35	
88	1001112927	1	Pump Assembly - Sauer Gear (See Separate Breakdown in this Section)	
89	4891600	2	Washer 3/8	

SECTION 3 - ENGINE

ITEM	PART NUMBER	QTY	DESCRIPTION	REV
90	1001108616	1	Pump Assembly - Sauer Tandem (See Separate Breakdown in this Section)	
91	1001171095	1	Pump Assembly - Sauer Piston (See Separate Breakdown in this Section)	
92	3790152	1	O-Ring	
93	3790155	1	O-Ring	

SECTION 3 - ENGINE

FIGURE 3-23. DEUTZ TD2011 ENGINE COMPONENTS



ART_1001098601

SECTION 3 - ENGINE

FIGURE 3-23. DEUTZ TD2011 ENGINE COMPONENTS

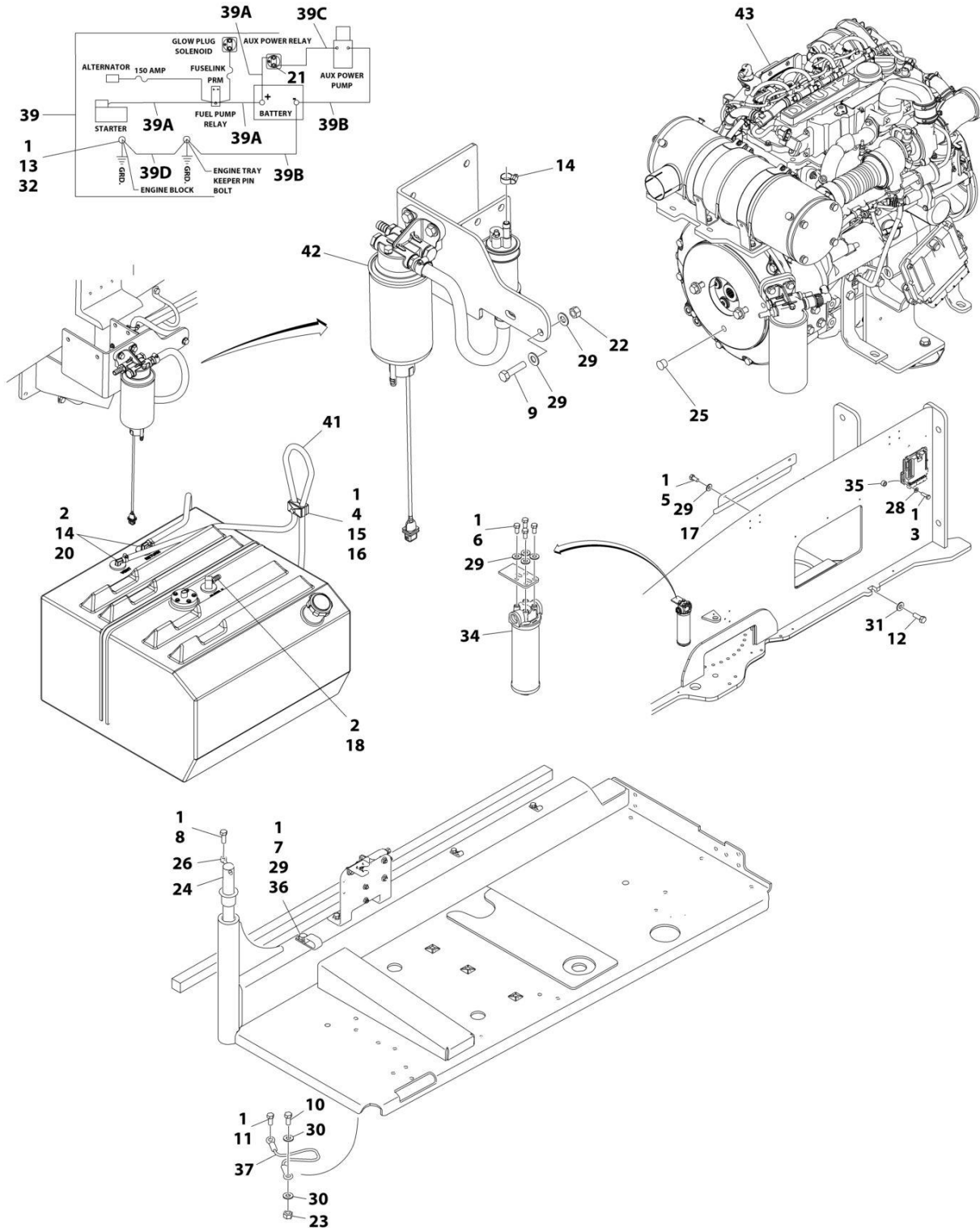
ITEM	PART NUMBER	QTY	DESCRIPTION	REV
	1001098601	Ref	DEUTZ TD2011 ENGINE COMPONENTS	C
1	7027235	1	Dipstick	
1	70000044	1	O-Ring	
2	70003475	1	Thermostat	
2	7020460	1	Compression Spring	
3	70001870	1	Flywheel (Not Shown)	
3	7024579	1	Gear, Ring (Not Shown)	
4	7020465	1	Cap, Filler	
5	70001850	1	Pump, Oil	
5	7020468	1	Seal Between Oil Pump and Engine Block (Not Shown)	
6	7016331	1	Filter, Oil	
6	7027236	1	Sender, Temperature (Located near Oil Filter)	
8		Ref	Injector Pump	
8	70001128	AR	"A" Series	
8	70001129	AR	"B" Series	
8	70001130	AR	"C" Series	
8	70001131	AR	"D" Series	
8	7020447	AR	Gasket (1 per Injector)	
9	7016328	1	Filter, Fuel	
10	70000916	1	Pump Fuel Supply	
10	70001435	1	Repair Kit	
10	70000917	1	O-Seal Between Fuel Pump and Engine Block (Not Shown)	
10	70000918	1	Sealing Ring (Not Shown)	
10	70000919	1	Pump, Hand (Not Shown)	
11	7027239	1	Solenoid, Start (Not Shown - Located near Throttle)	
12	7020414	1	V-Belt	
13	7020471	4	Gasket, Exhaust Manifold to Engine Block (Not Shown)	
13	7020486	1	Gasket, Exhaust Manifold to Exhaust Pipe (Not Shown)	
14	7027240	1	Turbocharger (Not Shown)	
14	70001857	1	Flange, Turbocharger (Not Shown)	
14	70001135	1	Gasket (Not Shown)	
15	70001867	1	Alternator	
15	70001868	1	Regulator, Voltage (Not Shown)	
16	7020479	1	Starter (Not Shown - Located on Right Side of Engine)	
16	7026608	1	Relay, Start (Not Shown)	
17	7027790	1	Sensor, Oil Pressure	
18	7027791	1	Sensor, Temperature (Not Shown)	
19	7024565	1	Sensor, Speed	
20	7027792	1	Actuator Throttle	
20	7027276	2	Spring	
21	1600443	1	Module, EMR2 Controller	
22	70002718	1	Seal, Rear Main (Not Shown)	
23	70003135	4	Injector, Fuel	
23	70003136	1	Ring, Sealing	
24	70001847	1	Valve, Breather (Located - Front Cover) (Not Shown)	
24	70001126	1	O-Ring (Not Shown)	
25	70001125	1	Cap, Breather (Located In Cylinder Head Cover) (Not Shown)	
25	70001126	1	O-Ring (Not Shown)	
26	70001871	4	Gasket, Air Intake Manifold (Not Shown)	
27	70000345	4	Plug, Glow (Not Shown)	

SECTION 3 - ENGINE

ITEM	PART NUMBER	QTY	DESCRIPTION	REV
28	70007353	1	Gasket Kit (Not Shown)	

SECTION 3 - ENGINE

FIGURE 3-24. DEUTZ TD2.9L4 DIESEL ENGINE INSTALLATION - WITH REXROTH PUMPS AND STEEL HOODS (CHINA SPEC ONLY)



ART_1001221259

SECTION 3 - ENGINE

FIGURE 3-24. DEUTZ TD2.9L4 DIESEL ENGINE INSTALLATION - WITH REXROTH PUMPS AND STEEL HOODS (CHINA SPEC ONLY)

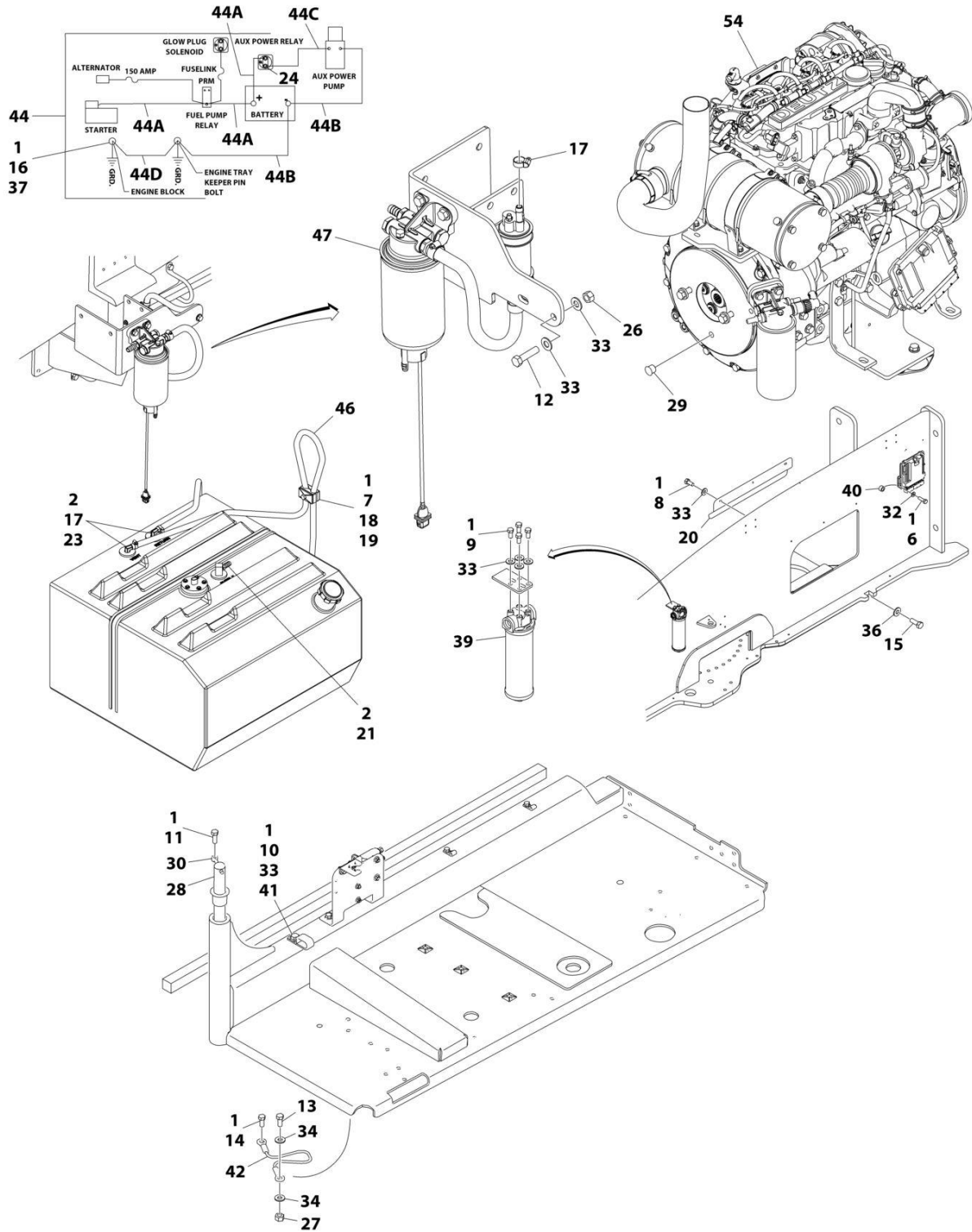
ITEM	PART NUMBER	QTY	DESCRIPTION	REV
	1001221259	Ref	DEUTZ TD2.9L4 DIESEL ENGINE INSTALLATION - WITH REXROTH PUMPS AND STEEL HOODS	C
1	0100011	AR	Compound, Locking	
2	0100079	AR	Sealant, Pipe	
3	0641410	4	Bolt 1/4 x 1-1/4	
4	0641511	1	Bolt 5/16 x 1-3/8	
5	0641605	3	Bolt 3/8 x 5/8	
6	0641606	4	Bolt 3/8 x 3/4	
7	0641608	1	Bolt 3/8 x 1	
8	0641610	1	Bolt 3/8 x 1-1/4	
9	0641612	2	Bolt 3/8 x 1-1/2	
10	0641708	1	Bolt 7/16 x 1	
11	0641808	1	Bolt 1/2 x 1	
12	0642010	1	Bolt 5/8 x 1-1/4	
13	0761210	1	Bolt M12 x 20	
14	1320022	3	Clamp	
15	1320187	1	Clamp	
16	1320190	1	Cover, Clamp	
17	1671121	1	Cover	
18	2180832	1	Fitting, Barbed	
20	2220313	2	Fitting, Elbow Barbed	
21	3300220	2	Nut 5/16	
22	3311605	2	Nut 3/8	
23	3311705	1	Nut 7/16	
24	3422446	1	Pin, Pivot	
25	3520054	1	Plug	
26	3841143	1	Pin, Keeper	
27	4240018	2	Strap, Tie (Not Shown)	
28	4711400	4	Washer 1/4	
29	4711600	12	Washer 3/8	
30	4711700	2	Washer 7/16	
31	4752000	1	Washer 5/8	
32	4812100	1	Washer M12	
34	1001108617	1	Filter	
34	70002231	1	Element, Filter	
35	1001110425	4	Spacer	
36	1001116792	1	Clamp	
37	1001131542	1	Lanyard	
38	1001138491	NLA	Harness, Fuel (Use p/n 1001222665) (Not Shown - See Separate Breakdown in ELECTRICAL SECTION)	
39	1001141225	1	Battery Cable Kit	E
39A	7027042	1	Cable, Battery (Red) (Battery + to Relays and Starter)	
39B	7027043	1	Cable, Battery (Black) (Battery - to Tray Pivot Grd and Aux Pump)	
39C	7027044	1	Cable (Red) (Aux Relay to Aux Pump)	
39D	7027045	1	Cable, Battery (Black) (Engine to Tray Pivot Grd)	
41	2750532	5 ft/ 1.5m	Hose	
42	1001227606	1	Bracket, Fuel Pump Filter Assembly (See Separate Breakdown in this Section)	

SECTION 3 - ENGINE

ITEM	PART NUMBER	QTY	DESCRIPTION	REV
43	1001221263	1	Engine Sub-Assembly (See Separate Breakdown in this Section)	

SECTION 3 - ENGINE

FIGURE 3-25. DEUTZ TD2.9L4 DIESEL ENGINE INSTALLATION - WITH SAUER PUMPS AND STEEL HOODS (CHINA SPEC ONLY)



ART_1001221261

SECTION 3 - ENGINE

FIGURE 3-25. DEUTZ TD2.9L4 DIESEL ENGINE INSTALLATION - WITH SAUER PUMPS AND STEEL HOODS (CHINA SPEC ONLY)

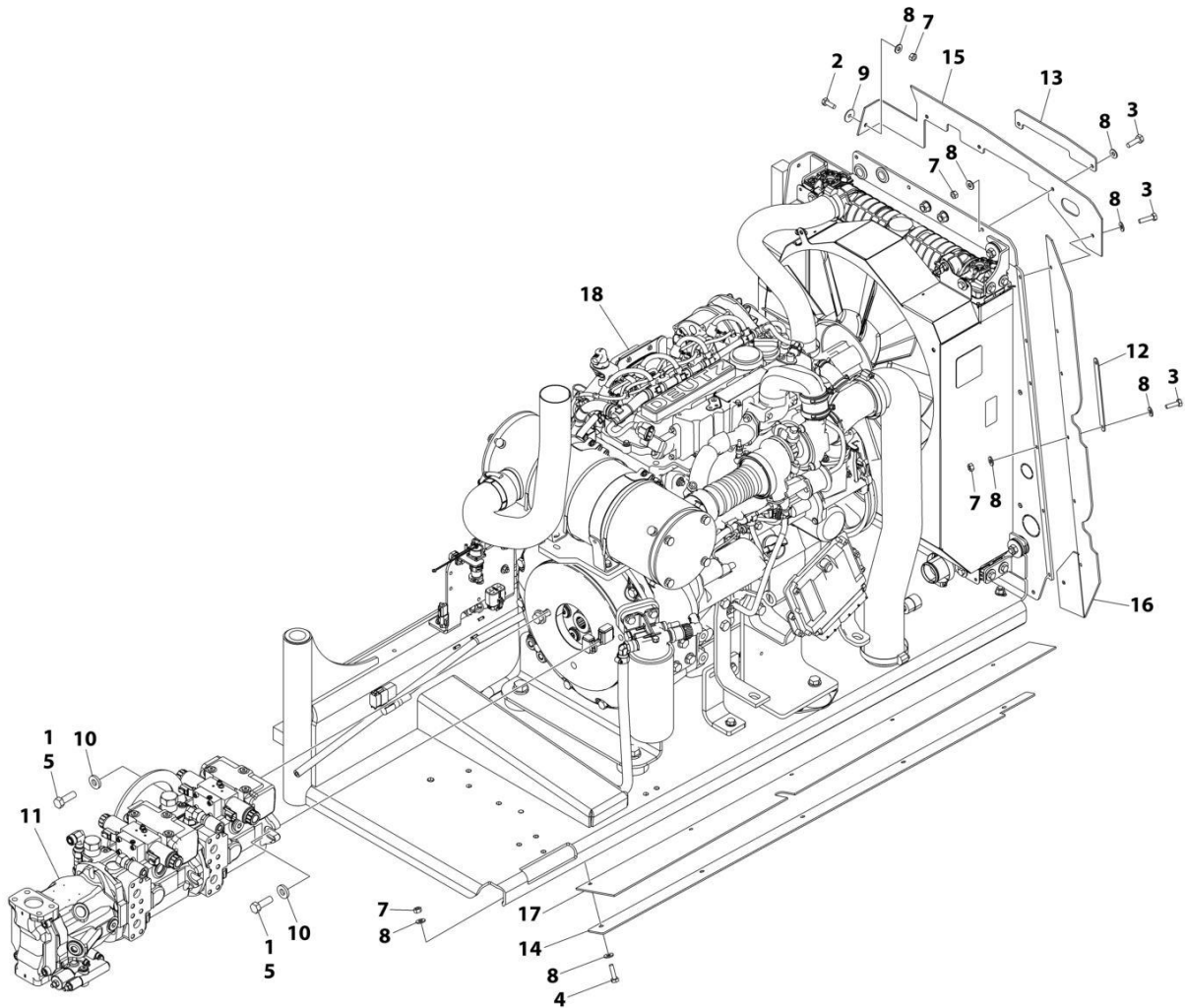
ITEM	PART NUMBER	QTY	DESCRIPTION	REV
	1001221261	Ref	DEUTZ TD2.9L4 DIESEL ENGINE INSTALLATION - WITH SAUER PUMPS AND STEEL HOODS	D
1	0100011	AR	Compound, Locking	
2	0100079	AR	Sealant, Pipe	
6	0641410	4	Bolt 1/4 x 1-1/4	
7	0641511	1	Bolt 5/16 x 1-3/8	
8	0641605	3	Bolt 3/8 x 5/8	
9	0641606	4	Bolt 3/8 x 3/4	
10	0641608	1	Bolt 3/8 x 1	
11	0641610	1	Bolt 3/8 x 1-1/4	
12	0641612	2	Bolt 3/8 x 1-1/2	
13	0641708	1	Bolt 7/16 x 1	
14	0641808	1	Bolt 1/2 x 1	
15	0642010	1	Bolt 5/8 x 1-1/4	
16	0761210	1	Bolt M12 x 20	
17	1320022	3	Clamp	
18	1320187	1	Clamp	
19	1320190	1	Cover, Clamp	
20	1671121	1	Cover	
21	2180832	1	Fitting, Barbed	
23	2220313	2	Fitting, Elbow Barbed	
24	3300220	2	Nut 5/16	
26	3311605	2	Nut 3/8	
27	3311705	1	Nut 7/16	
28	3422446	1	Pin, Pivot	
29	3520054	1	Plug	
30	3841143	1	Pin, Keeper	
31	4240018	2	Strap, Tie (Not Shown)	
32	4711400	4	Washer 1/4	
33	4711600	12	Washer 3/8	
34	4711700	2	Washer 7/16	
36	4752000	1	Washer 5/8	
37	4812100	1	Washer M12	
39	1001108617	1	Filter	
39	70002231	1	Element, Filter	
40	1001110425	4	Spacer	
41	1001116792	1	Clamp	
42	1001131542	1	Lanyard	
43	1001138491	NLA	Harness, Fuel (Use p/n 1001222665) (Not Shown - See Separate Breakdown in ELECTRICAL SECTION)	
44	1001141225	1	Battery Cable Kit	E
44A	7027042	1	Cable, Battery (Red) (Battery + to Relays and Starter)	
44B	7027043	1	Cable, Battery (Black) (Battery - to Tray Pivot Grd and Aux Pump)	
44C	7027044	1	Cable (Red) (Aux Relay to Aux Pump)	
44D	7027045	1	Cable, Battery (Black) (Engine to Tray Pivot Grd)	
46	2750532	5 ft/ 1.5m	Hose	
47	1001227606	1	Bracket, Fuel Pump Filter Assembly (See Separate Breakdown in this Section)	

SECTION 3 - ENGINE

ITEM	PART NUMBER	QTY	DESCRIPTION	REV
54	1001221265	1	Engine Sub-Assembly (See Separate Breakdown in this Section)	

SECTION 3 - ENGINE

FIGURE 3-26. DEUTZ TD2.9L4 ENGINE SUB-ASSEMBLY - WITH REXROTH PUMP (CHINA SPEC ONLY)



ART_1001221263

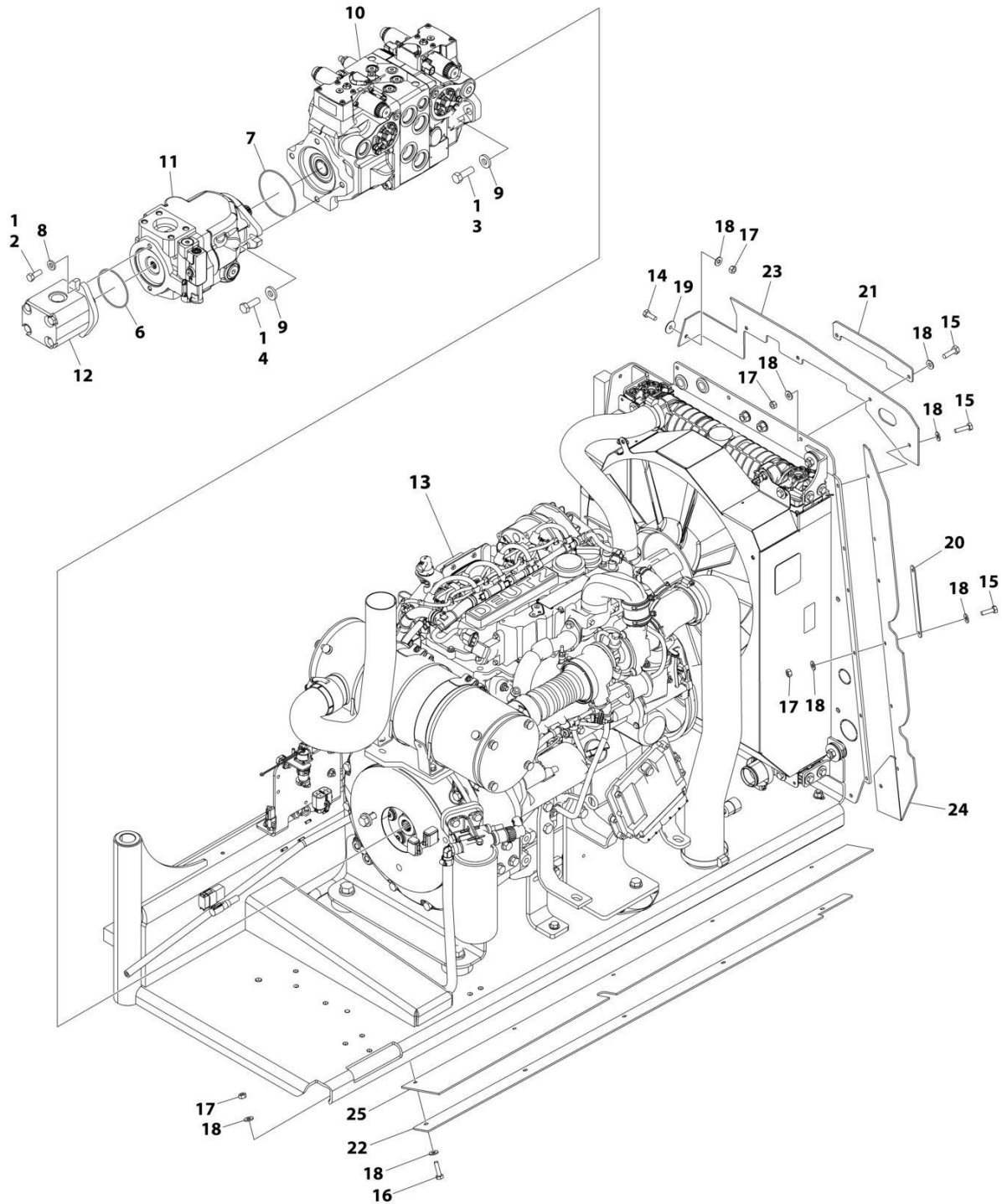
SECTION 3 - ENGINE

FIGURE 3-26. DEUTZ TD2.9L4 ENGINE SUB-ASSEMBLY - WITH REXROTH PUMP (CHINA SPEC ONLY)

ITEM	PART NUMBER	QTY	DESCRIPTION	REV
	1001221263	Ref	DEUTZ TD2.9L4 ENGINE SUB-ASSEMBLY	Q
1	0100011	AR	Compound, Locking	
2	0641406	AR	Bolt 1/4 x 3/4	
3	0641407	8	Bolt 1/4 x 7/8	
4	0641408	AR	Bolt 1/4 x 1	
5	0641812	2	Bolt 1/2 x 1-1/2	
7	3311405	16	Nut 1/4	
8	4711400	AR	Washer 1/4	
9	4740430	AR	Washer, Fender	
10	4891800	2	Washer 1/2	
11	1001152963	1	Pump Assembly - Rexroth (See Separate Breakdown in this Section)	
12	1001167164	3	Plate, Support	
13	1001177945	1	Bracket	
14	1001177946	1	Bracket	
15	1001177957	1	Seal, Rubber Baffle	
16	1001177958	1	Seal, Rubber Baffle	
17	1001177959	1	Seal, Rubber Baffle	
18	1001220735	1	Deutz TD2.9L4 Engine Assembly (See Separate Breakdown in this Section)	

SECTION 3 - ENGINE

FIGURE 3-27. DEUTZ TD2.9L4 ENGINE SUB-ASSEMBLY - WITH SAUER PUMPS (CHINA SPEC ONLY)



ART_1001221265

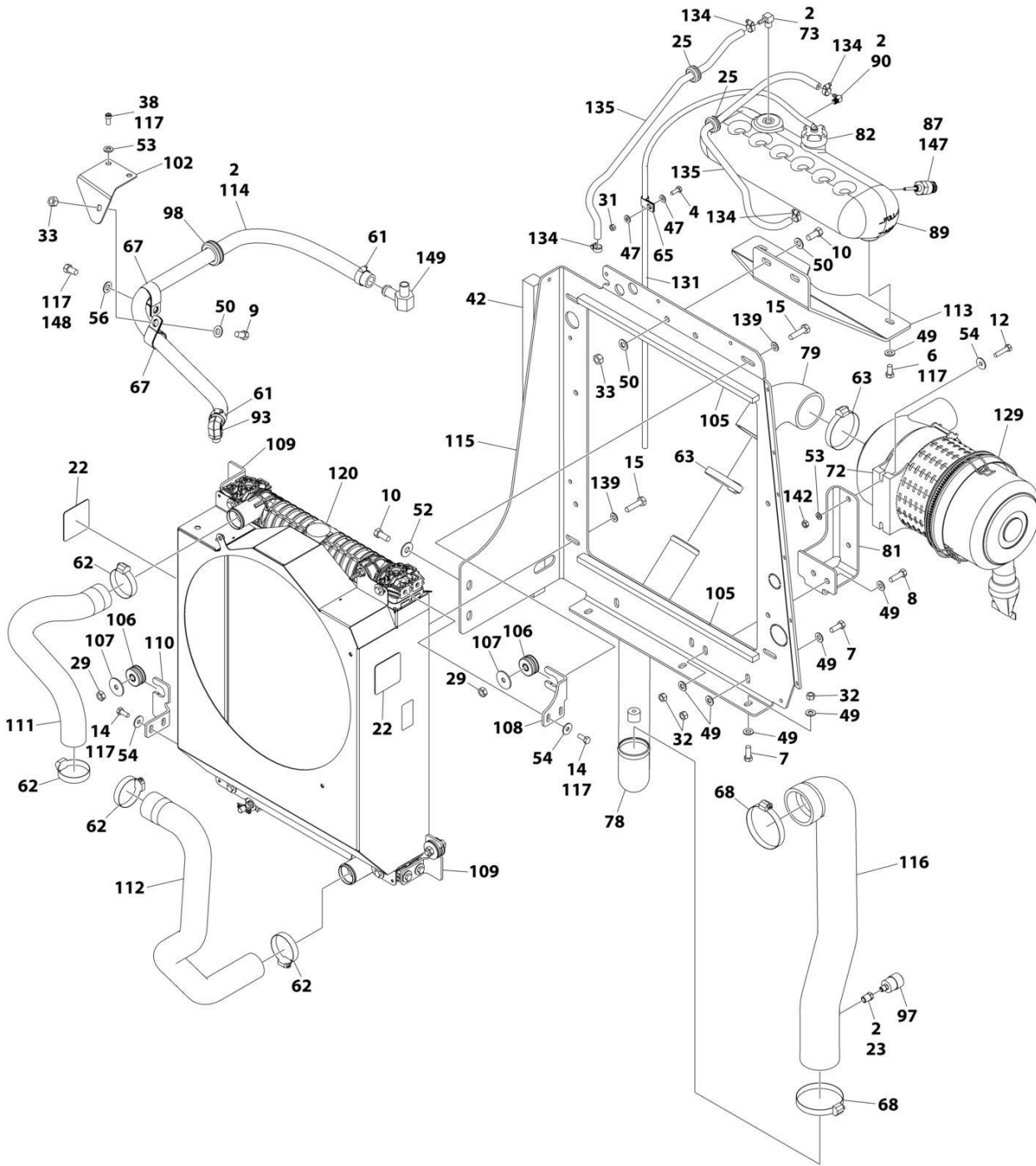
SECTION 3 - ENGINE

FIGURE 3-27. DEUTZ TD2.9L4 ENGINE SUB-ASSEMBLY - WITH SAUER PUMPS (CHINA SPEC ONLY)

ITEM	PART NUMBER	QTY	DESCRIPTION	REV
	1001221265	Ref	DEUTZ TD2.9L4 ENGINE SUB-ASSEMBLY	R
1	0100011	AR	Compound, Locking	
2	0641608	2	Bolt 3/8 x 1	
3	0641812	2	Bolt 1/2 x 1-1/2	
4	0761215	2	Bolt M12 x 35	
6	3790152	1	O-Ring	
7	3790155	1	O-Ring	
8	4891600	2	Washer 3/8	
9	4891800	4	Washer 1/2	
10	1001108616	1	Pump Assembly (Sauer Tandem) (See Separate Breakdown in this Section)	
11	1001171095	1	Pump Assembly (Sauer Piston) (See Separate Breakdown in this Section)	
12	1001112927	1	Pump Assembly (Sauer Gear) (See Separate Breakdown in this Section)	
13	1001220735	1	Deutz TD2.9L4 Engine Assembly (See Separate Breakdown in this Section)	
14	0641406	AR	Bolt 1/4 x 3/4	
15	0641407	8	Bolt 1/4 x 7/8	
16	0641408	AR	Bolt 1/4 x 1	
16	0641407	AR	Bolt 1/4 x 7/8	
17	3311405	16	Nut 1/4	
18	4711400	AR	Washer 1/4	
19	4740430	AR	Washer, Fender	
20	1001167164	3	Plate, Support	
21	1001177945	1	Bracket	
22	1001177946	1	Bracket	
23	1001177957	1	Seal, Rubber Baffle	
24	1001177958	1	Seal, Rubber Baffle	
25	1001177959	1	Seal, Rubber Baffle	

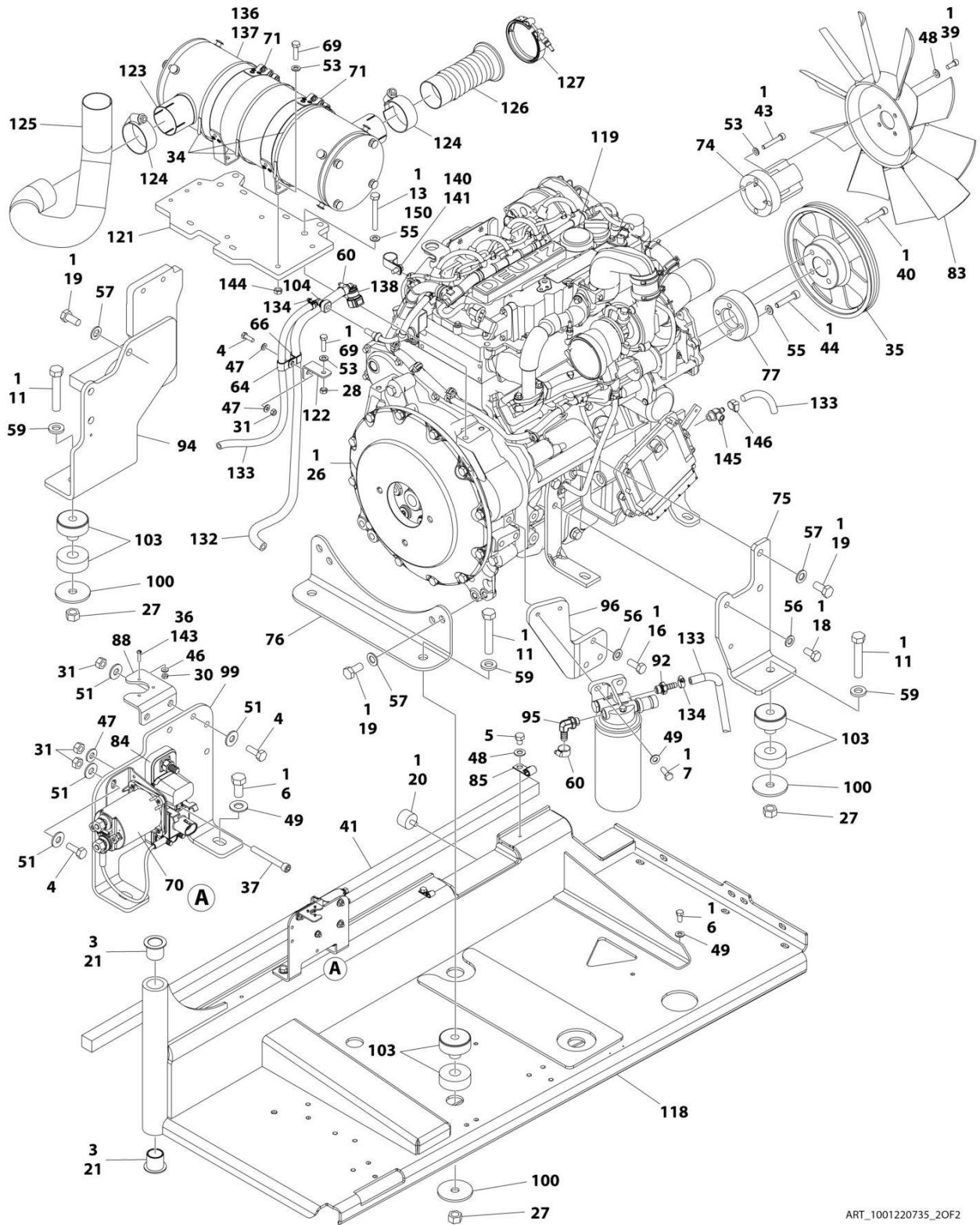
SECTION 3 - ENGINE

FIGURE 3-28. DEUTZ TD2.9L4 ENGINE ASSEMBLY (CHINA SPEC ONLY) (PVC2001)



ART_1001220735_10F2

SECTION 3 - ENGINE



ART_1001220735_20F2

SECTION 3 - ENGINE

FIGURE 3-28. DEUTZ TD2.9L4 ENGINE ASSEMBLY (CHINA SPEC ONLY) (PVC2001)

ITEM	PART NUMBER	QTY	DESCRIPTION	REV
	1001220735	Ref	DEUTZ TD2.9L4 ENGINE ASSEMBLY	L
1	0100011	AR	Compound, Locking	
2	0100020	AR	Sealant	
3	0100062	AR	Adhesive, Loctite #680	
4	0641406	7	Bolt 1/4 x 3/4	
5	0641503	2	Bolt 5/16 x 3/8	
6	0641606	5	Bolt 3/8 x 3/4	
7	0641608	7	Bolt 3/8 x 1	
8	0641610	2	Bolt 3/8 x 1-1/4	
9	0641706	AR	Bolt 7/16 x 3/4	
10	0641708	4	Bolt 7/16 x 1	
11	0682028	4	Bolt 5/8 x 3-1/2 Grade 8	
12	0700815	2	Bolt M8 x 35	
13	0701024	AR	Bolt M10 x 80	
13	0701025	AR	Bolt M10 x 85	
14	0760810	8	Bolt M8 x 20	
15	0761016	4	Bolt M10 x 40	
16	0761214	3	Bolt M12 x 30	
18	0771212	1	Bolt M12 x 25 Grade 10.9	
19	0771414	9	Bolt M14 x 30 Grade 10.9	
20	0940070	1	Bumper	
21	0961986	2	Bushing, Flanged	
22	1703162	2	Decal - Fan	
23	2220273	1	Fitting, Straight NPTF/FNPTF	
25	2540038	2	Grommet	
26	2902065	1	Pump Coupling Kit (See Separate Breakdown in this Section)	
27	3272001	4	Nut 5/8 Grade 8	
28	3290801	AR	Nut M8	
29	3291001	4	Nut M10	
29	3291007	4	Nut M10	
30	3310401	3	Nut #4	
31	3311405	8	Nut 1/4	
32	3311605	7	Nut 3/8	
33	3311705	3	Nut 7/16	
34	1001137336	AR	Strap	
35	3580320	1	Pulley	
36	3910408	3	Screw #4 x 1/2	
37	3931432	1	Capscrew 1/4 x 2	
38	3931508	2	Capscrew 5/16 x 1/2	
38	4031907	2	Capscrew M8 x 16	
39	3931512	4	Capscrew 5/16 x 3/4	
40	3931628	4	Capscrew 3/8 x 1-3/4	
41	3960543	1	Seal	
42	3960544	1	Seal	
43	4031914	4	Bolt M8 x 50	
44	4032014	4	Bolt M10 x 50	
45	4240099	AR	Tie-Strap (Not Shown)	
46	4710400	3	Washer #4	
47	4711400	7	Washer 1/4	
48	4711500	AR	Washer 5/16	

SECTION 3 - ENGINE

ITEM	PART NUMBER	QTY	DESCRIPTION	REV
49	4711600	21	Washer 3/8	
50	4711700	6	Washer 7/16	
51	4751400	8	Washer 1/4	
52	4751700	2	Washer 7/16	
53	4811900	AR	Washer M8	
54	4811902	10	Washer M8	
55	4812000	AR	Washer M10	
56	4812100	AR	Washer M12	
57	4812200	9	Washer M14	
59	4892000	4	Washer 5/8	
60	8405006	2	Clamp	
61	8405007	2	Clamp	
62	8405201	4	Clamp	
63	8405204	2	Clamp	
64	8406102	1	Clip	
65	8406109	2	Clip	
66	8406112	1	Clip	
67	8406302	2	Clamp	
68	8410011	2	Clamp	
69	0760814001	1	Bolt M8 x 30	
69	0760814	5	Bolt M8 x 30	
70	1001117308	1	Relay	
71	1001119727	2	Clamp	
72	1001133634	1	Clamp	
73	1001134488	1	Fitting, 90 Barbed	
74	1001135138	1	Spacer, Fan	
75	1001135560	1	Support, Engine	
76	1001135562	1	Support, Engine - Rear	
77	1001135679	1	Spacer, Pulley	
78	1001135903	1	Pipe, Air Intake	
79	1001135946	1	Elbow, Rubber	
81	1001136665	1	Bracket	
82	1001136834	1	Cap, Tank	
83	1001137276	1	Fan	
84	1001138228	1	Module, Power	
84	70023592	1	Fuse 20Amp (Switched Output)	
84	70023593	1	Fuse 30Amp (Battery Output)	
85	1001138253	2	Clamp	
86	1001138346	1	Harness, Engine (Not Shown - See Separate Breakdown in ELECTRICAL Section)	
87	1001138827	1	Sensor, Coolant Level	
88	1001139240	1	Bracket	
89	1001166393	1	Tank, Surge	
90	1001140564	1	Fitting, 90 Barbed	
91	1001141304	1	Wire, Glow Plug (Not Shown)	
92	1001141717	1	Fitting, Straight	
93	1001141719	1	Fitting, 90 Barbed	
94	1001142398	1	Support, Engine	
95	1001142501	1	Fitting, 90 Barbed	
96	1001142685	1	Bracket	
97	1001143390	1	Indicator, Air Filter Service	
98	1001144089	1	Grommet	

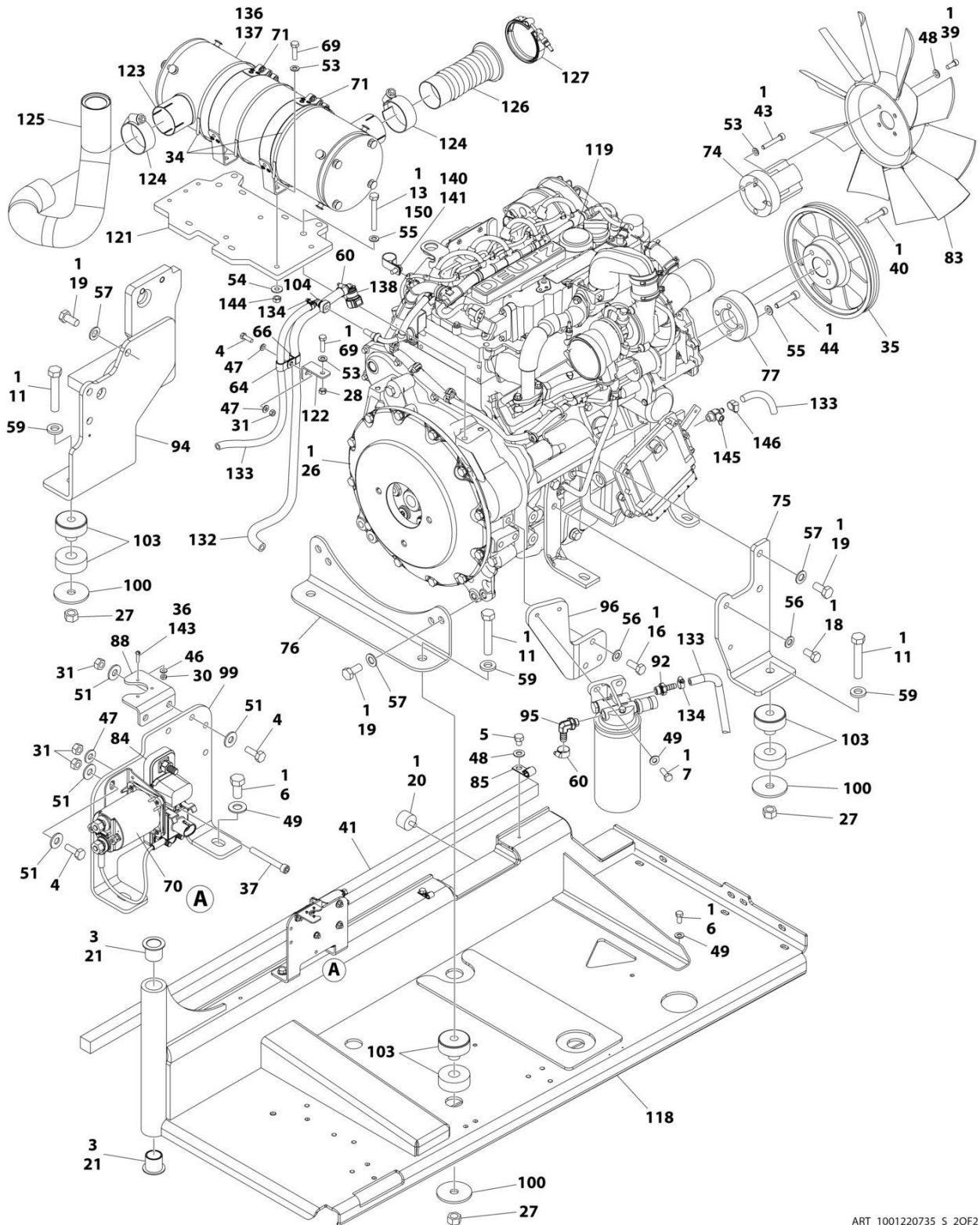
SECTION 3 - ENGINE

ITEM	PART NUMBER	QTY	DESCRIPTION	REV
99	1001145154	1	Plate, Mounting	
100	1001146219	4	Washer Special	
101	1001148843	1	Harness, Fuel Filter (Not Shown - See Separate Breakdown in ELECTRICAL Section)	
102	1001229600	1	Plate	
103	1001155575	4	Mount, Motor	
104	1001155823	1	Coupling	
105	1001168166	2	Seal	
106	1001169054	4	Isolator	
107	1001169138	4	Pad	
108	1001170035	1	Bracket	
109	1001176329	2	Bracket	
110	1001176330	1	Bracket	
111	1001176415	1	Hose, Radiator (Upper)	
112	1001176416	1	Hose, Radiator (Lower)	
113	1001229599	1	Bracket	
114	1001138524	1	Hose	
115	1001178236	1	Support, Radiator	
116	1001178894	1	Hose, Air Intake	
117	1001180620	AR	Adhesive	
118	1001187011	1	Tray	
119	1001219642	1	Engine, Deutz TD2.9L4 (See Separate Breakdown in this Section)	
120	1001220770	1	Radiator	
121	1001221203	1	Muffler Bracket Assembly	
122	1001221205	1	Bracket	
123	1001221207	1	Muffler	
124	1001221212	2	Clamp	
125	1001221213	1	Pipe, Exhaust	
126	1001221217	1	Pipe, Flex Assembly	
127	1001221219	1	Clamp	
129	1001133633	1	Air Cleaner Assembly	
129	70024190	1	Element, Air Filter	
130	1001135779	1	Cable, Alternator Positive (Not Shown)	
131	1001138248	4 ft/ 1.2m	Tubing	
132	1001154405	5 ft/ 1.5m	Hose	
133	1001165035	30.5 ft/ 9.3m	Hose	
134	1320022	2	Clamp	
135	2720015	5 ft/ 1.52m	Hose	
136	1001221427	1	Muffler-Wrap Assembly	
137	4920385	AR	Wire, Safety	
138	1001170982	1	Adapter	
139	4812002	4	Washer M10	
140	1320130	1	Clamp	
141	5250808	1	Bolt M8 x 16	
142	3290805	2	Nut, M10 (Not Shown)	
143	0100035	AR	Compound, Locking	
144	3290807	4	Nut M8	
145	4640751	1	Valve, Oil Drain	
146	8410013	1	Clamp, Gear	
147	1001182997	AR	Adhesive	

SECTION 3 - ENGINE

ITEM	PART NUMBER	QTY	DESCRIPTION	REV
148	0761210	1	Bolt M12 x 20	
149	1001138559	1	Fitting, 90	
150	0701022	AR	Bolt M10 x 70	

SECTION 3 - ENGINE



ART_1001220735_S_2OF2

SECTION 3 - ENGINE

FIGURE 3-29. DEUTZ TD2.9L4 ENGINE ASSEMBLY (CHINA SPEC ONLY) (PVC2007)

ITEM	PART NUMBER	QTY	DESCRIPTION	REV
	1001220735	Ref	DEUTZ TD2.9L4 ENGINE ASSEMBLY	S
1	0100011	AR	Compound, Locking	
2	0100020	AR	Sealant	
3	0100062	AR	Adhesive, Loctite #680	
4	0641406	7	Bolt 1/4 x 3/4	
5	0641503	2	Bolt 5/16 x 3/8	
6	0641606	5	Bolt 3/8 x 3/4	
7	0641608	7	Bolt 3/8 x 1	
8	0641610	2	Bolt 3/8 x 1-1/4	
9	0641706	AR	Bolt 7/16 x 3/4	
10	0641708	4	Bolt 7/16 x 1	
11	0682028	4	Bolt 5/8 x 3-1/2 Grade 8	
12	0700815	2	Bolt M8 x 35	
13	0701024	AR	Bolt M10 x 80	
13	0701025	AR	Bolt M10 x 85	
14	0760810	8	Bolt M8 x 20	
15	0761016	4	Bolt M10 x 40	
16	0761214	3	Bolt M12 x 30	
18	0771212	1	Bolt M12 x 25 Grade 10.9	
19	0771414	9	Bolt M14 x 30 Grade 10.9	
20	0940070	1	Bumper	
21	0961986	2	Bushing, Flanged	
22	1703162	2	Decal - Fan	
23	2220273	1	Fitting, Straight NPTF/FNPTF	
25	2540038	2	Grommet	
26	2902065	1	Pump Coupling Kit (See Separate Breakdown in this Section)	
27	3272001	4	Nut 5/8 Grade 8	
28	3290801	AR	Nut M8	
29	3291001	4	Nut M10	
29	3291007	4	Nut M10	
30	3310401	3	Nut #4	
31	3311405	8	Nut 1/4	
32	3311605	7	Nut 3/8	
33	3311705	3	Nut 7/16	
34	1001137336	AR	Strap	
35	3580320	1	Pulley	
36	3910408	3	Screw #4 x 1/2	
37	3931432	1	Capscrew 1/4 x 2	
38	3931508	2	Capscrew 5/16 x 1/2	
38	4031907	2	Capscrew M8 x 16	
39	3931512	4	Capscrew 5/16 x 3/4	
40	3931628	4	Capscrew 3/8 x 1-3/4	
41	3960543	1	Seal	
42	3960544	1	Seal	
43	4031914	4	Bolt M8 x 50	
44	4032014	4	Bolt M10 x 50	
45	4240099	AR	Tie-Strap (Not Shown)	
46	4710400	3	Washer #4	
47	4711400	7	Washer 1/4	
48	4711500	AR	Washer 5/16	

SECTION 3 - ENGINE

ITEM	PART NUMBER	QTY	DESCRIPTION	REV
49	4711600	21	Washer 3/8	
50	4711700	6	Washer 7/16	
51	4751400	8	Washer 1/4	
52	4751700	2	Washer 7/16	
53	4811900	13	Washer M8	
54	4811902	14	Washer M8	
55	4812000	AR	Washer M10	
56	4812100	AR	Washer M12	
57	4812200	9	Washer M14	
59	4892000	4	Washer 5/8	
60	8405006	2	Clamp	
61	8405007	2	Clamp	
62	8405201	4	Clamp	
63	8405204	2	Clamp	
64	8406102	1	Clip	
65	8406109	2	Clip	
66	8406112	1	Clip	
67	8406302	2	Clamp	
68	8410011	2	Clamp	
69	0760814001	1	Bolt M8 x 30	
69	0760814	5	Bolt M8 x 30	
70	1001117308	1	Relay	
71	1001119727	2	Clamp	
72	1001133634	1	Clamp	
73	1001134488	1	Fitting, 90 Barbed	
74	1001135138	1	Spacer, Fan	
75	1001135560	1	Support, Engine	
76	1001135562	1	Support, Engine - Rear	
77	1001135679	1	Spacer, Pulley	
78	1001135903	1	Pipe, Air Intake	
79	1001135946	1	Elbow, Rubber	
81	1001136665	1	Bracket	
82	1001136834	1	Cap, Tank	
83	1001137276	1	Fan	
84	1001138228	1	Module, Power	
84	70023592	1	Fuse 20Amp (Switched Output)	
84	70023593	1	Fuse 30Amp (Battery Output)	
85	1001138253	2	Clamp	
86	1001138346	1	Harness, Engine (Not Shown - See Separate Breakdown in ELECTRICAL Section)	
87	1001138827	1	Sensor, Coolant Level	
88	1001139240	1	Bracket	
89	1001166393	1	Tank, Surge	
90	1001140564	1	Fitting, 90 Barbed	
91	1001141304	1	Wire, Glow Plug (Not Shown)	
92	1001141717	1	Fitting, Straight	
93	1001141719	1	Fitting, 90 Barbed	
94	1001283008	1	Support, Engine	
95	1001142501	1	Fitting, 90 Barbed	
96	1001142685	1	Bracket	
97	1001143390	1	Indicator, Air Filter Service	
98	1001144089	1	Grommet	

SECTION 3 - ENGINE

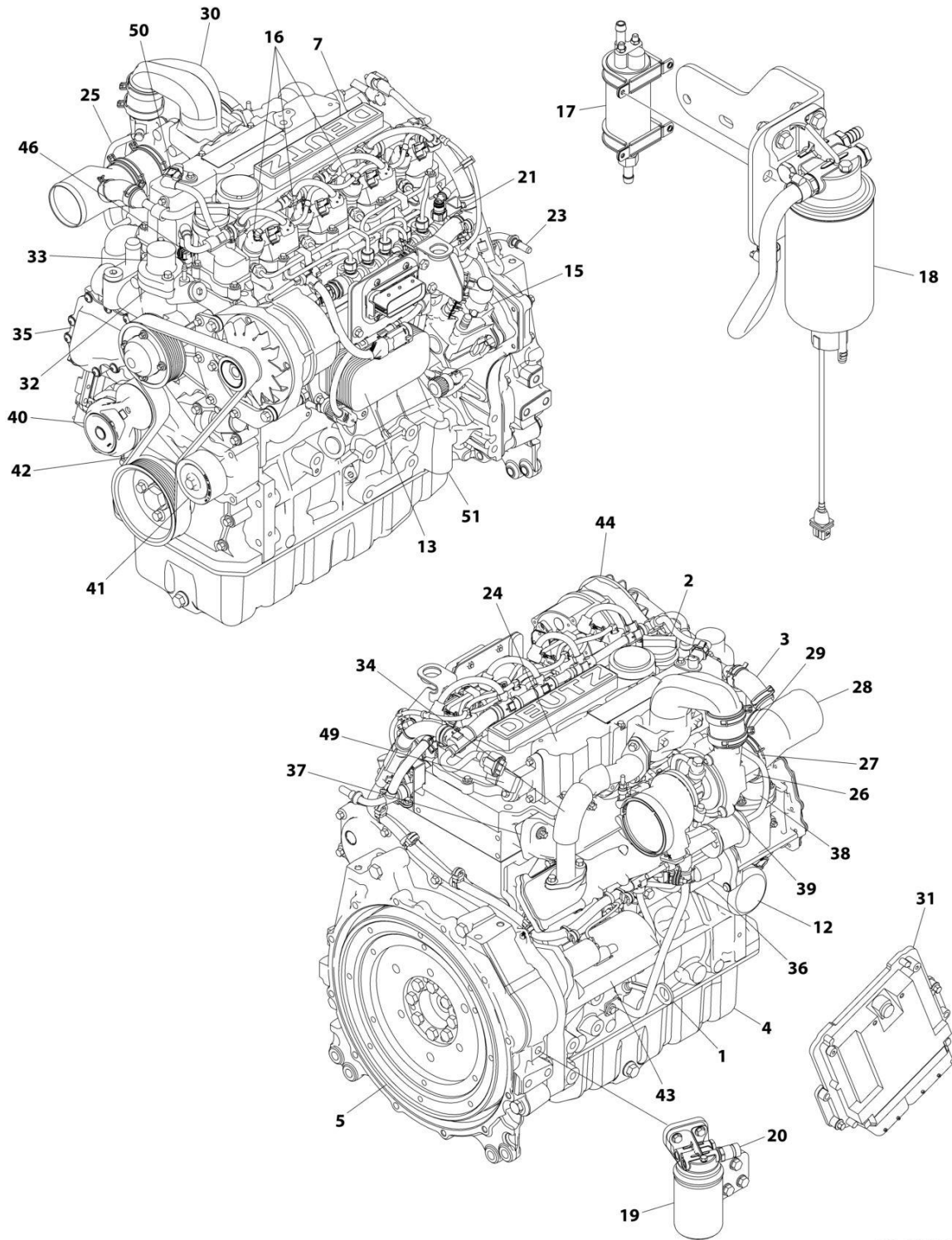
ITEM	PART NUMBER	QTY	DESCRIPTION	REV
99	1001145154	1	Plate, Mounting	
100	1001146219	4	Washer Special	
101	1001148843	1	Harness, Fuel Filter (Not Shown - See Separate Breakdown in ELECTRICAL Section)	
102	1001229600	1	Plate	
103	1001155575	4	Mount, Motor	
104	1001155823	1	Coupling	
105	1001168166	2	Seal	
106	1001169054	4	Isolator	
107	1001169138	4	Pad	
108	1001170035	1	Bracket	
109	1001176329	2	Bracket	
110	1001176330	1	Bracket	
111	1001176415	1	Hose, Radiator (Upper)	
112	1001176416	1	Hose, Radiator (Lower)	
113	1001229599	1	Bracket	
114	1001138524	1	Hose	
115	1001178236	1	Support, Radiator	
116	1001178894	1	Hose, Air Intake	
117	1001180620	AR	Adhesive	
118	1001187011	1	Tray	
119	1001219642	1	Engine, Deutz TD2.9L4 (See Separate Breakdown in this Section)	
120	1001220770	1	Radiator	
121	1001221203	1	Muffler Bracket Assembly	
122	1001221205	1	Bracket	
123	1001151432	1	Muffler	
124	1001221212	2	Clamp	
125	1001257155	1	Pipe, Exhaust	
126	1001221217	1	Pipe, Flex Assembly	
127	1001221219	1	Clamp	
129	1001133633	1	Air Cleaner Assembly	
129	70024190	1	Element, Air Filter	
130	1001135779	1	Cable, Alternator Positive (Not Shown)	
131	1001138248	4 ft/ 1.2m	Tubing	
132	1001154405	5 ft/ 1.5m	Hose	
133	1001165035	30.5 ft/ 9.3m	Hose	
134	1320022	6	Clamp	
135	2720015	5 ft/ 1.52m	Hose	
136	1001221427	1	Muffler-Wrap Assembly	
137	4920385	AR	Wire, Safety	
138	1001170982	1	Adapter	
139	4812002	4	Washer M10	
140	1320130	1	Clamp	
141	5250808	1	Bolt M8 x 16	
142	3290805	2	Nut, M10 (Not Shown)	
143	0100035	AR	Compound, Locking	
144	3290807	4	Nut M8	
145	4640751	1	Valve, Oil Drain	
146	8410013	1	Clamp, Gear	
147	1001182997	AR	Adhesive	

SECTION 3 - ENGINE

ITEM	PART NUMBER	QTY	DESCRIPTION	REV
148	0761210	1	Bolt M12 x 20	
149	1001138559	1	Fitting, 90	
150	0701022	AR	Bolt M10 x 70	

SECTION 3 - ENGINE

FIGURE 3-30. DEUTZ TD2.9L4 ENGINE COMPONENTS (CHINA SPEC ONLY)



ART_1001219642

SECTION 3 - ENGINE

FIGURE 3-30. DEUTZ TD2.9L4 ENGINE COMPONENTS (CHINA SPEC ONLY)

ITEM	PART NUMBER	QTY	DESCRIPTION	REV
	1001219642	Ref	DEUTZ TD2.9L4 ENGINE COMPONENTS	D
1	70006127	1	Dipstick	
1	70024905	1	O-Ring	
2	7020465	2	Cap, Filler	
3	70005920	1	Hose	
3	70025111	2	Clamp	
4	70025162	1	Pan, Oil	
4	70005941	2	Plug	
4	70005942	2	Washer, Sealing	
5	70001870	1	Flywheel	
5	7024579	1	Gear, Ring	
6	70024906	1	Gasket, Head (Not Shown)	
7	70005921	1	Cover, Valve	
7	70025205	1	Gasket	
7	70005171	1	Gasket	
8	70025076	1	Valve (Not Shown - Located on Right Side of Front Engine Cover)	
8	70025176	1	Spring	
8	70025082	1	Ring, Sealing	
8	70025091	1	Plug	
9	70004280	1	Seal, Shaft - Front (Not Shown)	
10	70002718	1	Seal, Shaft - Rear (Not Shown)	
11	70005172	1	Pump, Oil Lube (Not Shown)	
11	70025135	1	O-Ring	
11	70005173	1	Gasket	
12	7016331	1	Filter, Oil	
12	70025137	1	Bushing	
13	70024494	1	Cooler, Engine Oil (Not Shown - Located on Right Side)	
13	70024925	1	Gasket	
14	70025171	1	Oil Suction Pump (Not Shown - Located Inside of Engine Oil Pan)	
15	70024924	1	Pump, Fuel	
15	70025152	1	O-Ring	
15	70025080	1	Washer	
15	70024488	1	Spacer	
15	70024517	1	O-Ring	
16	70025181	4	Injector, Fuel (Not Shown - Located on Right Side)	
16	70025140	4	Washer, Sealing	
16	70025146	4	Clamp (Top of Injector)	
16	70025145	4	O-Ring	
16	70025154	4	Shoe, Clamping	
16	70000345	1	Plug, Glow (Not Shown)	
16	70025231	1	Harness, Glow Plug (Not Shown)	
17	70005174	NLA	Pump, Fuel (Use p/n 1001226098)	
17	70025144	2	Clamp	
18	70024961	1	Fuel Filter Assembly	
18	70025153	NLA	Filter, Fuel (Use p/n 1001225430)	
18	70024513	1	Cable, Sensor	
18	70025239	1	Ring, Sealing	
19	70004511	1	Filter with Head	
19	70004512	NLA	Filter, Fuel (Use p/n 1001225432)	
20	70024504	1	Sensor, Pressure	

SECTION 3 - ENGINE

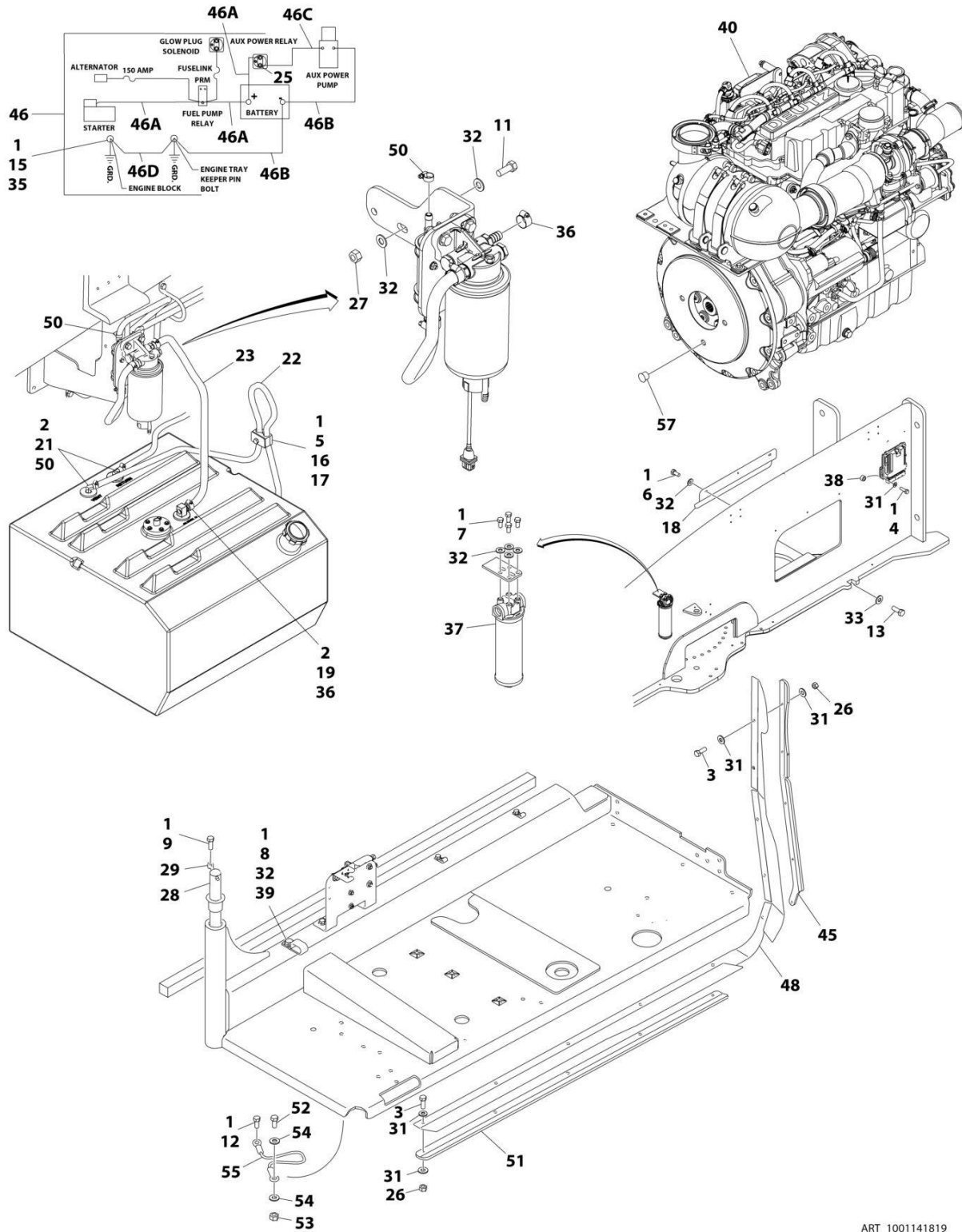
ITEM	PART NUMBER	QTY	DESCRIPTION	REV
20	70024920	1	O-Ring	
21	70025151	1	Rail, Fuel	
21	70025235	1	Repair Kit	
21	70025240	1	O-Ring	
22	70025182	1	Fuel Line - High Pressure (Cylinder 1 & 2) (Not Shown)	
22	70025183	1	Fuel Line - High Pressure (Cylinder 3 & 4) (Not Shown)	
22	70025184	1	Fuel Line - High Pressure (Supply) (Not Shown)	
23	70025158	1	Manifold, Fuel	
23	70025109	2	Clamp	
23	70025115	1	Clamp	
23	70025133	1	Hose	
23	70024502	1	Pipe	
23	70025185	1	Hose	
23	70025101	2	Clamp	
24	70005923	1	Charge Air Pipe	
24	70005924	1	O-Ring	
24	70005177	1	Gasket	
25	70005925	1	Breather Line	
25	70005181	1	O-Ring	
26	70004501	1	Sleeve, Rubber	
27	70025112	2	Clamp	
28	70005926	1	Elbow Connector	
29	70005927	1	Sleeve, Rubber	
29	70025107	2	Clamp	
30	70005928	1	Charge Air Elbow	
31	70025210	1	ECU (Engine Control Unit)	
32	70024910	1	Pump, Water	
32	70025200	1	Ring, Sealing	
32	70025084	2	Plug	
32	7020492	2	Ring, Sealing	
33	70005929	1	Thermostat	
33	70005184	1	O-Ring	
33	70025142	1	Cover, Thermostat	
33	70025931	1	Gasket	
34	70025178	1	Pipe	
34	70025768	1	Valve, Shuttle	
34	70025179	2	Gasket	
34	70025180	1	Gasket	
35	70025203	1	Module, EGR (Includes Item 36)	
35	70025155	1	Plug	
36	70005188	1	Control Valve	
36	70005189	1	Seal	
37	70004282	1	Manifold, Exhaust	
37	70025164	1	Gasket, Exhaust Manifold to Head	
38	70026995	1	Pipe (Not Shown - Located on Left Side)	
38	70021895	2	Gasket	
39	70004276	1	Turbocharger	
39	70024912	1	Gasket, Exhaust Manifold	
39	70024509	1	Gasket, Return Line	
40	70025477	1	Tensioner, Belt	
41	70024484	1	Idler Roller	

SECTION 3 - ENGINE

ITEM	PART NUMBER	QTY	DESCRIPTION	REV
42	70004277	1	Belt, Drive	
43	70024915	1	Starter	
43	70005647	1	Switch, Solenoid	
43	70005648	1	Relay	
44	70025533	1	Generator	
44	70025149	1	Regulator, Voltage	
45	70025077	1	Harness, Engine (Not Shown)	
46	70024918	1	Sender, Temperature	
47	70024504	1	Sensor, Pressure (Not Shown - Located on Right Side)	
47	70024920	1	O-Ring	
48	70026210	2	Sensor, Speed (Not Shown - Located Left Side Front and Flywheel Housing)	
48	70005191	2	O-Ring	
49	70024507	1	Sensor, Pressure (Not Shown - Located Top Rear)	
49	70025120	1	O-Ring	
50	70024922	1	Temperature, Transmitter	
50	70035212	1	O-Ring	
51	70025660	1	Screw	

SECTION 3 - ENGINE

FIGURE 3-31. DEUTZ TCD2.9L4 DIESEL ENGINE INSTALLATION - WITH REXROTH PUMPS AND ABS HOODS (WITHOUT COLD WEATHER PLUS PACKAGE)



ART_1001141819

SECTION 3 - ENGINE

FIGURE 3-31. DEUTZ TCD2.9L4 DIESEL ENGINE INSTALLATION - WITH REXROTH PUMPS AND ABS HOODS (WITHOUT COLD WEATHER PLUS PACKAGE)

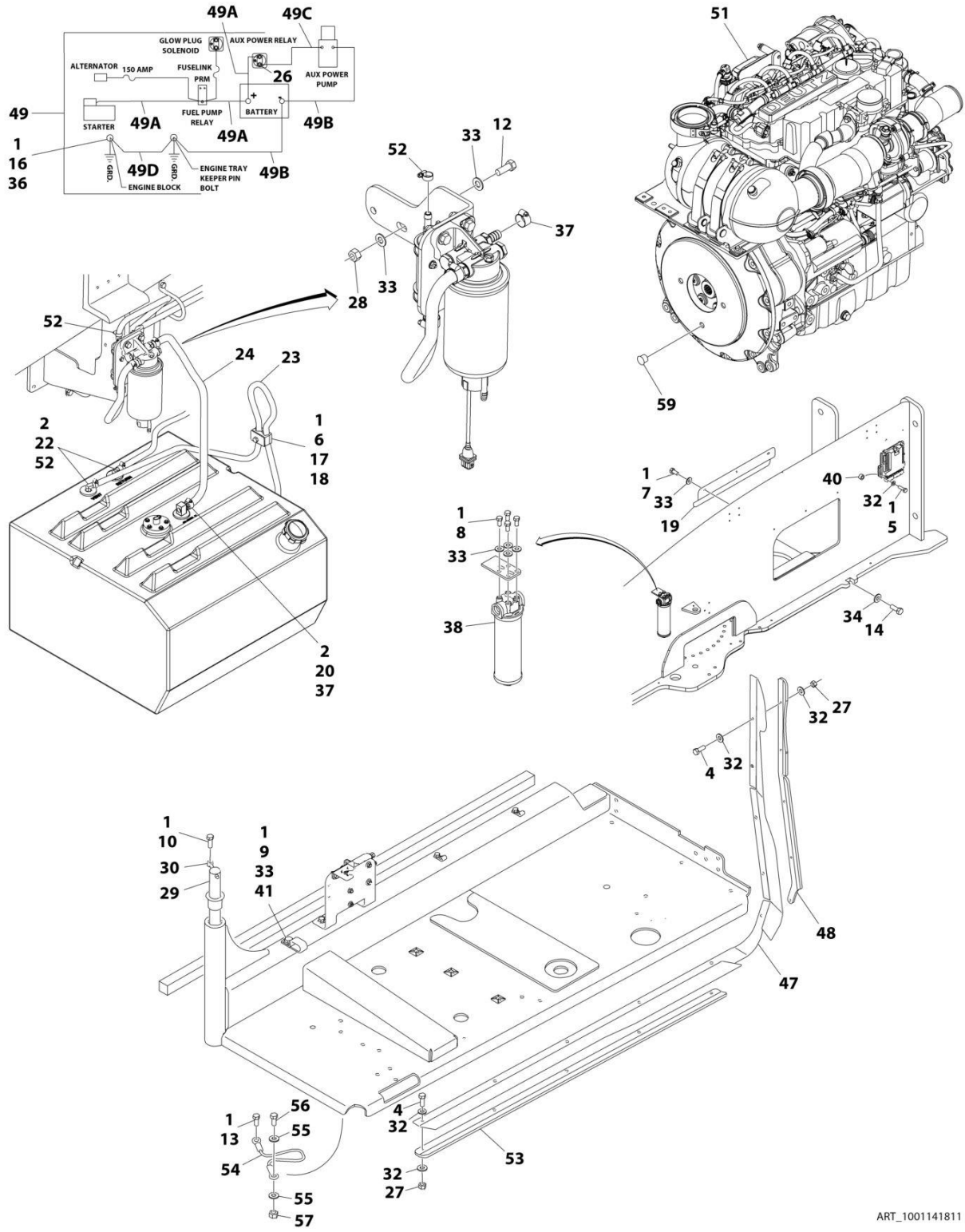
ITEM	PART NUMBER	QTY	DESCRIPTION	REV
	1001141819	Ref	DEUTZ TCD2.9L4 DIESEL ENGINE INSTALLATION - WITH REXROTH PUMPS AND ABS HOODS (WITHOUT COLD WEATHER PLUS PACKAGE)	K
1	0100011	AR	Compound, Locking	
2	0100079	AR	Sealant, Pipe	
3	0641408	10	Bolt 1/4 x 1	
4	0641410	4	Bolt 1/4 x 1-1/4	
5	0641511	1	Bolt 5/16 x 1-3/8	
6	0641605	3	Bolt 3/8 x 5/8	
7	0641606	4	Bolt 3/8 x 3/4	
8	0641608	1	Bolt 3/8 x 1	
9	0641610	1	Bolt 3/8 x 1-1/4	
11	0641612	2	Bolt 3/8 x 1-1/2	
12	0641808	1	Bolt 1/2 x 1	
13	0642010	1	Bolt 5/8 x 1-1/4	
15	0761210	1	Bolt M12 x 20	
16	1320187	1	Clamp	
17	1320190	1	Cover, Clamp	
18	1671121	1	Cover	
19	2180832	1	Fitting, Barbed	
21	2220313	2	Fitting, Elbow Barbed	
22	2750532	5 ft/ 1.5m	Hose	
23	1001154405	2 ft/ 0.6m	Hose	
25	3300220	2	Nut 5/16	
26	3311405	10	Nut 1/4	
27	3311605	2	Nut 3/8	
28	3422446	1	Pin, Pivot	
29	3841143	1	Pin, Keeper	
30	4240018	2	Strap, Tie (Not Shown)	
31	4711400	24	Washer 1/4	
32	4711600	12	Washer 3/8	
33	4752000	1	Washer 5/8	
35	4812100	1	Washer M12	
36	8405006	2	Clamp	
37	1001108617	1	Filter	
37	70002231	1	Element, Filter	
38	1001110425	4	Spacer	
39	1001116792	1	Clamp	
40	1001141812	1	Engine Sub-Assembly (See Separate Breakdown in this Section)	
42	1001138491	NLA	Harness, Fuel (Use p/n 1001222665) (Not Shown - See Separate Breakdown in ELECTRICAL SECTION)	
45	1001145089	1	Clamp	
46	1001141225	1	Battery Cable Kit	
46A	7027042	1	Cable, Battery (Red) (Battery + to Relays and Starter)	
46B	7027043	1	Cable, Battery (Black) (Battery - to Tray Pivot Grd and Aux Pump)	
46C	7027044	1	Cable (Red) (Aux Relay to Aux Pump)	
46D	7027045	1	Cable, Battery (Black) (Engine to Tray Pivot Grd)	
48	1001145560	1	Panel, Rubber	
50	1320022	3	Clamp	

SECTION 3 - ENGINE

ITEM	PART NUMBER	QTY	DESCRIPTION	REV
51	1001145842	1	Plate, Clamping	
52	0641708	1	Bolt 7/16 x 1	
53	3311705	1	Nut 7/16	
54	4711700	2	Washer 7/16	
55	1001131542	1	Lanyard	
57	3520054	1	Plug	

SECTION 3 - ENGINE

FIGURE 3-32. DEUTZ TCD2.9L4 DIESEL ENGINE INSTALLATION - WITH REXROTH PUMPS AND STEEL HOODS (WITHOUT COLD WEATHER PLUS PACKAGE)



ART_1001141811

SECTION 3 - ENGINE

FIGURE 3-32. DEUTZ TCD2.9L4 DIESEL ENGINE INSTALLATION - WITH REXROTH PUMPS AND STEEL HOODS (WITHOUT COLD WEATHER PLUS PACKAGE)

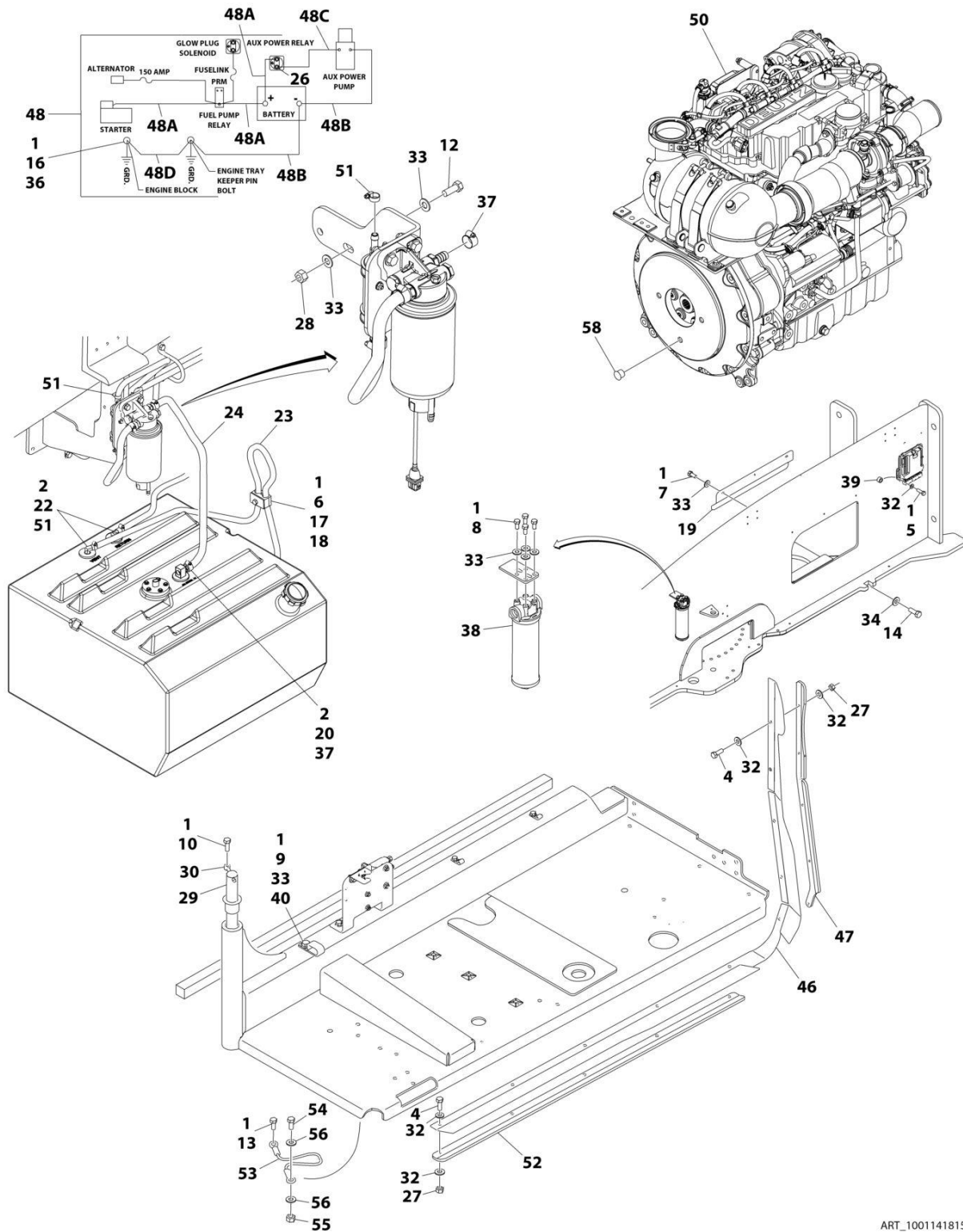
ITEM	PART NUMBER	QTY	DESCRIPTION	REV
	1001141811	Ref	DEUTZ TCD2.9L4 DIESEL ENGINE INSTALLATION - WITH REXROTH PUMPS AND STEEL HOODS (WITHOUT COLD WEATHER PLUS PACKAGE)	K
1	0100011	AR	Compound, Locking	
2	0100079	AR	Sealant, Pipe	
4	0641408	10	Bolt 1/4 x 1	
5	0641410	4	Bolt 1/4 x 1-1/4	
6	0641511	1	Bolt 5/16 x 1-3/8	
7	0641605	3	Bolt 3/8 x 5/8	
8	0641606	4	Bolt 3/8 x 3/4	
9	0641608	1	Bolt 3/8 x 1	
10	0641610	1	Bolt 3/8 x 1-1/4	
12	0641612	2	Bolt 3/8 x 1-1/2	
13	0641808	1	Bolt 1/2 x 1	
14	0642010	1	Bolt 5/8 x 1-1/4	
16	0761210	1	Bolt M12 x 20	
17	1320187	1	Clamp	
18	1320190	1	Cover, Clamp	
19	1671121	1	Cover	
20	2180832	1	Fitting, Barbed	
22	2220313	2	Fitting, Elbow Barbed	
23	2750532	5 ft/ 1.5m	Hose	
24	1001154405	2 ft/ 0.6m	Hose	
26	3300220	2	Nut 5/16	
27	3311405	10	Nut 1/4	
28	3311605	2	Nut 3/8	
29	3422446	1	Pin, Pivot	
30	3841143	1	Pin, Keeper	
31	4240018	2	Strap, Tie (Not Shown)	
32	4711400	24	Washer 1/4	
33	4711600	12	Washer 3/8	
34	4752000	1	Washer 5/8	
36	4812100	1	Washer M12	
37	8405006	2	Clamp	
38	1001108617	1	Filter	
38	70002231	1	Element, Filter	
40	1001110425	4	Spacer	
41	1001116792	1	Clamp	
43	1001138491	NLA	Harness, Fuel (Use p/n 1001222665) (Not Shown - See Separate Breakdown in ELECTRICAL SECTION)	
47	1001140604	1	Panel, Rubber	
48	1001145089	1	Clamp	
49	1001141225	1	Battery Cable Kit	E
49A	7027042	1	Cable, Battery (Red) (Battery + to Relays and Starter)	
49B	7027043	1	Cable, Battery (Black) (Battery - to Tray Pivot Grd and Aux Pump)	
49C	7027044	1	Cable (Red) (Aux Relay to Aux Pump)	
49D	7027045	1	Cable, Battery (Black) (Engine to Tray Pivot Grd)	
51	1001141812	1	Engine Sub-Assembly (See Separate Breakdown in this Section)	
52	1320022	3	Clamp	

SECTION 3 - ENGINE

ITEM	PART NUMBER	QTY	DESCRIPTION	REV
53	1001145842	1	Plate, Clamping	
54	1001131542	1	Lanyard	
55	4711700	2	Washer 7/16	
56	0641708	1	Bolt 7/16 x 1	
57	3311705	1	Nut 7/16	
59	3520054	1	Plug	

SECTION 3 - ENGINE

FIGURE 3-33. DEUTZ TCD2.9L4 DIESEL ENGINE INSTALLATION - WITH REXROTH PUMPS AND STEEL HOODS (WITH COLD WEATHER PLUS PACKAGE)



ART_1001141815

SECTION 3 - ENGINE

FIGURE 3-33. DEUTZ TCD2.9L4 DIESEL ENGINE INSTALLATION - WITH REXROTH PUMPS AND STEEL HOODS (WITH COLD WEATHER PLUS PACKAGE)

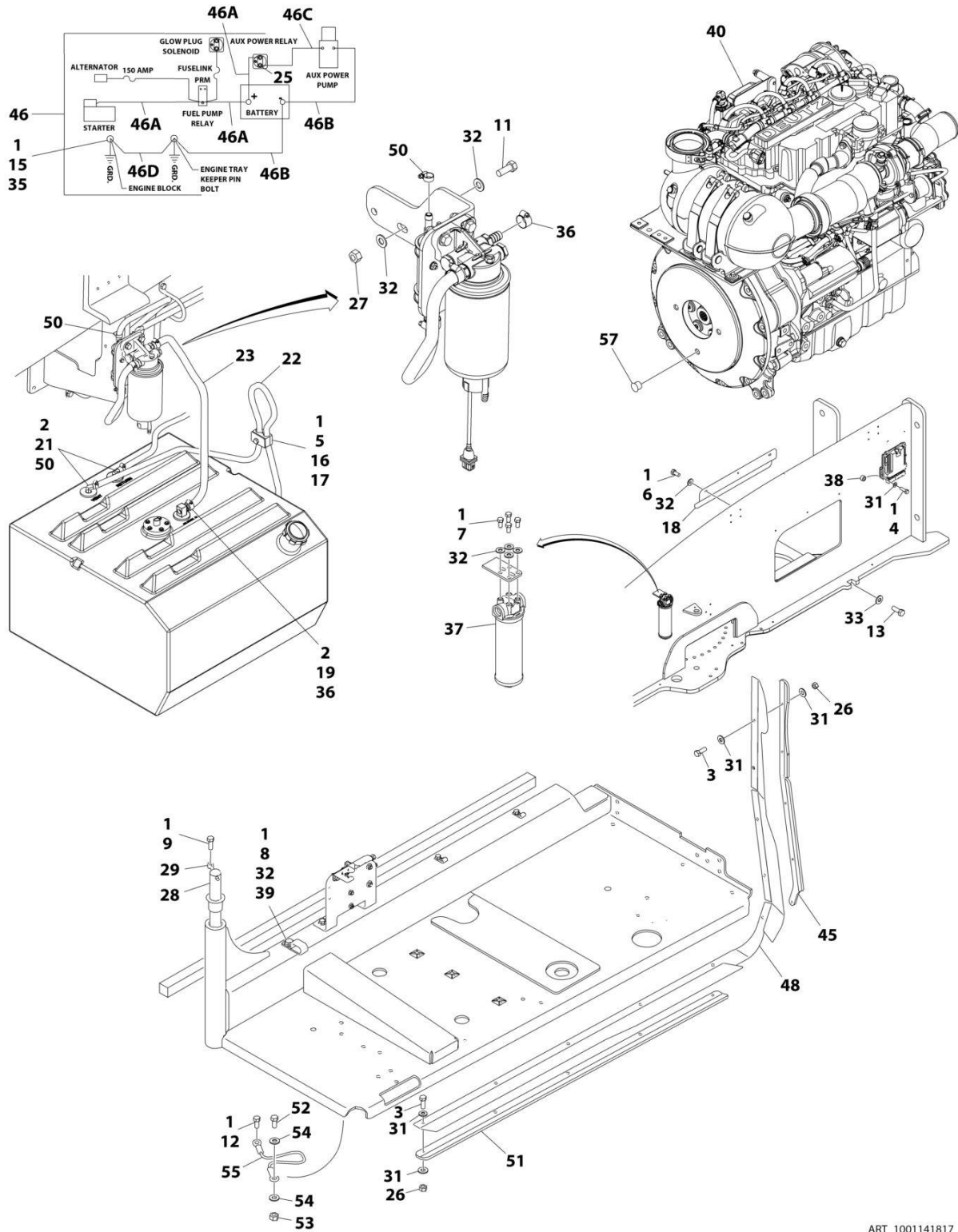
ITEM	PART NUMBER	QTY	DESCRIPTION	REV
	1001141815	Ref	DEUTZ TCD2.9L4 DIESEL ENGINE INSTALLATION - WITH REXROTH PUMPS AND STEEL HOODS (WITH COLD WEATHER PLUS PACKAGE)	M
1	0100011	AR	Compound, Locking	
2	0100079	AR	Sealant, Pipe	
4	0641408	10	Bolt 1/4 x 1	
5	0641410	4	Bolt 1/4 x 1-1/4	
6	0641511	1	Bolt 5/16 x 1-3/8	
7	0641605	3	Bolt 3/8 x 5/8	
8	0641606	4	Bolt 3/8 x 3/4	
9	0641608	1	Bolt 3/8 x 1	
10	0641610	1	Bolt 3/8 x 1-1/4	
12	0641612	2	Bolt 3/8 x 1-1/2	
13	0641808	1	Bolt 1/2 x 1	
14	0642010	1	Bolt 5/8 x 1-1/4	
16	0761210	1	Bolt M12 x 20	
17	1320187	1	Clamp	
18	1320190	1	Cover, Clamp	
19	1671121	1	Cover	
20	2180832	1	Fitting, Barbed	
22	2220313	2	Fitting, Elbow Barbed	
23	2750532	5 ft/ 1.5m	Hose	
24	1001154405	2 ft/ 0.6m	Hose	
26	3300220	2	Nut 5/16	
27	3311405	10	Nut 1/4	
28	3311605	2	Nut 3/8	
29	3422446	1	Pin, Pivot	
30	3841143	1	Pin, Keeper	
31	4240018	2	Strap, Tie (Not Shown)	
32	4711400	24	Washer 1/4	
33	4711600	12	Washer 3/8	
34	4752000	1	Washer 5/8	
36	4812100	1	Washer M12	
37	8405006	2	Clamp	
38	1001108617	1	Filter	
38	70002231	1	Element, Filter	
39	1001110425	4	Spacer	
40	1001116792	1	Clamp	
42	1001138491	NLA	Harness, Fuel (Use p/n 1001222665) (Not Shown - See Separate Breakdown in ELECTRICAL SECTION)	
46	1001140604	1	Panel, Rubber	
47	1001145089	1	Clamp	
48	1001141225	1	Battery Cable Kit	E
48A	7027042	1	Cable, Battery (Red) (Battery + to Relays and Starter)	
48B	7027043	1	Cable, Battery (Black) (Battery - to Tray Pivot Grd and Aux Pump)	
48C	7027044	1	Cable (Red) (Aux Relay to Aux Pump)	
48D	7027045	1	Cable, Battery (Black) (Engine to Tray Pivot Grd)	
50	1001141813	1	Engine Sub-Assembly (See Separate Breakdown in this Section)	
51	1320022	3	Clamp	

SECTION 3 - ENGINE

ITEM	PART NUMBER	QTY	DESCRIPTION	REV
52	1001145842	1	Plate, Clamping	
53	1001131542	1	Lanyard	
54	0641708	1	Bolt 7/16 x 1	
55	3311705	1	Nut 7/16	
56	4711700	2	Washer 7/16	
58	3520054	1	Plug	

SECTION 3 - ENGINE

FIGURE 3-34. DEUTZ TCD2.9L4 DIESEL ENGINE INSTALLATION - WITH SAUER PUMPS AND ABS HOODS (WITHOUT COLD WEATHER PLUS PACKAGE)



ART_1001141817

SECTION 3 - ENGINE

FIGURE 3-34. DEUTZ TCD2.9L4 DIESEL ENGINE INSTALLATION - WITH SAUER PUMPS AND ABS HOODS (WITHOUT COLD WEATHER PLUS PACKAGE)

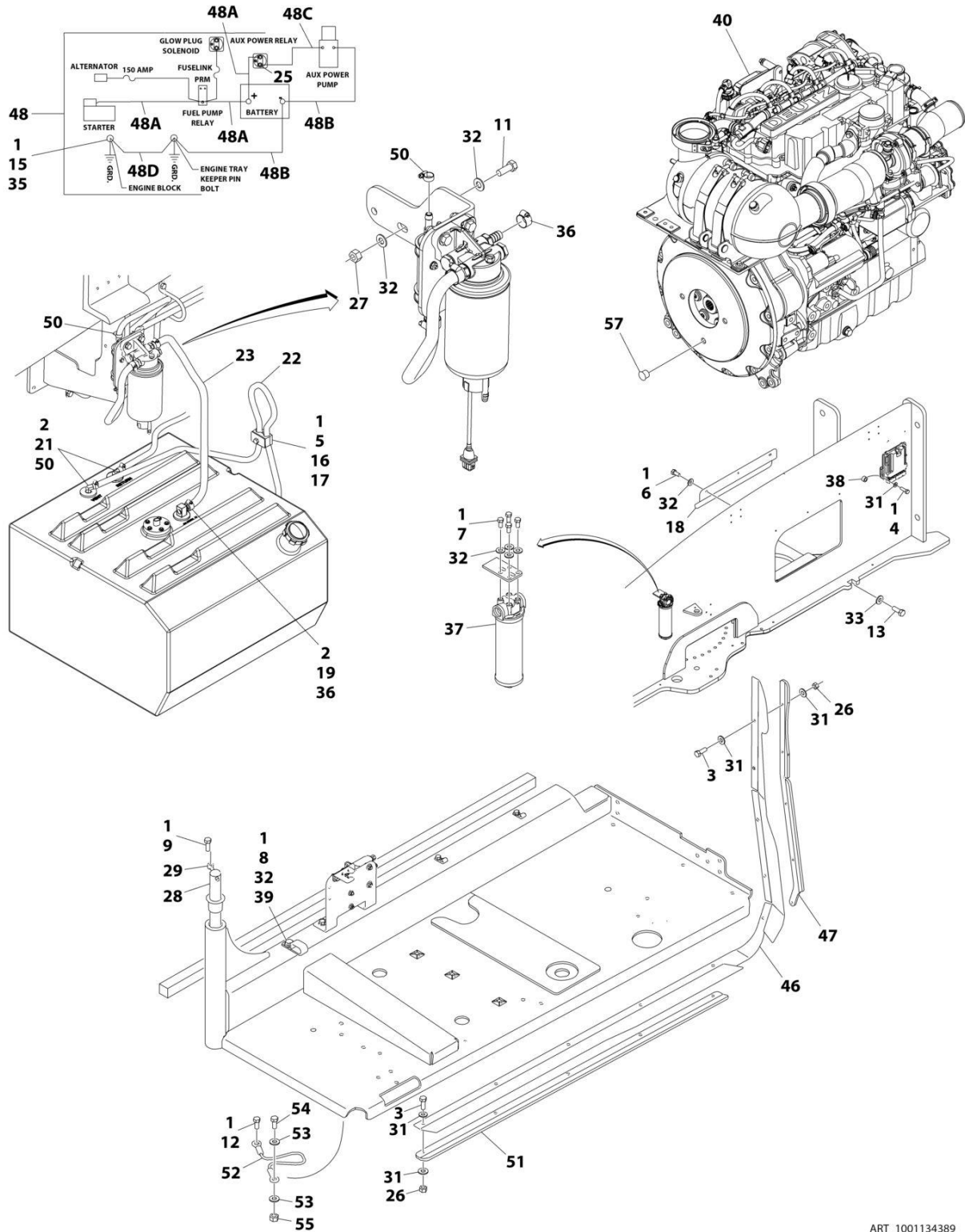
ITEM	PART NUMBER	QTY	DESCRIPTION	REV
	1001141817	Ref	DEUTZ TCD2.9L4 DIESEL ENGINE INSTALLATION - WITH SAUER PUMPS AND ABS HOODS (WITHOUT COLD WEATHER PLUS PACKAGE)	K
1	0100011	AR	Compound, Locking	
2	0100079	AR	Sealant, Pipe	
3	0641408	10	Bolt 1/4 x 1	
4	0641410	4	Bolt 1/4 x 1-1/4	
5	0641511	1	Bolt 5/16 x 1-3/8	
6	0641605	3	Bolt 3/8 x 5/8	
7	0641606	4	Bolt 3/8 x 3/4	
8	0641608	1	Bolt 3/8 x 1	
9	0641610	1	Bolt 3/8 x 1-1/4	
11	0641612	2	Bolt 3/8 x 1-1/2	
12	0641808	1	Bolt 1/2 x 1	
13	0642010	1	Bolt 5/8 x 1-1/4	
15	0761210	1	Bolt M12 x 20	
16	1320187	1	Clamp	
17	1320190	1	Cover, Clamp	
18	1671121	1	Cover	
19	2180832	1	Fitting, Barbed	
21	2220313	2	Fitting, Elbow Barbed	
22	2750532	5 ft/ 1.5m	Hose	
23	1001154405	2 ft/ 0.6m	Hose	
25	3300220	2	Nut 5/16	
26	3311405	10	Nut 1/4	
27	3311605	2	Nut 3/8	
28	3422446	1	Pin, Pivot	
29	3841143	1	Pin, Keeper	
30	4240018	2	Strap, Tie (Not Shown)	
31	4711400	24	Washer 1/4	
32	4711600	12	Washer 3/8	
33	4752000	1	Washer 5/8	
35	4812100	1	Washer M12	
36	8405006	2	Clamp	
37	1001108617	1	Filter	
37	70002231	1	Element, Filter	
38	1001110425	4	Spacer	
39	1001116792	1	Clamp	
40	1001134390	1	Engine Sub-Assembly (See Separate Breakdown in this Section)	
42	1001138491	NLA	Harness, Fuel (Use p/n 1001222665) (Not Shown - See Separate Breakdown in ELECTRICAL SECTION)	
45	1001145089	1	Clamp	
46	1001141225	1	Battery Cable Kit	E
46A	7027042	1	Cable, Battery (Red) (Battery + to Relays and Starter)	
46B	7027043	1	Cable, Battery (Black) (Battery - to Tray Pivot Grd and Aux Pump)	
46C	7027044	1	Cable (Red) (Aux Relay to Aux Pump)	
46D	7027045	1	Cable, Battery (Black) (Engine to Tray Pivot Grd)	
48	1001145560	1	Panel, Rubber	
50	1320022	3	Clamp	

SECTION 3 - ENGINE

ITEM	PART NUMBER	QTY	DESCRIPTION	REV
51	1001145842	1	Plate, Clamping	
52	0641708	1	Bolt 7/16 x 1	
53	3311705	1	Nut 7/16	
54	4711700	2	Washer 7/16	
55	1001131542	1	Lanyard	
57	3520054	1	Plug	

SECTION 3 - ENGINE

FIGURE 3-35. DEUTZ TCD2.9L4 DIESEL ENGINE INSTALLATION - WITH SAUER PUMPS AND STEEL HOODS (WITHOUT COLD WEATHER PLUS PACKAGE)



ART_1001134389

SECTION 3 - ENGINE

FIGURE 3-35. DEUTZ TCD2.9L4 DIESEL ENGINE INSTALLATION - WITH SAUER PUMPS AND STEEL HOODS (WITHOUT COLD WEATHER PLUS PACKAGE)

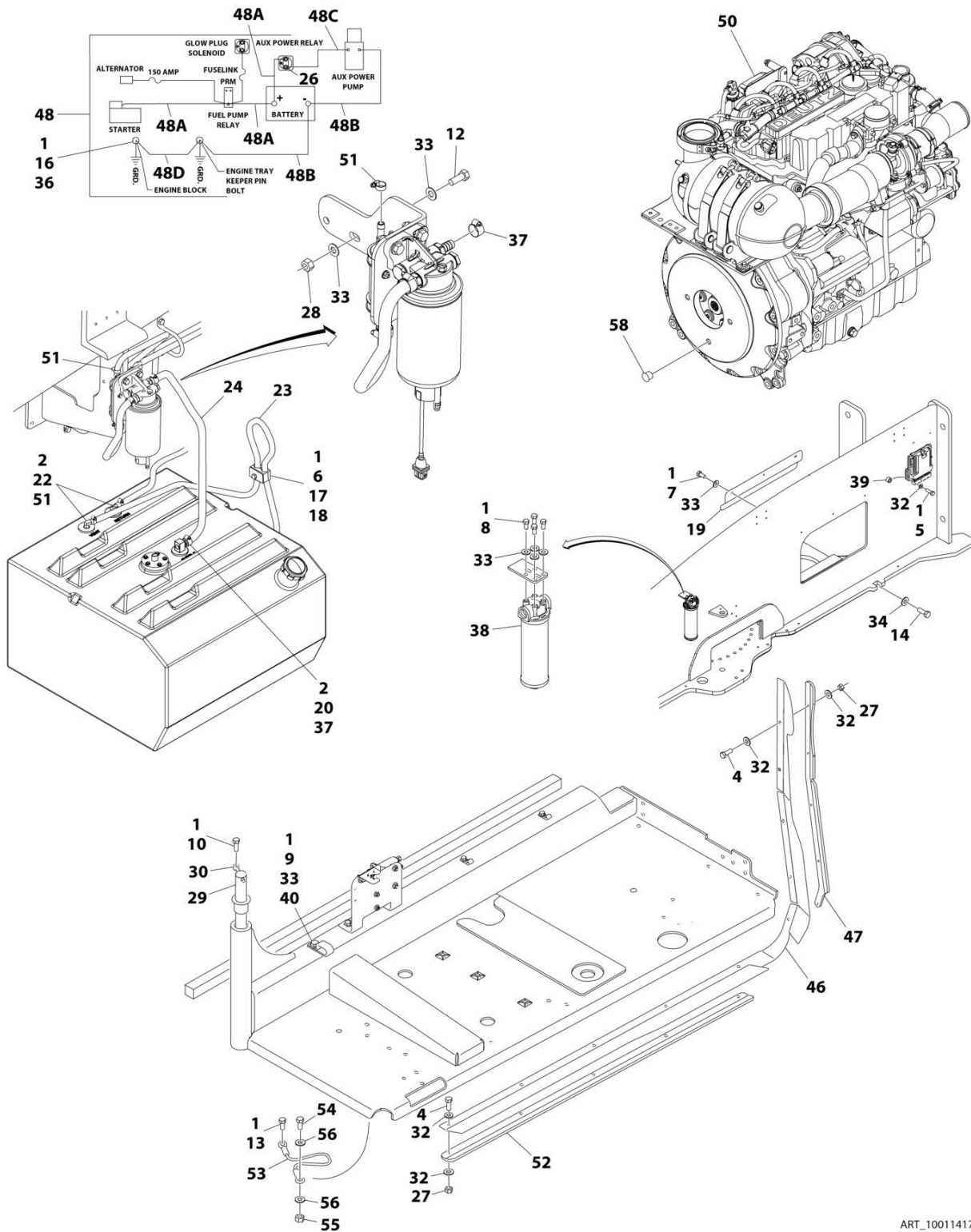
ITEM	PART NUMBER	QTY	DESCRIPTION	REV
	1001134389	Ref	DEUTZ TCD2.9L4 DIESEL ENGINE INSTALLATION - WITH SAUER PUMPS AND STEEL HOODS (WITHOUT COLD WEATHER PLUS PACKAGE)	K
1	0100011	AR	Compound, Locking	
2	0100079	AR	Sealant, Pipe	
3	0641408	10	Bolt 1/4 x 1	
4	0641410	4	Bolt 1/4 x 1-1/4	
5	0641511	1	Bolt 5/16 x 1-3/8	
6	0641605	3	Bolt 3/8 x 5/8	
7	0641606	4	Bolt 3/8 x 3/4	
8	0641608	1	Bolt 3/8 x 1	
9	0641610	1	Bolt 3/8 x 1-1/4	
11	0641612	2	Bolt 3/8 x 1-1/2	
12	0641808	1	Bolt 1/2 x 1	
13	0642010	1	Bolt 5/8 x 1-1/4	
15	0761210	1	Bolt M12 x 20	
16	1320187	1	Clamp	
17	1320190	1	Cover, Clamp	
18	1671121	1	Cover	
19	2180832	1	Fitting, Barbed	
21	2220313	2	Fitting, Elbow Barbed	
22	2750532	5 ft/ 1.5m	Hose	
23	1001154405	2 ft/ 0.6m	Hose	
25	3300220	2	Nut 5/16	
26	3311405	10	Nut 1/4	
27	3311605	2	Nut 3/8	
28	3422446	1	Pin, Pivot	
29	3841143	1	Pin, Keeper	
30	4240018	2	Strap, Tie (Not Shown)	
31	4711400	24	Washer 1/4	
32	4711600	12	Washer 3/8	
33	4752000	1	Washer 5/8	
35	4812100	1	Washer M12	
36	8405006	2	Clamp	
37	1001108617	1	Filter	
37	70002231	1	Element, Filter	
38	1001110425	4	Spacer	
39	1001116792	1	Clamp	
40	1001134390	1	Engine Sub-Assembly (See Separate Breakdown in this Section)	
42	1001138491	NLA	Harness, Fuel (Use p/n 1001222665) (Not Shown - See Separate Breakdown in ELECTRICAL SECTION)	
46	1001140604	1	Panel, Rubber	
47	1001145089	1	Clamp	
48	1001141225	1	Battery Cable Kit	E
48A	7027042	1	Cable, Battery (Red) (Battery + to Relays and Starter)	
48B	7027043	1	Cable, Battery (Black) (Battery - to Tray Pivot Grd and Aux Pump)	
48C	7027044	1	Cable (Red) (Aux Relay to Aux Pump)	
48D	7027045	1	Cable, Battery (Black) (Engine to Tray Pivot Grd)	
50	1320022	3	Clamp	

SECTION 3 - ENGINE

ITEM	PART NUMBER	QTY	DESCRIPTION	REV
51	1001145842	1	Plate, Clamping	
52	1001131542	1	Lanyard	
53	4711700	2	Washer 7/16	
54	0641708	1	Bolt 7/16 x 1	
55	3311705	1	Nut 7/16	
57	3520054	1	Plug	

SECTION 3 - ENGINE

FIGURE 3-36. DEUTZ TCD2.9L4 DIESEL ENGINE INSTALLATION - WITH SAUER PUMPS AND STEEL HOODS (WITH COLD WEATHER PLUS PACKAGE)



ART_1001141744

SECTION 3 - ENGINE

FIGURE 3-36. DEUTZ TCD2.9L4 DIESEL ENGINE INSTALLATION - WITH SAUER PUMPS AND STEEL HOODS (WITH COLD WEATHER PLUS PACKAGE)

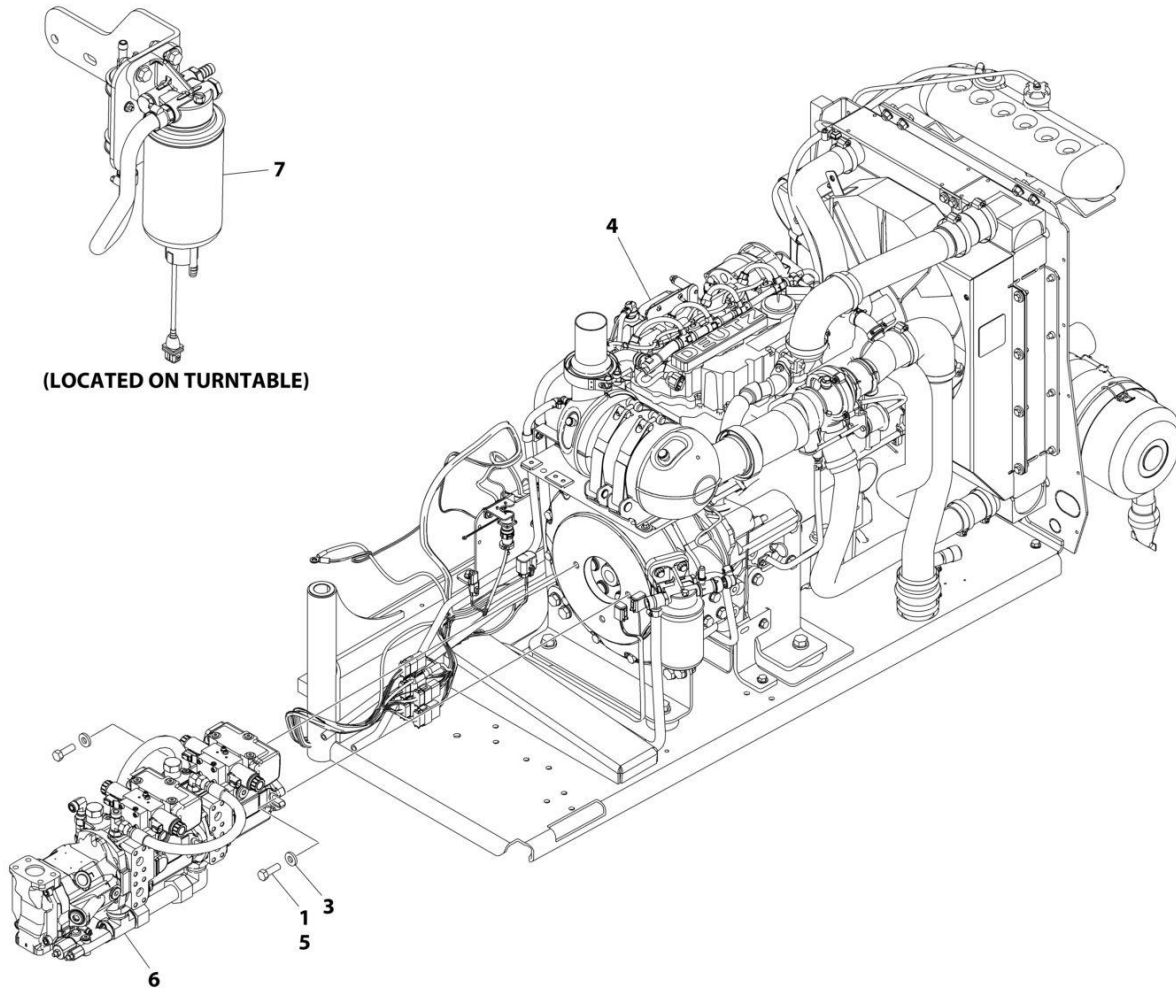
ITEM	PART NUMBER	QTY	DESCRIPTION	REV
	1001141744	Ref	DEUTZ TCD2.9L4 DIESEL ENGINE INSTALLATION - WITH SAUER PUMPS AND STEEL HOODS (WITH COLD WEATHER PLUS PACKAGE)	M
1	0100011	AR	Compound, Locking	
2	0100079	AR	Sealant, Pipe	
4	0641408	10	Bolt 1/4 x 1	
5	0641410	4	Bolt 1/4 x 1-1/4	
6	0641511	1	Bolt 5/16 x 1-3/8	
7	0641605	3	Bolt 3/8 x 5/8	
8	0641606	4	Bolt 3/8 x 3/4	
9	0641608	1	Bolt 3/8 x 1	
10	0641610	1	Bolt 3/8 x 1-1/4	
12	0641612	2	Bolt 3/8 x 1-1/2	
13	0641808	1	Bolt 1/2 x 1	
14	0642010	1	Bolt 5/8 x 1-1/4	
16	0761210	1	Bolt M12 x 20	
17	1320187	1	Clamp	
18	1320190	1	Cover, Clamp	
19	1671121	1	Cover	
20	2180832	1	Fitting, Barbed	
22	2220313	2	Fitting, Elbow Barbed	
23	2750532	5 ft/ 1.5m	Hose	
24	1001154405	2 ft/ 0.6m	Hose	
26	3300220	2	Nut 5/16	
27	3311405	10	Nut 1/4	
28	3311605	2	Nut 3/8	
29	3422446	1	Pin, Pivot	
30	3841143	1	Pin, Keeper	
31	4240018	2	Strap, Tie (Not Shown)	
32	4711400	24	Washer 1/4	
33	4711600	12	Washer 3/8	
34	4752000	1	Washer 5/8	
36	4812100	1	Washer M12	
37	8405006	2	Clamp	
38	1001108617	1	Filter	
38	70002231	1	Element, Filter	
39	1001110425	4	Spacer	
40	1001116792	1	Clamp	
42	1001138491	NLA	Harness, Fuel (Use p/n 1001222665) (Not Shown - See Separate Breakdown in ELECTRICAL SECTION)	
46	1001140604	1	Panel, Rubber	
47	1001145089	1	Clamp	
48	1001141225	1	Battery Cable Kit	E
48A	7027042	1	Cable, Battery (Red) (Battery + to Relays and Starter)	
48B	7027043	1	Cable, Battery (Black) (Battery - to Tray Pivot Grd and Aux Pump)	
48C	7027044	1	Cable (Red) (Aux Relay to Aux Pump)	
48D	7027045	1	Cable, Battery (Black) (Engine to Tray Pivot Grd)	
50	1001141745	1	Engine Sub-Assembly (See Separate Breakdown in this Section)	
51	1320022	3	Clamp	

SECTION 3 - ENGINE

ITEM	PART NUMBER	QTY	DESCRIPTION	REV
52	1001145842	1	Plate, Clamping	
53	1001131542	1	Lanyard	
54	0641708	1	Bolt 7/16 x 1	
55	3311705	1	Nut 7/16	
56	4711700	2	Washer 7/16	
58	3520054	1	Plug	

SECTION 3 - ENGINE

FIGURE 3-37. DEUTZ TCD2.9L4 ENGINE SUB-ASSEMBLY - WITH REXROTH PUMP (WITHOUT COLD WEATHER PLUS PACKAGE)



ART_1001141812

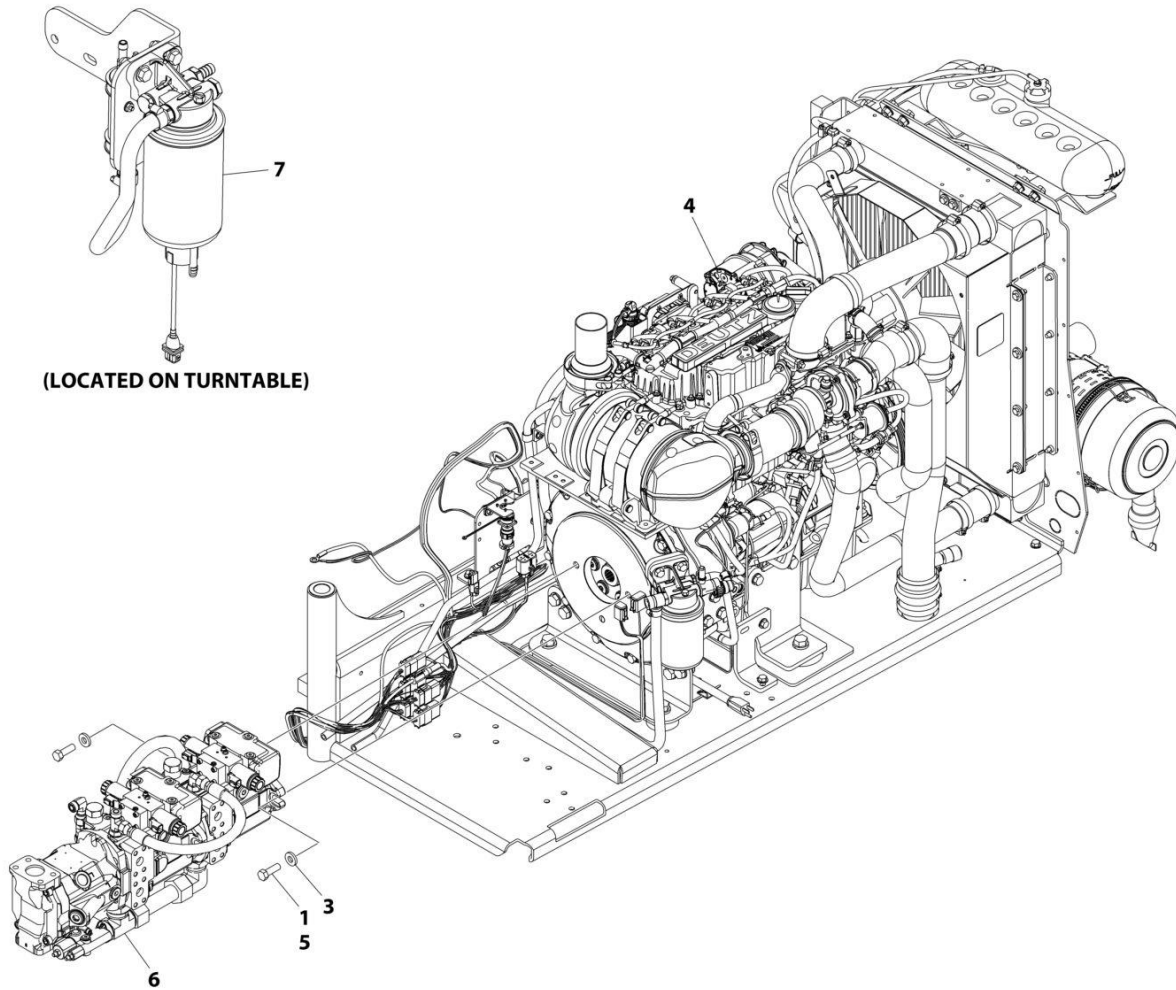
SECTION 3 - ENGINE

FIGURE 3-37. DEUTZ TCD2.9L4 ENGINE SUB-ASSEMBLY - WITH REXROTH PUMP (WITHOUT COLD WEATHER PLUS PACKAGE)

ITEM	PART NUMBER	QTY	DESCRIPTION	REV
	1001141812	Ref	DEUTZ TCD2.9L4 ENGINE SUB-ASSEMBLY	AO
1	0641812	2	Bolt 1/2 x 1-1/2	
1	0641814	2	Bolt 1/2 x 1-3/4	
3	4891800	2	Washer 1/2	
4	1001134392	1	Engine Assembly (See Separate Breakdown in this Section)	
5	0100011	AR	Compound, Locking	
6	1001152963	1	Pump Assembly - Rexroth (See Separate Breakdown in this Section)	
7	1001165101	1	Bracket, Fuel Pump Filter Assembly (See Separate Breakdown in this Section)	

SECTION 3 - ENGINE

FIGURE 3-38. DEUTZ TCD2.9L4 ENGINE SUB-ASSEMBLY - WITH REXROTH PUMP (WITH COLD WEATHER PLUS PACKAGE)



ART_1001141813

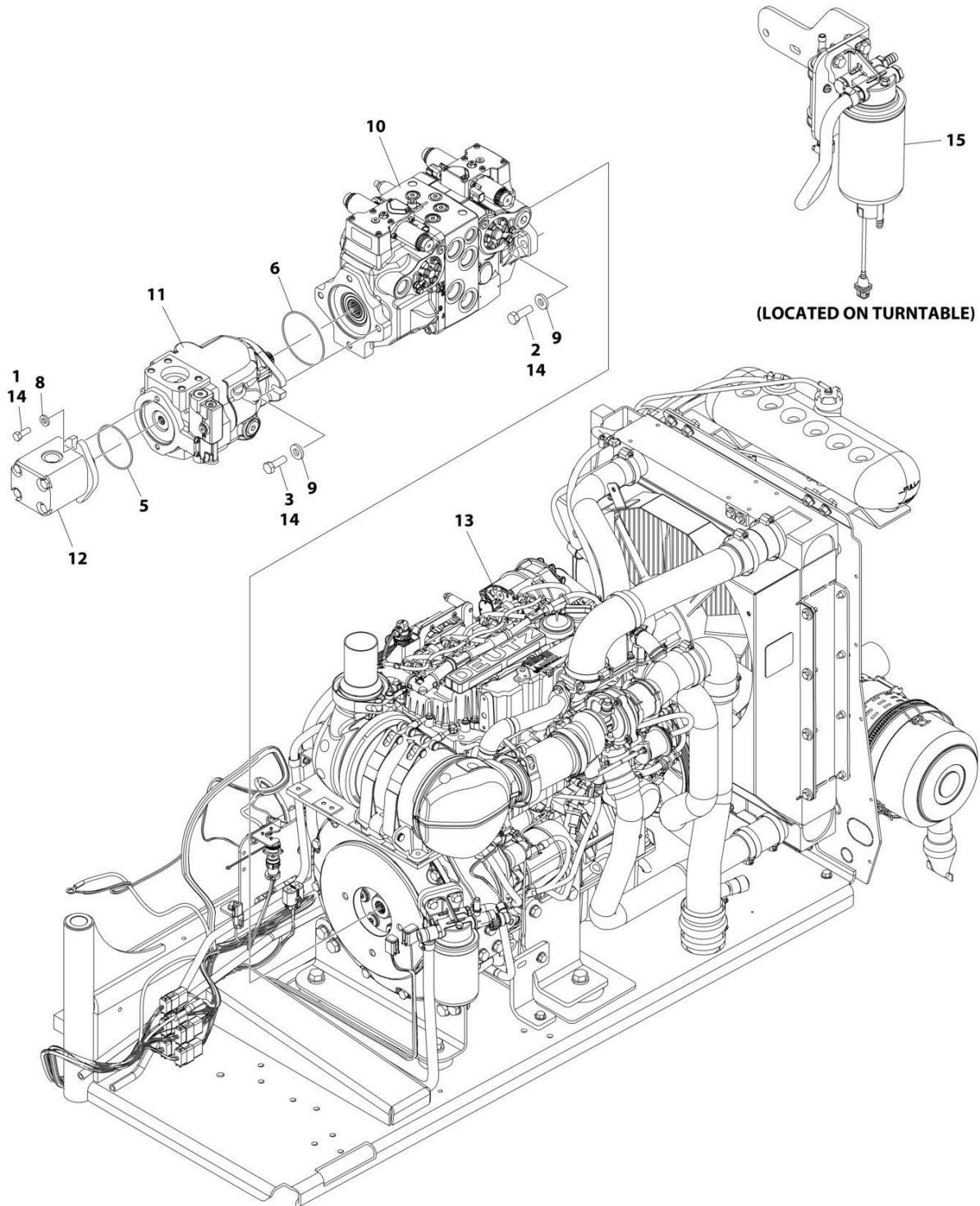
SECTION 3 - ENGINE

FIGURE 3-38. DEUTZ TCD2.9L4 ENGINE SUB-ASSEMBLY - WITH REXROTH PUMP (WITH COLD WEATHER PLUS PACKAGE)

ITEM	PART NUMBER	QTY	DESCRIPTION	REV
	1001141813	Ref	DEUTZ TCD2.9L4 ENGINE SUB-ASSEMBLY	AP
1	0641812	2	Bolt 1/2 x 1-1/2	
1	0641814	2	Bolt 1/2 x 1-1/2	
3	4740171	2	Washer 1/2	
4	1001141746	1	Engine Assembly (See Separate Breakdown in this Section)	
5	0100011	AR	Compound, Locking	
6	1001152963	1	Pump Assembly - Rexroth (See Separate Breakdown in this Section)	
7	1001165101	1	Bracket, Fuel Pump Filter Assembly (See Separate Breakdown in this Section)	

SECTION 3 - ENGINE

FIGURE 3-39. DEUTZ TCD2.9L4 ENGINE SUB-ASSEMBLY - WITH SAUER PUMP (WITHOUT COLD WEATHER PLUS PACKAGE)



ART_1001134390

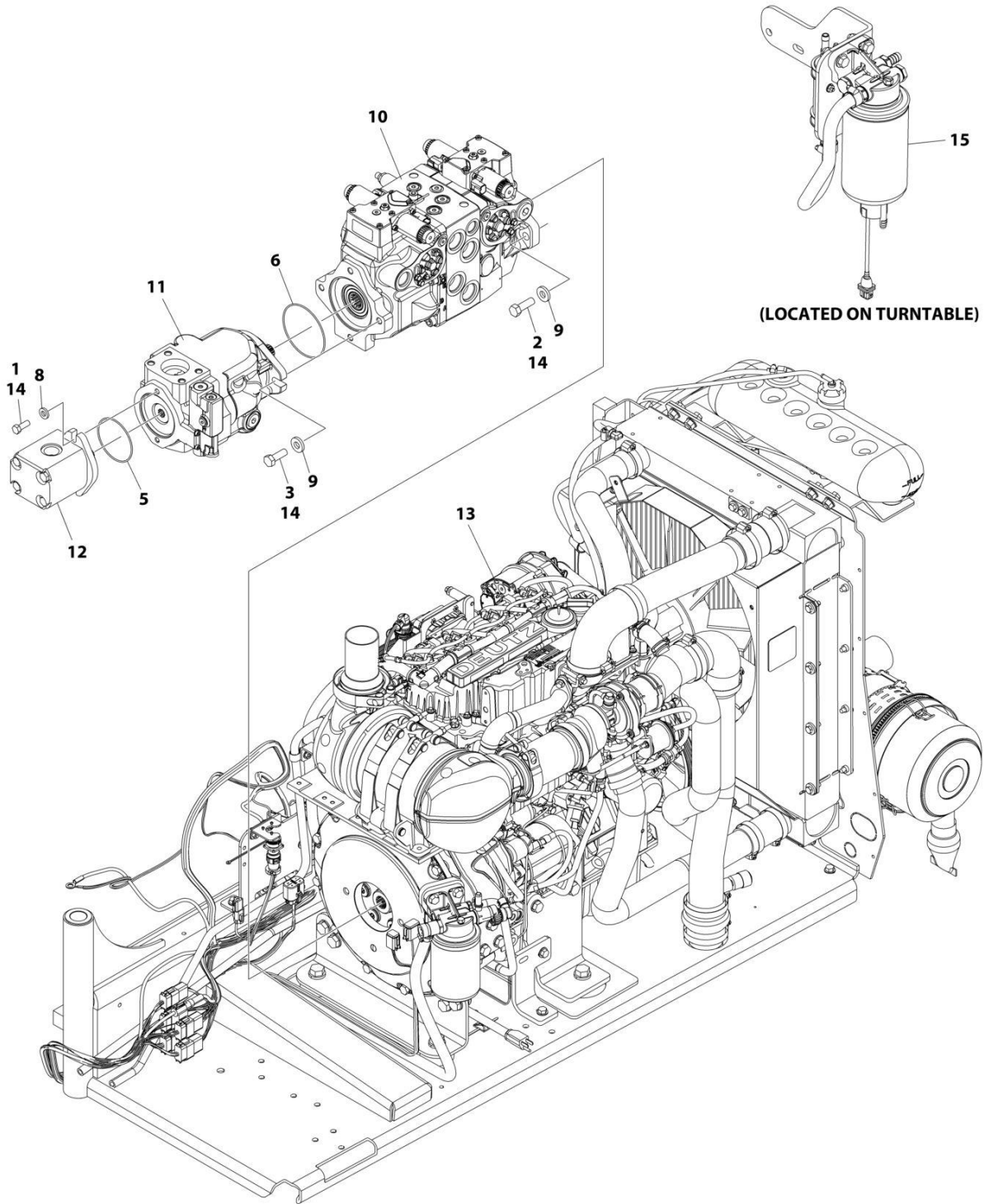
SECTION 3 - ENGINE

FIGURE 3-39. DEUTZ TCD2.9L4 ENGINE SUB-ASSEMBLY - WITH SAUER PUMP (WITHOUT COLD WEATHER PLUS PACKAGE)

ITEM	PART NUMBER	QTY	DESCRIPTION	REV
	1001134390	Ref	DEUTZ TCD2.9L4 ENGINE SUB-ASSEMBLY	AM
1	0641608	2	Bolt 3/8 x 1	
2	0641812	2	Bolt 1/2 x 1-1/2	
2	0641814	2	Bolt 1/2 x 1-3/4	
3	0761215	2	Bolt M12 x 35	
5	3790152	1	O-Ring	
6	3790155	1	O-Ring	
8	4891600	2	Washer 3/8	
9	4891800	4	Washer 1/2	
10	1001108616	1	Pump Assembly - Sauer Tandem (See Separate Breakdown in this Section)	
11	1001171095	1	Pump Assembly - Sauer Piston (See Separate Breakdown in this Section)	
12	1001112927	1	Pump Assembly - Sauer Gear (See Separate Breakdown in this Section)	
13	1001134392	1	Engine Assembly (See Separate Breakdown in this Section)	
14	0100011	AR	Compound, Locking	
15	1001165101	1	Bracket, Fuel Pump Filter Assembly (See Separate Breakdown in this Section)	

SECTION 3 - ENGINE

FIGURE 3-40. DEUTZ TCD2.9L4 ENGINE SUB-ASSEMBLY - WITH SAUER PUMPS (WITH COLD WEATHER PLUS PACKAGE)



ART_1001141745

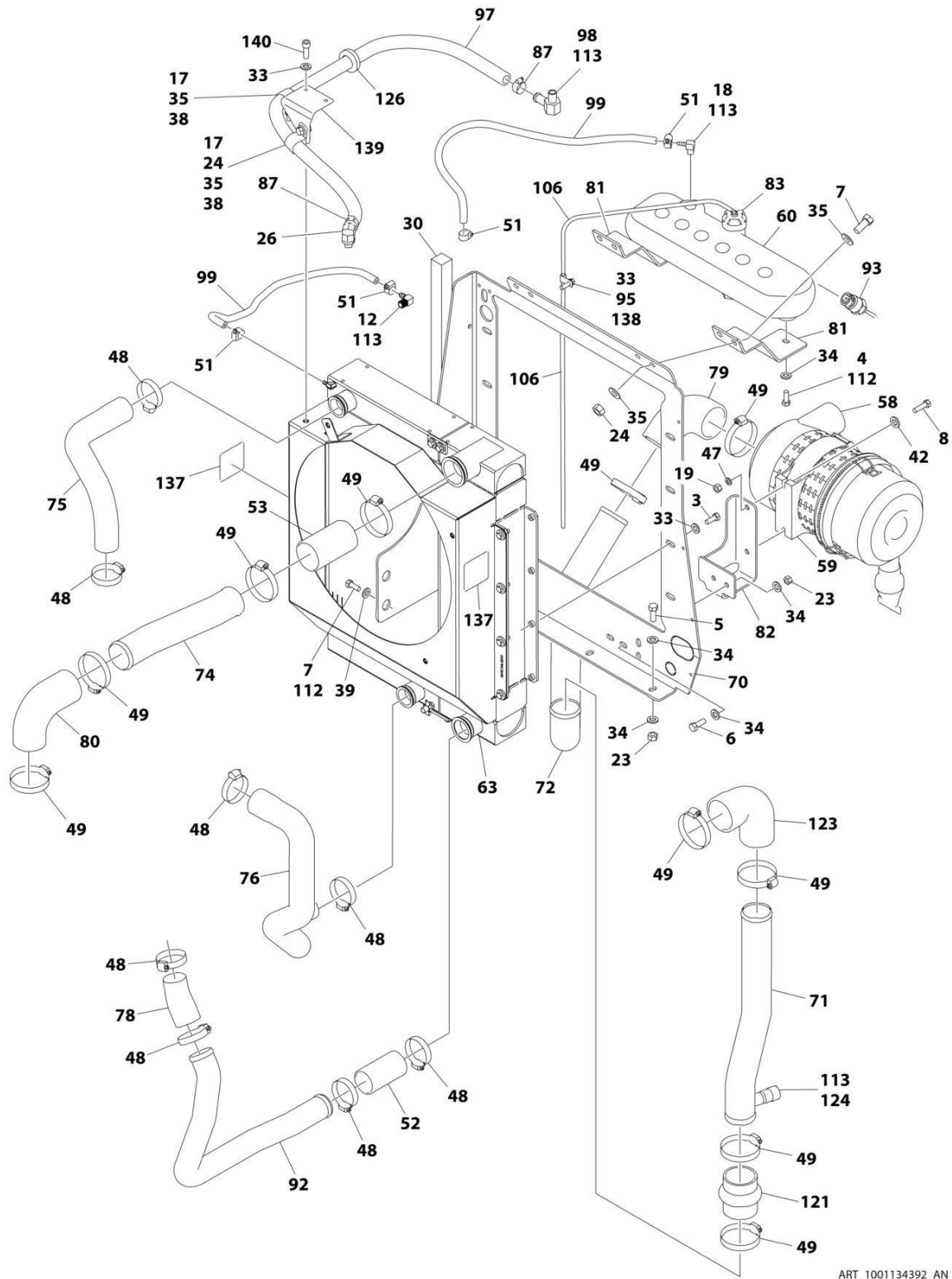
SECTION 3 - ENGINE

FIGURE 3-40. DEUTZ TCD2.9L4 ENGINE SUB-ASSEMBLY - WITH SAUER PUMPS (WITH COLD WEATHER PLUS PACKAGE)

ITEM	PART NUMBER	QTY	DESCRIPTION	REV
	1001141745	Ref	DEUTZ TCD2.9L4 ENGINE SUB-ASSEMBLY	AL
1	0641608	2	Bolt 3/8 x 1	
2	0641812	2	Bolt 1/2 x 1-1/2	
2	0641814	2	Bolt 1/2 x 1-3/4	
3	0761215	2	Bolt M12 x 35	
5	3790152	1	O-Ring	
6	3790155	1	O-Ring	
8	4891600	2	Washer 3/8	
9	4891800	4	Washer 1/2	
10	1001108616	1	Pump Assembly - Sauer Tandem (See Separate Breakdown in this Section)	
11	1001171095	1	Pump Assembly - Sauer Piston (See Separate Breakdown in this Section)	
12	1001112927	1	Pump Assembly - Sauer Gear (See Separate Breakdown in this Section)	
13	1001141746	1	Engine Assembly (See Separate Breakdown in this Section)	
14	0100011	AR	Compound, Locking	
15	1001165101	1	Bracket, Fuel Pump Filter Assembly (See Separate Breakdown in this Section)	

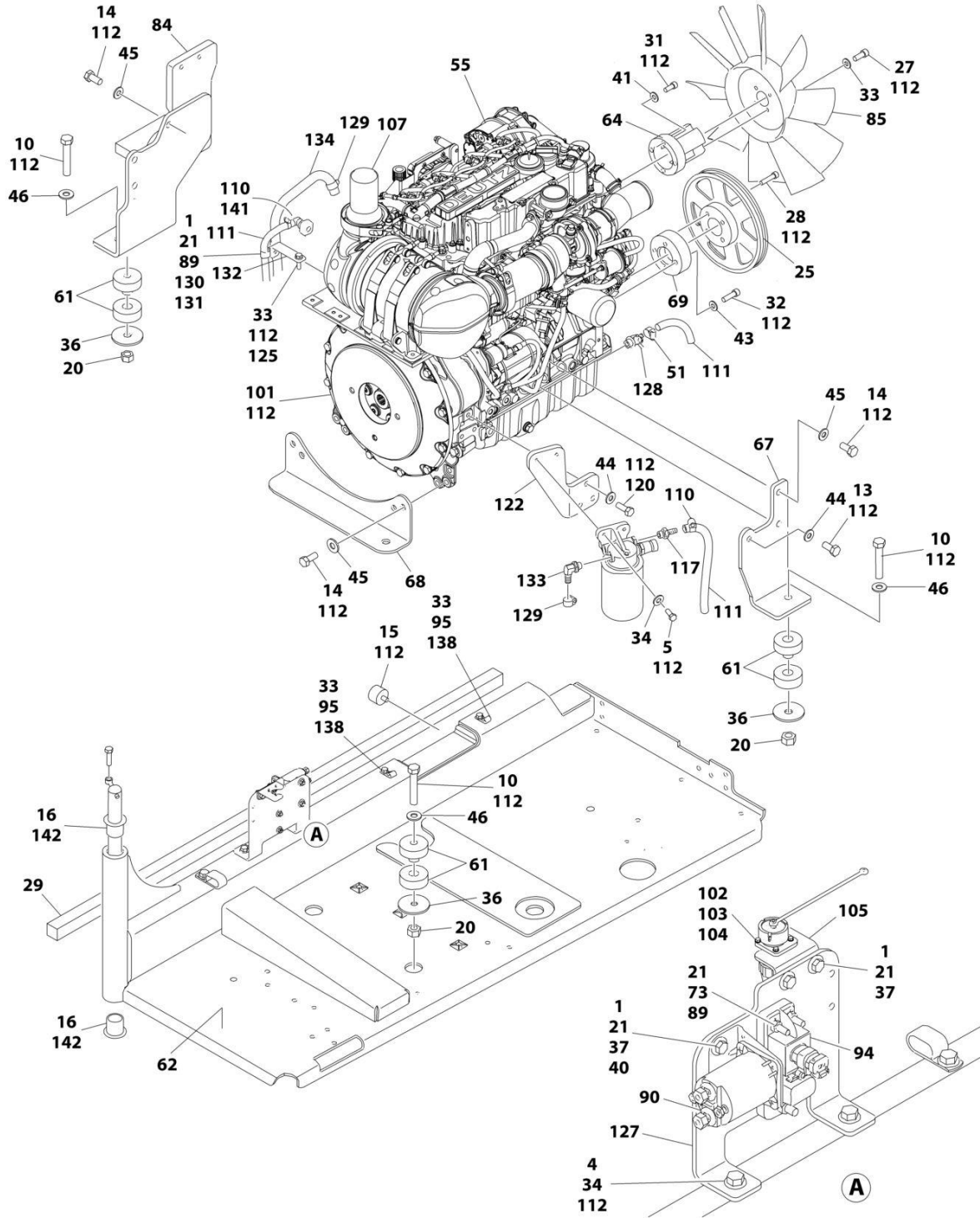
SECTION 3 - ENGINE

FIGURE 3-41. DEUTZ TCD2.9L4 ENGINE ASSEMBLY (WITHOUT COLD WEATHER PLUS PACKAGE)



ART_1001134392_AN_10F2

SECTION 3 - ENGINE



ART_1001134392_AN_2OF2

SECTION 3 - ENGINE

FIGURE 3-41. DEUTZ TCD2.9L4 ENGINE ASSEMBLY (WITHOUT COLD WEATHER PLUS PACKAGE)

ITEM	PART NUMBER	QTY	DESCRIPTION	REV
	1001134392	Ref	DEUTZ TCD2.9L4 ENGINE ASSEMBLY (WITHOUT COLD WEATHER PLUS PACKAGE)	AN
1	0641406	5	Bolt 1/4 x 3/4	
3	0641508	8	Bolt 5/16 x 1	
4	0641606	5	Bolt 3/8 x 3/4	
5	0641608	9	Bolt 3/8 x 1	
6	0641610	2	Bolt 3/8 x 1-1/4	
7	0641708	6	Bolt 7/16 x 1	
8	0700815	2	Bolt M8 x 35	
10	0682028	4	Bolt 5/8 x 3-1/2 Grade 8	
12	1001140564	1	Fitting, 90 Barbed	
13	0771212	1	Bolt M12 x 25 Grade 10.9	
14	0771414	9	Bolt M14 x 30 Grade 10.9	
15	0940070	1	Bumper	
16	0961986	2	Bushing, Flanged	
17	0641706	2	Bolt 7/16 x 3/4	
18	1001134488	1	Fitting, 90 Barbed	
19	3290801	2	Nut M8	
20	3272001	4	Nut 5/8 Grade 8	
21	3311405	6	Nut 1/4	
23	3311605	9	Nut 3/8	
24	3311705	5	Nut 7/16	
25	3580320	1	Pulley	
26	1001141719	1	Fitting, 90 Barbed	
27	3931512	4	Capscrew 5/16 x 3/4	
28	3931628	4	Capscrew 3/8 x 1-3/4	
29	3960543	1	Seal	
30	3960544	1	Seal	
31	4031914	4	Bolt M8 x 50	
32	4032014	4	Bolt M10 x 50	
33	4711500	19	Washer 5/16	
34	4711600	25	Washer 3/8	
35	4711700	10	Washer 7/16	
36	1001146219	4	Washer Special	
37	4751400	8	Washer 1/4	
38	8406302	2	Clamp	
39	4751700	2	Washer 7/16	
40	4791400	2	Starwasher 1/4	
41	4811900	4	Washer M8	
42	4811902	2	Washer M8	
43	4812000	4	Washer M10	
44	4812100	4	Washer M12	
45	4812200	9	Washer M14	
46	4892000	4	Washer 5/8	
47	4831900	2	Washer M8	
48	8405201	8	Clamp	
49	8405204	10	Clamp	
51	8410013	5	Clamp	
52	91563070	1	Coupling, Rubber	
53	1001114495	1	Hose	

SECTION 3 - ENGINE

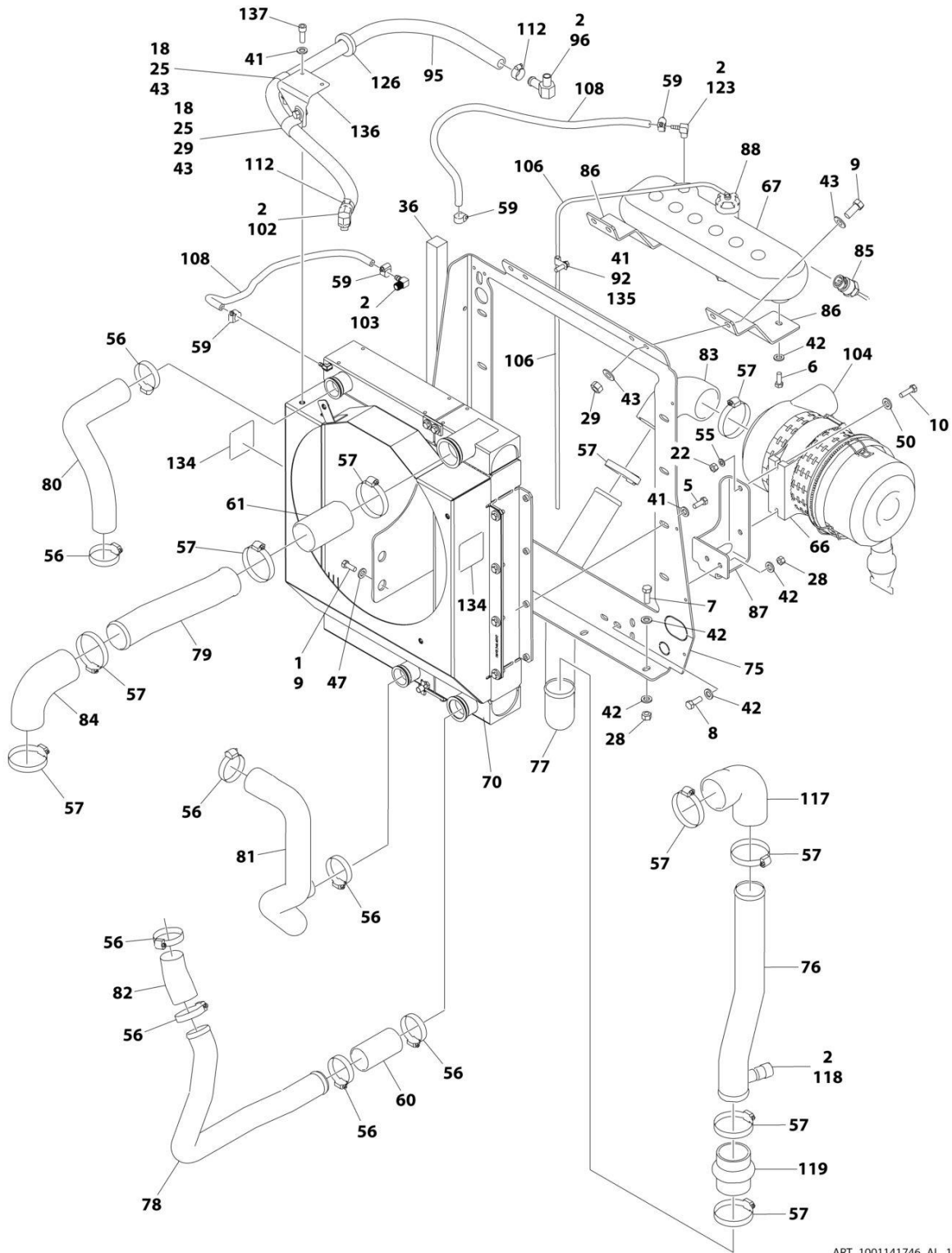
ITEM	PART NUMBER	QTY	DESCRIPTION	REV
55	1001249964	1	Engine, Deutz TCD2.9L4 (See Separate Breakdown in this Section)	
58	1001133633	1	Air Cleaner Assembly	
58	70024190	1	Element, Air Filter	
59	1001133634	1	Clamp	
60	1001166393	1	Tank, Surge	
61	1001155575	4	Mount, Motor	
62	1001191272	1	Tray	
63	1001135090	1	Radiator	
64	1001135138	1	Spacer, Fan	
67	1001135560	1	Support, Engine	
68	1001135562	1	Support, Engine - Rear	
69	1001135679	1	Spacer, Pulley	
70	1001135680	1	Support, Radiator	
71	1001135901	1	Pipe, Air Intake	
72	1001135903	1	Pipe, Air Intake	
73	3931432	1	Capscrew 1/4 x 2	
74	1001135914	1	Pipe, Air Cleaner to Intake	
75	1001135924	1	Hose, Radiator (Upper)	
76	1001135926	1	Hose, Radiator (Lower)	
78	1001135943	1	Coupling, Rubber	
79	1001135946	1	Elbow, Rubber	
80	1001136292	1	Pipe, 90	
81	1001136626	2	Bracket	
82	1001136665	1	Bracket	
83	1001136834	1	Cap, Tank	
84	1001142398	1	Support, Engine	
85	1001137276	1	Fan	
87	8405007	2	Clamp	
89	4711400	3	Washer 1/4	
90	1001117308	1	Relay	
92	1001135913	1	Pipe, Turbo to Air Cleaner	
93	1001138827	1	Sensor, Coolant Level	
94	1001138228	1	Module, Power	
94	70023592	1	Fuse 20Amp (Switched Output)	
94	70023593	1	Fuse 30Amp (Battery Output)	
95	1001138253	5	Clamp	
96	1001138346	1	Harness, Engine (Not Shown - See Separate Breakdown in ELECTRICAL SECTION)	
97	1001138524	1	Hose	
98	1001138559	1	Fitting, 90	
99	2720015	4.5 ft/ 1.4m	Hose	
101	2902065	1	Pump Coupling Kit (See Separate Breakdown in this Section)	
102	3310401	3	Nut #4	
103	3910408	3	Screw #4 x 1/2	
104	4710400	3	Washer #4	
105	1001139240	1	Bracket	
106	1001138248	4 ft/ 1.2m	Tubing	
107	1001153024	1	Pipe, Exhaust	
110	1320022	2	Clamp	

SECTION 3 - ENGINE

ITEM	PART NUMBER	QTY	DESCRIPTION	REV
111	1001165035	30.5 ft/ 9.3m	Hose	
112	0100011	AR	Compound, Locking	
113	0100020	AR	Sealant	
114	1001141304	1	Wire, Glow Plug (Not Shown)	
115	1001135779	1	Cable, Alternator Positive (Not Shown)	
117	1001141717	1	Fitting, Straight	
120	0761214	3	Bolt M12 x 30	
121	1001142637	1	Hose, Hump	
122	1001142685	1	Bracket	
123	1001165820	1	Pipe, Elbow	
124	1001143390	1	Indicator, Air Filter Service	
125	0760810	2	Bolt M8 x 20	
126	1001144089	1	Grommet	
127	1001145154	1	Plate, Mounting	
128	4640751	1	Valve, Oil Drain	
129	8405006	2	Clamp	
130	8406102	AR	Clip	
131	8406112	1	Clip	
132	1001138717	1	Bracket	
133	1001142501	1	Fitting, 90 Barbed	
134	1001154405	5 ft/ 1.5m	Hose	
135	1001148843	1	Harness, Fuel Filter (Not Shown - See Separate Breakdown in ELECTRICAL Section)	
137	1703162	2	Decal - Fan	
138	0641503	3	Bolt 5/16 x 3/8	
139	1001153387	1	Plate	
140	3931508	2	Capscrew 5/16 x 1/2	
141	1001155823	1	Coupling	
142	0100062	AR	Adhesive, Loctite #680	
143	4240099	AR	Tie-Strap (Not Shown)	

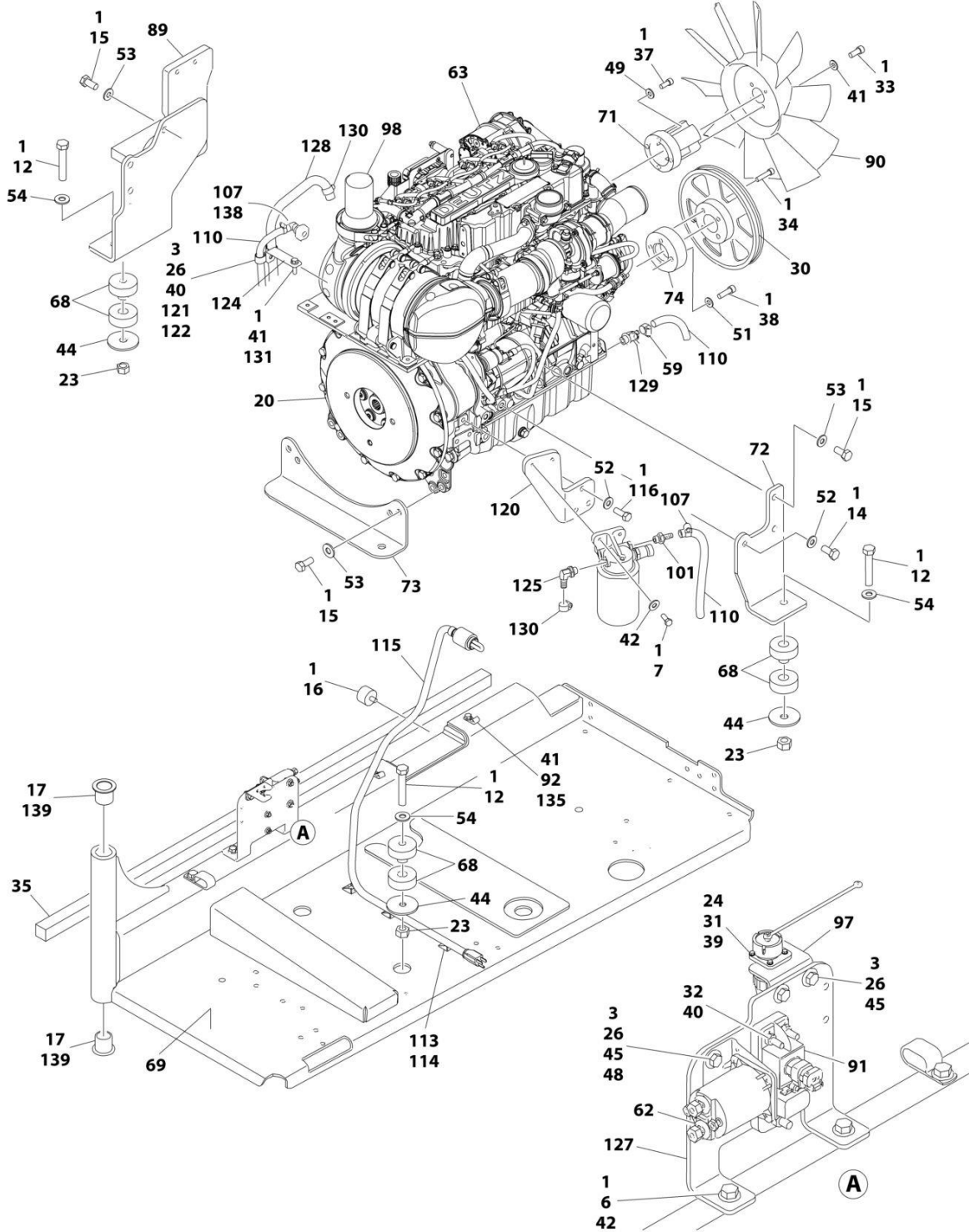
SECTION 3 - ENGINE

FIGURE 3-42. DEUTZ TCD2.9L4 ENGINE ASSEMBLY (WITH COLD WEATHER PLUS PACKAGE)



ART_1001141746_AL_10F2

SECTION 3 - ENGINE



ART_1001141746_AL_20F2

SECTION 3 - ENGINE

FIGURE 3-42. DEUTZ TCD2.9L4 ENGINE ASSEMBLY (WITH COLD WEATHER PLUS PACKAGE)

ITEM	PART NUMBER	QTY	DESCRIPTION	REV
	1001141746	Ref	DEUTZ TCD2.9L4 ENGINE ASSEMBLY (WITH COLD WEATHER PLUS PACKAGE)	AL
1	0100011	AR	Compound, Locking	
2	0100020	AR	Sealant	
3	0641406	5	Bolt 1/4 x 3/4	
5	0641508	8	Bolt 5/16 x 1	
6	0641606	5	Bolt 3/8 x 3/4	
7	0641608	9	Bolt 3/8 x 1	
8	0641610	2	Bolt 3/8 x 1-1/4	
9	0641708	6	Bolt 7/16 x 1	
10	0700815	2	Bolt M8 x 35	
12	0682028	4	Bolt 5/8 x 3-1/2 Grade 8	
14	0771212	1	Bolt M12 x 25 Grade 10.9	
15	0771414	9	Bolt M14 x 30 Grade 10.9	
16	0940070	1	Bumper	
17	0961986	2	Bushing, Flanged	
18	0641706	2	Bolt 7/16 x 3/4	
20	2902065	1	Pump Coupling Kit (See Separate Breakdown in this Section)	
22	3290801	2	Nut M8	
23	3272001	4	Nut 5/8 Grade 8	
24	3310401	3	Nut #4	
25	8406302	2	Clamp	
26	3311405	6	Nut 1/4	
28	3311605	9	Nut 3/8	
29	3311705	5	Nut 7/16	
30	3580320	1	Pulley	
31	3910408	3	Screw #4 x 1/2	
32	3931432	1	Capscrew 1/4 x 2	
33	3931512	4	Capscrew 5/16 x 3/4	
34	3931628	4	Capscrew 3/8 x 1-3/4	
35	3960543	1	Seal	
36	3960544	1	Seal	
37	4031914	4	Bolt M8 x 50	
38	4032014	4	Bolt M10 x 50	
39	4710400	3	Washer #4	
40	4711400	3	Washer 1/4	
41	4711500	19	Washer 5/16	
42	4711600	25	Washer 3/8	
43	4711700	10	Washer 7/16	
44	1001146219	4	Washer Special	
45	4751400	8	Washer 1/4	
47	4751700	2	Washer 7/16	
48	4791400	2	Starwasher 1/4	
49	4811900	4	Washer M8	
50	4811902	2	Washer M8	
51	4812000	4	Washer M10	
52	4812100	4	Washer M12	
53	4812200	9	Washer M14	
54	4892000	4	Washer 5/8	
55	4831900	2	Washer M8	

SECTION 3 - ENGINE

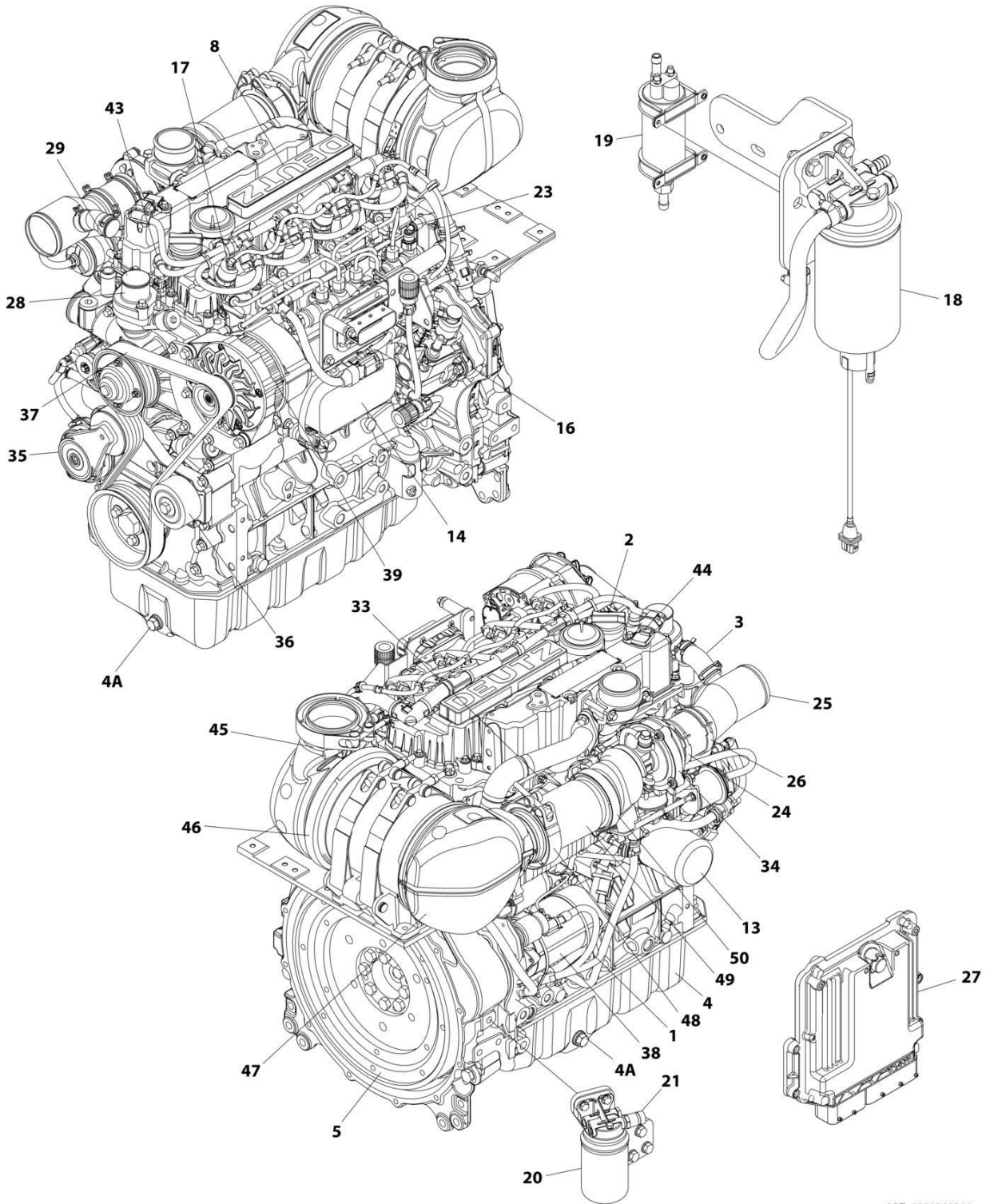
ITEM	PART NUMBER	QTY	DESCRIPTION	REV
56	8405201	8	Clamp	
57	8405204	10	Clamp	
59	8410013	5	Clamp	
60	91563070	1	Coupling, Rubber	
61	1001114495	1	Hose	
62	1001117308	1	Relay	
63	1001249964	1	Engine, Deutz TCD2.9L4 (See Separate Breakdown in this Section)	
66	1001133634	1	Clamp	
67	1001166393	1	Tank, Surge	
68	1001155575	4	Mount, Motor	
69	1001191272	1	Tray	
70	1001135090	1	Radiator	
71	1001135138	1	Spacer, Fan	
72	1001135560	1	Support, Engine	
73	1001135562	1	Support, Engine - Rear	
74	1001135679	1	Spacer, Pulley	
75	1001135680	1	Support, Radiator	
76	1001135901	1	Pipe, Air Intake	
77	1001135903	1	Pipe, Air Intake	
78	1001135913	1	Pipe, Turbo to Air Cleaner	
79	1001135914	1	Pipe, Air Cleaner to Intake	
80	1001135924	1	Hose, Radiator (Upper)	
81	1001135926	1	Hose, Radiator (Lower)	
82	1001135943	1	Coupling, Rubber	
83	1001135946	1	Elbow, Rubber	
84	1001136292	1	Pipe, 90	
85	1001138827	1	Sensor, Coolant Level	
86	1001136626	2	Bracket	
87	1001136665	1	Bracket	
88	1001136834	1	Cap, Tank	
89	1001142398	1	Support, Engine	
90	1001137276	1	Fan	
91	1001138228	1	Module, Power	
91	70023592	1	Fuse 20Amp (Switched Output)	
91	70023593	1	Fuse 30Amp (Battery Output)	
92	1001138253	5	Clamp	
94	1001138346	1	Harness, Engine (Not Shown - See Separate Breakdown in ELECTRICAL Section)	
95	1001138524	1	Hose	
96	1001138559	1	Fitting, 90	
97	1001139240	1	Bracket	
98	1001153024	1	Pipe, Exhaust	
100	1001141304	1	Wire, Glow Plug (Not Shown)	
101	1001141717	1	Fitting, Straight	
102	1001141719	1	Fitting, 90 Barbed	
103	1001140564	1	Fitting, 90 Barbed	
104	1001133633	1	Air Cleaner Assembly	
104	70024190	1	Element, Air Filter	
105	1001135779	1	Cable, Alternator Positive (Not Shown)	
106	1001138248	4 ft/ 1.2m	Tubing	
107	1320022	2	Clamp	

SECTION 3 - ENGINE

ITEM	PART NUMBER	QTY	DESCRIPTION	REV
108	2720015	4.5 ft/ 1.4m	Hose	
110	1001165035	30.5 ft/ 9.3m	Hose	
112	8405007	2	Clamp	
113	4240099	AR	Tie-Strap (Used to Secure Block Heater Cord)	
114	4460234	3	Mount, Wire Tie (Used to Secure Block Heater Cord)	
115	1001140312	1	Heater, Block	
116	0761214	3	Bolt M12 x 30	
117	1001165820	1	Pipe, Elbow	
118	1001143390	1	Indicator, Air Filter Service	
119	1001142637	1	Hose, Hump	
120	1001142685	1	Bracket	
121	8406102	AR	Clip	
122	8406112	1	Clip	
123	1001134488	1	Fitting, 90 Barbed	
124	1001138717	1	Bracket	
125	1001142501	1	Fitting, 90 Barbed	
126	1001144089	1	Grommet	
127	1001145154	1	Plate, Mounting	
128	1001154405	5 ft/ 1.5m	Hose	
129	4640751	1	Valve, Oil Drain	
130	8405006	2	Clamp	
131	0760810	AR	Bolt M8 x 20	
132	1001148843	1	Harness, Fuel Filter (Not Shown - See Separate Breakdown in ELECTRICAL SECTION)	
134	1703162	2	Decal - Fan	
135	0641503	3	Bolt 5/16 x 3/8	
136	1001153387	1	Plate	
137	3931508	2	Capscrew 5/16 x 1/2	
138	1001155823	1	Coupling	
139	0100062	AR	Adhesive, Loctite #680	
140	1001181895	AR	Adhesive, Loctite #640 (Not Shown - Apply to Block Heater)	

SECTION 3 - ENGINE

FIGURE 3-43. DEUTZ TCD2.9L4 ENGINE COMPONENTS



ART_1001249964

SECTION 3 - ENGINE

FIGURE 3-43. DEUTZ TCD2.9L4 ENGINE COMPONENTS

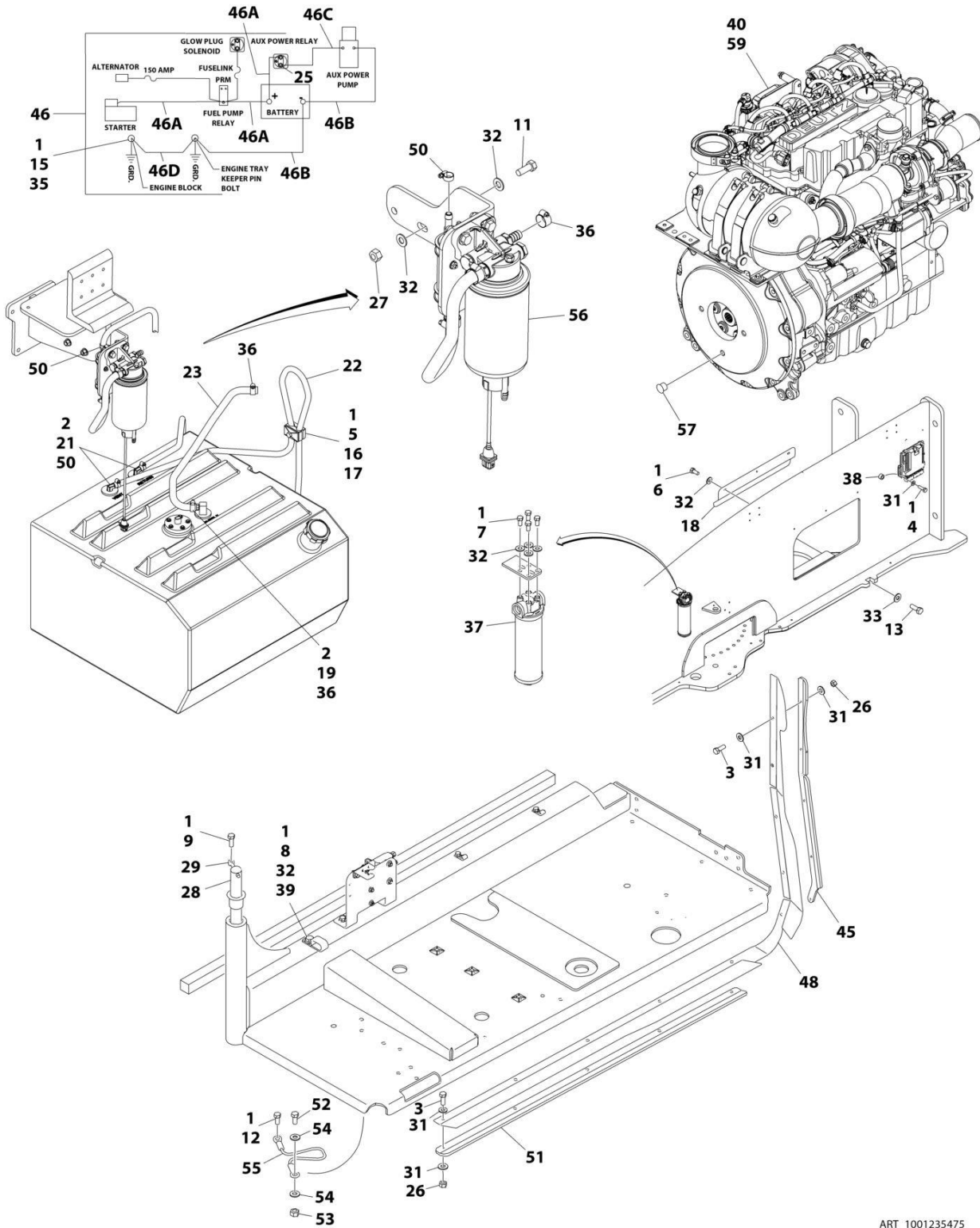
ITEM	PART NUMBER	QTY	DESCRIPTION	REV
	1001249964	Ref	DEUTZ TCD2.9L4 ENGINE COMPONENTS	A
1	70024904	1	Dipstick	
1	70024905	1	O-Ring	
2	7020465	2	Cap, Filler	
3	7002511	2	Clamp	
4		Ref	Pan, Oil	
4A	70005941	2	Plug	
4A	70005942	2	Washer, Sealing	
5	70001870	1	Flywheel	
5	7024579	1	Gear, Ring	
6	70024906	1	Gasket, Head (Not Shown)	
8	70005921	1	Cover, Valve	
8	70005171	1	Gasket	
8	70025205	1	Gasket, Small Valve Cover	
10	70004280	1	Seal, Shaft - Front (Not Shown)	
11	70002718	1	Seal, Shaft - Rear (Not Shown)	
12	70005172	1	Pump, Oil Lube (Not Shown)	
12	70025135	1	O-Ring	
12	70025136	1	Gasket	
13	7016331	1	Filter, Oil	
13	70025137	1	Bushing	
14	70024494	1	Cooler, Engine Oil	
14	70024925	1	Gasket	
16	70024924	1	Pump, Fuel	
16	70025152	1	O-Ring	
16	70004505	1	Valve, Overflow	
16	70004506	1	O-Ring	
16	70004507	1	O-Ring	
16	70004508	1	Valve Volume Control	
16	70004509	1	O-Ring	
16	70004510	1	Gasket	
17	70025181	4	Injector, Fuel	
17	70025140	4	Washer, Sealing	
17	70025146	4	Clamp (Top of Injector)	
17	70025145	4	O-Ring	
17	70025154	4	Shoe, Clamping	
17	70000345	1	Plug, Glow (Not Shown)	
18	70024961	1	Fuel Filter Assembly	
18	1001225430	1	Filter, Fuel	
18	70024513	1	Cable, Sensor	
18	70025239	1	Ring, Sealing	
19	70006144	1	Pump, Fuel	
19	70025144	2	Clamp	
20	70029451	1	Filter with Head	
20	1001225431	1	Filter, Fuel	
21	70024919	1	Sensor, Pressure	
21	70024920	1	O-Ring	
22	70025151	1	Rail, Fuel (Not Shown)	
22	70025235	1	Repair Kit (Not Shown)	
23	70025182	1	Fuel Line - High Pressure (Cylinder 1 & 2)	

SECTION 3 - ENGINE

ITEM	PART NUMBER	QTY	DESCRIPTION	REV
23	70025183	1	Fuel Line - High Pressure (Cylinder 3 & 4)	
23	70025184	1	Fuel Line - High Pressure (Supply)	
24	70004501	1	Sleeve, Rubber	
25	70004502	1	Pipe, Intake	
25	70005926	1	Pipe, Elbow	
26	70025112	2	Clamp	
27	70025210	1	ECU (Engine Control Unit)	
28	70029797	1	Pump, Water	
28	70025200	1	Ring, Sealing	
28	70007325	1	Gasket	
28	7020492	2	Ring, Sealing (Plug)	
29	70005929	1	Thermostat	
29	70025184	1	O-Ring (Thermostat to Cover)	
29	70005931	1	Gasket (Thermostat to Pump)	
29	70025142	1	Cover, Thermostat	
31	70007326	1	Valve, Shuttle (EGR) (Not Shown)	
31	70007327	1	Gasket	
33	70004282	1	Manifold, Exhaust	
33	70025164	1	Gasket, Exhaust Manifold to Head	
33	70029557	1	Gasket, Exhaust Manifold to Pipe	
34	70007328	1	Turbocharger	
34	70024912	1	Gasket, Exhaust Manifold	
35	70028699	1	Tensioner, Belt	
36		Ref	Idler Roller	
37	70004277	1	Belt, Drive	
38	70024915	1	Starter	
38	70005647	1	Switch, Solenoid	
38	70005648	1	Relay	
39	70029401	1	Generator	
39	70006653	1	Regulator, Voltage	
40	70007329	1	Harness, Engine (Not Shown)	
41	70024504	1	Sensor, Pressure (Not Shown - Located Top Rear)	
41	70024920	1	O-Ring	
42	70026210	2	Sensor, Speed (Not Shown - Located Left Side Front and Flywheel Housing)	
42	70024917	2	O-Ring	
43	70028540	1	Sender, Temperature	
44	70024507	1	Sensor, Pressure	
44	70025120	1	O-Ring	
45	70007331	1	Outlet, Muffler	
46	70029517	1	Clip	
46	70029520	1	Gasket	
47	70007330	1	Inlet	
48	70025877	1	Clip	
48	70025788	1	Nut	
48	70025242	1	Gasket	
49	70004504	1	Compensator	
50	70005527	1	Clip	
50	70029433	1	Clip	
50	70025242	1	Gasket	

SECTION 3 - ENGINE

FIGURE 3-44. DEUTZ TCD2.9L4 (STAGE V) DIESEL ENGINE INSTALLATION - WITH SAUER PUMPS AND ABS HOODS (WITHOUT COLD WEATHER PLUS PACKAGE) (PVC2001)



ART_1001235475

SECTION 3 - ENGINE

FIGURE 3-44. DEUTZ TCD2.9L4 (STAGE V) DIESEL ENGINE INSTALLATION - WITH SAUER PUMPS AND ABS HOODS (WITHOUT COLD WEATHER PLUS PACKAGE) (PVC2001)

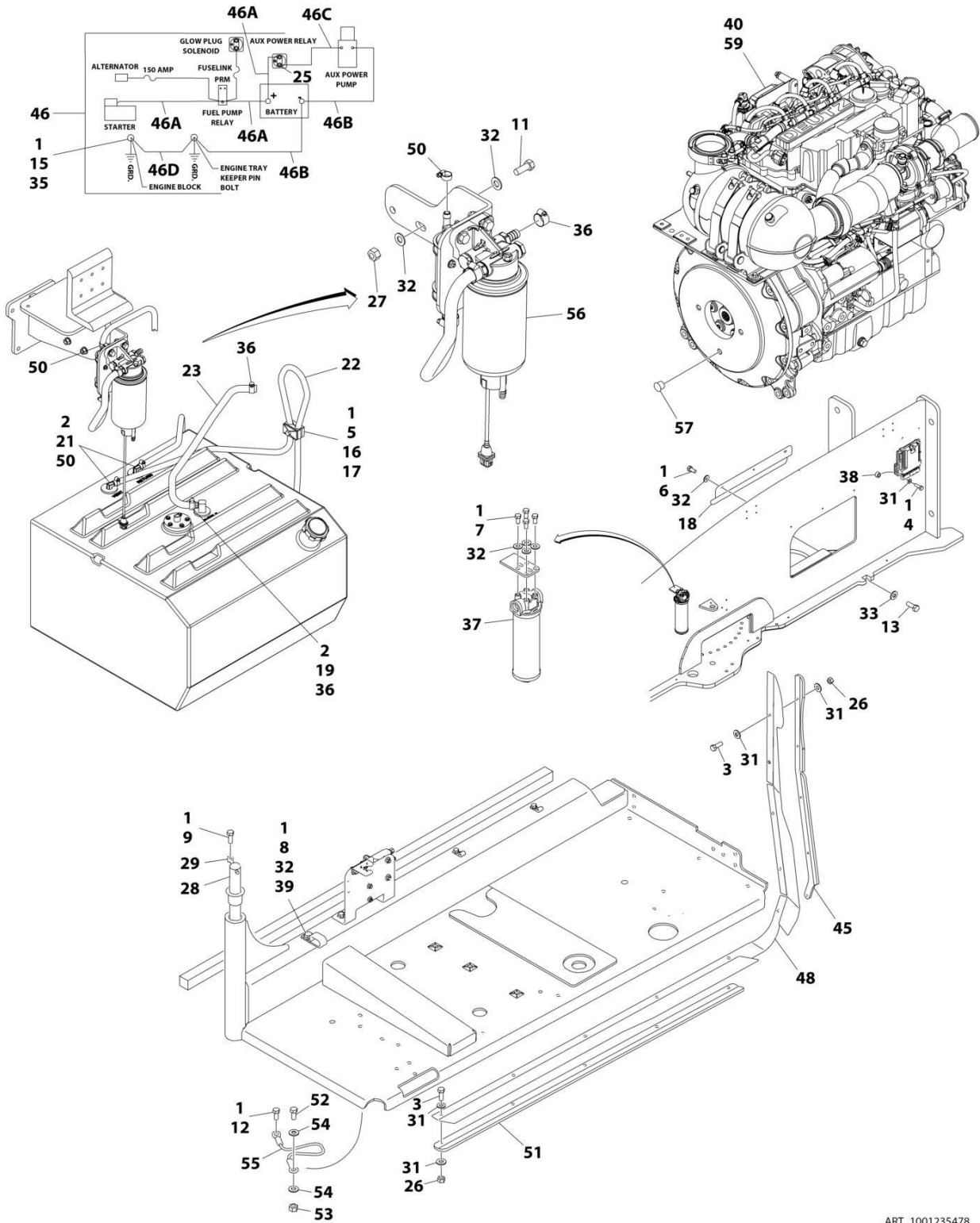
ITEM	PART NUMBER	QTY	DESCRIPTION	REV
	1001235475	Ref	DEUTZ TCD2.9L4 (Stage V) DIESEL ENGINE INSTALLATION - WITH SAUER PUMPS AND ABS HOODS (WITHOUT COLD WEATHER PLUS PACKAGE)	D
1	0100011	AR	Compound, Locking	
2	0100079	AR	Sealant, Pipe	
3	0641408	10	Bolt 1/4 x 1	
4	0641410	4	Bolt 1/4 x 1-1/4	
5	0641511	1	Bolt 5/16 x 1-3/8	
6	0641605	3	Bolt 3/8 x 5/8	
7	0641606	4	Bolt 3/8 x 3/4	
8	0641608	1	Bolt 3/8 x 1	
9	0641610	1	Bolt 3/8 x 1-1/4	
11	0641612	2	Bolt 3/8 x 1-1/2	
12	0641808	1	Bolt 1/2 x 1	
13	0642010	1	Bolt 5/8 x 1-1/4	
15	0761210	1	Bolt M12 x 20	
16	1320187	1	Clamp	
17	1320190	1	Cover, Clamp	
18	1671121	1	Cover	
19	2180832	1	Fitting, Barbed	
21	2220313	2	Fitting, Elbow Barbed	
22	2750532	5 ft/ 1.5m	Hose	
23	1001154405	2 ft/ 0.6m	Hose	
25	3300220	2	Nut 5/16	
26	3311405	10	Nut 1/4	
27	3311605	2	Nut 3/8	
28	3422446	1	Pin, Pivot	
29	3841143	1	Pin, Keeper	
30	4240018	2	Strap, Tie (Not Shown)	
31	4711400	24	Washer 1/4	
32	4711600	12	Washer 3/8	
33	4752000	1	Washer 5/8	
35	4812100	1	Washer M12	
36	8405006	2	Clamp	
37	1001108617	1	Filter	
37	70002231	1	Element, Filter	
38	1001110425	4	Spacer	
39	1001116792	1	Clamp	
40	1001235476	1	Engine Sub-Assembly (See Separate Breakdown in this Section)	
42	1001138491	NLA	Harness, Fuel (Use p/n 1001222665) (Not Shown - See Separate Breakdown in ELECTRICAL SECTION)	
45	1001145089	1	Clamp	
46	1001141225	1	Battery Cable Kit	E
46A	7027042	1	Cable, Battery (Red) (Battery + to Relays and Starter)	
46B	7027043	1	Cable, Battery (Black) (Battery - to Tray Pivot Grd and Aux Pump)	
46C	7027044	1	Cable (Red) (Aux Relay to Aux Pump)	
46D	7027045	1	Cable, Battery (Black) (Engine to Tray Pivot Grd)	
48	1001145560	1	Panel, Rubber	
50	1320022	3	Clamp	

SECTION 3 - ENGINE

ITEM	PART NUMBER	QTY	DESCRIPTION	REV
51	1001145842	1	Plate, Clamping	
52	0641708	1	Bolt 7/16 x 1	
53	3311705	1	Nut 7/16	
54	4711700	2	Washer 7/16	
55	1001131542	1	Lanyard	
56	1001165101	1	Bracket, Fuel Pump Filter Assembly (See Separate Breakdown in this Section)	
57	3520054	1	Plug	
59	1001235459	1	Engine, Deutz TCD2.9L4 (See Separate Breakdown in this Section)	

SECTION 3 - ENGINE

FIGURE 3-45. DEUTZ TCD2.9L4 (STAGE V) DIESEL ENGINE INSTALLATION - WITH REXROTH PUMPS AND ABS HOODS (WITHOUT COLD WEATHER PLUS PACKAGE) (PVC2001)



ART_1001235478

SECTION 3 - ENGINE

FIGURE 3-45. DEUTZ TCD2.9L4 (STAGE V) DIESEL ENGINE INSTALLATION - WITH REXROTH PUMPS AND ABS HOODS (WITHOUT COLD WEATHER PLUS PACKAGE) (PVC2001)

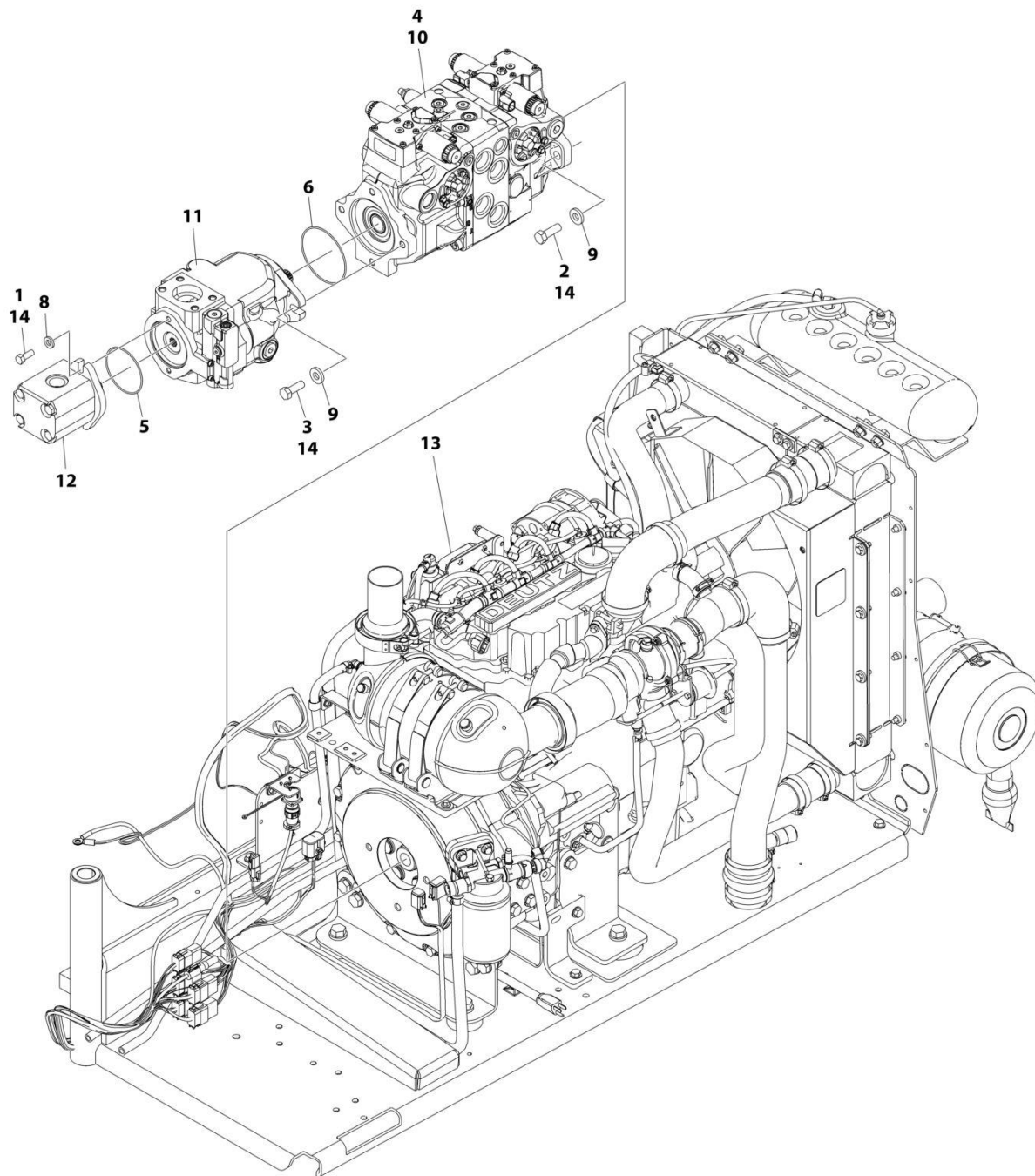
ITEM	PART NUMBER	QTY	DESCRIPTION	REV
	1001235478	Ref	DEUTZ TCD2.9L4 (STAGE V) DIESEL ENGINE INSTALLATION - WITH REXROTH PUMPS AND ABS HOODS (WITHOUT COLD WEATHER PLUS PACKAGE)	D
1	0100011	AR	Compound, Locking	
2	0100079	AR	Sealant, Pipe	
3	0641408	10	Bolt 1/4 x 1	
4	0641410	4	Bolt 1/4 x 1-1/4	
5	0641511	1	Bolt 5/16 x 1-3/8	
6	0641605	3	Bolt 3/8 x 5/8	
7	0641606	4	Bolt 3/8 x 3/4	
8	0641608	1	Bolt 3/8 x 1	
9	0641610	1	Bolt 3/8 x 1-1/4	
11	0641612	2	Bolt 3/8 x 1-1/2	
12	0641808	1	Bolt 1/2 x 1	
13	0642010	1	Bolt 5/8 x 1-1/4	
15	0761210	1	Bolt M12 x 20	
16	1320187	1	Clamp	
17	1320190	1	Cover, Clamp	
18	1671121	1	Cover	
19	2180832	1	Fitting, Barbed	
21	2220313	2	Fitting, Elbow Barbed	
22	2750532	5 ft/ 1.5m	Hose	
23	1001154405	2 ft/ 0.6m	Hose	
25	3300220	2	Nut 5/16	
26	3311405	10	Nut 1/4	
27	3311605	2	Nut 3/8	
28	3422446	1	Pin, Pivot	
29	3841143	1	Pin, Keeper	
30	4240018	2	Strap, Tie (Not Shown)	
31	4711400	24	Washer 1/4	
32	4711600	12	Washer 3/8	
33	4752000	1	Washer 5/8	
35	4812100	1	Washer M12	
36	8405006	2	Clamp	
37	1001108617	1	Filter	
37	70002231	1	Element, Filter	
38	1001110425	4	Spacer	
39	1001116792	1	Clamp	
40	1001235479	1	Engine Sub-Assembly (See Separate Breakdown in this Section)	
42	1001138491	NLA	Harness, Fuel (Use p/n 1001222665) (Not Shown - See Separate Breakdown in ELECTRICAL SECTION)	
45	1001145089	1	Clamp	
46	1001141225	1	Battery Cable Kit	
46A	7027042	1	Cable, Battery (Red) (Battery + to Relays and Starter)	
46B	7027043	1	Cable, Battery (Black) (Battery - to Tray Pivot Grd and Aux Pump)	
46C	7027044	1	Cable (Red) (Aux Relay to Aux Pump)	
46D	7027045	1	Cable, Battery (Black) (Engine to Tray Pivot Grd)	
48	1001145560	1	Panel, Rubber	
50	1320022	3	Clamp	

SECTION 3 - ENGINE

ITEM	PART NUMBER	QTY	DESCRIPTION	REV
51	1001145842	1	Plate, Clamping	
52	0641708	1	Bolt 7/16 x 1	
53	3311705	1	Nut 7/16	
54	4711700	2	Washer 7/16	
55	1001131542	1	Lanyard	
56	1001165101	1	Bracket, Fuel Pump Filter Assembly (See Separate Breakdown in this Section)	
57	3520054	1	Plug	
59	1001235459	1	Engine, Deutz TCD2.9L4 (See Separate Breakdown in this Section)	

SECTION 3 - ENGINE

FIGURE 3-46. DEUTZ TCD2.9L4 (STAGE V) ENGINE SUB-ASSEMBLY - WITH SAUER PUMP AND ABS HOODS (WITHOUT COLD WEATHER PLUS PACKAGE) (PVC2001)



ART_1001235476

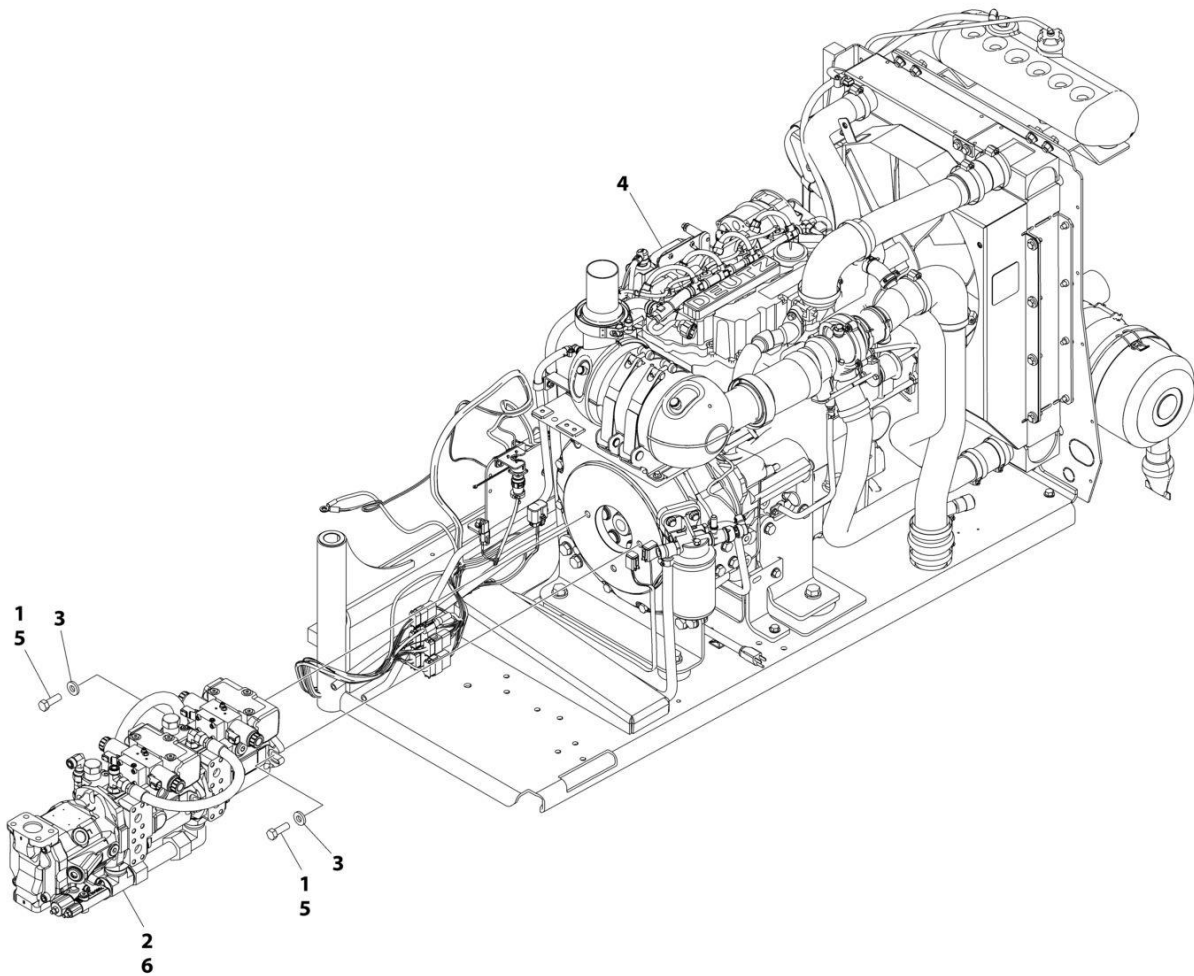
SECTION 3 - ENGINE

FIGURE 3-46. DEUTZ TCD2.9L4 (STAGE V) ENGINE SUB-ASSEMBLY - WITH SAUER PUMP AND ABS HOODS (WITHOUT COLD WEATHER PLUS PACKAGE) (PVC2001)

ITEM	PART NUMBER	QTY	DESCRIPTION	REV
	1001235476	Ref	DEUTZ TCD2.9L4 (STAGE V PRE-BUY) ENGINE SUB-ASSEMBLY	K
1	0641608	2	Bolt 3/8 x 1	
2	0641812	2	Bolt 1/2 x 1-1/2	
3	0761215	2	Bolt M12 x 35	
4	3020037	AR	Grease, Pump Coupling	
5	3790152	1	O-Ring	
6	3790155	1	O-Ring	
8	4891600	2	Washer 3/8	
9	4891800	4	Washer 1/2	
10	1001108616	1	Pump Assembly - Sauer Tandem (See Separate Breakdown in this Section)	
11	1001171095	1	Pump Assembly - Sauer Piston (See Separate Breakdown in this Section)	
12	1001112927	1	Pump Assembly - Sauer Gear (See Separate Breakdown in this Section)	
13	1001235477	1	Engine Assembly (See Separate Breakdown in this Section)	
14	0100011	AR	Compound, Locking	

SECTION 3 - ENGINE

FIGURE 3-47. DEUTZ TCD2.9L4 (STAGE V) ENGINE SUB-ASSEMBLY - WITH REXROTH PUMP AND ABS HOODS (WITHOUT COLD WEATHER PLUS PACKAGE) (PVC2001)



ART_1001235479

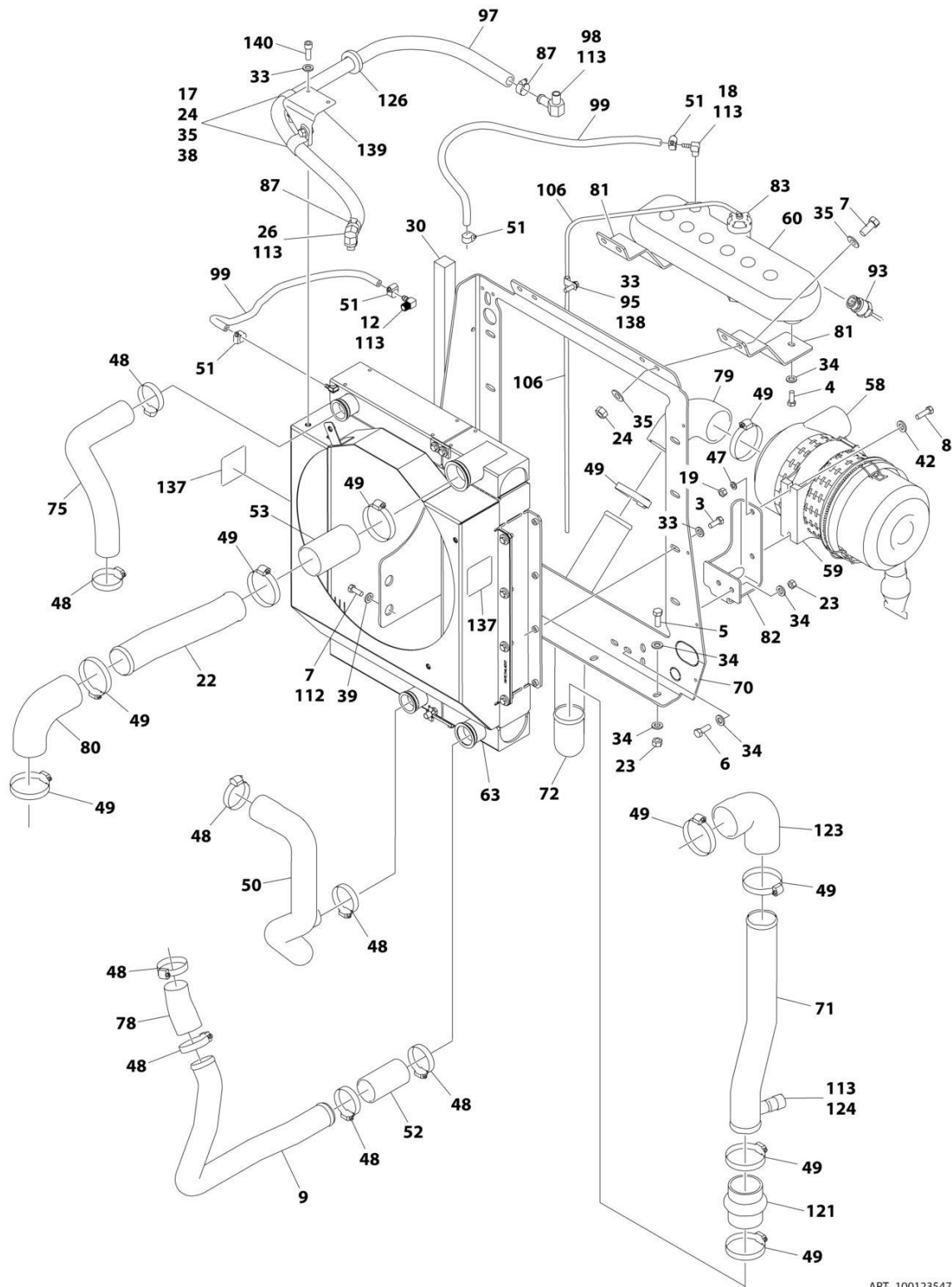
SECTION 3 - ENGINE

FIGURE 3-47. DEUTZ TCD2.9L4 (STAGE V) ENGINE SUB-ASSEMBLY - WITH REXROTH PUMP AND ABS HOODS (WITHOUT COLD WEATHER PLUS PACKAGE) (PVC2001)

ITEM	PART NUMBER	QTY	DESCRIPTION	REV
	1001235479	Ref	DEUTZ TCD2.9L4 (STAGE V PRE-BUY) ENGINE SUB-ASSEMBLY	K
1	0641812	2	Bolt 1/2 x 1-1/2	
2	3020037	AR	Grease, Pump Coupling	
3	4891800	2	Washer 1/2	
4	1001235477	1	Engine Assembly (See Separate Breakdown in this Section)	
5	0100011	AR	Compound, Locking	
6	1001152963	1	Pump Assembly - Rexroth (See Separate Breakdown in this Section)	

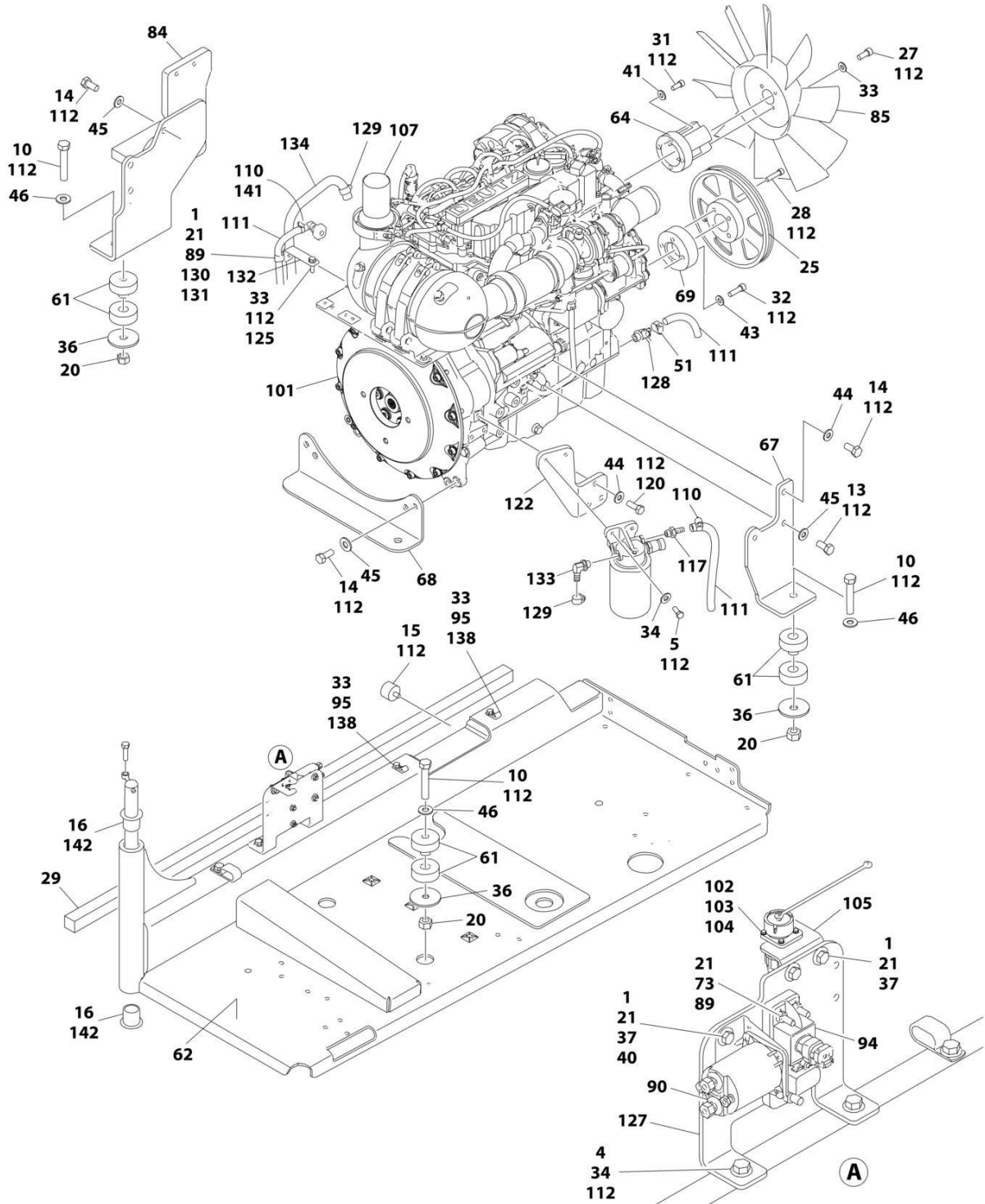
SECTION 3 - ENGINE

FIGURE 3-48. DEUTZ TCD2.9L4 (STAGE V) ENGINE ASSEMBLY (WITHOUT COLD WEATHER PLUS PACKAGE) (PVC2001)



ART_1001235477_10F2

SECTION 3 - ENGINE



ART_1001235477_20F2

SECTION 3 - ENGINE

FIGURE 3-48. DEUTZ TCD2.9L4 (STAGE V) ENGINE ASSEMBLY (WITHOUT COLD WEATHER PLUS PACKAGE) (PVC2001

ITEM	PART NUMBER	QTY	DESCRIPTION	REV
	1001235477	Ref	DEUTZ TCD2.9L4 (STAGE V PRE-BUY) ENGINE ASSEMBLY	J
1	0641406	5	Bolt 1/4 x 3/4	
3	0641508	8	Bolt 5/16 x 1	
4	0641606	3	Bolt 3/8 x 3/4	
5	0641608	9	Bolt 3/8 x 1	
6	0641610	2	Bolt 3/8 x 1-1/4	
7	0641708	6	Bolt 7/16 x 1	
8	0700815	2	Bolt M8 x 35	
9	1001135913	1	Pipe, Turbo to Air Cleaner	
10	0682028	4	Bolt 5/8 x 3-1/2 Grade 8	
12	1001140564	1	Fitting, 90 Barbed	
13	0771212	1	Bolt M12 x 25 Grade 10.9	
14	0771414	9	Bolt M14 x 30 Grade 10.9	
15	0940070	1	Bumper	
16	0961986	2	Bushing, Flanged	
17	0641706	2	Bolt 7/16 x 3/4	
18	1001134488	1	Fitting, 90 Barbed	
19	3290801	2	Nut M8	
20	3272001	4	Nut 5/8 Grade 8	
21	3311405	6	Nut 1/4	
22	1001135914	1	Pipe, Air Cleaner to Intake	
23	3311605	9	Nut 3/8	
24	3311705	5	Nut 7/16	
25	3580320	1	Pulley	
26	1001141719	1	Fitting, 90 Barbed	
27	3931512	4	Capscrew 5/16 x 3/4	
28	3931628	4	Capscrew 3/8 x 1-3/4	
29	3960543	1	Seal	
30	3960544	1	Seal	
31	4031914	4	Bolt M8 x 50	
32	4032014	4	Bolt M10 x 50	
33	4711500	19	Washer 5/16	
34	4711600	25	Washer 3/8	
35	4711700	10	Washer 7/16	
36	1001146219	4	Washer Special	
37	4751400	8	Washer 1/4	
38	8406302	2	Clamp	
39	4751700	2	Washer 7/16	
40	4791400	2	Starwasher 1/4	
41	4811900	4	Washer M8	
42	4811902	2	Washer M8	
43	4812000	4	Washer M10	
44	4812100	4	Washer M12	
45	4812200	9	Washer M14	
46	4892000	4	Washer 5/8	
47	4831900	2	Washer M8	
48	8405201	8	Clamp	
49	8405204	10	Clamp	
50	1001135926	1	Pipe, Radiator (Lower)	

SECTION 3 - ENGINE

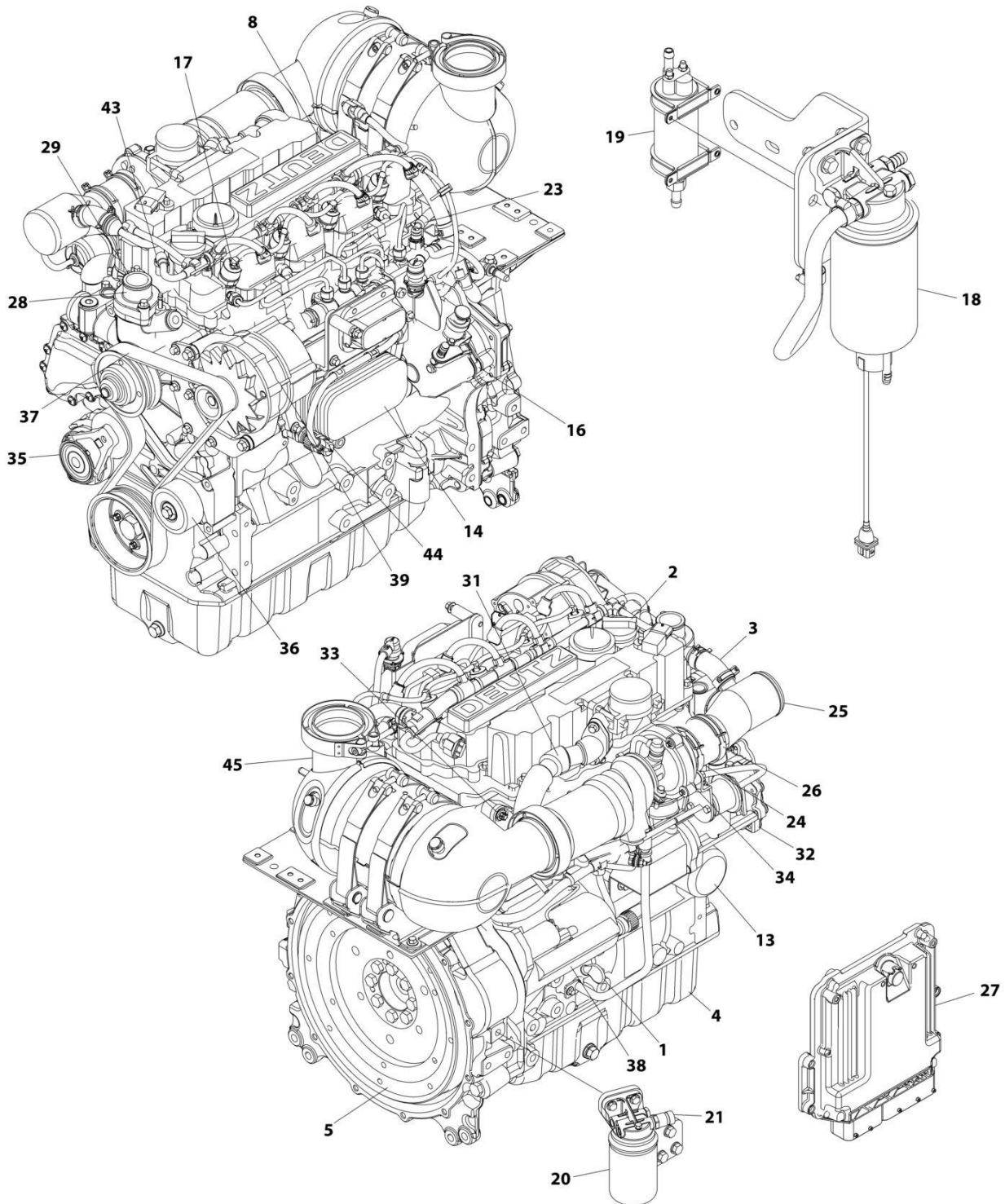
ITEM	PART NUMBER	QTY	DESCRIPTION	REV
51	8410013	5	Clamp	
52	91563070	1	Coupling, Rubber	
53	1001114495	1	Hose	
58	1001133633	1	Air Cleaner Assembly	
58	70024190	1	Element, Air Filter	
59	1001133634	1	Clamp	
60	1001166393	1	Tank, Surge	
61	1001155575	4	Mount, Motor	
62	1001191272	1	Tray	
63	1001135090	1	Radiator	
64	1001135138	1	Spacer, Fan	
67	1001135560	1	Support, Engine	
68	1001135562	1	Support, Engine - Rear	
69	1001135679	1	Spacer, Pulley	
70	1001135680	1	Support, Radiator	
71	1001135901	1	Pipe, Air Intake	
72	1001135903	1	Pipe, Air Intake	
73	3931432	1	Capscrew 1/4 x 2	
75	1001135924	1	Hose, Radiator (Upper)	
78	1001135943	1	Coupling, Rubber	
79	1001135946	1	Elbow, Rubber	
80	1001136292	1	Pipe, 90	
81	1001136626	2	Bracket	
82	1001136665	1	Bracket	
83	1001136834	1	Cap, Tank	
84	1001142398	1	Support, Engine	
84	1001283008	1	Support, Engine	
85	1001137276	1	Fan	
87	8405007	2	Clamp	
89	4711400	3	Washer 1/4	
90	1001117308	1	Relay	
93	1001138827	1	Sensor, Coolant Level	
94	1001138228	1	Module, Power	
94	70023592	1	Fuse 20Amp (Switched Output)	
94	70023593	1	Fuse 30Amp (Battery Output)	
95	1001138253	5	Clamp	
96	1001138346	1	Harness, Engine (Not Shown - See Separate Breakdown in ELECTRICAL Section)	
97	1001138524	1	Hose	
98	1001138559	1	Fitting, 90	
99	2720015	4.5 ft/ 1.4m	Hose	
101	2902065	1	Pump Coupling Kit (See Separate Breakdown in this Section)	
102	3310401	3	Nut #4	
103	3910408	3	Screw #4 x 1/2	
104	4710400	3	Washer #4	
105	1001139240	1	Bracket	
106	1001138248	4 ft/ 1.2m	Tubing	
107	1001153024	1	Pipe, Exhaust	
110	1320022	2	Clamp	
111	1001165035	30.5 ft/ 9.3m	Hose	

SECTION 3 - ENGINE

ITEM	PART NUMBER	QTY	DESCRIPTION	REV
112	0100011	AR	Compound, Locking	
113	0100020	AR	Sealant	
114	1001141304	1	Wire, Glow Plug (Not Shown)	
115	1001135779	1	Cable, Alternator Positive (Not Shown)	
117	1001141717	1	Fitting, Straight	
120	0761214	3	Bolt M12 x 30	
121	1001142637	1	Hose, Hump	
122	1001142685	1	Bracket	
123	1001165820	1	Pipe, Elbow	
124	1001143390	1	Indicator, Air Filter Service	
125	0760810	2	Bolt M8 x 20	
126	1001144089	1	Grommet	
127	1001145154	1	Plate, Mounting	
128	4640751	1	Valve, Oil Drain	
129	8405006	2	Clamp	
130	8406102	AR	Clip	
131	8406112	1	Clip	
132	1001138717	1	Bracket	
133	1001142501	1	Fitting, 90 Barbed	
134	1001154405	5 ft/ 1.5m	Hose	
135	1001148843	1	Harness, Fuel Filter (Not Shown - See Separate Breakdown in ELECTRICAL Section)	
137	1703162	2	Decal - Fan	
138	0641503	1	Bolt 5/16 x 3/8	
139	1001153387	1	Plate	
140	3931508	2	Capscrew 5/16 x 1/2	
141	1001155823	1	Coupling	
142	0100062	AR	Adhesive, Loctite #680	
143	4240099	AR	Tie-Strap (Not Shown)	
144	0641510	2	Bolt 5/16 x 1-1/4 Grade 5 (Not Shown)	
145	0641612	2	Bolt 3/8 x 1-1/2 Grade 5 (Not Shown)	

SECTION 3 - ENGINE

FIGURE 3-49. DEUTZ TCD2.9L4 (STAGE V) ENGINE COMPONENTS (PVC2001)



ART_1001128947

SECTION 3 - ENGINE

FIGURE 3-49. DEUTZ TCD2.9L4 (STAGE V) ENGINE COMPONENTS (PVC2001

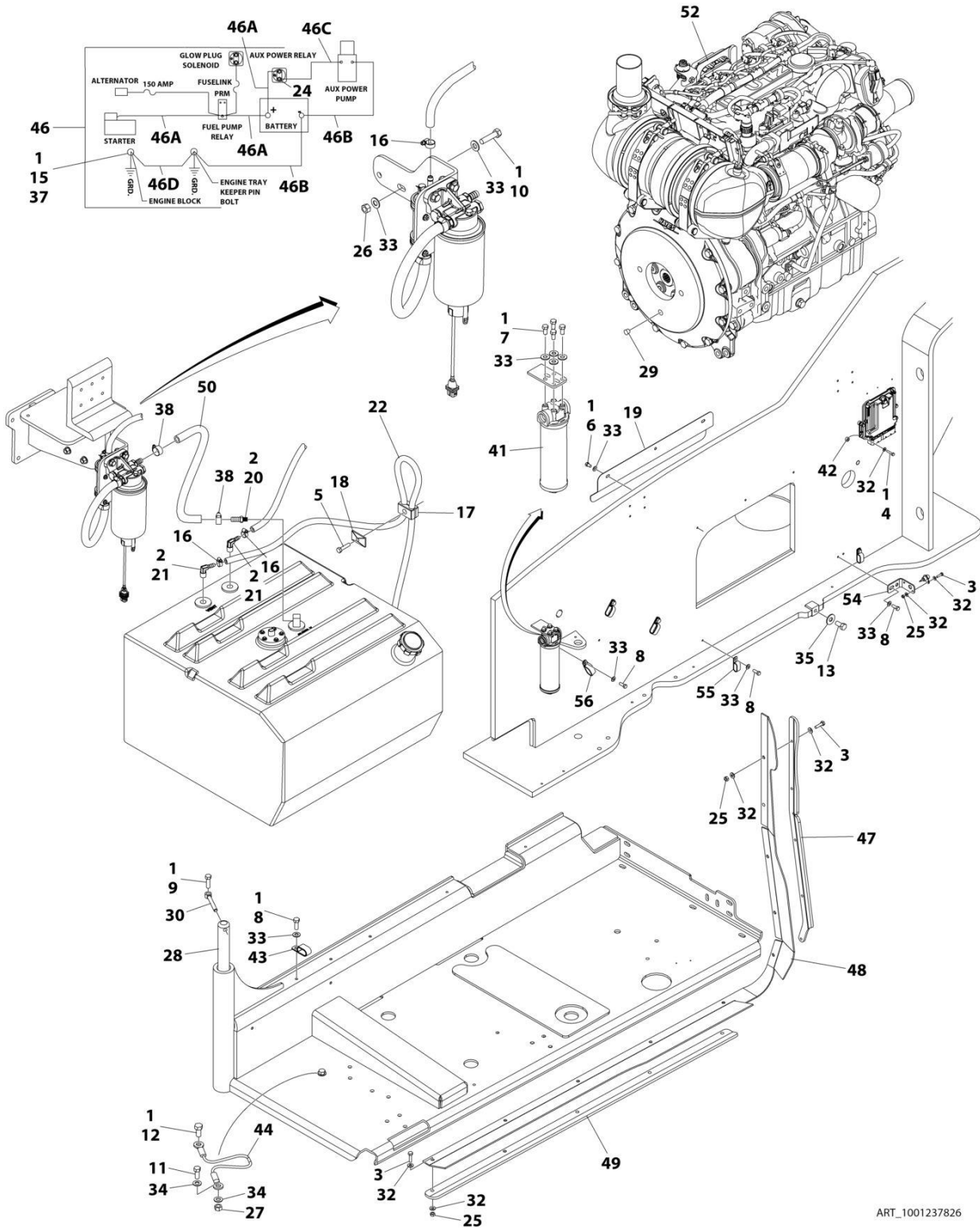
ITEM	PART NUMBER	QTY	DESCRIPTION	REV
	1001235459	Ref	DEUTZ TCD2.9L4 (STAGE V PRE-BUY) ENGINE COMPONENTS	B
1	70024904	1	Dipstick	
1	70024905	1	O-Ring	
2	7020465	2	Cap, Filler	
3	7002511	2	Clamp	
4	70025162	1	Pan, Oil	
4	70025088	2	Plug	
4	7020404	2	Washer, Sealing	
5	70001870	1	Flywheel	
5	7024579	1	Gear, Ring	
6	70024906	1	Gasket, Head (Not Shown)	
7	70025204	1	Shield, Heat (Not Shown)	
8	70025163	1	Cover, Valve	
8	70025205	1	Gasket	
8	70025206	1	Gasket, Small Valve Cover	
8	70025207	1	Gasket, Large Valve Cover	
8	70025208	1	Gasket	
9	70025076	1	Valve (Not Shown - Located on Right Side of Front Engine Cover)	
9	70025176	1	Spring	
9	70025082	1	Ring, Sealing	
9	70025091	1	Plug	
10	70025190	1	Cover, Front (Not Shown - Located on Front of Engine)	
10	70024907	1	Gasket, Front Cover	
10	70004280	1	Seal, Shaft - Front	
11	70002718	1	Seal, Shaft - Rear (Not Shown)	
12	70025202	1	Pump, Oil Lube (Not Shown)	
12	70025135	1	O-Ring	
12	70025136	1	Gasket	
13	7016331	1	Filter, Oil	
13	70025137	1	Bushing	
14	70004275	1	Cooler, Engine Oil	
14	70024925	1	Gasket	
15	70025171	1	Oil Suction Pump (Not Shown - Located Inside of Engine Oil Pan)	
16	70024924	1	Pump, Fuel	
16	70025152	1	O-Ring	
16	70025080	1	Washer	
16	70024488	1	Spacer	
16	70024517	1	O-Ring	
17	70025181	4	Injector, Fuel	
17	70025140	4	Washer, Sealing	
17	70025146	4	Clamp (Top of Injector)	
17	70025145	4	O-Ring	
17	70025154	4	Shoe, Clamping	
17	70000345	1	Plug, Glow (Not Shown)	
17	70025231	1	Harness, Glow Plug (Not Shown)	
18	70024961	1	Fuel Filter Assembly	
18	70025153	NLA	Filter, Fuel (Use p/n 1001225430)	
18	70024513	1	Cable, Sensor	
18	70025239	1	Ring, Sealing	
19	70024486	2	Pump, Fuel	

SECTION 3 - ENGINE

ITEM	PART NUMBER	QTY	DESCRIPTION	REV
19	70025144	1	Clamp	
20	70025160	1	Filter with Head	
20	70025161	NLA	Filter, Fuel (Use p/n 1001225431)	
21	70024504	1	Sensor, Pressure	
21	70024920	1	O-Ring	
21	70025103	1	Retainer	
22	70025151	1	Rail, Fuel (Not Shown)	
22	70025235	1	Repair Kit (Not Shown)	
23	70025182	1	Fuel Line - High Pressure (Cylinder 1 & 2)	
23	70025183	1	Fuel Line - High Pressure (Cylinder 3 & 4)	
23	70025184	1	Fuel Line - High Pressure (Supply)	
24	70004501	1	Sleeve, Rubber	
25	70004502	1	Pipe, Intake	
26	70025112	2	Clamp	
27	70025210	1	ECU (Engine Control Unit)	
28	70024910	1	Pump, Water	
28	70025200	1	Ring, Sealing	
28	70025084	2	Plug	
28	7020492	2	Ring, Sealing	
29	70024473	1	Thermostat	
29	70025143	1	O-Ring	
29	70025142	1	Cover, Thermostat	
30	70025177	1	Pipe (Not Shown - Located on Left Side)	
30	70025179	2	Gasket (Not Shown)	
31	70025178	1	Pipe	
31	70025156	1	Valve, Shuttle	
31	70025179	2	Gasket	
31	70025180	1	Gasket	
32	70025203	1	Module, EGR	
32	70025155	1	Plug	
33	70004282	1	Manifold, Exhaust	
33	70025164	1	Gasket, Exhaust Manifold to Head	
34	70004503	1	Turbocharger	
34	70024912	1	Gasket, Exhaust Manifold	
35	70025477	1	Tensioner, Belt	
36	70024484	1	Idler Roller	
37	70004277	1	Belt, Drive	
38	70024915	1	Starter	
39	70025533	1	Generator	
39	70025149	1	Regulator, Voltage	
40	70004284	1	Harness, Engine (Not Shown)	
41	70024507	1	Sensor, Pressure (Not Shown - Located Top Rear)	
41	70025120	1	O-Ring	
42	70026210	1	Sensor (Not Shown - Located Left Side Front and Flywheel Housing)	
42	70024917	1	O-Ring	
43	70024918	1	Sender, Temperature	
44	70024919	1	Sensor, Pressure	
44	70024920	1	O-Ring	
45	70005445	1	Outlet, Muffler	
46	70004279	1	Gasket Kit (Not Shown)	

SECTION 3 - ENGINE

FIGURE 3-50. DEUTZ TCD2.9L4 (STAGE V) DIESEL ENGINE INSTALLATION - WITH SAUER PUMPS AND ABS HOODS (WITHOUT COLD WEATHER PLUS PACKAGE) (PVC2007)



ART_1001237826

SECTION 3 - ENGINE

FIGURE 3-50. DEUTZ TCD2.9L4 (STAGE V) DIESEL ENGINE INSTALLATION - WITH SAUER PUMPS AND ABS HOODS (WITHOUT COLD WEATHER PLUS PACKAGE) (PVC2007)

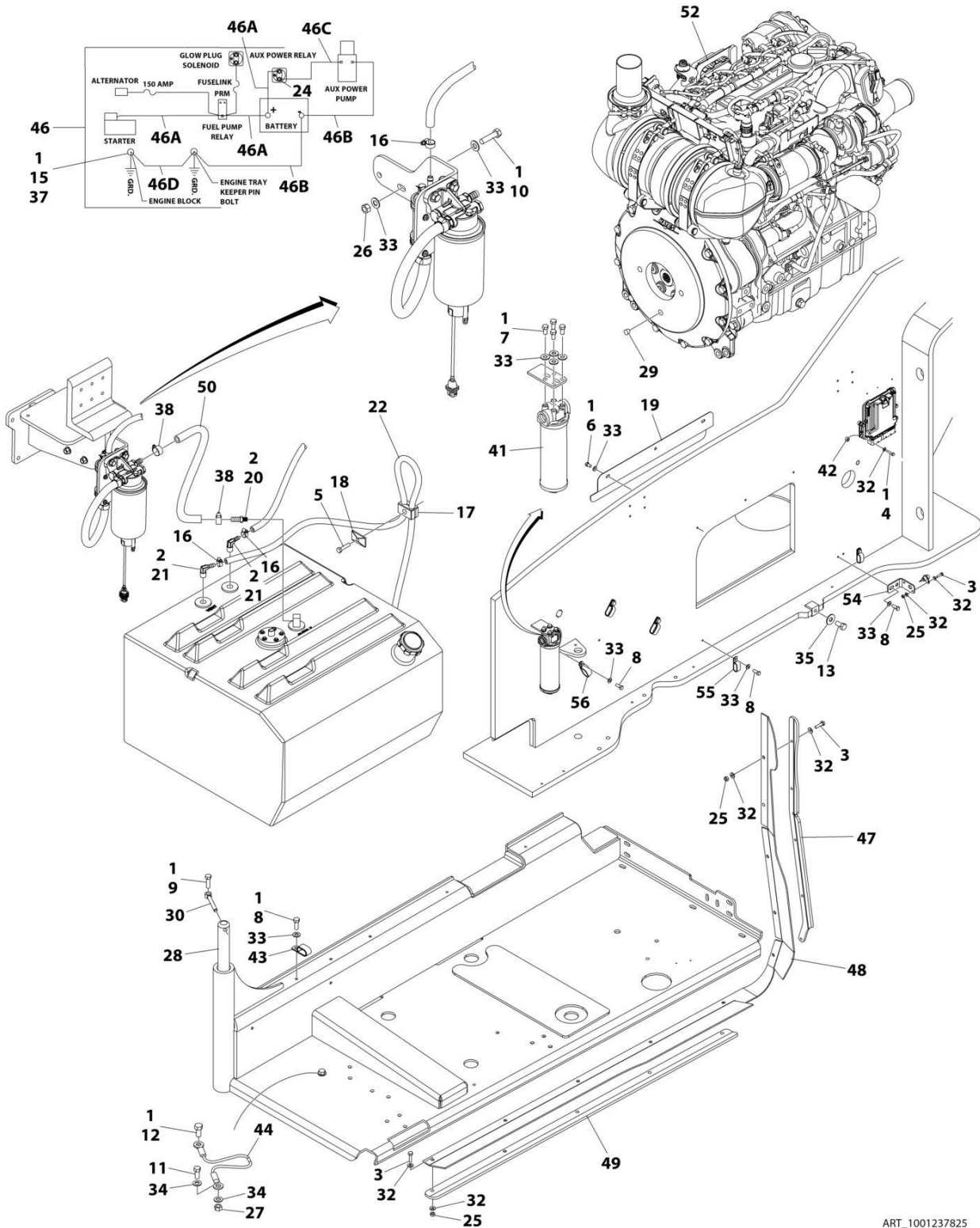
ITEM	PART NUMBER	QTY	DESCRIPTION	REV
	1001237826	Ref	DEUTZ TCD2.9L4 (Stage V) DIESEL ENGINE INSTALLATION - WITH SAUER PUMPS AND ABS HOODS (WITHOUT COLD WEATHER PLUS PACKAGE)	F
1	0100011	AR	Compound, Locking	
2	0100079	AR	Sealant, Pipe	
3	0641408	11	Bolt 1/4 x 1	
4	0641410	4	Bolt 1/4 x 1-1/4	
5	0641511	1	Bolt 5/16 x 1-3/8	
6	0641605	3	Bolt 3/8 x 5/8	
7	0641606	4	Bolt 3/8 x 3/4	
8	0641608	8	Bolt 3/8 x 1	
9	0641610	1	Bolt 3/8 x 1-1/4	
10	0641612	2	Bolt 3/8 x 1-1/2	
11	0641708	1	Bolt 7/16 x 1	
12	0641808	1	Bolt 1/2 x 1	
13	0642010	1	Bolt 5/8 x 1-1/4	
15	0761210	1	Bolt M12 x 20	
16	1320022	3	Clamp	
17	1320187	1	Clamp	
18	1320190	1	Cover, Clamp	
19	1671121	1	Cover	
20	2180832	1	Fitting, Barbed	
21	2220313	2	Fitting, Elbow Barbed	
22	2750532	5 ft/ 1.5m	Hose	
24	3300220	2	Nut 5/16	
25	3311405	11	Nut 1/4	
26	3311605	2	Nut 3/8	
27	3311705	1	Nut 7/16	
28	3422446	1	Pin, Pivot	
29	3520054	1	Plug	
30	3841143	1	Pin, Keeper	
31	4240018	2	Strap, Tie (Not Shown)	
32	4711400	26	Washer 1/4	
33	4711600	19	Washer 3/8	
34	4711700	2	Washer 7/16	
35	4752000	1	Washer 5/8	
37	4812100	1	Washer M12	
38	8405006	2	Clamp	
41	1001108617	1	Filter	
41	70002231	1	Element, Filter	
42	1001110425	4	Spacer	
43	1001116792	1	Clamp	
44	1001131542	1	Lanyard	
45	1001138491	NLA	Harness, Fuel (Use p/n 1001222665) (Not Shown - See Separate Breakdown in ELECTRICAL Section)	
46	1001141225	1	Battery Cable Kit	E
46A	7027042	1	Cable, Battery (Red) (Battery + to Relays and Starter)	
46B	7027043	1	Cable, Battery (Black) (Battery - to Tray Pivot Grd and Aux Pump)	
46C	7027044	1	Cable (Red) (Aux Relay to Aux Pump)	

SECTION 3 - ENGINE

ITEM	PART NUMBER	QTY	DESCRIPTION	REV
46D	7027045	1	Cable, Battery (Black) (Engine to Tray Pivot Grd)	
47	1001145089	1	Clamp	
48	1001145560	1	Panel, Rubber	
49	1001145842	1	Plate, Clamping	
50	1001154405	2 ft/ 0.6m	Hose	
52	1001235150	1	Engine, Deutz TCD2.9L4 (See Separate Breakdown in this Section)	
53	1001146588	1	Strap (Not Shown)	
54	1001256879	1	Bracket	
55	1321283	2	Clamp	
56	1321716	3	Clamp	
57	4240099	AR	Tie-Strap (Not Shown)	

SECTION 3 - ENGINE

FIGURE 3-51. DEUTZ TCD2.9L4 (STAGE V) DIESEL ENGINE INSTALLATION - WITH REXROTH PUMPS AND ABS HOODS (WITHOUT COLD WEATHER PLUS PACKAGE) (PVC2007)



ART_1001237825

SECTION 3 - ENGINE

FIGURE 3-51. DEUTZ TCD2.9L4 (STAGE V) DIESEL ENGINE INSTALLATION - WITH REXROTH PUMPS AND ABS HOODS (WITHOUT COLD WEATHER PLUS PACKAGE) (PVC2007)

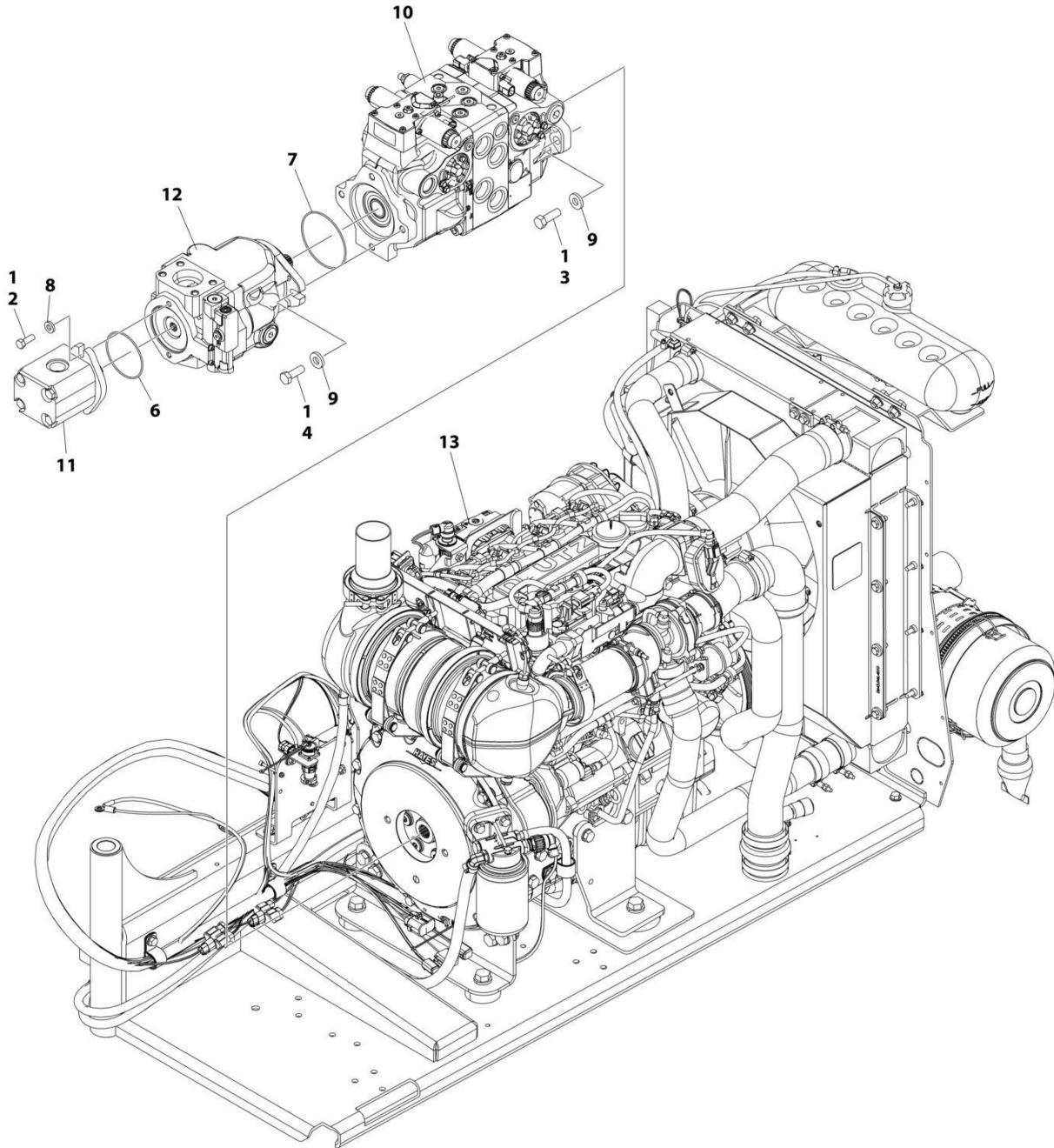
ITEM	PART NUMBER	QTY	DESCRIPTION	REV
	1001237825	1	DEUTZ TCD2.9L4 (Stage V) DIESEL ENGINE INSTALLATION - WITH REXROTH PUMPS AND ABS HOODS (WITHOUT COLD WEATHER PLUS PACKAGE)	F
1	0100011	AR	Compound, Locking	
2	0100079	AR	Sealant, Pipe	
3	0641408	11	Bolt 1/4 x 1	
4	0641410	4	Bolt 1/4 x 1-1/4	
5	0641511	1	Bolt 5/16 x 1-3/8	
6	0641605	3	Bolt 3/8 x 5/8	
7	0641606	4	Bolt 3/8 x 3/4	
8	0641608	8	Bolt 3/8 x 1	
9	0641610	1	Bolt 3/8 x 1-1/4	
10	0641612	2	Bolt 3/8 x 1-1/2	
11	0641708	1	Bolt 7/16 x 1	
12	0641808	1	Bolt 1/2 x 1	
13	0642010	1	Bolt 5/8 x 1-1/4	
15	0761210	1	Bolt M12 x 20	
16	1320022	3	Clamp	
17	1320187	1	Clamp	
18	1320190	1	Cover, Clamp	
19	1671121	1	Cover	
20	2180832	1	Fitting, Barbed	
21	2220313	2	Fitting, Elbow Barbed	
22	2750532	5 ft/ 1.5m	Hose	
24	3300220	2	Nut 5/16	
25	3311405	11	Nut 1/4	
26	3311605	2	Nut 3/8	
27	3311705	1	Nut 7/16	
28	3422446	1	Pin, Pivot	
29	3520054	1	Plug	
30	3841143	1	Pin, Keeper	
31	4240018	2	Strap, Tie (Not Shown)	
32	4711400	26	Washer 1/4	
33	4711600	19	Washer 3/8	
34	4711700	2	Washer 7/16	
35	4752000	1	Washer 5/8	
37	4812100	1	Washer M12	
38	8405006	2	Clamp	
41	1001108617	1	Filter	
41	70002231	1	Element, Filter	
42	1001110425	4	Spacer	
43	1001116792	1	Clamp	
44	1001131542	1	Lanyard	
45	1001138491	NLA	Harness, Fuel (Use p/n 1001222665) (Not Shown - See Separate Breakdown in ELECTRICAL Section)	
46	1001141225	1	Battery Cable Kit	E
46A	7027042	1	Cable, Battery (Red) (Battery + to Relays and Starter)	
46B	7027043	1	Cable, Battery (Black) (Battery - to Tray Pivot Grd and Aux Pump)	
46C	7027044	1	Cable (Red) (Aux Relay to Aux Pump)	

SECTION 3 - ENGINE

ITEM	PART NUMBER	QTY	DESCRIPTION	REV
46D	7027045	1	Cable, Battery (Black) (Engine to Tray Pivot Grd)	
47	1001145089	1	Clamp	
48	1001145560	1	Panel, Rubber	
49	1001145842	1	Plate, Clamping	
50	1001154405	2 ft/ 0.6m	Hose	
52	1001235149	1	Engine, Deutz TCD2.9L4 (See Separate Breakdown in this Section)	
53	1001146588	1	Strap (Not Shown)	
54	1001256879	1	Bracket	
55	1321283	2	Clamp	
56	1321716	3	Clamp	
57	4240099	AR	Tie-Strap (Not Shown)	

SECTION 3 - ENGINE

FIGURE 3-52. DEUTZ TCD2.9L4 (STAGE V) ENGINE SUB-ASSEMBLY - WITH SAUER PUMP AND ABS HOODS (WITHOUT COLD WEATHER PLUS PACKAGE) (PVC2007)



ART_1001235150

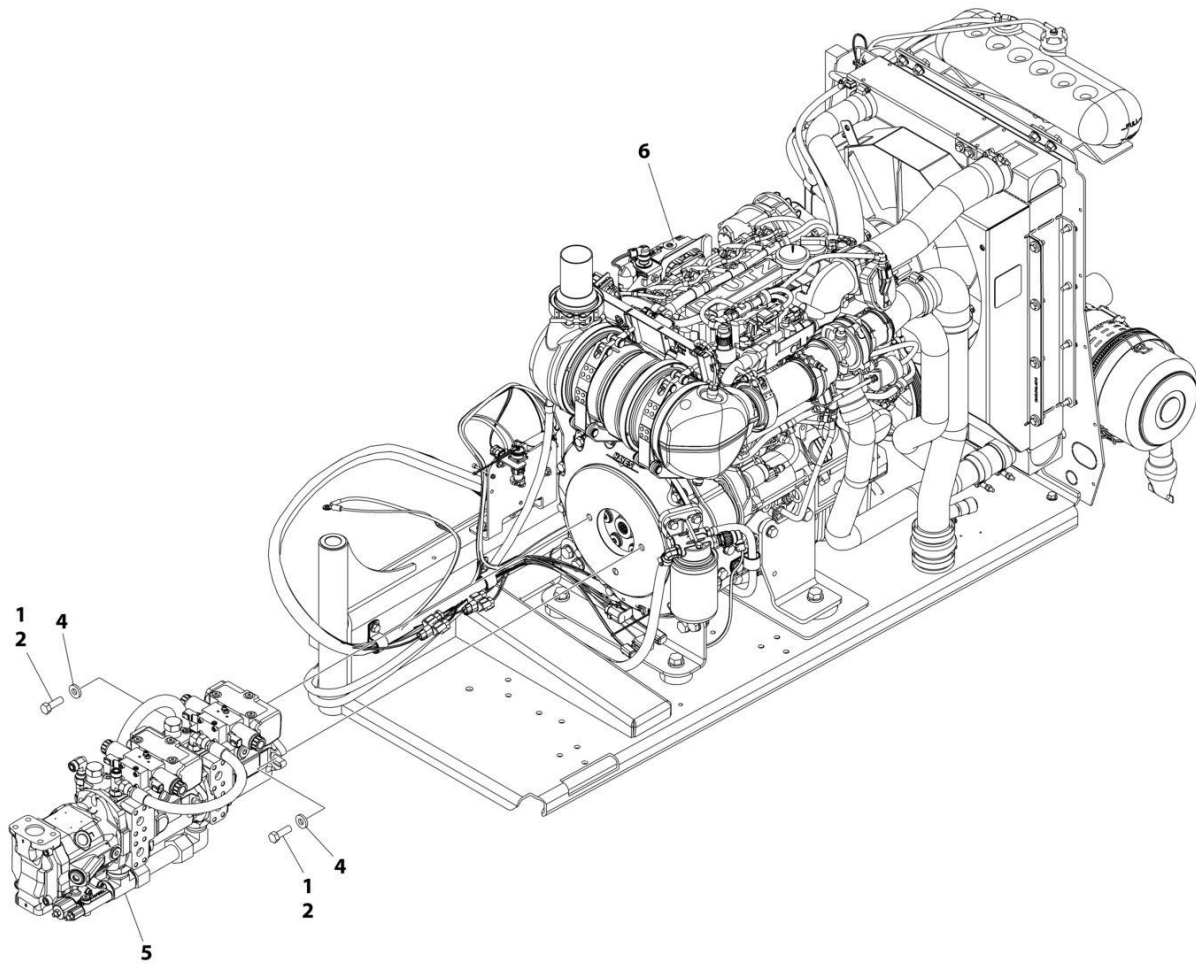
SECTION 3 - ENGINE

FIGURE 3-52. DEUTZ TCD2.9L4 (STAGE V) ENGINE SUB-ASSEMBLY - WITH SAUER PUMP AND ABS HOODS (WITHOUT COLD WEATHER PLUS PACKAGE) (PVC2007)

ITEM	PART NUMBER	QTY	DESCRIPTION	REV
	1001235150	Ref	DEUTZ TCD2.9L4 (STAGE V) ENGINE SUB-ASSEMBLY	Q
1	0100011	AR	Compound, Locking	
2	0641608	2	Bolt 3/8 x 1	
3	0641812	2	Bolt 1/2 x 1-1/2	
3	0641814	2	Bolt 1/2 x 1-3/4	
4	0761215	2	Bolt M12 x 35	
6	3790152	1	O-Ring	
7	3790155	1	O-Ring	
8	4891600	2	Washer 3/8	
9	4891800	4	Washer 1/2	
10	1001108616	1	Pump Assembly - Sauer Tandem (See Separate Breakdown in this Section)	
11	1001112927	1	Pump Assembly - Sauer Gear (See Separate Breakdown in this Section)	
12	1001171095	1	Pump Assembly - Sauer Piston (See Separate Breakdown in this Section)	
13	1001235151	1	Engine Assembly (See Separate Breakdown in this Section)	

SECTION 3 - ENGINE

FIGURE 3-53. DEUTZ TCD2.9L4 (STAGE V) ENGINE SUB-ASSEMBLY - WITH REXROTH PUMP AND ABS HOODS (WITHOUT COLD WEATHER PLUS PACKAGE) (PVC2007)



ART_1001235149

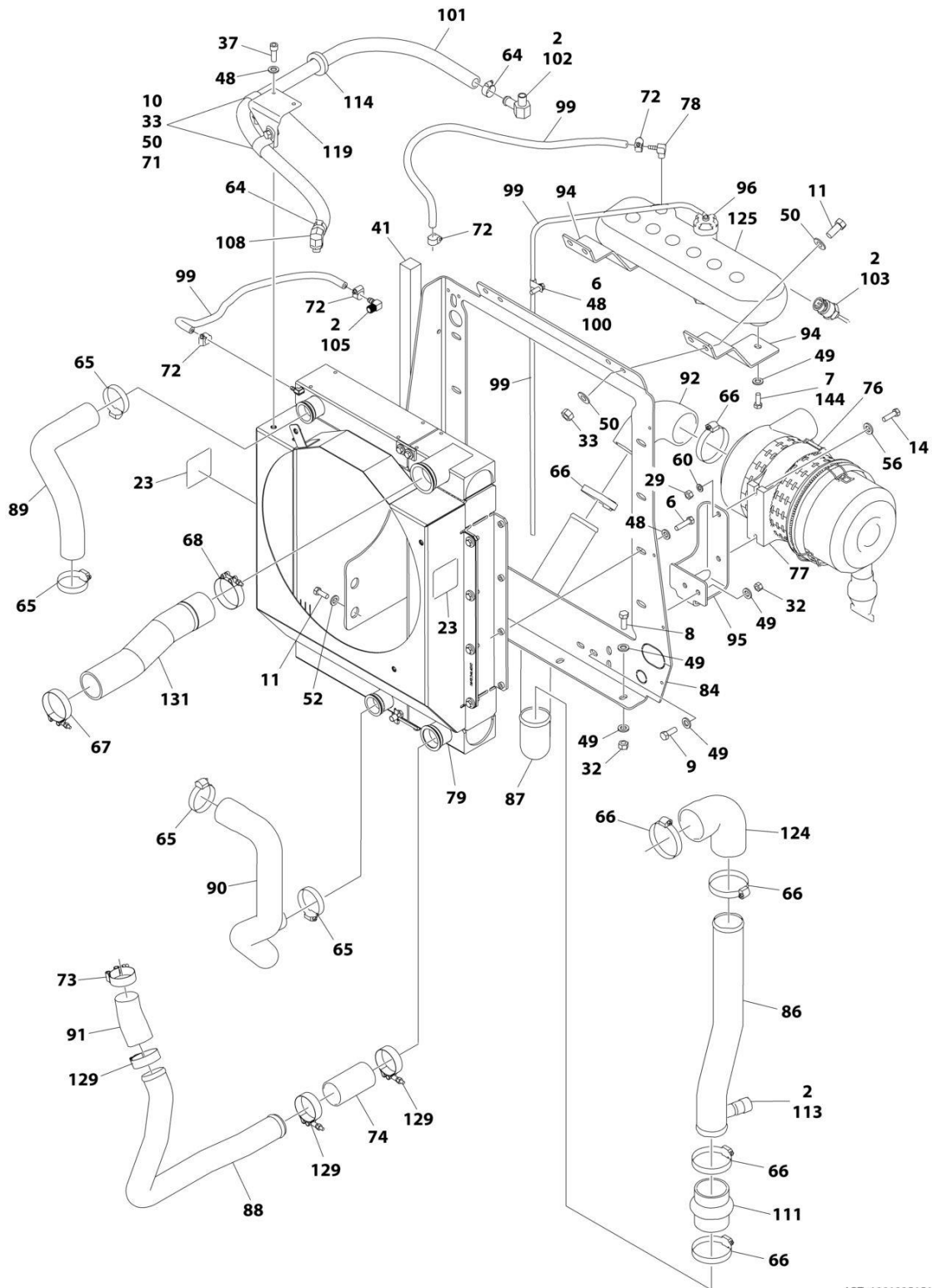
SECTION 3 - ENGINE

FIGURE 3-53. DEUTZ TCD2.9L4 (STAGE V) ENGINE SUB-ASSEMBLY - WITH REXROTH PUMP AND ABS HOODS (WITHOUT COLD WEATHER PLUS PACKAGE) (PVC2007)

ITEM	PART NUMBER	QTY	DESCRIPTION	REV
	1001235149	Ref	DEUTZ TCD2.9L4 (STAGE V) ENGINE SUB-ASSEMBLY	Q
1	0100011	AR	Compound, Locking	
2	0641812	2	Bolt 1/2 x 1-1/2	
2	0641814	2	Bolt 1/2 x 1-3/4	
4	4891800	2	Washer 1/2	
5	1001152963	1	Pump Assembly - Rexroth (See Separate Breakdown in this Section)	
6	1001235151	1	Engine Assembly (See Separate Breakdown in this Section)	

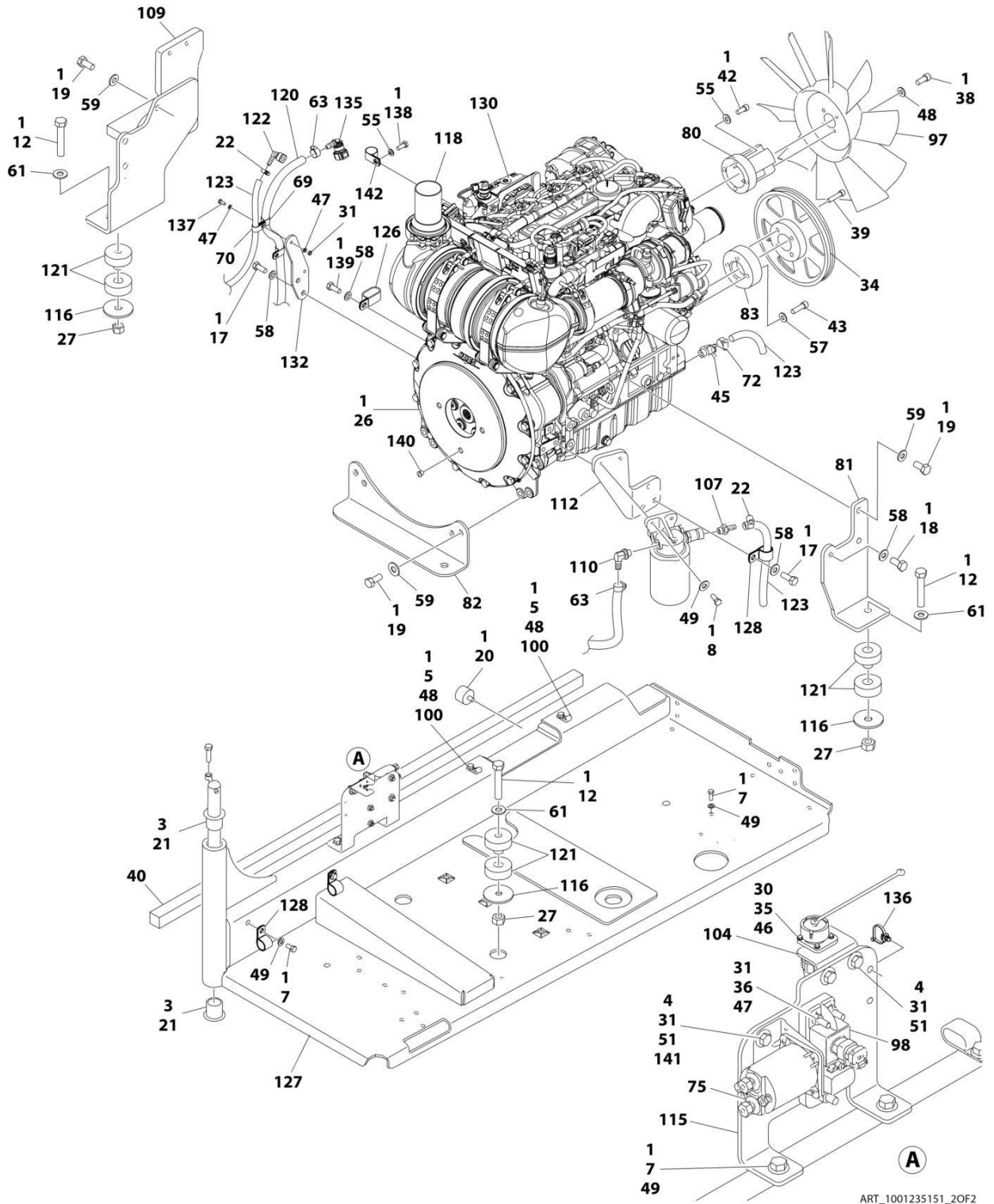
SECTION 3 - ENGINE

FIGURE 3-54. DEUTZ TCD2.9L4 (STAGE V) ENGINE ASSEMBLY (WITHOUT COLD WEATHER PLUS PACKAGE) (PVC2007)



ART_1001235151_10F2

SECTION 3 - ENGINE



ART_1001235151_20F2

SECTION 3 - ENGINE

FIGURE 3-54. DEUTZ TCD2.9L4 (STAGE V) ENGINE ASSEMBLY (WITHOUT COLD WEATHER PLUS PACKAGE) (PVC2007)

ITEM	PART NUMBER	QTY	DESCRIPTION	REV
	1001235151	Ref	DEUTZ TCD2.9L4 (STAGE V) ENGINE ASSEMBLY (WITHOUT COLD WEATHER PLUS PACKAGE)	K
1	0100011	AR	Compound, Locking	
2	0100020	AR	Sealant	
3	0100062	AR	Adhesive, Loctite #680	
4	0641406	4	Bolt 1/4 x 3/4	
5	0641503	3	Bolt 5/16 x 3/8	
6	0641508	8	Bolt 5/16 x 1-1/4	
7	0641606	7	Bolt 3/8 x 3/4	
8	0641608	9	Bolt 3/8 x 1	
9	0641610	2	Bolt 3/8 x 1-1/4	
10	0641706	2	Bolt 7/16 x 3/4	
11	0641708	6	Bolt 7/16 x 1	
12	0682028	4	Bolt 5/8 x 3-1/2 Grade 8	
14	0700815	2	Bolt M8 x 35	
17	0761214	5	Bolt M12 x 30	
18	0771212	1	Bolt M12 x 25 Grade 10.9	
19	0771414	9	Bolt M14 x 30 Grade 10.9	
20	0940070	1	Bumper	
21	0961986	2	Bushing, Flanged	
22	1320022	2	Clamp	
23	1703162	2	Decal - Fan	
26	2902065	1	Pump Coupling Kit (See Separate Breakdown in this Section)	
27	3272001	4	Nut 5/8 Grade 8	
29	3290801	2	Nut M8	
30	3310401	3	Nut #4	
31	3311405	7	Nut 1/4	
32	3311605	9	Nut 3/8	
33	3311705	5	Nut 7/16	
34	1001260432	1	Pulley	
35	3910408	3	Screw #4 x 1/2	
36	3931432	1	Capscrew 1/4 x 2	
37	3931508	2	Capscrew 5/16 x 1/2	
38	3931512	4	Capscrew 5/16 x 3/4	
39	1001261085	4	Screw M10	
40	3960543	1	Seal	
41	3960544	1	Seal	
42	4031914	4	Bolt M8 x 50	
43	1001261045	4	Screw M10	
44	4240099	AR	Tie-Strap (Not Shown)	
45	4640751	1	Valve, Oil Drain	
46	4710400	3	Washer #4	
47	4711400	5	Washer 1/4	
48	4711500	17	Washer 5/16	
49	4711600	27	Washer 3/8	
50	4711700	10	Washer 7/16	
51	4751400	8	Washer 1/4	
52	4751700	2	Washer 7/16	
54	4811700	4	Washer M6	

SECTION 3 - ENGINE

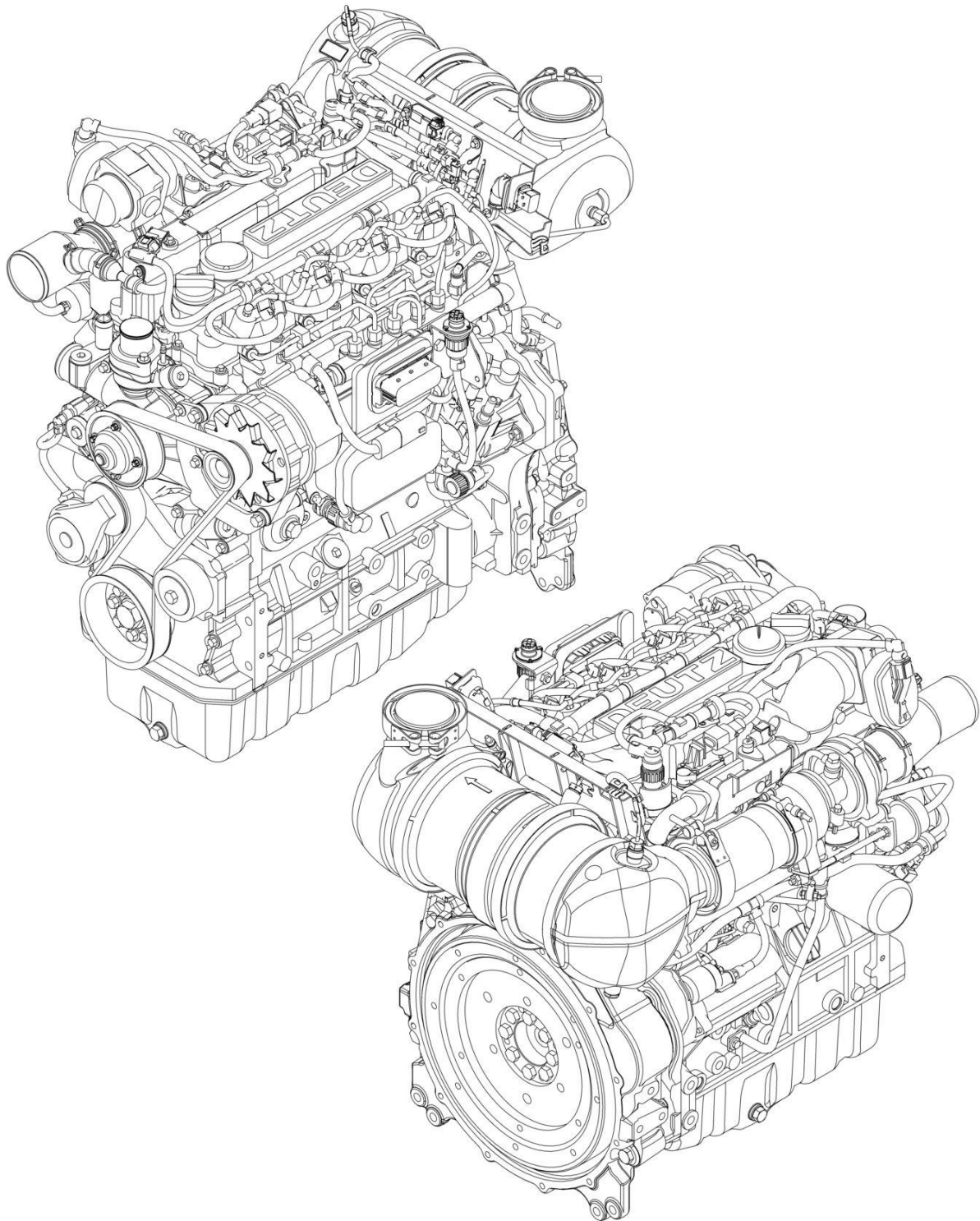
ITEM	PART NUMBER	QTY	DESCRIPTION	REV
55	4811900	5	Washer M8	
56	4811902	2	Washer M8	
57	4812000	4	Washer M10	
58	4812100	7	Washer M12	
59	4812200	9	Washer M14	
60	4831900	2	Washer M8	
61	4892000	4	Washer 5/8	
63	8405006	2	Clamp	
64	8405007	2	Clamp	
65	8405201	4	Clamp	
66	8405204	6	Clamp	
67	8405212	1	Clamp	
68	8405213	1	Clamp	
69	8406102	2	Clip	
70	8406112	1	Clip	
71	8406302	2	Clamp	
72	8405009	5	Clamp	
73	8410014	1	Clamp	
74	91563070	1	Coupling, Rubber	
75	1001117308	1	Relay	
76	1001133633	1	Air Cleaner Assembly	
76	70024190	1	Element, Air Filter	
77	1001133634	1	Clamp	
78	1001134488	1	Fitting, 90 Barbed	
79	1001135090	1	Radiator (AKG Brand)	
79	1001256864	1	Radiator (YMER Brand)	
80	1001135138	1	Spacer, Fan	
81	1001135560	1	Support, Engine	
82	1001135562	1	Support, Engine - Rear	
83	1001258800	1	Spacer, Pulley	
84	1001135680	1	Support, Radiator	
85	1001135779	1	Cable, Alternator Positive (Not Shown)	
86	1001135901	1	Pipe, Air Intake	
87	1001135903	1	Pipe, Air Intake	
88	1001135913	1	Pipe, Turbo to Air Cleaner	
89	1001135924	1	Hose, Radiator (Upper)	
90	1001135926	1	Pipe, Radiator (Lower)	
91	1001135943	1	Coupling, Rubber	
92	1001135946	1	Elbow, Rubber	
94	1001136626	2	Bracket	
95	1001136665	1	Bracket	
96	1001136834	1	Cap, Tank	
97	1001137276	1	Fan	
98	1001138228	1	Module, Power	
98	70023592	1	Fuse 20Amp (Switched Output)	
98	70023593	1	Fuse 30Amp (Battery Output)	
99	1001138248	8.6 ft/ 2.59 m	Tubing	
100	1001138253	5	Clamp	
101	1001138524	1	Hose	
102	1001138559	1	Fitting, 90	
103	1001138827	1	Sensor, Coolant Level	

SECTION 3 - ENGINE

ITEM	PART NUMBER	QTY	DESCRIPTION	REV
104	1001139240	1	Bracket	
105	1001140564	1	Fitting, 90 Barbed	
106	1001141304	1	Wire, Glow Plug (Not Shown)	
107	1001141717	1	Fitting, Straight	
108	1001141719	1	Fitting, 90 Barbed	
109	1001142398	1	Support, Engine	
110	1001142501	1	Fitting, 90 Barbed	
111	1001142637	1	Hose, Hump	
112	1001142685	1	Bracket	
113	1001143390	1	Indicator, Air Filter Service	
114	1001144089	1	Grommet	
115	1001145154	1	Plate, Mounting	
116	1001146219	4	Washer Special	
117	1001148843	1	Harness, Fuel Filter (Not Shown - See Separate Breakdown in ELECTRICAL Section)	
118	1001153024	1	Pipe, Exhaust	
119	1001153387	1	Plate	
120	1001154405	4.7 ft/ 1.44m	Hose	
121	1001155575	4	Mount, Motor	
122	1001155823	1	Coupling	
123	1001165035	30.5 ft/ 9.3m	Hose	
124	1001165820	1	Pipe, Elbow	
125	1001166393	1	Tank, Surge	
126	1001181899	1	Clamp	
127	1001191272	1	Tray	
128	1001191620	3	Clamp	
129	1001208299	3	Clamp	
130	1001232546	1	Engine, Deutz TCD2.9L4 (Stage V) Engine Components (See Separate Breakdown in this Section)	
131	1001233492	1	Hose	
132	1001235952	1	Bracket	
133	1001237285	1	Harness, Engine (Not Shown - See Separate Breakdown in ELECTRICAL Section)	
135	1001170982	1	Adapter	
136	1001146588	1	Strap	
137	0641407	2	Bolt 1/4 x 7/8	
138	0760808	1	Bolt M8 x 16	
139	0761212	1	Bolt M12 x 25	
140	3520054	1	Plug, Hole	
141	4791400	2	Starwasher 1/4	
142	8406201	1	Clip	
143	1001165101	1	Fuel Pump/Bracket Assembly (Not Shown - See Separate breakdown in this Section)	
144	1001180620	AR	Adhesive	

SECTION 3 - ENGINE

FIGURE 3-55. DEUTZ TCD2.9L4 (STAGE V) ENGINE COMPONENTS (PVC2007)



ART_1001232546

SECTION 3 - ENGINE

FIGURE 3-55. DEUTZ TCD2.9L4 (STAGE V) ENGINE COMPONENTS (PVC2007)

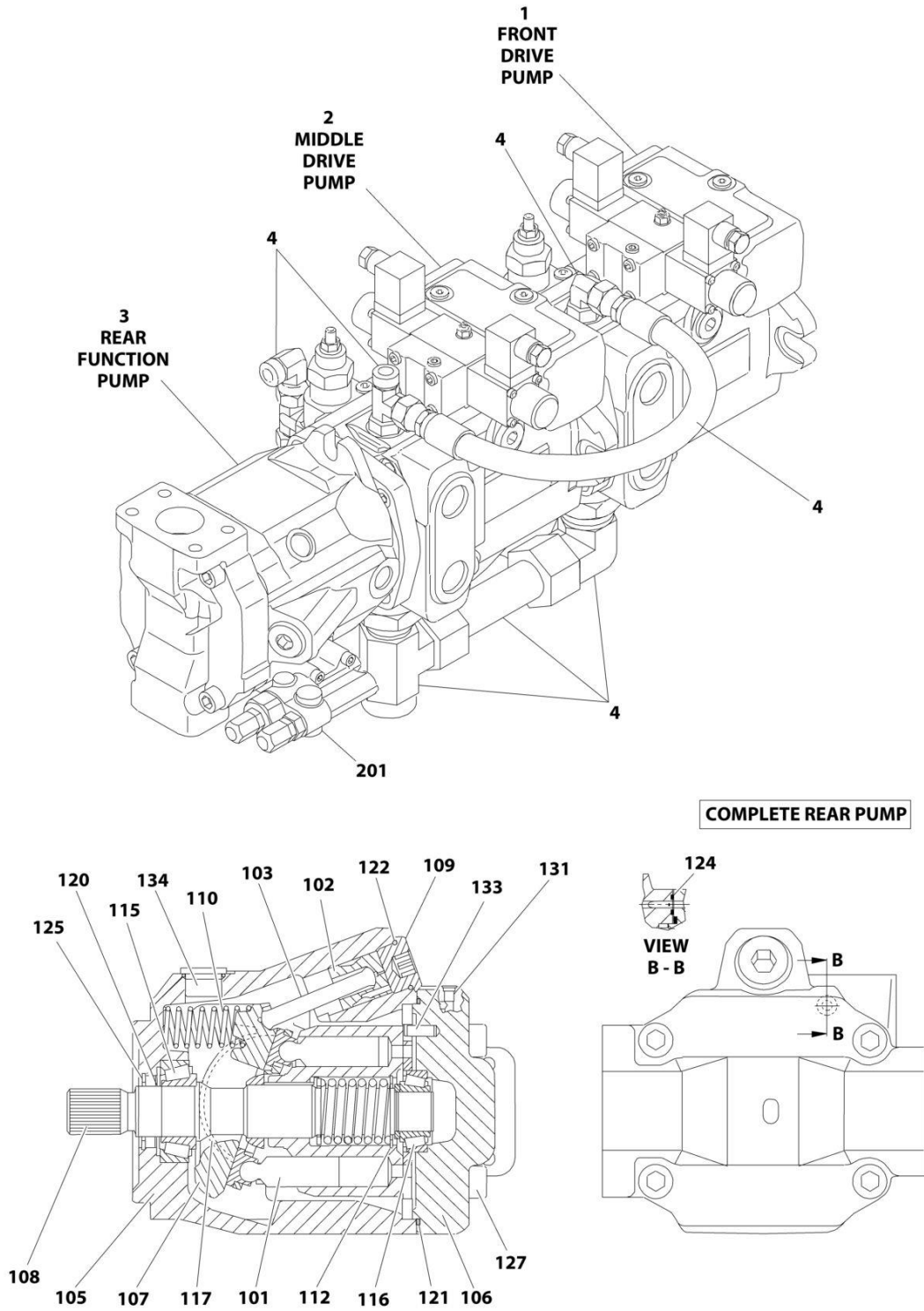
ITEM	PART NUMBER	QTY	DESCRIPTION	REV
	1001232546	Ref	DEUTZ ENGINE COMPONENTS	H
		Ref	Note: For complete list of parts, contact JLG Parts Department	
		Ref	Air Intake System Components	
	70004503	1	Turbocharger	
		Ref	Cooling System Components	
	70029581	1	Pump, Coolant (Includes Gasket & Seals)	
	70007603	1	Thermostat	
	70005184	1	O-Ring	
	70005931	1	Gasket	
	70025142	1	Cover	
		Ref	Electrical System Components	
		Ref	Module, ECU/ECM	
	70029401	1	Generator (Includes Controller, Fan & Hardware)	
	70024915	1	Starter (Includes Solenoid & Relay)	
	70026210	1	Sender, Tacho-Generator (Speed) (On Rear of Block) (Includes Seal)	
	70024916	1	Sender, Tacho-Generator (Speed) (On Cover) (Includes Seal)	
	70024918	1	Sender, Temperature (Includes Seal) (On Air Intake Manifold)	
	70024507	1	Sensor, Pressure (Includes Seal) (On Air Intake Manifold)	
	70024504	1	Sensor, Pressure (Includes Seal) (On Fuel Filter & Side of Block)	
		Ref	Sensor, Pressure (Includes Seal) (On Exhaust Manifold)	
		Ref	Sensor, Temperature (Includes Seal) (On Exhaust Manifold)	
	70000345	4	Plug, Glow	
		Ref	Exhaust System Components	
		Ref	Valve, EGR	
	70025130	8	Bolt, Exhaust Manifold	
	70025164	1	Gasket, Exhaust Manifold	
		Ref	Outlet, Muffler	
		Ref	Muffler	
		Ref	Bracket, Muffler Mounting	
	70004504	1	Compensator, Exhaust	
		Ref	Fuel System Components	
	70024924	1	Pump, High Pressure	
		Ref	Injector (Includes Sealing washer, Clamp & O-Ring)	
	70006144	1	Pump, Fuel Supply (Includes Clamps)	
	70024961	1	Filter, Fuel (Pre-Filter Assembly) (Includes Head, Spin on filter, Sensor Cable & Seal)	
	70025153	1	Filter, Fuel Spin On	
	70024513	1	Sensor Cable (Includes Seal)	
	70025160	1	Filter, Fuel (Assembly) (Includes Head & Spin on Filter)	
		Ref	Filter, Fuel Spin On	
	70004508	1	Vol. Control Valve (Includes O-Ring & Gasket)	
		Ref	Lubricating System Components	
	7020465	2	Cap, Oil Fill	
	70005941	2	Plug, Oil Drain	
	70005942	2	Seal, Oil Drain Plug	
	70005172	1	Pump, Oil (Includes Seal & Gasket)	
	7016331	1	Filter, Oil	
	70024494	1	Cooler, Oil	
	70024925	1	Gasket, Oil Cooler	

SECTION 3 - ENGINE

ITEM	PART NUMBER	QTY	DESCRIPTION	REV
	70024904	1	Dipstick (Includes Seal)	
		Ref	Mechanical Components	
	70001870	1	Flywheel (includes Gear)	
	70004277	1	V-Belt	
	70005938	1	Gasket Set - Complete	

SECTION 3 - ENGINE

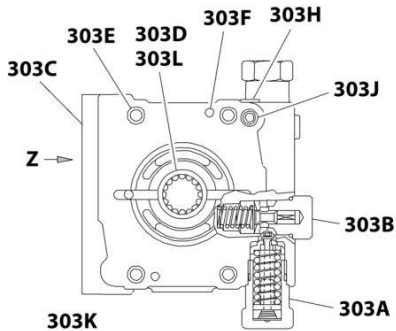
FIGURE 3-56. PUMP ASSEMBLY (REXROTH) (DEUTZ TD2011 ENGINES)



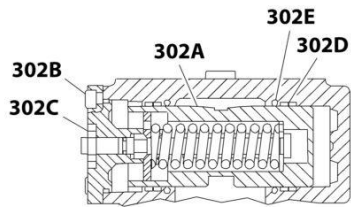
ART_3600339_10F2

SECTION 3 - ENGINE

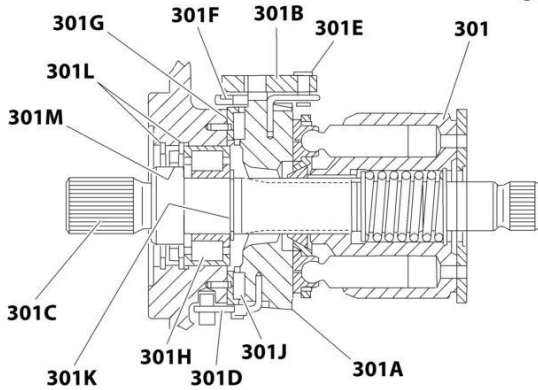
COMPLETE FRONT AND PUMPS



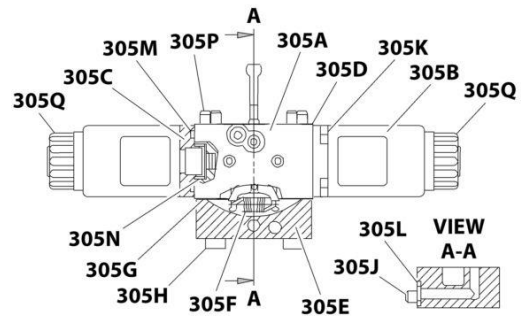
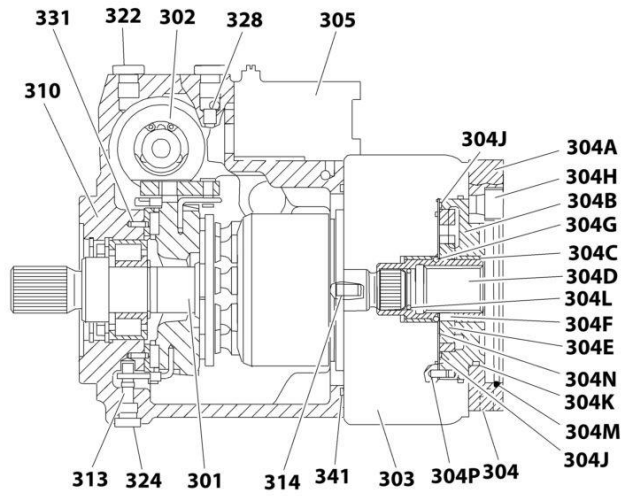
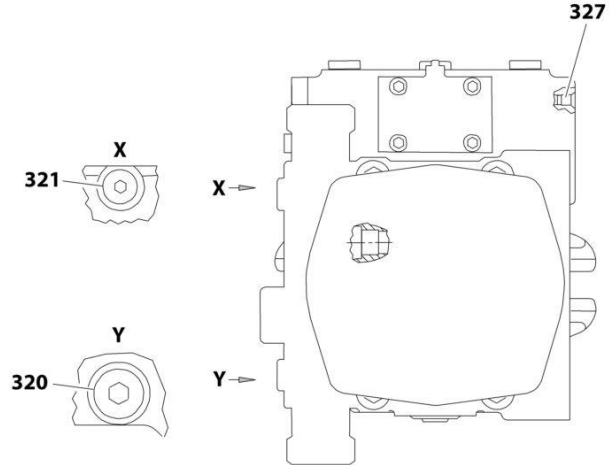
PORT PLATE SECTION FRONT AND MID PUMPS (DETAIL OF ITEM 303)



HYD. CONTROL FRONT AND MID PUMPS (DETAIL OF ITEM 302)



ROTARY GROUP FRONT AND MID PUMPS (DETAIL OF ITEM 301)



CONTROL MODULE FRONT AND MID PUMPS (DETAIL OF ITEM 305)

ART_3600339_20F2

SECTION 3 - ENGINE

FIGURE 3-56. PUMP ASSEMBLY (REXROTH) (DEUTZ TD2011 ENGINES)

ITEM	PART NUMBER	QTY	DESCRIPTION	REV
	3600339	Ref	PUMP ASSEMBLY (REXROTH) (DEUTZ TD2011 ENGINES)	D
1	7024042	1	Front Drive Pump Assembly (Includes Items 301-341)	
2	7024043	1	Middle Drive Pump Assembly (Includes Items 301-341)	
3	7024044	1	Rear Function Pump Assembly (Includes Items 101-201)	
4	70001952	1	Hydraulic Kit (Includes all Rexroth Supplied Hydraulic Fittings, Hoses and Tubes)	
	7024044	Ref	REAR FUNCTION PUMP ASSEMBLY	
101	7024914	1	Rotary Section	
102	See Note	1	Piston, Control (Note: Not Available - Purchase Complete Assembly)	
103	See Note	1	Rod, Piston (Note: Not Available - Purchase Complete Assembly)	
105	See Note	1	Housing, Pump (Note: Not Available - Purchase Complete Assembly)	
106	See Note	1	Plate, Port (Note: Not Available - Purchase Complete Assembly)	
107	7024915	1	Plate, Swash	
108	7024916	1	Driveshaft	
109	See Note	1	Plug (Note: Not Available for Purchase)	
110	See Note	1	Spring (Note: Not Available for Purchase)	
112	7012709	1	Shim	
115	7024038	1	Bearing, Roller	
116	7012706	1	Bearing, Roller	
117	7024917	2	Shell, Cradle	
120	7024918	1	Seal, Shaft	
121	7024919	1	O-Ring	
122	7024920	1	O-Ring	
124	7024921	1	Seal	
125	7012715	1	V-Ring	
127	See Note	4	Capscrew M12 x 45 Grade 10.9 (Note: Not Available for Purchase)	
131	See Note	1	Plug (Note: Not Available for Purchase)	
133	See Note	1	Pin, Dowel (Note: Not Available for Purchase)	
134	See Note	1	Plug (Note: Not Available for Purchase)	
201	7024913	Ref	Pilot Valve Assembly	
		Ref	Note: Two mounting designs of p/n 7024913 pilot valve exist. Early design uses qty. 3 O-rings. Late design uses qty 1 sealing plate. Seal designs cannot be interchanged. Verify seal design before ordering.	
201	7024922	3	O-Ring (Seals between Pilot Valve and Rear Pump)	
201	70021867	1	Plate, Sealing (Seals between Pilot Valve and Rear Pump)	
		Ref	FRONT DRIVE PUMP ASSEMBLIES	
	7024042	Ref	Front Drive Pump Assembly	
	7024043	Ref	Middle Drive Pump Assembly	
301	7024064	1	Rotary Group	
301A	See Note	NSS	Cradle (Note: Use Item 301)	
301B	See Note	NSS	Ring, Slide (Note: Use Item 301)	
301C	See Note	NSS	Driveshaft (Note: Use Item 301)	
301D	See Note	NSS	Wire (Note: Use Item 301)	
301E	See Note	NSS	Pin, Joint (Note: Use Item 301)	
301F	See Note	NSS	Wire (Note: Use Item 301)	
301G	See Note	NSS	Liner, Bearing (Note: Use Item 301)	
301H	See Note	NSS	Bearing, Roller (Note: Use Item 301)	
301J	See Note	NSS	Cradle Bearing Assembly (Note: Use Item 301)	

SECTION 3 - ENGINE

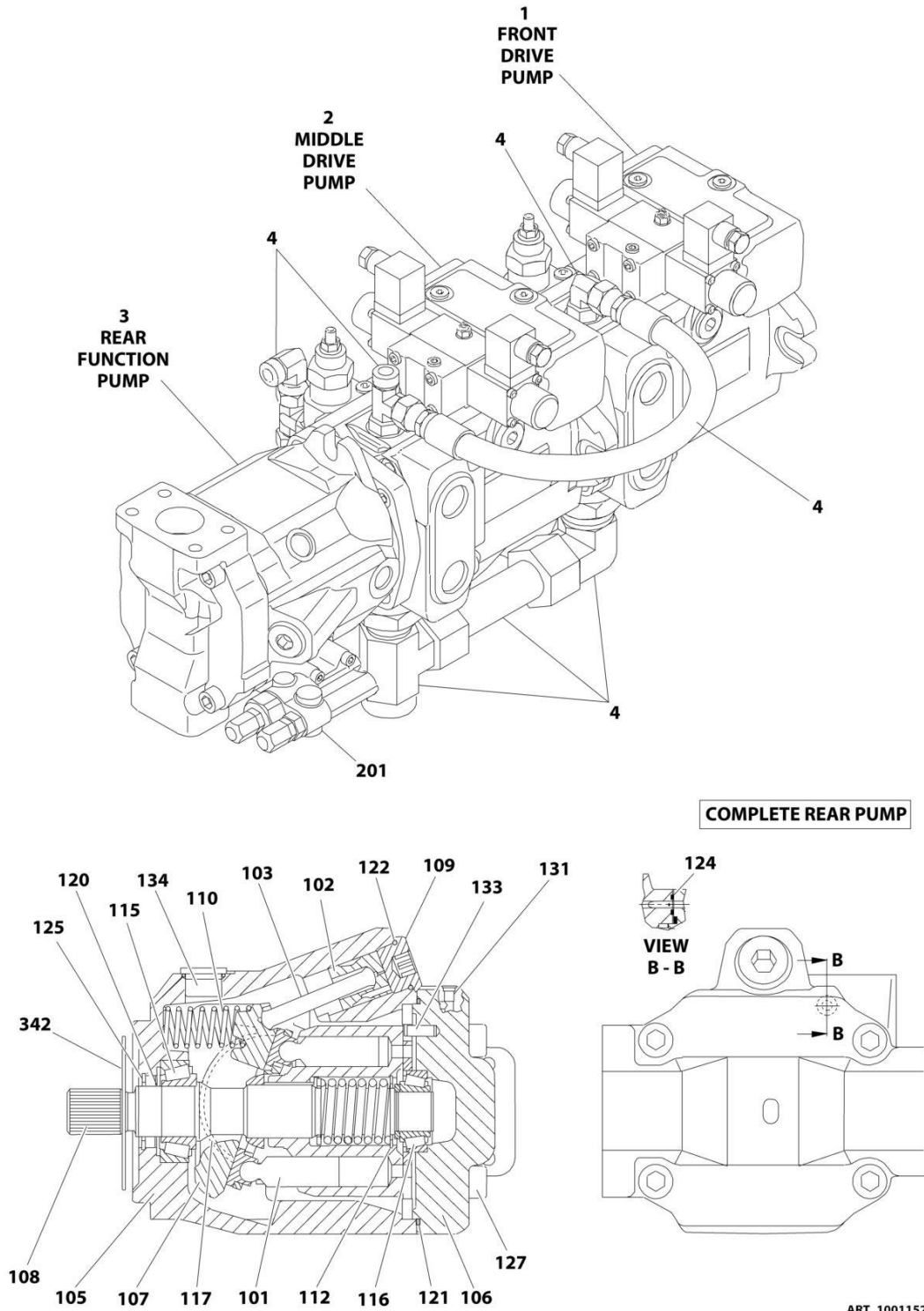
ITEM	PART NUMBER	QTY	DESCRIPTION	REV
301K	See Note	NSS	Ring, Retaining (Note: Use Item 301)	
301L	70001968	2	Ring, Retaining	
301M	7024070	1	Seal, Shaft Ring	
302	7024065	1	Control Group - Hydraulic	
302A	See Note	NSS	Piston, Positioning - Complete (Note: Use Item 302)	
302A	7024071	1	O-Ring, Outer Seal	
302A	7024072	1	O-Ring, Stem	
302B	See Note	4	Capscrew M6 x 12 (Note: Not Available - Purchase Locally)	
302C	See Note	NSS	Nut (Note: Use Item 302)	
302D	See Note	NSS	Ring, Guide (Note: Use Item 302)	
302E	See Note	NSS	Seal, O-Ring (Note: Use Item 302)	
303	7024911	1	Port Plate Group	
303A	7024073	2	Cartridge, Relief Valve (High Pressure)	
303A	7024075	1	O-Ring	
303A	7024076	1	Ring, Back-up	
303B		Ref	Cartridge Options:	
303B	7024097	1	Front Pump Cartridge (Lock Valve with Orifice) Note: Sold as an Assembly except Outer Seal.	
303B	7024075	1	O-Ring	
303B	7023881	1	Middle Pump Cartridge (Pressure Relief Valve) Note: Sold as an Assembly except Outer Seal.	
303B	7024077	1	O-Ring	
303C	See Note	NSS	Plate, Port (Note: Use Item 303)	
303D	See Note	NSS	Bushing, Bearing (Note: Use Item 303)	
303E	See Note	4	Capscrew M12 x 70 Grade10.9 (Note: Not Available - Purchase Locally)	
303F	See Note	NSS	Pin, Dowel (Note: Use Item 303)	
303G	See Note	NSS	Pin, Break-Off (Note: Use Item 303)	
303H	See Note	1	Screw, Locking M10 x 1 (Note: Not Available - Purchase Locally)	
303J	7024908	2	O-Ring	
303K	See Note	2	Screw, Locking 7/16 (Note: Not Available - Purchase Locally)	
303L	See Note	NSS	Bearing, Roller (Note: Use Item 303)	
304	7024906	1	Internal Gear Pump	
304A	See Note	NSS	Flange, Intermediate (Note: Use Item 304)	
304B	See Note	NSS	IZP-Housing (Note: Use Item 304)	
304C	See Note	NSS	Bushing, Bearing (Note: Use Item 304)	
304D	See Note	NSS	Coupling, Driveshaft Through (Note: Use Item 304)	
304E	See Note	NSS	Gear Set (Note: Use Item 304)	
304F	See Note	NSS	Key, Driveshaft (Note: Use Item 304)	
304G	See Note	NSS	Ring, Retaining (Note: Use Item 304)	
304H	See Note	4	Capscrew M10 x 20 (Note: Not Available - Purchase Locally)	
304J	7024080	2	Seal	
304K	7024081	1	O-Ring	
304L	See Note	NSS	Ring, Retaining (Note: Use Item 304)	
304M	See Note	NSS	O-Ring (Note: Use Item 304)	
304N	7024005	1	Plate, Wear	
304P	See Note	NSS	Pin, Cylinder (Note: Use Item 304)	
305	7024068	1	Control Module	
305A	7024084	1	Valve Body, Lever and Internal Components	
305B	7024083	2	Coil, Solenoid	
305C	See Note	NSS	Spacer, Coil (Note: Use Item 305)	

SECTION 3 - ENGINE

ITEM	PART NUMBER	QTY	DESCRIPTION	REV
305D	7024085	1	Gasket	
305E	See Note	NSS	Cover (Note: Use Item 305)	
305F	See Note	NSS	Spring, Draw (Note: Use Item 305)	
305G	See Note	NSS	Gasket (Note: Use Item 305)	
305H	See Note	4	Capscrew M6 x 65 (Note: Not Available - Purchase Locally)	
305J	See Note	1	Capscrew M6 x 45 (Note: Not Available - Purchase Locally)	
305K	See Note	8	Capscrew M5 x 10 (Note: Not Available - Purchase Locally)	
305L	7024087	1	O-Ring	
305M	7024088	2	O-Ring	
305N	7024089	2	Cup, Spring	
305P	See Note	NSS	Pin, Cylinder (Note: Use Item 305)	
305Q	70002569	2	Nut, Coil	
310	See Note	1	Housing (Note: Not Available for Purchase)	
313	See Note	2	Pin, Dowel (Note: Not Available for Purchase)	
314	See Note	1	Pin, Cylinder (Note: Not Available for Purchase)	
320	See Note	1	Screw 7/8 (Front Drive Pump Only) (Note: Not Available - Purchase Locally)	
321	See Note	1	Screw 9/16 (Note: Not Available - Purchase Locally)	
322	See Note	1	Screw 7/16 (Note: Not Available - Purchase Locally)	
324	See Note	1	Screw M10 x 1 (Note: Not Available - Purchase Locally)	
327	See Note	1	Pin, Double Break-Off (Note: Not Available for Purchase)	
328	7018936	2	Orifice	
331	See Note	2	Pin, Clamping (Note: Not Available for Purchase)	
341	7024069	1	O-Ring	

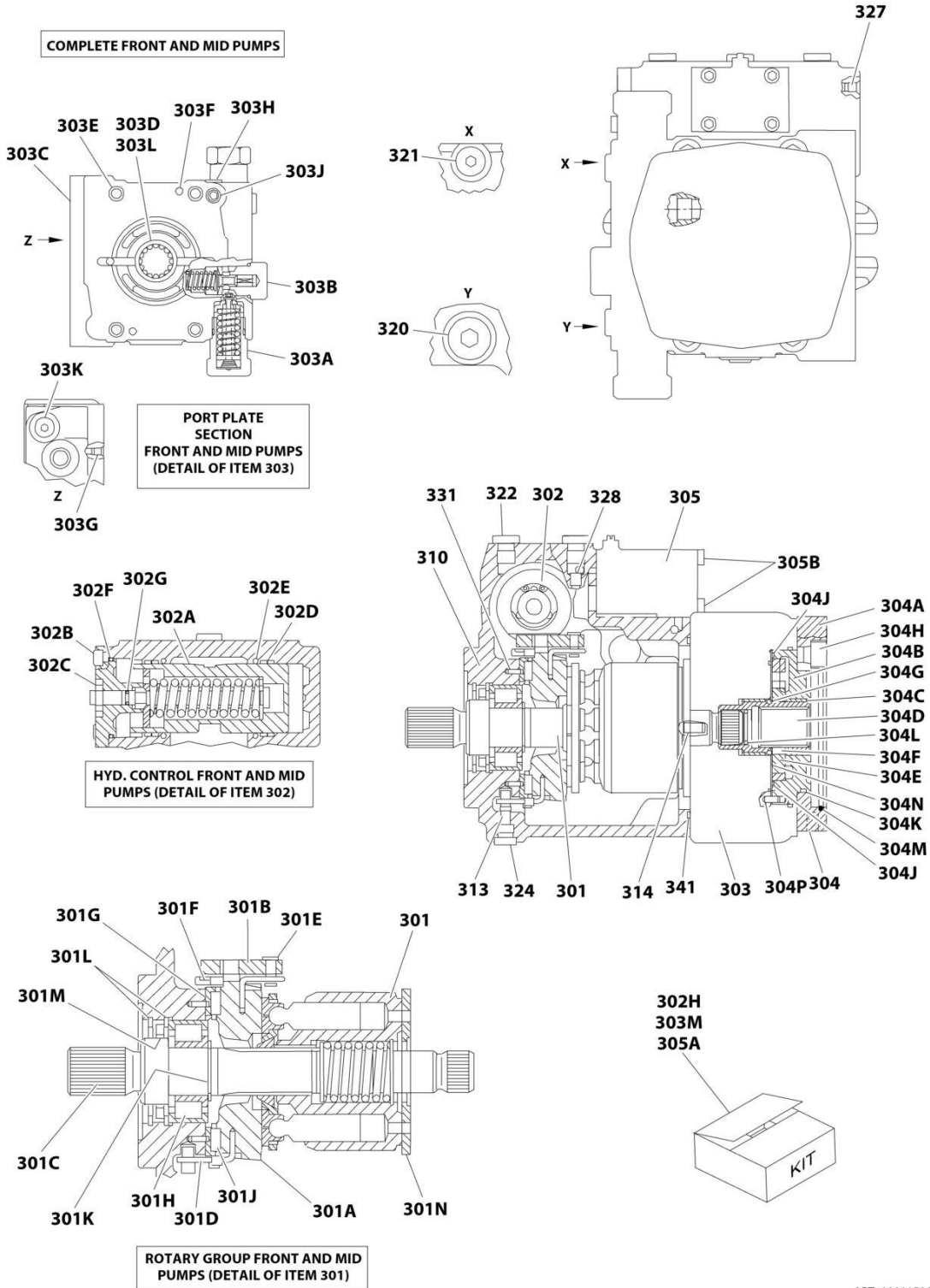
SECTION 3 - ENGINE

FIGURE 3-57. PUMP ASSEMBLY (REXROTH) (DEUTZ TCD2.9L4 ENGINES)



ART_1001152963_10F2

SECTION 3 - ENGINE



ART_1001152963_20F2

SECTION 3 - ENGINE

FIGURE 3-57. PUMP ASSEMBLY (REXROTH) (DEUTZ TCD2.9L4 ENGINES)

ITEM	PART NUMBER	QTY	DESCRIPTION	REV
	1001152963	Ref	PUMP ASSEMBLY (REXROTH) (DEUTZ TCD2.9L4 ENGINES)	C
1	70005480	1	Front Drive Pump Assembly Options (Includes Items 301-341)	
2	70005481	1	Middle Drive Pump Assembly (Includes Items 301-341)	
3	7024044	1	Rear Function Pump Assembly (Includes Items 101-201)	
4	See Note	NSS	Hydraulic Kit (Includes all Rexroth Supplied Hydraulic Fittings, Hoses and Tubes) (Note: Not Available for Purchase)	
	7024044	Ref	REAR FUNCTION PUMP ASSEMBLY	
101	70003173	1	Rotary Section	
102	See Note	1	Piston Control (Note: Not Available - Purchase Complete Assembly)	
103	See Note	1	Rod, Piston (Note: Not Available - Purchase Complete Assembly)	
105	See Note	1	Housing, Pump (Note: Not Available - Purchase Complete Assembly)	
106	See Note	1	Plate, Port (Note: Not Available - Purchase Complete Assembly)	
107	70003174	1	Plate, Swash	
108	70003175	1	Driveshaft	
109	See Note	1	Plug (Note: Not Available for Purchase)	
110	See Note	1	Spring (Note: Not Available for Purchase)	
112		Ref	Shim	
115	7024038	1	Bearing, Roller	
116	7012706	1	Bearing, Roller	
117	7024917	2	Shell, Cradle	
120	7024918	1	Seal, Shaft	
121	7024919	1	O-Ring	
122	7024920	1	O-Ring	
124	7024921	1	Seal	
125	70003177	1	V-Ring	
127	See Note	4	Capscrew M12 x 45 Grade 10.9 (Note: Not Available for Purchase)	
131	See Note	1	Plug (Note: Not Available for Purchase)	
133	See Note	1	Pin, Dowel (Note: Not Available for Purchase)	
134	See Note	1	Plug (Note: Not Available for Purchase)	
201	7024913	Ref	Pilot Valve Assembly	
		Ref	Note: Two mounting designs of p/n 7024913 pilot valve exist. Early design uses qty. 3 o-rings. Late design uses qty. 1 sealing plate. Seal designs cannot be interchanged. Verify seal design before ordering.	
201	7024922	3	O-Ring (Seals between Pilot Valve and Rear Pump)	
201	70021867	1	Plate, Sealing (Seals between Pilot Valve and Rear Pump)	
		Ref	FRONT DRIVE PUMP ASSEMBLIES	
	70005480	Ref	Front Drive Pump Assembly	
	70005481	Ref	Middle Drive Pump Assembly	
		Ref	Note: Service Parts not available at time of printing, call-out number on illustration for ref only.	
301	7024064	1	Rotary Group	
301A	See Note	NSS	Cradle (Note: Use Item 301)	
301B	See Note	NSS	Ring, Slide (Note: Use Item 301)	
301C	7023887	1	Driveshaft	
301D	See Note	NSS	Wire (Note: Use Item 301)	
301E	See Note	NSS	Pin, Joint (Note: Use Item 301)	
301F	See Note	NSS	Wire (Note: Use Item 301)	
301G	See Note	NSS	Liner, Bearing (Note: Use Item 301)	

SECTION 3 - ENGINE

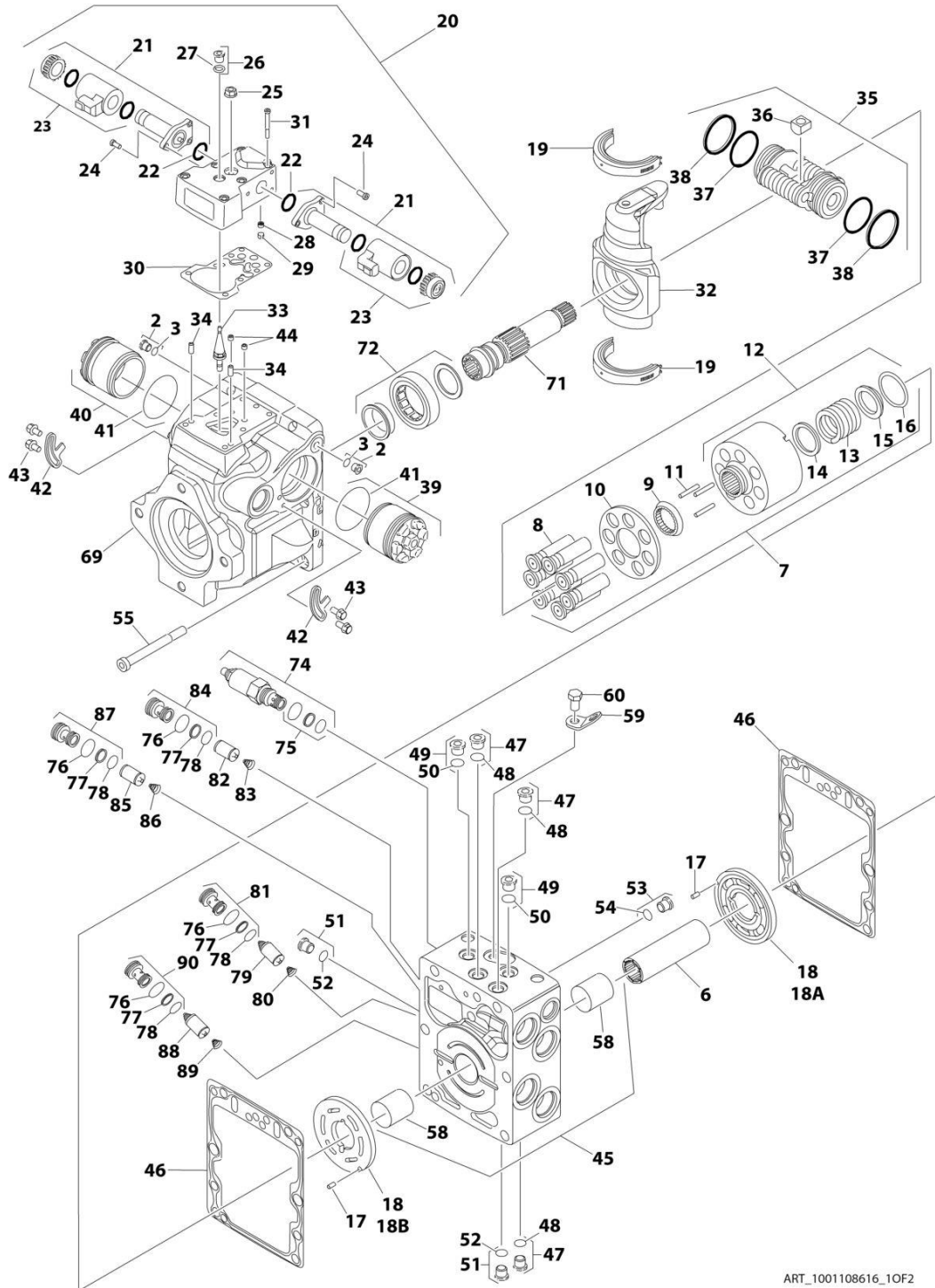
ITEM	PART NUMBER	QTY	DESCRIPTION	REV
301H	See Note	NSS	Bearing, Roller (Note: Use Item 301)	
301J	See Note	NSS	Cradle Bearing Assembly (Note: Use Item 301)	
301K	70001968	1	Ring, Retaining	
301L	See Note	NSS	Ring, Retaining (Note: Not Available for Purchase)	
301M	70003167	1	Seal, Shaft Ring	
301N	70000950	1	Plate	
302	7024065	1	Control Group - Hydraulic	
302A	See Note	NSS	Piston, Positioning - Complete (Note: Use Item 302)	
302A	See Note	NSS	O-Ring, Outer Seal (Note: Not Available for Purchase)	
302A	See Note	NSS	O-Ring, Stem (Note: Not Available for Purchase)	
302B	See Note	4	Capscrew M6 x 12 (Note: Not Available - Purchase Locally)	
302C	See Note	NSS	Nut (Note: Use Item 302)	
302D	See Note	NSS	Ring, Guide (Note: Use Item 302)	
302E	See Note	NSS	Seal, O-Ring (Note: Use Item 302)	
302F	7024071	1	O-Ring	
302G	7024072	1	O-Ring	
302H	7024006	1	Seal Kit - Control Section	
303	7024905	1	Port Plate Group (Front)	
303	7024911	1	Port Plate Group (Mid)	
303A	7024073	1	Cartridge, Relief Valve (High Pressure)	
303A	7024075	1	O-Ring	
303A	7024076	1	Ring, Back-up	
303B		Ref	Cartridge Options:	
303B	7024907	1	Front Pump Cartridge (Lock Valve With Orifice)	
303B	7024909	1	Screw, Locking	
303B	7024075	1	O-Ring	
303B	70020329	1	Middle Pump Cartridge (Pressure Relief Valve)	
303B	7024909	1	Screw, Locking	
303B	7024077	1	O-Ring	
303C	See Note	NSS	Plate, Port (Note: Use Item 303)	
303D	See Note	NSS	Bushing, Bearing (Note: Use Item 303)	
303E	See Note	4	Capscrew M12 x 70 Grade 10.9 (Note: Not Available - Purchase Locally)	
303F	See Note	NSS	Pin, Dowel (Note: Use Item 303)	
303G	70003340	1	Pin, Break-Off	
303H	See Note	1	Screw, Locking M10 x 1 (Note: Not Available - Purchase Locally)	
303J	7024908	1	O-Ring	
303K	See Note	2	Screw, Locking 7/16 (Note: Not Available - Purchase Locally)	
303L	See Note	NSS	Bearing, Roller (Note: Use Item 303)	
303M	7024006	1	Seal Kit - Port Plate Group	
304	7024906	1	Internal Gear Pump	
304A	See Note	NSS	Flange, Intermediate (Note: Use Item 304)	
304B	See Note	NSS	IZP-Housing (Note: Use Item 304)	
304C	See Note	NSS	Bushing, Bearing (Note: Use Item 304)	
304D	See Note	NSS	Coupling, Driveshaft Through (Note: Use Item 304)	
304E	7024078	1	Gear Set	
304F	7024079	1	Key, Driveshaft	
304G	80934174	1	Ring, Retaining	
304H	See Note	4	Capscrew M10 x 20 (Note: Not Available - Purchase Locally)	
304J	See Note	NSS	Seal (Note: Not Available for Purchase)	
304K	7024081	1	O-Ring	

SECTION 3 - ENGINE

ITEM	PART NUMBER	QTY	DESCRIPTION	REV
304L	See Note	NSS	Ring, Retaining (Note: Use Item 304)	
304M	See Note	NSS	O-Ring (Note: Use Item 304)	
304N	See Note	NSS	Plate, Wear (Note: Not Available for Purchase)	
304P	See Note	NSS	Pin, Cylinder (Note: Use Item 304)	
305	70003165	1	Control Module	
305	70003170	1	Coil, Solenoid	
305A	70020336	1	Seal Kit - Control Module	
305B	80934644	4	Capscrew	
310	See Note	1	Housing (Note: Not Available for Purchase)	
313	See Note	2	Pin, Dowel (Note: Not Available for Purchase)	
314	See Note	1	Pin, Cylinder (Note: Not Available for Purchase)	
320	7026980	1	Screw 7/8 (Front Drive Pump Only)	
321	80334079	1	Screw 9/16	
322	See Note	1	Screw 7/16 (Note: Not Available - Purchase Locally)	
324	See Note	1	Screw M10 x 1 (Note: Not Available - Purchase Locally)	
327	70003340	1	Pin, Double Break-Off	
328	7018936	1	Orifice	
331	7024096	2	Pin, Clamping	
341	7024069	1	O-Ring	
342	70007178	1	O-Ring	

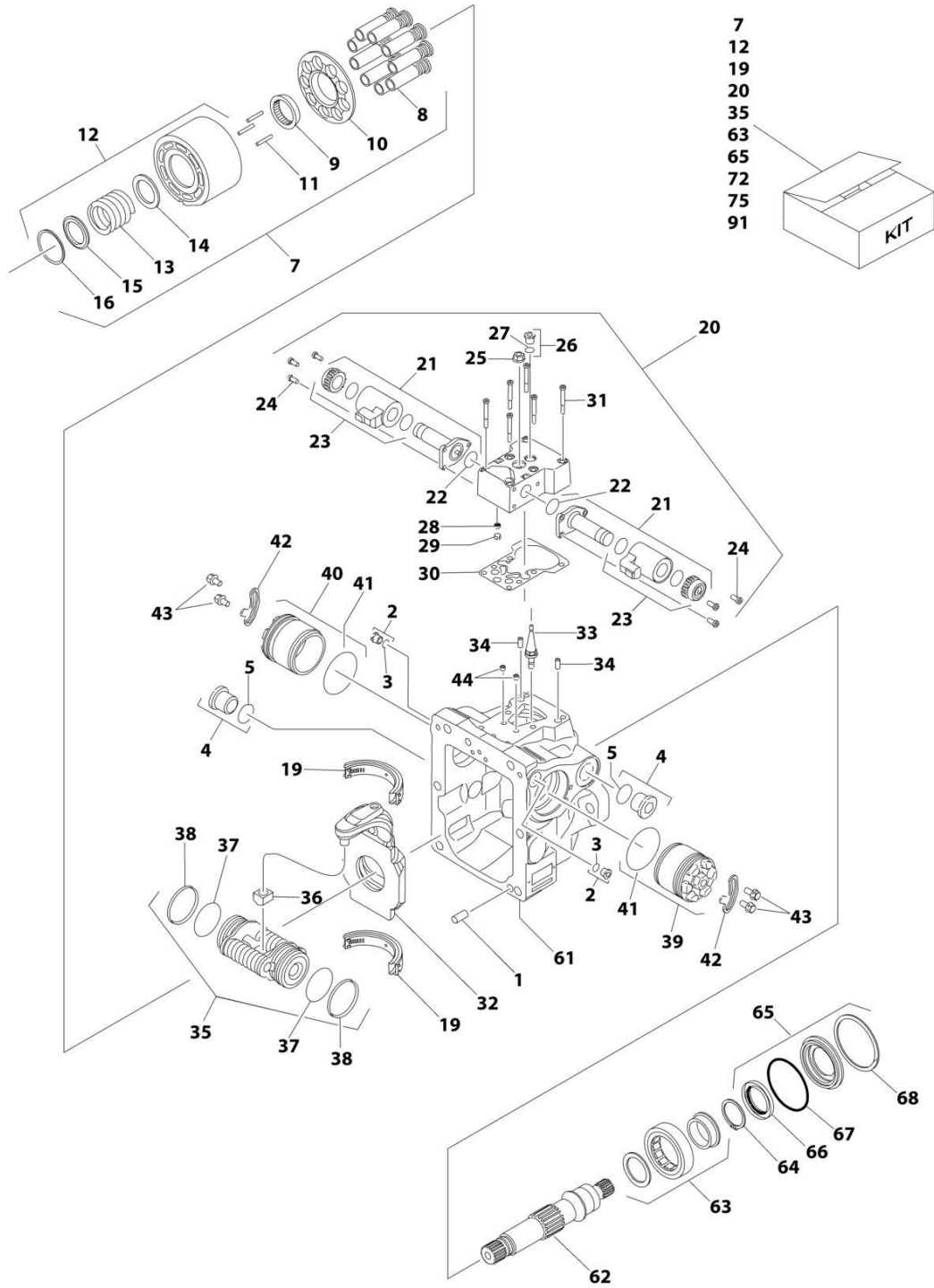
SECTION 3 - ENGINE

FIGURE 3-58. PUMP ASSEMBLY (SAUER TANDEM)



ART_1001108616_10F2

SECTION 3 - ENGINE



ART_1001108616_20F2

SECTION 3 - ENGINE

FIGURE 3-58. PUMP ASSEMBLY (SAUER TANDEM)

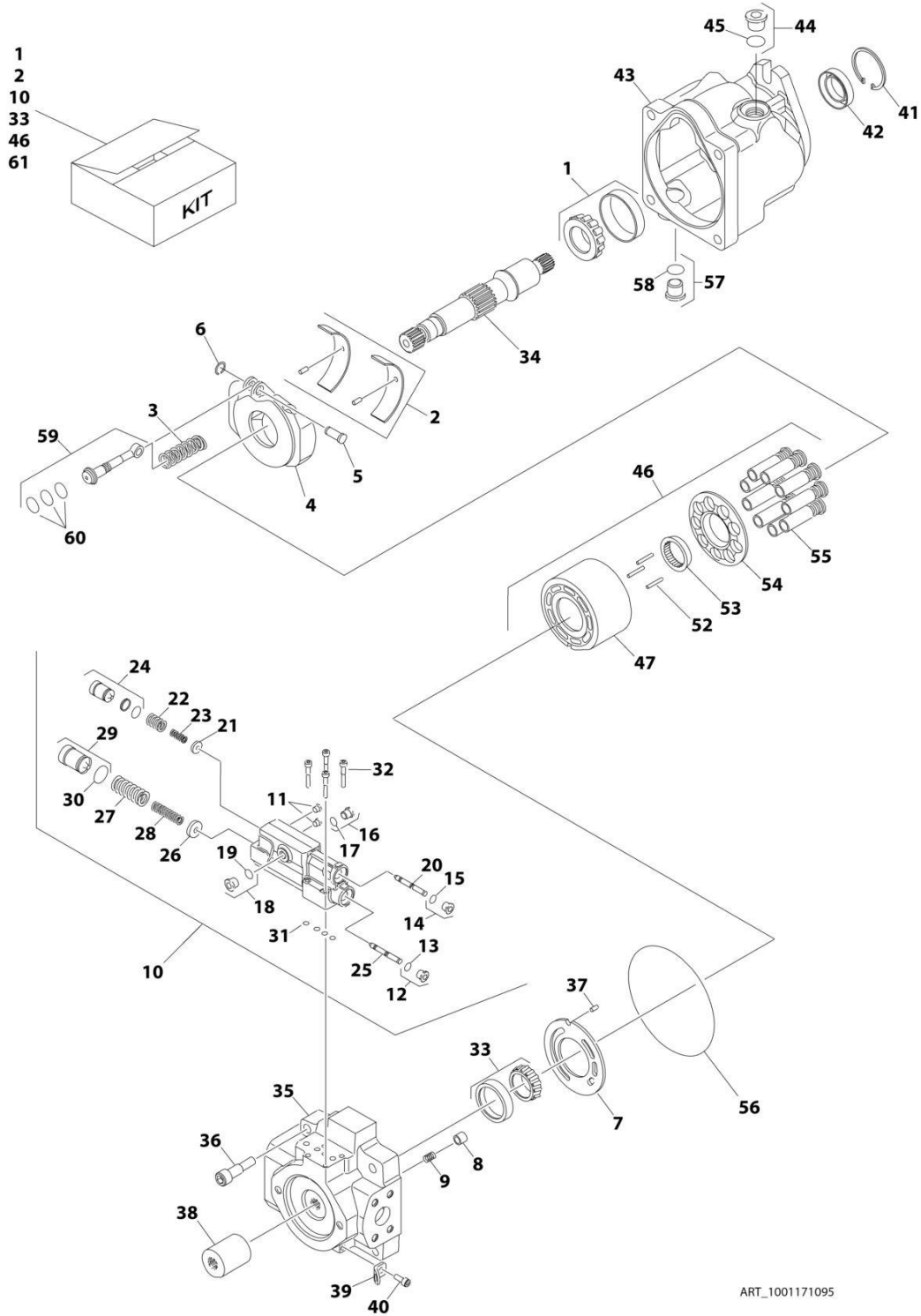
ITEM	PART NUMBER	QTY	DESCRIPTION	REV
	1001108616	Ref	PUMP ASSEMBLY (SAUER TANDEM)	D
1	70002132	4	Pin	
2	70002133	4	Plug Assembly (Includes Item 3)	
3	7007207	4	O-Ring (Part of Item 2)	
4	7007419	2	Plug Assembly (Includes Item 5)	
5	7007418	2	O-Ring (Part of Item 4)	
6	70002600	1	Coupling	
7	70002135	2	Cylinder Block Kit (Each Kit Includes Qty 1 of Items 8-10 & 12-16 & Qty 3 of Item 11)	
8	70002136	2	Piston Assembly Kit (Includes Qty 9 Piston Assemblies) (Part of Item 7)	
9	70002137	2	Guide, Slipper Retainer (Part of Item 7)	
10	70002138	2	Retainer, Slipper (Part of Item 7)	
11	7021275	6	Pin, Slipper Retainer Holddown (Part of Item 7)	
12	70002135	2	Cylinder Block Assembly (Includes Qty 1 of Item 13-16) (Part of Item 7)	
13	70002139	2	Spring (Part of Item 12)	
14	70002140	2	Washer (Part of Item 12)	
15	70002141	2	Washer (Part of Item 12)	
16	70002142	2	Ring, Retaining (Part of Item 12)	
17	7007446	2	Pin	
18		Ref	Plate, Valve Options:	
18A	70002601	1	Plate, CW Valve	
18B	70002602	1	Plate, CCW Valve	
19	70002145	2	Swash Plate Bearing Kit (Includes Qty 2 Bearings)	
20	70002618	2	EDC Kit (Includes Items 21-31)	
21	70002619	4	Solenoid Valve Assembly (Includes Items 22 & 23) (Part of Item 20)	
22	70002148	4	O-Ring (2 Per EDC Assembly) (Part of Item 21)	
23	70002620	4	Coil, Nut and Seals Kit (2 Per EDC Assembly) (Part of Item 21)	
24	70002150	12	Screw (Part of Item 20)	
25	7022301	2	Nut, Seal (Part of Item 20)	
26	70002151	2	Plug Assembly (Part of Item 20) (Includes Item 27)	
27	7007207	2	O-Ring (Part of Item 26)	
28	70002134	2	Screen (Part of Item 20)	
29	70002153	2	Ring, Locking (Part of Item 20)	
30	70002154	2	Gasket, Control (Part of Item 20)	
31	70002156	12	Capscrew (Part of Item 20)	
32	70002152	2	Swash Plate	
33	70002155	2	Link, Swash Plate	
34	70002157	4	Pin, Dowel	
35	70002158	2	Servo Piston Assembly (Includes Items 36-38)	
36	70002159	2	Block, Slider (Part of Item 35)	
37	70002160	2	O-Ring (Part of Item 35)	
38	70002161	2	Ring, Piston (Part of Item 35)	
39	70002162	2	Cylinder, Servo	
40	70002162	2	Cylinder, Servo	
41	70002163	4	O-Ring	
42	70002164	4	Plate, Locking	
43	70002165	8	Screw	

SECTION 3 - ENGINE

ITEM	PART NUMBER	QTY	DESCRIPTION	REV
44	70002604	4	Orifice	
45	70002605	1	Center Section Assembly (Includes Item 58)	
46	70002168	2	Gasket, End Cap	
47	70001958	2	Plug Assembly (Includes Item 48)	
48	7021256	2	O-Ring (Part of Item 47)	
49	70001958	2	Plug Assembly (Includes Item 50)	
50	7021256	2	O-Ring (Part of Item 49)	
51	70001958	2	Plug Assembly (Includes Item 52)	
52	7021256	2	O-Ring (Part of Item 51)	
53	70001958	2	Plug Assembly (Includes Item 54)	
54	7021256	2	O-Ring (Part of Item 53)	
55	70002606	4	Capscrew	
58	70002607	2	Bearing, Journal (Part of Item 45)	
59	70002608	1	Bracket, Lifting	
60	70002609	1	Screw	
61	See Note	1	Housing (Note: Not Available for Purchase)	
62	70002175	1	Shaft	
63	70002610	1	Ball Bearing Kit	
	7007439	1	Ring, Retaining	
65	70002174	1	Shaft Seal Kit (Includes Items 66-68) (Note: This is a universal kit and will contain extra pieces that are not used on this pump assembly)	
66	70002177	1	Seal, Lip	
67	70002178	1	O-Ring	
68	70002179	1	Ring, Retaining	
69	See Note	1	Housing (Note: Not Available for Purchase)	
71	70002612	1	Shaft	
72	70002610	1	Ball Bearing Kit	
74	70002621	1	High Pressure Relief Valve Cartridge Assembly (Includes Item 75)	
75	70002622	1	Seal Kit - 70002621 Valve (Part of Item 74)	
76	7007415	1	O-Ring (Part of Items 81, 84, 87 & 90)	
77	7021293	1	Ring, Back-up (Part of Items 81, 84, 87 & 90)	
78	7022300	1	O-Ring (Part of Items 81, 84, 87 & 90)	
79	70002616	1	SCR Valve Assembly	
80	7024800	1	Spring	
81	7021265	1	Plug Assembly (Includes Qty 1 of Items 76-78)	
82	70002616	1	SCR Valve Assembly	
83	7024800	1	Spring	
84	7021265	1	Plug Assembly (Includes Qty 1 of Item 76-78)	
85	70002616	1	SCR Valve Assembly	
86	7024800	1	Spring	
87	70002617	1	Plug Assembly (Includes Qty 1 of Item 76-78)	
88	70002616	1	SCR Valve Assembly	
89	7024800	1	Spring	
90	7021265	1	Plug Assembly (Includes Qty 1 of Items 76-78)	
91	70002623	1	Overhaul Seal Kit (Includes Items 3, 5, 22, 27, 30, 37, 38, 41, 46, 48, 50, 52, 54, 66, 67, 75, 76, 77 & 78)	

SECTION 3 - ENGINE

FIGURE 3-59. PUMP ASSEMBLY (SAUER PISTON)



ART_1001171095

SECTION 3 - ENGINE

FIGURE 3-59. PUMP ASSEMBLY (SAUER PISTON)

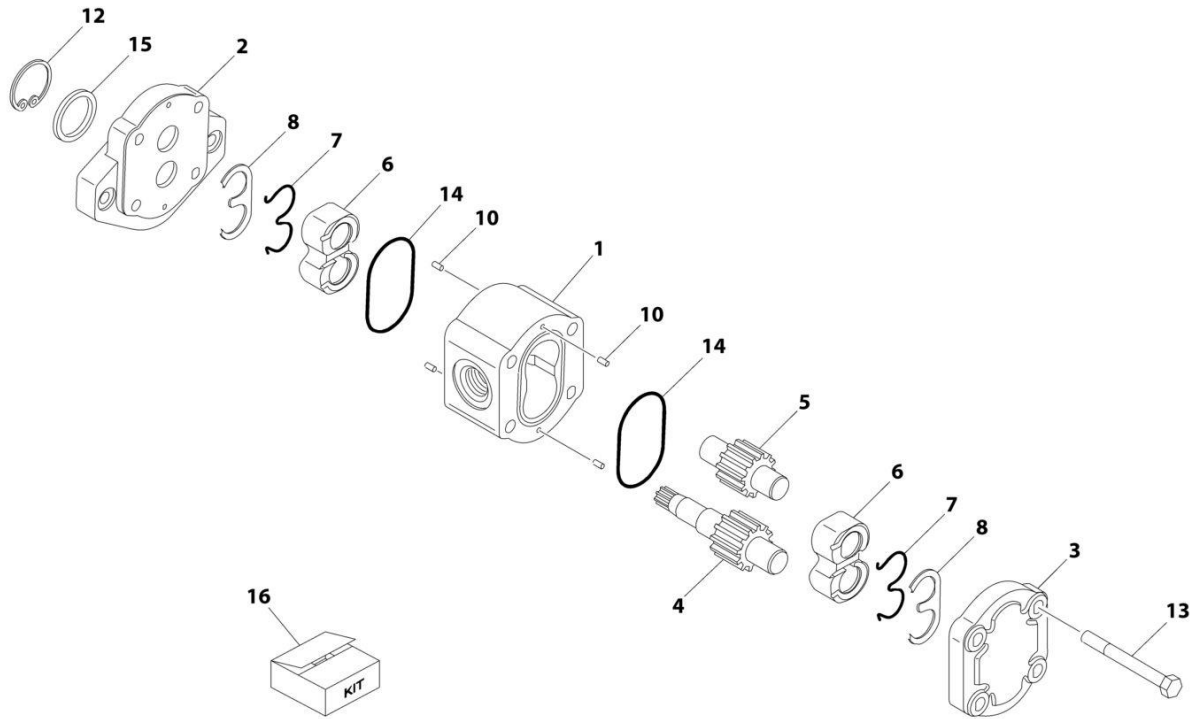
ITEM	PART NUMBER	QTY	DESCRIPTION	REV
	1001171095	Ref	PUMP ASSEMBLY (SAUER PISTON)	B
1	70002578	1	Bearing Kit - Front (Includes Cup and Cone)	
2	70004426	1	Swash Plate Bearing Kit (Includes Qty 2 Bearings and Retainer Pins)	
3	70002580	1	Spring, Bias	
4	70004416	1	Swash Plate Assembly	
5	70002582	1	Shaft	
6	70002583	1	Ring, Retaining	
7	70004417	1	Plate, Valve	
8	70001956	1	Poppet, Check Valve	
9	70001955	1	Spring	
10	70022286	1	Control Kit (Includes Items 11-32)	
11	See Note	NSS	Setscrew (Note: Use Item 10)	
12	70002133	1	Plug Assembly (Includes Item 13)	
13	7007207	1	O-Ring (Part of Item 12)	
14	70002133	1	Plug Assembly (Part of Item 15)	
15	7007207	1	O-Ring (Part of Item 14)	
16	70002133	1	Plug Assembly (Includes Item 17)	
17	7007207	1	O-Ring (Part of Item 16)	
18	70002133	1	Plug Assembly (Includes Item 19)	
19	7007207	1	O-Ring (Part of Item 18)	
20	See Note	NSS	Spool (Note: Use Item 10)	
21	See Note	NSS	Guide, Spring LS (Note: Use Item 10)	
22	See Note	NSS	Spring, Outer LS (Note: Use Item 10)	
23	See Note	NSS	Spring, Inner LS (Note: Use Item 10)	
24	See Note	NSS	Plug, Adjusting LS (Note: Use Item 10 or 61)	
25	See Note	NSS	Spool, Control (Note: Use Item 10)	
26	See Note	NSS	Guide, Spring PC (Note: Use Item 10)	
27	See Note	NSS	Spring, Outer PC (Note: Use Item 10)	
28	See Note	NSS	Spring, Inner PC (Note: Use Item 10)	
29	See Note	NSS	Plug, Adjusting PC (Note: Use Item 10)	
30	See Note	NSS	O-Ring (Note: Use Item 10 or 61)	
31	See Note	NSS	Ring, Seal (Note: Use Item 10 or 61)	
32	See Note	NSS	Capscrew (Note: Use Item 10)	
33	70002585	1	Bearing Kit - Rear (Includes Cup and Cone)	
34	70002586	1	Shaft	
35	70004420	1	Cap, End	
36	70002588	4	Capscrew	
37	7007446	1	Pin, Slotted	
38	70002589	1	Coupling	
39	7022340	1	Bracket, Lifting	
40	70002590	1	Capscrew	
41	7023962	1	Ring, Retaining	
42	See Note	NSS	Seal, Lip (Note: Use Item 61)	
43	See Note	NSS	Housing (Note: Not Available for Purchase)	
44	7023964	1	Plug Assembly (Includes Item 45)	
45	7007415	1	O-Ring (Part of Item 44)	
46	70004423	1	Cylinder Block Kit (Includes Items 47-55)	
47	70004421	1	Cylinder	
52	7021275	3	Pin, Hold-down	

SECTION 3 - ENGINE

ITEM	PART NUMBER	QTY	DESCRIPTION	REV
53	70002592	1	Guide, Slipper Retainer	
54	70002593	1	Retainer, Slipper	
55	70004422	1	Piston Assembly	
56	See Note	NSS	Seal, End Cap (Note: Use Item 61)	
57	7023964	1	Plug, O-Ring (Includes Item 58)	
58	7007415	1	O-Ring (Part of Item 57)	
59	70005418	1	Servo Piston Assembly (Includes Item 60)	
60	See Note	NSS	Ring, Piston (Part of Item 59) (Note: Use Item 61)	
61	70002599	1	Complete Seal Kit (Includes Items 13, 15, 17, 19, 24, 30, 31, 42, 45, 56, 58 & 60)	

SECTION 3 - ENGINE

FIGURE 3-60. PUMP ASSEMBLY (SAUER GEAR)



ART_1001112927

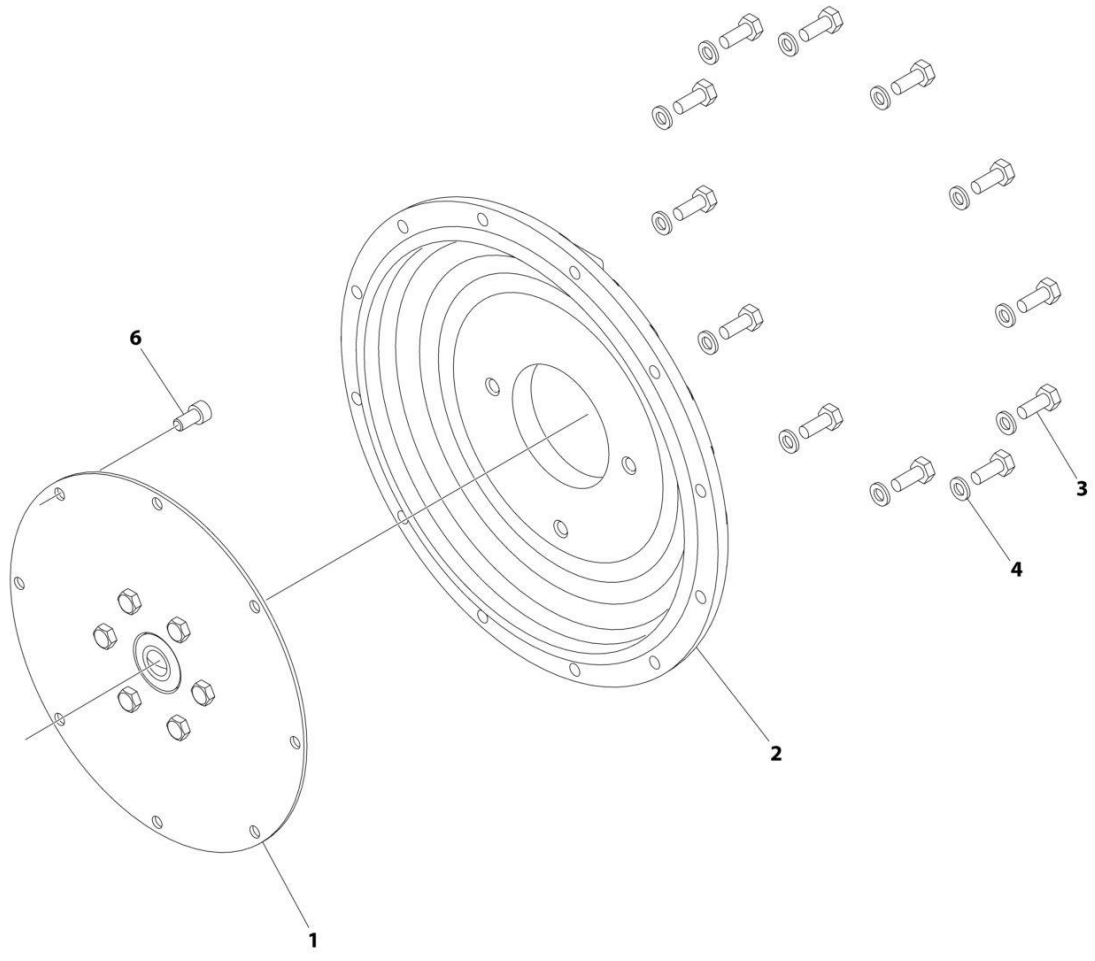
SECTION 3 - ENGINE

FIGURE 3-60. PUMP ASSEMBLY (SAUER GEAR)

ITEM	PART NUMBER	QTY	DESCRIPTION	REV
	1001112927	Ref	PUMP ASSEMBLY (SAUER GEAR)	A
1	See Note	NSS	Body (Note: Use p/n 1001112927)	
2	See Note	NSS	Cover, Front (Note: Use p/n 1001112927)	
3	See Note	NSS	Cover, Rear (Note: Use p/n 1001112927)	
4	See Note	NSS	Shaft, Gear (Note: Use p/n 1001112927)	
5	See Note	NSS	Gear, Idler (Note: Use p/n 1001112927)	
6	See Note	NSS	Block, Bearing (Note: Use p/n 1001112927)	
7	7007489	2	Ring, Anti-Extrusion	
8	7007489	2	Ring, Seal	
10	See Note	NSS	Pin, Dowel (Note: Use p/n 1001112927)	
12	70002576	1	Ring, Retaining	
13	See Note	NSS	Capscrew (Note: Use p/n 1001112927)	
14	7007489	2	O-Ring	
15	7007489	1	Seal, Lip	
16	7007489	1	Seal Kit - 1001112927 Pump (Includes Items 7, 8, 14 & 15)	

SECTION 3 - ENGINE

FIGURE 3-61. PUMP COUPLING KIT



ART_2902065

FIGURE 3-61. PUMP COUPLING KIT

ITEM	PART NUMBER	QTY	DESCRIPTION	REV
	2902065	Ref	PUMP COUPLING KIT	L
1	70000793	1	Coupling, Hayes	
2	See Note	NSS	Plate, Pump Adapter (Note: Use p/n 2902065)	
3	See Note	NSS	Bolt M10 x 30 Grade 10.9 (Note: Use p/n 2902065)	
4	See Note	NSS	Washer M10 (Note: Use p/n 2902065)	
6	See Note	NSS	Bolt M10 x 20 Grade 10.9 (Note: Use p/n 2902065)	

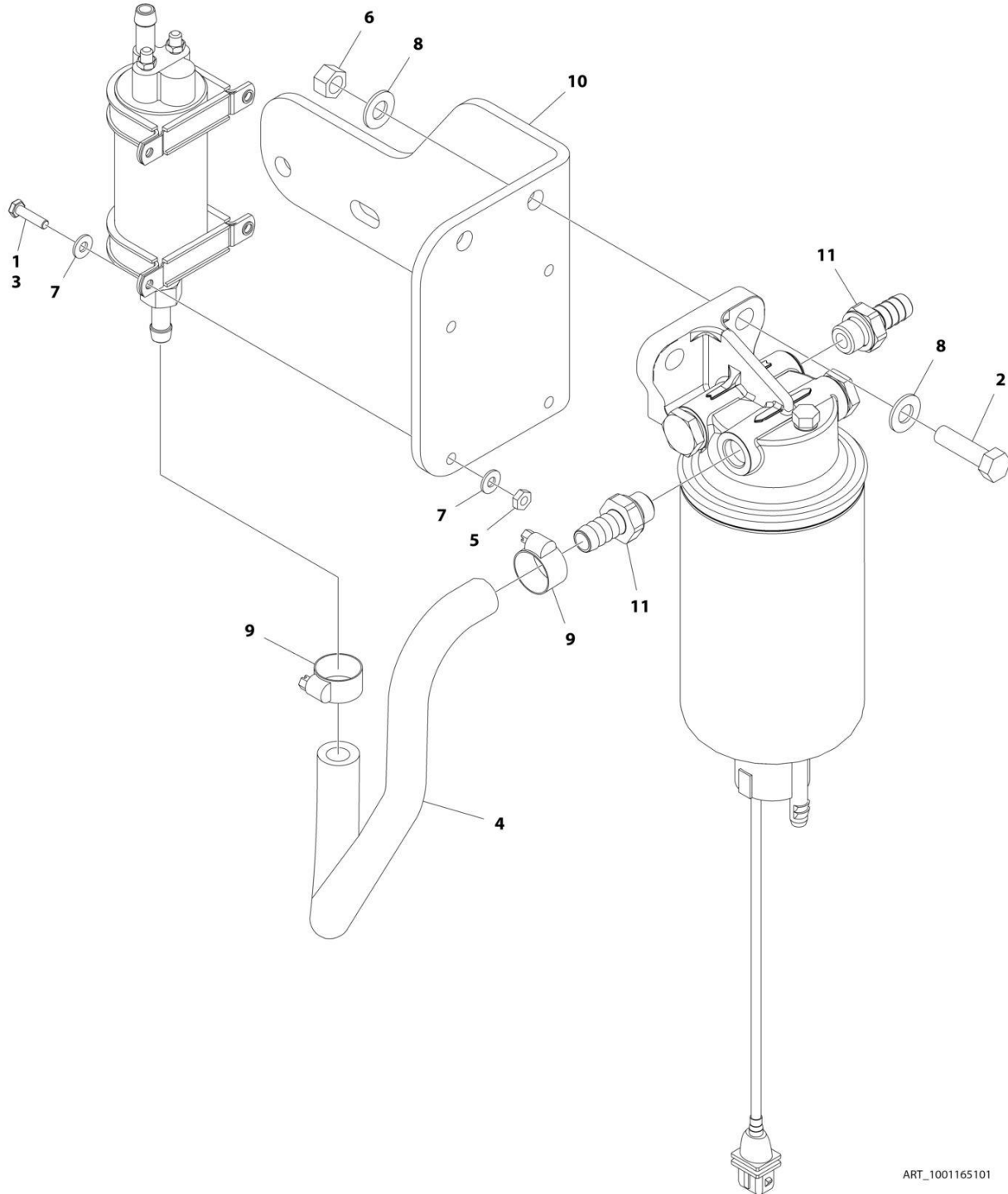
SECTION 3 - ENGINE

FIGURE 3-62. WATER/FUEL SEPARATOR INSTALLATION - DEUTZ TD2011 ENGINE

ITEM	PART NUMBER	QTY	DESCRIPTION	REV
	1001195214	Ref	WATER/FUEL SEPARATOR INSTALLATION - DEUTZ TD2011 ENGINE	A
1	0100079	AR	Sealant, Pipe	
2	0641610	4	Bolt 3/8 x 1-1/4	
3	0641612	2	Bolt 3/8 x 1-1/2	
4	1320022	2	Clamp	
5	2180348	1	Fitting, Barbed	
6	2220816	2	Fitting, Adapter FNPTF/ORB	
7	2720058	3.5 ft /1.1m	Hose	
8	3271601	2	Nut 3/8	
9	4711600	4	Washer 3/8	
10	4711700	4	Washer 7/16	
11	1001188884	1	Bracket, Water/Fuel	
12	1001188887	1	Filter Water/Fuel	
12	1001202280	1	Filter, Head	
12	1001202281	1	Filter, Element	
100	1001204159	1	Water/Separator Add-on Kit	

SECTION 3 - ENGINE

FIGURE 3-63. FUEL PUMP/FILTER BRACKET ASSEMBLY - DEUTZ TCD2.9L4 ENGINE AND DEUTZ TCD2.9L4 (STAGE V) ENGINE



ART_1001165101

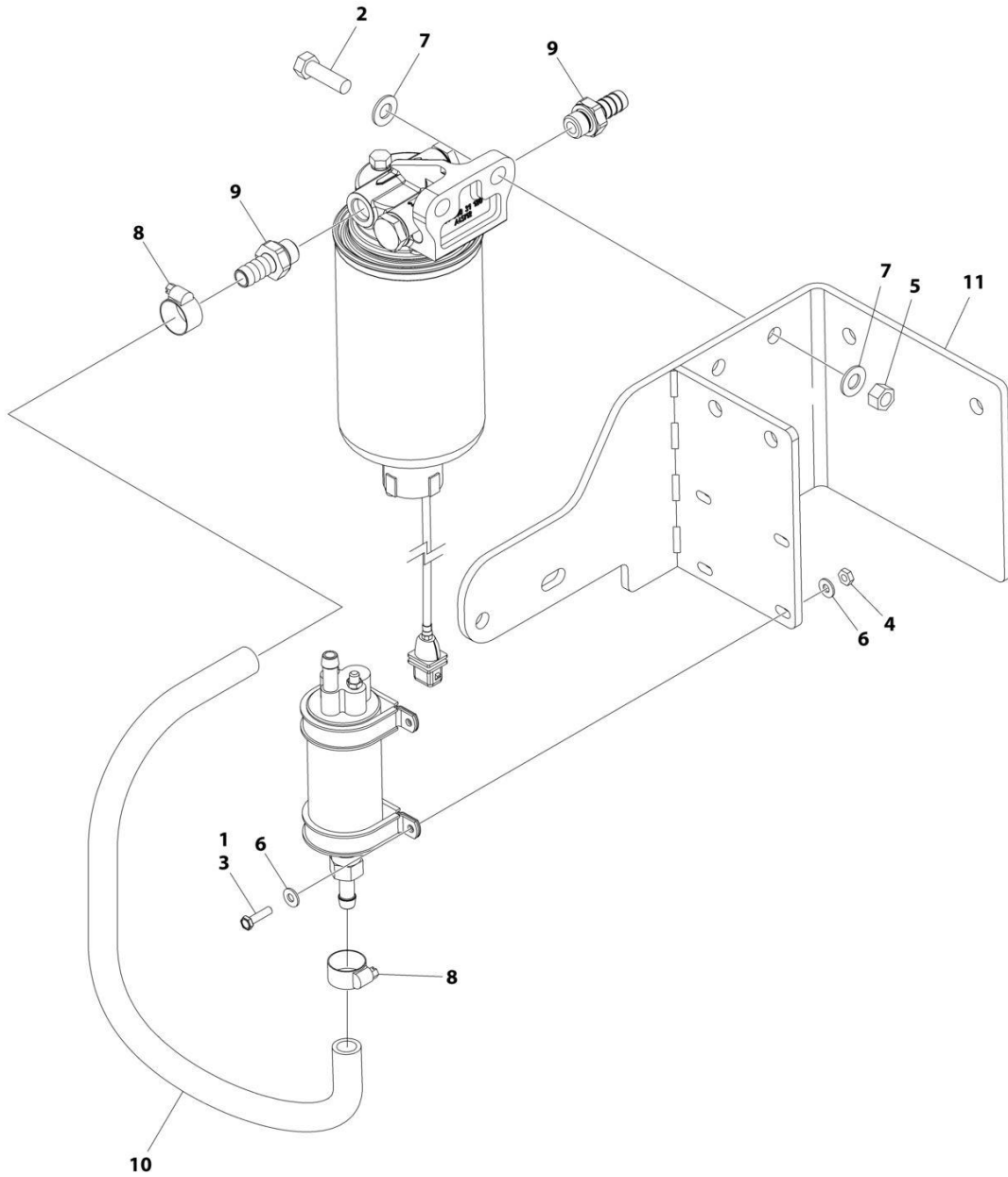
SECTION 3 - ENGINE

FIGURE 3-63. FUEL PUMP/FILTER BRACKET ASSEMBLY - DEUTZ TCD2.9L4 ENGINE AND DEUTZ TCD2.9L4 (STAGE V) ENGINE

ITEM	PART NUMBER	QTY	DESCRIPTION	REV
	1001165101	Ref	FUEL PUMP/FILTER BRACKET ASSEMBLY - DEUTZ TCD2.9L4 ENGINE AND DEUTZ TCD2.9L4 (STAGE V PRE-BUY) ENGINE	C
1	0100011	AR	Compound, Locking	
2	0641611	2	Bolt 3/8 x 1-3/8	
3	0721006	4	Bolt #10 x 3/4	
4	1001154405	1.5 ft /0.4m	Hose	
5	3311001	4	Nut #10	
6	3311605	2	Nut 3/8	
7	4711000	8	Washer #10	
8	4711600	4	Washer 3/8	
9	8405006	2	Clamp	
10	1001140222	1	Bracket, Fuel Pump Mounting	
11	1001141718	1	Fitting, Barbed	

SECTION 3 - ENGINE

FIGURE 3-64. FUEL PUMP/FILTER BRACKET ASSEMBLY - DEUTZ TD2.9L4 ENGINE (CHINA SPECS ONLY)



ART_1001227606

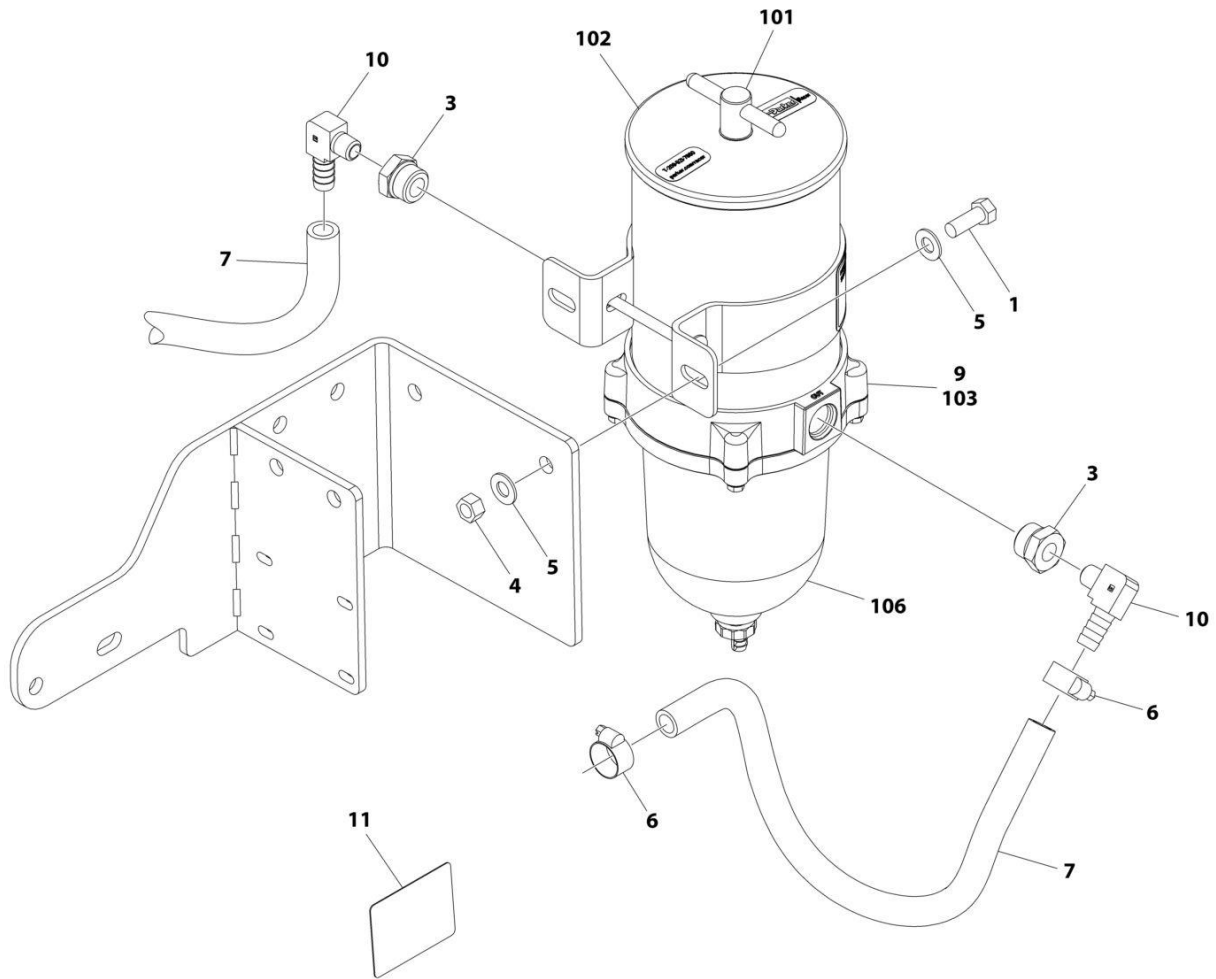
SECTION 3 - ENGINE

FIGURE 3-64. FUEL PUMP/FILTER BRACKET ASSEMBLY - DEUTZ TD2.9L4 ENGINE (CHINA SPECS ONLY)

ITEM	PART NUMBER	QTY	DESCRIPTION	REV
	1001227606	Ref	FUEL PUMP/FILTER BRACKET ASSEMBLY - DEUTZ TD2.9L4 ENGINE	A
1	0100011	AR	Compound, Locking	
2	0641610	2	Bolt 3/8 x 1-1/4	
3	0721006	4	Bolt #10 x 3/4	
4	3311001	4	Nut #10	
5	3311605	2	Nut 3/8	
6	4711000	8	Washer #10	
7	4711600	4	Washer 3/8	
8	8405006	2	Clamp	
9	1001141718	2	Fitting, Barbed	
10	1001154405	1.5 ft/ 0.4m	Hose	
11	1001222773	1	Bracket, Fuel Pump Mounting	

SECTION 3 - ENGINE

FIGURE 3-65. FUEL FILTER/WATER SEPARATOR INSTALLATION - DEUTZ TD2.9L4 ENGINE



NOTE: LOCATED ON HOOD

ART_1001223068

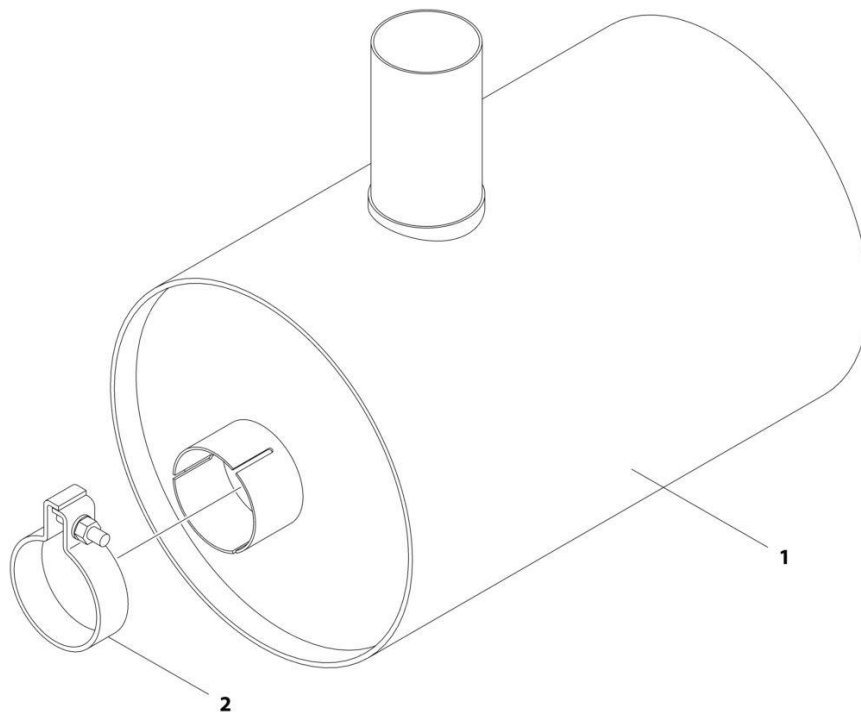
SECTION 3 - ENGINE

FIGURE 3-65. FUEL FILTER/WATER SEPARATOR INSTALLATION - DEUTZ TD2.9L4 ENGINE

ITEM	PART NUMBER	QTY	DESCRIPTION	REV
	1001223068	Ref	FUEL FILTER/WATER SEPARATOR INSTALLATION - DEUTZ TD2.9L4 ENGINE	C
1	0641608	2	Bolt 3/8 x 1	
3	2220816	2	Fitting, Adapter FNPTF/ORB	
4	3311605	2	Nut 3/8	
5	4711600	4	Washer 3/8	
6	8405006	4	Clamp	
7	1001154405	4 ft/ 1.22m	Hose	
9	1001222817	1	Fuel Filter Assembly (See Items 101-107 for Breakdown)	
10	1001178797	2	Fitting, 90	
11	1001226923	1	Decal - Fuel Water Separator	
	1001222817	Ref	FUEL FILTER ASSEMBLY	
101	70006403	1	T-Handle Kit (Includes O-Ring)	
102	70006404	1	Lid Kit (Includes Gasket)	
103	70006405	1	Element	
104	70006406	1	Checkball & Gasket Kit (Not Shown)	
105	70006407	1	Centrifuge and Baffle Kit (Not Shown)	
106	70006409	1	Bowl Kit (Includes Gasket, O-Ring and Drain)	
106	70006408	1	Gasket, Bowl	
107	70006410	1	Bowl Ring Kit (Includes Gasket & Hardware) (Not Shown)	

SECTION 3 - ENGINE

FIGURE 3-66. SPARK ARRESTING CATALYTIC MUFFLER - DEUTZ TD2011 ENGINES (OPTIONAL)



ART_3220130

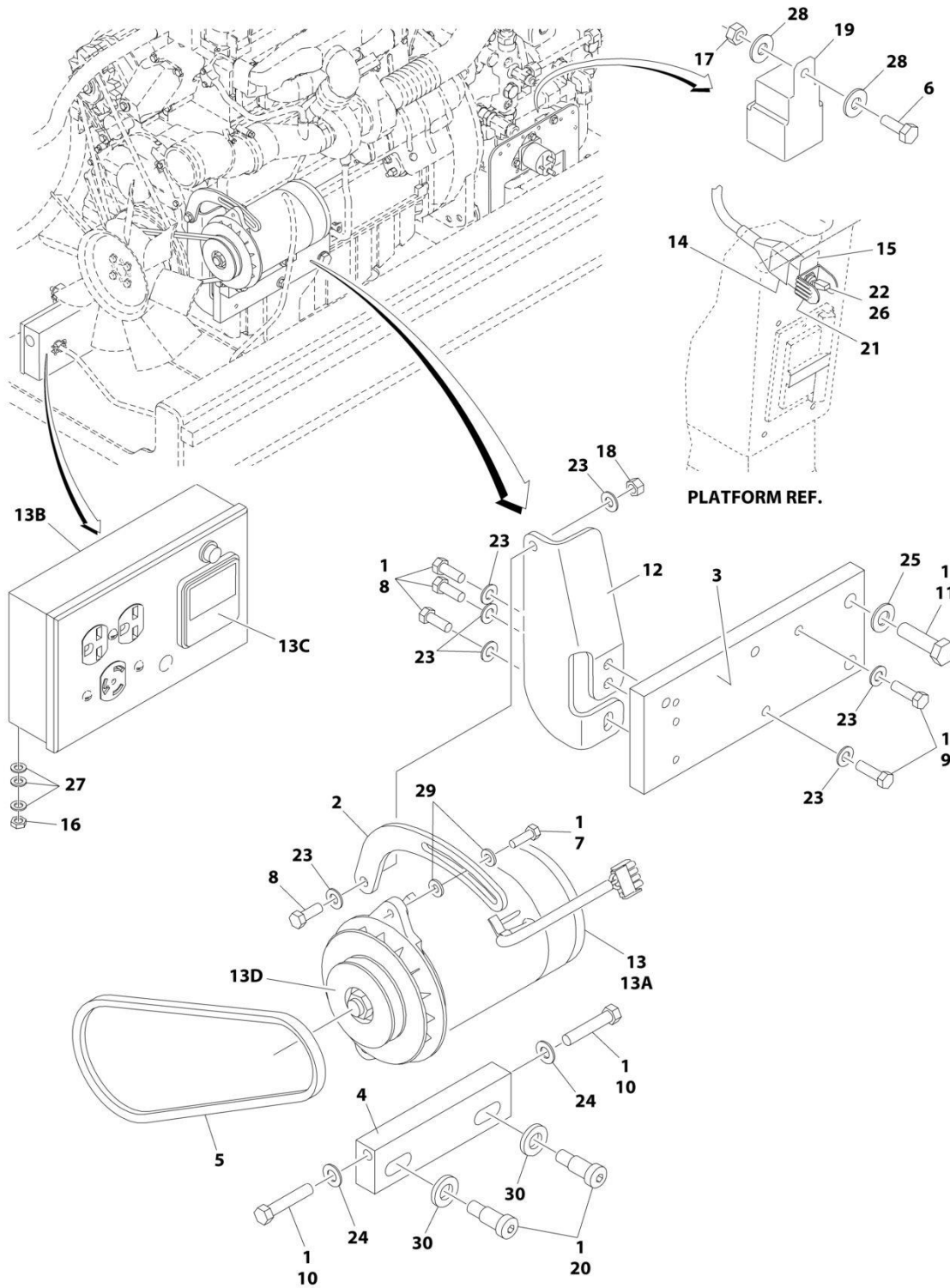
SECTION 3 - ENGINE

FIGURE 3-66. SPARK ARRESTING CATALYTIC MUFFLER - DEUTZ TD2011 ENGINES (OPTIONAL)

ITEM	PART NUMBER	QTY	DESCRIPTION	REV
	3220130	Ref	SPARK ARRESTING CATALYTIC MUFFLER - DEUTZ TD2011 ENGINES	A
1	See Note	NSS	Muffler (Note: Use p/n 3220130)	
2	70001017	1	Clamp	

SECTION 3 - ENGINE

FIGURE 3-67. 2500W GENERATOR INSTALLATION - 60HZ SPEC (DEUTZ TD2011 ENGINES) (OPTIONAL)



ART_1001125425

SECTION 3 - ENGINE

**FIGURE 3-67. 2500W GENERATOR INSTALLATION - 60HZ SPEC (DEUTZ TD2011 ENGINES)
(OPTIONAL)**

ITEM	PART NUMBER	QTY	DESCRIPTION	REV
	1001125425	Ref	2500W GENERATOR INSTALLATION - 60HZ SPEC (DEUTZ TD2011 ENGINES)	A
1	0100011	AR	Compound, Locking	
2	0200742	1	Arm, Adjusting	
3	0363081	1	Bar, Mounting	
4	0363082	1	Bar, Adjusting	
5	0480127	1	Belt	
6	0641406	1	Bolt 1/4 x 3/4	
7	0641508	1	Bolt 5/16 x 1	
8	0641608	4	Bolt 3/8 x 1	
9	0641610	2	Bolt 3/8 x 1-1/4	
10	0641718	2	Bolt 7/16 x 2-1/14	
11	0701418	2	Bolt M14 x 50	
12	0902813	1	Bracket, Arm Mounting	
13	2460055	1	Generator, 110V/60Hz	
13A	7012558	1	Generator 110V/60Hz	
		Ref	Note: Replacement generators come standard with p/n 3580134 pulley. This pulley may not be correct for all applications. Refer to pulley options below for correct pulley.	
13A	7012513	4	Cap, Brush Holder	
13A	7020108	4	Brush	
13A	7020109	4	Holder, Brush	
13A	7012514	1	Fan	
13A	7020190	2	Bearing	
13A	7020110	1	End Bell, Front	
13A	7020111	1	End Bell, Rear	
13B	7019680	1	Box Control	
13B	4360542	1	Breaker, Circuit	
13B	4460190	AR	Receptacle, Double (110V)	
13B	4460027	AR	Receptacle, Double Twist Lock (110V)	
13B	70000124	1	Receptacle, Double (220V)	
13B	70000125	1	Receptacle, Single Twist Lock (220V)	
13C	2420203	1	Voltmeter	
13D	3580276	1	Pulley	
13D	7027887	1	Key, Woodruff	
14	2820031	AR	Heat Shrink	
15	3251102	1	Nameplate - Generator	
16	3311005	2	Nut #10	
17	3311405	1	Nut 1/4	
18	3311605	1	Nut 3/8	
19	3740080	1	Relay	
20	3900322	2	Screw, Socket Head Shoulder	
21	4060802	1	Guard, Switch	
22	4360336	1	Switch, Toggle	
23	4711600	7	Washer 3/8	
24	4711700	2	Washer 7/16	
25	4711900	2	Washer 9/16	
26	4740397	1	Spacer	
27	4751000	6	Washer #10	

SECTION 3 - ENGINE

ITEM	PART NUMBER	QTY	DESCRIPTION	REV
28	4751400	2	Washer 1/4	
29	4891500	2	Washer 5/16	
30	4892000	2	Washer 5/8	

SECTION 3 - ENGINE

**FIGURE 3-68. 2500W GENERATOR INSTALLATION - 50HZ SPEC (DEUTZ TD2011 ENGINES)
(OPTIONAL)**

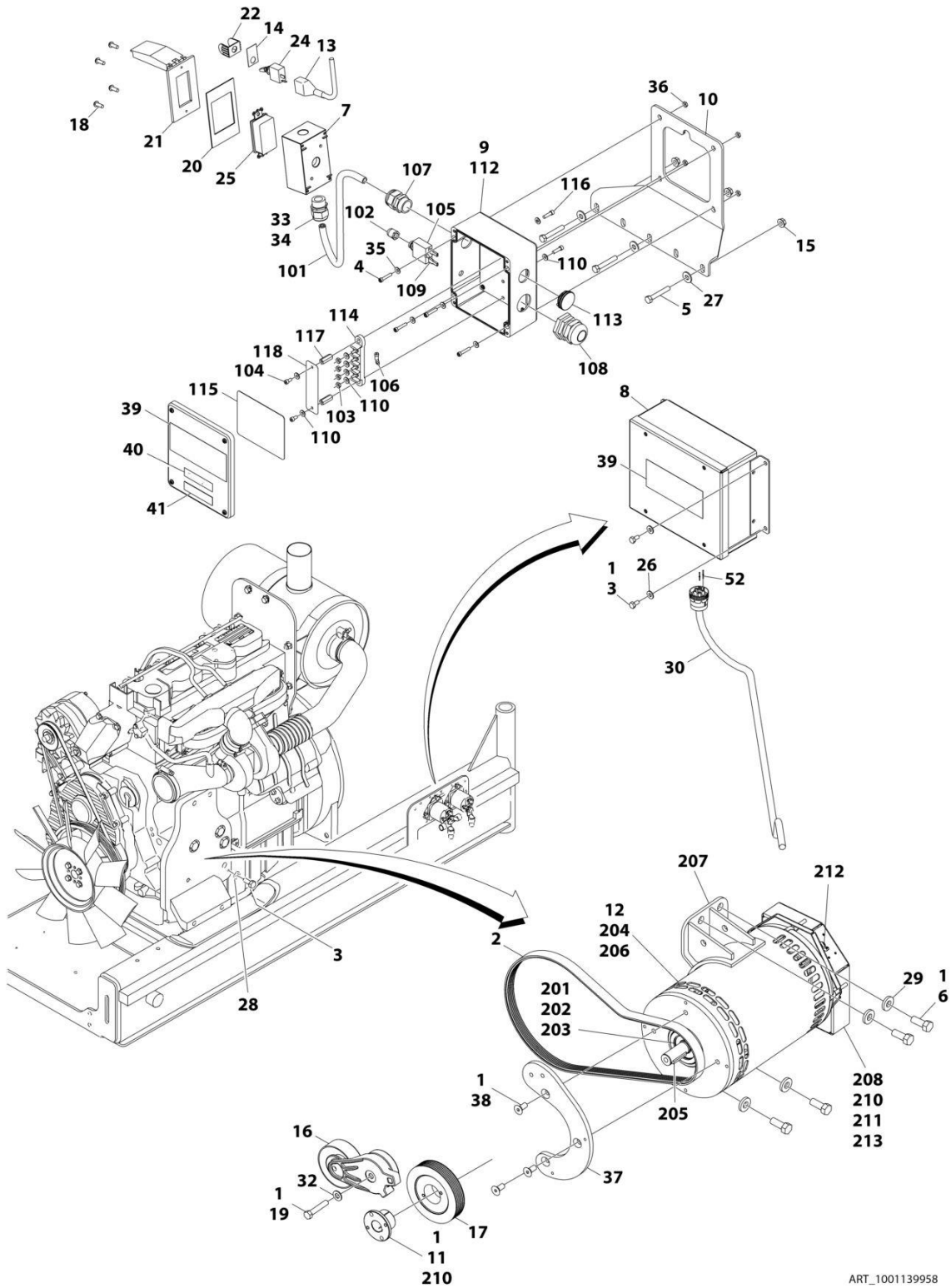
ITEM	PART NUMBER	QTY	DESCRIPTION	REV
	1001125426	Ref	2500W GENERATOR INSTALLATION - 50HZ SPEC (DEUTZ TD2011 ENGINES)	A
1	0100011	AR	Compound, Locking	
2	0200742	1	Arm, Adjusting	
3	0363081	1	Bar, Mounting	
4	0363082	1	Bar, Adjusting	
5	0480122	1	Belt	
6	0641406	1	Bolt 1/4 x 3/4	
7	0641508	1	Bolt 5/16 x 1	
8	0641608	4	Bolt 3/8 x 1	
9	0641610	2	Bolt 3/8 x 1-1/4	
10	0641718	2	Bolt 7/16 x 2-1/4	
11	0701418	2	Bolt M14 x 50	
12	0902813	1	Bracket, Arm Mounting	
13	2820031	AR	Heat Shrink	
14	3251102	1	Nameplate - Generator	
15	3252507	1	Decal, Voltage	
16	3290505	1	Nut M5	
17	3311405	1	Nut 1/4	
18	3311605	1	Nut 3/8	
19	3740080	1	Relay	
20	3900322	2	Screw, Socket Head Shoulder	
21	4031608	1	Screw M5 x 20	
22	4060802	1	Guard, Switch	
23	4360336	1	Switch, Toggle	
24	4420060	AR	Tape, Double-Sided	
25	4460968	3	Relief, Strain	
26	4711600	7	Washer 3/8	
27	4711700	2	Washer 7/16	
28	4711900	2	Washer 9/16	
29	4740397	1	Spacer	
30	4751400	2	Washer 1/4	
31	4811600	1	Washer M5	
32	4891500	2	Washer 5/16	
33	4892000	2	Washer 5/8	
34	1001099869	1	Box, Junction	
35	1001120382	1	Wiring Diagram (Not Shown)	
35A	4922641	1	Generator ON/OFF Switch Harness	
35B	1001120378	1	Generator Harness	
36	1001100233	1	Light, Red	
37	1001100321	1	Generator Assembly	
		Ref	Note: Replacement generators come standard with p/n 3580134 pulley. This pulley may not be correct for all applications. Refer to pulley options below for correct pulley.	
37A	7012513	4	Cap, Brush Holder	
37A	7020108	4	Brush	
37A	7020109	4	Holder, Brush	
37A	7012514	1	Fan	
37A	7020190	2	Bearing	

SECTION 3 - ENGINE

ITEM	PART NUMBER	QTY	DESCRIPTION	REV
37A	7020110	1	End Bell, Front	
37A	7020111	1	End Bell, Rear	
37B	7027887	1	Key, Woodruff	
38	0962449	1	Bushing, Silicone	

SECTION 3 - ENGINE

FIGURE 3-69. 4000W GENERATOR INSTALLATION - 60HZ SPEC (DEUTZ TD2011 ENGINES) (OPTIONAL)



ART_1001139958

SECTION 3 - ENGINE

**FIGURE 3-69. 4000W GENERATOR INSTALLATION - 60HZ SPEC (DEUTZ TD2011 ENGINES)
(OPTIONAL)**

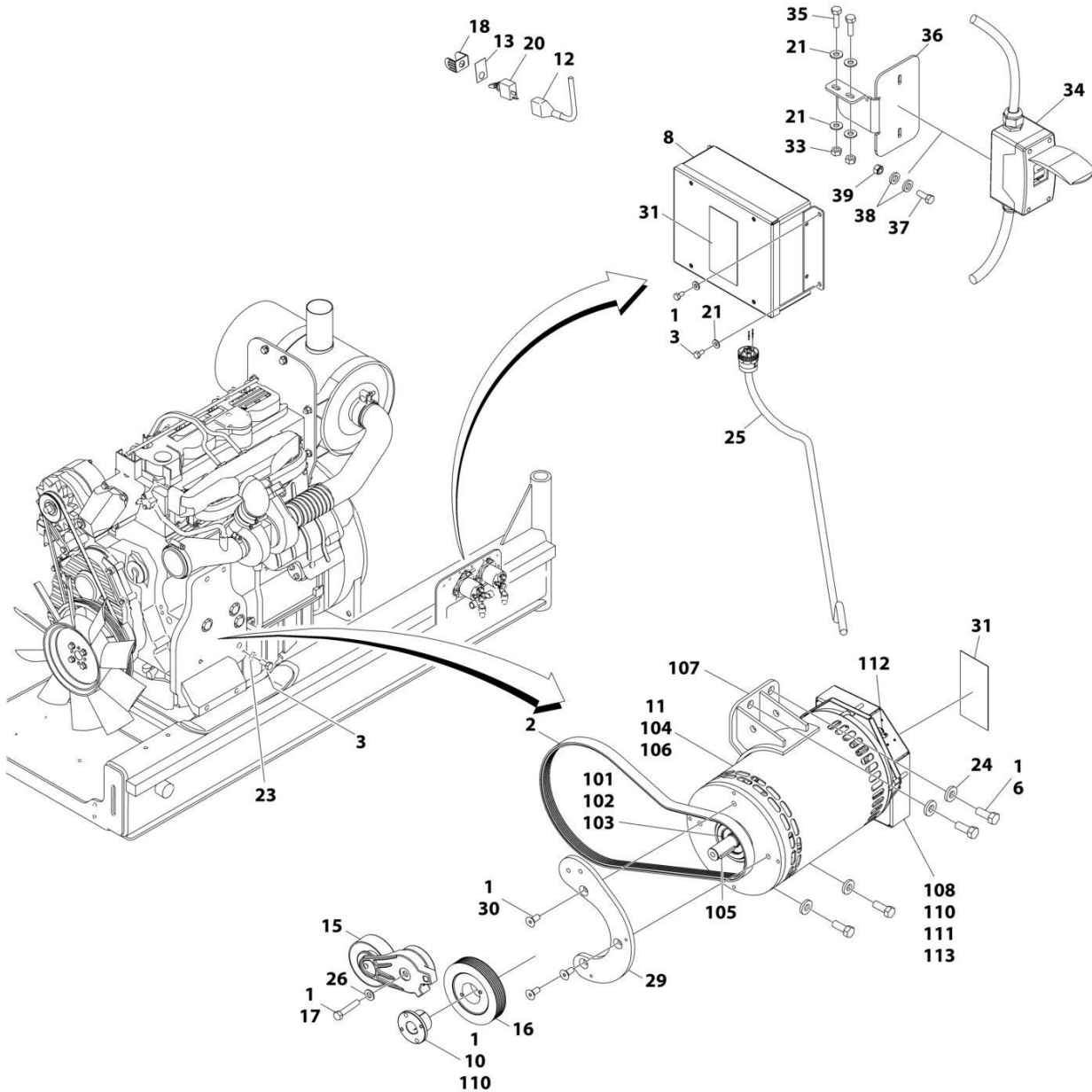
ITEM	PART NUMBER	QTY	DESCRIPTION	REV
	1001139958	Ref	4000W GENERATOR INSTALLATION - 60HZ SPEC (DEUTZ TD2011 ENGINES)	B
		Ref	Note: See ELECTRICAL SECTION for Boom Cable Installation.	
1	0100011	AR	Compound, Locking	
2	0480128	1	Belt, Generator	
3	0641404	5	Bolt 1/4 x 1/2	
4	3931016	4	Screw 1/4 x 1	
5	0641516	3	Bolt 5/16 x 2	
6	0641810	4	Bolt 1/2 x 1-1/4	
7	0860038	1	Box, Switch-Weatherhead	
8	1001138566	1	Box, Generator Control	
8	70006552	1	Capacitor	
8	70006553	1	Relay	
9	1001152457	1	Box, Junction Assembly (See Items 101-118 for Breakdown)	
10	0902888	1	Bracket, Generator Junction Box	
11	0962520	1	Bushing, Taper	
12	1001129858	1	Generator, 4000W Assembly (See Items 200-213 for Breakdown)	
13	2820031	AR	Insulator, Heat Shrink	
14	3251102	1	Nameplate, Generator	
15	3311508	3	Nut 5/16	
16	3580317	1	Pulley, Belt Tensioner	
17	3580318	1	Pulley, Generator	
18	3910606	4	Screw 6 x 3/8	
19	0641616	AR	Bolt 3/8 x 2	
20	3960422	1	Gasket, AC Receptacle	
21	1001110873	1	Cover, Gang Vertical Receptacle GFCI	
22	4060802	1	Guard, Switch	
23	4240018	AR	Strap, Tie (Not Shown)	
24	4360336	1	Switch, Toggle	
25	4460346	1	Terminal, Receptacle	
26	4711400	4	Washer 1/4	
27	4751500	3	Washer 5/16	
28	4791400	2	Starwasher 1/4	
29	4891800	4	Washer 1/2	
30	1001152533	1	Harness, Generator Cable (See Separate Breakdown in ELECTRICAL SECTION)	
31	1001153257	1	Diagram, Generator Wiring (Not Shown)	
32	4711600	1	Washer 3/8	
33	0100020	AR	Sealant, Pipe	
34	4460071	1	Connector, Strain Relief	
35	4751000	4	Washer #10	
36	3311005	4	Nut #10	
37	1001139357	1	Mount, Generator Tensioner	
38	0741607	3	Screw 3/8 x 0.88	
39	1705387	3	Decal - Hazardous Voltage	
40	3251243	1	Decal - 120V-60Hz	
41	1705374	1	Decal - 240V-60Hz	
52	0100048	AR	Grease, Dielectric	
	1001152457	Ref	JUNCTION BOX ASSEMBLY	B

SECTION 3 - ENGINE

ITEM	PART NUMBER	QTY	DESCRIPTION	REV
101	1001179154	2.5 ft/ 0.8m	Cable, 12/3	
102	3300396	1	Cover, Fuse	
103	3311001	4	Nut #10 Grade 2	
104	3900300	2	Screw, Spec, Cap	
105	4360070	1	Circuit Breaker, 15Amp	
106	4460068	3	Terminal, Ring	
107	4460425	1	Terminal, Strain Relief	
108	4460426	1	Connector, Strain Relief	
109	4460483	2	Terminal	
110	4711000	8	Washer #10	
112	1001152456	1	Box, Junction	
113	1001152525	1	Plug, Hole Pluggit	
114	1001152530	1	Terminal, Block, 4 Pole	
115	1001153260	1	Decal - Wiring 4000W Generator	
116	3900267	2	Screw, Spec, Cap	
117	1001158008	2	Stand-Off, Female, Threaded	
118	1001158363	1	Plate, Cover, PVC	
	1001129858	Ref	4000W GENERATOR ASSEMBLY	
201	70003709	1	Ring, Retaining	
202	70003708	1	Ring, Retaining	
203	70001966	1	Bearing, Ball	
204	70004092	1	Endbell	
205	70004171	1	Key	
206	70004676	1	Rotor Assembly	
207	70004684	1	Stator, Generator 4000W	
208	70004678	1	Endbell	
210	70004680	1	Enclosure	
211	70004685	1	Cover, Enclosure	
212	70004682	1	Protector, Supplementary, Manual Reset	
213	70004098	1	Bushing, Strain Relief	

SECTION 3 - ENGINE

FIGURE 3-70. 4000W GENERATOR INSTALLATION - 50HZ SPEC (DEUTZ TD2011 ENGINES) (OPTIONAL)



ART_1001139959

SECTION 3 - ENGINE

**FIGURE 3-70. 4000W GENERATOR INSTALLATION - 50HZ SPEC (DEUTZ TD2011 ENGINES)
(OPTIONAL)**

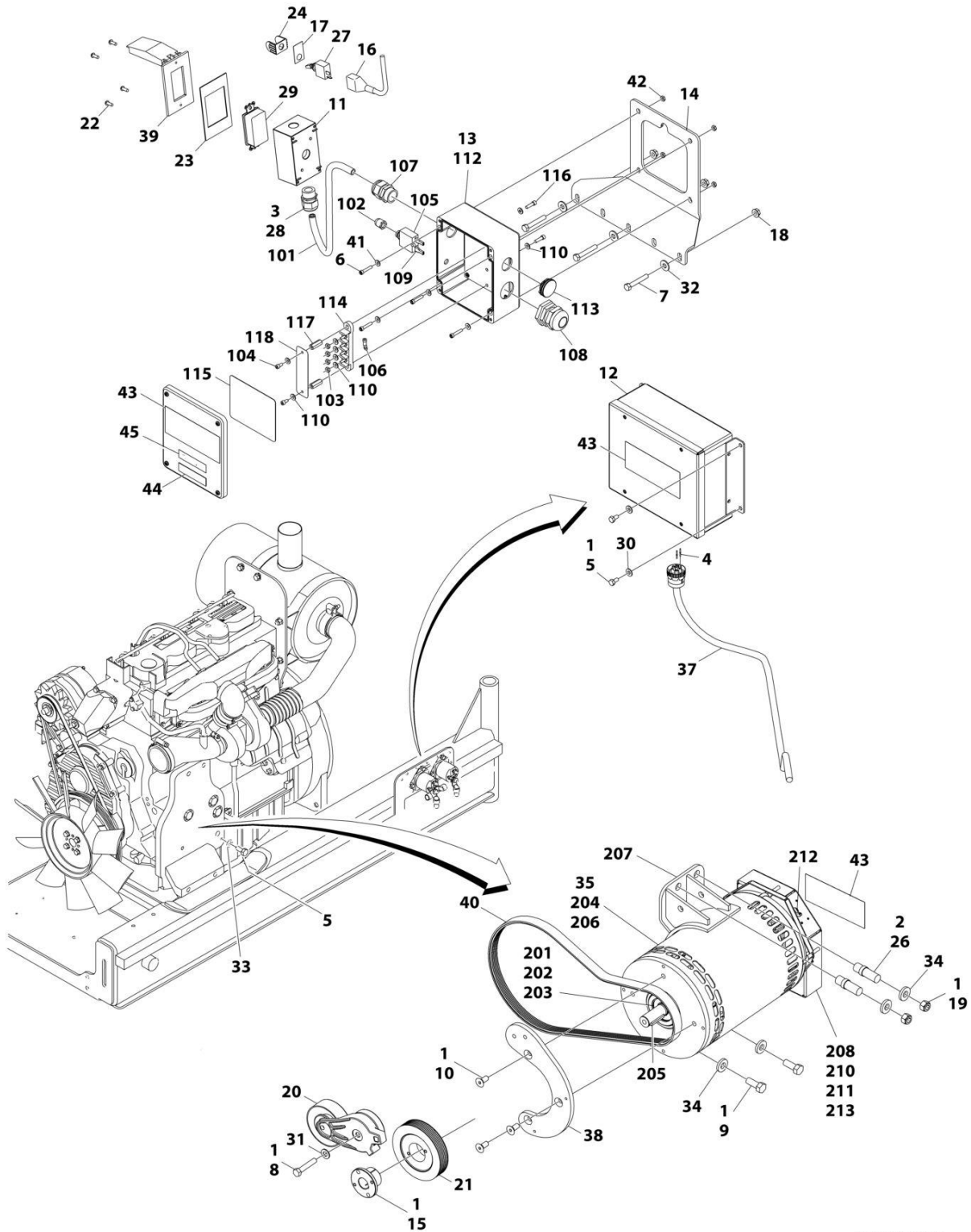
ITEM	PART NUMBER	QTY	DESCRIPTION	REV
	1001139959	Ref	4000W GENERATOR INSTALLATION - 50HZ SPEC (DEUTZ TD2011 ENGINES)	D
		Ref	Note: See ELECTRICAL SECTION for Boom Cable Installation.	
1	0100011	AR	Compound, Locking	
2	1001136356	1	Belt, Generator	
3	0641404	5	Bolt 1/4 x 1/2	
6	0641810	4	Bolt 1/2 x 1-1/4	
8	1001138566	1	Box, Generator Control	
8	70006552	1	Capacitor	
8	70006553	1	Relay	
10	0962520	1	Bushing, Taper	
11	1001138565	1	Generator, 4000W Assembly Options: (See items 101-113 for Breakdown)	
12	2820031	AR	Insulator, Heat Shrink	
13	3251102	1	Nameplate, Generator	
15	3580317	1	Pulley, Belt Tensioner	
16	3580319	1	Pulley, Generator	
17	0641616	1	Bolt 3/8 x 2	
18	4060802	1	Guard, Switch	
19	4240018	AR	Strap, Tie (Not Shown)	
20	4360336	1	Switch, Toggle	
21	4711400	8	Washer 1/4	
23	4791400	2	Washer 1/4	
24	4891800	4	Washer 1/2	
25	1001152533	1	Harness, Generator Cable (See Separate Breakdown in ELECTRICAL SECTION)	
26	4711600	1	Washer 3/8	
29	1001139357	1	Mount, Generator Tensioner	
30	0741607	3	Screw, Flat head, 3/8 x .88	
31	1705489	AR	Decal - Hazardous Voltage	
33	3311405	2	Nut 1/4	
34	1001165368	1	Kit, Box and Breaker (See Separate Breakdown in ELECTRICAL SECTION)	
35	0641407	2	Bolt 1/4 x 7/8	
36	1001094915	1	Bracket, AC Breaker Box	
37	4010408	2	Screw M4 x 16	
38	1001091102	4	Washer M4	
39	3290405	2	Nut M4	
	1001138565	Ref	4000W GENERATOR ASSEMBLY	
101	70003709	1	Ring, Retaining	
102	70003708	1	Ring, Retaining	
103	70001966	1	Bearing, Ball	
104	70004092	1	Endbell	
105	70004171	1	Key	
106	70004676	1	Rotor Assembly	
107	70004677	1	Stator, Generator 4000W	
108	70004678	1	Endbell	
110	70004680	1	Enclosure	
111	70004681	1	Cover, Enclosure	
112	70004682	1	Protector, Supplementary, Manual Reset	

SECTION 3 - ENGINE

ITEM	PART NUMBER	QTY	DESCRIPTION	REV
113	70004683	1	Bushing, Strain Relief	

SECTION 3 - ENGINE

FIGURE 3-71. 4000W GENERATOR INSTALLATION - 60HZ SPEC (DEUTZ TCD2.9L4 ENGINES) (OPTIONAL)



ART_1001171130

SECTION 3 - ENGINE

**FIGURE 3-71. 4000W GENERATOR INSTALLATION - 60HZ SPEC (DEUTZ TCD2.9L4 ENGINES)
(OPTIONAL)**

ITEM	PART NUMBER	QTY	DESCRIPTION	REV
	1001171130	Ref	4000W GENERATOR INSTALLATION - 60HZ SPEC (DEUTZ TCD2.9L4 ENGINES)	B
		Ref	Note: See ELECTRICAL SECTION for Boom Cable Installation.	
1	0100011	AR	Compound, Locking	
2	0100019	AR	Compound, Locking	
3	0100020	AR	Sealant, Pipe	
4	0100048	AR	Grease, Dielectric	
5	0641404	5	Bolt 1/4 x 1/2	
6	3931016	4	Screw 1/4 x 1	
7	0641516	3	Bolt 5/16 x 2	
8	0641618	1	Bolt 3/8 x 2-1/4	
9	0641810	2	Bolt 1/2 x 1-1/4	
10	0741607	3	Screw 3/8 x 0.88	
11	0860038	1	Box, Switch-Weatherhead	
12	1001138566	1	Box, Generator Control	
12	70006552	1	Capacitor	
12	70006553	1	Relay	
13	1001152457	1	Box, Junction Assembly (See Items 101-118 for Breakdown)	
14	0902888	1	Bracket, Generator Junction Box	
15	0962520	1	Bushing, Taper	
16	2820031	AR	Insulator, Heat Shrink	
17	3251102	1	Nameplate, Generator	
18	3311508	3	Nut 5/16	
19	3311801	2	Nut 1/2	
20	3580317	1	Pulley, Belt Tensioner	
21	3580318	1	Pulley, Generator	
22	3910606	4	Screw 6 x 3/8	
23	3960422	1	Gasket, AC Receptacle	
24	4060802	1	Guard, Switch	
25	4240018	AR	Strap, Tie (Not Shown)	
26	4300157	2	Stud	
27	4360336	1	Switch, Toggle	
28	4460071	1	Connector, Strain Relief	
29	4460346	1	Terminal, Receptacle	
30	4711400	4	Washer 1/4	
31	4711600	1	Washer 3/8	
32	4751500	3	Washer 5/16	
33	4791400	2	Starwasher 1/4	
34	4891800	4	Washer 1/2	
35	1001140344	1	Generator, 4000W Assembly (See Items 200-213 for Breakdown)	
36	1001153257	1	Diagram, Generator Wiring (Not Shown)	
37	1001152533	1	Harness, Generator Cable (See Separate Breakdown in ELECTRICAL SECTION)	
38	1001138011	1	Mount, Generator Tensioner	
39	1001110873	1	Cover, Gang Vertical Receptacle GFCI	
40	1001142645	1	Belt, Generator	
41	4751000	4	Washer #10	
42	3311005	4	Nut 10	
43	1705387	3	Decal - Hazardous Voltage	

SECTION 3 - ENGINE

ITEM	PART NUMBER	QTY	DESCRIPTION	REV
44	1705374	1	Decal - 240V-60Hz	B
45	3251243	1	Decal - 120V-60Hz	
	1001152457	Ref	JUNCTION BOX ASSEMBLY	
101	1001179154	2.5 ft/ 0.8m	Cable, Electrical 12/3	
102	3300396	1	Cover, Fuse	
103	3311001	4	Nut 10 Grade 2	
104	3900300	2	Screw, Spec, Cap	
105	4360070	1	Circuit Breaker, 15Amp	
106	4460068	3	Terminal, Ring	
107	4460425	1	Terminal, Strain Relief	
108	4460426	1	Connector, Strain Relief	
109	4460483	2	Terminal	
110	4711000	AR	Washer #10	
112	1001152456	1	Box, Junction	
113	1001152525	1	Plug, Hole Pluggit	
114	1001152530	1	Terminal, Block, 4 Pole	
115	1001153260	1	Decal - Wiring 4000W Generator	
116	3900267	2	Screw, Spec, Cap	
117	1001158008	2	Stand-Off, Female, Threaded	
118	1001158363	1	Plate, Cover, PVC	
	1001140346	Ref	4000W GENERATOR ASSEMBLY	
201	70003709	1	Ring, Retaining	
202	70003708	1	Ring, Retaining	
203	70001966	1	Bearing, Ball	
204	70004092	1	Endbell	
205	70004099	1	Key	
206	70004676	1	Rotor Assembly	
207	70004687	1	Stator, Generator 4000W	
208	70004678	1	Endbell	
210	70004680	1	Enclosure	
211	70004685	1	Cover, Enclosure	
212	70004682	1	Protector, Supplementary, Manual Reset	
213	70004098	1	Bushing, Strain Relief	

SECTION 3 - ENGINE

FIGURE 3-72. 4000W GENERATOR INSTALLATION - 50HZ SPEC (DEUTZ TCD2.9L4 ENGINES AND DEUTZ TCD2.9L4 (STAGE V) ENGINES) (OPTIONAL)

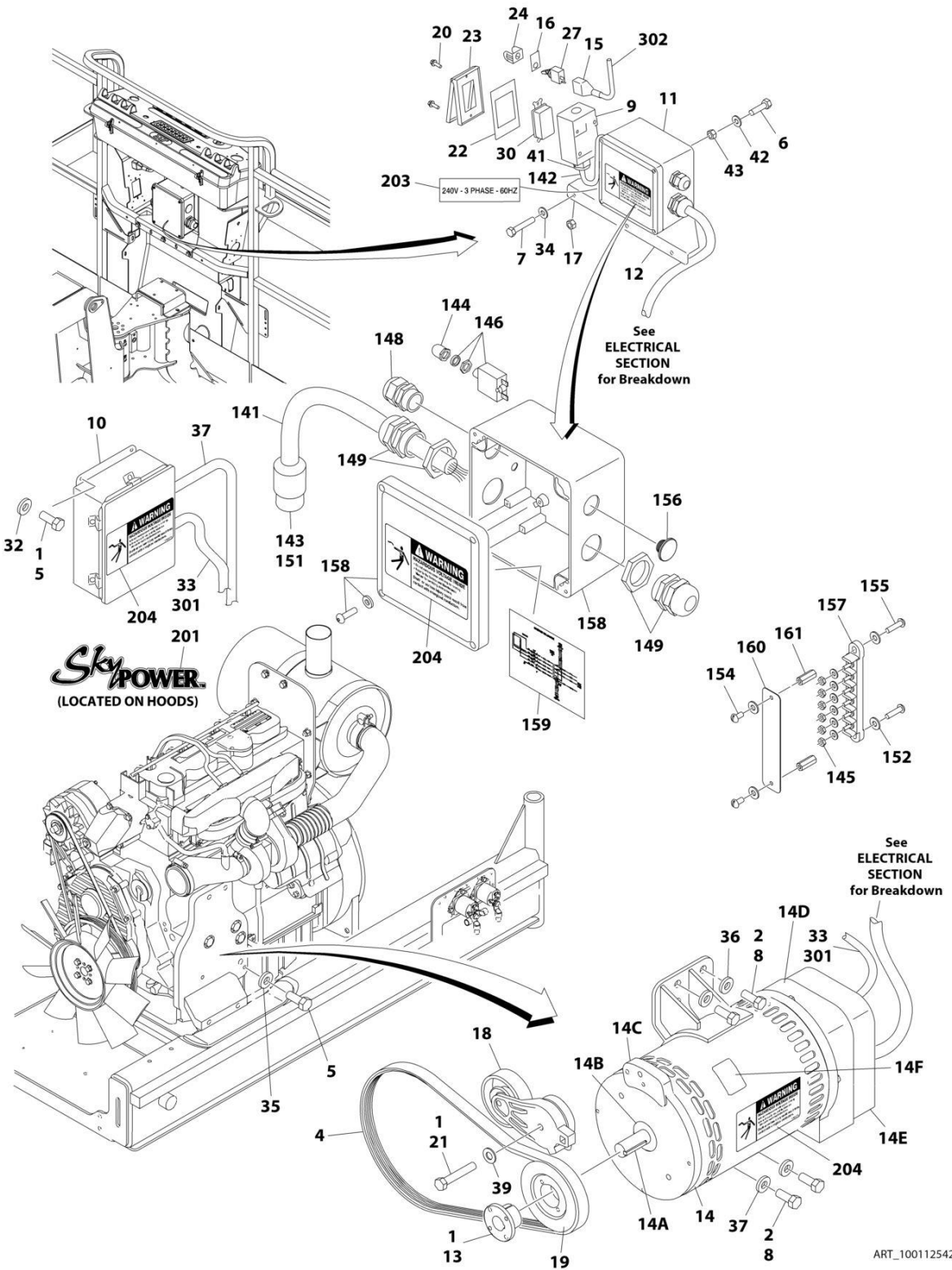
ITEM	PART NUMBER	QTY	DESCRIPTION	REV
	1001171273	Ref	4000W GENERATOR INSTALLATION - 50HZ SPEC (DEUTZ TCD2.9L4 ENGINES	C
		Ref	Note: See ELECTRICAL SECTION for Boom Cable Installation.	
1	0100011	AR	Compound, Locking	
2	0100019	AR	Compound, Locking	
3	0100048	AR	Grease, Dielectric	
4	0641404	5	Bolt 1/4 x 1/2	
7	0641618	1	Bolt 3/8 x 2-1/4	
8	0641810	2	Bolt 1/2 x 1-1/4	
9	0741607	3	Screw 3/8 x 0.88	
11	1001138566	1	Box, Generator Control	
11	70006552	1	Capacitor	
11	70006553	1	Relay	
13	0962520	1	Bushing, Taper	
14	2820031	AR	Insulator, Heat Shrink	
15	3251102	1	Nameplate, Generator	
17	3311801	2	Nut 1/2	
18	3580317	1	Pulley, Belt Tensioner	
19	3580319	1	Pulley, Generator	
20	4060802	1	Guard, Switch	
21	4240018	AR	Strap, Tie (Not Shown)	
22	4300157	2	Stud	
23	4360336	1	Switch, Toggle	
24	4711400	8	Washer 1/4	
25	4711600	1	Washer 3/8	
27	4791400	2	Starwasher 1/4	
28	4891800	4	Washer 1/2	
29	1001152533	1	Harness, Generator Cable (See Separate Breakdown in ELECTRICAL Section)	
30	1001140347	1	Generator, 4000W Assembly (See Items 101-114 for Breakdown)	
31	1001138011	1	Mount, Generator Tensioner	
32	1001136357	1	Belt, Generator	
35	1705489	AR	Decal - Hazardous Voltage	
37	3311405	2	Nut 1/4	
38	1001165368	1	Kit, Box and Breaker (See Separate Breakdown in ELECTRICAL Section)	
39	0641407	2	Bolt 1/4 x 7/8	
40	1001094915	1	Bracket	
41	4010408	2	Screw M4 x 16	
42	1001091102	4	Washer M4	
43	3290405	2	Nut M4	
	1001140347	Ref	4000W GENERATOR ASSEMBLY	
101	70003709	1	Ring, Retaining	
102	70003708	1	Ring, Retaining	
103	70001966	1	Bearing, Ball	
104	70004092	1	Endbell	
105	70004099	1	Key	
106	70004676	1	Rotor Assembly	
107	70004686	1	Stator, Generator 4000W	

SECTION 3 - ENGINE

ITEM	PART NUMBER	QTY	DESCRIPTION	REV
108	70004678	1	Endbell	
110	70004680	1	Enclosure	
111	70004681	1	Cover, Enclosure	
112	70004682	1	Protector, Supplementary, Manual Reset	
113	70004683	1	Bushing, Strain Relief	
114	4460224	1	Connector - 6 Position (50Hz) (Located on Enclosure Cover)	
114	4460294	2	Pin, Male (50Hz) (Located on Enclosure Cover)	

SECTION 3 - ENGINE

FIGURE 3-73. 7500W SKYPOWER GENERATOR INSTALLATION - 60HZ SPEC (DEUTZ TD2011 ENGINES) (OPTIONAL)



SECTION 3 - ENGINE

FIGURE 3-73. 7500W SKYPOWER GENERATOR INSTALLATION - 60HZ SPEC (DEUTZ TD2011 ENGINES) (OPTIONAL)

ITEM	PART NUMBER	QTY	DESCRIPTION	REV
	1001125427	Ref	7500W SKYPOWER GENERATOR INSTALLATION - 60HZ SPEC (DEUTZ TD2011 ENGINES)	D
		Ref	Note: See ELECTRICAL SECTION for Boom Cable Installation.	
1	0100011	AR	Compound, Locking	
2	0100019	AR	Compound, Locking	
4	0480128	1	Belt, Generator	
5	0641404	6	Bolt 1/4 x 1/2	
6	3931016	AR	Bolt 10 x 1	
7	0641516	3	Bolt 5/16 x 2	
8	0641810	4	Bolt 1/2 x 1-1/4	
9	0860038	1	Box, Switch	
10	0861538	1	Box, Generator Control	
10	7024488	1	Card, Circuit - Generator Power (Not Shown)	
10	See Note	1	Fuse (Note: Not Available - Purchase Locally)	
10	7024489	1	Card, Circuit - Control (Not Shown)	
		Ref	Note: When replacing card, rocker switch on card must be set for required application.	
10	70000619	1	Harness, Circuit Card	
11	1001157592	1	Junction Box Assembly Options (See Items 141-161 for Breakdown)	
12	0902888	1	Bracket, Generator Junction Box	
13	0962520	1	Bushing, Taper	
14	2460048	1	Generator, 7500W	
14	70001100	1	Rotor (Includes p/n 70001384 & 70000863) (Not Shown)	
14	70001384	1	Bearing, Shaft (Rear) (Not Shown)	
14	70000863	1	Fan, Generator (Not Shown)	
14	70002088	1	Stator (Not Shown)	
14	70002297	2	Stud 1/4 x 12-7/8 (Not Shown)	
14	70003631	1	Brushholder Assembly (Not Shown) (was p/n 7024484)	
14A	70004171	1	Key	
14B	70001966	1	Bearing, Ball Radial (Located in Belt Tensioner Endbell)	
14B	70003709	1	Ring, Retaining (Small)	
14B	70003708	1	Ring, Retaining (Large)	
14C	70001953	1	Endbell, Belt Tensioner	
14D	70004169	1	Kit, Endbell (Includes Endbell, Brush Block and Shroud Assembly)	
14E	7027799	1	Block, Connector 6 Position (Not Shown)	
14E	70002460	6	Nut, Brass (Attaches p/n 7027799 to Cover) (Not Shown)	
14E	7024485	1	Breaker, Circuit 30Amp (Not Shown)	
14E	70001696	1	Boot, Breaker (Not Shown)	
14E	7026597	1	Connector with Leads (Not Shown)	
14E	7026626	1	Connector with Pins (Not Shown)	
14E	7026188	1	Clamp, Cable (Not Shown)	
14E	70002255	1	Plate, End Panel (Not Shown)	
14E	See Note	NSS	Insulator, End Panel (Note: Not Available for Purchase)	
14E	70001974	1	Decal - Terminal Connections (Not Shown)	
14F	70001973	1	Decal - Warning Moving Parts	
15	2820031	AR	Insulator, Heat Shrink	
16	3251102	1	Nameplate, Generator	
17	3311508	3	Nut 5/16	

SECTION 3 - ENGINE

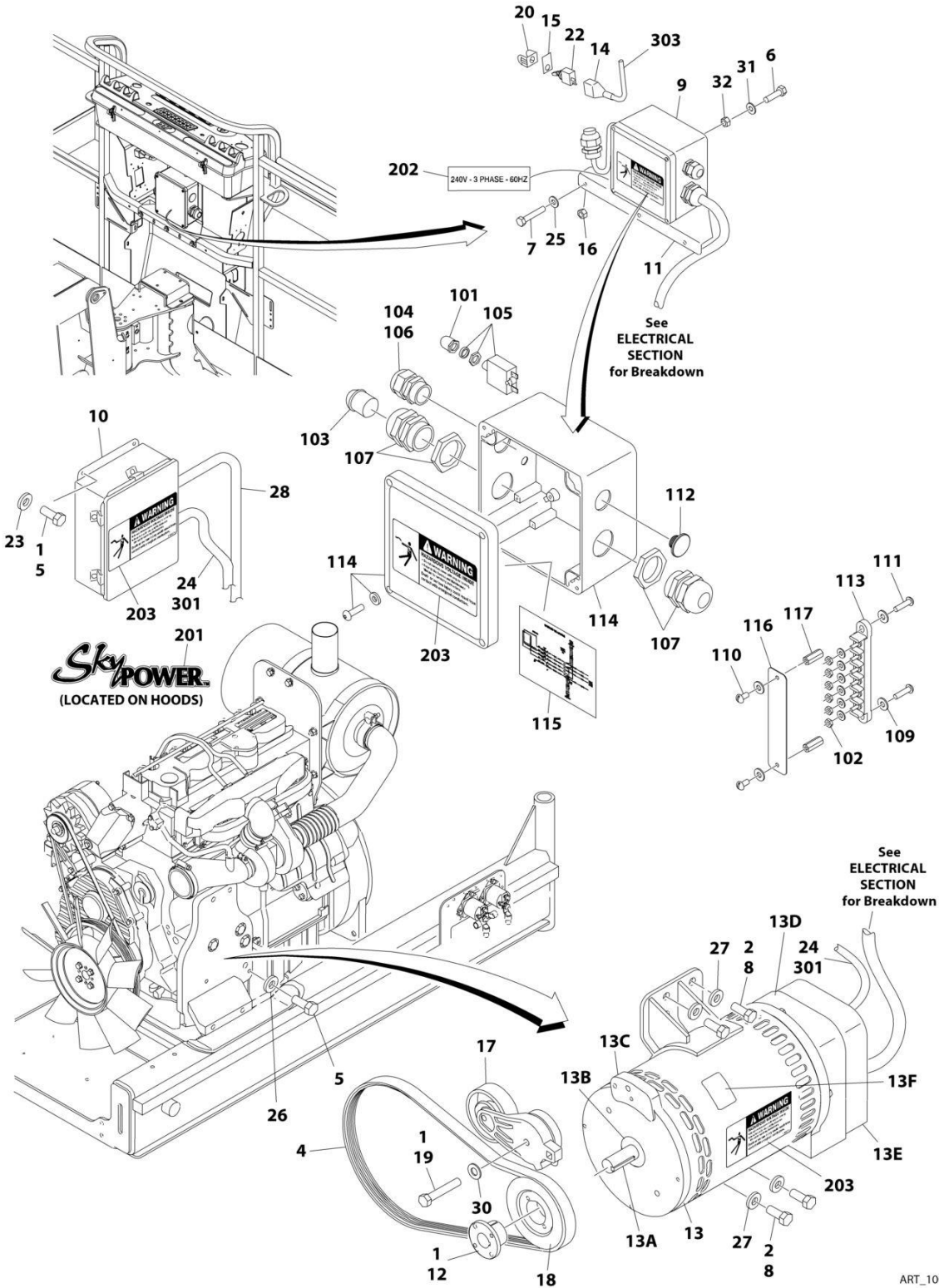
ITEM	PART NUMBER	QTY	DESCRIPTION	REV
18	3580317	1	Pulley, Belt Tensioner	
19	3580318	1	Pulley, Generator	
20	3910606	4	Screw #6 x 3/8	
21	0641618	1	Bolt 3/8 x 2	
22	3960422	1	Gasket, AC Receptacle	
23	1001110873	1	Shield, Receptacle Cover	
24	4060802	1	Guard, Switch	
26	4240018	AR	Strap, Tie (Not Shown)	
27	4360336	1	Switch, Toggle	
30	4460346	1	Terminal, Receptacle	
32	4711400	4	Washer 1/4	
33	0100048	AR	Grease, Dielectric	
34	4751500	3	Washer 5/16	
35	4791400	2	Starwasher 1/4	
36	4891800	4	Washer 1/2	
37	4922972	1	Harness, Generator Cable (See Separate Breakdown in ELECTRICAL SECTION)	
39	4711600	1	Washer 3/8	
40	0100020	AR	Sealant, Pipe (Not Shown)	
41	4460071	1	Connector, Strain Relief	
42	4751000	4	Washer #10	
43	3311005	4	Nut #10	
	1001157592	Ref	JUNCTION BOX ASSEMBLY	C
141	1060343	1.5 ft/ 0.5m	Cable, Electrical 10/4	
142	1001179154	2.5 ft/ 0.8m	Cable, 12/3	
143	1671092	1	Cover	
144	3300396	1	Cover, Fuse	
145	3311001	6	Nut #10	
146	4360070	1	Circuit Breaker - 15Amp	
148	4460425	1	Strain Relief, Terminal	
149	4460426	2	Connector, Strain Relief	
151	4460963	1	Connector	
152	4711000	10	Washer #10	
154	10702077	2	Screw #10 x 3/8	
155	10702082	2	Screw #10 x 3/4	
156	1001152525	1	Plug	
157	1001157520	1	Block, Terminal	
158	1001157521	1	Box, Junction	
159	1001157528	1	Decal - Wiring Schematic	
160	1001158007	1	Decal - PVC	
161	1001158008	2	Stand-Off	
	0272435	Ref	DECAL INSTALLATION	D
201	1705460	2	Decal - SkyPower	
202	3251243	1	Decal - 120V - 60Hz (Located at Platform Receptacle)	
203	1705375	1	Decal - 240V - 3 Phase	
204	1705387	3	Decal - Hazardous Voltage	
	1001122528	Ref	ELECTRICAL DIAGRAM COMPONENTS	B
301	1001119968	1	Generator Harness	B
301A	4460967	1	Plug, Male - 3 Position (Not Shown)	
301A	4460465	6	Socket, Female	

SECTION 3 - ENGINE

ITEM	PART NUMBER	QTY	DESCRIPTION	REV
301B	1001117078	1	Fuseholder with Fuse (Not Shown)	
302	4922641	1	Switch, Harness	

SECTION 3 - ENGINE

FIGURE 3-74. 7500W SKYPOWER GENERATOR INSTALLATION - 50HZ SPEC (DEUTZ TD2011 ENGINES) (OPTIONAL)



ART_1001125428

SECTION 3 - ENGINE

FIGURE 3-74. 7500W SKYPOWER GENERATOR INSTALLATION - 50HZ SPEC (DEUTZ TD2011 ENGINES) (OPTIONAL)

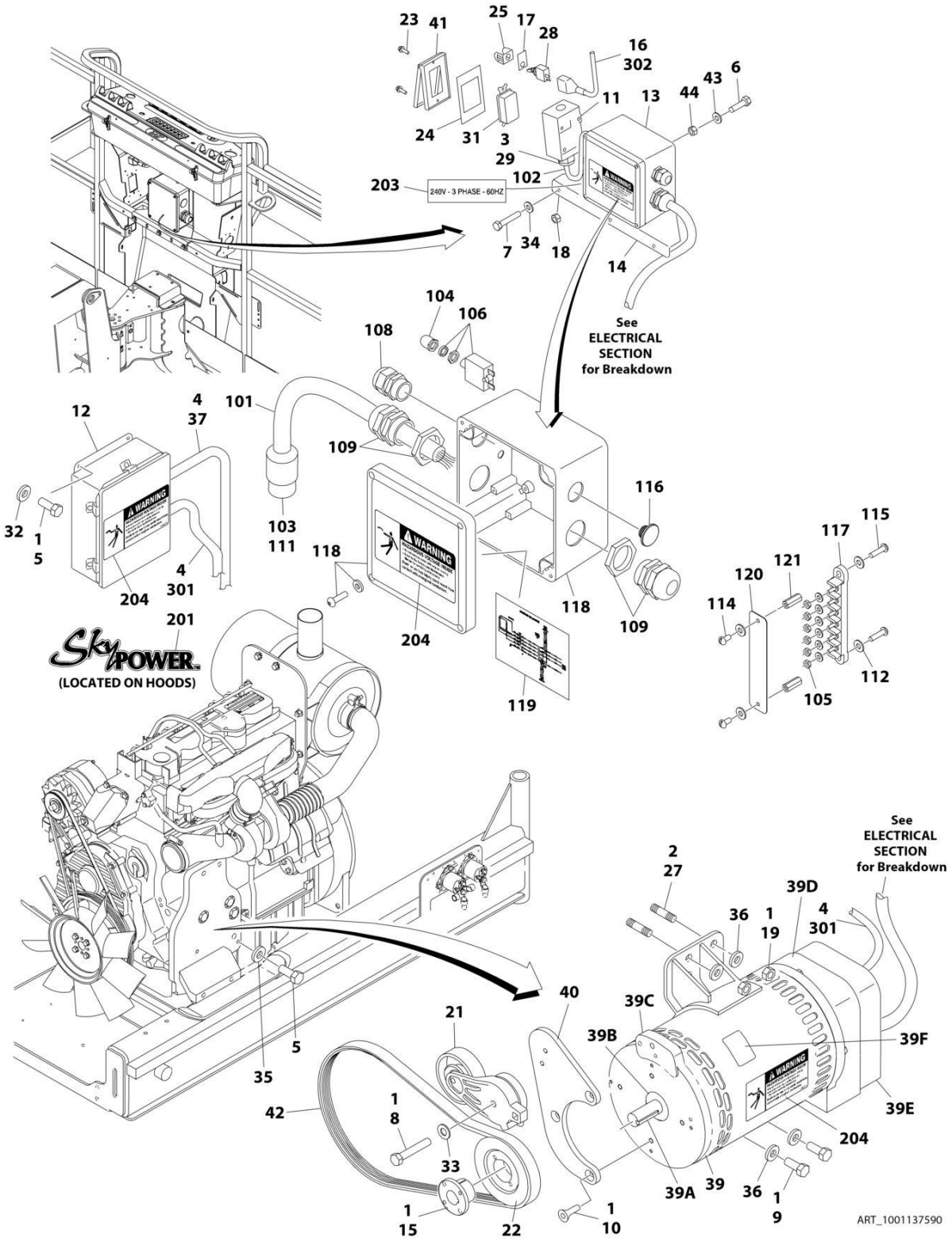
ITEM	PART NUMBER	QTY	DESCRIPTION	REV
	1001125428	Ref	7500W SKYPOWER GENERATOR INSTALLATION - 50HZ SPEC (DEUTZ TD2011 ENGINES)	C
		Ref	Note: See ELECTRICAL SECTION for Boom Cable Installation.	
1	0100011	AR	Compound, Locking	
2	0100019	AR	Compound, Locking	
4	0480129	1	Belt, Generator	
5	0641404	5	Bolt 1/4 x 1/2	
6	3931016	4	Bolt 10 x 1	
7	0641516	3	Bolt 5/16 x 2	
8	0641810	4	Bolt 1/2 x 1-1/4	
9	1001157525	1	Junction Box Assembly (See Items 101-117 for Breakdown)	
10	0861572	1	Box, Generator Control	
10	7024488	1	Card, Circuit - Generator Power (Not Shown)	
10	See Note	1	Fuse (Note: Not Available - Purchase Locally)	
10	7024489	1	Card, Circuit - Control (Not Shown)	
		Ref	Note: When replacing card, rocker switch on card must be set for required application.	
10	70000619	1	Harness, Circuit Card	
11	0902888	1	Bracket, Generator Junction Box	
12	0962520	1	Bushing, Taper	
13	2460048	1	Generator, 7500W	
13	70001100	1	Rotor (Includes p/n 70001384 & 70000863) (Not Shown)	
13	70001384	1	Bearing, Shaft (Rear) (Not Shown)	
13	70000863	1	Fan, Generator (Not Shown)	
13	70002088	1	Stator (Not Shown)	
13	70002297	2	Stud 1/4 x 12-7/8	
13	70003631	1	Brushholder Assembly (Not Shown)	
13A	70004171	1	Key	
13B	70001966	1	Bearing, Ball Radial (Located in Belt Tensioner Endbell)	
13B	70003709	1	Ring, Retaining (Small)	
13B	70003708	1	Ring, Retaining (Large)	
13C	70001953	1	Endbell, Belt Tensioner	
13D	70004169	1	Kit, Endbell (Includes Endbell, Brush Block and Shroud Assembly)	
13E	7027799	1	Block, Connector 6 Position (Not Shown)	
13E	70002460	6	Nut, Brass (Attaches p/n 7027799 to Cover) (Not Shown)	
13E	7024485	1	Breaker, Circuit 30Amp (Not Shown)	
13E	70001696	1	Boot, Breaker (Not Shown)	
13E	7026597	1	Connector with Lead (Not Shown)	
13E	7026626	1	Connector with Pins (Not Shown)	
13E	7026188	1	Clamp, Cable (Not Shown)	
13E	70002255	1	Plate, End Panel (Not Shown)	
13E	See Note	1	Insulator, End Panel (Not Shown) (Note: Not Available for Purchase)	
13E	70001974	1	Decal - Terminal Connections (Not Shown)	
13F	70001973	1	Decal - Warning Moving Parts	
14	2820031	AR	Insulator, Heat Shrink	
15	3251102	1	Nameplate, Generator	
16	3311508	3	Nut 5/16	
17	3580317	1	Pulley, Belt Tensioner	

SECTION 3 - ENGINE

ITEM	PART NUMBER	QTY	DESCRIPTION	REV
18	3580319	1	Pulley, Generator	
19	0641618	1	Bolt 3/8 x 2	
20	4060802	1	Guard, Switch	
21	4240018	AR	Strap, Tie (Not Shown)	
22	4360336	1	Switch, Toggle	
23	4711400	4	Washer 1/4	
24	0100048	AR	Grease, Dielectric	
25	4751500	3	Washer 5/16	
26	4791400	2	Starwasher 1/4	
27	4891800	4	Washer 1/2	
28	4922972	1	Harness, Generator Cable (See Separate Breakdown in ELECTRICAL SECTION)	
30	4711600	1	Washer 3/8	
31	4751000	4	Washer #10	
32	3311005	4	Nut #10	
	1001157525	Ref	JUNCTION BOX ASSEMBLY	B
101	3300396	1	Cover, Fuse	
102	3311001	6	Nut #10	
103	3520189	1	Plug	
104	3520192	1	Plug	
105	4360070	1	Circuit Breaker - 15Amp	
106	4460425	1	Strain Relief, Terminal	
107	4460426	2	Connector, Strain Relief	
109	4711000	10	Washer #10	
110	10702077	2	Screw #10 x 3/8	
111	10702082	2	Screw #10 x 3/4	
112	1001152525	1	Plug	
113	1001157520	1	Block, Terminal	
114	1001157521	1	Box, Junction	
115	1001157528	1	Decal - Wiring Schematic	
116	1001158007	1	Cover, PVC	
117	1001158008	2	Stand-Off	
	0272589	Ref	DECAL INSTALLATION	A
201	1705460	2	Decal - SkyPower	
202	1705461	1	Decal - 240V - 3 Phase	
203	1705489	3	Decal - Hazardous Voltage	
	1001122528	Ref	ELECTRICAL DIAGRAM COMPONENTS	B
301	1001119968	1	Generator Harness	B
301A	4460967	1	Plug, Male - 3 Position (Not Shown)	
301A	4460465	6	Socket, Female	
301B	1001117078	1	Fuseholder with Fuse (Not Shown)	
303	4922641	1	Switch Harness	

SECTION 3 - ENGINE

FIGURE 3-75. 7500W SKYPOWER GENERATOR INSTALLATION - 60HZ SPEC (DEUTZ TCD2.9L4 ENGINES) (OPTIONAL)



ART_1001137590

SECTION 3 - ENGINE

FIGURE 3-75. 7500W SKYPOWER GENERATOR INSTALLATION - 60HZ SPEC (DEUTZ TCD2.9L4 ENGINES) (OPTIONAL)

ITEM	PART NUMBER	QTY	DESCRIPTION	REV
	1001137590	Ref	7500W SKYPOWER GENERATOR INSTALLATION - 60HZ SPEC (DEUTZ TCD2.9L4 ENGINES)	G
		Ref	Note: See ELECTRICAL SECTION for Boom Cable Installation.	
1	0100011	AR	Compound, Locking	
2	0100019	AR	Compound, Locking	
3	0100020	AR	Sealant, Pipe	
4	0100048	AR	Grease, Dielectric	
5	0641404	5	Bolt 1/4 x 1/2	
6	3931016	4	Bolt 10 x 1	
7	0641516	3	Bolt 5/16 x 2	
8	0641618	1	Bolt 3/8 x 2	
9	0641810	2	Bolt 1/2 x 1-1/4	
10	0741607	3	Screw 3/8 x 7/8	
11	0860038	1	Box, Switch	
12	0861538	1	Box, Generator Control	
12	7024488	1	Card, Circuit - Generator Power (Not Shown)	
12	See Note	1	Fuse (Note: Not Available Purchase Locally)	
12	7024489	1	Card, Circuit - Control (Not Shown)	
		Ref	Note: When replacing card, rocker switch on card must be set for required application.	
12	70000619	1	Harness, Circuit Card	
13	1001157592	1	Junction Box Assembly (See Items 101-121 for Breakdown)	
14	0902888	1	Bracket, Generator Junction Box	
15	0962520	1	Bushing, Taper	
16	2820031	AR	Insulator, Heat Shrink	
17	3251102	1	Nameplate, Generator	
18	3311508	3	Nut 5/16	
19	3311801	2	Nut 1/2	
21	3580317	1	Pulley, Belt Tensioner	
22	3580318	1	Pulley, Generator	
23	3910606	AR	Screw #6 x 3/8	
24	3960422	1	Gasket, AC Receptacle	
25	4060802	1	Guard, Switch	
26	4240018	AR	Strap, Tie (Not Shown)	
27	4300157	2	Stud 1/2	
28	4360336	1	Switch, Toggle	
29	4460071	1	Connector, Strain Relief	
30	4460315	3	Terminal, Spade (Not Shown)	
31	4460346	1	Terminal, Receptacle	
32	4711400	4	Washer 1/4	
33	4711600	1	Washer 3/8	
34	4751500	3	Washer 5/16	
35	4791400	2	Starwasher 1/4	
36	4891800	4	Washer 1/2	
37	4922972	1	Harness, Generator Cable (See Separate Breakdown in ELECTRICAL SECTION)	
39	1001212223	1	Generator, 7500W	
39	70001100	1	Rotor (Includes p/n 70001384 & 70000863)	
39	70001384	1	Bearing, Shaft (Rear)	

SECTION 3 - ENGINE

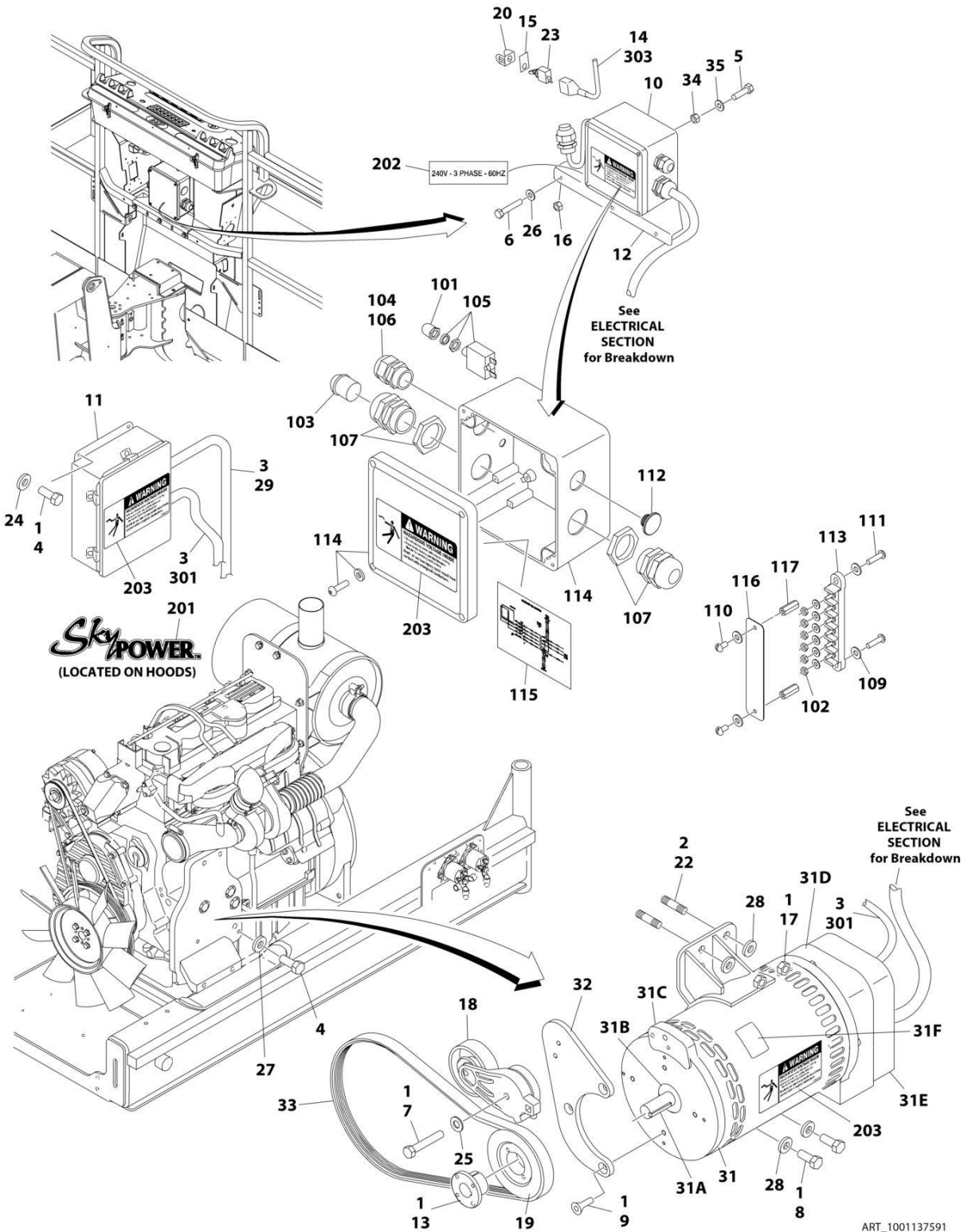
ITEM	PART NUMBER	QTY	DESCRIPTION	REV
39	7000863	1	Fan, Generator	
39	70006093	1	Stater	
39	70003631	1	Brush-holder Assembly (was p/n 7024484)	
39A	70004099	NLA	Key (Use p/n 70004171)	
39B	70001966	1	Bearing, Ball Radial (Located in Belt Tensioner Endbell)	
39B	70003709	1	Ring, Retaining (Small)	
39B	70003708	1	Ring, Retaining (Large)	
39C	70004092	1	Endbell, Belt Tensioner	
39D	70004094	1	Endbell, Brush Block	
39E	70006094	1	Shroud Assembly	
39E	7027799	1	Block, Connector - 6 Position (Not Shown)	
39E	70002460	6	Nut, Brass (Attaches p/n 7027799 to Cover) (Not Shown)	
39E	70006095	1	Breaker, Circuit 30Amp (Not Shown)	
39E	70006096	1	Boot, Breaker (Not Shown)	
39E	7026597	1	Connector with Leads (Not Shown)	
39E	7026626	1	Connector with Pins (Not Shown)	
39E	70004098	1	Clamp, Cable (Not Shown)	
39E	70006097	1	Plate, End Panel (Not Shown)	
39E	70002291	1	Insulator, End Panel Generator (Not Shown)	
39E	70001974	1	Decal - Terminal Connections (Not Shown)	
39F	70001973	1	Decal - Warning Moving Parts	
40	1001138011	1	Bracket	
41	1001110873	1	Shield, Receptacle Cover	
42	1001142645	1	Belt, Generator	
43	4751000	4	Washer #10	
44	3311005	4	Nut #10	
	1001157592	Ref	JUNCTION BOX ASSEMBLY	C
101	1060343	1.5 ft/ 0.5m	Cable, Electrical 10/4	
102	1001179154	2.5 ft/ 0.8m	Cable, Electrical 12/3	
103	1671092	1	Cover	
104	3300396	1	Cover, Fuse	
105	3311001	6	Nut #10	
106	4360070	1	Circuit Breaker - 15Amp	
108	4460425	1	Strain Relief, Terminal	
109	4460426	2	Connector, Strain Relief	
111	4460963	1	Connector	
112	4711000	10	Washer #10	
114	10702077	2	Screw #10 x 3/8	
115	10702082	2	Screw #10 x 3/4	
116	1001152525	1	Plug	
117	1001157520	1	Block, Terminal	
118	1001157521	1	Box, Junction	
119	1001157528	1	Decal - Wiring Schematic	
120	1001158007	1	Cover, PVC	
121	1001158008	2	Stand-Off	
	0272435	Ref	DECAL INSTALLATION	D
201	1705460	2	Decal - SkyPower	
202	3251243	1	Decal - 120V - 60Hz (Not Shown - Located at Platform Receptacle)	
203	1705375	1	Decal - 240V - 3 Phase	

SECTION 3 - ENGINE

ITEM	PART NUMBER	QTY	DESCRIPTION	REV
204	1705387	3	Decal - Hazardous Voltage	
	1001122528	Ref	ELECTRICAL DIAGRAM COMPONENTS	B
301	1001119968	1	Generator Harness	B
301A	4460967	1	Plug, Male - 3 Position (Not Shown)	
301A	4460465	6	Socket, Female	
301B	1001117078	1	Fuseholder with Fuse (Not Shown)	
302	4922641	1	Switch Harness	

SECTION 3 - ENGINE

FIGURE 3-76. 7500W SKYPOWER GENERATOR INSTALLATION - 50HZ SPEC (DEUTZ TCD2.9L4 ENGINES) (OPTIONAL)



SECTION 3 - ENGINE

FIGURE 3-76. 7500W SKYPOWER GENERATOR INSTALLATION - 50HZ SPEC (DEUTZ TCD2.9L4 ENGINES) (OPTIONAL)

ITEM	PART NUMBER	QTY	DESCRIPTION	REV
	1001137591	Ref	7500W SKYPOWER GENERATOR INSTALLATION - 50HZ SPEC (DEUTZ TCD2.9L4 ENGINES)	D
		Ref	Note: See ELECTRICAL SECTION for Boom Cable Installation.	
1	0100011	AR	Compound, Locking	
2	0100019	AR	Compound, Locking	
3	0100048	AR	Grease, Dielectric	
4	0641404	5	Bolt 1/4 x 1/2	
5	3931016	4	Bolt 10 x 1	
6	0641516	3	Bolt 5/16 x 2	
7	0641618	1	Bolt 3/8 x 2	
8	0641810	2	Bolt 1/2 x 1-1/4	
9	0741607	3	Screw 3/8 x 7/8	
10	1001157525	1	Junction Box Assembly (See Items 101-117 for Breakdown)	
11	0861572	1	Box, Generator Control	
11	7024488	1	Card, Circuit - Generator Power (Not Shown)	
11	See Note	1	Fuse (Note: Not Available - Purchase Locally)	
11	7024489	1	Card, Circuit - Control (Not Shown)	
		Ref	Note: When replacing card, rocker switch on card must be set for required application.	
11	70000619	1	Harness, Circuit Card	
12	0902888	1	Bracket, Generator Junction Box	
13	0962520	1	Bushing, Taper	
14	2820031	AR	Insulator, Heat Shrink	
15	3251102	1	Nameplate, Generator	
16	3311508	3	Nut 5/16	
17	3311801	2	Nut 1/2	
18	3580317	1	Pulley, Belt Tensioner	
19	3580319	1	Pulley, Generator	
20	4060802	1	Guard, Switch	
21	4240018	AR	Strap, Tie (Not Shown)	
22	4300157	2	Stud 1/2	
23	4360336	1	Switch, Toggle	
24	4711400	4	Washer 1/4	
25	4711600	1	Washer 3/8	
26	4751500	3	Washer 5/16	
27	4791400	2	Starwasher 1/4	
28	4891800	4	Washer 1/2	
29	4922972	1	Harness, Generator Cable (See Separate Breakdown in ELECTRICAL Section)	
31	1001212223	1	Generator, 7500W	
31	70001100	1	Rotor (Includes p/n 70001384 & 70000863) (Not Shown)	
31	70001384	1	Bearing, Shaft (Rear) (Not Shown)	
31	70000863	1	Fan, Generator (Not Shown)	
31	70006093	1	Stator (Not Shown)	
31	70003631	1	Brush-holder Assembly (Not Shown)	
31A	70004099	NLA	Key (Use p/n 70004171)	
31B	70001966	1	Bearing, Ball Radial (Located in Belt Tensioner Endbell)	
31B	70003709	1	Ring, Retaining (Small)	
31B	70003708	1	Ring, Retaining (Large)	

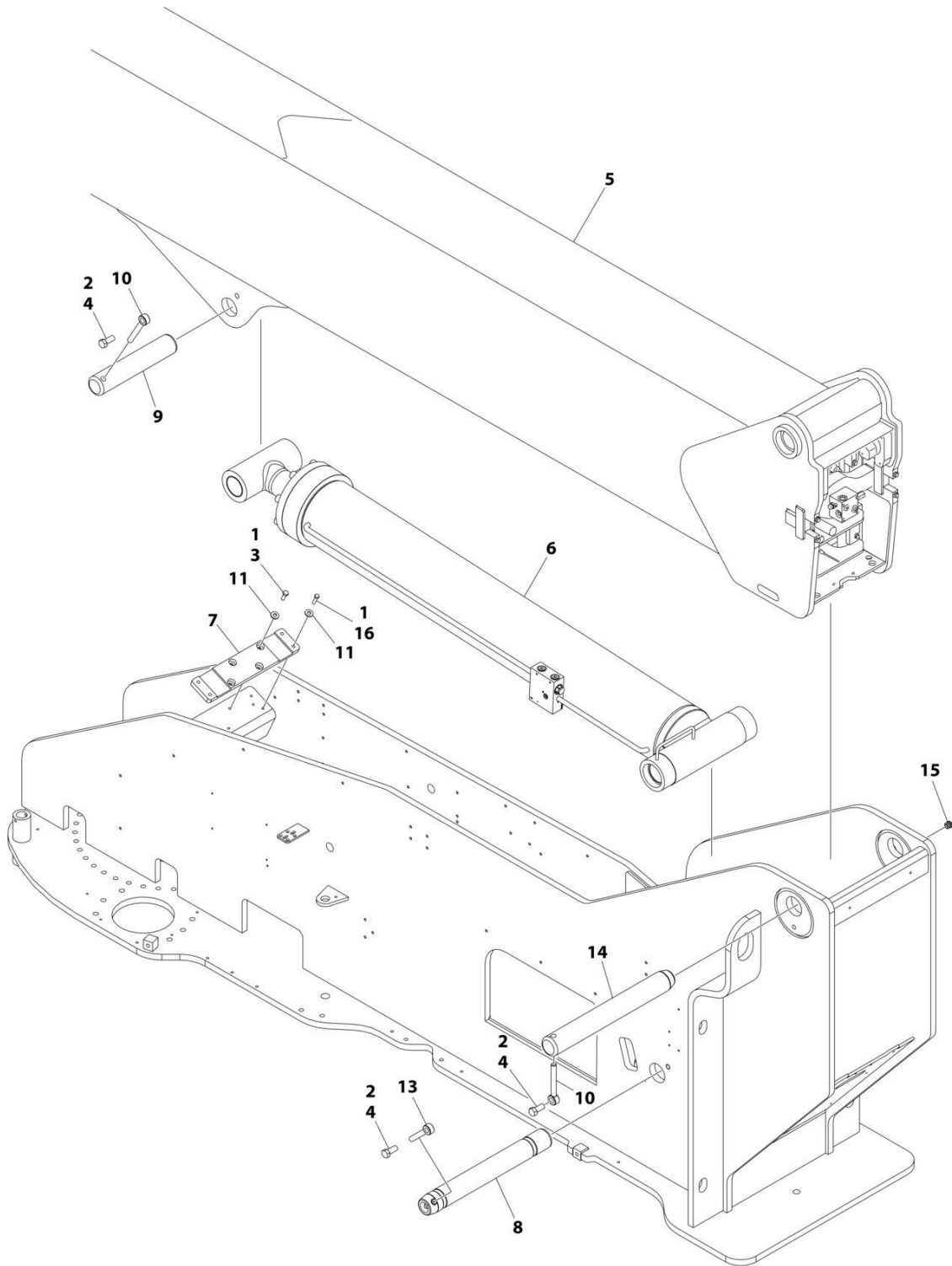
SECTION 3 - ENGINE

ITEM	PART NUMBER	QTY	DESCRIPTION	REV
31C	70004092	1	Endbell, Belt Tensioner	
31D	70004094	1	Endbell, Brush Block	
31E	70006094	1	Shroud Assembly	
31E	7027799	1	Block, Connector - 6 Position (Not Shown)	
31E	70002460	6	Nut, Brass (Attaches p/n 7027799 to Cover) (Not Shown)	
31E	70006095	1	Breaker, Circuit 30Amp (Not Shown)	
31E	70006096	1	Boot, Breaker (Not Shown)	
31E	7026597	1	Connector with Leads (Not Shown)	
31E	7026626	1	Connector with Pins (Not Shown)	
31E	70004098	1	Clamp, Cable (Not Shown)	
31E	70006097	1	Plate, End Panel (Not Shown)	
31E	70002291	1	Insulator, End Panel (Not Shown)	
31E	70001974	1	Decal - Terminal Connections (Not Shown)	
31F	70001973	1	Decal - Warning Moving Parts	
32	1001138011	1	Bracket	
33	1001136357	1	Belt, Generator	
34	3311005	4	Nut #10	
35	4751000	4	Washer #10	
	1001157525	Ref	JUNCTION BOX ASSEMBLY	B
101	3300396	1	Cover, Fuse	
102	3311001	6	Nut #10	
103	3520189	1	Plug (50Hz Spec Only)	
104	3520192	1	Plug	
105	4360070	1	Circuit Breaker - 15Amp	
106	4460425	1	Strain Relief, Terminal	
107	4460426	2	Connector, Strain Relief	
109	4711000	10	Washer #10	
110	10702077	2	Screw #10 x 3/8	
111	10702082	2	Screw #10 x 3/4	
112	1001152525	1	Plug	
113	1001157520	1	Block, Terminal	
114	1001157521	1	Box, Junction	
115	1001157528	1	Decal - Wiring Schematic	
116	1001158007	1	Cover, PVC	
117	1001158008	2	Stand-Off	
	0272589	Ref	DECAL INSTALLATION	A
201	1705460	2	Decal - SkyPower	
202	1705461	1	Decal - 240V - 3 Phase	
203	1705489	3	Decal - Hazardous Voltage	
	1001122528	Ref	ELECTRICAL DIAGRAM COMPONENTS	B
301	1001119968	1	Generator Harness (With UGM)	B
301A	4460967	1	Plug, Male - 3 Position (Not Shown)	
301A	4460465	6	Socket, Female	
301B	1001117078	1	Fuseholder with Fuse (Not Shown)	
303	4922641	1	Switch Harness	

SECTION 4 - BOOM

SECTION 4 - BOOM

FIGURE 4-1. BOOM INSTALLATION - WITHOUT COLD WEATHER PLUS PACKAGE (1200SJP)



ART_0271799

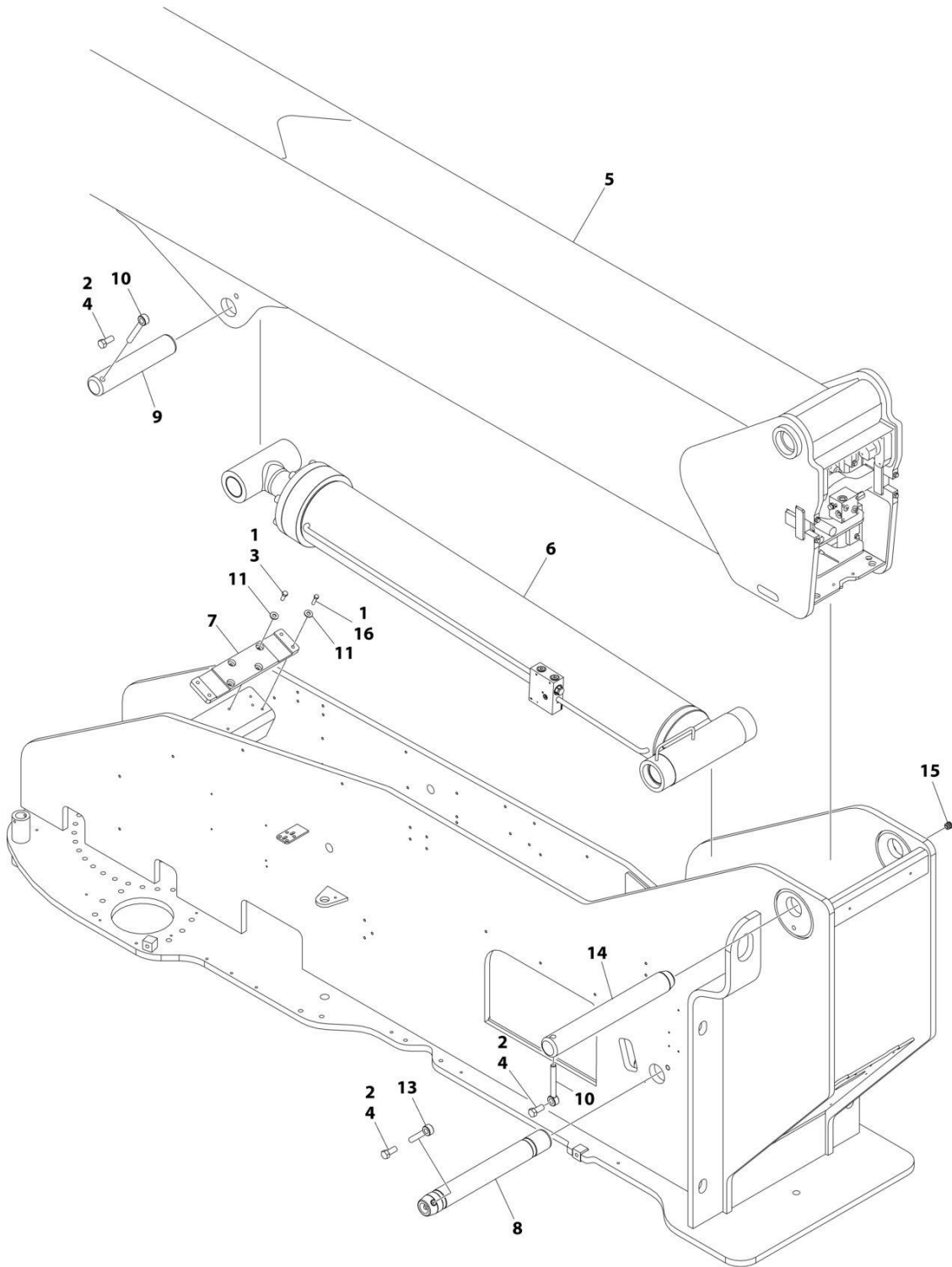
SECTION 4 - BOOM

FIGURE 4-1. BOOM INSTALLATION - WITHOUT COLD WEATHER PLUS PACKAGE (1200SJP)

ITEM	PART NUMBER	QTY	DESCRIPTION	REV
	0271799	Ref	BOOM INSTALLATION	1
1	0100011	AR	Compound, Locking	
2	0100019	AR	Compound, Locking	
3	0641608	4	Bolt 3/8 x 1	
4	0642214	3	Bolt 3/4 x 1-3/4	
5	0801320	1	Boom Assembly (See Separate Breakdown in this Section)	
6	1001228024	1	Lift Cylinder Assembly (See Separate Breakdown in CYLINDER SECTION)	
7	1001237755	1	Pad	
8	3423208	1	Pin, Load Sensing	
9	3422955	1	Pin	
10	3841287	2	Keeper, Pin	
11	4751600	8	Washer 3/8	
13	3841581	1	Keeper, Pin	
14	3422988	1	Pin	
15	1001213705	1	Plug	
16	0641612	4	Bolt 3/8 x 1-1/2	

SECTION 4 - BOOM

FIGURE 4-2. BOOM INSTALLATION - WITH COLD WEATHER PLUS PACKAGE (1200SJP)



ART_1001138800

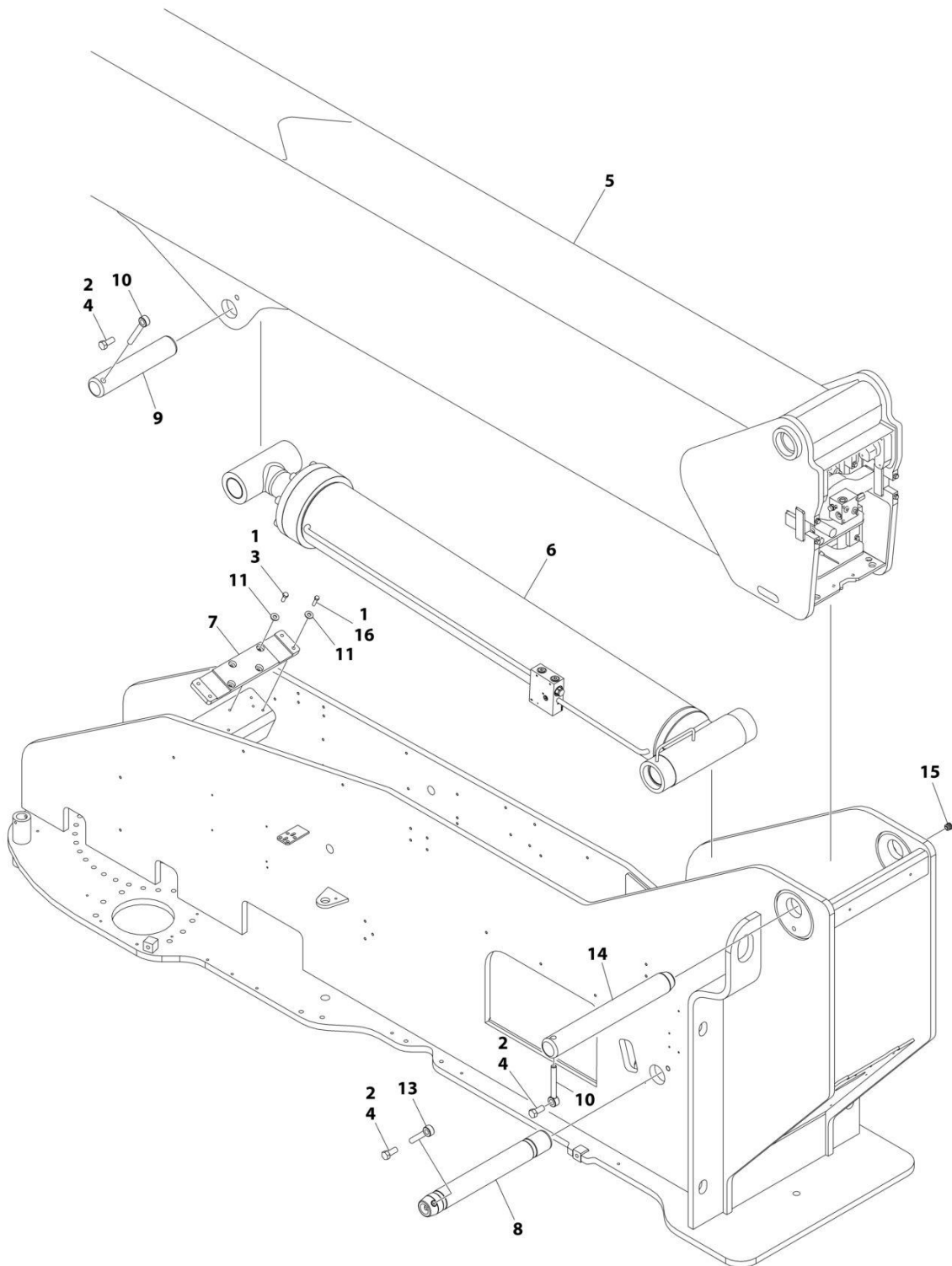
SECTION 4 - BOOM

FIGURE 4-2. BOOM INSTALLATION - WITH COLD WEATHER PLUS PACKAGE (1200SJP)

ITEM	PART NUMBER	QTY	DESCRIPTION	REV
	1001138800	Ref	BOOM INSTALLATION	D
1	0100011	AR	Compound, Locking	
2	0100019	AR	Compound, Locking	
3	0641608	4	Bolt 3/8 x 1	
4	0642214	3	Bolt 3/4 x 1-3/4	
5	1001138801	1	Boom Assembly (See Separate Breakdown in this Section)	
6	1001228024	1	Lift Cylinder Assembly (See Separate Breakdown in CYLINDER SECTION)	
7	1001237755	1	Pad	
8	3423208	1	Pin, Load Sensing	
9	3422955	1	Pin	
10	3841287	2	Keeper, Pin	
11	4751600	8	Washer 3/8	
13	3841581	1	Keeper, Pin	
14	3422988	1	Pin	
15	1001213705	1	Plug	
16	0641611	4	Bolt 3/8 x 1-3/8	

SECTION 4 - BOOM

FIGURE 4-3. BOOM INSTALLATION - WITHOUT COLD WEATHER PLUS PACKAGE (1350SJP)



ART_0271530

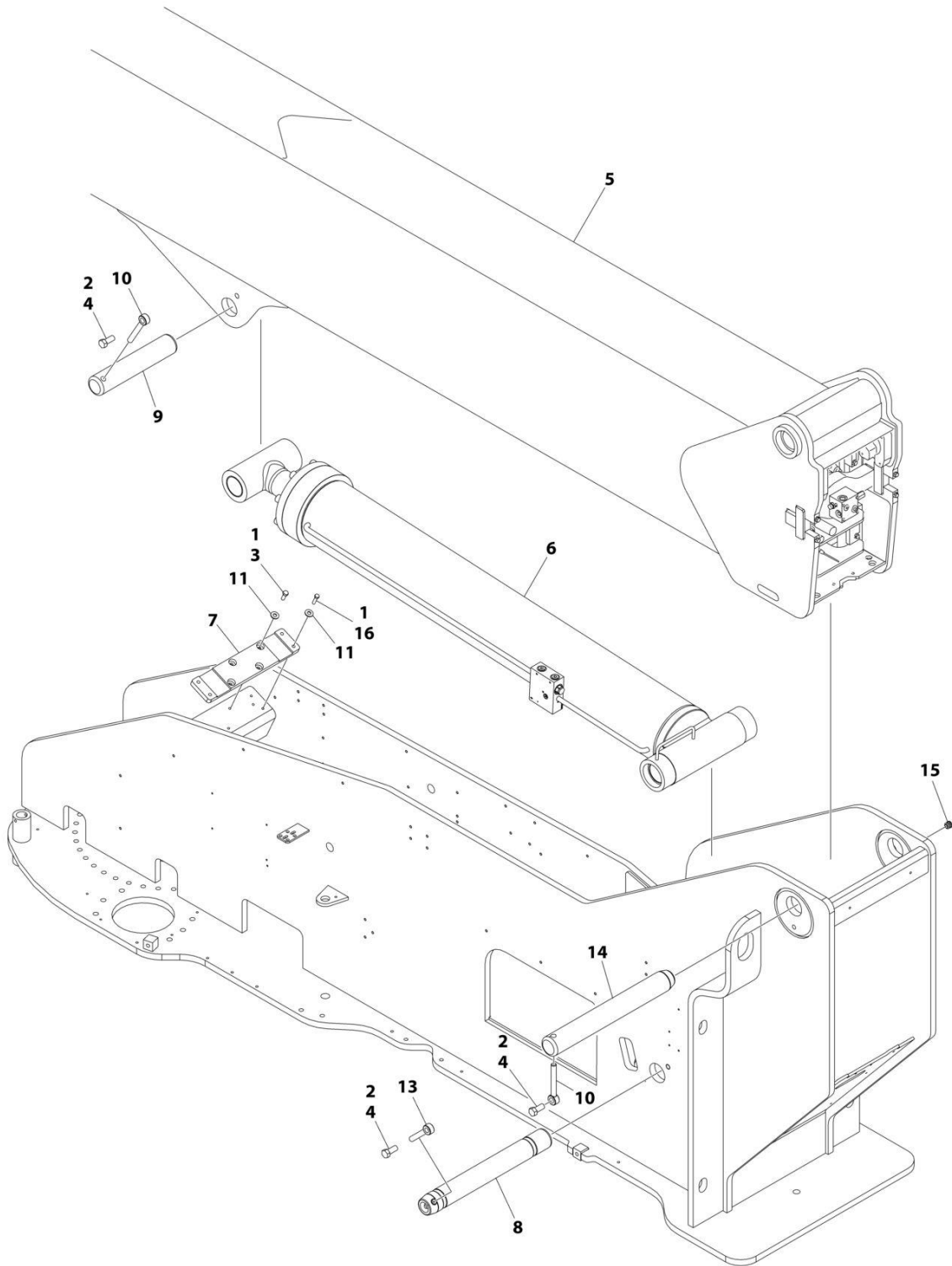
SECTION 4 - BOOM

FIGURE 4-3. BOOM INSTALLATION - WITHOUT COLD WEATHER PLUS PACKAGE (1350SJP)

ITEM	PART NUMBER	QTY	DESCRIPTION	REV
	0271530	Ref	BOOM INSTALLATION	1
1	0100011	AR	Compound, Locking	
2	0100019	AR	Compound, Locking	
3	0641608	4	Bolt 3/8 x 1	
4	0642214	3	Bolt 3/4 x 1-3/4	
5	0801315	1	Boom Assembly (See Separate Breakdown in this Section)	
6	1001228024	1	Lift Cylinder Assembly (See Separate Breakdown in CYLINDER SECTION)	
7	1001237755	1	Pad	
8	3423208	1	Pin, Load Sensing	
9	3422955	1	Pin	
10	3841287	2	Keeper, Pin	
11	4751600	AR	Washer 3/8	
13	3841581	1	Keeper, Pin	
14	3422988	1	Pin	
15	1001213705	1	Plug	
16	0641612	4	Bolt 3/8 x 1-1/2	

SECTION 4 - BOOM

FIGURE 4-4. BOOM INSTALLATION - WITH COLD WEATHER PLUS PACKAGE (1350SJP)



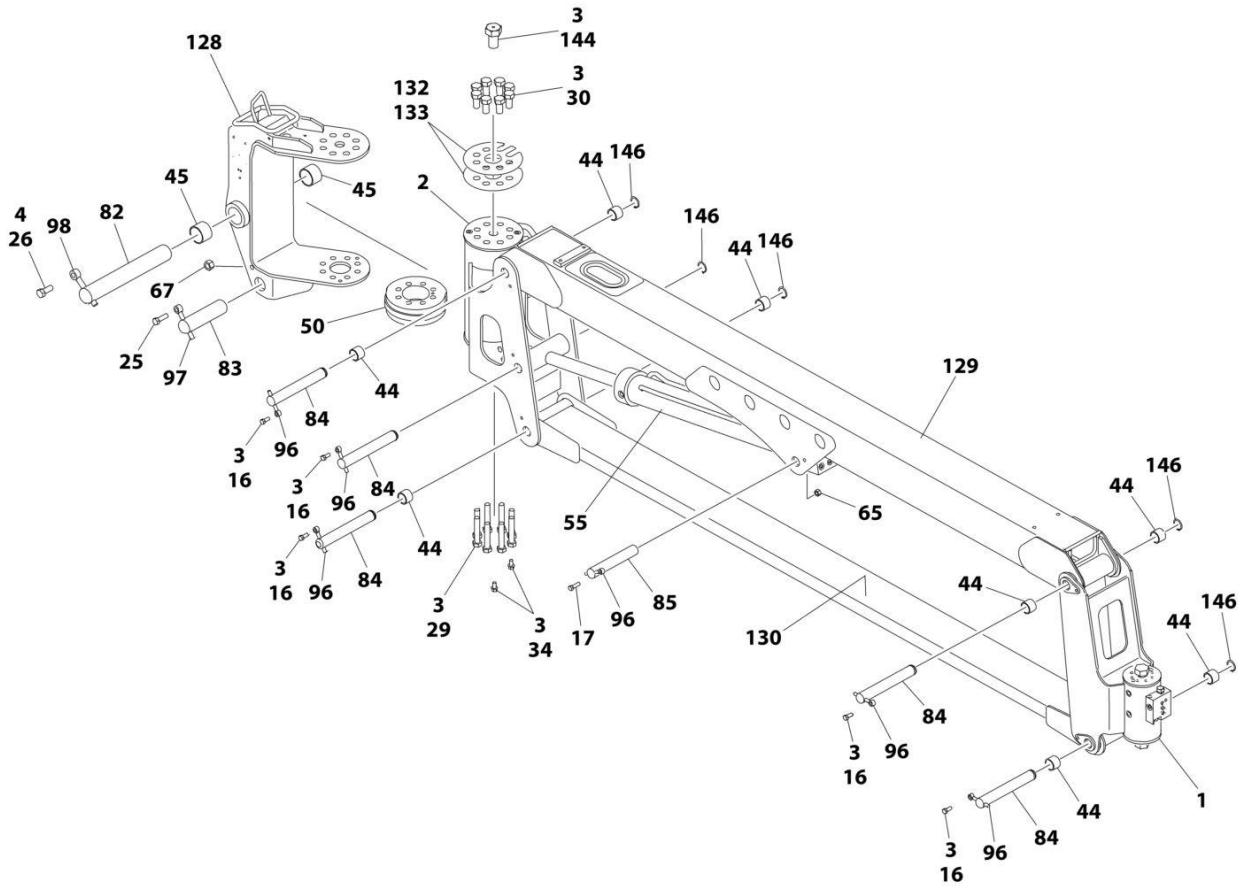
ART_1001139516

SECTION 4 - BOOM

FIGURE 4-4. BOOM INSTALLATION - WITH COLD WEATHER PLUS PACKAGE (1350SJP)

ITEM	PART NUMBER	QTY	DESCRIPTION	REV
	1001139516	Ref	BOOM INSTALLATION	D
1	0100011	AR	Compound, Locking	
2	0100019	AR	Compound, Locking	
3	0641608	4	Bolt 3/8 x 1	
4	0642214	3	Bolt 3/4 x 1-3/4	
5	1001139517	1	Boom Assembly (See Separate Breakdown in this Section)	
6	1001228024	1	Lift Cylinder Assembly (See Separate Breakdown in CYLINDER SECTION)	
7	1001237755	1	Pad	
8	3423208	1	Pin, Load Sensing	
9	3422955	1	Pin	
10	3841287	2	Keeper, Pin	
11	4751600	8	Washer 3/8	
13	3841581	1	Keeper, Pin	
14	3422988	1	Pin	
15	1001213705	1	Plug	
16	0641611	4	Bolt 3/8 x 1-3/8	

SECTION 4 - BOOM



ART_0801320_3OF3

SECTION 4 - BOOM

FIGURE 4-5. BOOM ASSEMBLY - WITHOUT COLD WEATHER PLUS PACKAGE (1200SJP)

ITEM	PART NUMBER	QTY	DESCRIPTION	REV
	0801320	Ref	BOOM ASSEMBLY	X
1	1001178247	1	Actuator Assembly (Platform Rotate) (See Separate Breakdown in this Section)	
2	1001178248	1	Actuator Assembly (Jib Rotate) (See Separate Breakdown in this Section)	
3	0100011	AR	Compound, Locking	
4	0100019	AR	Compound, Locking	
5	0561431	1	Block, Rope Retainer	
6	0561437	2	Block, Rope Retainer	
7	0561439	1	Block, Outer Mid Extend	
8	0561444	2	Block, Cable Retainer	
9	0561454	1	Block, Switch Adjuster	
10	0561457	2	Block, Cable Retainer	
11	0561458	2	Block, Cable Retainer	
12	0561471	2	Block, Spacer	
13	0561500	2	Block, Trunnion Keeper	
14	0561482	2	Block, Trunnion Keeper	
15	3340955	1	Pad	
16	0641607	5	Bolt 3/8 x 7/8	
17	0641610	1	Bolt 3/8 x 1-1/4	
18	0641615	4	Bolt 3/8 x 1-7/8	
19	0791618	4	Screw 3/8 x 2-1/4	
20	0791620	10	Screw 3/8 x 2-1/2	
21	0791624	4	Screw 3/8 x 3	
22	0641646	4	Bolt 3/8 x 5-3/4	
23	0641652	3	Bolt 3/8 x 6-1/2	
24	0641808	1	Bolt 1/2 x 1	
25	0641813	1	Bolt 1/2 x 1-5/8	
26	0642012	1	Bolt 5/8 x 1-1/2	
27	0642014	4	Bolt 5/8 x 1-3/4	
28	0642022	2	Bolt 5/8 x 2-3/4	
29	0682028	8	Bolt 5/8 x 3-1/2 Grade 8	
30	0682212	8	Bolt 3/4 x 1-1/2 Grade 8	
31	0741606	3	Screw 3/8 x 3/4	
32	0741806	1	Screw 1/2 x 3/4	
33	0791604	4	Screw 3/8 x 1/2	
34	0791606	2	Screw 3/8 x 3/4	
36	0811608	43	Screw 3/8 x 1	
37	0811610	10	Screw 3/8 x 1-1/4	
38	0811614	4	Screw 3/8 x 1-3/4	
39	0811616	6	Screw 3/8 x 2	
40	0801316	1	Base, Boom	
41	0801317	1	Mid, Inner	
42	0801318	1	Mid, Outer	
43	0801319	1	Fly, Boom	
44	0961951	8	Bushing (Part of Item 129 & 130)	
45	0962224	2	Bearing	
46	0791612	4	Screw 3/8 x 1-1/2	
47	0962297	2	Bushing	
48	0962409	2	Bushing	

SECTION 4 - BOOM

ITEM	PART NUMBER	QTY	DESCRIPTION	REV
49	0962410	2	Bushing	
50	1100131	1	Cam	
52	1671032	1	Cover	
53	1671033	1	Cover	
54	1001228023	1	Platform Level Cylinder Assembly (See Separate Breakdown in CYLINDER SECTION)	
55	1001228025	1	Jib Cylinder Assembly (See Separate Breakdown in CYLINDER SECTION)	
56	1001228026	1	Telescope Cylinder Assembly (See Separate Breakdown in CYLINDER SECTION)	
57	3020039	AR	Lubricant, Moly	
58	3300239	4	Nut, Nylon Insert	
59	3020042	AR	Lubricant with PTFE	
60	3300458	1	Nut 1	
62	3300460	2	Nut 1-1/4	
63	3300461	3	Nut 1-3/8	
65	3311605	7	Nut 3/8	
66	3311801	4	Nut 1/2	
67	3311805	1	Nut 1/2	
68	3340871	2	Pad, Wear	
69	3340881	12	Pad, Wear	
70	3340910	1	Pad, Wear	
71	3340912	2	Pad, Wear	
72	4700039	1	Pad, Wear	
73	3340916	2	Pad, Wear	
74	3340917	2	Pad, Wear	
75	3340918	2	Pad, Wear	
76	4700038	1	Pad, Wear	
77	3340921	12	Pad, Wear	
78	3340922	6	Pad, Wear	
79	3340926	1	Pad, Wear	
80	3422926	1	Pin	
81	3422937	1	Pin	
82	1001119899	1	Pin	
83	3422956	1	Pin	
84	3422957	5	Pin	
85	3422958	1	Pin	
86	3422959	1	Pin	
87	3572950	2	Plate, Cable Retract Retainer	
88	3572951	2	Plate, Cable Retract Retainer	
89	3580342	2	Sheave	
90	1001154260	2	Sheave	
90A	1001154294	1	Ring, Snap	
90B	1001154304	1	Bushing (Inner)	
90C	1001154306	1	Bushing (Outer)	
91	3580298	2	Sheave	
91A	0962402	1	Bushing (Outer)	
91B	0962406	1	Bushing (Inner)	
92	3580300	1	Sheave	
92A	1001139972	1	Sleeve, Bushing (Inner)	
92B	0962403	1	Bushing (Outer)	
93	3580302	2	Sheave	

SECTION 4 - BOOM

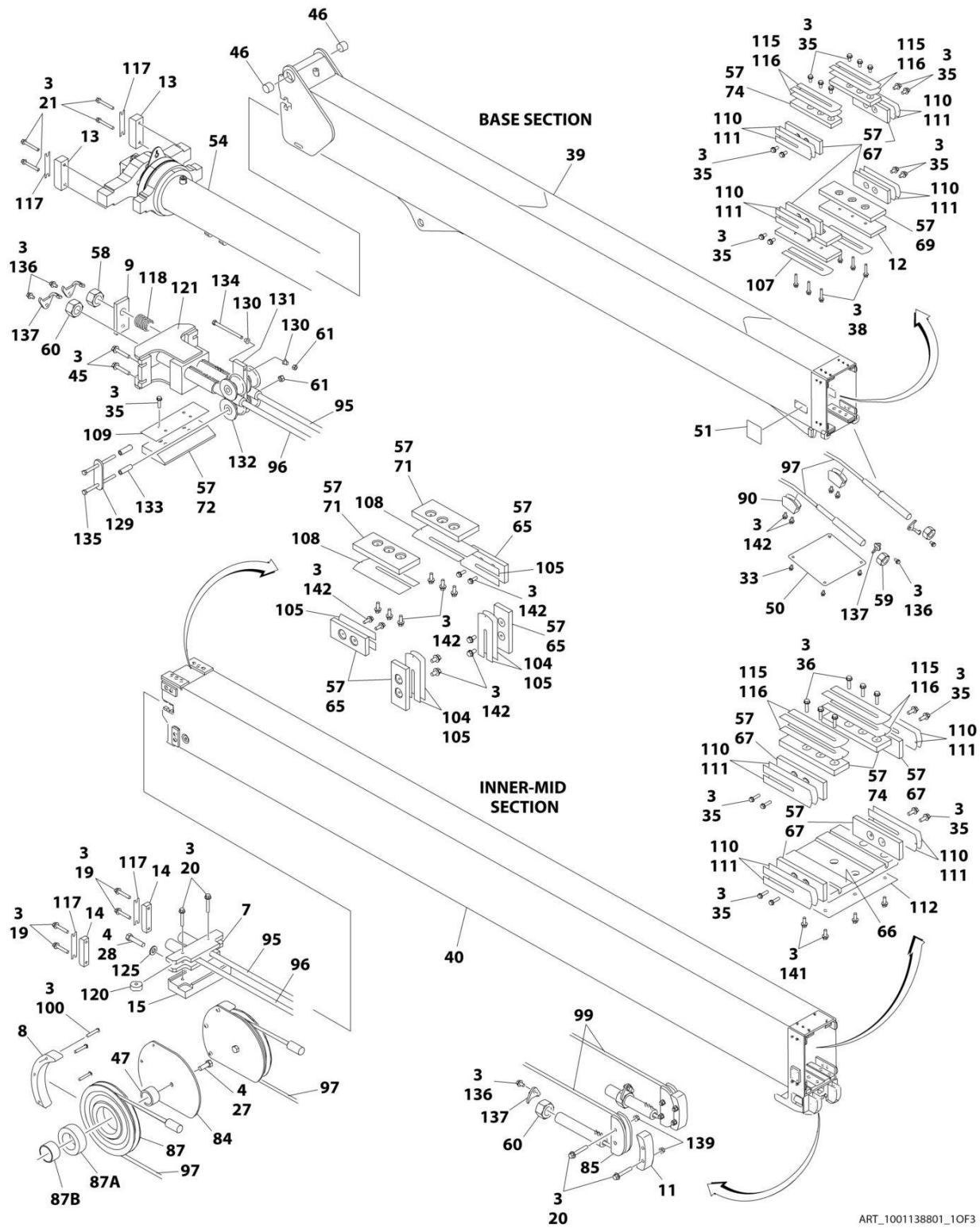
ITEM	PART NUMBER	QTY	DESCRIPTION	REV
93A	0962404	1	Bushing (Outer)	
93B	0962411	1	Bushing (Inner)	
94	3580341	2	Sheave	
95	3760233	1	Ring, Retaining	
96	3841143	6	Keeper, Pin	
97	3841203	2	Keeper, Pin	
98	3841258	1	Keeper, Pin	
99	3890034	1	Cable, Outer Mid Extend	
100	3890035	1	Cable, Outer Mid Extend	
101	3890036	2	Cable, Outer Mid Retract	
102	3890037	4	Cable, Fly Extend	
103	3890038	2	Cable, Fly Retract	
104	0641618	6	Screw 3/8 x 2-1/4	
105	4070863	2	Shim #11 Gauge	
106	4070864	2	Shim #18 Gauge	
107	4070895	2	Shim #16 Gauge	
108	4070897	6	Shim #18 Gauge	
109	4070898	12	Shim #11 Gauge	
110	4071012	1	Shim #16 Gauge	
112	4071015	2	Shim #16 Gauge	
114	4071017	1	Shim #16 Gauge	
115	4071018	8	Shim #16 Gauge	
116	4071019	12	Shim #11 Gauge	
117	4071024	1	Shim #16 Gauge	
118	4071025	1	Shim #16 Gauge	
120	4071027	2	Shim #16 Gauge	
121	4071028	6	Shim #16 Gauge	
122	4071029	6	Shim #11 Gauge	
123	4071031	4	Shim #16 Gauge	
124	4160197	1	Spring	
125	4711600	10	Washer 3/8	
126	4740509	2	Spacer	
127	4846453	1	Plate, Mounting	
128	4846462	1	Pivot	
129	4846482	1	Link, Jib (Upper) (Includes Item 44)	
130	0801550	1	Link, Jib (Lower) (Includes Item 44)	
131	4892000	2	Washer 5/8	
132	4071044	1	Shim #18 Gauge	
133	4071045	1	Shim #11 Gauge	
134	4071046	2	Shim #16 Gauge	
135	0363066	2	Bar, Stabilizer	
136	0962447	2	Bearing, Flanged	
137	3573437	1	Plate, Pulley Adjustment	
138	3580306	4	Pulley	
139	4568423	4	Tube, Spacer	
140	0641640	1	Bolt 3/8 x 5	
141	0641644	2	Bolt 3/8 x 5-1/2	
142	0791605	6	Screw 3/8 x 5/8	
143	3573444	6	Plate, Lock	
144	0630558	1	Bolt 1 x 2	
145	3311608	8	Nut 3/8	

SECTION 4 - BOOM

ITEM	PART NUMBER	QTY	DESCRIPTION	REV
146	3760133	5	Ring, Retaining	
148	0811606	30	Screw 3/8 x 3/4	
149	0811607	24	Screw 3/8 x 7/8	

SECTION 4 - BOOM

FIGURE 4-6. BOOM ASSEMBLY - WITH COLD WEATHER PLUS PACKAGE (1200SJP)



ART_1001138801_10F3

SECTION 4 - BOOM

FIGURE 4-6. BOOM ASSEMBLY - WITH COLD WEATHER PLUS PACKAGE (1200SJP)

ITEM	PART NUMBER	QTY	DESCRIPTION	REV
	1001138801	Ref	BOOM ASSEMBLY	G
1	1001178247	1	Actuator Assembly (Platform Rotate) (See Separate Breakdown in this Section)	
2	1001178248	1	Actuator Assembly (Jib Rotate) (See Separate Breakdown in this Section)	
3	0100011	AR	Compound, Locking	
4	0100019	AR	Compound, Locking	
5	0561431	1	Block, Rope Retainer	
6	0561437	2	Block, Rope Retainer	
7	0561439	1	Block, Outer Mid Extend	
8	0561444	2	Block, Cable Retainer	
9	0561454	1	Block, Switch Adjuster	
10	0561457	2	Block, Cable Retainer	
11	0561458	2	Block, Cable Retainer	
12	0561471	2	Block, Spacer	
13	0561500	2	Block, Trunnion Keeper	
14	0561482	2	Block, Trunnion Keeper	
15	3340955	1	Pad	
16	0641607	5	Bolt 3/8 x 7/8	
17	0641610	1	Bolt 3/8 x 1-1/4	
18	0641615	4	Bolt 3/8 x 1-7/8	
19	0791618	4	Screw 3/8 x 2-1/4	
20	0791620	10	Screw 3/8 x 2-1/2	
21	0791624	4	Screw 3/8 x 3	
22	0641646	4	Bolt 3/8 x 5-3/4	
23	0641652	3	Bolt 3/8 x 6-1/2	
24	0641808	1	Bolt 1/2 x 1	
25	0641813	1	Bolt 1/2 x 1-5/8	
26	0642012	1	Bolt 5/8 x 1-1/2	
27	0642014	4	Bolt 5/8 x 1-3/4	
28	0642022	2	Bolt 5/8 x 2-3/4	
29	0682028	8	Bolt 5/8 x 3-1/2 Grade 8	
30	0682212	8	Bolt 3/4 x 1-1/2 Grade 8	
31	0741606	3	Screw 3/8 x 3/4	
32	0741806	1	Screw 1/2 x 3/4	
33	0791604	4	Screw 3/8 x 1/2	
34	0791606	2	Screw 3/8 x 3/4	
35	0811608	43	Screw 3/8 x 1	
36	0811610	10	Screw 3/8 x 1-1/4	
37	0811614	4	Screw 3/8 x 1-3/4	
38	0811616	6	Screw 3/8 x 2	
39	0801316	1	Base, Boom	
40	0801317	1	Mid, Inner	
41	0801318	1	Mid, Outer	
42	0801319	1	Fly, Boom	
43	0961951	8	Bushing (Part of Items 123 & 124)	
44	0962224	2	Bushing	
45	0791612	4	Screw 3/8 x 1-1/2	
46	0962297	2	Bushing	
47	0962409	2	Bushing	

SECTION 4 - BOOM

ITEM	PART NUMBER	QTY	DESCRIPTION	REV
48	0962410	2	Bushing	
49	1100131	1	Cam	
50	1671032	1	Cover	
51	1671033	1	Cover	
52	1001228053	1	Platform Level Cylinder Assembly (See Separate Breakdown in CYLINDER SECTION)	
53	1001228025	1	Jib Cylinder Assembly (See Separate Breakdown in CYLINDER SECTION)	
54	1001228026	1	Telescope Cylinder Assembly (See Separate Breakdown in CYLINDER SECTION)	
55	3020039	AR	Lubricant, Moly	
56	3300239	4	Nut, Nylon Insert	
57	3020042	AR	Lubricant with PTFE	
58	3300458	1	Nut 1	
59	3300460	2	Nut 1-1/4	
60	3300461	3	Nut 1-3/8	
61	3311605	7	Nut 3/8	
62	3311801	4	Nut 1/2	
63	3311805	1	Nut 1/2	
64	3340871	2	Pad, Wear	
65	3340881	12	Pad, Wear	
66	3340910	1	Pad, Wear	
67	3340912	2	Pad, Wear	
68	4700039	1	Pad, Wear	
69	3340916	2	Pad, Wear	
70	3340917	2	Pad, Wear	
71	3340918	2	Pad, Wear	
72	4700038	1	Pad, Wear	
73	3340921	12	Pad, Wear	
74	3340922	6	Pad, Wear	
75	3340926	1	Pad, Wear	
76	3422926	1	Pin	
77	3422937	1	Pin	
78	1001119899	1	Pin	
79	3422956	1	Pin	
80	3422957	5	Pin	
81	3422958	1	Pin	
82	3422959	1	Pin	
83	3572950	2	Plate, Cable Retract Retainer	
84	3572951	2	Plate, Cable Retract Retainer	
85	3580342	2	Sheave	
86	1001154260	2	Sheave	
86A	1001154294	1	Ring, Snap	
86B	1001154304	1	Bushing (Inner)	
86C	1001154306	1	Bushing (Outer)	
87	3580298	2	Sheave	
87A	0962402	1	Bushing (Outer)	
87B	0962406	1	Bushing (Inner)	
88	3580300	1	Sheave	
88A	1001139972	1	Sleeve, Bushing (Inner)	
88B	0962403	1	Bushing (Outer)	
89	3580302	2	Sheave	

SECTION 4 - BOOM

ITEM	PART NUMBER	QTY	DESCRIPTION	REV
89A	0962404	1	Bushing (Outer)	
89B	0962411	1	Bushing (Inner)	
90	3580341	2	Sheave	
91	3760233	1	Ring, Retaining	
92	3841143	6	Keeper, Pin	
93	3841203	2	Keeper, Pin	
94	3841258	1	Keeper, Pin	
95	3890034	1	Cable, Outer Mid Extend	
96	3890035	1	Cable, Outer Mid Extend	
97	3890036	2	Cable, Outer Mid Retract	
98	3890037	4	Cable, Fly Extend	
99	3890038	2	Cable, Fly Retract	
100	0641618	6	Screw 3/8 x 2-1/4	
101	4070863	2	Shim #11 Gauge	
102	4070864	2	Shim #18 Gauge	
103	4070895	2	Shim #16 Gauge	
104	4070897	6	Shim #18 Gauge	
105	4070898	12	Shim #11 Gauge	
106	4071012	1	Shim #16 Gauge	
107	4071013	2	Shim #16 Gauge	
108	4071015	2	Shim #16 Gauge	
109	4071017	1	Shim #16 Gauge	
110	4071018	8	Shim #16 Gauge	
111	4071019	12	Shim #11 Gauge	
112	4071024	1	Shim #16 Gauge	
113	4071025	1	Shim #16 Gauge	
114	4071027	2	Shim #16 Gauge	
115	4071028	6	Shim #16 Gauge	
116	4071029	6	Shim #11 Gauge	
117	4071031	4	Shim #16 Gauge	
118	4160197	1	Spring	
119	4711600	10	Washer 3/8	
120	4740509	2	Spacer	
121	4846453	1	Plate, Mounting	
122	4846462	1	Pivot	
123	4846482	1	Link, Jib (Upper) (Includes Item 43)	
124	0801550	1	Link, Jib (Lower) (Includes Item 43)	
125	4892000	2	Washer 5/8	
126	4071044	1	Shim #18 Gauge	
127	4071045	1	Shim #11 Gauge	
128	4071046	2	Shim #16 Gauge	
129	0363066	2	Bar, Stabilizer	
130	0962447	2	Bearing, Flanged	
131	3573437	1	Plate, Pulley Adjustment	
132	3580306	4	Pulley	
133	4568423	4	Tube, Spacer	
134	0641640	1	Bolt 3/8 x 5	
135	0641644	2	Bolt 3/8 x 5-1/2	
136	0791605	6	Screw 3/8 x 5/8	
137	3573444	6	Plate, Lock	
138	0630558	1	Bolt 1 x 2	

SECTION 4 - BOOM

ITEM	PART NUMBER	QTY	DESCRIPTION	REV
139	3311608	8	Nut 3/8	
140	3760133	5	Ring, Retaining	
141	0811606	30	Screw 3/8 x 3/4	
142	0811607	24	Screw 3/8 x 7/8	

SECTION 4 - BOOM

FIGURE 4-7. BOOM ASSEMBLY - WITHOUT COLD WEATHER PLUS PACKAGE (1350SJP)

ITEM	PART NUMBER	QTY	DESCRIPTION	REV
	0801315	Ref	BOOM ASSEMBLY	V
1	1001178247	1	Actuator Assembly (Platform Rotate) (See Separate Breakdown in this Section)	
2	1001178248	1	Actuator Assembly (Jib Rotate) (See Separate Breakdown in this Section)	
3	0100011	AR	Compound, Locking	
4	0100019	AR	Compound, Locking	
5	0561431	1	Block, Rope Retainer	
6	0561437	2	Block, Rope Retainer	
7	0561439	1	Block, Outer Mid Extend	
8	0561444	2	Block, Cable Retainer	
9	0561454	1	Block, Switch Adjuster	
10	0561457	2	Block, Cable Retainer	
11	0561458	2	Block, Cable Retainer	
12	0561471	2	Block, Spacer	
13	0561500	2	Block, Trunnion Keeper	
14	0561482	2	Block, Trunnion Keeper	
15	3340955	1	Pad	
16	0641607	5	Bolt 3/8 x 7/8	
17	0641610	1	Bolt 3/8 x 1-1/4	
18	0641615	4	Bolt 3/8 x 1-7/8	
19	0791618	4	Screw 3/8 x 2-1/4	
20	0791620	10	Screw 3/8 x 2-1/2	
21	0791624	4	Screw 3/8 x 3	
22	0641646	4	Bolt 3/8 x 5-3/4	
23	0641652	3	Bolt 3/8 x 6-1/2	
24	0641808	1	Bolt 1/2 x 1	
25	0641813	1	Bolt 1/2 x 1-5/8	
26	0642012	1	Bolt 5/8 x 1-1/2	
27	0642014	4	Bolt 5/8 x 1-3/4	
28	0642022	2	Bolt 5/8 x 2-3/4	
29	0682028	8	Bolt 5/8 x 3-1/2 Grade 8	
30	0682212	8	Bolt 3/4 x 1-1/2 Grade 8	
31	0741606	3	Screw 3/8 x 3/4	
32	0741806	1	Screw 1/2 x 3/4	
33	0791604	4	Screw 3/8 x 1/2	
34	0791606	2	Screw 3/8 x 3/4	
36	0811608	43	Screw 3/8 x 1	
37	0811610	10	Screw 3/8 x 1-1/4	
38	0811614	4	Screw 3/8 x 1-3/4	
39	0811616	6	Screw 3/8 x 2	
40	0801301	1	Base, Boom	
41	0801302	1	Mid, Inner	
42	0801303	1	Mid, Outer	
43	0801304	1	Fly, Boom	
44	0961951	8	Bushing (Part of Item 129 & 130)	
45	0962224	2	Bearing	
46	0791612	4	Screw 3/8 x 1-1/2	
47	0962297	2	Bushing	
48	0962409	2	Bushing	

SECTION 4 - BOOM

ITEM	PART NUMBER	QTY	DESCRIPTION	REV
49	0962410	2	Bushing	
50	1100131	1	Cam	
52	1671032	1	Cover	
53	1671033	1	Cover	
54	1001228021	1	Telescope Cylinder Assembly (See Separate Breakdown in CYLINDER SECTION)	
55	1001228023	1	Platform Level Cylinder Assembly (See Separate Breakdown in CYLINDER SECTION)	
56	1001228025	1	Jib Cylinder Assembly (See Separate Breakdown in CYLINDER SECTION)	
57	3020039	AR	Lubricant, Moly	
58	3300239	4	Nut, Nylon Insert	
59	3020042	AR	Lubricant with PTFE	
60	3300458	1	Nut 1	
62	3300460	2	Nut 1-1/4	
63	3300461	3	Nut 1-3/8	
65	3311605	7	Nut 3/8	
66	3311801	4	Nut 1/2	
67	3311805	1	Nut 1/2	
68	3340871	2	Pad, Wear	
69	3340881	12	Pad, Wear	
70	3340910	1	Pad, Wear	
71	3340912	2	Pad, Wear	
72	4700039	1	Pad, Wear	
73	3340916	2	Pad, Wear	
74	3340917	2	Pad, Wear	
75	3340918	2	Pad, Wear	
76	4700038	1	Pad, Wear	
77	3340921	12	Pad, Wear	
78	3340922	6	Pad, Wear	
79	3340926	1	Pad, Wear	
80	3422926	1	Pin	
81	3422937	1	Pin	
82	1001119899	1	Pin	
83	3422956	1	Pin	
84	3422957	5	Pin	
85	3422958	1	Pin	
86	3422959	1	Pin	
87	3572950	2	Plate, Cable Retract Retainer	
88	3572951	2	Plate, Cable Retract Retainer	
89	3580342	2	Sheave	
90	1001154260	2	Sheave	
90A	1001154294	1	Ring, Snap	
90B	1001154304	1	Bushing (Inner)	
90C	1001154306	1	Bushing (Outer)	
91	3580298	2	Sheave	
91A	0962402	1	Bushing (Outer)	
91B	0962406	1	Bushing (Inner)	
92	3580300	1	Sheave	
92A	1001139972	1	Bushing (Inner)	
92B	0962403	1	Bushing (Outer)	
93	3580302	1	Sheave	

SECTION 4 - BOOM

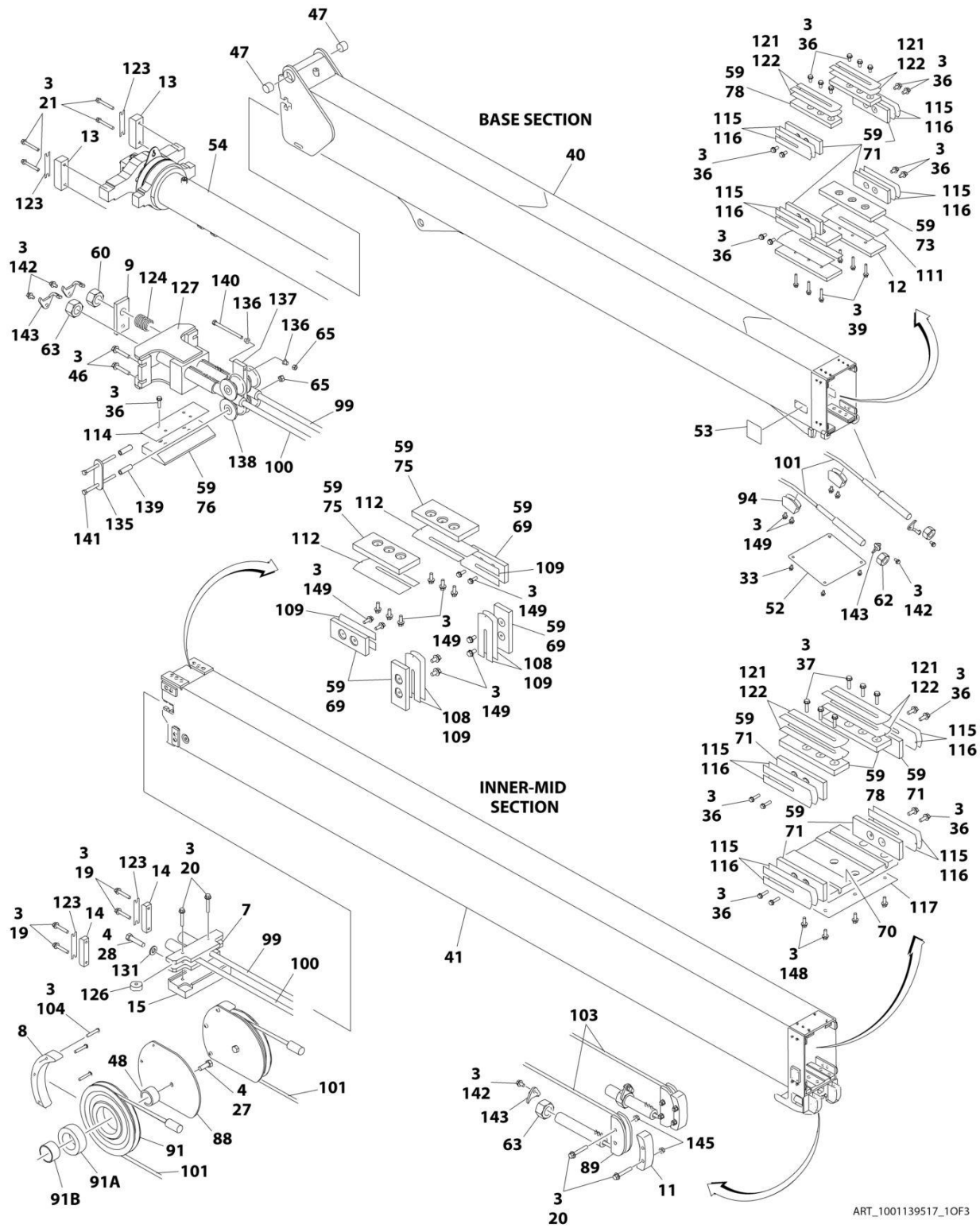
ITEM	PART NUMBER	QTY	DESCRIPTION	REV
93A	0962404	1	Bushing (Outer)	
93B	0962411	1	Bushing (Inner)	
94	3580341	2	Sheave	
95	3760233	1	Ring, Retaining	
96	3841143	6	Keeper, Pin	
97	3841203	2	Keeper, Pin	
98	3841258	1	Keeper, Pin	
99	3890029	1	Cable, Outer Mid Extend	
100	3890030	1	Cable, Outer Mid Extend	
101	3890031	2	Cable, Outer Mid Retract	
102	3890032	4	Cable, Fly Extend	
103	3890033	2	Cable, Fly Retract	
104	0641618	6	Screw 3/8 x 2-1/4	
105	4070863	2	Shim #11 Gauge	
106	4070864	2	Shim #18 Gauge	
107	4070895	2	Shim #16 Gauge	
108	4070897	6	Shim #18 Gauge	
109	4070898	12	Shim #11 Gauge	
110	4071012	1	Shim #16 Gauge	
112	4071015	2	Shim #16 Gauge	
114	4071017	1	Shim #16 Gauge	
115	4071018	8	Shim #16 Gauge	
116	4071019	12	Shim #11 Gauge	
117	4071024	1	Shim #16 Gauge	
118	4071025	1	Shim #16 Gauge	
120	4071027	2	Shim #16 Gauge	
121	4071028	6	Shim #16 Gauge	
122	4071029	6	Shim #11 Gauge	
123	4071031	4	Shim #16 Gauge	
124	4160197	1	Spring	
125	4711600	10	Washer 3/8	
126	4740509	2	Spacer	
127	4846453	1	Plate, Mounting	
128	4846462	1	Pivot	
129	4846482	1	Link, Jib (Upper) (Includes Item 44)	
130	0801550	1	Link, Jib (Lower) (Includes Item 44)	
131	4892000	2	Washer 5/8	
132	4071044	1	Shim #18 Gauge	
133	4071045	1	Shim #11 Gauge	
134	4071046	2	Shim #16 Gauge	
135	0363066	2	Bar, Stabilizer	
136	0962447	2	Bearing, Flanged	
137	3573437	1	Plate, Pulley Adjustment	
138	3580306	4	Pulley	
139	4568423	4	Tube, Spacer	
140	0641640	1	Bolt 3/8 x 5	
141	0641644	2	Bolt 3/8 x 5-1/2	
142	0791605	6	Screw 3/8 x 5/8	
143	3573444	6	Plate, Lock	
144	0630558	1	Bolt 1-1/8 x 2	
145	3311608	8	Nut 3/8	

SECTION 4 - BOOM

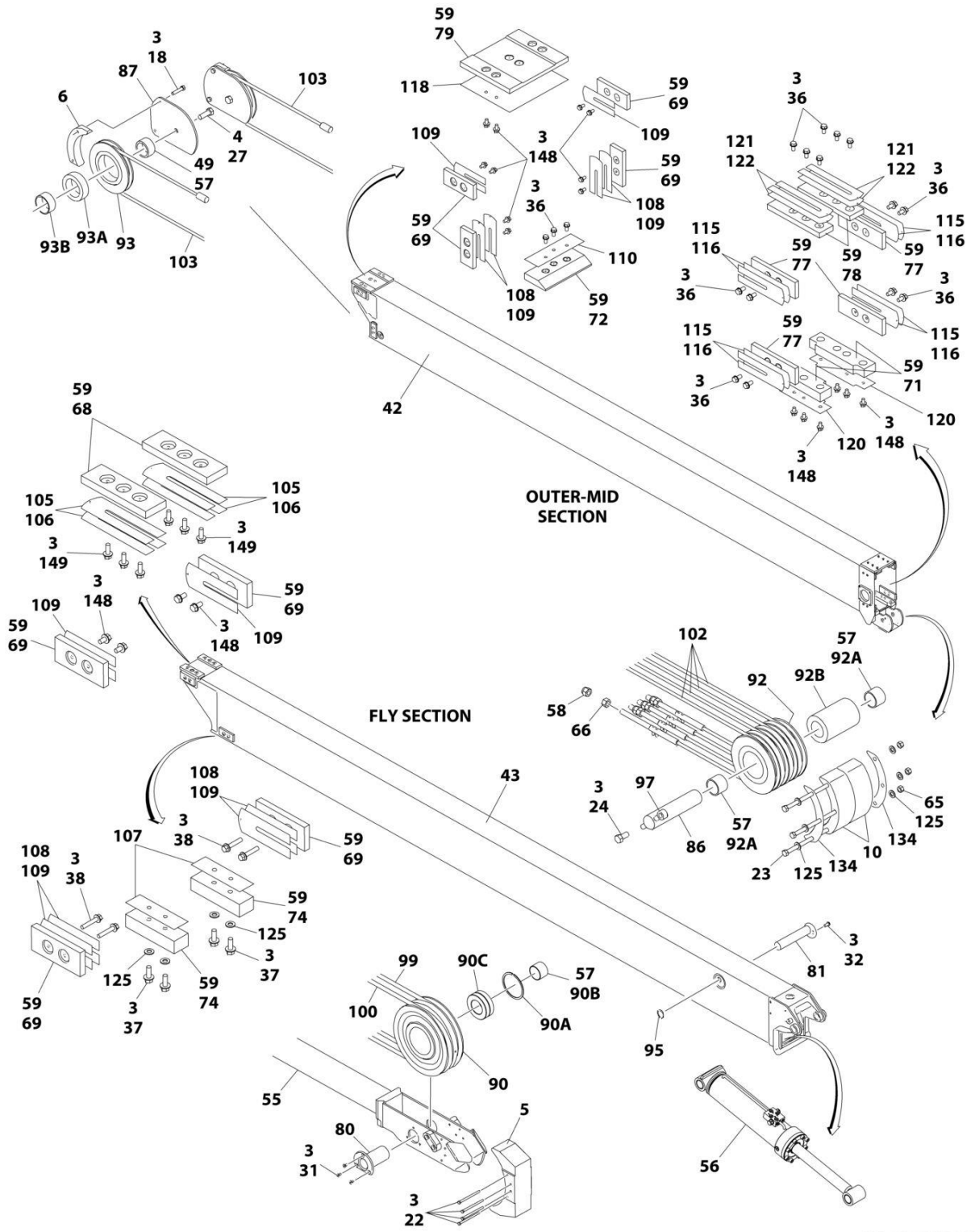
ITEM	PART NUMBER	QTY	DESCRIPTION	REV
146	3760133	5	Ring, Retaining	
148	0811606	30	Screw 3/8 x 3/4	
149	0811607	24	Screw 3/8 x 7/8	

SECTION 4 - BOOM

FIGURE 4-8. BOOM ASSEMBLY - WITH COLD WEATHER PLUS PACKAGE (1350SJP)

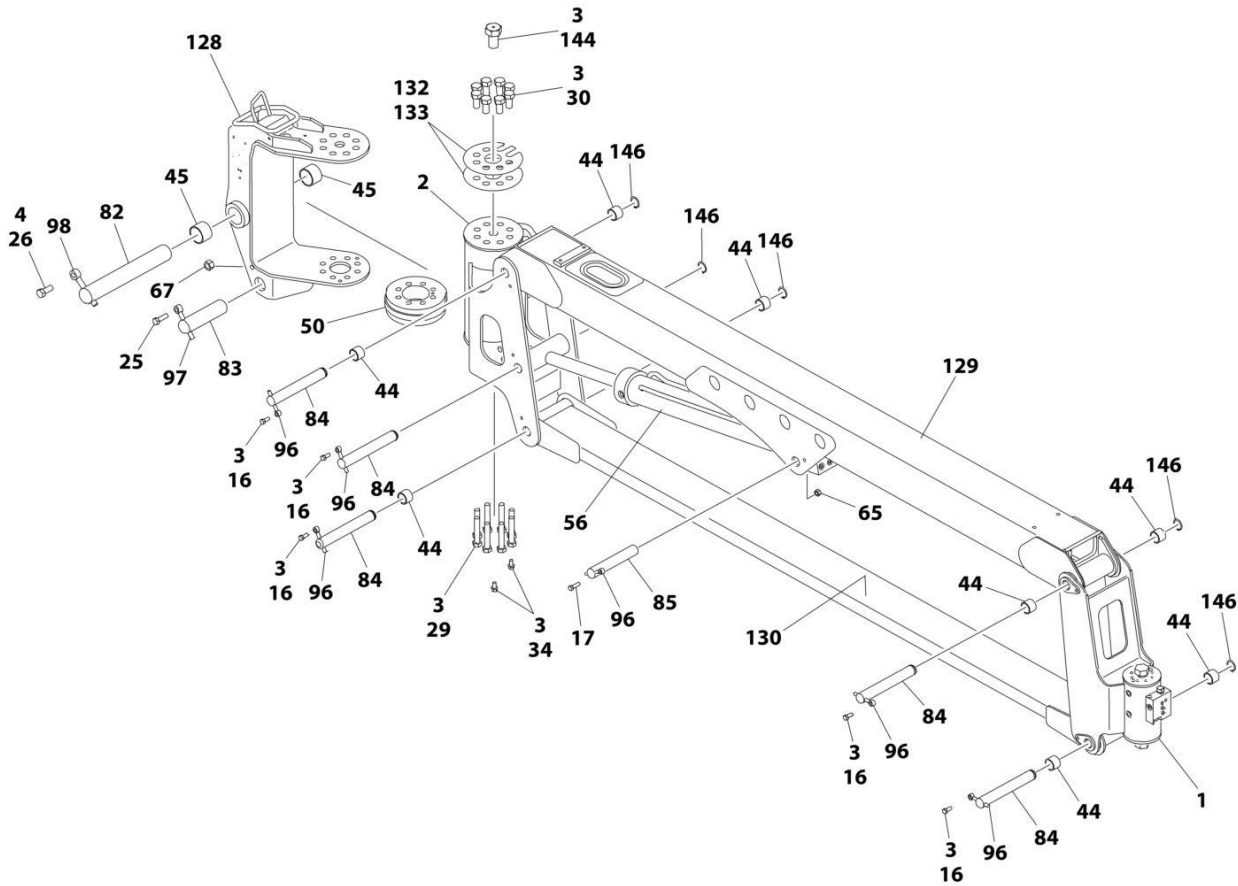


SECTION 4 - BOOM



ART_1001139517_20F3

SECTION 4 - BOOM



ART_1001139517_3OF3

SECTION 4 - BOOM

FIGURE 4-8. BOOM ASSEMBLY - WITH COLD WEATHER PLUS PACKAGE (1350SJP)

ITEM	PART NUMBER	QTY	DESCRIPTION	REV
	1001139517	Ref	BOOM ASSEMBLY	G
1	1001178247	1	Actuator Assembly (Platform Rotate) (See Separate Breakdown in this Section)	
2	1001178248	1	Actuator Assembly (Jib Rotate) (See Separate Breakdown in this Section)	
3	0100011	AR	Compound, Locking	
4	0100019	AR	Compound, Locking	
5	0561431	1	Block, Rope Retainer	
6	0561437	2	Block, Rope Retainer	
7	0561439	1	Block, Outer Mid Extend	
8	0561444	2	Block, Cable Retainer	
9	0561454	1	Block, Switch Adjuster	
10	0561457	2	Block, Cable Retainer	
11	0561458	2	Block, Cable Retainer	
12	0561471	2	Block, Spacer	
13	0561500	2	Block, Trunnion Keeper	
14	0561482	2	Block, Trunnion Keeper	
15	3340955	1	Pad	
16	0641607	5	Bolt 3/8 x 7/8	
17	0641610	1	Bolt 3/8 x 1-1/4	
18	0641615	4	Bolt 3/8 x 1-7/8	
19	0791618	4	Screw 3/8 x 2-1/4	
20	0791620	10	Screw 3/8 x 2-1/2	
21	0791624	4	Screw 3/8 x 3	
22	0641646	4	Bolt 3/8 x 5-3/4	
23	0641652	3	Bolt 3/8 x 6-1/2	
24	0641808	1	Bolt 1/2 x 1	
25	0641813	1	Bolt 1/2 x 1-5/8	
26	0642012	1	Bolt 5/8 x 1-1/2	
27	0642014	4	Bolt 5/8 x 1-3/4	
28	0642022	2	Bolt 5/8 x 2-3/4	
29	0682028	8	Bolt 5/8 x 3-1/2 Grade 8	
30	0682212	8	Bolt 3/4 x 1-1/2 Grade 8	
31	0741606	3	Screw 3/8 x 3/4	
32	0741806	1	Screw 1/2 x 3/4	
33	0791604	4	Screw 3/8 x 1/2	
34	0791606	2	Screw 3/8 x 3/4	
36	0811608	43	Screw 3/8 x 1	
37	0811610	10	Screw 3/8 x 1-1/4	
38	0811614	4	Screw 3/8 x 1-3/4	
39	0811616	6	Screw 3/8 x 2	
40	0801301	1	Base, Boom	
41	0801302	1	Mid, Inner	
42	0801303	1	Mid, Outer	
43	0801304	1	Fly, Boom	
44	0961951	8	Bushing (Part of Item 129 & 130)	
45	0962224	2	Bearing	
46	0791612	4	Screw 3/8 x 1-1/2	
47	0962297	2	Bushing	
48	0962409	2	Bushing	

SECTION 4 - BOOM

ITEM	PART NUMBER	QTY	DESCRIPTION	REV
49	0962410	2	Bushing	
50	1100131	1	Cam	
52	1671032	1	Cover	
53	1671033	1	Cover	
54	1001228021	1	Telescope Cylinder Assembly (See Separate Breakdown in CYLINDER SECTION)	
55	1001228053	1	Platform Level Cylinder Assembly (See Separate Breakdown in CYLINDER SECTION)	
56	1001228025	1	Jib Cylinder Assembly (See Separate Breakdown in CYLINDER SECTION)	
57	3020039	AR	Lubricant, Moly	
58	3300239	4	Nut, Nylon Insert	
59	3020042	AR	Lubricant with PTFE	
60	3300458	1	Nut 1	
62	3300460	2	Nut 1-1/4	
63	3300461	3	Nut 1-3/8	
65	3311605	7	Nut 3/8	
66	3311801	4	Nut 1/2	
67	3311805	1	Nut 1/2	
68	3340871	2	Pad, Wear	
69	3340881	12	Pad, Wear	
70	3340910	1	Pad, Wear	
71	3340912	2	Pad, Wear	
72	4700039	1	Pad, Wear	
73	3340916	2	Pad, Wear	
74	3340917	2	Pad, Wear	
75	3340918	2	Pad, Wear	
76	4700038	1	Pad, Wear	
77	3340921	12	Pad, Wear	
78	3340922	6	Pad, Wear	
79	3340926	1	Pad, Wear	
80	3422926	1	Pin	
81	3422937	1	Pin	
82	1001119899	1	Pin	
83	3422956	1	Pin	
84	3422957	5	Pin	
85	3422958	1	Pin	
86	3422959	1	Pin	
87	3572950	2	Plate, Cable Retract Retainer	
88	3572951	2	Plate, Cable Retract Retainer	
89	3580342	2	Sheave	
90	1001154260	2	Sheave	
90A	1001154294	1	Ring, Snap	
90B	1001154304	1	Bushing (Inner)	
90C	1001154306	1	Bushing (Outer)	
91	3580298	2	Sheave	
91A	0962402	1	Bushing (Outer)	
91B	0962406	1	Bushing (Inner)	
92	3580300	1	Sheave	
92A	1001139972	1	Sleeve, Bushing (Inner)	
92B	0962403	1	Bushing (Outer)	
93	3580302	2	Sheave	

SECTION 4 - BOOM

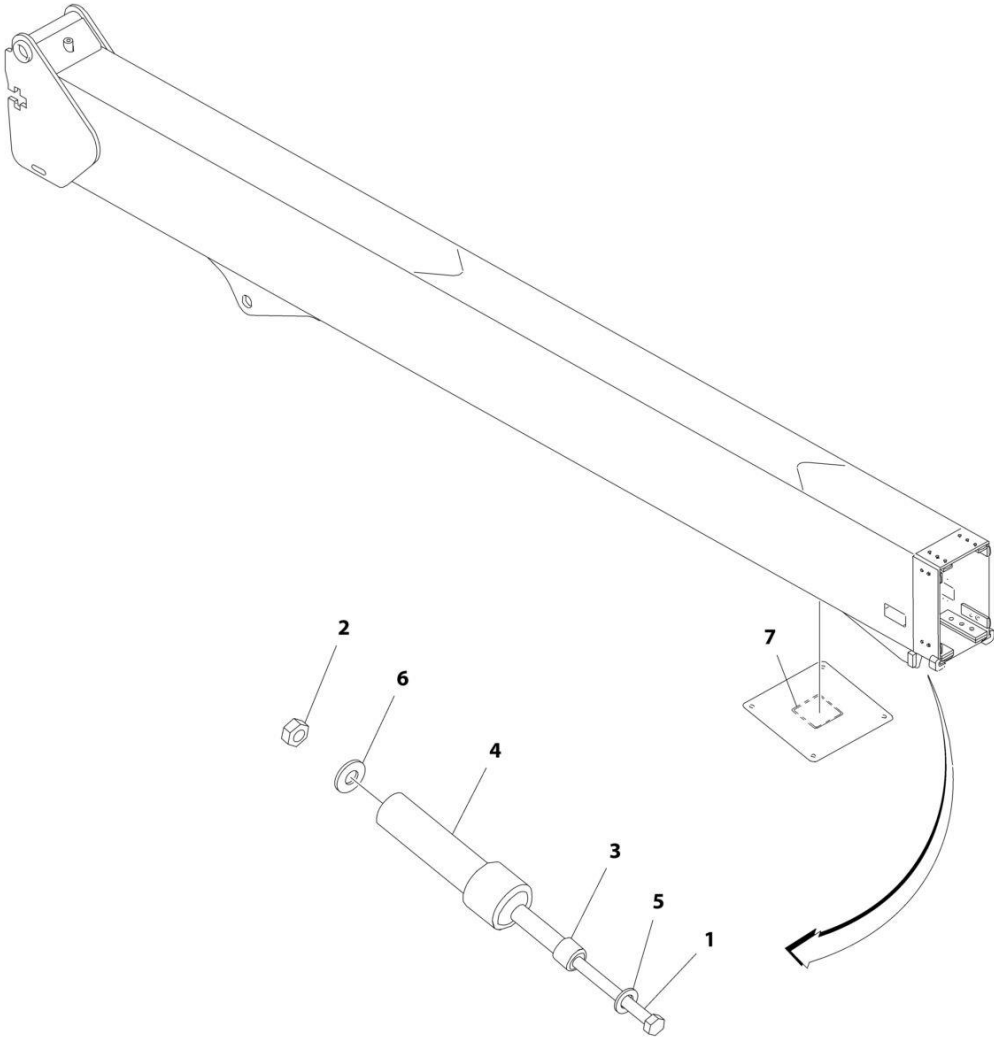
ITEM	PART NUMBER	QTY	DESCRIPTION	REV
93A	0962404	1	Bushing (Outer)	
93B	0962411	1	Bushing (Inner)	
94	3580341	2	Sheave	
95	3760233	1	Ring, Retaining	
96	3841143	6	Keeper, Pin	
97	3841203	2	Keeper, Pin	
98	3841258	1	Keeper, Pin	
99	3890029	1	Cable, Outer Mid Extend	
100	3890030	1	Cable, Outer Mid Extend	
101	3890031	2	Cable, Outer Mid Retract	
102	3890032	4	Cable, Fly Extend	
103	3890033	2	Cable, Fly Retract	
104	0641618	6	Screw 3/8 x 2-1/4	
105	4070863	2	Shim #11 Gauge	
106	4070864	2	Shim #18 Gauge	
107	4070895	2	Shim #16 Gauge	
108	4070897	6	Shim #18 Gauge	
109	4070898	12	Shim #11 Gauge	
110	4071012	1	Shim #16 Gauge	
111	4071013	2	Shim #16 Gauge	
112	4071015	2	Shim #16 Gauge	
114	4071017	1	Shim #16 Gauge	
115	4071018	8	Shim #16 Gauge	
116	4071019	12	Shim #11 Gauge	
117	4071024	1	Shim #16 Gauge	
118	4071025	1	Shim #16 Gauge	
120	4071027	2	Shim #16 Gauge	
121	4071028	6	Shim #16 Gauge	
122	4071029	6	Shim #11 Gauge	
123	4071031	4	Shim #16 Gauge	
124	4160197	1	Spring	
125	4711600	10	Washer 3/8	
126	4740509	2	Spacer	
127	4846453	1	Plate, Mounting	
128	4846462	1	Pivot	
129	4846482	1	Link, Jib (Upper) (Includes Item 44)	
130	0801550	1	Link, Jib (Lower) (Includes Item 44)	
131	4892000	2	Washer 5/8	
132	4071044	1	Shim #18 Gauge	
133	4071045	1	Shim #11 Gauge	
134	4071046	2	Shim #16 Gauge	
135	0363066	2	Bar, Stabilizer	
136	0962447	2	Bearing, Flanged	
137	3573437	1	Plate, Pulley Adjustment	
138	3580306	4	Pulley	
139	4568423	4	Tube, Spacer	
140	0641640	1	Bolt 3/8 x 5	
141	0641644	2	Bolt 3/8 x 5-1/2	
142	0791605	6	Screw 3/8 x 5/8	
143	3573444	6	Plate, Lock	
144	0630558	1	Bolt 1 x 2	

SECTION 4 - BOOM

ITEM	PART NUMBER	QTY	DESCRIPTION	REV
145	3311608	8	Nut 3/8	
146	3760133	5	Ring, Retaining	
148	0811606	30	Screw 3/8 x 3/4	
149	0811607	24	Screw 3/8 x 7/8	

SECTION 4 - BOOM

FIGURE 4-9. WIRE ROPE TOOLS INSTALLATION (OPTIONAL)



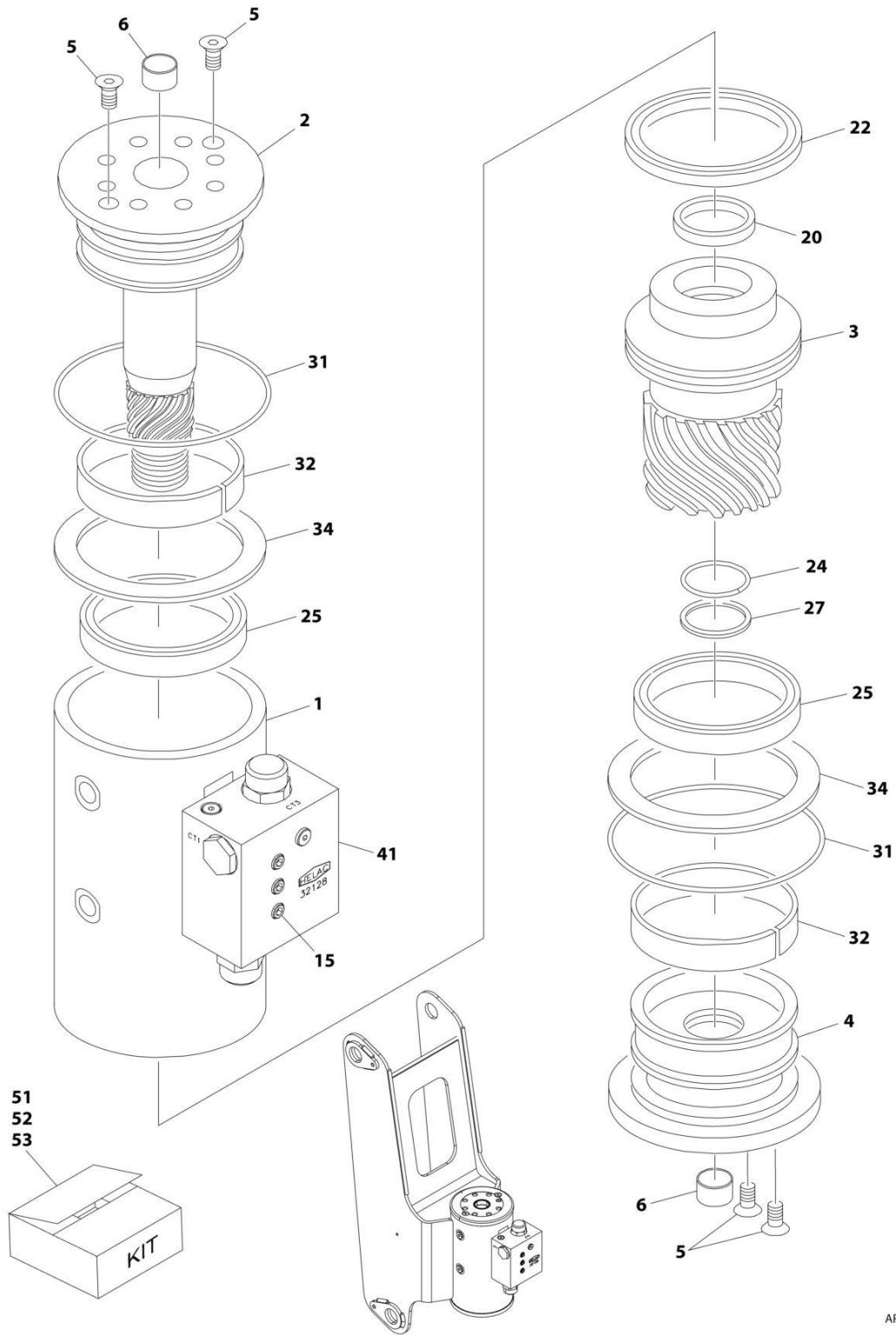
ART_0272048

FIGURE 4-9. WIRE ROPE TOOLS INSTALLATION (OPTIONAL)

ITEM	PART NUMBER	QTY	DESCRIPTION	REV
	0272048	Ref	WIRE ROPE TOOLS INSTALLATION (OPTIONAL)	B
1	0641676	1	Bolt 3/8 x 9-1/2	
2	3311605	1	Nut 3/8	
3	4120040	1	Socket 3/4	
4	4120043	1	Socket 2	
5	4711600	1	Washer 3/8	
6	4891600	1	Washer 3/8	
7	1705307	1	Decal - Tool Location	

SECTION 4 - BOOM

FIGURE 4-10. PLATFORM ROTATE ASSEMBLY



ART_1001178247

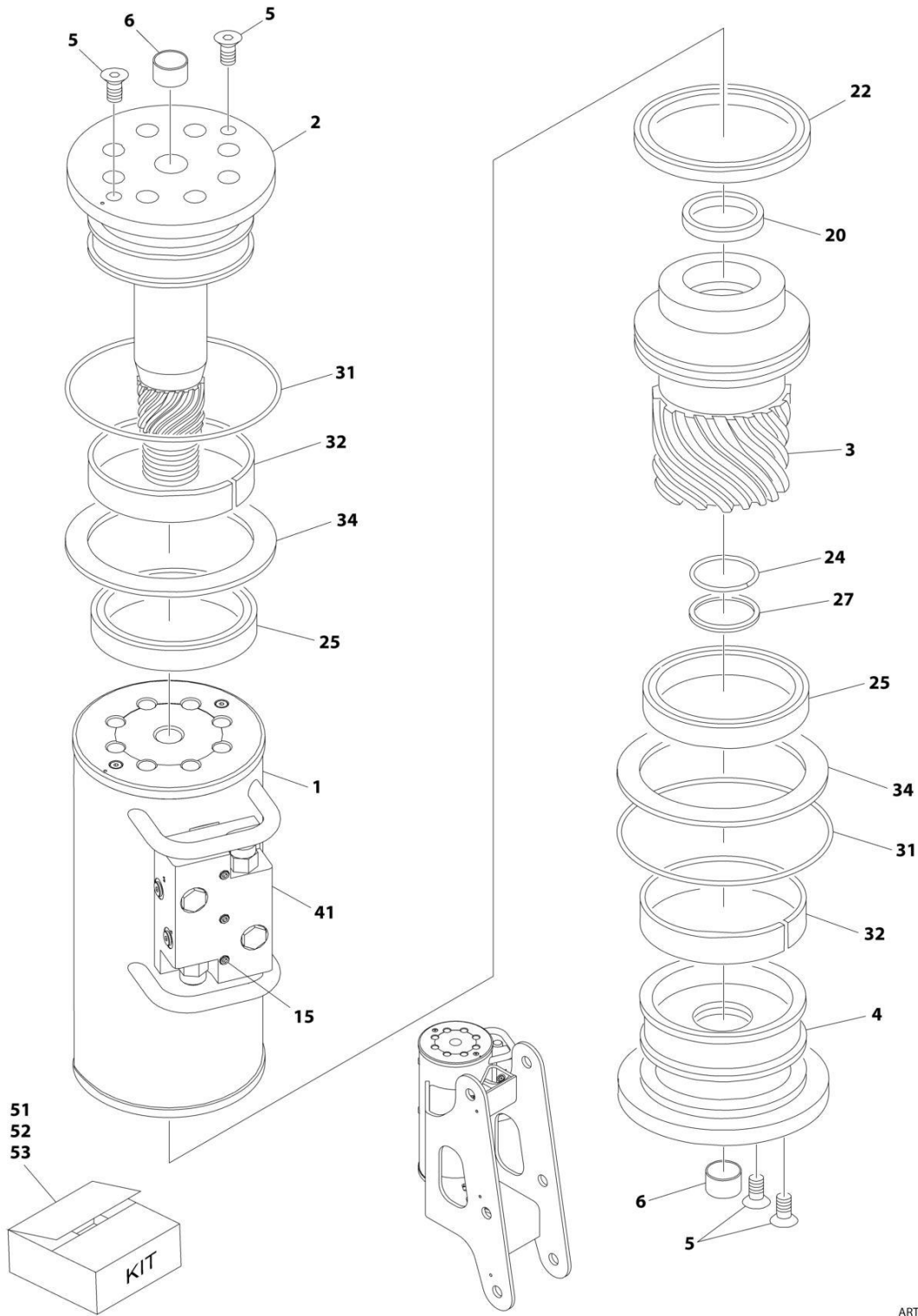
SECTION 4 - BOOM

FIGURE 4-10. PLATFORM ROTATE ASSEMBLY

ITEM	PART NUMBER	QTY	DESCRIPTION	REV
	1001178247	Ref	PLATFORM ROTATE ASSEMBLY	A
1	See Note	NSS	Case/Bracket Weldment (Note: Not Available - Purchase Complete Assembly)	
2	7017162	1	Shaft	
3	7017163	1	Sleeve, Piston	
4	7017164	1	Cap, End	
5	See Note	AR	Screw (Note: See Item 53 for Replacement)	
5	See Note	AR	Dowel Pin (Note: See Item 53 for Replacement)	
6	7017195	2	Bushing	
15	See Note	NSS	Capscrew 1/4 x 1-1/2 Grade 8 (Note: Not Available for Purchase)	
20	See Note	1	Seal, Rod (Note: See Item 51 for Replacement Options)	
22	See Note	1	Seal, Piston (Note: See Item 51 for Replacement Options)	
24	See Note	1	Seal, Cap (Note: See Item 51 for Replacement Options)	
25	See Note	2	Packing, Bearing (Note: See Item 51 for Replacement Options)	
27	See Note	1	Ring, Cap Back-up (Note: See Item 51 for Replacement Options)	
31	See Note	2	Seal (Note: See Item 51 for Replacement Options)	
32	See Note	2	Bearing, Shaft (Note: See Item 52 for Replacement)	
34	See Note	2	Thrustwasher (Note: See Item 52 for Replacement)	
41	70001639	1	Motion Control Valve Assembly (Cartridges not serviced separately)	
51	70000342	1	Seal Kit (Includes Items 20, 22, 24, 25, 27 & 31)	
52	7017159	1	Bearing Kit (Includes Items 32 & 34)	
53	7017142	1	Hardware Kit (Includes Item 5 and Plugs)	

SECTION 4 - BOOM

FIGURE 4-11. JIB ROTATE ASSEMBLY



ART_1001178248

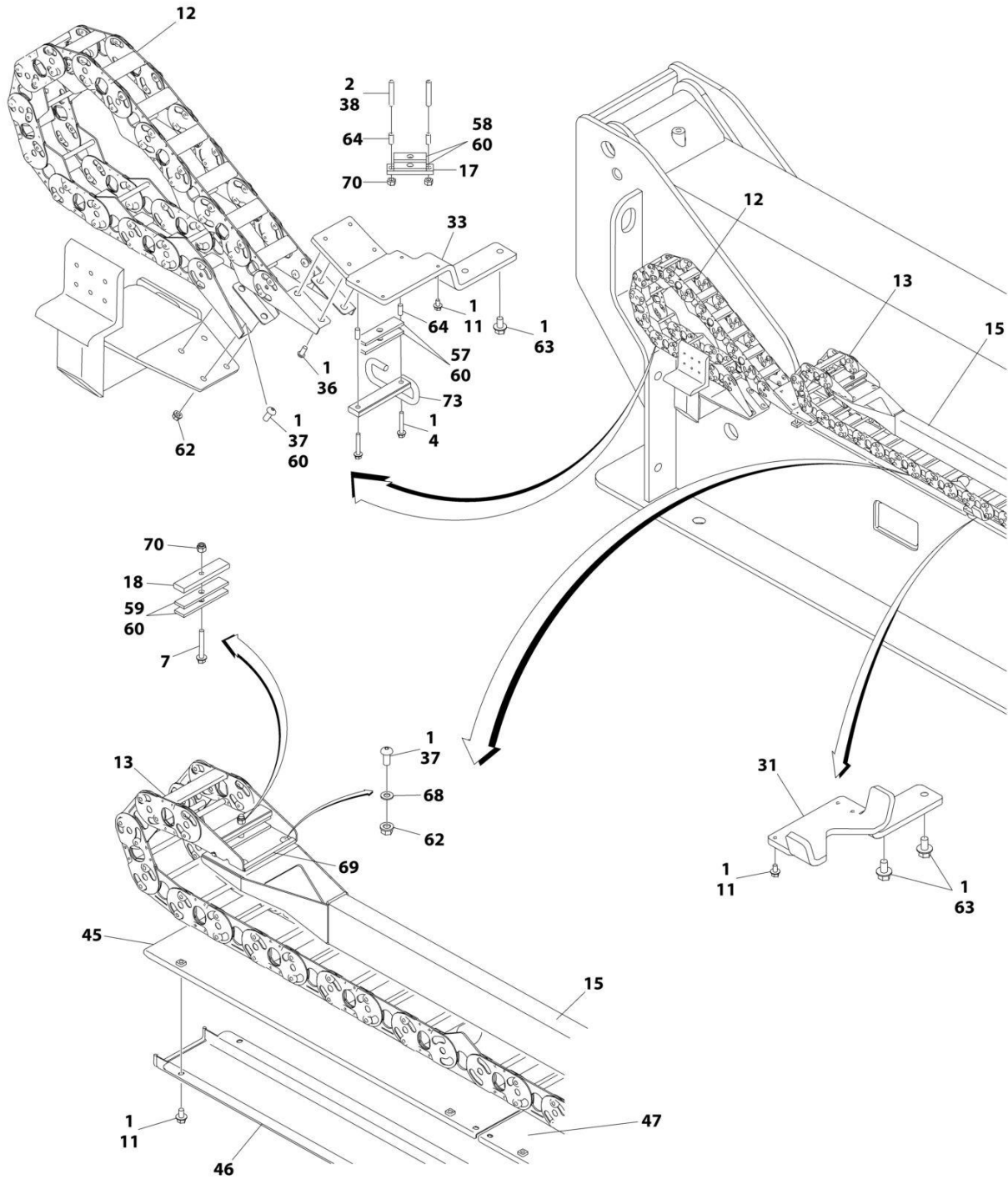
SECTION 4 - BOOM

FIGURE 4-11. JIB ROTATE ASSEMBLY

ITEM	PART NUMBER	QTY	DESCRIPTION	REV
	1001178248	Ref	JIB ROTATE ASSEMBLY	A
1	See Note	NSS	Case/Bracket Weldment (Note: Not Available - Purchase Complete Assembly)	
2	7017162	1	Shaft	
3	7017163	1	Sleeve, Piston	
4	7017164	1	Cap, End	
5	See Note	AR	Screw (Note: See Item 53 for Replacement)	
5	See Note	AR	Dowel Pin (Note: See Item 53 for Replacement)	
6	7017195	2	Bushing	
15	See Note	NSS	Capscrew 1/4 x 1-1/2 Grade 8 (Note: Not Available for Purchase)	
20	See Note	1	Seal, Rod (Note: See Item 51 for Replacement Options)	
22	See Note	1	Seal, Piston (Note: See Item 51 for Replacement Options)	
24	See Note	1	Seal, Cap (Note: See Item 51 for Replacement Options)	
25	See Note	2	Packing, Bearing (Note: See Item 51 for Replacement Options)	
27	See Note	1	Ring, Cap Back-up (Note: See Item 51 for Replacement Options)	
31	See Note	2	Seal (Note: See Item 51 for Replacement Options)	
32	See Note	2	Bearing, Shaft (Note: See Item 52 for Replacement)	
34	See Note	2	Thrustwasher (Note: See Item 52 for Replacement)	
41	70002859	1	Motion Control Valve Assembly (Cartridges not serviced separately)	
51	70000796	1	Seal Kit (Includes Items 20, 22, 24, 25, 27 & 31)	
52	7017185	1	Bearing Kit (Includes Items 32 & 34)	
53	70001640	1	Hardware Kit (Includes Item 5 and Plugs)	

SECTION 4 - BOOM

FIGURE 4-12. POWER TRACK INSTALLATION (1200SJP)



ART_0271800_10F2

SECTION 4 - BOOM

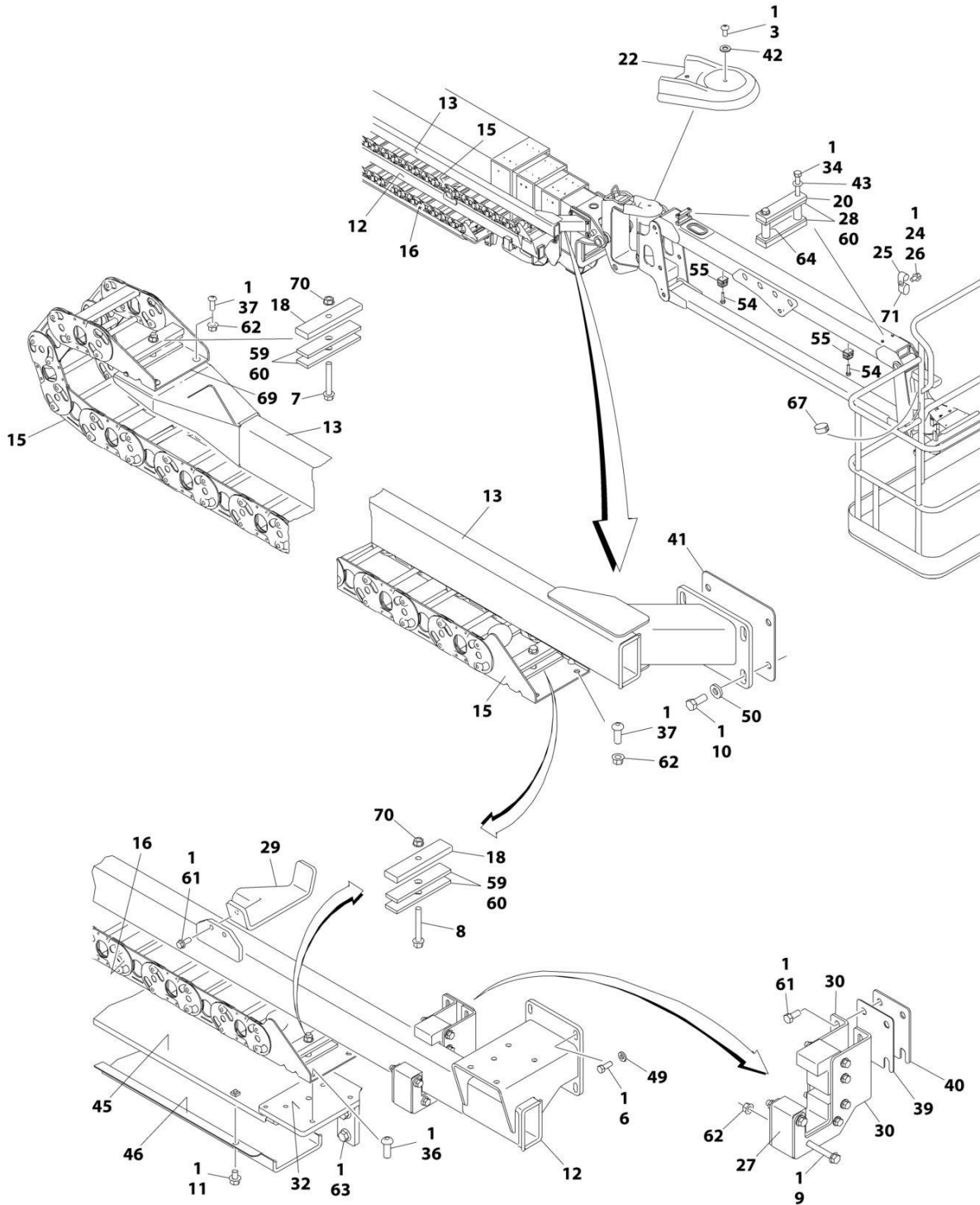
FIGURE 4-12. POWER TRACK INSTALLATION (1200SJP)

ITEM	PART NUMBER	QTY	DESCRIPTION	REV
	0271800	Ref	POWER TRACK INSTALLATION	Q
1	0100011	AR	Compound, Locking	
2	0100019	AR	Compound, Locking	
3	0630467	3	Screw 5/16 x 1/2	
4	0791518	2	Screw 5/16 x 2-1/4	
6	0641608	4	Bolt 3/8 x 1	
7	0791620	2	Screw 3/8 x 2-1/2	
8	0791622	2	Screw 3/8 x 2-3/4	
9	0791624	6	Screw 3/8 x 3	
10	0641810	4	Bolt 1/2 x 1-1/4	
11	0791504	48	Screw 5/16 x 1/2	
12	1001131620	Ref	Carrier (T/T to Boom)	
12	70003917	AR	Section Repair Kit (Includes Inner and Outer Links, Joining Bars and Rollers and Assembling Hardware)	
12	70003918	1	Mounting Bracket Kit (Includes Mounting Brackets for Both Ends, 1 Roller Assembly and Assembling Hardware)	
13	1001131734	1	Carrier (Lower)	
13	70003913	AR	Section Repair Kit (Includes Inner and Outer Links, Joining Bars and Rollers and Assembling Hardware)	
13	70003915	1	Mounting Bracket Kit (Includes Mounting Brackets for Both Ends, 1 Roller Assembly and Assembling Hardware)	
13	70003914	AR	Center Bracket Kit (Includes 1 Flat Bar, 1 Round Bar, 1 Roller and Assembling Hardware)	
14	1001131729	1	Carrier (Upper)	
14	70003913	AR	Section Repair (Includes Inner and Outer Links, Joining Bars and Rollers and Assembling Hardware)	
14	70003915	1	Mounting Bracket Kit (Includes Mounting Brackets for Both Ends, 1 Roller Assembly and Assembling Hardware)	
14	70003914	AR	Center Bracket Kit (Includes 1 Flat Bar, 1 Round Bar, 1 Roller and Assembling Hardware)	
15	1180369	1	Tube, Push (Lower)	
16	1180370	1	Tube, Push (Upper)	
17	1320277	1	Clamp, Hose	
18	1320294	4	Clamp, Bar	
20	1320296	3	Clamp, Bar	
22	1671043	1	Cover, Jib Pivot	
24	0641406	1	Screw 1/4 x 3/4	
25	1320263	1	Clamp, Cable	
26	4711400	1	Washer 1/4	
27	3340925	1	Pad	
28	3340934	4	Pad, Clamp	
29	3573016	3	Support, Track	
30	3573179	2	Plate, Mounting	
31	3573181	4	Support, Track	
32	3573194	1	Plate, Track Mounting	
33	3573210	1	Plate, Track Mounting	
34	3900260	4	Capscrew 3/8 x 4	
36	3900283	8	Screw 3/8 x 3/4	
37	3900316	16	Screw 3/8 x 1	
38	3951620	2	Setscrew 3/8 x 2-1/2	
39	4071021	1	Shim, Adjusting 16Ga	

SECTION 4 - BOOM

ITEM	PART NUMBER	QTY	DESCRIPTION	REV
40	4071022	1	Shim, Adjusting 11Ga	
41	4071023	1	Shim, Adjusting 11Ga	
42	4711500	3	Washer 5/16	
43	4711600	4	Washer 3/8	
45	4846431	1	Cover, Cable (Front)	
46	4846485	1	Support, Cable (Front)	
47	4846515	4	Cover, Cable (Rear)	
48	4846516	4	Support, Cable (Rear)	
49	4891600	4	Washer 3/8	
50	4891800	4	Washer 1/2	
54	0641510	2	Bolt 5/16 x 1-1/4	
55	1320159	2	Clamp	
56	4240018	10	Tie-Strap (Not Shown)	
57	3340940	2	Pad, Rubber	
58	3340941	2	Pad, Rubber	
59	3340942	8	Pad, Rubber	
60	0100081	AR	Adhesive #454	
61	0791607	10	Screw 3/8 x 7/8	
62	3311608	22	Nut 3/8	
63	0791808	12	Screw 1/2 x 1	
64	4562516	AR	Tubing, Poly	
66	4240155	4	Strap, 8 Cinch (Not Shown)	
67	4240156	1	Strap, 12 Cinch	
68	4751500	4	Washer 5/16	
69	4060804	11 in /28cm	Shield, Flex Trim 3/16	
70	3300492	8	Nut, Nylon Insert	
71	1321385	1	Clamp, Hose	
72	4240153	1	Strap, 4 Cinch (Not Shown)	
73	1001212790	1	Clamp	

SECTION 4 - BOOM



ART_0271570_20F2

SECTION 4 - BOOM

FIGURE 4-13. POWER TRACK INSTALLATION (1350SJP)

ITEM	PART NUMBER	QTY	DESCRIPTION	REV
	0271570	Ref	POWER TRACK INSTALLATION	R
1	0100011	AR	Compound, Locking	
2	0100019	AR	Compound, Locking	
3	0630467	3	Screw 5/16 x 1/2	
4	0791518	2	Screw 5/16 x 2-1/4	
6	0641608	4	Bolt 3/8 x 1	
7	0791620	2	Screw 3/8 x 2-1/2	
8	0791622	2	Screw 3/8 x 2-3/4	
9	0791624	6	Screw 3/8 x 3	
10	0641810	4	Bolt 1/2 x 1-1/4	
11	0791504	58	Screw 5/16 x 1/2	
12	1180362	1	Tube, Push (Lower)	
13	1180363	1	Tube, Push (Upper)	
14	1001131620	1	Carrier (T/T to Boom)	
14	70003917	AR	Section Repair Kit (Includes Inner and Outer Links, Joining Bars and Rollers and Assembling Hardware)	
14	70003918	1	Mounting Bracket Kit (Includes Mounting Brackets for Both Ends, 1 Roller Assembly and Assembling Hardware)	
15	1001131728	1	Carrier (Upper)	
15	70003913	AR	Section Repair Kit (Includes Inner and Outer Links, Joining Bars and Rollers and Assembling Hardware)	
15	70003915	1	Mounting Bracket Kit (Includes Mounting Brackets for Both Ends, 1 Roller Assembly and Assembling Hardware)	
15	70003914	AR	Center Bracket Kit (Includes 1 Flat Bar, 1 Round Bar, 1 Roller and Assembling Hardware)	
16	1001131733	1	Carrier (Lower)	
16	70003913	AR	Section Repair Kit (Includes Inner and Outer Links, Joining Bars and Rollers and Assembling Hardware)	
16	70003915	1	Mounting Bracket Kit (Includes Mounting Brackets for Both Ends, 1 Roller Assembly and Assembling Hardware)	
16	70003914	AR	Center Bracket Kit (Includes 1 Flat Bar, 1 Round Bar, 1 Roller and Assembling Hardware)	
17	1320277	1	Clamp, Hose	
18	1320294	4	Clamp, Bar	
20	1320296	3	Clamp, Bar	
22	1671043	1	Cover, Jib Pivot	
24	0641406	1	Screw 1/4 x 3/4	
25	1320263	1	Clamp, Cable	
26	4711400	1	Washer 1/4	
27	3340925	1	Pad	
28	3340934	4	Pad, Clamp	
29	3573016	3	Support, Track	
30	3573179	2	Plate, Mounting	
31	3573181	5	Support, Track	
32	3573194	1	Plate, Track Mounting	
33	3573210	1	Plate, Track Mounting	
34	3900260	4	Capscrew 3/8 x 4	
36	3900283	8	Screw 3/8 x 3/4	
37	3900316	16	Screw 3/8 x 1	
38	3951620	2	Setscrew 3/8 x 2-1/2	
39	4071021	1	Shim, Adjusting 16Ga	

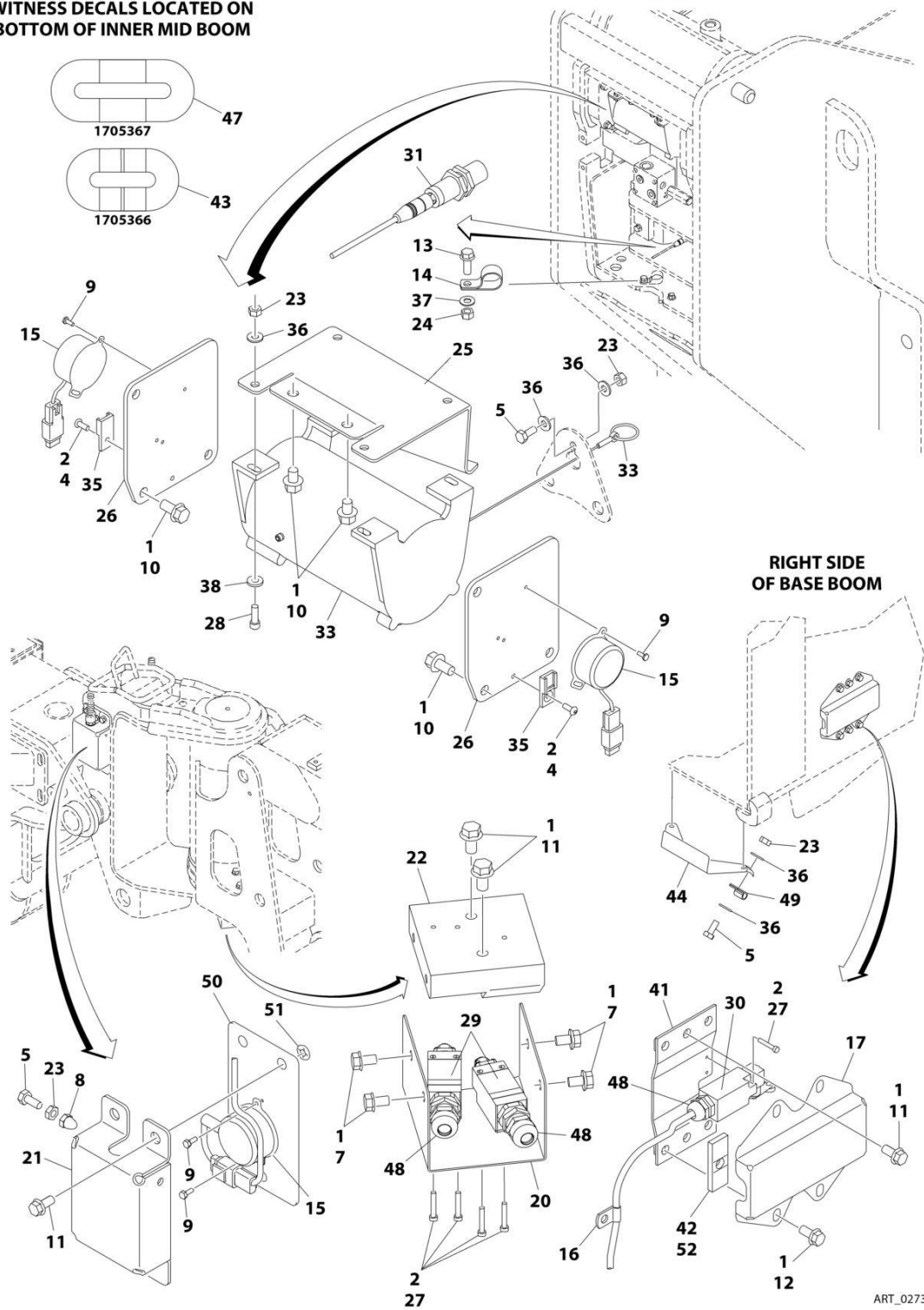
SECTION 4 - BOOM

ITEM	PART NUMBER	QTY	DESCRIPTION	REV
40	4071022	1	Shim, Adjusting 11Ga	
41	4071023	1	Shim, Adjusting 11Ga	
42	4711500	3	Washer 5/16	
43	4711600	4	Washer 3/8	
45	4846423	5	Cover, Cable (Rear)	
46	4846429	5	Support, Cable (Rear)	
47	4846431	1	Cover, Cable (Front)	
48	4846485	1	Support, Cable (Front)	
49	4891600	4	Washer 3/8	
50	4891800	4	Washer 1/2	
54	0641510	2	Bolt 5/16 x 1-1/4	
55	1320159	2	Clamp	
56	4240018	10	Tie-Strap (Not Shown)	
57	3340940	2	Pad, Rubber	
58	3340941	2	Pad, Rubber	
59	3340942	8	Pad, Rubber	
60	0100081	AR	Adhesive #454	
61	0791607	10	Screw 3/8 x 7/8	
62	3311608	22	Nut 3/8	
63	0791808	14	Screw 1/2 x 1	
64	4562516	AR	Tubing, Poly	
66	4240155	4	Strap, 8 Cinch (Not Shown)	
67	4240156	1	Strap, 12 Cinch	
68	4751500	4	Washer 5/16	
69	4060804	11 in /28cm	Shield, Flex Trim 3/16	
70	3300492	8	Nut, Nylon Insert	
71	1321385	1	Clamp, Hose	
72	4240153	1	Strap, 4 Cinch (Not Shown)	
73	1001212790	1	Clamp	

SECTION 4 - BOOM

FIGURE 4-14. BOOM SENSORS AND SWITCHES INSTALLATION

WITNESS DECALS LOCATED ON
BOTTOM OF INNER MID BOOM



ART_0273696

SECTION 4 - BOOM

FIGURE 4-14. BOOM SENSORS AND SWITCHES INSTALLATION

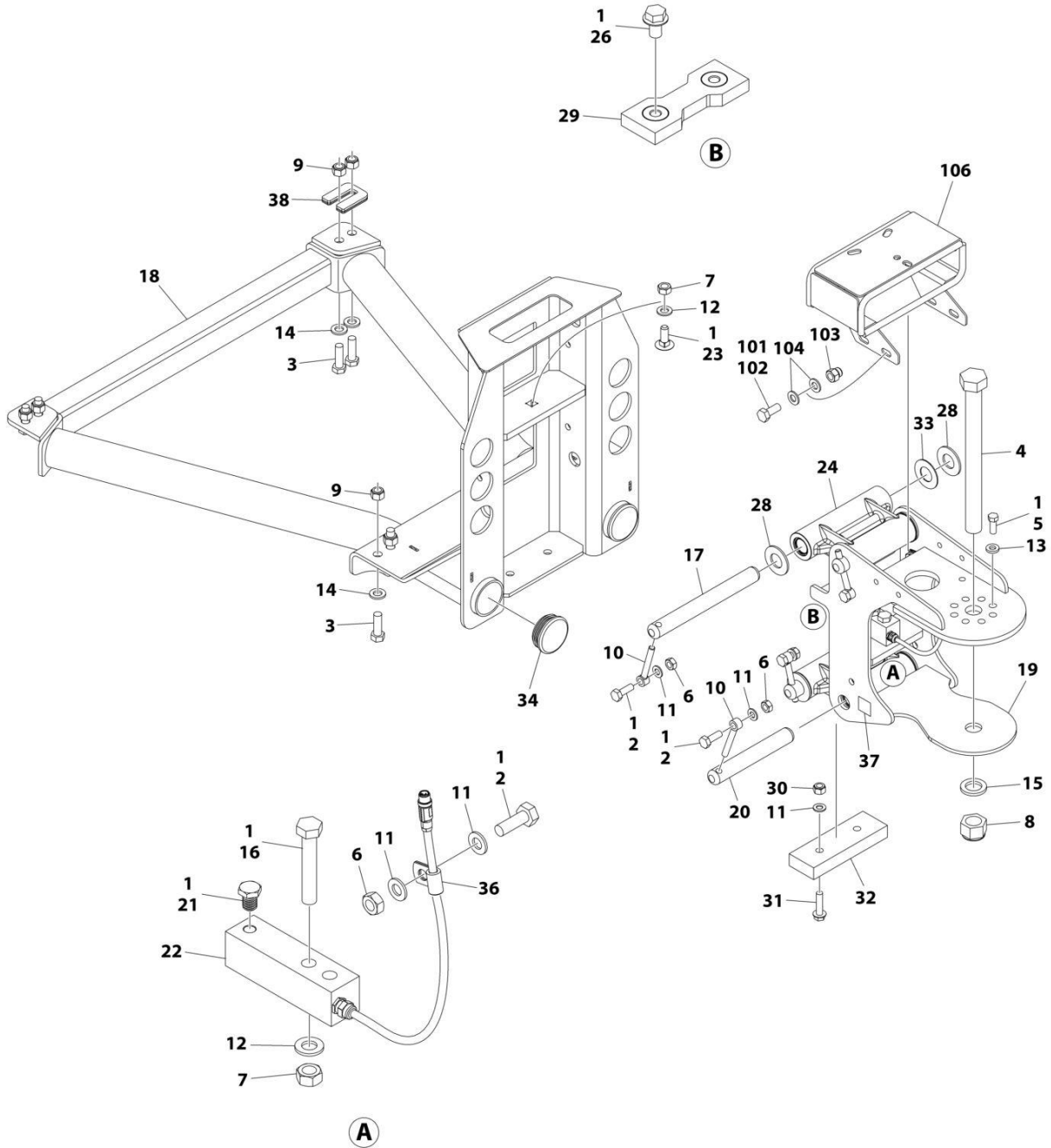
ITEM	PART NUMBER	QTY	DESCRIPTION	REV
	0273696	Ref	BOOM SENSORS AND SWITCHES INSTALLATION	H
1	0100011	AR	Compound, Locking	
2	0100035	AR	Compound, Locking	
3	0100048	AR	Grease, Dielectric	
4	0630464	2	Screw #10 x 1/2	
5	0641405	5	Bolt 1/4 x 5/8	
7	0791504	4	Screw 5/16 x 1/2	
8	3300430	2	Nut 1/4	
9	3930606	12	Screw, Machine #6 x 3/8	
10	0791604	8	Screw 3/8 x 1/2	
11	0791605	12	Screw 3/8 x 5/8	
12	0791606	4	Screw 3/8 x 3/4	
13	0791608	4	Screw 3/8 x 1	
14	1320130	2	Clamp, Hose	
15	1001147479	4	Sensor, Angle Indicator (Note: Control System must be recalibrated when Sensor is replaced)	
15	4460910	2	Connector, Female Deutsch - 3 Position	
15	4460917	6	Pin, Male	
15	4460913	1	Lock, Wedge	
16	1320301	1	Clamp, Cable	
17	1671031	1	Cover, Limit Switch	
20	1671039	1	Cover, Jib Switch	
21	1671044	2	Cover, Level Sensor	
22	3200433	1	Mount, Jib Switch	
23	3311405	9	Nut 1/4	
24	3311605	2	Nut 3/8	
25	3574431	1	Plate, Switch Mounting	
26	3573301	2	Plate, Sensor Mounting	
27	3930816	6	Capscrew #8 x 1	
28	3931414	4	Capscrew 1/4 x 7/8	
29	4360548	2	Switch, Jib Limit (Note: Control System must be recalibrated when Switch is replaced)	
30	4360578	1	Switch, Limit (Note: Control System must be recalibrated when Switch is replaced)	
31	4360527	1	Switch, Cable Break Proximity (Note: Control System must be recalibrated when Switch is replaced)	
33	4360543	1	Sensor, Boom Length (Note: Control System must be recalibrated when Sensor is replaced)	
35	4460914	2	Terminal, Base	
36	4711400	10	Washer 1/4	
37	4711600	2	Washer 3/8	
38	4891400	4	Washer 1/4	
41	4846484	1	Mount, Switch	
42	3340941	1	Pad, Rubber	
43	1705366	1	Decal - Boom Length (500LB Cap)	
44	3574616	1	Plate, Boom Length	
47	1705367	1	Decal - Boom Length (1000LB Cap)	
48	4460968	3	Connector, Strain Relief (Not Shown)	
49	1320136	2	Clamp, Cable (Not Shown)	
50	4341158	2	Plate, Mounting Sensor	
51	8310070	6	Pushnut 3/8	

SECTION 4 - BOOM

ITEM	PART NUMBER	QTY	DESCRIPTION	REV
52	0100081	AR	Adhesive	

SECTION 4 - BOOM

FIGURE 4-15. PLATFORM SUPPORT INSTALLATION



ART_1001167596_N

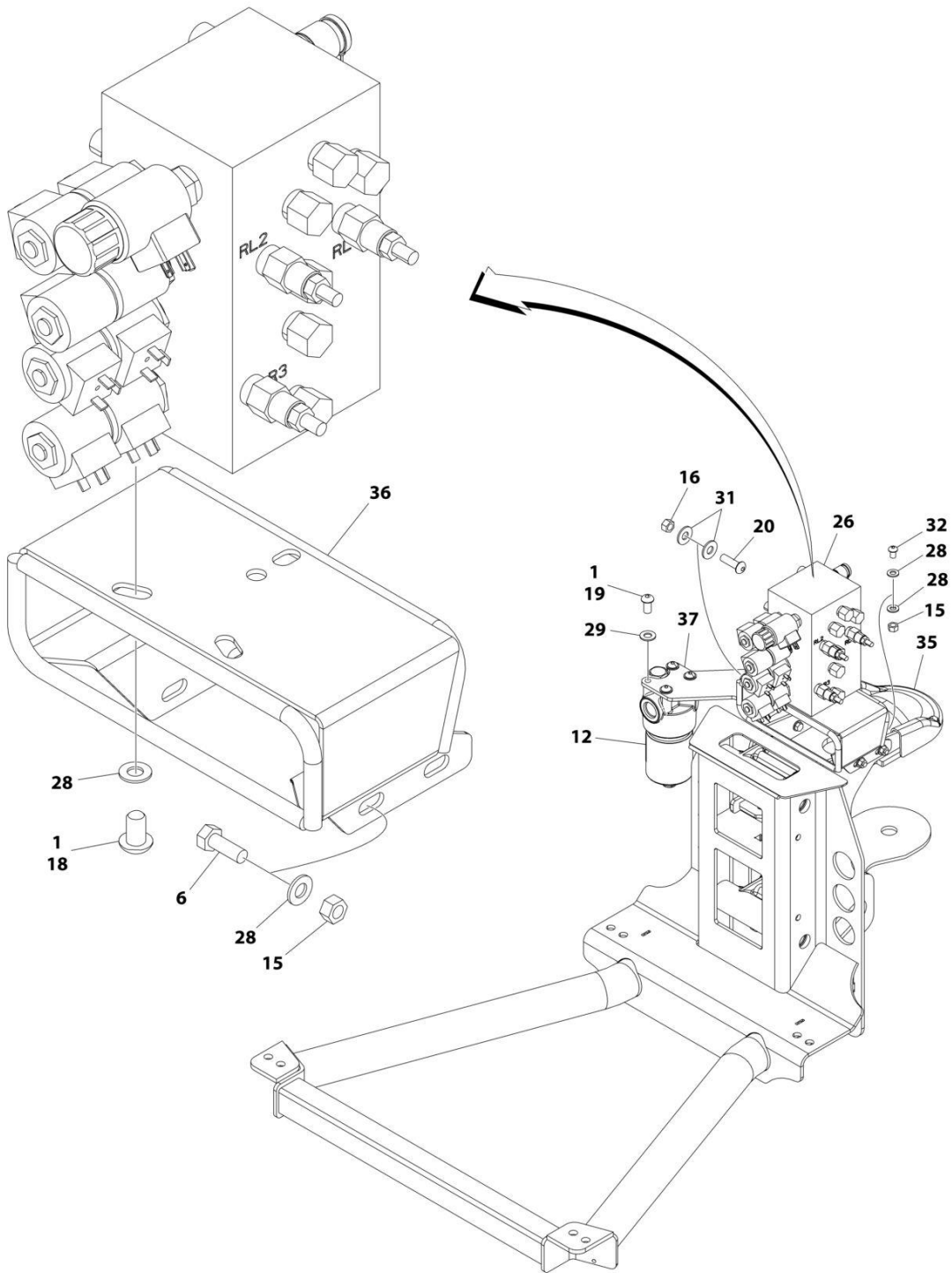
SECTION 4 - BOOM

FIGURE 4-15. PLATFORM SUPPORT INSTALLATION

ITEM	PART NUMBER	QTY	DESCRIPTION	REV
	1001167596	Ref	PLATFORM SUPPORT INSTALLATION	N
1	0100011	AR	Compound, Locking	
2	0761014	5	Bolt M10 x 30	
3	0761216	8	Bolt M12 x 40	
4	1001255133	1	Bolt 1 x 11 GRD8	
5	0681608	8	Bolt 3/8 x 1 GRD8	
6	3291001	5	Nut M10	
7	3291201	3	Nut M12	
8	1001174040	1	Nut 1	
9	3291205	8	Nut M12	
10	3841143	4	Keeper, Pin	
11	4812000	8	Washer M10	
12	4812100	3	Washer M12	
13	4891600	8	Washer 3/8	
14	5241200	8	Washer M12	
15	4892600001	1	Washer 1	
16	1001098828	2	Bolt M12 x 70 CL10.9	
17	1001167565	2	Pin	
18	1001200494	1	Support, Platform	
19	1001167567	1	Support, Rotator	
20	1001168402	2	Pin	
21	1001188622	1	Screw	
22	1001247468	1	Loadcell	
23	1001188844	1	Bolt M12 x 35	
24	1001201351	2	Link	
24	1001187382	4	Bearing	
24	1001187383	4	Seal	
26	5251008	2	Bolt M10 x 16 CL10.9	
28	1001189002	8	Bearing	
29	1001190985	1	Pad, Wear	
30	3291005	2	Nut M10	
31	5251016	2	Bolt M10 x 40 CL10.9	
32	1001200491	1	Pad, Wear	
33	1001189001	4	Bearing	
34	1001204725	2	Plug	
36	91203039	1	Clamp	
37	1001216630	2	Decal - Tie Down/No Lift	
38	1001238421	Ref	Kit, Platform Leveling (Not Shown)	
	1001202687	Ref	VALVE MOUNT INSTALLATION	B
101	0100011	AR	Compound, Locking	
102	0760810	4	Bolt M8 x 20	
103	3290806	4	Nut M8	
104	4811900	8	Washer M8	
106	1001208994	1	Mount, Valve	

SECTION 4 - BOOM

FIGURE 4-16. CONTROL VALVE INSTALLATION



ART_1001219990_30F3

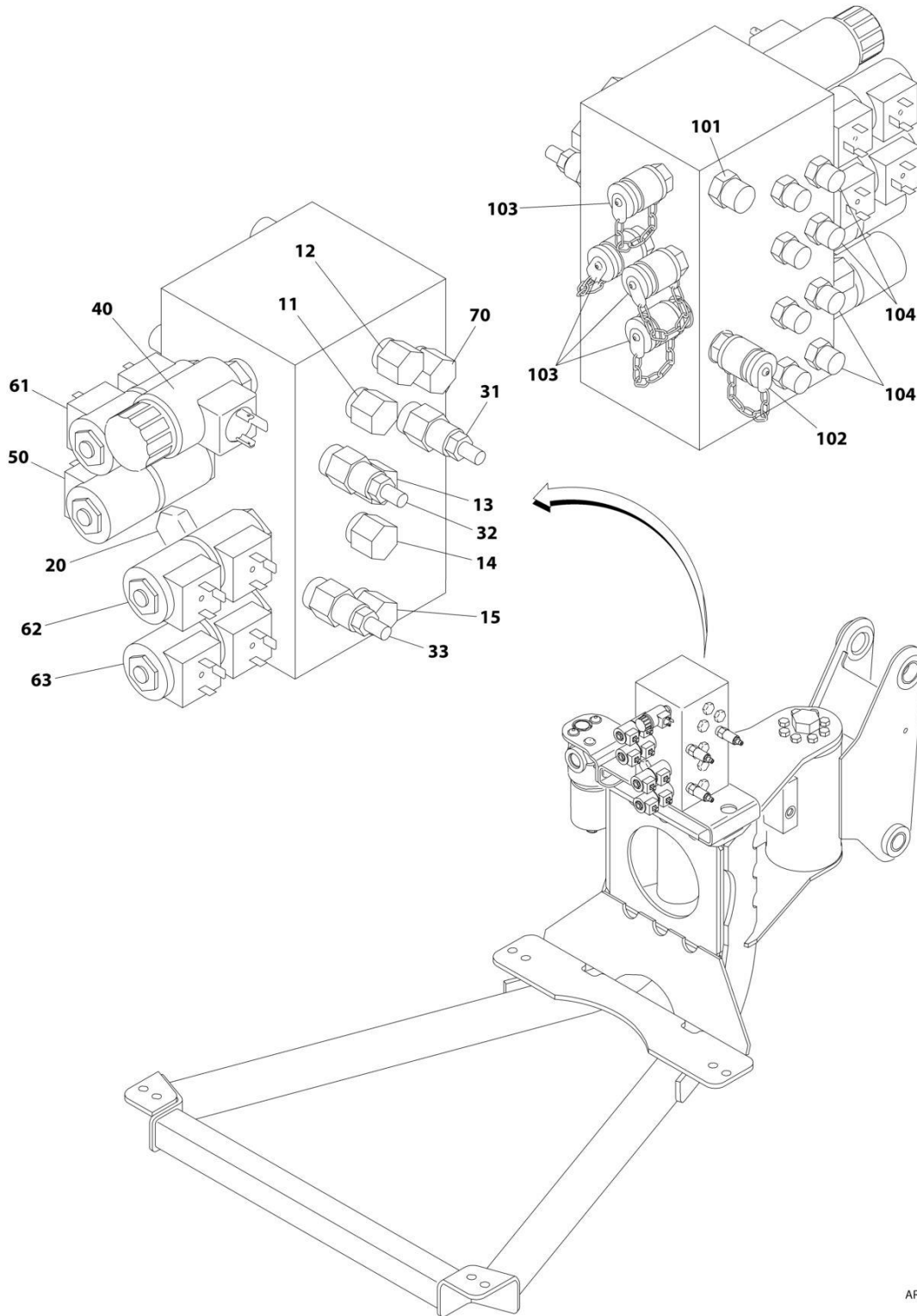
SECTION 4 - BOOM

FIGURE 4-16. CONTROL VALVE INSTALLATION

ITEM	PART NUMBER	QTY	DESCRIPTION	REV
	1001219990	Ref	CONTROL VALVE INSTALLATION - WITH 1 CELL LSS	C
1	0100011	AR	Compound, Locking	
6	0641507	4	Bolt 5/16 x 7/8	
12	2120217	1	Filter, Pressure	
12	70002097	1	Element	
12	70004328	1	Plug, Indicator	
15	3311505	6	Nut 5/16	
16	3311605	2	Nut 3/8	
18	3900210	3	Screw 5/16 x 3/4	
19	3900283	4	Screw 3/8 x 3/4	
20	3900316	2	Screw 3/8 x 1	
26	4641460	1	Platform Valve (See Separate Breakdown in this Section)	
28	4711500	15	Washer 5/16	
29	4711600	4	Washer 3/8	
31	4751600	4	Washer 3/8	
32	88261024	2	Bolt 5/16 x 1	
35	1001207969	1	Cover, Support/Rotator	
36	1001208994	1	Plate, Valve Mounting	
37	1001222314	1	Bracket, Filter Mounting	

SECTION 4 - BOOM

FIGURE 4-17. CONTROL VALVE ASSEMBLY



ART_4641460

SECTION 4 - BOOM

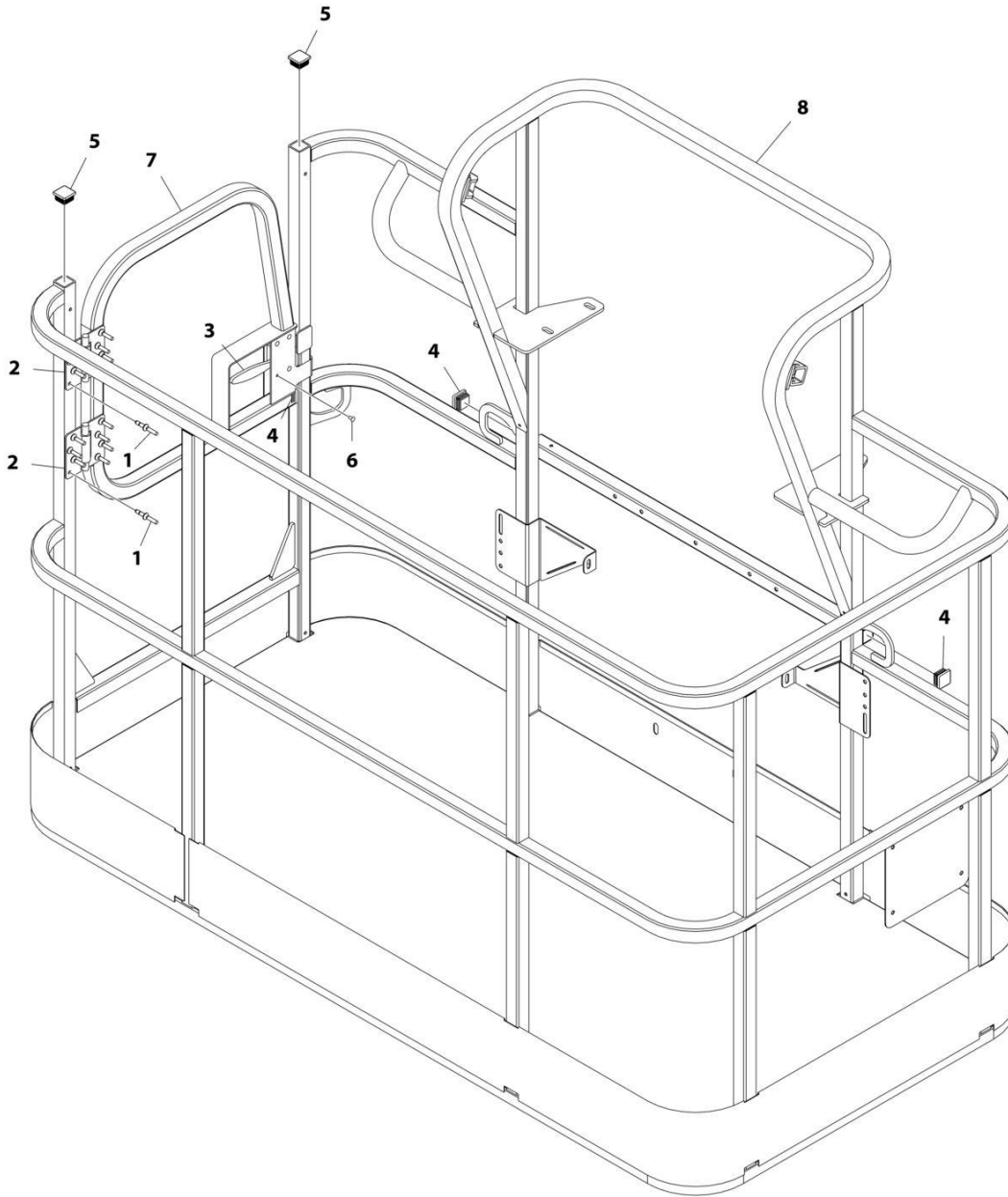
FIGURE 4-17. CONTROL VALVE ASSEMBLY

ITEM	PART NUMBER	QTY	DESCRIPTION	REV
	4641460	Ref	PLATFORM VALVE ASSEMBLY	C
11	7026018	1	Valve, Cartridge	
11	7011346	1	Seal Kit - Valve	
12	7026019	1	Valve, Cartridge (Flow Control)	
12	7011346	1	Seal Kit - Valve	
13	7026020	1	Valve, Cartridge (Rotate)	
13	7011346	1	Seal Kit - Valve	
14	7026021	1	Valve, Cartridge (Jib Swing)	
14	7011346	1	Seal Kit - Valve	
15	7026019	1	Valve, Cartridge (Jib Lift)	
15	7011346	1	Seal Kit - Valve	
20	7011355	1	Valve, Cartridge (Jib)	
20	2900770	1	Seal Kit - Valve	
31	7024572	1	Valve, Relief Cartridge (Platform Level Up)	
31	7011346	1	Seal Kit - Valve	
32	7024572	1	Valve, Relief Cartridge (Platform Level Down)	
32	7011346	1	Seal Kit - Valve	
33	7024572	1	Valve, Relief Cartridge (Jib Up/Down)	
33	7011346	1	Seal Kit - Valve	
40	7026022	1	Valve, Cartridge (Dump)	
40	2900770	1	Seal Kit - Valve	
40	7024571	1	Coil	
50	7023922	1	Valve, Cartridge (Platform Rotate)	
50	7017402	1	Seal Kit - Valve	
50	7012944	2	Coil	
61	7023922	1	Valve, Cartridge (Platform Level)	
61	7017402	1	Seal Kit - Valve	
61	7012944	2	Coil	
62	7023922	1	Valve, Cartridge (Jib Swing)	
62	7017402	1	Seal Kit - Valve	
62	7012944	2	Coil	
63	7023922	1	Valve, Cartridge (Jib Lift)	
63	7017402	1	Seal Kit - Valve	
63	7012944	2	Coil	
70	7026023	1	Valve, Cartridge (Check)	
70	7011346	1	Seal Kit - Valve	
	4641460	Ref	Platform Valve Assembly (Fitting Information)	C
101	2110606	1	Fitting, Straight	
102	4641255	1	Fitting (Check Valve)	
103	2221086	4	Check, Pressure	
104	2110404	8	Fitting, Straight	

SECTION 5 - PLATFORM

SECTION 5 - PLATFORM

FIGURE 5-1. PLATFORM ASSEMBLY - 36IN X 6FT (91.5CM X 1.83M) WITH SWING GATE



ART_1001186384

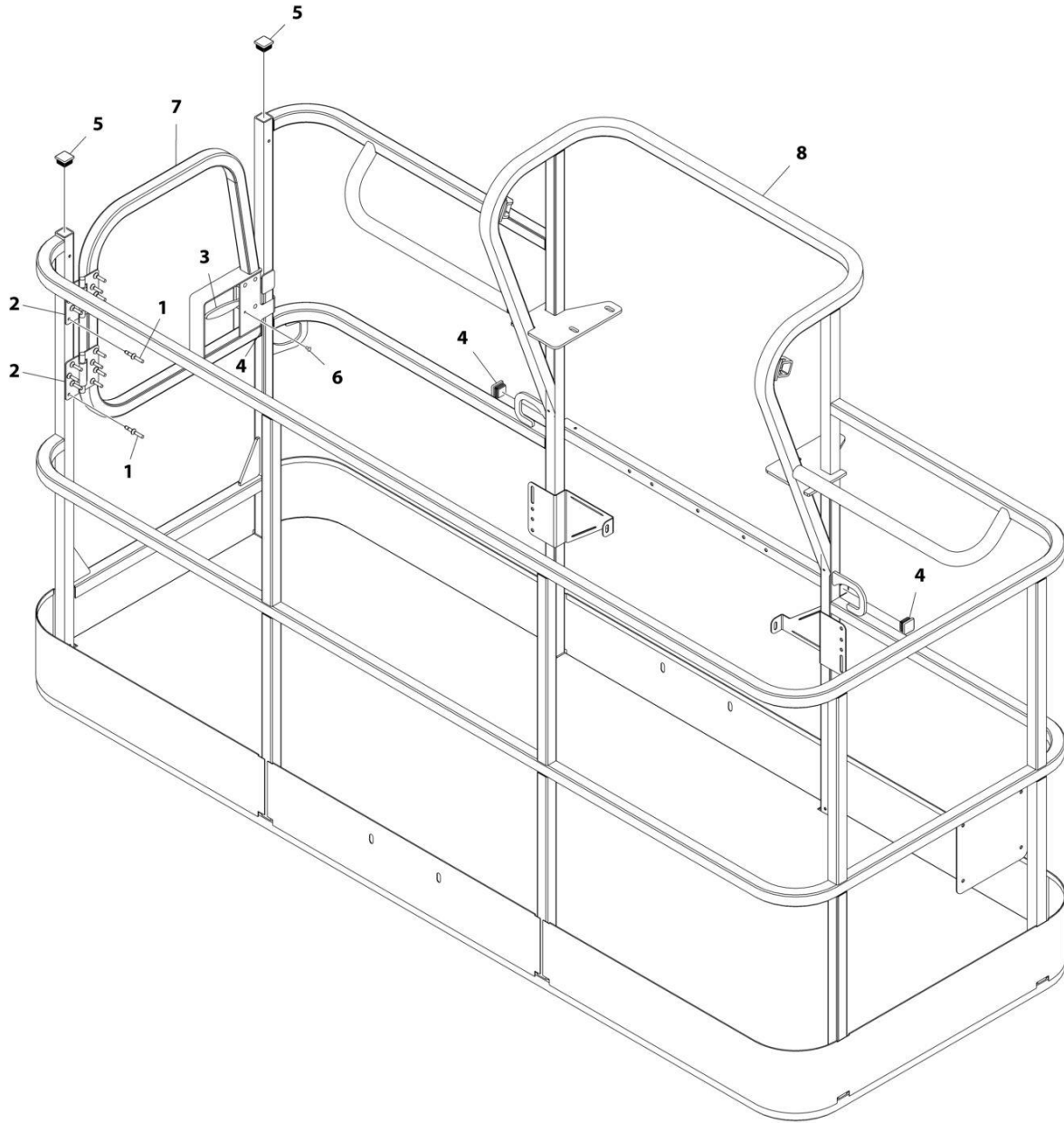
SECTION 5 - PLATFORM

FIGURE 5-1. PLATFORM ASSEMBLY - 36IN X 6FT (91.5CM X 1.83M) WITH SWING GATE

ITEM	PART NUMBER	QTY	DESCRIPTION	REV
	1001186384	Ref	PLATFORM ASSEMBLY - 36IN X 6FT (91.5CM X 1.83M) WITH SWING GATE	C
	See Note	Ref	Note: Platform and Mesh must be ordered separately for Platforms with Mesh. See SPECIAL OPTIONS SECTION for Mesh Installations.	
	See Note	Ref	Note: Replacement Decals Must be Ordered Separately - See DECALS SECTION.	
1	2080040	16	Fastener, Huck	
2	2600281	2	Hinge	
3	2940074	1	Latch	
4	3520072	3	Plug	
5	3520198	2	Plug	
6	3820020	4	Rivet	
7	1001144629	1	Gate	
8	See Note	NSS	Platform (Note: Not Available - Purchase Platform Assembly)	

SECTION 5 - PLATFORM

FIGURE 5-2. PLATFORM ASSEMBLY - 36IN X 8FT (91.5CM X 2.44M) WITH SWING GATE



ART_1001186383

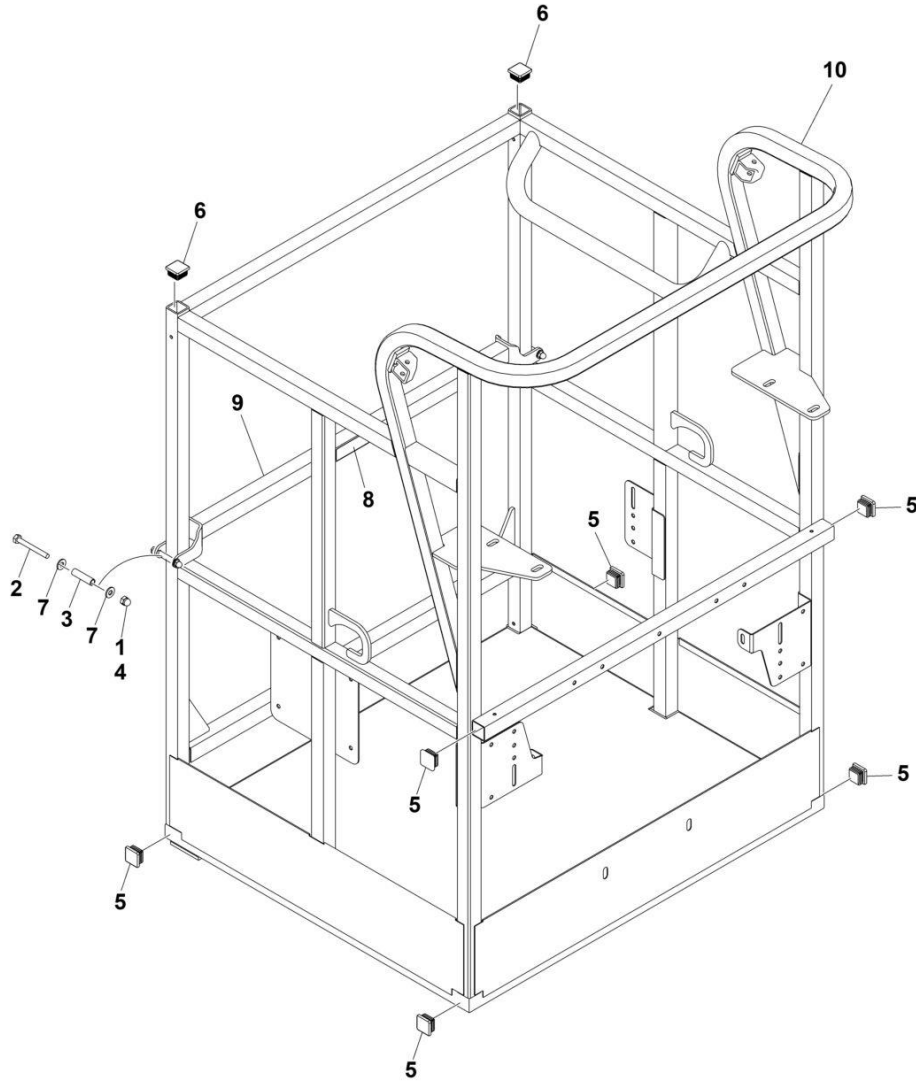
SECTION 5 - PLATFORM

FIGURE 5-2. PLATFORM ASSEMBLY - 36IN X 8FT (91.5CM X 2.44M) WITH SWING GATE

ITEM	PART NUMBER	QTY	DESCRIPTION	REV
	1001186383	Ref	PLATFORM ASSEMBLY - 36IN X 8FT (91.5CM X 2.44M) WITH SWING GATE	D
		Ref	Note: Platform and Mesh must be ordered separately for Platforms with Mesh. See SPECIAL OPTIONS SECTION for Mesh Installations.	
		Ref	Note: Replacement Decals Must be Ordered Separately - See DECALS SECTION.	
1	2080040	16	Fastener, Huck	
2	2600281	2	Hinge	
3	2940074	1	Latch	
4	3520072	3	Plug	
5	3520198	2	Plug	
6	3820020	4	Rivet	
7	1001144629	1	Gate	
8	See Note	NSS	Platform (Note: Not Available - Purchase Platform Assembly)	

SECTION 5 - PLATFORM

FIGURE 5-3. PLATFORM ASSEMBLY - 30IN X 3FT (76CM X .91M) - WITH DROP BAR



ART_1001228215

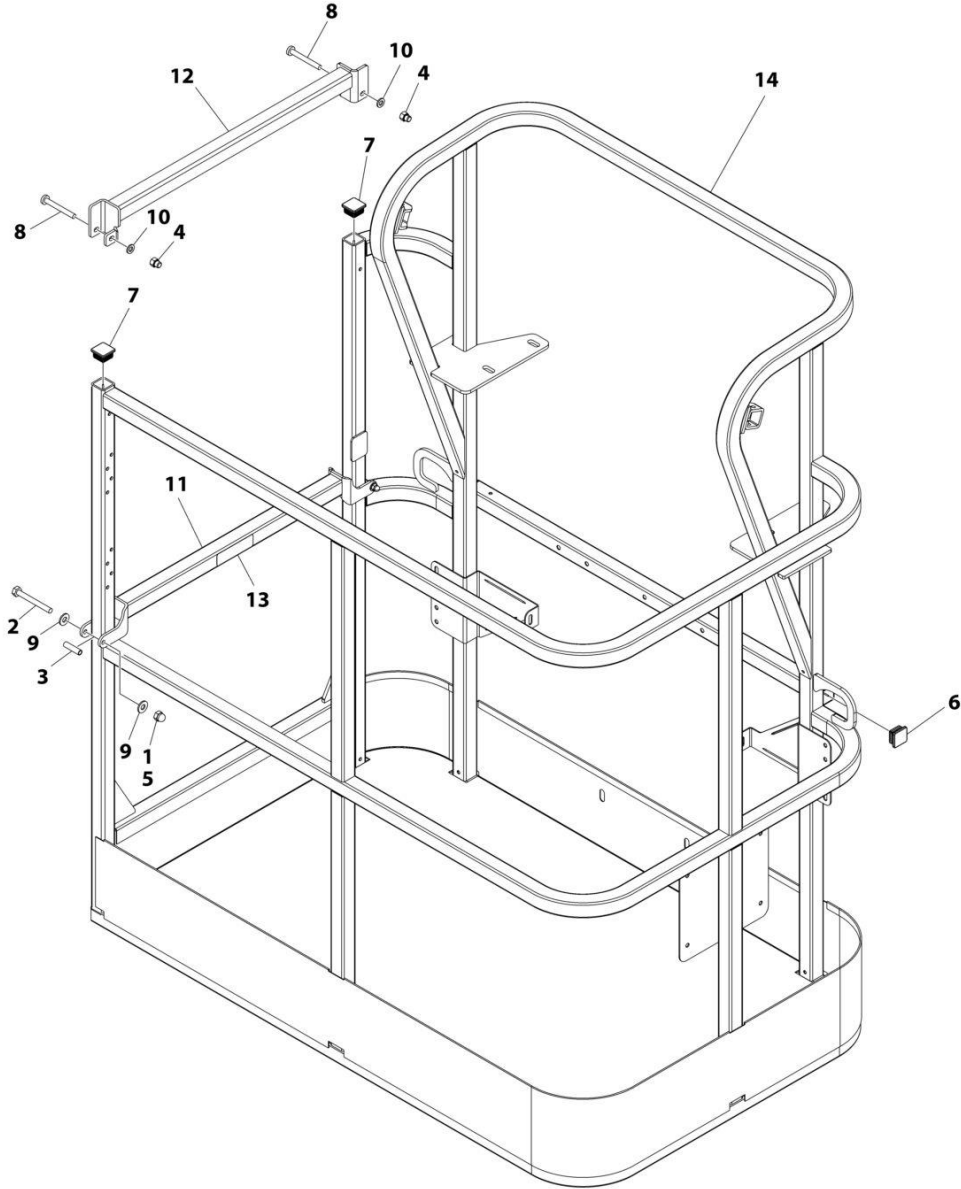
SECTION 5 - PLATFORM

FIGURE 5-3. PLATFORM ASSEMBLY - 30IN X 3FT (76CM X .91M) - WITH DROP BAR

ITEM	PART NUMBER	QTY	DESCRIPTION	REV
	1001228215	Ref	PLATFORM ASSEMBLY	A
	See Note	Ref	Note: Platform and Mesh must be ordered separately for Platforms with Mesh. See SPECIAL OPTIONS SECTION for Mesh Installations.	
	See Note	Ref	Note: Replacement Decals Must be Ordered Separately - See DECAL SECTION.	
1	0100011	AR	Compound, Locking	
2	0641418	2	Bolt 1/4 x 2-1/4	
3	0961845	2	Bushing	
4	3300151	2	Nut 1/4	
5	3520072	6	Cap, Plug	
6	3520198	2	Cap, Plug	
7	4711400	4	Washer 1/4	
8	1001140429	1	Decal - Drop Bar	
9	1001226872	1	Bar, Drop	
10	See Note	NSS	Platform (Note: Not Available - Purchase Platform Assembly)	

SECTION 5 - PLATFORM

FIGURE 5-4. PLATFORM ASSEMBLY - 30IN X 4FT (76.2CM X 1.22M) WITH DROP BAR



ART_1001186375

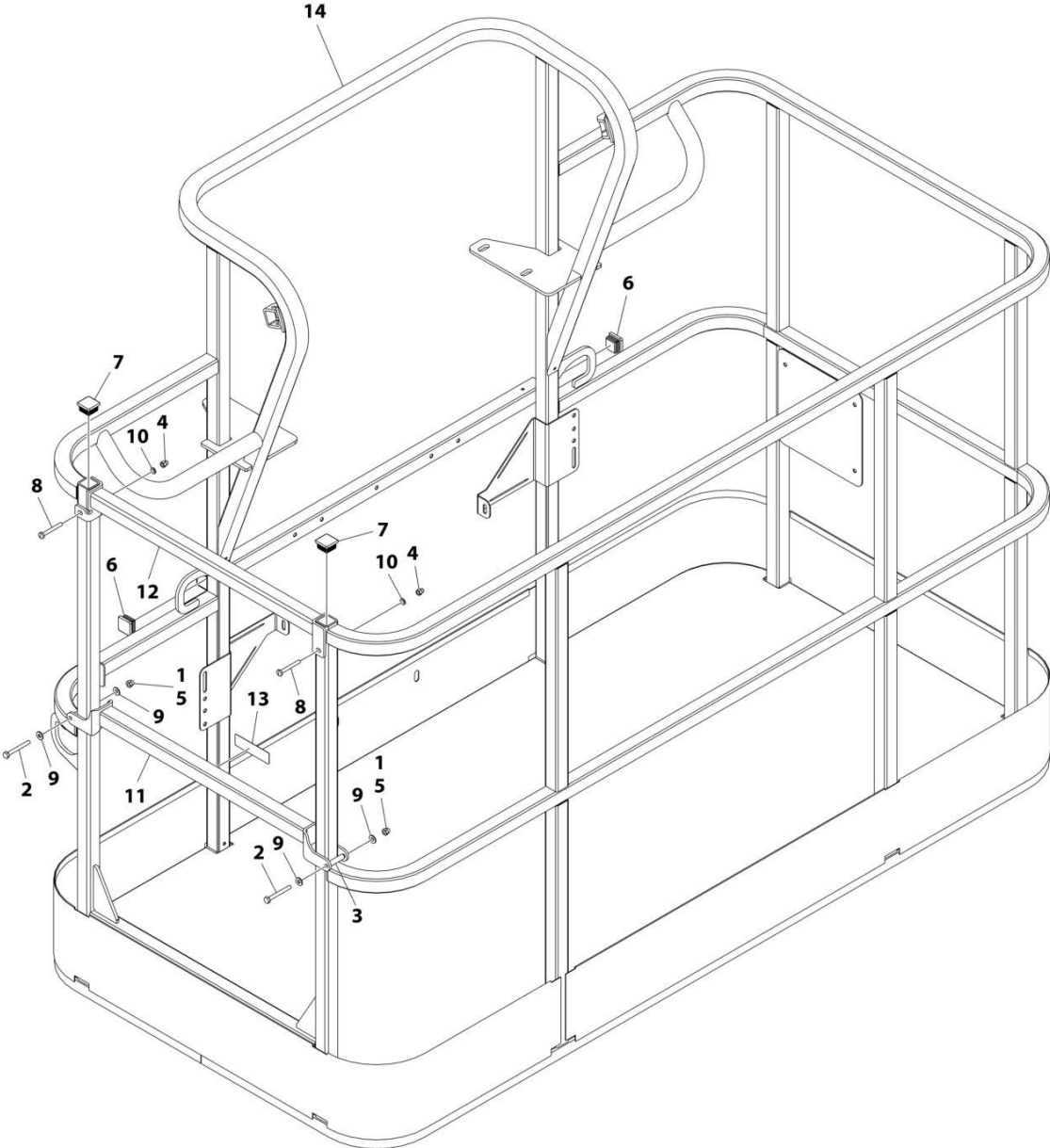
SECTION 5 - PLATFORM

FIGURE 5-4. PLATFORM ASSEMBLY - 30IN X 4FT (76.2CM X 1.22M) WITH DROP BAR

ITEM	PART NUMBER	QTY	DESCRIPTION	REV
	1001186375	Ref	PLATFORM ASSEMBLY	B
		Ref	Note: Platform and Mesh must be ordered separately for Platforms with Mesh. See SPECIAL OPTIONS SECTION for Mesh Installations.	
		Ref	Note: Replacement Decals Must be Ordered Separately - See DECALS SECTION.	
1	0100011	AR	Compound, Locking	
2	0641418	2	Bolt 1/4 x 2-1/4	
3	0961845	2	Bushing	
4	3290606	2	Nut M6	
5	3300151	2	Nut 1/4	
6	3520072	2	Plug	
7	3520198	2	Plug	
8	4010618	2	Screw M6 x 50	
9	4711400	4	Washer 1/4	
10	4811700	2	Washer M6	
11	1001138494	1	Bar, Drop	
12	1001138514	1	Rail - Top	
13	1001140429	1	Decal - Drop Bar	
14	See Note	1	Platform (Note: Not Available - Purchase Platform Assembly)	

SECTION 5 - PLATFORM

FIGURE 5-5. PLATFORM ASSEMBLY - 36IN X 6FT (91.5CM X 1.83M) WITH DROP BAR



ART_1001186379

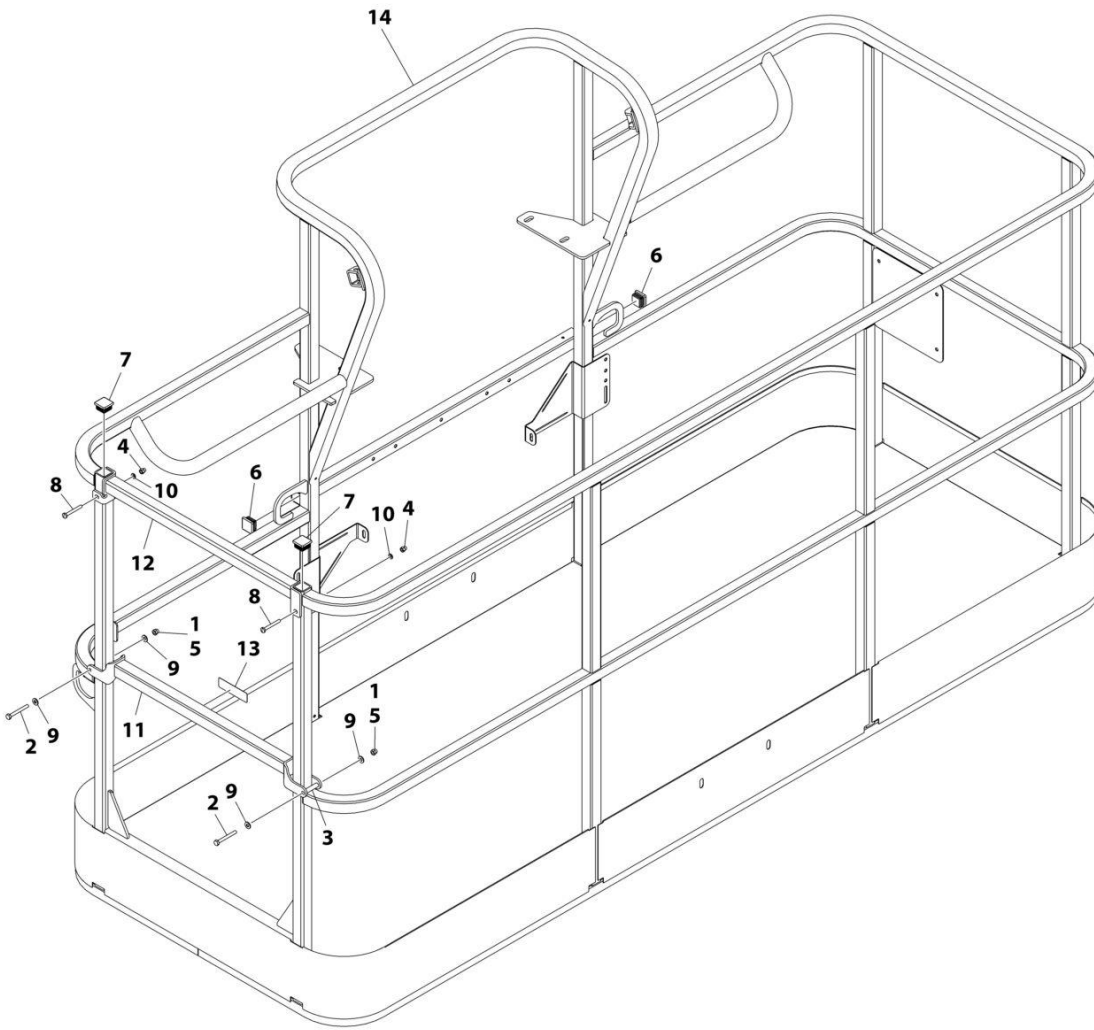
SECTION 5 - PLATFORM

FIGURE 5-5. PLATFORM ASSEMBLY - 36IN X 6FT (91.5CM X 1.83M) WITH DROP BAR

ITEM	PART NUMBER	QTY	DESCRIPTION	REV
	1001186379	Ref	PLATFORM ASSEMBLY - 36IN X 6FT (91.5CM X 1.83M) WITH DROP BAR	B
		Ref	Note: Platform and Mesh must be ordered separately for Platforms with Mesh. See SPECIAL OPTIONS SECTION for Mesh Installations.	
		Ref	Note: Replacement Decals Must be Ordered Separately - See DECALS SECTION.	
1	0100011	AR	Compound, Locking	
2	0641418	2	Bolt 1/4 x 2-1/4	
3	0961845	2	Bushing	
4	3290606	2	Nut M6	
5	3300151	2	Nut 1/4	
6	3520072	2	Plug	
7	3520198	2	Plug	
8	4010618	2	Screw M6 x 50	
9	4711400	4	Washer 1/4	
10	4811700	2	Washer M6	
11	1001138494	1	Bar, Drop	
12	1001138514	1	Rail (Top)	
13	1001140429	1	Decal - Drop Bar	
14	See Note	NSS	Platform (Note: Not Available - Purchase Platform Assembly)	

SECTION 5 - PLATFORM

FIGURE 5-6. PLATFORM ASSEMBLY - 36IN X 8FT (91.5CM X 2.44M) WITH DROP BAR



ART_1001186382

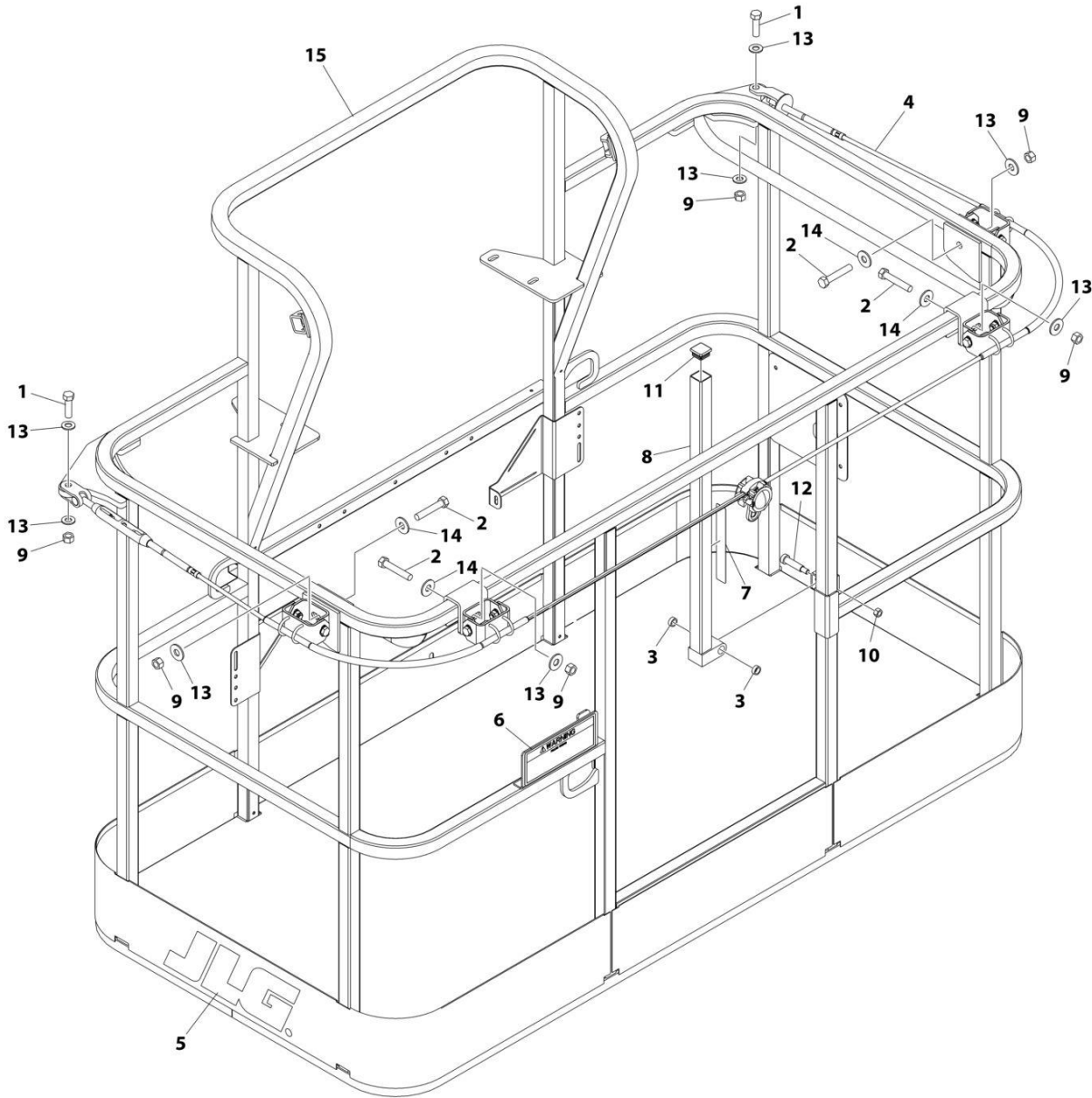
SECTION 5 - PLATFORM

FIGURE 5-6. PLATFORM ASSEMBLY - 36IN X 8FT (91.5CM X 2.44M) WITH DROP BAR

ITEM	PART NUMBER	QTY	DESCRIPTION	REV
	1001186382	Ref	PLATFORM ASSEMBLY - 36IN X 8FT (91.5CM X 2.44M) WITH DROP BAR	C
		Ref	Note: Platform and Mesh must be ordered separately for Platforms with Mesh. See SPECIAL OPTIONS SECTION for Mesh Installations.	
		Ref	Note: Replacement Decals Must be Ordered Separately - See DECALS SECTION.	
1	0100011	AR	Compound, Locking	
2	0641418	2	Bolt 1/4 x 2-1/4	
3	0961845	2	Bushing	
4	3290606	2	Nut M6	
5	3300151	2	Nut 1/4	
6	3520072	2	Plug	
7	3520198	2	Plug	
8	4010618	2	Screw M6 x 50	
9	4711400	4	Washer 1/4	
10	4811700	2	Washer M6	
11	1001138494	1	Bar, Drop	
12	1001138514	1	Rail (Top)	
13	1001140429	1	Decal - Drop Bar	
14	See Note	NSS	Platform (Note: Not Available - Purchase Platform Assembly)	

SECTION 5 - PLATFORM

FIGURE 5-7. PLATFORM ASSEMBLY - 36IN X 6FT (91.5CM X 1.83M) WITH FALL ARREST (ANSI, ANSI EXPORT AND CHINA SPECS)



ART_1001186333

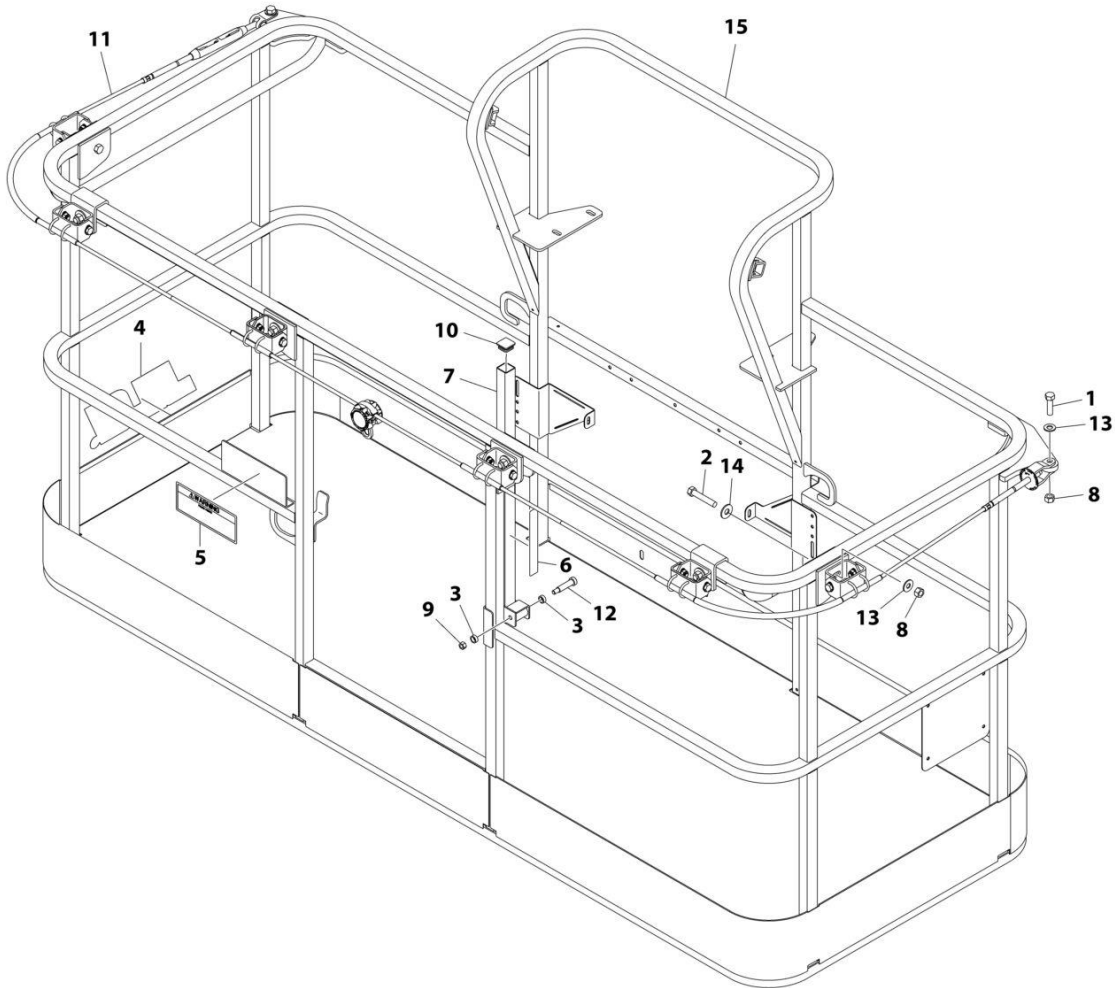
SECTION 5 - PLATFORM

FIGURE 5-7. PLATFORM ASSEMBLY - 36IN X 6FT (91.5CM X 1.83M) WITH FALL ARREST (ANSI, ANSI EXPORT AND CHINA SPECS)

ITEM	PART NUMBER	QTY	DESCRIPTION	REV
	1001186333	Ref	PLATFORM ASSEMBLY	C
		Ref	Note: Replacement Decals Must be Ordered Separately - See DECALS SECTION.	
1	0681814	2	Bolt 1/2 x 1-3/4 Grade 8	
2	0681822	4	Bolt 1/2 x 2-3/4 Grade 8	
3	0962270	2	Bearing	
4	1001203655	1	Cable	
5	1702773	1	Decal - JLG	
6	1705014	1	Decal - Safety	
7	1706385	1	Decal - Drop Bar	
8	2410014	1	Bar, Drop	
9	3271805	6	Nut 1/2 Grade 8	
10	3311605	1	Nut 3/8	
11	3520072	1	Plug	
12	3900054	1	Bolt 1/2 x 1-3/4	
13	4711800	8	Washer 1/2	
14	4751800	4	Washer 1/2	
15	See Note	NSS	Platform (Note: Not Available - Purchase Platform Assembly)	

SECTION 5 - PLATFORM

FIGURE 5-8. PLATFORM ASSEMBLY - 36IN X 8FT (91.5CM X 2.44M) WITH FALL ARREST (ANSI SPEC)



ART_1001186334

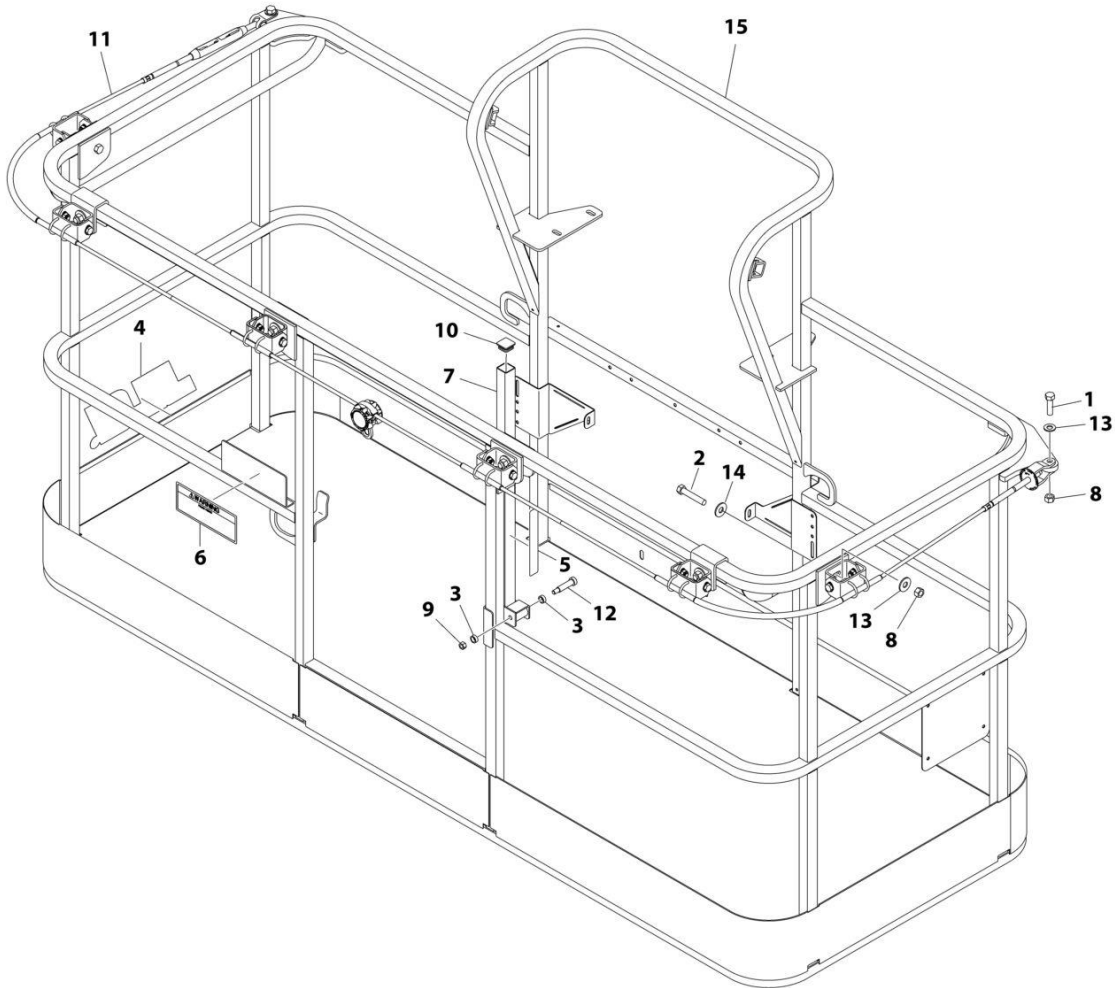
SECTION 5 - PLATFORM

FIGURE 5-8. PLATFORM ASSEMBLY - 36IN X 8FT (91.5CM X 2.44M) WITH FALL ARREST (ANSI SPEC)

ITEM	PART NUMBER	QTY	DESCRIPTION	REV
	1001186334	Ref	PLATFORM ASSEMBLY	D
		Ref	Note: Replacement Decals Must be Ordered Separately - See DECALS SECTION.	
1	0681814	2	Bolt 1/2 x 1-3/4 Grade 8	
2	0681822	6	Bolt 1/2 x 2-3/4 Grade 8	
3	0962270	2	Bearing	
4	1702773	1	Decal - JLG	
5	1705014	1	Decal - Safety	
6	1706385	1	Decal - Drop Bar	
7	2410014	1	Bar, Drop	
8	3271805	8	Nut 1/2 Grade 8	
9	3311605	1	Nut 3/8	
10	3520072	1	Plug	
11	1001203656	1	Cable	
12	3900054	1	Bolt 1/2 x 1-3/4	
13	4711800	2	Washer 1/2	
14	4751800	6	Washer 1/2	
15	See Note	NSS	Platform (Note: Purchase Platform Assembly)	

SECTION 5 - PLATFORM

FIGURE 5-9. PLATFORM ASSEMBLY - 36IN X 8FT (91.5CM X 2.44M) WITH FALL ARREST (AUSTRALIAN SPECS)



ART_1001186389

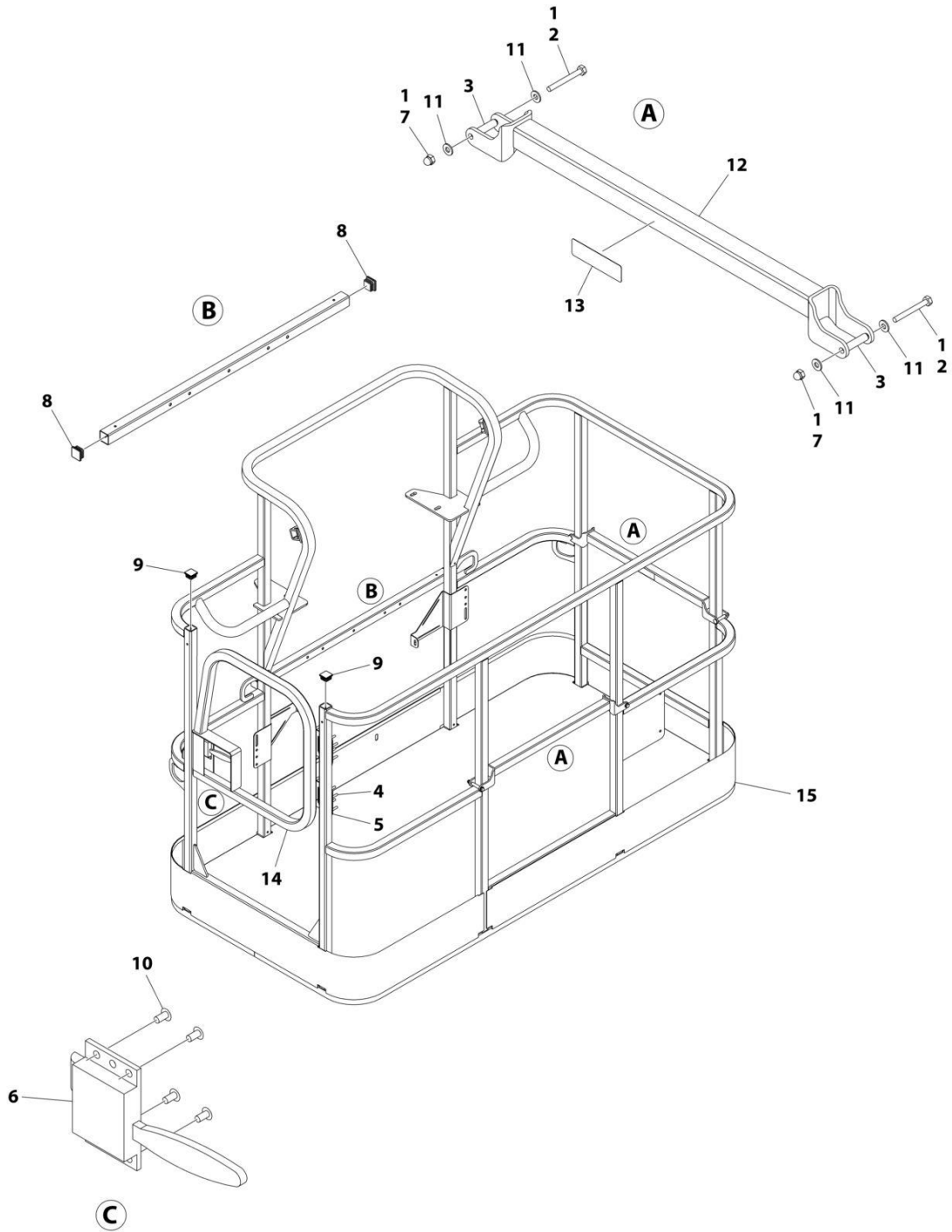
SECTION 5 - PLATFORM

**FIGURE 5-9. PLATFORM ASSEMBLY - 36IN X 8FT (91.5CM X 2.44M) WITH FALL ARREST
(AUSTRALIAN SPECS)**

ITEM	PART NUMBER	QTY	DESCRIPTION	REV
	1001186389	Ref	PLATFORM ASSEMBLY - 36IN X 8FT (91.5CM X 2.44M) WITH FALL ARREST	D
		Ref	Note: Standard decals must be ordered separately - See DECAL SECTION.	
1	0681814	2	Bolt 1/2 x 1-3/4 Grade 8	
2	0681822	6	Bolt 1/2 x 2-3/4 Grade 8	
3	0962270	2	Bearing	
4	1702773	1	Decal - JLG	
5	1706493	1	Decal - Drop Bar	
6	1706501	1	Decal - Safety	
7	2410014	1	Gate	
8	3271805	8	Nut 1/2 Grade 8	
9	3311605	1	Nut 3/8	
10	3520072	1	Plug	
11	1001203656	1	Cable	
12	3900054	1	Bolt 1/2 x 1-3/4	
13	4711800	8	Washer 1/2	
14	4751800	6	Washer 1/2	
15	1001186318	NSS	Platform (Note: Not Available - Purchase Platform Assembly)	

SECTION 5 - PLATFORM

FIGURE 5-10. PLATFORM ASSEMBLY - 36IN X 6FT (91.5CM X 1.83M) TRI-ENTRY WITH SWING GATE



ART_1001228376

SECTION 5 - PLATFORM

FIGURE 5-10. PLATFORM ASSEMBLY - 36IN X 6FT (91.5CM X 1.83M) TRI-ENTRY WITH SWING GATE

ITEM	PART NUMBER	QTY	DESCRIPTION	REV
	1001228376	Ref	PLATFORM ASSEMBLY - 36IN x 6FT (91.5CM x 1.83M)	B
		Ref	Note: Platform and Mesh must be ordered separately for Platforms with Mesh. See SPECIAL OPTIONS SECTION for Mesh Installations.	
		Ref	Note: Replacement Decals Must be Ordered Separately - See DECAL SECTION.	
1	0100011	AR	Compound, Locking	
2	0641418	4	Bolt 1/4 x 2-1/4	
3	0961845	4	Bushing	
4	2080040	16	Fastener	
5	2600281	2	Hinge	
6	2940074	1	Latch	
7	3300151	4	Nut 1/4	
8	3520072	3	Plug	
9	3520198	2	Plug	
10	3820020	4	Rivet	
11	4711400	8	Washer 1/4	
12	1001138494	2	Bar, Drop	
13	1001140429	2	Decal - Drop Bar	
14	1001144629	1	Gate	
15	See Note	NSS	Platform (Note: Not Available - Purchase Platform Assembly)	

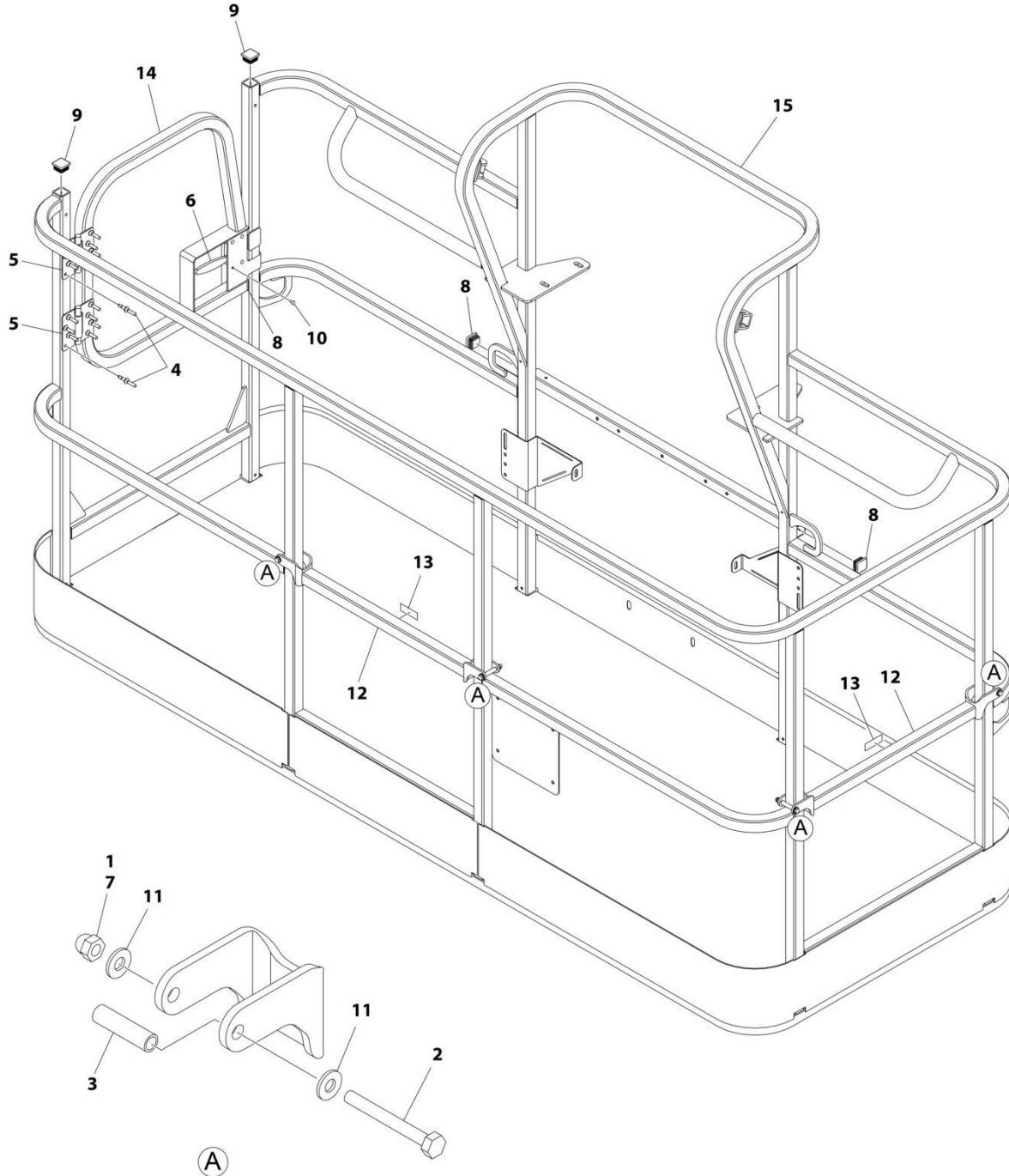
SECTION 5 - PLATFORM

FIGURE 5-11. PLATFORM ASSEMBLY - 36IN X 6FT (91.5CM X 1.83M) TRI-ENTRY WITH DROPBAR

ITEM	PART NUMBER	QTY	DESCRIPTION	REV
	1001228377	Ref	PLATFORM ASSEMBLY - 36IN x 6FT (91.5CM x 1.83M)	B
		Ref	Note: Platform and Mesh must be ordered separately for Platforms with Mesh. See SPECIAL OPTIONS SECTION for Mesh Installations.	
		Ref	Note: Replacement Decals Must be Ordered Separately - See DECAL SECTION.	
1	0100011	1	Compound, Locking	
2	0641418	6	Bolt 1/4 x 2-1/4	
3	0961845	6	Bushing	
4	3290606	2	Nut M6	
5	3300151	6	Nut 1/4	
6	3520072	2	Plug	
7	3520198	2	Plug	
8	4010618	2	Screw M6 x 50	
9	4711400	12	Washer 1/4	
10	4811700	2	Washer M6	
11	1001138494	3	Bar, Drop	
12	1001138514	1	Rail (Top)	
13	1001140429	3	Decal - Drop Bar	
14	See Note	NSS	Platform, Weldment (Note: Not Available - Purchase Platform Assembly)	

SECTION 5 - PLATFORM

FIGURE 5-12. PLATFORM ASSEMBLY - 36IN X 8FT (91.5CM X 2.44M) WITH TRI-ENTRY (1 GATE/2 DROP BARS)



ART_1001228243

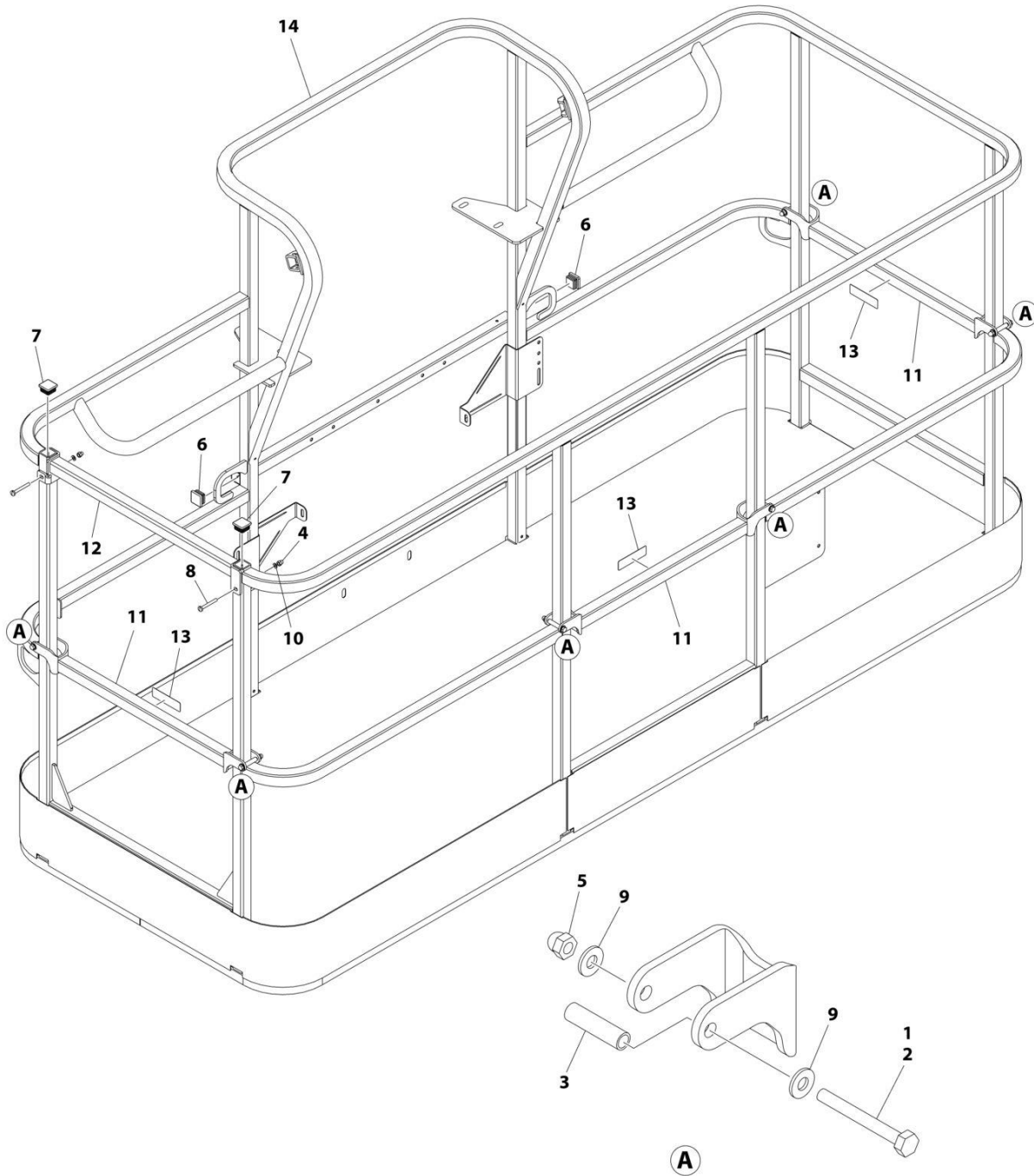
SECTION 5 - PLATFORM

FIGURE 5-12. PLATFORM ASSEMBLY - 36IN X 8FT (91.5CM X 2.44M) WITH TRI-ENTRY (1 GATE/2 DROP BARS)

ITEM	PART NUMBER	QTY	DESCRIPTION	REV
	1001228243	Ref	PLATFORM ASSEMBLY - 36IN X 8FT (91.5CM X 2.44M) WITH TRI-ENTRY	A
		Ref	Note: Platform and Mesh must be ordered separately for Platforms with Mesh. See SPECIAL OPTIONS SECTION for Mesh Installations.	
1	0100011	AR	Compound, Locking	
2	0641418	4	Bolt 1/4 x 2-1/4	
3	0961845	4	Bushing	
4	2080040	16	Fastener, Huck	
5	2600281	2	Hinge, Self-Closing	
6	2940074	1	Latch	
7	3300151	4	Nut 1/4	
8	3520072	3	Cap, Plug	
9	3520198	2	Cap, Plug	
10	3820020	4	Rivet	
11	4711400	8	Washer 1/4	
12	1001138494	2	Bar, Drop	
13	1001140429	2	Decal - Drop Bar	
14	1001144629	1	Gate, Weldment	
15	See Note	1	Platform (Note: Not Available - Purchase Platform Assembly)	

SECTION 5 - PLATFORM

FIGURE 5-13. PLATFORM ASSEMBLY - 36IN X 8FT (91.5CM X 2.44M) WITH TRI-ENTRY (3 DROP BARS)



ART_1001228375

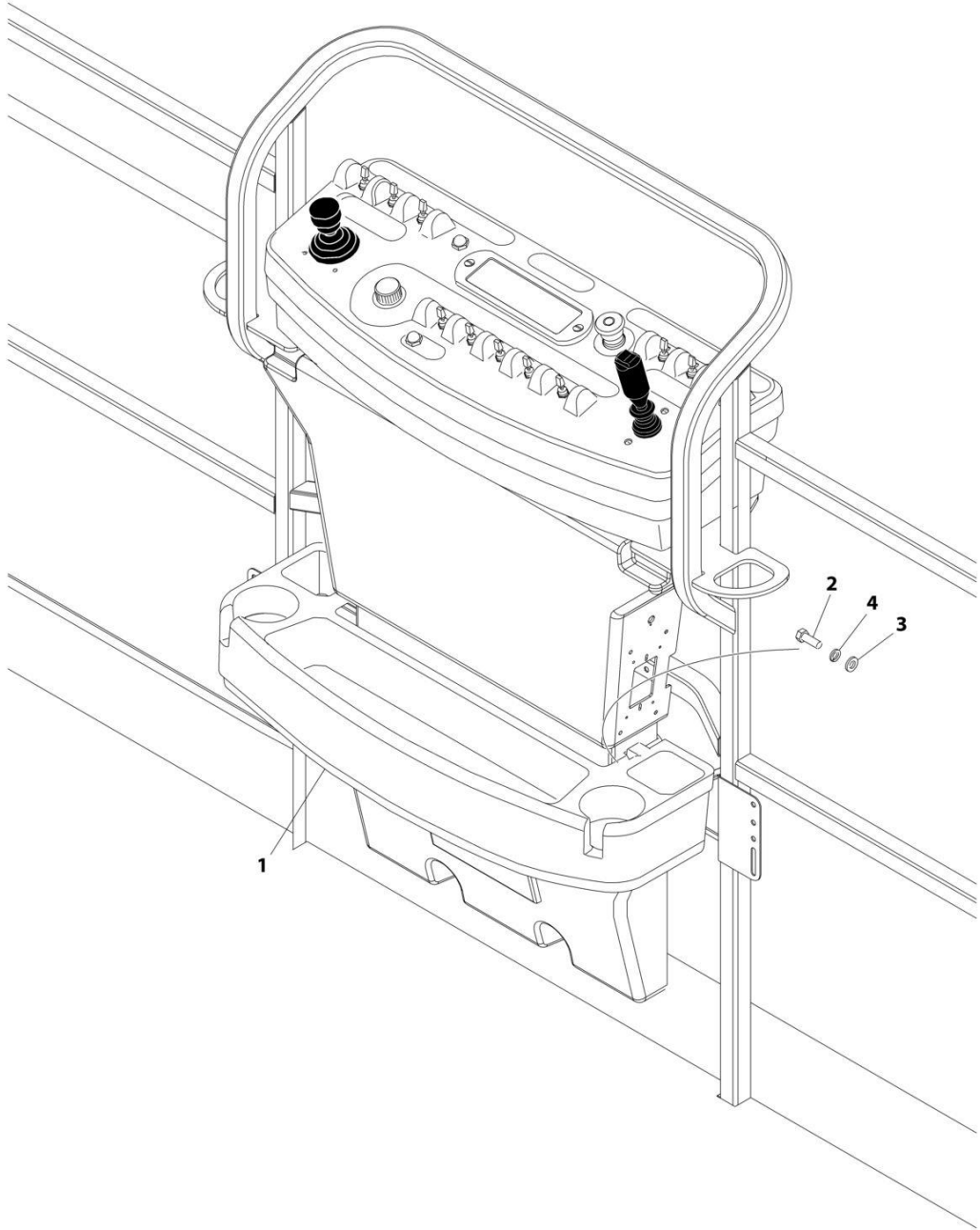
SECTION 5 - PLATFORM

FIGURE 5-13. PLATFORM ASSEMBLY - 36IN X 8FT (91.5CM X 2.44M) WITH TRI-ENTRY (3 DROP BARS)

ITEM	PART NUMBER	QTY	DESCRIPTION	REV
	1001228375	Ref	PLATFORM ASSEMBLY - 36IN X 8FT (91.5CM X 2.44M) WITH TRI-ENTRY	A
		Ref	Note: Platform and Mesh must be ordered separately for Platforms with Mesh. See SPECIAL OPTIONS SECTION for Mesh Installations.	
		Ref	Note: Replacement Decals Must be Ordered Separately - See DECAL SECTION.	
1	0100011	AR	Compound, Locking	
2	0641418	6	Bolt 1/4 x 2-1/4	
3	0961845	6	Bushing	
4	3290606	2	Nut M6 x 1	
5	3300151	6	Nut 1/4	
6	3520072	2	Cap, Plug	
7	3520198	2	Cap, Plug	
8	4010618	2	Screw M6 x 50	
9	4711400	12	Washer 1/4	
10	4811700	2	Washer M6	
11	1001138494	3	Bar, Drop	
12	1001138514	1	Rail (Top)	
13	1001140429	3	Decal - Drop Bar	
14	See Note	1	Platform (Note: Not Available - Purchase Platform Assembly)	

SECTION 5 - PLATFORM

FIGURE 5-14. TRAY ASSEMBLY



ART_1580012

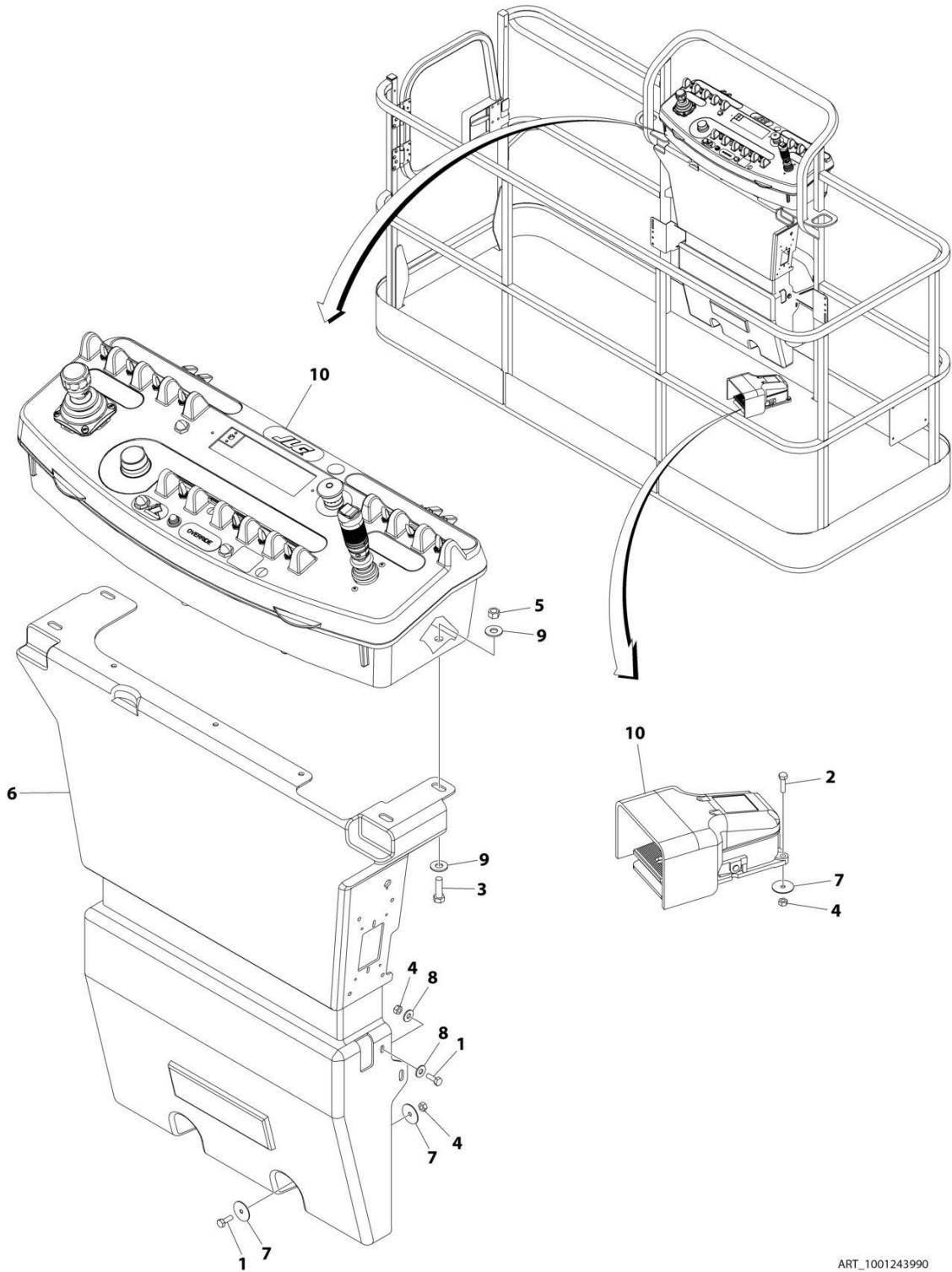
SECTION 5 - PLATFORM

FIGURE 5-14. TRAY ASSEMBLY

ITEM	PART NUMBER	QTY	DESCRIPTION	REV
	1580012	Ref	TRAY ASSEMBLY	C
1	See Note	NSS	Tray, Storage (Center) (Note: Purchase p/n 1580012)	
2	0641406	2	Bolt 1/4 x 3/4	
3	4751400	2	Washer 1/4	
4	4761400	2	Washer 1/4	

SECTION 5 - PLATFORM

FIGURE 5-15. PLATFORM CONTROLS INSTALLATION



ART_1001243990

SECTION 5 - PLATFORM

FIGURE 5-15. PLATFORM CONTROLS INSTALLATION

ITEM	PART NUMBER	QTY	DESCRIPTION	REV
	1001243990	Ref	PLATFORM CONTROLS INSTALLATION	A
1	0641406	4	Bolt 1/4 x 3/4	
2	0641408	3	Bolt 1/4 x 1	
3	0641610	4	Bolt 3/8 x 1-1/4	
4	3311405	7	Nut 1/4	
5	3311605	4	Nut 3/8	
6	3380434	1	Panel, Molded	
7	4740362	7	Washer, Fender	
8	4751400	4	Washer 1/4	
9	4751600	8	Washer 3/8	
10	1001243989	1	Platform Console Box Assembly (See Separate Breakdown in this Section)	

SECTION 5 - PLATFORM

FIGURE 5-16. PLATFORM CONSOLE

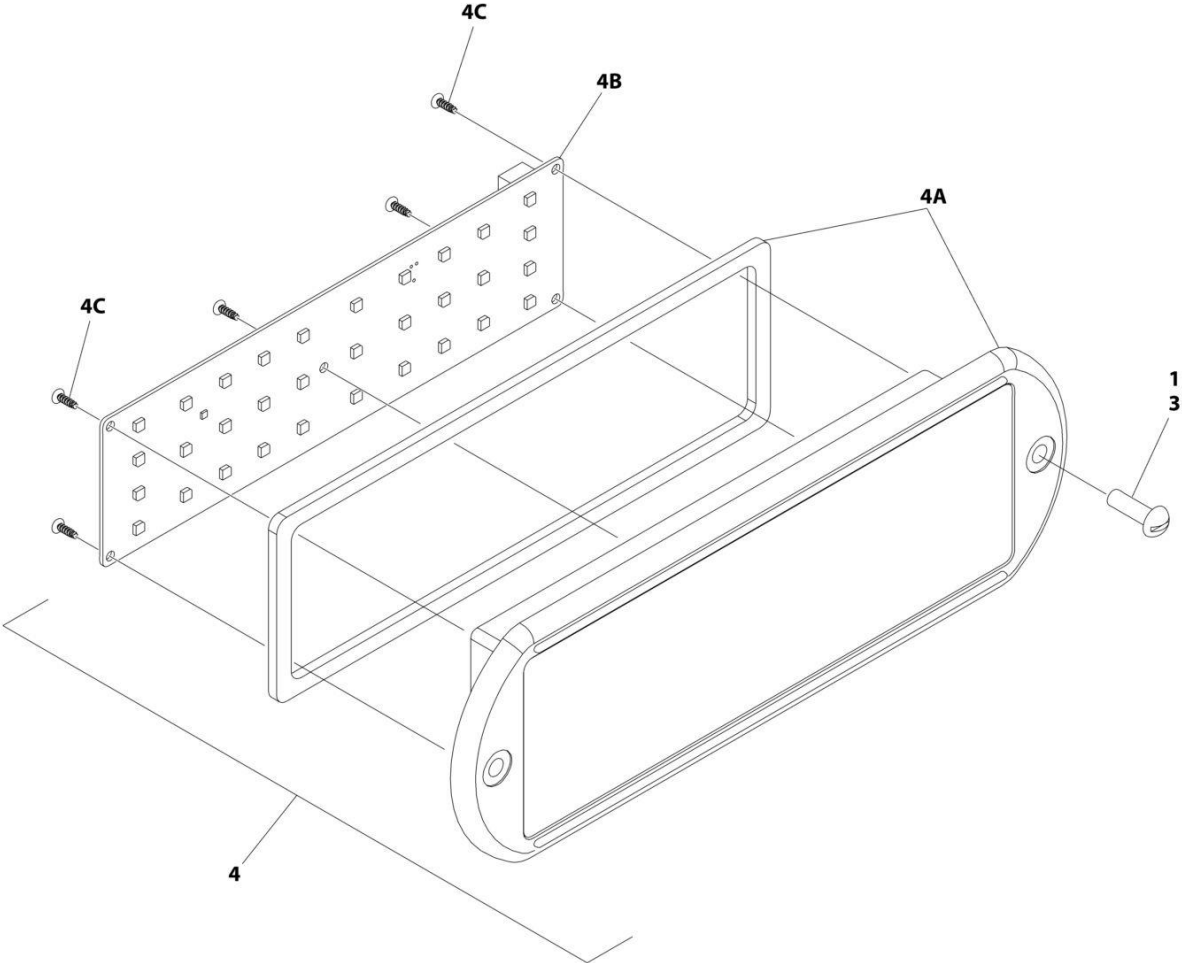
ITEM	PART NUMBER	QTY	DESCRIPTION	REV
	1001243989	Ref	PLATFORM CONSOLE ASSEMBLY	A
1	0100009	AR	Sealant	
2	0100035	AR	Compound, Locking	
3	0100048	AR	Grease, Dielectric	
4	0140011	1	Alarm	
5	0641404	4	Bolt 1/4 x 1/2	
6	0641414	4	Bolt 1/4 x 1-3/4	
7	0720804	1	Screw #8 x 1/2	
8	0721006	2	Bolt #10 x 3/4	
9	1600343	1	Module, Platform Control (Note: Re-calibration Required when Replaced)	
10	1671314	1	Cover, Hole	
11	1702565	1	Decal - Drive and Steer	
12	1702566	1	Decal - Lift and Swing	
13	1704260	1	Decal - EMS	
14	1705171	1	Decal - Jib Stow	
15	1705744	1	Decal - Horn	
16	1705745	1	Decal - Function Speed	
17	2560136	1	Handle, Knob	
18	2920028	1	Light, Indicator	
19	2920029	1	Bulb	
20	3300353	4	Nut, Tinnerman	
21	3300482	2	Nut M2.5	
22	3311005	2	Nut #10	
23	3520026	1	Plug, Hole	
24	3520030	1	Plug, Hole	
25	3520054	1	Plug, Hole	
26	3790012	11	O-Ring	
27	3900349	12	Capscrew M2.5	
28	4071074	1	Shim	
29	4360387	3	Switch, Pushbutton	
30	4360407	1	Controller, Speed	
	See Note	NSS	Gasket "Top Hat" (Included with Switch) (Note: Not Available - Purchase Complete Controller)	
31	4360475	1	Switch, Emergency Stop	
31	7020175	1	Cap	
31A	7020176	1	Block, Contact	
32	4360476	1	Block, Contact	
33	4460007	1	Bar, Buss	
34	4460234	3	Tie-Strap	
35	4460428	2	Connector, Strain Relief	
36	4460470	1	Nut, Terminal	
37	4460471	1	Washer, Terminal	
38	4460496	1	Nut, Terminal	
39	4460497	1	Washer, Terminal	
40	4460708	2	Connector, Female - 15 Position (Not Shown)	
41	4460905	AR	Plug, Seal (Not Shown)	
42	4740397	11	Spacer	
43	4750800	1	Washer #8	
44	4751000	2	Washer #10	

SECTION 5 - PLATFORM

ITEM	PART NUMBER	QTY	DESCRIPTION	REV
45	4751400	8	Washer 1/4	
46	4760800	1	Washer	
47	4922666	1	Harness, Analyzer Cable (Not Shown - See Separate Breakdown in ELECTRICAL SECTION)	
48	1001117174	1	Footswitch Assembly (See Separate Breakdown in this Section)	
49	1001155044	11	Nut 15/32-32	
50	1001155045	7	Switch, Toggle	
51	1001159256	1	Switch, Toggle	
52	1001161709	2	Switch, Toggle	
53	1001161710	1	Switch, Toggle	
54	1001166539	NLA	Controller Assembly (Lift and Swing) (Use p/n 1001129555) (See Separate Breakdown in this Section)	
55	1001172760	4	Bracket, Support	
56	1001185281	1	Plug	
57	1001241891	1	Harness, Console Box (Not Shown - See Separate Breakdown in ELECTRICAL SECTION)	
58	1001220929	1	Mount, Connector	
59	1001166538	NLA	Controller Assembly (Drive and Steer) (Use p/n 1001212415) (See Separate Breakdown in this Section)	
60	1001245916	1	Box, Console	A
60A	0630568	1	Screw 3/8 x 4-1/2	
60B	3311601	1	Nut 3/8	
60C	3430616	2	Clevis	
60D	3470003	2	Pin	
60E	4711600	2	Washer 3/8	

SECTION 5 - PLATFORM

FIGURE 5-17. LIGHT PANEL INSTALLATION (USA BUILT MACHINES)



ART_1001233959_20F2

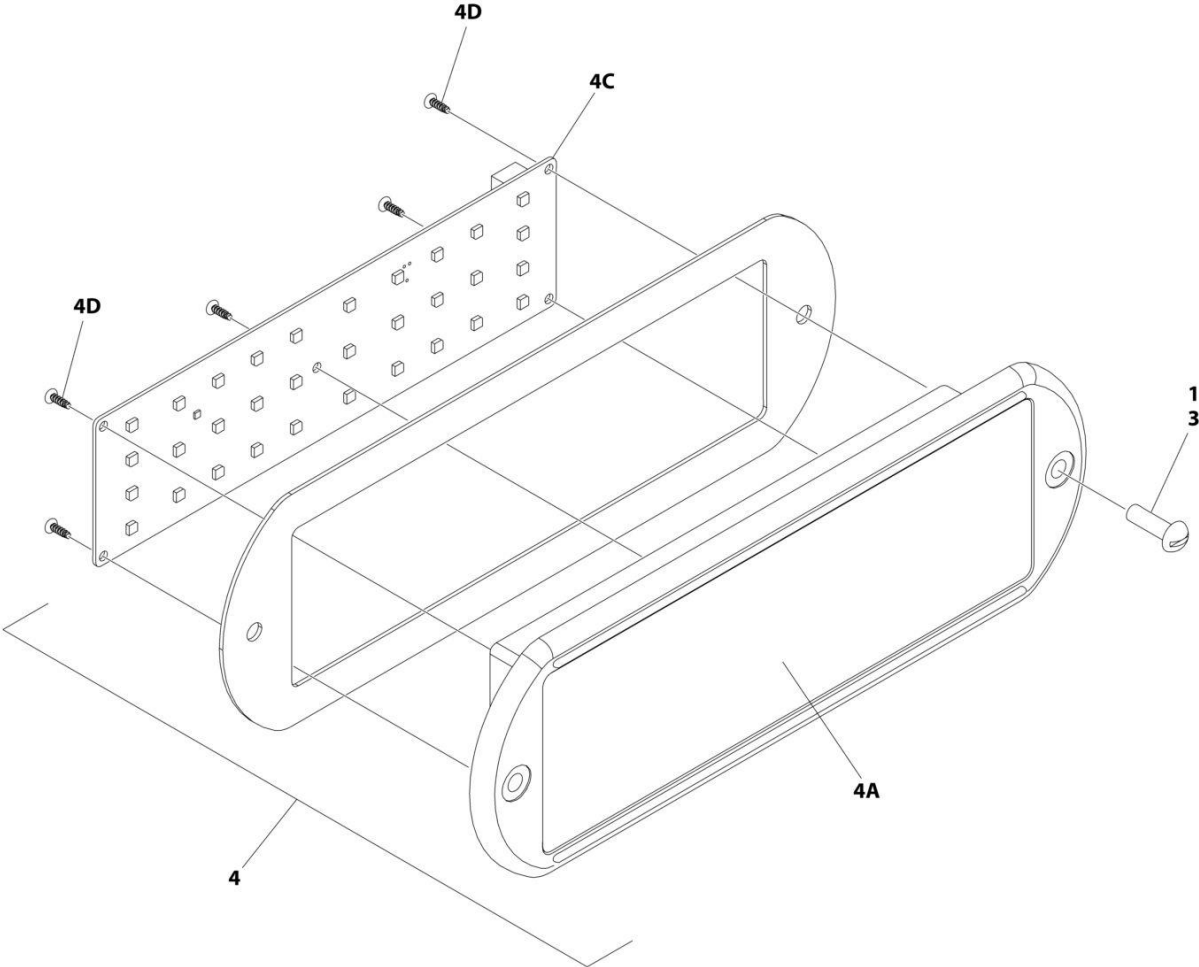
SECTION 5 - PLATFORM

FIGURE 5-17. LIGHT PANEL INSTALLATION (USA BUILT MACHINES)

ITEM	PART NUMBER	QTY	DESCRIPTION	REV
	1001233959	Ref	LIGHT PANEL INSTALLATION - PLATFORM CONSOLE	C
1	0100035	AR	Compound, Locking	
3	0630518	2	Screw #10 x 3/4	
4	1001237544	1	Light Panel Assembly	
4A	1001236087	1	Lens, I-Con (Includes Gasket)	
4B	1001187807	1	Panel, LED Light	
4C		Ref	Screw	

SECTION 5 - PLATFORM

FIGURE 5-18. LIGHT PANEL INSTALLATION (CHINA BUILT MACHINES)



ART_1001241398_B_2OF2

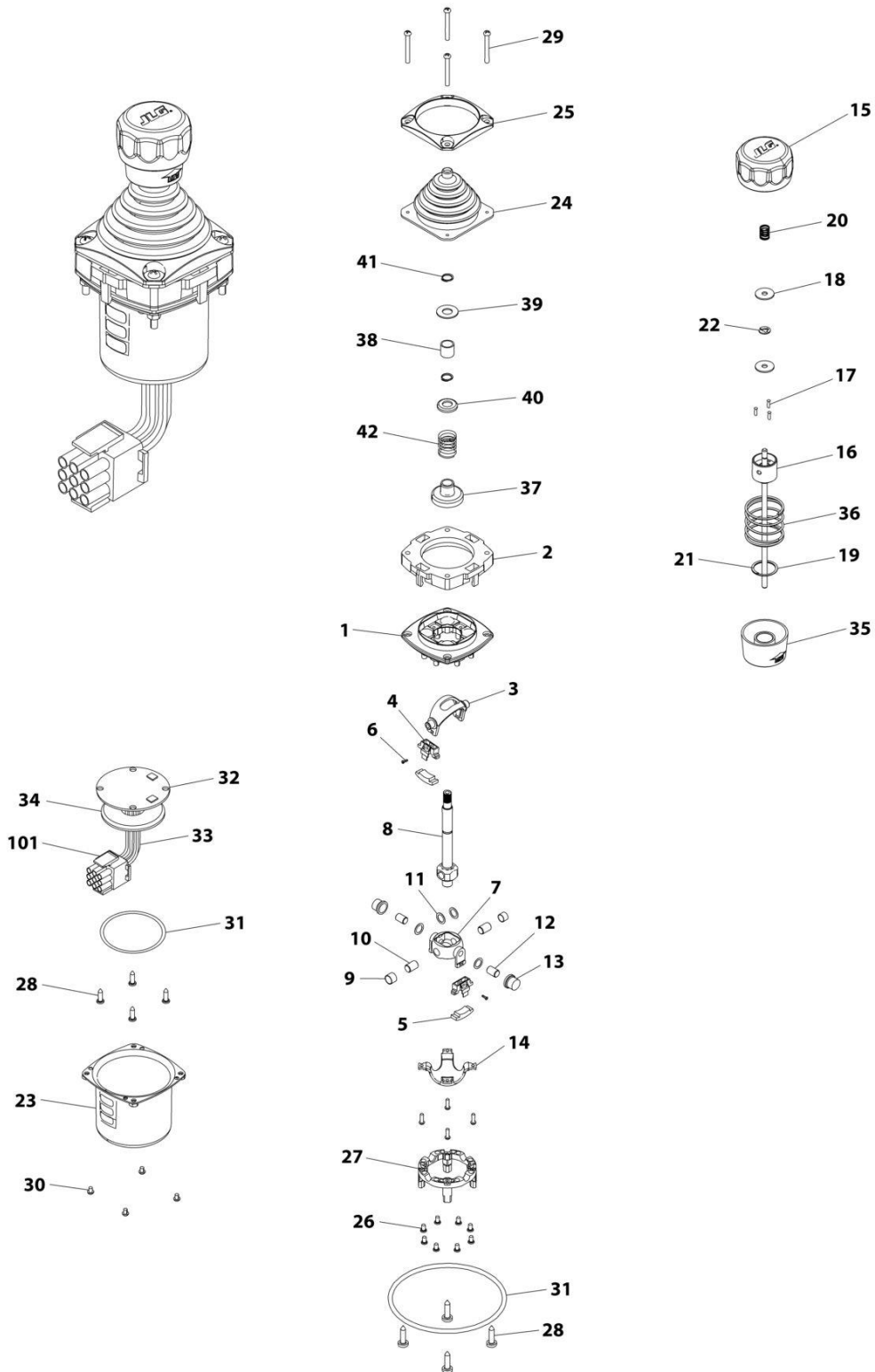
SECTION 5 - PLATFORM

FIGURE 5-18. LIGHT PANEL INSTALLATION (CHINA BUILT MACHINES)

ITEM	PART NUMBER	QTY	DESCRIPTION	REV
	1001241398	Ref	LIGHT PANEL INSTALLATION - PLATFORM CONSOLE	B
1	0100035	AR	Compound, Locking	
3	3911010	2	Screw #10 x 5/8	
4	1001238671	1	Light Panel Assembly	
4A	1001236087	1	Lens, I-Con	
4C	1001238732	1	Panel, LED Light	
4D		Ref	Screw	

SECTION 5 - PLATFORM

FIGURE 5-19. CONTROLLER ASSEMBLY (LIFT AND SWING)



ART_1001166539

SECTION 5 - PLATFORM

FIGURE 5-19. CONTROLLER ASSEMBLY (LIFT AND SWING)

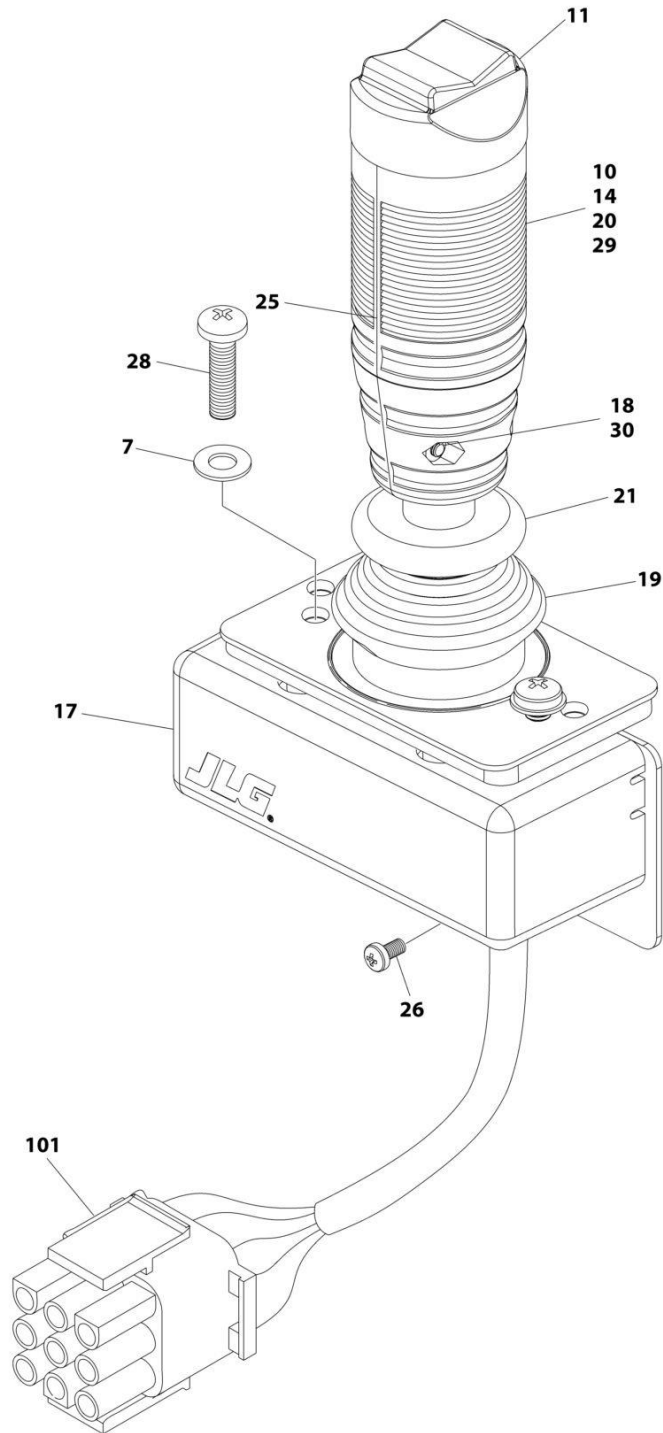
ITEM	PART NUMBER	QTY	DESCRIPTION	REV
	1001166539	Ref	CONTROLLER ASSEMBLY	E
		Ref	Note: Original Equipment Controller May Have Been Replaced with Service Replacement Controller. Visually Identify Controller Before Ordering Parts.	
		Ref	Note: For Replacement, Use p/n 1001129555	
1	See Note	NSS	Main Cast Body (Note: Not Available - Purchase Complete Assembly)	
2	70004752	1	Adapter	
3	See Note	NSS	Pivot Arm, Plastic (Note: Not Available - Purchase Complete Assembly)	
4	See Note	NSS	Holder, Magnet (Note: Not Available - Purchase Complete Assembly)	
5	See Note	NSS	Arc, Magnet (Note: Not Available - Purchase Complete Assembly)	
6	See Note	NSS	Screw (Note: Not Available for Purchase)	
7	See Note	NSS	Pivot Arm, Cast (Note: Not Available - Purchase Complete Assembly)	
8	See Note	NSS	Shaft, Main (Note: Not Available - Purchase Complete Assembly)	
9	See Note	NSS	Bearing (Note: Not Available - Purchase Complete Assembly)	
10	See Note	NSS	Pin (Note: Not Available - Purchase Complete Assembly)	
11	See Note	NSS	Shim (Note: Not Available - Purchase Complete Assembly)	
12	See Note	NSS	Pin (Note: Not Available - Purchase Complete Assembly)	
13	See Note	NSS	Bearing (Note: Not Available - Purchase Complete Assembly)	
14	See Note	NSS	Dome, Centering (Note: Not Available - Purchase Complete Assembly)	
15	70004753	1	Cap	
16	70004754	1	Insert, Cap	
17	70004755	3	Pin	
18	70004756	2	Washer	
19	70004757	1	Pin, Centering	
20	70004758	1	Spring	
21	70004759	1	Ring, Retaining	
22	70004760	1	E-Ring	
23	70004761	1	Can, Enclosure	
24	70004762	1	Boot	
25	70004763	1	Bezel	
26	See Note	NSS	Screw (Note: Not Available for Purchase)	
27	See Note	NSS	Base Mounting (Note: Not Available - Purchase Complete Assembly)	
28	See Note	NSS	Screw (Note: Not Available for Purchase)	
29	70004764	4	Screw	
30	70004765	4	Screw	
31	70004766	1	O-Ring	
32	See Note	NSS	Plate (Note: Not Available - Purchase Complete Assembly)	
33	See Note	NSS	Harness (Note: Not Available - Purchase Complete Assembly)	
34	70004767	1	Grommet, Rubber	
35	70004768	1	Housing	
36	70004769	1	Spring	
37	70004770	1	Stopper	
38	70004771	1	Spacer	
39	70004772	1	Washer	
40	70004773	1	Disc	

SECTION 5 - PLATFORM

ITEM	PART NUMBER	QTY	DESCRIPTION	REV
41	70004774	2	Ring, Retaining	
42	70004775	1	Spring	
101	4460265	1	Connector - 9 Position	
101	4460226	6	Socket, Female	

SECTION 5 - PLATFORM

FIGURE 5-20. CONTROLLER ASSEMBLY (DRIVE AND STEER)



ART_1001166538

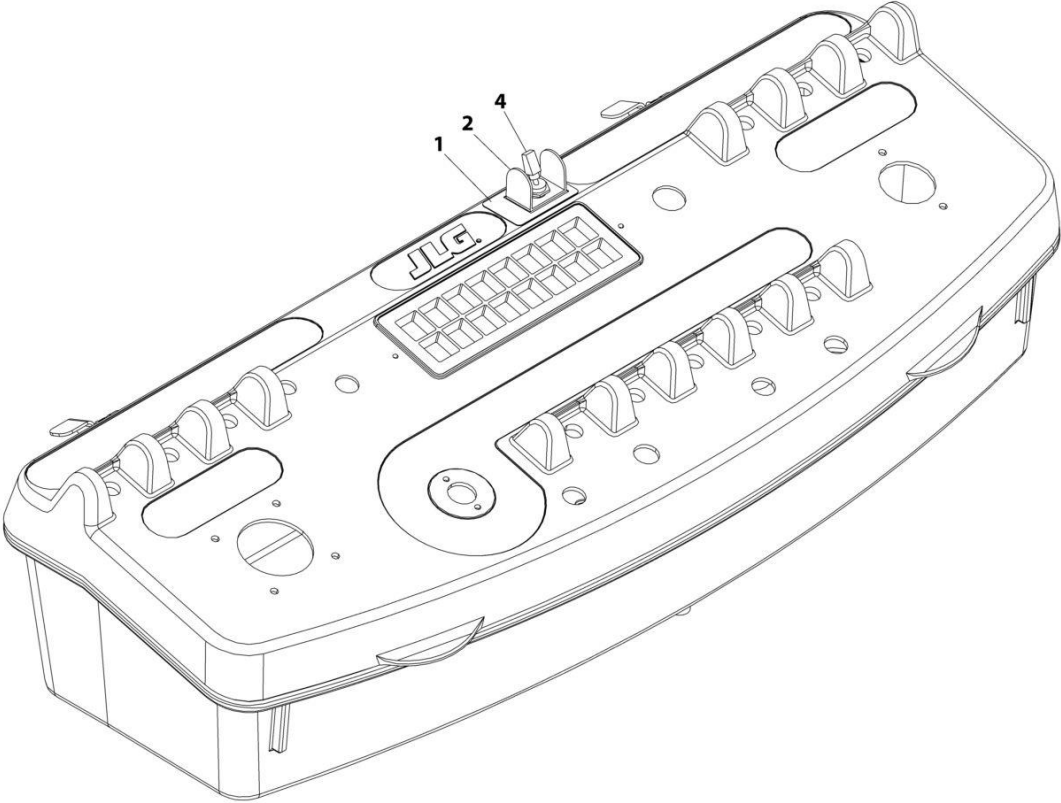
SECTION 5 - PLATFORM

FIGURE 5-20. CONTROLLER ASSEMBLY (DRIVE AND STEER)

ITEM	PART NUMBER	QTY	DESCRIPTION	REV
	1001166538	Ref	CONTROLLER ASSEMBLY - DRIVE AND STEER	G
		Ref	Note: For Replacement, Use p/n 1001212415.	
7	70004738	2	Washer	
10	70004739	1	Roller	
11	70004740	1	Boot, Switch	
14	70004741	2	Half, Handle	
17	70004742	1	Enclosure	
18	70004743	4	Nut	
19	70004744	NLA	Boot, Controller (Use p/n 70005230 Boot/Base Assembly)	
20	70004745	NLA	Tube, Locking (Use p/n 70005230 Boot/Base Assembly)	
21	70004746	NLA	Disc, Locking (Use p/n 70005230 Boot/Base Assembly)	
25	70004747	2	Seal, Rope	
26	70004748	1	Screw M3 x 6	
28	70004749	2	Screw M5 x 20	
29	70004750	1	Pin, Dowel	
30	70004751	4	Screw M3 x 16	
101	4460265	1	Connector - 9 Position	
101	4460226	7	Socket, Female	

SECTION 5 - PLATFORM

FIGURE 5-21. BOOM CONTROL SELECT SWITCH INSTALLATION



ART_0275098

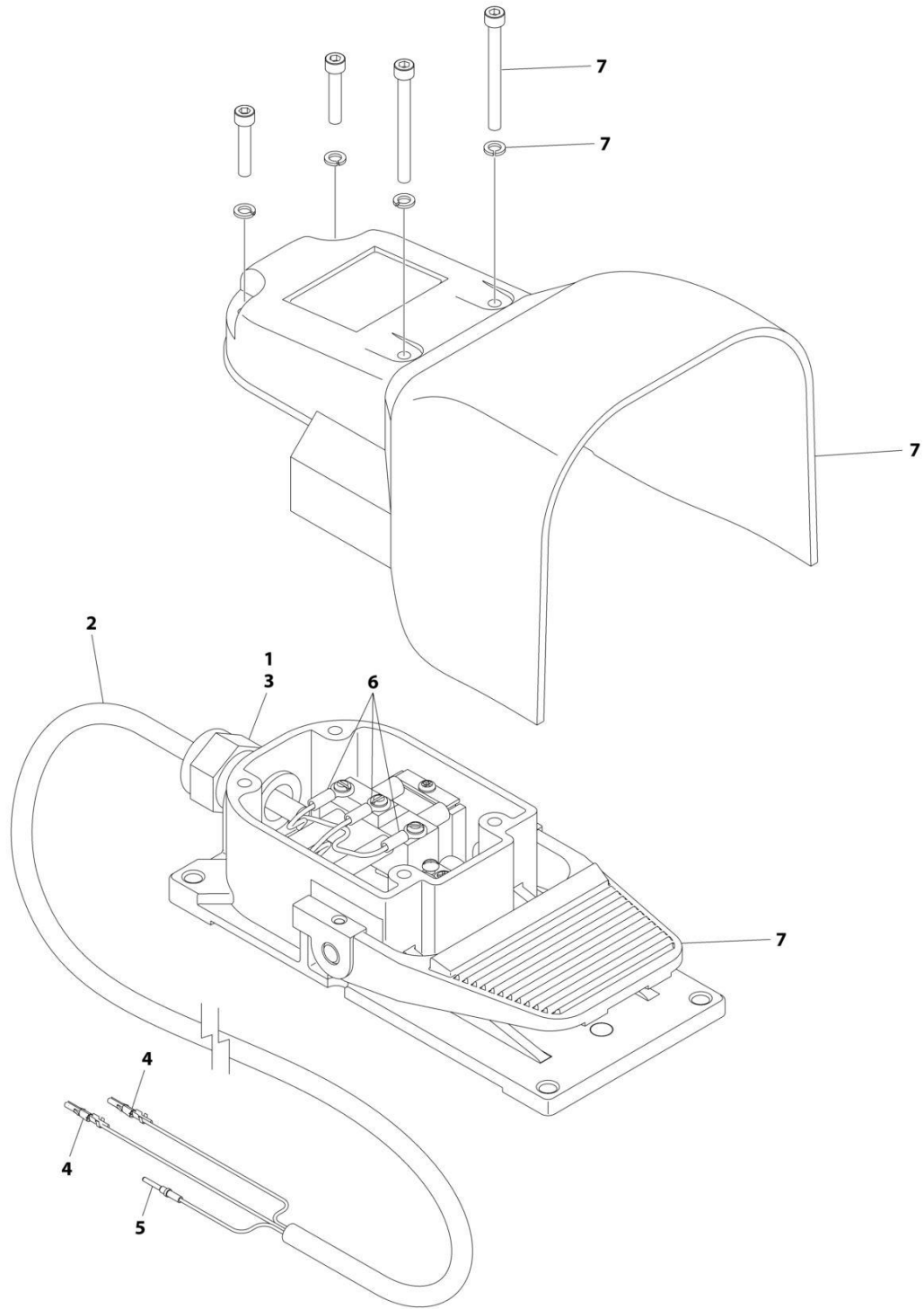
SECTION 5 - PLATFORM

FIGURE 5-21. BOOM CONTROL SELECT SWITCH INSTALLATION

ITEM	PART NUMBER	QTY	DESCRIPTION	REV
	0275098	Ref	BOOM CONTROL SELECT SWITCH INSTALLATION	B
1	1706741	1	Decal - Boom Control Select	
2	4060906	1	Guard	
4	4360336	1	Switch, Toggle	

SECTION 5 - PLATFORM

FIGURE 5-22. FOOTSWITCH ASSEMBLY



ART_1001117174

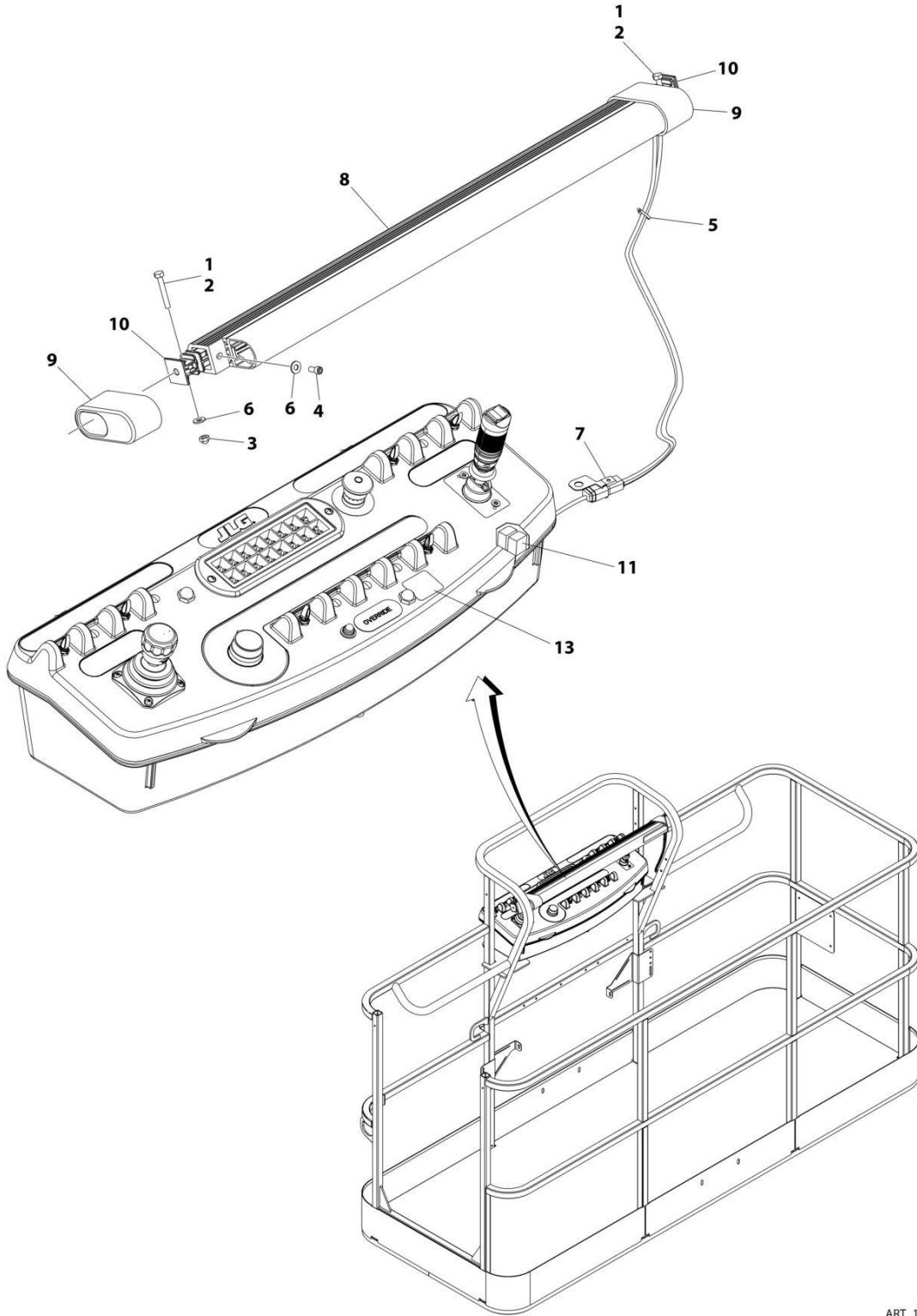
SECTION 5 - PLATFORM

FIGURE 5-22. FOOTSWITCH ASSEMBLY

ITEM	PART NUMBER	QTY	DESCRIPTION	REV
	1001117174	Ref	FOOTSWITCH ASSEMBLY	C
1	0100020	AR	Sealant	
2	1060918	7.5 ft/ 2.3m	Cable, Electrical - 18/3	
3	4460071	1	Connector, Strain Relief	
4	4460226	2	Socket, Female	
5	4460464	1	Pin, Male	
6	1001098122	3	Terminal	
7	1001117172	1	Footswitch	
7	70002902	1	Switch, 20Amp	
7	70002903	1	Gasket	
7	70002905	1	Cover	
7	70002904	1	Kit, Replacement Bolt	

SECTION 5 - PLATFORM

FIGURE 5-23. SKYGUARD BAR INSTALLATION



ART_1001238495

SECTION 5 - PLATFORM

FIGURE 5-23. SKYGUARD BAR INSTALLATION

ITEM	PART NUMBER	QTY	DESCRIPTION	REV
	1001238495	Ref	SKYGUARD BAR INSTALLATION	A
1	0100011	AR	Compound, Locking	
2	0641414	2	Bolt 1/4 x 1-3/4	
3	3300430	2	Nut 1/4	
4	3931408	2	Capscrew 1/4 x 1/2	
5	4240033	8	Tie-Strap	
6	4711400	6	Washer 1/4	
7	1001120328	1	Mount	
8	1001137673	1	SkyGuard Switch Assembly	
9	1001186517	2	Cover, Platform Sensor	
10	1001209664	2	Support, Block	
11	1001186431	2	Relay	
12	1001225580	1	Interface Harness Assembly (Not Shown - Located Inside Console Box) (See Separate Breakdown in ELECTRICAL Section)	
13	1001144433	1	Decal - No Weight SkyGuard	

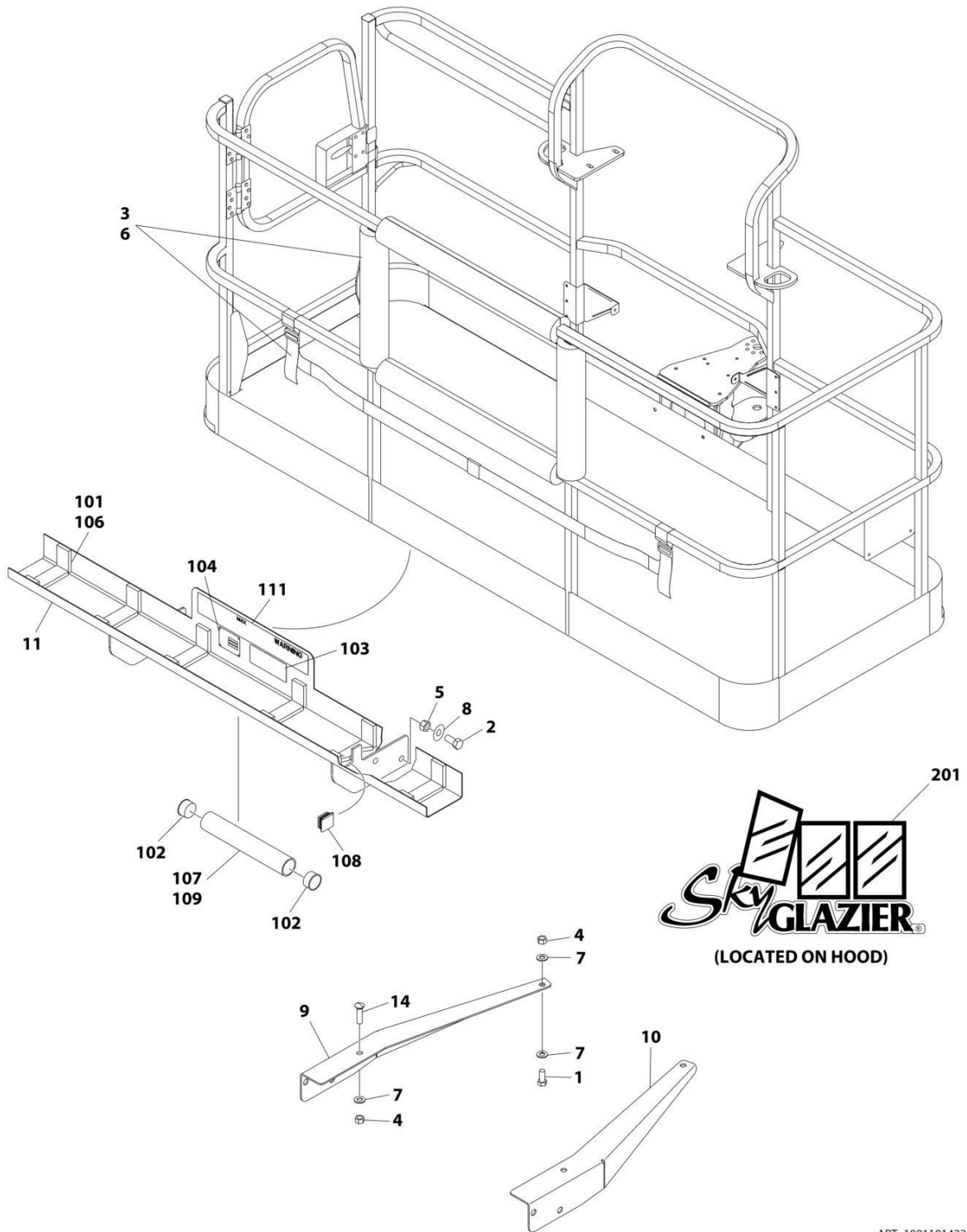
SECTION 5 - PLATFORM

FIGURE 5-24. SKYEYE INSTALLATION

ITEM	PART NUMBER	QTY	DESCRIPTION	REV
	1001229341	Ref	SKYEYE INSTALLATION	B
1	4031505	4	Bolt M4 x 10	
2	4240033	AR	Tie-Strap (Not Shown)	
3	1001227633	1	Housing, LH Outer	
4	1001227634	1	Housing, RH Outer	
5	1001227985	2	Shim	
6	1001227987	2	Shim	
7	1001228224	2	Sensor, Receiver	
8	1001228225	1	Sensor, Emitter	
9	1001232164	1	Housing, LH Inner	
10	1001232165	1	Housing, RH Inner	
11	1001237865	1	Harness, Skyeeye Intermediate (See Separate Breakdown in ELECTRICAL Section)	
12	1001238319	NLA	Harness, Skyeeye Drain Jumper	
12	1001187674	1	Plug, Male - 2 Position	
12	4460942	1	Terminal	
12	4460466	1	Plug, Terminal	
12	4460508	1	Pin, Male	
13	1001237863	2	Harness, Skyeeye Receiver (See Separate Breakdown in ELECTRICAL Section)	
14	1001237864	1	Harness, Skyeeye Emitter (See Separate Breakdown in ELECTRICAL Section)	

SECTION 5 - PLATFORM

FIGURE 5-25. SKYGLAZIER INSTALLATION (ANSI AND CSA SPECS)



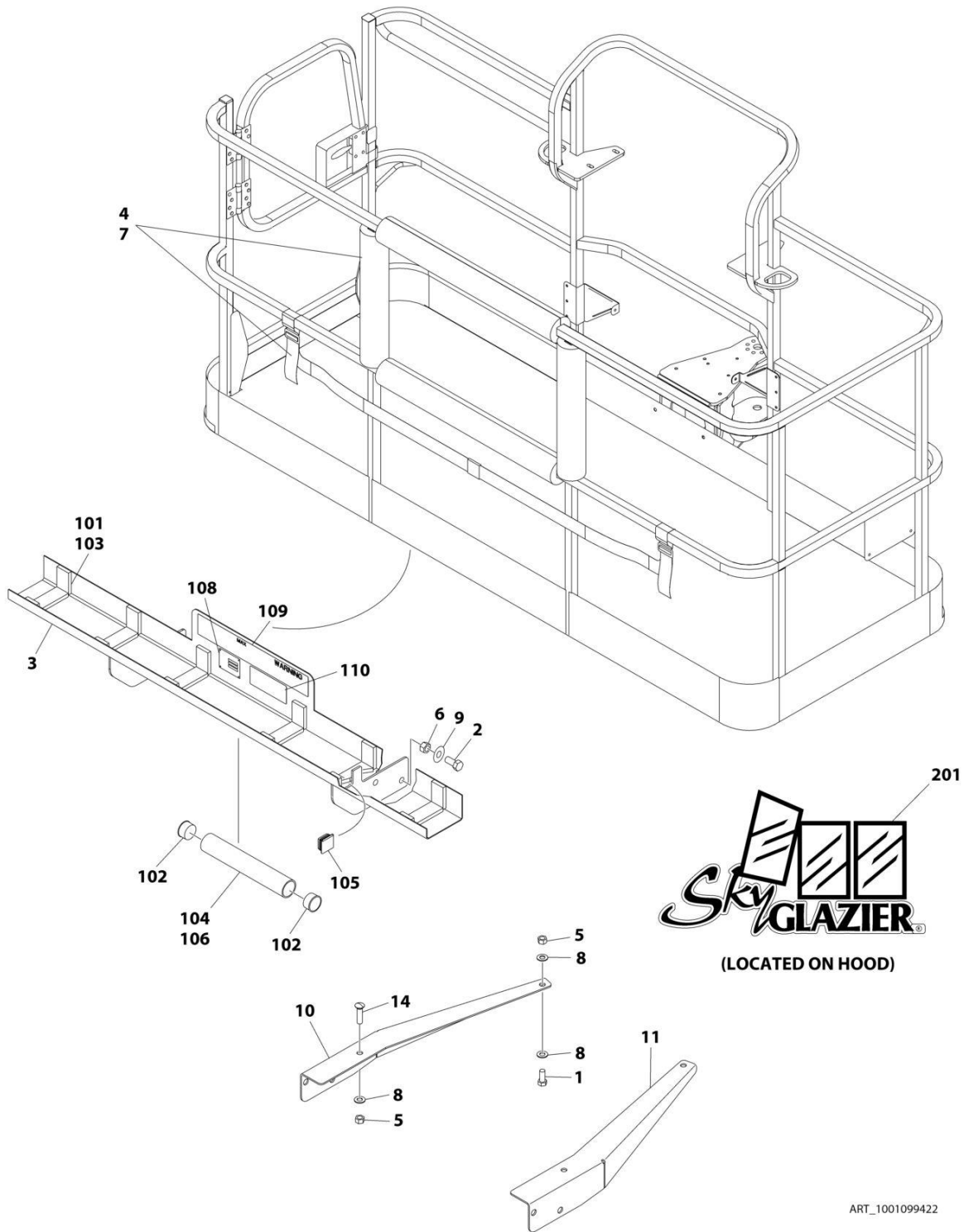
SECTION 5 - PLATFORM

FIGURE 5-25. SKYGLAZIER INSTALLATION (ANSI AND CSA SPECS)

ITEM	PART NUMBER	QTY	DESCRIPTION	REV
	1001101422	Ref	SKYGLAZIER INSTALLATION	C
1	0642012	2	Bolt 5/8 x 1-1/2	
2	0642212	4	Bolt 3/4 x 1-1/2	
3	2902212	1	Bumpers and Strap Kit	
3	0940102	1	Bumper Only	
3	4240149	1	Strap Only	
4	3312005	4	Nut 5/8	
5	3312205	4	Nut 3/4	
6	4420014	AR	Tape	
7	4712000	6	Washer 5/8	
8	4712200	8	Washer 3/4	
9	1001099366	1	Support	
10	1001099367	1	Support	
11	1001101421	1	Tray Assembly (See Items 101-111 for Breakdown)	
14	8310129	2	Bolt 3/4 x 2-1/2	
	1001101421	Ref	TRAY ASSEMBLY	F
101	0100081	AR	Adhesive	
102	1120555	2	Cap, Tube	
103	1701509	1	Decal - Manual	
104	See Note	NSS	Nameplate - Serial Number (Note: Not Available for Purchase)	
106	3340956	1	Pad Kit	
107	3460334	1	Tube	
108	3520071	2	Plug	
109	4420066	AR	Tape, Double Sided	
111	1001163131	2	Decal - Glazier Capacity	
	0272418	Ref	SKYGLAZIER DECAL INSTALLATION	4
201	1705358	2	Decal - SkyGlazier	

SECTION 5 - PLATFORM

FIGURE 5-26. SKYGLAZIER INSTALLATION (BRAZIL SPECS)



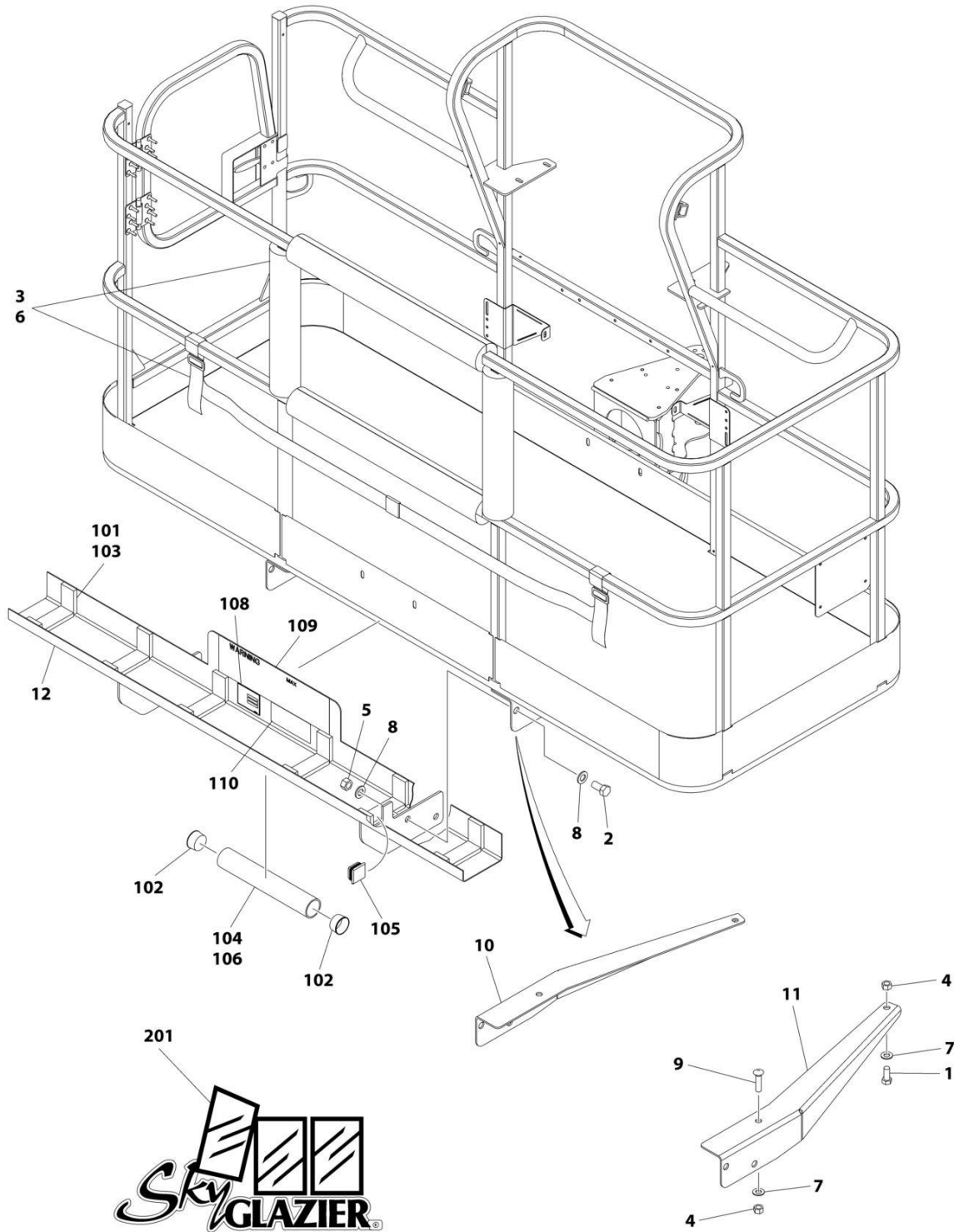
SECTION 5 - PLATFORM

FIGURE 5-26. SKYGLAZIER INSTALLATION (BRAZIL SPECS)

ITEM	PART NUMBER	QTY	DESCRIPTION	REV
	1001099422	Ref	SKYGLAZIER INSTALLATION	C
1	0642012	2	Bolt 5/8 x 1-1/2	
2	0642212	4	Bolt 3/4 x 1-1/2	
3	0272951	1	Tray Assembly (See Items 101-110 for Breakdown)	
4	2902212	1	Bumpers and Strap Kit	
4	0940102	1	Bumper Only	
4	4240149	1	Strap Only	
5	3312005	4	Nut 5/8	
6	3312205	4	Nut 3/4	
7	4420014	AR	Tape	
8	4712000	6	Washer 5/8	
9	4712200	8	Washer 3/4	
10	1001099366	1	Support	
11	1001099367	1	Support	
14	8310129	2	Bolt 3/4 x 2-1/2	
	0272951	Ref	TRAY ASSEMBLY	F
101	0100081	AR	Adhesive	
102	1120555	2	Cap, Tube	
103	3340956	1	Pad Kit	
104	3460334	1	Tube	
105	3520071	2	Plug	
106	4420066	AR	Tape, Double Sided	
108	See Note	NSS	Nameplate - Serial Number (Note: Not Available for Purchase)	
109	1001163297	2	Decal - Glazier Capacity	
110	1701509	1	Decal - Manual	
	0272418	Ref	SKYGLAZIER DECAL INSTALLATION	4
201	1705358	2	Decal - SkyGlazier	

SECTION 5 - PLATFORM

FIGURE 5-27. SKYGLAZIER INSTALLATION (DANISH SPECS)



(LOCATED ON HOOD)

ART_1001238462

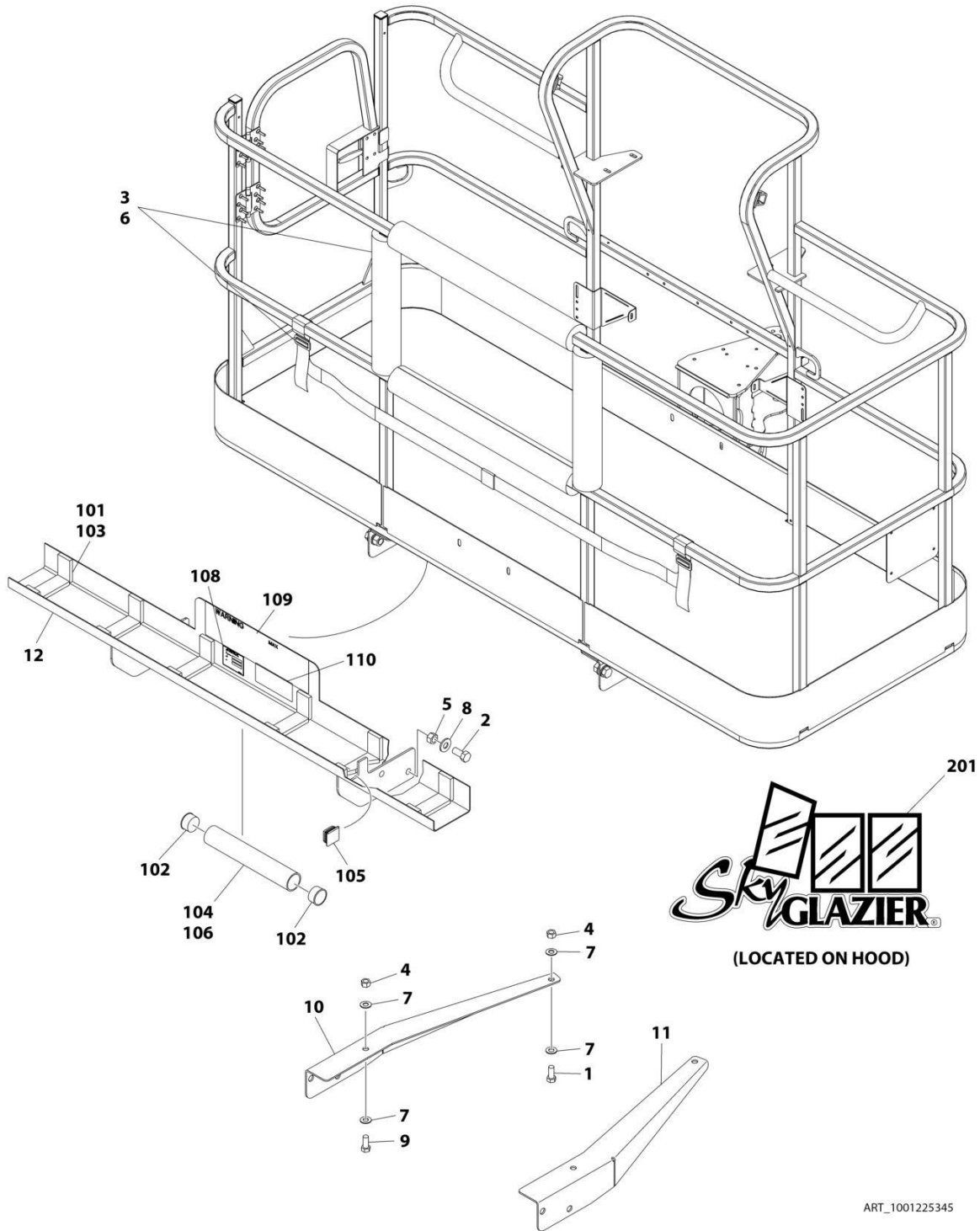
SECTION 5 - PLATFORM

FIGURE 5-27. SKYGLAZIER INSTALLATION (DANISH SPECS)

ITEM	PART NUMBER	QTY	DESCRIPTION	REV
	1001238462	Ref	SKYGLAZIER INSTALLATION	A
1	0642012	2	Bolt 5/8 x 1-1/2	
2	0642212	4	Bolt 3/4 x 1-1/2	
3	2902212	1	Bumpers and Strap Kit	
3	0940102	1	Bumper Only	
3	4240149	1	Strap Only	
4	3312005	4	Nut 5/8	
5	3312205	4	Nut 3/4	
6	4420014	AR	Tape	
7	4712000	4	Washer 5/8	
8	4712200	8	Washer 3/4	
9	8310129	2	Bolt 5/8 x 2-1/2	
10	1001099366	1	Support	
11	1001099367	1	Support	
12	1001238423	1	Tray Assembly (See Items 101-110 for Breakdown)	
	1001238423	Ref	TRAY ASSEMBLY	B
101	0100081	AR	Adhesive	
102	1120555	2	Cap, Tube	
103	3340956	1	Pad Kit	
104	3460334	1	Tube	
105	3520071	2	Plug	
106	4420066	AR	Tape, Double Sided	
108	See Note	NSS	Nameplate - Serial Number (Note: Not Available for Purchase)	
109	1001237705	2	Decal - Glazier Capacity	
110	1701509	1	Decal - Manual	
	0272418	Ref	SKYGLAZIER DECAL INSTALLATION	4
201	1705358	2	Decal - SkyGlazier	

SECTION 5 - PLATFORM

FIGURE 5-28. SKYGLAZIER INSTALLATION (FINNISH SPECS)



ART_1001225345

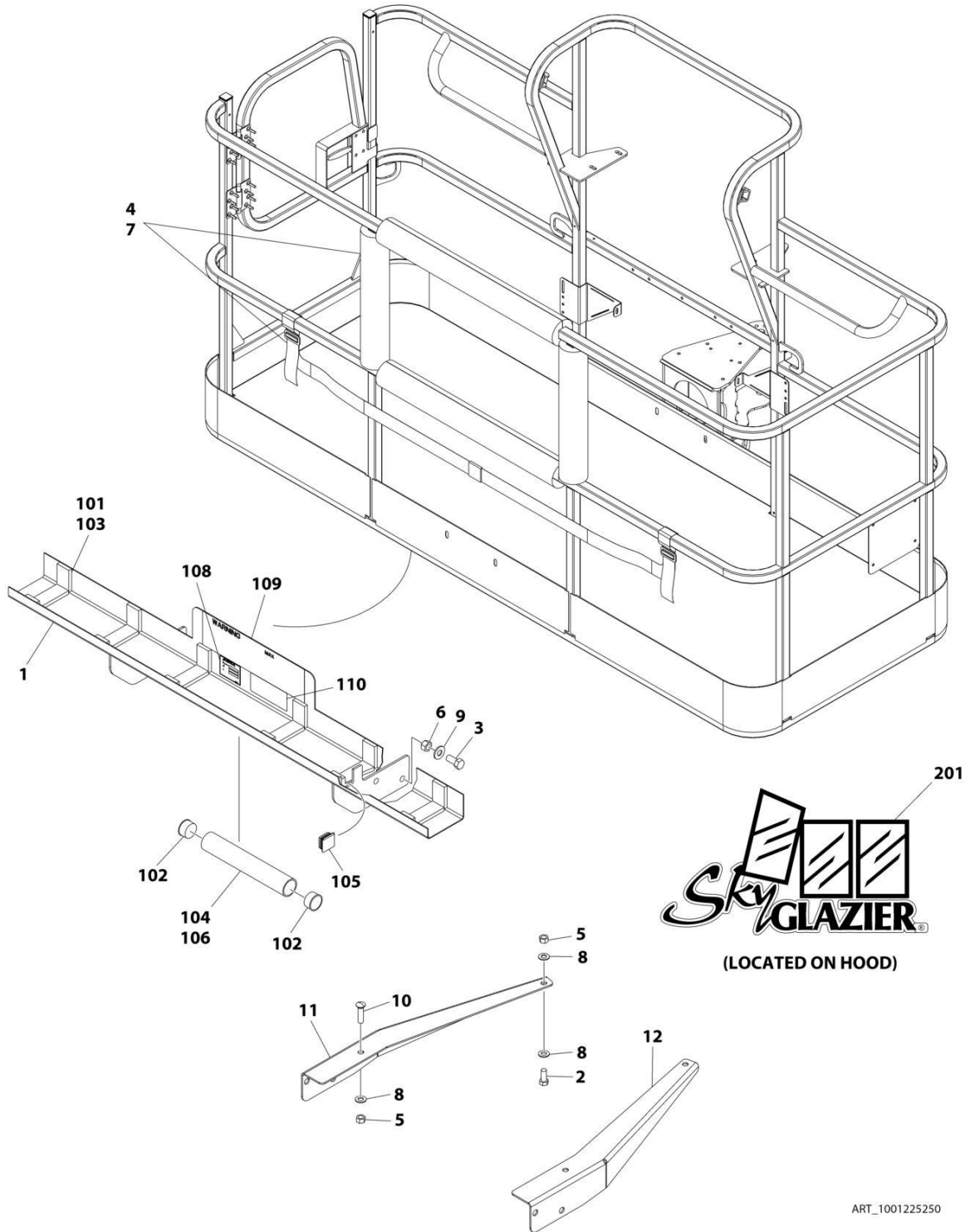
SECTION 5 - PLATFORM

FIGURE 5-28. SKYGLAZIER INSTALLATION (FINNISH SPECS)

ITEM	PART NUMBER	QTY	DESCRIPTION	REV
	1001225345	Ref	SKYGLAZIER INSTALLATION	A
1	0642012	2	Bolt 5/8 x 1-1/2	
2	0642212	4	Bolt 3/4 x 1-1/2	
3	2902212	1	Bumpers and Strap Kit	
3	0940102	1	Bumper Only	
3	4240149	1	Strap Only	
4	3312005	4	Nut 5/8	
5	3312205	4	Nut 3/4	
6	4420014	AR	Tape	
7	4712000	6	Washer 5/8	
8	4712200	8	Washer 3/4	
9	8310129	2	Bolt 5/8 x 2-1/2	
10	1001099366	1	Support	
11	1001099367	1	Support	
12	1001181142	1	Tray Assembly (See Items 101-110 for Breakdown)	
	1001181142	Ref	TRAY ASSEMBLY	B
101	0100081	AR	Adhesive	
102	1120555	2	Cap, Tube	
103	3340956	1	Pad Kit	
104	3460334	1	Tube	
105	3520071	2	Plug	
106	4420066	AR	Tape, Double Sided	
108	See Note	NSS	Nameplate - Serial Number (Note: Not Available for Purchase)	
109	1001181134	2	Decal - Glazier Capacity	
110	1701509	1	Decal - Manual	
	0272418	Ref	SKYGLAZIER DECAL INSTALLATION	4
201	1705358	2	Decal - SkyGlazier	

SECTION 5 - PLATFORM

FIGURE 5-29. SKYGLAZIER INSTALLATION (FRENCH SPECS)



ART_1001225250

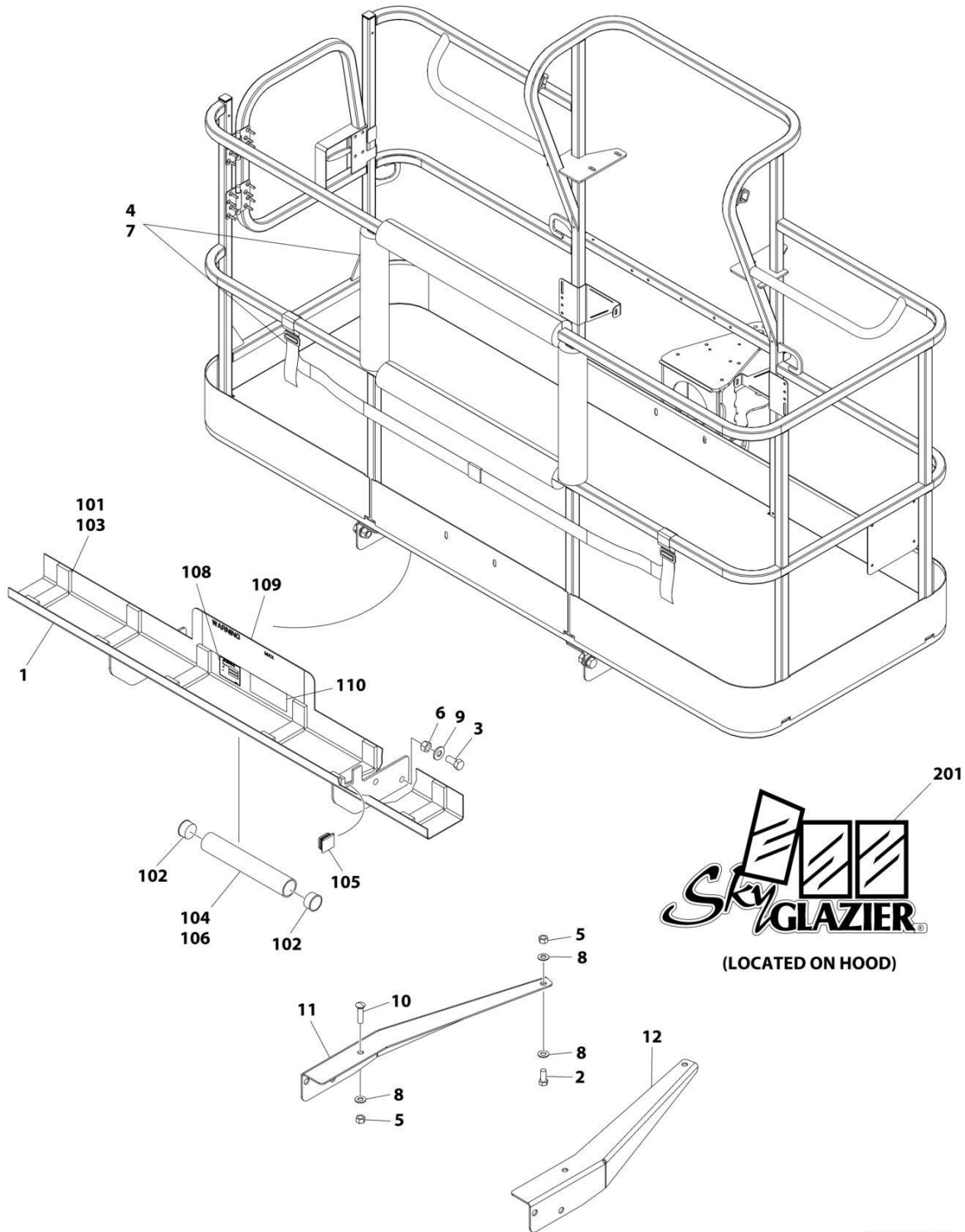
SECTION 5 - PLATFORM

FIGURE 5-29. SKYGLAZIER INSTALLATION (FRENCH SPECS)

ITEM	PART NUMBER	QTY	DESCRIPTION	REV
	1001225250	Ref	SKYGLAZIER INSTALLATION	A
1	0272949	1	Tray Assembly (See Items 101-110 for Breakdown)	
2	0642012	2	Bolt 5/8 x 1-1/2	
3	0642212	4	Bolt 3/4 x 1-1/2	
4	2902212	1	Bumpers and Strap Kit	
4	0940102	1	Bumper Only	
4	4240149	1	Strap Only	
5	3312005	4	Nut 5/8	
6	3312205	4	Nut 3/4	
7	4420014	AR	Tape	
8	4712000	6	Washer 5/8	
9	4712200	8	Washer 3/4	
10	8310129	2	Bolt 5/8 x 2-1/2	
11	1001099366	1	Support	
12	1001099367	1	Support	
	0272949	Ref	TRAY ASSEMBLY	E
101	0100081	AR	Adhesive	
102	1120555	2	Cap, Tube	
103	3340956	1	Pad Kit	
104	3460334	1	Tube	
105	3520071	2	Plug	
106	4420066	AR	Tape, Double Sided	
108	See Note	NSS	Nameplate - Serial Number (Note: Not Available for Purchase)	
109	1001163293	2	Decal - Glazier Capacity	
110	1701509	1	Decal - Manual	
	0272418	Ref	SKYGLAZIER DECAL INSTALLATION	4
201	1705358	2	Decal - SkyGlazier	

SECTION 5 - PLATFORM

FIGURE 5-30. SKYGLAZIER INSTALLATION (GERMAN SPECS)



ART_1001225249

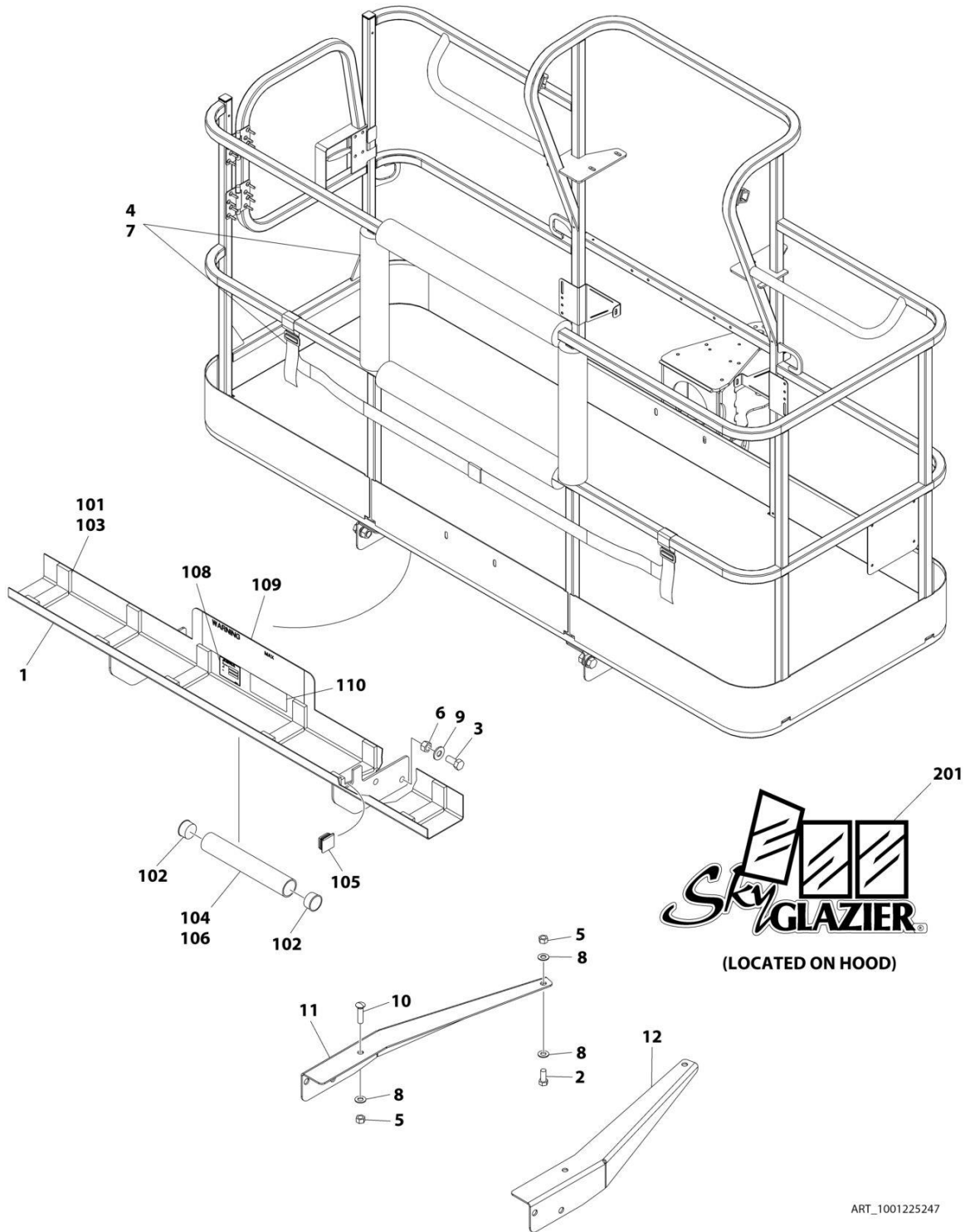
SECTION 5 - PLATFORM

FIGURE 5-30. SKYGLAZIER INSTALLATION (GERMAN SPECS)

ITEM	PART NUMBER	QTY	DESCRIPTION	REV
	1001225249	Ref	SKYGLAZIER INSTALLATION	A
1	0272950	1	Tray Assembly (See Items 101-110 for Breakdown)	
2	0642012	2	Bolt 5/8 x 1-1/2	
3	0642212	4	Bolt 3/4 x 1-1/2	
4	2902212	1	Bumpers and Strap Kit	
4	0940102	1	Bumper Only	
4	4240149	1	Strap Only	
5	3312005	4	Nut 5/8	
6	3312205	4	Nut 3/4	
7	4420014	AR	Tape	
8	4712000	6	Washer 5/8	
9	4712200	8	Washer 3/4	
10	8310129	2	Bolt 5/8 x 2-1/2	
11	1001099366	1	Support	
12	1001099367	1	Support	
	0272950	Ref	TRAY ASSEMBLY	E
101	0100081	AR	Adhesive	
102	1120555	2	Cap, Tube	
103	3340956	1	Pad Kit	
104	3460334	1	Tube	
105	3520071	2	Plug	
106	4420066	AR	Tape, Double Sided	
108	See Note	NSS	Nameplate - Serial Number (Note: Not Available for Purchase)	
109	1001163298	2	Decal - Glazier Capacity	
110	1701509	1	Decal - Manual	
	0272418	Ref	SKYGLAZIER DECAL INSTALLATION	4
201	1705358	2	Decal - SkyGlazier	

SECTION 5 - PLATFORM

FIGURE 5-31. SKYGLAZIER INSTALLATION (ITALIAN SPECS)



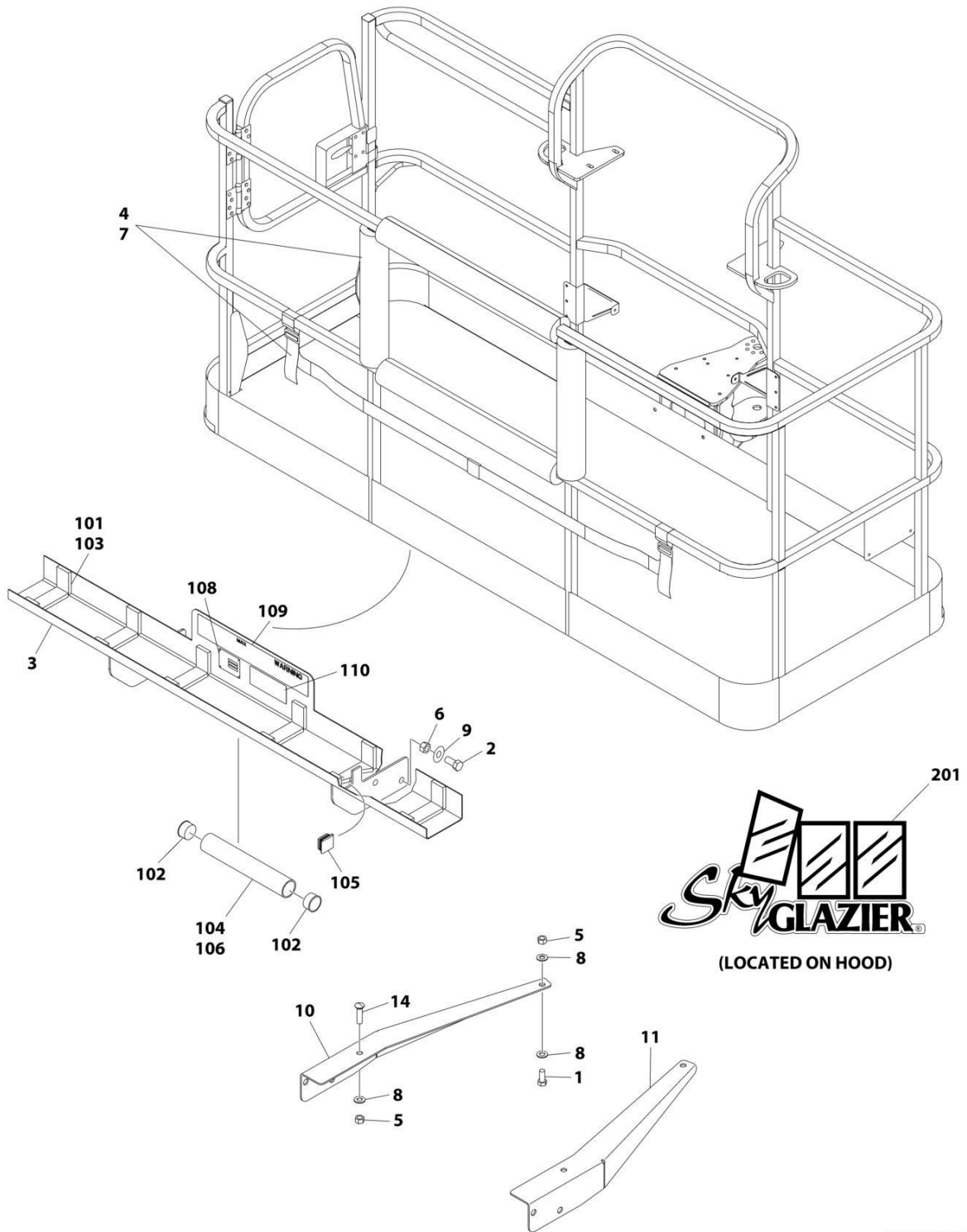
SECTION 5 - PLATFORM

FIGURE 5-31. SKYGLAZIER INSTALLATION (ITALIAN SPECS)

ITEM	PART NUMBER	QTY	DESCRIPTION	REV
	1001225247	Ref	SKYGLAZIER INSTALLATION	A
1	0272952	1	Tray Assembly (See Items 101-110 for Breakdown)	
2	0642012	2	Bolt 5/8 x 1-1/2	
3	0642212	4	Bolt 3/4 x 1-1/2	
4	2902212	1	Bumpers and Strap Kit	
4	0940102	1	Bumper Only	
4	4240149	1	Strap Only	
5	3312005	4	Nut 5/8	
6	3312205	4	Nut 3/4	
7	4420014	AR	Tape	
8	4712000	6	Washer 5/8	
9	4712200	8	Washer 3/4	
10	8310129	2	Bolt 5/8 x 2-1/2	
11	1001099366	1	Support	
12	1001099367	1	Support	
	0272952	Ref	TRAY ASSEMBLY	E
101	0100081	AR	Adhesive	
102	1120555	2	Cap, Tube	
103	3340956	1	Pad Kit	
104	3460334	1	Tube	
105	3520071	2	Plug	
106	4420066	AR	Tape, Double Sided	
108	See Note	NSS	Nameplate - Serial Number (Note: Not Available for Purchase)	
109	1001163287	2	Decal - Glazier Capacity	
110	1701509	1	Decal - Manual	
	0272418	Ref	SKYGLAZIER DECAL INSTALLATION	4
201	1705358	2	Decal - SkyGlazier	

SECTION 5 - PLATFORM

FIGURE 5-32. SKYGLAZIER INSTALLATION (LATIN AMERICAN SPECS)



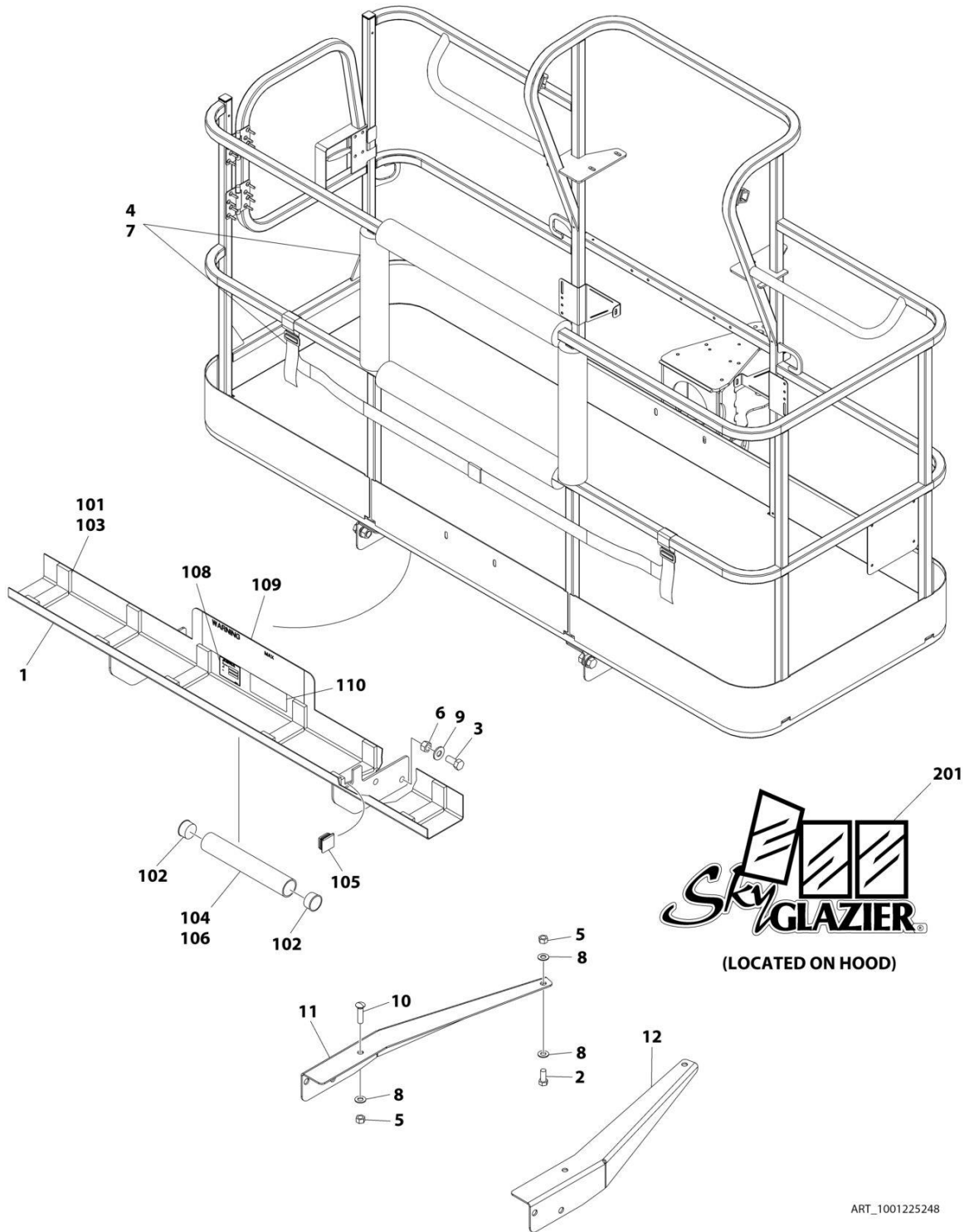
SECTION 5 - PLATFORM

FIGURE 5-32. SKYGLAZIER INSTALLATION (LATIN AMERICAN SPECS)

ITEM	PART NUMBER	QTY	DESCRIPTION	REV
	1001099421	Ref	SKYGLAZIER INSTALLATION	C
1	0642012	2	Bolt 5/8 x 1-1/2	
2	0642212	4	Bolt 3/4 x 1-1/2	
3	0272948	1	Tray Assembly (See Items 101-110 for Breakdown)	
4	2902212	1	Bumpers and Strap Kit	
4	0940102	1	Bumper Only	
4	4240149	1	Strap Only	
5	3312005	4	Nut 5/8	
6	3312205	4	Nut 3/4	
7	4420014	AR	Tape	
8	4712000	6	Washer 5/8	
9	4712200	8	Washer 3/4	
10	1001099366	1	Support	
11	1001099367	1	Support	
14	8310129	2	Bolt 3/4 x 2-1/2	
	0272948	Ref	TRAY ASSEMBLY	F
101	0100081	AR	Adhesive	
102	1120555	2	Cap, Tube	
103	3340956	1	Pad Kit	
104	3460334	1	Tube	
105	3520071	2	Plug	
106	4420066	AR	Tape, Double Sided	
108	See Note	NSS	Nameplate - Serial Number (Note: Not Available for Purchase)	
109	1001163296	2	Decal - Glazier Capacity	
110	1701509	1	Decal - Manual	
	0272418	Ref	SKYGLAZIER DECAL INSTALLATION	4
201	1705358	2	Decal - SkyGlazier	

SECTION 5 - PLATFORM

FIGURE 5-33. SKYGLAZIER INSTALLATION (PORTUGUESE SPECS)



ART_1001225248

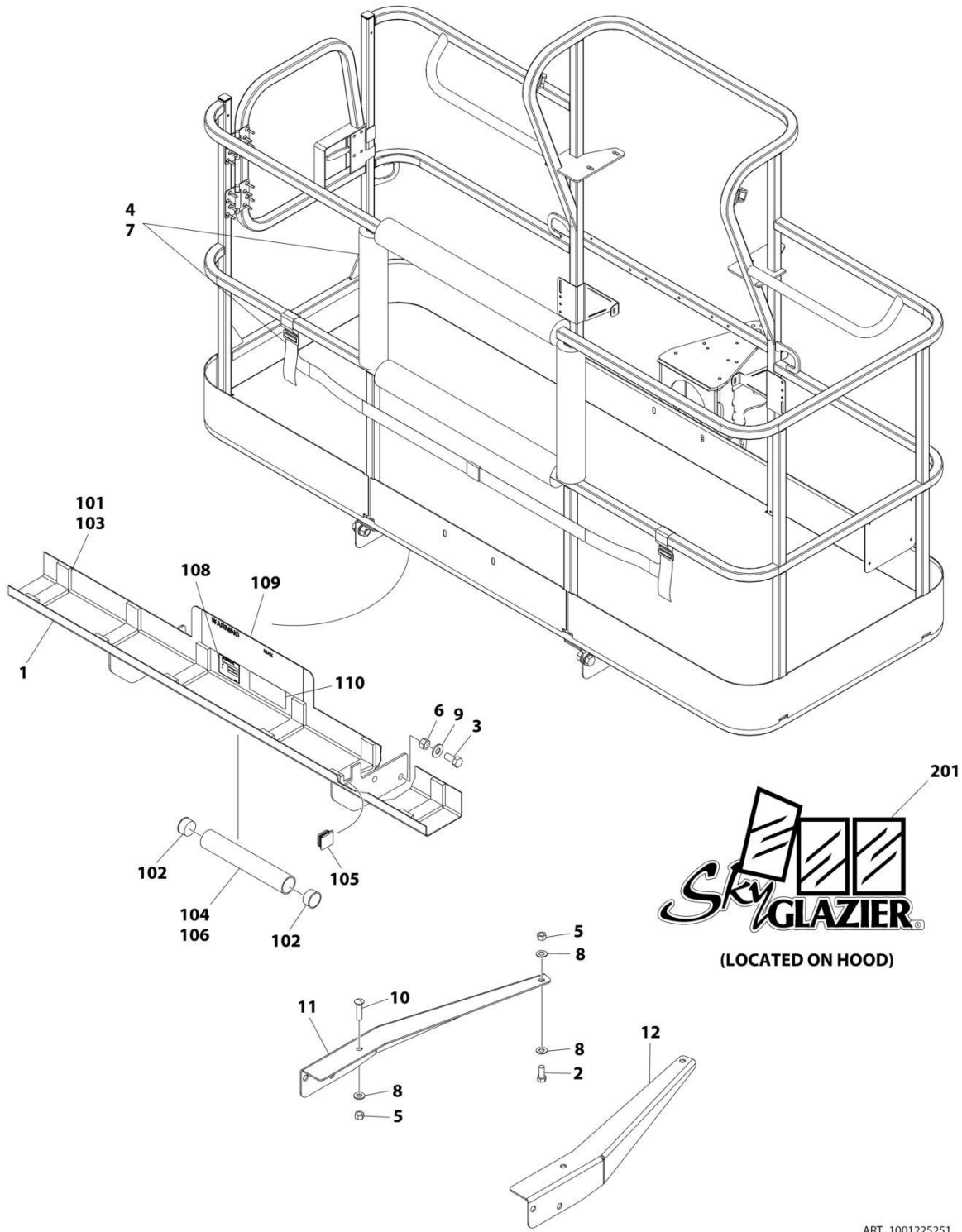
SECTION 5 - PLATFORM

FIGURE 5-33. SKYGLAZIER INSTALLATION (PORTUGUESE SPECS)

ITEM	PART NUMBER	QTY	DESCRIPTION	REV
	1001225248	Ref	SKYGLAZIER INSTALLATION	A
1	0273406	1	Tray Assembly (See Items 101-110 for Breakdown)	
2	0642012	2	Bolt 5/8 x 1-1/2	
3	0642212	4	Bolt 3/4 x 1-1/2	
4	2902212	1	Bumpers and Strap Kit	
4	0940102	1	Bumper Only	
4	4240149	1	Strap Only	
5	3312005	4	Nut 5/8	
6	3312205	4	Nut 3/4	
7	4420014	AR	Tape	
8	4712000	6	Washer 5/8	
9	4712200	8	Washer 3/4	
10	8310129	2	Bolt 5/8 x 2-1/2	
11	1001099366	1	Support	
12	1001099367	1	Support	
	0273406	Ref	TRAY ASSEMBLY	E
101	0100081	AR	Adhesive	
102	1120555	2	Cap, Tube	
103	3340956	1	Pad Kit	
104	3460334	1	Tube	
105	3520071	2	Plug	
106	4420066	AR	Tape, Double Sided	
108	See Note	NSS	Nameplate - Serial Number (Note: Not Available for Purchase)	
109	1001163289	2	Decal - Glazier Capacity	
110	1701509	1	Decal - Manual	
	0272418	Ref	SKYGLAZIER DECAL INSTALLATION	4
201	1705358	2	Decal - SkyGlazier	

SECTION 5 - PLATFORM

FIGURE 5-34. SKYGLAZIER INSTALLATION (SPANISH SPECS)



ART_1001225251

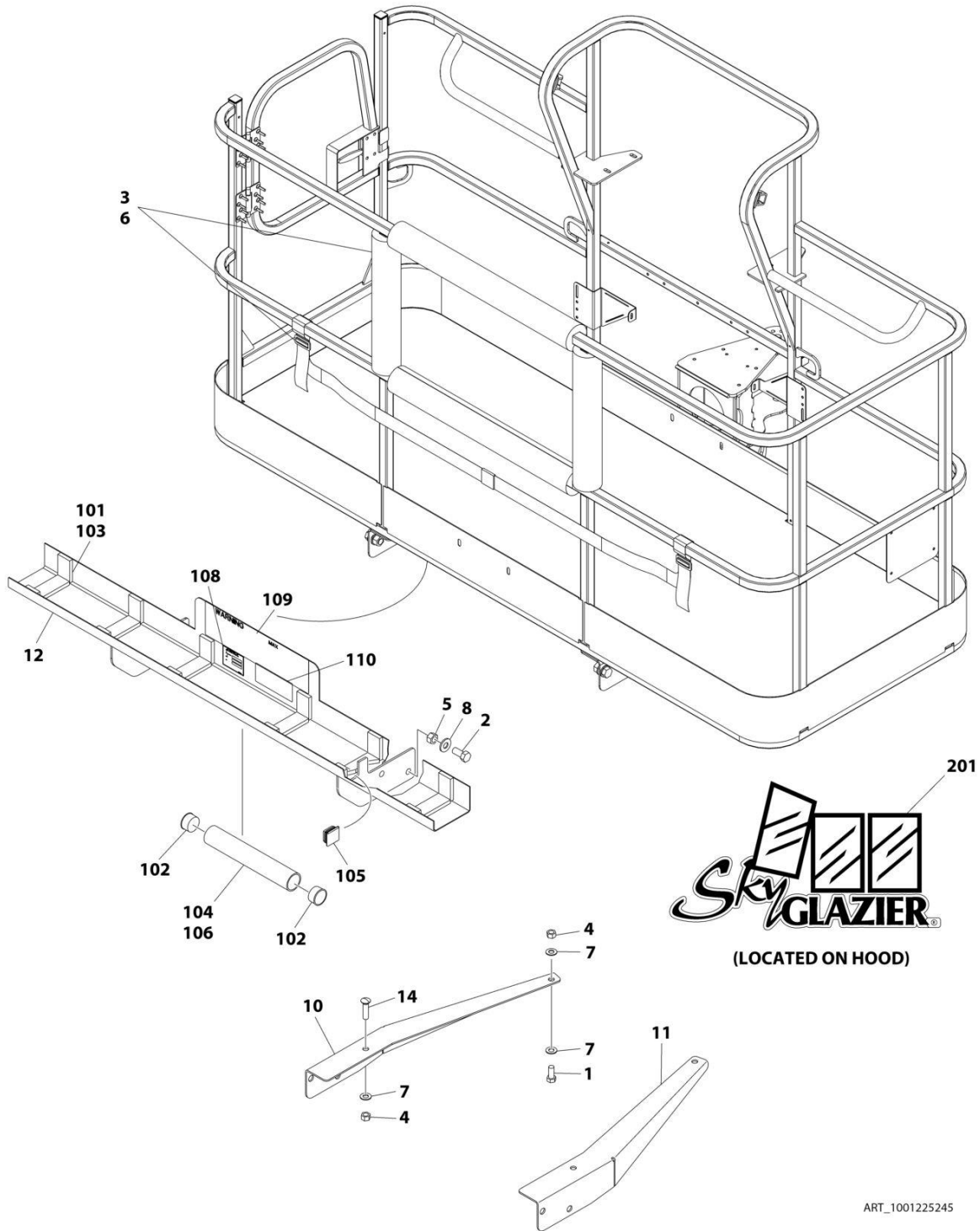
SECTION 5 - PLATFORM

FIGURE 5-34. SKYGLAZIER INSTALLATION (SPANISH SPECS)

ITEM	PART NUMBER	QTY	DESCRIPTION	REV
	1001225251	Ref	SKYGLAZIER INSTALLATION	A
1	0273405	1	Tray Assembly (See Items 101-110 for Breakdown)	
2	0642012	2	Bolt 5/8 x 1-1/2	
3	0642212	4	Bolt 3/4 x 1-1/2	
4	2902212	1	Bumpers and Strap Kit	
4	0940102	1	Bumper Only	
4	4240149	1	Strap Only	
5	3312005	4	Nut 5/8	
6	3312205	4	Nut 3/4	
7	4420014	AR	Tape	
8	4712000	6	Washer 5/8	
9	4712200	8	Washer 3/4	
10	8310129	2	Bolt 5/8 x 2-1/2	
11	1001099366	1	Support	
12	1001099367	1	Support	
	0273405	Ref	TRAY ASSEMBLY	E
101	0100081	AR	Adhesive	
102	1120555	2	Cap, Tube	
103	3340956	1	Pad Kit	
104	3460334	1	Tube	
105	3520071	2	Plug	
106	4420066	AR	Tape, Double Sided	
108	See Note	NSS	Nameplate - Serial Number (Note: Not Available for Purchase)	
109	1001163288	2	Decal - Glazier Capacity	
110	1701509	1	Decal - Manual	
	0272418	Ref	SKYGLAZIER DECAL INSTALLATION	4
201	1705358	2	Decal - SkyGlazier	

SECTION 5 - PLATFORM

FIGURE 5-35. SKYGLAZIER INSTALLATION (SWEDISH SPECS)



ART_1001225245

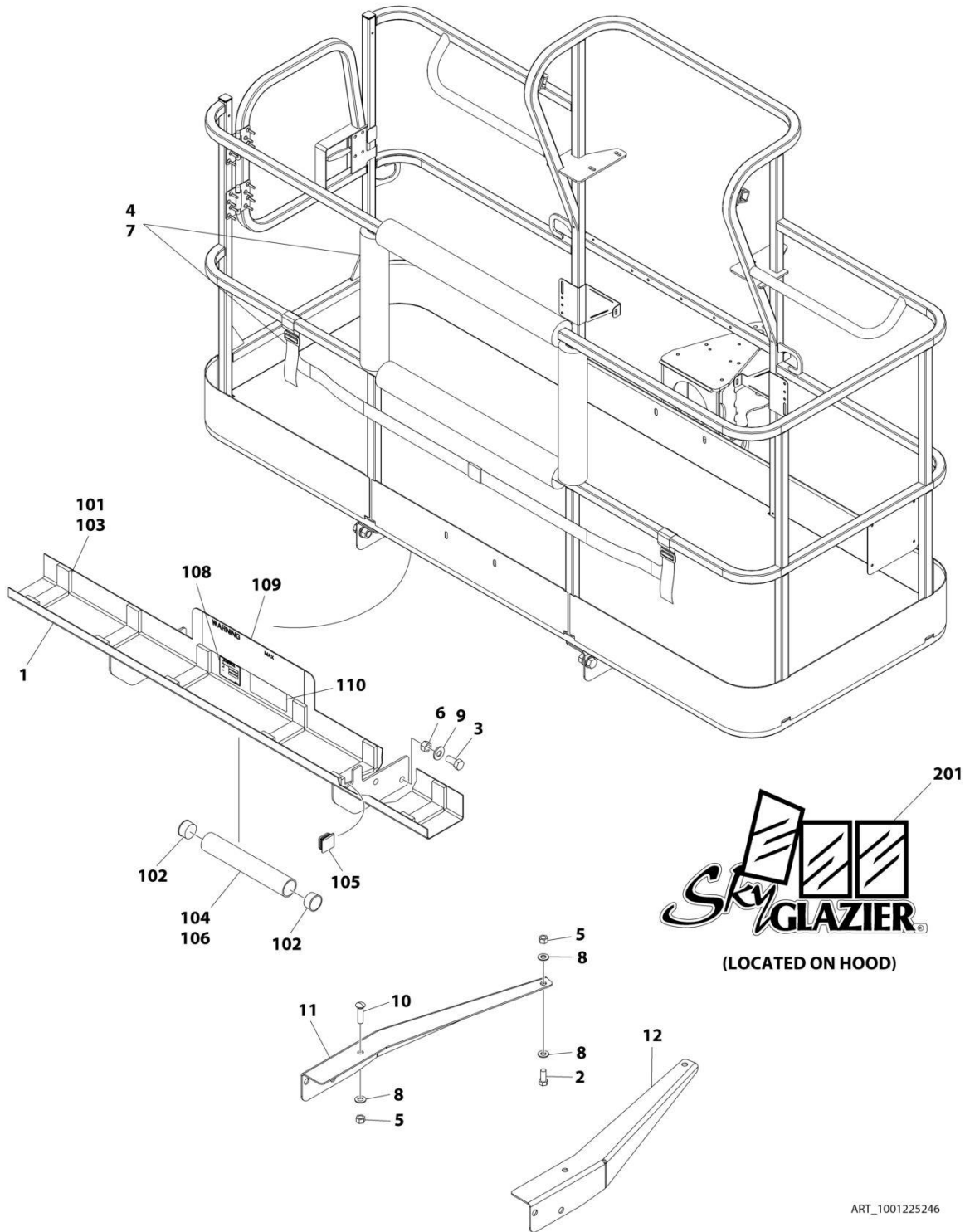
SECTION 5 - PLATFORM

FIGURE 5-35. SKYGLAZIER INSTALLATION (SWEDISH SPECS)

ITEM	PART NUMBER	QTY	DESCRIPTION	REV
	1001225245	Ref	SKYGLAZIER INSTALLATION	B
1	0642012	2	Bolt 5/8 x 1-1/2	
2	0642212	4	Bolt 3/4 x 1-1/2	
3	2902212	1	Bumpers and Strap Kit	
3	0940102	1	Bumper Only	
3	4240149	1	Strap Only	
4	3312005	4	Nut 5/8	
5	3312205	4	Nut 3/4	
6	4420014	AR	Tape	
7	4712000	6	Washer 5/8	
8	4712200	8	Washer 3/4	
9	8310129	2	Bolt 5/8 x 2-1/2	
10	1001099366	1	Support	
11	1001099367	1	Support	
12	1001115603	1	Tray Assembly (See Items 101-110 for Breakdown)	
	1001115603	Ref	TRAY ASSEMBLY	D
101	0100081	AR	Adhesive	
102	1120555	2	Cap, Tube	
103	3340956	1	Pad Kit	
104	3460334	1	Tube	
105	3520071	2	Plug	
106	4420066	AR	Tape, Double Sided	
108	See Note	NSS	Nameplate - Serial Number (Note: Not Available for Purchase)	
109	1001163292	2	Decal - Glazier Capacity	
110	1701509	1	Decal - Manual	
	0272418	Ref	SKYGLAZIER DECAL INSTALLATION	4
201	1705358	2	Decal - SkyGlazier	

SECTION 5 - PLATFORM

FIGURE 5-36. SKYGLAZIER INSTALLATION (UK SPECS)



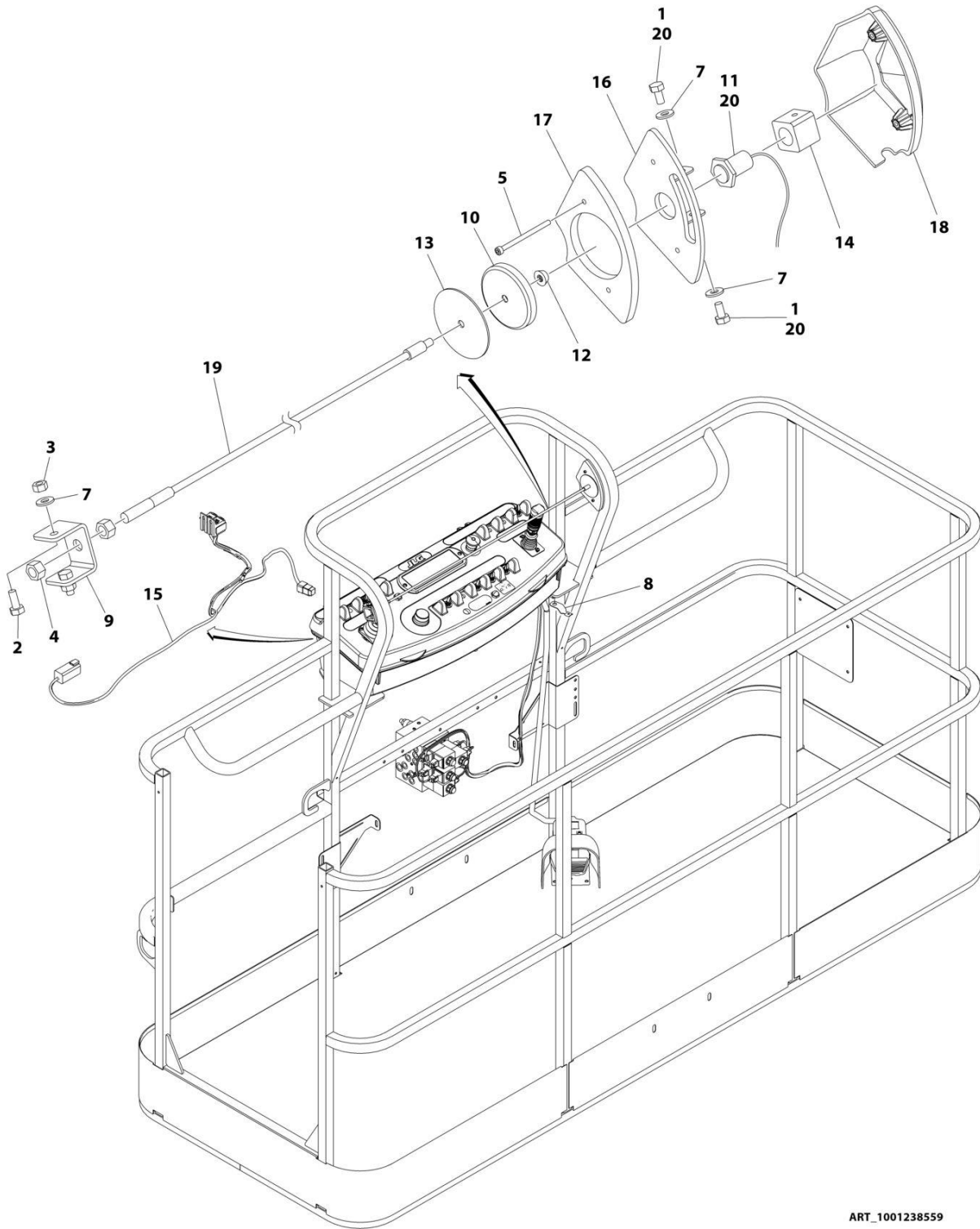
SECTION 5 - PLATFORM

FIGURE 5-36. SKYGLAZIER INSTALLATION (UK SPECS)

ITEM	PART NUMBER	QTY	DESCRIPTION	REV
	1001225246	Ref	SKYGLAZIER INSTALLATION	A
1	0273404	1	Tray Assembly (See Items 101-110 for Breakdown)	
2	0642012	2	Bolt 5/8 x 1-1/2	
3	0642212	4	Bolt 3/4 x 1-1/2	
4	2902212	1	Bumpers and Strap Kit	
4	0940102	1	Bumper Only	
4	4240149	1	Strap Only	
5	3312005	4	Nut 3/4	
6	3312205	4	Nut 3/4	
7	4420014	AR	Tape	
8	4712000	6	Washer 5/8	
9	4712200	8	Washer 3/4	
10	8310129	2	Bolt 5/8 x 2-1/2	
11	1001099366	1	Support	
12	1001099367	1	Support	
	0273404	Ref	TRAY ASSEMBLY	F
101	0100081	AR	Adhesive	
102	1120555	2	Cap, Tube	
103	3340956	1	Pad Kit	
104	3460334	1	Tube	
105	3520071	2	Plug	
106	4420066	AR	Tape, Double Sided	
108	See Note	NSS	Nameplate - Serial Number (Note: Not Available for Purchase)	
109	1001163295	2	Decal - Glazier Capacity	
110	1701509	1	Decal - Manual	
	0272418	Ref	SKYGLAZIER DECAL INSTALLATION	4
201	1705358	2	Decal - SkyGlazier	

SECTION 5 - PLATFORM

FIGURE 5-37. SKYLINE INSTALLATION



ART_1001238559

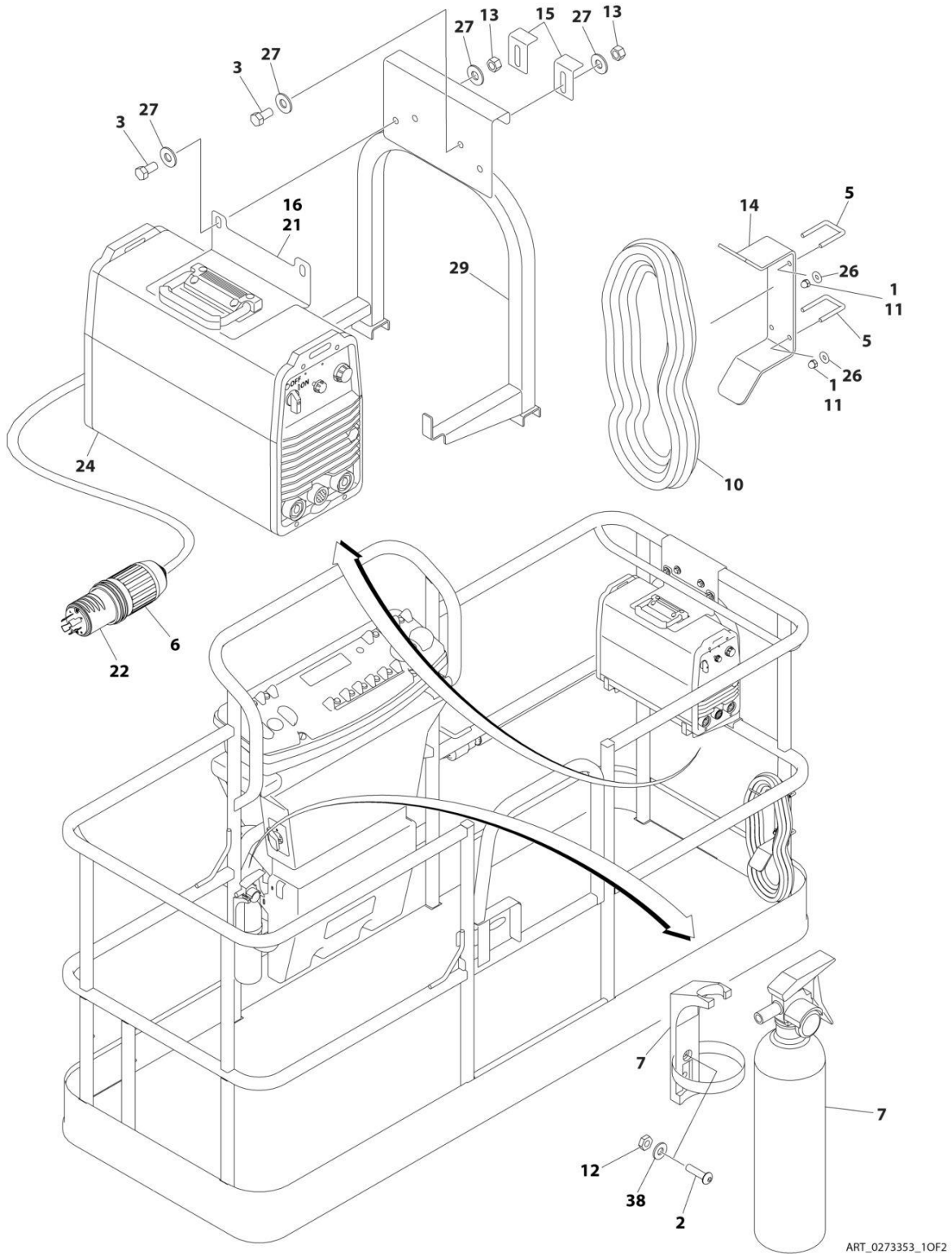
SECTION 5 - PLATFORM

FIGURE 5-37. SKYLINE INSTALLATION

ITEM	PART NUMBER	QTY	DESCRIPTION	REV
	1001238559	Ref	SKYLINE INSTALLATION	B
1	0641404	2	Bolt 1/4 x 1/2	
2	0641405	2	Bolt 1/4 x 5/8	
3	3311405	2	Nut 1/4	
4	3311601	2	Nut 3/8	
5	4031516	2	Capscrew M4 x 60	
6	4240033	AR	Tie-Strap (Not Shown)	
7	4711400	4	Washer 1/4	
8	1001120328	1	Mount	
9	1001232642	1	Bracket	
10	1001232650	1	Magnet	
11	1001232667	1	Sensor, Proximity	
12	1001235011	1	Nut	
13	1001235013	1	Washer	
14	1001236552	1	Block	
15	1001238418	1	Harness, Skyline (See Separate Breakdown in ELECTRICAL Section)	
16	1001238472	1	Mount	
17	1001238477	1	Housing, LH	
18	1001241965	1	Housing, RH	
19	1001238824	1	Rope	
20	0100011	AR	Compound, Locking	

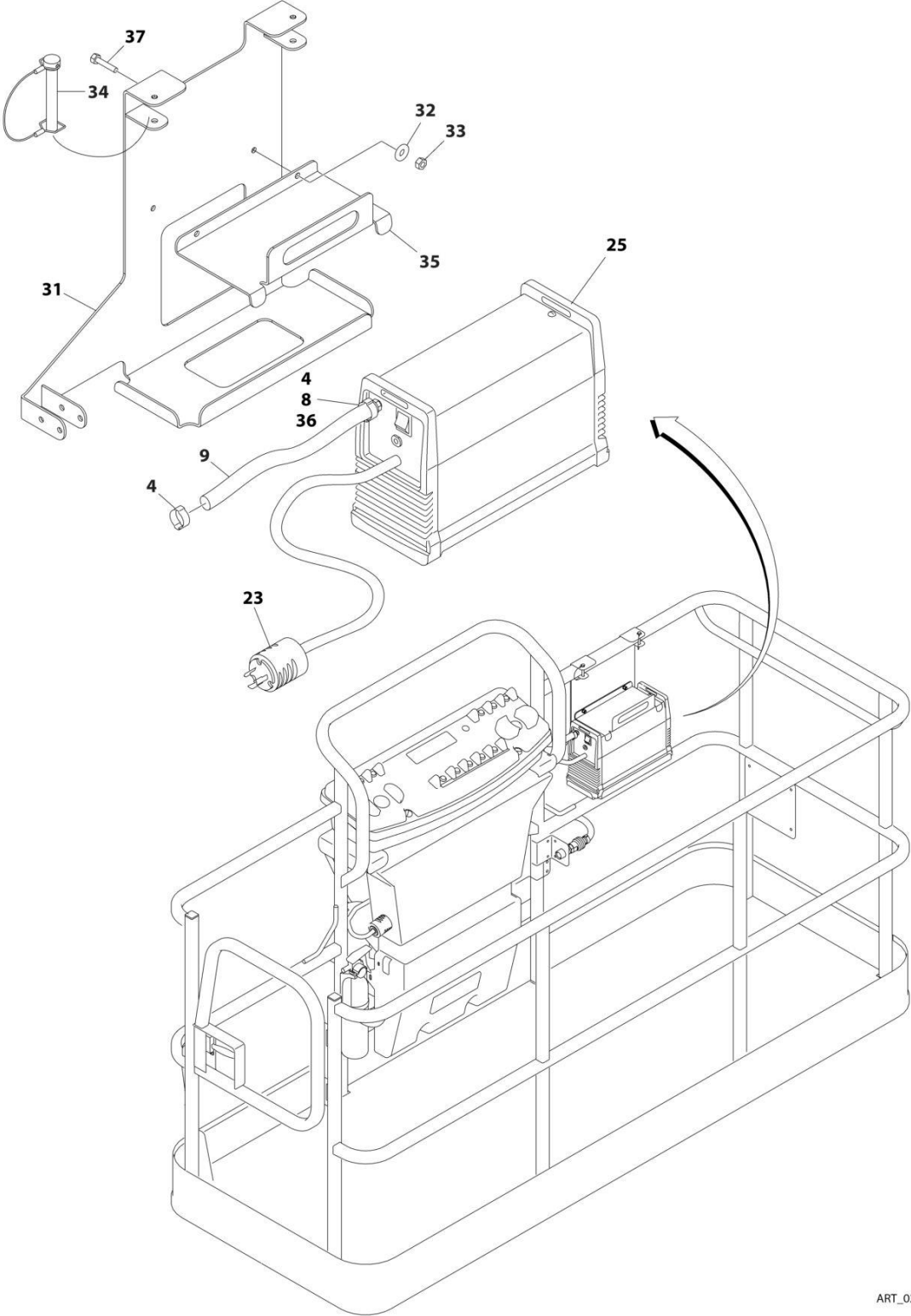
SECTION 5 - PLATFORM

FIGURE 5-38. SKYWELDER/SKYCUTTER COMBO INSTALLATION (60HZ) (ANSI, ANSI EXPORT, CHINA, CSA AND JAPANESE SPECS)



ART_0273353_10F2

SECTION 5 - PLATFORM



ART_0273353_20F2

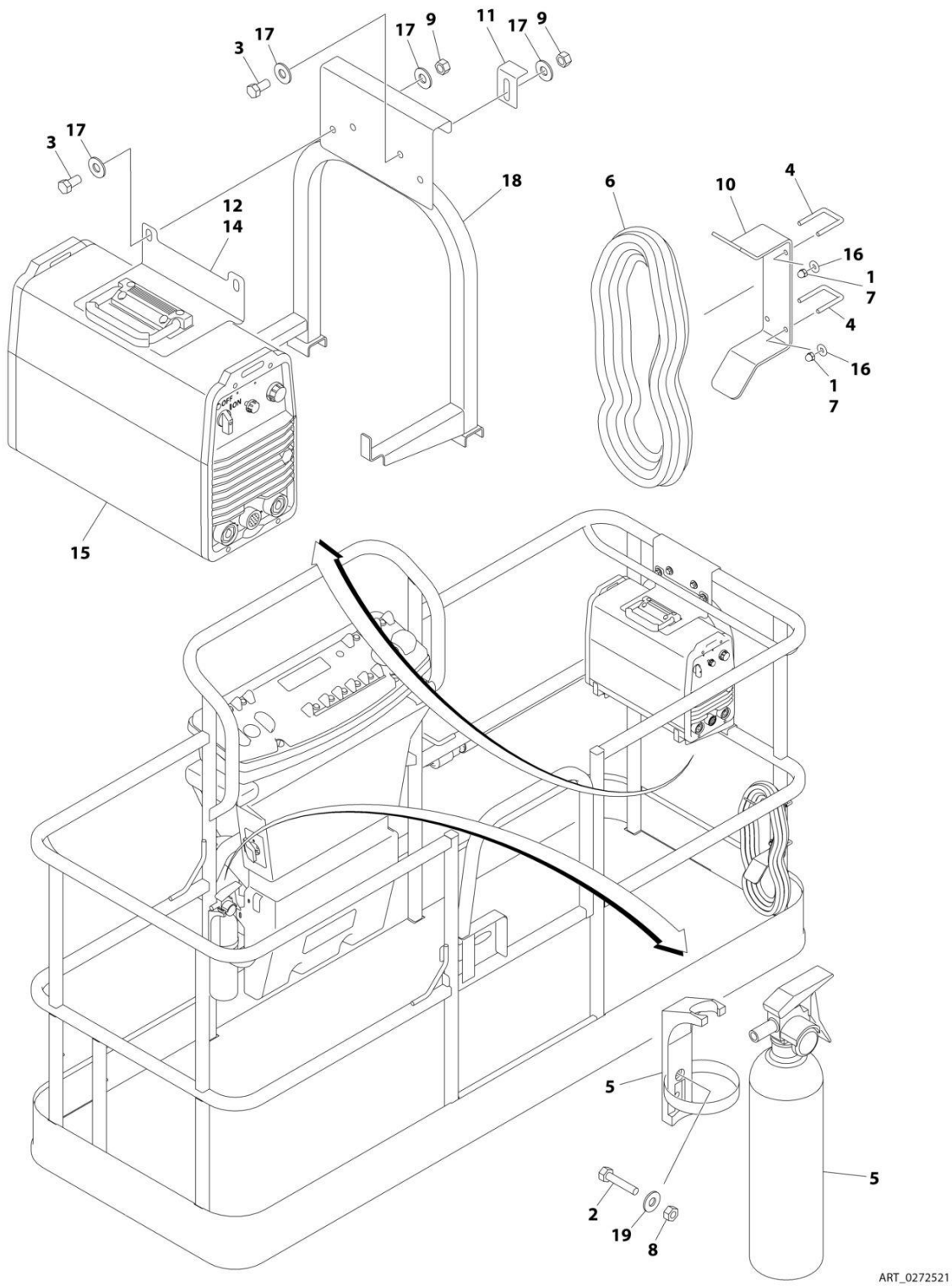
SECTION 5 - PLATFORM

FIGURE 5-38. SKYWELDER/SKYCUTTER COMBO INSTALLATION (60HZ) (ANSI, ANSI EXPORT, CHINA, CSA AND JAPANESE SPECS)

ITEM	PART NUMBER	QTY	DESCRIPTION	REV
	0273353	Ref	SKYWELDER/SKYCUTTER COMBO INSTALLATION (60HZ)	G
1	0100011	AR	Compound, Locking	
2	0630518	2	Screw #10 x 3/4	
3	0641606	4	Bolt 3/8 x 3/4	
4	1320177	2	Clamp	
5	1320302	2	Clamp	
6	1671093	1	Cover, Plug	
7	2030010	1	Extinguisher, Fire	
8	2180832	1	Fitting, Barbed/NPT	
9	2720160	4.5 ft /1.37m	Hose	
10	2902217	1	Weld Leads Kit	
11	3300151	4	Nut 1/4	
12	3311005	2	Nut #10	
13	3311605	4	Nut 3/8	
14	3573400	1	Bracket	
15	3577121	2	Angle	
16	3573642	1	Plate	
20	4240099	AR	Tie-Strap (Not Shown)	
21	4420037	2.36 ft /.71m	Tape	
22	4460962	1	Plug, Twist Lock	
23	4460971	1	Plug, Twist Lock	
24	4530028	1	Welder Assembly (See Separate Breakdown in this section)	
25	1001098012	1	Plasma Cutter Assembly (See Separate Breakdown in this Section)	
26	4751400	4	Washer 1/4	
27	4751600	8	Washer 3/8	
29	4846627	1	Support	
31	1001145405	1	Bracket	
32	4811700	2	Washer M6	
33	3290605	2	Nut M6	
34	3421453	3	Pin	
35	3576799	1	Plate, Hold-Down	
36	0100020	1	Sealant	
37	4010608	2	Screw M6 x 16	
38	4751000	2	Washer #10	

SECTION 5 - PLATFORM

FIGURE 5-39. SKYWELDER INSTALLATION (50HZ) (ANSI EXPORT, AUSTRALIAN, CE, CHINA AND JAPANESE SPECS)



ART_0272521

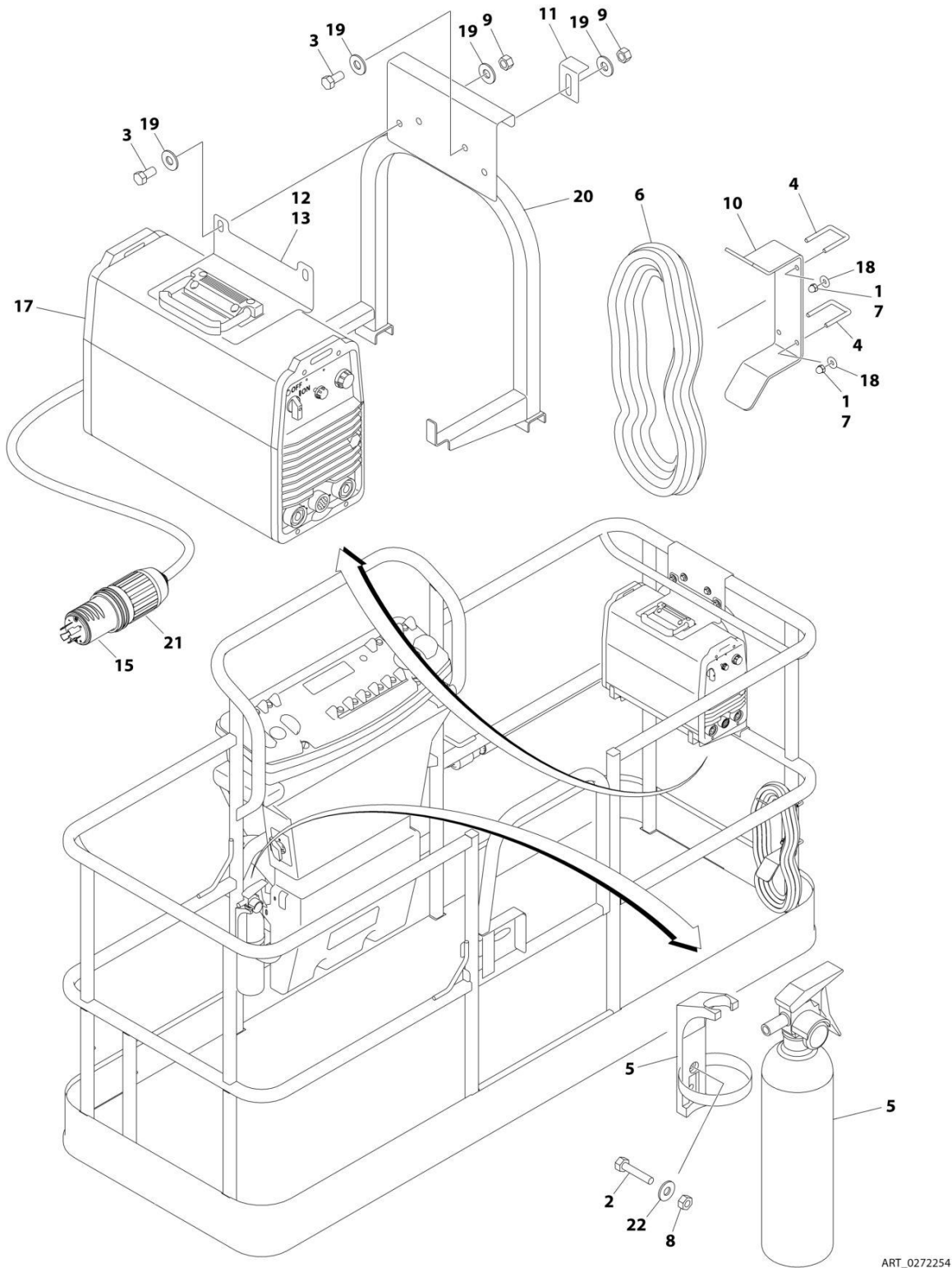
SECTION 5 - PLATFORM

FIGURE 5-39. SKYWELDER INSTALLATION (50HZ) (ANSI EXPORT, AUSTRALIAN, CE, CHINA AND JAPANESE SPECS)

ITEM	PART NUMBER	QTY	DESCRIPTION	REV
	0272521	Ref	SKYWELDER INSTALLATION	F
1	0100011	AR	Compound, Locking	
2	0630518	2	Screw #10 x 3/4	
3	0641606	4	Bolt 3/8 x 3/4	
4	1320302	2	U-Clamp	
5	2030010	1	Extinguisher, Fire	
6	2902217	1	Weld Leads Kit	
7	3300151	4	Nut 1/4	
8	3311005	2	Nut #10	
9	3311605	4	Nut 3/8	
10	3573400	1	Bracket	
11	3577121	2	Angle	
12	3573642	1	Plate	
13	4240099	AR	Tie-Strap (Not Shown)	
14	4420037	AR	Tape	
15	4530028	1	Welder Assembly (See Separate Breakdown in this Section)	
16	4751400	4	Washer 1/4	
17	4751600	8	Washer 3/8	
18	4846627	1	Support	
19	4751000	2	Washer #10	

SECTION 5 - PLATFORM

FIGURE 5-40. SKYWELDER INSTALLATION (60HZ) (ANSI, ANSI EXPORT, CSA AND JAPANESE SPECS)



ART_0272254

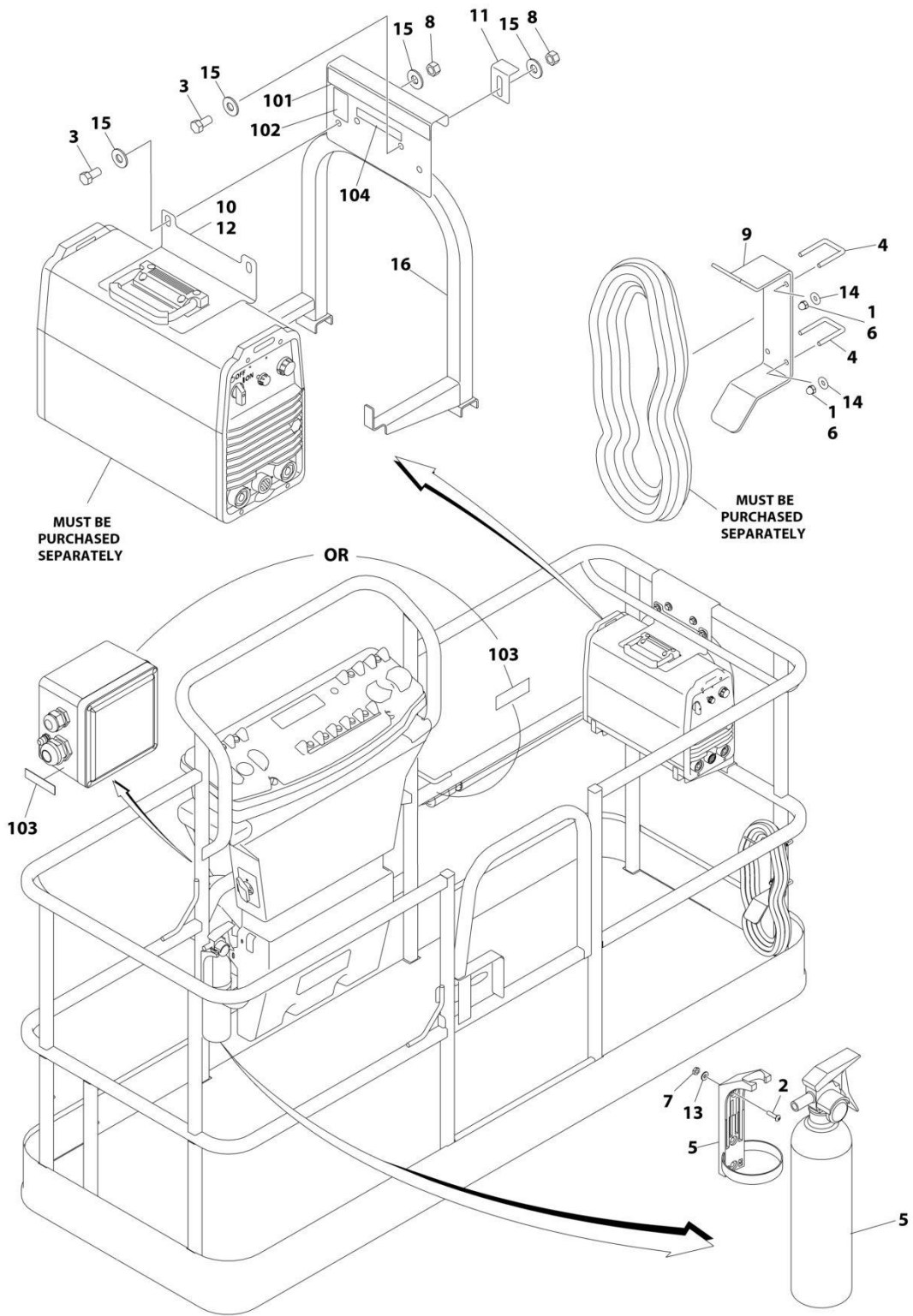
SECTION 5 - PLATFORM

FIGURE 5-40. SKYWELDER INSTALLATION (60HZ) (ANSI, ANSI EXPORT, CSA AND JAPANESE SPECS)

ITEM	PART NUMBER	QTY	DESCRIPTION	REV
	0272254	Ref	SKYWELDER INSTALLATION	I
1	0100011	AR	Compound, Locking	
2	0630518	2	Screw #10 x 3/4	
3	0641606	4	Bolt 3/8 x 3/4	
4	1320302	2	U-Clamp	
5	2030010	1	Extinguisher, Fire	
6	2902217	1	Weld Leads Kit	
7	3300151	4	Nut 1/4	
8	3311005	2	Nut #10	
9	3311605	4	Nut 3/8	
10	3573400	1	Bracket	
11	3577121	2	Angle	
12	3573642	1	Plate	
13	4420037	AR	Tape	
14	4240099	AR	Tie-Strap (Not Shown)	
15	4460962	1	Plug, Male Twistlock	
17	4530028	1	Welder Assembly (See Separate Breakdown in this Section)	
18	4751400	4	Washer 1/4	
19	4751600	8	Washer 3/8	
20	4846627	1	Support	
21	1671093	1	Cover, Plug	
22	4751000	2	Washer #10	

SECTION 5 - PLATFORM

FIGURE 5-41. SKYWELDER PREP PACKAGE (60HZ) (ANSI, ANSI EXPORT, CSA AND CHINA SPECS)



ART_1001128527_B

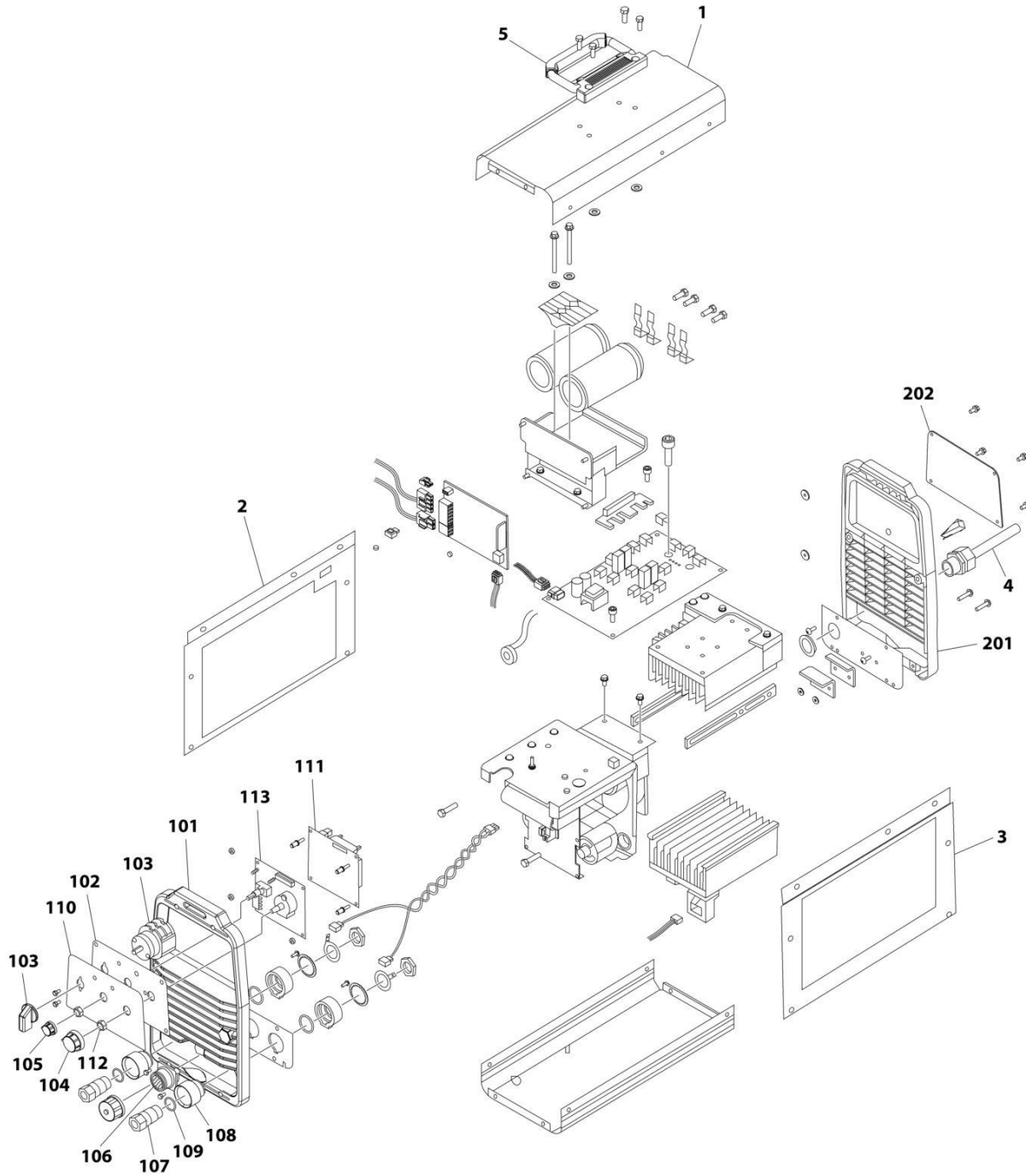
SECTION 5 - PLATFORM

FIGURE 5-41. SKYWELDER PREP PACKAGE (60HZ) (ANSI, ANSI EXPORT, CSA AND CHINA SPECS)

ITEM	PART NUMBER	QTY	DESCRIPTION	REV
	1001128527	Ref	SKYWELDER PREP PACKAGE	B
1	0100011	AR	Compound, Locking	
2	0630518	2	Screw #10 x 3/4	
3	0641606	4	Bolt 3/8 x 3/4	
4	1320302	2	U-Clamp	
5	2030010	1	Extinguisher, Fire	
6	3300151	4	Nut 1/4	
7	3311005	2	Nut #10	
8	3311605	4	Nut 3/8	
9	3573400	1	Bracket	
10	3573642	1	Plate	
11	3577121	2	Angle	
12	4420037	AR	Tape	
13	4751000	2	Washer #10	
14	4751400	4	Washer 1/4	
15	4751600	8	Washer 3/8	
16	4846627	1	Support	
	1001128556	Ref	SKYWELDER DECAL INSTALLATION	C
101	1702868	1	Decal - No Hands	
102	1705305	1	Decal - Weld Lead	
103	1705375	1	Decal - 240V - 3 Phase - 60Hz	
104	1001228988	1	Decal - Weight	

SECTION 5 - PLATFORM

FIGURE 5-42. WELDER ASSEMBLY



ART_4530028

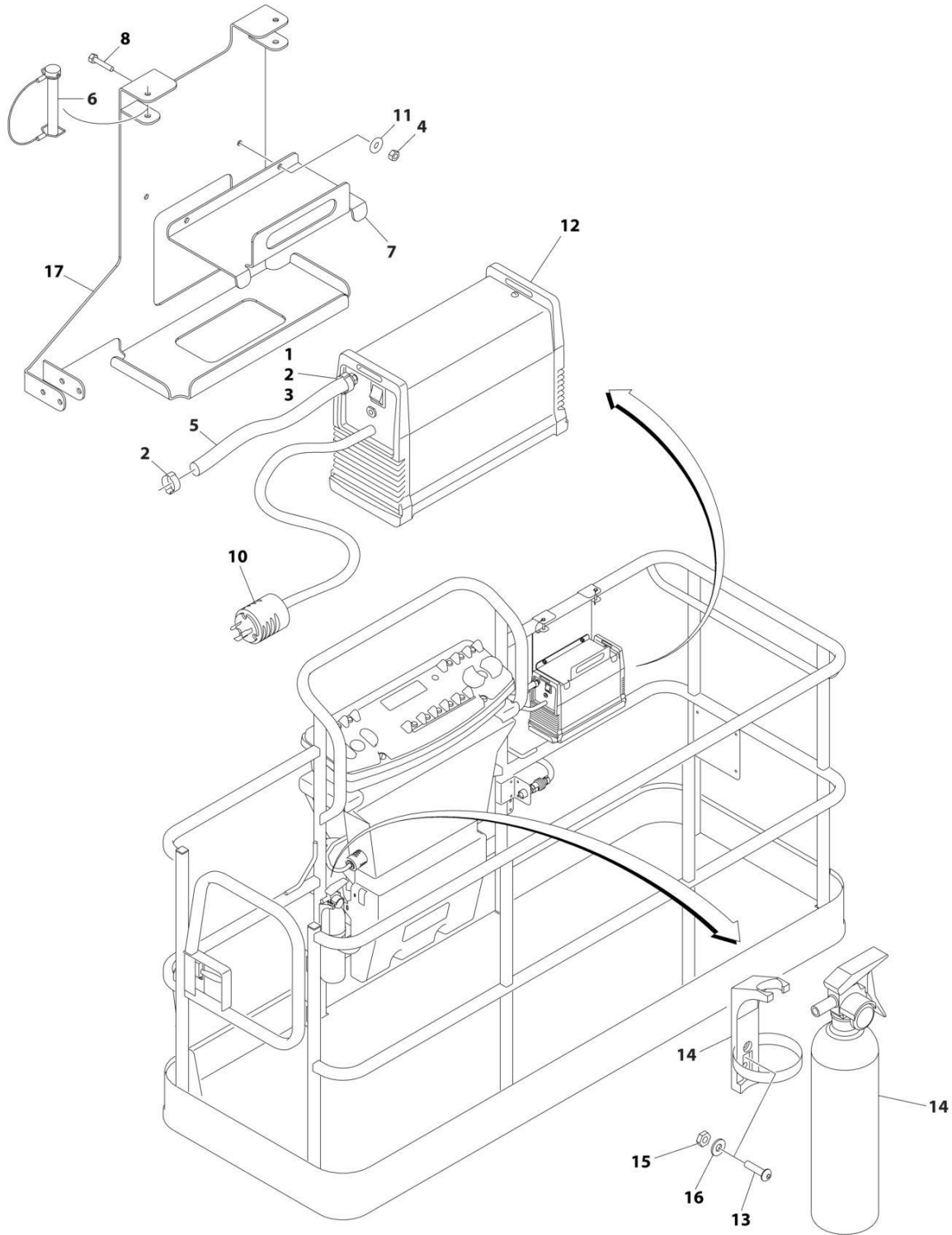
SECTION 5 - PLATFORM

FIGURE 5-42. WELDER ASSEMBLY

ITEM	PART NUMBER	QTY	DESCRIPTION	REV
	4530028	Ref	WELDER ASSEMBLY	B
		Ref	Note: For Other Components, contact your Miller Welder Dealer.	
1	7027773	1	Cover, Top	
1	7027774	1	Decal - Static Precautionary Warning	
2	See Note	NSS	Panel, LH Side (Note: Part of Item 1. Purchase Item 1)	
3	See Note	NSS	Panel, RH Side (Note: Part of Item 1. Purchase Item 1)	
4	7024467	1	Cable, Power	
4	7027775	1	Decal - Electrical Shock Warning (Not Shown)	
5	7027776	1	Handle, Carrying	
101	7024462	1	Panel, Front	
102	7024463	1	Panel, Console	
103	7024469	1	Switch with Lead	
104	7024470	1	Knob	
105	7024471	1	Knob	
106	7024472	1	Receptacle with Leads and Plugs	
107	7024473	2	Receptacle, Twistlock Female	
108	7024474	2	Insulator	
109	7024475	2	O-Ring	
110	7027777	1	Nameplate	
111	7027779	1	Circuit Card Assembly (Process Control)	
112	7024478	2	Nut	
113	7027778	1	Circuit Card Assembly (Operator Interface)	
201	7024462	1	Panel, Rear	
202	7027780	1	Panel, Cover	

SECTION 5 - PLATFORM

FIGURE 5-43. SKYCUTTER INSTALLATION (ANSI, ANSI EXPORT, CHINA, CSA AND JAPANESE SPECS)



ART_1001098149_D

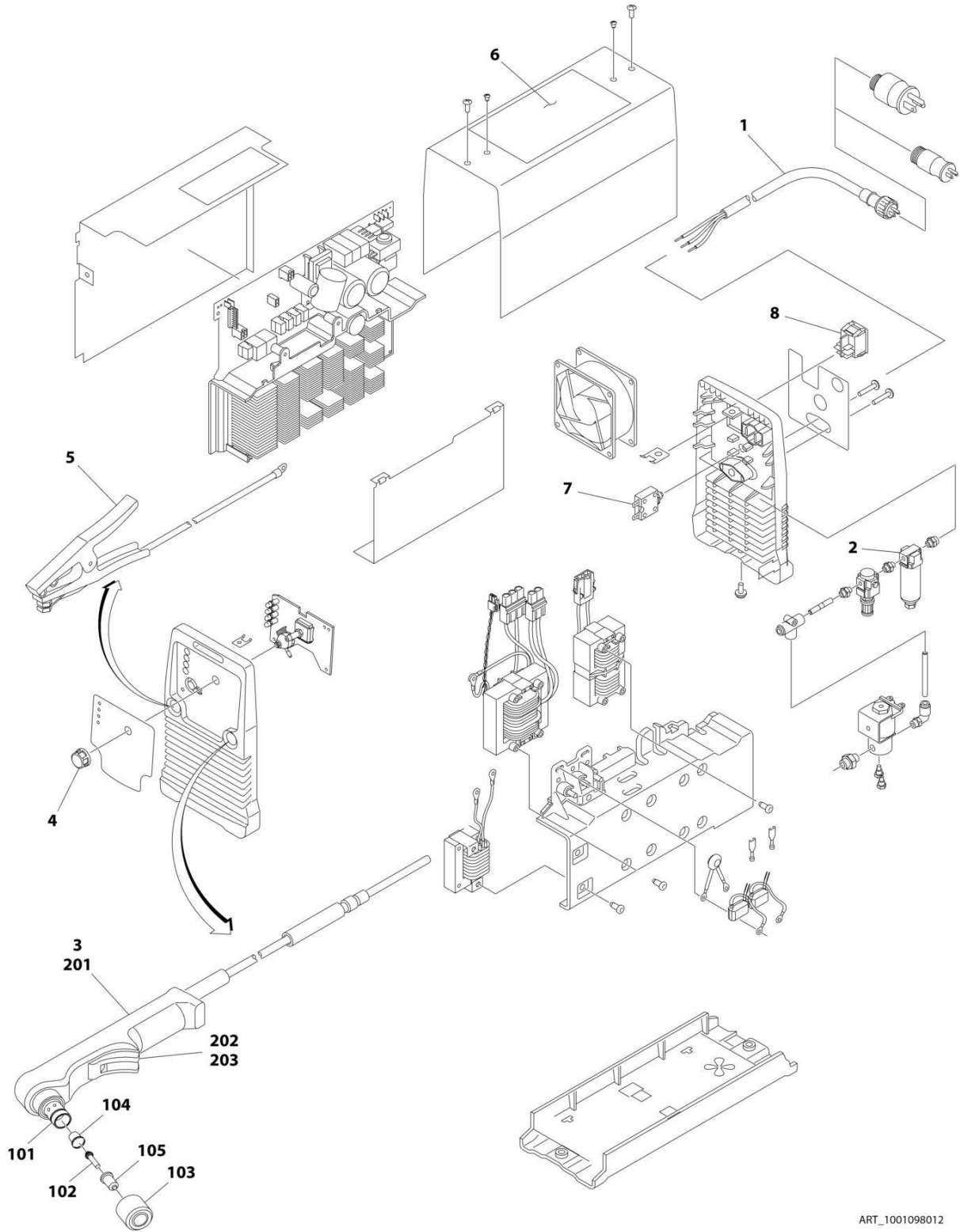
SECTION 5 - PLATFORM

FIGURE 5-43. SKYCUTTER INSTALLATION (ANSI, ANSI EXPORT, CHINA, CSA AND JAPANESE SPECS)

ITEM	PART NUMBER	QTY	DESCRIPTION	REV
	1001098149	Ref	SKYCUTTER INSTALLATION	D
		Ref	Note: When replacing platform on machines with SkyCutter option, new bracket p/n 1001145405 must be purchased to accommodate SkyCutter components.	
1	0100020	AR	Sealant	
2	1320177	2	Clamp, Hose	
3	2180832	1	Fitting, NPT/Barbed	
4	3290605	2	Nut M6	
5	2720160	3 ft /.9m	Hose	
6	3421453	3	Pin	
7	3576799	1	Plate, Hold-Down	
8	4010608	2	Screw M6 x 16	
10	4460971	1	Plug, Twistlock	
11	4811700	2	Washer M6	
12	1001098012	1	Plasma Cutter Assembly (See Separate Breakdown in this Section)	
13	0630518	2	Screw #10 x 3/4	
14	2030010	1	Extinguisher, Fire	
15	3311005	2	Nut #10	
16	4751000	2	Washer #10	
17	1001145405	1	Support	

SECTION 5 - PLATFORM

FIGURE 5-44. PLASMA CUTTER ASSEMBLY



ART_1001098012

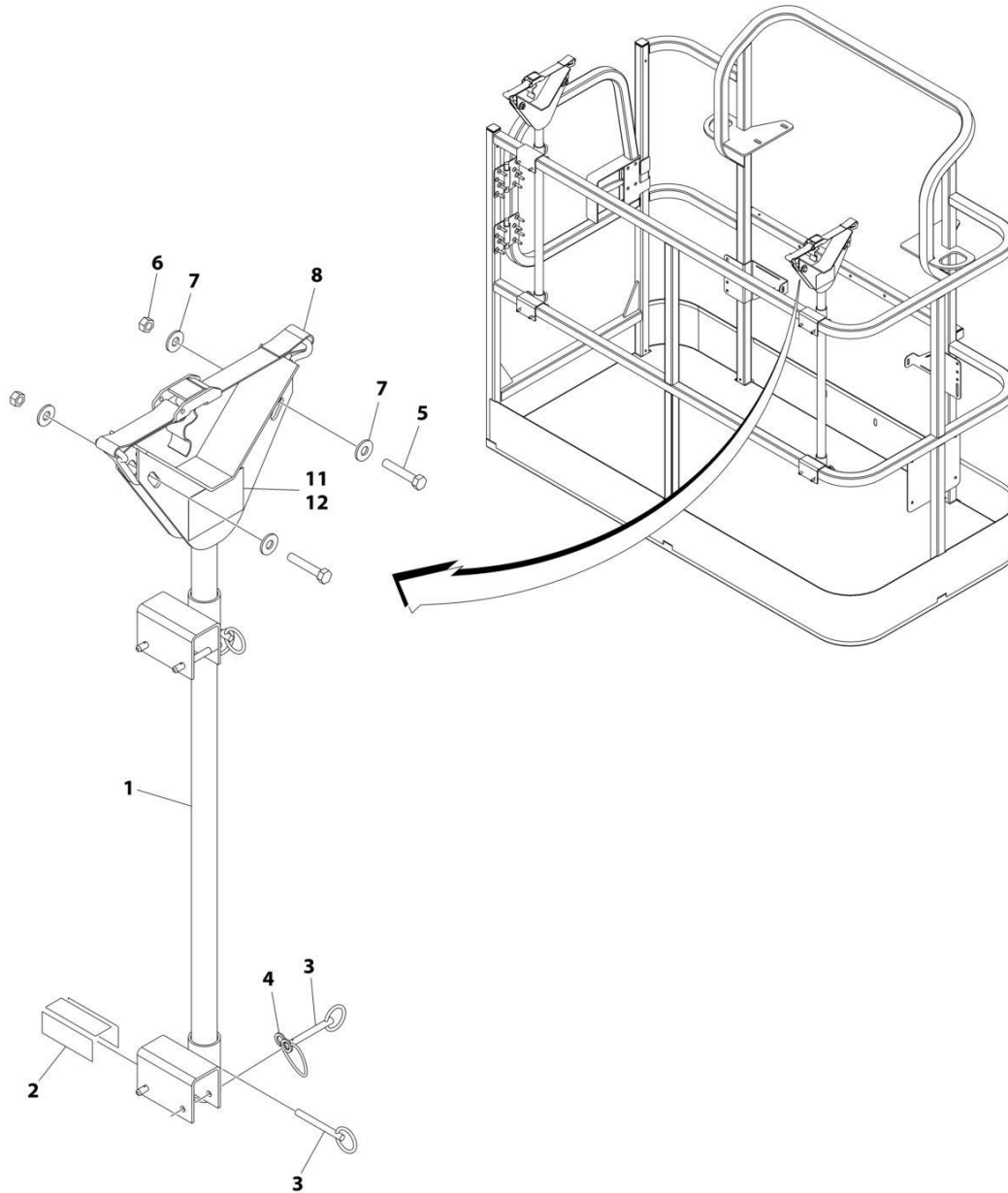
SECTION 5 - PLATFORM

FIGURE 5-44. PLASMA CUTTER ASSEMBLY

ITEM	PART NUMBER	QTY	DESCRIPTION	REV
	1001098012	Ref	PLASMA CUTTER ASSEMBLY	A
		Ref	Note: For Other Components, contact your Miller Welder Dealer.	
1	70001424	1	Cable, Power	
1	70001425	1	Decal - Voltage Warning	
2	70001427	1	Filter, Regulator	
3	70001428	1	Torch Assembly (See Items 101-203 for Breakdown)	
4	7024471	1	Knob	
5	70001429	1	Clamp with Cable	
6	70001430	1	Decal - Caution	
7	70001431	1	Breaker, Circuit	
8	70001432	1	Switch, Rocker	
	70001428	Ref	TORCH ASSEMBLY	
101	7024530	1	O-Ring	
102	7024531	1	Electrode	
103	7024532	1	Cup, Retaining	
104	7024533	1	Swirl Ring	
105	7024534	1	Tip	
201	7024535	1	Handle, Torch	
202	7024536	1	Switch	
203	7024537	1	Trigger	

SECTION 5 - PLATFORM

FIGURE 5-45. PIPE RACK INSTALLATION (ANSI SPEC)



ART_0257728_E

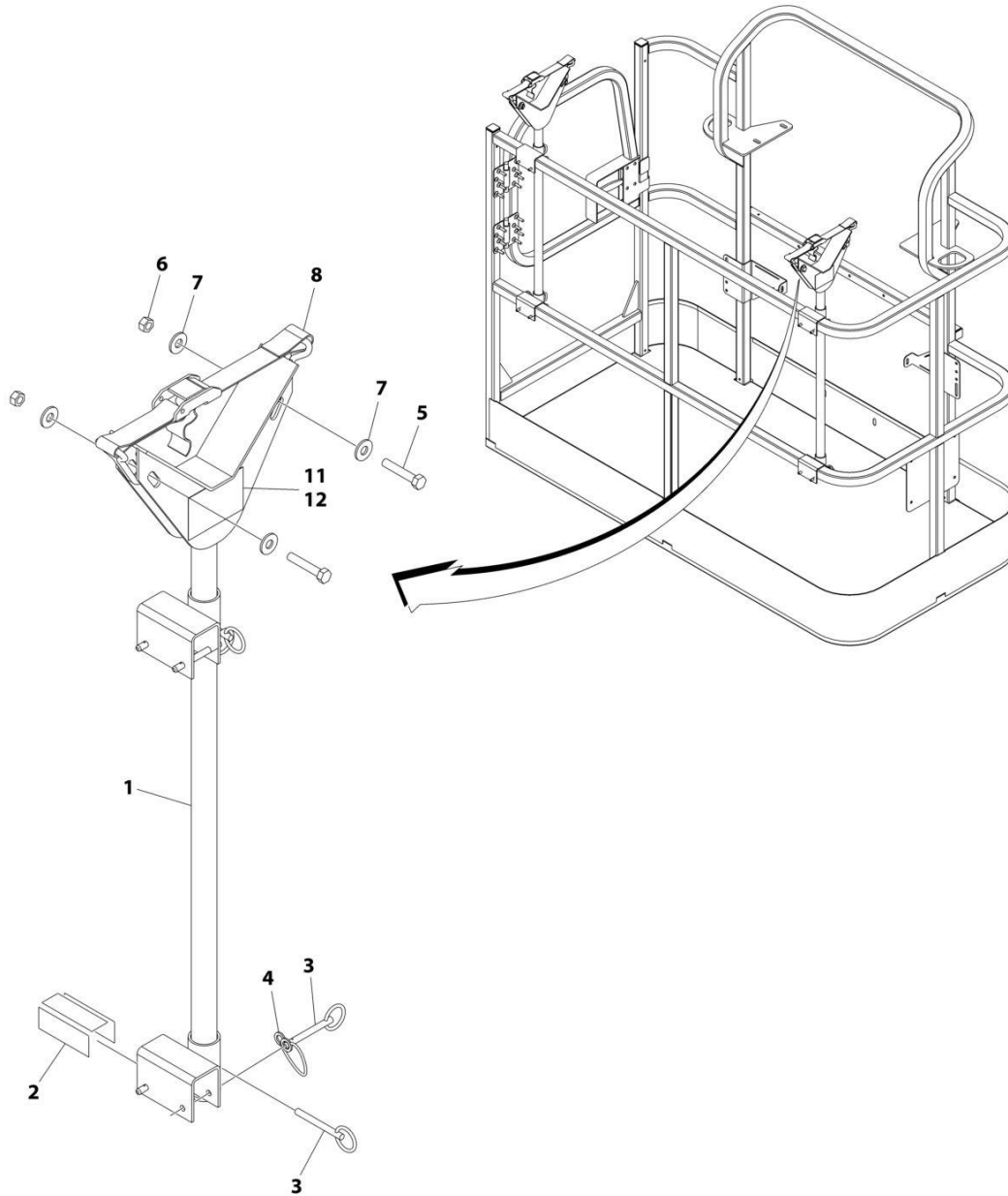
SECTION 5 - PLATFORM

FIGURE 5-45. PIPE RACK INSTALLATION (ANSI SPEC)

ITEM	PART NUMBER	QTY	DESCRIPTION	REV
	0257728	Ref	PIPE RACK INSTALLATION	E
1	4845582	2	Rack, Pipe	
2	4420062	AR	Tape	
3	3422661	10	Pin	
4	1060379	4	Lanyard	
5	0641514	4	Bolt 5/16 x 1-3/4	
6	3311505	4	Nut 5/16	
7	4751500	8	Washer 5/16	
8	0480100	2	Tie-Down	
11	1001252946	2	Decal - Capacity (500-600LBS/2227-272KG Zones)	
12	1001252947	2	Decal - Capacity (660-1000LBS/299-454KG Zones)	

SECTION 5 - PLATFORM

FIGURE 5-46. PIPE RACK INSTALLATION (AUSTRALIAN AND CE SPECS)



ART_0274661_C

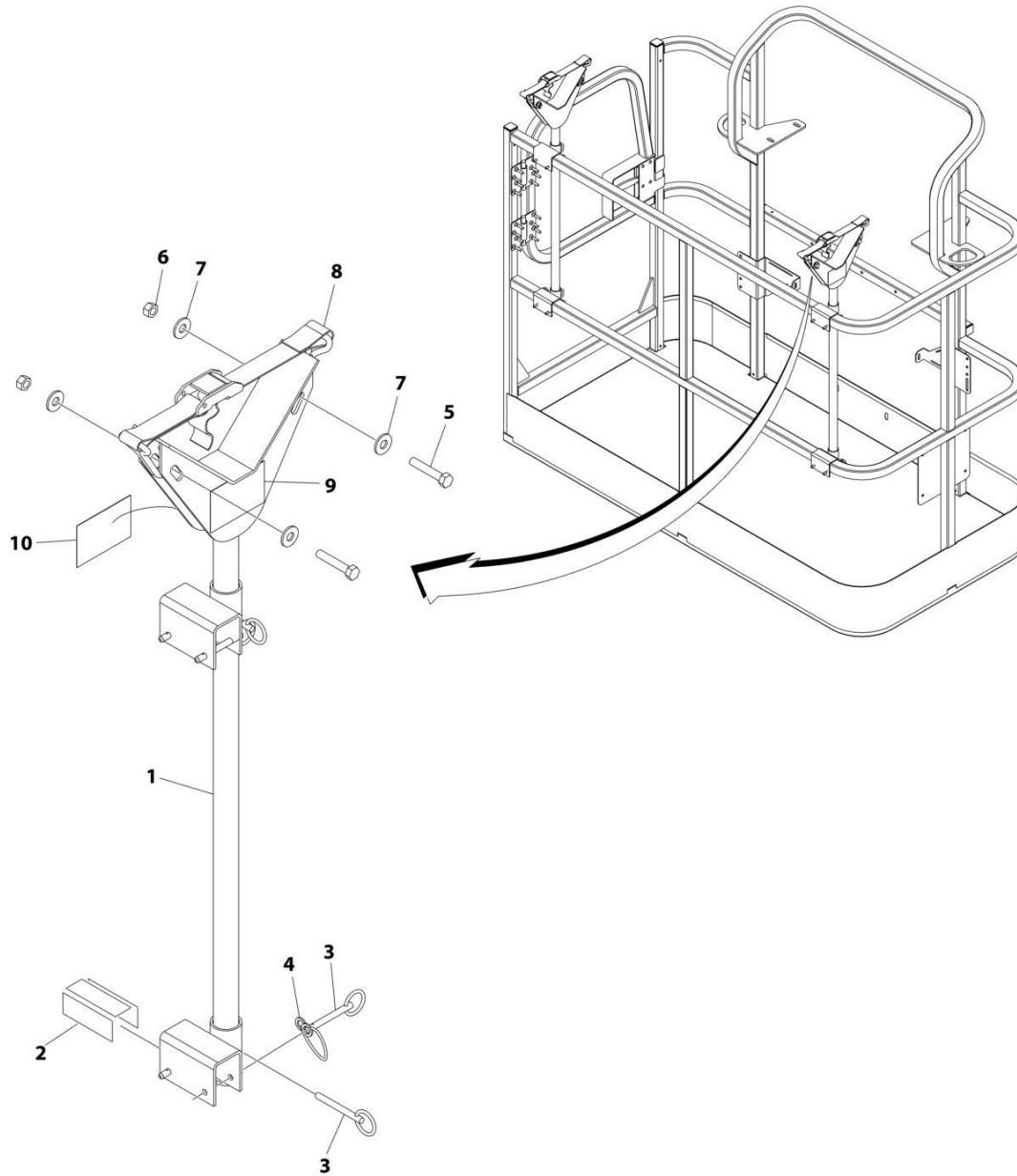
SECTION 5 - PLATFORM

FIGURE 5-46. PIPE RACK INSTALLATION (AUSTRALIAN AND CE SPECS)

ITEM	PART NUMBER	QTY	DESCRIPTION	REV
	0274661	Ref	PIPE RACK INSTALLATION	C
1	4845582	2	Rack, Pipe	
2	4420062	AR	Tape	
3	3422661	10	Pin	
4	1060379	4	Lanyard	
5	0641514	4	Bolt 5/16 x 1-3/4	
6	3311505	4	Nut 5/16	
7	4751500	8	Washer 5/16	
8	0480100	2	Tie-Down	
11	1001252946	2	Decal - Capacity (1) (500-600LBSS/227-272KG Zones) (1200SJP,1250AJP,1350SJP,1500SJ,400S,450A,450AJ,460SJ,520AJ,800S,860SJ)	
12	1001252947	2	Decal - Capacity (2) (660-1000LBSS/299-454KG Zones)	

SECTION 5 - PLATFORM

FIGURE 5-47. PIPE RACK INSTALLATION (KOREAN SPEC)



ART_1001178978

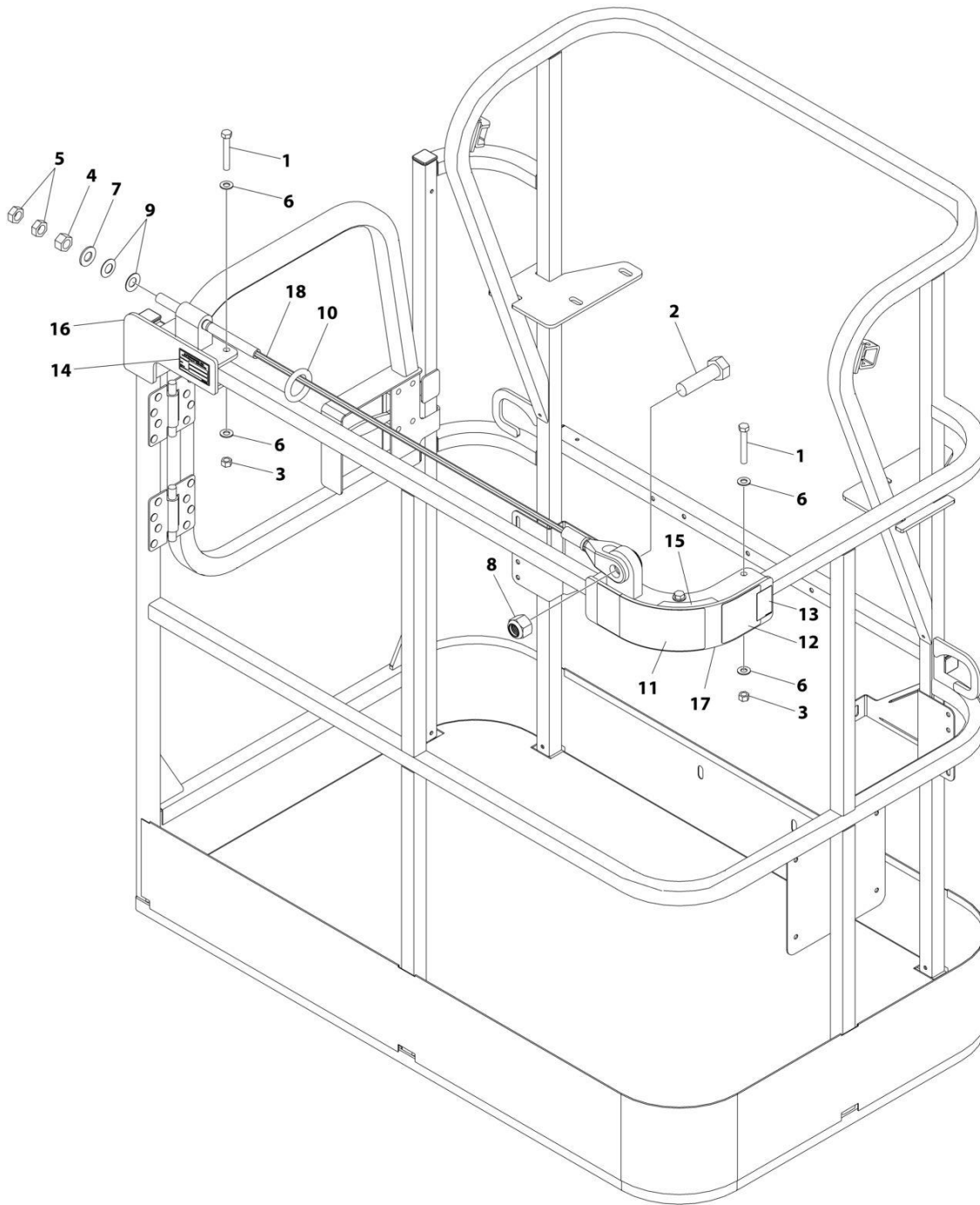
SECTION 5 - PLATFORM

FIGURE 5-47. PIPE RACK INSTALLATION (KOREAN SPEC)

ITEM	PART NUMBER	QTY	DESCRIPTION	REV
	1001178978	Ref	PIPE RACK INSTALLATION	1/A
1	4845582	2	Rack, Pipe	
2	4420062	AR	Tape	
3	3422661	10	Pin	
4	1060379	4	Lanyard	
5	0641514	4	Bolt 5/16 x 1-3/4	
6	3311505	4	Nut 5/16	
7	4751500	8	Washer 5/16	
8	0480100	2	Tie-Down	
9	1703683	2	Decal - Capacity	
10	1001178266	2	Decal - Capacity	

SECTION 5 - PLATFORM

FIGURE 5-48. FALL ARREST INSTALLATION (BOLT - ON EXTERNAL) 4FFT/1.22M PLATFORM)



ART_1001261338

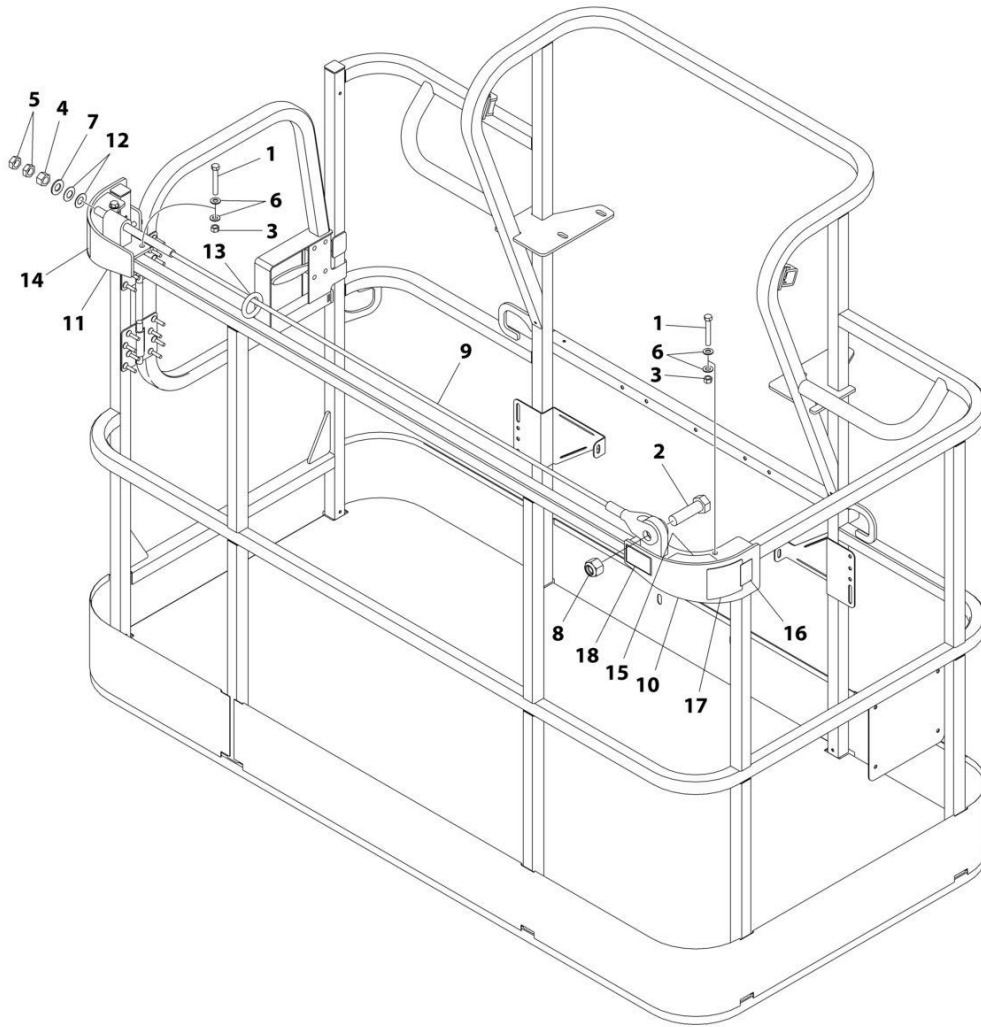
SECTION 5 - PLATFORM

FIGURE 5-48. FALL ARREST INSTALLATION (BOLT - ON EXTERNAL) 4FFT/1.22M PLATFORM)

ITEM	PART NUMBER	QTY	DESCRIPTION	REV
	1001261338	Ref	FALL ARREST INSTALLATION	A
1	0681620	6	Bolt 3/8 x 2-1/2	
2	0682424	1	Bolt 7/8 x 3	
3	3271605	6	Nut 3/8	
4	3272001	1	Nut 5/8	
5	3312002	2	Nut 5/8	
6	4711600	12	Washer 3/8	
7	4712000	1	Washer 5/8	
8	88521214	1	Nut 7/8	
9	1001236891	2	Washer	
10	1001236895	1	Ring	
11	1001238263	1	Decal - Warning Falling Hazard	
12	1001248140	1	Decal - Bolt Fall Arrest Re-Cert	
13	1001248141	1	Decal - Incription	
14	See Note	NSS	Nameplate - Manufacturers Serial Number (Note: Not Available for Purchase)	
15	1001252629	1	Decal - Weight	
16	1001257271	1	Bracket (RH)	
17	1001257274	1	Bracket (LH)	
18	1001261335	1	Rope	

SECTION 5 - PLATFORM

FIGURE 5-49. FALL ARREST INSTALLATION (BOLT - ON EXTERNAL) 6FT/1.82M PLATFORM (



ART_1001236747

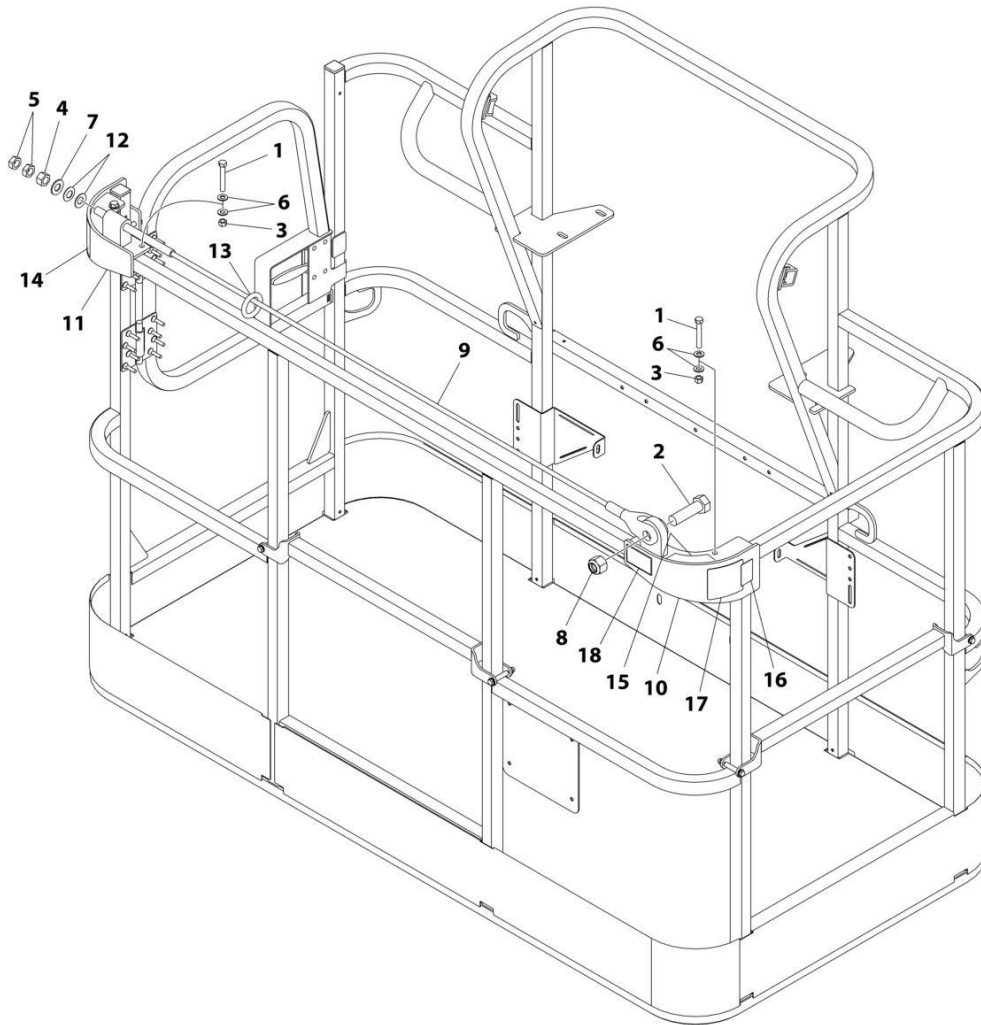
SECTION 5 - PLATFORM

FIGURE 5-49. FALL ARREST INSTALLATION (BOLT - ON EXTERNAL) 6FT/1.82M PLATFORM (

ITEM	PART NUMBER	QTY	DESCRIPTION	REV
	1001236747	Ref	FALL ARREST INSTALLATION (BOLT - ON) 6FT/1.82M PLATFORM	C
1	0681620	6	Bolt 3/8 x 2-1/2	
2	0682424	1	Bolt 7/8 x 3	
3	3271605	6	Nut 3/8	
4	3272001	1	Nut 5/8	
5	3312002	2	Nut 5/8	
6	4711600	12	Washer 3/8	
7	4712000	1	Washer 5/8	
8	88521214	1	Nut 7/8	
9	1001231950	1	Rope	
10	1001232010	1	Bracket (RH)	
11	1001232011	1	Bracket (LH)	
12	1001236891	2	Washer	
13	1001236895	1	Ring	
14	1001238263	1	Decal - Warning Falling Hazard	
15	1001252629	1	Decal - Weight	
16	1001248140	1	Decal - Bolt Fall Arrest Re-Cert	
17	1001248141	1	Decal - Inscription	

SECTION 5 - PLATFORM

FIGURE 5-50. FALL ARREST INSTALLATION (BOLT - ON EXTERNAL) 6FT/1.82M PLATFORM



ART_1001238463

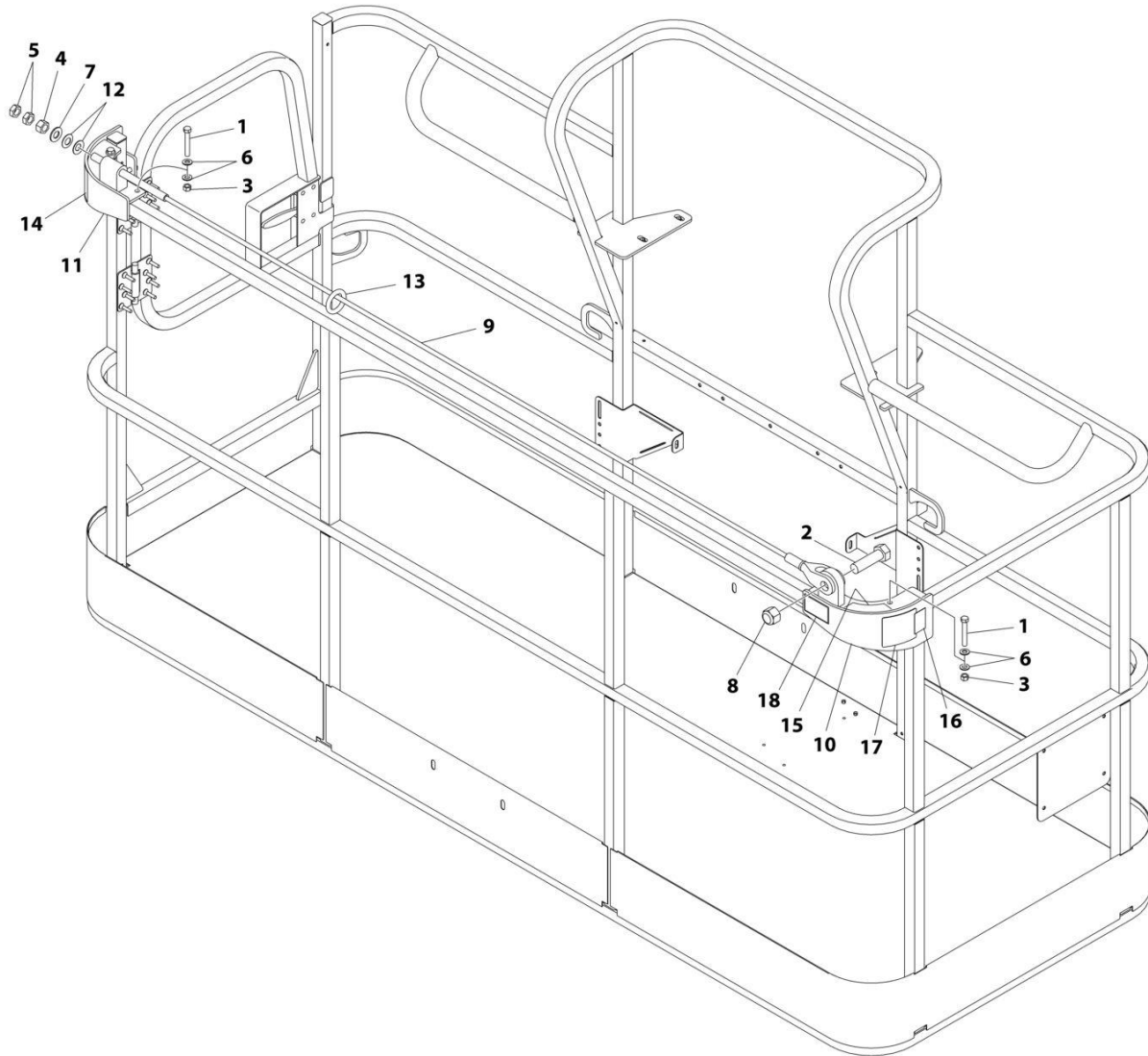
SECTION 5 - PLATFORM

FIGURE 5-50. FALL ARREST INSTALLATION (BOLT - ON EXTERNAL) 6FT/1.82M PLATFORM

ITEM	PART NUMBER	QTY	DESCRIPTION	REV
	1001238463	Ref	FALL ARREST INSTALLATION (BOLT - ON) 6FT/1.82M PLATFORM	C
1	0681620	6	Bolt 3/8 x 2-1/2	
2	0682424	1	Bolt 7/8 x 3	
3	3271605	6	Nut 3/8	
4	3272001	1	Nut 5/8	
5	3312002	2	Nut 5/8	
6	4711600	12	Washer 3/8	
7	4712000	1	Washer 5/8	
8	88521214	1	Nut 7/8	
9	1001231950	1	Rope	
10	1001232010	1	Bracket (RH)	
11	1001232011	1	Bracket (LH)	
12	1001236891	2	Washer	
13	1001236895	1	Ring	
14	1001238263	1	Decal - Warning Falling Hazard	
15	1001252629	1	Decal - Weight	
16	1001248140	1	Decal - Bolt Fall Arrest Re-Cert	
17	1001248141	1	Decal - Inscription	

SECTION 5 - PLATFORM

FIGURE 5-51. FALL ARREST INSTALLATION (BOLT - ON EXTERNAL) 8FT/2.4M PLATFORM



ART_1001236746

SECTION 5 - PLATFORM

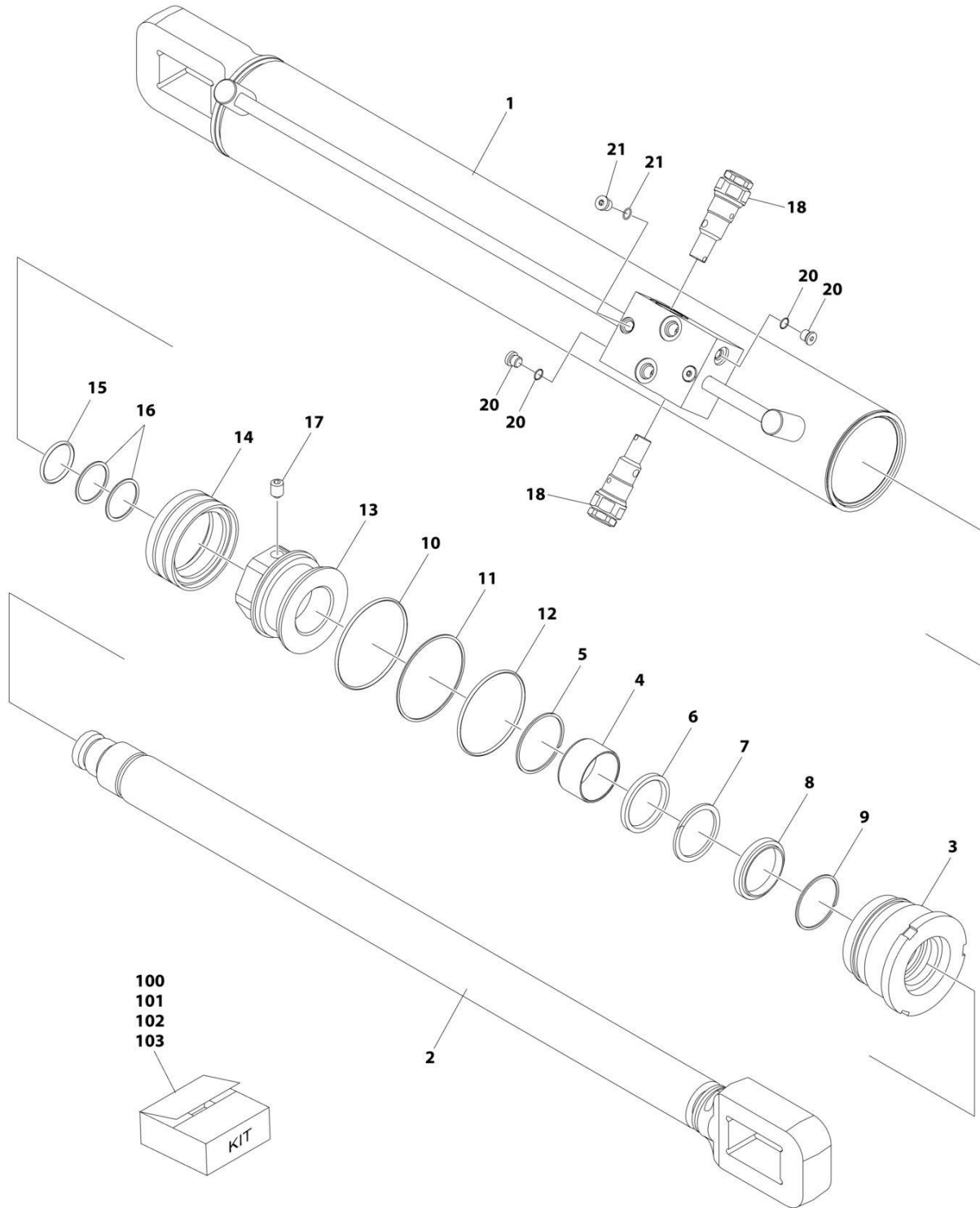
FIGURE 5-51. FALL ARREST INSTALLATION (BOLT - ON EXTERNAL) 8FT/2.4M PLATFORM

ITEM	PART NUMBER	QTY	DESCRIPTION	REV
	1001236746	Ref	FALL ARREST INSTALLATION (BOLT - ON) 8FT/2.4M PLATFORM	C
1	0681620	6	Bolt 3/8 x 2-1/2	
2	0682424	1	Bolt 7/8 x 3	
3	3271605	6	Nut 3/8	
4	3272001	1	Nut 5/8	
5	3312002	2	Nut 5/8	
6	4711600	12	Washer 3/8	
7	4712000	1	Washer 5/8	
8	88521214	1	Nut 7/8	
9	1001231949	1	Rope	
10	1001232010	1	Bracket (RH)	
11	1001232011	1	Bracket (LH)	
12	1001236891	2	Washer	
13	1001236895	1	Ring	
14	1001238263	1	Decal - Warning Falling Hazard	
15	1001252629	1	Decal - Weight 23LBS/10.4KG	
16	1001248140	1	Decal - Bolt Fall Arrest Re-Cert	
17	1001248141	1	Decal - Inscription	

SECTION 6 - CYLINDER

SECTION 6 - CYLINDER

FIGURE 6-1. AXLE EXTENSION CYLINDER ASSEMBLY



ART_1001251020

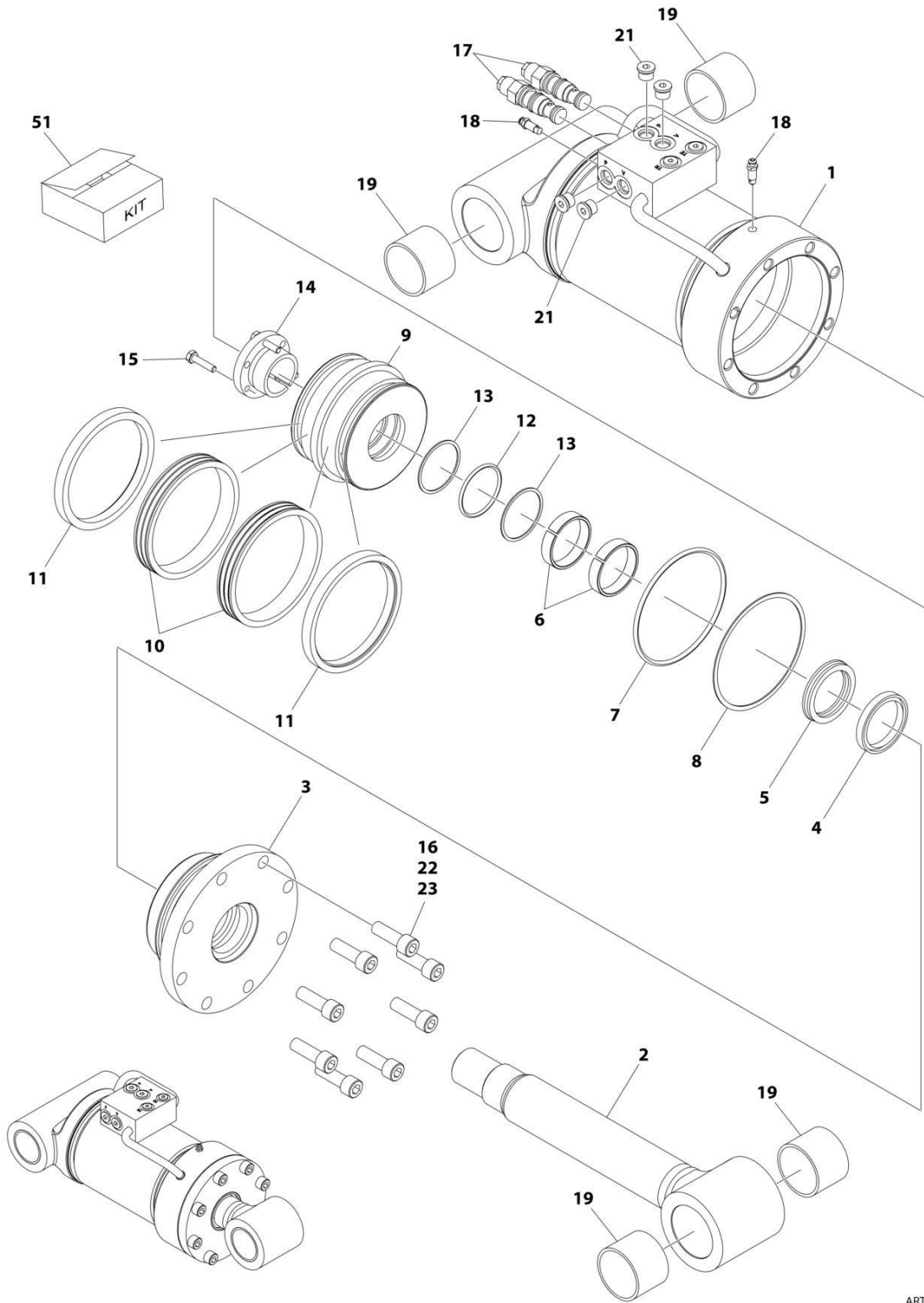
SECTION 6 - CYLINDER

FIGURE 6-1. AXLE EXTENSION CYLINDER ASSEMBLY

ITEM	PART NUMBER	QTY	DESCRIPTION	REV
	1001251020	Ref	AXLE EXTENSION CYLINDER ASSEMBLY	A
		Ref	Note: Original Cylinder May Have Been Replaced with Service Replacement. Identify PN Stamped on Cylinder Before Ordering Parts.	
1	See Note	NSS	Barrel (Note: Use p/n 1001251020)	
2	70007382	1	Rod	
3	See Note	NSS	Head (Use Item 100)	
5	See Note	NSS	Ring (Note: Use Item 100)	
6	See Note	NSS	Seal (Note: Use Item 101)	
7	See Note	NSS	Ring, Back-up (Note: Use Item 101)	
8	See Note	NSS	Wiper, Rod (Note: Use Item 101)	
9	See Note	NSS	Ring, Retaining (Note: Use Item 101)	
10	See Note	NSS	O-Ring (Note: Use Item 101)	
11	See Note	NSS	Ring, Back-up (Note: Use Item 101)	
12	See Note	NSS	O-Ring (Note: Use Item 101)	
13	See Note	NSS	Piston (Note: Use Item 102)	
14	See Note	NSS	Seal (Note: Use Item 101)	
15	See Note	NSS	O-Ring (Note: Use Item 101)	
16	See Note	NSS	Ring, Back-up (Note: Use Item 101)	
17	See Note	NSS	Setscrew (Note: Use Item 102)	
18	4640509	2	Cartridge, Holding Valve	
18	2900792	2	Seal Kit - 4640509 Cartridge Valve (1 Per Assembly)	
20	See Note	NSS	Plug (Note: Use Item 103)	
21	See Note	NSS	Plug (Note: Use Item 103)	
100	70007383	1	Rod Cover Kit (Includes Items 3-5)	
101	70007384	1	Seal Kit (Includes Items 6-12 & 14-16)	
102	70007385	1	Piston Kit (Includes Items 13 & 17)	
103	70007386	1	Plug Kit (Includes Items 20 & 21)	

SECTION 6 - CYLINDER

FIGURE 6-2. AXLE LOCKOUT CYLINDER ASSEMBLY



ART_1001228019

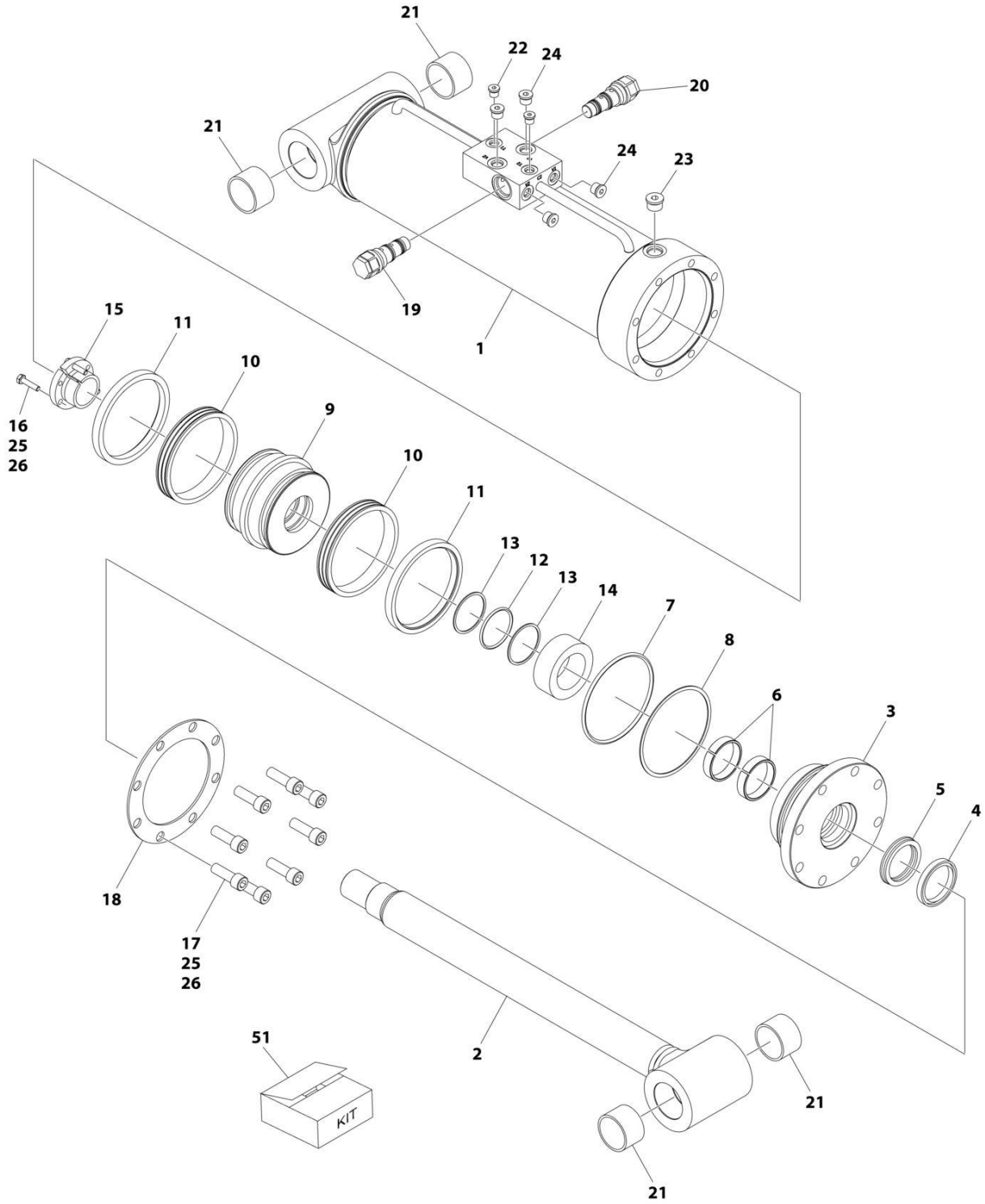
SECTION 6 - CYLINDER

FIGURE 6-2. AXLE LOCKOUT CYLINDER ASSEMBLY

ITEM	PART NUMBER	QTY	DESCRIPTION	REV
	1001228019	Ref	AXLE LOCKOUT CYLINDER ASSEMBLY	D
		Ref	Note: Original Cylinder May Have Been Replaced with Service Replacement. Identify PN Stamped on Cylinder Before Ordering Parts.	
1	See Note	NSS	Barrel (Note: Not Available for Purchase)	
2	70006520	1	Rod	
3	70006474	1	Head	
4	See Note	NSS	Wiper (Note: Use Item 51)	
5	See Note	NSS	Seal, Rod (Note: Use Item 51)	
6	See Note	NSS	Ring, Wear (Note: Use Item 51)	
7	See Note	NSS	O-Ring (Note: Use Item 51)	
8	See Note	NSS	Ring, Back-up (Note: Use Item 51)	
9	70006473	1	Piston	
10	See Note	NSS	Seal (Note: Use Item 51)	
11	See Note	NSS	Ring, Lock (Note: Use Item 51)	
12	See Note	NSS	O-Ring (Note: Use Item 51)	
13	See Note	NSS	Ring, Back-up (Note: Use Item 51)	
14	0961896	1	Bushing	
15	0630535	3	Bolt 1/4 x 1-1/8	
16	3931824	8	Bolt 1/2 x 1-1/2	
17	4641276	2	Cartridge, Valve Options: (Counterbalance)	
17	2900770	2	Seal Kit - 4641276 Valve (1 Per Assembly)	
18	4640858	2	Valve, Bleeder	
19	0961950	4	Bearing	
21	2220885	4	Plug, O-Ring	
22	0100011	AR	Compound, Locking	
23	0100038	AR	Primer, Locking	
51	2902087	1	Seal Kit (Includes Items 4-8 & 10-13)	

SECTION 6 - CYLINDER

FIGURE 6-3. PLATFORM LEVEL CYLINDER ASSEMBLY - WITHOUT COLD WEATHER PLUS PACKAGE



ART_1001228023

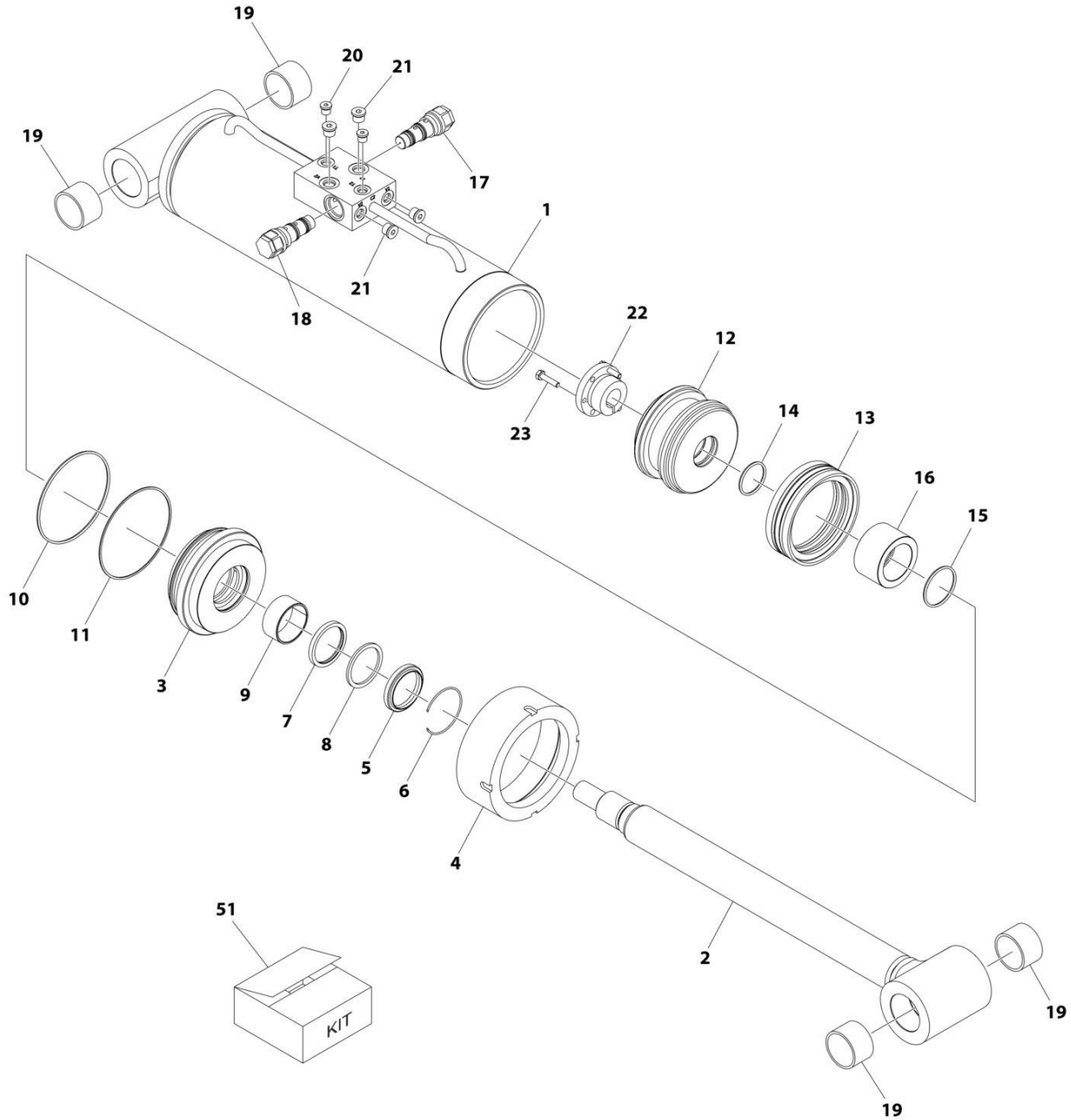
SECTION 6 - CYLINDER

FIGURE 6-3. PLATFORM LEVEL CYLINDER ASSEMBLY - WITHOUT COLD WEATHER PLUS PACKAGE

ITEM	PART NUMBER	QTY	DESCRIPTION	REV
	1001228023	Ref	PLATFORM LEVEL CYLINDER ASSEMBLY - WITHOUT COLD WEATHER PLUS PACKAGE	C
		Ref	Note: Original Cylinder May Have Been Replaced with Service Replacement. Identify PN Stamped on Cylinder Before Ordering Parts.	
1	See Note	NSS	Barrel (Note: Not Available for Purchase)	
2	70006550	1	Rod	
3	70006549	1	Head	
4	See Note	NSS	Wiper, Rod (Note: Use Item 51)	
5	See Note	NSS	Seal, Rod (Note: Use Item 51)	
6	See Note	NSS	Ring, Wear (Note: Use Item 51)	
7	See Note	NSS	O-Ring (Note: Use Item 51)	
8	See Note	NSS	Ring, Back-up (Note: Use Item 51)	
9	70006548	1	Piston	
10	See Note	NSS	Ring, Guide (Note: Use Item 51)	
11	See Note	NSS	Ring, Lock (Note: Use Item 51)	
12	See Note	NSS	O-Ring (Note: Use Item 51)	
13	See Note	NSS	Ring, Back-up (Note: Use Item 51)	
14	70006547	1	Spacer	
15	0961896	1	Bushing, Tapered	
16	0630535	3	Capscrew 1/4 x 1-1/8	
17	3931824	8	Capscrew 1/2 x 1-1/2	
18	3760371	1	Ring, Washer	
19	4641248	1	Cartridge, Counterbalance Valve (Non-Vented)	
19	See Note	NSS	Seal Kit - 4641248 Cartridge Valve (Note: Use p/n 4641248)	
20	4640509	1	Cartridge, Holding Valve (Non-Vented)	
20	2900792	1	Seal Kit - 4640509 Cartridge Valve	
21	0961949	4	Bushing	
22	2220883	4	Plug, O-Ring	
23	2220886	1	Plug, O-Ring	
24	2220885	2	Plug, O-Ring	
25	0100011	AR	Compound, Locking	
26	0100038	AR	Primer, Locking	
51	2902087	1	Seal Kit Options (Includes Items 4-8 & 10-13)	

SECTION 6 - CYLINDER

FIGURE 6-4. PLATFORM LEVEL CYLINDER ASSEMBLY - WITH COLD WEATHER PLUS PACKAGE



ART_1001228053

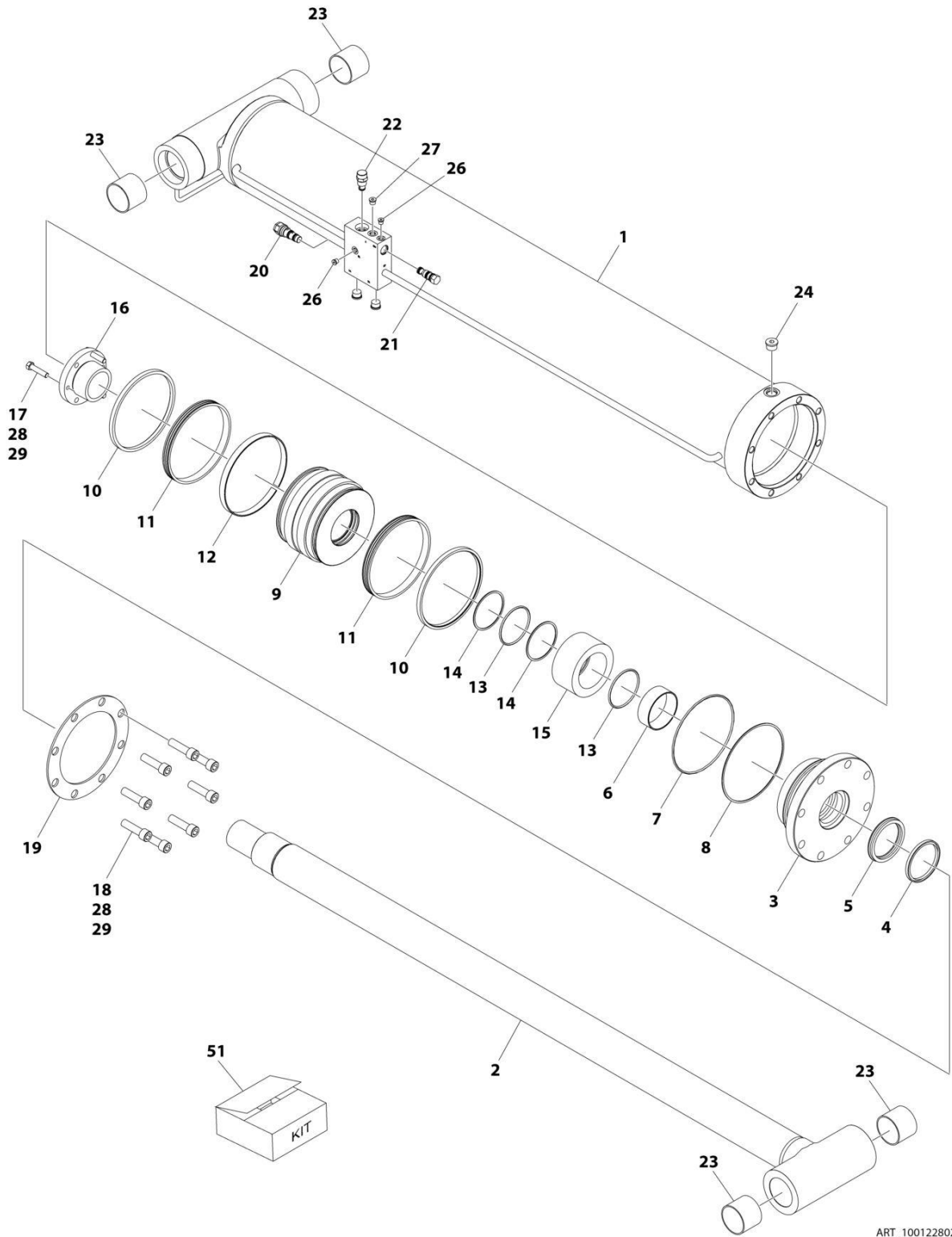
SECTION 6 - CYLINDER

FIGURE 6-4. PLATFORM LEVEL CYLINDER ASSEMBLY - WITH COLD WEATHER PLUS PACKAGE

ITEM	PART NUMBER	QTY	DESCRIPTION	REV
	1001228053	Ref	PLATFORM LEVEL CYLINDER ASSEMBLY - WITH COLD WEATHER PLUS PACKAGE	B
		Ref	Note: Original Cylinder May Have Been Replaced with Service Replacement. Identify PN Stamped on Cylinder Before Ordering Parts.	
1	See Note	NSS	Barrel (Note: Not Available for Purchase)	
2	70007015	1	Rod	
3	70007016	1	Head	
4	70007017	1	Cap, Cylinder	
5	See Note	NSS	Wiper, Rod (Note: Use Item 51)	
6	70002412	1	Retainer	
7	See Note	NSS	Seal, Rod (Note: Use Item 51)	
8	See Note	NSS	Ring, Back-up (Note: Use Item 51)	
9	70005153	1	Ring, Wear	
10	See Note	NSS	O-Ring (Note: Use Item 51)	
11	See Note	NSS	Ring, Back-up (Note: Use Item 51)	
12	70007018	1	Piston	
13	See Note	NSS	Seal, Piston (Note: Use Item 51)	
14	See Note	NSS	O-Ring (Note: Use Item 51)	
15	See Note	NSS	O-Ring (Note: Use Item 51)	
16	70007019	1	Spacer	
17	4640509	1	Cartridge, Holding Valve (Non-Vented)	
17	2900792	1	Seal Kit - 4640509 Cartridge Valve	
18	4641248	1	Cartridge, Counterbalance Valve (Non-Vented)	
18	70004186	1	Seal Kit - 4641248 Cartridge Valve	
19	0961949	4	Bushing	
20	2220883	2	Plug, O-Ring	
21	2220885	4	Plug, O-Ring	
22	0961894	1	Bushing, Tapered	
23	0630535	3	Capscrew 1/4 x 1-1/8	
51	70007020	1	Seal Kit Options (Includes Items 5, 7, 8, 10, 11 & 13-15)	

SECTION 6 - CYLINDER

FIGURE 6-5. LIFT CYLINDER ASSEMBLY



ART_1001228024

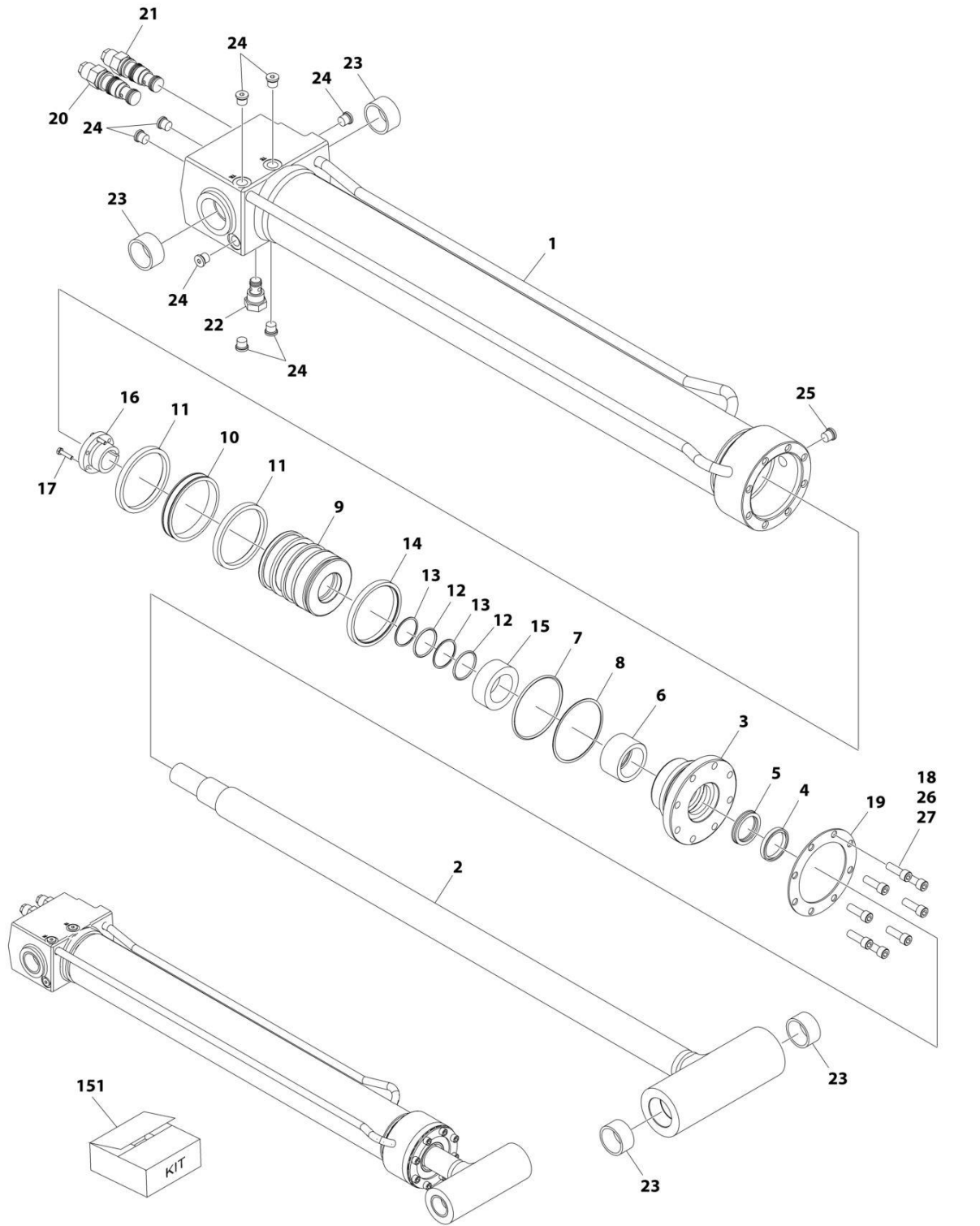
SECTION 6 - CYLINDER

FIGURE 6-5. LIFT CYLINDER ASSEMBLY

ITEM	PART NUMBER	QTY	DESCRIPTION	REV
	1001228024	Ref	LIFT CYLINDER ASSEMBLY	D
		Ref	Note: Original Cylinder May Have Been Replaced with Service Replacement. Identify PN Stamped on Cylinder Before Ordering Parts.	
1	See Note	NSS	Barrel (Note: Not Available for Purchase)	
2	70006530	1	Rod	
3	70006529	1	Head	
4	See Note	NSS	Wiper, Rod (Note: Use Item 51)	
5	See Note	NSS	Seal, Rod (Note: Use Item 51)	
6	See Note	NSS	Ring, Wear (Note: Use Item 51)	
7	See Note	NSS	O-Ring (Note: Use Item 51)	
8	See Note	NSS	Ring, Back-up (Note: Use Item 51)	
9	70006528	1	Piston	
10	See Note	NSS	Ring, Lock (Note: Use Item 51)	
11	See Note	NSS	Ring, Guide (Note: Use Item 51)	
12	See Note	NSS	Ring, Wear (Note: Use Item 51)	
13	See Note	NSS	O-Ring (Note: Use Item 51)	
14	See Note	NSS	Ring, Back-up (Note: Use Item 51)	
15	70006527	1	Spacer	
16	0961901	1	Bushing, Tapered	
17	0630537	3	Capscrew	
18	3932244	8	Capscrew 3/4 x 2-3/4	
19	3760375	1	Ring, Washer	
20	4640509	1	Cartridge, Holding Valve (Non-Vented)	
20	2900792	1	Seal Kit - 4640509 Cartridge Valve	
21	4640438	1	Cartridge, Check Valve	
21	2900770	1	Seal Kit - 4640438 Cartridge Valve	
22	4641210	1	Cartridge, Pressure Regulator Valve	
22	7010545	1	Seal Kit - 4641210 Cartridge Valve	
23	0962297	4	Bushing	
24	2220888	1	Plug, O-Ring	
26	2220883	2	Plug, O-Ring	
27	2220885	1	Plug, O-Ring	
28	0100011	AR	Compound, Locking	
29	0100038	AR	Primer, Locking	
51	1001174325	1	Seal Kit (Includes Items 4-8 & 10-14)	

SECTION 6 - CYLINDER

FIGURE 6-6. JIB CYLINDER ASSEMBLY - WITH OR WITHOUT COLD WEATHER PLUS PACKAGE



ART_1001228025

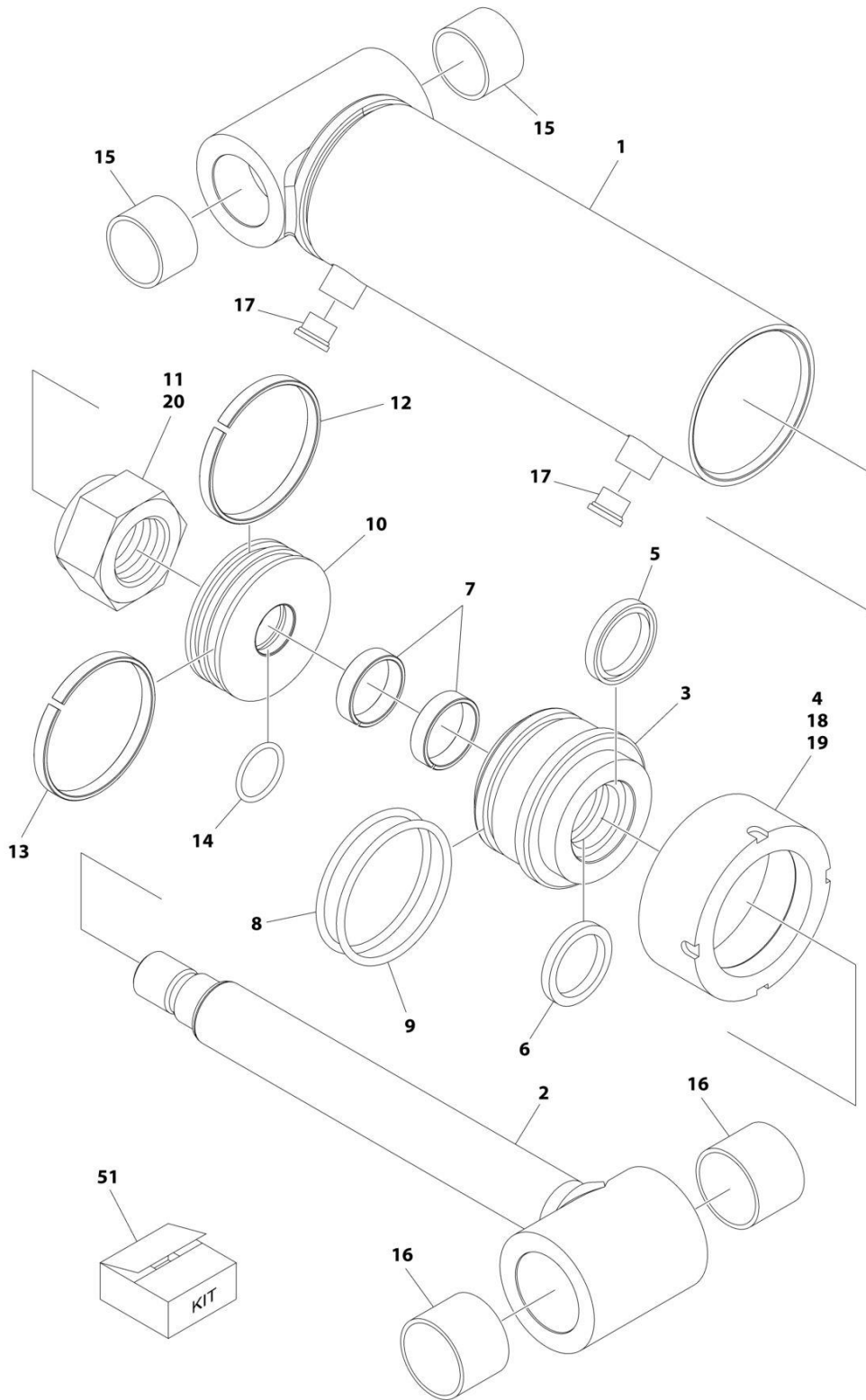
SECTION 6 - CYLINDER

FIGURE 6-6. JIB CYLINDER ASSEMBLY - WITH OR WITHOUT COLD WEATHER PLUS PACKAGE

ITEM	PART NUMBER	QTY	DESCRIPTION	REV
	1001228025	Ref	JIB CYLINDER ASSEMBLY	G
		Ref	Note: Original Cylinder May Have Been Replaced with Service Replacement. Identify PN Stamped on Cylinder Before Ordering Parts.	
1	See Note	NSS	Barrel (Note: Not Available for Purchase)	
2	70006526	1	Rod	
3	70006525	1	Head	
4	See Note	NSS	Wiper, Rod (Note: Use Item 151)	
5	See Note	NSS	Seal (Note: Use Item 151)	
6	See Note	NSS	Ring, Wear (Note: Use Item 151)	
7	See Note	NSS	O-Ring (Note: Use Item 151)	
8	See Note	NSS	Ring, Back-up (Note: Use Item 151)	
9	70006524	1	Piston	
10	See Note	NSS	Seal (Note: Use Item 151)	
11	See Note	NSS	Ring, Wear (Note: Use Item 151)	
12	See Note	NSS	O-Ring (Note: Use Item 151)	
13	See Note	NSS	Ring, Back-up (Note: Use Item 151)	
14	See Note	NSS	Seal (Note: Use Item 151)	
15	70006523	1	Spacer	
16	0961893	1	Bushing, Tapered	
17	0630534	3	Capscrew #10 x 1	
18	3931516	8	Capscrew 5/16 x 1	
19	3760368	1	Ring, Washer	
20	4641260	1	Cartridge, Counterbalance (Port above V1)	
20	2900770	1	Seal Kit - 4641260 Cartridge Valve (1 Per Valve)	
21	4640452	1	Cartridge, Counterbalance (Port above V2)	
21	2900770	1	Seal Kit - 4640452 Cartridge Valve (1 Per Valve)	
22	4641114	1	Cartridge, Restricted/Check	
22	7012967	1	Seal Kit - 4641114 Cartridge Valve (1 Per Valve)	
23	0962257	4	Bushing	
24	2220883	8	Plug, O-Ring	
25	2220885	AR	Plug, O-Ring	
26	0100011	AR	Compound, Locking	
27	0100038	AR	Primer, Locking	
151	1001138805	1	Seal Kit (Includes Items 4-8 & 10-14)	

SECTION 6 - CYLINDER

FIGURE 6-7. STEER CYLINDER ASSEMBLY



ART_1001228031

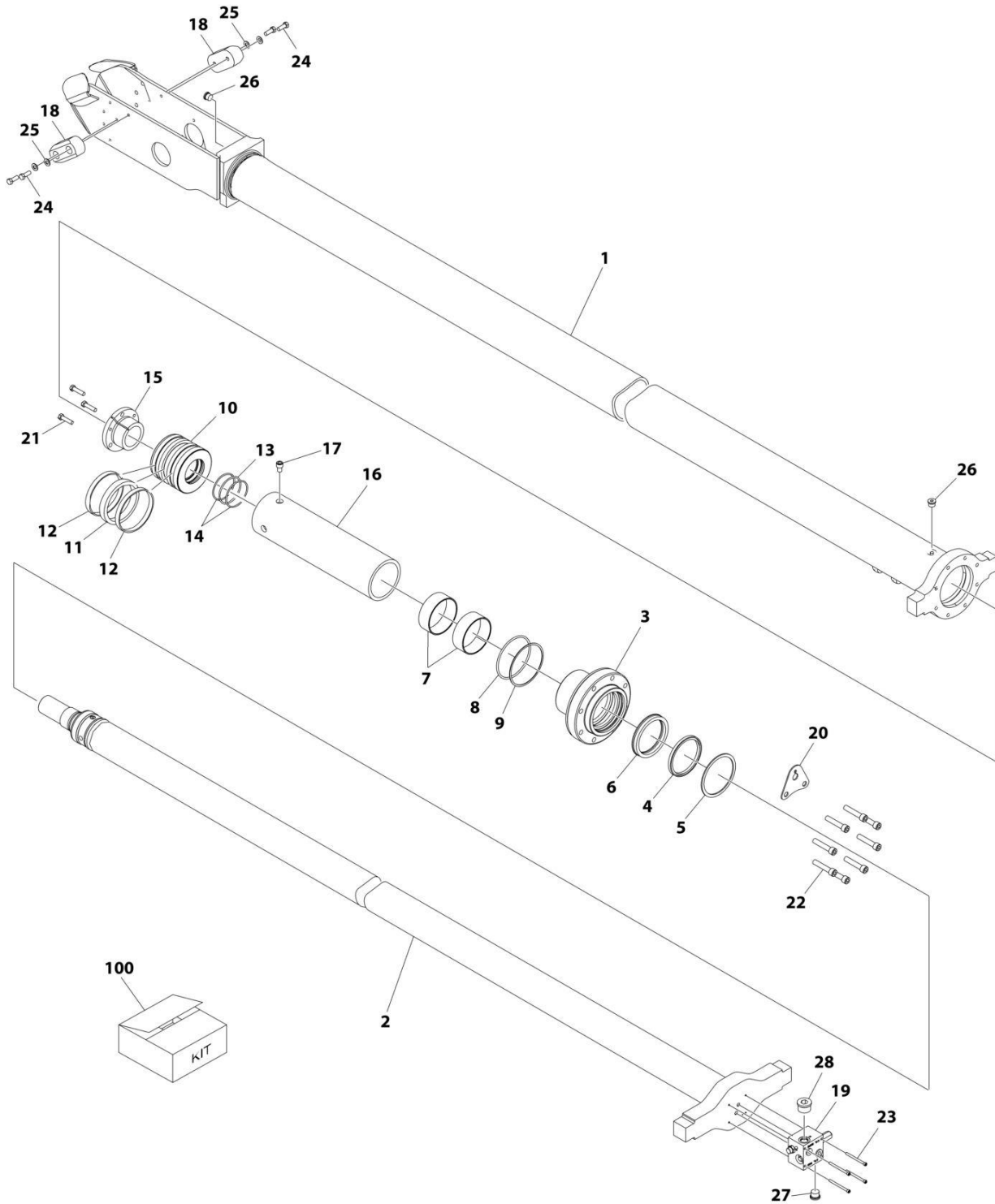
SECTION 6 - CYLINDER

FIGURE 6-7. STEER CYLINDER ASSEMBLY

ITEM	PART NUMBER	QTY	DESCRIPTION	REV
	1001228031	Ref	STEER CYLINDER ASSEMBLY	C
		Ref	Note: Original Cylinder May Have Been Replaced with Service Replacement. Identify PN Stamped on Cylinder Before Ordering Parts.	
1	See Note	NSS	Barrel (Note: Not Available for Purchase)	
2	70006493	1	Rod	
3	70006492	1	Head	
4	70006491	1	Cap, Cylinder	
5	See Note	NSS	Wiper (Note: Use Item 51)	
6	See Note	NSS	Seal, Piston (Note: Use Item 51)	
7	See Note	NSS	Ring, Wear (Note: Use Item 51)	
8	See Note	NSS	O-Ring (Note: Use Item 51)	
9	See Note	NSS	Ring, Back-up (Note: Use Item 51)	
10	70006490	1	Piston	
11	3300465	1	Nut	
12	See Note	1	Seal (Note: Use Item 51)	
13	See Note	1	Ring, Wear (Note: Use Item 51)	
14	See Note	1	O-Ring (Note: Use Item 51)	
15	0961949	2	Bushing	
16	0961950	2	Bushing	
17	2220885	2	Plug (With O-Ring)	
18	0100011	AR	Compound, Locking	
19	0100038	AR	Primer, Locking	
20	0100019	AR	Compound, Locking	
51	2902257	1	Seal Kit (Includes Items 5-9 & 12-14)	

SECTION 6 - CYLINDER

FIGURE 6-8. TELESCOPE CYLINDER ASSEMBLY (1200SJP)



ART_1001228026

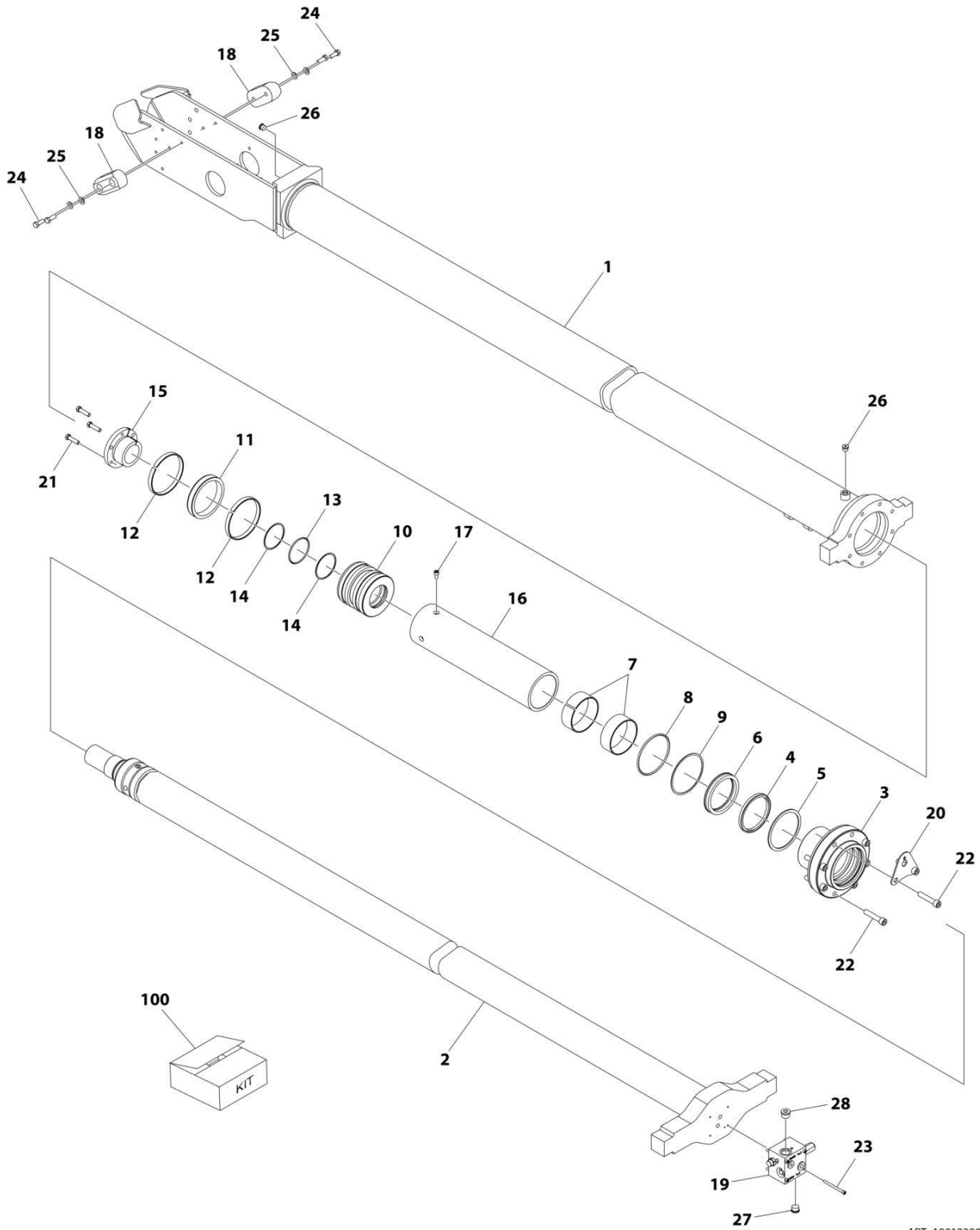
SECTION 6 - CYLINDER

FIGURE 6-8. TELESCOPE CYLINDER ASSEMBLY (1200SJP)

ITEM	PART NUMBER	QTY	DESCRIPTION	REV
	1001228026	Ref	TELESCOPE CYLINDER ASSEMBLY	C
		Ref	Note: Original Cylinder May Have Been Replaced with Service Replacement. Identify PN Stamped on Cylinder Before Ordering Parts.	
1	See Note	NSS	Barrel (Note: Not Available for Purchase)	
2	70006656	1	Rod	
3	70006657	1	Head	
4	See Note	NSS	Wiper (Note: Use Item 100)	
5	See Note	NSS	Ring, Retaining (Note: Use Item 100)	
6	See Note	NSS	Seal, Rod (Note: Use Item 100)	
7	See Note	NSS	Ring, Wear (Note: Use Item 100)	
8	See Note	NSS	O-Ring (Note: Use Item 100)	
9	See Note	NSS	Ring, Back-up (Note: Use Item 100)	
10	70006658	1	Piston	
11	See Note	NSS	Seal (Note: Use Item 100)	
12	See Note	NSS	Ring, Wear (Note: Use Item 100)	
13	See Note	NSS	O-Ring (Note: Use Item 100)	
14	See Note	NSS	Ring, Back-up (Note: Use Item 100)	
15	0961903	1	Bushing, Tapered	
16	70006659	1	Spacer	
17	3931608	1	Capscrew 3/8 x 1	
18	3340963	2	Pad, Wear	
19	4641256	1	Valve Assembly	
19	2220884	1	Plug, SAE #5 (With O-Ring)	
19	2220885	1	Plug, SAE #6 (With O-Ring)	
20	0902743	1	Bracket	
21	0630536	3	Capscrew	
22	3931840	8	Capscrew 1/2 x 2-1/2	
23	3931448	4	Capscrew 1/4 x 3	
24	0641608	4	Bolt 3/8 x 1	
25	4711600	4	Washer 3/8	
26	2220885	2	Plug, O-Ring	
27	2220886	1	Plug, O-Ring	
28	70005433	1	Plug, O-Ring	
100	2902081	1	Seal Kit (Includes Items 4-9 & 11-14)	

SECTION 6 - CYLINDER

FIGURE 6-9. TELESCOPE CYLINDER ASSEMBLY (1350SJP)



ART_1001228021

SECTION 6 - CYLINDER

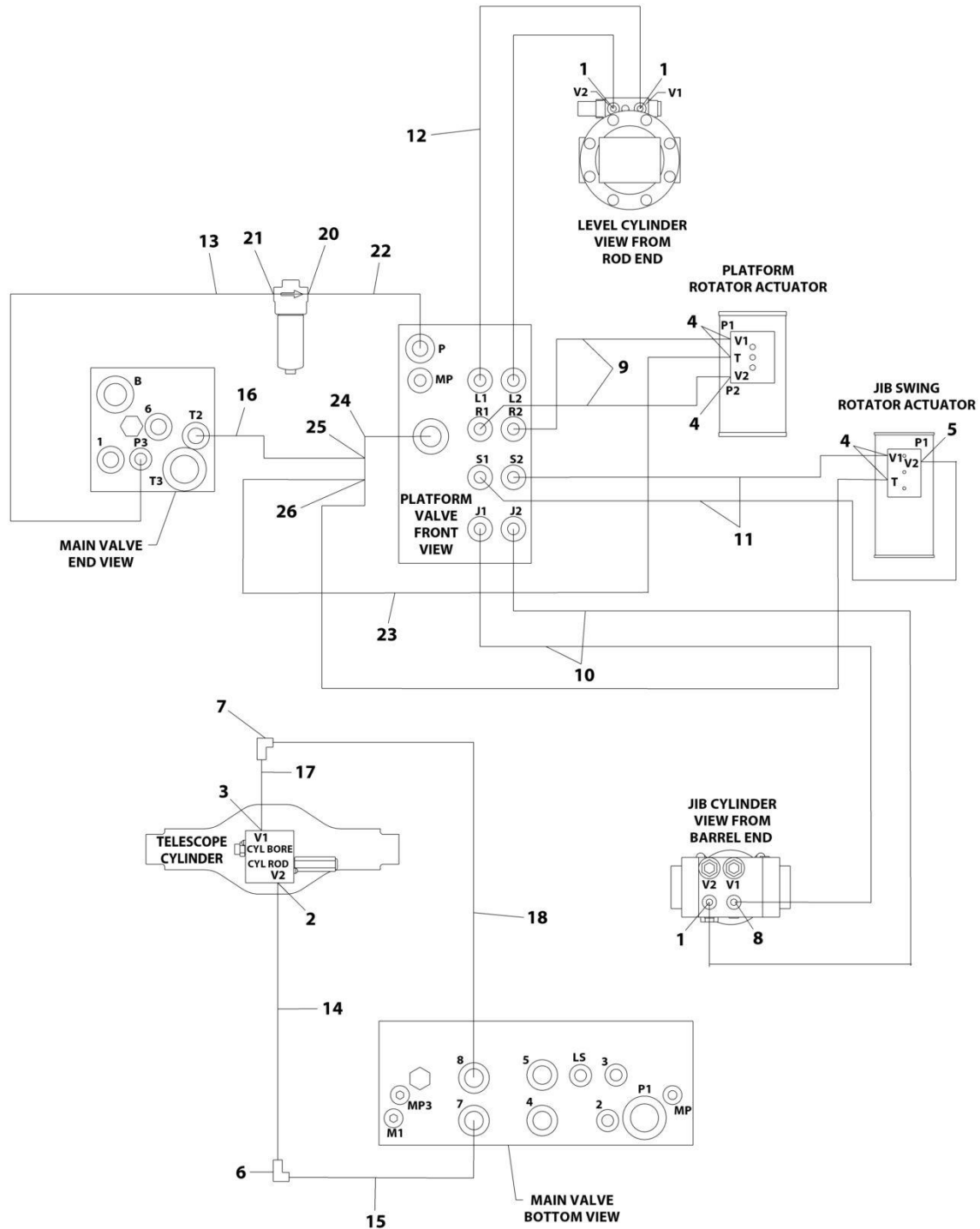
FIGURE 6-9. TELESCOPE CYLINDER ASSEMBLY (1350SJP)

ITEM	PART NUMBER	QTY	DESCRIPTION	REV
	1001228021	Ref	TELESCOPE CYLINDER ASSEMBLY	C
		Ref	Note: Original Cylinder May Have Been Replaced with Service Replacement. Identify PN Stamped on Cylinder Before Ordering Parts.	
1	See Note	NSS	Barrel (Note: Not Available for Purchase)	
2	70006697	1	Rod	
3	70006657	1	Head	
4	See Note	NSS	Wiper (Note: Use Item 100)	
5	See Note	NSS	Ring, Retaining (Note: Use Item 100)	
6	See Note	NSS	Seal, Rod (Note: Use Item 100)	
7	See Note	NSS	Ring, Wear (Note: Use Item 100)	
8	See Note	NSS	O-Ring (Note: Use Item 100)	
9	See Note	NSS	Ring, Back-up (Note: Use Item 100)	
10	70006658	1	Piston	
11	See Note	NSS	Seal (Note: Use Item 100)	
12	See Note	NSS	Ring, Wear (Note: Use Item 100)	
13	See Note	NSS	O-Ring (Note: Use Item 100)	
14	See Note	NSS	Ring, Back-up (Note: Use Item 100)	
15	0961903	1	Bushing, Tapered	
16	70006698	1	Spacer	
17	70006631	1	Capscrew M8 x 16	
18	3340963	2	Pad, Wear	
19	4641256	1	Valve Assembly	
19	2220884	1	Plug, SAE #5 (With O-Ring)	
19	2220885	1	Plug, SAE #6 (With O-Ring)	
20	0902743	1	Bracket	
21	0630536	3	Capscrew	
22	3931840	8	Capscrew 1/2 x 2-1/2	
23	3931448	4	Capscrew 1/4 x 3	
24	0641608	4	Bolt 3/8 x 1	
25	4711600	4	Washer 3/8	
26	2220885	2	Plug, O-Ring	
27	2220886	1	Plug, O-Ring	
28	70005433	1	Plug, O-Ring	
100	2902081	1	Seal Kit (Includes Items 4-9 & 11-14)	

SECTION 7 - HYDRAULIC

SECTION 7 - HYDRAULIC

FIGURE 7-1. HYDRAULIC DIAGRAM - BOOM (1200SJP)



ART_1283457_10F7

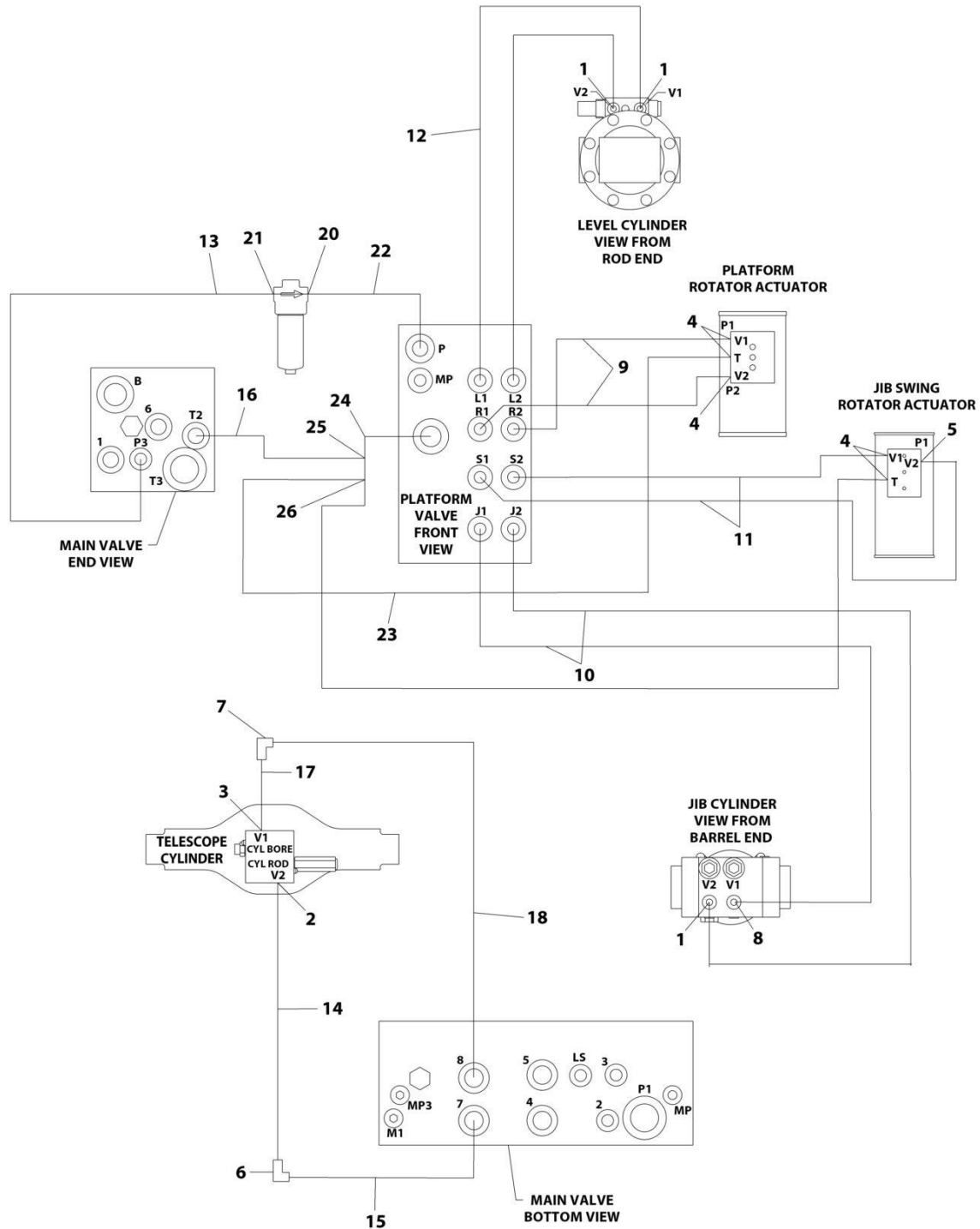
SECTION 7 - HYDRAULIC

FIGURE 7-1. HYDRAULIC DIAGRAM - BOOM (1200SJP)

ITEM	PART NUMBER	QTY	DESCRIPTION	REV
	1283457	Ref	HYDRAULIC DIAGRAM - BOOM	L
	1001098025	Ref	Hydraulic Diagram - Upper Boom	3
1	2110404	3	Fitting, Straight ORFS/ORB	
2	2110808	1	Fitting, Straight ORFS/ORB	
3	2111010	1	Fitting, Straight ORFS/ORB	
4	2150404	5	Fitting, 45 ORFS/ORB	
5	2170204	1	Fitting, 90 ORFS/ORB	
6	2171208	1	Fitting, Elbow	
7	2171210	1	Fitting, Elbow	
8	2180830	1	Fitting, Orifice	
9	2753545	2	Hose	
10	2753717	2	Hose	
11	2753716	3	Hose	
12	2753552	2	Hose	
13	2753810	1	Hose	
14	2753745	1	Hose	
15	2753755	1	Hose	
16	2753811	1	Hose	
17	2753763	1	Hose	
18	2753767	1	Hose	
20	2110612	1	Fitting, Straight ORFS/ORB	
21	2130612	1	Fitting, 90 ORFS/ORB	
22	2717059	1	Hose	
23	2754288	1	Hose	
24	2170708	1	Fitting, Swivel Nut Run Tee ORFS/FSORFS/ORFS	
25	1001097820	1	Fitting, Adapter ORFS/FSORFS	
26	2170704	1	Fitting, Swivel Nut Run Tee ORFS/FSORFS/ORFS	

SECTION 7 - HYDRAULIC

FIGURE 7-2. HYDRAULIC DIAGRAM - BOOM (1350SJP)



ART_1283457_10F7

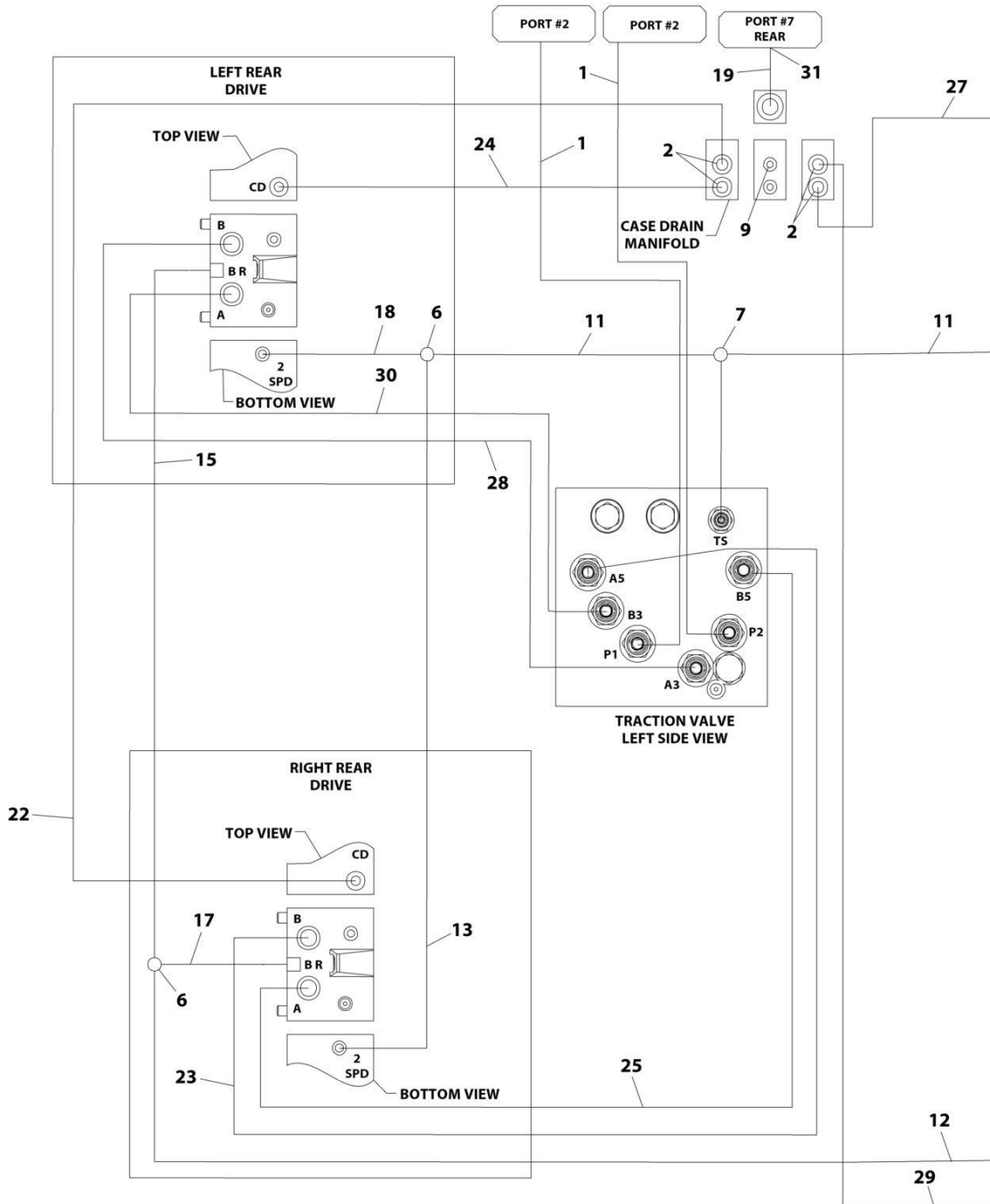
SECTION 7 - HYDRAULIC

FIGURE 7-2. HYDRAULIC DIAGRAM - BOOM (1350SJP)

ITEM	PART NUMBER	QTY	DESCRIPTION	REV
	1283457	Ref	HYDRAULIC DIAGRAM - BOOM	L
	1001098026	Ref	Hydraulic Diagram - Upper Boom	3
1	2110404	3	Fitting, Straight ORFS/ORB	
2	2110808	1	Fitting, Straight ORFS/ORB	
3	2111010	1	Fitting, Straight ORFS/ORB	
4	2150404	5	Fitting, 45 ORFS/ORB	
5	2170204	1	Fitting, 90 ORFS/ORB	
6	2171208	1	Fitting, Elbow	
7	2171210	1	Fitting, Elbow	
8	2180830	1	Fitting, Orifice	
9	2753545	2	Hose	
10	2753717	2	Hose	
11	2753716	3	Hose	
12	2753552	2	Hose	
13	2753740	1	Hose	
14	2753745	1	Hose	
15	2753755	1	Hose	
16	2753751	1	Hose	
17	2753763	1	Hose	
18	2753767	1	Hose	
20	2110612	1	Fitting, Straight ORFS/ORB	
21	2130612	1	Fitting, 90 ORFS/ORB	
22	2717059	1	Hose	
23	2754288	1	Hose	
24	2170708	1	Fitting, Swivel Nut Run Tee ORFS/FSORFS/ORFS	
25	1001097820	1	Fitting, Adapter ORFS/FSORFS	
26	2170704	1	Fitting, Swivel Nut Run Tee ORFS/FSORFS/ORFS	

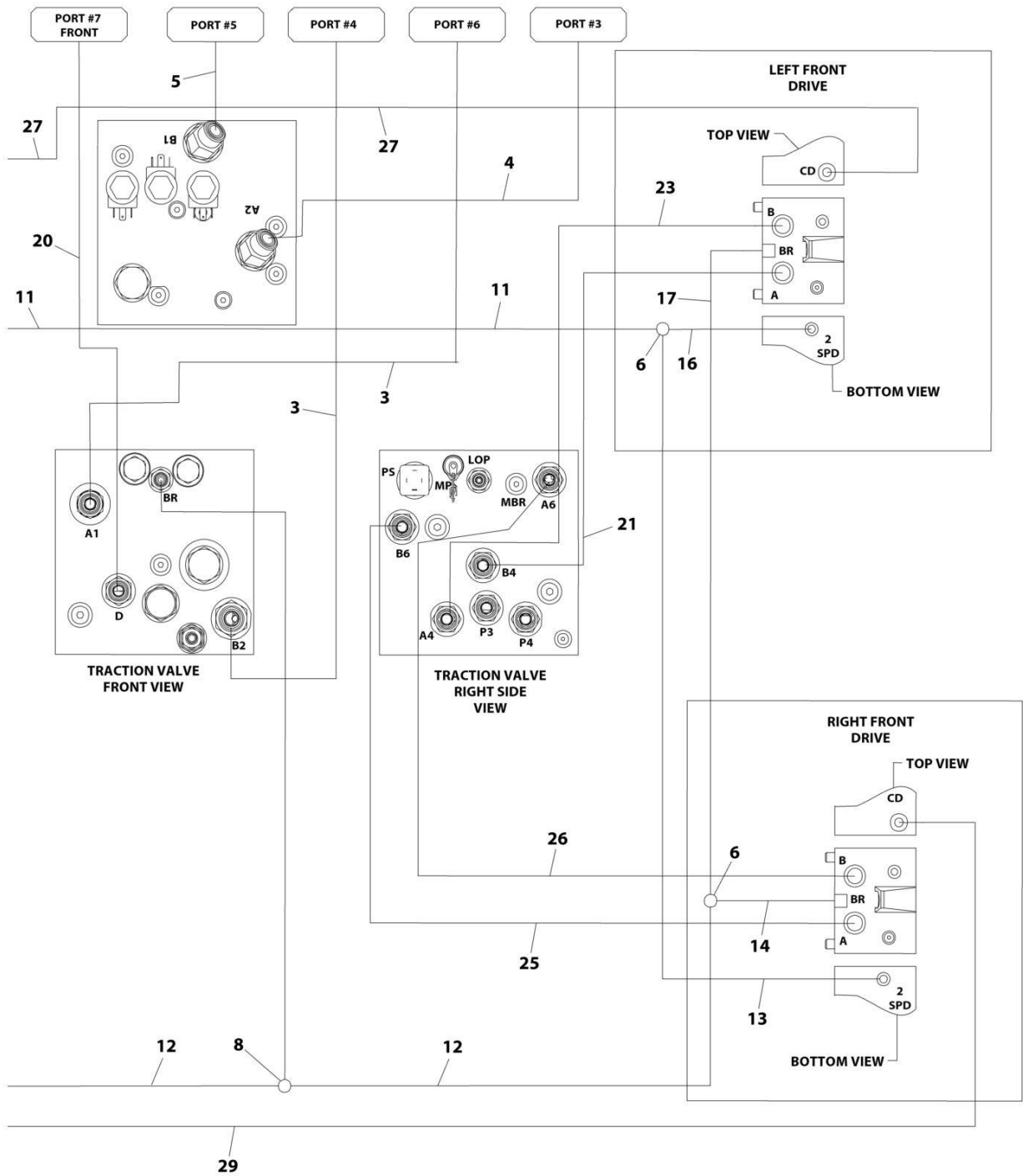
SECTION 7 - HYDRAULIC

FIGURE 7-3. HYDRAULIC DIAGRAM - DRIVE



ART_2792772_10F2

SECTION 7 - HYDRAULIC



ART_2792772_2OF2

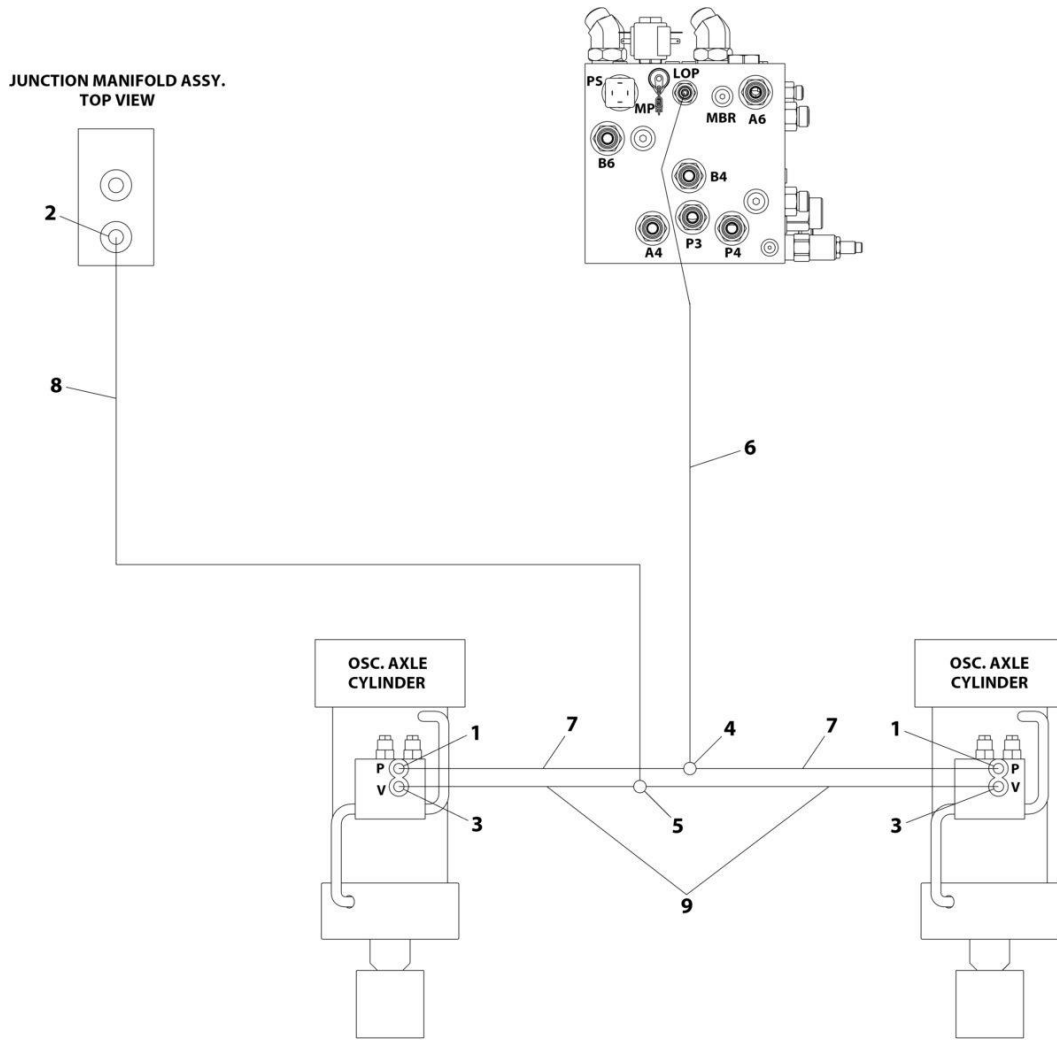
SECTION 7 - HYDRAULIC

FIGURE 7-3. HYDRAULIC DIAGRAM - DRIVE

ITEM	PART NUMBER	QTY	DESCRIPTION	REV
	1283457	Ref	HYDRAULIC DIAGRAM - DRIVE	L
	2792772	Ref	Hydraulic Diagram - Drive Circuit	F
1	2753685	2	Hose	
2	2110808	4	Fitting, Straight ORFS/ORB	
3	2753703	2	Hose	
4	2753764	1	Hose	
5	2753768	1	Hose	
6	2170504	4	Fitting, Tee ORFS	
7	2170704	1	Fitting, Tee ORFS/ORB/ORFS	
8	2170804	1	Fitting, Tee ORFS/ORB/ORFS	
9	2220235	1	Plug	
11	2753541	2	Hose	
12	2753545	2	Hose	
13	2753677	2	Hose	
14	2753714	1	Hose	
15	2753713	1	Hose	
16	2753716	1	Hose	
17	2753715	2	Hose	
18	2753552	1	Hose	
19	2753752	1	Hose	
20	2753582	1	Hose	
21	2753756	1	Hose	
22	2753747	1	Hose	
23	2753757	2	Hose	
24	2753748	1	Hose	
25	2753759	2	Hose	
26	2753760	1	Hose	
27	2753749	1	Hose	
28	2753761	1	Hose	
29	2753750	1	Hose	
30	2753762	1	Hose	
31	2110812	1	Fitting, Straight ORFS/ORB	

SECTION 7 - HYDRAULIC

FIGURE 7-4. HYDRAULIC DIAGRAM - OSCILLATING AXLE



ART_2792647

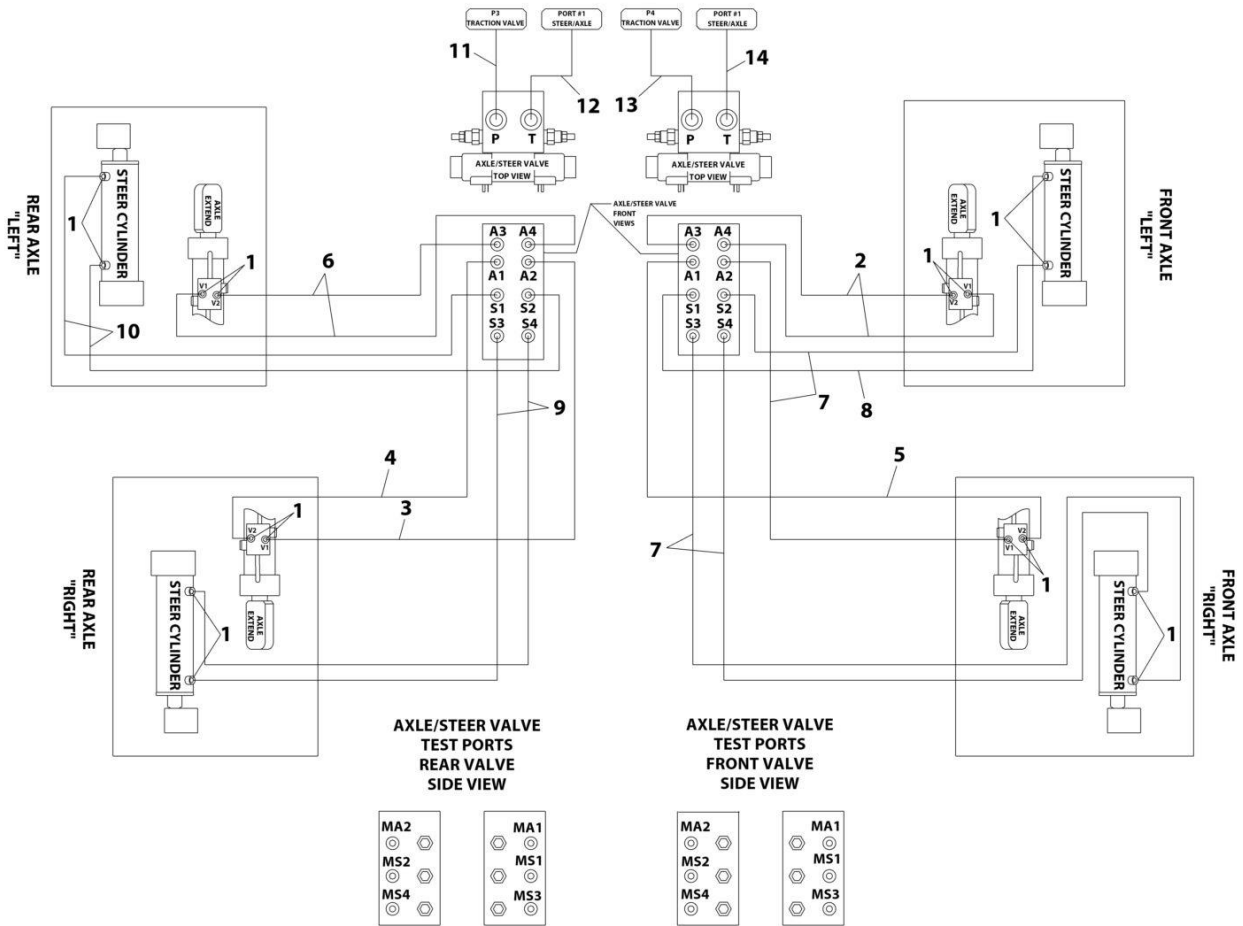
SECTION 7 - HYDRAULIC

FIGURE 7-4. HYDRAULIC DIAGRAM - OSCILLATING AXLE

ITEM	PART NUMBER	QTY	DESCRIPTION	REV
	1283457	Ref	HYDRAULIC DIAGRAM - OSCILLATING AXLE	L
	2792647	Ref	Hydraulic Diagram - Oscillating Axle	4
1	2110406	2	Fitting, Straight ORFS/ORB	
2	2110604	1	Fitting, Straight ORFS/ORB	
3	2110606	2	Fitting, Straight ORFS/ORB	
4	2170504	1	Fitting, Tee ORFS	
5	2170506	1	Fitting, Tee ORFS	
6	2753726	1	Hose	
7	2753719	2	Hose	
8	2753727	1	Hose	
9	2753729	2	Hose	

SECTION 7 - HYDRAULIC

FIGURE 7-5. HYDRAULIC DIAGRAM - STEER



ART_2792773

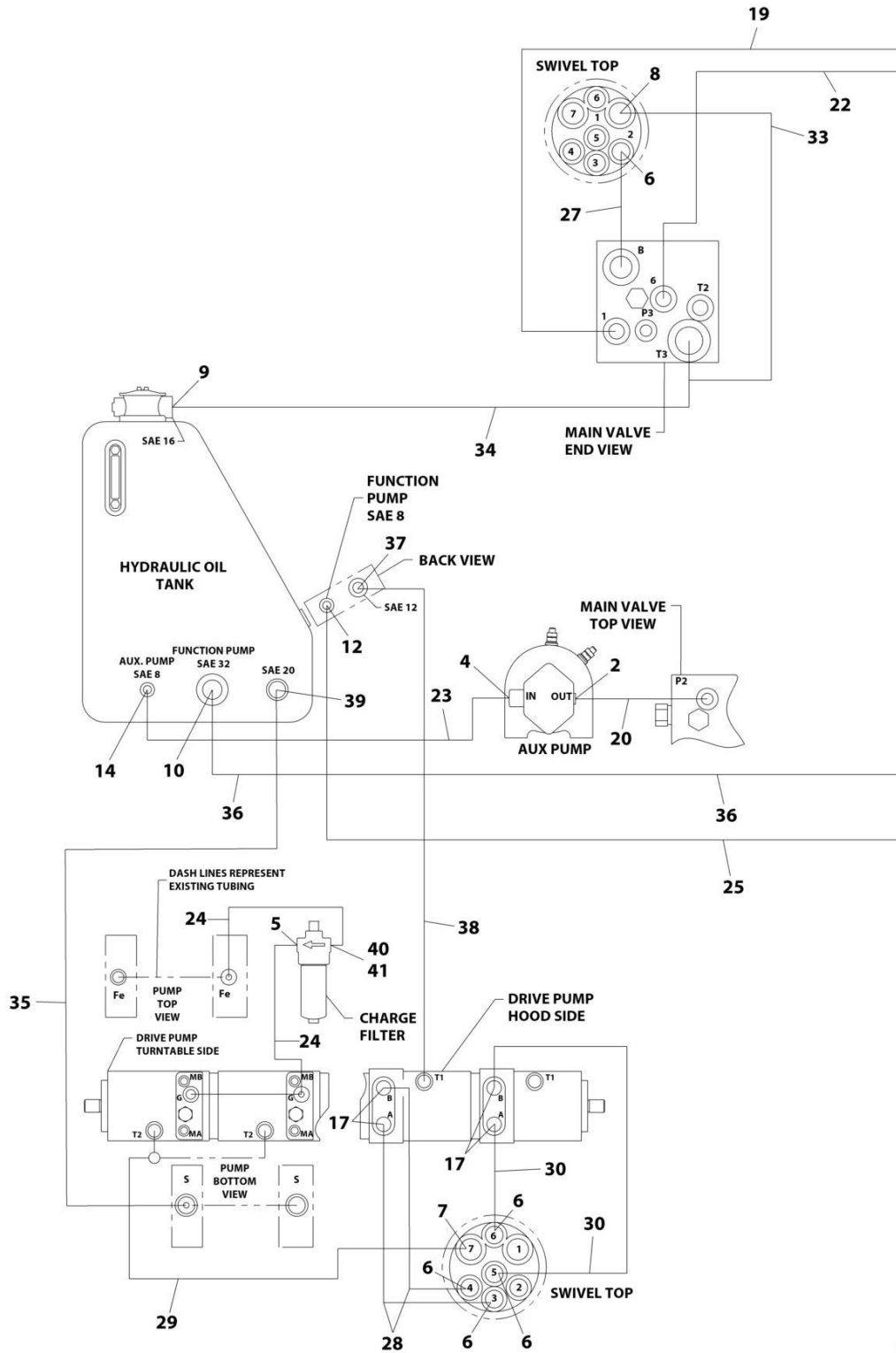
SECTION 7 - HYDRAULIC

FIGURE 7-5. HYDRAULIC DIAGRAM - STEER

ITEM	PART NUMBER	QTY	DESCRIPTION	REV
	1283457	Ref	HYDRAULIC DIAGRAM - STEER	L
	2792773	Ref	Hydraulic Diagram - Steer	2
1	2130606	16	Fitting, 90 ORFS/ORB	
2	2753732	2	Hose	
3	2753733	1	Hose	
4	2753728	1	Hose	
5	2753734	1	Hose	
6	2753735	2	Hose	
7	2753736	4	Hose	
8	2753737	1	Hose	
9	2753738	2	Hose	
10	2753739	2	Hose	
11	2753753	1	Hose	
12	2753742	1	Hose	
13	2753754	1	Hose	
14	2753743	1	Hose	

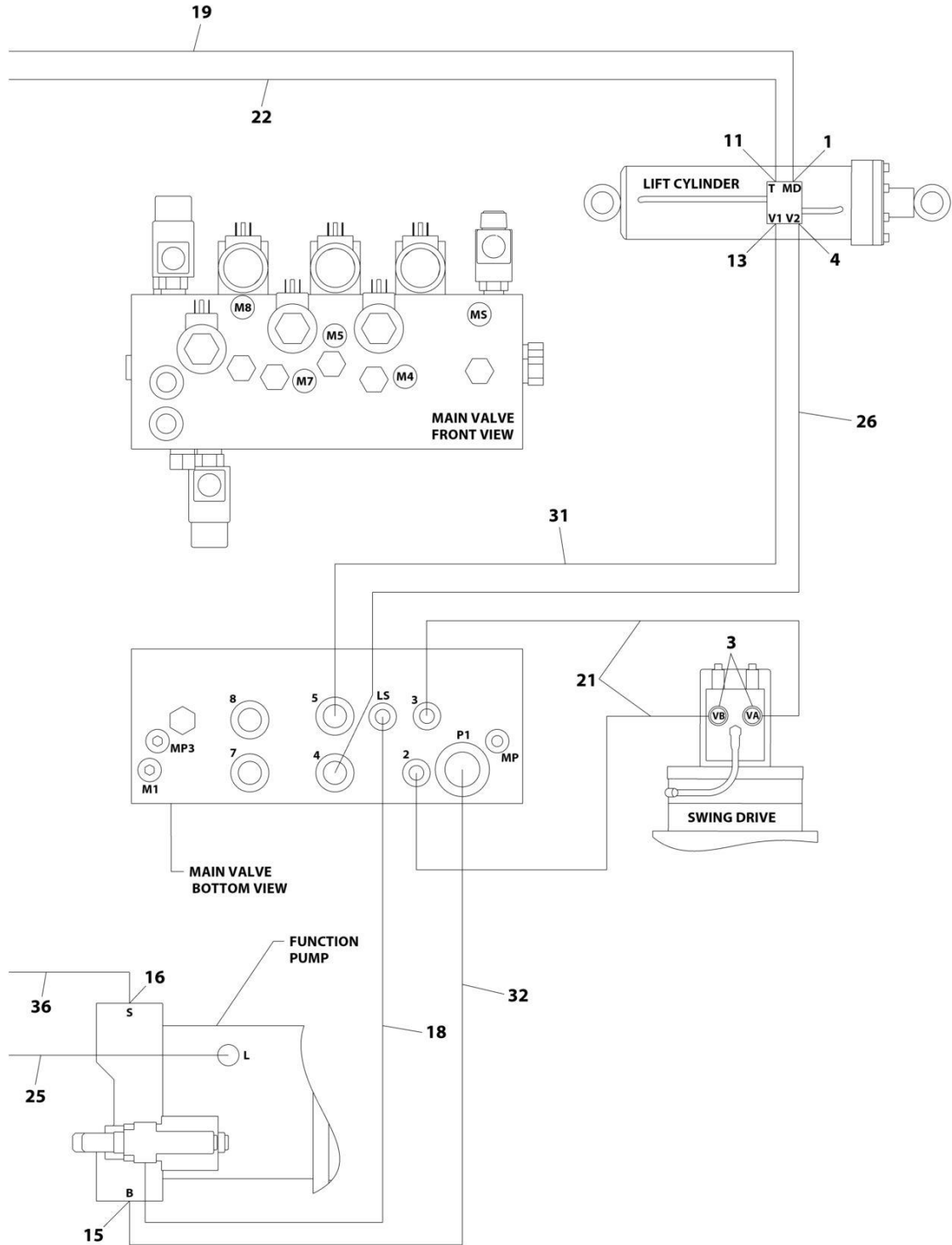
SECTION 7 - HYDRAULIC

FIGURE 7-6. HYDRAULIC DIAGRAM - TURNTABLE (DEUTZ TD2011 ENGINES WITH REXROTH PUMPS)



ART_1283457_60F7

SECTION 7 - HYDRAULIC



ART_1283457_7OF7

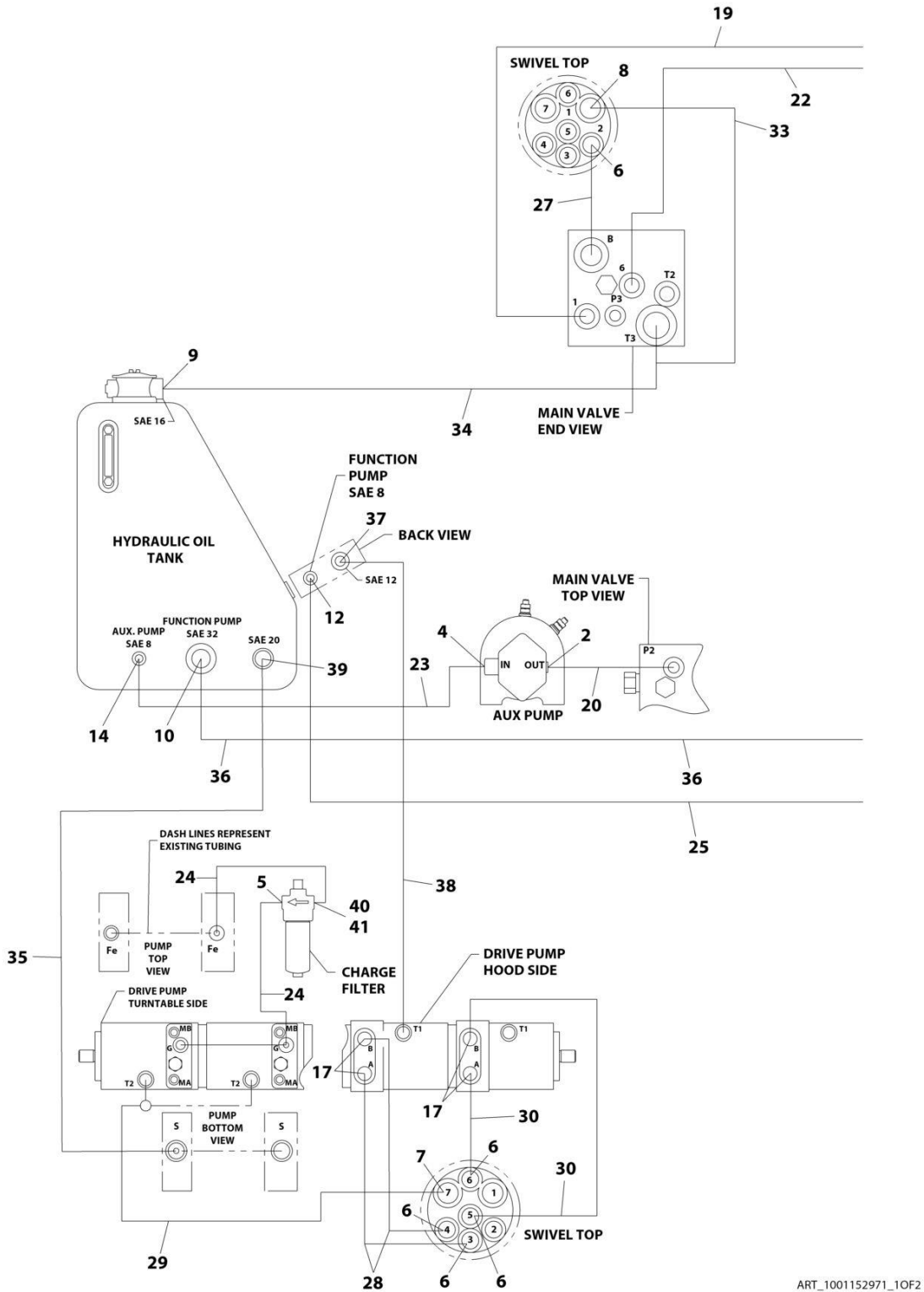
SECTION 7 - HYDRAULIC

FIGURE 7-6. HYDRAULIC DIAGRAM - TURNTABLE (DEUTZ TD2011 ENGINES WITH REXROTH PUMPS)

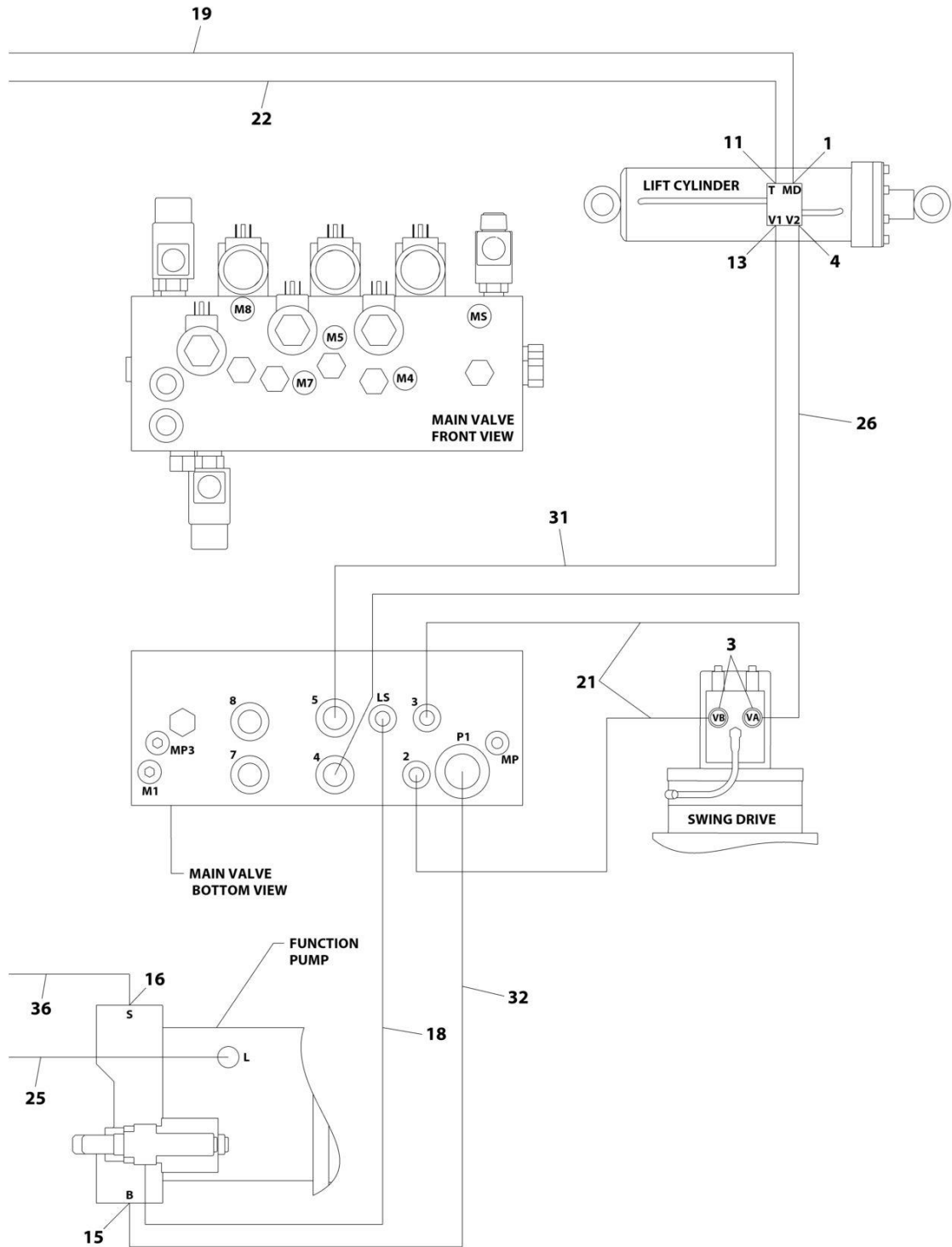
ITEM	PART NUMBER	QTY	DESCRIPTION	REV
	1283457	Ref	HYDRAULIC DIAGRAM - TURNTABLE (DEUTZ TD2011 ENGINES WITH REXROTH PUMPS)	L
	1001114620	Ref	Hydraulic Diagram - Turntable	B
1	2110404	1	Fitting, Straight ORFS/ORB	
2	2110608	1	Fitting, Straight ORFS/ORB	
3	2110610	2	Fitting, Straight ORFS/ORB	
4	2110810	2	Fitting, Straight ORFS/ORB	
5	2110812	1	Fitting, Straight ORFS/ORB	
6	2111010	5	Fitting, Straight ORFS/ORB	
7	2111012	1	Fitting, Straight ORFS/ORB	
8	2111212	1	Fitting, Straight ORFS/ORB	
9	2111616	1	Fitting, Straight ORFS/ORB	
10	2113232	1	Fitting, Straight ORFS/ORB	
11	2130606	1	Fitting, 90 ORFS/ORB	
12	2130808	1	Fitting, 90 ORFS/ORB	
13	2131010	1	Fitting, 90 ORFS/ORB	
14	2150808	1	Fitting, 45 ORFS/ORB	
15	2220478	1	Flange Kit	
16	2220737	1	Flange Kit	
17	2221117	4	Flange Kit	
18	1001213385	1	Hose	
19	2753718	1	Hose	
20	2753730	1	Hose	
21	2753731	2	Hose	
22	2753734	1	Hose	
23	2753758	1	Hose	
24	2753746	2	Hose	
25	2753741	1	Hose	
26	2753744	1	Hose	
27	2753766	1	Hose	
28	2753769	2	Hose	
29	2753708	1	Hose	
30	2753770	2	Hose	
31	2753765	1	Hose	
32	2753771	1	Hose	
33	2753772	1	Hose	
34	2753774	1	Hose	
35	2753775	1	Hose	
36	2753776	1	Hose	
37	2131212	1	Fitting, 90 ORFS/ORB	
38	2753773	1	Hose	
39	2112020	1	Fitting, Straight ORFS/ORB	
40	2221084	1	Fitting, Tee ORFS/ORFS/ORB	
41	2170908	1	Fitting, Cap ORFS	

SECTION 7 - HYDRAULIC

FIGURE 7-7. HYDRAULIC DIAGRAM - TURNTABLE (DEUTZ TCD2.9L4 ENGINES AND DEUTZ TCD2.9L4 (STAGE V) ENGINES WITH REXROTH PUMPS)



SECTION 7 - HYDRAULIC



ART_1001152971_2OF2

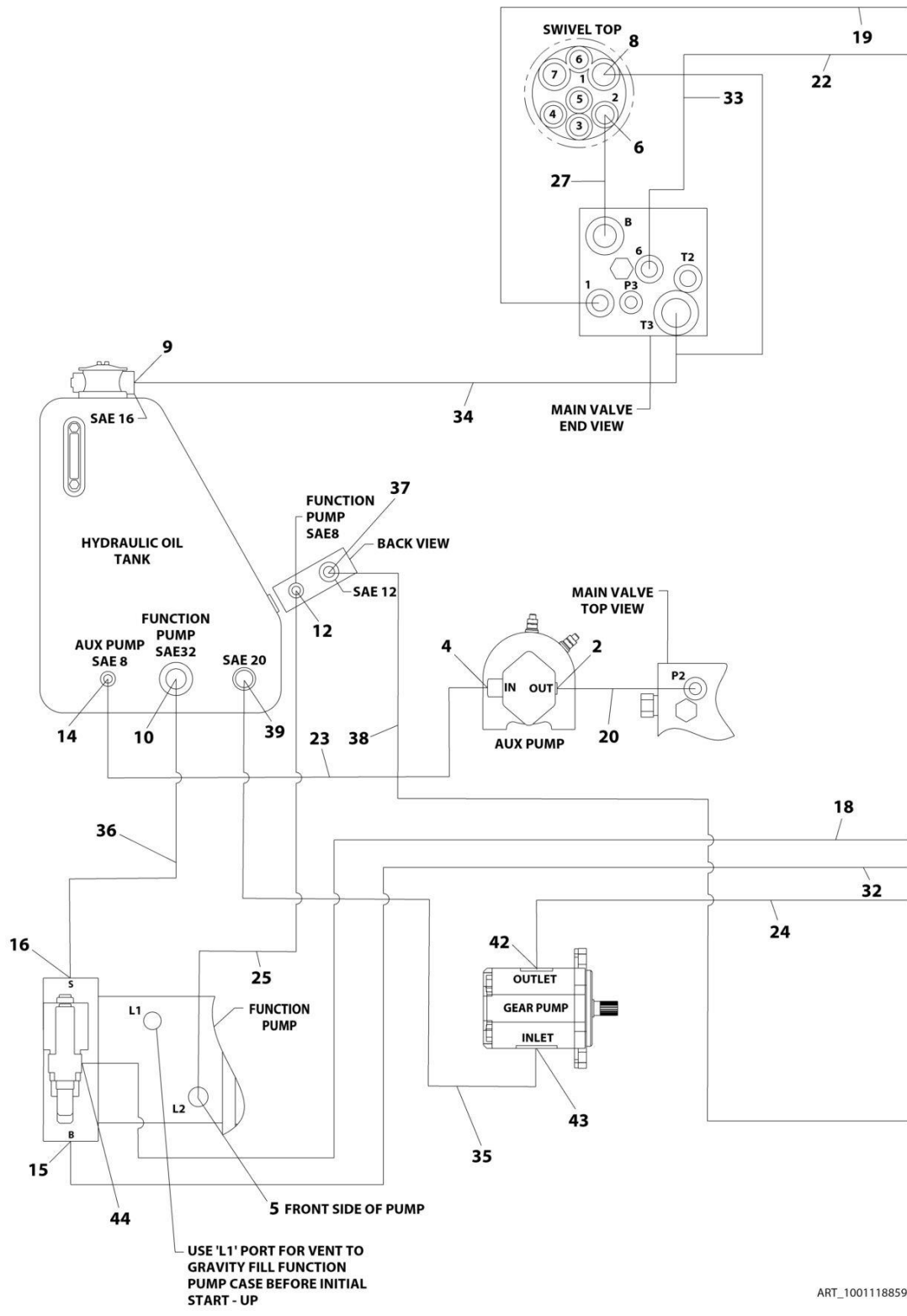
SECTION 7 - HYDRAULIC

FIGURE 7-7. HYDRAULIC DIAGRAM - TURNTABLE (DEUTZ TCD2.9L4 ENGINES AND DEUTZ TCD2.9L4 (STAGE V) ENGINES WITH REXROTH PUMPS)

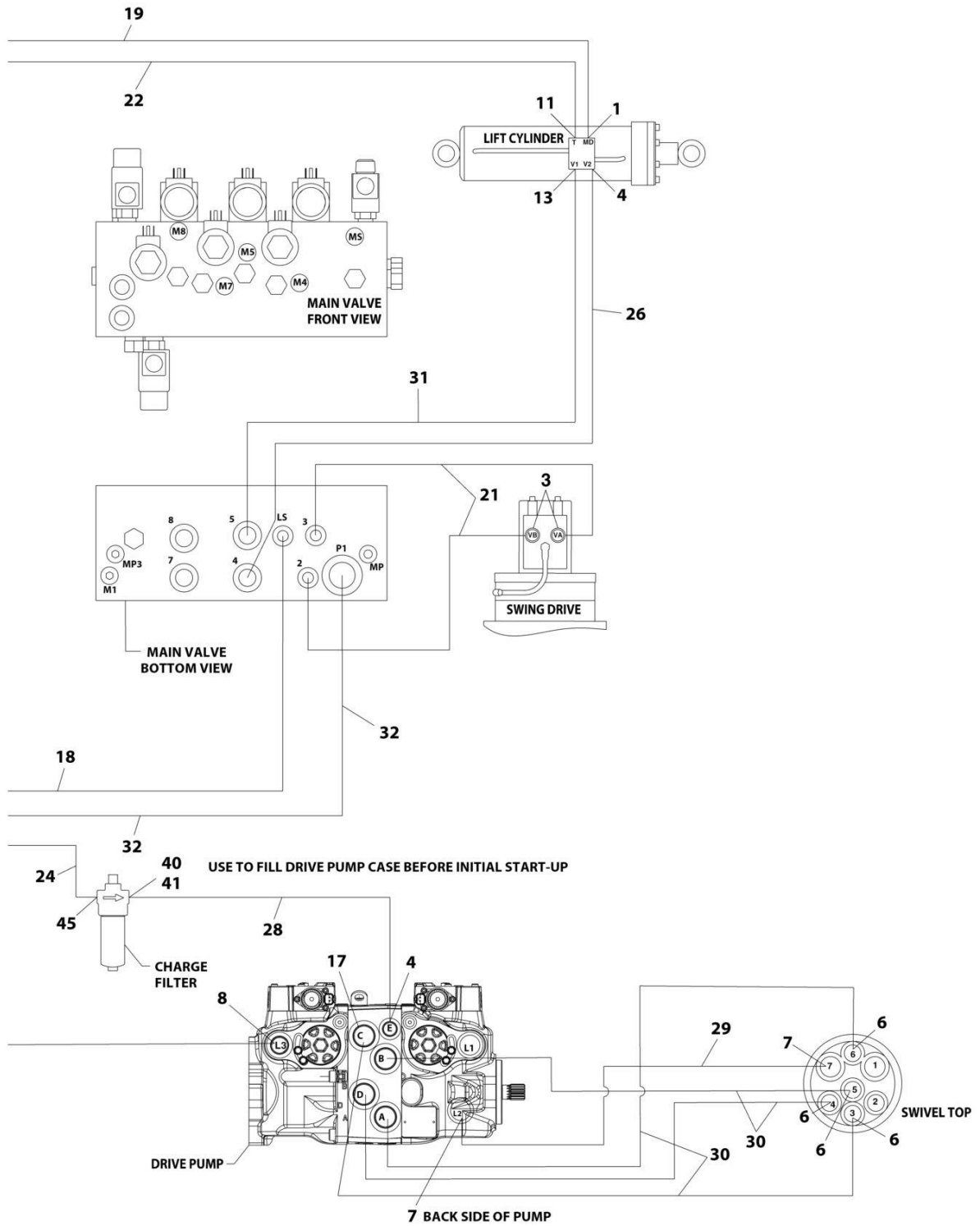
ITEM	PART NUMBER	QTY	DESCRIPTION	REV
	1001152971	Ref	HYDRAULIC DIAGRAM - TURNTABLE (DEUTZ TCD2.9L4 ENGINES AND DEUTZ TCD2.9L4 (STAGE V) ENGINES WITH REXROTH PUMPS)	C
	1001152968	Ref	Hydraulic Diagram - Turntable	B
1	2110404	1	Fitting, Straight ORFS/ORB	
2	2110608	1	Fitting, Straight ORFS/ORB	
3	2110610	2	Fitting, Straight ORFS/ORB	
4	2110810	2	Fitting, Straight ORFS/ORB	
5	2110812	1	Fitting, Straight ORFS/ORB	
6	2111010	5	Fitting, Straight ORFS/ORB	
7	2111012	1	Fitting, Straight ORFS/ORB	
8	2111212	1	Fitting, Straight ORFS/ORB	
9	2111616	1	Fitting, Straight ORFS/ORB	
10	2113232	1	Fitting, Straight ORFS/ORB	
11	2130606	1	Fitting, 90 ORFS/ORB	
12	2130808	1	Fitting, 90 ORFS/ORB	
13	2131010	1	Fitting, 90 ORFS/ORB	
14	2150808	1	Fitting, 45 ORFS/ORB	
15	2220478	1	Flange Kit	
16	2220737	1	Flange Kit	
17	2221117	4	Flange Kit	
18	1001213385	1	Hose	
19	2753718	1	Hose	
20	2753730	1	Hose	
21	2753731	2	Hose	
22	2753734	1	Hose	
23	2753758	1	Hose	
24	2753746	2	Hose	
25	2753741	1	Hose	
26	2753744	1	Hose	
27	2753766	1	Hose	
28	2753769	2	Hose	
29	2753708	1	Hose	
30	2753770	2	Hose	
31	2753765	1	Hose	
32	2753771	1	Hose	
33	2753772	1	Hose	
34	2753774	1	Hose	
35	1001152966	1	Hose	
36	2753776	1	Hose	
37	2131212	1	Fitting, 90 ORFS/ORB	
38	2753773	1	Hose	
39	2112020	1	Fitting, Straight ORFS/ORB	
40	2221084	1	Fitting, Tee ORFS/ORFS/ORB	
41	2170908	1	Fitting, Cap ORFS	

SECTION 7 - HYDRAULIC

FIGURE 7-8. HYDRAULIC DIAGRAM - TURNTABLE (WITH SAUER PUMPS)



SECTION 7 - HYDRAULIC



ART_1001118859_2OF2

SECTION 7 - HYDRAULIC

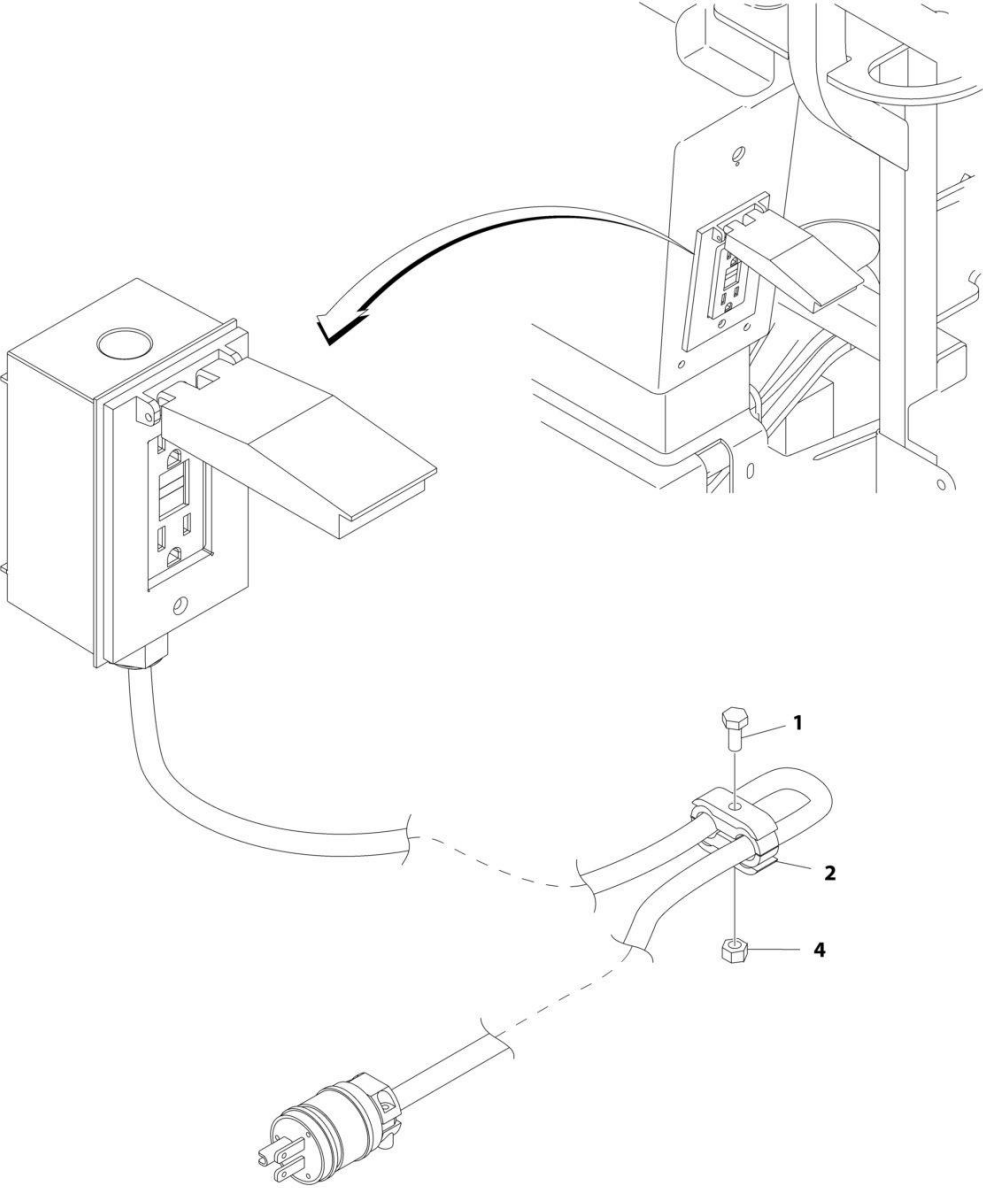
FIGURE 7-8. HYDRAULIC DIAGRAM - TURNTABLE (WITH SAUER PUMPS)

ITEM	PART NUMBER	QTY	DESCRIPTION	REV
	1001118859	Ref	HYDRAULIC DIAGRAM - TURNTABLE (WITH SAUER PUMPS)	D
	1001118869	Ref	Hydraulic Diagram - Turntable	B
1	2110404	1	Fitting, Straight ORFS/ORB	
2	2110608	1	Fitting, Straight ORFS/ORB	
3	2110610	2	Fitting, Straight ORFS/ORB	
4	2110810	3	Fitting, Straight ORFS/ORB	
5	2130810	1	Fitting, 90 ORFS/ORB	
6	2111010	5	Fitting, Straight ORFS/ORB	
7	2111012	2	Fitting, Straight ORFS/ORB	
8	2111212	2	Fitting, Straight ORFS/ORB	
9	2111616	1	Fitting, Straight ORFS/ORB	
10	2113232	1	Fitting, Straight ORFS/ORB	
11	2130606	1	Fitting, 90 ORFS/ORB	
12	2130808	1	Fitting, 90 ORFS/ORB	
13	2131010	1	Fitting, 90 ORFS/ORB	
14	2150808	1	Fitting, 45 ORFS/ORB	
15	2220478	1	Flange Kit	
16	1001110604	1	Flange Kit	
17	2111016	4	Fitting, Straight ORFS/ORB	
18	1001213385	1	Hose	
19	2753718	1	Hose	
20	2753730	1	Hose	
21	2753731	2	Hose	
22	2753734	1	Hose	
23	2753758	1	Hose	
24	2753746	1	Hose	
25	1001118934	1	Hose	
26	2753744	1	Hose	
27	2753766	1	Hose	
28	1001118933	1	Hose	
29	2753708	1	Hose	
30	1001109468	4	Hose	
31	2753765	1	Hose	
32	2753771	1	Hose	
33	2753772	1	Hose	
34	2753774	1	Hose	
35	1001119817	1	Hose	
36	1001118935	1	Hose	
37	2131612	1	Fitting, 90 ORFS/ORB	
38	1001119138	1	Hose	
39	2112020	1	Fitting, Straight ORFS/ORB	
40	2221084	1	Fitting, Tee ORFS/ORFS/ORB	
41	2170908	1	Fitting, Cap ORFS	
42	2110812	1	Fitting, Straight ORFS/ORB	
43	2112016	1	Fitting, Straight ORFS/ORB	
44	2130404	1	Fitting, 90 ORFS/ORB	
45	2130812	1	Fitting, 90 ORFS/ORB	

SECTION 8 - ELECTRICAL

SECTION 8 - ELECTRICAL

FIGURE 8-1. AC BOX AT PLATFORM - 110V (ANSI SPECS)



ART_0271955

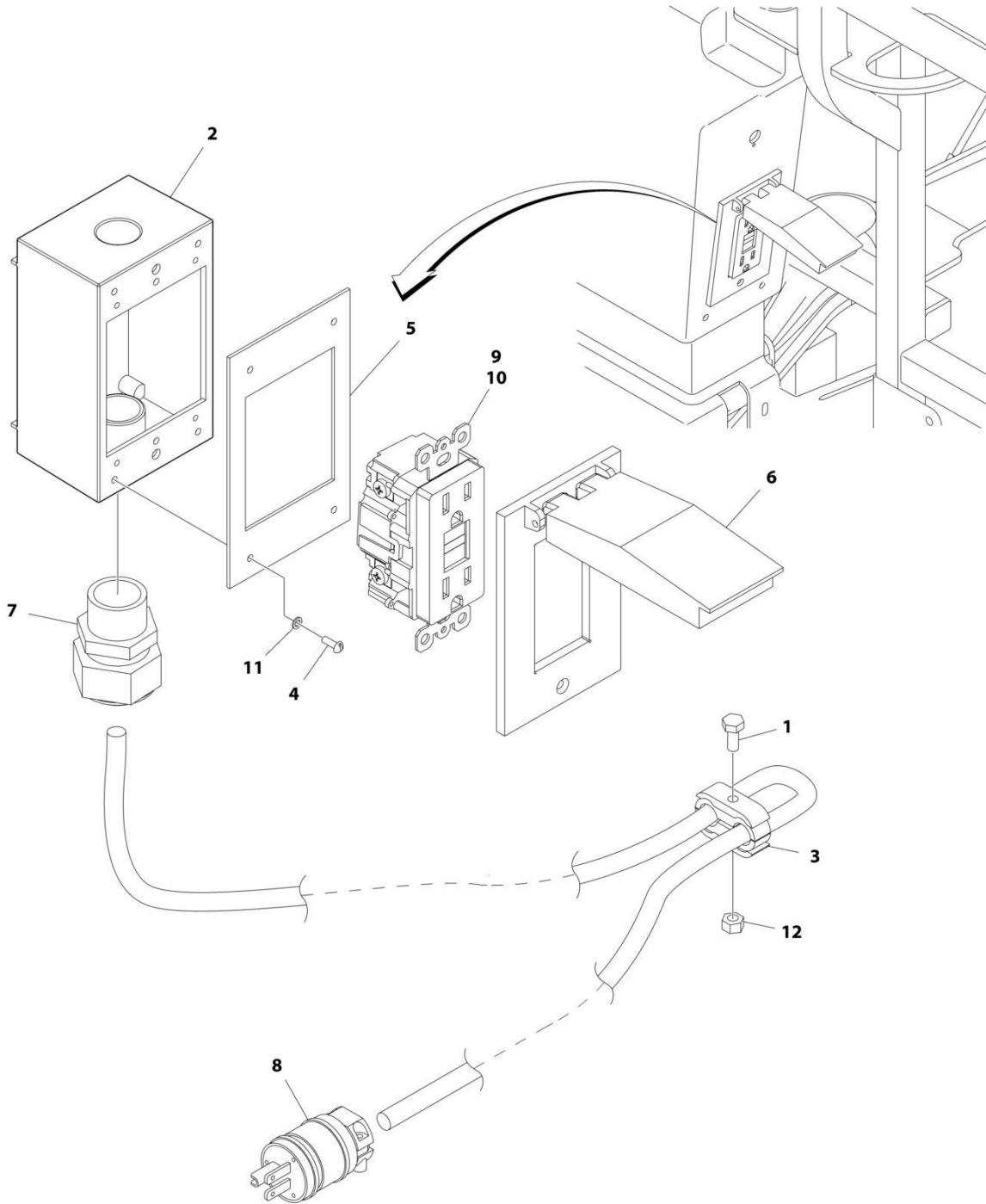
SECTION 8 - ELECTRICAL

FIGURE 8-1. AC BOX AT PLATFORM - 110V (ANSI SPECS)

ITEM	PART NUMBER	QTY	DESCRIPTION	REV
	0271955	Ref	AC BOX AT PLATFORM - 110V	C
1	0641416	1	Bolt 1/4 x 2	
2	1320146	1	Clamp	
4	3311405	1	Nut 1/4	

SECTION 8 - ELECTRICAL

FIGURE 8-2. AC BOX AT PLATFORM - 110V GFI RECEPTACLE (ANSI, CSA AND JAPANESE SPECS)



ART_0271953

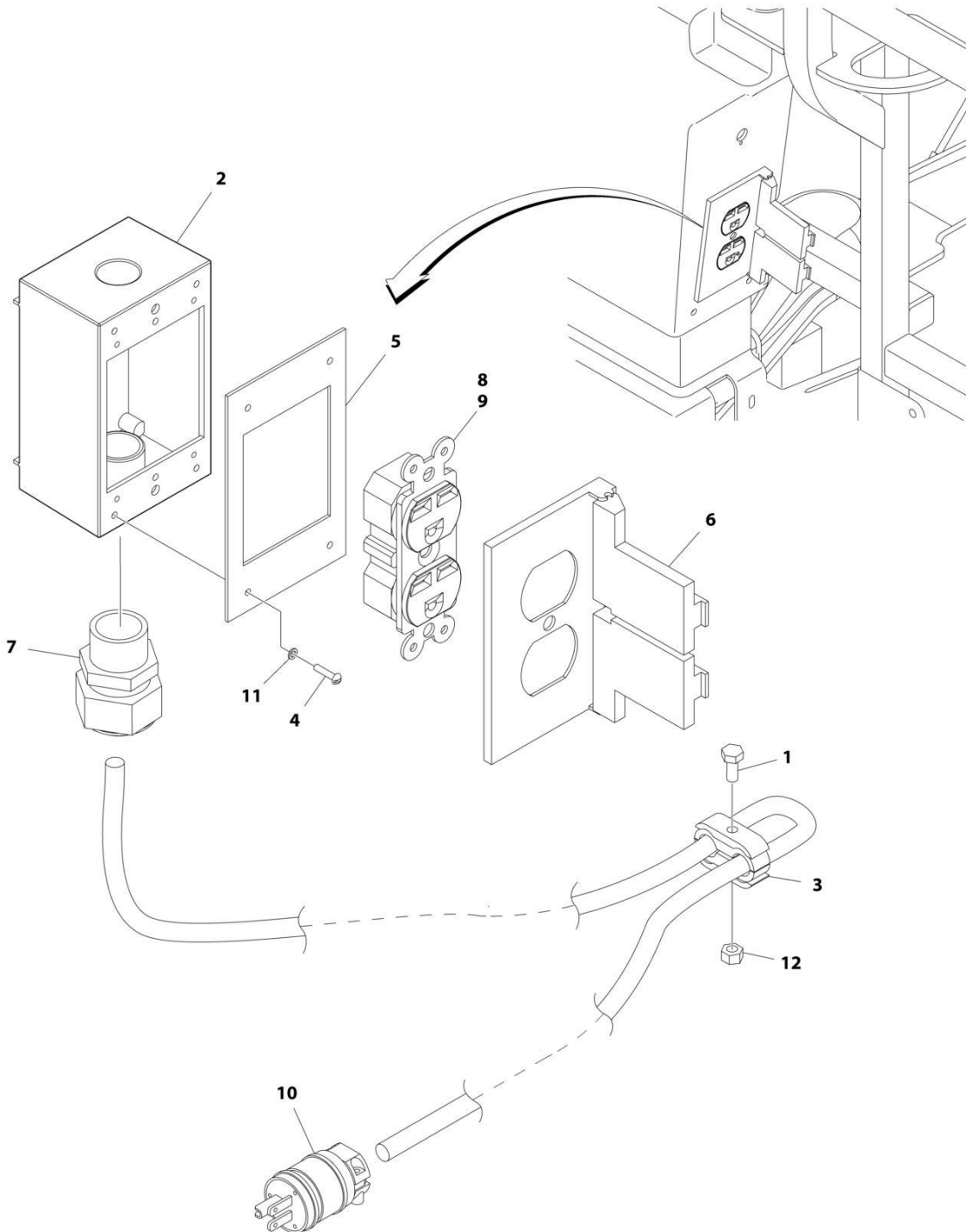
SECTION 8 - ELECTRICAL

FIGURE 8-2. AC BOX AT PLATFORM - 110V GFI RECEPTACLE (ANSI, CSA AND JAPANESE SPECS)

ITEM	PART NUMBER	QTY	DESCRIPTION	REV
	0271953	Ref	AC BOX AT PLATFORM - 110V GFI RECEPTACLE	D
1	0641416	1	Bolt 1/4 x 2	
2	0860038	1	Box, Switch	
3	1320146	1	Clamp	
4	3910606	4	Screw 6 x 3/8	
5	3960422	1	Gasket, AC Receptacle	
6	1001110873	1	Shield, Receptacle Cover	
7	4460051	1	Connector, Strain Relief	
8	4460205	1	Plug, Male	
9	4460315	1	Terminal, Spade	
10	4460346	1	Terminal, Receptacle	
11	4760600	4	Washer 6	
12	3311405	1	Nut 1/4	

SECTION 8 - ELECTRICAL

FIGURE 8-3. AC BOX AT PLATFORM - 220V GFI RECEPTACLE (ANSI, CSA AND JAPANESE SPECS)



ART_0271954

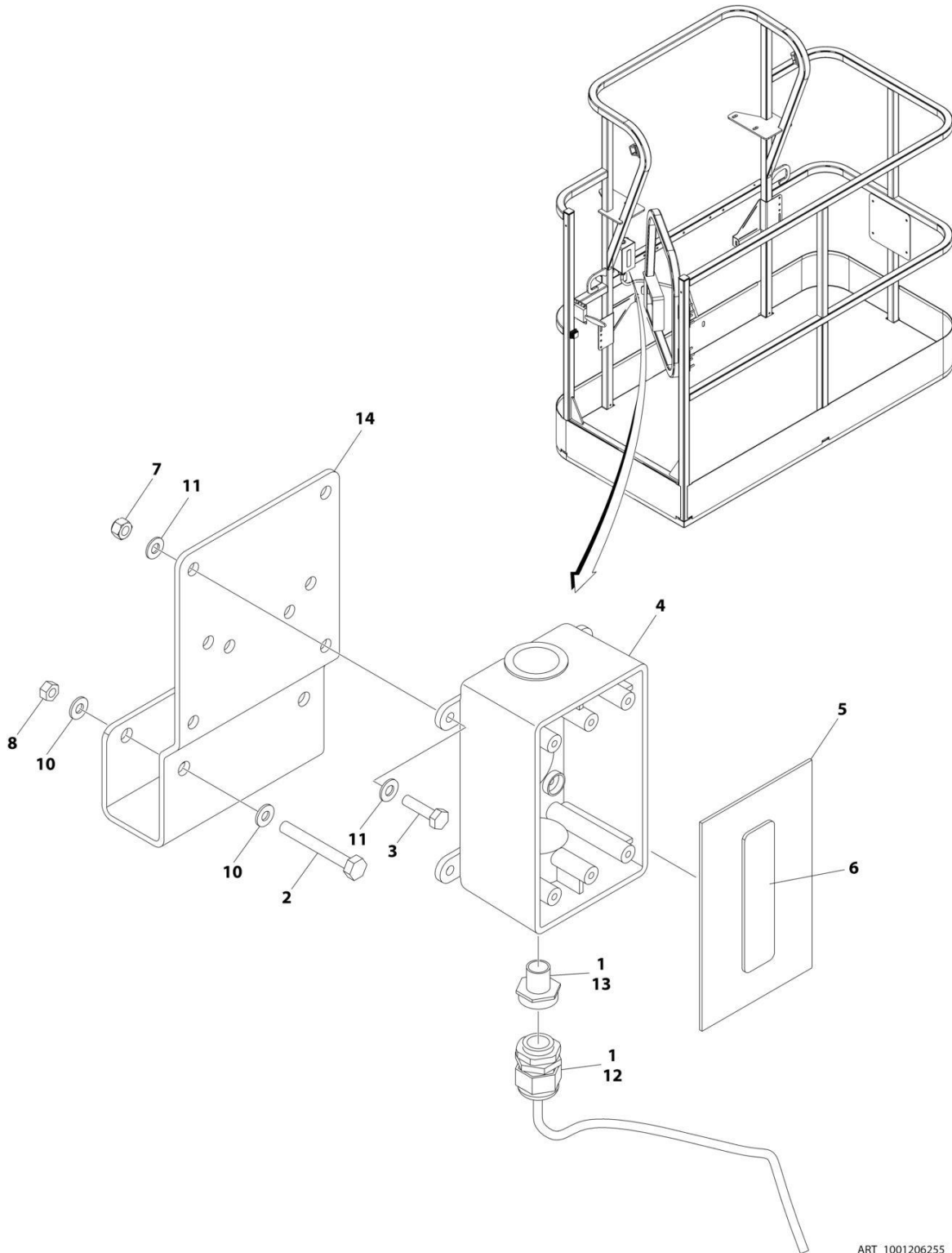
SECTION 8 - ELECTRICAL

FIGURE 8-3. AC BOX AT PLATFORM - 220V GFI RECEPTACLE (ANSI, CSA AND JAPANESE SPECS)

ITEM	PART NUMBER	QTY	DESCRIPTION	REV
	0271954	Ref	AC BOX AT PLATFORM - 220V GFI RECEPTACLE	C
1	0641416	1	Bolt 1/4 x 2	
2	0860038	1	Box, Switch	
3	1320146	1	Clamp	
4	3910606	4	Screw 6 x 3/8	
5	3960422	1	Gasket, AC Receptacle	
6	4060092	1	Shield, Receptacle Cover	
7	4460051	1	Connector, Strain Relief	
8	4460125	1	Terminal, Receptacle	
9	4460315	1	Terminal, Spade	
10	4460709	1	Plug, Male	
11	4760600	4	Washer 6	
12	3311405	1	Nut 1/4	

SECTION 8 - ELECTRICAL

FIGURE 8-4. AC BOX AT PLATFORM INSTALLATION - BOX WITH COVER (2X4 BOX) WITH 4000W GENERATOR (AUSTRALIAN SPECS)



ART_1001206255

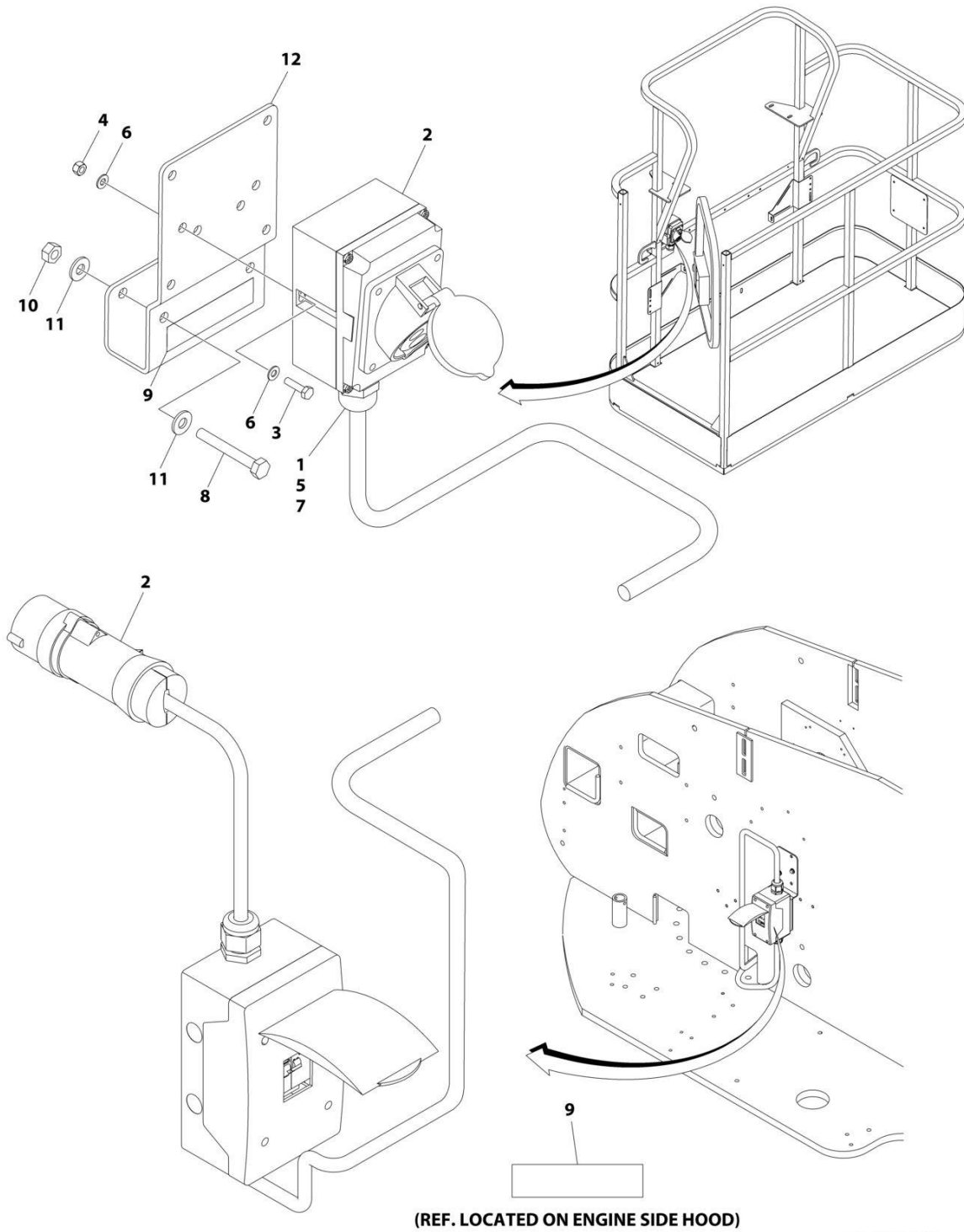
SECTION 8 - ELECTRICAL

FIGURE 8-4. AC BOX AT PLATFORM INSTALLATION - BOX WITH COVER (2X4 BOX) WITH 4000W GENERATOR (AUSTRALIAN SPECS)

ITEM	PART NUMBER	QTY	DESCRIPTION	REV
	1001206255	Ref	AC BOX AT PLATFORM INSTALLATION - BOX WITH COVER (2X4 BOX) WITH 4000W GENERATOR	A
1	0100020	AR	Sealant, Pipe	
2	0641416	2	Bolt 1/4 x 2	
3	0700408	4	Bolt M4 x 16	
4	0861731	1	Box, Switch	
5	1670603	1	Cover	
6	3251242	1	Decal - 240V-50Hz	
7	3290405	4	Nut M4	
8	3311405	2	Nut 1/4	
10	4711400	4	Washer 1/4	
11	4811400	8	Washer M4	
12	1001101191	1	Connector, Strain Relief	
13	1001101197	1	Adapter	
14	1001193018	1	Bracket, AC Receptacle	

SECTION 8 - ELECTRICAL

FIGURE 8-5. AC BOX AT PLATFORM INSTALLATION - 110V IEC 60309 YELLOW WITHOUT 2500W GENERATOR (CE SPECS)



ART_1001091969

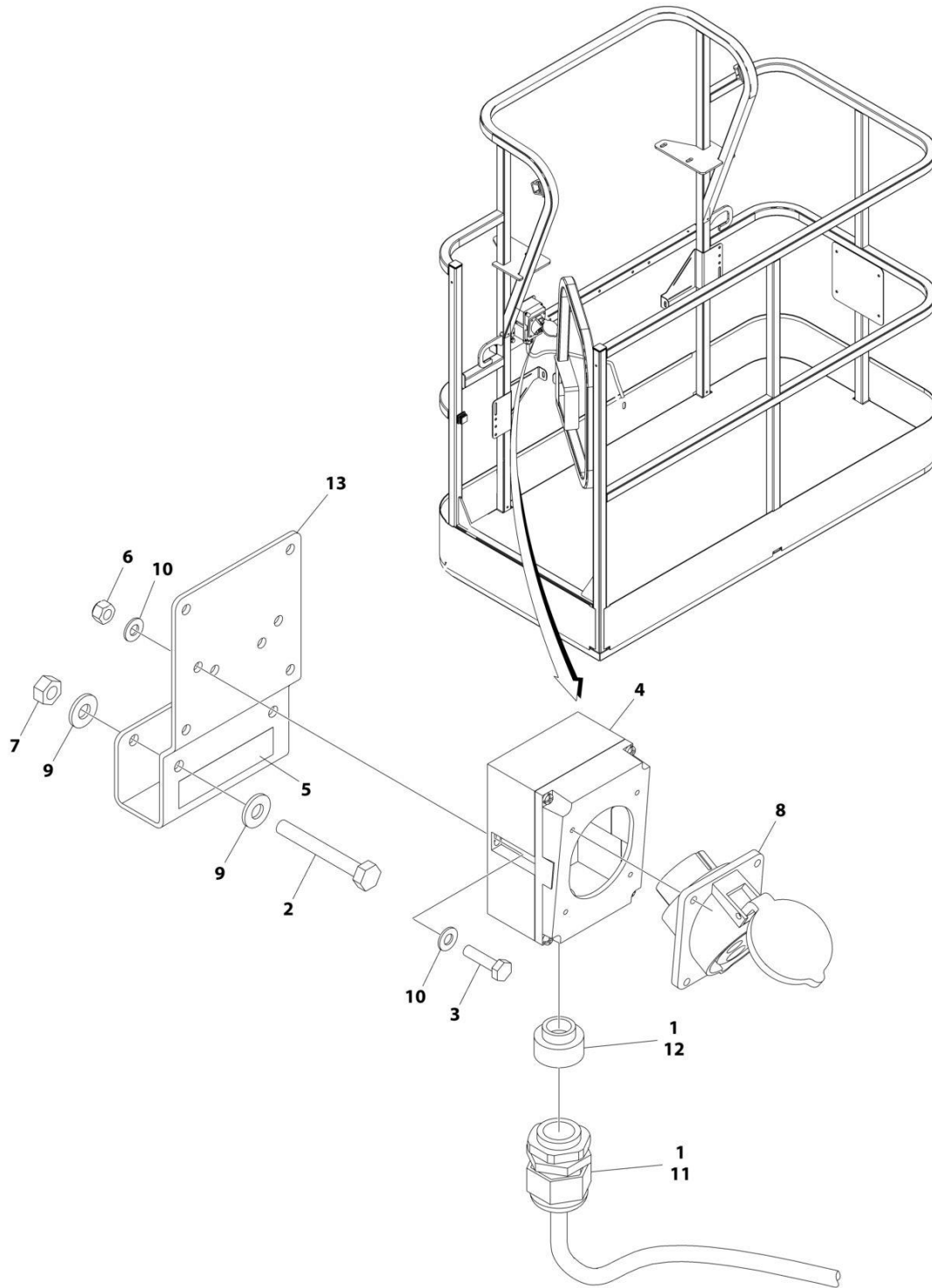
SECTION 8 - ELECTRICAL

FIGURE 8-5. AC BOX AT PLATFORM INSTALLATION - 110V IEC 60309 YELLOW WITHOUT 2500W GENERATOR (CE SPECS)

ITEM	PART NUMBER	QTY	DESCRIPTION	REV
	1001091969	Ref	AC BOX AT PLATFORM INSTALLATION - 110V IEC YELLOW	D
1	0100020	AR	Sealant, Pipe	
2	0275216	1	Receptacle Box Kit (See Separate Breakdown in this Section)	
3	0700408	2	Bolt M4 x 16	
4	3290405	2	Nut M4	
5	1001101196	1	Adapter	
6	4811400	4	Washer M4	
7	1001101191	1	Connector, Strain Relief	
8	0641416	2	Bolt 1/4 x 2	
9	1705325	2	Decal - 110V	
10	3311405	2	Nut 1/4	
11	4711400	4	Washer 1/4	
12	1001193018	1	Bracket	

SECTION 8 - ELECTRICAL

FIGURE 8-6. AC BOX AT PLATFORM INSTALLATION - 110V IEC 60309 YELLOW WITHOUT 4000W GENERATOR (CE SPECS)



ART_1001206253

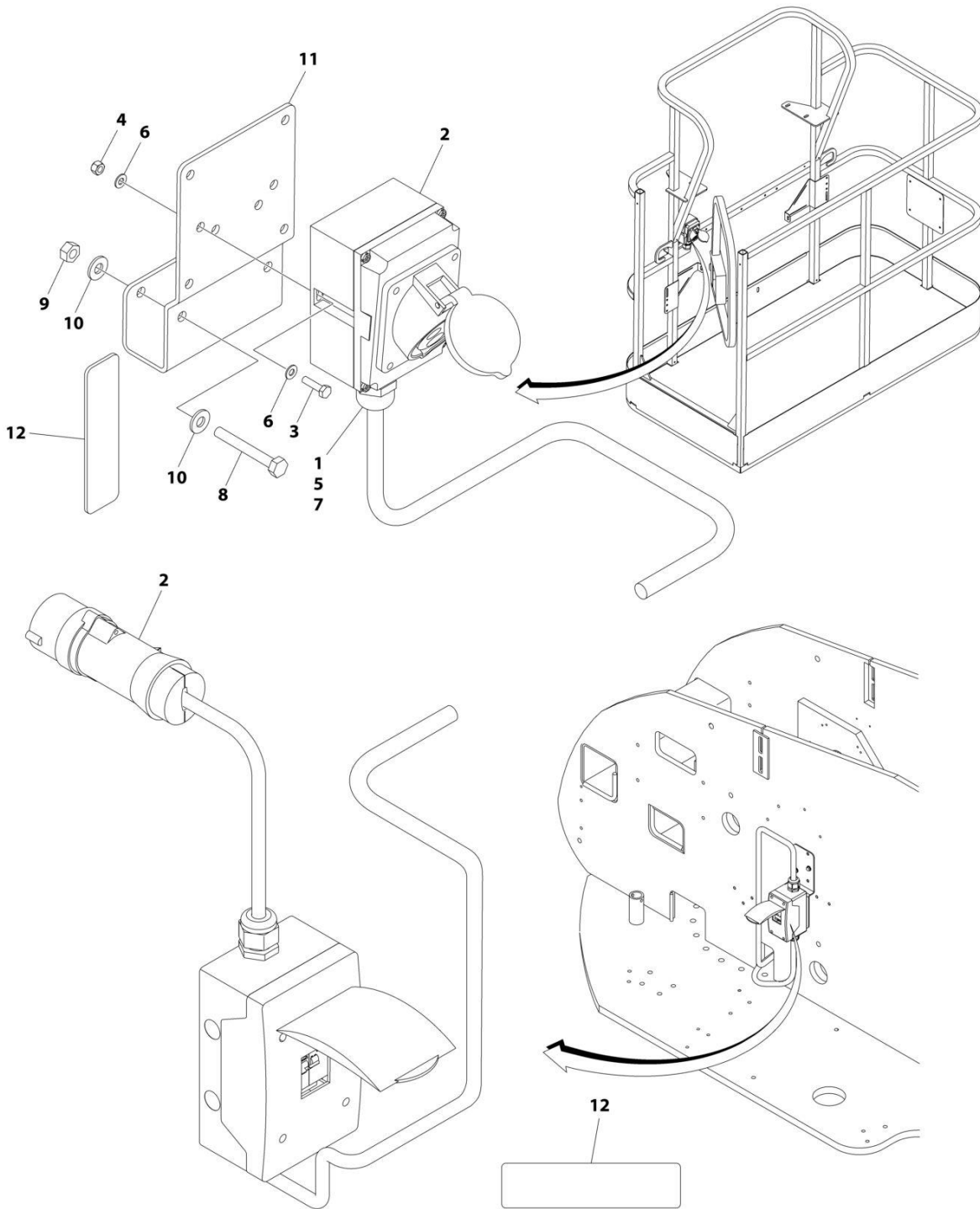
SECTION 8 - ELECTRICAL

FIGURE 8-6. AC BOX AT PLATFORM INSTALLATION - 110V IEC 60309 YELLOW WITHOUT 4000W GENERATOR (CE SPECS)

ITEM	PART NUMBER	QTY	DESCRIPTION	REV
	1001206253	Ref	AC BOX AT PLATFORM INSTALLATION - 110V IEC 60309 YELLOW WITHOUT 4000W GENERATOR	A
1	0100020	AR	Sealant, Pipe	
2	0641416	2	Bolt 1/4 x 2	
3	0700408	2	Bolt M4 x 16	
4	0861781	1	Box, Switch	
5	1705325	1	Decal - 110V	
6	3290405	2	Nut M4	
7	3311405	2	Nut 1/4	
8	4461198	1	Receptacle	
9	4711400	4	Washer 1/4	
10	4811400	4	Washer M4	
11	1001101191	1	Connector, Strain Relief	
12	1001101196	1	Adapter	
13	1001193018	1	Bracket, AC Receptacle	

SECTION 8 - ELECTRICAL

FIGURE 8-7. AC BOX AT PLATFORM INSTALLATION - 220V IEC 60309 BLUE WITHOUT 2500W GENERATOR (CE SPECS)



(REF. LOCATED ON ENGINE SIDE HOOD)

ART_1001091970

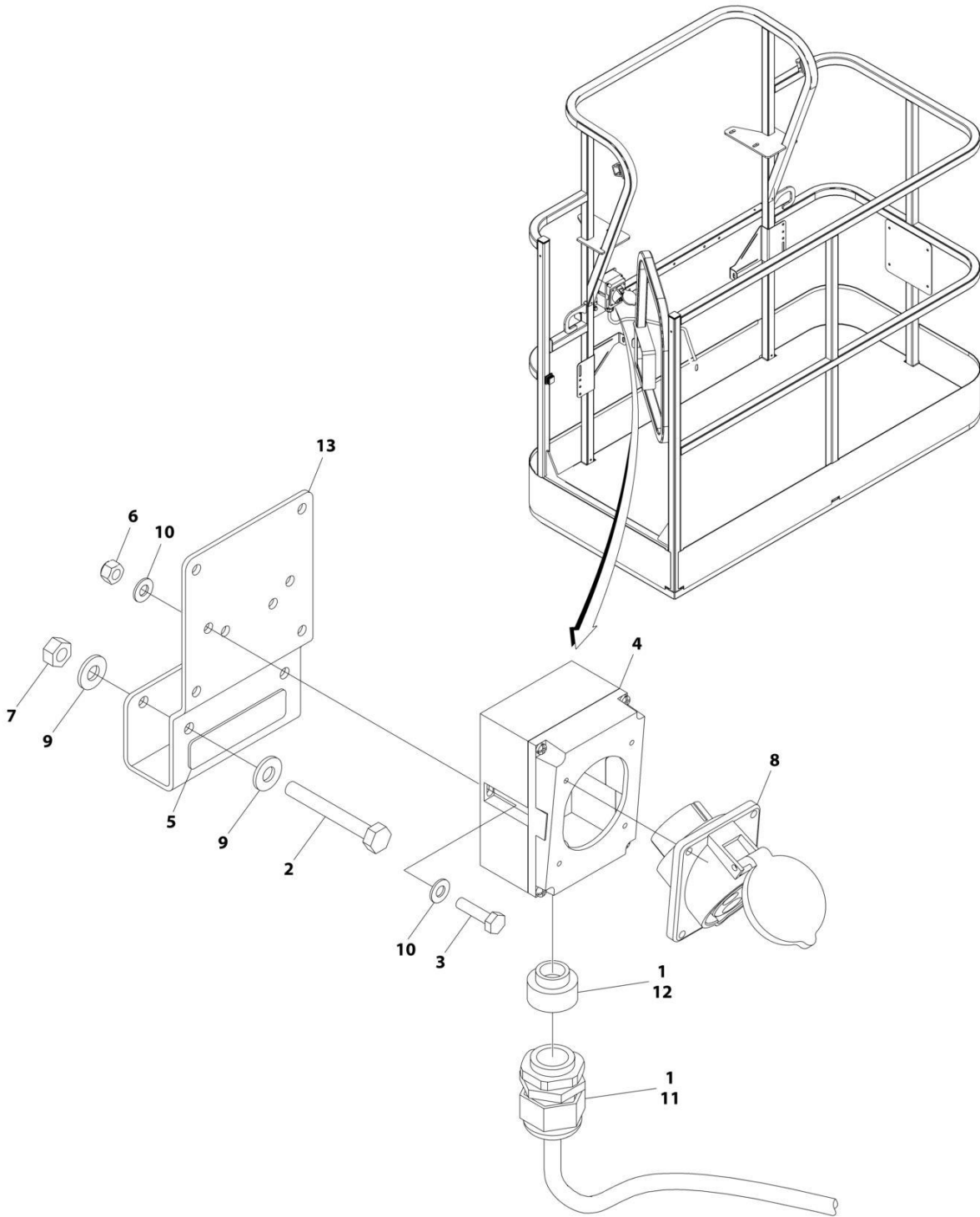
SECTION 8 - ELECTRICAL

FIGURE 8-7. AC BOX AT PLATFORM INSTALLATION - 220V IEC 60309 BLUE WITHOUT 2500W GENERATOR (CE SPECS)

ITEM	PART NUMBER	QTY	DESCRIPTION	REV
	1001091970	Ref	AC BOX AT PLATFORM INSTALLATION - 220V IEC BLUE	D
1	0100020	AR	Sealant, Pipe	
2	0275217	1	Receptacle Box Kit (See Separate Breakdown in this Section)	
3	0700408	2	Bolt M4 x 16	
4	3290405	2	Nut M4	
5	1001101196	1	Adapter	
6	4811400	4	Washer M4	
7	1001101191	1	Connector, Strain Relief	
8	0641416	2	Bolt 1/4 x 2	
9	3311405	2	Nut 1/4	
10	4711400	4	Washer 1/4	
11	1001193018	1	Bracket	
12	3251242	2	Decal - 240V/50Hz	

SECTION 8 - ELECTRICAL

FIGURE 8-8. AC BOX AT PLATFORM INSTALLATION - 220V IEC 60309 BLUE WITHOUT 4000W GENERATOR (CE SPECS)



ART_1001206254

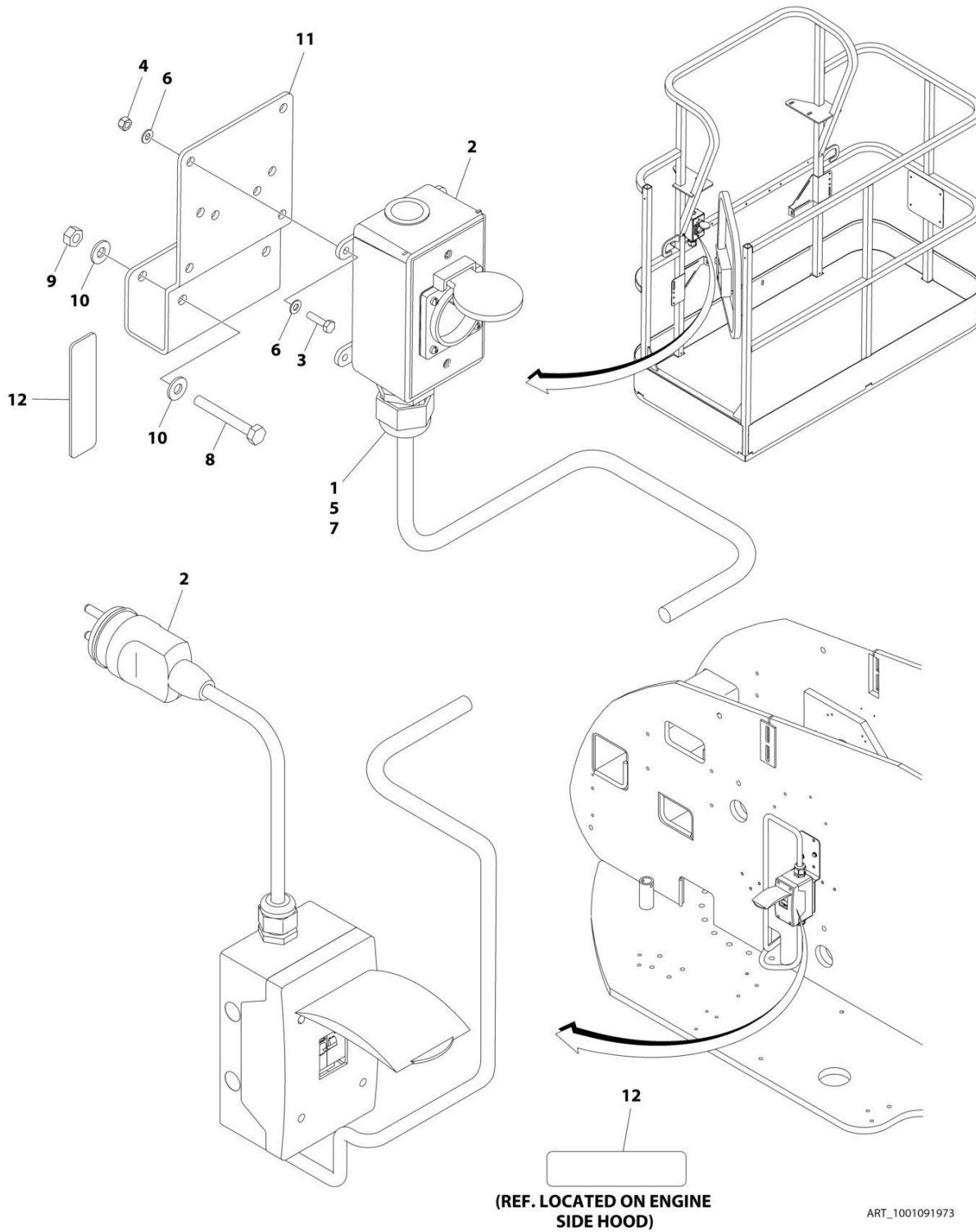
SECTION 8 - ELECTRICAL

FIGURE 8-8. AC BOX AT PLATFORM INSTALLATION - 220V IEC 60309 BLUE WITHOUT 4000W GENERATOR (CE SPECS)

ITEM	PART NUMBER	QTY	DESCRIPTION	REV
	1001206254	Ref	AC BOX AT PLATFORM INSTALLATION - 220V IEC BLUE	A
1	0100020	AR	Sealant, Pipe	
2	0641416	2	Bolt 1/4 x 2	
3	0700408	2	Bolt M4 x 16	
4	0861781	1	Box, Switch	
5	3251242	1	Decal - 240V/50Hz	
6	3290405	2	Nut M4	
7	3311405	2	Nut 1/4	
8	4461201	1	Receptacle	
9	4711400	4	Washer 1/4	
10	4811400	4	Washer M4	
11	1001101191	1	Connector, Strain Relief	
12	1001101196	1	Adapter	
13	1001193018	1	Bracket, AC Receptacle	

SECTION 8 - ELECTRICAL

FIGURE 8-9. AC BOX AT PLATFORM INSTALLATION - 220V CEE7 POST GROUND (2X4 BOX) WITHOUT 2500W GENERATOR (CE SPECS)



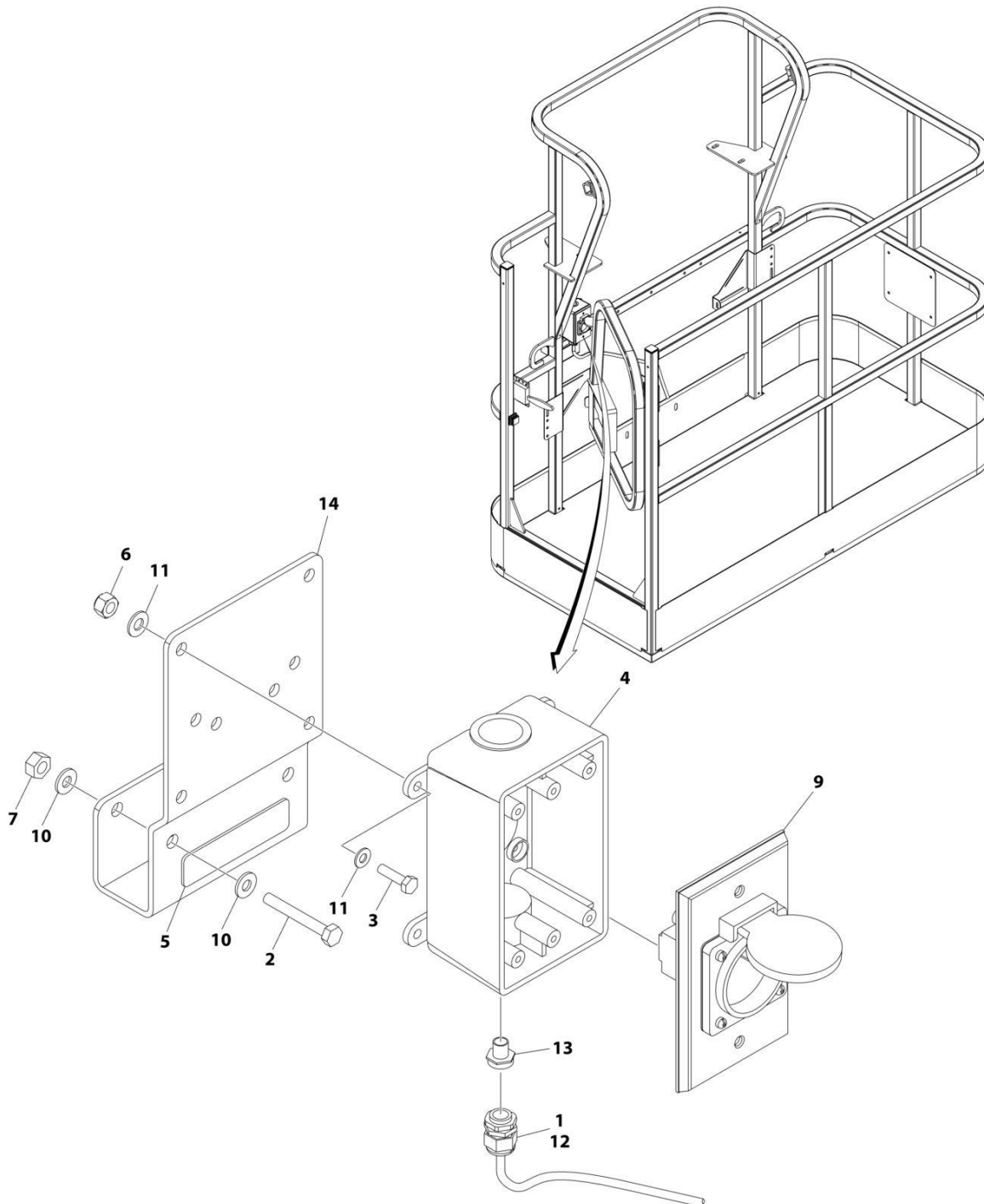
SECTION 8 - ELECTRICAL

**FIGURE 8-9. AC BOX AT PLATFORM INSTALLATION - 220V CEE7 POST GROUND (2X4 BOX)
WITHOUT 2500W GENERATOR (CE SPECS)**

ITEM	PART NUMBER	QTY	DESCRIPTION	REV
	1001091973	Ref	AC BOX AT PLATFORM INSTALLATION - 220V CEE7 2X4 BOX POST GROUND	F
1	0100020	AR	Sealant, Pipe	
2	0275452	1	Receptacle Box Kit (See Separate Breakdown in this Section)	
3	0700408	4	Bolt M4 x 16	
4	3290405	4	Nut M4	
5	1001101197	1	Adapter	
6	4811400	8	Washer M4	
7	1001101191	1	Connector, Strain Relief	
8	0641416	2	Bolt 1/4 x 2	
9	3311405	2	Nut 1/4	
10	4711400	4	Washer 1/4	
11	1001193018	1	Bracket	
12	3251242	2	Decal - 240V/50Hz	
13	4460806	2	Terminal, Fork (Not Shown)	
14	1001205958	1	Terminal (Not Shown)	

SECTION 8 - ELECTRICAL

FIGURE 8-10. AC BOX AT PLATFORM INSTALLATION - 220V CEE7 POST GROUND (2X4 BOX)
WITHOUT 4000W GENERATOR (CE SPECS)



ART_1001206250

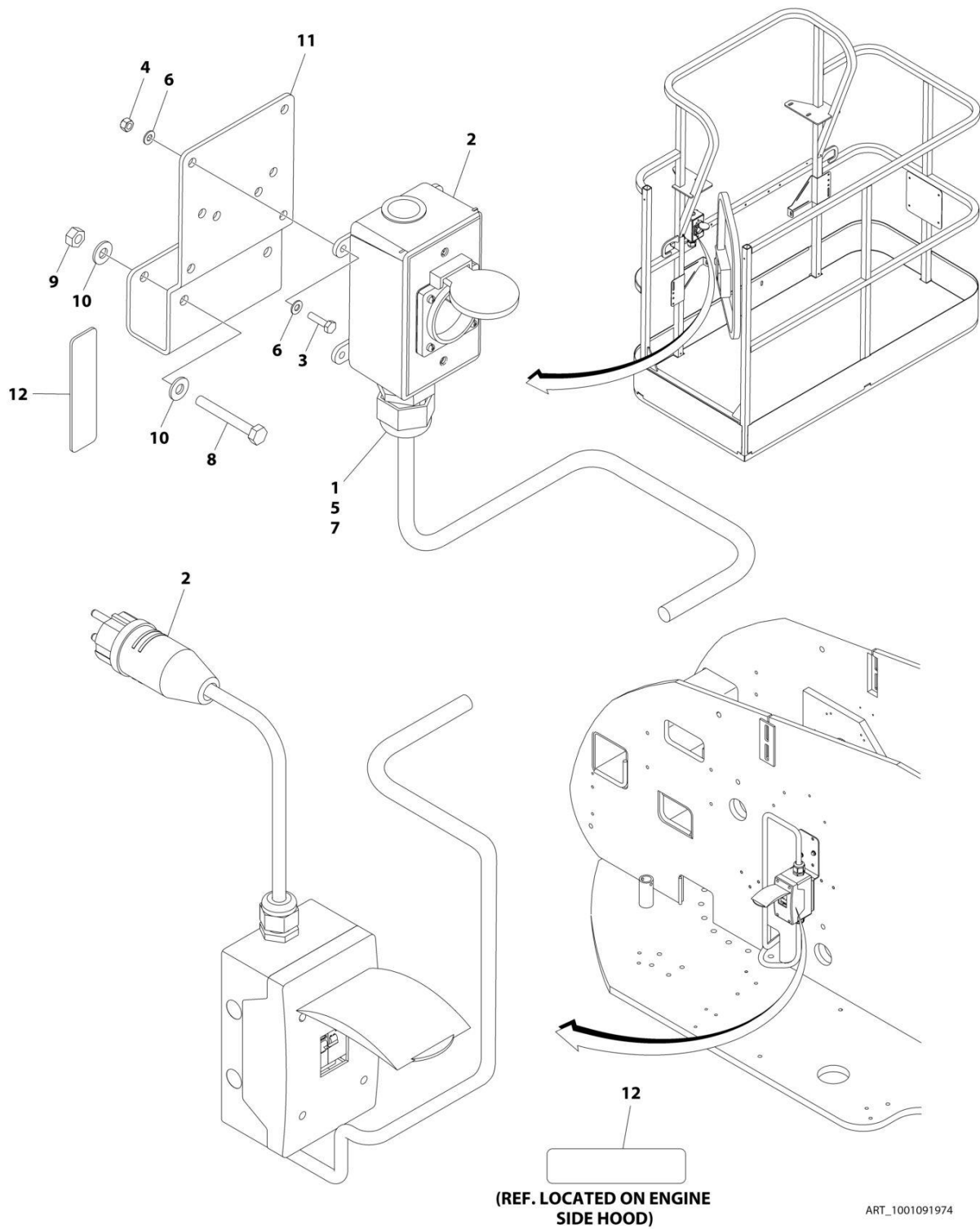
SECTION 8 - ELECTRICAL

**FIGURE 8-10. AC BOX AT PLATFORM INSTALLATION - 220V CEE7 POST GROUND (2X4 BOX)
WITHOUT 4000W GENERATOR (CE SPECS)**

ITEM	PART NUMBER	QTY	DESCRIPTION	REV
	1001206250	Ref	AC BOX AT PLATFORM INSTALLATION - 220V CEE7 2X4 BOX POST GROUND	A
1	0100020	AR	Sealant, Pipe	
2	0641416	2	Bolt 1/4 x 2	
3	0700408	4	Bolt M4 x 16	
4	0861731	1	Box, Switch	
5	3251242	1	Decal - 240V/50Hz	
6	3290405	4	Nut M4	
7	3311405	2	Nut 1/4	
8	4460806	2	Terminal, Fork (Not Shown)	
9	4461244	1	Receptacle	
10	4711400	4	Washer 1/4	
11	4811400	8	Washer M4	
12	1001101191	1	Connector, Strain Relief	
13	1001101197	1	Adapter	
14	1001193018	1	Bracket, AC Receptacle	
15	1001205958	1	Terminal (Not Shown)	

SECTION 8 - ELECTRICAL

FIGURE 8-11. AC BOX AT PLATFORM INSTALLATION - 220V CEE7 SIDE GROUND (2X4 BOX) WITHOUT 2500W GENERATOR (CE SPECS)



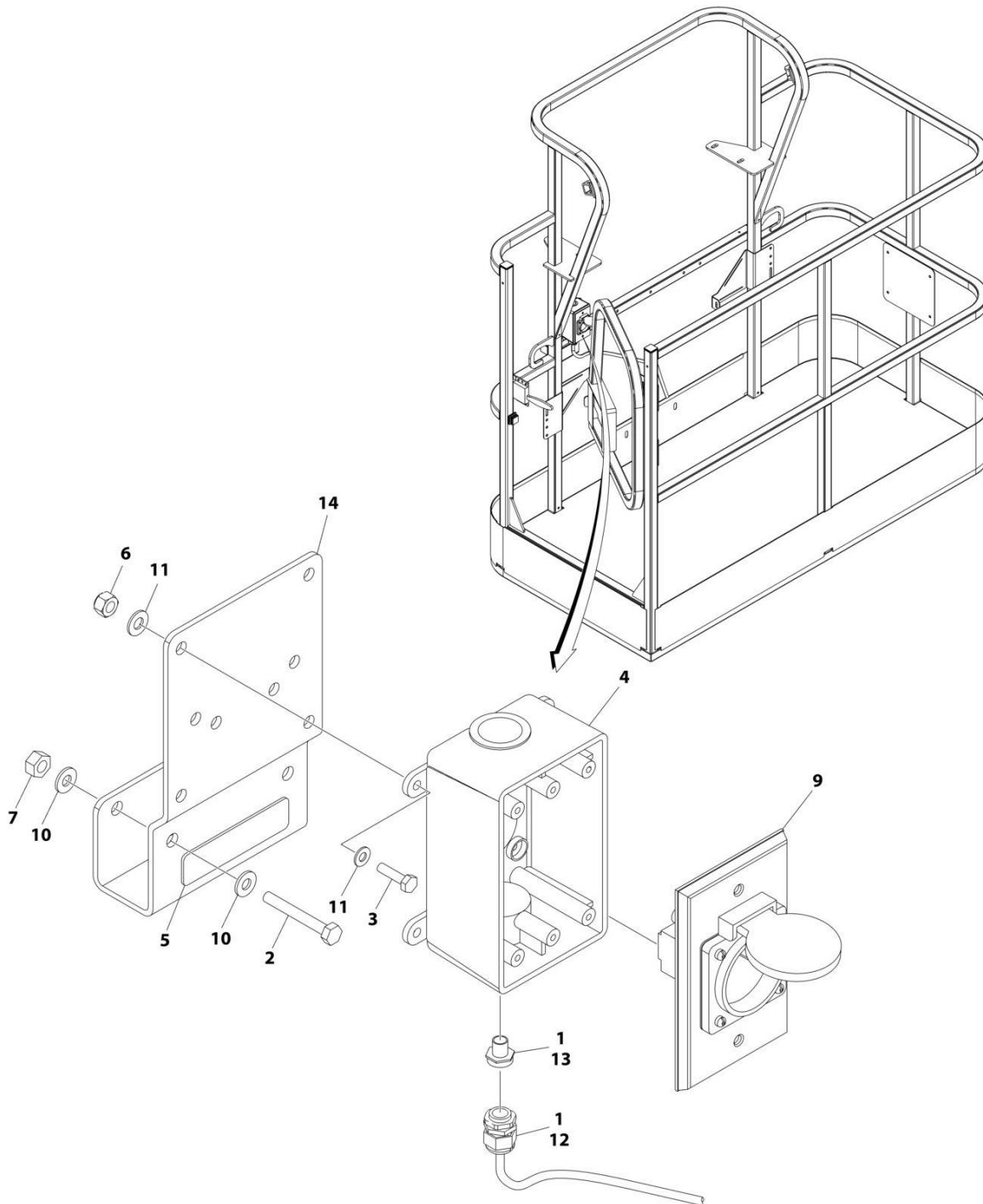
SECTION 8 - ELECTRICAL

**FIGURE 8-11. AC BOX AT PLATFORM INSTALLATION - 220V CEE7 SIDE GROUND (2X4 BOX)
WITHOUT 2500W GENERATOR (CE SPECS)**

ITEM	PART NUMBER	QTY	DESCRIPTION	REV
	1001091974	Ref	AC BOX AT PLATFORM INSTALLATION - 220V CEE7 2X4 BOX SIDE GROUND	F
1	0100020	AR	Sealant, Pipe	
2	0275453	1	Receptacle Box Kit (See Separate Breakdown in this Section)	
3	0700408	4	Bolt M4 x 16	
4	3290405	4	Nut M4	
5	1001101197	1	Adapter	
6	4811400	8	Washer M4	
7	1001101191	1	Connector, Strain Relief	
8	0641416	2	Bolt 1/4 x 2	
9	3311405	2	Nut 1/4	
10	4711400	4	Washer 1/4	
11	1001193018	1	Bracket	
12	3251242	2	Decal - 240V/50Hz	
13	4460806	2	Terminal, Fork (Not Shown)	
14	1001205958	1	Terminal (Not Shown)	

SECTION 8 - ELECTRICAL

FIGURE 8-12. AC BOX AT PLATFORM INSTALLATION - 220V CEE7 SIDE GROUND (2X4 BOX) WITHOUT 4000W GENERATOR (CE SPECS)



ART_1001206251

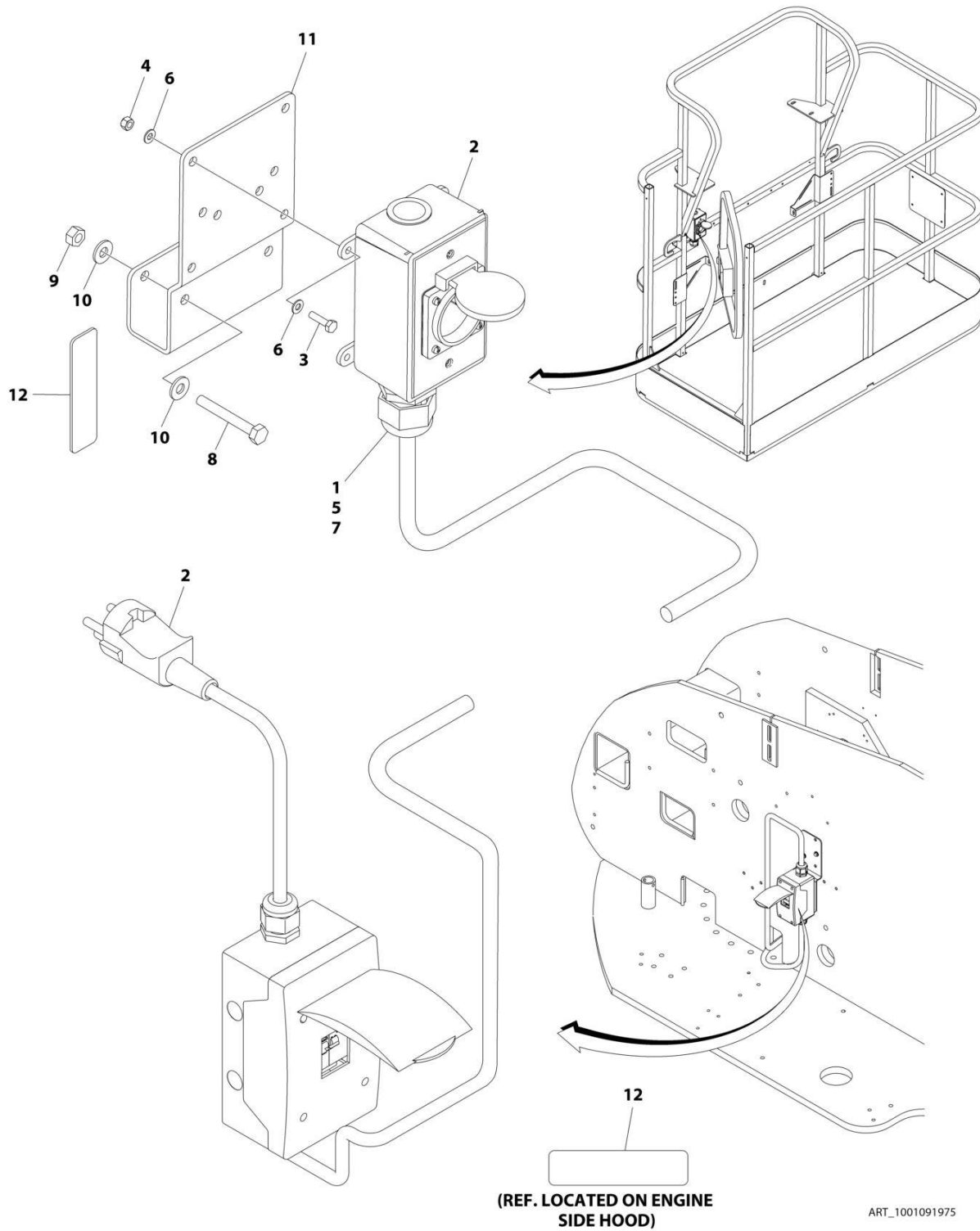
SECTION 8 - ELECTRICAL

**FIGURE 8-12. AC BOX AT PLATFORM INSTALLATION - 220V CEE7 SIDE GROUND (2X4 BOX)
WITHOUT 4000W GENERATOR (CE SPECS)**

ITEM	PART NUMBER	QTY	DESCRIPTION	REV
	1001206251	Ref	AC BOX AT PLATFORM INSTALLATION - 220V CEE7 2X4 BOX SIDE GROUND	A
1	0100020	AR	Sealant, Pipe	
2	0641416	2	Bolt 1/4 x 2	
3	0700408	4	Bolt M4 x 16	
4	0861731	1	Box, Switch	
5	3251242	1	Decal - 240V/50Hz	
6	3290405	4	Nut M4	
7	3311405	2	Nut 1/4	
8	4460806	2	Terminal, Fork (Not Shown)	
9	4461245	1	Receptacle	
10	4711400	4	Washer 1/4	
11	4811400	8	Washer M4	
12	1001101191	1	Connector, Strain Relief	
13	1001101197	1	Adapter	
14	1001193018	1	Bracket, AC Receptacle	
15	1001205958	1	Terminal (Not Shown)	

SECTION 8 - ELECTRICAL

FIGURE 8-13. AC BOX AT PLATFORM INSTALLATION - 220V AFSINT 107 KEYED GROUND (2X4 BOX) WITHOUT 2500W GENERATOR (CE SPECS)



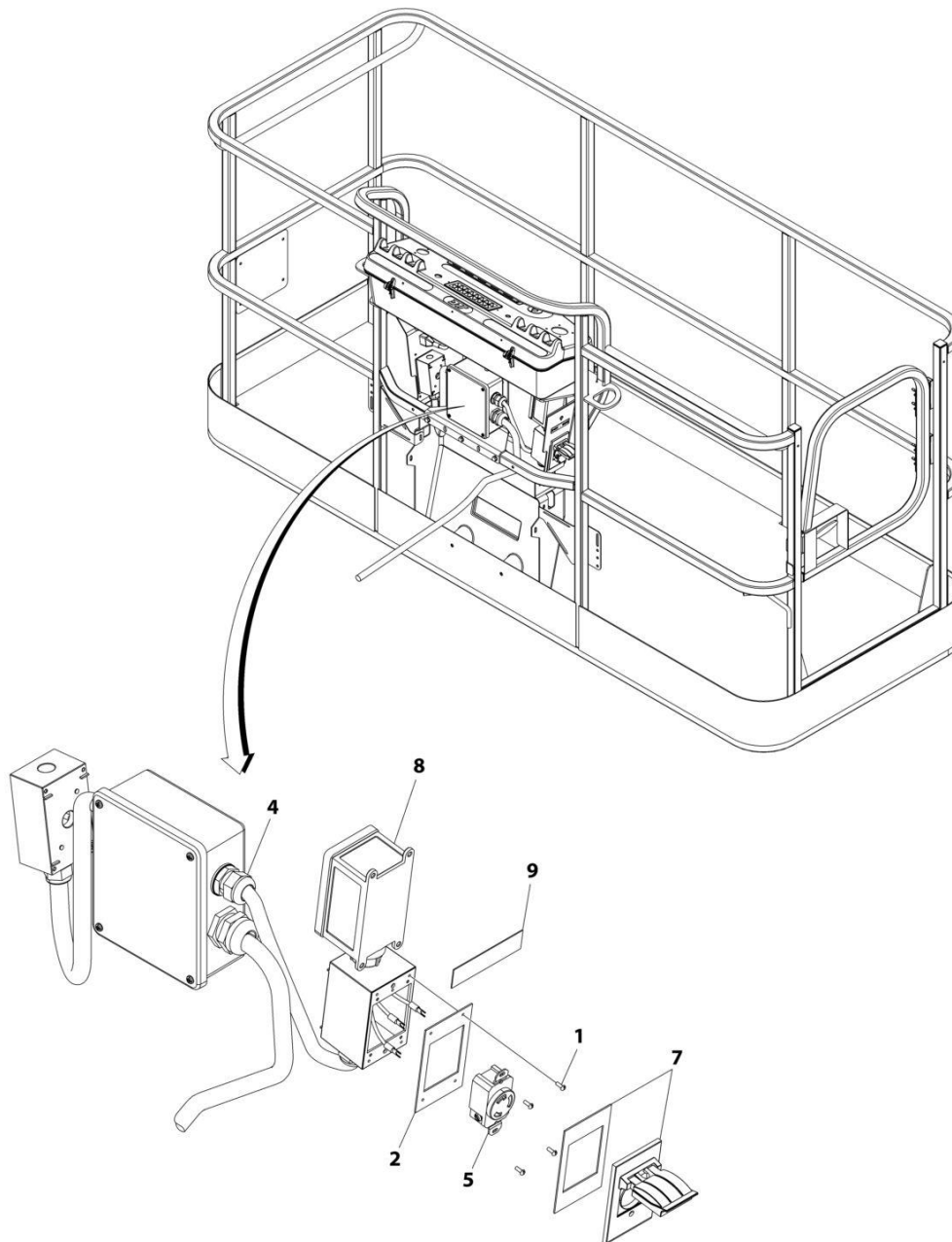
SECTION 8 - ELECTRICAL

FIGURE 8-13. AC BOX AT PLATFORM INSTALLATION - 220V AFSINT 107 KEYED GROUND (2X4 BOX) WITHOUT 2500W GENERATOR (CE SPECS)

ITEM	PART NUMBER	QTY	DESCRIPTION	REV
	1001091975	Ref	AC BOX AT PLATFORM INSTALLATION - 220V AFSINT 107 2X4 BOX KEYED GROUND	F
1	0100020	AR	Sealant, Pipe	
2	0275454	1	Receptacle Box Kit (See Separate Breakdown in this Section)	
3	0700408	4	Bolt M4 x 16	
4	3290405	4	Nut M4	
5	1001101197	1	Adapter	
6	4811400	8	Washer M4	
7	1001101191	1	Connector, Strain Relief	
8	0641416	2	Bolt 1/4 x 2	
9	3311405	2	Nut 1/4	
10	4711400	4	Washer 1/4	
11	1001193018	1	Bracket	
12	3251242	2	Decal - 240V/50Hz	
13	1001205958	3	Terminal (Not Shown)	

SECTION 8 - ELECTRICAL

FIGURE 8-14. AC BOX AT PLATFORM INSTALLATION - 240V (WITH 4000W GENERATOR) (ANSI, ANSI EXPORT, CSA AND JAPANESE SPECS)



ART_1001171131

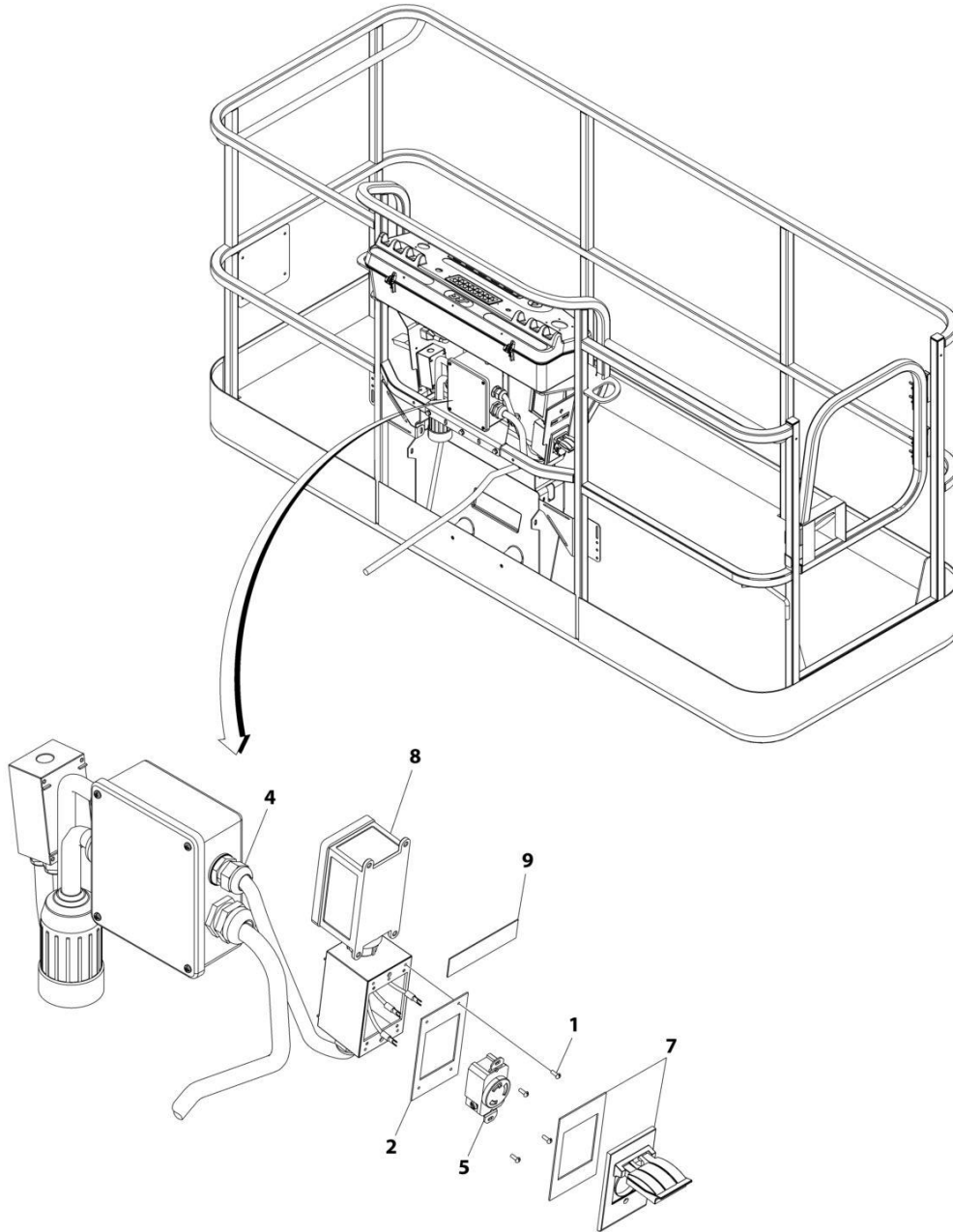
SECTION 8 - ELECTRICAL

FIGURE 8-14. AC BOX AT PLATFORM INSTALLATION - 240V (WITH 4000W GENERATOR) (ANSI, ANSI EXPORT, CSA AND JAPANESE SPECS)

ITEM	PART NUMBER	QTY	DESCRIPTION	REV
	1001171131	Ref	AC BOX AT PLATFORM INSTALLATION - 240V RECEPTACLE	B
1	3910606	4	Screw 6 x 3/8	
2	3960422	1	Gasket	
3	4240018	AR	Tie-Strap (Not Shown)	
4	4460425	1	Connector, Strain Relief	
5	1001176862	1	Receptacle	
7	1001110872	1	Cover, Receptacle	
8	1001159120	1	Receptacle/Breaker Box Assembly	
8	1001148675	1	Box, Receptacle	
8	1001159118	1	Breaker GFCI 30Amp 240VAC	
8	4460612	1	Connector, Strain Relief	
8	1001159119	1	Connector (Between Boxes)	
9	1705374	1	Decal - 240V/60Hz	

SECTION 8 - ELECTRICAL

FIGURE 8-15. AC BOX AT PLATFORM INSTALLATION - 240V (WITH 7500W SKYPOWER GENERATOR) (ALL SPECS EXCEPT AUSTRALIAN & CE SPECS)



ART_1001159121

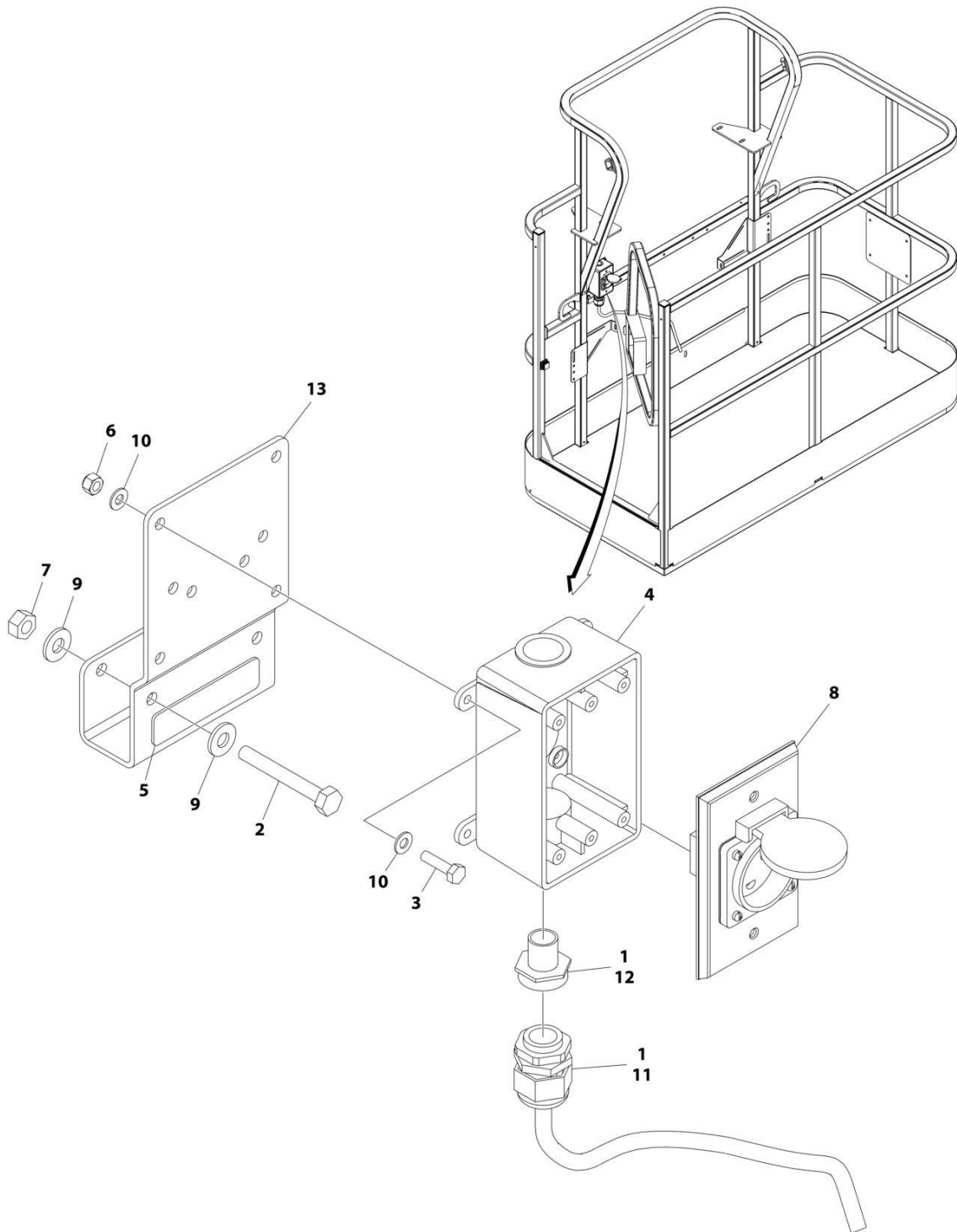
SECTION 8 - ELECTRICAL

FIGURE 8-15. AC BOX AT PLATFORM INSTALLATION - 240V (WITH 7500W SKYPOWER GENERATOR) (ALL SPECS EXCEPT AUSTRALIAN & CE SPECS)

ITEM	PART NUMBER	QTY	DESCRIPTION	REV
	1001159121	Ref	AC BOX AT PLATFORM INSTALLATION - 240V RECEPTACLE	B
1	3910606	4	Screw 6 x 3/8	
2	3960422	1	Gasket	
3	4240018	AR	Tie-Strap (Not Shown)	
4	4460425	1	Connector, Strain Relief	
5	4460958	1	Receptacle	
7	1001110872	1	Cover, Receptacle	
8	1001159120	1	Receptacle/Breaker Box Assembly	
8	1001148675	1	Box, Receptacle	
8	1001159118	1	Breaker Box Assembly	
8	4460612	1	Connector, Strain Relief	
8	1001159119	1	Connector (Between Boxes)	
9	1705374	1	Decal - 240V/60Hz	

SECTION 8 - ELECTRICAL

FIGURE 8-16. AC BOX AT PLATFORM INSTALLATION - 220V AFSINT 107 KEYED GROUND (2X4 BOX) WITHOUT 4000W GENERATOR (CE SPECS)



ART_1001206252

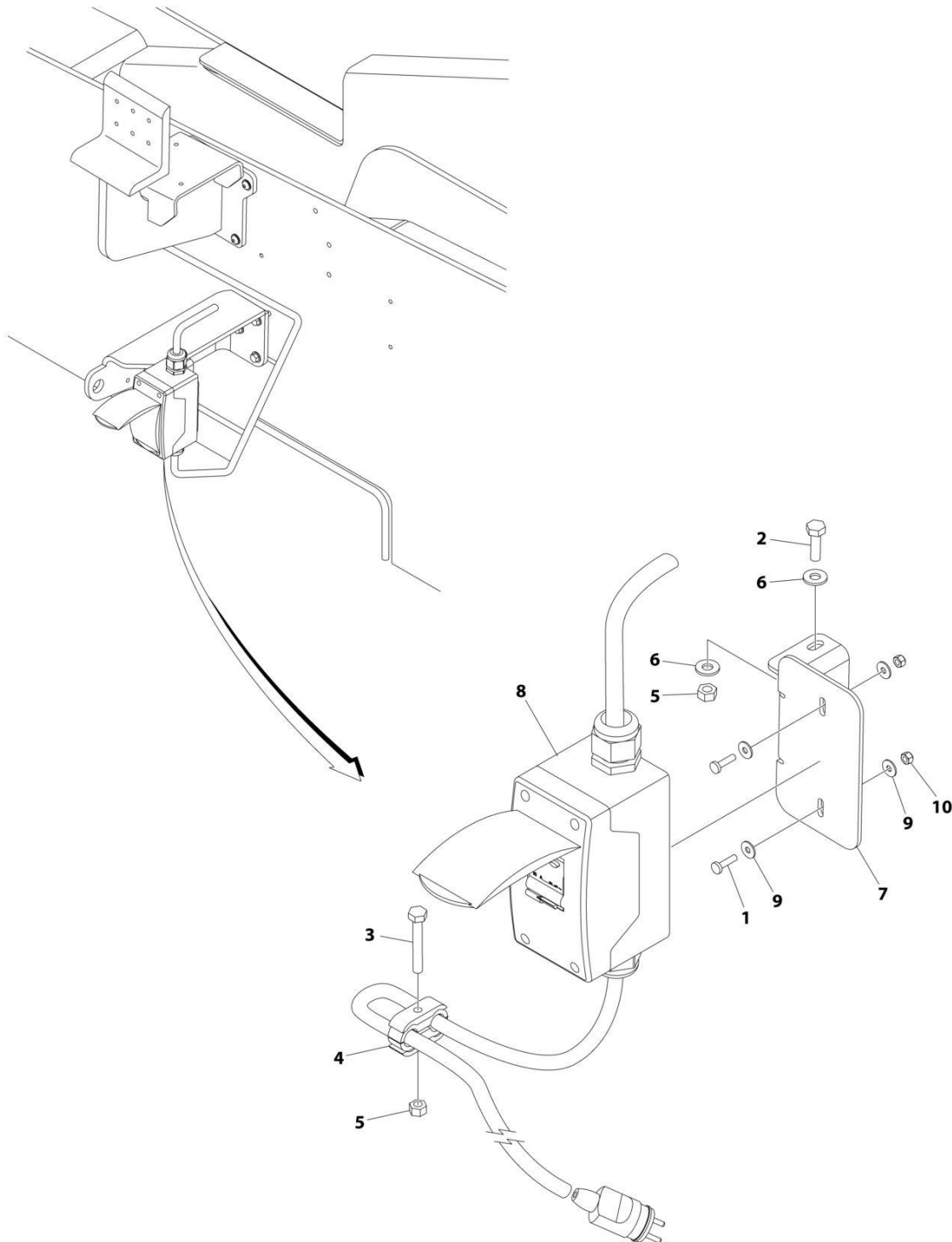
SECTION 8 - ELECTRICAL

FIGURE 8-16. AC BOX AT PLATFORM INSTALLATION - 220V AFSINT 107 KEYED GROUND (2X4 BOX) WITHOUT 4000W GENERATOR (CE SPECS)

ITEM	PART NUMBER	QTY	DESCRIPTION	REV
	1001206252	Ref	AC BOX AT PLATFORM INSTALLATION - 220V AFSINT 107 2x4 BOX KEYED GROUND	A
1	0100020	AR	Sealant, Pipe	
2	0641416	2	Bolt 1/4 x 2	
3	0700408	4	Bolt M4 x 16	
4	0861731	1	Box, Switch	
5	3251242	1	Decal - 240V/50Hz	
6	3290405	4	Nut M4	
7	3311405	2	Nut 1/4	
8	4461246	1	Receptacle	
9	4711400	4	Washer 1/4	
10	4811400	8	Washer M4	
11	1001101191	1	Connector, Strain Relief	
12	1001101197	1	Adapter	
13	1001193018	1	Bracket, AC Receptacle	
14	1001205958	3	Terminal (Not Shown)	

SECTION 8 - ELECTRICAL

FIGURE 8-17. AC 16 AMP BREAKER BOX INSTALLATION (CE SPECS)



ART_1001095976

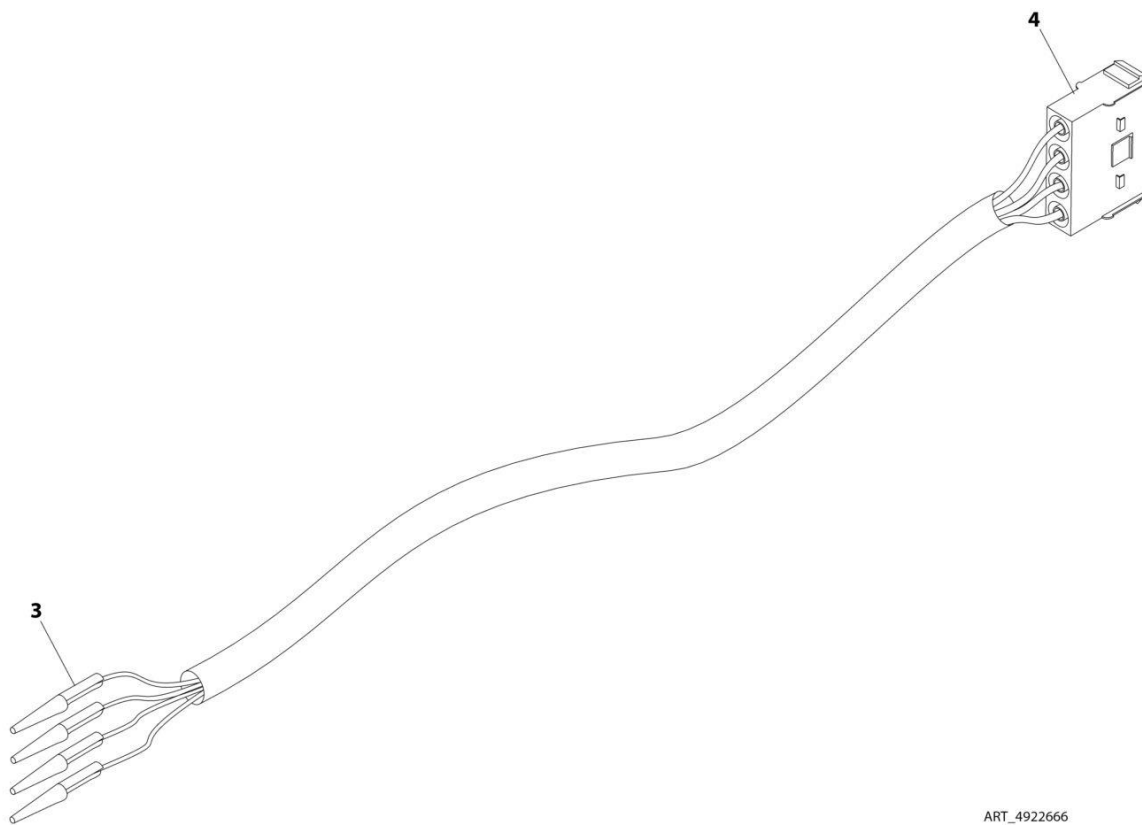
SECTION 8 - ELECTRICAL

FIGURE 8-17. AC 16 AMP BREAKER BOX INSTALLATION (CE SPECS)

ITEM	PART NUMBER	QTY	DESCRIPTION	REV
	1001095976	Ref	AC 16 AMP BREAKER BOX INSTALLATION	D
1	4010408	2	Screw M4 x 16	
2	0641407	2	Bolt 1/4 x 7/8	
3	0641416	AR	Bolt 1/4 x 2	
4	1320146	1	Clamp	
5	3311405	AR	Nut 1/4	
6	4711400	AR	Washer 1/4	
7	1001094915	1	Bracket	
8	1001109654	1	Breaker Box Kit - 16 Amp (See Separate Breakdown in this Section)	
9	1001091102	4	Washer M4	
10	3290405	2	Nut M4	

SECTION 8 - ELECTRICAL

FIGURE 8-18. ANALYZER CABLE HARNESS



ART_4922666

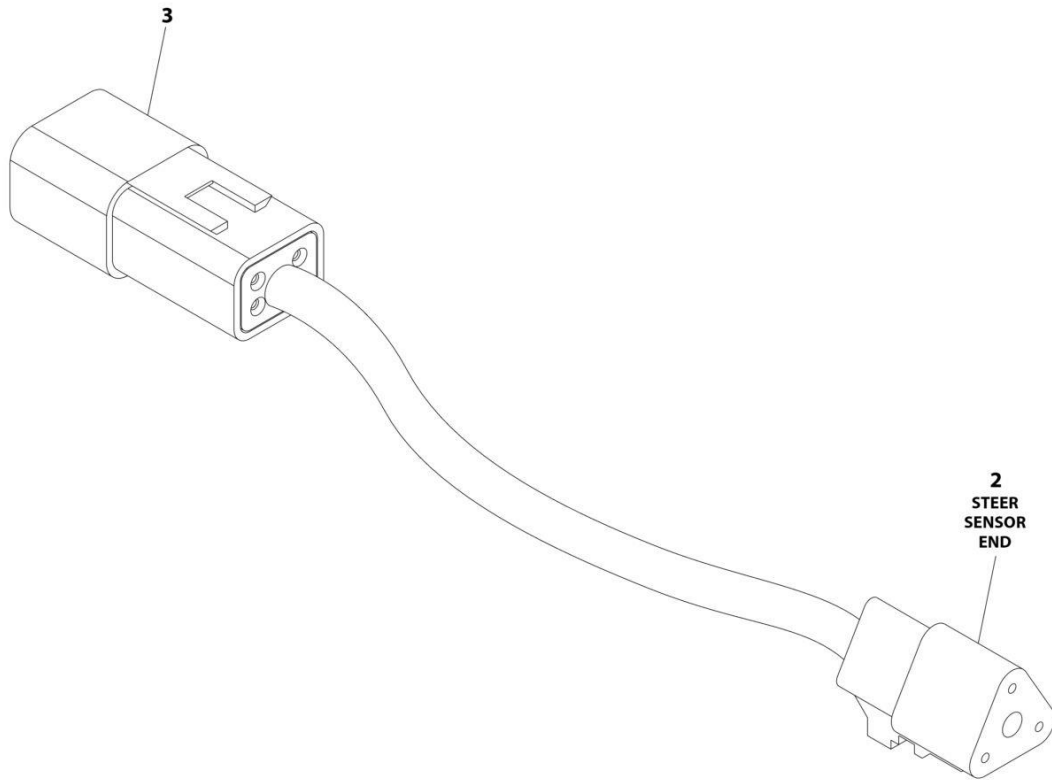
SECTION 8 - ELECTRICAL

FIGURE 8-18. ANALYZER CABLE HARNESS

ITEM	PART NUMBER	QTY	DESCRIPTION	REV
	4922666	Ref	ANALYZER CABLE HARNESS	C
3	4460226	4	Socket, Female	
4	4460761	1	Connector - 4 Position	
4	4460227	4	Pin, Male	

SECTION 8 - ELECTRICAL

FIGURE 8-19. AXLE POWER TRACK HARNESS ASSEMBLY



ART_4922718

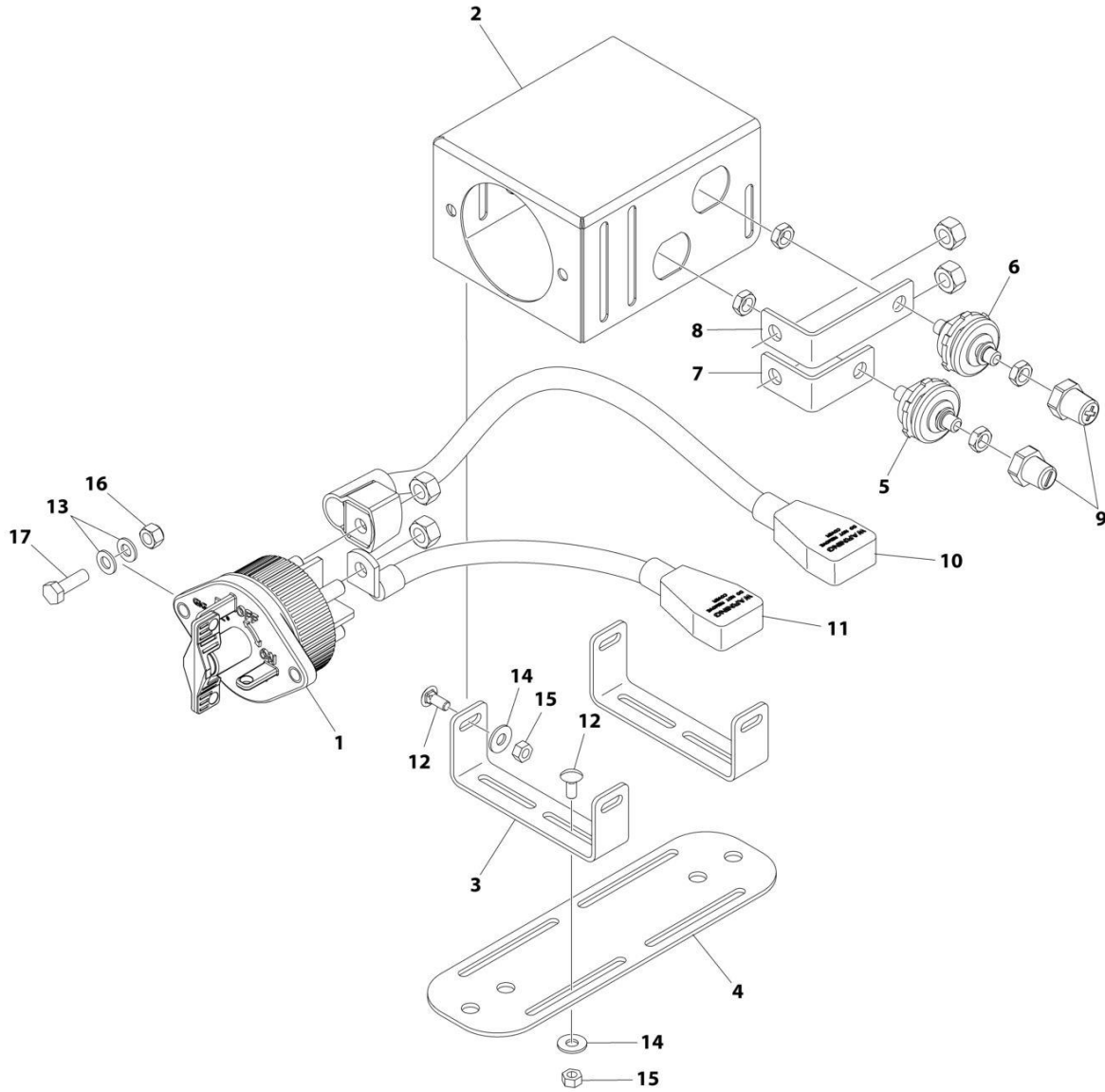
SECTION 8 - ELECTRICAL

FIGURE 8-19. AXLE POWER TRACK HARNESS ASSEMBLY

ITEM	PART NUMBER	QTY	DESCRIPTION	REV
	4922718	Ref	AXLE POWER TRACK HARNESS ASSEMBLY	E
2	4460539	1	Connector - 3 Position	
2	4460944	3	Socket, Female	
3	4460932	1	Connector - 4 Position	
3	4460943	4	Pin, Male	

SECTION 8 - ELECTRICAL

FIGURE 8-20. BATTERY DISCONNECT SWITCH



ART_1001241630

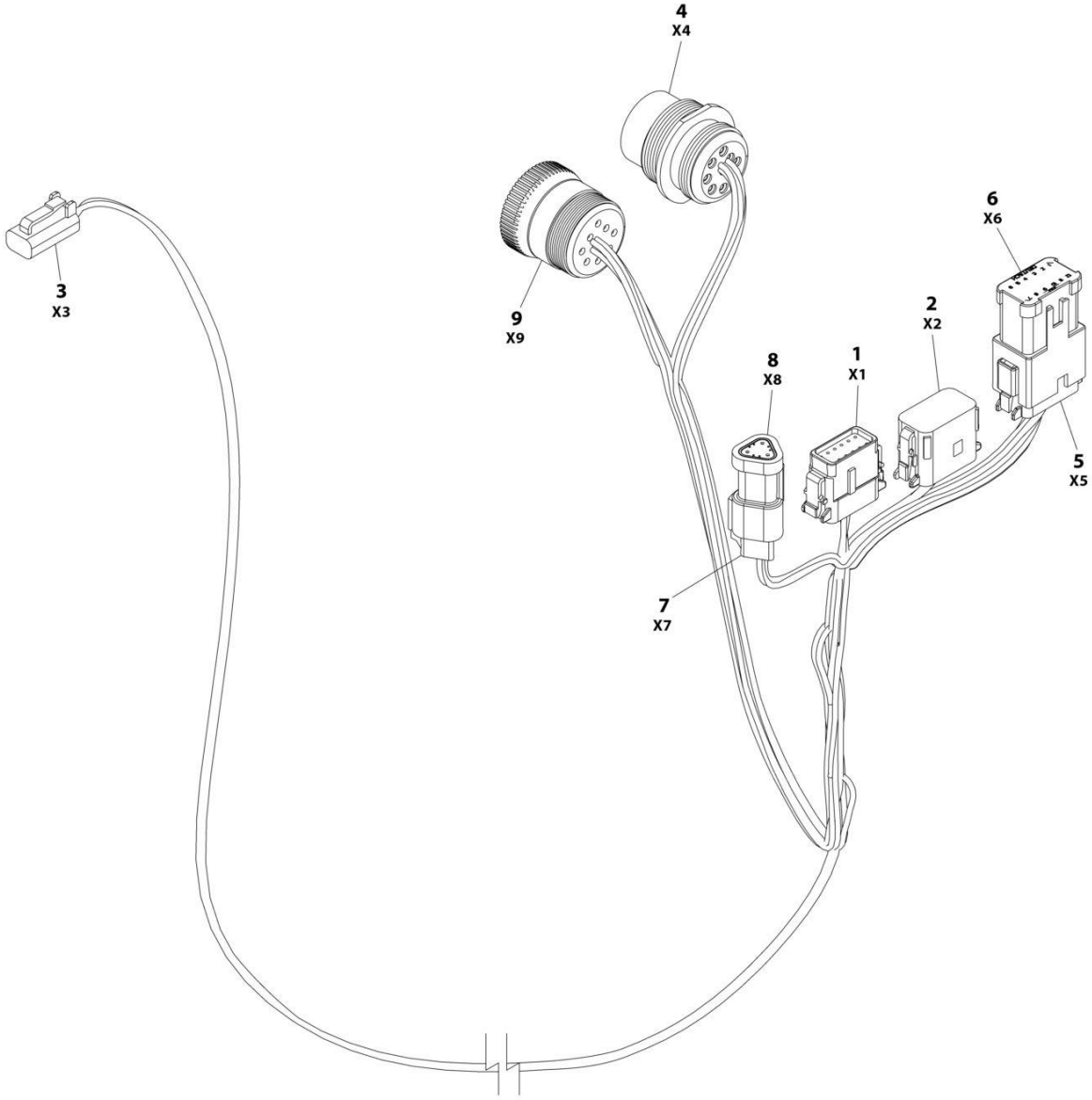
SECTION 8 - ELECTRICAL

FIGURE 8-20. BATTERY DISCONNECT SWITCH

ITEM	PART NUMBER	QTY	DESCRIPTION	REV
	1001241630	Ref	BATTERY DISCONNECT SWITCH	A
1	1001225346	1	Switch, Battery Disconnect	
2	1001226531	1	Mount	
3	1001239805	2	Mount	
4	1001241585	1	Plate	
5	1001214571	1	Connector (Black)	
6	1001214570	1	Connector (Red)	
7	1001209474	1	Buss bar	
8	1001209432	1	Buss bar	
9	1001206476	1	Connector	
10	1001236504	1	Cable (Positive)	
11	1001236505	1	Cable (Negative)	
12	88411013	8	Bolt 1/4 x 3/4	
13	4811900	4	Washer M8	
14	4751400	8	Washer 1/4	
15	3311405	8	Nut 1/4	
16	3290805	2	Nut M8	
17	0760812	2	Bolt M8 x 25	

SECTION 8 - ELECTRICAL

FIGURE 8-21. BEACON LIGHT HARNESS (BLUE BEACON LIGHT ONLY)



ART_1001142736

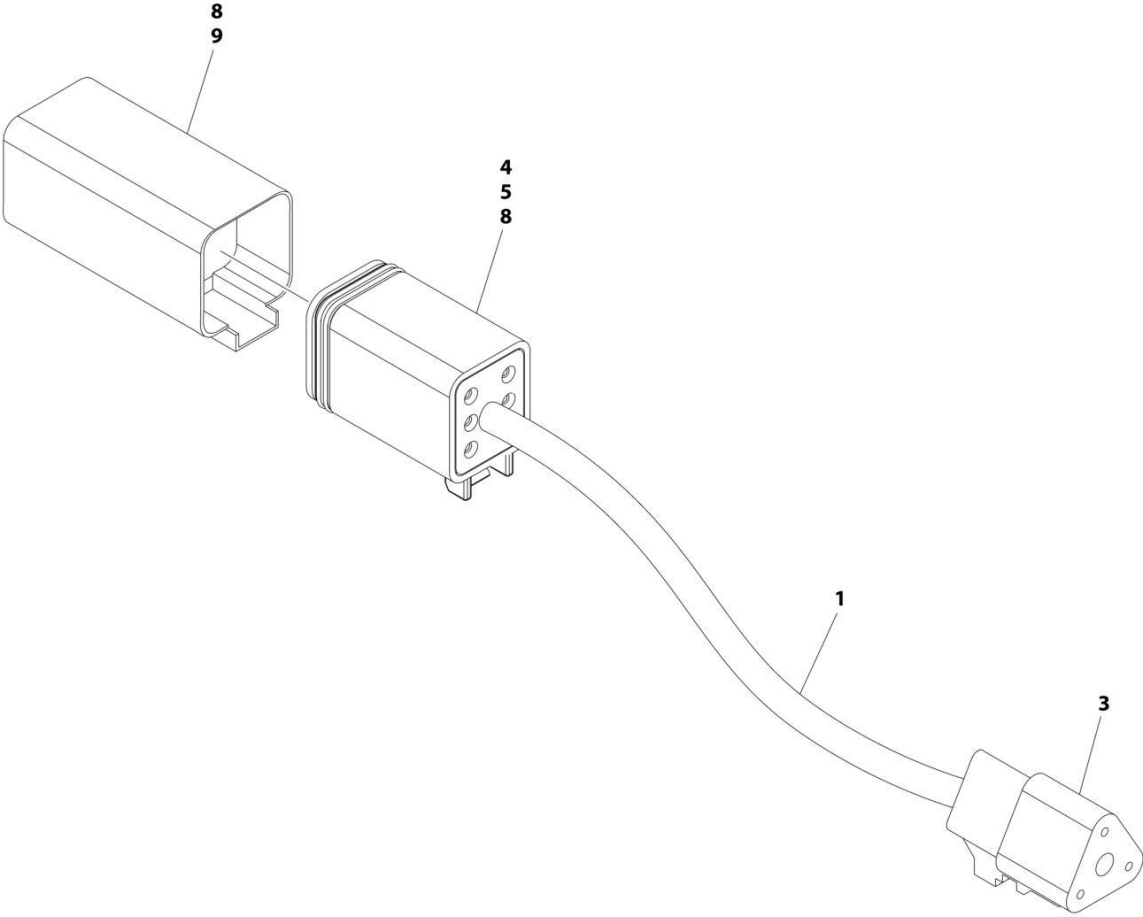
SECTION 8 - ELECTRICAL

FIGURE 8-21. BEACON LIGHT HARNESS (BLUE BEACON LIGHT ONLY)

ITEM	PART NUMBER	QTY	DESCRIPTION	REV
	1001142736	Ref	STROBE LIGHT HARNESS	F
1	1001116808	1	Plug, Male - 12 Position	
1	4460928	3	Socket, Female	
1	4460518	9	Plug, Terminal	
2	1001116774	1	Plug, Male - 12 Position	
2	4460928	3	Socket, Female	
2	4460518	9	Plug, Terminal	
3	4460891	1	Plug, Male - 2 Position	
3	4460465	2	Socket, Female	
4	1001112612	1	Connector - 9 Position	
4	4460464	6	Pin, Male	
4	4460466	3	Plug, Terminal	
5	4460933	1	Plug, Male - 12 Position	
5	4460465	12	Socket, Female	
6	1001119020	1	Bussbar - 12 Position	
7	4461095	1	Plug, Male - 3 Position	
7	4460465	3	Socket, Female	
8	4461070	1	Bussbar - 3 Position	
9	1001112796	1	Connector - 9 Position	
9	4460465	6	Socket, Female	
9	4460466	3	Plug, Terminal	

SECTION 8 - ELECTRICAL

FIGURE 8-22. B.L.A.M. TO BOOM LENGTH SENSOR HARNESS



ART_4922716

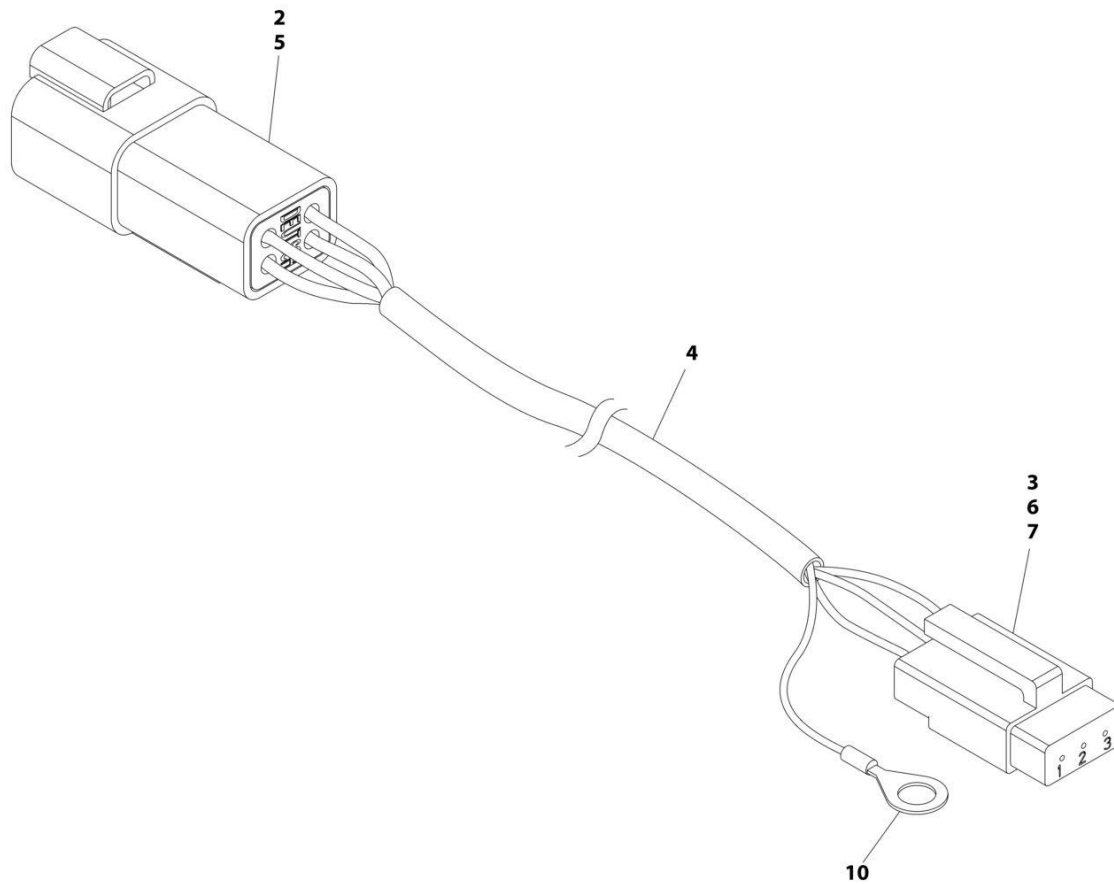
SECTION 8 - ELECTRICAL

FIGURE 8-22. B.L.A.M. TO BOOM LENGTH SENSOR HARNESS

ITEM	PART NUMBER	QTY	DESCRIPTION	REV
	4922716	Ref	B.L.A.M. TO BOOM LENGTH SENSOR HARNESS	H
1	1060981	14 ft/ 4.3m	Cable, Electrical 18/3	
3	4460539	1	Connector - 3 Position	
4	4460944	7	Socket, Female (Gold)	
5	4460894	1	Plug, Male - 6 Position	
8	4460466	AR	Plug, Terminal	
9	4460899	1	Connector, Female - 6 Position	

SECTION 8 - ELECTRICAL

FIGURE 8-23. B.L.A.M. TO BOOM ANGLE SENSOR HARNESS (LEFT SIDE)



ART_4922781

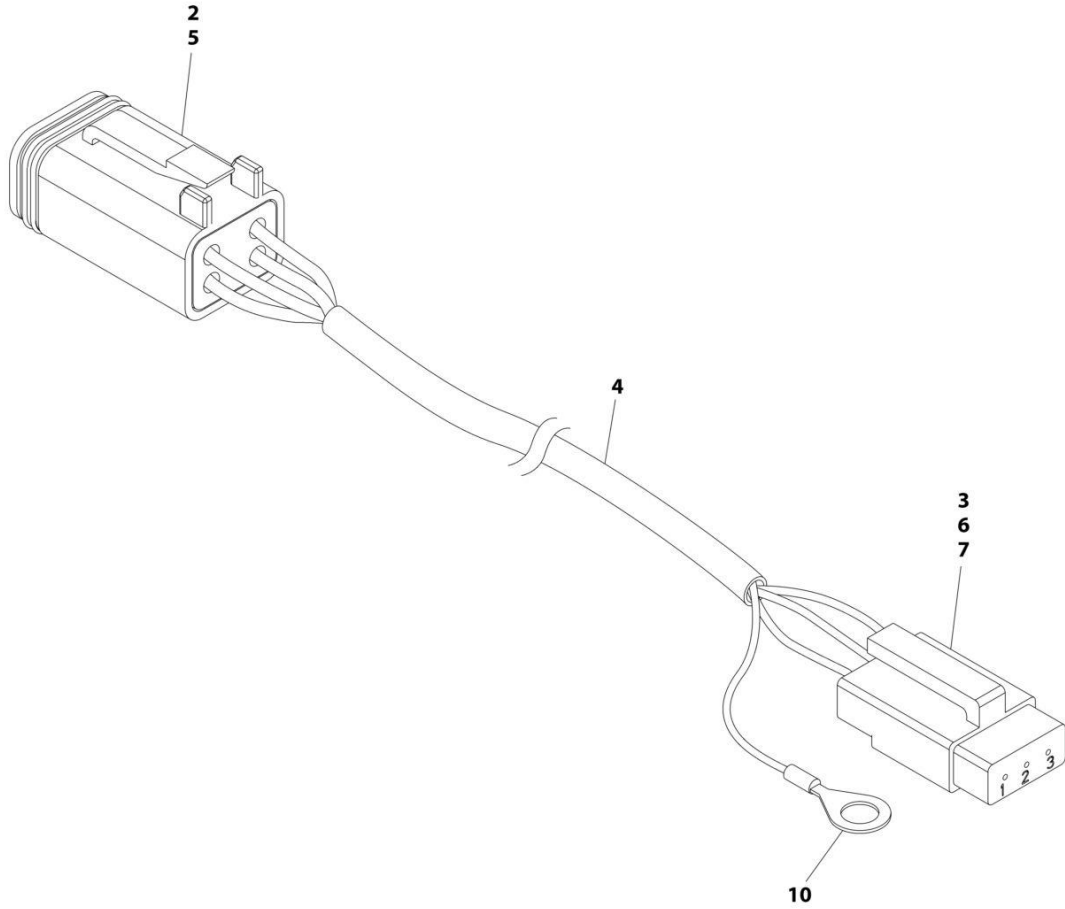
SECTION 8 - ELECTRICAL

FIGURE 8-23. B.L.A.M. TO BOOM ANGLE SENSOR HARNESS (LEFT SIDE)

ITEM	PART NUMBER	QTY	DESCRIPTION	REV
	4922781	Ref	B.L.A.M. TO BOOM ANGLE SENSOR HARNESS (LEFT SIDE)	F
2	4460932	1	Connector, Female - 4 Position	
3	4460912	1	Lock, Wedge - Position	
4	1060982	16.2 ft/ 4.9m	Cable, Electrical 18/3	
5	4460943	4	Pin, Male 16 Ga	
6	4460911	1	Plug, Male - 3 Position	
7	4460918	3	Socket, Female (Gold)	
10	4460722	1	Terminal, Ring	

SECTION 8 - ELECTRICAL

FIGURE 8-24. B.L.A.M. TO BOOM ANGLE SENSOR HARNESS (RIGHT SIDE)



ART_4922780

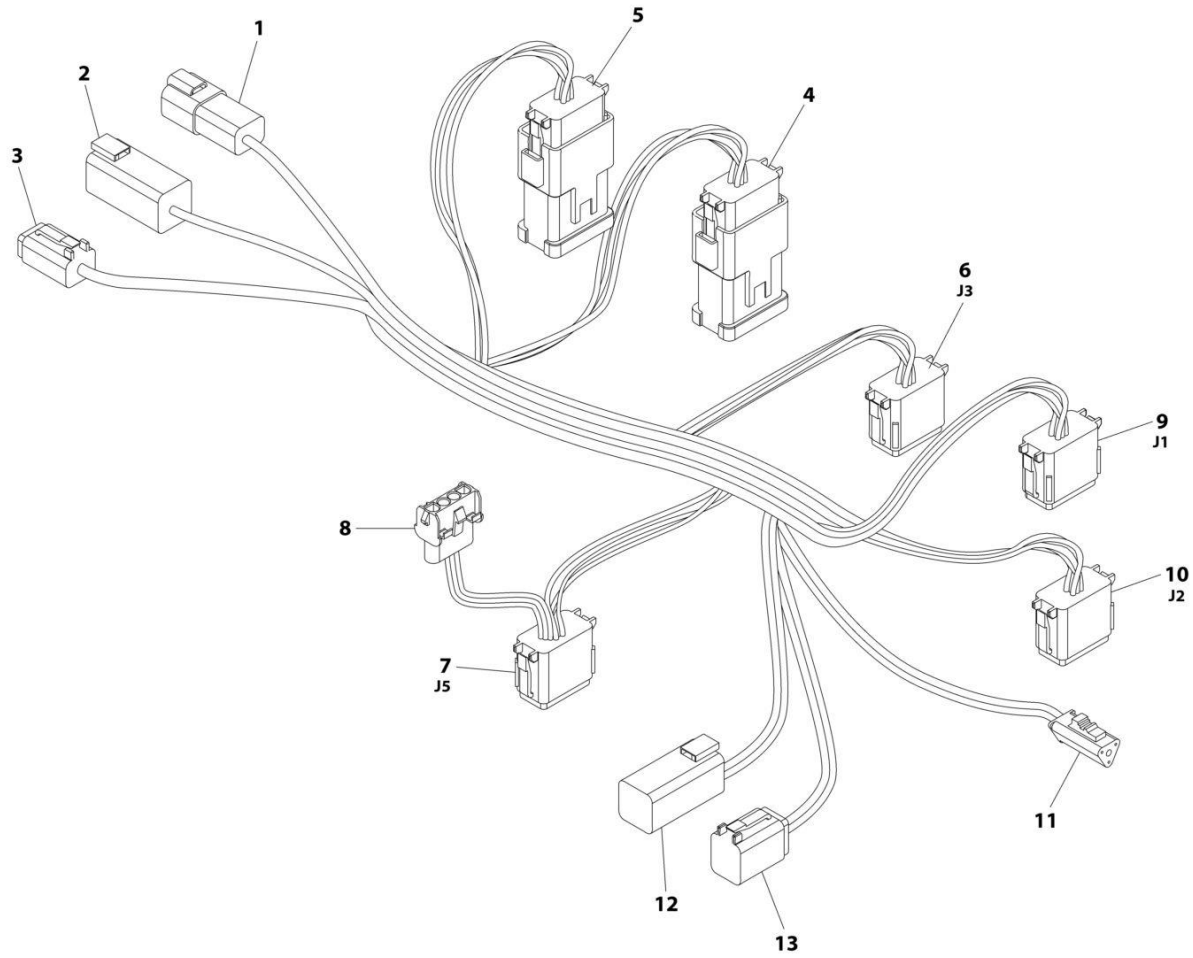
SECTION 8 - ELECTRICAL

FIGURE 8-24. B.L.A.M. TO BOOM ANGLE SENSOR HARNESS (RIGHT SIDE)

ITEM	PART NUMBER	QTY	DESCRIPTION	REV
	4922780	Ref	B.L.A.M. TO BOOM ANGLE SENSOR HARNESS (RIGHT SIDE)	E
2	4460884	1	Connector, Gray - 4 Position	
3	4460912	1	Lock, Wedge - Position	
4	1060981	16.2 ft/ 4.9m	Cable, Electrical 18/3	
5	4460944	4	Socket, Female (Gold)	
6	4460911	1	Plug, Male - 3 Position	
7	4460918	3	Socket, Female (Gold)	
10	4460722	1	Terminal, Ring	

SECTION 8 - ELECTRICAL

FIGURE 8-25. B.L.A.M. HARNESS



ART_1001242030

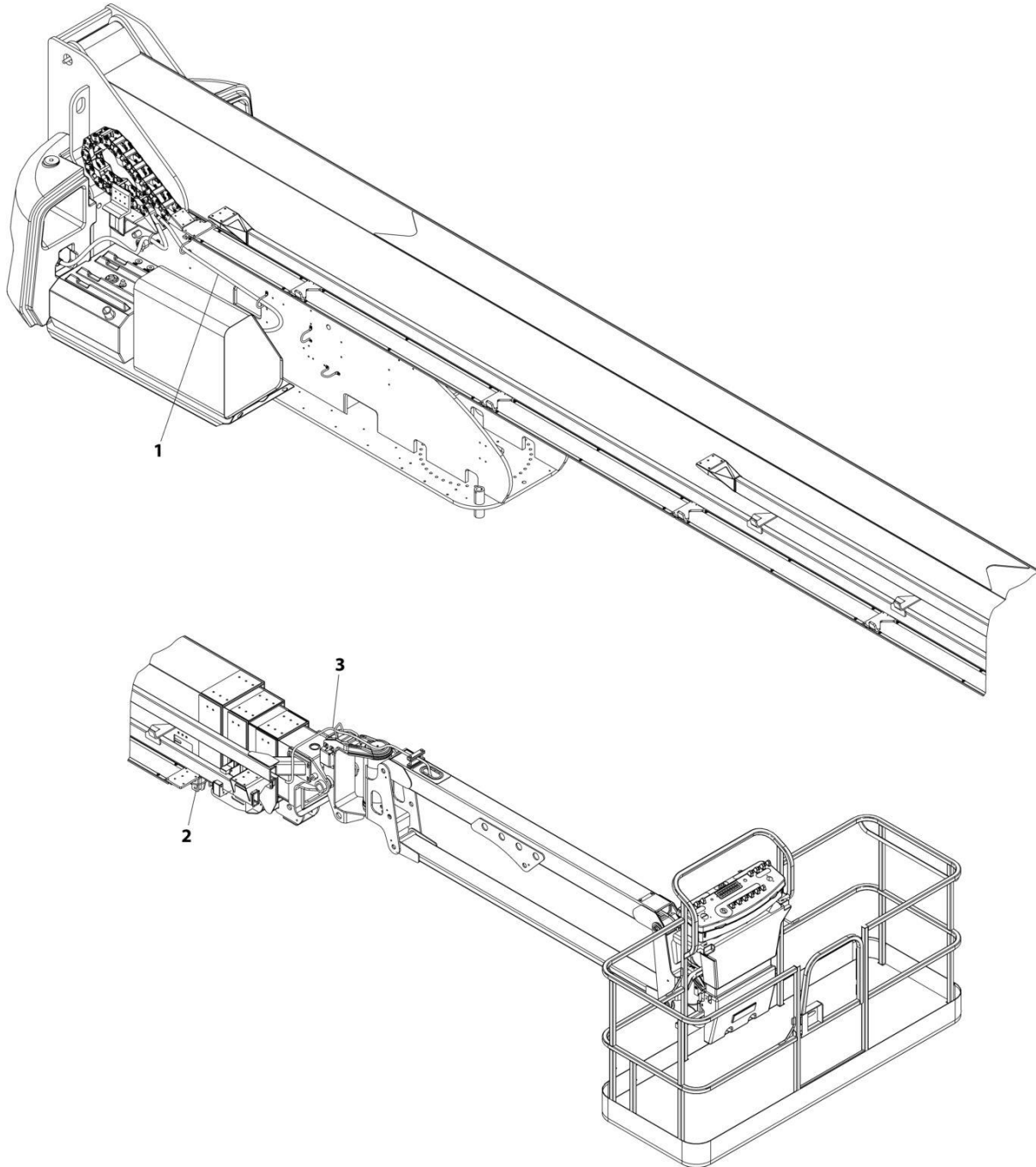
SECTION 8 - ELECTRICAL

FIGURE 8-25. B.L.A.M. HARNESS

ITEM	PART NUMBER	QTY	DESCRIPTION	REV
	1001242030	Ref	B.L.A.M. HARNESS	B
1	4460932	1	Connector - 4 Position (Gray)	
1	4460943	4	Pin, Male	
2	4460899	1	Connector, Female - 6 Position	
2	4460943	4	Pin, Male (Gold)	
2	4460466	2	Plug, Seal	
3	4460884	1	Connector - 4 Position (Gray)	
3	4460944	4	Socket, Female	
4	4460836	1	Connector - 12 Position (Black)	
4	4460466	8	Plug, Seal	
4	4460465	4	Socket, Female	
4	4460942	2	Socket, Female	
4	4460837	1	Connector - 12 Position Buss Bar	
5	4460836	1	Plug, Male - 12 Position (Black)	
5	4460466	6	Plug, Seal	
5	4460944	5	Socket, Female	
5	4460465	1	Socket, Female	
5	4460837	1	Connector - 12 Position Buss Bar	
6	4460934	1	Connector, Green - 12 Position	
6	4460466	7	Plug, Seal	
6	4460944	3	Socket, Female	
6	4460465	2	Socket, Female	
7	4460935	1	Connector - 12 Position (Green)	
7	4460466	5	Plug, Seal	
7	4460465	2	Socket, Female	
8	4922705	1	Analyzer Harness	
8	4460761	1	Connector, Female - 4 Position	
8	4460227	4	Pin, Male	
8	4460465	4	Socket, Female	
9	4460933	1	Connector - 12 Position (Gray)	
9	4460466	7	Plug, Seal	
9	4460944	3	Socket, Female	
9	4460465	1	Socket, Female	
9	4460942	1	Socket, Female	
10	4460836	1	Connector - 12 Position (Black)	
10	4460466	8	Plug, Seal	
10	4460944	2	Socket, Female	
10	4460465	2	Socket, Female	
11	4460966	1	Plug, Male - 3 Position (Green Lock)	
11	4460944	3	Socket, Female	
12	4460899	1	Connector, Female - 6 Position	
12	4460465	3	Socket, Female	
12	4460941	3	Pin, Male	
13	4460894	1	Connector - 6 Position (Gray)	
13	4460465	4	Socket, Female	
13	4460466	2	Plug, Seal	
14	4240033	AR	Tie-Strap (Not Shown)	

SECTION 8 - ELECTRICAL

FIGURE 8-26. BOOM CABLES INSTALLATION (ANSI, ANSI EXPORT, CHINA, CSA AND JAPANESE SPECS) (1200SJP)



ART_0271932

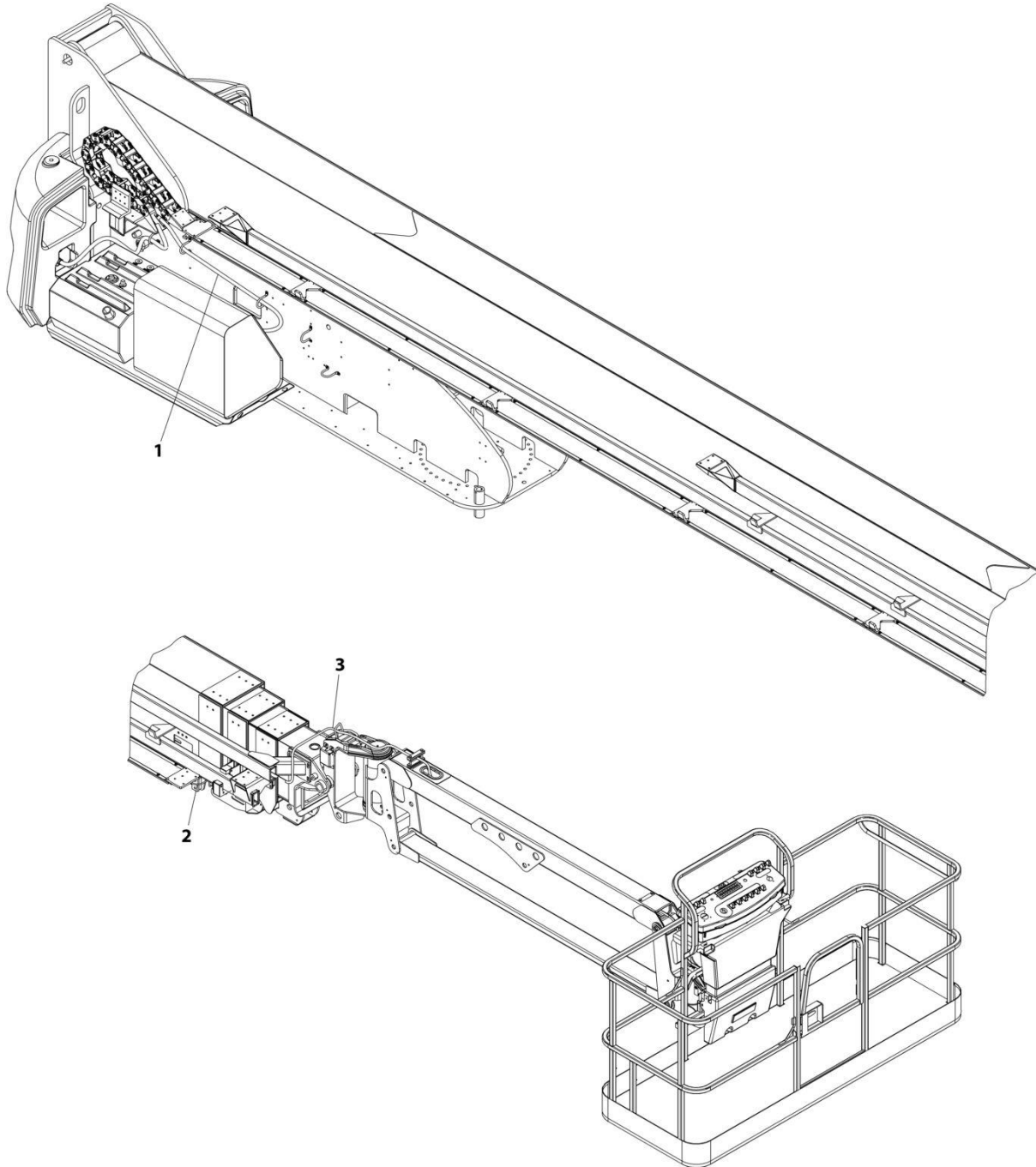
SECTION 8 - ELECTRICAL

FIGURE 8-26. BOOM CABLES INSTALLATION (ANSI, ANSI EXPORT, CHINA, CSA AND JAPANESE SPECS) (1200SJP)

ITEM	PART NUMBER	QTY	DESCRIPTION	REV
	0271932	Ref	BOOM CABLES INSTALLATION	D
1	4922759	1	Harness, 10/3 AC	
2	4922763	1	Harness, 18/3 Transport Switch	
3	4922672	1	Harness, Main Boom Control (See Separate Breakdown in this Section)	

SECTION 8 - ELECTRICAL

FIGURE 8-27. BOOM CABLES INSTALLATION (ANSI, ANSI EXPORT, CHINA, CSA AND JAPANESE SPECS) (1350SJP)



ART_0271951

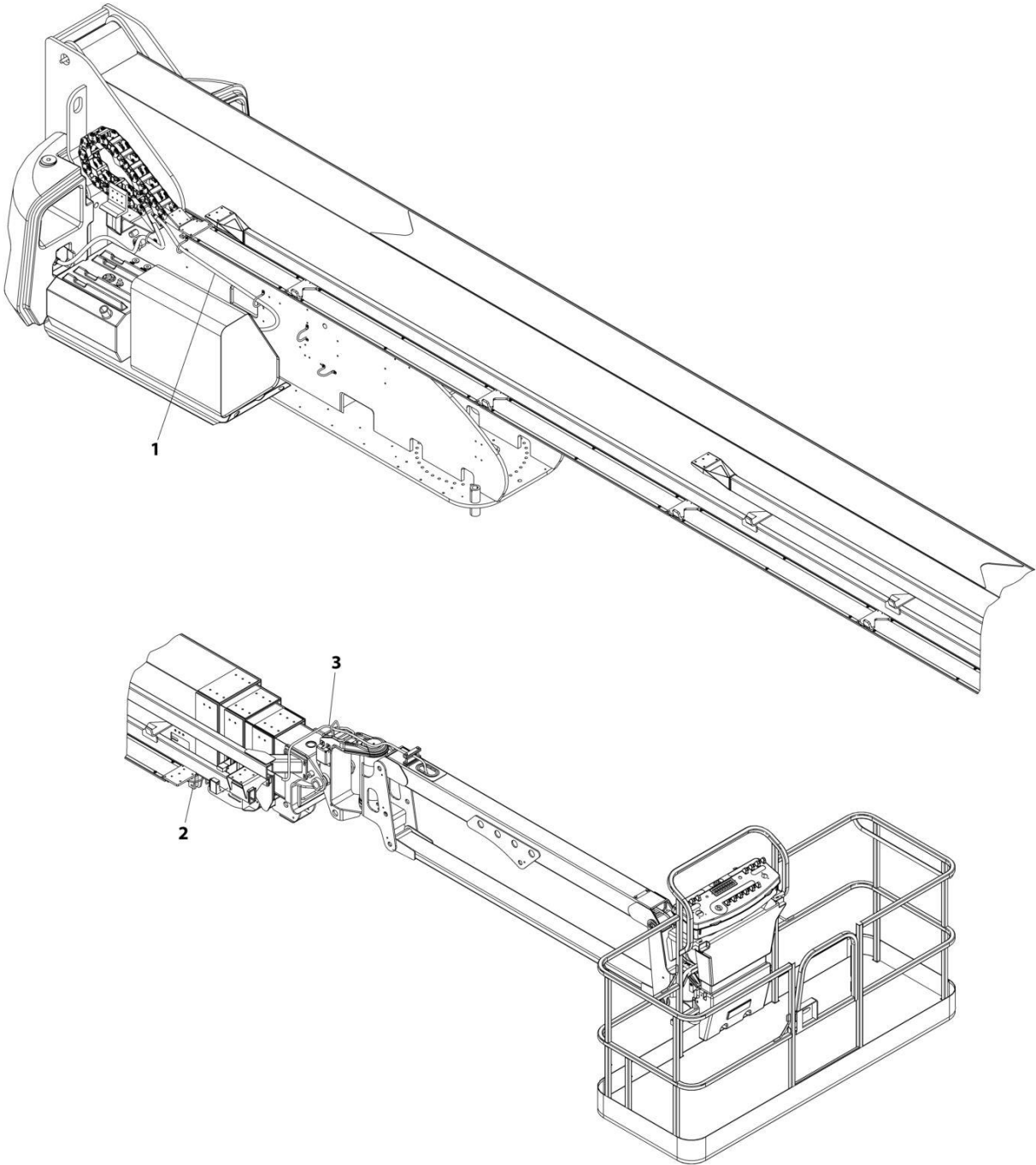
SECTION 8 - ELECTRICAL

FIGURE 8-27. BOOM CABLES INSTALLATION (ANSI, ANSI EXPORT, CHINA, CSA AND JAPANESE SPECS) (1350SJP)

ITEM	PART NUMBER	QTY	DESCRIPTION	REV
	0271951	Ref	BOOM CABLES INSTALLATION	D
1	4922758	1	Harness, 10/3 AC	
2	4922762	1	Harness, 18/3 Transport Switch	
3	4922673	1	Harness, Main Boom Control (See Separate Breakdown in this Section)	

SECTION 8 - ELECTRICAL

FIGURE 8-28. BOOM CABLES INSTALLATION (AUSTRALIAN AND CE SPECS) (1200SJP)



ART_0271950

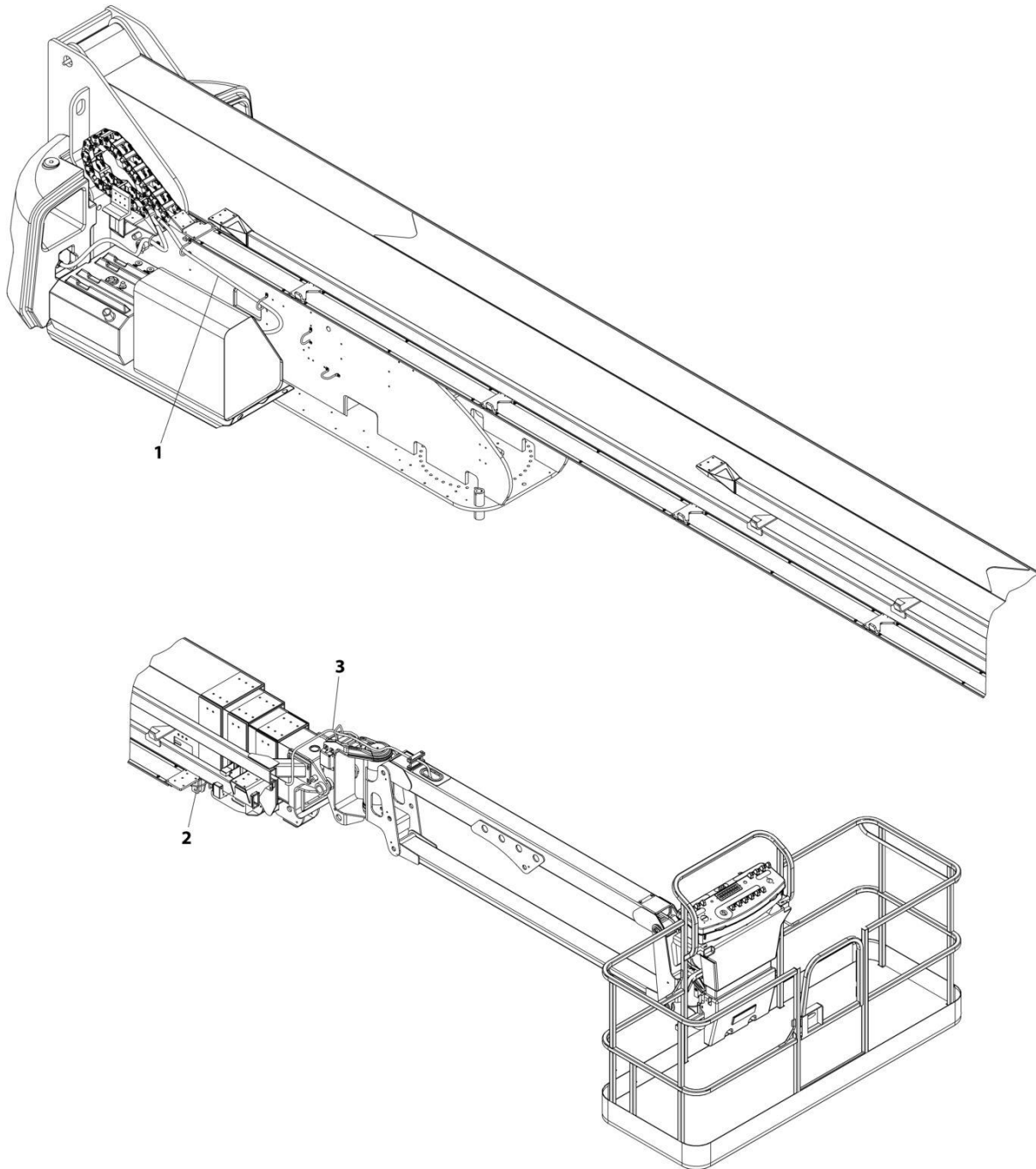
SECTION 8 - ELECTRICAL

FIGURE 8-28. BOOM CABLES INSTALLATION (AUSTRALIAN AND CE SPECS) (1200SJP)

ITEM	PART NUMBER	QTY	DESCRIPTION	REV
	0271950	Ref	BOOM CABLES INSTALLATION	D
1	4922761	1	Harness, 10/3 AC	
2	4922763	1	Harness, 18/3 Transport Switch	
3	4922672	1	Harness, Main Boom Control (See Separate Breakdown in this Section)	

SECTION 8 - ELECTRICAL

FIGURE 8-29. BOOM CABLES INSTALLATION (AUSTRALIAN AND CE SPECS) (1350SJP)



ART_0271952

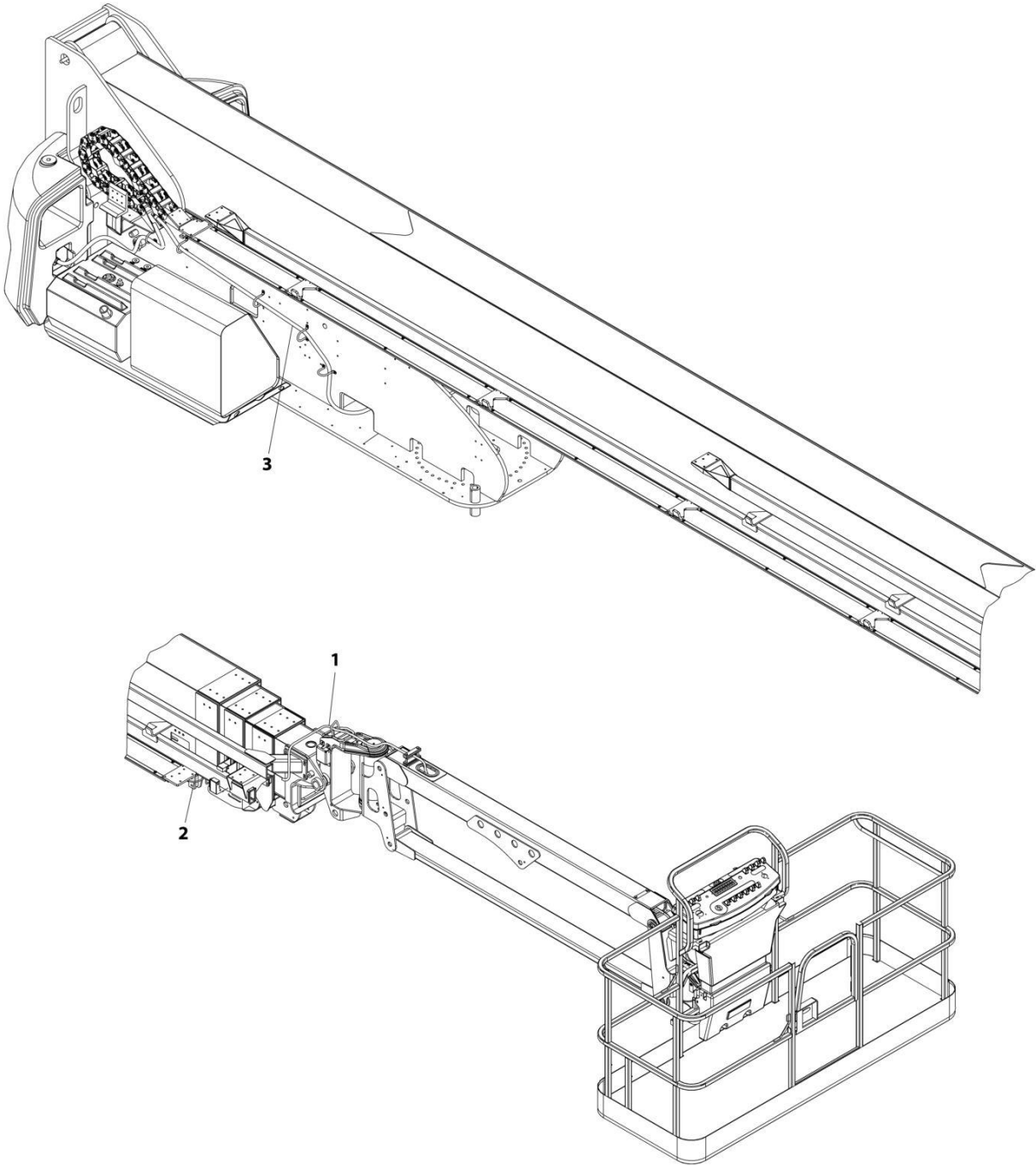
SECTION 8 - ELECTRICAL

FIGURE 8-29. BOOM CABLES INSTALLATION (AUSTRALIAN AND CE SPECS) (1350SJP)

ITEM	PART NUMBER	QTY	DESCRIPTION	REV
	0271952	Ref	BOOM CABLES INSTALLATION	D
1	4922760	1	Harness, 10/3 AC	
2	4922762	1	Harness, 18/3 Transport Switch	
3	4922673	1	Harness, Main Boom Control (See Separate Breakdown in this Section)	

SECTION 8 - ELECTRICAL

FIGURE 8-30. BOOM CABLES INSTALLATION - WITH 4000W GENERATOR (1200SJP)



ART_1001161048

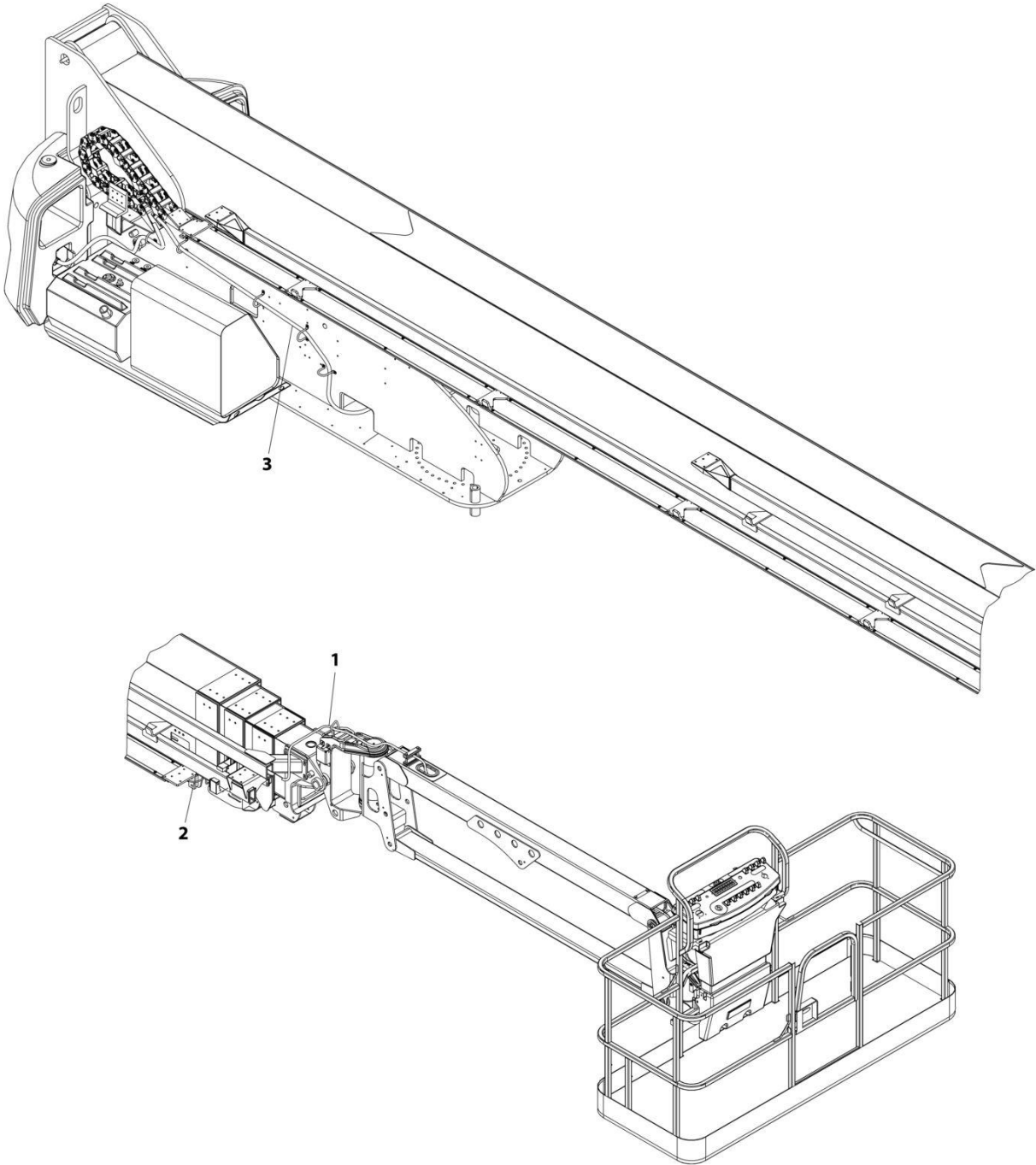
SECTION 8 - ELECTRICAL

FIGURE 8-30. BOOM CABLES INSTALLATION - WITH 4000W GENERATOR (1200SJP)

ITEM	PART NUMBER	QTY	DESCRIPTION	REV
	1001161048	Ref	BOOM CABLES INSTALLATION	A
1	4922673	1	Harness, Main Boom Control (See Separate Breakdown in this Section)	
2	4922762	1	Harness, 18/3 Transport Switch	
3	1001161041	1	Harness, 8/4 Generator	
3	1001131969	152 ft /46.3m	Cable, Electrical 8/4	

SECTION 8 - ELECTRICAL

FIGURE 8-31. BOOM CABLES INSTALLATION - WITH 4000W GENERATOR (1350SJP)



ART_1001161050

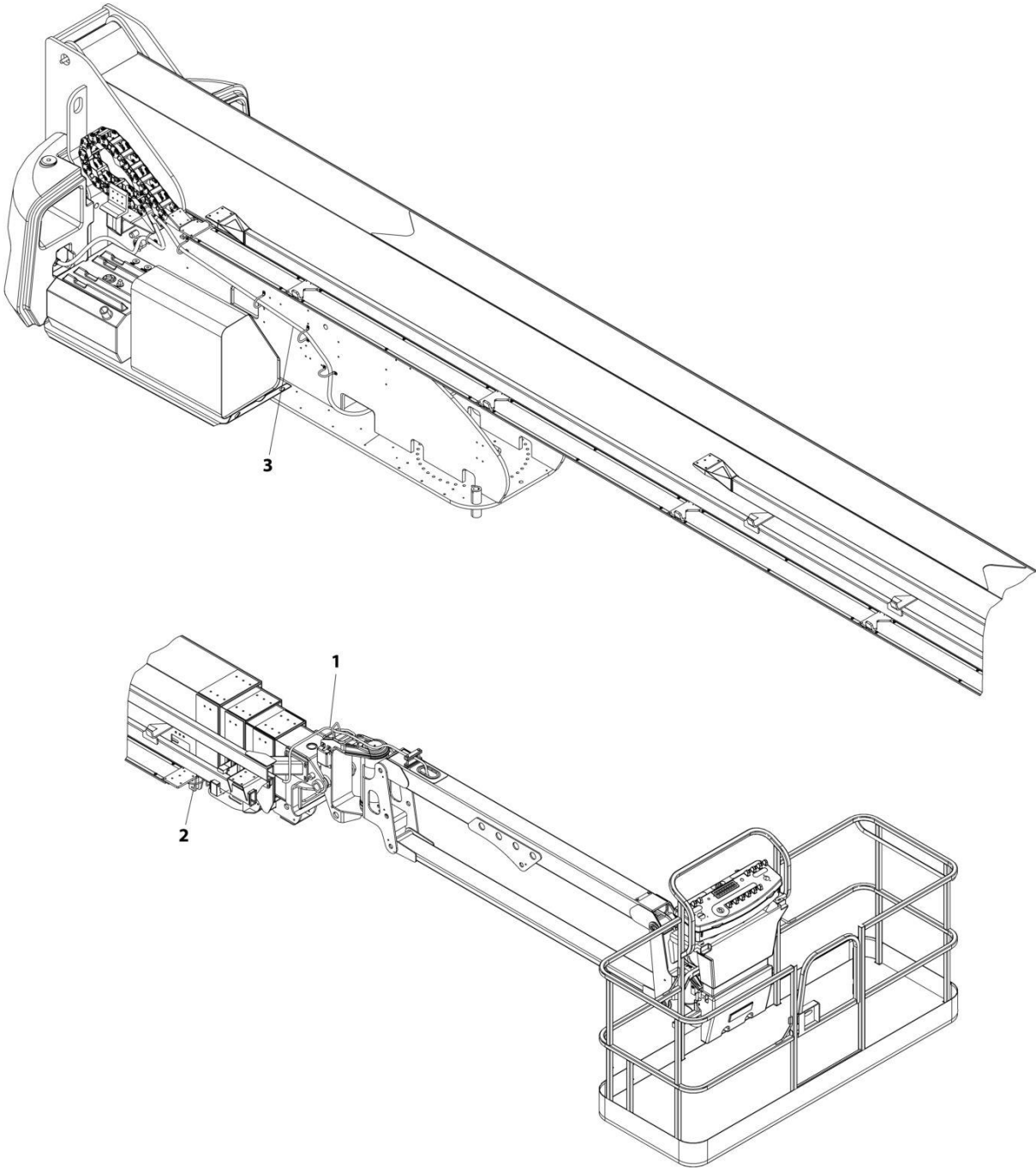
SECTION 8 - ELECTRICAL

FIGURE 8-31. BOOM CABLES INSTALLATION - WITH 4000W GENERATOR (1350SJP)

ITEM	PART NUMBER	QTY	DESCRIPTION	REV
	1001161050	Ref	BOOM CABLES INSTALLATION	A
1	4922673	1	Harness, Main Boom Control (See Separate Breakdown in this Section)	
2	4922762	1	Harness, 18/3 Transport Switch	
3	1001161044	1	Harness, Generator	
3	1001131969	168 ft /51.2m	Cable, Electrical 8/4	

SECTION 8 - ELECTRICAL

FIGURE 8-32. BOOM CABLES INSTALLATION - WITH 7500W GENERATOR (1200SJP)



ART_0273854

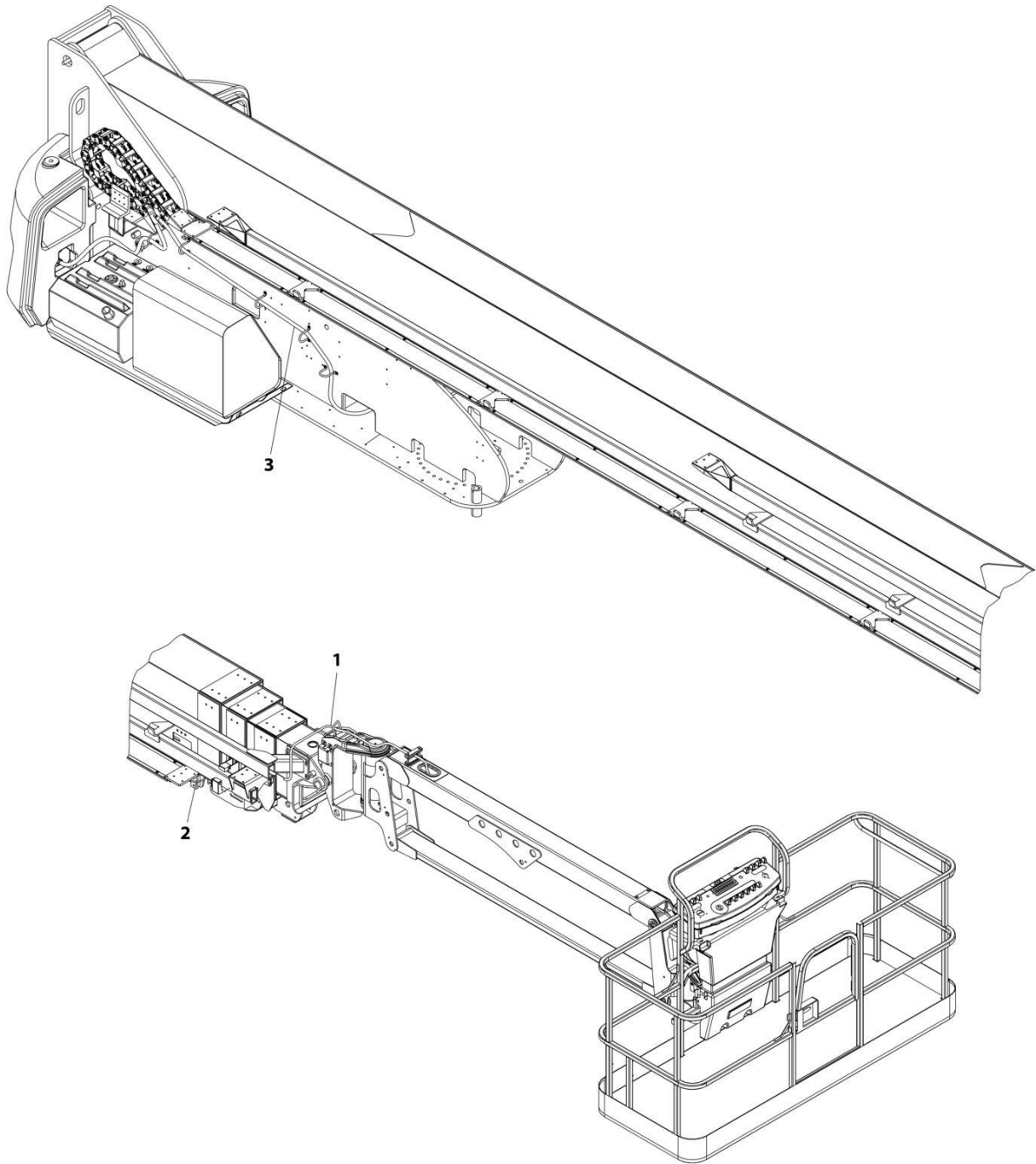
SECTION 8 - ELECTRICAL

FIGURE 8-32. BOOM CABLES INSTALLATION - WITH 7500W GENERATOR (1200SJP)

ITEM	PART NUMBER	QTY	DESCRIPTION	REV
	0273854	Ref	BOOM CABLES INSTALLATION	A
1	4922672	1	Harness, Main Boom Control (See Separate Breakdown in this Section)	
2	4922763	1	Harness, 18/3 Transport Switch	
3	4922796	1	Harness, Generator	

SECTION 8 - ELECTRICAL

FIGURE 8-33. BOOM CABLES INSTALLATION - WITH 7500W GENERATOR (1350SJP)



ART_0273855

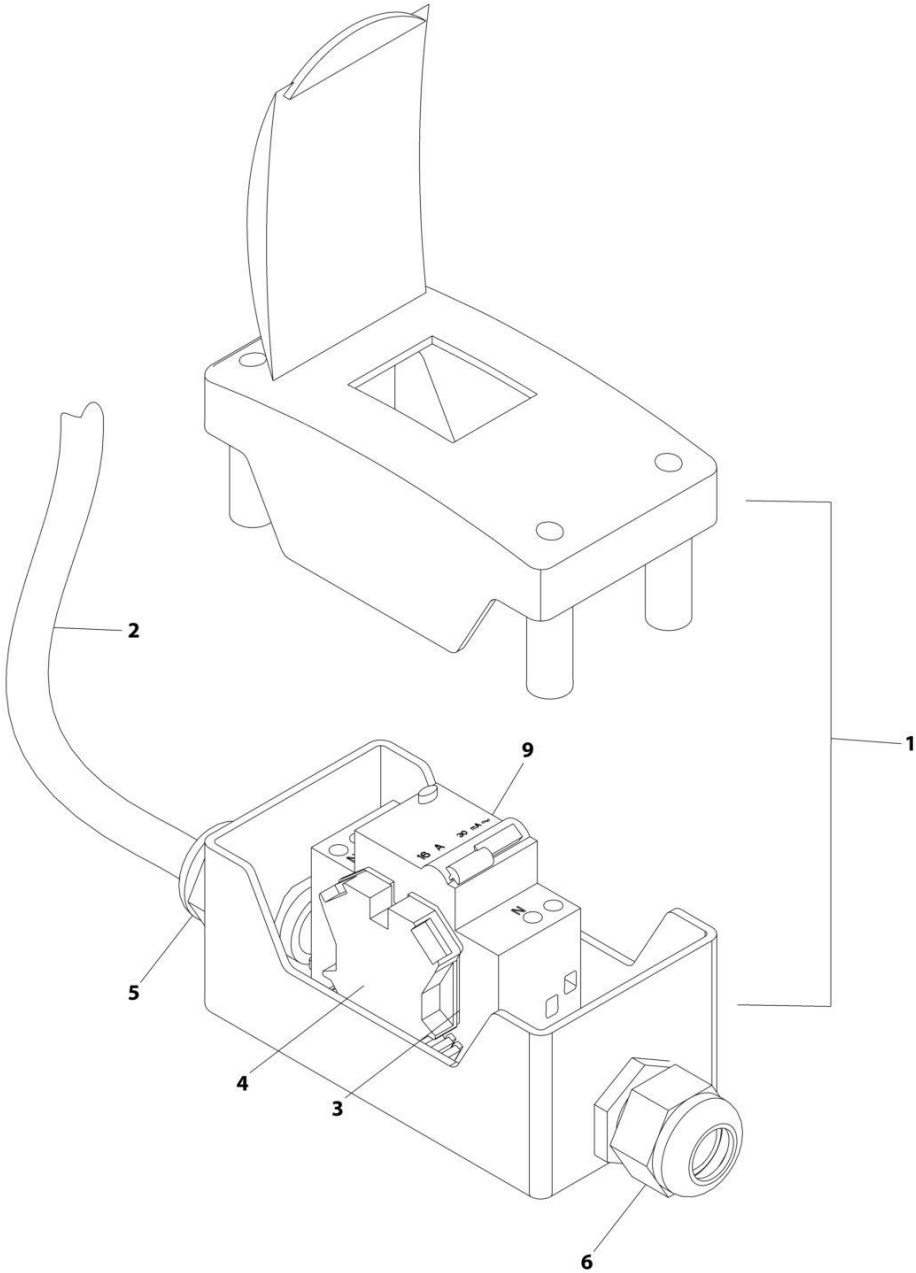
SECTION 8 - ELECTRICAL

FIGURE 8-33. BOOM CABLES INSTALLATION - WITH 7500W GENERATOR (1350SJP)

ITEM	PART NUMBER	QTY	DESCRIPTION	REV
	0273855	Ref	BOOM CABLES INSTALLATION	A
1	4922673	1	Harness, Main Boom Control (See Separate Breakdown in this Section)	
2	4922762	1	Harness, 18/3 Transport Switch	
3	4922795	1	Harness, Generator	

SECTION 8 - ELECTRICAL

FIGURE 8-34. BREAKER BOX KIT - 16 AMP (2500W GENERATOR)



ART_1001109654

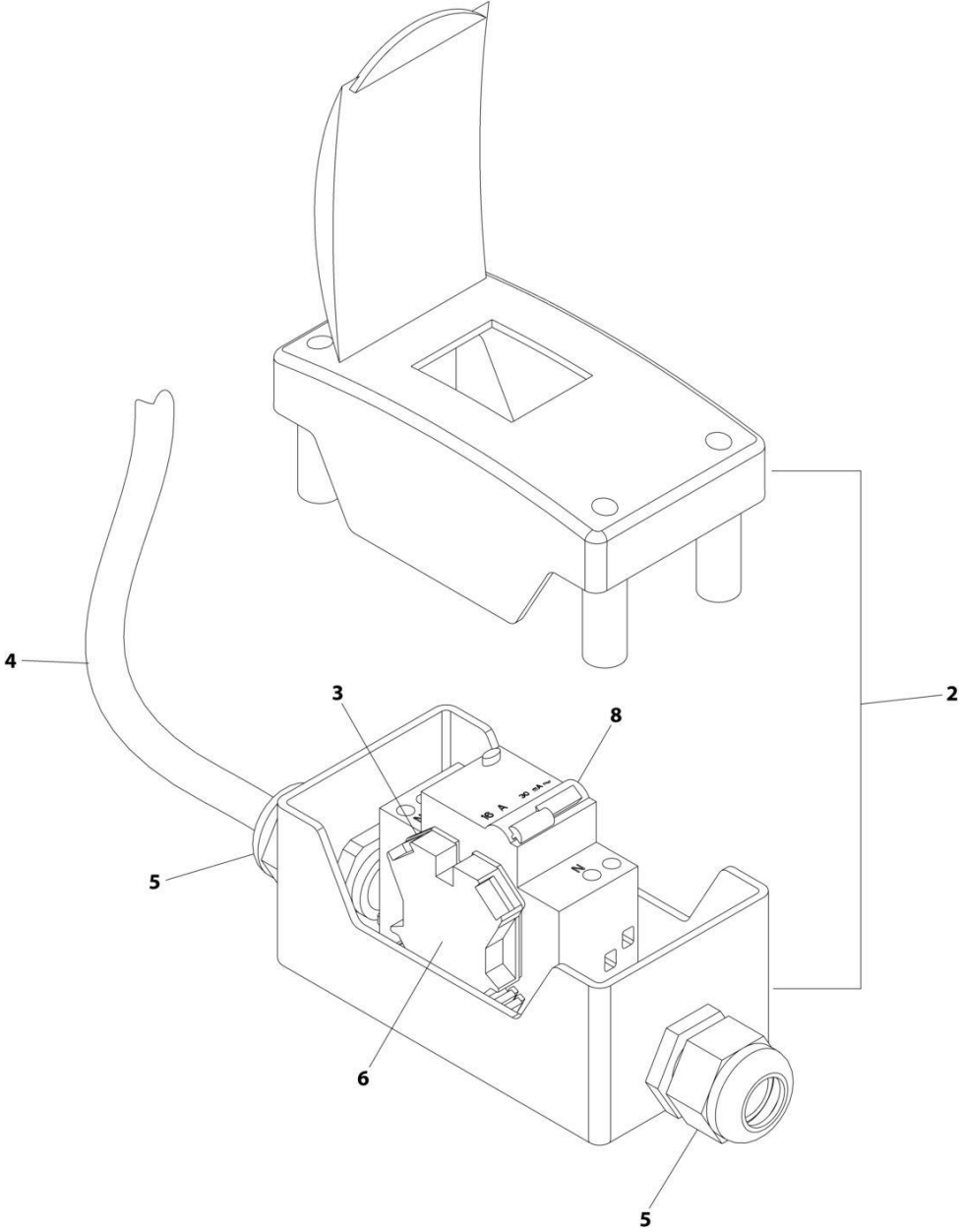
SECTION 8 - ELECTRICAL

FIGURE 8-34. BREAKER BOX KIT - 16 AMP (2500W GENERATOR)

ITEM	PART NUMBER	QTY	DESCRIPTION	REV
	1001109654	Ref	BREAKER BOX KIT	C
1	0861880	1	Box, Breaker	
2	1060908	12 ft/ 3.6m	Cable 12/3	
3	4460956	1	Barrier, Terminal Block End	
4	4460957	1	Block, Terminal	
5	1001097150	1	Connector, Strain Relief	
6	1001101191	1	Connector, Strain Relief	
9	1001181045	1	Breaker - 30mA/16Amp	
10	1001100231	3	Terminal (Not Shown)	

SECTION 8 - ELECTRICAL

FIGURE 8-35. BREAKER BOX KIT - 16 AMP (4000W GENERATOR)



ART_1001165368_B

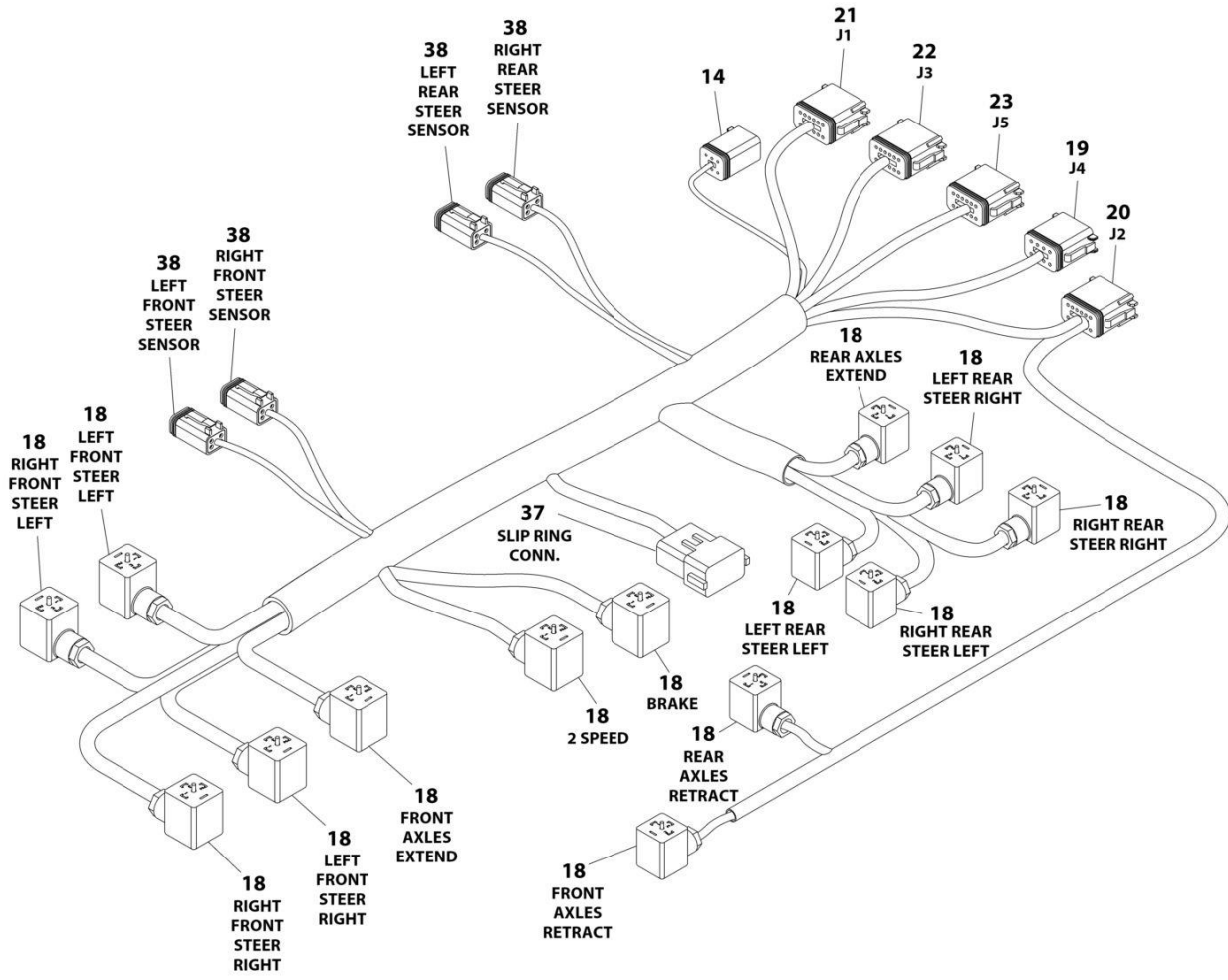
SECTION 8 - ELECTRICAL

FIGURE 8-35. BREAKER BOX KIT - 16 AMP (4000W GENERATOR)

ITEM	PART NUMBER	QTY	DESCRIPTION	REV
	1001165368	Ref	BREAKER BOX KIT	B
2	0861880	1	Box, Circuit Breaker	
3	4460956	1	Barrier, Terminal Block End	
4	1060545	12 ft/ 3.6m	Cable, Electrical 10/3	
5	1001101191	2	Connector, Strain Relief	
6	4460957	1	Block, Terminal	
8	1001181045	1	Breaker 30mA/16Amp	

SECTION 8 - ELECTRICAL

FIGURE 8-36. CHASSIS HARNESS ASSEMBLY



ART_4922696

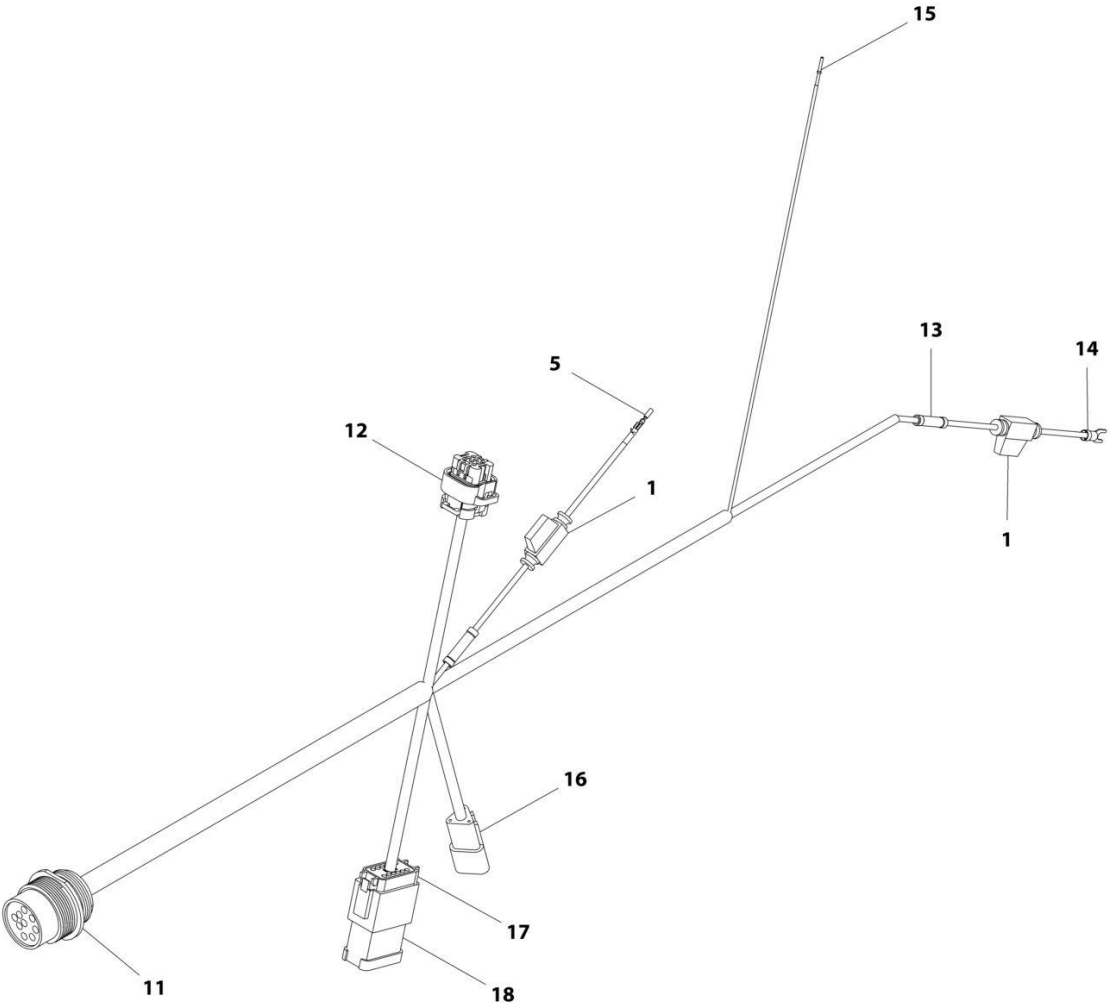
SECTION 8 - ELECTRICAL

FIGURE 8-36. CHASSIS HARNESS ASSEMBLY

ITEM	PART NUMBER	QTY	DESCRIPTION	REV
	4922696	Ref	CHASSIS HARNESS ASSEMBLY	D
14	4460894	1	Connector - 6 Position	
14	4460465	6	Socket, Female	
14	4460892	1	Connector - 6 Position Buss Bar	
17	4460894	1	Connector - 6 Position (Not Shown)	
17	4460465	6	Socket, Female	
17	4460892	1	Connector - 6 Position Buss Bar	
18	4460880	14	DIN Connector	
19	4460930	1	Connector - 8 Position (Gray)	
19	4460465	1	Socket, Female	
19	4460466	7	Plug, Terminal	
20	4460836	1	Connector - 12 Position (Black)	
20	4460465	6	Socket, Female	
20	4460466	6	Plug, Terminal	
21	4460933	1	Connector - 12 Position (Gray)	
21	4460465	8	Socket, Female	
21	4460466	4	Plug, Terminal	
22	4460934	1	Connector - 12 Position (Green)	
22	4460944	12	Socket, Female	
23	4460935	1	Connector - 12 Position (Brown)	
23	4460465	8	Socket, Female	
25	4240032	10	Tie-Strap (Not Shown)	
26	4240033	15	Tie-Strap (Not Shown)	
37	4460950	1	Connector - 12 Position	
37	4460464	6	Pin, Male	
37	4460943	3	Pin, Male	
37	4460941	2	Pin, Male	
38	4460884	4	Connector - 4 Position (Gray)	
38	4460944	16	Socket, Female	

SECTION 8 - ELECTRICAL

FIGURE 8-37. CLEARSKY READY HARNESS (PVC2001)



ART_1001120337

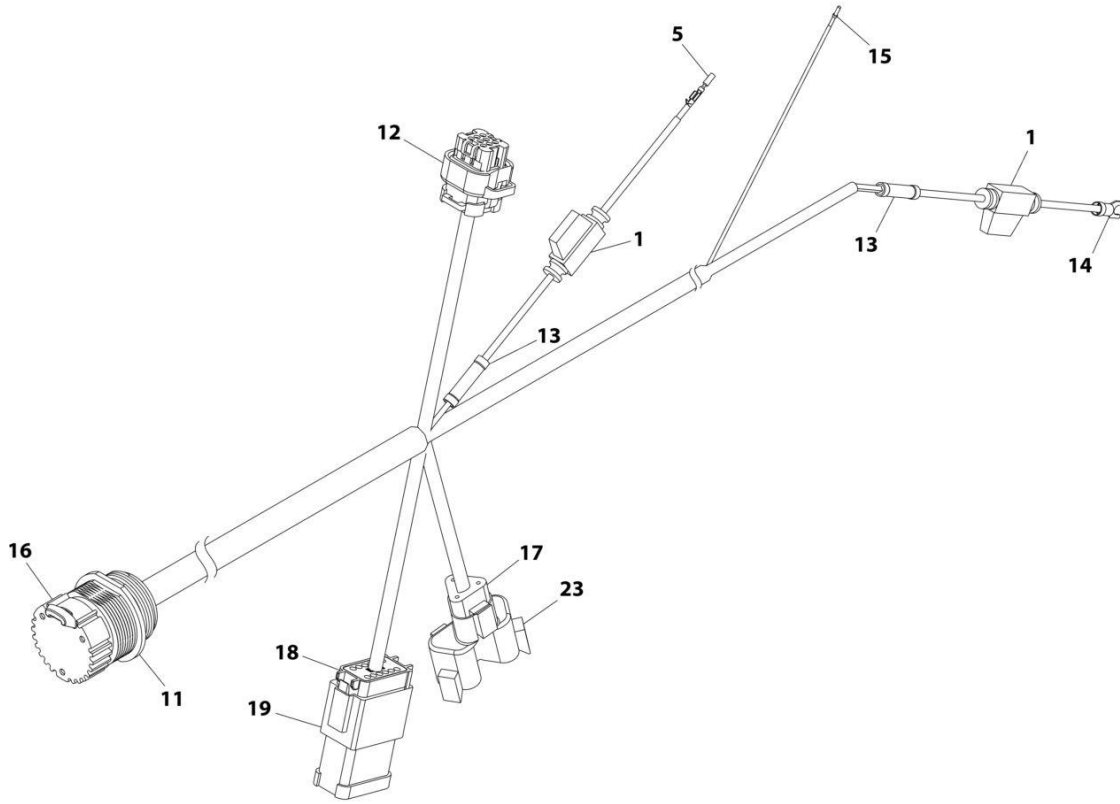
SECTION 8 - ELECTRICAL

FIGURE 8-37. CLEARSKY READY HARNESS (PVC2001)

ITEM	PART NUMBER	QTY	DESCRIPTION	REV
	1001120337	Ref	CLEARSKY READY HARNESS	A
1	2400060	2	Fuseholder with Cover	
1	2400064	2	Fuse 5Amp	
5	4460871	1	Socket, Female	
11	1001112612	1	Connector - 9 Position	
11	4460464	9	Pin, Male	
11	4460466	3	Plug, Sealing	
12	1001113961	1	Connector - 8 Position	
12	4460871	5	Socket, Female	
12	4460905	5	Plug, Sealing	
13	4460035	2	Terminal, Connector	
14	4460183	1	Terminal, Eyelet	
15	4460465	1	Socket, Female	
16	4460536	1	Connector - 3 Position	
16	4460464	3	Pin, Male	
17	4460933	1	Connector - 12 Position	
17	4460465	9	Socket, Female	
17	4460466	3	Plug, Sealing	
18	4460898	1	Connector Bussbar - 9 Position	

SECTION 8 - ELECTRICAL

FIGURE 8-38. CLEARSKY READY HARNESS (PVC2007)



ART_1001254068

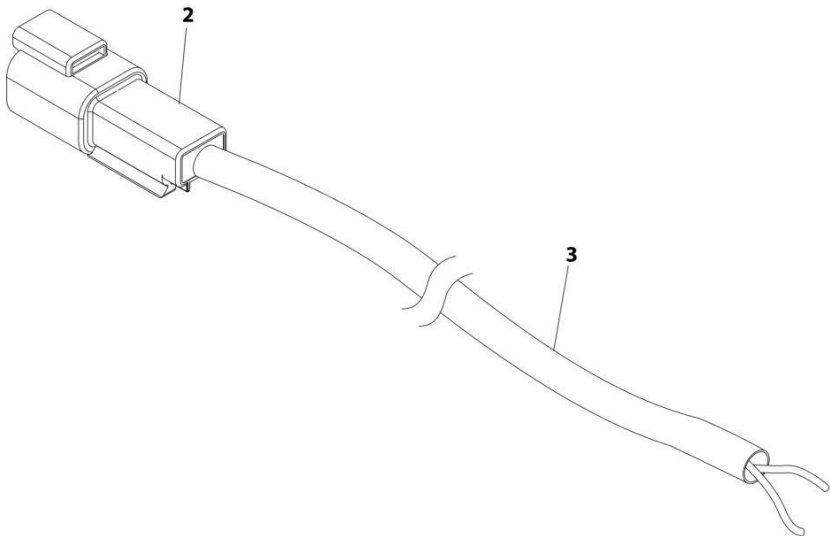
SECTION 8 - ELECTRICAL

FIGURE 8-38. CLEARSKY READY HARNESS (PVC2007)

ITEM	PART NUMBER	QTY	DESCRIPTION	REV
	1001254068	Ref	CLEARSKY READY HARNESS	B
1	2400060	2	Fuseholder with Cover	
1	2400064	2	Fuse 5Amp	
5	4460871	1	Socket, Female	
11	1001112612	1	Connector - 9 Position	
11	4460464	6	Pin, Male	
11	4460466	3	Plug, Sealing	
12	1001113961	1	Connector - 8 Position	
12	4460871	5	Socket, Female	
12	4460905	5	Plug, Sealing	
13	4460035	2	Terminal, Connector	
14	4460183	1	Terminal, Eyelet	
15	4460465	1	Socket, Female	
16	1001106736	1	Cap, Dust	
17	1001116812	1	Connector - 3 Position	
17	4460944	3	Pin, Male	
18	4460933	1	Connector - 12 Position	
18	4460465	9	Socket, Female	
18	4460466	3	Plug, Sealing	
19	4460898	1	Connector Bussbar - 9 Position	
23	4460945	1	Connector, Female - 3 Way	

SECTION 8 - ELECTRICAL

FIGURE 8-39. DUAL CAPACITY JIB POSITION SWITCH HARNESS



ART_4922785

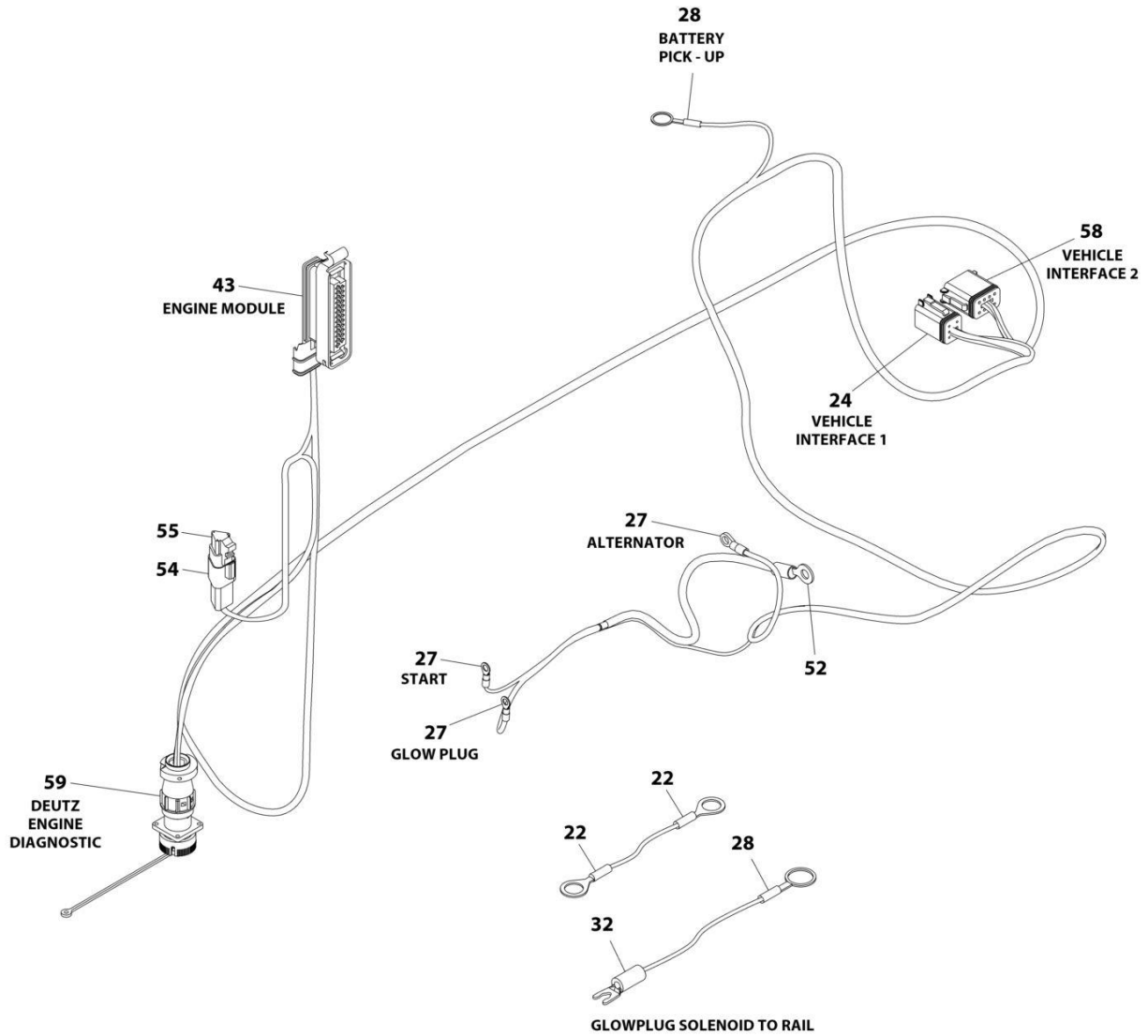
SECTION 8 - ELECTRICAL

FIGURE 8-39. DUAL CAPACITY JIB POSITION SWITCH HARNESS

ITEM	PART NUMBER	QTY	DESCRIPTION	REV
	4922785	Ref	DUAL CAPACITY JIB POSITION SWITCH HARNESS	C
2	4460897	1	Connector - 2 Position	
2	4460464	2	Pin, Male	
3	1060902	15 ft/ 4.5m	Cable, Electrical 18/2	

SECTION 8 - ELECTRICAL

FIGURE 8-40. ENGINE HARNESS - DEUTZ TD2011 ENGINES



ART_100119470

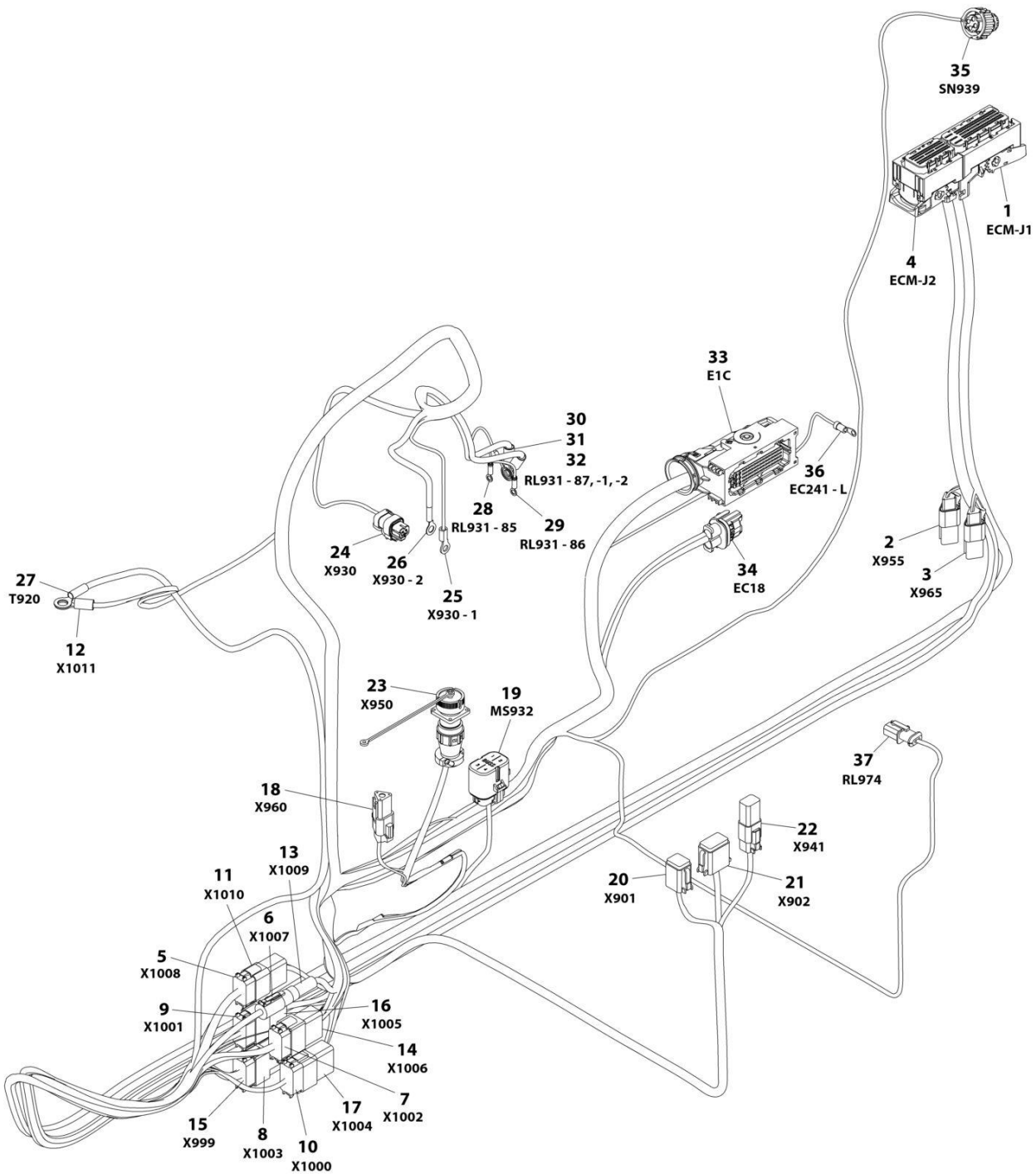
SECTION 8 - ELECTRICAL

FIGURE 8-40. ENGINE HARNESS - DEUTZ TD2011 ENGINES

ITEM	PART NUMBER	QTY	DESCRIPTION	REV
	1001119470	Ref	ENGINE HARNESS - DEUTZ TD2011 ENGINES	B
22	4460702	2	Terminal, Eyelet	
24	4460894	1	Connector - 6 Position	
24	4460465	2	Socket, Female	
24	4460466	1	Plug, Terminal	
24	4460944	3	Socket, Female	
27	4460313	3	Terminal, Eyelet	
28	4460019	2	Terminal, Eyelet	
32	4460315	1	Terminal, Fork	
43	4461052	1	Connector - 25 Position	
43	4461005	5	Terminal	
43	4461006	5	Seal	
43	4461060	2	Terminal (Tin)	
43	4461054	2	Seal, Terminal	
43	4461008	18	Plug, Hole	
43	4461053	1	Cover, Plug	
50	4240032	AR	Tie-Strap (Not Shown)	
51	4240033	AR	Tie-Strap (Not Shown)	
52	4461097	1	Terminal, Eyelet	
54	4461095	1	Connector - 3 Position	
54	4460944	3	Socket, Female	
55	4461070	1	Connector with Resistor (3 Position)	
58	4460930	1	Connector - 8 Position	
58	4460465	2	Socket, Female	
58	4460466	6	Seal, Plug	
59	2902443	1	Kit, Receptacle	
59	4461071	8	Terminal, Female (Gold)	
59	4461072	1	Connector, Flange Mount	
59	4461073	1	Connector, Dust Cap	
59	4461074	1	Connector, Shell	

SECTION 8 - ELECTRICAL

FIGURE 8-41. ENGINE HARNESS - DEUTZ TCD2.9L4 ENGINES AND DEUTZ TCD2.9L4 (STAGE V) ENGINES (PVC2001)



ART_1001138346

SECTION 8 - ELECTRICAL

FIGURE 8-41. ENGINE HARNESS - DEUTZ TCD2.9L4 ENGINES AND DEUTZ TCD2.9L4 (STAGE V) ENGINES (PVC2001)

ITEM	PART NUMBER	QTY	DESCRIPTION	REV
	1001138346	Ref	ENGINE HARNESS - DEUTZ TCD2.9L4 ENGINES AND DEUTZ TCD2.9L4 (STAGE V PRE-BUY) ENGINES	H
1	1001133956	1	Connector (Includes Cover, Locks and Retention Plate)	
1	1001182361	6	Terminal	
1	1001230934	15	Terminal	
1	1001126351	1	Terminal	
1	1001256507	4	Terminal	
1	1001230936	3	Plug, Terminal	
1	1001230935	62	Plug, Terminal	
1	1001126352	6	Terminal	
1	1001126384	19	Terminal	
1	1001126357	3	Plug, Seal	
1	1001126356	65	Plug, Seal	
2	4461070	1	Connector with Resistor (3 Position)	
2	4461095	1	Connector - 3 Position	
2	4460944	2	Socket, Female	
2	4460466	1	Seal, Plug	
3	4461070	1	Connector with Resistor (3 Position)	
3	4461095	1	Connector - 3 Position	
3	4460944	2	Socket, Female	
3	4460466	1	Seal, Plug	
4	1001133957	1	Connector (Includes Cover, Locks and Retention Plate)	
4	1001126351	13	Terminal	
4	1001230934	11	Terminal	
4	1001252527	4	Terminal	
4	1001256507	2	Terminal	
4	1001230935	19	Plug, Terminal	
4	1001230936	11	Plug, Terminal	
5	4460930	1	Connector - 8 Position	
5	4460944	5	Socket, Female (Gold)	
5	4460465	2	Socket, Female	
5	4460466	1	Seal, Plug	
6	1001116707	1	Connector - 1 Position	
6	91143340	1	Terminal	
7	4460935	1	Plug, Brown - 12 Position	
7	4460465	12	Socket, Female	
8	4460970	1	Connector - 12 Position	
8	4460941	12	Pin, Male	
9	4460934	1	Connector, Green - 12 Position	
9	4460465	10	Socket, Female	
9	4460466	2	Seal, Plug	
10	4460836	1	Connector, Black - 12 Position	
10	4460465	8	Socket, Female	
10	4460466	4	Seal, Plug	
11	4460931	1	Connector - 8 Position (Gray)	
11	4460943	5	Pin, Male (Gold)	
11	4460466	3	Plug, Socket	
12	8220164	1	Terminal, Eyelet	
13	1001116967	1	Connector - 1 Position	

SECTION 8 - ELECTRICAL

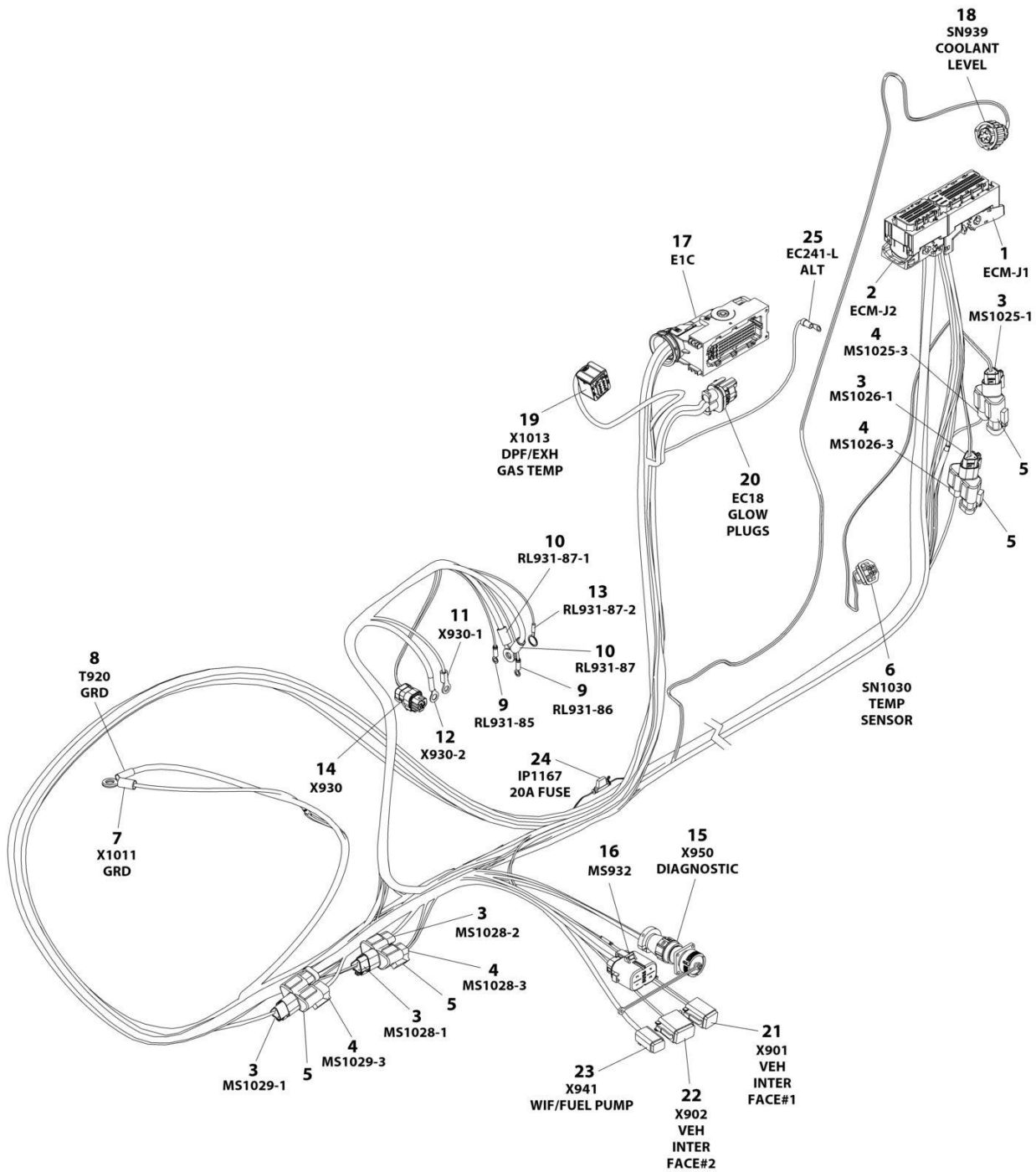
ITEM	PART NUMBER	QTY	DESCRIPTION	REV
13	91143339	1	Terminal	
14	4460982	1	Connector - 12 Position	
14	4460464	12	Pin, Male	
15	4460933	1	Connector, Gray - 12 Position	
15	4460942	12	Socket, Female	
16	1001152742	1	Connector - 12 Position	
16	4460464	10	Pin, Male	
16	4460466	2	Seal, Plug	
17	4460950	1	Connector - 12 Position	
17	4460464	8	Pin, Male	
17	4460466	4	Plug, Seal	
18	4461070	1	Connector with Resistor (3 Position)	
18	4461095	1	Connector - 3 Position	
18	4460944	2	Socket, Female	
18	4460466	1	Seal, Plug	
19	80484084	1	Connector - 8 Position	
19	8229242	1	Fuse - 5A	
19	80983191	1	Fuse - 10A	
19	1001147264	1	Cap	
19	1001116728	4	Plug	
19	4460458	4	Seal	
20	4460894	1	Connector - 6 Position	
20	4460465	3	Socket, Female	
20	4460944	2	Socket, Female	
20	4460466	1	Seal, Plug	
21	4460930	1	Connector - 8 Position	
21	4460465	1	Socket, Female	
21	4460466	7	Plug, Seal	
22	1001220379	1	Connector - 4 Position	
22	4460465	2	Socket, Female	
22	4460942	2	Socket, Female	
22	4460932	1	Connector - 4 Position	
22	4460466	4	Seal, Plug	
23	2902443	1	Kit, Receptacle	
23	4461071	8	Terminal, Female (Gold)	
23	4461072	1	Connector, Flange Mount	
23	4461073	1	Connector, Dust Cap	
23	4461074	1	Connector, Shell	
24	1001116952	1	Connector - 2 Position	
24	4460465	2	Socket, Female	
25	4460043	1	Terminal, Eyelet	
26	1001117106	1	Terminal, Eyelet	
27	4460019	1	Terminal, Eyelet	
28	4460247	1	Terminal, Eyelet	
29	4460247	1	Terminal, Eyelet	
30	1001117107	1	Terminal, Eyelet	
31	1001117107	1	Terminal, Eyelet	
32	4460703	1	Terminal, Eyelet	
33	1001126362	1	Connector - 62 Position	
33	1001126363	23	Terminal	
33	1001256506	2	Seal	

SECTION 8 - ELECTRICAL

ITEM	PART NUMBER	QTY	DESCRIPTION	REV
33	1001126364	21	Seal	
33	1001126392	10	Terminal	
33	1001223459	10	Seal	
33	1001126365	2	Terminal	
33	4461054	2	Seal	
33	1001126391	22	Plug, Terminal	
33	4461008	4	Plug, Cavity	
34	1001142938	1	Connector - 2 Position	
34	1001142940	2	Terminal, Female	
34	1001142941	2	Seal	
35	1001133714	1	Connector - 4 Position	
35	1001133715	3	Terminal, Female	
35	1001135650	1	Seal	
35	1001135651	1	Plug, Cavity	
36	4460042	1	Terminal, Eyelet	
37	1001138110	1	Connector - 2 Position	
37	1001138111	2	Socket, Female	
37	1001138113	2	Seal	

SECTION 8 - ELECTRICAL

FIGURE 8-42. ENGINE HARNESS - DEUTZ TCD2.9L4 ENGINES AND DEUTZ TCD2.9L4 (STAGE V) ENGINES (PVC2007)



ART_1001237285

SECTION 8 - ELECTRICAL

FIGURE 8-42. ENGINE HARNESS - DEUTZ TCD2.9L4 ENGINES AND DEUTZ TCD2.9L4 (STAGE V) ENGINES (PVC2007)

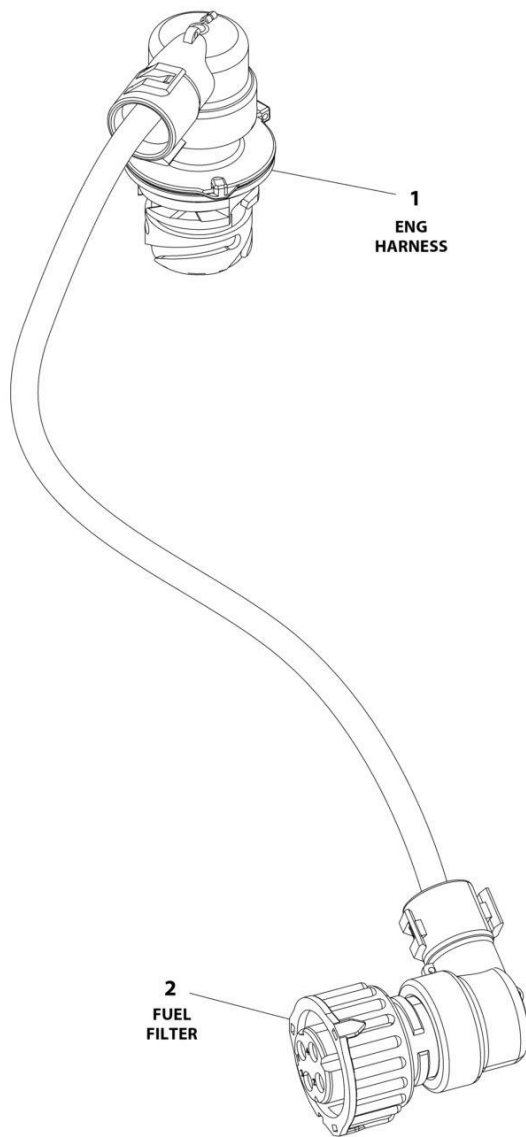
ITEM	PART NUMBER	QTY	DESCRIPTION	REV
	1001237285	Ref	ENGINE HARNESS	G
1	1001133956	1	Connector (Includes Cover, Locks and Retention Plate)	
1	1001182361	6	Terminal	
1	1001230934	25	Terminal	
1	1001126351	3	Terminal	
1	1001252527	4	Terminal	
1	1001230935	55	Plug, Terminal	
1	1001230936	1	Plug, Terminal	
2	1001133957	1	Connector (Includes Cover, Locks and Retention Plate)	
2	1001126351	13	Terminal	
2	1001230934	26	Terminal	
2	1001230935	9	Terminal	
2	1001230936	11	Plug, Terminal	
3	1001116812	5	Plug, Male - 3 Position	
3	4460944	10	Socket, Female	
3	4460466	5	Plug, Terminal	
4	4460539	4	Plug, Male - 3 Position	
4	4460944	8	Socket, Female	
4	4460466	4	Plug, Terminal	
5	4460945	4	Connector - 3 Way	
6	1001126487	1	Connector - 3 Position	
6	1001167635	2	Terminal	
6	1001126485	2	Seal	
7	8220164	1	Terminal, Eyelet	
8	4460019	1	Terminal, Eyelet	
9	4460247	2	Terminal, Eyelet	
10	1001117107	2	Terminal, Eyelet	
11	4460043	1	Terminal, Eyelet	
12	1001117106	1	Terminal, Eyelet	
13	4460703	1	Terminal, Eyelet	
14	1001116952	1	Connector - 2 Position	
14	4460465	2	Socket, Female	
15	2902443	1	Kit, Receptacle	
15	4461071	8	Terminal, Female (Gold)	
15	4461072	1	Connector, Flange Mount	
15	4461073	1	Connector, Dust Cap	
15	4461074	1	Connector, Shell	
16	80484084	1	Connector - 8 Position	
16	4460748	4	Plug, Terminal	
16	4460746	3	Terminal	
16	1001234800	1	Terminal	
16	4460458	4	Seal	
17	1001126362	1	Connector - 62 Position	
17	1001126363	36	Terminal	
17	1001126364	36	Seal	
17	1001126391	7	Plug, Terminal	
17	4461008	4	Plug, Cavity	
17	1001126392	12	Terminal	
17	1001223459	12	Seal	

SECTION 8 - ELECTRICAL

ITEM	PART NUMBER	QTY	DESCRIPTION	REV
17	1001167632	2	Terminal	
17	4461054	2	Seal	
18	1001133714	1	Connector - 4 Position	
18	1001133715	3	Terminal, Female	
18	1001135650	1	Seal	
18	1001135651	1	Plug, Cavity	
19	1001239202	1	Connector - 8 Position	
19	1001126363	7	Terminal	
19	1001126364	7	Seal	
19	1001135651	1	Plug, Terminal	
20	1001142938	1	Connector - 2 Position	
20	1001142940	2	Terminal, Female	
20	1001142941	2	Seal	
21	4460894	1	Connector - 6 Position	
21	4460465	2	Socket, Female	
21	4460944	2	Socket, Female	
21	4460466	2	Seal, Plug	
22	4460930	1	Connector - 8 Position	
22	4460465	1	Socket, Female	
22	4460466	7	Seal, Plug	
23	4460884	1	Connector - 4 Position	
23	4460465	2	Socket, Female	
23	4460942	2	Socket, Female	
24	1001170764	1	Fuseholder with Cover and 20AMP Fuse	
24	1001197719	1	Resistor 620ohm/5 watt	
25	4460042	1	Terminal, Eyelet	

SECTION 8 - ELECTRICAL

FIGURE 8-43. FUEL FILTER HARNESS - DEUTZ TCD2.9L4 ENGINES AND UTZ TCD2.9L4 (STAGE V) ENGINES



ART_1001148843

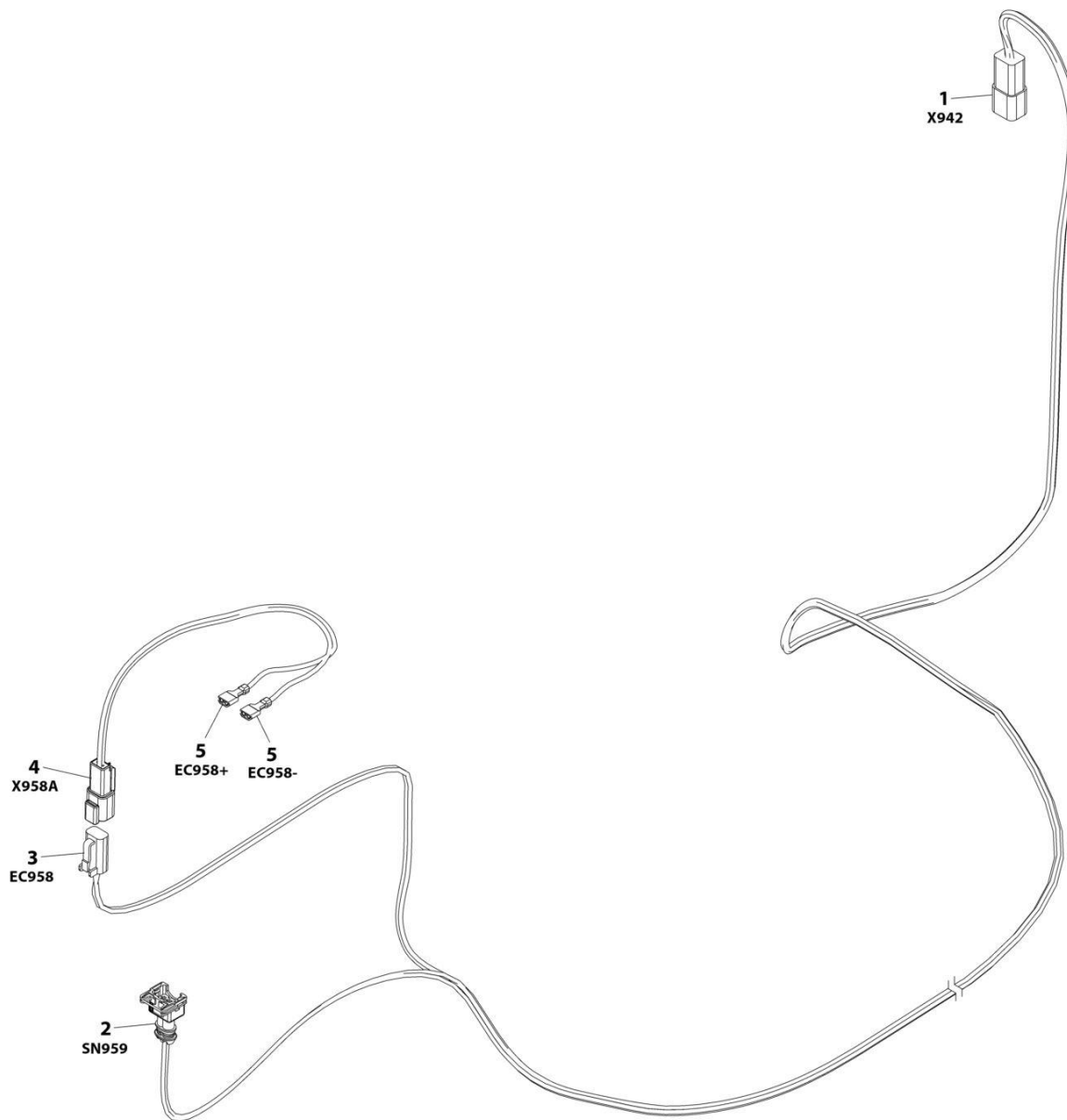
SECTION 8 - ELECTRICAL

FIGURE 8-43. FUEL FILTER HARNESS - DEUTZ TCD2.9L4 ENGINES AND UTZ TCD2.9L4 (STAGE V) ENGINES

ITEM	PART NUMBER	QTY	DESCRIPTION	REV
	1001148843	Ref	FUEL FILTER HARNESS - DEUTZ TCD2.9L4 ENGINES	A
1	1001148842	1	Connector - 4 Position	
1	1001148841	4	Pin, Male	
1	1001135650	4	Seal	
2	1001133714	1	Plug, Male - 4 Position	
2	1001133715	4	Socket, Female	
2	1001135650	4	Seal	

SECTION 8 - ELECTRICAL

FIGURE 8-44. FUEL HARNESS - DEUTZ TCD2.9L4 ENGINES AND DEUTZ TCD2.9L4 (STAGE V) ENGINES



ART_1001138491

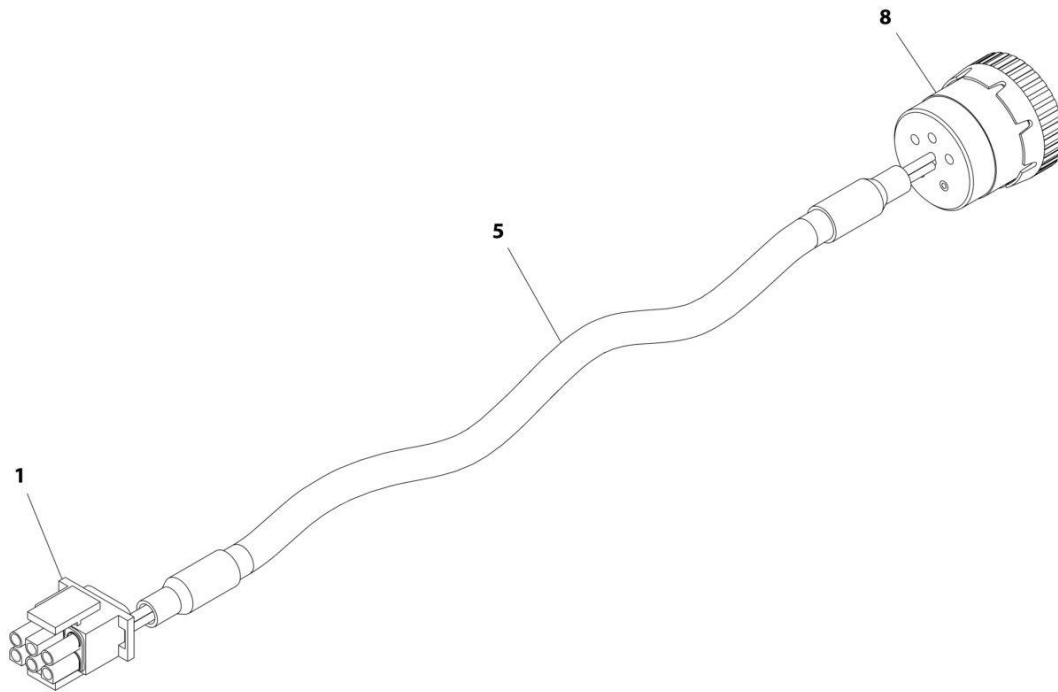
SECTION 8 - ELECTRICAL

FIGURE 8-44. FUEL HARNESS - DEUTZ TCD2.9L4 ENGINES AND DEUTZ TCD2.9L4 (STAGE V) ENGINES

ITEM	PART NUMBER	QTY	DESCRIPTION	REV
	1001138491	Ref	FUEL PUMP HARNESS	D
1	4460932	1	Receptacle, Female - 4 Position	
1	4460941	2	Pin, Male	
1	4460464	2	Pin, Male	
2	1001116983	1	Plug, Male - 2 Position	
2	1001116710	2	Socket, Female	
2	4461054	2	Seal	
3	4460891	1	Plug, Male - 2 Position	
3	4460942	2	Socket, Female	
4	4460897	1	Connector - 2 Position	
4	4460941	2	Pin, Male	
5	8220051	2	Terminal, Ring	

SECTION 8 - ELECTRICAL

FIGURE 8-45. GENERATOR HARNESS - 4000W GENERATOR



ART_1001152533

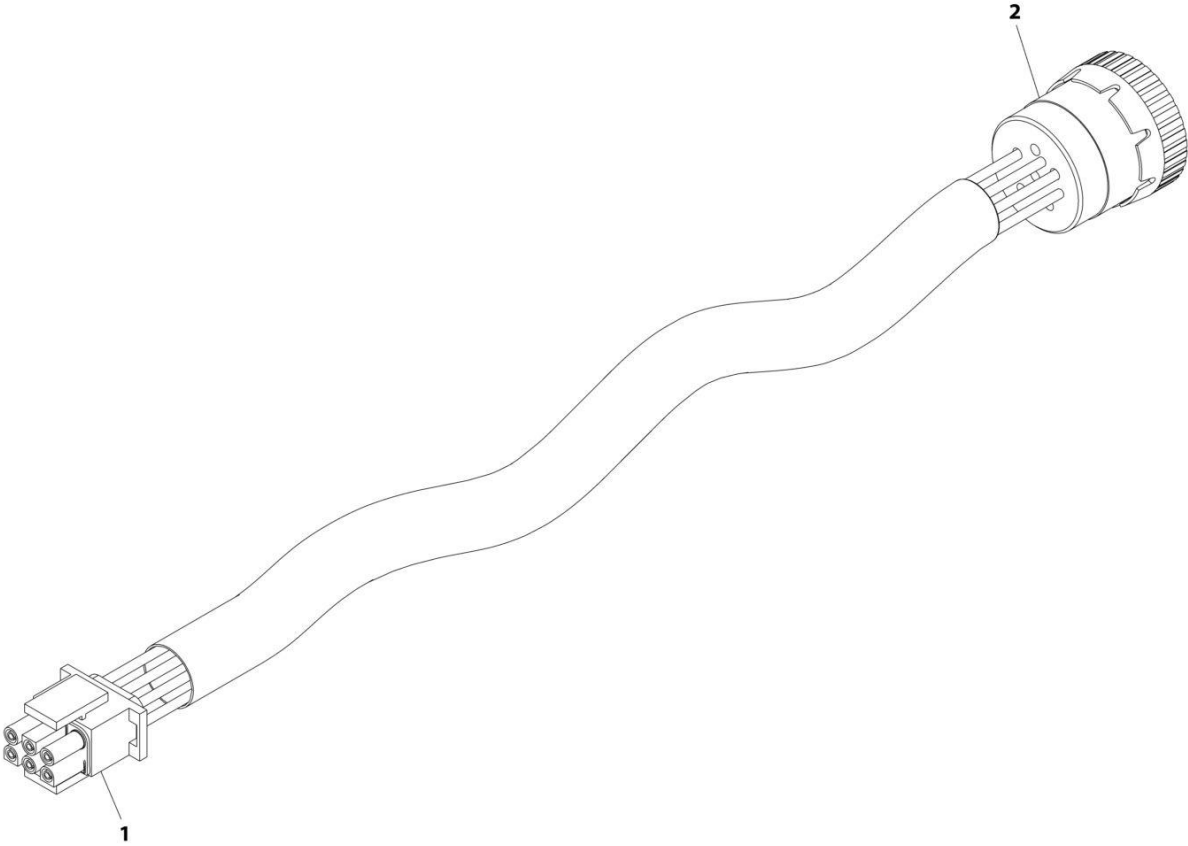
SECTION 8 - ELECTRICAL

FIGURE 8-45. GENERATOR HARNESS - 4000W GENERATOR

ITEM	PART NUMBER	QTY	DESCRIPTION	REV
	1001152533	Ref	GENERATOR HARNESS - 4000W GENERATOR	A
1	4460225	1	Connector - 6 Position	
1	4460268	2	Socket, Female	
1	4460807	1	Seal, Plug	
1	4460808	1	Seal, Plug	
5	1060341	8 ft /2.4m	Cable, 16/2	
8	77363233	1	Connector - 6 Position	
8	4460465	2	Socket, Female	

SECTION 8 - ELECTRICAL

FIGURE 8-46. GENERATOR HARNESS - 7500W GENERATOR



ART_4922972

SECTION 8 - ELECTRICAL

FIGURE 8-46. GENERATOR HARNESS - 7500W GENERATOR

ITEM	PART NUMBER	QTY	DESCRIPTION	REV
	4922972	Ref	GENERATOR HARNESS - 7500W GENERATOR	C
1	4460225	1	Connector - 6 Position	
1	4460268	6	Socket, Female	
1	4460807	1	Seal, Plug	
1	4460808	1	Seal, Plug	
2	77363233	1	Connector - 6 Position	
2	4460465	6	Socket, Female	

SECTION 8 - ELECTRICAL

FIGURE 8-47. GROUND CONTROL BOX HARNESS

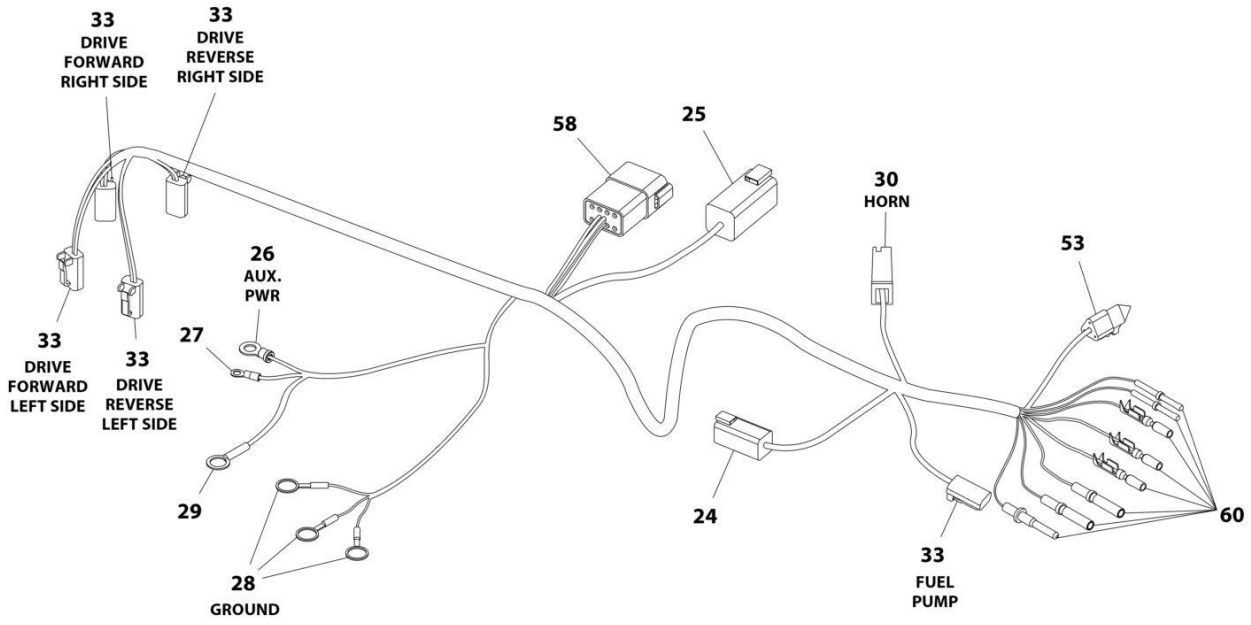
ITEM	PART NUMBER	QTY	DESCRIPTION	REV
	1001241890	Ref	GROUND CONTROL BOX HARNESS	C
22	4460871	11	Socket, Female	
23	4460876	1	Connector, Blue - 35 Position	
23	4460871	29	Socket, Female	
23	4460905	6	Plug, Sealing	
24	4460260	5	Terminal, Housing	
24	4460259	5	Terminal	
25	4460260	5	Terminal, Housing	
25	4460297	5	Terminal	
27	4460866	1	Connector - 19 Pin	
27	4460464	10	Pin, Male	
27	4460508	3	Pin, Male	
28	4460878	1	Connector - 4 Position	
28	4460887	3	Terminal	
30	4460142	3	Terminal, Eyelet	
31	4460313	3	Terminal, Eyelet	
37	4460873	1	Connector, Black - 35 Position	
37	4460871	16	Socket, Female	
37	4460905	19	Plug, Sealing	
39	4240032	AR	Tie-Strap (Not Shown)	
40	4460418	8	Connector - 6 Position	
40	4460419	24	Socket, Female	
42	4460225	1	Plug, Male - 6 Position	
42	4460227	6	Pin, Male	
44	4460965	1	Plug, Male - 3 Position	
44	4460944	3	Socket, Female	
46	2400066	1	Fuseholder with Cover	
46	2400065	1	Fuse	
49	4460894	3	Connector - 6 Position	
49	4460465	6	Socket, Female	
49	4460942	2	Socket, Female	
51	4460474	1	Terminal, Connector	
53	3990010	2	Diode - 3 Amp	
55	4460761	1	Connector - 4 Position	
55	4460227	4	Pin, Male	
56	4460035	1	Terminal, Connector	
57	4460806	6	Terminal, Fork	
58	4460966	1	Connector - 3 Position (Green Lock)	
58	4460944	3	Socket, Female	
59	2400060	1	Fuse, Holder	
59	8229242	1	Fuse, 5Amp	
61	4460888	1	Terminal, Fork	
63	4460884	1	Connector - 4 Position	
63	4460465	4	Socket, Female	
63	1001192401	1	Connector, Dust Cap	
68	4460868	1	Connector - 6 Position	
68	4460877	4	Terminal	
70	4460933	2	Connector, Gray - 12 Position	
70	4460944	22	Socket, Female	
70	1001119020	2	Bussbar - 12 Position	

SECTION 8 - ELECTRICAL

ITEM	PART NUMBER	QTY	DESCRIPTION	REV
72	1001237667	5	Connector - 6 Position	
72	1001237668	2	Terminal	
74	1001116812	1	Plug, Male - 3 Position	
74	4460944	2	Socket, Female	

SECTION 8 - ELECTRICAL

FIGURE 8-48. GROUND CONTROLS TO ENGINE HARNESS



ART_1001119372

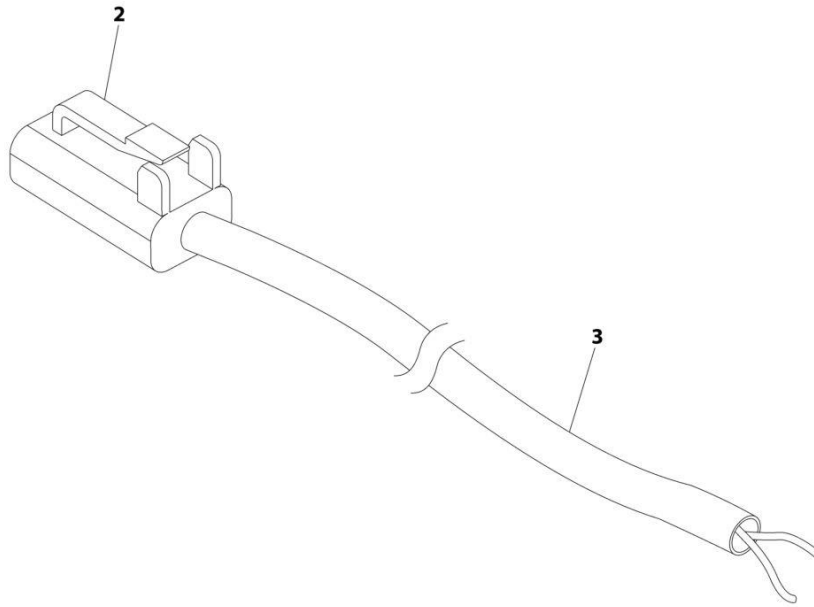
SECTION 8 - ELECTRICAL

FIGURE 8-48. GROUND CONTROLS TO ENGINE HARNESS

ITEM	PART NUMBER	QTY	DESCRIPTION	REV
	1001119372	Ref	GROUND CONTROLS TO ENGINE HARNESS	C
24	4460899	1	Connector - 6 Position	
24	4460464	5	Pin, Male	
24	4460466	1	Plug, Terminal	
25	4460899	1	Connector - 6 Position	
25	4460464	4	Pin, Male	
25	4460943	2	Pin, Male (Gold)	
26	4460312	1	Terminal, Eyelet	
27	4460313	1	Terminal, Eyelet	
28	4460019	3	Terminal, Eyelet	
29	4460256	1	Terminal, Eyelet	
30	4460260	1	Terminal, Housing	
30	4460259	1	Terminal	
33	4460891	5	Connector - 2 Position	
33	4460465	10	Socket, Female	
53	4460539	1	Connector - 3 Position	
53	4460944	3	Socket, Female	
58	4460931	1	Connector - 8 Position	
58	4460464	8	Pin, Male	
60	4460465	2	Socket, Female	
60	4460887	1	Terminal (12 Gauge)	
60	4460871	11	Socket, Female	
60	4460508	1	Pin, Male	

SECTION 8 - ELECTRICAL

FIGURE 8-49. JIB STOW SWITCH HARNESS



ART_4922784

SECTION 8 - ELECTRICAL

FIGURE 8-49. JIB STOW SWITCH HARNESS

ITEM	PART NUMBER	QTY	DESCRIPTION	REV
	4922784	Ref	JIB STOW SWITCH HARNESS	C
2	4460891	1	Connector - 2 Position	
2	4460465	2	Socket, Female	
3	1060902	15 ft/ 4.6m	Cable, Electrical 18/2	

SECTION 8 - ELECTRICAL

FIGURE 8-50. LOAD SENSING PIN HARNESS



ART_4923256

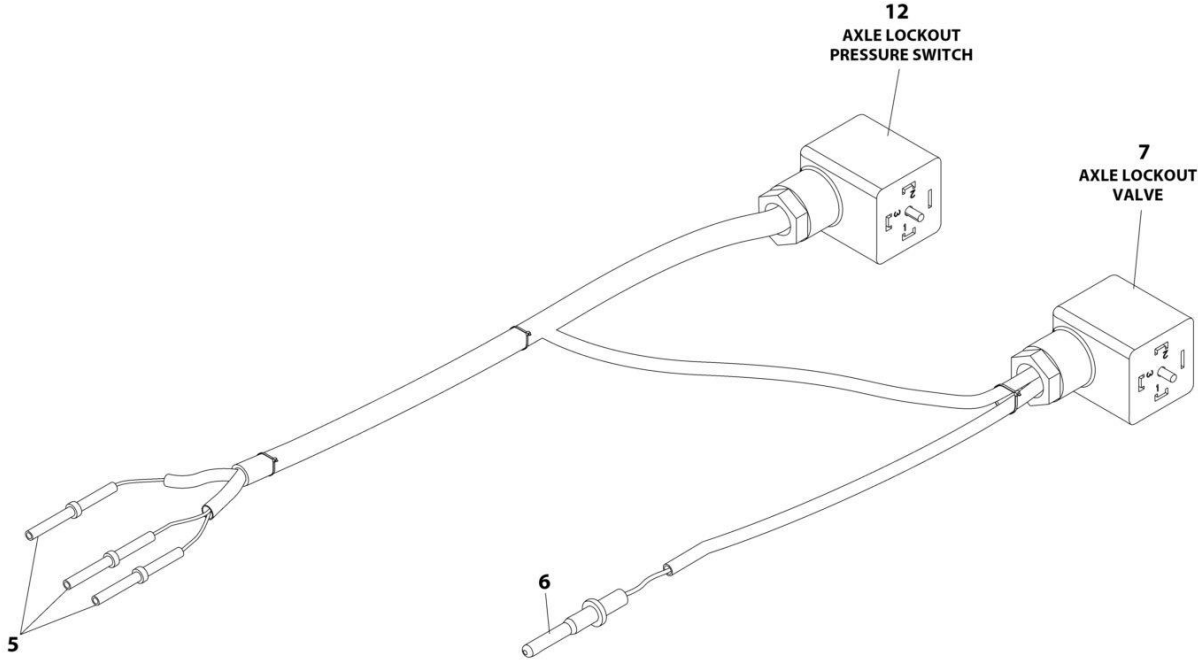
SECTION 8 - ELECTRICAL

FIGURE 8-50. LOAD SENSING PIN HARNESS

ITEM	PART NUMBER	QTY	DESCRIPTION	REV
	4923256	Ref	LOAD SENSING PIN HARNESS	C
1	4460930	1	Connector - 8 Position (Gray)	
1	4460465	4	Socket, Female	
1	4460466	3	Plug, Sealing	
2	See Note	NSS	Connector - 4 Position (Note: Not Available for Purchase)	
2	See Note	NSS	Terminal (Note: Not Available for Purchase)	

SECTION 8 - ELECTRICAL

FIGURE 8-51. LOCKOUT VALVE HARNESS (PVC2001)



ART_4922767

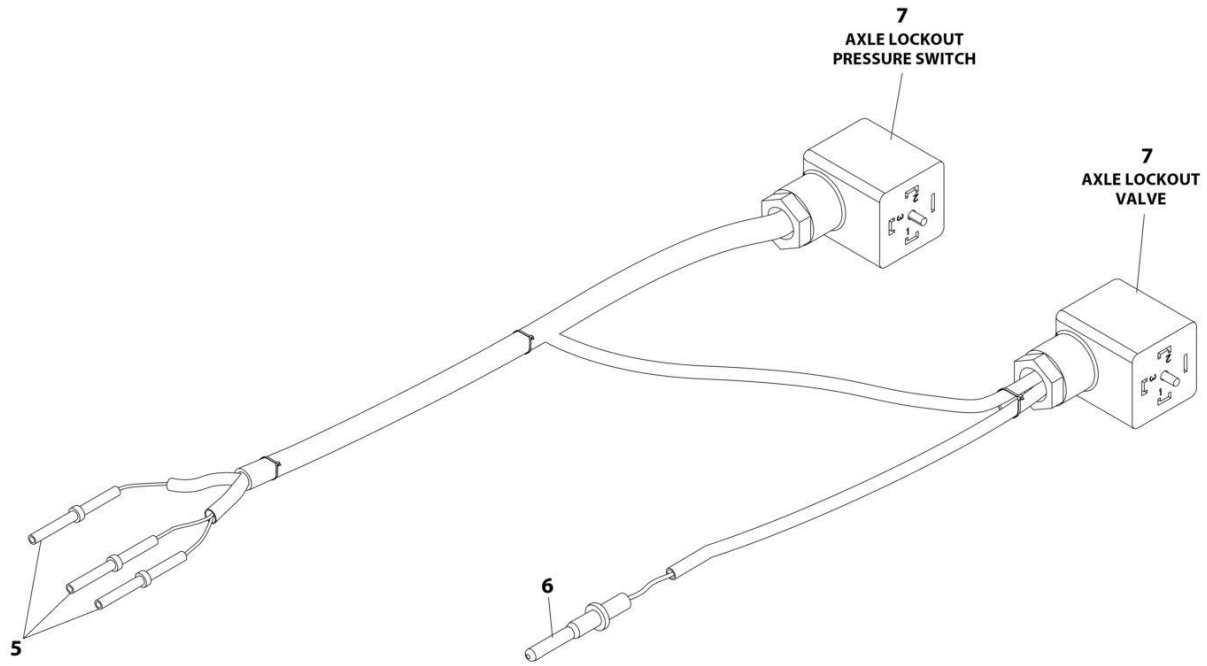
SECTION 8 - ELECTRICAL

FIGURE 8-51. LOCKOUT VALVE HARNESS (PVC2001)

ITEM	PART NUMBER	QTY	DESCRIPTION	REV
	4922767	Ref	LOCKOUT VALVE HARNESS	C
5	4460465	3	Socket, Female	
6	4460464	1	Pin, Male	
7	4460880	1	Connector, Din	
8	4240033	6	Tie-Strap (Not Shown)	
12	4460449	1	Connector, DIN	

SECTION 8 - ELECTRICAL

FIGURE 8-52. LOCKOUT VALVE HARNESS (PVC2007)



ART_4922767_D

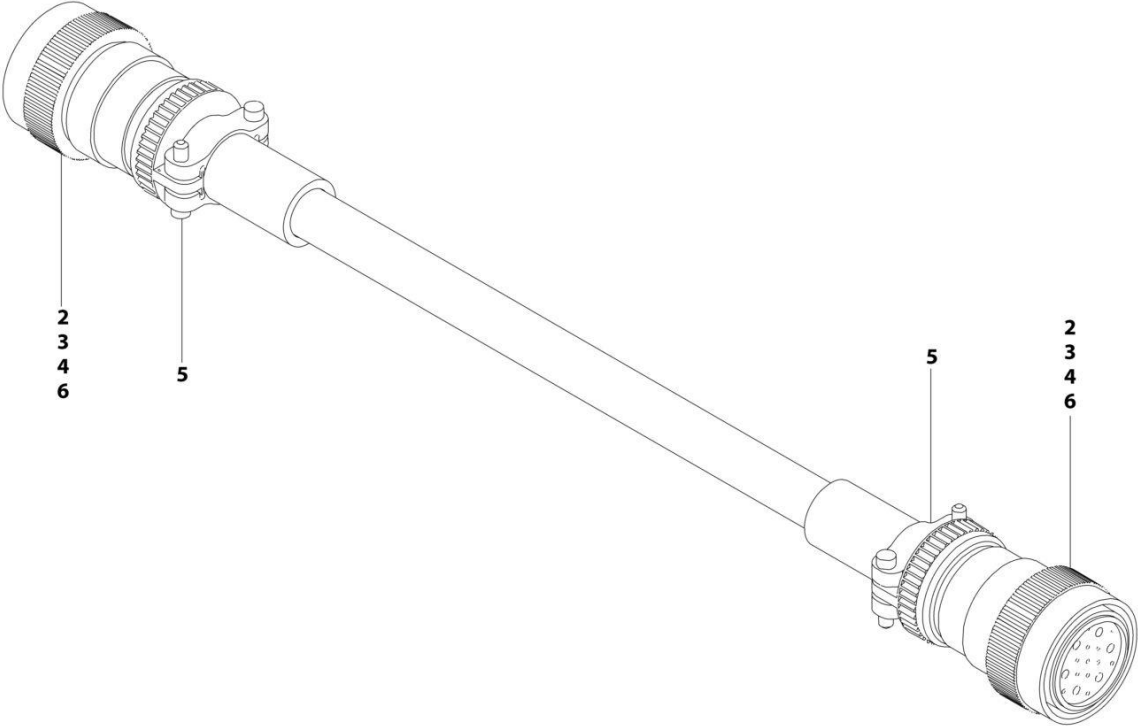
SECTION 8 - ELECTRICAL

FIGURE 8-52. LOCKOUT VALVE HARNESS (PVC2007)

ITEM	PART NUMBER	QTY	DESCRIPTION	REV
	4922767	Ref	LOCKOUT VALVE HARNESS	D
5	4460465	3	Socket, Female	
6	4460464	1	Pin, Male	
7	1001263923	2	Connector, Din	
8	4240033	6	Tie-Strap (Not Shown)	

SECTION 8 - ELECTRICAL

FIGURE 8-53. MAIN BOOM CONTROL CABLE HARNESS (1200SJP)



ART_4922672

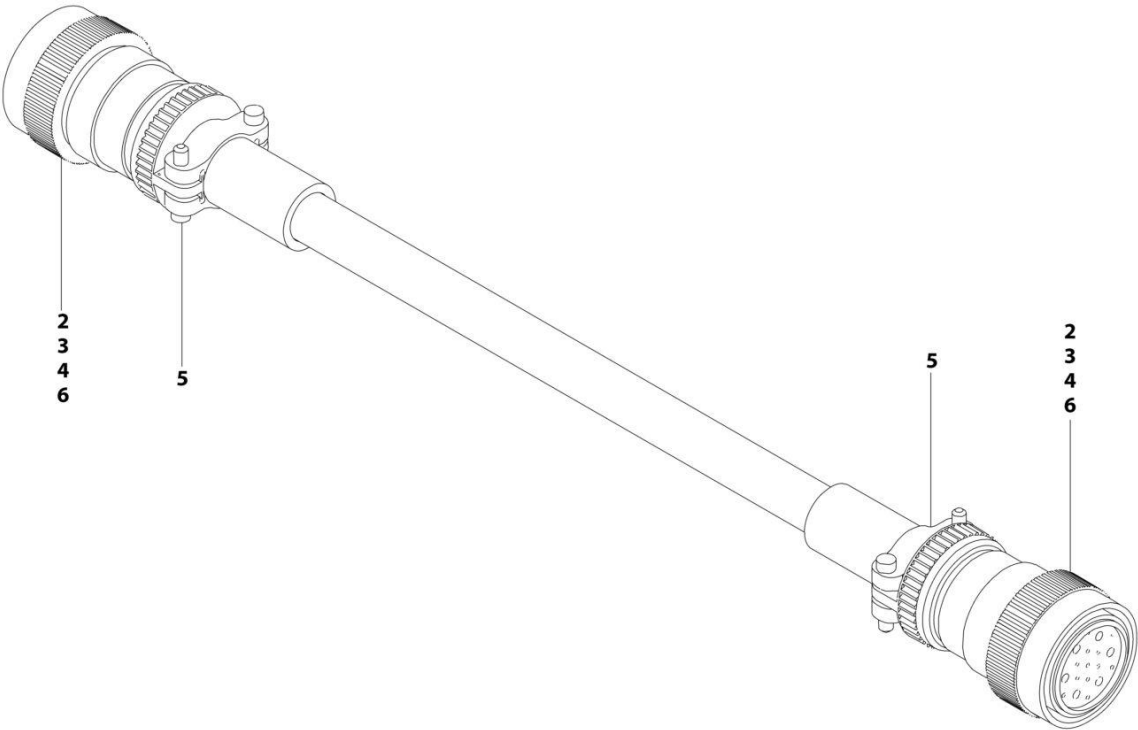
SECTION 8 - ELECTRICAL

FIGURE 8-53. MAIN BOOM CONTROL CABLE HARNESS (1200SJP)

ITEM	PART NUMBER	QTY	DESCRIPTION	REV
	4922672	Ref	MAIN BOOM CONTROL CABLE HARNESS	C
2	4460465	22	Socket, Female	
3	4460865	2	Connector - 19 Position	
4	4460509	8	Socket, Female	
5	4460473	2	Clamp	
6	4460466	8	Plug, Socket	

SECTION 8 - ELECTRICAL

FIGURE 8-54. MAIN BOOM CONTROL CABLE HARNESS (1350SJP)



ART_4922673

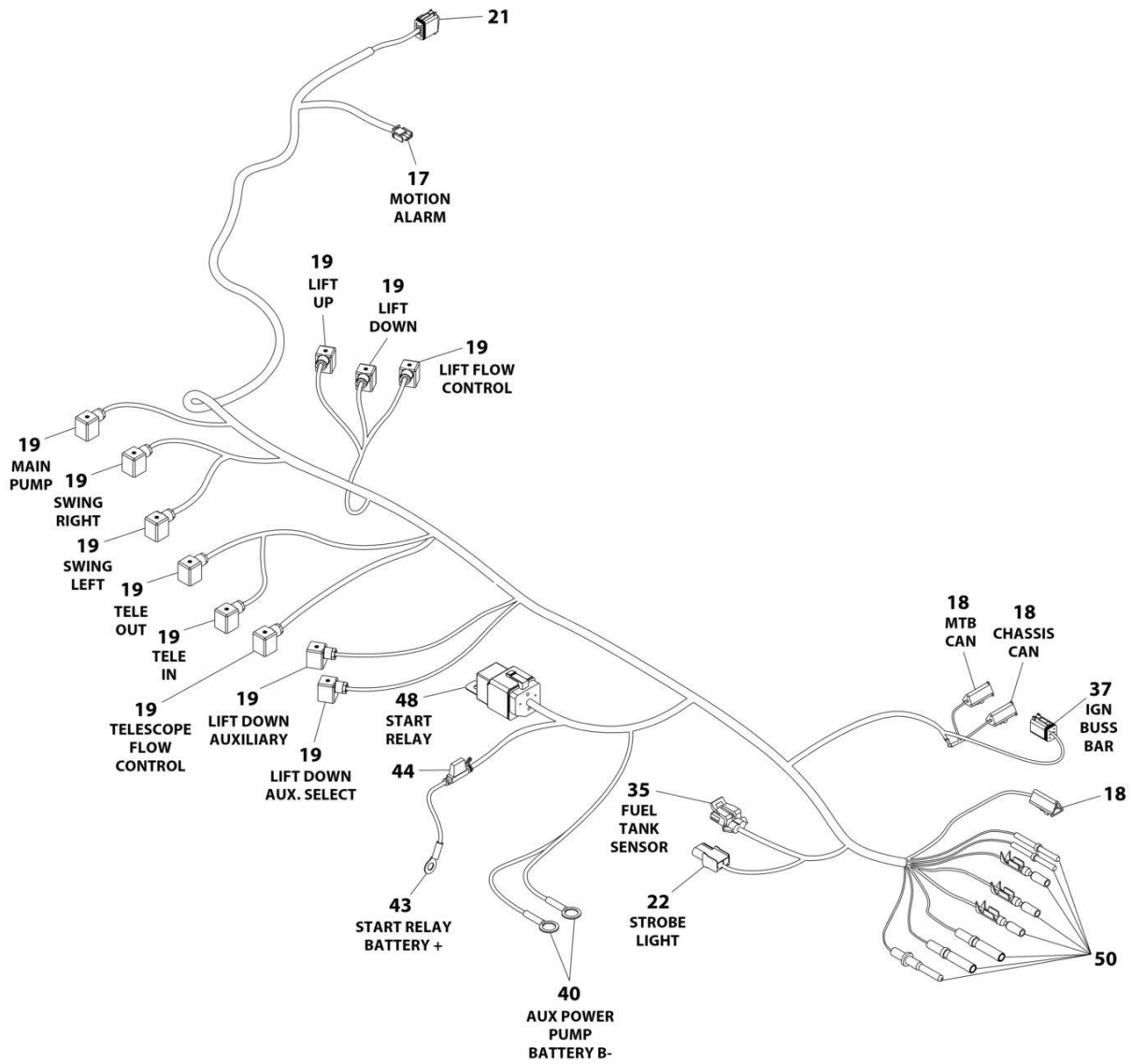
SECTION 8 - ELECTRICAL

FIGURE 8-54. MAIN BOOM CONTROL CABLE HARNESS (1350SJP)

ITEM	PART NUMBER	QTY	DESCRIPTION	REV
	4922673	Ref	MAIN BOOM CONTROL CABLE HARNESS	D
2	4460465	22	Socket, Female	
3	4460865	2	Connector - 19 Position	
4	4460509	8	Socket, Female	
5	4460473	2	Clamp	
6	4460466	8	Plug, Socket	

SECTION 8 - ELECTRICAL

FIGURE 8-55. MAIN VALVE HARNESS (PVC2001)



ART_1001116369

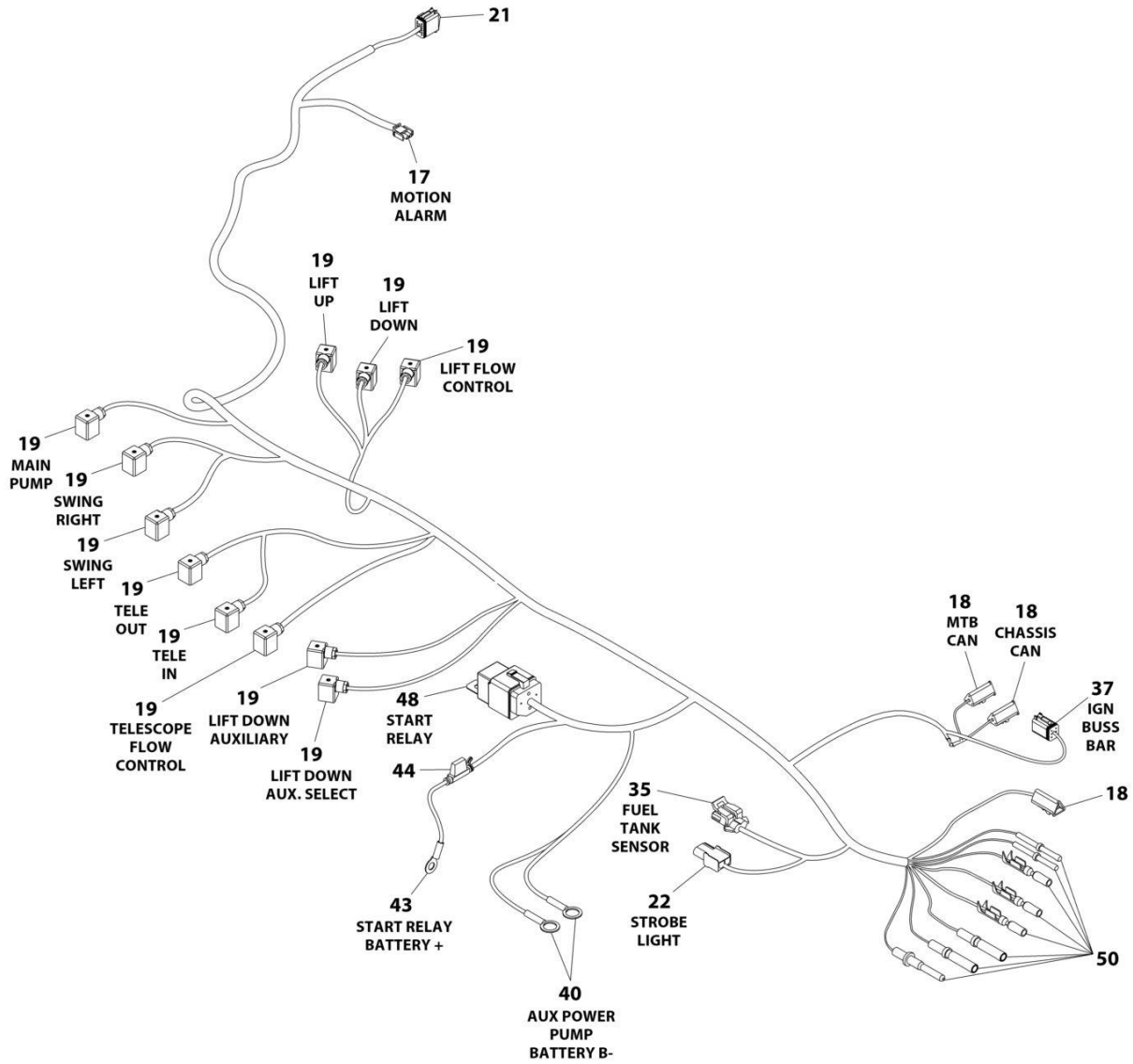
SECTION 8 - ELECTRICAL

FIGURE 8-55. MAIN VALVE HARNESS (PVC2001)

ITEM	PART NUMBER	QTY	DESCRIPTION	REV
	1001116369	Ref	MAIN VALVE HARNESS	F
17	4460320	1	Connector - 2 Position	
17	4460267	2	Pin, Male	
18	4460965	3	Connector - 3 Position	
18	4460944	9	Socket, Female	
19	4460880	11	DIN Connector	
21	4460836	1	Connector - 12 Position (Black)	
21	4460465	3	Socket, Female	
21	4460466	4	Plug, Socket	
21	4460944	3	Socket, Female 16-18 GA (Gold)	
21	4460942	2	Socket, Female 14-16 GA	
22	4460424	1	Connector - 2 Position	
22	4460268	2	Socket, Female	
35	4460843	1	Connector - 2 Position	
35	4460842	2	Socket, Female	
37	4460894	1	Connector - 6 Position	
37	4460465	3	Socket, Female	
37	4460942	3	Socket, Female 14-16 GA	
40	4460256	2	Terminal, Eyelet	
43	4460019	1	Terminal, Eyelet	
44	2400066	1	Holder, Fuse	
44	2400065	1	Fuse	
48	3740080	1	Relay	
48	4460374	1	Plug, Seal	
48	4460375	5	Terminal	
48	0100048	AR	Grease, Dielectric	
50	4460465	2	Socket, Female	
50	4460944	1	Socket, Female (Gold)	
50	4460871	16	Socket, Female	
50	4460464	1	Pin, Male	
50	4460942	3	Socket, Female	

SECTION 8 - ELECTRICAL

FIGURE 8-56. MAIN VALVE HARNESS (PVC2007)



ART_1001116369_G

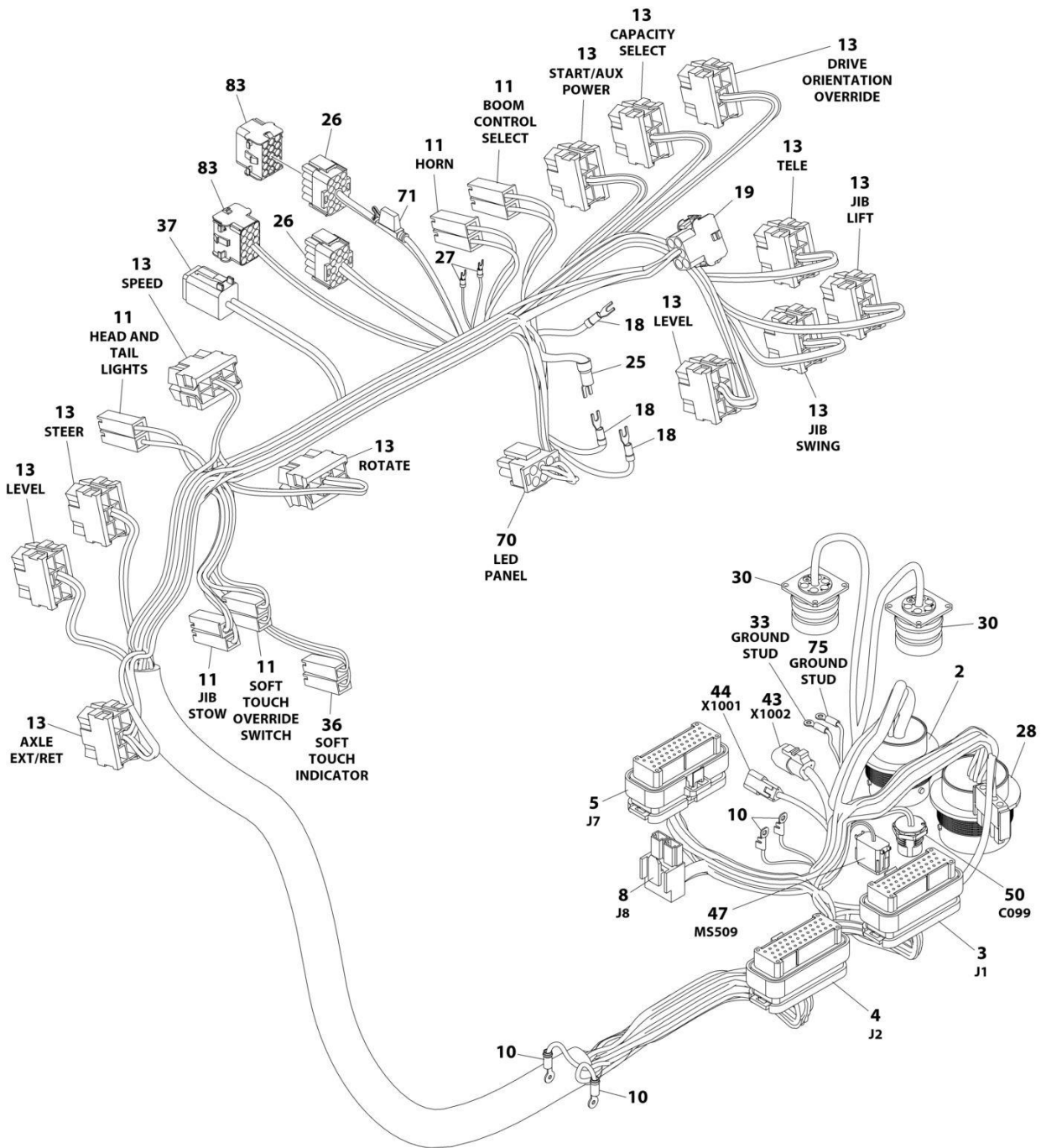
SECTION 8 - ELECTRICAL

FIGURE 8-56. MAIN VALVE HARNESS (PVC2007)

ITEM	PART NUMBER	QTY	DESCRIPTION	REV
	1001116369	Ref	MAIN VALVE HARNESS	G
17	4460320	1	Connector - 2 Position	
17	4460267	2	Pin, Male	
18	4460965	3	Connector - 3 Position	
18	4460944	9	Socket, Female	
19	1001263923	11	DIN Connector	
21	4460836	1	Connector - 12 Position (Black)	
21	4460465	3	Socket, Female	
21	4460466	4	Plug, Socket	
21	4460944	3	Socket, Female 16-18 GA (Gold)	
21	4460942	2	Socket, Female 14-16 GA	
22	4460424	1	Connector - 2 Position	
22	4460268	2	Socket, Female	
35	4460843	1	Connector - 2 Position	
35	4460842	2	Socket, Female	
37	4460894	1	Connector - 6 Position	
37	4460465	3	Socket, Female	
37	4460942	3	Socket, Female 14-16 GA	
40	4460256	2	Terminal, Eyelet	
43	4460019	1	Terminal, Eyelet	
44	2400066	1	Holder, Fuse	
44	2400065	1	Fuse	
48	3740080	1	Relay	
48	4460374	1	Plug, Seal	
48	4460375	5	Terminal	
48	0100048	AR	Grease, Dielectric	
50	4460465	2	Socket, Female	
50	4460944	1	Socket, Female (Gold)	
50	4460871	16	Socket, Female	
50	4460464	1	Pin, Male	
50	4460942	3	Socket, Female	

SECTION 8 - ELECTRICAL

FIGURE 8-57. PLATFORM CONSOLE BOX HARNESS



ART_1001241891_J

SECTION 8 - ELECTRICAL

FIGURE 8-57. PLATFORM CONSOLE BOX HARNESS

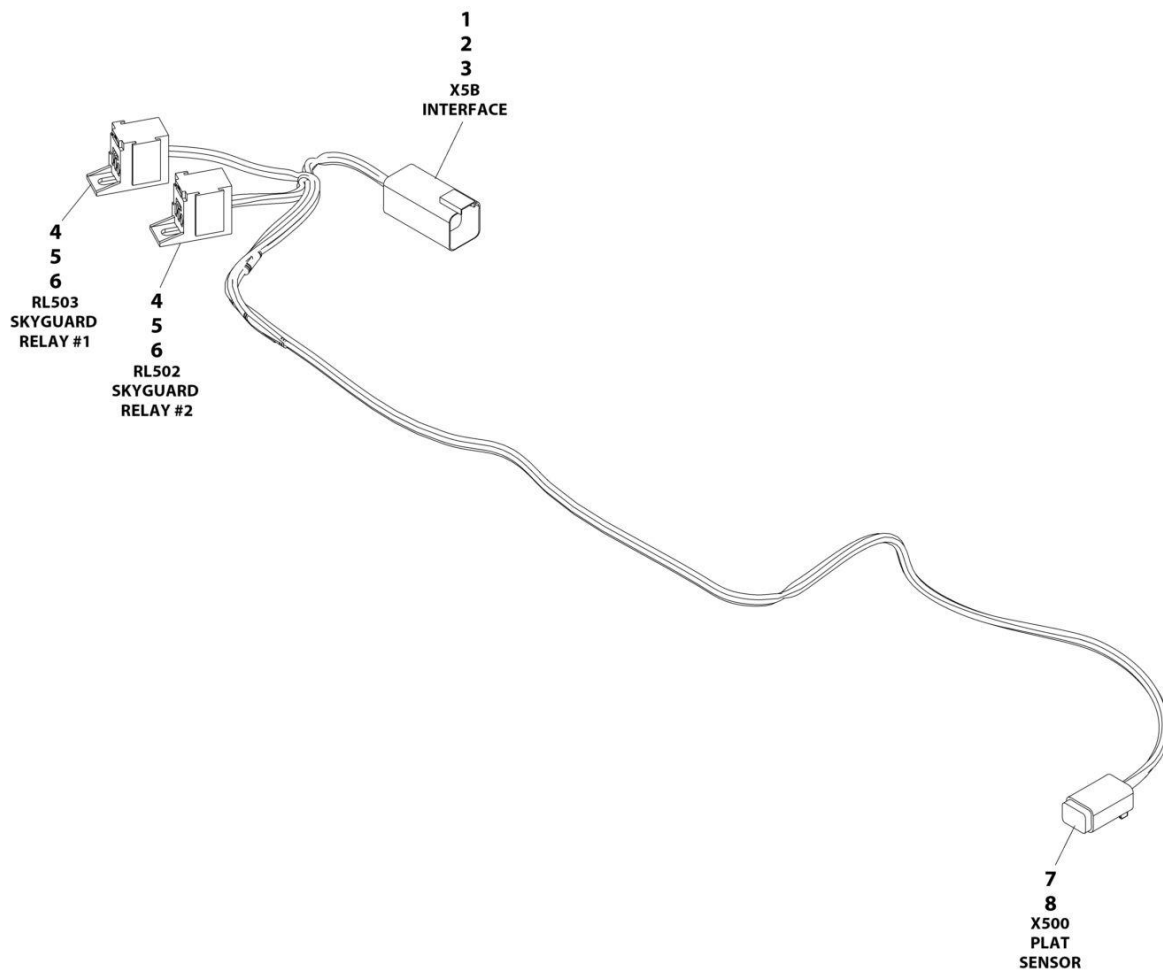
ITEM	PART NUMBER	QTY	DESCRIPTION	REV
	1001241891	Ref	PLATFORM CONSOLE BOX HARNESS	J
2	4460866	1	Connector - 19 Pin	
2	4460464	7	Pin, Male Deutsch 16 Ga	
2	4460508	4	Pin, Male Deutsch 12 Ga	
2	4460943	3	Pin, Male 16 Ga (Gold)	
2	4460466	5	Plug	
3	4460874	1	Connector - 35 Position (Natural)	
3	4460871	33	Socket, Female	
3	4460905	2	Plug	
4	4460876	1	Connector - 35 Position (Blue)	
4	4460871	20	Socket, Female	
4	4460905	20	Plug	
5	4460873	1	Connector - 35 Position (Black)	
5	4460871	26	Socket, Female	
5	4460905	8	Plug	
8	4460879	1	Connector - 2 Position	
8	4460887	2	Terminal	
10	4460213	4	Terminal Eyelet	
11	4460260	10	Terminal, Housing	
11	4460259	10	Terminal	
13	4460418	12	Connector, Female - 6 Position	
13	4460419	12	Socket, Female	
13	1001159186	22	Terminal	
18	4460888	3	Terminal, Fork	
19	4460225	1	Connector - 6 Position	
19	4460227	5	Terminal (16 Gauge)	
25	4460806	1	Terminal, Fork	
26	4460434	2	Connector - 15 Position	
26	4460227	16	Pin, Male	
26	4460267	1	Pin, Male	
27	4460183	11	Terminal, Fork	
28	4460925	1	Connector - 21 Pin	
28	1001126011	13	Pin, Male Deutsch 16 Ga	
28	4460466	8	Plug	
30	1001121616	2	Connector - 6 Position	
30	1001121615	2	Base, Mounting	
33	4460142	1	Terminal, Eyelet	
36	4460016	2	Terminal (16 - 14AWG)	
36	1001271497	2	Terminal (22 - 18AWG)	
37	4460894	1	Connector - 6 Position	
37	4460465	5	Socket, Female	
37	4460466	1	Plug	
43	4460539	1	Plug, Male - 3 Position	
43	4460944	3	Socket, Female (Gold)	
44	4460536	1	Connector - 3 Position	
44	4460943	3	Pin, Male (Gold)	
47	4460933	1	Connector, Gray - 12 Position	
47	4460944	10	Socket, Female (Gold)	
47	4460466	2	Plug	
47	1001119020	1	Bussbar - 12 Position	

SECTION 8 - ELECTRICAL

ITEM	PART NUMBER	QTY	DESCRIPTION	REV
50	1001213447	1	Connector - 5 Position	
70	1001237667	1	Connector - 6 Position	
70	1001237668	4	Socket, Female (Gold)	
71	2400060	1	Holder, Fuse	
71	8229249	1	Fuse	
75	4460042	1	Terminal, Ring	
83	4460708	2	Plug, Male - 15 Position	
83	4460226	2	Socket, Female	

SECTION 8 - ELECTRICAL

FIGURE 8-58. PLATFORM INTERFACE HARNESS



ART_1001225580

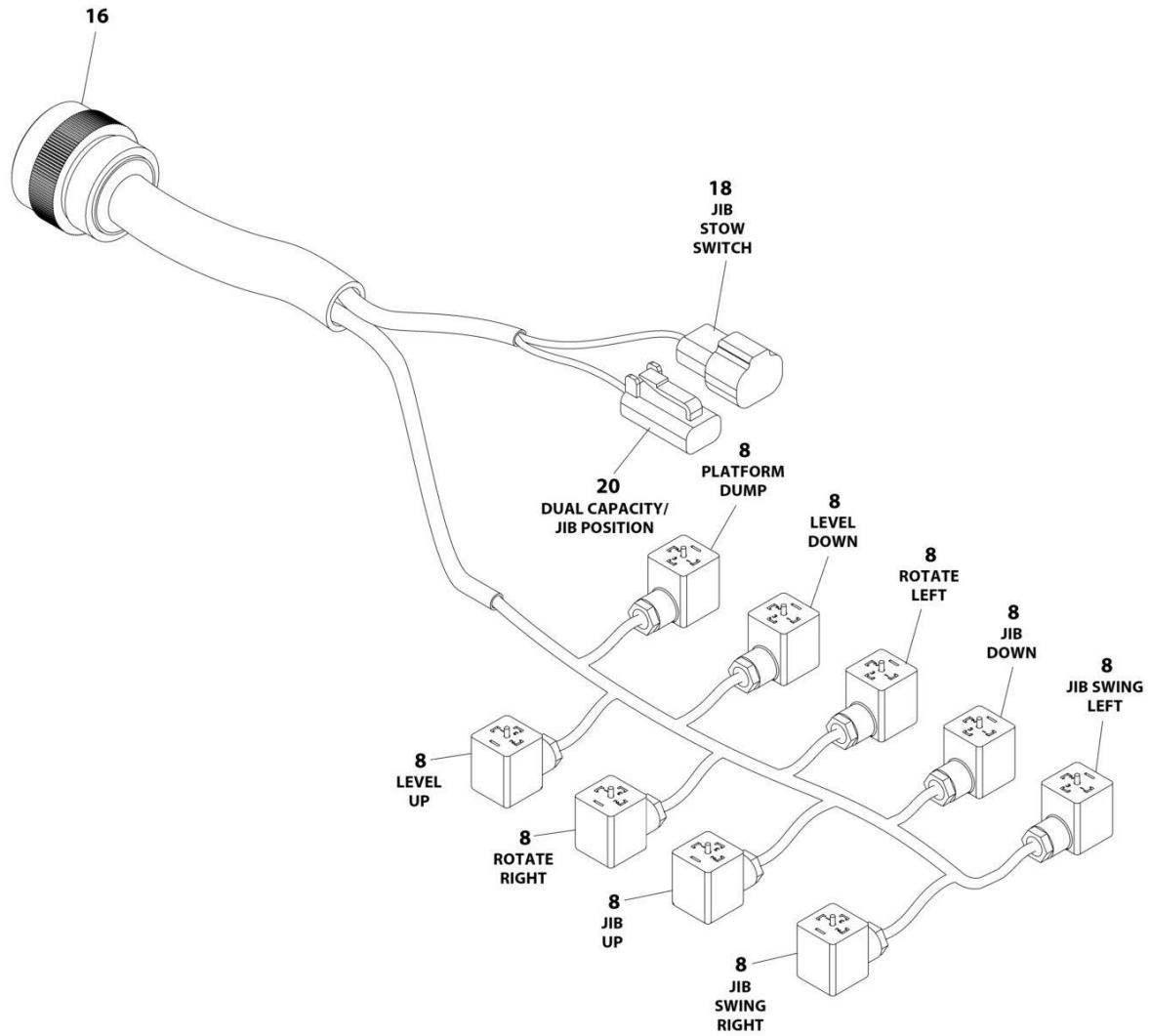
SECTION 8 - ELECTRICAL

FIGURE 8-58. PLATFORM INTERFACE HARNESS

ITEM	PART NUMBER	QTY	DESCRIPTION	REV
	1001225580	Ref	INTERFACE HARNESS - WITH 1 CELL LSS	D
1	4460899	1	Connector	
2	4460464	4	Terminal	
3	4460466	2	Plug	
4	1001186432	2	Connector	
5	1001116720	4	Terminal	
6	1001118388	4	Terminal	
7	4460884	1	Connector	
8	4460465	4	Terminal	

SECTION 8 - ELECTRICAL

FIGURE 8-59. PLATFORM VALVE HARNESS (PVC2001)



ART_4922777

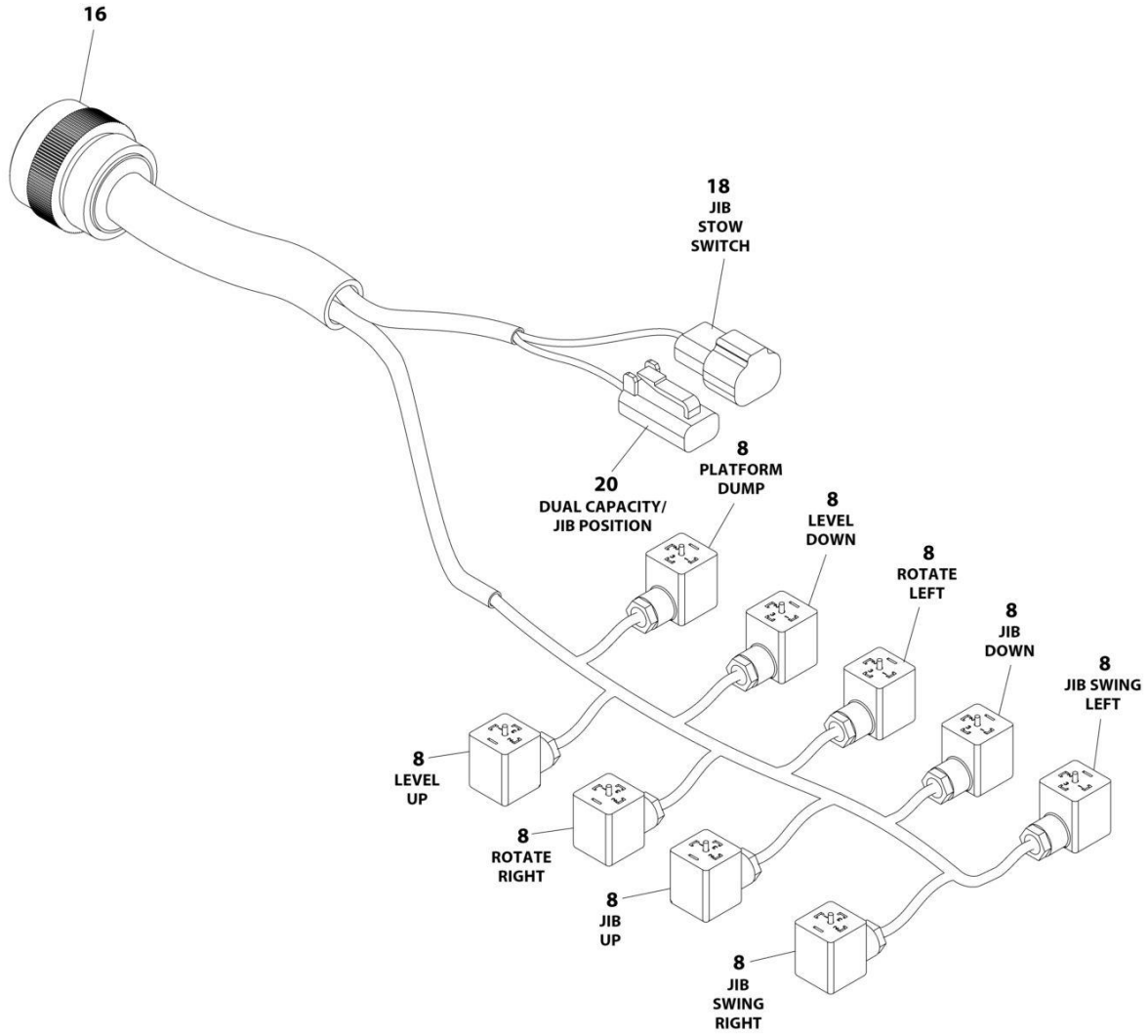
SECTION 8 - ELECTRICAL

FIGURE 8-59. PLATFORM VALVE HARNESS (PVC2001)

ITEM	PART NUMBER	QTY	DESCRIPTION	REV
	4922777	Ref	PLATFORM VALVE HARNESS	D
7	4240033	10	Tie-Strap (Not Shown)	
8	4460880	9	DIN Connector	
16	4460926	1	Connector - 21 Position	
16	4460928	13	Socket, Female	
16	4460466	8	Plug, Hole	
18	4460897	1	Connector - 2 Position	
18	4460464	2	Pin, Male	
20	4460891	1	Plug, Male - 2 Position	
20	4460465	2	Socket, Female	

SECTION 8 - ELECTRICAL

FIGURE 8-60. PLATFORM VALVE HARNESS (PVC2007)



ART_4922777_E

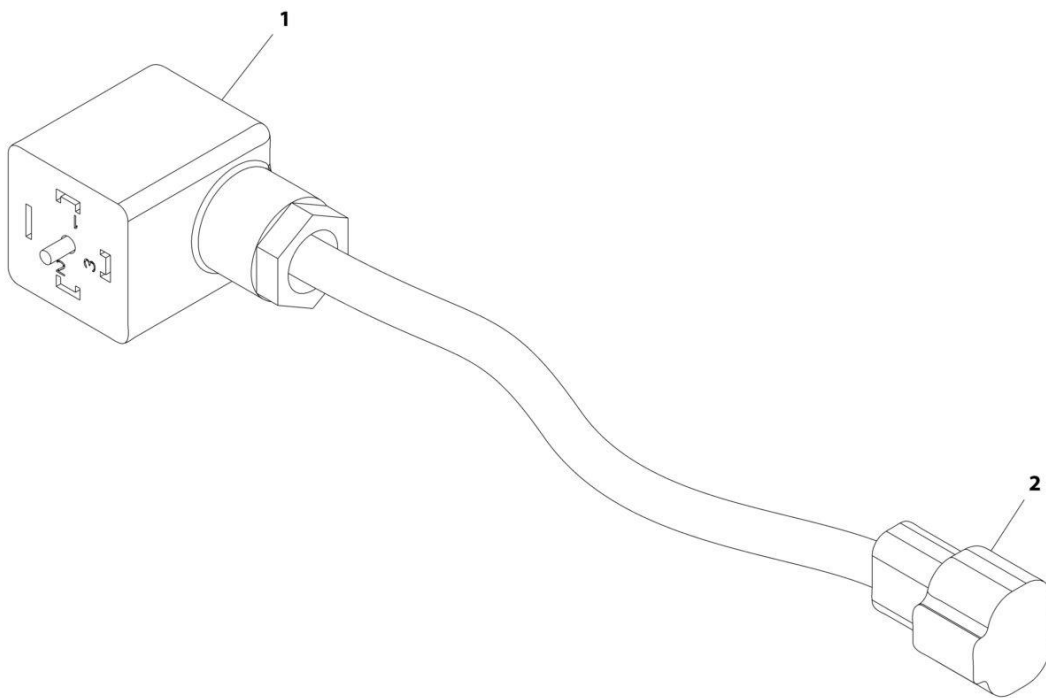
SECTION 8 - ELECTRICAL

FIGURE 8-60. PLATFORM VALVE HARNESS (PVC2007)

ITEM	PART NUMBER	QTY	DESCRIPTION	REV
	4922777	Ref	PLATFORM VALVE HARNESS	E
7	4240033	10	Tie-Strap (Not Shown)	
8	1001263923	9	DIN Connector	
16	4460926	1	Connector - 21 Position	
16	4460928	13	Socket, Female	
16	4460466	8	Plug, Hole	
18	4460897	1	Connector - 2 Position	
18	4460464	2	Pin, Male	
20	4460891	1	Plug, Male - 2 Position	
20	4460465	2	Socket, Female	

SECTION 8 - ELECTRICAL

FIGURE 8-61. PUMP ADAPTER HARNESS - SAUER PUMPS



ART_1001119456

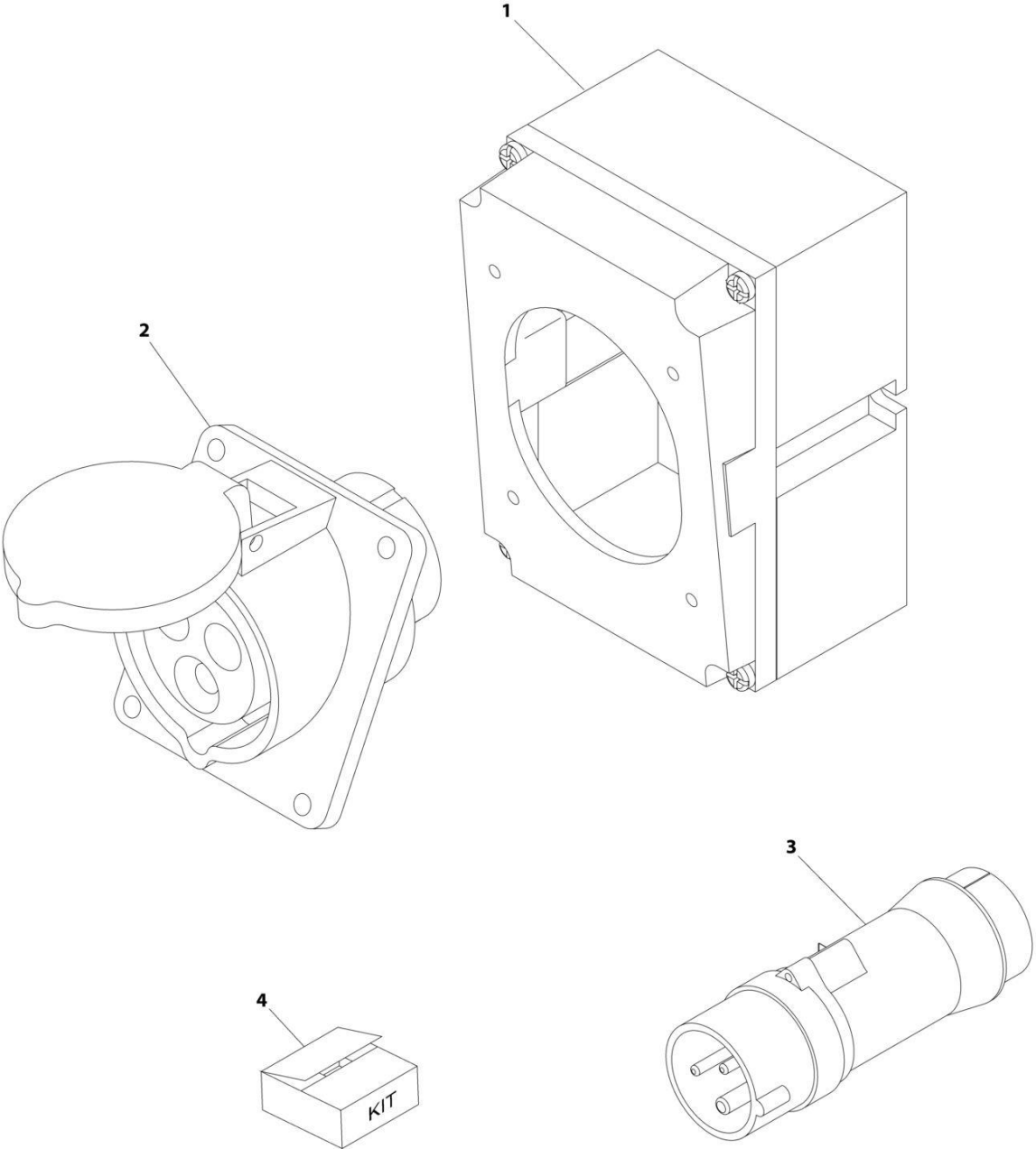
SECTION 8 - ELECTRICAL

FIGURE 8-61. PUMP ADAPTER HARNESS - SAUER PUMPS

ITEM	PART NUMBER	QTY	DESCRIPTION	REV
	1001119456	Ref	PUMP ADAPTER HARNESS - SAUER PUMPS	C
1	4460880	2	DIN Connector	
2	4460897	2	Connector - 2 Position	
2	4460464	4	Pin, Male	

SECTION 8 - ELECTRICAL

FIGURE 8-62. RECEPTACLE BOX KIT - 110V IEC YELLOW WITHOUT 2500W GENERATOR (CE SPECS)



ART_0275216

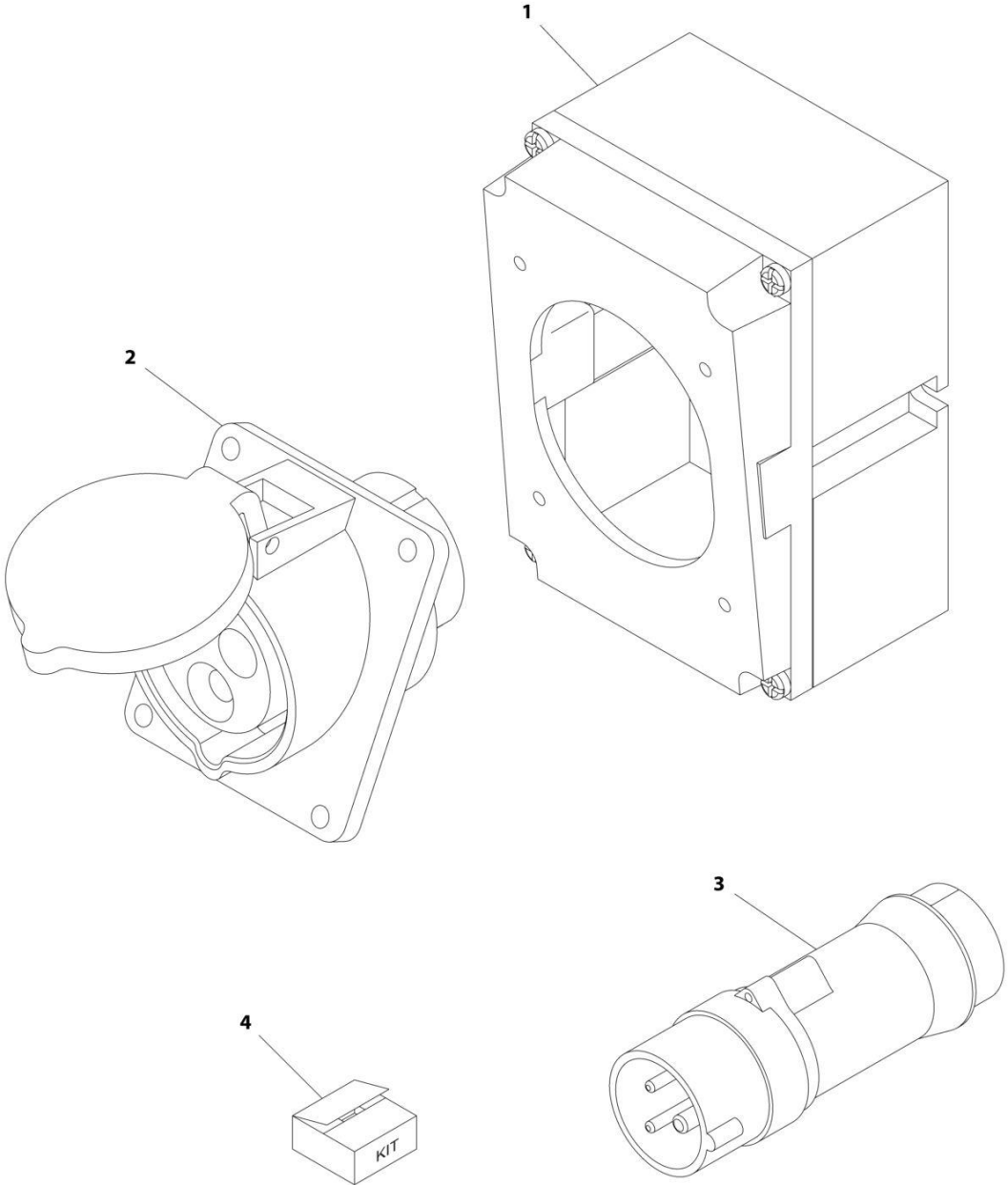
SECTION 8 - ELECTRICAL

FIGURE 8-62. RECEPTACLE BOX KIT - 110V IEC YELLOW WITHOUT 2500W GENERATOR (CE SPECS)

ITEM	PART NUMBER	QTY	DESCRIPTION	REV
	0275216	Ref	RECEPTACLE BOX KIT - 110V IEC YELLOW	B
1	0861781	1	Box, Switch	
2	4461198	1	Receptacle	
3	4461196	1	Plug, Male	
4	1001100341	1	Plug and Socket Kit (Includes Items 1-3 and Female Plug p/n 4461197)	

SECTION 8 - ELECTRICAL

FIGURE 8-63. RECEPTACLE BOX KIT - 220V IEC BLUE WITHOUT 2500W GENERATOR (CE SPECS)



ART_0275217

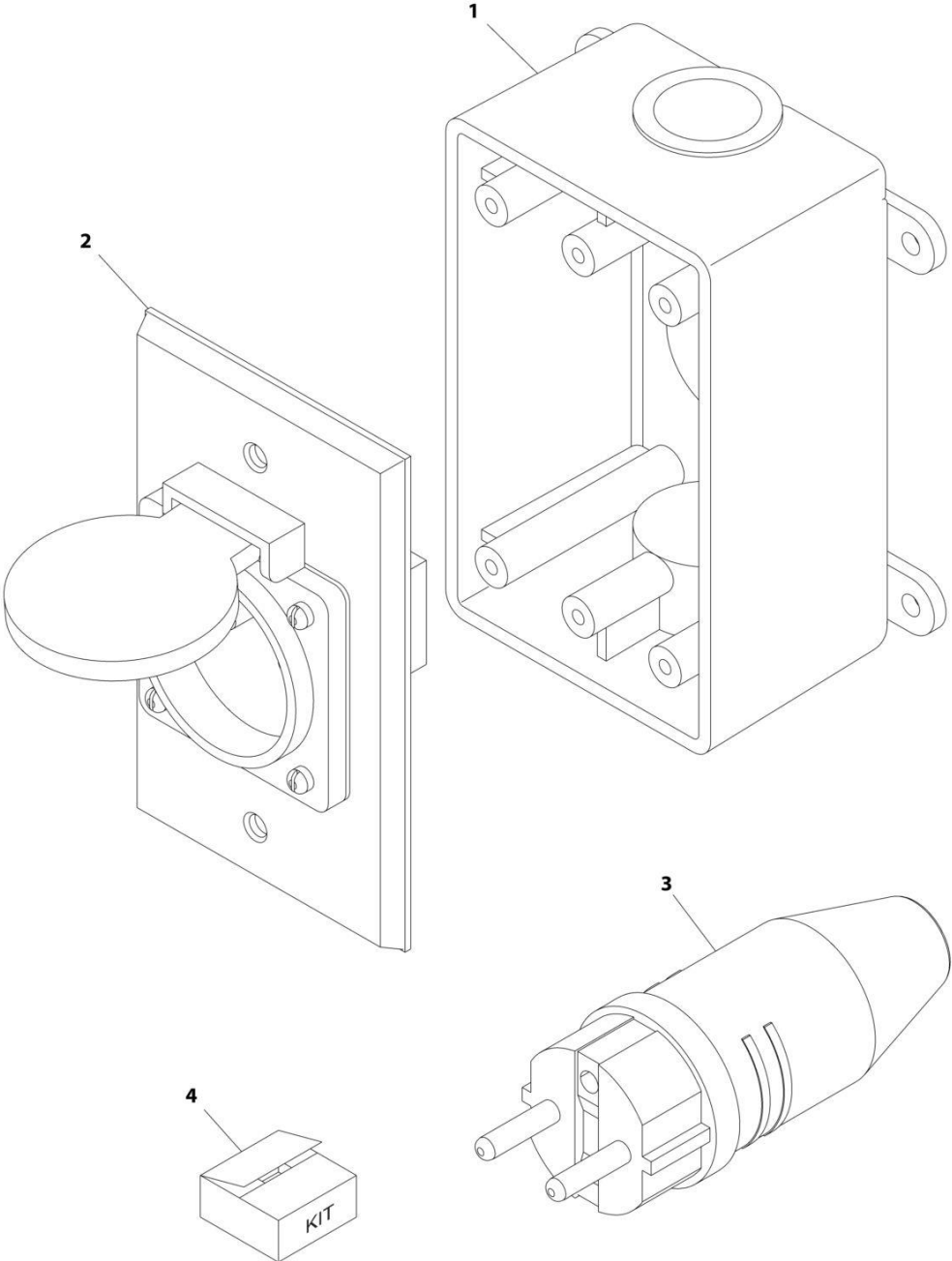
SECTION 8 - ELECTRICAL

FIGURE 8-63. RECEPTACLE BOX KIT - 220V IEC BLUE WITHOUT 2500W GENERATOR (CE SPECS)

ITEM	PART NUMBER	QTY	DESCRIPTION	REV
	0275217	Ref	RECEPTACLE BOX KIT - 220V IEC BLUE	B
1	0861781	1	Box, Switch	
2	4461201	1	Receptacle	
3	4461199	1	Plug, Male	
4	1001100342	1	Plug and Socket Kit (Includes Items 1-3 and Female Plug p/n 4461200)	

SECTION 8 - ELECTRICAL

**FIGURE 8-64. RECEPTACLE BOX KIT - 220V CEE7 POST GROUND WITHOUT 2500W GENERATOR
(2X4 BOX) (CE SPECS)**



ART_0275452-C

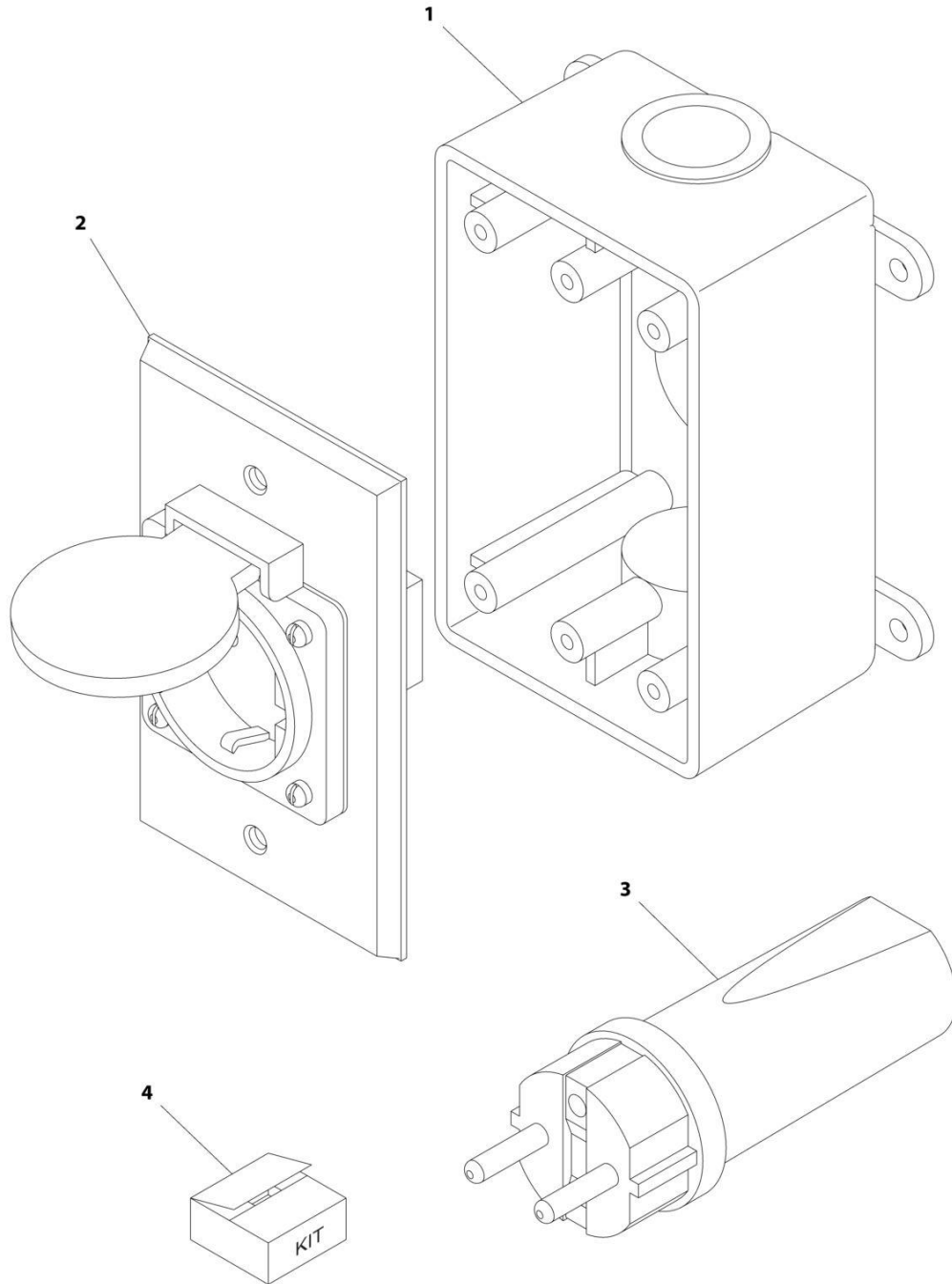
SECTION 8 - ELECTRICAL

**FIGURE 8-64. RECEPTACLE BOX KIT - 220V CEE7 POST GROUND WITHOUT 2500W GENERATOR
(2X4 BOX) (CE SPECS)**

ITEM	PART NUMBER	QTY	DESCRIPTION	REV
	0275452	Ref	RECEPTACLE BOX KIT - 220V CEE7 POST GROUND 2IN X 4IN BOX	C
1	0861731	1	Box, Switch	
2	4461244	1	Receptacle	
3	4461205	1	Plug, Male	
4	1001100345	1	Plug and Socket Kit (Includes Items 1-3 and Female Plug p/n 4461203)	

SECTION 8 - ELECTRICAL

FIGURE 8-65. RECEPTACLE BOX KIT - 220V CEE7 SIDE GROUND WITHOUT 2500W GENERATOR
(2X4 BOX) (CE SPECS)



ART_0275453

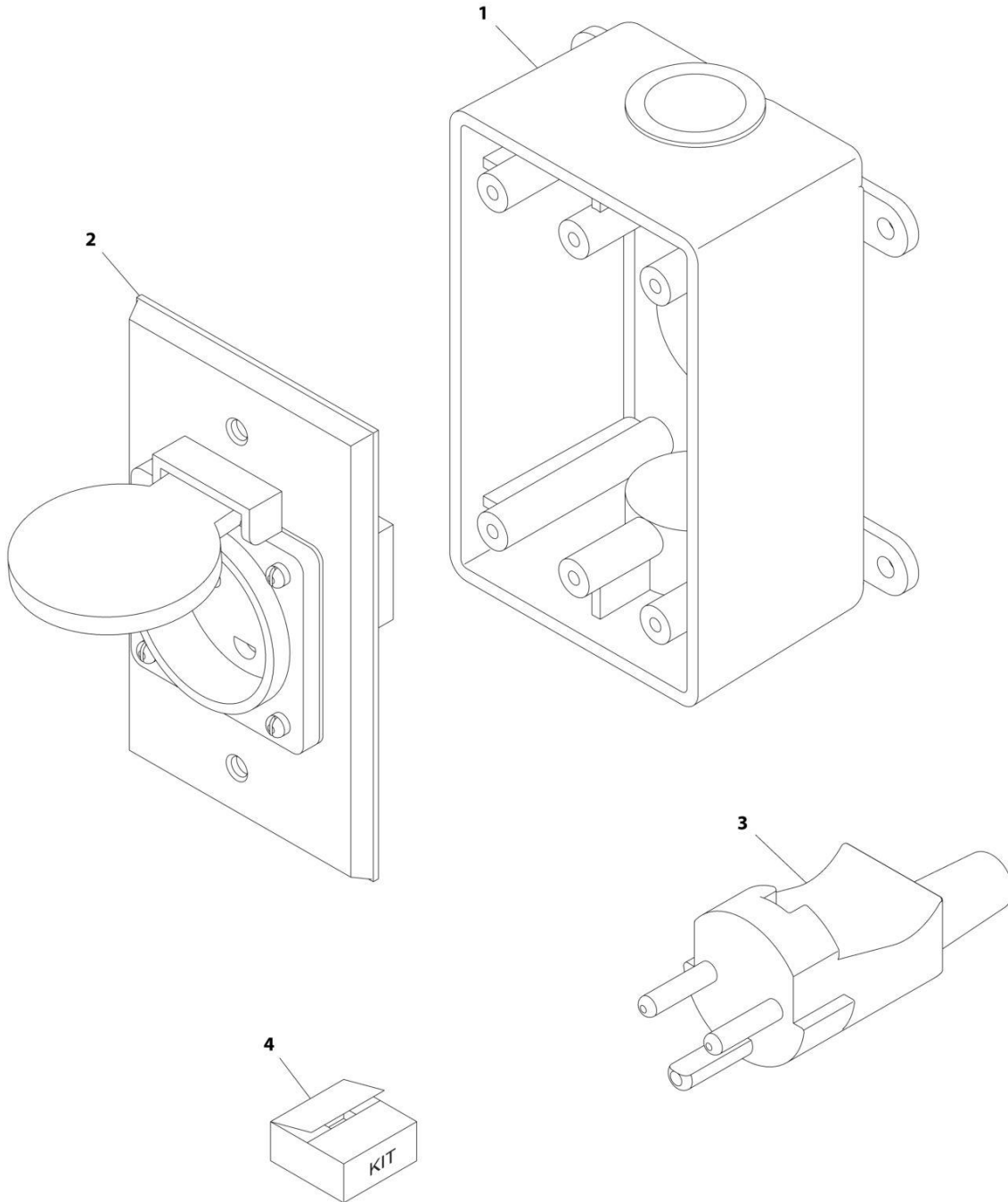
SECTION 8 - ELECTRICAL

**FIGURE 8-65. RECEPTACLE BOX KIT - 220V CEE7 SIDE GROUND WITHOUT 2500W GENERATOR
(2X4 BOX) (CE SPECS)**

ITEM	PART NUMBER	QTY	DESCRIPTION	REV
	0275453	Ref	RECEPTACLE BOX KIT - 220V CEE7 SIDE GROUND	B
1	0861731	1	Box, Switch	
2	4461245	1	Receptacle	
3	4461205	1	Plug, Male	
4	1001100347	1	Plug and Socket Kit (Includes Items 1-3 and Female Plug p/n 4461206)	

SECTION 8 - ELECTRICAL

FIGURE 8-66. RECEPTACLE BOX KIT - 220V AFSINT 107 KEYED GROUND WITHOUT 2500W GENERATOR (2X4 BOX) (CE SPECS)



ART_0275454

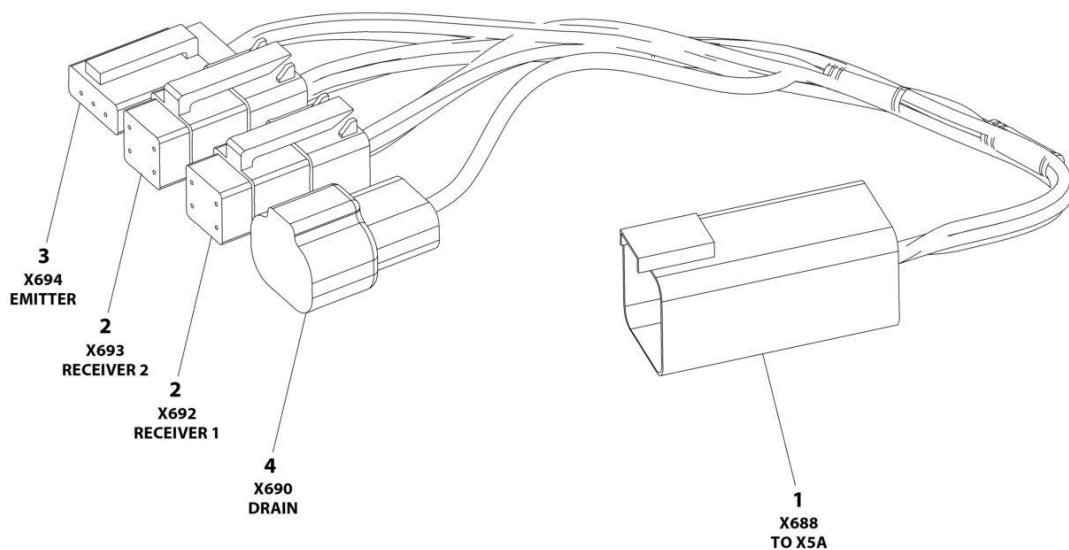
SECTION 8 - ELECTRICAL

FIGURE 8-66. RECEPTACLE BOX KIT - 220V AFSINT 107 KEYED GROUND WITHOUT 2500W GENERATOR (2X4 BOX) (CE SPECS)

ITEM	PART NUMBER	QTY	DESCRIPTION	REV
	0275454	Ref	RECEPTACLE BOX KIT - 220V AFSINT 107	B
1	0861731	1	Box, Switch	
2	4461246	1	Receptacle	
3	4461249	1	Plug, Male	
4	1001100346	1	Plug and Socket Kit (Includes Items 1-3 and Female Plug p/n 4461250)	

SECTION 8 - ELECTRICAL

FIGURE 8-67. SKYEYE INTERMEDIATE HARNESS



ART_1001237865

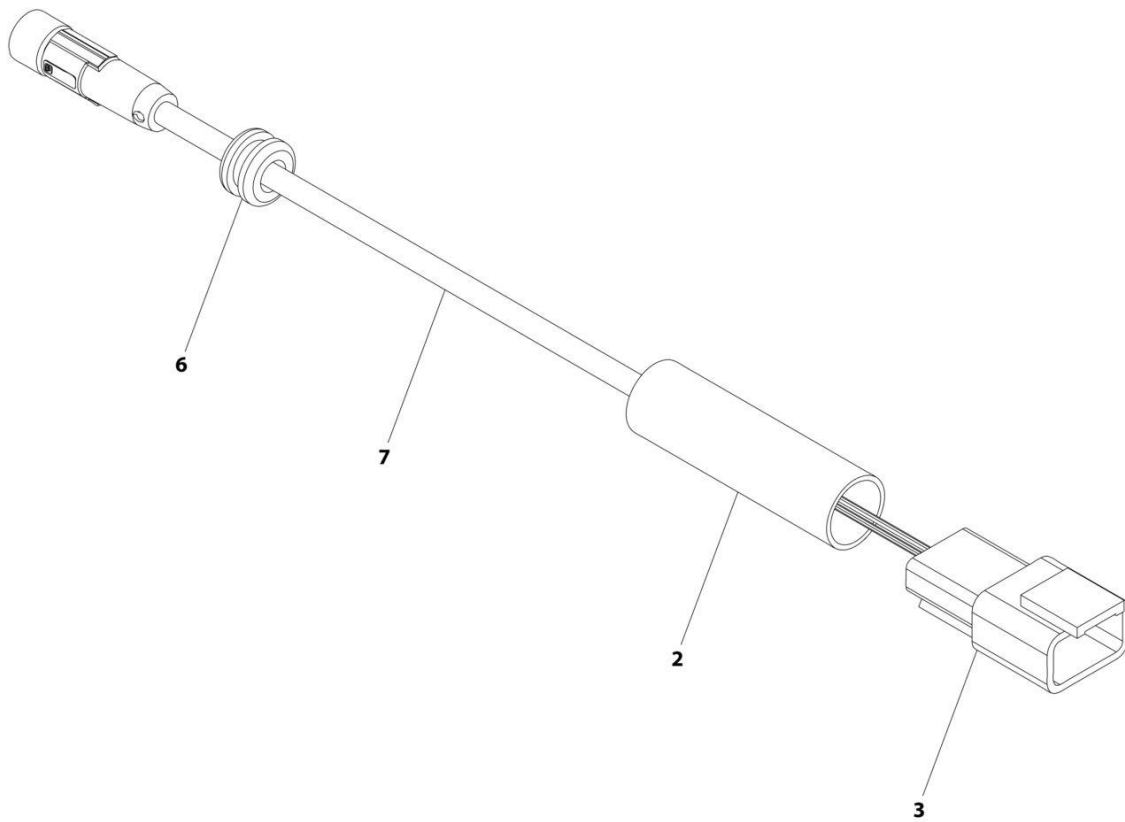
SECTION 8 - ELECTRICAL

FIGURE 8-67. SKYEYE INTERMEDIATE HARNESS

ITEM	PART NUMBER	QTY	DESCRIPTION	REV
	1001237865	Ref	SKYEYE INTERMEDIATE HARNESS	A
1	4460899	1	Connector - 6 Position	
1	4460943	4	Pin, Male	
1	4460466	2	Plug, Terminal	
2	4461077	2	Connector - 4 Position	
2	1001119619	8	Socket, Female	
3	4460911	1	Connector - 3 Position	
3	1001119619	3	Socket, Female	
4	1001187681	1	Connector - 2 Position	
4	4460941	1	Pin, Male	
4	4460466	1	Plug, Terminal	

SECTION 8 - ELECTRICAL

FIGURE 8-68. SKYEYE EMITTER HARNESS



ART_1001237864

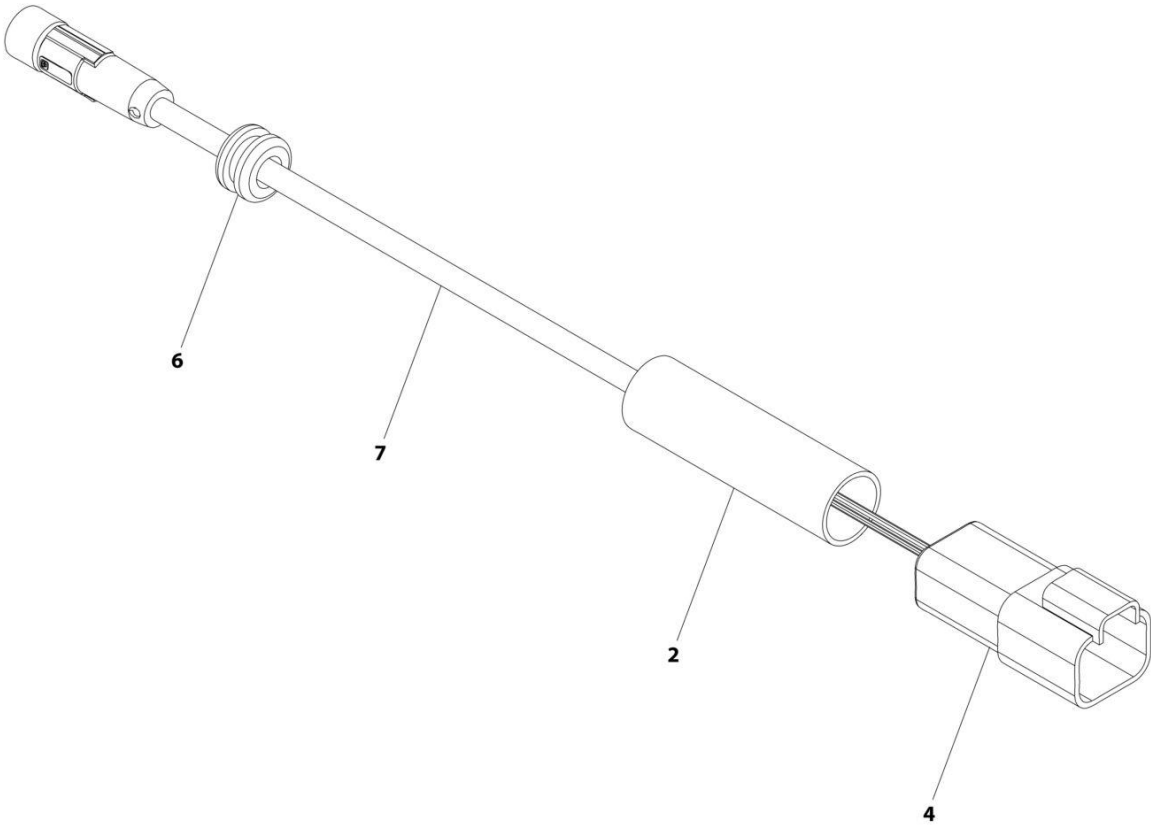
SECTION 8 - ELECTRICAL

FIGURE 8-68. SKYEYE EMITTER HARNESS

ITEM	PART NUMBER	QTY	DESCRIPTION	REV
	1001237864	Ref	SKYEYE EMITTER HARNESS	A
2	2820247	AR	Tubing, Heat Shrink	
3	4460910	1	Connector - 3 Position	
3	1001119620	3	Pin, Male	
6	1001227996	1	Grommet	
7	1001237862	1	Cable, M8 Female Cordset	

SECTION 8 - ELECTRICAL

FIGURE 8-69. SKYEYE RECEIVER HARNESS



ART_1001237863

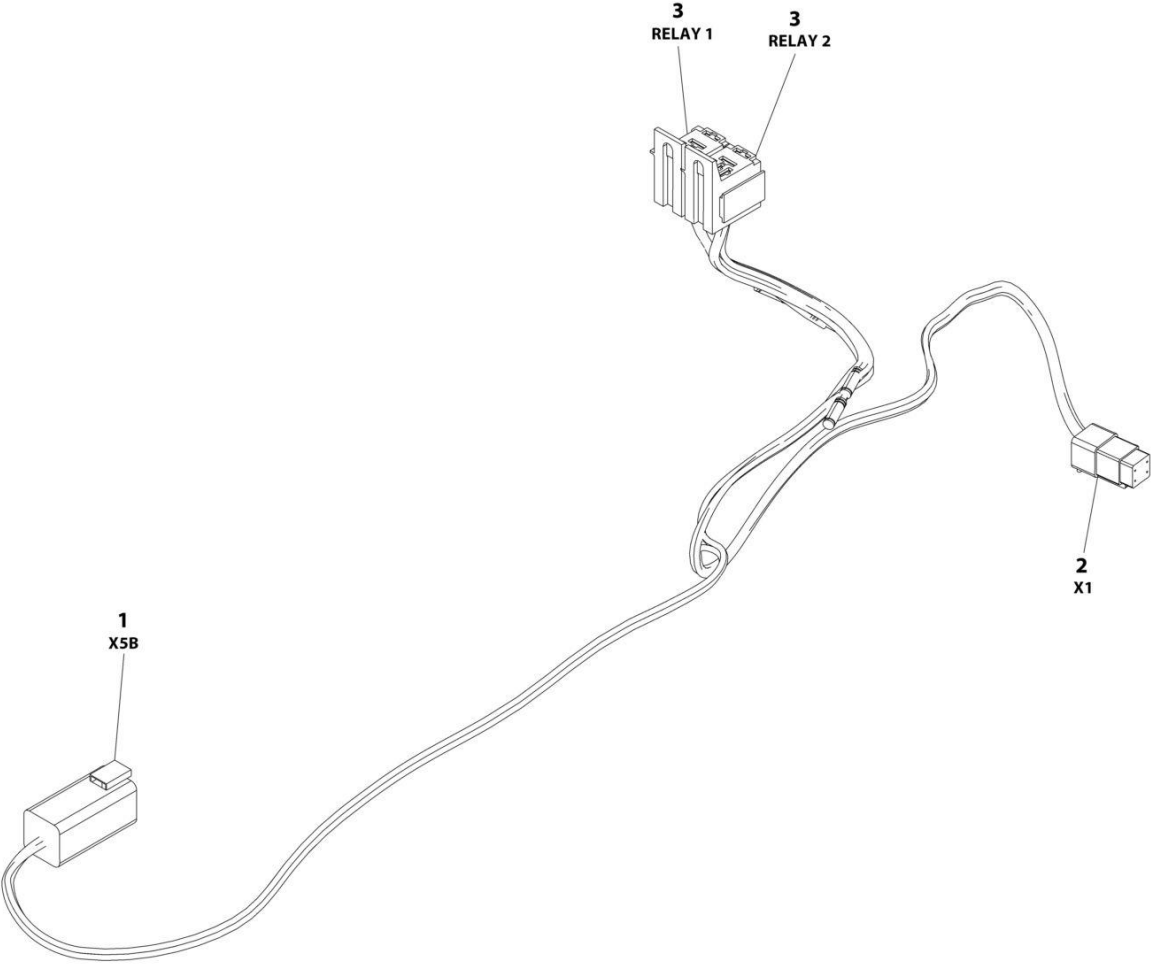
SECTION 8 - ELECTRICAL

FIGURE 8-69. SKYEYE RECEIVER HARNESS

ITEM	PART NUMBER	QTY	DESCRIPTION	REV
	1001237863	Ref	SKYEYE RECEIVER HARNESS	A
2	2820247	AR	Tubing, Heat Shrink	
4	1001097051	1	Connector - 4 Position	
4	1001119620	4	Pin, Male	
6	1001227996	1	Grommet	
7	1001237862	1	Cable, M8 Female Cordset	

SECTION 8 - ELECTRICAL

FIGURE 8-70. SKYLINE HARNESS



ART_1001238418

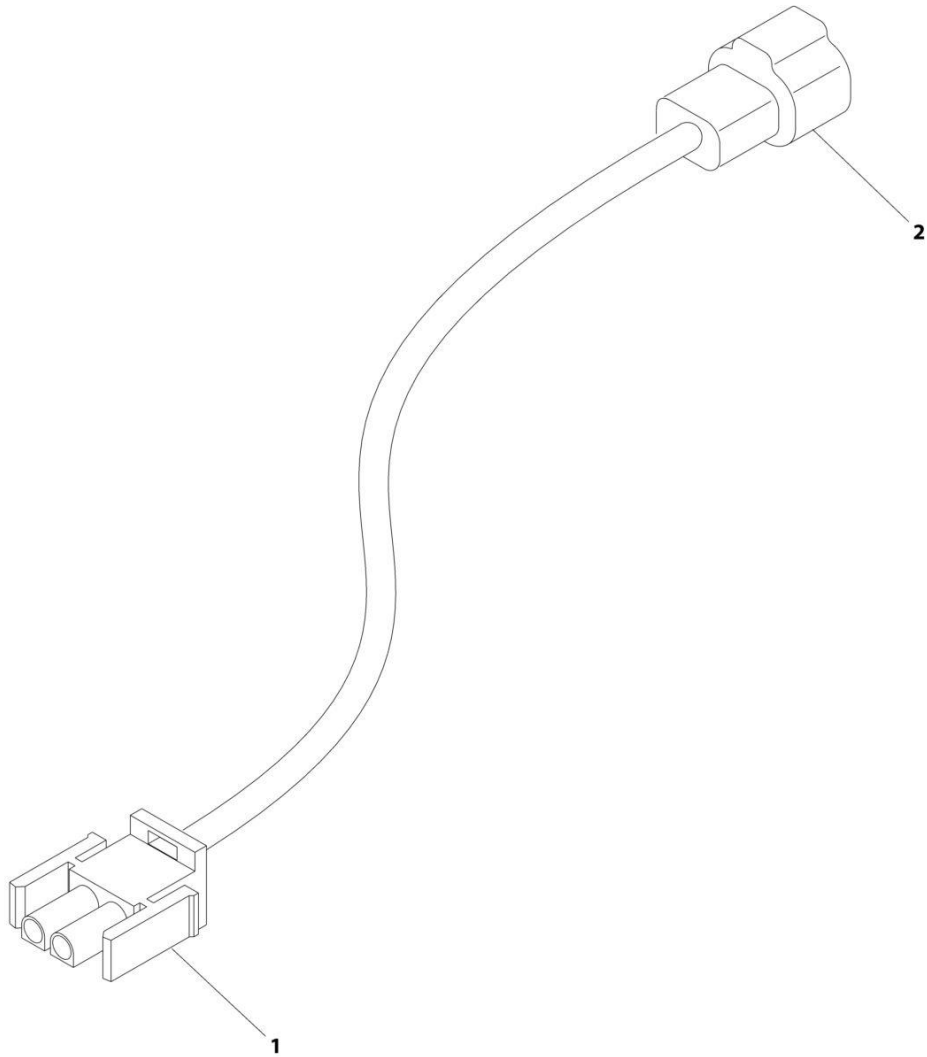
SECTION 8 - ELECTRICAL

FIGURE 8-70. SKYLINE HARNESS

ITEM	PART NUMBER	QTY	DESCRIPTION	REV
	1001238418	Ref	SKYLINE HARNESS	B
1	4460899	1	Connector - 6 Position	
1	4460464	4	Pin, Male	
1	4460466	2	Plug, Terminal	
2	4461077	1	Connector - 4 Position	
2	1001126009	4	Socket, Female	
3	1001186432	2	Plug, Relay	
3	1001118388	5	Terminal	
3	1001118384	3	Terminal	
3	3740086	2	Relay	

SECTION 8 - ELECTRICAL

FIGURE 8-71. STROBE LIGHT HARNESS (AMBER)



ART_1001149818

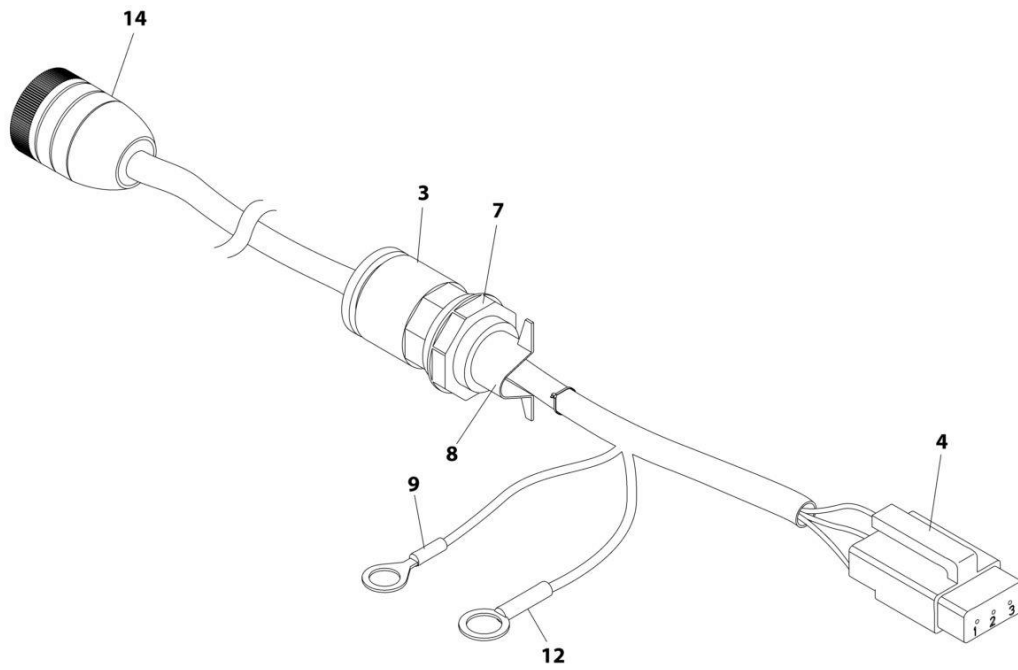
SECTION 8 - ELECTRICAL

FIGURE 8-71. STROBE LIGHT HARNESS (AMBER)

ITEM	PART NUMBER	QTY	DESCRIPTION	REV
	1001149818	Ref	STROBE LIGHT HARNESS (AMBER)	D
1	4460320	1	Plug, Male - 2 Position	
1	4460267	2	Pin, Male	
2	4460897	1	Connector - 2 Position	
2	4460464	2	Pin, Male	

SECTION 8 - ELECTRICAL

FIGURE 8-72. TILT SENSOR HARNESS (LEFT)



ART_4922948

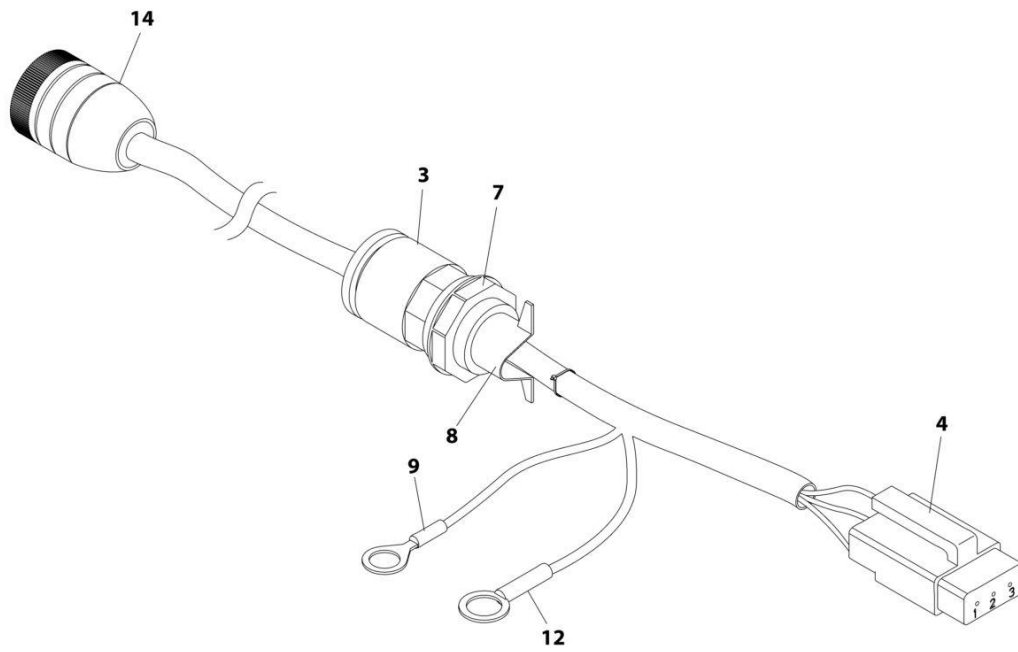
SECTION 8 - ELECTRICAL

FIGURE 8-72. TILT SENSOR HARNESS (LEFT)

ITEM	PART NUMBER	QTY	DESCRIPTION	REV
	4922948	Ref	TILT SENSOR HARNESS (LEFT)	E
3	1560011	1	Connector, Conduit	
4	4460911	1	Connector - 3 Position	
4	4460912	1	Lock, Wedge	
4	4460918	3	Pin, Male	
7	1560012	1	Nut, Conduit	
8	1320309	1	Clamp, Cable	
9	4460702	1	Terminal, Eyelet	
10	4240032	2	Tie-Strap (Not Shown)	
12	4460256	1	Terminal, Eyelet	
14	4461013	1	Connector - 6 Position	

SECTION 8 - ELECTRICAL

FIGURE 8-73. TILT SENSOR HARNESS (RIGHT)



ART_4922947

SECTION 8 - ELECTRICAL

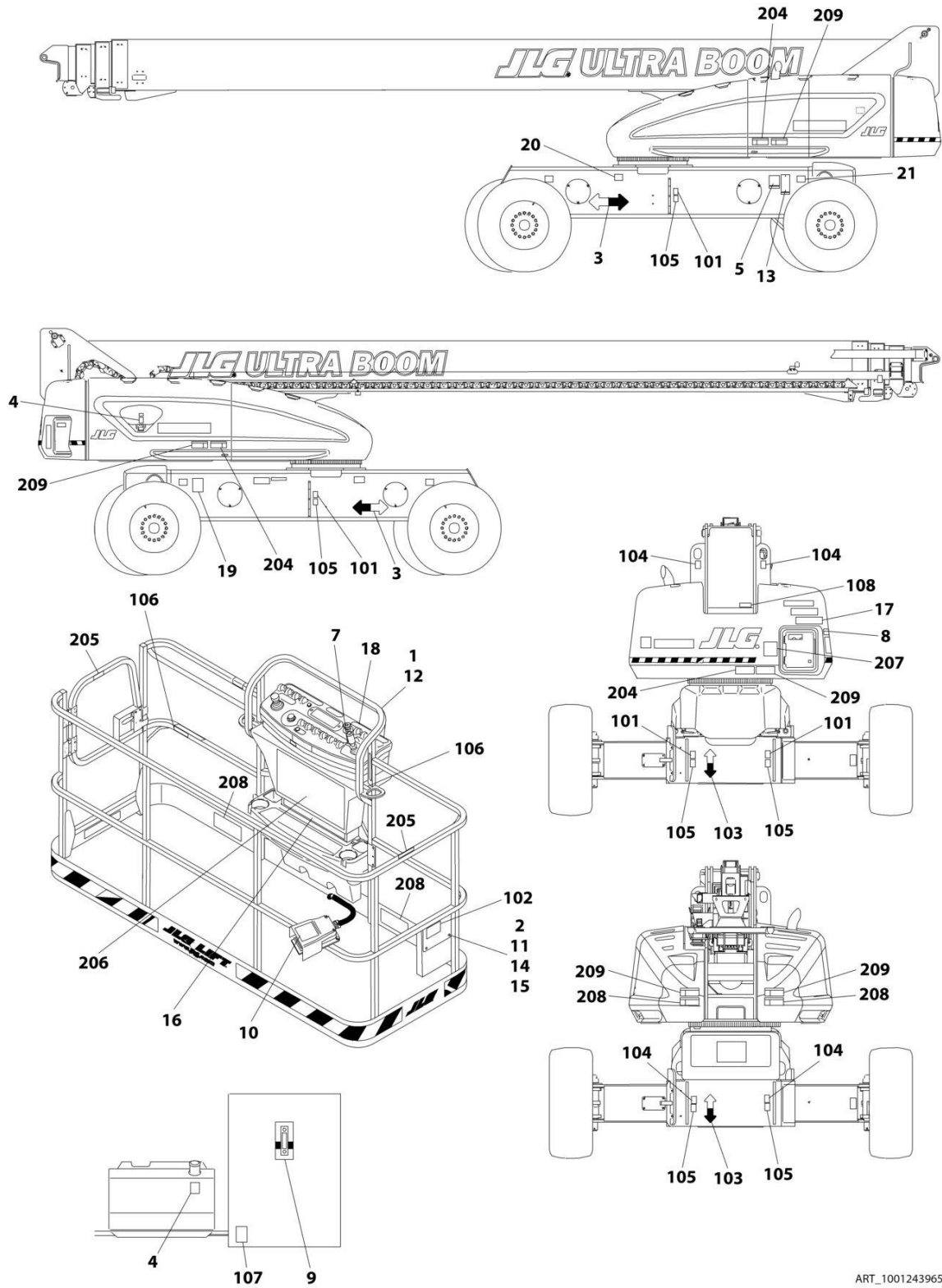
FIGURE 8-73. TILT SENSOR HARNESS (RIGHT)

ITEM	PART NUMBER	QTY	DESCRIPTION	REV
	4922947	Ref	TILT SENSOR HARNESS (RIGHT)	E
3	1560011	1	Connector, Conduit	
4	4460911	1	Connector - 3 Position	
4	4460912	1	Lock, Wedge	
4	4460918	3	Pin, Male	
7	1560012	1	Nut, Conduit	
8	1320309	1	Clamp, Cable	
9	4460702	1	Terminal, Eyelet	
10	4240032	2	Tie-Strap (Not Shown)	
12	4460256	1	Terminal, Eyelet	
14	4461013	1	Connector - 6 Position	

SECTION 9 - DECALS

SECTION 9 - DECALS

FIGURE 9-1. DECAL INSTALLATION - ANSI SPEC



ART_1001243965_1200-1350

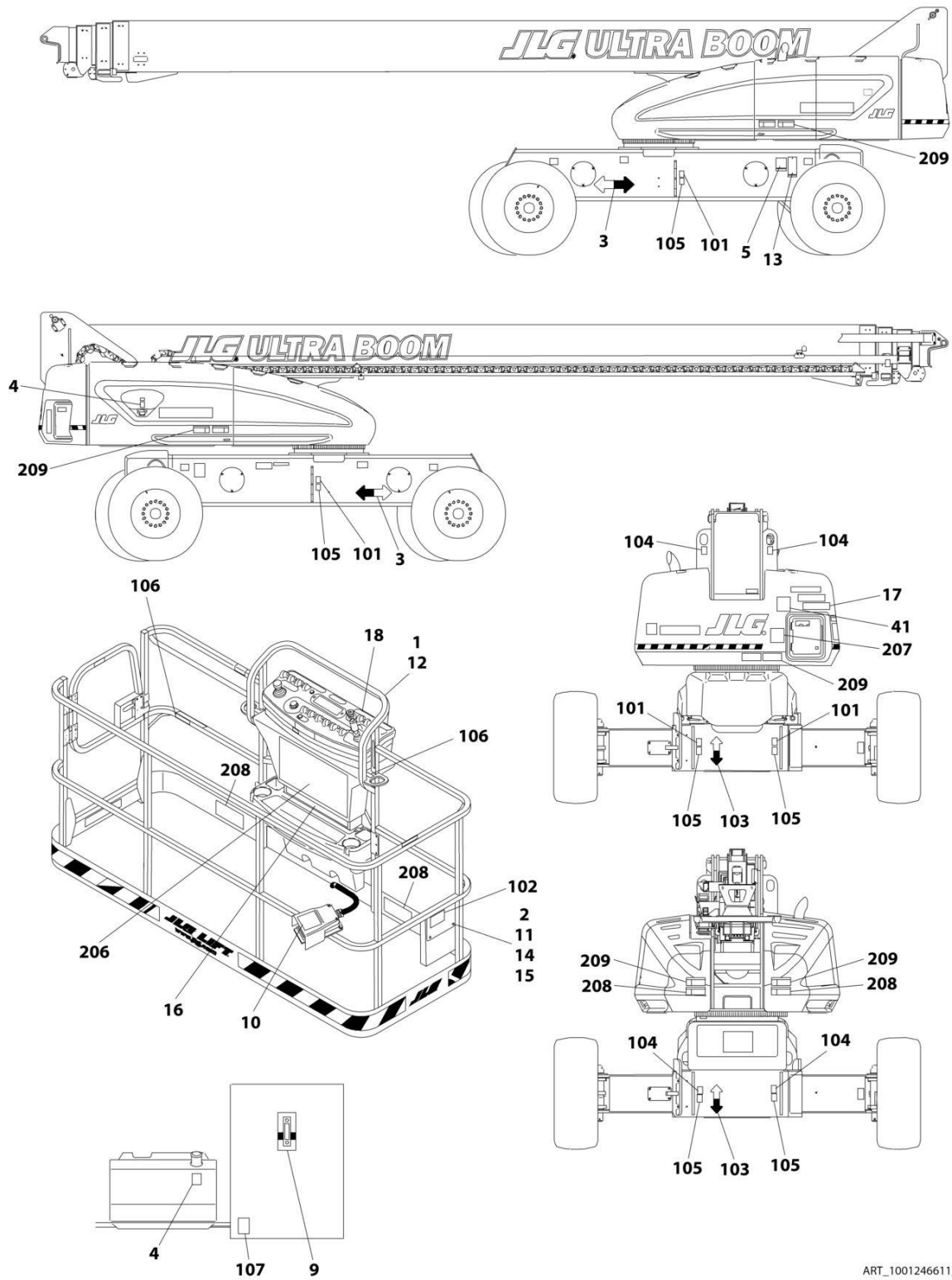
SECTION 9 - DECALS

FIGURE 9-1. DECAL INSTALLATION - ANSI SPEC

ITEM	PART NUMBER	QTY	DESCRIPTION	REV
	1001248554	Ref	DECAL INSTALLATION - REFERENCE CHART	D
	1001243965	Ref	DECAL INSTALLATION - ANSI SPEC	B
1	0100048	AR	Grease, Dielectric	
2	0641406	4	Bolt 1/4 x 3/4	
3	1701501	4	Decal - Arrow	
4	1701505	2	Decal - Fuel	
5	See Note	1	Decal - Bar Code (Note: Not Available For Purchase)	
6	1704972	1	Decal - Warning Explosion/Fire (Not Shown - Located on Engine Air Filter Housing)	
7	1705351	1	Decal - Drive/Steer Instructions	
8	1705492	1	Decal - Tip Over Hazard	
9	1705511	1	Decal - Oil Level	
10	3252347	1	Decal - Footswitch	
11	3311405	4	Nut 1/4	
12	3520174	3	Plug	
13	3820001	2	Rivet	
14	4751400	4	Washer 1/4	
15	91403230	1	Box, Manual Storage	
16	1001253048	1	Decal - Capacity (Platform)	
17	1001253049	1	Decal - Capacity (Ground Control)	
18	1001122611	1	Decal - Stop	
19	1001131269	1	Decal - Patent	
20	1001223055	1	Decal - Yearly Inspection	
21	1001223453	1	Decal - Ices	
100	1001248539	1	Decal Master Kit (Not Shown - Includes Items 101-108)	
101	1701499	4	Decal - No Lift	
102	1701509	1	Decal - Manual	
103	1701529	2	Decal - Arrow	
104	1703811	8	Decal - Tie Down/Lift	
105	1703814	6	Decal - Tie Down	
106	1704277	4	Decal - Attach Lanyard Here	
107	1704412	1	Decal - Hydraulic Oil Chart	
108	3251243	1	Nameplate - 120V-60Hz	
200	1001248547	1	Decal Kit (Not Shown - Includes Items 204-209)	
204	1703953	7	Decal - Warning/Crushing	
205	1702868	2	Decal - No Hands	
206	1001231315	1	Decal - Danger/Warning (Platform)	
207	1705336	1	Decal - Danger/Warning (Ground Control)	
208	1703804	5	Decal - Warning Crushing	
209	1703805	5	Decal - Danger/Electrocution	

SECTION 9 - DECALS

FIGURE 9-2. DECAL INSTALLATION - AUSTRALIAN SPEC



ART_1001246611_1200-1350

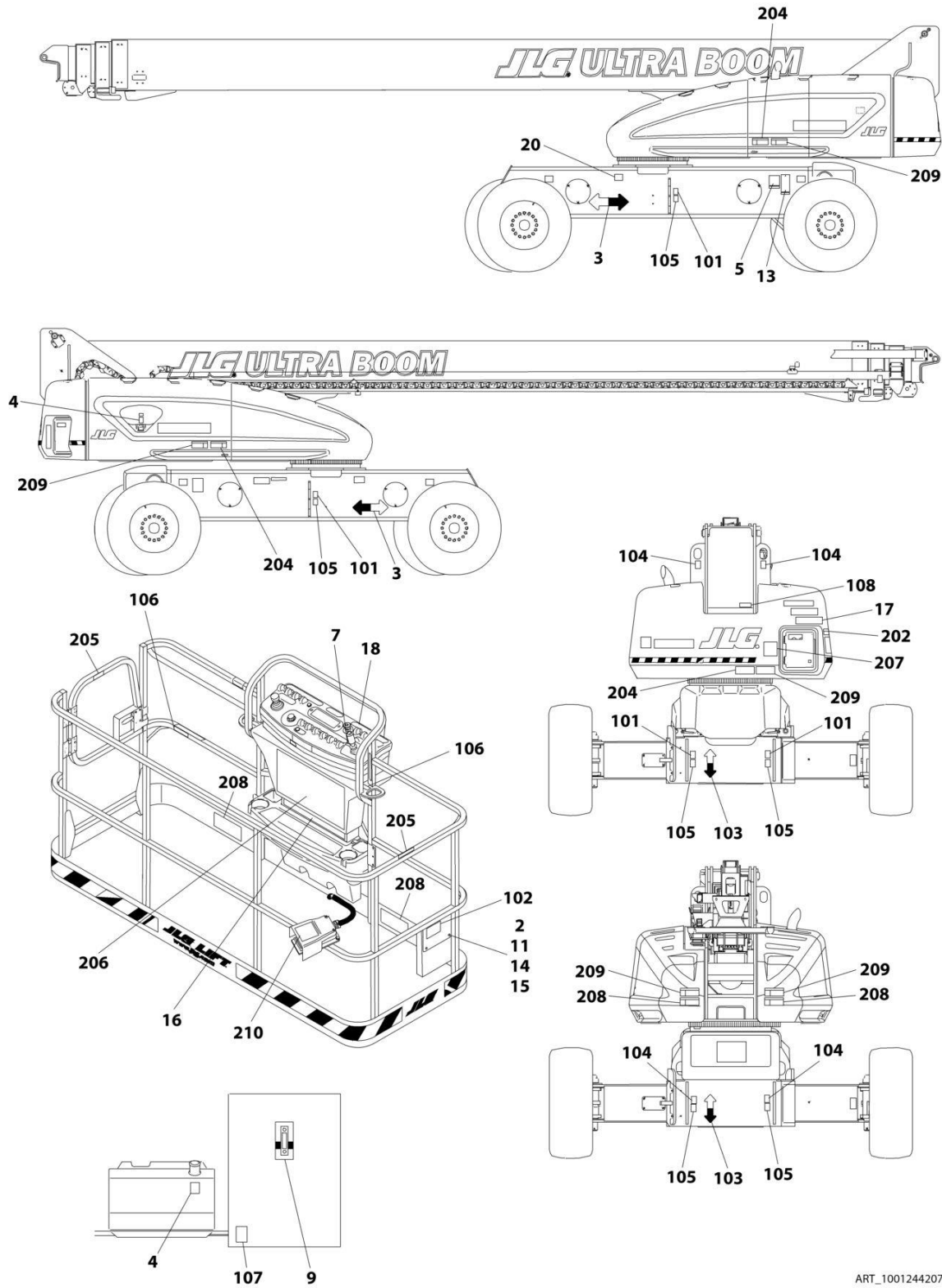
SECTION 9 - DECALS

FIGURE 9-2. DECAL INSTALLATION - AUSTRALIAN SPEC

ITEM	PART NUMBER	QTY	DESCRIPTION	REV
	1001248554	Ref	DECAL INSTALLATION - REFERENCE CHART	D
	1001246611	Ref	DECAL INSTALLATION - AUSTRALIAN SPEC	A
1	0100048	AR	Grease, Dielectric	
2	0641406	4	Bolt 1/4 x 3/4	
3	1701501	4	Decal - Arrow	
4	1701505	2	Decal - Fuel	
5	See Note	1	Decal - Bar Code (Note: Not Available For Purchase)	
6	1706098	1	Decal - Warning Explosion/Fire (Not Shown - Located on Engine Air Filter Housing)	
9	1705511	1	Decal - Oil Level	
10	1705828	1	Decal - Footswitch	
11	3311405	4	Nut 1/4	
12	3520174	3	Plug	
13	3820001	6	Rivet	
14	4751400	4	Washer 1/4	
15	91403230	1	Box, Manual Storage	
16	1706770	1	Decal - Capacity (Platform)	
17	1705468	1	Decal - Capacity (Ground Control)	
18	1705174	1	Decal - Stop	
41	1001112551	1	Decal - Emergency Controls (Australian Spec)	
100	1001248540	1	Decal Master Kit (Not Shown - Includes Items 101-107)	
101	1701499	4	Decal - No Lift	
102	1701509	1	Decal - Manual	
103	1701529	2	Decal - Arrow	
104	1703811	4	Decal - Tie Down/Lift	
105	1703814	6	Decal - Tie Down	
106	1704277	4	Decal - Attach Lanyard Here	
107	1704412	1	Decal - Hydraulic Oil Chart	
200	1001248546	1	Decal Kit (Not Shown - Includes Items 206-209)	
206	1705921	1	Decal - Tipping/Electrical (Platform)	
207	1705822	1	Decal - Electrical/Safety (Ground Control)	
208	1701518	10	Decal - Warning Crushing	
209	1705961	5	Decal - Danger Electrocution	

SECTION 9 - DECALS

FIGURE 9-3. DECAL INSTALLATION - BRAZIL SPEC (PORTGUESE/ENGLISH)



ART_1001244207_1200-1350

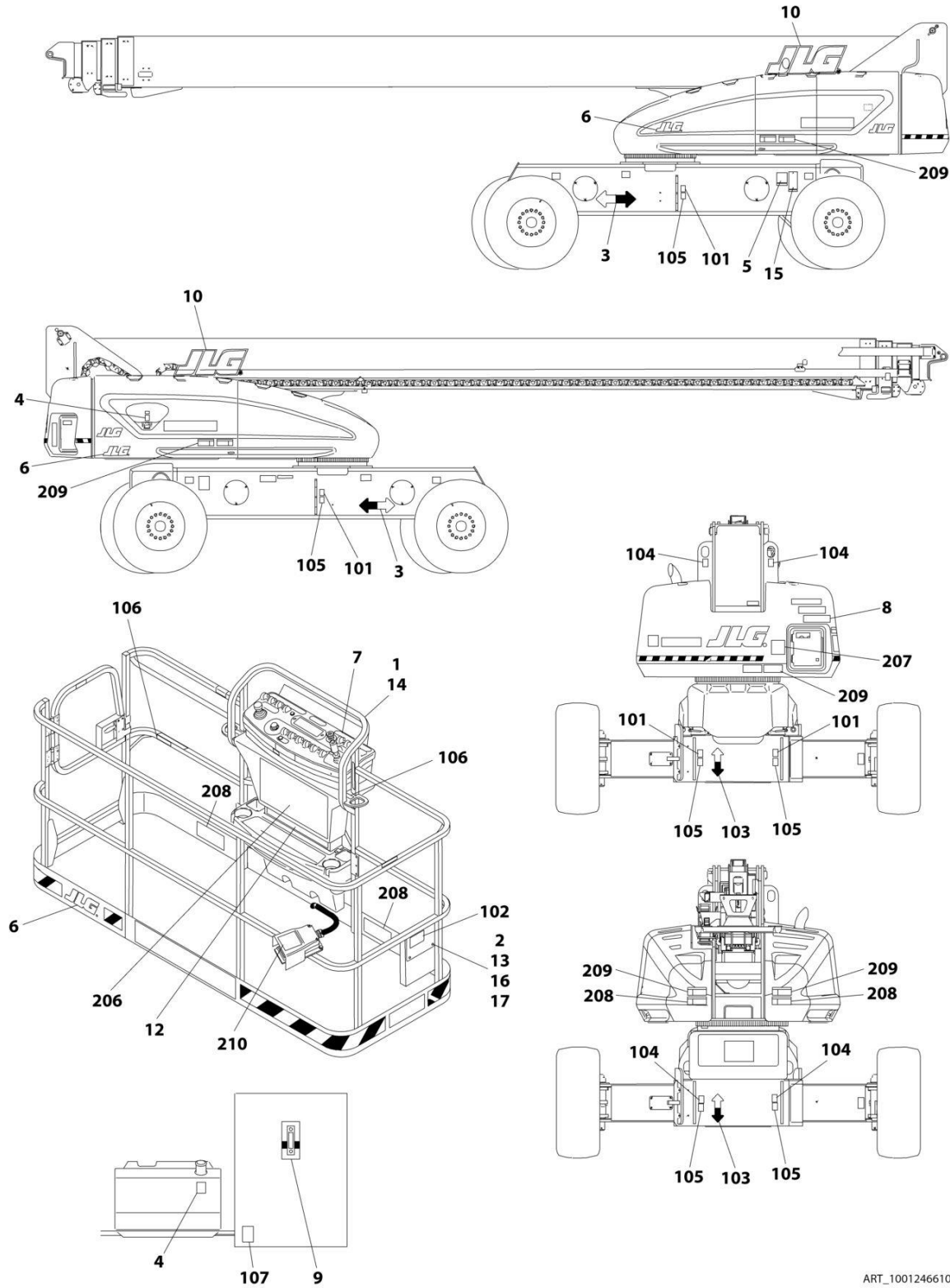
SECTION 9 - DECALS

FIGURE 9-3. DECAL INSTALLATION - BRAZIL SPEC (PORTGUESE/ENGLISH)

ITEM	PART NUMBER	QTY	DESCRIPTION	REV
	1001248554	Ref	DECAL INSTALLATION - REFERENCE CHART	D
	1001244207	Ref	DECAL INSTALLATION - BRAZIL SPEC (PORTGUESE/ENGLISH)	B
2	0641406	4	Bolt 1/4 x 3/4	
3	1701501	4	Decal - Arrow	
4	1701505	2	Decal - Fuel	
5	See Note	1	Decal - Bar Code (Note: Not Available For Purchase)	
6	1706059	1	Decal - Warning Explosion/Fire (Not Shown - Located on Engine Air Filter Housing)	
7	1705905	1	Decal - Drive/Steer Instructions	
9	1705511	1	Decal - Oil Level	
11	3311405	4	Nut 1/4	
13	3820001	2	Rivet	
14	4751400	4	Washer 1/4	
15	91403230	1	Box, Manual Storage	
16	1001253057	1	Decal - Capacity (Platform)	
17	1001253058	1	Decal - Capacity (Ground Control)	
18	1001122611	1	Decal - Stop	
20	1001224052	1	Decal - Yearly Inspection	
100	1001248539	1	Decal Master Kit (Not Shown - Includes Items 101-108)	
101	1701499	4	Decal - No Lift	
102	1701509	1	Decal - Manual	
103	1701529	2	Decal - Arrow	
104	1703811	8	Decal - Tie Down/Lift	
105	1703814	6	Decal - Tie Down	
106	1704277	4	Decal - Attach Lanyard Here	
107	1704412	1	Decal - Hydraulic Oil Chart	
108	3251243	1	Nameplate - 120V-60Hz	
200	1001248551	1	Decal Kit (Not Shown - Includes Items 202-210)	
202	1705906	1	Decal - Tip Over Hazard	
203	1705901	1	Decal - Inspection (Not Shown)	
204	1705903	7	Decal - Warning/Crushing	
205	1705967	2	Decal - No Hands	
206	1001231319	1	Decal - Danger/Warning (Platform)	
207	1705896	1	Decal - Danger/Warning (Ground Control)	
208	1705898	5	Decal - Warning Crushing	
209	1705897	5	Decal - Danger/Electrocution	
210	1705902	1	Decal - Footswitch	

SECTION 9 - DECALS

FIGURE 9-4. DECAL INSTALLATION - CE SPEC



ART_1001246610_1200-1350

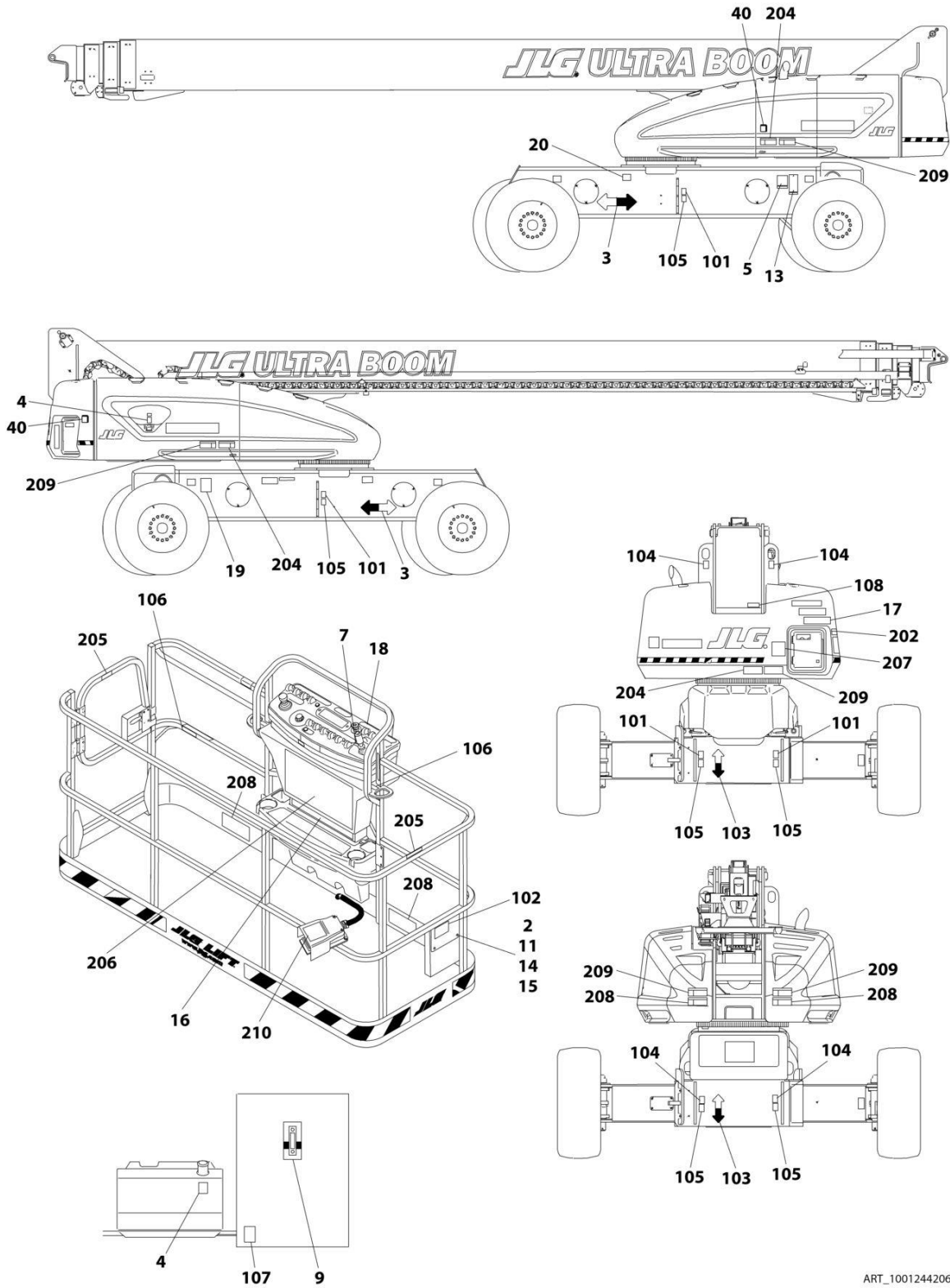
SECTION 9 - DECALS

FIGURE 9-4. DECAL INSTALLATION - CE SPEC

ITEM	PART NUMBER	QTY	DESCRIPTION	REV
	1001248559	Ref	DECAL INSTALLATION - REFERENCE CHART	B
	1001246610	Ref	DECAL INSTALLATION - CE & UK CA SPEC	A
1	0100048	AR	Grease, Dielectric	
2	0641406	7	Bolt 1/4 x 3/4	
3	1701501	4	Decal - Arrow	
4	1701505	2	Decal - Fuel	
5	See Note	1	Decal - Bar Code (Note: Not Available For Purchase)	
6	1702773	3	Decal - JLG	
7	1705174	1	Decal - Stop	
8	1705468	1	Decal - Capacity (Ground Control)	
9	1705511	1	Decal - Oil Level	
10	1705864	2	Decal - JLG	
11	1706098	1	Decal - Warning Explosion/Fire (Not Shown - Located on Engine Air Filter Housing)	
12	1706770	1	Decal - Capacity (Platform)	
13	3311405	4	Nut 1/4	
14	3520174	3	Plug	
15	3820001	6	Rivet	
16	4751400	7	Washer 1/4	
17	91403230	1	Box, Manual Storage	
100	1001248540	1	Decal Master Kit (Not Shown - Includes Items 101-107)	
101	1701499	4	Decal - No Lift	
102	1701509	1	Decal - Manual	
103	1701529	2	Decal - Arrow	
104	1703811	4	Decal - Tie Down/Lift	
105	1703814	6	Decal - Tie Down	
106	1704277	4	Decal - Attach Lanyard Here	
107	1704412	1	Decal - Hydraulic Oil Chart	
200	1001248546	1	Decal Kit (Not Shown - Includes Items 206-210)	
206	1705921	1	Decal - Tipping/Electrical (Platform)	
207	1705822	1	Decal - Electrical/Safety (Ground Control)	
208	1701518	10	Decal - Warning Crushing	
209	1705961	5	Decal - Danger Electrocution	
210	1705828	1	Decal - Footswitch	

SECTION 9 - DECALS

FIGURE 9-5. DECAL INSTALLATION - CHINESE SPEC (CHINESE/ENGLISH)



ART_1001244206_1200-1350

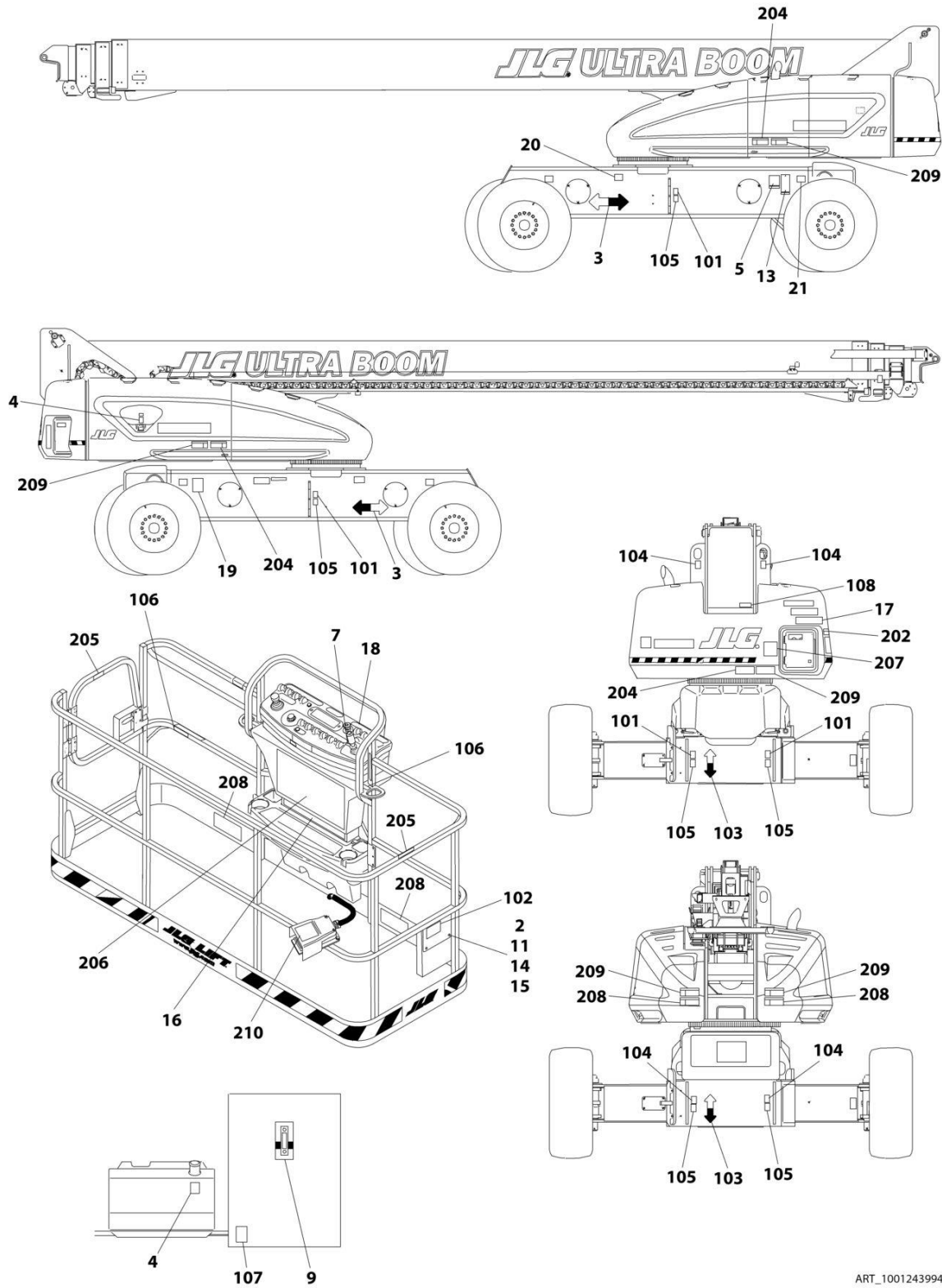
SECTION 9 - DECALS

FIGURE 9-5. DECAL INSTALLATION - CHINESE SPEC (CHINESE/ENGLISH)

ITEM	PART NUMBER	QTY	DESCRIPTION	REV
	1001248554	Ref	DECAL INSTALLATION - REFERENCE CHART	D
	1001244206	Ref	DECAL INSTALLATION - CHINESE SPEC (CHINESE/ENGLISH)	B
2	0641406	4	Bolt 1/4 x 3/4	
3	1701501	4	Decal - Arrow	
4	1701505	2	Decal - Fuel	
5	See Note	1	Decal - Bar Code (Note: Not Available For Purchase)	
6	1706060	1	Decal - Warning Explosion/Fire (Not Shown - Located on Engine Air Filter Housing)	
7	1705430	1	Decal - Drive/Steer Instructions	
9	1705511	1	Decal - Oil Level	
11	3311405	4	Nut 1/4	
13	3820001	2	Rivet	
14	4751400	4	Washer 1/4	
15	91403230	1	Box, Manual Storage	
16	1001253054	2	Decal - Capacity (Platform)	
17	1001253056	1	Decal - Capacity (Ground Control)	
18	1001122611	1	Decal - Stop	
20	1001224050	1	Decal - Yearly Inspection	
40	1001244298	2	Decal - Wechat QR Code	
100	1001248539	1	Decal Master Kit (Not Shown - Includes Items 101-108)	
101	1701499	4	Decal - No Lift	
102	1701509	1	Decal - Manual	
103	1701529	2	Decal - Arrow	
104	1703811	8	Decal - Tie Down/Lift	
105	1703814	6	Decal - Tie Down	
106	1704277	4	Decal - Attach Lanyard Here	
107	1704412	1	Decal - Hydraulic Oil Chart	
108	3251243	1	Nameplate - 120V-60Hz	
200	1001248553	1	Decal Kit (Not Shown - Includes Items 202-210)	
202	1001117035	1	Decal - Tip Over Hazard	
204	1703943	7	Decal - Warning/Crushing	
205	1001116846	2	Decal - No Hands	
206	1001231321	1	Decal - Danger/Warning (Platform)	
207	1001116849	2	Decal - Danger/Warning (Ground Control)	
208	1703949	5	Decal - Warning Crushing	
209	1001116851	5	Decal - Danger/Electrocution	
210	1703982	1	Decal - Footswitch	

SECTION 9 - DECALS

FIGURE 9-6. DECAL INSTALLATION - CSA SPEC (ENGLISH/FRENCH)



ART_1001243994_1200-1350

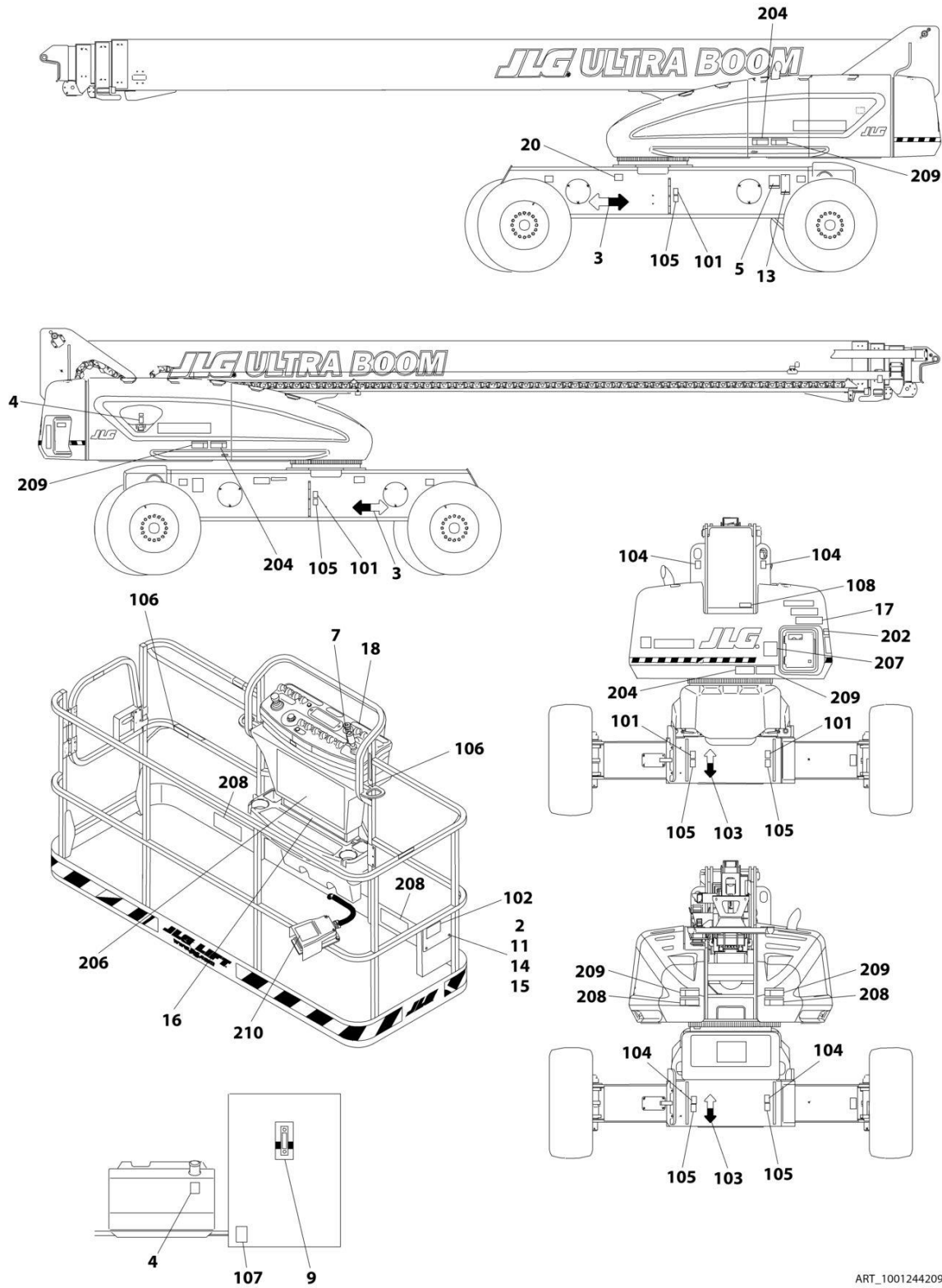
SECTION 9 - DECALS

FIGURE 9-6. DECAL INSTALLATION - CSA SPEC (ENGLISH/FRENCH)

ITEM	PART NUMBER	QTY	DESCRIPTION	REV
	1001248554	Ref	DECAL INSTALLATION - REFERENCE CHART	D
	1001243994	Ref	DECAL INSTALLATION - CSA SPEC (ENGLISH/FRENCH)	B
2	0641406	4	Bolt 1/4 x 3/4	
3	1701501	4	Decal - Arrow	
4	1701505	2	Decal - Fuel	
5	See Note	1	Decal - Bar Code (Note: Not Available For Purchase)	
6	1706064	1	Decal - Warning Explosion/Fire (Not Shown - Located on Engine Air Filter Housing)	
7	1705429	1	Decal - Drive/Steer Instructions	
9	1705511	1	Decal - Oil Level	
11	3311405	4	Nut 1/4	
13	3820001	2	Rivet	
14	4751400	4	Washer 1/4	
15	91403230	1	Box, Manual Storage	
16	1001253050	1	Decal - Capacity (Platform)	
17	1001253051	1	Decal - Capacity (Ground Control)	
18	1705174	1	Decal - Stop	
19	1001131269	1	Decal - Patent	
20	1001223971	1	Decal - Yearly Inspection	
21	1001223453	1	Decal - Ices	
100	1001248539	1	Decal Master Kit (Not Shown - Includes Items 101-108)	
101	1701499	4	Decal - No Lift	
102	1701509	1	Decal - Manual	
103	1701529	2	Decal - Arrow	
104	1703811	8	Decal - Tie Down/Lift	
105	1703814	6	Decal - Tie Down	
106	1704277	4	Decal - Attach Lanyard Here	
107	1704412	1	Decal - Hydraulic Oil Chart	
108	3251243	1	Nameplate - 120V-60Hz	
200	1001248548	1	Decal Kit (Not Shown - Includes Items 202-210)	
202	1705505	1	Decal - Tip Over Hazard	
204	1703942	7	Decal - Warning/Crushing	
205	1704000	2	Decal - No Hands	
206	1001231316	1	Decal - Danger/Warning (Platform)	
207	1705347	1	Decal - Danger/Warning (Ground Control)	
208	1703948	5	Decal - Warning Crushing	
209	1703936	5	Decal - Danger/Electrocution	
210	1703984	1	Decal - Footswitch	

SECTION 9 - DECALS

FIGURE 9-7. DECAL INSTALLATION - JAPANESE SPEC (JAPANESE/ENGLISH)



ART_1001244209_1200-1350

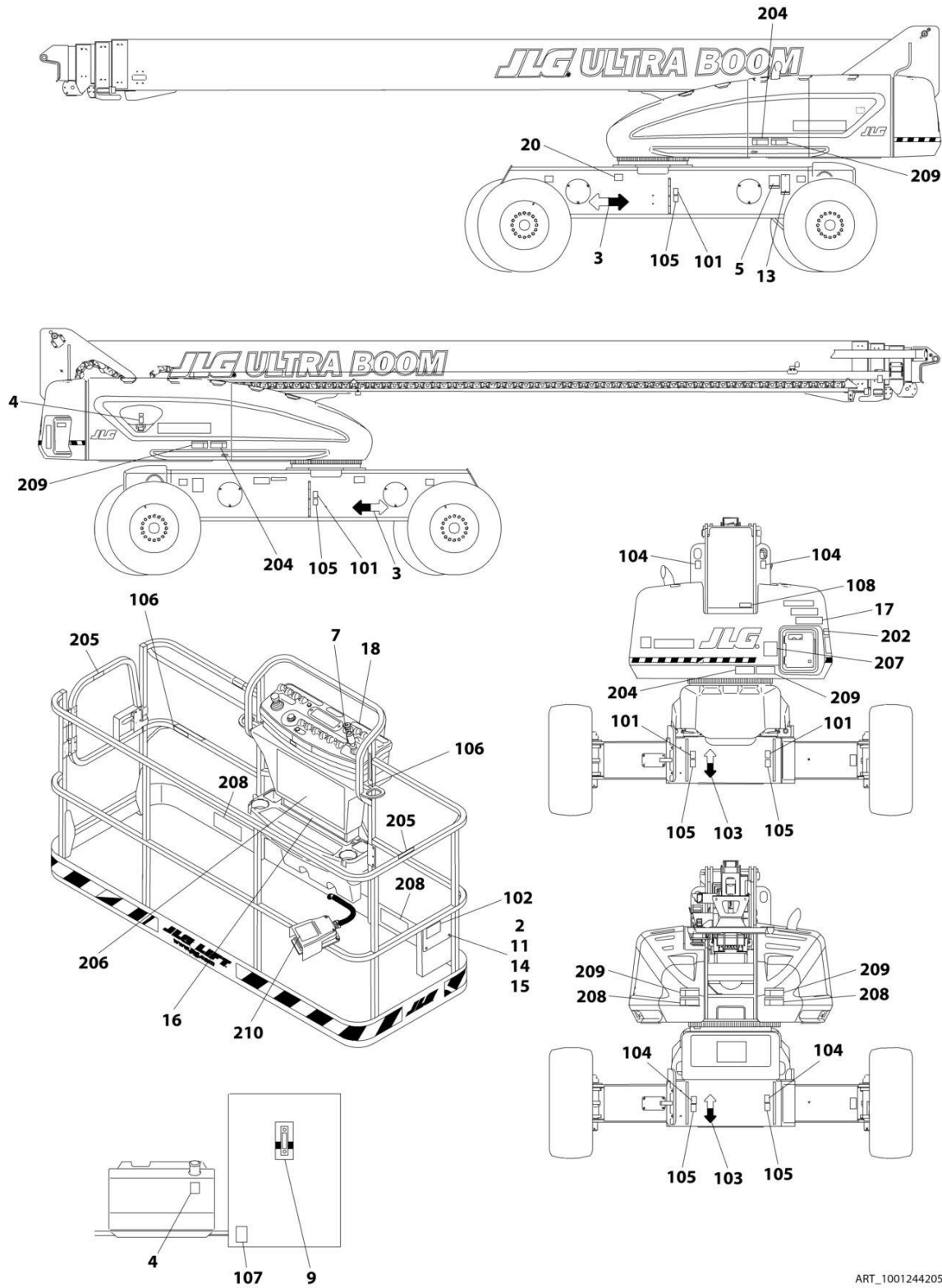
SECTION 9 - DECALS

FIGURE 9-7. DECAL INSTALLATION - JAPANESE SPEC (JAPANESE/ENGLISH)

ITEM	PART NUMBER	QTY	DESCRIPTION	REV
	1001248554	Ref	DECAL INSTALLATION - REFERENCE CHART	D
	1001244209	Ref	DECAL INSTALLATION - JAPANESE SPEC (JAPANESE/ENGLISH)	B
2	0641406	4	Bolt 1/4 x 3/4	
3	1701501	4	Decal - Arrow	
4	1701505	2	Decal - Fuel	
5	See Note	1	Decal - Bar Code (Note: Not Available For Purchase)	
6	1706062	1	Decal - Warning Explosion/Fire (Not Shown - Located on Engine Air Filter Housing)	
7	1705426	1	Decal - Drive/Steer Instructions	
9	1705511	1	Decal - Oil Level	
11	3311405	4	Nut 1/4	
13	3820001	2	Rivet	
14	4751400	4	Washer 1/4	
15	91403230	1	Box, Manual Storage	
16	1001253061	1	Decal - Capacity (Platform)	
17	1001253062	1	Decal - Capacity (Ground Control)	
18	1001122611	1	Decal - Stop	
20	1001224053	1	Decal - Yearly Inspection	
100	1001248539	1	Decal Master Kit (Not Shown - Includes Items 101-108)	
101	1701499	4	Decal - No Lift	
102	1701509	1	Decal - Manual	
103	1701529	2	Decal - Arrow	
104	1703811	8	Decal - Tie Down/Lift	
105	1703814	6	Decal - Tie Down	
106	1704277	4	Decal - Attach Lanyard Here	
107	1704412	1	Decal - Hydraulic Oil Chart	
108	3251243	1	Nameplate - 120V-60Hz	
200	1001248552	1	Decal Kit (Not Shown - Includes Items 202-210)	
202	1705493	1	Decal - Tip Over Hazard	
204	1703944	7	Decal - Warning/Crushing	
206	1001231320	1	Decal - Danger/Warning (Platform)	
207	1705344	1	Decal - Danger/Warning (Ground Control)	
208	1703950	5	Decal - Warning Crushing	
209	1703938	5	Decal - Danger/Electrocution	
210	1703980	1	Decal - Footswitch	

SECTION 9 - DECALS

FIGURE 9-8. DECAL INSTALLATION - KOREAN SPEC (KOREAN/ENGLISH)



ART_1001244205_1200-1350

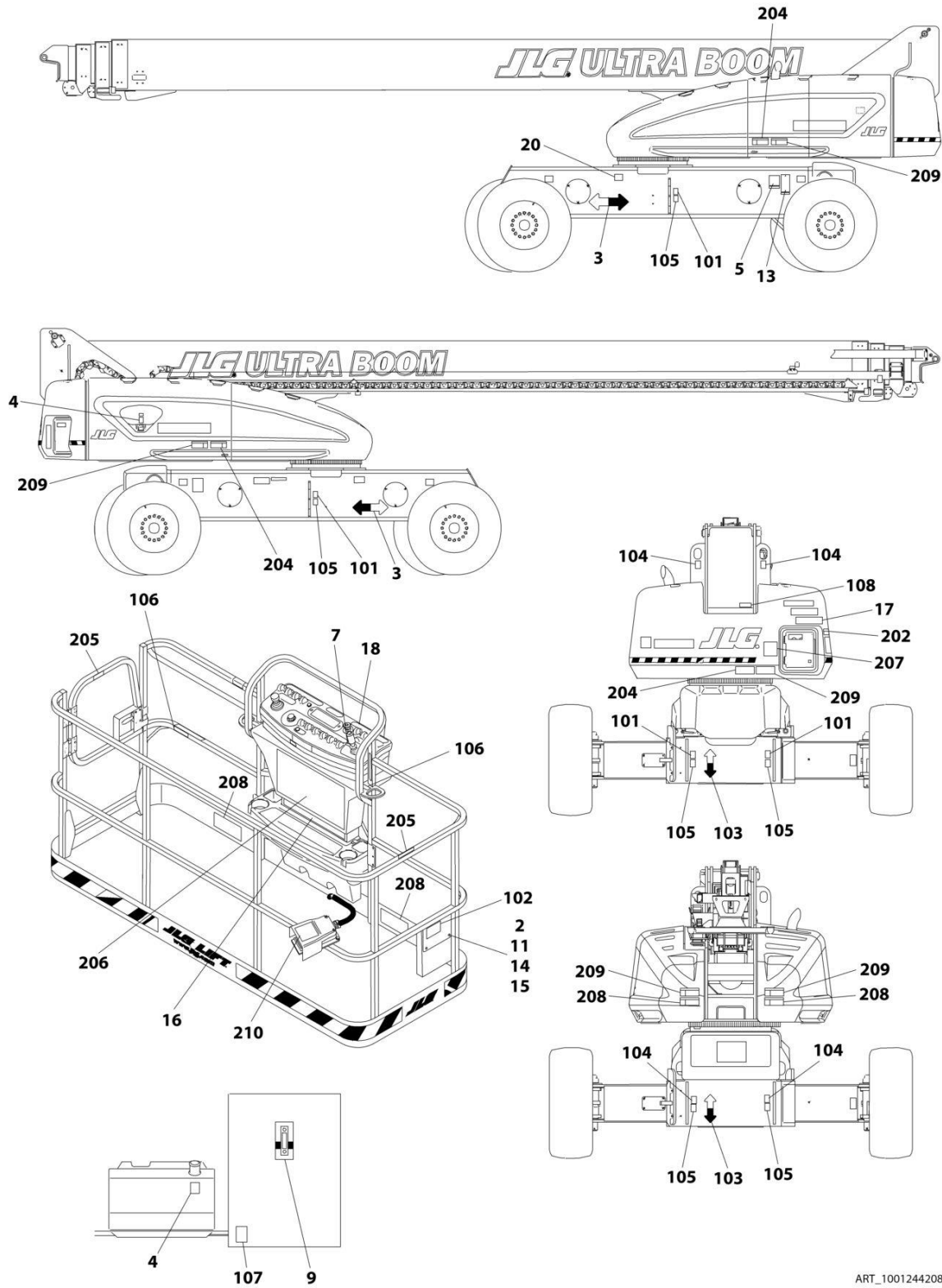
SECTION 9 - DECALS

FIGURE 9-8. DECAL INSTALLATION - KOREAN SPEC (KOREAN/ENGLISH)

ITEM	PART NUMBER	QTY	DESCRIPTION	REV
	1001248554	Ref	DECAL INSTALLATION - REFERENCE CHART	D
	1001244205	Ref	DECAL INSTALLATION - KOREAN SPEC (KOREAN/ENGLISH)	B
2	0641406	4	Bolt 1/4 x 3/4	
3	1701501	4	Decal - Arrow	
4	1701505	2	Decal - Fuel	
5	See Note	1	Decal - Bar Code (Note: Not Available For Purchase)	
6	1706061	1	Decal - Warning Explosion/Fire (Not Shown - Located on Engine Air Filter Housing)	
7	1705427	1	Decal - Drive/Steer Instructions	
9	1705511	1	Decal - Oil Level	
11	3311405	4	Nut 1/4	
13	3820001	2	Rivet	
14	4751400	4	Washer 1/4	
15	91403230	1	Box, Manual Storage	
16	1001253052	1	Decal - Capacity (Platform)	
17	1001253053	1	Decal - Capacity (Ground Control)	
18	1001122611	1	Decal - Stop	
20	1001224048	1	Decal - Yearly Inspection	
100	1001248539	1	Decal Master Kit (Not Shown - Includes Items 101-108)	
101	1701499	4	Decal - No Lift	
102	1701509	1	Decal - Manual	
103	1701529	2	Decal - Arrow	
104	1703811	8	Decal - Tie Down/Lift	
105	1703814	6	Decal - Tie Down	
106	1704277	4	Decal - Attach Lanyard Here	
107	1704412	1	Decal - Hydraulic Oil Chart	
108	3251243	1	Nameplate - 120V-60Hz	
200	1001248549	1	Decal Kit (Not Shown - Includes Items 202-210)	
202	1705503	AR	Decal - Tip Over Hazard	
204	1703945	7	Decal - Warning/Crushing	
205	1705969	2	Decal - No Hands	
206	1001231317	1	Decal - Danger/Warning (Platform)	
207	1705345	1	Decal - Danger/Warning (Ground Control)	
208	1703951	5	Decal - Warning Crushing	
209	1703939	5	Decal - Danger/Electrocution	
210	1703981	1	Decal - Footswitch	

SECTION 9 - DECALS

FIGURE 9-9. DECAL INSTALLATION - LATIN AMERICAN SPEC (SPANISH/ENGLISH)



ART_1001244208_1200-1350

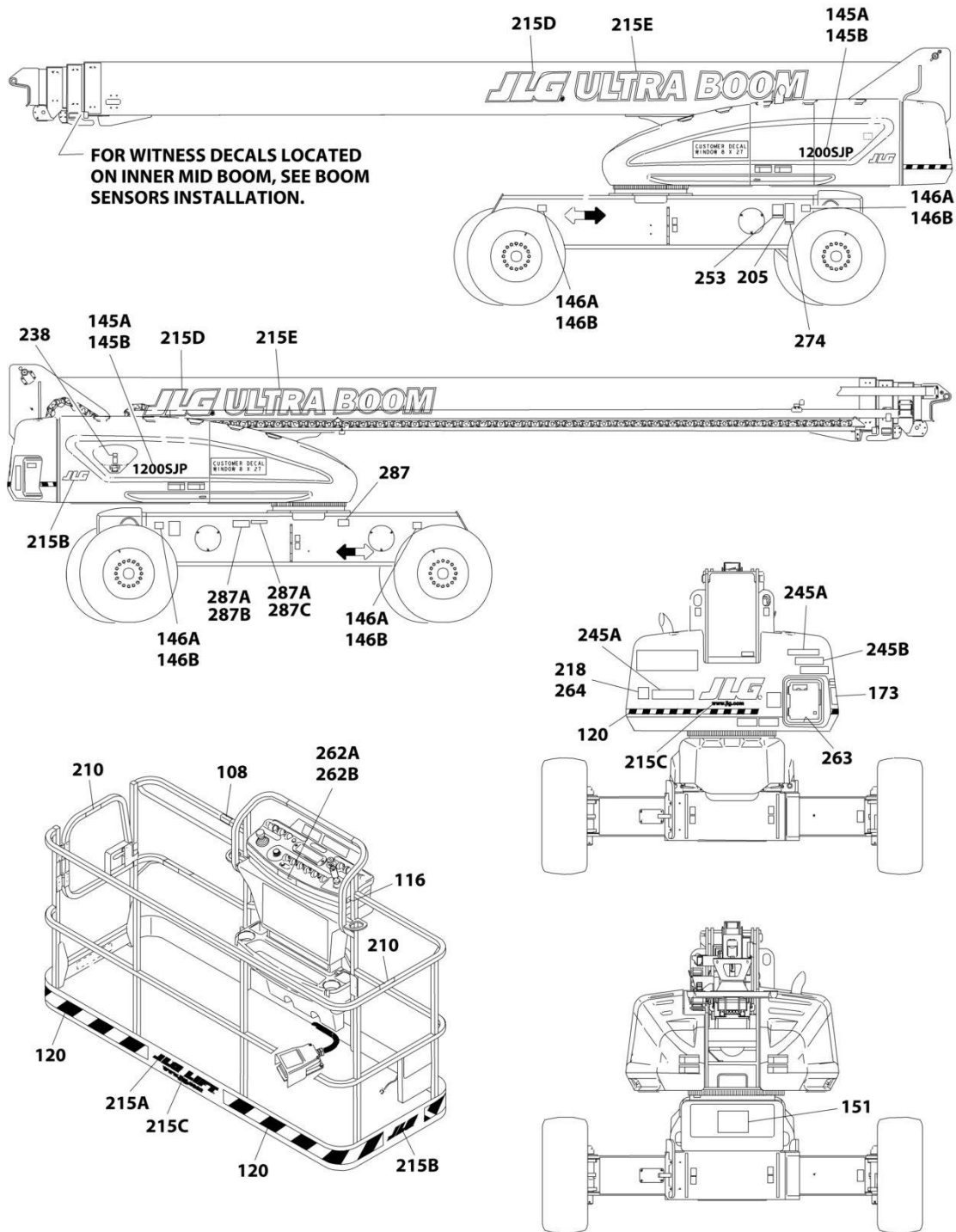
SECTION 9 - DECALS

FIGURE 9-9. DECAL INSTALLATION - LATIN AMERICAN SPEC (SPANISH/ENGLISH)

ITEM	PART NUMBER	QTY	DESCRIPTION	REV
	1001248554	Ref	DECAL INSTALLATION - REFERENCE CHART	D
	1001244208	Ref	DECAL INSTALLATION - LATIN AMERICAN SPEC (SPANISH/ENGLISH)	B
2	0641406	4	Bolt 1/4 x 3/4	
3	1701501	4	Decal - Arrow	
4	1701505	2	Decal - Fuel	
5	See Note	1	Decal - Bar Code (Note: Not Available For Purchase)	
6	1706061	1	Decal - Warning Explosion/Fire (Not Shown - Located on Engine Air Filter Housing)	
7	1705910	1	Decal - Drive/Steer Instructions	
9	1705511	1	Decal - Oil Level	
11	3311405	4	Nut 1/4	
13	3820001	2	Rivet	
14	4751400	4	Washer 1/4	
15	91403230	1	Box, Manual Storage	
16	1001253059	1	Decal - Capacity (Platform)	
17	1001253060	1	Decal - Capacity (Ground Control)	
18	1001122611	1	Decal - Stop	
20	1001224049	1	Decal - Yearly Inspection	
100	1001248539	1	Decal Master Kit (Not Shown - Includes Items 101-108)	
101	1701499	4	Decal - No Lift	
102	1701509	1	Decal - Manual	
103	1701529	2	Decal - Arrow	
104	1703811	8	Decal - Tie Down/Lift	
105	1703814	6	Decal - Tie Down	
106	1704277	4	Decal - Attach Lanyard Here	
107	1704412	1	Decal - Hydraulic Oil Chart	
108	3251243	1	Nameplate - 120V-60Hz	
200	1001248550	1	Decal Kit (Not Shown - Includes Items 202-210)	
202	1705915	AR	Decal - Tip Over Hazard	
204	1703941	7	Decal - Warning/Crushing	
205	1704001	2	Decal - No Hands	
206	1001231318	1	Decal - Danger/Warning (Platform)	
207	1705917	1	Decal - Danger/Warning (Ground Control)	
208	1703947	5	Decal - Warning Crushing	
209	1703935	5	Decal - Danger/Electrocution	
210	1703983	1	Decal - Footswitch	

SECTION 9 - DECALS

FIGURE 9-10. DECAL INSTALLATION - OPTIONS



ART_DECAL_OPTIONS

SECTION 9 - DECALS

FIGURE 9-10. DECAL INSTALLATION - OPTIONS

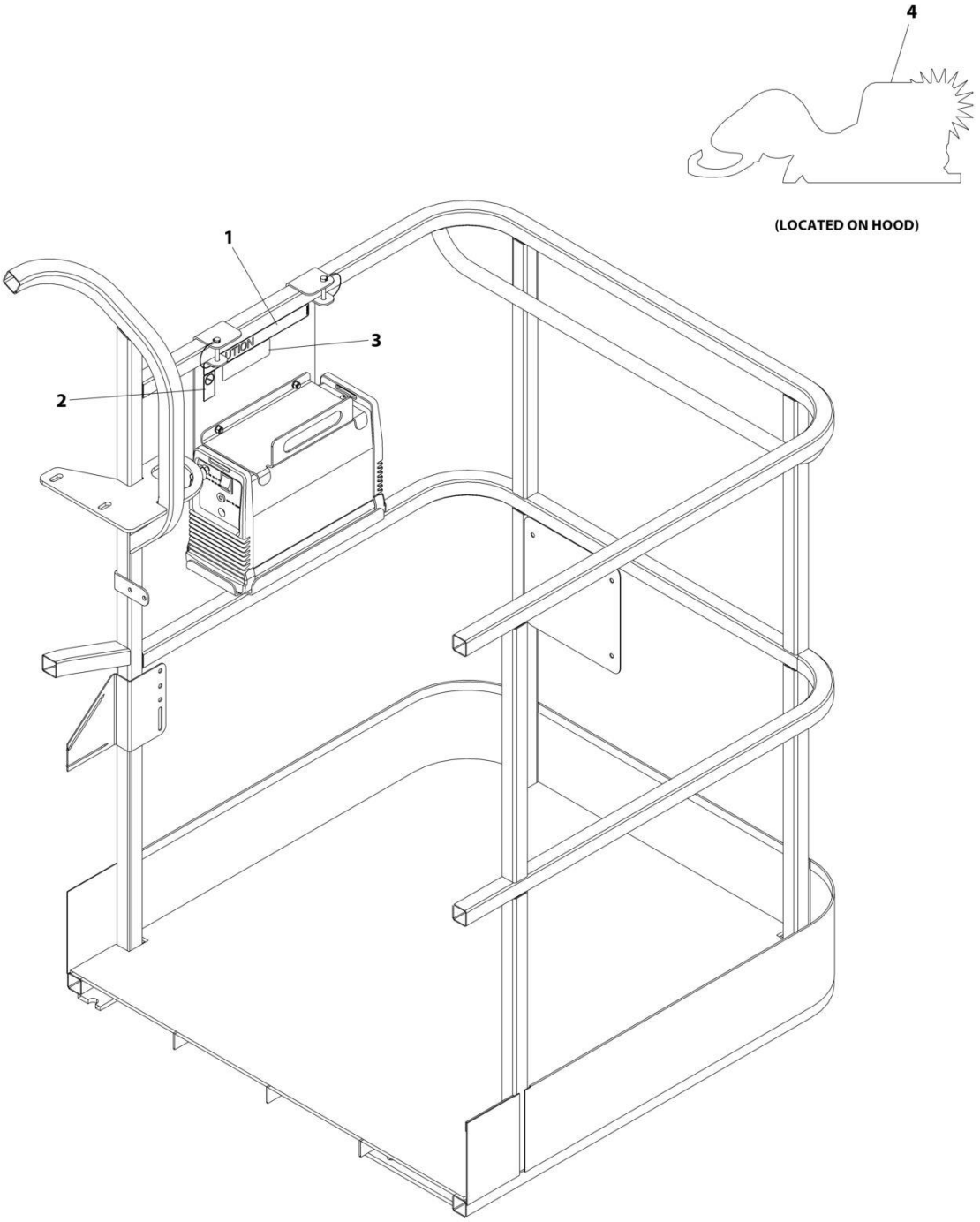
ITEM	PART NUMBER	QTY	DESCRIPTION	REV
	1001248554	Ref	DECAL INSTALLATION - REFERENCE CHART	A
	1001261213	Ref	DECAL INSTALLATION - OPTIONS	A
108	1001231801	1	Decal - Warning (Proposition 65) (ANSI Spec Only)	
116	1703175	1	Lanyard Attachment Decal (GM K-1 Spec) (ANSI and CSA Specs Only)	
120	4420051	21.9 ft/ 6.7m	Decal - Warning Stripes	
145	0272523	1	Decal - Model Designation Installation (1200SJP)	2
145	0272522	1	Decal - Model Designation Installation (1350SJP)	2
145A	1705057	2	Decal - Model (1200SJP)	
145B	1705095	2	Decal - Model (1350SJP)	
146	2902355	1	Decal - Max Tire Load Kit (1200SJP)	2
146	2902357	1	Decal - Max Tire Load Kit (1350SJP)	2
146A	1705178	4	Decal - Max Tire Load (1200SJP)	
146B	1705167	4	Decal - Max Tire Load (1350SJP)	
151	1705096	1	Decal - Lift Diagram	
173	1705365	1	Decal - Daily Check List - ANSI Spec	
173	1705365	1	Decal - Daily Check List - Australian Spec	
173	1705452	1	Decal - Daily Check List - Chinese Spec (Chinese/English)	
173	1705451	1	Decal - Daily Check List - CSA Spec (English/French)	
173	1705552	1	Decal - Daily Check List - Danish Spec	
173	1705444	1	Decal - Daily Check List - Dutch Spec	
173	1705454	1	Decal - Daily Check List - Finnish Spec	
173	1705445	1	Decal - Daily Check List - French Spec	
173	1001172766	1	Decal - Daily Check List - German Spec (German/English)	
173	1705446	1	Decal - Daily Check List - Italian Spec	
173	1705449	1	Decal - Daily Check List - Japanese Spec (Japanese/English)	
173	1705448	1	Decal - Daily Check List - Korean Spec (Korean/English)	
173	1706904	1	Decal - Daily Check List - Latin American Spec (Spanish/English)	
173	1001219085	1	Decal - Daily Check List - Latvian Spec (Latvian/English)	
173	1001177533	1	Decal - Daily Check List - Norwegian Spec (Norwegian/English)	
173	1705554	1	Decal - Daily Check List - Polish Spec	
173	1705456	1	Decal - Daily Check List - Portuguese Spec	
173	1001221738	1	Decal - Daily Check List - Russian Spec	
173	1705447	1	Decal - Daily Check List - Spanish Spec	
173	1705455	1	Decal - Daily Check List - Swedish Spec	
173	1705365	1	Decal - Daily Check List - UK English Spec	
205	See Note	1	Decal - Nameplate (Note: Not Available for Purchase)	
210	1702868	2	Decal - No Hands - ANSI Spec	
210	1704000	2	Decal - No Hands - CSA Spec (French/English)	
210	1705969	2	Decal - No Hands - Korean Spec (Korean/English)	
215	0274730	1	Decal - JLG Decal Installation (ABS Hood)	D
215	1001116025	1	Decal - JLG Decal Installation (Steel Hood)	D
215A	1702774	1	Decal - JLG Lift	
215B	1702773	1	Decal - JLG	
215C	1704885	1	Decal - Website	
215D	1705864	2	Decal - JLG	
215E	1705865	2	Decal - Ultra Boom	
218	3251813	1	Decal - USA (ANSI, ANSI Export, China and CSA Specs)	

SECTION 9 - DECALS

ITEM	PART NUMBER	QTY	DESCRIPTION	REV
238	1001125387	1	Decal - Ultra Low Sulfur Fuel (Deutz TCD2.9L4 Engines) (ANSI and CSA Specs)	A
238	1001139654	1	Decal - Ultra Low Sulfur Fuel (Deutz TCD2.9L4 Engines and Deutz TCD2.9L4 (Stage V) Engines) (ANSI Export (HRC), CE and Japanese Specs)	
245	1001120994	1	Decal - ClearSky Telematics Decal Installation	
245A	1001116208	2	Decal - ClearSky	
245B	1001120989	1	Decal - Radio Frequency Device	
253	1001143852	1	Decal - EPA (ANSI Export and Australian Specs)	
262A	1001141300	1	Decal - SkyGuard Override	
262B	1001141302	1	Decal - SkyGuard/Soft Touch Override	
263	1001197408	1	Decal - MSSO (CE Specs Only)	
264	1705980	1	Decal - Sound Power (106Db) (Deutz TD2011 Engines)	
264	8007508	1	Decal - Sound Power (104Db) (Deutz TD2011 Engines)	
264	1001191526	1	Decal - Sound Power (Deutz TCD2.9L4 Engines and Deutz TCD2.9L4 (Stage V) Engines)	
267	1001197529	1	Decal - Quick Reference (Dutch) (Lomax Rentals)	
267	1001197531	1	Decal - Quick Reference (Danish) (Lomax Rentals)	
267	1001180690	1	Decal - Quick Reference (English) (Lomax Rentals)	
267	1001197528	1	Decal - Quick Reference (French) (Lomax Rentals)	
267	1001197530	1	Decal - Quick Reference (German) (Lomax Rentals)	
267	1001197537	1	Decal - Quick Reference (Norwegian) (Lomax Rentals)	
267	1001197533	1	Decal - Quick Reference (Spanish) (Lomax Rentals)	
267	1001197532	1	Decal - Quick Reference (Swedish) (Lomax Rentals)	
274	1001214029	1	Decal Installation - EAC (Russian/CIS Specs)	
274	1001173703	1	Decal - EAC (Russian/CIS Specs)	

SECTION 9 - DECALS

FIGURE 9-11. SKYCUTTER DECAL INSTALLATION (ANSI, ANSI EXPORT, CHINESE & CSA SPECS)



ART_0272599

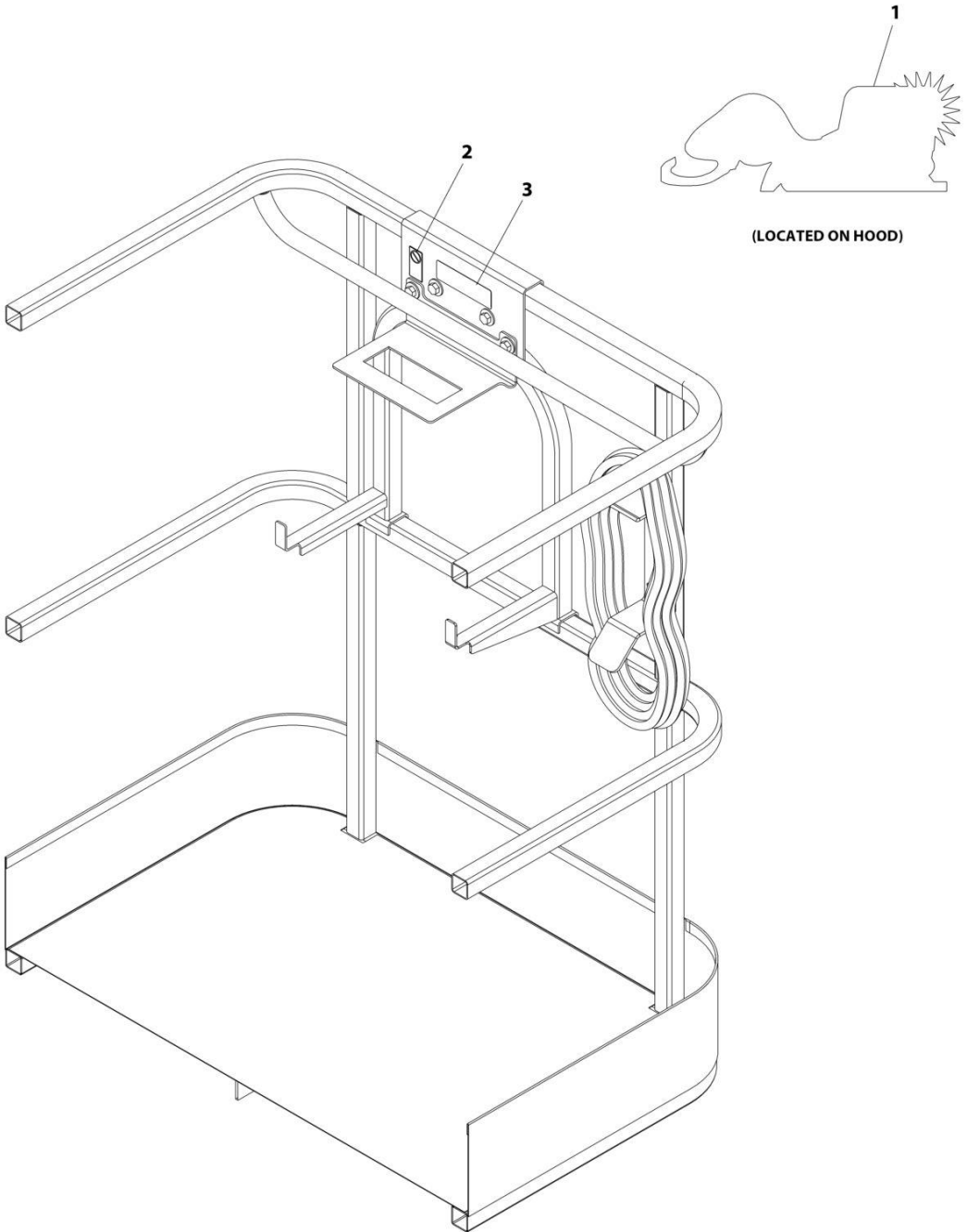
SECTION 9 - DECALS

FIGURE 9-11. SKYCUTTER DECAL INSTALLATION (ANSI, ANSI EXPORT, CHINESE & CSA SPECS)

ITEM	PART NUMBER	QTY	DESCRIPTION	REV
	0272599	Ref	SKYCUTTER DECAL INSTALLATION	C
1	1702868	1	Decal - No Hands	
2	1705305	1	Decal - Weld Leads	
3	1001252627	1	Decal - Weight	
4	1705490	2	Decal - SkyCutter	

SECTION 9 - DECALS

FIGURE 9-12. SKYCUTTER DECAL INSTALLATION (JAPANESE SPECS)



ART_0272607_C

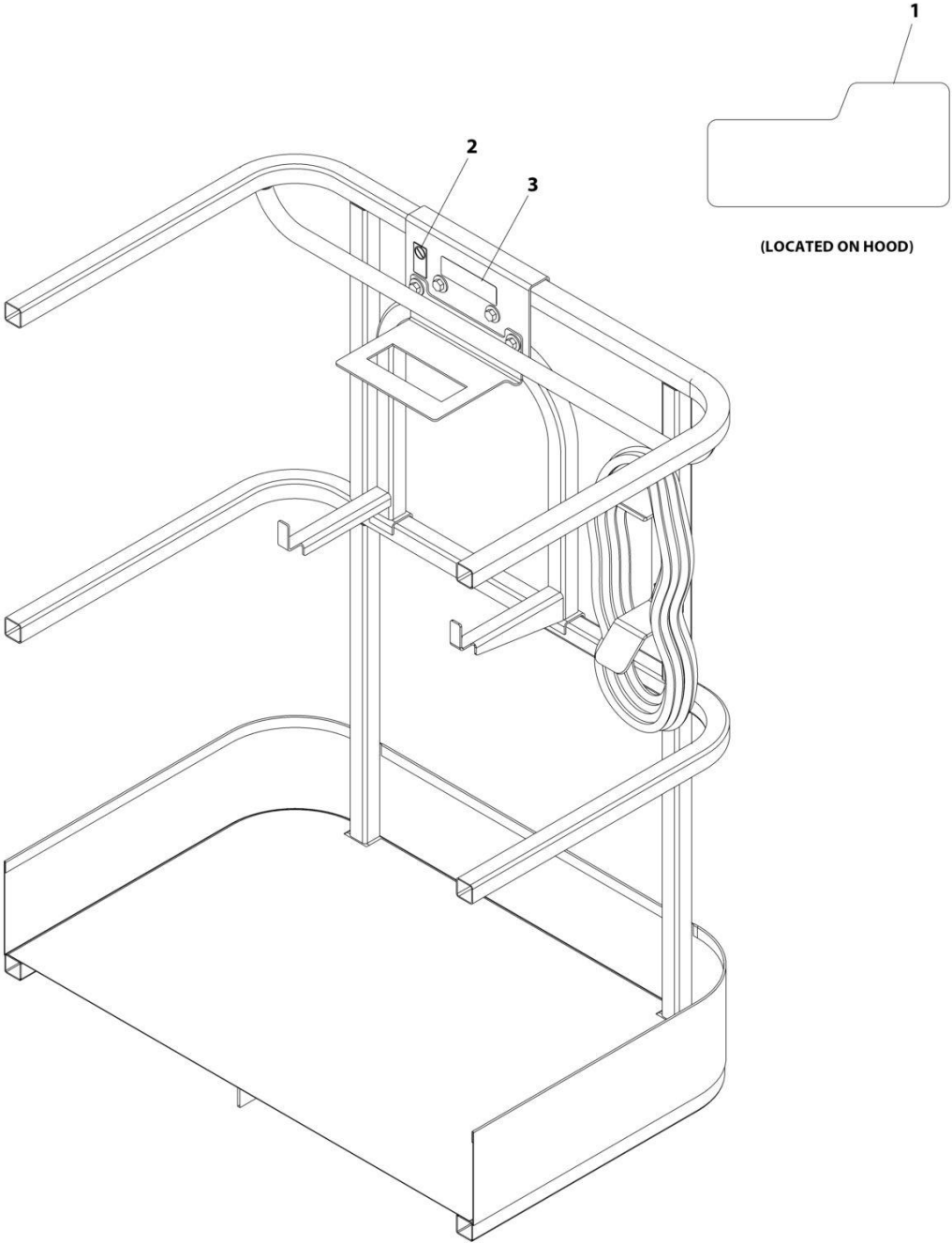
SECTION 9 - DECALS

FIGURE 9-12. SKYCUTTER DECAL INSTALLATION (JAPANESE SPECS)

ITEM	PART NUMBER	QTY	DESCRIPTION	REV
	0272607	1	SKYCUTTER DECAL INSTALLATION	C
1	1705490	2	Decal - SkyCutter	
2	1705305	1	Decal - Weld Lead	
3	1001252627	1	Decal - Weight	

SECTION 9 - DECALS

FIGURE 9-13. SKYWELDER DECAL INSTALLATION - 50HZ



ART_0272588

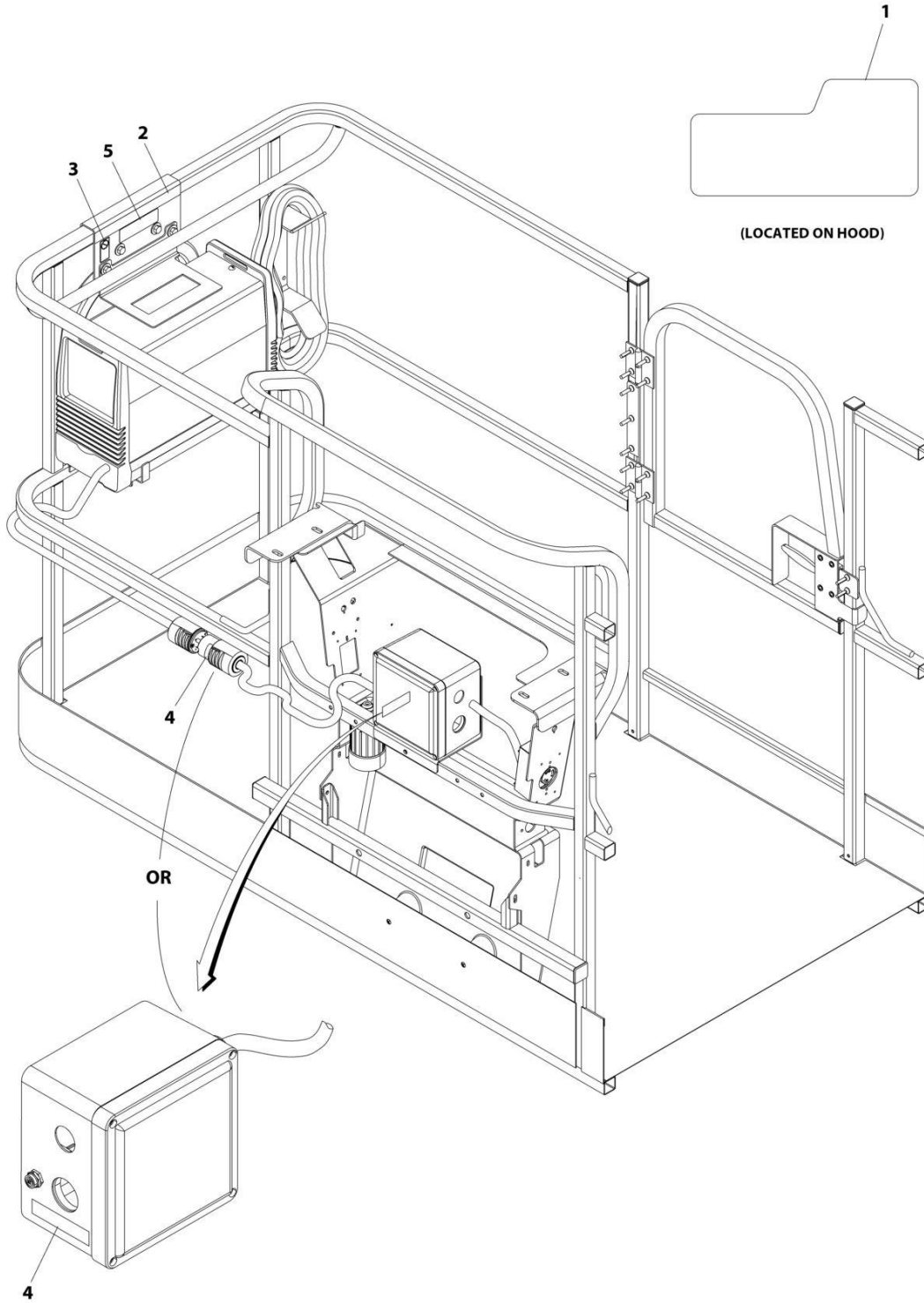
SECTION 9 - DECALS

FIGURE 9-13. SKYWELDER DECAL INSTALLATION - 50HZ

ITEM	PART NUMBER	QTY	DESCRIPTION	REV
	0272588	Ref	SKYWELDER DECAL INSTALLATION - 50Hz	B
1	1705355	2	Decal - SkyWelder	
2	1705305	1	Decal - Weld Lead	
3	1001228988	1	Decal - Weight	

SECTION 9 - DECALS

FIGURE 9-14. SKYWELDER DECAL INSTALLATION - 60HZ



ART_0272448_C

SECTION 9 - DECALS

FIGURE 9-14. SKYWELDER DECAL INSTALLATION - 60HZ

ITEM	PART NUMBER	QTY	DESCRIPTION	REV
	0272448	Ref	SKYWELDER DECAL INSTALLATION - 60Hz	C
1	1705355	2	Decal - SkyWelder	
2	1702868	1	Decal - No Hands	
3	1705305	1	Decal - Weld Lead	
4	1705375	1	Decal - 240V - 3 Phase - 60Hz	
5	1001228988	1	Decal - Weight	

SECTION 10 - RECOMMENDED SERVICE PARTS STOCK

SECTION 10 - RECOMMENDED SERVICE PARTS STOCK

SECTION 10 - RECOMMENDED SERVICE PARTS STOCK

FIGURE 10-1. RECOMMENDED SERVICE PARTS STOCK

ITEM	PART NUMBER	QTY	DESCRIPTION	REV
		Ref	Note: The following list will service one machine (built to current production per date on the front cover) with emergency repair parts which can be installed in the field. Parts from the list should be replaced when inventory is depleted to keep service parts stock supplied. For further information, contact your JLG dealer or the JLG Industries Parts Department.	
		Ref	STANDARD PARTS	
	7024444	12	Breather, Hydraulic Oil Tank	
	70003917	1	Boom Powertrack Repair Section	
	70003913	1	Boom Powertrack Repair Section	
	7018991	1	Coil	
	7012944	1	Coil	
	7011354	1	Coil	
	7017451	1	Coil	
	7024571	1	Coil	
	4360476	1	Contact, Switch Block	
	1001129555	1	Controller, Lift and Swing	
	1001212415	1	Controller, Drive and Steer	
	4360407	1	Controller, Speed	
	3990010	2	Diode - 3Amp	
	7024375	12	Element, Hydraulic Oil Filter	
	70002097	12	Element, Pressure Filter	
	70002231	12	Element, Pressure Filter	
	8229242	1	Fuse - 5Amp	
	2400064	1	Fuse - 5Amp	
	80983191	1	Fuse - 10Amp	
	70023592	1	Fuse - 20Amp (Switched Output)	
	2400065	2	Fuse - 30Amp	
	70023593	1	Fuse - 30Amp (Battery Output)	
	2860030	1	Key, Replacement	
	2940074	1	Latch, Platform	
	3740067	1	Relay	
	3740080	1	Relay	
	3740049	1	Relay	
	3740140	1	Relay	
	3740086	1	Relay	
	1001117308	1	Relay	
	1001186431	1	Relay	
	4360505	1	Switch	
	4360328	1	Switch, Toggle	
	4360475	1	Switch, Mushroom	
	4360274	1	Switch, Push Button	
	4360387	1	Switch, Push Button	
	1001155045	1	Switch, Toggle	
	1001159256	1	Switch, Toggle	
	1001161709	1	Switch, Toggle	
	1001161710	1	Switch, Toggle	
	4360336	1	Switch, Toggle	
	4360387	1	Switch, Push Button	

SECTION 10 - RECOMMENDED SERVICE PARTS STOCK

ITEM	PART NUMBER	QTY	DESCRIPTION	REV
		Ref	VARIABLE PARTS	
	4360070	1	Circuit Breaker 15Amp (Machines with 7500W Generator)	
	7003655	12	Element, Deutz TD2011 Engine Air Filter	
	7016331	12	Element, Deutz TD2011 Engine Oil Filter	
	7016328	12	Element, Deutz TD2011 Engine Fuel	
	1001202281	12	Element, Deutz TD2011 Engine Water/Fuel Separator Filter	
	70024190	12	Element, Deutz TD2.9L4/TCD2.9L4 Engine Air Filter	
	7016331	12	Element, Deutz TD2.9L4/TCD2.9L4 Engine Oil Filter	
	1001225432	12	Element, Deutz TD2.9L4/TCD2.9L4 Engine Fuel Filter	
	1001225430	12	Element, Deutz TD2.9L4/TCD2.9L4 Engine Fuel Filter (Primary)	
	70006405	12	Element, Deutz TD2.9L4/TCD2.9L4 Engine Water/Fuel Separator Filter	
	1001117174	1	Footswitch Kit	
	1001227960	1	Module, B.L.A.M.	
	1001112758	1	Module (Chassis)	
	1600443	1	Module, Deutz TD2011 Engine	
	70025210	1	Module, Deutz TD2.9L4/TCD2.9L4 Engine	
	1001110084	1	Module, Ground Control	
	1600343	1	Module, Platform Control	
	3740080	1	Relay (110V/220V Generator Options)	
	1001147479	1	Sensor, Angle Indicator	
	4360543	1	Sensor, Boom Length	
	7026031	1	Sensor, Proximity	
	4360527	1	Switch, Cable Break	
	4360548	1	Switch, Jib Limit	
	4360469	1	Switch, Key (ANSI, ANSI Export and Australian Specs)	
	4360578	1	Switch, Limit	
	4360387	1	Switch, Push Button (Soft Touch System Option)	
	4360336	1	Switch, Toggle (Generator Options)	

SECTION 11 - SPECIAL OPTIONS

SECTION 11 - SPECIAL OPTIONS

FIGURE 11-1. SPECIAL OPTIONS

ITEM	PART NUMBER	QTY	DESCRIPTION	REV
		Ref	Note: This list is to accommodate machines ordered with special equipment. Options may not be applicable to all models. For more specific parts information contact JLG Parts Department.	
		Ref	MISCELLANEOUS SPECIAL OPTIONS	
	0272078	Ref	Accessory Counterweight (Required with SkyWelder and Fall Arrest Platform Options)	
	1340067	Ref	Air Cleaner Pre-Cleaner	
	0271956	Ref	Airline Installation, 1/2in (1200SJP)	
	0271933	Ref	Airline Installation, 1/2in (1350SJP)	
	1001202697	Ref	Air Intake Shut-off Valve (Deutz TCD2.9L4 Engines)	
	1001241275	Ref	Axle Wear Pad Kit	
	0271803	Ref	Bellows, Cylinder (Fixed Axle)	
	0271804	Ref	Bellows, Cylinder (Oscillating Axle)	
	0271805	Ref	Bellows, Cylinder (Boom)	
	0271875	Ref	Boom Wipers Installation	
	1001233763	Ref	Breather Heater (Deutz TCD2.9L4 Engines and Deutz TCD2.9L4 (Stage V Engines)	
	1001252494	Ref	China Ultra Master Kit Installations (China Built Machines)	
	1001220745	Ref	Booms and Cylinder Kit (1200SJP)	
	1001220747	Ref	Booms and Cylinder Kit (1350SJP)	
	1001220041	Ref	China Parts Kit (With 1 Cell LSS and Sauer Pump) (1200SJP)	
	1001220743	Ref	China Parts Kit (With 1 Cell LSS and Sauer Pump) (1350SJP)	
	1001252492	Ref	Console and Footswitch Kit (1200SJP)	
	1001252493	Ref	Console and Footswitch Kit (1350SJP)	
	1001220039	Ref	Frame Kit (1200SJP)	
	1001252686	Ref	Frame Kit (1350SJP)	
	1001245072	Ref	Harness Kit	
	1001220044	Ref	Jib Kit (1200SJP)	
	1001220746	Ref	Jib Kit (1350SJP)	
	1001252490	Ref	Turntable Kit (1200SJP)	
	1001252491	Ref	Turntable Kit (1350SJP)	
		Ref	ClearSky (Telematics) Installations (Dealer Installed)	
	1001242192	Ref	ClearSky (Telematics) Access Control Installation Kit (Dealer Installed) (ANSI, ANSI Export and CSA Specs)	
	1001243183	Ref	ClearSky (Telematics) Added-on Kit (Dealer Installed) (ANSI, ANSI Export and CSA Specs)	
	1001246142	Ref	ClearSky (Telematics) Added-on Kit (Dealer Installed) (Australian Specs)	
	1001243184	Ref	ClearSky (Telematics) Added-on Kit (Dealer Installed) (CE Specs)	
	1001119938	Ref	ClearSky Telematics (Dealer Installed) (ANSI Spec)	
	1001119946	Ref	ClearSky Telematics (Dealer Installed) (CSA Spec)	
		Ref	ClearSky Telematics (Factory Installed)	
	1001227449	Ref	Canbus Connection (ANSI and CSA Specs)	
	1001228951	Ref	Canbus Connection (ANSI Export and CE Specs)	
	1001246136	Ref	Canbus Connection (Australian Specs)	
	1001246137	Ref	Canbus Connection (China Specs)	
	1001229107	Ref	3 Wire Connection (ANSI and CSA Specs)	
	1001233237	Ref	3 Wire Connection (ANSI Export and CE Specs)	
	0273862	Ref	Cold Weather Package (Deutz TD2011 Engines) (110V)	

SECTION 11 - SPECIAL OPTIONS

ITEM	PART NUMBER	QTY	DESCRIPTION	REV
	1001235617	Ref	Cold Weather Package (Deutz TCD2.9L4 Engines and Deutz TCD2.9L4 (Stage V Engines)	
	0272621	Ref	Control System Analyzer Installation	
	1001233047	Ref	Crankcase Breather Heater (Deutz TCD2'9L4 Engines)	
	1001213183	Ref	Cribbing Enable Installation	
		Ref	Decals Installations	
	0257195	Ref	Government Warranty Decal	
		Ref	Decal Kits	
	1001248539	Ref	Decal Kit - Master (All Specs Except Australian and CE Specs)	
	1001248540	Ref	Decal Kit - Master (Australian and CE Specs)	
	1001248547	Ref	Decal Kit - Country Spec (ANSI Spec)	
	1001248546	Ref	Decal Kit - Country Spec (Australian and CE Specs)	
	1001248551	Ref	Decal Kit - Country Spec (Brazilian Spec)	
	1001248553	Ref	Decal Kit - Country Spec (Chinese Spec)	
	1001248548	Ref	Decal Kit - Country Spec (CSA Spec)	
	1001248552	Ref	Decal Kit - Country Spec (Japanese Spec)	
	1001248549	Ref	Decal Kit - Country Spec (Korean Spec)	
	1001248550	Ref	Decal Kit - Country Spec (Latin American Spec)	
	1001108708	Ref	Decal Kit - Platform	
	1001109181	Ref	Decal Kit - Platform Console Box	
		Ref	Electrical Connector Kits	
	1001148902	Ref	Amp/Tyco Electrical Connector Kit	
	1001148903	Ref	Deutsch DT Electrical Connector Kit	
	1001148904	Ref	Deutsch HD Electrical Connector Kit	
	1001148905	Ref	Packard Electrical Connector Kit	
	1001148906	Ref	Various Electrical Connectors Kit	
	1001237883	Ref	Fall Arrest (Bolt-on) Add-on Kit (6ft/1.82m Platform (ANSI, ANSI Export, China, CSA & Japanese Specs Only) (Fits Platform p/ns 1001186384 & 1001228376)	
	1001237882	Ref	Fall Arrest (Bolt-on) Add-on Kit (8ft/2.4m Platform (ANSI, ANSI Export, China, CSA & Japanese Specs Only) (Fits Platform p/ns 1001186383)	
	1001206794	Ref	Fan & Belt Grille Add-on Kit (Deutz D2011 Engines Only)	
	1001206797	Ref	Fan & Belt Grille Add-on Kit (Deutz TCD2.9L4 Engines Only)	
	1001203564	Ref	Fan & Belt Grille Installation (Deutz TD2011 Engines and Deutz TCD2.9L4 (Stage V) Engines Only)	
	1001202221	Ref	Fan & Belt Grille Installation (Deutz TCD2.9L4 Engines Only)	
	1001182600	Ref	Fan Guard Installation (Deutz TD2011 Engines Only) (Factory Installed)	
	1001145708	Ref	Fan Guard Installation (Deutz TCD2.9L4 Engines and Deutz TCD2.9L4 (Stage V) Engines Only)	
		Ref	Filter Kits:	
		Ref	Combined Filter Kit Options (Hydraulic/Air and Fuel/Engine Oil):	
		Ref	Deutz Engine Machines:	
	1001137027	1	Deutz TD2011 Engine Only	
	1001181151	1	Deutz TCD2.9L4 Engines Only	
	1001139099	Ref	Fire Extinguisher Installation	
	1001191395	Ref	Fuel Cap Cover (Lockable) (Green)	
	1001202749	Ref	Fuel Cap Cover (Lockable) (Black)	
	1001142966	Ref	Hood Bracket Kit (Eliminates bending of the hood when cranking engine tray open)	
	1001103286	1	Generator Hourmeter Installation	
	0271769	Ref	Headlight and Taillights Installation	

SECTION 11 - SPECIAL OPTIONS

ITEM	PART NUMBER	QTY	DESCRIPTION	REV
	1001233534	Ref	Hose/Cable Protection (Platform)	
	1001112741	Ref	Hose/Cable Protection (Boom) (1200SJP)	
	1001228431	Ref	Hose/Cable Protection (Boom) (1350SJP)	
	0271808	Ref	Illumination Lights Installation	
	1001204930	Ref	Hostile Environment - With Oscillating Axle (Add-on Kit)	
	1001241417	Ref	Hostile Environment - Fixed Axle (Add-on Kit)	
	1001148971	Ref	Lanyard (Bolt-on) Installation Kit	
		Ref	Lights Installations	
	0272093	Ref	Flood Lights (1200SJP)	
	0272092	Ref	Flood Lights (1350SJP)	
	0272097	Ref	Work Lights (1200SJP)	
	0272096	Ref	Work Lights (1350SJP)	
	2915046	Ref	Load Pin Harness Kit	
	1001236951	Ref	Low Temperature Cutout Installation (Russian Specs)	
	1001120564	Ref	Oil Cooler Service Kit	
	1001117294	Ref	Panel, Foot Switch	
		Ref	Platform Cable Carrier Installation Options:	
	1001172045	Ref	Platform Cable Carrier Installation	
	1001195304	Ref	Platform Console Cover Installation (Clear Polycarbonate Cover) (All Specs)	
	1001110974	Ref	Platform Console Cover Installation (Steel Cover) (ANSI, ANSI Export, CSA and Japanese Specs)	
	1580013	Ref	Platform Corner Storage Tray	
		Ref	Platform Entry Kits	
	1001142505	Ref	Drop Bar (Replacing Swing Gate with Drop Bar)	
	1001142504	Ref	Swing Gate (Replacing Drop Bar with Swing Gate)	
		Ref	Platform Mesh to Top Rail Installations	
	0273145	Ref	36in x 8ft (91.5cm x 2.44m) (ANSI Spec)	
	0273149	Ref	36in x 6ft (91.5cm x 1.83m) (ANSI and ANSI Export Specs)	
		Ref	Platform Mesh to Top Rail Add-on Kit (ANSI and ANSI Export Specs)	
	1001214562	Ref	Platform Mesh to Top Rail - 36in x 8ft (91.5cm x 2.44m) with Gate	
	1001214561	Ref	Platform Mesh to Top Rail - 36in x 6ft (91.5cm x 1.83m) with Gate	
		Ref	Platform Mesh to Mid Rail Installations	
	1001138773	Ref	36in x 8ft (91.5cm x 2.44m) (ANSI, ANSI Export, Australian and China Specs)	
	1001138772	Ref	36in x 6ft (91.5cm x 1.83m) (ANSI, ANSI Export, Australian and China Specs)	
	1001140318	Ref	30in x 4ft (76.2cm x 1.22m) (ANSI, ANSI Export, Australian and China Specs)	
		Ref	Platform Mesh to Mid Rail Add-on Kit (ANSI, ANSI Export and Australian Specs)	
	1001214548	Ref	Mesh to Mid Rail - 36in x 8ft (91.5cm x 2.44m) with Gate	
	1001214540	Ref	Mesh to Mid Rail - 36in x 6ft (91.5cm x 1.83m) with Gate	
	1001214478	Ref	Mesh to Mid Rail - 30in x 4ft (76.2cm x 1.22m) with Gate	
	1001149730	Ref	Platform Mid Rail Repair Kit	
		Ref	Platform Rail Extensions	
	0272733	Ref	6ft Platform	
	0272725	Ref	8ft Platform	
	1001209059	Ref	Platform Work Surface Installation	
	1001099466	Ref	Programmable Security Lock Installation (CE Spec Only) (1200SJP)	

SECTION 11 - SPECIAL OPTIONS

ITEM	PART NUMBER	QTY	DESCRIPTION	REV
	1001190891	Ref	Service Kits	L
	1001247073	Ref	SkyEye Retrofit Kit	
	1001241547	Ref	SkyEye Housing Repair Kit (LH Side)	
	1001241548	Ref	SkyEye Housing Repair Kit (RH Side)	
	1001249052	Ref	SkyGuard Retrofit Kit	
		Ref	SkyGuard Component Options:	
	1001210043	Ref	SkyGuard Complete Add-on Kit (Red Beacon)	
	1001209481	Ref	SkyGuard Complete Add-on Kit (Blue Beacon)	
	1001210042	Ref	SkyGuard Complete Add-on Kit (Red Beacon)	
	1001137672	Ref	SkyGuard Platform Sensor Kit	
	1001137440	Ref	Harness - Platform Sensor	
	1001186431	2	Relay	
	1001206544	Ref	SkyGuard Strobe Light Kit (Blue Beacon)	
	1001210028	Ref	SkyGuard Strobe Light Kit (Red Beacon)	
	1001232643	Ref	SkyLine Kit	
	1001253945	Ref	SkySense (EDS) Level 1 (2 Bar) Installation (Factory Installaed) (PVC2001)	
	1001250465	Ref	SkySense (EDS) Level 1 (2 Bar) Installation (Factory Installaed) (PVC2007)	
	1001253946	Ref	SkySense (EDS) Level 2 (3 Bar) Installation (Factory Installaed) (PVC2001)	
	1001250466	Ref	SkySense (EDS) Level 2 (3 Bar) Installation (Factory Installaed) (PVC2007)	
	1001246867	Ref	SkySense (EDS) Level 1 Kit (2 Bar) (Dealer Installed)	
	1001246860	Ref	SkySense (EDS) Level 2 Kit (3 Bar) (Dealer Installed)	
	1001231235	Ref	SkyWelder Locking Bracket	
	1001228926	Ref	Turntable Bearing Cover Installation	
		Ref	Tools For Service:	
	2901443	1	Analyzer Kit	
	1001249695	1	Analyzer and Cable Kit	
	1001249941	1	Analyzer and Cable Kit (Battery Powered)	
	1001137005	1	Cable Service Kit	
	0272048	Ref	Boom Cable Tools Installation	
	4120040	1	Socket 3/4in	
	4120043	1	Socket 2in	
	1705307	1	Decal - Tool Location	
	7002821	1	Crimper, Wire	
		Ref	Drive Hub Assembly Tools	
	70004646	1	Puller	
	70004647	1	Seal, Tool	
	70004648	1	Puller (Brake Assembly)	
	70004185	1	Torque Multiplier	
	7002823	1	Pin Extractor - Universal (For Electrical Connectors with Pins and Sockets)	
	4460467	1	Extractor - 16-18 Gauge (For Removal of Pin/Sockets from Deutsch Connectors)	
	4460510	1	Extractor - 12-14 Gauge (For Removal of Pin/Sockets from Deutsch Connectors)	
	7016654	1	Screwdriver, Magnetic	
	7002822	1	Screwdriver, Potentiometer	
	7004275	1	Seal Tool 1in (For Cylinders)	
	7004276	1	Seal Tool 1-1/2in (For Cylinders)	
	7002828	1	Stripper, Wire	

SECTION 11 - SPECIAL OPTIONS

ITEM	PART NUMBER	QTY	DESCRIPTION	REV
	4921850	1	Throttle Service Harness	
	70004185	1	Torque Multiplier	
	7016655	1	Wire Rope Sheave Gauge	
	2910890	Ref	Wear Pad Kit (Includes Wear Pads, Shims and Hardware)	
		Ref	Weld Leads at Platform Installation	
	0271983	Ref	Weld Leads at Platform Installation (1200SJP)	
	0271820	Ref	Weld Leads at Platform Installation (1350SJP)	
	2910894	Ref	Wire Rope Kit (Includes Cables, Sheaves, Sheave Pins and Hardware) (1200SJP)	
	2910895	Ref	Wire Rope Kit (Includes Cables, Sheaves, Sheave Pins and Hardware) (1350SJP)	

PART NUMBER INDEX

SECTION 11 - SPECIAL OPTIONS

0080237219, 223, 243, 247	0100081 ... 154, 155, 159, 165, 513, 517, 520, 583, 585, 587, 589, 591, 593, 595, 597, 599, 601, 603, 605	0272523 859 0272588 867 0272589 454, 462 0272599 863 0272607 865 0272621 877 0272725 878 0272733 878 0272948 597 0272949 591 0272950 593 0272951 585 0272952 595 0273145 878 0273149 878 0273353 610 0273404 605 0273405 601 0273406 599 0273696 519 0273854 747 0273855 749 0273862 876 0274661 627 0274730 859 0275098 575 0275216 693, 815 0275217 697, 817 0275452 701, 819 0275453 705, 821 0275454 709, 823 0275685 29	0561471 475, 483, 491, 499 0561482.... 475, 483, 491, 499 0561500.... 475, 483, 491, 499 0630407..... 127 0630464..... 27, 125, 127, 519 0630467..... 512, 516 0630511..... 85 0630518.... 133, 565, 610, 613, 615, 617, 621 0630534..... 651 0630535.... 643, 645, 647 0630536..... 655, 657 0630537..... 649 0630548..... 125, 127 0630558.... 477, 485, 493, 501 0630568..... 562 0641404.... 85, 433, 437, 441, 445, 449, 453, 457, 461, 561, 607 0641405..... 519, 607 0641406 61, 65, 125, 127, 141, 158, 164, 174, 219, 223, 227, 231, 235, 239, 243, 247, 251, 255, 259, 263, 279, 281, 284, 290, 332, 338, 360, 382, 425, 429, 512, 516, 557, 559, 841, 843, 845, 847, 849, 851, 853, 855, 857 0641407.... 139, 279, 281, 384, 437, 445, 717 0641408 67, 69, 145, 147, 154, 158, 164, 171, 175, 279, 281, 299, 303, 307, 311, 315, 319, 347, 351, 369, 373, 559 0641410.... 179, 183, 187, 191, 195, 199, 203, 207, 211, 215, 271, 275, 299, 303, 307, 311, 315, 319, 347, 351, 369, 373 0641412.... 59, 61, 67, 69 0641414..... 61, 561, 579 0641416.... 685, 687, 689, 691, 693, 695, 697, 699, 701, 703, 705, 707, 709, 715, 717 0641418.... 535, 537, 539, 541, 549, 551, 553, 555 0641424..... 53 0641503.... 284, 290, 334, 340, 362, 382 0641504..... 53 0641505..... 27 0641506. 65, 85, 91, 137, 154, 155, 159, 165, 170, 174, 179, 183, 187, 191, 195, 199,
0100009..... 561	0140001 67, 69		
0100011 19, 23, 27, 38, 42, 53, 59, 61, 65, 67, 69, 83, 85, 91, 93, 95, 97, 113, 115, 117, 119, 121, 123, 127, 154, 155, 158, 159, 164, 165, 170, 171, 174, 175, 179, 183, 187, 191, 195, 199, 203, 207, 211, 215, 219, 223, 227, 231, 235, 239, 243, 247, 251, 255, 259, 263, 271, 275, 279, 281, 284, 290, 299, 303, 307, 311, 315, 319, 323, 325, 327, 329, 334, 338, 347, 351, 355, 357, 362, 369, 373, 377, 379, 382, 417, 419, 425, 429, 433, 437, 441, 445, 449, 453, 457, 461, 465, 467, 469, 471, 475, 483, 491, 499, 512, 516, 519, 523, 525, 535, 537, 539, 541, 549, 551, 553, 555, 579, 607, 610, 613, 615, 617, 643, 645, 649, 651, 653	0140011 561 0140032 137 0200742 425, 429 0200833 27 0236768 67, 69 0239842 81 0257195 877 0257728 625 0257887 137 0259666 131 0271512 79 0271520 27 0271530 469 0271570 516 0271572 93 0271595 154 0271688 91 0271769 877 0271795 67 0271799 465 0271800 512 0271803 876 0271804 876 0271805 876 0271806 137 0271808 878 0271820 880 0271852 47 0271874 83 0271875 876 0271932 735 0271933 876 0271950 739 0271951 737 0271952 741 0271953 687 0271954 689 0271955 685 0271956 876 0271983 880 0272048 505, 879 0272055 47 0272056 47 0272060 ... 220, 224, 227, 231, 235, 239, 244, 248, 251, 255, 259, 263 0272064 149 0272078 876 0272080 101 0272092 878 0272093 878 0272096 878 0272097 878 0272254 615 0272418 ... 583, 585, 587, 589, 591, 593, 595, 597, 599, 601, 603, 605 0272435 450, 458 0272448 869 0272521 613 0272522 859	0340003 ... 219, 223, 227, 231, 235, 239, 243, 247, 251, 255, 259, 263 0340051 ... 219, 223, 227, 231, 235, 239, 243, 247, 251, 255, 259, 263 0363037 19, 23 0363062 67, 69 0363066 ... 477, 485, 493, 501 0363076 19 0363081 425, 429 0363082 425, 429 0400020 67, 69 0440251 79 0480100 625, 627, 629 0480122 429 0480127 425 0480128 433, 449 0480129 453 0561431 ... 475, 483, 491, 499 0561437 ... 475, 483, 491, 499 0561439 ... 475, 483, 491, 499 0561444 ... 475, 483, 491, 499 0561454 ... 475, 483, 491, 499 0561457 ... 475, 483, 491, 499 0561458 ... 475, 483, 491, 499	
0100019 19, 23, 27, 29, 31, 77, 79, 441, 445, 449, 453, 457, 461, 465, 467, 469, 471, 475, 483, 491, 499, 512, 516, 653			
0100020 284, 290, 334, 338, 362, 382, 433, 441, 450, 457, 577, 610, 621, 691, 693, 695, 697, 699, 701, 703, 705, 707, 709, 715			
0100035 27, 125, 127, 143, 286, 292, 519, 561, 565, 567			
0100038 643, 645, 649, 651, 653			
0100048 91, 125, 127, 139, 141, 433, 441, 445, 450, 454, 457, 461, 519, 561, 799, 801, 841, 843, 847			
0100062 284, 290, 334, 340, 362, 382			
0100079 179, 183, 187, 191, 195, 199, 203, 207, 211, 215, 271, 275, 299, 303, 307, 311, 315, 319, 347, 351, 369, 373, 415			

SECTION 11 - SPECIAL OPTIONS

203, 207, 211, 215, 219, 223, 227, 231, 235, 239, 243, 247, 251, 255, 259, 263	0641610 ... 154, 158, 164, 170, 174, 179, 183, 187, 191, 195, 199, 203, 207, 211, 215, 219, 223, 227, 231, 235, 239, 243, 247, 251, 255, 259, 263, 271, 275, 284, 290, 299, 303, 307, 311, 315, 319, 332, 338, 347, 351, 360, 369, 373, 382, 415, 419, 425, 429, 475, 483, 491, 499, 559	0641813.....170, 174, 475, 483, 491, 499	0701619..... 47, 49, 51
0641507 ... 219, 223, 227, 231, 235, 239, 243, 247, 251, 255, 259, 263, 525	0641611 19, 23, 417, 467, 471	0641814.....20, 243, 247, 251, 255, 259, 263, 323, 325, 327, 329, 377, 379	0711214... 219, 223, 227, 231, 235, 239, 243, 247, 251, 255, 259, 263
0641508 ... 107, 111, 332, 338, 360, 382, 425, 429	0641612 ... 271, 275, 299, 303, 307, 311, 315, 319, 347, 351, 362, 369, 373, 415, 465, 469	0641816.....151	0711417 ... 227, 231, 235, 239, 251, 255, 259, 263
0641509..... 53, 151, 179, 183, 187, 191, 195, 199, 203, 207, 211, 215	0641613 19, 23	0641818....149, 219, 223, 227, 231, 235, 239, 243, 247, 251, 255, 259, 263	0720804 561
0641510 ... 159, 165, 362, 513, 517	0641614 93, 95, 97	0641820.....91	0721006 417, 419, 561
0641511 27, 179, 183, 187, 191, 195, 199, 203, 207, 211, 215, 271, 275, 299, 303, 307, 311, 315, 319, 347, 351, 369, 373	0641615 ... 475, 483, 491, 499	0641826....219, 223, 227, 231, 235, 239, 243, 247, 251, 255, 259, 263	0731007 93, 95, 97
0641514 625, 627, 629	0641616 433, 437	0642010....179, 183, 187, 191, 195, 199, 203, 207, 211, 215, 271, 275, 299, 303, 307, 311, 315, 319, 347, 351, 369, 373	0741606 27, 475, 483, 491, 499
0641516 ... 433, 441, 449, 453, 457, 461	0641618 ... 441, 445, 450, 454, 457, 461, 477, 485, 493, 501	0642012....475, 483, 491, 499, 583, 585, 587, 589, 591, 593, 595, 597, 599, 601, 603, 605	0741607 ... 433, 437, 441, 445, 457, 461
0641520 ... 101, 103, 105, 109	0641630 ... 154, 158, 164, 170, 174	0642014....475, 483, 491, 499	0741806... 475, 483, 491, 499
0641524 107, 111	064163427	0642016.....27	0760608 ... 154, 155, 159, 165
0641605 ... 179, 183, 187, 191, 195, 199, 203, 207, 211, 215, 219, 223, 227, 231, 235, 239, 243, 247, 251, 255, 259, 263, 271, 275, 299, 303, 307, 311, 315, 319, 347, 351, 369, 373	0641640 ... 477, 485, 493, 501	0642020.....23	0760808 384
0641606 ... 19, 23, 67, 69, 85, 170, 174, 180, 184, 188, 192, 196, 200, 203, 208, 212, 216, 271, 275, 284, 290, 299, 303, 307, 311, 315, 319, 332, 338, 347, 351, 360, 369, 373, 382, 610, 613, 615, 617	0641644 ... 477, 485, 493, 501	0642022....475, 483, 491, 499	0760810 ... 284, 290, 334, 340, 362, 523
0641607 ... 475, 483, 491, 499	0641646 ... 475, 483, 491, 499	0642212....583, 585, 587, 589, 591, 593, 595, 597, 599, 601, 603, 605	0760812 723
0641608 ... 19, 23, 53, 65, 83, 85, 93, 95, 97, 101, 103, 149, 151, 154, 158, 164, 170, 174, 219, 223, 227, 231, 235, 239, 243, 247, 251, 255, 259, 263, 271, 275, 281, 284, 290, 299, 303, 307, 311, 315, 319, 327, 329, 332, 338, 347, 351, 355, 360, 369, 373, 377, 382, 421, 425, 429, 465, 467, 469, 471, 512, 516, 655, 657	0641652 ... 475, 483, 491, 499	0642214 19, 23, 465, 467, 469, 471	0760814 285, 291
0641609 19, 23, 107, 111, 219, 223, 227, 231, 235, 239, 243, 247, 251, 255, 259, 263	0641676 505	0681608.....523	0760814001 285, 291
	0641706 ... 284, 290, 332, 338, 360, 382	0681620....631, 633, 635, 637	0761014 523
	0641708 ... 271, 275, 284, 290, 300, 304, 308, 312, 316, 320, 332, 338, 348, 352, 360, 369, 373, 382	0681813.....19, 23	0761016 284, 290
	0641718 425, 429	0681814 19, 23, 543, 545, 547	0761210 ... 271, 275, 287, 293, 299, 303, 307, 311, 315, 319, 347, 351, 369, 373
	0641808 . 19, 23, 53, 179, 183, 187, 191, 195, 199, 203, 207, 211, 215, 219, 223, 227, 231, 235, 239, 243, 247, 251, 255, 259, 263, 271, 275, 299, 303, 307, 311, 315, 319, 347, 351, 369, 373, 475, 483, 491, 499	0681815.....19, 23	0761212 384
	0641810 51, 433, 437, 441, 445, 449, 453, 457, 461, 512, 516	0681816.....19, 23	0761214 42, 284, 290, 334, 340, 362, 382
	0641812 91, 219, 223, 227, 231, 235, 239, 279, 281, 323, 325, 327, 329, 355, 357, 377, 379	0681822....543, 545, 547	0761215 37, 244, 248, 251, 255, 260, 264, 281, 327, 329, 355, 377
		0682026.....79	0761216 523
		0682028....284, 290, 332, 338, 360, 382, 475, 483, 491, 499	0771212 ... 284, 290, 332, 338, 360, 382
		0682040.....79	0771414 ... 219, 223, 227, 231, 235, 239, 243, 247, 251, 255, 259, 263, 284, 290, 332, 338, 360, 382
		0682212....475, 483, 491, 499	0791410 59, 61
		0682422.....77	0791504 512, 516, 519
		0682424....631, 633, 635, 637	0791518 512, 516
		0700408....691, 693, 695, 697, 699, 701, 703, 705, 707, 709, 715	0791604 . 59, 61, 85, 154, 158, 164, 170, 174, 475, 483, 491, 499, 519
		0700615.....145, 147	0791605 ... 477, 485, 493, 501, 519
		0700616.....171, 175	0791606 ... 475, 483, 491, 499, 519
		0700815....284, 290, 332, 338, 360, 382	0791607 59, 513, 517
		0701022.....287, 293	0791608 519
		0701024.....284, 290	0791612 ... 475, 483, 491, 499
		0701025.....284, 290	0791618... 475, 483, 491, 499
		0701418.....425, 429	0791620 ... 475, 483, 491, 499, 512, 516
		0701617.....29, 31	0791622 512, 516
			0791624 ... 475, 483, 491, 499, 512, 516
			0791808 513, 517
			0801301 491, 499
			0801302 491, 499

SECTION 11 - SPECIAL OPTIONS

0801303.....491, 499	0961986 ... 219, 223, 227, 231, 235, 239, 243, 247, 251, 255, 259, 263, 284, 290, 332, 338, 360, 382	1001099366 583, 585, 587, 589, 591, 593, 595, 597, 599, 601, 603, 605	1001110064.....128
0801304.....491, 499	0962033 19, 23	1001099367 583, 585, 587, 589, 591, 593, 595, 597, 599, 601, 603, 605	1001110084.....125, 127, 873
0801315.....469, 491	0962051 149, 151	1001099421 597	1001110108.....61
0801316.....475, 483	0962224 ... 475, 483, 491, 499	1001099422 585	1001110109.....61
0801317.....475, 483	0962257 651	1001099466 878	1001110110.....61
0801318.....475, 483	0962270 ... 543, 545, 547	1001099632 27	1001110111.....61
0801319.....475, 483	0962297 ... 475, 483, 491, 499, 649	1001099869 429	1001110112.....61
0801320.....465, 475	0962402 ... 476, 484, 492, 500	1001100231 751	1001110113.....61
0801550....477, 485, 493, 501	0962403 ... 476, 484, 492, 500	1001100233 429	1001110425.....271, 275, 299, 303, 307, 311, 315, 319, 347, 351, 369, 373
0811606....478, 486, 494, 502	0962404 ... 477, 485, 493, 501	1001100321 429	1001110433.....170, 174
0811607....478, 486, 494, 502	0962406 ... 476, 484, 492, 500	1001100341 815	1001110486.....170, 174
0811608....475, 483, 491, 499	0962409 ... 475, 483, 491, 499	1001100342 817	1001110513.....61
0811610....475, 483, 491, 499	0962410 ... 476, 484, 492, 500	1001100345 819	1001110604.....682
0811614....475, 483, 491, 499	0962411 ... 477, 485, 493, 501	1001100346 823	1001110740.....69
0811616....475, 483, 491, 499	0962423 27	1001100347 821	1001110872.....711, 713
0860038....433, 441, 449, 457, 687, 689	0962447 ... 477, 485, 493, 501	1001101191 691, 693, 695, 697, 699, 701, 703, 705, 707, 709, 715, 751, 753	1001110873.....433, 441, 450, 458, 687
0861538.....449, 457	0962449 430	1001101196 693, 695, 697, 699	1001110877.....61
0861572.....453, 461	0962520 ... 433, 437, 441, 445, 449, 453, 457, 461	1001101197 691, 701, 703, 705, 707, 709, 715	1001110940.....85
0861731....691, 703, 707, 715, 819, 821, 823	1001091102 437, 445, 717	1001101421 583	1001110974.....878
0861781....695, 699, 815, 817	1001091969 693	1001101422 583	1001111132.....188, 192, 196, 208, 212, 216
0861880.....751, 753	1001091970 697	1001101550 41	1001111175.....85
0902743.....655, 657	1001091973 701	1001103286 877	1001111176.....85
0902746....154, 155, 159, 165	1001091974 705	1001104315 31, 35	1001111193.....85
0902755.....65	1001091975 709	1001104324 31	1001111219.....85
0902761....154, 159, 165	1001093242 37	1001104325 35, 41	1001112551.....843
0902762....155, 159, 165	1001093243 33, 37	1001106736 125, 127, 759	1001112612.....725, 757, 759
0902763....155, 159, 165	1001094915 437, 445, 717	1001107359 95	1001112669.....49
0902800.....65	1001095976 717	1001107971 199, 208, 243, 247	1001112691.....170, 174
0902813.....425, 429	1001097051 829	1001107973 204, 216, 251, 255	1001112716.....49
0902888....433, 441, 449, 453, 457, 461	1001097150 751	1001107975 212, 259, 263	1001112741.....878
0902915.....91	1001097820 661, 663	1001108579 97	1001112758.....53, 873
0903154....154, 158, 164	1001098012 610, 621, 623	1001108616 244, 248, 252, 256, 261, 265, 281, 327, 329, 355, 377, 404	1001112766.....219, 223, 227, 231, 235, 239, 243, 247, 251, 255, 259, 263
0903156....154, 158, 164	1001098025 661	1001108617 179, 183, 187, 191, 195, 200, 204, 207, 211, 215, 271, 275, 299, 303, 307, 311, 315, 319, 347, 351, 369, 373	1001112796.....725
0903161....155, 159, 165	1001098026 663	1001108708 877	1001112878.....187, 191, 195, 207, 211, 215
0903162....155, 159, 165	1001098122 577	1001109048 97	1001112879.....187, 191, 195, 207, 211, 215
0940070....219, 223, 227, 231, 235, 239, 243, 247, 251, 255, 259, 263, 284, 290, 332, 338, 360, 382	1001098149 621	1001109181 877	1001112880.....187, 191, 195, 207, 211, 215
0940102....583, 585, 587, 589, 591, 593, 595, 597, 599, 601, 603, 605	1001098512 179	1001109468 682	1001112911.....85
0961845....535, 537, 539, 541, 549, 551, 553, 555	1001098513 180, 188, 219, 223	1001109503 127	1001112927.....244, 248, 252, 256, 260, 264, 281, 327, 329, 355, 377, 411
0961893.....651	1001098516 183	1001109654 717, 751	1001113047.....170, 174
0961894.....647	1001098530 184, 192, 227, 231	1001109677 103, 109, 111	1001113103.....97
0961896.....643, 645	1001098531 196, 235, 239	1001110014 125	1001113173.....85
0961901.....649	1001098601 219, 223, 228, 232, 236, 240, 243, 247, 252, 256, 260, 264, 267	1001110027 170	1001113961.....757, 759
0961903.....655, 657	1001098828 523	1001110059 97	1001114392.....85
0961949....645, 647, 653			1001114495.....332, 339, 361
0961950.....643, 653			1001114620.....674
0961951....475, 483, 491, 499			1001115168.....85

SECTION 11 - SPECIAL OPTIONS

1001116025..... 859	1001119968..... 450, 454, 459, 462	1001133956..... 765, 769	1001138110..... 767
1001116208..... 860	1001120328..... 579, 607	1001133957..... 765, 769	1001138111..... 767
1001116290..... 171, 175	1001120337..... 125, 127, 757	1001134389..... 315	1001138113..... 767
1001116369..... 125, 127, 799, 801	1001120378..... 429	1001134390..... 311, 315, 327	1001138228..... 285, 291, 333, 339, 361, 383
1001116707..... 765	1001120382..... 429	1001134392..... 323, 327, 332	1001138248..... 286, 292, 333, 339, 361, 383
1001116710..... 775	1001120564..... 101, 103, 878	1001134488..... 285, 291, 332, 340, 360, 383	1001138253..... 285, 291, 333, 339, 361, 383
1001116720..... 807	1001120989..... 860	1001135090..... 333, 339, 361, 383	1001138346..... 285, 291, 333, 339, 361, 765
1001116728..... 766	1001120994..... 860	1001135124..... 105, 107, 109, 111	1001138491..... 271, 275, 299, 303, 307, 311, 315, 319, 347, 351, 369, 373, 775
1001116774..... 725	1001121615..... 803	1001135138..... 285, 291, 333, 339, 361, 383	1001138494..... 537, 539, 541, 549, 551, 553, 555
1001116792..... 271, 275, 299, 303, 307, 311, 315, 319, 347, 351, 369, 373	1001121616..... 803	1001135560..... 285, 291, 333, 339, 361, 383	1001138514..... 537, 539, 541, 551, 555
1001116808..... 725	1001122528..... 450, 454, 459, 462	1001135562..... 285, 291, 333, 339, 361, 383	1001138524..... 286, 292, 333, 339, 361, 383
1001116812..... 759, 769, 782	1001122611..... 841, 845, 849, 853, 855, 857	1001135650..... 767, 770, 773	1001138559..... 287, 293, 333, 339, 361, 383
1001116846..... 849	1001125387..... 860	1001135651..... 767, 770	1001138565..... 437
1001116849..... 849	1001125425..... 425	1001135663..... 151	1001138566..... 433, 437, 441, 445
1001116851..... 849	1001125426..... 429	1001135679..... 285, 291, 333, 339, 361	1001138717..... 334, 340, 362
1001116952..... 766, 769	1001125427..... 449	1001135680..... 333, 339, 361, 383	1001138772..... 878
1001116967..... 765	1001125428..... 453	1001135779..... 286, 292, 334, 339, 362, 383	1001138773..... 878
1001116983..... 775	1001126009..... 831	1001135901..... 333, 339, 361, 383	1001138800..... 467
1001117035..... 849	1001126011..... 803	1001135903..... 285, 291, 333, 339, 361, 383	1001138801..... 467, 483
1001117078..... 451, 454, 459, 462	1001126351..... 765, 769	1001135913..... 333, 339, 360, 383	1001138805..... 651
1001117106..... 766, 769	1001126352..... 765	1001135914..... 333, 339, 360	1001138827..... 285, 291, 333, 339, 361, 383
1001117107..... 766, 769	1001126356..... 765	1001135924..... 333, 339, 361, 383	1001139099..... 877
1001117140..... 160, 165	1001126357..... 765	1001135926..... 333, 339, 360, 383	1001139240..... 285, 291, 333, 339, 361, 384
1001117172..... 577	1001126362..... 766, 769	1001135943..... 333, 339, 361, 383	1001139357..... 433, 437
1001117174..... 562, 577, 873	1001126363..... 766, 769, 770	1001135946..... 285, 291, 333, 339, 361, 383	1001139492..... 109
1001117294..... 878	1001126364..... 767, 769, 770	1001135949..... 333, 339, 361, 383	1001139494..... 105
1001117308..... 285, 291, 333, 339, 361, 383, 872	1001126365..... 767	1001135954..... 285, 291, 333, 339, 361, 383	1001139516..... 471
1001117370..... 187	1001126384..... 765	1001135965..... 285, 291, 333, 339, 361, 383	1001139517..... 471, 499
1001117371..... 191	1001126391..... 767, 769	1001136292..... 333, 339, 361	1001139654..... 860
1001118384..... 831	1001126392..... 767, 769	1001136356..... 437	1001139665..... 105, 109
1001118388..... 807, 831	1001126485..... 769	1001136357..... 445, 462	1001139666..... 105, 109
1001118712..... 199	1001126487..... 769	1001136626..... 333, 339, 361, 383	1001139778..... 174
1001118713..... 203	1001128527..... 617	1001136665..... 285, 291, 333, 339, 361, 383	1001139958..... 433
1001118859..... 682	1001128556..... 617	1001136834..... 285, 291, 333, 339, 361, 383	1001139959..... 437
1001118869..... 682	1001129555..... 872	1001137005..... 879	1001139972..... 476, 484, 492, 500
1001118869..... 682	1001129858..... 433, 434	1001137027..... 877	1001140222..... 417
1001118933..... 682	1001131269..... 841, 851	1001137276..... 285, 291, 333, 339, 361, 383	1001140312..... 340
1001118934..... 682	1001131462..... 170, 174	1001137590..... 457	1001140318..... 878
1001118935..... 682	1001131482..... 151	1001137591..... 461	1001140344..... 441
1001118957..... 103	1001131542..... 219, 223, 227, 231, 235, 239, 243, 247, 251, 255, 259, 263, 271, 275, 300, 304, 308, 312, 316, 320, 348, 352, 369, 373	1001137672..... 879	1001140346..... 442
1001119020..... 725, 781, 803	1001131620..... 512, 516	1001137673..... 579	1001140429..... 535, 537, 539, 541, 549, 551, 553, 555
1001119052..... 207	1001131728..... 516	1001138011..... 441, 445, 458, 462	1001140485..... 158, 164, 174
1001119053..... 215	1001131729..... 512		1001140564..... 285, 291, 332, 339, 360, 384
1001119054..... 211	1001131733..... 516		1001140604..... 303, 307, 315, 319
1001119138..... 682	1001131734..... 512		
1001119372..... 125, 127, 785	1001131969..... 743, 745		
1001119456..... 113, 119, 813	1001133633..... 286, 292, 333, 339, 361, 383		
1001119470..... 113, 115, 119, 121, 763	1001133634..... 285, 291, 333, 339, 361, 383		
1001119619..... 825	1001133714..... 767, 770, 773		
1001119620..... 827, 829	1001133715..... 767, 770, 773		
1001119727..... 285, 291			
1001119817..... 682			
1001119899..... 476, 484, 492, 500			
1001119938..... 876			
1001119946..... 876			

SECTION 11 - SPECIAL OPTIONS

1001141225.....271, 275, 299, 303, 307, 311, 315, 319, 347, 351, 369, 373	1001145382..... 220, 224, 228, 232, 236, 240, 244, 248, 252, 256, 260, 264	1001154294 476, 484, 492, 500	1001165820..... 334, 340, 362, 384
1001141300.....860	1001145405 610, 621	1001154304 476, 484, 492, 500	1001166393.....285, 291, 333, 339, 361, 384
1001141302.....860	1001145560 299, 311, 347, 351, 370, 374	1001154306 476, 484, 492, 500	1001166538.....562, 573
1001141304.....285, 291, 334, 339, 362, 384	1001145708 877	1001154405 286, 292, 299, 303, 307, 311, 315, 319, 334, 340, 347, 351, 362, 370, 374, 384, 417, 419, 421	1001166539.....562, 569
1001141717.....285, 291, 334, 339, 362, 384	1001145842 300, 304, 308, 312, 316, 320, 348, 352, 370, 374	1001155044 562	1001167164.....279, 281
1001141718.....417, 419	1001146132 158, 164, 175	1001155045 562, 872	1001167565.....523
1001141719.....285, 291, 332, 339, 360, 384	1001146142 158, 164	1001155575 286, 292, 333, 339, 361, 384	1001167567.....523
1001141744.....319	1001146178 158, 164, 174	1001155823 286, 292, 334, 340, 362, 384	1001167596.....523
1001141745.....319, 329	1001146183 158, 164, 174	1001157520 450, 454, 458, 462	1001167632.....770
1001141746.....325, 329, 338	1001146219 286, 292, 332, 338, 360, 384	1001157521 450, 454, 458, 462	1001167635.....769
1001141811.....303	1001146244 174	1001157525 453, 454, 461, 462	1001168166.....286, 292
1001141812.....299, 303, 323	1001146588 370, 374, 384	1001157528 450, 454, 458, 462	1001168402.....523
1001141813.....307, 325	1001147264 766	1001157592 449, 450, 457, 458	1001169054.....286, 292
1001141815.....307	1001147479 519, 873	1001158007 450, 454, 458, 462	1001169138.....286, 292
1001141817.....311	1001148675 711, 713	1001158008 434, 442, 450, 454, 458, 462	1001170035.....286, 292
1001141819.....299	1001148841 773	1001158363 434, 442	1001170764.....770
1001142021 159	1001148842 773	1001159118 711, 713	1001170982.....286, 292, 384
1001142023 158, 159	1001148843 286, 292, 334, 340, 362, 384, 773	1001159119 711, 713	1001171095.....244, 248, 252, 256, 261, 265, 281, 327, 329, 355, 377, 407
1001142024 158	1001148902 877	1001159120 711, 713	1001171130.....441
1001142144 158, 164	1001148903 877	1001159121 713	1001171131.....711
1001142181 158	1001148904 877	1001159186 803	1001171273.....445
1001142398.....285, 333, 339, 361, 384	1001148905 877	1001159256 562, 872	1001172045.....878
1001142501.....285, 291, 334, 340, 362, 384	1001148906 877	1001160505 154, 158, 164	1001172760.....562
1001142504.....878	1001148971 878	1001160567 93, 95	1001172766.....859
1001142505.....878	1001149730 878	1001161041 743	1001173163.....171, 175
1001142637334, 340, 362, 384	1001149818 143, 833	1001161044 745	1001173164.....171, 175
1001142645.....441, 458	1001149955 143	1001161048 743	1001173166.....170, 174
1001142683.....145, 147	1001149994 143, 145, 147	1001161050 745	1001173170.....170, 174
1001142685.....285, 291, 334, 340, 362, 384	1001150406 143	1001161401 19, 24	1001173171.....95, 97
1001142719.....145, 147	1001151393 131	1001161402 19, 24	1001173183.....171, 175
1001142736.....145, 147, 725	1001151432 292	1001161403 19, 24	1001173184.....175
1001142938.....767, 770	1001152456 434, 442	1001161709 562, 872	1001173185.....170, 174
1001142940.....767, 770	1001152457 433, 441, 442	1001161710 562, 872	1001173186.....170, 174
1001142941 767, 770	1001152525 434, 442, 450, 454, 458, 462	1001163131 583	1001173187.....170, 174
1001142966877	1001152530 434, 442	1001163287 595	1001173202.....174
1001143087105, 107, 109, 111	1001152533 433, 437, 441, 445, 777	1001163288 601	1001173647 170, 175
1001143123.....105, 109	1001152566 159, 165	1001163289 599	1001173651.....170, 175
1001143294.....151	1001152742 766	1001163292 603	1001173703.....860
1001143298151	1001152963 279, 323, 325, 357, 379, 398	1001163293 591	1001173912.....170
1001143390.....285, 291, 334, 340, 362, 384	1001152966 678	1001163295 605	1001173913.....23
1001143852.....860	1001152968 678	1001163296 597	1001173914.....19
1001144089.....285, 291, 334, 340, 362, 384	1001152971 678	1001163297 585	1001173915.....95
1001144433579	1001153024 333, 339, 361, 384	1001163298 593	1001173918.....97
1001144629531, 533, 549, 553	1001153257 433, 441	1001165035 286, 292, 334, 340, 361, 384	1001174040.....523
1001145089.....299, 303, 307, 311, 315, 319, 347, 351, 370, 374	1001153260 434, 442	1001165101 323, 325, 327, 329, 348, 352, 384, 417	1001174325.....649
1001145154.....286, 292, 334, 340, 362, 384	1001153387 334, 340, 362, 384	1001165368 437, 445, 753	1001174331.....171
1001145162.....174	1001154260 476, 484, 492, 500		1001175237.....175

SECTION 11 - SPECIAL OPTIONS

1001177946.....	279, 281	1001191541.....	19, 24	1001214029.....	860	1001225248.....	599
1001177957.....	279, 281	1001191620.....	384	1001214478.....	878	1001225249.....	593
1001177958.....	279, 281	1001192401.....	781	1001214540.....	878	1001225250.....	591
1001177959.....	279, 281	1001193018.....	691, 693, 695, 697, 699, 701, 703, 705, 707, 709, 715	1001214548.....	878	1001225251.....	601
1001178236.....	286, 292	1001193674.....	19, 24	1001214561.....	878	1001225345.....	589
1001178247.....	475, 483, 491, 499, 507	1001195214.....	415	1001214562.....	878	1001225346.....	723
1001178248.....	475, 483, 491, 499, 509	1001195304.....	878	1001214570.....	723	1001225430.....	343, 873
1001178266.....	629	1001197408.....	860	1001214571.....	723	1001225431.....	343
1001178797.....	421	1001197528.....	860	1001216630.....	523	1001225432.....	873
1001178894.....	286, 292	1001197529.....	860	1001216876.....	51	1001225580.....	579, 807
1001178978.....	629	1001197529.....	860	1001216877.....	51	1001226531.....	723
1001179154.....	434, 442, 450, 458	1001197530.....	860	1001217005.....	145	1001226872.....	535
1001180051.....	170, 175	1001197531.....	860	1001219085.....	859	1001226923.....	421
1001180620.....	286, 292, 384	1001197532.....	860	1001219642.....	286, 292, 295	1001227449.....	876
1001180690.....	860	1001197533.....	860	1001219990.....	53, 65, 525	1001227606.....	271, 275, 419
1001181045.....	751, 753	1001197537.....	860	1001220039.....	876	1001227633.....	581
1001181129.....	107, 111	1001197719.....	770	1001220041.....	876	1001227634.....	581
1001181134.....	589	1001200491.....	523	1001220044.....	876	1001227960.....	65, 873
1001181142.....	589	1001200494.....	523	1001220379.....	766	1001227985.....	581
1001181151.....	877	1001200910.....	145	1001220560.....	107, 111	1001227987.....	581
1001181895.....	340	1001201351.....	523	1001220735.....	279, 281, 284, 290	1001227996.....	827, 829
1001181899.....	384	1001202221.....	877	1001220743.....	876	1001228019.....	23, 643
1001182361.....	765, 769	1001202280.....	415	1001220745.....	876	1001228021.....	492, 500, 657
1001182600.....	877	1001202281.....	415, 873	1001220746.....	876	1001228023.....	476, 492, 645
1001182806.....	139	1001202687.....	523	1001220747.....	876	1001228024.....	465, 467, 469, 471, 649
1001182997.....	286, 292	1001202697.....	876	1001220770.....	286, 292	1001228025.....	476, 484, 492, 500, 651
1001184682.....	141	1001202749.....	877	1001220929.....	562	1001228026.....	476, 484, 655
1001184936.....	128	1001203655.....	543	1001221203.....	286, 292	1001228031.....	27, 653
1001184937.....	127	1001203656.....	545, 547	1001221205.....	286, 292	1001228053.....	484, 500, 647
1001185281.....	562	1001204159.....	415	1001221207.....	286	1001228215.....	535
1001186318.....	547	1001204725.....	523	1001221212.....	286, 292	1001228224.....	581
1001186333.....	543	1001204930.....	878	1001221213.....	286	1001228225.....	581
1001186334.....	545	1001205958.....	701, 703, 705, 707, 709, 715	1001221217.....	286, 292	1001228243.....	553
1001186375.....	537	1001206250.....	703	1001221219.....	286, 292	1001228375.....	555
1001186379.....	539	1001206251.....	707	1001221259.....	271	1001228376.....	549
1001186382.....	541	1001206252.....	715	1001221261.....	275	1001228377.....	551
1001186383.....	533	1001206253.....	695	1001221263.....	272, 279	1001228431.....	878
1001186384.....	531	1001206253.....	695	1001221265.....	276, 281	1001228488.....	77, 87
1001186389.....	547	1001206254.....	699	1001221427.....	286, 292	1001228617.....	77
1001186431.....	579, 872, 879	1001206255.....	691	1001221438.....	125	1001228926.....	879
1001186432.....	807, 831	1001206476.....	723	1001221439.....	127	1001228951.....	876
1001186517.....	579	1001206544.....	879	1001221666.....	111	1001228988.....	617, 867, 869
1001187011.....	286, 292	1001206794.....	877	1001221738.....	859	1001229058.....	77
1001187382.....	523	1001206797.....	877	1001221802.....	107	1001229107.....	876
1001187383.....	523	1001207004.....	147	1001222314.....	525	1001229341.....	581
1001187674.....	581	1001207969.....	525	1001222773.....	419	1001229599.....	286, 292
1001187681.....	825	1001208299.....	384	1001222817.....	421	1001229600.....	286, 292
1001187807.....	133, 565	1001208994.....	523, 525	1001223055.....	841	1001230934.....	765, 769
1001188376.....	107, 111	1001209059.....	878	1001223068.....	421	1001230935.....	765, 769
1001188382.....	107, 111	1001209432.....	723	1001223453.....	841, 851	1001230936.....	765, 769
1001188622.....	523	1001209474.....	723	1001223459.....	767, 769	1001231235.....	879
1001188844.....	523	1001209481.....	879	1001223883.....	51	1001231315.....	841
1001188884.....	415	1001209664.....	579	1001223971.....	851	1001231316.....	851
1001188887.....	415	1001210028.....	879	1001224048.....	855	1001231317.....	855
1001189001.....	523	1001210042.....	879	1001224049.....	857	1001231318.....	857
1001189002.....	523	1001210043.....	879	1001224050.....	849	1001231319.....	845
1001190891.....	879	1001212223.....	457, 461	1001224052.....	845	1001231320.....	853
1001190985.....	523	1001212415.....	872	1001224053.....	853	1001231321.....	849
1001191272.....	333, 339, 361, 384	1001212790.....	513, 517	1001225118.....	220, 224, 228, 232, 236, 240, 244, 248, 252, 256, 260, 264	1001231801.....	859
1001191395.....	877	1001213183.....	877				
1001191526.....	860	1001213385.....	674, 678, 682				
		1001213447.....	804				
		1001213705.....	465, 467, 469, 471	1001225245.....	603		
				1001225246.....	605		
				1001225247.....	595		

SECTION 11 - SPECIAL OPTIONS

1001231886..... 141	1001237882..... 877	1001246137..... 876	1001253946..... 879
1001231949..... 637	1001237883..... 877	1001246142..... 876	1001254068..... 759
1001231950..... 633, 635	1001238263..... 631, 633,	1001246610..... 847	1001255133..... 523
1001232010..... 633, 635,	635, 637	1001246611..... 843	1001256506..... 766
637	1001238319..... 581	1001246860..... 879	1001256507..... 765
1001232011..... 633, 635,	1001238418..... 607, 831	1001246867..... 879	1001256864..... 383
637	1001238421..... 523	1001247073..... 879	1001256879..... 370, 374
1001232164..... 581	1001238423..... 587	1001247468..... 523	1001257155..... 292
1001232165..... 581	1001238462..... 587	1001248140..... 631, 633,	1001257271..... 631
1001232546..... 384, 387	1001238463..... 635	635, 637	1001257274..... 631
1001232642..... 607	1001238472..... 607	1001248141..... 631, 633,	1001257277..... 223, 232,
1001232643..... 879	1001238477..... 607	635, 637	240, 248, 256, 264
1001232650..... 607	1001238495..... 579	1001248539..... 841, 845,	1001258800..... 383
1001232667..... 607	1001238559..... 607	849, 851, 853, 855,	1001260432..... 382
1001233047..... 877	1001238671..... 567	857, 877	1001261045..... 382
1001233237..... 876	1001238673..... 135	1001248540..... 843, 847,	1001261085..... 382
1001233492..... 384	1001238732..... 135, 567	877	1001261213..... 859
1001233534..... 878	1001238824..... 607	1001248546..... 843, 847,	1001261335..... 631
1001233763..... 876	1001239202..... 770	877	1001261338..... 631
1001233959..... 133, 565	1001239281..... 141	1001248547..... 841, 877	1001263923..... 793, 801,
1001234800..... 769	1001239805..... 723	1001248548..... 851, 877	811
1001235011..... 607	1001241275..... 876	1001248549..... 855, 877	1001270105..... 65, 73
1001235013..... 607	1001241383..... 139	1001248550..... 857, 877	1001271497..... 803
1001235149..... 374, 379	1001241398..... 135, 567	1001248551..... 845, 877	1001275637..... 51
1001235150..... 370, 377	1001241417..... 878	1001248552..... 853, 877	1001283008..... 291, 361
1001235151..... 377, 379,	1001241547..... 879	1001248553..... 849, 877	1060341..... 777
382	1001241548..... 879	1001248554..... 841, 843,	1060343..... 450, 458
1001235459..... 348, 352,	1001241585..... 723	845, 849, 851, 853,	1060379..... 625, 627, 629
365	1001241630..... 723	855, 857, 859	1060545..... 753
1001235475..... 347	1001241890..... 125, 127,	1001248559..... 847	1060902..... 761, 787
1001235476..... 347, 355	781	1001249052..... 879	1060904..... 235, 239, 259,
1001235477..... 355, 357,	1001241891..... 562, 803	1001249695..... 879	263
360	1001241965..... 607	1001249941..... 879	1060908..... 751
1001235478..... 351	1001242030..... 733	1001249964..... 333, 339,	1060918..... 577
1001235479..... 351, 357	1001242192..... 876	343	1060981..... 727, 731
1001235617..... 877	1001242373..... 125, 128	1001250296..... 170, 174	1060982..... 729
1001235952..... 384	1001243183..... 876	1001250297..... 170, 174	10702077.. 450, 454, 458,
1001236087..... 565, 567	1001243184..... 876	1001250465..... 879	462
1001236091..... 133, 135	1001243414..... 171, 175	1001250466..... 879	10702082.. 450, 454, 458,
1001236408..... 164	1001243731..... 139	1001251020.. 19, 23, 641	462
1001236504..... 723	1001243734..... 141	1001252490..... 876	1100131.... 476, 484, 492,
1001236505..... 723	1001243849..... 139	1001252491..... 876	500
1001236552..... 607	1001243924..... 117, 119,	1001252492..... 876	1120549..... 27
1001236746..... 637	121, 125	1001252493..... 876	1120550..... 27
1001236747..... 633	1001243954..... 113, 115,	1001252494..... 876	1120555.... 583, 585, 587,
1001236891..... 631, 633,	123, 127	1001252527..... 765, 769	589, 591, 593, 595,
635, 637	1001243965..... 841	1001252627..... 863, 865	597, 599, 601, 603, 605
1001236895..... 631, 633,	1001243973..... 115	1001252629..... 631, 633,	1180362..... 516
635, 637	1001243974..... 113	635, 637	1180363..... 516
1001236951..... 878	1001243976..... 123	1001252686..... 876	1180369..... 512
1001237124..... 165	1001243989..... 559, 561	1001252946..... 625, 627	1180370..... 512
1001237125..... 164, 165	1001243990..... 559	1001252947..... 625, 627	1260017..... 81
1001237127..... 164	1001243994..... 851	1001253048..... 841	1283457.... 661, 663, 666,
1001237285..... 384, 769	1001244026..... 145	1001253049..... 841	669, 671, 674
1001237544..... 565	1001244027..... 147	1001253050..... 851	1320022.... 179, 183, 187,
1001237546..... 133	1001244081..... 117	1001253051..... 851	191, 195, 199, 203,
1001237667..... 782, 804	1001244082..... 119	1001253052..... 855	207, 211, 215, 219,
1001237668..... 782, 804	1001244083..... 121	1001253053..... 855	223, 227, 231, 235,
1001237705..... 587	1001244205..... 855	1001253054..... 849	239, 243, 247, 251,
1001237755..... 465, 467,	1001244206..... 849	1001253056..... 849	255, 259, 263, 271,
469, 471	1001244207..... 845	1001253057..... 845	275, 286, 292, 299,
1001237825..... 373	1001244208..... 857	1001253058..... 845	303, 307, 311, 315,
1001237826..... 369	1001244209..... 853	1001253059..... 857	319, 333, 339, 347,
1001237862..... 827, 829	1001244298..... 849	1001253060..... 857	351, 361, 369, 373,
1001237863..... 581, 829	1001245072..... 876	1001253061..... 853	382, 415
1001237864..... 581, 827	1001245916..... 562	1001253062..... 853	
1001237865..... 581, 825	1001246136..... 876	1001253945..... 879	

SECTION 11 - SPECIAL OPTIONS

1320058 ... 219, 223, 227, 231, 235, 239, 243, 247, 251, 255, 259, 263	1671040 27	1703939..... 855	1705449..... 859
1320060 ... 219, 223, 227, 231, 235, 239, 243, 247, 251, 255, 259, 263	1671043 512, 516	1703941..... 857	1705451..... 859
1320095 125, 127	1671044 519	1703942..... 851	1705452..... 859
1320130 286, 292, 519	1671045 59, 61	1703943..... 849	1705454..... 859
1320136 519	1671046 59, 61	1703944..... 853	1705455..... 859
1320146 ... 685, 687, 689, 717	1671047 59, 61	1703945..... 855	1705456..... 859
1320159 513, 517	1671048 59, 61	1703947..... 857	1705460... 450, 454, 458, 462
1320162 ... 101, 103, 105, 109	1671049 59, 61	1703948..... 851	1705461..... 454, 462
1320177 610, 621	1671092 450, 458	1703949..... 849	1705468 843, 847
1320187 ... 179, 183, 187, 191, 195, 199, 203, 207, 211, 215, 271, 275, 299, 303, 307, 311, 315, 319, 347, 351, 369, 373	1671093 610, 615	1703950..... 853	1705489... 437, 445, 454, 462
1320190 ... 179, 183, 187, 191, 195, 199, 203, 207, 211, 215, 271, 275, 299, 303, 307, 311, 315, 319, 347, 351, 369, 373	1671121 ... 179, 183, 187, 191, 195, 199, 203, 207, 211, 215, 271, 275, 299, 303, 307, 311, 315, 319, 347, 351, 369, 373	1703951..... 855	1705490 863, 865
1320223 ... 219, 223, 227, 231, 235, 239, 243, 247, 251, 255, 259, 263	1671191 155	1703953..... 841	1705492..... 841
1320263 19, 23, 512, 516	1671192 154	1703980..... 853	1705493..... 853
1320277 512, 516	1671193 155, 159, 165	1703981..... 855	1705493..... 853
1320294 512, 516	1671194 ... 154, 155, 158, 159, 164, 165	1703982..... 849	1705503..... 855
1320296 512, 516	1671314 561	1703983..... 857	1705505 851
1320301 519	1701499 ... 841, 843, 845, 847, 849, 851, 853, 855, 857	1703984..... 851	1705511... 841, 843, 845, 847, 849, 851, 853, 855, 857
1320302 ... 610, 613, 615, 617	1701501 ... 841, 843, 845, 847, 849, 851, 853, 855, 857	1704000..... 851, 859	1705552 859
1320309 835, 837	1701505 ... 841, 843, 845, 847, 849, 851, 853, 855, 857	1704001..... 857	1705554 859
1321283 370, 374	1701509 ... 583, 585, 587, 589, 591, 593, 595, 597, 599, 601, 603, 605, 841, 843, 845, 847, 849, 851, 853, 855, 857	1704260..... 561	1705744 561
1321385 513, 517	1701518 843, 847	1704277 ... 841, 843, 845, 847, 849, 851, 853, 855, 857	1705745 561
1321716 370, 374	1701529 ... 841, 843, 845, 847, 849, 851, 853, 855, 857	1704885..... 859	1705822 843, 847
1340065 ... 219, 223, 227, 231, 235, 239, 243, 247, 251, 255, 259, 263	1702565 561	1704972..... 841	1705828 843, 847
1340067 876	1702566 561	1705014..... 543, 545	1705864 847, 859
1380147 149, 151	1702774 859	1705057..... 859	1705865 859
1380169 170, 174	1702868 ... 617, 841, 859, 863, 869	1705059..... 859	1705896 845
1560011 835, 837	1702942 196, 212	1705095..... 859	1705897 845
1560012 835, 837	1703162 ... 219, 223, 227, 231, 235, 239, 243, 247, 251, 255, 259, 263, 284, 290, 334, 340, 362, 382	1705096..... 859	1705901 845
1580012 557	1703175 859	1705167..... 859	1705902 845
1580013 878	1703683 629	1705171..... 561	1705903 845
1600343 561, 873	1703804 841	1705174.... 843, 847, 851	1705905 845
1600443 267, 873	1703805 841	1705178..... 859	1705906 845
1660302 91	1703811 ... 841, 843, 845, 847, 849, 851, 853, 855, 857	1705305.... 617, 863, 865, 867, 869	1705910 857
1670603 691	1703814 ... 841, 843, 845, 847, 849, 851, 853, 855, 857	1705307..... 505, 879	1705915 857
1670996 59	1703935 857	1705325..... 693, 695	1705917 857
1671023 ... 219, 223, 227, 231, 235, 239, 243, 247, 251, 255, 259, 263	1703936 851	1705336..... 841	1705921 843, 847
1671031 519	1703938 853	1705344..... 853	1705961 843, 847
1671032 ... 476, 484, 492, 500		1705345..... 855	1705967 845
1671033 ... 476, 484, 492, 500		1705347..... 851	1705969 855, 859
1671038 ... 154, 158, 164, 170, 174		1705351..... 841	1705980 860
1671039 519		1705355..... 867, 869	1706059 845
		1705358.... 583, 585, 587, 589, 591, 593, 595, 597, 599, 601, 603, 605	1706060 849
		1705365..... 859	1706061 855, 857
		1705366..... 519	1706062 853
		1705367..... 519	1706064 851
		1705374.... 433, 442, 711, 713	1706098 843, 847
		1705375.... 450, 458, 617, 869	1706385 543, 545
		1705387.... 433, 441, 450, 459	1706493 547
		1705426..... 853	1706501 547
		1705427..... 855	1706741 575
		1705429..... 851	1706770 843, 847
		1705430..... 849	1706904 859
		1705444..... 859	2030010... 610, 613, 615, 617, 621
		1705445..... 859	2060025 ... 219, 223, 227, 231, 235, 239, 243, 247, 251, 255, 259, 263
		1705446..... 859	2080040 ... 531, 533, 549, 553
		1705447..... 859	2080051 154, 158, 164
		1705448..... 859	2110404 37, 42, 527, 661, 663, 674, 678, 682
			2110406 57, 74, 669

SECTION 11 - SPECIAL OPTIONS

2110408.....74	319, 347, 351, 369,	2720500 ... 219, 223, 227,	2753761.....666
2110604.....669	373, 610, 621	231, 235, 239, 243,	2753762.....666
2110606.55, 73, 527, 669	2220063 79	247, 251, 255, 259, 263	2753763.....661, 663
2110608.....74, 674, 678,	2220235 20, 666	2720501 ... 219, 223, 227,	2753764.....666
682	2220273 284, 290	231, 235, 239, 243,	2753765.....674, 678, 682
2110610.....674, 678, 682	2220313... 179, 183, 187,	247, 251, 255, 259, 263	2753766.....674, 678, 682
2110612.....661, 663	191, 195, 199, 203,	2750528 79	2753767.....661, 663
2110808..37, 42, 73, 661,	207, 211, 215, 271,	2750532 ... 179, 183, 187,	2753768.....666
663, 666	275, 299, 303, 307,	191, 195, 199, 203,	2753769.....674, 678
211081057, 74, 674, 678,	311, 315, 319, 347,	207, 211, 215, 219,	2753770.....674, 678
682	351, 369, 373	223, 227, 231, 235,	2753771.....674, 678, 682
211081237, 42, 666, 674,	2220451 ... 219, 223, 227,	239, 243, 247, 253,	2753772.....674, 678, 682
678, 682	231, 235, 239, 243,	257, 259, 263, 271,	2753773.....674, 678
2111010.....74, 661, 663,	247, 251, 255, 259, 263	275, 299, 303, 307,	2753774.....674, 678, 682
674, 678, 682	2220478 ... 674, 678, 682	311, 315, 319, 347,	2753775.....674
2111012.....57, 674, 678,	2220498 ... 219, 223, 227,	351, 369, 373	2753776.....674, 678
682	231, 235, 239, 243,	2753541 666	2753778.....101, 103
2111016.....682	247, 251, 255, 259, 263	2753545 661, 663, 666	2753810.....661
2111212.....674, 678, 682	2220737 674, 678	2753552 661, 663, 666	2753811.....661
2111216.....73	2220816 415, 421	2753582 666	2753843.....101
2111616.....674, 678, 682	2220883 57, 645, 647,	2753677 666	2753999.....103
2112016.....682	649, 651	2753685 666	2754288.....661, 663
2112020.....674, 678, 682	2220884 655, 657	2753703 666	2780286.....29, 33
2113232.....674, 678, 682	2220885 ... 643, 645, 647,	2753708 ... 674, 678, 682	2792647.....669
2120217.....525	649, 651, 653, 655, 657	2753713 666	2792772.....666
2130404.....682	2220886 ... 645, 655, 657	2753714 666	2792773.....671
2130406.....38, 42	2220888 649	2753715 666	2820031....425, 429, 433,
2130606.....73, 671, 674,	2220890 74	2753716 661, 663, 666	437, 441, 445, 449,
678, 682	2221084.... 674, 678, 682	2753717 661, 663	453, 457, 461
2130612.....661, 663	2221086 ...55, 57, 74, 527	2753718 674, 678, 682	2820035.....137
2130808.....674, 678, 682	2221117 674, 678	2753719 669	2820141.....154
2130810.....55, 682	2221176 ... 179, 183, 187,	2753726 669	2820145.....155
2130812.....38, 42, 682	191, 195, 199, 203,	2753727 669	2820146.....155
2131010.....674, 678, 682	207, 211, 215	2753728 671	2820170....179, 183, 187,
2131012.....74	2400060 ... 757, 759, 781,	2753729 669	191, 195, 199, 203,
2131212....101, 103, 105,	804	2753730 674, 678, 682	207, 211, 215
107, 109, 111, 674, 678	2400064 757, 759, 872	2753731 674, 678, 682	2820247.....827, 829
2131612.....682	2400065 ... 781, 799, 801,	2753732 671	2840016.....149, 151
2150404.....661, 663	872	2753733 671	2860030.....131, 872
2150808.....674, 678, 682	2400066 781, 799, 801	2753734 ... 671, 674, 678,	2900770.....73, 527, 643,
2151012.....57	2410014 543, 545, 547	682	649, 651
2160002.....79	2420172 125	2753735 671	2900792....641, 645, 647,
2170204.....661, 663	2420191 93, 95	2753736 671	649
2170316.....73	2420203 425	2753737 671	2901443.....879
2170504.....666, 669	2460048 449, 453	2753738 671	2902065....219, 223, 227,
2170506.....669	2460055 425	2753739 671	231, 235, 239, 243,
2170512.....107, 111	2540038 284, 290	2753740 663	247, 251, 255, 259,
2170704....661, 663, 666	2560136 561	2753741 674, 678	263, 284, 290, 333,
2170708.....661, 663	2560187 ... 155, 159, 165,	2753742 671	338, 361, 382, 413
2170712....101, 103, 105,	171, 175	2753743 671	2902081.....655, 657
109	2580062 ... 235, 239, 259,	2753744 674, 678, 682	2902087.....643, 645
2170804.....666	263	2753745 661, 663	2902099....179, 183, 187,
2170908.....674, 678, 682	2600279 125, 127	2753746 674, 678, 682	191, 195, 199, 203,
2171112....105, 107, 109,	2600280 154, 158, 164	2753747 666	207, 211, 215
111	2600281 ... 531, 533, 549,	2753748 666	2902212....583, 585, 587,
2171208.....661, 663	553	2753749 666	589, 591, 593, 595,
2171210.....661, 663	2680496.... 155, 159, 165	2753750 666	597, 599, 601, 603, 605
2172112.....107, 111	2680498.... 155, 159, 165	2753751 663	2902217....610, 613, 615
2180344.....79	2717059 661, 663	2753752 666	2902257.....653
2180348....179, 183, 187,	2720015 ... 286, 292, 333,	2753753 671	2902355.....859
191, 195, 199, 203,	340, 361	2753754 671	2902357.....859
207, 211, 215, 415	2720058 ... 219, 223, 227,	2753755 661, 663	2902443....763, 766, 769
2180467.....97	231, 235, 239, 243,	2753756 666	2910890.....880
2180830.....661, 663	247, 251, 255, 259,	2753757 666	2910894.....880
2180832....271, 275, 299,	263, 415	2753758 674, 678, 682	2910895.....880
303, 307, 311, 315,	2720160 610, 621	2753759 666	2915024.....65
		2753760 666	2915046.....878

SECTION 11 - SPECIAL OPTIONS

2915072	79	3300151 ...	535, 537, 539, 541, 549, 551, 553, 555, 610, 613, 615, 617	252, 256, 260, 264, 525, 625, 627, 629	3340922 ...	476, 484, 492, 500				
2920028	561	3300220 ...	271, 275, 299, 303, 307, 311, 315, 319, 347, 351, 369, 373	3311508....	433, 441, 449, 453, 457, 461	3340925	512, 516			
2920029	561	3300239 ...	476, 484, 492, 500	3311601....	67, 69, 93, 95, 97, 154, 158, 164, 171, 175, 562, 607	3340926 ...	476, 484, 492, 500			
2920161	143	3300353	561	331160553, 85, 101, 103, 107, 111, 149, 151, 154, 158, 164, 170, 174, 220, 224, 228, 232, 236, 240, 244, 248, 252, 256, 260, 264, 271, 275, 284, 290, 299, 303, 307, 311, 315, 319, 332, 338, 347, 351, 360, 369, 373, 382, 417, 419, 421, 425, 429, 476, 484, 492, 500, 505, 519, 525, 543, 545, 547, 559, 610, 613, 615, 617	3340934	512, 516	3340940	513, 517		
2940045	85	3300396 ...	434, 442, 450, 454, 458, 462	3311705....	271, 275, 284, 290, 300, 304, 308, 312, 316, 320, 332, 338, 348, 352, 360, 369, 373, 382	3340942	513, 517	3340941	513, 517, 519	
2940074 ...	531, 533, 549, 553, 872	3300408	133, 135	3311801....	441, 445, 457, 461, 476, 484, 492, 500	3340955 ...	475, 483, 491, 499	3340956 ...	583, 585, 587, 589, 591, 593, 595, 597, 599, 601, 603, 605	
2940173 ...	154, 158, 164, 171, 175	3300430	519, 579	331180551, 91, 149, 151, 170, 174, 220, 224, 228, 232, 236, 240, 244, 248, 252, 256, 260, 264, 476, 484, 492, 500	3340963	655, 657	3340964	513, 517		
3020037	355, 357	330045461, 65, 145, 147, 220, 224, 228, 232, 236, 240, 244, 248, 252, 256, 260, 264	3300458 ...	476, 484, 492, 500	3340965	559	3340966	513, 517		
3020039 ...	476, 484, 492, 500	3300460 ...	476, 484, 492, 500	3311801....	441, 445, 457, 461, 476, 484, 492, 500	3380465	125	3340967 ...	583, 585, 587, 589, 591, 593, 595, 597, 599, 601, 603, 605	
3020042 ...	476, 484, 492, 500	3300461 ...	476, 484, 492, 500	331180551, 91, 149, 151, 170, 174, 220, 224, 228, 232, 236, 240, 244, 248, 252, 256, 260, 264, 476, 484, 492, 500	3340968	655, 657	3380472 ...	179, 183, 199, 203		
3160339	33, 35, 45	3300464	27	3311801....	441, 445, 457, 461, 476, 484, 492, 500	3380473 ...	179, 183, 187, 191, 195, 199, 203, 207, 211, 215	3380473 ...	179, 183, 187, 191, 195, 199, 203, 207, 211, 215	
3200362 ...	219, 223, 227, 231, 236, 240, 243, 247, 251, 255, 260, 264	3300465	653	331180551, 91, 149, 151, 170, 174, 220, 224, 228, 232, 236, 240, 244, 248, 252, 256, 260, 264, 476, 484, 492, 500	3312002.....	77, 631, 633, 635, 637	3380474 ...	179, 183, 187, 191, 195, 199, 203, 207, 211, 215, 271, 275, 299, 303, 307, 311, 315, 319, 347, 351, 369, 373		
3200401 ...	219, 223, 227, 231, 236, 240, 243, 247, 251, 255, 260, 264	3300482	561	3312005.....	23, 583, 585, 587, 589, 591, 593, 595, 597, 599, 601, 603, 605	3421453	610, 621	3421563	81	
3200401 ...	219, 223, 227, 231, 236, 240, 243, 247, 251, 255, 260, 264	3300492	513, 517	3312205.....	583, 585, 587, 589, 591, 593, 595, 597, 599, 601, 603, 605	3421565	81	3422446 ...	179, 183, 187, 191, 195, 199, 203, 207, 211, 215, 271, 275, 299, 303, 307, 311, 315, 319, 347, 351, 369, 373	
3200433	519	3310401 ...	284, 290, 333, 338, 361, 382	3312602.....	143, 145, 147	3422446 ...	179, 183, 187, 191, 195, 199, 203, 207, 211, 215, 271, 275, 299, 303, 307, 311, 315, 319, 347, 351, 369, 373	3422446 ...	179, 183, 187, 191, 195, 199, 203, 207, 211, 215, 271, 275, 299, 303, 307, 311, 315, 319, 347, 351, 369, 373	
3220126 ...	219, 228, 236, 244, 252, 260	3310601	149, 151	3322201.....	91	3422446 ...	179, 183, 187, 191, 195, 199, 203, 207, 211, 215, 271, 275, 299, 303, 307, 311, 315, 319, 347, 351, 369, 373	3422446 ...	179, 183, 187, 191, 195, 199, 203, 207, 211, 215, 271, 275, 299, 303, 307, 311, 315, 319, 347, 351, 369, 373	
3220130	423	3310805	19, 23	3340871....	476, 484, 492, 500	3422446 ...	179, 183, 187, 191, 195, 199, 203, 207, 211, 215, 271, 275, 299, 303, 307, 311, 315, 319, 347, 351, 369, 373	3422446 ...	179, 183, 187, 191, 195, 199, 203, 207, 211, 215, 271, 275, 299, 303, 307, 311, 315, 319, 347, 351, 369, 373	
3251102 ...	425, 429, 433, 437, 441, 445, 449, 453, 457, 461	3311001 ...	125, 127, 417, 419, 434, 442, 450, 454, 458, 462	3340877.....	155, 159, 165	3422446 ...	179, 183, 187, 191, 195, 199, 203, 207, 211, 215, 271, 275, 299, 303, 307, 311, 315, 319, 347, 351, 369, 373	3422446 ...	179, 183, 187, 191, 195, 199, 203, 207, 211, 215, 271, 275, 299, 303, 307, 311, 315, 319, 347, 351, 369, 373	
3251242 ...	691, 697, 699, 701, 703, 705, 707, 709, 715	3311005 ...	425, 433, 441, 450, 454, 458, 462, 561, 610, 613, 615, 617, 621	3340881 19, 23, 476, 484, 492, 500	3340910....	476, 484, 492, 500	3422446 ...	179, 183, 187, 191, 195, 199, 203, 207, 211, 215, 271, 275, 299, 303, 307, 311, 315, 319, 347, 351, 369, 373		
3251243 ...	433, 442, 450, 458, 841, 845, 849, 851, 853, 855, 857	3311401	125, 127	3340912....	476, 484, 492, 500	3422446 ...	179, 183, 187, 191, 195, 199, 203, 207, 211, 215, 271, 275, 299, 303, 307, 311, 315, 319, 347, 351, 369, 373	3422446 ...	179, 183, 187, 191, 195, 199, 203, 207, 211, 215, 271, 275, 299, 303, 307, 311, 315, 319, 347, 351, 369, 373	
3251813	859	3311402	128	3340916....	476, 484, 492, 500	3422446 ...	179, 183, 187, 191, 195, 199, 203, 207, 211, 215, 271, 275, 299, 303, 307, 311, 315, 319, 347, 351, 369, 373	3422446 ...	179, 183, 187, 191, 195, 199, 203, 207, 211, 215, 271, 275, 299, 303, 307, 311, 315, 319, 347, 351, 369, 373	
3252347	841	3311405 ...	53, 61, 67, 69, 139, 141, 158, 164, 174, 220, 224, 228, 232, 236, 240, 244, 248, 252, 256, 260, 264, 279, 281, 284, 290, 299, 303, 307, 311, 315, 319, 332, 338, 347, 351, 360, 369, 373, 382, 425, 429, 437, 445, 519, 559, 607, 685, 687, 689, 691, 693, 695, 697, 699, 701, 703, 705, 707, 709, 715, 717, 723, 841, 843, 845, 847, 849, 851, 853, 855, 857	3312002.....	77, 631, 633, 635, 637	3422446 ...	179, 183, 187, 191, 195, 199, 203, 207, 211, 215, 271, 275, 299, 303, 307, 311, 315, 319, 347, 351, 369, 373	3422446 ...	179, 183, 187, 191, 195, 199, 203, 207, 211, 215, 271, 275, 299, 303, 307, 311, 315, 319, 347, 351, 369, 373	
3252507	429	3311501	155, 159, 165	3340917....	476, 484, 492, 500	3422446 ...	179, 183, 187, 191, 195, 199, 203, 207, 211, 215, 271, 275, 299, 303, 307, 311, 315, 319, 347, 351, 369, 373	3422446 ...	179, 183, 187, 191, 195, 199, 203, 207, 211, 215, 271, 275, 299, 303, 307, 311, 315, 319, 347, 351, 369, 373	
3271601	415	3311505 27, 53, 101, 103, 105, 107, 109, 111, 137, 151, 170, 171, 174, 175, 179, 183, 187, 191, 195, 199, 203, 207, 211, 215, 220, 224, 228, 232, 236, 240, 244, 248,	3311401	125, 127	3340918....	476, 484, 492, 500	3422446 ...	179, 183, 187, 191, 195, 199, 203, 207, 211, 215, 271, 275, 299, 303, 307, 311, 315, 319, 347, 351, 369, 373	3422446 ...	179, 183, 187, 191, 195, 199, 203, 207, 211, 215, 271, 275, 299, 303, 307, 311, 315, 319, 347, 351, 369, 373
3271605 ...	631, 633, 635, 637	3311507	561	3340921....	476, 484, 492, 500	3422446 ...	179, 183, 187, 191, 195, 199, 203, 207, 211, 215, 271, 275, 299, 303, 307, 311, 315, 319, 347, 351, 369, 373	3422446 ...	179, 183, 187, 191, 195, 199, 203, 207, 211, 215, 271, 275, 299, 303, 307, 311, 315, 319, 347, 351, 369, 373	
3271805	543, 545, 547	3311509	561	3340922 ...	476, 484, 492, 500	3422446 ...	179, 183, 187, 191, 195, 199, 203, 207, 211, 215, 271, 275, 299, 303, 307, 311, 315, 319, 347, 351, 369, 373	3422446 ...	179, 183, 187, 191, 195, 199, 203, 207, 211, 215, 271, 275, 299, 303, 307, 311, 315, 319, 347, 351, 369, 373	
3272001 ...	284, 290, 332, 338, 360, 382, 631, 633, 635, 637	3311510	561	3340925	512, 516	3422446 ...	179, 183, 187, 191, 195, 199, 203, 207, 211, 215, 271, 275, 299, 303, 307, 311, 315, 319, 347, 351, 369, 373	3422446 ...	179, 183, 187, 191, 195, 199, 203, 207, 211, 215, 271, 275, 299, 303, 307, 311, 315, 319, 347, 351, 369, 373	
3290405 ...	437, 441, 445, 449, 453, 457, 461	3311511	561	3340926 ...	476, 484, 492, 500	3422446 ...	179, 183, 187, 191, 195, 199, 203, 207, 211, 215, 271, 275, 299, 303, 307, 311, 315, 319, 347, 351, 369, 373	3422446 ...	179, 183, 187, 191, 195, 199, 203, 207, 211, 215, 271, 275, 299, 303, 307, 311, 315, 319, 347, 351, 369, 373	
3290405 ...	437, 445, 691, 693, 695, 697, 699, 701, 703, 705, 707, 709, 715, 717	3311512	561	3340926 ...	476, 484, 492, 500	3422446 ...	179, 183, 187, 191, 195, 199, 203, 207, 211, 215, 271, 275, 299, 303, 307, 311, 315, 319, 347, 351, 369, 373	3422446 ...	179, 183, 187, 191, 195, 199, 203, 207, 211, 215, 271, 275, 299, 303, 307, 311, 315, 319, 347, 351, 369, 373	
3290505	429	3311513	561	3340926 ...	476, 484, 492, 500	3422446 ...	179, 183, 187, 191, 195, 199, 203, 207, 211, 215, 271, 275, 299, 303, 307, 311, 315, 319, 347, 351, 369, 373	3422446 ...	179, 183, 187, 191, 195, 199, 203, 207, 211, 215, 271, 275, 299, 303, 307, 311, 315, 319, 347, 351, 369, 373	
3290601 ...	155, 159, 165, 171, 175	3311514	561	3340926 ...	476, 484, 492, 500	3422446 ...	179, 183, 187, 191, 195, 199, 203, 207, 211, 215, 271, 275, 299, 303, 307, 311, 315, 319, 347, 351, 369, 373	3422446 ...	179, 183, 187, 191, 195, 199, 203, 207, 211, 215, 271, 275, 299, 303, 307, 311, 315, 319, 347, 351, 369, 373	
3290605	610, 621	3311515	561	3340926 ...	476, 484, 492, 500	3422446 ...	179, 183, 187, 191, 195, 199, 203, 207, 211, 215, 271, 275, 299, 303, 307, 311, 315, 319, 347, 351, 369, 373	3422446 ...	179, 183, 187, 191, 195, 199, 203, 207, 211, 215, 271, 275, 299, 303, 307, 311, 315, 319, 347, 351, 369, 373	
3290606 ...	537, 539, 541, 551, 555	3311516	561	3340926 ...	476, 484, 492, 500	3422446 ...	179, 183, 187, 191, 195, 199, 203, 207, 211, 215, 271, 275, 299, 303, 307, 311, 315, 319, 347, 351, 369, 373	3422446 ...	179, 183, 187, 191, 195, 199, 203, 207, 211, 215, 271, 275, 299, 303, 307, 311, 315, 319, 347, 351, 369, 373	
3290607	145, 147	3311517	561	3340926 ...	476, 484, 492, 500	3422446 ...	179, 183, 187, 191, 195, 199, 203, 207, 211, 215, 271, 275, 299, 303, 307, 311, 315, 319, 347, 351, 369, 373	3422446 ...	179, 183, 187, 191, 195, 199, 203, 207, 211, 215, 271, 275, 299, 303, 307, 311, 315, 319, 347, 351, 369, 373	
3290801 ...	284, 290, 332, 338, 360, 382	3311518	561	3340926 ...	476, 484, 492, 500	3422446 ...	179, 183, 187, 191, 195, 199, 203, 207, 211, 215, 271, 275, 299, 303, 307, 311, 315, 319, 347, 351, 369, 373	3422446 ...	179, 183, 187, 191, 195, 199, 203, 207, 211, 215, 271, 275, 299, 303, 307, 311, 315, 319, 347, 351, 369, 373	
3290805	286, 292, 723	3311519	561	3340926 ...	476, 484, 492, 500	3422446 ...	179, 183, 187, 191, 195, 199, 203, 207, 211, 215, 271,			

SECTION 11 - SPECIAL OPTIONS

3460334.....583, 585, 587, 589, 591, 593, 595, 597, 599, 601, 603, 605	3573437 ... 477, 485, 493, 501	248, 252, 256, 260, 264, 425, 429, 799, 801, 872, 873	3900272.... 179, 183, 187, 191, 195, 199, 203, 207, 211, 215
3470003.....562	3573444 ... 477, 485, 493, 501	3740086 831, 872	3900283.... 59, 67, 95, 97, 154, 158, 164, 512, 516, 525
3520026.....561	3573454 149	3740140 67, 872	3900300..... 434, 442
3520030.....561	3573529 ... 220, 224, 228, 232, 236, 240, 244, 248, 252, 256, 260, 264	3760133 ... 478, 486, 494, 502	3900316.... 512, 516, 525
3520034.... 154, 158, 164, 170, 174	3573642 ... 610, 613, 615, 617	3760170 81	3900322..... 425, 429
3520054.....23, 220, 224, 228, 232, 236, 240, 244, 248, 252, 256, 260, 264, 271, 275, 300, 304, 308, 312, 316, 320, 348, 352, 369, 373, 384, 561	3573644... 179, 183, 187, 191, 195, 199, 203, 207, 211, 215	3760233 ... 477, 485, 493, 501	3900349.....561
3520071....583, 585, 587, 589, 591, 593, 595, 597, 599, 601, 603, 605	3573645 ... 179, 183, 199, 203	3760308 171, 175	3900363.... 155, 159, 165, 171, 175
3520072....531, 533, 535, 537, 539, 541, 543, 545, 547, 549, 551, 553, 555	3573669... 179, 183, 187, 191, 195, 199, 203, 207, 211, 215	3760368 651	3910408.... 284, 290, 333, 338, 361, 382
3520174.... 841, 843, 847	3573727 ... 179, 183, 199, 203	3760371 645	3910606.... 433, 441, 450, 457, 687, 689, 711, 713
3520186.... 154, 158, 164	3573728 ... 179, 183, 187, 191, 195, 199, 203, 207, 211, 215	3760375 649	3910608..... 149, 151
3520189.....454, 462	3573729 ... 179, 183, 187, 191, 195, 199, 203, 207, 211, 215	3760383 27	3910804..... 131
3520192.....454, 462	3573729 ... 179, 183, 199, 203	3790012 561	3911010..... 135, 567
3520198.... 531, 533, 535, 537, 539, 541, 549, 551, 553, 555	3573728 ... 179, 183, 187, 191, 195, 199, 203, 207, 211, 215	3790152 ... 244, 248, 253, 256, 261, 265, 281, 327, 329, 355, 377	3930606..... 519
3537416.... 220, 224, 228, 232, 236, 240, 244, 248, 252, 256, 260, 264	3574431 519	3790155 ... 245, 248, 253, 257, 261, 265, 281, 327, 329, 355, 377	3930816..... 519
3537445..... 149	3574616 519	3820001 ... 841, 843, 845, 847, 849, 851, 853, 855, 857	3930820..... 19, 23
3539971.... 220, 224, 228, 232, 236, 240, 244, 248, 252, 256, 260, 264	3575782 155, 159, 165	3820020 ... 531, 533, 549, 553	3931008..... 91
3572950.... 476, 484, 492, 500	3576799 610, 621	3841143 ... 179, 183, 187, 191, 195, 199, 203, 207, 211, 215, 271, 275, 299, 303, 307, 311, 315, 319, 347, 351, 369, 373, 477, 485, 493, 501, 523	3931016.... 433, 441, 449, 453, 457, 461
3572951.... 476, 484, 492, 500	3577121 ... 610, 613, 615, 617	3841203 ... 477, 485, 493, 501	3931020..... 27
3573016..... 512, 516	3580158 ... 220, 224, 244, 248	3841258 23, 27, 477, 485, 493, 501	3931408..... 579
3573142.... 220, 224, 228, 232, 236, 240, 244, 248, 252, 256, 260, 264	3580276 425	3841287 19, 23, 465, 467, 469, 471	3931412..... 27
3573144..... 128	3580298 ... 476, 484, 492, 500	3841340 53, 93, 95, 97	3931414..... 519
3573179..... 512, 516	3580300 ... 476, 484, 492, 500	3841581 ... 465, 467, 469, 471	3931432.... 284, 290, 333, 338, 361, 382
3573181..... 512, 516	3580302 ... 476, 484, 492, 500	3890029 493, 501	3931448..... 655, 657
3573194..... 512, 516	3580306 ... 477, 485, 493, 501	3890030 493, 501	3931508.... 284, 290, 334, 340, 362, 382
3573210..... 512, 516	3580317 ... 433, 437, 441, 445, 450, 453, 457, 461	3890031 493, 501	3931512..... 91, 284, 290, 332, 338, 360, 382
3573231.... 154, 158, 164	3580318 ... 433, 441, 450, 457	3890032 493, 501	3931516..... 651
3573232.... 154, 158, 164, 170, 174	3580319 ... 437, 445, 454, 461	3890033 493, 501	3931608..... 655
3573233.... 154, 158, 164	3580320 ... 228, 232, 236, 240, 252, 256, 260, 264, 284, 290, 332, 338, 360	3890034 477, 485	3931616.... 113, 115, 117, 119, 121, 123
3573259..... 67	3580341 ... 477, 485, 493, 501	3890035 477, 485	3931628.... 284, 290, 332, 338, 360
3573294..... 19, 23	3580342 ... 476, 484, 492, 500	3890036 477, 485	3931824..... 643, 645
3573301..... 519	3600339 ... 220, 224, 228, 232, 236, 240, 392	3890037 477, 485	3931840..... 655, 657
3573335..... 19, 23	3600424 67, 69, 71	3900054 543, 545, 547	3932024..... 27
3573355..... 83	3620034 101, 103	3900085 143, 145, 147	3932244..... 649
3573400.... 610, 613, 615, 617	3740049 125, 127, 872	3900174 170, 174	3951620..... 512, 516
3573411.... 220, 224, 228, 232, 236, 240, 244, 248, 252, 256, 260, 264	3740067 69, 220, 224, 228, 232, 236, 240, 244, 248, 252, 256, 260, 264, 872	3900210 ... 170, 171, 174, 175, 525	3952020..... 77
3573412.... 220, 224, 228, 232, 236, 240, 244, 248, 252, 256, 260, 264	3740080 ... 220, 224, 228, 232, 236, 240, 244,	3900232 ... 154, 158, 164, 170, 174	3960418..... 125, 128
		3900251 128	3960422.... 433, 441, 450, 457, 687, 689, 711, 713
		3900260 512, 516	3960447..... 171, 175
		3900267 434, 442	3960464.... 155, 159, 165
		3900270 19, 23	3960543.... 220, 224, 228, 232, 236, 240, 244, 248, 252, 256, 260, 264, 284, 290, 332, 338, 360, 382
			3960544.... 220, 224, 228, 232, 236, 240, 244, 248, 252, 256, 260, 264, 284, 290, 332, 338, 360, 382
			3960551..... 27
			3960552..... 27
			3980006..... 67, 69
			3990010..... 781, 872

SECTION 11 - SPECIAL OPTIONS

4010408 437, 445, 717	4071036 19, 23	4360328.....125, 127, 872	4460268 ... 137, 139, 141, 777, 779, 799, 801
4010608 610, 621	4071039 19, 23	4360336....425, 429, 433, 437, 441, 445, 450, 454, 457, 461, 575, 872, 873	4460294 446
4010618 ... 537, 539, 541, 551, 555	4071040 19, 23	4360387 127, 561, 872, 873	4460297 781
4031505 581	4071041 77	4360407.....561, 872	4460312 785
4031516 607	4071042 19, 23	4360469.....131, 873	4460313 763, 781, 785
4031608 429	4071044 ... 477, 485, 493, 501	4360475 125, 127, 561, 872	4460315 ... 457, 687, 689, 763
4031907 284, 290	4071045 ... 477, 485, 493, 501	4360476.... 125, 127, 561, 872	4460320 799, 801, 833
4031914 ... 284, 290, 332, 338, 360, 382	4071046 ... 477, 485, 493, 501	4360505.....27, 872	4460346 ... 433, 441, 450, 457, 687
4032014 ... 284, 290, 332, 338, 360	4071048 154, 158, 164	4360527 519, 873	4460374 799, 801
4032022 ... 220, 224, 228, 232, 236, 240, 244, 248, 252, 256, 260, 264	4071049 20	4360542 425	4460375 799, 801
4060092 689	4071050 20	4360543.....519, 873	4460418 781, 803
4060802 ... 425, 429, 433, 437, 441, 445, 450, 454, 457, 461	4071054 19, 23	4360548.....519, 873	4460419 781, 803
4060804 ... 155, 159, 165, 220, 224, 228, 232, 236, 240, 244, 248, 252, 256, 260, 264, 513, 517	4071055 19, 23	4400457.....93, 95, 97, 99	4460424 ... 137, 139, 141, 799, 801
4060805 ... 220, 224, 228, 232, 236, 240, 244, 248, 252, 256, 260, 264	4071074 561	4420014 583, 585, 587, 589, 591, 593, 595, 597, 599, 601, 603, 605	4460425 ... 434, 442, 450, 454, 458, 462, 711, 713
4060806 155, 159, 165	4120040 505, 879	4420037 67, 69, 610, 613, 615, 617	4460426 ... 125, 127, 434, 442, 450, 454, 458, 462
4060808 53	4120043 505, 879	4420038.....93, 95, 97	4460428 561
4060906 575	4160194 ... 154, 158, 164, 170	4420051.....859	4460434 803
4070863 ... 477, 485, 493, 501	4160197 ... 477, 485, 493, 501	4420060.....429	4460449 791
4070864 ... 477, 485, 493, 501	4240018 ... 179, 183, 187, 191, 195, 199, 203, 207, 211, 215, 271, 275, 299, 303, 307, 311, 315, 319, 347, 351, 369, 373, 433, 437, 441, 445, 450, 454, 457, 461, 513, 517, 711, 713	4420062.....625, 627, 629	4460458 766, 769
4070895 ... 477, 485, 493, 501	4240032 ... 145, 147, 755, 763, 781, 835, 837	4420066....583, 585, 587, 589, 591, 593, 595, 597, 599, 601, 603, 605	4460464 ... 577, 725, 755, 757, 759, 761, 766, 775, 781, 785, 791, 793, 799, 801, 803, 807, 809, 811, 813, 831, 833
4070897 ... 477, 485, 493, 501	4240033 ... 579, 581, 607, 733, 755, 763, 791, 793, 809, 811	4460007.....561	4460465 ... 450, 454, 459, 462, 725, 733, 755, 757, 759, 763, 765, 766, 769, 770, 777, 779, 781, 785, 787, 789, 791, 793, 795, 797, 799, 801, 803, 807, 809, 811
4070898 ... 477, 485, 493, 501	4240099 ... 179, 183, 187, 191, 195, 199, 203, 207, 211, 215, 220, 224, 228, 232, 236, 240, 244, 248, 252, 256, 260, 264, 284, 290, 334, 340, 362, 370, 374, 382, 610, 613, 615	4460008.....425	4460466 ... 581, 725, 727, 733, 755, 757, 759, 763, 765, 766, 769, 770, 785, 789, 795, 797, 799, 801, 803, 807, 809, 811, 825, 831
4071012 ... 477, 485, 493, 501	4240139 93, 95	4460016.....803	4460467 879
4071013 485, 501	4240149 ... 583, 585, 587, 589, 591, 593, 595, 597, 599, 601, 603, 605	4460019....763, 766, 769, 785, 799, 801	4460470 125, 127, 561
4071015 ... 477, 485, 493, 501	4240150 155, 159, 165	4460027.....425	4460471 125, 127, 561
4071017 ... 477, 485, 493, 501	4240153 513, 517	4460035.....757, 759, 781	4460473 795, 797
4071018 ... 477, 485, 493, 501	4240155 19, 24, 513, 517	4460042.....767, 770, 804	4460474 781
4071019 ... 477, 485, 493, 501	4240156 513, 517	4460043.....766, 769	4460475 781
4071021 512, 516	4300157 ... 441, 445, 457, 461	4460051.....687, 689	4460483 434, 442
4071022 513, 517	4340923 ... 154, 158, 164	4460068.....434, 442	4460488 145, 147
4071023 513, 517	4340924 154, 158, 164	4460071 433, 441, 450, 457, 577	4460496 125, 127, 561
4071024 ... 477, 485, 493, 501	4340995 154, 158, 164	4460125 689	4460497 125, 127, 561
4071025 ... 477, 485, 493, 501	4340996 154, 158, 164	4460142.....781, 803	4460508 ... 581, 781, 785, 803
4071027 ... 477, 485, 493, 501	4340999 ... 154, 158, 164, 170, 174	4460183.....757, 759, 803	4460509 795, 797
4071028 ... 477, 485, 493, 501	4341001 154, 158, 164	4460190.....425	4460510 879
4071029 ... 477, 485, 493, 501	4341158 519	4460205 687	4460518 725
4071031 ... 477, 485, 493, 501	4360070 ... 434, 442, 450, 454, 458, 462, 873	4460213 803	4460526 125, 127
4071035 19, 23	4360274 125, 127, 872	4460224.....446	4460536 757, 803
		4460225....777, 779, 781, 803	4460539 ... 721, 727, 769, 785, 803
		4460226....570, 573, 577, 719, 804	4460612 711, 713
		4460227....719, 733, 781, 803	4460702 763, 835, 837
		4460234....236, 240, 260, 264, 340, 561	4460703 766, 769
		4460247 766, 769	4460708 561, 804
		4460256....785, 799, 801, 835, 837	
		4460259.....781, 785, 803	
		4460260....781, 785, 803	
		4460265 570, 573	
		4460267 799, 801, 803, 833	

SECTION 11 - SPECIAL OPTIONS

4460709.....689	4460935 733, 755, 765	4640452 651	236, 240, 244, 248,
4460722.....729, 731	4460941 ... 733, 755, 765,	4640509 ... 641, 645, 647,	252, 256, 260, 264,
4460746.....769	775, 825	649	271, 275, 285, 291,
4460748.....769	4460942 ... 581, 733, 766,	4640751 ... 220, 224, 228,	299, 303, 307, 311,
4460761.....719, 733, 781	770, 775, 781, 799, 801	232, 236, 240, 244,	315, 319, 332, 338,
4460806....701, 703, 705,	4460943... 145, 147, 721,	248, 252, 256, 260,	347, 351, 360, 369,
707, 781, 803	729, 733, 755, 765,	264, 286, 292, 334,	373, 382, 415, 417,
4460807777, 779	785, 803, 825	340, 362, 382	419, 421, 425, 429,
4460808.....777, 779	4460944 ... 721, 727, 731,	4640858 643	433, 437, 441, 445,
4460836....733, 755, 765,	733, 755, 759, 763,	4641114 651	450, 454, 447, 461,
799, 801	765, 766, 769, 770,	4641155 53	477, 485, 493, 501,
4460837733	781, 782, 785, 799,	4641210 649	505, 513, 517, 519,
4460842.....799, 801	801, 803	4641247 101, 105, 107	525, 562, 631, 633,
4460843.....799, 801	4460945 759, 769	4641248 645, 647	635, 637, 655, 657
4460865.....795, 797	4460950 755, 766	4641255 527	4711700....271, 275, 285,
4460866.....781, 803	4460956 751, 753	4641256 655, 657	291, 300, 304, 308,
4460868.....781	4460957 751, 753	4641260 651	312, 316, 320, 332,
4460871....757, 759, 781,	4460958 713	4641268 53, 55	338, 348, 352, 360,
785, 799, 801, 803	4460962 610, 615	4641276 643	369, 373, 382, 415,
4460873.....781, 803	4460963 450, 458	4641454 53, 57	425, 429
4460874.... 125, 127, 803	4460965 781, 799, 801	4641460 525, 527	4711800.... 19, 23, 27, 53,
4460875..... 125, 127	4460966 733, 781	4700038 ... 476, 484, 492,	149, 151, 220, 224,
4460876.....781, 803	4460967 ... 450, 454, 459,	500	228, 232, 236, 240,
4460877781	462	4700039 ... 476, 484, 492,	244, 248, 252, 256,
4460878.....781	4460968.19, 23, 429, 519	500	260, 264, 543, 545, 547
4460879.....803	4460970 765	4710400 ... 284, 290, 333,	4711900.....425, 429
4460880....755, 791, 799,	4460971 610, 621	338, 361, 382	4712000.....23, 583, 585,
809, 813	4460982 766	4711000 ... 417, 419, 434,	587, 589, 591, 593,
4460884....731, 733, 755,	4461005 763	442, 450, 454, 458, 462	595, 597, 599, 601,
770, 781, 807	4461006 763	4711400 ... 53, 61, 65, 67,	603, 605, 631, 633,
4460887.....781, 785, 803	4461008 763, 767, 769	69, 139, 141, 154, 158,	635, 637
4460888.....781, 803	4461013 835, 837	164, 171, 174, 175,	4712200....583, 585, 587,
4460891....725, 775, 785,	4461052 763	179, 183, 187, 191,	589, 591, 593, 595,
787, 809, 811	4461053 763	195, 199, 203, 207,	597, 599, 601, 603, 605
4460892.... 125, 127, 755	4461054 ... 763, 767, 770,	211, 215, 271, 275,	4740171.....325
4460894....727, 733, 755,	775	279, 281, 284, 290,	4740181.....27
763, 766, 770, 781,	4461060 763	299, 303, 307, 311,	4740229.....27
799, 801, 803	4461070 ... 725, 763, 765,	315, 319, 333, 338,	4740274....220, 224, 228,
4460897....761, 775, 809,	766	347, 351, 361, 369,	232, 236, 240, 244,
811, 813, 833	4461071 763, 766, 769	373, 382, 433, 437,	248, 252, 256, 260, 264
4460898.....757, 759	4461072 763, 766, 769	441, 445, 450, 454,	4740362.....559
4460899....727, 733, 785,	4461073 763, 766, 769	457, 461, 512, 516,	4740397.... 425, 429, 561
807, 825, 831	4461074 763, 766, 769	519, 535, 537, 539,	4740430.59, 61, 279, 281
4460905.... 125, 127, 561,	4461077 825, 831	541, 549, 551, 553,	4740444..... 125, 127
757, 759, 781, 803	4461095 ... 725, 763, 765,	555, 579, 607, 691,	4740461..... 19, 23
4460910.....519, 827	766	693, 695, 697, 699,	4740500..... 154, 158, 164
4460911....729, 731, 825,	4461097 763	701, 703, 705, 707,	4740505.....27
835, 837	4461196 815	709, 715, 717	4740509....477, 485, 493,
4460912....729, 731, 835,	4461198 695, 815	4711500 ... 27, 53, 65, 85,	501
837	4461199 817	101, 103, 105, 107,	4740518....220, 224, 228,
4460913.....519	4461201 699, 817	109, 111, 151, 170,	232, 236, 240, 244,
4460914....27, 125, 127,	4461205 819, 821	171, 174, 175, 179,	248, 252, 256, 260, 264
519	4461244 703, 819	183, 187, 191, 195,	4750600.....149, 151
4460917.....519	4461245 707, 821	199, 203, 207, 211,	4750800..... 19, 23, 561
4460918....729, 731, 835,	4461246 715, 823	215, 220, 224, 228,	4751000..93, 95, 97, 125,
837	4461249 823	232, 236, 240, 244,	127, 143, 145, 147,
4460925.....803	4530028 ... 610, 613, 615,	248, 252, 256, 260,	425, 433, 441, 450,
4460926.....809, 811	619	264, 284, 290, 332,	454, 458, 462, 561,
4460928....725, 809, 811	4562516 513, 517	338, 360, 382, 513,	610, 613, 615, 617, 621
4460930....755, 763, 765,	4568293 ... 220, 224, 228,	517, 525	4751400.....85, 125, 127,
766, 770, 789	232, 236, 240, 244,	4711600 ... 19, 23, 53, 65,	145, 147, 171, 175,
4460931.....765, 785	248, 252, 256, 260, 264	67, 69, 107, 111, 149,	220, 224, 228, 232,
4460932....721, 729, 733,	4568423 ... 477, 485, 493,	151, 154, 158, 164,	236, 240, 244, 248,
766, 775	501	170, 174, 179, 183,	252, 256, 260, 264,
4460933....725, 733, 755,	4568426 101, 103	187, 191, 195, 199,	285, 291, 332, 338,
757, 759, 766, 781, 803	4568427 101, 103	203, 207, 211, 215,	360, 382, 426, 429,
4460934....733, 755, 765	4640438 649	220, 224, 228, 232,	557, 559, 562, 610,

SECTION 11 - SPECIAL OPTIONS

613, 615, 617, 723, 841, 843, 845, 847, 849, 851, 853, 855, 857 4751500 ... 137, 155, 159, 165, 170, 174, 433, 441, 450, 454, 457, 461, 513, 517, 625, 627, 629 4751600 ... 27, 59, 83, 85, 93, 95, 97, 101, 103, 113, 115, 117, 119, 121, 123, 154, 158, 164, 170, 174, 465, 467, 469, 471, 525, 559, 610, 613, 615, 617 4751700 ... 285, 291, 332, 338, 360, 382 475180051, 91, 170, 174, 543, 545, 547 4752000 ... 179, 183, 187, 191, 195, 199, 203, 207, 211, 215, 271, 275, 299, 303, 307, 311, 315, 319, 347, 351, 369, 373 4755000 27 4760600 687, 689 4760800 562 4761400 125, 127, 557 4770600 149, 151 479140067, 69, 220, 224, 228, 232, 236, 240, 244, 248, 252, 256, 260, 264, 332, 338, 360, 384, 433, 437, 441, 445, 450, 454, 457, 461 4811400 ... 691, 693, 695, 697, 699, 701, 703, 705, 707, 709, 715 4811600 27, 429 4811700 ... 145, 147, 382, 537, 539, 541, 551, 555, 610, 621 4811900 ... 155, 159, 165, 285, 291, 332, 338, 360, 383, 523, 723 4811902 ... 285, 291, 332, 338, 360, 383 4812000 ... 285, 291, 332, 338, 360, 383, 523 4812002 286, 292 4812100 ... 271, 275, 285, 291, 299, 303, 307, 311, 315, 319, 332, 338, 347, 351, 360, 369, 373, 383, 523 4812200 ... 285, 291, 332, 338, 360, 383 4831900 ... 332, 338, 360, 383 4845582 625, 627, 629 4846383 19, 24 4846423 517 4846429 517 4846431 513, 517 4846453 ... 477, 485, 493, 501 4846462 ... 477, 485, 493, 501 4846476 93 4846482 ... 477, 485, 493, 501 4846484 519 4846485 513, 517 4846503 154 4846515 513 4846516 513 4846552 ... 220, 224, 228, 232, 236, 240, 244, 248, 252, 256, 260, 264 4846627 ... 610, 613, 615, 617 4846637 19, 24 4846945 ... 228, 232, 236, 240, 252, 256, 260, 264 4846946 ... 220, 224, 228, 232, 236, 240, 244, 248, 252, 256, 260, 264 4891400 519 4891500 426, 429 4891600 ... 171, 175, 244, 248, 252, 256, 260, 264, 281, 327, 329, 355, 377, 505, 513, 517, 523 4891800 ... 149, 151, 220, 224, 228, 232, 236, 240, 244, 248, 252, 256, 260, 264, 279, 281, 323, 327, 329, 355, 357, 377, 379, 433, 437, 441, 445, 450, 454, 457, 461, 513, 517 4892000 ... 29, 31, 47, 49, 51, 79, 285, 291, 332, 338, 360, 383, 426, 429, 477, 485, 493, 501 4892400 77 4892600001 523 4920385 286, 292 4921850 880 4922641 ... 429, 451, 454, 459, 462 4922666 562, 719 4922672 ... 735, 739, 747, 795 4922673 ... 737, 741, 743, 745, 749, 797 4922696 755 4922705 733 4922716 727 4922718 721 4922758 737 4922759 735 4922760 741 4922761 739 4922762 ... 737, 741, 743, 745, 749 4922763 735, 739, 747 4922767 791, 793 4922777 809, 811 4922780 731 4922781 729 4922784 787 4922785 761 4922795 749 4922796 747 4922947 837 4922948 835 4922972 ... 450, 454, 457, 461, 779 4923256 789 4923468 ... 220, 224, 228, 232, 236, 240, 244, 248, 252, 256, 260, 264 4923592 ... 220, 224, 228, 232, 244, 248, 252, 256 5241200 38, 42, 523 5250808 286, 292 5251008 523 5251016 523 70000044 267 70000124 425 70000125 425 70000342 507 70000345 .. 267, 295, 343, 365, 387 70000619 .. 449, 453, 457, 461 70000780 91 70000793 413 70000796 509 70000801 57 70000802 57 70000803 57 70000804 57 70000805 57 70000806 57 70000810 37 70000811 37 70000812 37 70000813 37 70000816 37 70000817 37 70000818 37 70000819 38 70000820 37 70000821 37 70000822 37 70000823 37 70000824 37 70000825 37 70000826 37 70000834 37 70000835 37 70000836 37 70000838 37 70000839 37 70000840 37 70000841 37 70000842 37 70000843 37 70000844 37 70000845 37 70000846 37 70000847 37 70000848 37 70000849 37 70000852 45 70000853 45 70000854 45 70000855 45 70000856 45 70000857 45 70000858 45 70000859 45 70000860 45 70000861 45 70000862 45 70000863 . 449, 453, 458, 461 70000916 267 70000917 267 70000918 267 70000919 267 70000950 399 70001017 423 70001056 71 70001100 . 449, 453, 457, 461 70001101 91 70001102 91 70001125 267 70001126 267 70001128 267 70001129 267 70001130 267 70001131 267 70001135 267 70001384 . 449, 453, 457, 461 70001424 623 70001425 623 70001427 623 70001428 623 70001429 623 70001430 623 70001431 623 70001432 623 70001435 267 70001639 507 70001640 509 70001696 449, 453 70001847 267 70001850 267 70001857 267 70001867 267 70001868 267 70001870 . 267, 295, 343, 365, 388 70001871 267 70001930 73 70001939 55 70001952 392 70001953 449, 453 70001955 407 70001956 407 70001958 405 70001966 . 434, 437, 442, 445, 449, 453, 458, 461 70001968 393, 399 70001973 . 449, 453, 458, 462 70001974 . 449, 453, 458, 462
--

SECTION 11 - SPECIAL OPTIONS

70001976.....	55, 73	70002231 .	179, 183, 187,	70003136	267	70004507.....	343
70002015.....	41	191, 195, 200, 204,		70003165	400	70004508.....	343, 387
70002016.....	41	207, 211, 215, 271,		70003167	399	70004509.....	343
70002018.....	41	275, 299, 303, 307,		70003170	400	70004510.....	343
70002019.....	41	311, 315, 319, 347,		70003173	398	70004511.....	295
70002020.....	41	351, 369, 373, 872		70003174	398	70004512.....	295
70002021.....	41	70002247	42	70003175	398	70004646.....	879
70002026.....	41	70002248	42	70003177	398	70004647.....	879
70002027.....	41	70002249	42	70003340	399, 400	70004648.....	879
70002029.....	41	70002255	449, 453	70003475	267	70004676..	434, 437, 442,
70002030.....	41	70002291	458, 462	70003555 .	220, 228, 236,	445	
70002031.....	41	70002297	449, 453	244, 252, 260		70004677.....	437
70002032.....	41, 87	70002393	37	70003628	45	70004678..	434, 437, 442,
70002033.....	41	70002394	37	70003631 .	449, 453, 458,	446	
70002034.....	41	70002395	37	461		70004680..	434, 437, 442,
70002035.....	41	70002396	37	70003708 .	434, 437, 442,	446	
70002036.....	41	70002397	37	445, 449, 453, 458, 461		70004681.....	437, 446
70002037.....	41	70002398	37	70003709 .	434, 437, 442,	70004682..	434, 437, 442,
70002039.....	41	70002399	37	445, 449, 453, 458, 461		446	
70002040.....	41	70002412	647	70003913 ..	512, 516, 872	70004683.....	438, 446
70002041.....	41	70002460 .	449, 453, 458,	70003914	512, 516	70004684.....	434
70002044.....	41	462		70003915	512, 516	70004685.....	434, 442
70002045.....	41	70002569	394	70003917 ..	512, 516, 872	70004686.....	445
70002046.....	41	70002576	411	70003918	512, 516	70004687.....	442
70002047.....	41	70002578	407	70004092 .	434, 437, 442,	70004738.....	573
70002048.....	41	70002580	407	445, 458, 462		70004739.....	573
70002049.....	41	70002582	407	70004094	458, 462	70004740.....	573
70002050.....	41	70002583	407	70004098 .	434, 442, 458,	70004741.....	573
70002052.....	41	70002585	407	462		70004742.....	573
70002057.....	41, 87	70002586	407	70004099 .	442, 445, 458,	70004743.....	573
70002088.....	449, 453	70002588	407	461		70004744.....	573
70002097.....	525, 872	70002589	407	70004169	449, 453	70004745.....	573
70002132.....	404	70002590	407	70004171 .	434, 437, 449,	70004746.....	573
70002133.....	404, 407	70002592	408	453		70004747.....	573
70002134.....	404	70002593	408	70004185	879, 880	70004748.....	573
70002135.....	404	70002599	408	70004186	647	70004749.....	573
70002136.....	404	70002600	404	70004275	365	70004750.....	573
70002137.....	404	70002601	404	70004276	296	70004751.....	573
70002138.....	404	70002602	404	70004277 .	297, 344, 366,	70004752.....	569
70002139.....	404	70002604	405	388		70004753.....	569
70002140.....	404	70002605	405	70004279	366	70004754.....	569
70002141.....	404	70002606	405	70004280 ..	295, 343, 365	70004755.....	569
70002142.....	404	70002607	405	70004282 ..	296, 344, 366	70004756.....	569
70002145.....	404	70002608	405	70004284	366	70004757.....	569
70002148.....	404	70002609	405	70004328	525	70004758.....	569
70002150.....	404	70002610	405	70004413	97	70004759.....	569
70002151.....	404	70002612	405	70004414	93, 95	70004760.....	569
70002152.....	404	70002616	405	70004416	407	70004761.....	569
70002153.....	404	70002617	405	70004417	407	70004762.....	569
70002154.....	404	70002618	404	70004420	407	70004763.....	569
70002155.....	404	70002619	404	70004421	407	70004764.....	569
70002156.....	404	70002620	404	70004422	408	70004765.....	569
70002157.....	404	70002621	405	70004423	407	70004766.....	569
70002158.....	404	70002622	405	70004426	407	70004767.....	569
70002159.....	404	70002623	405	70004467	87	70004768.....	569
70002160.....	404	70002674	41	70004469	87	70004769.....	569
70002161.....	404	70002718 .	267, 295, 343,	70004474	87	70004770.....	569
70002162.....	404	365		70004477	87	70004771.....	569
70002163.....	404	70002758	74	70004480	87	70004772.....	569
70002164.....	404	70002759	73, 74	70004481	87	70004773.....	569
70002165.....	404	70002760	74	70004494	88	70004774.....	570
70002168.....	405	70002859	509	70004501 ..	296, 344, 366	70004775.....	570
70002174.....	405	70002902	577	70004502	344, 366	70005153.....	647
70002175.....	405	70002903	577	70004503	366, 387	70005171.....	295, 343
70002177.....	405	70002904	577	70004504	344, 387	70005172...	295, 343, 387
70002178.....	405	70002905	577	70004505	343	70005173.....	295
70002179.....	405	70003135	267	70004506	343	70005174.....	295

SECTION 11 - SPECIAL OPTIONS

70005177	296	70006631	657	70024190..	286, 292, 333,	70025152..	295, 343, 365
70005181	296	70006653	344	339, 361, 383, 873		70025153..	295, 365, 387
70005184	296, 387	70006656	655	70024473.....	366	70025154..	295, 343, 365
70005188	296	70006657	655, 657	70024484.....	296, 366	70025155.....	296, 366
70005189	296	70006658	655, 657	70024486.....	365	70025156.....	366
70005191	297	70006659	655	70024488.....	295, 365	70025158.....	296
70005317	87	70006697	657	70024494...295, 343, 387		70025160.....	366, 387
70005318	87	70006698	657	70024502.....	296	70025161.....	366
70005418	408	70006986	87	70024504..295, 297, 344,		70025162.....	295, 365
70005433	655, 657	70006987	87	366, 387		70025163.....	365
70005445	366	70006988	87	70024507..297, 344, 366,		70025164..	296, 344, 366,
70005480	398	70006989	87	387		387	
70005481	398	70006990	87	70024509.....	296	70025171.....	295, 365
70005527	344	70006991	87	70024513..295, 343, 365,		70025176.....	295, 365
70005647	297, 344	70006992	87	387		70025177.....	366
70005648	297, 344	70006993	87	70024517.....	295, 365	70025178.....	296, 366
70005920	295	70006994	87	70024904...343, 365, 388		70025179.....	296, 366
70005921	295, 343	70006995	87	70024905...295, 343, 365		70025180.....	296, 366
70005923	296	70006996	87	70024906...295, 343, 365		70025181..	295, 343, 365
70005924	296	70006997	87	70024907.....	365	70025182..	296, 343, 366
70005925	296	70006998	87	70024910.....	296, 366	70025183..	296, 344, 366
70005926	296, 344	70006999	87	70024912...296, 344, 366		70025184..	296, 344, 366
70005927	296	70007000	87	70024915..297, 344, 366,		70025185.....	296
70005928	296	70007001	87	387		70025190.....	365
70005929	296, 344	70007002	87	70024916.....	387	70025200..	296, 344, 366
70005931	344, 387	70007003	87	70024917.....	344, 366	70025202.....	365
70005938	388	70007004	88	70024918...297, 366, 387		70025203.....	296, 366
70005941 ..	295, 343, 387	70007005	88	70024919.....	343, 366	70025204.....	365
70005942 ..	295, 343, 387	70007006	88	70024920..296, 297, 343,		70025205..	295, 343, 365
70006093	458, 461	70007007	88	344, 366		70025206.....	365
70006094	458, 462	70007008	88	70024922.....	297	70025207.....	365
70006095	458, 462	70007009	87	70024924..295, 343, 365,		70025208.....	365
70006096	458, 462	70007010	88	387		70025210..	296, 344, 366,
70006097	458, 462	70007011	87	70024925..295, 343, 365,		873	
70006127	295	70007012	88	387		70025231.....	295, 365
70006144	343, 387	70007013	88	70024961..295, 343, 365,		70025235..	296, 343, 366
70006403	421	70007015	647	387		70025239..	295, 343, 365
70006404	421	70007016	647	70025076.....	295, 365	70025240.....	296
70006405	421, 873	70007017	647	70025077.....	297	70025242.....	344
70006406	421	70007018	647	70025080.....	295, 365	70025477.....	296, 366
70006407	421	70007019	647	70025082.....	295, 365	70025533.....	297, 366
70006408	421	70007020	647	70025084.....	296, 366	70025660.....	297
70006409	421	70007178	400	70025088.....	365	70025768.....	296
70006410	421	70007325	344	70025091.....	295, 365	70025788.....	344
70006473	643	70007326	344	70025101.....	296	70025877.....	344
70006474	643	70007327	344	70025103.....	366	70025931.....	296
70006490	653	70007328	344	70025107.....	296	70026210..	297, 344, 366,
70006491	653	70007329	344	70025109.....	296	387	
70006492	653	70007330	344	7002511.....	343, 365	70026995.....	296
70006493	653	70007331	344	70025111.....	295	7002821.....	879
70006520	643	70007353	268	70025112...296, 344, 366		7002822.....	879
70006523	651	70007382	641	70025115.....	296	7002823.....	879
70006524	651	70007383	641	70025120...297, 344, 366		7002828.....	879
70006525	651	70007384	641	70025130.....	387	70028540.....	344
70006526	651	70007385	641	70025133.....	296	70028699.....	344
70006527	649	70007386	641	70025135...295, 343, 365		70029401.....	344, 387
70006528	649	70007603	387	70025136.....	343, 365	70029433.....	344
70006529	649	70020329	399	70025137...295, 343, 365		70029451.....	343
70006530	649	70020336	400	70025140...295, 343, 365		70029517.....	344
70006547	645	70021867	392, 398	70025142..296, 344, 366,		70029520.....	344
70006548	645	70021895	296	387		70029557.....	344
70006549	645	70022286	407	70025143.....	366	70029581.....	387
70006550	645	70023592 ..	285, 291, 333,	70025144...295, 343, 366		70029797.....	344
70006552 ..	433, 437, 441,	339, 361, 383, 872		70025145...295, 343, 365		70035212.....	297
445		70023593 ..	285, 291, 333,	70025146...295, 343, 365		7003655... 219, 223, 227,	
70006553 ..	433, 437, 441,	339, 361, 383, 872		70025149.....	297, 366	231, 235, 239, 243,	
445				70025151...296, 343, 366			

SECTION 11 - SPECIAL OPTIONS

247, 251, 255, 259, 263, 873	7017402 527	7024079 399	7024584.... 179, 183, 187, 191, 195, 199, 203, 207, 211, 215
7004275.....879	7017405 57	7024080 393	7024598..... 149, 151
7004276.....879	7017451 73, 872	7024081 393, 399	7024800.....405
7007207.....404, 407	7017495 73	7024083 393	7024865.....45
7007415....405, 407, 408	7018936 394, 400	7024084 393	7024867.....45
7007418.....404	7018942 73	7024085 394	7024868.....45
7007419.....404	7018991 55, 73, 872	7024087 394	7024905.....399
7007420.....45	7019680 425	7024088 394	7024906.....393, 399
7007437.....45	7020043 93, 95	7024089 394	7024907.....399
7007438.....45	7020108 425, 429	7024096 400	7024908.....393, 399
7007439.....45, 405	7020109 425, 429	7024097 393	7024909.....399
7007446....45, 404, 407	7020110 425, 430	7024374 99	7024911.....393, 399
7007489.....411	7020111 425, 430	7024375 99, 872	7024913.....392, 398
7010543.....57	7020175 125, 127, 561	7024439 99	7024914.....392
7010545.....649	7020176 ... 125, 127, 561	7024440 99	7024915.....392
7011016.....71	7020190 425, 429	7024441 99	7024916.....392
7011043.....71	7020404 365	7024442 99	7024917.....392, 398
7011044.....71	7020414 267	7024443 99	7024918.....392, 398
7011048.....71	7020447 267	7024444 99, 872	7024919.....392, 398
7011062.....71	7020460 267	7024445 99	7024920.....392, 398
7011311.....73	7020465 ... 267, 295, 343, 365, 387	7024446 99	7024921.....392, 398
7011346.....55, 73, 527	7020468 267	7024462 619	7024922.....392, 398
7011354.....73, 872	7020471 267	7024463 619	7024924.....73
7011355.....527	7020479 267	7024467 619	7024925.....73
7012513.....425, 429	7020486 267	7024469 619	7024927.....55
7012514.....425, 429	7020488 267	7024470 619	7026000.....73
7012558.....425	7020492 ... 296, 344, 366	7024471 619, 623	7026001.....73
7012706.....392, 398	7021249 45	7024472 619	7026002.....73
7012709.....392	7021256 405	7024473 619	7026003.....73
7012715.....392	7021265 405	7024474 619	7026004.....73
7012773.....55, 73	7021275 45, 404, 407	7024475 619	7026005.....73
7012941.....57	7021293 405	7024478 619	7026006.....73
7012942.....57	7021375 73	7024485 449, 453	7026007.....73
7012944.....57, 527, 872	7021636 73	7024488 ... 449, 453, 457, 461	7026008.....73
7012955.....57	7022300 405	7024489 ... 449, 453, 457, 461	7026016.....73
7012967.....57, 651	7022301 404	7024530 623	7026018.....527
7012998.....57	7022311 45	7024531 623	7026019.....527
7015003....219, 223, 227, 231, 235, 239, 243, 247, 251, 255, 259, 263	7022314 45	7024532 623	7026020.....527
7015013....219, 223, 227, 231, 235, 239, 243, 247, 251, 255, 259, 263	7022321 45	7024533 623	7026021.....527
7015014....219, 223, 227, 231, 235, 239, 243, 247, 251, 255, 259, 263	7022340 407	7024534 623	7026022.....527
7015015....219, 223, 227, 231, 235, 239, 243, 247, 251, 255, 259, 263	7022368 45	7024535 623	7026023.....527
7016314.....97	7022371 45	7024536 623	7026028.....55
7016319.....143	7023306 99	7024537 623	7026029.....91
7016322.....149, 151	7023347 99	7024565 267	7026030.....91
7016328.....267, 873	7023881 393	7024570 73	7026031.....91, 873
7016331....267, 295, 343, 365, 387, 873	7023887 398	7024571 73, 527, 872	7026032.....91
7016372.....143	7023922 527	7024572 527	7026188.....449, 453
7016374.....149, 151	7023962 407	7024573 73	7026571.....99
7016654.....879	7023964 407, 408	7024574 73	7026597....449, 453, 458, 462
7016655.....880	7024005 393	7024579 ... 267, 295, 343, 365	7026608.....267
7017142.....507	7024006 399	7024580 ... 179, 183, 187, 191, 195, 199, 203, 207, 211, 215	7026626....449, 453, 458, 462
7017159.....507	7024038 392, 398	7024581 ... 179, 183, 187, 191, 195, 199, 203, 207, 211, 215	7026980.....400
7017162.....507, 509	7024042 392	7024582 ... 179, 183, 187, 191, 195, 199, 203, 207, 211, 215	7027042....271, 275, 299, 303, 307, 311, 315, 319, 347, 351, 369, 373
7017163.....507, 509	7024043 392	7024583 ... 179, 183, 187, 191, 195, 199, 203, 207, 211, 215	7027043....271, 275, 299, 303, 307, 311, 315, 319, 347, 351, 369, 373
7017164.....507, 509	7024044 392, 398	7024572 527	7027044....271, 275, 299, 303, 307, 311, 315, 319, 347, 351, 369, 373
7017185.....509	7024064 392, 398	7024573 73	
7017195.....507, 509	7024065 393, 399	7024574 73	
	7024068 393	7024579 ... 267, 295, 343, 365	
	7024069 394, 400	7024580 ... 179, 183, 187, 191, 195, 199, 203, 207, 211, 215	
	7024070 393	7024581 ... 179, 183, 187, 191, 195, 199, 203, 207, 211, 215	
	7024071 393, 399	7024582 ... 179, 183, 187, 191, 195, 199, 203, 207, 211, 215	
	7024072 393, 399	7024583 ... 179, 183, 187, 191, 195, 199, 203, 207, 211, 215	
	7024073 393, 399		
	7024075 393, 399		
	7024076 393, 399		
	7024077 393, 399		
	7024078 399		

SECTION 11 - SPECIAL OPTIONS

<p>7027045 ... 271, 275, 299, 303, 307, 311, 315, 319, 347, 351, 370, 374 7027235 267 7027236 267 7027239 267 7027240 267 7027276 267 7027740 45 7027773 619 7027774 619 7027775 619 7027776 619 7027777 619 7027778 619 7027779 619 7027780 619 7027790 267 7027791 267 7027792 267 7027799 ... 449, 453, 458, 462</p>	<p>7027887 425, 430 7028909 145, 147 7029593 71 77363233 777, 779 8007508 860 80334079 400 80334251 91 80484084 766, 769 80934174 399 80934644 400 80983191 766, 872 8220051 775 8220164 765, 769 8229242 ... 766, 781, 872 8229249 804 8310070 519 8310129 ... 583, 585, 587, 589, 591, 593, 595, 597, 599, 601, 603, 605 8310658 174 8405006 ... 285, 291, 299, 303, 307, 311, 315,</p>	<p>319, 334, 340, 347, 351, 362, 369, 373, 383, 417, 419, 421 8405007 285, 291, 333, 340, 361, 383 8405009 97, 383 8405201 285, 291, 332, 339, 360, 383 8405204 285, 291, 332, 339, 360, 383 8405212 383 8405213 383 8406102 285, 291, 334, 340, 362, 383 8406109 285, 291 8406112 285, 291, 334, 340, 362, 383 8406201 384 8406302 285, 291, 332, 338, 360, 383 8410011 285, 291</p>	<p>8410013 ... 220, 224, 228, 232, 236, 240, 244, 248, 252, 256, 260, 264, 286, 292, 332, 339, 361 8410014 383 8580420 59, 61 8750024 107, 111 88261024 525 88411013 723 88521214 . 631, 633, 635, 637 88662523 170, 175 91143339 766 91143340 765 91203039 523 91403230 . 841, 843, 845, 847, 849, 851, 853, 855, 857 91563070 . 332, 339, 361, 383</p>
---	---	---	--



Corporate Office
JLG Industries, Inc.
1 JLG Drive
McConnellsburg, PA 17233-9533 USA
☎ **(717) 485-5161 (Corporate)**
☎ **(877) 554-5438 (Customer Support)**
📠 **(717) 485-6417**

Visit our website for JLG Worldwide Locations.
www.jlg.com



OSHKOSH™