



---

# Illustrated Parts Manual

## *Model 1250AJP*

PVC  
2001  
2007

P/N  
31215059

June 1, 2021 - Rev D

**ANSI**

**CE**



**AS/NZS**



An Oshkosh Corporation Company





## **REVISION LOG**

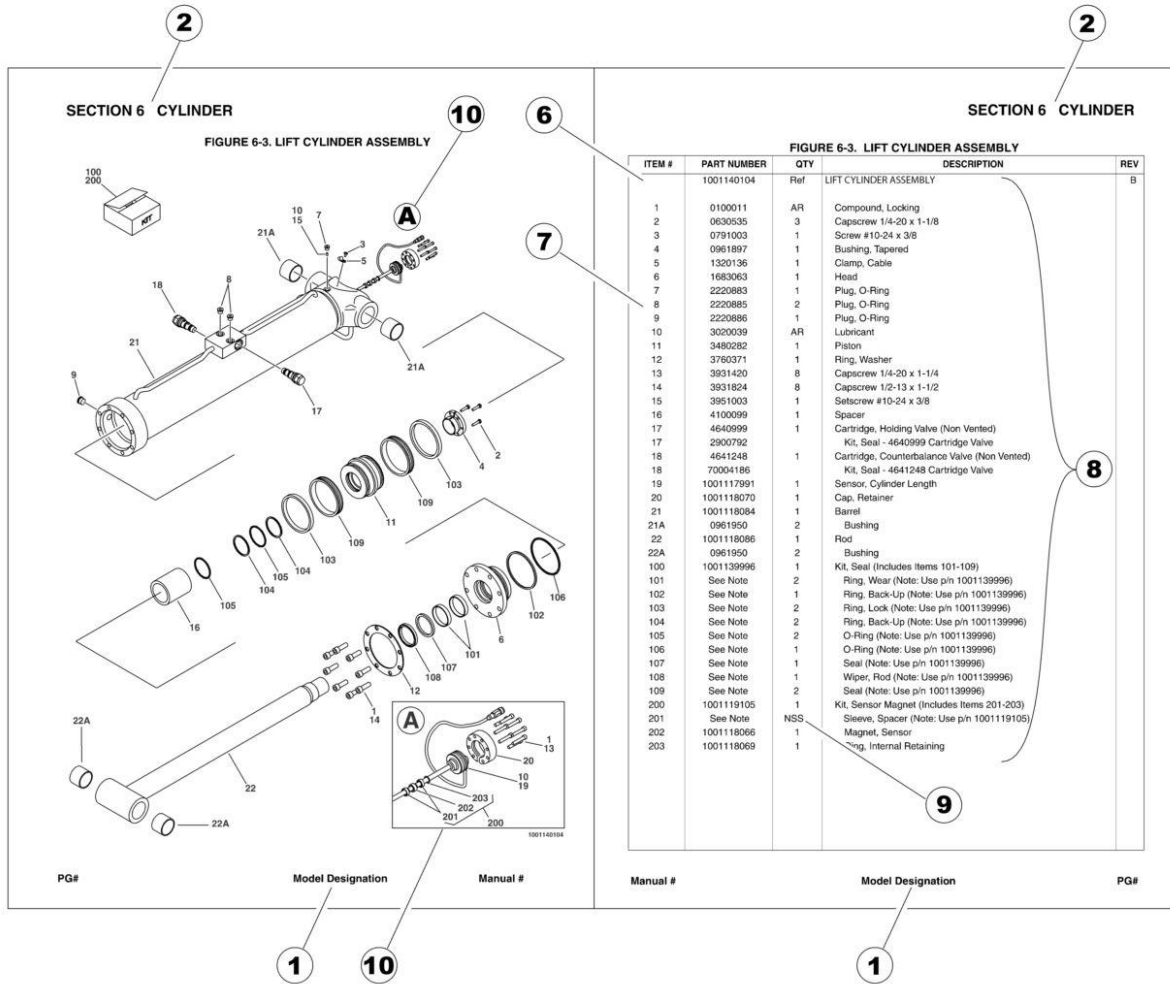
**November 1, 2019 - A - Original Issue of Manual (Edited to B/M 1001261250 Revision B)**

**June 15, 2020 - B - Revised Manual (Edited to B/M 1001261250 Revision F)**

**December 1, 2020 - C - Revised Manual (Edited to B/M 1001261250 Revision G)**

**June 1, 2021 - D - Revised Manual (Edited to B/M 1001261250 Revision G)**

# GENERAL INFORMATION



## 1) MACHINE IDENTIFICATION

Machines are identified by model and in some cases a combination of models, serial number (SN) or regional standard (i.e ANSI, CE, CSA). Components may also be identified by SN or manufacturer. Common components that may be identified by these characteristics are engines and hydraulic components.

## 2) PARTS MANUAL ORGANIZATION

Product information in this manual is organized under section titles. Frame, Cylinder, Hydraulic and Electrical are a few examples. Each section is organized by figure and page number. The information within the Figure is then organized by item number, part number, description and corresponding illustration (s).

## 3) TABLE OF CONTENTS (NOT SHOWN)

A table of contents is found toward the beginning of the manual. Figure number, description and page number are provided for quick reference to the page containing the related information.

## 4) RECOMMENDED SPARE PARTS (NOT SHOWN)

The Recommended Spare Parts List, located near the end of the manual, reference most frequently used maintenance parts.

## 5) PART NUMBER INDEX (NOT SHOWN)

A numerical index listing all part numbers and the corresponding page number(s) appears at the back of the manual.

## GENERAL INFORMATION

### 6) NON-SERVICED PARTS

In some instances, it is necessary to display non-serviced parts, assemblies or installations. In the case of assemblies and installations there will be a Ref in the Qty. column. In case of parts that are not available for service within assemblies or components, there will be a NSS (Not Sold Separately) or NLA (No Longer Available) listed in the Qty. column of the manual.

### 7) PARTS LIST ITEM NUMBERS

Numbers shown in the item# column correspond to numbers used in the associated illustration (s). Item numbers which are missing from the sequence in the parts list are not used on that page.

### 8) INDENTED PARTS DESCRIPTION

An indented part description is included in the item under which it is indented.

### 9) ABBREVIATION AND SYMBOLS

AC.....	Alternating Current	L.....	Liter
ADE.....	Advanced Design Electronics	LB(LBS).....	Pounds
AG.....	Agricultural	LCD.....	Liquid Crystal Display
ANSI.....	American National Standards Institute	LED.....	Light Emitting Diodes
AR.....	As Required	LH.....	Left Hand
ASSY.....	Assembly	LRC.....	Low Rated Countries
AUS.....	Australia	LSS.....	Load Sensing System
AUX.....	Auxiliary	M(m).....	Metric/Meter
AWG.....	American Wire Gauge	MM(mm).....	Milimeter
B/M.....	Bill of Material	mA.....	Miliamps
CAC.....	Charge Air Cooler	NLA.....	No Longer Available
CE.....	European Conformity	NPT.....	National Pipe Threads
CCW.....	Counter Clockwise	NSS.....	Not Sold Separately
CM.....	Centimeter	OD.....	Outside Diameter
CW.....	Clockwise	ORB.....	O-Ring Boss
CSA.....	Canadian Standards Association	ORFS.....	O-Ring Face Seal
CYL.....	Cylinder	OZ (oz).....	Ounces
DIA.....	Diameter	PG.....	Page
DC.....	Direct Current	PN.....	Part Number
DEF.....	Diesel Exhaust Fluid	QT(qt.).....	Quarts
EMS.....	Emergency Stop	QTY.....	Quantity
ENG.....	Engine	REF.....	Reference
FT(ft).....	Feet	REV.....	Revision Level
GA(Ga).....	Gauge	RH.....	Right Hand
HRC.....	High Rated Countries	SAE.....	Society of Automotive Engineers
HVAC.....	Heating, Ventilating, and Air Conditioning	SN.....	Serial Number
HYD.....	Hydraulic	SPEC(S).....	Specifications
Hz.....	Hertz	T/T.....	Turntable
ID.....	Inside Diameter	UGM.....	Universal Ground Module
IN.....	inches	V.....	Volts
ISO.....	International Organization for Standards	W.....	Watts
JIC.....	Joint Industry Council	#.....	Number
KG.....	Kilogram		

### 10) ILLUSTRATION REFERENCE LETTERS

When necessary, illustrations may contain reference letters that are intended to track information (i. e. hoses, harnesses) from one point to another or to track visual enlargement of components to show details that may be located in another area on the illustration.

*Note: Due to continuous product improvements, JLG Industries, Inc. reserves the right to make specification changes without prior notification. Contact JLG Industries, Inc. for updated information.*



# TABLE OF CONTENTS

SECTION 1 - FRAME.....	17
FIGURE 1-1. AXLE INSTALLATION - FIXED.....	18
FIGURE 1-2. AXLE INSTALLATION - OSCILLATING.....	22
FIGURE 1-3. AXLE STOP BLOCKS INSTALLATION.....	26
FIGURE 1-4. STEER INSTALLATION.....	28
FIGURE 1-5. WHEEL DRIVE INSTALLATION - BONFIGLIOLI.....	30
FIGURE 1-6. WHEEL DRIVE INSTALLATION - REGGIANA RIDUTTORI.....	32
FIGURE 1-7. DRIVE HUB AND MOTOR ASSEMBLY - BONFIGLIOLI.....	34
FIGURE 1-8. DRIVE HUB AND MOTOR ASSEMBLY - REGGIANA RIDUTTORI.....	36
FIGURE 1-9. DRIVE HUB ASSEMBLY - BONFIGLIOLI.....	38
FIGURE 1-10. DRIVE HUB ASSEMBLY - REGGIANA RIDUTTORI.....	42
FIGURE 1-11. DRIVE MOTOR ASSEMBLY.....	46
FIGURE 1-12. TIRE AND WHEEL INSTALLATION - FOAM - FILLED.....	48
FIGURE 1-13. TIRE AND WHEEL INSTALLATION - SOLID.....	50
FIGURE 1-14. FRAME VALVES INSTALLATION - WITH 1 CELL LSS (PVC 2001).....	52
FIGURE 1-15. FRAME VALVES INSTALLATION - WITH 1 CELL LSS (PVC 2007).....	54
FIGURE 1-16. STEER VALVE ASSEMBLY.....	56
FIGURE 1-17. TRACTION VALVE ASSEMBLY.....	58
FIGURE 1-18. FRAME COVERS INSTALLATION.....	60
SECTION 2 - TURNTABLE.....	63
FIGURE 2-1. TURNTABLE VALVES INSTALLATION - WITH 1 CELL LSS (PVC 2001).....	64
FIGURE 2-2. TURNTABLE VALVES INSTALLATION - WITH 1 CELL LSS (PVC 2007).....	66
FIGURE 2-3. BATTERY AND AUXILIARY PUMP INSTALLATION - WITHOUT COLD WEATHER PLUS PACKAGE.....	68
FIGURE 2-4. BATTERY AND AUXILIARY PUMP INSTALLATION - WITH COLD WEATHER PLUS PACKAGE.....	70
FIGURE 2-5. AUXILIARY PUMP ASSEMBLY (WITHOUT COLD WEATHER PLUS PACKAGE).....	72
FIGURE 2-6. AUXILIARY PUMP ASSEMBLY (WITH COLD WEATHER PLUS PACKAGE).....	74
FIGURE 2-7. MAIN VALVE ASSEMBLY (PVC 2001).....	76
FIGURE 2-8. MAIN VALVE ASSEMBLY (PVC 2007).....	80
FIGURE 2-9. SWING DRIVE INSTALLATION.....	84
FIGURE 2-10. TURNTABLE BEARING AND LUBE INSTALLATION.....	86
FIGURE 2-11. TURNTABLE LOCK INSTALLATION.....	88
FIGURE 2-12. PINION SHIELD INSTALLATION.....	90
FIGURE 2-13. SWING MOTOR/HUB ASSEMBLY.....	92
FIGURE 2-14. ROTARY COUPLING AND COLLECTOR RING INSTALLATION.....	96
FIGURE 2-15. TANK INSTALLATION.....	98
FIGURE 2-16. HYDRAULIC OIL COOLER INSTALLATION - DEUTZ TD2011 ENGINES WITH REXROTH PUMP (OPTIONAL).....	100
FIGURE 2-17. HYDRAULIC OIL COOLER INSTALLATION - DEUTZ TD2011 ENGINES WITH SAUER PUMP (OPTIONAL) ..	102
FIGURE 2-18. HYDRAULIC OIL COOLER INSTALLATION - DEUTZ TCD2.9L4 ENGINES, DEUTZ TCD2.9L4 (STAGE V PRE-BUY) AND DEUTZ TCD2.9L4 (STAGE V) ENGINES REXROTH PUMP (OPTIONAL).....	104
FIGURE 2-19. HYDRAULIC OIL COOLER INSTALLATION - DEUTZ TCD2.9L4 ENGINES, DEUTZ TCD2.9L4 (STAGE V PRE-BUY) AND DEUTZ TCD2.9L4 (STAGE V) ENGINES WITH SAUER PUMP (OPTIONAL).....	106
FIGURE 2-20. GROUND CONTROL BOX INSTALLATION WITH REXROTH PUMPS - DEUTZ TD2011 ENGINES WITH REXROTH PUMP.....	108

# TABLE OF CONTENTS

FIGURE 2-21. GROUND CONTROL BOX INSTALLATION WITH SAUER PUMPS - DEUTZ TD2011 ENGINES WITH SAUER PUMP .....	110
FIGURE 2-22. GROUND CONTROL BOX INSTALLATION - DEUTZ TCD2.9L4 ENGINES .....	112
FIGURE 2-23. GROUND CONTROL BOX INSTALLATION - DEUTZ TCD2.9L4 (STAGE V PRE-BUY) ENGINES (CE SPECS) .....	114
FIGURE 2-24. GROUND CONTROL BOX INSTALLATION - DEUTZ TCD2.9L4 (STAGE V) ENGINES (CE SPECS) .....	116
FIGURE 2-25. GROUND CONTROL BOX INSTALLATION WITH REXROTH PUMPS - DEUTZ TD2011 ENGINES (CE SPECS) (LRC).....	118
FIGURE 2-26. GROUND CONTROL BOX INSTALLATION WITH SAUER PUMPS - DEUTZ TD2011 ENGINES (CE SPECS) (LRC).....	120
FIGURE 2-27. GROUND CONTROL ASSEMBLY - DEUTZ TD2011 AND DEUTZ TCD2.9L4 ENGINES .....	122
FIGURE 2-28. GROUND CONTROL ASSEMBLY - DEUTZ TD2011 ENGINES AND DEUTZ TCD2.9L4 (STAGE V PRE-BUY) (CE SPECS).....	126
FIGURE 2-29. GROUND CONTROL ASSEMBLY - DEUTZ TCD2.9L4 (STAGE V) (CE SPECS) .....	130
FIGURE 2-30. KEYSWITCH INSTALLATION .....	134
FIGURE 2-31. LIGHT PANEL INSTALLATION.....	136
FIGURE 2-32. ALARMS INSTALLATION .....	138
FIGURE 2-33. BACKUP ALARM (WHITE NOISE) INSTALLATION .....	140
FIGURE 2-34. BACKUP ALARM AMBIENT (WHITE NOISE) INSTALLATION .....	142
FIGURE 2-35. STROBE LIGHT INSTALLATION (AMBER).....	144
FIGURE 2-36. STROBE LIGHT INSTALLATION (BLUE) .....	146
FIGURE 2-37. STROBE LIGHT INSTALLATION (RED) .....	148
FIGURE 2-38. ENGINE TRAY JACK INSTALLATION - DEUTZ TD2011 ENGINES.....	150
FIGURE 2-39. ENGINE TRAY JACK INSTALLATION - DEUTZ TCD2.9L4, DEUTZ TCD2.9L4 (STAGE V PRE-BUY) ENGINES AND DEUTZ TCD2.9L4 (STAGE V) ENGINES .....	152
FIGURE 2-40. HOODS INSTALLATION - DEUTZ TD2011 ENGINES .....	154
FIGURE 2-41. HOODS INSTALLATION - DEUTZ TCD2.9L4 ENGINES AND DEUTZ TCD2.9L4 (STAGE V) ENGINES (PVC 2001).....	158
FIGURE 2-42. HOODS INSTALLATION - DEUTZ TCD2.9L4 ENGINES AND DEUTZ TCD2.9L4 (STAGE V PRE-BUY) ENGINES (PVC 2007) .....	162
FIGURE 2-43. HOODS INSTALLATION - DEUTZ TCD2.9L4 (STAGE V) ENGINES.....	166
SECTION 3 - ENGINE .....	171
FIGURE 3-1. DEUTZ TD2011 ENGINE INSTALLATION - WITH REXROTH PUMP (WITHOUT GENERATOR AND WITHOUT COLD WEATHER PLUS PACKAGE).....	172
FIGURE 3-2. DEUTZ TD2011 ENGINE ASSEMBLY - WITH REXROTH PUMP (WITHOUT GENERATOR AND WITHOUT COLD WEATHER PLUS PACKAGE) (PVC 2001).....	176
FIGURE 3-3. DEUTZ TD2011 ENGINE ASSEMBLY - WITH REXROTH PUMP (WITHOUT GENERATOR AND WITHOUT COLD WEATHER PLUS PACKAGE) (PVC 2007).....	180
FIGURE 3-4. DEUTZ TD2011 ENGINE INSTALLATION - WITH REXROTH PUMP (WITH GENERATOR AND WITHOUT COLD WEATHER PLUS PACKAGE) .....	184
FIGURE 3-5. DEUTZ TD2011 ENGINE ASSEMBLY - WITH REXROTH PUMP (WITH GENERATOR AND WITHOUT COLD WEATHER PLUS PACKAGE) (PVC 2001).....	188
FIGURE 3-6. DEUTZ TD2011 ENGINE ASSEMBLY - WITH REXROTH PUMP (WITH GENERATOR AND WITHOUT COLD WEATHER PLUS PACKAGE) (PVC 2007).....	192
FIGURE 3-7. DEUTZ TD2011 ENGINE INSTALLATION - WITH REXROTH PUMP (WITH GENERATOR AND WITH COLD WEATHER PLUS PACKAGE) .....	196
FIGURE 3-8. DEUTZ TD2011 ENGINE ASSEMBLY - WITH REXROTH PUMP (WITH GENERATOR AND WITH COLD WEATHER PLUS PACKAGE) (PVC 2001).....	200
FIGURE 3-9. DEUTZ TD2011 ENGINE ASSEMBLY - WITH REXROTH PUMP (WITH GENERATOR AND WITH COLD WEATHER PLUS PACKAGE) (PVC 2007).....	204

# TABLE OF CONTENTS

FIGURE 3-10. DEUTZ TD2011 ENGINE INSTALLATION - WITH SAUER PUMP (WITHOUT GENERATOR AND WITHOUT COLD WEATHER PLUS PACKAGE) .....	208
FIGURE 3-11. DEUTZ TD2011 ENGINE ASSEMBLY - WITH SAUER PUMP (WITHOUT GENERATOR AND WITHOUT COLD WEATHER PLUS PACKAGE) (PVC 2001) .....	212
FIGURE 3-12. DEUTZ TD2011 ENGINE ASSEMBLY - WITH SAUER PUMP (WITHOUT GENERATOR AND WITHOUT COLD WEATHER PLUS PACKAGE) (PVC 2007) .....	216
FIGURE 3-13. DEUTZ TD2011 ENGINE INSTALLATION - WITH SAUER PUMP (WITH GENERATOR AND WITHOUT COLD WEATHER PLUS PACKAGE) .....	220
FIGURE 3-14. DEUTZ TD2011 ENGINE ASSEMBLY - WITH SAUER PUMP (WITH GENERATOR AND WITHOUT COLD WEATHER PLUS PACKAGE) (PVC 2001) .....	224
FIGURE 3-15. DEUTZ TD2011 ENGINE ASSEMBLY - WITH SAUER PUMP (WITH GENERATOR AND WITHOUT COLD WEATHER PLUS PACKAGE) (PVC 2007) .....	228
FIGURE 3-16. DEUTZ TD2011 ENGINE INSTALLATION - WITH SAUER PUMP (WITH GENERATOR AND WITH COLD WEATHER PLUS PACKAGE) .....	232
FIGURE 3-17. DEUTZ TD2011 ENGINE ASSEMBLY - WITH SAUER PUMP (WITH GENERATOR AND WITH COLD WEATHER PLUS PACKAGE) (PVC 2001) .....	236
FIGURE 3-18. DEUTZ TD2011 ENGINE ASSEMBLY - WITH SAUER PUMP (WITH GENERATOR AND WITH COLD WEATHER PLUS PACKAGE) (PVC 2007) .....	240
FIGURE 3-19. DEUTZ TD2011 ENGINE COMPONENTS .....	244
FIGURE 3-20. DEUTZ TCD2.9L4 ENGINE INSTALLATION - WITH REXROTH PUMP (WITHOUT COLD WEATHER PLUS PACKAGE) .....	248
FIGURE 3-21. DEUTZ TCD2.9L4 ENGINE SUB-ASSEMBLY - WITH REXROTH PUMP (WITHOUT COLD WEATHER PLUS PACKAGE) .....	252
FIGURE 3-22. DEUTZ TCD2.9L4 ENGINE ASSEMBLY - WITH REXROTH PUMP (WITHOUT COLD WEATHER PLUS PACKAGE) .....	254
FIGURE 3-23. DEUTZ TCD2.9L4 ENGINE INSTALLATION - WITH REXROTH PUMP (WITH COLD WEATHER PLUS PACKAGE) .....	260
FIGURE 3-24. DEUTZ TCD2.9L4 ENGINE SUB-ASSEMBLY - WITH REXROTH PUMP (WITH COLD WEATHER PLUS PACKAGE) .....	264
FIGURE 3-25. DEUTZ TCD2.9L4 ENGINE ASSEMBLY - WITH REXROTH PUMP (WITH COLD WEATHER PLUS PACKAGE) .....	266
FIGURE 3-26. DEUTZ TCD2.9L4 ENGINE INSTALLATION - WITH SAUER PUMPS (WITHOUT COLD WEATHER PLUS PACKAGE) .....	272
FIGURE 3-27. DEUTZ TCD2.9L4 ENGINE SUB-ASSEMBLY - WITH SAUER PUMP (WITHOUT COLD WEATHER PLUS PACKAGE) .....	276
FIGURE 3-28. DEUTZ TCD2.9L4 ENGINE ASSEMBLY - WITH SAUER PUMP (WITHOUT COLD WEATHER PLUS PACKAGE) .....	278
FIGURE 3-29. DEUTZ TCD2.9L4 ENGINE INSTALLATION - WITH SAUER PUMPS (WITH COLD WEATHER PLUS PACKAGE) .....	284
FIGURE 3-30. DEUTZ TCD2.9L4 ENGINE SUB-ASSEMBLY - WITH SAUER PUMPS (WITH COLD WEATHER PLUS PACKAGE) .....	288
FIGURE 3-31. DEUTZ TCD2.9L4 ENGINE ASSEMBLY - WITH SAUER PUMPS (WITH COLD WEATHER PLUS PACKAGE) .....	290
FIGURE 3-32. DEUTZ TCD2.9L4 ENGINE COMPONENTS .....	296
FIGURE 3-33. DEUTZ TCD2.9L4 (STAGE V PRE-BUY) ENGINE INSTALLATION - WITH REXROTH PUMP (WITHOUT COLD WEATHER PLUS PACKAGE) .....	300
FIGURE 3-34. DEUTZ TCD2.9L4 (STAGE V PRE-BUY) ENGINE SUB-ASSEMBLY - WITH REXROTH PUMP AND ABS HOODS (WITHOUT COLD WEATHER PLUS PACKAGE) .....	304
FIGURE 3-35. DEUTZ TCD2.9L4 (STAGE V PRE-BUY) ENGINE INSTALLATION - WITH SAUER PUMP (WITHOUT COLD WEATHER PLUS PACKAGE) .....	306
FIGURE 3-36. DEUTZ TCD2.9L4 (STAGE V PRE-BUY) ENGINE SUB-ASSEMBLY - WITH SAUER PUMP AND ABS HOODS (WITHOUT COLD WEATHER PLUS PACKAGE) .....	310
FIGURE 3-37. DEUTZ TCD2.9L4 (STAGE V PRE-BUY) ENGINE ASSEMBLY (WITHOUT COLD WEATHER PLUS PACKAGE) .....	312

# TABLE OF CONTENTS

FIGURE 3-38. DEUTZ TCD2.9L4 (STAGE V PRE-BUY) ENGINE COMPONENTS .....	318
FIGURE 3-39. DEUTZ TCD2.9L4 (STAGE V) ENGINE INSTALLATION - WITH REXROTH PUMP (WITHOUT COLD WEATHER PLUS PACKAGE) .....	322
FIGURE 3-40. DEUTZ TCD2.9L4 (STAGE V) ENGINE SUB-ASSEMBLY - WITH REXROTH PUMP AND ABS HOODS (WITHOUT COLD WEATHER PLUS PACKAGE).....	326
FIGURE 3-41. DEUTZ TCD2.9L4 (STAGE V) ENGINE INSTALLATION - WITH SAUER PUMP (WITHOUT COLD WEATHER PLUS PACKAGE) .....	328
FIGURE 3-42. DEUTZ TCD2.9L4 (STAGE V) ENGINE SUB-ASSEMBLY - WITH SAUER PUMP AND ABS HOODS (WITHOUT COLD WEATHER PLUS PACKAGE).....	332
FIGURE 3-43. DEUTZ TCD2.9L4 (STAGE V) ENGINE ASSEMBLY (WITHOUT COLD WEATHER PLUS PACKAGE) .....	334
FIGURE 3-44. DEUTZ TCD2.9L4 (STAGE V) ENGINE COMPONENTS .....	340
FIGURE 3-45. PUMP ASSEMBLY (REXROTH) (DEUTZ TD2011 ENGINES).....	344
FIGURE 3-46. PUMP ASSEMBLY (REXROTH) (DEUTZ TCD2.9L4 ENGINES AND DEUTZ TCD2.9L4 (STAGE V) ENGINES) .....	350
FIGURE 3-47. PUMP ASSEMBLY (SAUER TANDEM) .....	356
FIGURE 3-48. PUMP ASSEMBLY (SAUER PISTON) .....	360
FIGURE 3-49. PUMP ASSEMBLY (SAUER GEAR) .....	364
FIGURE 3-50. PUMP COUPLING KIT .....	366
FIGURE 3-51. FUEL PUMP/FILTER BRACKET ASSEMBLY - DEUTZ TCD2.9L4 ENGINE, DEUTZ TCD2.9L4 (STAGE V PRE-BUY) ENGINE AND DEUTZ TCD2.9L4 (STAGE V) ENGINE.....	368
FIGURE 3-52. BREATHER HEATER INST (DEUTZ TD2.9L4 ENGINES, DEUTZ TCD2.9L4 (STAGE V PRE-BUY) AND DEUTZ TCD2.9L4 (STAGE V) ENGINES).....	370
FIGURE 3-53. WATER/FUEL SEPARATOR INSTALLATION - DEUTZ TD2011 ENGINE.....	372
FIGURE 3-54. SPARK ARRESTING CATALYTIC MUFFLER - DEUTZ TD2011 ENGINES (OPTIONAL).....	374
FIGURE 3-55. 2500W GENERATOR INSTALLATION - DEUTZ TD2011 ENGINES (OPTIONAL).....	376
FIGURE 3-56. 4000W GENERATOR INSTALLATION - 60HZ SPEC (DEUTZ TD2011 ENGINES) .....	380
FIGURE 3-57. 4000W GENERATOR INSTALLATION - 50HZ SPEC (DEUTZ TD2011 ENGINES) .....	384
FIGURE 3-58. 4000W GENERATOR INSTALLATION - 60HZ SPEC (DEUTZ TCD2.9L4 ENGINES).....	386
FIGURE 3-59. 4000W GENERATOR INSTALLATION - 50HZ SPEC (DEUTZ TCD2.9L4 ENGINES, DEUTZ TCD2.9L4 (STAGE V PRE-BUY) AND DEUTZ TCD2.9L4 (STAGE V) ENGINES) .....	390
FIGURE 3-60. 7500W SKYPOWER GENERATOR INSTALLATION - 60HZ SPEC (DEUTZ TD2011 ENGINES) (OPTIONAL) .....	394
FIGURE 3-61. 7500W SKYPOWER GENERATOR INSTALLATION - 50HZ SPEC (DEUTZ TD2011 ENGINES) (OPTIONAL) .....	398
FIGURE 3-62. 7500W SKYPOWER GENERATOR INSTALLATION - 60HZ SPEC (DEUTZ TCD2.9L4 ENGINES) (OPTIONAL) .....	402
FIGURE 3-63. 7500W SKYPOWER GENERATOR INSTALLATION - 50HZ SPEC (DEUTZ TCD2.9L4 ENGINES, DEUTZ TCD2.9L4 (STAGE V PRE-BUY) AND DEUTZ TCD2.9L4 (STAGE V) ENGINES) (OPTIONAL).....	406
SECTION 4 - BOOM.....	409
FIGURE 4-1. BOOM AND CYLINDER INSTALLATION - WITHOUT COLD WEATHER PLUS PACKAGE .....	410
FIGURE 4-2. BOOM AND CYLINDER INSTALLATION - WITH COLD WEATHER PLUS PACKAGE .....	414
FIGURE 4-3. TOWER BOOM ASSEMBLY .....	418
FIGURE 4-4. MAIN BOOM ASSEMBLY - WITHOUT COLD WEATHER PLUS PACKAGE .....	422
FIGURE 4-5. MAIN BOOM ASSEMBLY - WITH COLD WEATHER PLUS PACKAGE.....	426
FIGURE 4-6. PLATFORM ROTATE ASSEMBLY .....	430
FIGURE 4-7. JIB ROTATE ASSEMBLY.....	432
FIGURE 4-8. POWER TRACK AND BOOM CLAMPS INSTALLATION (TOWER BOOM).....	434
FIGURE 4-9. POWER TRACK AND BOOM CLAMPS INSTALLATION (MAIN BOOM AND JIB) (PVC 2001).....	436
FIGURE 4-10. POWER TRACK AND BOOM CLAMPS INSTALLATION (MAIN BOOM AND JIB) (PVC 2007).....	440
FIGURE 4-11. BOOM SENSORS AND SWITCHES INSTALLATION .....	444



# TABLE OF CONTENTS

FIGURE 4-12. PLATFORM SUPPORT INSTALLATION - WITH 1 CELL LSS .....	448
FIGURE 4-13. CONTROL VALVE INSTALLATION - WITH 1 CELL LSS (PVC 2001) .....	450
FIGURE 4-14. CONTROL VALVE INSTALLATION - WITH 1 CELL LSS (PVC 2007) .....	452
FIGURE 4-15. PLATFORM VALVE ASSEMBLY .....	454
SECTION 5 - PLATFORM.....	457
FIGURE 5-1. PLATFORM ASSEMBLY - 36IN X 6FT (91.5CM X 1.83M) WITH SWING GATE .....	458
FIGURE 5-2. PLATFORM ASSEMBLY - 36IN X 8FT (91.5CM X 2.44M) WITH SWING GATE .....	460
FIGURE 5-3. PLATFORM ASSEMBLY - 30IN X 3FT (76CM X .91M) - WITH DROP BAR.....	462
FIGURE 5-4. PLATFORM ASSEMBLY - 36IN X 6FT (91.5CM X 1.83M) WITH DROP BAR .....	464
FIGURE 5-5. PLATFORM ASSEMBLY - 36IN X 8FT (91.5CM X 2.44M) WITH DROP BAR .....	466
FIGURE 5-6. PLATFORM ASSEMBLY - 36IN X 6FT (91.5CM X 1.83M) WITH FALL ARREST (ANSI AND ANSI EXPORT SPECS) .....	468
FIGURE 5-7. PLATFORM ASSEMBLY - 36IN X 8FT (91.5CM X 2.44M) WITH FALL ARREST (ANSI AND CSA SPECS) .....	470
FIGURE 5-8. PLATFORM ASSEMBLY - 36IN X 6FT (91.5CM X 1.83M) TRI-ENTRY WITH SWING GATE.....	472
FIGURE 5-9. PLATFORM ASSEMBLY - 36IN X 6FT (91.5CM X 1.83M) TRI-ENTRY WITH DROP BAR .....	474
FIGURE 5-10. PLATFORM ASSEMBLY - 36IN X 8FT (91.5CM X 2.44M) TRI-ENTRY WITH DROPBAR .....	476
FIGURE 5-11. PLATFORM ASSEMBLY - 36IN X 8FT (91.5CM X 2.44M) TRI-ENTRY WITH DROPGATE .....	478
FIGURE 5-12. TRAY INSTALLATION .....	480
FIGURE 5-13. PLATFORM CONTROLS INSTALLATION - WITH SKYGUARD .....	482
FIGURE 5-14. PLATFORM CONSOLE ASSEMBLY - WITH SKYGUARD .....	484
FIGURE 5-15. LIGHT PANEL INSTALLATION .....	488
FIGURE 5-16. CONTROLLER ASSEMBLY (LIFT AND SWING) .....	490
FIGURE 5-17. CONTROLLER ASSEMBLY (DRIVE AND STEER).....	494
FIGURE 5-18. TOWER LIFT SWITCH INSTALLATION .....	496
FIGURE 5-19. FOOTSWITCH ASSEMBLY.....	498
FIGURE 5-20. SOFT TOUCH SYSTEM INSTALLATION - 6FT/1.8M PLATFORMS (OPTIONAL) .....	500
FIGURE 5-21. SOFT TOUCH SYSTEM INSTALLATION - 6FT/1.83M FALL ARREST PLATFORM.....	502
FIGURE 5-22. SOFT TOUCH SYSTEM INSTALLATION - 8FT/2.4M PLATFORMS (OPTIONAL) .....	504
FIGURE 5-23. SKYGUARD BAR INSTALLATION .....	506
FIGURE 5-24. SKYEYE INSTALLATION .....	508
FIGURE 5-25. SKYLINE INSTALLATION .....	510
FIGURE 5-26. SKYGLAZIER INSTALLATION (ANSI, AUSTRALIAN AND CSA SPECS) .....	512
FIGURE 5-27. SKYGLAZIER INSTALLATION (BRAZIL SPECS) .....	514
FIGURE 5-28. SKYGLAZIER INSTALLATION (DANISH SPECS) .....	516
FIGURE 5-29. SKYGLAZIER INSTALLATION (FRENCH SPECS).....	518
FIGURE 5-30. SKYGLAZIER INSTALLATION (GERMAN SPECS) .....	520
FIGURE 5-31. SKYGLAZIER INSTALLATION (ITALIAN SPECS) .....	522
FIGURE 5-32. SKYGLAZIER INSTALLATION (LATIN AMERICAN SPECS).....	524
FIGURE 5-33. SKYGLAZIER INSTALLATION (PORTUGUESE SPECS).....	526
FIGURE 5-34. SKYGLAZIER INSTALLATION (SPANISH SPECS) .....	528
FIGURE 5-35. SKYGLAZIER INSTALLATION (SWEDISH SPECS).....	530
FIGURE 5-36. SKYGLAZIER INSTALLATION (UK SPECS).....	532
FIGURE 5-37. SKYCUTTER INSTALLATION.....	534
FIGURE 5-38. SKYWELDER/SKYCUTTER COMBO INSTALLATION (60HZ).....	536
FIGURE 5-39. PLASMA CUTTER ASSEMBLY .....	540

# TABLE OF CONTENTS

FIGURE 5-40. SKYWELDER INSTALLATION (50HZ).....	542
FIGURE 5-41. SKYWELDER INSTALLATION (60HZ).....	544
FIGURE 5-42. SKYWELDER PREP PACKAGE (60HZ).....	546
FIGURE 5-43. WELDER ASSEMBLY.....	548
FIGURE 5-44. PIPE RACK INSTALLATION (ANSI SPEC).....	550
FIGURE 5-45. PIPE RACK INSTALLATION (AUSTRALIAN AND CE SPEC).....	552
FIGURE 5-46. FALL ARREST INSTALLATION (BOLT - ON EXTERNAL) 6FT/1.82M PLATFORM.....	554
FIGURE 5-47. FALL ARREST INSTALLATION (BOLT - ON EXTERNAL) 6FT/1.82M PLATFORM.....	556
FIGURE 5-48. FALL ARREST INSTALLATION (BOLT - ON EXTERNAL) 8FT/2.4M PLATFORM.....	558
SECTION 6 - CYLINDER.....	561
FIGURE 6-1. AXLE EXTENSION CYLINDER ASSEMBLY.....	562
FIGURE 6-2. AXLE LOCKOUT CYLINDER ASSEMBLY.....	564
FIGURE 6-3. PLATFORM LEVEL CYLINDER ASSEMBLY - WITHOUT COLD WEATHER PLUS PACKAGE.....	566
FIGURE 6-4. LIFT CYLINDER ASSEMBLY - MAIN BOOM.....	568
FIGURE 6-5. LIFT CYLINDER ASSEMBLY - TOWER BOOM.....	570
FIGURE 6-6. JIB CYLINDER ASSEMBLY.....	572
FIGURE 6-7. STEER CYLINDER ASSEMBLY.....	574
FIGURE 6-8. TELESCOPE CYLINDER ASSEMBLY - MAIN BOOM.....	576
FIGURE 6-9. TELESCOPE CYLINDER ASSEMBLY - TOWER BOOM.....	578
SECTION 7 - HYDRAULIC.....	581
FIGURE 7-1. HYDRAULIC DIAGRAM - BOOM (WITH REXROTH PUMPS).....	582
FIGURE 7-2. HYDRAULIC DIAGRAM - BOOM (WITH SAUER PUMPS).....	586
FIGURE 7-3. HYDRAULIC DIAGRAM - DRIVE (WITH REXROTH PUMPS).....	590
FIGURE 7-4. HYDRAULIC DIAGRAM - DRIVE (WITH SAUER PUMPS).....	594
FIGURE 7-5. HYDRAULIC DIAGRAM - OSCILLATING AXLE (WITH REXROTH PUMPS).....	598
FIGURE 7-6. HYDRAULIC DIAGRAM - OSCILLATING AXLE (WITH SAUER PUMPS).....	600
FIGURE 7-7. HYDRAULIC DIAGRAM - STEER (WITH REXROTH PUMPS).....	602
FIGURE 7-8. HYDRAULIC DIAGRAM - STEER (WITH SAUER PUMPS).....	604
FIGURE 7-9. HYDRAULIC DIAGRAM - TURNTABLE (DEUTZ TD2011 ENGINES WITH REXROTH PUMPS).....	606
FIGURE 7-10. HYDRAULIC DIAGRAM - TURNTABLE (DEUTZ TCD2.9L4 ENGINES AND DEUTZ TCD2.9L4 (STAGE V) ENGINES WITH REXROTH PUMPS).....	610
FIGURE 7-11. HYDRAULIC DIAGRAM - TURNTABLE (WITH SAUER PUMPS).....	614
FIGURE 7-12. HYDRAULIC DIAGRAM - AUXILIARY POWER MOTOR.....	618
SECTION 8 - ELECTRICAL.....	621
FIGURE 8-1. AC BOX AT PLATFORM - 110V GFI RECEPTACLE (ANSI SPECS).....	622
FIGURE 8-2. AC BOX AT PLATFORM - 220V GFI RECEPTACLE (ANSI SPECS).....	624
FIGURE 8-3. AC BOX AT PLATFORM INSTALLATION - BOX WITH COVER (2X4 BOX) WITH 4000W GENERATOR (ANSI EXPORT, AUSTRALIAN, CE AND JAPANESE SPECS).....	626
FIGURE 8-4. AC BOX AT PLATFORM INSTALLATION - 110V IEC 60309 YELLOW WITHOUT 2500W GENERATOR (CE SPECS).....	628
FIGURE 8-5. AC BOX AT PLATFORM INSTALLATION - 110V IEC 60309 YELLOW WITH 2500W GENERATOR (CE SPECS).....	630
FIGURE 8-6. AC BOX AT PLATFORM INSTALLATION - 110V IEC 60309 YELLOW WITH 4000W GENERATOR (CE SPECS).....	632

# TABLE OF CONTENTS

FIGURE 8-7. AC BOX AT PLATFORM INSTALLATION - 220V IEC 60309 BLUE WITHOUT 2500W GENERATOR (CE SPECS) .....	634
FIGURE 8-8. AC BOX AT PLATFORM INSTALLATION - 220V IEC 60309 BLUE WITH 2500W GENERATOR (CE SPECS) ...	636
FIGURE 8-9. AC BOX AT PLATFORM INSTALLATION - 220V IEC 60309 BLUE WITH 4000W GENERATOR (CE SPECS)...	638
FIGURE 8-10. AC BOX AT PLATFORM INSTALLATION - 220V CEE7 POST GROUND (2X4 BOX) WITHOUT 2500W GENERATOR (CE SPECS) .....	640
FIGURE 8-11. AC BOX AT PLATFORM INSTALLATION - 220V CEE7 POST GROUND (2X4 BOX) WITH 2500W GENERATOR (CE SPECS) .....	642
FIGURE 8-12. AC BOX AT PLATFORM INSTALLATION - 220V CEE7 POST GROUND (2X4 BOX) WITH 4000W GENERATOR (CE SPECS) .....	644
FIGURE 8-13. AC BOX AT PLATFORM INSTALLATION - 220V CEE7 SIDE GROUND (2X4 BOX) WITHOUT 2500W GENERATOR (CE SPECS) .....	646
FIGURE 8-14. AC BOX AT PLATFORM INSTALLATION - 220V CEE7 SIDE GROUND (2X4 BOX) WITH 2500W GENERATOR (CE SPECS) .....	648
FIGURE 8-15. AC BOX AT PLATFORM INSTALLATION - 220V CEE7 SIDE GROUND (2X4 BOX) WITH 4000W GENERATOR (CE SPECS) .....	650
FIGURE 8-16. AC BOX AT PLATFORM INSTALLATION - 220V AFSINT 107 KEYED GROUND (2X4 BOX) WITHOUT 2500W GENERATOR (CE SPECS) .....	652
FIGURE 8-17. AC BOX AT PLATFORM INSTALLATION - 220V AFSINT 107 KEYED GROUND (2X4 BOX) WITH 2500W GENERATOR (CE SPECS) .....	654
FIGURE 8-18. AC BOX AT PLATFORM INSTALLATION - 220V AFSINT 107 KEYED GROUND (2X4 BOX) WITH 4000W GENERATOR (CE SPECS) .....	656
FIGURE 8-19. AC BOX AT PLATFORM INSTALLATION - 240V (WITH 4000W GENERATOR) (ALL SPECS EXCEPT AUSTRALIAN & CE SPECS) .....	658
FIGURE 8-20. AC BOX AT PLATFORM INSTALLATION - 240V (WITH 7500W SKYPOWER GENERATOR) (ALL SPECS EXCEPT AUSTRALIAN & CE SPECS) .....	660
FIGURE 8-21. AC LEAD INSTALLATION (ANSI EXPORT, AUSTRALIAN AND CE SPECS) .....	662
FIGURE 8-22. AC 10 AMP BREAKER BOX INSTALLATION (CE SPECS) .....	664
FIGURE 8-23. AC 16 AMP BREAKER BOX INSTALLATION (CE SPECS) .....	666
FIGURE 8-24. ANALYZER CALBE HARNESS .....	668
FIGURE 8-25. AXLE POWER TRACK HARNESS ASSEMBLY .....	670
FIGURE 8-26. BATTERY DISCONNECT INSTALLATION .....	672
FIGURE 8-27. BEACON LIGHT HARNESS .....	674
FIGURE 8-28. B.L.A.M. HARNESS .....	676
FIGURE 8-29. BOOM CABLE INSTALLATION (ANSI, ANSI EXPORT AND JAPANESE SPECS) .....	678
FIGURE 8-30. BOOM CABLE INSTALLATION (AUSTRALIAN AND CE SPECS) .....	680
FIGURE 8-31. BOOM CABLE INSTALLATION - 4000W 60HZ GENERATOR .....	682
FIGURE 8-32. BOOM CABLE INSTALLATION - 4000W 50HZ GENERATOR .....	684
FIGURE 8-33. BOOM CABLE INSTALLATION - 7500W GENERATOR .....	686
FIGURE 8-34. BREAKER BOX KIT - 10 AMP (2500W GENERATOR) .....	688
FIGURE 8-35. BREAKER BOX KIT - 16 AMP (2500W GENERATOR) .....	690
FIGURE 8-36. BREAKER BOX KIT - 16 AMP (4000W GENERATOR) .....	692
FIGURE 8-37. BREAKER BOX KIT - 30MA/16 AMP (WITHOUT GENERATOR) .....	694
FIGURE 8-38. CHASSIS POWER DISTRIBUTION HARNESS .....	696
FIGURE 8-39. CHASSIS HARNESS ASSEMBLY .....	698
FIGURE 8-40. CLEARSKY READY HARNESS (DEUTZ TD2011, DEUTZ TCD2.9L4 & DEUTZ TCD2.9L4 (STAGE V PRE-BUY) ENGINES) .....	700
FIGURE 8-41. (CLEARSKY READY HARNESS (DEUTZ TCD2.9L4 (STAGE V) ENGINES) ) .....	702
FIGURE 8-42. DUAL CAPACITY JIB POSITION SWITCH HARNESS .....	704
FIGURE 8-43. ENGINE HARNESS - DEUTZ TD2011 ENGINES .....	706

# TABLE OF CONTENTS

FIGURE 8-44. ENGINE HARNESS - DEUTZ TCD2.9L4 ENGINES AND DEUTZ TCD2.9L4 (STAGE V PRE-BUY) ENGINES..	708
FIGURE 8-45. ENGINE HARNESS - DEUTZ TCD2.9L4 ENGINES AND DEUTZ TCD2.9L4 (STAGE V) ENGINES .....	712
FIGURE 8-46. FUEL FILTER HARNESS - DEUTZ TCD2.9L4 ENGINES AND DEUTZ TCD2.9L4 (STAGE V) ENGINES.....	716
FIGURE 8-47. FUEL HARNESS - DEUTZ TCD2.9L4 ENGINES, DEUTZ TCD2.9L4 (STAGE V PRE-BUY) ENGINES AND DEUTZ TCD2.9L4 (STAGE V) ENGINES .....	718
FIGURE 8-48. GENERATOR HARNESS - 4000W GENERATOR .....	720
FIGURE 8-49. GENERATOR CABLE HARNESS - 7500W GENERATOR.....	722
FIGURE 8-50. GROUND CONTROL BOX HARNESS (PVC 2001).....	724
FIGURE 8-51. GROUND CONTROL BOX HARNESS (PVC 2007).....	728
FIGURE 8-52. GROUND CONTROLS TO ENGINE HARNESS.....	732
FIGURE 8-53. JIB STOW SWITCH HARNESS .....	734
FIGURE 8-54. LOAD SENSING PIN HARNESS .....	736
FIGURE 8-55. LOCKOUT VALVE HARNESS .....	738
FIGURE 8-56. MAIN BOOM CONTROL CABLE HARNESS .....	740
FIGURE 8-57. MAIN BOOM DUAL CAPACITY SWITCH HARNESS.....	742
FIGURE 8-58. MAIN BOOM TRANSPORT SWITCH HARNESS .....	744
FIGURE 8-59. MAIN VALVE HARNESS.....	746
FIGURE 8-60. PLATFORM CONSOLE BOX HARNESS - WITH SKYGUARD .....	748
FIGURE 8-61. PLATFORM INTERFACE HARNESS (PVC 2001).....	752
FIGURE 8-62. SKYGUARD INERFACE HARNESS (PVC 2007) .....	754
FIGURE 8-63. PLATFORM VALVE HARNESS .....	756
FIGURE 8-64. PRESSURE TRANSDUCER HARNESS.....	758
FIGURE 8-65. PRESSURE TRANSDUCER HARNESS.....	760
FIGURE 8-66. PUMP ADAPTER HARNESS - SAUER PUMPS.....	762
FIGURE 8-67. RECEPTACLE BOX KIT - 110V IEC YELLOW WITHOUT 2500W GENERATOR (CE SPECS) .....	764
FIGURE 8-68. RECEPTACLE BOX KIT - 110V IEC YELLOW WITH 2500W GENERATOR (CE SPECS).....	766
FIGURE 8-69. RECEPTACLE BOX KIT - 220V IEC BLUE WITHOUT 2500W GENERATOR (CE SPECS).....	768
FIGURE 8-70. RECEPTACLE BOX KIT - 220V IEC BLUE WITH 2500W GENERATOR (CE SPECS) .....	770
FIGURE 8-71. RECEPTACLE BOX KIT - 220V CEE7 POST GROUND WITHOUT 2500W GENERSTOR (2X4 BOX) (CE SPECS).....	772
FIGURE 8-72. RECEPTACLE BOX KIT - 220V CEE7 POST GROUND WITH 2500W GENERSTOR (2X4 BOX) (CE SPECS) .....	774
FIGURE 8-73. RECEPTACLE BOX KIT - 220V CEE7 SIDE GROUND WITHOUT 2500W GENERATOR (2X4 BOX) (CE SPECS) .....	776
FIGURE 8-74. RECEPTACLE BOX KIT - 220V CEE7 SIDE GROUND WITH 2500W GENERATOR (2X4 BOX) (CE SPECS) .....	778
FIGURE 8-75. RECEPTACLE BOX KIT - 220V AFSINT 107 KEYED GROUND WITHOUT 2500W GENERATOR (2X4 BOX) (CE SPECS).....	780
FIGURE 8-76. RECEPTACLE BOX KIT - 220V AFSINT 107 KEYED GROUND WITH 2500W GENERATOR (2X4 BOX) (CE SPECS).....	782
FIGURE 8-77. RELAY HARNESS.....	784
FIGURE 8-78. STROBE LIGHT HARNESS (AMBER).....	786
FIGURE 8-79. TILT SENSOR HARNESS (LEFT).....	788
FIGURE 8-80. TILT SENSOR HARNESS (RIGHT) .....	790
FIGURE 8-81. TOWER BOOM ANGLE SENSOR HARNESS (LEFT).....	792
FIGURE 8-82. TOWER BOOM ANGLE SENSOR HARNESS (RIGHT) .....	794
FIGURE 8-83. TOWER BOOM CONTROL CABLE HARNESS.....	796
FIGURE 8-84. TOWER BOOM FLY TO GROUND CONTROL BOX HARNESS.....	798
FIGURE 8-85. TOWER BOOM FLY TO MAIN BOOM BASE HARNESS (PVC 2001).....	800

# TABLE OF CONTENTS

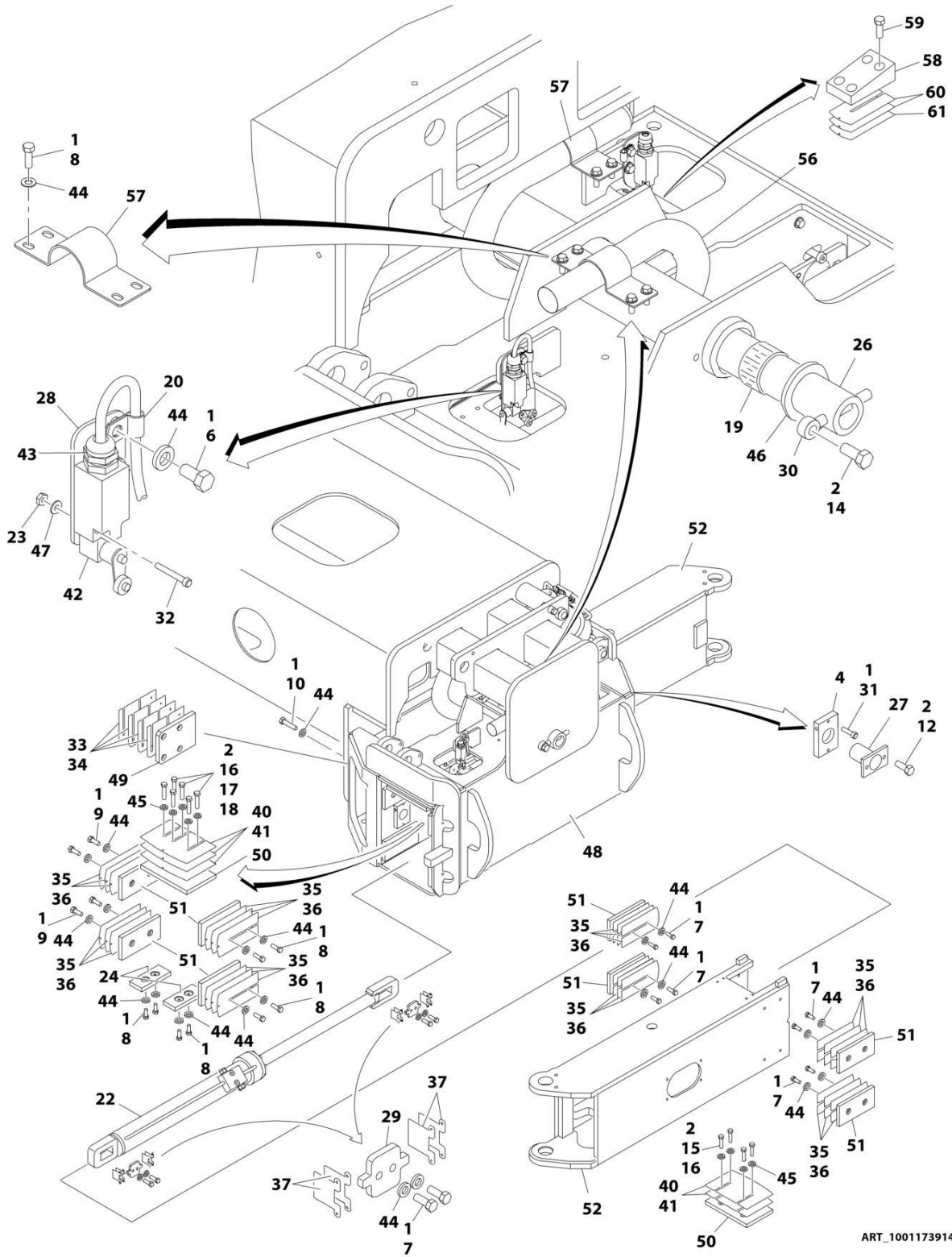
FIGURE 8-86. TOWER BOOM FLY TO MAIN BOOM BASE HARNESS (PVC 2007) .....	802
FIGURE 8-87. TOWER BOOM LENGTH SENSORS HARNESS .....	804
FIGURE 8-88. TOWER BOOM TRANSPORT LENGTH SWITCH HARNESS .....	806
FIGURE 8-89. SKYEYE INTERMEDIATE HARNESS .....	808
FIGURE 8-90. SKYEYE RECEIVER HARNESS (PVC 2001) .....	810
FIGURE 8-91. SKYEYE RECEIVER HARNESS (PVC 2007) .....	812
FIGURE 8-92. SKYEYE EMITTER HARNESS (PVC 2001) .....	814
FIGURE 8-93. SKYEYE EMITTER HARNESS (PVC 2007) .....	816
FIGURE 8-94. SKYLINE HARNESS.....	818
SECTION 9 - DECALS.....	821
FIGURE 9-1. DECAL INSTALLATION - ANSI SPEC .....	822
FIGURE 9-2. DECAL INSTALLATION - AUSTRALIAN SPEC .....	824
FIGURE 9-3. DECAL INSTALLATION - BRAZIL SPEC (PORTGUESE/ENGLISH).....	826
FIGURE 9-4. DECAL INSTALLATION - CE SPEC.....	828
FIGURE 9-5. DECAL INSTALLATION - CHINESE SPEC (CHINESE/ENGLISH).....	830
FIGURE 9-6. DECAL INSTALLATION - CSA SPEC (ENGLISH/FRENCH) .....	832
FIGURE 9-7. DECAL INSTALLATION - JAPANESE SPEC (JAPANESE/ENGLISH) .....	834
FIGURE 9-8. DECAL INSTALLATION - KOREAN SPEC (KOREAN/ENGLISH) .....	836
FIGURE 9-9. DECAL INSTALLATION - LATIN AMERICAN SPEC (SPANISH/ENGLISH) .....	838
FIGURE 9-10. DECAL INSTALLATION - OPTIONS .....	840
FIGURE 9-11. SKYWELDER DECAL INSTALLATION - 50HZ .....	844
FIGURE 9-12. SKYWELDER DECAL INSTALLATION - 60HZ (PVC 2001).....	846
FIGURE 9-13. SKYWELDER DECAL INSTALLATION - 60HZ (PVC 2007).....	848
SECTION 10 - RECOMMENDED SERVICE PARTS STOCK .....	851
FIGURE 10-1. RECOMMENDED SERVICE PARTS.....	852
SECTION 11 - SPECIAL OPTIONS.....	855
FIGURE 11-1. SPECIAL OPTIONS.....	856
PART NUMBER INDEX .....	861



**SECTION 1 - FRAME**

# SECTION 1 - FRAME

## FIGURE 1-1. AXLE INSTALLATION - FIXED



ART\_1001173914\_J



# SECTION 1 - FRAME

## FIGURE 1-1. AXLE INSTALLATION - FIXED

ITEM	PART NUMBER	QTY	DESCRIPTION	REV
	1001173914	Ref	AXLE INSTALLATION - FIXED	J
1	0100011	AR	Compound, Locking	
2	0100019	AR	Compound, Locking	
4	0363037	4	Bar, Stop	
6	0641606	8	Bolt 3/8 x 3/4	
7	0641608	48	Bolt 3/8 x 1	
8	0641609	64	Bolt 3/8 x 1-1/8	
9	0641611	16	Bolt 3/8 x 1-3/8	
10	0641613	8	Bolt 3/8 x 1-5/8	
12	0641808	8	Bolt 1/2 x 1	
14	0642214	1	Bolt 3/4 x 1-3/4	
15	0681813	12	Bolt 1/2 x 1-5/8 Grade 8	
16	0681814	18	Bolt 1/2 x 1-3/4 Grade 8	
17	0681815	12	Bolt 1/2 x 1-7/8 Grade 8	
18	0681816	6	Bolt 1/2 x 2 Grade 8	
19	0962033	2	Bushing	
20	1320263	4	Clamp, Cable	
22	1001251020	4	Axle Extension Cylinder Assembly (See Separate Breakdown in CYLINDER SECTION)	
23	3310805	8	Nut #8	
24	3340881	8	Pad, Wear	
26	3422918	1	Pin	
27	3422960	4	Pin	
28	3573294	4	Plate	
29	3573335	8	Plate	
30	3841287	1	Keeper, Pin	
31	3900270	4	Bolt 1/2 x 1-1/2	
32	3930820	8	Capscrew #8 x 1-1/4	
33	4071035	2	Shim #18 Gauge	
34	4071036	4	Shim #11 Gauge	
35	4071039	10	Shim #18 Gauge	
36	4071040	36	Shim #11 Gauge	
37	4071042	24	Shim #16 Gauge	
40	4071054	8	Shim #18 Gauge	
41	4071055	12	Shim #11 Gauge	
42	4360578	4	Switch, Limit	
43	4460968	4	Connector, Strain Relief	
44	4711600	144	Washer 3/8	
45	4711800	48	Washer 1/2	
46	4740461	1	Thrustwasher	
47	4750800	8	Washer #8	
48	4846383	1	Box, Axle Pivot	
49	1001161401	2	Pad, Axle	
50	1001161402	8	Pad, Wear	
51	1001161403	32	Pad, Wear	
52	4846637	4	Extension, Axle	
55	4240155	6	Strap (Not Shown)	
56	1001193674	4	Sleeve, Nylon	
57	1001191541	8	Bracket, Hose Mount	
58	0363076	2	Bar	

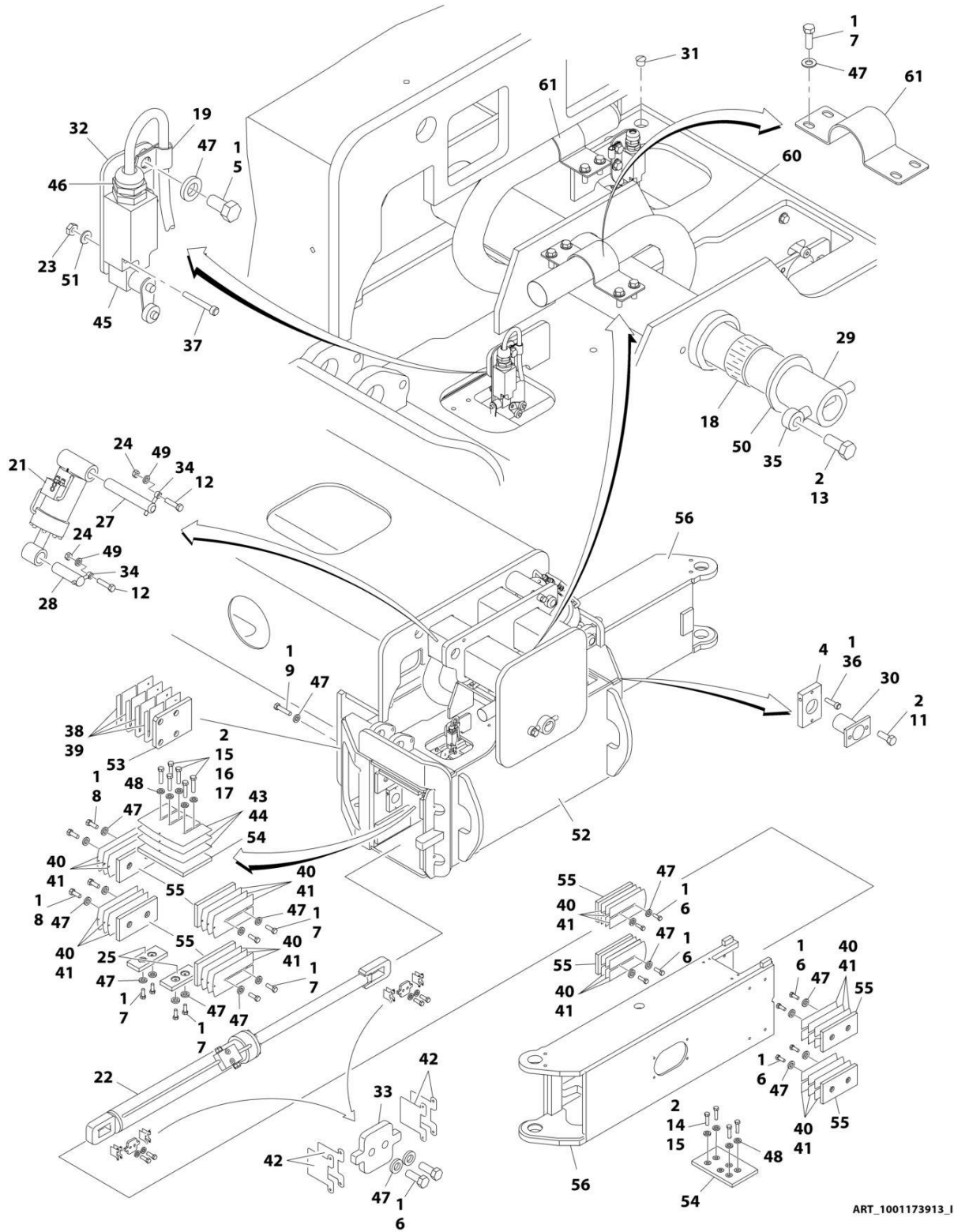
## SECTION 1 - FRAME

ITEM	PART NUMBER	QTY	DESCRIPTION	REV
59	0641814	4	Bolt 1/2 x 1-3/4	
60	4071049	4	Shim #11 Gauge	
61	4071050	2	Shim #16 Gauge	
62	2220235	1	Plug (Not Shown - Located on Junction Manifold)	



# SECTION 1 - FRAME

## FIGURE 1-2. AXLE INSTALLATION - OSCILLATING



ART\_1001173913\_I

# SECTION 1 - FRAME

## FIGURE 1-2. AXLE INSTALLATION - OSCILLATING

ITEM	PART NUMBER	QTY	DESCRIPTION	REV
	1001173913	Ref	AXLE INSTALLATION - OSCILLATING	I
1	0100011	AR	Compound, Locking	
2	0100019	AR	Compound, Locking	
4	0363037	4	Bar, Stop	
5	0641606	8	Bolt 3/8 x 3/4	
6	0641608	48	Bolt 3/8 x 1	
7	0641609	64	Bolt 3/6 x 1-1/8	
8	0641611	16	Bolt 3/8 x 1-3/8	
9	0641613	8	Bolt 3/8 x 1-5/8	
11	0641808	8	Bolt 1/2 x 1	
12	0642020	4	Bolt 5/8 x 2-1/2	
13	0642214	1	Bolt 3/4 x 1-3/4	
14	0681813	12	Bolt 1/2 x 1-5/8 Grade 8	
15	0681814	18	Bolt 1/2 x 1-3/4 Grade 8	
16	0681815	12	Bolt 1/2 x 1-7/8 Grade 8	
17	0681816	6	Bolt 1/2 x 2 Grade 8	
18	0962033	2	Bushing	
19	1320263	4	Clamp, Cable	
21	1001228019	2	Oscillating Axle Cylinder Assembly (See Separate Breakdown in CYLINDER SECTION)	
22	1001251020	4	Axle Extension Cylinder Assembly (See Separate Breakdown in CYLINDER SECTION)	
23	3310805	8	Nut #8	
24	3312005	4	Nut 5/8	
25	3340881	8	Pad, Wear	
27	3422833	2	Pin	
28	3422915	2	Pin	
29	3422918	1	Pin	
30	3422960	4	Pin	
31	3520054	4	Plug	
32	3573294	4	Plate	
33	3573335	8	Plate	
34	3841258	4	Keeper, Pin	
35	3841287	1	Keeper, Pin	
36	3900270	4	Bolt 1/2 x 1-1/2	
37	3930820	8	Capscrew #8 x 1-1/4	
38	4071035	2	Shim #18 Gauge	
39	4071036	4	Shim #11 Gauge	
40	4071039	10	Shim #18 Gauge	
41	4071040	36	Shim #11 Gauge	
42	4071042	24	Shim #16 Gauge	
43	4071054	8	Shim #18 Gauge	
44	4071055	12	Shim #11 Gauge	
45	4360578	4	Switch, Limit	
46	4460968	4	Connector, Strain Relief	
47	4711600	144	Washer 3/8	
48	4711800	48	Washer 1/2	
49	4712000	4	Washer 5/8	
50	4740461	1	Thrustwasher	
51	4750800	8	Washer #8	

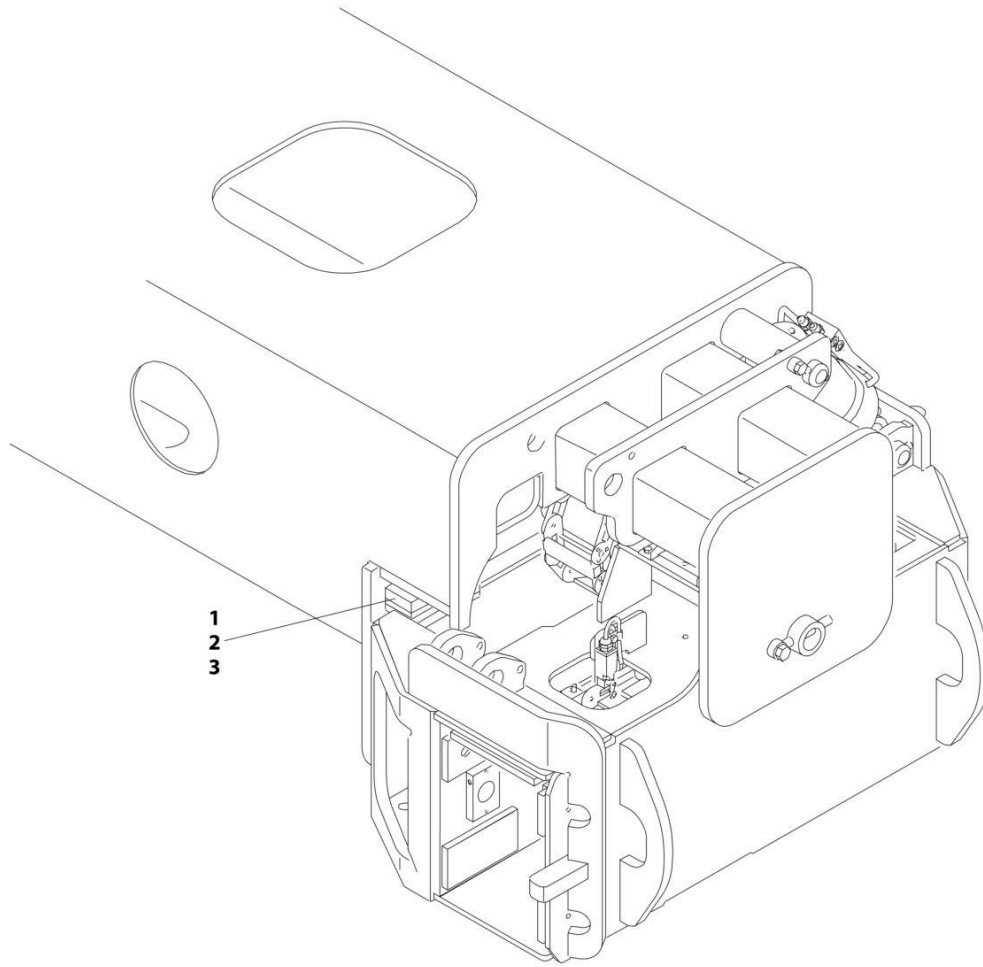
## SECTION 1 - FRAME

ITEM	PART NUMBER	QTY	DESCRIPTION	REV
52	4846383	1	Box, Axle Pivot	
53	1001161401	2	Pad, Axle	
54	1001161402	8	Pad, Wear	
55	1001161403	32	Pad, Wear	
56	4846637	4	Extension, Axle	
59	4240155	6	Strap (Not Shown)	
60	1001193674	4	Sleeve, Nylon	
61	1001191541	8	Bracket, Hose Mount	



# SECTION 1 - FRAME

## FIGURE 1-3. AXLE STOP BLOCKS INSTALLATION



ART\_0274106



## SECTION 1 - FRAME

### FIGURE 1-3. AXLE STOP BLOCKS INSTALLATION

ITEM	PART NUMBER	QTY	DESCRIPTION	REV
	0274106	Ref	AXLE STOP BLOCKS INSTALLATION	A
1	0100019	AR	Compound, Locking	
2	3931816	4	Capscrew 1/2 x 1	
3	4220235	2	Block, Stop	



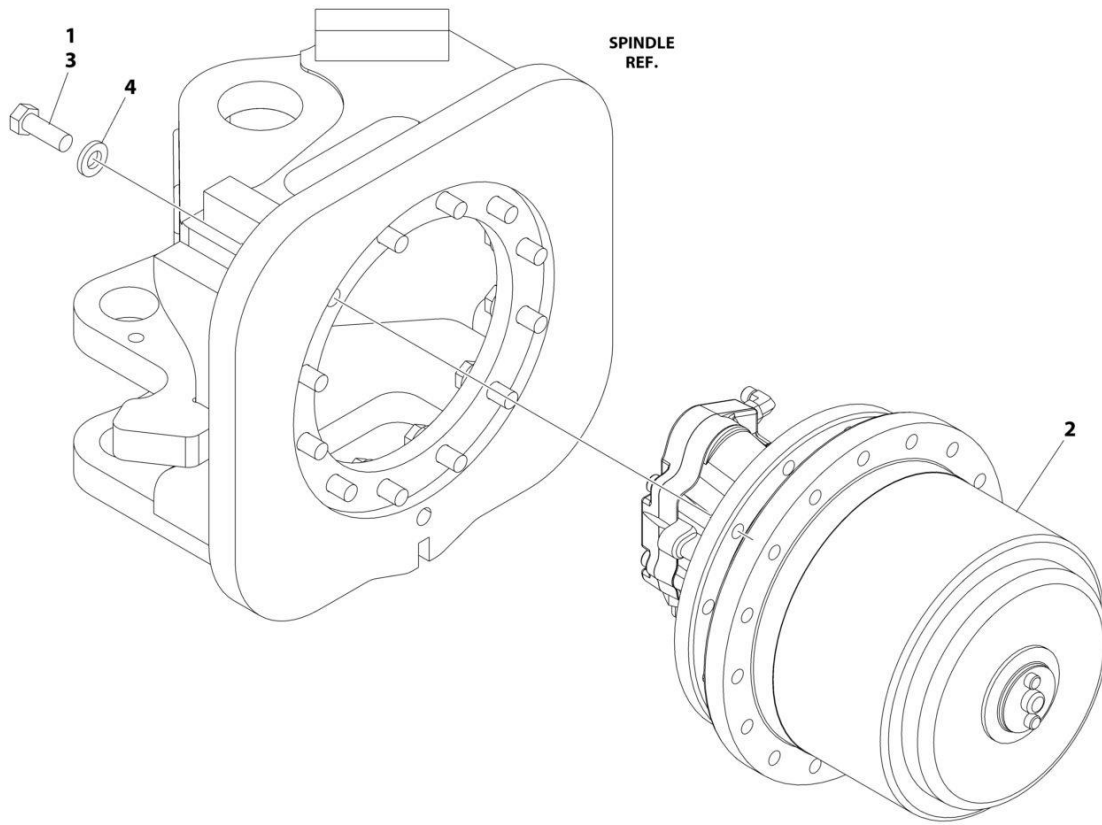
# SECTION 1 - FRAME

## FIGURE 1-4. STEER INSTALLATION

ITEM	PART NUMBER	QTY	DESCRIPTION	REV
	0271520	Ref	STEER INSTALLATION	L
1	0100011	AR	Compound, Locking	
2	0100019	AR	Compound, Locking	
3	0100035	AR	Compound, Locking	
5	0630464	4	Screw #10 x 1/2	
6	0641505	4	Bolt 5/16 x 5/8	
7	0641511	4	Bolt 5/16 x 1-3/8	
9	0641634	4	Bolt 3/8 x 4-1/4	
10	0642016	4	Bolt 5/8 x 2	
11	0962423	8	Bushing	
12	1671040	4	Cover, Sensor	
13	1001228031	4	Steer Cylinder Assembly (See Separate Breakdown in CYLINDER Section)	
14	3311505	4	Nut 5/16	
15	3300464	4	Nut, Slotted	
17	3422917	4	Kingpin	
18	3422940	4	Pin, Steer Cylinder (Outer)	
19	3422941	4	Pin, Steer Cylinder (Inner)	
20	3423256	4	Pin, Sensor	
21	3451214	4	Pin, Cotter 3/8 x 3-1/2	
22	3760383	4	Ring, Retaining	
23	3841258	4	Keeper, Pin	
25	3931020	8	Capscrew #10 x 1-1/4	
26	3931412	16	Capscrew 1/4 x 3/4	
27	3932024	8	Capscrew 5/8 x 1-1/2	
28	1001099632	4	Spindle	
29	4360505	4	Switch, Rotary Angle Sensor (Steer)	
30	4460914	4	Terminal	
31	4711500	12	Washer 5/16	
32	4711800	4	Washer 1/2	
33	4740181	4	Thrustwasher	
34	4740229	4	Thrustwasher	
35	4740505	8	Thrustwasher	
36	4751600	4	Washer 3/8	
37	4755000	4	Washer 2-1/2	
38	0200833	4	Arm, Steer	
39	0741606	8	Screw 3/8 x 3/4	
40	1120549	4	Cap, Seal (Outer)	
41	1120550	4	Cap, Seal (Inner)	
42	3960551	4	Seal (Outer)	
43	3960552	4	Seal (Inner)	
44	0080277	4	Adapter, Angle Sensor Pilot	
45	4811600	8	Washer M5	

# SECTION 1 - FRAME

## FIGURE 1-5. WHEEL DRIVE INSTALLATION - BONFIGLIOLI



ART\_0275685

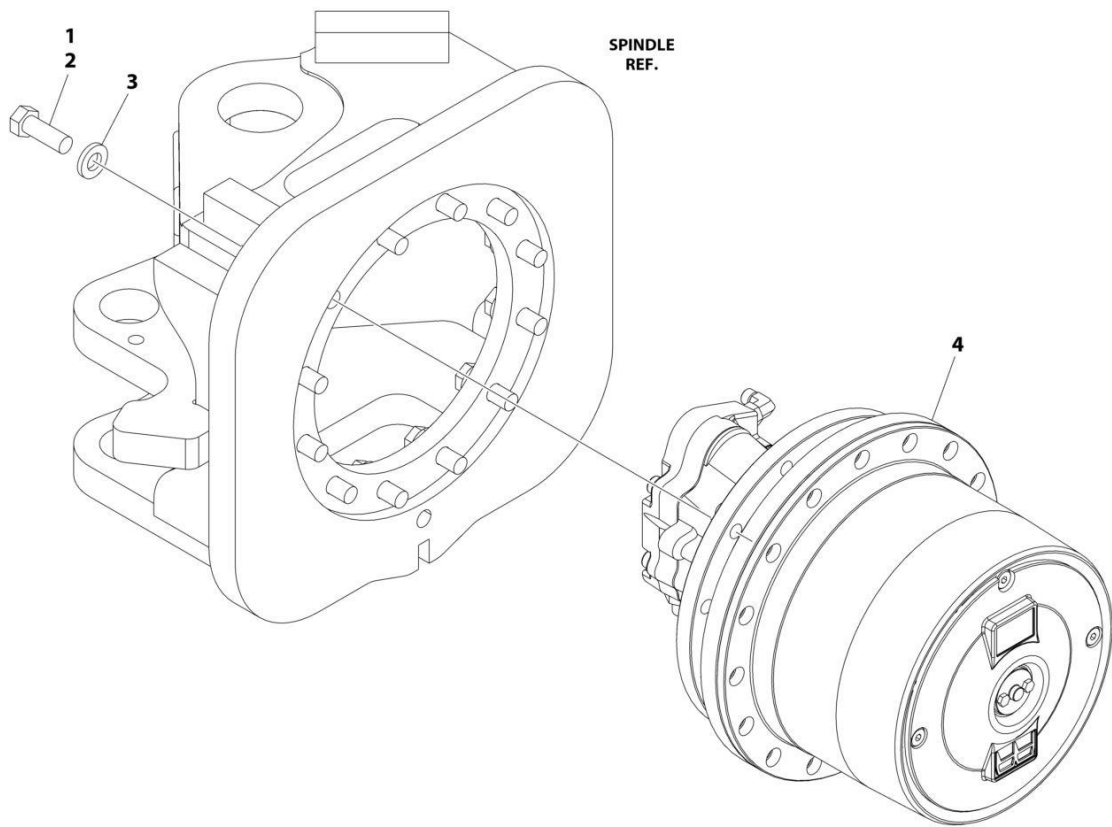
## SECTION 1 - FRAME

### FIGURE 1-5. WHEEL DRIVE INSTALLATION - BONFIGLIOLI

ITEM	PART NUMBER	QTY	DESCRIPTION	REV
	0275685	Ref	WHEEL DRIVE INSTALLATION - BONFIGLIOLI	C
1	0100019	AR	Compound, Locking	
2	2780286	4	Drive Hub and Motor Assembly - Bonfiglioli (See Separate Breakdown in this Section)	
3	0701617	48	Bolt M16 x 45 (12 Per Wheel)	
4	4892000	48	Washer 5/8 (12 Per Wheel)	

# SECTION 1 - FRAME

## FIGURE 1-6. WHEEL DRIVE INSTALLATION - REGGIANA RIDUTTORI



ART\_1001104324

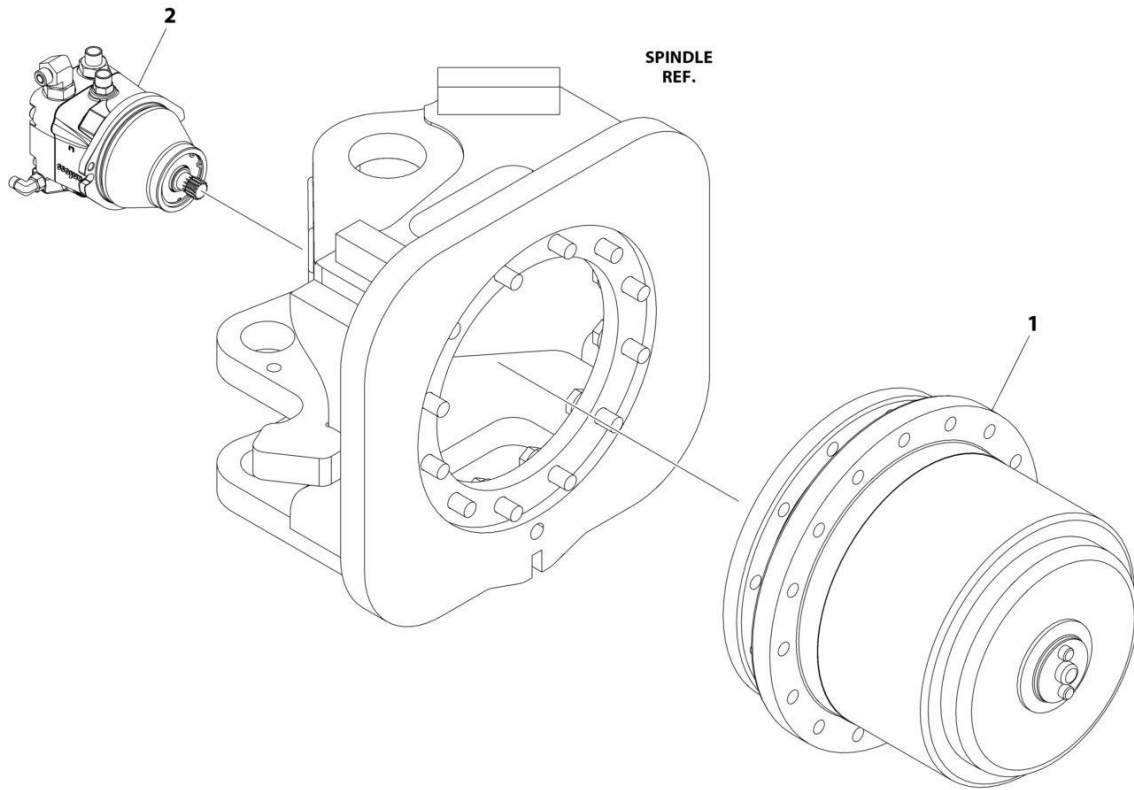
## SECTION 1 - FRAME

**FIGURE 1-6. WHEEL DRIVE INSTALLATION - REGGIANA RIDUTTORI**

ITEM	PART NUMBER	QTY	DESCRIPTION	REV
	1001104324	Ref	WHEEL DRIVE INSTALLATION - REGGIANA RIDUTTORI	B
1	0100019	AR	Compound, Locking	
2	0701617	48	Bolt M16 x 45 (12 Per Wheel)	
3	4892000	48	Washer 5/8 (12 Per Wheel)	
4	1001104315	4	Drive Hub and Motor Assembly - Reggiana Riduttori (See Separate Breakdown in this Section)	

# SECTION 1 - FRAME

FIGURE 1-7. DRIVE HUB AND MOTOR ASSEMBLY - BONFIGLIOLI



ART\_2780286



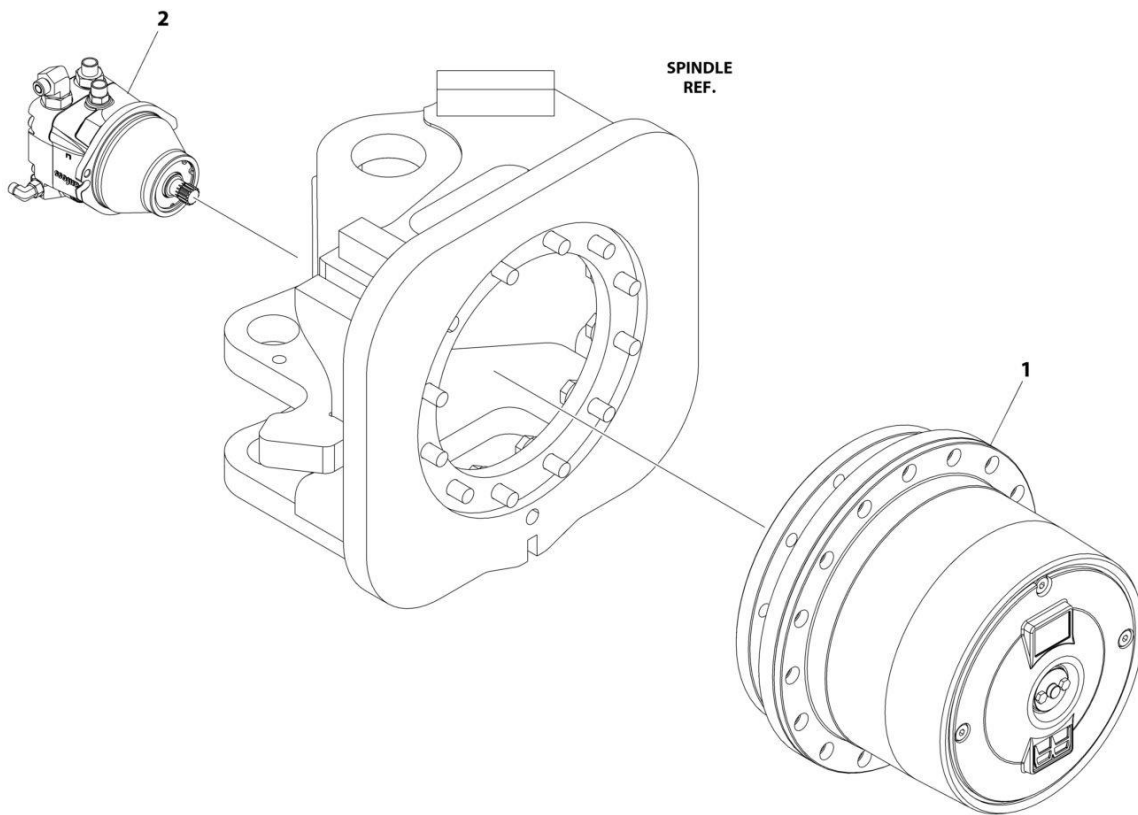
**SECTION 1 - FRAME**

**FIGURE 1-7. DRIVE HUB AND MOTOR ASSEMBLY - BONFIGLIOLI**

<b>ITEM</b>	<b>PART NUMBER</b>	<b>QTY</b>	<b>DESCRIPTION</b>	<b>REV</b>
	2780286	Ref	DRIVE HUB AND MOTOR ASSEMBLY - BONFIGLIOLI	D
		Ref	Note: Various brands used on Machines. When replacing complete hub, note that all 4 hubs must be the same brand.	
		Ref	Note: Various brands used on Machines. Identify brand before ordering replacement parts.	
1	1001093243	4	Drive Hub Assembly - Bonfiglioli (See Separate Breakdown in this Section)	
2	3160339	4	Drive Motor Assembly (See Separate Breakdown in this Section)	

# SECTION 1 - FRAME

FIGURE 1-8. DRIVE HUB AND MOTOR ASSEMBLY - REGGIANA RIDUTTORI



ART\_1001104315

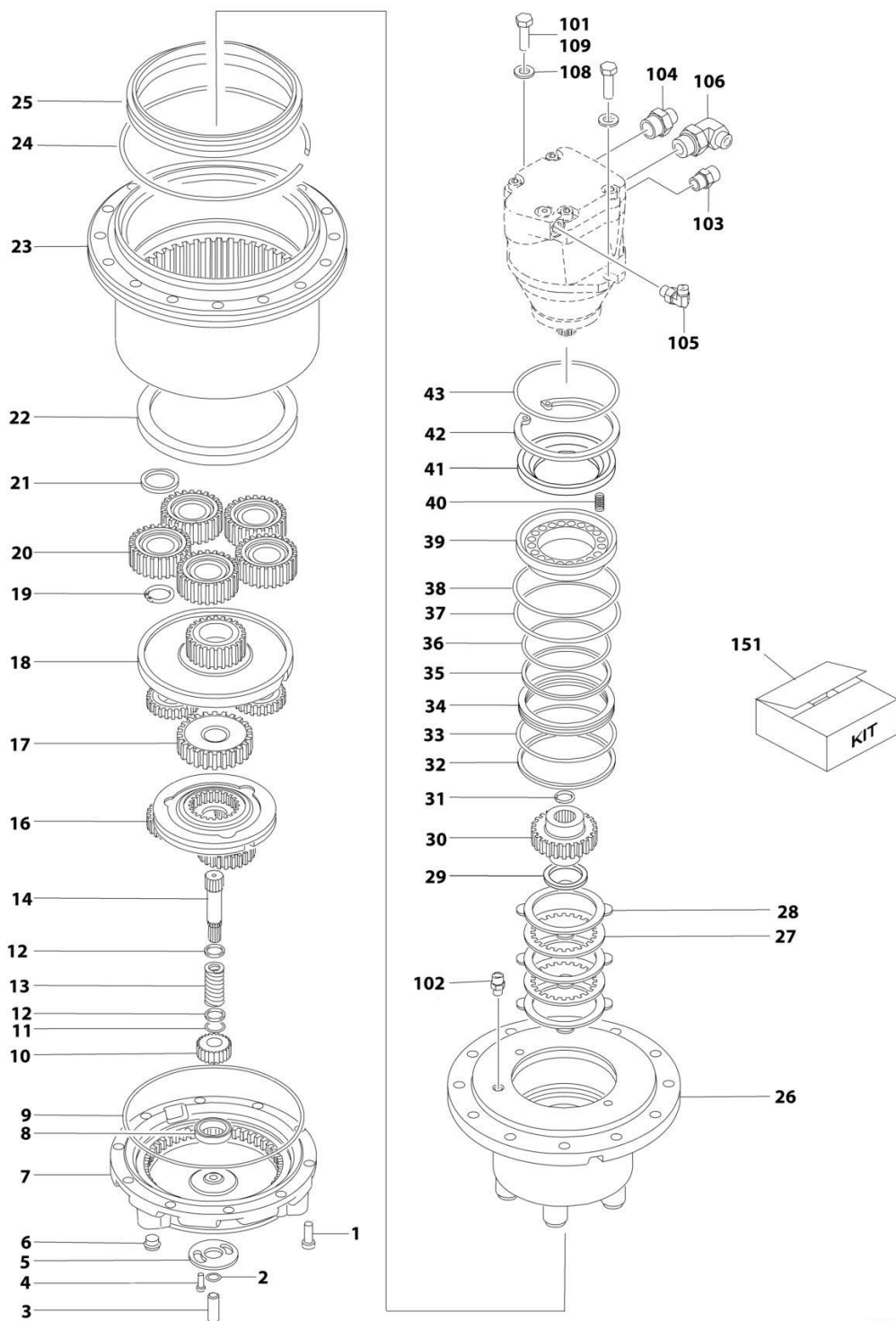
## SECTION 1 - FRAME

**FIGURE 1-8. DRIVE HUB AND MOTOR ASSEMBLY - REGGIANA RIDUTTORI**

ITEM	PART NUMBER	QTY	DESCRIPTION	REV
	1001104315	Ref	DRIVE HUB AND MOTOR ASSEMBLY - REGGIANA RIDUTTORI	B
		Ref	Note: Various brands used on Machines. When replacing complete hub, note that all 4 hubs must be the same brand.	
		Ref	Note: Various brands used on Machines. Identify brand before ordering replacement parts.	
1	1001104325	4	Drive Hub Assembly - Reggiana Riduttori (See Separate Breakdown in this Section)	
2	3160339	4	Drive Motor Assembly (See Separate Breakdown in this Section)	

# SECTION 1 - FRAME

## FIGURE 1-9. DRIVE HUB ASSEMBLY - BONFIGLIOLI



ART\_1001093243

# SECTION 1 - FRAME

## FIGURE 1-9. DRIVE HUB ASSEMBLY - BONFIGLIOLI

ITEM	PART NUMBER	QTY	DESCRIPTION	REV
	1001093243	Ref	DRIVE HUB ASSEMBLY - BONFIGLIOLI	F
		Ref	Note: Various brands used on Machines. Identify brand before ordering replacement parts.	
	1001093242	1	Hub, Torque - Bonfiglioli	
1	70000810	10	Bolt M10 x 25	
2	70000811	1	O-Ring	
3	70000812	1	Pin	
4	70000813	2	Bolt M8 x 16	
5	70002393	1	Cap, Disconnect	
6	See Note	2	Plug (Note: Not Available for Purchase)	
7	70002394	1	Cover Assembly (Includes Items 2-6 & 8)	
8	70000816	1	Pad	
9	70000817	1	O-Ring	
10	70000818	1	Gear, Primary Sun	
11	See Note	NSS	Ring, Neoprene (Note: Use Item 151)	
12	See Note	NSS	Washer (Note: Use Item 151)	
13	See Note	NSS	Spring (Note: Use Item 151)	
14	See Note	NSS	Shaft (Note: Use Item 151)	
16	70000820	1	Reduction Assembly, Primary	
17	70000821	1	Gear, Secondary Sun	
18	70000822	1	Reduction Assembly, Secondary	
19	70000823	5	Snap Ring	
20	70000824	5	Gear Assembly, Planetary	
21	70000825	5	Spacer	
22	70000826	1	Nut	
23	70002395	1	Housing (Includes Bearing)	
24	70002396	2	Ball Bearing	
25	70002397	1	Seal	
26	See Note	NSS	Spindle (Note: Not Available - Purchase Complete Assembly)	
27	70000834	4	Disc, Steel	
28	70000835	5	Disc, Lined	
29	70000836	1	Spacer	
30	70002398	1	Shaft, Brake	
31	70000838	1	Snap Ring	
32	70000839	1	Ring, Back-up	
33	70000840	1	O-Ring	
34	70000841	1	Spacer	
35	70000842	1	Ring, Back-up	
36	70000843	1	O-Ring	
37	70000844	1	O-Ring	
38	70000845	1	Ring, Back-up	
39	70000846	1	Piston, Brake	
40	70000847	15	Spring	
41	70000848	1	Plate, Spring Retainer	
42	70000849	1	Snap Ring	
48	70002399	1	O-Ring	
101	0761215	2	Bolt M12 x 35	
102	2110404	1	Fitting, Adapter	
103	2110808	1	Fitting, Adapter	
104	2110812	1	Fitting, Adapter	

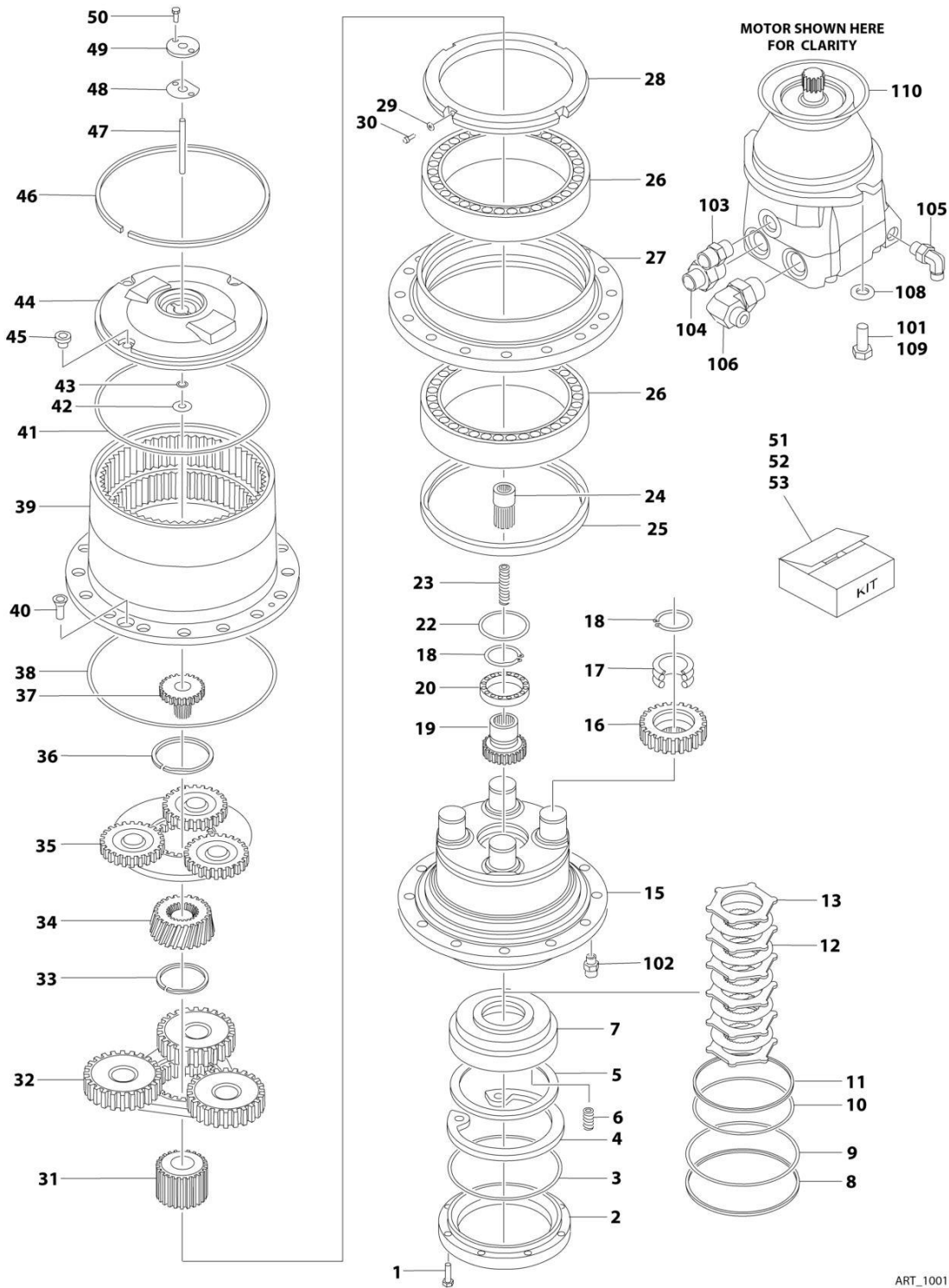
## SECTION 1 - FRAME

ITEM	PART NUMBER	QTY	DESCRIPTION	REV
105	2130406	1	Fitting, 90 Adapter	
106	2130812	1	Fitting, 90 Adapter	
108	5241200	2	Washer M12	
109	0100011	AR	Compound, Locking	
151	70000819	1	Brake Shaft Kit (Includes Items 11-14)	



# SECTION 1 - FRAME

## FIGURE 1-10. DRIVE HUB ASSEMBLY - REGGIANA RIDUTTORI



ART\_1001104325



# SECTION 1 - FRAME

## FIGURE 1-10. DRIVE HUB ASSEMBLY - REGGIANA RIDUTTORI

ITEM	PART NUMBER	QTY	DESCRIPTION	REV
	1001104325	Ref	DRIVE HUB ASSEMBLY - REGGIANA RIDUTTORI	G
		Ref	Note: Various brands used on Machines. Identify brand before ordering replacement parts.	
	1001101550	1	Hub, Torque	C
1	70002015	8	Bolt M8 x 25	
2	70002016	1	Ring, Motor Support	
3	See Note	NSS	O-Ring (Note: Use Item 51)	
4	70002018	1	Snap Ring	
5	70002019	1	Retainer, Spring	
6	70002020	9	Spring	
7	70002021	1	Piston	
8	See Note	NSS	Ring, Back-up (Note: Use Item 51 or 53)	
9	See Note	NSS	O-Ring (Note: Use Item 51 or 53)	
10	See Note	NSS	O-Ring (Note: Use Item 51 or 53)	
11	See Note	NSS	Ring, Back-up (Note: Use Item 51 or 53)	
12	70002026	5	Disc, Friction	
13	70002027	6	Disc, Steel	
15	70002029	1	Spindle	
16	70002030	4	Gear, Planetary	
17	70002031	4	Bearing	
18	70002032	5	Snap Ring	
19	70002033	1	Gear, Brake/Input	
20	70002034	1	Bearing	
22	70002035	1	Ring, Wear	
23	70002036	1	Spring	
24	70002037	1	Shaft, Engagement	
25	See Note	NSS	Seal (Note: Use Item 51)	
26	70002039	2	Bearing Assembly	
27	70002040	1	Support, Hub	
28	70002041	1	Nut, Retaining	
29	70002674	4	Washer	
30	70002674	4	Screw	
31	70002044	1	Gear, Planetary Sun	
32	70002045	1	Reduction Assembly, Secondary	
33	70002046	1	Snap Ring	
34	70002047	1	Gear, Secondary Input Sun	
35	70002048	1	Reduction Assembly, Primary	
36	70002049	1	Snap Ring	
37	70002050	1	Gear, Primary Input Sun	
38	See Note	NSS	O-Ring (Note: Use Item 51)	
39	See Note	NSS	Housing, Hub (Note: Not Available - Purchase Complete Assembly)	
40	70002052	2	Screw, Countersunk	
41	See Note	NSS	O-Ring (Note: Use Item 51 or 52)	
42	See Note	NSS	Thrustwasher (Note: Use Item 52)	
43	See Note	NSS	O-Ring (Note: Use Item 51 or 52)	
44	See Note	NSS	Cover, Hub (Note: Use Item 52)	
45	70002057	3	Plug	
46	See Note	NSS	Snap Ring (Note: Use Item 52)	
47	See Note	NSS	Pin, Engagement (Note: Use Item 52)	

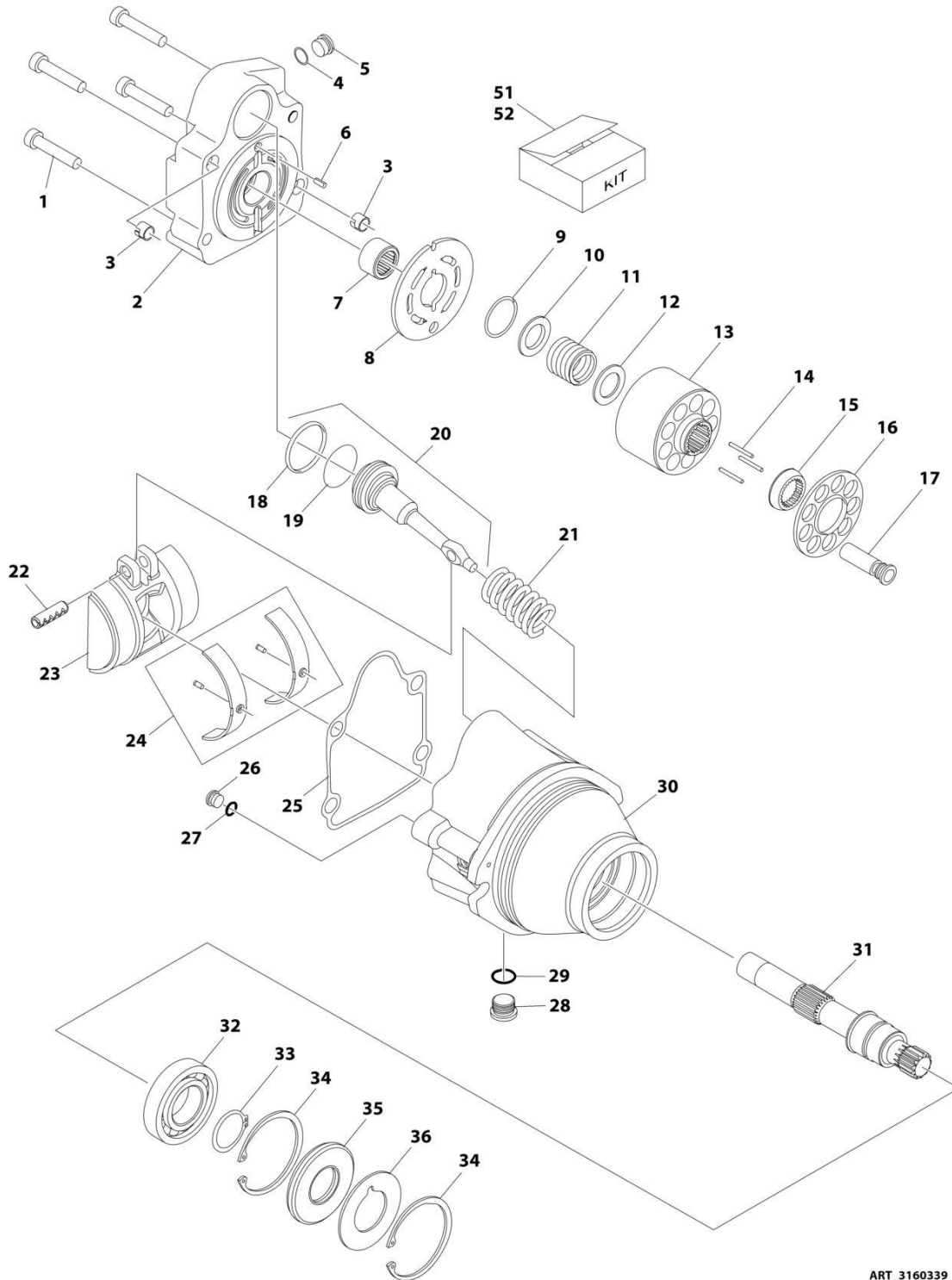
## SECTION 1 - FRAME

ITEM	PART NUMBER	QTY	DESCRIPTION	REV
48	See Note	NSS	Gasket (Note: Use Item 51 or 52)	
49	See Note	NSS	Cover, Engagement (Note: Use Item 52)	
50	See Note	NSS	Screw (Note: Use Item 52)	
51	70002248	1	Seal Kit (Includes Items 3, 8-11, 25, 38, 41, 43 & 48)	
52	70002247	1	Cover Kit (Includes Items 41-50)	
53	70002249	1	Brake Kit (Includes Items 4-13)	
101	0761214	2	Bolt M12 x 30	
102	2110404	1	Fitting, Adapter	
103	2110808	1	Fitting, Adapter	
104	2110812	1	Fitting, Adapter	
105	2130406	1	Fitting, 90 Adapter	
106	2130812	1	Fitting, 90 Adapter	
108	5241200	2	Washer M12	
109	0100011	AR	Compound, Locking	
110	3790158	1	O-Ring	



# SECTION 1 - FRAME

## FIGURE 1-11. DRIVE MOTOR ASSEMBLY



ART\_3160339

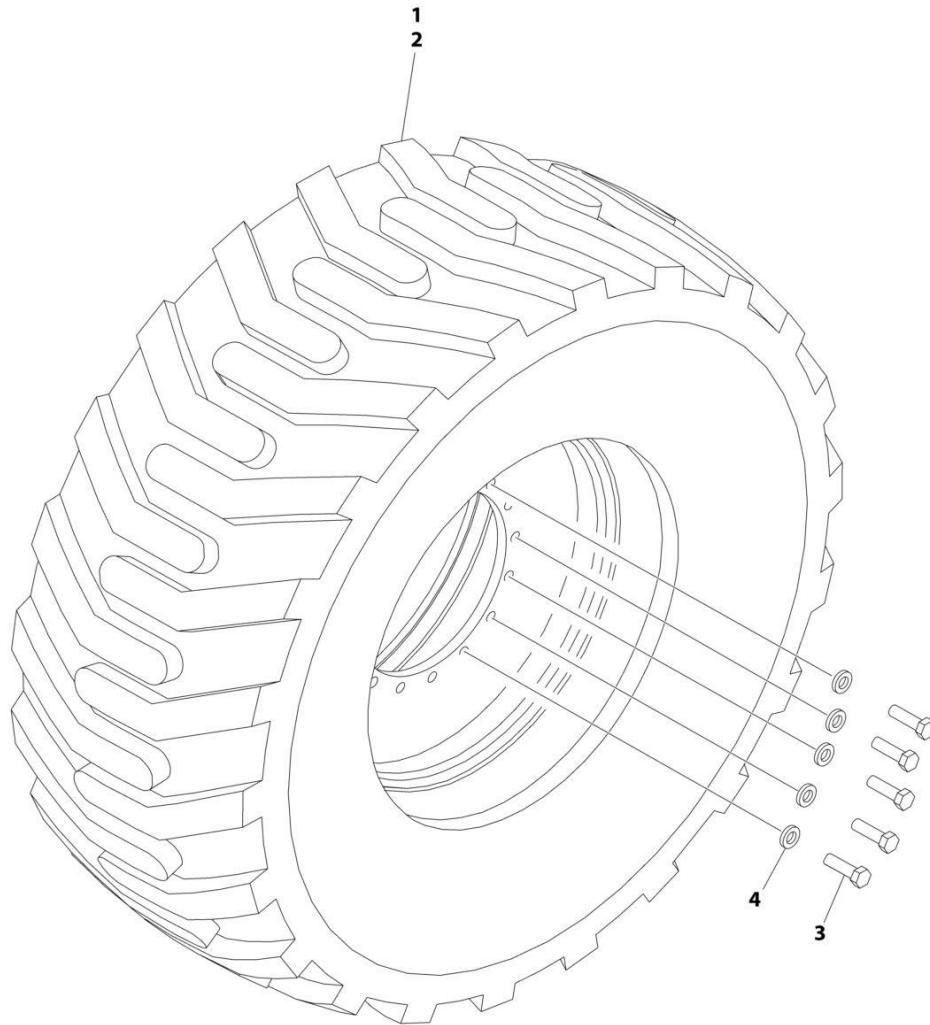
# SECTION 1 - FRAME

## FIGURE 1-11. DRIVE MOTOR ASSEMBLY

ITEM	PART NUMBER	QTY	DESCRIPTION	REV
	3160339	Ref	DRIVE MOTOR ASSEMBLY	D
1	7022368	4	Bolt	
2	70000859	1	End Cap, Motor	
3	70003628	2	Locating Pin	
4	See Note	NSS	O-Ring (Note: Use Item 51)	
5	7007420	1	Plug (Includes Item 4)	
6	7007446	1	Pin, Dowel	
7	7021249	1	Bearing, Needle	
8	70000854	1	Plate, Valve	
9	7022311	1	Snap Ring	
10	7022314	1	Retainer, Spring	
11	7024867	1	Spring	
12	7024868	1	Washer	
13	70000855	1	Block, Cylinder	
14	7021275	3	Pin, Slipper	
15	70000856	1	Guide	
16	70000857	1	Retainer, Slipper	
17	7024865	9	Piston, Cylinder	
18	See Note	NSS	Ring, Piston (Note: Use Item 51)	
19	See Note	NSS	O-Ring (Note: Use Item 51)	
20	70000860	1	Piston, Servo (Includes Items 18 & 19)	
21	70000861	1	Spring	
22	See Note	NSS	Pin (Note: Not Available for Purchase)	
23	70000853	1	Swash Plate	
24	70000852	1	Bearing Kit	
25	See Note	NSS	Gasket (Note: Use Item 51)	
26	See Note	NSS	Plug (Note: Not Available for Purchase)	
27	See Note	NSS	O-Ring (Note: Use Item 51)	
28	7022321	1	Plug (Includes Item 29)	
29	See Note	NSS	O-Ring (Note: Use Item 51)	
30	See Note	NSS	Housing (Note: Not Available - Purchase Complete Motor)	
31	70000858	1	Shaft	
32	7007437	1	Bearing	
33	7007439	1	Snap Ring	
34	7007438	2	Snap Ring	
35	See Note	NSS	Seal (Note: Use Item 51)	
36	7022371	1	Washer, Seal Support	
51	70000862	1	Kit 1 - Motor Seal Kit (Includes Items 4, 18, 19, 25, 27, 29 & 35)	
52	7027740	1	Kit 2 - Cylinder Block Kit (Includes Items 9-17)	

# SECTION 1 - FRAME

FIGURE 1-12. TIRE AND WHEEL INSTALLATION - FOAM - FILLED



ART\_0271852

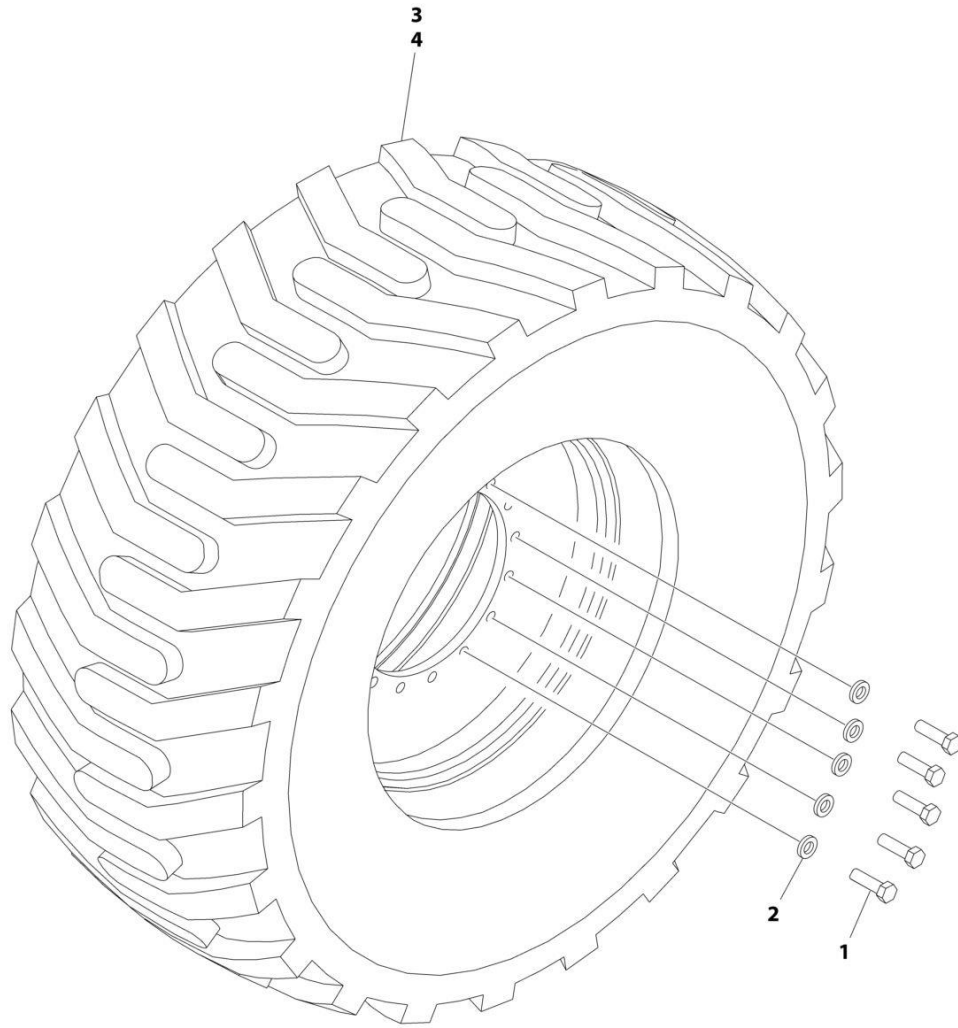
## SECTION 1 - FRAME

**FIGURE 1-12. TIRE AND WHEEL INSTALLATION - FOAM - FILLED**

ITEM	PART NUMBER	QTY	DESCRIPTION	REV
	0271852	Ref	TIRE AND WHEEL INSTALLATION - FOAM - FILLED	B
		Ref	Note: Assemblies may require ballast/foam filling to manufacturer's specifications prior to installing on a machine. Refer to Operation and Safety or Service and Maintenance Manuals. Purchase individual tire and/or rim only if able to foam fill tire and wheel assembly, otherwise, purchase complete assembly.	
1	0272055	2	Right Side Tire and Wheel Assembly - Foam - Filled	
2	0272056	2	Left Side Tire and Wheel Assembly - Foam - Filled	
3	0701619	64	Bolt M16 x 55 (16 Per Wheel)	
4	4892000	64	Washer 5/8 (16 Per Wheel)	

# SECTION 1 - FRAME

## FIGURE 1-13. TIRE AND WHEEL INSTALLATION - SOLID



ART\_1001115961



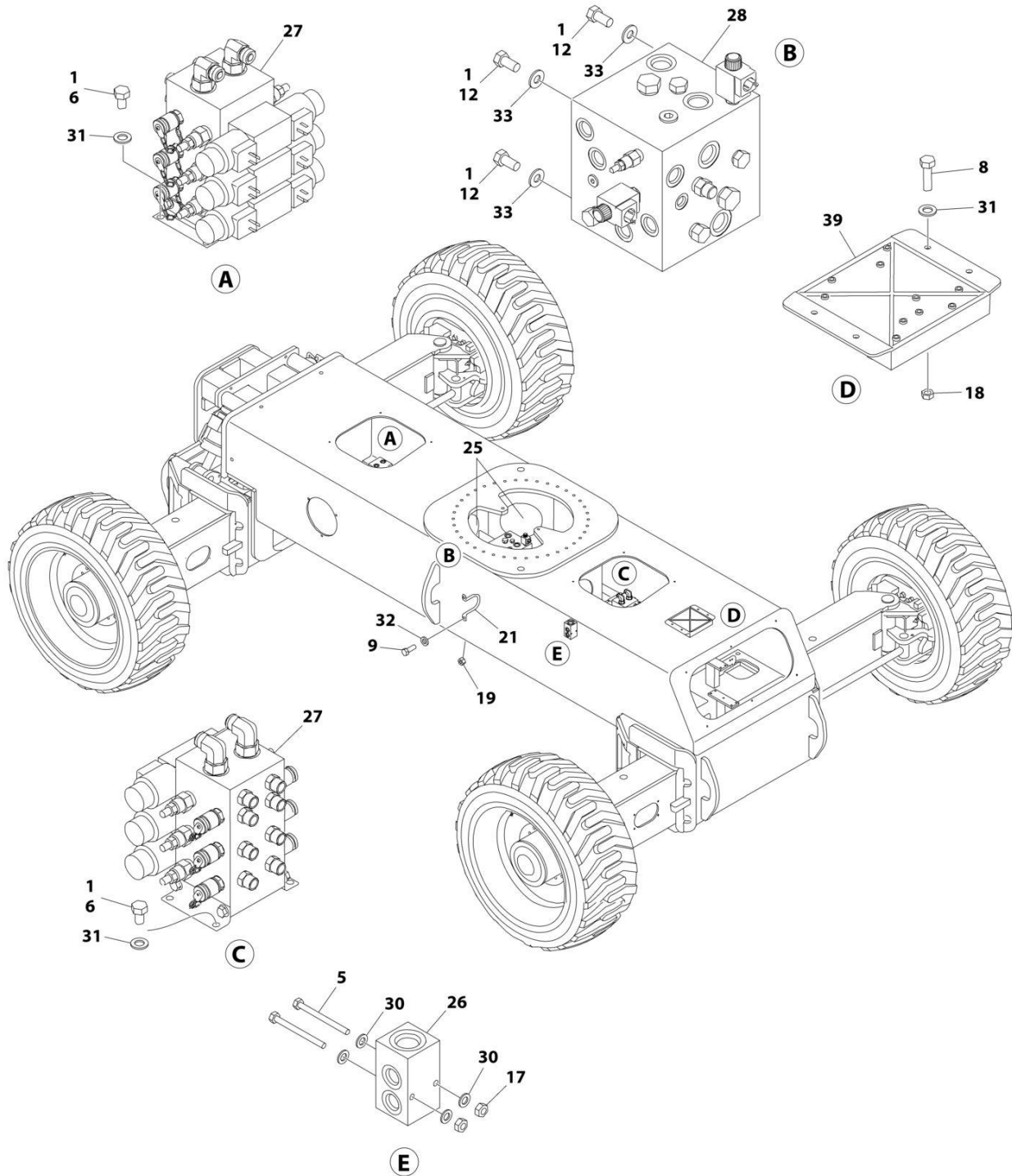
## SECTION 1 - FRAME

### FIGURE 1-13. TIRE AND WHEEL INSTALLATION - SOLID

ITEM	PART NUMBER	QTY	DESCRIPTION	REV
	1001115961	Ref	TIRE AND WHEEL INSTALLATION - SOLID	A
1	0701619	64	Bolt M16 x 55 (16 Per Wheel)	
2	4892000	64	Washer 5/8 (16 Per Wheel)	
3	1001112716	2	Right Side Tire and Wheel Assembly - Solid	
4	1001112669	2	Left Side Tire and Wheel Assembly - Solid	

# SECTION 1 - FRAME

## FIGURE 1-14. FRAME VALVES INSTALLATION - WITH 1 CELL LSS (PVC 2001)



ART\_1001219989\_1OF3

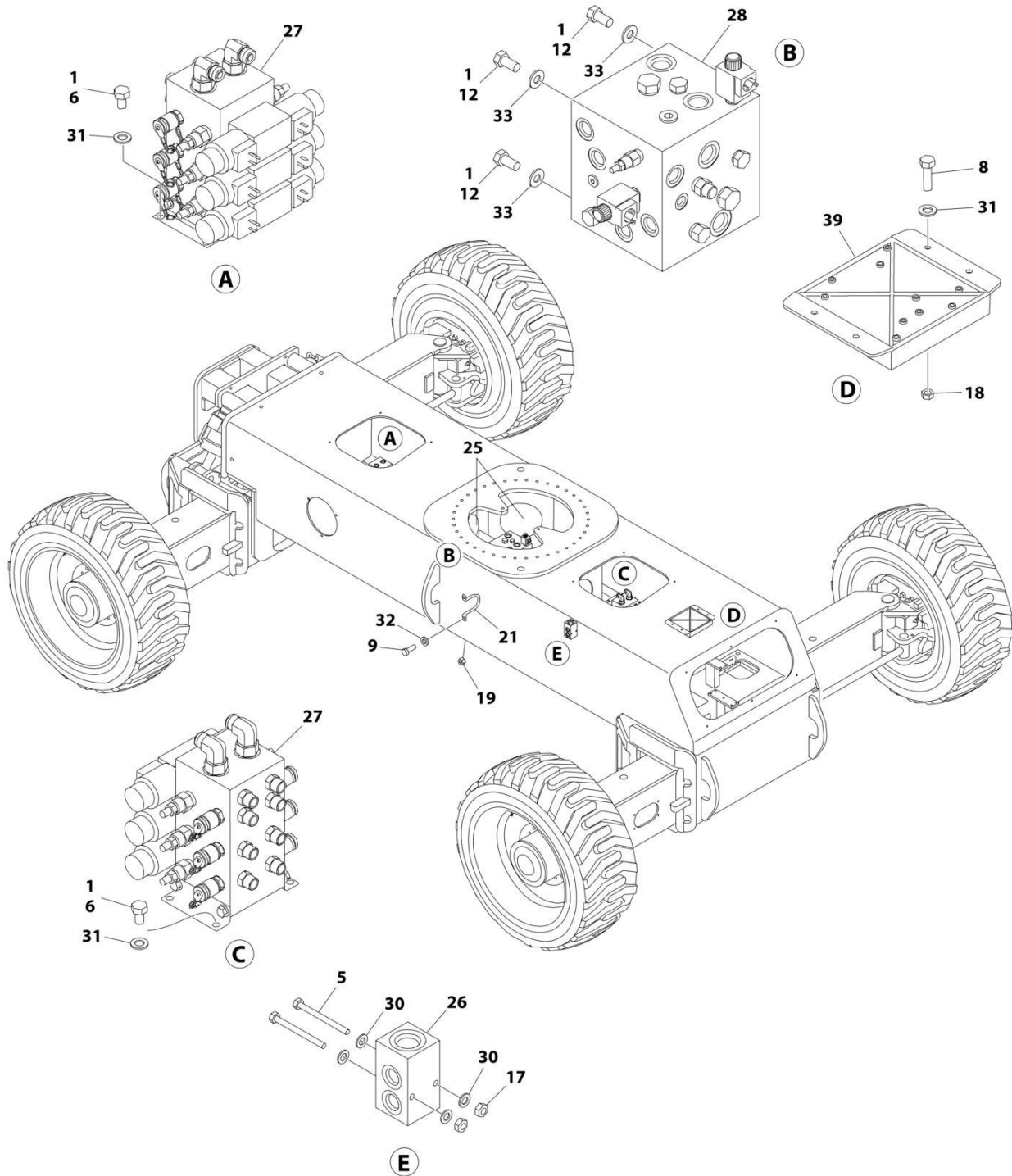
## SECTION 1 - FRAME

**FIGURE 1-14. FRAME VALVES INSTALLATION - WITH 1 CELL LSS (PVC 2001)**

ITEM	PART NUMBER	QTY	DESCRIPTION	REV
	1001219989	Ref	FRAME VALVES INSTALLATION - WITH 1 CELL LSS	B
1	0100011	AR	Compound, Locking	
5	0641424	2	Bolt 1/4 x 3	
6	0641504	8	Bolt 5/16 x 1/2	
8	0641509	4	Bolt 5/16 x 1-1/8	
9	0641608	4	Bolt 3/8 x 1	
12	0641808	4	Bolt 1/2 x 1	
17	3311405	2	Nut 1/4	
18	3311505	4	Nut 5/16	
19	3311605	4	Nut 3/8	
21	3841340	2	Loop, Hose	
25	4060808	124 in/ 3.2m	Flex-Trim	
26	4641155	1	Manifold, Junction	
27	4641268	2	Valve Assembly - Steer (See Separate Breakdown in this Section)	
28	4641454	1	Traction Valve Assembly (See Separate Breakdown in this Section)	
30	4711400	4	Washer 1/4	
31	4711500	12	Washer 5/16	
32	4711600	4	Washer 3/8	
33	4711800	4	Washer 1/2	
39	1001112758	1	Module (Chassis) (Note: Re-calibration required when Replaced)	
39	2915024	1	Update Kit (Includes Cables, Programming Instructions and CD Software)	

# SECTION 1 - FRAME

## FIGURE 1-15. FRAME VALVES INSTALLATION - WITH 1 CELL LSS (PVC 2007)



ART\_1001219989\_E\_10F3

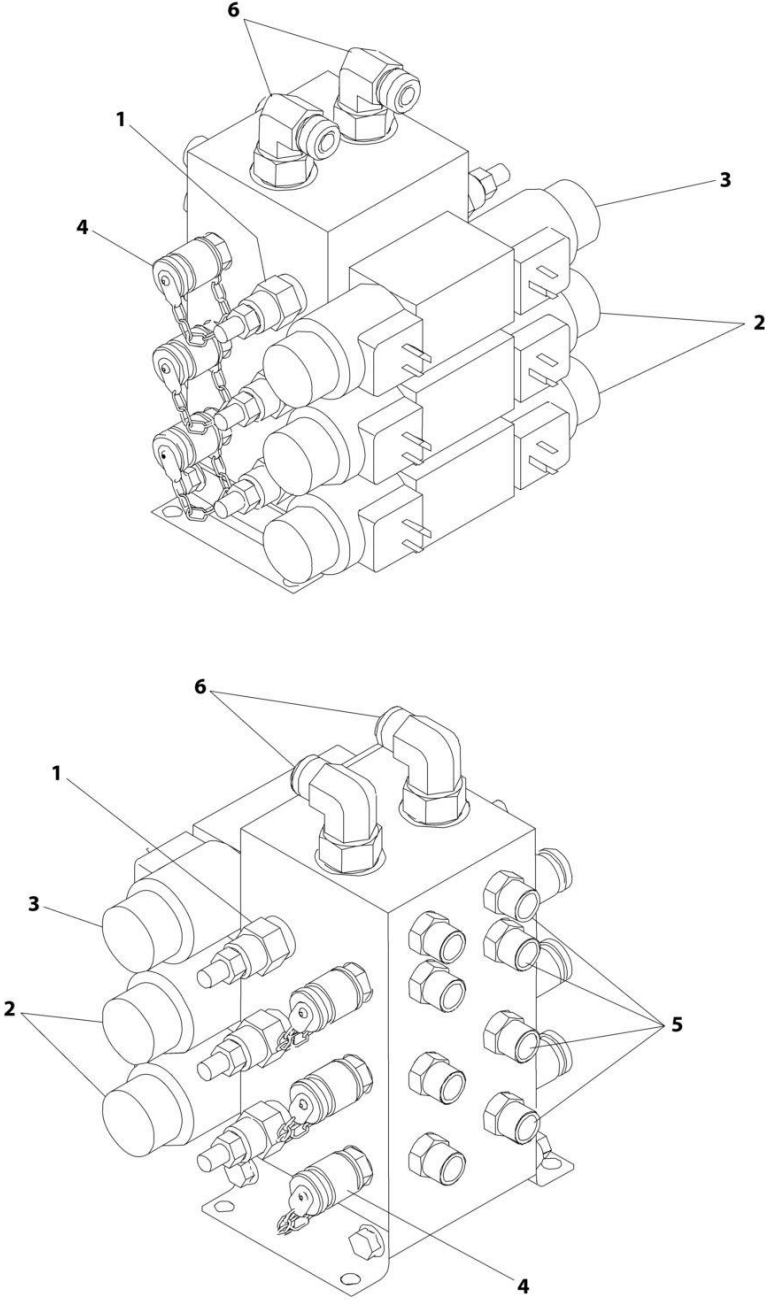
## SECTION 1 - FRAME

**FIGURE 1-15. FRAME VALVES INSTALLATION - WITH 1 CELL LSS (PVC 2007)**

ITEM	PART NUMBER	QTY	DESCRIPTION	REV
	1001219989	Ref	FRAME VALVES INSTALLATION - WITH 1 CELL LSS	E
1	0100011	AR	Compound, Locking	
5	0641424	2	Bolt 1/4 x 3	
6	0641504	8	Bolt 5/16 x 1/2	
8	0641509	4	Bolt 5/16 x 1-1/8	
9	0641608	4	Bolt 3/8 x 1	
12	0641808	4	Bolt 1/2 x 1	
17	3311405	2	Nut 1/4	
18	3311505	4	Nut 5/16	
19	3311605	4	Nut 3/8	
21	3841340	2	Loop, Hose	
25	4060808	124 in/ 3.2m	Flex-Trim	
26	4641155	1	Manifold, Junction	
27	4641268	2	Valve Assembly - Steer (See Separate Breakdown in this Section)	
28	4641454	1	Traction Valve Assembly (See Separate Breakdown in this Section)	
30	4711400	4	Washer 1/4	
31	4711500	12	Washer 5/16	
32	4711600	4	Washer 3/8	
33	4711800	4	Washer 1/2	
39	1001112758	1	Module (Chassis) (Note: Re-calibration required when Replaced)	
39	2915024	1	Update Kit (Includes Cables, Programming Instructions and CD Software)	

**SECTION 1 - FRAME**

**FIGURE 1-16. STEER VALVE ASSEMBLY**



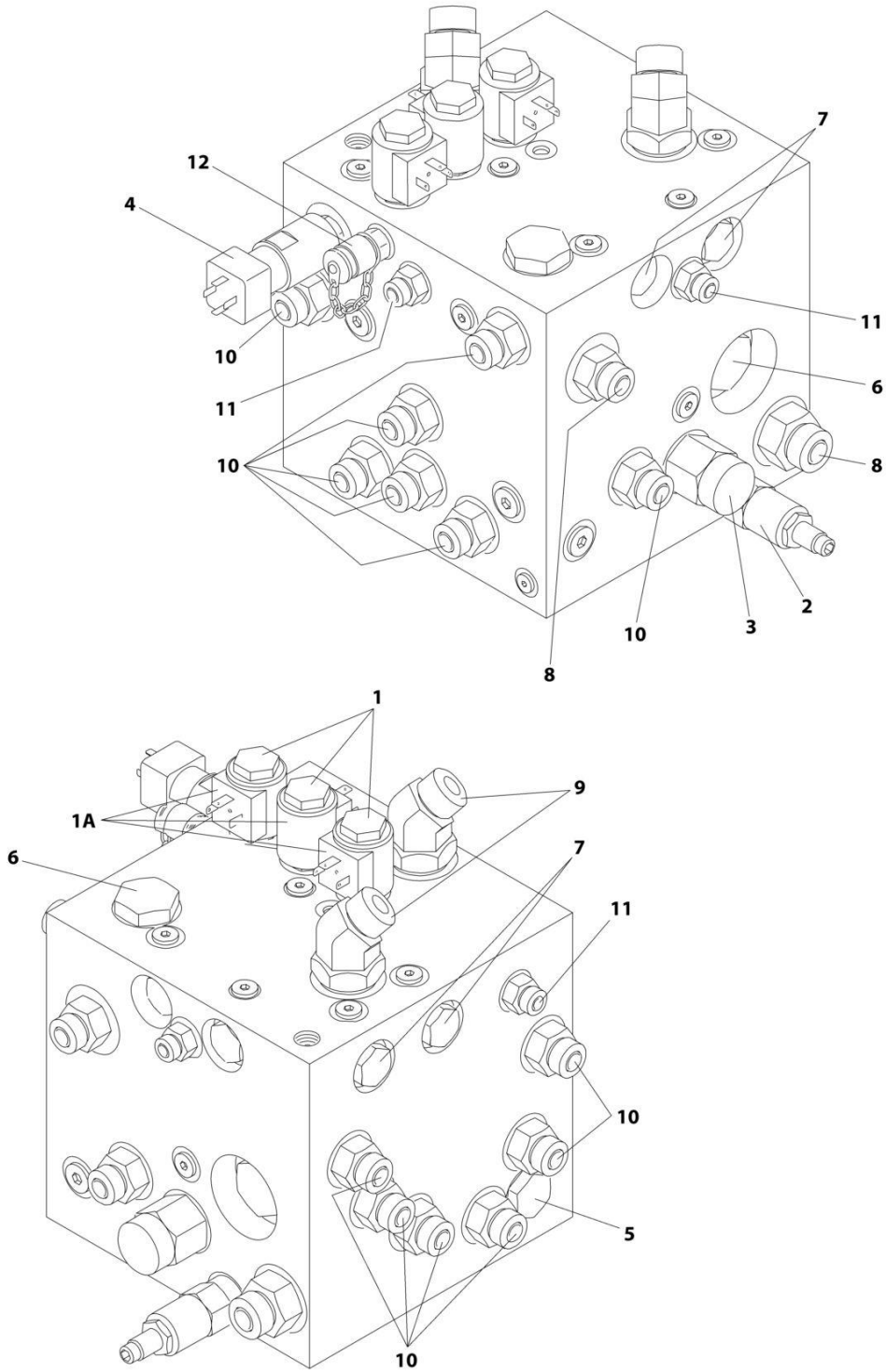
ART\_4641268

FIGURE 1-16. STEER VALVE ASSEMBLY

ITEM	PART NUMBER	QTY	DESCRIPTION	REV
	4641268	Ref	STEER VALVE ASSEMBLY	C
1	7026028	12	Cartridge (6 Per Valve)	
1	7011346	12	Seal Kit - Cartridge (1 Per Cartridge)	
2	7024927	4	Valve (2 Per Valve)	
2	7012773	4	Seal Kit - Cartridge (1 Per Cartridge)	
2	7018991	8	Coil (2 Per Valve)	
3	70001976	2	Valve (1 Per Valve)	
3	7012773	2	Seal Kit - Cartridge (1 Per Cartridge)	
3	7018991	4	Coil (2 Per Valve)	
3	70001939	2	Orifice	
4	2221086	6	Check, Pressure	
5	2110606	8	Fitting, Straight	
6	2130810	2	Fitting, 90	

# SECTION 1 - FRAME

## FIGURE 1-17. TRACTION VALVE ASSEMBLY



ART\_4641454



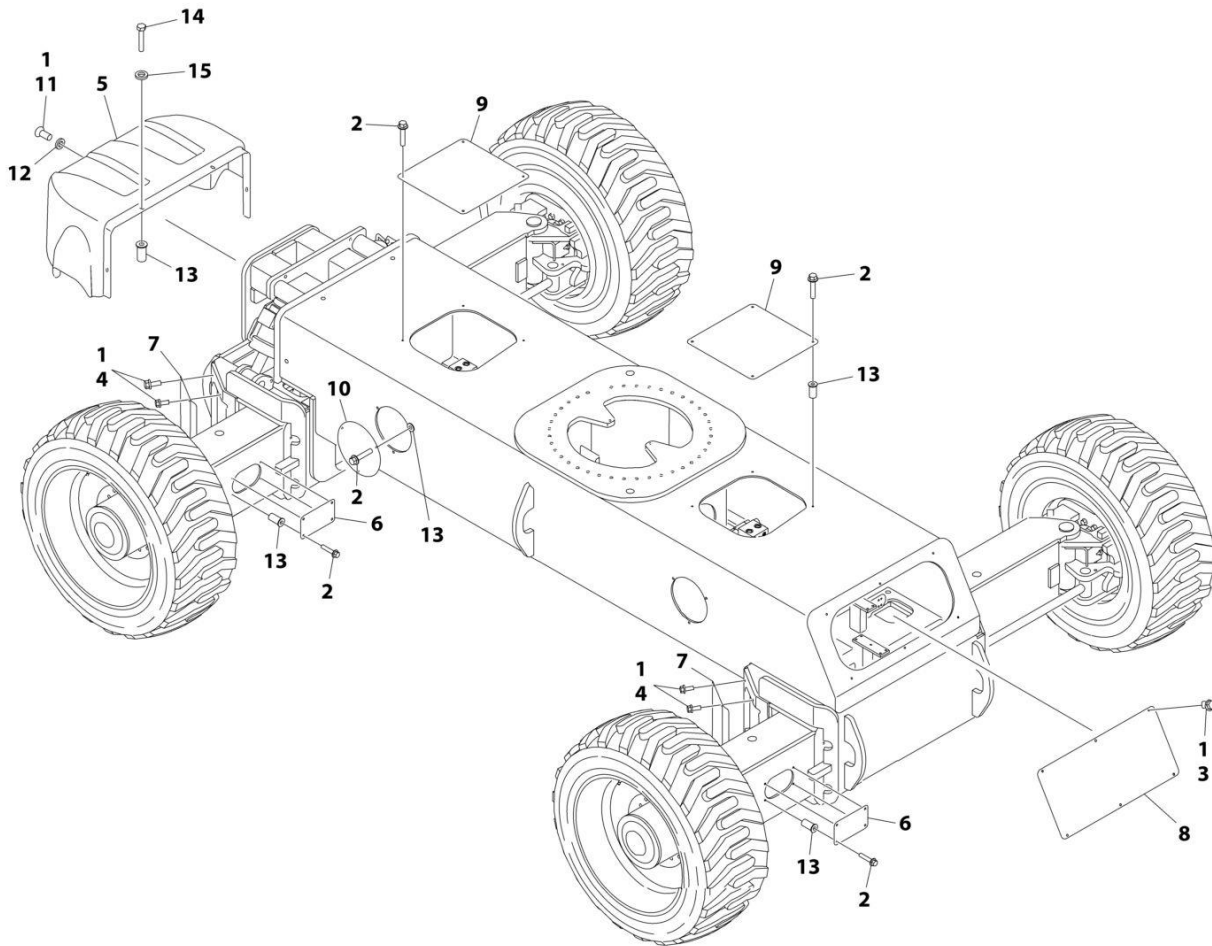
## SECTION 1 - FRAME

### FIGURE 1-17. TRACTION VALVE ASSEMBLY

ITEM	PART NUMBER	QTY	DESCRIPTION	REV
	4641454	Ref	TRACTION VALVE ASSEMBLY	E
1	7012941	3	Cartridge, Valve (Steer, Brake and Axle Lockout)	
1	7010543	3	Seal Kit - 7012941 Cartridge	
1A	7012944	2	Coil	
2	70000801	1	Cartridge, Valve (Relief)	
2	7012998	1	Seal Kit - 70000801 Cartridge	
3	70000802	1	Cartridge, Valve (Pilot)	
3	7012942	1	Seal Kit - 70000802 Cartridge	
4	70000803	1	Pressure Switch	
5	70000804	1	Cartridge, Valve (Shuttle)	
5	70000805	1	Seal Kit - 70000804 Cartridge	
6	70000806	2	Cartridge, Valve (Flow Divider)	
6	7017405	2	Seal Kit - 70000806 Cartridge	
7	7012955	4	Cartridge, Valve (Check)	
7	7012967	4	Seal Kit - 7012955 Cartridge	
8	2111012	2	Fitting, Straight	
9	2151012	2	Fitting, 45	
10	2110810	13	Fitting, Straight	
11	2110406	3	Fitting, Straight	
12	2221086	1	Check, Pressure	
13	2220883	1	Plug, #4 (Not Shown)	

# SECTION 1 - FRAME

## FIGURE 1-18. FRAME COVERS INSTALLATION



ART\_1001176346

## SECTION 1 - FRAME

**FIGURE 1-18. FRAME COVERS INSTALLATION**

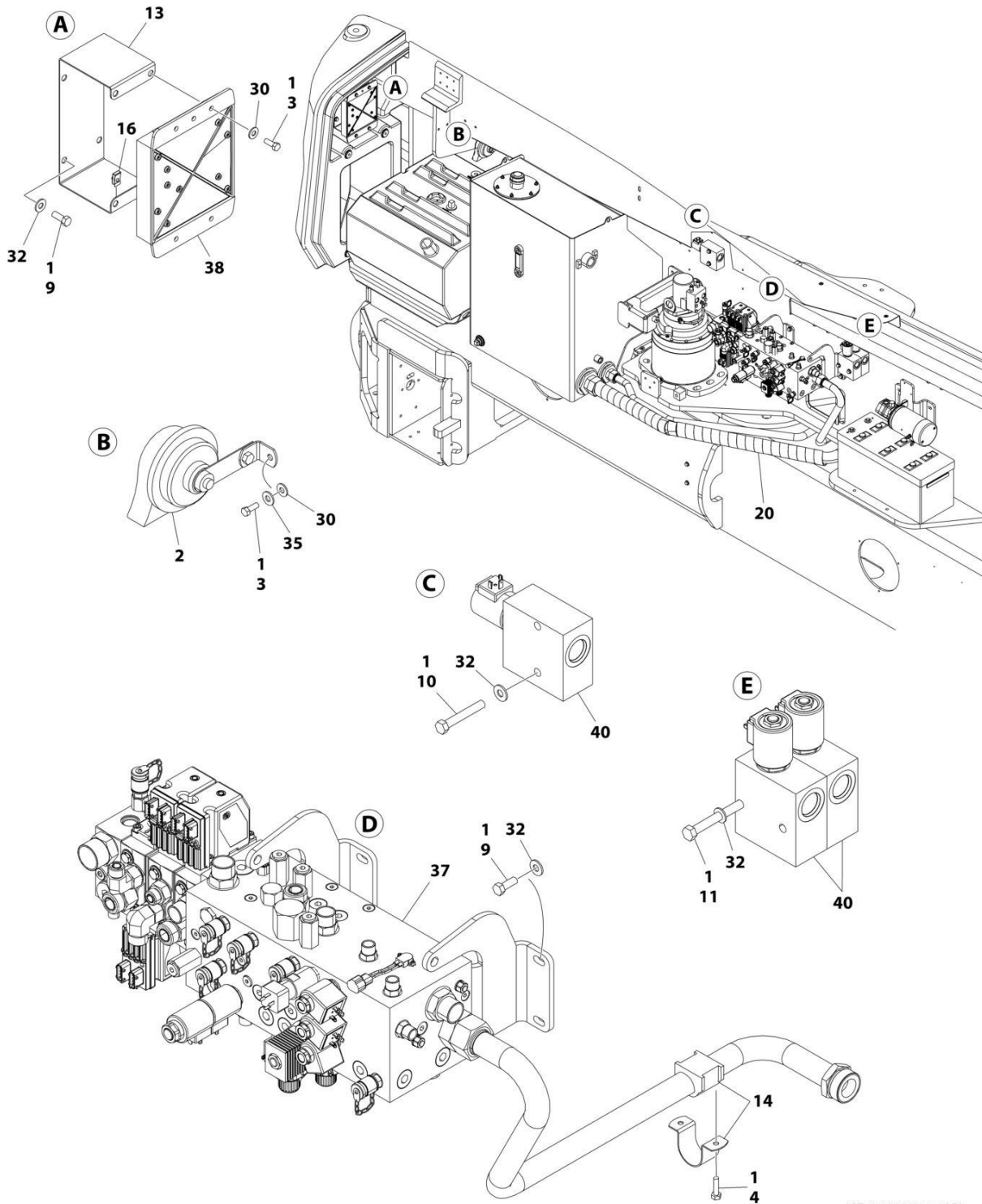
ITEM	PART NUMBER	QTY	DESCRIPTION	REV
	1001176346	Ref	FRAME COVERS INSTALLATION - ABS	C
1	0100011	AR	Compound, Locking	
2	0791410	36	Screw 1/4 x 1-1/4	
3	0791604	6	Screw 3/8 x 1/2	
4	0791607	16	Screw 3/8 x 7/8	
5	1670996	1	Cover, Front	
6	1671045	4	Plate, Cover (Axle Side)	
7	1671046	4	Plate, Cover (Axle Corner)	
8	1671047	1	Plate, Cover (Rear)	
9	1671048	2	Plate, Cover (Frame Top)	
10	1671049	4	Plate, Cover (Frame Side)	
11	3900283	3	Screw 3/8 x 3/4	
12	4751600	3	Washer 3/8	
13	8580420	40	Nut, Well	
14	0641412	4	Bolt 1/4 x 1-1/2	
15	4740430	4	Washer, Fender	



**SECTION 2 - TURNTABLE**

# SECTION 2 - TURNTABLE

## FIGURE 2-1. TURNTABLE VALVES INSTALLATION - WITH 1 CELL LSS (PVC 2001)



ART\_1001219989\_20F3

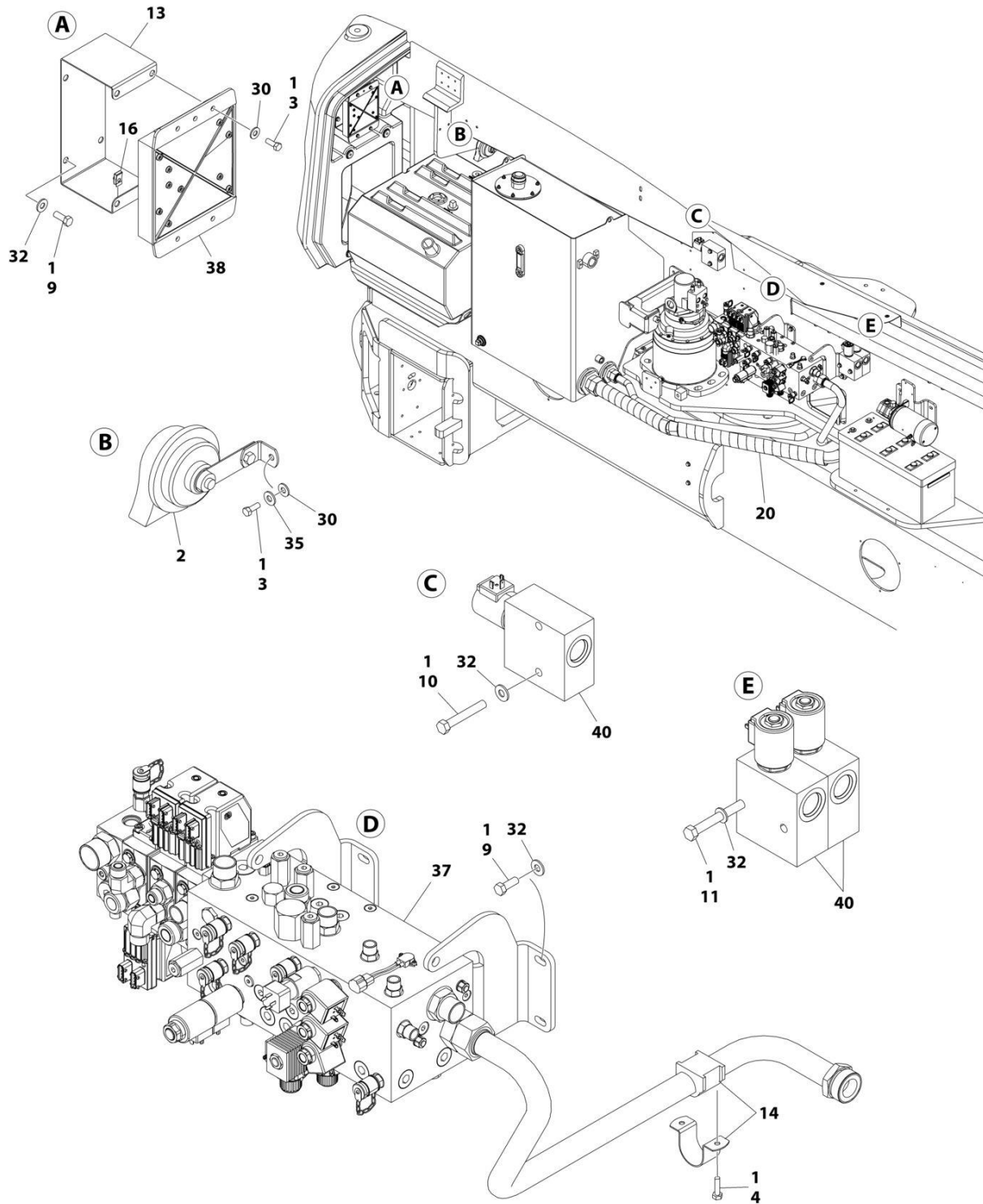
## SECTION 2 - TURNTABLE

**FIGURE 2-1. TURNTABLE VALVES INSTALLATION - WITH 1 CELL LSS (PVC 2001)**

ITEM	PART NUMBER	QTY	DESCRIPTION	REV
	1001219989	Ref	TURNTABLE VALVES INSTALLATION - WITH 1 CELL LSS	B
1	0100011	AR	Compound, Locking	
2	0140001	1	Horn	
3	0641406	5	Bolt 1/4 x 3/4	
4	0641408	2	Bolt 1/4 x 1	
9	0641608	8	Bolt 3/8 x 1	
10	0641620	2	Bolt 3/8 x 2-1/2	
11	0641636	2	Bolt 3/8 x 4-1/2	
13	0902800	1	Bracket, Module Mounting	
14	1320322	1	Clamp	
16	3300454	4	Nut, Special	
20	3380523	1	Shield, Tube	
30	4711400	5	Washer 1/4	
32	4711600	12	Washer 3/8	
35	4791400	1	Starwasher 1/4	
37	1001103793	1	Main Valve Assembly (See Separate Breakdown in this Section)	
38	1001227960	1	Module, B.L.A.M (Note: Control System must be Re-calibrated when Module is Replaced)	
40	1001112850	3	Enable Valve Assembly	
40	7024890	3	Coil	

# SECTION 2 - TURNTABLE

## FIGURE 2-2. TURNTABLE VALVES INSTALLATION - WITH 1 CELL LSS (PVC 2007)



ART\_1001219989\_E\_20F3



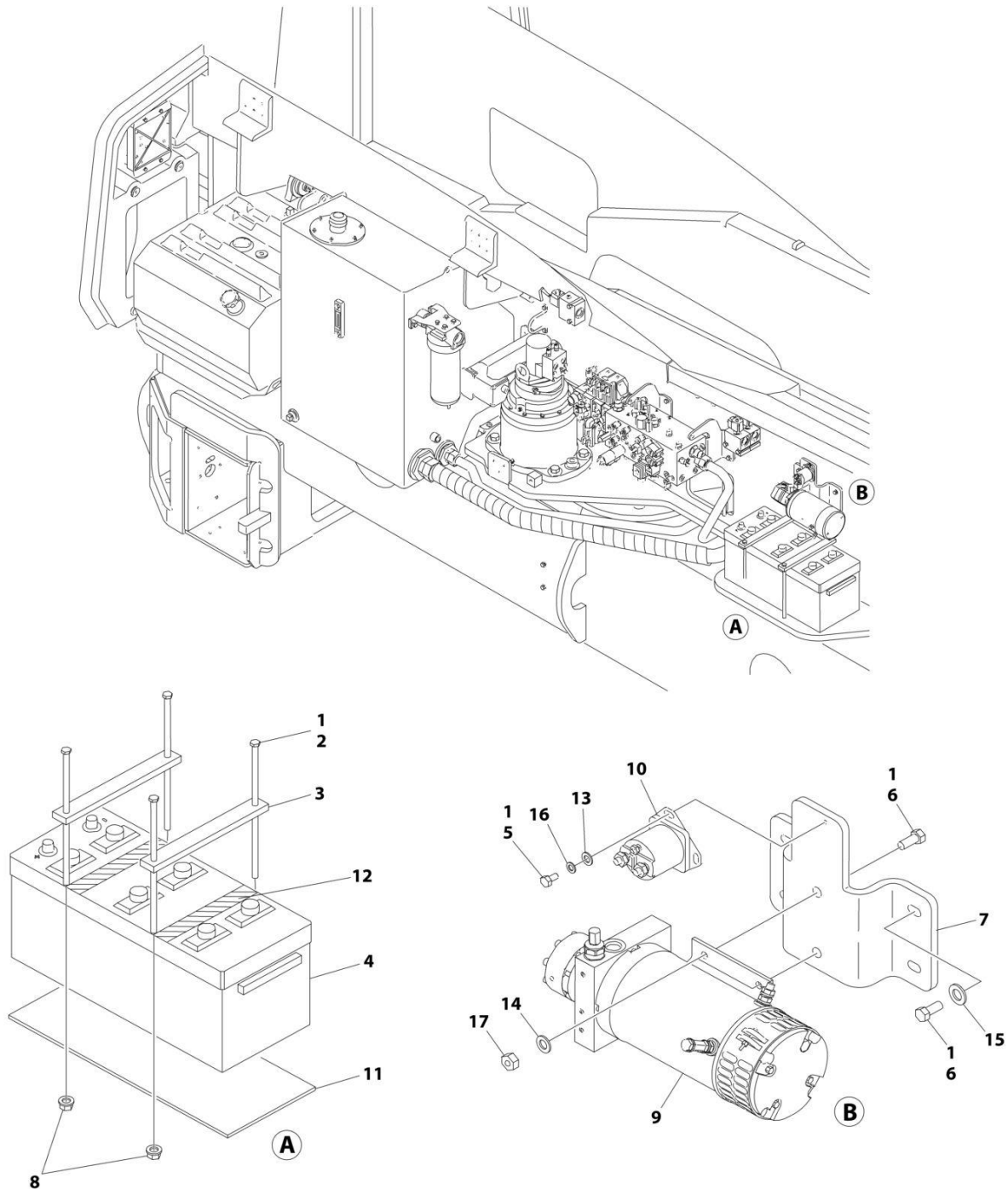
## SECTION 2 - TURNTABLE

**FIGURE 2-2. TURNTABLE VALVES INSTALLATION - WITH 1 CELL LSS (PVC 2007)**

ITEM	PART NUMBER	QTY	DESCRIPTION	REV
	1001219989	Ref	TURNTABLE VALVES INSTALLATION	E
1	0100011	AR	Compound, Locking	
2	0140001	1	Horn	
3	0641406	5	Bolt 1/4 x 3/4	
4	0641408	2	Bolt 1/4 x 1	
9	0641608	8	Bolt 3/8 x 1	
10	0641620	2	Bolt 3/8 x 2-1/2	
11	0641636	2	Bolt 3/8 x 4-1/2	
13	0902800	1	Bracket, Module Mounting	
14	1320322	1	Clamp	
16	3300454	4	Nut, Special	
20	3380523	1	Shield, Tube	
30	4711400	5	Washer 1/4	
32	4711600	12	Washer 3/8	
35	4791400	1	Starwasher 1/4	
37	1001246762	1	Main Valve Assembly (See Separate Breakdown in this Section)	
38	1001227960	1	Module, B.L.A.M (Note: Control System must be Re-calibrated when Module is Replaced)	
40	1001112850	3	Enable Valve Assembly	
40	7024890	3	Coil	

# SECTION 2 - TURNTABLE

## FIGURE 2-3. BATTERY AND AUXILIARY PUMP INSTALLATION - WITHOUT COLD WEATHER PLUS PACKAGE



ART\_1001145323

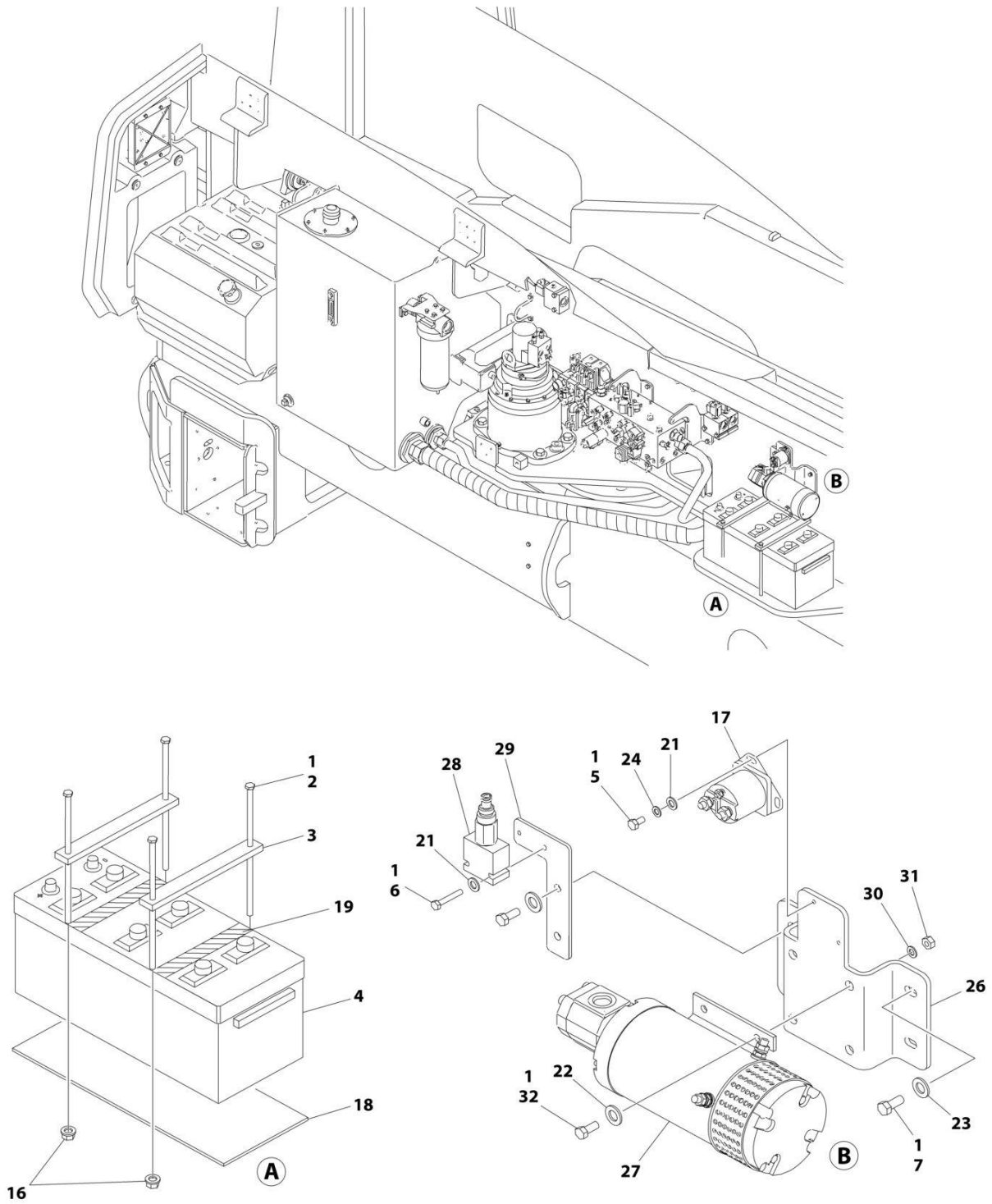
**SECTION 2 - TURNTABLE**

**FIGURE 2-3. BATTERY AND AUXILIARY PUMP INSTALLATION - WITHOUT COLD WEATHER PLUS PACKAGE**

ITEM	PART NUMBER	QTY	DESCRIPTION	REV
	1001145323	Ref	BATTERY AND AUXILIARY PUMP INSTALLATION - WITHOUT COLD WEATHER PLUS PACKAGE	B
1	0100011	AR	Compound, Locking	
2	0236768	4	Rod, Hold-down	
3	0363062	2	Bar, Battery	
4	0400020	1	Battery	
5	0641408	2	Bolt 1/4 x 1	
6	0641607	8	Bolt 3/8 x 7/8	
7	0903696	1	Bracket	
8	3311608	4	Nut 3/8	
9	1001162880	1	Auxiliary Pump Assembly (See Separate Breakdown in this Section)	
10	3740067	1	Relay	
11	3980006	1	Seat, Battery	
12	4420037	17 in /43cm	Tape, Insulation	
13	4711400	2	Washer 1/4	
14	4711600	4	Washer 3/8	
15	4751600	4	Washer 3/8	
16	4791400	2	Starwasher 1/4	
17	3311605	4	Nut 3/8	

# SECTION 2 - TURNTABLE

## FIGURE 2-4. BATTERY AND AUXILIARY PUMP INSTALLATION - WITH COLD WEATHER PLUS PACKAGE



ART\_1001139520\_10F2

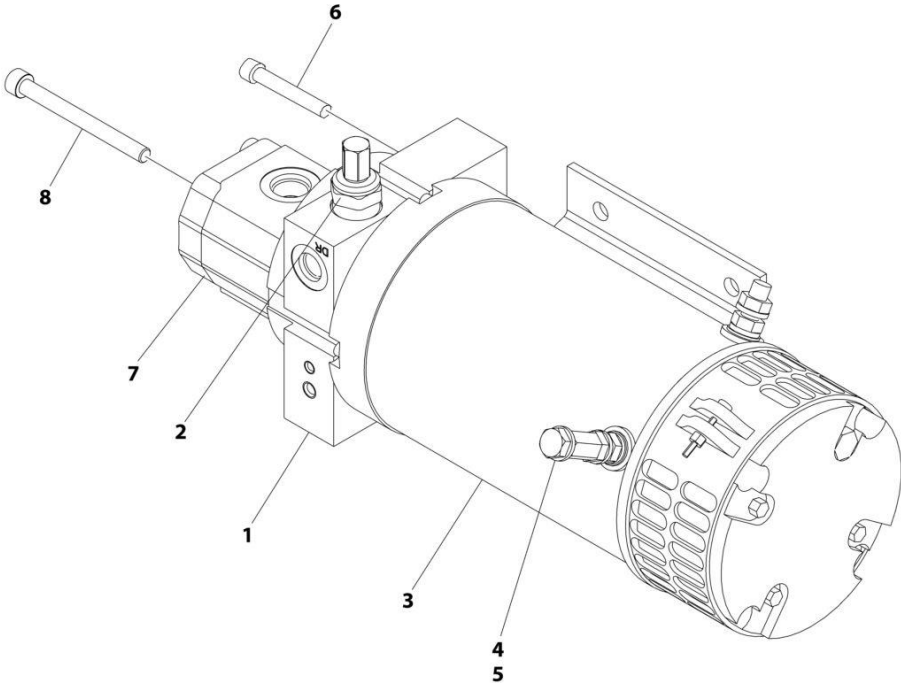
## SECTION 2 - TURNTABLE

**FIGURE 2-4. BATTERY AND AUXILIARY PUMP INSTALLATION - WITH COLD WEATHER PLUS PACKAGE**

ITEM	PART NUMBER	QTY	DESCRIPTION	REV
	1001139520	Ref	BATTERY AND AUXILIARY PUMP INSTALLATION - WITH COLD WEATHER PLUS PACKAGE	A
1	0100011	AR	Compound, Locking	
2	0236768	4	Rod, Hold-down	
3	0363062	2	Bar, Battery	
4	0400020	1	Battery	
5	0641404	2	Bolt 1/4 x 1/2	
6	0641413	2	Bolt 1/4 x 1-5/8	
7	0641607	4	Bolt 3/8 x 7/8	
16	3311608	4	Nut 3/8	
17	3740067	1	Relay	
18	3980006	1	Seat, Battery	
19	4420037	17 in /43cm	Tape, Insulation	
21	4711400	4	Washer 1/4	
22	4711600	4	Washer 3/8	
23	4751600	4	Washer 3/8	
24	4791400	2	Starwasher 1/4	
26	0903696	1	Bracket	
27	1001138838	1	Auxiliary Pump Assembly (See Separate Breakdown in this Section)	
28	1001133163	1	Valve, Relief	
28	7023936	1	Seal Kit	
29	1001133593	1	Bracket	
30	4761600	4	Washer 3/8	
31	3311601	4	Nut 3/8	
32	0641608	4	Bolt 3/8 x 1	

# SECTION 2 - TURNTABLE

FIGURE 2-5. AUXILIARY PUMP ASSEMBLY (WITHOUT COLD WEATHER PLUS PACKAGE)



ART\_1001162880

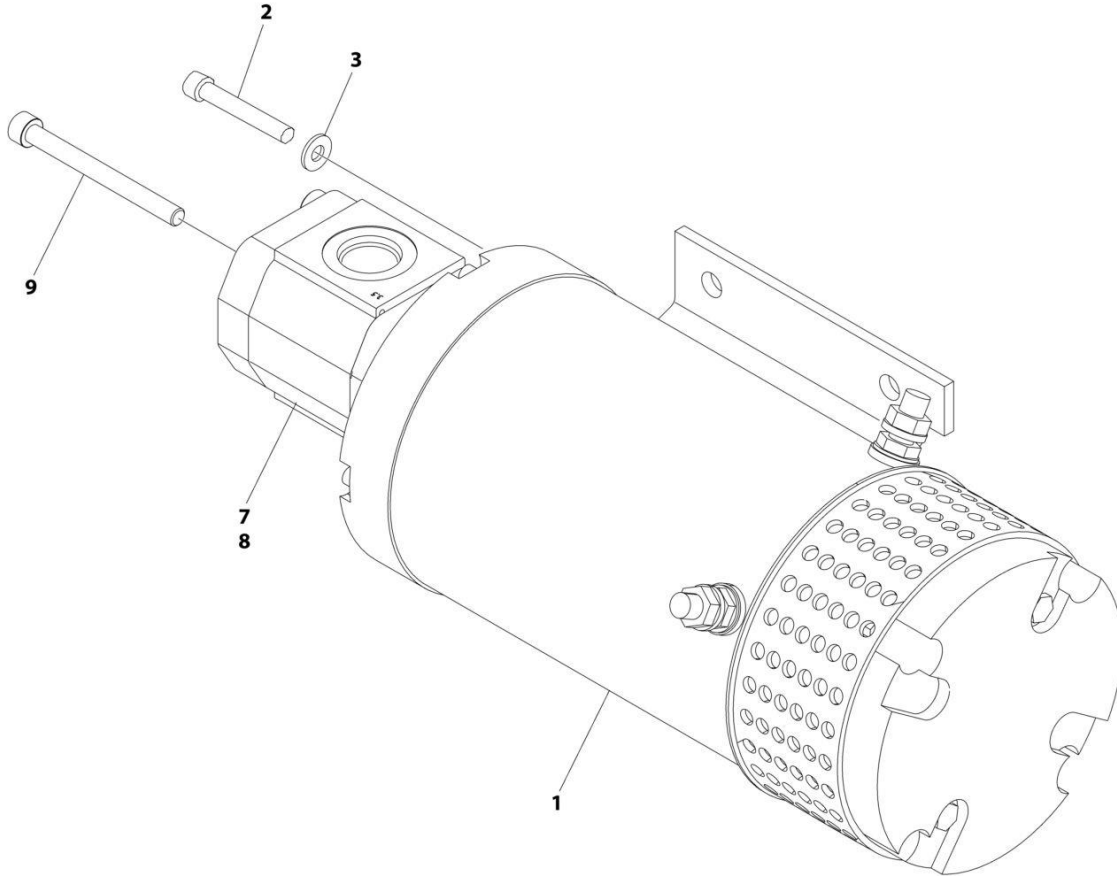
**SECTION 2 - TURNTABLE**

**FIGURE 2-5. AUXILIARY PUMP ASSEMBLY (WITHOUT COLD WEATHER PLUS PACKAGE)**

ITEM	PART NUMBER	QTY	DESCRIPTION	REV
	1001162880	Ref	AUXILIARY PUMP ASSEMBLY (WITHOUT COLD WEATHER PLUS PACKAGE)	A
1	1001164700	1	Base Assembly	
1	70005618	1	Plug	
1	70005617	1	Spring	
1	70005616	1	Poppet, Check	
2	1001164700	1	Valve, Relief	
3	See Note	1	Motor (Note: Not Available for Purchase)	
4	70004006	1	Nut 3/8	
5	70004007	1	Bolt 3/8x3/4	
6	70004005	4	Capscrew 1/4x3	
6	See Note	1	Sleeve (Note: Not Available for Purchase)	
7	See Note	1	Pump Assembly (Note: Not Available for Purchase)	
7	70005615	1	Seal, Shaft	
7	70005619	1	Bearing	
8	See Note	4	Screw M8 x 85 (Note: Not Available for Purchase)	

## SECTION 2 - TURNTABLE

FIGURE 2-6. AUXILIARY PUMP ASSEMBLY (WITH COLD WEATHER PLUS PACKAGE)



ART\_1001138838



**SECTION 2 - TURNTABLE**

**FIGURE 2-6. AUXILIARY PUMP ASSEMBLY (WITH COLD WEATHER PLUS PACKAGE)**

ITEM	PART NUMBER	QTY	DESCRIPTION	REV
	1001138838	Ref	AUXILIARY PUMP ASSEMBLY (WITH COLD WEATHER PLUS PACKAGE)	A
1	70003800	1	Motor	
1	See Note	NSS	Shaft (Note: Not Available for Purchase)	
2	70003801	4	Capscrew 5/16 x 3/4 (Pump Mounting)	
3	70003802	4	Washer 5/16	
4	See Note	NSS	Adapter (Not Shown) (Note: Not Available for Purchase)	
5	See Note	NSS	Pin, Dowel (Not Shown) (Note: Not Available for Purchase)	
6	See Note	NSS	O-Ring (Not Shown) (Note: Not Available for Purchase)	
7	70003803	1	Pump Assembly	
7	See Note	NSS	Seal, Shaft (Note: Not Available for Purchase)	
8	See Note	NSS	Cover, Rear (Note: Not Available for Purchase)	
9	See Note	NSS	Screw M8 x 80 (Note: Not Available for Purchase)	



**SECTION 2 - TURNTABLE**

**FIGURE 2-7. MAIN VALVE ASSEMBLY (PVC 2001)**

ITEM	PART NUMBER	QTY	DESCRIPTION	REV
	1001103793	Ref	MAIN VALVE ASSEMBLY	A
		Ref	MAIN VALVE BODY COMPONENTS	
1	7026684	4	Cartridge, Check Valve	
1	7026685	4	Seal Kit - Valve	
2	7026686	2	Cartridge, Relief Valve	
2	7026687	2	Seal Kit - Valve	
3	7026688	1	Cartridge, Check Valve	
3	7026689	1	Seal Kit - Valve	
4	7026690	3	Cartridge, Solenoid Valve Less Coil	
4	7026691	3	Seal Kit - Valve	
4	7027206	3	Coil	
5	7026692	2	Cartridge, Solenoid Valve Less Coil	
5	7026693	2	Seal Kit - Valve	
5	7027207	2	Coil	
6	7026694	1	Cartridge, Differential Sensing Valve	
6	7026695	1	Seal Kit - Valve	
7	7026696	1	Cartridge, Differential Sensing Valve	
7	7026697	1	Seal Kit - Valve	
8	7026698	1	Cartridge, Solenoid Valve Less Coil	
8	See Note	1	Seal Kit - Valve (Note: Not Available for Purchase)	
8	7027209	2	Coil	
9	7027882	1	Valve Assembly, Solenoid	
9	7026693	1	Seal Kit - Valve	
9	7027208	1	Coil	
10	7027200	2	Cartridge, Solenoid Valve	
10	7010697	2	Seal Kit - Valve	
10	7012943	2	Coil	
12	7027201	1	Cartridge, Check Valve	
12	7027202	1	Seal Kit - Valve	
13	7027203	1	Cartridge, Check Valve	
13	7026687	1	Seal Kit - Valve	
30	7027738	1	Switch, Thermostatic	
31	70006315	2	Screw #6 x 1/2	
32	7027204	2	Cartridge, Relief Valve	
32	7026687	2	Seal Kit - Valve	
33	1001104841	2	Lock Plate, Cartridge	
33	3941404	2	Screw, Self-Tapping	
		Ref	MAIN VALVE BODY FITTINGS	
101	2111210	1	Fitting, Straight	
102	2111010	2	Fitting, Straight	
103	2110606	5	Fitting, Straight	
104	2110406	2	Fitting, Straight	
105	2110404	2	Fitting, Straight	
106	2221086	5	Check, Pressure	
107	2112016	1	Fitting, Straight	
108	2111216	1	Fitting, Straight	
109	2111212	1	Fitting, Straight	
110	2220887	1	Plug	
		Ref	PROPORTIONAL VALVE SECTION AND ADDITIONAL COMPONENTS	

## SECTION 2 - TURNTABLE

ITEM	PART NUMBER	QTY	DESCRIPTION	REV
201	7026671	2	Bracket	
203	See Note	NSS	Spool Assembly (Tower Telescope) (Note: Use Item 212)	
204	See Note	NSS	Spool Assembly (Tower/Main Lift) (Note: Use Item 212)	
205	7026672	1	Switch, Pressure	
206	See Note	NSS	Valve, Shock	
207	See Note	NSS	Valve, Shock	
208	See Note	NSS	Cover	
208	8007894	AR	Seal Kit, Cover Mounting (1 per cover)	
209	70001873	3	Actuator, Electrical	
209	8007954	AR	Seal Kit, Actuator Mounting (1 per actuator)	
210	70001421	1	Module, Pump Side	
210	8007939	1	Seal Kit, Pump Side Module (Internal Seals for Pump Side Module)	
211	7026678	1	Plug with Check Valve	
212	70002742	1	Module, Tower Lift (Includes Items 204, 207, 208, 210 Seal Kit and p/n 8007935 Seal Kit)	
212	70002743	1	Module, Tower Telescope (Includes Items 203, 206, 208, 210 Seal Kit and p/n 8007935 Seal Kit)	
212	70003043	1	Module, Main Lift (Includes Items 204, 207, 208, 210 Seal Kit and p/n 8007935 Seal Kit)	
212	8007935	AR	Seal Kit, Module Mounting (Includes seals for one side of Module - requires four for complete valve)	
213	7026680	1	Tie-Rod Kit (Includes Hardware and Seals)	
214	See Note	1	Fitting, Adapter (Note: Not Available for Purchase)	
		Ref	PROPORTIONAL VALVE SECTION FITTINGS	
301	2111210	1	Fitting, Straight	
302	2111010	1	Fitting, Straight	
303	2131010	1	Fitting, 90	
304	2110810	1	Fitting, Straight	
305	2130810	1	Fitting, 90	
306	2111210	1	Fitting, Straight	
307	7026683	2	Fitting, Straight	
308	2221086	1	Check, Pressure	
309	2110404	1	Fitting, Straight	
310	2220888	1	Plug	





**SECTION 2 - TURNTABLE**

**FIGURE 2-8. MAIN VALVE ASSEMBLY (PVC 2007)**

ITEM	PART NUMBER	QTY	DESCRIPTION	REV
	1001246762	Ref	MAIN VALVE ASSEMBLY	C
		Ref	MAIN VALVE BODY COMPONENTS	
1	7026684	4	Cartridge, Check Valve	
1	7026685	4	Seal Kit - Valve	
2	7026686	2	Cartridge, Relief Valve	
2	7026687	2	Seal Kit - Valve	
3	7026688	1	Cartridge, Check Valve	
3	7026689	1	Seal Kit - Valve	
4	70007229	3	Cartridge, Solenoid Valve Less Coil	
4	70007230	3	Seal Kit - Valve	
4	70007231	3	Coil	
5	7026692	2	Cartridge, Solenoid Valve Less Coil	
5	7026693	2	Seal Kit - Valve	
5	7027207	2	Coil	
6	7026694	1	Cartridge, Differential Sensing Valve	
6	7026695	1	Seal Kit - Valve	
7	7026696	1	Cartridge, Differential Sensing Valve	
7	7026697	1	Seal Kit - Valve	
8	70007226	1	Cartridge, Solenoid Valve Less Coil	
8	70007227	1	Seal Kit - Valve	
8	70007228	2	Coil	
9	7027882	1	Valve Assembly, Solenoid	
9	7026693	1	Seal Kit - Valve	
9	7027208	1	Coil	
10	7027200	2	Cartridge, Solenoid Valve	
10	7010697	2	Seal Kit - Valve	
10	7012943	2	Coil	
12	7027201	1	Cartridge, Check Valve	
12	7027202	1	Seal Kit - Valve	
13	7027203	1	Cartridge, Check Valve	
13	7026687	1	Seal Kit - Valve	
30	7027738	1	Switch, Thermostatic	
31	70006315	2	Screw #6 x 1/2	
32	7027204	2	Cartridge, Relief Valve	
32	7026687	2	Seal Kit - Valve	
33	70000781	2	Lock Plate, Cartridge	
33	3941404	2	Screw, Self-Tapping	
		Ref	MAIN VALVE BODY FITTINGS	
101	2111210	1	Fitting, Straight	
102	2111010	2	Fitting, Straight	
103	2110606	5	Fitting, Straight	
104	2110406	2	Fitting, Straight	
105	2110404	2	Fitting, Straight	
106	2221086	5	Check, Pressure	
107	2112016	1	Fitting, Straight	
108	2111216	1	Fitting, Straight	
109	2111212	1	Fitting, Straight	
110	2220887	1	Plug	
		Ref	PROPORTIONAL VALVE SECTION AND ADDITIONAL COMPONENTS	

## SECTION 2 - TURNTABLE

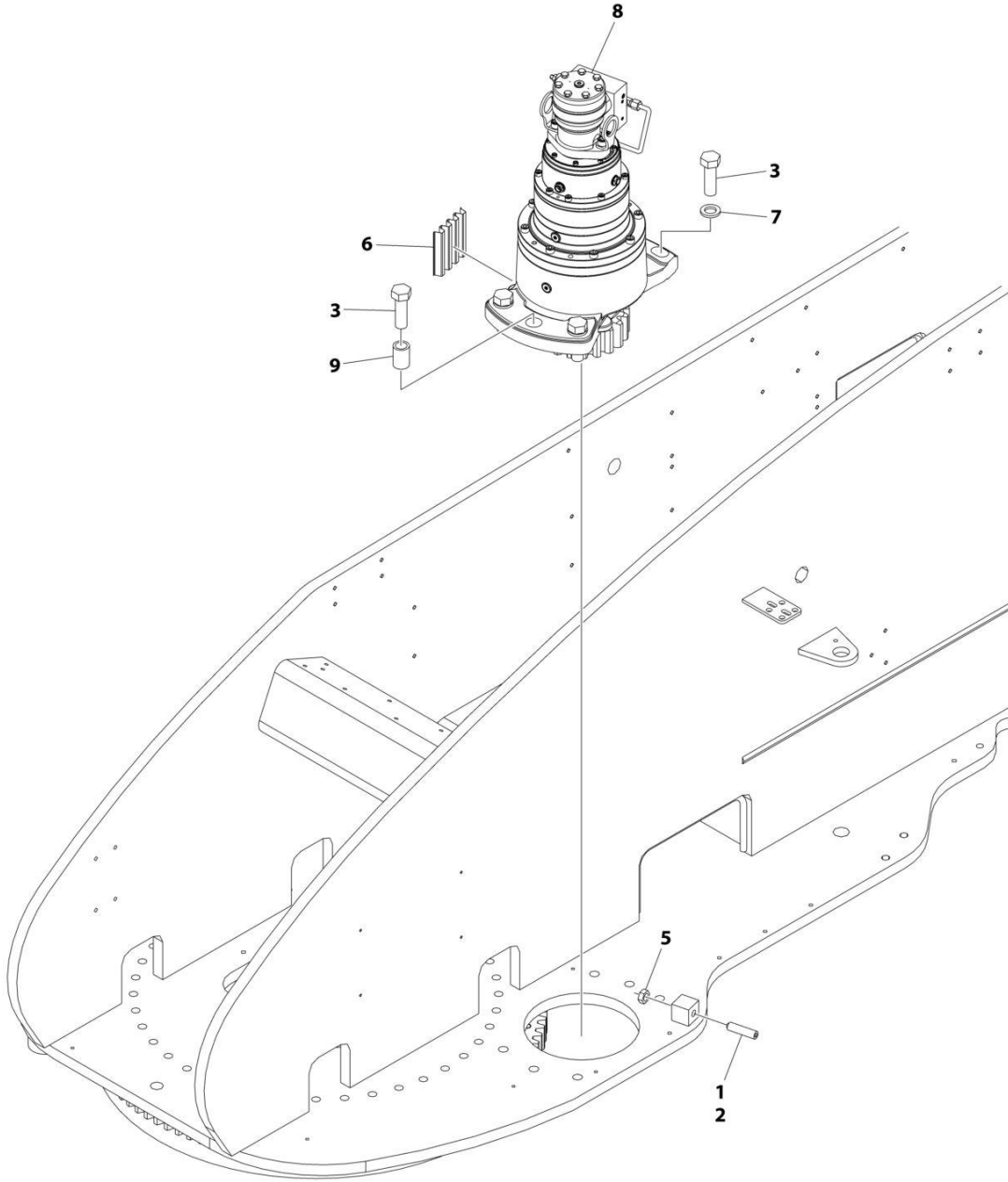
ITEM	PART NUMBER	QTY	DESCRIPTION	REV
201	7026671	2	Bracket	
203	See Note	NSS	Spool Assembly (Tower Telescope) (Note: Use Item 212)	
204	See Note	NSS	Spool Assembly (Tower/Main Lift) (Note: Use Item 212)	
205	7026672	1	Switch, Pressure	
206	See Note	NSS	Valve, Shock	
207	See Note	NSS	Valve, Shock	
208	See Note	NSS	Cover	
208	8007894	AR	Seal Kit, Cover Mounting (1 per cover)	
209	70001873	3	Actuator, Electrical	
209	8007954	AR	Seal Kit, Actuator Mounting (1 per actuator)	
210	70001421	1	Module, Pump Side	
210	8007939	1	Seal Kit, Pump Side Module (Internal Seals for Pump Side Module)	
211	7026678	1	Plug with Check Valve	
212	70002742	1	Module, Tower Lift (Includes Items 204, 207, 208, 210 Seal Kit and p/n 8007935 Seal Kit)	
212	70002743	1	Module, Tower Telescope (Includes Items 203, 206, 208, 210 Seal Kit and p/n 8007935 Seal Kit)	
212	70003043	1	Module, Main Lift (Includes Items 204, 207, 208, 210 Seal Kit and p/n 8007935 Seal Kit)	
212	8007935	AR	Seal Kit, Module Mounting (Includes seals for one side of Module - requires four for complete valve)	
213	7026680	1	Tie-Rod Kit (Includes Hardware and Seals)	
214	See Note	1	Fitting, Adapter (Note: Not Available for Purchase)	
		Ref	PROPORTIONAL VALVE SECTION FITTINGS	
301	2111210	1	Fitting, Straight	
302	2111010	1	Fitting, Straight	
303	2131010	1	Fitting, 90	
304	2110810	1	Fitting, Straight	
305	2130810	1	Fitting, 90	
306	2111210	1	Fitting, Straight	
307	7026683	2	Fitting, Straight	
308	2221086	1	Check, Pressure	
309	2110404	1	Fitting, Straight	
310	2220888	1	Plug	





# SECTION 2 - TURNTABLE

## FIGURE 2-9. SWING DRIVE INSTALLATION



ART\_1001228617

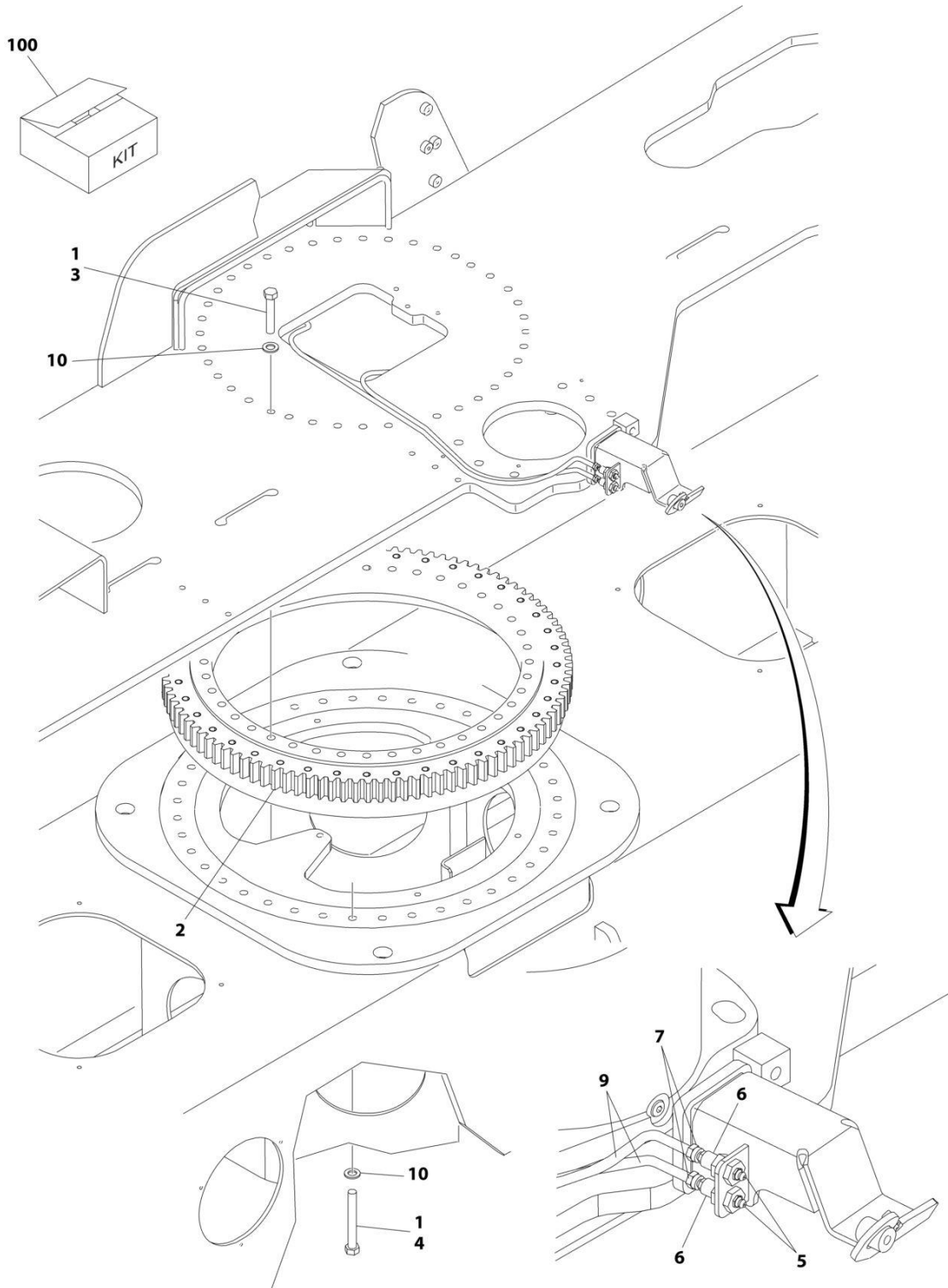
**SECTION 2 - TURNTABLE**

**FIGURE 2-9. SWING DRIVE INSTALLATION**

<b>ITEM</b>	<b>PART NUMBER</b>	<b>QTY</b>	<b>DESCRIPTION</b>	<b>REV</b>
	1001228617	Ref	SWING DRIVE INSTALLATION	E
1	0100019	AR	Compound, Locking	
2	3952020	1	Setscrew 5/8 x 2-1/2	
3	0682422	6	Bolt 7/8 x 2-3/4 Grade 8	
5	3312002	1	Nut 5/8	
6	4071041	1	Shim	
7	4892400	5	Washer 7/8	
8	1001228488	1	Swing Motor/Hub Assembly (See Separate Breakdown in this Section)	
9	1001229058	1	Sleeve	

# SECTION 2 - TURNTABLE

## FIGURE 2-10. TURNTABLE BEARING AND LUBE INSTALLATION



ART\_0273451

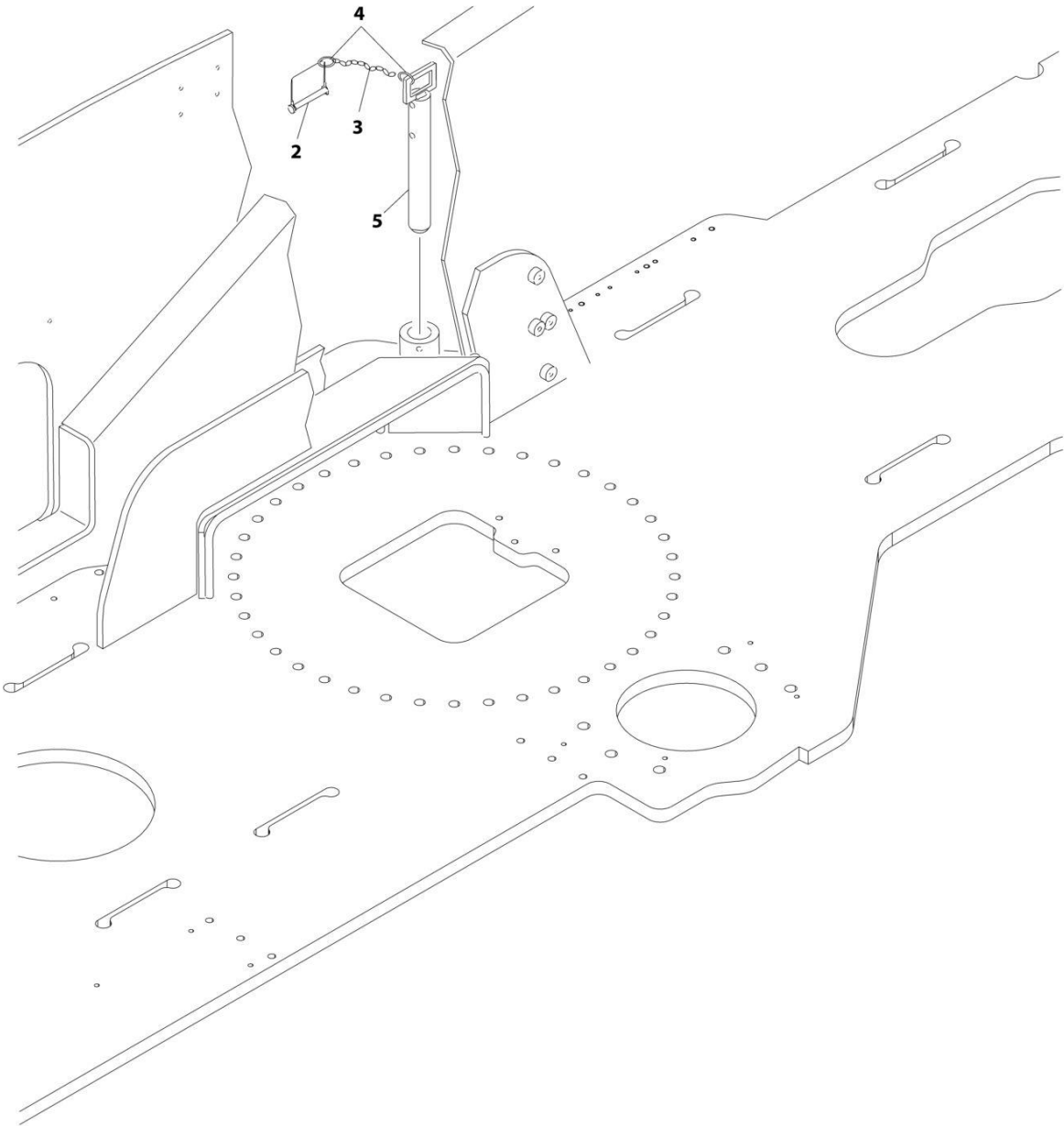
**SECTION 2 - TURNTABLE**

**FIGURE 2-10. TURNTABLE BEARING AND LUBE INSTALLATION**

<b>ITEM</b>	<b>PART NUMBER</b>	<b>QTY</b>	<b>DESCRIPTION</b>	<b>REV</b>
	0273451	Ref	TURNTABLE BEARING AND LUBE INSTALLATION	B
1	0100019	AR	Compound, Locking	
2	0440251	1	Bearing, Turntable	
3	0682026	40	Bolt 5/8 x 3-1/4 Grade 8	
4	0682040	40	Bolt 5/8 x 5 Grade 8	
5	2160002	2	Fitting, Grease	
6	2180344	2	Fitting, Bulkhead	
7	2220001	2	Fitting, Straight Swivel	
9	2750528	2	Hose	
10	4892000	80	Washer 5/8	
100	2915072	1	TURNTABLE BEARING KIT	

**SECTION 2 - TURNTABLE**

**FIGURE 2-11. TURNTABLE LOCK INSTALLATION**



ART\_0239842

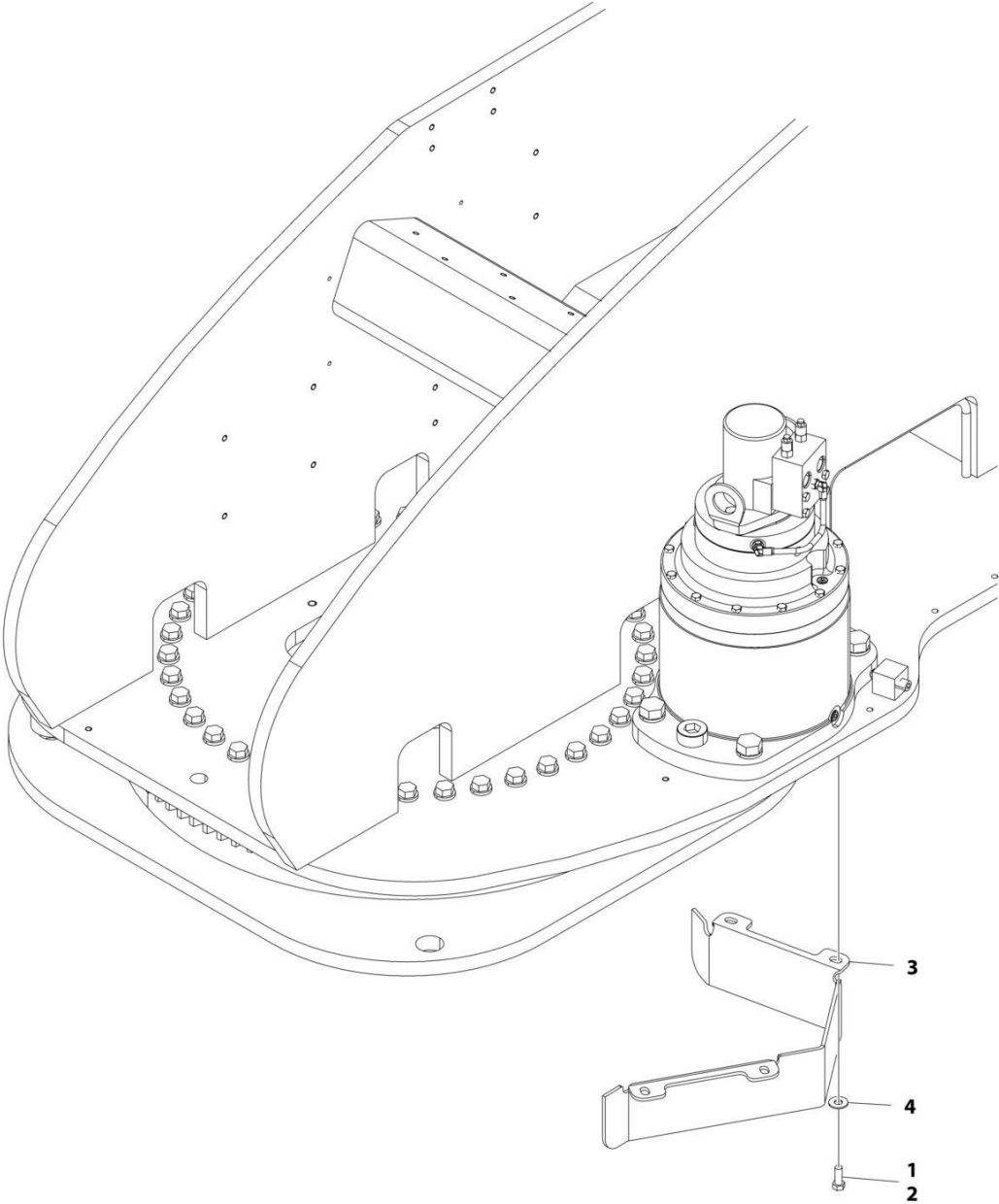
**SECTION 2 - TURNTABLE**

**FIGURE 2-11. TURNTABLE LOCK INSTALLATION**

<b>ITEM</b>	<b>PART NUMBER</b>	<b>QTY</b>	<b>DESCRIPTION</b>	<b>REV</b>
	0239842	Ref	TURNTABLE LOCK INSTALLATION	B
2	3421565	1	Pin, Snap	
3	1260017	9 in/23cm	Chain - #3	
4	3760170	2	Ring, Quick Release	
5	3421563	1	Pin, Turntable Lock	

**SECTION 2 - TURNTABLE**

**FIGURE 2-12. PINION SHIELD INSTALLATION**



ART\_0271874



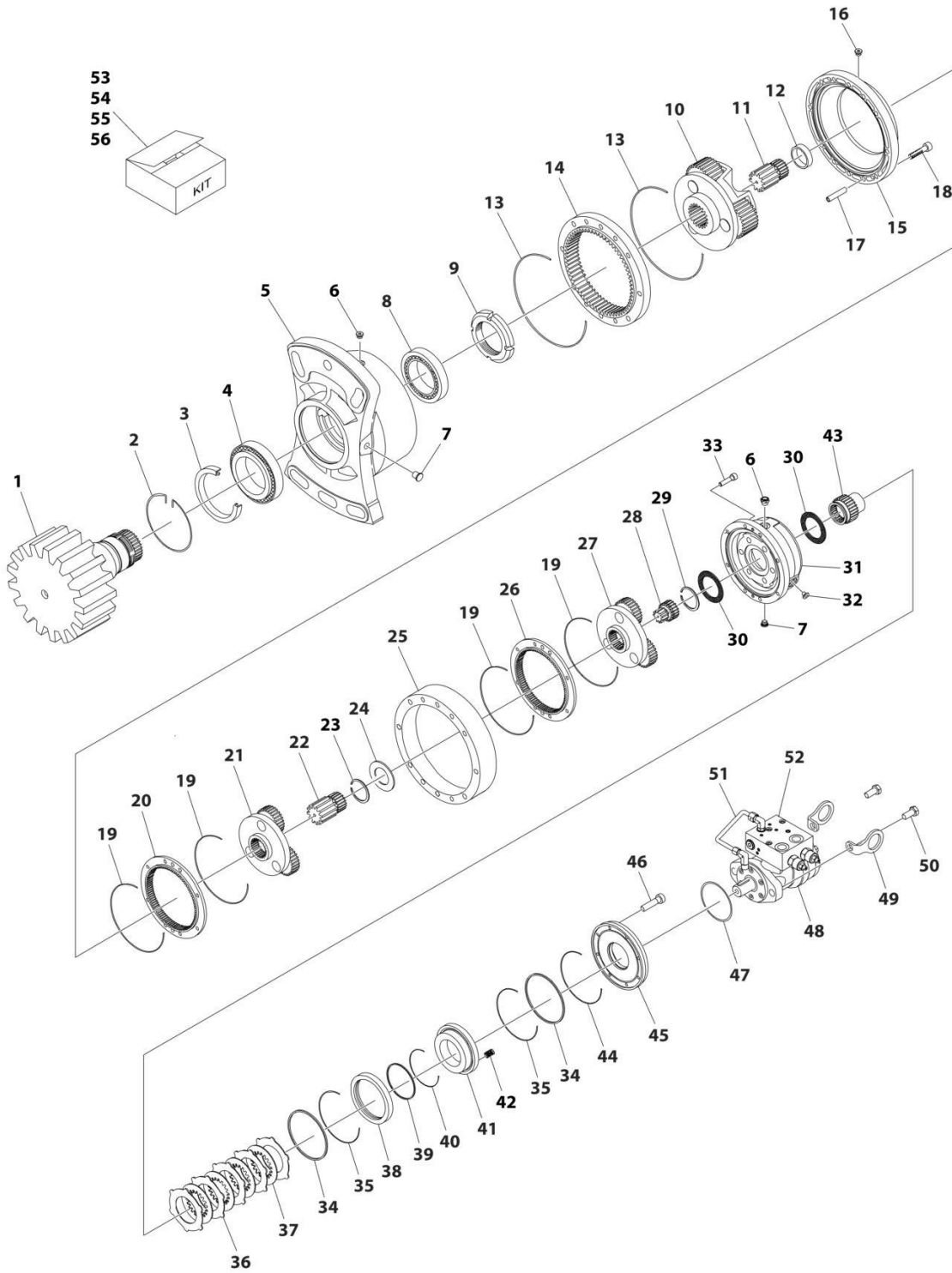
**SECTION 2 - TURNTABLE**

**FIGURE 2-12. PINION SHIELD INSTALLATION**

<b>ITEM</b>	<b>PART NUMBER</b>	<b>QTY</b>	<b>DESCRIPTION</b>	<b>REV</b>
	0271874	Ref	PINION SHIELD INSTALLATION	A
1	0100011	AR	Compound, Locking	
2	0641608	4	Bolt 3/8 x 1	
3	3573355	1	Plate, Pinion	
4	4751600	4	Washer 3/8	

# SECTION 2 - TURNTABLE

## FIGURE 2-13. SWING MOTOR/HUB ASSEMBLY



ART\_1001228488

## SECTION 2 - TURNTABLE

**FIGURE 2-13. SWING MOTOR/HUB ASSEMBLY**

ITEM	PART NUMBER	QTY	DESCRIPTION	REV
	1001228488	Ref	SWING MOTOR/HUB ASSEMBLY	B
1	See Note	NSS	Shaft (Note: Use Item 56)	
2	70004467	1	Ring	
3	See Note	NSS	Seal, Oil (Note: Use Item 53)	
4	See Note	NSS	Bearing (Note: Use Item 55)	
5	See Note	NSS	Support, Output (Note: Not Available for Purchase)	
6	70002057	5	Plug with O-Ring	
7	70004469	2	Plug with O-Ring	
8	See Note	NSS	Bearing (Note: Use Item 55)	
9	See Note	NSS	Nut, Ring (Note: Use Item 56)	
10	70006986	1	Reduction, Gear - Complete	
11	70006987	1	Pinion	
12	70004477	1	Spacer	
13	See Note	NSS	O-Ring (Note: Use Item 53)	
14	70004474	1	Ring, Planetary	
15	70006988	1	Spacer	
16	70002057	2	Plug with O-Ring	
17	70006989	4	Pin, Spring	
18	70004480	8	Capscrew M10 x 55	
19	See Note	NSS	O-Ring (Note: Use Item 53)	
20	70006990	1	Ring, Planetary	
21	70006991	1	Reduction, Gear - Complete	
22	70006992	1	Pinion	
23	70002032	1	Ring	
24	70006993	1	Spacer	
25	70006994	1	Spacer	
26	70004481	1	Ring, Planetary	
27	70006995	1	Reduction, Gear - Complete	
28	70006996	1	Pinion	
29	70006997	1	Ring	
30	70006998	2	Washer	
31	See Note	NSS	Housing, Brake (Note: Not Available for Purchase)	
32	70006999	1	Plug	
33	70007000	8	Capscrew M8 x 90	
34	See Note	NSS	Seal (Note: Use Item 53 or 54)	
35	See Note	NSS	O-Ring (Note: Use Item 53 or 54)	
36	See Note	NSS	Disc, Steel (Note: Use Item 54)	
37	See Note	NSS	Disc (Note: Use Item 54)	
38	70005317	1	Spacer	
39	See Note	NSS	Seal (Note: Use Item 53 or 54)	
40	See Note	NSS	O-Ring (Note: Use Item 53 or 54)	
41	70005318	1	Piston, Brake	
42	See Note	NSS	Spring, Brake (Note: Use Item 54)	
43	70007001	1	Shaft, Input	
44	See Note	NSS	O-Ring (Note: Use Item 53 or 54)	
45	70007002	1	Cover	
46	70007003	8	Screw M6 x 25	
47	See Note	NSS	O-Ring (Note: Use Item 53)	
48	70007009	1	Motor	
48	70007011	1	Seal Kit	

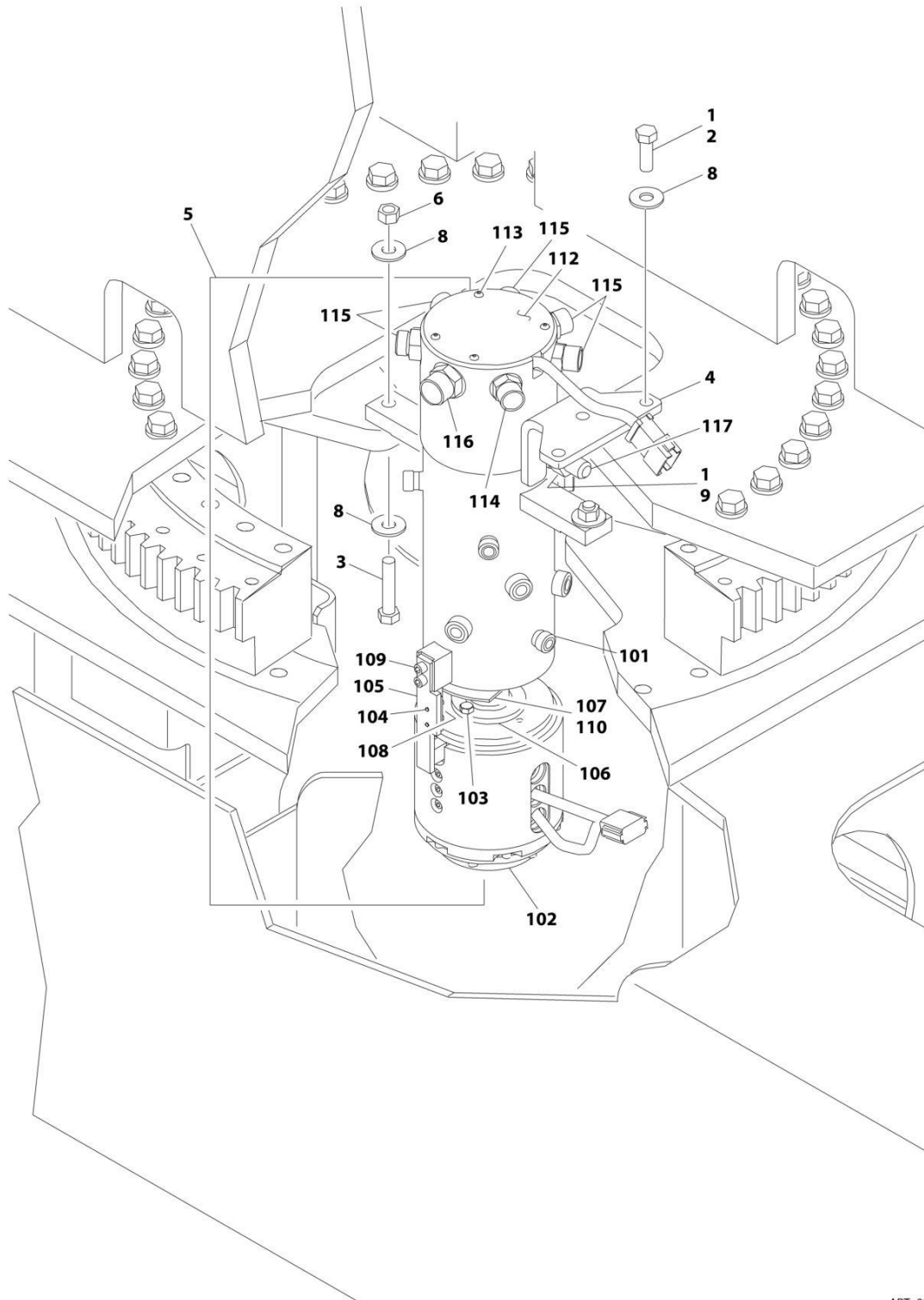
## SECTION 2 - TURNTABLE

ITEM	PART NUMBER	QTY	DESCRIPTION	REV
49	See Note	NSS	Lug, Lifting (Note: Not Available for Purchase)	
50	70004494	2	Capscrew M12 x 35	
51	70007004	1	Brake, Valve Adapter	
52	70007010	1	Valve	
52	70007012	1	Seal Kit	
52	70007013	1	Hardware Kit	
53	70007005	1	Seal Kit – Brake and Hub (Includes Items 3, 13, 19, 34, 35, 39, 40, 44 & 47)	
54	70007006	1	Seal Kit – Brake (Includes Items 34-37, 39, 40, 42 & 44)	
55	70007007	1	Bearing Kit (Includes Items 4 & 8)	
56	70007008	1	Output Shaft Kit (Includes Items 1 & 9)	



# SECTION 2 - TURNTABLE

## FIGURE 2-14. ROTARY COUPLING AND COLLECTOR RING INSTALLATION



ART\_0273349

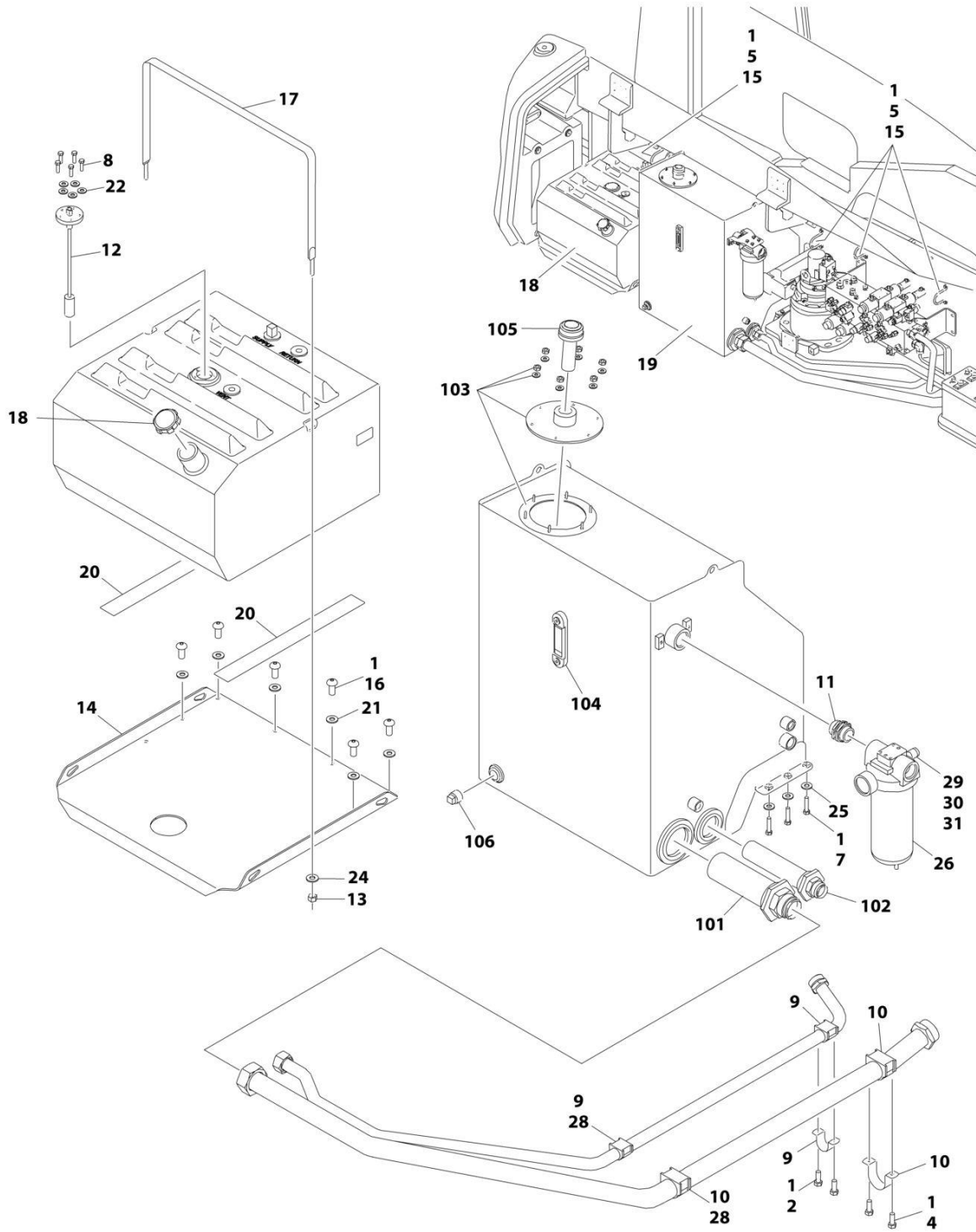
## SECTION 2 - TURNTABLE

**FIGURE 2-14. ROTARY COUPLING AND COLLECTOR RING INSTALLATION**

ITEM	PART NUMBER	QTY	DESCRIPTION	REV
	0273349	Ref	ROTARY COUPLING AND COLLECTOR RING INSTALLATION	A
1	0100011	AR	Compound, Locking	
2	0641812	3	Bolt 1/2 x 1-1/2	
3	0641820	2	Bolt 1/2 x 2-1/2	
4	0902915	1	Bracket, Swivel	
5	1660256	1	Rotary Coupling and Collector Ring Assembly (See Items 101-117 for Breakdown)	
6	3311805	2	Nut 1/2	
8	4751800	7	Washer 1/2	
9	3322201	2	Nut 3/4	
	1660256	Ref	ROTARY COUPLING AND COLLECTOR RING ASSEMBLY	E
101	7026665	1	Coupling, Rotary	
101	70001123	1	Seal Kit - Coupling	
102	7026029	1	Contacting with Harness, Rotary Circuit (Purchase Pins and Connector Separately)	
103	0641506	4	Bolt 5/16 x 3/4	
104	3931512	2	Capscrew 5/16 x 3/4	
105	70000780	1	Arm, Torque	
106	80334251	1	Adapter	
107	7026030	1	Plate, Cam	
108	7026031	1	Sensor, Proximity	
109	3931008	2	Capscrew #10 x 1/2	
110	7026032	1	Pin, Dowel	
112	1660256	1	Cover	
113	See Note	4	Screw #10 x 3/8 (Note: Not Available - Purchase Locally)	
114	2111212	1	Fitting, Straight	
115	2111010	5	Fitting, Straight	
116	2111012	1	Fitting, Straight	
117	70005456	1	Torque Arm	

# SECTION 2 - TURNTABLE

## FIGURE 2-15. TANK INSTALLATION



ART\_0273401



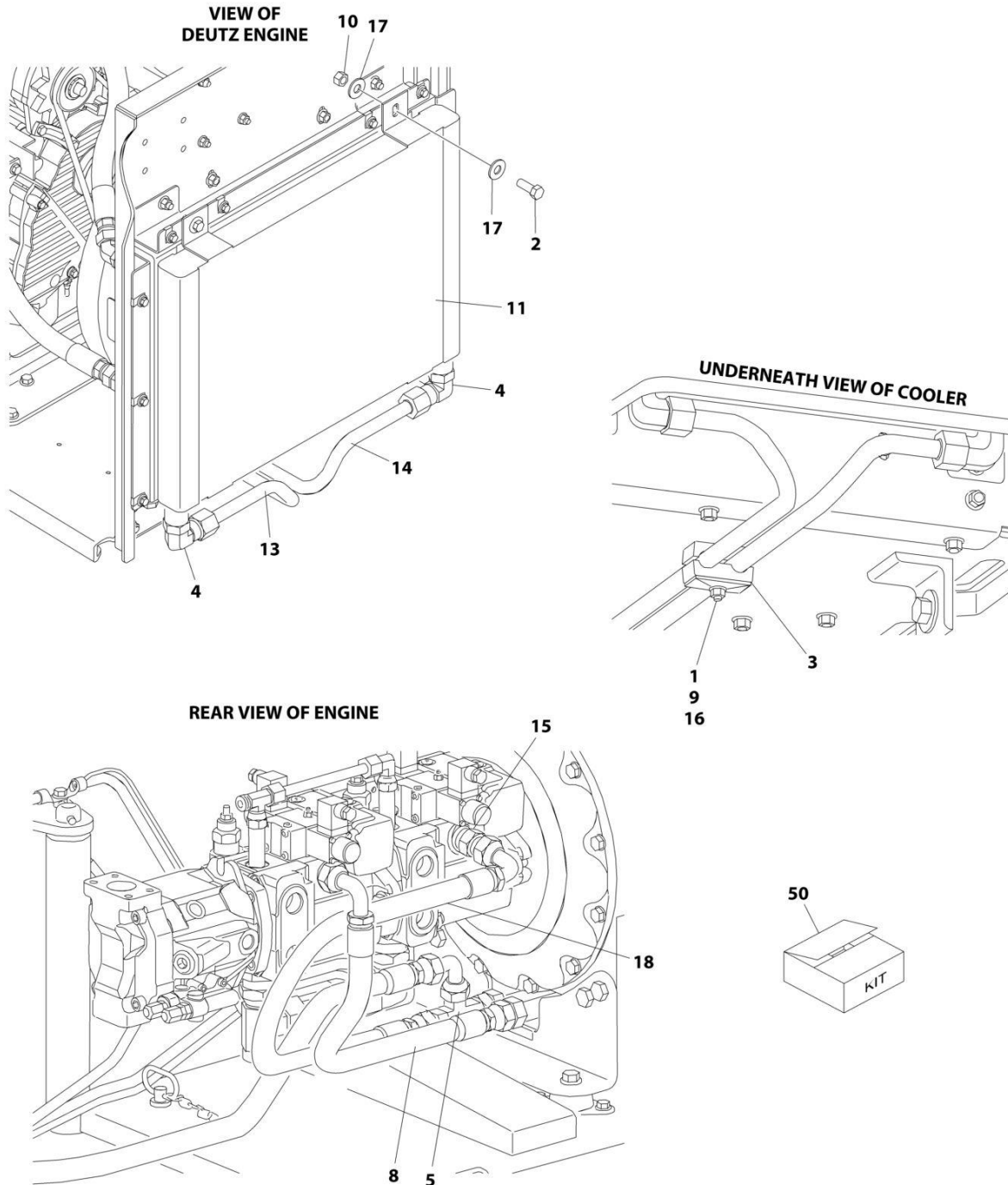
## SECTION 2 - TURNTABLE

### FIGURE 2-15. TANK INSTALLATION

ITEM	PART NUMBER	QTY	DESCRIPTION	REV
	0273401	Ref	TANK INSTALLATION	G
1	0100011	AR	Compound, Locking	
2	0641408	2	Bolt 1/4 x 1	
4	0641508	2	Bolt 5/16 x 1	
5	0641604	12	Bolt 3/8 x 1/2	
7	0641615	6	Bolt 3/8 x 1-7/8	
8	0731007	5	Screw, Machine #10 x 7/8	
9	1320322	2	Clamp	
10	1320323	2	Clamp	
11	2220893	1	Fitting, Adapter	
12	2420191	1	Gauge, Fuel	
12	3960525	1	Gasket	
13	3311601	2	Nut 3/8	
14	3574494	1	Tray	
15	3841340	8	Loop, Hose	
16	3900232	6	Screw 3/8 x 1-1/4	
17	4240139	1	Strap, Tank	
18	1001160567	1	Tank, Fuel	
18	70004414	1	Cap	
18	7020043	1	Tube, Pick up	
19	4400462	1	Tank, Hydraulic Oil (See Items 101-106 for Breakdown)	
20	4420038	40 in/1m	Tape	
21	4711600	6	Washer 3/8	
22	4751000	5	Washer #10	
24	4751600	2	Washer 3/8	
25	4891600	6	Washer 3/8	
26	2120167	1	Filter, Return	
26	2120168	1	Element, Filter	
26	7020021	1	Gauge, Pressure	
28	0100081	AR	Loctite #454	
29	0100079	AR	Sealant, Thread	
30	1001119455	1	Fitting, Diagnostic	
31	1001119119	1	Fitting, Adapter	
	4400462	Ref	HYDRAULIC OIL TANK ASSEMBLY	E
101	7026599	1	Strainer, Suction	
102	7026600	1	Strainer, Suction	
103	7024439	1	Cover	
103	7024440	1	Gasket, Cover	
104	7024441	1	Gauge, Sight	
105	7024444	1	Cap, Breather	
105	7024443	1	Neck Assembly	
105	7024445	1	Strainer	
106	7024446	2	Plug, Magnetic	

## SECTION 2 - TURNTABLE

FIGURE 2-16. HYDRAULIC OIL COOLER INSTALLATION - DEUTZ TD2011 ENGINES WITH REXROTH PUMP (OPTIONAL)



ART\_0272080

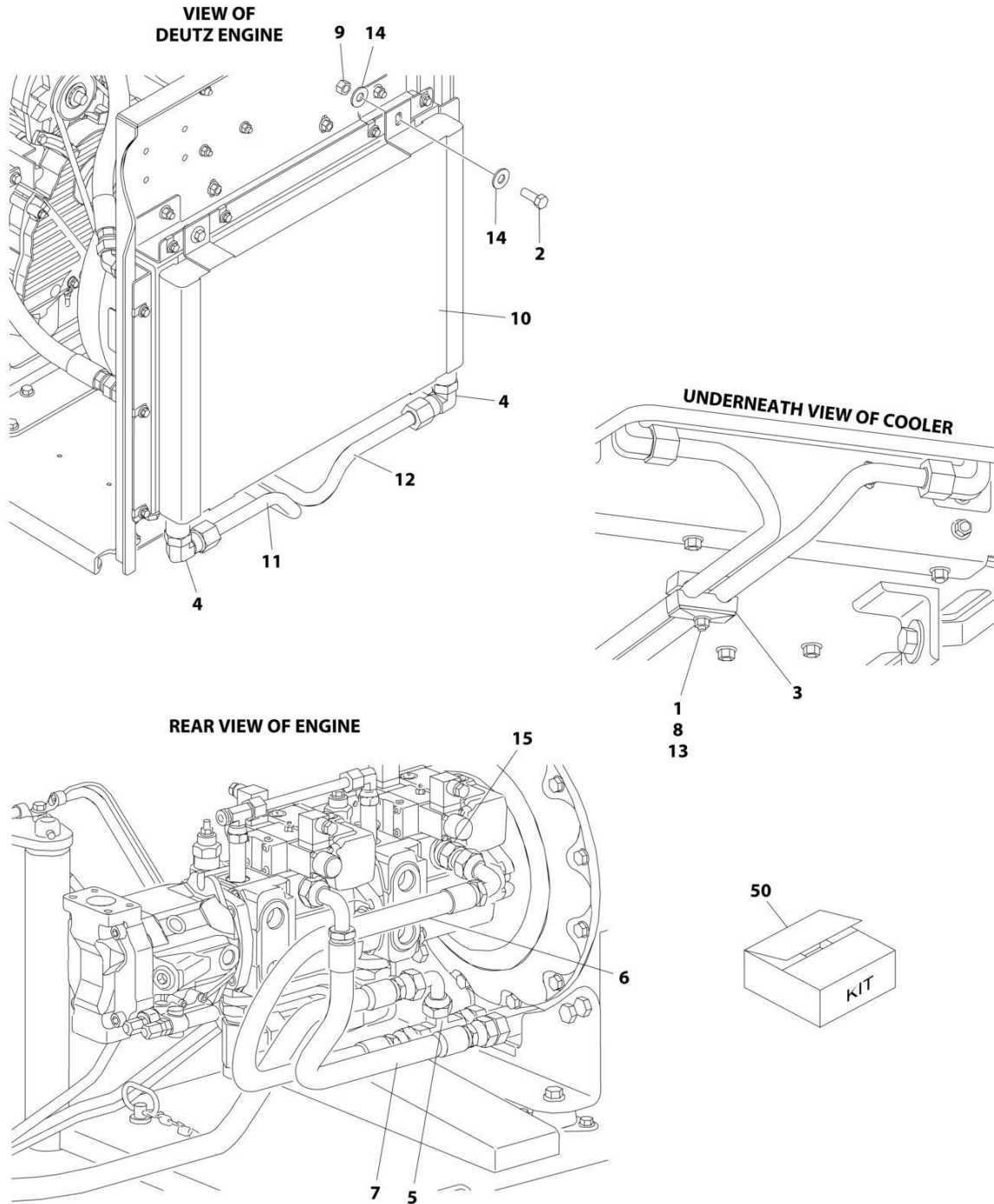
## SECTION 2 - TURNTABLE

**FIGURE 2-16. HYDRAULIC OIL COOLER INSTALLATION - DEUTZ TD2011 ENGINES WITH REXROTH PUMP (OPTIONAL)**

ITEM	PART NUMBER	QTY	DESCRIPTION	REV
	0272080	Ref	HYDRAULIC OIL COOLER INSTALLATION - DEUTZ TD2011 ENGINES WITH REXROTH PUMPS (OPTIONAL)	B
		Ref	Note: See Engine Installation for Engine Oil Cooler.	
1	0641520	2	Bolt 5/16 x 2-1/2	
2	0641608	4	Bolt 3/8 x 1	
3	1320162	2	Clamp, Hose	
4	2131212	2	Fitting, Elbow	
5	2170712	1	Fitting, Tee	
8	2753778	1	Hose	
9	3311505	2	Nut 5/16	
10	3311605	4	Nut 3/8	
11	3620034	1	Cooler, Hydraulic Oil	
13	4568426	1	Tube	
14	4568427	1	Tube	
15	4641247	1	Valve, Check	
16	4711500	4	Washer 5/16	
17	4751600	8	Washer 3/8	
18	2753843	1	Hose	
50	1001120564	1	Oil Cooler Add-on Kit (Includes Items 1-18)	

## SECTION 2 - TURNTABLE

FIGURE 2-17. HYDRAULIC OIL COOLER INSTALLATION - DEUTZ TD2011 ENGINES WITH SAUER PUMP (OPTIONAL)



ART\_1001118957

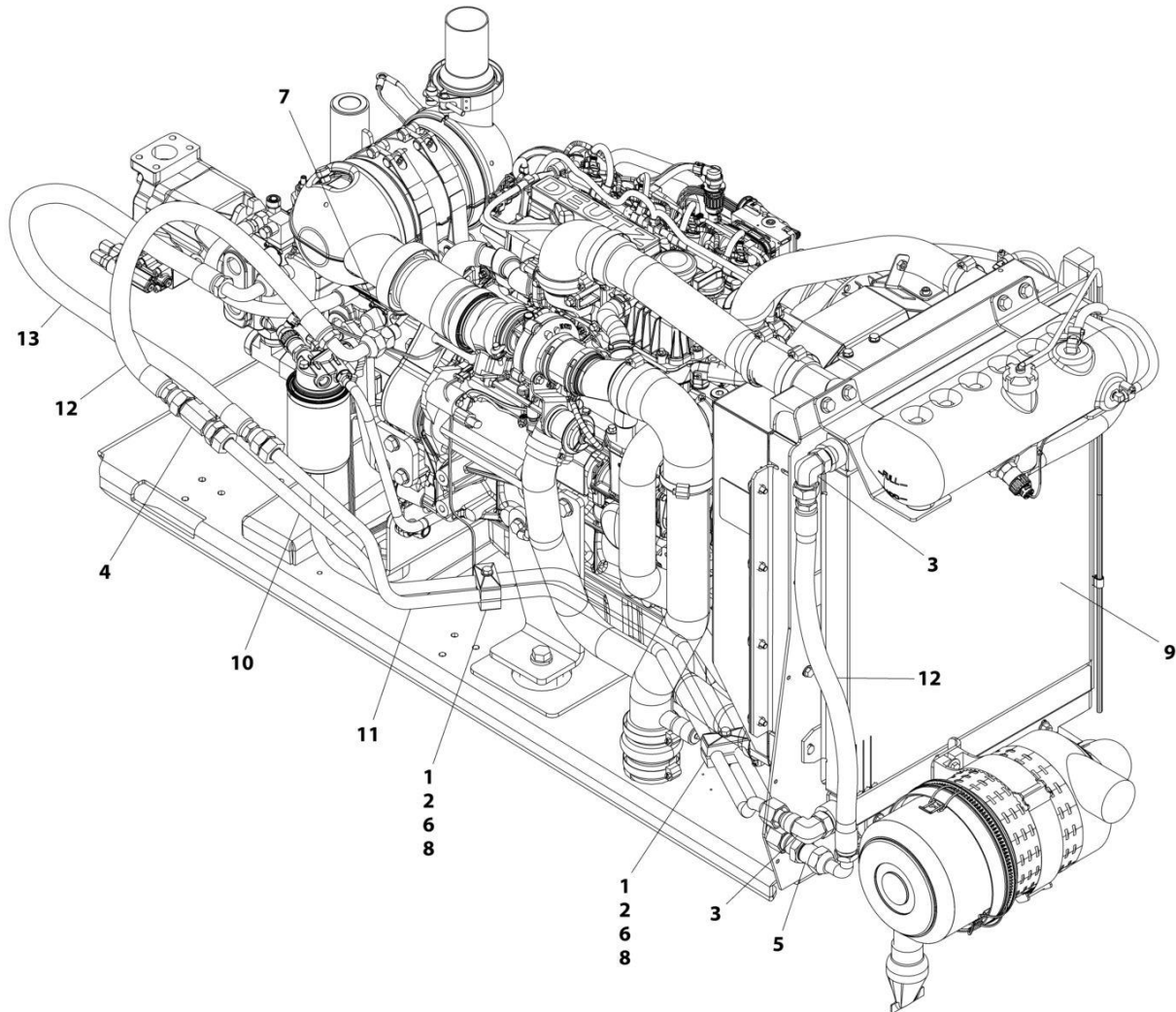
## SECTION 2 - TURNTABLE

**FIGURE 2-17. HYDRAULIC OIL COOLER INSTALLATION - DEUTZ TD2011 ENGINES WITH SAUER PUMP (OPTIONAL)**

ITEM	PART NUMBER	QTY	DESCRIPTION	REV
	1001118957	Ref	HYDRAULIC OIL COOLER INSTALLATION - DEUTZ TD2011 ENGINES WITH SAUER PUMPS (OPTIONAL)	B
		Ref	Note: See Engine Installation for Engine Oil Cooler.	
1	0641520	2	Bolt 5/16 x 2-1/2	
2	0641608	4	Bolt 3/8 x 1	
3	1320162	2	Clamp, Hose	
4	2131212	2	Fitting, Elbow	
5	2170712	1	Fitting, Tee	
6	2753778	1	Hose	
7	2753999	1	Hose	
8	3311505	2	Nut 5/16	
9	3311605	4	Nut 3/8	
10	3620034	1	Cooler, Hydraulic Oil	
11	4568426	1	Tube	
12	4568427	1	Tube	
13	4711500	4	Washer 5/16	
14	4751600	8	Washer 3/8	
15	1001109677	1	Valve, Check	
50	1001120564	1	Oil Cooler Add-on Kit Options (Includes Items 1-15):	

## SECTION 2 - TURNTABLE

**FIGURE 2-18. HYDRAULIC OIL COOLER INSTALLATION - DEUTZ TCD2.9L4 ENGINES, DEUTZ TCD2.9L4 (STAGE V PRE-BUY) AND DEUTZ TCD2.9L4 (STAGE V) ENGINES REXROTH PUMP (OPTIONAL)**



ART\_1001139494

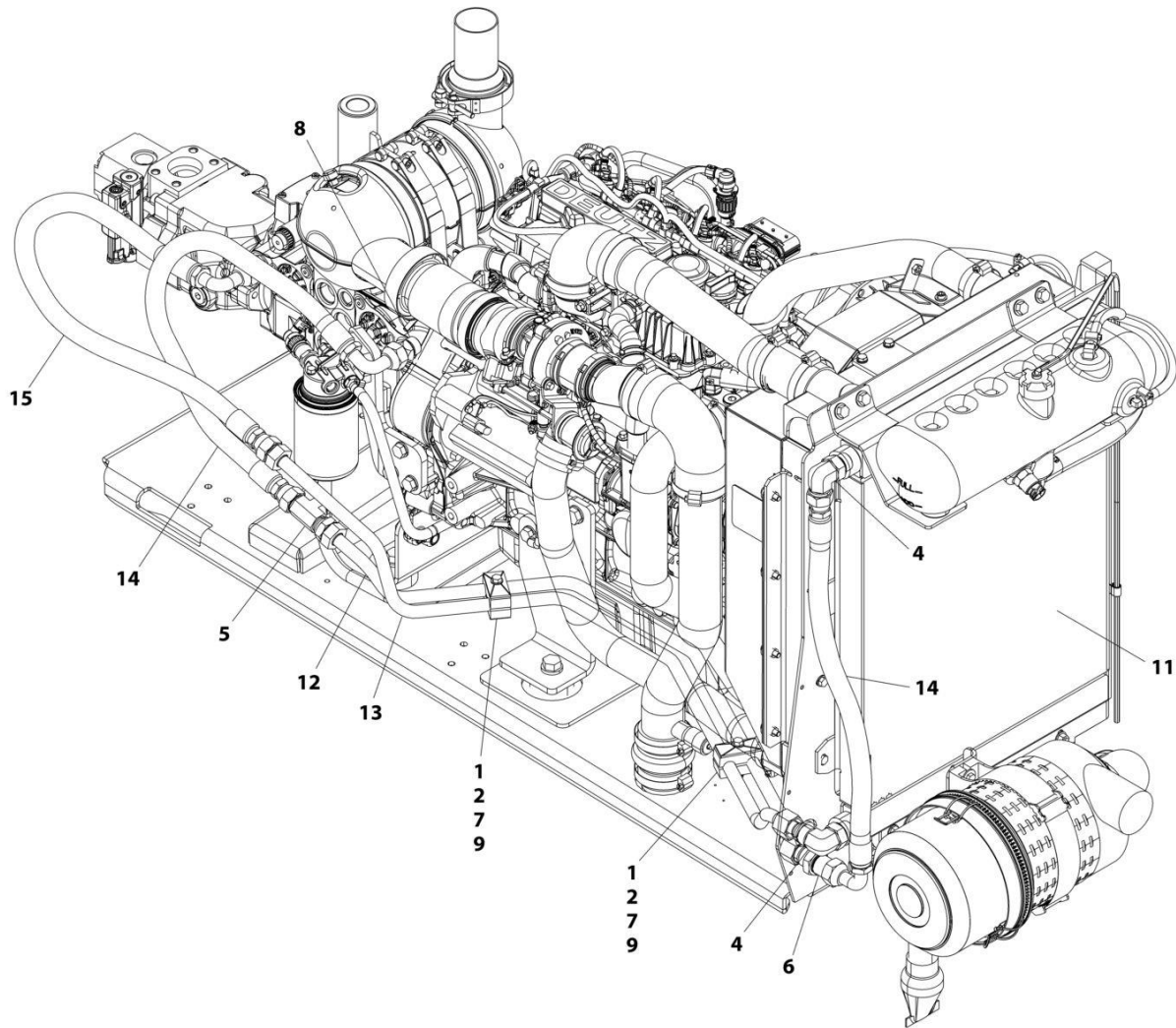
## SECTION 2 - TURNTABLE

**FIGURE 2-18. HYDRAULIC OIL COOLER INSTALLATION - DEUTZ TCD2.9L4 ENGINES, DEUTZ TCD2.9L4 (STAGE V PRE-BUY) AND DEUTZ TCD2.9L4 (STAGE V) ENGINES REXROTH PUMP (OPTIONAL)**

ITEM	PART NUMBER	QTY	DESCRIPTION	REV
	1001139494	Ref	HYDRAULIC OIL COOLER INSTALLATION - DEUTZ TCD2.9L4 ENGINES WITH REXROTH PUMPS (OPTIONAL)	E
		Ref	Note: See Engine Installation for Engine Oil Cooler.	
1	0641520	2	Bolt 5/16 x 2-1/2	
2	1320162	2	Clamp, Hose	
3	2131212	2	Fitting, 90	
4	2170712	1	Fitting, Tee	
5	2171112	1	Fitting, Straight	
6	3311505	2	Nut 5/16	
7	4641247	1	Valve	
8	4711500	4	Washer 5/16	
9	1001135124	1	Cooler, Hydraulic Oil	
10	1001139665	1	Tube	
11	1001139666	1	Tube	
12	1001143087	2	Hose	
13	1001143123	1	Hose	

## SECTION 2 - TURNTABLE

**FIGURE 2-19. HYDRAULIC OIL COOLER INSTALLATION - DEUTZ TCD2.9L4 ENGINES, DEUTZ TCD2.9L4 (STAGE V PRE-BUY) AND DEUTZ TCD2.9L4 (STAGE V) ENGINES WITH SAUER PUMP (OPTIONAL)**



ART\_1001139492



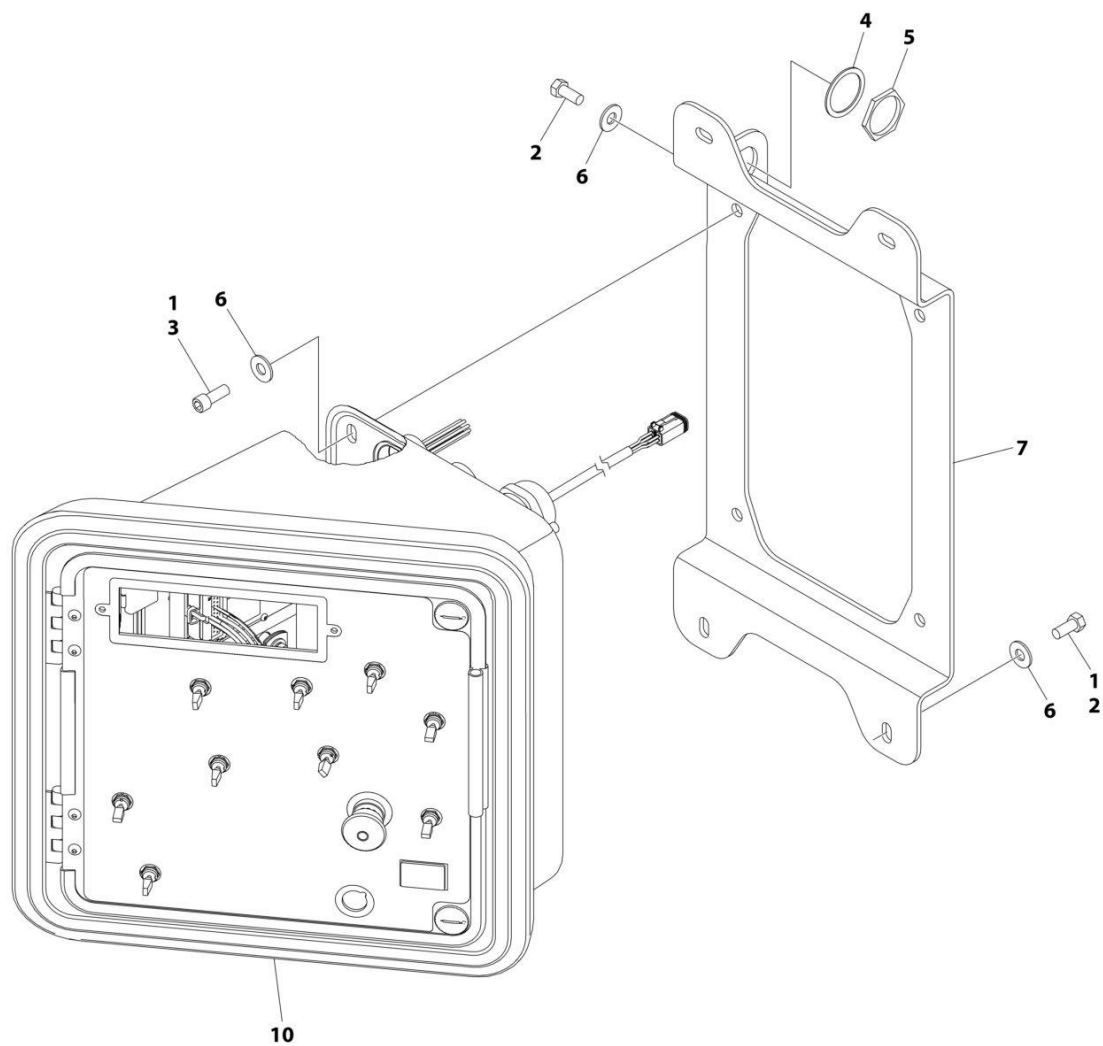
## SECTION 2 - TURNTABLE

**FIGURE 2-19. HYDRAULIC OIL COOLER INSTALLATION - DEUTZ TCD2.9L4 ENGINES, DEUTZ TCD2.9L4 (STAGE V PRE-BUY) AND DEUTZ TCD2.9L4 (STAGE V) ENGINES WITH SAUER PUMP (OPTIONAL)**

ITEM	PART NUMBER	QTY	DESCRIPTION	REV
	1001139492	Ref	HYDRAULIC OIL COOLER INSTALLATION - DEUTZ TCD2.9L4 ENGINES WITH SAUER PUMPS (OPTIONAL)	E
		Ref	Note: See Engine Installation for Engine Oil Cooler	
1	0641520	2	Bolt 5/16 x 2-1/2	
2	1320162	2	Clamp, Hose	
4	2131212	2	Fitting, 90	
5	2170712	1	Fitting, Tee	
6	2171112	1	Fitting, Straight	
7	3311505	2	Nut 5/16	
8	1001109677	1	Valve	
9	4711500	4	Washer 5/16	
11	1001135124	1	Cooler, Hydraulic Oil	
12	1001139665	1	Tube	
13	1001139666	1	Tube	
14	1001143087	2	Hose	
15	1001143123	1	Hose	

## SECTION 2 - TURNTABLE

FIGURE 2-20. GROUND CONTROL BOX INSTALLATION WITH REXROTH PUMPS - DEUTZ TD2011 ENGINES WITH REXROTH PUMP



ART\_1001243544

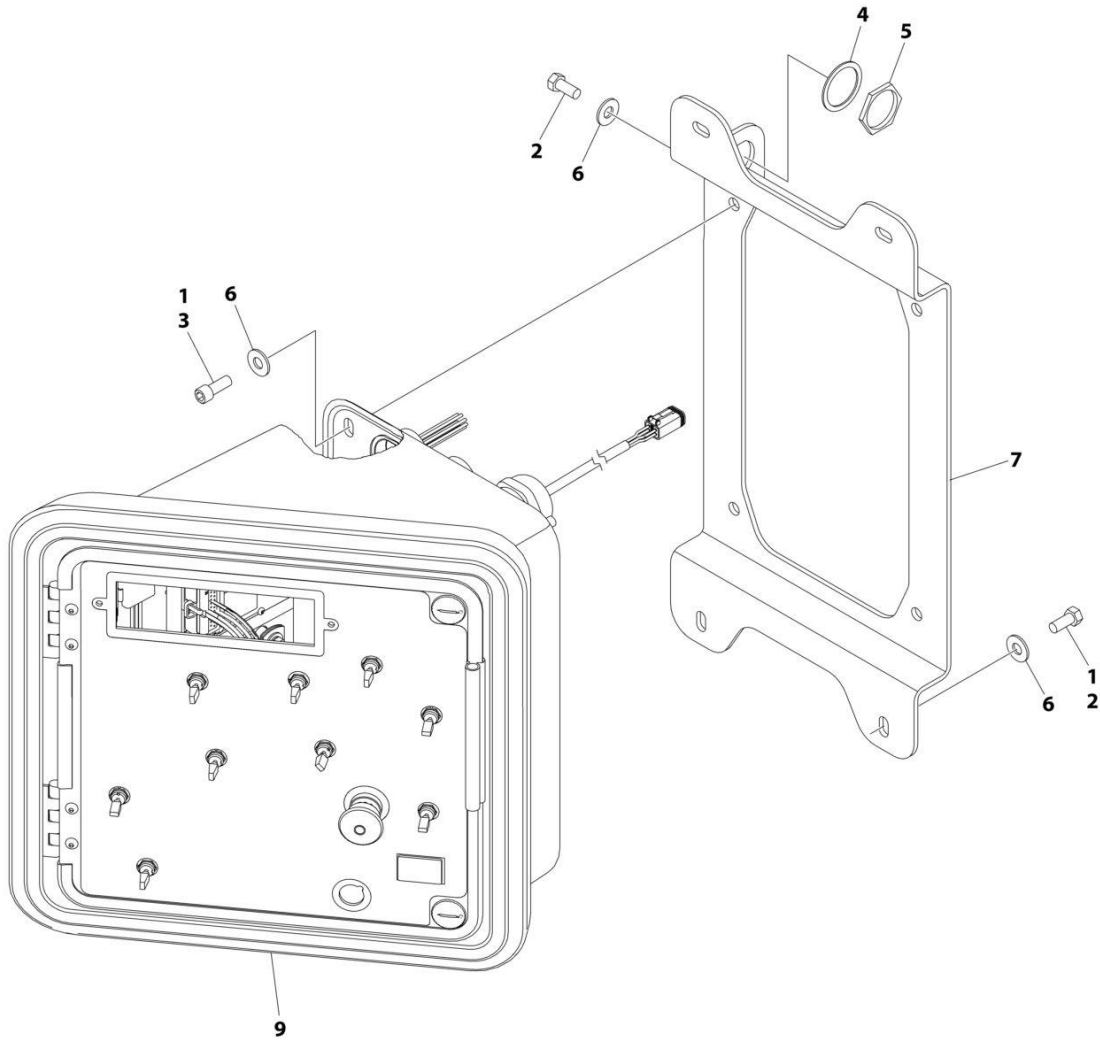
**SECTION 2 - TURNTABLE**

**FIGURE 2-20. GROUND CONTROL BOX INSTALLATION WITH REXROTH PUMPS - DEUTZ TD2011 ENGINES WITH REXROTH PUMP**

ITEM	PART NUMBER	QTY	DESCRIPTION	REV
	1001243544	Ref	GROUND CONTROL BOX INSTALLATION WITH REXROTH PUMPS - DEUTZ TD2011 ENGINES WITH REXROTH PUMP	A
1	0100011	AR	Compound, Locking	
2	0641607	5	Bolt 3/8 x 7/8	
3	3931616	4	Capscrew 3/8 x 1	
4	4460496	1	Terminal, Washer	
5	4460497	1	Terminal, Nut	
6	4751600	9	Washer 3/8	
7	1001114487	1	Bracket, Mounting	
8	1001119456	2	Harness, Pump Adapter (Not Shown) (See Separate Breakdown in ELECTRICAL SECTION)	
9	1001119470	1	Harness, Engine (Not Shown) (See Separate Breakdown in ELECTRICAL SECTION)	
10	1001243535	1	Ground Controls Assembly (See Separate Breakdown in this Section)	

## SECTION 2 - TURNTABLE

FIGURE 2-21. GROUND CONTROL BOX INSTALLATION WITH SAUER PUMPS - DEUTZ TD2011 ENGINES WITH SAUER PUMP



ART\_1001243583

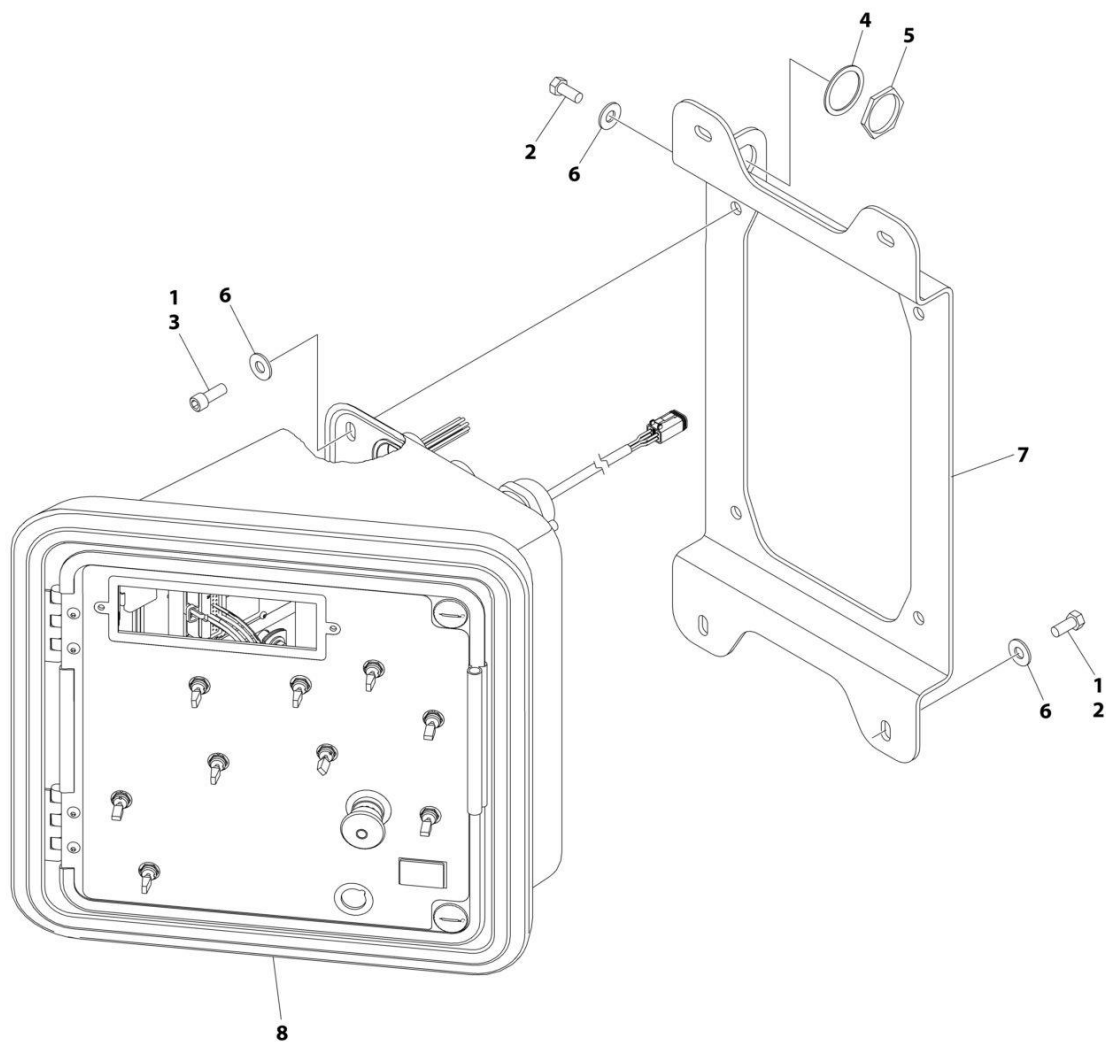
**SECTION 2 - TURNTABLE**

**FIGURE 2-21. GROUND CONTROL BOX INSTALLATION WITH SAUER PUMPS - DEUTZ TD2011 ENGINES WITH SAUER PUMP**

ITEM	PART NUMBER	QTY	DESCRIPTION	REV
	1001243583	Ref	GROUND CONTROL BOX INSTALLATION WITH SAUER PUMPS - DEUTZ TD2011 ENGINES WITH SAUER PUMP	A
1	0100011	AR	Compound, Locking	
2	0641607	5	Bolt 3/8 x 7/8	
3	3931616	4	Capscrew 3/8 x 1	
4	4460496	1	Terminal, Washer	
5	4460497	1	Terminal, Nut	
6	4751600	9	Washer 3/8	
7	1001114487	1	Bracket, Mounting	
8	1001119470	1	Harness, Engine (Not Shown) (See Separate Breakdown in this Section)	
9	1001243535	1	Ground Controls Assembly (See Separate Breakdown in this Section)	

## SECTION 2 - TURNTABLE

FIGURE 2-22. GROUND CONTROL BOX INSTALLATION - DEUTZ TCD2.9L4 ENGINES



ART\_1001243543

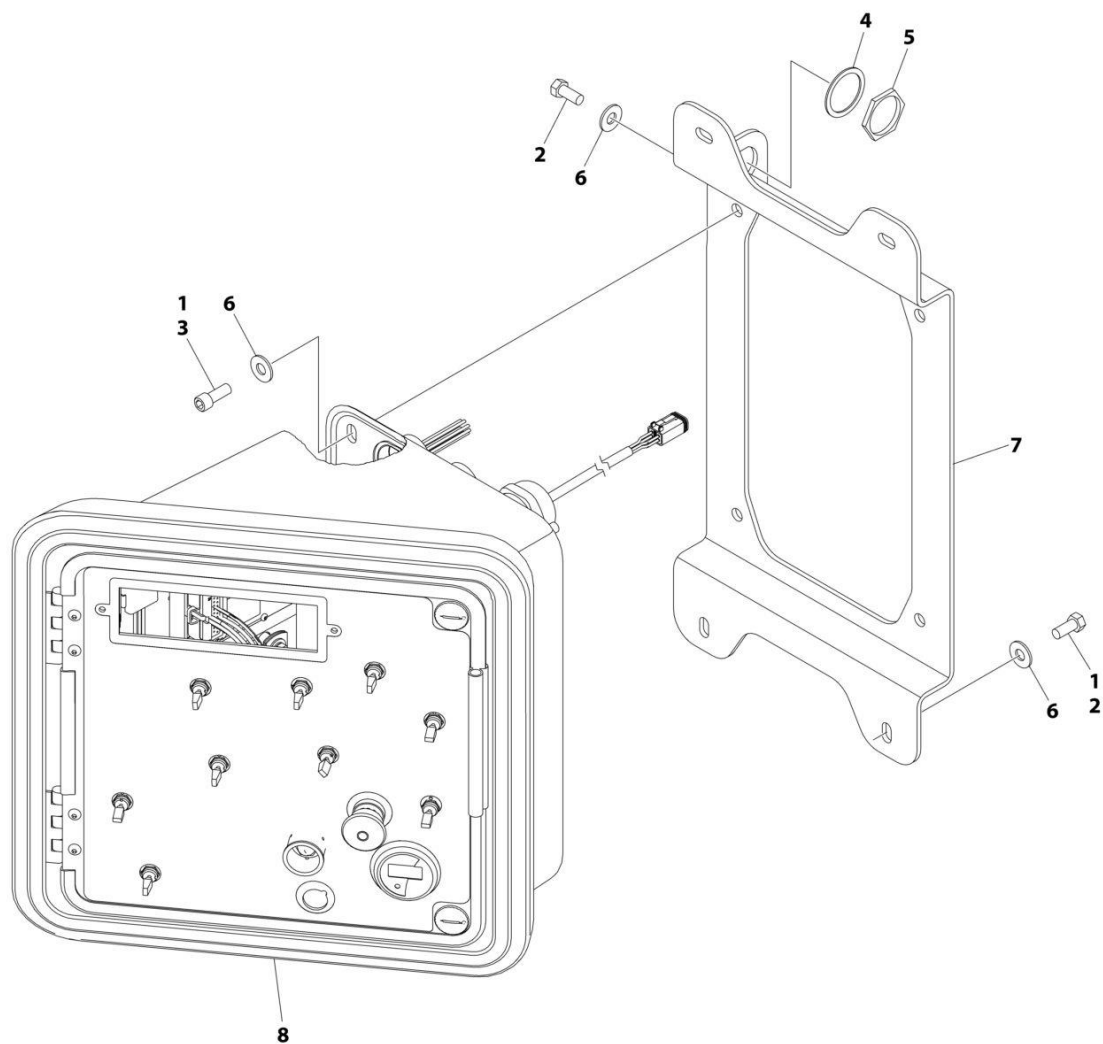
**SECTION 2 - TURNTABLE**

**FIGURE 2-22. GROUND CONTROL BOX INSTALLATION - DEUTZ TCD2.9L4 ENGINES**

ITEM	PART NUMBER	QTY	DESCRIPTION	REV
	1001243543	Ref	GROUND CONTROL BOX INSTALLATION - DEUTZ TCD2.9L4 ENGINES	A
1	0100011	AR	Compound, Locking	
2	0641607	5	Bolt 3/8 x 7/8	
3	3931616	4	Capscrew 3/8 x 1	
4	4460496	1	Terminal, Washer	
5	4460497	1	Terminal, Nut	
6	4751600	9	Washer 3/8	
7	1001114487	1	Bracket, Mounting	
8	1001243535	1	Ground Controls Assembly (See Separate Breakdown in this Section)	

## SECTION 2 - TURNTABLE

FIGURE 2-23. GROUND CONTROL BOX INSTALLATION - DEUTZ TCD2.9L4 (STAGE V PRE-BUY) ENGINES (CE SPECS)



ART\_1001243590



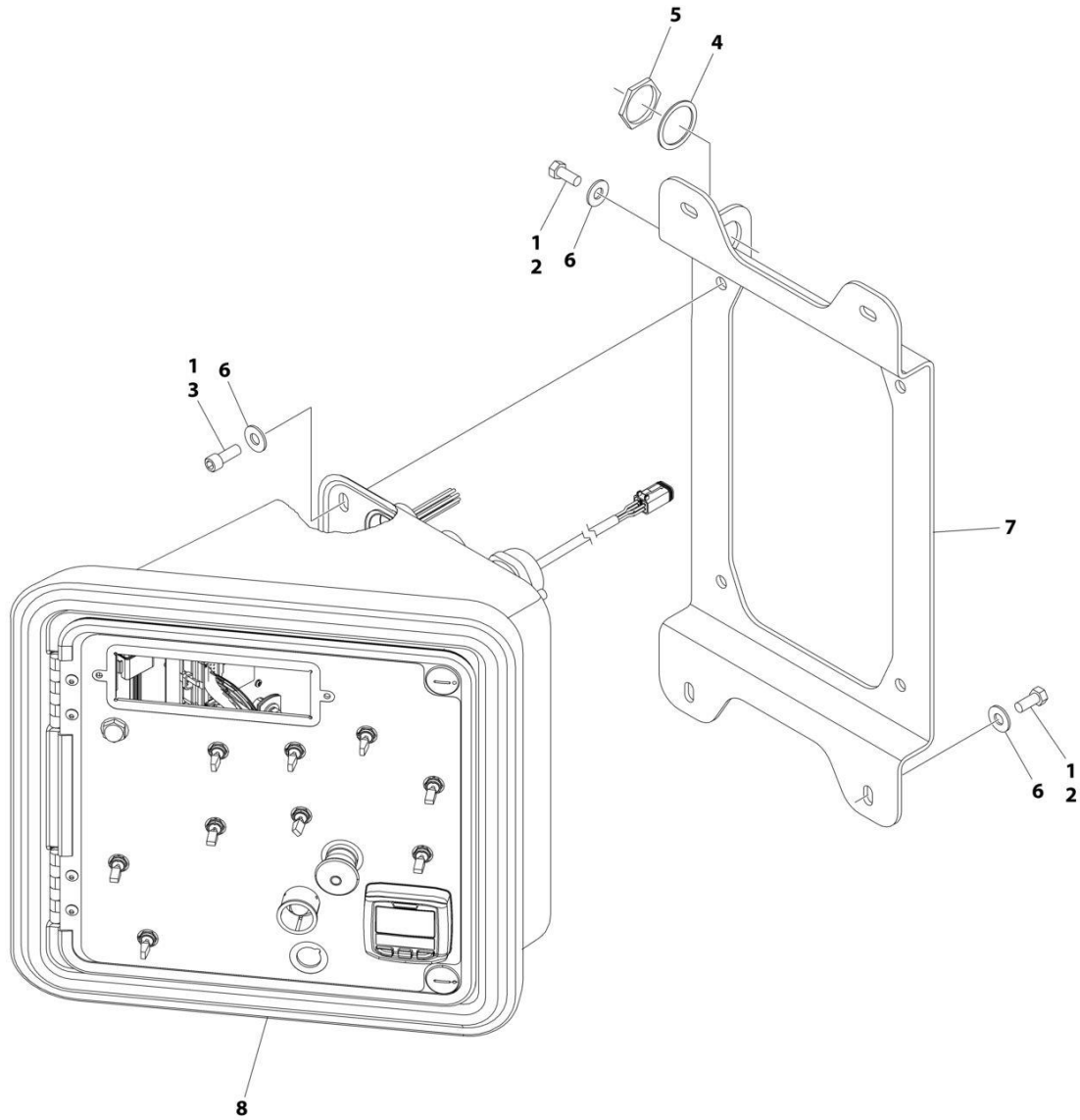
**SECTION 2 - TURNTABLE**

**FIGURE 2-23. GROUND CONTROL BOX INSTALLATION - DEUTZ TCD2.9L4 (STAGE V PRE-BUY) ENGINES (CE SPECS)**

ITEM	PART NUMBER	QTY	DESCRIPTION	REV
	1001243590	Ref	GROUND CONTROL BOX INSTALLATION - DEUTZ TCD2.9L4 ENGINES (CE SPECS)	A
1	0100011	AR	Compound, Locking	
2	0641607	5	Bolt 3/8 x 7/8	
3	3931616	4	Capscrew 3/8 x 1	
4	4460496	1	Terminal, Washer	
5	4460497	1	Terminal, Nut	
6	4751600	9	Washer 3/8	
7	1001114487	1	Bracket, Mounting	
8	1001243536	1	Ground Controls Assembly (See Separate Breakdown in this Section)	

## SECTION 2 - TURNTABLE

FIGURE 2-24. GROUND CONTROL BOX INSTALLATION - DEUTZ TCD2.9L4 (STAGE V) ENGINES (CE SPECS)



ART\_1001236753

**SECTION 2 - TURNTABLE**

**FIGURE 2-24. GROUND CONTROL BOX INSTALLATION - DEUTZ TCD2.9L4 (STAGE V) ENGINES (CE SPECS)**

ITEM	PART NUMBER	QTY	DESCRIPTION	REV
	1001236753	Ref	GROUND CONTROL BOX INSTALLATION - DEUTZ TCD2.9L4 ENGINES (CE SPECS)	B
1	0100011	AR	Compound, Locking	
2	0641607	5	Bolt 3/8 x 7/8	
3	3931616	4	Capscrew 3/8 x 1	
4	4460496	1	Terminal, Washer	
5	4460497	1	Terminal, Nut	
6	4751600	9	Washer 3/8	
7	1001114487	1	Bracket, Mounting	
8	1001236756	1	Ground Controls Assembly (See Separate Breakdown in this Section)	



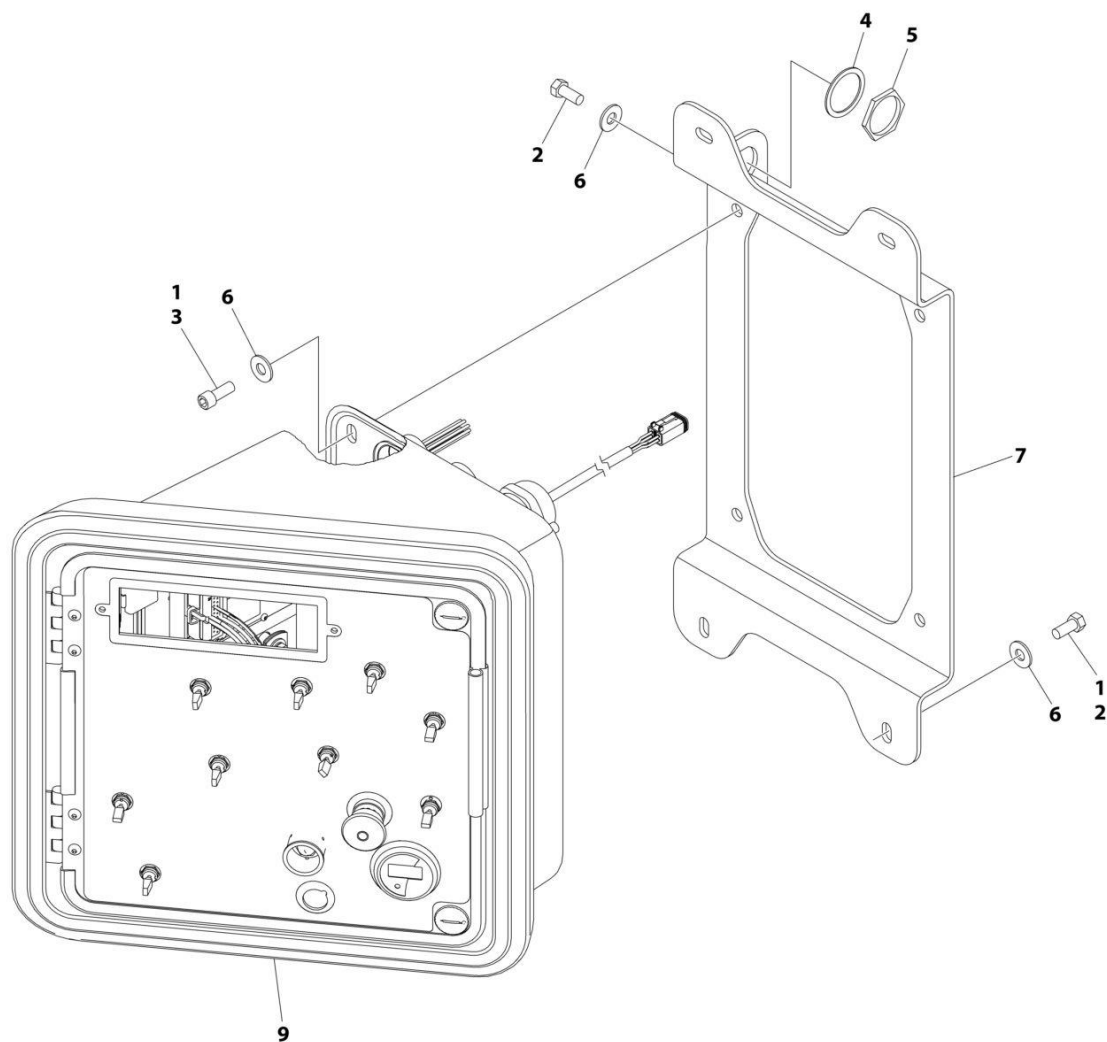
**SECTION 2 - TURNTABLE**

**FIGURE 2-25. GROUND CONTROL BOX INSTALLATION WITH REXROTH PUMPS - DEUTZ TD2011 ENGINES (CE SPECS) (LRC)**

ITEM	PART NUMBER	QTY	DESCRIPTION	REV
	1001243592	Ref	GROUND CONTROL BOX INSTALLATION WITH REXROTH PUMPS - DEUTZ TD2011 ENGINES (CE SPECS) (LRC)	A
1	0100011	AR	Compound, Locking	
2	0641607	5	Bolt 3/8 x 7/8	
3	3931616	4	Capscrew 3/8 x 1	
4	4460496	1	Terminal, Washer	
5	4460497	1	Terminal, Nut	
6	4751600	9	Washer 3/8	
7	1001114487	1	Bracket, Mounting	
8	1001119456	2	Harness, Pump Adapter (Not Shown) (See Separate Breakdown in ELECTRICAL SECTION)	
9	1001119470	1	Harness, Engine (Not Shown) (See Separate Breakdown in this Section)	
10	1001243536	1	Ground Controls Assembly (See Separate Breakdown in this Section)	

## SECTION 2 - TURNTABLE

FIGURE 2-26. GROUND CONTROL BOX INSTALLATION WITH SAUER PUMPS - DEUTZ TD2011 ENGINES (CE SPECS) (LRC)



ART\_1001243593

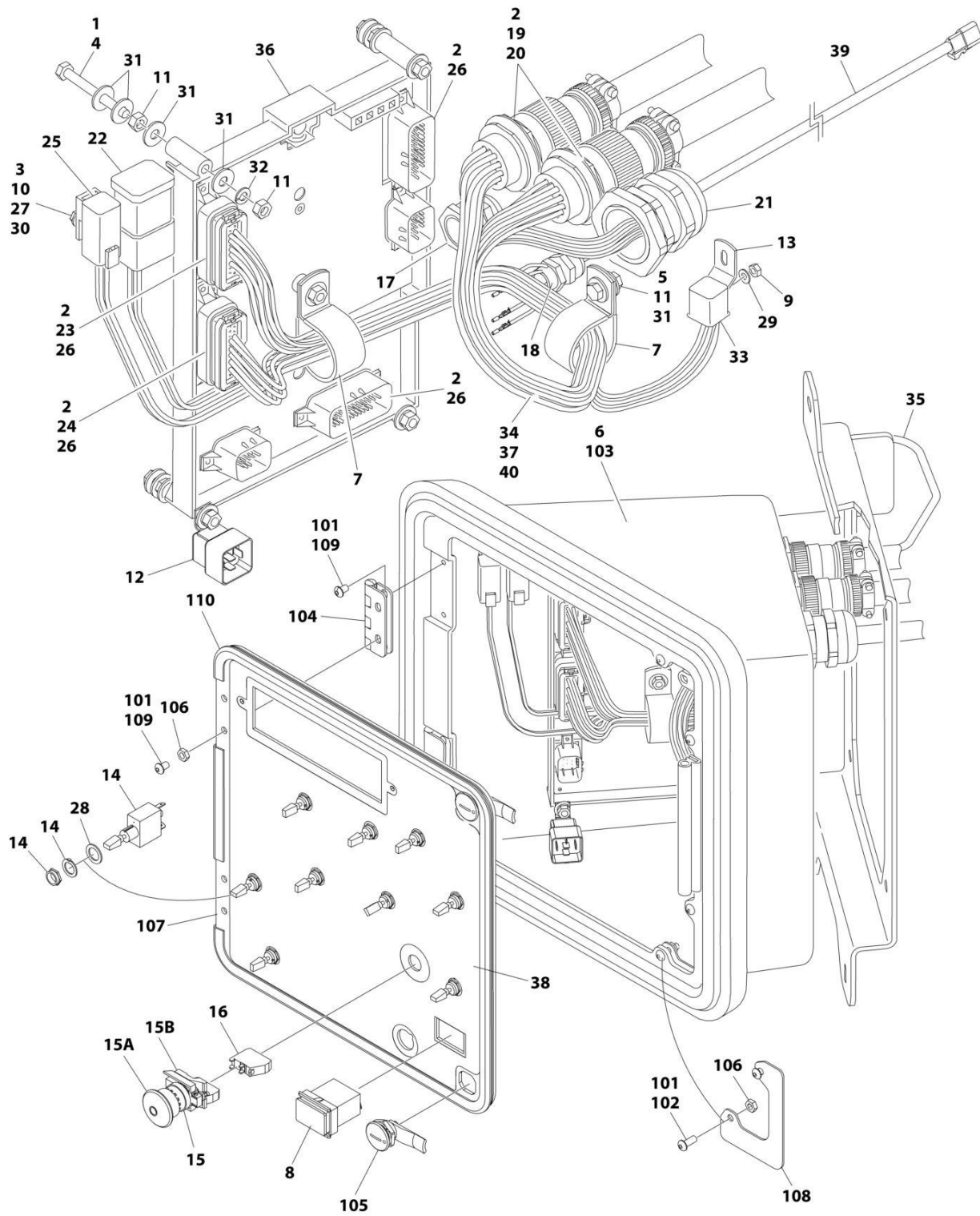
**SECTION 2 - TURNTABLE**

**FIGURE 2-26. GROUND CONTROL BOX INSTALLATION WITH SAUER PUMPS - DEUTZ TD2011 ENGINES (CE SPECS) (LRC)**

ITEM	PART NUMBER	QTY	DESCRIPTION	REV
	1001243593	Ref	GROUND CONTROL BOX INSTALLATION WITH SAUER PUMPS - DEUTZ TD2011 ENGINES (CE SPECS) (LRC)	A
1	0100011	AR	Compound, Locking	
2	0641607	5	Bolt 3/8 x 7/8	
3	3931616	4	Capscrew 3/8 x 1	
4	4460496	1	Terminal, Washer	
5	4460497	1	Terminal, Nut	
6	4751600	9	Washer 3/8	
7	1001114487	1	Bracket, Mounting	
8	1001119470	1	Harness, Engine (Not Shown) (See Separate Breakdown in this Section)	
9	1001243536	1	Ground Controls Assembly (See Separate Breakdown in this Section)	

# SECTION 2 - TURNTABLE

## FIGURE 2-27. GROUND CONTROL ASSEMBLY - DEUTZ TD2011 AND DEUTZ TCD2.9L4 ENGINES



ART\_1001243535



## SECTION 2 - TURNTABLE

**FIGURE 2-27. GROUND CONTROL ASSEMBLY - DEUTZ TD2011 AND DEUTZ TCD2.9L4 ENGINES**

ITEM	PART NUMBER	QTY	DESCRIPTION	REV
	1001243535	Ref	GROUND CONTROL ASSEMBLY	B
1	0100035	AR	Compound, Locking	
2	0100048	AR	Grease, Dielectric	
3	0630464	2	Screw #10 x 1/2	
4	0630548	5	Screw, Self Tapping	
5	0641406	1	Bolt 1/4 x 3/4	
6	0861628	1	Box Assembly (See Items 101-110 for Breakdown)	
7	1320095	2	Clamp	
8	2420172	1	Hourmeter	
9	3310601	1	Nut #6	
10	3311001	2	Nut #10	
11	3311401	11	Nut 1/4	
12	3740049	1	Relay	
13	4340832	1	Mount, Relay	
14	4360328	9	Switch, Toggle	
15	4360475	1	Switch, Push-Pull Emergency	
15A	7020175	1	Cap	
15B	7020176	1	Block, Contact	
16	4360476	1	Block, Contact	
17	4460425	1	Connector, Strain Relief	
18	4460428	1	Connector, Strain Relief	
19	4460470	2	Nut, Terminal	
20	4460471	2	Washer, Terminal	
21	4460526	1	Connector, Strain Relief	
22	4460837	1	Connector - 12 Pin	
23	4460874	1	Connector, White	
24	4460875	1	Connector, Gray	
25	4460892	1	Connector, Buss Bar - 6 Position	
26	4460905	4	Connector, Plug	
27	4460914	2	Base, Terminal	
28	4740444	9	Washer	
29	4750600	1	Washer #6	
30	4751000	2	Washer #10	
31	4751400	22	Washer 1/4	
32	4761400	5	Washer 1/4	
33	4923036	1	Harness, Relay (See Separate Breakdown in ELECTRICAL SECTION)	
34	4923397	1	Harness, Valve (See Separate Breakdown in ELECTRICAL SECTION)	
35	1001254068	1	Harness, ClearSky Ready (See Separate Breakdown in ELECTRICAL SECTION)	
36	1001119508	1	Module, Ground Control (Note: Re-calibration Required when Replaced)	
37	1001119529	1	Harness, Engine (See Separate Breakdown in ELECTRICAL SECTION)	
38	1001221436	1	Decal - Lid	
39	1001228497	1	Harness, Pressure Transducer (See Separate Breakdown in ELECTRICAL SECTION)	
40	1001242324	1	Harness, Ground Control Box (See Separate Breakdown in ELECTRICAL SECTION)	
	0861628	Ref	BOX ASSEMBLY	

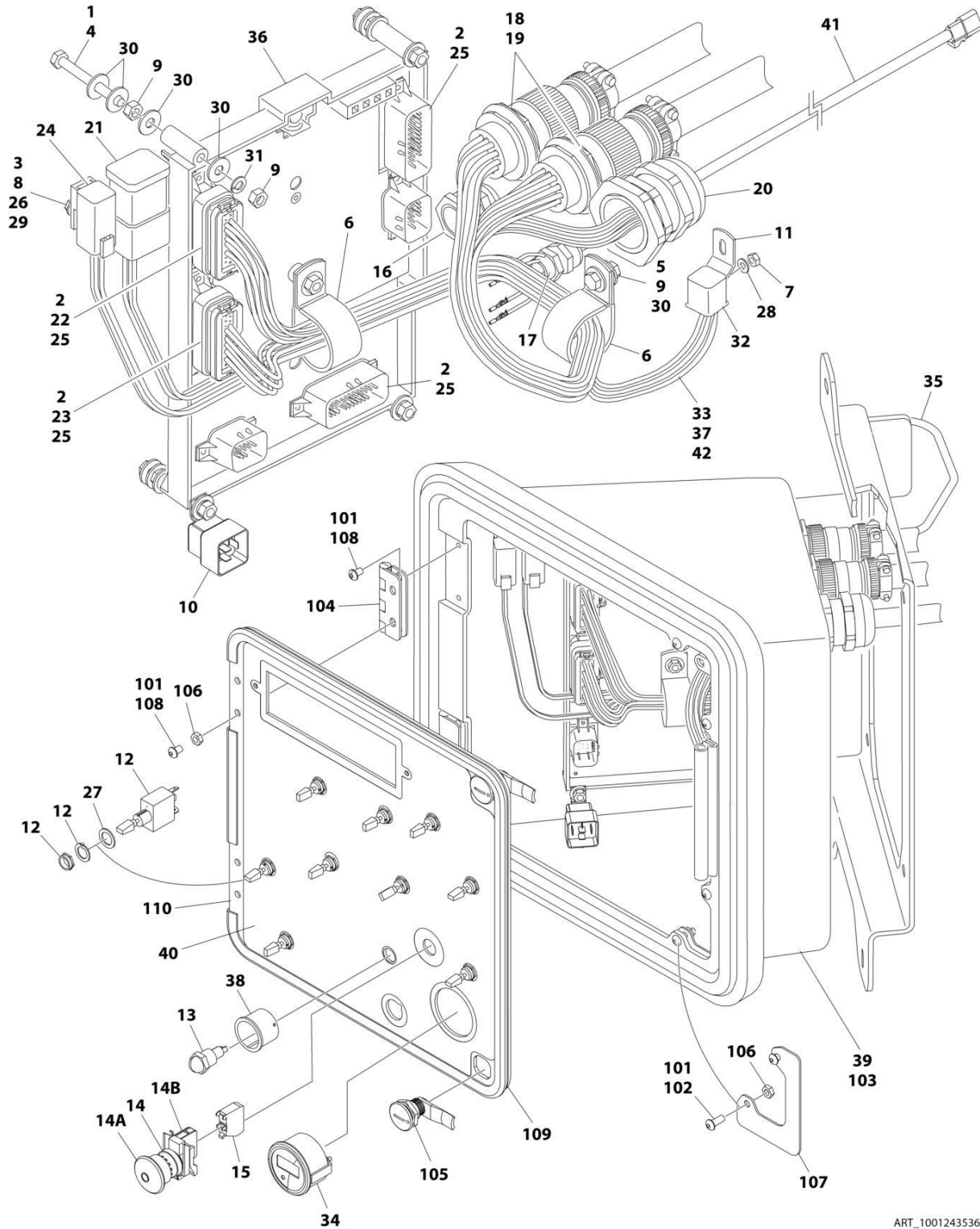
## SECTION 2 - TURNTABLE

ITEM	PART NUMBER	QTY	DESCRIPTION	REV
101	0100011	AR	Compound, Locking	
102	0630407	4	Screw 1/4 x 5/8	
103	0861627	1	Box	
104	2600279	2	Hinge	
105	1001242373	2	Latch	
106	3311402	8	Nut 1/4	
107	3380494	1	Lid	
108	3573144	2	Plate, Latch	
109	3900251	8	Screw 1/4 x 3/8	
110	3960418	53 in/ 1.4m	Seal	



## SECTION 2 - TURNTABLE

FIGURE 2-28. GROUND CONTROL ASSEMBLY - DEUTZ TD2011 ENGINES AND DEUTZ TCD2.9L4 (STAGE V PRE-BUY) (CE SPECS)



ART\_1001243536

## SECTION 2 - TURNTABLE

**FIGURE 2-28. GROUND CONTROL ASSEMBLY - DEUTZ TD2011 ENGINES AND DEUTZ TCD2.9L4 (STAGE V PRE-BUY) (CE SPECS)**

ITEM	PART NUMBER	QTY	DESCRIPTION	REV
	1001243536	Ref	GROUND CONTROL ASSEMBLY - DEUTZ TD2011 AND DEUTZ 2.9L4 (STAGE V PRE-BUY) ENGINES	B
1	0100035	AR	Compound, Locking	
2	0100048	AR	Grease, Dielectric	
3	0630464	2	Screw #10 x 1/2	
4	0630548	5	Screw, Self Tapping	
5	0641406	1	Bolt 1/4 x 3/4	
6	1320095	2	Clamp	
7	3310601	1	Nut #6	
8	3311001	2	Nut #10	
9	3311401	11	Nut 1/4	
10	3740049	1	Relay	
11	4340832	1	Mount, Relay	
12	4360328	9	Switch, Toggle	
13	4360387	1	Switch, Push Button	
14	4360475	1	Switch, Push-Pull Emergency	
14A	7020175	1	Cap	
14B	7020176	1	Block, Contact	
15	4360476	1	Block, Contact	
16	4460425	1	Connector, Strain Relief	
17	4460428	1	Connector, Strain Relief	
18	4460470	2	Nut, Terminal	
19	4460471	2	Washer, Terminal	
20	4460526	1	Connector, Strain Relief	
21	4460837	1	Connector - 12 Pin	
22	4460874	1	Connector, White	
23	4460875	1	Connector, Gray	
24	4460892	1	Connector, Buss Bar - 6 Position	
25	4460905	4	Connector, Plug	
26	4460914	2	Base, Terminal	
27	4740444	9	Washer	
28	4750600	1	Washer #6	
29	4751000	2	Washer #10	
30	4751400	22	Washer 1/4	
31	4761400	5	Washer 1/4	
32	4923036	1	Harness, Relay (See Separate Breakdown in ELECTRICAL Section)	
33	4923397	1	Harness, Valve (See Separate Breakdown in ELECTRICAL Section)	
34	1001109503	1	Gauge, Indicator	
35	1001254068	1	Harness, ClearSky Ready (See Separate Breakdown in ELECTRICAL Section)	
36	1001119508	1	Module, Ground Control (Note: Re-calibration Required when Replaced)	
37	1001119529	1	Harness, Engine (See Separate Breakdown in ELECTRICAL Section)	
38	1001176469	1	Shroud	
39	1001185297	1	Box Assembly (See Items 101-110 for Breakdown)	
40	1001221437	1	Decal - Lid	

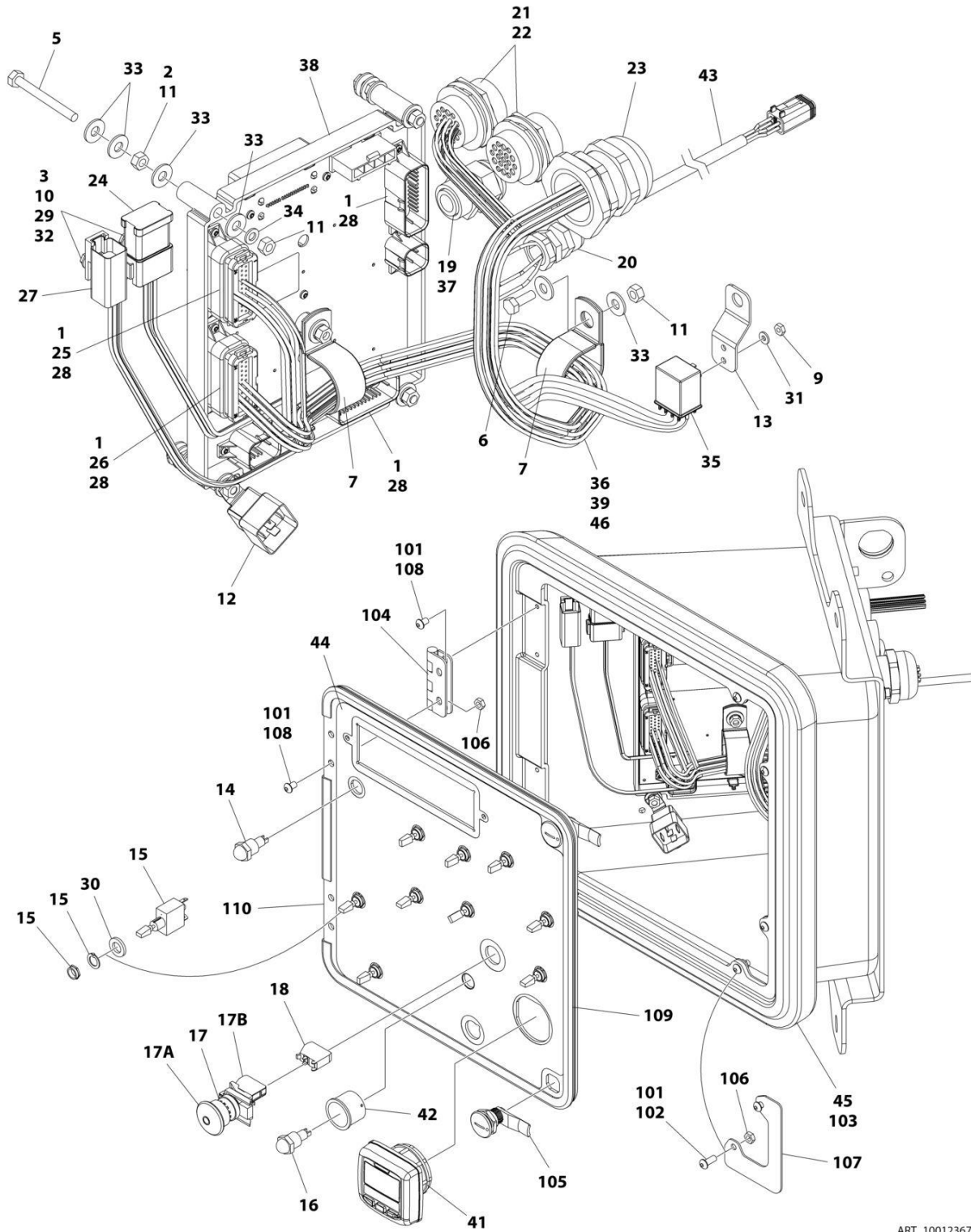
## SECTION 2 - TURNTABLE

ITEM	PART NUMBER	QTY	DESCRIPTION	REV
41	1001228497	1	Harness, Pressure Transducer (See Separate Breakdown in ELECTRICAL Section)	B
42	1001242324	1	Harness, Ground Control Box (See Separate Breakdown in ELECTRICAL Section)	
	1001185297	Ref	BOX ASSEMBLY	
101	0100011	AR	Compound, Locking	
102	0630407	4	Screw 1/4 x 5/8	
103	0861627	1	Box	
104	2600279	2	Hinge	
105	1001242373	2	Latch	
106	3311402	8	Nut 1/4	
107	3573144	2	Plate, Latch	
108	3900251	8	Screw 1/4 x 3/8	
109	3960418	53 in/ 1.4m	Seal	
110	1001185296	1	Lid	



# SECTION 2 - TURNTABLE

FIGURE 2-29. GROUND CONTROL ASSEMBLY - DEUTZ TCD2.9L4 (STAGE V) (CE SPECS)



ART\_1001236756



## SECTION 2 - TURNTABLE

**FIGURE 2-29. GROUND CONTROL ASSEMBLY - DEUTZ TCD2.9L4 (STAGE V) (CE SPECS)**

ITEM	PART NUMBER	QTY	DESCRIPTION	REV
	1001236756	Ref	GROUND CONTROL ASSEMBLY - DEUTZ 2.9L4 (STAGE V) ENGINES	B
1	0100048	AR	Grease, Dielectric	
2	0100081	AR	Loctite #454	
3	0630464	2	Screw #10 x 1/2	
5	0630548	5	Screw, Self Tapping	
6	0641406	1	Bolt 1/4 x 3/4	
7	1320095	2	Clamp	
9	3310601	1	Nut #6	
10	3311001	2	Nut #10	
11	3311401	11	Nut 1/4	
12	3740049	1	Relay	
13	4340832	1	Mount, Relay	
14	4360274	1	Switch, Push Button	
15	4360328	9	Switch, Toggle	
16	4360387	1	Switch, Push Button	
17	4360475	1	Switch, Push-Pull Emergency	
17A	7020175	1	Cap	
17B	7020176	1	Block, Contact	
18	4360476	1	Block, Contact	
19	4460425	1	Connector, Strain Relief	
20	4460428	1	Connector, Strain Relief	
21	4460470	2	Nut, Terminal	
22	4460471	2	Washer, Terminal	
23	4460526	1	Connector, Strain Relief	
24	4460837	1	Connector - 12 Pin	
25	4460874	1	Connector, White	
26	4460875	1	Connector, Gray	
27	4460892	1	Connector, Buss Bar - 6 Position	
28	4460905	4	Connector, Plug	
29	4460914	2	Base, Terminal	
30	4740397	9	Washer	
31	4750600	1	Washer #6	
32	4751000	2	Washer #10	
33	4751400	22	Washer 1/4	
34	4761400	5	Washer 1/4	
35	4923036	1	Harness, Relay (See Separate Breakdown in ELECTRICAL Section)	
36	4923397	1	Harness, Valve (See Separate Breakdown in ELECTRICAL Section)	
37	100114438	1	Harness, ClearSky Ready (See Separate Breakdown in ELECTRICAL Section)	
38	100119508	1	Module, Ground Control (Note: Re-calibration Required when Replaced)	
39	100119529	1	Harness, Engine (See Separate Breakdown in ELECTRICAL Section)	
41	1001171482	1	Gauge, Indicator	
42	1001176469	1	Shroud	
43	1001228497	1	Harness, Pressure Transducer (See Separate Breakdown in ELECTRICAL Section)	
44	1001236635	1	Decal - Lid	

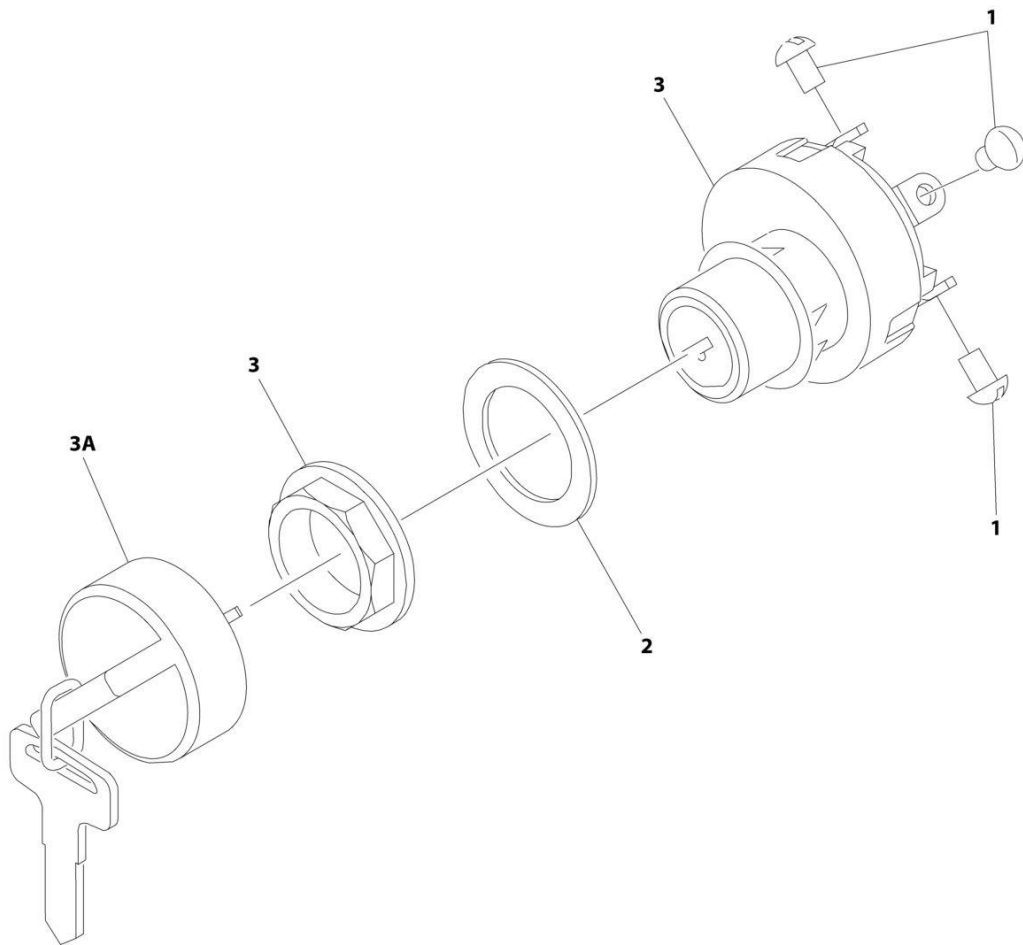
## SECTION 2 - TURNTABLE

ITEM	PART NUMBER	QTY	DESCRIPTION	REV
45	1001236773	1	Box Assembly (See Items 101-110 for Breakdown)	B
46	1001242324	1	Harness, Ground Control Box (See Separate Breakdown in ELECTRICAL Section)	
	1001236773	Ref	BOX ASSEMBLY	
101	0100011	AR	Compound, Locking	
102	0630407	4	Screw 1/4 x 5/8	
103	0861627	1	Box	
104	2600279	2	Hinge	
105	1001242373	2	Latch	
106	3311402	8	Nut 1/4	
107	3573144	2	Plate, Latch	
108	3900251	8	Screw 1/4 x 3/8	
109	3960418	53 in /1.4m	Seal	
110	1001236532	1	Lid	



## SECTION 2 - TURNTABLE

FIGURE 2-30. KEYSWITCH INSTALLATION



ART\_0259666

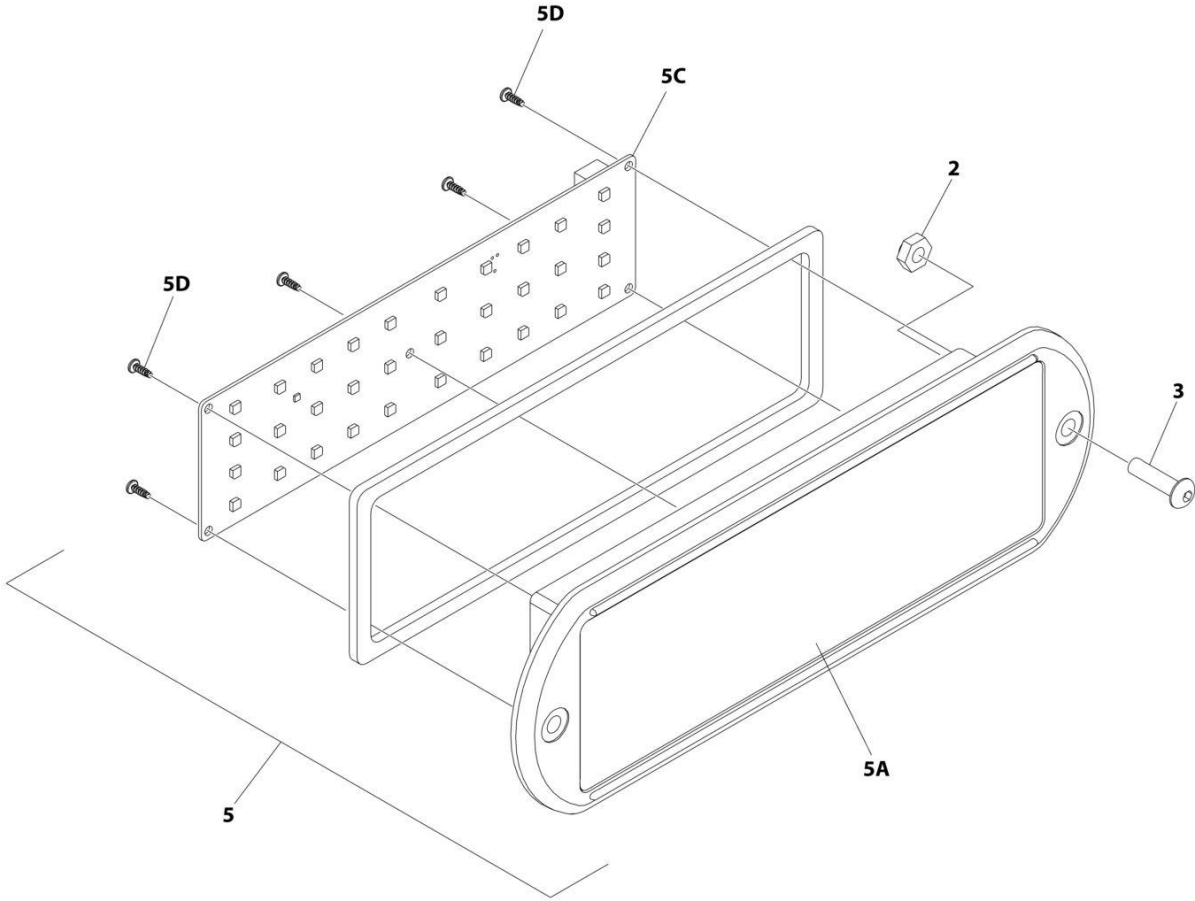
**SECTION 2 - TURNTABLE**

**FIGURE 2-30. KEYSWITCH INSTALLATION**

<b>ITEM</b>	<b>PART NUMBER</b>	<b>QTY</b>	<b>DESCRIPTION</b>	<b>REV</b>
	0259666	Ref	KEYSWITCH INSTALLATION	B
1	3910804	6	Screw #8 x 1/8	
2	1001151393	1	Shim .063	
3	4360469	1	Keyswitch	
3A	2860030	1	Key, Replacement	

**SECTION 2 - TURNTABLE**

**FIGURE 2-31. LIGHT PANEL INSTALLATION**



ART\_1001233959\_C\_10F2

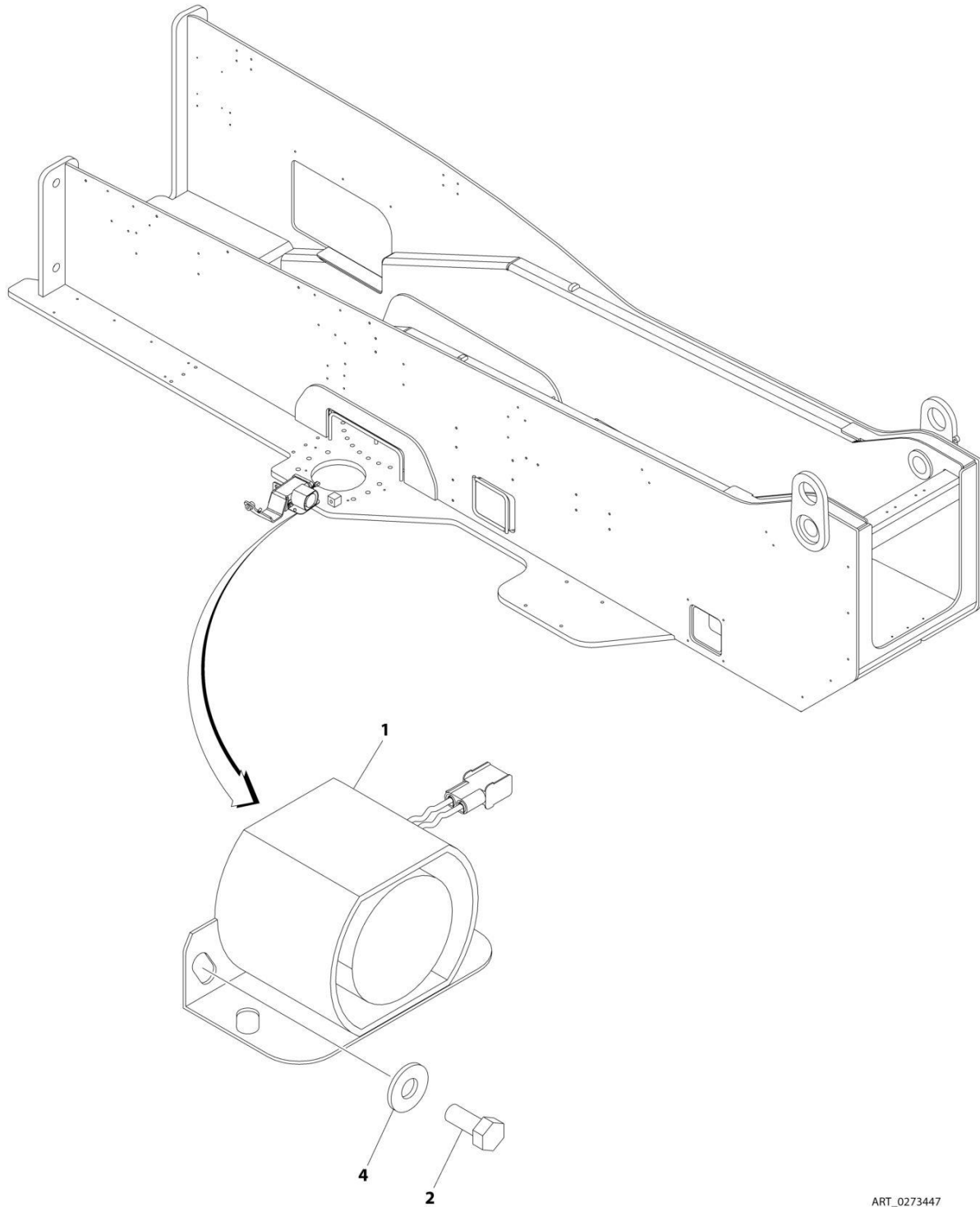
**SECTION 2 - TURNTABLE**

**FIGURE 2-31. LIGHT PANEL INSTALLATION**

ITEM	PART NUMBER	QTY	DESCRIPTION	REV
	1001233959	Ref	LIGHT PANEL INSTALLATION	C
2	3300408	2	Nut, Nylon Insert	
3	0630518	2	Screw #10 x 3/4	
5	1001237546	1	Light Panel Assembly	H
5A	1001236091	1	Lens, I-Con	
5C	1001187807	1	Panel, LED Light	
5D		Ref	Screw	

## SECTION 2 - TURNTABLE

FIGURE 2-32. ALARMS INSTALLATION



ART\_0273447



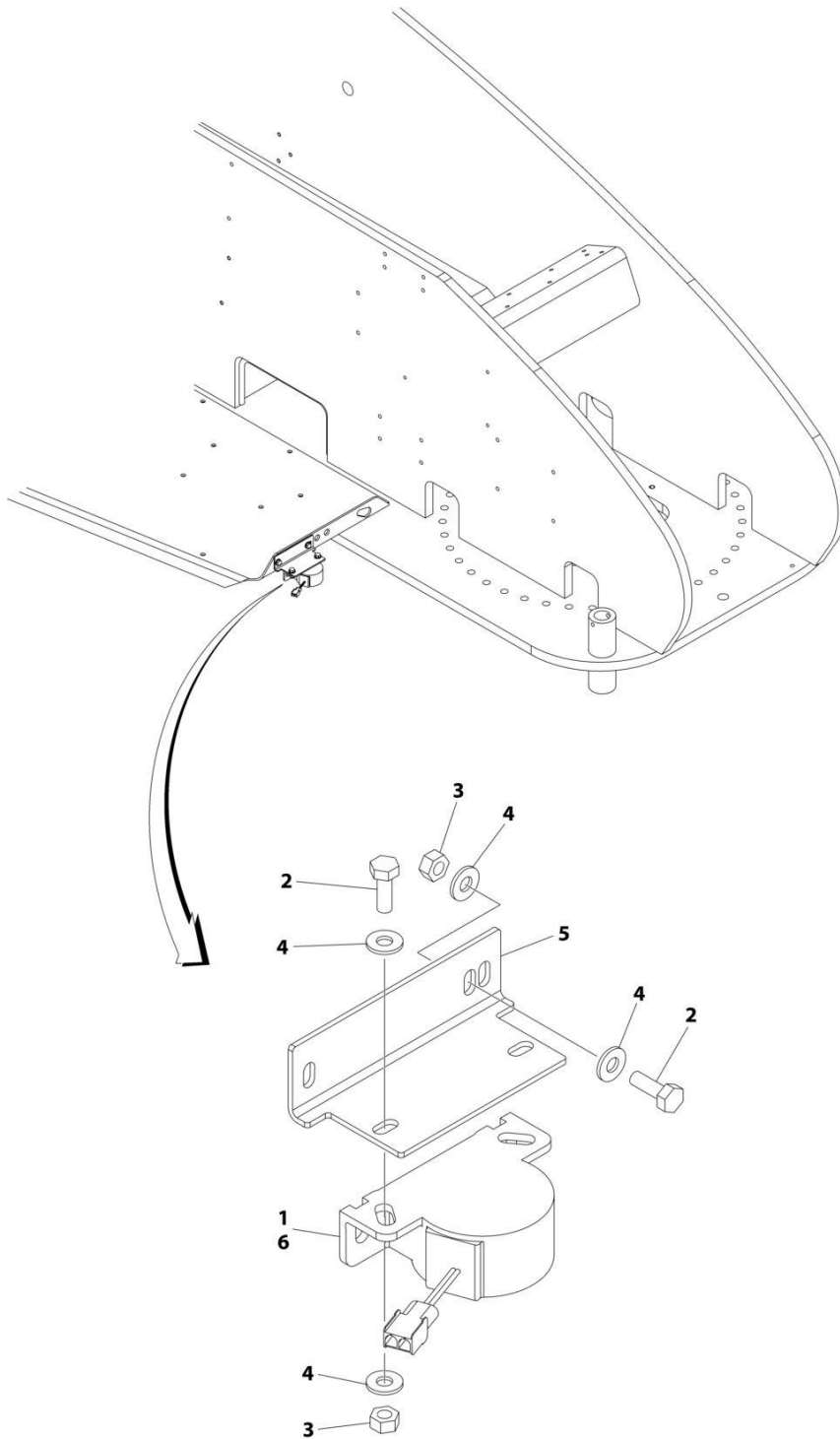
**SECTION 2 - TURNTABLE**

**FIGURE 2-32. ALARMS INSTALLATION**

ITEM	PART NUMBER	QTY	DESCRIPTION	REV
	0273447	Ref	ALARMS INSTALLATION	B
1	0257887	1	Alarm	
1	0140032	1	Alarm	
1	2820035	6 in/15cm	Loom	
1	4460424	1	Plug	
1	4460268	2	Socket, Female	
2	0641506	2	Bolt 6/16 x 3/4	
4	4751500	AR	Washer 5/16	

## SECTION 2 - TURNTABLE

FIGURE 2-33. BACKUP ALARM (WHITE NOISE) INSTALLATION



ART\_1001239281

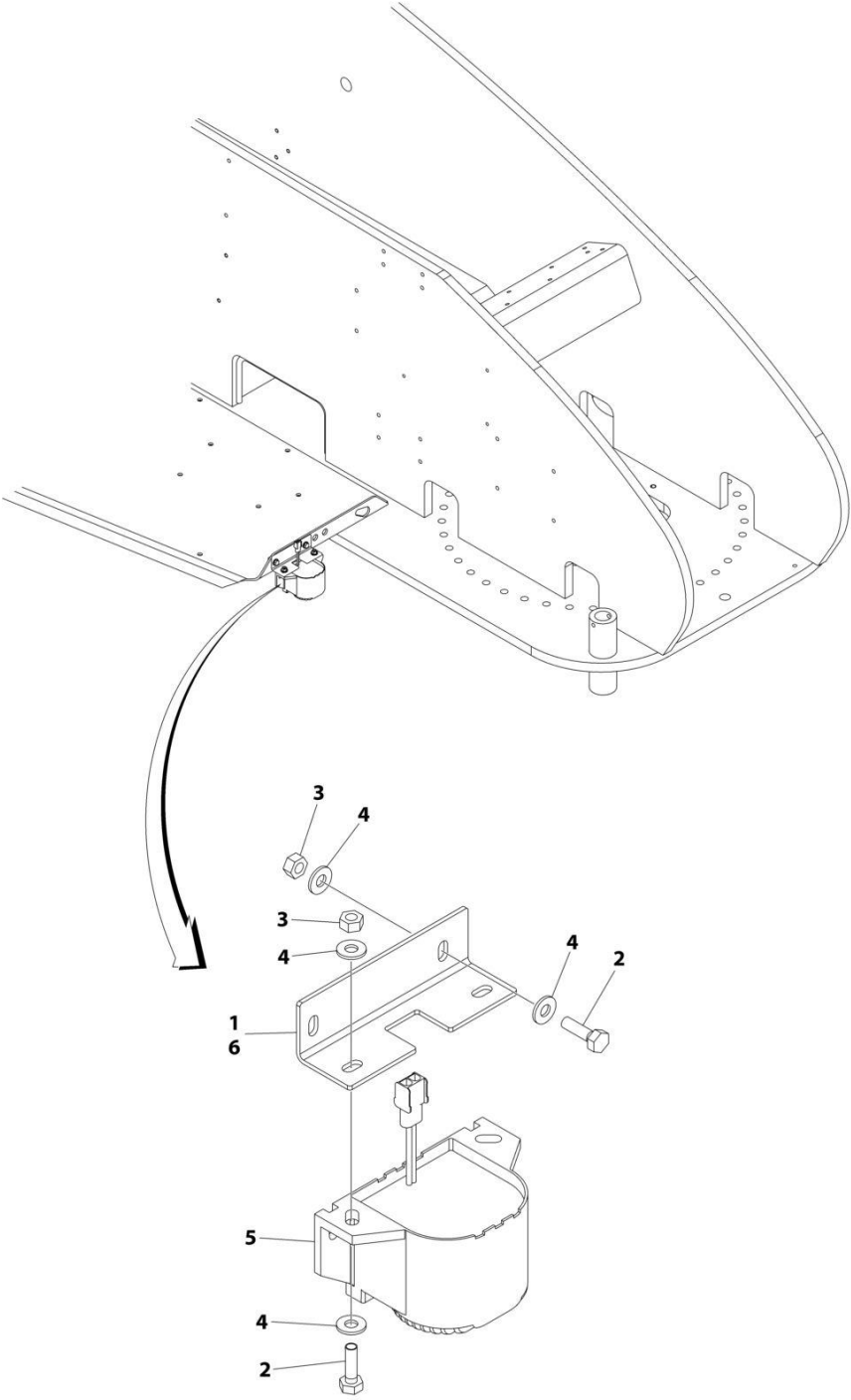
**SECTION 2 - TURNTABLE**

**FIGURE 2-33. BACKUP ALARM (WHITE NOISE) INSTALLATION**

<b>ITEM</b>	<b>PART NUMBER</b>	<b>QTY</b>	<b>DESCRIPTION</b>	<b>REV</b>
	1001239281	Ref	BACKUP ALARM (WHITE NOISE) INSTALLATION	A
1	0100048	AR	Grease, Dielectric	
2	0641406	4	Bolt 1/4 x 3/4	
3	3311405	4	Nut 1/4	
4	4711400	8	Washer 1/4	
5	1001231886	1	Plate	
6	1001243734	1	Alarm	
6	1001184682	1	Alarm	
6	4460424	1	Plug	
6	4460268	2	Socket, Female	

**SECTION 2 - TURNTABLE**

**FIGURE 2-34. BACKUP ALARM AMBIENT (WHITE NOISE) INSTALLATION**



ART\_1001241383

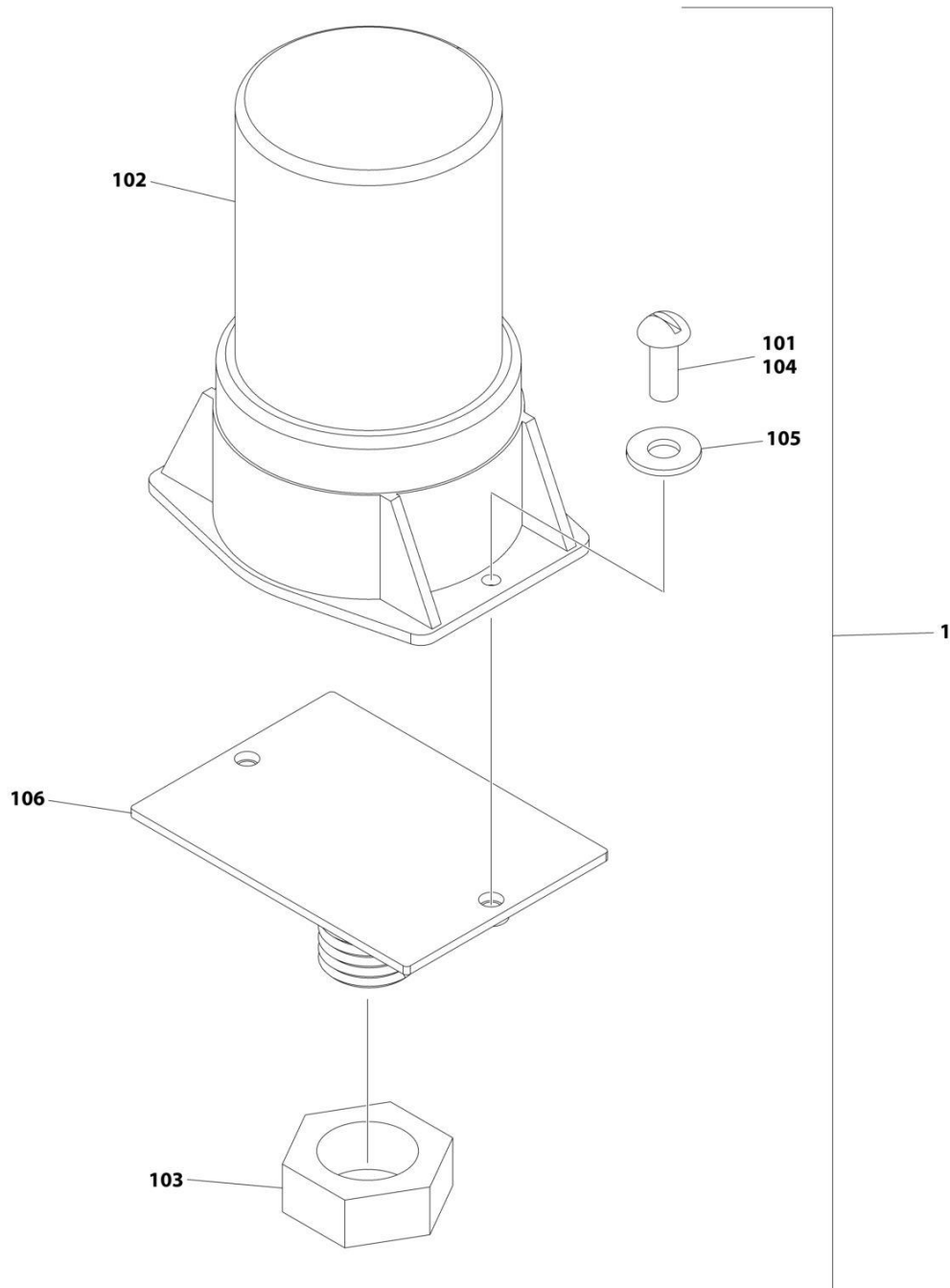
**SECTION 2 - TURNTABLE**

**FIGURE 2-34. BACKUP ALARM AMBIENT (WHITE NOISE) INSTALLATION**

<b>ITEM</b>	<b>PART NUMBER</b>	<b>QTY</b>	<b>DESCRIPTION</b>	<b>REV</b>
	1001241383	Ref	ALARM AMBIENT (WHITE NOISE) INSTALLATION	A
1	0100048	AR	Grease, Dielectric	
2	0641407	4	Bolt 1/4 x 7/8	
3	3311405	4	Nut 1/4	
4	4711400	8	Washer 1/4	
5	1001243731	1	Alarm	
5	1001182806	1	Alarm	
5	4460424	1	Plug	
5	4460268	2	Socket, Female	
6	1001243849	1	Plate	

# SECTION 2 - TURNTABLE

## FIGURE 2-35. STROBE LIGHT INSTALLATION (AMBER)



ART\_1001149955

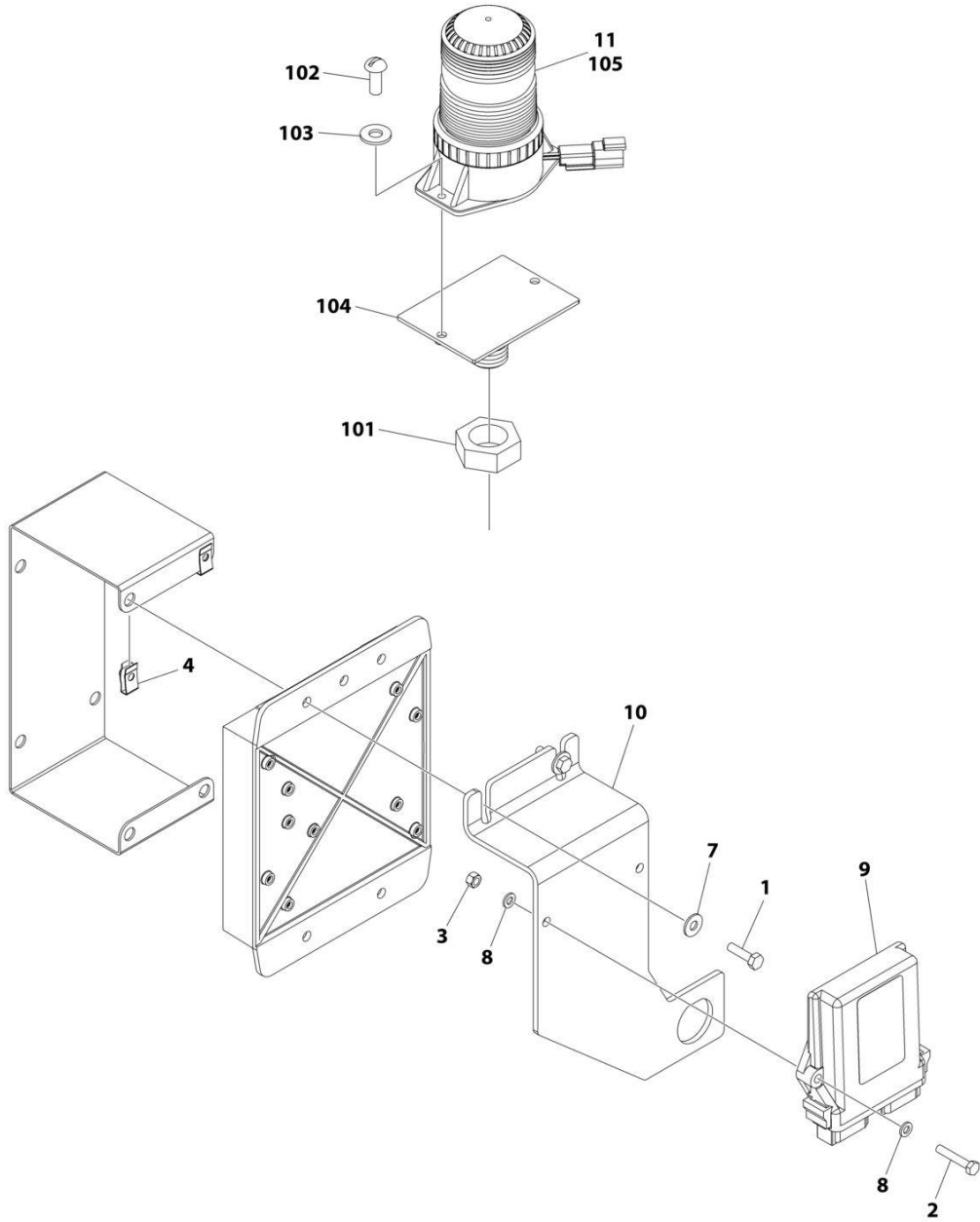
**SECTION 2 - TURNTABLE**

**FIGURE 2-35. STROBE LIGHT INSTALLATION (AMBER)**

ITEM	PART NUMBER	QTY	DESCRIPTION	REV
	1001149955	Ref	STROBE LIGHT INSTALLATION (AMBER)	B
1	1001150406	1	Strobe Light Assembly (Includes Items 101-106)	D
2	1001149818	1	Harness, Strobe Light (Not Shown - See Separate Breakdown in ELECTRICAL SECTION)	
101	0100035	AR	Compound, Locking	
102	2920161	1	Strobe Light/Harness Assembly	
102	7016319	1	Bulb	
102	7016372	1	Lens	
103	3312602	1	Nut 1	
104	3900085	2	Screw #10 x 1/2	
105	4751000	2	Washer 1/4	
106	1001149994	1	Mount Strobe	

# SECTION 2 - TURNTABLE

## FIGURE 2-36. STROBE LIGHT INSTALLATION (BLUE)



ART\_1001244026-A



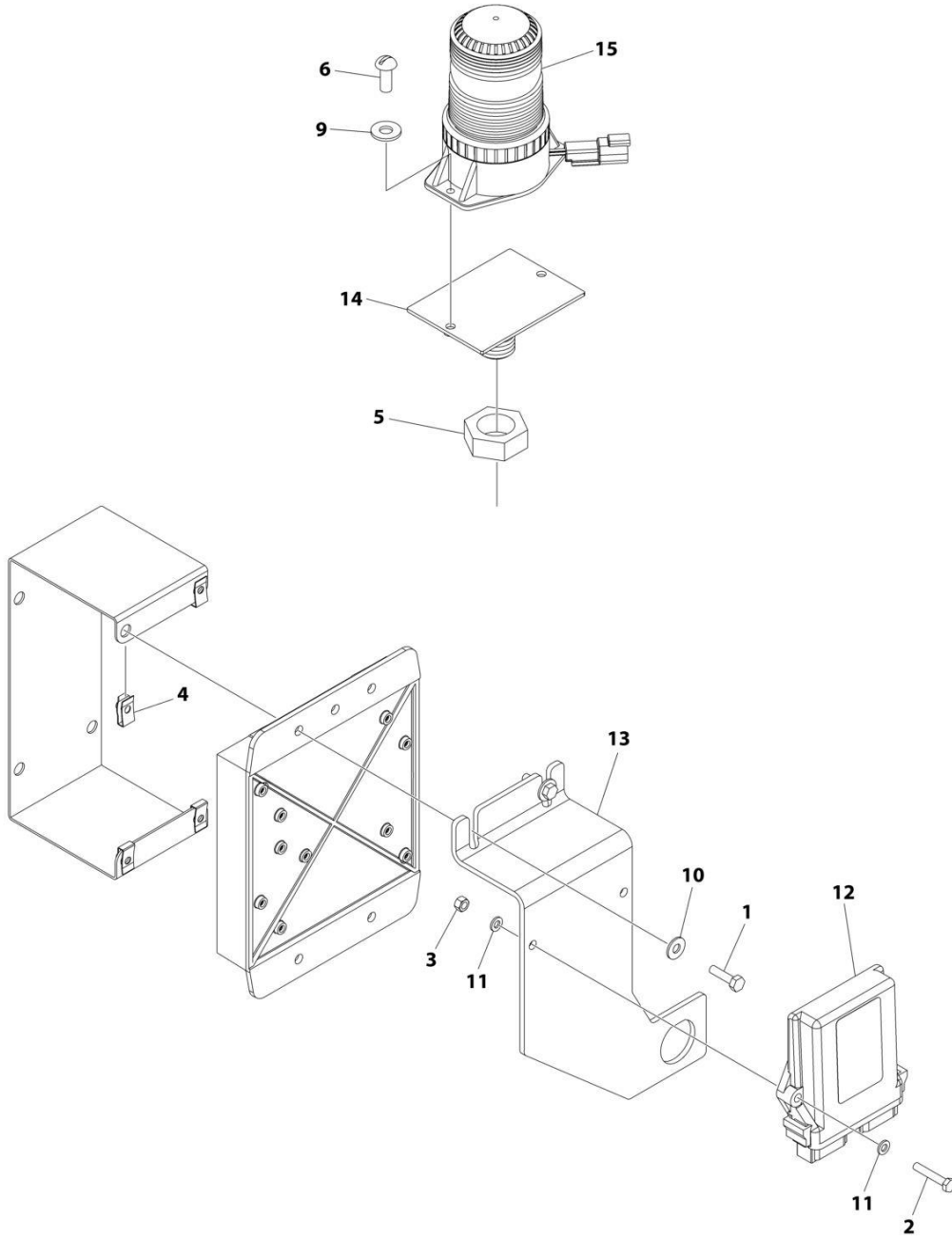
**SECTION 2 - TURNTABLE**

**FIGURE 2-36. STROBE LIGHT INSTALLATION (BLUE)**

ITEM	PART NUMBER	QTY	DESCRIPTION	REV
	1001244026	Ref	STROBE LIGHT INSTALLATION (BLUE)	A
1	0641408	2	Bolt 1/4 x 1	
2	0700615	2	Bolt M6 x 35	
3	3290607	2	Nut M6 x 1	
4	3300454	2	Nut 1/4	
5	4240032	AR	Tie-Strap (Not Shown)	
6	4460488	AR	Mounting Base (Not Shown)	
7	4751400	2	Washer 1/4	
8	4811700	4	Washer M6	
9	1001142683	1	Module, Control Beacon	
10	1001142719	1	Bracket	
11	1001217005	1	Blue Beacon Light Kit (See Items 101-105 for Breakdown)	
12	1001142736	1	Harness, Beacon Control (Not Shown - See Separate Breakdown in ELECTRICAL SECTION)	
101	3312602	1	Nut 1/4	
102	3900085	2	Screw 10 x 1/2	
103	4751000	2	Washer #10	
104	1001149994	1	Mount, Beacon	
105	1001200910	1	Light, Strobe	
105	7028909	1	Connector - 2 Position	
105	4460943	2	Pin, Male	

# SECTION 2 - TURNTABLE

## FIGURE 2-37. STROBE LIGHT INSTALLATION (RED)



ART\_1001244027

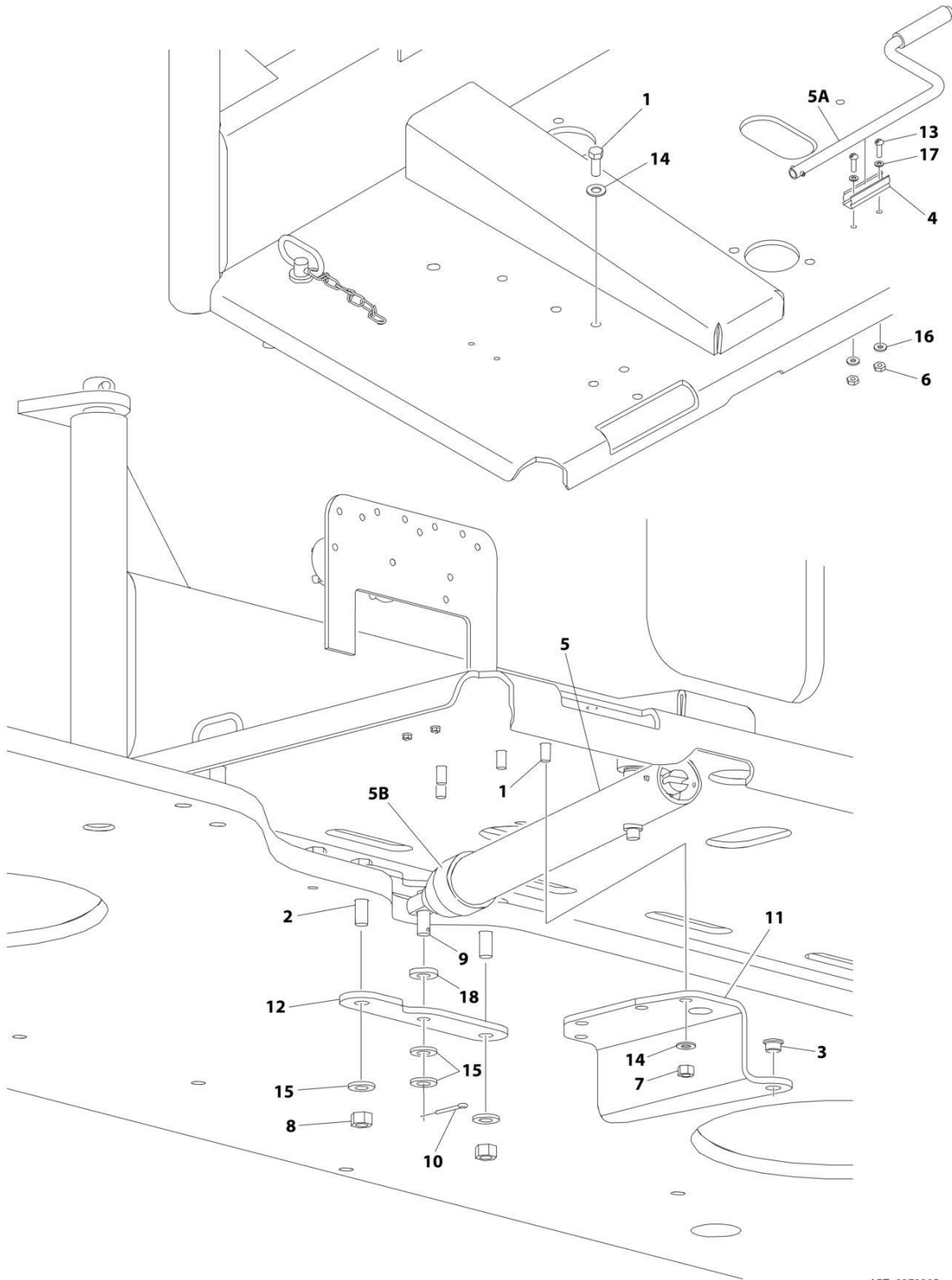
## SECTION 2 - TURNTABLE

**FIGURE 2-37. STROBE LIGHT INSTALLATION (RED)**

ITEM	PART NUMBER	QTY	DESCRIPTION	REV
	1001244027	Ref	STROBE LIGHT INSTALLATION (RED)	A
1	0641408	2	Bolt 1/4 x 1	
2	0700615	2	Bolt M6 x 35	
3	3290607	2	Nut M6 x 1	
4	3300454	2	Nut	
5	3312602	1	Nut 1	
6	3900085	2	Screw 10 x 1/2	
7	4240032	AR	Tie-Strap (Not Shown)	
8	4460488	AR	Mounting Base (Not Shown)	
9	4751000	2	Washer #10	
10	4751400	2	Washer 1/4	
11	4811700	4	Washer M6	
12	1001142683	1	Module, Control Beacon	
13	1001142719	1	Bracket	
14	1001149994	1	Mount, Beacon	
15	1001207004	1	Light, Strobe	
15	7028909	1	Connector - 2 Position	
15	4460943	2	Pin, Male	
16	1001142736	1	Harness, Beacon Control (Not Shown - See Separate Breakdown in ELECTRICAL SECTION)	

# SECTION 2 - TURNTABLE

## FIGURE 2-38. ENGINE TRAY JACK INSTALLATION - DEUTZ TD2011 ENGINES



ART\_0273395

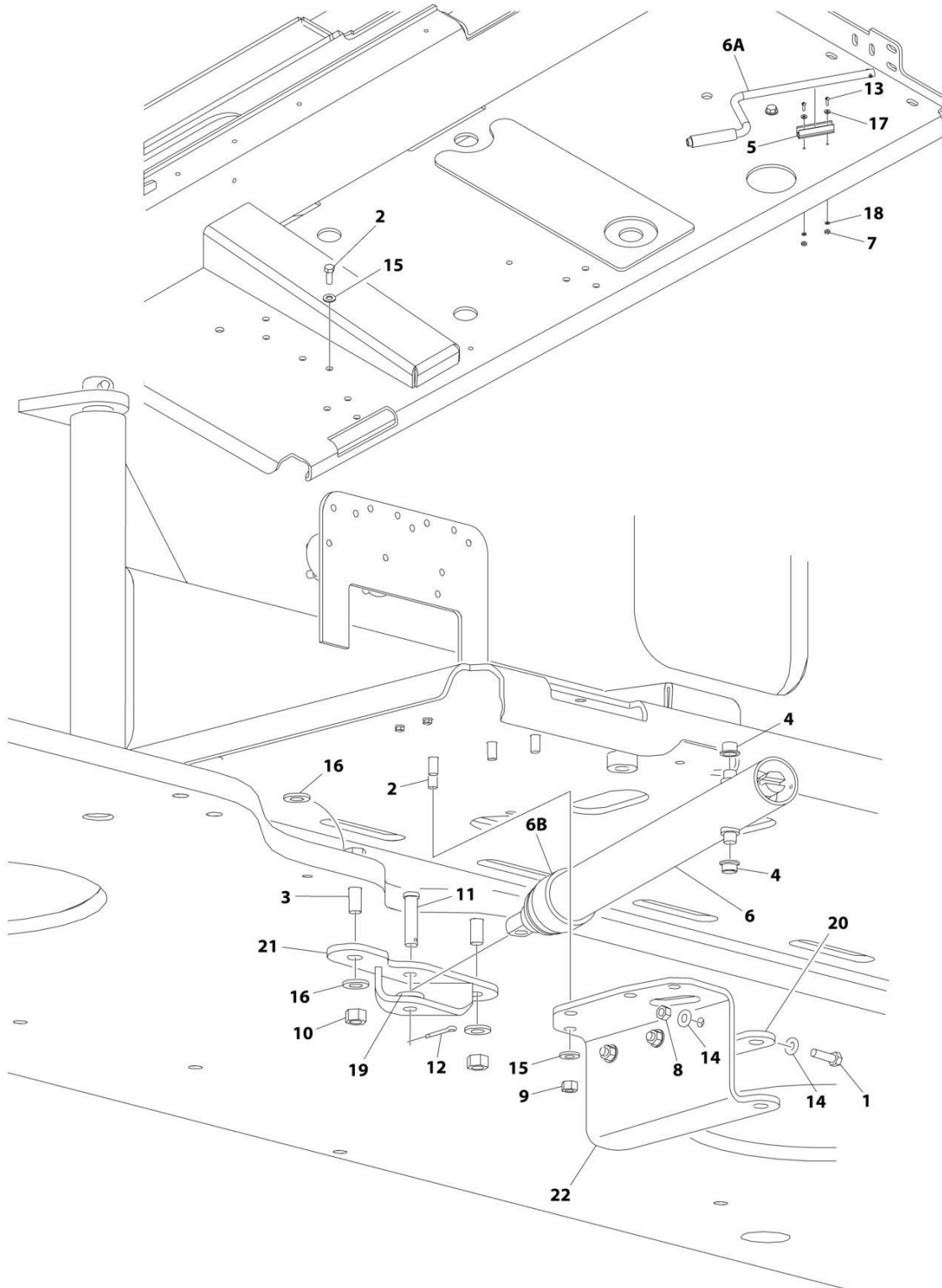
**SECTION 2 - TURNTABLE**

**FIGURE 2-38. ENGINE TRAY JACK INSTALLATION - DEUTZ TD2011 ENGINES**

ITEM	PART NUMBER	QTY	DESCRIPTION	REV
	0273395	Ref	ENGINE TRAY JACK INSTALLATION - DEUTZ TD2011 ENGINES	B
1	0641608	4	Bolt 3/8 x 1	
2	0641818	2	Bolt 1/2 x 2-1/4	
3	0962051	2	Bearing, Flanged	
4	1380147	1	Clip, Spring	
5	2840016	1	Jack and Handle Assembly	
5A		Ref	Handle Options:	
5A	7016374	1	Burr Manufacturing Brand	
5A	7024598	1	Hammerblow Corp Brand	
5B	7016322	1	Wiper (Burr Manufacturing Brand Only)	
6	3310601	2	Nut #6	
7	3311605	4	Nut 3/8	
8	3311805	2	Nut 1/2	
9	3430816	1	Pin, Clevis	
10	3450404	1	Pin, Cotter 1/8 x 1	
11	3537445	1	Bracket	
12	3574492	2	Plate	
13	3910608	2	Screw #6 x 1/2	
14	4711600	8	Washer 3/8	
15	4711800	4	Washer 1/2	
16	4750600	2	Washer #6	
17	4770600	2	Starwasher #6	
18	4891800	1	Washer 1/2	

## SECTION 2 - TURNTABLE

FIGURE 2-39. ENGINE TRAY JACK INSTALLATION - DEUTZ TCD2.9L4, DEUTZ TCD2.9L4 (STAGE V PRE-BUY) ENGINES AND DEUTZ TCD2.9L4 (STAGE V) ENGINES



ART\_1001146050

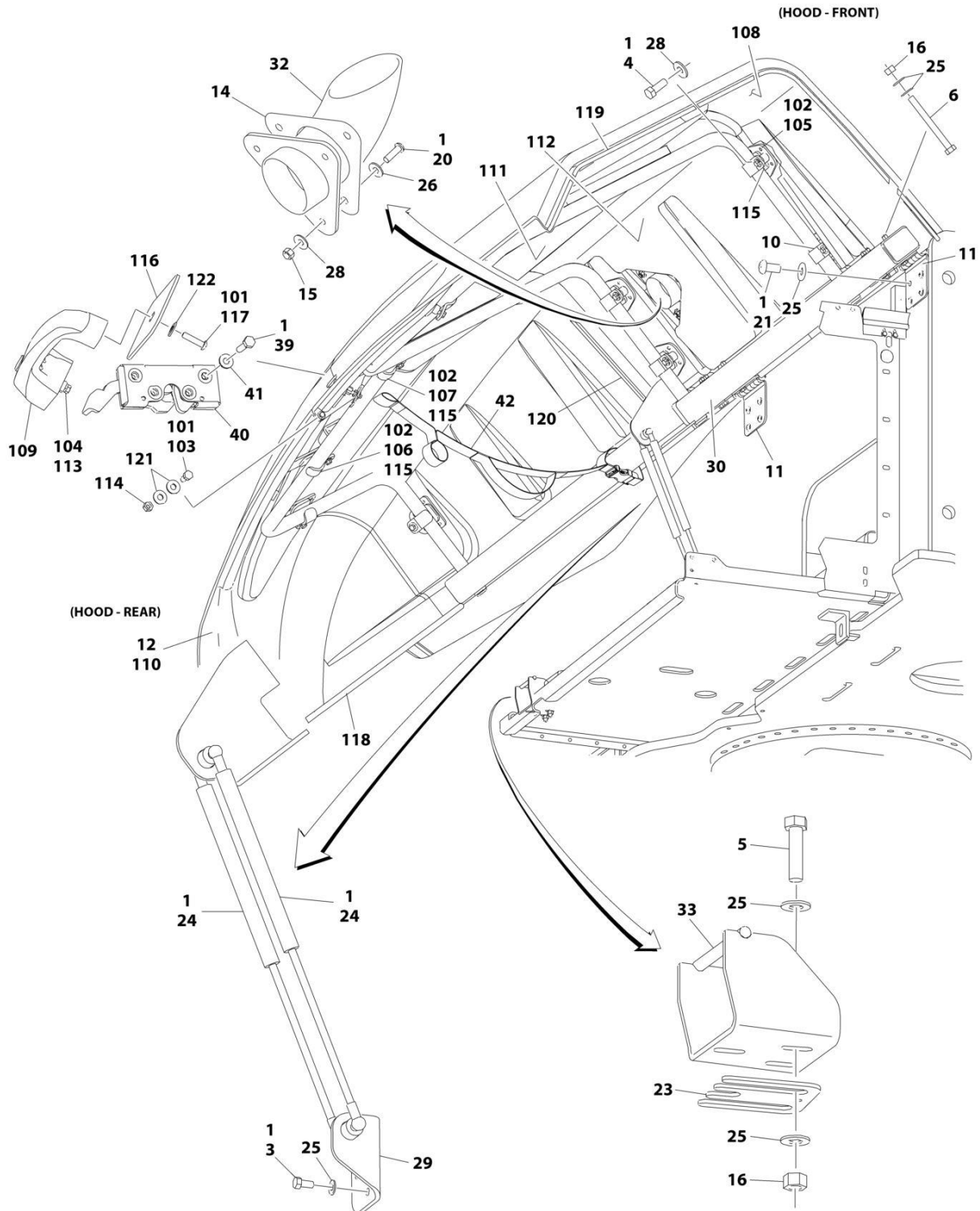
## SECTION 2 - TURNTABLE

**FIGURE 2-39. ENGINE TRAY JACK INSTALLATION - DEUTZ TCD2.9L4, DEUTZ TCD2.9L4 (STAGE V PRE-BUY) ENGINES AND DEUTZ TCD2.9L4 (STAGE V) ENGINES**

ITEM	PART NUMBER	QTY	DESCRIPTION	REV
	1001146050	Ref	ENGINE TRAY JACK INSTALLATION - DEUTZ TCD2.9L4 ENGINES	B
1	0641509	3	Bolt 5/16 x 1-1/8	
2	0641608	4	Bolt 3/8 x 1	
3	0641816	2	Bolt 1/2 x 2	
4	0962051	2	Bearing, Flanged	
5	1380147	1	Clip, Spring	
6	2840016	1	Jack and Handle Assembly	
6A		Ref	Handle Options:	
6A	7016374	1	Burr Manufacturing Brand (Identified by 4in handle offset)	
6A	7024598	1	Hammerblow Corp Brand (Identified by 4-1/2in handle offset)	
6B	7016322	1	Wiper (Burr Manufacturing Brand Only)	
7	3310601	2	Nut #6	
8	3311505	3	Nut 5/16	
9	3311605	4	Nut 3/8	
10	3311805	2	Nut 1/2	
11	3430816	1	Pin, Clevis	
12	3450404	1	Pin, Cotter 1/8 x 1	
13	3910608	2	Screw #6 x 1/2	
14	4711500	6	Washer 5/16	
15	4711600	8	Washer 3/8	
16	4711800	4	Washer 1/2	
17	4750600	2	Washer #6	
18	4770600	2	Starwasher #6	
19	4891800	1	Washer 1/2	
20	1001131482	1	Plate, Jack Bracket	
21	1001135497	1	Support, Engine Tray Jack	
22	1001143298	1	Plate, Jack Bracket	

# SECTION 2 - TURNTABLE

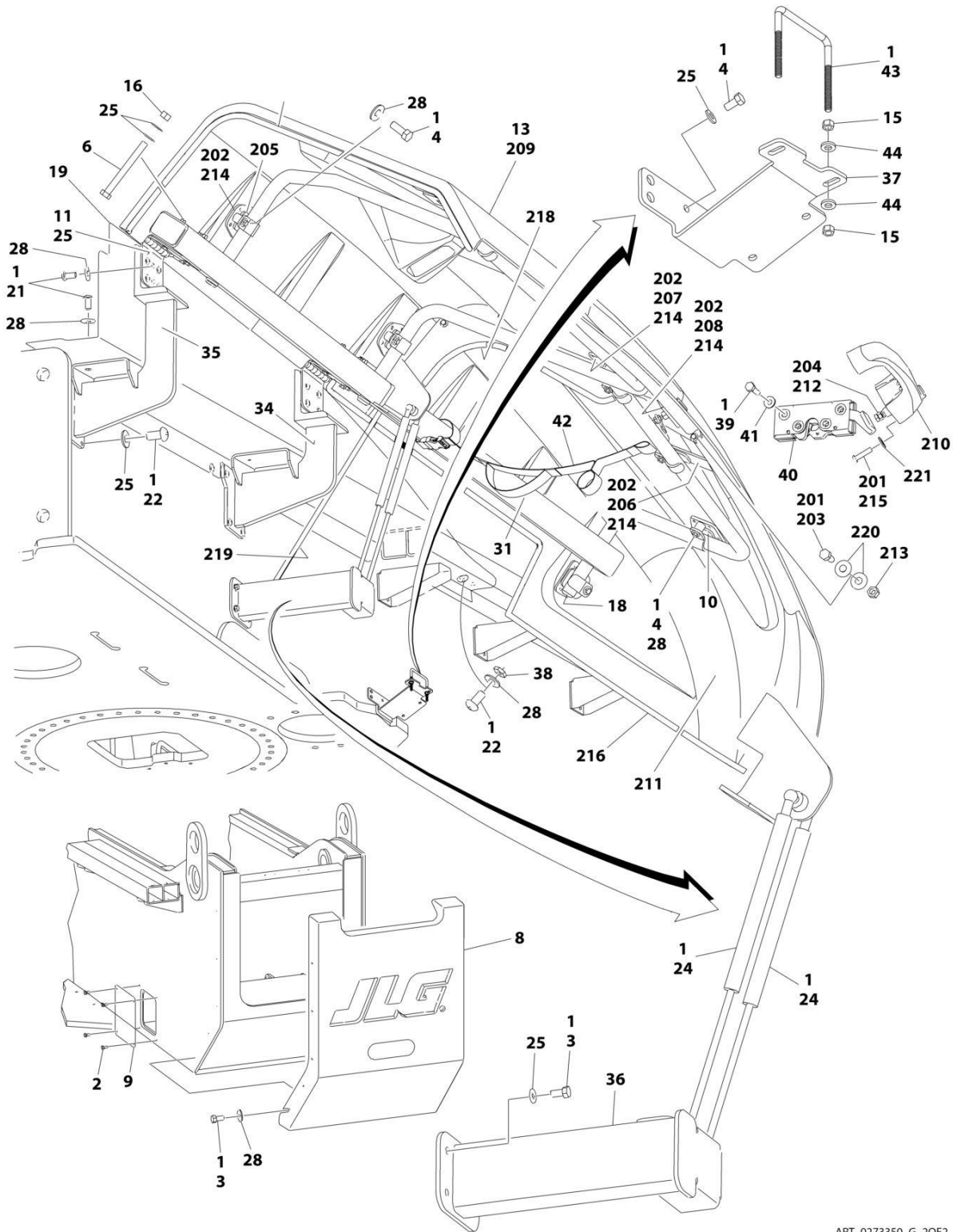
## FIGURE 2-40. HOODS INSTALLATION - DEUTZ TD2011 ENGINES



ART\_0273350\_G\_10F2



SECTION 2 - TURNTABLE



ART\_0273350\_G\_20F2

## SECTION 2 - TURNTABLE

FIGURE 2-40. HOODS INSTALLATION - DEUTZ TD2011 ENGINES

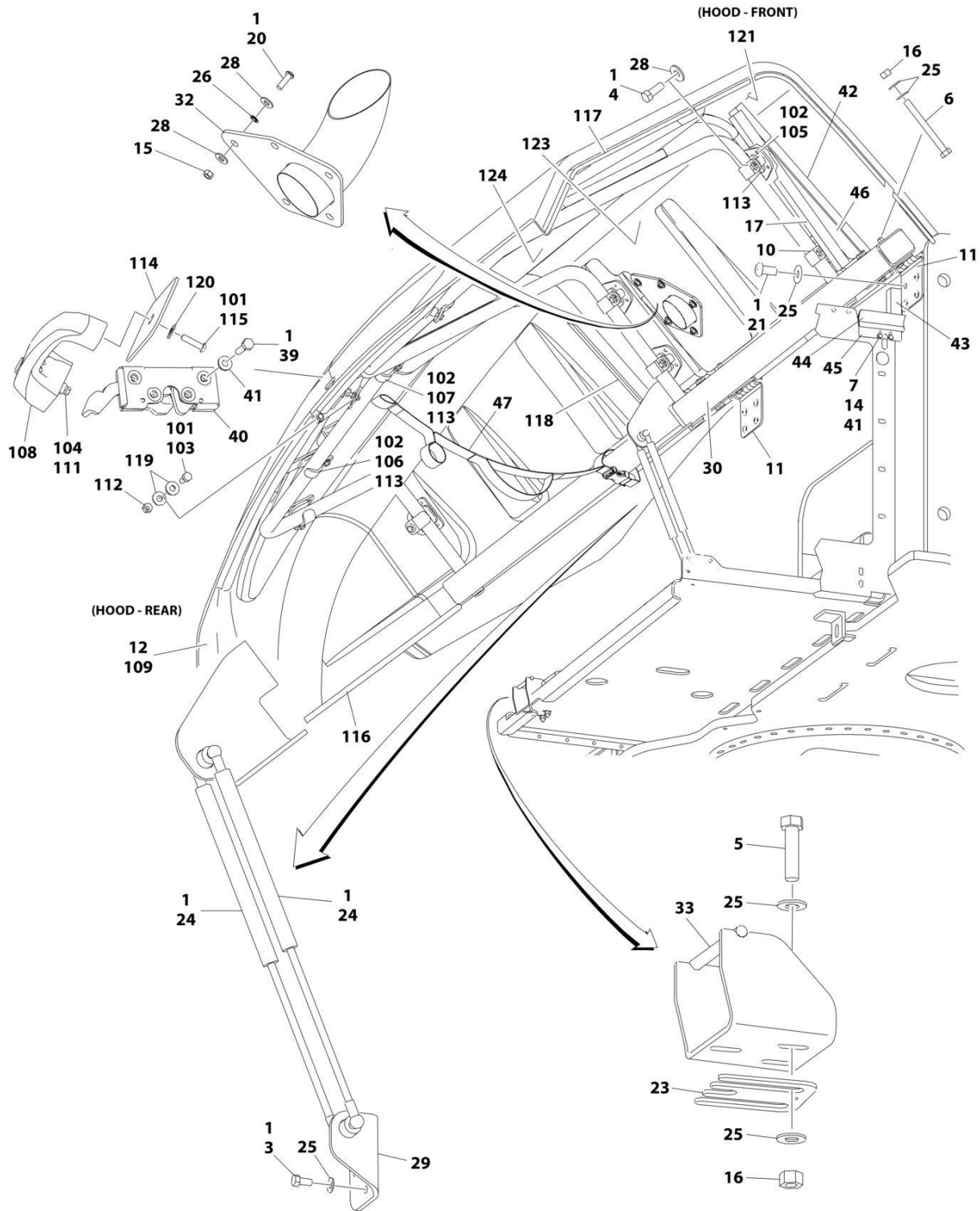
ITEM	PART NUMBER	QTY	DESCRIPTION	REV
	0273350	Ref	HOODS INSTALLATION - DEUTZ TD2011 ENGINES	G
1	0100011	AR	Compound, Locking	
2	0791605	8	Screw 3/8 x 3/4	
3	0641606	17	Bolt 3/8 x 3/4	
4	0641608	19	Bolt 3/8 x 1	
5	0641610	3	Bolt 3/8 x 1-1/4	
6	0641630	12	Bolt 3/8 x 3-3/4	
8	1671109	1	Cover, Turntable	
9	1671118	2	Cover, Pin Access	
10	2080051	16	Clamp	
11	2600280	4	Hinge	
12	1671192	1	Hood, Engine Side (See Items 101-122 for Breakdown)	
		Ref	Note: Replacement Decals Must Be Ordered Separately - See DECAL SECTION.	
13	1671194	1	Hood, Tank Side (See Items 201-221 for Breakdown)	
		Ref	Note: Replacement Decals Must Be Ordered Separately - See DECAL SECTION.	
14	2820141	1	Shield, Heat	
15	3311601	7	Nut 3/8	
16	3311605	15	Nut 3/8	
18	3520186	6	Plug	
19	3574533	1	Trough, Powertrack	
20	3900232	3	Screw 3/8 x 1-1/4	
21	3900283	29	Screw 3/8 x 3/4	
22	3900316	10	Screw 3/8 x 1	
23	4071048	3	Shim	
24	4160194	4	Spring, Gas	
25	4711600	64	Washer 1/4	
26	4740500	3	Washer, Nylon	
28	4751600	47	Washer 3/8	
29	4341001	1	Mount, Gas Spring	
30	4340996	1	Support, Engine Side Hood	
31	4340995	1	Support, Tank Side Hood	
32	4846503	1	Stack, Exhaust	
33	0903154	1	Bracket, Latch	
34	4846871	1	Support, Front Hood	
35	4846872	1	Support, Rear Hood	
36	4341000	1	Mount, Gas Spring	
37	1001250301	1	Bracket, Tank Side Striker	
38	88662523	2	Nut, Tinnerman Only	
39	0641408	8	Bolt 1/4 x 1	
40	2940173	2	Latch, Rotary	
41	4711400	AR	Washer 1/4	
42	1001160505	2	Strap	
43	1001243414	1	U - Bolt	
44	4891600	4	Washer 3/8	
	1671192	Ref	ENGINE SIDE HOOD ASSEMBLY	B
101	0100011	AR	Compound, Locking	
102	0100081	AR	Adhesive	
103	0641506	10	Bolt 5/16 x 3/4	

## SECTION 2 - TURNTABLE

ITEM	PART NUMBER	QTY	DESCRIPTION	REV
104	0760608	1	Bolt M6 x 16	
105	0902746	7	Bracket	
106	0902761	1	Bracket	
107	0903161	1	Bracket	
108	1671191	1	Hood, Engine Side Front	
109	2560187	1	Handle	
110	2680496	1	Hood, Engine Side Rear	
111	2820145	1	Insulation, Sound Absorbing	
112	2820146	1	Insulation, Noise Absorbing	
113	3290601	1	Nut M6 x 1	
114	3311501	10	Nut 5/16	
115	3340877	9	Pad	
116	3575782	1	Plate	
117	3900363	2	Screw M6 x 25	
118	3960464	12.1 ft /3.7m	Seal	
119	4060804	5.1 ft /1.6m	Shield, Flex Trim	
120	4060806	4.1 ft /1.2m	Shield, Flex Trim	
121	4751500	20	Washer 5/16	
122	4811900	2	Washer M8	
	1671194	Ref	TANK SIDE HOOD ASSEMBLY	A
201	0100011	AR	Compound, Locking	
202	0100081	AR	Adhesive	
203	0641506	9	Bolt 5/16 x 3/4	
204	0760608	1	Bolt M6 x 16	
205	0902746	4	Bracket	
206	0902762	1	Bracket	
207	0902763	1	Bracket	
208	0903162	1	Bracket	
209	1671193	1	Hood, Tank Side Front	
210	2560187	1	Handle	
211	2680498	1	Hood, Tank Side Rear	
212	3290601	1	Nut M6 x 1	
213	3311501	9	Nut 5/16	
214	3340877	7	Pad	
215	3900363	2	Screw M6 x 25	
216	3960464	12.4 ft /3.8m	Seal	
217	4060804	4.4 ft /1.3m	Shield, Flex Trim	
218	4060806	3.3 ft/1m	Shield, Flex Trim	
219	4240150	1	Strap	
220	4751500	18	Washer 5/16	
221	4811900	2	Washer M8	

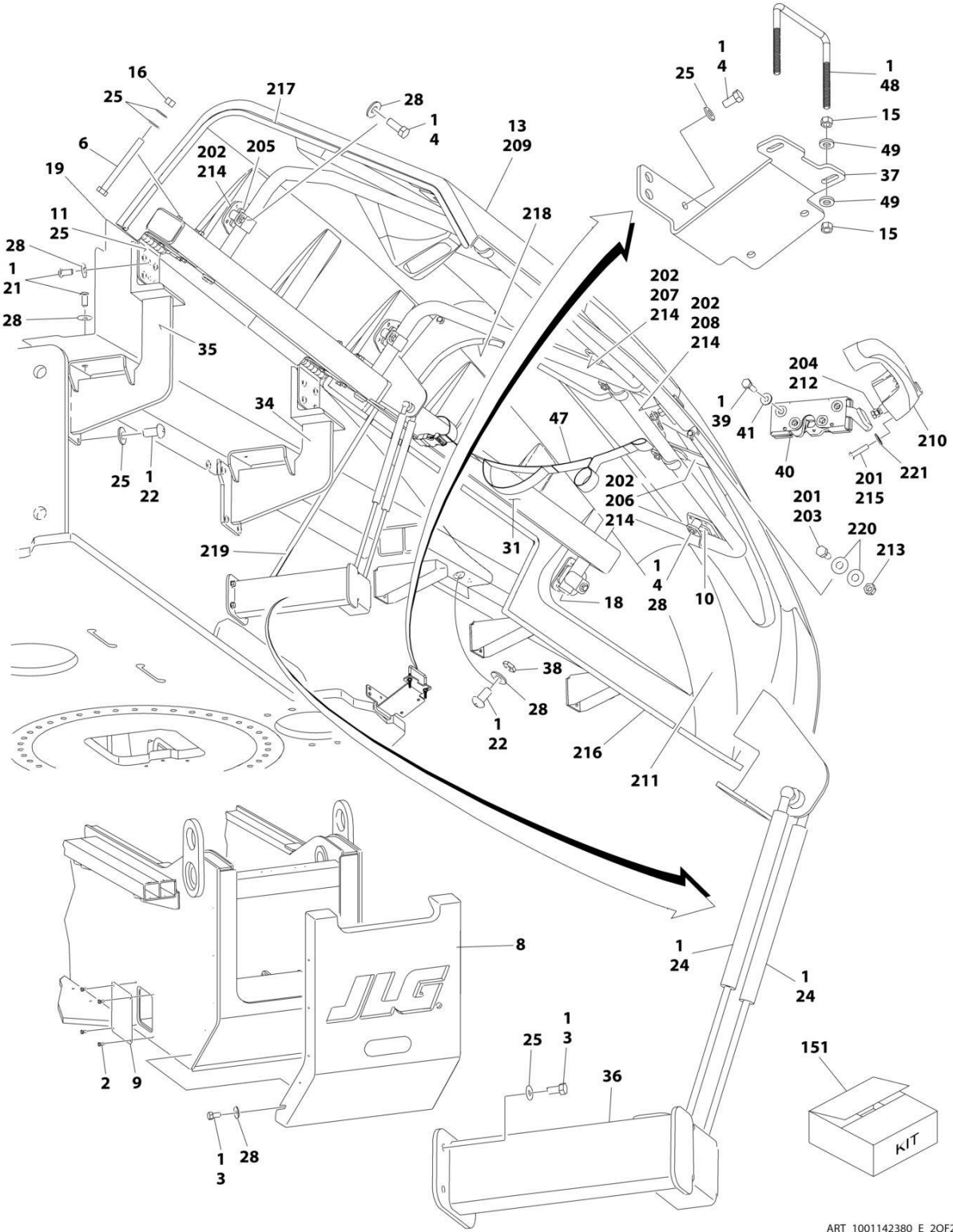
# SECTION 2 - TURNTABLE

## FIGURE 2-41. HOODS INSTALLATION - DEUTZ TCD2.9L4 ENGINES AND DEUTZ TCD2.9L4 (STAGE V) ENGINES (PVC 2001)



ART\_1001142380\_E\_1OF2

SECTION 2 - TURNTABLE



ART\_1001142380\_E\_20F2

## SECTION 2 - TURNTABLE

**FIGURE 2-41. HOODS INSTALLATION - DEUTZ TCD2.9L4 ENGINES AND DEUTZ TCD2.9L4 (STAGE V) ENGINES (PVC 2001)**

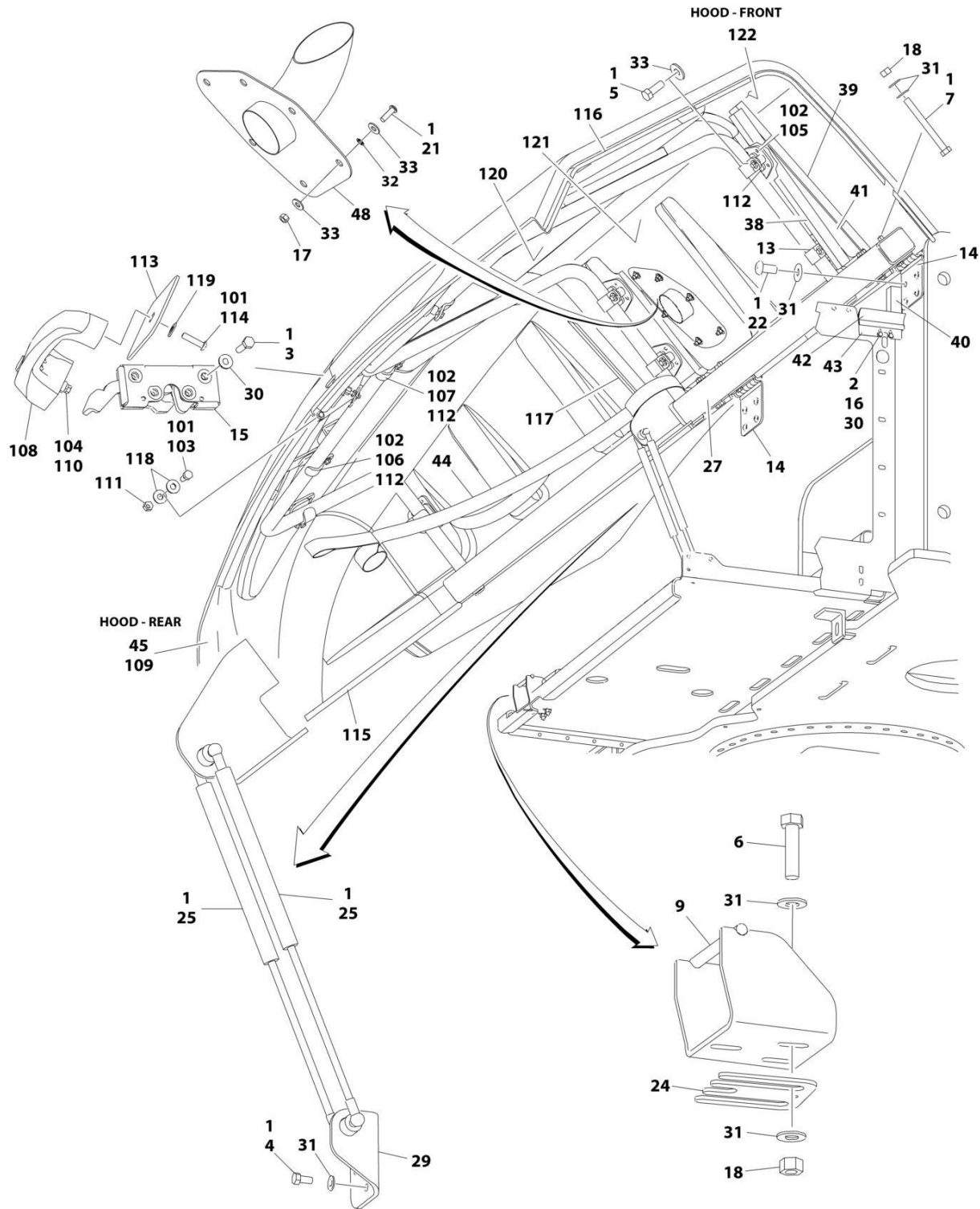
ITEM	PART NUMBER	QTY	DESCRIPTION	REV
	1001142380	Ref	HOODS INSTALLATION - DEUTZ TCD2.9L4 ENGINES AND DEUTZ TCD2.9L4 (STAGE V) ENGINES	E
1	0100011	AR	Compound, Locking	
2	0791605	8	Screw 3/8 x 5/8	
3	0641606	17	Bolt 3/8 x 3/4	
4	0641608	19	Bolt 3/8 x 1	
5	0641610	3	Bolt 3/8 x 1-1/4	
6	0641630	12	Bolt 3/8 x 3-3/4	
7	0641406	2	Bolt 1/4 x 3/4	
8	1671109	1	Cover, Turntable	
9	1671118	2	Cover, Pin Access	
10	2080051	16	Clamp	
11	2600280	4	Hinge	
12	1001142023	1	Hood, Engine Side	
13	1671194	1	Hood, Tank Side	
14	3311405	2	Nut 1/4	
15	3311601	9	Nut 3/8	
16	3311605	15	Nut 3/8	
17	1001140485	1	Seal, Foam Gasket	
18	3520186	6	Plug	
19	3574533	1	Trough, Powertrack	
20	3900232	5	Screw 3/8 x 1-1/4	
21	3900283	29	Screw 3/8 x 3/4	
22	3900316	10	Screw 3/8 x 1	
23	4071048	3	Shim	
24	4160194	4	Spring, Gas	
25	4711600	64	Washer 1/4	
26	4740500	5	Washer, Nylon	
28	4751600	51	Washer 3/8	
29	4341001	1	Weldment, Gas Spring Mount	
30	4340996	1	Support, Engine Side Hood	
31	4340995	1	Support, Tank Side Hood	
32	1001142181	1	Weldment, Exhaust Stack	
33	0903154	1	Bracket, Engine Side Striker	
34	4846871	1	Weldment, Rear Hood Support	
35	4846872	1	Weldment, Front Hood Support	
36	4341000	1	Mount, Tank Side Gas Spring	
37	1001250301	1	Bracket, Tank Side Striker	
38	88662523	2	Nut, Tinnerman	
39	0641408	8	Bolt 1/4 x 1	
40	2940173	2	Latch, Rotary	
41	4711400	12	Washer 1/4	
42	1001142144	1	Bracket, Hood Baffle	
43	1001146132	1	Seal, Foam Gasket	
44	1001146178	1	Seal, Hood Frame	
45	1001146183	1	Plate, Hood Frame Baffle	
46	1001146142	1	Seal, Foam Gasket	
47	1001160505	2	Strap	
48	1001243414	1	U - Bolt	

## SECTION 2 - TURNTABLE

ITEM	PART NUMBER	QTY	DESCRIPTION	REV
49	4891600	4	Washer 3/8	D
	1001142023	Ref	ENGINE SIDE HOOD ASSEMBLY	
101	0100011	AR	Compound, Locking	
102	0100081	AR	Adhesive	
103	0641510	10	Bolt 5/16 x 1-1/4	
104	0760608	1	Bolt M6 x 16	
105	0902746	7	Bracket	
106	0902761	1	Bracket	
107	0903161	1	Bracket	
108	2560187	1	Handle	
109	2680496	1	Hood, Engine Side Rear	
111	3290601	1	Nut M6 x 1	
112	3311501	10	Nut 5/16	
113	3340877	9	Pad	
114	3575782	1	Plate	
115	3900363	2	Screw M6 x 25	
116	3960464	12.1 ft /3.7m	Seal	
117	4060804	5.1 ft /1.6m	Shield, Flex Trim	
118	4060806	4.1 ft /1.2m	Shield, Flex Trim	
119	4751500	20	Washer 5/16	
120	4811900	2	Washer M8	
121	1001142021	1	Hood, Engine Side Front	
123	1001152566	AR	Insulate	
124	1001117140	AR	Tape, Aluminized Polyester	
151	1001184934	1	Kit, Engine Side Hood (Includes Items 101, 102, 104-108, 111, 113-118 & 120-124)	
	1671194	Ref	TANK SIDE HOOD ASSEMBLY	A
201	0100011	AR	Compound, Locking	
202	0100081	AR	Adhesive	
203	0641506	9	Bolt 5/16 x 3/4	
204	0760608	1	Bolt M6 x 16	
205	0902746	4	Bracket	
206	0902762	1	Bracket	
207	0902763	1	Bracket	
208	0903162	1	Bracket	
209	1671193	1	Hood, Tank Side Front	
210	2560187	1	Handle	
211	2680498	1	Hood, Tank Side Rear	
212	3290601	1	Nut M6 x 1	
213	3311501	9	Nut 5/16	
214	3340877	7	Pad	
215	3900363	2	Screw M6 x 25	
216	3960464	12.4 ft /3.8m	Seal	
217	4060804	4.4 ft /1.3m	Shield, Flex Trim	
218	4060806	3.3 ft/1m	Shield, Flex Trim	
219	4240150	1	Strap	
220	4751500	18	Washer 5/16	
221	4811900	2	Washer M8	

# SECTION 2 - TURNTABLE

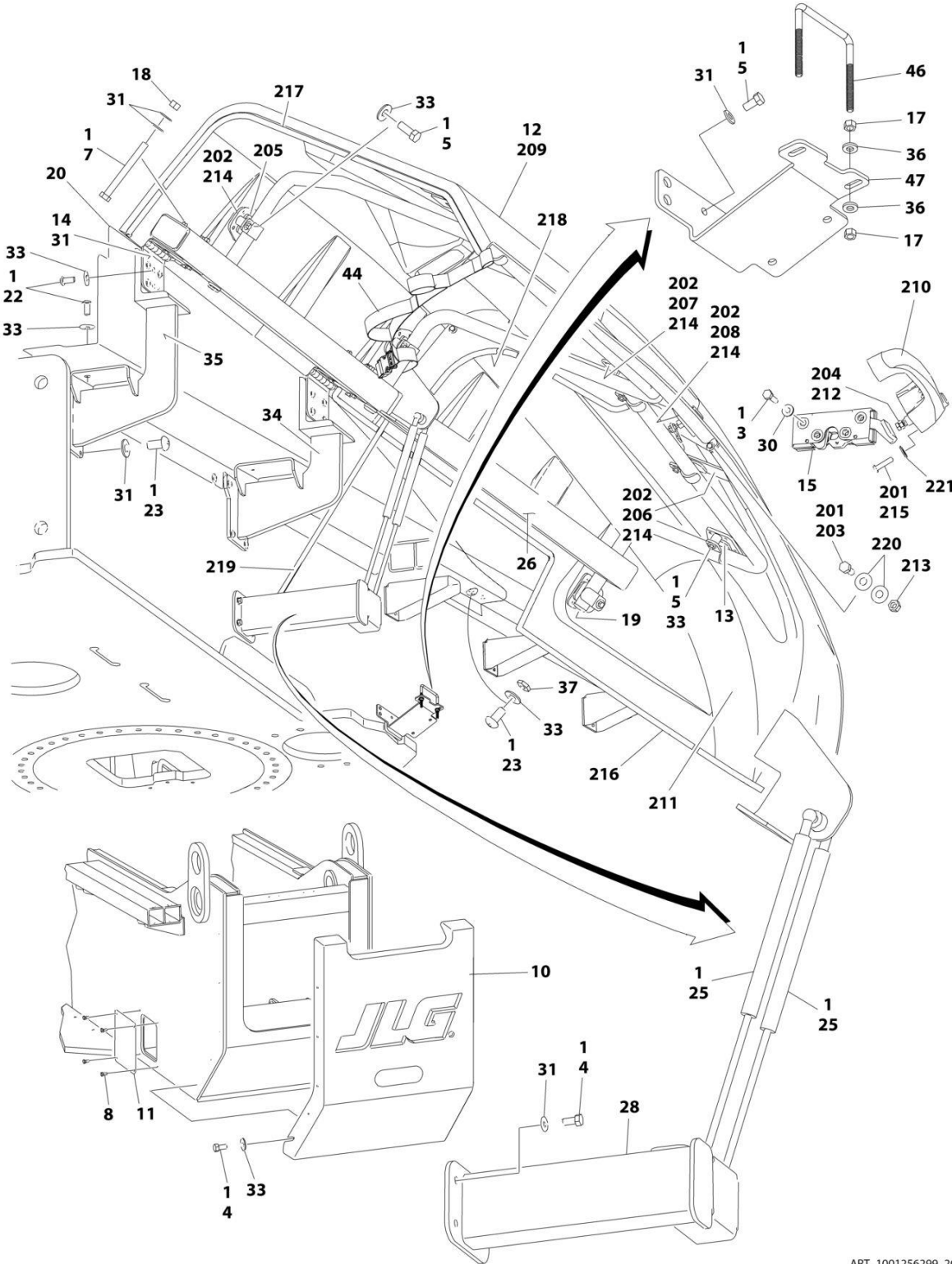
## FIGURE 2-42. HOODS INSTALLATION - DEUTZ TCD2.9L4 ENGINES AND DEUTZ TCD2.9L4 (STAGE V PRE-BUY) ENGINES (PVC 2007)



ART\_1001256299\_1OF2



SECTION 2 - TURNTABLE



ART\_1001256299\_20F2

## SECTION 2 - TURNTABLE

**FIGURE 2-42. HOODS INSTALLATION - DEUTZ TCD2.9L4 ENGINES AND DEUTZ TCD2.9L4 (STAGE V PRE-BUY) ENGINES (PVC 2007)**

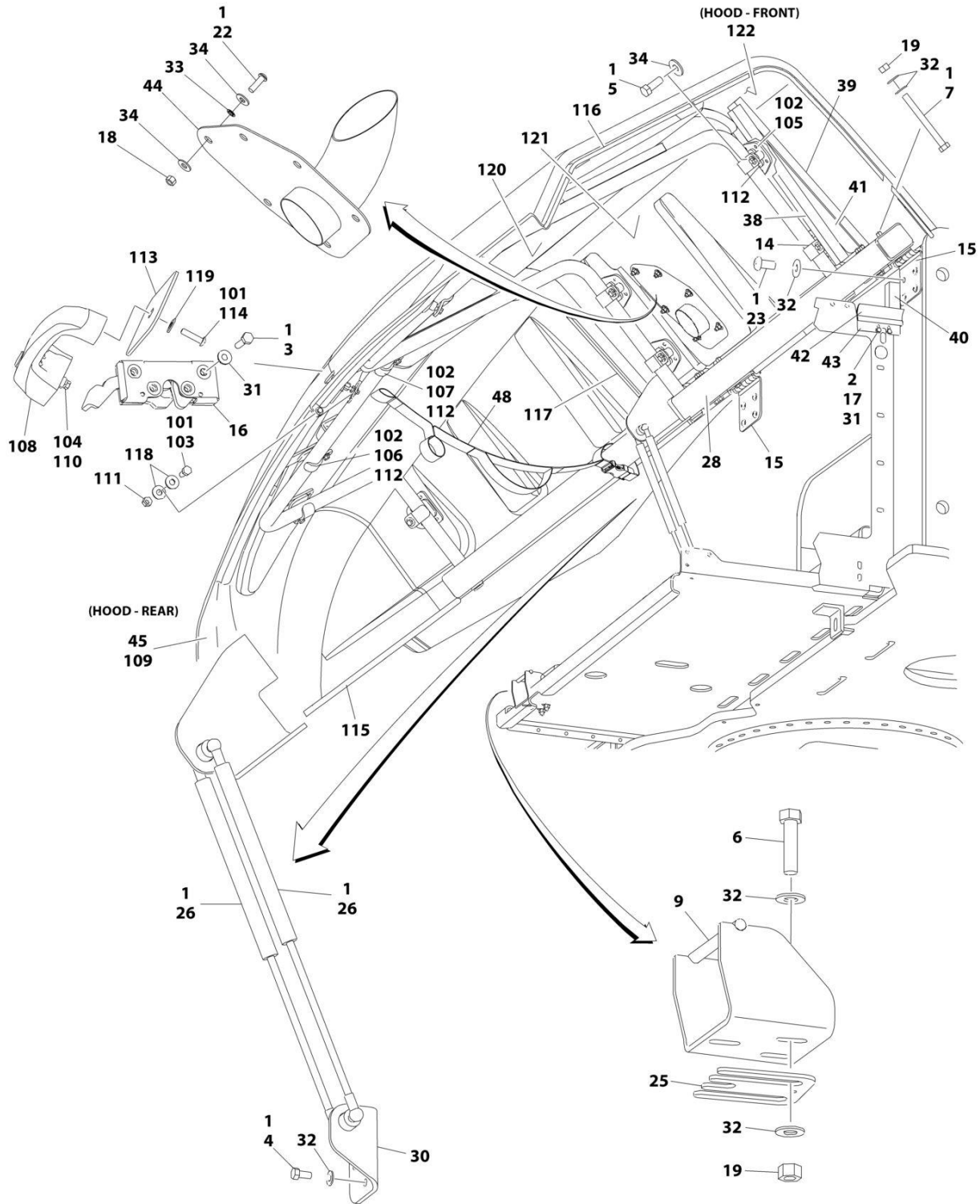
ITEM	PART NUMBER	QTY	DESCRIPTION	REV
	1001256299	Ref	HOODS INSTALLATION - DEUTZ TCD2.9L4 ENGINES AND DEUTZ TCD2.9L4 (STAGE V PRE-BUY) ENGINES	A
1	0100011	AR	Compound, Locking	
2	0641406	2	Bolt 1/4 x 3/4	
3	0641408	8	Bolt 1/4 x 1	
4	0641606	17	Bolt 3/8 x 3/4	
5	0641608	19	Bolt 3/8 x 1	
6	0641610	3	Bolt 3/8 x 1-1/4	
7	0641630	12	Bolt 3/8 x 3-3/4	
8	0791605	8	Screw 3/8 x 5/8	
9	0903154	1	Bracket, Engine Side Striker	
10	1671109	1	Cover, Turntable	
11	1671118	2	Cover, Pin Access	
12	1671194	1	Hood, Tank Side (See Items 201-221 for Breakdown)	
13	2080051	16	Clamp	
14	2600280	4	Hinge	
15	2940173	2	Latch, Rotary	
16	3311405	2	Nut 1/4	
17	3311601	10	Nut 3/8	
18	3311605	15	Nut 3/8	
19	3520186	6	Plug	
20	3574533	1	Trough, Powertrack	
21	3900232	6	Screw 3/8 x 1-1/4	
22	3900283	29	Screw 3/8 x 3/4	
23	3900316	10	Screw 3/8 x 1	
24	4071048	3	Shim	
25	4160194	4	Spring, Gas	
26	4340995	1	Support, Tank Side Hood	
27	4340996	1	Support, Engine Side Hood	
28	4341000	1	Mount, Tank Side Gas Spring	
29	4341001	1	Weldment, Gas Spring Mount	
30	4711400	12	Washer 1/4	
31	4711600	64	Washer 1/4	
32	4740500	6	Washer, Nylon	
33	4751600	53	Washer 3/8	
34	4846871	1	Weldment, Rear Hood Support	
35	4846872	1	Weldment, Front Hood Support	
36	4891600	4	Washer 3/8	
37	88662523	2	Nut, Tinnerman	
38	1001140485	1	Seal, Foam Gasket	
39	1001142144	1	Bracket, Hood Baffle	
40	1001146132	1	Seal, Foam Gasket	
41	1001146142	1	Seal, Foam Gasket	
42	1001146178	1	Seal, Hood Frame	
43	1001146183	1	Plate, Hood Frame Baffle	
44	1001160505	2	Strap	
45	1001237125	1	Hood, Engine Side (See Items 101-121 for Breakdown)	
46	1001243414	1	U - Bolt	
47	1001250301	1	Bracket, Tank Side Striker	

## SECTION 2 - TURNTABLE

ITEM	PART NUMBER	QTY	DESCRIPTION	REV
48	1001256298	1	Weldment, Exhaust Stack	
	1001237125	Ref	ENGINE SIDE HOOD ASSEMBLY	A
101	0100011	AR	Compound, Locking	
102	0100081	AR	Adhesive	
103	0641510	10	Bolt 5/16 x 1-1/4	
104	0760608	1	Bolt M6 x 16	
105	0902746	7	Bracket	
106	0902761	1	Bracket	
107	0903161	1	Bracket	
108	2560187	1	Handle	
109	2680496	1	Hood, Engine Side Rear	
110	3290601	1	Nut M6 x 1	
111	3311501	10	Nut 5/16	
112	3340877	9	Pad	
113	3575782	1	Plate	
114	3900363	2	Screw M6 x 25	
115	3960464	12.1 ft /3.7m	Seal	
116	4060804	5.1 ft /1.6m	Shield, Flex Trim	
117	4060806	4.1 ft /1.2m	Shield, Flex Trim	
118	4751500	20	Washer 5/16	
119	4811900	2	Washer M8	
120	1001117140	AR	Tape, Aluminized Polyester	
121	1001152566	AR	Insulate	
	1671194	Ref	TANK SIDE HOOD ASSEMBLY	A
201	0100011	AR	Compound, Locking	
202	0100081	AR	Adhesive	
203	0641506	9	Bolt 5/16 x 3/4	
204	0760608	1	Bolt M6 x 16	
205	0902746	4	Bracket	
206	0902762	1	Bracket	
207	0902763	1	Bracket	
208	0903162	1	Bracket	
209	1671193	1	Hood, Tank Side Front	
210	2560187	1	Handle	
211	2680498	1	Hood, Tank Side Rear	
212	3290601	1	Nut M6 x 1	
213	3311501	9	Nut 5/16	
214	3340877	7	Pad	
215	3900363	2	Screw M6 x 25	
216	3960464	12.4 ft /3.8m	Seal	
217	4060804	4.4 ft /1.3m	Shield, Flex Trim	
218	4060806	3.3 ft /1m	Shield, Flex Trim	
219	4240150	1	Strap	
220	4751500	18	Washer 5/16	
221	4811900	2	Washer M8	

# SECTION 2 - TURNTABLE

## FIGURE 2-43. HOODS INSTALLATION - DEUTZ TCD2.9L4 (STAGE V) ENGINES



ART\_1001237126\_10F2



## SECTION 2 - TURNTABLE

FIGURE 2-43. HOODS INSTALLATION - DEUTZ TCD2.9L4 (STAGE V) ENGINES

ITEM	PART NUMBER	QTY	DESCRIPTION	REV
	1001237126	Ref	HOODS INSTALLATION - DEUTZ TCD2.9L4 (STAGE V) ENGINES	B
1	0100011	AR	Compound, Locking	
2	0641406	2	Bolt 1/4 x 3/4	
3	0641408	8	Bolt 1/4 x 1	
4	0641606	17	Bolt 3/8 x 3/4	
5	0641608	19	Bolt 3/8 x 1	
6	0641610	3	Bolt 3/8 x 1-1/4	
7	0641630	12	Bolt 3/8 x 3-3/4	
8	0791605	8	Screw 3/8 x 5/8	
9	0903154	1	Bracket, Engine Side Striker	
10	1001250301	1	Bracket, Tank Side Striker	
11	1671109	1	Cover, Turntable	
12	1671118	2	Cover, Pin Access	
13	1671194	1	Hood, Tank Side (See Items 201-221 for Breakdown)	
14	2080051	16	Clamp	
15	2600280	4	Hinge	
16	2940173	2	Latch, Rotary	
17	3311405	2	Nut 1/4	
18	3311601	10	Nut 3/8	
19	3311605	15	Nut 3/8	
20	3520186	6	Plug	
21	3574533	1	Trough, Powertrack	
22	3900232	6	Screw 3/8 x 1-1/4	
23	3900283	29	Screw 3/8 x 3/4	
24	3900316	10	Screw 3/8 x 1	
25	4071048	3	Shim	
26	4160194	4	Spring, Gas	
27	4340995	1	Support, Tank Side Hood	
28	4340996	1	Support, Engine Side Hood	
29	4341000	1	Mount, Tank Side Gas Spring	
30	4341001	1	Weldment, Gas Spring Mount	
31	4711400	12	Washer 1/4	
32	4711600	64	Washer 1/4	
33	4740500	6	Washer, Nylon	
34	4751600	53	Washer 3/8	
35	4846871	1	Weldment, Rear Hood Support	
36	4846872	1	Weldment, Front Hood Support	
37	88662523	2	Nut, Tinnerman	
38	1001140485	1	Seal, Foam Gasket	
39	1001142144	1	Bracket, Hood Baffle	
40	1001146132	1	Seal, Foam Gasket	
41	1001146142	1	Seal, Foam Gasket	
42	1001146178	1	Seal, Hood Frame	
43	1001146183	1	Plate, Hood Frame Baffle	
44	1001236408	1	Weldment, Exhaust Stack	
45	1001237125	1	Hood, Engine Side (See Items 101-121 for Breakdown)	
46	4891600	4	Washer 3/8	
47	1001243414	1	U - Bolt	
48	1001160505	2	Strap	
	1001237125	Ref	ENGINE SIDE HOOD ASSEMBLY	A

**SECTION 2 - TURNTABLE**

ITEM	PART NUMBER	QTY	DESCRIPTION	REV
101	0100011	AR	Compound, Locking	
102	0100081	AR	Adhesive	
103	0641510	10	Bolt 5/16 x 1-1/4	
104	0760608	1	Bolt M6 x 16	
105	0902746	7	Bracket	
106	0902761	1	Bracket	
107	0903161	1	Bracket	
108	2560187	1	Handle	
109	2680496	1	Hood, Engine Side Rear	
110	3290601	1	Nut M6 x 1	
111	3311501	10	Nut 5/16	
112	3340877	9	Pad	
113	3575782	1	Plate	
114	3900363	2	Screw M6 x 25	
115	3960464	12.1 ft /3.7m	Seal	
116	4060804	5.1 ft /1.6m	Shield, Flex Trim	
117	4060806	4.1 ft /1.2m	Shield, Flex Trim	
118	4751500	20	Washer 5/16	
119	4811900	2	Washer M8	
120	1001117140	AR	Tape, Aluminized Polyester	
121	1001152566	AR	Insulate	
	1671194	Ref	TANK SIDE HOOD ASSEMBLY	A
201	0100011	AR	Compound, Locking	
202	0100081	AR	Adhesive	
203	0641506	9	Bolt 5/16 x 3/4	
204	0760608	1	Bolt M6 x 16	
205	0902746	4	Bracket	
206	0902762	1	Bracket	
207	0902763	1	Bracket	
208	0903162	1	Bracket	
209	1671193	1	Hood, Tank Side Front	
210	2560187	1	Handle	
211	2680498	1	Hood, Tank Side Rear	
212	3290601	1	Nut M6 x 1	
213	3311501	9	Nut 5/16	
214	3340877	7	Pad	
215	3900363	2	Screw M6 x 25	
216	3960464	12.4 ft /3.8m	Seal	
217	4060804	4.4 ft /1.3m	Shield, Flex Trim	
218	4060806	3.3 ft /1m	Shield, Flex Trim	
219	4240150	1	Strap	
220	4751500	18	Washer 5/16	
221	4811900	2	Washer M8	

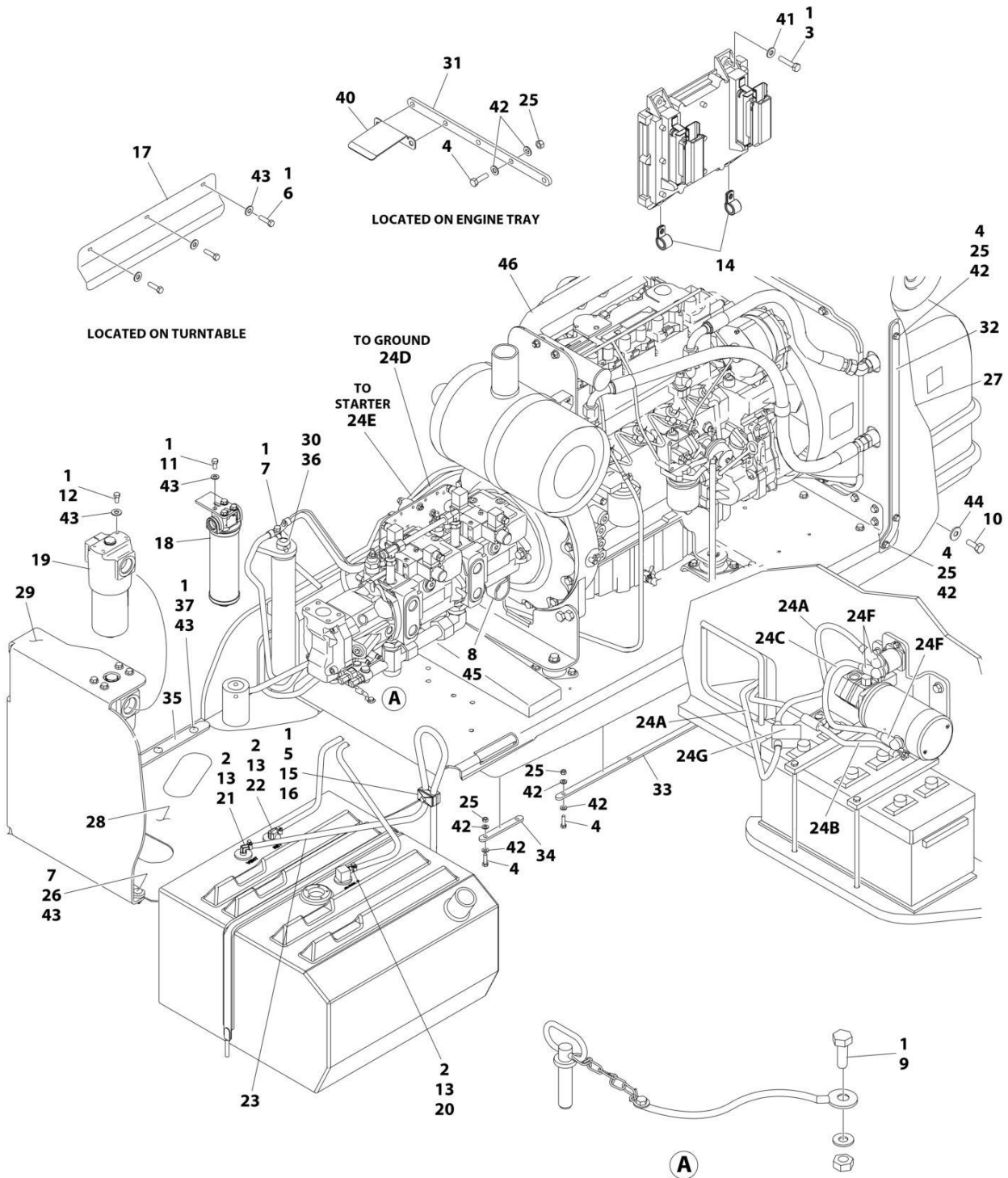




**SECTION 3 - ENGINE**

# SECTION 3 - ENGINE

**FIGURE 3-1. DEUTZ TD2011 ENGINE INSTALLATION - WITH REXROTH PUMP (WITHOUT GENERATOR AND WITHOUT COLD WEATHER PLUS PACKAGE)**



ART\_1001098519

## SECTION 3 - ENGINE

**FIGURE 3-1. DEUTZ TD2011 ENGINE INSTALLATION - WITH REXROTH PUMP (WITHOUT GENERATOR AND WITHOUT COLD WEATHER PLUS PACKAGE)**

ITEM	PART NUMBER	QTY	DESCRIPTION	REV
	1001098519	Ref	DEUTZ TD2011 ENGINE INSTALLATION - WITH REXROTH PUMP (WITHOUT GENERATOR AND WITHOUT COLD WEATHER PLUS PACKAGE)	G
1	0100011	AR	Compound, Locking	
2	0100079	AR	Sealant, Pipe	
3	0641410	4	Bolt 1/4 x 1-1/4	
4	0641509	15	Bolt 5/16 x 1-1/8	
5	0641511	1	Bolt 5/16 x 1-3/8	
6	0641605	3	Bolt 3/8 x 5/8	
7	0641610	5	Bolt 3/8 x 1-1/4	
8	0641806	1	Bolt 1/2 x 3/4	
9	0641808	1	Bolt 1/2 x 1	
10	0642010	1	Bolt 5/8 x 1-1/4	
11	0641606	4	Bolt 3/8 x 3/4	
12	0651606	4	Bolt 3/8 x 3/4	
13	1320022	3	Clamp	
14	1320041	2	Clamp	
15	1320187	1	Clamp	
16	1320190	1	Clamp	
17	1671121	1	Cover, Generator	
18	1001108617	1	Filter, Pressure	
18	70002231	1	Element, Filter	
19	2120218	1	Filter, High Pressure	
19	2120219	1	Element	
19	70001344	1	O-Ring, Bowl	
19	70006137	1	Seal Kit - Includes O-Ring (Element), O-Ring (Bowl), Back-up Ring (Bowl), Seal Ring (Indicator) and O-Ring (Indicator)	
20	2180348	1	Fitting, Barbed	
21	2220313	1	Fitting, 90 Barbed	
22	2221176	1	Fitting, 90 Elbow	
23	2750532	5 ft/ 1.5m	Hose	
24	2902292	1	Battery Cable Kit	
24A	7027008	1	Cable, Red (To Aux Pump Relay, Battery Positive Terminal and Start Relay)	
24B	7027009	1	Cable, Black (To Aux Pump, Battery Negative Terminal and Ground at Tray Pivot)	
24C	7027010	1	Cable, Red (Aux Pump Relay to Aux Pump)	
24D	7027011	1	Cable, Black (Tray Pivot to Engine Mount)	
24E	7024584	1	Cable, Red (Start Relay to Starter)	
24F	See Note	NSS	Boot, Terminal (Red) (Note: Not Available for Purchase)	
24G	See Note	NSS	Boot, Square Terminal (Red) (Note: Not Available for Purchase)	
25	3311505	15	Nut 5/16	
26	3311605	4	Nut 3/8	
27	3380473	1	Panel, Rubber	
28	3380498	1	Panel	
29	3380723	1	Panel	
30	3422446	1	Pin	
31	3573644	1	Plate, Tray Clamp	
32	3573669	1	Plate, Clamp	
33	3573727	1	Plate, Tray Clamp	

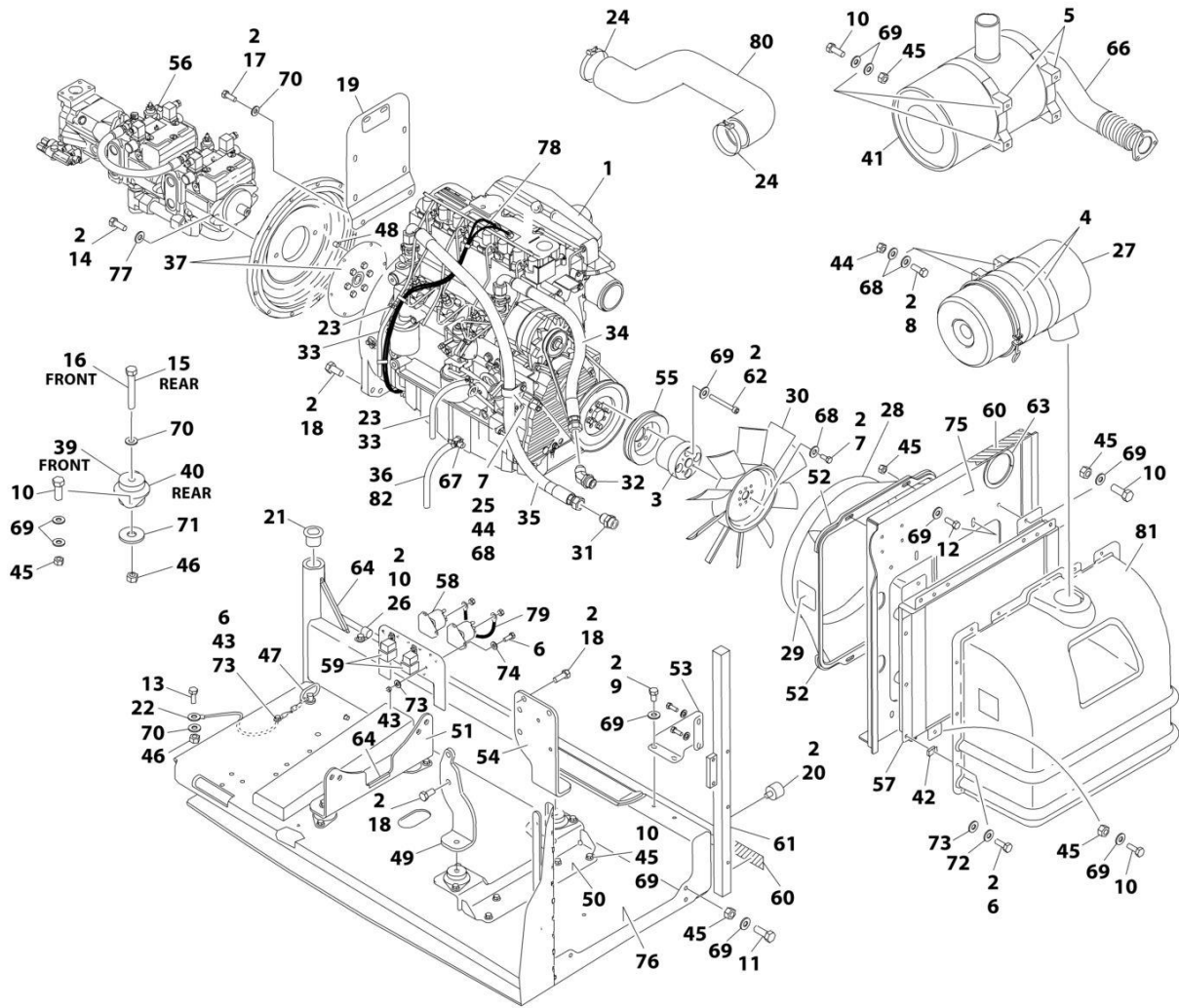
## SECTION 3 - ENGINE

ITEM	PART NUMBER	QTY	DESCRIPTION	REV
34	3573728	1	Plate, Tray Clamp	
35	3574633	1	Plate	
36	3841143	1	Keeper	
37	3900316	10	Screw 3/8 x 1	
38	4240018	2	Strap, Cable Tie (Not Shown)	
39	4240033	AR	Tie, Wire (Not Shown)	
40	4341110	1	Support	
41	4711400	4	Washer 1/4	
42	4711500	30	Washer 5/16	
43	4711600	29	Washer 3/8	
44	4752000	1	Washer 5/8	
45	90028660	1	Clamp	
46	1001098513	1	Engine and Pump Assembly (See Separate Breakdown in this Section)	



# SECTION 3 - ENGINE

FIGURE 3-2. DEUTZ TD2011 ENGINE ASSEMBLY - WITH REXROTH PUMP (WITHOUT GENERATOR AND WITHOUT COLD WEATHER PLUS PACKAGE) (PVC 2001)



ART\_1001098513

## SECTION 3 - ENGINE

**FIGURE 3-2. DEUTZ TD2011 ENGINE ASSEMBLY - WITH REXROTH PUMP (WITHOUT GENERATOR AND WITHOUT COLD WEATHER PLUS PACKAGE) (PVC 2001)**

ITEM	PART NUMBER	QTY	DESCRIPTION	REV
	1001098513	Ref	DEUTZ TD2011 ENGINE ASSEMBLY - WITH REXROTH PUMPS	J
1	1001098601	1	Engine, Deutz TD2011 Components (See Separate Breakdown in this Section)	
2	0100011	AR	Compound, Locking	
3	0080237	1	Spacer, Fan	
4	0340003	2	Band, Air Cleaner	
5	0340051	2	Band, Muffler	
6	0641406	15	Bolt 1/4 x 3/4	
7	0641506	5	Bolt 5/16 x 3/4	
8	0641507	4	Bolt 5/16 x 7/8	
9	0641605	4	Bolt 3/8 x 5/8	
10	0641608	25	Bolt 3/8 x 1	
11	0641609	2	Bolt 3/8 x 1-1/8	
12	0641610	4	Bolt 3/8 x 1-1/4	
13	0641808	1	Bolt 1/2 x 1	
14	0641812	2	Bolt 1/2 x 1-1/2	
15	0641818	2	Bolt 1/2 x 2-1/4	
16	0641826	2	Bolt 1/2 x 3-1/4	
17	0711214	2	Bolt M12 x 30	
18	0771414	10	Bolt M14 x 30	
19	1001112766	1	Bracket, Muffler	
20	0940070	1	Bumper	
21	0961986	2	Bushing, Flanged	
22	1001131542	1	Lanyard	
23	1320022	3	Clamp	
24	1320058	2	Clamp	
25	1320060	1	Clamp	
26	1320223	1	J-Clip	
27	1340065	1	Air Cleaner Assembly	
27	7003655	1	Element, Air Cleaner	
27	7015013	1	Baffle, Rubber	
27	7015014	1	Clamp, Cap	
27	7015015	1	Cup	
27	7015003	1	Wingnut	
28	1671023	1	Shroud, Fan	
29	1703162	2	Decal - Fan Blade	
30	2060025	1	Fan	
31	2220451	1	Fitting, Straight	
32	2220498	1	Fitting, Elbow	
33	2720058	34 ft/ 10.3m	Hose	
34	2720500	1	Hose, Oil Cooler (Top)	
35	2720501	1	Hose, Oil Cooler (Bottom)	
36	2750532	0.75 ft /0.2m	Hose	
37	2902065	1	Pump Coupling Kit (See Separate Breakdown in this Section)	
39	3200362	2	Mount, Motor (Front)	
40	3200401	2	Mount, Motor (Rear)	
41	3220126	1	Muffler, Spark Arresting	

## SECTION 3 - ENGINE

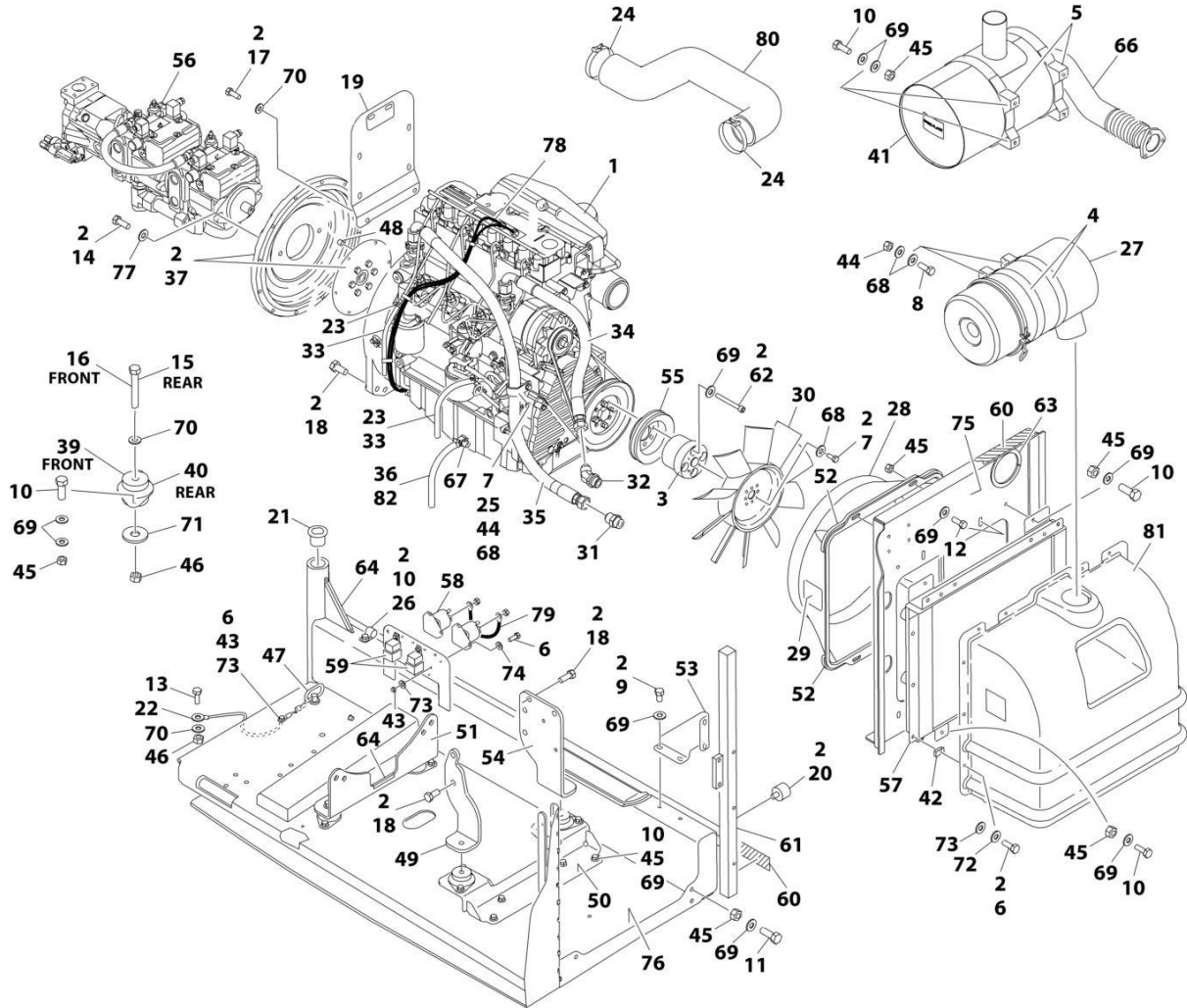
ITEM	PART NUMBER	QTY	DESCRIPTION	REV
41	70003555	1	Clamp	
42	3300454	10	Nut 1/4	
43	3311405	5	Nut 1/4	
44	3311505	5	Nut 5/16	
45	3311605	30	Nut 3/8	
46	3311805	5	Nut 1/2	
47	3422532	1	Pin, Hitch	
48	3520054	2	Plug	
49	3537416	1	Plate, Mounting (Front Right)	
50	3539971	1	Bracket, Engine Mounting (Front)	
51	3573142	1	Bracket, Engine Mounting (Rear)	
52	3573411	2	Plate, Clamp	
53	3573412	1	Gusset	
54	3573529	1	Plate, Mounting (Front Left)	
55	3580158	1	Pulley	
56	3600339	1	Pump Assembly - Rexroth (See Separate Breakdown in this Section)	
57	1001145382	1	Cooler, Engine Oil	
58	3740067	2	Relay, Start	
59	3740080	2	Relay	
60	3960543	1	Seal	
61	3960544	1	Seal	
62	4032022	4	Capscrew M10 x 90	
63	4060804	0.98 ft /0.3m	Flex-Trim	
64	4060805	0.67 ft /0.2m	Flex-Trim	
65	4240099	AR	Tie, Wire (Not Shown)	
66	4568293	1	Pipe, Exhaust	
67	4640751	1	Valve, Oil Drain	
68	4711500	13	Washer 5/16	
69	4711600	68	Washer 3/8	
70	4711800	7	Washer 1/2	
71	4740274	4	Washer, Snubbing	
72	4740518	10	Washer, Nylon	
73	4751400	20	Washer 1/4	
74	4791400	4	Washer 1/4	
75	4846552	1	Plate, Oil Cooler Mounting	
76	4846946	1	Tray	
77	4891800	2	Washer 1/2 Hardened	
78	4923468	1	Harness, Glow Plugs	
79	4923592	1	Cable, Jumper	
80	1001225118	1	Hose, Air Intake	
81	0272060	1	Box, Air Intake	
82	8410013	1	Clamp, Gear	





# SECTION 3 - ENGINE

FIGURE 3-3. DEUTZ TD2011 ENGINE ASSEMBLY - WITH REXROTH PUMP (WITHOUT GENERATOR AND WITHOUT COLD WEATHER PLUS PACKAGE) (PVC 2007)



ART\_1001098513\_M

## SECTION 3 - ENGINE

**FIGURE 3-3. DEUTZ TD2011 ENGINE ASSEMBLY - WITH REXROTH PUMP (WITHOUT GENERATOR AND WITHOUT COLD WEATHER PLUS PACKAGE) (PVC 2007)**

ITEM	PART NUMBER	QTY	DESCRIPTION	REV
	1001098513	Ref	DEUTZ TD2011 ENGINE ASSEMBLY - WITH REXROTH PUMPS	M
1	1001098601	1	Engine, Deutz TD2011 Components (See Separate Breakdown in this Section)	
2	0100011	AR	Compound, Locking	
3	0080237	1	Spacer, Fan	
4	0340003	2	Band, Air Cleaner	
5	0340051	2	Band, Muffler	
6	0641406	15	Bolt 1/4 x 3/4	
7	0641506	5	Bolt 5/16 x 3/4	
8	0641507	4	Bolt 5/16 x 7/8	
9	0641605	4	Bolt 3/8 x 5/8	
10	0641608	25	Bolt 3/8 x 1	
11	0641609	2	Bolt 3/8 x 1-1/8	
12	0641610	4	Bolt 3/8 x 1-1/4	
13	0641808	1	Bolt 1/2 x 1	
14	0641812	2	Bolt 1/2 x 1-1/2	
15	0641818	2	Bolt 1/2 x 2-1/4	
16	0641826	2	Bolt 1/2 x 3-1/4	
17	0711214	2	Bolt M12 x 30	
18	0771414	10	Bolt M14 x 30	
19	1001112766	1	Bracket, Muffler	
20	0940070	1	Bumper	
21	0961986	2	Bushing, Flanged	
22	1001131542	1	Lanyard	
23	1320022	3	Clamp	
24	1320058	2	Clamp	
25	1320060	1	Clamp	
26	1320223	1	J-Clip	
27	1340065	1	Air Cleaner Assembly	
27	7003655	1	Element, Air Cleaner	
27	7015013	1	Baffle, Rubber	
27	7015014	1	Clamp, Cap	
27	7015015	1	Cup	
27	7015003	1	Wingnut	
28	1671023	1	Shroud, Fan	
29	1703162	2	Decal - Fan Blade	
30	2060025	1	Fan	
31	2220451	1	Fitting, Straight	
32	2220498	1	Fitting, Elbow	
33	2720058	34 ft/ 10.3m	Hose	
34	2720500	1	Hose, Oil Cooler (Top)	
35	2720501	1	Hose, Oil Cooler (Bottom)	
36	2750532	0.75 ft /0.2m	Hose	
37	2902065	1	Pump Coupling Kit (See Separate Breakdown in this Section)	
39	3200362	2	Mount, Motor (Front)	
40	3200401	2	Mount, Motor (Rear)	
41	1001257277	1	Muffler, Spark Arresting	

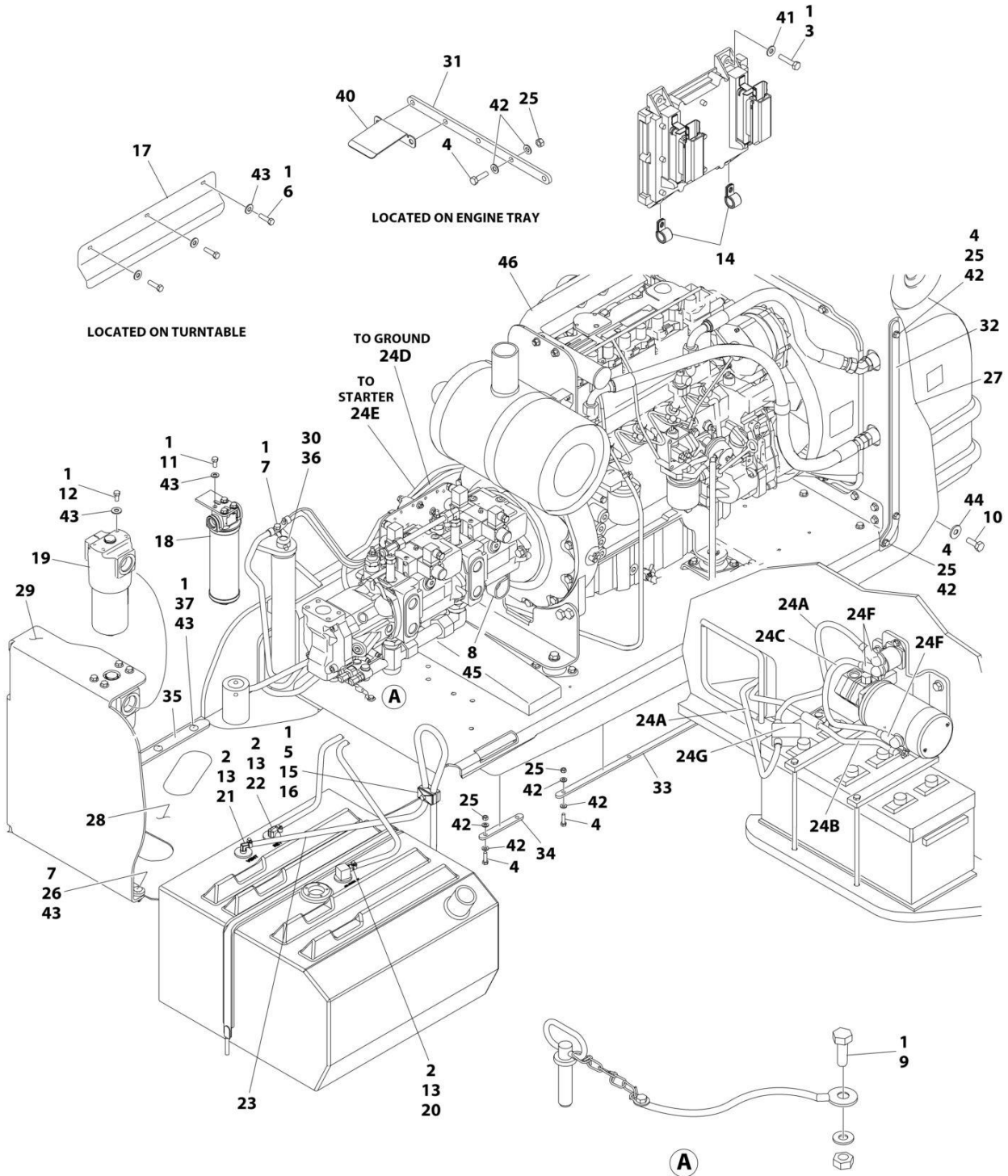
## SECTION 3 - ENGINE

ITEM	PART NUMBER	QTY	DESCRIPTION	REV
42	3300454	10	Nut 1/4	
43	3311405	5	Nut 1/4	
44	3311505	5	Nut 5/16	
45	3311605	30	Nut 3/8	
46	3311805	5	Nut 1/2	
47	3422532	1	Pin, Hitch	
48	3520054	2	Plug	
49	3537416	1	Plate, Mounting (Front Right)	
50	3539971	1	Bracket, Engine Mounting (Front)	
51	3573142	1	Bracket, Engine Mounting (Rear)	
52	3573411	2	Plate, Clamp	
53	3573412	1	Gusset	
54	3573529	1	Plate, Mounting (Front Left)	
55	3580158	1	Pulley	
56	3600339	1	Pump Assembly - Rexroth (See Separate Breakdown in this Section)	
57	1001145382	1	Cooler, Engine Oil	
58	3740067	2	Relay, Start	
59	3740080	2	Relay	
60	3960543	1	Seal	
61	3960544	1	Seal	
62	4032022	4	Capscrew M10 x 90	
63	4060804	0.98 ft /0.3m	Flex-Trim	
64	4060805	0.67 ft /0.2m	Flex-Trim	
65	4240099	AR	Tie, Wire (Not Shown)	
66	4568293	1	Pipe, Exhaust	
67	4640751	1	Valve, Oil Drain	
68	4711500	13	Washer 5/16	
69	4711600	68	Washer 3/8	
70	4711800	7	Washer 1/2	
71	4740274	4	Washer, Snubbing	
72	4740518	10	Washer, Nylon	
73	4751400	20	Washer 1/4	
74	4791400	4	Washer 1/4	
75	4846552	1	Plate, Oil Cooler Mounting	
76	4846946	1	Tray	
77	4891800	2	Washer 1/2 Hardened	
78	4923468	1	Harness, Glow Plugs	
79	4923592	1	Cable, Jumper	
80	1001225118	1	Hose, Air Intake	
81	0272060	1	Box, Air Intake	
82	8410013	1	Clamp, Gear	



# SECTION 3 - ENGINE

FIGURE 3-4. DEUTZ TD2011 ENGINE INSTALLATION - WITH REXROTH PUMP (WITH GENERATOR AND WITHOUT COLD WEATHER PLUS PACKAGE)



ART\_1001098518

## SECTION 3 - ENGINE

**FIGURE 3-4. DEUTZ TD2011 ENGINE INSTALLATION - WITH REXROTH PUMP (WITH GENERATOR AND WITHOUT COLD WEATHER PLUS PACKAGE)**

ITEM	PART NUMBER	QTY	DESCRIPTION	REV
	1001098518	Ref	DEUTZ TD2011 ENGINE INSTALLATION - WITH REXROTH PUMP (WITH GENERATOR AND WITHOUT COLD WEATHER PLUS PACKAGE)	G
1	0100011	AR	Compound, Locking	
2	0100079	AR	Sealant, Pipe	
3	0641410	4	Bolt 1/4 x 1-1/4	
4	0641509	15	Bolt 5/16 x 1-1/8	
5	0641511	1	Bolt 5/16 x 1-3/8	
6	0641605	3	Bolt 3/8 x 5/8	
7	0641610	5	Bolt 3/8 x 1-1/4	
8	0641806	1	Bolt 1/2 x 3/4	
9	0641808	1	Bolt 1/2 x 1	
10	0642010	1	Bolt 5/8 x 1-1/4	
11	0641606	4	Bolt 3/8 x 3/4	
12	0651606	4	Bolt 3/8 x 3/4	
13	1320022	3	Clamp	
14	1320041	2	Clamp	
15	1320187	1	Clamp, Twin	
16	1320190	1	Cover, Clamp	
17	1671121	1	Cover, Generator	
18	1001108617	1	Filter, Pressure	
18	70002231	1	Element, Filter	
19	2120218	1	Filter, High Pressure	
19	2120219	1	Element	
19	70001344	1	O-Ring, Bowl	
19	70006137	1	Seal Kit - Includes O-Ring (Element), O-Ring (Bowl), Back-up Ring (Bowl), Seal Ring (Indicator) and O-Ring (Indicator)	
20	2180348	1	Fitting, Barbed	
21	2220313	1	Fitting, 90 Barbed	
22	2221176	1	Fitting, 90 Elbow	
23	2750532	5 ft/ 1.5m	Hose	
24	2902292	1	Battery Cable Kit	
24A	7027008	1	Cable, Red (To Aux Pump Relay, Battery Positive Terminal and Start Relay)	
24B	7027009	1	Cable, Black (To Aux Pump, Battery Negative Terminal and Ground at Tray Pivot)	
24C	7027010	1	Cable, Red (Aux Pump Relay to Aux Pump)	
24D	7027011	1	Cable, Black (Tray Pivot to Engine Mount)	
24E	7024584	1	Cable, Red (Start Relay to Starter)	
24F	See Note	NSS	Boot, Terminal (Red) (Note: Not Available for Purchase)	
24G	See Note	NSS	Boot, Square Terminal (Red) (Note: Not Available for Purchase)	
25	3311505	15	Nut 5/16	
26	3311605	4	Nut 3/8	
27	3380473	1	Panel, Rubber	
28	3380498	1	Panel	
29	3380723	1	Panel	
30	3422446	1	Pin	
31	3573644	1	Plate, Tray Clamp	
32	3573669	1	Plate, Clamp	
33	3573727	1	Plate, Tray Clamp	

## SECTION 3 - ENGINE

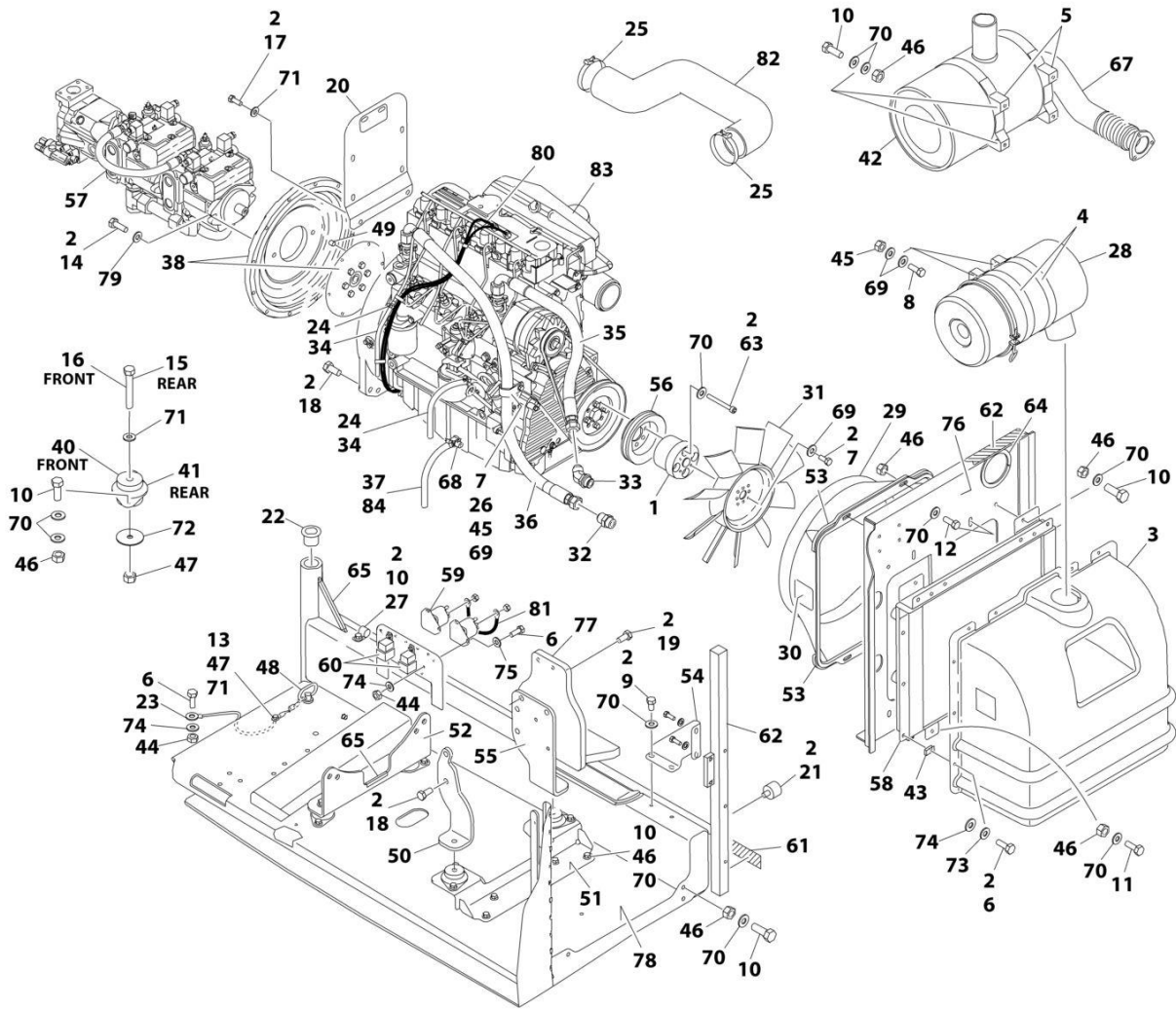
ITEM	PART NUMBER	QTY	DESCRIPTION	REV
34	3573728	1	Plate, Tray Clamp	
35	3574633	1	Plate	
36	3841143	1	Keeper	
37	3900316	10	Screw 3/8 x 1	
38	4240018	2	Strap, Cable Tie (Not Shown)	
39	4240033	AR	Tie, Wire (Not Shown)	
40	4341110	1	Support	
41	4711400	4	Washer 1/4	
42	4711500	30	Washer 5/16	
43	4711600	29	Washer 3/8	
44	4752000	1	Washer 5/8	
45	90028660	1	Clamp	
46	1001098530	1	Engine and Pump Assembly (See Separate Breakdown in this Section)	





# SECTION 3 - ENGINE

FIGURE 3-5. DEUTZ TD2011 ENGINE ASSEMBLY - WITH REXROTH PUMP (WITH GENERATOR AND WITHOUT COLD WEATHER PLUS PACKAGE) (PVC 2001)



ART\_1001098530

## SECTION 3 - ENGINE

**FIGURE 3-5. DEUTZ TD2011 ENGINE ASSEMBLY - WITH REXROTH PUMP (WITH GENERATOR AND WITHOUT COLD WEATHER PLUS PACKAGE) (PVC 2001)**

ITEM	PART NUMBER	QTY	DESCRIPTION	REV
	1001098530	Ref	DEUTZ TD2011 ENGINE ASSEMBLY - WITH REXROTH PUMPS (WITH SKYPOWER AND WITHOUT COLD WEATHER PLUS PACKAGE)	K
1	0080244	1	Spacer, Fan	
2	0100011	AR	Compound, Locking	
3	0272060	1	Box, Air Intake	
4	0340003	2	Band, Air Cleaner	
5	0340051	2	Band, Muffler	
6	0641406	15	Bolt 1/4 x 3/4	
7	0641506	5	Bolt 5/16 x 3/4	
8	0641507	4	Bolt 5/16 x 7/8	
9	0641605	4	Bolt 3/8 x 5/8	
10	0641608	25	Bolt 3/8 x 1	
11	0641609	2	Bolt 3/8 x 1-1/8	
12	0641610	4	Bolt 3/8 x 1-1/4	
13	0641808	1	Bolt 1/2 x 1	
14	0641812	2	Bolt 1/2 x 1-1/2	
15	0641818	2	Bolt 1/2 x 2-1/4	
16	0641826	2	Bolt 1/2 x 3-1/4	
17	0711214	2	Bolt M12 x 30	
18	0771414	6	Bolt M14 x 30	
19	0711417	4	Bolt M14 x 45	
20	1001112766	1	Bracket, Muffler	
21	0940070	1	Bumper	
22	0961986	2	Bushing, Flanged	
23	1001131542	1	Lanyard	
24	1320022	2	Clamp	
25	1320058	2	Clamp	
26	1320060	1	Clamp	
27	1320223	1	J-Clip	
28	1340065	1	Air Cleaner Assembly	
28	7003655	1	Element, Air Cleaner	
28	7015013	1	Baffle, Rubber	
28	7015014	1	Clamp, Cap	
28	7015015	1	Cup	
28	7015003	1	Wingnut	
29	1671023	1	Shroud, Fan	
30	1703162	2	Decal - Fan Blade	
31	2060025	1	Fan	
32	2220451	1	Fitting, Straight	
33	2220498	1	Fitting, Elbow	
34	2720058	34 ft/ 10.3m	Hose	
35	2720500	1	Hose, Oil Cooler (Top)	
36	2720501	1	Hose, Oil Cooler (Bottom)	
37	2750532	0.75 ft /0.2m	Hose	
38	2902065	1	Pump Coupling Kit (See Separate Breakdown in this Section)	
40	3200362	2	Mount, Motor (Front)	
41	3200401	2	Mount, Motor (Rear)	

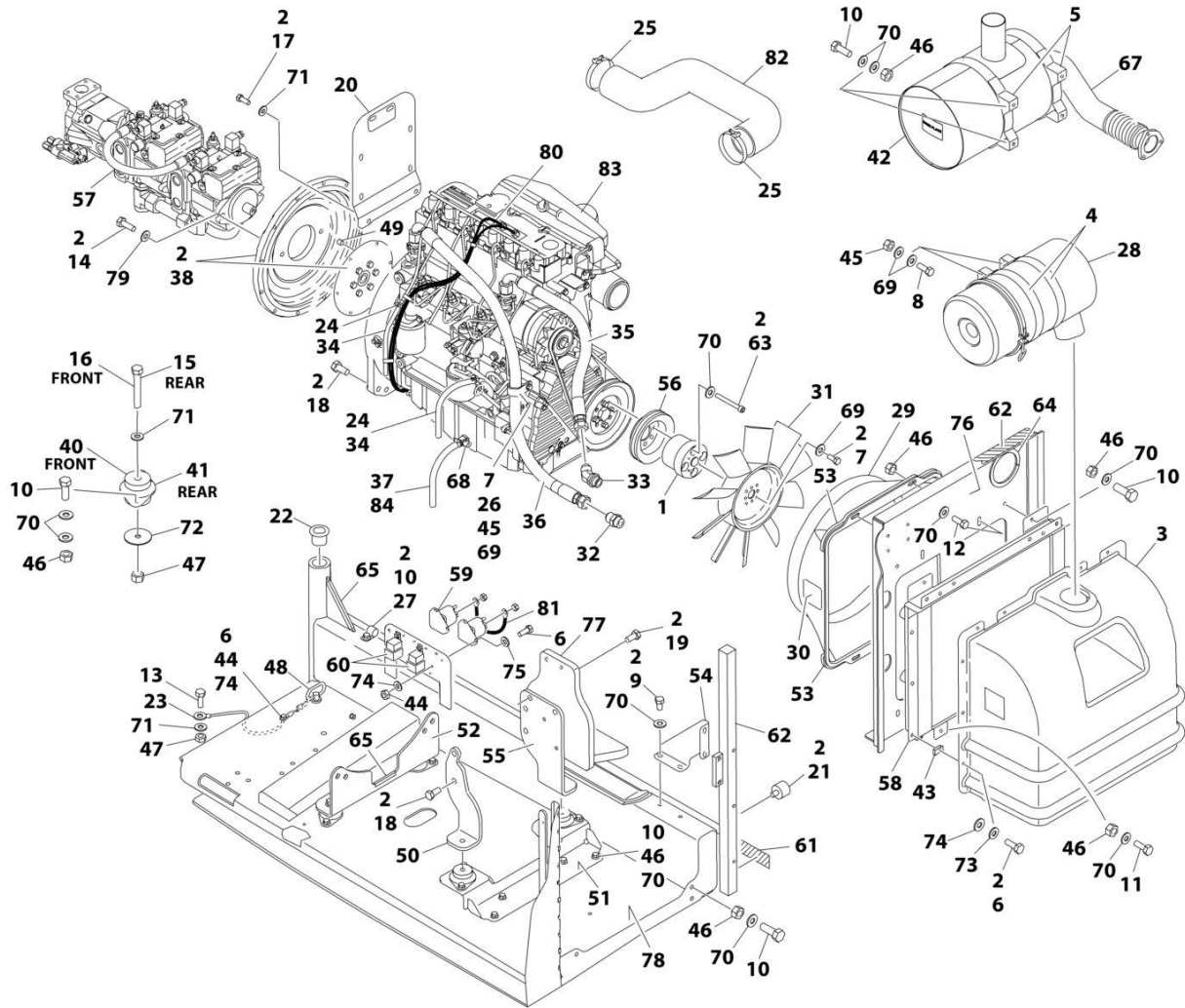
## SECTION 3 - ENGINE

ITEM	PART NUMBER	QTY	DESCRIPTION	REV
42	3220126	1	Muffler	
42	70003555	1	Clamp	
43	3300454	10	Nut	
44	3311405	5	Nut 1/4	
45	3311505	5	Nut 5/16	
46	3311605	30	Nut 3/8	
47	3311805	5	Nut 1/2	
48	3422532	1	Pin, Hitch	
49	3520054	2	Plug	
50	3537416	1	Plate, Mounting (Front Right)	
51	3539971	1	Bracket, Engine Mounting (Front)	
52	3573142	1	Bracket, Engine Mounting (Rear)	
53	3573411	2	Plate, Clamp	
54	3573412	1	Gusset	
55	3573529	1	Plate, Mounting (Front Left)	
56	3580320	1	Pulley	
57	3600339	1	Pump Assembly - Rexroth (See Separate Breakdown in this Section)	
58	1001145382	1	Cooler, Engine Oil	
59	3740067	2	Relay, Start	
60	3740080	2	Relay	
61	3960543	1	Seal	
62	3960544	1	Seal	
63	4032022	4	Capscrew M10 x 90	
64	4060804	0.98 ft /0.3m	Flex-Trim	
65	4060805	0.67 ft /0.2m	Flex-Trim	
66	4240099	AR	Tie, Wire (Not Shown)	
67	4568293	1	Pipe, Exhaust	
68	4640751	1	Valve, Oil Drain	
69	4711500	13	Washer 5/16	
70	4711600	68	Washer 3/8	
71	4711800	7	Washer 1/2	
72	4740274	4	Washer, Snubbing	
73	4740518	10	Washer, Nylon	
74	4751400	20	Washer 1/4	
75	4791400	4	Washer 1/4	
76	4846552	1	Plate, Oil Cooler Mounting	
77	4846945	1	Mount, Generator	
78	4846946	1	Tray	
79	4891800	2	Washer 1/2	
80	4923468	1	Harness, Glow Plugs	
81	4923592	1	Cable, Jumper	
82	1001225118	1	Hose, Air Intake	
83	1001098601	1	Engine, Deutz TD2011 Components (See Separate Breakdown in this Section)	
84	8410013	1	Clamp, Gear	



# SECTION 3 - ENGINE

FIGURE 3-6. DEUTZ TD2011 ENGINE ASSEMBLY - WITH REXROTH PUMP (WITH GENERATOR AND WITHOUT COLD WEATHER PLUS PACKAGE) (PVC 2007)



ART\_1001098530\_N

## SECTION 3 - ENGINE

**FIGURE 3-6. DEUTZ TD2011 ENGINE ASSEMBLY - WITH REXROTH PUMP (WITH GENERATOR AND WITHOUT COLD WEATHER PLUS PACKAGE) (PVC 2007)**

ITEM	PART NUMBER	QTY	DESCRIPTION	REV
	1001098530	Ref	DEUTZ TD2011 ENGINE ASSEMBLY - WITH REXROTH PUMPS (WITH SKYPOWER AND WITHOUT COLD WEATHER PLUS PACKAGE)	N
1	0080244	1	Spacer, Fan	
2	0100011	AR	Compound, Locking	
3	0272060	1	Box, Air Intake	
4	0340003	2	Band, Air Cleaner	
5	0340051	2	Band, Muffler	
6	0641406	15	Bolt 1/4 x 3/4	
7	0641506	5	Bolt 5/16 x 3/4	
8	0641507	4	Bolt 5/16 x 7/8	
9	0641605	4	Bolt 3/8 x 5/8	
10	0641608	25	Bolt 3/8 x 1	
11	0641609	2	Bolt 3/8 x 1-1/8	
12	0641610	4	Bolt 3/8 x 1-1/4	
13	0641808	1	Bolt 1/2 x 1	
14	0641812	2	Bolt 1/2 x 1-1/2	
15	0641818	2	Bolt 1/2 x 2-1/4	
16	0641826	2	Bolt 1/2 x 3-1/4	
17	0711214	2	Bolt M12 x 30	
18	0771414	6	Bolt M14 x 30	
19	0711417	4	Bolt M14 x 45	
20	1001112766	1	Bracket, Muffler	
21	0940070	1	Bumper	
22	0961986	2	Bushing, Flanged	
23	1001131542	1	Lanyard	
24	1320022	2	Clamp	
25	1320058	2	Clamp	
26	1320060	1	Clamp	
27	1320223	1	J-Clip	
28	1340065	1	Air Cleaner Assembly	
28	7003655	1	Element, Air Cleaner	
28	7015013	1	Baffle, Rubber	
28	7015014	1	Clamp, Cap	
28	7015015	1	Cup	
28	7015003	1	Wingnut	
29	1671023	1	Shroud, Fan	
30	1703162	2	Decal - Fan Blade	
31	2060025	1	Fan	
32	2220451	1	Fitting, Straight	
33	2220498	1	Fitting, Elbow	
34	2720058	34 ft/ 10.3m	Hose	
35	2720500	1	Hose, Oil Cooler (Top)	
36	2720501	1	Hose, Oil Cooler (Bottom)	
37	2750532	0.75 ft /0.2m	Hose	
38	2902065	1	Pump Coupling Kit (See Separate Breakdown in this Section)	
40	3200362	2	Mount, Motor (Front)	
41	3200401	2	Mount, Motor (Rear)	

## SECTION 3 - ENGINE

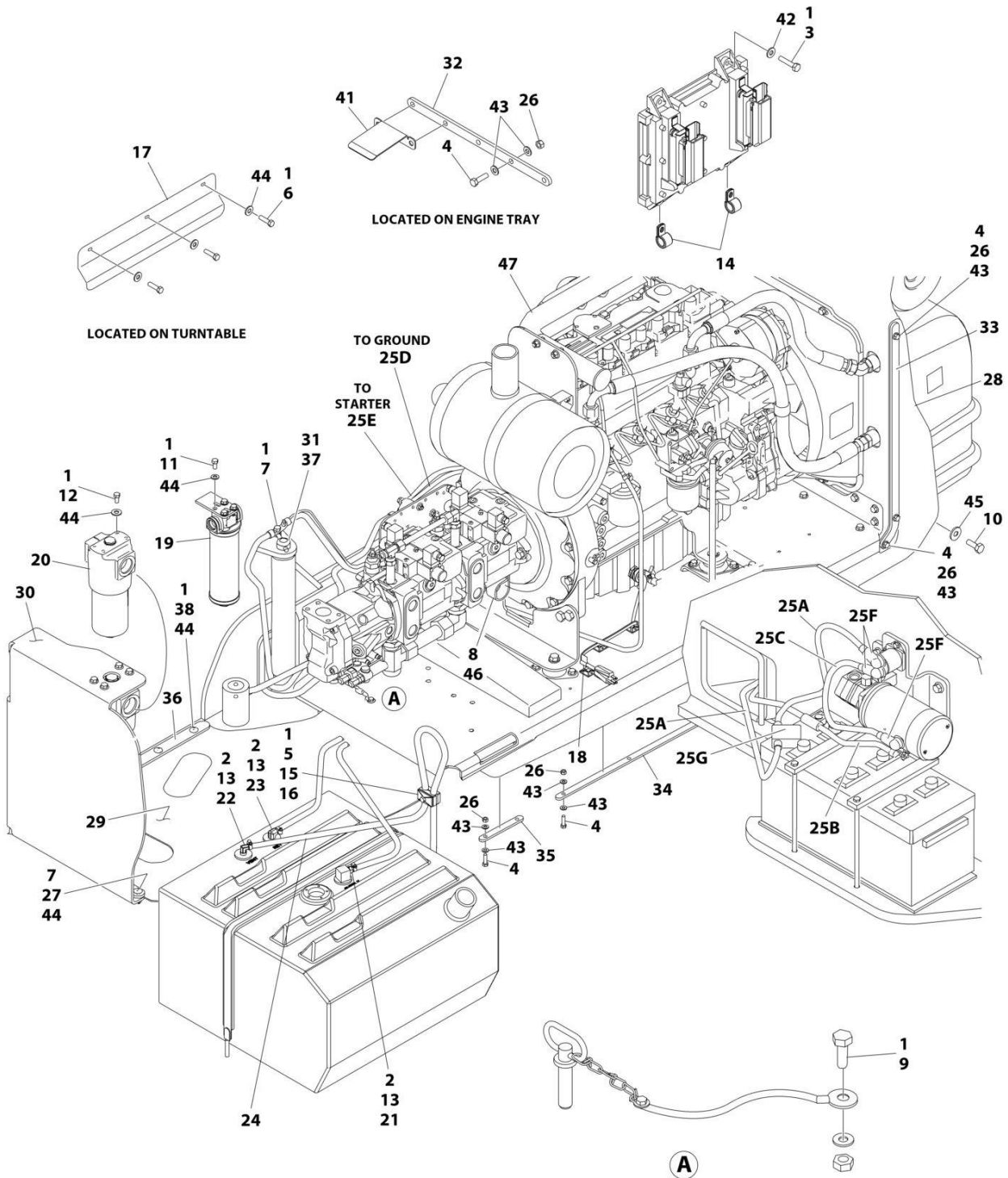
ITEM	PART NUMBER	QTY	DESCRIPTION	REV
42	1001257277	1	Muffler	
43	3300454	10	Nut	
44	3311405	5	Nut 1/4	
45	3311505	5	Nut 5/16	
46	3311605	30	Nut 3/8	
47	3311805	5	Nut 1/2	
48	3422532	1	Pin, Hitch	
49	3520054	2	Plug	
50	3537416	1	Plate, Mounting (Front Right)	
51	3539971	1	Bracket, Engine Mounting (Front)	
52	3573142	1	Bracket, Engine Mounting (Rear)	
53	3573411	2	Plate, Clamp	
54	3573412	1	Gusset	
55	3573529	1	Plate, Mounting (Front Left)	
56	3580320	1	Pulley	
57	3600339	1	Pump Assembly - Rexroth (See Separate Breakdown in this Section)	
58	1001145382	1	Cooler, Engine Oil	
59	3740067	2	Relay, Start	
60	3740080	2	Relay	
61	3960543	1	Seal	
62	3960544	1	Seal	
63	4032022	4	Capscrew M10 x 90	
64	4060804	0.98 ft /0.3m	Flex-Trim	
65	4060805	0.67 ft /0.2m	Flex-Trim	
66	4240099	AR	Tie, Wire (Not Shown)	
67	4568293	1	Pipe, Exhaust	
68	4640751	1	Valve, Oil Drain	
69	4711500	13	Washer 5/16	
70	4711600	68	Washer 3/8	
71	4711800	7	Washer 1/2	
72	4740274	4	Washer, Snubbing	
73	4740518	10	Washer, Nylon	
74	4751400	20	Washer 1/4	
75	4791400	4	Washer 1/4	
76	4846552	1	Plate, Oil Cooler Mounting	
77	4846945	1	Mount, Generator	
78	4846946	1	Tray	
79	4891800	2	Washer 1/2	
80	4923468	1	Harness, Glow Plugs	
81	4923592	1	Cable, Jumper	
82	1001225118	1	Hose, Air Intake	
83	1001098601	1	Engine, Deutz TD2011 Components (See Separate Breakdown in this Section)	
84	8410013	1	Clamp, Gear	





# SECTION 3 - ENGINE

FIGURE 3-7. DEUTZ TD2011 ENGINE INSTALLATION - WITH REXROTH PUMP (WITH GENERATOR AND WITH COLD WEATHER PLUS PACKAGE)



ART\_1001098520

## SECTION 3 - ENGINE

**FIGURE 3-7. DEUTZ TD2011 ENGINE INSTALLATION - WITH REXROTH PUMP (WITH GENERATOR AND WITH COLD WEATHER PLUS PACKAGE)**

ITEM	PART NUMBER	QTY	DESCRIPTION	REV
	1001098520	Ref	DEUTZ TD2011 ENGINE INSTALLATION - WITH REXROTH PUMP (WITH GENERATOR AND WITH COLD WEATHER PLUS PACKAGE)	G
1	0100011	AR	Compound, Locking	
2	0100079	AR	Sealant, Pipe	
3	0641410	4	Bolt 1/4 x 1-1/4	
4	0641509	15	Bolt 5/16 x 1-1/8	
5	0641511	1	Bolt 5/16 x 1-3/8	
6	0641605	3	Bolt 3/8 x 5/8	
7	0641610	5	Bolt 3/8 x 1-1/4	
8	0641806	1	Bolt 1/2 x 3/4	
9	0641808	1	Bolt 1/2 x 1	
10	0642010	1	Bolt 5/8 x 1-1/4	
11	0641606	4	Bolt 3/8 x 3/4	
12	0651606	4	Bolt 3/8 x 3/4	
13	1320022	3	Clamp	
14	1320041	2	Clamp	
15	1320187	1	Clamp, Twin	
16	1320190	1	Cover, Clamp	
17	1671121	1	Cover, Generator	
18	1702942	1	Decal - Engine Block Heater	
19	1001108617	1	Filter, Pressure	
19	70002231	1	Element, Filter	
20	2120218	1	Filter, High Pressure	
20	2120219	1	Element	
20	70001344	1	O-Ring, Bowl	
20	70006137	1	Seal Kit - Includes O-Ring (Element), O-Ring (Bowl), Back-up Ring (Bowl), Seal Ring (Indicator) and O-Ring (Indicator)	
21	2180348	1	Fitting, Barbed	
22	2220313	1	Fitting, 90 Barbed	
23	2221176	1	Fitting, 90 Elbow	
24	2750532	5 ft/ 1.5m	Hose	
25	2902292	1	Battery Cable Kit	
25A	7027008	1	Cable, Red (To Aux Pump Relay, Battery Positive Terminal and Start Relay)	
25B	7027009	1	Cable, Black (To Aux Pump, Battery Negative Terminal and Ground at Tray Pivot)	
25C	7027010	1	Cable, Red (Aux Pump Relay to Aux Pump)	
25D	7027011	1	Cable, Black (Tray Pivot to Engine Mount)	
25E	7024584	1	Cable, Red (Start Relay to Starter)	
25F	See Note	NSS	Boot, Terminal (Red) (Note: Not Available for Purchase)	
25G	See Note	NSS	Boot, Square Terminal (Red) (Note: Not Available for Purchase)	
26	3311505	15	Nut 5/16	
27	3311605	4	Nut 3/8	
28	3380473	1	Panel, Rubber	
29	3380498	1	Panel	
30	3380723	1	Panel	
31	3422446	1	Pin	
32	3573644	1	Plate, Tray Clamp	
33	3573669	1	Plate, Clamp	

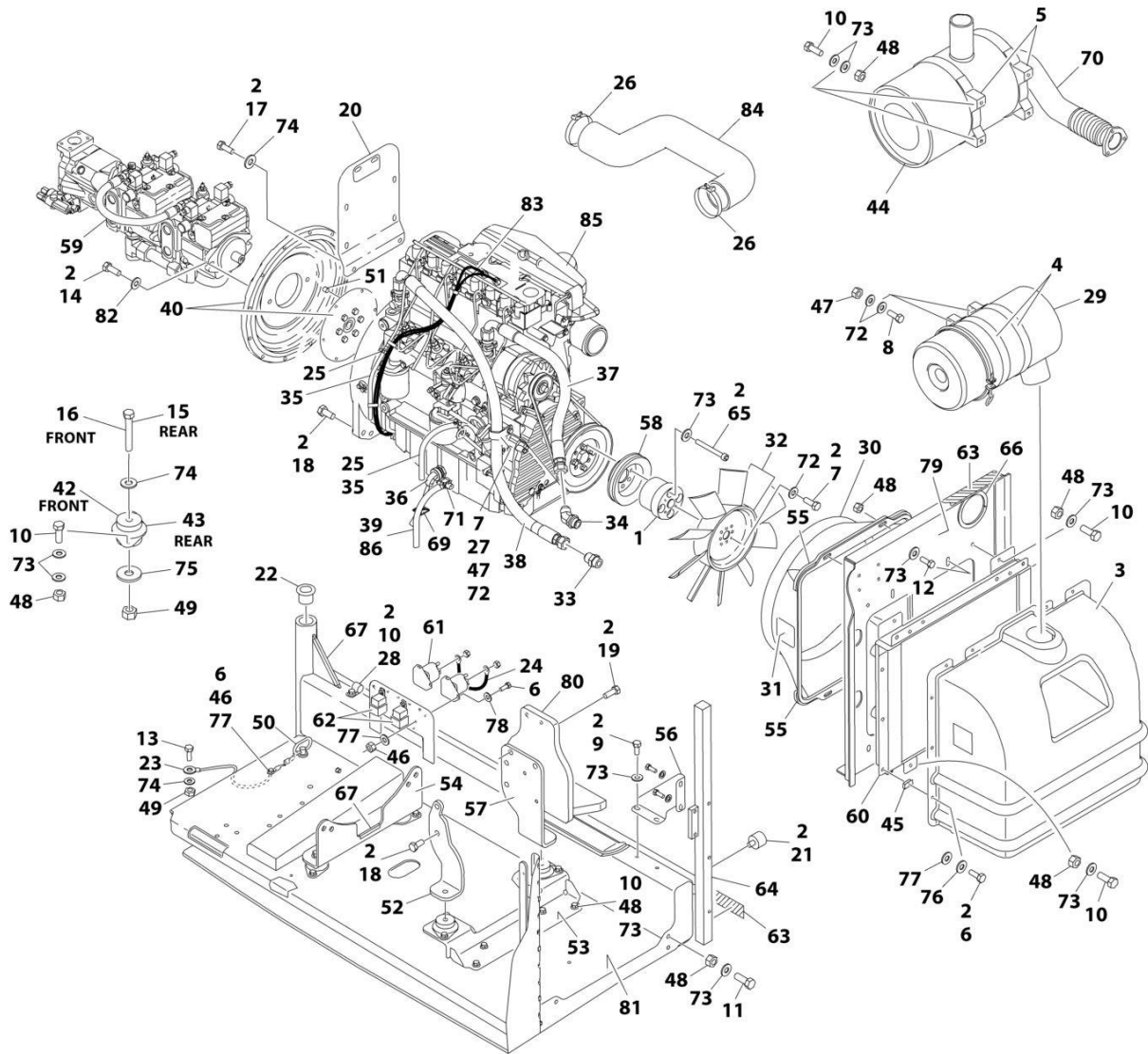
## SECTION 3 - ENGINE

ITEM	PART NUMBER	QTY	DESCRIPTION	REV
34	3573727	1	Plate, Tray Clamp	
35	3573728	1	Plate, Tray Clamp	
36	3574633	1	Plate	
37	3841143	1	Keeper	
38	3900316	10	Screw 3/8 x 1	
39	4240018	2	Strap, Cable Tie (Not Shown)	
40	4240033	AR	Tie, Wire (Not Shown)	
41	4341110	1	Support	
42	4711400	4	Washer 1/4	
43	4711500	30	Washer 5/16	
44	4711600	29	Washer 3/8	
45	4752000	1	Washer 5/8	
46	90028660	1	Clamp	
47	1001098531	1	Engine and Pump Assembly (See Separate Breakdown in this Section)	



# SECTION 3 - ENGINE

## FIGURE 3-8. DEUTZ TD2011 ENGINE ASSEMBLY - WITH REXROTH PUMP (WITH GENERATOR AND WITH COLD WEATHER PLUS PACKAGE) (PVC 2001)



ART\_1001098531

## SECTION 3 - ENGINE

**FIGURE 3-8. DEUTZ TD2011 ENGINE ASSEMBLY - WITH REXROTH PUMP (WITH GENERATOR AND WITH COLD WEATHER PLUS PACKAGE) (PVC 2001)**

ITEM	PART NUMBER	QTY	DESCRIPTION	REV
	1001098531	Ref	DEUTZ TD2011 ENGINE ASSEMBLY - WITH REXROTH PUMPS (WITH SKYPOWER AND WITH COLD WEATHER PLUS PACKAGE)	K
1	0080244	1	Spacer, Fan	
2	0100011	AR	Compound, Locking	
3	0272060	1	Box, Air Intake	
4	0340003	2	Band, Air Cleaner	
5	0340051	2	Band, Muffler	
6	0641406	15	Bolt 1/4 x 3/4	
7	0641506	5	Bolt 5/16 x 3/4	
8	0641507	4	Bolt 5/16 x 7/8	
9	0641605	4	Bolt 3/8 x 5/8	
10	0641608	25	Bolt 3/8 x 1	
11	0641609	2	Bolt 3/8 x 1-1/8	
12	0641610	4	Bolt 3/8 x 1-1/4	
13	0641808	1	Bolt 1/2 x 1	
14	0641812	2	Bolt 1/2 x 1-1/2	
15	0641818	2	Bolt 1/2 x 2-1/4	
16	0641826	2	Bolt 1/2 x 3-1/4	
17	0711214	2	Bolt M12 x 30	
18	0771414	6	Bolt M14 x 30	
19	0711417	4	Bolt M14 x 45	
20	1001112766	1	Bracket, Muffler	
21	0940070	1	Bumper	
22	0961986	2	Bushing, Flanged	
23	1001131542	1	Lanyard	
24	1060904	1	Cable, Jumper	
25	1320022	2	Clamp	
26	1320058	2	Clamp	
27	1320060	1	Clamp	
28	1320223	1	J-Clip	
29	1340065	1	Air Cleaner Assembly	
29	7003655	1	Element, Air Cleaner	
29	7015013	1	Baffle, Rubber	
29	7015014	1	Clamp, Cap	
29	7015015	1	Cup	
29	7015003	1	Wingnut	
30	1671023	1	Shroud, Fan	
31	1703162	2	Decal - Fan Blade	
32	2060025	1	Fan	
33	2220451	1	Fitting, Straight	
34	2220498	1	Fitting, Elbow	
35	2720058	34 ft/ 10.3m	Hose	
36	2580062	1	Heater, Engine Block	
37	2720500	1	Hose, Oil Cooler (Top)	
38	2720501	1	Hose, Oil Cooler (Bottom)	
39	2750532	0.75 ft /0.2m	Hose	
40	2902065	1	Pump Coupling Kit (See Separate Breakdown in this Section)	

## SECTION 3 - ENGINE

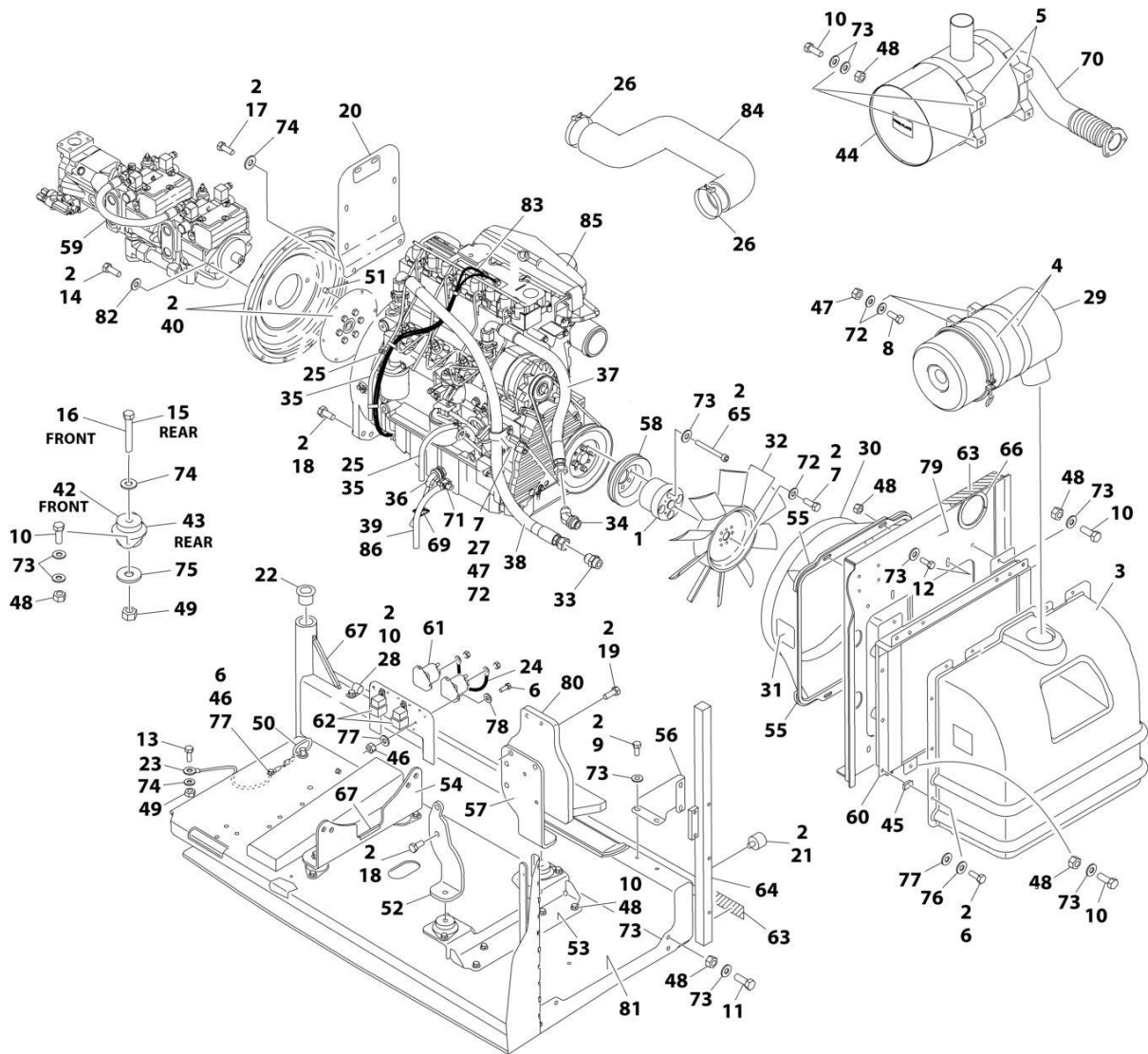
ITEM	PART NUMBER	QTY	DESCRIPTION	REV
42	3200362	2	Mount, Motor (Front)	
43	3200401	2	Mount, Motor (Rear)	
44	3220126	1	Muffler	
44	70003555	1	Clamp	
45	3300454	10	Nut 1/4	
46	3311405	5	Nut 1/4	
47	3311505	5	Nut 5/16	
48	3311605	30	Nut 3/8	
49	3311805	5	Nut 1/2	
50	3422532	1	Pin, Hitch	
51	3520054	2	Plug	
52	3537416	1	Plate, Mounting (Front Right)	
53	3539971	1	Bracket, Engine Mounting (Front)	
54	3573142	1	Bracket, Engine Mounting (Rear)	
55	3573411	2	Plate, Clamp	
56	3573412	1	Gusset	
57	3573529	1	Plate, Mounting (Front Left)	
58	3580320	1	Pulley	
59	3600339	1	Pump Assembly - Rexroth (See Separate Breakdown in this Section)	
60	1001145382	1	Cooler, Engine Oil	
61	3740067	2	Relay, Start	
62	3740080	2	Relay	
63	3960543	1	Seal	
64	3960544	1	Seal	
65	4032022	4	Capscrew M10 x 90	
66	4060804	0.98 ft /0.3m	Flex-Trim	
67	4060805	0.67 ft /0.2m	Flex-Trim	
68	4240099	AR	Tie, Wire (Not Shown)	
69	4460234	3	Mount, Wire Tie	
70	4568293	1	Pipe, Exhaust	
71	4640751	1	Valve, Oil Drain	
72	4711500	13	Washer 5/16	
73	4711600	68	Washer 3/8	
74	4711800	7	Washer 1/2	
75	4740274	4	Washer, Snubbing	
76	4740518	10	Washer, Nylon	
77	4751400	20	Washer 1/4	
78	4791400	4	Washer 1/4	
79	4846552	1	Plate, Oil Cooler Mounting	
80	4846945	1	Mount, Generator	
81	4846946	1	Tray	
82	4891800	2	Washer 1/2 Hardened	
83	4923468	1	Harness, Glow Plugs	
84	1001225118	1	Hose, Air Intake	
85	1001098601	1	Engine, Deutz TD2011 Components (See Separate Breakdown in this Section)	
86	8410013	1	Clamp, Gear	





# SECTION 3 - ENGINE

FIGURE 3-9. DEUTZ TD2011 ENGINE ASSEMBLY - WITH REXROTH PUMP (WITH GENERATOR AND WITH COLD WEATHER PLUS PACKAGE) (PVC 2007)



ART\_1001098531\_N

## SECTION 3 - ENGINE

**FIGURE 3-9. DEUTZ TD2011 ENGINE ASSEMBLY - WITH REXROTH PUMP (WITH GENERATOR AND WITH COLD WEATHER PLUS PACKAGE) (PVC 2007)**

ITEM	PART NUMBER	QTY	DESCRIPTION	REV
	1001098531	Ref	DEUTZ TD2011 ENGINE ASSEMBLY - WITH REXROTH PUMPS (WITH SKYPOWER AND WITH COLD WEATHER PLUS PACKAGE)	N
1	0080244	1	Spacer, Fan	
2	0100011	AR	Compound, Locking	
3	0272060	1	Box, Air Intake	
4	0340003	2	Band, Air Cleaner	
5	0340051	2	Band, Muffler	
6	0641406	15	Bolt 1/4 x 3/4	
7	0641506	5	Bolt 5/16 x 3/4	
8	0641507	4	Bolt 5/16 x 7/8	
9	0641605	4	Bolt 3/8 x 5/8	
10	0641608	25	Bolt 3/8 x 1	
11	0641609	2	Bolt 3/8 x 1-1/8	
12	0641610	4	Bolt 3/8 x 1-1/4	
13	0641808	1	Bolt 1/2 x 1	
14	0641812	2	Bolt 1/2 x 1-1/2	
15	0641818	2	Bolt 1/2 x 2-1/4	
16	0641826	2	Bolt 1/2 x 3-1/4	
17	0711214	2	Bolt M12 x 30	
18	0771414	6	Bolt M14 x 30	
19	0711417	4	Bolt M14 x 45	
20	1001112766	1	Bracket, Muffler	
21	0940070	1	Bumper	
22	0961986	2	Bushing, Flanged	
23	1001131542	1	Lanyard	
24	1060904	1	Cable, Jumper	
25	1320022	2	Clamp	
26	1320058	2	Clamp	
27	1320060	1	Clamp	
28	1320223	1	J-Clip	
29	1340065	1	Air Cleaner Assembly	
29	7003655	1	Element, Air Cleaner	
29	7015013	1	Baffle, Rubber	
29	7015014	1	Clamp, Cap	
29	7015015	1	Cup	
29	7015003	1	Wingnut	
30	1671023	1	Shroud, Fan	
31	1703162	2	Decal - Fan Blade	
32	2060025	1	Fan	
33	2220451	1	Fitting, Straight	
34	2220498	1	Fitting, Elbow	
35	2720058	34 ft/ 10.3m	Hose	
36	2580062	1	Heater, Engine Block	
37	2720500	1	Hose, Oil Cooler (Top)	
38	2720501	1	Hose, Oil Cooler (Bottom)	
39	2750532	0.75 ft /0.2m	Hose	
40	2902065	1	Pump Coupling Kit (See Separate Breakdown in this Section)	

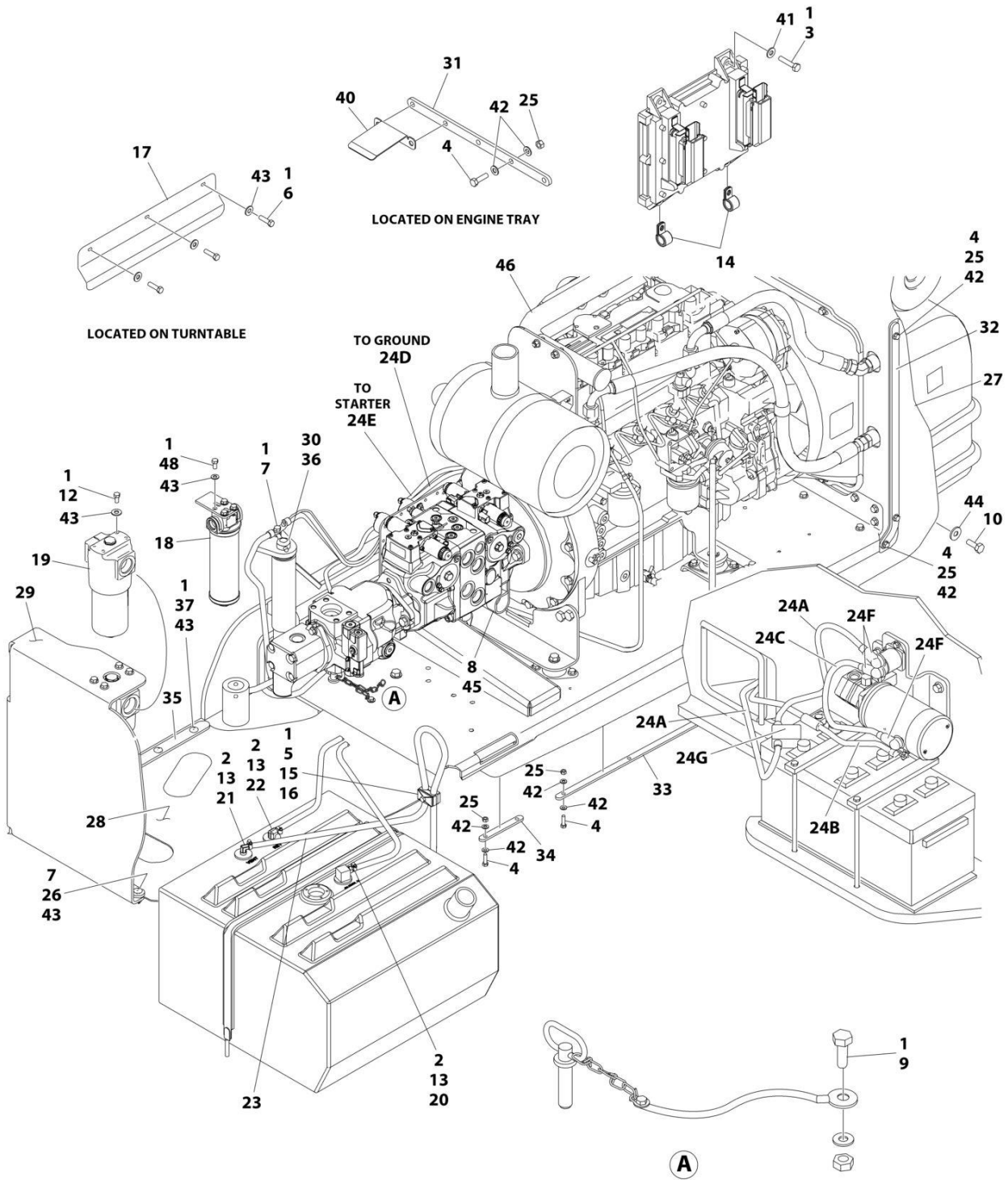
## SECTION 3 - ENGINE

ITEM	PART NUMBER	QTY	DESCRIPTION	REV
42	3200362	2	Mount, Motor (Front)	
43	3200401	2	Mount, Motor (Rear)	
44	1001257277	1	Muffler	
45	3300454	10	Nut 1/4	
46	3311405	5	Nut 1/4	
47	3311505	5	Nut 5/16	
48	3311605	30	Nut 3/8	
49	3311805	5	Nut 1/2	
50	3422532	1	Pin, Hitch	
51	3520054	2	Plug	
52	3537416	1	Plate, Mounting (Front Right)	
53	3539971	1	Bracket, Engine Mounting (Front)	
54	3573142	1	Bracket, Engine Mounting (Rear)	
55	3573411	2	Plate, Clamp	
56	3573412	1	Gusset	
57	3573529	1	Plate, Mounting (Front Left)	
58	3580320	1	Pulley	
59	3600339	1	Pump Assembly - Rexroth (See Separate Breakdown in this Section)	
60	1001145382	1	Cooler, Engine Oil	
61	3740067	2	Relay, Start	
62	3740080	2	Relay	
63	3960543	1	Seal	
64	3960544	1	Seal	
65	4032022	4	Capscrew M10 x 90	
66	4060804	0.98 ft /0.3m	Flex-Trim	
67	4060805	0.67 ft /0.2m	Flex-Trim	
68	4240099	AR	Tie, Wire (Not Shown)	
69	4460234	3	Mount, Wire Tie	
70	4568293	1	Pipe, Exhaust	
71	4640751	1	Valve, Oil Drain	
72	4711500	13	Washer 5/16	
73	4711600	68	Washer 3/8	
74	4711800	7	Washer 1/2	
75	4740274	4	Washer, Snubbing	
76	4740518	10	Washer, Nylon	
77	4751400	20	Washer 1/4	
78	4791400	4	Washer 1/4	
79	4846552	1	Plate, Oil Cooler Mounting	
80	4846945	1	Mount, Generator	
81	4846946	1	Tray	
82	4891800	2	Washer 1/2 Hardened	
83	4923468	1	Harness, Glow Plugs	
84	1001225118	1	Hose, Air Intake	
85	1001098601	1	Engine, Deutz TD2011 Components (See Separate Breakdown in this Section)	
86	8410013	1	Clamp, Gear	



# SECTION 3 - ENGINE

**FIGURE 3-10. DEUTZ TD2011 ENGINE INSTALLATION - WITH SAUER PUMP (WITHOUT GENERATOR AND WITHOUT COLD WEATHER PLUS PACKAGE)**



ART\_1001107972

## SECTION 3 - ENGINE

**FIGURE 3-10. DEUTZ TD2011 ENGINE INSTALLATION - WITH SAUER PUMP (WITHOUT GENERATOR AND WITHOUT COLD WEATHER PLUS PACKAGE)**

ITEM	PART NUMBER	QTY	DESCRIPTION	REV
	1001107972	Ref	DEUTZ TD2011 ENGINE INSTALLATION - WITH SAUER PUMP (WITHOUT GENERATOR AND WITHOUT COLD WEATHER PLUS PACKAGE)	E
1	0100011	AR	Compound, Locking	
2	0100079	AR	Sealant, Pipe	
3	0641410	4	Bolt 1/4 x 1-1/4	
4	0641509	15	Bolt 5/16 x 1-1/8	
5	0641511	1	Bolt 5/16 x 1-3/8	
6	0641605	3	Bolt 3/8 x 5/8	
7	0641610	5	Bolt 3/8 x 1-1/4	
8	0641806	1	Bolt 1/2 x 3/4	
9	0641808	1	Bolt 1/2 x 1	
10	0642010	1	Bolt 5/8 x 1-1/4	
12	0651606	4	Bolt 3/8 x 3/4	
13	1320022	3	Clamp	
14	1320041	2	Clamp	
15	1320187	1	Clamp, Twin	
16	1320190	1	Cover, Clamp	
17	1671121	1	Cover, Generator	
18	1001108617	1	Filter, Pressure	
18	70002231	1	Element, Filter	
19	2120218	1	Filter, High Pressure	
19	2120219	1	Element	
19	70001344	1	O-Ring, Bowl	
19	70006137	1	Seal Kit - Includes O-Ring (Element), O-Ring (Bowl), Back-up Ring (Bowl), Seal Ring (Indicator) and O-Ring (Indicator)	
20	2180348	1	Fitting, Barbed	
21	2220313	1	Fitting, 90 Barbed	
22	2221176	1	Fitting, 90 Elbow	
23	2750532	5 ft/ 1.5m	Hose	
24	2902292	1	Battery Cable Kit	
24A	7027008	1	Cable, Red (To Aux Pump Relay, Battery Positive Terminal and Start Relay)	
24B	7027009	1	Cable, Black (To Aux Pump, Battery Negative Terminal and Ground at Tray Pivot)	
24C	7027010	1	Cable, Red (Aux Pump Relay to Aux Pump)	
24D	7027011	1	Cable, Black (Tray Pivot to Engine Mount)	
24E	7024584	1	Cable, Red (Start Relay to Starter)	
24F	See Note	NSS	Boot, Terminal (Red) (Note: Not Available for Purchase)	
24G	See Note	NSS	Boot, Square Terminal (Red) (Note: Not Available for Purchase)	
25	3311505	15	Nut 5/16	
26	3311605	4	Nut 3/8	
27	3380473	1	Panel, Rubber	
28	3380498	1	Panel	
29	3380723	1	Panel	
30	3422446	1	Pin	
31	3573644	1	Plate, Tray Clamp	
32	3573669	1	Plate, Clamp	
33	3573727	1	Plate, Tray Clamp	
34	3573728	1	Plate, Tray Clamp	

## SECTION 3 - ENGINE

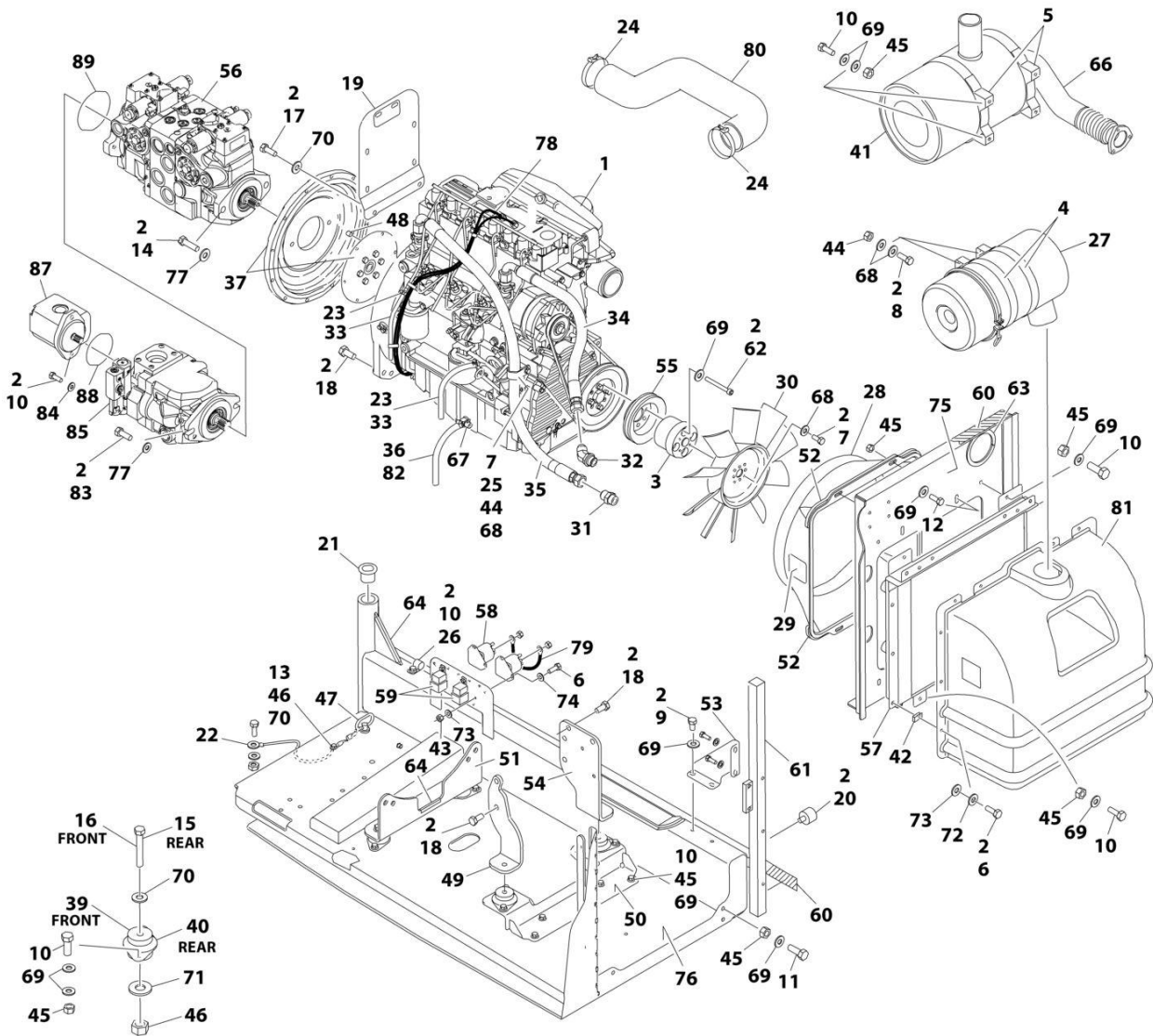
ITEM	PART NUMBER	QTY	DESCRIPTION	REV
35	3574633	1	Plate	
36	3841143	1	Keeper	
37	3900316	10	Screw 3/8 x 1	
38	4240018	2	Strap, Cable Tie (Not Shown)	
39	4240033	AR	Tie, Wire (Not Shown)	
40	4341110	1	Support	
41	4711400	4	Washer 1/4	
42	4711500	30	Washer 5/16	
43	4711600	29	Washer 3/8	
44	4752000	1	Washer 5/8	
45	90028660	1	Clamp	
46	1001107971	1	Engine and Pump Assembly (See Separate Breakdown in this Section)	
48	0641606	4	Bolt 3/8 x 3/4	





# SECTION 3 - ENGINE

FIGURE 3-11. DEUTZ TD2011 ENGINE ASSEMBLY - WITH SAUER PUMP (WITHOUT GENERATOR AND WITHOUT COLD WEATHER PLUS PACKAGE) (PVC 2001)



ART\_1001107971

## SECTION 3 - ENGINE

**FIGURE 3-11. DEUTZ TD2011 ENGINE ASSEMBLY - WITH SAUER PUMP (WITHOUT GENERATOR AND WITHOUT COLD WEATHER PLUS PACKAGE) (PVC 2001)**

ITEM	PART NUMBER	QTY	DESCRIPTION	REV
	1001107971	Ref	DEUTZ TD2011 ENGINE ASSEMBLY - WITH SAUER PUMPS (WITHOUT SKYPOWER AND WITHOUT COLD WEATHER PLUS PACKAGE)	J
1	1001098601	1	Engine, Deutz TD2011 Components (See Separate Breakdown in this Section)	
2	0100011	AR	Compound, Locking	
3	0080237	1	Spacer, Fan	
4	0340003	2	Band, Air Cleaner	
5	0340051	2	Band, Muffler	
6	0641406	15	Bolt 1/4 x 3/4	
7	0641506	5	Bolt 5/16 x 3/4	
8	0641507	4	Bolt 5/16 x 7/8	
9	0641605	4	Bolt 3/8 x 5/8	
10	0641608	27	Bolt 3/8 x 1	
11	0641609	2	Bolt 3/8 x 1-1/8	
12	0641610	4	Bolt 3/8 x 1-1/4	
13	0641808	1	Bolt 1/2 x 1	
14	0641814	2	Bolt 1/2 x 1-3/4	
15	0641818	2	Bolt 1/2 x 2-1/4	
16	0641826	2	Bolt 1/2 x 3-1/4	
17	0711214	2	Bolt M12 x 30	
18	0771414	10	Bolt M14 x 30	
19	1001112766	1	Bracket, Muffler	
20	0940070	1	Bumper	
21	0961986	2	Bushing, Flanged	
22	1001131542	1	Lanyard	
23	1320022	3	Clamp	
24	1320058	2	Clamp	
25	1320060	1	Clamp	
26	1320223	1	J-Clip	
27	1340065	1	Air Cleaner Assembly	
27	7003655	1	Element, Air Cleaner	
27	7015013	1	Baffle, Rubber	
27	7015014	1	Clamp, Cap	
27	7015015	1	Cup	
27	7015003	1	Wingnut	
28	1671023	1	Shroud, Fan	
29	1703162	2	Decal - Fan Blade	
30	2060025	1	Fan	
31	2220451	1	Fitting, Straight	
32	2220498	1	Fitting, Elbow	
33	2720058	34 ft /10.3m	Hose	
34	2720500	1	Hose, Oil Cooler (Top)	
35	2720501	1	Hose, Oil Cooler (Bottom)	
36	2750532	0.75 ft /0.2m	Hose	
37	2902065	1	Pump Coupling Kit (See Separate Breakdown in this Section)	
39	3200362	2	Mount, Motor (Front)	
40	3200401	2	Mount, Motor (Rear)	

## SECTION 3 - ENGINE

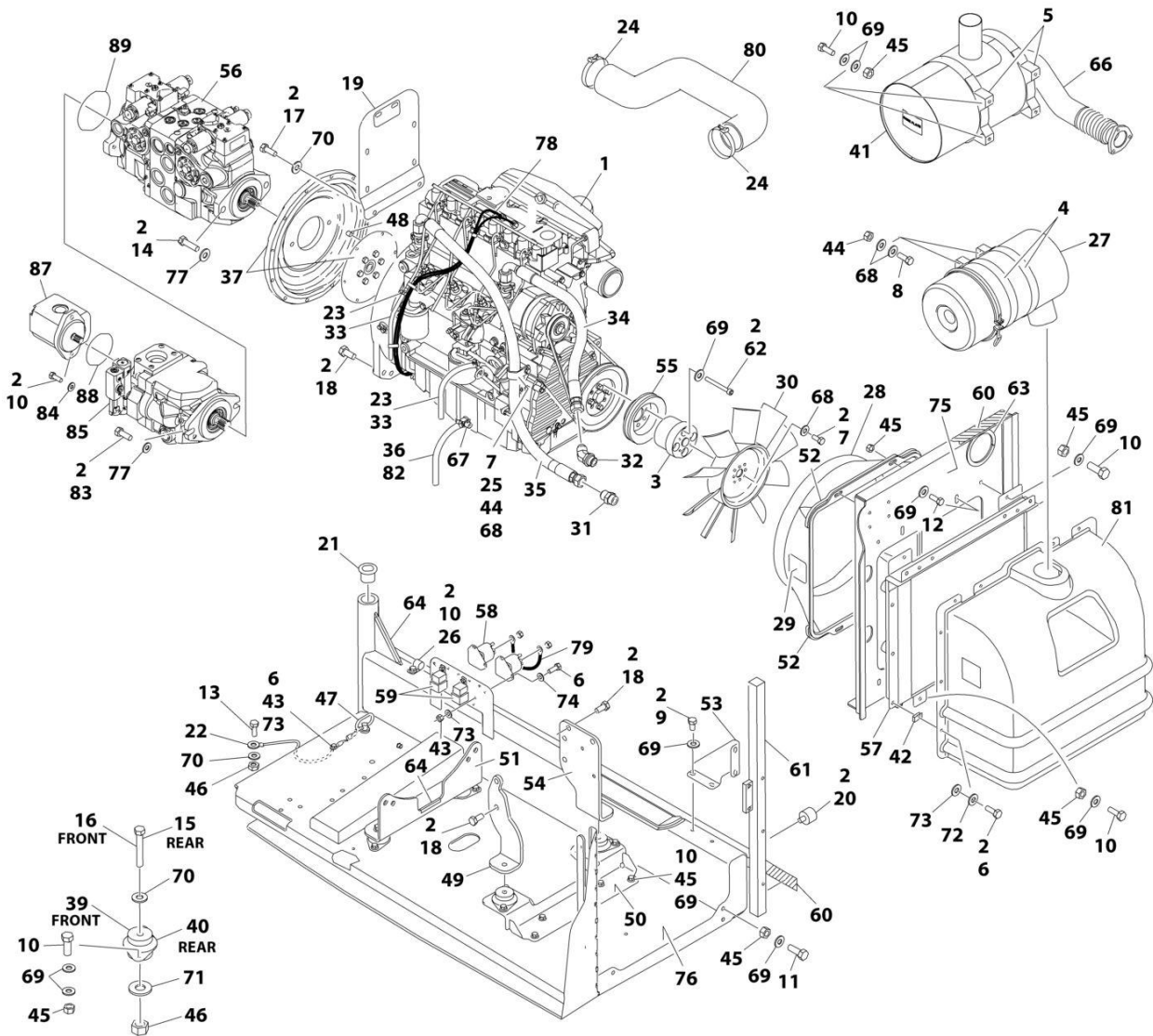
ITEM	PART NUMBER	QTY	DESCRIPTION	REV
41	3220126	1	Muffler	
41	70003555	1	Clamp	
42	3300454	10	Nut 1/4	
43	3311405	5	Nut 1/4	
44	3311505	5	Nut 5/16	
45	3311605	30	Nut 3/8	
46	3311805	5	Nut 1/2	
47	3422532	1	Pin, Hitch	
48	3520054	2	Plug	
49	3537416	1	Plate, Mounting (Front Right)	
50	3539971	1	Bracket, Engine Mounting (Front)	
51	3573142	1	Bracket, Engine Mounting (Rear)	
52	3573411	2	Plate, Clamp	
53	3573412	1	Gusset	
54	3573529	1	Plate, Mounting (Front Left)	
55	3580158	1	Pulley	
56	1001108616	1	Pump Assembly - Sauer (See Separate Breakdown in this Section)	
57	1001145382	1	Cooler, Engine Oil	
58	3740067	2	Relay, Start	
59	3740080	2	Relay	
60	3960543	1	Seal	
61	3960544	1	Seal	
62	4032022	4	Capscrew M10 x 90	
63	4060804	0.98 ft /0.3m	Flex-Trim	
64	4060805	0.67 ft /0.2m	Flex-Trim	
65	4240099	AR	Tie, Wire (Not Shown)	
66	4568293	1	Pipe, Exhaust	
67	4640751	1	Valve, Oil Drain	
68	4711500	13	Washer 5/16	
69	4711600	68	Washer 3/8	
70	4711800	7	Washer 1/2	
71	4740274	4	Washer, Snubbing	
72	4740518	10	Washer, Nylon	
73	4751400	20	Washer 1/4	
74	4791400	4	Washer 1/4	
75	4846552	1	Plate, Oil Cooler Mounting	
76	4846946	1	Tray	
77	4891800	4	Washer 1/2	
78	4923468	1	Harness, Glow Plugs	
79	4923592	1	Cable, Jumper	
80	1001225118	1	Hose, Air Intake	
81	0272060	1	Box, Air Intake	
82	8410013	1	Clamp, Gear	
83	0761215	2	Bolt M12 x 35mm	
84	4891600	2	Washer 3/8	
85	1001171095	1	Pump Assembly - Sauer Piston (See Separate Breakdown in this Section)	
87	1001112927	1	Pump Assembly - Sauer Gear (See Separate Breakdown in this Section)	
88	3790152	1	O-Ring	

## SECTION 3 - ENGINE

ITEM	PART NUMBER	QTY	DESCRIPTION	REV
89	3790155	1	O-Ring	

# SECTION 3 - ENGINE

FIGURE 3-12. DEUTZ TD2011 ENGINE ASSEMBLY - WITH SAUER PUMP (WITHOUT GENERATOR AND WITHOUT COLD WEATHER PLUS PACKAGE) (PVC 2007)



ART\_1001107971\_M

## SECTION 3 - ENGINE

**FIGURE 3-12. DEUTZ TD2011 ENGINE ASSEMBLY - WITH SAUER PUMP (WITHOUT GENERATOR AND WITHOUT COLD WEATHER PLUS PACKAGE) (PVC 2007)**

ITEM	PART NUMBER	QTY	DESCRIPTION	REV
	1001107971	Ref	DEUTZ TD2011 ENGINE ASSEMBLY - WITH SAUER PUMPS (WITHOUT SKYPOWER AND WITHOUT COLD WEATHER PLUS PACKAGE)	M
1	1001098601	1	Engine, Deutz TD2011 Components (See Separate Breakdown in this Section)	
2	0100011	AR	Compound, Locking	
3	0080237	1	Spacer, Fan	
4	0340003	2	Band, Air Cleaner	
5	0340051	2	Band, Muffler	
6	0641406	15	Bolt 1/4 x 3/4	
7	0641506	5	Bolt 5/16 x 3/4	
8	0641507	4	Bolt 5/16 x 7/8	
9	0641605	4	Bolt 3/8 x 5/8	
10	0641608	27	Bolt 3/8 x 1	
11	0641609	2	Bolt 3/8 x 1-1/8	
12	0641610	4	Bolt 3/8 x 1-1/4	
13	0641808	1	Bolt 1/2 x 1	
14	0641814	2	Bolt 1/2 x 1-3/4	
15	0641818	2	Bolt 1/2 x 2-1/4	
16	0641826	2	Bolt 1/2 x 3-1/4	
17	0711214	2	Bolt M12 x 30	
18	0771414	10	Bolt M14 x 30	
19	1001112766	1	Bracket, Muffler	
20	0940070	1	Bumper	
21	0961986	2	Bushing, Flanged	
22	1001131542	1	Lanyard	
23	1320022	3	Clamp	
24	1320058	2	Clamp	
25	1320060	1	Clamp	
26	1320223	1	J-Clip	
27	1340065	1	Air Cleaner Assembly	
27	7003655	1	Element, Air Cleaner	
27	7015013	1	Baffle, Rubber	
27	7015014	1	Clamp, Cap	
27	7015015	1	Cup	
27	7015003	1	Wingnut	
28	1671023	1	Shroud, Fan	
29	1703162	2	Decal - Fan Blade	
30	2060025	1	Fan	
31	2220451	1	Fitting, Straight	
32	2220498	1	Fitting, Elbow	
33	2720058	34 ft /10.3m	Hose	
34	2720500	1	Hose, Oil Cooler (Top)	
35	2720501	1	Hose, Oil Cooler (Bottom)	
36	2750532	0.75 ft /0.2m	Hose	
37	2902065	1	Pump Coupling Kit (See Separate Breakdown in this Section)	
39	3200362	2	Mount, Motor (Front)	
40	3200401	2	Mount, Motor (Rear)	

## SECTION 3 - ENGINE

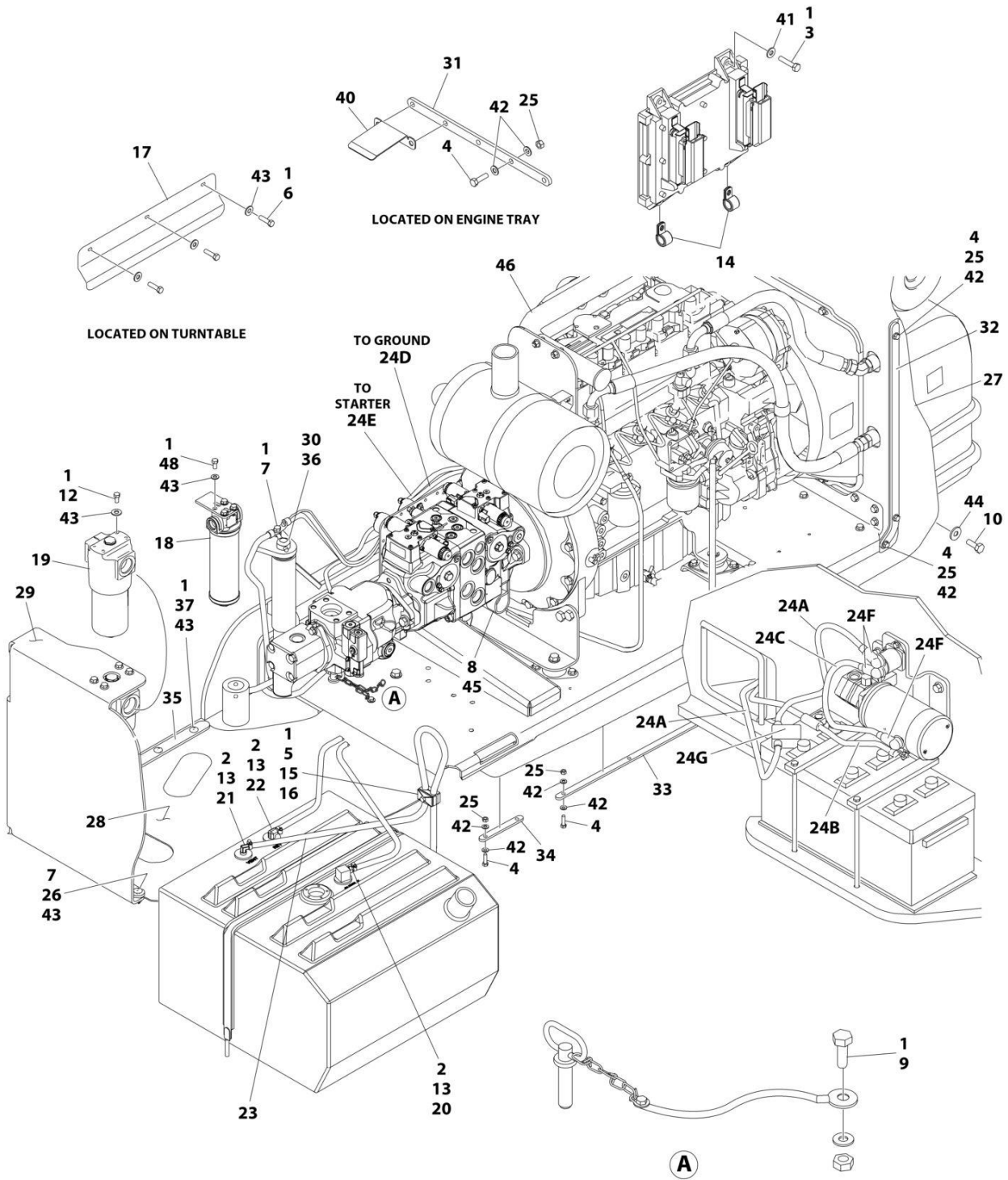
ITEM	PART NUMBER	QTY	DESCRIPTION	REV
41	1001257277	1	Muffler	
42	3300454	10	Nut 1/4	
43	3311405	5	Nut 1/4	
44	3311505	5	Nut 5/16	
45	3311605	30	Nut 3/8	
46	3311805	5	Nut 1/2	
47	3422532	1	Pin, Hitch	
48	3520054	2	Plug	
49	3537416	1	Plate, Mounting (Front Right)	
50	3539971	1	Bracket, Engine Mounting (Front)	
51	3573142	1	Bracket, Engine Mounting (Rear)	
52	3573411	2	Plate, Clamp	
53	3573412	1	Gusset	
54	3573529	1	Plate, Mounting (Front Left)	
55	3580158	1	Pulley	
56	1001108616	1	Pump Assembly - Sauer (See Separate Breakdown in this Section)	
57	1001145382	1	Cooler, Engine Oil	
58	3740067	2	Relay, Start	
59	3740080	2	Relay	
60	3960543	1	Seal	
61	3960544	1	Seal	
62	4032022	4	Capscrew M10 x 90	
63	4060804	0.98 ft /0.3m	Flex-Trim	
64	4060805	0.67 ft /0.2m	Flex-Trim	
65	4240099	AR	Tie, Wire (Not Shown)	
66	4568293	1	Pipe, Exhaust	
67	4640751	1	Valve, Oil Drain	
68	4711500	13	Washer 5/16	
69	4711600	68	Washer 3/8	
70	4711800	7	Washer 1/2	
71	4740274	4	Washer, Snubbing	
72	4740518	10	Washer, Nylon	
73	4751400	20	Washer 1/4	
74	4791400	4	Washer 1/4	
75	4846552	1	Plate, Oil Cooler Mounting	
76	4846946	1	Tray	
77	4891800	4	Washer 1/2	
78	4923468	1	Harness, Glow Plugs	
79	4923592	1	Cable, Jumper	
80	1001225118	1	Hose, Air Intake	
81	0272060	1	Box, Air Intake	
82	8410013	1	Clamp, Gear	
83	0761215	2	Bolt M12 x 35mm	
84	4891600	2	Washer 3/8	
85	1001171095	1	Pump Assembly - Sauer Piston (See Separate Breakdown in this Section)	
87	1001112927	1	Pump Assembly - Sauer Gear (See Separate Breakdown in this Section)	
88	3790152	1	O-Ring	
89	3790155	1	O-Ring	





# SECTION 3 - ENGINE

**FIGURE 3-13. DEUTZ TD2011 ENGINE INSTALLATION - WITH SAUER PUMP (WITH GENERATOR AND WITHOUT COLD WEATHER PLUS PACKAGE)**



ART\_1001107974

## SECTION 3 - ENGINE

**FIGURE 3-13. DEUTZ TD2011 ENGINE INSTALLATION - WITH SAUER PUMP (WITH GENERATOR AND WITHOUT COLD WEATHER PLUS PACKAGE)**

ITEM	PART NUMBER	QTY	DESCRIPTION	REV
	1001107974	Ref	DEUTZ TD2011 ENGINE INSTALLATION - WITH SAUER PUMP (WITH GENERATOR AND WITHOUT COLD WEATHER PLUS PACKAGE)	E
1	0100011	AR	Compound, Locking	
2	0100079	AR	Sealant, Pipe	
3	0641410	4	Bolt 1/4 x 1-1/4	
4	0641509	15	Bolt 5/16 x 1-1/8	
5	0641511	1	Bolt 5/16 x 1-3/8	
6	0641605	3	Bolt 3/8 x 5/8	
7	0641610	5	Bolt 3/8 x 1-1/4	
8	0641806	1	Bolt 1/2 x 3/4	
9	0641808	1	Bolt 1/2 x 1	
10	0642010	1	Bolt 5/8 x 1-1/4	
12	0651606	4	Bolt 3/8 x 3/4	
13	1320022	3	Clamp	
14	1320041	2	Clamp	
15	1320187	1	Clamp, Twin	
16	1320190	1	Cover, Clamp	
17	1671121	1	Cover, Generator	
18	1001108617	1	Filter, Pressure	
18	70002231	1	Element, Filter	
19	2120218	1	Filter, High Pressure	
19	2120219	1	Element	
19	70001344	1	O-Ring, Bowl	
19	70006137	1	Seal Kit - Includes O-Ring (Element), O-Ring (Bowl), Back-up Ring (Bowl), Seal Ring (Indicator) and O-Ring (Indicator)	
20	2180348	1	Fitting, Barbed	
21	2220313	1	Fitting, 90 Barbed	
22	2221176	1	Fitting, 90 Elbow	
23	2750532	5 ft/ 1.5m	Hose	
24	2902292	1	Battery Cable Kit	
24A	7027008	1	Cable, Red (To Aux Pump Relay, Battery Positive Terminal and Start Relay)	
24B	7027009	1	Cable, Black (To Aux Pump, Battery Negative Terminal and Ground at Tray Pivot)	
24C	7027010	1	Cable, Red (Aux Pump Relay to Aux Pump)	
24D	7027011	1	Cable, Black (Tray Pivot to Engine Mount)	
24E	7024584	1	Cable, Red (Start Relay to Starter)	
24F	See Note	NSS	Boot, Terminal (Red) (Note: Not Available for Purchase)	
24G	See Note	NSS	Boot, Square Terminal (Red) (Note: Not Available for Purchase)	
25	3311505	15	Nut 5/16	
26	3311605	4	Nut 3/8	
27	3380473	1	Panel, Rubber	
28	3380498	1	Panel	
29	3380723	1	Panel	
30	3422446	1	Pin	
31	3573644	1	Plate, Tray Clamp	
32	3573669	1	Plate, Clamp	
33	3573727	1	Plate, Tray Clamp	
34	3573728	1	Plate, Tray Clamp	

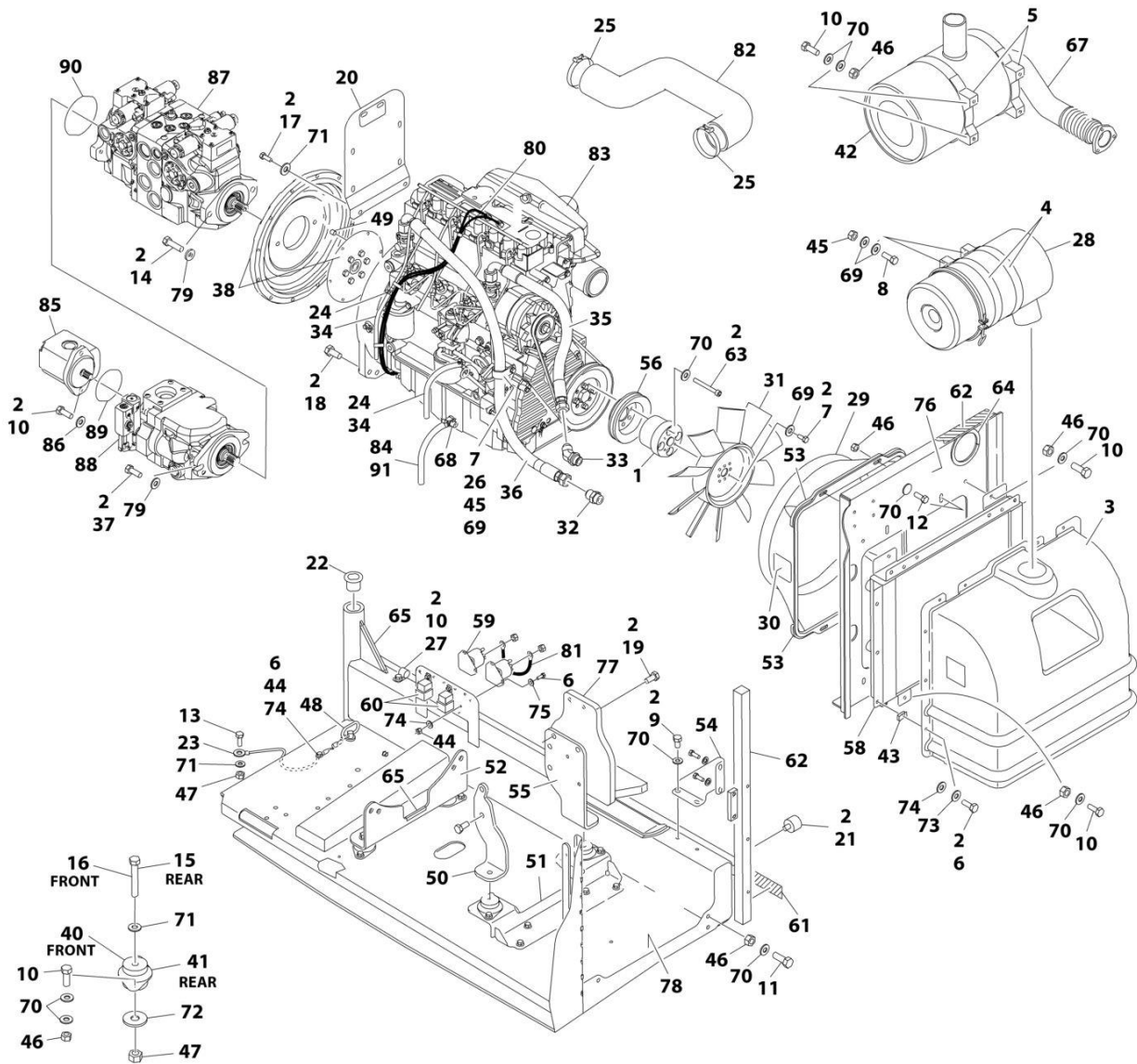
## SECTION 3 - ENGINE

ITEM	PART NUMBER	QTY	DESCRIPTION	REV
35	3574633	1	Plate	
36	3841143	1	Keeper	
37	3900316	10	Screw 3/8 x 1	
38	4240018	2	Strap, Cable Tie (Not Shown)	
39	4240033	AR	Tie, Wire (Not Shown)	
40	4341110	1	Support	
41	4711400	4	Washer 1/4	
42	4711500	30	Washer 5/16	
43	4711600	29	Washer 3/8	
44	4752000	1	Washer 5/8	
45	90028660	1	Clamp	
46	1001107973	1	Engine and Pump Assembly (See Separate Breakdown in this Section)	
48	0641606	4	Bolt 3/8 x 3/4	



# SECTION 3 - ENGINE

## FIGURE 3-14. DEUTZ TD2011 ENGINE ASSEMBLY - WITH SAUER PUMP (WITH GENERATOR AND WITHOUT COLD WEATHER PLUS PACKAGE) (PVC 2001)



ART\_1001107973

## SECTION 3 - ENGINE

**FIGURE 3-14. DEUTZ TD2011 ENGINE ASSEMBLY - WITH SAUER PUMP (WITH GENERATOR AND WITHOUT COLD WEATHER PLUS PACKAGE) (PVC 2001)**

ITEM	PART NUMBER	QTY	DESCRIPTION	REV
	1001107973	Ref	DEUTZ TD2011 ENGINE ASSEMBLY - WITH SAUER PUMPS (WITH SKYPOWER AND WITHOUT COLD WEATHER PLUS PACKAGE)	J
1	0080244	1	Spacer, Fan	
2	0100011	AR	Compound, Locking	
3	0272060	1	Box, Air Intake	
4	0340003	2	Band, Air Cleaner	
5	0340051	2	Band, Muffler	
6	0641406	15	Bolt 1/4 x 3/4	
7	0641506	5	Bolt 5/16 x 3/4	
8	0641507	4	Bolt 5/16 x 7/8	
9	0641605	4	Bolt 3/8 x 5/8	
10	0641608	27	Bolt 3/8 x 1	
11	0641609	2	Bolt 3/8 x 1-1/8	
12	0641610	4	Bolt 3/8 x 1-1/4	
13	0641808	1	Bolt 1/2 x 1	
14	0641814	2	Bolt 1/2 x 1-3/4	
15	0641818	2	Bolt 1/2 x 2-1/4	
16	0641826	2	Bolt 1/2 x 3-1/4	
17	0711214	2	Bolt M12 x 30	
18	0771414	6	Bolt M14 x 30	
19	0711417	4	Bolt M14 x 45	
20	1001112766	1	Bracket, Muffler	
21	0940070	1	Bumper	
22	0961986	2	Bushing, Flanged	
23	1001131542	1	Lanyard	
24	1320022	2	Clamp	
25	1320058	2	Clamp	
26	1320060	1	Clamp	
27	1320223	1	J-Clip	
28	1340065	1	Air Cleaner Assembly	
28	7003655	1	Element, Air Cleaner	
28	7015013	1	Baffle, Rubber	
28	7015014	1	Clamp, Cap	
28	7015015	1	Cup	
28	7015003	1	Wingnut	
29	1671023	1	Shroud, Fan	
30	1703162	2	Decal - Fan Blade	
31	2060025	1	Fan	
32	2220451	1	Fitting, Straight	
33	2220498	1	Fitting, Elbow	
34	2720058	34 ft/ 10.3m	Hose	
35	2720500	1	Hose, Oil Cooler (Top)	
36	2720501	1	Hose, Oil Cooler (Bottom)	
37	0761215	2	Bolt M12 x 35mm	
38	2902065	1	Pump Coupling Kit (See Separate Breakdown in this Section)	
40	3200362	2	Mount, Motor (Front)	
41	3200401	2	Mount, Motor (Rear)	

## SECTION 3 - ENGINE

ITEM	PART NUMBER	QTY	DESCRIPTION	REV
42	3220126	1	Muffler	
42	70003555	1	Clamp	
43	3300454	10	Nut	
44	3311405	5	Nut 1/4	
45	3311505	5	Nut 5/16	
46	3311605	30	Nut 3/8	
47	3311805	5	Nut 1/2	
48	3422532	1	Pin, Hitch	
49	3520054	2	Plug	
50	3537416	1	Plate, Mounting (Front Right)	
51	3539971	1	Bracket, Engine Mounting (Front)	
52	3573142	1	Bracket, Engine Mounting (Rear)	
53	3573411	2	Plate, Clamp	
54	3573412	1	Gusset	
55	3573529	1	Plate, Mounting (Front Left)	
56	3580320	1	Pulley	
58	1001145382	1	Cooler, Engine Oil	
59	3740067	2	Relay, Start	
60	3740080	2	Relay	
61	3960543	1	Seal	
62	3960544	1	Seal	
63	4032022	4	Capscrew M10 x 90	
64	4060804	0.98 ft /0.3m	Flex-Trim	
65	4060805	0.67 ft /0.2m	Flex-Trim	
66	4240099	AR	Tie, Wire (Not Shown)	
67	4568293	1	Pipe, Exhaust	
68	4640751	1	Valve, Oil Drain	
69	4711500	13	Washer 5/16	
70	4711600	68	Washer 3/8	
71	4711800	7	Washer 1/2	
72	4740274	4	Washer, Snubbing	
73	4740518	10	Washer, Nylon	
74	4751400	20	Washer 1/4	
75	4791400	4	Washer 1/4	
76	4846552	1	Plate, Oil Cooler Mounting	
77	4846945	1	Mount, Generator	
78	4846946	1	Tray	
79	4891800	4	Washer 1/2	
80	4923468	1	Harness, Glow Plugs	
81	4923592	1	Cable, Jumper	
82	1001225118	1	Hose, Air Intake	
83	1001098601	1	Engine, Deutz TD2011 Components (See Separate Breakdown in this Section)	
84	8410013	1	Clamp, Gear	
85	1001112927	1	Pump Assembly - Sauer Gear (See Separate Breakdown in this Section)	
86	4891600	2	Washer 3/8	
87	1001108616	1	Pump Assembly - Sauer (See Separate Breakdown in this Section)	
88	1001171095	1	Pump Assembly - Sauer Piston (See Separate Breakdown in this Section)	



## SECTION 3 - ENGINE

ITEM	PART NUMBER	QTY	DESCRIPTION	REV
89	3790152	1	O-Ring	
90	3790155	1	O-Ring	
91	2750532	0.8 ft/ 0.2m	Hose	



## SECTION 3 - ENGINE

**FIGURE 3-15. DEUTZ TD2011 ENGINE ASSEMBLY - WITH SAUER PUMP (WITH GENERATOR AND WITHOUT COLD WEATHER PLUS PACKAGE) (PVC 2007)**

ITEM	PART NUMBER	QTY	DESCRIPTION	REV
	1001107973	Ref	DEUTZ TD2011 ENGINE ASSEMBLY - WITH SAUER PUMPS (WITH SKYPOWER AND WITHOUT COLD WEATHER PLUS PACKAGE)	N
1	0080244	1	Spacer, Fan	
2	0100011	AR	Compound, Locking	
3	0272060	1	Box, Air Intake	
4	0340003	2	Band, Air Cleaner	
5	0340051	2	Band, Muffler	
6	0641406	15	Bolt 1/4 x 3/4	
7	0641506	5	Bolt 5/16 x 3/4	
8	0641507	4	Bolt 5/16 x 7/8	
9	0641605	4	Bolt 3/8 x 5/8	
10	0641608	27	Bolt 3/8 x 1	
11	0641609	2	Bolt 3/8 x 1-1/8	
12	0641610	4	Bolt 3/8 x 1-1/4	
13	0641808	1	Bolt 1/2 x 1	
14	0641814	2	Bolt 1/2 x 1-3/4	
15	0641818	2	Bolt 1/2 x 2-1/4	
16	0641826	2	Bolt 1/2 x 3-1/4	
17	0711214	2	Bolt M12 x 30	
18	0771414	6	Bolt M14 x 30	
19	0711417	4	Bolt M14 x 45	
20	1001112766	1	Bracket, Muffler	
21	0940070	1	Bumper	
22	0961986	2	Bushing, Flanged	
23	1001131542	1	Lanyard	
24	1320022	2	Clamp	
25	1320058	2	Clamp	
26	1320060	1	Clamp	
27	1320223	1	J-Clip	
28	1340065	1	Air Cleaner Assembly	
28	7003655	1	Element, Air Cleaner	
28	7015013	1	Baffle, Rubber	
28	7015014	1	Clamp, Cap	
28	7015015	1	Cup	
28	7015003	1	Wingnut	
29	1671023	1	Shroud, Fan	
30	1703162	2	Decal - Fan Blade	
31	2060025	1	Fan	
32	2220451	1	Fitting, Straight	
33	2220498	1	Fitting, Elbow	
34	2720058	34 ft/ 10.3m	Hose	
35	2720500	1	Hose, Oil Cooler (Top)	
36	2720501	1	Hose, Oil Cooler (Bottom)	
37	0761215	2	Bolt M12 x 35mm	
38	2902065	1	Pump Coupling Kit (See Separate Breakdown in this Section)	
40	3200362	2	Mount, Motor (Front)	
41	3200401	2	Mount, Motor (Rear)	

## SECTION 3 - ENGINE

ITEM	PART NUMBER	QTY	DESCRIPTION	REV
42	1001257277	1	Muffler	
43	3300454	10	Nut	
44	3311405	5	Nut 1/4	
45	3311505	5	Nut 5/16	
46	3311605	30	Nut 3/8	
47	3311805	5	Nut 1/2	
48	3422532	1	Pin, Hitch	
49	3520054	2	Plug	
50	3537416	1	Plate, Mounting (Front Right)	
51	3539971	1	Bracket, Engine Mounting (Front)	
52	3573142	1	Bracket, Engine Mounting (Rear)	
53	3573411	2	Plate, Clamp	
54	3573412	1	Gusset	
55	3573529	1	Plate, Mounting (Front Left)	
56	3580320	1	Pulley	
58	1001145382	1	Cooler, Engine Oil	
59	3740067	2	Relay, Start	
60	3740080	2	Relay	
61	3960543	1	Seal	
62	3960544	1	Seal	
63	4032022	4	Capscrew M10 x 90	
64	4060804	0.98 ft /0.3m	Flex-Trim	
65	4060805	0.67 ft /0.2m	Flex-Trim	
66	4240099	AR	Tie, Wire (Not Shown)	
67	4568293	1	Pipe, Exhaust	
68	4640751	1	Valve, Oil Drain	
69	4711500	13	Washer 5/16	
70	4711600	68	Washer 3/8	
71	4711800	7	Washer 1/2	
72	4740274	4	Washer, Snubbing	
73	4740518	10	Washer, Nylon	
74	4751400	20	Washer 1/4	
75	4791400	4	Washer 1/4	
76	4846552	1	Plate, Oil Cooler Mounting	
77	4846945	1	Mount, Generator	
78	4846946	1	Tray	
79	4891800	4	Washer 1/2	
80	4923468	1	Harness, Glow Plugs	
81	4923592	1	Cable, Jumper	
82	1001225118	1	Hose, Air Intake	
83	1001098601	1	Engine, Deutz TD2011 Components (See Separate Breakdown in this Section)	
84	8410013	1	Clamp, Gear	
85	1001112927	1	Pump Assembly - Sauer Gear (See Separate Breakdown in this Section)	
86	4891600	2	Washer 3/8	
87	1001108616	1	Pump Assembly - Sauer (See Separate Breakdown in this Section)	
88	1001171095	1	Pump Assembly - Sauer Piston (See Separate Breakdown in this Section)	
89	3790152	1	O-Ring	

## SECTION 3 - ENGINE

ITEM	PART NUMBER	QTY	DESCRIPTION	REV
90	3790155	1	O-Ring	
91	2750532	0.8 ft/ 0.2m	Hose	



## SECTION 3 - ENGINE

**FIGURE 3-16. DEUTZ TD2011 ENGINE INSTALLATION - WITH SAUER PUMP (WITH GENERATOR AND WITH COLD WEATHER PLUS PACKAGE)**

ITEM	PART NUMBER	QTY	DESCRIPTION	REV
	1001107976	Ref	DEUTZ TD2011 ENGINE INSTALLATION - WITH SAUER PUMP (WITH GENERATOR AND WITH COLD WEATHER PLUS PACKAGE)	E
1	0100011	AR	Compound, Locking	
2	0100079	AR	Sealant, Pipe	
3	0641410	4	Bolt 1/4 x 1-1/4	
4	0641509	15	Bolt 5/16 x 1-1/8	
5	0641511	1	Bolt 5/16 x 1-3/8	
6	0641605	3	Bolt 3/8 x 5/8	
7	0641610	5	Bolt 3/8 X 1-1/4	
8	0641806	1	Bolt 1/2 x 3/4	
9	0641808	1	Bolt 1/2 x 1	
10	0642010	1	Bolt 5/8 x 1-1/4	
12	0651606	4	Bolt 3/8 x 3/4	
13	1320022	3	Clamp	
14	1320041	2	Clamp	
15	1320187	1	Clamp, Twin	
16	1320190	1	Cover, Clamp	
17	1671121	1	Cover, Generator	
18	1702942	1	Decal - Engine Block Heater	
19	1001108617	1	Filter, Pressure	
19	70002231	1	Element, Filter	
20	2120218	1	Filter, High Pressure	
20	2120219	1	Element	
20	70001344	1	O-Ring, Bowl	
20	70006137	1	Seal Kit - Includes O-Ring (Element), O-Ring (Bowl), Back-up Ring (Bowl), Seal Ring (Indicator) and O-Ring (Indicator)	
21	2180348	1	Fitting, Barbed	
22	2220313	1	Fitting, 90 Barbed	
23	2221176	1	Fitting, 90	
24	2750532	5 ft/ 1.5m	Hose	
25	2902292	1	Battery Cable Kit	
25A	7027008	1	Cable, Red (To Aux Pump Relay, Battery Positive Terminal and Start Relay)	
25B	7027009	1	Cable, Black (To Aux Pump, Battery Negative Terminal and Ground at Tray Pivot)	
25C	7027010	1	Cable, Red (Aux Pump Relay to Aux Pump)	
25D	7027011	1	Cable, Black (Tray Pivot to Engine Mount)	
25E	7024584	1	Cable, Red (Start Relay to Starter)	
25F	See Note	NSS	Boot, Terminal (Red) (Note: Not Available for Purchase)	
25G	See Note	NSS	Boot, Square Terminal (Red) (Note: Not Available for Purchase)	
26	3311505	15	Nut 5/16	
27	3311605	4	Nut 3/8	
28	3380473	1	Panel, Rubber	
29	3380498	1	Panel	
30	3380723	1	Panel	
31	3422446	1	Pin	
32	3573644	1	Plate, Tray Clamp	
33	3573669	1	Plate, Clamp	
34	3573727	1	Plate, Tray Clamp	

## SECTION 3 - ENGINE

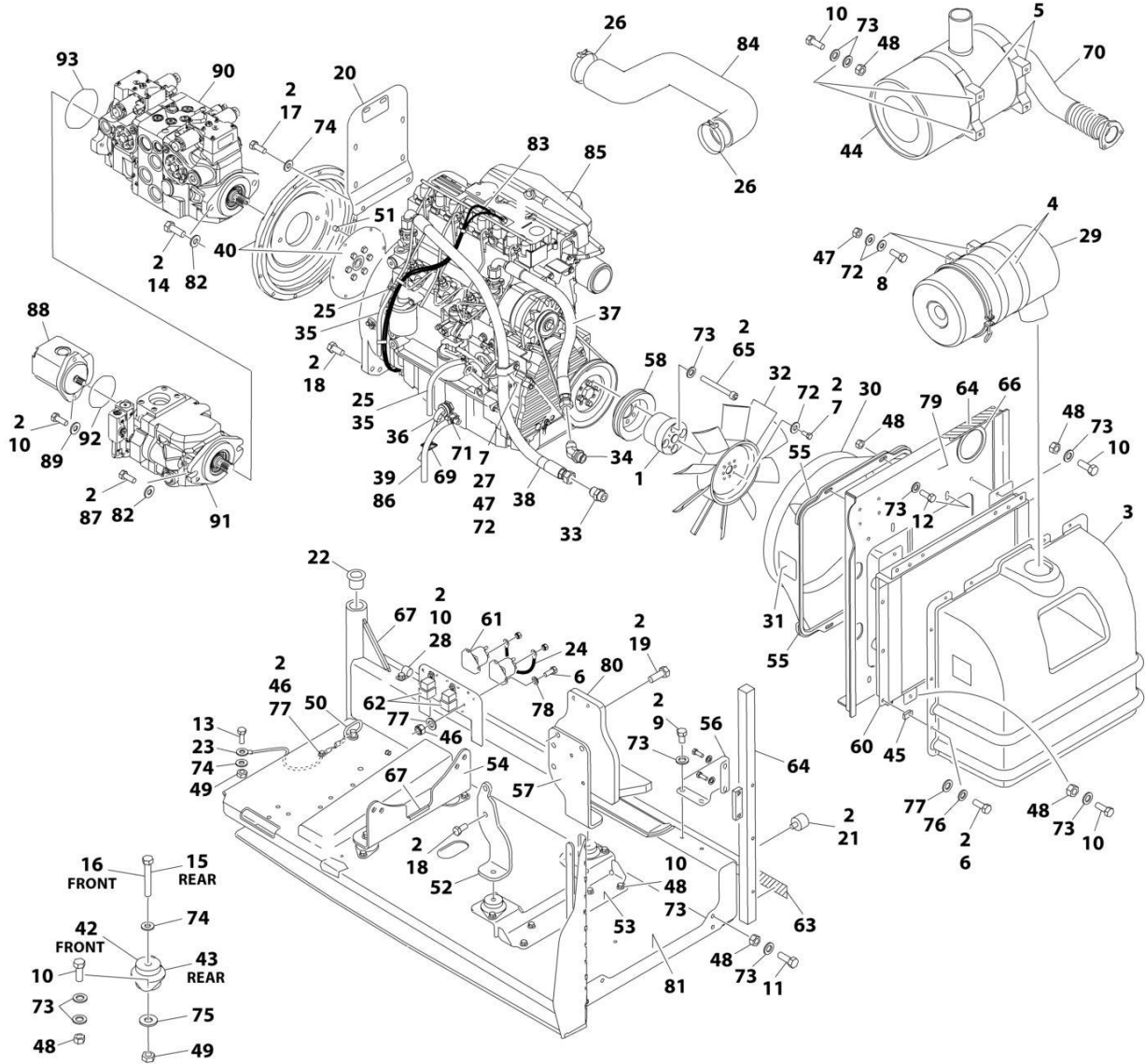
ITEM	PART NUMBER	QTY	DESCRIPTION	REV
35	3573728	1	Plate, Tray Clamp	
36	3574633	1	Plate	
37	3841143	1	Keeper, Pin	
38	3900316	10	Screw 3/8 x 1	
39	4240018	2	Strap, Cable Tie (Not Shown)	
40	4240033	AR	Tie, Wire (Not Shown)	
41	4341110	1	Support	
42	4711400	4	Washer 1/4	
43	4711500	30	Washer 5/16	
44	4711600	29	Washer 3/8	
45	4752000	1	Washer 5/8	
46	90028660	1	Clamp	
47	1001107975	1	Engine and Pump Assembly (See Separate Breakdown in this Section)	
49	0641606	4	Bolt 3/8 x 3/4	





# SECTION 3 - ENGINE

FIGURE 3-17. DEUTZ TD2011 ENGINE ASSEMBLY - WITH SAUER PUMP (WITH GENERATOR AND WITH COLD WEATHER PLUS PACKAGE) (PVC 2001)



ART\_1001107975

## SECTION 3 - ENGINE

**FIGURE 3-17. DEUTZ TD2011 ENGINE ASSEMBLY - WITH SAUER PUMP (WITH GENERATOR AND WITH COLD WEATHER PLUS PACKAGE) (PVC 2001)**

ITEM	PART NUMBER	QTY	DESCRIPTION	REV
	1001107975	Ref	DEUTZ TD2011 ENGINE ASSEMBLY - WITH SAUER PUMPS (WITH SKYPOWER AND WITH COLD WEATHER PLUS PACKAGE)	J
1	0080244	1	Spacer, Fan	
2	0100011	AR	Compound, Locking	
3	0272060	1	Box, Air Intake	
4	0340003	2	Band, Air Cleaner	
5	0340051	2	Band, Muffler	
6	0641406	15	Bolt 1/4 x 3/4	
7	0641506	5	Bolt 5/16 x 3/4	
8	0641507	4	Bolt 5/16 x 7/8	
9	0641605	4	Bolt 3/8 x 5/8	
10	0641608	27	Bolt 3/8 x 1	
11	0641609	2	Bolt 3/8 x 1-1/8	
12	0641610	4	Bolt 3/8 x 1-1/4	
13	0641808	1	Bolt 1/2 x 1	
14	0641814	2	Bolt 1/2 x 1-3/4	
15	0641818	2	Bolt 1/2 x 2-1/4	
16	0641826	2	Bolt 1/2 x 3-1/4	
17	0711214	2	Bolt M12 x 30	
18	0771414	6	Bolt M14 x 30	
19	0711417	4	Bolt M14 x 45	
20	1001112766	1	Bracket, Muffler	
21	0940070	1	Bumper	
22	0961986	2	Bushing, Flanged	
23	1001131542	1	Lanyard	
24	1060904	1	Cable, Jumper	
25	1320022	2	Clamp	
26	1320058	2	Clamp	
27	1320060	1	Clamp	
28	1320223	1	J-Clip	
29	1340065	1	Air Cleaner Assembly	
29	7003655	1	Element, Air Cleaner	
29	7015013	1	Baffle, Rubber	
29	7015014	1	Clamp, Cap	
29	7015015	1	Cup	
29	7015003	1	Wingnut	
30	1671023	1	Shroud, Fan	
31	1703162	2	Decal - Fan Blade	
32	2060025	1	Fan	
33	2220451	1	Fitting, Straight	
34	2220498	1	Fitting, Elbow	
35	2720058	34 ft/ 10.3m	Hose	
36	2580062	1	Heater, Engine Block	
37	2720500	1	Hose, Oil Cooler (Top)	
38	2720501	1	Hose, Oil Cooler (Bottom)	
39	2750532	0.75 ft /0.2m	Hose	
40	2902065	1	Pump Coupling Kit (See Separate Breakdown in this Section))	

## SECTION 3 - ENGINE

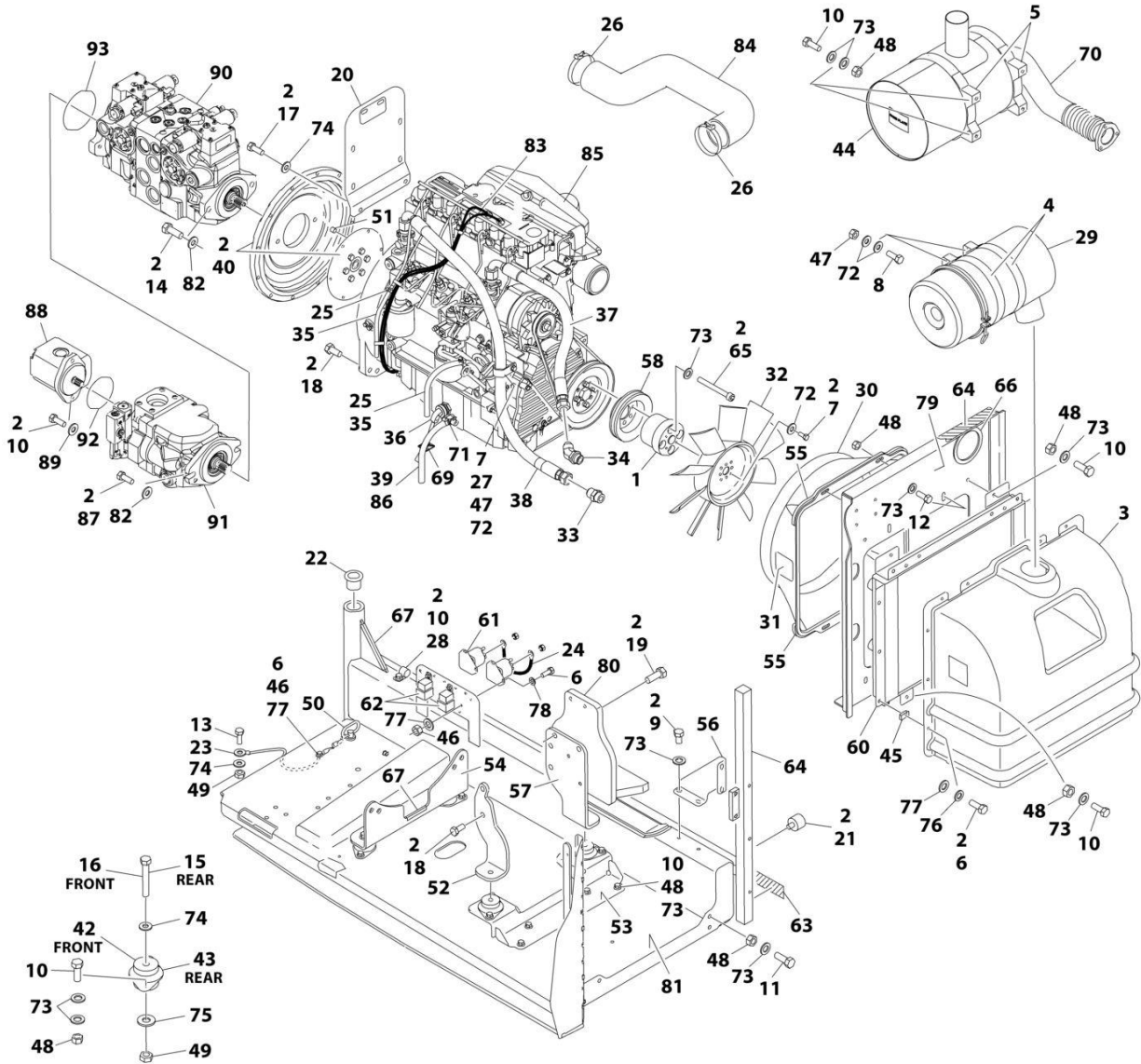
ITEM	PART NUMBER	QTY	DESCRIPTION	REV
42	3200362	2	Mount, Motor (Front)	
43	3200401	2	Mount, Motor (Rear)	
44	3220126	1	Muffler	
44	70003555	1	Clamp	
45	3300454	10	Nut	
46	3311405	5	Nut 1/4	
47	3311505	5	Nut 5/16	
48	3311605	30	Nut 3/8	
49	3311805	5	Nut 1/2	
50	3422532	1	Pin, Hitch	
51	3520054	2	Plug	
52	3537416	1	Plate, Mounting (Front Right)	
53	3539971	1	Bracket, Engine Mounting (Front)	
54	3573142	1	Bracket, Engine Mounting (Rear)	
55	3573411	2	Plate, Clamp	
56	3573412	1	Gusset	
57	3573529	1	Plate, Mounting (Front Left)	
58	3580320	1	Pulley	
60	1001145382	1	Cooler, Engine Oil	
61	3740067	2	Relay, Start	
62	3740080	2	Relay	
63	3960543	1	Seal	
64	3960544	1	Seal	
65	4032022	4	Capscrew M10 x 90	
66	4060804	0.98 ft /0.3m	Flex-Trim	
67	4060805	0.67 ft /0.2m	Flex-Trim	
68	4240099	AR	Tie, Wire (Not Shown)	
69	4460234	3	Mount, Wire Tie	
70	4568293	1	Pipe, Exhaust	
71	4640751	1	Valve, Oil Drain	
72	4711500	13	Washer 5/16	
73	4711600	68	Washer 3/8	
74	4711800	7	Washer 1/2	
75	4740274	4	Washer, Snubbing	
76	4740518	10	Washer, Nylon	
77	4751400	20	Washer 1/4	
78	4791400	4	Washer 1/4	
79	4846552	1	Plate, Oil Cooler Mounting	
80	4846945	1	Mount, Generator	
81	4846946	1	Tray	
82	4891800	4	Washer 1/2	
83	4923468	1	Harness, Glow Plugs	
84	1001225118	1	Hose, Air Intake	
85	1001098601	1	Engine, Deutz TD2011 Components (See Separate Breakdown in this Section)	
86	8410013	1	Clamp, Gear	
87	0761215	2	Bolt M12 x 35	
88	1001112927	1	Pump Assembly - Sauer Gear (See Separate Breakdown in this Section)	
89	4891600	2	Washer 3/8	

## SECTION 3 - ENGINE

ITEM	PART NUMBER	QTY	DESCRIPTION	REV
90	1001108616	1	Pump Assembly - Sauer Tandem (See Separate Breakdown in this Section)	
91	1001171095	1	Pump Assembly - Sauer Piston (See Separate Breakdown in this Section)	
92	3790152	1	O-Ring	
93	3790155	1	O-Ring	

# SECTION 3 - ENGINE

FIGURE 3-18. DEUTZ TD2011 ENGINE ASSEMBLY - WITH SAUER PUMP (WITH GENERATOR AND WITH COLD WEATHER PLUS PACKAGE) (PVC 2007)



ART\_1001107975\_M

## SECTION 3 - ENGINE

**FIGURE 3-18. DEUTZ TD2011 ENGINE ASSEMBLY - WITH SAUER PUMP (WITH GENERATOR AND WITH COLD WEATHER PLUS PACKAGE) (PVC 2007)**

ITEM	PART NUMBER	QTY	DESCRIPTION	REV
	1001107975	Ref	DEUTZ TD2011 ENGINE ASSEMBLY - WITH SAUER PUMPS (WITH SKYPOWER AND WITH COLD WEATHER PLUS PACKAGE)	M
1	0080244	1	Spacer, Fan	
2	0100011	AR	Compound, Locking	
3	0272060	1	Box, Air Intake	
4	0340003	2	Band, Air Cleaner	
5	0340051	2	Band, Muffler	
6	0641406	15	Bolt 1/4 x 3/4	
7	0641506	5	Bolt 5/16 x 3/4	
8	0641507	4	Bolt 5/16 x 7/8	
9	0641605	4	Bolt 3/8 x 5/8	
10	0641608	27	Bolt 3/8 x 1	
11	0641609	2	Bolt 3/8 x 1-1/8	
12	0641610	4	Bolt 3/8 x 1-1/4	
13	0641808	1	Bolt 1/2 x 1	
14	0641814	2	Bolt 1/2 x 1-3/4	
15	0641818	2	Bolt 1/2 x 2-1/4	
16	0641826	2	Bolt 1/2 x 3-1/4	
17	0711214	2	Bolt M12 x 30	
18	0771414	6	Bolt M14 x 30	
19	0711417	4	Bolt M14 x 45	
20	1001112766	1	Bracket, Muffler	
21	0940070	1	Bumper	
22	0961986	2	Bushing, Flanged	
23	1001131542	1	Lanyard	
24	1060904	1	Cable, Jumper	
25	1320022	2	Clamp	
26	1320058	2	Clamp	
27	1320060	1	Clamp	
28	1320223	1	J-Clip	
29	1340065	1	Air Cleaner Assembly	
29	7003655	1	Element, Air Cleaner	
29	7015013	1	Baffle, Rubber	
29	7015014	1	Clamp, Cap	
29	7015015	1	Cup	
29	7015003	1	Wingnut	
30	1671023	1	Shroud, Fan	
31	1703162	2	Decal - Fan Blade	
32	2060025	1	Fan	
33	2220451	1	Fitting, Straight	
34	2220498	1	Fitting, Elbow	
35	2720058	34 ft/ 10.3m	Hose	
36	2580062	1	Heater, Engine Block	
37	2720500	1	Hose, Oil Cooler (Top)	
38	2720501	1	Hose, Oil Cooler (Bottom)	
39	2750532	0.75 ft /0.2m	Hose	
40	2902065	1	Pump Coupling Kit (See Separate Breakdown in this Section))	

## SECTION 3 - ENGINE

ITEM	PART NUMBER	QTY	DESCRIPTION	REV
42	3200362	2	Mount, Motor (Front)	
43	3200401	2	Mount, Motor (Rear)	
44	1001257277	1	Muffler	
45	3300454	10	Nut	
46	3311405	5	Nut 1/4	
47	3311505	5	Nut 5/16	
48	3311605	30	Nut 3/8	
49	3311805	5	Nut 1/2	
50	3422532	1	Pin, Hitch	
51	3520054	2	Plug	
52	3537416	1	Plate, Mounting (Front Right)	
53	3539971	1	Bracket, Engine Mounting (Front)	
54	3573142	1	Bracket, Engine Mounting (Rear)	
55	3573411	2	Plate, Clamp	
56	3573412	1	Gusset	
57	3573529	1	Plate, Mounting (Front Left)	
58	3580320	1	Pulley	
60	1001145382	1	Cooler, Engine Oil	
61	3740067	2	Relay, Start	
62	3740080	2	Relay	
63	3960543	1	Seal	
64	3960544	1	Seal	
65	4032022	4	Capscrew M10 x 90	
66	4060804	0.98 ft /0.3m	Flex-Trim	
67	4060805	0.67 ft /0.2m	Flex-Trim	
68	4240099	AR	Tie, Wire (Not Shown)	
69	4460234	3	Mount, Wire Tie	
70	4568293	1	Pipe, Exhaust	
71	4640751	1	Valve, Oil Drain	
72	4711500	13	Washer 5/16	
73	4711600	68	Washer 3/8	
74	4711800	7	Washer 1/2	
75	4740274	4	Washer, Snubbing	
76	4740518	10	Washer, Nylon	
77	4751400	20	Washer 1/4	
78	4791400	4	Washer 1/4	
79	4846552	1	Plate, Oil Cooler Mounting	
80	4846945	1	Mount, Generator	
81	4846946	1	Tray	
82	4891800	4	Washer 1/2	
83	4923468	1	Harness, Glow Plugs	
84	1001225118	1	Hose, Air Intake	
85	1001098601	1	Engine, Deutz TD2011 Components (See Separate Breakdown in this Section)	
86	8410013	1	Clamp, Gear	
87	0761215	2	Bolt M12 x 35	
88	1001112927	1	Pump Assembly - Sauer Gear (See Separate Breakdown in this Section)	
89	4891600	2	Washer 3/8	

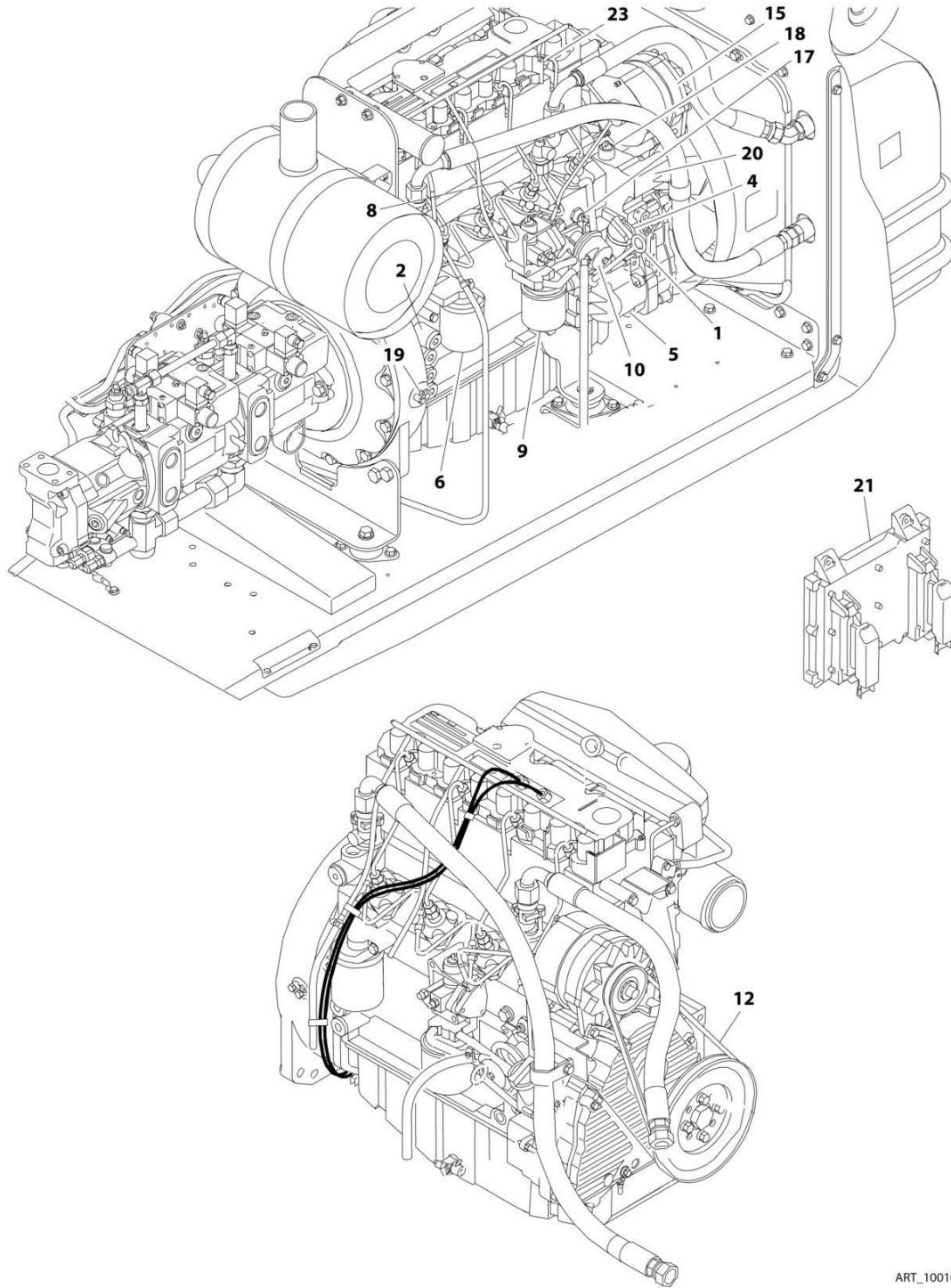


## SECTION 3 - ENGINE

ITEM	PART NUMBER	QTY	DESCRIPTION	REV
90	1001108616	1	Pump Assembly - Sauer Tandem (See Separate Breakdown in this Section)	
91	1001171095	1	Pump Assembly - Sauer Piston (See Separate Breakdown in this Section)	
92	3790152	1	O-Ring	
93	3790155	1	O-Ring	

# SECTION 3 - ENGINE

## FIGURE 3-19. DEUTZ TD2011 ENGINE COMPONENTS



ART\_1001098601

## SECTION 3 - ENGINE

**FIGURE 3-19. DEUTZ TD2011 ENGINE COMPONENTS**

ITEM	PART NUMBER	QTY	DESCRIPTION	REV
	1001098601	Ref	DEUTZ TD2011 ENGINE COMPONENTS	C
1	7027235	1	Dipstick	
1	70000044	1	O-Ring	
2	70003475	1	Thermostat	
2	7020460	1	Compression Spring	
3	70001870	1	Flywheel (Not Shown)	
3	7024579	1	Gear, Ring (Not Shown)	
4	7020465	1	Cap, Filler	
5	70001850	1	Pump, Oil	
5	7020468	1	Seal Between Oil Pump and Engine Block (Not Shown)	
6	7016331	1	Filter, Oil	
6	7027236	1	Sender, Temperature (Located near Oil Filter)	
8		Ref	Injector Pump	
8	70001128	AR	"A" Series	
8	70001129	AR	"B" Series	
8	70001130	AR	"C" Series	
8	70001131	AR	"D" Series	
8	7020447	AR	Gasket (1 per Injector)	
9	7016328	1	Filter, Fuel	
10	70000916	1	Pump Fuel Supply	
10	70001435	1	Repair Kit	
10	70000917	1	O-Seal Between Fuel Pump and Engine Block (Not Shown)	
10	70000918	1	Sealing Ring (Not Shown)	
10	70000919	1	Pump, Hand (Not Shown)	
11	7027239	1	Solenoid, Start (Not Shown - Located near Throttle)	
12	7020414	1	V-Belt	
13	7020471	4	Gasket, Exhaust Manifold to Engine Block (Not Shown)	
13	7020486	1	Gasket, Exhaust Manifold to Exhaust Pipe (Not Shown)	
14	7027240	1	Turbocharger (Not Shown)	
14	70001857	1	Flange, Turbocharger (Not Shown)	
14	70001135	1	Gasket (Not Shown)	
15	70001867	1	Alternator	
15	70001868	1	Regulator, Voltage (Not Shown)	
16	7020479	1	Starter (Not Shown - Located on Right Side of Engine)	
16	7026608	1	Relay, Start (Not Shown)	
17	7027790	1	Sensor, Oil Pressure	
18	7027791	1	Sensor, Temperature (Not Shown)	
19	7024565	1	Sensor, Speed	
20	7027792	1	Actuator Throttle	
20	7027276	2	Spring	
21	1600443	1	Module, EMR2 Controller	
22	70002718	1	Seal, Rear Main (Not Shown)	
23	70003135	4	Injector, Fuel	
23	70003136	1	Ring, Sealing	
24	70001847	1	Valve, Breather (Located - Front Cover) (Not Shown)	
24	70001126	1	O-Ring (Not Shown)	
25	70001125	1	Cap, Breather (Located In Cylinder Head Cover) (Not Shown)	
25	70001126	1	O-Ring (Not Shown)	
26	70001871	4	Gasket, Air Intake Manifold (Not Shown)	
27	70000345	4	Plug, Glow (Not Shown)	

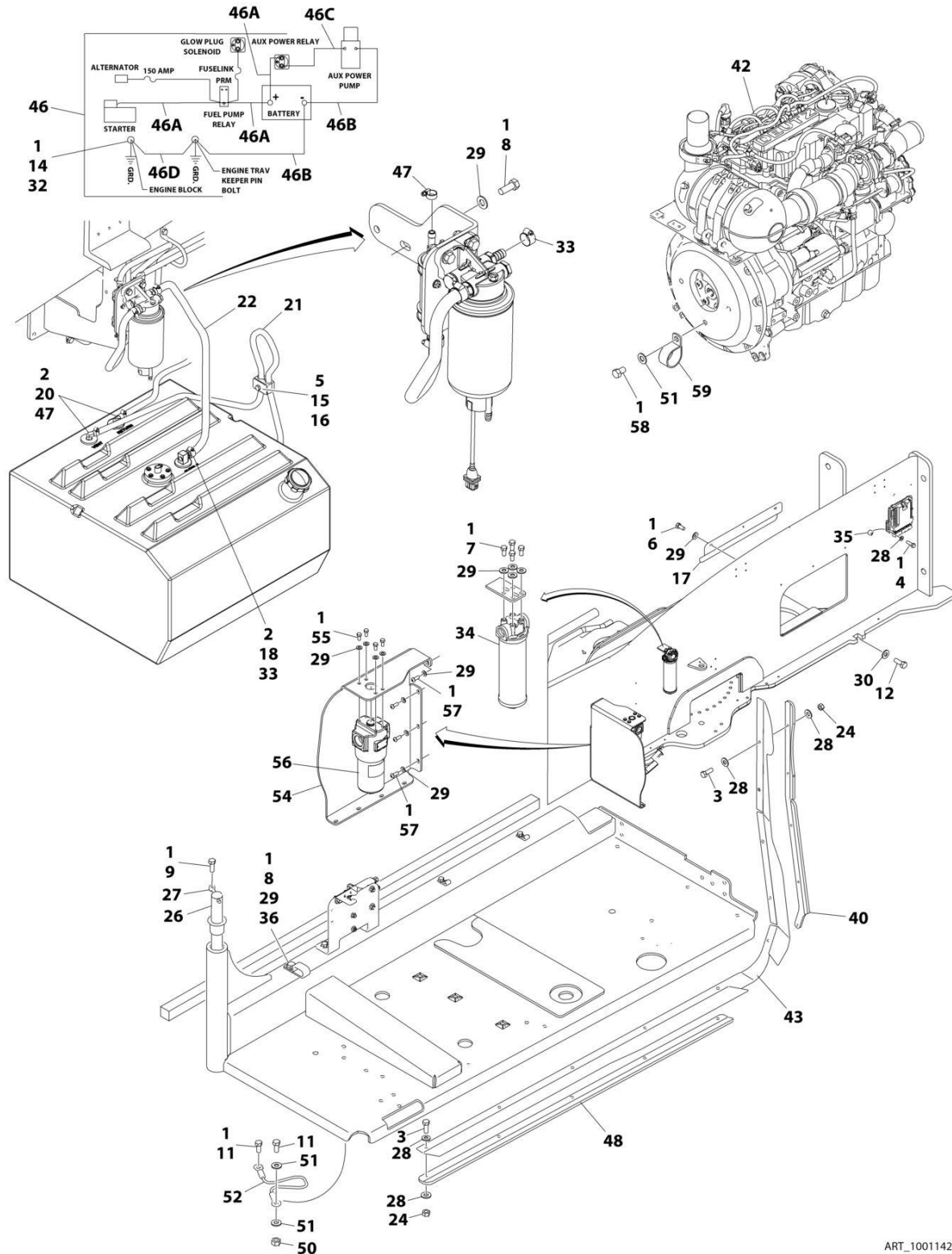
## SECTION 3 - ENGINE

ITEM	PART NUMBER	QTY	DESCRIPTION	REV
28	70007353	1	Gasket Kit (Not Shown)	



# SECTION 3 - ENGINE

FIGURE 3-20. DEUTZ TCD2.9L4 ENGINE INSTALLATION - WITH REXROTH PUMP (WITHOUT COLD WEATHER PLUS PACKAGE)



ART\_1001142375

## SECTION 3 - ENGINE

**FIGURE 3-20. DEUTZ TCD2.9L4 ENGINE INSTALLATION - WITH REXROTH PUMP (WITHOUT COLD WEATHER PLUS PACKAGE)**

ITEM	PART NUMBER	QTY	DESCRIPTION	REV
	1001142375	Ref	DEUTZ TCD2.9L4 ENGINE INSTALLATION - WITH REXROTH PUMP (WITHOUT COLD WEATHER PLUS PACKAGE)	K
1	0100011	AR	Compound, Locking	
2	0100079	AR	Sealant, Pipe	
3	0641408	10	Bolt 1/4 x 1	
4	0641410	4	Bolt 1/4 x 1-1/4	
5	0641511	1	Bolt 5/16 x 1-3/8	
6	0641605	3	Bolt 3/8 x 5/8	
7	0641606	4	Bolt 3/8 x 3/4	
8	0641608	3	Bolt 3/8 x 1	
9	0641610	1	Bolt 3/8 x 1-1/4	
11	0641808	2	Bolt 1/2 x 1	
12	0642010	1	Bolt 5/8 x 1-1/4	
14	0761210	1	Bolt M12 x 20	
15	1320187	1	Clamp	
16	1320190	1	Cover, Clamp	
17	1671121	1	Cover	
18	2180832	1	Fitting, Barbed	
20	2220313	2	Fitting, 90 Barbed	
21	2750532	5 ft/ 1.5m	Hose	
22	1001154405	1.9 ft/ 0.6m	Hose	
24	3311405	10	Nut 1/4	
26	3422446	1	Pin, Pivot	
27	3841143	1	Pin, Keeper	
28	4711400	24	Washer 1/4	
29	4711600	19	Washer 3/8	
30	4752000	1	Washer 5/8	
32	4812100	1	Washer M12	
33	8405006	2	Clamp	
34	1001108617	1	Hydraulic Pressure Filter Assembly	
34	70002231	1	Element, Filter	
35	1001110425	4	Spacer	
36	1001116792	1	Clamp	
38	1001138491	NLA	Harness, Fuel (Use p/n 1001222665) (Not Shown - See Separate Breakdown in ELECTRICAL SECTION)	
40	1001145089	1	Clamp	
42	1001141812	1	Engine Sub-Assembly (See Separate Breakdown in this Section)	
43	1001145560	1	Panel, Rubber	
46	1001142610	1	Battery Cable Kit	
46A	7027046	1	Cable, Battery (Red) (Battery + to Relays and Starter)	
46A	See Note	NSS	Boot, Ring Terminal (Red) (Note: Not Available - Purchase Locally)	
46B	7027047	1	Cable, Battery (Black) (Battery - to Tray Pivot Grd) and Aux Pump	
46B	See Note	NSS	Boot, Ring Terminal (Black) (Note: Not Available - Purchase Locally)	
46C	7027048	1	Cable (Red) (Aux Relay to Aux Pump)	
46C	See Note	NSS	Boot, Ring Terminal (Red) (Note: Not Available - Purchase Locally)	

## SECTION 3 - ENGINE

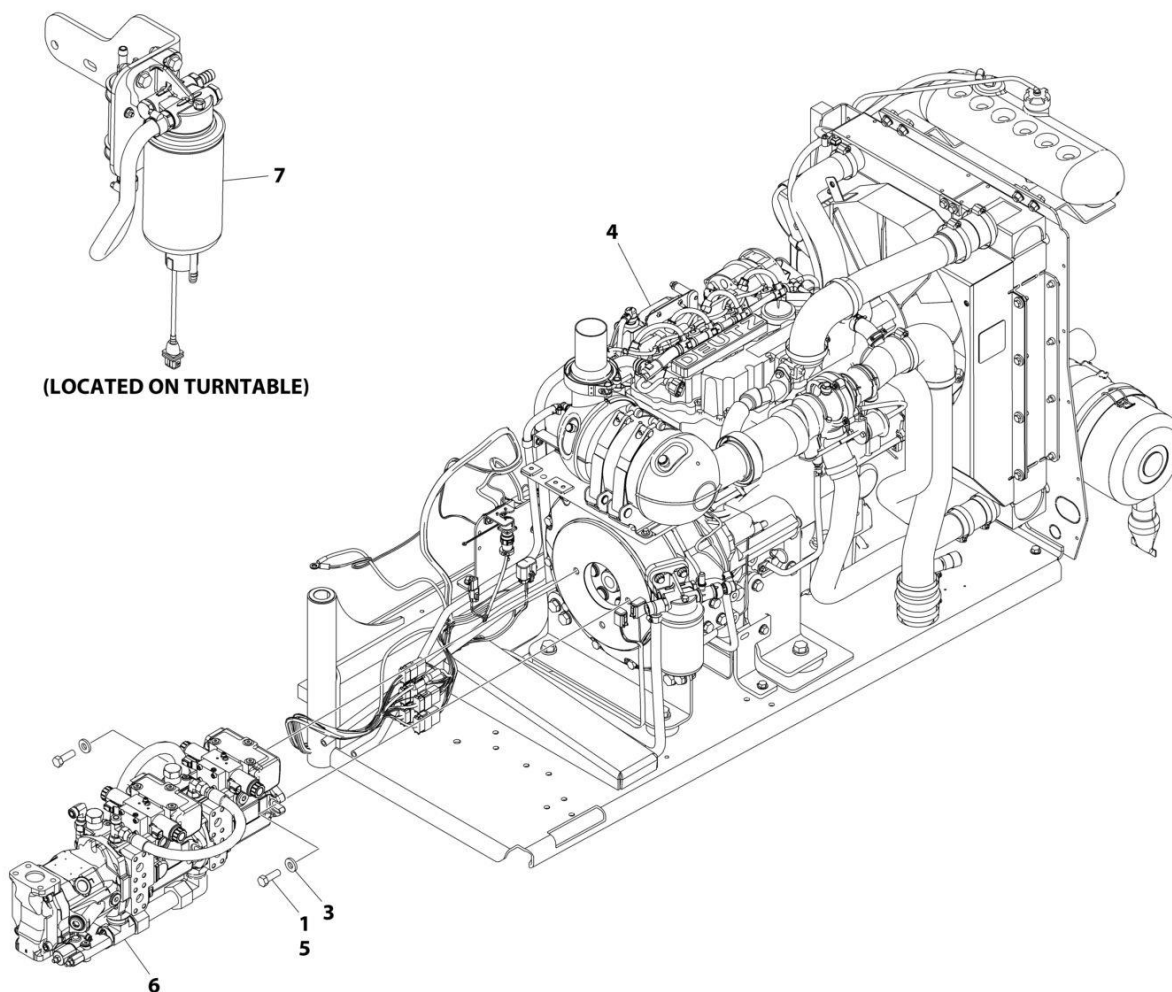
ITEM	PART NUMBER	QTY	DESCRIPTION	REV
46D	7027049	1	Cable, Battery (Black) (Engine to Tray Pivot Grd)	
47	1320022	3	Clamp	
48	1001145842	1	Plate, Clamping	
50	3311805	1	Nut 1/2	
51	4711800	3	Washer 1/2	
52	1001131542	1	Lanyard	
54	3380723	1	Panel, Noise Reduction	
55	0651606	4	Bolt 3/8 x 3/4	
56	2120218	1	Filter, High Pressure	
56	2120219	1	Element, Filter	
56	70001344	1	O-Ring, Bowl	
56	70006137	1	Seal Kit - Includes O-Ring (Element), O-Ring (Bowl), Back-up Ring (Bowl), Seal Ring (Indicator) and O-Ring (Indicator)	
57	3900316	5	Screw 3/8 x 1	
58	0641806	1	Bolt 1/2 x 3/4	
59	90028660	1	Clamp	





## SECTION 3 - ENGINE

FIGURE 3-21. DEUTZ TCD2.9L4 ENGINE SUB-ASSEMBLY - WITH REXROTH PUMP (WITHOUT COLD WEATHER PLUS PACKAGE)



ART\_1001141812

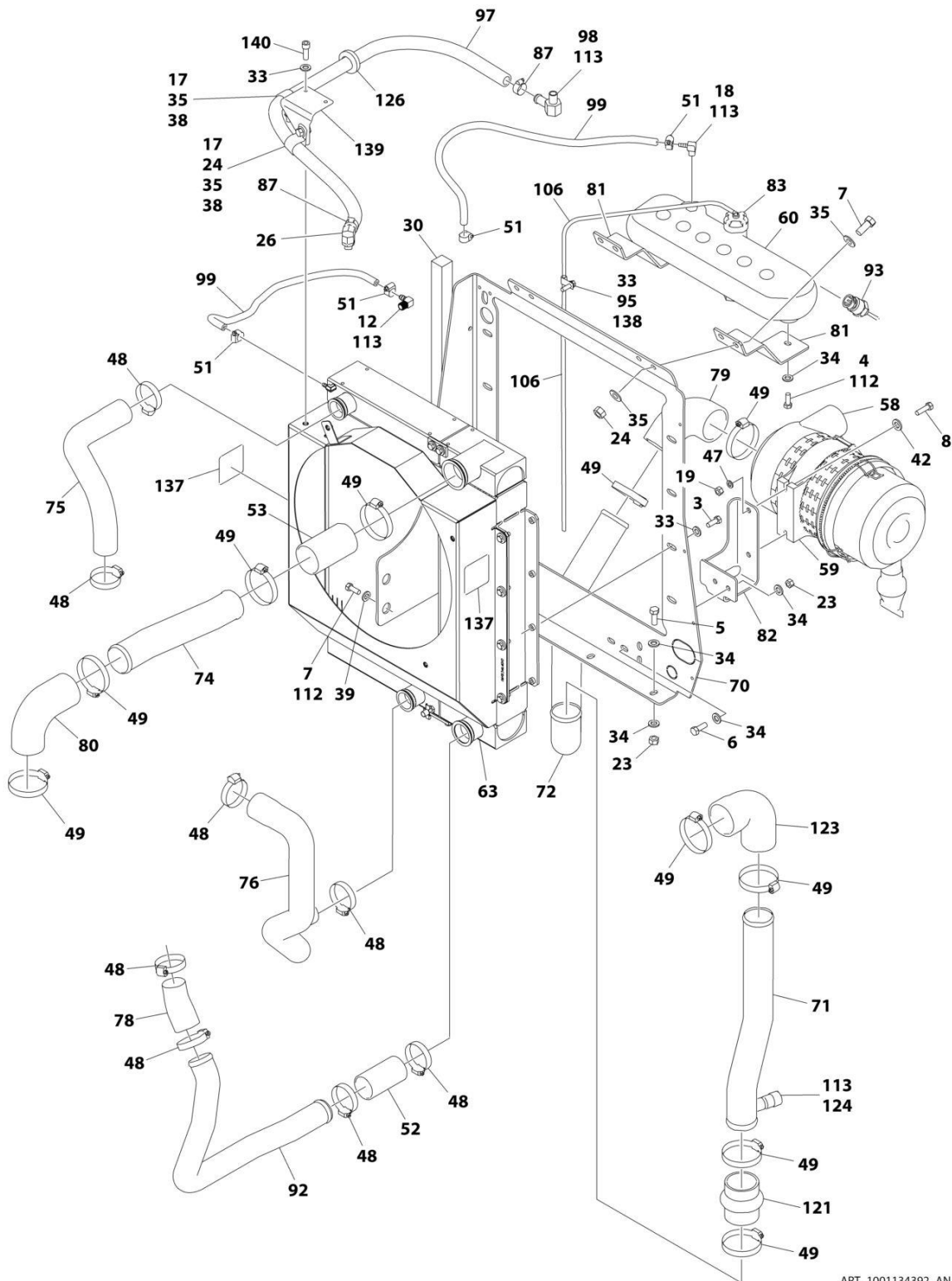
## SECTION 3 - ENGINE

**FIGURE 3-21. DEUTZ TCD2.9L4 ENGINE SUB-ASSEMBLY - WITH REXROTH PUMP (WITHOUT COLD WEATHER PLUS PACKAGE)**

ITEM	PART NUMBER	QTY	DESCRIPTION	REV
	1001141812	Ref	DEUTZ TCD2.9L4 ENGINE SUB-ASSEMBLY	AO
1	0641812	2	Bolt 1/2 x 1-1/2	
1	0641814	2	Bolt 1/2 x 1-3/4	
3	4891800	2	Washer 1/2	
4	1001134392	1	Engine Assembly (See Separate Breakdown in this Section)	
5	0100011	AR	Compound, Locking	
6	1001152963	1	Pump Assembly - Rexroth (See Separate Breakdown in this Section)	
7	1001165101	1	Bracket, Fuel Pump Filter Assembly (See Separate Breakdown in this Section)	

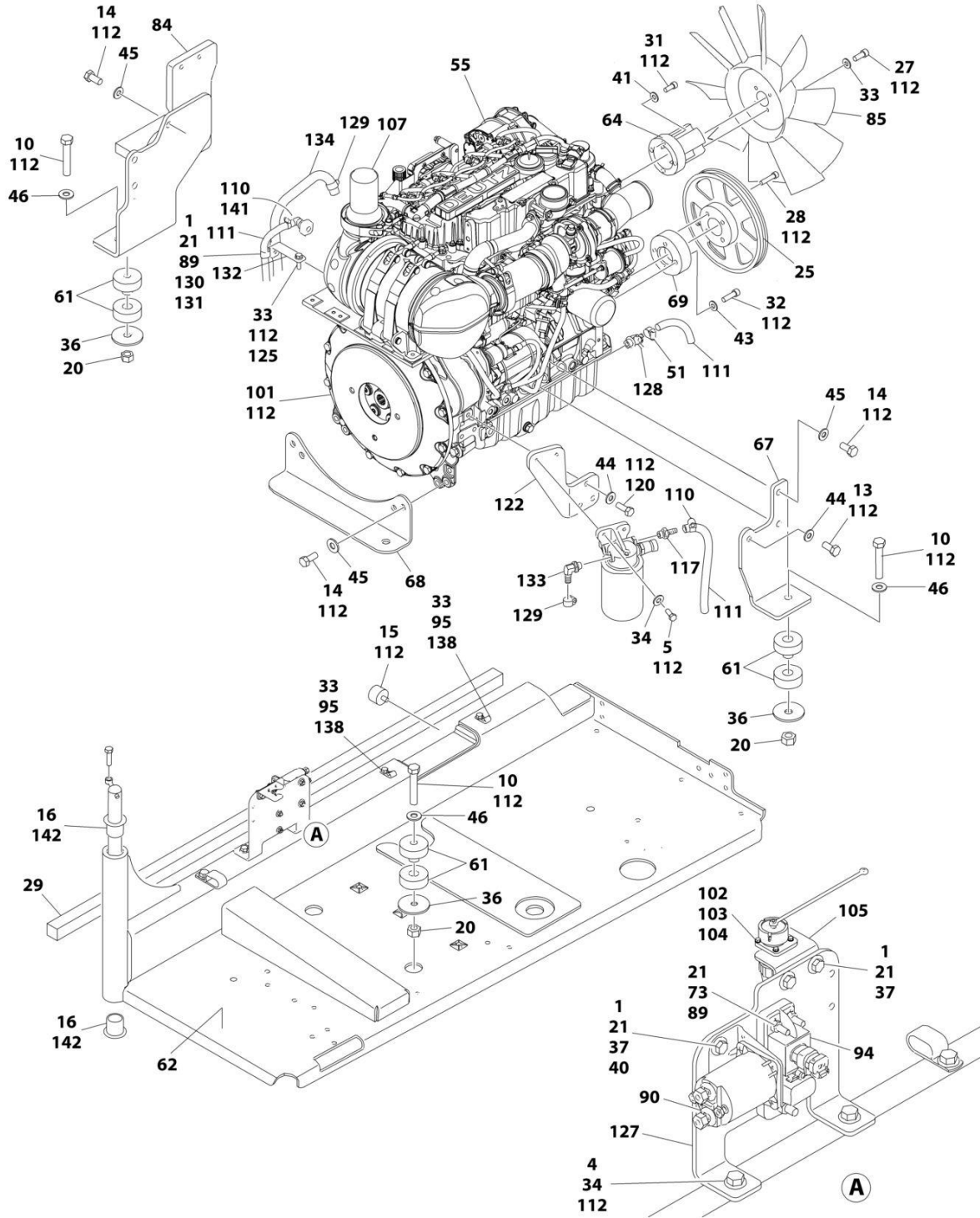
# SECTION 3 - ENGINE

## FIGURE 3-22. DEUTZ TCD2.9L4 ENGINE ASSEMBLY - WITH REXROTH PUMP (WITHOUT COLD WEATHER PLUS PACKAGE)



ART\_1001134392\_AN\_10F2

# SECTION 3 - ENGINE



ART\_1001134392\_AN\_2OF2

## SECTION 3 - ENGINE

**FIGURE 3-22. DEUTZ TCD2.9L4 ENGINE ASSEMBLY - WITH REXROTH PUMP (WITHOUT COLD WEATHER PLUS PACKAGE)**

ITEM	PART NUMBER	QTY	DESCRIPTION	REV
	1001134392	Ref	DEUTZ TCD2.9L4 ENGINE ASSEMBLY (WITHOUT COLD WEATHER PLUS PACKAGE)	AN
1	0641406	5	Bolt 1/4 x 3/4	
3	0641508	8	Bolt 5/16 x 1	
4	0641606	5	Bolt 3/8 x 3/4	
5	0641608	9	Bolt 3/8 x 1	
6	0641610	2	Bolt 3/8 x 1-1/4	
7	0641708	6	Bolt 7/16 x 1	
8	0700815	2	Bolt M8 x 35	
10	0682028	4	Bolt 5/8 x 3-1/2 Grade 8	
12	1001140564	1	Fitting, 90 Barbed	
13	0771212	1	Bolt M12 x 25 Grade 10.9	
14	0771414	9	Bolt M14 x 30 Grade 10.9	
15	0940070	1	Bumper	
16	0961986	2	Bushing, Flanged	
17	0641706	2	Bolt 7/16 x 3/4	
18	1001134488	1	Fitting, 90 Barbed	
19	3290801	2	Nut M8	
20	3272001	4	Nut 5/8 Grade 8	
21	3311405	6	Nut 1/4	
23	3311605	9	Nut 3/8	
24	3311705	5	Nut 7/16	
25	3580320	1	Pulley	
26	1001141719	1	Fitting, 90 Barbed	
27	3931512	4	Capscrew 5/16 x 3/4	
28	3931628	4	Capscrew 3/8 x 1-3/4	
29	3960543	1	Seal	
30	3960544	1	Seal	
31	4031914	4	Bolt M8 x 50	
32	4032014	4	Bolt M10 x 50	
33	4711500	19	Washer 5/16	
34	4711600	25	Washer 3/8	
35	4711700	10	Washer 7/16	
36	1001146219	4	Washer Special	
37	4751400	8	Washer 1/4	
38	8406302	2	Clamp	
39	4751700	2	Washer 7/16	
40	4791400	2	Starwasher 1/4	
41	4811900	4	Washer M8	
42	4811902	2	Washer M8	
43	4812000	4	Washer M10	
44	4812100	4	Washer M12	
45	4812200	9	Washer M14	
46	4892000	4	Washer 5/8	
47	4831900	2	Washer M8	
48	8405201	8	Clamp	
49	8405204	10	Clamp	
51	8410013	5	Clamp	
52	91563070	1	Coupling, Rubber	

## SECTION 3 - ENGINE

ITEM	PART NUMBER	QTY	DESCRIPTION	REV
53	1001114495	1	Hose	
55	1001249964	1	Engine, Deutz TCD2.9L4 (See Separate Breakdown in this Section)	
58	1001133633	1	Air Cleaner Assembly	
58	70024190	1	Element, Air Filter	
59	1001133634	1	Clamp	
60	1001166393	1	Tank, Surge	
61	1001155575	4	Mount, Motor	
62	1001191272	1	Tray	
63	1001135090	1	Radiator	
64	1001135138	1	Spacer, Fan	
67	1001135560	1	Support, Engine	
68	1001135562	1	Support, Engine - Rear	
69	1001135679	1	Spacer, Pulley	
70	1001135680	1	Support, Radiator	
71	1001135901	1	Pipe, Air Intake	
72	1001135903	1	Pipe, Air Intake	
73	3931432	1	Capscrew 1/4 x 2	
74	1001135914	1	Pipe, Air Cleaner to Intake	
75	1001135924	1	Hose, Radiator (Upper)	
76	1001135926	1	Hose, Radiator (Lower)	
78	1001135943	1	Coupling, Rubber	
79	1001135946	1	Elbow, Rubber	
80	1001136292	1	Pipe, 90	
81	1001136626	2	Bracket	
82	1001136665	1	Bracket	
83	1001136834	1	Cap, Tank	
84	1001142398	1	Support, Engine	
85	1001137276	1	Fan	
87	8405007	2	Clamp	
89	4711400	3	Washer 1/4	
90	1001117308	1	Relay	
92	1001135913	1	Pipe, Turbo to Air Cleaner	
93	1001138827	1	Sensor, Coolant Level	
94	1001138228	1	Module, Power	
94	70023592	1	Fuse 20Amp (Switched Output)	
94	70023593	1	Fuse 30Amp (Battery Output)	
95	1001138253	5	Clamp	
96	1001138346	1	Harness, Engine (Not Shown - See Separate Breakdown in ELECTRICAL SECTION)	
97	1001138524	1	Hose	
98	1001138559	1	Fitting, 90	
99	2720015	4.5 ft/ 1.4m	Hose	
101	2902065	1	Pump Coupling Kit (See Separate Breakdown in this Section)	
102	3310401	3	Nut #4	
103	3910408	3	Screw #4 x 1/2	
104	4710400	3	Washer #4	
105	1001139240	1	Bracket	
106	1001138248	4 ft/ 1.2m	Tubing	
107	1001153024	1	Pipe, Exhaust	
110	1320022	2	Clamp	

## SECTION 3 - ENGINE

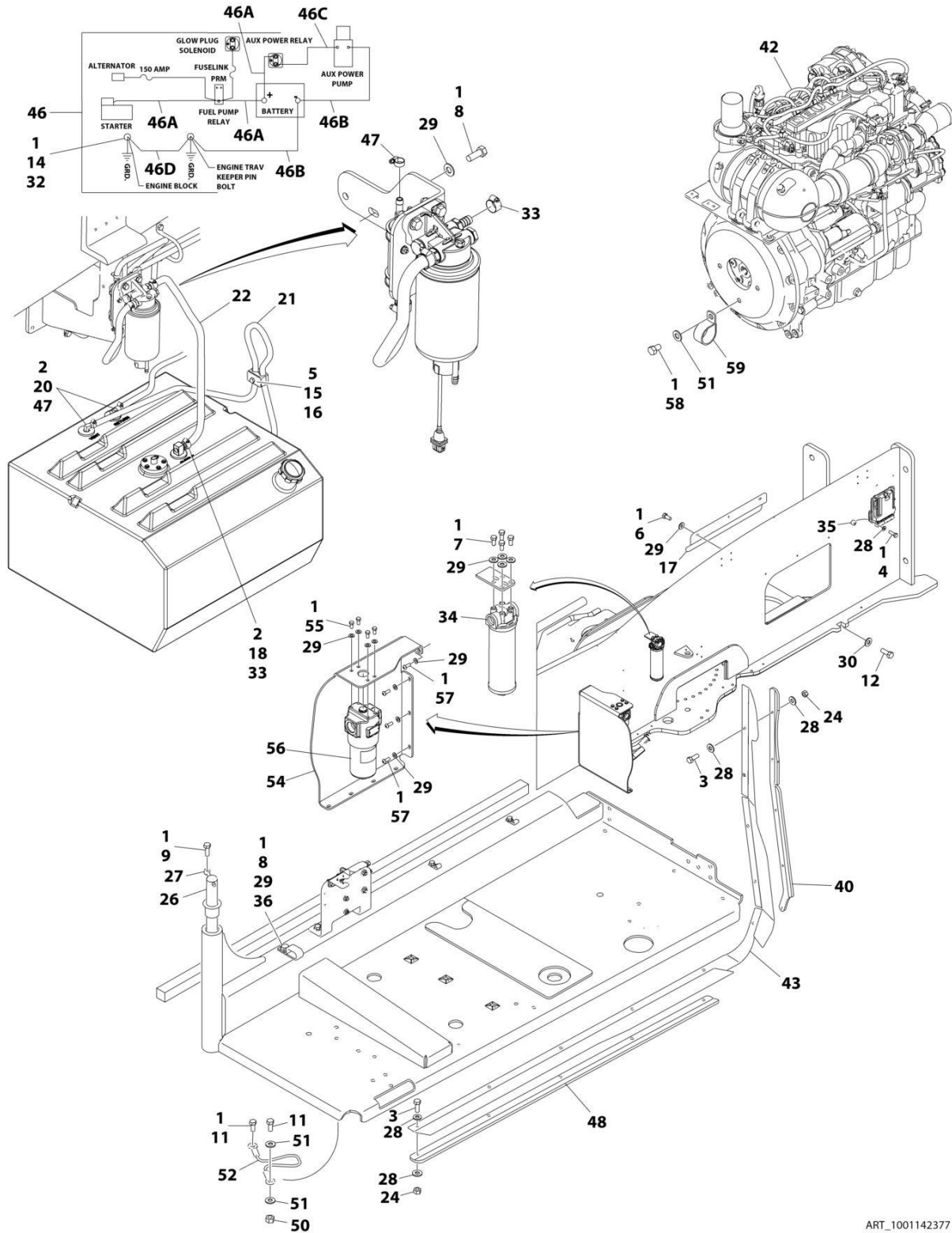
ITEM	PART NUMBER	QTY	DESCRIPTION	REV
111	1001165035	30.5 ft/ 9.3m	Hose	
112	0100011	AR	Compound, Locking	
113	0100020	AR	Sealant	
114	1001141304	1	Wire, Glow Plug (Not Shown)	
115	1001135779	1	Cable, Alternator Positive (Not Shown)	
117	1001141717	1	Fitting, Straight	
120	0761214	3	Bolt M12 x 30	
121	1001142637	1	Hose, Hump	
122	1001142685	1	Bracket	
123	1001165820	1	Pipe, Elbow	
124	1001143390	1	Indicator, Air Filter Service	
125	0760810	2	Bolt M8 x 20	
126	1001144089	1	Grommet	
127	1001145154	1	Plate, Mounting	
128	4640751	1	Valve, Oil Drain	
129	8405006	2	Clamp	
130	8406102	AR	Clip	
131	8406112	1	Clip	
132	1001138717	1	Bracket	
133	1001142501	1	Fitting, 90 Barbed	
134	1001154405	5 ft/ 1.5m	Hose	
135	1001148843	1	Harness, Fuel Filter (Not Shown - See Separate Breakdown in ELECTRICAL Section)	
137	1703162	2	Decal - Fan	
138	0641503	3	Bolt 5/16 x 3/8	
139	1001153387	1	Plate	
140	3931508	2	Capscrew 5/16 x 1/2	
141	1001155823	1	Coupling	
142	0100062	AR	Adhesive, Loctite #680	
143	4240099	AR	Tie-Strap (Not Shown)	





# SECTION 3 - ENGINE

FIGURE 3-23. DEUTZ TCD2.9L4 ENGINE INSTALLATION - WITH REXROTH PUMP (WITH COLD WEATHER PLUS PACKAGE)



ART\_1001142377

## SECTION 3 - ENGINE

**FIGURE 3-23. DEUTZ TCD2.9L4 ENGINE INSTALLATION - WITH REXROTH PUMP (WITH COLD WEATHER PLUS PACKAGE)**

ITEM	PART NUMBER	QTY	DESCRIPTION	REV
	1001142377	Ref	DEUTZ TCD2.9L4 ENGINE INSTALLATION - WITH REXROTH PUMP (WITH COLD WEATHER PLUS PACKAGE)	M
1	0100011	AR	Compound, Locking	
2	0100079	AR	Sealant, Pipe	
3	0641408	10	Bolt 1/4 x 1	
4	0641410	4	Bolt 1/4 x 1-1/4	
5	0641511	1	Bolt 5/16 x 1-3/8	
6	0641605	3	Bolt 3/8 x 5/8	
7	0641606	4	Bolt 3/8 x 3/4	
8	0641608	3	Bolt 3/8 x 1	
9	0641610	1	Bolt 3/8 x 1-1/4	
11	0641808	AR	Bolt 1/2 x 1	
12	0642010	1	Bolt 5/8 x 1-1/4	
14	0761210	1	Bolt M12 x 20	
15	1320187	1	Clamp	
16	1320190	1	Cover, Clamp	
17	1671121	1	Cover	
18	2180832	1	Fitting, Barbed	
20	2220313	2	Fitting, 90 Barbed	
21	2750532	5 ft/ 1.5m	Hose	
22	1001154405	1.9 ft /0.6m	Hose	
24	3311405	10	Nut 1/4	
26	3422446	1	Pin, Pivot	
27	3841143	1	Pin, Keeper	
28	4711400	24	Washer 1/4	
29	4711600	19	Washer 3/8	
30	4752000	1	Washer 5/8	
32	4812100	1	Washer M12	
33	8405006	2	Clamp	
34	1001108617	1	Hydraulic Pressure Filter Assembly	
34	70002231	1	Element, Filter	
35	1001110425	4	Spacer	
36	1001116792	1	Clamp	
38	1001138491	NLA	Harness, Fuel (Use p/n 1001222665) (Not Shown - See Separate Breakdown in ELECTRICAL SECTION)	
40	1001145089	1	Clamp	
42	1001141813	1	Engine Sub-Assembly (See Separate Breakdown in this Section)	
43	1001145560	1	Panel, Rubber	
46	1001142610	1	Battery Cable Kit	C
46A	7027046	1	Cable, Battery (Red) (Battery + to Relays and Starter)	
46A	See Note	NSS	Boot, Ring Terminal (Red) (Note: Not Available - Purchase Locally)	
46B	7027047	1	Cable, Battery (Black) (Battery - to Tray Pivot Grd) and Aux Pump	
46B	See Note	NSS	Boot, Ring Terminal (Black) (Note: Not Available - Purchase Locally)	
46C	7027048	1	Cable (Red) (Aux Relay to Aux Pump)	
46C	See Note	NSS	Boot, Ring Terminal (Red) (Note: Not Available - Purchase Locally)	

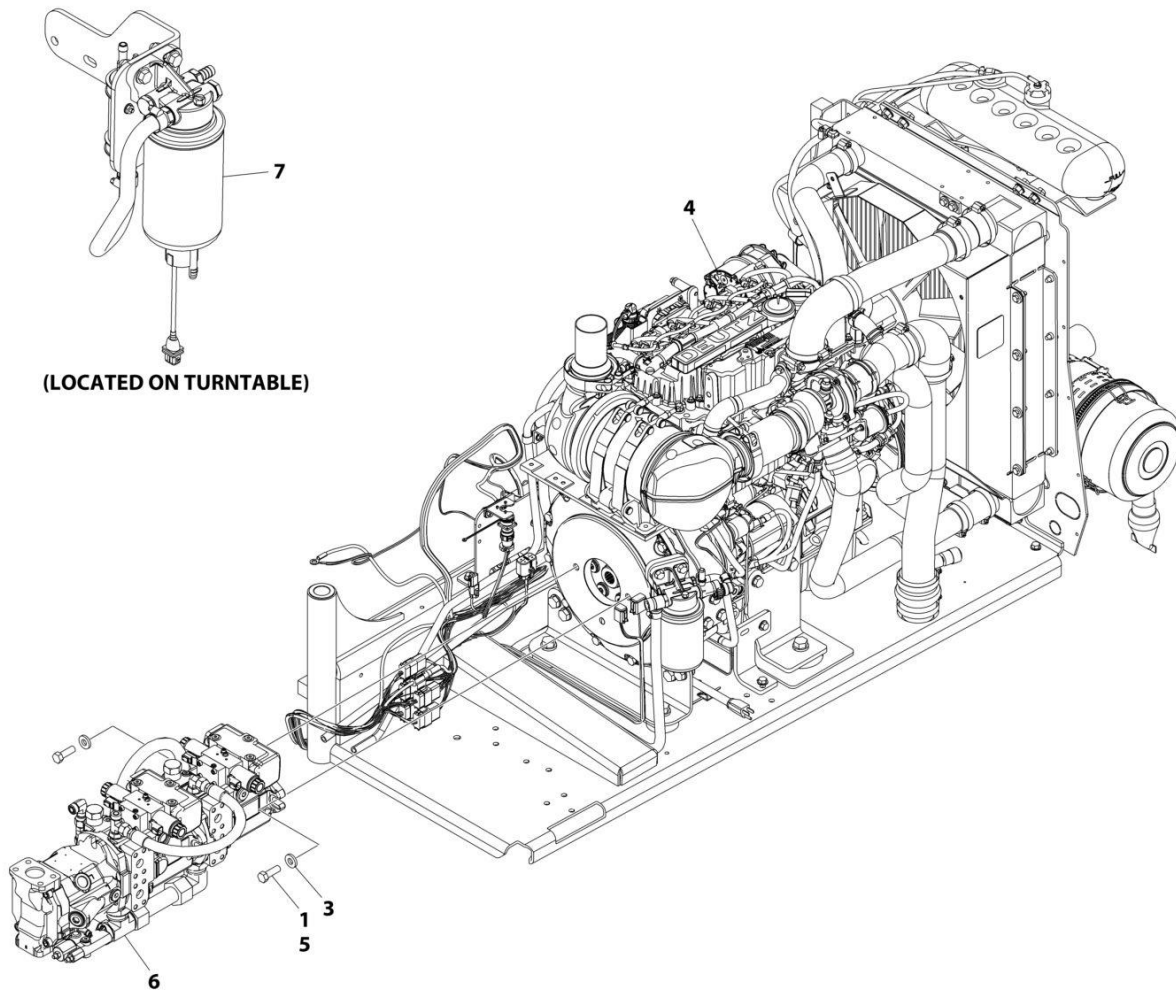
## SECTION 3 - ENGINE

ITEM	PART NUMBER	QTY	DESCRIPTION	REV
46D	7027049	1	Cable, Battery (Black) (Engine to Tray Pivot Grd)	
47	1320022	3	Clamp	
48	1001145842	1	Plate, Clamping	
50	3311805	1	Nut 1/2	
51	4711800	3	Washer 1/2	
52	1001131542	1	Lanyard	
54	3380723	1	Panel, Noise Reduction	
55	0651606	4	Bolt 3/8 x 3/4	
56	2120218	1	Filter, High Pressure	
56	2120219	1	Element, Filter	
56	70001344	1	O-Ring, Bowl	
56	70006137	1	Seal Kit - Includes O-Ring (Element), O-Ring (Bowl), Back-up Ring (Bowl), Seal Ring (Indicator) and O-Ring (Indicator)	
57	3900316	5	Screw 3/8 x 1	
58	0641806	1	Bolt 1/2 x 3/4	
59	90028660	1	Clamp	



# SECTION 3 - ENGINE

FIGURE 3-24. DEUTZ TCD2.9L4 ENGINE SUB-ASSEMBLY - WITH REXROTH PUMP (WITH COLD WEATHER PLUS PACKAGE)



ART\_1001141813

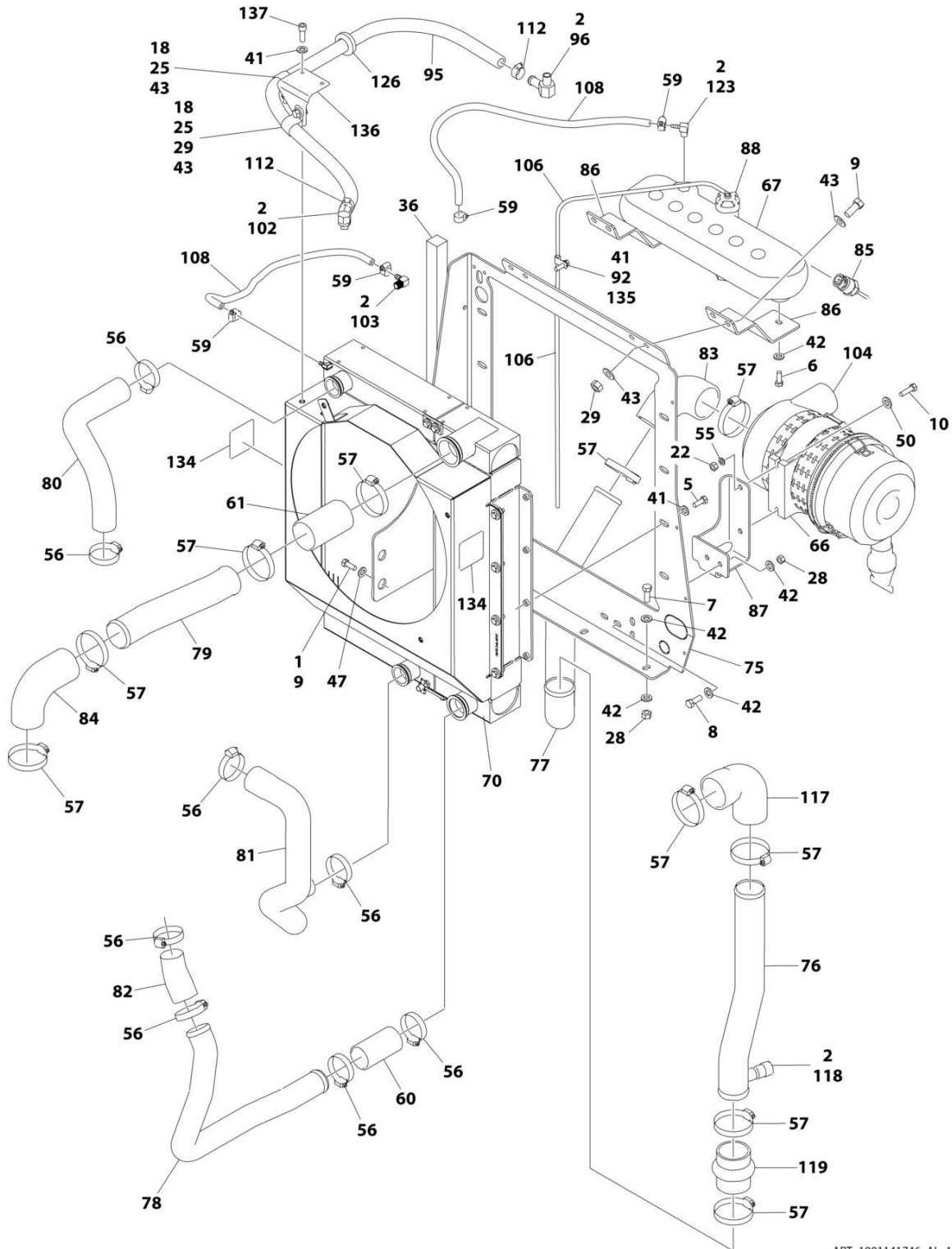
## SECTION 3 - ENGINE

**FIGURE 3-24. DEUTZ TCD2.9L4 ENGINE SUB-ASSEMBLY - WITH REXROTH PUMP (WITH COLD WEATHER PLUS PACKAGE)**

ITEM	PART NUMBER	QTY	DESCRIPTION	REV
	1001141813	Ref	DEUTZ TCD2.9L4 ENGINE SUB-ASSEMBLY	AP
1	0641812	2	Bolt 1/2 x 1-1/2	
1	0641814	2	Bolt 1/2 x 1-1/2	
3	4740171	2	Washer 1/2	
4	1001141746	1	Engine Assembly (See Separate Breakdown in this Section)	
5	0100011	AR	Compound, Locking	
6	1001152963	1	Pump Assembly - Rexroth (See Separate Breakdown in this Section)	
7	1001165101	1	Bracket, Fuel Pump Filter Assembly (See Separate Breakdown in this Section)	

# SECTION 3 - ENGINE

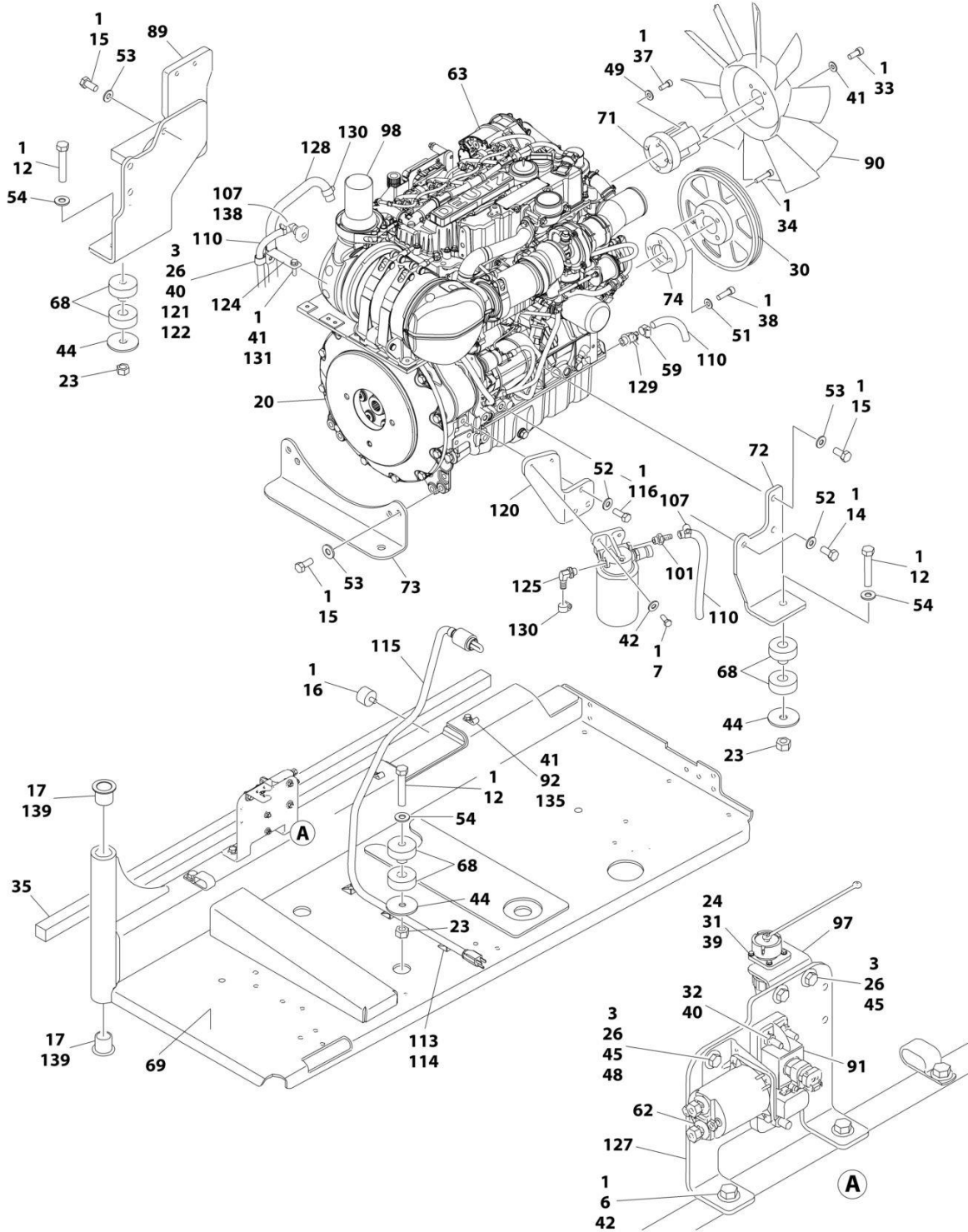
## FIGURE 3-25. DEUTZ TCD2.9L4 ENGINE ASSEMBLY - WITH REXROTH PUMP (WITH COLD WEATHER PLUS PACKAGE)



ART\_1001141746\_AL\_10F2



# SECTION 3 - ENGINE



ART\_1001141746\_AL\_20F2

## SECTION 3 - ENGINE

**FIGURE 3-25. DEUTZ TCD2.9L4 ENGINE ASSEMBLY - WITH REXROTH PUMP (WITH COLD WEATHER PLUS PACKAGE)**

ITEM	PART NUMBER	QTY	DESCRIPTION	REV
	1001141746	Ref	DEUTZ TCD2.9L4 ENGINE ASSEMBLY (WITH COLD WEATHER PLUS PACKAGE)	AL
1	0100011	AR	Compound, Locking	
2	0100020	AR	Sealant	
3	0641406	5	Bolt 1/4 x 3/4	
5	0641508	8	Bolt 5/16 x 1	
6	0641606	5	Bolt 3/8 x 3/4	
7	0641608	9	Bolt 3/8 x 1	
8	0641610	2	Bolt 3/8 x 1-1/4	
9	0641708	6	Bolt 7/16 x 1	
10	0700815	2	Bolt M8 x 35	
12	0682028	4	Bolt 5/8 x 3-1/2 Grade 8	
14	0771212	1	Bolt M12 x 25 Grade 10.9	
15	0771414	9	Bolt M14 x 30 Grade 10.9	
16	0940070	1	Bumper	
17	0961986	2	Bushing, Flanged	
18	0641706	2	Bolt 7/16 x 3/4	
20	2902065	1	Pump Coupling Kit (See Separate Breakdown in this Section)	
22	3290801	2	Nut M8	
23	3272001	4	Nut 5/8 Grade 8	
24	3310401	3	Nut #4	
25	8406302	2	Clamp	
26	3311405	6	Nut 1/4	
28	3311605	9	Nut 3/8	
29	3311705	5	Nut 7/16	
30	3580320	1	Pulley	
31	3910408	3	Screw #4 x 1/2	
32	3931432	1	Capscrew 1/4 x 2	
33	3931512	4	Capscrew 5/16 x 3/4	
34	3931628	4	Capscrew 3/8 x 1-3/4	
35	3960543	1	Seal	
36	3960544	1	Seal	
37	4031914	4	Bolt M8 x 50	
38	4032014	4	Bolt M10 x 50	
39	4710400	3	Washer #4	
40	4711400	3	Washer 1/4	
41	4711500	19	Washer 5/16	
42	4711600	25	Washer 3/8	
43	4711700	10	Washer 7/16	
44	1001146219	4	Washer Special	
45	4751400	8	Washer 1/4	
47	4751700	2	Washer 7/16	
48	4791400	2	Starwasher 1/4	
49	4811900	4	Washer M8	
50	4811902	2	Washer M8	
51	4812000	4	Washer M10	
52	4812100	4	Washer M12	
53	4812200	9	Washer M14	
54	4892000	4	Washer 5/8	

## SECTION 3 - ENGINE

ITEM	PART NUMBER	QTY	DESCRIPTION	REV
55	4831900	2	Washer M8	
56	8405201	8	Clamp	
57	8405204	10	Clamp	
59	8410013	5	Clamp	
60	91563070	1	Coupling, Rubber	
61	1001114495	1	Hose	
62	1001117308	1	Relay	
63	1001249964	1	Engine, Deutz TCD2.9L4 (See Separate Breakdown in this Section)	
66	1001133634	1	Clamp	
67	1001166393	1	Tank, Surge	
68	1001155575	4	Mount, Motor	
69	1001191272	1	Tray	
70	1001135090	1	Radiator	
71	1001135138	1	Spacer, Fan	
72	1001135560	1	Support, Engine	
73	1001135562	1	Support, Engine - Rear	
74	1001135679	1	Spacer, Pulley	
75	1001135680	1	Support, Radiator	
76	1001135901	1	Pipe, Air Intake	
77	1001135903	1	Pipe, Air Intake	
78	1001135913	1	Pipe, Turbo to Air Cleaner	
79	1001135914	1	Pipe, Air Cleaner to Intake	
80	1001135924	1	Hose, Radiator (Upper)	
81	1001135926	1	Hose, Radiator (Lower)	
82	1001135943	1	Coupling, Rubber	
83	1001135946	1	Elbow, Rubber	
84	1001136292	1	Pipe, 90	
85	1001138827	1	Sensor, Coolant Level	
86	1001136626	2	Bracket	
87	1001136665	1	Bracket	
88	1001136834	1	Cap, Tank	
89	1001142398	1	Support, Engine	
90	1001137276	1	Fan	
91	1001138228	1	Module, Power	
91	70023592	1	Fuse 20Amp (Switched Output)	
91	70023593	1	Fuse 30Amp (Battery Output)	
92	1001138253	5	Clamp	
94	1001138346	1	Harness, Engine (Not Shown - See Separate Breakdown in ELECTRICAL Section)	
95	1001138524	1	Hose	
96	1001138559	1	Fitting, 90	
97	1001139240	1	Bracket	
98	1001153024	1	Pipe, Exhaust	
100	1001141304	1	Wire, Glow Plug (Not Shown)	
101	1001141717	1	Fitting, Straight	
102	1001141719	1	Fitting, 90 Barbed	
103	1001140564	1	Fitting, 90 Barbed	
104	1001133633	1	Air Cleaner Assembly	
104	70024190	1	Element, Air Filter	
105	1001135779	1	Cable, Alternator Positive (Not Shown)	
106	1001138248	4 ft/ 1.2m	Tubing	

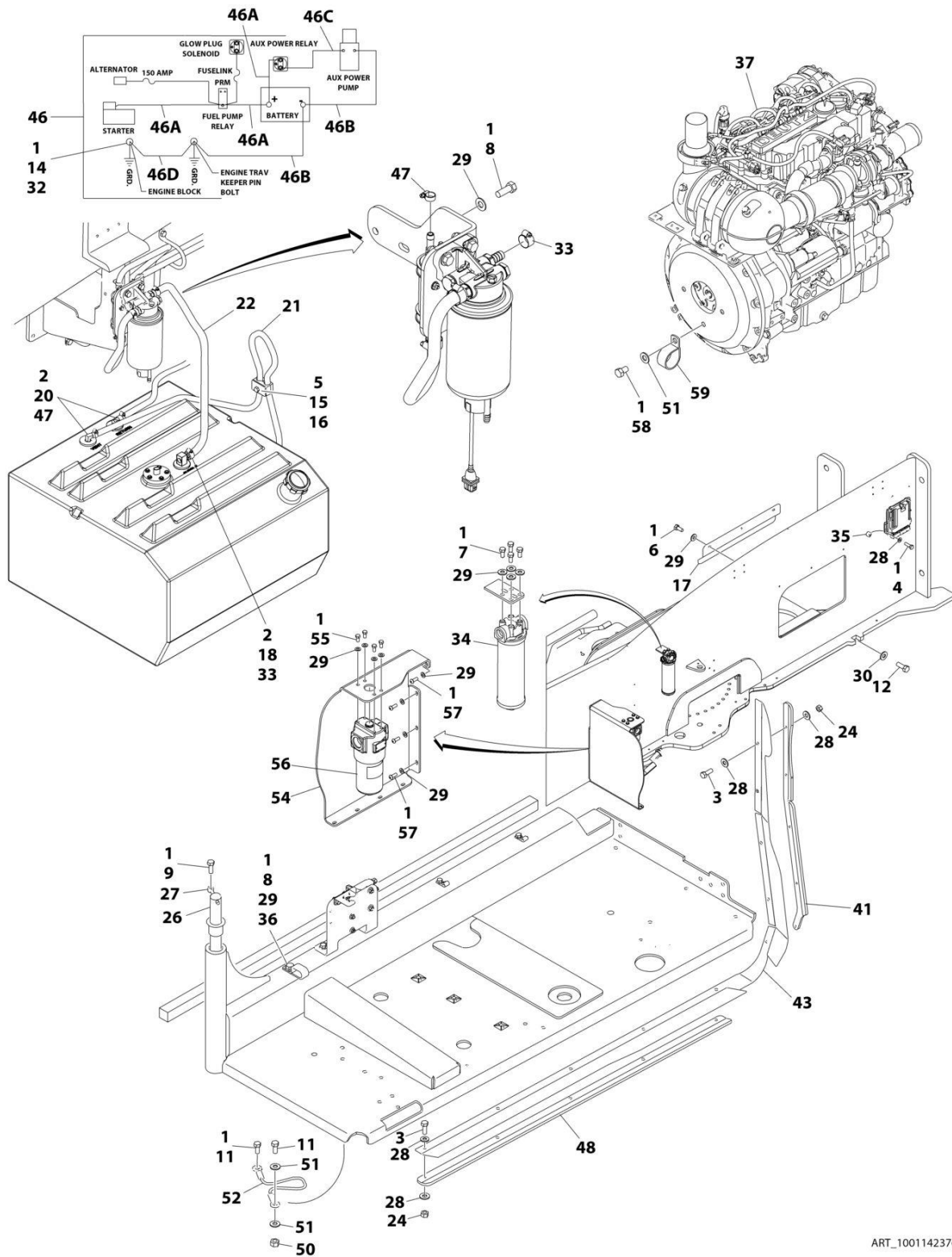
## SECTION 3 - ENGINE

ITEM	PART NUMBER	QTY	DESCRIPTION	REV
107	1320022	2	Clamp	
108	2720015	4.5 ft/ 1.4m	Hose	
110	1001165035	30.5 ft/ 9.3m	Hose	
112	8405007	2	Clamp	
113	4240099	AR	Tie-Strap (Used to Secure Block Heater Cord)	
114	4460234	3	Mount, Wire Tie (Used to Secure Block Heater Cord)	
115	1001140312	1	Heater, Block	
116	0761214	3	Bolt M12 x 30	
117	1001165820	1	Pipe, Elbow	
118	1001143390	1	Indicator, Air Filter Service	
119	1001142637	1	Hose, Hump	
120	1001142685	1	Bracket	
121	8406102	AR	Clip	
122	8406112	1	Clip	
123	1001134488	1	Fitting, 90 Barbed	
124	1001138717	1	Bracket	
125	1001142501	1	Fitting, 90 Barbed	
126	1001144089	1	Grommet	
127	1001145154	1	Plate, Mounting	
128	1001154405	5 ft/ 1.5m	Hose	
129	4640751	1	Valve, Oil Drain	
130	8405006	2	Clamp	
131	0760810	AR	Bolt M8 x 20	
132	1001148843	1	Harness, Fuel Filter (Not Shown - See Separate Breakdown in ELECTRICAL SECTION)	
134	1703162	2	Decal - Fan	
135	0641503	3	Bolt 5/16 x 3/8	
136	1001153387	1	Plate	
137	3931508	2	Capscrew 5/16 x 1/2	
138	1001155823	1	Coupling	
139	0100062	AR	Adhesive, Loctite #680	
140	1001181895	AR	Adhesive, Loctite #640 (Not Shown - Apply to Block Heater)	



# SECTION 3 - ENGINE

**FIGURE 3-26. DEUTZ TCD2.9L4 ENGINE INSTALLATION - WITH SAUER PUMPS (WITHOUT COLD WEATHER PLUS PACKAGE)**



ART\_1001142376

## SECTION 3 - ENGINE

**FIGURE 3-26. DEUTZ TCD2.9L4 ENGINE INSTALLATION - WITH SAUER PUMPS (WITHOUT COLD WEATHER PLUS PACKAGE)**

ITEM	PART NUMBER	QTY	DESCRIPTION	REV
	1001142376	Ref	DEUTZ TCD2.9L4 ENGINE INSTALLATION - WITH SAUER PUMPS (WITHOUT COLD WEATHER PLUS PACKAGE)	K
1	0100011	AR	Compound, Locking	
2	0100079	AR	Sealant, Pipe	
3	0641408	10	Bolt 1/4 x 1	
4	0641410	4	Bolt 1/4 x 1-1/4	
5	0641511	1	Bolt 5/16 x 1-3/8	
6	0641605	3	Bolt 3/8 x 5/8	
7	0641606	4	Bolt 3/8 x 3/4	
8	0641608	3	Bolt 3/8 x 1	
9	0641610	1	Bolt 3/8 x 1-1/4	
10	0641611	2	Bolt 3/8 x 1-1/4	
11	0641808	2	Bolt 1/2 x 1	
12	0642010	1	Bolt 5/8 x 1-1/4	
14	0761210	1	Bolt M12 x 20	
15	1320187	1	Clamp	
16	1320190	1	Cover, Clamp	
17	1671121	1	Cover	
18	2180832	1	Fitting, Barbed	
20	2220313	2	Fitting, 90 Barbed	
21	2750532	5 ft/ 1.5m	Hose	
22	1001154405	1.9 ft/ 0.6m	Hose	
24	3311405	10	Nut 1/4	
26	3422446	1	Pin, Pivot	
27	3841143	1	Pin, Keeper	
28	4711400	24	Washer 1/4	
29	4711600	19	Washer 3/8	
30	4752000	1	Washer 5/8	
32	4812100	1	Washer M12	
33	8405006	2	Clamp	
34	1001108617	1	Hydraulic Pressure Filter Assembly	
34	70002231	1	Element, Filter	
35	1001110425	4	Spacer	
36	1001116792	1	Clamp	
37	1001134390	1	Engine Sub-Assembly (See Separate Breakdown in this Section)	
39	1001138491	NLA	Harness, Fuel (Use p/n 1001222665) (Not Shown - See Separate Breakdown in ELECTRICAL SECTION)	
41	1001145089	1	Clamp	
43	1001145560	1	Panel, Rubber	
46	1001142610	1	Battery Cable Kit	C
46A	7027046	1	Cable, Battery (Red) (Battery + to Relays and Starter)	
46A	See Note	NSS	Boot, Ring Terminal (Red) (Note: Not Available - Purchase Locally)	
46B	7027047	1	Cable, Battery (Black) (Battery - to Tray Pivot Grd) and Aux Pump	
46B	See Note	NSS	Boot, Ring Terminal (Black) (Note: Not Available - Purchase Locally)	
46C	7027048	1	Cable (Red) (Aux Relay to Aux Pump)	

## SECTION 3 - ENGINE

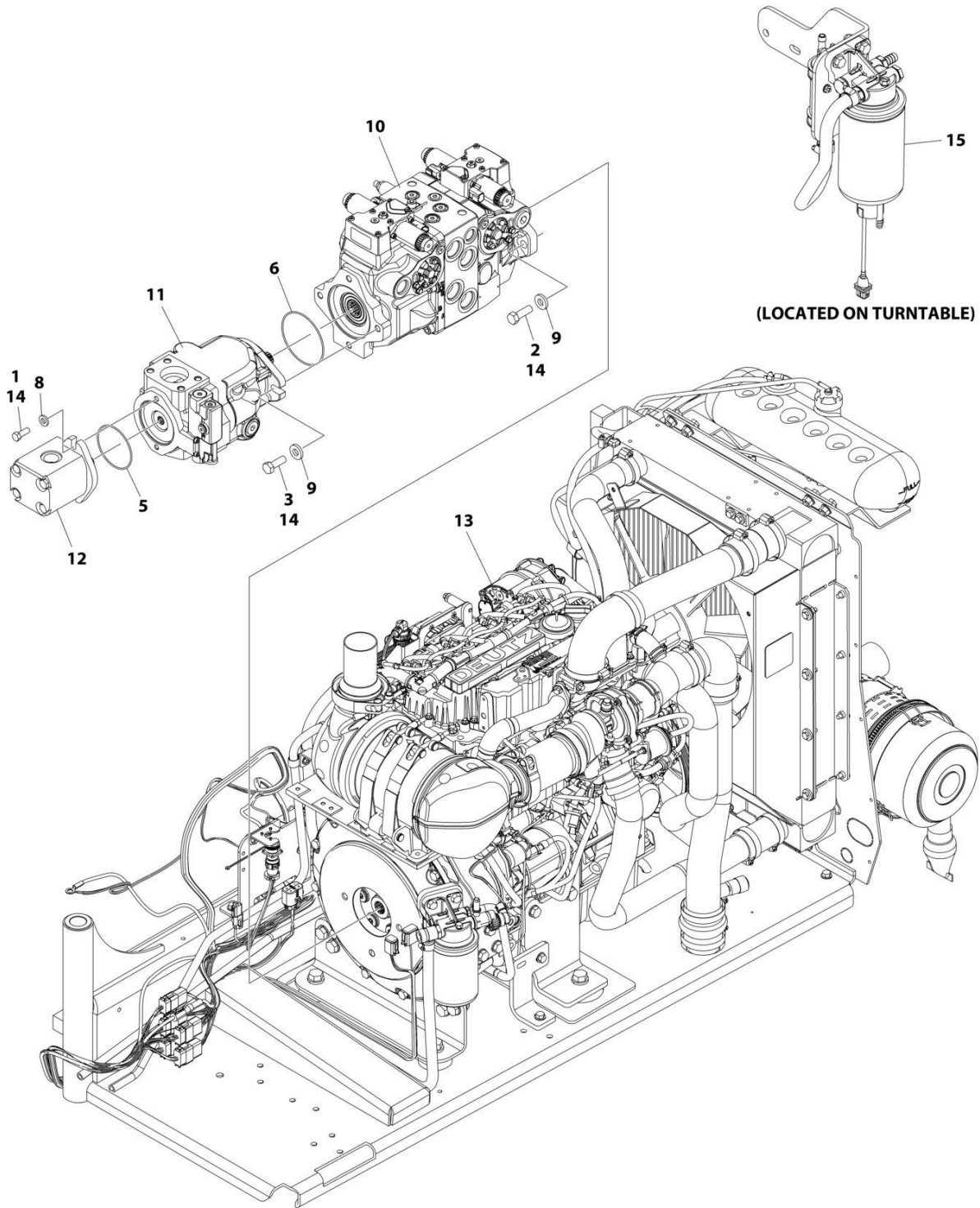
ITEM	PART NUMBER	QTY	DESCRIPTION	REV
46C	See Note	NSS	Boot, Ring Terminal (Red) (Note: Not Available - Purchase Locally)	
46D	7027049	1	Cable, Battery (Black) (Engine to Tray Pivot Grd)	
47	1320022	3	Clamp	
48	1001145842	1	Plate, Clamping	
50	3311805	1	Nut 1/2	
51	4711800	3	Washer 1/2	
52	1001131542	1	Lanyard	
54	3380723	1	Panel, Noise Reduction	
55	0651606	4	Bolt 3/8 x 3/4	
56	2120218	1	Filter, High Pressure	
56	2120219	1	Element, Filter	
56	70001344	1	O-Ring, Bowl	
56	70006137	1	Seal Kit - Includes O-Ring (Element), O-Ring (Bowl), Back-up Ring (Bowl), Seal Ring (Indicator) and O-Ring (Indicator)	
57	3900316	5	Screw 3/8 x 1	
58	0641806	1	Bolt 1/2 x 3/4	
59	90028660	1	Clamp	





# SECTION 3 - ENGINE

**FIGURE 3-27. DEUTZ TCD2.9L4 ENGINE SUB-ASSEMBLY - WITH SAUER PUMP (WITHOUT COLD WEATHER PLUS PACKAGE)**



ART\_1001134390

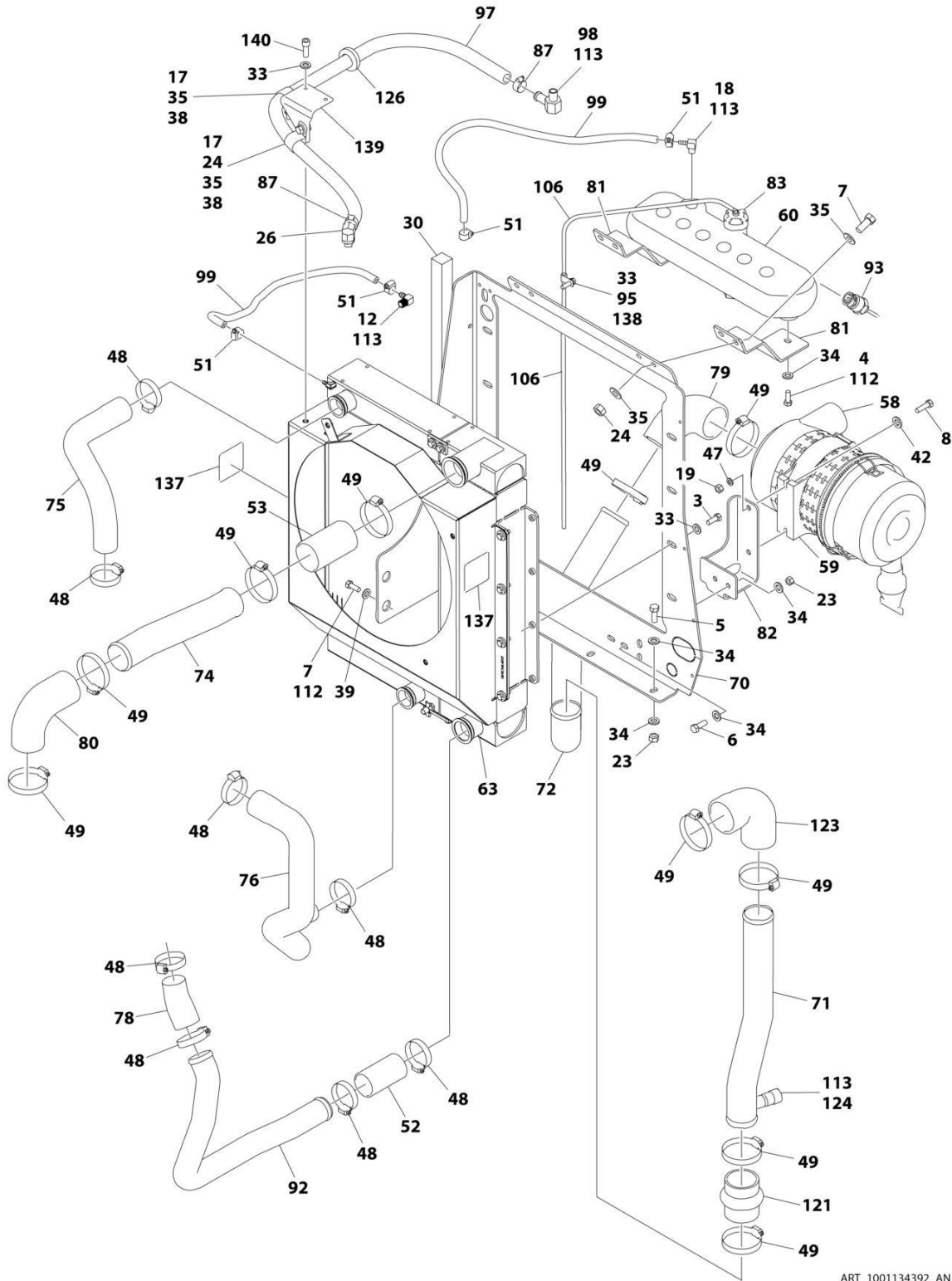
## SECTION 3 - ENGINE

**FIGURE 3-27. DEUTZ TCD2.9L4 ENGINE SUB-ASSEMBLY - WITH SAUER PUMP (WITHOUT COLD WEATHER PLUS PACKAGE)**

ITEM	PART NUMBER	QTY	DESCRIPTION	REV
	1001134390	Ref	DEUTZ TCD2.9L4 ENGINE SUB-ASSEMBLY	AM
1	0641608	2	Bolt 3/8 x 1	
2	0641812	2	Bolt 1/2 x 1-1/2	
2	0641814	2	Bolt 1/2 x 1-3/4	
3	0761215	2	Bolt M12 x 35	
5	3790152	1	O-Ring	
6	3790155	1	O-Ring	
8	4891600	2	Washer 3/8	
9	4891800	4	Washer 1/2	
10	1001108616	1	Pump Assembly - Sauer Tandem (See Separate Breakdown in this Section)	
11	1001171095	1	Pump Assembly - Sauer Piston (See Separate Breakdown in this Section)	
12	1001112927	1	Pump Assembly - Sauer Gear (See Separate Breakdown in this Section)	
13	1001134392	1	Engine Assembly (See Separate Breakdown in this Section)	
14	0100011	AR	Compound, Locking	
15	1001165101	1	Bracket, Fuel Pump Filter Assembly (See Separate Breakdown in this Section)	

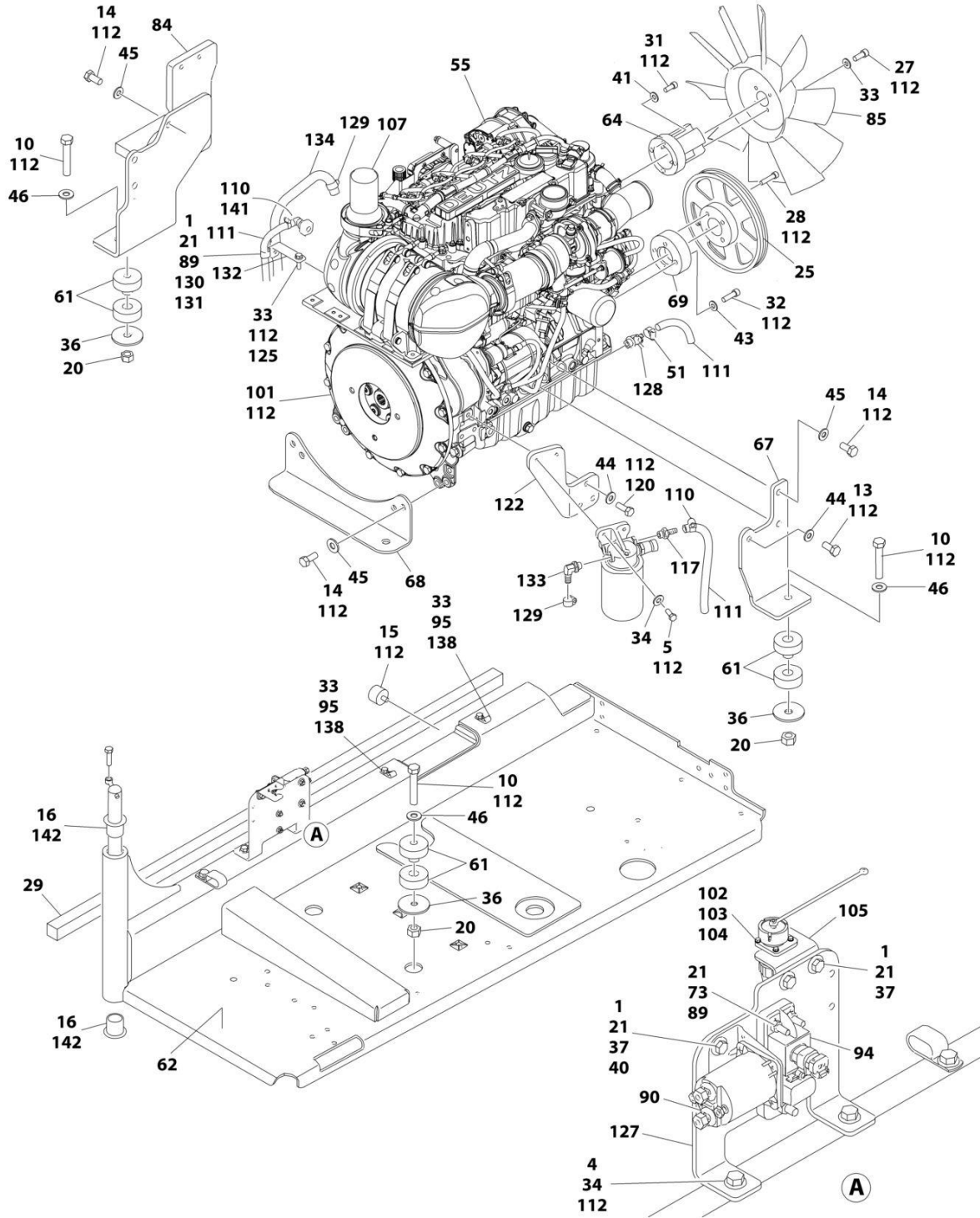
# SECTION 3 - ENGINE

## FIGURE 3-28. DEUTZ TCD2.9L4 ENGINE ASSEMBLY - WITH SAUER PUMP (WITHOUT COLD WEATHER PLUS PACKAGE)



ART\_1001134392\_AN\_10F2

# SECTION 3 - ENGINE



ART\_1001134392\_AN\_2OF2

## SECTION 3 - ENGINE

**FIGURE 3-28. DEUTZ TCD2.9L4 ENGINE ASSEMBLY - WITH SAUER PUMP (WITHOUT COLD WEATHER PLUS PACKAGE)**

ITEM	PART NUMBER	QTY	DESCRIPTION	REV
	1001134392	Ref	DEUTZ TCD2.9L4 ENGINE ASSEMBLY (WITHOUT COLD WEATHER PLUS PACKAGE)	AN
1	0641406	5	Bolt 1/4 x 3/4	
3	0641508	8	Bolt 5/16 x 1	
4	0641606	5	Bolt 3/8 x 3/4	
5	0641608	9	Bolt 3/8 x 1	
6	0641610	2	Bolt 3/8 x 1-1/4	
7	0641708	6	Bolt 7/16 x 1	
8	0700815	2	Bolt M8 x 35	
10	0682028	4	Bolt 5/8 x 3-1/2 Grade 8	
12	1001140564	1	Fitting, 90 Barbed	
13	0771212	1	Bolt M12 x 25 Grade 10.9	
14	0771414	9	Bolt M14 x 30 Grade 10.9	
15	0940070	1	Bumper	
16	0961986	2	Bushing, Flanged	
17	0641706	2	Bolt 7/16 x 3/4	
18	1001134488	1	Fitting, 90 Barbed	
19	3290801	2	Nut M8	
20	3272001	4	Nut 5/8 Grade 8	
21	3311405	6	Nut 1/4	
23	3311605	9	Nut 3/8	
24	3311705	5	Nut 7/16	
25	3580320	1	Pulley	
26	1001141719	1	Fitting, 90 Barbed	
27	3931512	4	Capscrew 5/16 x 3/4	
28	3931628	4	Capscrew 3/8 x 1-3/4	
29	3960543	1	Seal	
30	3960544	1	Seal	
31	4031914	4	Bolt M8 x 50	
32	4032014	4	Bolt M10 x 50	
33	4711500	19	Washer 5/16	
34	4711600	25	Washer 3/8	
35	4711700	10	Washer 7/16	
36	1001146219	4	Washer Special	
37	4751400	8	Washer 1/4	
38	8406302	2	Clamp	
39	4751700	2	Washer 7/16	
40	4791400	2	Starwasher 1/4	
41	4811900	4	Washer M8	
42	4811902	2	Washer M8	
43	4812000	4	Washer M10	
44	4812100	4	Washer M12	
45	4812200	9	Washer M14	
46	4892000	4	Washer 5/8	
47	4831900	2	Washer M8	
48	8405201	8	Clamp	
49	8405204	10	Clamp	
51	8410013	5	Clamp	
52	91563070	1	Coupling, Rubber	

## SECTION 3 - ENGINE

ITEM	PART NUMBER	QTY	DESCRIPTION	REV
53	1001114495	1	Hose	
55	1001249964	1	Engine, Deutz TCD2.9L4 (See Separate Breakdown in this Section)	
58	1001133633	1	Air Cleaner Assembly	
58	70024190	1	Element, Air Filter	
59	1001133634	1	Clamp	
60	1001166393	1	Tank, Surge	
61	1001155575	4	Mount, Motor	
62	1001191272	1	Tray	
63	1001135090	1	Radiator	
64	1001135138	1	Spacer, Fan	
67	1001135560	1	Support, Engine	
68	1001135562	1	Support, Engine - Rear	
69	1001135679	1	Spacer, Pulley	
70	1001135680	1	Support, Radiator	
71	1001135901	1	Pipe, Air Intake	
72	1001135903	1	Pipe, Air Intake	
73	3931432	1	Capscrew 1/4 x 2	
74	1001135914	1	Pipe, Air Cleaner to Intake	
75	1001135924	1	Hose, Radiator (Upper)	
76	1001135926	1	Hose, Radiator (Lower)	
78	1001135943	1	Coupling, Rubber	
79	1001135946	1	Elbow, Rubber	
80	1001136292	1	Pipe, 90	
81	1001136626	2	Bracket	
82	1001136665	1	Bracket	
83	1001136834	1	Cap, Tank	
84	1001142398	1	Support, Engine	
85	1001137276	1	Fan	
87	8405007	2	Clamp	
89	4711400	3	Washer 1/4	
90	1001117308	1	Relay	
92	1001135913	1	Pipe, Turbo to Air Cleaner	
93	1001138827	1	Sensor, Coolant Level	
94	1001138228	1	Module, Power	
94	70023592	1	Fuse 20Amp (Switched Output)	
94	70023593	1	Fuse 30Amp (Battery Output)	
95	1001138253	5	Clamp	
96	1001138346	1	Harness, Engine (Not Shown - See Separate Breakdown in ELECTRICAL SECTION)	
97	1001138524	1	Hose	
98	1001138559	1	Fitting, 90	
99	2720015	4.5 ft/ 1.4m	Hose	
101	2902065	1	Pump Coupling Kit (See Separate Breakdown in this Section)	
102	3310401	3	Nut #4	
103	3910408	3	Screw #4 x 1/2	
104	4710400	3	Washer #4	
105	1001139240	1	Bracket	
106	1001138248	4 ft/ 1.2m	Tubing	
107	1001153024	1	Pipe, Exhaust	
110	1320022	2	Clamp	

## SECTION 3 - ENGINE

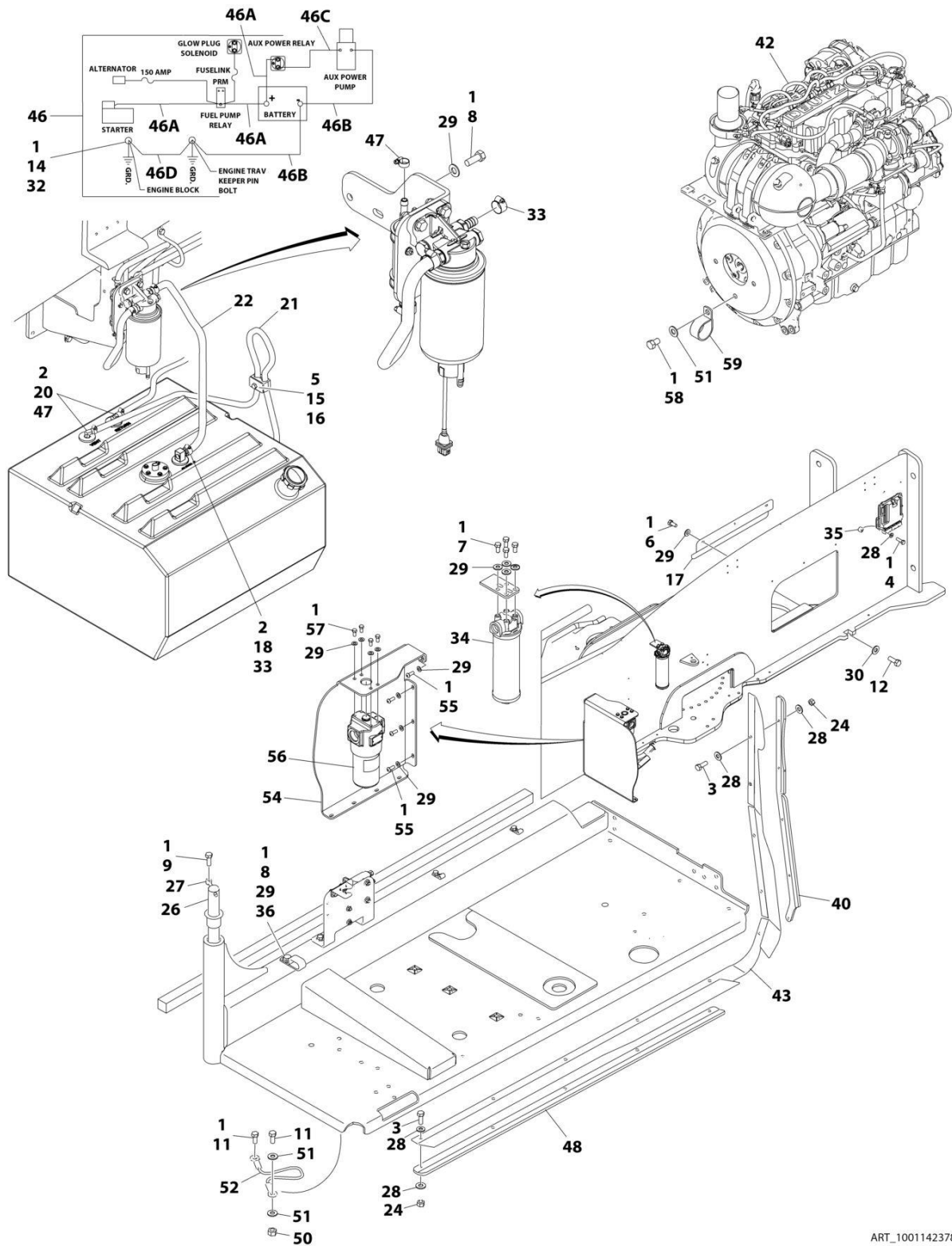
ITEM	PART NUMBER	QTY	DESCRIPTION	REV
111	1001165035	30.5 ft/ 9.3m	Hose	
112	0100011	AR	Compound, Locking	
113	0100020	AR	Sealant	
114	1001141304	1	Wire, Glow Plug (Not Shown)	
115	1001135779	1	Cable, Alternator Positive (Not Shown)	
117	1001141717	1	Fitting, Straight	
120	0761214	3	Bolt M12 x 30	
121	1001142637	1	Hose, Hump	
122	1001142685	1	Bracket	
123	1001165820	1	Pipe, Elbow	
124	1001143390	1	Indicator, Air Filter Service	
125	0760810	2	Bolt M8 x 20	
126	1001144089	1	Grommet	
127	1001145154	1	Plate, Mounting	
128	4640751	1	Valve, Oil Drain	
129	8405006	2	Clamp	
130	8406102	AR	Clip	
131	8406112	1	Clip	
132	1001138717	1	Bracket	
133	1001142501	1	Fitting, 90 Barbed	
134	1001154405	5 ft/ 1.5m	Hose	
135	1001148843	1	Harness, Fuel Filter (Not Shown - See Separate Breakdown in ELECTRICAL Section)	
137	1703162	2	Decal - Fan	
138	0641503	3	Bolt 5/16 x 3/8	
139	1001153387	1	Plate	
140	3931508	2	Capscrew 5/16 x 1/2	
141	1001155823	1	Coupling	
142	0100062	AR	Adhesive, Loctite #680	
143	4240099	AR	Tie-Strap (Not Shown)	





# SECTION 3 - ENGINE

## FIGURE 3-29. DEUTZ TCD2.9L4 ENGINE INSTALLATION - WITH SAUER PUMPS (WITH COLD WEATHER PLUS PACKAGE)



ART\_1001142378

## SECTION 3 - ENGINE

**FIGURE 3-29. DEUTZ TCD2.9L4 ENGINE INSTALLATION - WITH SAUER PUMPS (WITH COLD WEATHER PLUS PACKAGE)**

ITEM	PART NUMBER	QTY	DESCRIPTION	REV
	1001142378	Ref	DEUTZ TCD2.9L4 ENGINE INSTALLATION - WITH SAUER PUMPS (WITH COLD WEATHER PLUS PACKAGE)	M
1	0100011	AR	Compound, Locking	
2	0100079	AR	Sealant, Pipe	
3	0641408	10	Bolt 1/4 x 1	
4	0641410	4	Bolt 1/4 x 1-1/4	
5	0641511	1	Bolt 5/16 x 1-3/8	
6	0641605	3	Bolt 3/8 x 5/8	
7	0641606	4	Bolt 3/8 x 3/4	
8	0641608	3	Bolt 3/8 x 1	
9	0641610	1	Bolt 3/8 x 1-1/4	
11	0641808	AR	Bolt 1/2 x 1	
12	0642010	1	Bolt 5/8 x 1-1/4	
14	0761210	1	Bolt M12 x 20	
15	1320187	1	Clamp	
16	1320190	1	Cover, Clamp	
17	1671121	1	Cover	
18	2180832	1	Fitting, Barbed	
20	2220313	2	Fitting, 90 Barbed	
21	2750532	5 ft/ 1.5m	Hose	
22	1001154405	1.9 ft/ 0.6m	Hose	
24	3311405	10	Nut 1/4	
26	3422446	1	Pin, Pivot	
27	3841143	1	Pin, Keeper	
28	4711400	24	Washer 1/4	
29	4711600	19	Washer 3/8	
30	4752000	1	Washer 5/8	
32	4812100	1	Washer M12	
33	8405006	2	Clamp	
34	1001108617	1	Hydraulic Pressure Filter Assembly	
34	70002231	1	Element, Filter	
35	1001110425	4	Spacer	
36	1001116792	1	Clamp	
38	1001138491	NLA	Harness, Fuel (Use p/n 1001222665) (Not Shown - See Separate Breakdown in ELECTRICAL SECTION)	
40	1001145089	1	Clamp	
42	1001141745	1	Engine Sub-Assembly (See Separate Breakdown in this Section)	
43	1001145560	1	Panel, Rubber	
46	1001142610	1	Battery Cable Kit	C
46A	7027046	1	Cable, Battery (Red) (Battery + to Relays and Starter)	
46A	See Note	NSS	Boot, Ring Terminal (Red) (Note: Not Available - Purchase Locally)	
46B	7027047	1	Cable, Battery (Black) (Battery - to Tray Pivot Grd) and Aux Pump	
46B	See Note	NSS	Boot, Ring Terminal (Black) (Note: Not Available - Purchase Locally)	
46C	7027048	1	Cable (Red) (Aux Relay to Aux Pump)	
46C	See Note	NSS	Boot, Ring Terminal (Red) (Note: Not Available - Purchase Locally)	

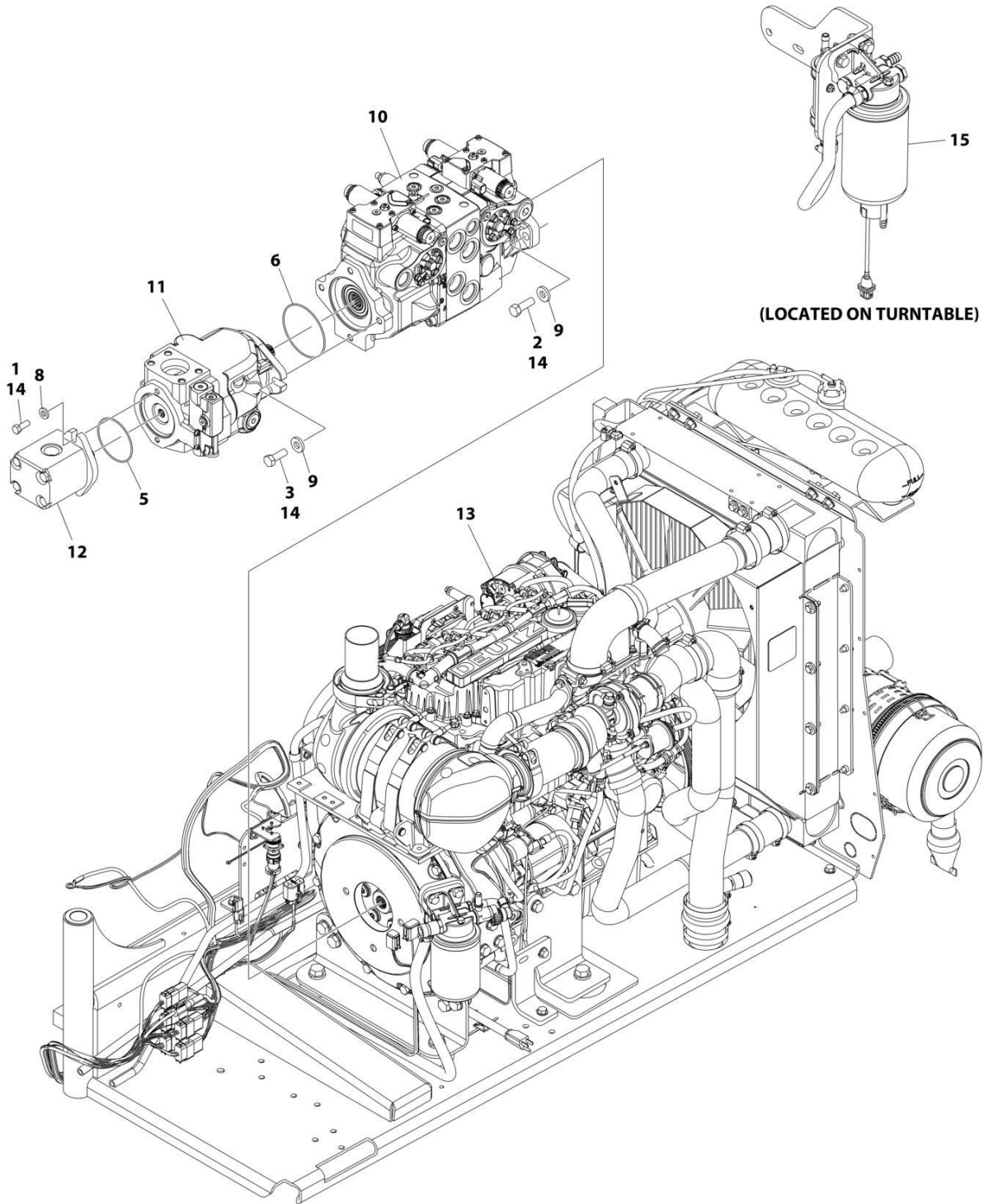
## SECTION 3 - ENGINE

ITEM	PART NUMBER	QTY	DESCRIPTION	REV
46D	7027049	1	Cable, Battery (Black) (Engine to Tray Pivot Grd)	
47	1320022	3	Clamp	
48	1001145842	1	Plate, Clamping	
50	3311805	1	Nut 1/2	
51	4711800	3	Washer 1/2	
52	1001131542	1	Lanyard	
54	3380723	1	Panel, Noise Reduction	
55	3900316	5	Screw 3/8 x 1	
56	2120218	1	Filter, High Pressure	
56	2120219	1	Element, Filter	
56	70001344	1	O-Ring, Bowl	
56	70006137	1	Seal Kit - Includes O-Ring (Element), O-Ring (Bowl), Back-up Ring (Bowl), Seal Ring (Indicator) and O-Ring (Indicator)	
57	0651606	4	Bolt 3/8 x 3/4	
58	0641806	1	Bolt 1/2 x 3/4	
59	90028660	1	Clamp	



# SECTION 3 - ENGINE

FIGURE 3-30. DEUTZ TCD2.9L4 ENGINE SUB-ASSEMBLY - WITH SAUER PUMPS (WITH COLD WEATHER PLUS PACKAGE)



ART\_1001141745

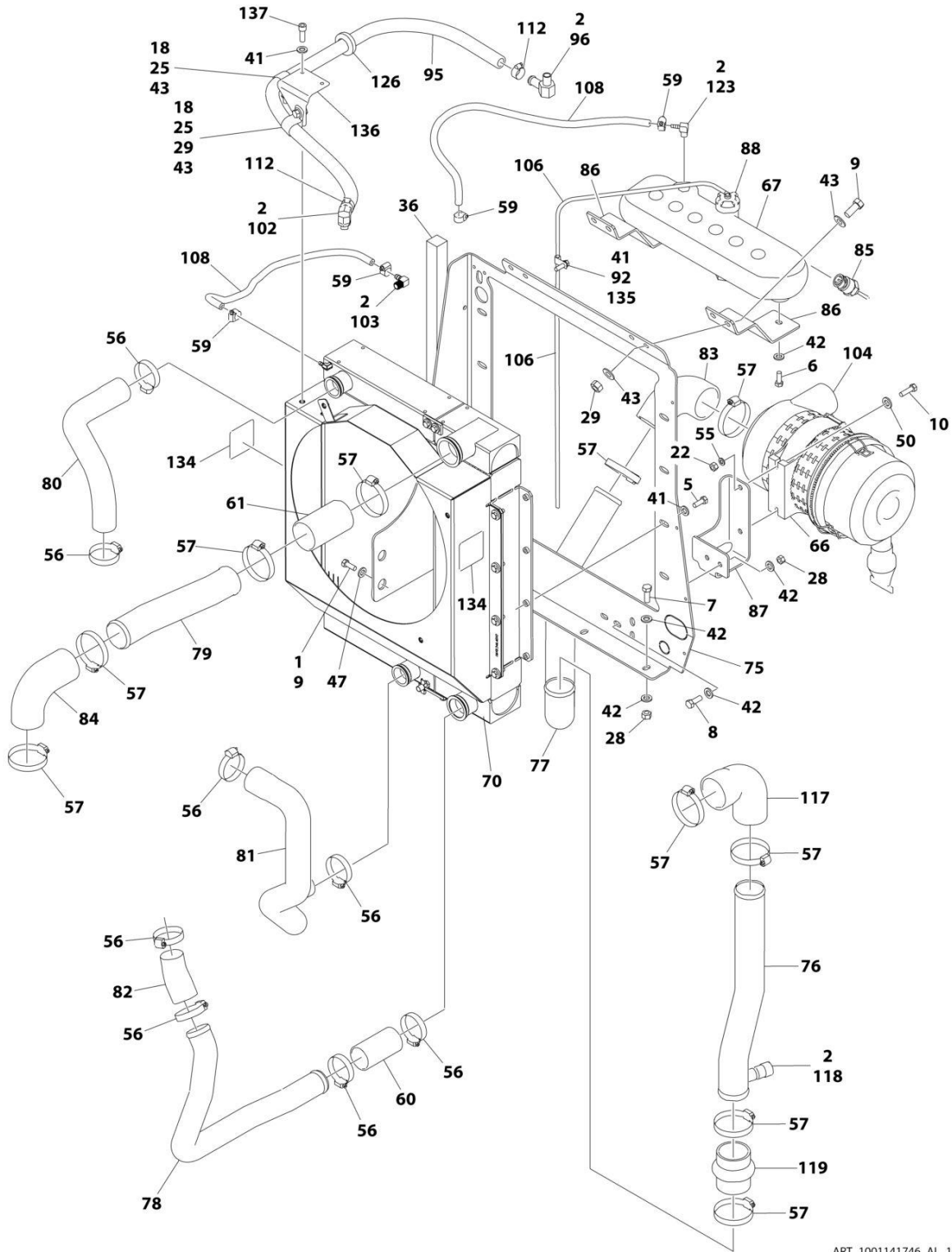
## SECTION 3 - ENGINE

**FIGURE 3-30. DEUTZ TCD2.9L4 ENGINE SUB-ASSEMBLY - WITH SAUER PUMPS (WITH COLD WEATHER PLUS PACKAGE)**

ITEM	PART NUMBER	QTY	DESCRIPTION	REV
	1001141745	Ref	DEUTZ TCD2.9L4 ENGINE SUB-ASSEMBLY	AL
1	0641608	2	Bolt 3/8 x 1	
2	0641812	2	Bolt 1/2 x 1-1/2	
2	0641814	2	Bolt 1/2 x 1-3/4	
3	0761215	2	Bolt M12 x 35	
5	3790152	1	O-Ring	
6	3790155	1	O-Ring	
8	4891600	2	Washer 3/8	
9	4891800	4	Washer 1/2	
10	1001108616	1	Pump Assembly - Sauer Tandem (See Separate Breakdown in this Section)	
11	1001171095	1	Pump Assembly - Sauer Piston (See Separate Breakdown in this Section)	
12	1001112927	1	Pump Assembly - Sauer Gear (See Separate Breakdown in this Section)	
13	1001141746	1	Engine Assembly (See Separate Breakdown in this Section)	
14	0100011	AR	Compound, Locking	
15	1001165101	1	Bracket, Fuel Pump Filter Assembly (See Separate Breakdown in this Section)	

# SECTION 3 - ENGINE

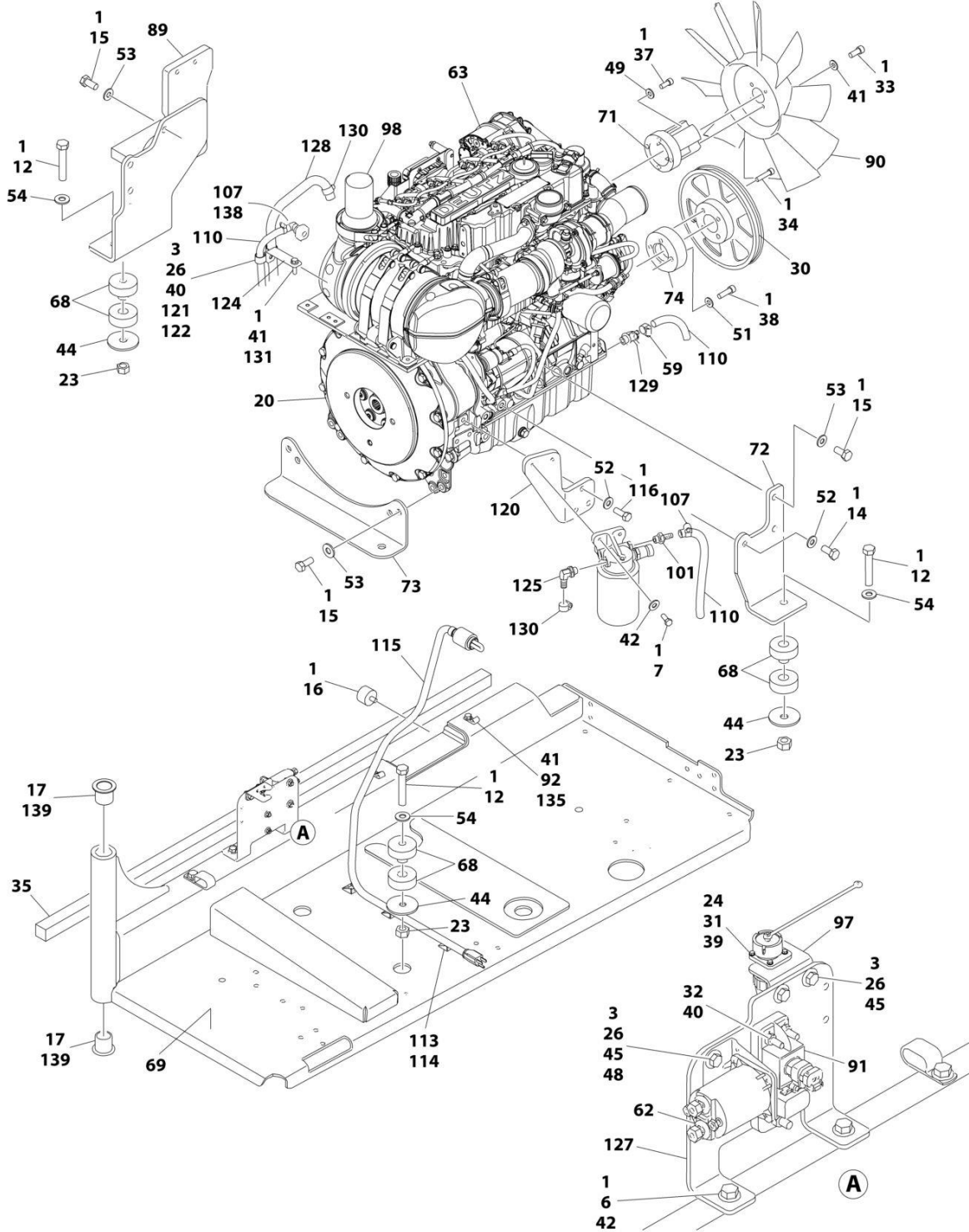
## FIGURE 3-31. DEUTZ TCD2.9L4 ENGINE ASSEMBLY - WITH SAUER PUMPS (WITH COLD WEATHER PLUS PACKAGE)



ART\_1001141746\_AL\_10F2



# SECTION 3 - ENGINE



ART\_1001141746\_AL\_20F2

## SECTION 3 - ENGINE

**FIGURE 3-31. DEUTZ TCD2.9L4 ENGINE ASSEMBLY - WITH SAUER PUMPS (WITH COLD WEATHER PLUS PACKAGE)**

ITEM	PART NUMBER	QTY	DESCRIPTION	REV
	1001141746	Ref	DEUTZ TCD2.9L4 ENGINE ASSEMBLY (WITH COLD WEATHER PLUS PACKAGE)	AL
1	0100011	AR	Compound, Locking	
2	0100020	AR	Sealant	
3	0641406	5	Bolt 1/4 x 3/4	
5	0641508	8	Bolt 5/16 x 1	
6	0641606	5	Bolt 3/8 x 3/4	
7	0641608	9	Bolt 3/8 x 1	
8	0641610	2	Bolt 3/8 x 1-1/4	
9	0641708	6	Bolt 7/16 x 1	
10	0700815	2	Bolt M8 x 35	
12	0682028	4	Bolt 5/8 x 3-1/2 Grade 8	
14	0771212	1	Bolt M12 x 25 Grade 10.9	
15	0771414	9	Bolt M14 x 30 Grade 10.9	
16	0940070	1	Bumper	
17	0961986	2	Bushing, Flanged	
18	0641706	2	Bolt 7/16 x 3/4	
20	2902065	1	Pump Coupling Kit (See Separate Breakdown in this Section)	
22	3290801	2	Nut M8	
23	3272001	4	Nut 5/8 Grade 8	
24	3310401	3	Nut #4	
25	8406302	2	Clamp	
26	3311405	6	Nut 1/4	
28	3311605	9	Nut 3/8	
29	3311705	5	Nut 7/16	
30	3580320	1	Pulley	
31	3910408	3	Screw #4 x 1/2	
32	3931432	1	Capscrew 1/4 x 2	
33	3931512	4	Capscrew 5/16 x 3/4	
34	3931628	4	Capscrew 3/8 x 1-3/4	
35	3960543	1	Seal	
36	3960544	1	Seal	
37	4031914	4	Bolt M8 x 50	
38	4032014	4	Bolt M10 x 50	
39	4710400	3	Washer #4	
40	4711400	3	Washer 1/4	
41	4711500	19	Washer 5/16	
42	4711600	25	Washer 3/8	
43	4711700	10	Washer 7/16	
44	1001146219	4	Washer Special	
45	4751400	8	Washer 1/4	
47	4751700	2	Washer 7/16	
48	4791400	2	Starwasher 1/4	
49	4811900	4	Washer M8	
50	4811902	2	Washer M8	
51	4812000	4	Washer M10	
52	4812100	4	Washer M12	
53	4812200	9	Washer M14	
54	4892000	4	Washer 5/8	

## SECTION 3 - ENGINE

ITEM	PART NUMBER	QTY	DESCRIPTION	REV
55	4831900	2	Washer M8	
56	8405201	8	Clamp	
57	8405204	10	Clamp	
59	8410013	5	Clamp	
60	91563070	1	Coupling, Rubber	
61	1001114495	1	Hose	
62	1001117308	1	Relay	
63	1001249964	1	Engine, Deutz TCD2.9L4 (See Separate Breakdown in this Section)	
66	1001133634	1	Clamp	
67	1001166393	1	Tank, Surge	
68	1001155575	4	Mount, Motor	
69	1001191272	1	Tray	
70	1001135090	1	Radiator	
71	1001135138	1	Spacer, Fan	
72	1001135560	1	Support, Engine	
73	1001135562	1	Support, Engine - Rear	
74	1001135679	1	Spacer, Pulley	
75	1001135680	1	Support, Radiator	
76	1001135901	1	Pipe, Air Intake	
77	1001135903	1	Pipe, Air Intake	
78	1001135913	1	Pipe, Turbo to Air Cleaner	
79	1001135914	1	Pipe, Air Cleaner to Intake	
80	1001135924	1	Hose, Radiator (Upper)	
81	1001135926	1	Hose, Radiator (Lower)	
82	1001135943	1	Coupling, Rubber	
83	1001135946	1	Elbow, Rubber	
84	1001136292	1	Pipe, 90	
85	1001138827	1	Sensor, Coolant Level	
86	1001136626	2	Bracket	
87	1001136665	1	Bracket	
88	1001136834	1	Cap, Tank	
89	1001142398	1	Support, Engine	
90	1001137276	1	Fan	
91	1001138228	1	Module, Power	
91	70023592	1	Fuse 20Amp (Switched Output)	
91	70023593	1	Fuse 30Amp (Battery Output)	
92	1001138253	5	Clamp	
94	1001138346	1	Harness, Engine (Not Shown - See Separate Breakdown in ELECTRICAL Section)	
95	1001138524	1	Hose	
96	1001138559	1	Fitting, 90	
97	1001139240	1	Bracket	
98	1001153024	1	Pipe, Exhaust	
100	1001141304	1	Wire, Glow Plug (Not Shown)	
101	1001141717	1	Fitting, Straight	
102	1001141719	1	Fitting, 90 Barbed	
103	1001140564	1	Fitting, 90 Barbed	
104	1001133633	1	Air Cleaner Assembly	
104	70024190	1	Element, Air Filter	
105	1001135779	1	Cable, Alternator Positive (Not Shown)	
106	1001138248	4 ft/ 1.2m	Tubing	

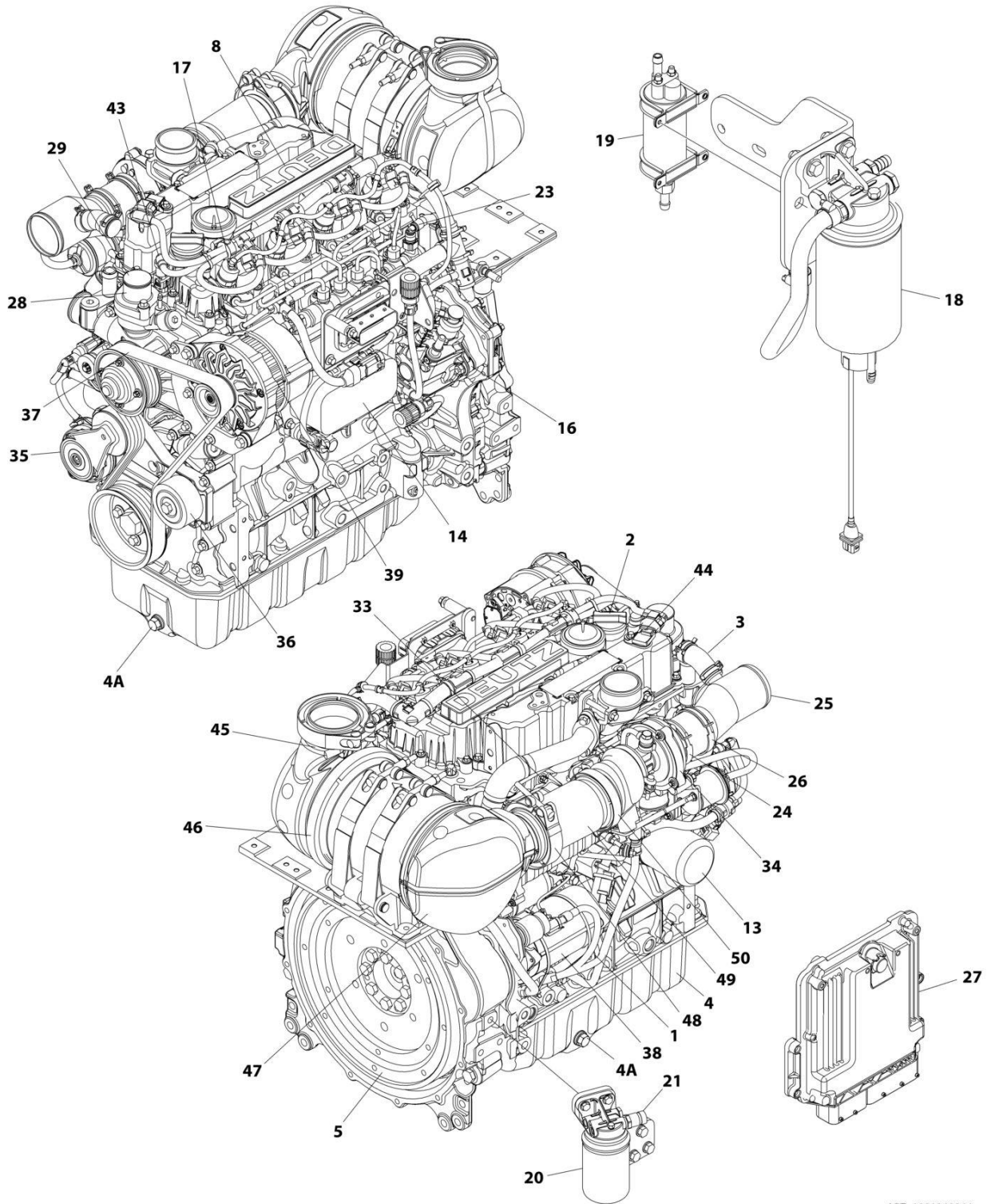
## SECTION 3 - ENGINE

ITEM	PART NUMBER	QTY	DESCRIPTION	REV
107	1320022	2	Clamp	
108	2720015	4.5 ft/ 1.4m	Hose	
110	1001165035	30.5 ft/ 9.3m	Hose	
112	8405007	2	Clamp	
113	4240099	AR	Tie-Strap (Used to Secure Block Heater Cord)	
114	4460234	3	Mount, Wire Tie (Used to Secure Block Heater Cord)	
115	1001140312	1	Heater, Block	
116	0761214	3	Bolt M12 x 30	
117	1001165820	1	Pipe, Elbow	
118	1001143390	1	Indicator, Air Filter Service	
119	1001142637	1	Hose, Hump	
120	1001142685	1	Bracket	
121	8406102	AR	Clip	
122	8406112	1	Clip	
123	1001134488	1	Fitting, 90 Barbed	
124	1001138717	1	Bracket	
125	1001142501	1	Fitting, 90 Barbed	
126	1001144089	1	Grommet	
127	1001145154	1	Plate, Mounting	
128	1001154405	5 ft/ 1.5m	Hose	
129	4640751	1	Valve, Oil Drain	
130	8405006	2	Clamp	
131	0760810	AR	Bolt M8 x 20	
132	1001148843	1	Harness, Fuel Filter (Not Shown - See Separate Breakdown in ELECTRICAL SECTION)	
134	1703162	2	Decal - Fan	
135	0641503	3	Bolt 5/16 x 3/8	
136	1001153387	1	Plate	
137	3931508	2	Capscrew 5/16 x 1/2	
138	1001155823	1	Coupling	
139	0100062	AR	Adhesive, Loctite #680	
140	1001181895	AR	Adhesive, Loctite #640 (Not Shown - Apply to Block Heater)	



# SECTION 3 - ENGINE

## FIGURE 3-32. DEUTZ TCD2.9L4 ENGINE COMPONENTS



ART\_1001249964

## SECTION 3 - ENGINE

**FIGURE 3-32. DEUTZ TCD2.9L4 ENGINE COMPONENTS**

ITEM	PART NUMBER	QTY	DESCRIPTION	REV
	1001249964	Ref	DEUTZ TCD2.9L4 ENGINE COMPONENTS	A
1	70024904	1	Dipstick	
1	70024905	1	O-Ring	
2	7020465	2	Cap, Filler	
3	7002511	2	Clamp	
4		Ref	Pan, Oil	
4A	70005941	2	Plug	
4A	70005942	2	Washer, Sealing	
5	70001870	1	Flywheel	
5	7024579	1	Gear, Ring	
6	70024906	1	Gasket, Head (Not Shown)	
8	70005921	1	Cover, Valve	
8	70005171	1	Gasket	
8	70025205	1	Gasket, Small Valve Cover	
10	70004280	1	Seal, Shaft - Front (Not Shown)	
11	70002718	1	Seal, Shaft - Rear (Not Shown)	
12	70005172	1	Pump, Oil Lube (Not Shown)	
12	70025135	1	O-Ring	
12	70025136	1	Gasket	
13	7016331	1	Filter, Oil	
13	70025137	1	Bushing	
14	70024494	1	Cooler, Engine Oil	
14	70024925	1	Gasket	
16	70024924	1	Pump, Fuel	
16	70025152	1	O-Ring	
16	70004505	1	Valve, Overflow	
16	70004506	1	O-Ring	
16	70004507	1	O-Ring	
16	70004508	1	Valve Volume Control	
16	70004509	1	O-Ring	
16	70004510	1	Gasket	
17	70025181	4	Injector, Fuel	
17	70025140	4	Washer, Sealing	
17	70025146	4	Clamp (Top of Injector)	
17	70025145	4	O-Ring	
17	70025154	4	Shoe, Clamping	
17	70000345	1	Plug, Glow (Not Shown)	
18	70024961	1	Fuel Filter Assembly	
18	1001225430	1	Filter, Fuel	
18	70024513	1	Cable, Sensor	
18	70025239	1	Ring, Sealing	
19	70006144	1	Pump, Fuel	
19	70025144	2	Clamp	
20	70029451	1	Filter with Head	
20	1001225431	1	Filter, Fuel	
21	70024919	1	Sensor, Pressure	
21	70024920	1	O-Ring	
22	70025151	1	Rail, Fuel (Not Shown)	
22	70025235	1	Repair Kit (Not Shown)	
23	70025182	1	Fuel Line - High Pressure (Cylinder 1 & 2)	

## SECTION 3 - ENGINE

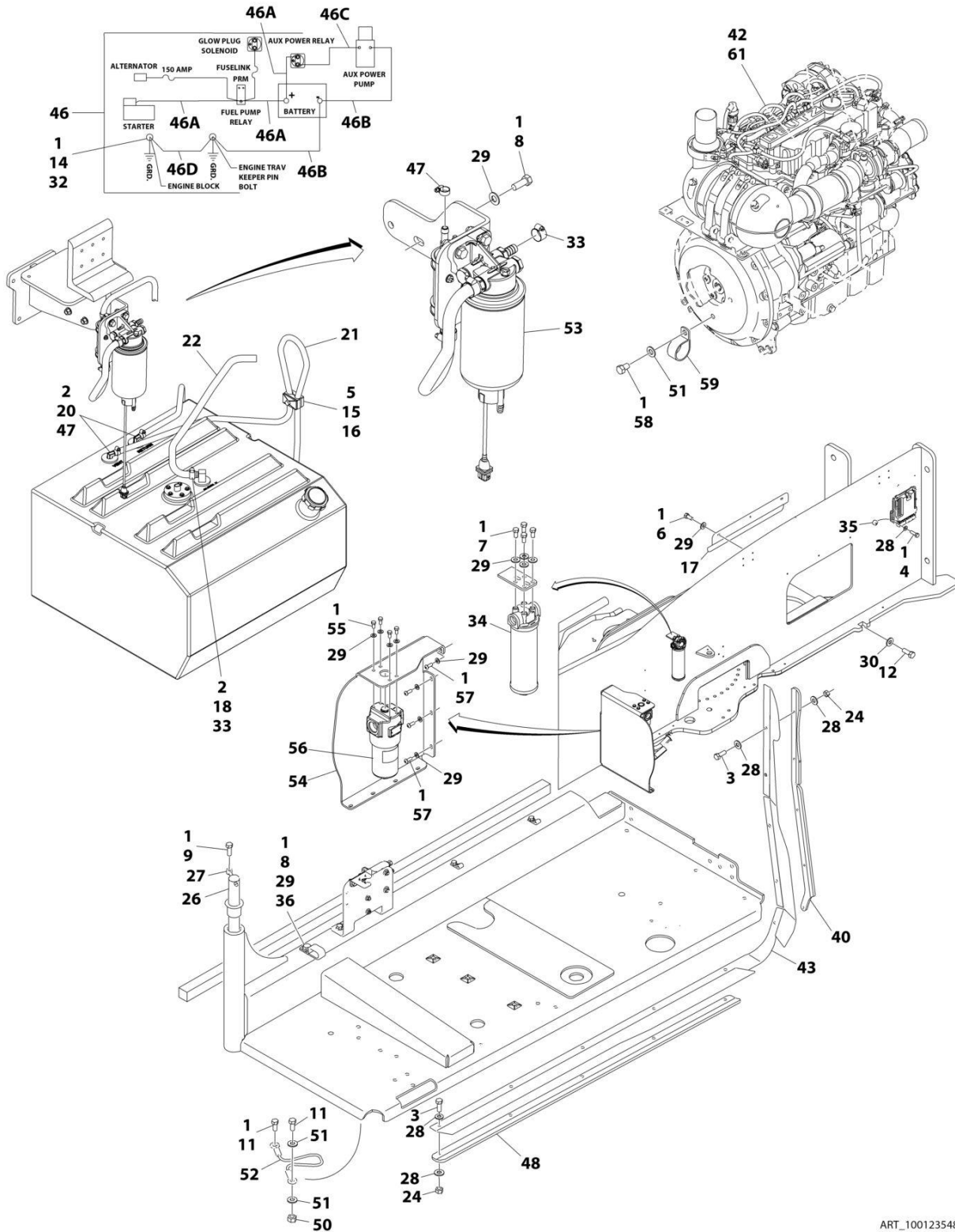
ITEM	PART NUMBER	QTY	DESCRIPTION	REV
23	70025183	1	Fuel Line - High Pressure (Cylinder 3 & 4)	
23	70025184	1	Fuel Line - High Pressure (Supply)	
24	70004501	1	Sleeve, Rubber	
25	70004502	1	Pipe, Intake	
25	70005926	1	Pipe, Elbow	
26	70025112	2	Clamp	
27	70025210	1	ECU (Engine Control Unit)	
28	70029797	1	Pump, Water	
28	70025200	1	Ring, Sealing	
28	70007325	1	Gasket	
28	7020492	2	Ring, Sealing (Plug)	
29	70005929	1	Thermostat	
29	70025184	1	O-Ring (Thermostat to Cover)	
29	70005931	1	Gasket (Thermostat to Pump)	
29	70025142	1	Cover, Thermostat	
31	70007326	1	Valve, Shuttle (EGR) (Not Shown)	
31	70007327	1	Gasket	
33	70004282	1	Manifold, Exhaust	
33	70025164	1	Gasket, Exhaust Manifold to Head	
33	70029557	1	Gasket, Exhaust Manifold to Pipe	
34	70007328	1	Turbocharger	
34	70024912	1	Gasket, Exhaust Manifold	
35	70028699	1	Tensioner, Belt	
36		Ref	Idler Roller	
37	70004277	1	Belt, Drive	
38	70024915	1	Starter	
38	70005647	1	Switch, Solenoid	
38	70005648	1	Relay	
39	70029401	1	Generator	
39	70006653	1	Regulator, Voltage	
40	70007329	1	Harness, Engine (Not Shown)	
41	70024504	1	Sensor, Pressure (Not Shown - Located Top Rear)	
41	70024920	1	O-Ring	
42	70026210	2	Sensor, Speed (Not Shown - Located Left Side Front and Flywheel Housing)	
42	70024917	2	O-Ring	
43	70028540	1	Sender, Temperature	
44	70024507	1	Sensor, Pressure	
44	70025120	1	O-Ring	
45	70007331	1	Outlet, Muffler	
46	70029517	1	Clip	
46	70029520	1	Gasket	
47	70007330	1	Inlet	
48	70025877	1	Clip	
48	70025788	1	Nut	
48	70025242	1	Gasket	
49	70004504	1	Compensator	
50	70005527	1	Clip	
50	70029433	1	Clip	
50	70025242	1	Gasket	





# SECTION 3 - ENGINE

**FIGURE 3-33. DEUTZ TCD2.9L4 (STAGE V PRE-BUY) ENGINE INSTALLATION - WITH REXROTH PUMP (WITHOUT COLD WEATHER PLUS PACKAGE)**



ART\_1001235480

## SECTION 3 - ENGINE

**FIGURE 3-33. DEUTZ TCD2.9L4 (STAGE V PRE-BUY) ENGINE INSTALLATION - WITH REXROTH PUMP (WITHOUT COLD WEATHER PLUS PACKAGE)**

ITEM	PART NUMBER	QTY	DESCRIPTION	REV
	1001235480	Ref	DEUTZ TCD2.9L4 (STAGE V PRE-BUY) ENGINE INSTALLATION - WITH REXROTH PUMP (WITHOUT COLD WEATHER PLUS PACKAGE)	D
1	0100011	AR	Compound, Locking	
2	0100079	AR	Sealant, Pipe	
3	0641408	10	Bolt 1/4 x 1	
4	0641410	4	Bolt 1/4 x 1-1/4	
5	0641511	1	Bolt 5/16 x 1-3/8	
6	0641605	3	Bolt 3/8 x 5/8	
7	0641606	4	Bolt 3/8 x 3/4	
8	0641608	3	Bolt 3/8 x 1	
9	0641610	1	Bolt 3/8 x 1-1/4	
11	0641808	2	Bolt 1/2 x 1	
12	0642010	1	Bolt 5/8 x 1-1/4	
14	0761210	1	Bolt M12 x 20	
15	1320187	1	Clamp	
16	1320190	1	Cover, Clamp	
17	1671121	1	Cover	
18	2180832	1	Fitting, Barbed	
20	2220313	2	Fitting, 90 Barbed	
21	2750532	5 ft/ 1.5m	Hose	
22	1001154405	1.9 ft/ 0.6m	Hose	
24	3311405	10	Nut 1/4	
26	3422446	1	Pin, Pivot	
27	3841143	1	Pin, Keeper	
28	4711400	24	Washer 1/4	
29	4711600	19	Washer 3/8	
30	4752000	1	Washer 5/8	
32	4812100	1	Washer M12	
33	8405006	2	Clamp	
34	1001108617	1	Hydraulic Pressure Filter Assembly	
34	70002231	1	Element, Filter	
35	1001110425	4	Spacer	
36	1001116792	1	Clamp	
39	1001138491	NLA	Harness, Fuel (Use p/n 1001222665) (Not Shown - See Separate Breakdown in ELECTRICAL SECTION)	
40	1001145089	1	Clamp	
42	1001235479	1	Engine Sub-Assembly (See Separate Breakdown in this Section)	
43	1001145560	1	Panel, Rubber	
46	1001142610	1	Battery Cable Kit	
46A	7027046	1	Cable, Battery (Red) (Battery + to Relays and Starter)	
46A	See Note	NSS	Boot, Ring Terminal (Red) (Note: Not Available - Purchase Locally)	
46B	7027047	1	Cable, Battery (Black) (Battery - to Tray Pivot Grd) and Aux Pump	
46B	See Note	NSS	Boot, Ring Terminal (Black) (Note: Not Available - Purchase Locally)	
46C	7027048	1	Cable (Red) (Aux Relay to Aux Pump)	

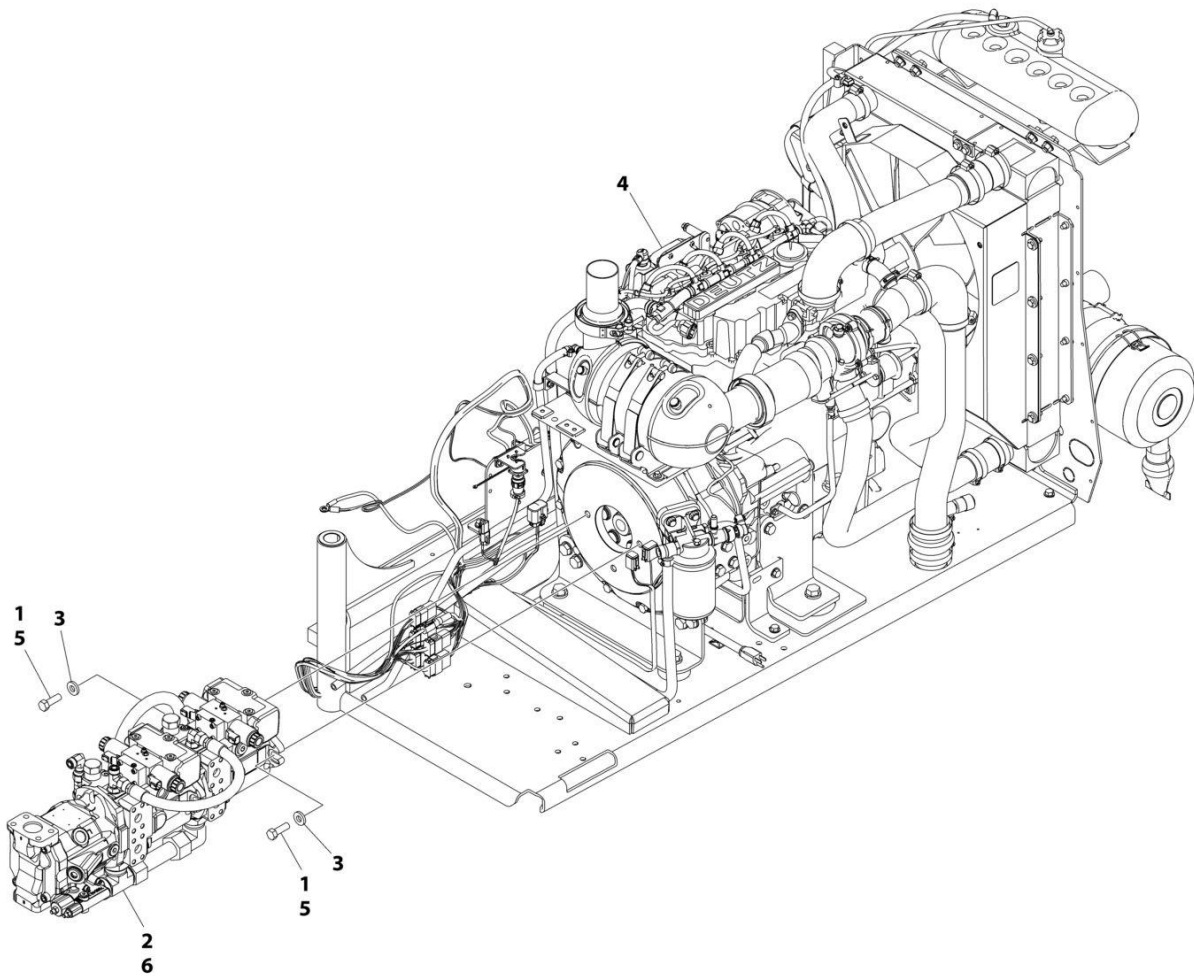
## SECTION 3 - ENGINE

ITEM	PART NUMBER	QTY	DESCRIPTION	REV
46C	See Note	NSS	Boot, Ring Terminal (Red) (Note: Not Available - Purchase Locally)	
46D	7027049	1	Cable, Battery (Black) (Engine to Tray Pivot Grd)	
47	1320022	3	Clamp	
48	1001145842	1	Plate, Clamping	
50	3311805	1	Nut 1/2	
51	4711800	3	Washer 1/2	
52	1001131542	1	Lanyard	
53	1001165101	1	Bracket, Fuel Pump Filter Assembly (See Separate Breakdown in this Section)	
54	3380723	1	Panel, Noise Reduction	
55	0651606	4	Bolt 3/8 x 3/4	
56	2120218	1	Filter, High Pressure	
56	2120219	1	Element, Filter	
56	70001344	1	O-Ring, Bowl	
56	70006137	1	Seal Kit - Includes O-Ring (Element), O-Ring (Bowl), Back-up Ring (Bowl), Seal Ring (Indicator) and O-Ring (Indicator)	
57	3900316	5	Screw 3/8 x 1	
58	0641806	1	Bolt 1/2 x 3/4	
59	90028660	1	Clamp	
61	1001235459	1	Engine, Deutz T4F Components (See Separate Breakdown in this Section)	



## SECTION 3 - ENGINE

FIGURE 3-34. DEUTZ TCD2.9L4 (STAGE V PRE-BUY) ENGINE SUB-ASSEMBLY - WITH REXROTH PUMP AND ABS HOODS (WITHOUT COLD WEATHER PLUS PACKAGE)



ART\_1001235479

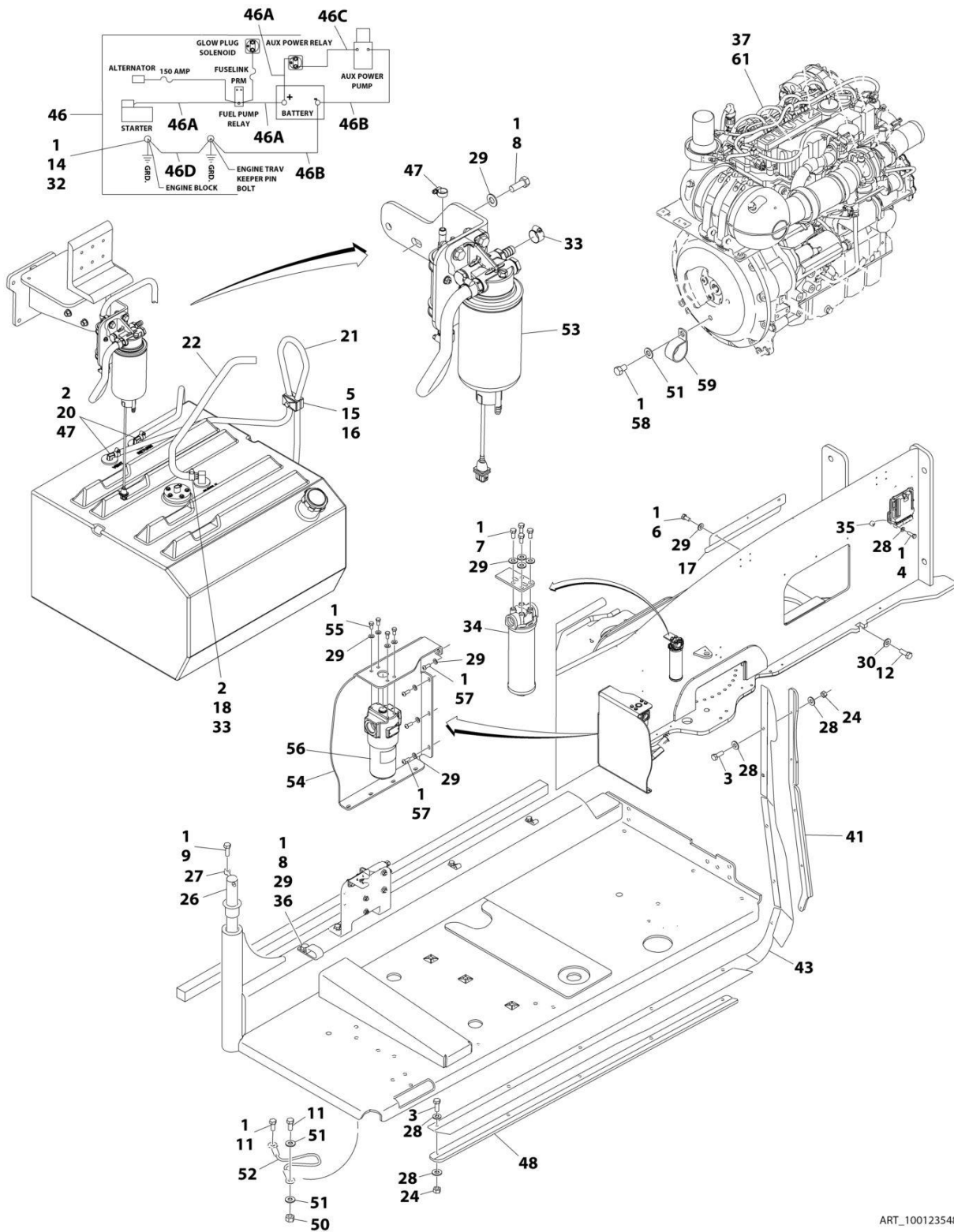
## SECTION 3 - ENGINE

**FIGURE 3-34. DEUTZ TCD2.9L4 (STAGE V PRE-BUY) ENGINE SUB-ASSEMBLY - WITH REXROTH PUMP AND ABS HOODS (WITHOUT COLD WEATHER PLUS PACKAGE)**

ITEM	PART NUMBER	QTY	DESCRIPTION	REV
	1001235479	Ref	DEUTZ TCD2.9L4 (STAGE V PRE-BUY) ENGINE SUB-ASSEMBLY	K
1	0641812	2	Bolt 1/2 x 1-1/2	
2	3020037	AR	Grease, Pump Coupling	
3	4891800	2	Washer 1/2	
4	1001235477	1	Engine Assembly (See Separate Breakdown in this Section)	
5	0100011	AR	Compound, Locking	
6	1001152963	1	Pump Assembly - Rexroth (See Separate Breakdown in this Section)	

# SECTION 3 - ENGINE

FIGURE 3-35. DEUTZ TCD2.9L4 (STAGE V PRE-BUY) ENGINE INSTALLATION - WITH SAUER PUMP (WITHOUT COLD WEATHER PLUS PACKAGE)



ART\_1001235483



## SECTION 3 - ENGINE

**FIGURE 3-35. DEUTZ TCD2.9L4 (STAGE V PRE-BUY) ENGINE INSTALLATION - WITH SAUER PUMP  
(WITHOUT COLD WEATHER PLUS PACKAGE)**

ITEM	PART NUMBER	QTY	DESCRIPTION	REV
	1001235483	Ref	DEUTZ TCD2.9L4 (STAGE V PRE-BUY) ENGINE INSTALLATION - WITH SAUER PUMP (WITHOUT COLD WEATHER PLUS PACKAGE)	D
1	0100011	AR	Compound, Locking	
2	0100079	AR	Sealant, Pipe	
3	0641408	10	Bolt 1/4 x 1	
4	0641410	4	Bolt 1/4 x 1-1/4	
5	0641511	1	Bolt 5/16 x 1-3/8	
6	0641605	3	Bolt 3/8 x 5/8	
7	0641606	4	Bolt 3/8 x 3/4	
8	0641608	3	Bolt 3/8 x 1	
9	0641610	1	Bolt 3/8 x 1-1/4	
11	0641808	2	Bolt 1/2 x 1	
12	0642010	1	Bolt 5/8 x 1-1/4	
14	0761210	1	Bolt M12 x 20	
15	1320187	1	Clamp	
16	1320190	1	Cover, Clamp	
17	1671121	1	Cover	
18	2180832	1	Fitting, Barbed	
20	2220313	2	Fitting, 90 Barbed	
21	2750532	5 ft/ 1.5m	Hose	
22	1001154405	1.9 ft/ 0.6m	Hose	
24	3311405	10	Nut 1/4	
26	3422446	1	Pin, Pivot	
27	3841143	1	Pin, Keeper	
28	4711400	24	Washer 1/4	
29	4711600	19	Washer 3/8	
30	4752000	1	Washer 5/8	
32	4812100	1	Washer M12	
33	8405006	2	Clamp	
34	1001108617	1	Hydraulic Pressure Filter Assembly	
34	70002231	1	Element, Filter	
35	1001110425	4	Spacer	
36	1001116792	1	Clamp	
37	1001235476	1	Engine Sub-Assembly (See Separate Breakdown in this Section)	
39	1001138491	NLA	Harness, Fuel (Use p/n 1001222665) (Not Shown - See Separate Breakdown in ELECTRICAL Section)	
41	1001145089	1	Clamp	
43	1001145560	1	Panel, Rubber	
46	1001142610	1	Battery Cable Kit	C
46A	7027046	1	Cable, Battery (Red) (Battery + to Relays and Starter)	
46A	See Note	NSS	Boot, Ring Terminal (Red) (Note: Not Available - Purchase Locally)	
46B	7027047	1	Cable, Battery (Black) (Battery - to Tray Pivot Grd) and Aux Pump	
46B	See Note	NSS	Boot, Ring Terminal (Black) (Note: Not Available - Purchase Locally)	
46C	7027048	1	Cable (Red) (Aux Relay to Aux Pump)	

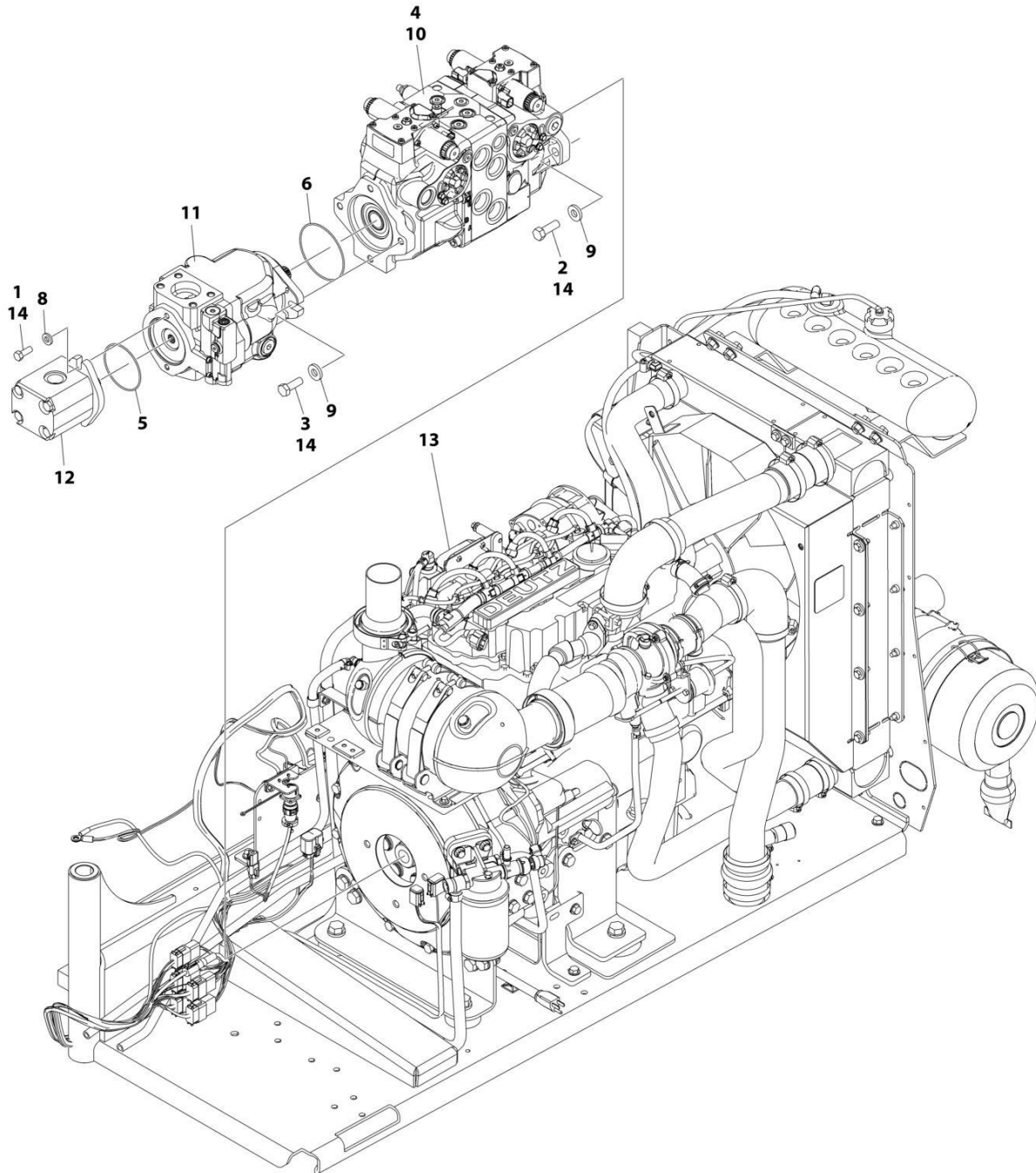
## SECTION 3 - ENGINE

ITEM	PART NUMBER	QTY	DESCRIPTION	REV
46C	See Note	NSS	Boot, Ring Terminal (Red) (Note: Not Available - Purchase Locally)	
46D	7027049	1	Cable, Battery (Black) (Engine to Tray Pivot Grd)	
47	1320022	3	Clamp	
48	1001145842	1	Plate, Clamping	
50	3311805	1	Nut 1/2	
51	4711800	3	Washer 1/2	
52	1001131542	1	Lanyard	
53	1001165101	1	Fuel Pump Filter Assembly (See Separate Breakdown in this Section)	
54	3380723	1	Panel, Noise Reduction	
55	0651606	4	Bolt 3/8 x 3/4	
56	2120218	1	Filter, High Pressure	
56	2120219	1	Element, Filter	
56	70001344	1	O-Ring, Bowl	
56	70006137	1	Seal Kit - Includes O-Ring (Element), O-Ring (Bowl), Back-up Ring (Bowl), Seal Ring (Indicator) and O-Ring (Indicator)	
57	3900316	5	Screw 3/8 x 1	
58	0641806	1	Bolt 1/2 x 3/4	
59	90028660	1	Clamp	
61	1001235459	1	Engine, Deutz T4F (See Separate Breakdown in this Section)	



## SECTION 3 - ENGINE

FIGURE 3-36. DEUTZ TCD2.9L4 (STAGE V PRE-BUY) ENGINE SUB-ASSEMBLY - WITH SAUER PUMP AND ABS HOODS (WITHOUT COLD WEATHER PLUS PACKAGE)



ART\_1001235476

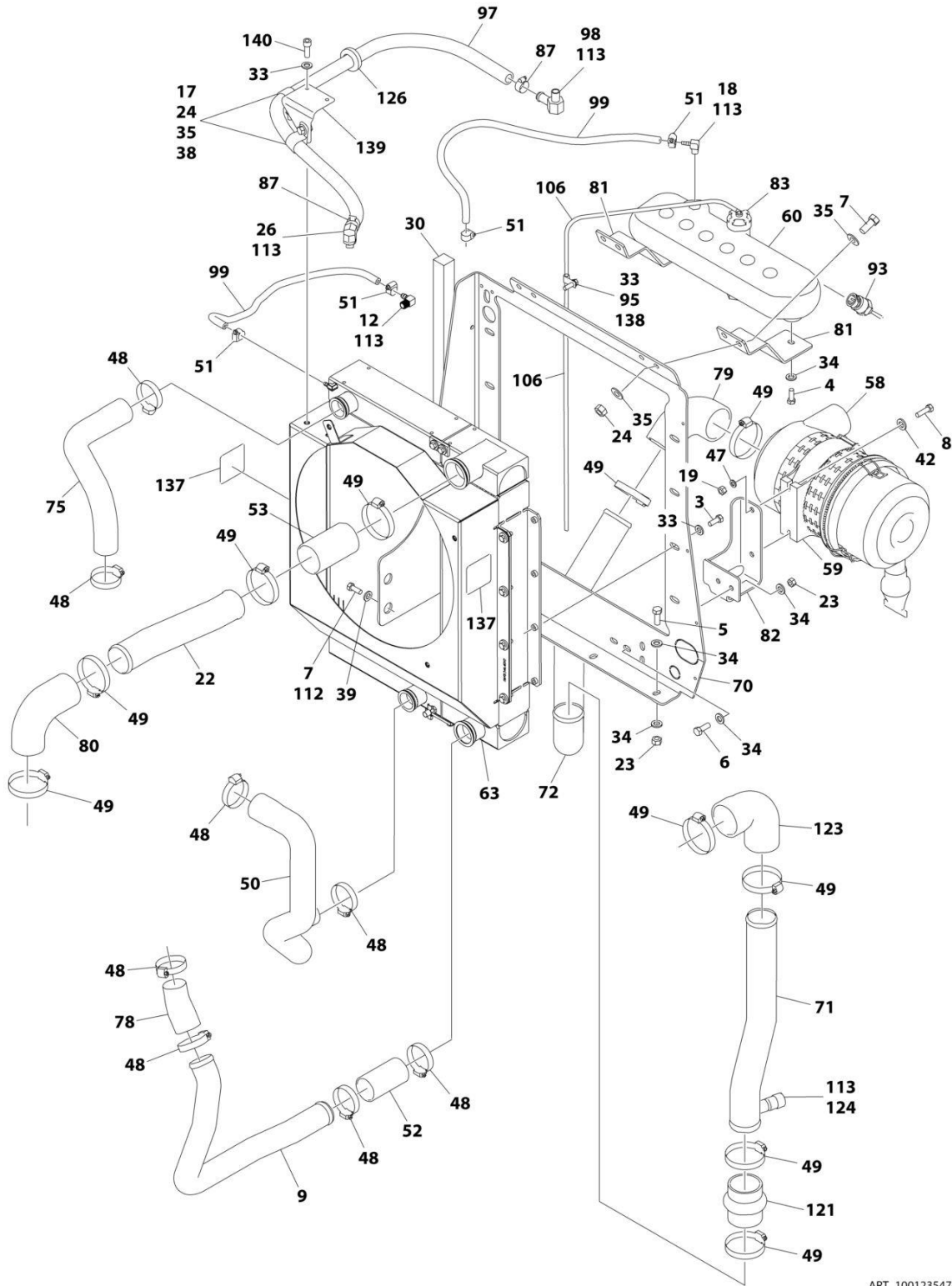
## SECTION 3 - ENGINE

**FIGURE 3-36. DEUTZ TCD2.9L4 (STAGE V PRE-BUY) ENGINE SUB-ASSEMBLY - WITH SAUER PUMP AND ABS HOODS (WITHOUT COLD WEATHER PLUS PACKAGE)**

ITEM	PART NUMBER	QTY	DESCRIPTION	REV
	1001235476	Ref	DEUTZ TCD2.9L4 (STAGE V PRE-BUY) ENGINE SUB-ASSEMBLY	K
1	0641608	2	Bolt 3/8 x 1	
2	0641812	2	Bolt 1/2 x 1-1/2	
3	0761215	2	Bolt M12 x 35	
4	3020037	AR	Grease, Pump Coupling	
5	3790152	1	O-Ring	
6	3790155	1	O-Ring	
8	4891600	2	Washer 3/8	
9	4891800	4	Washer 1/2	
10	1001108616	1	Pump Assembly - Sauer Tandem (See Separate Breakdown in this Section)	
11	1001171095	1	Pump Assembly - Sauer Piston (See Separate Breakdown in this Section)	
12	1001112927	1	Pump Assembly - Sauer Gear (See Separate Breakdown in this Section)	
13	1001235477	1	Engine Assembly (See Separate Breakdown in this Section)	
14	0100011	AR	Compound, Locking	

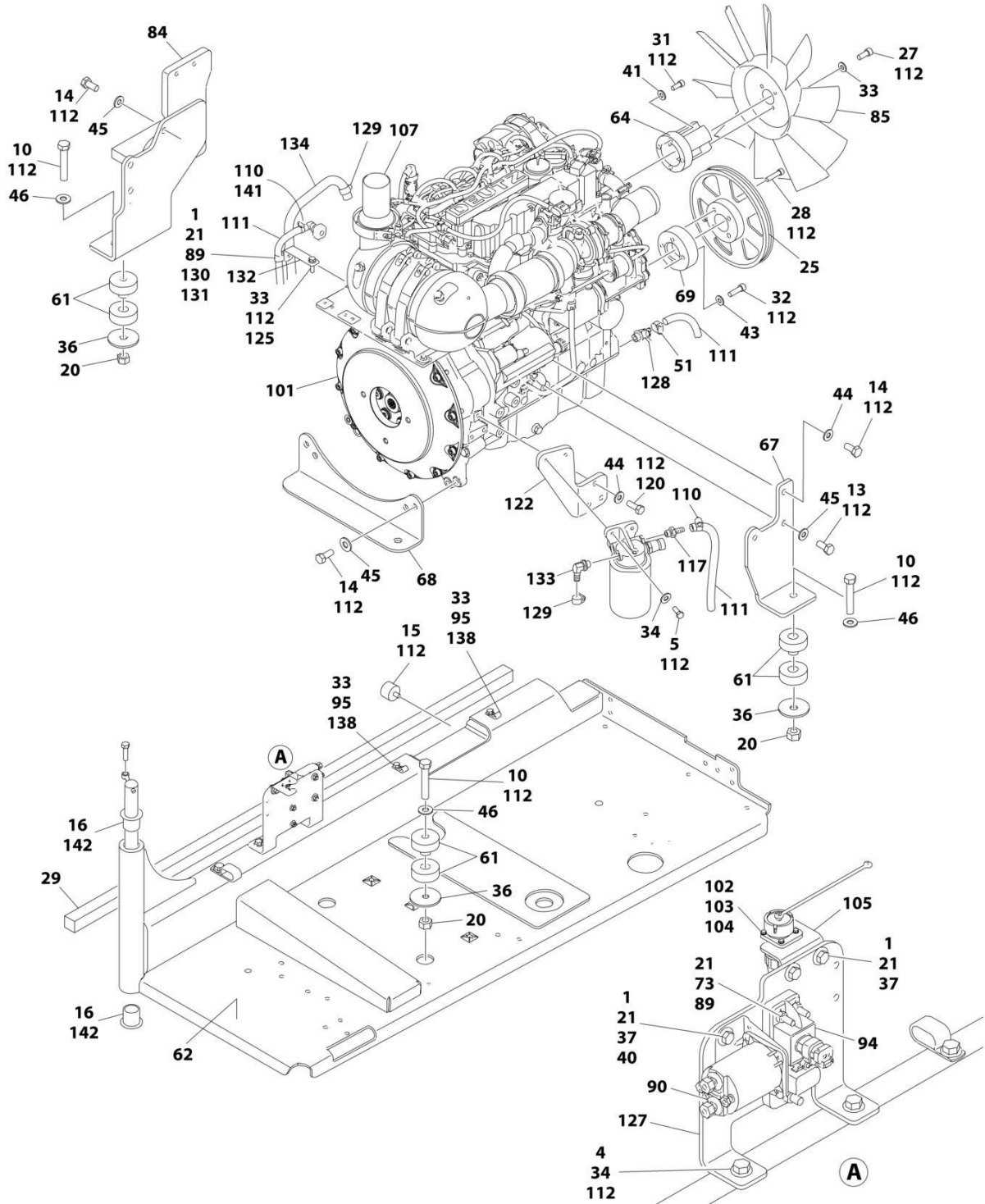
# SECTION 3 - ENGINE

## FIGURE 3-37. DEUTZ TCD2.9L4 (STAGE V PRE-BUY) ENGINE ASSEMBLY (WITHOUT COLD WEATHER PLUS PACKAGE)



ART\_1001235477\_10F2

# SECTION 3 - ENGINE



ART\_1001235477\_20F2

## SECTION 3 - ENGINE

**FIGURE 3-37. DEUTZ TCD2.9L4 (STAGE V PRE-BUY) ENGINE ASSEMBLY (WITHOUT COLD WEATHER PLUS PACKAGE)**

ITEM	PART NUMBER	QTY	DESCRIPTION	REV
	1001235477	Ref	DEUTZ TCD2.9L4 (STAGE V PRE-BUY) ENGINE ASSEMBLY	J
1	0641406	5	Bolt 1/4 x 3/4	
3	0641508	8	Bolt 5/16 x 1	
4	0641606	3	Bolt 3/8 x 3/4	
5	0641608	9	Bolt 3/8 x 1	
6	0641610	2	Bolt 3/8 x 1-1/4	
7	0641708	6	Bolt 7/16 x 1	
8	0700815	2	Bolt M8 x 35	
9	1001135913	1	Pipe, Turbo to Air Cleaner	
10	0682028	4	Bolt 5/8 x 3-1/2 Grade 8	
12	1001140564	1	Fitting, 90 Barbed	
13	0771212	1	Bolt M12 x 25 Grade 10.9	
14	0771414	9	Bolt M14 x 30 Grade 10.9	
15	0940070	1	Bumper	
16	0961986	2	Bushing, Flanged	
17	0641706	2	Bolt 7/16 x 3/4	
18	1001134488	1	Fitting, 90 Barbed	
19	3290801	2	Nut M8	
20	3272001	4	Nut 5/8 Grade 8	
21	3311405	6	Nut 1/4	
22	1001135914	1	Pipe, Air Cleaner to Intake	
23	3311605	9	Nut 3/8	
24	3311705	5	Nut 7/16	
25	3580320	1	Pulley	
26	1001141719	1	Fitting, 90 Barbed	
27	3931512	4	Capscrew 5/16 x 3/4	
28	3931628	4	Capscrew 3/8 x 1-3/4	
29	3960543	1	Seal	
30	3960544	1	Seal	
31	4031914	4	Bolt M8 x 50	
32	4032014	4	Bolt M10 x 50	
33	4711500	19	Washer 5/16	
34	4711600	25	Washer 3/8	
35	4711700	10	Washer 7/16	
36	1001146219	4	Washer Special	
37	4751400	8	Washer 1/4	
38	8406302	2	Clamp	
39	4751700	2	Washer 7/16	
40	4791400	2	Starwasher 1/4	
41	4811900	4	Washer M8	
42	4811902	2	Washer M8	
43	4812000	4	Washer M10	
44	4812100	4	Washer M12	
45	4812200	9	Washer M14	
46	4892000	4	Washer 5/8	
47	4831900	2	Washer M8	
48	8405201	8	Clamp	
49	8405204	10	Clamp	
50	1001135926	1	Pipe, Radiator (Lower)	



## SECTION 3 - ENGINE

ITEM	PART NUMBER	QTY	DESCRIPTION	REV
51	8410013	5	Clamp	
52	91563070	1	Coupling, Rubber	
53	1001114495	1	Hose	
58	1001133633	1	Air Cleaner Assembly	
58	70024190	1	Element, Air Filter	
59	1001133634	1	Clamp	
60	1001166393	1	Tank, Surge	
61	1001155575	4	Mount, Motor	
62	1001191272	1	Tray	
63	1001135090	1	Radiator	
64	1001135138	1	Spacer, Fan	
67	1001135560	1	Support, Engine	
68	1001135562	1	Support, Engine - Rear	
69	1001135679	1	Spacer, Pulley	
70	1001135680	1	Support, Radiator	
71	1001135901	1	Pipe, Air Intake	
72	1001135903	1	Pipe, Air Intake	
73	3931432	1	Capscrew 1/4 x 2	
75	1001135924	1	Hose, Radiator (Upper)	
78	1001135943	1	Coupling, Rubber	
79	1001135946	1	Elbow, Rubber	
80	1001136292	1	Pipe, 90	
81	1001136626	2	Bracket	
82	1001136665	1	Bracket	
83	1001136834	1	Cap, Tank	
84	1001142398	1	Support, Engine	
84	1001283008	1	Support, Engine	
85	1001137276	1	Fan	
87	8405007	2	Clamp	
89	4711400	3	Washer 1/4	
90	1001117308	1	Relay	
93	1001138827	1	Sensor, Coolant Level	
94	1001138228	1	Module, Power	
94	70023592	1	Fuse 20Amp (Switched Output)	
94	70023593	1	Fuse 30Amp (Battery Output)	
95	1001138253	5	Clamp	
96	1001138346	1	Harness, Engine (Not Shown - See Separate Breakdown in ELECTRICAL Section)	
97	1001138524	1	Hose	
98	1001138559	1	Fitting, 90	
99	2720015	4.5 ft/ 1.4m	Hose	
101	2902065	1	Pump Coupling Kit (See Separate Breakdown in this Section)	
102	3310401	3	Nut #4	
103	3910408	3	Screw #4 x 1/2	
104	4710400	3	Washer #4	
105	1001139240	1	Bracket	
106	1001138248	4 ft/ 1.2m	Tubing	
107	1001153024	1	Pipe, Exhaust	
110	1320022	2	Clamp	
111	1001165035	30.5 ft/ 9.3m	Hose	

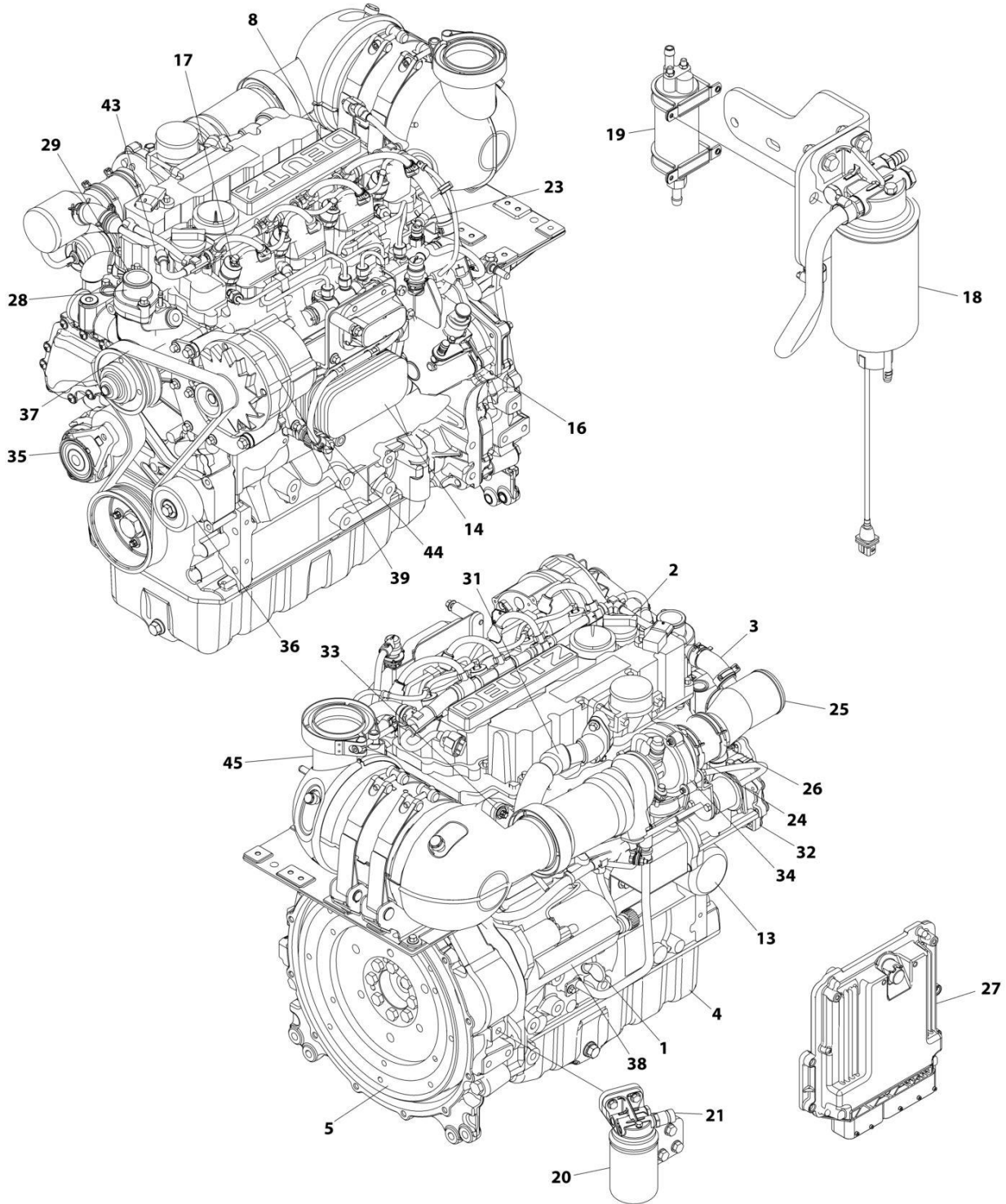
## SECTION 3 - ENGINE

ITEM	PART NUMBER	QTY	DESCRIPTION	REV
112	0100011	AR	Compound, Locking	
113	0100020	AR	Sealant	
114	1001141304	1	Wire, Glow Plug (Not Shown)	
115	1001135779	1	Cable, Alternator Positive (Not Shown)	
117	1001141717	1	Fitting, Straight	
120	0761214	3	Bolt M12 x 30	
121	1001142637	1	Hose, Hump	
122	1001142685	1	Bracket	
123	1001165820	1	Pipe, Elbow	
124	1001143390	1	Indicator, Air Filter Service	
125	0760810	2	Bolt M8 x 20	
126	1001144089	1	Grommet	
127	1001145154	1	Plate, Mounting	
128	4640751	1	Valve, Oil Drain	
129	8405006	2	Clamp	
130	8406102	AR	Clip	
131	8406112	1	Clip	
132	1001138717	1	Bracket	
133	1001142501	1	Fitting, 90 Barbed	
134	1001154405	5 ft/ 1.5m	Hose	
135	1001148843	1	Harness, Fuel Filter (Not Shown - See Separate Breakdown in ELECTRICAL Section)	
137	1703162	2	Decal - Fan	
138	0641503	1	Bolt 5/16 x 3/8	
139	1001153387	1	Plate	
140	3931508	2	Capscrew 5/16 x 1/2	
141	1001155823	1	Coupling	
142	0100062	AR	Adhesive, Loctite #680	
143	4240099	AR	Tie-Strap (Not Shown)	
144	0641510	2	Bolt 5/16 x 1-1/4 Grade 5 (Not Shown)	
145	0641612	2	Bolt 3/8 x 1-1/2 Grade 5 (Not Shown)	



# SECTION 3 - ENGINE

## FIGURE 3-38. DEUTZ TCD2.9L4 (STAGE V PRE-BUY) ENGINE COMPONENTS



ART\_1001128947

## SECTION 3 - ENGINE

**FIGURE 3-38. DEUTZ TCD2.9L4 (STAGE V PRE-BUY) ENGINE COMPONENTS**

ITEM	PART NUMBER	QTY	DESCRIPTION	REV
	1001235459	Ref	DEUTZ TCD2.9L4 (STAGE V PRE-BUY) ENGINE COMPONENTS	B
1	70024904	1	Dipstick	
1	70024905	1	O-Ring	
2	7020465	2	Cap, Filler	
3	7002511	2	Clamp	
4	70025162	1	Pan, Oil	
4	70025088	2	Plug	
4	7020404	2	Washer, Sealing	
5	70001870	1	Flywheel	
5	7024579	1	Gear, Ring	
6	70024906	1	Gasket, Head (Not Shown)	
7	70025204	1	Shield, Heat (Not Shown)	
8	70025163	1	Cover, Valve	
8	70025205	1	Gasket	
8	70025206	1	Gasket, Small Valve Cover	
8	70025207	1	Gasket, Large Valve Cover	
8	70025208	1	Gasket	
9	70025076	1	Valve (Not Shown - Located on Right Side of Front Engine Cover)	
9	70025176	1	Spring	
9	70025082	1	Ring, Sealing	
9	70025091	1	Plug	
10	70025190	1	Cover, Front (Not Shown - Located on Front of Engine)	
10	70024907	1	Gasket, Front Cover	
10	70004280	1	Seal, Shaft - Front	
11	70002718	1	Seal, Shaft - Rear (Not Shown)	
12	70025202	1	Pump, Oil Lube (Not Shown)	
12	70025135	1	O-Ring	
12	70025136	1	Gasket	
13	7016331	1	Filter, Oil	
13	70025137	1	Bushing	
14	70004275	1	Cooler, Engine Oil	
14	70024925	1	Gasket	
15	70025171	1	Oil Suction Pump (Not Shown - Located Inside of Engine Oil Pan)	
16	70024924	1	Pump, Fuel	
16	70025152	1	O-Ring	
16	70025080	1	Washer	
16	70024488	1	Spacer	
16	70024517	1	O-Ring	
17	70025181	4	Injector, Fuel	
17	70025140	4	Washer, Sealing	
17	70025146	4	Clamp (Top of Injector)	
17	70025145	4	O-Ring	
17	70025154	4	Shoe, Clamping	
17	70000345	1	Plug, Glow (Not Shown)	
17	70025231	1	Harness, Glow Plug (Not Shown)	
18	70024961	1	Fuel Filter Assembly	
18	70025153	NLA	Filter, Fuel (Use p/n 1001225430)	
18	70024513	1	Cable, Sensor	
18	70025239	1	Ring, Sealing	
19	70024486	2	Pump, Fuel	

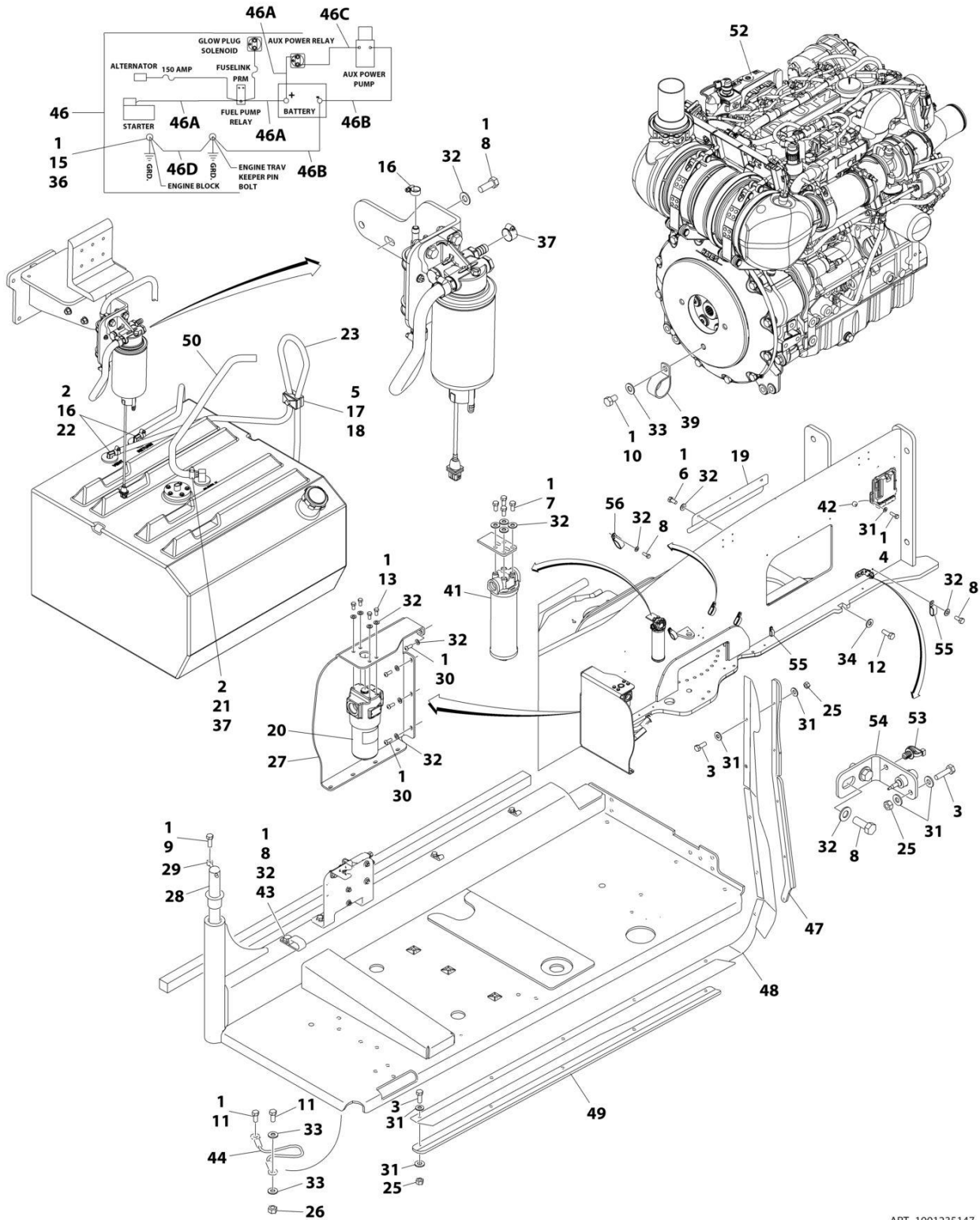
## SECTION 3 - ENGINE

ITEM	PART NUMBER	QTY	DESCRIPTION	REV
19	70025144	1	Clamp	
20	70025160	1	Filter with Head	
20	70025161	NLA	Filter, Fuel (Use p/n 1001225431)	
21	70024504	1	Sensor, Pressure	
21	70024920	1	O-Ring	
21	70025103	1	Retainer	
22	70025151	1	Rail, Fuel (Not Shown)	
22	70025235	1	Repair Kit (Not Shown)	
23	70025182	1	Fuel Line - High Pressure (Cylinder 1 & 2)	
23	70025183	1	Fuel Line - High Pressure (Cylinder 3 & 4)	
23	70025184	1	Fuel Line - High Pressure (Supply)	
24	70004501	1	Sleeve, Rubber	
25	70004502	1	Pipe, Intake	
26	70025112	2	Clamp	
27	70025210	1	ECU (Engine Control Unit)	
28	70024910	1	Pump, Water	
28	70025200	1	Ring, Sealing	
28	70025084	2	Plug	
28	7020492	2	Ring, Sealing	
29	70024473	1	Thermostat	
29	70025143	1	O-Ring	
29	70025142	1	Cover, Thermostat	
30	70025177	1	Pipe (Not Shown - Located on Left Side)	
30	70025179	2	Gasket (Not Shown)	
31	70025178	1	Pipe	
31	70025156	1	Valve, Shuttle	
31	70025179	2	Gasket	
31	70025180	1	Gasket	
32	70025203	1	Module, EGR	
32	70025155	1	Plug	
33	70004282	1	Manifold, Exhaust	
33	70025164	1	Gasket, Exhaust Manifold to Head	
34	70004503	1	Turbocharger	
34	70024912	1	Gasket, Exhaust Manifold	
35	70025477	1	Tensioner, Belt	
36	70024484	1	Idler Roller	
37	70004277	1	Belt, Drive	
38	70024915	1	Starter	
39	70025533	1	Generator	
39	70025149	1	Regulator, Voltage	
40	70004284	1	Harness, Engine (Not Shown)	
41	70024507	1	Sensor, Pressure (Not Shown - Located Top Rear)	
41	70025120	1	O-Ring	
42	70026210	1	Sensor (Not Shown - Located Left Side Front and Flywheel Housing)	
42	70024917	1	O-Ring	
43	70024918	1	Sender, Temperature	
44	70024919	1	Sensor, Pressure	
44	70024920	1	O-Ring	
45	70005445	1	Outlet, Muffler	
46	70004279	1	Gasket Kit (Not Shown)	



# SECTION 3 - ENGINE

**FIGURE 3-39. DEUTZ TCD2.9L4 (STAGE V) ENGINE INSTALLATION - WITH REXROTH PUMP (WITHOUT COLD WEATHER PLUS PACKAGE)**



ART\_1001235147



## SECTION 3 - ENGINE

**FIGURE 3-39. DEUTZ TCD2.9L4 (STAGE V) ENGINE INSTALLATION - WITH REXROTH PUMP  
(WITHOUT COLD WEATHER PLUS PACKAGE)**

ITEM	PART NUMBER	QTY	DESCRIPTION	REV
	1001235147	Ref	DEUTZ TCD2.9L4 (STAGE V) ENGINE INSTALLATION - WITH REXROTH PUMP (WITHOUT COLD WEATHER PLUS PACKAGE)	F
1	0100011	AR	Compound, Locking	
2	0100079	AR	Sealant, Pipe	
3	0641408	11	Bolt 1/4 x 1	
4	0641410	4	Bolt 1/4 x 1-1/4	
5	0641511	1	Bolt 5/16 x 1-3/8	
6	0641605	3	Bolt 3/8 x 5/8	
7	0641606	4	Bolt 3/8 x 3/4	
8	0641608	10	Bolt 3/8 x 1	
9	0641610	1	Bolt 3/8 x 1-1/4	
10	0641806	1	Bolt 1/2 x 3/4	
11	0641808	2	Bolt 1/2 x 1	
12	0642010	1	Bolt 5/8 x 1-1/4	
13	0651606	4	Bolt 3/8 x 3/4	
15	0761210	1	Bolt M12 x 20	
16	1320022	3	Clamp	
17	1320187	1	Clamp	
18	1320190	1	Cover, Clamp	
19	1671121	1	Cover	
20	2120218	1	Filter, High Pressure	
20	2120219	1	Element, Filter	
20	70001344	1	O-Ring, Bowl	
20	70006137	1	Seal Kit - Includes O-Ring (Element), O-Ring (Bowl), Back-up Ring (Bowl), Seal Ring (Indicator) and O-Ring (Indicator)	
21	2180832	1	Fitting, Barbed	
22	2220313	2	Fitting, 90 Barbed	
23	2750532	5 ft/1.5m	Hose	
25	3311405	11	Nut 1/4	
26	3311805	1	Nut 1/2	
27	3380723	1	Panel, Noise Reduction	
28	3422446	1	Pin, Pivot	
29	3841143	1	Pin, Keeper	
30	3900316	5	Screw 3/8 x 1	
31	4711400	26	Washer 1/4	
32	4711600	26	Washer 3/8	
33	4711800	3	Washer 1/2	
34	4752000	1	Washer 5/8	
36	4812100	1	Washer M12	
37	8405006	2	Clamp	
39	90028660	1	Clamp	
41	1001108617	1	Hydraulic Pressure Filter Assembly	
41	70002231	1	Element, Filter	
42	1001110425	4	Spacer	
43	1001116792	1	Clamp	
44	1001131542	1	Lanyard	
45	1001138491	NLA	Harness, Fuel (Use p/n 1001222665) (Not Shown - See Separate Breakdown in ELECTRICAL Section)	
46	1001142610	1	Battery Cable Kit	

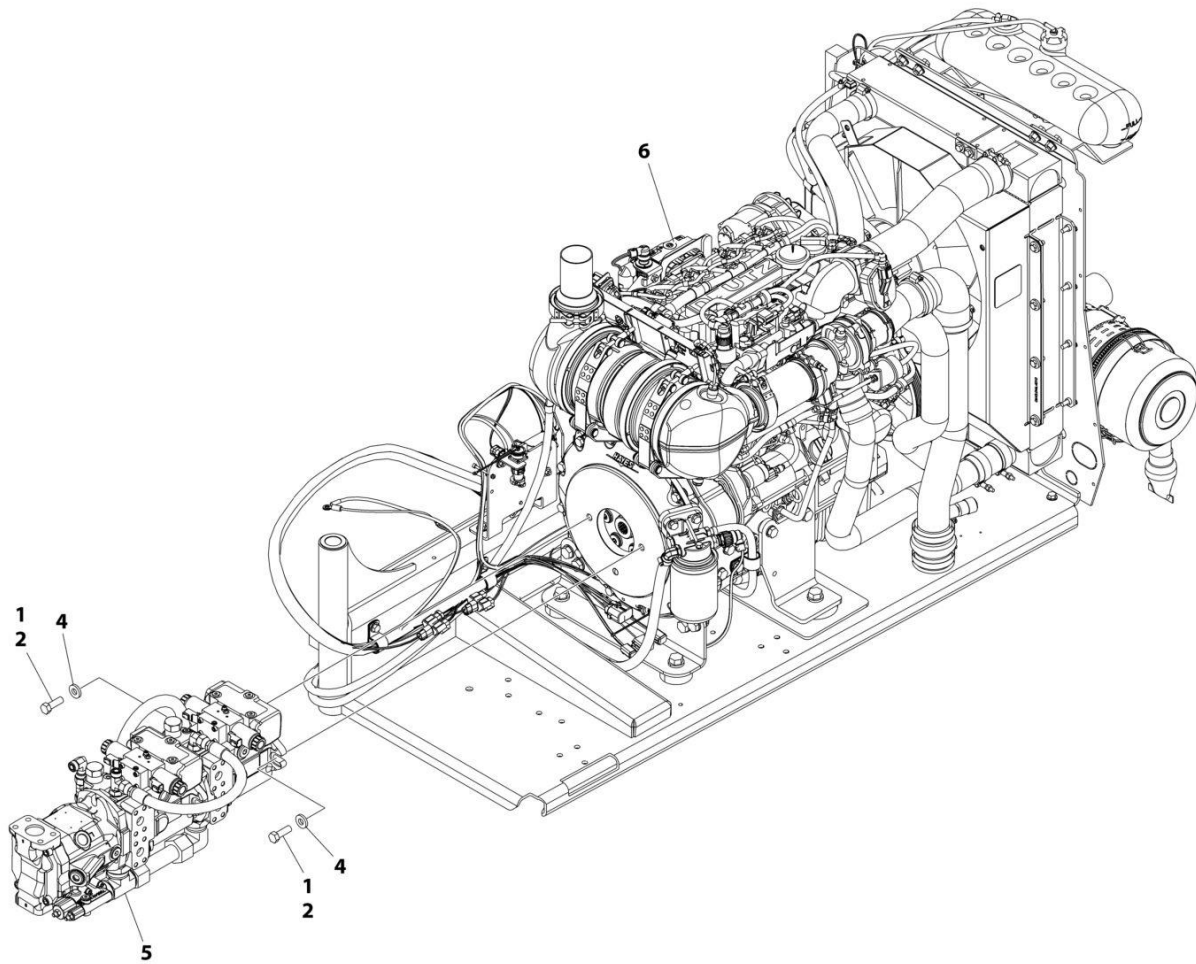
## SECTION 3 - ENGINE

ITEM	PART NUMBER	QTY	DESCRIPTION	REV
46A	7027046	1	Cable, Battery (Red) (Battery + to Relays and Starter)	
46A	See Note	NSS	Boot, Ring Terminal (Red) (Note: Not Available - Purchase Locally)	
46B	7027047	1	Cable, Battery (Black) (Battery - to Tray Pivot Grd) and Aux Pump	
46B	See Note	NSS	Boot, Ring Terminal (Black) (Note: Not Available - Purchase Locally)	
46C	7027048	1	Cable (Red) (Aux Relay to Aux Pump)	
46C	See Note	NSS	Boot, Ring Terminal (Red) (Note: Not Available - Purchase Locally)	
46D	7027049	1	Cable, Battery (Black) (Engine to Tray Pivot Grd)	
47	1001145089	1	Clamp	
48	1001145560	1	Panel, Rubber	
49	1001145842	1	Plate, Clamping	
50	1001154405	1.9 ft /0.6m	Hose	
52	1001235149	1	Engine Sub-Assembly (See Separate Breakdown in this Section)	
53	1001146588	1	Strap	
54	1001256879	1	Bracket	
55	1321283	2	Clamp	
56	1321716	3	Clamp	
57	4240099	AR	Tie-Strap (Not Shown)	



# SECTION 3 - ENGINE

**FIGURE 3-40. DEUTZ TCD2.9L4 (STAGE V) ENGINE SUB-ASSEMBLY - WITH REXROTH PUMP AND ABS HOODS (WITHOUT COLD WEATHER PLUS PACKAGE)**



ART\_1001235149

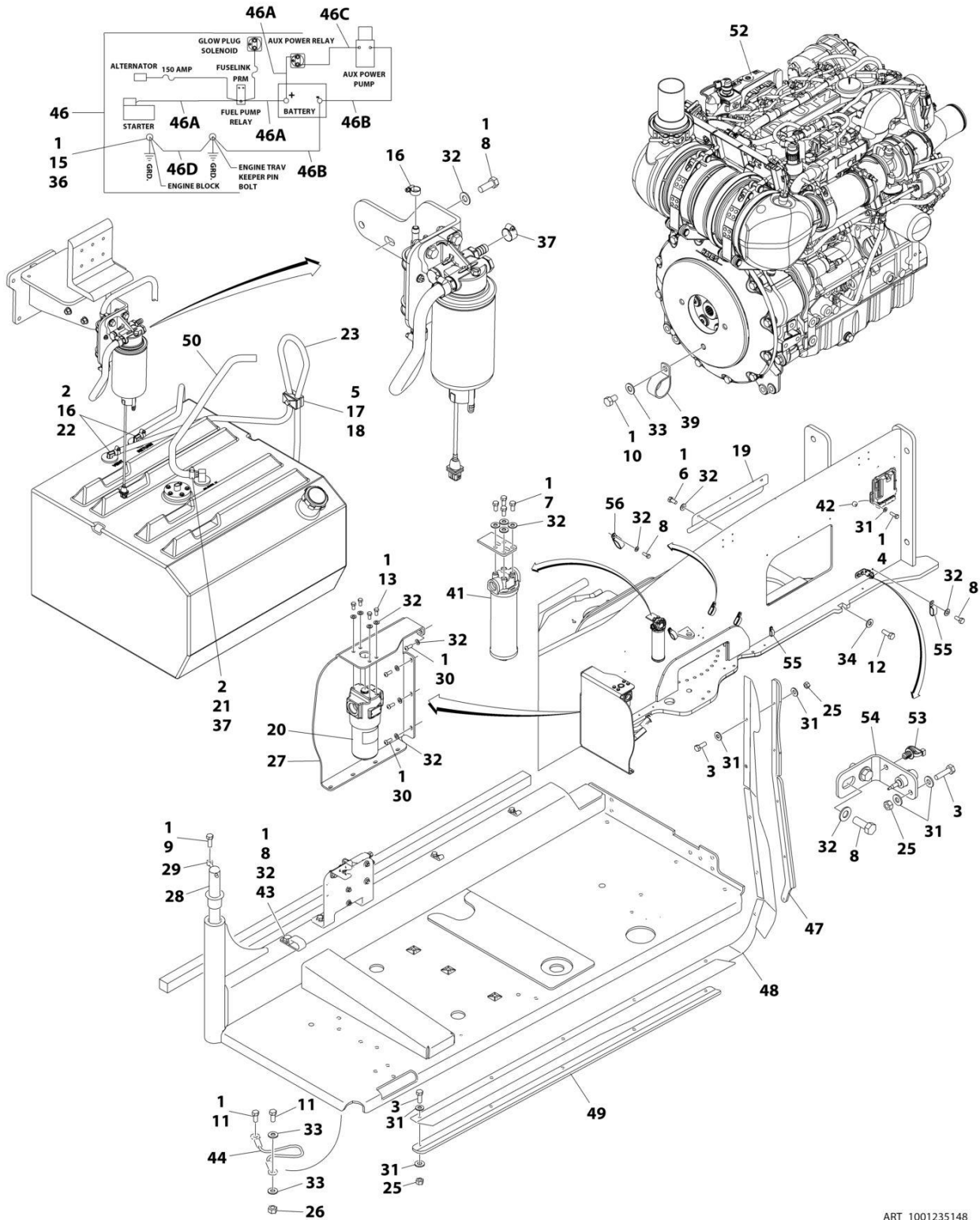
## SECTION 3 - ENGINE

**FIGURE 3-40. DEUTZ TCD2.9L4 (STAGE V) ENGINE SUB-ASSEMBLY - WITH REXROTH PUMP AND ABS HOODS (WITHOUT COLD WEATHER PLUS PACKAGE)**

ITEM	PART NUMBER	QTY	DESCRIPTION	REV
	1001235149	Ref	DEUTZ TCD2.9L4 (STAGE V) ENGINE SUB-ASSEMBLY	Q
1	0100011	AR	Compound, Locking	
2	0641812	2	Bolt 1/2 x 1-1/2	
2	0641814	2	Bolt 1/2 x 1-3/4	
4	4891800	2	Washer 1/2	
5	1001152963	1	Pump Assembly - Rexroth (See Separate Breakdown in this Section)	
6	1001235151	1	Engine Assembly (See Separate Breakdown in this Section)	

# SECTION 3 - ENGINE

FIGURE 3-41. DEUTZ TCD2.9L4 (STAGE V) ENGINE INSTALLATION - WITH SAUER PUMP (WITHOUT COLD WEATHER PLUS PACKAGE)



ART\_1001235148

## SECTION 3 - ENGINE

**FIGURE 3-41. DEUTZ TCD2.9L4 (STAGE V) ENGINE INSTALLATION - WITH SAUER PUMP (WITHOUT COLD WEATHER PLUS PACKAGE)**

ITEM	PART NUMBER	QTY	DESCRIPTION	REV
	1001235148	Ref	DEUTZ TCD2.9L4 (STAGE V) ENGINE INSTALLATION - WITH SAUER PUMP (WITHOUT COLD WEATHER PLUS PACKAGE)	F
1	0100011	AR	Compound, Locking	
2	0100079	AR	Sealant, Pipe	
3	0641408	11	Bolt 1/4 x 1	
4	0641410	4	Bolt 1/4 x 1-1/4	
5	0641511	1	Bolt 5/16 x 1-3/8	
6	0641605	3	Bolt 3/8 x 5/8	
7	0641606	4	Bolt 3/8 x 3/4	
8	0641608	10	Bolt 3/8 x 1	
9	0641610	1	Bolt 3/8 x 1-1/4	
10	0641806	1	Bolt 1/2 x 3/4	
11	0641808	2	Bolt 1/2 x 1	
12	0642010	1	Bolt 5/8 x 1-1/4	
13	0651606	4	Bolt 3/8 x 3/4	
15	0761210	1	Bolt M12 x 20	
16	1320022	3	Clamp	
17	1320187	1	Clamp	
18	1320190	1	Cover, Clamp	
19	1671121	1	Cover	
20	2120218	1	Filter, High Pressure	
20	2120219	1	Element, Filter	
20	70001344	1	O-Ring, Bowl	
20	70006137	1	Seal Kit - Includes O-Ring (Element), O-Ring (Bowl), Back-up Ring (Bowl), Seal Ring (Indicator) and O-Ring (Indicator)	
21	2180832	1	Fitting, Barbed	
22	2220313	2	Fitting, 90 Barbed	
23	2750532	5 ft /1.5m	Hose	
25	3311405	11	Nut 1/4	
26	3311805	1	Nut 1/2	
27	3380723	1	Panel, Noise Reduction	
28	3422446	1	Pin, Pivot	
29	3841143	1	Pin, Keeper	
30	3900316	5	Screw 3/8 x 1	
31	4711400	26	Washer 1/4	
32	4711600	26	Washer 3/8	
33	4711800	3	Washer 1/2	
34	4752000	1	Washer 5/8	
36	4812100	1	Washer M12	
37	8405006	2	Clamp	
39	90028660	1	Clamp	
41	1001108617	1	Hydraulic Pressure Filter Assembly	
41	70002231	1	Element, Filter	
42	1001110425	4	Spacer	
43	1001116792	1	Clamp	
44	1001131542	1	Lanyard	
45	1001138491	NLA	Harness, Fuel (Use p/n 1001222665) (Not Shown - See Separate Breakdown in ELECTRICAL SECTION)	
46	1001142610	1	Battery Cable Kit	

## SECTION 3 - ENGINE

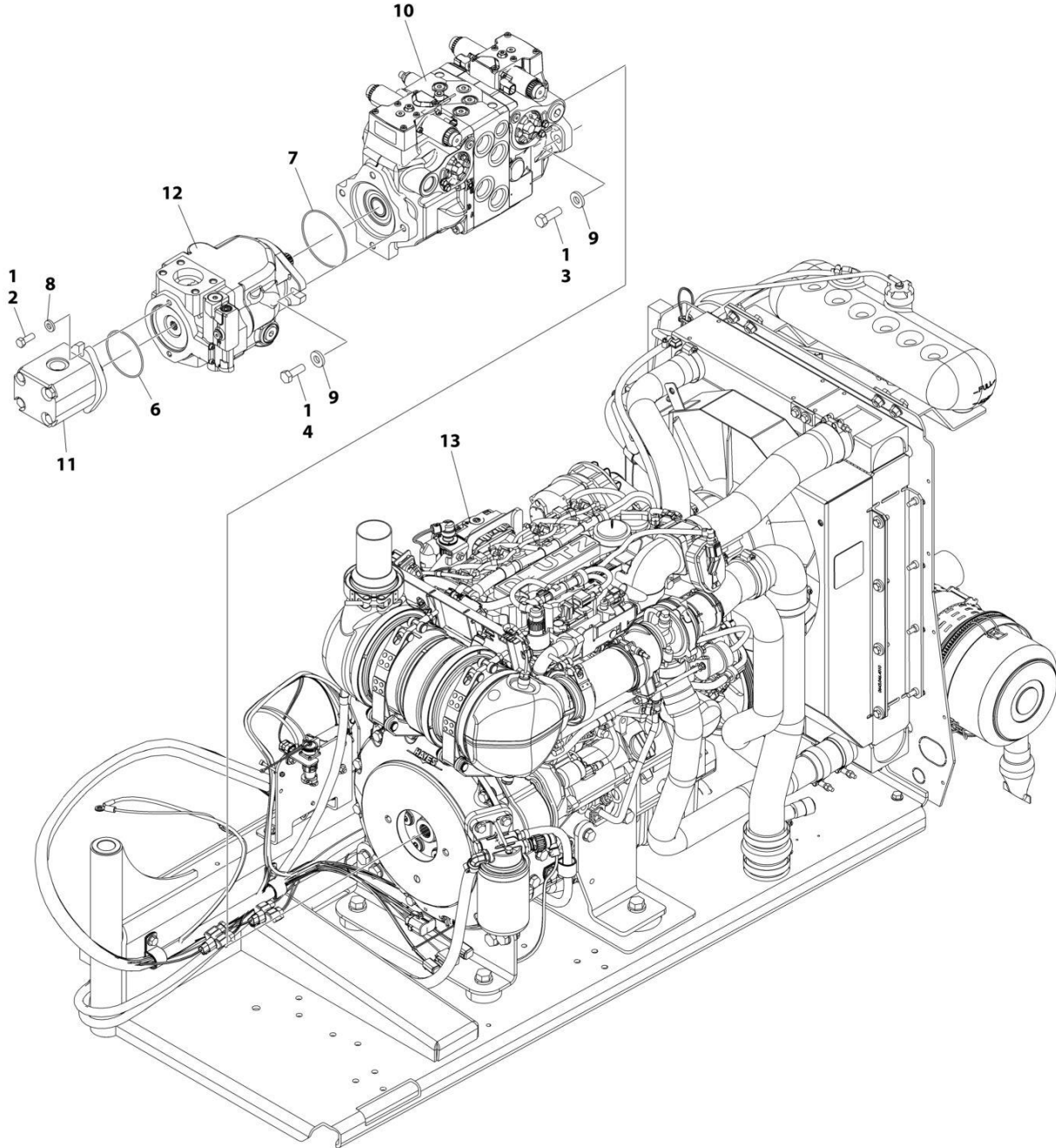
ITEM	PART NUMBER	QTY	DESCRIPTION	REV
46A	7027046	1	Cable, Battery (Red) (Battery + to Relays and Starter)	
46A	See Note	NSS	Boot, Ring Terminal (Red) (Note: Not Available - Purchase Locally)	
46B	7027047	1	Cable, Battery (Black) (Battery - to Tray Pivot Grd) and Aux Pump	
46B	See Note	NSS	Boot, Ring Terminal (Black) (Note: Not Available - Purchase Locally)	
46C	7027048	1	Cable (Red) (Aux Relay to Aux Pump)	
46C	See Note	NSS	Boot, Ring Terminal (Red) (Note: Not Available - Purchase Locally)	
46D	7027049	1	Cable, Battery (Black) (Engine to Tray Pivot Grd)	
47	1001145089	1	Clamp	
48	1001145560	1	Panel, Rubber	
49	1001145842	1	Plate, Clamping	
50	1001154405	1.9 ft /0.6m	Hose	
52	1001235150	1	Engine Sub-Assembly (See Separate Breakdown in this Section)	
53	1001146588	1	Strap	
54	1001256879	1	Bracket	
55	1321283	2	Clamp	
56	1321716	3	Clamp	
57	4240099	AR	Tie-Strap (Not Shown)	





# SECTION 3 - ENGINE

FIGURE 3-42. DEUTZ TCD2.9L4 (STAGE V) ENGINE SUB-ASSEMBLY - WITH SAUER PUMP AND ABS HOODS (WITHOUT COLD WEATHER PLUS PACKAGE)



ART\_1001235150

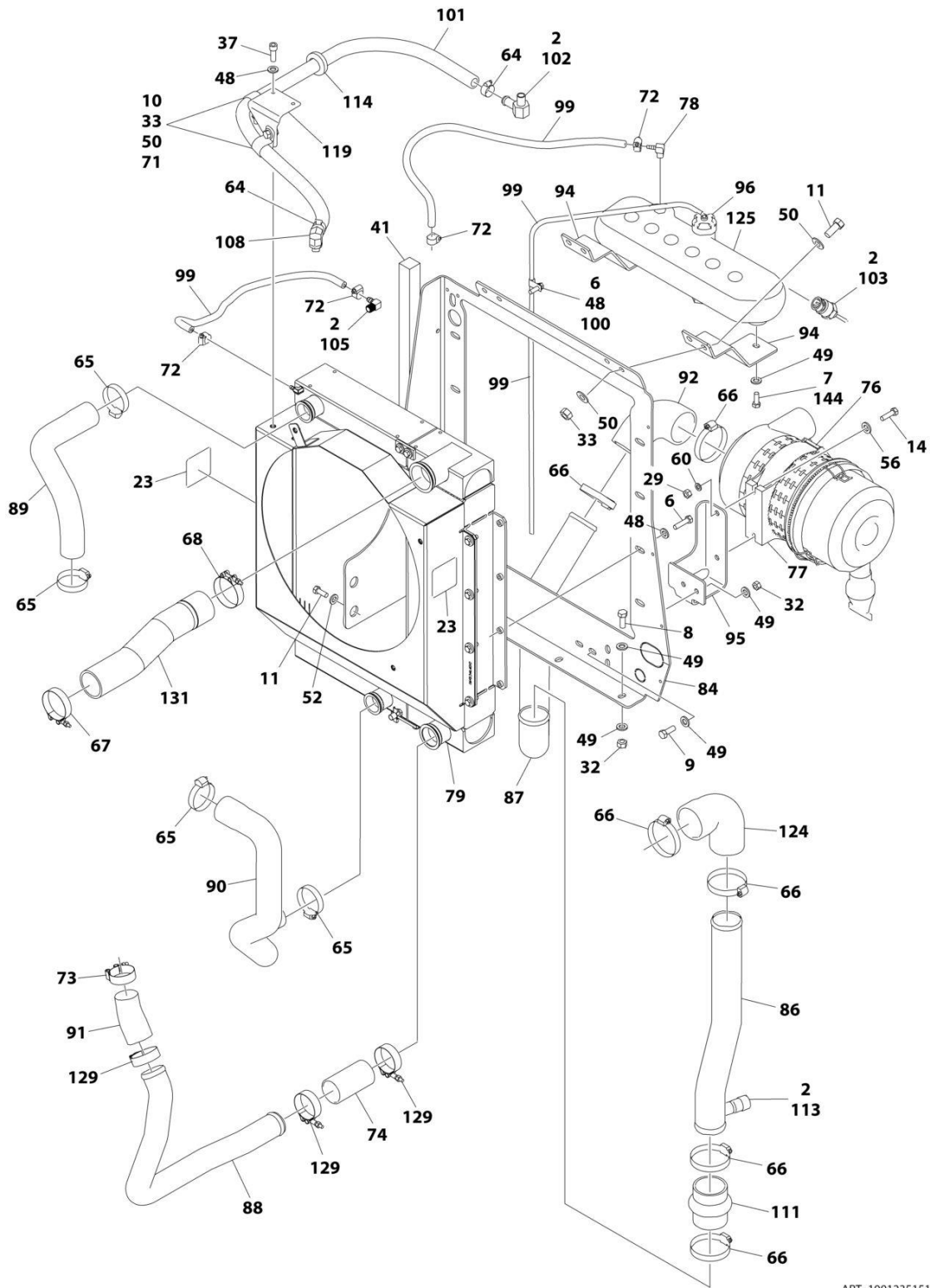
## SECTION 3 - ENGINE

**FIGURE 3-42. DEUTZ TCD2.9L4 (STAGE V) ENGINE SUB-ASSEMBLY - WITH SAUER PUMP AND ABS HOODS (WITHOUT COLD WEATHER PLUS PACKAGE)**

ITEM	PART NUMBER	QTY	DESCRIPTION	REV
	1001235150	Ref	DEUTZ TCD2.9L4 (STAGE V) ENGINE SUB-ASSEMBLY	Q
1	0100011	AR	Compound, Locking	
2	0641608	2	Bolt 3/8 x 1	
3	0641812	2	Bolt 1/2 x 1-1/2	
3	0641814	2	Bolt 1/2 x 1-3/4	
4	0761215	2	Bolt M12 x 35	
6	3790152	1	O-Ring	
7	3790155	1	O-Ring	
8	4891600	2	Washer 3/8	
9	4891800	4	Washer 1/2	
10	1001108616	1	Pump Assembly - Sauer Tandem (See Separate Breakdown in this Section)	
11	1001112927	1	Pump Assembly - Sauer Gear (See Separate Breakdown in this Section)	
12	1001171095	1	Pump Assembly - Sauer Piston (See Separate Breakdown in this Section)	
13	1001235151	1	Engine Assembly (See Separate Breakdown in this Section)	

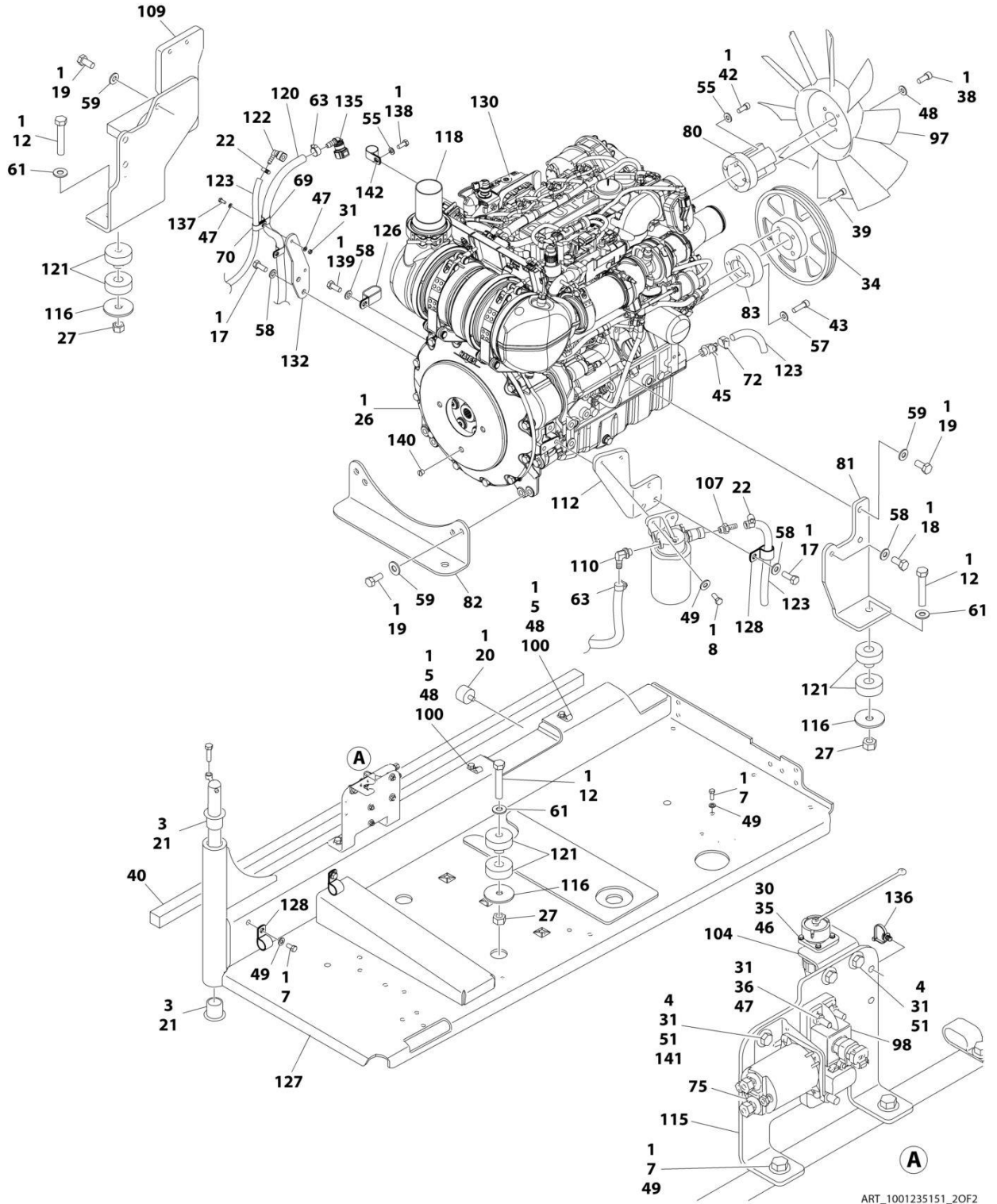
# SECTION 3 - ENGINE

## FIGURE 3-43. DEUTZ TCD2.9L4 (STAGE V) ENGINE ASSEMBLY (WITHOUT COLD WEATHER PLUS PACKAGE)



ART\_1001235151\_10F2

# SECTION 3 - ENGINE



ART\_1001235151\_20F2

## SECTION 3 - ENGINE

**FIGURE 3-43. DEUTZ TCD2.9L4 (STAGE V) ENGINE ASSEMBLY (WITHOUT COLD WEATHER PLUS PACKAGE)**

ITEM	PART NUMBER	QTY	DESCRIPTION	REV
	1001235151	Ref	DEUTZ TCD2.9L4 (STAGE V) ENGINE ASSEMBLY (WITHOUT COLD WEATHER PLUS PACKAGE)	K
1	0100011	AR	Compound, Locking	
2	0100020	AR	Sealant	
3	0100062	AR	Adhesive, Loctite #680	
4	0641406	4	Bolt 1/4 x 3/4	
5	0641503	3	Bolt 5/16 x 3/8	
6	0641508	8	Bolt 5/16 x 1-1/4	
7	0641606	7	Bolt 3/8 x 3/4	
8	0641608	9	Bolt 3/8 x 1	
9	0641610	2	Bolt 3/8 x 1-1/4	
10	0641706	2	Bolt 7/16 x 3/4	
11	0641708	6	Bolt 7/16 x 1	
12	0682028	4	Bolt 5/8 x 3-1/2 Grade 8	
14	0700815	2	Bolt M8 x 35	
17	0761214	5	Bolt M12 x 30	
18	0771212	1	Bolt M12 x 25 Grade 10.9	
19	0771414	9	Bolt M14 x 30 Grade 10.9	
20	0940070	1	Bumper	
21	0961986	2	Bushing, Flanged	
22	1320022	2	Clamp	
23	1703162	2	Decal - Fan	
26	2902065	1	Pump Coupling Kit (See Separate Breakdown in this Section)	
27	3272001	4	Nut 5/8 Grade 8	
29	3290801	2	Nut M8	
30	3310401	3	Nut #4	
31	3311405	7	Nut 1/4	
32	3311605	9	Nut 3/8	
33	3311705	5	Nut 7/16	
34	1001260432	1	Pulley	
35	3910408	3	Screw #4 x 1/2	
36	3931432	1	Capscrew 1/4 x 2	
37	3931508	2	Capscrew 5/16 x 1/2	
38	3931512	4	Capscrew 5/16 x 3/4	
39	1001261085	4	Screw M10	
40	3960543	1	Seal	
41	3960544	1	Seal	
42	4031914	4	Bolt M8 x 50	
43	1001261045	4	Screw M10	
44	4240099	AR	Tie-Strap (Not Shown)	
45	4640751	1	Valve, Oil Drain	
46	4710400	3	Washer #4	
47	4711400	5	Washer 1/4	
48	4711500	17	Washer 5/16	
49	4711600	27	Washer 3/8	
50	4711700	10	Washer 7/16	
51	4751400	8	Washer 1/4	
52	4751700	2	Washer 7/16	
54	4811700	4	Washer M6	

## SECTION 3 - ENGINE

ITEM	PART NUMBER	QTY	DESCRIPTION	REV
55	4811900	5	Washer M8	
56	4811902	2	Washer M8	
57	4812000	4	Washer M10	
58	4812100	7	Washer M12	
59	4812200	9	Washer M14	
60	4831900	2	Washer M8	
61	4892000	4	Washer 5/8	
63	8405006	2	Clamp	
64	8405007	2	Clamp	
65	8405201	4	Clamp	
66	8405204	6	Clamp	
67	8405212	1	Clamp	
68	8405213	1	Clamp	
69	8406102	2	Clip	
70	8406112	1	Clip	
71	8406302	2	Clamp	
72	8405009	5	Clamp	
73	8410014	1	Clamp	
74	91563070	1	Coupling, Rubber	
75	1001117308	1	Relay	
76	1001133633	1	Air Cleaner Assembly	
76	70024190	1	Element, Air Filter	
77	1001133634	1	Clamp	
78	1001134488	1	Fitting, 90 Barbed	
79	1001135090	1	Radiator (AKG Brand)	
79	1001256864	1	Radiator (YMER Brand)	
80	1001135138	1	Spacer, Fan	
81	1001135560	1	Support, Engine	
82	1001135562	1	Support, Engine - Rear	
83	1001258800	1	Spacer, Pulley	
84	1001135680	1	Support, Radiator	
85	1001135779	1	Cable, Alternator Positive (Not Shown)	
86	1001135901	1	Pipe, Air Intake	
87	1001135903	1	Pipe, Air Intake	
88	1001135913	1	Pipe, Turbo to Air Cleaner	
89	1001135924	1	Hose, Radiator (Upper)	
90	1001135926	1	Pipe, Radiator (Lower)	
91	1001135943	1	Coupling, Rubber	
92	1001135946	1	Elbow, Rubber	
94	1001136626	2	Bracket	
95	1001136665	1	Bracket	
96	1001136834	1	Cap, Tank	
97	1001137276	1	Fan	
98	1001138228	1	Module, Power	
98	70023592	1	Fuse 20Amp (Switched Output)	
98	70023593	1	Fuse 30Amp (Battery Output)	
99	1001138248	8.6 ft/ 2.59 m	Tubing	
100	1001138253	5	Clamp	
101	1001138524	1	Hose	
102	1001138559	1	Fitting, 90	
103	1001138827	1	Sensor, Coolant Level	

## SECTION 3 - ENGINE

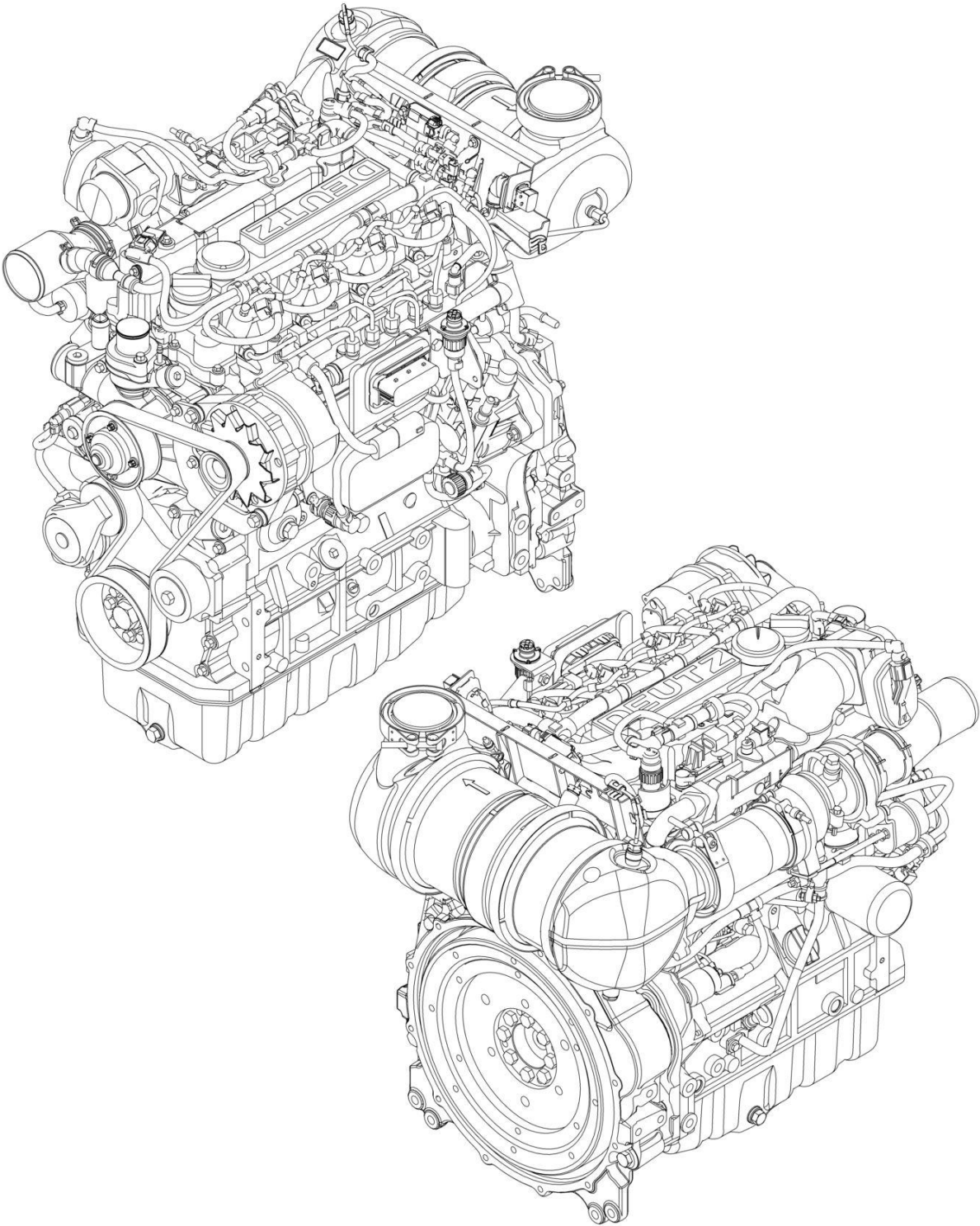
ITEM	PART NUMBER	QTY	DESCRIPTION	REV
104	1001139240	1	Bracket	
105	1001140564	1	Fitting, 90 Barbed	
106	1001141304	1	Wire, Glow Plug (Not Shown)	
107	1001141717	1	Fitting, Straight	
108	1001141719	1	Fitting, 90 Barbed	
109	1001142398	1	Support, Engine	
110	1001142501	1	Fitting, 90 Barbed	
111	1001142637	1	Hose, Hump	
112	1001142685	1	Bracket	
113	1001143390	1	Indicator, Air Filter Service	
114	1001144089	1	Grommet	
115	1001145154	1	Plate, Mounting	
116	1001146219	4	Washer Special	
117	1001148843	1	Harness, Fuel Filter (Not Shown - See Separate Breakdown in ELECTRICAL Section)	
118	1001153024	1	Pipe, Exhaust	
119	1001153387	1	Plate	
120	1001154405	4.7 ft/ 1.44m	Hose	
121	1001155575	4	Mount, Motor	
122	1001155823	1	Coupling	
123	1001165035	30.5 ft/ 9.3m	Hose	
124	1001165820	1	Pipe, Elbow	
125	1001166393	1	Tank, Surge	
126	1001181899	1	Clamp	
127	1001191272	1	Tray	
128	1001191620	3	Clamp	
129	1001208299	3	Clamp	
130	1001232546	1	Engine, Deutz TCD2.9L4 (Stage V) Engine Components (See Separate Breakdown in this Section)	
131	1001233492	1	Hose	
132	1001235952	1	Bracket	
133	1001237285	1	Harness, Engine (Not Shown - See Separate Breakdown in ELECTRICAL Section)	
135	1001170982	1	Adapter	
136	1001146588	1	Strap	
137	0641407	2	Bolt 1/4 x 7/8	
138	0760808	1	Bolt M8 x 16	
139	0761212	1	Bolt M12 x 25	
140	3520054	1	Plug, Hole	
141	4791400	2	Starwasher 1/4	
142	8406201	1	Clip	
143	1001165101	1	Fuel Pump/Bracket Assembly (Not Shown - See Separate breakdown in this Section)	
144	1001180620	AR	Adhesive	





## SECTION 3 - ENGINE

FIGURE 3-44. DEUTZ TCD2.9L4 (STAGE V) ENGINE COMPONENTS



ART\_1001232546

## SECTION 3 - ENGINE

**FIGURE 3-44. DEUTZ TCD2.9L4 (STAGE V) ENGINE COMPONENTS**

ITEM	PART NUMBER	QTY	DESCRIPTION	REV
	1001232546	Ref	DEUTZ ENGINE COMPONENTS	H
		Ref	Note: For complete list of parts, contact JLG Parts Department	
		Ref	Air Intake System Components	
	70004503	1	Turbocharger	
		Ref	Cooling System Components	
	70029581	1	Pump, Coolant (Includes Gasket & Seals)	
	70007603	1	Thermostat	
	70005184	1	O-Ring	
	70005931	1	Gasket	
	70025142	1	Cover	
		Ref	Electrical System Components	
		Ref	Module, ECU/ECM	
	70029401	1	Generator (Includes Controller, Fan & Hardware)	
	70024915	1	Starter (Includes Solenoid & Relay)	
	70026210	1	Sender, Tacho-Generator (Speed) (On Rear of Block) (Includes Seal)	
	70024916	1	Sender, Tacho-Generator (Speed) (On Cover) (Includes Seal)	
	70024918	1	Sender, Temperature (Includes Seal) (On Air Intake Manifold)	
	70024507	1	Sensor, Pressure (Includes Seal) (On Air Intake Manifold)	
	70024504	1	Sensor, Pressure (Includes Seal) (On Fuel Filter & Side of Block)	
		Ref	Sensor, Pressure (Includes Seal) (On Exhaust Manifold)	
		Ref	Sensor, Temperature (Includes Seal) (On Exhaust Manifold)	
	70000345	4	Plug, Glow	
		Ref	Exhaust System Components	
		Ref	Valve, EGR	
	70025130	8	Bolt, Exhaust Manifold	
	70025164	1	Gasket, Exhaust Manifold	
		Ref	Outlet, Muffler	
		Ref	Muffler	
		Ref	Bracket, Muffler Mounting	
	70004504	1	Compensator, Exhaust	
		Ref	Fuel System Components	
	70024924	1	Pump, High Pressure	
		Ref	Injector (Includes Sealing washer, Clamp & O-Ring)	
	70006144	1	Pump, Fuel Supply (Includes Clamps)	
	70024961	1	Filter, Fuel (Pre-Filter Assembly) (Includes Head, Spin on filter, Sensor Cable & Seal)	
	70025153	1	Filter, Fuel Spin On	
	70024513	1	Sensor Cable (Includes Seal)	
	70025160	1	Filter, Fuel (Assembly) (Includes Head & Spin on Filter)	
		Ref	Filter, Fuel Spin On	
	70004508	1	Vol. Control Valve (Includes O-Ring & Gasket)	
		Ref	Lubricating System Components	
	7020465	2	Cap, Oil Fill	
	70005941	2	Plug, Oil Drain	
	70005942	2	Seal, Oil Drain Plug	
	70005172	1	Pump, Oil (Includes Seal & Gasket)	
	7016331	1	Filter, Oil	
	70024494	1	Cooler, Oil	
	70024925	1	Gasket, Oil Cooler	

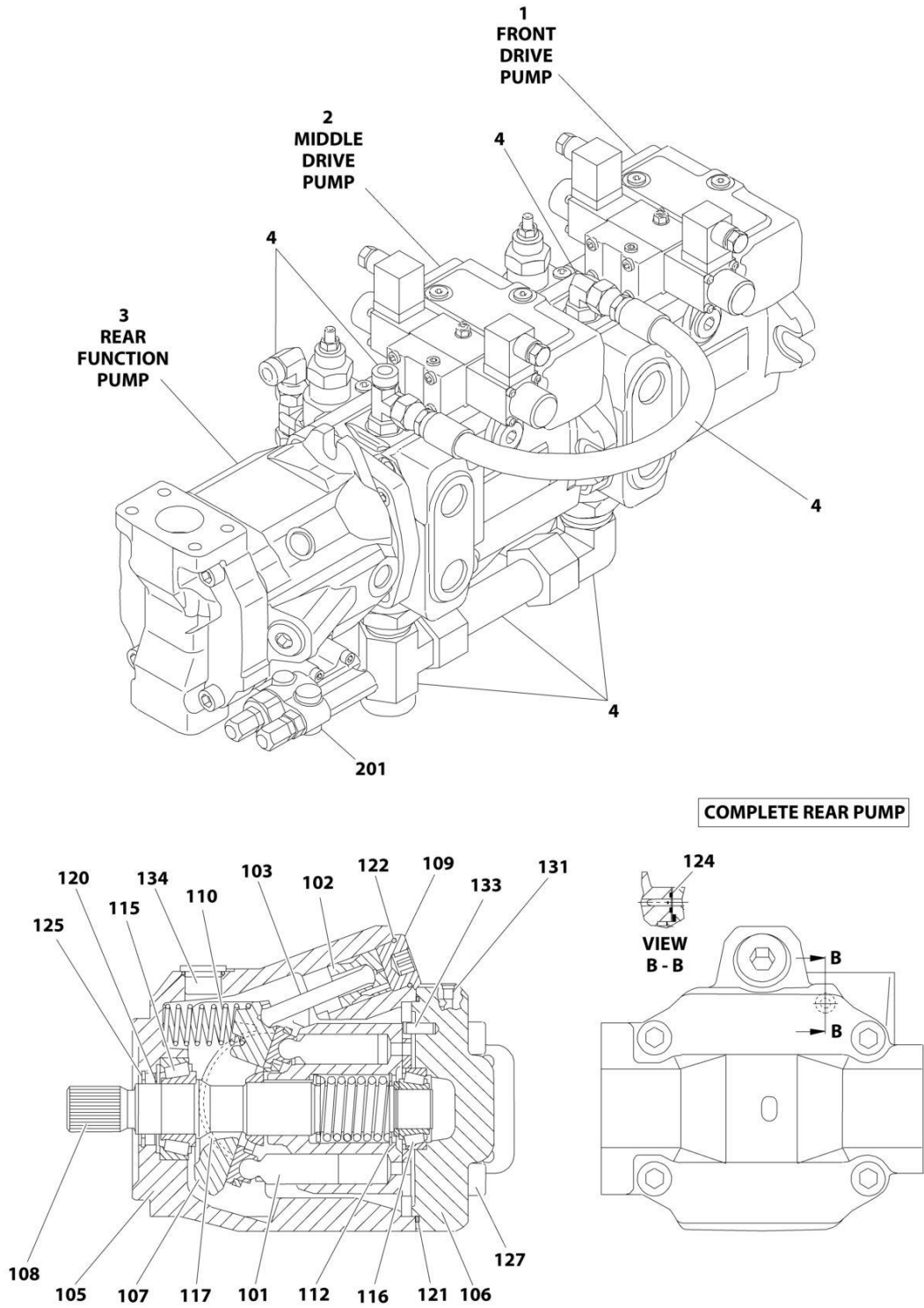
## SECTION 3 - ENGINE

ITEM	PART NUMBER	QTY	DESCRIPTION	REV
	70024904	1	Dipstick (Includes Seal)	
		Ref	Mechanical Components	
	70001870	1	Flywheel (includes Gear)	
	70004277	1	V-Belt	
	70005938	1	Gasket Set - Complete	



# SECTION 3 - ENGINE

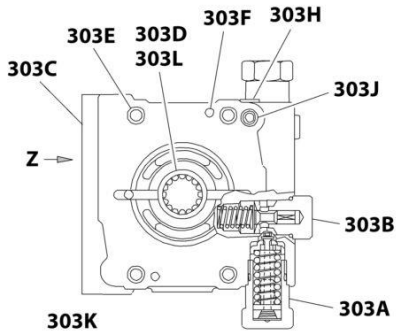
FIGURE 3-45. PUMP ASSEMBLY (REXROTH) (DEUTZ TD2011 ENGINES)



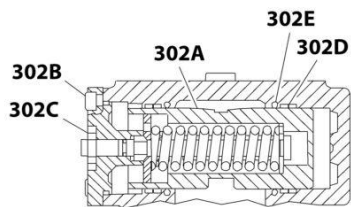
ART\_3600339\_10F2

# SECTION 3 - ENGINE

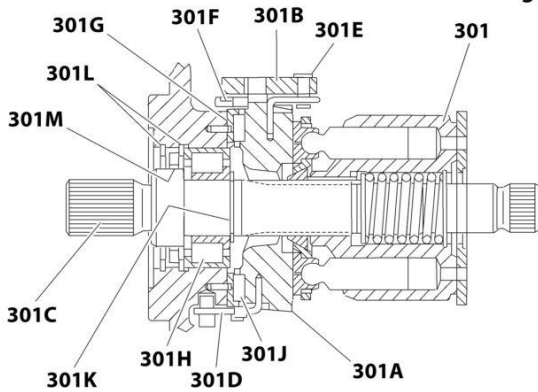
**COMPLETE FRONT AND PUMPS**



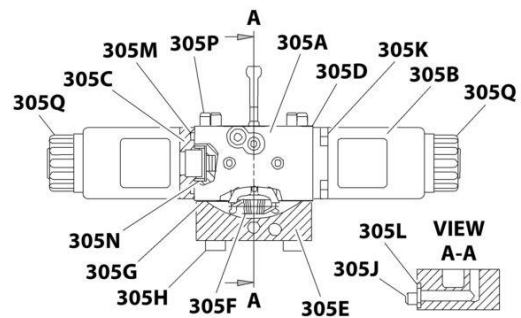
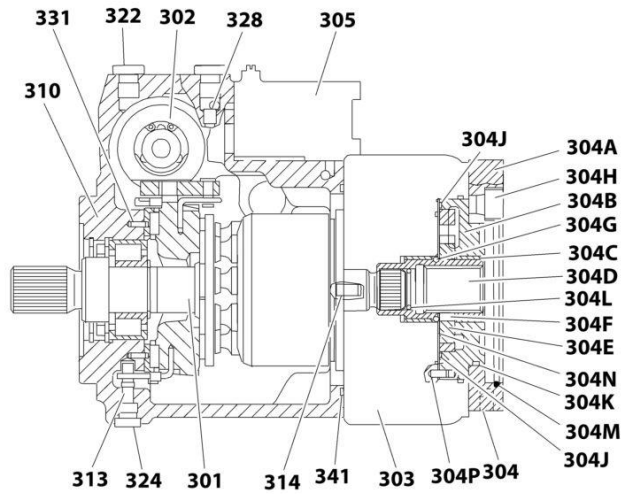
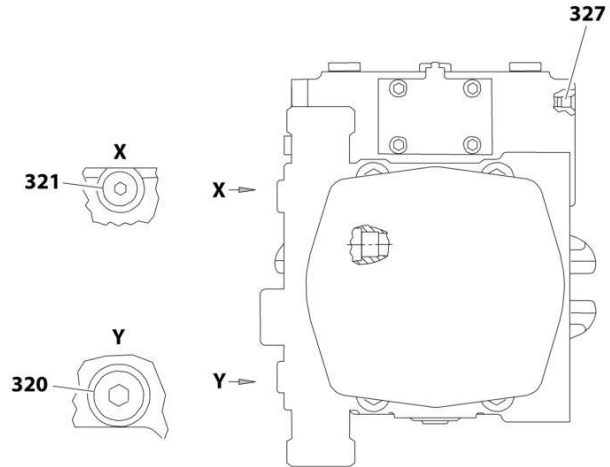
**PORT PLATE SECTION FRONT AND MID PUMPS (DETAIL OF ITEM 303)**



**HYD. CONTROL FRONT AND MID PUMPS (DETAIL OF ITEM 302)**



**ROTARY GROUP FRONT AND MID PUMPS (DETAIL OF ITEM 301)**



**CONTROL MODULE FRONT AND MID PUMPS (DETAIL OF ITEM 305)**

ART\_3600339\_20F2

## SECTION 3 - ENGINE

**FIGURE 3-45. PUMP ASSEMBLY (REXROTH) (DEUTZ TD2011 ENGINES)**

ITEM	PART NUMBER	QTY	DESCRIPTION	REV
	3600339	Ref	PUMP ASSEMBLY (REXROTH) (DEUTZ TD2011 ENGINES)	D
1	7024042	1	Front Drive Pump Assembly (Includes Items 301-341)	
2	7024043	1	Middle Drive Pump Assembly (Includes Items 301-341)	
3	7024044	1	Rear Function Pump Assembly (Includes Items 101-201)	
4	70001952	1	Hydraulic Kit (Includes all Rexroth Supplied Hydraulic Fittings, Hoses and Tubes)	
	7024044	Ref	REAR FUNCTION PUMP ASSEMBLY	
101	7024914	1	Rotary Section	
102	See Note	1	Piston, Control (Note: Not Available - Purchase Complete Assembly)	
103	See Note	1	Rod, Piston (Note: Not Available - Purchase Complete Assembly)	
105	See Note	1	Housing, Pump (Note: Not Available - Purchase Complete Assembly)	
106	See Note	1	Plate, Port (Note: Not Available - Purchase Complete Assembly)	
107	7024915	1	Plate, Swash	
108	7024916	1	Driveshaft	
109	See Note	1	Plug (Note: Not Available for Purchase)	
110	See Note	1	Spring (Note: Not Available for Purchase)	
112	7012709	1	Shim	
115	7024038	1	Bearing, Roller	
116	7012706	1	Bearing, Roller	
117	7024917	2	Shell, Cradle	
120	7024918	1	Seal, Shaft	
121	7024919	1	O-Ring	
122	7024920	1	O-Ring	
124	7024921	1	Seal	
125	7012715	1	V-Ring	
127	See Note	4	Capscrew M12 x 45 Grade 10.9 (Note: Not Available for Purchase)	
131	See Note	1	Plug (Note: Not Available for Purchase)	
133	See Note	1	Pin, Dowel (Note: Not Available for Purchase)	
134	See Note	1	Plug (Note: Not Available for Purchase)	
201	7024913	Ref	Pilot Valve Assembly	
		Ref	Note: Two mounting designs of p/n 7024913 pilot valve exist. Early design uses qty. 3 O-rings. Late design uses qty 1 sealing plate. Seal designs cannot be interchanged. Verify seal design before ordering.	
201	7024922	3	O-Ring (Seals between Pilot Valve and Rear Pump)	
201	70021867	1	Plate, Sealing (Seals between Pilot Valve and Rear Pump)	
		Ref	FRONT DRIVE PUMP ASSEMBLIES	
	7024042	Ref	Front Drive Pump Assembly	
	7024043	Ref	Middle Drive Pump Assembly	
301	7024064	1	Rotary Group	
301A	See Note	NSS	Cradle (Note: Use Item 301)	
301B	See Note	NSS	Ring, Slide (Note: Use Item 301)	
301C	See Note	NSS	Driveshaft (Note: Use Item 301)	
301D	See Note	NSS	Wire (Note: Use Item 301)	
301E	See Note	NSS	Pin, Joint (Note: Use Item 301)	
301F	See Note	NSS	Wire (Note: Use Item 301)	
301G	See Note	NSS	Liner, Bearing (Note: Use Item 301)	
301H	See Note	NSS	Bearing, Roller (Note: Use Item 301)	
301J	See Note	NSS	Cradle Bearing Assembly (Note: Use Item 301)	



## SECTION 3 - ENGINE

ITEM	PART NUMBER	QTY	DESCRIPTION	REV
301K	See Note	NSS	Ring, Retaining (Note: Use Item 301)	
301L	70001968	2	Ring, Retaining	
301M	7024070	1	Seal, Shaft Ring	
302	7024065	1	Control Group - Hydraulic	
302A	See Note	NSS	Piston, Positioning - Complete (Note: Use Item 302)	
302A	7024071	1	O-Ring, Outer Seal	
302A	7024072	1	O-Ring, Stem	
302B	See Note	4	Capscrew M6 x 12 (Note: Not Available - Purchase Locally)	
302C	See Note	NSS	Nut (Note: Use Item 302)	
302D	See Note	NSS	Ring, Guide (Note: Use Item 302)	
302E	See Note	NSS	Seal, O-Ring (Note: Use Item 302)	
303	7024911	1	Port Plate Group	
303A	7024073	2	Cartridge, Relief Valve (High Pressure)	
303A	7024075	1	O-Ring	
303A	7024076	1	Ring, Back-up	
303B		Ref	Cartridge Options:	
303B	7024097	1	Front Pump Cartridge (Lock Valve with Orifice) Note: Sold as an Assembly except Outer Seal.	
303B	7024075	1	O-Ring	
303B	7023881	1	Middle Pump Cartridge (Pressure Relief Valve) Note: Sold as an Assembly except Outer Seal.	
303B	7024077	1	O-Ring	
303C	See Note	NSS	Plate, Port (Note: Use Item 303)	
303D	See Note	NSS	Bushing, Bearing (Note: Use Item 303)	
303E	See Note	4	Capscrew M12 x 70 Grade10.9 (Note: Not Available - Purchase Locally)	
303F	See Note	NSS	Pin, Dowel (Note: Use Item 303)	
303G	See Note	NSS	Pin, Break-Off (Note: Use Item 303)	
303H	See Note	1	Screw, Locking M10 x 1 (Note: Not Available - Purchase Locally)	
303J	7024908	2	O-Ring	
303K	See Note	2	Screw, Locking 7/16 (Note: Not Available - Purchase Locally)	
303L	See Note	NSS	Bearing, Roller (Note: Use Item 303)	
304	7024906	1	Internal Gear Pump	
304A	See Note	NSS	Flange, Intermediate (Note: Use Item 304)	
304B	See Note	NSS	IZP-Housing (Note: Use Item 304)	
304C	See Note	NSS	Bushing, Bearing (Note: Use Item 304)	
304D	See Note	NSS	Coupling, Driveshaft Through (Note: Use Item 304)	
304E	See Note	NSS	Gear Set (Note: Use Item 304)	
304F	See Note	NSS	Key, Driveshaft (Note: Use Item 304)	
304G	See Note	NSS	Ring, Retaining (Note: Use Item 304)	
304H	See Note	4	Capscrew M10 x 20 (Note: Not Available - Purchase Locally)	
304J	7024080	2	Seal	
304K	7024081	1	O-Ring	
304L	See Note	NSS	Ring, Retaining (Note: Use Item 304)	
304M	See Note	NSS	O-Ring (Note: Use Item 304)	
304N	7024005	1	Plate, Wear	
304P	See Note	NSS	Pin, Cylinder (Note: Use Item 304)	
305	7024068	1	Control Module	
305A	7024084	1	Valve Body, Lever and Internal Components	
305B	7024083	2	Coil, Solenoid	
305C	See Note	NSS	Spacer, Coil (Note: Use Item 305)	

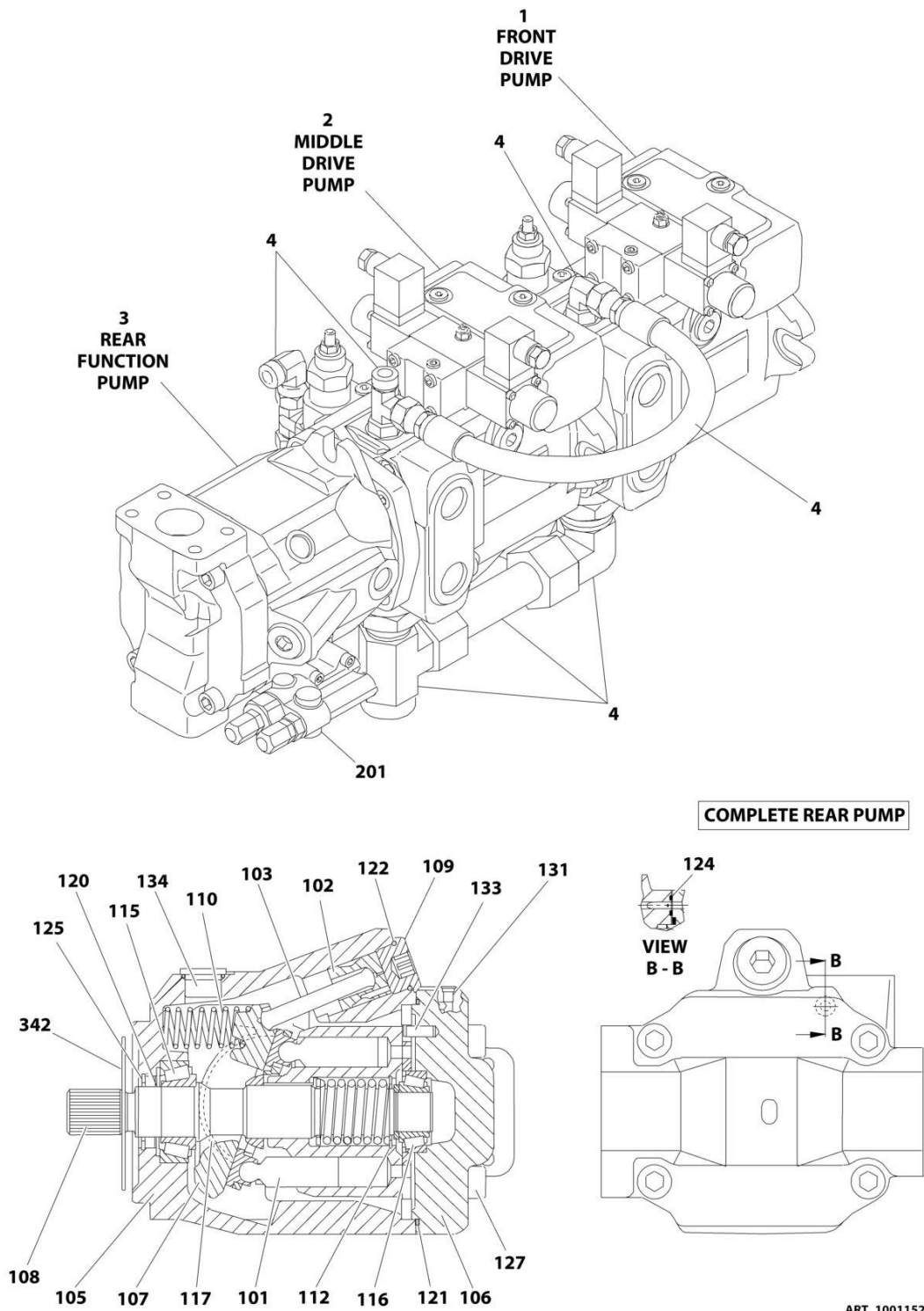
## SECTION 3 - ENGINE

ITEM	PART NUMBER	QTY	DESCRIPTION	REV
305D	7024085	1	Gasket	
305E	See Note	NSS	Cover (Note: Use Item 305)	
305F	See Note	NSS	Spring, Draw (Note: Use Item 305)	
305G	See Note	NSS	Gasket (Note: Use Item 305)	
305H	See Note	4	Capscrew M6 x 65 (Note: Not Available - Purchase Locally)	
305J	See Note	1	Capscrew M6 x 45 (Note: Not Available - Purchase Locally)	
305K	See Note	8	Capscrew M5 x 10 (Note: Not Available - Purchase Locally)	
305L	7024087	1	O-Ring	
305M	7024088	2	O-Ring	
305N	7024089	2	Cup, Spring	
305P	See Note	NSS	Pin, Cylinder (Note: Use Item 305)	
305Q	70002569	2	Nut, Coil	
310	See Note	1	Housing (Note: Not Available for Purchase)	
313	See Note	2	Pin, Dowel (Note: Not Available for Purchase)	
314	See Note	1	Pin, Cylinder (Note: Not Available for Purchase)	
320	See Note	1	Screw 7/8 (Front Drive Pump Only) (Note: Not Available - Purchase Locally)	
321	See Note	1	Screw 9/16 (Note: Not Available - Purchase Locally)	
322	See Note	1	Screw 7/16 (Note: Not Available - Purchase Locally)	
324	See Note	1	Screw M10 x 1 (Note: Not Available - Purchase Locally)	
327	See Note	1	Pin, Double Break-Off (Note: Not Available for Purchase)	
328	7018936	2	Orifice	
331	See Note	2	Pin, Clamping (Note: Not Available for Purchase)	
341	7024069	1	O-Ring	

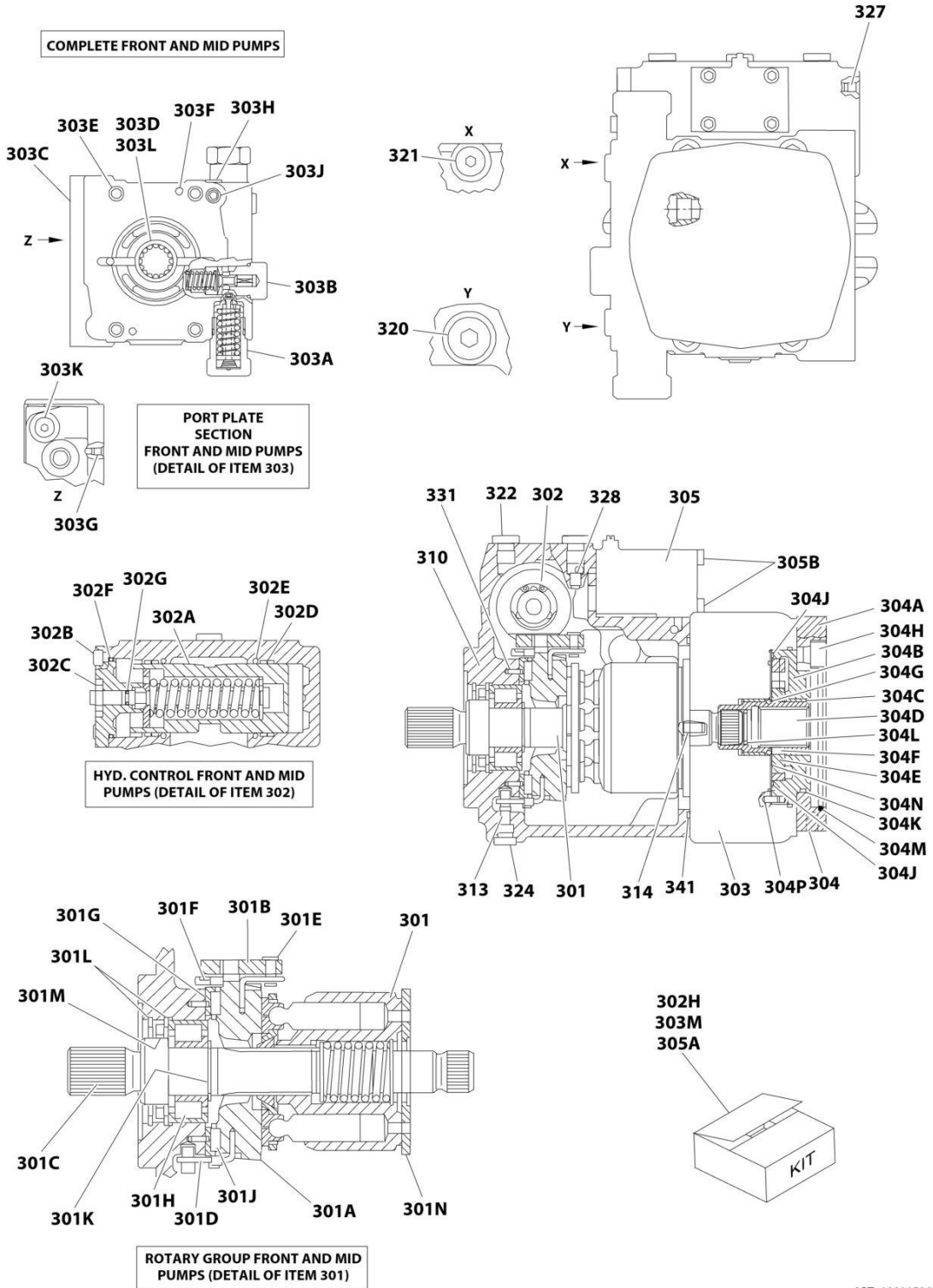


# SECTION 3 - ENGINE

**FIGURE 3-46. PUMP ASSEMBLY (REXROTH) (DEUTZ TCD2.9L4 ENGINES AND DEUTZ TCD2.9L4 (STAGE V) ENGINES)**



# SECTION 3 - ENGINE



ART\_1001152963\_20F2

## SECTION 3 - ENGINE

**FIGURE 3-46. PUMP ASSEMBLY (REXROTH) (DEUTZ TCD2.9L4 ENGINES AND DEUTZ TCD2.9L4 (STAGE V) ENGINES)**

ITEM	PART NUMBER	QTY	DESCRIPTION	REV
	1001152963	Ref	PUMP ASSEMBLY (REXROTH) (DEUTZ TCD2.9L4 ENGINES)	C
1	70005480	1	Front Drive Pump Assembly Options (Includes Items 301-341)	
2	70005481	1	Middle Drive Pump Assembly (Includes Items 301-341)	
3	7024044	1	Rear Function Pump Assembly (Includes Items 101-201)	
4	See Note	NSS	Hydraulic Kit (Includes all Rexroth Supplied Hydraulic Fittings, Hoses and Tubes) (Note: Not Available for Purchase)	
	7024044	Ref	REAR FUNCTION PUMP ASSEMBLY	
101	70003173	1	Rotary Section	
102	See Note	1	Piston Control (Note: Not Available - Purchase Complete Assembly)	
103	See Note	1	Rod, Piston (Note: Not Available - Purchase Complete Assembly)	
105	See Note	1	Housing, Pump (Note: Not Available - Purchase Complete Assembly)	
106	See Note	1	Plate, Port (Note: Not Available - Purchase Complete Assembly)	
107	70003174	1	Plate, Swash	
108	70003175	1	Driveshaft	
109	See Note	1	Plug (Note: Not Available for Purchase)	
110	See Note	1	Spring (Note: Not Available for Purchase)	
112		Ref	Shim	
115	7024038	1	Bearing, Roller	
116	7012706	1	Bearing, Roller	
117	7024917	2	Shell, Cradle	
120	7024918	1	Seal, Shaft	
121	7024919	1	O-Ring	
122	7024920	1	O-Ring	
124	7024921	1	Seal	
125	70003177	1	V-Ring	
127	See Note	4	Capscrew M12 x 45 Grade 10.9 (Note: Not Available for Purchase)	
131	See Note	1	Plug (Note: Not Available for Purchase)	
133	See Note	1	Pin, Dowel (Note: Not Available for Purchase)	
134	See Note	1	Plug (Note: Not Available for Purchase)	
201	7024913	Ref	Pilot Valve Assembly	
		Ref	Note: Two mounting designs of p/n 7024913 pilot valve exist. Early design uses qty. 3 o-rings. Late design uses qty. 1 sealing plate. Seal designs cannot be interchanged. Verify seal design before ordering.	
201	7024922	3	O-Ring (Seals between Pilot Valve and Rear Pump)	
201	70021867	1	Plate, Sealing (Seals between Pilot Valve and Rear Pump)	
		Ref	FRONT DRIVE PUMP ASSEMBLIES	
	70005480	Ref	Front Drive Pump Assembly	
	70005481	Ref	Middle Drive Pump Assembly	
		Ref	Note: Service Parts not available at time of printing, call-out number on illustration for ref only.	
301	7024064	1	Rotary Group	
301A	See Note	NSS	Cradle (Note: Use Item 301)	
301B	See Note	NSS	Ring, Slide (Note: Use Item 301)	
301C	7023887	1	Driveshaft	
301D	See Note	NSS	Wire (Note: Use Item 301)	
301E	See Note	NSS	Pin, Joint (Note: Use Item 301)	
301F	See Note	NSS	Wire (Note: Use Item 301)	

## SECTION 3 - ENGINE

ITEM	PART NUMBER	QTY	DESCRIPTION	REV
301G	See Note	NSS	Liner, Bearing (Note: Use Item 301)	
301H	See Note	NSS	Bearing, Roller (Note: Use Item 301)	
301J	See Note	NSS	Cradle Bearing Assembly (Note: Use Item 301)	
301K	70001968	1	Ring, Retaining	
301L	See Note	NSS	Ring, Retaining (Note: Not Available for Purchase)	
301M	70003167	1	Seal, Shaft Ring	
301N	70000950	1	Plate	
302	7024065	1	Control Group - Hydraulic	
302A	See Note	NSS	Piston, Positioning - Complete (Note: Use Item 302)	
302A	See Note	NSS	O-Ring, Outer Seal (Note: Not Available for Purchase)	
302A	See Note	NSS	O-Ring, Stem (Note: Not Available for Purchase)	
302B	See Note	4	Capscrew M6 x 12 (Note: Not Available - Purchase Locally)	
302C	See Note	NSS	Nut (Note: Use Item 302)	
302D	See Note	NSS	Ring, Guide (Note: Use Item 302)	
302E	See Note	NSS	Seal, O-Ring (Note: Use Item 302)	
302F	7024071	1	O-Ring	
302G	7024072	1	O-Ring	
302H	7024006	1	Seal Kit - Control Section	
303	7024905	1	Port Plate Group (Front)	
303	7024911	1	Port Plate Group (Mid)	
303A	7024073	1	Cartridge, Relief Valve (High Pressure)	
303A	7024075	1	O-Ring	
303A	7024076	1	Ring, Back-up	
303B		Ref	Cartridge Options:	
303B	7024907	1	Front Pump Cartridge (Lock Valve With Orifice)	
303B	7024909	1	Screw, Locking	
303B	7024075	1	O-Ring	
303B	70020329	1	Middle Pump Cartridge (Pressure Relief Valve)	
303B	7024909	1	Screw, Locking	
303B	7024077	1	O-Ring	
303C	See Note	NSS	Plate, Port (Note: Use Item 303)	
303D	See Note	NSS	Bushing, Bearing (Note: Use Item 303)	
303E	See Note	4	Capscrew M12 x 70 Grade 10.9 (Note: Not Available - Purchase Locally)	
303F	See Note	NSS	Pin, Dowel (Note: Use Item 303)	
303G	70003340	1	Pin, Break-Off	
303H	See Note	1	Screw, Locking M10 x 1 (Note: Not Available - Purchase Locally)	
303J	7024908	1	O-Ring	
303K	See Note	2	Screw, Locking 7/16 (Note: Not Available - Purchase Locally)	
303L	See Note	NSS	Bearing, Roller (Note: Use Item 303)	
303M	7024006	1	Seal Kit - Port Plate Group	
304	7024906	1	Internal Gear Pump	
304A	See Note	NSS	Flange, Intermediate (Note: Use Item 304)	
304B	See Note	NSS	IZP-Housing (Note: Use Item 304)	
304C	See Note	NSS	Bushing, Bearing (Note: Use Item 304)	
304D	See Note	NSS	Coupling, Driveshaft Through (Note: Use Item 304)	
304E	7024078	1	Gear Set	
304F	7024079	1	Key, Driveshaft	
304G	80934174	1	Ring, Retaining	
304H	See Note	4	Capscrew M10 x 20 (Note: Not Available - Purchase Locally)	
304J	See Note	NSS	Seal (Note: Not Available for Purchase)	

## SECTION 3 - ENGINE

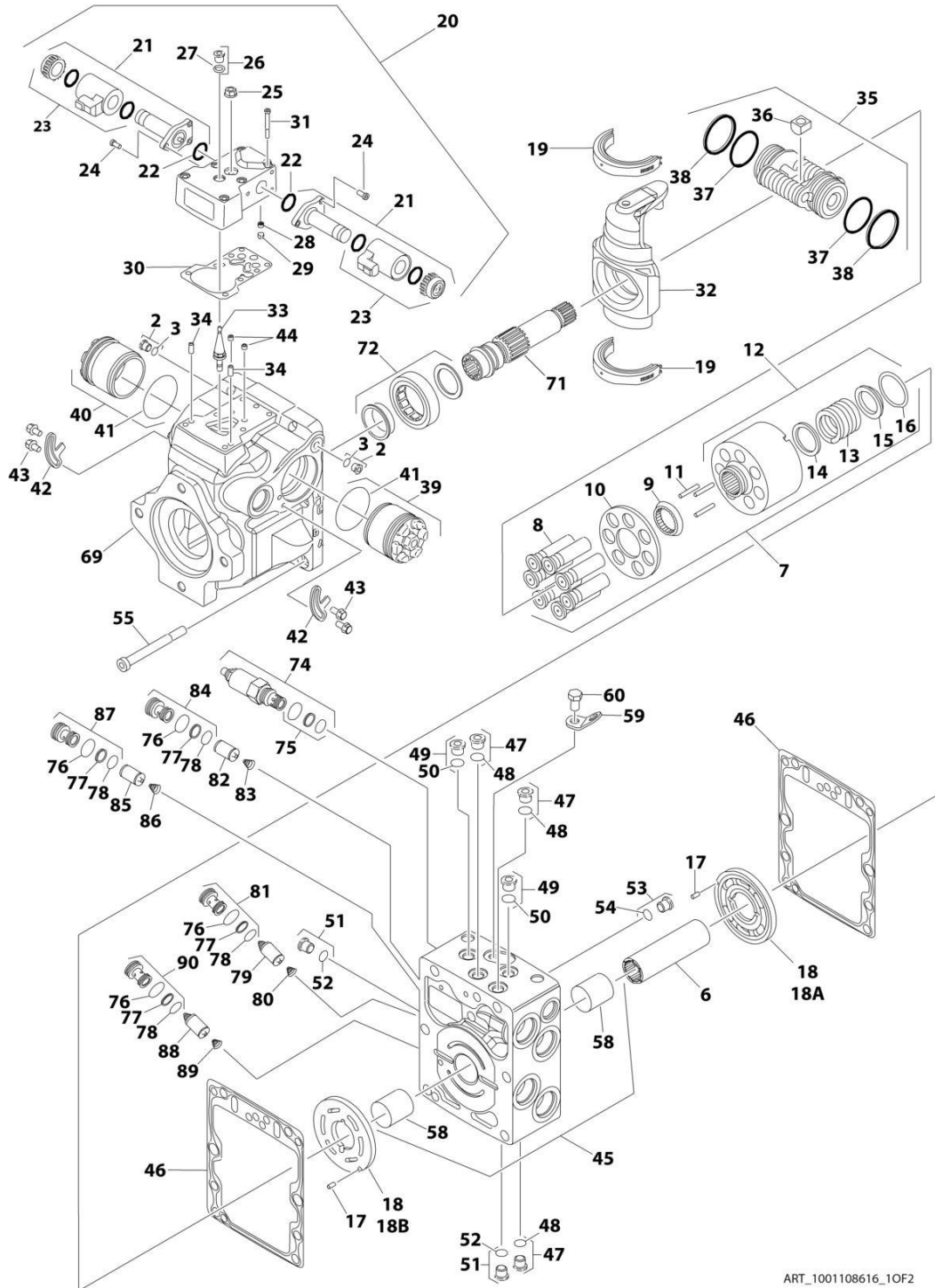
ITEM	PART NUMBER	QTY	DESCRIPTION	REV
304K	7024081	1	O-Ring	
304L	See Note	NSS	Ring, Retaining (Note: Use Item 304)	
304M	See Note	NSS	O-Ring (Note: Use Item 304)	
304N	See Note	NSS	Plate, Wear (Note: Not Available for Purchase)	
304P	See Note	NSS	Pin, Cylinder (Note: Use Item 304)	
305	70003165	1	Control Module	
305	70003170	1	Coil, Solenoid	
305A	70020336	1	Seal Kit - Control Module	
305B	80934644	4	Capscrew	
310	See Note	1	Housing (Note: Not Available for Purchase)	
313	See Note	2	Pin, Dowel (Note: Not Available for Purchase)	
314	See Note	1	Pin, Cylinder (Note: Not Available for Purchase)	
320	7026980	1	Screw 7/8 (Front Drive Pump Only)	
321	80334079	1	Screw 9/16	
322	See Note	1	Screw 7/16 (Note: Not Available - Purchase Locally)	
324	See Note	1	Screw M10 x 1 (Note: Not Available - Purchase Locally)	
327	70003340	1	Pin, Double Break-Off	
328	7018936	1	Orifice	
331	7024096	2	Pin, Clamping	
341	7024069	1	O-Ring	
342	70007178	1	O-Ring	





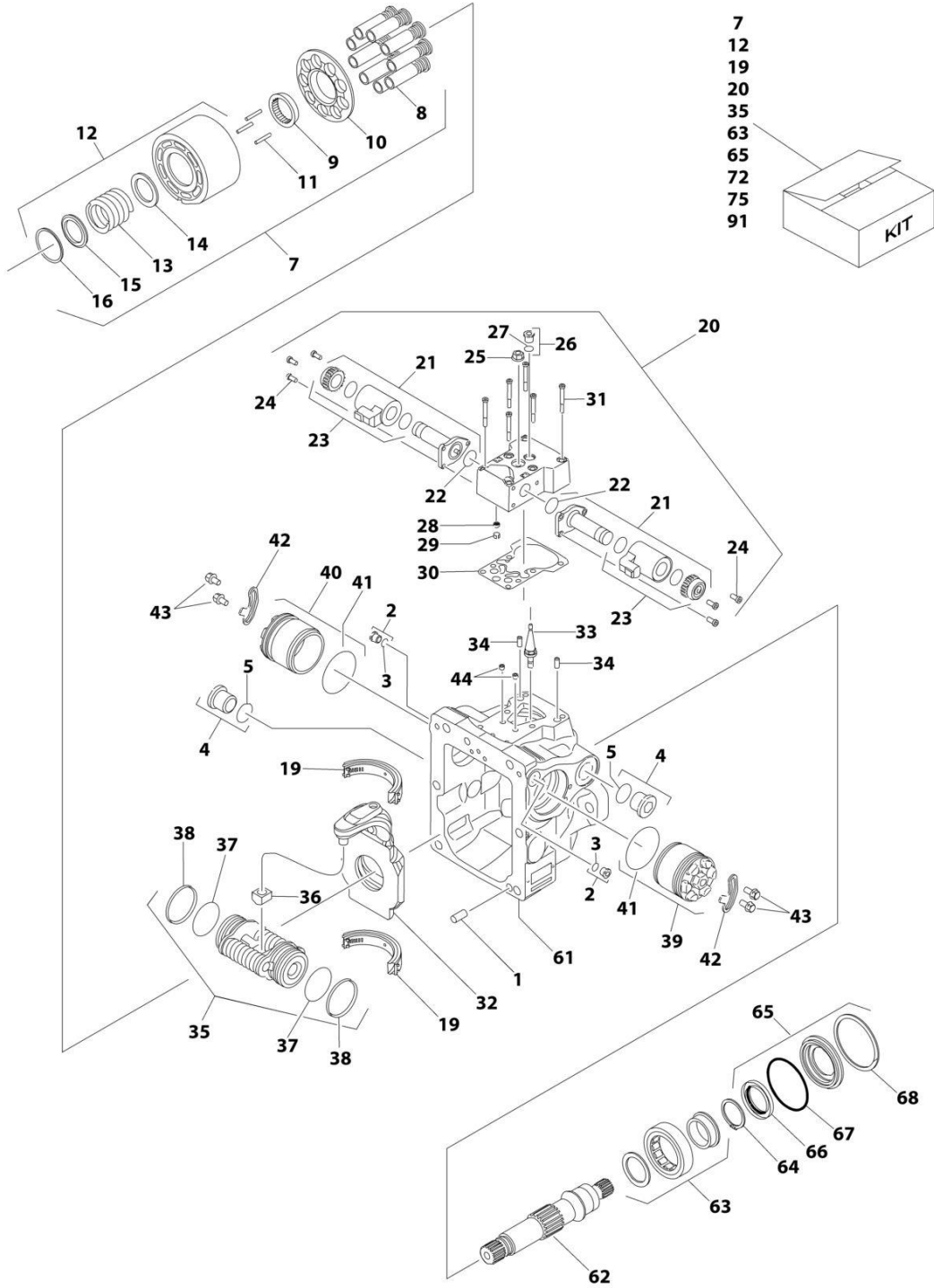
# SECTION 3 - ENGINE

## FIGURE 3-47. PUMP ASSEMBLY (SAUER TANDEM)



ART\_1001108616\_10F2

# SECTION 3 - ENGINE



ART\_1001108616\_2OF2

## SECTION 3 - ENGINE

**FIGURE 3-47. PUMP ASSEMBLY (SAUER TANDEM)**

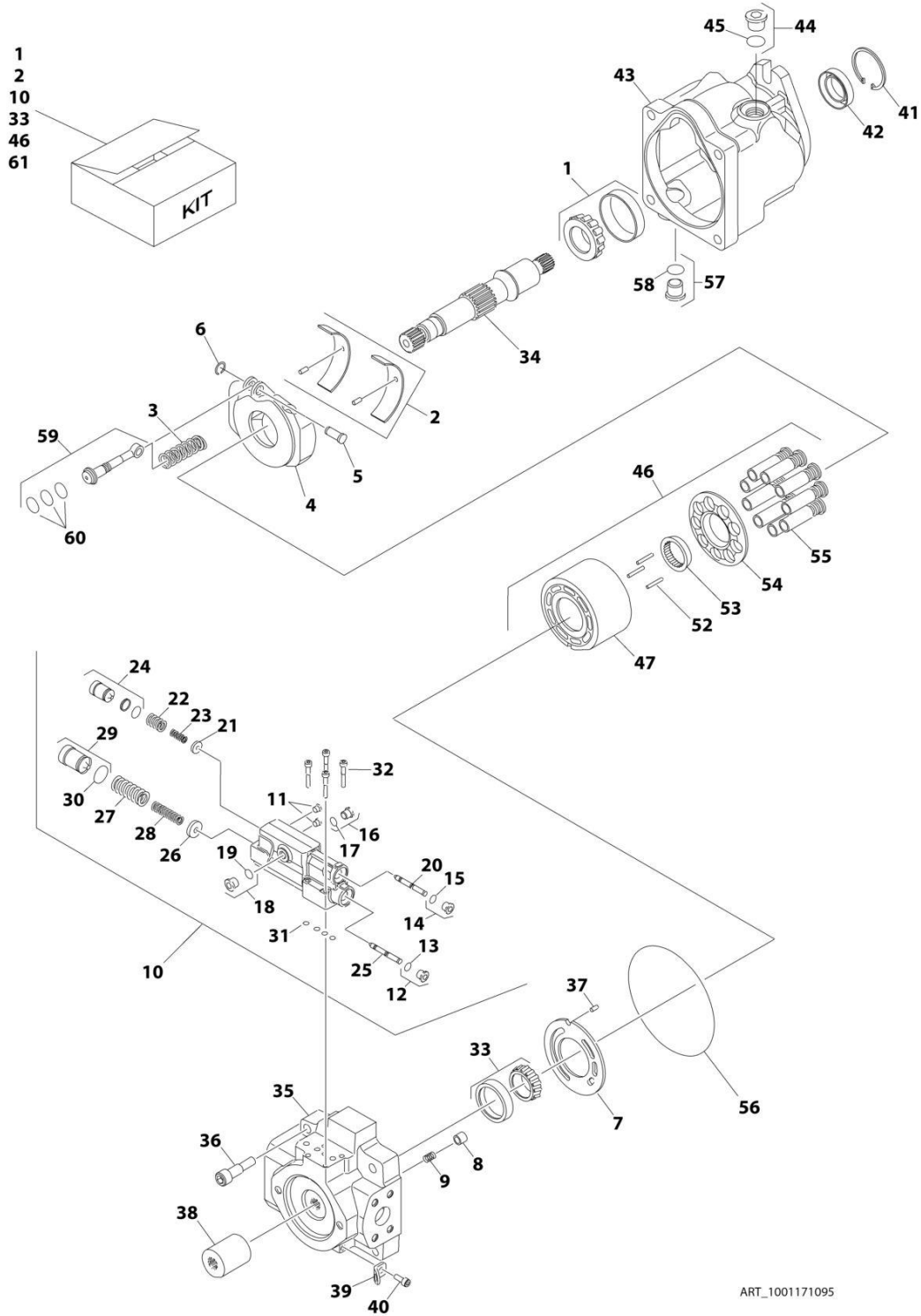
ITEM	PART NUMBER	QTY	DESCRIPTION	REV
	1001108616	Ref	PUMP ASSEMBLY (SAUER TANDEM)	D
1	70002132	4	Pin	
2	70002133	4	Plug Assembly (Includes Item 3)	
3	7007207	4	O-Ring (Part of Item 2)	
4	7007419	2	Plug Assembly (Includes Item 5)	
5	7007418	2	O-Ring (Part of Item 4)	
6	70002600	1	Coupling	
7	70002135	2	Cylinder Block Kit (Each Kit Includes Qty 1 of Items 8-10 & 12-16 & Qty 3 of Item 11)	
8	70002136	2	Piston Assembly Kit (Includes Qty 9 Piston Assemblies) (Part of Item 7)	
9	70002137	2	Guide, Slipper Retainer (Part of Item 7)	
10	70002138	2	Retainer, Slipper (Part of Item 7)	
11	7021275	6	Pin, Slipper Retainer Holddown (Part of Item 7)	
12	70002135	2	Cylinder Block Assembly (Includes Qty 1 of Item 13-16) (Part of Item 7)	
13	70002139	2	Spring (Part of Item 12)	
14	70002140	2	Washer (Part of Item 12)	
15	70002141	2	Washer (Part of Item 12)	
16	70002142	2	Ring, Retaining (Part of Item 12)	
17	7007446	2	Pin	
18		Ref	Plate, Valve Options:	
18A	70002601	1	Plate, CW Valve	
18B	70002602	1	Plate, CCW Valve	
19	70002145	2	Swash Plate Bearing Kit (Includes Qty 2 Bearings)	
20	70002618	2	EDC Kit (Includes Items 21-31)	
21	70002619	4	Solenoid Valve Assembly (Includes Items 22 & 23) (Part of Item 20)	
22	70002148	4	O-Ring (2 Per EDC Assembly) (Part of Item 21)	
23	70002620	4	Coil, Nut and Seals Kit (2 Per EDC Assembly) (Part of Item 21)	
24	70002150	12	Screw (Part of Item 20)	
25	7022301	2	Nut, Seal (Part of Item 20)	
26	70002151	2	Plug Assembly (Part of Item 20) (Includes Item 27)	
27	7007207	2	O-Ring (Part of Item 26)	
28	70002134	2	Screen (Part of Item 20)	
29	70002153	2	Ring, Locking (Part of Item 20)	
30	70002154	2	Gasket, Control (Part of Item 20)	
31	70002156	12	Capscrew (Part of Item 20)	
32	70002152	2	Swash Plate	
33	70002155	2	Link, Swash Plate	
34	70002157	4	Pin, Dowel	
35	70002158	2	Servo Piston Assembly (Includes Items 36-38)	
36	70002159	2	Block, Slider (Part of Item 35)	
37	70002160	2	O-Ring (Part of Item 35)	
38	70002161	2	Ring, Piston (Part of Item 35)	
39	70002162	2	Cylinder, Servo	
40	70002162	2	Cylinder, Servo	
41	70002163	4	O-Ring	
42	70002164	4	Plate, Locking	
43	70002165	8	Screw	

## SECTION 3 - ENGINE

ITEM	PART NUMBER	QTY	DESCRIPTION	REV
44	70002604	4	Orifice	
45	70002605	1	Center Section Assembly (Includes Item 58)	
46	70002168	2	Gasket, End Cap	
47	70001958	2	Plug Assembly (Includes Item 48)	
48	7021256	2	O-Ring (Part of Item 47)	
49	70001958	2	Plug Assembly (Includes Item 50)	
50	7021256	2	O-Ring (Part of Item 49)	
51	70001958	2	Plug Assembly (Includes Item 52)	
52	7021256	2	O-Ring (Part of Item 51)	
53	70001958	2	Plug Assembly (Includes Item 54)	
54	7021256	2	O-Ring (Part of Item 53)	
55	70002606	4	Capscrew	
58	70002607	2	Bearing, Journal (Part of Item 45)	
59	70002608	1	Bracket, Lifting	
60	70002609	1	Screw	
61	See Note	1	Housing (Note: Not Available for Purchase)	
62	70002175	1	Shaft	
63	70002610	1	Ball Bearing Kit	
	7007439	1	Ring, Retaining	
65	70002174	1	Shaft Seal Kit (Includes Items 66-68) (Note: This is a universal kit and will contain extra pieces that are not used on this pump assembly)	
66	70002177	1	Seal, Lip	
67	70002178	1	O-Ring	
68	70002179	1	Ring, Retaining	
69	See Note	1	Housing (Note: Not Available for Purchase)	
71	70002612	1	Shaft	
72	70002610	1	Ball Bearing Kit	
74	70002621	1	High Pressure Relief Valve Cartridge Assembly (Includes Item 75)	
75	70002622	1	Seal Kit - 70002621 Valve (Part of Item 74)	
76	7007415	1	O-Ring (Part of Items 81, 84, 87 & 90)	
77	7021293	1	Ring, Back-up (Part of Items 81, 84, 87 & 90)	
78	7022300	1	O-Ring (Part of Items 81, 84, 87 & 90)	
79	70002616	1	SCR Valve Assembly	
80	7024800	1	Spring	
81	7021265	1	Plug Assembly (Includes Qty 1 of Items 76-78)	
82	70002616	1	SCR Valve Assembly	
83	7024800	1	Spring	
84	7021265	1	Plug Assembly (Includes Qty 1 of Item 76-78)	
85	70002616	1	SCR Valve Assembly	
86	7024800	1	Spring	
87	70002617	1	Plug Assembly (Includes Qty 1 of Item 76-78)	
88	70002616	1	SCR Valve Assembly	
89	7024800	1	Spring	
90	7021265	1	Plug Assembly (Includes Qty 1 of Items 76-78)	
91	70002623	1	Overhaul Seal Kit (Includes Items 3, 5, 22, 27, 30, 37, 38, 41, 46, 48, 50, 52, 54, 66, 67, 75, 76, 77 & 78)	

# SECTION 3 - ENGINE

## FIGURE 3-48. PUMP ASSEMBLY (SAUER PISTON)



ART\_1001171095

## SECTION 3 - ENGINE

**FIGURE 3-48. PUMP ASSEMBLY (SAUER PISTON)**

ITEM	PART NUMBER	QTY	DESCRIPTION	REV
	1001171095	Ref	PUMP ASSEMBLY (SAUER PISTON)	B
1	70002578	1	Bearing Kit - Front (Includes Cup and Cone)	
2	70004426	1	Swash Plate Bearing Kit (Includes Qty 2 Bearings and Retainer Pins)	
3	70002580	1	Spring, Bias	
4	70004416	1	Swash Plate Assembly	
5	70002582	1	Shaft	
6	70002583	1	Ring, Retaining	
7	70004417	1	Plate, Valve	
8	70001956	1	Poppet, Check Valve	
9	70001955	1	Spring	
10	70022286	1	Control Kit (Includes Items 11-32)	
11	See Note	NSS	Setscrew (Note: Use Item 10)	
12	70002133	1	Plug Assembly (Includes Item 13)	
13	7007207	1	O-Ring (Part of Item 12)	
14	70002133	1	Plug Assembly (Part of Item 15)	
15	7007207	1	O-Ring (Part of Item 14)	
16	70002133	1	Plug Assembly (Includes Item 17)	
17	7007207	1	O-Ring (Part of Item 16)	
18	70002133	1	Plug Assembly (Includes Item 19)	
19	7007207	1	O-Ring (Part of Item 18)	
20	See Note	NSS	Spool (Note: Use Item 10)	
21	See Note	NSS	Guide, Spring LS (Note: Use Item 10)	
22	See Note	NSS	Spring, Outer LS (Note: Use Item 10)	
23	See Note	NSS	Spring, Inner LS (Note: Use Item 10)	
24	See Note	NSS	Plug, Adjusting LS (Note: Use Item 10 or 61)	
25	See Note	NSS	Spool, Control (Note: Use Item 10)	
26	See Note	NSS	Guide, Spring PC (Note: Use Item 10)	
27	See Note	NSS	Spring, Outer PC (Note: Use Item 10)	
28	See Note	NSS	Spring, Inner PC (Note: Use Item 10)	
29	See Note	NSS	Plug, Adjusting PC (Note: Use Item 10)	
30	See Note	NSS	O-Ring (Note: Use Item 10 or 61)	
31	See Note	NSS	Ring, Seal (Note: Use Item 10 or 61)	
32	See Note	NSS	Capscrew (Note: Use Item 10)	
33	70002585	1	Bearing Kit - Rear (Includes Cup and Cone)	
34	70002586	1	Shaft	
35	70004420	1	Cap, End	
36	70002588	4	Capscrew	
37	7007446	1	Pin, Slotted	
38	70002589	1	Coupling	
39	7022340	1	Bracket, Lifting	
40	70002590	1	Capscrew	
41	7023962	1	Ring, Retaining	
42	See Note	NSS	Seal, Lip (Note: Use Item 61)	
43	See Note	NSS	Housing (Note: Not Available for Purchase)	
44	7023964	1	Plug Assembly (Includes Item 45)	
45	7007415	1	O-Ring (Part of Item 44)	
46	70004423	1	Cylinder Block Kit (Includes Items 47-55)	
47	70004421	1	Cylinder	
52	7021275	3	Pin, Hold-down	

## SECTION 3 - ENGINE

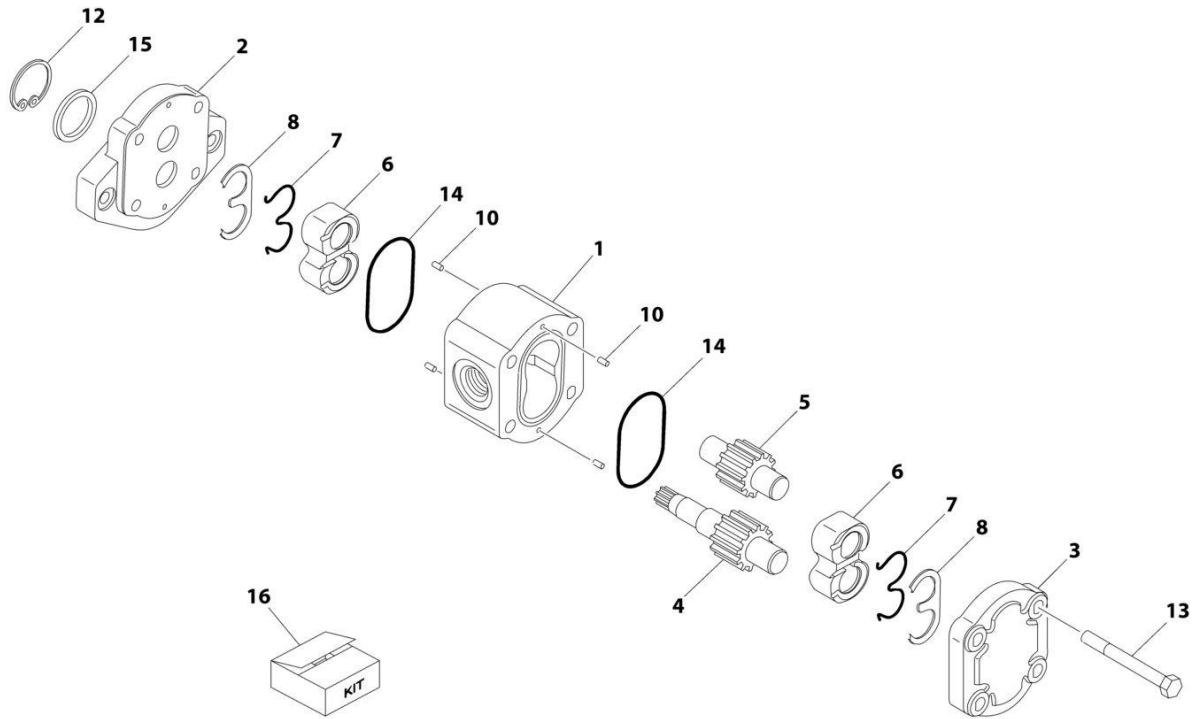
ITEM	PART NUMBER	QTY	DESCRIPTION	REV
53	70002592	1	Guide, Slipper Retainer	
54	70002593	1	Retainer, Slipper	
55	70004422	1	Piston Assembly	
56	See Note	NSS	Seal, End Cap (Note: Use Item 61)	
57	7023964	1	Plug, O-Ring (Includes Item 58)	
58	7007415	1	O-Ring (Part of Item 57)	
59	70005418	1	Servo Piston Assembly (Includes Item 60)	
60	See Note	NSS	Ring, Piston (Part of Item 59) (Note: Use Item 61)	
61	70002599	1	Complete Seal Kit (Includes Items 13, 15, 17, 19, 24, 30, 31, 42, 45, 56, 58 & 60)	





# SECTION 3 - ENGINE

## FIGURE 3-49. PUMP ASSEMBLY (SAUER GEAR)



ART\_1001112927

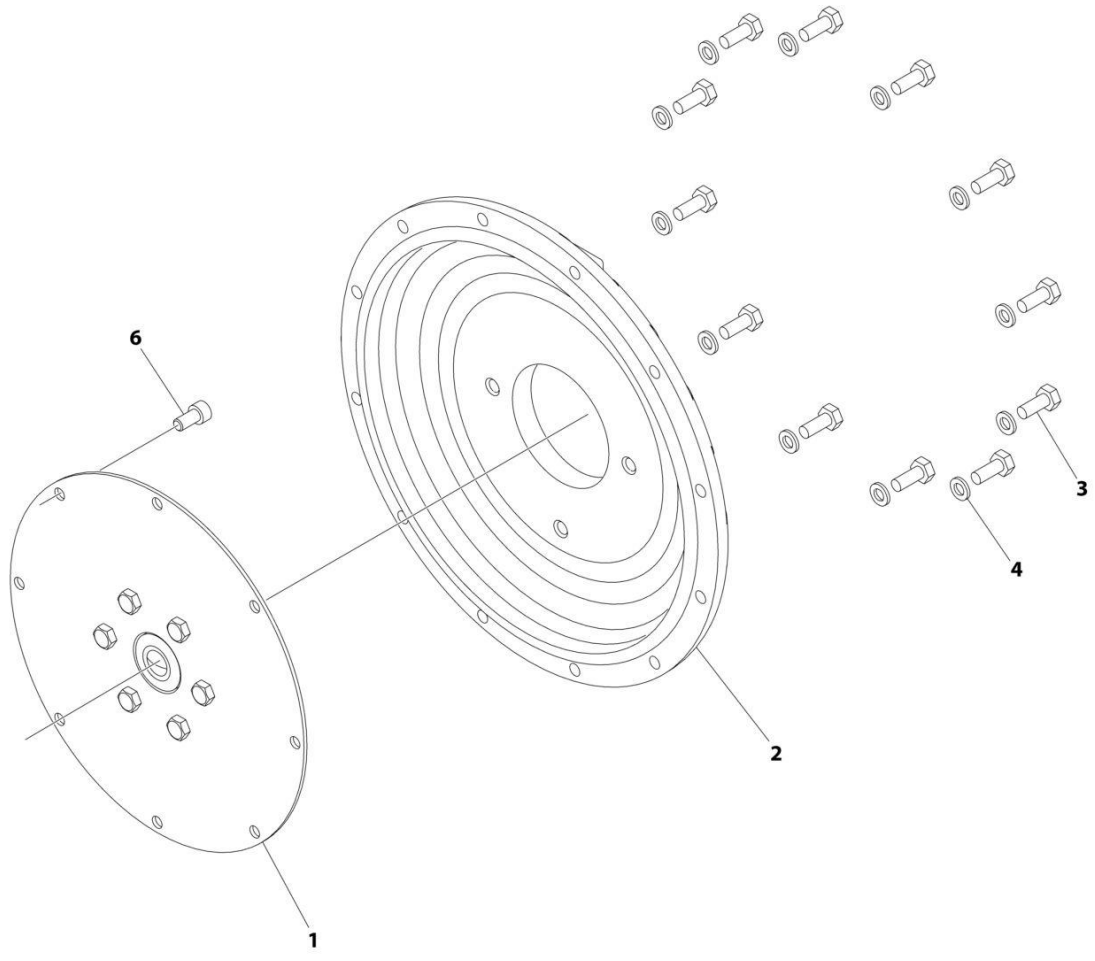
## SECTION 3 - ENGINE

**FIGURE 3-49. PUMP ASSEMBLY (SAUER GEAR)**

ITEM	PART NUMBER	QTY	DESCRIPTION	REV
	1001112927	Ref	PUMP ASSEMBLY (SAUER GEAR)	A
1	See Note	NSS	Body (Note: Use p/n 1001112927)	
2	See Note	NSS	Cover, Front (Note: Use p/n 1001112927)	
3	See Note	NSS	Cover, Rear (Note: Use p/n 1001112927)	
4	See Note	NSS	Shaft, Gear (Note: Use p/n 1001112927)	
5	See Note	NSS	Gear, Idler (Note: Use p/n 1001112927)	
6	See Note	NSS	Block, Bearing (Note: Use p/n 1001112927)	
7	7007489	2	Ring, Anti-Extrusion	
8	7007489	2	Ring, Seal	
10	See Note	NSS	Pin, Dowel (Note: Use p/n 1001112927)	
12	70002576	1	Ring, Retaining	
13	See Note	NSS	Capscrew (Note: Use p/n 1001112927)	
14	7007489	2	O-Ring	
15	7007489	1	Seal, Lip	
16	7007489	1	Seal Kit - 1001112927 Pump (Includes Items 7, 8, 14 & 15)	

# SECTION 3 - ENGINE

## FIGURE 3-50. PUMP COUPLING KIT



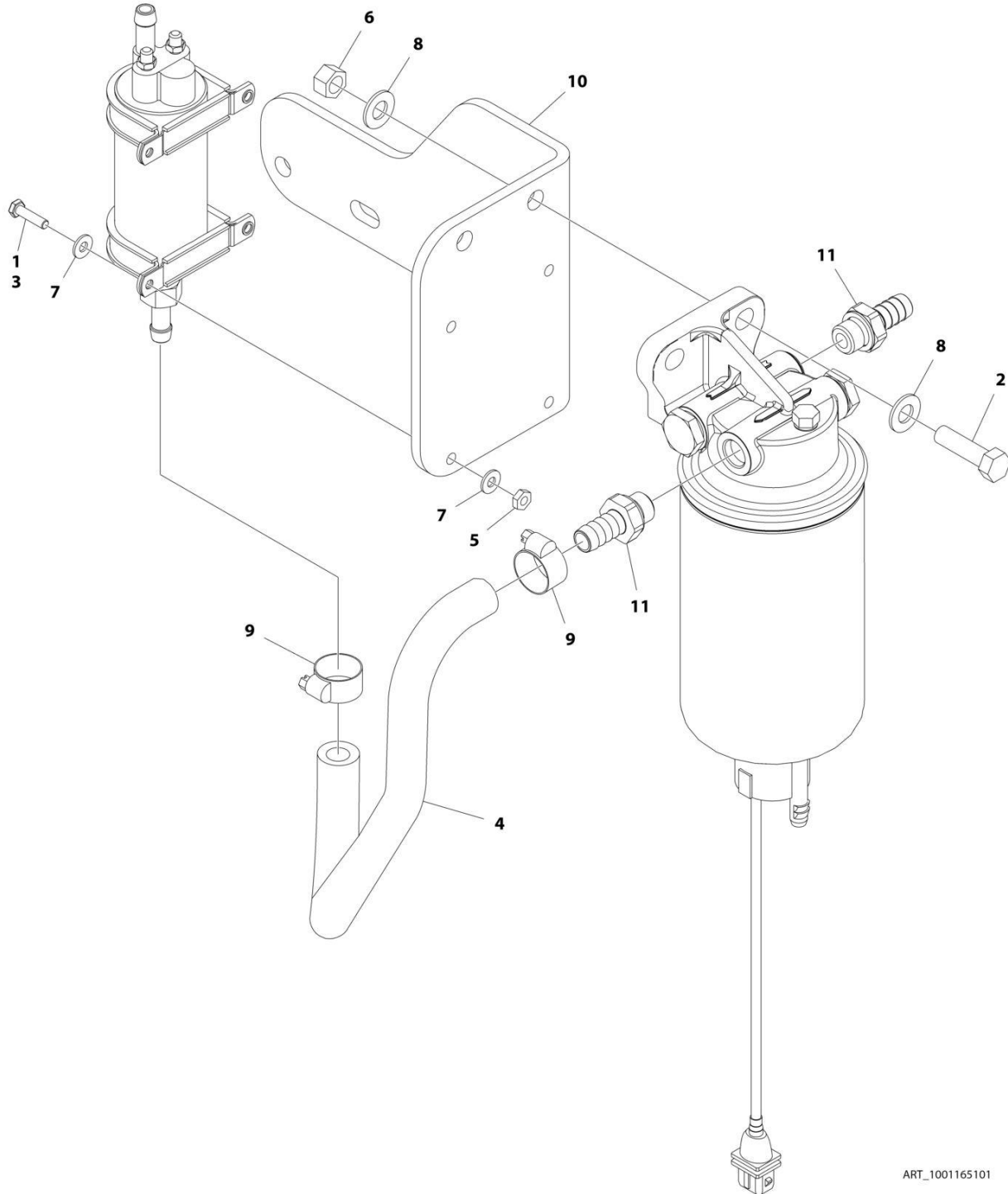
ART\_2902065

FIGURE 3-50. PUMP COUPLING KIT

ITEM	PART NUMBER	QTY	DESCRIPTION	REV
	2902065	Ref	PUMP COUPLING KIT	L
1	70000793	1	Coupling, Hayes	
2	See Note	NSS	Plate, Pump Adapter (Note: Use p/n 2902065)	
3	See Note	NSS	Bolt M10 x 30 Grade 10.9 (Note: Use p/n 2902065)	
4	See Note	NSS	Washer M10 (Note: Use p/n 2902065)	
6	See Note	NSS	Bolt M10 x 20 Grade 10.9 (Note: Use p/n 2902065)	

# SECTION 3 - ENGINE

**FIGURE 3-51. FUEL PUMP/FILTER BRACKET ASSEMBLY - DEUTZ TCD2.9L4 ENGINE, DEUTZ TCD2.9L4 (STAGE V PRE-BUY) ENGINE AND DEUTZ TCD2.9L4 (STAGE V) ENGINE**



ART\_1001165101

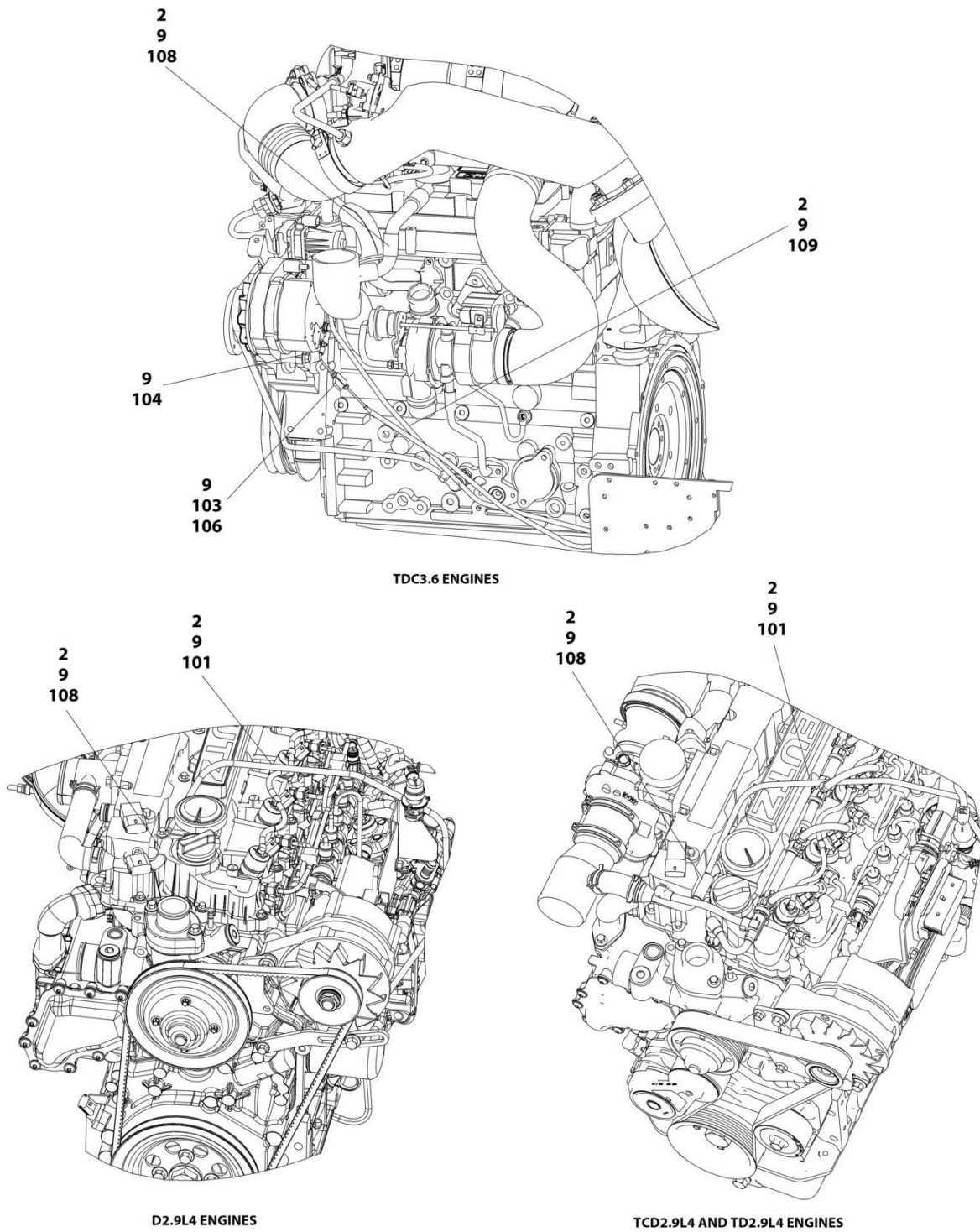
## SECTION 3 - ENGINE

**FIGURE 3-51. FUEL PUMP/FILTER BRACKET ASSEMBLY - DEUTZ TCD2.9L4 ENGINE, DEUTZ TCD2.9L4 (STAGE V PRE-BUY) ENGINE AND DEUTZ TCD2.9L4 (STAGE V) ENGINE**

ITEM	PART NUMBER	QTY	DESCRIPTION	REV
	1001165101	Ref	FUEL PUMP/FILTER BRACKET ASSEMBLY - DEUTZ TCD2.9L4 ENGINE AND DEUTZ TCD2.9L4 (STAGE V PRE-BUY) ENGINE	C
1	0100011	AR	Compound, Locking	
2	0641611	2	Bolt 3/8 x 1-3/8	
3	0721006	4	Bolt #10 x 3/4	
4	1001154405	1.5 ft /0.4m	Hose	
5	3311001	4	Nut #10	
6	3311605	2	Nut 3/8	
7	4711000	8	Washer #10	
8	4711600	4	Washer 3/8	
9	8405006	2	Clamp	
10	1001140222	1	Bracket, Fuel Pump Mounting	
11	1001141718	1	Fitting, Barbed	

# SECTION 3 - ENGINE

FIGURE 3-52. BREATHER HEATER INST (DEUTZ TD2.9L4 ENGINES, DEUTZ TCD2.9L4 (STAGE V PRE-BUY) AND DEUTZ TCD2.9L4 (STAGE V) ENGINES)



ART\_1001233763



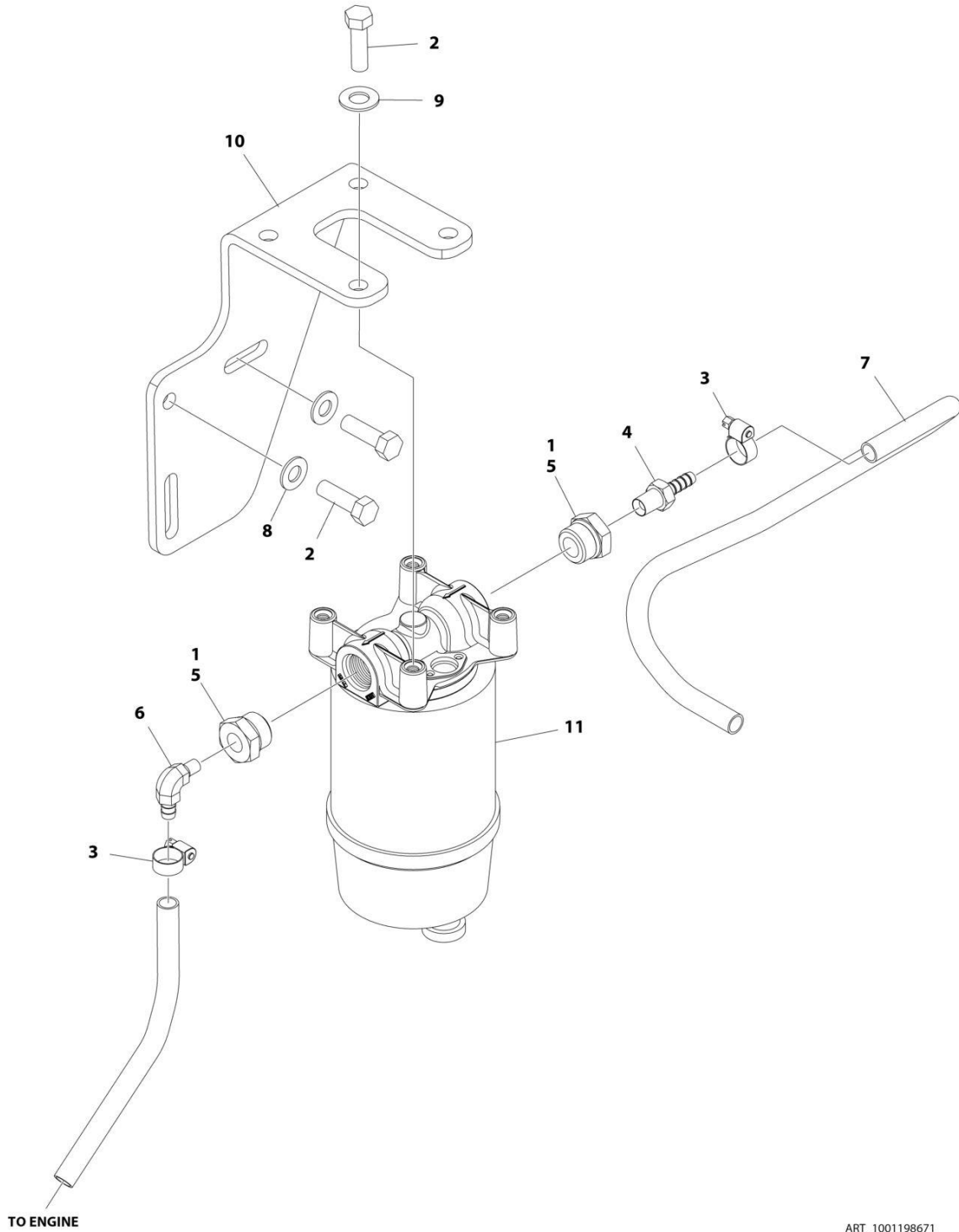
## SECTION 3 - ENGINE

**FIGURE 3-52. BREATHER HEATER INST (DEUTZ TD2.9L4 ENGINES, DEUTZ TCD2.9L4 (STAGE V PRE-BUY) AND DEUTZ TCD2.9L4 (STAGE V) ENGINES)**

ITEM	PART NUMBER	QTY	DESCRIPTION	REV
	1001233763	Ref	BREATHER HEATER INSTALLATION - DEUTZ ENGINES	D
2	4240099	AR	Tie-Strap	
9	1001243895	1	Breather Heater Harness	C
101	2820035	AR	Insulation	
103	2400060	1	Fuseholder with Cover	
104	4460043	1	Terminal, Ring	
105	4460722	1	Terminal, Ring (Not Shown)	
106	1001196634	1	Fuse - 2 Amp	
108	1001232842	1	Breather Heater Kit	

# SECTION 3 - ENGINE

## FIGURE 3-53. WATER/FUEL SEPARATOR INSTALLATION - DEUTZ TD2011 ENGINE



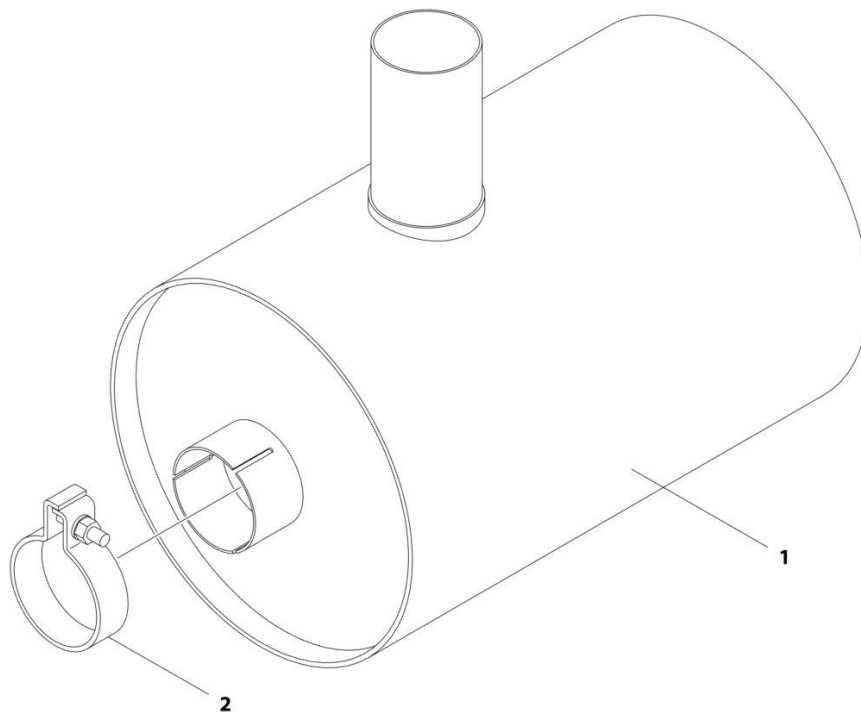
## SECTION 3 - ENGINE

**FIGURE 3-53. WATER/FUEL SEPARATOR INSTALLATION - DEUTZ TD2011 ENGINE**

ITEM	PART NUMBER	QTY	DESCRIPTION	REV
	1001198671	Ref	WATER/FUEL SEPARATOR INSTALLATION - DEUTZ TD2011 ENGINE	A
1	0100079	AR	Sealant, Pipe	
2	0641610	6	Bolt 3/8 x 1-1/4	
3	1320022	2	Clamp	
4	2180348	1	Fitting, Barbed	
5	2220816	2	Fitting, Adapter FNPTF/ORB	
6	2221046	1	Fitting, 90 Elbow	
7	2720058	4.5 ft /1.37m	Hose	
8	4711600	2	Washer 3/8	
9	4711700	4	Washer 7/16	
10	1001188885	1	Bracket, Water/Fuel	
11	1001188887	1	Filter Water/Fuel	
11	1001202280	1	Filter, Head	
11	1001202281	1	Filter, Element	

## SECTION 3 - ENGINE

FIGURE 3-54. SPARK ARRESTING CATALYTIC MUFFLER - DEUTZ TD2011 ENGINES (OPTIONAL)



ART\_3220130

## SECTION 3 - ENGINE

**FIGURE 3-54. SPARK ARRESTING CATALYTIC MUFFLER - DEUTZ TD2011 ENGINES (OPTIONAL)**

ITEM	PART NUMBER	QTY	DESCRIPTION	REV
	3220130	Ref	SPARK ARRESTING CATALYTIC MUFFLER - DEUTZ TD2011 ENGINES	A
1	See Note	NSS	Muffler (Note: Use p/n 3220130)	
2	70001017	1	Clamp	



## SECTION 3 - ENGINE

**FIGURE 3-55. 2500W GENERATOR INSTALLATION - DEUTZ TD2011 ENGINES (OPTIONAL)**

ITEM	PART NUMBER	QTY	DESCRIPTION	REV
	1001125425	Ref	2500W GENERATOR INSTALLATION - 60HZ SPEC (DEUTZ TD2011 ENGINES)	A
1	0100011	AR	Compound, Locking	
2	0200742	1	Arm, Adjusting	
3	0363081	1	Bar, Mounting	
4	0363082	1	Bar, Adjusting	
5	0480127	1	Belt	
6	0641406	1	Bolt 1/4 x 3/4	
7	0641508	1	Bolt 5/16 x 1	
8	0641608	4	Bolt 3/8 x 1	
9	0641610	2	Bolt 3/8 x 1-1/4	
10	0641718	2	Bolt 7/16 x 2-1/14	
11	0701418	2	Bolt M14 x 50	
12	0902813	1	Bracket, Arm Mounting	
13	2460055	1	Generator, 110V/60Hz	
13A	7012558	1	Generator 110V/60Hz	
		Ref	Note: Replacement generators come standard with p/n 3580134 pulley. This pulley may not be correct for all applications. Refer to pulley options below for correct pulley.	
13A	7012513	4	Cap, Brush Holder	
13A	7020108	4	Brush	
13A	7020109	4	Holder, Brush	
13A	7012514	1	Fan	
13A	7020190	2	Bearing	
13A	7020110	1	End Bell, Front	
13A	7020111	1	End Bell, Rear	
13B	7019680	1	Box Control	
13B	4360542	1	Breaker, Circuit	
13B	4460190	AR	Receptacle, Double (110V)	
13B	4460027	AR	Receptacle, Double Twist Lock (110V)	
13B	70000124	1	Receptacle, Double (220V)	
13B	70000125	1	Receptacle, Single Twist Lock (220V)	
13C	2420203	1	Voltmeter	
13D	3580276	1	Pulley	
13D	7027887	1	Key, Woodruff	
14	2820031	AR	Heat Shrink	
15	3251102	1	Nameplate - Generator	
16	3311005	2	Nut #10	
17	3311405	1	Nut 1/4	
18	3311605	1	Nut 3/8	
19	3740080	1	Relay	
20	3900322	2	Screw, Socket Head Shoulder	
21	4060802	1	Guard, Switch	
22	4360336	1	Switch, Toggle	
23	4711600	7	Washer 3/8	
24	4711700	2	Washer 7/16	
25	4711900	2	Washer 9/16	
26	4740397	1	Spacer	
27	4751000	6	Washer #10	
28	4751400	2	Washer 1/4	

## SECTION 3 - ENGINE

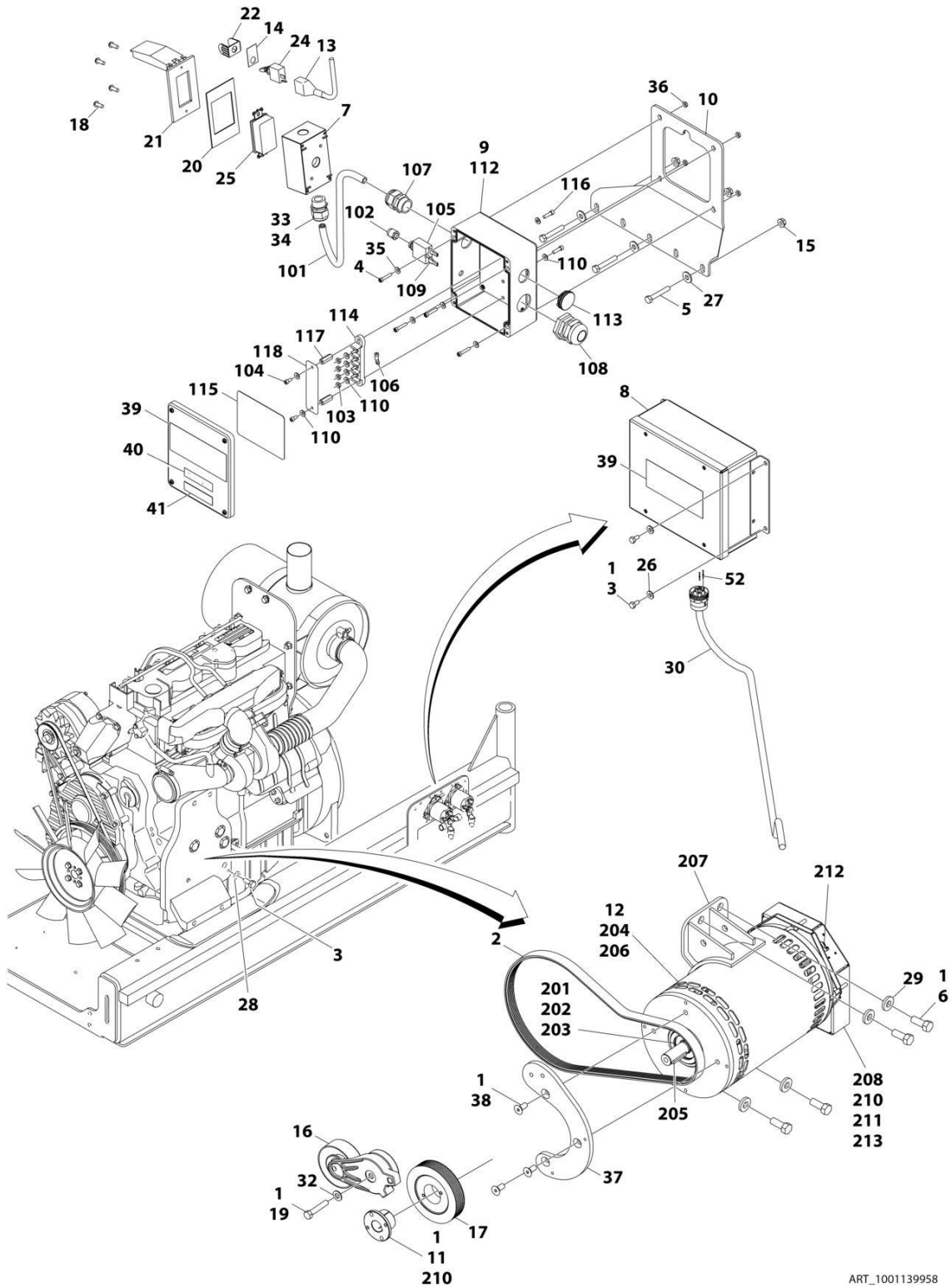
ITEM	PART NUMBER	QTY	DESCRIPTION	REV
29	4891500	2	Washer 5/16	
30	4892000	2	Washer 5/8	





# SECTION 3 - ENGINE

## FIGURE 3-56. 4000W GENERATOR INSTALLATION - 60HZ SPEC (DEUTZ TD2011 ENGINES)



ART\_1001139958

## SECTION 3 - ENGINE

**FIGURE 3-56. 4000W GENERATOR INSTALLATION - 60HZ SPEC (DEUTZ TD2011 ENGINES)**

ITEM	PART NUMBER	QTY	DESCRIPTION	REV
	1001139958	Ref	4000W GENERATOR INSTALLATION - 60HZ SPEC (DEUTZ TD2011 ENGINES)	B
		Ref	Note: See ELECTRICAL SECTION for Boom Cable Installation.	
1	0100011	AR	Compound, Locking	
2	0480128	1	Belt, Generator	
3	0641404	5	Bolt 1/4 x 1/2	
4	3931016	4	Screw 1/4 x 1	
5	0641516	3	Bolt 5/16 x 2	
6	0641810	4	Bolt 1/2 x 1-1/4	
7	0860038	1	Box, Switch-Weatherhead	
8	1001138566	1	Box, Generator Control	
8	70006552	1	Capacitor	
8	70006553	1	Relay	
9	1001152457	1	Box, Junction Assembly (See Items 101-118 for Breakdown)	
10	0902888	1	Bracket, Generator Junction Box	
11	0962520	1	Bushing, Taper	
12	1001129858	1	Generator, 4000W Assembly (See Items 200-213 for Breakdown)	
13	2820031	AR	Insulator, Heat Shrink	
14	3251102	1	Nameplate, Generator	
15	3311508	3	Nut 5/16	
16	3580317	1	Pulley, Belt Tensioner	
17	3580318	1	Pulley, Generator	
18	3910606	4	Screw 6 x 3/8	
19	0641616	AR	Bolt 3/8 x 2	
20	3960422	1	Gasket, AC Receptacle	
21	1001110873	1	Cover, Gang Vertical Receptacle GFCI	
22	4060802	1	Guard, Switch	
23	4240018	AR	Strap, Tie (Not Shown)	
24	4360336	1	Switch, Toggle	
25	4460346	1	Terminal, Receptacle	
26	4711400	4	Washer 1/4	
27	4751500	3	Washer 5/16	
28	4791400	2	Starwasher 1/4	
29	4891800	4	Washer 1/2	
30	1001152533	1	Harness, Generator Cable (See Separate Breakdown in ELECTRICAL SECTION)	
31	1001153257	1	Diagram, Generator Wiring (Not Shown)	
32	4711600	1	Washer 3/8	
33	0100020	AR	Sealant, Pipe	
34	4460071	1	Connector, Strain Relief	
35	4751000	4	Washer #10	
36	3311005	4	Nut #10	
37	1001139357	1	Mount, Generator Tensioner	
38	0741607	3	Screw 3/8 x 0.88	
39	1705387	3	Decal - Hazardous Voltage	
40	3251243	1	Decal - 120V-60Hz	
41	1705374	1	Decal - 240V-60Hz	
52	0100048	AR	Grease, Dielectric	
	1001152457	Ref	JUNCTION BOX ASSEMBLY	B

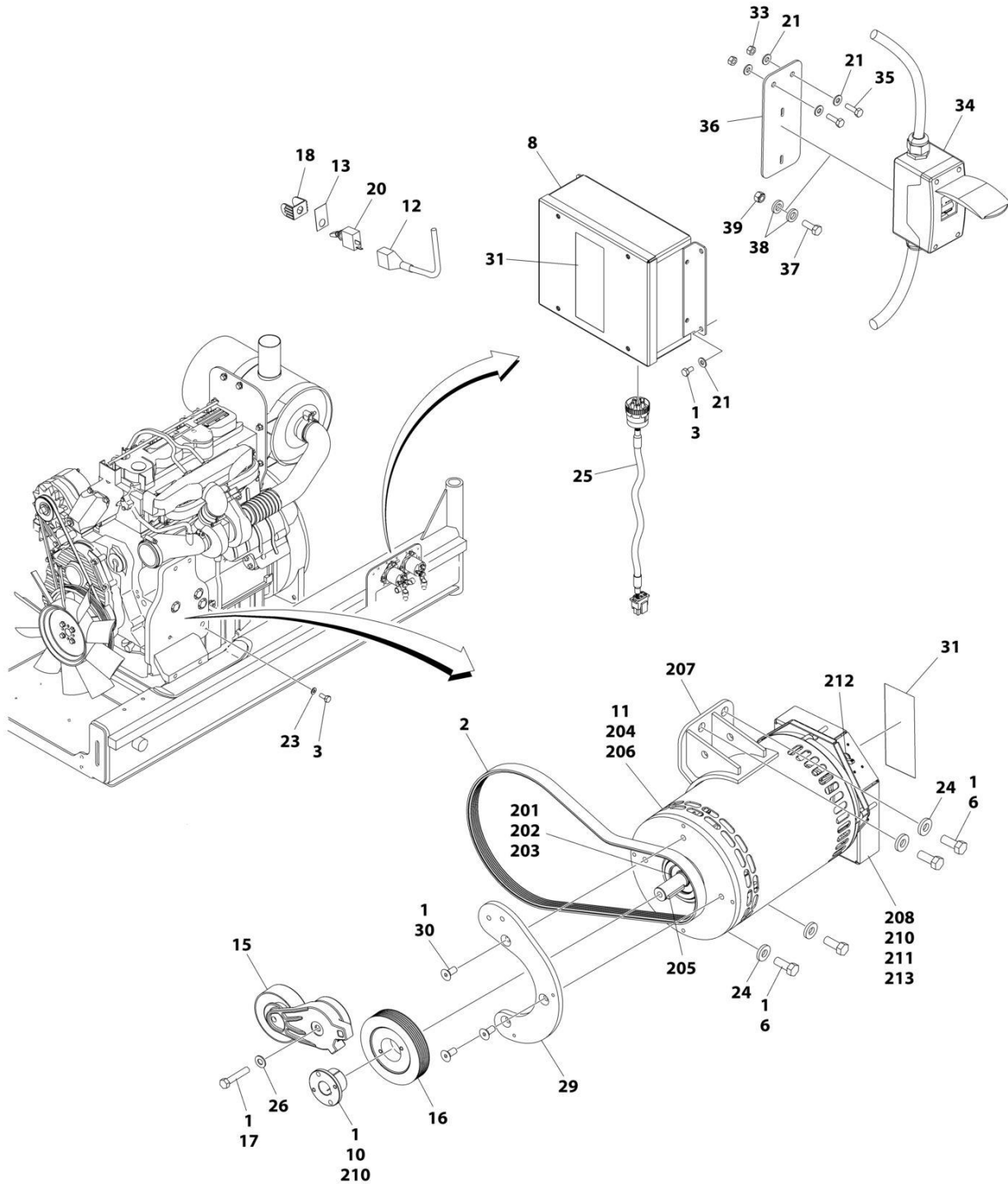
## SECTION 3 - ENGINE

ITEM	PART NUMBER	QTY	DESCRIPTION	REV
101	1001179154	2.5 ft/ 0.8m	Cable, 12/3	
102	3300396	1	Cover, Fuse	
103	3311001	4	Nut #10 Grade 2	
104	3900300	2	Screw, Spec, Cap	
105	4360070	1	Circuit Breaker, 15Amp	
106	4460068	3	Terminal, Ring	
107	4460425	1	Terminal, Strain Relief	
108	4460426	1	Connector, Strain Relief	
109	4460483	2	Terminal	
110	4711000	8	Washer #10	
112	1001152456	1	Box, Junction	
113	1001152525	1	Plug, Hole Pluggit	
114	1001152530	1	Terminal, Block, 4 Pole	
115	1001153260	1	Decal - Wiring 4000W Generator	
116	3900267	2	Screw, Spec, Cap	
117	1001158008	2	Stand-Off, Female, Threaded	
118	1001158363	1	Plate, Cover, PVC	
	1001129858	Ref	4000W GENERATOR ASSEMBLY	
201	70003709	1	Ring, Retaining	
202	70003708	1	Ring, Retaining	
203	70001966	1	Bearing, Ball	
204	70004092	1	Endbell	
205	70004171	1	Key	
206	70004676	1	Rotor Assembly	
207	70004684	1	Stator, Generator 4000W	
208	70004678	1	Endbell	
210	70004680	1	Enclosure	
211	70004685	1	Cover, Enclosure	
212	70004682	1	Protector, Supplementary, Manual Reset	
213	70004098	1	Bushing, Strain Relief	



# SECTION 3 - ENGINE

## FIGURE 3-57. 4000W GENERATOR INSTALLATION - 50HZ SPEC (DEUTZ TD2011 ENGINES)



ART\_1001180019

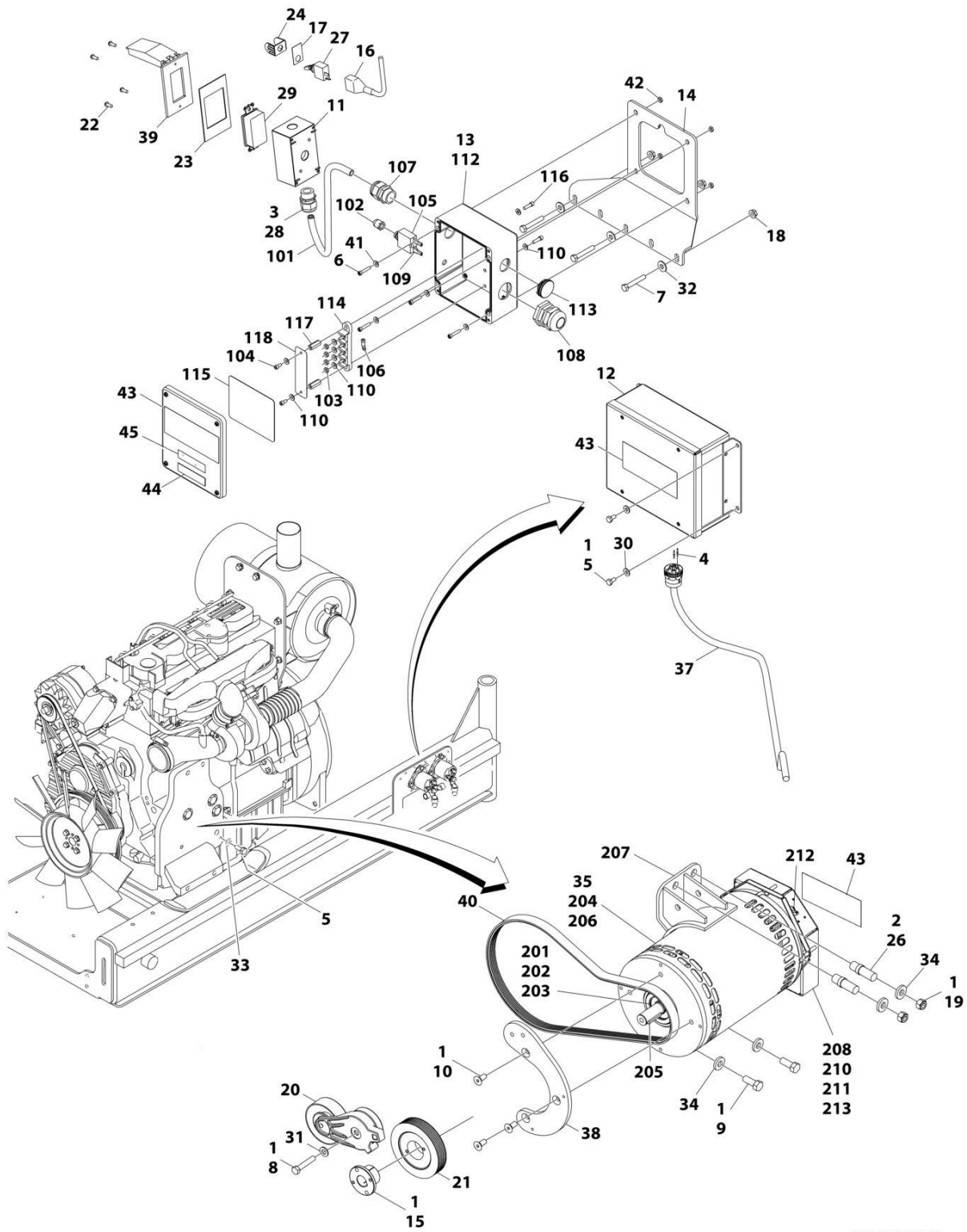
## SECTION 3 - ENGINE

**FIGURE 3-57. 4000W GENERATOR INSTALLATION - 50HZ SPEC (DEUTZ TD2011 ENGINES)**

ITEM	PART NUMBER	QTY	DESCRIPTION	REV
	1001180019	Ref	4000W GENERATOR INSTALLATION - 50HZ SPEC (DEUTZ TD2011 ENGINES)	C
		Ref	Note: See ELECTRICAL SECTION for Boom Cable Installation.	
1	0100011	AR	Compound, Locking	
2	1001136356	1	Belt, Generator	
3	0641404	5	Bolt 1/4 x 1/2	
6	0641810	4	Bolt 1/2 x 1-1/4	
8	1001138566	1	Box, Generator Control	
8	70006552	1	Capacitor	
8	70006553	1	Relay	
10	0962520	1	Bushing, Taper	
11	1001138565	1	Generator, 4000W Assembly (See Items 200-213 for Breakdown)	
12	2820031	AR	Insulator, Heat Shrink	
13	3251102	1	Nameplate, Generator	
15	3580317	1	Pulley, Belt Tensioner	
16	3580319	1	Pulley, Generator	
17	0641616	AR	Bolt 3/8 x 2	
18	4060802	1	Guard, Switch	
19	4240018	AR	Strap, Tie (Not Shown)	
20	4360336	1	Switch, Toggle	
21	4711400	8	Washer 1/4	
23	4791400	2	Starwasher 1/4	
24	4891800	4	Washer 1/2	
25	1001152533	1	Harness, Generator Cable (See Separate Breakdown in ELECTRICAL SECTION)	
26	4711600	1	Washer 3/8	
29	1001139357	1	Mount, Generator Tensioner	
30	0741607	3	Screw 3/8 x 0.88	
31	1705489	AR	Decal - Hazardous Voltage	
33	3311405	2	Nut 1/4 Grade 2	
34	1001165368	1	Kit, Box and Breaker (See Separate Breakdown in ELECTRICAL SECTION)	
35	0641407	2	Bolt 1/4 x 7/8	
36	1001096172	1	Bracket	
37	4010408	2	Screw M4 x 16	
38	1001091102	4	Washer M4	
39	3290405	2	Nut M4	
	1001138565	Ref	4000W GENERATOR ASSEMBLY	
201	70003709	1	Ring, Retaining	
202	70003708	1	Ring, Retaining	
203	70001966	1	Bearing, Ball	
204	70004092	1	Endbell	
205	70004171	1	Key	
206	70004676	1	Rotor Assembly	
207	70004677	1	Stator, Generator 4000W	
208	70004678	1	Endbell	
210	70004680	1	Enclosure	
211	70004681	1	Cover, Enclosure	
212	70004682	1	Protector, Supplementary, Manual Reset	
213	70004683	1	Bushing, Strain Relief	

# SECTION 3 - ENGINE

## FIGURE 3-58. 4000W GENERATOR INSTALLATION - 60HZ SPEC (DEUTZ TCD2.9L4 ENGINES)



ART\_1001171130



## SECTION 3 - ENGINE

**FIGURE 3-58. 4000W GENERATOR INSTALLATION - 60HZ SPEC (DEUTZ TCD2.9L4 ENGINES)**

ITEM	PART NUMBER	QTY	DESCRIPTION	REV
	1001171130	Ref	4000W GENERATOR INSTALLATION - 60HZ SPEC (DEUTZ TCD2.9L4 ENGINES)	B
		Ref	Note: See ELECTRICAL SECTION for Boom Cable Installation.	
1	0100011	AR	Compound, Locking	
2	0100019	AR	Compound, Locking	
3	0100020	AR	Sealant, Pipe	
4	0100048	AR	Grease, Dielectric	
5	0641404	5	Bolt 1/4 x 1/2	
6	3931016	4	Screw 1/4 x 1	
7	0641516	3	Bolt 5/16 x 2	
8	0641618	1	Bolt 3/8 x 2-1/4	
9	0641810	2	Bolt 1/2 x 1-1/4	
10	0741607	3	Screw 3/8 x 0.88	
11	0860038	1	Box, Switch-Weatherhead	
12	1001138566	1	Box, Generator Control	
12	70006552	1	Capacitor	
12	70006553	1	Relay	
13	1001152457	1	Box, Junction Assembly (See Items 101-118 for Breakdown)	
14	0902888	1	Bracket, Generator Junction Box	
15	0962520	1	Bushing, Taper	
16	2820031	AR	Insulator, Heat Shrink	
17	3251102	1	Nameplate, Generator	
18	3311508	3	Nut 5/16	
19	3311801	2	Nut 1/2	
20	3580317	1	Pulley, Belt Tensioner	
21	3580318	1	Pulley, Generator	
22	3910606	4	Screw 6 x 3/8	
23	3960422	1	Gasket, AC Receptacle	
24	4060802	1	Guard, Switch	
25	4240018	AR	Strap, Tie (Not Shown)	
26	4300157	2	Stud	
27	4360336	1	Switch, Toggle	
28	4460071	1	Connector, Strain Relief	
29	4460346	1	Terminal, Receptacle	
30	4711400	4	Washer 1/4	
31	4711600	1	Washer 3/8	
32	4751500	3	Washer 5/16	
33	4791400	2	Starwasher 1/4	
34	4891800	4	Washer 1/2	
35	1001140344	1	Generator, 4000W Assembly (See Items 200-213 for Breakdown)	
36	1001153257	1	Diagram, Generator Wiring (Not Shown)	
37	1001152533	1	Harness, Generator Cable (See Separate Breakdown in ELECTRICAL SECTION)	
38	1001138011	1	Mount, Generator Tensioner	
39	1001110873	1	Cover, Gang Vertical Receptacle GFCI	
40	1001142645	1	Belt, Generator	
41	4751000	4	Washer #10	
42	3311005	4	Nut 10	
43	1705387	3	Decal - Hazardous Voltage	
44	1705374	1	Decal - 240V-60Hz	

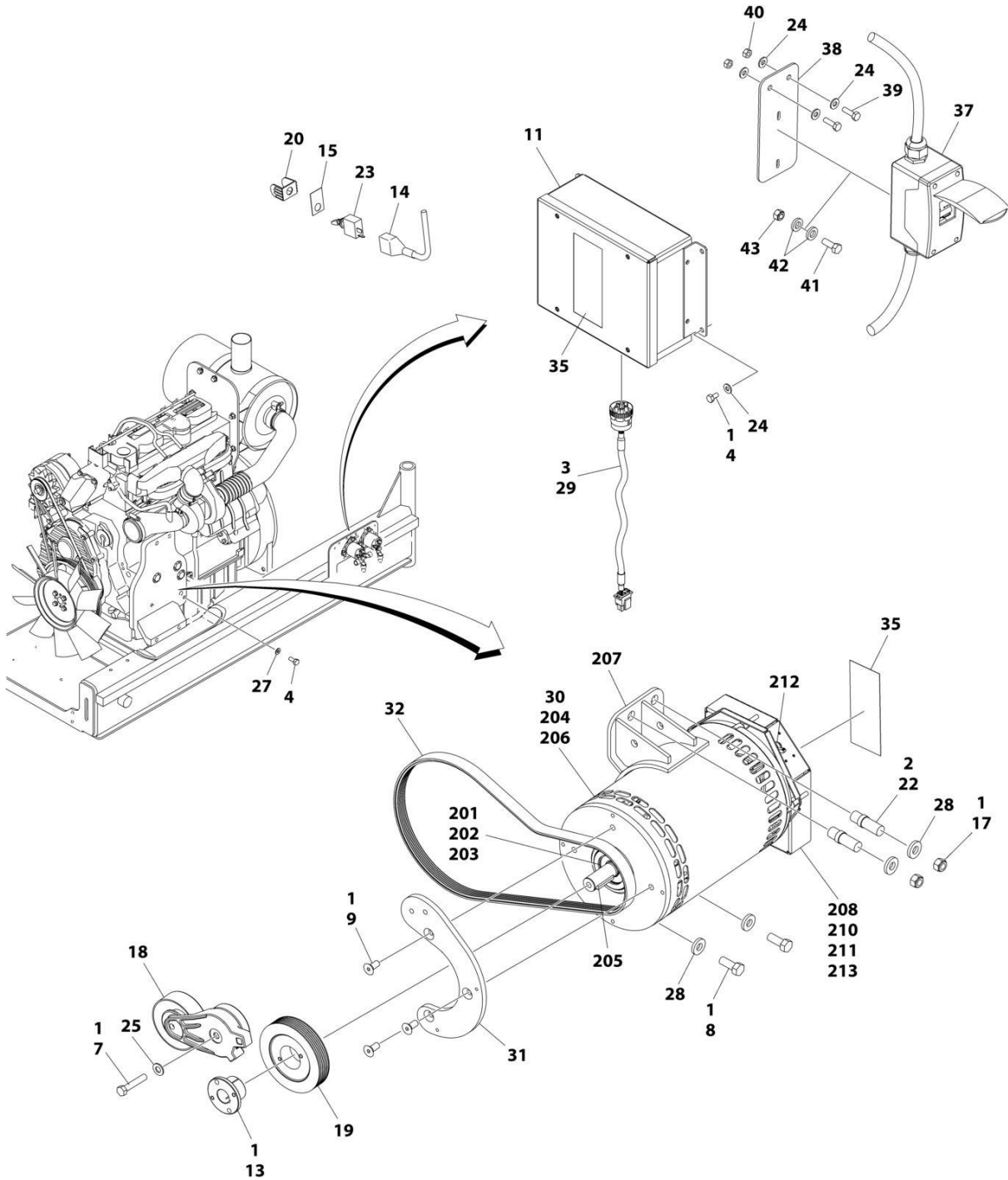
## SECTION 3 - ENGINE

ITEM	PART NUMBER	QTY	DESCRIPTION	REV
45	3251243	1	Decal - 120V-60Hz	B
	1001152457	Ref	JUNCTION BOX ASSEMBLY	
101	1001179154	2.5 ft/ 0.8m	Cable, Electrical 12/3	
102	3300396	1	Cover, Fuse	
103	3311001	4	Nut 10 Grade 2	
104	3900300	2	Screw, Spec, Cap	
105	4360070	1	Circuit Breaker, 15Amp	
106	4460068	3	Terminal, Ring	
107	4460425	1	Terminal, Strain Relief	
108	4460426	1	Connector, Strain Relief	
109	4460483	2	Terminal	
110	4711000	AR	Washer #10	
112	1001152456	1	Box, Junction	
113	1001152525	1	Plug, Hole Pluggit	
114	1001152530	1	Terminal, Block, 4 Pole	
115	1001153260	1	Decal - Wiring 4000W Generator	
116	3900267	2	Screw, Spec, Cap	
117	1001158008	2	Stand-Off, Female, Threaded	
118	1001158363	1	Plate, Cover, PVC	
	1001140346	Ref	4000W GENERATOR ASSEMBLY	
201	70003709	1	Ring, Retaining	
202	70003708	1	Ring, Retaining	
203	70001966	1	Bearing, Ball	
204	70004092	1	Endbell	
205	70004099	1	Key	
206	70004676	1	Rotor Assembly	
207	70004687	1	Stator, Generator 4000W	
208	70004678	1	Endbell	
210	70004680	1	Enclosure	
211	70004685	1	Cover, Enclosure	
212	70004682	1	Protector, Supplementary, Manual Reset	
213	70004098	1	Bushing, Strain Relief	



# SECTION 3 - ENGINE

**FIGURE 3-59. 4000W GENERATOR INSTALLATION - 50HZ SPEC (DEUTZ TCD2.9L4 ENGINES, DEUTZ TCD2.9L4 (STAGE V PRE-BUY) AND DEUTZ TCD2.9L4 (STAGE V) ENGINES)**



ART\_1001180219

## SECTION 3 - ENGINE

**FIGURE 3-59. 4000W GENERATOR INSTALLATION - 50HZ SPEC (DEUTZ TCD2.9L4 ENGINES, DEUTZ TCD2.9L4 (STAGE V PRE-BUY) AND DEUTZ TCD2.9L4 (STAGE V) ENGINES)**

ITEM	PART NUMBER	QTY	DESCRIPTION	REV
	1001180219	Ref	4000W GENERATOR INSTALLATION - 50HZ SPEC (DEUTZ TCD2.9L4 ENGINES)	C
		Ref	Note: See ELECTRICAL SECTION for Boom Cable Installation.	
1	0100011	AR	Compound, Locking	
2	0100019	AR	Compound, Locking	
3	0100048	AR	Grease, Dielectric	
4	0641404	5	Bolt 1/4 x 1/2	
7	0641618	1	Bolt 3/8 x 2-1/4	
8	0641810	2	Bolt 1/2 x 1-1/4	
9	0741607	3	Screw 3/8 x 0.88	
11	1001138566	1	Box, Generator Control	
11	70006552	1	Capacitor	
11	70006553	1	Relay	
13	0962520	1	Bushing, Taper	
14	2820031	AR	Insulator, Heat Shrink	
15	3251102	1	Nameplate, Generator	
17	3311801	2	Nut 1/2	
18	3580317	1	Pulley, Belt Tensioner	
19	3580319	1	Pulley, Generator	
20	4060802	1	Guard, Switch	
21	4240018	AR	Strap, Tie (Not Shown)	
22	4300157	2	Stud	
23	4360336	1	Switch, Toggle	
24	4711400	8	Washer 1/4	
25	4711600	1	Washer 3/8	
27	4791400	2	Starwasher 1/4	
28	4891800	4	Washer 1/2	
29	1001152533	1	Harness, Generator Cable (See Separate Breakdown in ELECTRICAL Section)	
30	1001140397	1	Generator, 4000W Assembly (See Items 200-213 for Breakdown)	
31	1001138011	1	Mount, Generator Tensioner	
32	1001136357	1	Belt, Generator	
35	1705489	AR	Decal - Hazardous Voltage	
37	1001165368	1	Kit, Box and Breaker (See Separate Breakdown in ELECTRICAL Section)	
38	1001096172	1	Bracket	
39	0641406	2	Bolt 1/4 x 3/4	
40	3311405	2	Nut 1/4 Grade 2	
41	4010408	2	Screw M4 x 16	
42	1001091102	4	Washer M4	
43	3290405	2	Nut M4	
	1001140347	Ref	4000W GENERATOR ASSEMBLY	
201	70003709	1	Ring, Retaining	
202	70003708	1	Ring, Retaining	
203	70001966	1	Bearing, Ball	
204	70004092	1	Endbell	
205	70004099	1	Key	
206	70004676	1	Rotor Assembly	
207	70004686	1	Stator, Generator 4000W	

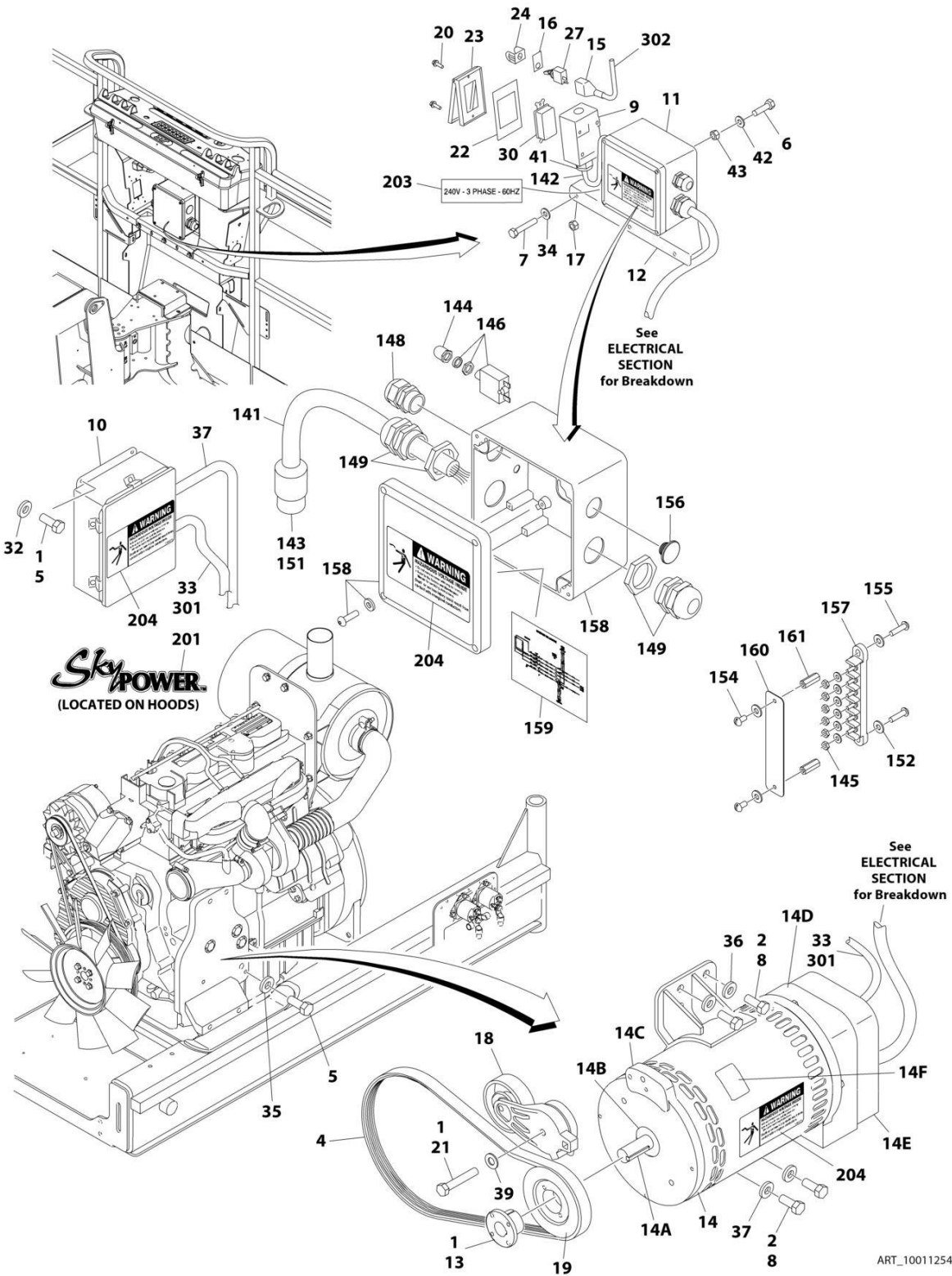
### SECTION 3 - ENGINE

ITEM	PART NUMBER	QTY	DESCRIPTION	REV
208	70004678	1	Endbell	
210	70004680	1	Enclosure	
211	70004681	1	Cover, Enclosure	
212	70004682	1	Protector, Supplementary, Manual Reset	
213	70004683	1	Bushing, Strain Relief	
214	4460224	1	Connector - 6 Position (50Hz) (Not Shown - Located on Enclosure Cover)	
214	4460294	2	Pin, Male (50Hz) (Not Shown - Located on Enclosure Cover)	



# SECTION 3 - ENGINE

FIGURE 3-60. 7500W SKYPOWER GENERATOR INSTALLATION - 60HZ SPEC (DEUTZ TD2011 ENGINES) (OPTIONAL)





## SECTION 3 - ENGINE

**FIGURE 3-60. 7500W SKYPOWER GENERATOR INSTALLATION - 60HZ SPEC (DEUTZ TD2011 ENGINES) (OPTIONAL)**

ITEM	PART NUMBER	QTY	DESCRIPTION	REV
	1001125427	Ref	7500W SKYPOWER GENERATOR INSTALLATION - 60HZ SPEC (DEUTZ TD2011 ENGINES)	D
		Ref	Note: See ELECTRICAL SECTION for Boom Cable Installation.	
1	0100011	AR	Compound, Locking	
2	0100019	AR	Compound, Locking	
4	0480128	1	Belt, Generator	
5	0641404	6	Bolt 1/4 x 1/2	
6	3931016	AR	Bolt 10 x 1	
7	0641516	3	Bolt 5/16 x 2	
8	0641810	4	Bolt 1/2 x 1-1/4	
9	0860038	1	Box, Switch	
10	0861538	1	Box, Generator Control	
10	7024488	1	Card, Circuit - Generator Power (Not Shown)	
10	See Note	1	Fuse (Note: Not Available - Purchase Locally)	
10	7024489	1	Card, Circuit - Control (Not Shown)	
		Ref	Note: When replacing card, rocker switch on card must be set for required application.	
10	70000619	1	Harness, Circuit Card	
11	1001157592	1	Junction Box Assembly Options (See Items 141-161 for Breakdown)	
12	0902888	1	Bracket, Generator Junction Box	
13	0962520	1	Bushing, Taper	
14	2460048	1	Generator, 7500W	
14	70001100	1	Rotor (Includes p/n 70001384 & 70000863) (Not Shown)	
14	70001384	1	Bearing, Shaft (Rear) (Not Shown)	
14	70000863	1	Fan, Generator (Not Shown)	
14	70002088	1	Stator (Not Shown)	
14	70002297	2	Stud 1/4 x 12-7/8 (Not Shown)	
14	70003631	1	Brushholder Assembly (Not Shown) (was p/n 7024484)	
14A	70004171	1	Key	
14B	70001966	1	Bearing, Ball Radial (Located in Belt Tensioner Endbell)	
14B	70003709	1	Ring, Retaining (Small)	
14B	70003708	1	Ring, Retaining (Large)	
14C	70001953	1	Endbell, Belt Tensioner	
14D	70004169	1	Kit, Endbell (Includes Endbell, Brush Block and Shroud Assembly)	
14E	7027799	1	Block, Connector 6 Position (Not Shown)	
14E	70002460	6	Nut, Brass (Attaches p/n 7027799 to Cover) (Not Shown)	
14E	7024485	1	Breaker, Circuit 30Amp (Not Shown)	
14E	70001696	1	Boot, Breaker (Not Shown)	
14E	7026597	1	Connector with Leads (Not Shown)	
14E	7026626	1	Connector with Pins (Not Shown)	
14E	7026188	1	Clamp, Cable (Not Shown)	
14E	70002255	1	Plate, End Panel (Not Shown)	
14E	See Note	NSS	Insulator, End Panel (Note: Not Available for Purchase)	
14E	70001974	1	Decal - Terminal Connections (Not Shown)	
14F	70001973	1	Decal - Warning Moving Parts	
15	2820031	AR	Insulator, Heat Shrink	
16	3251102	1	Nameplate, Generator	
17	3311508	3	Nut 5/16	

## SECTION 3 - ENGINE

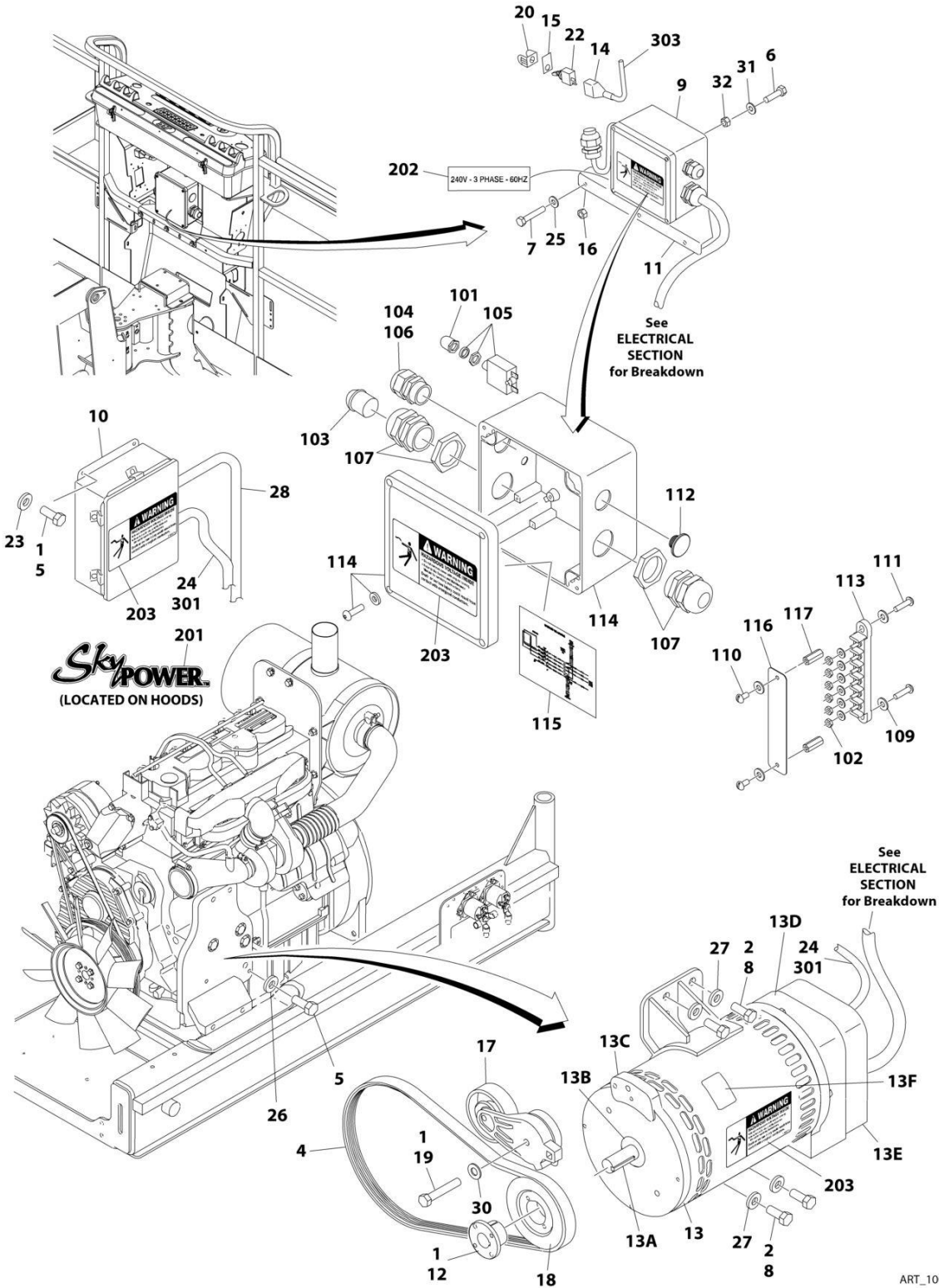
ITEM	PART NUMBER	QTY	DESCRIPTION	REV
18	3580317	1	Pulley, Belt Tensioner	
19	3580318	1	Pulley, Generator	
20	3910606	4	Screw #6 x 3/8	
21	0641618	1	Bolt 3/8 x 2	
22	3960422	1	Gasket, AC Receptacle	
23	1001110873	1	Shield, Receptacle Cover	
24	4060802	1	Guard, Switch	
26	4240018	AR	Strap, Tie (Not Shown)	
27	4360336	1	Switch, Toggle	
30	4460346	1	Terminal, Receptacle	
32	4711400	4	Washer 1/4	
33	0100048	AR	Grease, Dielectric	
34	4751500	3	Washer 5/16	
35	4791400	2	Starwasher 1/4	
36	4891800	4	Washer 1/2	
37	4922972	1	Harness, Generator Cable (See Separate Breakdown in ELECTRICAL SECTION)	
39	4711600	1	Washer 3/8	
40	0100020	AR	Sealant, Pipe (Not Shown)	
41	4460071	1	Connector, Strain Relief	
42	4751000	4	Washer #10	
43	3311005	4	Nut #10	
	1001157592	Ref	JUNCTION BOX ASSEMBLY	C
141	1060343	1.5 ft/ 0.5m	Cable, Electrical 10/4	
142	1001179154	2.5 ft/ 0.8m	Cable, 12/3	
143	1671092	1	Cover	
144	3300396	1	Cover, Fuse	
145	3311001	6	Nut #10	
146	4360070	1	Circuit Breaker - 15Amp	
148	4460425	1	Strain Relief, Terminal	
149	4460426	2	Connector, Strain Relief	
151	4460963	1	Connector	
152	4711000	10	Washer #10	
154	10702077	2	Screw #10 x 3/8	
155	10702082	2	Screw #10 x 3/4	
156	1001152525	1	Plug	
157	1001157520	1	Block, Terminal	
158	1001157521	1	Box, Junction	
159	1001157528	1	Decal - Wiring Schematic	
160	1001158007	1	Decal - PVC	
161	1001158008	2	Stand-Off	
	0272435	Ref	DECAL INSTALLATION	D
201	1705460	2	Decal - SkyPower	
202	3251243	1	Decal - 120V - 60Hz (Located at Platform Receptacle)	
203	1705375	1	Decal - 240V - 3 Phase	
204	1705387	3	Decal - Hazardous Voltage	
	1001122528	Ref	ELECTRICAL DIAGRAM COMPONENTS	B
301	1001119968	1	Generator Harness	B
301A	4460967	1	Plug, Male - 3 Position (Not Shown)	
301A	4460465	6	Socket, Female	

## SECTION 3 - ENGINE

ITEM	PART NUMBER	QTY	DESCRIPTION	REV
301B	1001117078	1	Fuseholder with Fuse (Not Shown)	
302	4922641	1	Switch, Harness	

# SECTION 3 - ENGINE

## FIGURE 3-61. 7500W SKYPOWER GENERATOR INSTALLATION - 50HZ SPEC (DEUTZ TD2011 ENGINES) (OPTIONAL)



ART\_1001125428

## SECTION 3 - ENGINE

**FIGURE 3-61. 7500W SKYPOWER GENERATOR INSTALLATION - 50HZ SPEC (DEUTZ TD2011 ENGINES) (OPTIONAL)**

ITEM	PART NUMBER	QTY	DESCRIPTION	REV
	1001125428	Ref	7500W SKYPOWER GENERATOR INSTALLATION - 50HZ SPEC (DEUTZ TD2011 ENGINES)	C
		Ref	Note: See ELECTRICAL SECTION for Boom Cable Installation.	
1	0100011	AR	Compound, Locking	
2	0100019	AR	Compound, Locking	
4	0480129	1	Belt, Generator	
5	0641404	5	Bolt 1/4 x 1/2	
6	3931016	4	Bolt 10 x 1	
7	0641516	3	Bolt 5/16 x 2	
8	0641810	4	Bolt 1/2 x 1-1/4	
9	1001157525	1	Junction Box Assembly (See Items 101-117 for Breakdown)	
10	0861572	1	Box, Generator Control	
10	7024488	1	Card, Circuit - Generator Power (Not Shown)	
10	See Note	1	Fuse (Note: Not Available - Purchase Locally)	
10	7024489	1	Card, Circuit - Control (Not Shown)	
		Ref	Note: When replacing card, rocker switch on card must be set for required application.	
10	70000619	1	Harness, Circuit Card	
11	0902888	1	Bracket, Generator Junction Box	
12	0962520	1	Bushing, Taper	
13	2460048	1	Generator, 7500W	
13	70001100	1	Rotor (Includes p/n 70001384 & 70000863) (Not Shown)	
13	70001384	1	Bearing, Shaft (Rear) (Not Shown)	
13	70000863	1	Fan, Generator (Not Shown)	
13	70002088	1	Stator (Not Shown)	
13	70002297	2	Stud 1/4 x 12-7/8	
13	70003631	1	Brushholder Assembly (Not Shown)	
13A	70004171	1	Key	
13B	70001966	1	Bearing, Ball Radial (Located in Belt Tensioner Endbell)	
13B	70003709	1	Ring, Retaining (Small)	
13B	70003708	1	Ring, Retaining (Large)	
13C	70001953	1	Endbell, Belt Tensioner	
13D	70004169	1	Kit, Endbell (Includes Endbell, Brush Block and Shroud Assembly)	
13E	7027799	1	Block, Connector 6 Position (Not Shown)	
13E	70002460	6	Nut, Brass (Attaches p/n 7027799 to Cover) (Not Shown)	
13E	7024485	1	Breaker, Circuit 30Amp (Not Shown)	
13E	70001696	1	Boot, Breaker (Not Shown)	
13E	7026597	1	Connector with Lead (Not Shown)	
13E	7026626	1	Connector with Pins (Not Shown)	
13E	7026188	1	Clamp, Cable (Not Shown)	
13E	70002255	1	Plate, End Panel (Not Shown)	
13E	See Note	1	Insulator, End Panel (Not Shown) (Note: Not Available for Purchase)	
13E	70001974	1	Decal - Terminal Connections (Not Shown)	
13F	70001973	1	Decal - Warning Moving Parts	
14	2820031	AR	Insulator, Heat Shrink	
15	3251102	1	Nameplate, Generator	
16	3311508	3	Nut 5/16	
17	3580317	1	Pulley, Belt Tensioner	

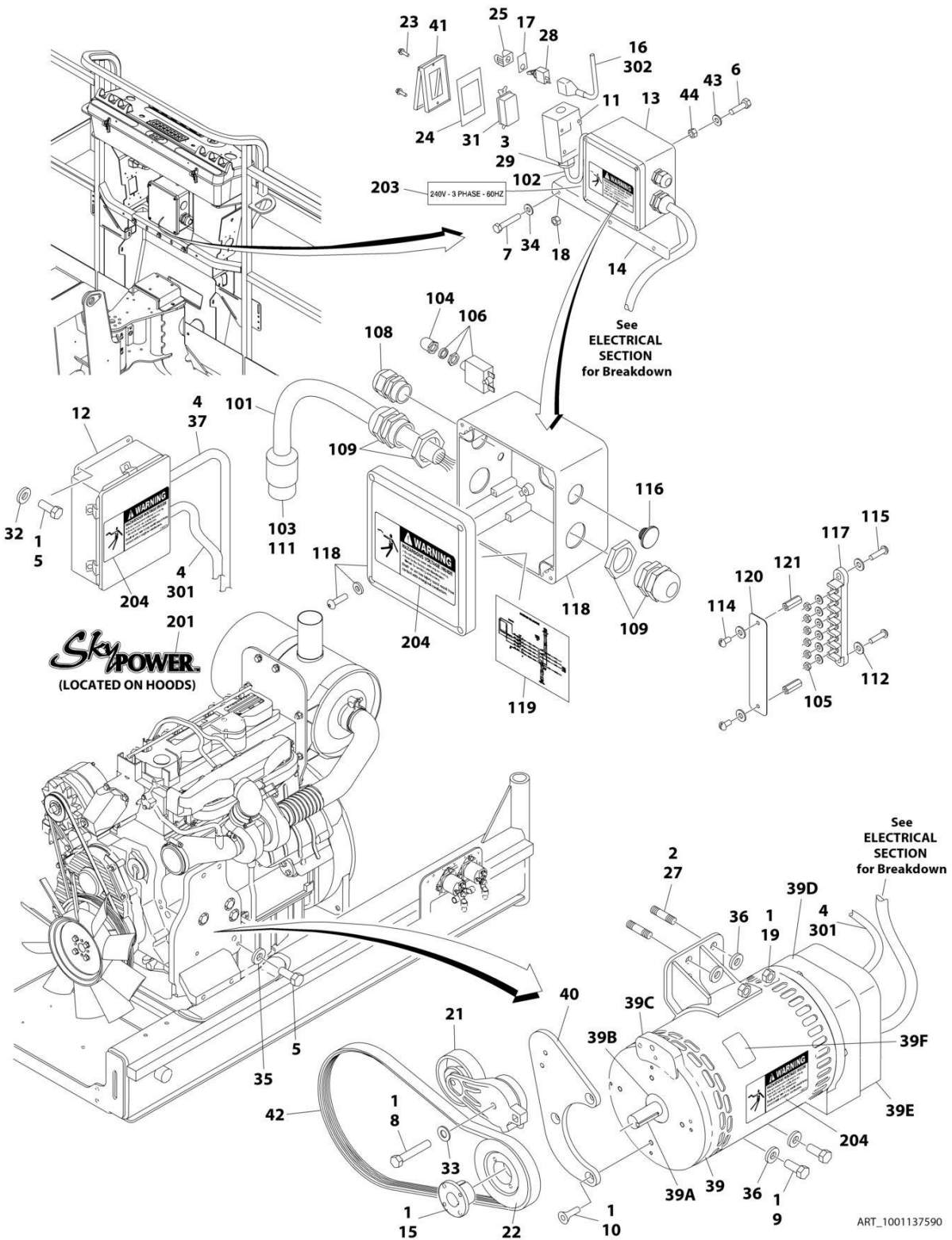
## SECTION 3 - ENGINE

ITEM	PART NUMBER	QTY	DESCRIPTION	REV
18	3580319	1	Pulley, Generator	
19	0641618	1	Bolt 3/8 x 2	
20	4060802	1	Guard, Switch	
21	4240018	AR	Strap, Tie (Not Shown)	
22	4360336	1	Switch, Toggle	
23	4711400	4	Washer 1/4	
24	0100048	AR	Grease, Dielectric	
25	4751500	3	Washer 5/16	
26	4791400	2	Starwasher 1/4	
27	4891800	4	Washer 1/2	
28	4922972	1	Harness, Generator Cable (See Separate Breakdown in ELECTRICAL SECTION)	
30	4711600	1	Washer 3/8	
31	4751000	4	Washer #10	
32	3311005	4	Nut #10	
	1001157525	Ref	JUNCTION BOX ASSEMBLY	B
101	3300396	1	Cover, Fuse	
102	3311001	6	Nut #10	
103	3520189	1	Plug	
104	3520192	1	Plug	
105	4360070	1	Circuit Breaker - 15Amp	
106	4460425	1	Strain Relief, Terminal	
107	4460426	2	Connector, Strain Relief	
109	4711000	10	Washer #10	
110	10702077	2	Screw #10 x 3/8	
111	10702082	2	Screw #10 x 3/4	
112	1001152525	1	Plug	
113	1001157520	1	Block, Terminal	
114	1001157521	1	Box, Junction	
115	1001157528	1	Decal - Wiring Schematic	
116	1001158007	1	Cover, PVC	
117	1001158008	2	Stand-Off	
	0272589	Ref	DECAL INSTALLATION	A
201	1705460	2	Decal - SkyPower	
202	1705461	1	Decal - 240V - 3 Phase	
203	1705489	3	Decal - Hazardous Voltage	
	1001122528	Ref	ELECTRICAL DIAGRAM COMPONENTS	B
301	1001119968	1	Generator Harness	B
301A	4460967	1	Plug, Male - 3 Position (Not Shown)	
301A	4460465	6	Socket, Female	
301B	1001117078	1	Fuseholder with Fuse (Not Shown)	
303	4922641	1	Switch Harness	



# SECTION 3 - ENGINE

## FIGURE 3-62. 7500W SKYPOWER GENERATOR INSTALLATION - 60HZ SPEC (DEUTZ TCD2.9L4 ENGINES) (OPTIONAL)





## SECTION 3 - ENGINE

**FIGURE 3-62. 7500W SKYPOWER GENERATOR INSTALLATION - 60HZ SPEC (DEUTZ TCD2.9L4 ENGINES) (OPTIONAL)**

ITEM	PART NUMBER	QTY	DESCRIPTION	REV
	1001137590	Ref	7500W SKYPOWER GENERATOR INSTALLATION - 60HZ SPEC (DEUTZ TCD2.9L4 ENGINES)	G
		Ref	Note: See ELECTRICAL SECTION for Boom Cable Installation.	
1	0100011	AR	Compound, Locking	
2	0100019	AR	Compound, Locking	
3	0100020	AR	Sealant, Pipe	
4	0100048	AR	Grease, Dielectric	
5	0641404	5	Bolt 1/4 x 1/2	
6	3931016	4	Bolt 10 x 1	
7	0641516	3	Bolt 5/16 x 2	
8	0641618	1	Bolt 3/8 x 2	
9	0641810	2	Bolt 1/2 x 1-1/4	
10	0741607	3	Screw 3/8 x 7/8	
11	0860038	1	Box, Switch	
12	0861538	1	Box, Generator Control	
12	7024488	1	Card, Circuit - Generator Power (Not Shown)	
12	See Note	1	Fuse (Note: Not Available Purchase Locally)	
12	7024489	1	Card, Circuit - Control (Not Shown)	
		Ref	Note: When replacing card, rocker switch on card must be set for required application.	
12	70000619	1	Harness, Circuit Card	
13	1001157592	1	Junction Box Assembly (See Items 101-121 for Breakdown)	
14	0902888	1	Bracket, Generator Junction Box	
15	0962520	1	Bushing, Taper	
16	2820031	AR	Insulator, Heat Shrink	
17	3251102	1	Nameplate, Generator	
18	3311508	3	Nut 5/16	
19	3311801	2	Nut 1/2	
21	3580317	1	Pulley, Belt Tensioner	
22	3580318	1	Pulley, Generator	
23	3910606	AR	Screw #6 x 3/8	
24	3960422	1	Gasket, AC Receptacle	
25	4060802	1	Guard, Switch	
26	4240018	AR	Strap, Tie (Not Shown)	
27	4300157	2	Stud 1/2	
28	4360336	1	Switch, Toggle	
29	4460071	1	Connector, Strain Relief	
30	4460315	3	Terminal, Spade (Not Shown)	
31	4460346	1	Terminal, Receptacle	
32	4711400	4	Washer 1/4	
33	4711600	1	Washer 3/8	
34	4751500	3	Washer 5/16	
35	4791400	2	Starwasher 1/4	
36	4891800	4	Washer 1/2	
37	4922972	1	Harness, Generator Cable (See Separate Breakdown in ELECTRICAL SECTION)	
39	1001212223	1	Generator, 7500W	
39	70001100	1	Rotor (Includes p/n 70001384 & 70000863)	
39	70001384	1	Bearing, Shaft (Rear)	

## SECTION 3 - ENGINE

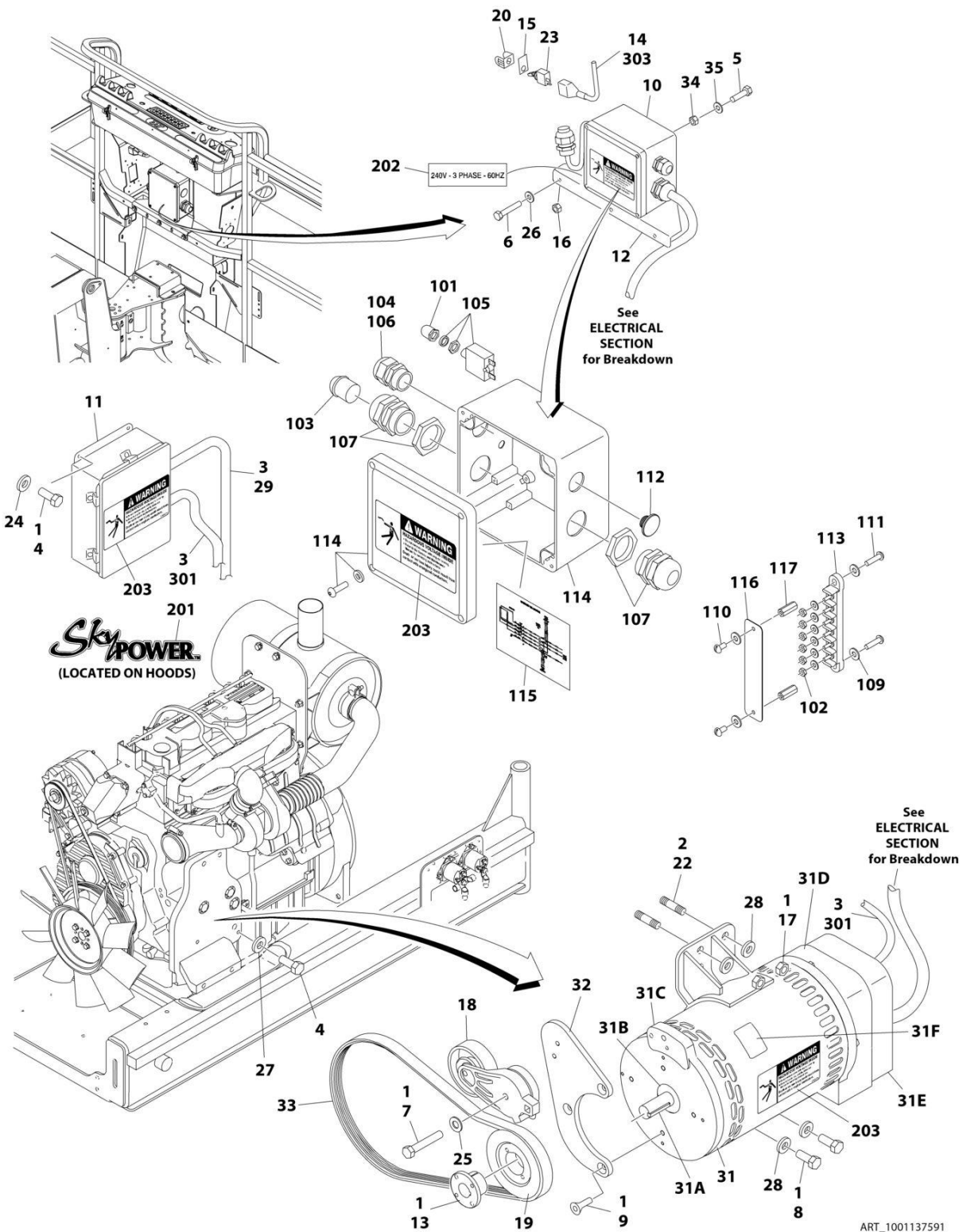
ITEM	PART NUMBER	QTY	DESCRIPTION	REV
39	7000863	1	Fan, Generator	
39	70006093	1	Stater	
39	70003631	1	Brush-holder Assembly (was p/n 7024484)	
39A	70004099	NLA	Key (Use p/n 70004171)	
39B	70001966	1	Bearing, Ball Radial (Located in Belt Tensioner Endbell)	
39B	70003709	1	Ring, Retaining (Small)	
39B	70003708	1	Ring, Retaining (Large)	
39C	70004092	1	Endbell, Belt Tensioner	
39D	70004094	1	Endbell, Brush Block	
39E	70006094	1	Shroud Assembly	
39E	7027799	1	Block, Connector - 6 Position (Not Shown)	
39E	70002460	6	Nut, Brass (Attaches p/n 7027799 to Cover) (Not Shown)	
39E	70006095	1	Breaker, Circuit 30Amp (Not Shown)	
39E	70006096	1	Boot, Breaker (Not Shown)	
39E	7026597	1	Connector with Leads (Not Shown)	
39E	7026626	1	Connector with Pins (Not Shown)	
39E	70004098	1	Clamp, Cable (Not Shown)	
39E	70006097	1	Plate, End Panel (Not Shown)	
39E	70002291	1	Insulator, End Panel Generator (Not Shown)	
39E	70001974	1	Decal - Terminal Connections (Not Shown)	
39F	70001973	1	Decal - Warning Moving Parts	
40	1001138011	1	Bracket	
41	1001110873	1	Shield, Receptacle Cover	
42	1001142645	1	Belt, Generator	
43	4751000	4	Washer #10	
44	3311005	4	Nut #10	
	1001157592	Ref	JUNCTION BOX ASSEMBLY	C
101	1060343	1.5 ft/ 0.5m	Cable, Electrical 10/4	
102	1001179154	2.5 ft/ 0.8m	Cable, Electrical 12/3	
103	1671092	1	Cover	
104	3300396	1	Cover, Fuse	
105	3311001	6	Nut #10	
106	4360070	1	Circuit Breaker - 15Amp	
108	4460425	1	Strain Relief, Terminal	
109	4460426	2	Connector, Strain Relief	
111	4460963	1	Connector	
112	4711000	10	Washer #10	
114	10702077	2	Screw #10 x 3/8	
115	10702082	2	Screw #10 x 3/4	
116	1001152525	1	Plug	
117	1001157520	1	Block, Terminal	
118	1001157521	1	Box, Junction	
119	1001157528	1	Decal - Wiring Schematic	
120	1001158007	1	Cover, PVC	
121	1001158008	2	Stand-Off	
	0272435	Ref	DECAL INSTALLATION	D
201	1705460	2	Decal - SkyPower	
202	3251243	1	Decal - 120V - 60Hz (Not Shown - Located at Platform Receptacle)	
203	1705375	1	Decal - 240V - 3 Phase	

## SECTION 3 - ENGINE

ITEM	PART NUMBER	QTY	DESCRIPTION	REV
204	1705387	3	Decal - Hazardous Voltage	
	1001122528	Ref	ELECTRICAL DIAGRAM COMPONENTS	B
301	1001119968	1	Generator Harness	B
301A	4460967	1	Plug, Male - 3 Position (Not Shown)	
301A	4460465	6	Socket, Female	
301B	1001117078	1	Fuseholder with Fuse (Not Shown)	
302	4922641	1	Switch Harness	

# SECTION 3 - ENGINE

**FIGURE 3-63. 7500W SKYPOWER GENERATOR INSTALLATION - 50HZ SPEC (DEUTZ TCD2.9L4 ENGINES, DEUTZ TCD2.9L4 (STAGE V PRE-BUY) AND DEUTZ TCD2.9L4 (STAGE V) ENGINES) (OPTIONAL)**



## SECTION 3 - ENGINE

**FIGURE 3-63. 7500W SKYPOWER GENERATOR INSTALLATION - 50HZ SPEC (DEUTZ TCD2.9L4 ENGINES, DEUTZ TCD2.9L4 (STAGE V PRE-BUY) AND DEUTZ TCD2.9L4 (STAGE V) ENGINES) (OPTIONAL)**

ITEM	PART NUMBER	QTY	DESCRIPTION	REV
	1001137591	Ref	7500W SKYPOWER GENERATOR INSTALLATION - 50HZ SPEC (DEUTZ TCD2.9L4 ENGINES)	D
		Ref	Note: See ELECTRICAL SECTION for Boom Cable Installation.	
1	0100011	AR	Compound, Locking	
2	0100019	AR	Compound, Locking	
3	0100048	AR	Grease, Dielectric	
4	0641404	5	Bolt 1/4 x 1/2	
5	3931016	4	Bolt 10 x 1	
6	0641516	3	Bolt 5/16 x 2	
7	0641618	1	Bolt 3/8 x 2	
8	0641810	2	Bolt 1/2 x 1-1/4	
9	0741607	3	Screw 3/8 x 7/8	
10	1001157525	1	Junction Box Assembly (See Items 101-117 for Breakdown)	
11	0861572	1	Box, Generator Control	
11	7024488	1	Card, Circuit - Generator Power (Not Shown)	
11	See Note	1	Fuse (Note: Not Available - Purchase Locally)	
11	7024489	1	Card, Circuit - Control (Not Shown)	
		Ref	Note: When replacing card, rocker switch on card must be set for required application.	
11	70000619	1	Harness, Circuit Card	
12	0902888	1	Bracket, Generator Junction Box	
13	0962520	1	Bushing, Taper	
14	2820031	AR	Insulator, Heat Shrink	
15	3251102	1	Nameplate, Generator	
16	3311508	3	Nut 5/16	
17	3311801	2	Nut 1/2	
18	3580317	1	Pulley, Belt Tensioner	
19	3580319	1	Pulley, Generator	
20	4060802	1	Guard, Switch	
21	4240018	AR	Strap, Tie (Not Shown)	
22	4300157	2	Stud 1/2	
23	4360336	1	Switch, Toggle	
24	4711400	4	Washer 1/4	
25	4711600	1	Washer 3/8	
26	4751500	3	Washer 5/16	
27	4791400	2	Starwasher 1/4	
28	4891800	4	Washer 1/2	
29	4922972	1	Harness, Generator Cable (See Separate Breakdown in ELECTRICAL Section)	
31	1001212223	1	Generator, 7500W	
31	70001100	1	Rotor (Includes p/n 70001384 & 70000863) (Not Shown)	
31	70001384	1	Bearing, Shaft (Rear) (Not Shown)	
31	70000863	1	Fan, Generator (Not Shown)	
31	70006093	1	Stator (Not Shown)	
31	70003631	1	Brush-holder Assembly (Not Shown)	
31A	70004099	NLA	Key (Use p/n 70004171)	
31B	70001966	1	Bearing, Ball Radial (Located in Belt Tensioner Endbell)	
31B	70003709	1	Ring, Retaining (Small)	

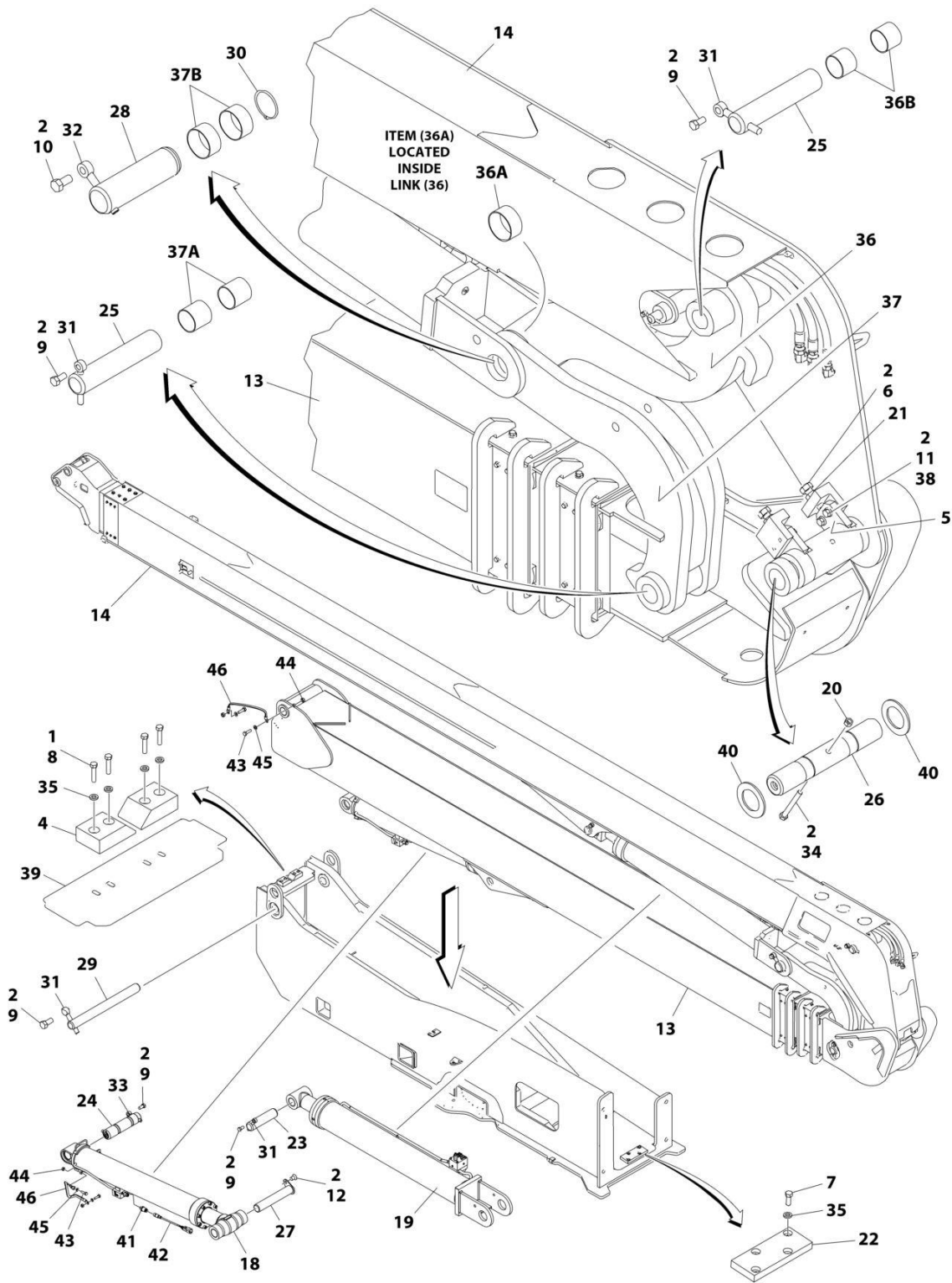
## SECTION 3 - ENGINE

ITEM	PART NUMBER	QTY	DESCRIPTION	REV
31B	70003708	1	Ring, Retaining (Large)	
31C	70004092	1	Endbell, Belt Tensioner	
31D	70004094	1	Endbell, Brush Block	
31E	70006094	1	Shroud Assembly	
31E	7027799	1	Block, Connector - 6 Position (Not Shown)	
31E	70002460	6	Nut, Brass (Attaches p/n 7027799 to Cover) (Not Shown)	
31E	70006095	1	Breaker, Circuit 30Amp (Not Shown)	
31E	70006096	1	Boot, Breaker (Not Shown)	
31E	7026597	1	Connector with Leads (Not Shown)	
31E	7026626	1	Connector with Pins (Not Shown)	
31E	70004098	1	Clamp, Cable (Not Shown)	
31E	70006097	1	Plate, End Panel (Not Shown)	
31E	70002291	1	Insulator, End Panel (Not Shown)	
31E	70001974	1	Decal - Terminal Connections (Not Shown)	
31F	70001973	1	Decal - Warning Moving Parts	
32	1001138011	1	Bracket	
33	1001136357	1	Belt, Generator	
34	3311005	4	Nut #10	
35	4751000	4	Washer #10	
	1001157525	Ref	JUNCTION BOX ASSEMBLY	B
101	3300396	1	Cover, Fuse	
102	3311001	6	Nut #10	
103	3520189	1	Plug (50Hz Spec Only)	
104	3520192	1	Plug	
105	4360070	1	Circuit Breaker - 15Amp	
106	4460425	1	Strain Relief, Terminal	
107	4460426	2	Connector, Strain Relief	
109	4711000	10	Washer #10	
110	10702077	2	Screw #10 x 3/8	
111	10702082	2	Screw #10 x 3/4	
112	1001152525	1	Plug	
113	1001157520	1	Block, Terminal	
114	1001157521	1	Box, Junction	
115	1001157528	1	Decal - Wiring Schematic	
116	1001158007	1	Cover, PVC	
117	1001158008	2	Stand-Off	
	0272589	Ref	DECAL INSTALLATION	A
201	1705460	2	Decal - SkyPower	
202	1705461	1	Decal - 240V - 3 Phase	
203	1705489	3	Decal - Hazardous Voltage	
	1001122528	Ref	ELECTRICAL DIAGRAM COMPONENTS	B
301	1001119968	1	Generator Harness (With UGM)	B
301A	4460967	1	Plug, Male - 3 Position (Not Shown)	
301A	4460465	6	Socket, Female	
301B	1001117078	1	Fuseholder with Fuse (Not Shown)	
303	4922641	1	Switch Harness	

**SECTION 4 - BOOM**

# SECTION 4 - BOOM

## FIGURE 4-1. BOOM AND CYLINDER INSTALLATION - WITHOUT COLD WEATHER PLUS PACKAGE



ART\_1001120653\_J



## SECTION 4 - BOOM

**FIGURE 4-1. BOOM AND CYLINDER INSTALLATION - WITHOUT COLD WEATHER PLUS PACKAGE**

ITEM	PART NUMBER	QTY	DESCRIPTION	REV
	1001120653	Ref	BOOM AND CYLINDER INSTALLATION - WITHOUT COLD WEATHER PLUS PACKAGE	J
1	0100011	AR	Compound, Locking	
2	0100019	AR	Compound, Locking	
4	0561380	2	Rest, Boom	
5	0561547	2	Block, Clamping	
6	0642624	2	Bolt 1 x 3	
7	0641608	4	Bolt 3/8 x 1	
8	0641613	4	Bolt 3/8 x 1-5/8	
9	0642212	5	Bolt 3/4 x 1-1/2	
10	0642616	1	Bolt 1 x 2	
11	0682016	4	Bolt 5/8 x 2 Grade 8	
12	0742210	1	Screw 3/4 x 1-1/4	
13	0801370	1	Tower Boom Assembly (See Separate Breakdown in this Section)	
14	0801371	1	Main Boom Assembly (See Separate Breakdown in this Section)	
18	1001228077	1	Tower Lift Cylinder Assembly (See Separate Breakdown in CYLINDER Section)	
19	1001251078	1	Main Lift Cylinder Assembly (See Separate Breakdown in CYLINDER Section)	
20	3272001	1	Nut 5/8 Grade 8	
21	3312602	2	Nut 1	
22	3340927	1	Pad	
23	3422920	1	Pin	
24	3423209	1	Pin, Load Sensing	
25	3423061	2	Pin	
26	3423062	1	Pin	
27	3423063	1	Pin	
28	3423064	1	Pin	
29	3423065	1	Pin	
30	3760475	1	Ring, Retaining	
31	3841287	4	Keeper, Pin	
32	3841356	1	Keeper, Pin	
33	3841581	1	Keeper, Pin	
34	0682048	1	Bolt 5/8 x 6 Grade 8	
35	4711600	8	Washer 3/8	
36	3010133	1	Link, Upper	
36A	0440273	1	Bearing	
36B	0962297	2	Bushing	
37	3010134	1	Link, Lower	
37A	0962033	2	Bushing	
37B	0962122	2	Bushing	
38	4892000	4	Washer 5/8	
39	3380547	1	Deflector	
40	4740492	1	Thrustwasher	
41	1001253593	1	Switch, Pressure Transducer	
42	1001228498	1	Harness, Pressure Transducer (See Separate Breakdown in ELECTRICAL Section)	
43	0761015	4	Bolt M10 x 35	
44	3291007	4	Nut M10	
45	4812000	4	Washer M10	

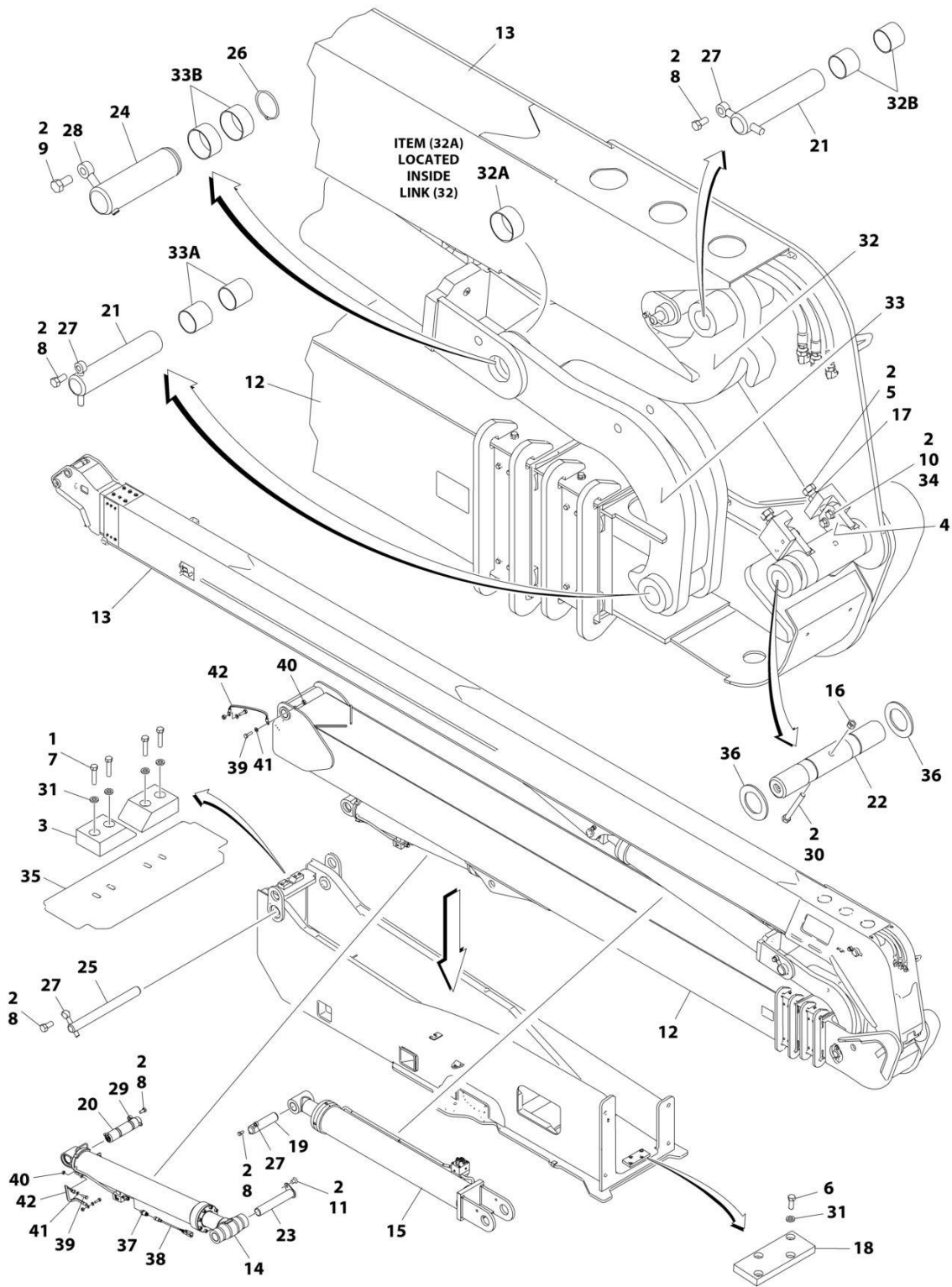
## SECTION 4 - BOOM

ITEM	PART NUMBER	QTY	DESCRIPTION	REV
46	1001212243	2	Cable	



# SECTION 4 - BOOM

## FIGURE 4-2. BOOM AND CYLINDER INSTALLATION - WITH COLD WEATHER PLUS PACKAGE



ART\_1001138811\_I

## SECTION 4 - BOOM

**FIGURE 4-2. BOOM AND CYLINDER INSTALLATION - WITH COLD WEATHER PLUS PACKAGE**

ITEM	PART NUMBER	QTY	DESCRIPTION	REV
	1001138811	Ref	BOOM AND CYLINDER INSTALLATION - WITH COLD WEATHER PLUS PACKAGE	I
1	0100011	AR	Compound, Locking	
2	0100019	AR	Compound, Locking	
3	0561380	2	Rest, Boom	
4	0561547	2	Block, Clamping	
5	0642624	2	Bolt 1 x 3	
6	0641608	4	Bolt 3/8 x 1	
7	0641613	4	Bolt 3/8 x 1-5/8	
8	0642212	5	Bolt 3/4 x 1-1/2	
9	0642616	1	Bolt 1 x 2	
10	0682016	4	Bolt 5/8 x 2 Grade 8	
11	0742210	1	Screw 3/4 x 1-1/4	
12	0801370	1	Tower Boom Assembly (See Separate Breakdown in this Section)	
13	1001138812	1	Main Boom Assembly (See Separate Breakdown in this Section)	
14	1001228077	1	Tower Lift Cylinder Assembly (See Separate Breakdown in CYLINDER Section)	
15	1001251078	1	Main Lift Cylinder Assembly (See Separate Breakdown in CYLINDER Section)	
16	3272001	1	Nut 5/8 Grade 8	
17	3312602	1	Nut 1	
18	3340927	1	Pad	
19	3422920	1	Pin	
20	3423209	1	Pin, Load Sensing	
21	3423061	2	Pin	
22	3423062	1	Pin	
23	3423063	1	Pin	
24	3423064	1	Pin	
25	3423065	1	Pin	
26	3760475	1	Ring, Retaining	
27	3841287	4	Keeper, Pin	
28	3841356	1	Keeper, Pin	
29	3841581	1	Keeper, Pin	
30	0682048	1	Bolt 5/8 x 6 Grade 8	
31	4711600	8	Washer 3/8	
32	3010133	1	Link, Upper	
32A	0440273	1	Bearing	
32B	0962297	2	Bushing	
33	3010134	1	Link, Lower	
33A	0962033	2	Bushing	
33B	0962122	2	Bushing	
34	4892000	4	Washer 5/8	
35	3380547	1	Deflector	
36	4740492	2	Thrustwasher	
37	1001253593	1	Switch, Pressure Transducer	
38	1001228498	1	Harness, Pressure Transducer (Not Shown - See Separate Breakdown in ELECTRICAL Section)	
39	0761015	4	Bolt M10 x 35	
40	3291007	4	Nut M10	
41	4812000	4	Washer M10	

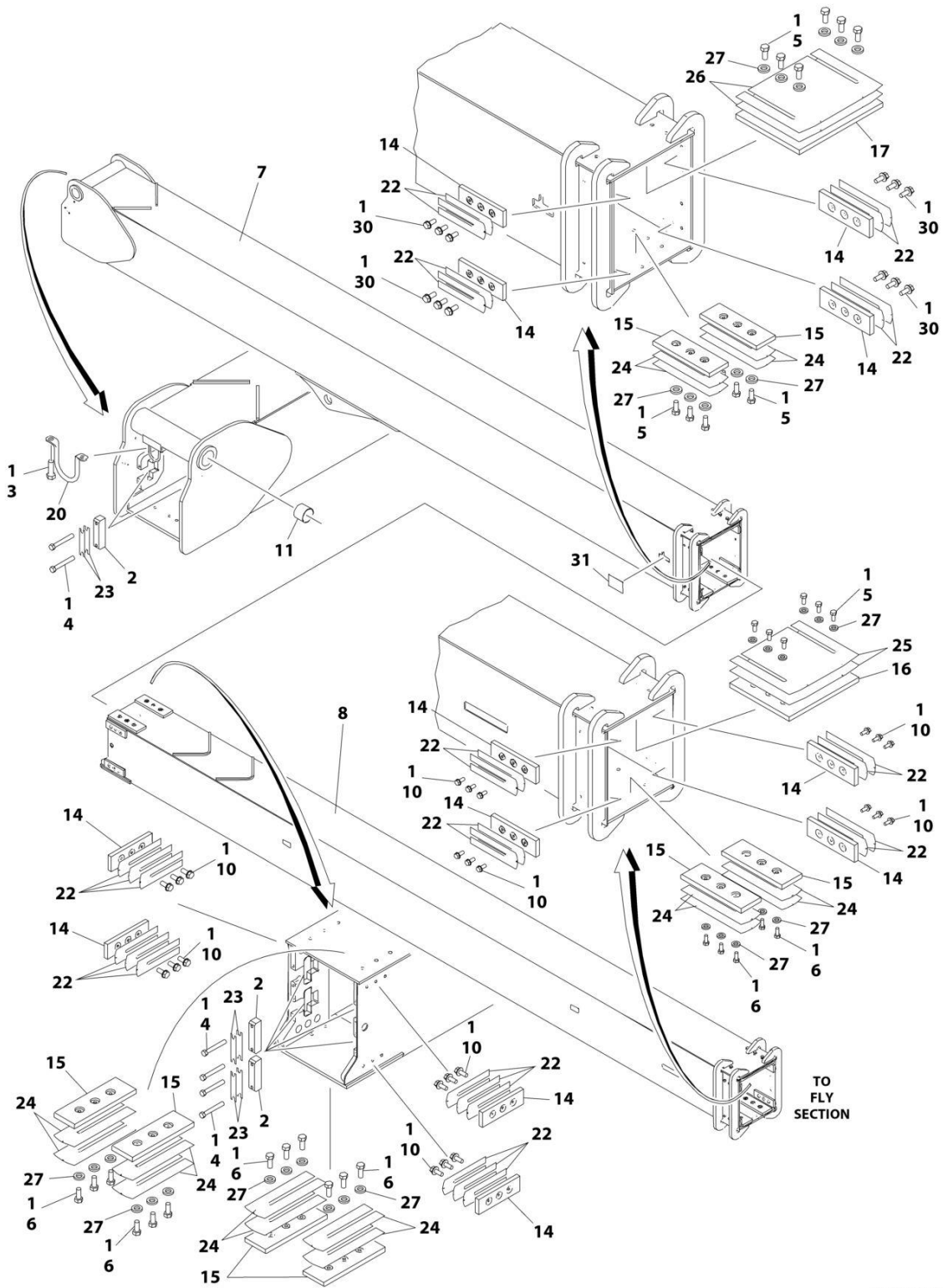
## SECTION 4 - BOOM

ITEM	PART NUMBER	QTY	DESCRIPTION	REV
42	1001212243	2	Cable	



# SECTION 4 - BOOM

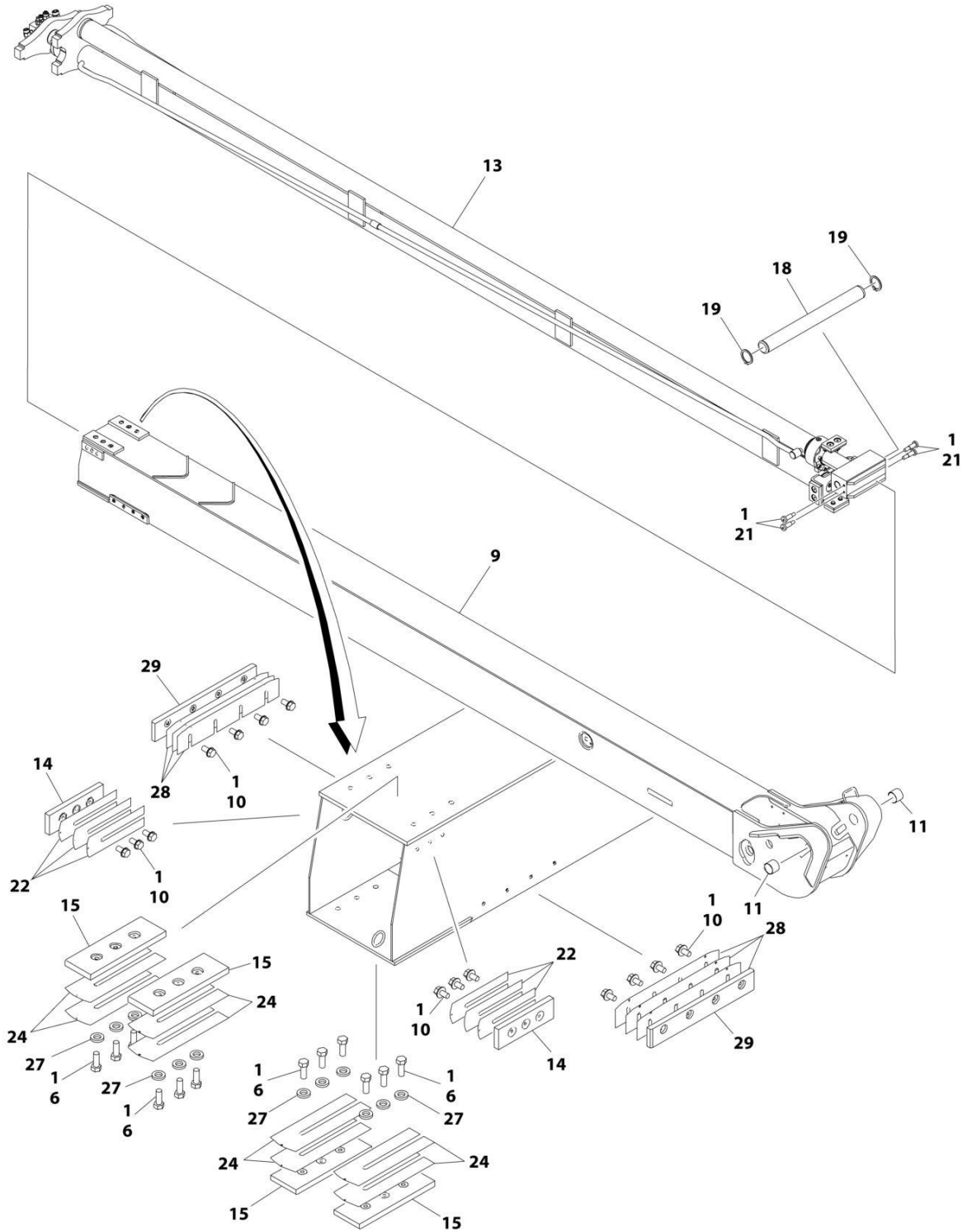
## FIGURE 4-3. TOWER BOOM ASSEMBLY



ART\_0801370\_10F2



# SECTION 4 - BOOM



ART\_0801370\_20F2

## SECTION 4 - BOOM

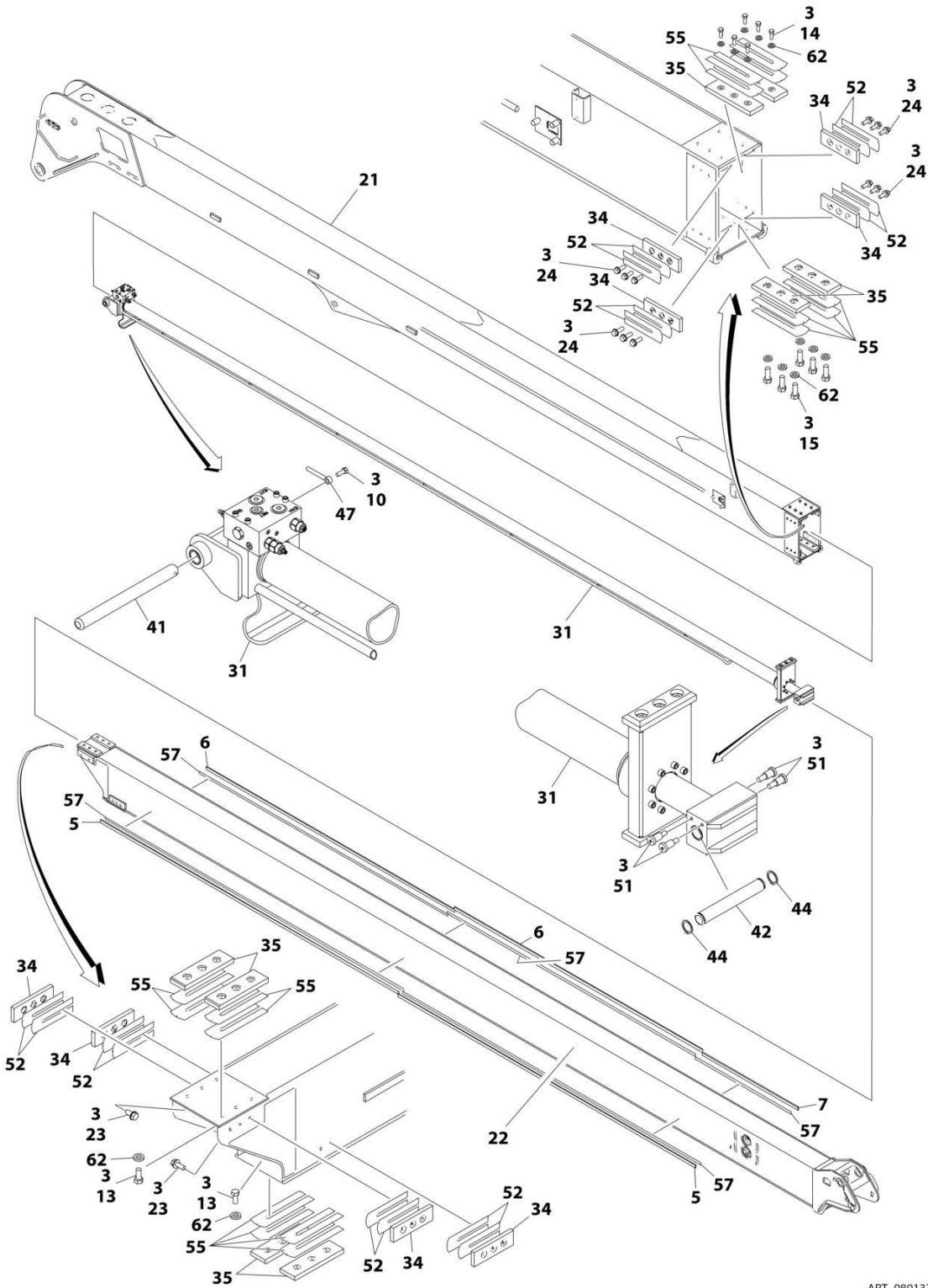
**FIGURE 4-3. TOWER BOOM ASSEMBLY**

ITEM	PART NUMBER	QTY	DESCRIPTION	REV
	0801370	Ref	TOWER BOOM ASSEMBLY	F
1	0100011	AR	Compound, Locking	
2	0561533	6	Block, Trunnion Keeper	
3	0641604	2	Bolt 3/8 x 1/2	
4	0641622	12	Bolt 3/8 x 2-3/4	
5	0641809	18	Bolt 1/2 x 1-1/8	
6	0641810	30	Bolt 1/2 x 1-1/4	
7	0801365	1	Base, Boom	
8	0801366	1	Mid, Boom	
9	0801367	1	Fly, Boom	
10	0811606	38	Screw 3/8 x 3/4	
11	0962297	4	Bushing	
13	1001228032	1	Tower Telescope Cylinder Assembly (See Separate Breakdown in CYLINDER SECTION)	
14	3340878	14	Pad, Wear	
15	3340978	12	Pad, Wear	
16	3340979	1	Pad, Wear	
17	3340980	1	Pad, Wear	
18	3423066	1	Pin	
19	3760133	2	Ring, Retaining	
20	3811340	1	Loop, Hose	
21	3900269	4	Bolt 1/2 x 1	
22	4070864	34	Shim #16 Gauge	
23	4071031	12	Shim, Trunnion Keeper	
24	4071067	24	Shim #18 Gauge	
25	4071069	2	Shim #18 Gauge	
26	4071071	2	Shim #18 Gauge	
27	4891800	48	Washer 1/2	
28	4071081	6	Shim #18 Gauge	
29	4700014	2	Pad, Wear	
30	0811607	12	Screw 3/8 x 7/8	
31	1671013	1	Cover	
32	3020042	AR	Grease (Not Shown)	



# SECTION 4 - BOOM

## FIGURE 4-4. MAIN BOOM ASSEMBLY - WITHOUT COLD WEATHER PLUS PACKAGE



ART\_0801371\_1OF2



## SECTION 4 - BOOM

FIGURE 4-4. MAIN BOOM ASSEMBLY - WITHOUT COLD WEATHER PLUS PACKAGE

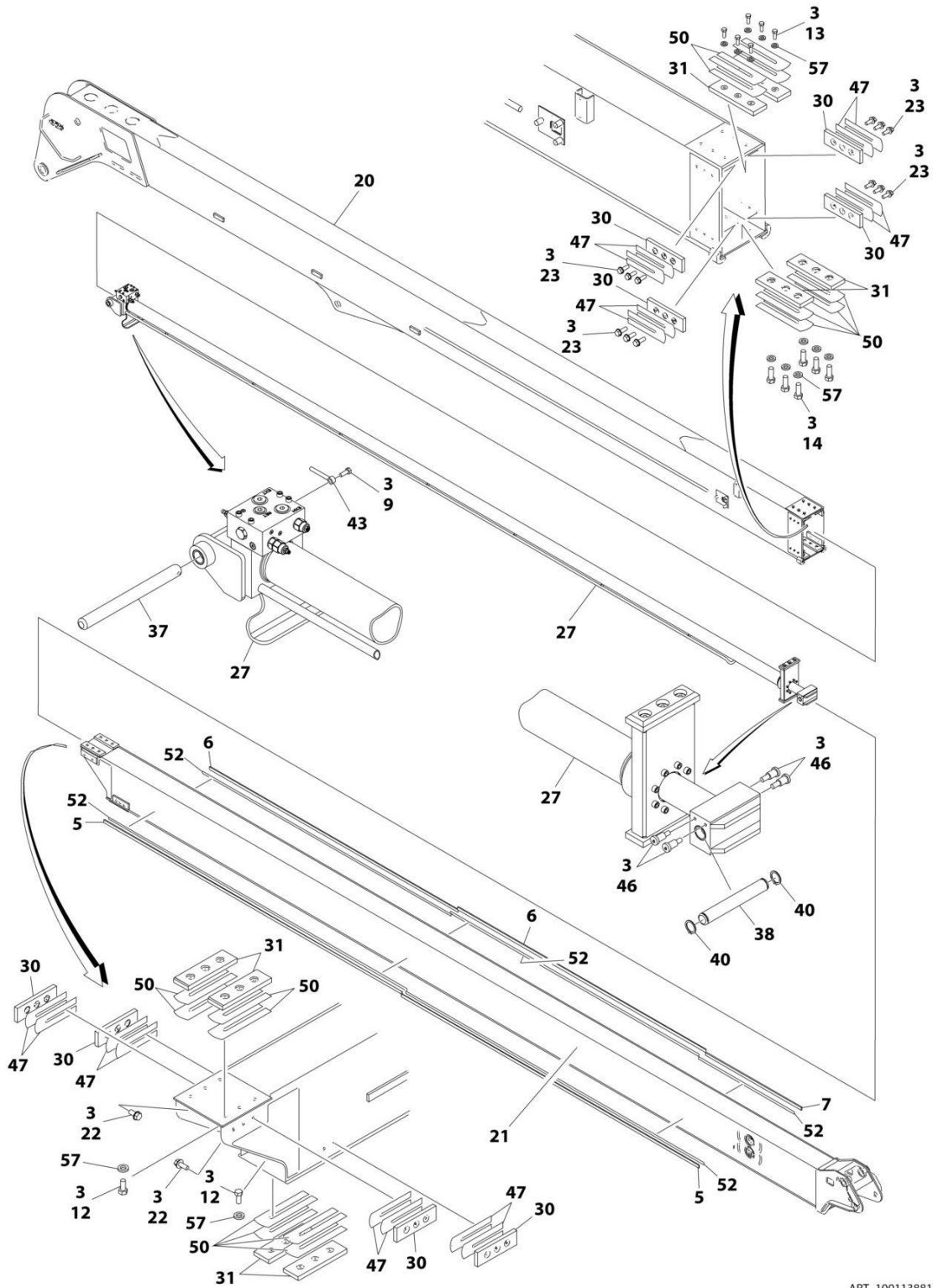
ITEM	PART NUMBER	QTY	DESCRIPTION	REV
	0801371	Ref	MAIN BOOM ASSEMBLY - WITHOUT COLD WEATHER PLUS PACKAGE	V
1	1001178247	1	Actuator Assembly (Platform Rotate) (See Separate Breakdown in this Section)	
2	1001178248	1	Actuator Assembly (Jib Rotate) (See Separate Breakdown in this Section)	
3	0100011	AR	Compound, Locking	
4	0100019	AR	Compound, Locking	
5	1001106483	2	Bar, Fiberglass	
6	1001106475	2	Bar, Fiberglass	
7	1001106476	1	Bar, Fiberglass	
8	0630558	1	Bolt, Special	
10	0641607	6	Bolt 3/8 x 7/8	
11	0641610	1	Bolt 3/8 x 1-1/4	
12	0641808	1	Bolt 1/2 x 1-1/8	
13	0641809	12	Bolt 1/2 x 1	
14	0641810	6	Bolt 1/2 x 1-1/4	
15	0641813	6	Bolt 1/2 x 1-5/8	
16	0642010	2	Bolt 5/8 x 1-1/4	
17	0682028	8	Bolt 5/8 x 3-1/2 Grade 8	
18	0682212	8	Bolt 3/4 x 1-1/2 Grade 8	
19	0741806	1	Screw 1/2 x 3/4	
20	0791606	2	Screw 3/8 x 3/4	
21	0801497	1	Base, Boom	
22	0801369	1	Fly, Boom	
23	0811606	12	Screw 3/8 x 3/4	
24	0811607	12	Screw 3/8 x 7/8	
25	0961951	8	Bushing (Part of Items 56 & 61)	
28	1100141	1	Cam	
30	1001228025	1	Jib Cylinder Assembly (See Separate Breakdown in CYLINDER SECTION)	
31	1001228080	1	Telescope Cylinder Assembly (See Separate Breakdown in CYLINDER SECTION)	
32	1001228034	1	Platform Level Cylinder Assembly (See Separate Breakdown in CYLINDER SECTION)	
33	3311605	1	Nut 3/8	
34	3340878	8	Pad, Wear	
35	3340974	8	Pad, Wear	
36	3422178	1	Pin	
37	3422937	1	Pin	
38	1001119899	2	Pin	
39	3422957	5	Pin	
40	3422958	1	Pin	
41	3423058	1	Pin	
42	3423059	1	Pin	
43	3423190	1	Pin	
44	3760133	7	Ring, Retaining	
45	3760217	1	Ring, Retaining	
46	3760233	1	Ring, Retaining	
47	3841143	7	Keeper, Pin	
48	3841203	1	Keeper, Pin	

## SECTION 4 - BOOM

ITEM	PART NUMBER	QTY	DESCRIPTION	REV
49	3841258	2	Keeper, Pin	
51	3900259	4	Bolt, Shoulder	
52	4070864	16	Shim #18 Gauge	
53	4071044	1	Shim #18 Gauge	
54	4071045	1	Shim #11 Gauge	
55	4071073	16	Shim #18 Gauge	
56	4846482	1	Link, Jib (Upper) (Includes Item 25)	
57	4420060	52 ft/16m	Tape, Double-Sided	
58	0801550	1	Link, Jib (Lower)	
59	4630006	1	Pivot	
59A	0962224	2	Bearing	
60	1001200839	1	Link (Upper)	
60A	0962224	2	Bearing	
61	3010136	1	Link (Lower) (Includes Item 25)	
61A	0962224	2	Bearing	
61B	0962556	2	Bearing	
62	4891800	24	Washer 1/2	
63	3272001	1	Nut 5/8	
64	4100101	1	Sleeve, Pin Retainer	
65	0682014	1	Bolt 5/8 x 1-3/4	
66	3020042	AR	Lube, Super (Not Shown)	

# SECTION 4 - BOOM

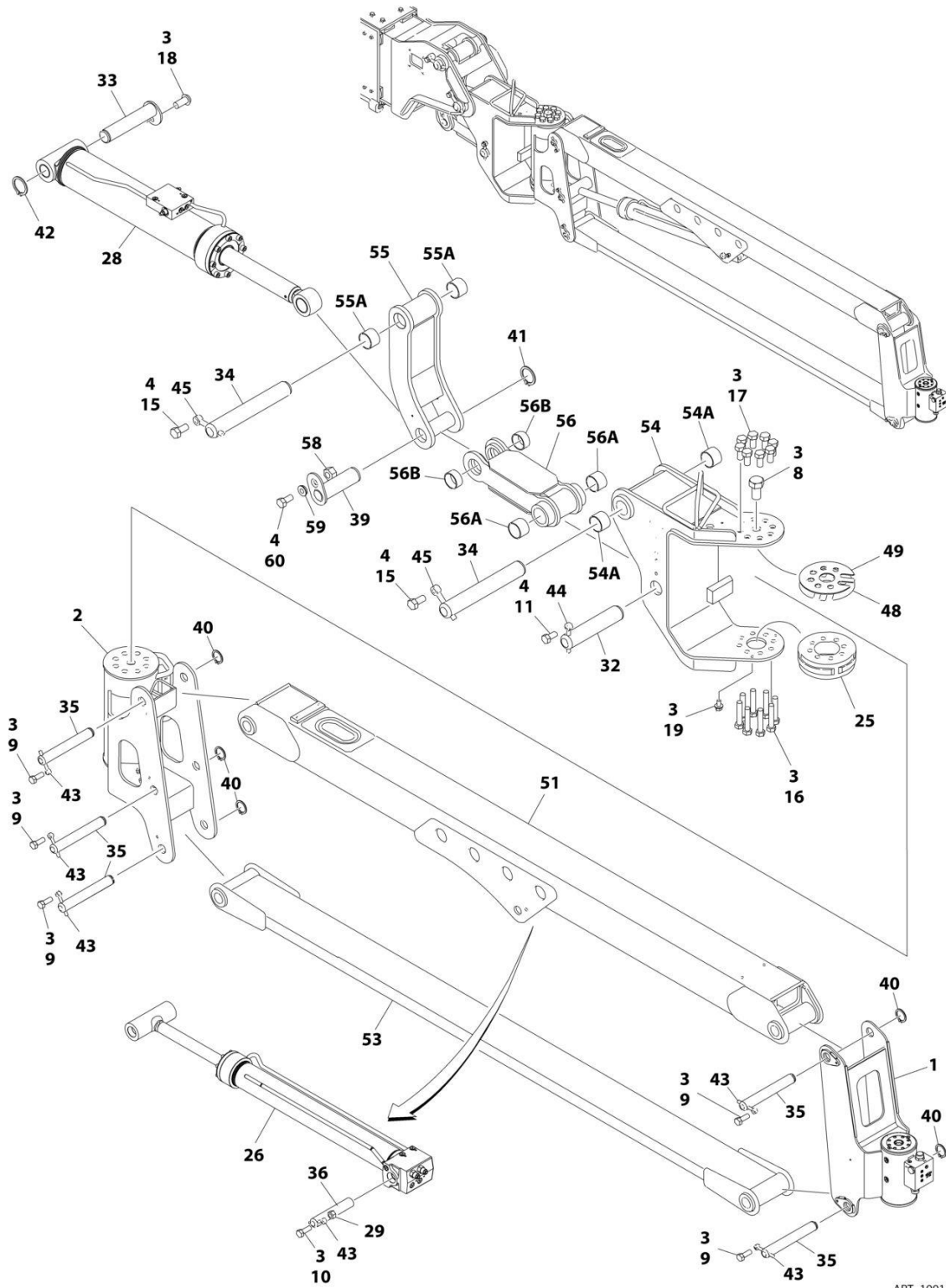
## FIGURE 4-5. MAIN BOOM ASSEMBLY - WITH COLD WEATHER PLUS PACKAGE



ART\_1001138812\_10F2



# SECTION 4 - BOOM



ART\_1001138812\_20F2

## SECTION 4 - BOOM

FIGURE 4-5. MAIN BOOM ASSEMBLY - WITH COLD WEATHER PLUS PACKAGE

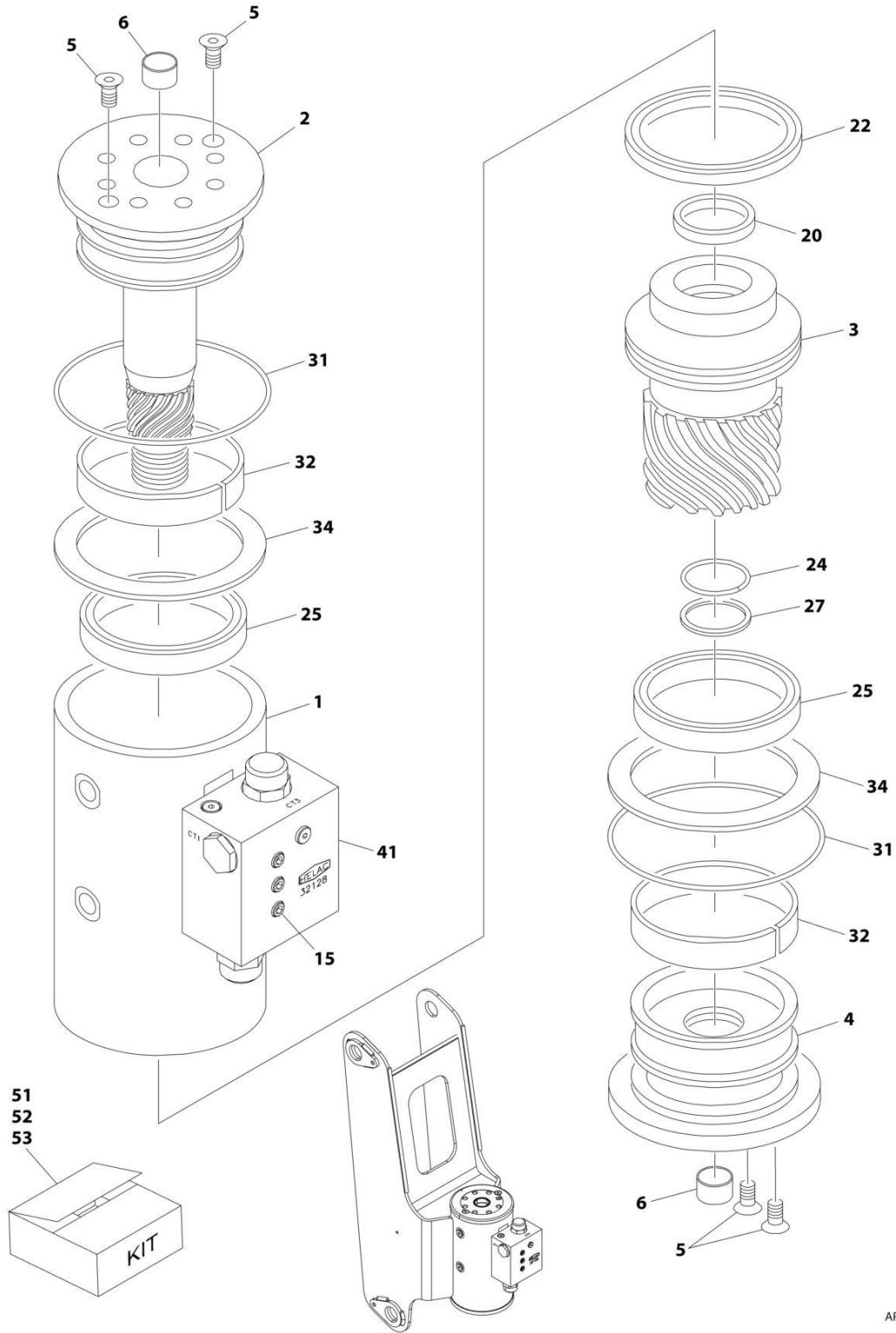
ITEM	PART NUMBER	QTY	DESCRIPTION	REV
	1001138812	Ref	MAIN BOOM ASSEMBLY - WITH COLD WEATHER PLUS PACKAGE	H
1	1001178247	1	Actuator Assembly (Platform Rotate) (See Separate Breakdown in this Section)	
2	1001178248	1	Actuator Assembly (Jib Rotate) (See Separate Breakdown in this Section)	
3	0100011	AR	Compound, Locking	
4	0100019	AR	Compound, Locking	
5	1001106483	2	Bar, Fiberglass	
6	1001106475	2	Bar, Fiberglass	
7	1001106476	1	Bar, Fiberglass	
8	0630558	1	Bolt, Special	
9	0641607	6	Bolt 3/8 x 7/8	
10	0641610	1	Bolt 3/8 x 1-1/4	
11	0641808	1	Bolt 1/2 x 1-1/8	
12	0641809	12	Bolt 1/2 x 1	
13	0641810	6	Bolt 1/2 x 1-1/4	
14	0641813	6	Bolt 1/2 x 1-5/8	
15	0642010	2	Bolt 5/8 x 1-1/4	
16	0682028	8	Bolt 5/8 x 3-1/2 Grade 8	
17	0682212	8	Bolt 3/4 x 1-1/2 Grade 8	
18	0741806	1	Screw 1/2 x 3/4	
19	0791606	2	Screw 3/8 x 3/4	
20	0801497	1	Base, Boom	
21	0801369	1	Fly, Boom	
22	0811606	12	Screw 3/8 x 3/4	
23	0811607	12	Screw 3/8 x 7/8	
24	0961951	8	Bushing (Part of Items 51 & 53)	
25	1100141	1	Cam	
26	1001228025	1	Jib Cylinder Assembly (See Separate Breakdown in CYLINDER SECTION)	
27	1001228080	1	Telescope Cylinder Assembly (See Separate Breakdown in CYLINDER SECTION)	
28	1001228034	1	Platform Level Cylinder Assembly (See Separate Breakdown in CYLINDER SECTION)	
29	3311605	1	Nut 3/8	
30	3340878	8	Pad, Wear	
31	3340974	8	Pad, Wear	
32	3422178	1	Pin	
33	3422937	1	Pin	
34	1001119899	2	Pin	
35	3422957	5	Pin	
36	3422958	1	Pin	
37	3423058	1	Pin	
38	3423059	1	Pin	
39	3423190	1	Pin	
40	3760133	7	Ring, Retaining	
41	3760217	1	Ring, Retaining	
42	3760233	1	Ring, Retaining	
43	3841143	7	Keeper, Pin	
44	3841203	1	Keeper, Pin	

## SECTION 4 - BOOM

ITEM	PART NUMBER	QTY	DESCRIPTION	REV
45	3841258	2	Keeper, Pin	
46	3900259	4	Bolt, Shoulder	
47	4070864	16	Shim #18 Gauge	
48	4071044	1	Shim #18 Gauge	
49	4071045	1	Shim #11 Gauge	
50	4071073	16	Shim #18 Gauge	
51	4846482	1	Link, Jib (Upper) (Includes Item 24)	
52	4420060	52 ft/16m	Tape, Double-Sided	
53	0801550	1	Link, Jib (Lower) (Includes Item 24)	
54	4630006	1	Pivot	
54A	0962224	2	Bearing	
55	1001200839	1	Link (Upper)	
55A	0962224	2	Bearing	
56	3010136	1	Link (Lower)	
56A	0962224	2	Bearing	
56B	0962556	2	Bearing	
57	4891800	24	Washer 1/2	
58	3272001	1	Nut 5/8	
59	4100101	1	Sleeve, Pin Retainer	
60	0682014	1	Bolt 5/8 x 1-3/4	
61	3020042	AR	Lube, Super (Not Shown)	

# SECTION 4 - BOOM

## FIGURE 4-6. PLATFORM ROTATE ASSEMBLY



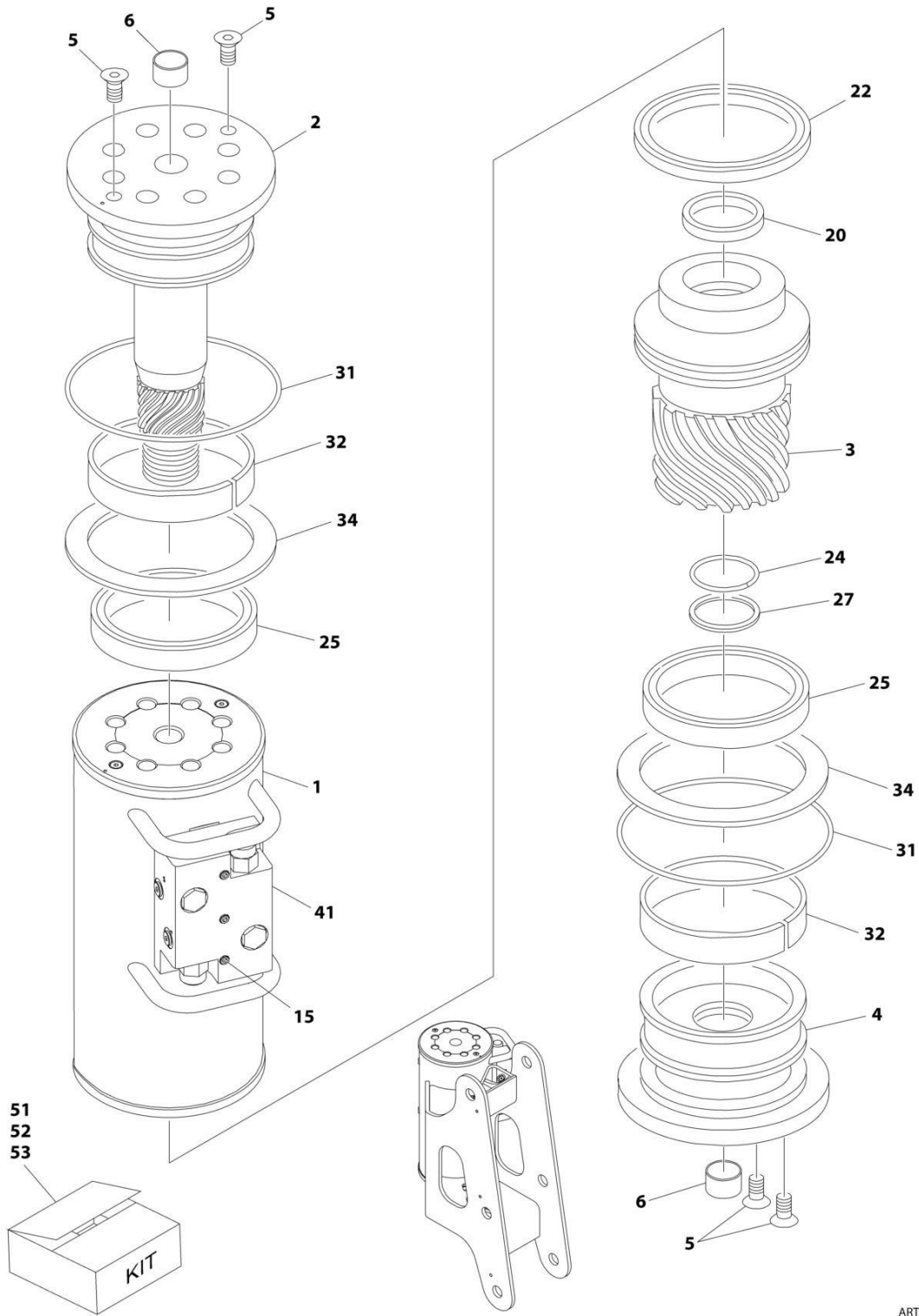
ART\_1001178247

FIGURE 4-6. PLATFORM ROTATE ASSEMBLY

ITEM	PART NUMBER	QTY	DESCRIPTION	REV
	1001178247	Ref	PLATFORM ROTATE ASSEMBLY	A
1	See Note	NSS	Case/Bracket Weldment (Note: Not Available - Purchase Complete Assembly)	
2	7017162	1	Shaft	
3	7017163	1	Sleeve, Piston	
4	7017164	1	Cap, End	
5	See Note	AR	Screw (Note: See Item 53 for Replacement)	
5	See Note	AR	Dowel Pin (Note: See Item 53 for Replacement)	
6	7017195	2	Bushing	
15	See Note	NSS	Capscrew 1/4 x 1-1/2 Grade 8 (Note: Not Available for Purchase)	
20	See Note	1	Seal, Rod (Note: See Item 51 for Replacement Options)	
22	See Note	1	Seal, Piston (Note: See Item 51 for Replacement Options)	
24	See Note	1	Seal, Cap (Note: See Item 51 for Replacement Options)	
25	See Note	2	Packing, Bearing (Note: See Item 51 for Replacement Options)	
27	See Note	1	Ring, Cap Back-up (Note: See Item 51 for Replacement Options)	
31	See Note	2	Seal (Note: See Item 51 for Replacement Options)	
32	See Note	2	Bearing, Shaft (Note: See Item 52 for Replacement)	
34	See Note	2	Thrustwasher (Note: See Item 52 for Replacement)	
41	70001639	1	Motion Control Valve Assembly (Cartridges not serviced separately)	
51	70000342	1	Seal Kit (Includes Items 20, 22, 24, 25, 27 & 31)	
52	7017159	1	Bearing Kit (Includes Items 32 & 34)	
53	7017142	1	Hardware Kit (Includes Item 5 and Plugs)	

# SECTION 4 - BOOM

## FIGURE 4-7. JIB ROTATE ASSEMBLY



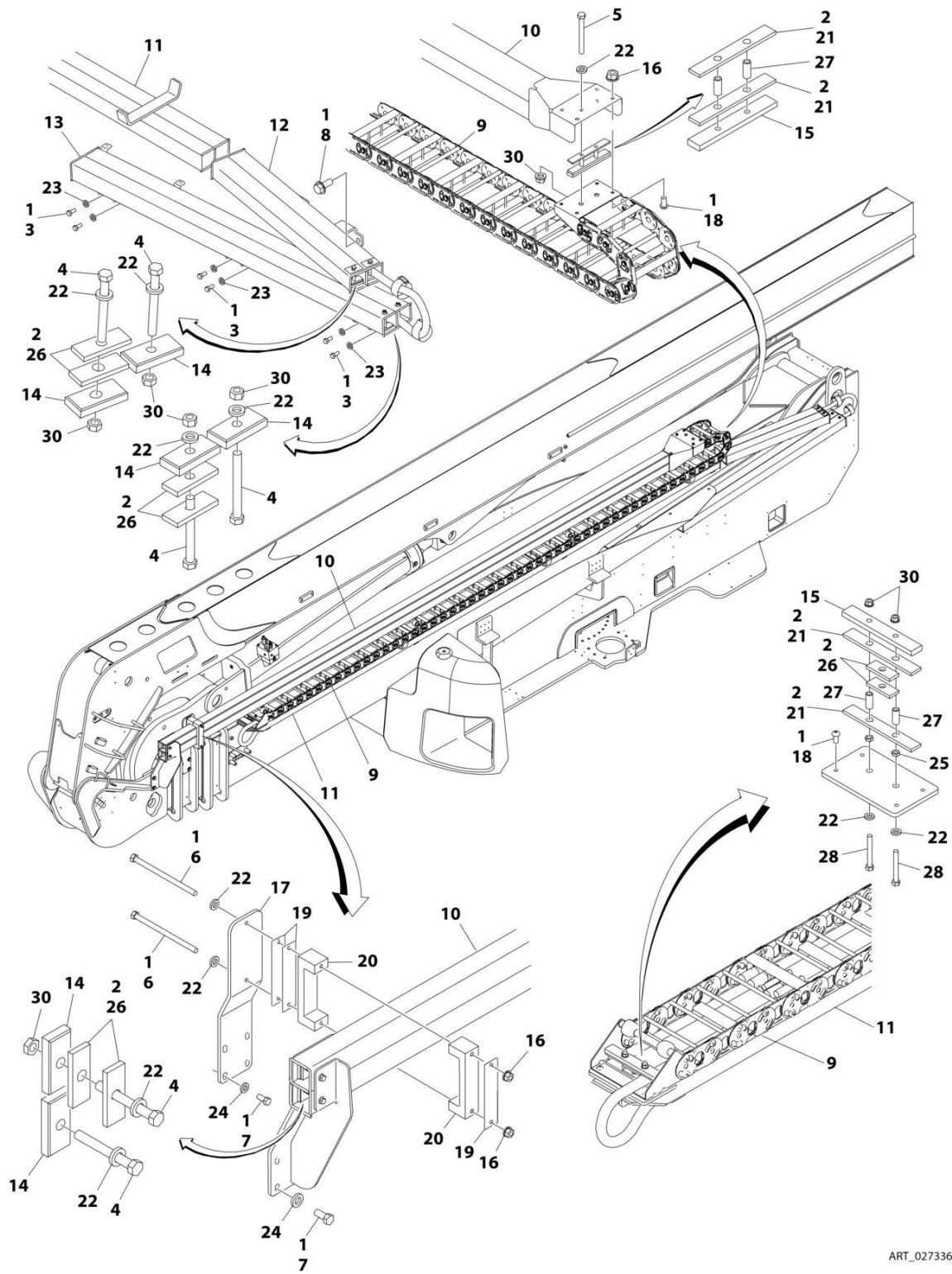
ART\_1001178248

FIGURE 4-7. JIB ROTATE ASSEMBLY

ITEM	PART NUMBER	QTY	DESCRIPTION	REV
	1001178248	Ref	JIB ROTATE ASSEMBLY	A
1	See Note	NSS	Case/Bracket Weldment (Note: Not Available - Purchase Complete Assembly)	
2	7017162	1	Shaft	
3	7017163	1	Sleeve, Piston	
4	7017164	1	Cap, End	
5	See Note	AR	Screw (Note: See Item 53 for Replacement)	
5	See Note	AR	Dowel Pin (Note: See Item 53 for Replacement)	
6	7017195	2	Bushing	
15	See Note	NSS	Capscrew 1/4 x 1-1/2 Grade 8 (Note: Not Available for Purchase)	
20	See Note	1	Seal, Rod (Note: See Item 51 for Replacement Options)	
22	See Note	1	Seal, Piston (Note: See Item 51 for Replacement Options)	
24	See Note	1	Seal, Cap (Note: See Item 51 for Replacement Options)	
25	See Note	2	Packing, Bearing (Note: See Item 51 for Replacement Options)	
27	See Note	1	Ring, Cap Back-up (Note: See Item 51 for Replacement Options)	
31	See Note	2	Seal (Note: See Item 51 for Replacement Options)	
32	See Note	2	Bearing, Shaft (Note: See Item 52 for Replacement)	
34	See Note	2	Thrustwasher (Note: See Item 52 for Replacement)	
41	70002859	1	Motion Control Valve Assembly (Cartridges not serviced separately)	
51	70000796	1	Seal Kit (Includes Items 20, 22, 24, 25, 27 & 31)	
52	7017185	1	Bearing Kit (Includes Items 32 & 34)	
53	70001640	1	Hardware Kit (Includes Item 5 and Plugs)	

# SECTION 4 - BOOM

## FIGURE 4-8. POWER TRACK AND BOOM CLAMPS INSTALLATION (TOWER BOOM)



ART\_0273360



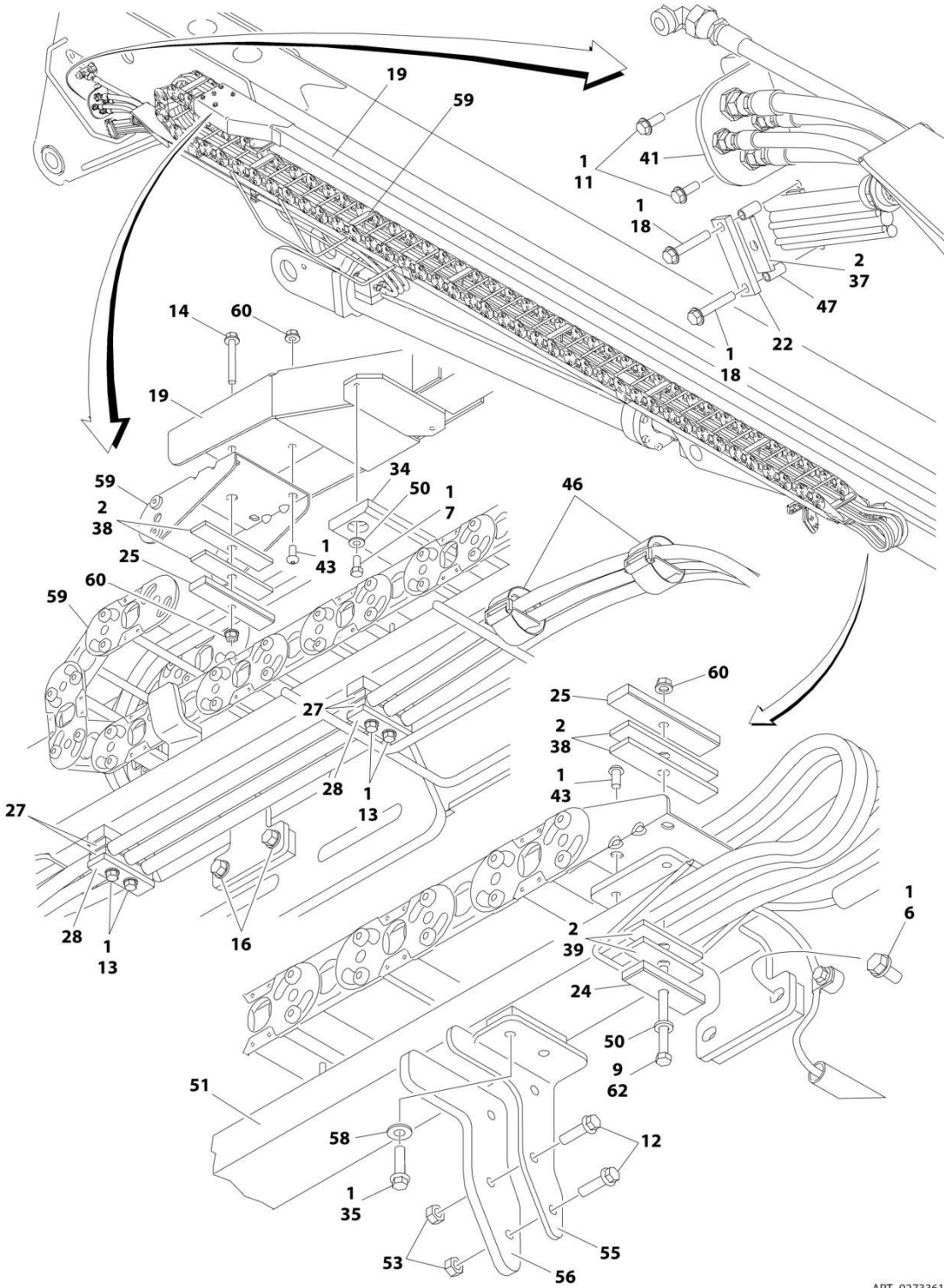
## SECTION 4 - BOOM

**FIGURE 4-8. POWER TRACK AND BOOM CLAMPS INSTALLATION (TOWER BOOM)**

ITEM	PART NUMBER	QTY	DESCRIPTION	REV
	0273360	Ref	POWER TRACK AND BOOM CLAMPS INSTALLATION (TOWER BOOM)	F
1	0100011	AR	Compound, Locking	
2	0100081	AR	Adhesive #454	
3	0641606	6	Bolt 3/8 x 3/4	
4	0641628	6	Bolt 3/8 x 3-1/2	
5	0630539	2	Bolt 3/8 x 3-1/2	
6	0641652	2	Bolt 3/8 x 6-1/2	
7	0641809	8	Bolt 1/2 x 1-1/8	
8	0791808	12	Screw 1/2 x 1	
9	1001131730	1	Power Track, Tower Hose	
9	70003919	AR	Repair Section Kit (Includes Inner and Outer Links, Joining Bars and Rollers, and Assembling Hardware)	
9	70003920	1	Mounting Bracket Kit (Includes Mounting Brackets for Both Ends, 1 Roller Assembly and Assembling Hardware)	
10	1180387	1	Tube, Push (Upper Tower Boom)	
11	1180388	1	Tube, Carrier (Lower Tower Boom)	
12	1180389	1	Tube, Carrier (T/T to Tower Boom)	
13	1180390	1	Tube, Carrier (Turntable)	
14	1320288	6	Clamp, Bar	
15	1320328	2	Clamp, Bar	
16	3311608	6	Nut 3/8	
17	3574644	1	Plate, Support	
18	3900283	8	Screw 3/8 x 3/4	
19	4071076	3	Shim	
20	4220189	2	Block, Support	
21	4220190	4	Pad, Rubber	
22	4711600	12	Washer 3/8	
23	4891600	6	Washer 3/8	
24	4891800	8	Washer 1/2	
25	3311602	2	Nut 3/8	
26	3340941	8	Pad, Rubber	
27	4562516	3 in/7.6cm	Tubing, Poly	
28	0630593	2	Bolt 3/8 x 3-1/4	
29	4240155	AR	Strap (Not Shown)	
30	3300492	10	Nut, Lock Nylon Insert	

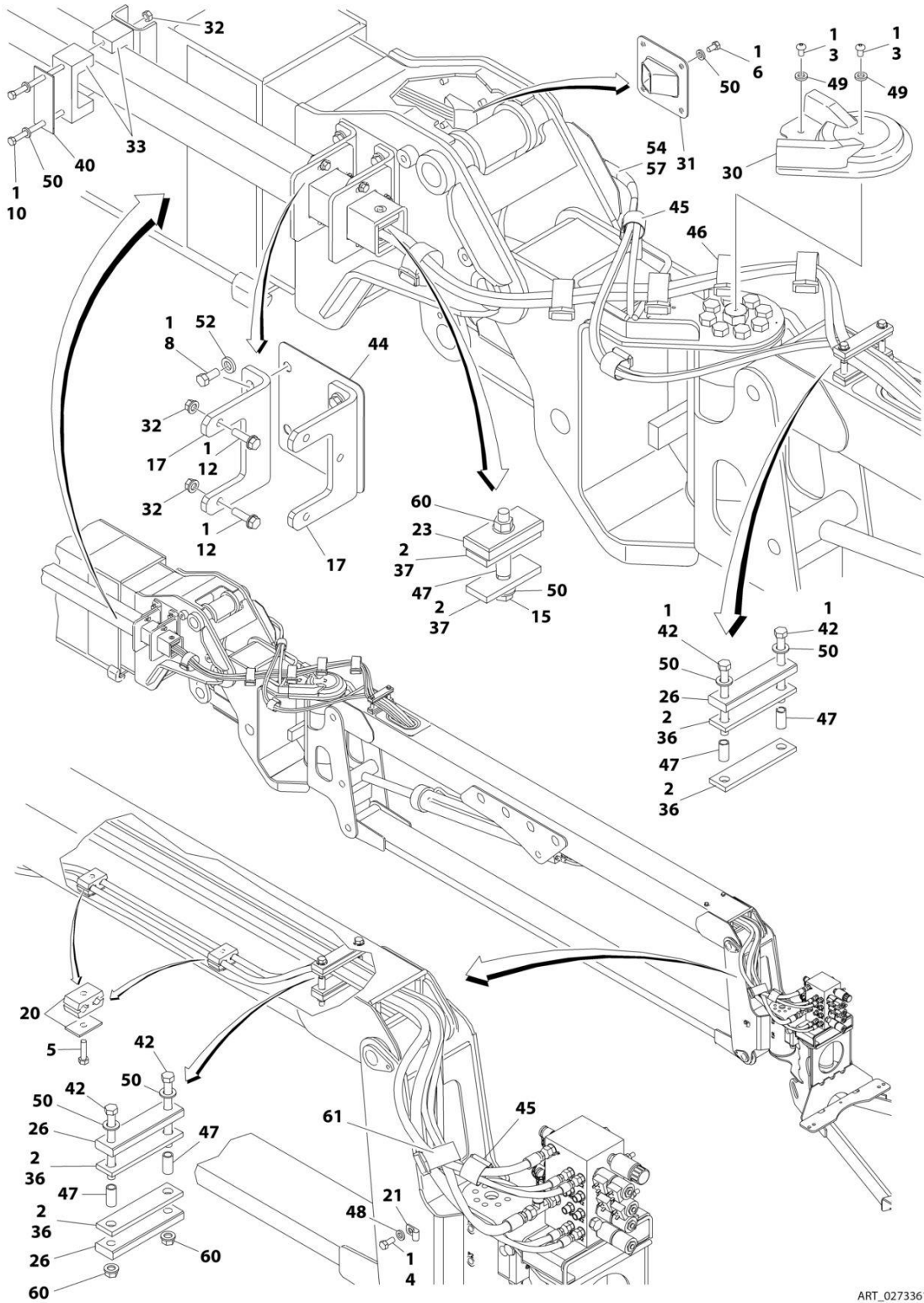
# SECTION 4 - BOOM

## FIGURE 4-9. POWER TRACK AND BOOM CLAMPS INSTALLATION (MAIN BOOM AND JIB) (PVC 2001)



ART\_0273361\_10F2

# SECTION 4 - BOOM



ART\_0273361\_20F2

## SECTION 4 - BOOM

**FIGURE 4-9. POWER TRACK AND BOOM CLAMPS INSTALLATION (MAIN BOOM AND JIB) (PVC 2001)**

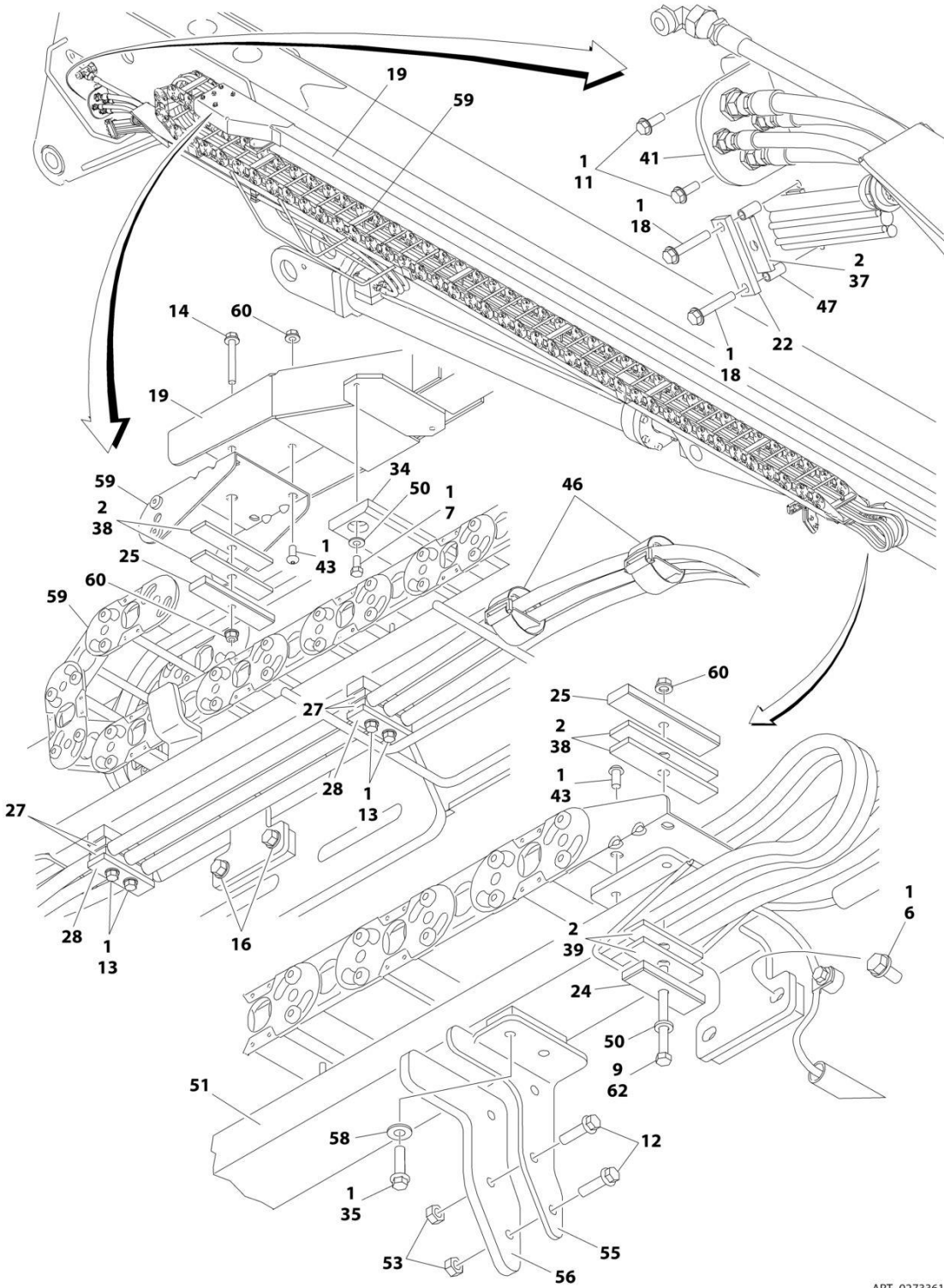
ITEM	PART NUMBER	QTY	DESCRIPTION	REV
	0273361	Ref	POWER TRACK AND BOOM CLAMPS INSTALLATION (MAIN BOOM AND JIB)	J
1	0100011	AR	Compound, Locking	
2	0100081	AR	Adhesive #454	
3	0630467	3	Screw 5/16 x 1/2	
4	0641406	1	Bolt 1/4 x 3/4	
5	0791510	2	Screw 5/16 x 1-1/4	
6	0641605	4	Bolt 3/8 x 5/8	
7	0641606	2	Bolt 3/8 x 3/4	
8	0641809	4	Bolt 1/2 x 1-1/8	
9	0641638	1	Bolt 3/8 x 4-3/4	
10	0641644	2	Bolt 3/8 x 5-1/2	
11	0791608	2	Screw 3/8 x 1	
12	0791610	10	Screw 3/8 x 1-1/4	
13	0791616	4	Screw 3/8 x 2	
14	0791622	1	Screw 3/8 x 2-3/4	
15	0641626	1	Bolt 3/8 x 3-1/4	
16	0791808	8	Screw 1/2 x 1	
17	0902932	2	Bracket, Mounting	
18	0791618	2	Screw 3/8 x 2-1/4	
19	1180386	1	Tube, Push (Upper Main Boom)	
20	1320159	2	Clamp, Hose	
21	1320263	2	Clamp, Hose	
22	1320277	1	Clamp, Hose	
23	1320288	1	Clamp, Hose	
24	1320289	1	Clamp, Hose	
25	1320294	2	Clamp, Bar	
26	1320296	3	Clamp, Bar	
27	1320325	2	Clamp, Block	
28	1320327	2	Clamp, Cover Plate	
30	1671122	1	Cover, Jib Pivot	
31	2540044	1	Guide, Hose	
32	3311608	12	Nut 3/8	
33	3340764	2	Pad, Push Tube	
34	3340787	NLA	Pad, Wear (Use p/n 1001136469)	
35	0811606	2	Screw 3/8 x 3/4	
36	3340934	4	Pad, Clamp	
37	3340941	4	Pad, Rubber	
38	3340942	4	Pad, Rubber	
39	3340943	2	Pad, Rubber	
40	3538758	1	Plate, Backing	
41	3574606	1	Plate, Bulkhead Mounting	
42	3900260	4	Capscrew 3/8 x 4	
43	3900283	8	Screw 3/8 x 3/4	
44	4071072	1	Shim, Adjusting 16Ga	
45	4240153	AR	Tie-Strap	
46	4240155	AR	Tie-Strap	
47	4562516	7 in/18 cm	Tubing, Poly	
48	4711400	1	Washer 1/4	

## SECTION 4 - BOOM

ITEM	PART NUMBER	QTY	DESCRIPTION	REV
49	4711500	AR	Washer 5/16	
50	4711600	18	Washer 3/8	
51	4846920	1	Tube, Carrier (Lower Main Boom)	
52	4891800	4	Washer 1/2	
53	3311605	4	Nut 3/8	
54	4240033	AR	Tie-Strap	
55	0902965	1	Bracket, Push Tube Guide	
56	4220197	1	Pad, Guide Tube	
57	4100063	1	Sleeve	
58	4891600	2	Washer 3/8	
59	1001131732	1	Power Track, Main Cable	
59	70003913	AR	Repair Section Kit (Includes Inner and Outer Links, Joining Bars and Rollers, and Assembling Hardware)	
59	70003914	1	Roller Link Section Kit (Includes 1 Roller Assembly and Assembling Hardware)	
59	70003916	1	Mounting Bracket Kit (Includes Mounting Brackets for Both Ends and Assembling Hardware)	
60	3300492	5	Nut, Lock Nylon Insert	
61	4240156	1	Tie-Strap	
62	0641636	1	Bolt 3/8 x 4-1/2	
63	1321385	1	Clamp, Hose Retaining (Located at Platform Rotator - Not Shown)	

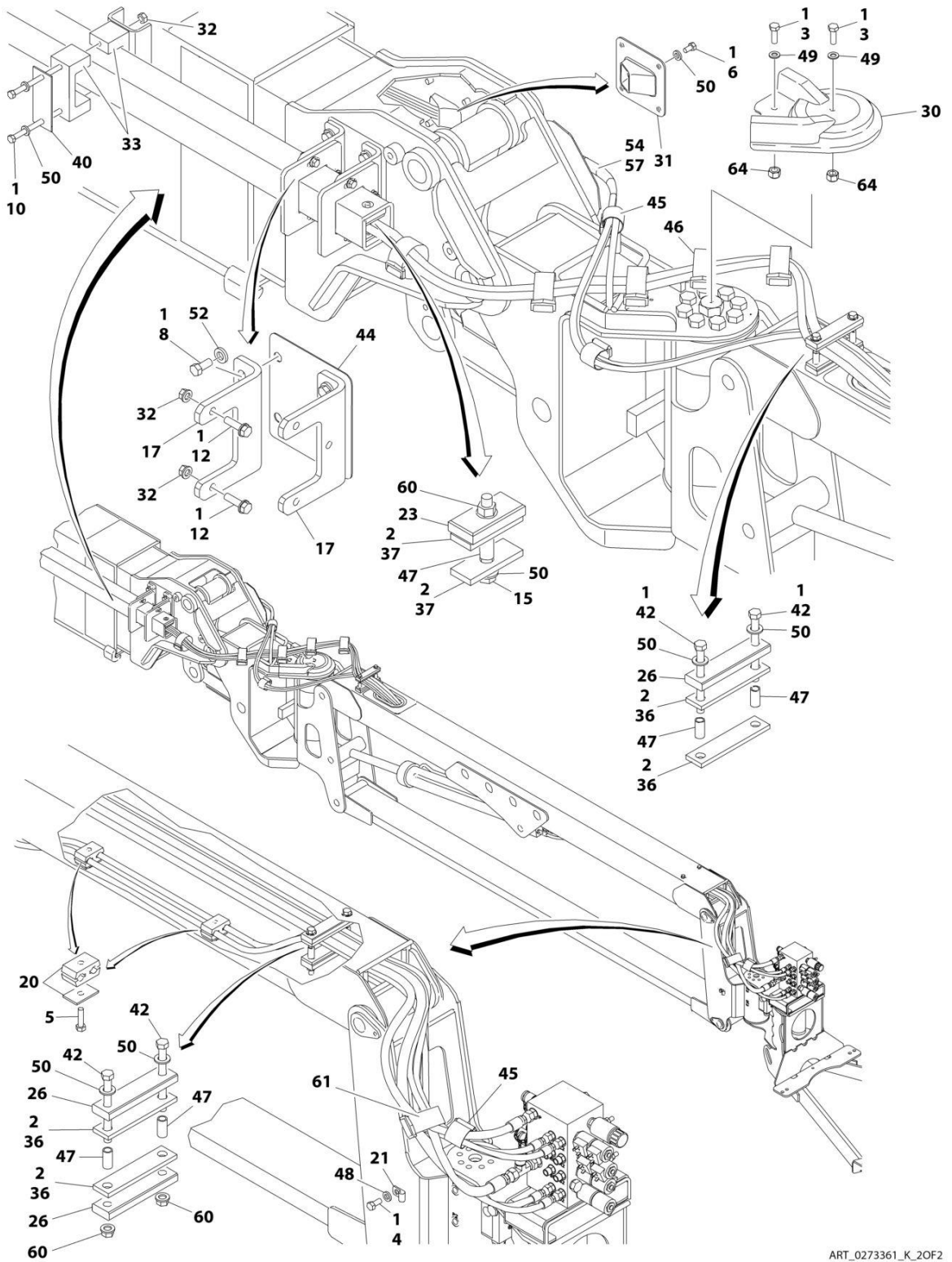
# SECTION 4 - BOOM

FIGURE 4-10. POWER TRACK AND BOOM CLAMPS INSTALLATION (MAIN BOOM AND JIB) (PVC 2007)



ART\_0273361\_K\_10F2

# SECTION 4 - BOOM



ART\_0273361\_K\_20F2

## SECTION 4 - BOOM

**FIGURE 4-10. POWER TRACK AND BOOM CLAMPS INSTALLATION (MAIN BOOM AND JIB) (PVC 2007)**

ITEM	PART NUMBER	QTY	DESCRIPTION	REV
	0273361	Ref	POWER TRACK AND BOOM CLAMPS INSTALLATION (MAIN BOOM AND JIB)	K
1	0100011	AR	Compound, Locking	
2	0100081	AR	Adhesive #454	
3	0760812	3	Screw M8 x 25	
4	0641406	1	Bolt 1/4 x 3/4	
5	0791510	2	Screw 5/16 x 1-1/4	
6	0641605	4	Bolt 3/8 x 5/8	
7	0641606	2	Bolt 3/8 x 3/4	
8	0641809	4	Bolt 1/2 x 1-1/8	
9	0641638	1	Bolt 3/8 x 4-3/4	
10	0641644	2	Bolt 3/8 x 5-1/2	
11	0791608	2	Screw 3/8 x 1	
12	0791610	10	Screw 3/8 x 1-1/4	
13	0791616	4	Screw 3/8 x 2	
14	0791622	1	Screw 3/8 x 2-3/4	
15	0641626	1	Bolt 3/8 x 3-1/4	
16	0791808	8	Screw 1/2 x 1	
17	0902932	2	Bracket, Mounting	
18	0791618	2	Screw 3/8 x 2-1/4	
19	1180386	1	Tube, Push (Upper Main Boom)	
20	1320159	2	Clamp, Hose	
21	1320263	2	Clamp, Hose	
22	1320277	1	Clamp, Hose	
23	1320288	1	Clamp, Hose	
24	1320289	1	Clamp, Hose	
25	1320294	2	Clamp, Bar	
26	1320296	3	Clamp, Bar	
27	1320325	2	Clamp, Block	
28	1320327	2	Clamp, Cover Plate	
30	1671122	1	Cover, Jib Pivot	
31	2540044	1	Guide, Hose	
32	3311608	12	Nut 3/8	
33	3340764	2	Pad, Push Tube	
34	3340787	NLA	Pad, Wear (Use p/n 1001136469)	
35	0811606	2	Screw 3/8 x 3/4	
36	3340934	4	Pad, Clamp	
37	3340941	4	Pad, Rubber	
38	3340942	4	Pad, Rubber	
39	3340943	2	Pad, Rubber	
40	3538758	1	Plate, Backing	
41	3574606	1	Plate, Bulkhead Mounting	
42	3900260	4	Capscrew 3/8 x 4	
43	3900283	8	Screw 3/8 x 3/4	
44	4071072	1	Shim, Adjusting 16Ga	
45	4240153	AR	Tie-Strap	
46	4240155	AR	Tie-Strap	
47	4562516	7 in/18 cm	Tubing, Poly	
48	4711400	1	Washer 1/4	

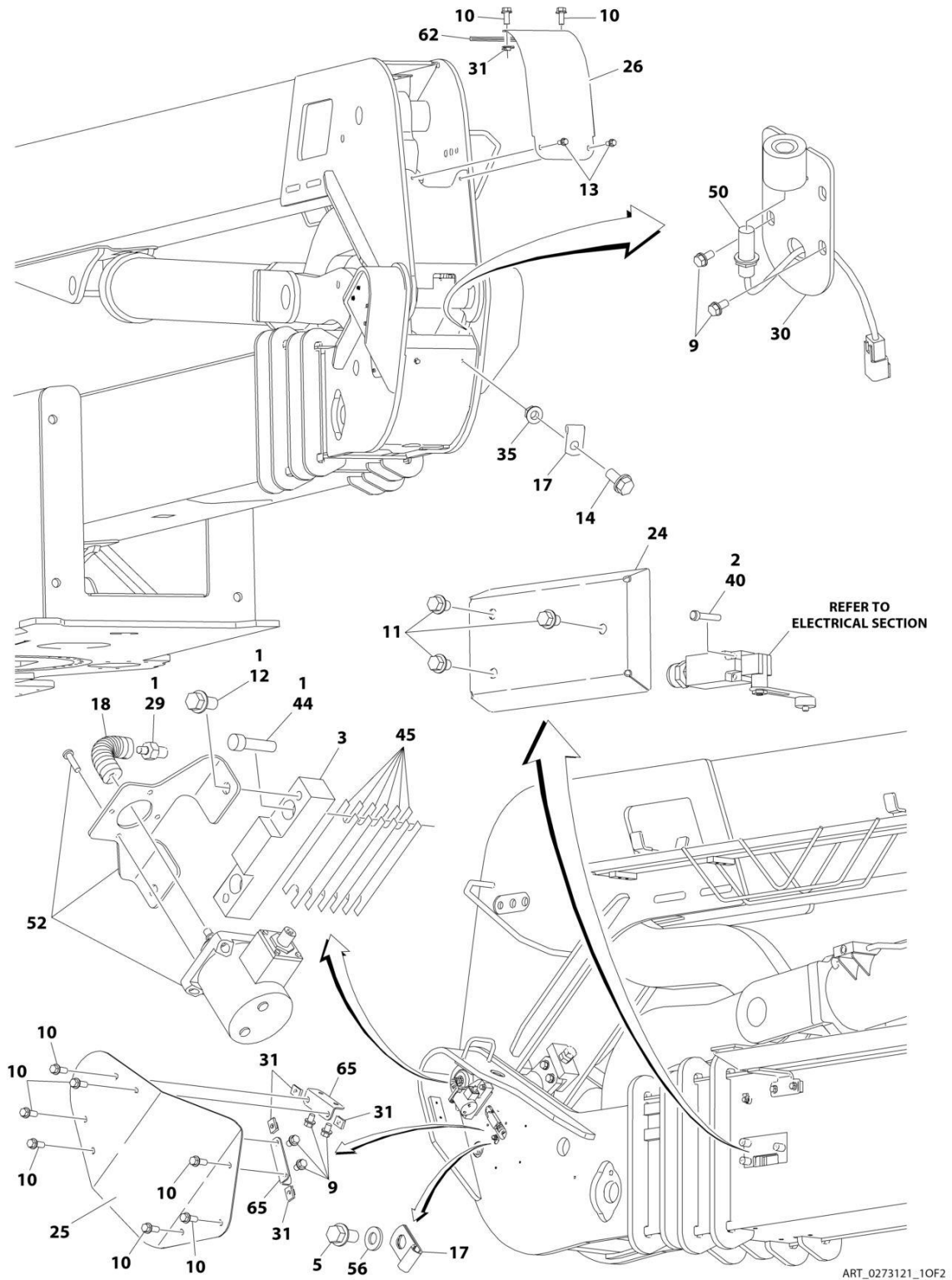


## SECTION 4 - BOOM

ITEM	PART NUMBER	QTY	DESCRIPTION	REV
49	4811900	6	Washer M8	
50	4711600	18	Washer 3/8	
51	4846920	1	Tube, Carrier (Lower Main Boom)	
52	4891800	4	Washer 1/2	
53	3311605	4	Nut 3/8	
54	4240033	AR	Tie-Strap	
55	0902965	1	Bracket, Push Tube Guide	
56	4220197	1	Pad, Guide Tube	
57	4100063	1	Sleeve	
58	4891600	2	Washer 3/8	
59	1001131732	1	Power Track, Main Cable	
59	70003913	AR	Repair Section Kit (Includes Inner and Outer Links, Joining Bars and Rollers, and Assembling Hardware)	
59	70003914	1	Roller Link Section Kit (Includes 1 Roller Assembly and Assembling Hardware)	
59	70003916	1	Mounting Bracket Kit (Includes Mounting Brackets for Both Ends and Assembling Hardware)	
60	3300492	5	Nut, Lock Nylon Insert	
61	4240156	1	Tie-Strap	
62	0641636	1	Bolt 3/8 x 4-1/2	
63	1321385	1	Clamp, Hose Retaining (Located at Platform Rotator - Not Shown)	
64	3290805	3	Nut M8	

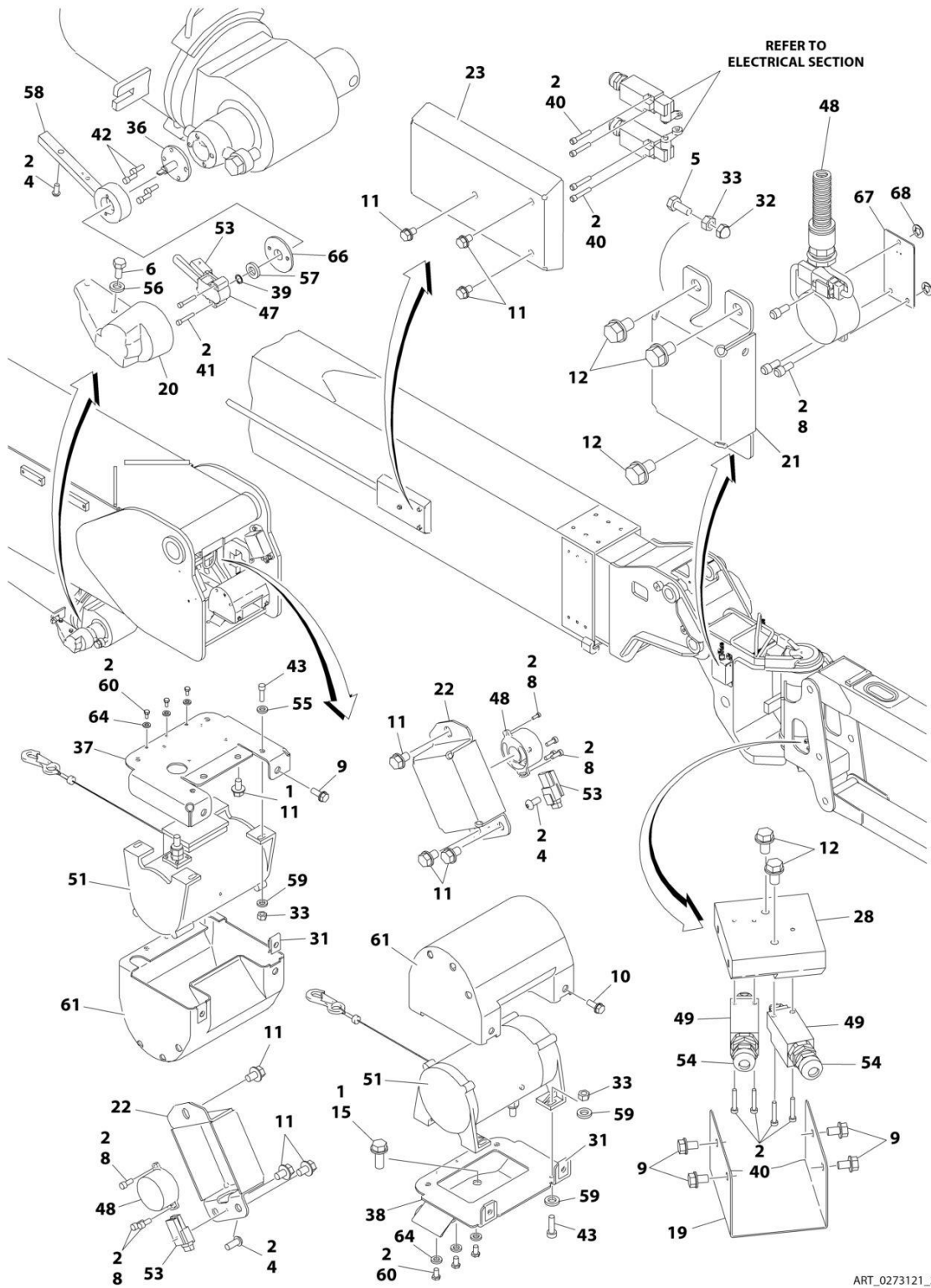
# SECTION 4 - BOOM

## FIGURE 4-11. BOOM SENSORS AND SWITCHES INSTALLATION



ART\_0273121\_10F2

# SECTION 4 - BOOM



ART\_0273121\_20F2

## SECTION 4 - BOOM

**FIGURE 4-11. BOOM SENSORS AND SWITCHES INSTALLATION**

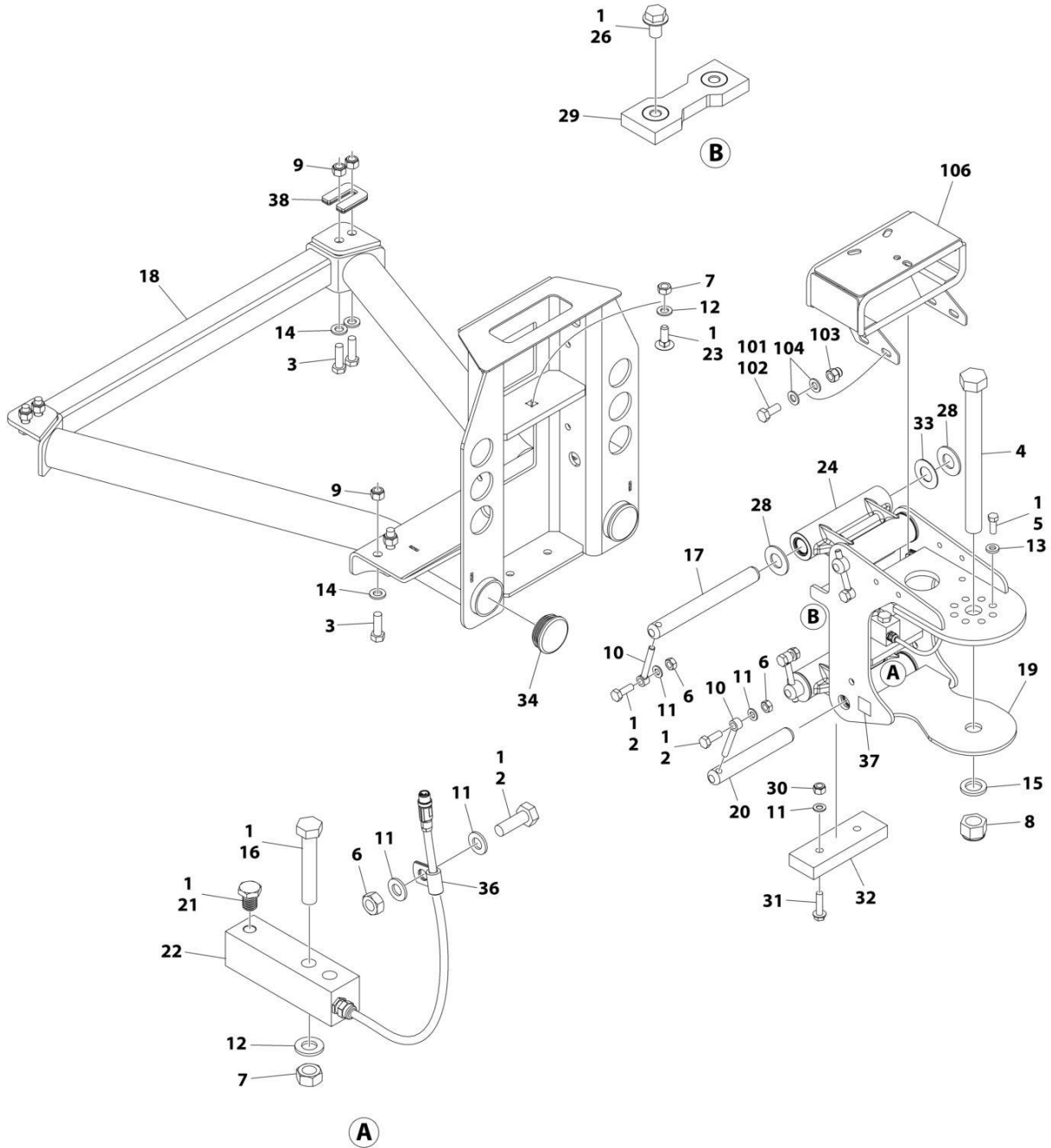
ITEM	PART NUMBER	QTY	DESCRIPTION	REV
	0273121	Ref	BOOM SENSORS AND SWITCHES INSTALLATION	P
1	0100011	AR	Compound, Locking	
2	0100035	AR	Compound, Locking	
3	0363224	2	Bar, Sensor Mounting	
4	0630464	3	Screw #10 x 1/2	
5	0641405	2	Bolt 1/4 x 5/8	
6	0641505	1	Bolt 5/16 x 5/8	
8	3930606	12	Capscrew #6 x 3/8	
9	0791504	17	Screw 5/16 x 1/2	
10	0791506	20	Screw 5/16 x 3/4	
11	0791604	20	Screw 3/8 x 1/2	
12	0791605	12	Screw 3/8 x 5/8	
13	0791606	2	Screw 3/8 x 3/4	
14	0791608	2	Screw 3/8 x 1	
15	0791810	2	Screw 1/2 x 1-1/4	
16	4240018	AR	Tie-Strap (Not Shown)	
17	1320301	7	Clamp, Hose	
18	1660261	2	Coupling, Rotary Sensor	
19	1671039	1	Cover, Jib Switch	
20	1671040	1	Cover, Sensor	
21	1671044	2	Cover, Level Sensor	
22	1671112	2	Cover, Angle Sensor	
23	1671113	2	Cover, Limit Switch	
24	1671117	1	Cover, Limit Switch	
25	3380528	2	Cover, Rotary Sensor	
26	1671123	1	Cover, Main Base Hose	
28	3200433	1	Mount, Jib Switch	
29	3200458	2	Mount, Coupling	
30	4340959	1	Mount, Sensor	
31	3300364	14	Nut, Tinnerman 5/16	
32	3300430	2	Nut 1/4	
33	3311405	10	Nut 1/4	
35	3311608	2	Nut 3/8	
36	3423256	1	Pin, Sensor (Note: Control System must be re-calibrated when Switch is replaced)	
37	4340810	1	Mount, Sensor (Upper)	
38	4340811	1	Mount, Sensor (Lower)	
39	3760383	1	Ring	
40	3930816	14	Capscrew #8 x 1	
41	3931020	2	Capscrew #10 x 1-1/4	
42	3931412	4	Capscrew 1/4 x 3/4	
43	3931414	8	Capscrew 1/4 x 7/8	
44	3931624	4	Capscrew 3/8 x 1-1/2	
45	4071031	12	Shim, Trunnion Keeper	
46	4240033	AR	Tie-Strap (Not Shown)	
47	4360505	1	Switch, Rotary Angle Sensor (Note: Control System must be re-calibrated when Switch is replaced)	
48	1001147479	4	Switch, Digital Angle Sensor (Note: Control System must be re-calibrated when Switch is replaced)	
49	4360548	2	Switch, Plunger	

## SECTION 4 - BOOM

ITEM	PART NUMBER	QTY	DESCRIPTION	REV
50	4000008	1	Sensor, Proximity Assembly	
51	4360552	2	Switch, Boom Length (Note: Control System must be re-calibrated when Switch is replaced)	
52	4360622	2	Switch, Rotary Transducer (Note: Control System must be re-calibrated when Switch is replaced)	
53	4460914	3	Terminal, Base	
54	4460968	3	Connector, Strain Relief	
55	4711400	8	Washer 1/4	
56	4711500	2	Washer 5/16	
57	4711800	1	Washer 1/2	
58	0200833	1	Arm	
59	4891400	8	Washer 1/4	
60	0721003	6	Screw #10 x 3/8	
61	1671142	2	Cover, Length Sensor	
62	3960389	11 in /28cm	Seal	
63	3960571	1	Seal, Gasket (Not Shown)	
64	4751000	6	Washer #10	
65	4340861	4	Plate, Mounting	
66	0080277	1	Adapter, Angle Sensor Pilot	
67	4341158	2	Mount, Sensor	
68	8310070	6	Pushnut 3/8	

# SECTION 4 - BOOM

## FIGURE 4-12. PLATFORM SUPPORT INSTALLATION - WITH 1 CELL LSS



ART\_1001167596\_N

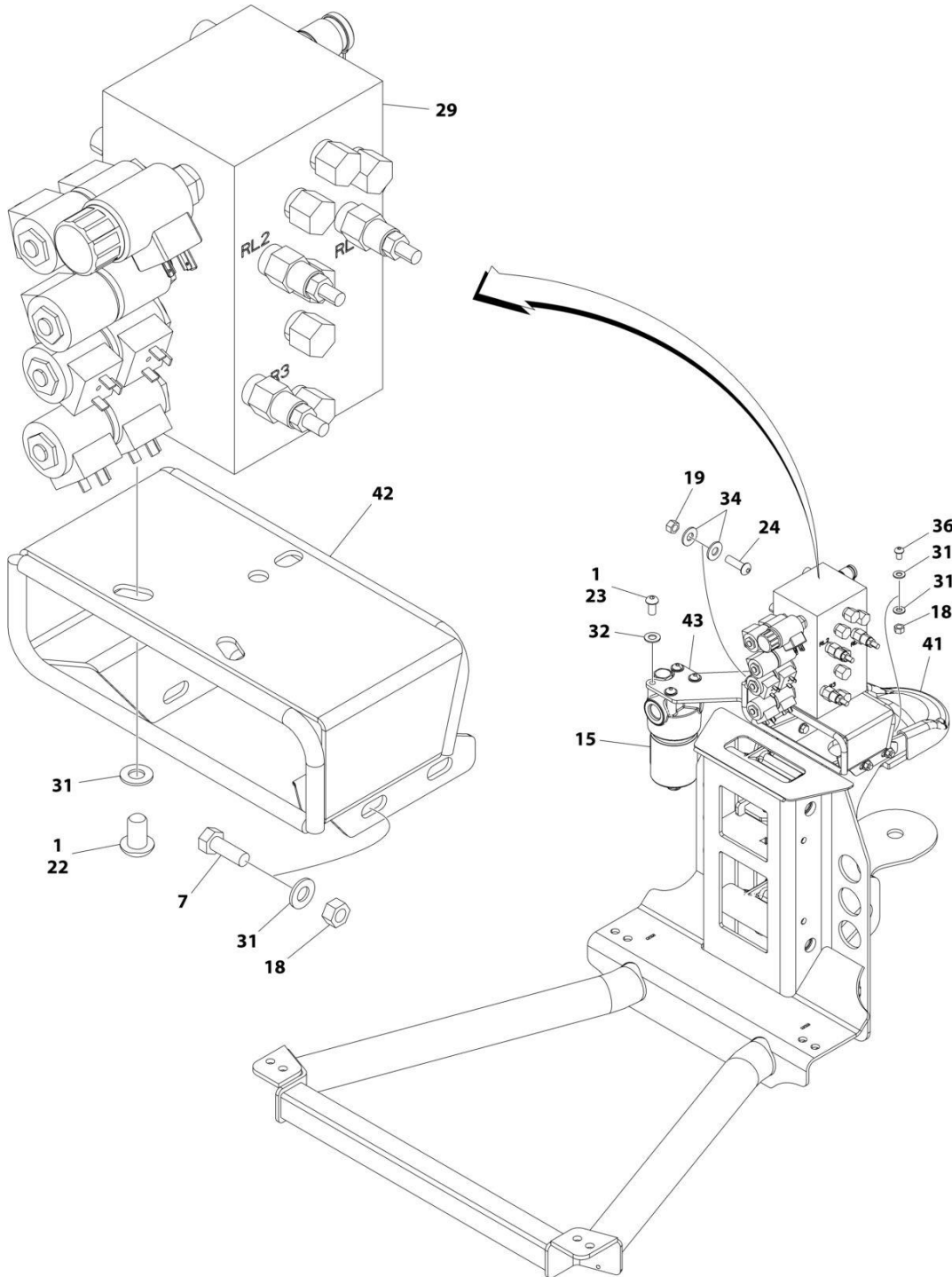
## SECTION 4 - BOOM

**FIGURE 4-12. PLATFORM SUPPORT INSTALLATION - WITH 1 CELL LSS**

ITEM	PART NUMBER	QTY	DESCRIPTION	REV
	1001167596	Ref	PLATFORM SUPPORT INSTALLATION	N
1	0100011	AR	Compound, Locking	
2	0761014	5	Bolt M10 x 30	
3	0761216	8	Bolt M12 x 40	
4	1001255133	1	Bolt 1 x 11 GRD8	
5	0681608	8	Bolt 3/8 x 1 GRD8	
6	3291001	5	Nut M10	
7	3291201	3	Nut M12	
8	1001174040	1	Nut 1	
9	3291205	8	Nut M12	
10	3841143	4	Keeper, Pin	
11	4812000	8	Washer M10	
12	4812100	3	Washer M12	
13	4891600	8	Washer 3/8	
14	5241200	8	Washer M12	
15	4892600001	1	Washer 1	
16	1001098828	2	Bolt M12 x 70 CL10.9	
17	1001167565	2	Pin	
18	1001200494	1	Support, Platform	
19	1001167567	1	Support, Rotator	
20	1001168402	2	Pin	
21	1001188622	1	Screw	
22	1001247468	1	Loadcell	
23	1001188844	1	Bolt M12 x 35	
24	1001201351	2	Link	
24	1001187382	4	Bearing	
24	1001187383	4	Seal	
26	5251008	2	Bolt M10 x 16 CL10.9	
28	1001189002	8	Bearing	
29	1001190985	1	Pad, Wear	
30	3291005	2	Nut M10	
31	5251016	2	Bolt M10 x 40 CL10.9	
32	1001200491	1	Pad, Wear	
33	1001189001	4	Bearing	
34	1001204725	2	Plug	
36	91203039	1	Clamp	
37	1001216630	2	Decal - Tie Down/No Lift	
38	1001238421	Ref	Kit, Platform Leveling (Not Shown)	
	1001202687	Ref	VALVE MOUNT INSTALLATION	B
101	0100011	AR	Compound, Locking	
102	0760810	4	Bolt M8 x 20	
103	3290806	4	Nut M8	
104	4811900	8	Washer M8	
106	1001208994	1	Mount, Valve	

# SECTION 4 - BOOM

FIGURE 4-13. CONTROL VALVE INSTALLATION - WITH 1 CELL LSS (PVC 2001)



ART\_1001219989\_30F3



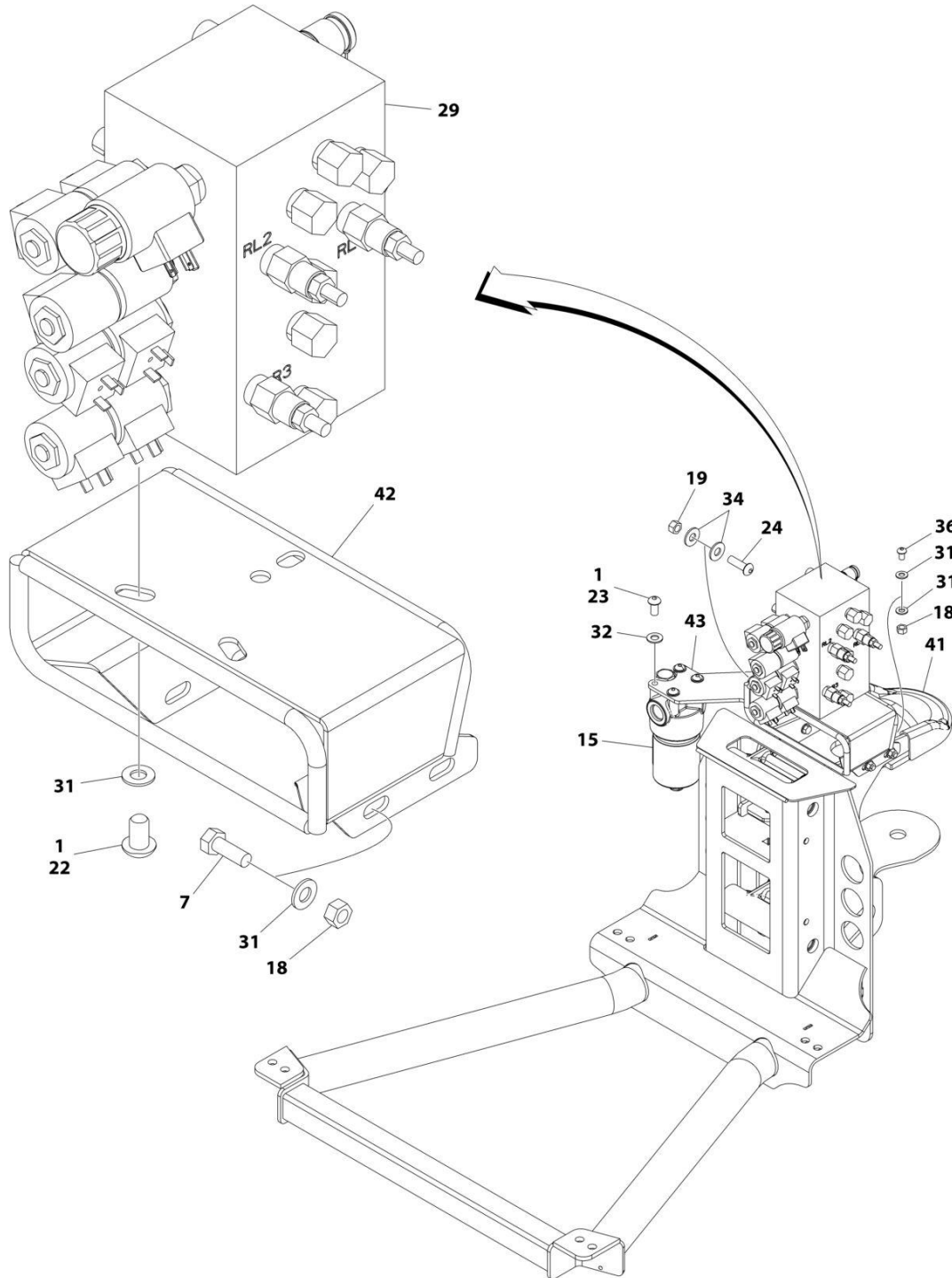
## SECTION 4 - BOOM

**FIGURE 4-13. CONTROL VALVE INSTALLATION - WITH 1 CELL LSS (PVC 2001)**

ITEM	PART NUMBER	QTY	DESCRIPTION	REV
	1001219989	Ref	CONTROL VALVE INSTALLATION - WITH 1 CELL LSS	B
1	0100011	AR	Compound, Locking	
7	0641507	4	Bolt 5/16 x 7/8	
15	2120217	1	Filter, Pressure	
15	70002097	1	Element	
15	70004328	1	Plug, Indicator	
18	3311505	6	Nut 5/16	
19	3311605	2	Nut 3/8	
22	3900210	3	Screw 5/16 x 3/4	
23	3900283	4	Screw 3/8 x 3/4	
24	3900316	2	Screw 3/8 x 1	
29	4641460	1	Platform Valve (See Separate Breakdown in this Section)	
31	4711500	12	Washer 5/16	
32	4711600	4	Washer 3/8	
34	4751600	4	Washer 3/8	
36	88261024	2	Bolt 5/16 x 1	
41	1001207969	1	Cover, Support/Rotator	
42	1001208994	1	Plate, Valve Mounting	
43	1001222314	1	Bracket, Filter Mounting	

# SECTION 4 - BOOM

## FIGURE 4-14. CONTROL VALVE INSTALLATION - WITH 1 CELL LSS (PVC 2007)



ART\_1001219989\_E\_30F3

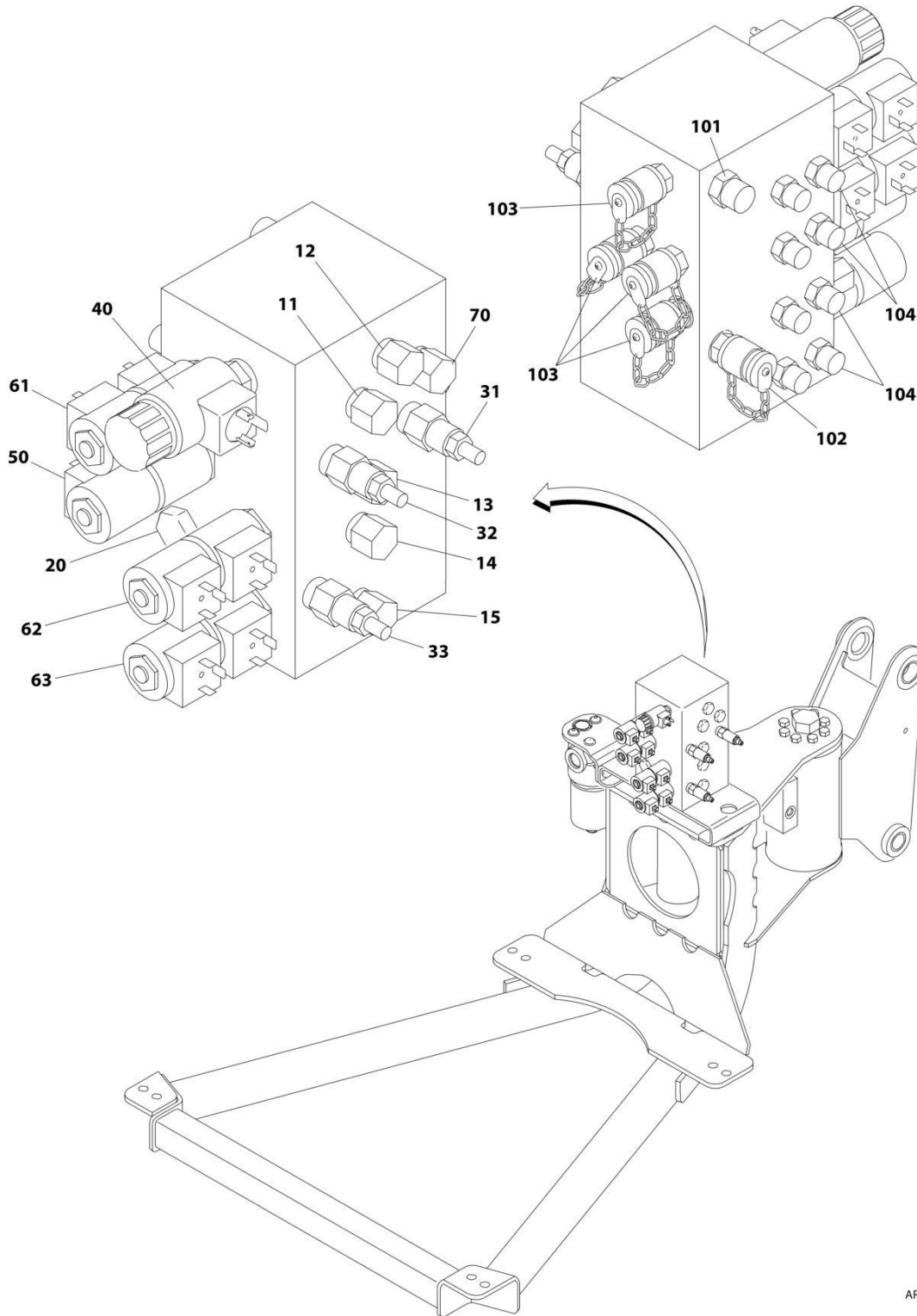
## SECTION 4 - BOOM

**FIGURE 4-14. CONTROL VALVE INSTALLATION - WITH 1 CELL LSS (PVC 2007)**

ITEM	PART NUMBER	QTY	DESCRIPTION	REV
	1001219989	Ref	CONTROL VALVE INSTALLATION - WITH 1 CELL LSS	E
1	0100011	AR	Compound, Locking	
7	0641507	4	Bolt 5/16 x 7/8	
15	2120217	1	Filter, Pressure	
15	70002097	1	Element	
15	70004328	1	Plug, Indicator	
18	3311505	6	Nut 5/16	
19	3311605	2	Nut 3/8	
22	3900210	3	Screw 5/16 x 3/4	
23	3900283	4	Screw 3/8 x 3/4	
24	3900316	2	Screw 3/8 x 1	
29	4641460	1	Platform Valve (See Separate Breakdown in this Section)	
31	4711500	12	Washer 5/16	
32	4711600	4	Washer 3/8	
34	4751600	4	Washer 3/8	
36	88261024	2	Bolt 5/16 x 1	
41	1001207969	1	Cover, Support/Rotator	
42	1001208994	1	Plate, Valve Mounting	
43	1001222314	1	Bracket, Filter Mounting	

# SECTION 4 - BOOM

## FIGURE 4-15. PLATFORM VALVE ASSEMBLY



ART\_4641460

## SECTION 4 - BOOM

**FIGURE 4-15. PLATFORM VALVE ASSEMBLY**

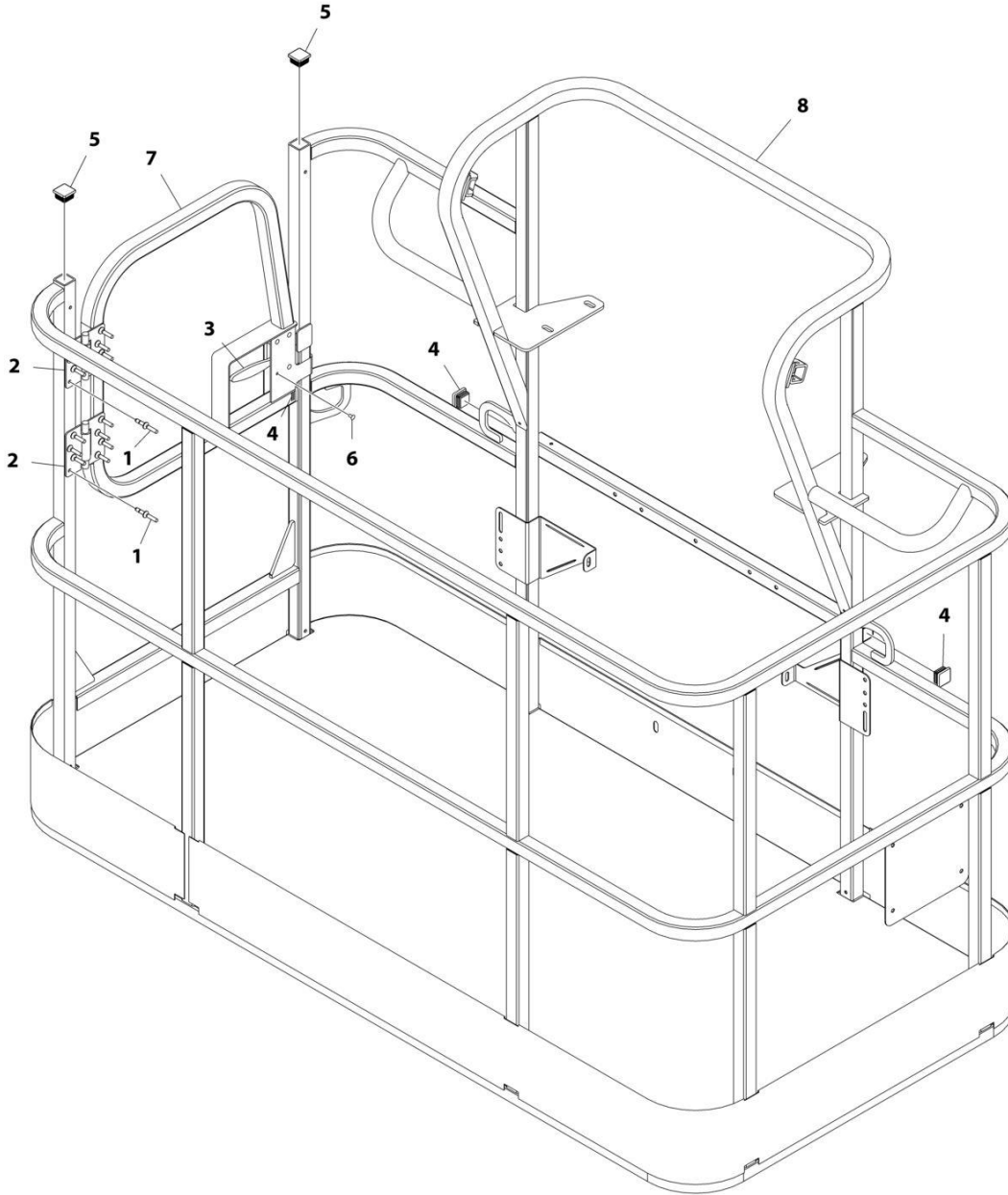
ITEM	PART NUMBER	QTY	DESCRIPTION	REV
	4641460	Ref	PLATFORM VALVE ASSEMBLY	C
11	7026018	1	Valve, Cartridge	
11	7011346	1	Seal Kit - Valve	
12	7026019	1	Valve, Cartridge (Flow Control)	
12	7011346	1	Seal Kit - Valve	
13	7026020	1	Valve, Cartridge (Rotate)	
13	7011346	1	Seal Kit - Valve	
14	7026021	1	Valve, Cartridge (Jib Swing)	
14	7011346	1	Seal Kit - Valve	
15	7026019	1	Valve, Cartridge (Jib Lift)	
15	7011346	1	Seal Kit - Valve	
20	7011355	1	Valve, Cartridge (Jib)	
20	2900770	1	Seal Kit - Valve	
31	7024572	1	Valve, Relief Cartridge (Platform Level Up)	
31	7011346	1	Seal Kit - Valve	
32	7024572	1	Valve, Relief Cartridge (Platform Level Down)	
32	7011346	1	Seal Kit - Valve	
33	7024572	1	Valve, Relief Cartridge (Jib Up/Down)	
33	7011346	1	Seal Kit - Valve	
40	7026022	1	Valve, Cartridge (Dump)	
40	2900770	1	Seal Kit - Valve	
40	7024571	1	Coil	
50	7023922	1	Valve, Cartridge (Platform Rotate)	
50	7017402	1	Seal Kit - Valve	
50	7012944	2	Coil	
61	7023922	1	Valve, Cartridge (Platform Level)	
61	7017402	1	Seal Kit - Valve	
61	7012944	2	Coil	
62	7023922	1	Valve, Cartridge (Jib Swing)	
62	7017402	1	Seal Kit - Valve	
62	7012944	2	Coil	
63	7023922	1	Valve, Cartridge (Jib Lift)	
63	7017402	1	Seal Kit - Valve	
63	7012944	2	Coil	
70	7026023	1	Valve, Cartridge (Check)	
70	7011346	1	Seal Kit - Valve	
	4641460	Ref	Platform Valve Assembly (Fitting Information)	C
101	2110606	1	Fitting, Straight	
102	4641255	1	Fitting (Check Valve)	
103	2221086	4	Check, Pressure	
104	2110404	8	Fitting, Straight	



**SECTION 5 - PLATFORM**

# SECTION 5 - PLATFORM

FIGURE 5-1. PLATFORM ASSEMBLY - 36IN X 6FT (91.5CM X 1.83M) WITH SWING GATE



ART\_1001186384



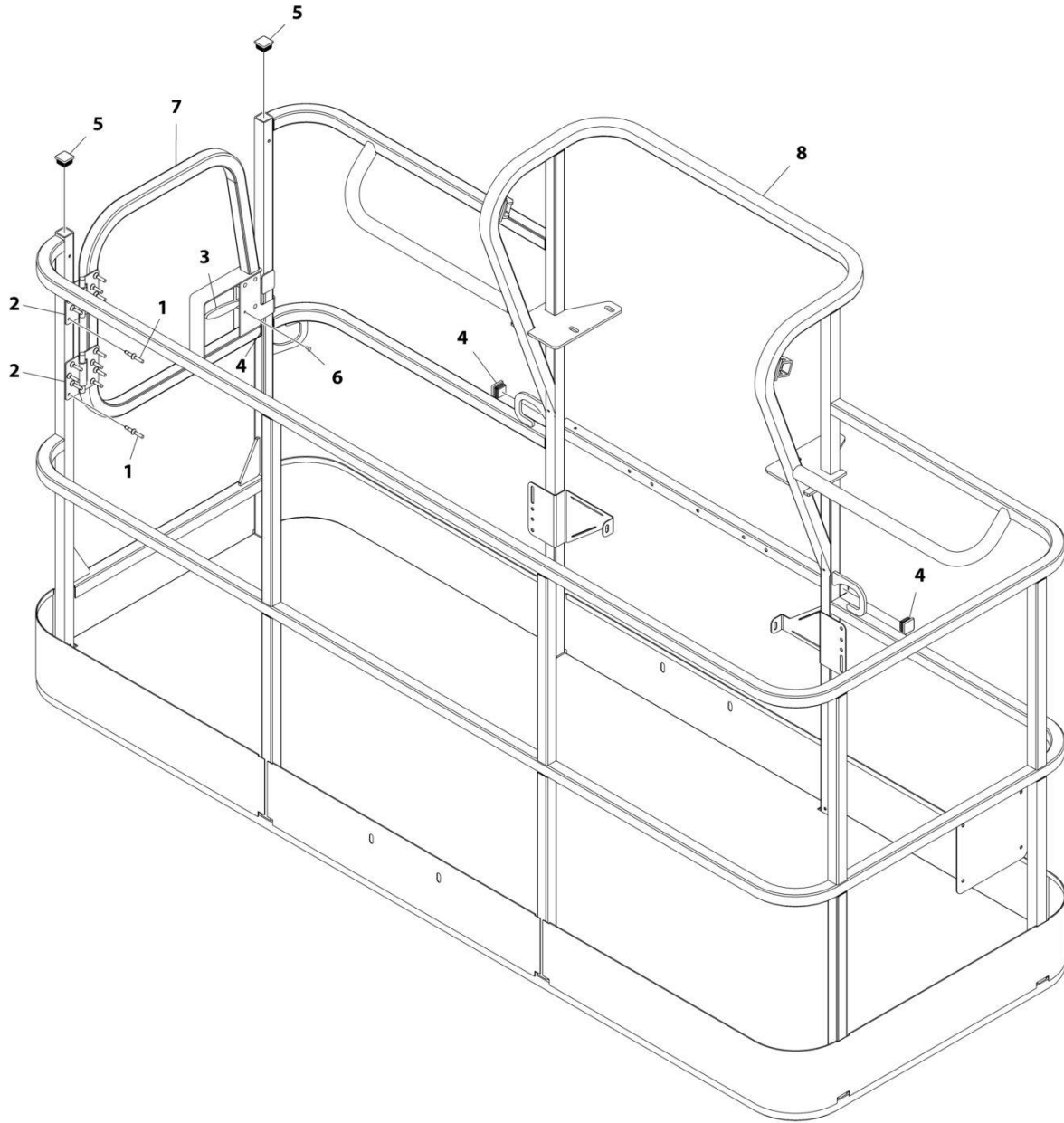
## SECTION 5 - PLATFORM

**FIGURE 5-1. PLATFORM ASSEMBLY - 36IN X 6FT (91.5CM X 1.83M) WITH SWING GATE**

ITEM	PART NUMBER	QTY	DESCRIPTION	REV
	1001186384	Ref	PLATFORM ASSEMBLY - 36IN X 6FT (91.5CM X 1.83M) WITH SWING GATE	C
	See Note	Ref	Note: Platform and Mesh must be ordered separately for Platforms with Mesh. See SPECIAL OPTIONS SECTION for Mesh Installations.	
	See Note	Ref	Note: Replacement Decals Must be Ordered Separately - See DECALS SECTION.	
1	2080040	16	Fastener, Huck	
2	2600281	2	Hinge	
3	2940074	1	Latch	
4	3520072	3	Plug	
5	3520198	2	Plug	
6	3820020	4	Rivet	
7	1001144629	1	Gate	
8	See Note	NSS	Platform (Note: Not Available - Purchase Platform Assembly)	

# SECTION 5 - PLATFORM

FIGURE 5-2. PLATFORM ASSEMBLY - 36IN X 8FT (91.5CM X 2.44M) WITH SWING GATE



ART\_1001186383

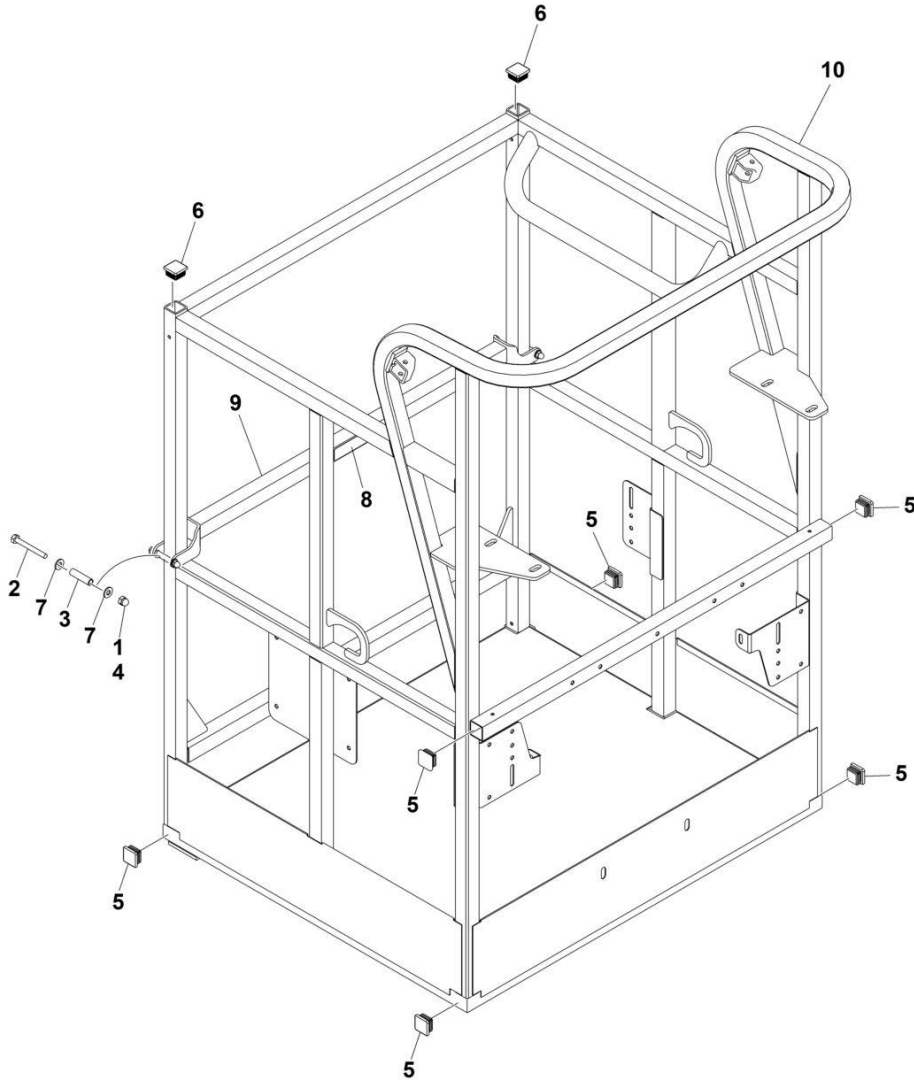
## SECTION 5 - PLATFORM

**FIGURE 5-2. PLATFORM ASSEMBLY - 36IN X 8FT (91.5CM X 2.44M) WITH SWING GATE**

ITEM	PART NUMBER	QTY	DESCRIPTION	REV
	1001186383	Ref	PLATFORM ASSEMBLY - 36IN X 8FT (91.5CM X 2.44M) WITH SWING GATE	D
		Ref	Note: Platform and Mesh must be ordered separately for Platforms with Mesh. See SPECIAL OPTIONS SECTION for Mesh Installations.	
		Ref	Note: Replacement Decals Must be Ordered Separately - See DECALS SECTION.	
1	2080040	16	Fastener, Huck	
2	2600281	2	Hinge	
3	2940074	1	Latch	
4	3520072	3	Plug	
5	3520198	2	Plug	
6	3820020	4	Rivet	
7	1001144629	1	Gate	
8	See Note	NSS	Platform (Note: Not Available - Purchase Platform Assembly)	

# SECTION 5 - PLATFORM

FIGURE 5-3. PLATFORM ASSEMBLY - 30IN X 3FT (76CM X .91M) - WITH DROP BAR



ART\_1001228215

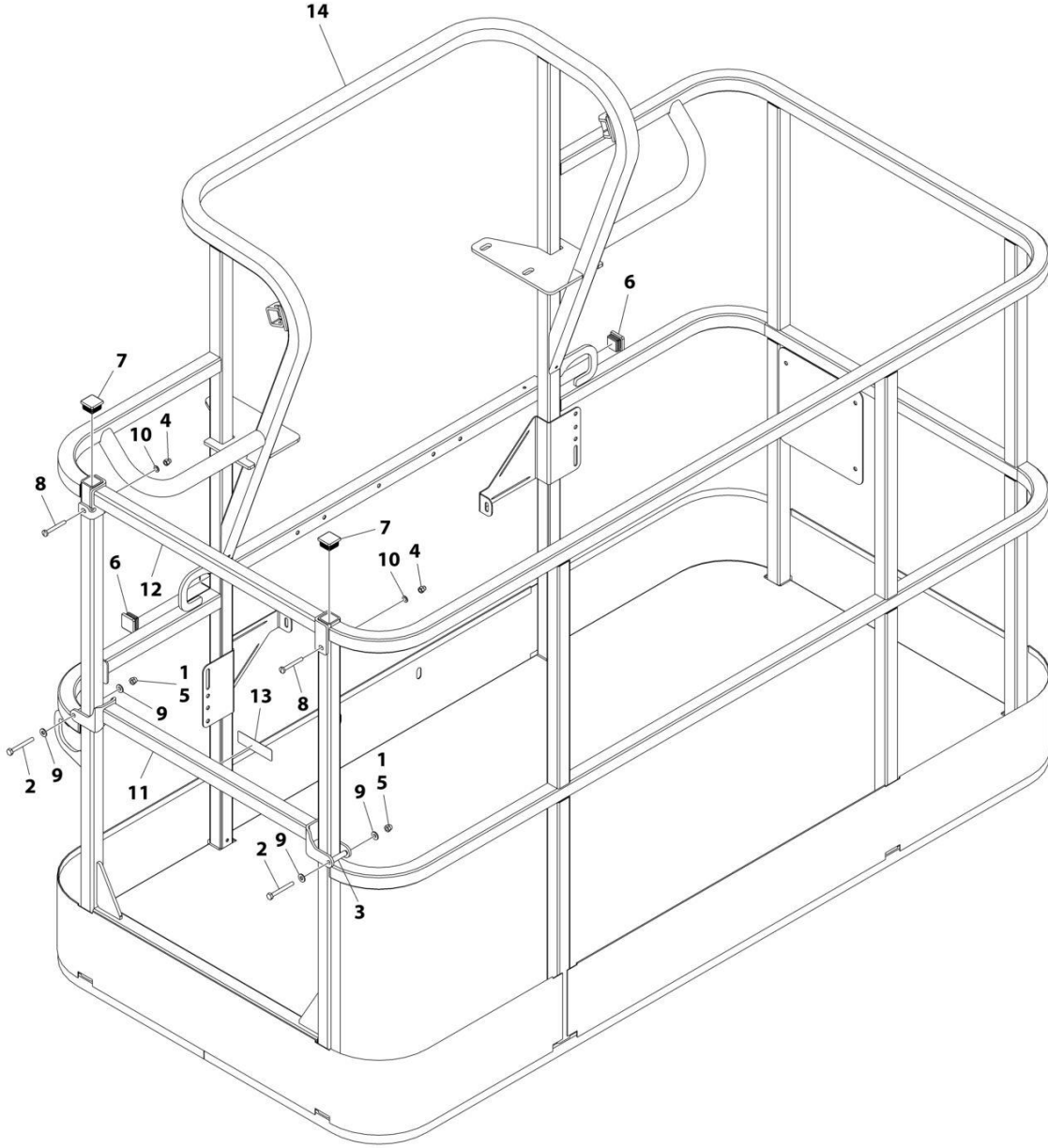
## SECTION 5 - PLATFORM

**FIGURE 5-3. PLATFORM ASSEMBLY - 30IN X 3FT (76CM X .91M) - WITH DROP BAR**

ITEM	PART NUMBER	QTY	DESCRIPTION	REV
	1001228215	Ref	PLATFORM ASSEMBLY	A
	See Note	Ref	Note: Platform and Mesh must be ordered separately for Platforms with Mesh. See SPECIAL OPTIONS SECTION for Mesh Installations.	
	See Note	Ref	Note: Replacement Decals Must be Ordered Separately - See DECAL SECTION.	
1	0100011	AR	Compound, Locking	
2	0641418	2	Bolt 1/4 x 2-1/4	
3	0961845	2	Bushing	
4	3300151	2	Nut 1/4	
5	3520072	6	Cap, Plug	
6	3520198	2	Cap, Plug	
7	4711400	4	Washer 1/4	
8	1001140429	1	Decal - Drop Bar	
9	1001226872	1	Bar, Drop	
10	See Note	NSS	Platform (Note: Not Available - Purchase Platform Assembly)	

# SECTION 5 - PLATFORM

FIGURE 5-4. PLATFORM ASSEMBLY - 36IN X 6FT (91.5CM X 1.83M) WITH DROP BAR



ART\_1001186379

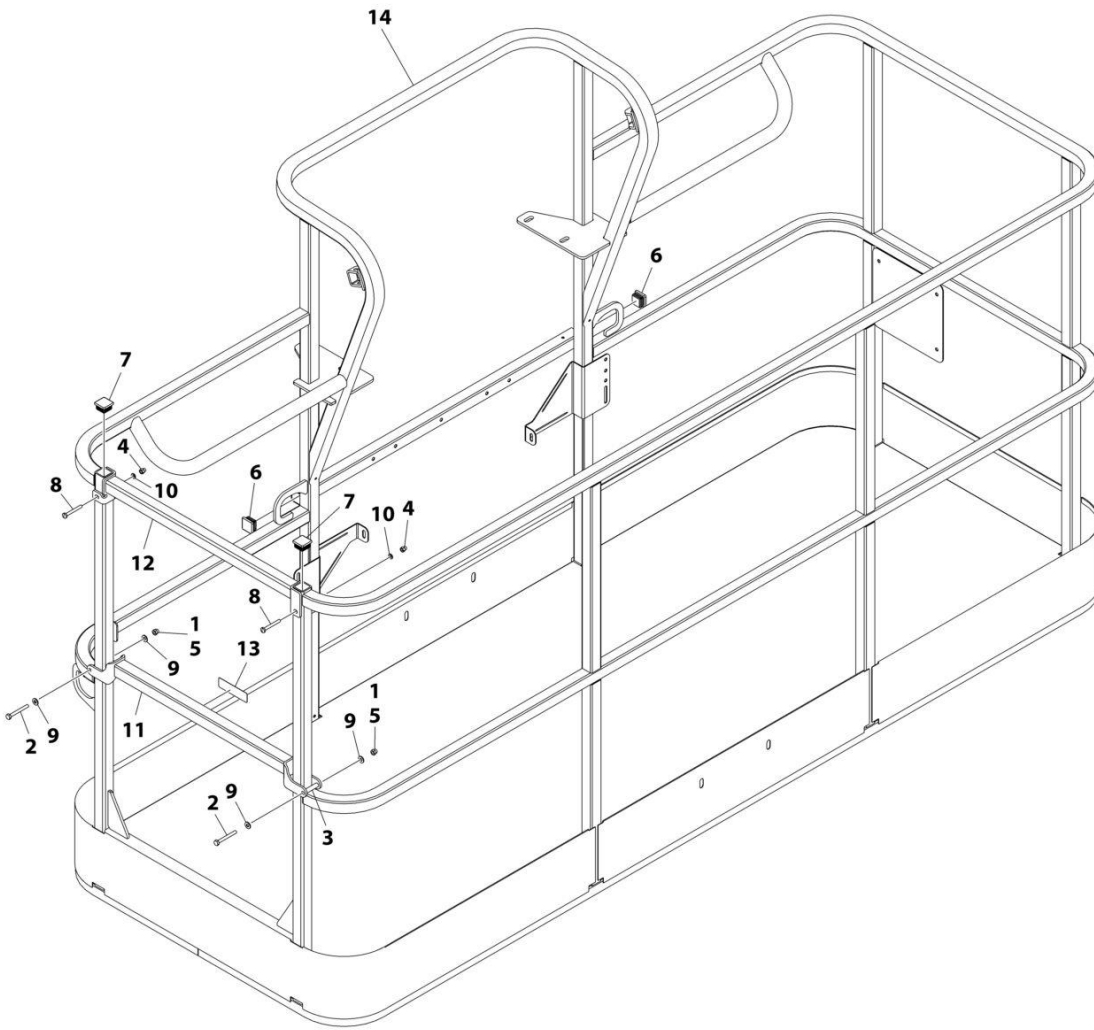
## SECTION 5 - PLATFORM

**FIGURE 5-4. PLATFORM ASSEMBLY - 36IN X 6FT (91.5CM X 1.83M) WITH DROP BAR**

ITEM	PART NUMBER	QTY	DESCRIPTION	REV
	1001186379	Ref	PLATFORM ASSEMBLY - 36IN X 6FT (91.5CM X 1.83M) WITH DROP BAR	B
		Ref	Note: Platform and Mesh must be ordered separately for Platforms with Mesh. See SPECIAL OPTIONS SECTION for Mesh Installations.	
		Ref	Note: Replacement Decals Must be Ordered Separately - See DECALS SECTION.	
1	0100011	AR	Compound, Locking	
2	0641418	2	Bolt 1/4 x 2-1/4	
3	0961845	2	Bushing	
4	3290606	2	Nut M6	
5	3300151	2	Nut 1/4	
6	3520072	2	Plug	
7	3520198	2	Plug	
8	4010618	2	Screw M6 x 50	
9	4711400	4	Washer 1/4	
10	4811700	2	Washer M6	
11	1001138494	1	Bar, Drop	
12	1001138514	1	Rail (Top)	
13	1001140429	1	Decal - Drop Bar	
14	See Note	NSS	Platform (Note: Not Available - Purchase Platform Assembly)	

# SECTION 5 - PLATFORM

FIGURE 5-5. PLATFORM ASSEMBLY - 36IN X 8FT (91.5CM X 2.44M) WITH DROP BAR



ART\_1001186382



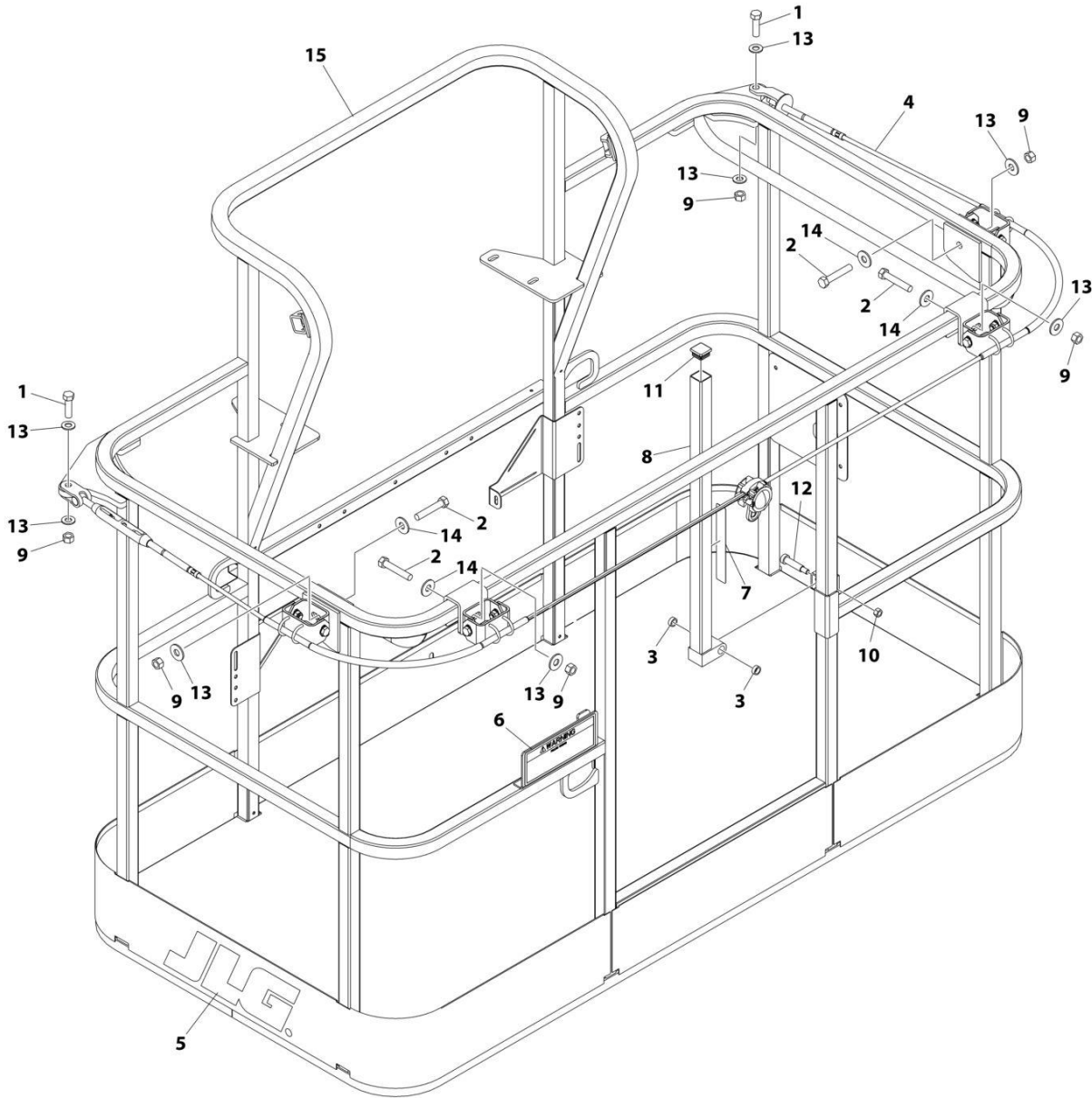
## SECTION 5 - PLATFORM

**FIGURE 5-5. PLATFORM ASSEMBLY - 36IN X 8FT (91.5CM X 2.44M) WITH DROP BAR**

ITEM	PART NUMBER	QTY	DESCRIPTION	REV
	1001186382	Ref	PLATFORM ASSEMBLY - 36IN X 8FT (91.5CM X 2.44M) WITH DROP BAR	C
		Ref	Note: Platform and Mesh must be ordered separately for Platforms with Mesh. See SPECIAL OPTIONS SECTION for Mesh Installations.	
		Ref	Note: Replacement Decals Must be Ordered Separately - See DECALS SECTION.	
1	0100011	AR	Compound, Locking	
2	0641418	2	Bolt 1/4 x 2-1/4	
3	0961845	2	Bushing	
4	3290606	2	Nut M6	
5	3300151	2	Nut 1/4	
6	3520072	2	Plug	
7	3520198	2	Plug	
8	4010618	2	Screw M6 x 50	
9	4711400	4	Washer 1/4	
10	4811700	2	Washer M6	
11	1001138494	1	Bar, Drop	
12	1001138514	1	Rail (Top)	
13	1001140429	1	Decal - Drop Bar	
14	See Note	NSS	Platform (Note: Not Available - Purchase Platform Assembly)	

# SECTION 5 - PLATFORM

FIGURE 5-6. PLATFORM ASSEMBLY - 36IN X 6FT (91.5CM X 1.83M) WITH FALL ARREST (ANSI AND ANSI EXPORT SPECS)



ART\_1001186333

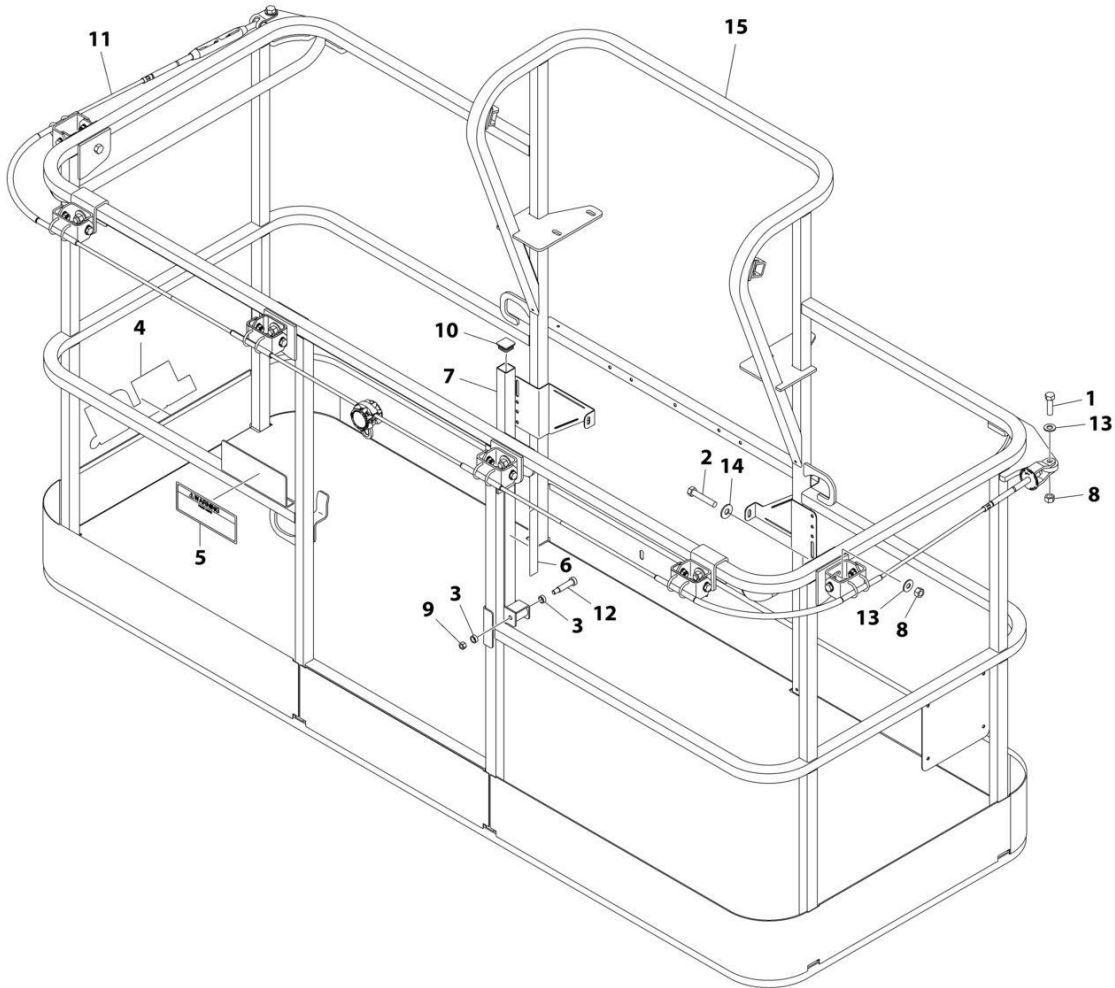
## SECTION 5 - PLATFORM

**FIGURE 5-6. PLATFORM ASSEMBLY - 36IN X 6FT (91.5CM X 1.83M) WITH FALL ARREST (ANSI AND ANSI EXPORT SPECS)**

ITEM	PART NUMBER	QTY	DESCRIPTION	REV
	1001186333	Ref	PLATFORM ASSEMBLY	C
		Ref	Note: Replacement Decals Must be Ordered Separately - See DECALS SECTION.	
1	0681814	2	Bolt 1/2 x 1-3/4 Grade 8	
2	0681822	4	Bolt 1/2 x 2-3/4 Grade 8	
3	0962270	2	Bearing	
4	1001203655	1	Cable	
5	1702773	1	Decal - JLG	
6	1705014	1	Decal - Safety	
7	1706385	1	Decal - Drop Bar	
8	2410014	1	Bar, Drop	
9	3271805	6	Nut 1/2 Grade 8	
10	3311605	1	Nut 3/8	
11	3520072	1	Plug	
12	3900054	1	Bolt 1/2 x 1-3/4	
13	4711800	8	Washer 1/2	
14	4751800	4	Washer 1/2	
15	See Note	NSS	Platform (Note: Not Available - Purchase Platform Assembly)	

# SECTION 5 - PLATFORM

FIGURE 5-7. PLATFORM ASSEMBLY - 36IN X 8FT (91.5CM X 2.44M) WITH FALL ARREST (ANSI AND CSA SPECS)



ART\_1001186334

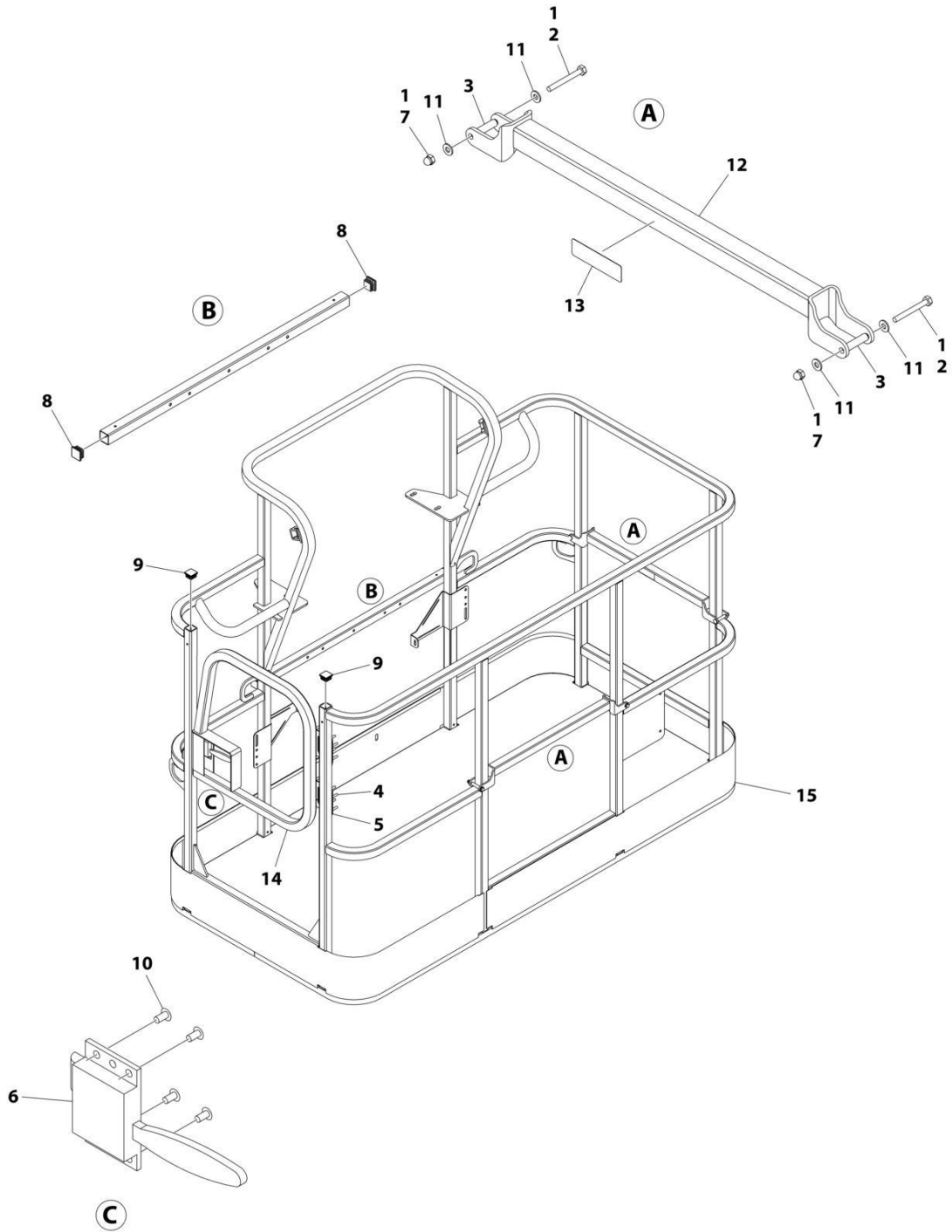
## SECTION 5 - PLATFORM

**FIGURE 5-7. PLATFORM ASSEMBLY - 36IN X 8FT (91.5CM X 2.44M) WITH FALL ARREST (ANSI AND CSA SPECS)**

ITEM	PART NUMBER	QTY	DESCRIPTION	REV
	1001186334	Ref	PLATFORM ASSEMBLY	D
		Ref	Note: Replacement Decals Must be Ordered Separately - See DECALS SECTION.	
1	0681814	2	Bolt 1/2 x 1-3/4 Grade 8	
2	0681822	6	Bolt 1/2 x 2-3/4 Grade 8	
3	0962270	2	Bearing	
4	1702773	1	Decal - JLG	
5	1705014	1	Decal - Safety	
6	1706385	1	Decal - Drop Bar	
7	2410014	1	Bar, Drop	
8	3271805	8	Nut 1/2 Grade 8	
9	3311605	1	Nut 3/8	
10	3520072	1	Plug	
11	1001203656	1	Cable	
12	3900054	1	Bolt 1/2 x 1-3/4	
13	4711800	2	Washer 1/2	
14	4751800	6	Washer 1/2	
15	See Note	NSS	Platform (Note: Purchase Platform Assembly)	

# SECTION 5 - PLATFORM

FIGURE 5-8. PLATFORM ASSEMBLY - 36IN X 6FT (91.5CM X 1.83M) TRI-ENTRY WITH SWING GATE



ART\_1001228376

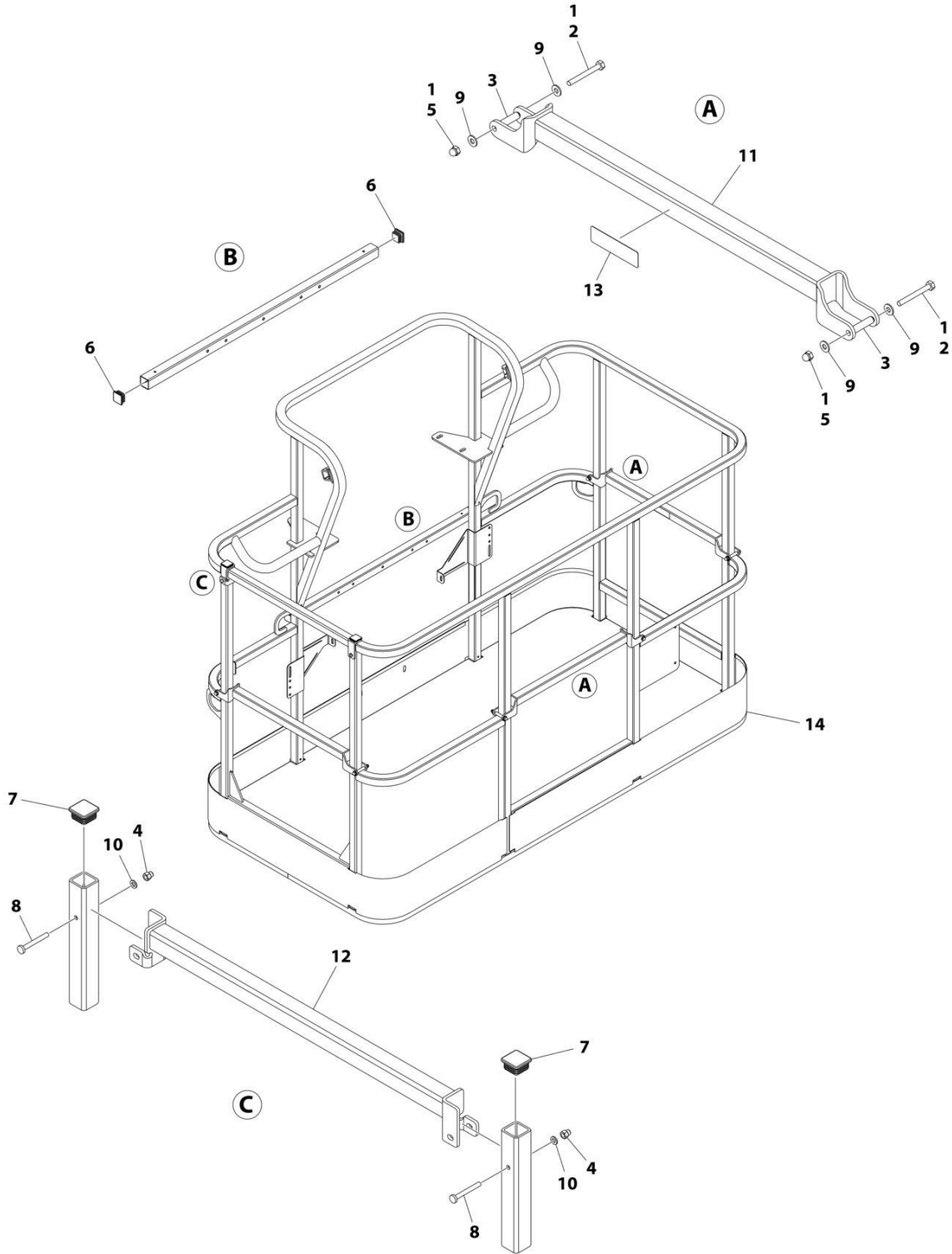
## SECTION 5 - PLATFORM

**FIGURE 5-8. PLATFORM ASSEMBLY - 36IN X 6FT (91.5CM X 1.83M) TRI-ENTRY WITH SWING GATE**

ITEM	PART NUMBER	QTY	DESCRIPTION	REV
	1001228376	Ref	PLATFORM ASSEMBLY - 36IN x 6FT (91.5CM x 1.83M)	B
		Ref	Note: Platform and Mesh must be ordered separately for Platforms with Mesh. See SPECIAL OPTIONS SECTION for Mesh Installations.	
		Ref	Note: Replacement Decals Must be Ordered Separately - See DECAL SECTION.	
1	0100011	AR	Compound, Locking	
2	0641418	4	Bolt 1/4 x 2-1/4	
3	0961845	4	Bushing	
4	2080040	16	Fastener	
5	2600281	2	Hinge	
6	2940074	1	Latch	
7	3300151	4	Nut 1/4	
8	3520072	3	Plug	
9	3520198	2	Plug	
10	3820020	4	Rivet	
11	4711400	8	Washer 1/4	
12	1001138494	2	Bar, Drop	
13	1001140429	2	Decal - Drop Bar	
14	1001144629	1	Gate	
15	See Note	NSS	Platform (Note: Not Available - Purchase Platform Assembly)	

# SECTION 5 - PLATFORM

FIGURE 5-9. PLATFORM ASSEMBLY - 36IN X 6FT (91.5CM X 1.83M) TRI-ENTRY WITH DROP BAR



ART\_1001228377



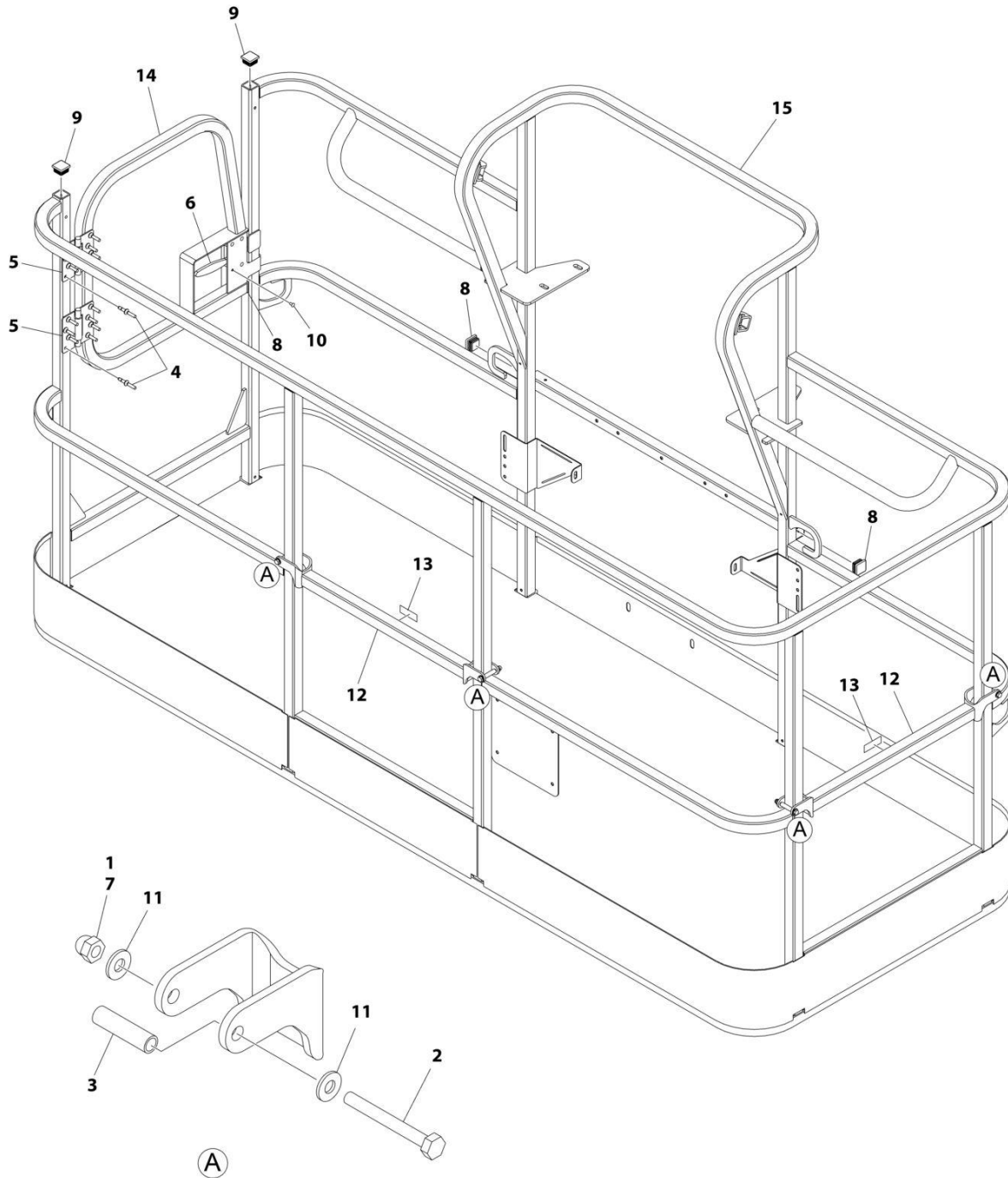
## SECTION 5 - PLATFORM

**FIGURE 5-9. PLATFORM ASSEMBLY - 36IN X 6FT (91.5CM X 1.83M) TRI-ENTRY WITH DROP BAR**

ITEM	PART NUMBER	QTY	DESCRIPTION	REV
	1001228377	Ref	PLATFORM ASSEMBLY - 36IN x 6FT (91.5CM x 1.83M)	B
		Ref	Note: Platform and Mesh must be ordered separately for Platforms with Mesh. See SPECIAL OPTIONS SECTION for Mesh Installations.	
		Ref	Note: Replacement Decals Must be Ordered Separately - See DECAL SECTION.	
1	0100011	1	Compound, Locking	
2	0641418	6	Bolt 1/4 x 2-1/4	
3	0961845	6	Bushing	
4	3290606	2	Nut M6	
5	3300151	6	Nut 1/4	
6	3520072	2	Plug	
7	3520198	2	Plug	
8	4010618	2	Screw M6 x 50	
9	4711400	12	Washer 1/4	
10	4811700	2	Washer M6	
11	1001138494	3	Bar, Drop	
12	1001138514	1	Rail (Top)	
13	1001140429	3	Decal - Drop Bar	
14	See Note	NSS	Platform, Weldment (Note: Not Available - Purchase Platform Assembly)	

# SECTION 5 - PLATFORM

FIGURE 5-10. PLATFORM ASSEMBLY - 36IN X 8FT (91.5CM X 2.44M) TRI-ENTRY WITH DROPBAR



ART\_1001228243

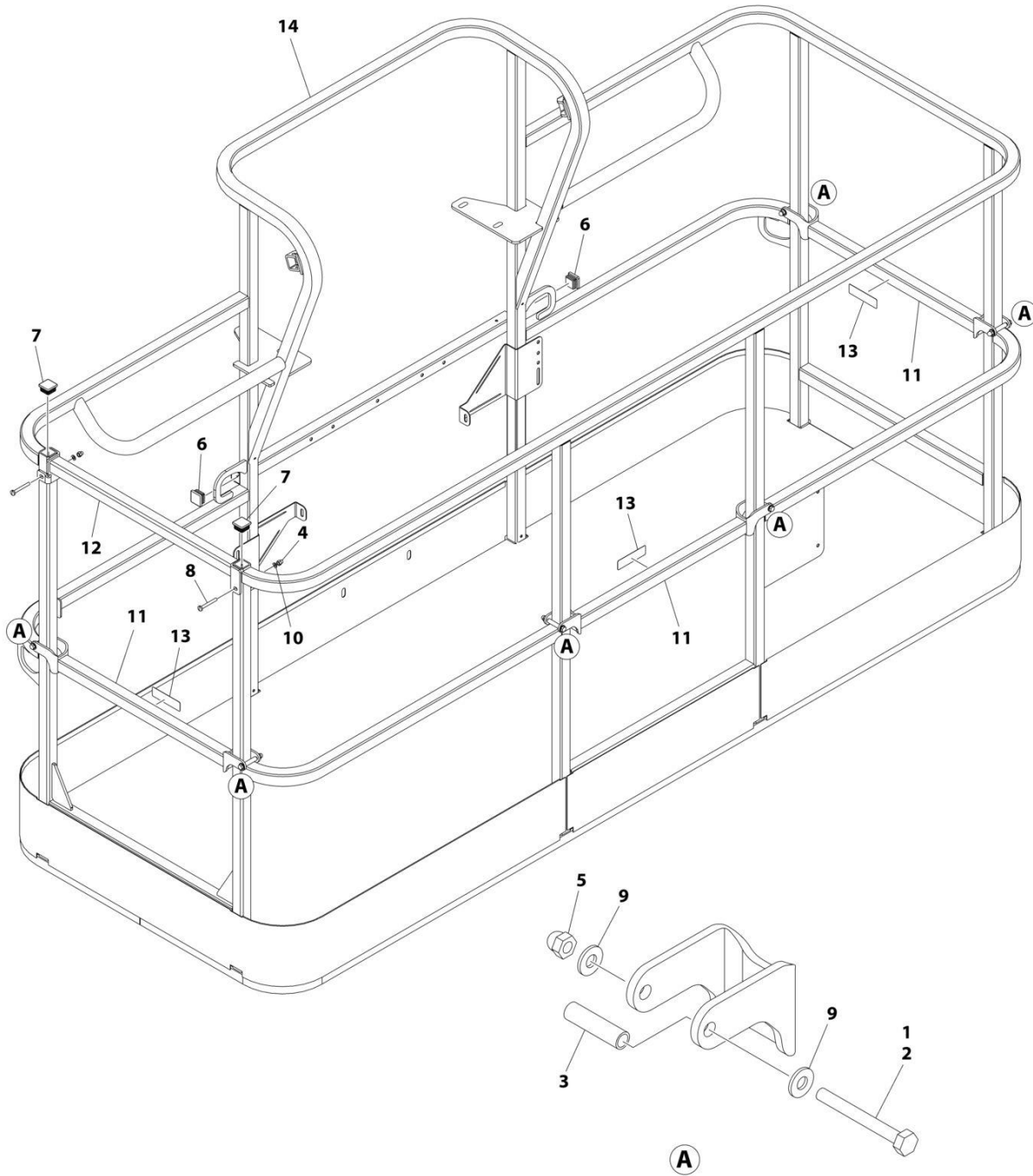
## SECTION 5 - PLATFORM

**FIGURE 5-10. PLATFORM ASSEMBLY - 36IN X 8FT (91.5CM X 2.44M) TRI-ENTRY WITH DROPBAR**

ITEM	PART NUMBER	QTY	DESCRIPTION	REV
	1001228243	Ref	PLATFORM ASSEMBLY - 36IN X 8FT (91.5CM X 2.44M) WITH TRI-ENTRY	A
		Ref	Note: Platform and Mesh must be ordered separately for Platforms with Mesh. See SPECIAL OPTIONS SECTION for Mesh Installations.	
1	0100011	AR	Compound, Locking	
2	0641418	4	Bolt 1/4 x 2-1/4	
3	0961845	4	Bushing	
4	2080040	16	Fastener, Huck	
5	2600281	2	Hinge, Self-Closing	
6	2940074	1	Latch	
7	3300151	4	Nut 1/4	
8	3520072	3	Cap, Plug	
9	3520198	2	Cap, Plug	
10	3820020	4	Rivet	
11	4711400	8	Washer 1/4	
12	1001138494	2	Bar, Drop	
13	1001140429	2	Decal - Drop Bar	
14	1001144629	1	Gate, Weldment	
15	See Note	1	Platform (Note: Not Available - Purchase Platform Assembly)	

# SECTION 5 - PLATFORM

FIGURE 5-11. PLATFORM ASSEMBLY - 36IN X 8FT (91.5CM X 2.44M) TRI-ENTRY WITH DROPGATE



ART\_1001228375

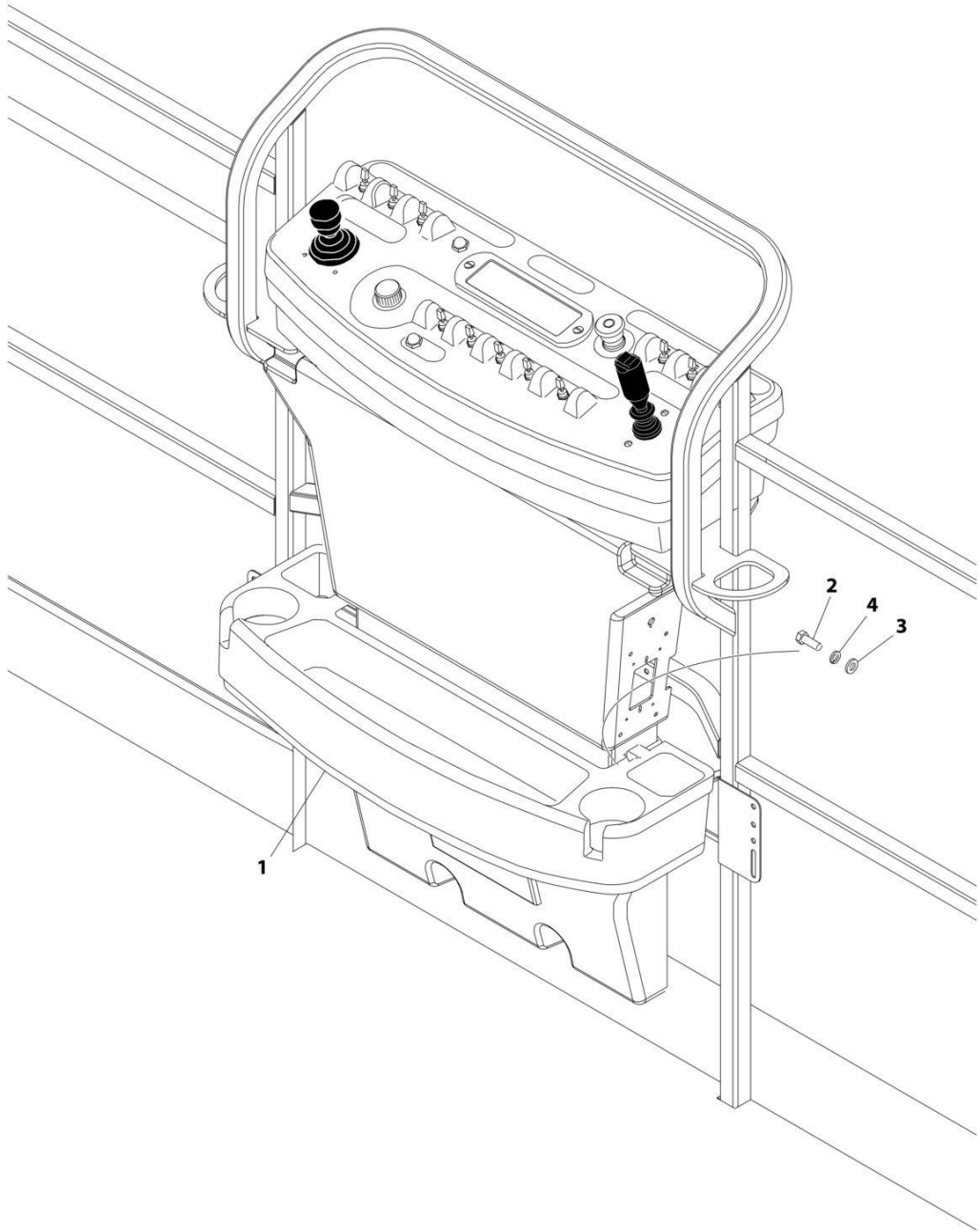
## SECTION 5 - PLATFORM

**FIGURE 5-11. PLATFORM ASSEMBLY - 36IN X 8FT (91.5CM X 2.44M) TRI-ENTRY WITH DROPGATE**

ITEM	PART NUMBER	QTY	DESCRIPTION	REV
	1001228375	Ref	PLATFORM ASSEMBLY - 36IN X 8FT (91.5CM X 2.44M) WITH TRI-ENTRY	A
		Ref	Note: Platform and Mesh must be ordered separately for Platforms with Mesh. See SPECIAL OPTIONS SECTION for Mesh Installations.	
		Ref	Note: Replacement Decals Must be Ordered Separately - See DECAL SECTION.	
1	0100011	AR	Compound, Locking	
2	0641418	6	Bolt 1/4 x 2-1/4	
3	0961845	6	Bushing	
4	3290606	2	Nut M6 x 1	
5	3300151	6	Nut 1/4	
6	3520072	2	Cap, Plug	
7	3520198	2	Cap, Plug	
8	4010618	2	Screw M6 x 50	
9	4711400	12	Washer 1/4	
10	4811700	2	Washer M6	
11	1001138494	3	Bar, Drop	
12	1001138514	1	Rail (Top)	
13	1001140429	3	Decal - Drop Bar	
14	See Note	1	Platform (Note: Not Available - Purchase Platform Assembly)	

**SECTION 5 - PLATFORM**

**FIGURE 5-12. TRAY INSTALLATION**



ART\_1580012

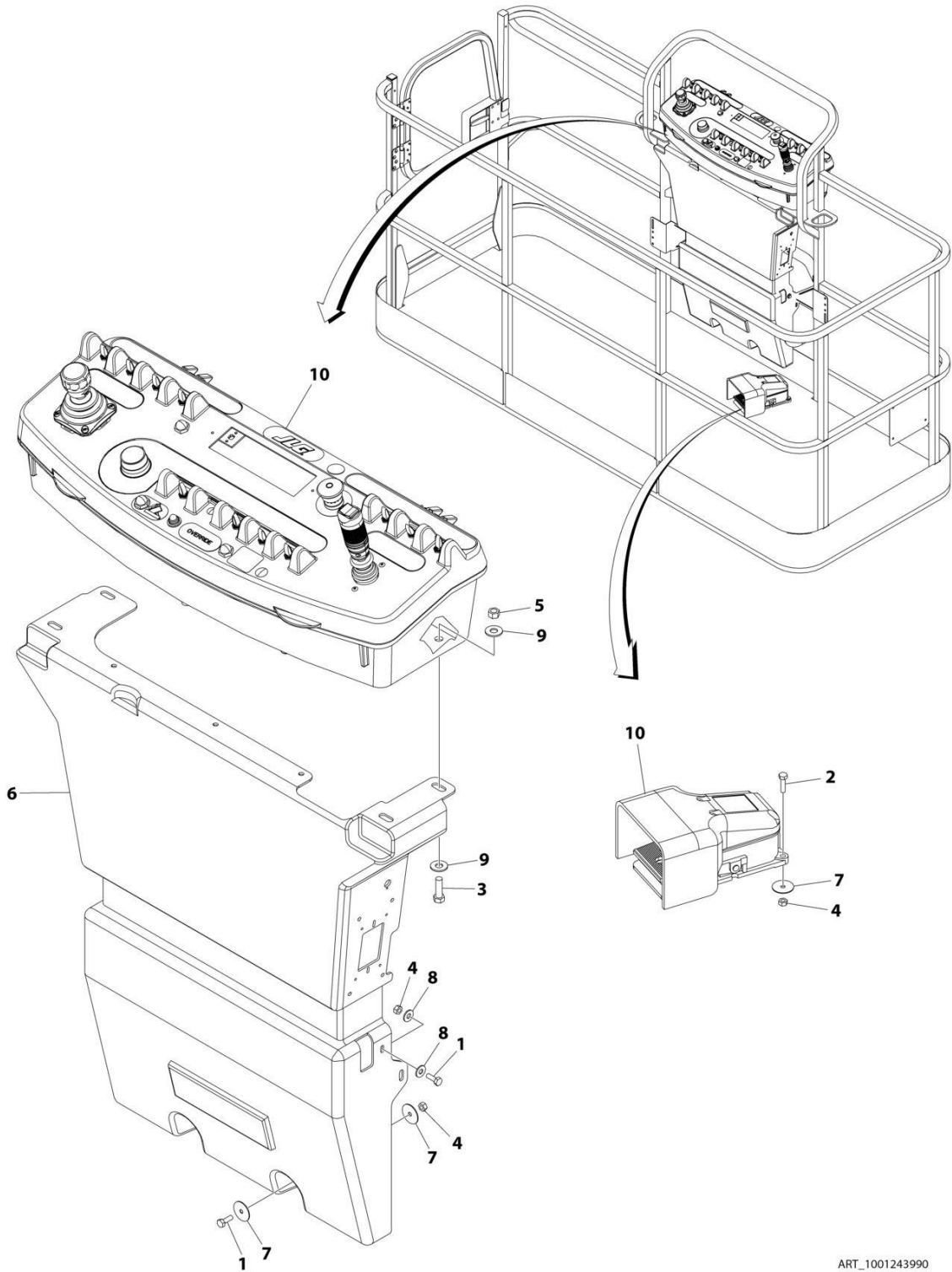
## SECTION 5 - PLATFORM

### FIGURE 5-12. TRAY INSTALLATION

ITEM	PART NUMBER	QTY	DESCRIPTION	REV
	1580012	Ref	TRAY ASSEMBLY	C
1	See Note	NSS	Tray, Storage (Center) (Note: Purchase p/n 1580012)	
2	0641406	2	Bolt 1/4 x 3/4	
3	4751400	2	Washer 1/4	
4	4761400	2	Washer 1/4	

# SECTION 5 - PLATFORM

## FIGURE 5-13. PLATFORM CONTROLS INSTALLATION - WITH SKYGUARD



ART\_1001243990



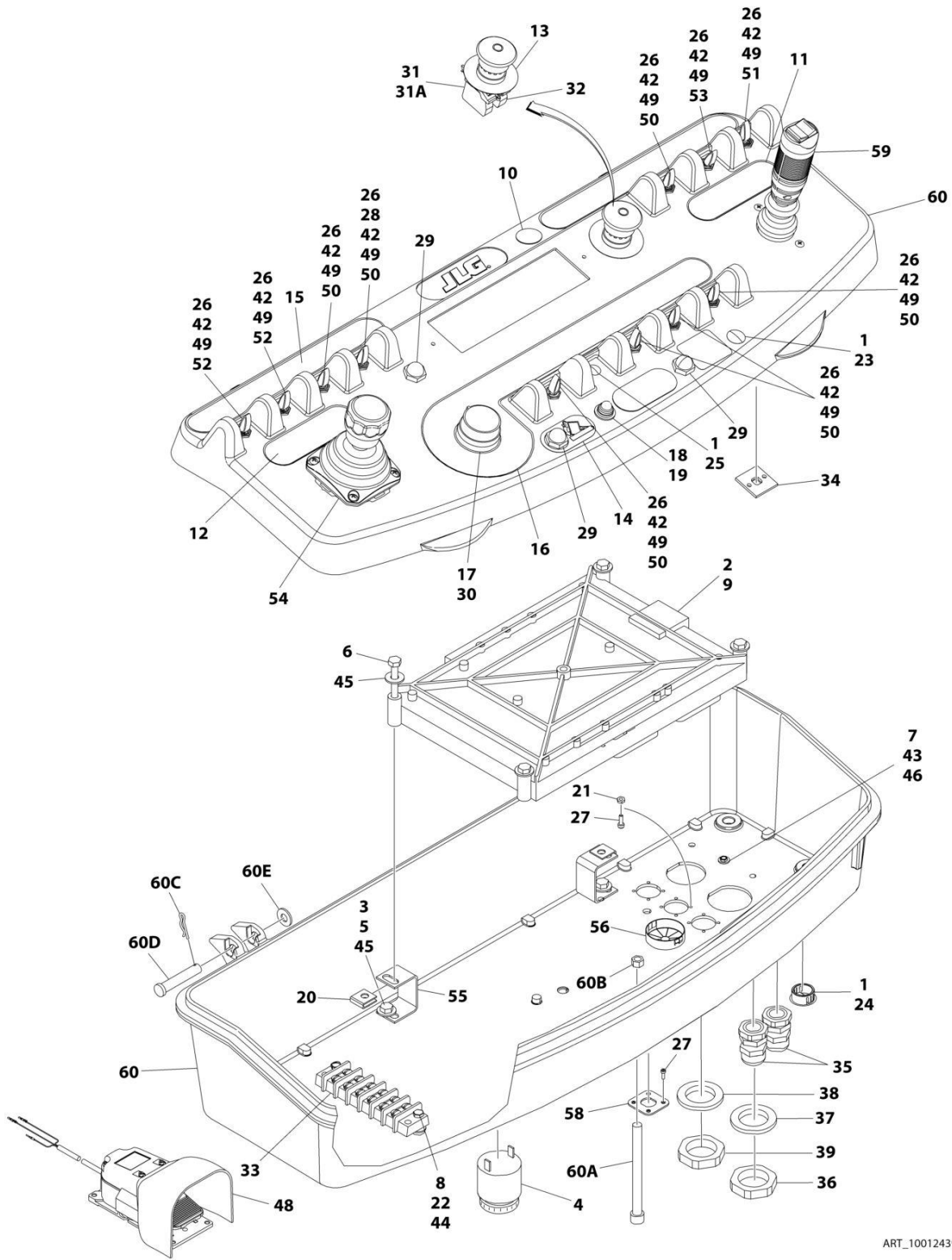
## SECTION 5 - PLATFORM

**FIGURE 5-13. PLATFORM CONTROLS INSTALLATION - WITH SKYGUARD**

ITEM	PART NUMBER	QTY	DESCRIPTION	REV
	1001243990	Ref	PLATFORM CONTROLS INSTALLATION	A
1	0641406	4	Bolt 1/4 x 3/4	
2	0641408	3	Bolt 1/4 x 1	
3	0641610	4	Bolt 3/8 x 1-1/4	
4	3311405	7	Nut 1/4	
5	3311605	4	Nut 3/8	
6	3380434	1	Panel, Molded	
7	4740362	7	Washer, Fender	
8	4751400	4	Washer 1/4	
9	4751600	8	Washer 3/8	
10	1001243989	1	Platform Console Box Assembly (See Separate Breakdown in this Section)	

# SECTION 5 - PLATFORM

## FIGURE 5-14. PLATFORM CONSOLE ASSEMBLY - WITH SKYGUARD



ART\_1001243989

## SECTION 5 - PLATFORM

**FIGURE 5-14. PLATFORM CONSOLE ASSEMBLY - WITH SKYGUARD**

ITEM	PART NUMBER	QTY	DESCRIPTION	REV
	1001243989	Ref	PLATFORM CONSOLE ASSEMBLY	A
1	0100009	AR	Sealant	
2	0100035	AR	Compound, Locking	
3	0100048	AR	Grease, Dielectric	
4	0140011	1	Alarm	
5	0641404	4	Bolt 1/4 x 1/2	
6	0641414	4	Bolt 1/4 x 1-3/4	
7	0720804	1	Screw #8 x 1/2	
8	0721006	2	Bolt #10 x 3/4	
9	1600343	1	Module, Platform Control (Note: Re-calibration Required when Replaced)	
10	1671314	1	Cover, Hole	
11	1702565	1	Decal - Drive and Steer	
12	1702566	1	Decal - Lift and Swing	
13	1704260	1	Decal - EMS	
14	1705171	1	Decal - Jib Stow	
15	1705744	1	Decal - Horn	
16	1705745	1	Decal - Function Speed	
17	2560136	1	Handle, Knob	
18	2920028	1	Light, Indicator	
19	2920029	1	Bulb	
20	3300353	4	Nut, Tinnerman	
21	3300482	2	Nut M2.5	
22	3311005	2	Nut #10	
23	3520026	1	Plug, Hole	
24	3520030	1	Plug, Hole	
25	3520054	1	Plug, Hole	
26	3790012	11	O-Ring	
27	3900349	12	Capscrew M2.5	
28	4071074	1	Shim	
29	4360387	3	Switch, Pushbutton	
30	4360407	1	Controller, Speed	
	See Note	NSS	Gasket "Top Hat" (Included with Switch) (Note: Not Available - Purchase Complete Controller)	
31	4360475	1	Switch, Emergency Stop	
31	7020175	1	Cap	
31A	7020176	1	Block, Contact	
32	4360476	1	Block, Contact	
33	4460007	1	Bar, Buss	
34	4460234	3	Tie-Strap	
35	4460428	2	Connector, Strain Relief	
36	4460470	1	Nut, Terminal	
37	4460471	1	Washer, Terminal	
38	4460496	1	Nut, Terminal	
39	4460497	1	Washer, Terminal	
40	4460708	2	Connector, Female - 15 Position (Not Shown)	
41	4460905	AR	Plug, Seal (Not Shown)	
42	4740397	11	Spacer	
43	4750800	1	Washer #8	
44	4751000	2	Washer #10	

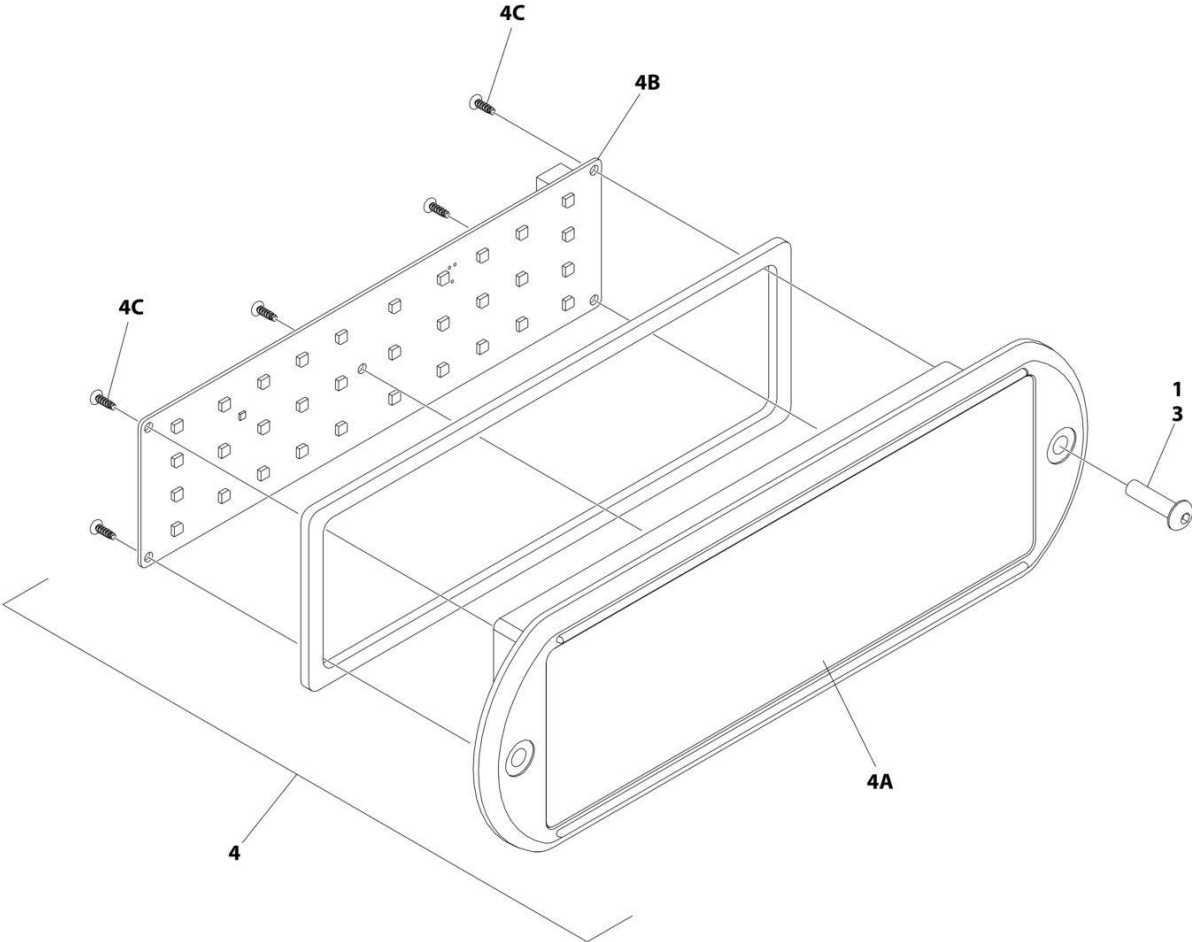
## SECTION 5 - PLATFORM

ITEM	PART NUMBER	QTY	DESCRIPTION	REV
45	4751400	8	Washer 1/4	
46	4760800	1	Washer	
47	4922666	1	Harness, Analyzer Cable (Not Shown - See Separate Breakdown in ELECTRICAL SECTION)	
48	1001117174	1	Footswitch Assembly (See Separate Breakdown in this Section)	
49	1001155044	11	Nut 15/32-32	
50	1001155045	7	Switch, Toggle	
51	1001159256	1	Switch, Toggle	
52	1001161709	2	Switch, Toggle	
53	1001161710	1	Switch, Toggle	
54	1001166539	NLA	Controller Assembly (Lift and Swing) (Use p/n 1001129555) (See Separate Breakdown in this Section)	
55	1001172760	4	Bracket, Support	
56	1001185281	1	Plug	
57	1001241891	1	Harness, Console Box (Not Shown - See Separate Breakdown in ELECTRICAL SECTION)	
58	1001220929	1	Mount, Connector	
59	1001166538	NLA	Controller Assembly (Drive and Steer) (Use p/n 1001212415) (See Separate Breakdown in this Section)	
60	1001245916	1	Box, Console	A
60A	0630568	1	Screw 3/8 x 4-1/2	
60B	3311601	1	Nut 3/8	
60C	3430616	2	Clevis	
60D	3470003	2	Pin	
60E	4711600	2	Washer 3/8	



**SECTION 5 - PLATFORM**

**FIGURE 5-15. LIGHT PANEL INSTALLATION**



ART\_1001233959\_C\_20F2

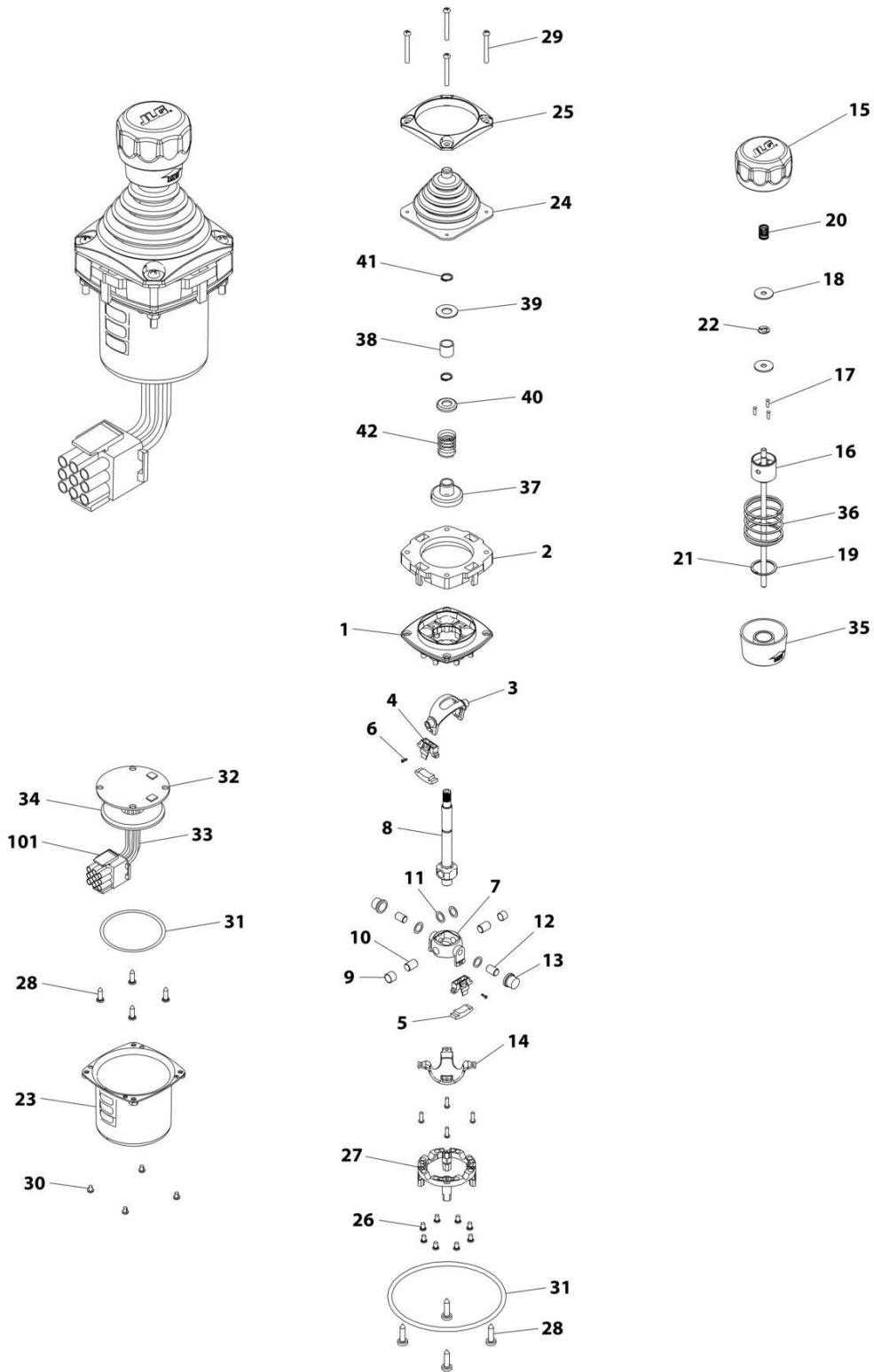
## SECTION 5 - PLATFORM

### FIGURE 5-15. LIGHT PANEL INSTALLATION

ITEM	PART NUMBER	QTY	DESCRIPTION	REV
	1001233959	Ref	LIGHT PANEL INSTALLATION - PLATFORM CONSOLE	C
1	0100035	AR	Compound, Locking	
3	0630518	2	Screw #10 x 3/4	
4	1001237544	1	Light Panel Assembly	H
4A	1001236087	1	Lens, I-Con	
4B	1001187807	1	Panel, LED Light	
4C		Ref	Screw	

# SECTION 5 - PLATFORM

## FIGURE 5-16. CONTROLLER ASSEMBLY (LIFT AND SWING)



ART\_1001166539



## SECTION 5 - PLATFORM

**FIGURE 5-16. CONTROLLER ASSEMBLY (LIFT AND SWING)**

ITEM	PART NUMBER	QTY	DESCRIPTION	REV
	1001166539	Ref	CONTROLLER ASSEMBLY	E
		Ref	Note: Original Equipment Controller May Have Been Replaced with Service Replacement Controller. Visually Identify Controller Before Ordering Parts.	
		Ref	Note: For Replacement, Use p/n 1001129555	
1	See Note	NSS	Main Cast Body (Note: Not Available - Purchase Complete Assembly)	
2	70004752	1	Adapter	
3	See Note	NSS	Pivot Arm, Plastic (Note: Not Available - Purchase Complete Assembly)	
4	See Note	NSS	Holder, Magnet (Note: Not Available - Purchase Complete Assembly)	
5	See Note	NSS	Arc, Magnet (Note: Not Available - Purchase Complete Assembly)	
6	See Note	NSS	Screw (Note: Not Available for Purchase)	
7	See Note	NSS	Pivot Arm, Cast (Note: Not Available - Purchase Complete Assembly)	
8	See Note	NSS	Shaft, Main (Note: Not Available - Purchase Complete Assembly)	
9	See Note	NSS	Bearing (Note: Not Available - Purchase Complete Assembly)	
10	See Note	NSS	Pin (Note: Not Available - Purchase Complete Assembly)	
11	See Note	NSS	Shim (Note: Not Available - Purchase Complete Assembly)	
12	See Note	NSS	Pin (Note: Not Available - Purchase Complete Assembly)	
13	See Note	NSS	Bearing (Note: Not Available - Purchase Complete Assembly)	
14	See Note	NSS	Dome, Centering (Note: Not Available - Purchase Complete Assembly)	
15	70004753	1	Cap	
16	70004754	1	Insert, Cap	
17	70004755	3	Pin	
18	70004756	2	Washer	
19	70004757	1	Pin, Centering	
20	70004758	1	Spring	
21	70004759	1	Ring, Retaining	
22	70004760	1	E-Ring	
23	70004761	1	Can, Enclosure	
24	70004762	1	Boot	
25	70004763	1	Bezel	
26	See Note	NSS	Screw (Note: Not Available for Purchase)	
27	See Note	NSS	Base Mounting (Note: Not Available - Purchase Complete Assembly)	
28	See Note	NSS	Screw (Note: Not Available for Purchase)	
29	70004764	4	Screw	
30	70004765	4	Screw	
31	70004766	1	O-Ring	
32	See Note	NSS	Plate (Note: Not Available - Purchase Complete Assembly)	
33	See Note	NSS	Harness (Note: Not Available - Purchase Complete Assembly)	
34	70004767	1	Grommet, Rubber	
35	70004768	1	Housing	
36	70004769	1	Spring	
37	70004770	1	Stopper	
38	70004771	1	Spacer	
39	70004772	1	Washer	
40	70004773	1	Disc	

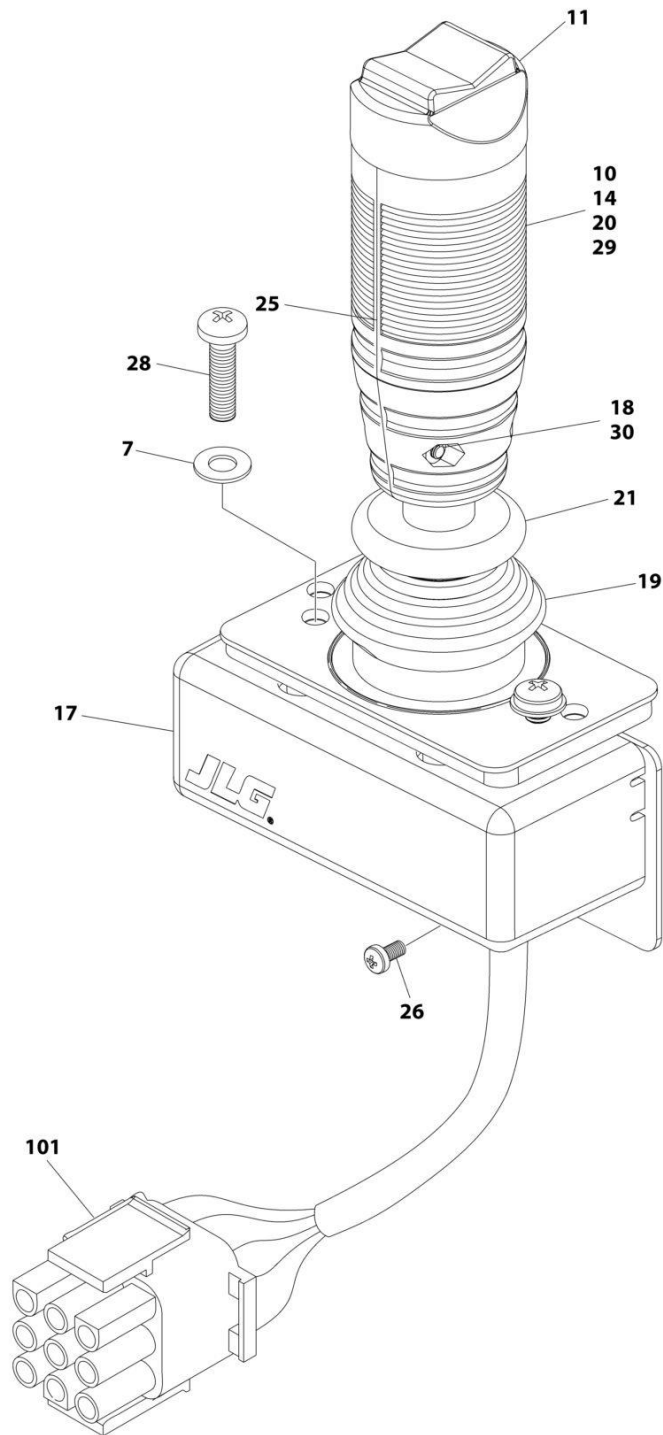
## SECTION 5 - PLATFORM

ITEM	PART NUMBER	QTY	DESCRIPTION	REV
41	70004774	2	Ring, Retaining	
42	70004775	1	Spring	
101	4460265	1	Connector - 9 Position	
101	4460226	6	Socket, Female	



# SECTION 5 - PLATFORM

## FIGURE 5-17. CONTROLLER ASSEMBLY (DRIVE AND STEER)



ART\_1001166538

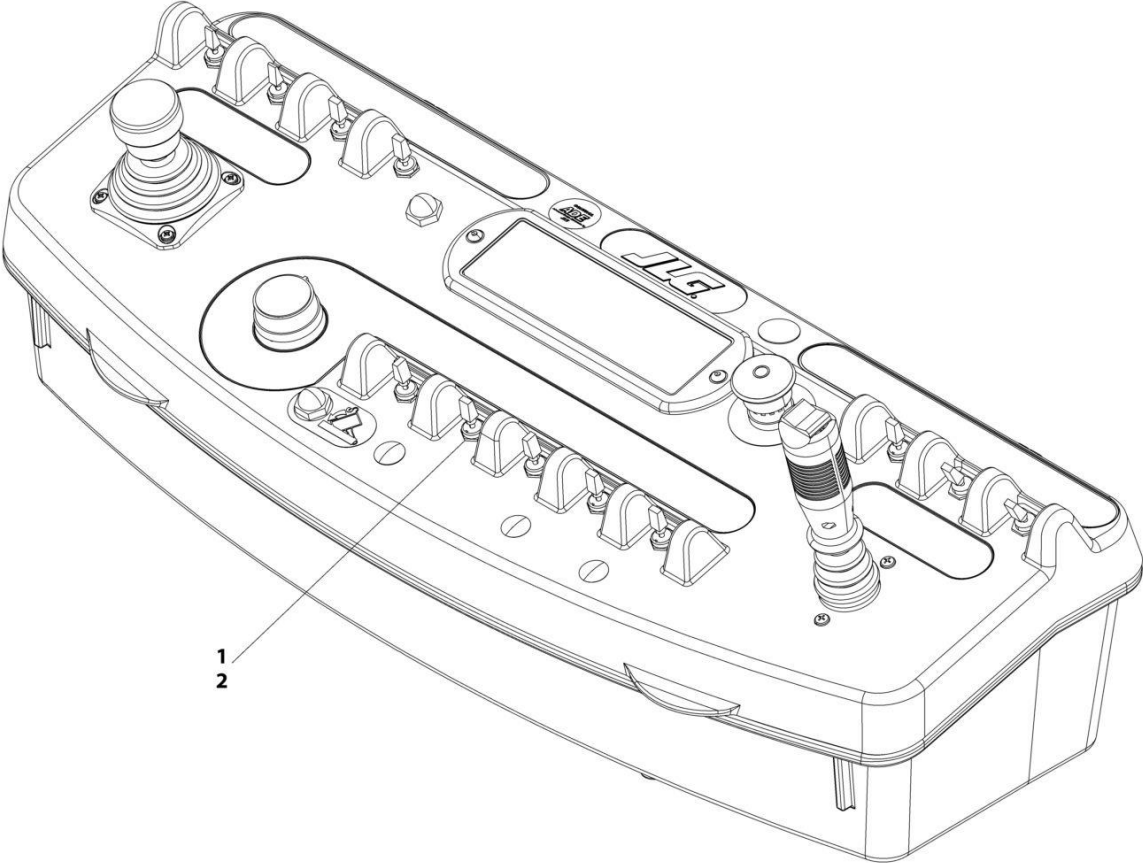
## SECTION 5 - PLATFORM

**FIGURE 5-17. CONTROLLER ASSEMBLY (DRIVE AND STEER)**

ITEM	PART NUMBER	QTY	DESCRIPTION	REV
	1001166538	Ref	CONTROLLER ASSEMBLY - DRIVE AND STEER	G
		Ref	Note: For Replacement, Use p/n 1001212415.	
7	70004738	2	Washer	
10	70004739	1	Roller	
11	70004740	1	Boot, Switch	
14	70004741	2	Half, Handle	
17	70004742	1	Enclosure	
18	70004743	4	Nut	
19	70004744	NLA	Boot, Controller (Use p/n 70005230 Boot/Base Assembly)	
20	70004745	NLA	Tube, Locking (Use p/n 70005230 Boot/Base Assembly)	
21	70004746	NLA	Disc, Locking (Use p/n 70005230 Boot/Base Assembly)	
25	70004747	2	Seal, Rope	
26	70004748	1	Screw M3 x 6	
28	70004749	2	Screw M5 x 20	
29	70004750	1	Pin, Dowel	
30	70004751	4	Screw M3 x 16	
101	4460265	1	Connector - 9 Position	
101	4460226	7	Socket, Female	

**SECTION 5 - PLATFORM**

**FIGURE 5-18. TOWER LIFT SWITCH INSTALLATION**



ART\_0273446

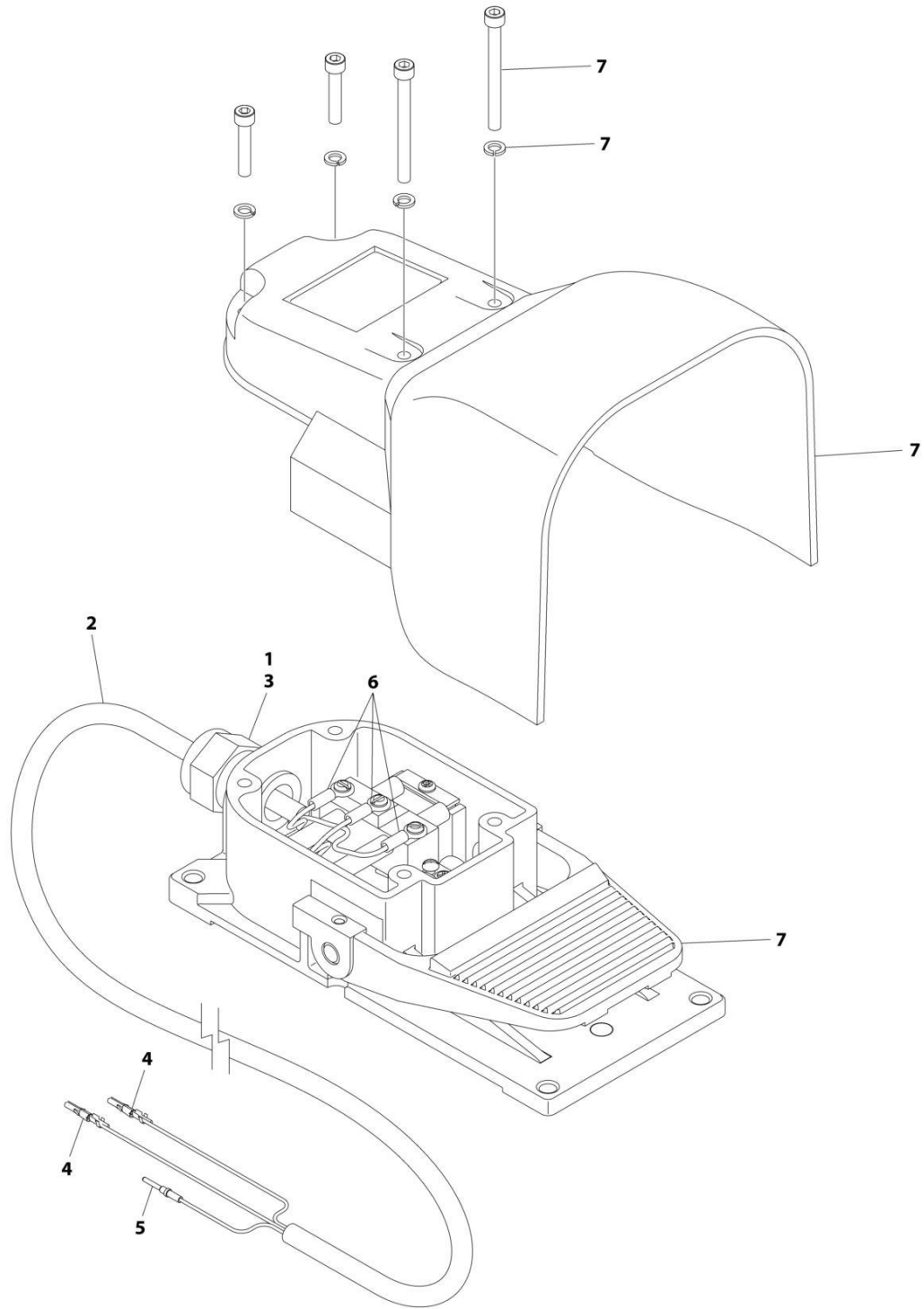
## SECTION 5 - PLATFORM

**FIGURE 5-18. TOWER LIFT SWITCH INSTALLATION**

ITEM	PART NUMBER	QTY	DESCRIPTION	REV
	0273446	Ref	TOWER LIFT SWITCH INSTALLATION	A
1	3790012	1	O-Ring	
2	4360328	1	Switch, Toggle	

# SECTION 5 - PLATFORM

## FIGURE 5-19. FOOTSWITCH ASSEMBLY



ART\_1001117174



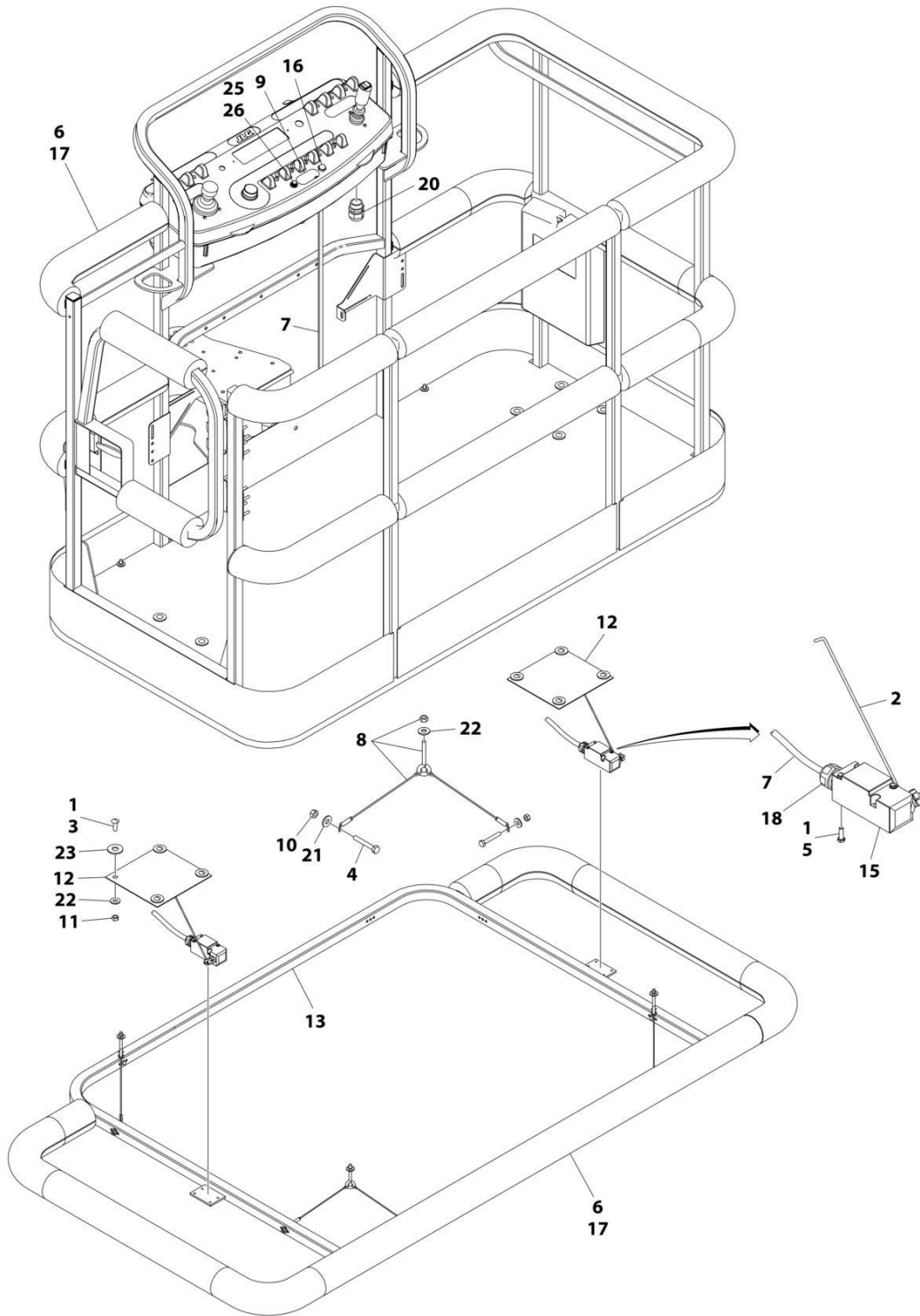
## SECTION 5 - PLATFORM

**FIGURE 5-19. FOOTSWITCH ASSEMBLY**

ITEM	PART NUMBER	QTY	DESCRIPTION	REV
	1001117174	Ref	FOOTSWITCH ASSEMBLY	C
1	0100020	AR	Sealant	
2	1060918	7.5 ft/ 2.3m	Cable, Electrical - 18/3	
3	4460071	1	Connector, Strain Relief	
4	4460226	2	Socket, Female	
5	4460464	1	Pin, Male	
6	1001098122	3	Terminal	
7	1001117172	1	Footswitch	
7	70002902	1	Switch, 20Amp	
7	70002903	1	Gasket	
7	70002905	1	Cover	
7	70002904	1	Kit, Replacement Bolt	

# SECTION 5 - PLATFORM

## FIGURE 5-20. SOFT TOUCH SYSTEM INSTALLATION - 6FT/1.8M PLATFORMS (OPTIONAL)



ART\_0273824

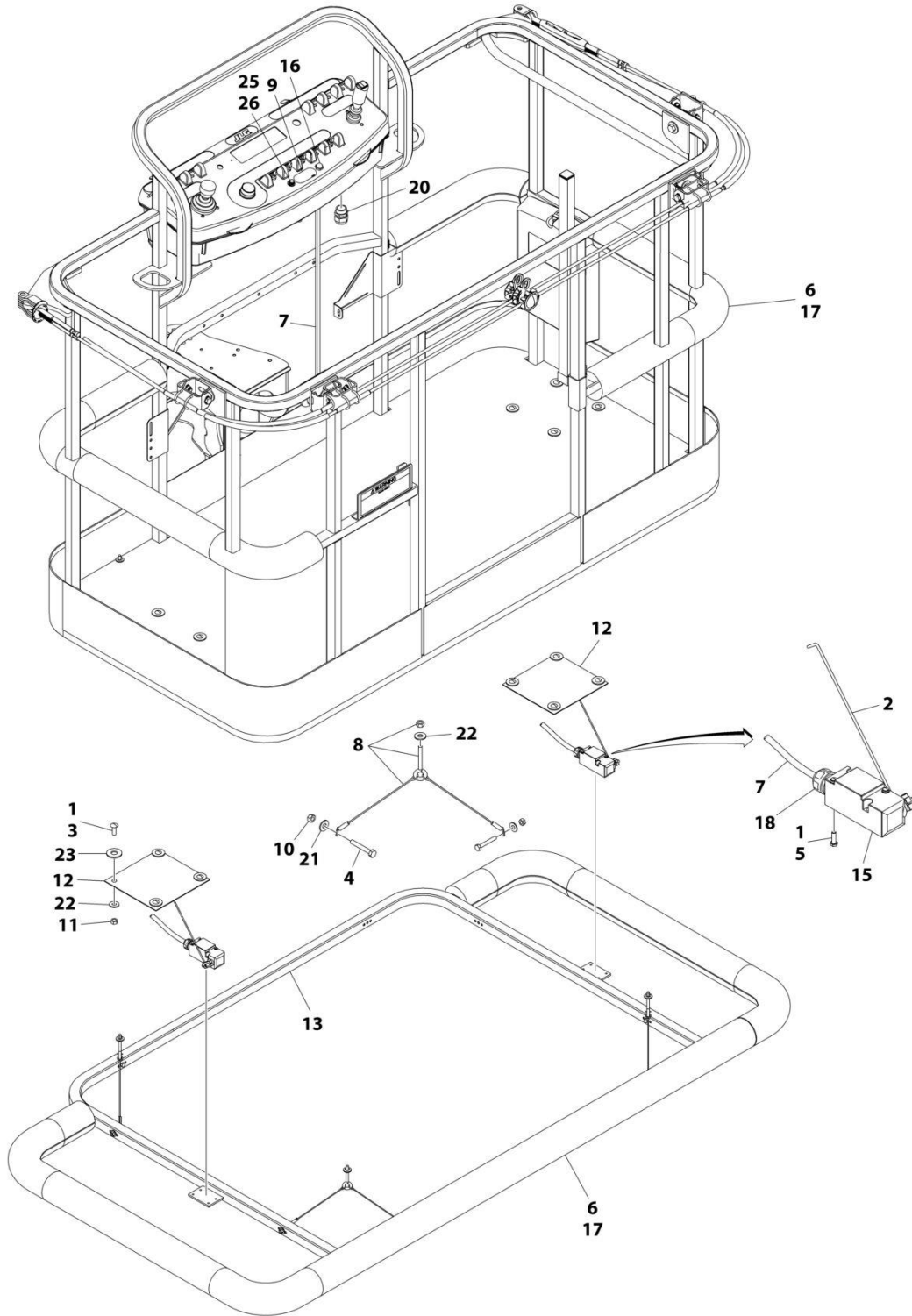
## SECTION 5 - PLATFORM

**FIGURE 5-20. SOFT TOUCH SYSTEM INSTALLATION - 6FT/1.8M PLATFORMS (OPTIONAL)**

ITEM	PART NUMBER	QTY	DESCRIPTION	REV
	0273824	Ref	SOFT TOUCH SYSTEM INSTALLATION	D
1	0100011	AR	Compound, Locking	
2	0200048	2	Arm, Switch	
3	0630462	8	Bolt	
4	0641414	8	Bolt 1/4 x 1-3/4	
5	0731005	4	Bolt #10 x 5/8	
6	0940134	1	Bumper Kit (Includes Corners and Enough Straight Material for One Platform)	
6	0940092	AR	Bumper (Corner)	
6	0940094	AR	Bumper (12ft Length)	
7	1060341	23 ft/7m	Cable, Soft Touch - 16/2	
8	1060903	4	Wire Rope and Eyebolt Assembly	
9	1702938	1	Decal - Soft Touch Override	
10	3311401	8	Nut 1/4	
11	3311501	8	Nut 5/16	
12	3575359	2	Plate, Switch Strike	
13	3641569	1	Rail, Soft Touch	
14	4240099	7	Tie-Strap (Not Shown)	
15	4360057	2	Switch, Limit	
16	4360387	1	Switch, Push Button	
17	4420068	AR	Tape, Adhesive	
17	1001197017	AR	Tie-Strap	
18	4460049	2	Connector, Strain Relief	
19	4460234	7	Tie-Strap (Not Shown)	
20	4460425	1	Connector, Strain Relief	
21	4751400	8	Washer 1/4	
22	4751500	12	Washer 5/16	
23	4751800	8	Washer 1/2	
24	4933218	1	Wiring Diagram (Not Shown - Reference Only)	
25	2920028	1	Light, Indicator	
26	2920029	1	Bulb, Light	

# SECTION 5 - PLATFORM

## FIGURE 5-21. SOFT TOUCH SYSTEM INSTALLATION - 6FT/1.83M FALL ARREST PLATFORM



ART\_1001108256

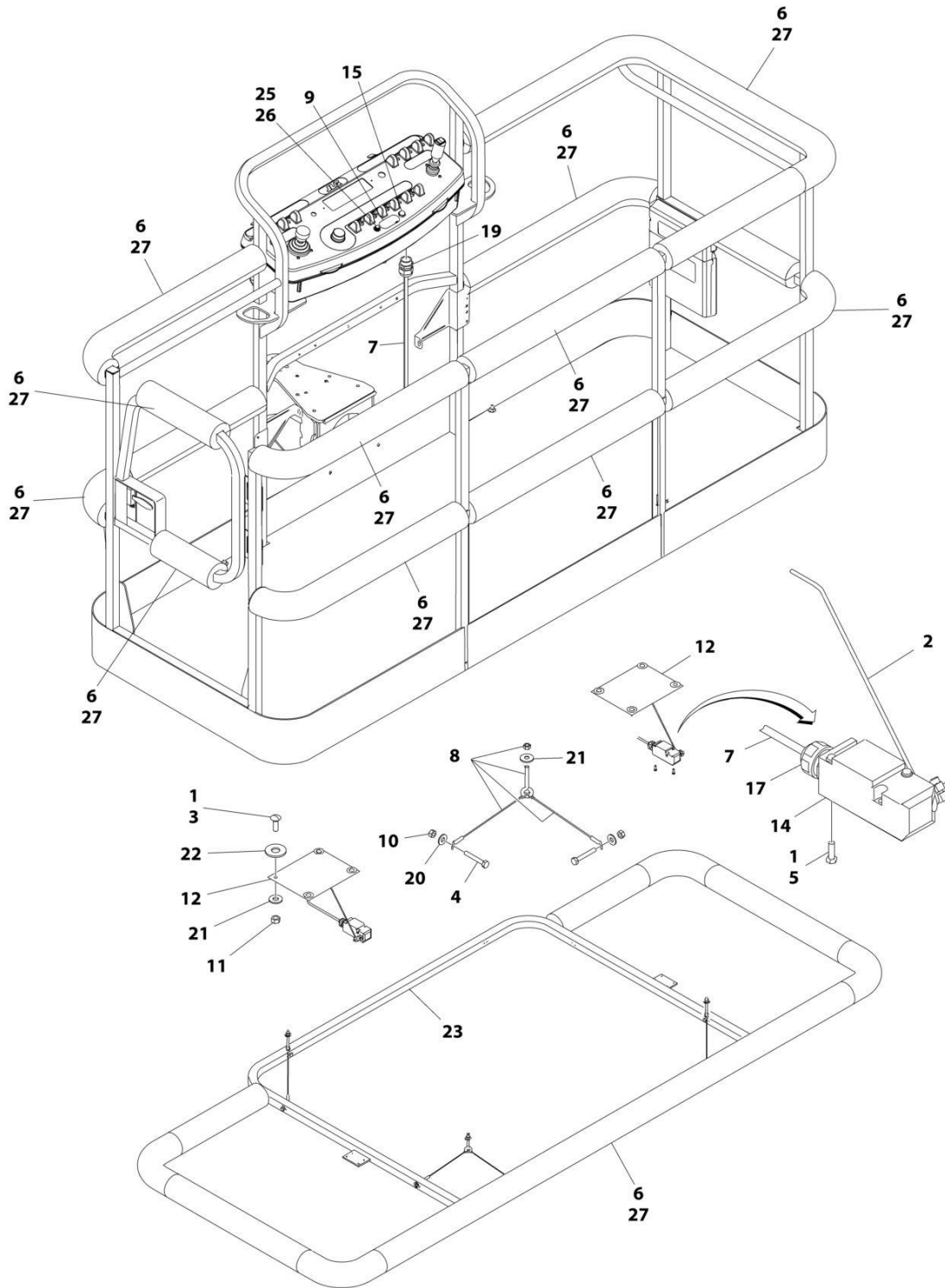
## SECTION 5 - PLATFORM

**FIGURE 5-21. SOFT TOUCH SYSTEM INSTALLATION - 6FT/1.83M FALL ARREST PLATFORM**

ITEM	PART NUMBER	QTY	DESCRIPTION	REV
	1001108256	Ref	SOFT TOUCH INSTALLATION	C
1	0100011	AR	Compound, Locking	
2	0200048	2	Arm, Switch	
3	0630462	8	Bolt	
4	0641414	8	Bolt 1/4 x 1-3/4	
5	0731005	4	Bolt #10 x 5/8	
6	0940177	1	Bumper Kit (Includes Corners and Enough Straight Material for One Platform)	
6	0940092	8	Bumper (Corner)	
6	0940094	AR	Bumper (12ft Length)	
7	1060341	23 ft/7m	Cable, Soft Touch - 16/2	
8	1060903	4	Wire Rope and Eyebolt Assembly	
9	1702938	1	Decal - Soft Touch Override	
10	3311401	8	Nut 1/4	
11	3311501	8	Nut 5/16	
12	3575359	2	Plate, Switch Strike	
13	3641569	1	Rail, Soft Touch	
14	4240099	7	Tie-Strap (Not Shown)	
15	4360057	2	Switch, Limit	
16	4360387	1	Switch, Push Button	
17	4420068	AR	Tape, Adhesive	
17	1001197017	AR	Tie-Strap	
18	4460049	2	Connector, Strain Relief	
19	4460234	7	Tie-Strap (Not Shown)	
20	4460425	1	Connector, Strain Relief	
21	4751400	8	Washer 1/4	
22	4751500	9	Washer 5/16	
23	4751800	8	Washer 1/2	
25	2920028	1	Light, Indicator	
26	2920029	1	Bulb, Light	

# SECTION 5 - PLATFORM

## FIGURE 5-22. SOFT TOUCH SYSTEM INSTALLATION - 8FT/2.4M PLATFORMS (OPTIONAL)



ART\_0272427\_G

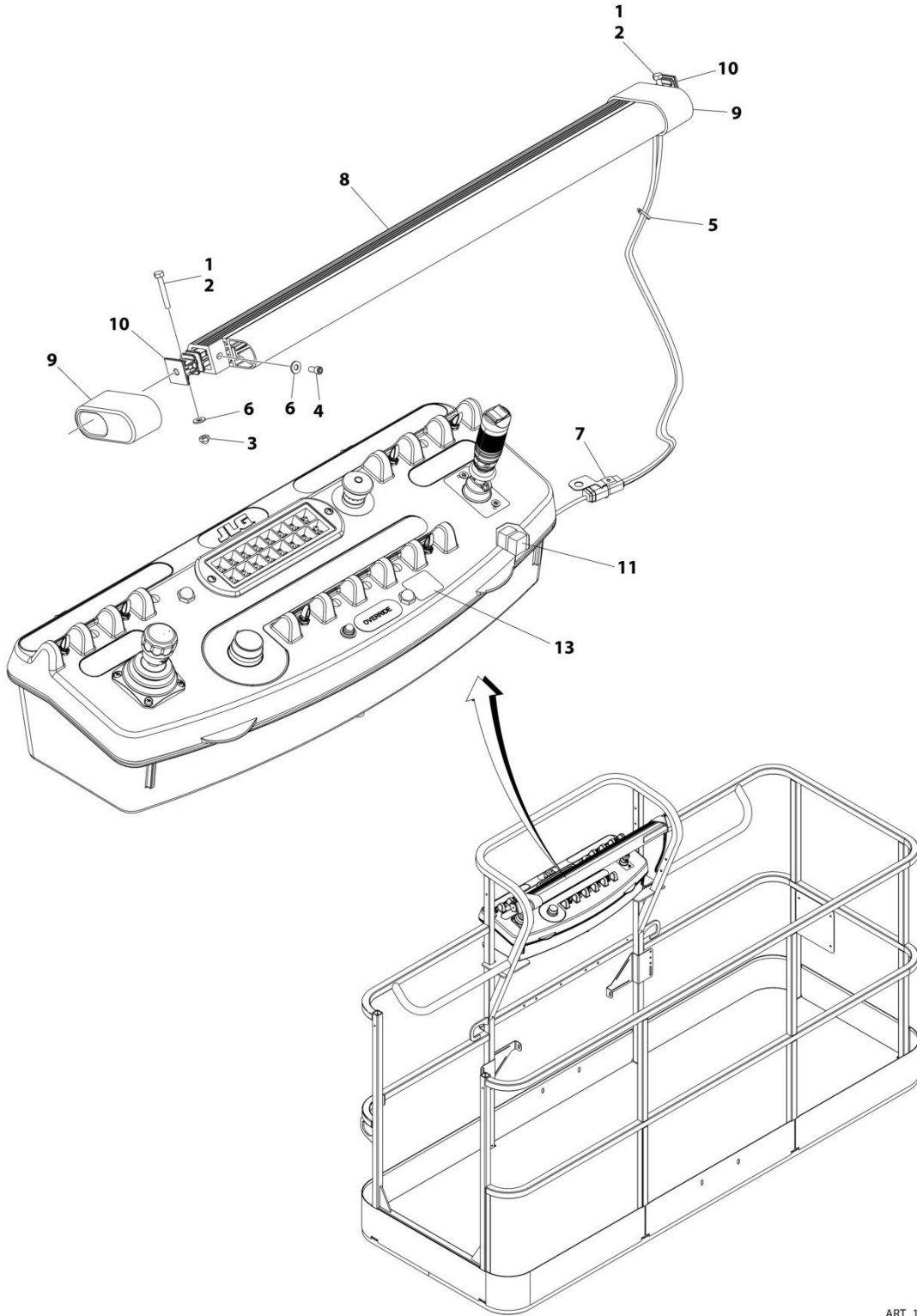
## SECTION 5 - PLATFORM

**FIGURE 5-22. SOFT TOUCH SYSTEM INSTALLATION - 8FT/2.4M PLATFORMS (OPTIONAL)**

ITEM	PART NUMBER	QTY	DESCRIPTION	REV
	0272427	Ref	SOFT TOUCH INSTALLATION - 36IN X 8FT (91.5CM X 2.44M) PLATFORM (OPTIONAL)	G
1	0100011	AR	Compound, Locking	
2	0200048	2	Arm, Switch	
3	0630462	8	Bolt	
4	0641414	8	Bolt 1/4 x 1-3/4	
5	0721005	4	Bolt #10 x 5/8	
6	0940103	1	Bumper Kit (Includes Corners and Enough Straight Material for One Platform)	
6	0940092	12	Bumper (Corner)	
6	0940094	AR	Bumper (12ft Length)	
7	1060341	23 ft/7m	Cable, Soft Touch - 16/2	
8	1060903	4	Wire Rope and Eyebolt Assembly	
9	1702938	1	Decal - Soft Touch Override	
10	3311401	8	Nut 1/4	
11	3311501	8	Nut 5/16	
12	3574091	2	Plate, Switch Strike	
13	4240099	7	Tie-Strap (Not Shown)	
14	4360057	2	Switch, Limit	
15	4360387	1	Switch, Push Button	
16	4420068	AR	Tape, Adhesive	
16	1001197017	AR	Tie-Strap	
17	4460049	2	Connector, Strain Relief	
18	4460234	7	Tie-Strap (Not Shown)	
19	4460425	1	Connector, Strain Relief	
20	4751400	8	Washer 1/4	
21	4751500	12	Washer 5/16	
22	4751800	8	Washer 1/2	
23	4846673	1	Rail, Soft Touch	
24	4933218	1	Soft Touch Wiring Diagram (Not Shown - Reference Only)	
25	2920028	1	Light, Indicator	
26	2920029	1	Bulb, Light	

# SECTION 5 - PLATFORM

## FIGURE 5-23. SKYGUARD BAR INSTALLATION



ART\_1001238495



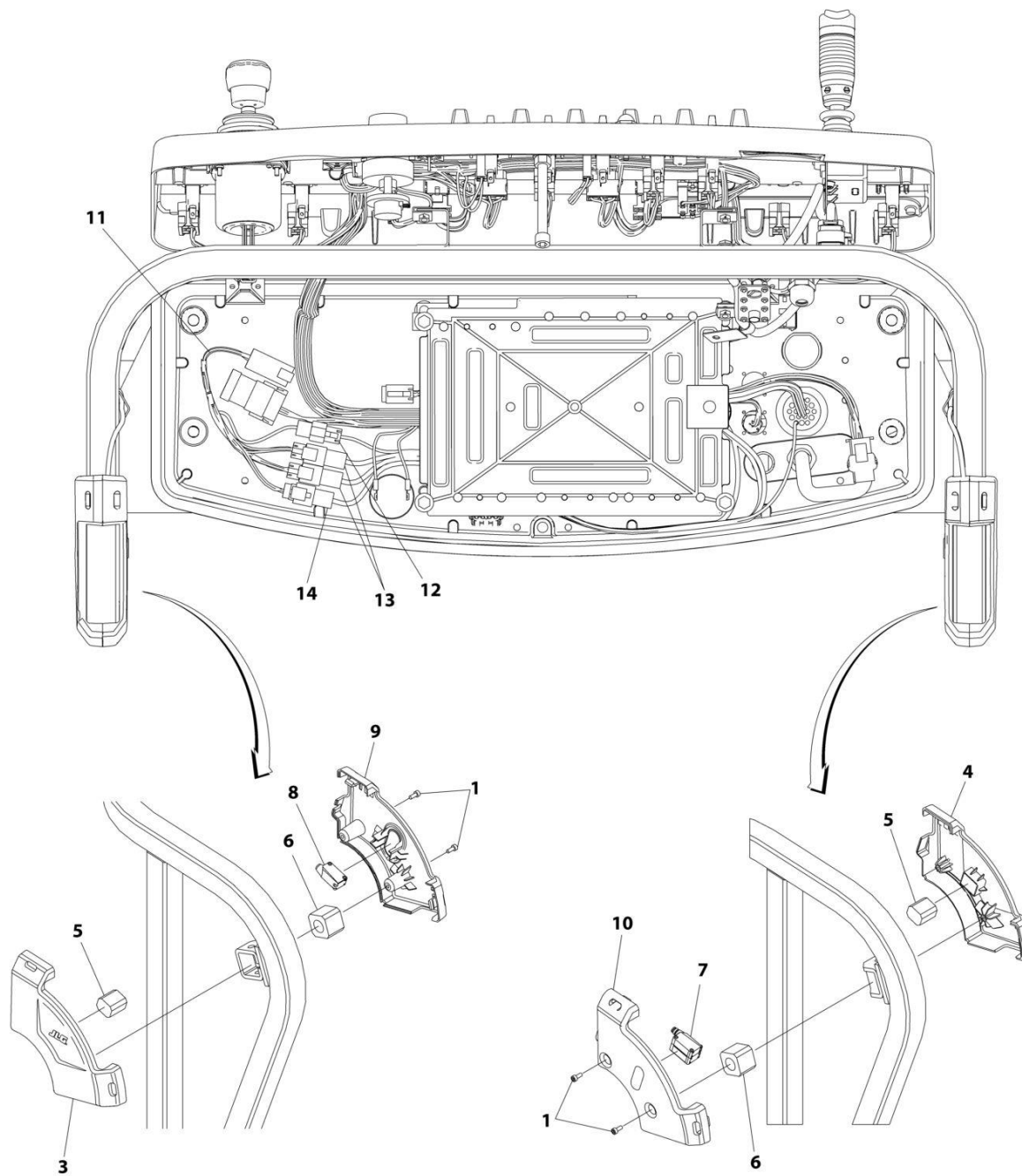
## SECTION 5 - PLATFORM

**FIGURE 5-23. SKYGUARD BAR INSTALLATION**

ITEM	PART NUMBER	QTY	DESCRIPTION	REV
	1001238495	Ref	SKYGUARD BAR INSTALLATION	A
1	0100011	AR	Compound, Locking	
2	0641414	2	Bolt 1/4 x 1-3/4	
3	3300430	2	Nut 1/4	
4	3931408	2	Capscrew 1/4 x 1/2	
5	4240033	8	Tie-Strap	
6	4711400	6	Washer 1/4	
7	1001120328	1	Mount	
8	1001137673	1	SkyGuard Switch Assembly	
9	1001186517	2	Cover, Platform Sensor	
10	1001209664	2	Support, Block	
11	1001186431	2	Relay	
12	1001225580	1	Interface Harness Assembly (Not Shown - Located Inside Console Box) (See Separate Breakdown in ELECTRICAL Section)	
13	1001144433	1	Decal - No Weight SkyGuard	

# SECTION 5 - PLATFORM

## FIGURE 5-24. SKYEYE INSTALLATION



ART\_1001229341

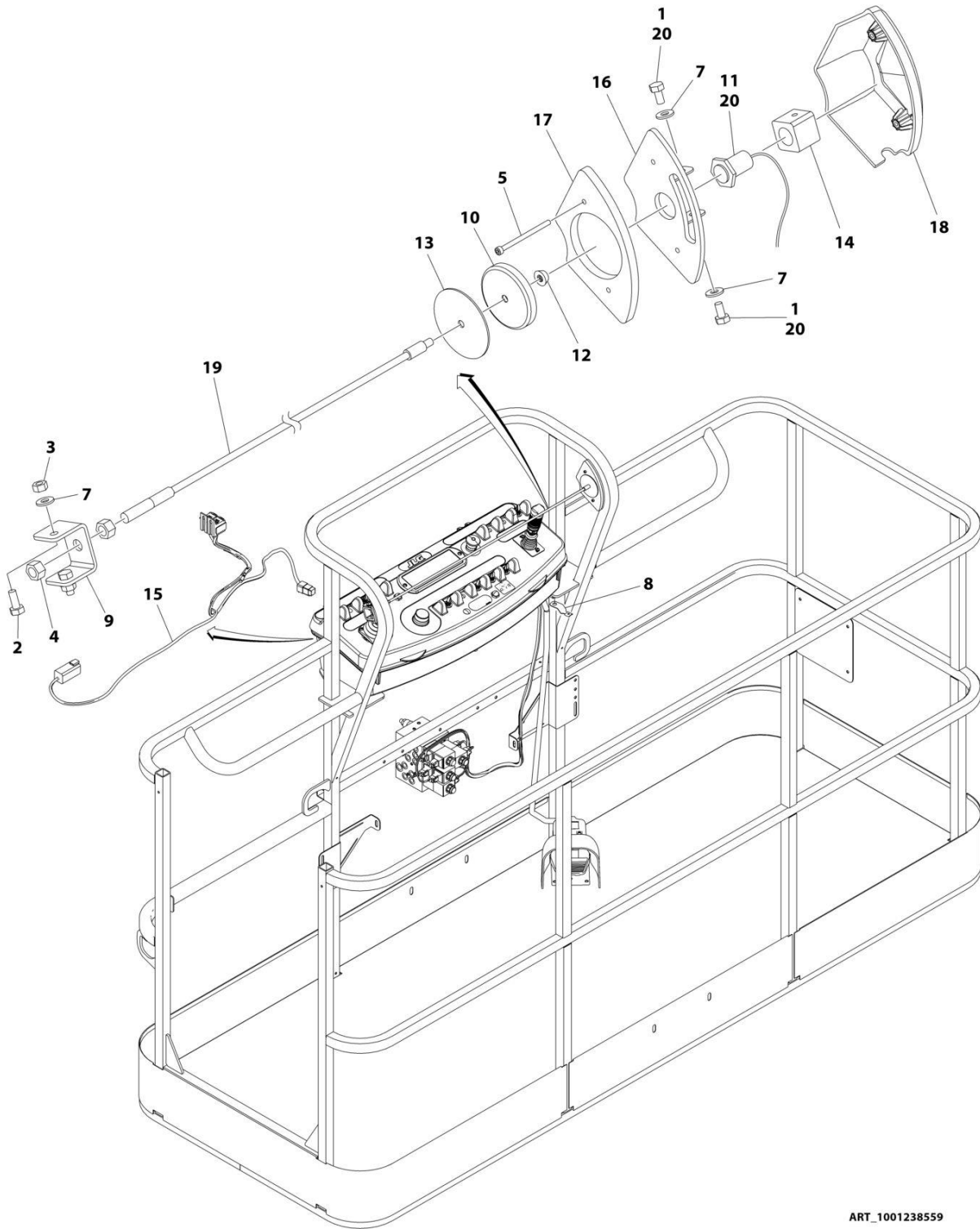
## SECTION 5 - PLATFORM

### FIGURE 5-24. SKYEYE INSTALLATION

ITEM	PART NUMBER	QTY	DESCRIPTION	REV
	1001229341	Ref	SKYEYE INSTALLATION	B
1	4031505	4	Bolt M4 x 10	
2	4240033	AR	Tie-Strap (Not Shown)	
3	1001227633	1	Housing, LH Outer	
4	1001227634	1	Housing, RH Outer	
5	1001227985	2	Shim	
6	1001227987	2	Shim	
7	1001228224	2	Sensor, Receiver	
8	1001228225	1	Sensor, Emitter	
9	1001232164	1	Housing, LH Inner	
10	1001232165	1	Housing, RH Inner	
11	1001237865	1	Harness, Skyeeye Intermediate (See Separate Breakdown in ELECTRICAL Section)	
12	1001238319	NLA	Harness, Skyeeye Drain Jumper	
12	1001187674	1	Plug, Male - 2 Position	
12	4460942	1	Terminal	
12	4460466	1	Plug, Terminal	
12	4460508	1	Pin, Male	
13	1001237863	2	Harness, Skyeeye Receiver (See Separate Breakdown in ELECTRICAL Section)	
14	1001237864	1	Harness, Skyeeye Emitter (See Separate Breakdown in ELECTRICAL Section)	

# SECTION 5 - PLATFORM

## FIGURE 5-25. SKYLINE INSTALLATION



ART\_1001238559

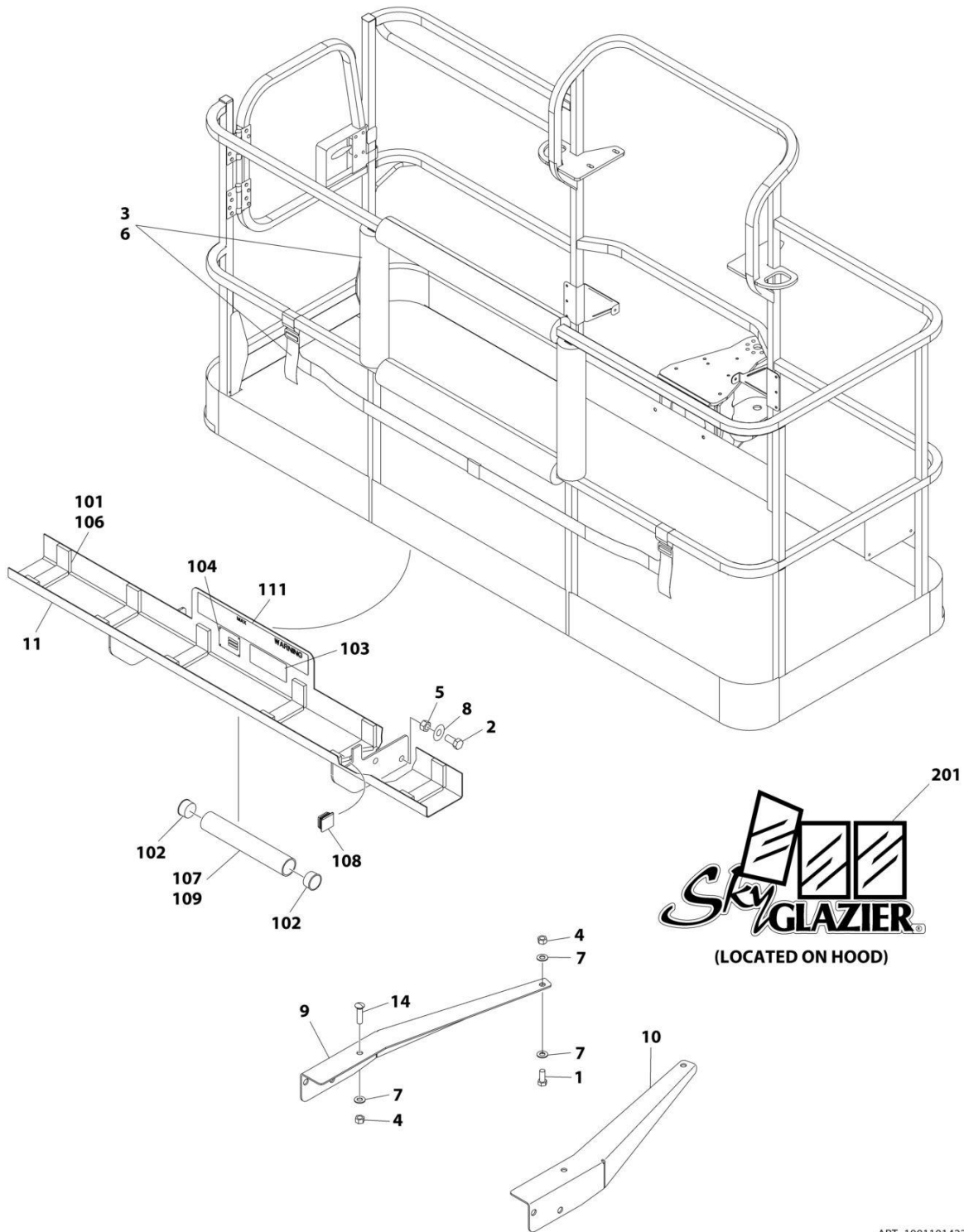
## SECTION 5 - PLATFORM

### FIGURE 5-25. SKYLINE INSTALLATION

ITEM	PART NUMBER	QTY	DESCRIPTION	REV
	1001238559	Ref	SKYLINE INSTALLATION	B
1	0641404	2	Bolt 1/4 x 1/2	
2	0641405	2	Bolt 1/4 x 5/8	
3	3311405	2	Nut 1/4	
4	3311601	2	Nut 3/8	
5	4031516	2	Capscrew M4 x 60	
6	4240033	AR	Tie-Strap (Not Shown)	
7	4711400	4	Washer 1/4	
8	1001120328	1	Mount	
9	1001232642	1	Bracket	
10	1001232650	1	Magnet	
11	1001232667	1	Sensor, Proximity	
12	1001235011	1	Nut	
13	1001235013	1	Washer	
14	1001236552	1	Block	
15	1001238418	1	Harness, Skyline (See Separate Breakdown in ELECTRICAL Section)	
16	1001238472	1	Mount	
17	1001238477	1	Housing, LH	
18	1001241965	1	Housing, RH	
19	1001238824	1	Rope	
20	0100011	AR	Compound, Locking	

# SECTION 5 - PLATFORM

## FIGURE 5-26. SKYGLAZIER INSTALLATION (ANSI, AUSTRALIAN AND CSA SPECS)



ART\_1001101422

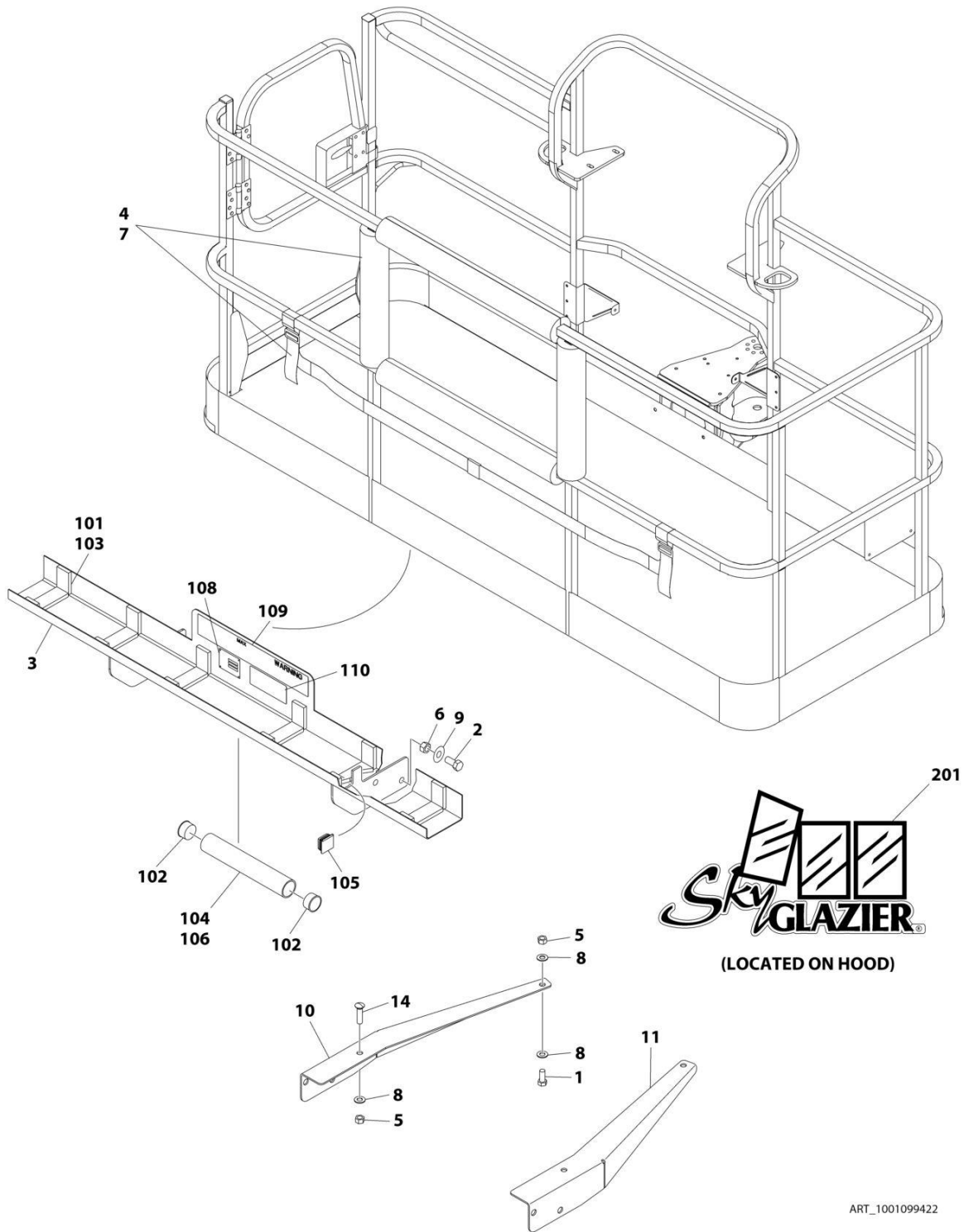
## SECTION 5 - PLATFORM

**FIGURE 5-26. SKYGLAZIER INSTALLATION (ANSI, AUSTRALIAN AND CSA SPECS)**

ITEM	PART NUMBER	QTY	DESCRIPTION	REV
	1001101422	Ref	SKYGLAZIER INSTALLATION	C
1	0642012	2	Bolt 5/8 x 1-1/2	
2	0642212	4	Bolt 3/4 x 1-1/2	
3	2902212	1	Bumpers and Strap Kit	
3	0940102	1	Bumper Only	
3	4240149	1	Strap Only	
4	3312005	4	Nut 5/8	
5	3312205	4	Nut 3/4	
6	4420014	AR	Tape	
7	4712000	6	Washer 5/8	
8	4712200	8	Washer 3/4	
9	1001099366	1	Support	
10	1001099367	1	Support	
11	1001101421	1	Tray Assembly (See Items 101-111 for Breakdown)	
14	8310129	2	Bolt 3/4 x 2-1/2	
	1001101421	Ref	TRAY ASSEMBLY	F
101	0100081	AR	Adhesive	
102	1120555	2	Cap, Tube	
103	1701509	1	Decal - Manual	
104	See Note	NSS	Nameplate - Serial Number (Note: Not Available for Purchase)	
106	3340956	1	Pad Kit	
107	3460334	1	Tube	
108	3520071	2	Plug	
109	4420066	AR	Tape, Double Sided	
111	1001163131	2	Decal - Glazier Capacity	
	0272418	Ref	SKYGLAZIER DECAL INSTALLATION	4
201	1705358	2	Decal - SkyGlazier	

# SECTION 5 - PLATFORM

## FIGURE 5-27. SKYGLAZIER INSTALLATION (BRAZIL SPECS)



ART\_1001099422



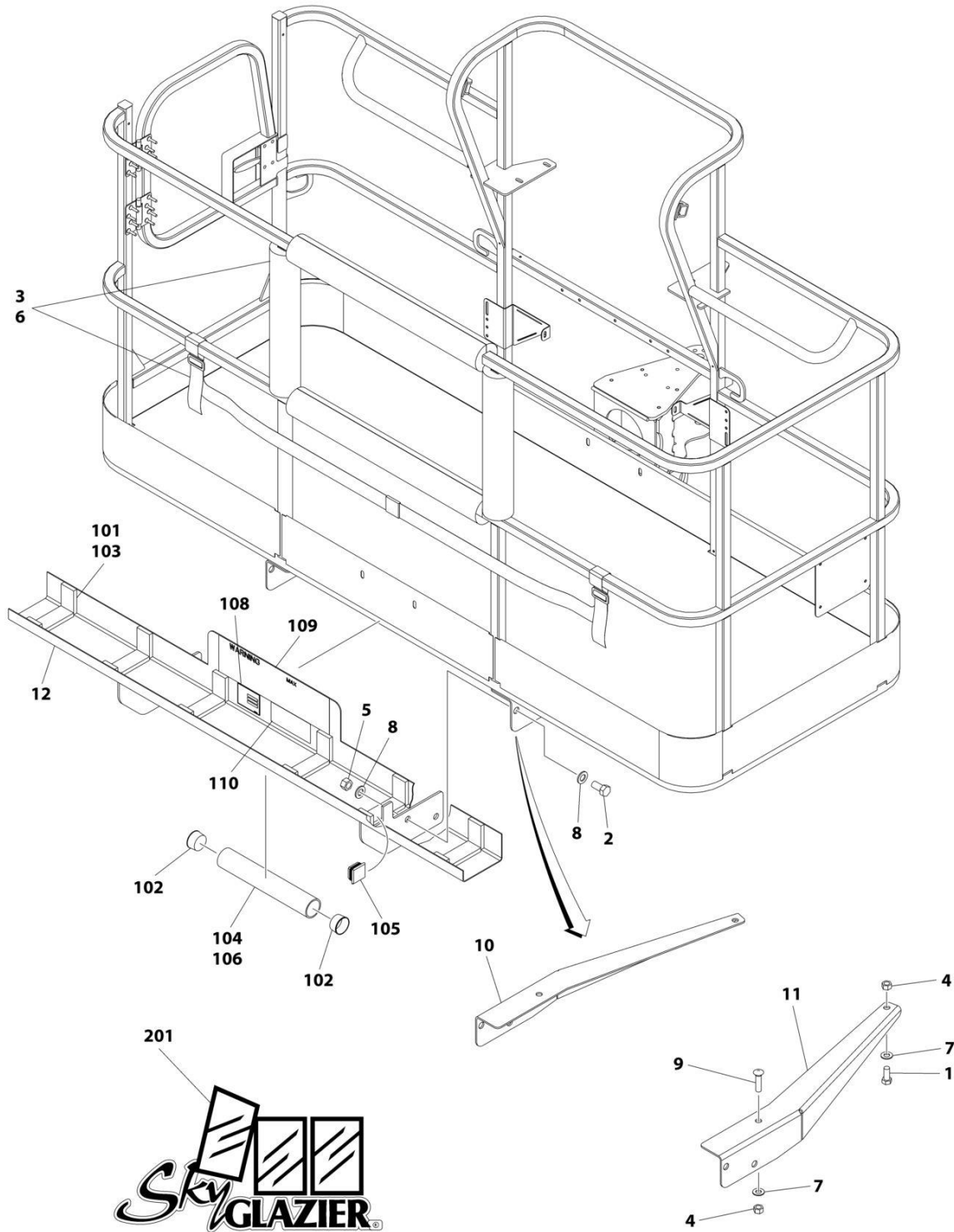
## SECTION 5 - PLATFORM

**FIGURE 5-27. SKYGLAZIER INSTALLATION (BRAZIL SPECS)**

ITEM	PART NUMBER	QTY	DESCRIPTION	REV
	1001099422	Ref	SKYGLAZIER INSTALLATION	C
1	0642012	2	Bolt 5/8 x 1-1/2	
2	0642212	4	Bolt 3/4 x 1-1/2	
3	0272951	1	Tray Assembly (See Items 101-110 for Breakdown)	
4	2902212	1	Bumpers and Strap Kit	
4	0940102	1	Bumper Only	
4	4240149	1	Strap Only	
5	3312005	4	Nut 5/8	
6	3312205	4	Nut 3/4	
7	4420014	AR	Tape	
8	4712000	6	Washer 5/8	
9	4712200	8	Washer 3/4	
10	1001099366	1	Support	
11	1001099367	1	Support	
14	8310129	2	Bolt 3/4 x 2-1/2	
	0272951	Ref	TRAY ASSEMBLY	F
101	0100081	AR	Adhesive	
102	1120555	2	Cap, Tube	
103	3340956	1	Pad Kit	
104	3460334	1	Tube	
105	3520071	2	Plug	
106	4420066	AR	Tape, Double Sided	
108	See Note	NSS	Nameplate - Serial Number (Note: Not Available for Purchase)	
109	1001163297	2	Decal - Glazier Capacity	
110	1701509	1	Decal - Manual	
	0272418	Ref	SKYGLAZIER DECAL INSTALLATION	4
201	1705358	2	Decal - SkyGlazier	

# SECTION 5 - PLATFORM

## FIGURE 5-28. SKYGLAZIER INSTALLATION (DANISH SPECS)



ART\_1001238462

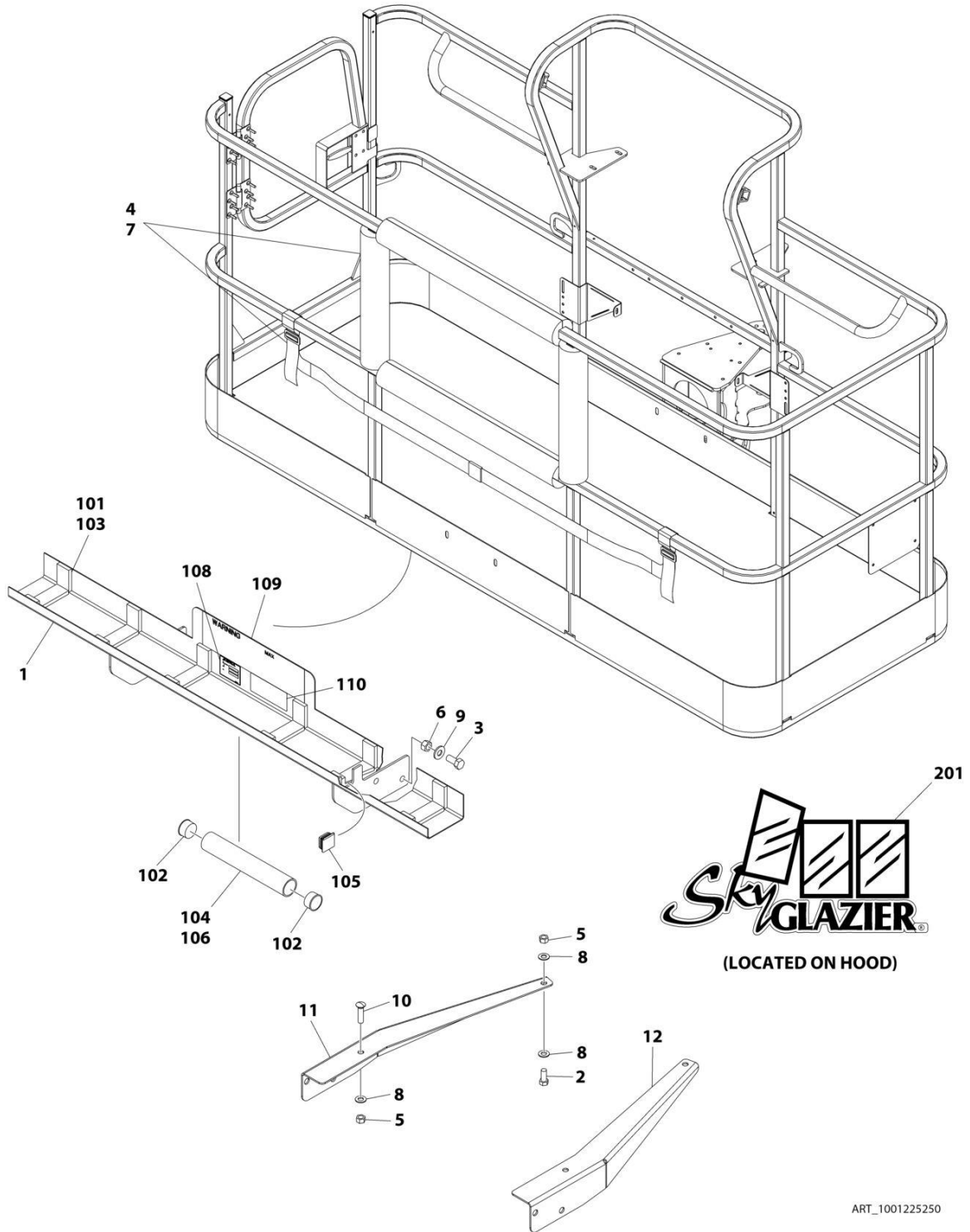
## SECTION 5 - PLATFORM

**FIGURE 5-28. SKYGLAZIER INSTALLATION (DANISH SPECS)**

ITEM	PART NUMBER	QTY	DESCRIPTION	REV
	1001238462	Ref	SKYGLAZIER INSTALLATION	A
1	0642012	2	Bolt 5/8 x 1-1/2	
2	0642212	4	Bolt 3/4 x 1-1/2	
3	2902212	1	Bumpers and Strap Kit	
3	0940102	1	Bumper Only	
3	4240149	1	Strap Only	
4	3312005	4	Nut 5/8	
5	3312205	4	Nut 3/4	
6	4420014	AR	Tape	
7	4712000	4	Washer 5/8	
8	4712200	8	Washer 3/4	
9	8310129	2	Bolt 5/8 x 2-1/2	
10	1001099366	1	Support	
11	1001099367	1	Support	
12	1001238423	1	Tray Assembly (See Items 101-110 for Breakdown)	
	1001238423	Ref	TRAY ASSEMBLY	B
101	0100081	AR	Adhesive	
102	1120555	2	Cap, Tube	
103	3340956	1	Pad Kit	
104	3460334	1	Tube	
105	3520071	2	Plug	
106	4420066	AR	Tape, Double Sided	
108	See Note	NSS	Nameplate - Serial Number (Note: Not Available for Purchase)	
109	1001237705	2	Decal - Glazier Capacity	
110	1701509	1	Decal - Manual	
	0272418	Ref	SKYGLAZIER DECAL INSTALLATION	4
201	1705358	2	Decal - SkyGlazier	

# SECTION 5 - PLATFORM

## FIGURE 5-29. SKYGLAZIER INSTALLATION (FRENCH SPECS)



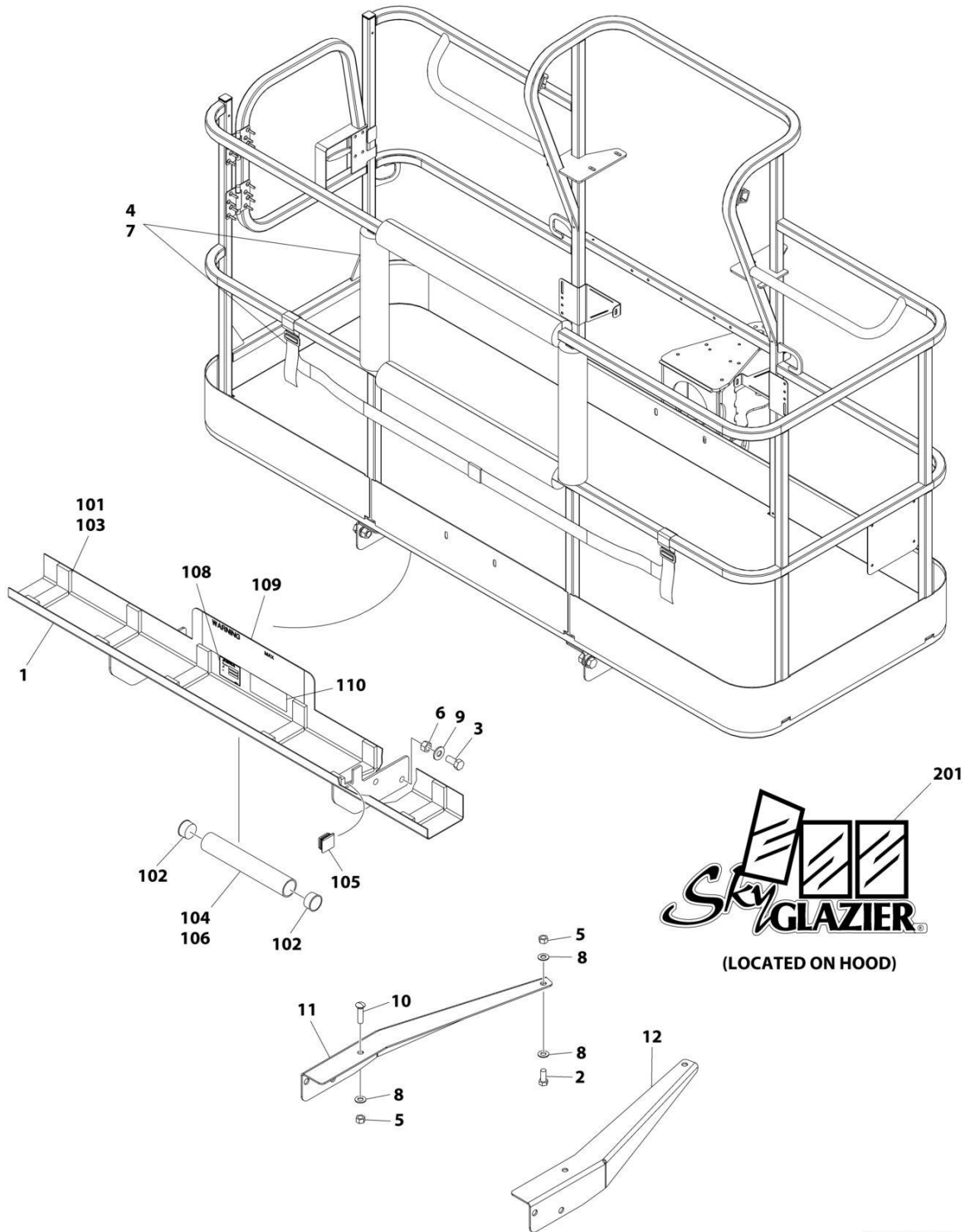
## SECTION 5 - PLATFORM

**FIGURE 5-29. SKYGLAZIER INSTALLATION (FRENCH SPECS)**

ITEM	PART NUMBER	QTY	DESCRIPTION	REV
	1001225250	Ref	SKYGLAZIER INSTALLATION	A
1	0272949	1	Tray Assembly (See Items 101-110 for Breakdown)	
2	0642012	2	Bolt 5/8 x 1-1/2	
3	0642212	4	Bolt 3/4 x 1-1/2	
4	2902212	1	Bumpers and Strap Kit	
4	0940102	1	Bumper Only	
4	4240149	1	Strap Only	
5	3312005	4	Nut 5/8	
6	3312205	4	Nut 3/4	
7	4420014	AR	Tape	
8	4712000	6	Washer 5/8	
9	4712200	8	Washer 3/4	
10	8310129	2	Bolt 5/8 x 2-1/2	
11	1001099366	1	Support	
12	1001099367	1	Support	
	0272949	Ref	TRAY ASSEMBLY	E
101	0100081	AR	Adhesive	
102	1120555	2	Cap, Tube	
103	3340956	1	Pad Kit	
104	3460334	1	Tube	
105	3520071	2	Plug	
106	4420066	AR	Tape, Double Sided	
108	See Note	NSS	Nameplate - Serial Number (Note: Not Available for Purchase)	
109	1001163293	2	Decal - Glazier Capacity	
110	1701509	1	Decal - Manual	
	0272418	Ref	SKYGLAZIER DECAL INSTALLATION	4
201	1705358	2	Decal - SkyGlazier	

# SECTION 5 - PLATFORM

## FIGURE 5-30. SKYGLAZIER INSTALLATION (GERMAN SPECS)



ART\_1001225249

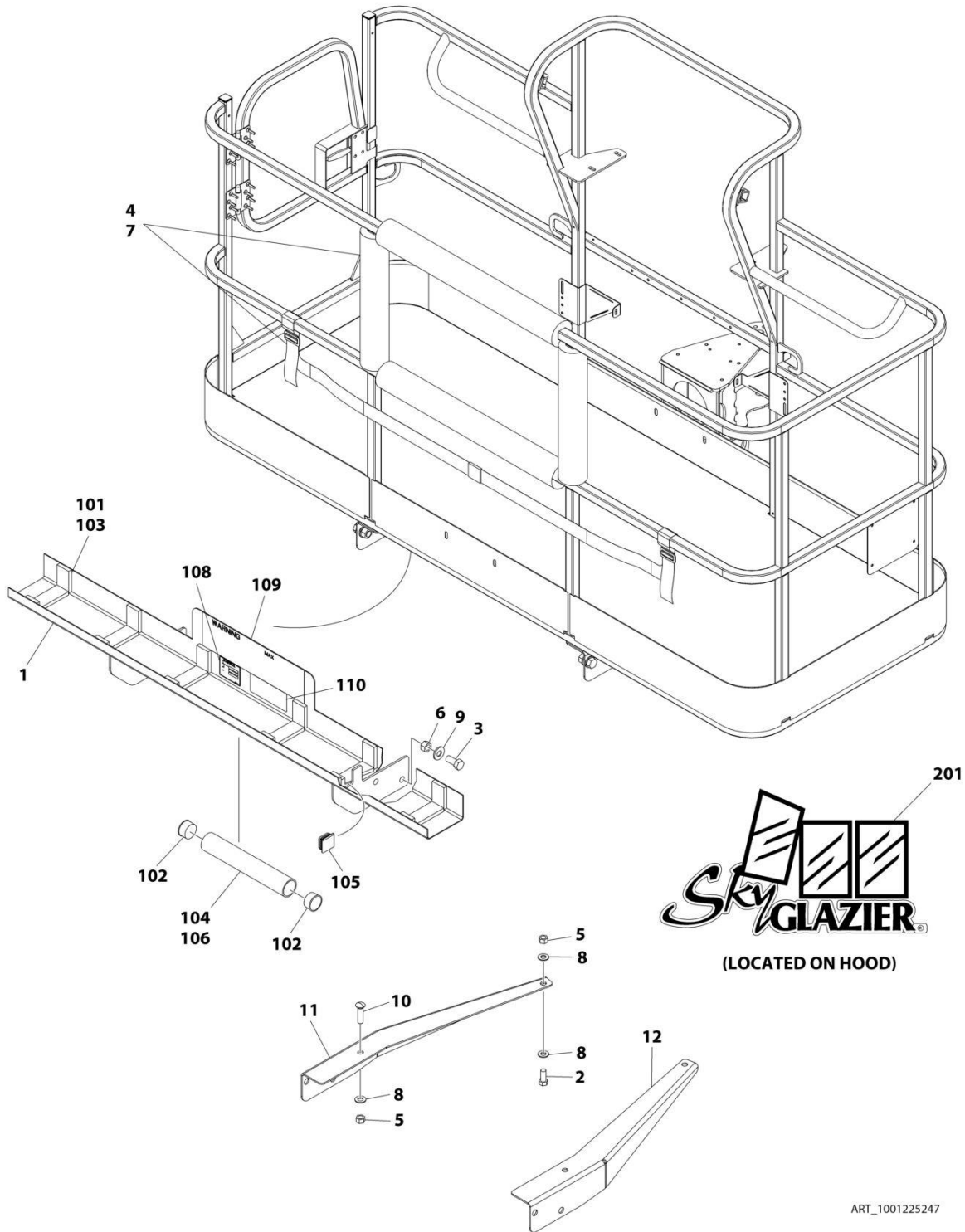
## SECTION 5 - PLATFORM

**FIGURE 5-30. SKYGLAZIER INSTALLATION (GERMAN SPECS)**

ITEM	PART NUMBER	QTY	DESCRIPTION	REV
	1001225249	Ref	SKYGLAZIER INSTALLATION	A
1	0272950	1	Tray Assembly (See Items 101-110 for Breakdown)	
2	0642012	2	Bolt 5/8 x 1-1/2	
3	0642212	4	Bolt 3/4 x 1-1/2	
4	2902212	1	Bumpers and Strap Kit	
4	0940102	1	Bumper Only	
4	4240149	1	Strap Only	
5	3312005	4	Nut 5/8	
6	3312205	4	Nut 3/4	
7	4420014	AR	Tape	
8	4712000	6	Washer 5/8	
9	4712200	8	Washer 3/4	
10	8310129	2	Bolt 5/8 x 2-1/2	
11	1001099366	1	Support	
12	1001099367	1	Support	
	0272950	Ref	TRAY ASSEMBLY	E
101	0100081	AR	Adhesive	
102	1120555	2	Cap, Tube	
103	3340956	1	Pad Kit	
104	3460334	1	Tube	
105	3520071	2	Plug	
106	4420066	AR	Tape, Double Sided	
108	See Note	NSS	Nameplate - Serial Number (Note: Not Available for Purchase)	
109	1001163298	2	Decal - Glazier Capacity	
110	1701509	1	Decal - Manual	
	0272418	Ref	SKYGLAZIER DECAL INSTALLATION	4
201	1705358	2	Decal - SkyGlazier	

# SECTION 5 - PLATFORM

## FIGURE 5-31. SKYGLAZIER INSTALLATION (ITALIAN SPECS)





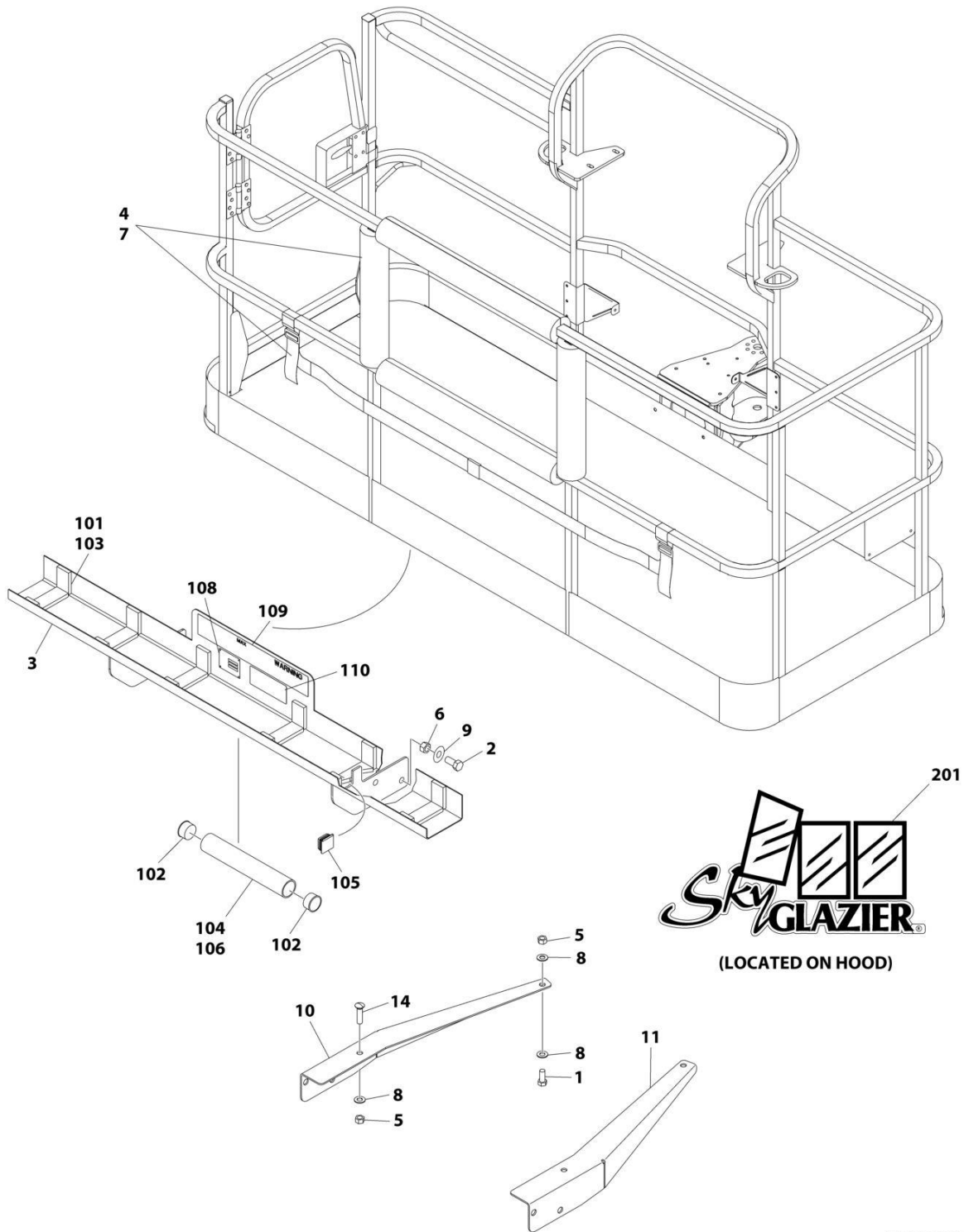
## SECTION 5 - PLATFORM

**FIGURE 5-31. SKYGLAZIER INSTALLATION (ITALIAN SPECS)**

ITEM	PART NUMBER	QTY	DESCRIPTION	REV
	1001225247	Ref	SKYGLAZIER INSTALLATION	A
1	0272952	1	Tray Assembly (See Items 101-110 for Breakdown)	
2	0642012	2	Bolt 5/8 x 1-1/2	
3	0642212	4	Bolt 3/4 x 1-1/2	
4	2902212	1	Bumpers and Strap Kit	
4	0940102	1	Bumper Only	
4	4240149	1	Strap Only	
5	3312005	4	Nut 5/8	
6	3312205	4	Nut 3/4	
7	4420014	AR	Tape	
8	4712000	6	Washer 5/8	
9	4712200	8	Washer 3/4	
10	8310129	2	Bolt 5/8 x 2-1/2	
11	1001099366	1	Support	
12	1001099367	1	Support	
	0272952	Ref	TRAY ASSEMBLY	E
101	0100081	AR	Adhesive	
102	1120555	2	Cap, Tube	
103	3340956	1	Pad Kit	
104	3460334	1	Tube	
105	3520071	2	Plug	
106	4420066	AR	Tape, Double Sided	
108	See Note	NSS	Nameplate - Serial Number (Note: Not Available for Purchase)	
109	1001163287	2	Decal - Glazier Capacity	
110	1701509	1	Decal - Manual	
	0272418	Ref	SKYGLAZIER DECAL INSTALLATION	4
201	1705358	2	Decal - SkyGlazier	

# SECTION 5 - PLATFORM

## FIGURE 5-32. SKYGLAZIER INSTALLATION (LATIN AMERICAN SPECS)



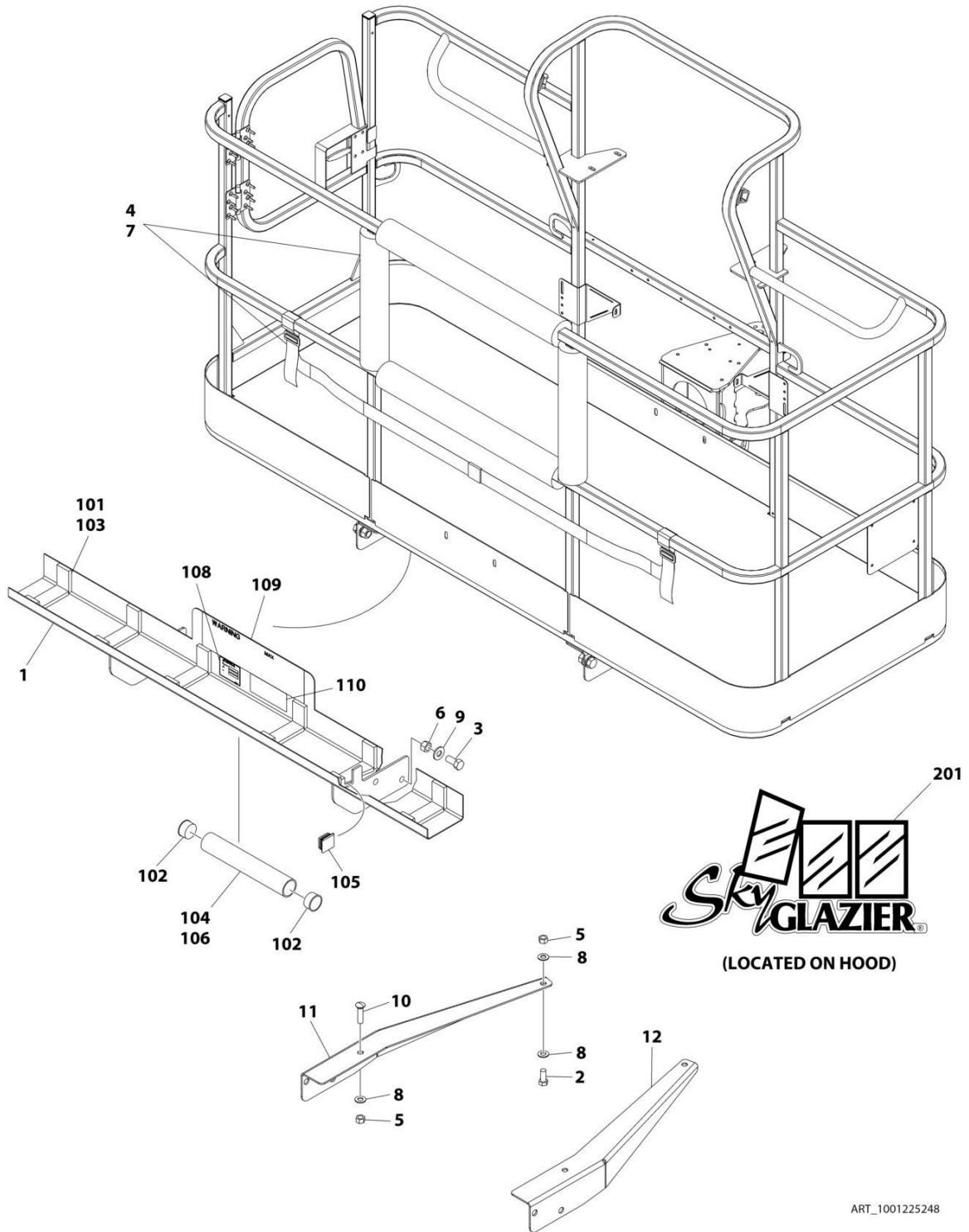
## SECTION 5 - PLATFORM

**FIGURE 5-32. SKYGLAZIER INSTALLATION (LATIN AMERICAN SPECS)**

ITEM	PART NUMBER	QTY	DESCRIPTION	REV
	1001099421	Ref	SKYGLAZIER INSTALLATION	C
1	0642012	2	Bolt 5/8 x 1-1/2	
2	0642212	4	Bolt 3/4 x 1-1/2	
3	0272948	1	Tray Assembly (See Items 101-110 for Breakdown)	
4	2902212	1	Bumpers and Strap Kit	
4	0940102	1	Bumper Only	
4	4240149	1	Strap Only	
5	3312005	4	Nut 5/8	
6	3312205	4	Nut 3/4	
7	4420014	AR	Tape	
8	4712000	6	Washer 5/8	
9	4712200	8	Washer 3/4	
10	1001099366	1	Support	
11	1001099367	1	Support	
14	8310129	2	Bolt 3/4 x 2-1/2	
	0272948	Ref	TRAY ASSEMBLY	F
101	0100081	AR	Adhesive	
102	1120555	2	Cap, Tube	
103	3340956	1	Pad Kit	
104	3460334	1	Tube	
105	3520071	2	Plug	
106	4420066	AR	Tape, Double Sided	
108	See Note	NSS	Nameplate - Serial Number (Note: Not Available for Purchase)	
109	1001163296	2	Decal - Glazier Capacity	
110	1701509	1	Decal - Manual	
	0272418	Ref	SKYGLAZIER DECAL INSTALLATION	4
201	1705358	2	Decal - SkyGlazier	

# SECTION 5 - PLATFORM

## FIGURE 5-33. SKYGLAZIER INSTALLATION (PORTUGUESE SPECS)



ART\_1001225248

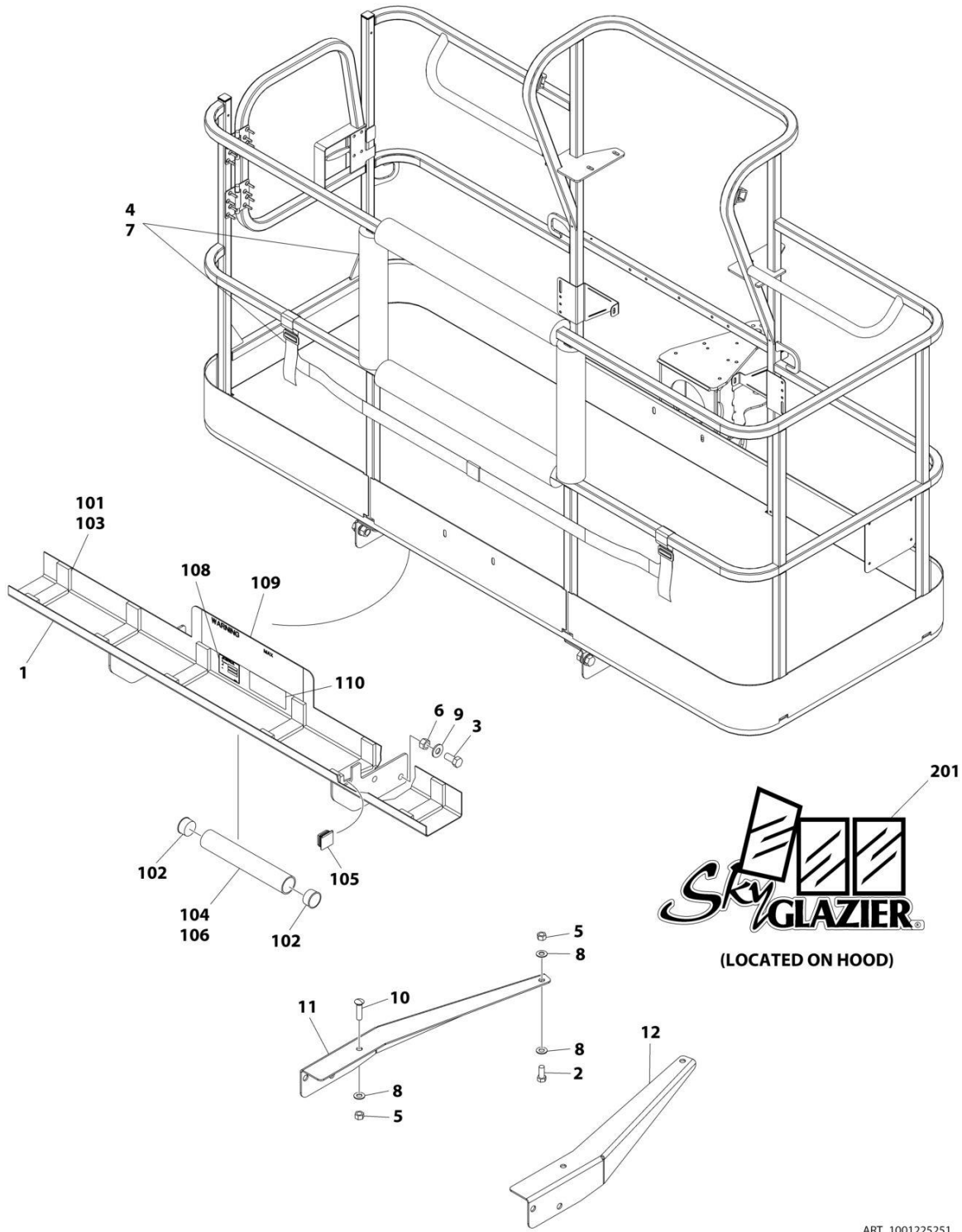
## SECTION 5 - PLATFORM

**FIGURE 5-33. SKYGLAZIER INSTALLATION (PORTUGUESE SPECS)**

ITEM	PART NUMBER	QTY	DESCRIPTION	REV
	1001225248	Ref	SKYGLAZIER INSTALLATION	A
1	0273406	1	Tray Assembly (See Items 101-110 for Breakdown)	
2	0642012	2	Bolt 5/8 x 1-1/2	
3	0642212	4	Bolt 3/4 x 1-1/2	
4	2902212	1	Bumpers and Strap Kit	
4	0940102	1	Bumper Only	
4	4240149	1	Strap Only	
5	3312005	4	Nut 5/8	
6	3312205	4	Nut 3/4	
7	4420014	AR	Tape	
8	4712000	6	Washer 5/8	
9	4712200	8	Washer 3/4	
10	8310129	2	Bolt 5/8 x 2-1/2	
11	1001099366	1	Support	
12	1001099367	1	Support	
	0273406	Ref	TRAY ASSEMBLY	E
101	0100081	AR	Adhesive	
102	1120555	2	Cap, Tube	
103	3340956	1	Pad Kit	
104	3460334	1	Tube	
105	3520071	2	Plug	
106	4420066	AR	Tape, Double Sided	
108	See Note	NSS	Nameplate - Serial Number (Note: Not Available for Purchase)	
109	1001163289	2	Decal - Glazier Capacity	
110	1701509	1	Decal - Manual	
	0272418	Ref	SKYGLAZIER DECAL INSTALLATION	4
201	1705358	2	Decal - SkyGlazier	

# SECTION 5 - PLATFORM

## FIGURE 5-34. SKYGLAZIER INSTALLATION (SPANISH SPECS)



ART\_1001225251

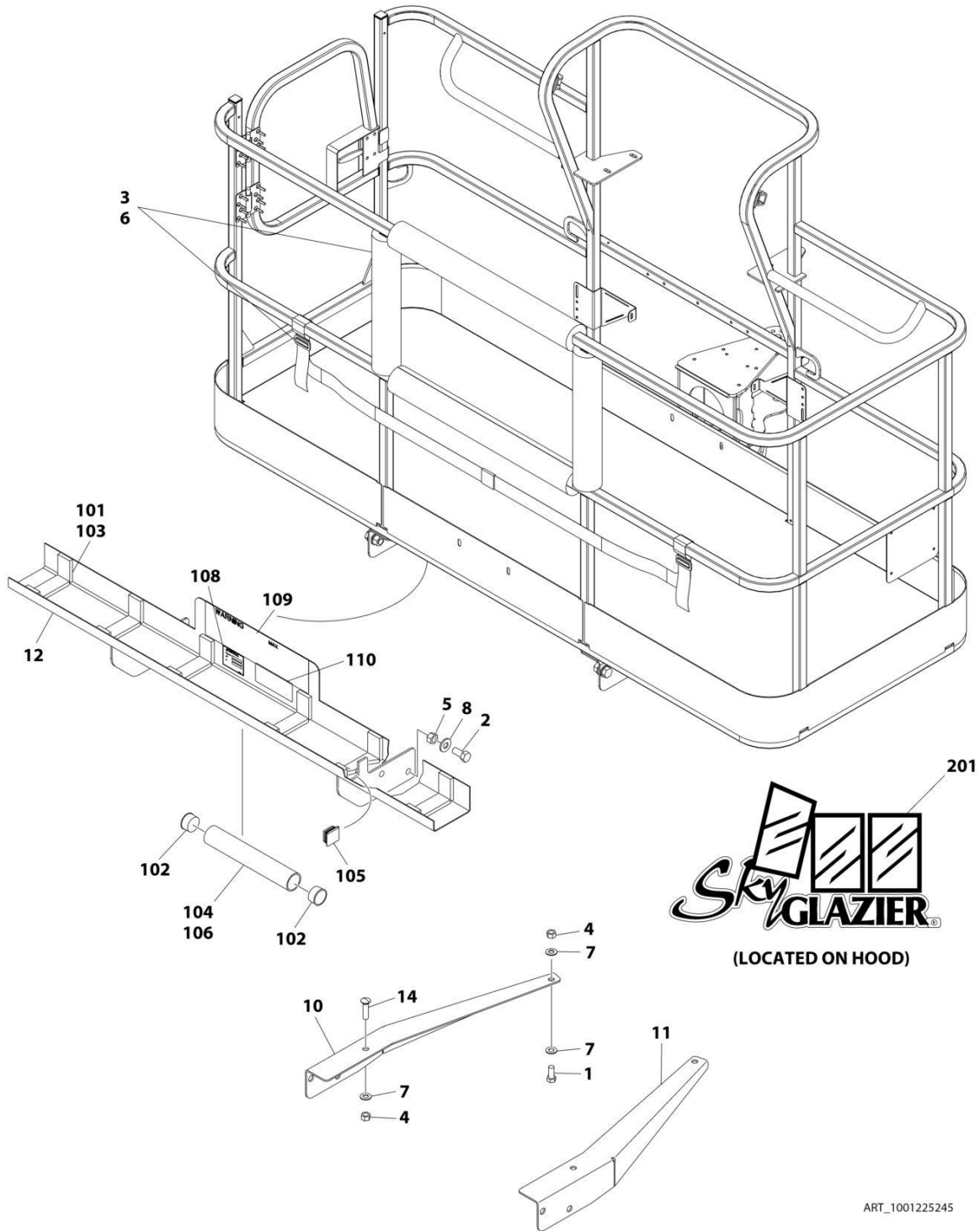
## SECTION 5 - PLATFORM

**FIGURE 5-34. SKYGLAZIER INSTALLATION (SPANISH SPECS)**

ITEM	PART NUMBER	QTY	DESCRIPTION	REV
	1001225251	Ref	SKYGLAZIER INSTALLATION	A
1	0273405	1	Tray Assembly (See Items 101-110 for Breakdown)	
2	0642012	2	Bolt 5/8 x 1-1/2	
3	0642212	4	Bolt 3/4 x 1-1/2	
4	2902212	1	Bumpers and Strap Kit	
4	0940102	1	Bumper Only	
4	4240149	1	Strap Only	
5	3312005	4	Nut 5/8	
6	3312205	4	Nut 3/4	
7	4420014	AR	Tape	
8	4712000	6	Washer 5/8	
9	4712200	8	Washer 3/4	
10	8310129	2	Bolt 5/8 x 2-1/2	
11	1001099366	1	Support	
12	1001099367	1	Support	
	0273405	Ref	TRAY ASSEMBLY	E
101	0100081	AR	Adhesive	
102	1120555	2	Cap, Tube	
103	3340956	1	Pad Kit	
104	3460334	1	Tube	
105	3520071	2	Plug	
106	4420066	AR	Tape, Double Sided	
108	See Note	NSS	Nameplate - Serial Number (Note: Not Available for Purchase)	
109	1001163288	2	Decal - Glazier Capacity	
110	1701509	1	Decal - Manual	
	0272418	Ref	SKYGLAZIER DECAL INSTALLATION	4
201	1705358	2	Decal - SkyGlazier	

# SECTION 5 - PLATFORM

## FIGURE 5-35. SKYGLAZIER INSTALLATION (SWEDISH SPECS)





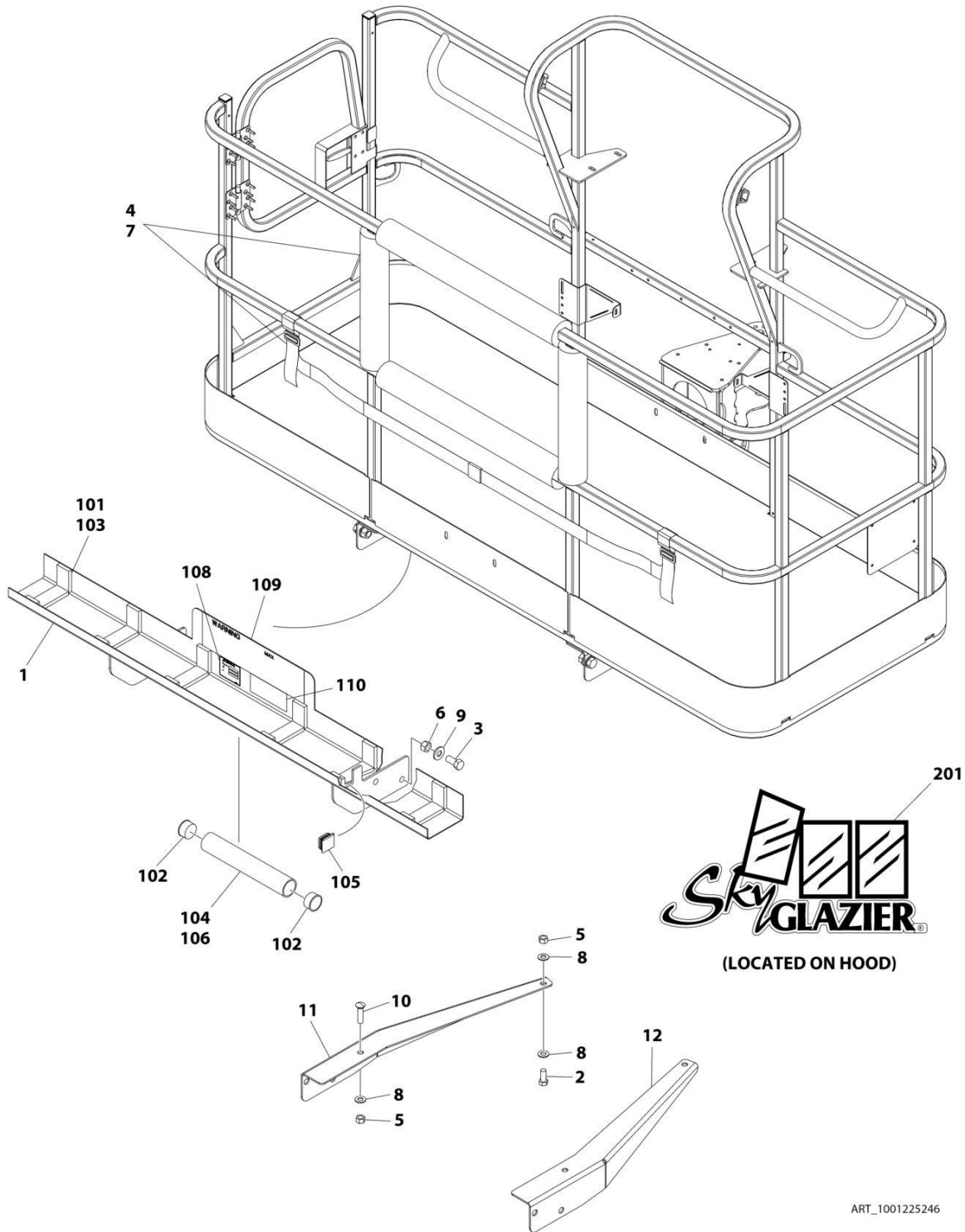
## SECTION 5 - PLATFORM

**FIGURE 5-35. SKYGLAZIER INSTALLATION (SWEDISH SPECS)**

ITEM	PART NUMBER	QTY	DESCRIPTION	REV
	1001225245	Ref	SKYGLAZIER INSTALLATION	B
1	0642012	2	Bolt 5/8 x 1-1/2	
2	0642212	4	Bolt 3/4 x 1-1/2	
3	2902212	1	Bumpers and Strap Kit	
3	0940102	1	Bumper Only	
3	4240149	1	Strap Only	
4	3312005	4	Nut 5/8	
5	3312205	4	Nut 3/4	
6	4420014	AR	Tape	
7	4712000	6	Washer 5/8	
8	4712200	8	Washer 3/4	
9	8310129	2	Bolt 5/8 x 2-1/2	
10	1001099366	1	Support	
11	1001099367	1	Support	
12	1001115603	1	Tray Assembly (See Items 101-110 for Breakdown)	
	1001115603	Ref	TRAY ASSEMBLY	D
101	0100081	AR	Adhesive	
102	1120555	2	Cap, Tube	
103	3340956	1	Pad Kit	
104	3460334	1	Tube	
105	3520071	2	Plug	
106	4420066	AR	Tape, Double Sided	
108	See Note	NSS	Nameplate - Serial Number (Note: Not Available for Purchase)	
109	1001163292	2	Decal - Glazier Capacity	
110	1701509	1	Decal - Manual	
	0272418	Ref	SKYGLAZIER DECAL INSTALLATION	4
201	1705358	2	Decal - SkyGlazier	

# SECTION 5 - PLATFORM

## FIGURE 5-36. SKYGLAZIER INSTALLATION (UK SPECS)



ART\_1001225246

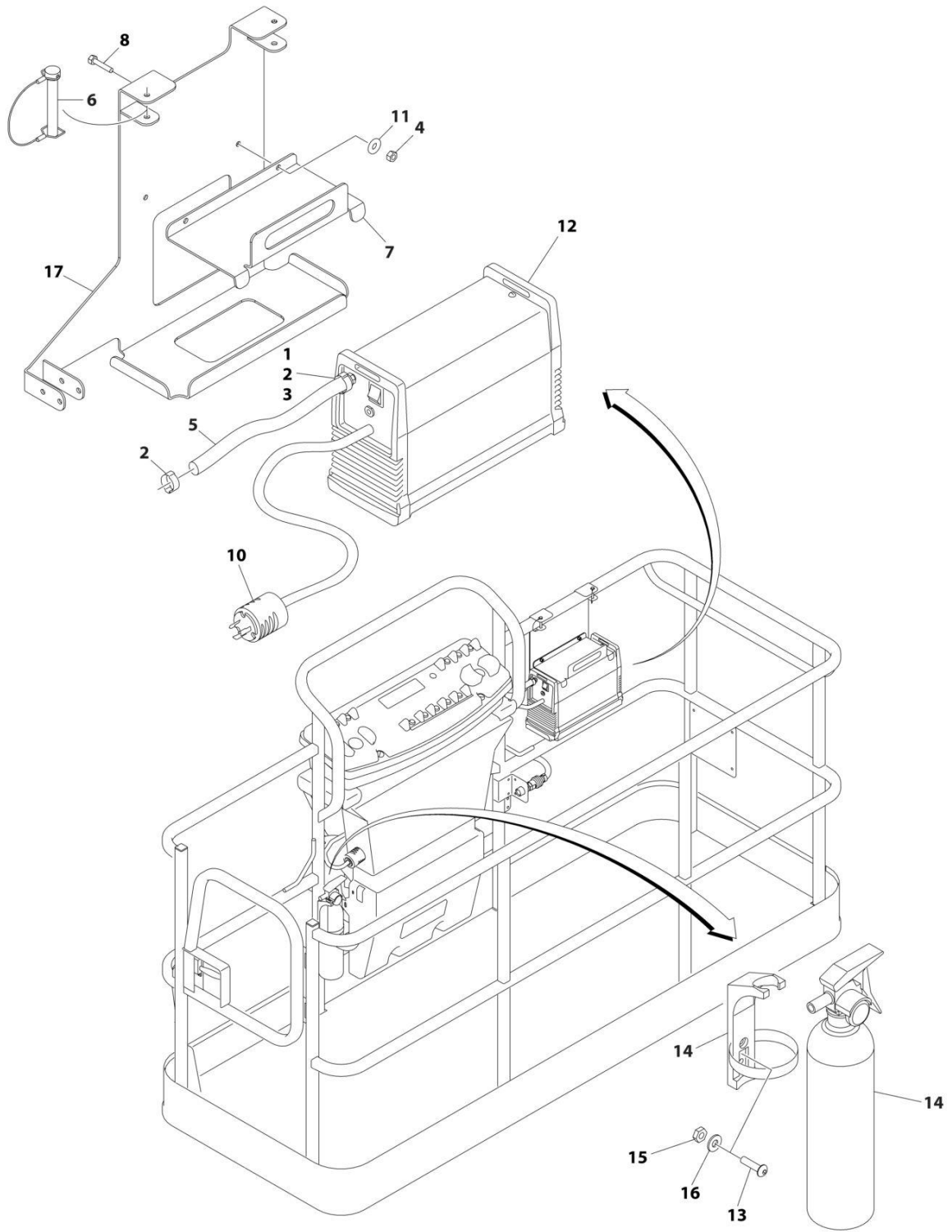
## SECTION 5 - PLATFORM

**FIGURE 5-36. SKYGLAZIER INSTALLATION (UK SPECS)**

ITEM	PART NUMBER	QTY	DESCRIPTION	REV
	1001225246	Ref	SKYGLAZIER INSTALLATION	A
1	0273404	1	Tray Assembly (See Items 101-110 for Breakdown)	
2	0642012	2	Bolt 5/8 x 1-1/2	
3	0642212	4	Bolt 3/4 x 1-1/2	
4	2902212	1	Bumpers and Strap Kit	
4	0940102	1	Bumper Only	
4	4240149	1	Strap Only	
5	3312005	4	Nut 3/4	
6	3312205	4	Nut 3/4	
7	4420014	AR	Tape	
8	4712000	6	Washer 5/8	
9	4712200	8	Washer 3/4	
10	8310129	2	Bolt 5/8 x 2-1/2	
11	1001099366	1	Support	
12	1001099367	1	Support	
	0273404	Ref	TRAY ASSEMBLY	F
101	0100081	AR	Adhesive	
102	1120555	2	Cap, Tube	
103	3340956	1	Pad Kit	
104	3460334	1	Tube	
105	3520071	2	Plug	
106	4420066	AR	Tape, Double Sided	
108	See Note	NSS	Nameplate - Serial Number (Note: Not Available for Purchase)	
109	1001163295	2	Decal - Glazier Capacity	
110	1701509	1	Decal - Manual	
	0272418	Ref	SKYGLAZIER DECAL INSTALLATION	4
201	1705358	2	Decal - SkyGlazier	

# SECTION 5 - PLATFORM

## FIGURE 5-37. SKYCUTTER INSTALLATION



ART\_1001098149\_D

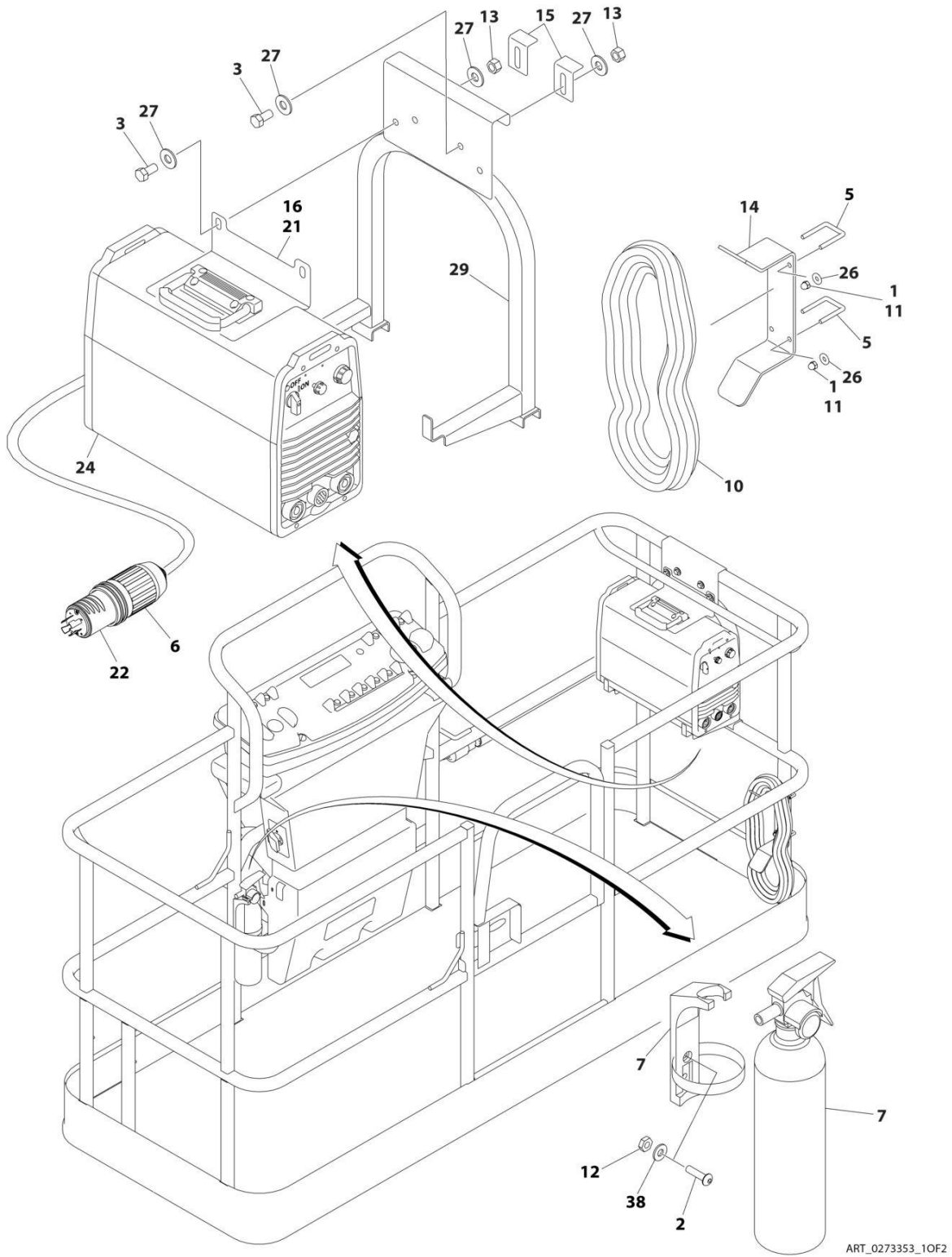
## SECTION 5 - PLATFORM

**FIGURE 5-37. SKYCUTTER INSTALLATION**

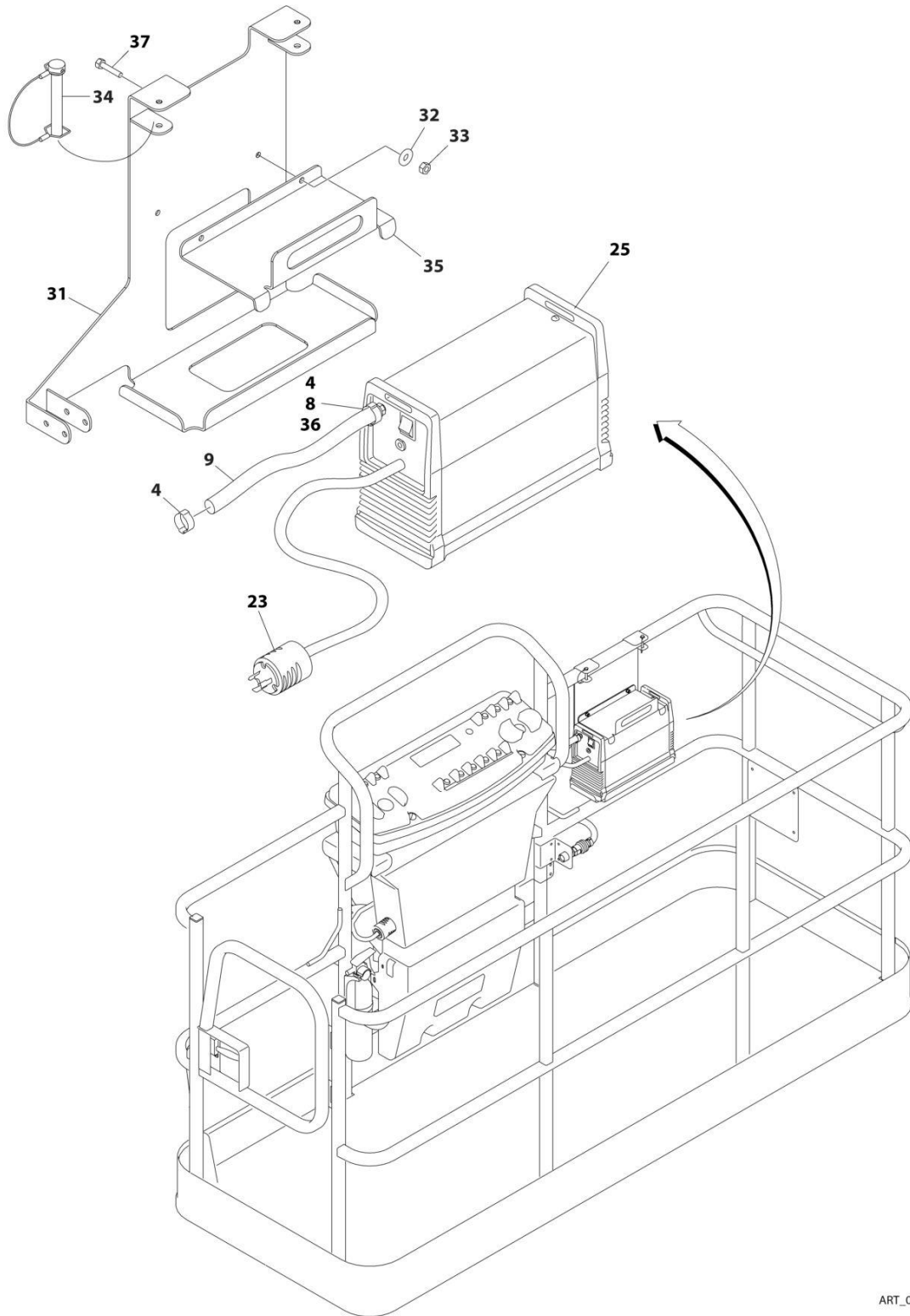
ITEM	PART NUMBER	QTY	DESCRIPTION	REV
	1001098149	Ref	SKYCUTTER INSTALLATION	D
		Ref	Note: When replacing platform on machines with SkyCutter option, new bracket p/n 1001145405 must be purchased to accommodate SkyCutter components.	
1	0100020	AR	Sealant	
2	1320177	2	Clamp, Hose	
3	2180832	1	Fitting, NPT/Barbed	
4	3290605	2	Nut M6	
5	2720160	3 ft /.9m	Hose	
6	3421453	3	Pin	
7	3576799	1	Plate, Hold-Down	
8	4010608	2	Screw M6 x 16	
10	4460971	1	Plug, Twistlock	
11	4811700	2	Washer M6	
12	1001098012	1	Plasma Cutter Assembly (See Separate Breakdown in this Section)	
13	0630518	2	Screw #10 x 3/4	
14	2030010	1	Extinguisher, Fire	
15	3311005	2	Nut #10	
16	4751000	2	Washer #10	
17	1001145405	1	Support	

# SECTION 5 - PLATFORM

## FIGURE 5-38. SKYWELDER/SKYCUTTER COMBO INSTALLATION (60HZ)



# SECTION 5 - PLATFORM



ART\_0273353\_20F2

## SECTION 5 - PLATFORM

**FIGURE 5-38. SKYWELDER/SKYCUTTER COMBO INSTALLATION (60HZ)**

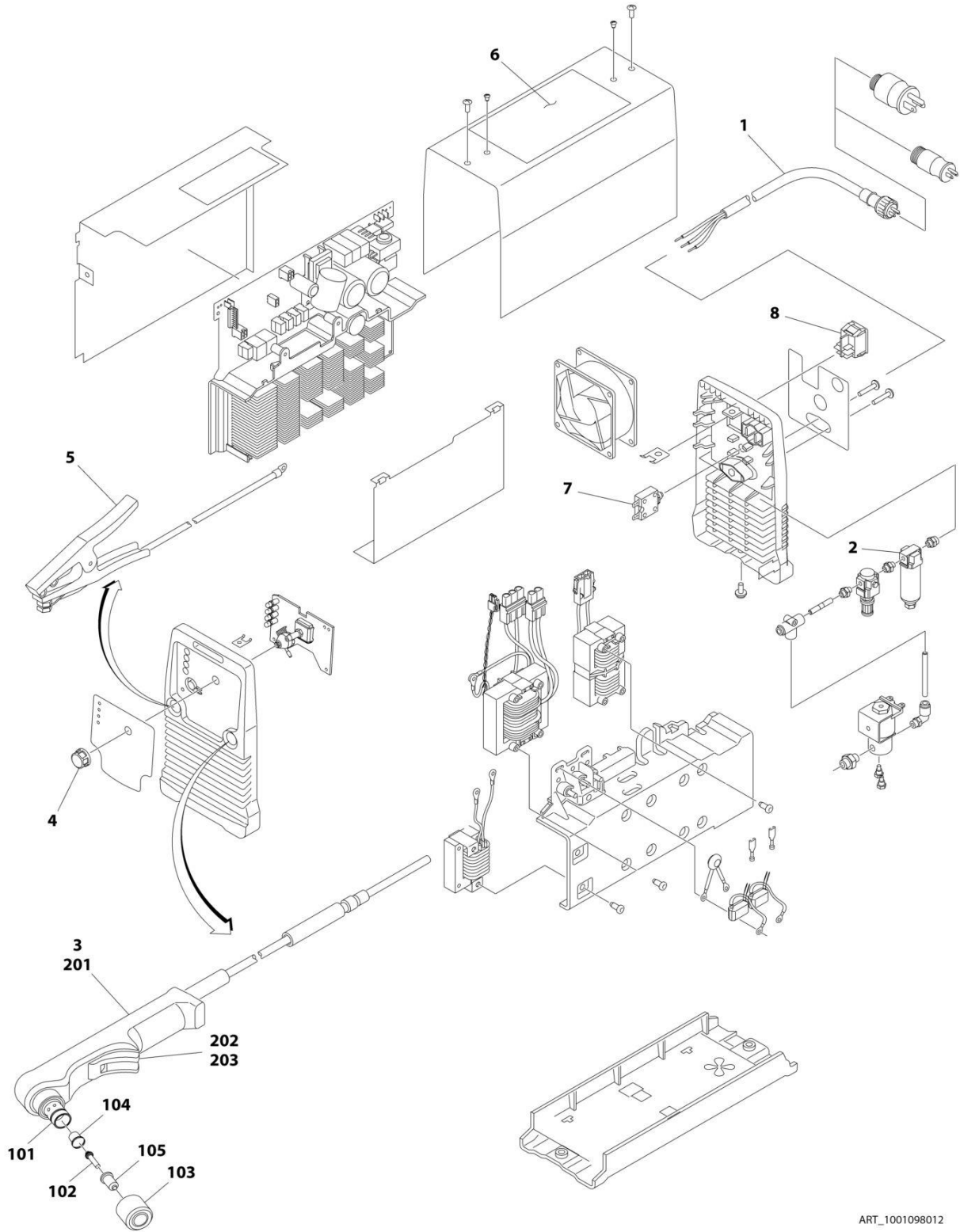
ITEM	PART NUMBER	QTY	DESCRIPTION	REV
	0273353	Ref	SKYWELDER/SKYCUTTER COMBO INSTALLATION (60HZ)	G
1	0100011	AR	Compound, Locking	
2	0630518	2	Screw #10 x 3/4	
3	0641606	4	Bolt 3/8 x 3/4	
4	1320177	2	Clamp	
5	1320302	2	Clamp	
6	1671093	1	Cover, Plug	
7	2030010	1	Extinguisher, Fire	
8	2180832	1	Fitting, Barbed/NPT	
9	2720160	4.5 ft /1.37m	Hose	
10	2902217	1	Weld Leads Kit	
11	3300151	4	Nut 1/4	
12	3311005	2	Nut #10	
13	3311605	4	Nut 3/8	
14	3573400	1	Bracket	
15	3577121	2	Angle	
16	3573642	1	Plate	
20	4240099	AR	Tie-Strap (Not Shown)	
21	4420037	2.36 ft /.71m	Tape	
22	4460962	1	Plug, Twist Lock	
23	4460971	1	Plug, Twist Lock	
24	4530028	1	Welder Assembly (See Separate Breakdown in this section)	
25	1001098012	1	Plasma Cutter Assembly (See Separate Breakdown in this Section)	
26	4751400	4	Washer 1/4	
27	4751600	8	Washer 3/8	
29	4846627	1	Support	
31	1001145405	1	Bracket	
32	4811700	2	Washer M6	
33	3290605	2	Nut M6	
34	3421453	3	Pin	
35	3576799	1	Plate, Hold-Down	
36	0100020	1	Sealant	
37	4010608	2	Screw M6 x 16	
38	4751000	2	Washer #10	





# SECTION 5 - PLATFORM

## FIGURE 5-39. PLASMA CUTTER ASSEMBLY



ART\_1001098012

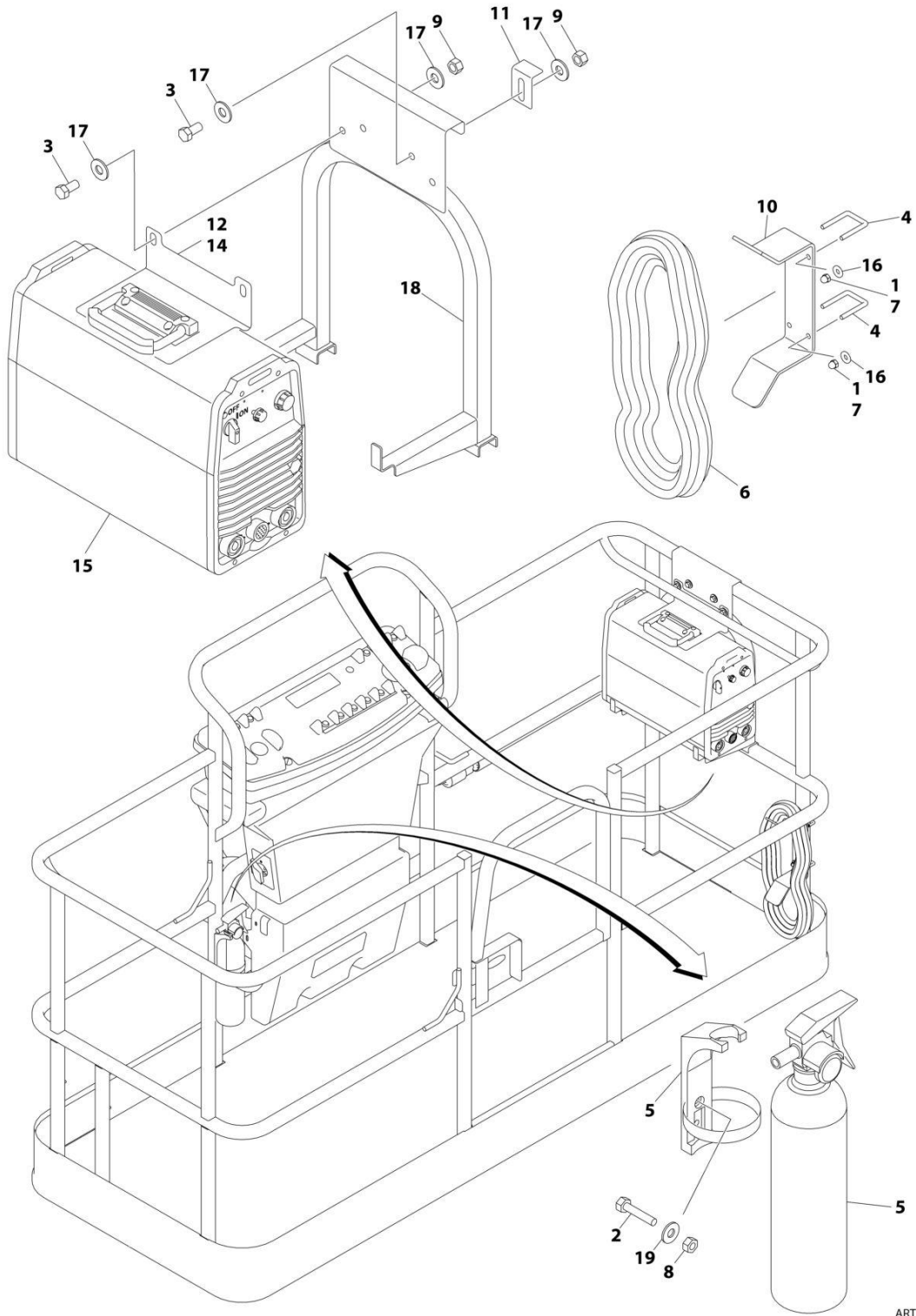
## SECTION 5 - PLATFORM

### FIGURE 5-39. PLASMA CUTTER ASSEMBLY

ITEM	PART NUMBER	QTY	DESCRIPTION	REV
	1001098012	Ref	PLASMA CUTTER ASSEMBLY	A
		Ref	Note: For Other Components, contact your Miller Welder Dealer.	
1	70001424	1	Cable, Power	
1	70001425	1	Decal - Voltage Warning	
2	70001427	1	Filter, Regulator	
3	70001428	1	Torch Assembly (See Items 101-203 for Breakdown)	
4	7024471	1	Knob	
5	70001429	1	Clamp with Cable	
6	70001430	1	Decal - Caution	
7	70001431	1	Breaker, Circuit	
8	70001432	1	Switch, Rocker	
	70001428	Ref	TORCH ASSEMBLY	
101	7024530	1	O-Ring	
102	7024531	1	Electrode	
103	7024532	1	Cup, Retaining	
104	7024533	1	Swirl Ring	
105	7024534	1	Tip	
201	7024535	1	Handle, Torch	
202	7024536	1	Switch	
203	7024537	1	Trigger	

# SECTION 5 - PLATFORM

## FIGURE 5-40. SKYWELDER INSTALLATION (50HZ)



ART\_0272521\_F

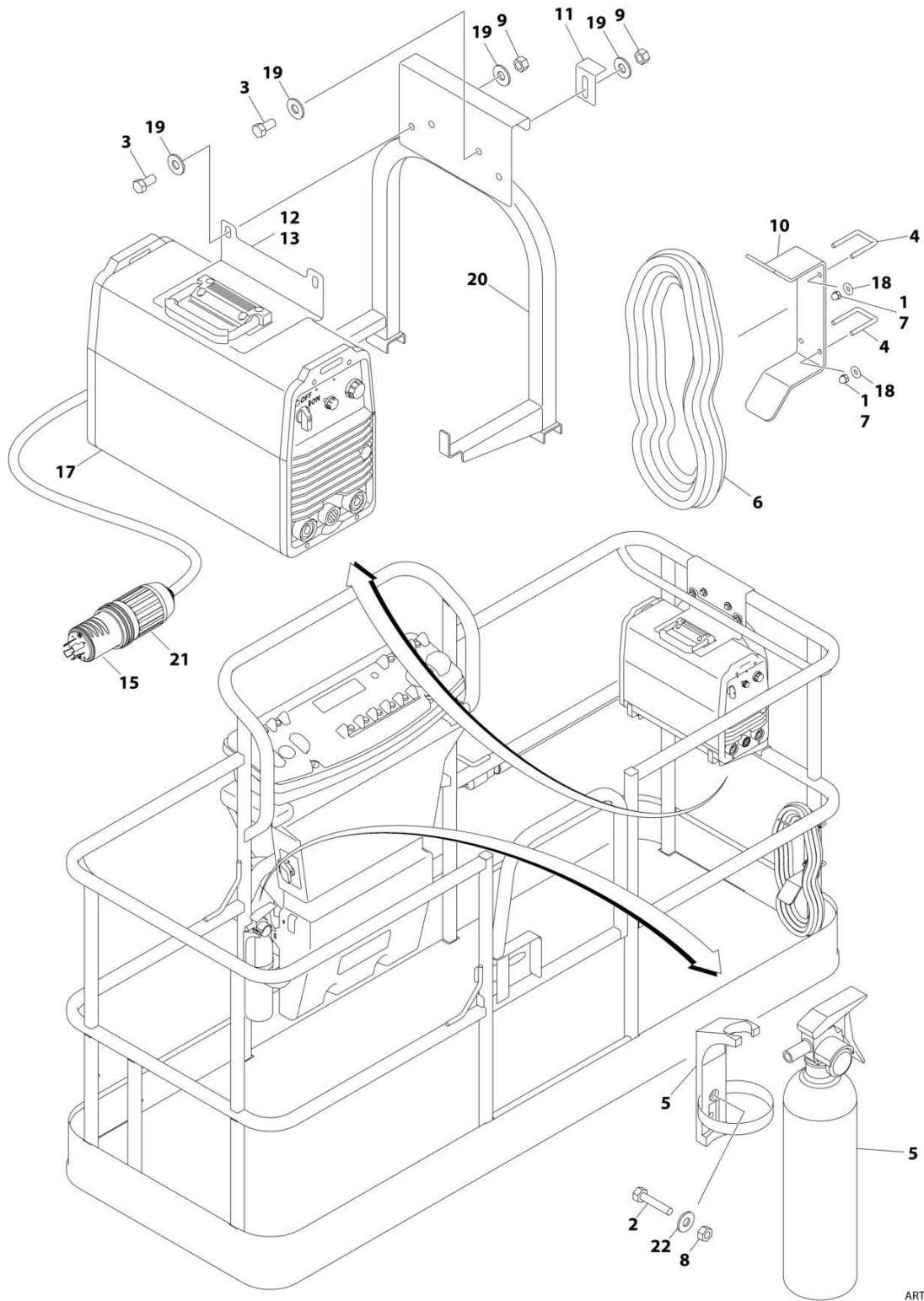
## SECTION 5 - PLATFORM

**FIGURE 5-40. SKYWELDER INSTALLATION (50HZ)**

ITEM	PART NUMBER	QTY	DESCRIPTION	REV
	0272521	Ref	SKYWELDER INSTALLATION	F
1	0100011	AR	Compound, Locking	
2	0630518	2	Screw #10 x 3/4	
3	0641606	4	Bolt 3/8 x 3/4	
4	1320302	2	U-Clamp	
5	2030010	1	Extinguisher, Fire	
6	2902217	1	Weld Leads Kit	
7	3300151	4	Nut 1/4	
8	3311005	2	Nut #10	
9	3311605	4	Nut 3/8	
10	3573400	1	Bracket	
11	3577121	2	Angle	
12	3573642	1	Plate	
13	4240099	AR	Tie-Strap (Not Shown)	
14	4420037	AR	Tape	
15	4530028	1	Welder Assembly (See Separate Breakdown in this Section)	
16	4751400	4	Washer 1/4	
17	4751600	8	Washer 3/8	
18	4846627	1	Support	
19	4751000	2	Washer #10	

# SECTION 5 - PLATFORM

## FIGURE 5-41. SKYWELDER INSTALLATION (60HZ)



ART\_0272254\_I

## SECTION 5 - PLATFORM

**FIGURE 5-41. SKYWELDER INSTALLATION (60HZ)**

ITEM	PART NUMBER	QTY	DESCRIPTION	REV
	0272254	Ref	SKYWELDER INSTALLATION	1
1	0100011	AR	Compound, Locking	
2	0630518	2	Screw #10 x 3/4	
3	0641606	4	Bolt 3/8 x 3/4	
4	1320302	2	U-Clamp	
5	2030010	1	Extinguisher, Fire	
6	2902217	1	Weld Leads Kit	
7	3300151	4	Nut 1/4	
8	3311005	2	Nut #10	
9	3311605	4	Nut 3/8	
10	3573400	1	Bracket	
11	3577121	2	Angle	
12	3573642	1	Plate	
13	4420037	AR	Tape	
14	4240099	AR	Tie-Strap (Not Shown)	
15	4460962	1	Plug, Male Twistlock	
17	4530028	1	Welder Assembly (See Separate Breakdown in this Section)	
18	4751400	4	Washer 1/4	
19	4751600	8	Washer 3/8	
20	4846627	1	Support	
21	1671093	1	Cover, Plug	
22	4751000	2	Washer #10	





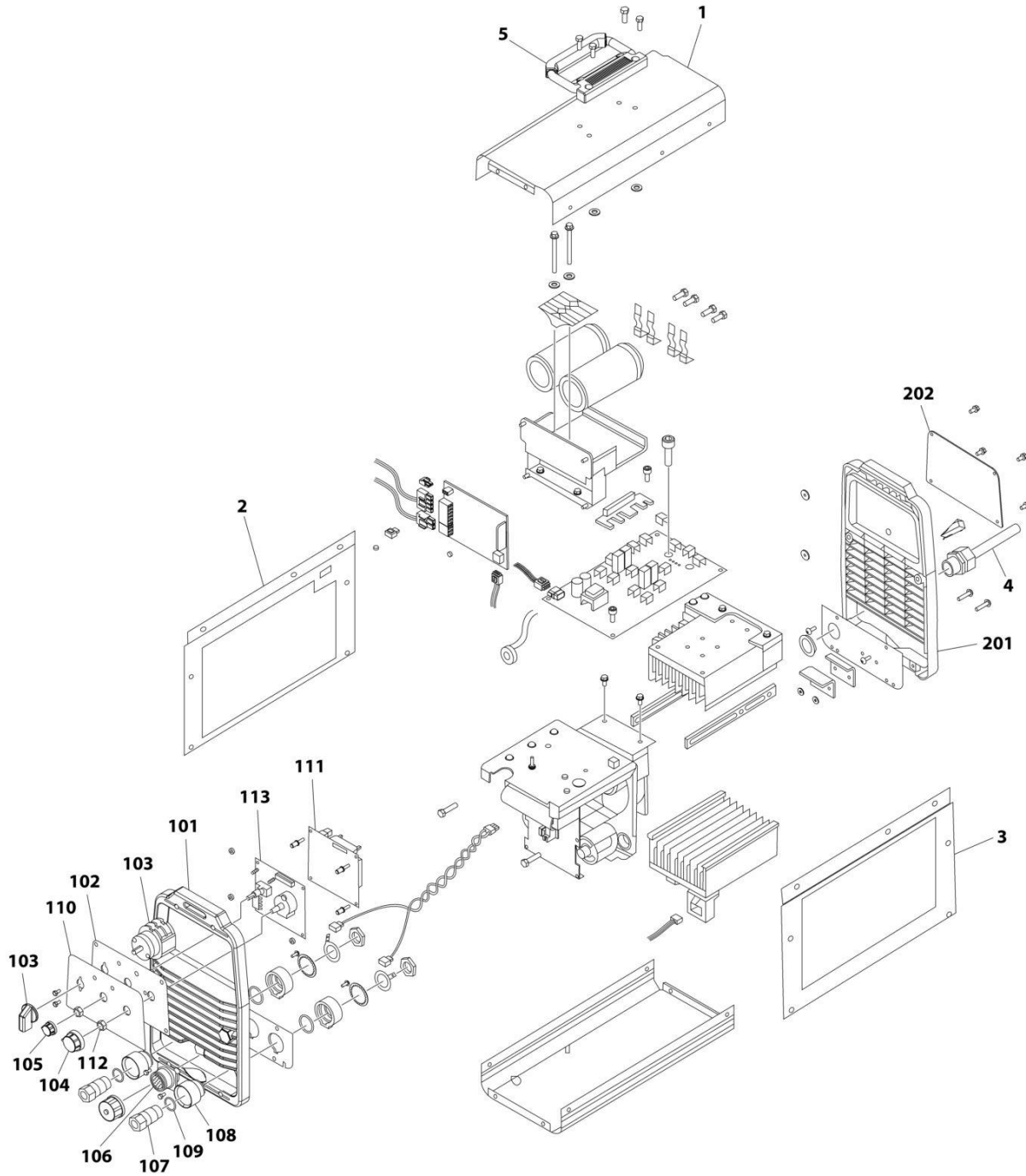
## SECTION 5 - PLATFORM

**FIGURE 5-42. SKYWELDER PREP PACKAGE (60HZ)**

ITEM	PART NUMBER	QTY	DESCRIPTION	REV
	1001128527	Ref	SKYWELDER PREP PACKAGE	B
1	0100011	AR	Compound, Locking	
2	0630518	2	Screw #10 x 3/4	
3	0641606	4	Bolt 3/8 x 3/4	
4	1320302	2	U-Clamp	
5	2030010	1	Extinguisher, Fire	
6	3300151	4	Nut 1/4	
7	3311005	2	Nut #10	
8	3311605	4	Nut 3/8	
9	3573400	1	Bracket	
10	3573642	1	Plate	
11	3577121	2	Angle	
12	4420037	AR	Tape	
13	4751000	2	Washer #10	
14	4751400	4	Washer 1/4	
15	4751600	8	Washer 3/8	
16	4846627	1	Support	
	1001128556	Ref	SKYWELDER DECAL INSTALLATION	C
101	1702868	1	Decal - No Hands	
102	1705305	1	Decal - Weld Lead	
103	1705375	1	Decal - 240V - 3 Phase - 60Hz	
104	1001228988	1	Decal - Weight	

# SECTION 5 - PLATFORM

## FIGURE 5-43. WELDER ASSEMBLY



ART\_4530028

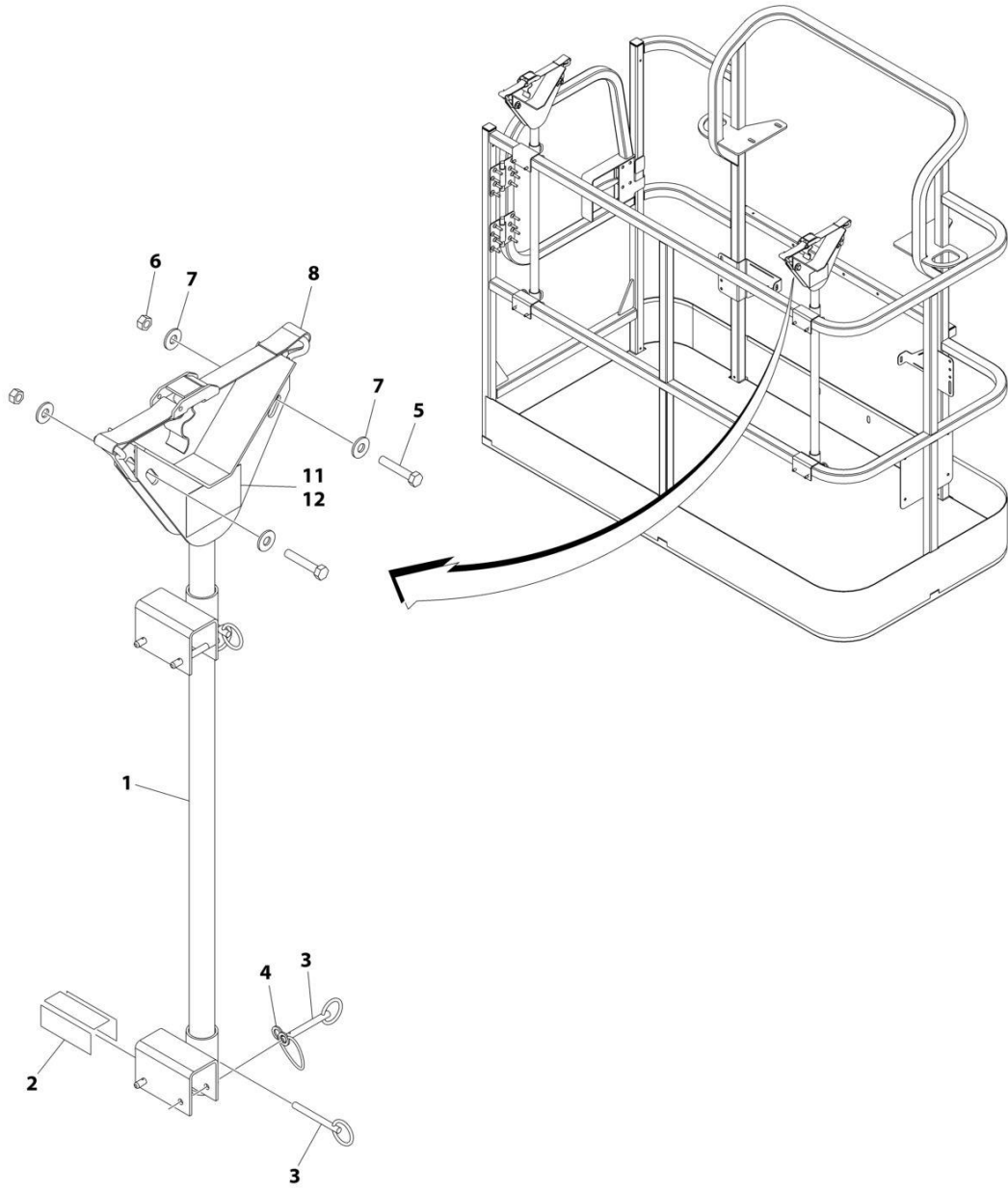
## SECTION 5 - PLATFORM

### FIGURE 5-43. WELDER ASSEMBLY

ITEM	PART NUMBER	QTY	DESCRIPTION	REV
	4530028	Ref	WELDER ASSEMBLY	B
		Ref	Note: For Other Components, contact your Miller Welder Dealer.	
1	7027773	1	Cover, Top	
1	7027774	1	Decal - Static Precautionary Warning	
2	See Note	NSS	Panel, LH Side (Note: Part of Item 1. Purchase Item 1)	
3	See Note	NSS	Panel, RH Side (Note: Part of Item 1. Purchase Item 1)	
4	7024467	1	Cable, Power	
4	7027775	1	Decal - Electrical Shock Warning (Not Shown)	
5	7027776	1	Handle, Carrying	
101	7024462	1	Panel, Front	
102	7024463	1	Panel, Console	
103	7024469	1	Switch with Lead	
104	7024470	1	Knob	
105	7024471	1	Knob	
106	7024472	1	Receptacle with Leads and Plugs	
107	7024473	2	Receptacle, Twistlock Female	
108	7024474	2	Insulator	
109	7024475	2	O-Ring	
110	7027777	1	Nameplate	
111	7027779	1	Circuit Card Assembly (Process Control)	
112	7024478	2	Nut	
113	7027778	1	Circuit Card Assembly (Operator Interface)	
201	7024462	1	Panel, Rear	
202	7027780	1	Panel, Cover	

# SECTION 5 - PLATFORM

## FIGURE 5-44. PIPE RACK INSTALLATION (ANSI SPEC)



ART\_0257728\_E

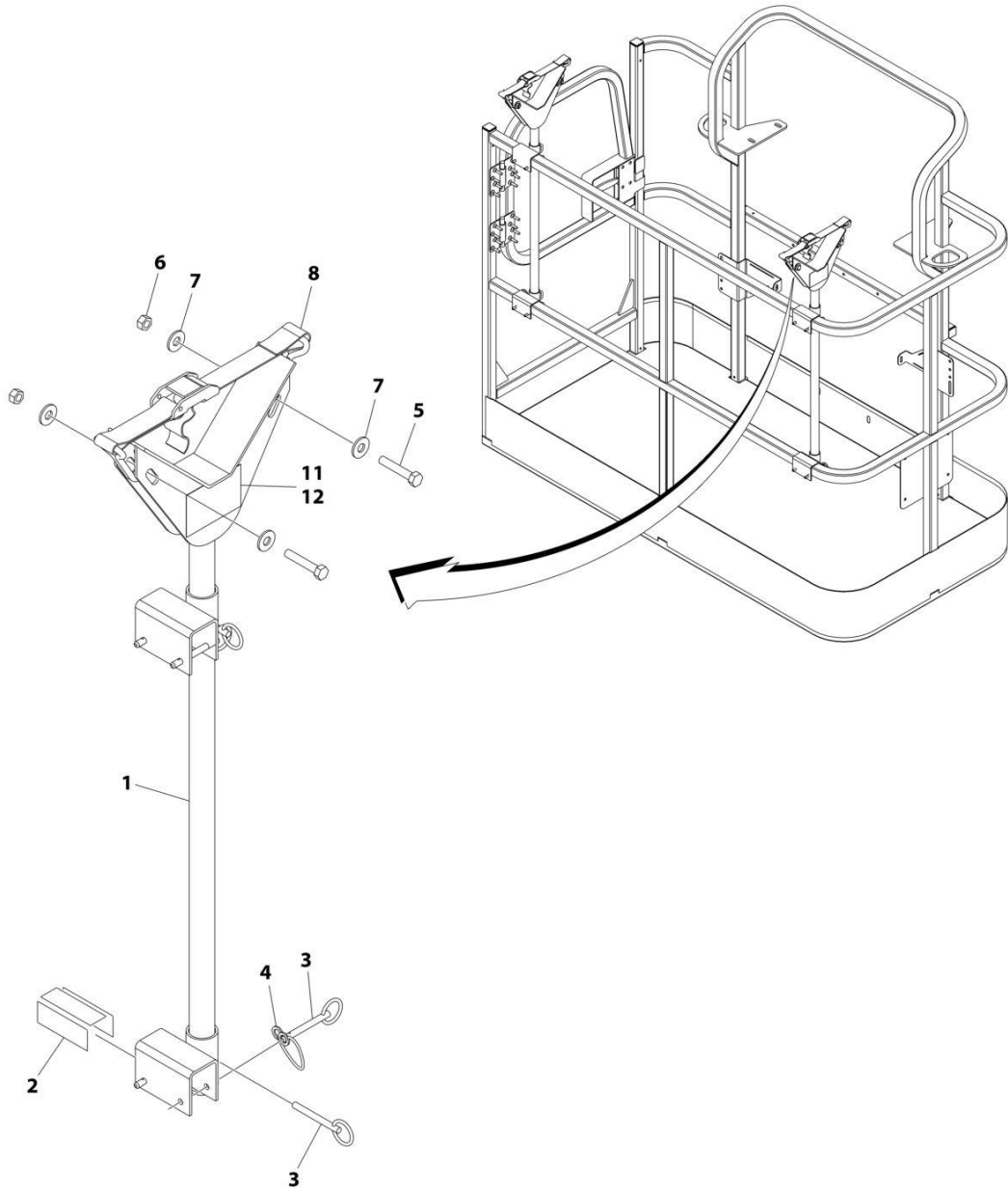
## SECTION 5 - PLATFORM

**FIGURE 5-44. PIPE RACK INSTALLATION (ANSI SPEC)**

ITEM	PART NUMBER	QTY	DESCRIPTION	REV
	0257728	Ref	PIPE RACK INSTALLATION	E
1	4845582	2	Rack, Pipe	
2	4420062	AR	Tape	
3	3422661	10	Pin	
4	1060379	4	Lanyard	
5	0641514	4	Bolt 5/16 x 1-3/4	
6	3311505	4	Nut 5/16	
7	4751500	8	Washer 5/16	
8	0480100	2	Tie-Down	
11	1001252946	2	Decal - Capacity (500-600LBS/2227-272KG Zones)	
12	1001252947	2	Decal - Capacity (660-1000LBS/299-454KG Zones)	

# SECTION 5 - PLATFORM

## FIGURE 5-45. PIPE RACK INSTALLATION (AUSTRALIAN AND CE SPEC)



ART\_0274661\_C

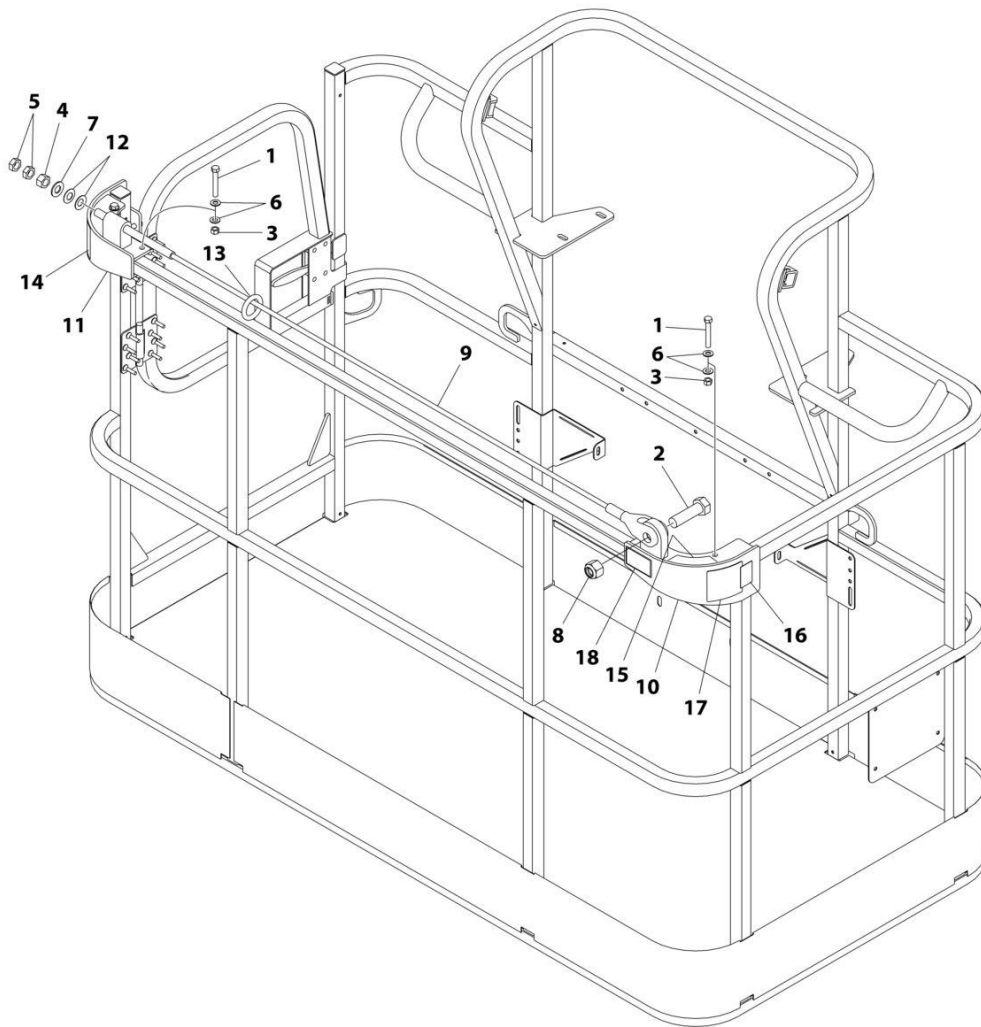
## SECTION 5 - PLATFORM

**FIGURE 5-45. PIPE RACK INSTALLATION (AUSTRALIAN AND CE SPEC)**

ITEM	PART NUMBER	QTY	DESCRIPTION	REV
	0274661	Ref	PIPE RACK INSTALLATION	C
1	4845582	2	Rack, Pipe	
2	4420062	AR	Tape	
3	3422661	10	Pin	
4	1060379	4	Lanyard	
5	0641514	4	Bolt 5/16 x 1-3/4	
6	3311505	4	Nut 5/16	
7	4751500	8	Washer 5/16	
8	0480100	2	Tie-Down	
11	1001252946	2	Decal - Capacity (1) (500-600LBSS/227-272KG Zones) (1200SJP,1250AJP,1350SJP,1500SJ,400S,450A,450AJ,460SJ,520AJ,800S,860SJ)	
12	1001252947	2	Decal - Capacity (2) (660-1000LBSS/299-454KG Zones)	

# SECTION 5 - PLATFORM

FIGURE 5-46. FALL ARREST INSTALLATION (BOLT - ON EXTERNAL) 6FT/1.82M PLATFORM



ART\_1001236747



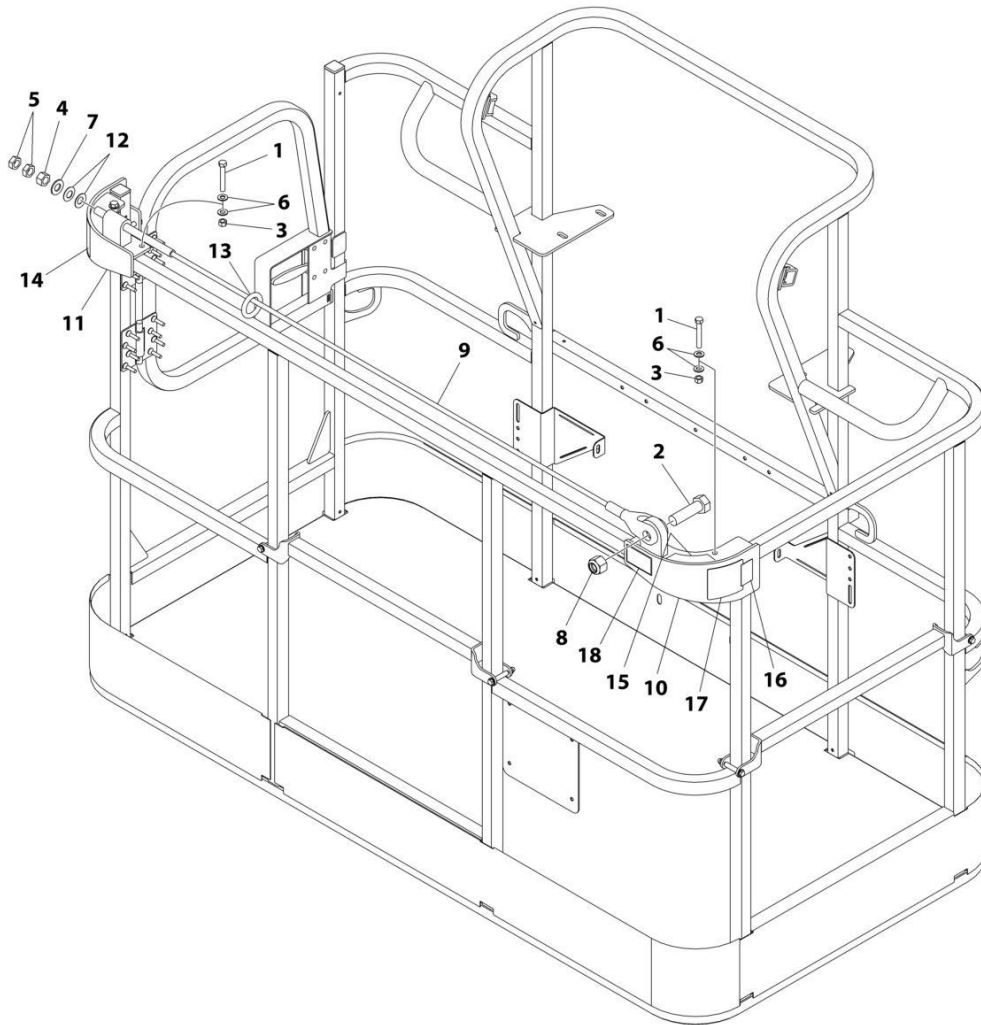
## SECTION 5 - PLATFORM

**FIGURE 5-46. FALL ARREST INSTALLATION (BOLT - ON EXTERNAL) 6FT/1.82M PLATFORM**

ITEM	PART NUMBER	QTY	DESCRIPTION	REV
	1001236747	Ref	FALL ARREST INSTALLATION (BOLT - ON) 6FT/1.82M PLATFORM	C
1	0681620	6	Bolt 3/8 x 2-1/2	
2	0682424	1	Bolt 7/8 x 3	
3	3271605	6	Nut 3/8	
4	3272001	1	Nut 5/8	
5	3312002	2	Nut 5/8	
6	4711600	12	Washer 3/8	
7	4712000	1	Washer 5/8	
8	88521214	1	Nut 7/8	
9	1001231950	1	Rope	
10	1001232010	1	Bracket (RH)	
11	1001232011	1	Bracket (LH)	
12	1001236891	2	Washer	
13	1001236895	1	Ring	
14	1001238263	1	Decal - Warning Falling Hazard	
15	1001252629	1	Decal - Weight	
16	1001248140	1	Decal - Bolt Fall Arrest Re-Cert	
17	1001248141	1	Decal - Inscription	

# SECTION 5 - PLATFORM

FIGURE 5-47. FALL ARREST INSTALLATION (BOLT - ON EXTERNAL) 6FT/1.82M PLATFORM



ART\_1001238463

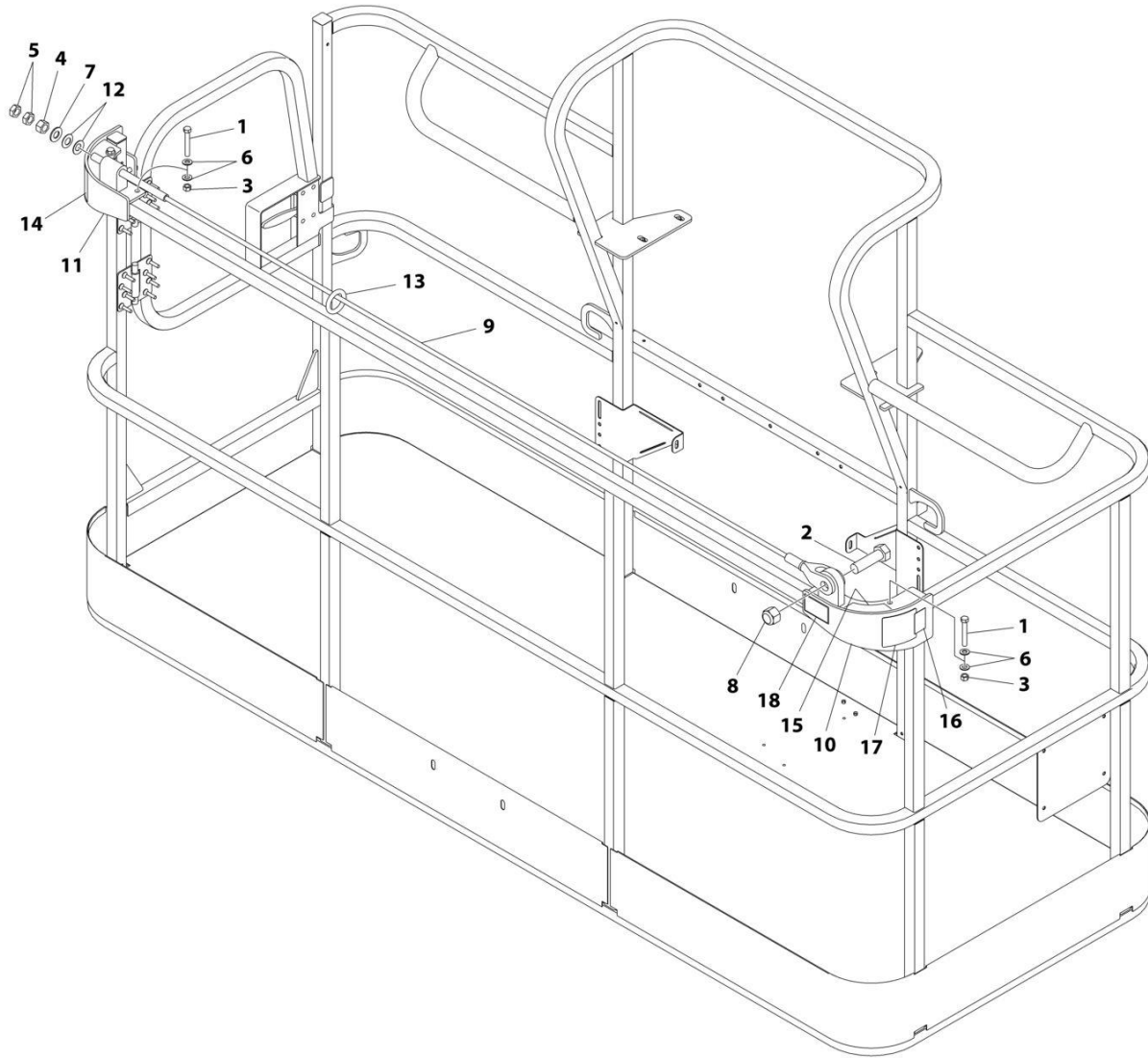
## SECTION 5 - PLATFORM

**FIGURE 5-47. FALL ARREST INSTALLATION (BOLT - ON EXTERNAL) 6FT/1.82M PLATFORM**

ITEM	PART NUMBER	QTY	DESCRIPTION	REV
	1001238463	Ref	FALL ARREST INSTALLATION (BOLT - ON) 6FT/1.82M PLATFORM	C
1	0681620	6	Bolt 3/8 x 2-1/2	
2	0682424	1	Bolt 7/8 x 3	
3	3271605	6	Nut 3/8	
4	3272001	1	Nut 5/8	
5	3312002	2	Nut 5/8	
6	4711600	12	Washer 3/8	
7	4712000	1	Washer 5/8	
8	88521214	1	Nut 7/8	
9	1001231950	1	Rope	
10	1001232010	1	Bracket (RH)	
11	1001232011	1	Bracket (LH)	
12	1001236891	2	Washer	
13	1001236895	1	Ring	
14	1001238263	1	Decal - Warning Falling Hazard	
15	1001252629	1	Decal - Weight	
16	1001248140	1	Decal - Bolt Fall Arrest Re-Cert	
17	1001248141	1	Decal - Inscription	

# SECTION 5 - PLATFORM

## FIGURE 5-48. FALL ARREST INSTALLATION (BOLT - ON EXTERNAL) 8FT/2.4M PLATFORM



ART\_1001236746

## SECTION 5 - PLATFORM

**FIGURE 5-48. FALL ARREST INSTALLATION (BOLT - ON EXTERNAL) 8FT/2.4M PLATFORM**

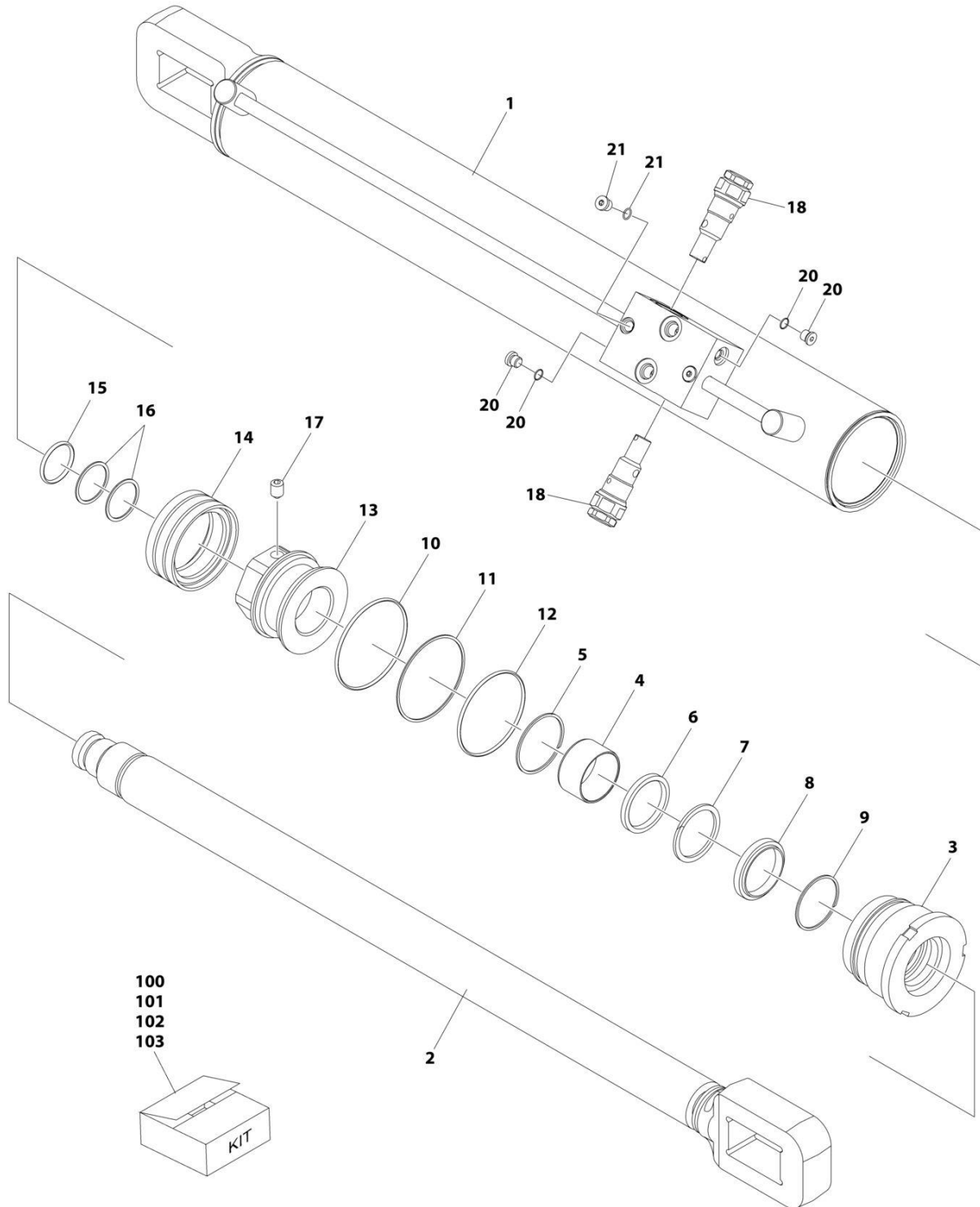
ITEM	PART NUMBER	QTY	DESCRIPTION	REV
	1001236746	Ref	FALL ARREST INSTALLATION (BOLT - ON) 8FT/2.4M PLATFORM	C
1	0681620	6	Bolt 3/8 x 2-1/2	
2	0682424	1	Bolt 7/8 x 3	
3	3271605	6	Nut 3/8	
4	3272001	1	Nut 5/8	
5	3312002	2	Nut 5/8	
6	4711600	12	Washer 3/8	
7	4712000	1	Washer 5/8	
8	88521214	1	Nut 7/8	
9	1001231949	1	Rope	
10	1001232010	1	Bracket (RH)	
11	1001232011	1	Bracket (LH)	
12	1001236891	2	Washer	
13	1001236895	1	Ring	
14	1001238263	1	Decal - Warning Falling Hazard	
15	1001252629	1	Decal - Weight 23LBS/10.4KG	
16	1001248140	1	Decal - Bolt Fall Arrest Re-Cert	
17	1001248141	1	Decal - Inscription	



**SECTION 6 - CYLINDER**

# SECTION 6 - CYLINDER

## FIGURE 6-1. AXLE EXTENSION CYLINDER ASSEMBLY



ART\_1001251020



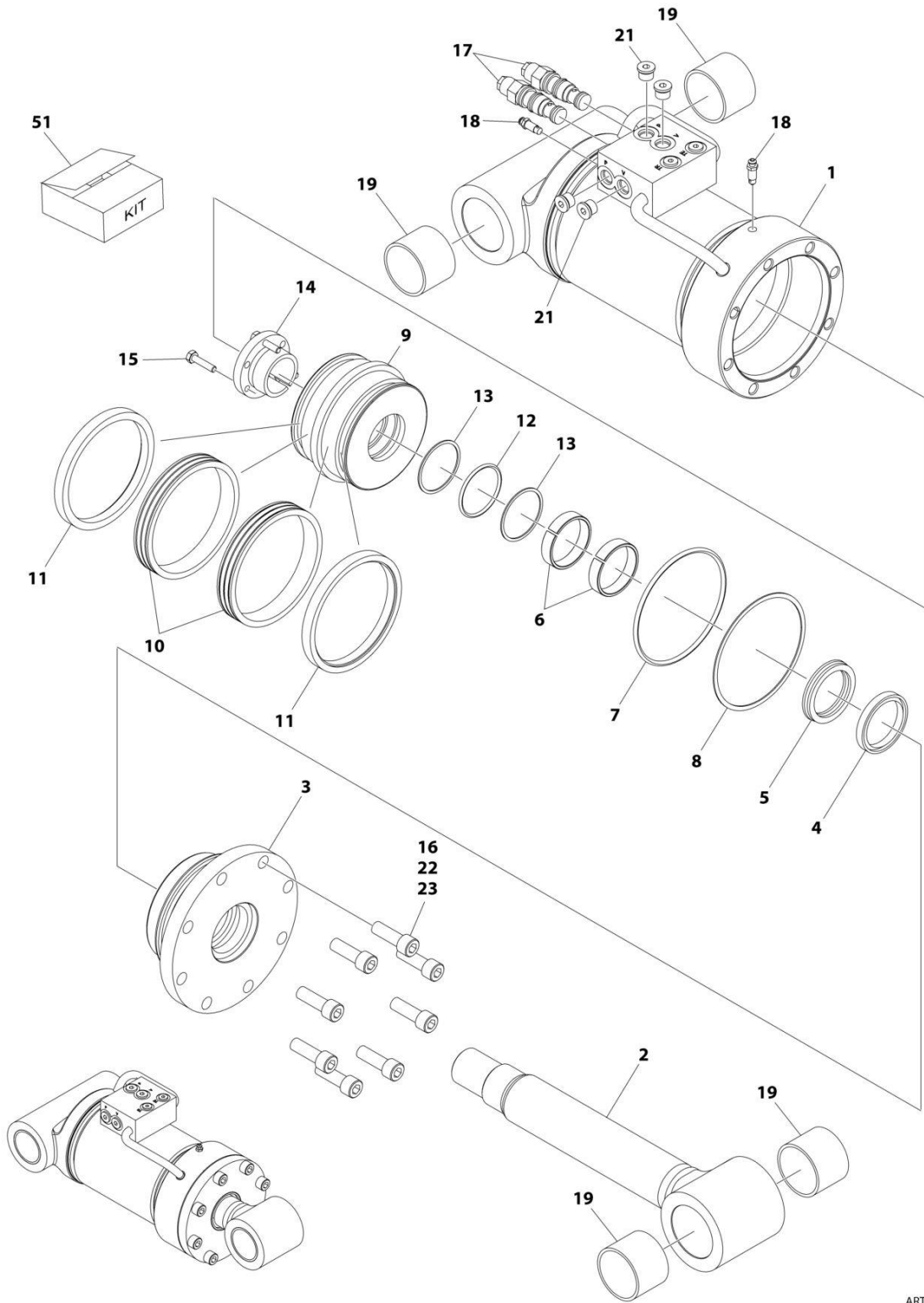
## SECTION 6 - CYLINDER

### FIGURE 6-1. AXLE EXTENSION CYLINDER ASSEMBLY

ITEM	PART NUMBER	QTY	DESCRIPTION	REV
	1001251020	Ref	AXLE EXTENSION CYLINDER ASSEMBLY	A
		Ref	Note: Original Cylinder May Have Been Replaced with Service Replacement. Identify PN Stamped on Cylinder Before Ordering Parts.	
1	See Note	NSS	Barrel (Note: Use p/n 1001251020)	
2	70007382	1	Rod	
3	See Note	NSS	Head (Use Item 100)	
5	See Note	NSS	Ring (Note: Use Item 100)	
6	See Note	NSS	Seal (Note: Use Item 101)	
7	See Note	NSS	Ring, Back-up (Note: Use Item 101)	
8	See Note	NSS	Wiper, Rod (Note: Use Item 101)	
9	See Note	NSS	Ring, Retaining (Note: Use Item 101)	
10	See Note	NSS	O-Ring (Note: Use Item 101)	
11	See Note	NSS	Ring, Back-up (Note: Use Item 101)	
12	See Note	NSS	O-Ring (Note: Use Item 101)	
13	See Note	NSS	Piston (Note: Use Item 102)	
14	See Note	NSS	Seal (Note: Use Item 101)	
15	See Note	NSS	O-Ring (Note: Use Item 101)	
16	See Note	NSS	Ring, Back-up (Note: Use Item 101)	
17	See Note	NSS	Setscrew (Note: Use Item 102)	
18	4640509	2	Cartridge, Holding Valve	
18	2900792	2	Seal Kit - 4640509 Cartridge Valve (1 Per Assembly)	
20	See Note	NSS	Plug (Note: Use Item 103)	
21	See Note	NSS	Plug (Note: Use Item 103)	
100	70007383	1	Rod Cover Kit (Includes Items 3-5)	
101	70007384	1	Seal Kit (Includes Items 6-12 & 14-16)	
102	70007385	1	Piston Kit (Includes Items 13 & 17)	
103	70007386	1	Plug Kit (Includes Items 20 & 21)	

# SECTION 6 - CYLINDER

## FIGURE 6-2. AXLE LOCKOUT CYLINDER ASSEMBLY



ART\_1001228019

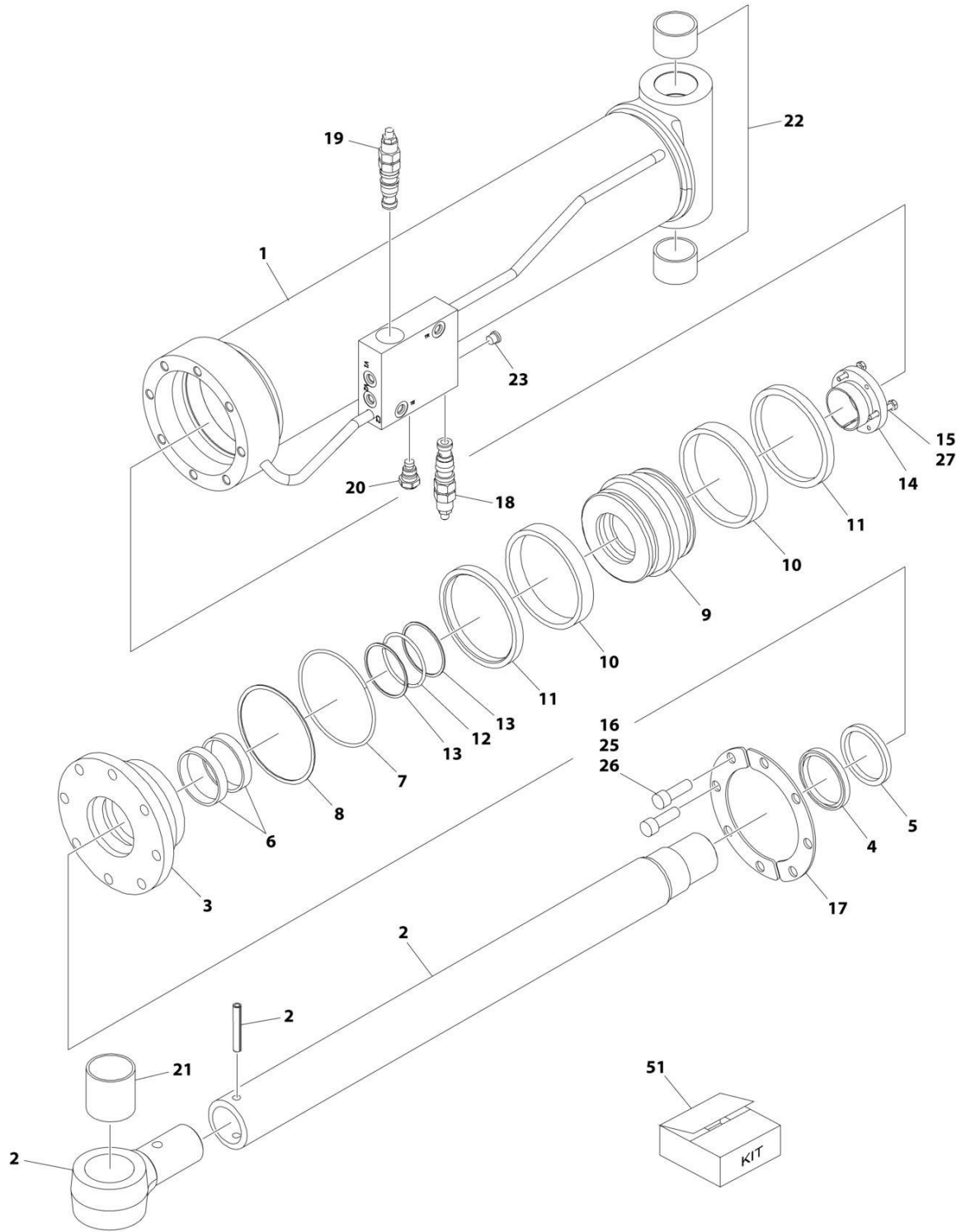
## SECTION 6 - CYLINDER

### FIGURE 6-2. AXLE LOCKOUT CYLINDER ASSEMBLY

ITEM	PART NUMBER	QTY	DESCRIPTION	REV
	1001228019	Ref	AXLE LOCKOUT CYLINDER ASSEMBLY	D
		Ref	Note: Original Cylinder May Have Been Replaced with Service Replacement. Identify PN Stamped on Cylinder Before Ordering Parts.	
1	See Note	NSS	Barrel (Note: Not Available for Purchase)	
2	70006520	1	Rod	
3	70006474	1	Head	
4	See Note	NSS	Wiper (Note: Use Item 51)	
5	See Note	NSS	Seal, Rod (Note: Use Item 51)	
6	See Note	NSS	Ring, Wear (Note: Use Item 51)	
7	See Note	NSS	O-Ring (Note: Use Item 51)	
8	See Note	NSS	Ring, Back-up (Note: Use Item 51)	
9	70006473	1	Piston	
10	See Note	NSS	Seal (Note: Use Item 51)	
11	See Note	NSS	Ring, Lock (Note: Use Item 51)	
12	See Note	NSS	O-Ring (Note: Use Item 51)	
13	See Note	NSS	Ring, Back-up (Note: Use Item 51)	
14	0961896	1	Bushing	
15	0630535	3	Bolt 1/4 x 1-1/8	
16	3931824	8	Bolt 1/2 x 1-1/2	
17	4641276	2	Cartridge, Valve Options: (Counterbalance)	
17	2900770	2	Seal Kit - 4641276 Valve (1 Per Assembly)	
18	4640858	2	Valve, Bleeder	
19	0961950	4	Bearing	
21	2220885	4	Plug, O-Ring	
22	0100011	AR	Compound, Locking	
23	0100038	AR	Primer, Locking	
51	2902087	1	Seal Kit (Includes Items 4-8 & 10-13)	

# SECTION 6 - CYLINDER

## FIGURE 6-3. PLATFORM LEVEL CYLINDER ASSEMBLY - WITHOUT COLD WEATHER PLUS PACKAGE



ART\_1001228034

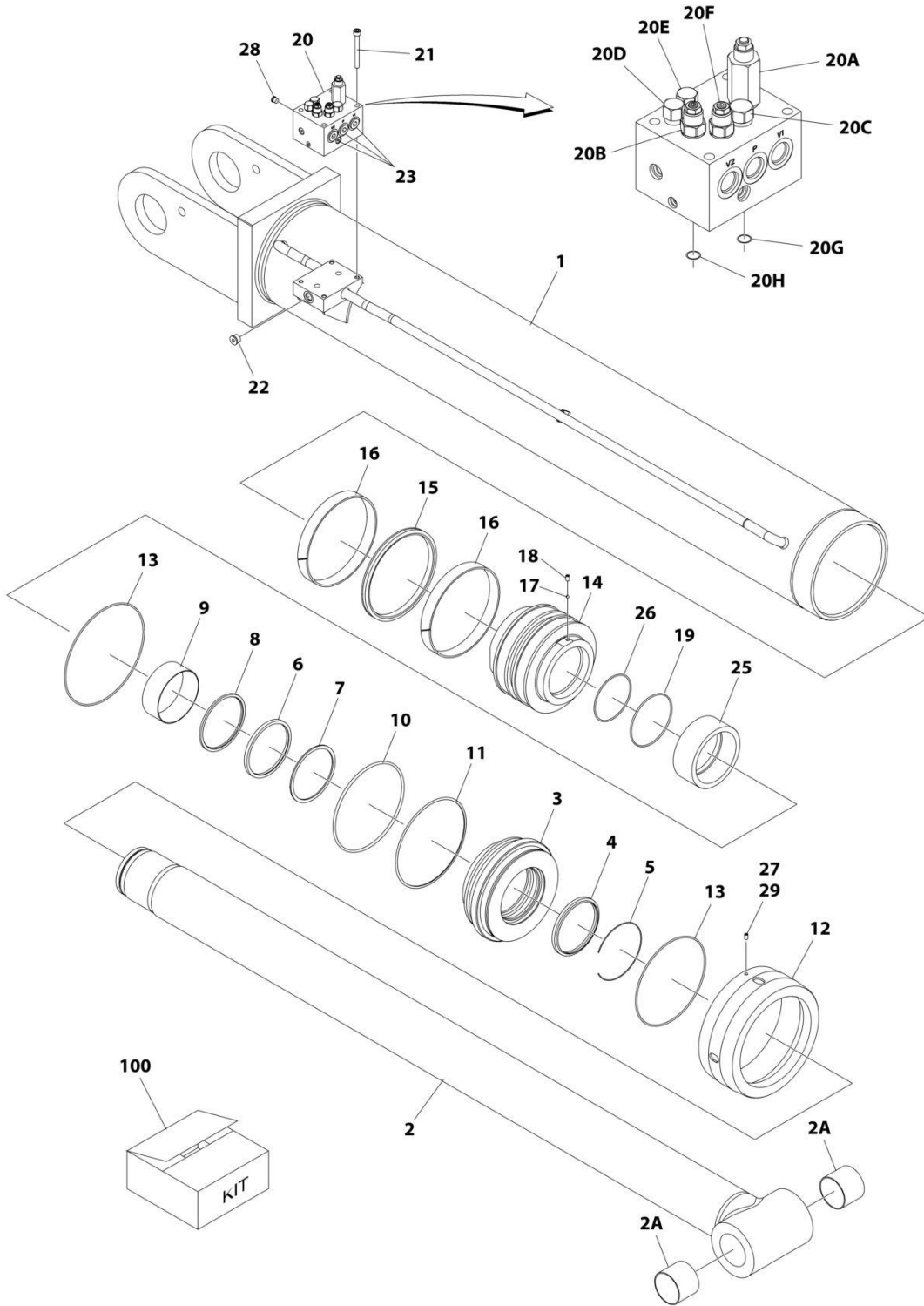
## SECTION 6 - CYLINDER

**FIGURE 6-3. PLATFORM LEVEL CYLINDER ASSEMBLY - WITHOUT COLD WEATHER PLUS PACKAGE**

ITEM	PART NUMBER	QTY	DESCRIPTION	REV
	1001228034	Ref	PLATFORM LEVEL CYLINDER ASSEMBLY	E
		Ref	Note: Original Cylinder May Have Been Replaced with Service Replacement. Identify PN Stamped on Cylinder Before Ordering Parts.	
1	See Note	NSS	Barrel (Note: Not Available for Purchase)	
2	70006496	1	Rod	
3	70006495	1	Head	
4	See Note	NSS	Wiper, Rod (Note: Use Item 51)	
5	See Note	NSS	Seal, Rod (Note: Use Item 51)	
6	See Note	NSS	Ring, Wear (Note: Use Item 51)	
7	See Note	NSS	O-Ring (Note: Use Item 51)	
8	See Note	NSS	Ring, Back-up (Note: Use Item 51)	
9	70006494	1	Piston	
10	See Note	NSS	Ring, Guide (Note: Use Item 51)	
11	See Note	NSS	Ring, Lock (Note: Use Item 51)	
12	See Note	NSS	O-Ring (Note: Use Item 51)	
13	See Note	NSS	Ring, Back-up (Note: Use Item 51)	
14	0961897	1	Bushing, Tapered	
15	0630535	3	Capscrew 1/4 x 1-1/8	
16	3931824	8	Capscrew 1/2 x 1-1/2	
17	70007049	1	Ring, Washer	
18	4641386	1	Cartridge, Holding Valve (Vented)	
18	7011376	1	Seal Kit - 4641386 Cartridge (1 Per Cartridge)	
19	4641393	1	Cartridge, Holding Valve (Vented)	
19	7011376	1	Seal Kit - 4641393 Cartridge (1 Per Cartridge)	
20	4641388	1	Cartridge, Holding Valve	
20	7011353	1	Seal Kit - 4641388 Cartridge (1 Per Cartridge)	
21	0962561	1	Bushing	
22	0961949	2	Bushing	
23	2220883	5	Plug, O-Ring	
24	2220886	AR	Plug, O-Ring	
25	0100011	AR	Compound, Locking	
26	0100038	AR	Primer, Locking	
27	0100019	AR	Compound, Locking	
51	2902285	1	Seal Kit (Includes Items 4-8 & 10-13)	

# SECTION 6 - CYLINDER

## FIGURE 6-4. LIFT CYLINDER ASSEMBLY - MAIN BOOM



ART\_1001251078

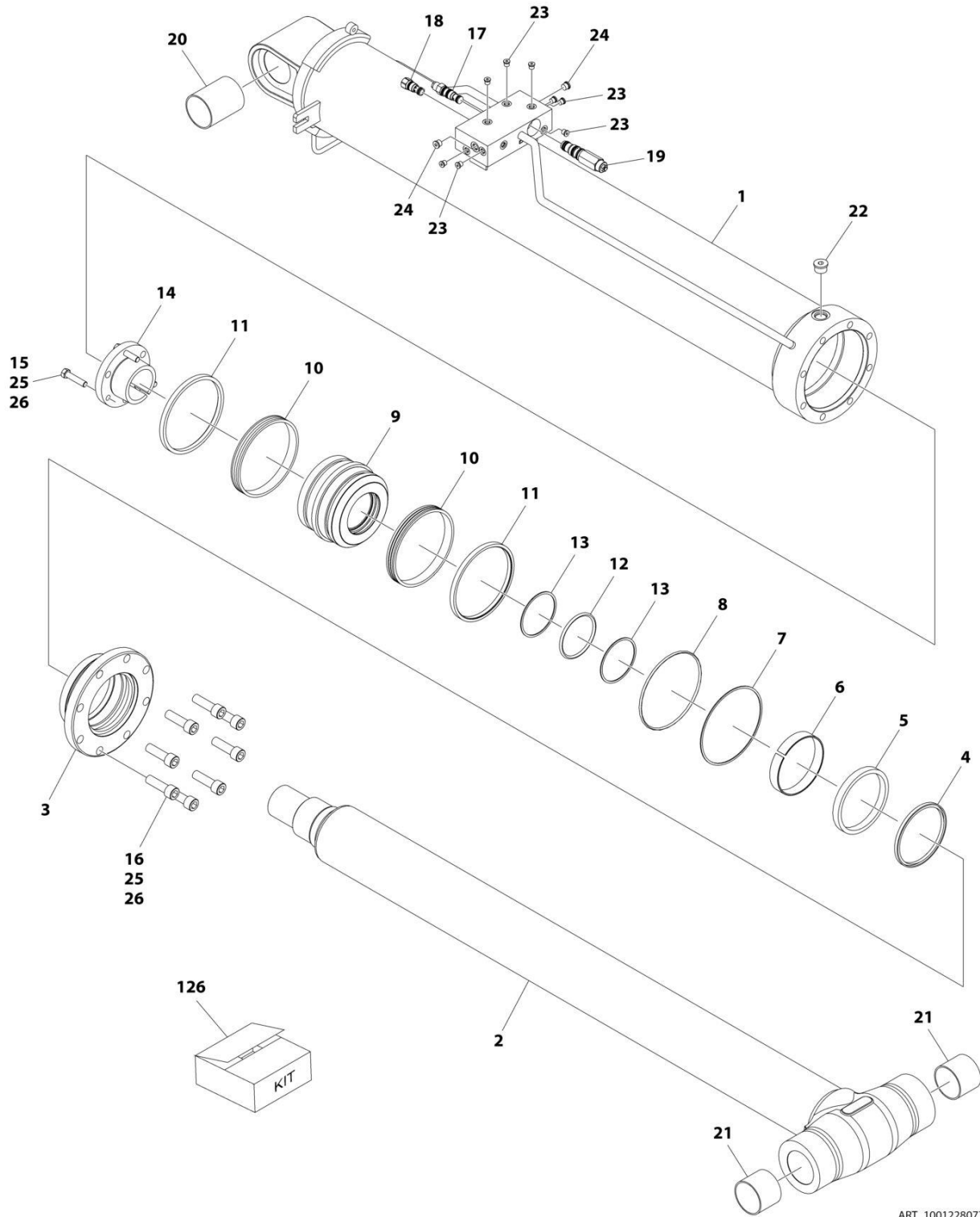
## SECTION 6 - CYLINDER

**FIGURE 6-4. LIFT CYLINDER ASSEMBLY - MAIN BOOM**

ITEM	PART NUMBER	QTY	DESCRIPTION	REV
	1001251078	Ref	LIFT CYLINDER ASSEMBLY - MAIN BOOM	B
		Ref	Note: Original Cylinder May Have Been Replaced with Service Replacement. Identify PN Stamped on Cylinder Before Ordering Parts.	
1	See Note	NSS	Barrel (Note: Not Available for Purchase)	
2	70007431	1	Rod	
2A	0962297	2	Bushing	
3	70007432	1	Head	
4	See Note	NSS	Ring, Wiper (Note: Use Item 100)	
5	70007433	1	Ring, Retaining	
6	See Note	NSS	Seal, Rod (Note: Use Item 100)	
7	See Note	NSS	Ring, Back-up (Note: Use Item 100)	
8	See Note	NSS	O-Ring (Note: Use Item 100)	
9	70007434	1	Ring, Wear	
10	See Note	NSS	O-Ring (Note: Use Item 100)	
11	See Note	NSS	Ring, Back-up (Note: Use Item 100)	
12	70007435	1	Cap, Cylinder	
13	See Note	NSS	O-Ring (Note: Use Item 100)	
14	70007436	1	Piston	
15	See Note	NSS	Seal, Piston (Note: Use Item 100)	
16	See Note	NSS	Ring, Wear (Note: Use Item 100)	
17	70022564	1	Ball, Steel	
18	70029468	1	Setscrew	
19	See Note	NSS	O-Ring (Note: Use Item 100)	
20	4641370	1	Valve Block Assembly	A
20A	4641340	NLA	Cartridge, Valve (Use p/n 1001251329)	
20A	7011367	1	Seal Kit - 4641340 Cartridge Valve	
20B	4640938	1	Cartridge, Valve	
20B	2900770	1	Seal Kit - 4640938 Cartridge Valve	
20C	7011362	1	Cartridge, Valve	
20C	7011311	1	Seal Kit - 7011362 Cartridge Valve	
20D	7011365	1	Cartridge, Valve	
20D	7011346	1	Seal Kit - 7011365 Cartridge Valve	
20E	7011364	1	Cartridge, Valve	
20E	7011346	1	Seal Kit - 7011364 Cartridge Valve	
20F	7011375	1	Cartridge, Valve	
20F	2900770	1	Seal Kit - 7011375 Cartridge Valve	
20G	70000777	1	O-Ring	
20H	70000778	1	O-Ring	
21	70006927	4	Capscrew M8	
22	2220886	1	Plug, O-Ring	
23	70005433	3	Plug, O-Ring	
25	70007437	1	Spacer	
26	See Note	NSS	O-Ring (Note: Use Item 100)	
27	70007282	1	Insert, Locking	
28	2220883	1	Plug, O-Ring	
29	70007438	1	Setscrew	
100	70007439	1	Seal Kit (Includes Items 101-110)	

# SECTION 6 - CYLINDER

## FIGURE 6-5. LIFT CYLINDER ASSEMBLY - TOWER BOOM



ART\_1001228077



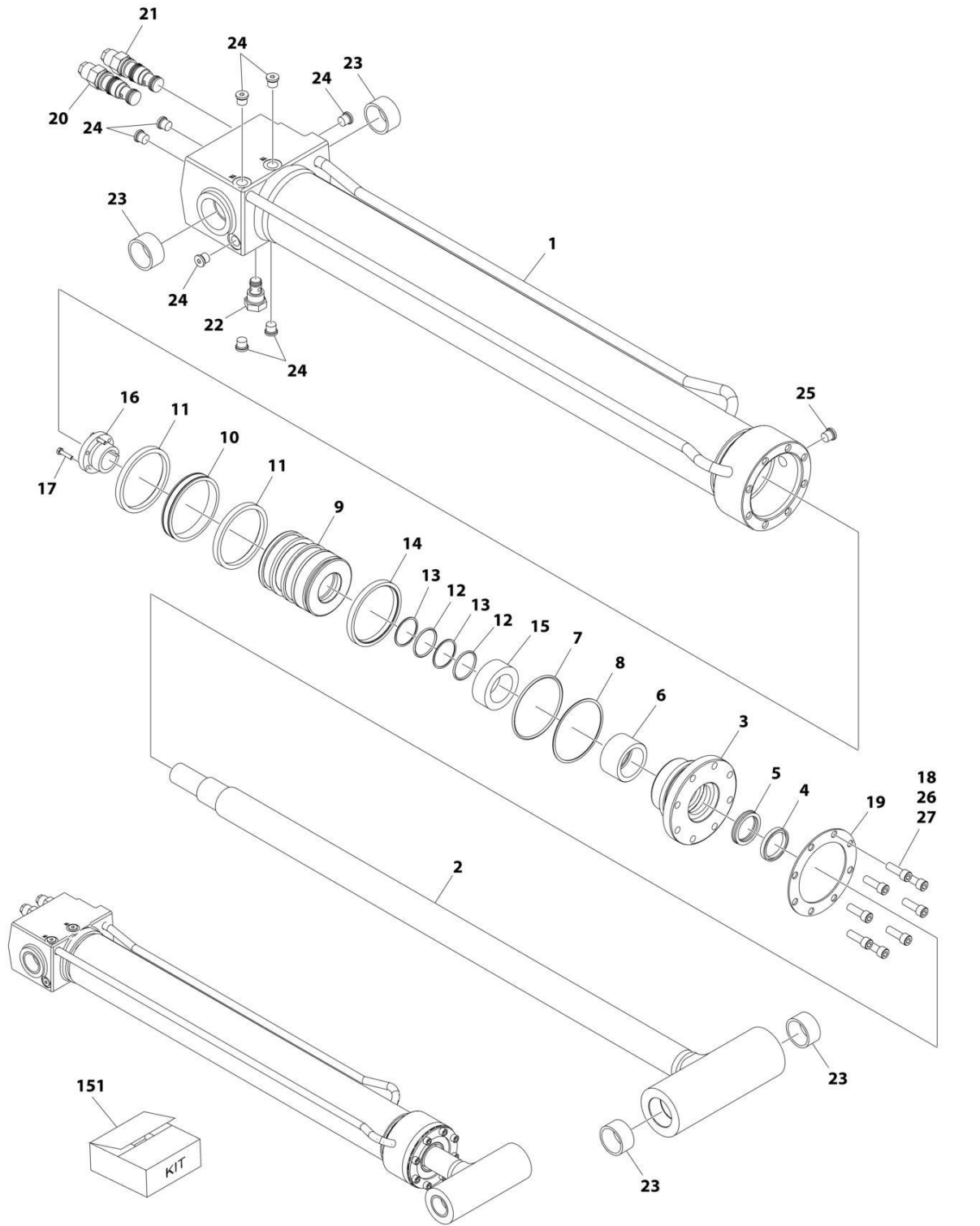
## SECTION 6 - CYLINDER

### FIGURE 6-5. LIFT CYLINDER ASSEMBLY - TOWER BOOM

ITEM	PART NUMBER	QTY	DESCRIPTION	REV
	1001228077	Ref	LIFT CYLINDER ASSEMBLY - TOWER BOOM	C
		Ref	Note: Original Cylinder May Have Been Replaced with Service Replacement. Identify PN Stamped on Cylinder Before Ordering Parts.	
1	See Note	NSS	Barrel (Note: Not Available for Purchase)	
2	70006509	1	Rod	
3	70006508	1	Head	
4	See Note	NSS	Ring, Wiper (Note: Use Item 126)	
5	See Note	NSS	Seal, Rod (Note: Use Item 126)	
6	See Note	NSS	Ring, Wear (Note: Use Item 126)	
7	See Note	NSS	O-Ring (Note: Use Item 126)	
8	See Note	NSS	Ring, Back-up (Note: Use Item 126)	
9	70006507	1	Piston	
10	See Note	NSS	Ring, Hydrolock (Note: Use Item 126)	
11	See Note	NSS	Ring, Lock (Note: Use Item 126)	
12	See Note	NSS	O-Ring (Note: Use Item 126)	
13	See Note	NSS	Ring, Back-up (Note: Use Item 126)	
14	0961901	1	Bushing, Tapered	
15	0630537	3	Capscrew	
16	3932240	8	Capscrew 3/4 x 2-1/2	
17	1001120140	1	Cartridge, Valve	
17	2900770	1	Seal Kit - 1001120140 Cartridge Valve	
18	4641285	1	Cartridge, Valve	
18	7011311	1	Seal Kit - 4641285 Cartridge Valve	
19	1001120141	1	Cartridge, Valve	
19	7011367	1	Seal Kit - 1001120141 Cartridge Valve	
20	0962552	1	Bushing	
21	0962297	2	Bushing	
22	2220888	1	Plug, O-Ring	
23	2220883	9	Plug, O-Ring	
24	2220885	2	Plug, O-Ring	
25	0100011	AR	Compound, Locking	
26	0100038	AR	Primer, Locking	
126	1001118762	1	Seal Kit (Includes Items 4-8 & 10-13)	

# SECTION 6 - CYLINDER

## FIGURE 6-6. JIB CYLINDER ASSEMBLY



ART\_1001228025

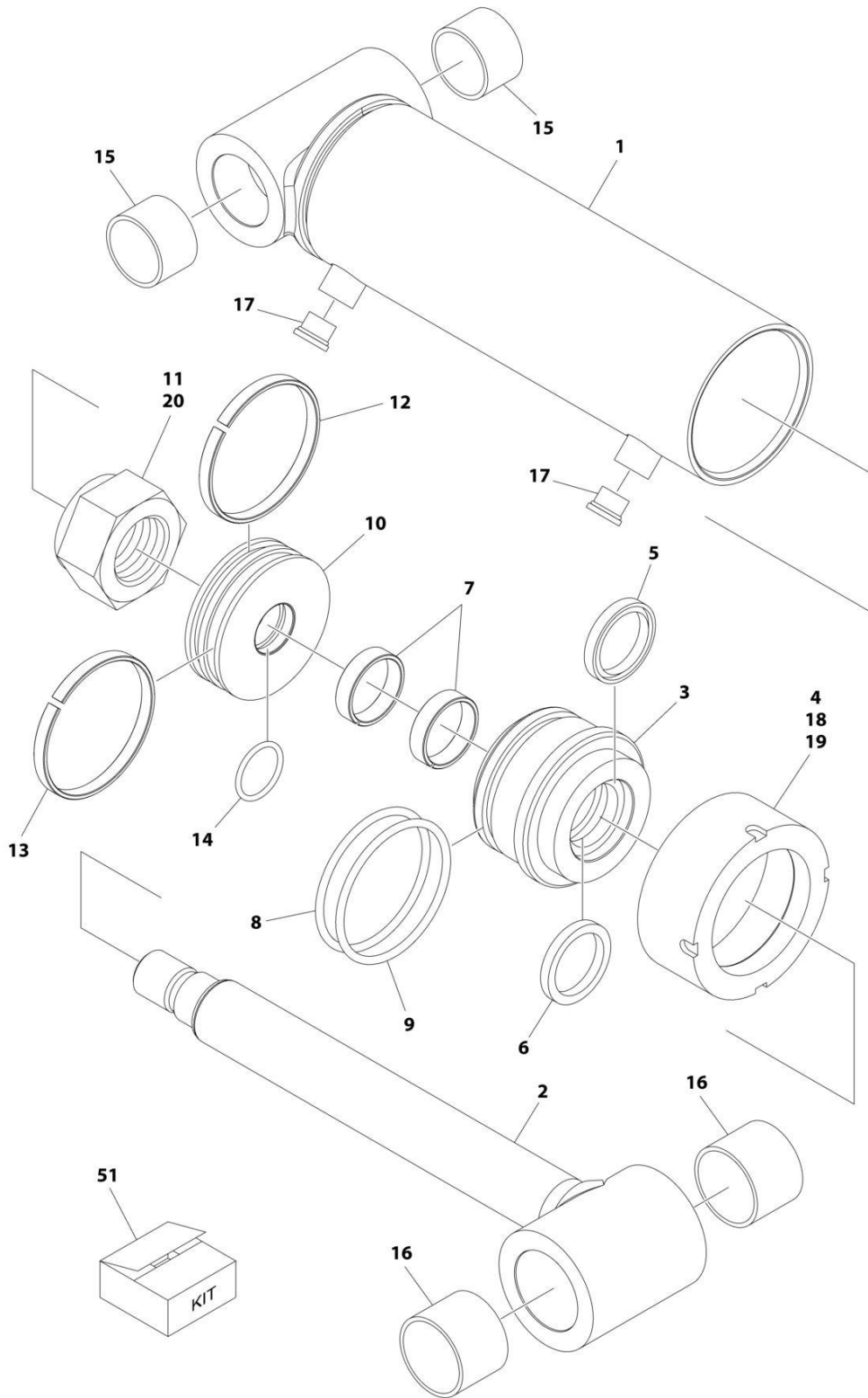
## SECTION 6 - CYLINDER

### FIGURE 6-6. JIB CYLINDER ASSEMBLY

ITEM	PART NUMBER	QTY	DESCRIPTION	REV
	1001228025	Ref	JIB CYLINDER ASSEMBLY	G
		Ref	Note: Original Cylinder May Have Been Replaced with Service Replacement. Identify PN Stamped on Cylinder Before Ordering Parts.	
1	See Note	NSS	Barrel (Note: Not Available for Purchase)	
2	70006526	1	Rod	
3	70006525	1	Head	
4	See Note	NSS	Wiper, Rod (Note: Use Item 151)	
5	See Note	NSS	Seal (Note: Use Item 151)	
6	See Note	NSS	Ring, Wear (Note: Use Item 151)	
7	See Note	NSS	O-Ring (Note: Use Item 151)	
8	See Note	NSS	Ring, Back-up (Note: Use Item 151)	
9	70006524	1	Piston	
10	See Note	NSS	Seal (Note: Use Item 151)	
11	See Note	NSS	Ring, Wear (Note: Use Item 151)	
12	See Note	NSS	O-Ring (Note: Use Item 151)	
13	See Note	NSS	Ring, Back-up (Note: Use Item 151)	
14	See Note	NSS	Seal (Note: Use Item 151)	
15	70006523	1	Spacer	
16	0961893	1	Bushing, Tapered	
17	0630534	3	Capscrew #10 x 1	
18	3931516	8	Capscrew 5/16 x 1	
19	3760368	1	Ring, Washer	
20	4641260	1	Cartridge, Counterbalance (Port above V1)	
20	2900770	1	Seal Kit - 4641260 Cartridge Valve (1 Per Valve)	
21	4640452	1	Cartridge, Counterbalance (Port above V2)	
21	2900770	1	Seal Kit - 4640452 Cartridge Valve (1 Per Valve)	
22	4641114	1	Cartridge, Restricted/Check	
22	7012967	1	Seal Kit - 4641114 Cartridge Valve (1 Per Valve)	
23	0962257	4	Bushing	
24	2220883	8	Plug, O-Ring	
25	2220885	AR	Plug, O-Ring	
26	0100011	AR	Compound, Locking	
27	0100038	AR	Primer, Locking	
151	1001138805	1	Seal Kit (Includes Items 4-8 & 10-14)	

# SECTION 6 - CYLINDER

## FIGURE 6-7. STEER CYLINDER ASSEMBLY



ART\_1001228031

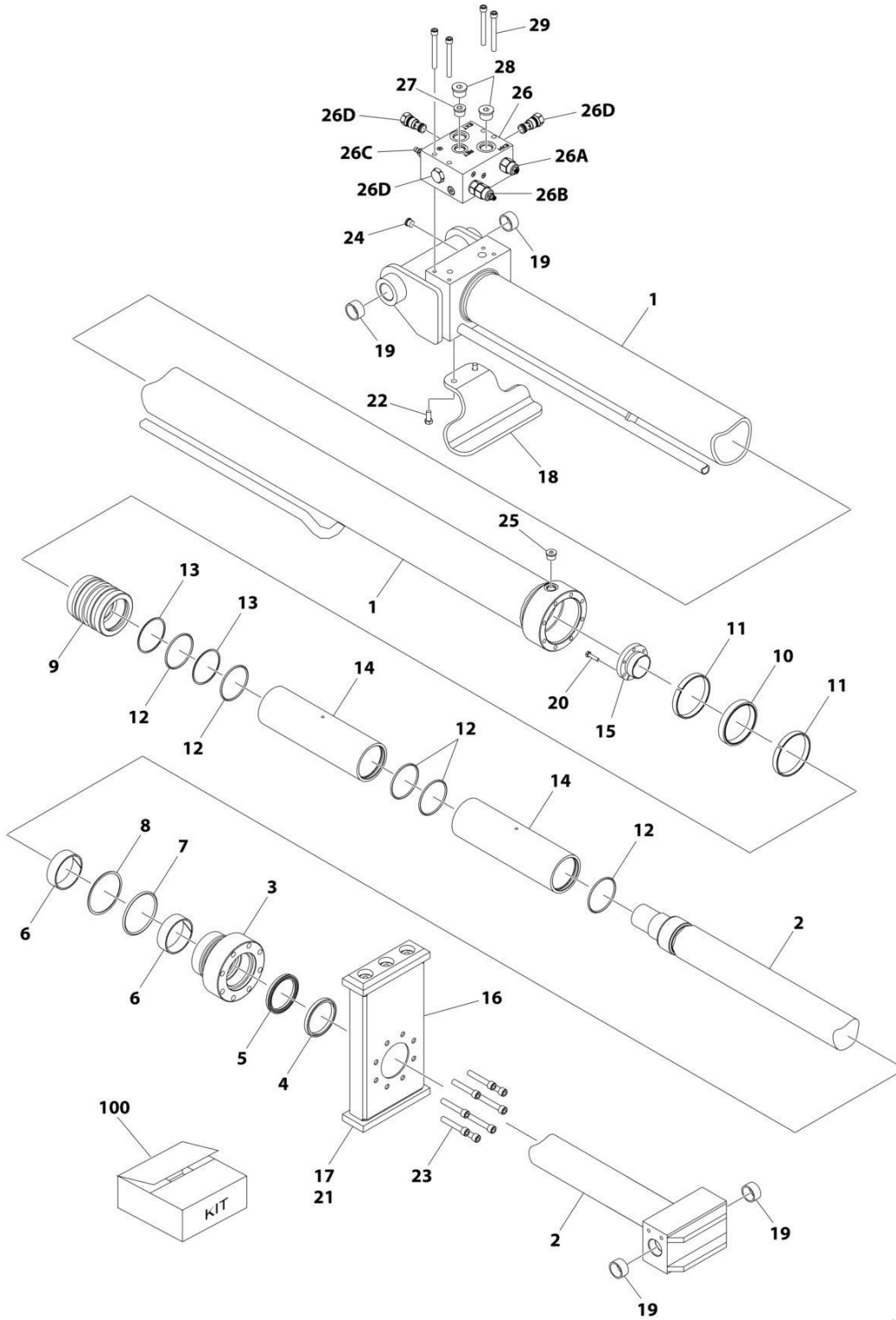
## SECTION 6 - CYLINDER

### FIGURE 6-7. STEER CYLINDER ASSEMBLY

ITEM	PART NUMBER	QTY	DESCRIPTION	REV
	1001228031	Ref	STEER CYLINDER ASSEMBLY	C
		Ref	Note: Original Cylinder May Have Been Replaced with Service Replacement. Identify PN Stamped on Cylinder Before Ordering Parts.	
1	See Note	NSS	Barrel (Note: Not Available for Purchase)	
2	70006493	1	Rod	
3	70006492	1	Head	
4	70006491	1	Cap, Cylinder	
5	See Note	NSS	Wiper (Note: Use Item 51)	
6	See Note	NSS	Seal, Piston (Note: Use Item 51)	
7	See Note	NSS	Ring, Wear (Note: Use Item 51)	
8	See Note	NSS	O-Ring (Note: Use Item 51)	
9	See Note	NSS	Ring, Back-up (Note: Use Item 51)	
10	70006490	1	Piston	
11	3300465	1	Nut	
12	See Note	1	Seal (Note: Use Item 51)	
13	See Note	1	Ring, Wear (Note: Use Item 51)	
14	See Note	1	O-Ring (Note: Use Item 51)	
15	0961949	2	Bushing	
16	0961950	2	Bushing	
17	2220885	2	Plug (With O-Ring)	
18	0100011	AR	Compound, Locking	
19	0100038	AR	Primer, Locking	
20	0100019	AR	Compound, Locking	
51	2902257	1	Seal Kit (Includes Items 5-9 & 12-14)	

# SECTION 6 - CYLINDER

## FIGURE 6-8. TELESCOPE CYLINDER ASSEMBLY - MAIN BOOM



ART\_1001228080

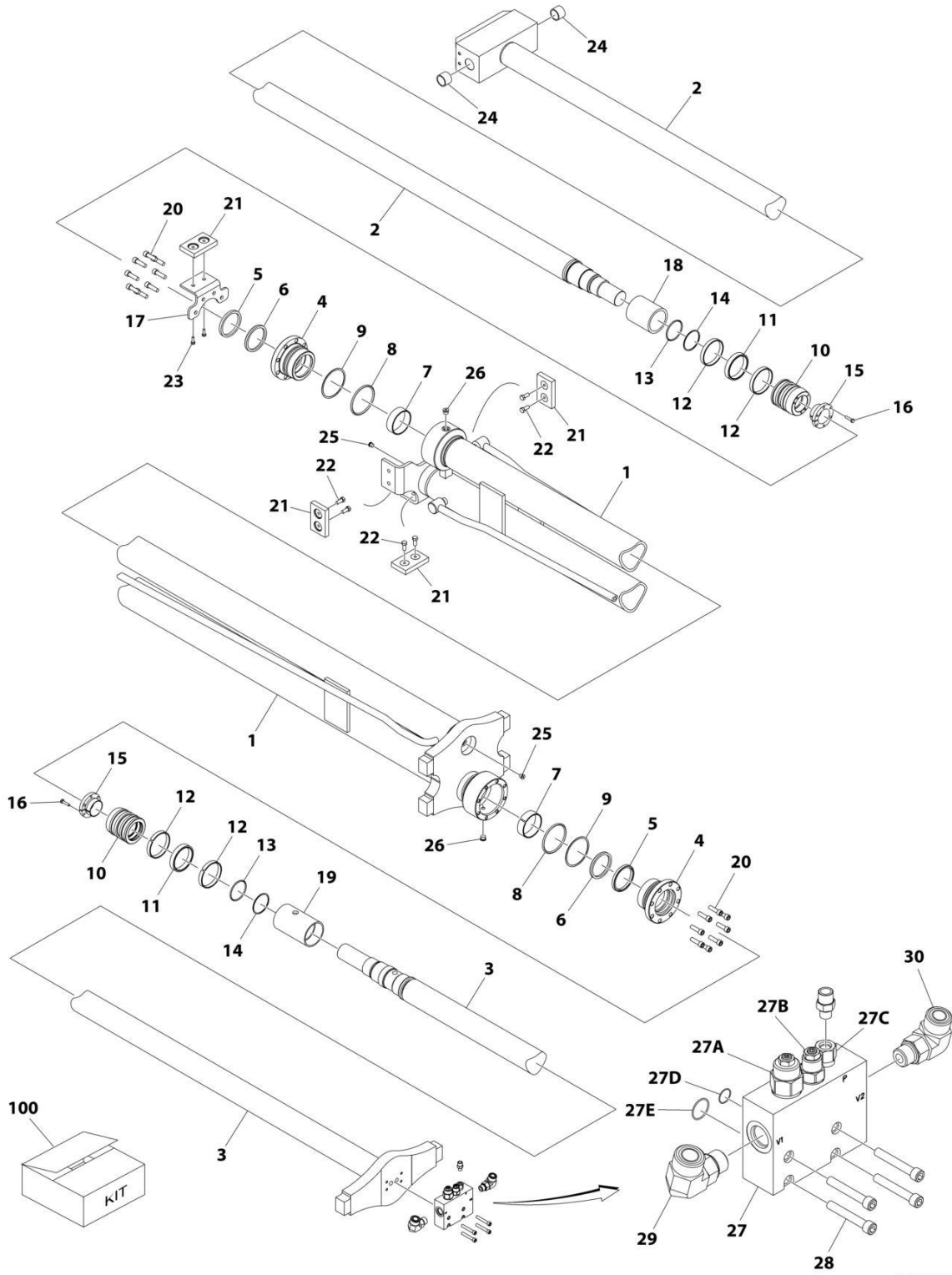
## SECTION 6 - CYLINDER

**FIGURE 6-8. TELESCOPE CYLINDER ASSEMBLY - MAIN BOOM**

ITEM	PART NUMBER	QTY	DESCRIPTION	REV
	1001228080	Ref	TELESCOPE CYLINDER ASSEMBLY - MAIN BOOM	D
		Ref	Note: Original Cylinder May Have Been Replaced with Service Replacement. Identify PN Stamped on Cylinder Before Ordering Parts.	
1	See Note	NSS	Barrel (Note: Not Available for Purchase)	
2	70006693	1	Rod	
3	70006694	1	Head	
4	See Note	NSS	Wiper (Note: Use Item 100)	
5	See Note	NSS	Seal, Rod (Note: Use Item 100)	
6	See Note	NSS	Ring, Wear (Note: Use Item 100)	
7	See Note	NSS	O-Ring (Note: Use Item 100)	
8	See Note	NSS	Ring, Back-up (Note: Use Item 100)	
9	70006695	1	Piston	
10	See Note	NSS	Seal (Note: Use Item 100)	
11	See Note	NSS	Ring, Wear (Note: Use Item 100)	
12	See Note	NSS	O-Ring (Note: Use Item 100)	
13	See Note	NSS	Ring, Back-up (Note: Use Item 100)	
14	70006696	1	Spacer	
15	0961897	1	Bushing, Tapered	
16	3574580	1	Plate, Wear Pad Mount	
17	3340982	2	Pad, Wear	
18	3574586	1	Plate, Tele Foot	
19	0962257	4	Bushing	
20	0630535	3	Capscrew 1/4 x 1-1/8	
21	0641606	6	Bolt 3/8 x 3/4	
22	0641607	2	Bolt 3/8 x 7/8	
23	3931740	8	Capscrew 7/16 x 2-1/2	
24	2220885	1	Plug, O-Ring	
25	2220886	1	Plug, O-Ring	
26	4641288	1	Valve Assembly	
26A	7011372	1	Cartridge	
26A	2900789	1	Seal Kit - 7011372 Cartridge Valve	
26B	7011370	1	Cartridge	
26B	7011371	1	Seal Kit - 7011370 Cartridge Valve	
26C	7011369	1	Cartridge	
26C	7011311	1	Seal Kit - 7011369 Cartridge Valve	
26D	7011368	3	Cartridge	
26D	7011351	3	Seal Kit - 7011368 Cartridge Valve (1 Per Cartridge)	
27	2111010	1	Fitting, Straight ORFS/ORB	
28	2111212	2	Fitting, Straight ORFS/ORB	
29	3931656	4	Capscrew 3/8 x 3-1/2	
100	1001175887	1	Seal Kit (Includes Items 4-8 & 10-13)	

# SECTION 6 - CYLINDER

## FIGURE 6-9. TELESCOPE CYLINDER ASSEMBLY - TOWER BOOM



ART\_1001228032



## SECTION 6 - CYLINDER

**FIGURE 6-9. TELESCOPE CYLINDER ASSEMBLY - TOWER BOOM**

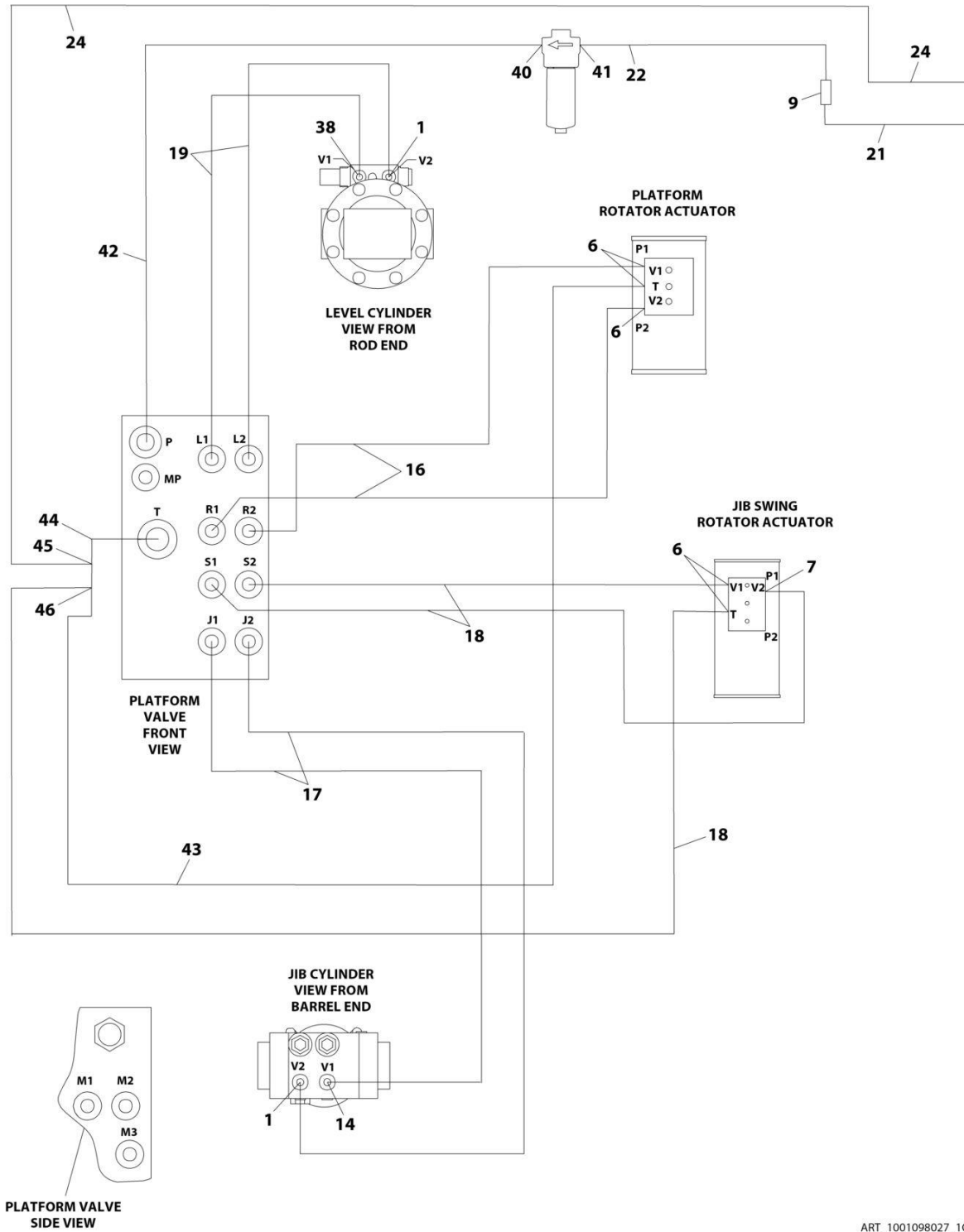
ITEM	PART NUMBER	QTY	DESCRIPTION	REV
	1001228032	Ref	TELESCOPE CYLINDER ASSEMBLY - TOWER BOOM	C
		Ref	Note: Original Cylinder May Have Been Replaced with Service Replacement. Identify PN Stamped on Cylinder Before Ordering Parts.	
1	See Note	NSS	Barrel (Note: Not Available for Purchase)	
2	70006713	1	Rod	
3	70006714	1	Rod	
4	70006715	2	Head	
5	See Note	NSS	Wiper (Note: Use Item 100)	
6	See Note	NSS	Seal, Rod (Note: Use Item 100)	
7	See Note	NSS	Ring, Wear (Note: Use Item 100)	
8	See Note	NSS	O-Ring (Note: Use Item 100)	
9	See Note	NSS	Ring, Back-up (Note: Use Item 100)	
10	70006716	2	Piston	
11	See Note	NSS	Seal (Note: Use Item 100)	
12	See Note	NSS	Ring, Wear (Note: Use Item 100)	
13	See Note	NSS	O-Ring (Note: Use Item 100)	
14	See Note	NSS	Ring, Back-up (Note: Use Item 100)	
15	0961897	2	Bushing, Tapered	
16	0630535	6	Capscrew 1/4 x 1-1/8	
17	3574630	1	Bracket, Wear Pad Mounting	
18	70006717	1	Spacer	
19	70006718	1	Spacer	
20	3931724	16	Capscrew 7/16 x 1-1/2	
21	3340763	4	Pad, Wear	
22	0641607	6	Bolt 3/8 x 7/8	
23	0641606	2	Bolt 3/8 x 3/4	
24	0961951	2	Bushing	
25	2220883	2	Plug, O-Ring	
26	2220885	2	Plug, O-Ring	
27	4641298	1	Valve Assembly	
27A	7011359	1	Cartridge, Valve	
27A	2900789	1	Seal Kit - 7011359 Valve	
27B	4641162	1	Cartridge, Valve (was p/n 7011360)	
27B	2900770	1	Seal Kit - 7011360 & 4641162 Valve	
27C	7011361	1	Cartridge, Flow-Through Valve	
27C	7011346	1	Seal Kit - 7011361 Valve	
27D	70000778	1	O-Ring	
27E	70000777	1	O-Ring	
28	3931532	4	Capscrew 5/16 x 2	
29	2131210	1	Fitting, 90 ORFS/ORB	
30	2131008	1	Fitting, 90 ORFS/ORB	
100	2902291	2	Seal Kit (Includes Items 5-9 & 11-14)	
		Ref	Note: Two kits required to rebuild this double barreled cylinder - One kit required for each barrel of the cylinder.	



**SECTION 7 - HYDRAULIC**

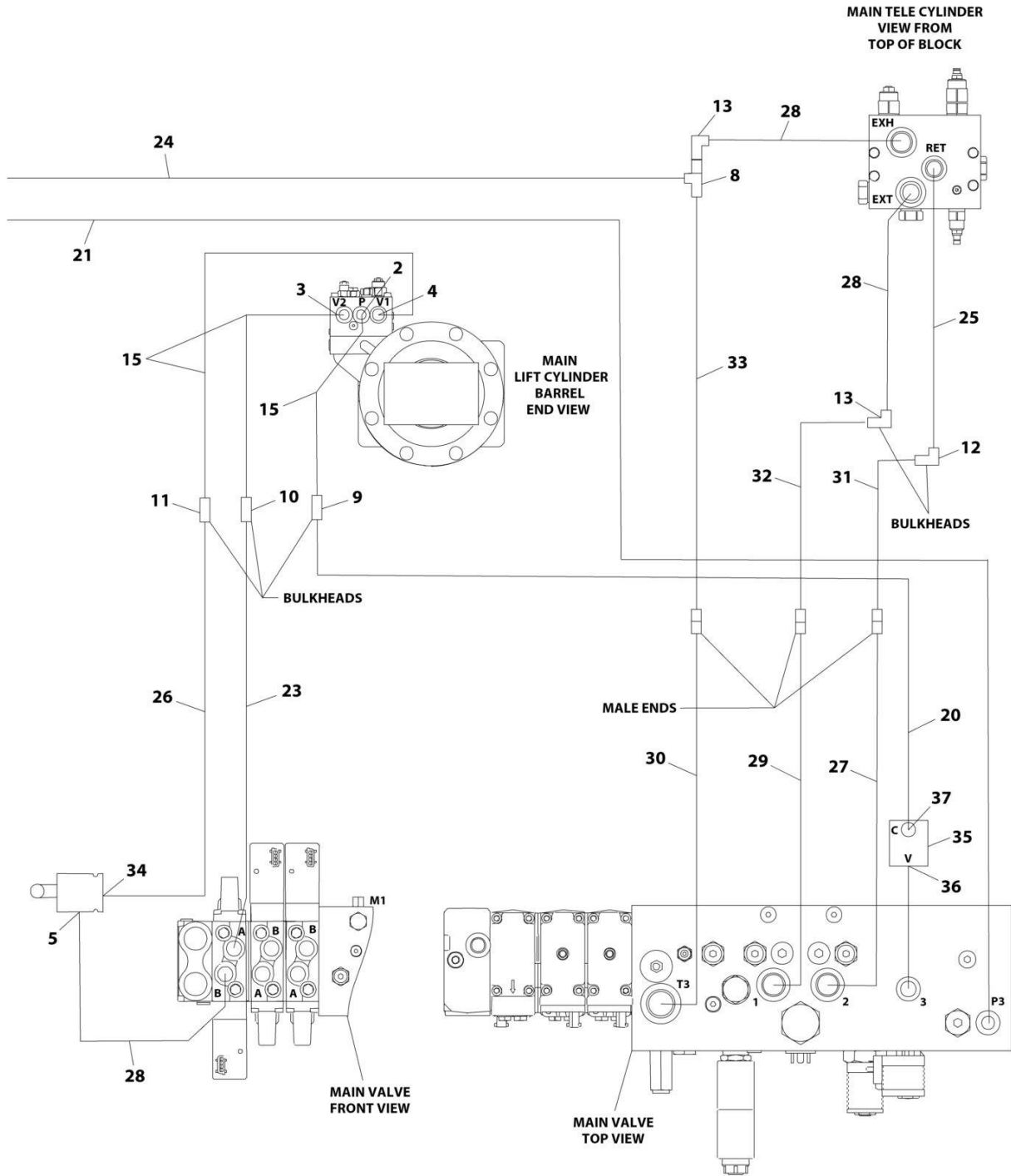
# SECTION 7 - HYDRAULIC

## FIGURE 7-1. HYDRAULIC DIAGRAM - BOOM (WITH REXROTH PUMPS)



ART\_1001098027\_1OF2

# SECTION 7 - HYDRAULIC



ART\_1001098027\_20F2

# SECTION 7 - HYDRAULIC

## FIGURE 7-1. HYDRAULIC DIAGRAM - BOOM (WITH REXROTH PUMPS)

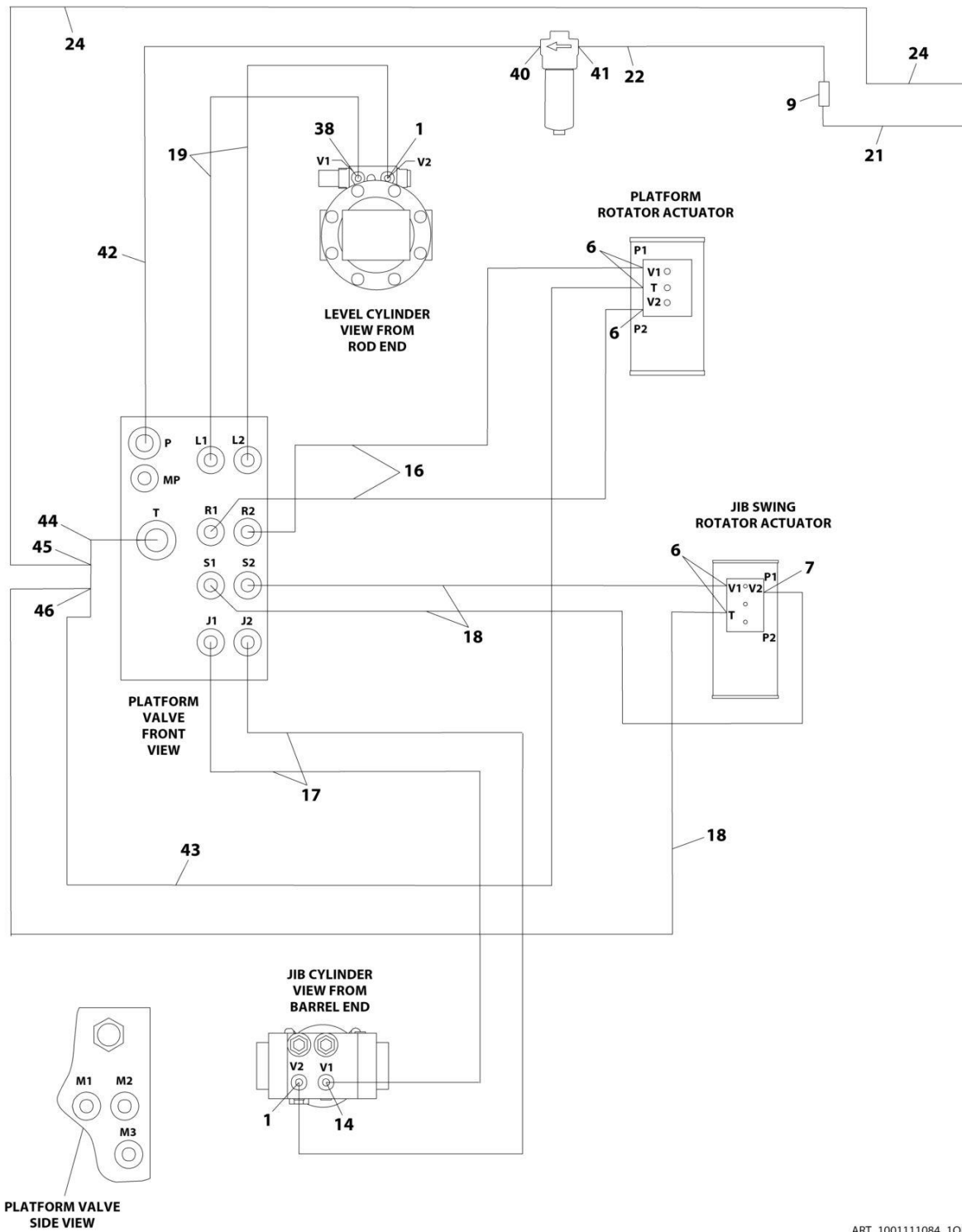
ITEM	PART NUMBER	QTY	DESCRIPTION	REV
	1283457	Ref	HYDRAULIC DIAGRAM - BOOM (WITH REXROTH PUMPS)	L
	1001098027	Ref	Hydraulic Diagram - Tower/Upper Boom	B
1	2110404	2	Fitting, Straight ORFS/ORB	
2	2110610	1	Fitting, Straight ORFS/ORB	
3	2110810	1	Fitting, Straight ORFS/ORB	
4	2111010	1	Fitting, Straight ORFS/ORB	
5	2111212	1	Fitting, Straight ORFS/ORB	
6	2150404	5	Fitting, 45 ORFS/ORB	
7	2170204	1	Fitting, 90 ORFS/ORB	
8	2170712	1	Fitting, Tee ORFS/FSORFS/ORFS	
9	2171306	2	Fitting, 45 ORFS/ORB	
10	2171308	1	Fitting, 45 ORFS/ORB	
11	2171310	1	Fitting, 45 ORFS/ORB	
12	2171210	1	Fitting, 90 ORFS/ORB	
13	2171212	2	Fitting, 90 ORFS/ORB	
14	2180830	1	Fitting, Straight ORFS/ORB	
15	2720516	1	Hose	
16	2753545	2	Hose	
17	2753717	2	Hose	
18	2753716	3	Hose	
19	2753897	2	Hose	
20	2753978	1	Hose	
21	2754123	1	Hose	
22	2754124	1	Hose	
23	2753985	1	Hose	
24	2753986	1	Hose	
25	2753987	1	Hose	
26	2753994	1	Hose	
27	2753993	1	Hose	
28	2753998	3	Hose	
29	2754002	1	Hose	
30	2754003	1	Hose	
31	2754010	1	Hose	
32	2754011	1	Hose	
33	2753999	1	Hose	
34	2111012	1	Fitting, Straight ORFS/ORB	
35	4641372	1	Valve, Double Check	
35	7027284	1	Cartridge	
35	7011346	1	Seal Kit - 7027284 Cartridge	
35	7027285	1	Cartridge	
35	7011311	1	Seal Kit - 7027285 Cartridge	
36	2221123	1	Fitting, Straight S FSORFS/ORB	
37	2130606	1	Fitting, 90 ORFS/ORB	
38	2180830	1	Fitting, Straight ORFS/ORB	
40	2110612	1	Fitting, Straight ORFS/ORB	
41	2130612	1	Fitting, 90 ORFS/ORB	
42	2717059	1	Hose	
43	2754288	1	Hose	
44	2170708	1	Fitting, Swivel Nut Run Tee ORFS/FSORFS/ORFS	
45	1001097820	1	Fitting, Adapter ORFS/FSORFS	

## SECTION 7 - HYDRAULIC

ITEM	PART NUMBER	QTY	DESCRIPTION	REV
46	2170704	1	Fitting, Swivel Nut Run Tee ORFS/FSORFS/ORFS	

# SECTION 7 - HYDRAULIC

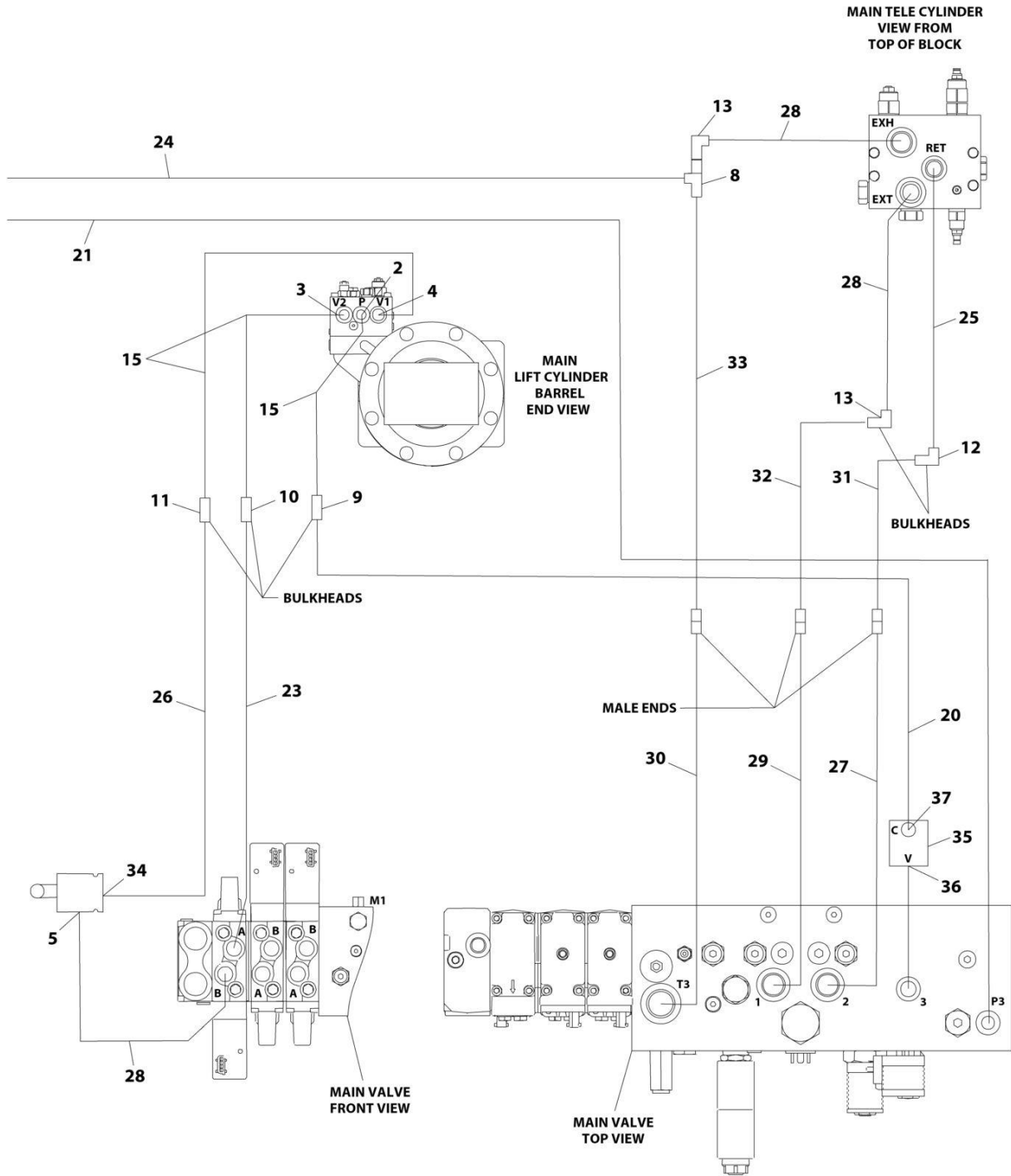
## FIGURE 7-2. HYDRAULIC DIAGRAM - BOOM (WITH SAUER PUMPS)



ART\_1001111084\_10F2



# SECTION 7 - HYDRAULIC



ART\_1001111084\_20F2

## SECTION 7 - HYDRAULIC

**FIGURE 7-2. HYDRAULIC DIAGRAM - BOOM (WITH SAUER PUMPS)**

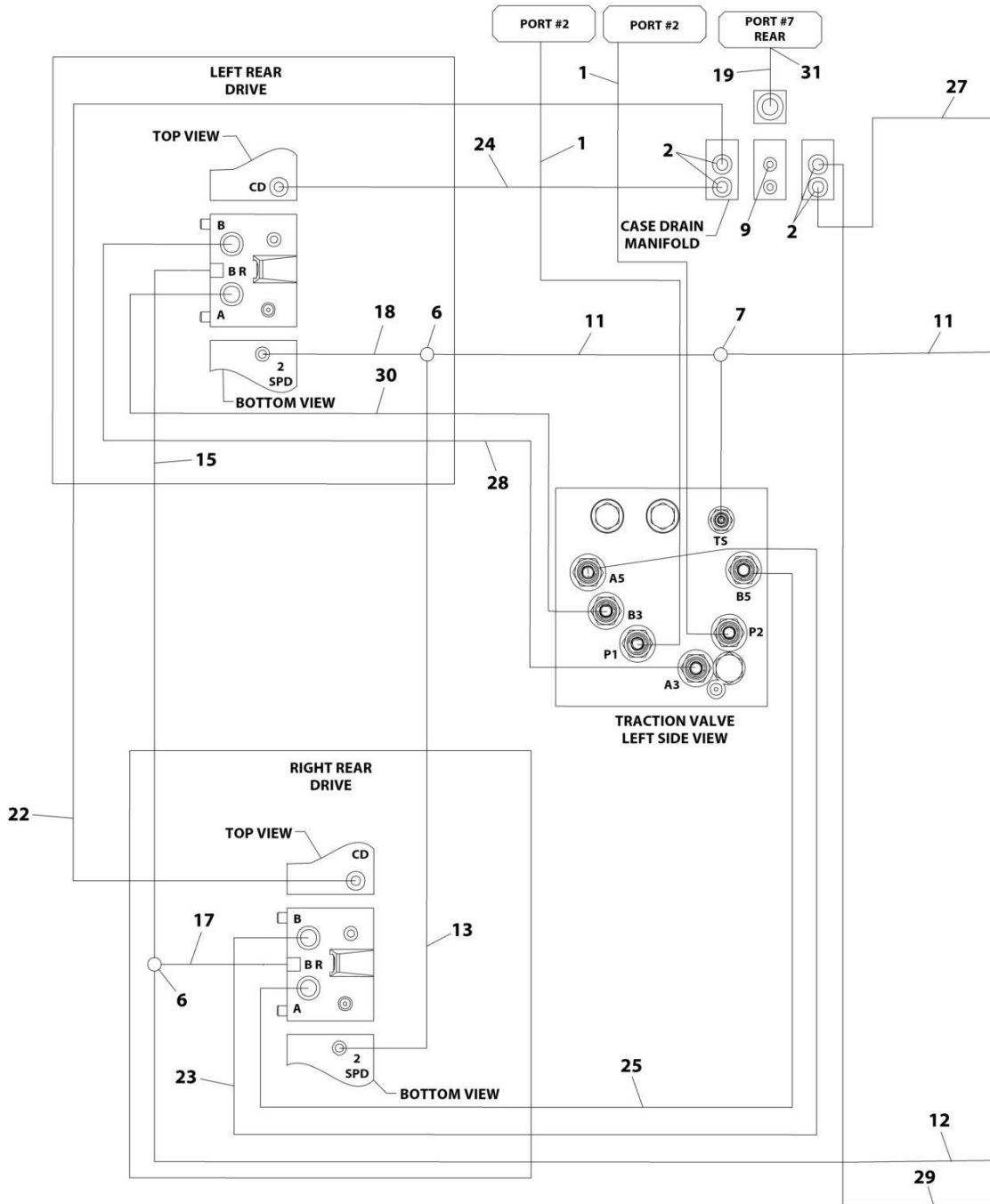
ITEM	PART NUMBER	QTY	DESCRIPTION	REV
	1001110252	Ref	HYDRAULIC DIAGRAM - BOOM (WITH SAUER PUMPS)	L
	1001111084	Ref	Hydraulic Diagram - Tower/Upper Boom	B
1	2110404	2	Fitting, Straight ORFS/ORB	
2	2110610	1	Fitting, Straight ORFS/ORB	
3	2110810	1	Fitting, Straight ORFS/ORB	
4	2111010	1	Fitting, Straight ORFS/ORB	
5	2111212	1	Fitting, Straight ORFS/ORB	
6	2150404	5	Fitting, 45 ORFS/ORB	
7	2170204	1	Fitting, 90 ORFS/ORB	
8	2170712	1	Fitting, Tee ORFS/FSORFS/ORFS	
9	2171306	2	Fitting, 45 ORFS/ORB	
10	2171308	1	Fitting, 45 ORFS/ORB	
11	2171310	1	Fitting, 45 ORFS/ORB	
12	2171210	1	Fitting, 90 ORFS/ORB	
13	2171212	2	Fitting, 90 ORFS/ORB	
14	2180830	1	Fitting, Straight ORFS/ORB	
15	2720516	1	Hose	
16	2753545	2	Hose	
17	2753717	2	Hose	
18	2753716	3	Hose	
19	2753897	2	Hose	
20	2753978	1	Hose	
21	2754123	1	Hose	
22	2754124	1	Hose	
23	2753985	1	Hose	
24	2753986	1	Hose	
25	2753987	1	Hose	
26	2753994	1	Hose	
27	2753993	1	Hose	
28	2753998	3	Hose	
29	2754002	1	Hose	
30	2754003	1	Hose	
31	2754010	1	Hose	
32	2754011	1	Hose	
33	2753999	1	Hose	
34	2111012	1	Fitting, Straight ORFS/ORB	
35	4641372	1	Valve, Double Check	
35	7027284	1	Cartridge	
35	7011346	1	Seal Kit - 7027284 Cartridge	
35	7027285	1	Cartridge	
35	7011311	1	Seal Kit - 7027285 Cartridge	
36	2221123	1	Fitting, Straight S FSORFS/ORB	
37	2130606	1	Fitting, 90 ORFS/ORB	
38	2180830	1	Fitting, Straight ORFS/ORB	
40	2110612	1	Fitting, Straight ORFS/ORB	
41	2130612	1	Fitting, 90 ORFS/ORB	
42	2717059	1	Hose	
43	2754288	1	Hose	
44	2170708	1	Fitting, Swivel Nut Run Tee ORFS/FSORFS/ORFS	
45	1001097820	1	Fitting, Adapter ORFS/FSORFS	

## SECTION 7 - HYDRAULIC

ITEM	PART NUMBER	QTY	DESCRIPTION	REV
46	2170704	1	Fitting, Swivel Nut Run Tee ORFS/FSORFS/ORFS	

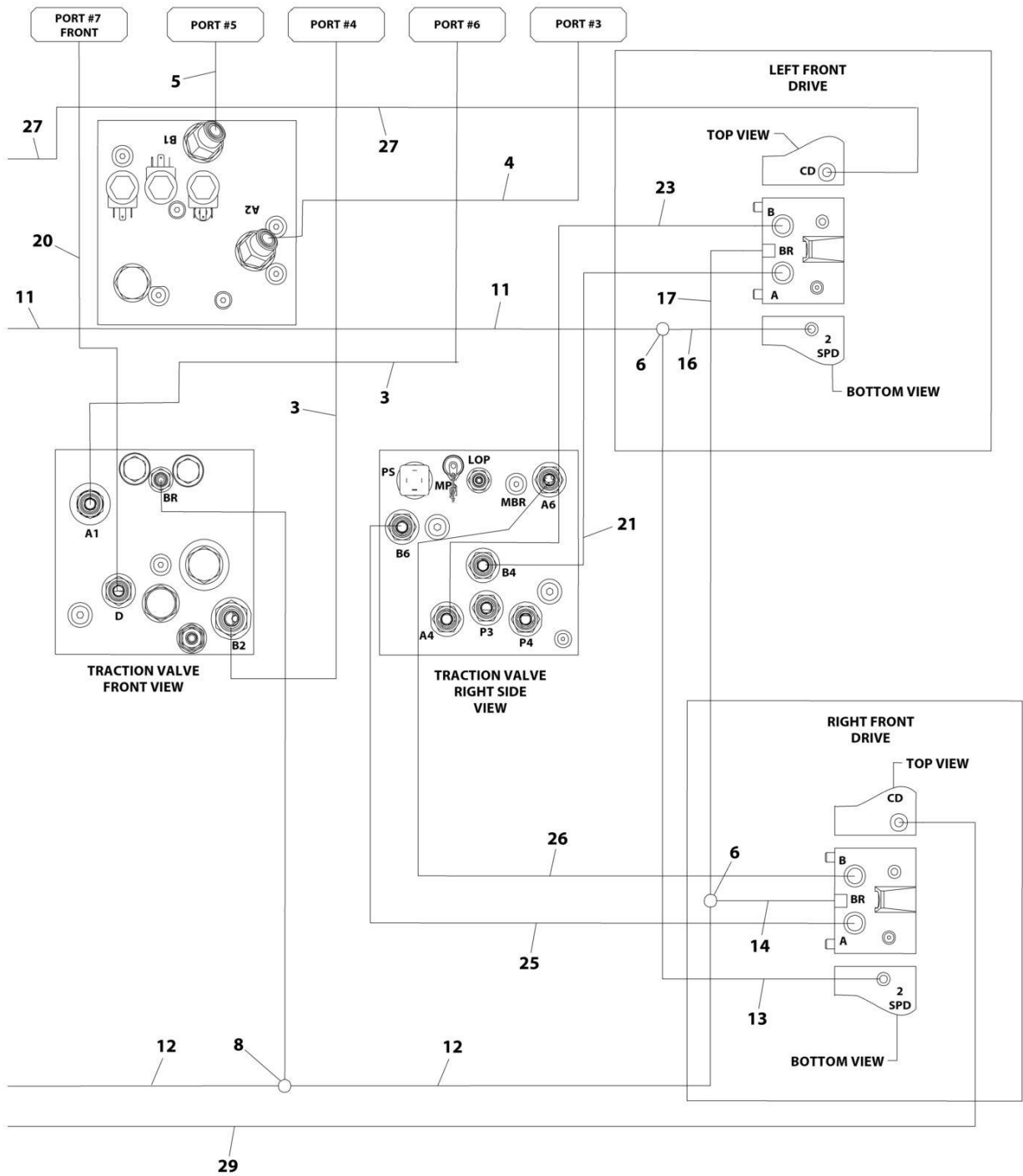
# SECTION 7 - HYDRAULIC

## FIGURE 7-3. HYDRAULIC DIAGRAM - DRIVE (WITH REXROTH PUMPS)



ART\_2792772\_10F2

# SECTION 7 - HYDRAULIC



ART\_2792772\_20F2

## SECTION 7 - HYDRAULIC

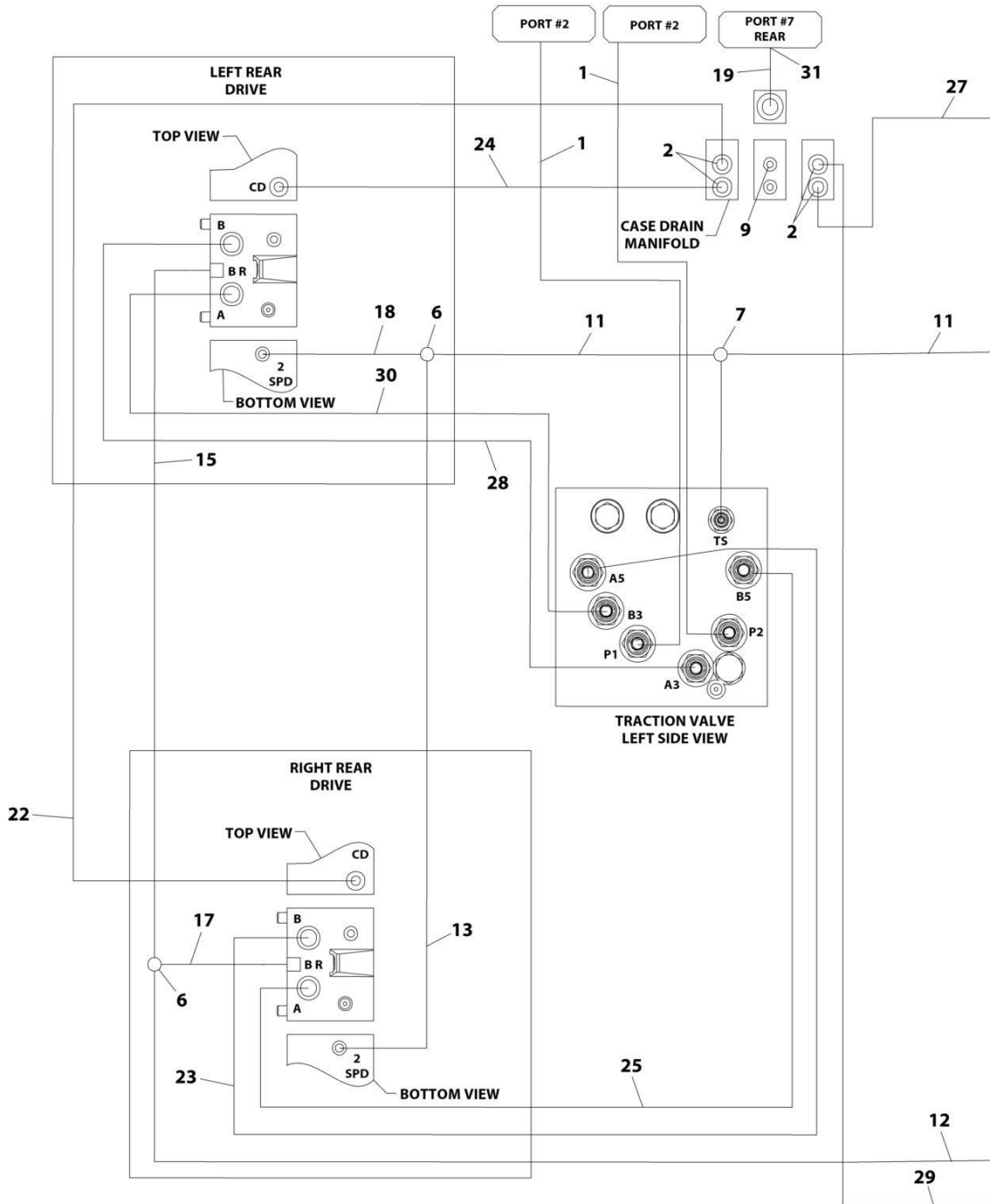
**FIGURE 7-3. HYDRAULIC DIAGRAM - DRIVE (WITH REXROTH PUMPS)**

ITEM	PART NUMBER	QTY	DESCRIPTION	REV
	1283457	Ref	HYDRAULIC DIAGRAM - DRIVE	L
	2792772	Ref	Hydraulic Diagram - Drive Circuit	F
1	2753685	2	Hose	
2	2110808	4	Fitting, Straight ORFS/ORB	
3	2753703	2	Hose	
4	2753764	1	Hose	
5	2753768	1	Hose	
6	2170504	4	Fitting, Tee ORFS	
7	2170704	1	Fitting, Tee ORFS/ORB/ORFS	
8	2170804	1	Fitting, Tee ORFS/ORB/ORFS	
9	2220235	1	Plug	
11	2753541	2	Hose	
12	2753545	2	Hose	
13	2753677	2	Hose	
14	2753714	1	Hose	
15	2753713	1	Hose	
16	2753716	1	Hose	
17	2753715	2	Hose	
18	2753552	1	Hose	
19	2753752	1	Hose	
20	2753582	1	Hose	
21	2753756	1	Hose	
22	2753747	1	Hose	
23	2753757	2	Hose	
24	2753748	1	Hose	
25	2753759	2	Hose	
26	2753760	1	Hose	
27	2753749	1	Hose	
28	2753761	1	Hose	
29	2753750	1	Hose	
30	2753762	1	Hose	
31	2110812	1	Fitting, Straight ORFS/ORB	



# SECTION 7 - HYDRAULIC

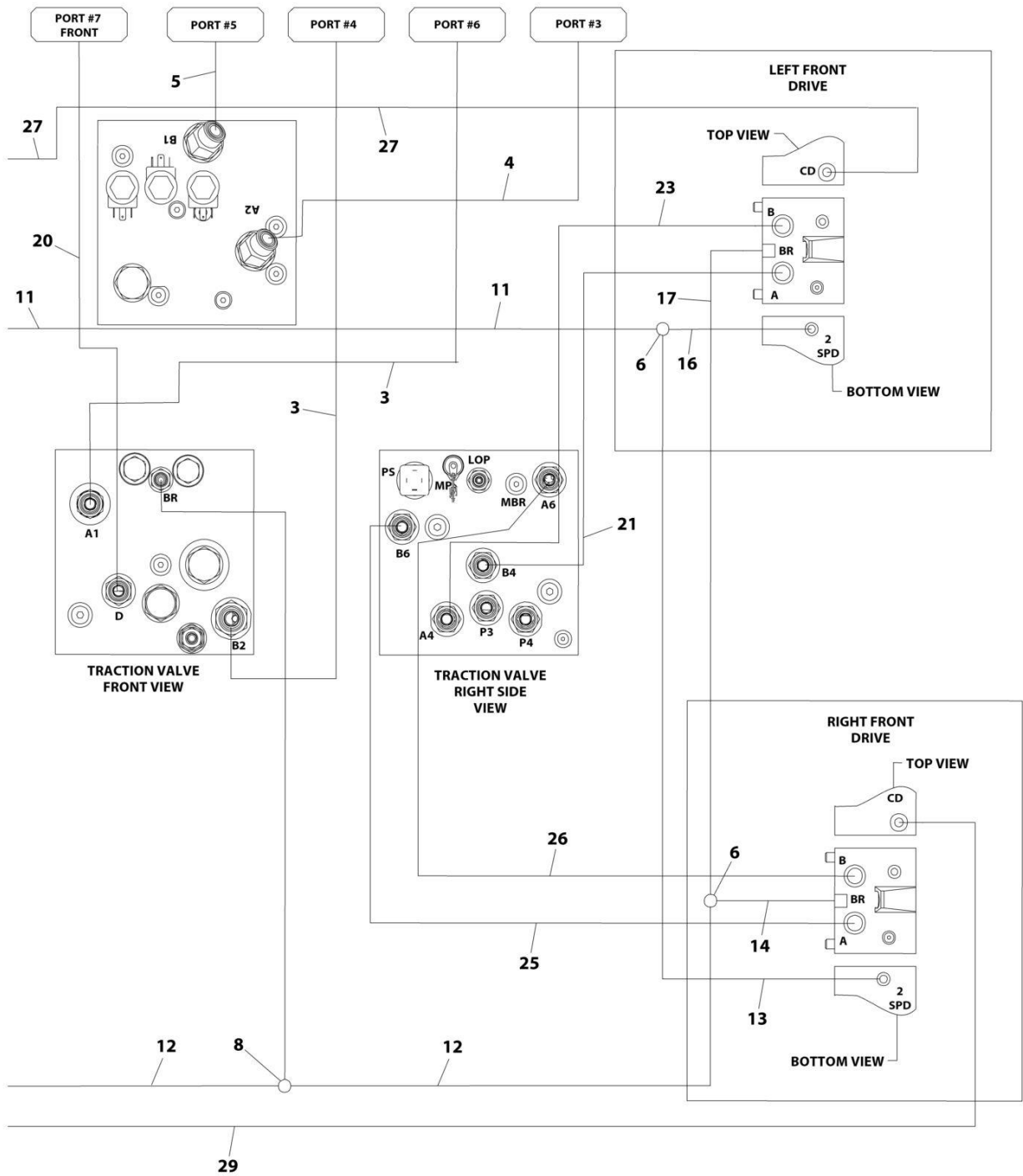
## FIGURE 7-4. HYDRAULIC DIAGRAM - DRIVE (WITH SAUER PUMPS)



ART\_1001111082\_1OF2



# SECTION 7 - HYDRAULIC



ART\_1001111082\_2OF2

## SECTION 7 - HYDRAULIC

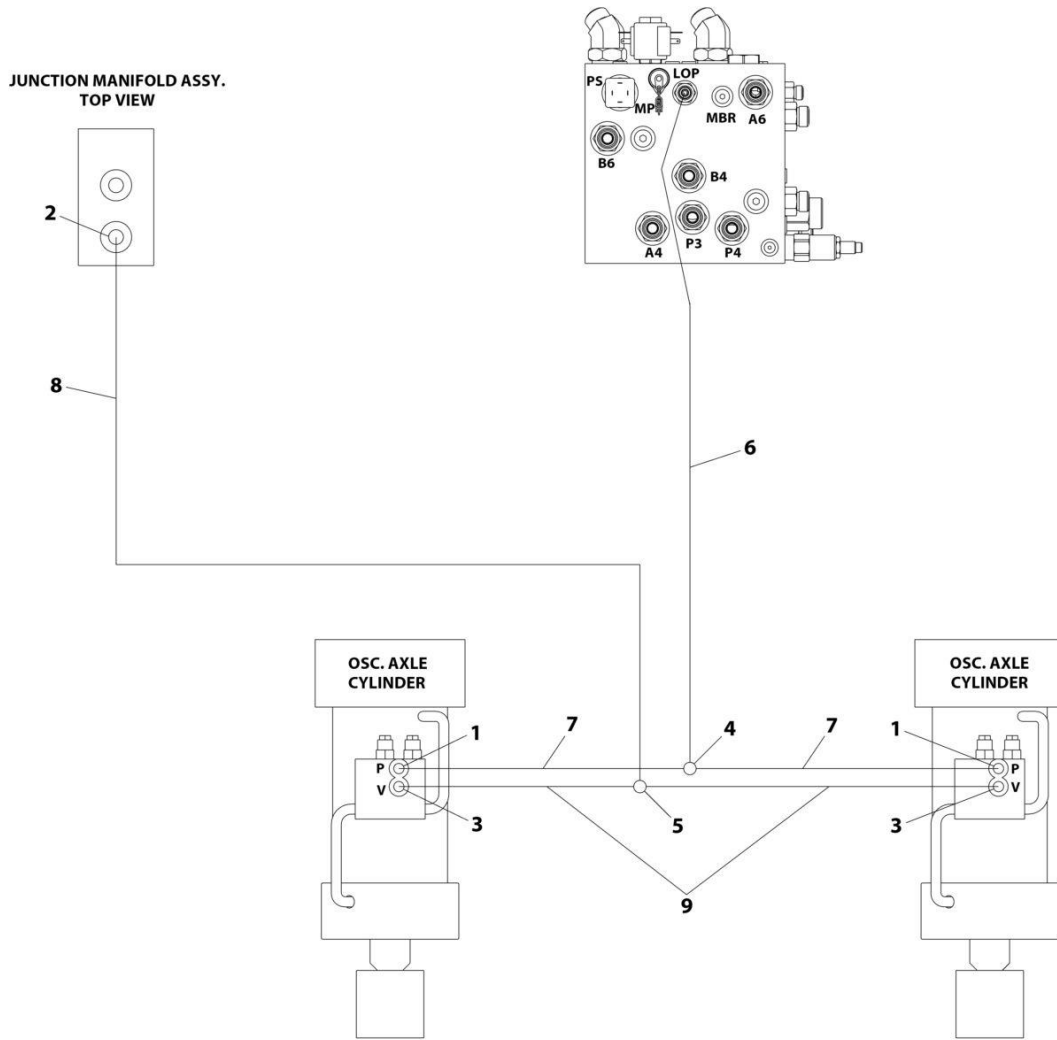
**FIGURE 7-4. HYDRAULIC DIAGRAM - DRIVE (WITH SAUER PUMPS)**

ITEM	PART NUMBER	QTY	DESCRIPTION	REV
	1001110252	Ref	HYDRAULIC DIAGRAM - DRIVE (WITH SAUER PUMPS)	L
	1001111082	Ref	Hydraulic Diagram - Drive Circuit	C
1	2753685	2	Hose	
2	2110808	4	Fitting, Straight ORFS/ORB	
3	2753703	2	Hose	
4	2753764	1	Hose	
5	2753768	1	Hose	
6	2170504	4	Fitting, Tee ORFS	
7	2170704	1	Fitting, Tee ORFS/ORB/ORFS	
8	2170804	1	Fitting, Tee ORFS/ORB/ORFS	
9	2220235	1	Plug	
11	2753541	2	Hose	
12	2753545	2	Hose	
13	2753677	2	Hose	
14	2753714	1	Hose	
15	2753713	1	Hose	
16	2753716	1	Hose	
17	2753715	2	Hose	
18	2753552	1	Hose	
19	2753752	1	Hose	
20	2753582	1	Hose	
21	2753756	1	Hose	
22	2753747	1	Hose	
23	2753757	2	Hose	
24	2753748	1	Hose	
25	2753759	2	Hose	
26	2753760	1	Hose	
27	2753749	1	Hose	
28	2753761	1	Hose	
29	2753750	1	Hose	
30	2753762	1	Hose	
31	2110812	1	Fitting, Straight ORFS/ORB	



# SECTION 7 - HYDRAULIC

## FIGURE 7-5. HYDRAULIC DIAGRAM - OSCILLATING AXLE (WITH REXROTH PUMPS)



ART\_2792647

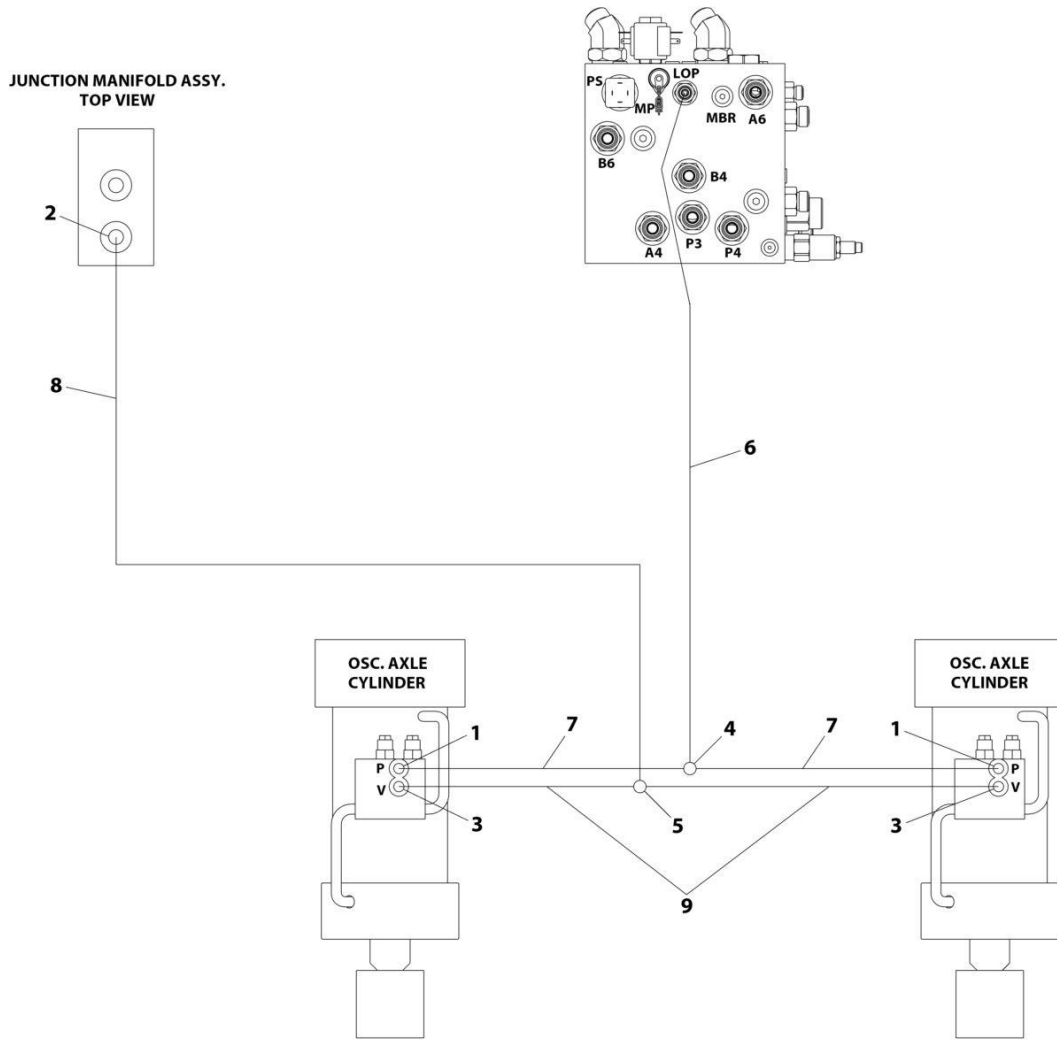
## SECTION 7 - HYDRAULIC

**FIGURE 7-5. HYDRAULIC DIAGRAM - OSCILLATING AXLE (WITH REXROTH PUMPS)**

ITEM	PART NUMBER	QTY	DESCRIPTION	REV
	1283457	Ref	HYDRAULIC DIAGRAM - OSCILLATING AXLE	L
	2792647	Ref	Hydraulic Diagram - Oscillating Axle	4
1	2110406	2	Fitting, Straight ORFS/ORB	
2	2110604	1	Fitting, Straight ORFS/ORB	
3	2110606	2	Fitting, Straight ORFS/ORB	
4	2170504	1	Fitting, Tee ORFS	
5	2170506	1	Fitting, Tee ORFS	
6	2753726	1	Hose	
7	2753719	2	Hose	
8	2753727	1	Hose	
9	2753729	2	Hose	

# SECTION 7 - HYDRAULIC

## FIGURE 7-6. HYDRAULIC DIAGRAM - OSCILLATING AXLE (WITH SAUER PUMPS)



ART\_1001111081

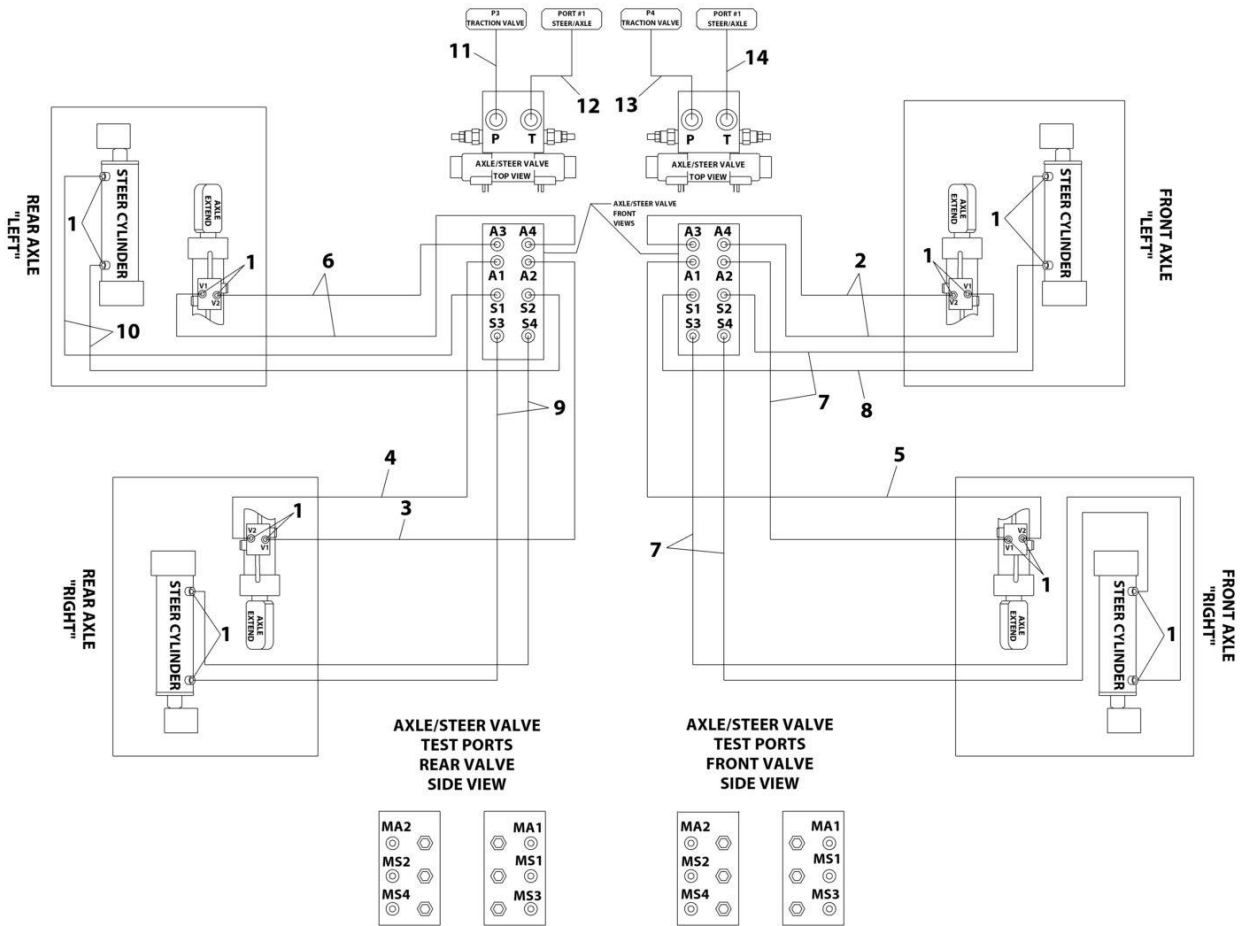
## SECTION 7 - HYDRAULIC

**FIGURE 7-6. HYDRAULIC DIAGRAM - OSCILLATING AXLE (WITH SAUER PUMPS)**

ITEM	PART NUMBER	QTY	DESCRIPTION	REV
	1001110252	Ref	HYDRAULIC DIAGRAM - OSCILLATING AXLE (WITH SAUER PUMPS)	L
	1001111081	Ref	Hydraulic Diagram - Oscillating Axle	1
1	2110406	2	Fitting, Straight ORFS/ORB	
2	2110604	1	Fitting, Straight ORFS/ORB	
3	2110606	2	Fitting, Straight ORFS/ORB	
4	2170504	1	Fitting, Tee ORFS	
5	2170506	1	Fitting, Tee ORFS	
6	2753726	1	Hose	
7	2753719	2	Hose	
8	2753727	1	Hose	
9	2753729	2	Hose	

# SECTION 7 - HYDRAULIC

## FIGURE 7-7. HYDRAULIC DIAGRAM - STEER (WITH REXROTH PUMPS)



ART\_2792773



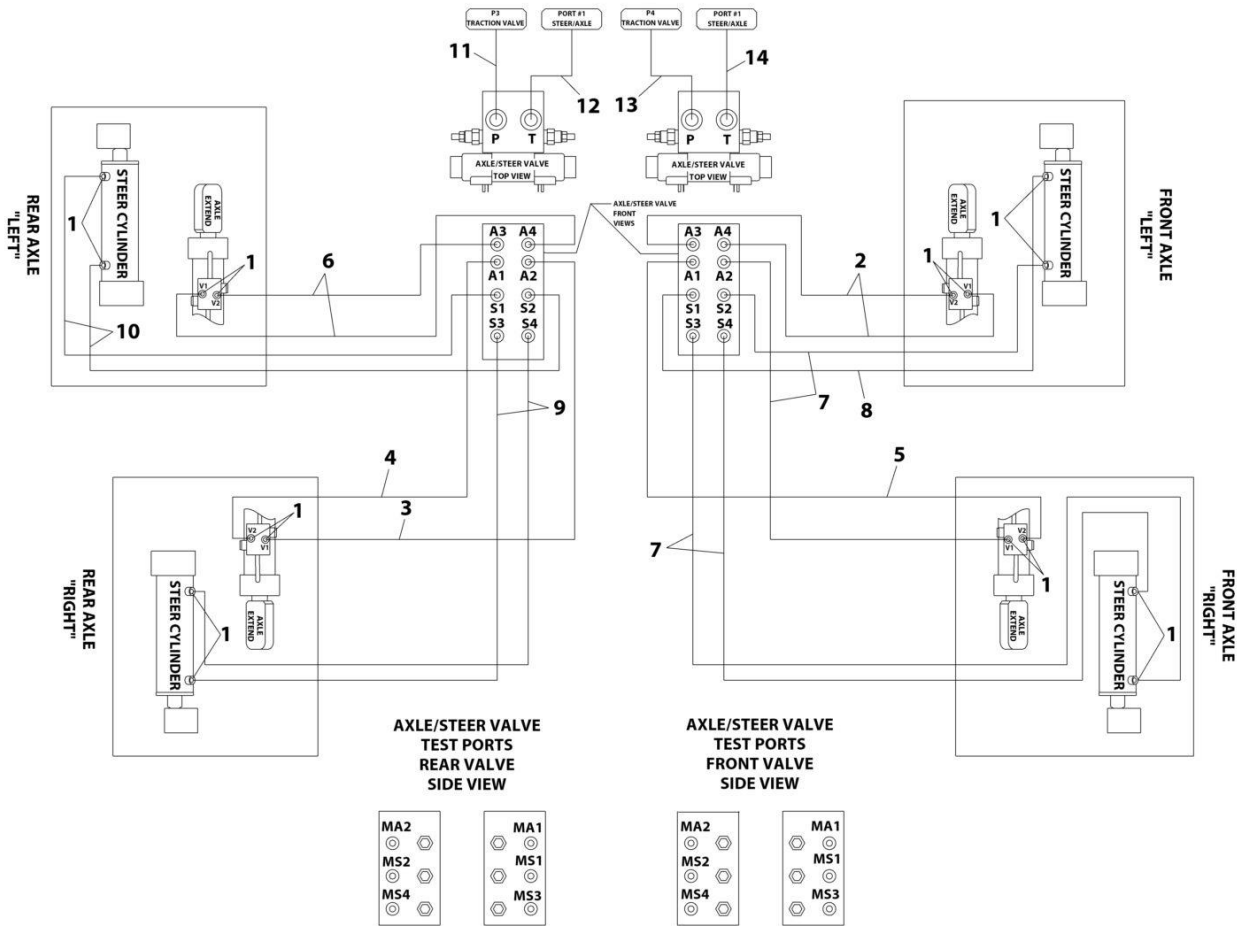
## SECTION 7 - HYDRAULIC

**FIGURE 7-7. HYDRAULIC DIAGRAM - STEER (WITH REXROTH PUMPS)**

ITEM	PART NUMBER	QTY	DESCRIPTION	REV
	1283457	Ref	HYDRAULIC DIAGRAM - STEER	L
	2792773	Ref	Hydraulic Diagram - Steer	2
1	2130606	16	Fitting, 90 ORFS/ORB	
2	2753732	2	Hose	
3	2753733	1	Hose	
4	2753728	1	Hose	
5	2753734	1	Hose	
6	2753735	2	Hose	
7	2753736	4	Hose	
8	2753737	1	Hose	
9	2753738	2	Hose	
10	2753739	2	Hose	
11	2753753	1	Hose	
12	2753742	1	Hose	
13	2753754	1	Hose	
14	2753743	1	Hose	

# SECTION 7 - HYDRAULIC

## FIGURE 7-8. HYDRAULIC DIAGRAM - STEER (WITH SAUER PUMPS)



ART\_1001111083

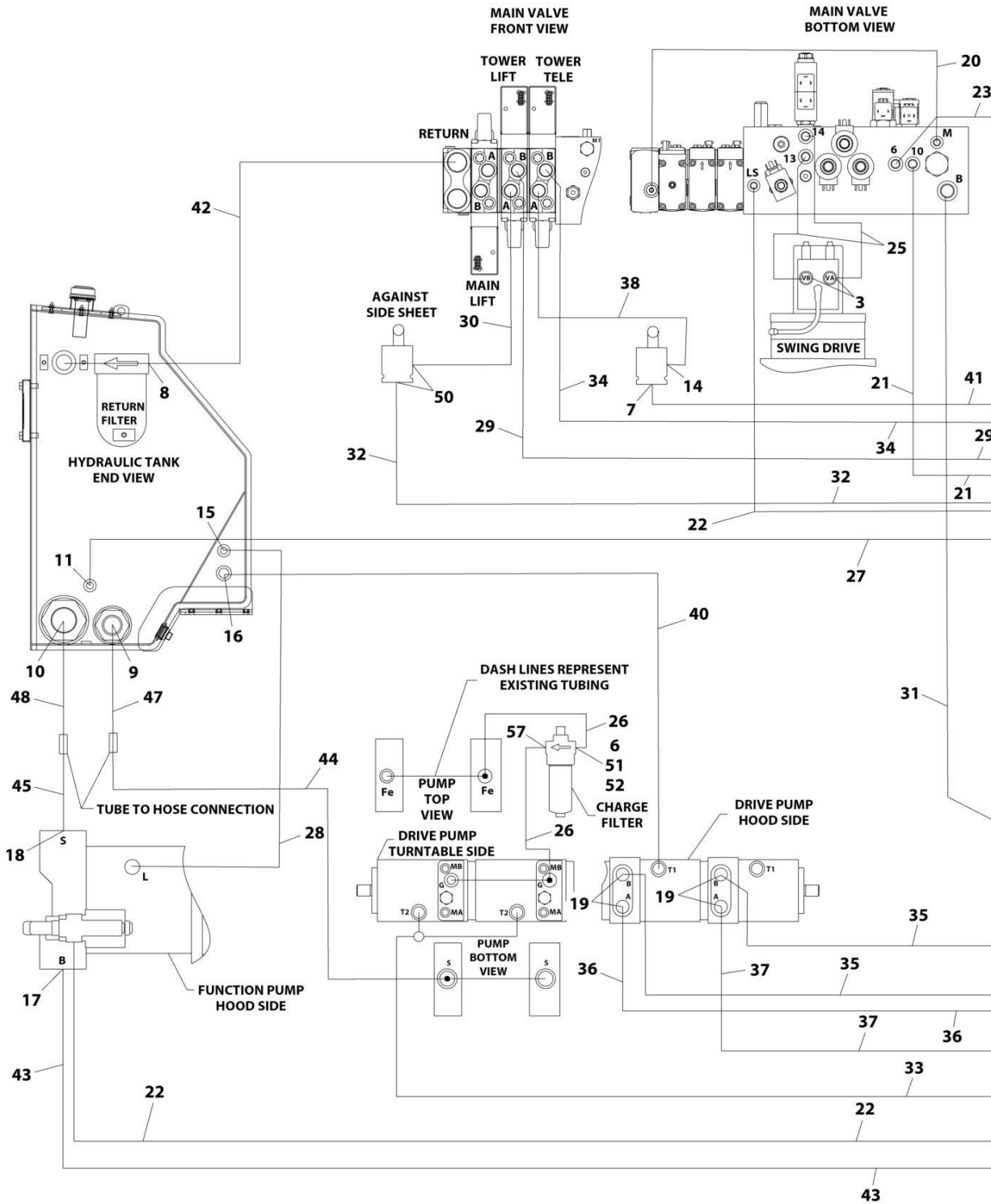
## SECTION 7 - HYDRAULIC

**FIGURE 7-8. HYDRAULIC DIAGRAM - STEER (WITH SAUER PUMPS)**

ITEM	PART NUMBER	QTY	DESCRIPTION	REV
	1001110252	Ref	HYDRAULIC DIAGRAM - STEER (WITH SAUER PUMPS)	L
	1001111083	Ref	Hydraulic Diagram - Steer	1
1	2130606	16	Fitting, 90 ORFS/ORB	
2	2753732	2	Hose	
3	2753733	1	Hose	
4	2753728	1	Hose	
5	2753734	1	Hose	
6	2753735	2	Hose	
7	2753736	4	Hose	
8	2753737	1	Hose	
9	2753738	2	Hose	
10	2753739	2	Hose	
11	2753753	1	Hose	
12	2753742	1	Hose	
13	2753754	1	Hose	
14	2753743	1	Hose	

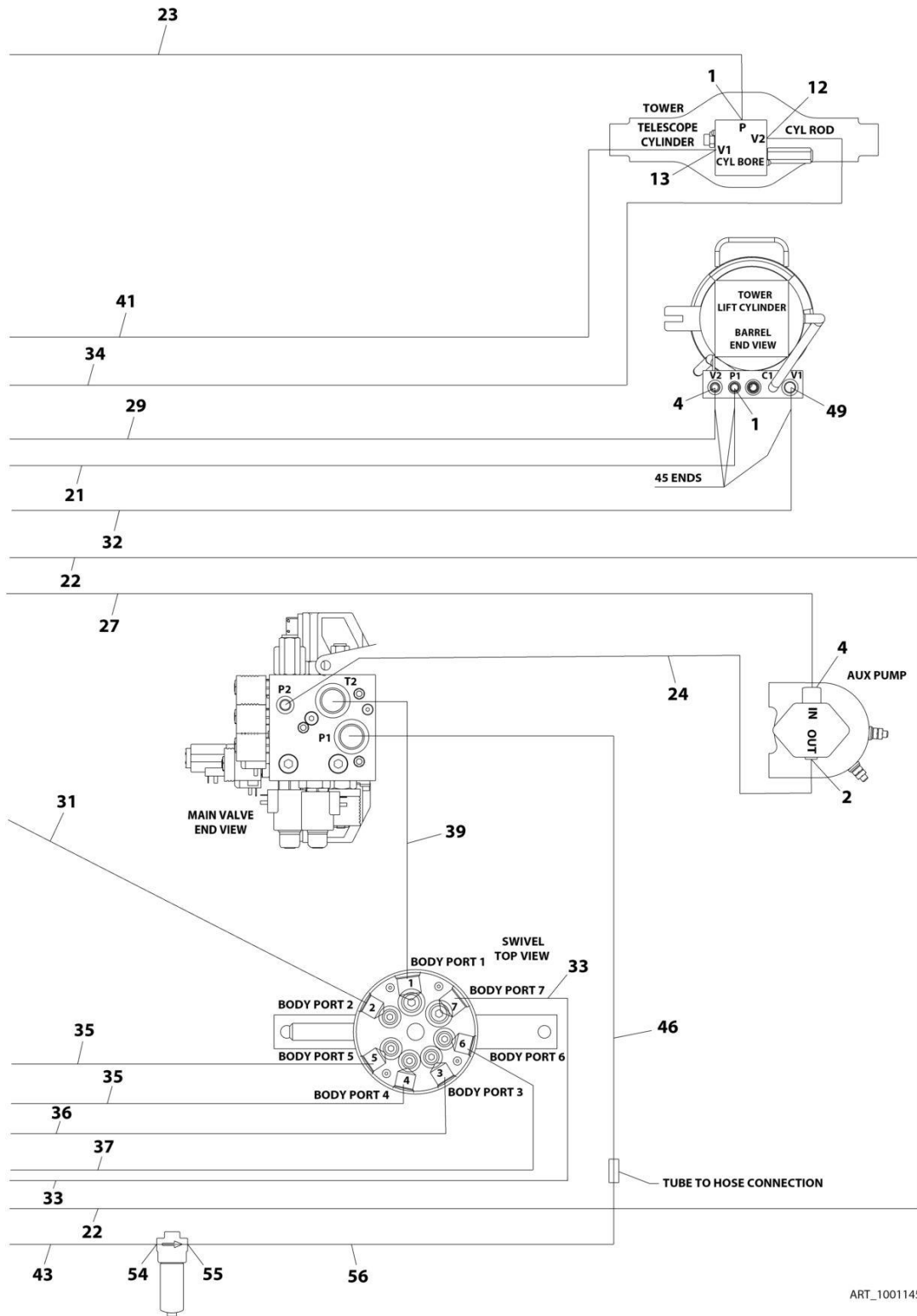
# SECTION 7 - HYDRAULIC

## FIGURE 7-9. HYDRAULIC DIAGRAM - TURNTABLE (DEUTZ TD2011 ENGINES WITH REXROTH PUMPS)



ART\_1001145321\_TOF2

# SECTION 7 - HYDRAULIC



ART\_1001145321\_2OF2

## SECTION 7 - HYDRAULIC

**FIGURE 7-9. HYDRAULIC DIAGRAM - TURNTABLE (DEUTZ TD2011 ENGINES WITH REXROTH PUMPS)**

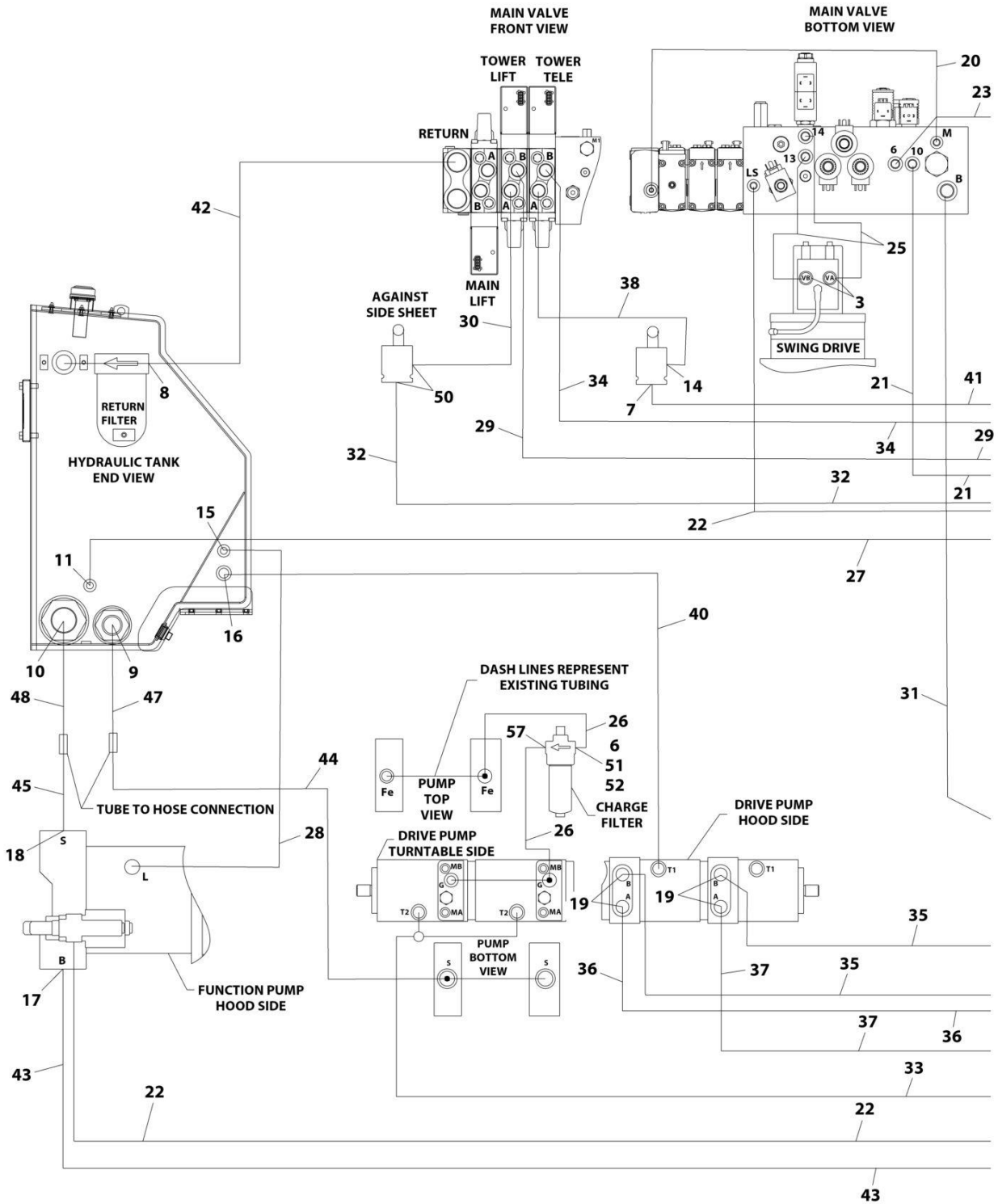
ITEM	PART NUMBER	QTY	DESCRIPTION	REV
	1283457	Ref	HYDRAULIC DIAGRAM - TURNTABLE (DEUTZ TD2011 ENGINES WITH REXROTH PUMPS)	L
	1001145321	Ref	Hydraulic Diagram - Turntable	B
1	2110404	1	Fitting, Straight ORFS/ORB	
2	2110608	1	Fitting, Straight ORFS/ORB	
3	2110610	2	Fitting, Straight ORFS/ORB	
4	2110808	2	Fitting, Straight ORFS/ORB	
6	2220811	1	Fitting, Reducer ORB/ORB	
7	2111212	1	Fitting, Straight ORFS/ORB	
8	2111620	1	Fitting, Straight ORFS/ORB	
9	2112020	1	Fitting, Straight ORFS/ORB	
10	2113232	1	Fitting, Straight ORFS/ORB	
11	2130808	1	Fitting, 90 ORFS/ORB	
12	2131008	1	Fitting, 90 ORFS/ORB	
13	2131210	1	Fitting, 90 ORFS/ORB	
14	2131212	1	Fitting, 90 ORFS/ORB	
15	2150808	1	Fitting, 45 ORFS/ORB	
16	2151212	1	Fitting, 45 ORFS/ORB	
17	2220478	1	Flange Kit	
18	2220737	1	Flange Kit	
19	2221117	4	Flange Kit	
20	2753546	1	Hose	
21	2753975	1	Hose	
22	2753976	1	Hose	
23	2753977	1	Hose	
24	2753673	1	Hose	
25	2753979	2	Hose	
26	2753746	2	Hose	
27	2753590	1	Hose	
28	2753741	1	Hose	
29	2753984	1	Hose	
30	2753988	1	Hose	
31	2753989	1	Hose	
32	2753990	1	Hose	
33	2753991	1	Hose	
34	2753992	1	Hose	
35	2753995	2	Hose	
36	2753996	1	Hose	
37	2753997	1	Hose	
38	2753843	1	Hose	
39	2753999	1	Hose	
40	2754000	1	Hose	
41	2754001	1	Hose	
42	2754004	1	Hose	
43	2754870	1	Hose	
44	2754006	1	Hose	
45	2754007	1	Hose	
46	1001173889	1	Tube	
47	4568849	1	Tube	

## SECTION 7 - HYDRAULIC

ITEM	PART NUMBER	QTY	DESCRIPTION	REV
48	4568815	1	Tube	
49	2111010	1	Fitting, Straight ORFS/ORB	
50	2111012	AR	Fitting, Straight ORFS/ORB	
51	2170308	1	Fitting, Tee ORFS/ORFS/ORB	
52	2170908	1	Fitting, Cap ORFS	
54	2131620	1	Fitting, 90 ORFS/ORB	
55	2132020	1	Fitting, 90 ORFS/ORB	
56	1001173890	1	Hose	
57	2130812	1	Fitting, 90 ORFS/ORB	

# SECTION 7 - HYDRAULIC

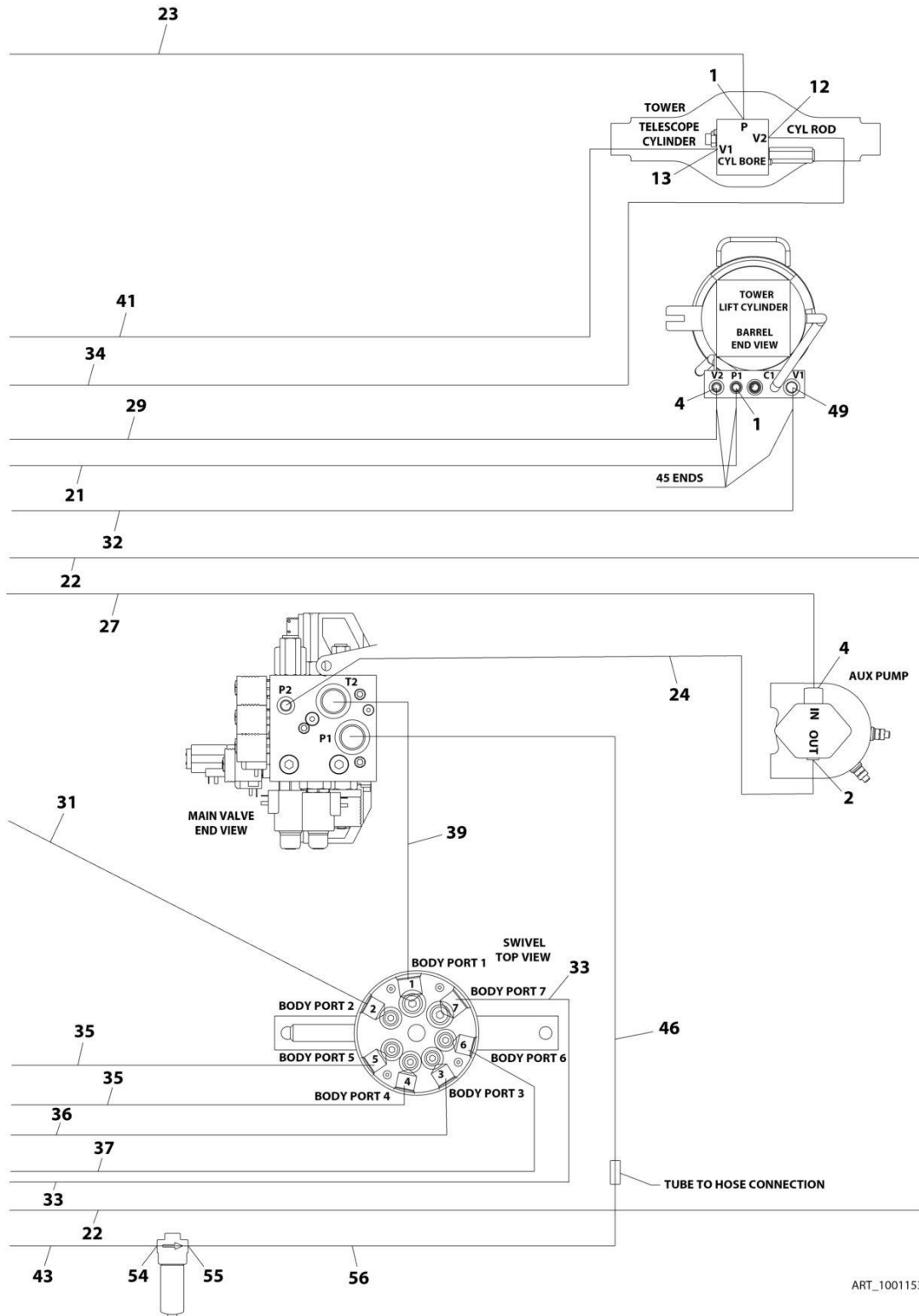
**FIGURE 7-10. HYDRAULIC DIAGRAM - TURNTABLE (DEUTZ TCD2.9L4 ENGINES AND DEUTZ TCD2.9L4 (STAGE V) ENGINES WITH REXROTH PUMPS)**



ART\_1001153188\_10F2



# SECTION 7 - HYDRAULIC



ART\_1001153188\_2OF2

## SECTION 7 - HYDRAULIC

**FIGURE 7-10. HYDRAULIC DIAGRAM - TURNTABLE (DEUTZ TCD2.9L4 ENGINES AND DEUTZ TCD2.9L4 (STAGE V) ENGINES WITH REXROTH PUMPS)**

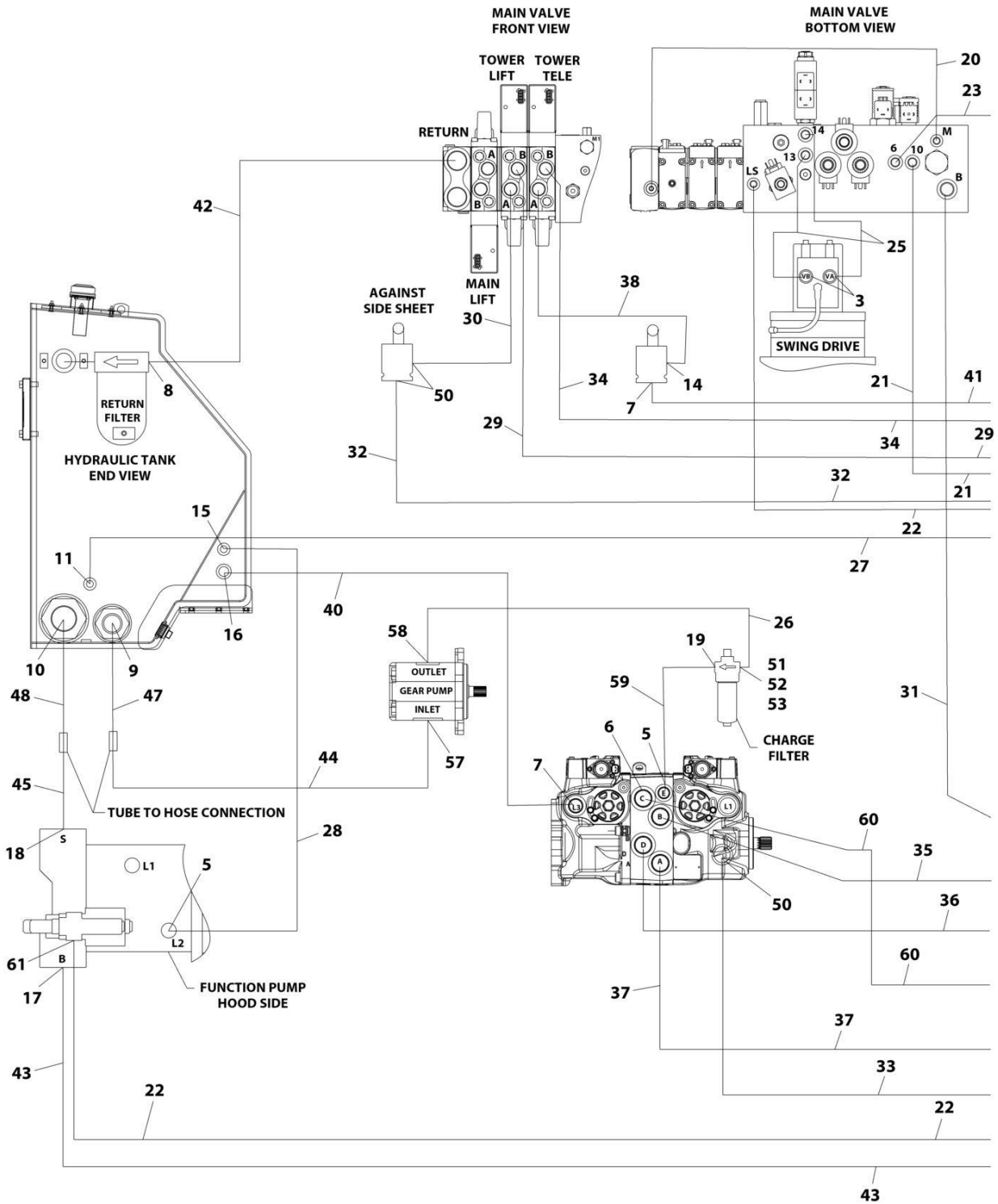
ITEM	PART NUMBER	QTY	DESCRIPTION	REV
	1001152971	Ref	HYDRAULIC DIAGRAM - TURNTABLE (DEUTZ TCD2.9L4 ENGINES AND DEUTZ TCD2.9L4 (STAGE V) ENGINES WITH REXROTH PUMPS)	C
	1001153188	Ref	Hydraulic Diagram - Turntable	B
1	2110404	1	Fitting, Straight ORFS/ORB	
2	2110608	1	Fitting, Straight ORFS/ORB	
3	2110610	2	Fitting, Straight ORFS/ORB	
4	2110808	2	Fitting, Straight ORFS/ORB	
6	2220811	1	Fitting, Reducer ORB/ORB	
7	2111212	1	Fitting, Straight ORFS/ORB	
8	2111620	1	Fitting, Straight ORFS/ORB	
9	2112020	1	Fitting, Straight ORFS/ORB	
10	2113232	1	Fitting, Straight ORFS/ORB	
11	2130808	1	Fitting, 90 ORFS/ORB	
12	2131008	1	Fitting, 90 ORFS/ORB	
13	2131210	1	Fitting, 90 ORFS/ORB	
14	2131212	1	Fitting, 90 ORFS/ORB	
15	2150808	1	Fitting, 45 ORFS/ORB	
16	2151212	1	Fitting, 45 ORFS/ORB	
17	2220478	1	Flange Kit	
18	2220737	1	Flange Kit	
19	2221117	4	Flange Kit	
20	2753546	1	Hose	
21	2753975	1	Hose	
22	2753976	1	Hose	
23	2753977	1	Hose	
24	2753673	1	Hose	
25	2753979	2	Hose	
26	2753746	2	Hose	
27	2753590	1	Hose	
28	2753741	1	Hose	
29	2753984	1	Hose	
30	2753988	1	Hose	
31	2753989	1	Hose	
32	2753990	1	Hose	
33	2753991	1	Hose	
34	2753992	1	Hose	
35	2753995	2	Hose	
36	2753996	1	Hose	
37	2753997	1	Hose	
38	2753843	1	Hose	
39	2753999	1	Hose	
40	2754000	1	Hose	
41	2754001	1	Hose	
42	2754004	1	Hose	
43	2754870	1	Hose	
44	1001153186	1	Hose	
45	2754007	1	Hose	
46	1001173889	1	Tube	

## SECTION 7 - HYDRAULIC

ITEM	PART NUMBER	QTY	DESCRIPTION	REV
47	4568849	1	Tube	
48	4568815	1	Tube	
49	2111010	1	Fitting, Straight ORFS/ORB	
50	2111012	AR	Fitting, Straight ORFS/ORB	
51	2170308	1	Fitting, Tee ORFS/ORFS/ORB	
52	2170908	1	Fitting, Cap ORFS	
54	2131620	1	Fitting, 90 ORFS/ORB	
55	2132020	1	Fitting, 90 ORFS/ORB	
56	1001173890	1	Hose	
57	2130812	1	Fitting, 90 ORFS/ORB	

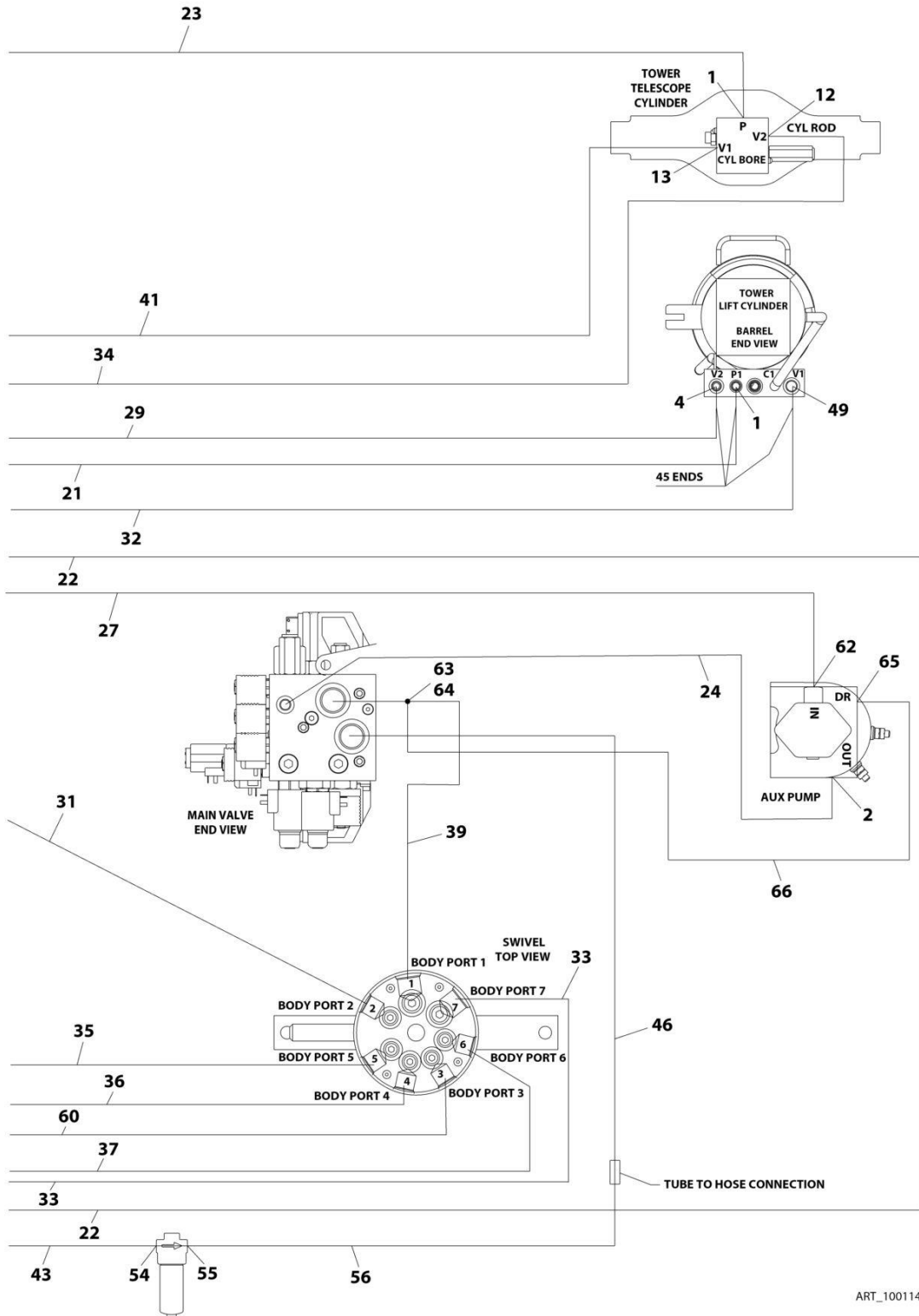
# SECTION 7 - HYDRAULIC

## FIGURE 7-11. HYDRAULIC DIAGRAM - TURNTABLE (WITH SAUER PUMPS)



ART\_1001145322\_10F2

# SECTION 7 - HYDRAULIC



ART\_1001145322\_20F2

# SECTION 7 - HYDRAULIC

## FIGURE 7-11. HYDRAULIC DIAGRAM - TURNTABLE (WITH SAUER PUMPS)

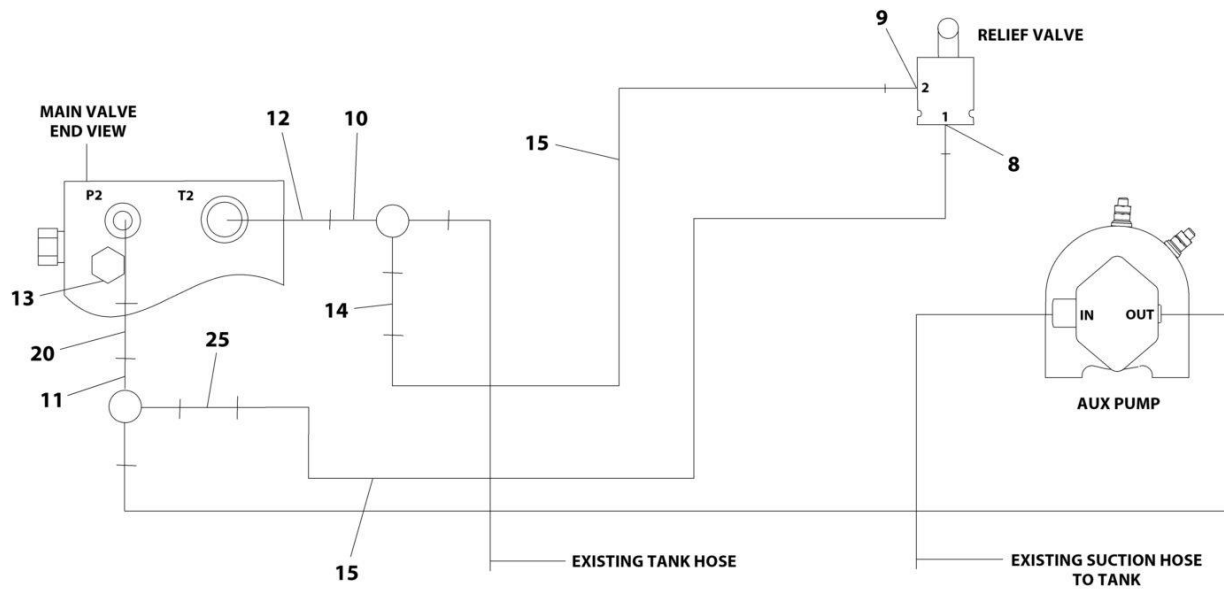
ITEM	PART NUMBER	QTY	DESCRIPTION	REV
	1001110252	Ref	HYDRAULIC DIAGRAM - TURNTABLE (WITH SAUER PUMPS)	L
	1001145322	Ref	Hydraulic Diagram - Turntable	E
1	2110404	1	Fitting, Straight ORFS/ORB	
2	2110608	1	Fitting, Straight ORFS/ORB	
3	2110610	2	Fitting, Straight ORFS/ORB	
4	2110808	1	Fitting, Straight ORFS/ORB	
5	2110810	2	Fitting, Straight ORFS/ORB	
6	2111016	4	Fitting, Straight ORFS/ORB	
7	2111212	2	Fitting, Straight ORFS/ORB	
8	2111620	1	Fitting, Straight ORFS/ORB	
9	2112020	1	Fitting, Straight ORFS/ORB	
10	2113232	1	Fitting, Straight ORFS/ORB	
11	2130808	1	Fitting, 90 ORFS/ORB	
12	2131008	1	Fitting, 90 ORFS/ORB	
13	2131210	1	Fitting, 90 ORFS/ORB	
14	2131212	1	Fitting, 90 ORFS/ORB	
15	2150808	1	Fitting, 45 ORFS/ORB	
16	2151212	1	Fitting, 45 ORFS/ORB	
17	2220478	1	Flange Kit	
18	1001110604	1	Flange Kit	
19	2130812	1	Fitting, 90 ORFS/ORB	
20	2753546	1	Hose	
21	2753975	1	Hose	
22	2753976	1	Hose	
23	2753977	1	Hose	
24	2753673	1	Hose	
25	2753979	2	Hose	
26	2753746	1	Hose	
27	2753590	1	Hose	
28	1001109439	1	Hose	
29	2753984	1	Hose	
30	2753988	1	Hose	
31	2753989	1	Hose	
32	2753990	1	Hose	
33	2753991	1	Hose	
34	2753992	1	Hose	
35	1001109468	1	Hose	
36	1001109470	1	Hose	
37	1001109471	1	Hose	
38	2753843	1	Hose	
39	2753999	1	Hose	
40	1001176982	1	Hose	
41	2754001	1	Hose	
42	2754004	1	Hose	
43	2754870	1	Hose	
44	1001109438	1	Hose	
45	1001109465	1	Hose	
46	1001173889	1	Tube	
47	4568849	1	Tube	
48	4568815	1	Tube	

## SECTION 7 - HYDRAULIC

ITEM	PART NUMBER	QTY	DESCRIPTION	REV
49	2111010	1	Fitting, Straight ORFS/ORB	
50	2111012	3	Fitting, Straight ORFS/ORB	
51	2170308	1	Fitting, Tee ORFS/ORFS/ORB	
52	2170908	1	Fitting, Cap ORFS	
53	2220811	1	Fitting, Reducer ORB/ORB	
54	2131620	1	Fitting, 90 ORFS/ORB	
55	2132020	1	Fitting, 90 ORFS/ORB	
56	1001173890	1	Hose	
57	2111616	1	Fitting, Straight ORFS/ORB	
58	2110812	1	Fitting, Straight ORFS/ORB	
59	1001104577	1	Hose	
60	1001119296	1	Hose	
61	2130404	1	Fitting, 90 ORFS/ORB	
62	2110808	1	Fitting, Straight ORFS/ORB	
63	2170712	1	Fitting, Tee ORFS/FSORFS/ORFS	
64	2221221	1	Fitting, Straight ORFS/FSORFS	
65	2110406	1	Fitting, Straight ORFS/ORB	
66	1001103977	1 in/ 2.54cm	Hose	

# SECTION 7 - HYDRAULIC

## FIGURE 7-12. HYDRAULIC DIAGRAM - AUXILIARY POWER MOTOR



ART\_1001139520\_20F2



## SECTION 7 - HYDRAULIC

**FIGURE 7-12. HYDRAULIC DIAGRAM - AUXILIARY POWER MOTOR**

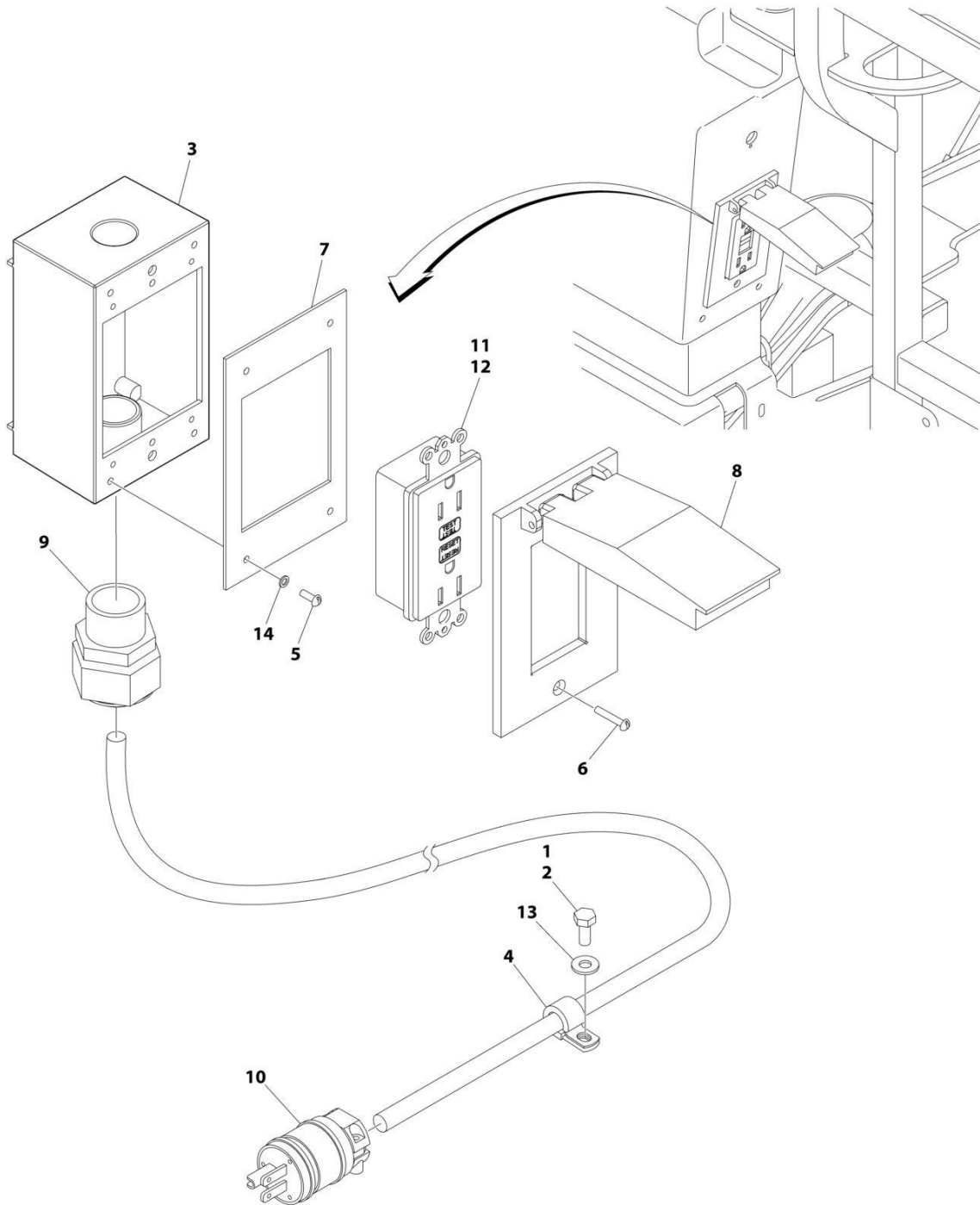
ITEM	PART NUMBER	QTY	DESCRIPTION	REV
	1001139520	Ref	HYDRAULIC DIAGRAM - AUXILIARY POWER MOTOR	A
8	2110406	1	Fitting, Straight ORFS/ORB	
9	2130406	1	Fitting, 90 ORFS/ORB	
10	2170312	1	Fitting, Tee ORFS	
11	2170506	1	Fitting, Tee ORFS/ORFS/ORFS	
12	2220550	1	Fitting, Straight SFORB/ORB	
13	2221123	1	Fitting, Straight S FSORFS/ORB	
14	2221221	1	Fitting, Straight ORFS/FSORFS	
15	2753781	2	Hose	
20	4641316	1	Valve, Check	
25	1001092764	1	Fitting, Tube End Reducer	



**SECTION 8 - ELECTRICAL**

# SECTION 8 - ELECTRICAL

## FIGURE 8-1. AC BOX AT PLATFORM - 110V GFI RECEPTACLE (ANSI SPECS)



ART\_0273462

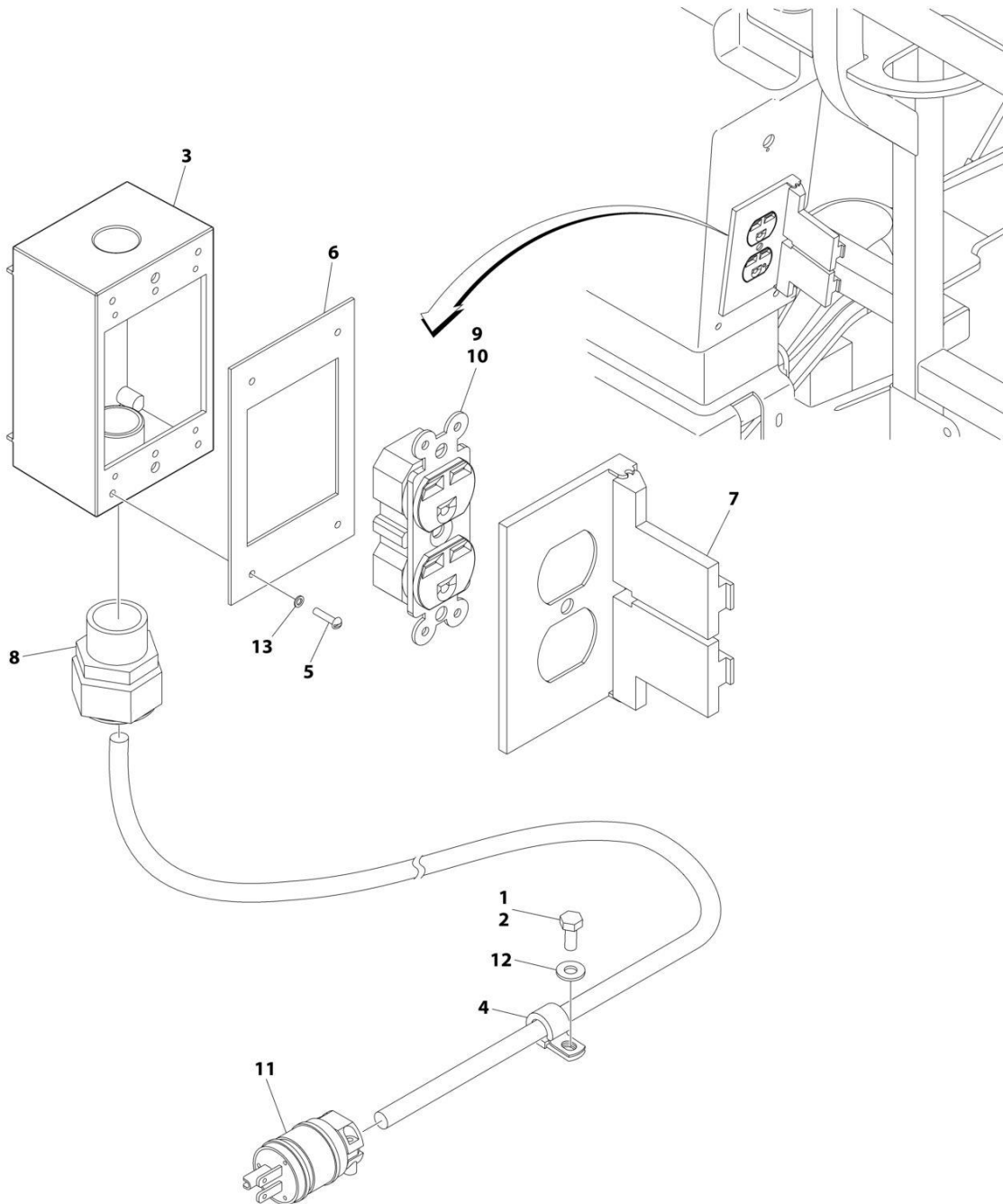
## SECTION 8 - ELECTRICAL

**FIGURE 8-1. AC BOX AT PLATFORM - 110V GFI RECEPTACLE (ANSI SPECS)**

ITEM	PART NUMBER	QTY	DESCRIPTION	REV
	0273462	Ref	AC BOX AT PLATFORM - 110V GFI RECEPTACLE	B
1	0100011	AR	Compound, Locking	
2	0641405	1	Bolt 1/4 x 5/8	
3	0860038	1	Box, Switch	
4	1320041	1	Clamp	
5	3910606	4	Screw #6 x 3/8	
6	3910612	2	Screw #6 x 3/4	
7	3960422	1	Gasket, AC Receptacle	
8	1001110873	1	Shield, Receptacle Cover	
9	4460051	1	Connector, Strain Relief	
10	4460205	1	Plug, Male	
11	4460315	1	Terminal, Spade	
12	4460346	1	Terminal, Receptacle	
13	4711400	1	Washer 1/4	
14	4760600	4	Washer #6	

# SECTION 8 - ELECTRICAL

## FIGURE 8-2. AC BOX AT PLATFORM - 220V GFI RECEPTACLE (ANSI SPECS)



ART\_0273463

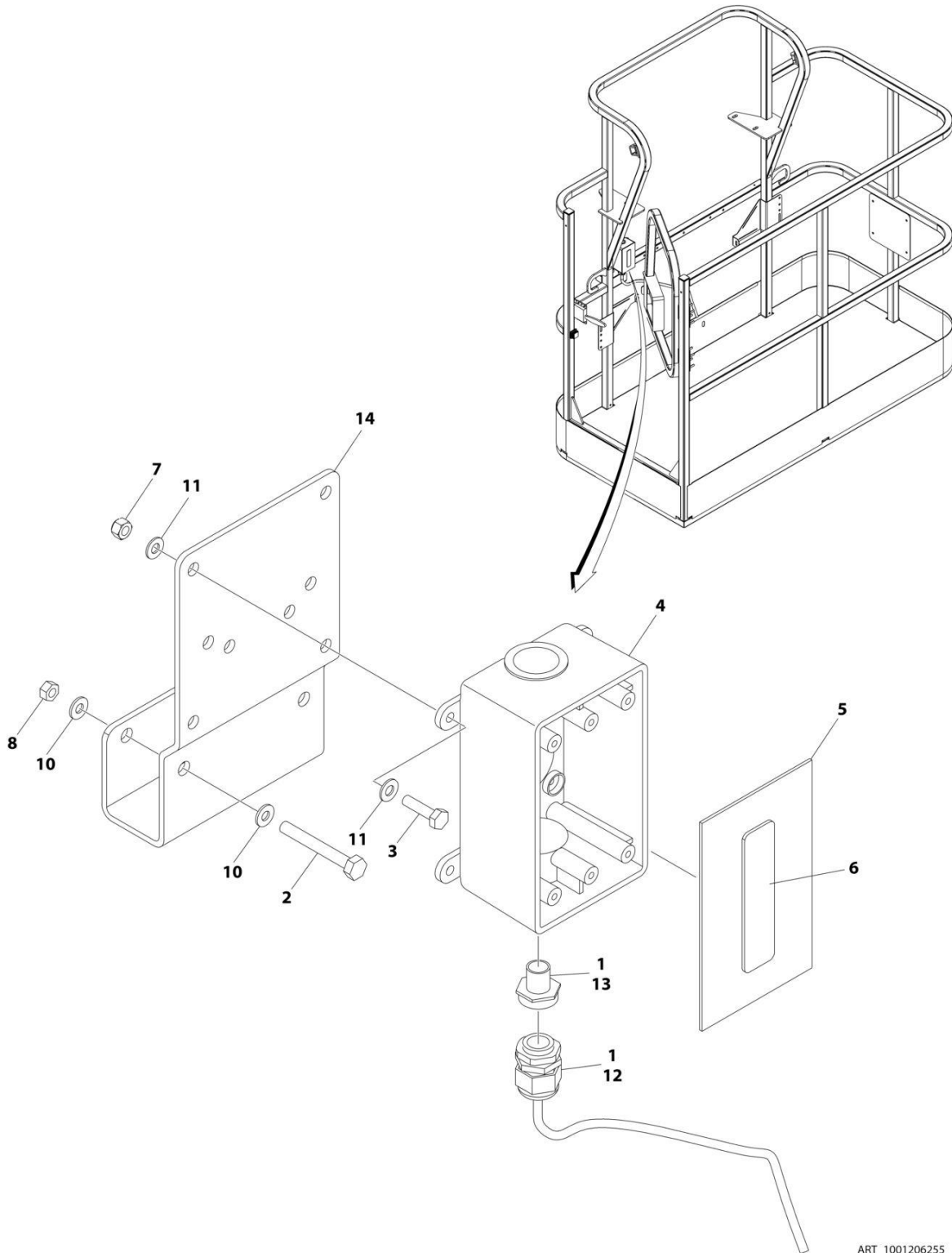
## SECTION 8 - ELECTRICAL

**FIGURE 8-2. AC BOX AT PLATFORM - 220V GFI RECEPTACLE (ANSI SPECS)**

ITEM	PART NUMBER	QTY	DESCRIPTION	REV
	0273463	Ref	AC BOX AT PLATFORM - 220V GFI RECEPTACLE	A
1	0100011	AR	Compound, Locking	
2	0641405	1	Bolt 1/4 x 5/8	
3	0860038	1	Box, Switch	
4	1320041	1	Clamp	
5	3910606	4	Screw #6 x 3/8	
6	3960422	1	Gasket, AC Receptacle	
7	4060092	1	Shield, Receptacle Cover	
8	4460051	1	Connector, Strain Relief	
9	4460125	1	Terminal, Receptacle	
10	4460315	1	Terminal, Spade	
11	4460709	1	Plug, Male	
12	4711400	1	Washer 1/4	
13	4760600	4	Washer #6	

# SECTION 8 - ELECTRICAL

FIGURE 8-3. AC BOX AT PLATFORM INSTALLATION - BOX WITH COVER (2X4 BOX) WITH 4000W GENERATOR (ANSI EXPORT, AUSTRALIAN, CE AND JAPANESE SPECS)



ART\_1001206255



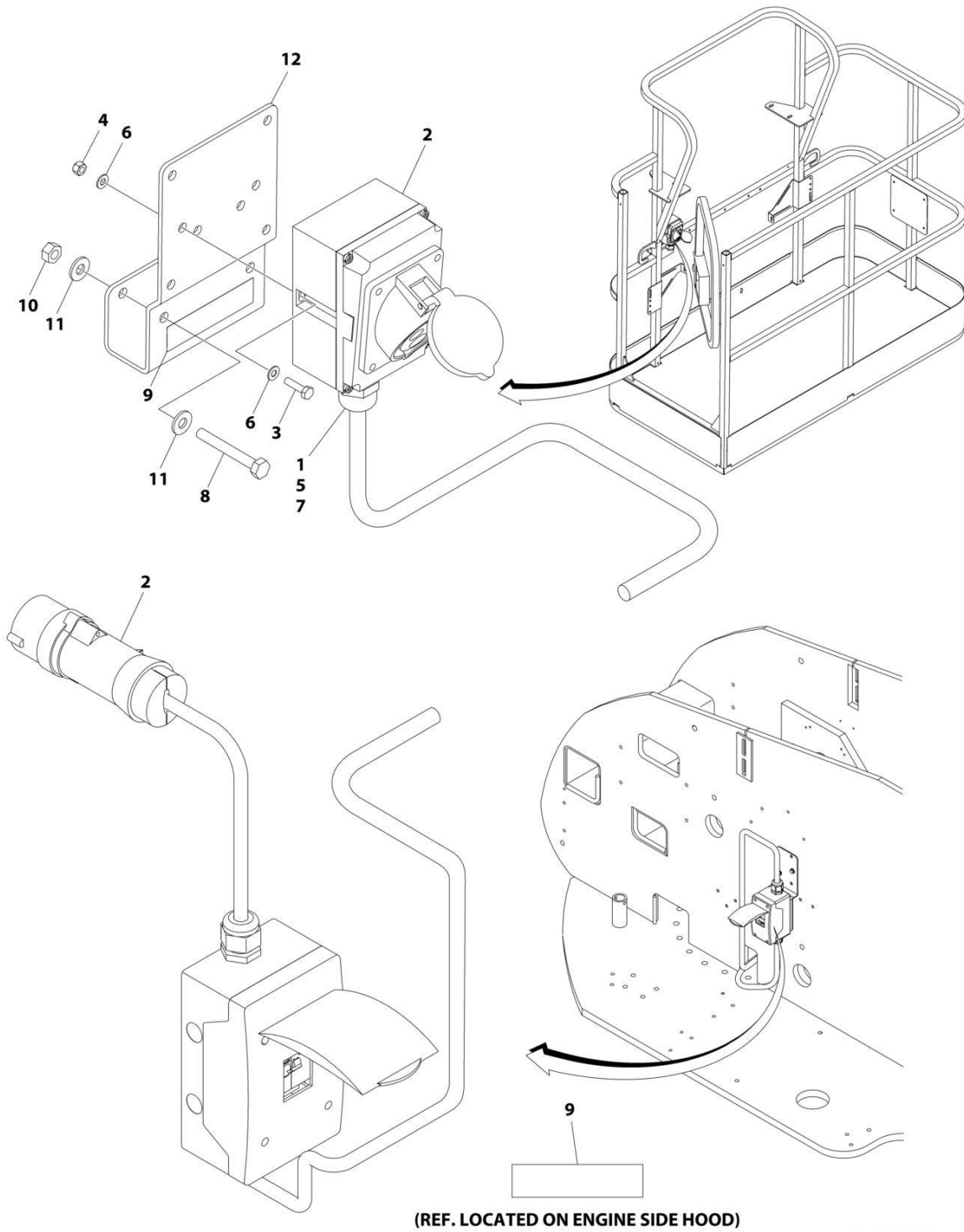
## SECTION 8 - ELECTRICAL

**FIGURE 8-3. AC BOX AT PLATFORM INSTALLATION - BOX WITH COVER (2X4 BOX) WITH 4000W GENERATOR (ANSI EXPORT, AUSTRALIAN, CE AND JAPANESE SPECS)**

ITEM	PART NUMBER	QTY	DESCRIPTION	REV
	1001206255	Ref	AC BOX AT PLATFORM INSTALLATION - BOX WITH COVER (2X4 BOX) WITH 4000W GENERATOR	A
1	0100020	AR	Sealant, Pipe	
2	0641416	2	Bolt 1/4 x 2	
3	0700408	4	Bolt M4 x 16	
4	0861731	1	Box, Switch	
5	1670603	1	Cover	
6	3251242	1	Decal - 240V-50Hz	
7	3290405	4	Nut M4	
8	3311405	2	Nut 1/4	
10	4711400	4	Washer 1/4	
11	4811400	8	Washer M4	
12	1001101191	1	Connector, Strain Relief	
13	1001101197	1	Adapter	
14	1001193018	1	Bracket, AC Receptacle	

# SECTION 8 - ELECTRICAL

FIGURE 8-4. AC BOX AT PLATFORM INSTALLATION - 110V IEC 60309 YELLOW WITHOUT 2500W GENERATOR (CE SPECS)



ART\_1001091969

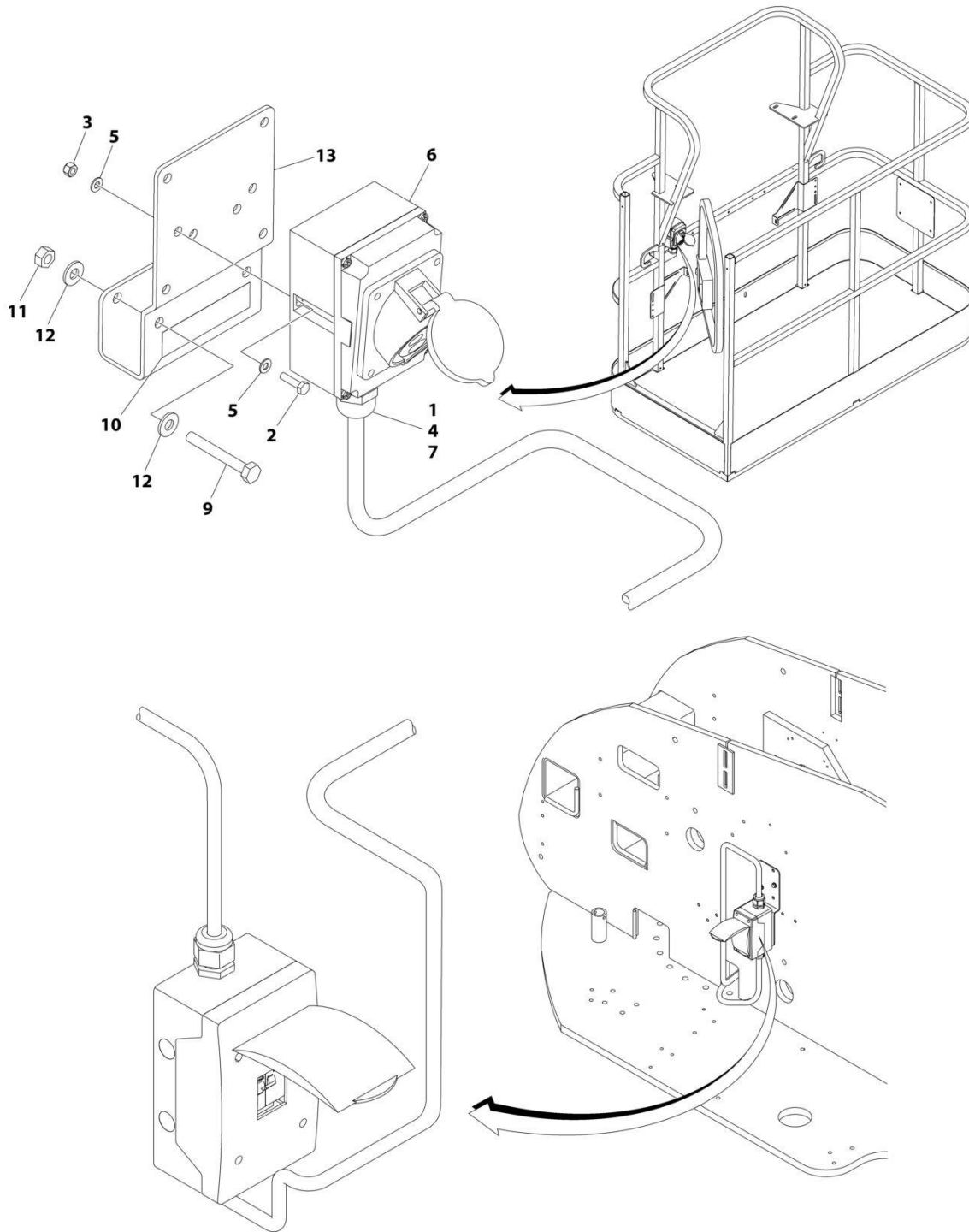
## SECTION 8 - ELECTRICAL

**FIGURE 8-4. AC BOX AT PLATFORM INSTALLATION - 110V IEC 60309 YELLOW WITHOUT 2500W GENERATOR (CE SPECS)**

ITEM	PART NUMBER	QTY	DESCRIPTION	REV
	1001091969	Ref	AC BOX AT PLATFORM INSTALLATION - 110V IEC YELLOW	D
1	0100020	AR	Sealant, Pipe	
2	0275216	1	Receptacle Box Kit (See Separate Breakdown in this Section)	
3	0700408	2	Bolt M4 x 16	
4	3290405	2	Nut M4	
5	1001101196	1	Adapter	
6	4811400	4	Washer M4	
7	1001101191	1	Connector, Strain Relief	
8	0641416	2	Bolt 1/4 x 2	
9	1705325	2	Decal - 110V	
10	3311405	2	Nut 1/4	
11	4711400	4	Washer 1/4	
12	1001193018	1	Bracket	

# SECTION 8 - ELECTRICAL

FIGURE 8-5. AC BOX AT PLATFORM INSTALLATION - 110V IEC 60309 YELLOW WITH 2500W GENERATOR (CE SPECS)



ART\_1001100326

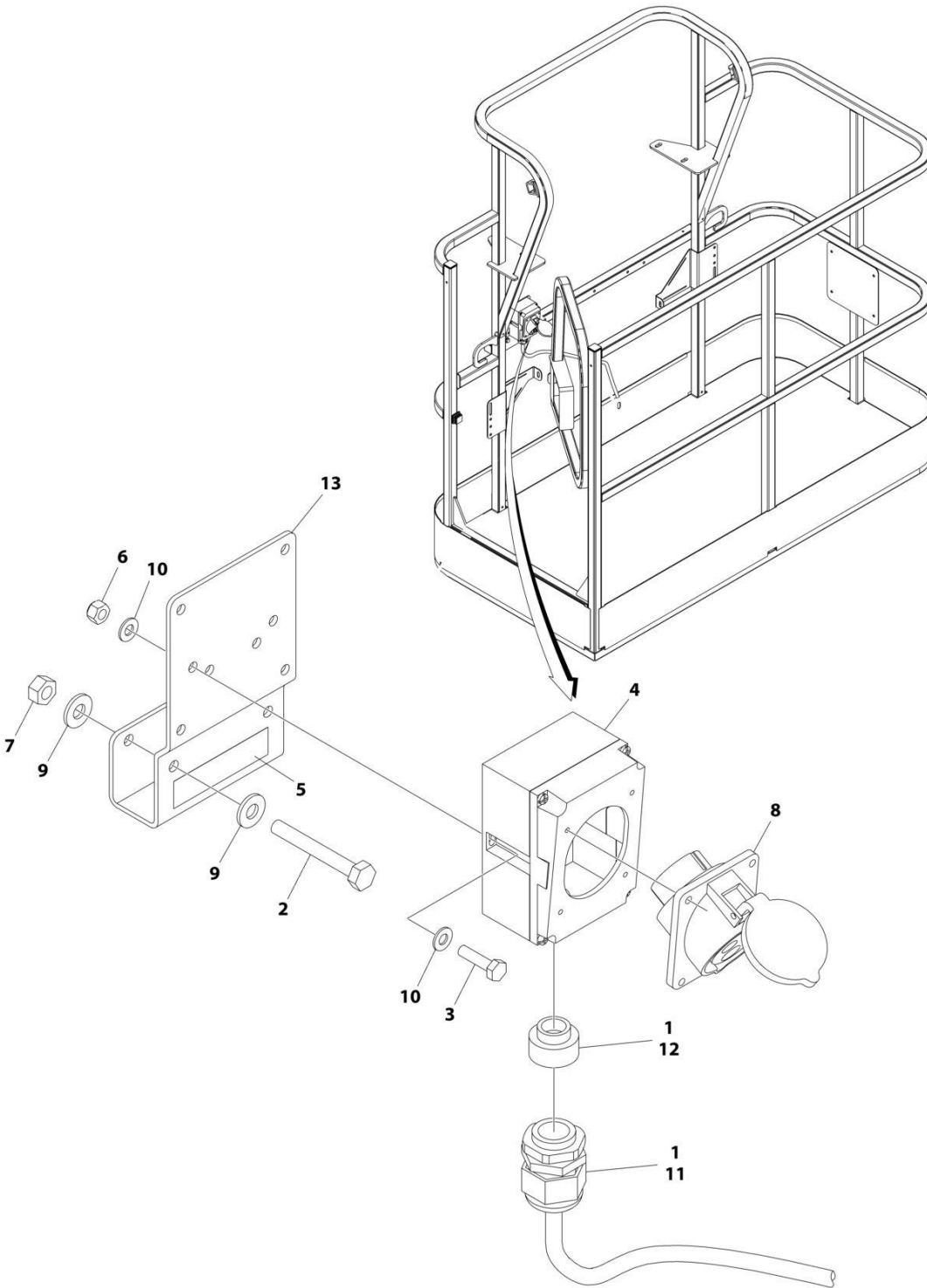
## SECTION 8 - ELECTRICAL

**FIGURE 8-5. AC BOX AT PLATFORM INSTALLATION - 110V IEC 60309 YELLOW WITH 2500W GENERATOR (CE SPECS)**

ITEM	PART NUMBER	QTY	DESCRIPTION	REV
	1001100326	Ref	AC BOX AT PLATFORM INSTALLATION - 110V IEC 60309 YELLOW	D
1	0100020	AR	Sealant, Pipe	
2	0700408	2	Bolt M4 x 16	
3	3290405	2	Nut M4	
4	1001101196	1	Adapter	
5	4811400	4	Washer M4	
6	1001100341	1	Receptacle Box Kit (See Separate Breakdown in this Section)	
7	1001101191	1	Connector, Strain Relief	
8	1060908	10 ft /3.05m	Cable, Electrical 12/3 (Not Shown)	
9	0641416	2	Bolt 1/4 x 2	
10	1705325	1	Decal - 110V	
11	3311405	2	Nut 1/4	
12	4711400	4	Washer 1/4	
13	1001193018	1	Bracket	

# SECTION 8 - ELECTRICAL

FIGURE 8-6. AC BOX AT PLATFORM INSTALLATION - 110V IEC 60309 YELLOW WITH 4000W GENERATOR (CE SPECS)



ART\_1001206253

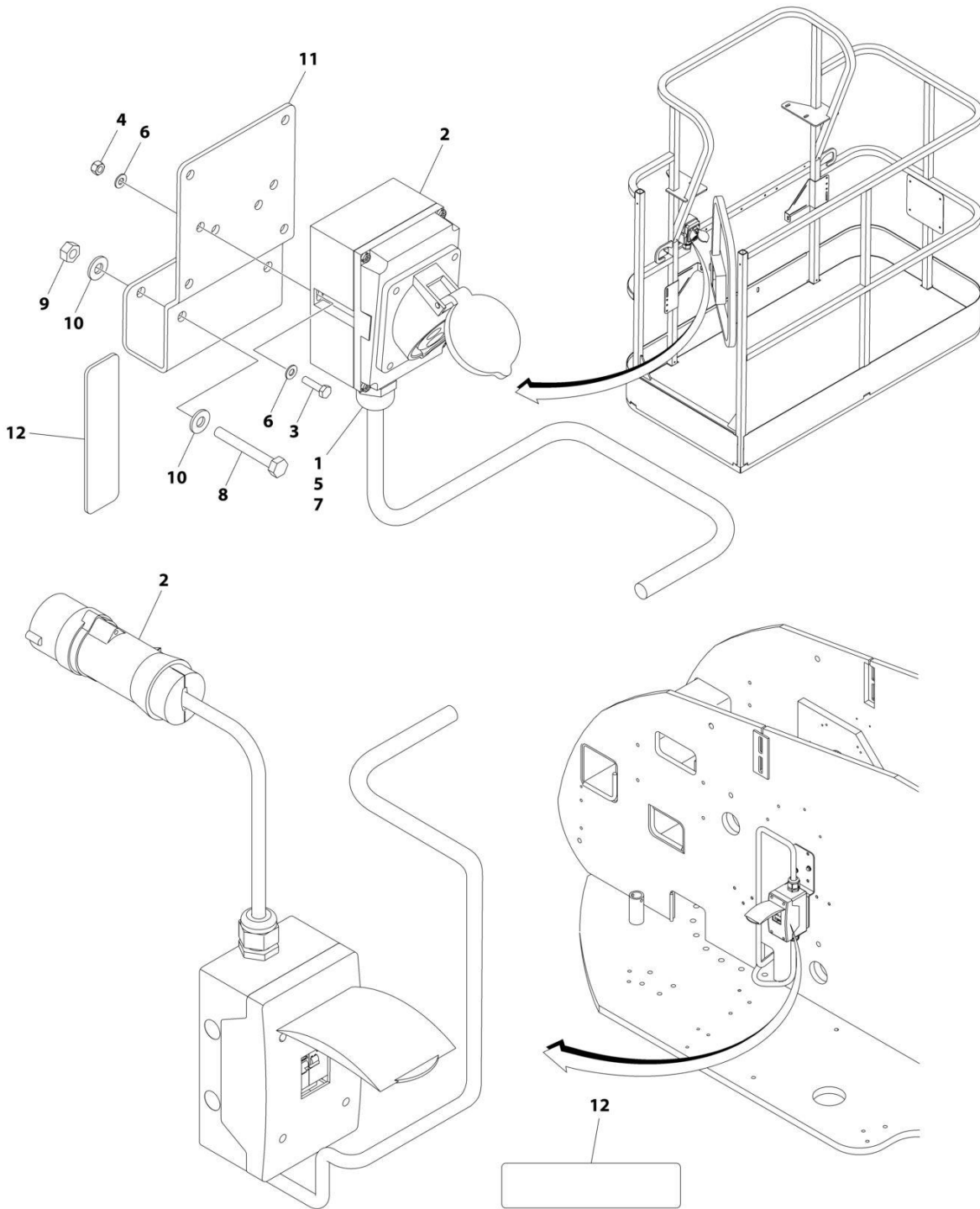
## SECTION 8 - ELECTRICAL

**FIGURE 8-6. AC BOX AT PLATFORM INSTALLATION - 110V IEC 60309 YELLOW WITH 4000W GENERATOR (CE SPECS)**

ITEM	PART NUMBER	QTY	DESCRIPTION	REV
	1001206253	Ref	AC BOX AT PLATFORM INSTALLATION - 110V IEC 60309 YELLOW WITHOUT 4000W GENERATOR	A
1	0100020	AR	Sealant, Pipe	
2	0641416	2	Bolt 1/4 x 2	
3	0700408	2	Bolt M4 x 16	
4	0861781	1	Box, Switch	
5	1705325	1	Decal - 110V	
6	3290405	2	Nut M4	
7	3311405	2	Nut 1/4	
8	4461198	1	Receptacle	
9	4711400	4	Washer 1/4	
10	4811400	4	Washer M4	
11	1001101191	1	Connector, Strain Relief	
12	1001101196	1	Adapter	
13	1001193018	1	Bracket, AC Receptacle	

# SECTION 8 - ELECTRICAL

FIGURE 8-7. AC BOX AT PLATFORM INSTALLATION - 220V IEC 60309 BLUE WITHOUT 2500W GENERATOR (CE SPECS)



(REF. LOCATED ON ENGINE SIDE HOOD)

ART\_1001091970



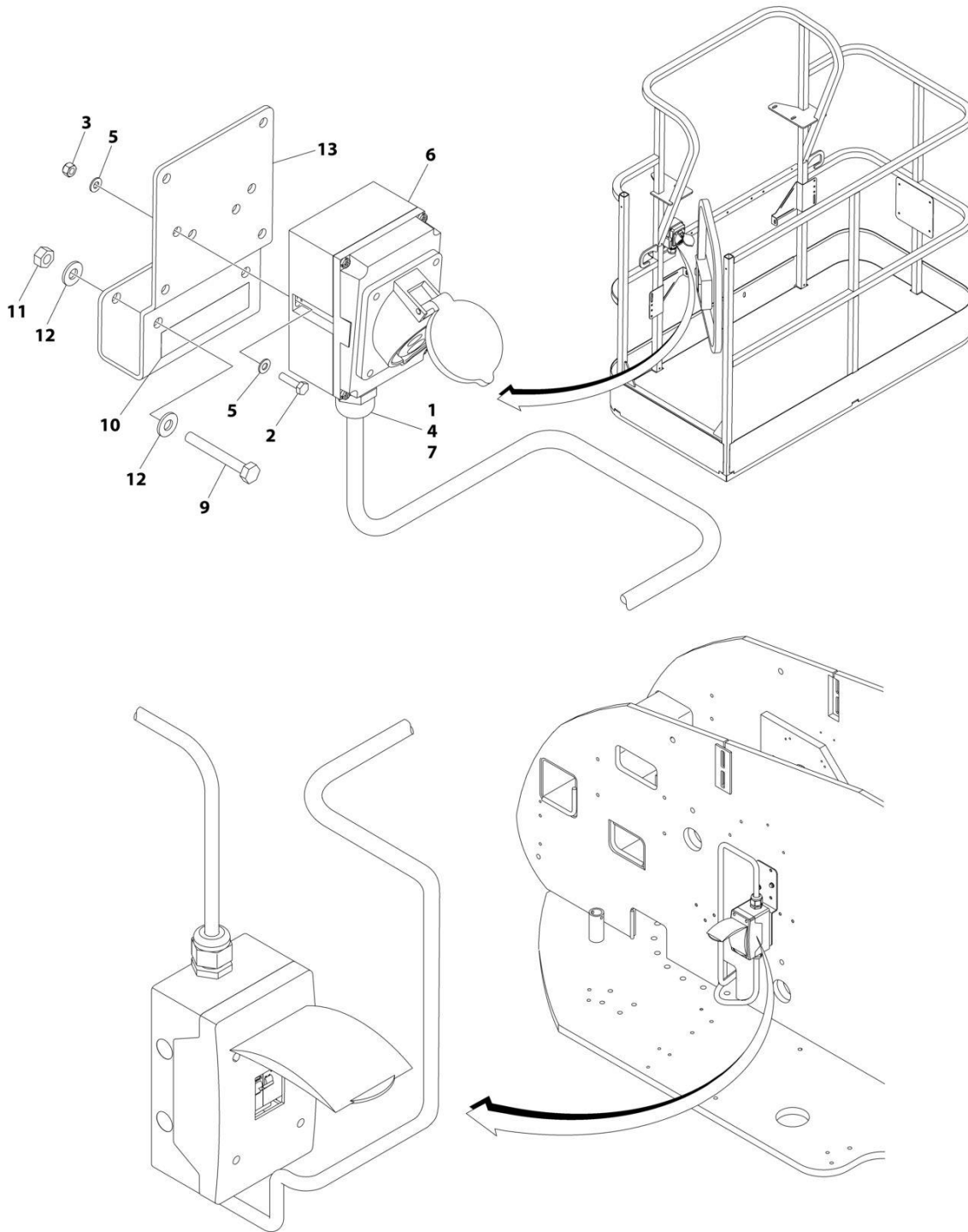
## SECTION 8 - ELECTRICAL

**FIGURE 8-7. AC BOX AT PLATFORM INSTALLATION - 220V IEC 60309 BLUE WITHOUT 2500W GENERATOR (CE SPECS)**

ITEM	PART NUMBER	QTY	DESCRIPTION	REV
	1001091970	Ref	AC BOX AT PLATFORM INSTALLATION - 220V IEC BLUE	D
1	0100020	AR	Sealant, Pipe	
2	0275217	1	Receptacle Box Kit (See Separate Breakdown in this Section)	
3	0700408	2	Bolt M4 x 16	
4	3290405	2	Nut M4	
5	1001101196	1	Adapter	
6	4811400	4	Washer M4	
7	1001101191	1	Connector, Strain Relief	
8	0641416	2	Bolt 1/4 x 2	
9	3311405	2	Nut 1/4	
10	4711400	4	Washer 1/4	
11	1001193018	1	Bracket	
12	3251242	2	Decal - 240V/50Hz	

# SECTION 8 - ELECTRICAL

FIGURE 8-8. AC BOX AT PLATFORM INSTALLATION - 220V IEC 60309 BLUE WITH 2500W GENERATOR (CE SPECS)



ART\_1001100327

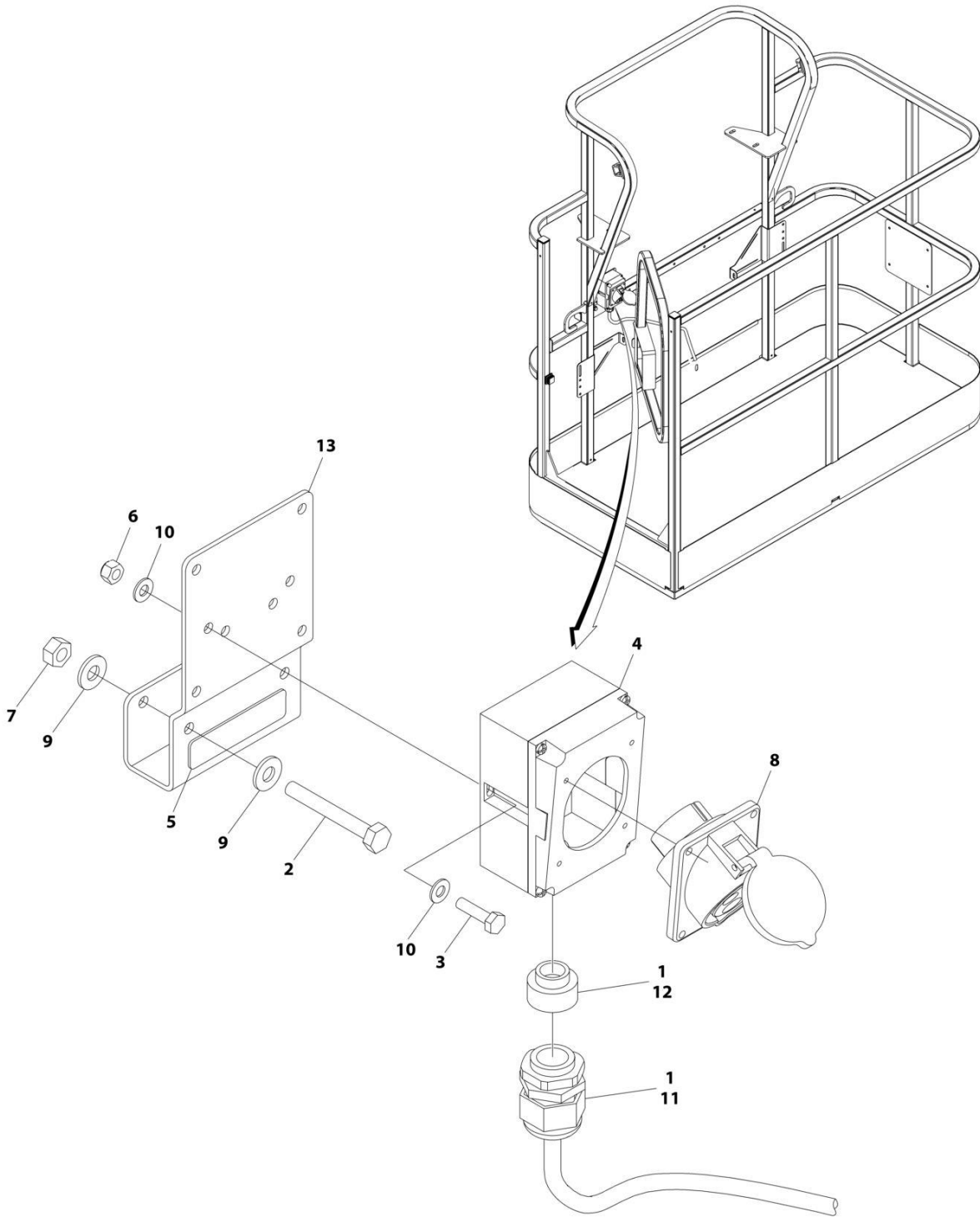
## SECTION 8 - ELECTRICAL

**FIGURE 8-8. AC BOX AT PLATFORM INSTALLATION - 220V IEC 60309 BLUE WITH 2500W GENERATOR (CE SPECS)**

ITEM	PART NUMBER	QTY	DESCRIPTION	REV
	1001100327	Ref	AC BOX AT PLATFORM INSTALLATION - 220V IEC 60309 BLUE	D
1	0100020	AR	Sealant, Pipe	
2	0700408	2	Bolt M4 x 16	
3	3290405	2	Nut M4	
4	1001101196	1	Adapter	
5	4811400	4	Washer M4	
6	1001100342	1	Receptacle Box Kit (See Separate Breakdown in this Section)	
7	1001101191	1	Connector, Strain Relief	
8	1060908	10 ft /3.05m	Cable, Electrical 12/3 (Not Shown)	
9	0641416	2	Bolt 1/4 x 2	
10	3252507	1	Decal - 220V	
11	3311405	2	Nut 1/4	
12	4711400	4	Washer 1/4	
13	1001193018	1	Bracket	

# SECTION 8 - ELECTRICAL

FIGURE 8-9. AC BOX AT PLATFORM INSTALLATION - 220V IEC 60309 BLUE WITH 4000W GENERATOR (CE SPECS)



ART\_1001206254

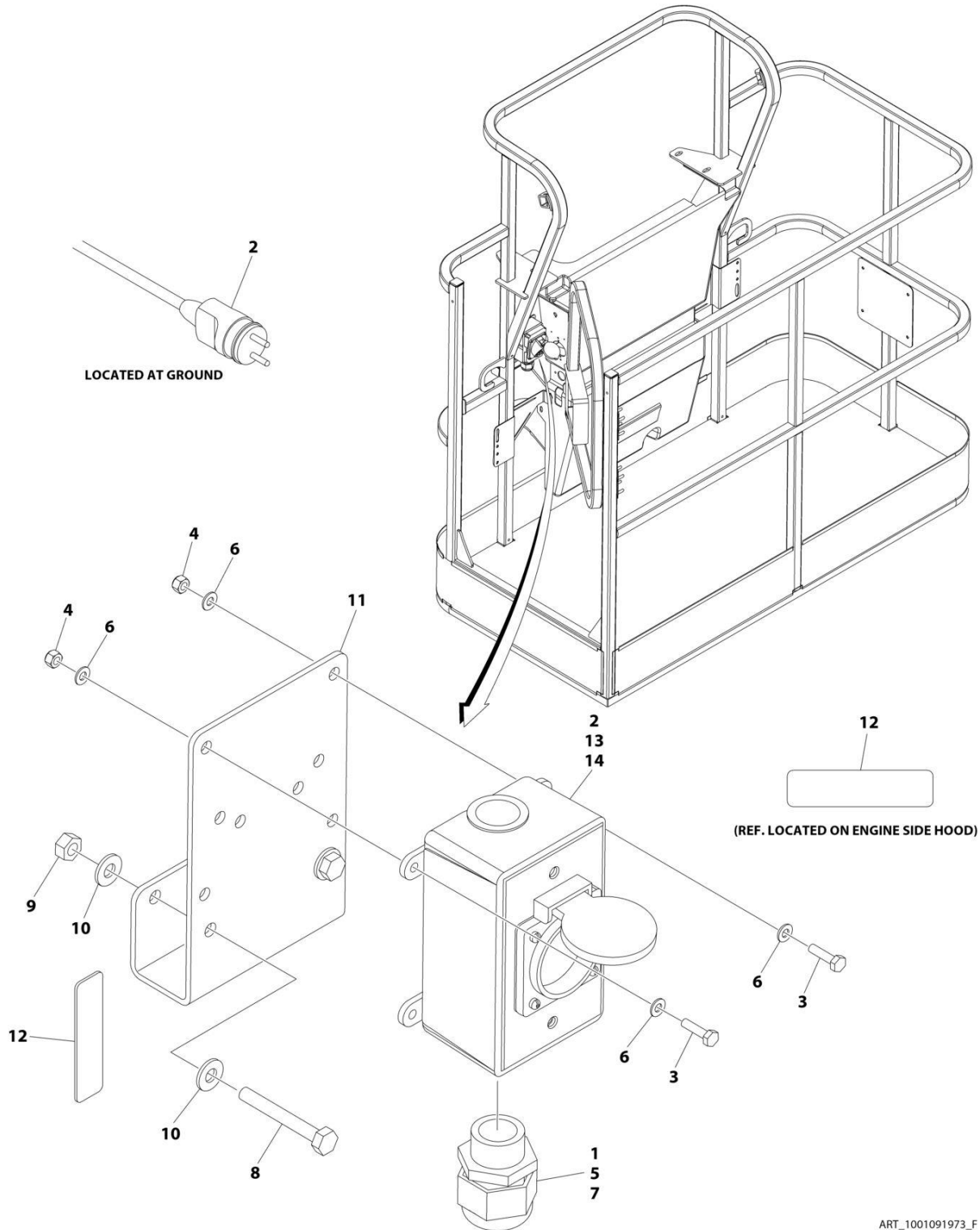
## SECTION 8 - ELECTRICAL

**FIGURE 8-9. AC BOX AT PLATFORM INSTALLATION - 220V IEC 60309 BLUE WITH 4000W GENERATOR (CE SPECS)**

ITEM	PART NUMBER	QTY	DESCRIPTION	REV
	1001206254	Ref	AC BOX AT PLATFORM INSTALLATION - 220V IEC BLUE	A
1	0100020	AR	Sealant, Pipe	
2	0641416	2	Bolt 1/4 x 2	
3	0700408	2	Bolt M4 x 16	
4	0861781	1	Box, Switch	
5	3251242	1	Decal - 240V/50Hz	
6	3290405	2	Nut M4	
7	3311405	2	Nut 1/4	
8	4461201	1	Receptacle	
9	4711400	4	Washer 1/4	
10	4811400	4	Washer M4	
11	1001101191	1	Connector, Strain Relief	
12	1001101196	1	Adapter	
13	1001193018	1	Bracket, AC Receptacle	

# SECTION 8 - ELECTRICAL

## FIGURE 8-10. AC BOX AT PLATFORM INSTALLATION - 220V CEE7 POST GROUND (2X4 BOX) WITHOUT 2500W GENERATOR (CE SPECS)



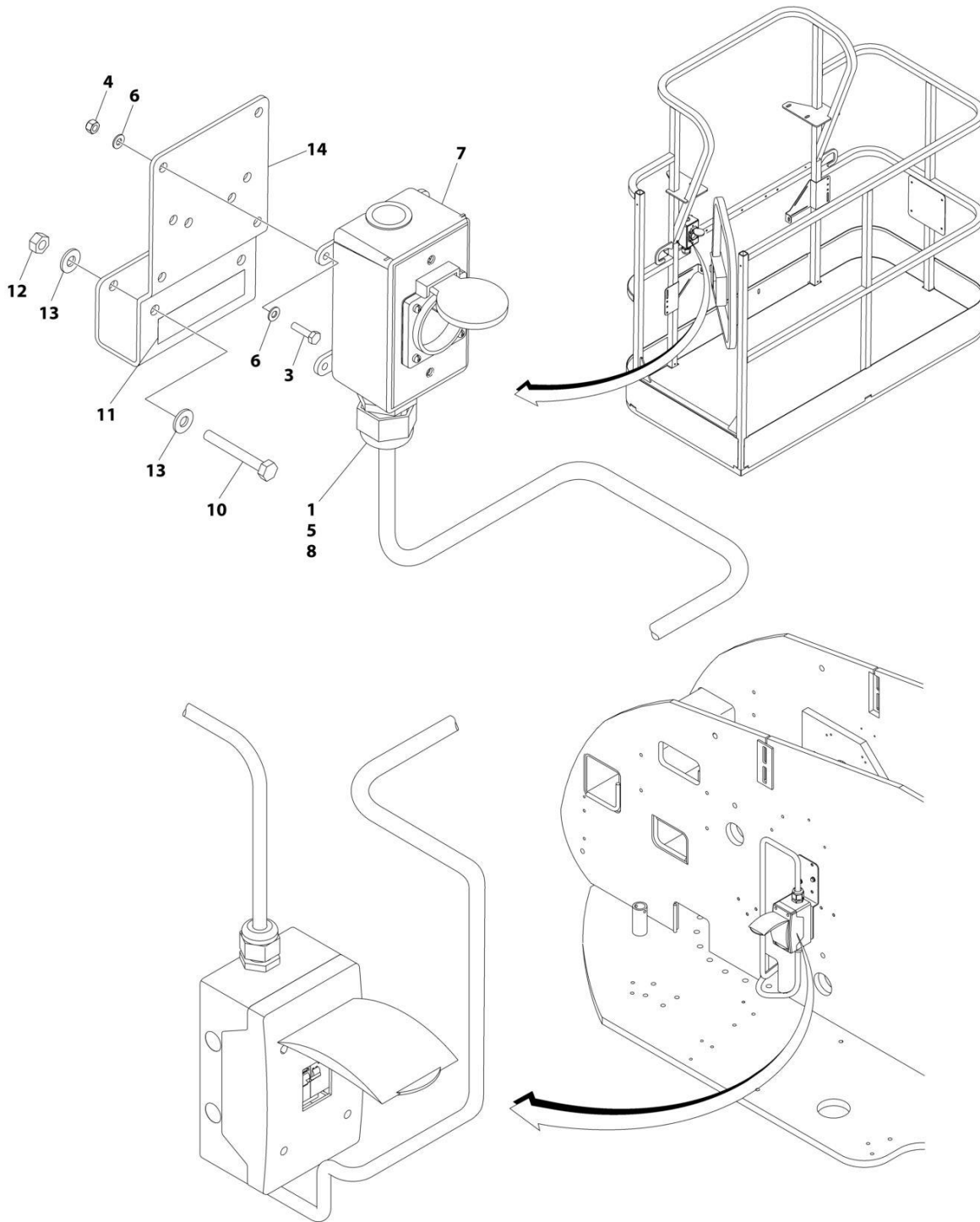
## SECTION 8 - ELECTRICAL

**FIGURE 8-10. AC BOX AT PLATFORM INSTALLATION - 220V CEE7 POST GROUND (2X4 BOX)  
WITHOUT 2500W GENERATOR (CE SPECS)**

ITEM	PART NUMBER	QTY	DESCRIPTION	REV
	1001091973	Ref	AC BOX AT PLATFORM INSTALLATION - 220V CEE7 2X4 BOX POST GROUND	F
1	0100020	AR	Sealant, Pipe	
2	0275452	1	Receptacle Box Kit (See Separate Breakdown in this Section)	
3	0700408	4	Bolt M4 x 16	
4	3290405	4	Nut M4	
5	1001101197	1	Adapter	
6	4811400	8	Washer M4	
7	1001101191	1	Connector, Strain Relief	
8	0641416	2	Bolt 1/4 x 2	
9	3311405	2	Nut 1/4	
10	4711400	4	Washer 1/4	
11	1001193018	1	Bracket	
12	3251242	2	Decal - 240V/50Hz	
13	4460806	2	Terminal, Fork (Not Shown)	
14	1001205958	1	Terminal (Not Shown)	

# SECTION 8 - ELECTRICAL

FIGURE 8-11. AC BOX AT PLATFORM INSTALLATION - 220V CEE7 POST GROUND (2X4 BOX) WITH 2500W GENERATOR (CE SPECS)



ART\_1001100331



## SECTION 8 - ELECTRICAL

**FIGURE 8-11. AC BOX AT PLATFORM INSTALLATION - 220V CEE7 POST GROUND (2X4 BOX) WITH 2500W GENERATOR (CE SPECS)**

ITEM	PART NUMBER	QTY	DESCRIPTION	REV
	1001100331	Ref	AC BOX AT PLATFORM INSTALLATION - 220V CEE7 POST GROUND (2X4 BOX)	E
1	0100020	AR	Sealant, Pipe	
3	0700408	4	Bolt M4 x 16	
4	3290405	4	Nut M4	
5	1001101197	1	Adapter	
6	4811400	8	Washer M4	
7	1001100345	1	Receptacle Box Kit (See Separate Breakdown in this Section)	
8	1001101191	1	Connector, Strain Relief	
9	1060908	10 ft /3.05m	Cable, Electrical 12/3 (Not Shown)	
10	0641416	2	Bolt 1/4 x 2	
11	3252507	1	Decal - 220V	
12	3311405	2	Nut 1/4	
13	4711400	4	Washer 1/4	
14	1001193018	1	Bracket	
15	4460806	2	Terminal, Fork (Not Shown)	
16	1001205958	1	Terminal (Not Shown)	



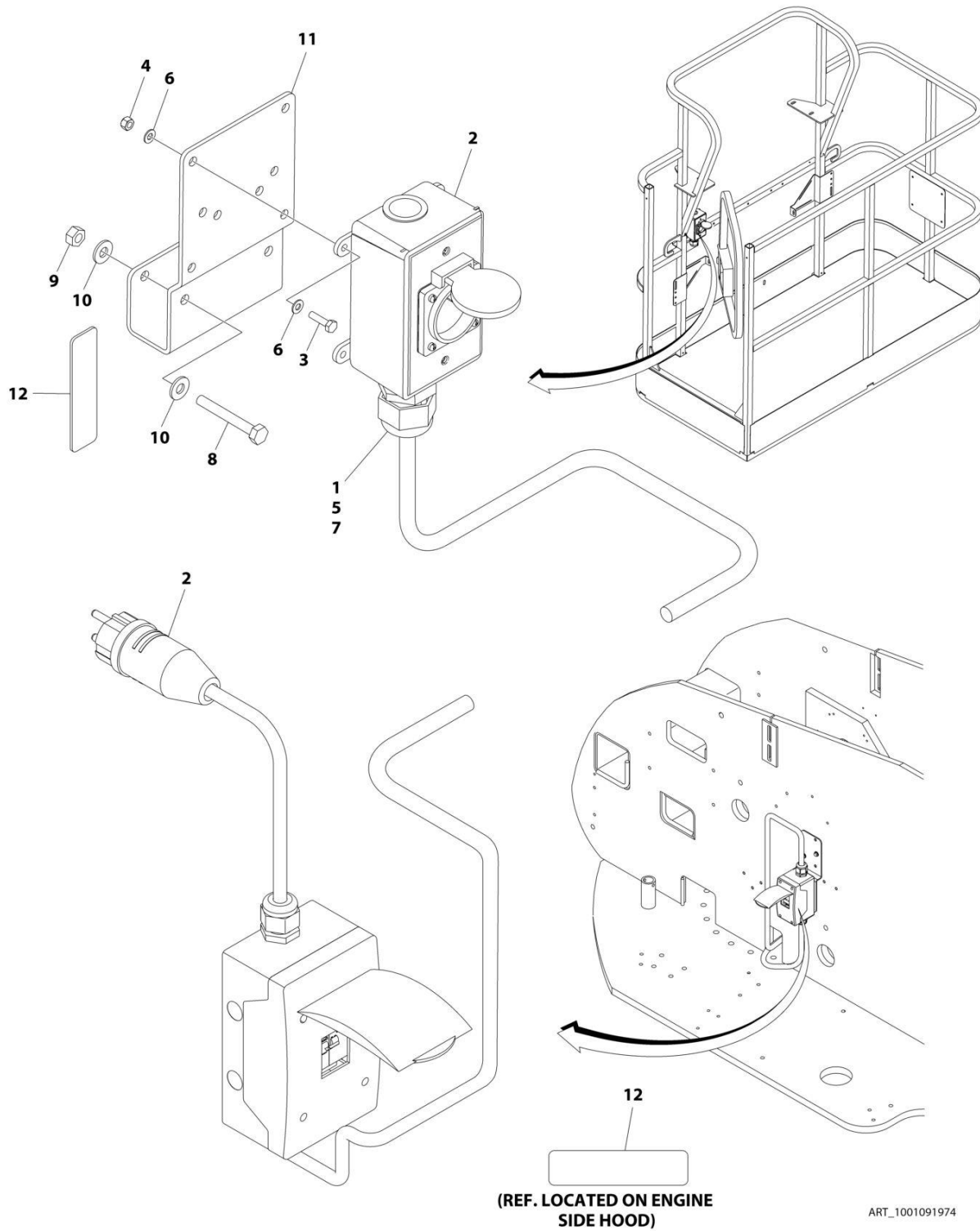
## SECTION 8 - ELECTRICAL

**FIGURE 8-12. AC BOX AT PLATFORM INSTALLATION - 220V CEE7 POST GROUND (2X4 BOX) WITH 4000W GENERATOR (CE SPECS)**

ITEM	PART NUMBER	QTY	DESCRIPTION	REV
	1001206250	Ref	AC BOX AT PLATFORM INSTALLATION - 220V CEE7 2X4 BOX POST GROUND	A
1	0100020	AR	Sealant, Pipe	
2	0641416	2	Bolt 1/4 x 2	
3	0700408	4	Bolt M4 x 16	
4	0861731	1	Box, Switch	
5	3251242	1	Decal - 240V/50Hz	
6	3290405	4	Nut M4	
7	3311405	2	Nut 1/4	
8	4460806	2	Terminal, Fork (Not Shown)	
9	4461244	1	Receptacle	
10	4711400	4	Washer 1/4	
11	4811400	8	Washer M4	
12	1001101191	1	Connector, Strain Relief	
13	1001101197	1	Adapter	
14	1001193018	1	Bracket, AC Receptacle	
15	1001205958	1	Terminal (Not Shown)	

# SECTION 8 - ELECTRICAL

## FIGURE 8-13. AC BOX AT PLATFORM INSTALLATION - 220V CEE7 SIDE GROUND (2X4 BOX) WITHOUT 2500W GENERATOR (CE SPECS)



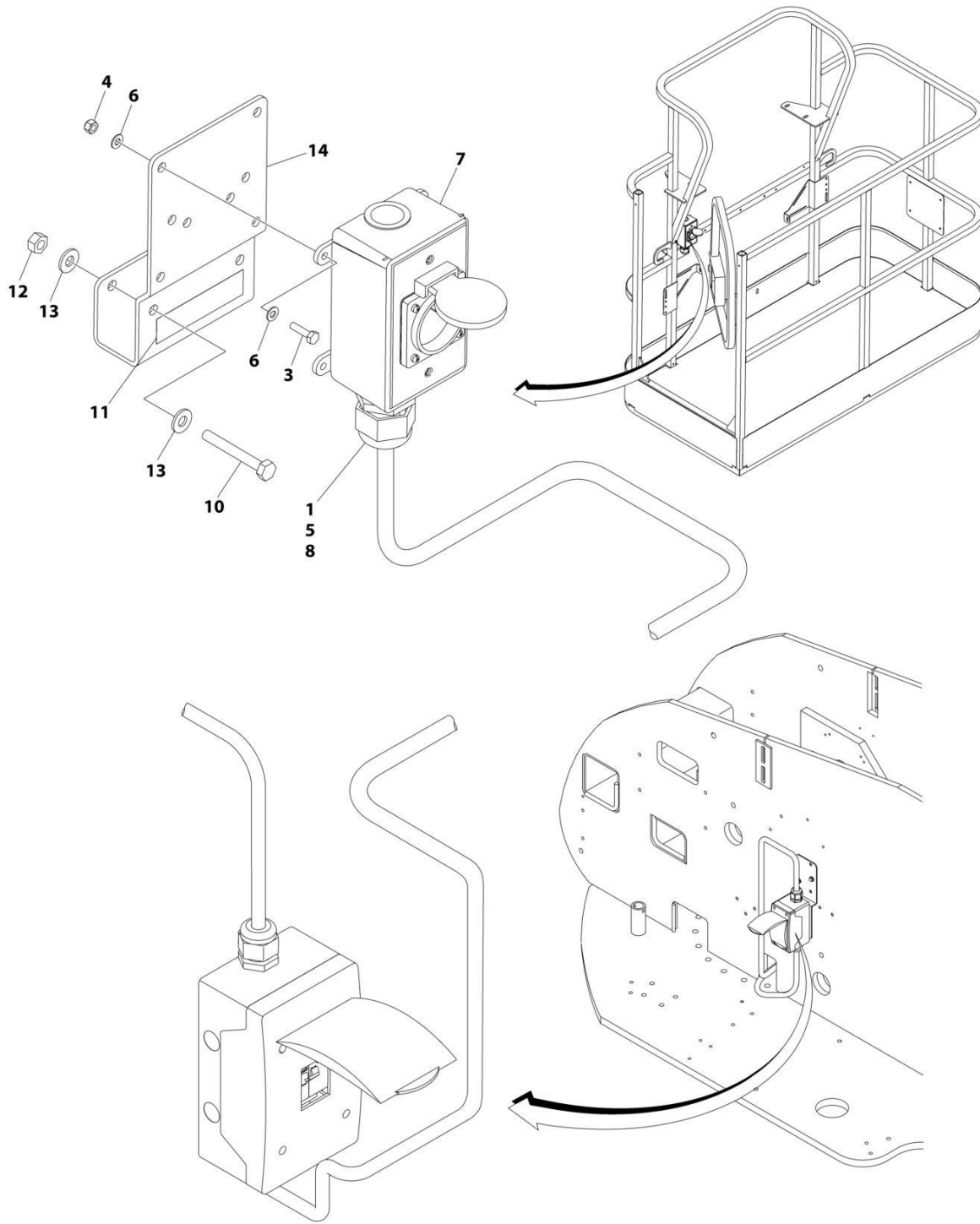
## SECTION 8 - ELECTRICAL

**FIGURE 8-13. AC BOX AT PLATFORM INSTALLATION - 220V CEE7 SIDE GROUND (2X4 BOX)  
WITHOUT 2500W GENERATOR (CE SPECS)**

ITEM	PART NUMBER	QTY	DESCRIPTION	REV
	1001091974	Ref	AC BOX AT PLATFORM INSTALLATION - 220V CEE7 2X4 BOX SIDE GROUND	F
1	0100020	AR	Sealant, Pipe	
2	0275453	1	Receptacle Box Kit (See Separate Breakdown in this Section)	
3	0700408	4	Bolt M4 x 16	
4	3290405	4	Nut M4	
5	1001101197	1	Adapter	
6	4811400	8	Washer M4	
7	1001101191	1	Connector, Strain Relief	
8	0641416	2	Bolt 1/4 x 2	
9	3311405	2	Nut 1/4	
10	4711400	4	Washer 1/4	
11	1001193018	1	Bracket	
12	3251242	2	Decal - 240V/50Hz	
13	4460806	2	Terminal, Fork (Not Shown)	
14	1001205958	1	Terminal (Not Shown)	

# SECTION 8 - ELECTRICAL

FIGURE 8-14. AC BOX AT PLATFORM INSTALLATION - 220V CEE7 SIDE GROUND (2X4 BOX) WITH 2500W GENERATOR (CE SPECS)



ART\_1001100333

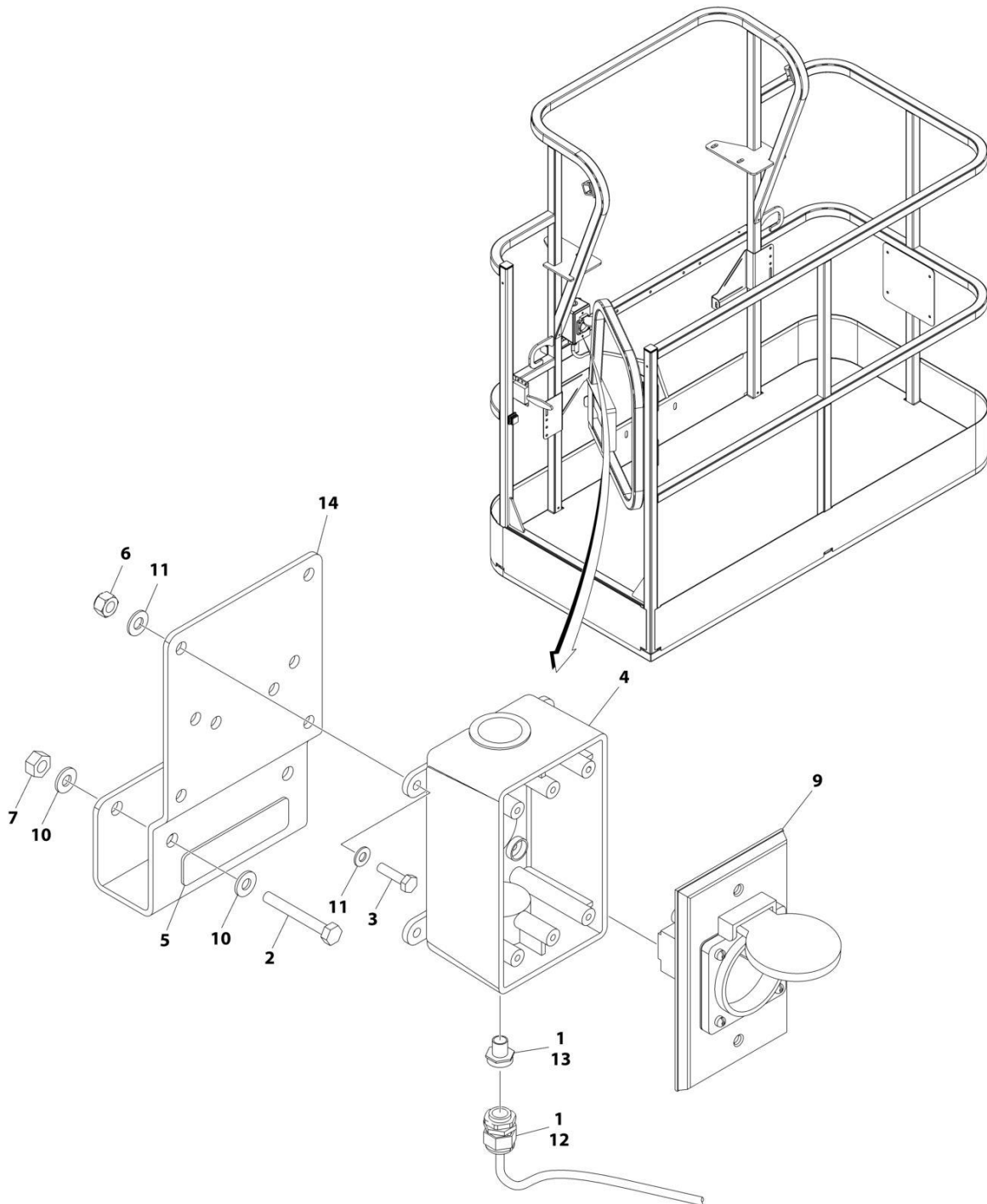
## SECTION 8 - ELECTRICAL

**FIGURE 8-14. AC BOX AT PLATFORM INSTALLATION - 220V CEE7 SIDE GROUND (2X4 BOX) WITH 2500W GENERATOR (CE SPECS)**

ITEM	PART NUMBER	QTY	DESCRIPTION	REV
	1001100333	Ref	AC BOX AT PLATFORM INSTALLATION - 220V CEE7 SIDE GROUND (2X4 BOX)	E
1	0100020	AR	Sealant, Pipe	
3	0700408	4	Bolt M4 x 16	
4	3290405	4	Nut M4	
5	1001101197	1	Adapter	
6	4811400	8	Washer M4	
7	1001100347	1	Receptacle Box Kit (See Separate Breakdown in this Section)	
8	1001101191	1	Connector, Strain Relief	
9	1060908	10 ft /3.05m	Cable, Electrical 12/3 (Not Shown)	
10	0641416	2	Bolt 1/4 x 2	
11	3252507	1	Decal - 220V	
12	3311405	2	Nut 1/4	
13	4711400	4	Washer 1/4	
14	1001193018	1	Bracket	
15	4460806	2	Terminal, Fork (Not Shown)	
16	1001205958	1	Terminal (Not Shown)	

# SECTION 8 - ELECTRICAL

FIGURE 8-15. AC BOX AT PLATFORM INSTALLATION - 220V CEE7 SIDE GROUND (2X4 BOX) WITH 4000W GENERATOR (CE SPECS)



ART\_1001206251



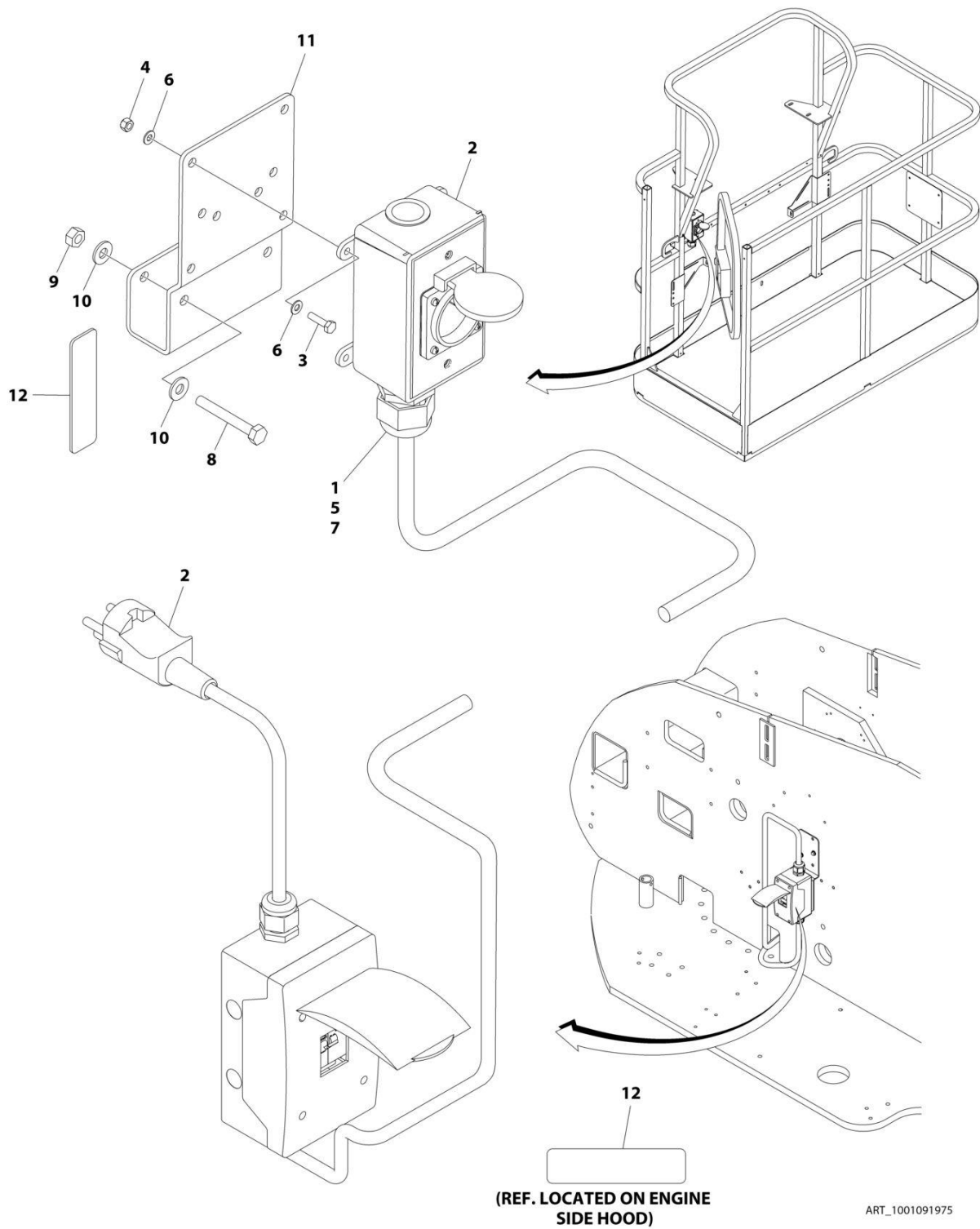
## SECTION 8 - ELECTRICAL

**FIGURE 8-15. AC BOX AT PLATFORM INSTALLATION - 220V CEE7 SIDE GROUND (2X4 BOX) WITH 4000W GENERATOR (CE SPECS)**

ITEM	PART NUMBER	QTY	DESCRIPTION	REV
	1001206251	Ref	AC BOX AT PLATFORM INSTALLATION - 220V CEE7 2X4 BOX SIDE GROUND	A
1	0100020	AR	Sealant, Pipe	
2	0641416	2	Bolt 1/4 x 2	
3	0700408	4	Bolt M4 x 16	
4	0861731	1	Box, Switch	
5	3251242	1	Decal - 240V/50Hz	
6	3290405	4	Nut M4	
7	3311405	2	Nut 1/4	
8	4460806	2	Terminal, Fork (Not Shown)	
9	4461245	1	Receptacle	
10	4711400	4	Washer 1/4	
11	4811400	8	Washer M4	
12	1001101191	1	Connector, Strain Relief	
13	1001101197	1	Adapter	
14	1001193018	1	Bracket, AC Receptacle	
15	1001205958	1	Terminal (Not Shown)	

# SECTION 8 - ELECTRICAL

**FIGURE 8-16. AC BOX AT PLATFORM INSTALLATION - 220V AFSINT 107 KEYED GROUND (2X4 BOX) WITHOUT 2500W GENERATOR (CE SPECS)**



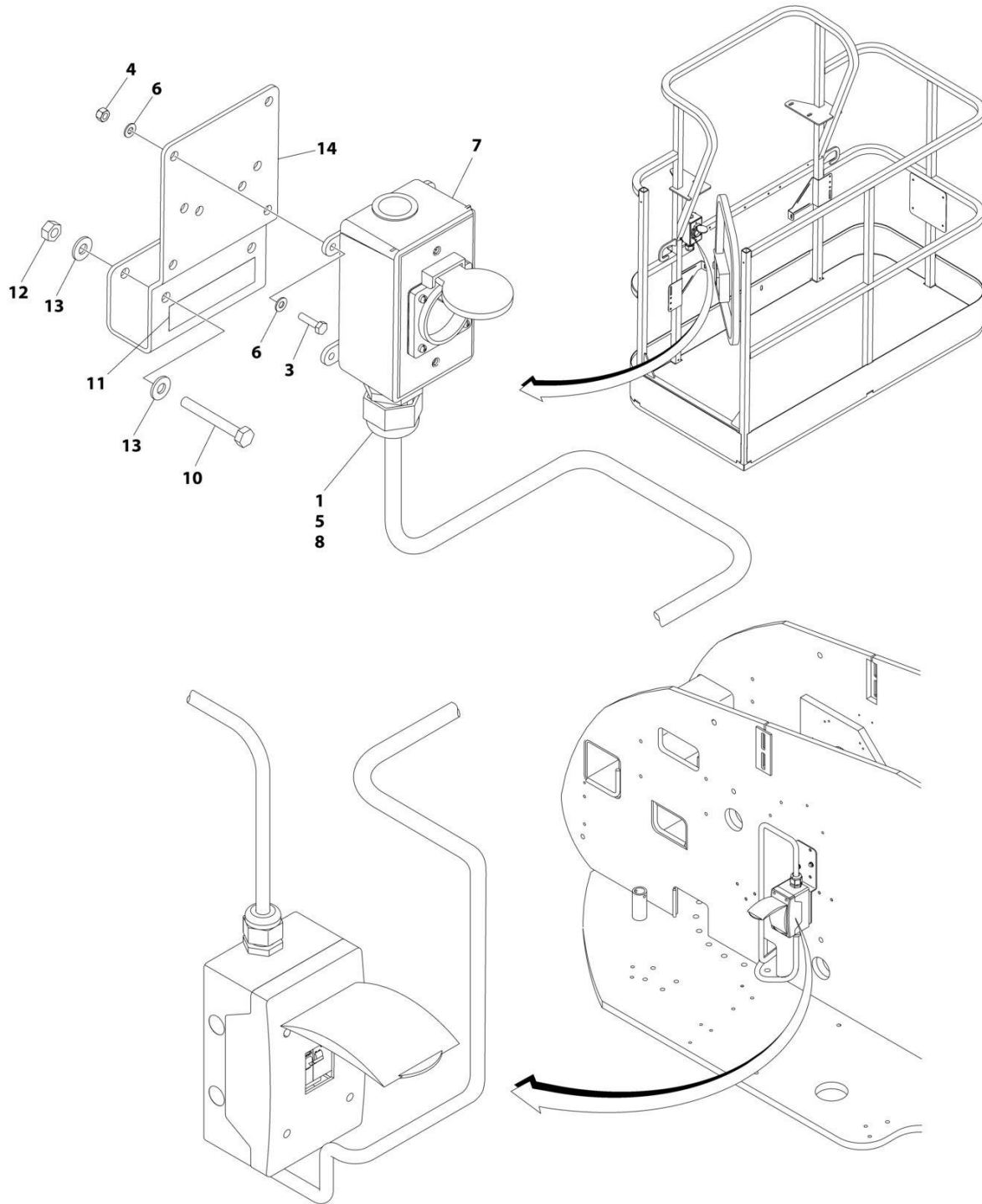
## SECTION 8 - ELECTRICAL

**FIGURE 8-16. AC BOX AT PLATFORM INSTALLATION - 220V AFSINT 107 KEYED GROUND (2X4 BOX) WITHOUT 2500W GENERATOR (CE SPECS)**

ITEM	PART NUMBER	QTY	DESCRIPTION	REV
	1001091975	Ref	AC BOX AT PLATFORM INSTALLATION - 220V AFSINT 107 2X4 BOX KEYED GROUND	F
1	0100020	AR	Sealant, Pipe	
2	0275454	1	Receptacle Box Kit (See Separate Breakdown in this Section)	
3	0700408	4	Bolt M4 x 16	
4	3290405	4	Nut M4	
5	1001101197	1	Adapter	
6	4811400	8	Washer M4	
7	1001101191	1	Connector, Strain Relief	
8	0641416	2	Bolt 1/4 x 2	
9	3311405	2	Nut 1/4	
10	4711400	4	Washer 1/4	
11	1001193018	1	Bracket	
12	3251242	2	Decal - 240V/50Hz	
13	1001205958	3	Terminal (Not Shown)	

# SECTION 8 - ELECTRICAL

FIGURE 8-17. AC BOX AT PLATFORM INSTALLATION - 220V AFSINT 107 KEYED GROUND (2X4 BOX) WITH 2500W GENERATOR (CE SPECS)



ART\_1001100337

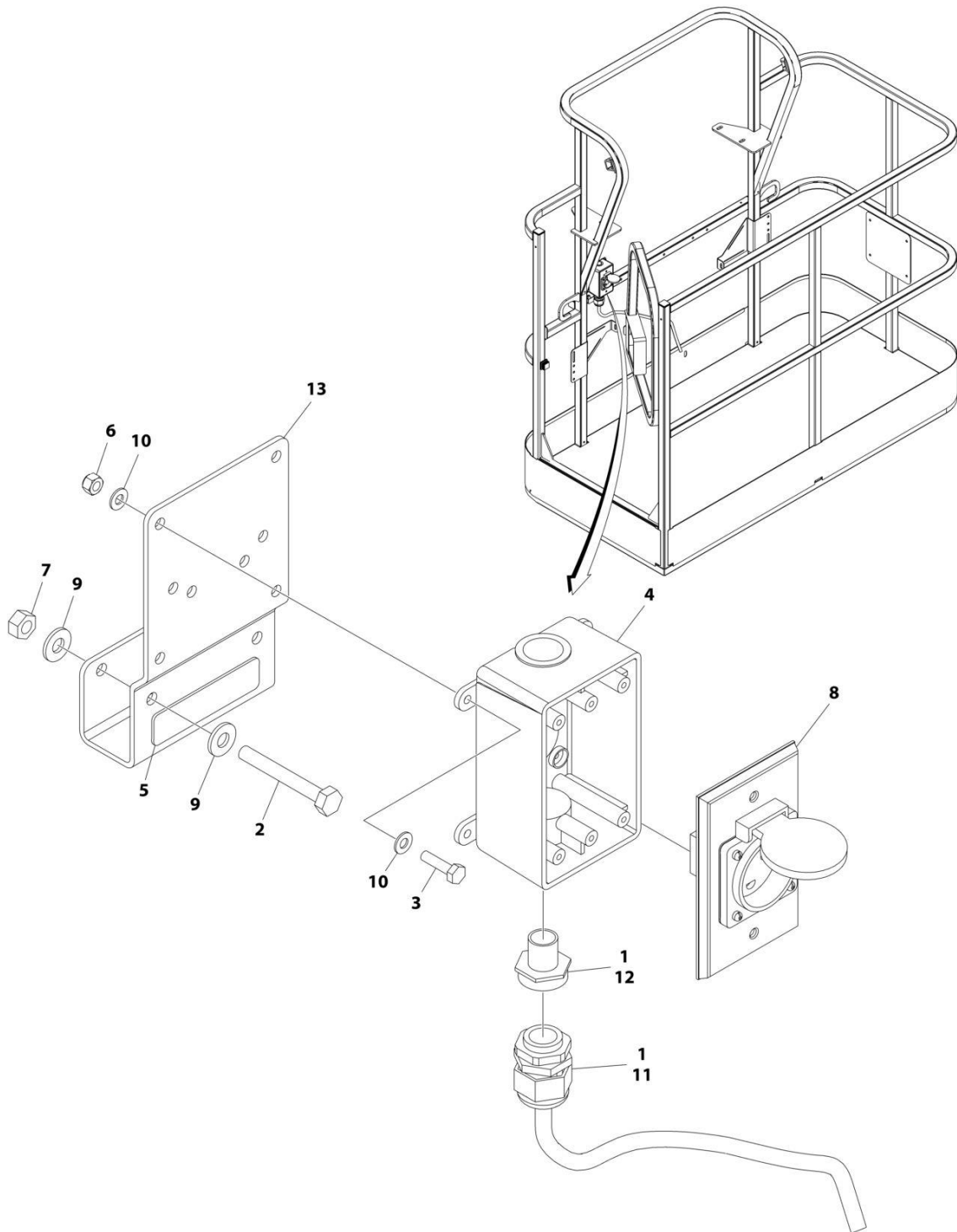
## SECTION 8 - ELECTRICAL

**FIGURE 8-17. AC BOX AT PLATFORM INSTALLATION - 220V AFSINT 107 KEYED GROUND (2X4 BOX) WITH 2500W GENERATOR (CE SPECS)**

ITEM	PART NUMBER	QTY	DESCRIPTION	REV
	1001100337	Ref	AC BOX AT PLATFORM INSTALLATION - 220V AFSINT 107 2X4 BOX KEYED GROUND (2X4 BOX)	E
1	0100020	AR	Sealant, Pipe	
3	0700408	4	Bolt M4 x 16	
4	3290405	4	Nut M4	
5	1001101197	1	Adapter	
6	4811400	8	Washer M4	
7	1001100346	1	Receptacle Box Kit (See Separate Breakdown in this Section)	
8	1001101191	1	Connector, Strain Relief	
9	1060908	10 ft /3.05m	Cable, Electrical 12/3 (Not Shown)	
10	0641416	2	Bolt 1/4 x 2	
11	3252507	1	Decal - 220V	
12	3311405	2	Nut 1/4	
13	4711400	4	Washer 1/4	
14	1001193018	1	Bracket	
15	1001205958	3	Terminal (Not Shown)	

# SECTION 8 - ELECTRICAL

FIGURE 8-18. AC BOX AT PLATFORM INSTALLATION - 220V AFSINT 107 KEYED GROUND (2X4 BOX) WITH 4000W GENERATOR (CE SPECS)



ART\_1001206252

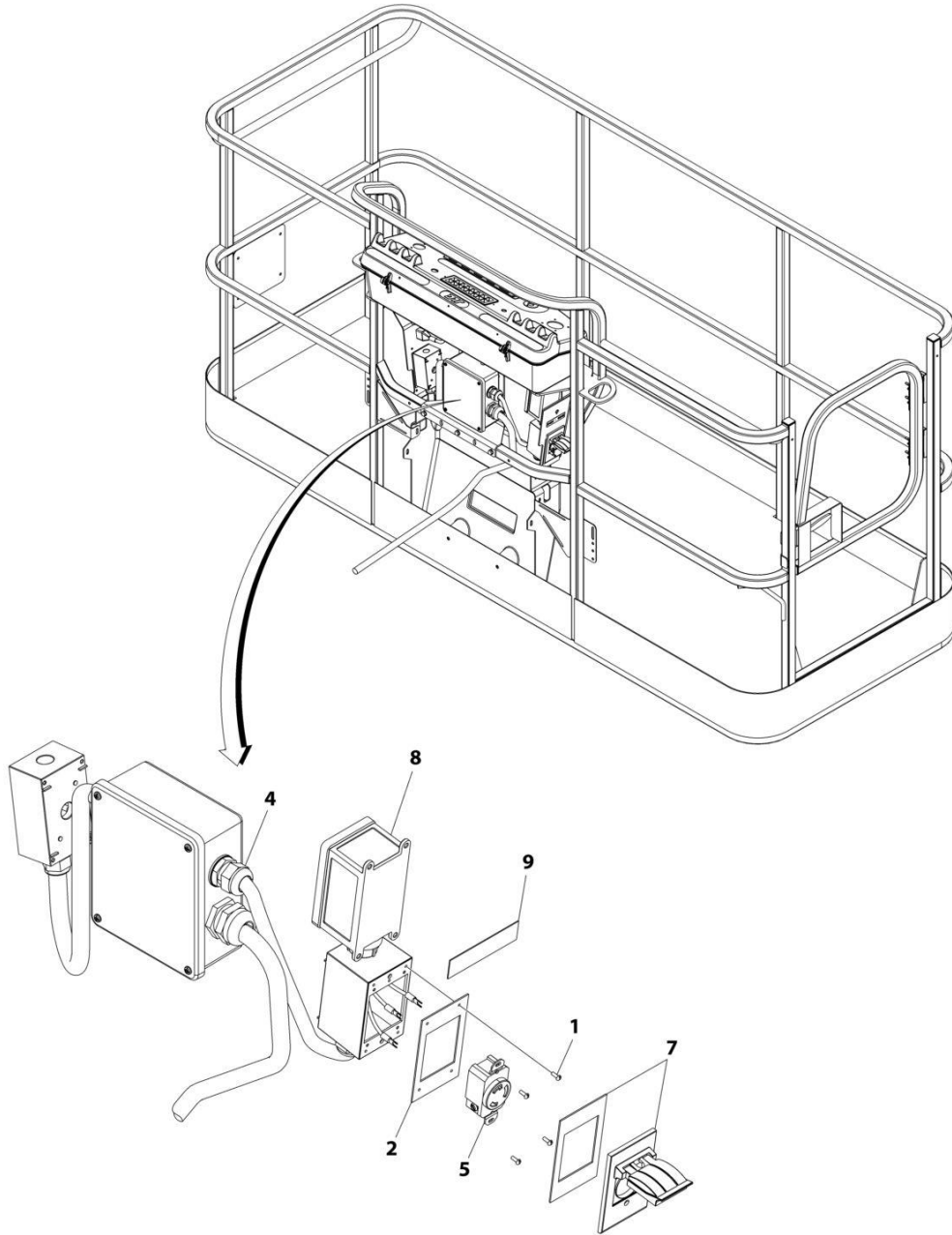
## SECTION 8 - ELECTRICAL

**FIGURE 8-18. AC BOX AT PLATFORM INSTALLATION - 220V AFSINT 107 KEYED GROUND (2X4 BOX) WITH 4000W GENERATOR (CE SPECS)**

ITEM	PART NUMBER	QTY	DESCRIPTION	REV
	1001206252	Ref	AC BOX AT PLATFORM INSTALLATION - 220V AFSINT 107 2x4 BOX KEYED GROUND	A
1	0100020	AR	Sealant, Pipe	
2	0641416	2	Bolt 1/4 x 2	
3	0700408	4	Bolt M4 x 16	
4	0861731	1	Box, Switch	
5	3251242	1	Decal - 240V/50Hz	
6	3290405	4	Nut M4	
7	3311405	2	Nut 1/4	
8	4461246	1	Receptacle	
9	4711400	4	Washer 1/4	
10	4811400	8	Washer M4	
11	1001101191	1	Connector, Strain Relief	
12	1001101197	1	Adapter	
13	1001193018	1	Bracket, AC Receptacle	
14	1001205958	3	Terminal (Not Shown)	

# SECTION 8 - ELECTRICAL

FIGURE 8-19. AC BOX AT PLATFORM INSTALLATION - 240V (WITH 4000W GENERATOR) (ALL SPECS EXCEPT AUSTRALIAN & CE SPECS)



ART\_1001171131



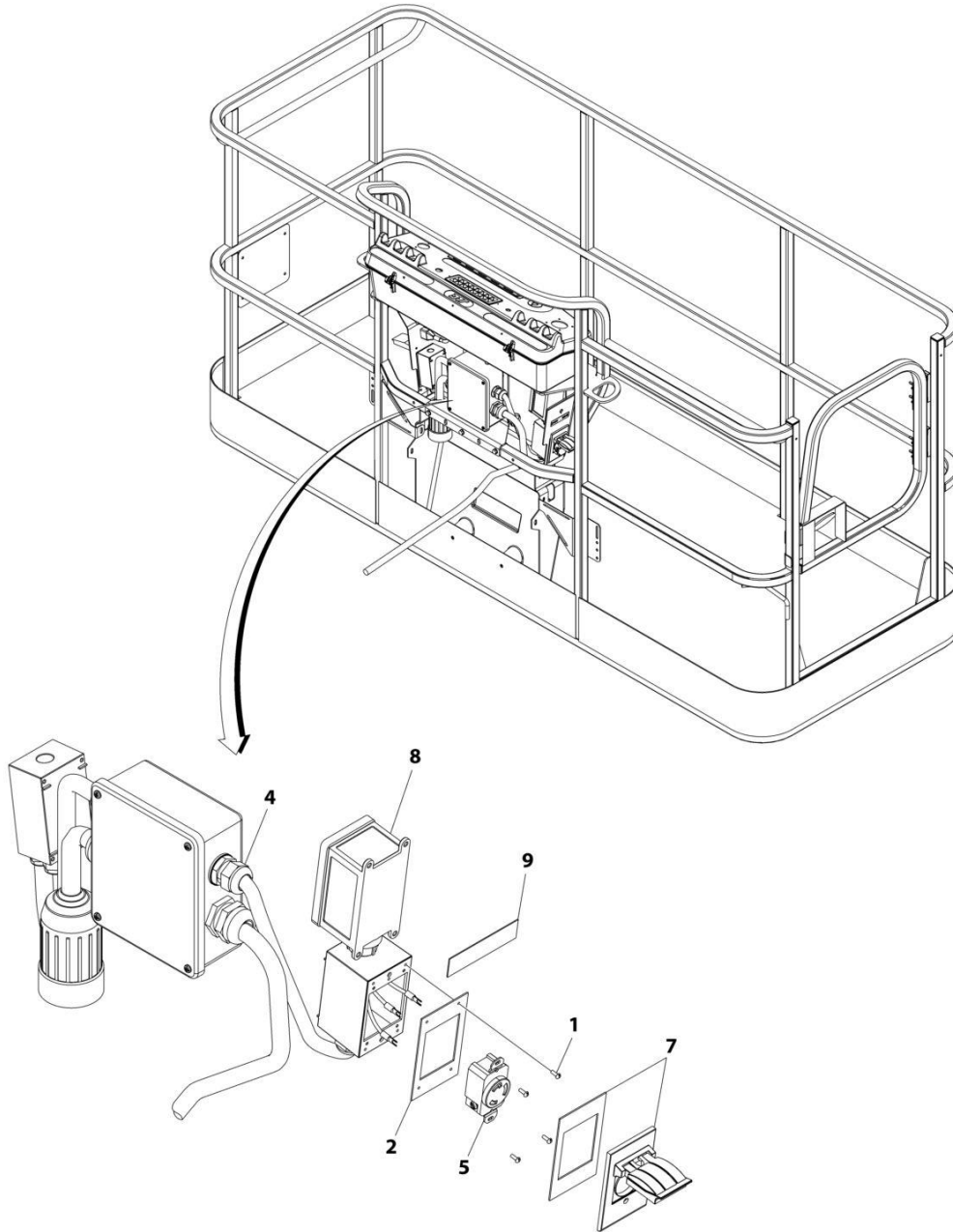
## SECTION 8 - ELECTRICAL

**FIGURE 8-19. AC BOX AT PLATFORM INSTALLATION - 240V (WITH 4000W GENERATOR) (ALL SPECS EXCEPT AUSTRALIAN & CE SPECS)**

ITEM	PART NUMBER	QTY	DESCRIPTION	REV
	1001171131	Ref	AC BOX AT PLATFORM INSTALLATION - 240V RECEPTACLE	B
1	3910606	4	Screw 6 x 3/8	
2	3960422	1	Gasket	
3	4240018	AR	Tie-Strap (Not Shown)	
4	4460425	1	Connector, Strain Relief	
5	1001176862	1	Receptacle	
7	1001110872	1	Cover, Receptacle	
8	1001159120	1	Receptacle/Breaker Box Assembly	
8	1001148675	1	Box, Receptacle	
8	1001159118	1	Breaker GFCI 30Amp 240VAC	
8	4460612	1	Connector, Strain Relief	
8	1001159119	1	Connector (Between Boxes)	
9	1705374	1	Decal - 240V/60Hz	

## SECTION 8 - ELECTRICAL

FIGURE 8-20. AC BOX AT PLATFORM INSTALLATION - 240V (WITH 7500W SKYPOWER GENERATOR) (ALL SPECS EXCEPT AUSTRALIAN & CE SPECS)



ART\_1001159121

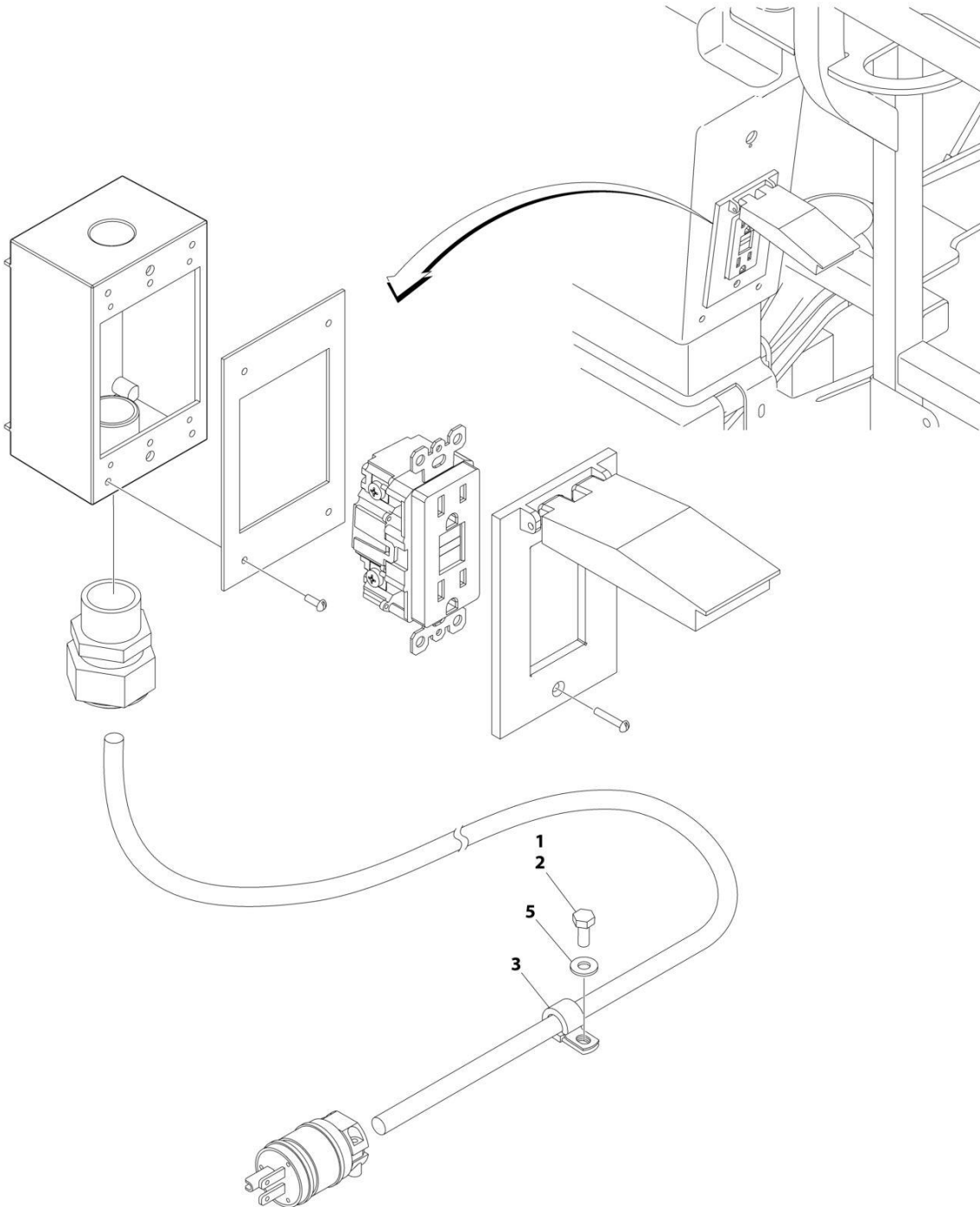
## SECTION 8 - ELECTRICAL

**FIGURE 8-20. AC BOX AT PLATFORM INSTALLATION - 240V (WITH 7500W SKYPOWER GENERATOR) (ALL SPECS EXCEPT AUSTRALIAN & CE SPECS)**

ITEM	PART NUMBER	QTY	DESCRIPTION	REV
	1001159121	Ref	AC BOX AT PLATFORM INSTALLATION - 240V RECEPTACLE	B
1	3910606	4	Screw 6 x 3/8	
2	3960422	1	Gasket	
3	4240018	AR	Tie-Strap (Not Shown)	
4	4460425	1	Connector, Strain Relief	
5	4460958	1	Receptacle	
7	1001110872	1	Cover, Receptacle	
8	1001159120	1	Receptacle/Breaker Box Assembly	
8	1001148675	1	Box, Receptacle	
8	1001159118	1	Breaker Box Assembly	
8	4460612	1	Connector, Strain Relief	
8	1001159119	1	Connector (Between Boxes)	
9	1705374	1	Decal - 240V/60Hz	

# SECTION 8 - ELECTRICAL

FIGURE 8-21. AC LEAD INSTALLATION (ANSI EXPORT, AUSTRALIAN AND CE SPECS)



ART\_0273461

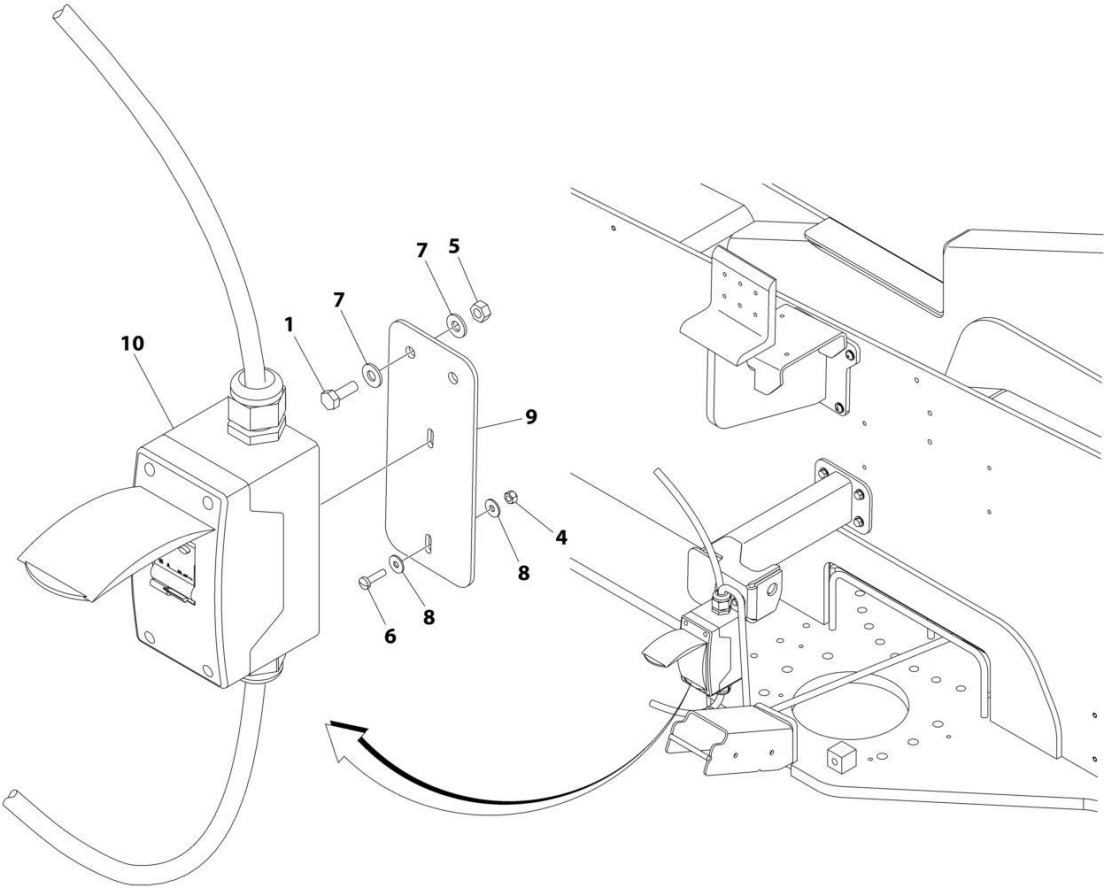
## SECTION 8 - ELECTRICAL

**FIGURE 8-21. AC LEAD INSTALLATION (ANSI EXPORT, AUSTRALIAN AND CE SPECS)**

ITEM	PART NUMBER	QTY	DESCRIPTION	REV
	0273461	Ref	AC LEAD INSTALLATION (CE & UK CA SPECS)	B
1	0100011	AR	Compound, Locking	
2	0641405	1	Bolt 1/4 x 5/8	
3	1320041	1	Clamp	
5	4711400	1	Washer 1/4	

**SECTION 8 - ELECTRICAL**

**FIGURE 8-22. AC 10 AMP BREAKER BOX INSTALLATION (CE SPECS)**



ART\_1001109557

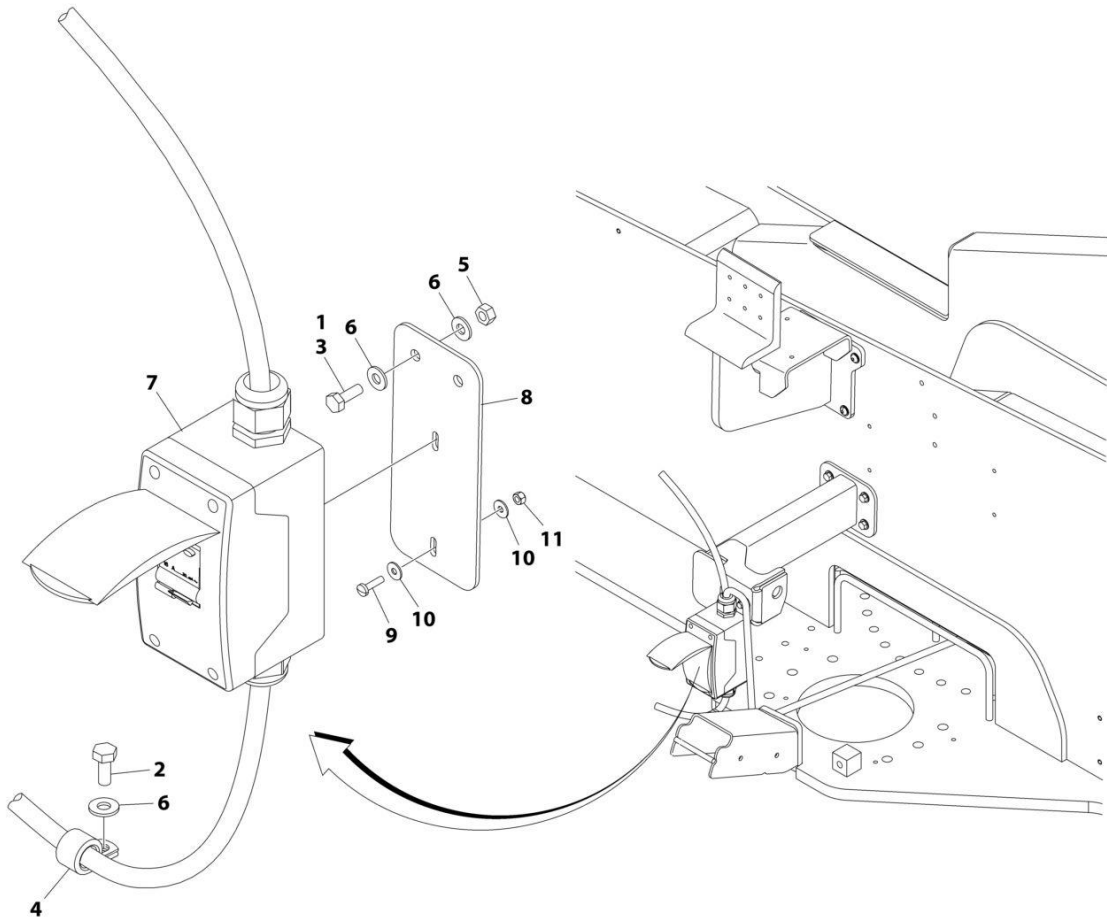
## SECTION 8 - ELECTRICAL

**FIGURE 8-22. AC 10 AMP BREAKER BOX INSTALLATION (CE SPECS)**

ITEM	PART NUMBER	QTY	DESCRIPTION	REV
	1001109557	Ref	AC 10 AMP BREAKER BOX INSTALLATION	B
1	0641406	2	Bolt 1/4 x 3/4	
4	3290405	2	Nut M4	
5	0641405	2	Bolt 1/4 x 5/8	
6	4010408	2	Screw M4 x 16	
7	4711400	4	Washer 1/4	
8	1001091102	4	Washer M4	
9	1001096172	1	Bracket	
10	1001109648	1	Breaker Box Kit - 10 Amp (See Separate Breakdown in this Section)	

# SECTION 8 - ELECTRICAL

## FIGURE 8-23. AC 16 AMP BREAKER BOX INSTALLATION (CE SPECS)



ART\_1001096163



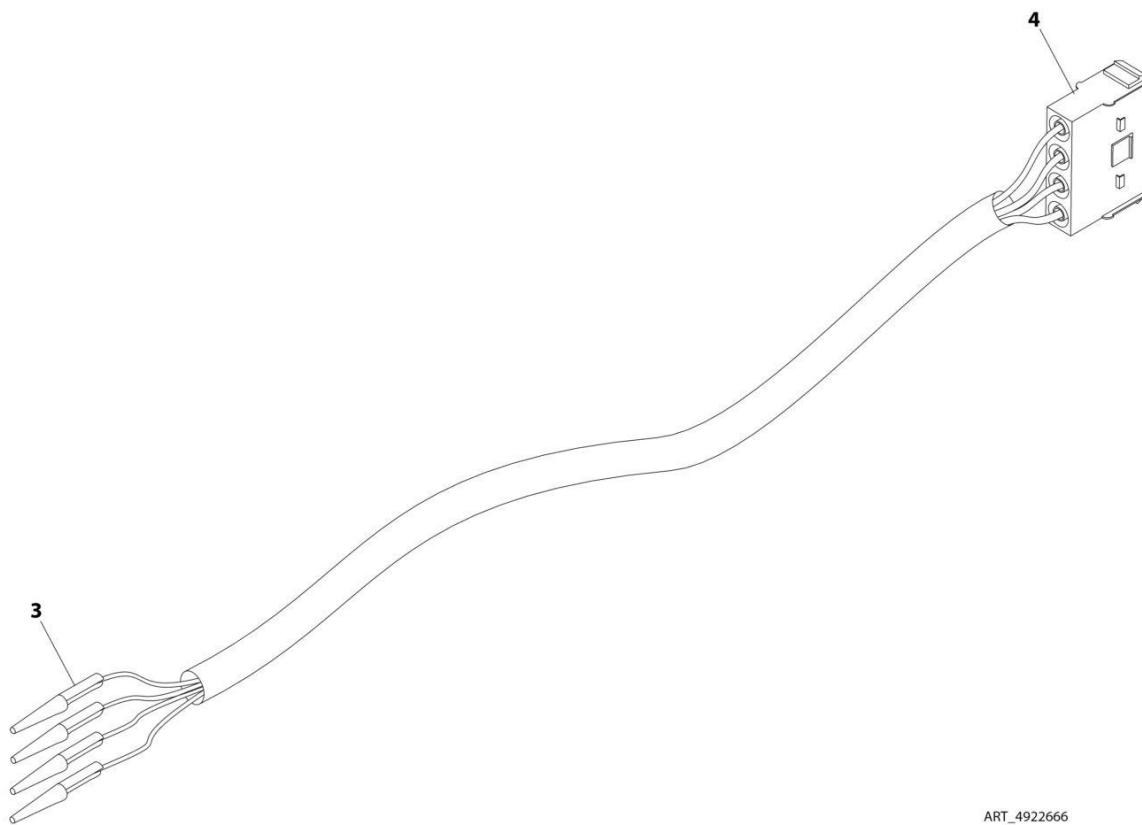
## SECTION 8 - ELECTRICAL

**FIGURE 8-23. AC 16 AMP BREAKER BOX INSTALLATION (CE SPECS)**

ITEM	PART NUMBER	QTY	DESCRIPTION	REV
	1001096163	Ref	AC 16 AMP BREAKER BOX INSTALLATION (CE & UK CA SPECS)	E
1	0100011	AR	Compound, Locking	
2	0641405	1	Bolt 1/4 x 5/8	
3	0641406	2	Bolt 1/4 x 3/4	
4	1320041	1	Clamp	
5	3311405	2	Nut 1/4	
6	4711400	5	Washer 1/4	
7	1001109654	1	Breaker Box Kit - 16 Amp (See Separate Breakdown in this Section)	
8	1001096172	1	Bracket	
9	4010408	2	Screw M4 x 16	
10	1001091102	4	Washer M4	
11	3290405	2	Nut M4	

# SECTION 8 - ELECTRICAL

## FIGURE 8-24. ANALYZER CALBE HARNESS



ART\_4922666

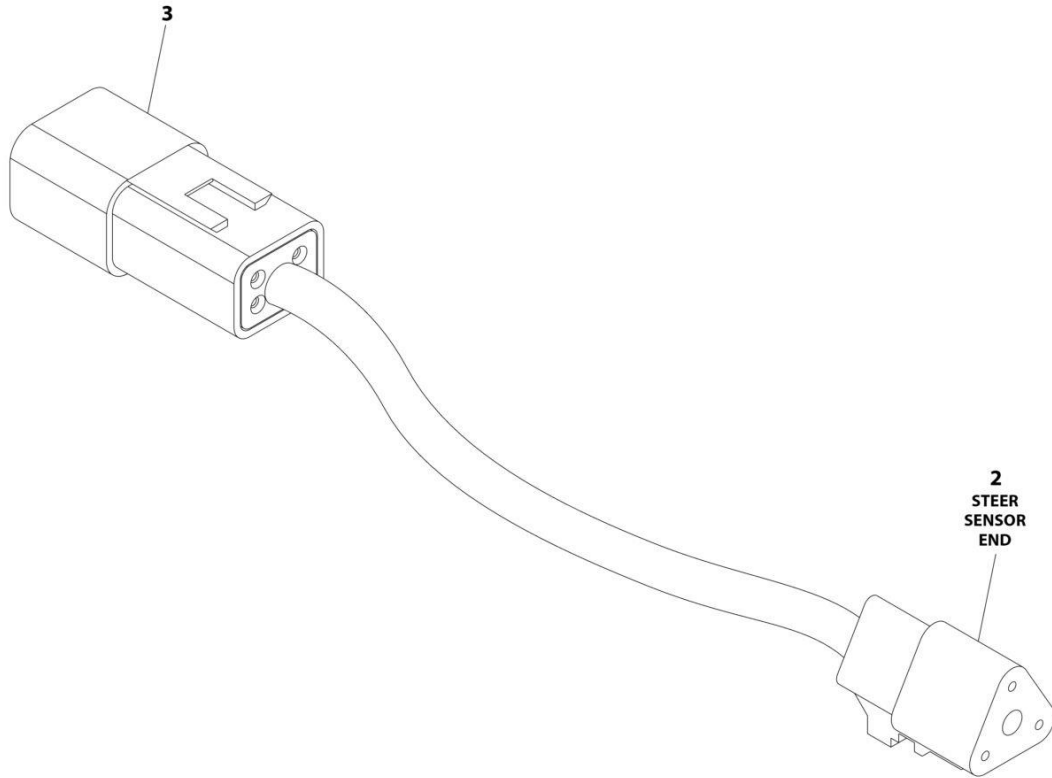
## SECTION 8 - ELECTRICAL

### FIGURE 8-24. ANALYZER CALBE HARNESS

ITEM	PART NUMBER	QTY	DESCRIPTION	REV
	4922666	Ref	ANALYZER CABLE HARNESS	C
3	4460226	4	Socket, Female	
4	4460761	1	Connector - 4 Position	
4	4460227	4	Pin, Male	

# SECTION 8 - ELECTRICAL

## FIGURE 8-25. AXLE POWER TRACK HARNESS ASSEMBLY



ART\_4922718

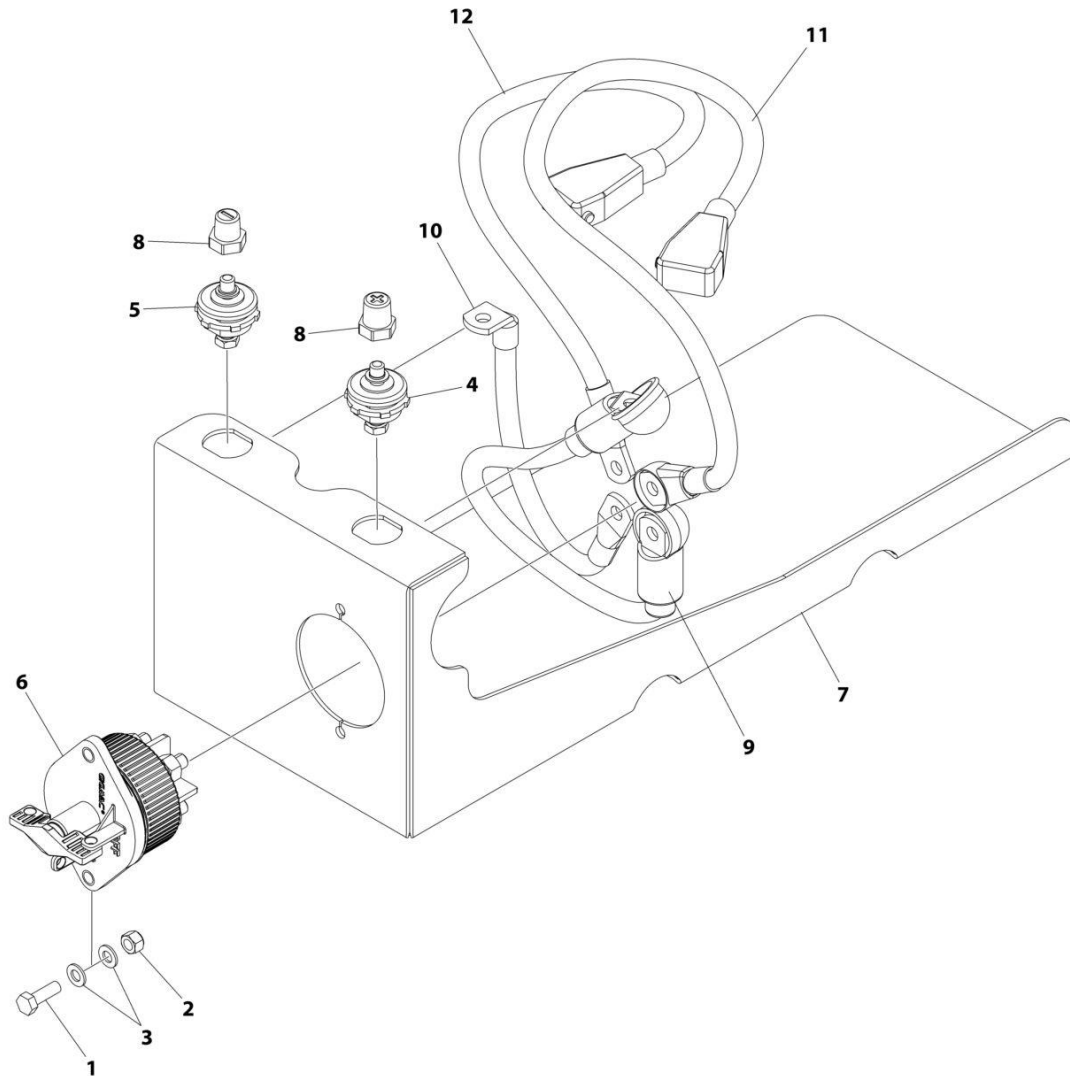
## SECTION 8 - ELECTRICAL

### FIGURE 8-25. AXLE POWER TRACK HARNESS ASSEMBLY

ITEM	PART NUMBER	QTY	DESCRIPTION	REV
	4922718	Ref	AXLE POWER TRACK HARNESS ASSEMBLY	E
2	4460539	1	Connector - 3 Position	
2	4460944	3	Socket, Female	
3	4460932	1	Connector - 4 Position	
3	4460943	4	Pin, Male	

# SECTION 8 - ELECTRICAL

## FIGURE 8-26. BATTERY DISCONNECT INSTALLATION



ART\_1001242825

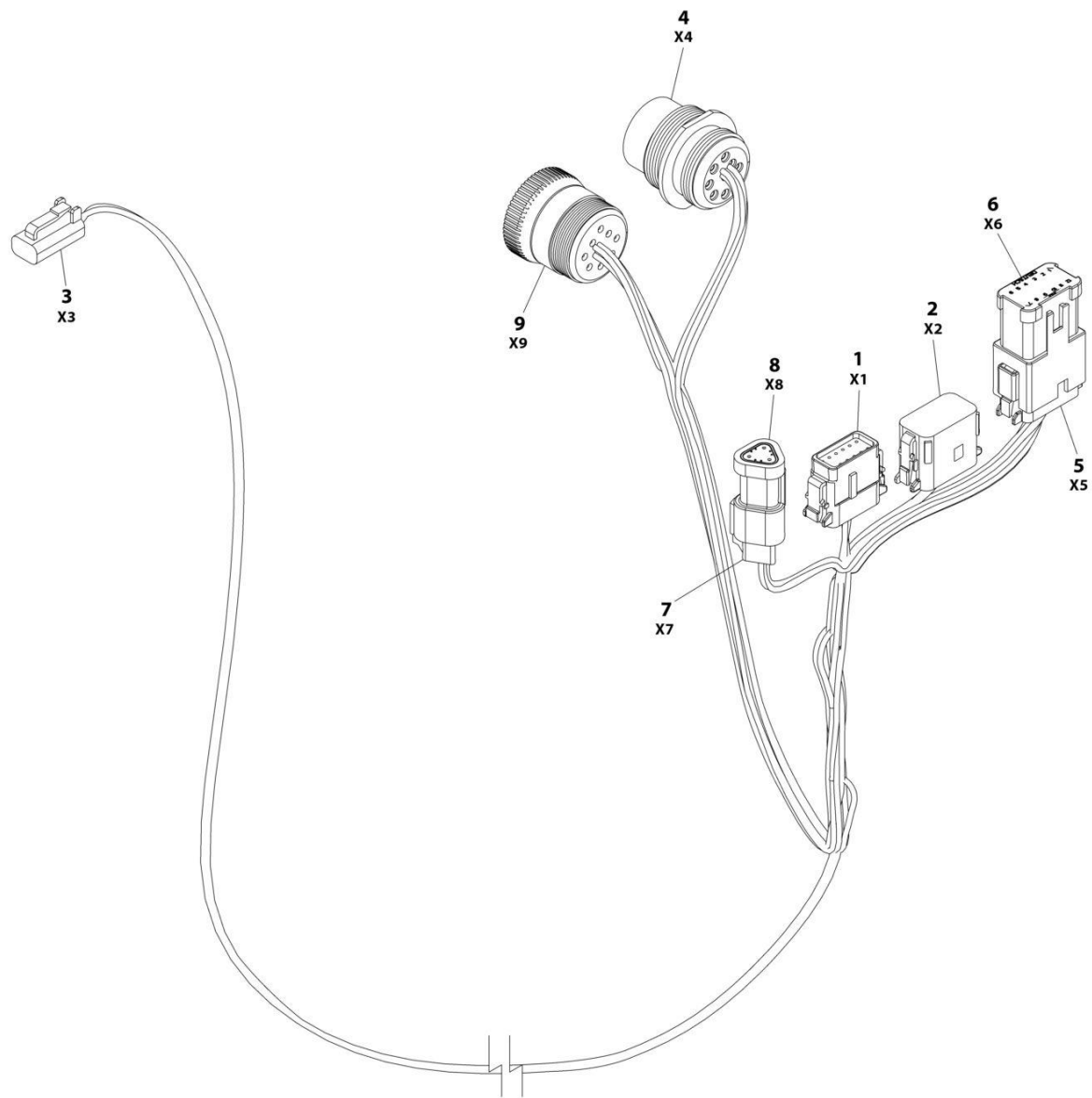
## SECTION 8 - ELECTRICAL

### FIGURE 8-26. BATTERY DISCONNECT INSTALLATION

ITEM	PART NUMBER	QTY	DESCRIPTION	REV
	1001242825	Ref	BATTERY DISCONNECT INSTALLATION	B
1	0760812	2	Bolt M8 x 25	
2	3290805	2	Nut M8	
3	4811900	4	Washer M8	
4	1001214570	1	Connector (Red)	
5	1001214571	1	Connector (Black)	
6	1001225346	1	Switch, Disconnect	
7	1001242824	1	Mount	
8	1001206476	1	Connector	
9	1001236375	1	Cable (Positive)	
10	1001236376	1	Cable (Negative)	
11	1001236377	1	Cable (Positive)	
12	1001236378	1	Cable (Negative)	

# SECTION 8 - ELECTRICAL

## FIGURE 8-27. BEACON LIGHT HARNESS



ART\_1001142736



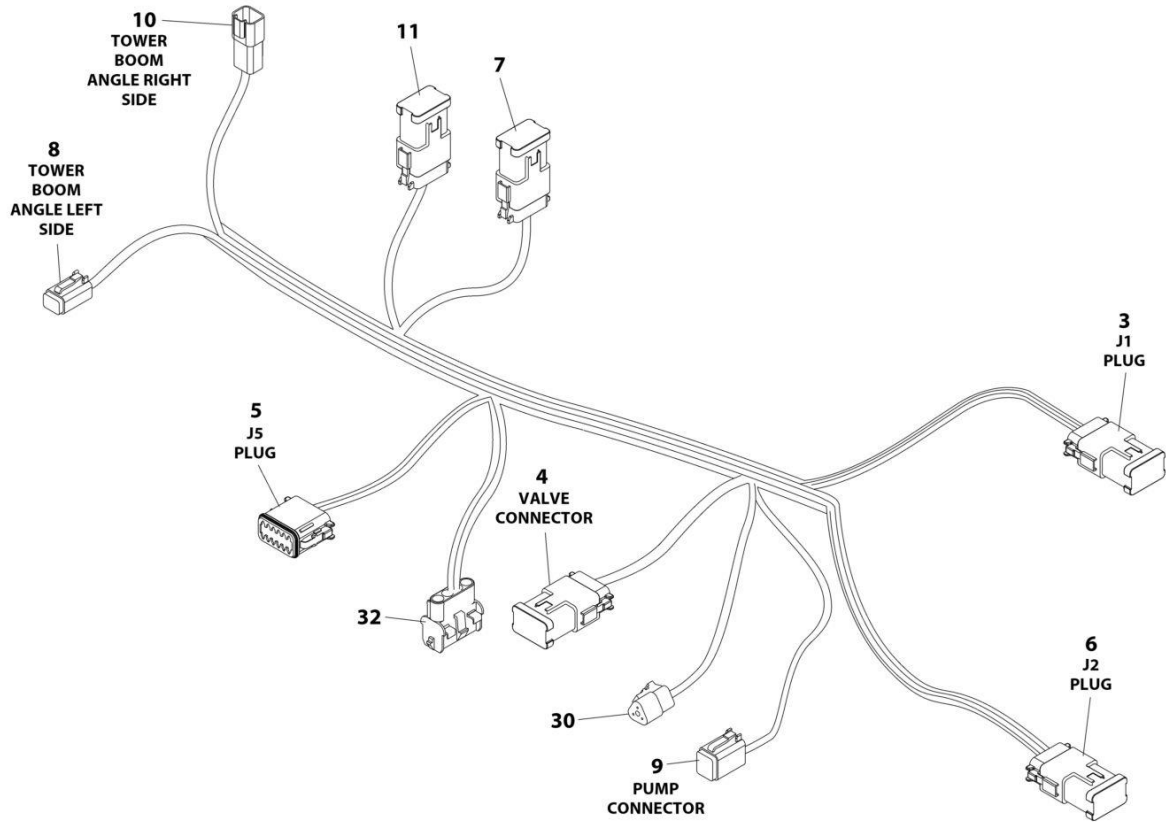
## SECTION 8 - ELECTRICAL

### FIGURE 8-27. BEACON LIGHT HARNESS

ITEM	PART NUMBER	QTY	DESCRIPTION	REV
	1001142736	Ref	STROBE LIGHT HARNESS	F
1	1001116808	1	Plug, Male - 12 Position	
1	4460928	3	Socket, Female	
1	4460518	9	Plug, Terminal	
2	1001116774	1	Plug, Male - 12 Position	
2	4460928	3	Socket, Female	
2	4460518	9	Plug, Terminal	
3	4460891	1	Plug, Male - 2 Position	
3	4460465	2	Socket, Female	
4	1001112612	1	Connector - 9 Position	
4	4460464	6	Pin, Male	
4	4460466	3	Plug, Terminal	
5	4460933	1	Plug, Male - 12 Position	
5	4460465	12	Socket, Female	
6	1001119020	1	Bussbar - 12 Position	
7	4461095	1	Plug, Male - 3 Position	
7	4460465	3	Socket, Female	
8	4461070	1	Bussbar - 3 Position	
9	1001112796	1	Connector - 9 Position	
9	4460465	6	Socket, Female	
9	4460466	3	Plug, Terminal	

# SECTION 8 - ELECTRICAL

## FIGURE 8-28. B.L.A.M. HARNESS



ART\_1001242756

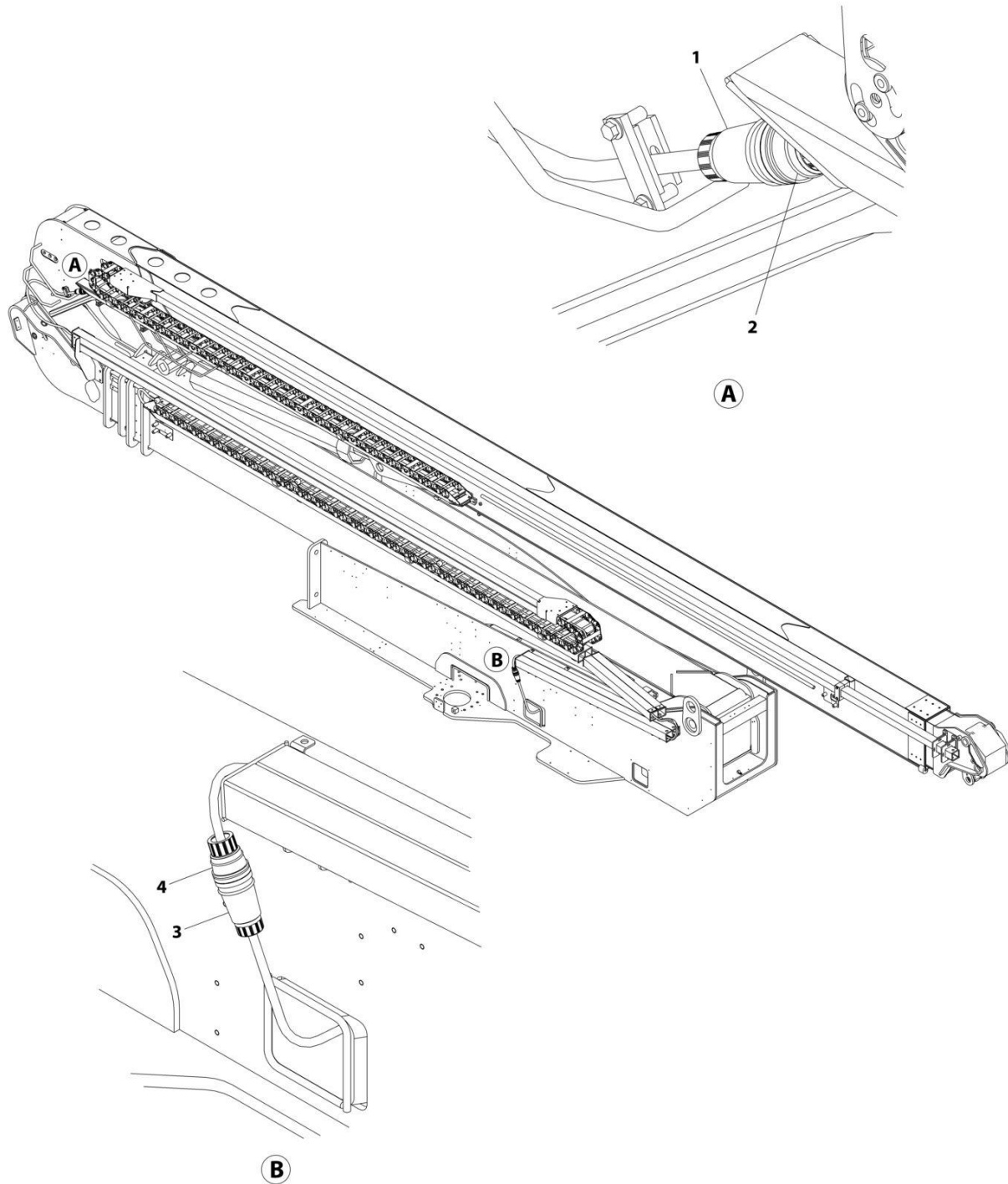
## SECTION 8 - ELECTRICAL

### FIGURE 8-28. B.L.A.M. HARNESS

ITEM	PART NUMBER	QTY	DESCRIPTION	REV
	1001242756	Ref	B.L.A.M. HARNESS	D
3	1001270339	1	Connector - 12 Position (Gray)	
3	4460466	7	Plug, Seal	
3	4460944	3	Socket, Female	
3	4460942	1	Socket, Female	
4	4460970	1	Connector - 12 Position	
4	4460943	3	Pin, Male (Gold)	
4	4460464	6	Pin, Male	
4	4460941	3	Pin, Male	
5	1001239345	1	Connector - 12 Position (Brown)	
5	4460466	5	Plug, Seal	
5	4460465	2	Socket, Female	
5	4460944	4	Socket, Female	
6	1001270340	1	Connector - 12 Position (Black)	
6	4460466	8	Plug, Seal	
6	4460944	2	Socket, Female	
6	4460465	2	Socket, Female	
7	4460836	1	Connector - 12 Position (Black)	
7	4460466	8	Plug, Seal	
7	4460465	4	Socket, Female	
7	4460942	2	Socket, Female	
7	1001249244	1	Connector - 12 Position Buss Bar	
8	4460884	1	Connector - 4 Position (Gray)	
8	4460944	4	Socket, Female	
9	4460894	1	Connector - 6 Position (Gray)	
9	4460465	5	Socket, Female	
9	4460466	2	Plug, Seal	
10	4460932	1	Connector - 4 Position (Gray)	
10	4460943	4	Pin, Male	
11	4460836	1	Plug, Male - 12 Position (Black)	
11	4460466	6	Plug, Seal	
11	4460465	5	Socket, Female	
11	1001249244	1	Connector - 12 Position Buss Bar	
18	4240033	7	Tie-Strap (Not Shown)	
30	4460539	1	Connector - 3 Position	
30	4460944	3	Socket, Female	
30	4460121	1	Wire Cap	
32	4460761	1	Connector - 4 Position	
32	4460227	4	Pin, Male	

# SECTION 8 - ELECTRICAL

FIGURE 8-29. BOOM CABLE INSTALLATION (ANSI, ANSI EXPORT AND JAPANESE SPECS)



ART\_0273474

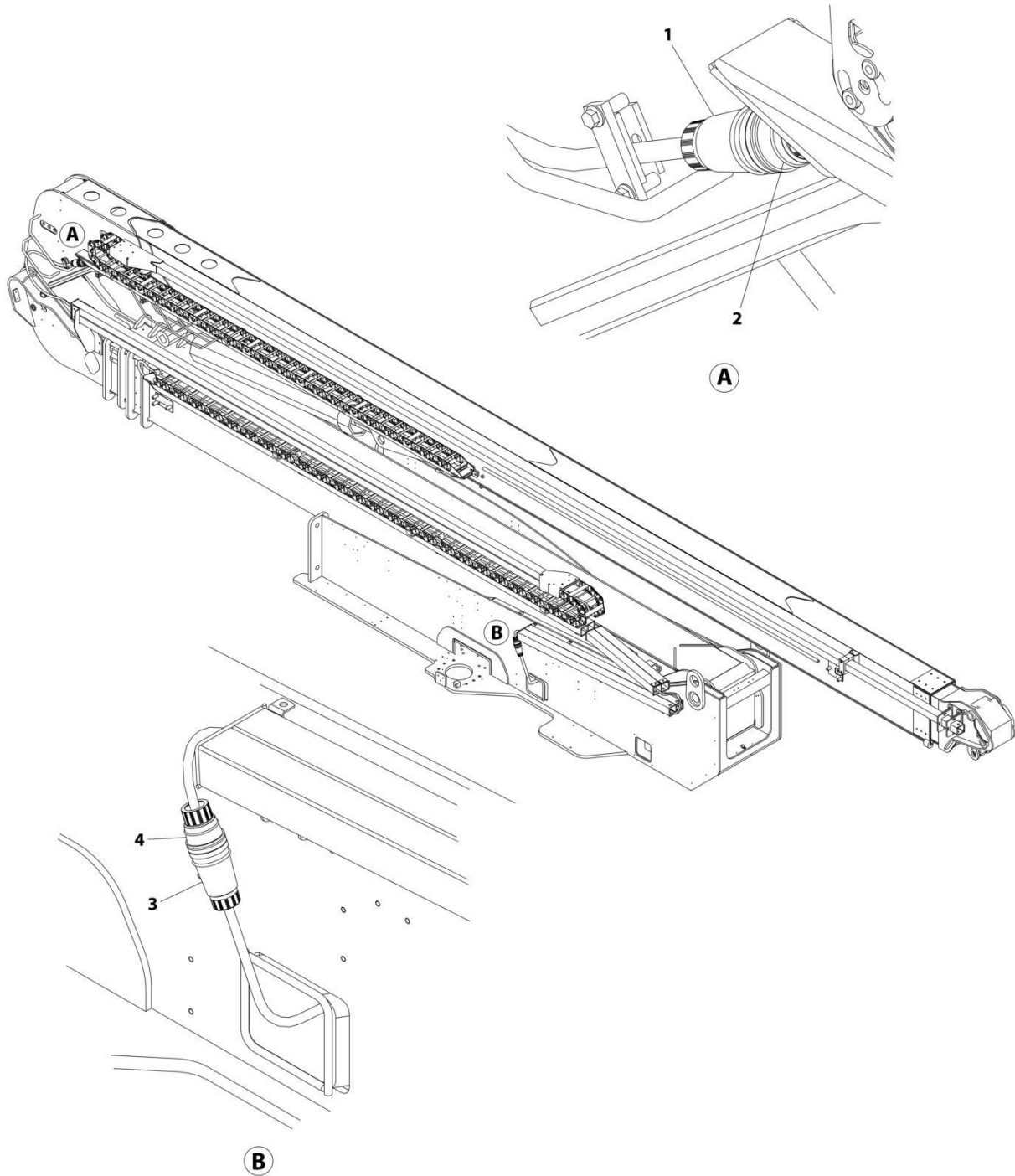
## SECTION 8 - ELECTRICAL

**FIGURE 8-29. BOOM CABLE INSTALLATION (ANSI, ANSI EXPORT AND JAPANESE SPECS)**

ITEM	PART NUMBER	QTY	DESCRIPTION	REV
	0273474	Ref	BOOM CABLE INSTALLATION	C
1	1001227932	1	Tower Boom AC Cable Harness	
1	1001213585	1	Receptacle, Female	
2	1001227933	1	Main Boom AC Cable Harness	
2	1001213584	1	Plug, Male	
3	1001227934	1	Turntable AC Cable Harness	
3	1001213585	1	Receptacle, Female	
4	1001213584	1	Plug, Male	

# SECTION 8 - ELECTRICAL

## FIGURE 8-30. BOOM CABLE INSTALLATION (AUSTRALIAN AND CE SPECS)



ART\_0273475

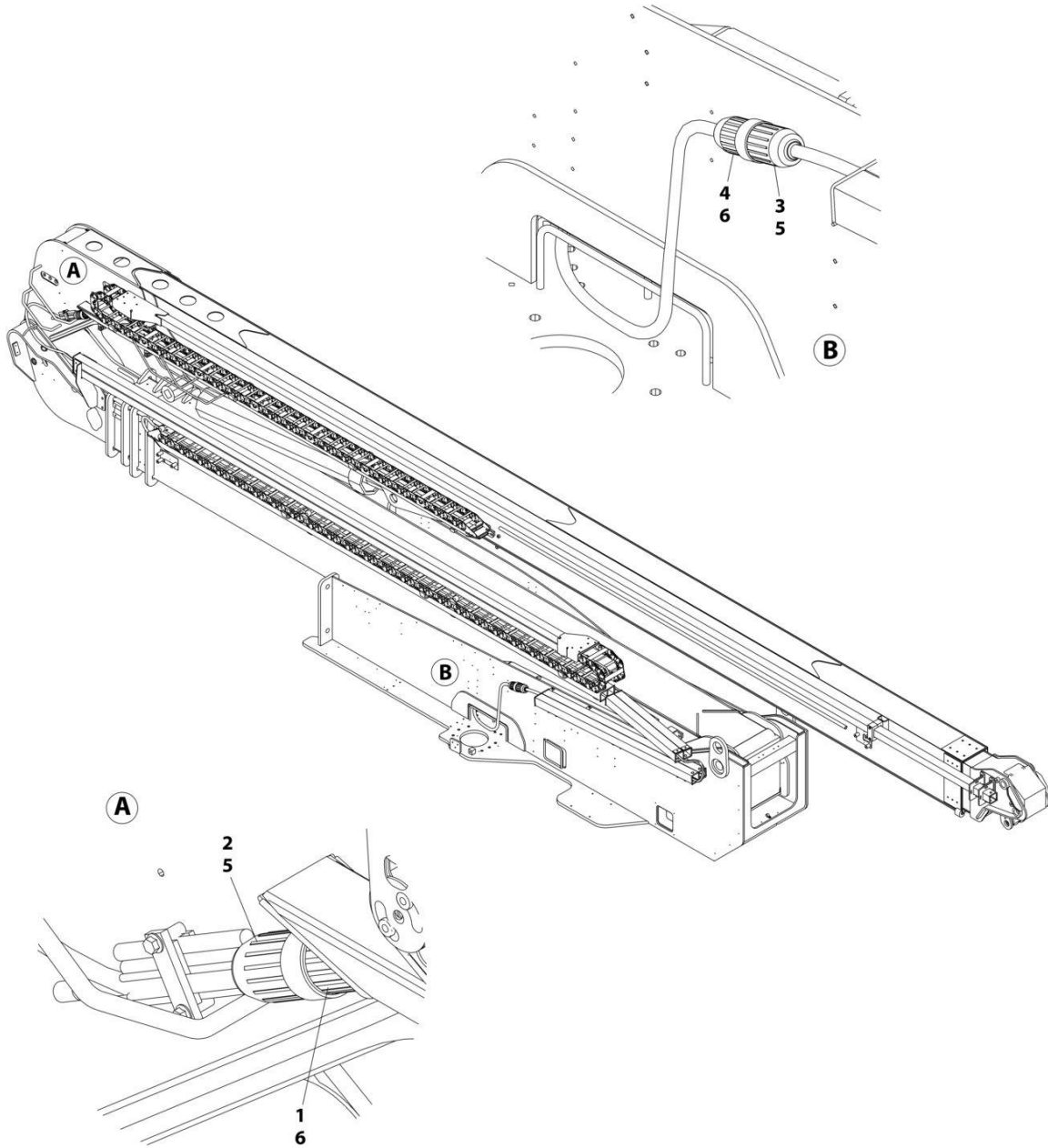
## SECTION 8 - ELECTRICAL

**FIGURE 8-30. BOOM CABLE INSTALLATION (AUSTRALIAN AND CE SPECS)**

ITEM	PART NUMBER	QTY	DESCRIPTION	REV
	0273475	Ref	BOOM CABLE INSTALLATION	E
1	1001227935	1	Tower Boom AC Cable Harness	
1	1001213585	1	Receptacle, Female	
2	1001227936	1	Main Boom AC Cable Harness	
2	1001213584	1	Plug, Male	
3	1001227937	1	Turntable AC Cable Harness	
3	1001213585	1	Receptacle, Female	
4	1001213584	1	Plug, Male	

# SECTION 8 - ELECTRICAL

## FIGURE 8-31. BOOM CABLE INSTALLATION - 4000W 60HZ GENERATOR



ART\_1001161049



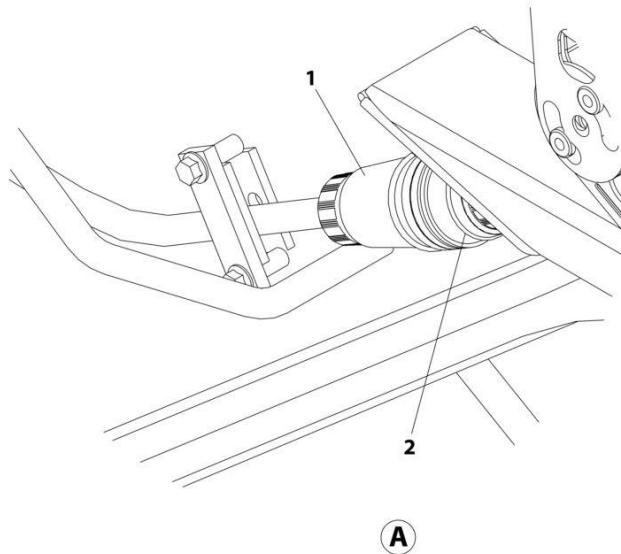
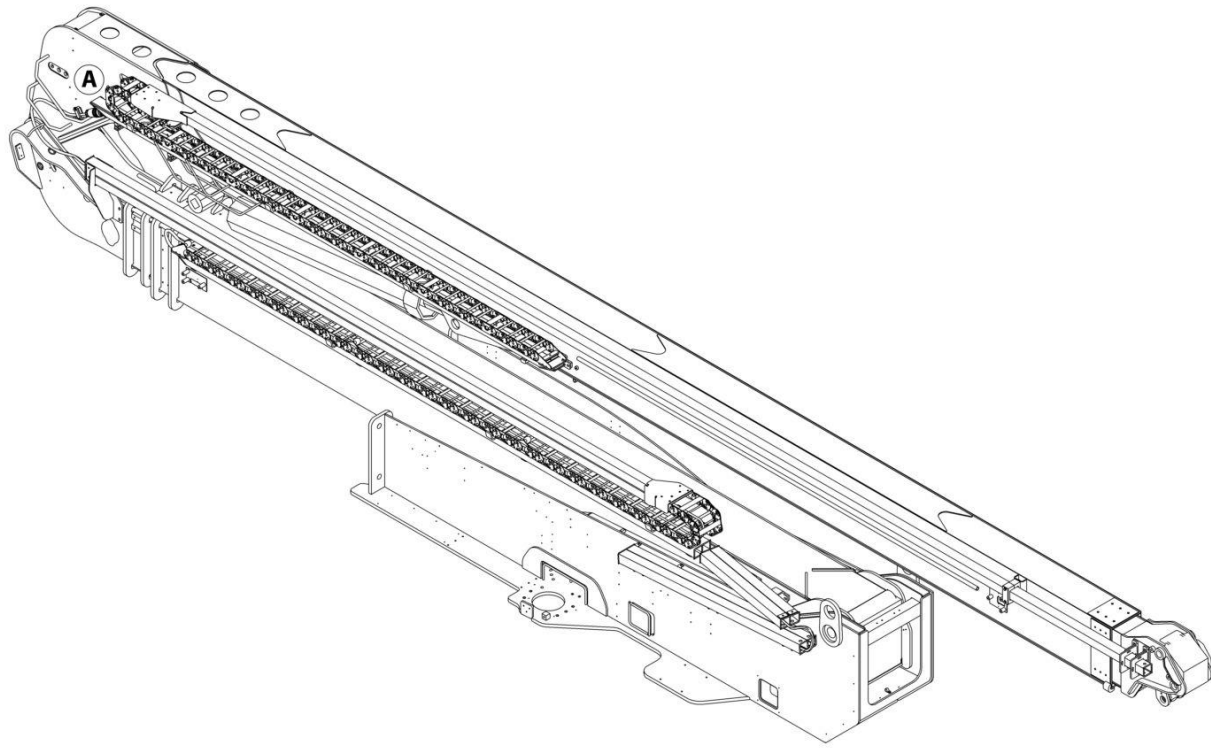
## SECTION 8 - ELECTRICAL

**FIGURE 8-31. BOOM CABLE INSTALLATION - 4000W 60HZ GENERATOR**

ITEM	PART NUMBER	QTY	DESCRIPTION	REV
	1001161049	Ref	BOOM CABLE INSTALLATION - 4000W 60HZ GENERATOR	A
1	1001161042	1	Main Boom 4000W Generator Cable Harness	
1	1001131969	85 ft /25.9m	Cable, Electrical 8/4	
1	4460962	1	Plug, Male	
2	1001161043	1	Tower Boom 4000W Generator Cable Harness	
2	1001131969	71 ft /21.6m	Cable, Electrical 8/4	
2	4460963	1	Plug, Female	
3	4460962	1	Plug, Male	
4	1001161045	1	Turntable 4000W Generator Cable Harness	
4	1001131969	14 ft /4.27m	Cable, Electrical 8/4	
4	4460963	1	Plug, Female	
5	1671092	1	Cover, Male Connector	
6	1671093	1	Cover, Female Connector	

# SECTION 8 - ELECTRICAL

## FIGURE 8-32. BOOM CABLE INSTALLATION - 4000W 50HZ GENERATOR



ART\_1001180951

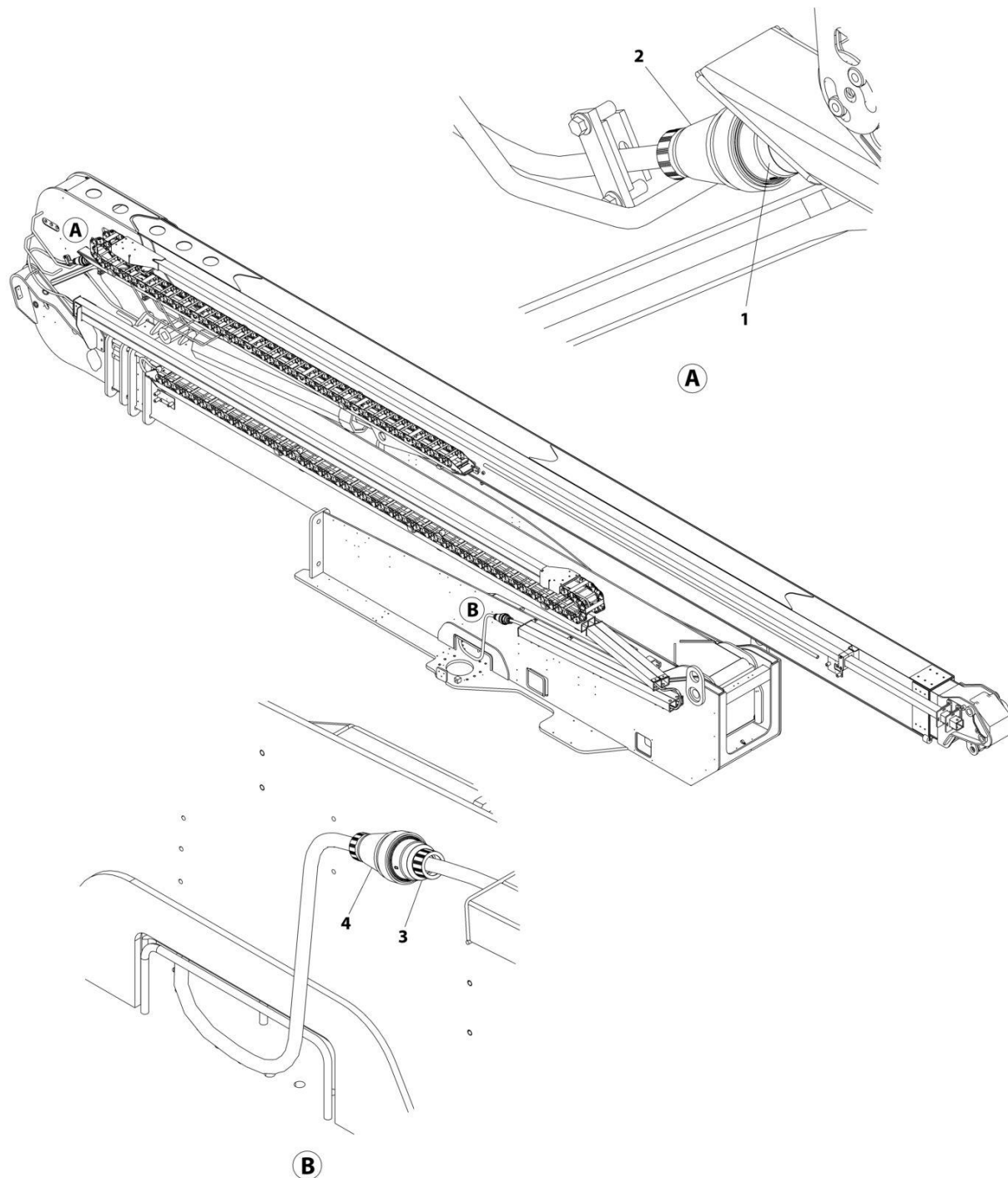
## SECTION 8 - ELECTRICAL

**FIGURE 8-32. BOOM CABLE INSTALLATION - 4000W 50HZ GENERATOR**

ITEM	PART NUMBER	QTY	DESCRIPTION	REV
	1001180951	Ref	BOOM CABLE INSTALLATION - 4000W 50HZ GENERATOR	B
1	1001227935	1	Tower Boom AC Cable Harness	
1	1001213585	1	Receptacle, Female	
2	1001227936	1	Main Boom AC Cable Harness	
2	1001213584	1	Plug, Male	

# SECTION 8 - ELECTRICAL

## FIGURE 8-33. BOOM CABLE INSTALLATION - 7500W GENERATOR



ART\_0273476

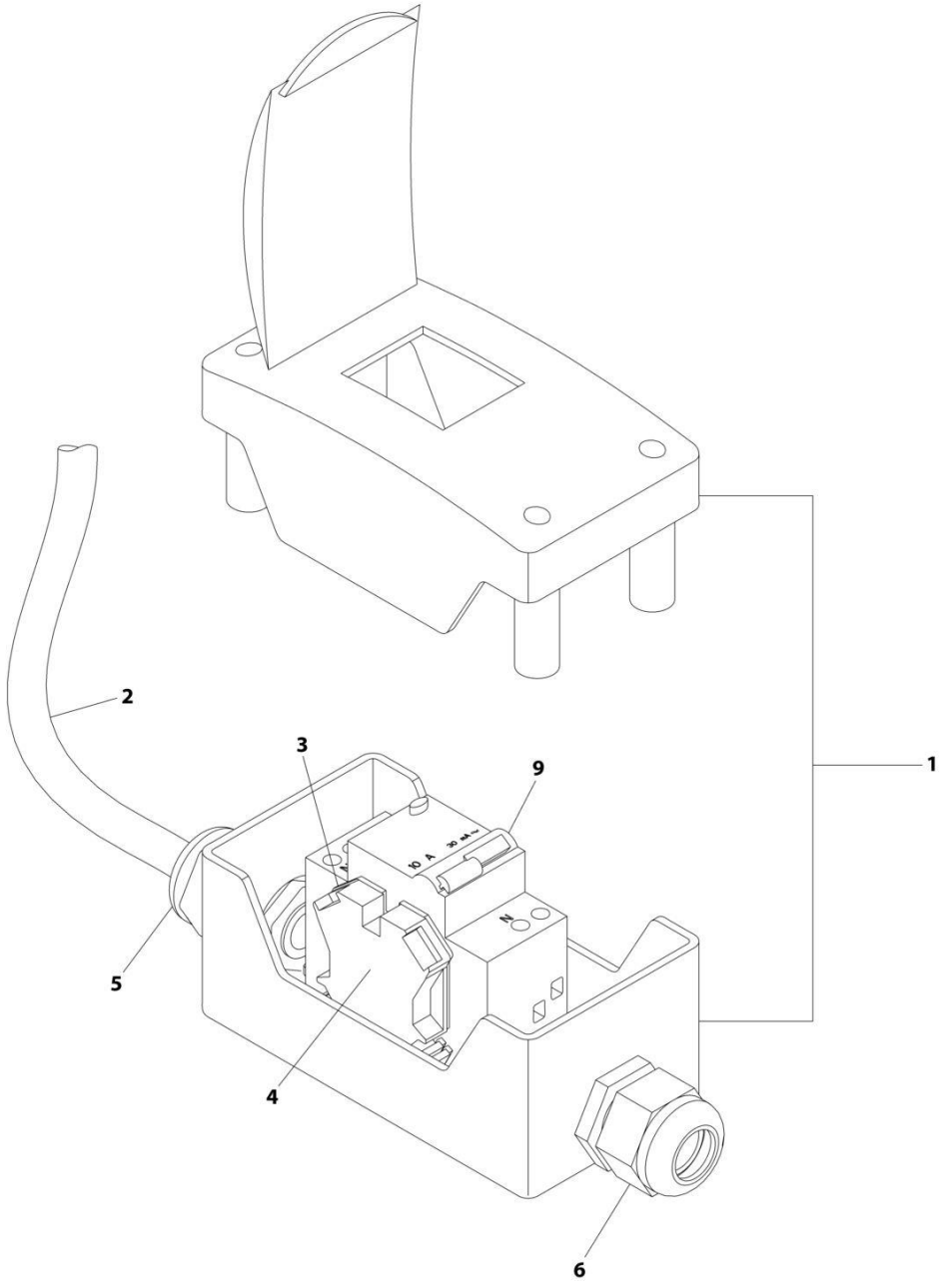
## SECTION 8 - ELECTRICAL

### FIGURE 8-33. BOOM CABLE INSTALLATION - 7500W GENERATOR

ITEM	PART NUMBER	QTY	DESCRIPTION	REV
	0273476	Ref	BOOM CABLE INSTALLATION - 7500W GENERATOR	D
1	1001226294	1	Main Boom SkyPower Cable Harness	
1	1001218622	1	Plug, Male	
2	1001226293	1	Tower Boom SkyPower Cable Harness	
2	1001218623	1	Plug, Female	
3	1001218622	1	Plug, Male	
4	1001226306	1	Turntable SkyPower Cable Harness	
4	1001218623	1	Plug, Female	

**SECTION 8 - ELECTRICAL**

**FIGURE 8-34. BREAKER BOX KIT - 10 AMP (2500W GENERATOR)**



ART\_1001109648

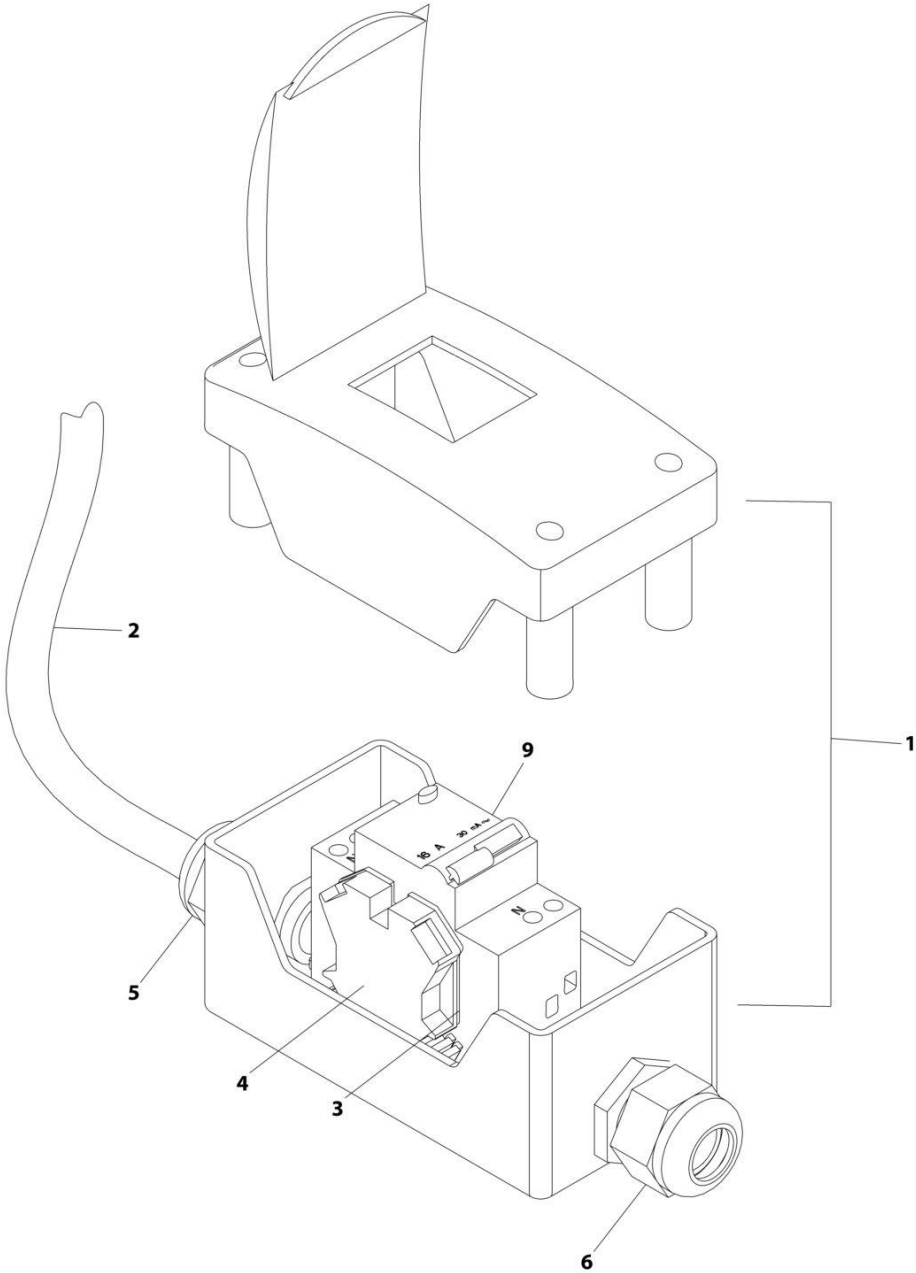
## SECTION 8 - ELECTRICAL

**FIGURE 8-34. BREAKER BOX KIT - 10 AMP (2500W GENERATOR)**

ITEM	PART NUMBER	QTY	DESCRIPTION	REV
	1001109648	Ref	BREAKER BOX KIT - 10 AMP (2500W GENERATOR)	B
1	0861880	1	Box, Breaker	
2	1060908	12 ft /3.6m	Cable, Electrical 12/3	
3	4460956	1	Barrier, Terminal Block End	
4	4460957	1	Block, Terminal	
5	1001097150	1	Connector, Strain Relief	
6	1001101191	1	Connector, Strain Relief	
9	1001181046	1	Breaker 30mA/16Amp	

**SECTION 8 - ELECTRICAL**

**FIGURE 8-35. BREAKER BOX KIT - 16 AMP (2500W GENERATOR)**



ART\_1001109654



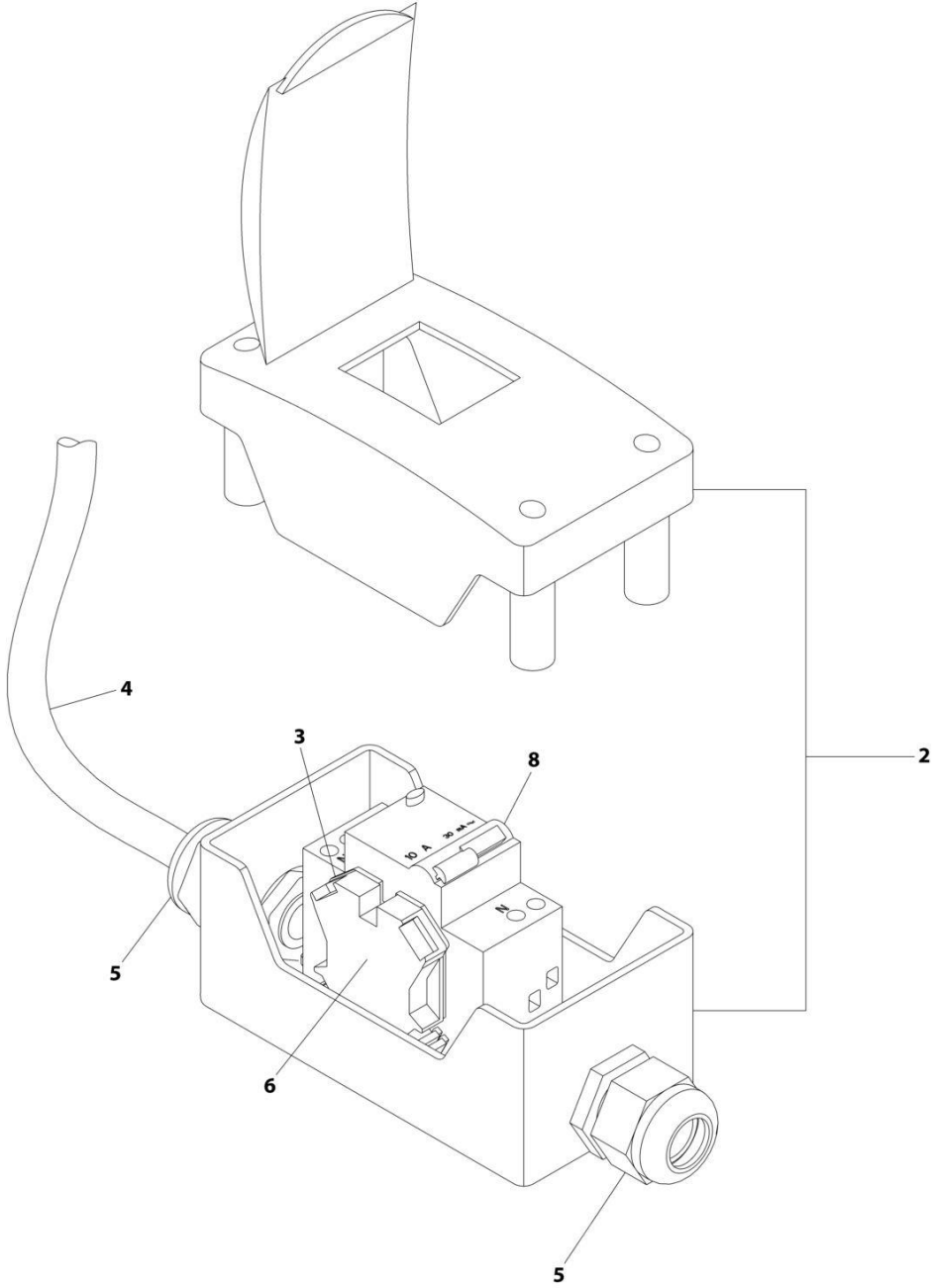
## SECTION 8 - ELECTRICAL

**FIGURE 8-35. BREAKER BOX KIT - 16 AMP (2500W GENERATOR)**

ITEM	PART NUMBER	QTY	DESCRIPTION	REV
	1001109654	Ref	BREAKER BOX KIT	C
1	0861880	1	Box, Breaker	
2	1060908	12 ft/ 3.6m	Cable 12/3	
3	4460956	1	Barrier, Terminal Block End	
4	4460957	1	Block, Terminal	
5	1001097150	1	Connector, Strain Relief	
6	1001101191	1	Connector, Strain Relief	
9	1001181045	1	Breaker - 30mA/16Amp	
10	1001100231	3	Terminal (Not Shown)	

**SECTION 8 - ELECTRICAL**

**FIGURE 8-36. BREAKER BOX KIT - 16 AMP (4000W GENERATOR)**



ART\_1001165368

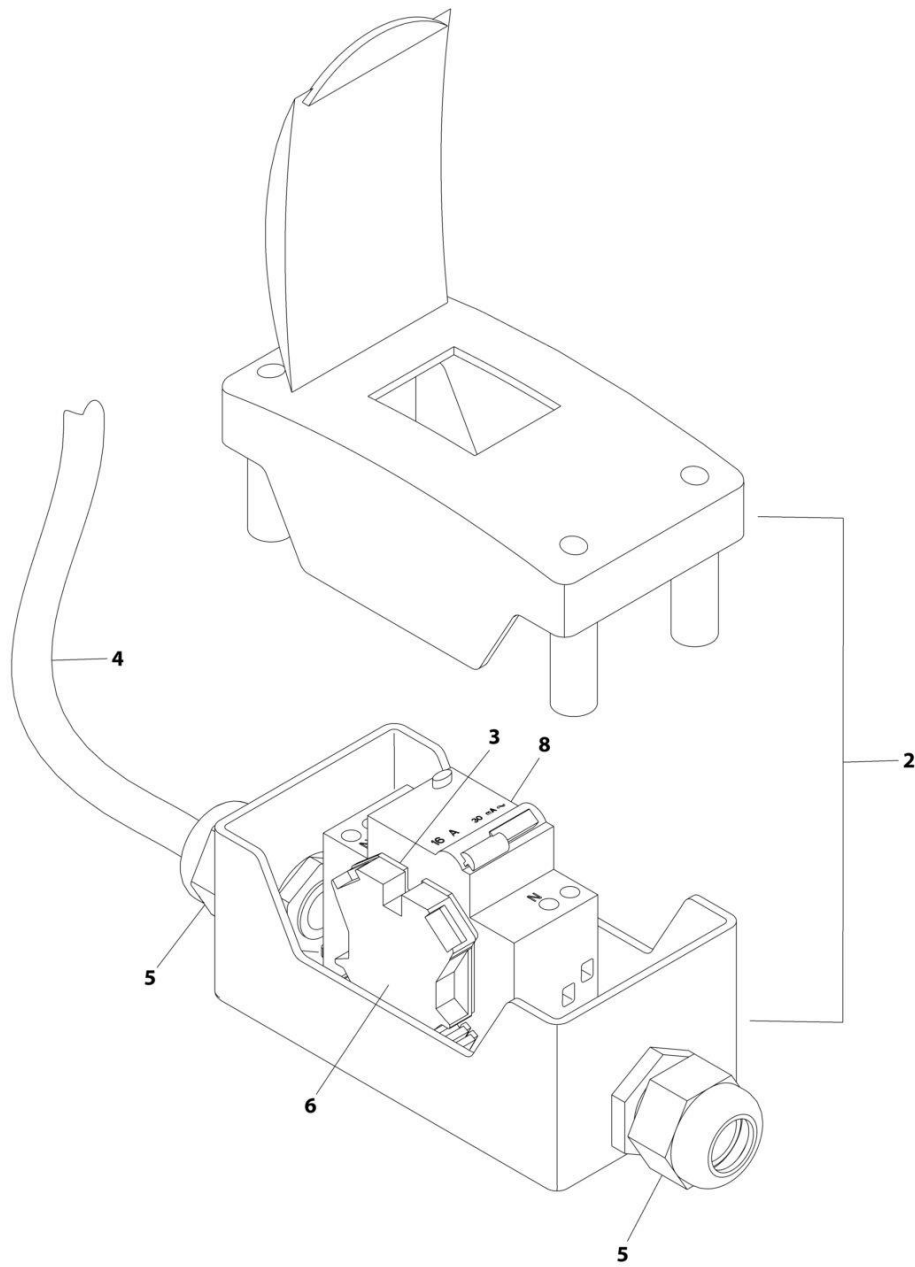
## SECTION 8 - ELECTRICAL

**FIGURE 8-36. BREAKER BOX KIT - 16 AMP (4000W GENERATOR)**

ITEM	PART NUMBER	QTY	DESCRIPTION	REV
	1001165368	Ref	BREAKER BOX KIT	B
2	0861880	1	Box, Circuit Breaker	
3	4460956	1	Barrier, Terminal Block End	
4	1060545	12 ft/ 3.6m	Cable, Electrical 10/3	
5	1001101191	2	Connector, Strain Relief	
6	4460957	1	Block, Terminal	
8	1001181045	1	Breaker 30mA/16Amp	

# SECTION 8 - ELECTRICAL

## FIGURE 8-37. BREAKER BOX KIT - 30MA/16 AMP (WITHOUT GENERATOR)



ART\_1001096070

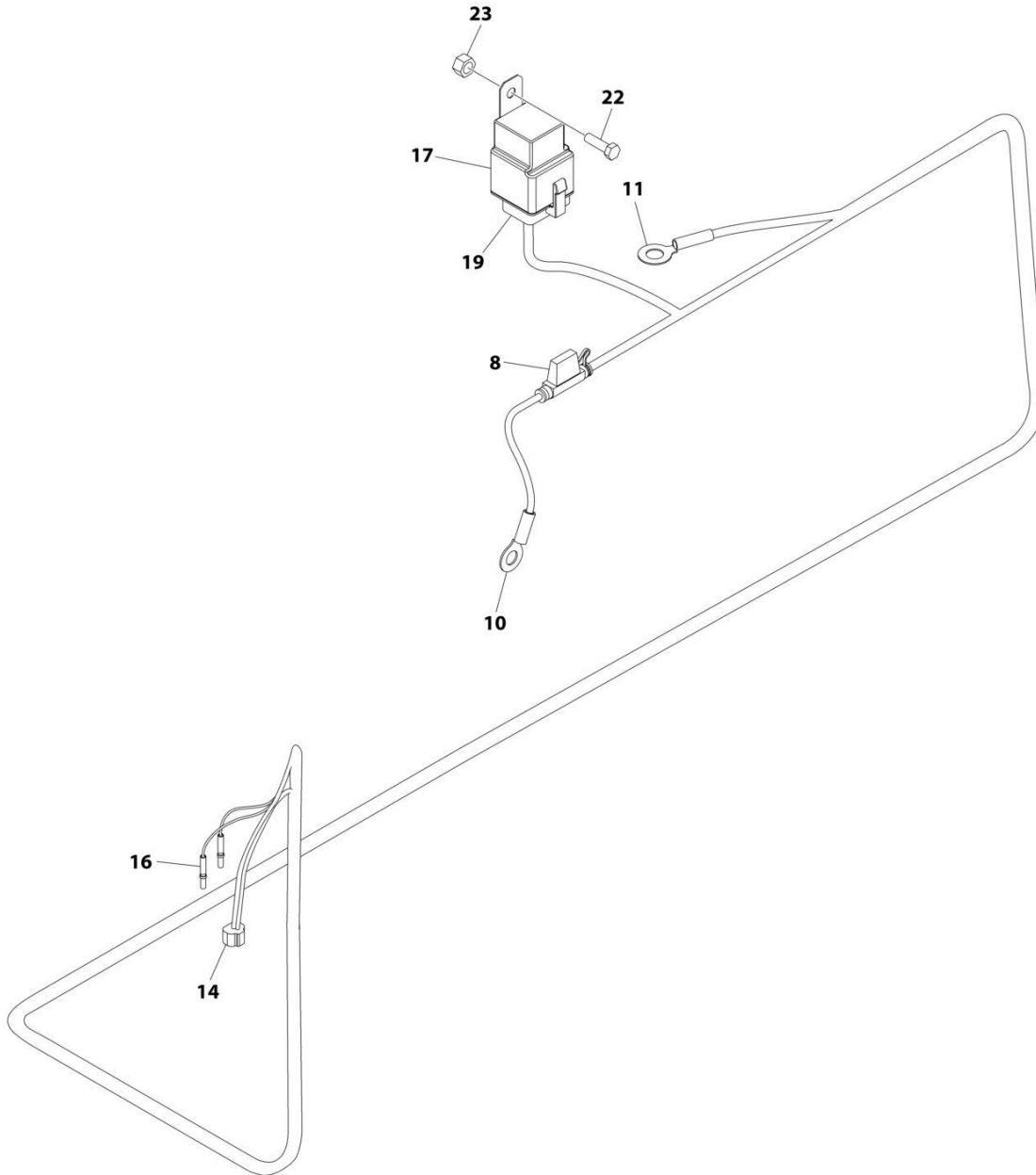
## SECTION 8 - ELECTRICAL

**FIGURE 8-37. BREAKER BOX KIT - 30MA/16 AMP (WITHOUT GENERATOR)**

ITEM	PART NUMBER	QTY	DESCRIPTION	REV
	1001096070	Ref	BREAKER BOX KIT	E
2	0861880	1	Box	
3	4460956	1	Barrier, Terminal Block End	
4	1060908	12 ft/ 3.6m	Cable, 12/3	
5	1001097150	2	Connector, Strain Relief	
6	4460957	1	Block, Terminal	
8	1001181045	1	Breaker, 16Amp	

# SECTION 8 - ELECTRICAL

## FIGURE 8-38. CHASSIS POWER DISTRIBUTION HARNESS



ART\_4923382

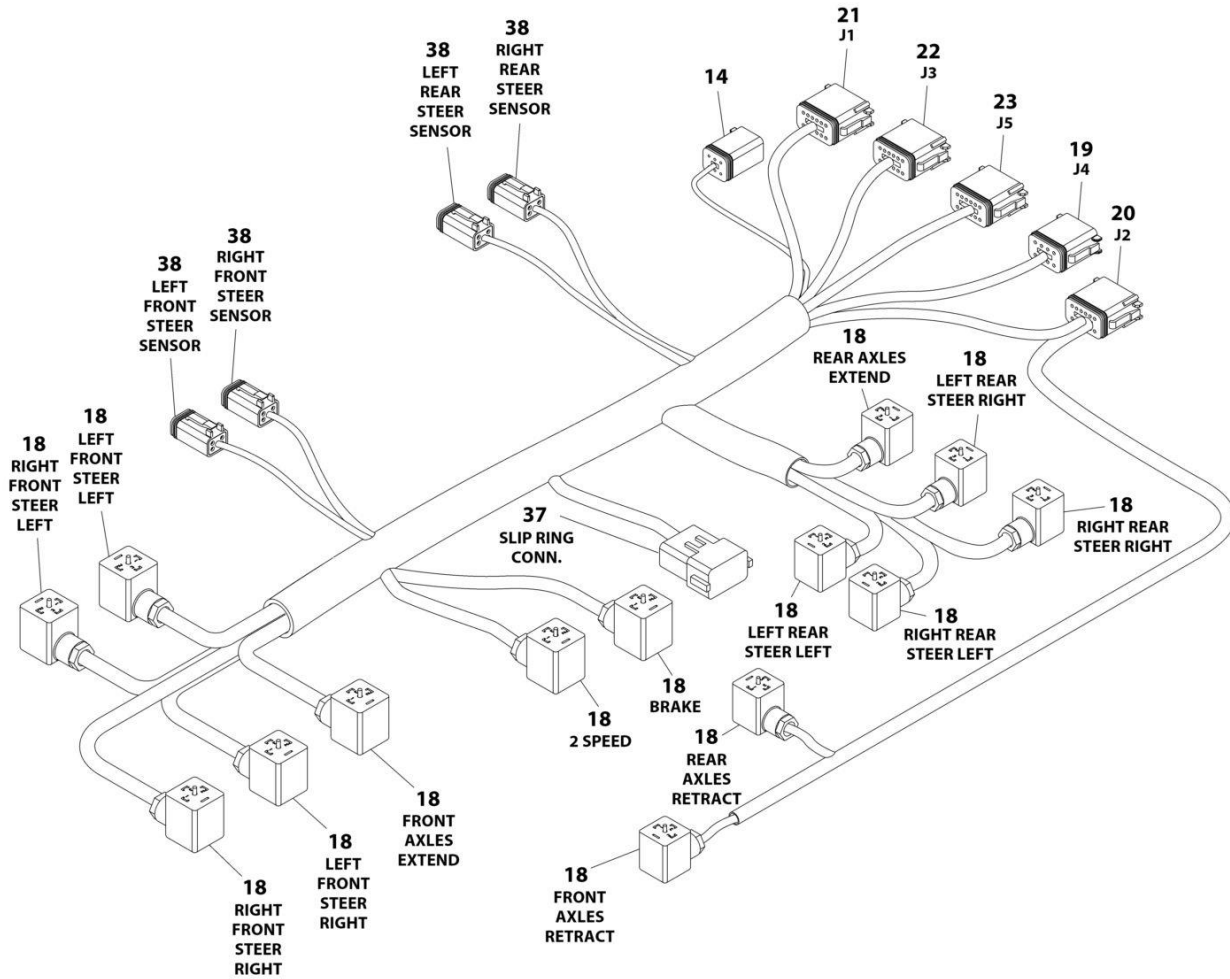
## SECTION 8 - ELECTRICAL

**FIGURE 8-38. CHASSIS POWER DISTRIBUTION HARNESS**

ITEM	PART NUMBER	QTY	DESCRIPTION	REV
	4923382	Ref	CHASSIS POWER DISTRIBUTION HARNESS	E
8	2400066	1	Fuseholder	
8	2400065	1	Fuse 30 Amp	
9	4240032	3	Tie-Strap (Not Shown)	
10	4460019	1	Terminal, Eyelet	
11	4460256	1	Terminal, Eyelet	
14	4460897	1	Connector - 2 Position	
14	4460464	2	Pin, Male	
16	4460942	2	Socket, Female	
17	3740080	1	Relay	
19	4460374	1	Plug, Sealed	
19	4460375	5	Terminal	
19	0100048	AR	Lubricant, Silicone	
22	0641408	1	Bolt 1/4 x 1	
23	3311405	1	Nut 1/4	

# SECTION 8 - ELECTRICAL

## FIGURE 8-39. CHASSIS HARNESS ASSEMBLY



ART\_4922696



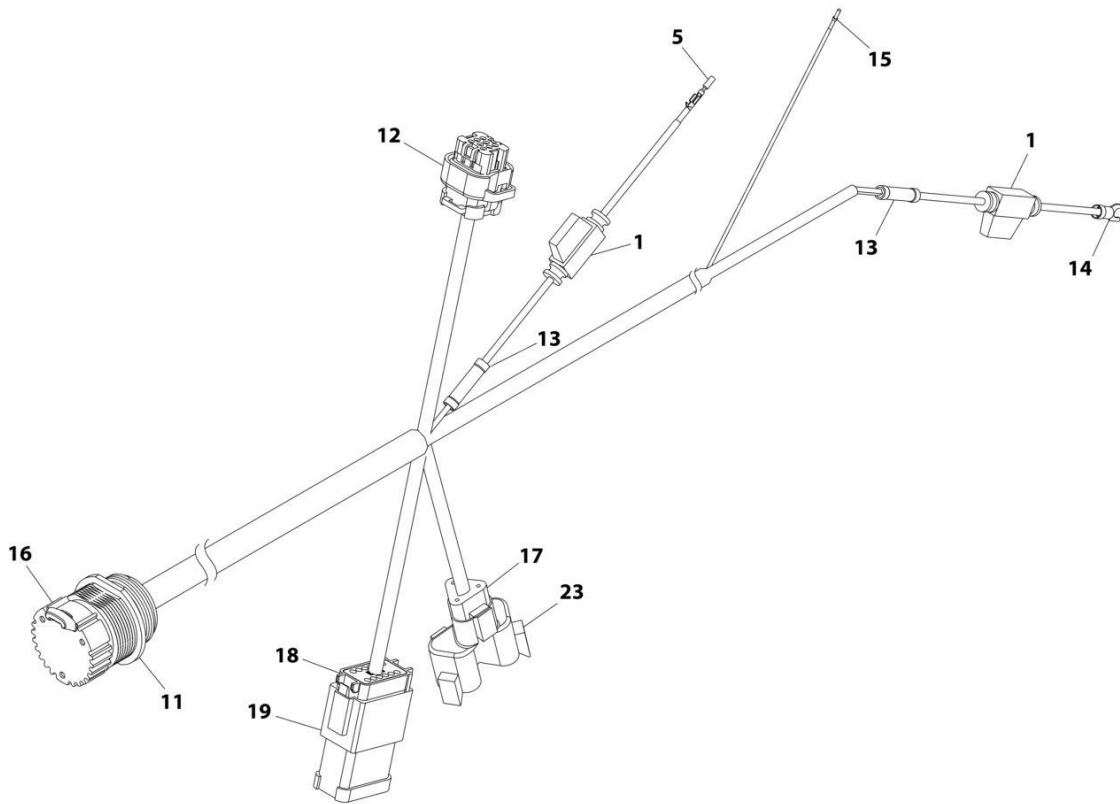
## SECTION 8 - ELECTRICAL

### FIGURE 8-39. CHASSIS HARNESS ASSEMBLY

ITEM	PART NUMBER	QTY	DESCRIPTION	REV
	4922696	Ref	CHASSIS HARNESS ASSEMBLY	D
14	4460894	1	Connector - 6 Position	
14	4460465	6	Socket, Female	
14	4460892	1	Connector - 6 Position Buss Bar	
17	4460894	1	Connector - 6 Position (Not Shown)	
17	4460465	6	Socket, Female	
17	4460892	1	Connector - 6 Position Buss Bar	
18	4460880	14	DIN Connector	
19	4460930	1	Connector - 8 Position (Gray)	
19	4460465	1	Socket, Female	
19	4460466	7	Plug, Terminal	
20	4460836	1	Connector - 12 Position (Black)	
20	4460465	6	Socket, Female	
20	4460466	6	Plug, Terminal	
21	4460933	1	Connector - 12 Position (Gray)	
21	4460465	8	Socket, Female	
21	4460466	4	Plug, Terminal	
22	4460934	1	Connector - 12 Position (Green)	
22	4460944	12	Socket, Female	
23	4460935	1	Connector - 12 Position (Brown)	
23	4460465	8	Socket, Female	
25	4240032	10	Tie-Strap (Not Shown)	
26	4240033	15	Tie-Strap (Not Shown)	
37	4460950	1	Connector - 12 Position	
37	4460464	6	Pin, Male	
37	4460943	3	Pin, Male	
37	4460941	2	Pin, Male	
38	4460884	4	Connector - 4 Position (Gray)	
38	4460944	16	Socket, Female	

# SECTION 8 - ELECTRICAL

FIGURE 8-40. CLEARSKY READY HARNESS (DEUTZ TD2011, DEUTZ TCD2.9L4 & DEUTZ TCD2.9L4 (STAGE V PRE-BUY) ENGINES)



ART\_1001254068

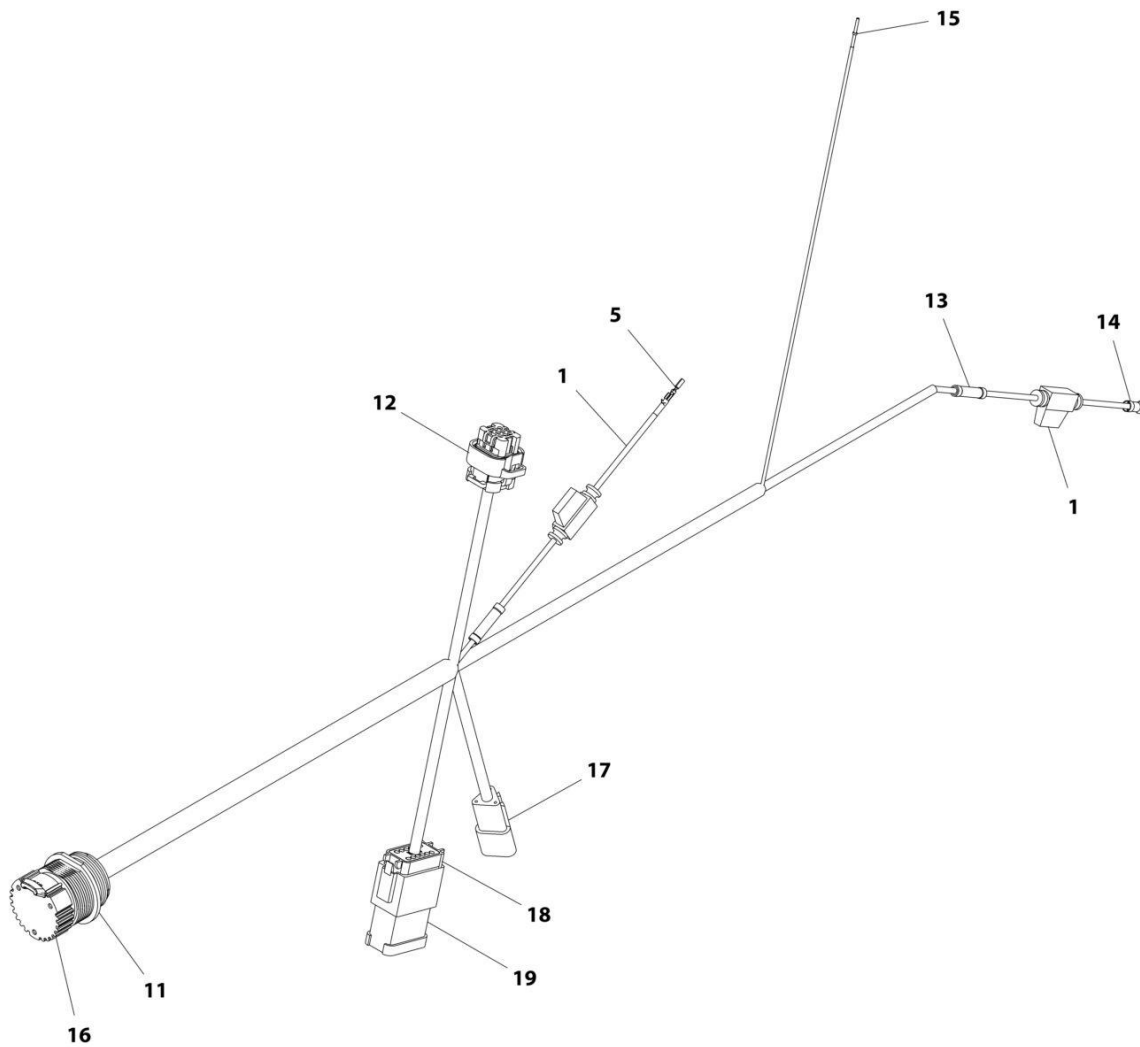
## SECTION 8 - ELECTRICAL

**FIGURE 8-40. CLEARSKY READY HARNESS (DEUTZ TD2011, DEUTZ TCD2.9L4 & DEUTZ TCD2.9L4  
(STAGE V PRE-BUY) ENGINES**

ITEM	PART NUMBER	QTY	DESCRIPTION	REV
	1001254068	Ref	CLEARSKY READY HARNESS	B
1	2400060	2	Fuseholder with Cover	
1	2400064	2	Fuse 5Amp	
5	4460871	1	Socket, Female	
11	1001112612	1	Connector - 9 Position	
11	4460464	6	Pin, Male	
11	4460466	3	Plug, Sealing	
12	1001113961	1	Connector - 8 Position	
12	4460871	5	Socket, Female	
12	4460905	5	Plug, Sealing	
13	4460035	2	Terminal, Connector	
14	4460183	1	Terminal, Eyelet	
15	4460465	1	Socket, Female	
16	1001106736	1	Cap, Dust	
17	1001116812	1	Connector - 3 Position	
17	4460944	3	Pin, Male	
18	4460933	1	Connector - 12 Position	
18	4460465	9	Socket, Female	
18	4460466	3	Plug, Sealing	
19	4460898	1	Connector Bussbar - 9 Position	
23	4460945	1	Connector, Female - 3 Way	

# SECTION 8 - ELECTRICAL

FIGURE 8-41. (CLEARSKY READY HARNESS (DEUTZ TCD2.9L4 (STAGE V) ENGINES )



ART\_1001114438

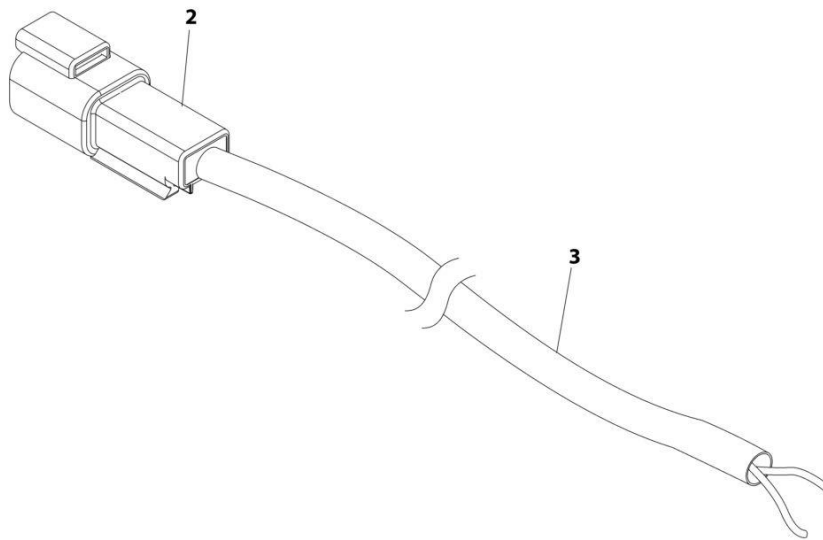
## SECTION 8 - ELECTRICAL

**FIGURE 8-41. (CLEARSKY READY HARNESS (DEUTZ TCD2.9L4 (STAGE V) ENGINES )**

ITEM	PART NUMBER	QTY	DESCRIPTION	REV
	1001114438	Ref	CLEARSKY READY HARNESS	A
1	2400060	2	Fuseholder with Cover	
1	2400064	2	Fuse 5Amp	
5	4460871	1	Socket, Female	
11	1001112612	1	Connector - 9 Position	
11	4460464	6	Pin, Male	
11	4460466	3	Plug, Sealing	
12	1001113961	1	Connector - 8 Position	
12	4460871	5	Socket, Female	
12	4460905	5	Plug, Sealing	
13	4460035	2	Terminal, Connector	
14	4460183	1	Terminal, Eyelet	
15	4460465	1	Socket, Female	
16	1001106736	1	Cap, Dust	
17	4460536	1	Connector - 3 Position	
17	4460464	3	Pin, Male	
18	4460933	1	Connector - 12 Position	
18	4460465	9	Socket, Female	
18	4460466	3	Plug, Sealing	
19	4460898	1	Connector Bussbar - 9 Position	

## SECTION 8 - ELECTRICAL

FIGURE 8-42. DUAL CAPACITY JIB POSITION SWITCH HARNESS



ART\_4922785

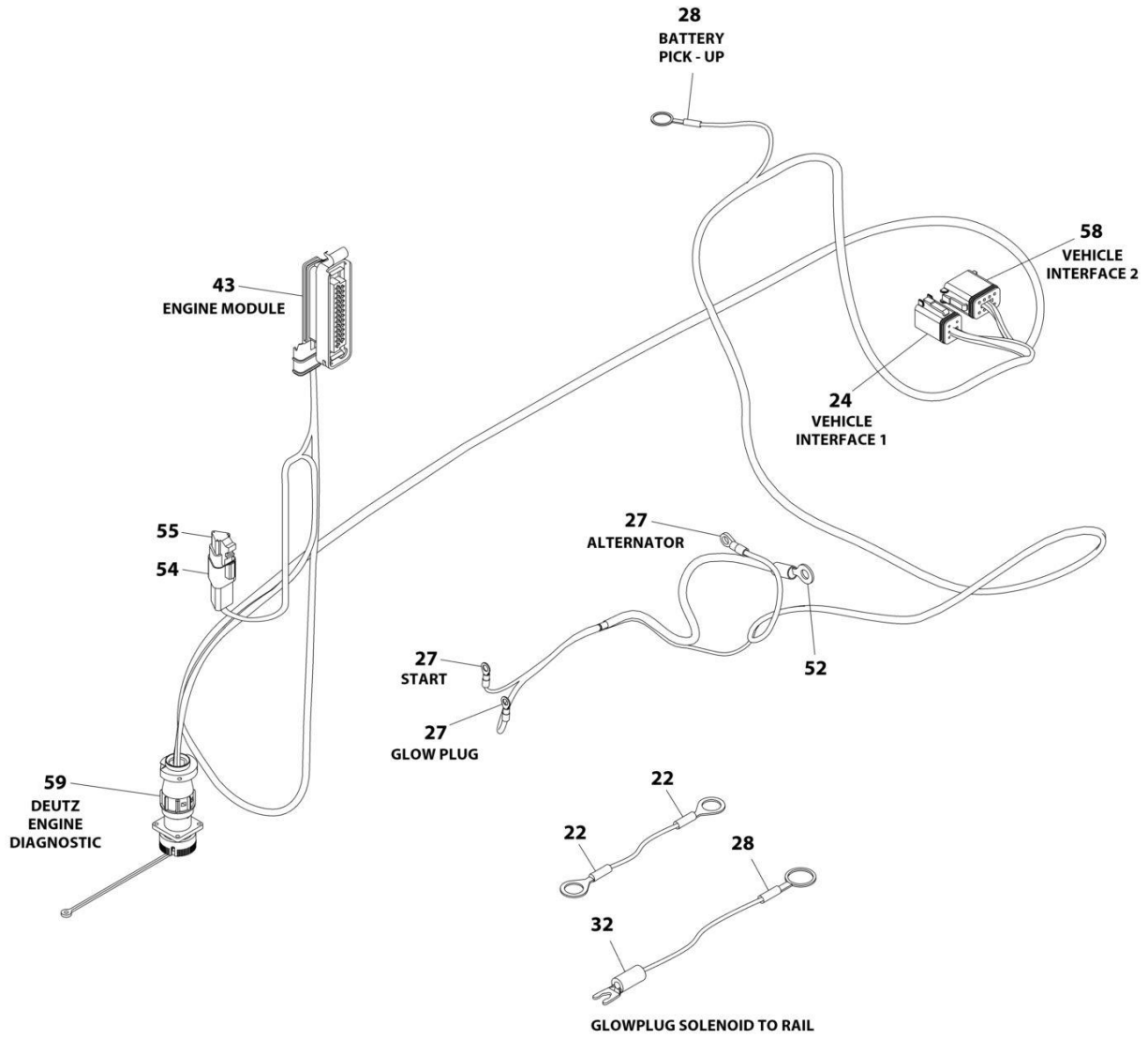
## SECTION 8 - ELECTRICAL

**FIGURE 8-42. DUAL CAPACITY JIB POSITION SWITCH HARNESS**

ITEM	PART NUMBER	QTY	DESCRIPTION	REV
	4922785	Ref	DUAL CAPACITY JIB POSITION SWITCH HARNESS	C
2	4460897	1	Connector - 2 Position	
2	4460464	2	Pin, Male	
3	1060902	15 ft/ 4.5m	Cable, Electrical 18/2	

# SECTION 8 - ELECTRICAL

## FIGURE 8-43. ENGINE HARNESS - DEUTZ TD2011 ENGINES



ART\_1001119470



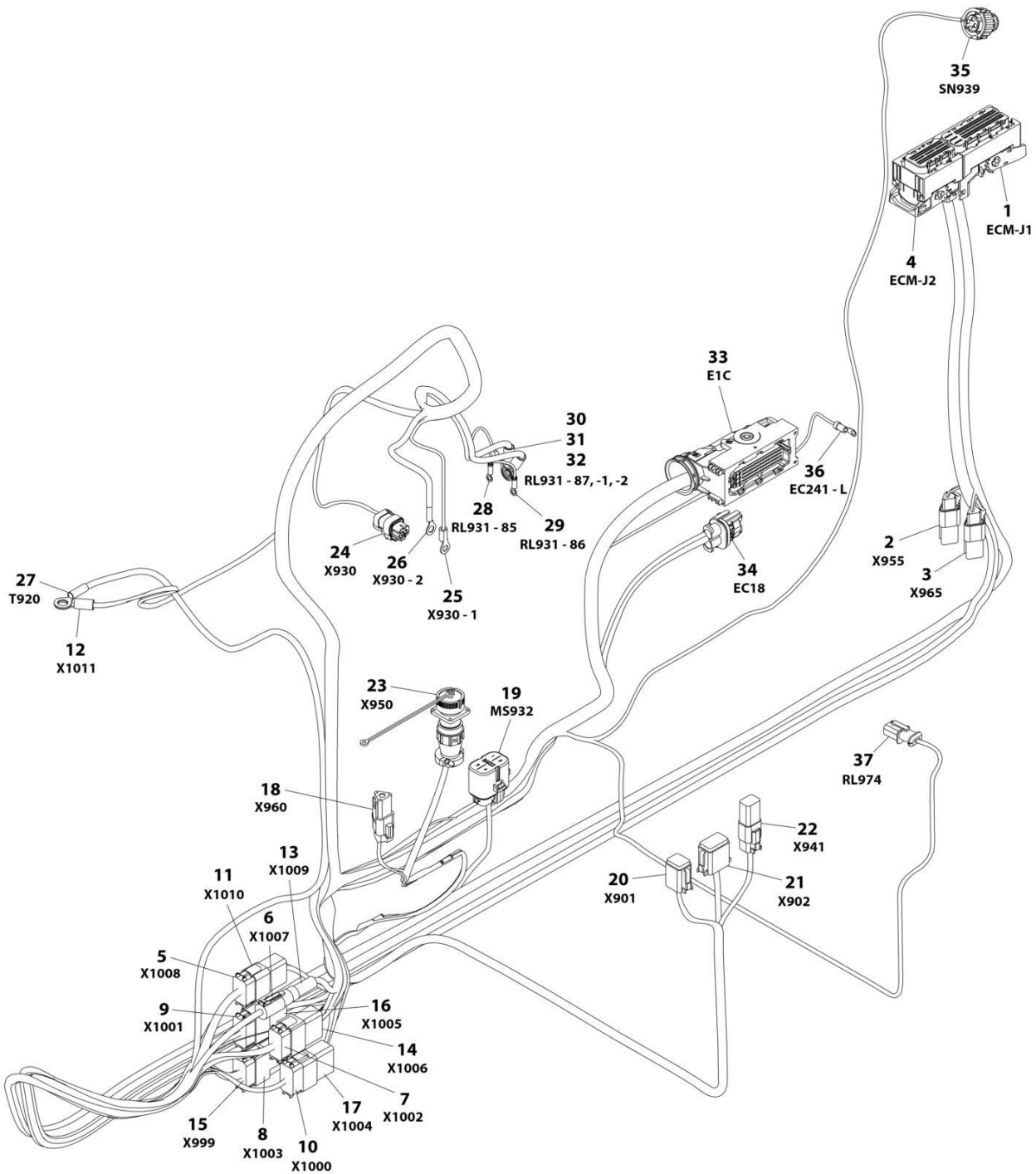
## SECTION 8 - ELECTRICAL

**FIGURE 8-43. ENGINE HARNESS - DEUTZ TD2011 ENGINES**

ITEM	PART NUMBER	QTY	DESCRIPTION	REV
	1001119470	Ref	ENGINE HARNESS - DEUTZ TD2011 ENGINES	B
22	4460702	2	Terminal, Eyelet	
24	4460894	1	Connector - 6 Position	
24	4460465	2	Socket, Female	
24	4460466	1	Plug, Terminal	
24	4460944	3	Socket, Female	
27	4460313	3	Terminal, Eyelet	
28	4460019	2	Terminal, Eyelet	
32	4460315	1	Terminal, Fork	
43	4461052	1	Connector - 25 Position	
43	4461005	5	Terminal	
43	4461006	5	Seal	
43	4461060	2	Terminal (Tin)	
43	4461054	2	Seal, Terminal	
43	4461008	18	Plug, Hole	
43	4461053	1	Cover, Plug	
50	4240032	AR	Tie-Strap (Not Shown)	
51	4240033	AR	Tie-Strap (Not Shown)	
52	4461097	1	Terminal, Eyelet	
54	4461095	1	Connector - 3 Position	
54	4460944	3	Socket, Female	
55	4461070	1	Connector with Resistor (3 Position)	
58	4460930	1	Connector - 8 Position	
58	4460465	2	Socket, Female	
58	4460466	6	Seal, Plug	
59	2902443	1	Kit, Receptacle	
59	4461071	8	Terminal, Female (Gold)	
59	4461072	1	Connector, Flange Mount	
59	4461073	1	Connector, Dust Cap	
59	4461074	1	Connector, Shell	

# SECTION 8 - ELECTRICAL

## FIGURE 8-44. ENGINE HARNESS - DEUTZ TCD2.9L4 ENGINES AND DEUTZ TCD2.9L4 (STAGE V PRE-BUY) ENGINES



ART\_1001138346

## SECTION 8 - ELECTRICAL

**FIGURE 8-44. ENGINE HARNESS - DEUTZ TCD2.9L4 ENGINES AND DEUTZ TCD2.9L4 (STAGE V PRE-BUY) ENGINES**

ITEM	PART NUMBER	QTY	DESCRIPTION	REV
	1001138346	Ref	ENGINE HARNESS - DEUTZ TCD2.9L4 ENGINES AND DEUTZ TCD2.9L4 (STAGE V PRE-BUY) ENGINES	H
1	1001133956	1	Connector (Includes Cover, Locks and Retention Plate)	
1	1001182361	6	Terminal	
1	1001230934	15	Terminal	
1	1001126351	1	Terminal	
1	1001256507	4	Terminal	
1	1001230936	3	Plug, Terminal	
1	1001230935	62	Plug, Terminal	
1	1001126352	6	Terminal	
1	1001126384	19	Terminal	
1	1001126357	3	Plug, Seal	
1	1001126356	65	Plug, Seal	
2	4461070	1	Connector with Resistor (3 Position)	
2	4461095	1	Connector - 3 Position	
2	4460944	2	Socket, Female	
2	4460466	1	Seal, Plug	
3	4461070	1	Connector with Resistor (3 Position)	
3	4461095	1	Connector - 3 Position	
3	4460944	2	Socket, Female	
3	4460466	1	Seal, Plug	
4	1001133957	1	Connector (Includes Cover, Locks and Retention Plate)	
4	1001126351	13	Terminal	
4	1001230934	11	Terminal	
4	1001252527	4	Terminal	
4	1001256507	2	Terminal	
4	1001230935	19	Plug, Terminal	
4	1001230936	11	Plug, Terminal	
5	4460930	1	Connector - 8 Position	
5	4460944	5	Socket, Female (Gold)	
5	4460465	2	Socket, Female	
5	4460466	1	Seal, Plug	
6	1001116707	1	Connector - 1 Position	
6	91143340	1	Terminal	
7	4460935	1	Plug, Brown - 12 Position	
7	4460465	12	Socket, Female	
8	4460970	1	Connector - 12 Position	
8	4460941	12	Pin, Male	
9	4460934	1	Connector, Green - 12 Position	
9	4460465	10	Socket, Female	
9	4460466	2	Seal, Plug	
10	4460836	1	Connector, Black - 12 Position	
10	4460465	8	Socket, Female	
10	4460466	4	Seal, Plug	
11	4460931	1	Connector - 8 Position (Gray)	
11	4460943	5	Pin, Male (Gold)	
11	4460466	3	Plug, Socket	
12	8220164	1	Terminal, Eyelet	
13	1001116967	1	Connector - 1 Position	

## SECTION 8 - ELECTRICAL

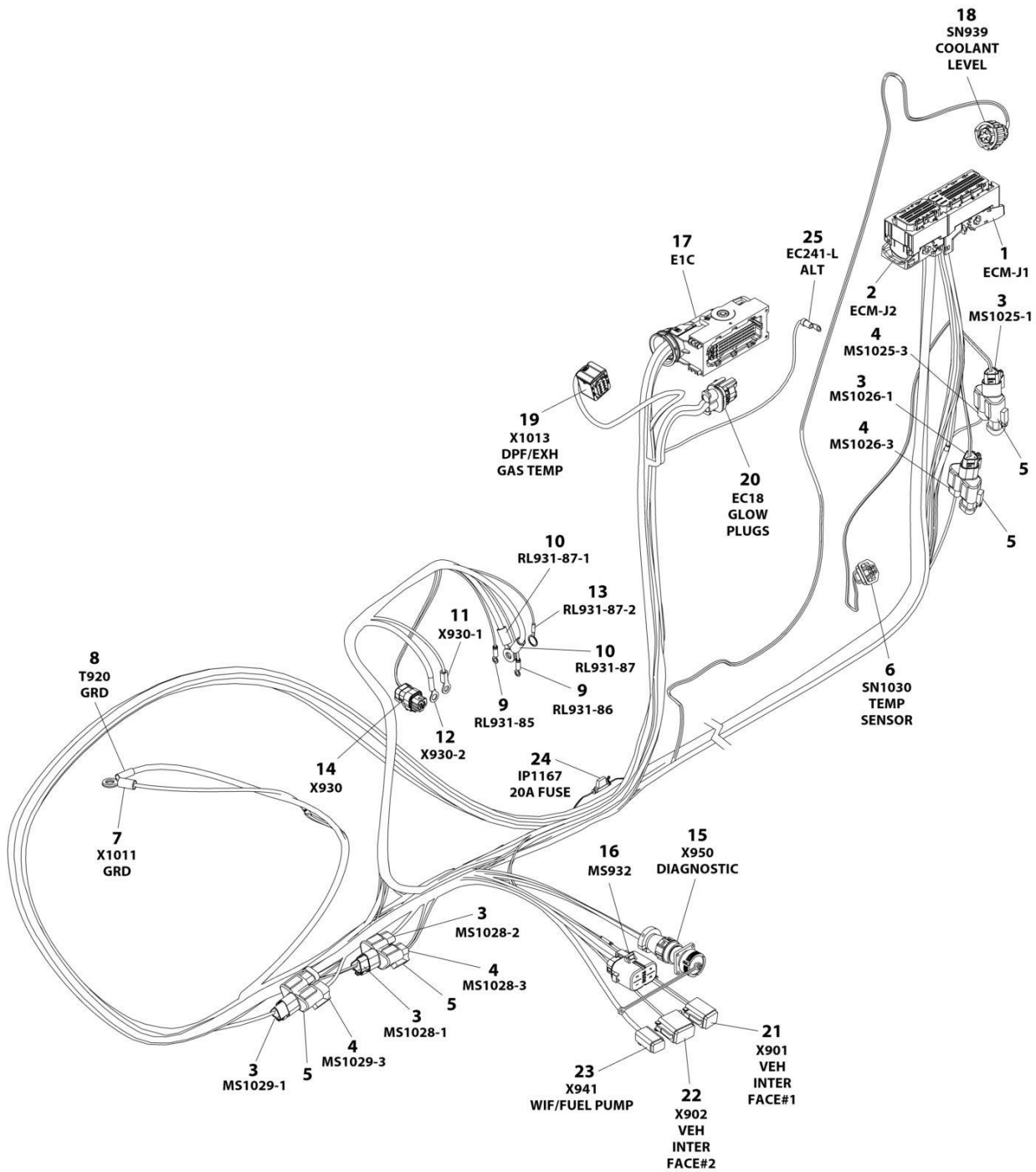
ITEM	PART NUMBER	QTY	DESCRIPTION	REV
13	91143339	1	Terminal	
14	4460982	1	Connector - 12 Position	
14	4460464	12	Pin, Male	
15	4460933	1	Connector, Gray - 12 Position	
15	4460942	12	Socket, Female	
16	1001152742	1	Connector - 12 Position	
16	4460464	10	Pin, Male	
16	4460466	2	Seal, Plug	
17	4460950	1	Connector - 12 Position	
17	4460464	8	Pin, Male	
17	4460466	4	Plug, Seal	
18	4461070	1	Connector with Resistor (3 Position)	
18	4461095	1	Connector - 3 Position	
18	4460944	2	Socket, Female	
18	4460466	1	Seal, Plug	
19	80484084	1	Connector - 8 Position	
19	8229242	1	Fuse - 5A	
19	80983191	1	Fuse - 10A	
19	1001147264	1	Cap	
19	1001116728	4	Plug	
19	4460458	4	Seal	
20	4460894	1	Connector - 6 Position	
20	4460465	3	Socket, Female	
20	4460944	2	Socket, Female	
20	4460466	1	Seal, Plug	
21	4460930	1	Connector - 8 Position	
21	4460465	1	Socket, Female	
21	4460466	7	Plug, Seal	
22	1001220379	1	Connector - 4 Position	
22	4460465	2	Socket, Female	
22	4460942	2	Socket, Female	
22	4460932	1	Connector - 4 Position	
22	4460466	4	Seal, Plug	
23	2902443	1	Kit, Receptacle	
23	4461071	8	Terminal, Female (Gold)	
23	4461072	1	Connector, Flange Mount	
23	4461073	1	Connector, Dust Cap	
23	4461074	1	Connector, Shell	
24	1001116952	1	Connector - 2 Position	
24	4460465	2	Socket, Female	
25	4460043	1	Terminal, Eyelet	
26	1001117106	1	Terminal, Eyelet	
27	4460019	1	Terminal, Eyelet	
28	4460247	1	Terminal, Eyelet	
29	4460247	1	Terminal, Eyelet	
30	1001117107	1	Terminal, Eyelet	
31	1001117107	1	Terminal, Eyelet	
32	4460703	1	Terminal, Eyelet	
33	1001126362	1	Connector - 62 Position	
33	1001126363	23	Terminal	
33	1001256506	2	Seal	

## SECTION 8 - ELECTRICAL

ITEM	PART NUMBER	QTY	DESCRIPTION	REV
33	1001126364	21	Seal	
33	1001126392	10	Terminal	
33	1001223459	10	Seal	
33	1001126365	2	Terminal	
33	4461054	2	Seal	
33	1001126391	22	Plug, Terminal	
33	4461008	4	Plug, Cavity	
34	1001142938	1	Connector - 2 Position	
34	1001142940	2	Terminal, Female	
34	1001142941	2	Seal	
35	1001133714	1	Connector - 4 Position	
35	1001133715	3	Terminal, Female	
35	1001135650	1	Seal	
35	1001135651	1	Plug, Cavity	
36	4460042	1	Terminal, Eyelet	
37	1001138110	1	Connector - 2 Position	
37	1001138111	2	Socket, Female	
37	1001138113	2	Seal	

# SECTION 8 - ELECTRICAL

## FIGURE 8-45. ENGINE HARNESS - DEUTZ TCD2.9L4 ENGINES AND DEUTZ TCD2.9L4 (STAGE V) ENGINES



ART\_1001237285

## SECTION 8 - ELECTRICAL

**FIGURE 8-45. ENGINE HARNESS - DEUTZ TCD2.9L4 ENGINES AND DEUTZ TCD2.9L4 (STAGE V) ENGINES**

ITEM	PART NUMBER	QTY	DESCRIPTION	REV
	1001237285	Ref	ENGINE HARNESS	G
1	1001133956	1	Connector (Includes Cover, Locks and Retention Plate)	
1	1001182361	6	Terminal	
1	1001230934	25	Terminal	
1	1001126351	3	Terminal	
1	1001252527	4	Terminal	
1	1001230935	55	Plug, Terminal	
1	1001230936	1	Plug, Terminal	
2	1001133957	1	Connector (Includes Cover, Locks and Retention Plate)	
2	1001126351	13	Terminal	
2	1001230934	26	Terminal	
2	1001230935	9	Terminal	
2	1001230936	11	Plug, Terminal	
3	1001116812	5	Plug, Male - 3 Position	
3	4460944	10	Socket, Female	
3	4460466	5	Plug, Terminal	
4	4460539	4	Plug, Male - 3 Position	
4	4460944	8	Socket, Female	
4	4460466	4	Plug, Terminal	
5	4460945	4	Connector - 3 Way	
6	1001126487	1	Connector - 3 Position	
6	1001167635	2	Terminal	
6	1001126485	2	Seal	
7	8220164	1	Terminal, Eyelet	
8	4460019	1	Terminal, Eyelet	
9	4460247	2	Terminal, Eyelet	
10	1001117107	2	Terminal, Eyelet	
11	4460043	1	Terminal, Eyelet	
12	1001117106	1	Terminal, Eyelet	
13	4460703	1	Terminal, Eyelet	
14	1001116952	1	Connector - 2 Position	
14	4460465	2	Socket, Female	
15	2902443	1	Kit, Receptacle	
15	4461071	8	Terminal, Female (Gold)	
15	4461072	1	Connector, Flange Mount	
15	4461073	1	Connector, Dust Cap	
15	4461074	1	Connector, Shell	
16	80484084	1	Connector - 8 Position	
16	4460748	4	Plug, Terminal	
16	4460746	3	Terminal	
16	1001234800	1	Terminal	
16	4460458	4	Seal	
17	1001126362	1	Connector - 62 Position	
17	1001126363	36	Terminal	
17	1001126364	36	Seal	
17	1001126391	7	Plug, Terminal	
17	4461008	4	Plug, Cavity	
17	1001126392	12	Terminal	
17	1001223459	12	Seal	

## SECTION 8 - ELECTRICAL

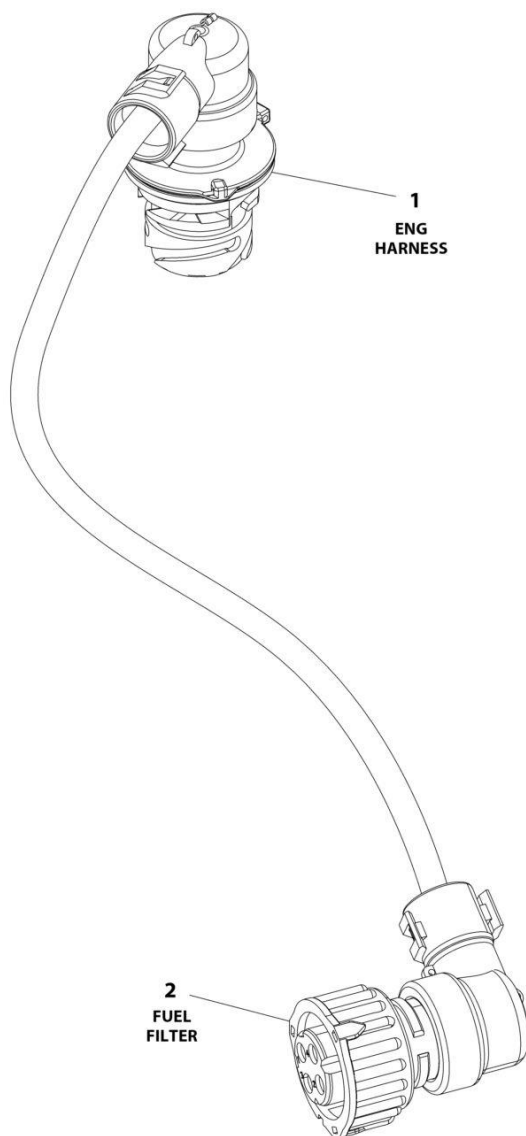
ITEM	PART NUMBER	QTY	DESCRIPTION	REV
17	1001167632	2	Terminal	
17	4461054	2	Seal	
18	1001133714	1	Connector - 4 Position	
18	1001133715	3	Terminal, Female	
18	1001135650	1	Seal	
18	1001135651	1	Plug, Cavity	
19	1001239202	1	Connector - 8 Position	
19	1001126363	7	Terminal	
19	1001126364	7	Seal	
19	1001135651	1	Plug, Terminal	
20	1001142938	1	Connector - 2 Position	
20	1001142940	2	Terminal, Female	
20	1001142941	2	Seal	
21	4460894	1	Connector - 6 Position	
21	4460465	2	Socket, Female	
21	4460944	2	Socket, Female	
21	4460466	2	Seal, Plug	
22	4460930	1	Connector - 8 Position	
22	4460465	1	Socket, Female	
22	4460466	7	Seal, Plug	
23	4460884	1	Connector - 4 Position	
23	4460465	2	Socket, Female	
23	4460942	2	Socket, Female	
24	1001170764	1	Fuseholder with Cover and 20AMP Fuse	
24	1001197719	1	Resistor 620ohm/5 watt	
25	4460042	1	Terminal, Eyelet	





## SECTION 8 - ELECTRICAL

FIGURE 8-46. FUEL FILTER HARNESS - DEUTZ TCD2.9L4 ENGINES AND DEUTZ TCD2.9L4 (STAGE V) ENGINES



ART\_1001148843

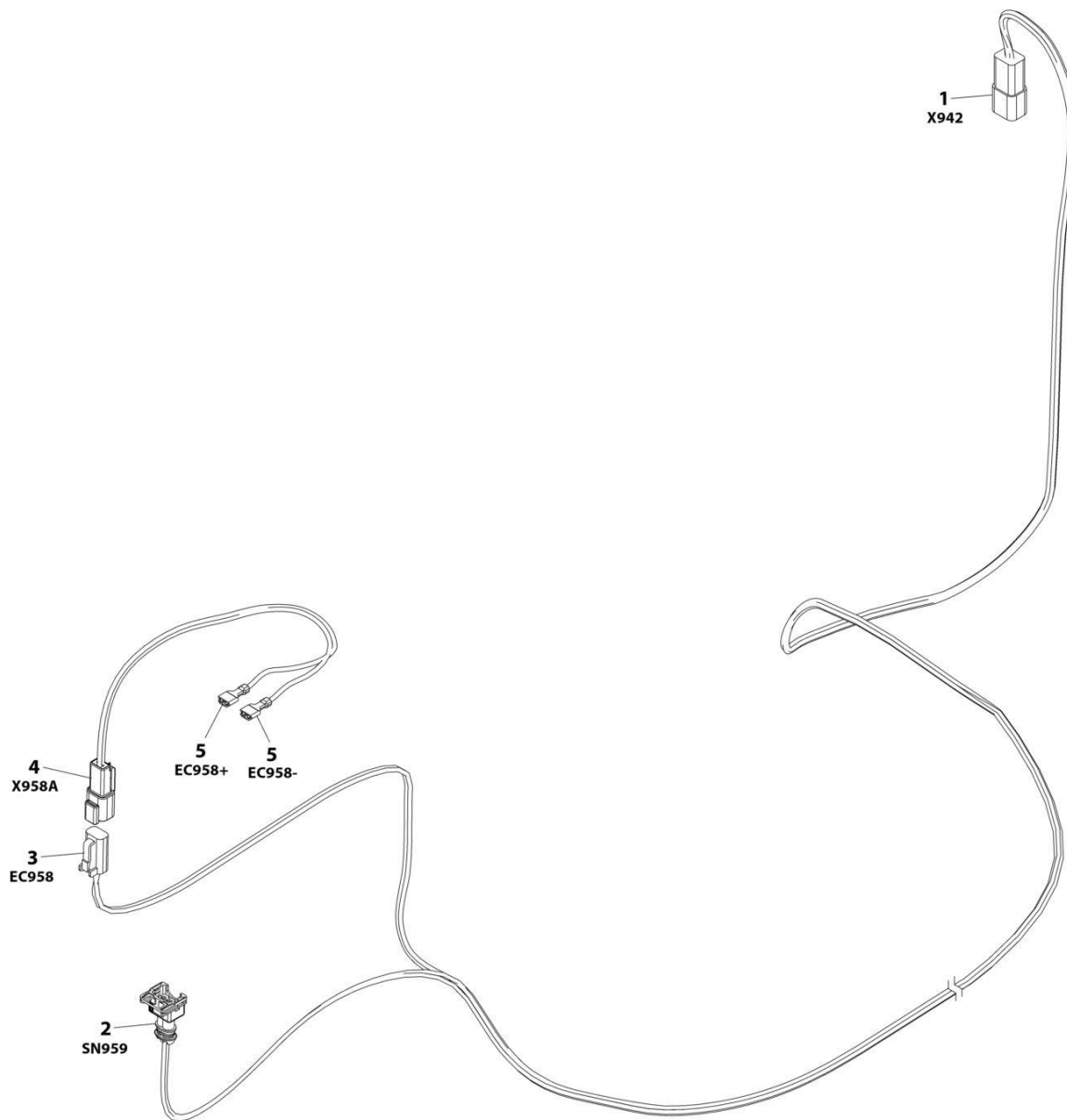
## SECTION 8 - ELECTRICAL

**FIGURE 8-46. FUEL FILTER HARNESS - DEUTZ TCD2.9L4 ENGINES AND DEUTZ TCD2.9L4 (STAGE V) ENGINES**

ITEM	PART NUMBER	QTY	DESCRIPTION	REV
	1001148843	Ref	FUEL FILTER HARNESS - DEUTZ TCD2.9L4 ENGINES	A
1	1001148842	1	Connector - 4 Position	
1	1001148841	4	Pin, Male	
1	1001135650	4	Seal	
2	1001133714	1	Plug, Male - 4 Position	
2	1001133715	4	Socket, Female	
2	1001135650	4	Seal	

# SECTION 8 - ELECTRICAL

FIGURE 8-47. FUEL HARNESS - DEUTZ TCD2.9L4 ENGINES, DEUTZ TCD2.9L4 (STAGE V PRE-BUY) ENGINES AND DEUTZ TCD2.9L4 (STAGE V) ENGINES



ART\_1001138491

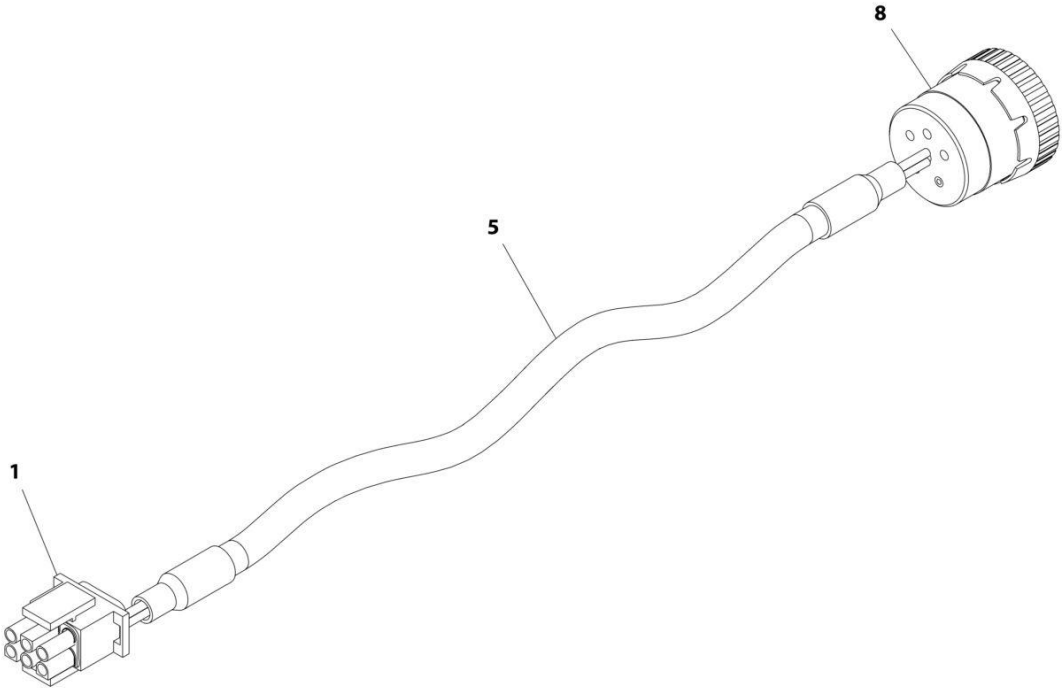
## SECTION 8 - ELECTRICAL

**FIGURE 8-47. FUEL HARNESS - DEUTZ TCD2.9L4 ENGINES, DEUTZ TCD2.9L4 (STAGE V PRE-BUY) ENGINES AND DEUTZ TCD2.9L4 (STAGE V) ENGINES**

ITEM	PART NUMBER	QTY	DESCRIPTION	REV
	1001138491	Ref	FUEL PUMP HARNESS	D
1	4460932	1	Receptacle, Female - 4 Position	
1	4460941	2	Pin, Male	
1	4460464	2	Pin, Male	
2	1001116983	1	Plug, Male - 2 Position	
2	1001116710	2	Socket, Female	
2	4461054	2	Seal	
3	4460891	1	Plug, Male - 2 Position	
3	4460942	2	Socket, Female	
4	4460897	1	Connector - 2 Position	
4	4460941	2	Pin, Male	
5	8220051	2	Terminal, Ring	

**SECTION 8 - ELECTRICAL**

**FIGURE 8-48. GENERATOR HARNESS - 4000W GENERATOR**



ART\_1001152533

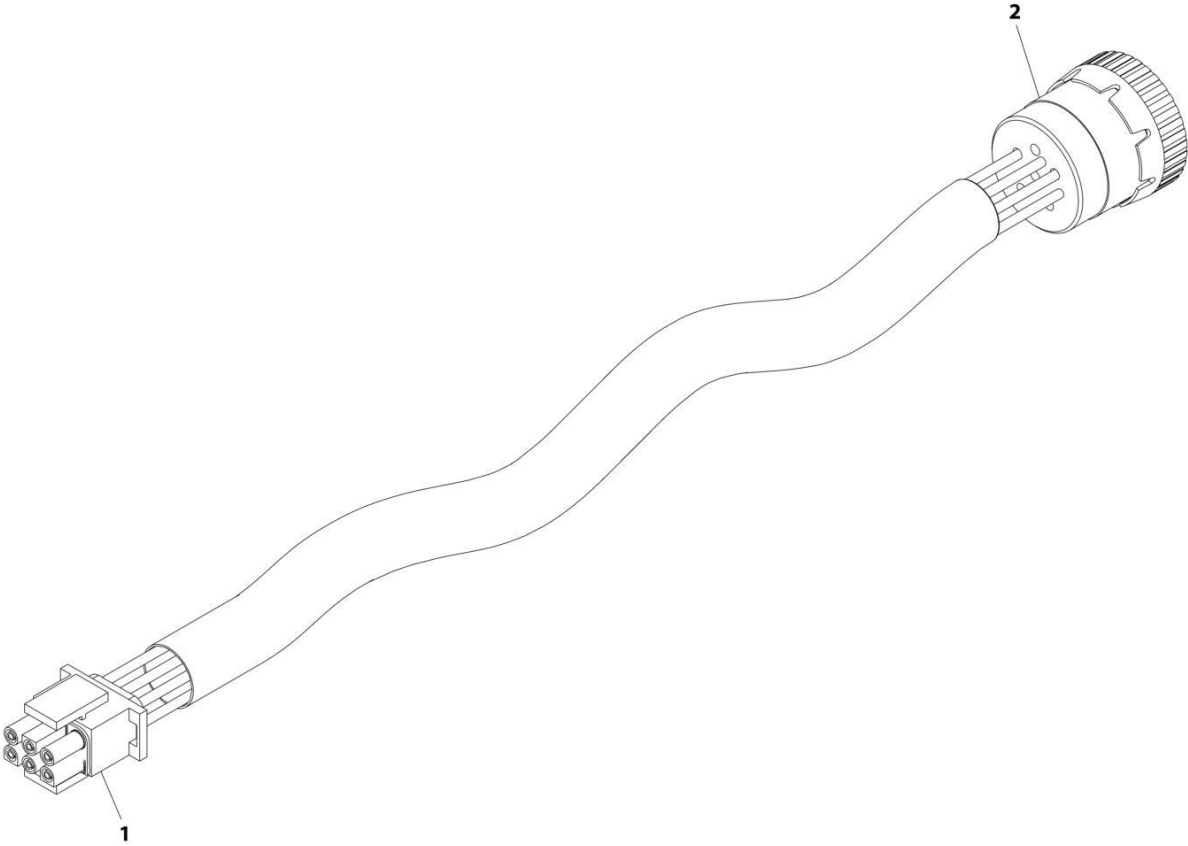
## SECTION 8 - ELECTRICAL

### FIGURE 8-48. GENERATOR HARNESS - 4000W GENERATOR

ITEM	PART NUMBER	QTY	DESCRIPTION	REV
	1001152533	Ref	GENERATOR HARNESS - 4000W GENERATOR	A
1	4460225	1	Connector - 6 Position	
1	4460268	2	Socket, Female	
1	4460807	1	Seal, Plug	
1	4460808	1	Seal, Plug	
5	1060341	8 ft /2.4m	Cable, 16/2	
8	77363233	1	Connector - 6 Position	
8	4460465	2	Socket, Female	

**SECTION 8 - ELECTRICAL**

**FIGURE 8-49. GENERATOR CABLE HARNESS - 7500W GENERATOR**



ART\_4922972



## SECTION 8 - ELECTRICAL

**FIGURE 8-49. GENERATOR CABLE HARNESS - 7500W GENERATOR**

ITEM	PART NUMBER	QTY	DESCRIPTION	REV
	4922972	Ref	GENERATOR HARNESS - 7500W GENERATOR	C
1	4460225	1	Connector - 6 Position	
1	4460268	6	Socket, Female	
1	4460807	1	Seal, Plug	
1	4460808	1	Seal, Plug	
2	77363233	1	Connector - 6 Position	
2	4460465	6	Socket, Female	



## SECTION 8 - ELECTRICAL

**FIGURE 8-50. GROUND CONTROL BOX HARNESS (PVC 2001)**

ITEM	PART NUMBER	QTY	DESCRIPTION	REV
	1001242324	Ref	GROUND CONTROL BOX HARNESS	C
1	4460225	1	Connector - 6 Position	
1	4460227	5	Pin, Male	
3	4460965	1	Connector - 3 Position (Blue Lock)	
3	4460944	3	Socket, Female	
3	4922099	AR	Cable, Can-Buss	
5	2400066	1	Fuseholder with Cover	
5	2400065	1	Fuse	
8	4460894	1	Connector - 6 Position	
8	4460465	1	Socket, Female 16-18GA	
8	4460942	1	Socket, Female 14-16 GA	
10	4460474	2	Terminal, Connector	
12	3990001	2	Diode - 3 Amp	
19	4460418	9	Connector, Female - 6 Position	
19	4460419	9	Socket, Female	
19	1001159186	16	Socket, Female	
20	4460806	6	Terminal, Fork	
22	4460871	20	Socket, Female	
24	4460260	7	Terminal, Housing	
24	4460259	7	Terminal	
25	4460260	3	Terminal, Housing	
25	4460297	3	Terminal	
27	4460866	1	Connector - 19 Pin	
27	4460464	10	Pin, Male	
27	4460508	3	Pin, Male	
28	4460878	1	Connector - 4 Position	
28	4460887	3	Terminal	
30	4460142	3	Terminal, Eyelet	
31	4460313	3	Terminal, Eyelet	
34	1001237667	1	Connector - 6 Position	
34	1001237668	5	Terminal	
37	4460873	1	Connector, Black - 35 Position	
37	4460871	17	Socket, Female	
39	4460930	1	Connector - 8 Position	
39	4460944	6	Socket, Female	
40	4460876	1	Connector, Blue - 35 Position	
40	4460871	24	Socket, Female	
41	1001167686	1	Connector - 3 Position	
41	4460944	3	Socket, Female	
41	4922099	AR	Cable, Can-Buss	
42	4460613	1	Connector - 21 Pin	
42	4460464	8	Pin, Male Deutsch 16 Ga	
42	4460941	2	Pin, Male Deutsch 14 Ga	
44	4460836	1	Connector - 12 Position	
44	4460465	3	Socket, Female 16-18GA	
44	4460942	2	Socket, Female 14-16 GA	
45	4460761	1	Connector - 4 Position	
45	4460227	4	Pin, Male	
68	1001096076	1	Decal - Troubleshooting	
69	2400060	1	Fuse, Holder	

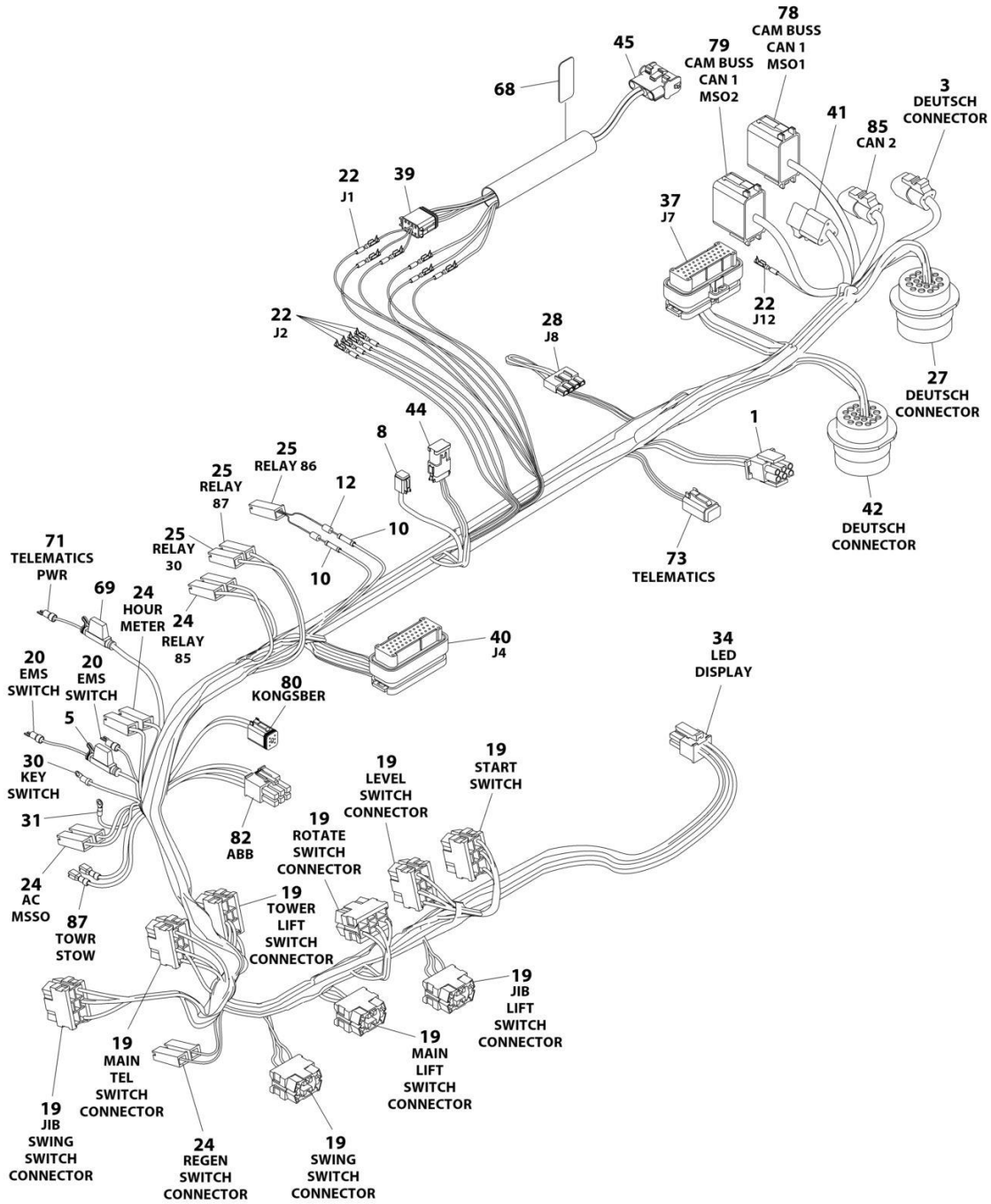
## SECTION 8 - ELECTRICAL

ITEM	PART NUMBER	QTY	DESCRIPTION	REV
69	8229242	1	Fuse, 5Amp	
71	4460888	1	Terminal, Fork	
73	4460884	1	Connector - 4 Position	
73	4460465	4	Socket, Female	
73	1001192401	1	Connector, Dust Cap	
78	4460933	1	Connector - 12 Position (Gray)	
78	4460944	11	Socket, Female	
78	4460466	1	Plug, Terminal	
78	1001119020	1	Bussbar - 12 Position	
79	4460933	1	Connector - 12 Position (Gray)	
79	4460944	5	Socket, Female	
79	4460466	7	Plug, Terminal	
79	1001119020	1	Bussbar - 12 Position	
80	4460894	1	Connector - 6 Position	
80	4460465	4	Socket, Female	
80	4460466	2	Plug, Terminal	
82	4460868	1	Connector - 6 Position	
82	4460877	4	Terminal	
85	1001116812	1	Connector - 3 Position	
85	4460944	3	Socket, Female	



# SECTION 8 - ELECTRICAL

## FIGURE 8-51. GROUND CONTROL BOX HARNESS (PVC 2007)



ART\_1001242324\_F

## SECTION 8 - ELECTRICAL

**FIGURE 8-51. GROUND CONTROL BOX HARNESS (PVC 2007)**

ITEM	PART NUMBER	QTY	DESCRIPTION	REV
	1001242324	Ref	GROUND CONTROL BOX HARNESS	F
1	4460225	1	Connector - 6 Position	
1	4460227	5	Pin, Male	
3	4460965	1	Connector - 3 Position (Blue Lock)	
3	4460944	3	Socket, Female	
3	4922099	AR	Cable, Can-Buss	
5	2400066	1	Fuseholder with Cover	
5	2400065	1	Fuse	
8	4460894	1	Connector - 6 Position	
8	4460465	1	Socket, Female 16-18GA	
8	4460942	1	Socket, Female 14-16 GA	
10	4460474	2	Terminal, Connector	
12	3990001	2	Diode - 3 Amp	
19	4460418	9	Connector, Female - 6 Position	
19	4460419	9	Socket, Female	
19	1001159186	16	Socket, Female	
20	4460806	6	Terminal, Fork	
22	4460871	20	Socket, Female	
24	4460260	7	Terminal, Housing	
24	4460259	7	Terminal	
25	4460260	3	Terminal, Housing	
25	4460297	3	Terminal	
27	4460866	1	Connector - 19 Pin	
27	4460464	10	Pin, Male	
27	4460508	3	Pin, Male	
28	4460878	1	Connector - 4 Position	
28	4460887	3	Terminal	
30	4460142	3	Terminal, Eyelet	
31	4460313	3	Terminal, Eyelet	
34	1001237667	1	Connector - 6 Position	
34	1001237668	5	Terminal	
37	4460873	1	Connector, Black - 35 Position	
37	4460871	17	Socket, Female	
39	4460930	1	Connector - 8 Position	
39	4460944	6	Socket, Female	
40	4460876	1	Connector, Blue - 35 Position	
40	4460871	24	Socket, Female	
41	4460951	1	Connector - 3 Position	
41	4460944	1	Socket, Female	
41	4922099	AR	Cable, Can-Buss	
41	1001003498	1	Lock, Plug	
42	4460613	1	Connector - 21 Pin	
42	4460464	8	Pin, Male Deutsch 16 Ga	
42	4460941	2	Pin, Male Deutsch 14 Ga	
44	4460836	1	Connector - 12 Position	
44	4460465	3	Socket, Female 16-18GA	
44	4460942	2	Socket, Female 14-16 GA	
45	4460761	1	Connector - 4 Position	
45	4460227	4	Pin, Male	
68	1001096076	1	Decal - Troubleshooting	

## SECTION 8 - ELECTRICAL

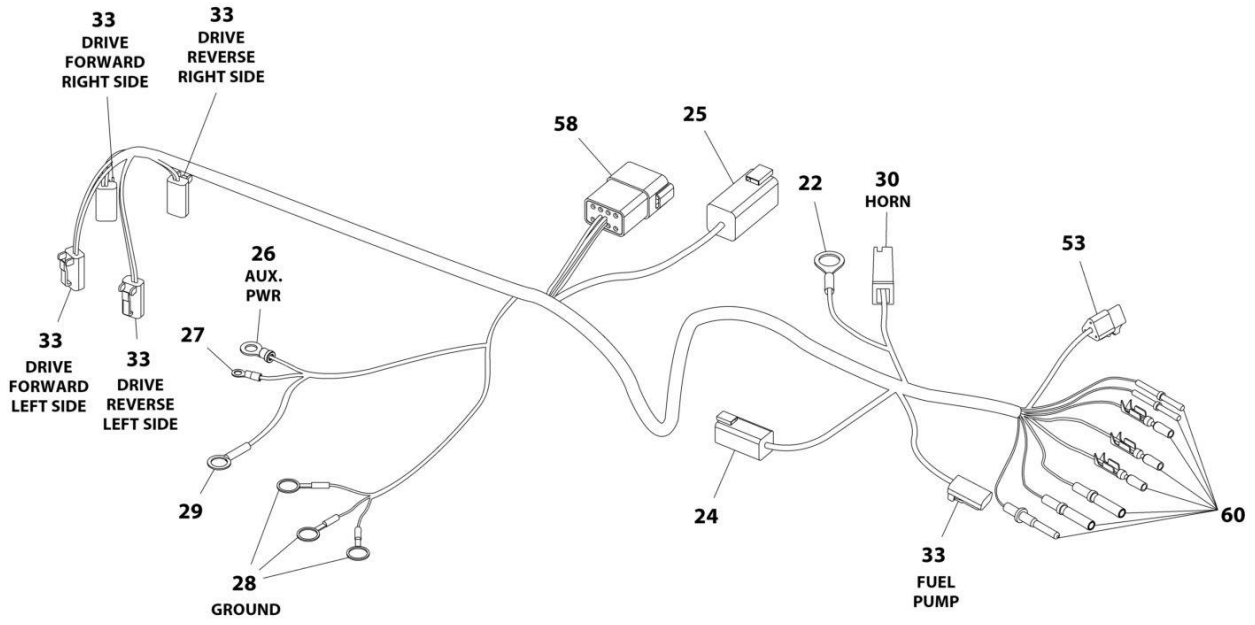
ITEM	PART NUMBER	QTY	DESCRIPTION	REV
69	2400060	1	Fuse, Holder	
69	8229242	1	Fuse, 5Amp	
71	4460888	1	Terminal, Fork	
73	4460884	1	Connector - 4 Position	
73	4460465	4	Socket, Female	
73	1001192401	1	Connector, Dust Cap	
78	4460933	1	Connector - 12 Position (Gray)	
78	4460944	11	Socket, Female	
78	4460466	1	Plug, Terminal	
78	1001119020	1	Bussbar - 12 Position	
79	4460933	1	Connector - 12 Position (Gray)	
79	4460944	5	Socket, Female	
79	4460466	7	Plug, Terminal	
79	1001119020	1	Bussbar - 12 Position	
80	4460894	1	Connector - 6 Position	
80	4460465	4	Socket, Female	
80	4460466	2	Plug, Terminal	
82	4460868	1	Connector - 6 Position	
82	4460877	4	Terminal	
85	1001116812	1	Connector - 3 Position	
85	4460944	3	Socket, Female	
87	1001201885	2	Terminal	





# SECTION 8 - ELECTRICAL

## FIGURE 8-52. GROUND CONTROLS TO ENGINE HARNESS



ART\_1001119529

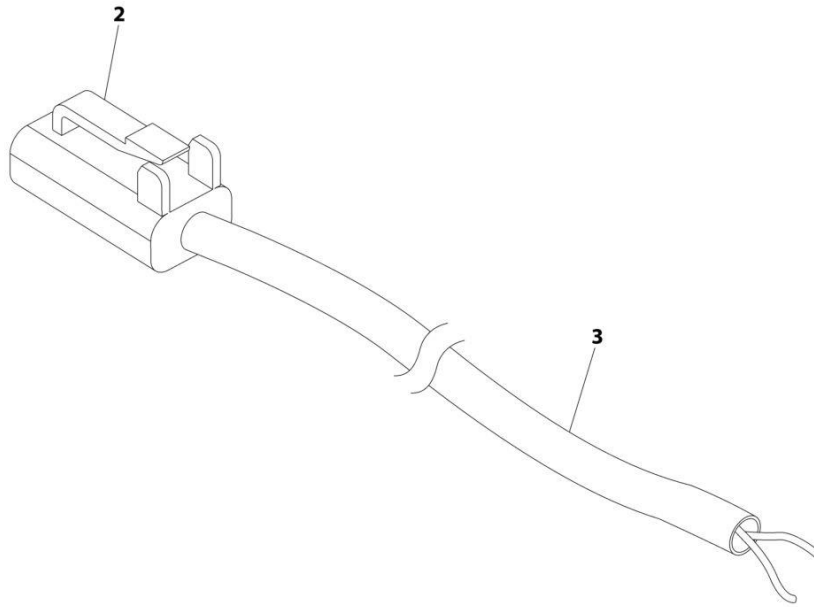
## SECTION 8 - ELECTRICAL

**FIGURE 8-52. GROUND CONTROLS TO ENGINE HARNESS**

ITEM	PART NUMBER	QTY	DESCRIPTION	REV
	1001119529	Ref	GROUND CONTROLS TO ENGINE HARNESS	D
22	4460702	1	Terminal, Eyelet	
24	4460899	1	Connector - 6 Position	
24	4460464	5	Pin, Male	
24	4460466	1	Plug, Terminal	
25	4460899	1	Connector - 6 Position	
25	4460464	4	Pin, Male	
25	4460943	2	Pin, Male (Gold)	
26	4460312	1	Terminal, Eyelet	
27	4460313	1	Terminal, Eyelet	
28	4460019	3	Terminal, Eyelet	
29	4460256	1	Terminal, Eyelet	
30	4460260	1	Terminal, Housing	
30	4460259	1	Terminal	
33	4460891	5	Connector - 2 Position	
33	4460465	10	Socket, Female	
53	4460539	1	Connector - 3 Position	
53	4460944	3	Socket, Female	
58	4460931	1	Connector - 8 Position	
58	4460464	8	Pin, Male	
60	4460465	2	Socket, Female	
60	4460887	1	Terminal (12 Gauge)	
60	4460871	12	Socket, Female	
60	4460508	1	Pin, Male	

# SECTION 8 - ELECTRICAL

## FIGURE 8-53. JIB STOW SWITCH HARNESS



ART\_4922784

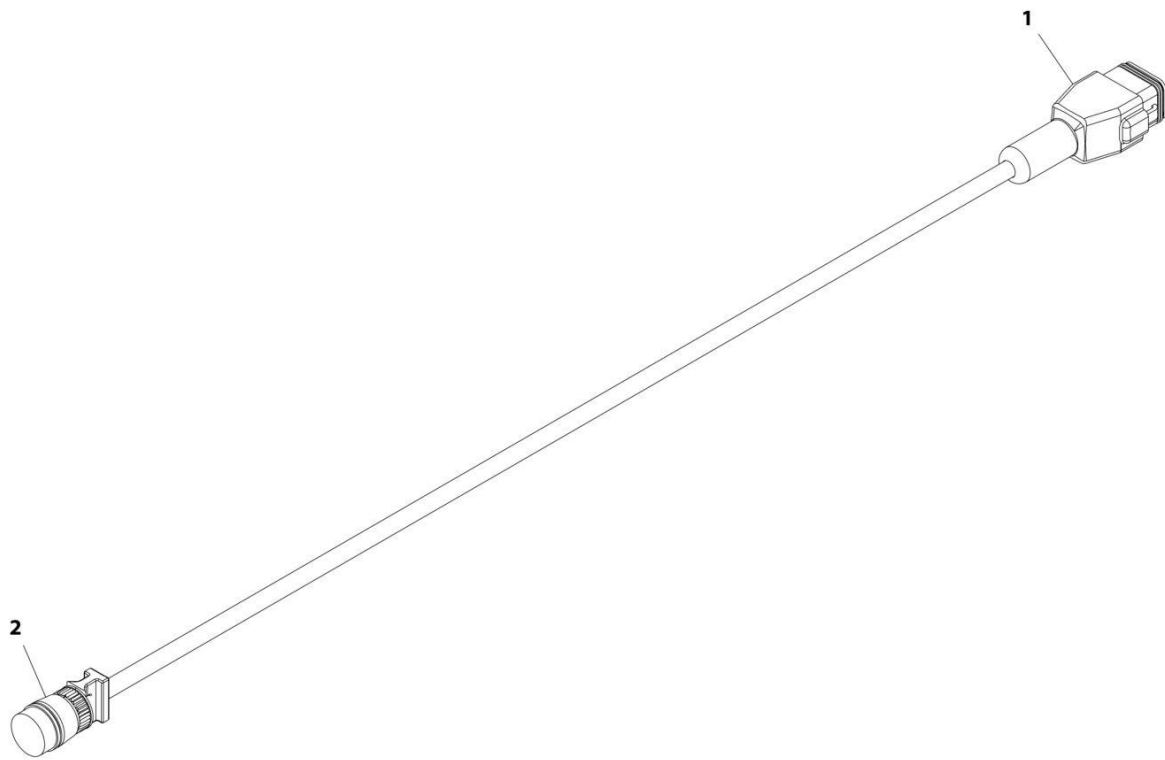
## SECTION 8 - ELECTRICAL

### FIGURE 8-53. JIB STOW SWITCH HARNESS

ITEM	PART NUMBER	QTY	DESCRIPTION	REV
	4922784	Ref	JIB STOW SWITCH HARNESS	C
2	4460891	1	Connector - 2 Position	
2	4460465	2	Socket, Female	
3	1060902	15 ft/ 4.6m	Cable, Electrical 18/2	

# SECTION 8 - ELECTRICAL

## FIGURE 8-54. LOAD SENSING PIN HARNESS



ART\_4923256

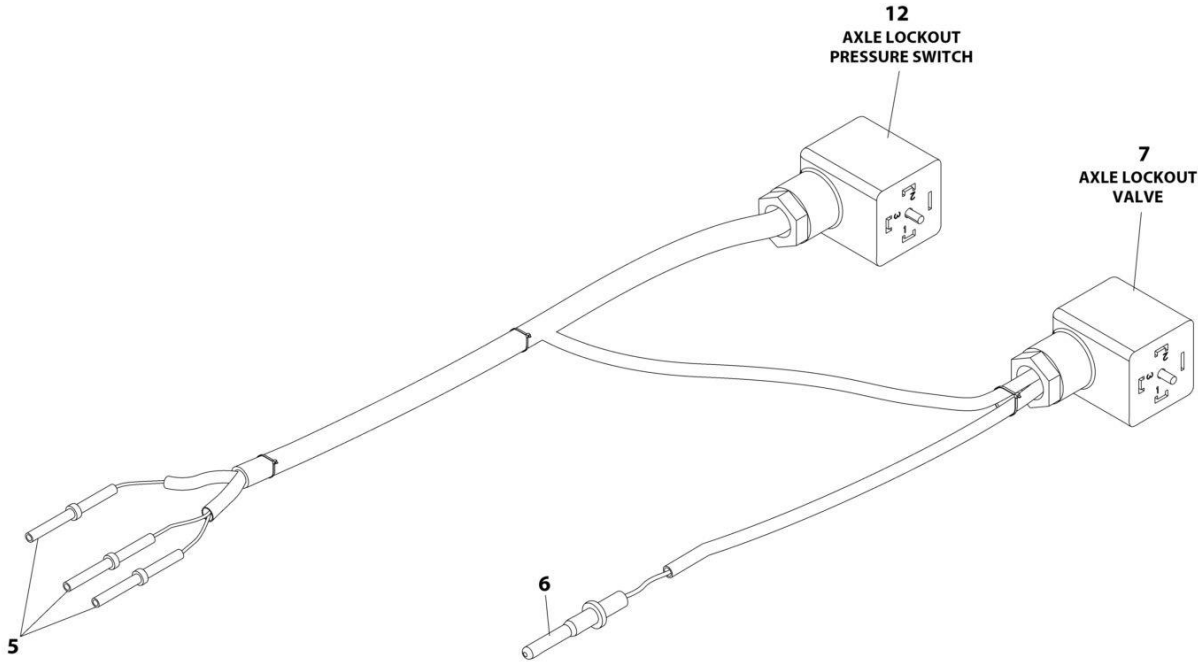
## SECTION 8 - ELECTRICAL

### FIGURE 8-54. LOAD SENSING PIN HARNESS

ITEM	PART NUMBER	QTY	DESCRIPTION	REV
	4923256	Ref	LOAD SENSING PIN HARNESS	C
1	4460930	1	Connector - 8 Position (Gray)	
1	4460465	4	Socket, Female	
1	4460466	3	Plug, Sealing	
2	See Note	NSS	Connector - 4 Position (Note: Not Available for Purchase)	
2	See Note	NSS	Terminal (Note: Not Available for Purchase)	

**SECTION 8 - ELECTRICAL**

**FIGURE 8-55. LOCKOUT VALVE HARNESS**



ART\_4922767



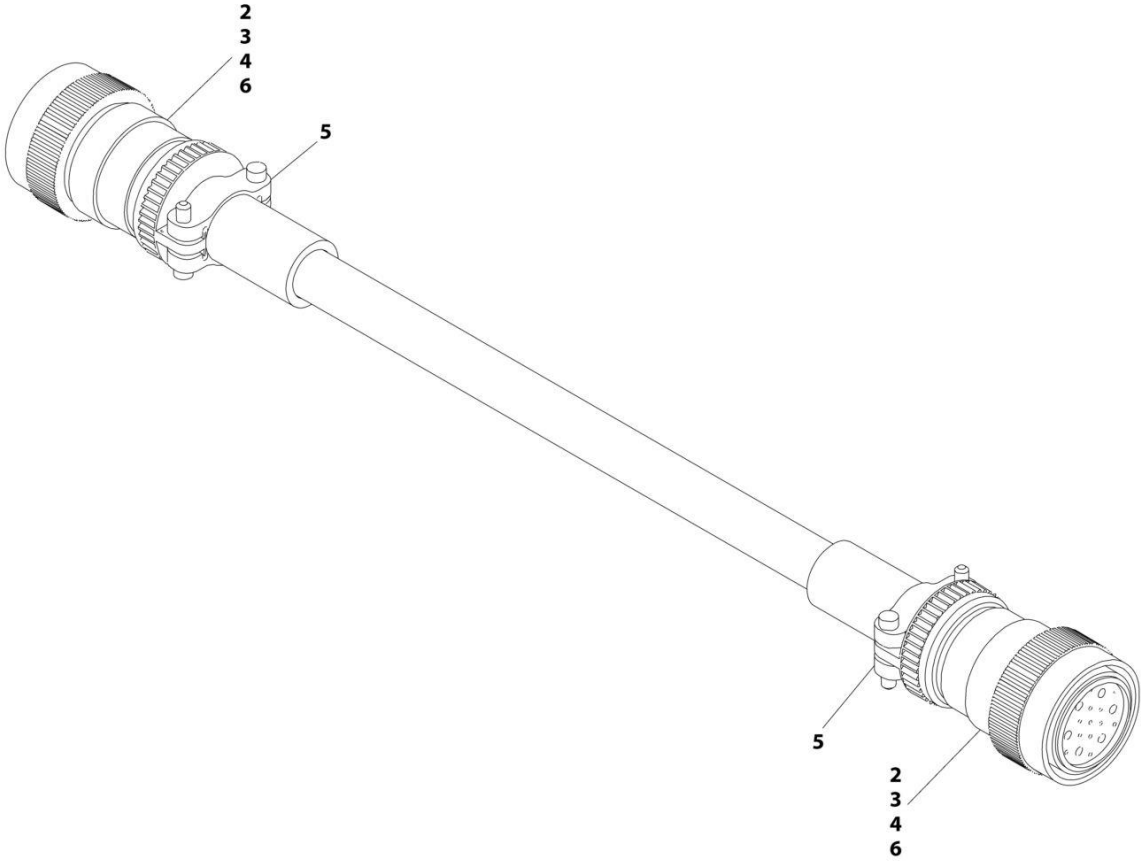
## SECTION 8 - ELECTRICAL

### FIGURE 8-55. LOCKOUT VALVE HARNESS

ITEM	PART NUMBER	QTY	DESCRIPTION	REV
	4922767	Ref	LOCKOUT VALVE HARNESS	C
5	4460465	3	Socket, Female	
6	4460464	1	Pin, Male	
7	4460880	1	Connector, Din	
8	4240033	6	Tie-Strap (Not Shown)	
12	4460449	1	Connector, DIN	

**SECTION 8 - ELECTRICAL**

**FIGURE 8-56. MAIN BOOM CONTROL CABLE HARNESS**



ART\_4922955

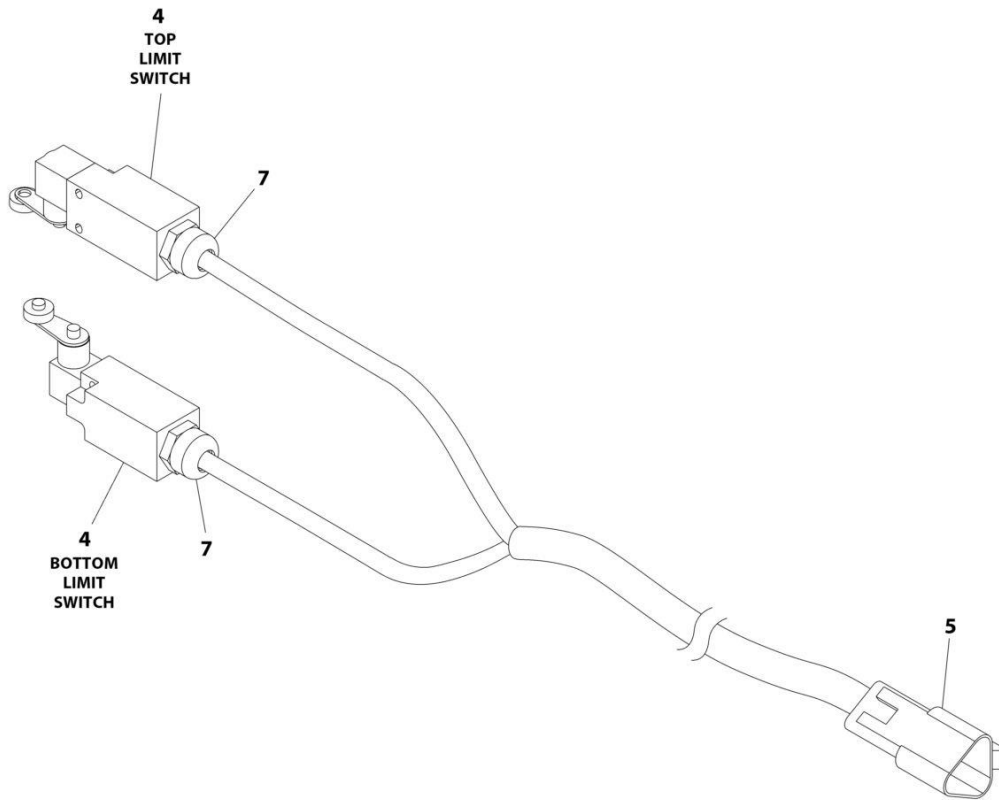
## SECTION 8 - ELECTRICAL

### FIGURE 8-56. MAIN BOOM CONTROL CABLE HARNESS

ITEM	PART NUMBER	QTY	DESCRIPTION	REV
	4922955	Ref	MAIN BOOM CONTROL CABLE HARNESS	D
2	4460465	22	Socket, Female	
3	4460865	2	Connector - 19 Position	
4	4460509	8	Socket, Female	
5	4460473	2	Clamp	
6	4460466	8	Plug, Socket	

# SECTION 8 - ELECTRICAL

## FIGURE 8-57. MAIN BOOM DUAL CAPACITY SWITCH HARNESS



ART\_4923170

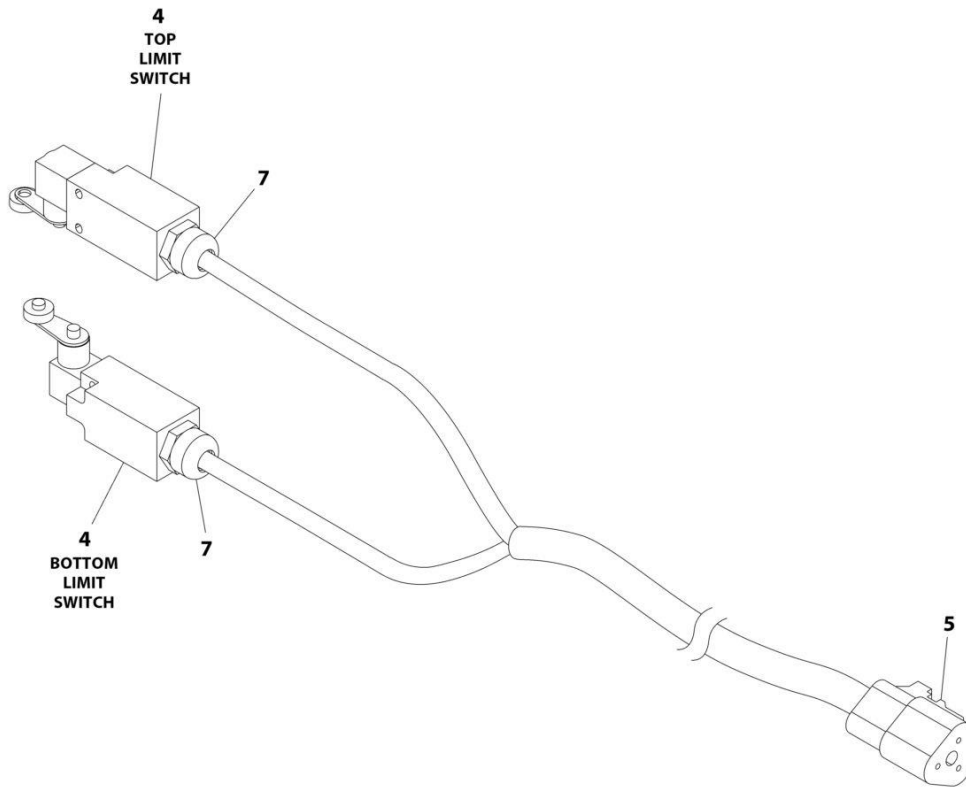
## SECTION 8 - ELECTRICAL

### FIGURE 8-57. MAIN BOOM DUAL CAPACITY SWITCH HARNESS

ITEM	PART NUMBER	QTY	DESCRIPTION	REV
	4923170	Ref	MAIN BOOM DUAL CAPACITY SWITCH HARNESS	C
4	4360578	2	Switch, Limit	
5	4460536	1	Connector - 3 Position	
5	4460943	3	Pin, Male (Gold)	
7	4460968	2	Connector, Strain Relief	

# SECTION 8 - ELECTRICAL

## FIGURE 8-58. MAIN BOOM TRANSPORT SWITCH HARNESS



ART\_4923171

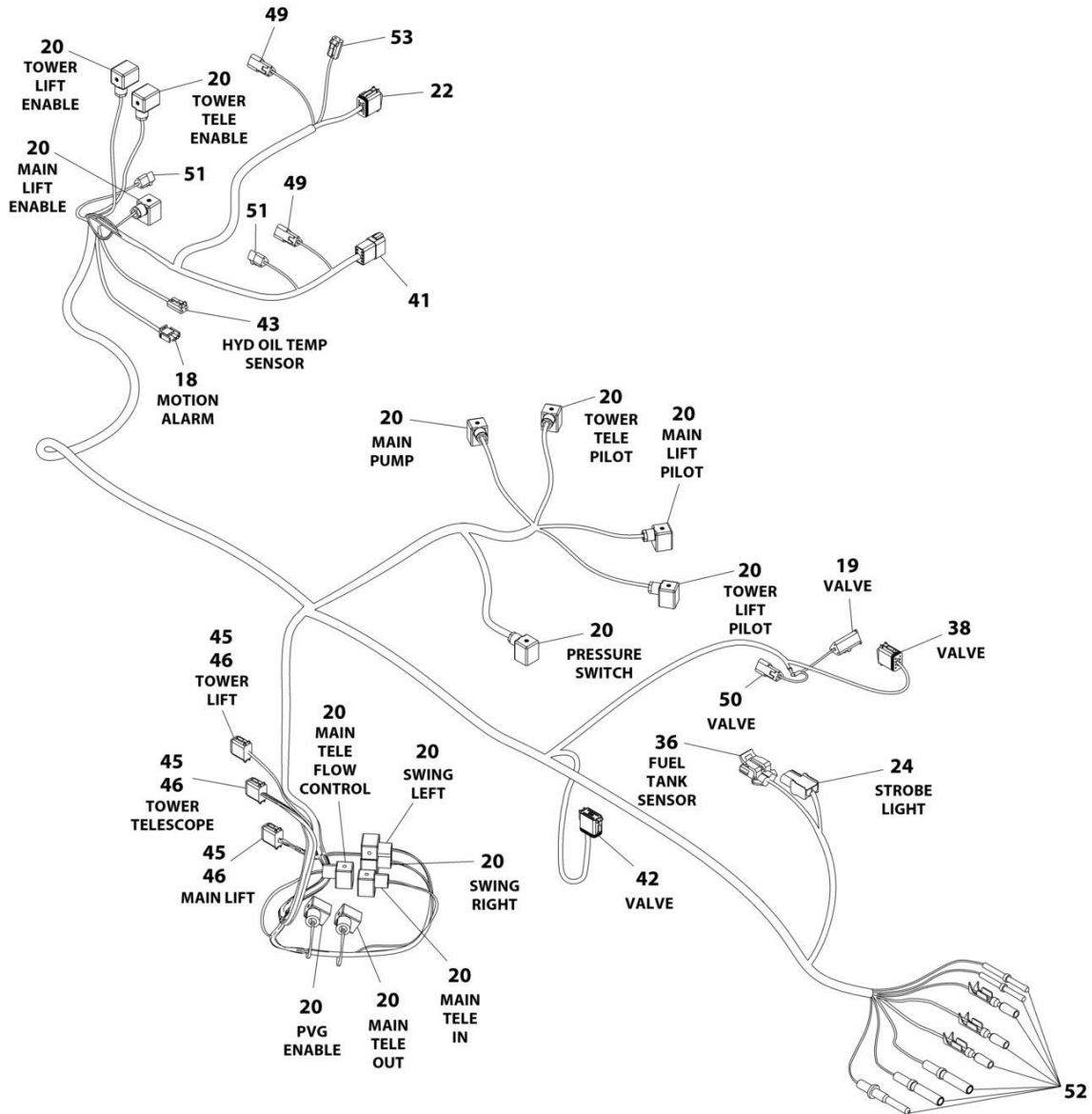
## SECTION 8 - ELECTRICAL

### FIGURE 8-58. MAIN BOOM TRANSPORT SWITCH HARNESS

ITEM	PART NUMBER	QTY	DESCRIPTION	REV
	4923171	Ref	MAIN BOOM TRANSPORT SWITCH HARNESS	C
4	4360578	2	Switch, Limit	
5	4460539	1	Connector - 3 Position	
5	4460944	3	Socket, Female (Gold)	
7	4460968	2	Connector, Strain Relief	

# SECTION 8 - ELECTRICAL

## FIGURE 8-59. MAIN VALVE HARNESS



ART\_4923397



## SECTION 8 - ELECTRICAL

### FIGURE 8-59. MAIN VALVE HARNESS

ITEM	PART NUMBER	QTY	DESCRIPTION	REV
	4923397	Ref	MAIN VALVE HARNESS	E
18	4460320	1	Connector - 2 Position	
18	4460267	2	Pin, Male	
19	4460965	1	Connector - 3 Position	
19	4460944	3	Socket, Female	
20	4460880	14	DIN Connector (with Diode)	
	1001263923	1	DIN COnnector (without Diode)	
22	4460836	1	Connector - 12 Position (Black)	
22	4460465	3	Socket, Female	
22	4460466	4	Plug, Socket	
22	4460944	3	Socket, Female 16-18 GA (Gold)	
22	4460942	2	Socket, Female 14-16 GA	
24	4460424	1	Connector - 2 Position	
24	4460268	2	Socket, Female	
36	4460843	1	Connector - 2 Position	
36	4460842	2	Socket, Female	
38	4460930	1	Connector - 8 Position	
38	4460944	5	Socket, Female (Gold)	
38	4460466	3	Plug, Socket	
38	0840062	1	Boot, Deutsch	
41	4460931	1	Connector - 8 Position (Gray)	
41	4460943	5	Pin, Male (Gold)	
41	4460466	3	Plug, Socket	
42	4460933	1	Connector - 12 Position (Gray)	
42	4460465	7	Socket, Female	
42	4460942	5	Socket, Female 14-16 GA	
43	4460891	1	Connector - 2 Position	
43	4460465	2	Socket, Female	
45	4461004	3	Connector - 4 Position (Black)	
45	4461005	12	Terminal	
45	4461006	12	Seal	
46	4461007	3	Connector - 4 Position (Gray)	
46	4461008	12	Plug, Hole	
49	4460536	2	Connector - 3 Position	
49	4460943	6	Pin, Male (Gold)	
50	4460536	1	Connector - 3 Position	
50	4460943	3	Pin, Male (Gold)	
50	1060698	AR	Cable 18/4	
51	4460539	AR	Connector - 3 Position	
51	4460944	6	Socket, Female (Gold)	
52	4460465	3	Socket, Female	
52	4460944	2	Socket, Female (Gold)	
52	4460871	29	Socket, Female	
52	4460464	1	Pin, Male	
52	4460942	3	Socket, Female	
52	4460419	2	Socket, Female	
53	4460891	1	Connector - 2 Position	
53	4460942	2	Socket, Female	



## SECTION 8 - ELECTRICAL

**FIGURE 8-60. PLATFORM CONSOLE BOX HARNESS - WITH SKYGUARD**

ITEM	PART NUMBER	QTY	DESCRIPTION	REV
	1001241891	Ref	PLATFORM CONSOLE BOX HARNESS	J
2	4460866	1	Connector - 19 Pin	
2	4460464	7	Pin, Male Deutsch 16 Ga	
2	4460508	4	Pin, Male Deutsch 12 Ga	
2	4460943	3	Pin, Male 16 Ga (Gold)	
2	4460466	5	Plug	
3	4460874	1	Connector - 35 Position (Natural)	
3	4460871	33	Socket, Female	
3	4460905	2	Plug	
4	4460876	1	Connector - 35 Position (Blue)	
4	4460871	20	Socket, Female	
4	4460905	20	Plug	
5	4460873	1	Connector - 35 Position (Black)	
5	4460871	26	Socket, Female	
5	4460905	8	Plug	
8	4460879	1	Connector - 2 Position	
8	4460887	2	Terminal	
10	4460213	4	Terminal Eyelet	
11	4460260	10	Terminal, Housing	
11	4460259	10	Terminal	
13	4460418	12	Connector, Female - 6 Position	
13	4460419	12	Socket, Female	
13	1001159186	22	Terminal	
18	4460888	3	Terminal, Fork	
19	4460225	1	Connector - 6 Position	
19	4460227	5	Terminal (16 Gauge)	
25	4460806	1	Terminal, Fork	
26	4460434	2	Connector - 15 Position	
26	4460227	16	Pin, Male	
26	4460267	1	Pin, Male	
27	4460183	11	Terminal, Fork	
28	4460925	1	Connector - 21 Pin	
28	1001126011	13	Pin, Male Deutsch 16 Ga	
28	4460466	8	Plug	
30	1001121616	2	Connector - 6 Position	
30	1001121615	2	Base, Mounting	
33	4460142	1	Terminal, Eyelet	
36	4460016	2	Terminal (16 - 14AWG)	
36	1001271497	2	Terminal (22 - 18AWG)	
37	4460894	1	Connector - 6 Position	
37	4460465	5	Socket, Female	
37	4460466	1	Plug	
43	4460539	1	Plug, Male - 3 Position	
43	4460944	3	Socket, Female (Gold)	
44	4460536	1	Connector - 3 Position	
44	4460943	3	Pin, Male (Gold)	
47	4460933	1	Connector, Gray - 12 Position	
47	4460944	10	Socket, Female (Gold)	
47	4460466	2	Plug	
47	1001119020	1	Bussbar - 12 Position	

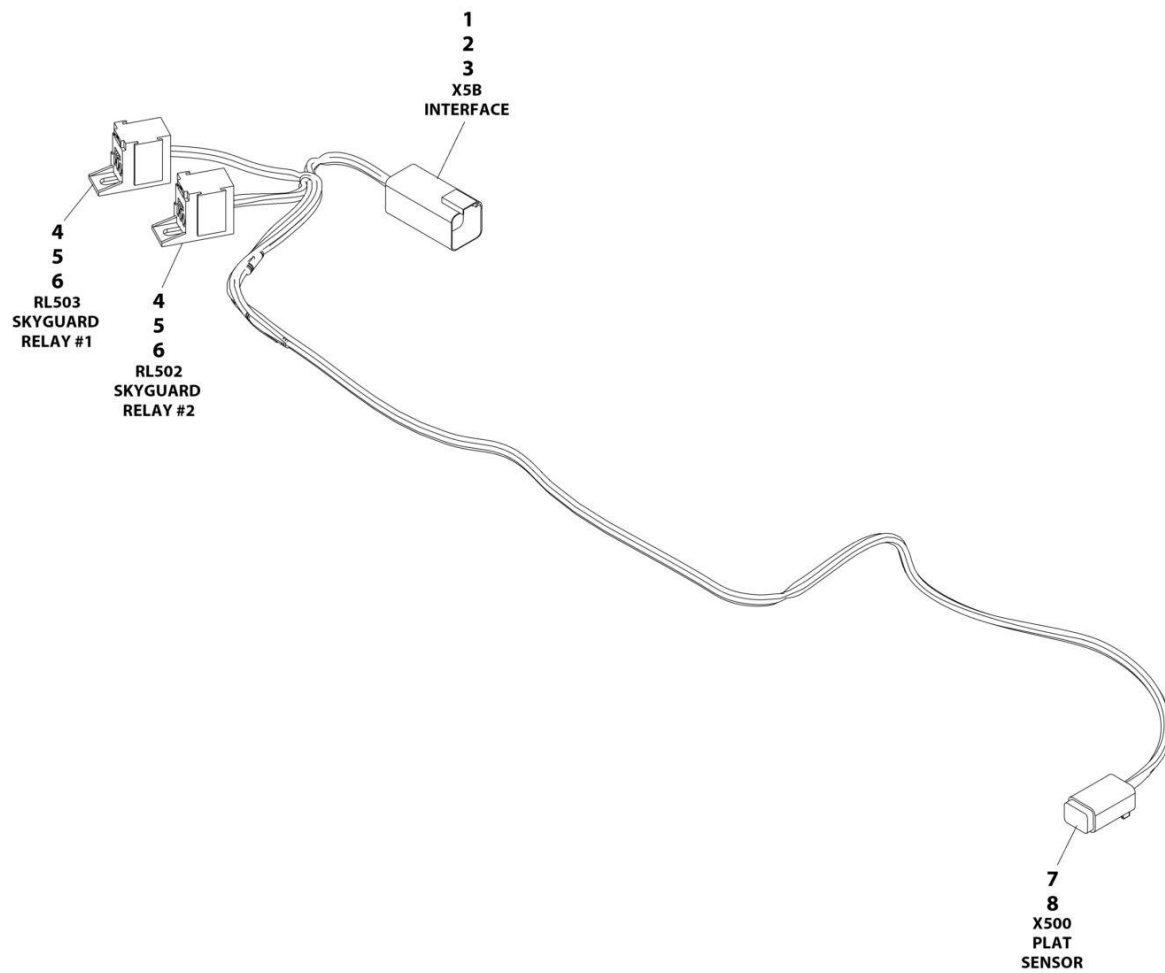
## SECTION 8 - ELECTRICAL

ITEM	PART NUMBER	QTY	DESCRIPTION	REV
50	1001213447	1	Connector - 5 Position	
70	1001237667	1	Connector - 6 Position	
70	1001237668	4	Socket, Female (Gold)	
71	2400060	1	Holder, Fuse	
71	8229249	1	Fuse	
75	4460042	1	Terminal, Ring	
83	4460708	2	Plug, Male - 15 Position	
83	4460226	2	Socket, Female	



# SECTION 8 - ELECTRICAL

## FIGURE 8-61. PLATFORM INTERFACE HARNESS (PVC 2001)



ART\_1001225580

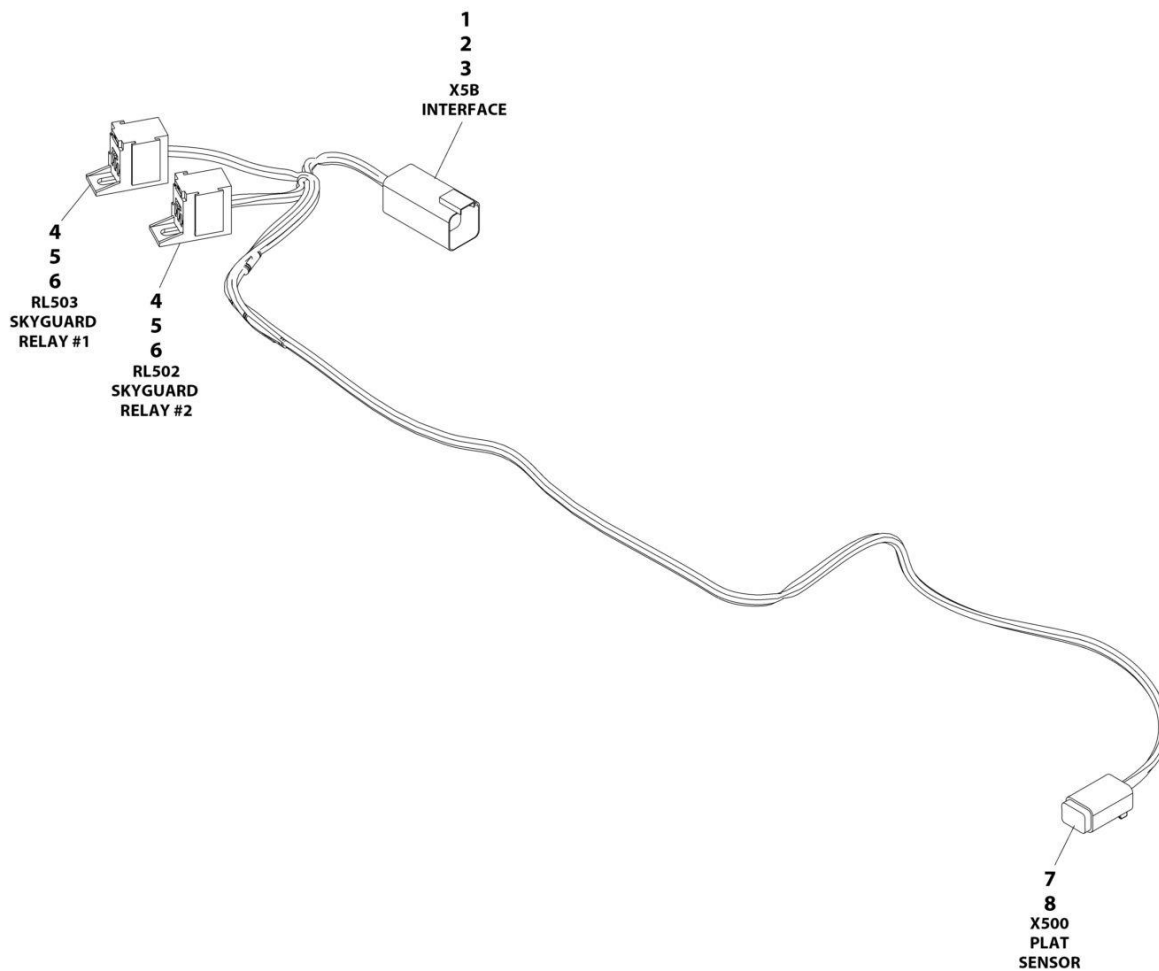
## SECTION 8 - ELECTRICAL

### FIGURE 8-61. PLATFORM INTERFACE HARNESS (PVC 2001)

ITEM	PART NUMBER	QTY	DESCRIPTION	REV
	1001225580	Ref	INTERFACE HARNESS - WITH 1 CELL LSS	D
1	4460899	1	Connector	
2	4460464	4	Terminal	
3	4460466	2	Plug	
4	1001186432	2	Connector	
5	1001116720	4	Terminal	
6	1001118388	4	Terminal	
7	4460884	1	Connector	
8	4460465	4	Terminal	

# SECTION 8 - ELECTRICAL

## FIGURE 8-62. SKYGUARD INTERFACE HARNESS (PVC 2007)



ART\_1001225580\_E



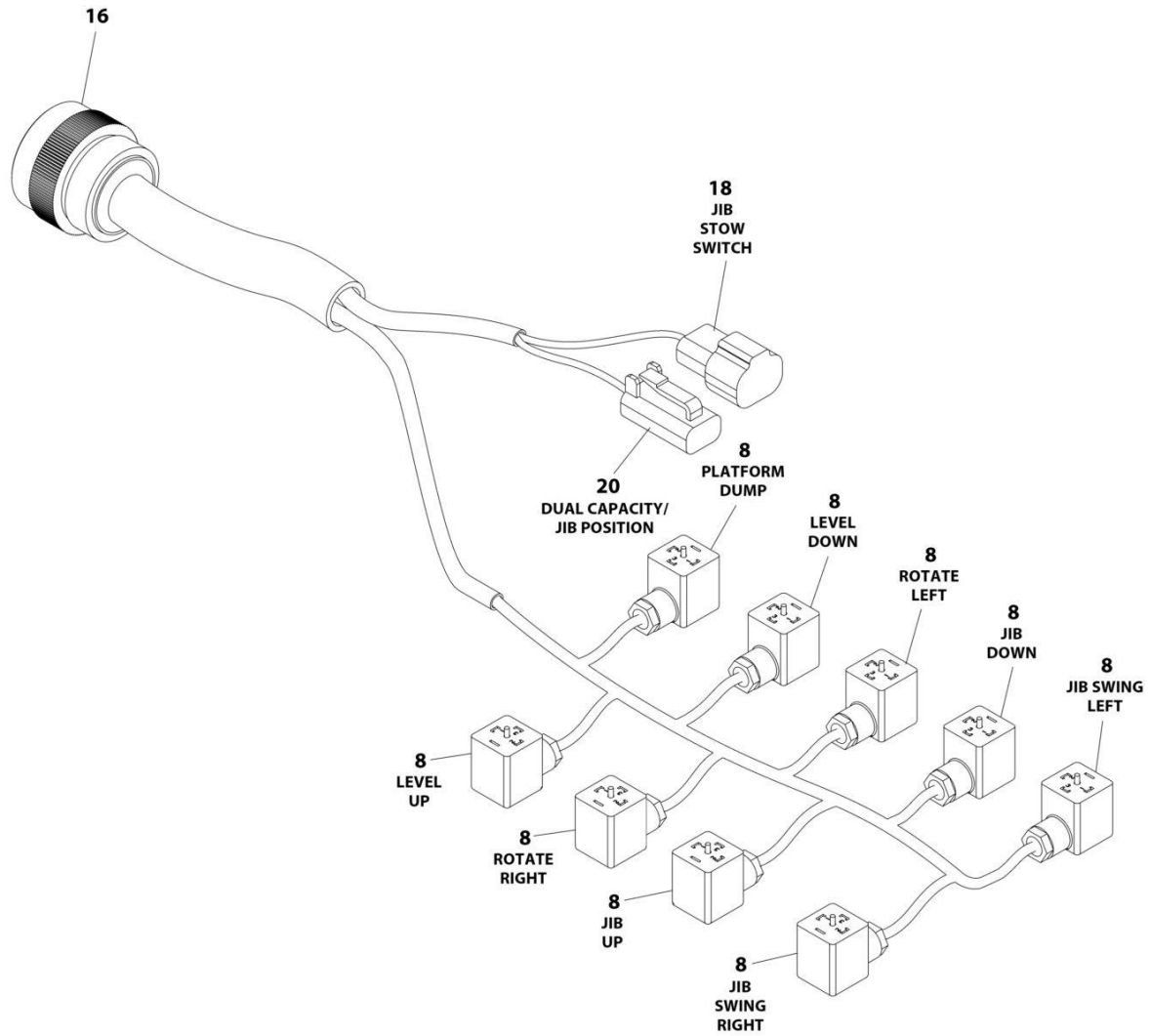
## SECTION 8 - ELECTRICAL

**FIGURE 8-62. SKYGUARD INERFACE HARNESS (PVC 2007)**

ITEM	PART NUMBER	QTY	DESCRIPTION	REV
	1001225580	Ref	PLATFORM INTERFACE HARNESS - WITH 1 CELL LSS	E
1	4460899	1	Connector	
2	4460464	4	Terminal	
3	4460466	2	Plug	
4	1001186432	2	Connector	
5	1001253375	4	Terminal	
6	1001104519	4	Terminal	
7	4460884	1	Connector	
8	4460465	4	Terminal	

# SECTION 8 - ELECTRICAL

## FIGURE 8-63. PLATFORM VALVE HARNESS



ART\_4922777

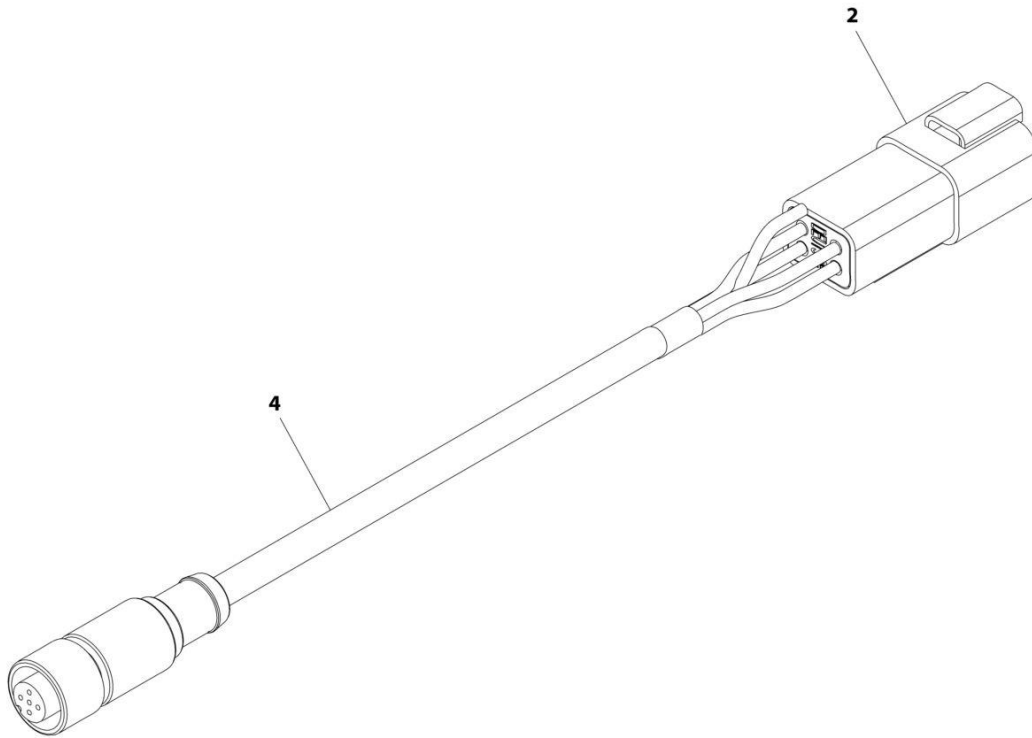
## SECTION 8 - ELECTRICAL

### FIGURE 8-63. PLATFORM VALVE HARNESS

ITEM	PART NUMBER	QTY	DESCRIPTION	REV
	4922777	Ref	PLATFORM VALVE HARNESS	D
7	4240033	10	Tie-Strap (Not Shown)	
8	4460880	9	DIN Connector	
16	4460926	1	Connector - 21 Position	
16	4460928	13	Socket, Female	
16	4460466	8	Plug, Hole	
18	4460897	1	Connector - 2 Position	
18	4460464	2	Pin, Male	
20	4460891	1	Plug, Male - 2 Position	
20	4460465	2	Socket, Female	

## SECTION 8 - ELECTRICAL

FIGURE 8-64. PRESSURE TRANSDUCER HARNESS



ART\_1001228498

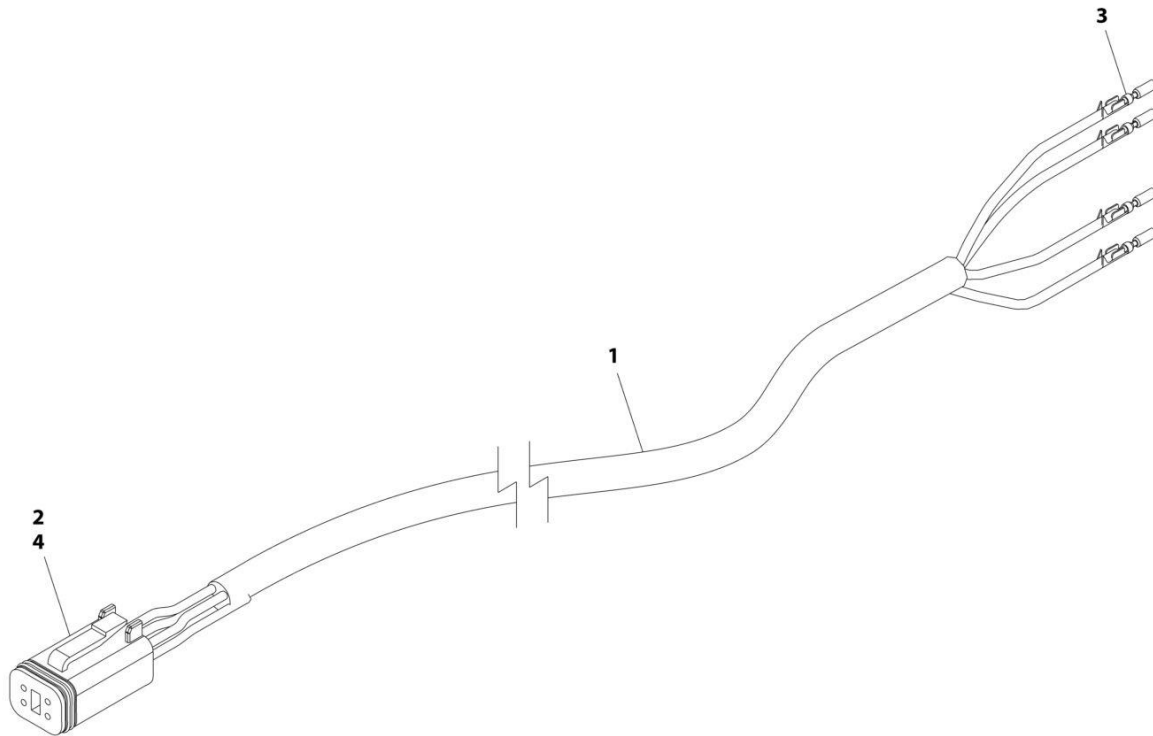
## SECTION 8 - ELECTRICAL

### FIGURE 8-64. PRESSURE TRANSDUCER HARNESS

ITEM	PART NUMBER	QTY	DESCRIPTION	REV
	1001228498	Ref	PRESSURE TRANSDUCER HARNESS	A
2	4460932	1	Connector - 3 Position	
2	4460464	4	Pin, Male	
4	1001120634	1	Cable, Shielded M12	

# SECTION 8 - ELECTRICAL

## FIGURE 8-65. PRESSURE TRANSDUCER HARNESS



ART\_1001228497

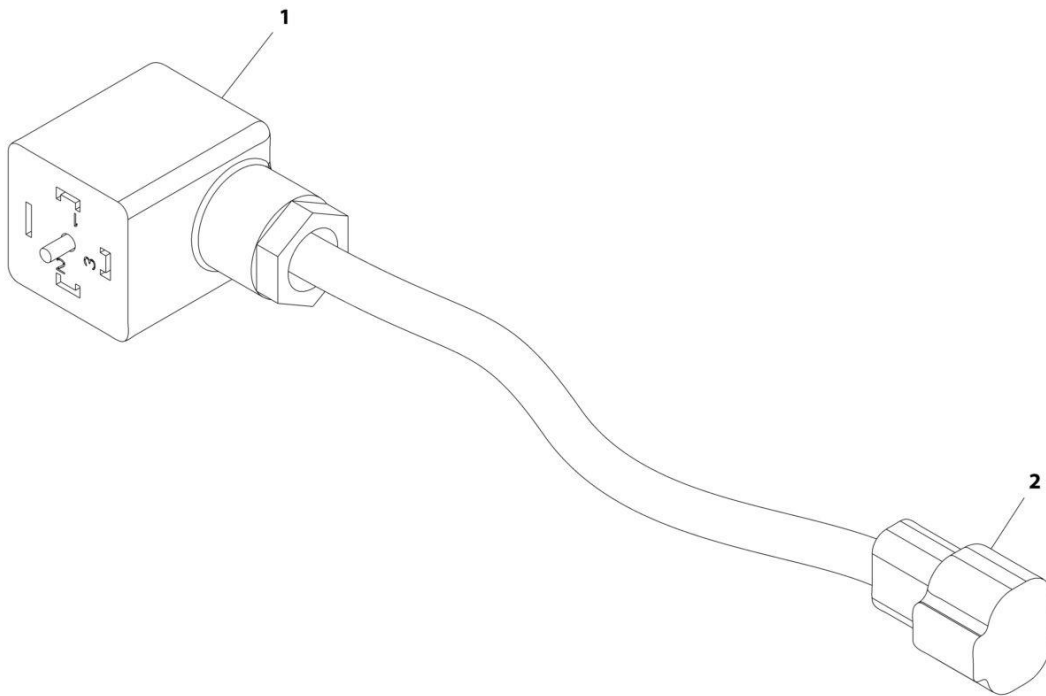
## SECTION 8 - ELECTRICAL

### FIGURE 8-65. PRESSURE TRANSDUCER HARNESS

ITEM	PART NUMBER	QTY	DESCRIPTION	REV
	1001228497	Ref	PRESSURE TRANSDUCER HARNESS	A
1	1060981	11 ft/ 3.35m	Cable, Electrical 18/3	
2	4460465	4	Socket, Female	
3	4460871	4	Socket, Female	
4	4460884	1	Connector - 4 Position	

# SECTION 8 - ELECTRICAL

## FIGURE 8-66. PUMP ADAPTER HARNESS - SAUER PUMPS



ART\_1001119456



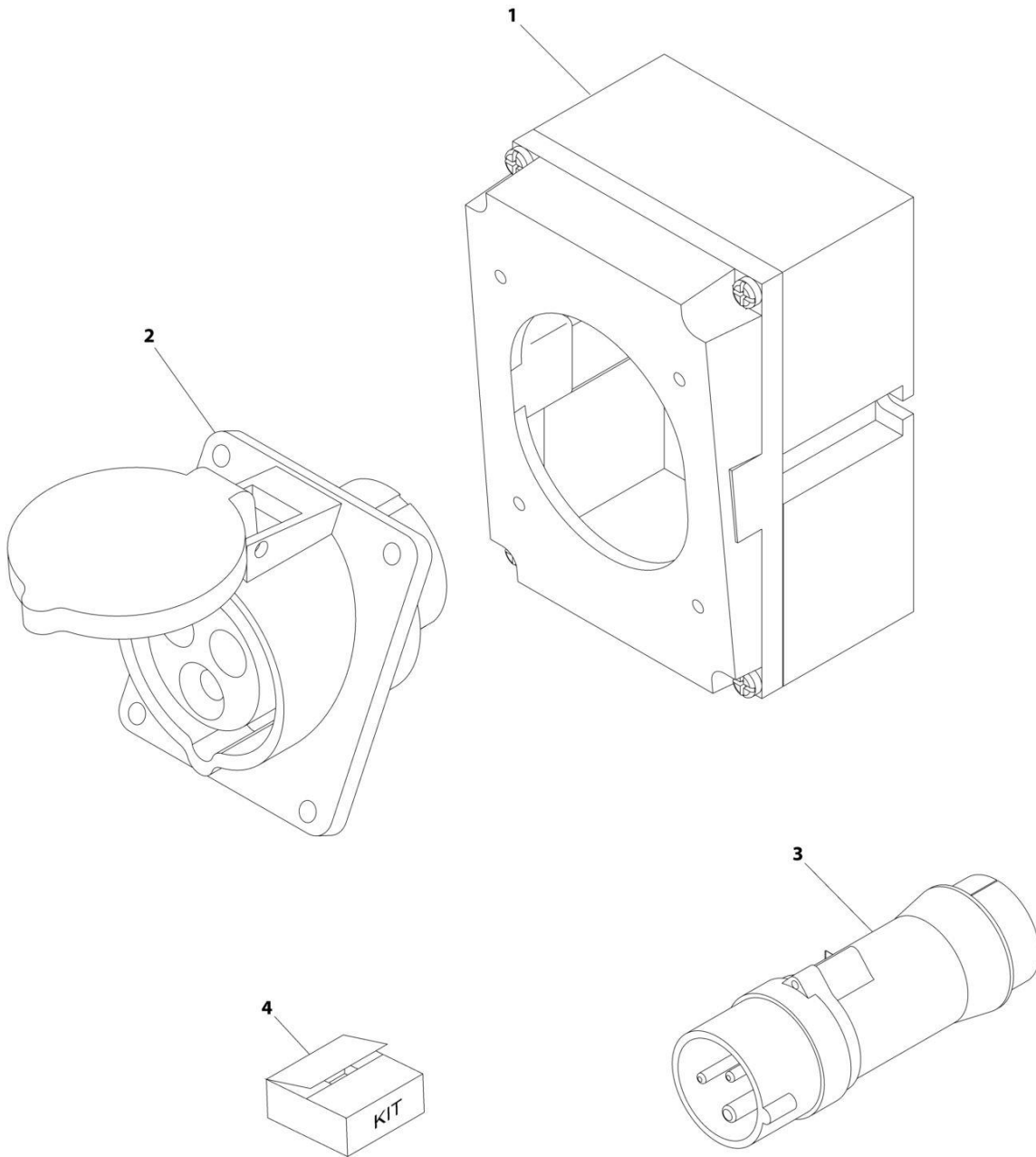
## SECTION 8 - ELECTRICAL

### FIGURE 8-66. PUMP ADAPTER HARNESS - SAUER PUMPS

ITEM	PART NUMBER	QTY	DESCRIPTION	REV
	1001119456	Ref	PUMP ADAPTER HARNESS - SAUER PUMPS	C
1	4460880	2	DIN Connector	
2	4460897	2	Connector - 2 Position	
2	4460464	4	Pin, Male	

# SECTION 8 - ELECTRICAL

FIGURE 8-67. RECEPTACLE BOX KIT - 110V IEC YELLOW WITHOUT 2500W GENERATOR (CE SPECS)



ART\_0275216

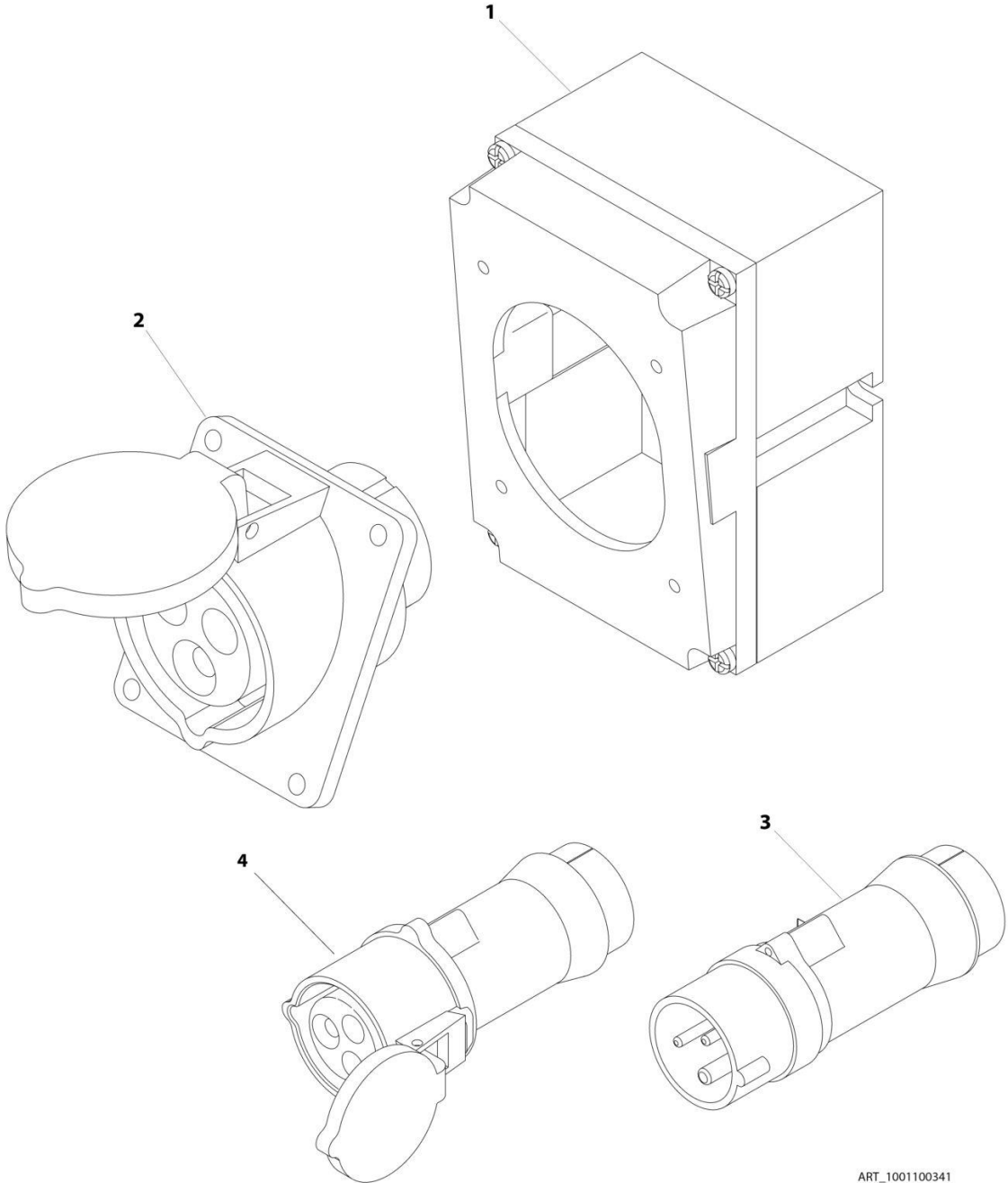
## SECTION 8 - ELECTRICAL

**FIGURE 8-67. RECEPTACLE BOX KIT - 110V IEC YELLOW WITHOUT 2500W GENERATOR (CE SPECS)**

ITEM	PART NUMBER	QTY	DESCRIPTION	REV
	0275216	Ref	RECEPTACLE BOX KIT - 110V IEC YELLOW	B
1	0861781	1	Box, Switch	
2	4461198	1	Receptacle	
3	4461196	1	Plug, Male	
4	1001100341	1	Plug and Socket Kit (Includes Items 1-3 and Female Plug p/n 4461197)	

**SECTION 8 - ELECTRICAL**

**FIGURE 8-68. RECEPTACLE BOX KIT - 110V IEC YELLOW WITH 2500W GENERATOR (CE SPECS)**



ART\_1001100341

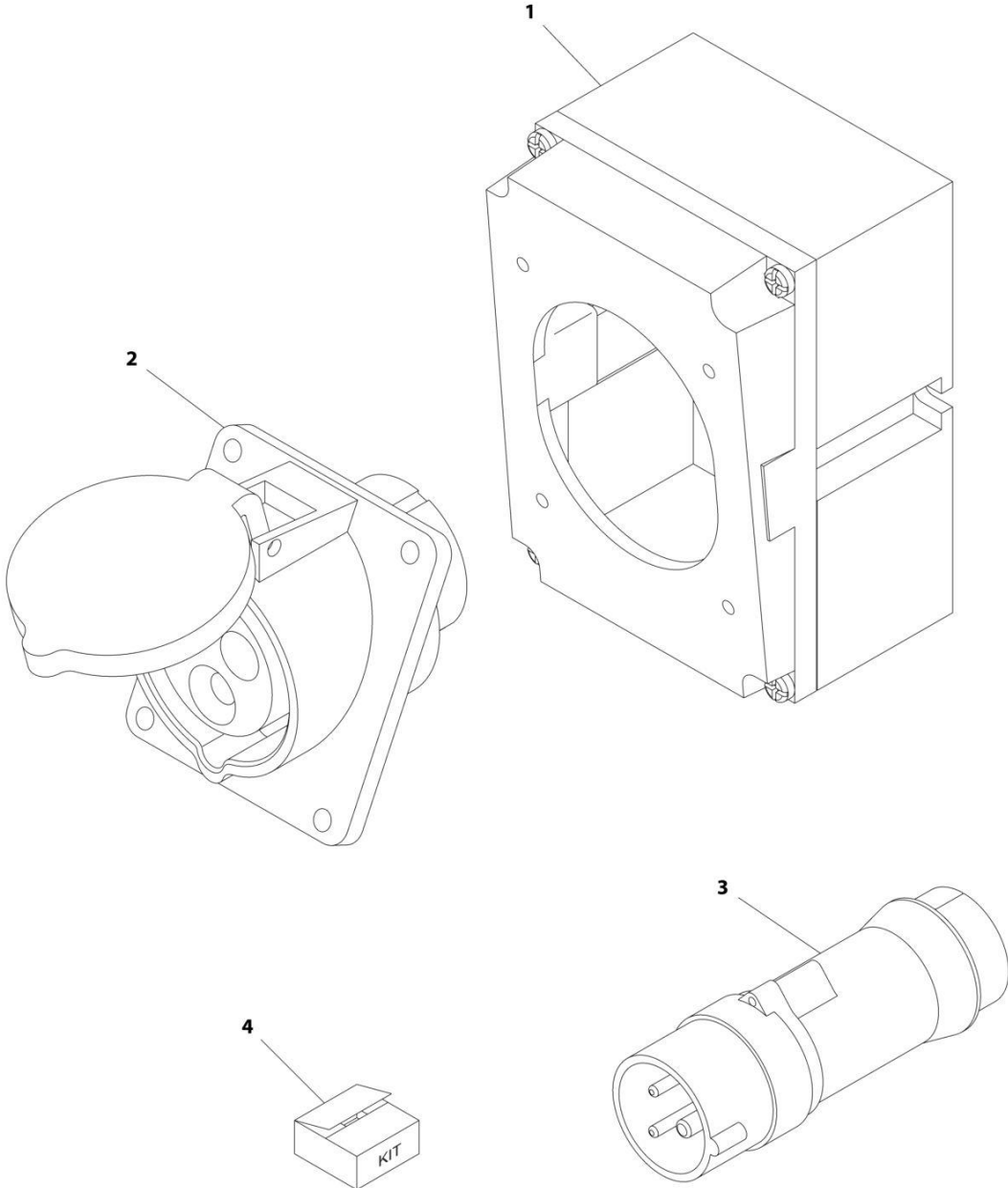
## SECTION 8 - ELECTRICAL

**FIGURE 8-68. RECEPTACLE BOX KIT - 110V IEC YELLOW WITH 2500W GENERATOR (CE SPECS)**

ITEM	PART NUMBER	QTY	DESCRIPTION	REV
	1001100341	Ref	RECEPTACLE BOX KIT - 110V IEC YELLOW	2
1	0861781	1	Box, Switch	
2	4461198	1	Receptacle	
3	4461196	1	Plug, Male	
4	4461197	1	Plug, Female	

**SECTION 8 - ELECTRICAL**

**FIGURE 8-69. RECEPTACLE BOX KIT - 220V IEC BLUE WITHOUT 2500W GENERATOR (CE SPECS)**



ART\_0275217

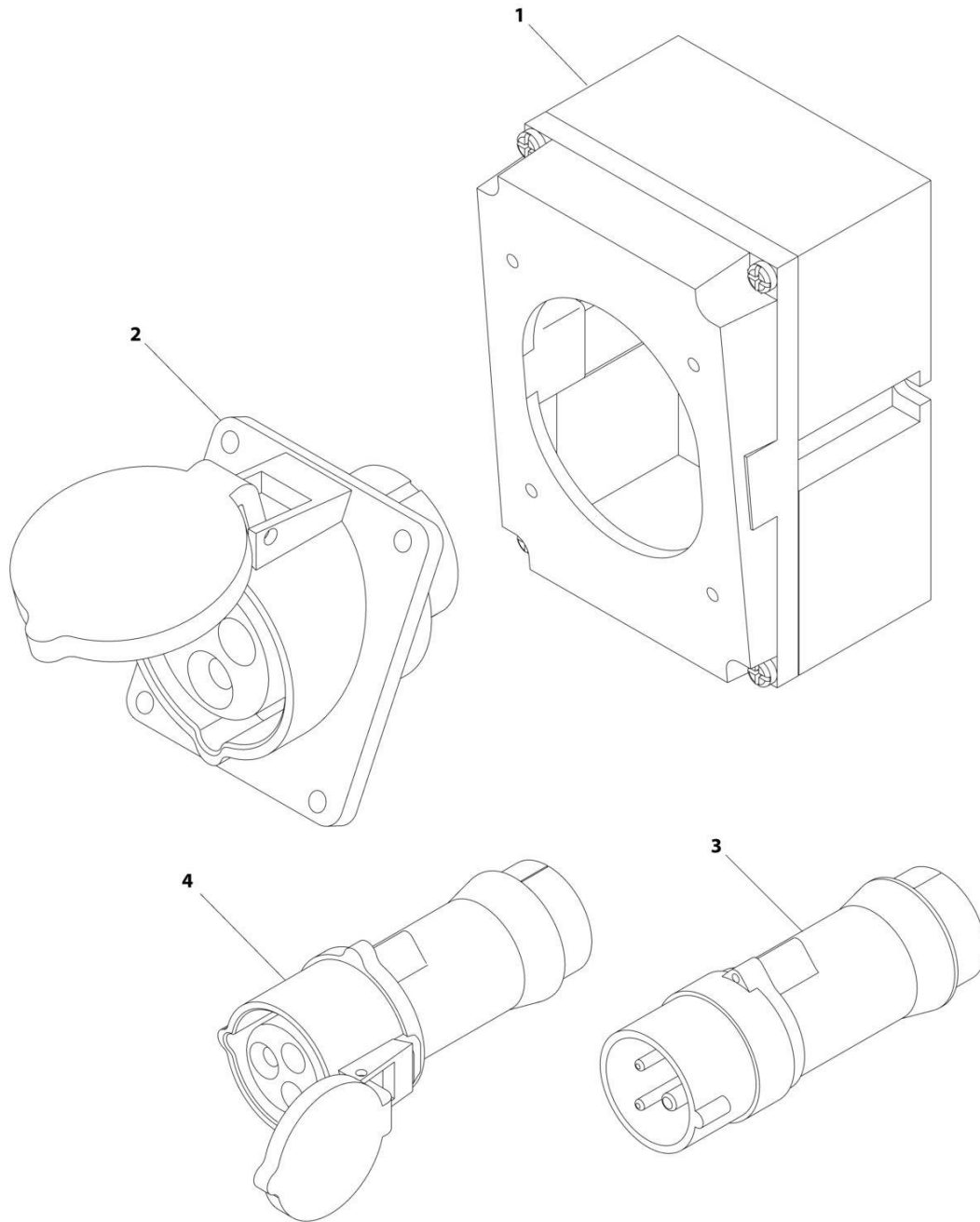
## SECTION 8 - ELECTRICAL

**FIGURE 8-69. RECEPTACLE BOX KIT - 220V IEC BLUE WITHOUT 2500W GENERATOR (CE SPECS)**

ITEM	PART NUMBER	QTY	DESCRIPTION	REV
	0275217	Ref	RECEPTACLE BOX KIT - 220V IEC BLUE	B
1	0861781	1	Box, Switch	
2	4461201	1	Receptacle	
3	4461199	1	Plug, Male	
4	1001100342	1	Plug and Socket Kit (Includes Items 1-3 and Female Plug p/n 4461200)	

## SECTION 8 - ELECTRICAL

FIGURE 8-70. RECEPTACLE BOX KIT - 220V IEC BLUE WITH 2500W GENERATOR (CE SPECS)



ART\_1001100342



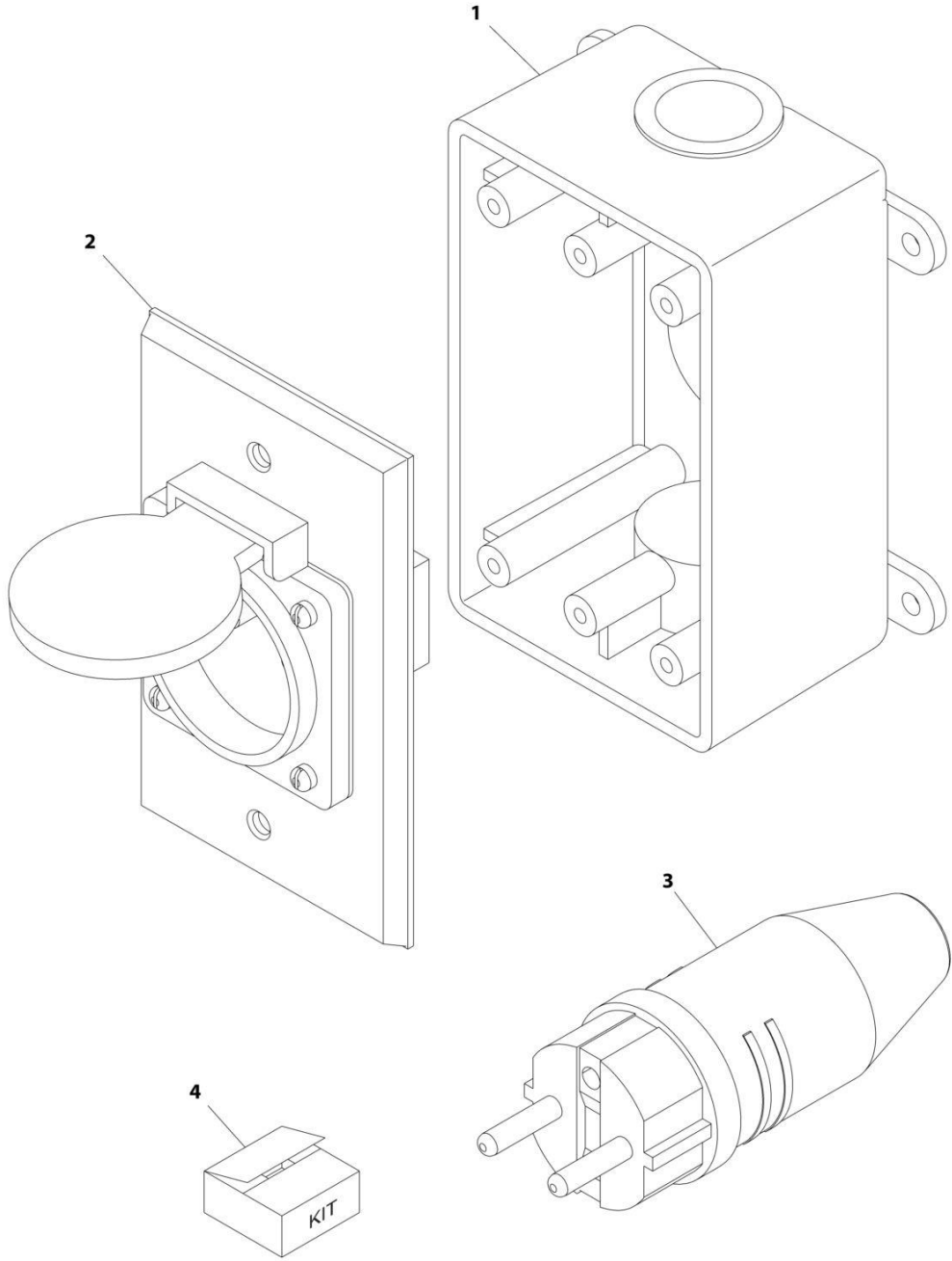
## SECTION 8 - ELECTRICAL

**FIGURE 8-70. RECEPTACLE BOX KIT - 220V IEC BLUE WITH 2500W GENERATOR (CE SPECS)**

ITEM	PART NUMBER	QTY	DESCRIPTION	REV
	1001100342	Ref	RECEPTACLE BOX KIT - 220V IEC BLUE WITH 2500W GENERATOR (CE & UK CA SPECS)	2
1	0861781	1	Box, Switch	
2	4461201	1	Receptacle	
3	4461199	1	Plug, Male	
4	4461200	1	Plug, Female	

# SECTION 8 - ELECTRICAL

FIGURE 8-71. RECEPTACLE BOX KIT - 220V CEE7 POST GROUND WITHOUT 2500W GENERATOR (2X4 BOX) (CE SPECS)



ART\_0275452-C

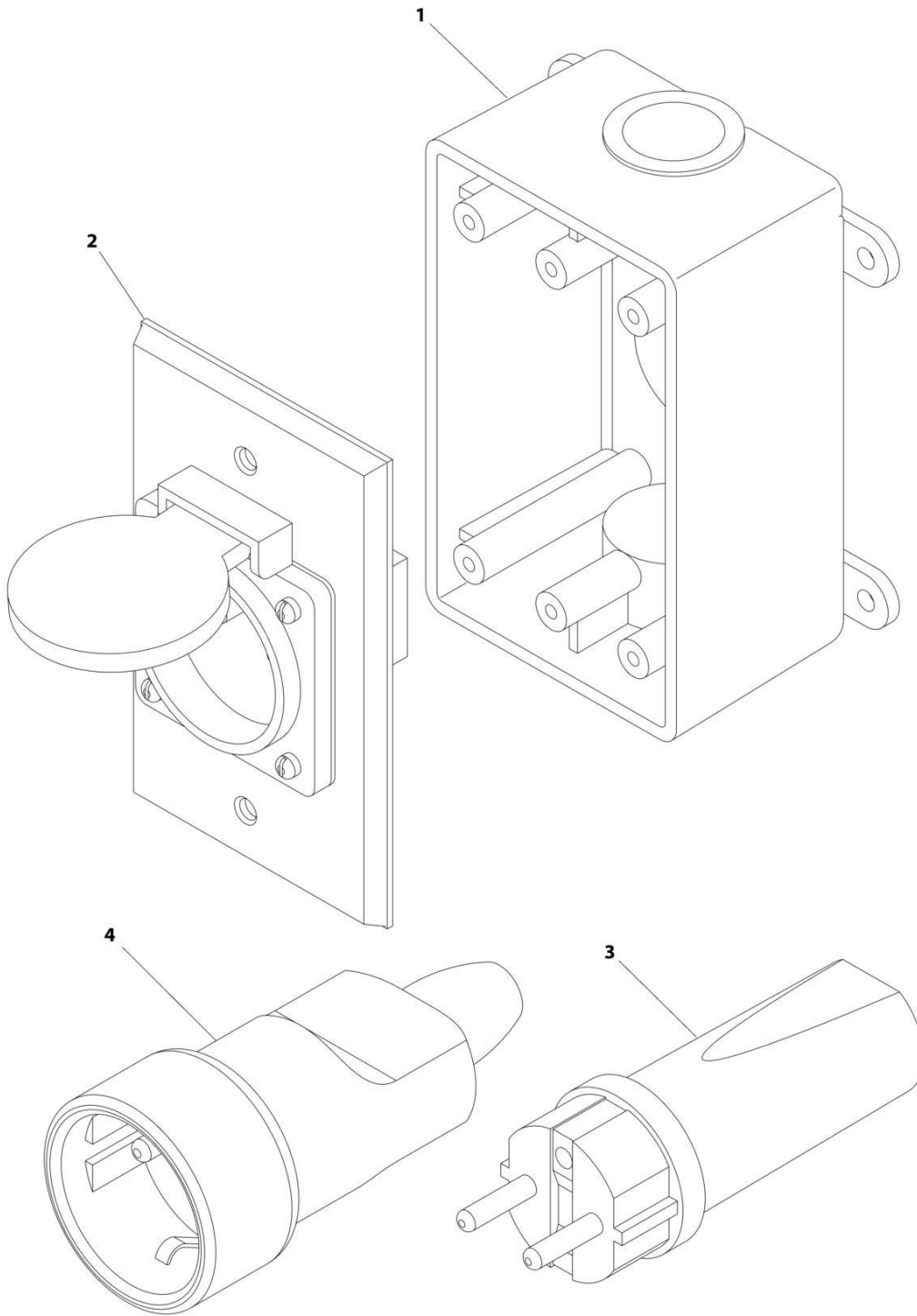
## SECTION 8 - ELECTRICAL

**FIGURE 8-71. RECEPTACLE BOX KIT - 220V CEE7 POST GROUND WITHOUT 2500W GENERATOR (2X4 BOX) (CE SPECS)**

ITEM	PART NUMBER	QTY	DESCRIPTION	REV
	0275452	Ref	RECEPTACLE BOX KIT - 220V CEE7 POST GROUND 2IN X 4IN BOX	C
1	0861731	1	Box, Switch	
2	4461244	1	Receptacle	
3	4461205	1	Plug, Male	
4	1001100345	1	Plug and Socket Kit (Includes Items 1-3 and Female Plug p/n 4461203)	

# SECTION 8 - ELECTRICAL

FIGURE 8-72. RECEPTACLE BOX KIT - 220V CEE7 POST GROUND WITH 2500W GENERSTOR (2X4 BOX) (CE SPECS)



ART\_1001100345

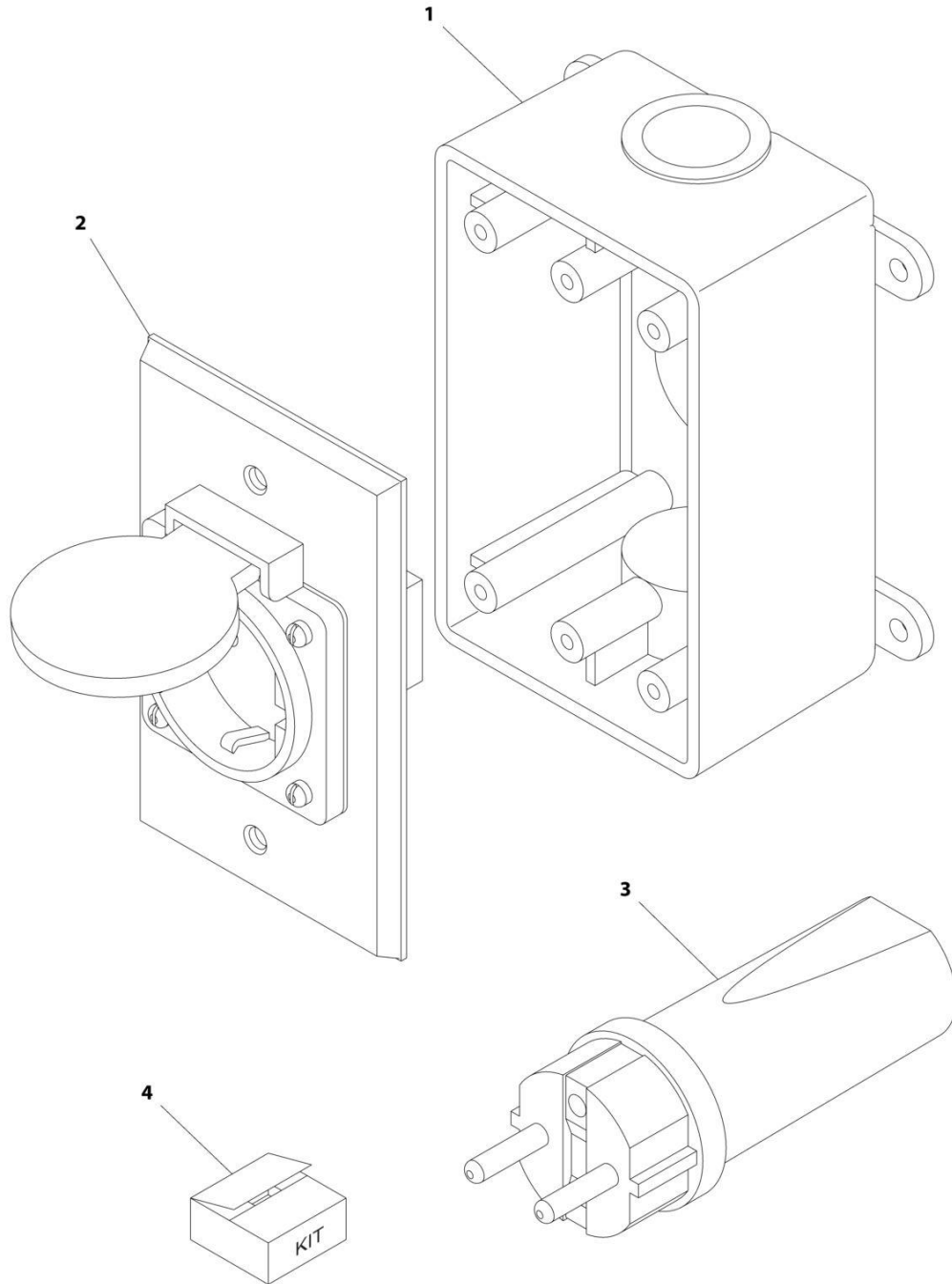
## SECTION 8 - ELECTRICAL

**FIGURE 8-72. RECEPTACLE BOX KIT - 220V CEE7 POST GROUND WITH 2500W GENERATOR (2X4 BOX) (CE SPECS)**

ITEM	PART NUMBER	QTY	DESCRIPTION	REV
	1001100345	Ref	RECEPTACLE BOX KIT - 220V CEE7 POST GROUND	C
1	0861731	1	Box, Switch	
2	4461244	1	Receptacle	
3	4461205	1	Plug, Male	
4	4461203	1	Plug, Female	

# SECTION 8 - ELECTRICAL

FIGURE 8-73. RECEPTACLE BOX KIT - 220V CEE7 SIDE GROUND WITHOUT 2500W GENERATOR  
(2X4 BOX) (CE SPECS)



ART\_0275453

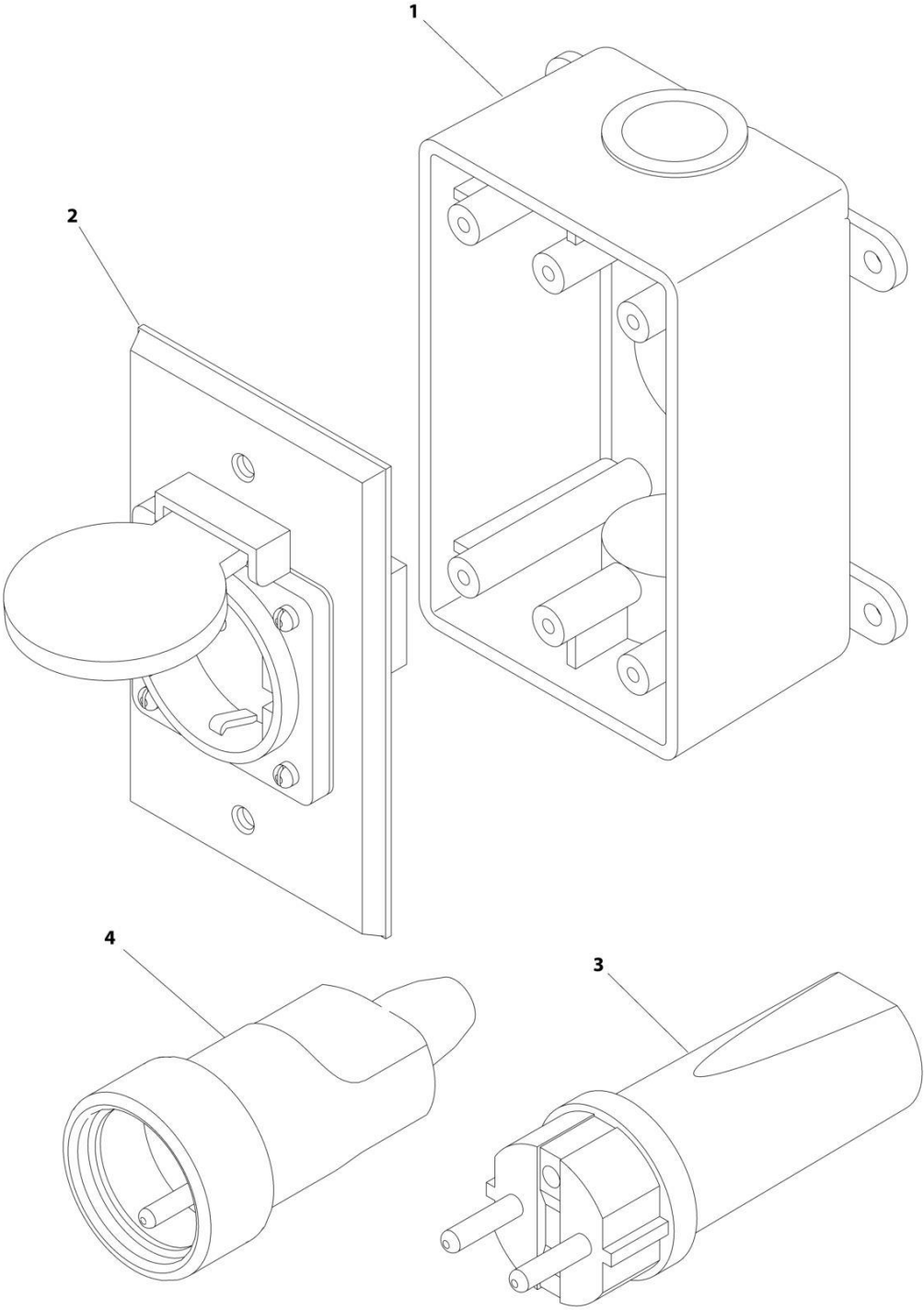
## SECTION 8 - ELECTRICAL

**FIGURE 8-73. RECEPTACLE BOX KIT - 220V CEE7 SIDE GROUND WITHOUT 2500W GENERATOR  
(2X4 BOX) (CE SPECS)**

ITEM	PART NUMBER	QTY	DESCRIPTION	REV
	0275453	Ref	RECEPTACLE BOX KIT - 220V CEE7 SIDE GROUND	B
1	0861731	1	Box, Switch	
2	4461245	1	Receptacle	
3	4461205	1	Plug, Male	
4	1001100347	1	Plug and Socket Kit (Includes Items 1-3 and Female Plug p/n 4461206)	

**SECTION 8 - ELECTRICAL**

**FIGURE 8-74. RECEPTACLE BOX KIT - 220V CEE7 SIDE GROUND WITH 2500W GENERATOR (2X4 BOX) (CE SPECS)**



ART\_1001100347



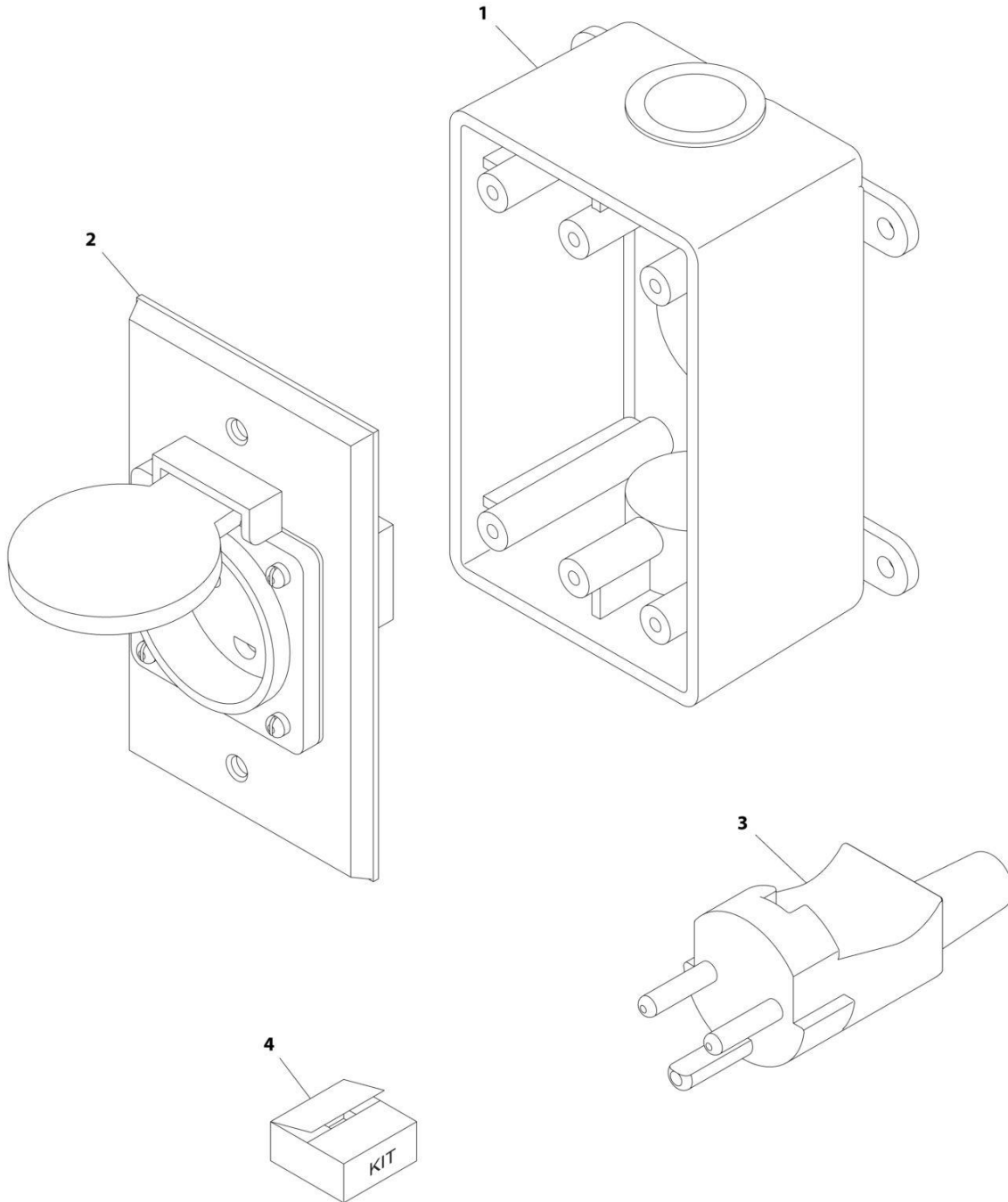
## SECTION 8 - ELECTRICAL

**FIGURE 8-74. RECEPTACLE BOX KIT - 220V CEE7 SIDE GROUND WITH 2500W GENERATOR (2X4 BOX) (CE SPECS)**

ITEM	PART NUMBER	QTY	DESCRIPTION	REV
	1001100347	Ref	RECEPTACLE BOX KIT - 220V CEE7 SIDE GROUND	3
1	0861731	1	Box, Switch	
2	4461245	1	Receptacle	
3	4461205	1	Plug, Male	
4	4461206	1	Plug, Female	

# SECTION 8 - ELECTRICAL

FIGURE 8-75. RECEPTACLE BOX KIT - 220V AFSINT 107 KEYED GROUND WITHOUT 2500W GENERATOR (2X4 BOX) (CE SPECS)



ART\_0275454

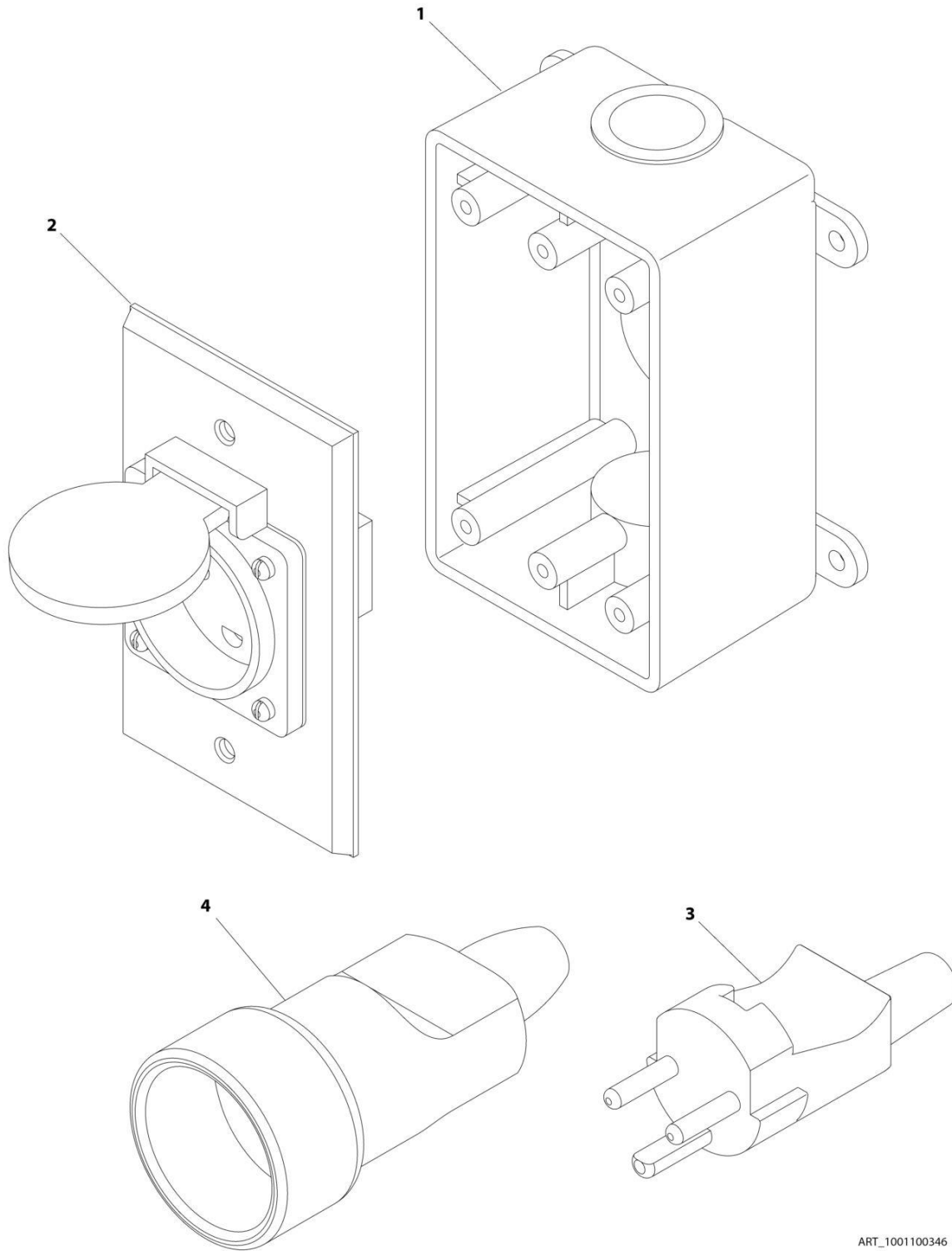
## SECTION 8 - ELECTRICAL

**FIGURE 8-75. RECEPTACLE BOX KIT - 220V AFSINT 107 KEYED GROUND WITHOUT 2500W GENERATOR (2X4 BOX) (CE SPECS)**

ITEM	PART NUMBER	QTY	DESCRIPTION	REV
	0275454	Ref	RECEPTACLE BOX KIT - 220V AFSINT 107	B
1	0861731	1	Box, Switch	
2	4461246	1	Receptacle	
3	4461249	1	Plug, Male	
4	1001100346	1	Plug and Socket Kit (Includes Items 1-3 and Female Plug p/n 4461250)	

# SECTION 8 - ELECTRICAL

FIGURE 8-76. RECEPTACLE BOX KIT - 220V AFSINT 107 KEYED GROUND WITH 2500W GENERATOR (2X4 BOX) (CE SPECS)



ART\_1001100346

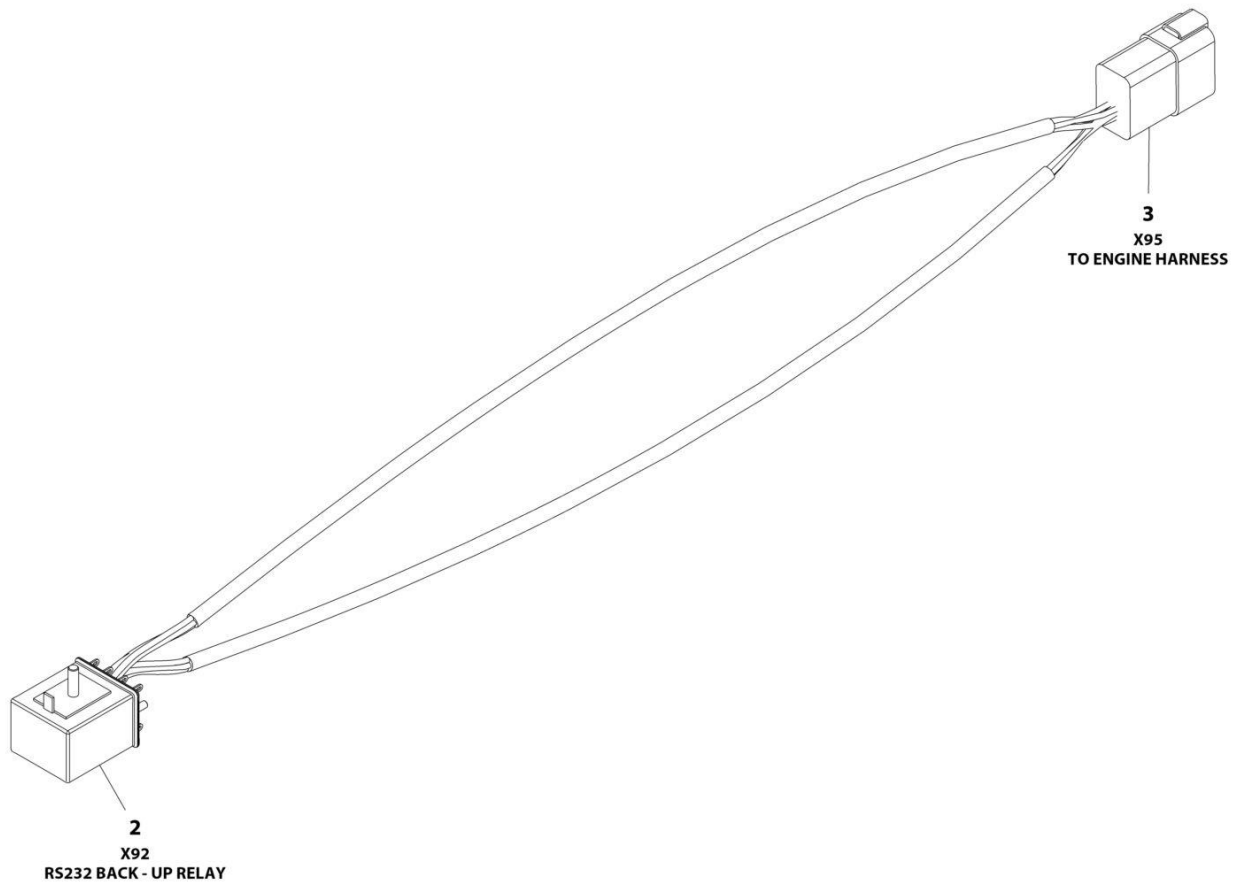
## SECTION 8 - ELECTRICAL

**FIGURE 8-76. RECEPTACLE BOX KIT - 220V AFSINT 107 KEYED GROUND WITH 2500W GENERATOR (2X4 BOX) (CE SPECS)**

ITEM	PART NUMBER	QTY	DESCRIPTION	REV
	1001100346	Ref	RECEPTACLE BOX KIT - 220V AFSINT 107 KEYED GROUND WITH 2500W GENERATOR (2X4 BOX) (CE & UK CA SPECS)	2
1	0861731	1	Box, Switch	
2	4461246	1	Receptacle	
3	4461249	1	Plug, Male	
4	4461250	1	Plug, Female	

# SECTION 8 - ELECTRICAL

## FIGURE 8-77. RELAY HARNESS



ART\_4923036

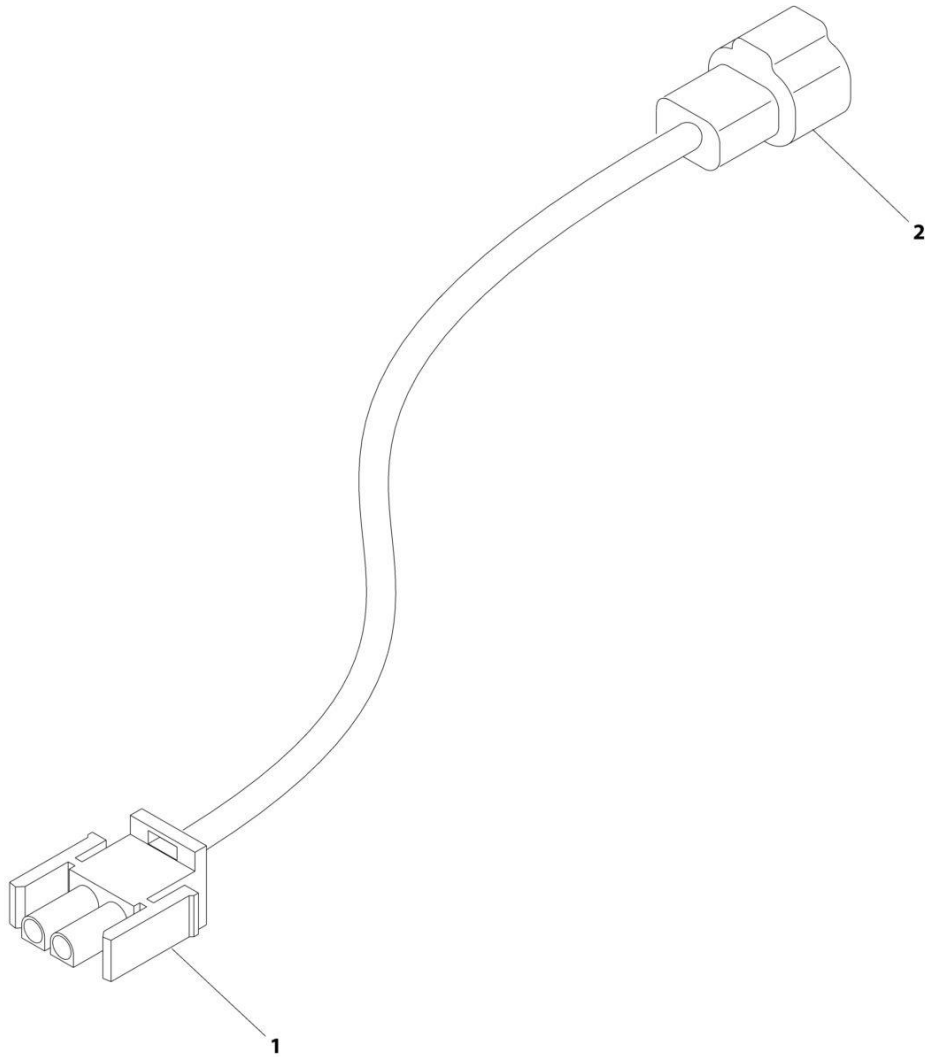
## SECTION 8 - ELECTRICAL

### FIGURE 8-77. RELAY HARNESS

ITEM	PART NUMBER	QTY	DESCRIPTION	REV
	4923036	Ref	RELAY HARNESS	E
2	3740143	1	Relay	
3	4460931	1	Connector - 8 Position	
3	4460943	8	Pin, Male	

# SECTION 8 - ELECTRICAL

## FIGURE 8-78. STROBE LIGHT HARNESS (AMBER)



ART\_1001149818



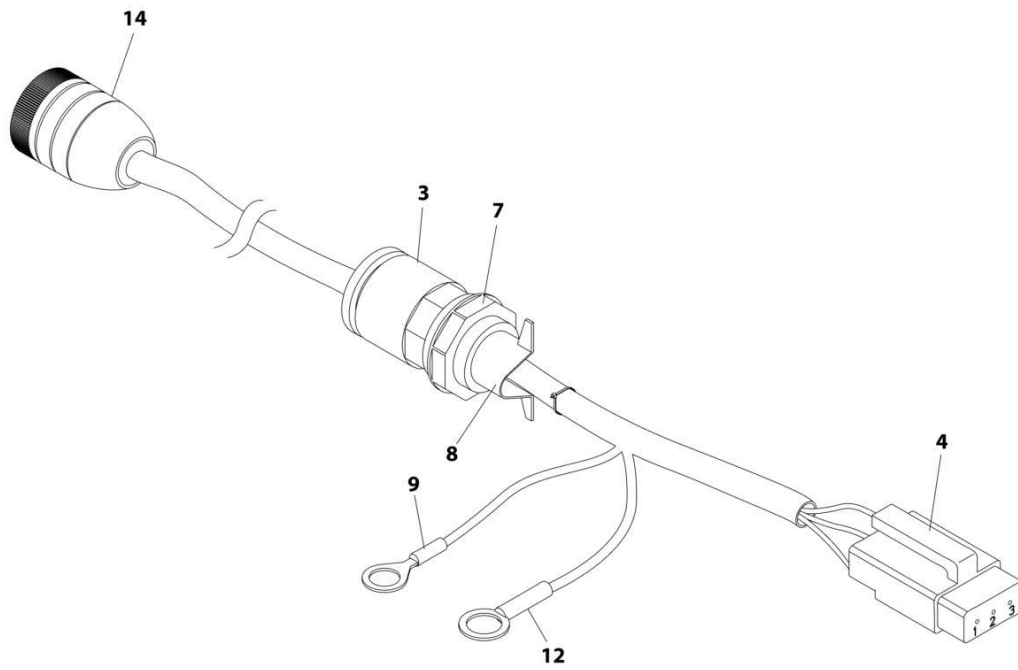
## SECTION 8 - ELECTRICAL

### FIGURE 8-78. STROBE LIGHT HARNESS (AMBER)

ITEM	PART NUMBER	QTY	DESCRIPTION	REV
	1001149818	Ref	STROBE LIGHT HARNESS (AMBER)	D
1	4460320	1	Plug, Male - 2 Position	
1	4460267	2	Pin, Male	
2	4460897	1	Connector - 2 Position	
2	4460464	2	Pin, Male	

# SECTION 8 - ELECTRICAL

## FIGURE 8-79. TILT SENSOR HARNESS (LEFT)



ART\_4922948

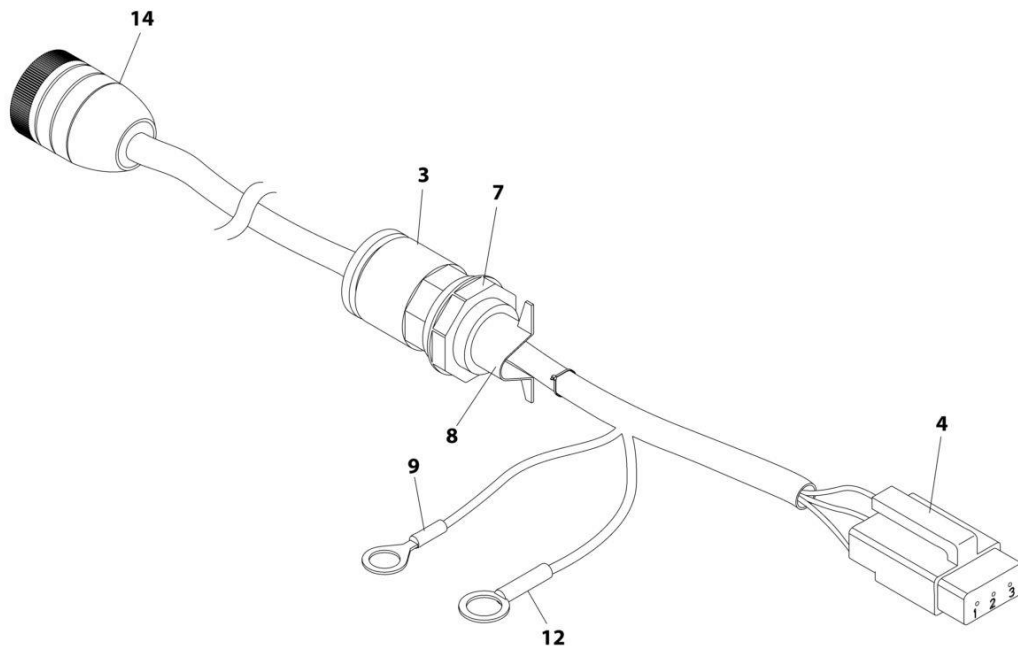
## SECTION 8 - ELECTRICAL

**FIGURE 8-79. TILT SENSOR HARNESS (LEFT)**

ITEM	PART NUMBER	QTY	DESCRIPTION	REV
	4922948	Ref	TILT SENSOR HARNESS (LEFT)	E
3	1560011	1	Connector, Conduit	
4	4460911	1	Connector - 3 Position	
4	4460912	1	Lock, Wedge	
4	4460918	3	Pin, Male	
7	1560012	1	Nut, Conduit	
8	1320309	1	Clamp, Cable	
9	4460702	1	Terminal, Eyelet	
10	4240032	2	Tie-Strap (Not Shown)	
12	4460256	1	Terminal, Eyelet	
14	4461013	1	Connector - 6 Position	

# SECTION 8 - ELECTRICAL

## FIGURE 8-80. TILT SENSOR HARNESS (RIGHT)



ART\_4922947

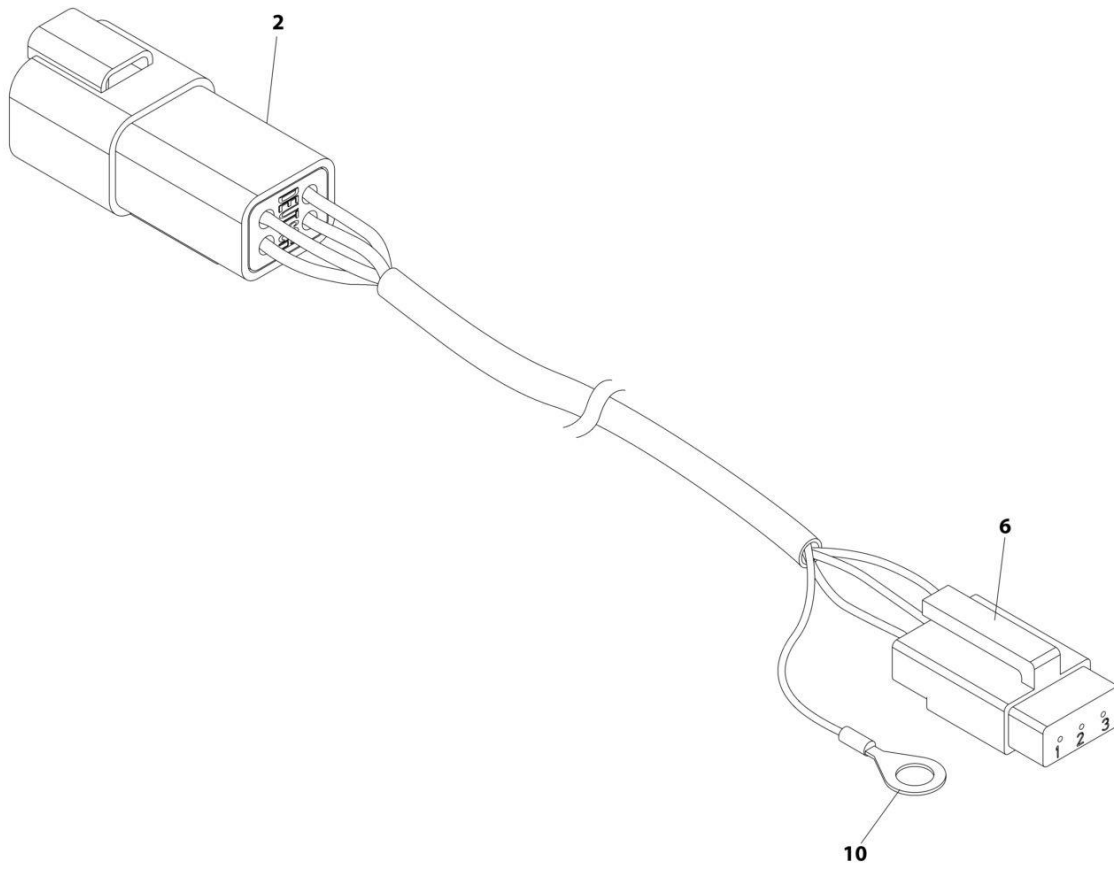
## SECTION 8 - ELECTRICAL

### FIGURE 8-80. TILT SENSOR HARNESS (RIGHT)

ITEM	PART NUMBER	QTY	DESCRIPTION	REV
	4922947	Ref	TILT SENSOR HARNESS (RIGHT)	E
3	1560011	1	Connector, Conduit	
4	4460911	1	Connector - 3 Position	
4	4460912	1	Lock, Wedge	
4	4460918	3	Pin, Male	
7	1560012	1	Nut, Conduit	
8	1320309	1	Clamp, Cable	
9	4460702	1	Terminal, Eyelet	
10	4240032	2	Tie-Strap (Not Shown)	
12	4460256	1	Terminal, Eyelet	
14	4461013	1	Connector - 6 Position	

# SECTION 8 - ELECTRICAL

## FIGURE 8-81. TOWER BOOM ANGLE SENSOR HARNESS (LEFT)



ART\_4922951

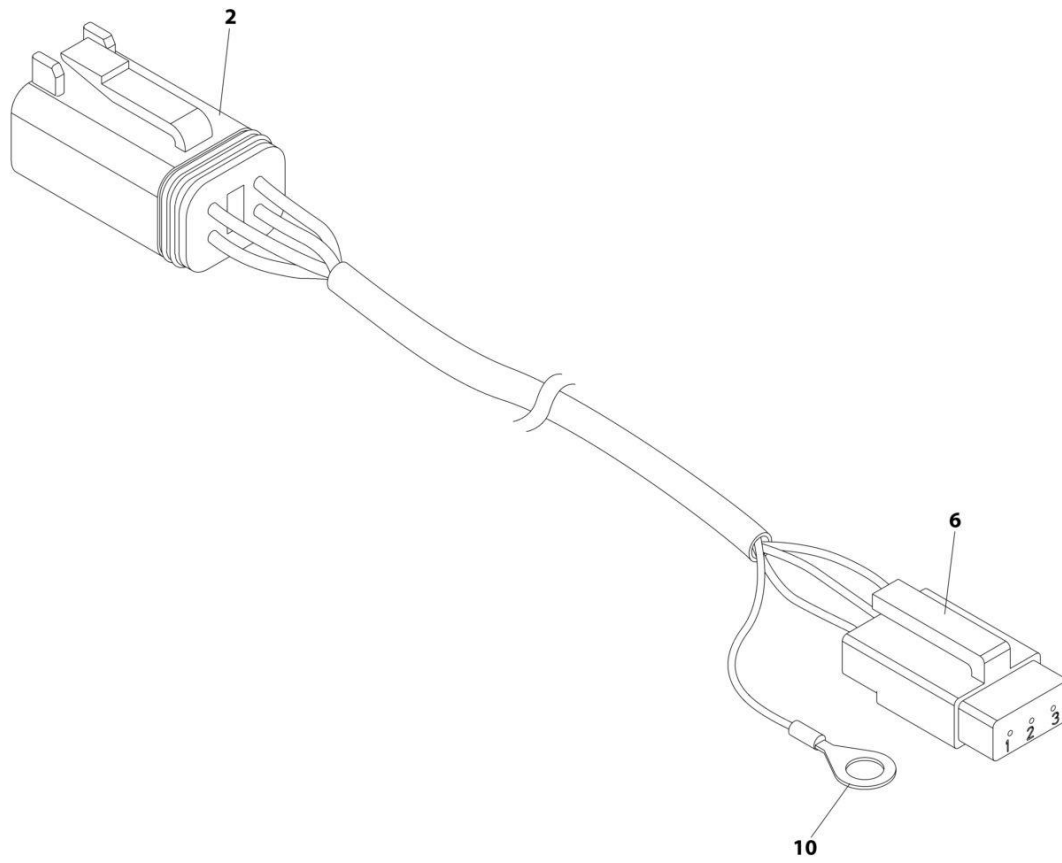
## SECTION 8 - ELECTRICAL

### FIGURE 8-81. TOWER BOOM ANGLE SENSOR HARNESS (LEFT)

ITEM	PART NUMBER	QTY	DESCRIPTION	REV
	4922951	Ref	TOWER BOOM ANGLE SENSOR HARNESS (LEFT)	E
2	4460932	1	Connector - 4 Position	
2	4460943	4	Pin, Male (Gold)	
6	4460911	1	Connector - 3 Position	
6	4460918	3	Socket, Female	
6	4460912	1	Lock, Wedge - Position	
10	4460722	1	Terminal, Eyelet	

# SECTION 8 - ELECTRICAL

## FIGURE 8-82. TOWER BOOM ANGLE SENSOR HARNESS (RIGHT)



ART\_4922950



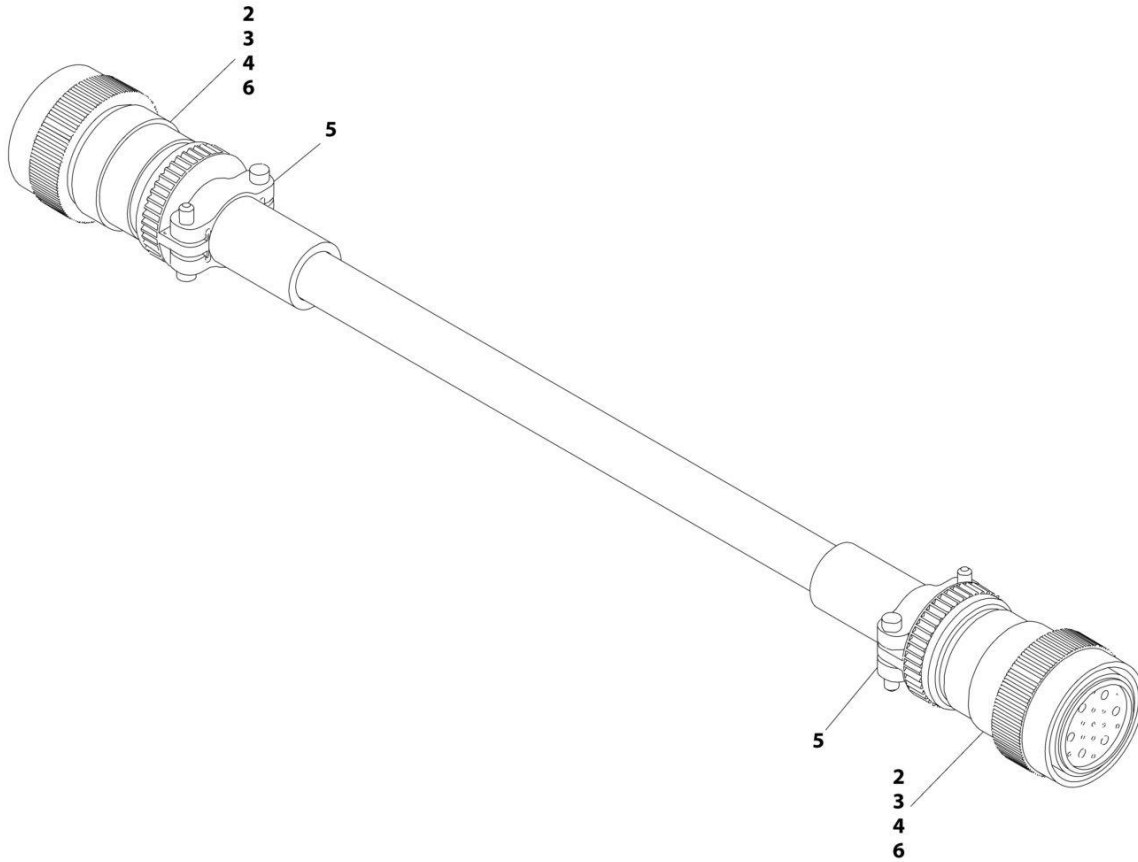
## SECTION 8 - ELECTRICAL

**FIGURE 8-82. TOWER BOOM ANGLE SENSOR HARNESS (RIGHT)**

ITEM	PART NUMBER	QTY	DESCRIPTION	REV
	4922950	Ref	TOWER BOOM ANGLE SENSOR HARNESS (RIGHT)	D
2	4460884	1	Connector - 4 Position	
2	4460944	4	Socket, Female (Gold)	
6	4460911	1	Connector - 3 Position	
6	4460918	3	Socket, Female	
6	4460912	1	Lock, Wedge - Position	
10	4460722	1	Terminal, Eyelet	

# SECTION 8 - ELECTRICAL

## FIGURE 8-83. TOWER BOOM CONTROL CABLE HARNESS



ART\_4922956

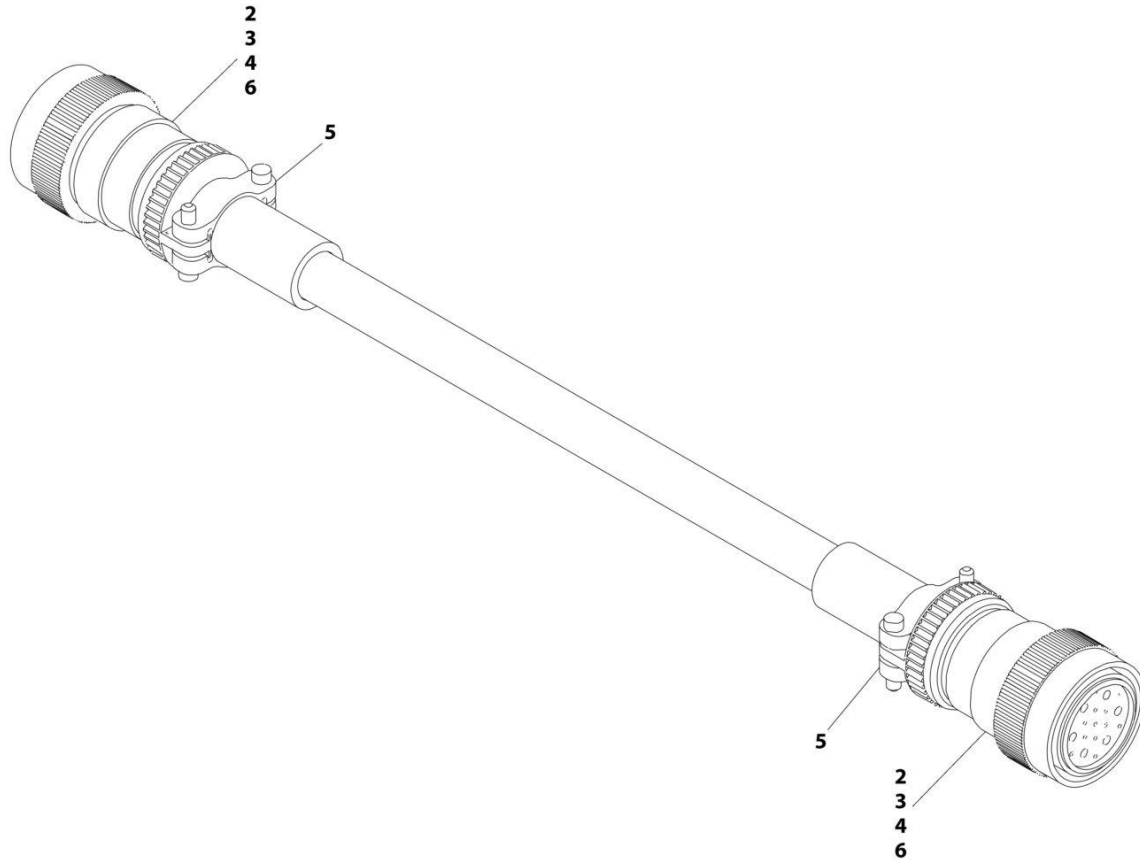
## SECTION 8 - ELECTRICAL

### FIGURE 8-83. TOWER BOOM CONTROL CABLE HARNESS

ITEM	PART NUMBER	QTY	DESCRIPTION	REV
	4922956	Ref	TOWER BOOM CONTROL CABLE HARNESS	E
2	4460465	11	Socket, Female	
3	4460865	2	Connector - 19 Position	
4	4460509	4	Socket, Female	
5	4460473	2	Clamp	
6	4460466	4	Plug, Socket	

# SECTION 8 - ELECTRICAL

## FIGURE 8-84. TOWER BOOM FLY TO GROUND CONTROL BOX HARNESS



ART\_4922958

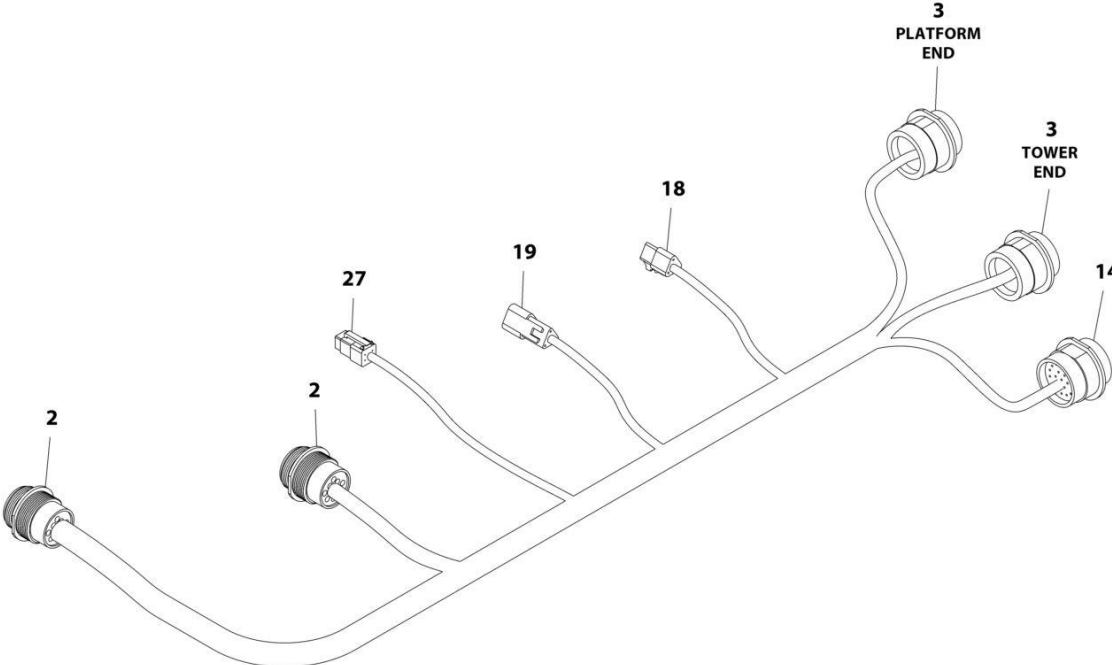
## SECTION 8 - ELECTRICAL

**FIGURE 8-84. TOWER BOOM FLY TO GROUND CONTROL BOX HARNESS**

ITEM	PART NUMBER	QTY	DESCRIPTION	REV
	4922958	Ref	TOWER BOOM FLY TO GROUND CONTROL BOX HARNESS	D
2	4460465	22	Socket, Female	
3	4461003	2	Connector - 21 Position	
4	4460509	8	Socket, Female	
5	4460473	2	Clamp, Cable	
6	4460466	12	Seal, Plug	

**SECTION 8 - ELECTRICAL**

**FIGURE 8-85. TOWER BOOM FLY TO MAIN BOOM BASE HARNESS (PVC 2001)**



ART\_4923373

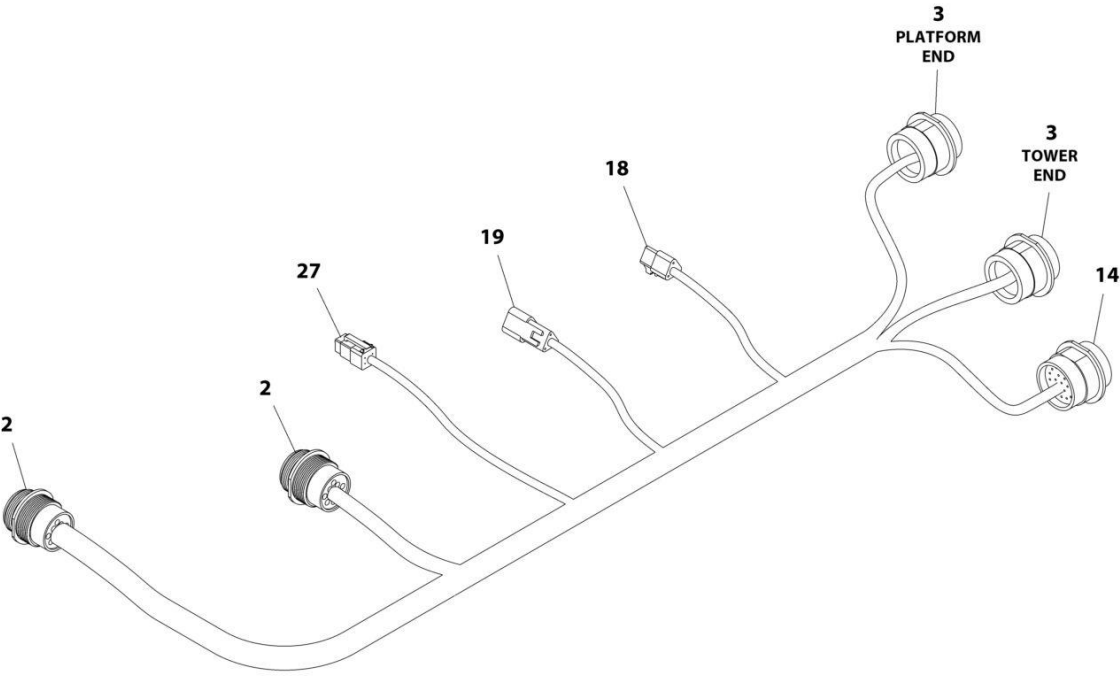
## SECTION 8 - ELECTRICAL

**FIGURE 8-85. TOWER BOOM FLY TO MAIN BOOM BASE HARNESS (PVC 2001)**

ITEM	PART NUMBER	QTY	DESCRIPTION	REV
	4923373	Ref	TOWER BOOM FLY TO MAIN BOOM BASE HARNESS	B
2	4461009	2	Connector - 5 Position	
3	4460866	2	Connector - 19 Position	
3	4460465	24	Socket, Female	
3	4460509	8	Socket, Female	
3	4460943	9	Pin, Male (Gold)	
3	4460466	17	Seal, Plug	
14	4460613	1	Connector - 21 Position	
14	4460464	8	Pin, Male	
14	4460508	5	Pin, Male	
18	4460539	1	Connector - 3 Position	
18	4460944	3	Socket, Female (Gold)	
19	4460536	1	Connector - 3 Position	
19	4460943	3	Pin, Male (Gold)	
27	4461077	1	Plug, Male	
27	4460918	4	Socket, Female (Gold)	

**SECTION 8 - ELECTRICAL**

**FIGURE 8-86. TOWER BOOM FLY TO MAIN BOOM BASE HARNESS (PVC 2007)**



ART\_4923373\_C



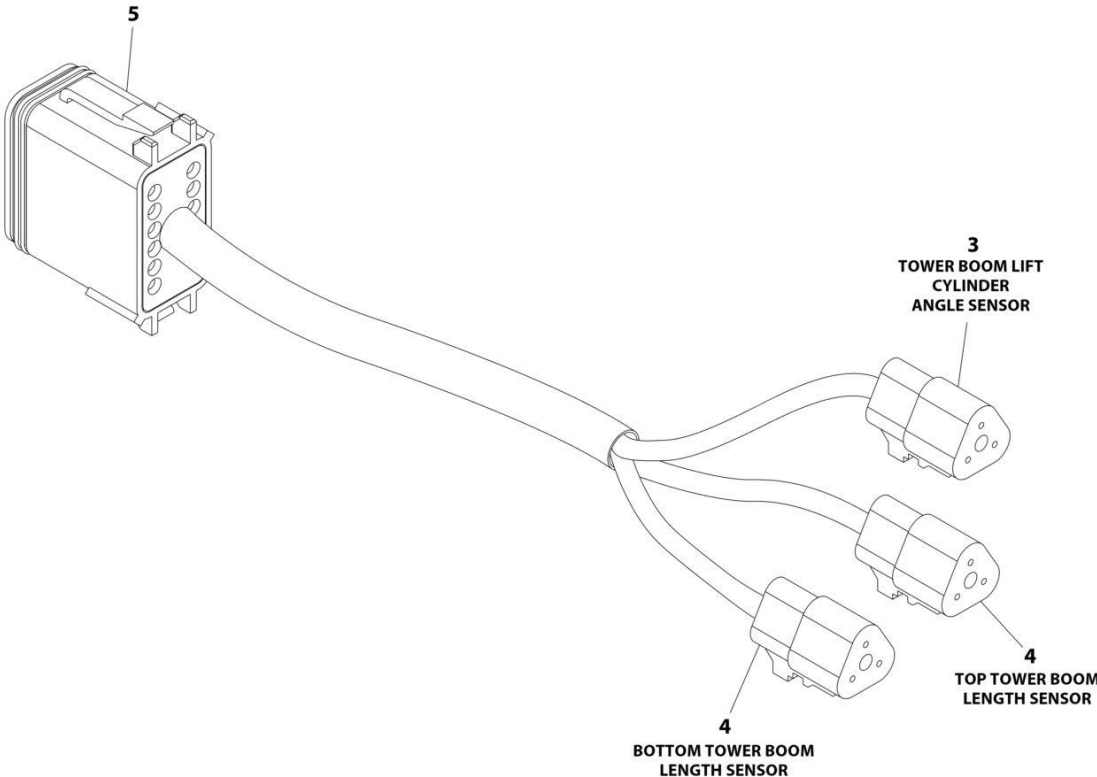
## SECTION 8 - ELECTRICAL

**FIGURE 8-86. TOWER BOOM FLY TO MAIN BOOM BASE HARNESS (PVC 2007)**

ITEM	PART NUMBER	QTY	DESCRIPTION	REV
	4923373	Ref	TOWER BOOM FLY TO MAIN BOOM BASE HARNESS	C
2	4461009	2	Connector - 5 Position	
3	4460866	2	Connector - 19 Position	
3	4460464	3	Pin, Male	
3	4460508	4	Pin, Male	
3	4460943	3	Pin, Male (Gold)	
3	4460466	4	Seal, Plug	
14	4460613	1	Connector - 21 Position	
14	4460464	8	Pin, Male	
14	4460508	5	Pin, Male	
18	4460539	1	Connector - 3 Position	
18	4460944	3	Socket, Female (Gold)	
19	4460536	1	Connector - 3 Position	
19	4460943	3	Pin, Male (Gold)	
27	4461077	1	Plug, Male	
27	4460918	4	Socket, Female (Gold)	

**SECTION 8 - ELECTRICAL**

**FIGURE 8-87. TOWER BOOM LENGTH SENSORS HARNESS**



ART\_4922949

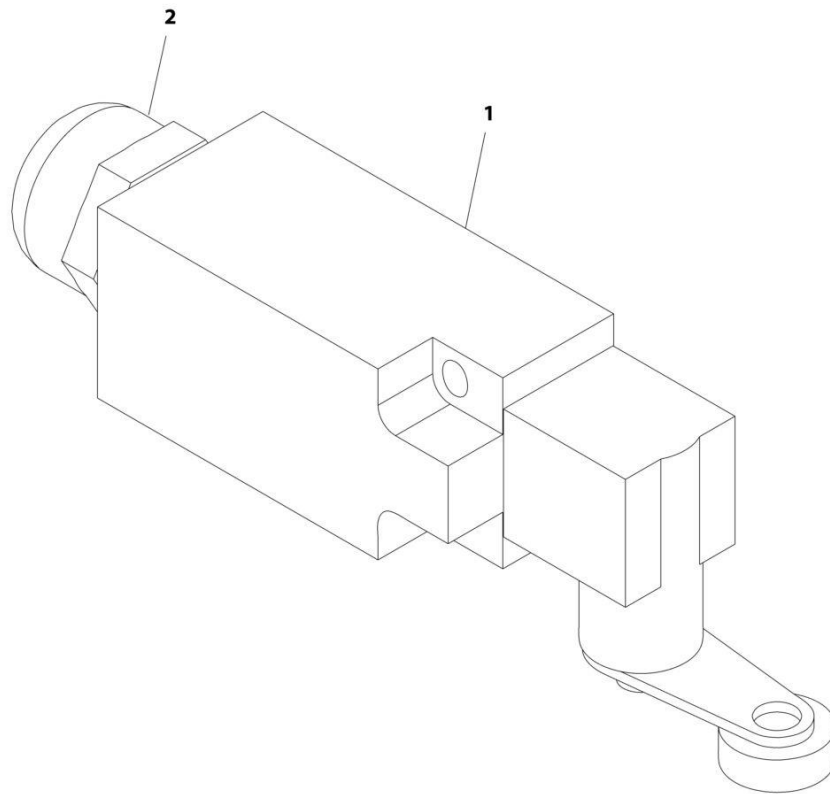
## SECTION 8 - ELECTRICAL

### FIGURE 8-87. TOWER BOOM LENGTH SENSORS HARNESS

ITEM	PART NUMBER	QTY	DESCRIPTION	REV
	4922949	Ref	TOWER BOOM LENGTH SENSORS HARNESS	B
3	4460539	1	Connector - 3 Position	
3	4460943	3	Pin, Male (Gold)	
4	4460539	2	Connector - 3 Position	
4	4460944	6	Socket, Female (Gold)	
5	4460934	1	Connector - 12 Position	
5	4460944	11	Socket, Female (Gold)	
5	4460466	1	Plug	

## SECTION 8 - ELECTRICAL

FIGURE 8-88. TOWER BOOM TRANSPORT LENGTH SWITCH HARNESS



ART\_4923169

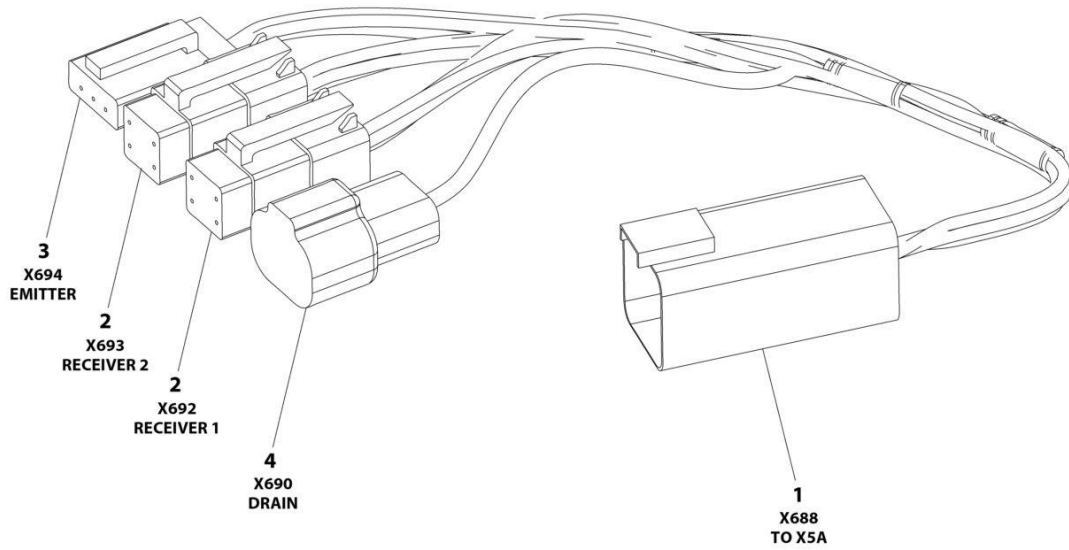
## SECTION 8 - ELECTRICAL

**FIGURE 8-88. TOWER BOOM TRANSPORT LENGTH SWITCH HARNESS**

ITEM	PART NUMBER	QTY	DESCRIPTION	REV
	4923169	Ref	TOWER BOOM TRANSPORT LENGTH SWITCH HARNESS	A
1	4360579	1	Switch, Limit	
2	4460968	1	Connector, Strain Relief	

# SECTION 8 - ELECTRICAL

## FIGURE 8-89. SKYEYE INTERMEDIATE HARNESS



ART\_1001237865

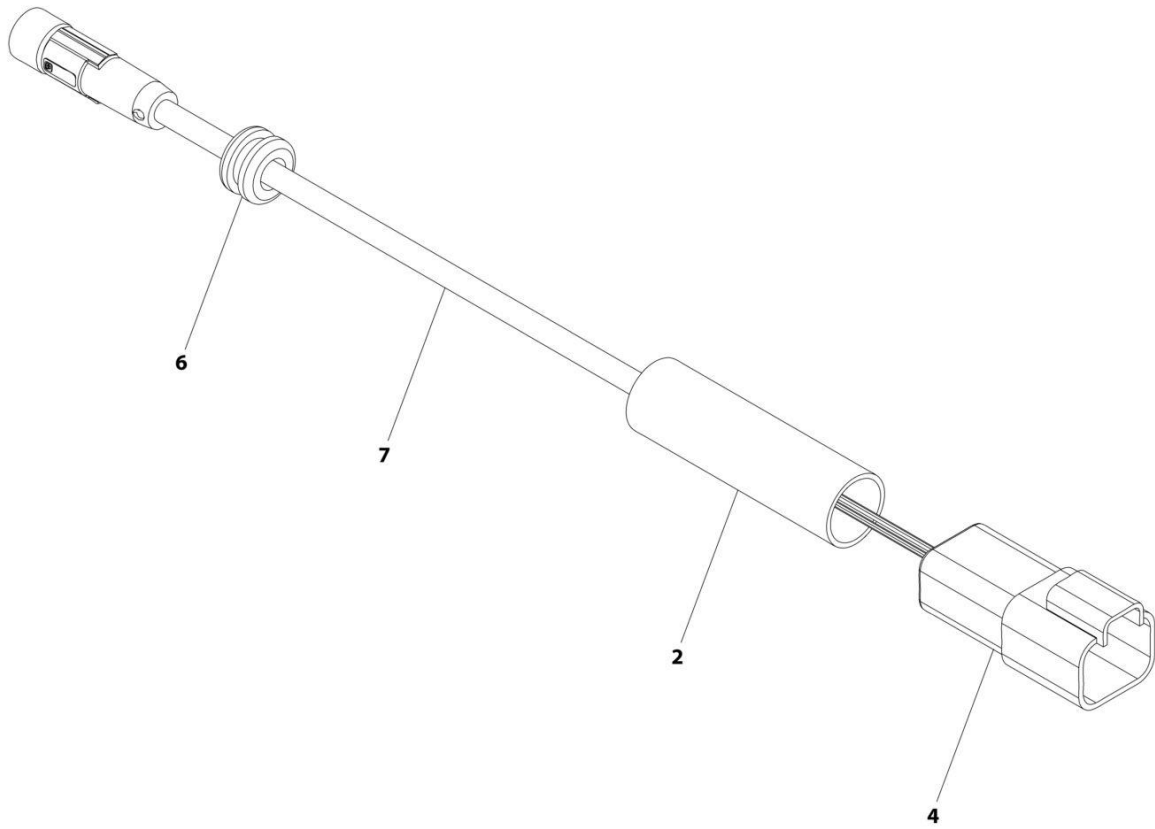
## SECTION 8 - ELECTRICAL

### FIGURE 8-89. SKYEYE INTERMEDIATE HARNESS

ITEM	PART NUMBER	QTY	DESCRIPTION	REV
	1001237865	Ref	SKYEYE INTERMEDIATE HARNESS	A
1	4460899	1	Connector - 6 Position	
1	4460943	4	Pin, Male	
1	4460466	2	Plug, Terminal	
2	4461077	2	Connector - 4 Position	
2	1001119619	8	Socket, Female	
3	4460911	1	Connector - 3 Position	
3	1001119619	3	Socket, Female	
4	1001187681	1	Connector - 2 Position	
4	4460941	1	Pin, Male	
4	4460466	1	Plug, Terminal	

# SECTION 8 - ELECTRICAL

FIGURE 8-90. SKYEYE RECEIVER HARNESS (PVC 2001)



ART\_1001237863



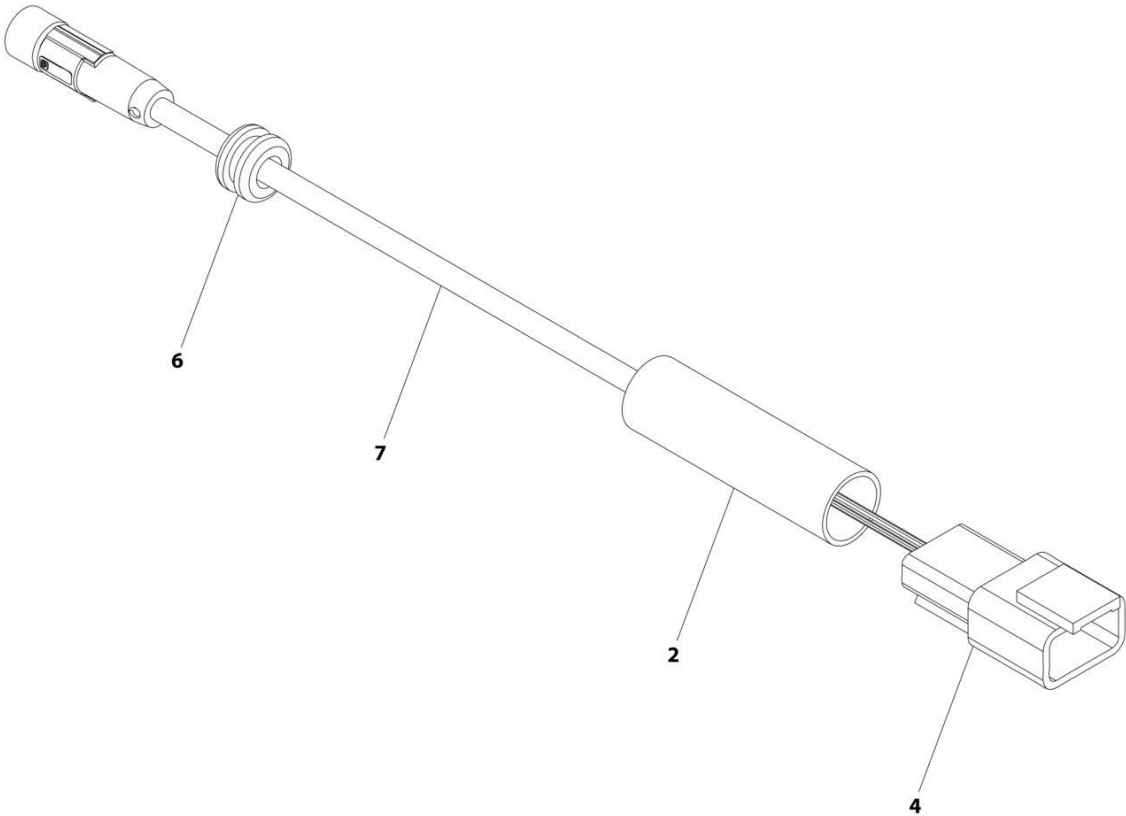
## SECTION 8 - ELECTRICAL

**FIGURE 8-90. SKYEYE RECEIVER HARNESS (PVC 2001)**

ITEM	PART NUMBER	QTY	DESCRIPTION	REV
	1001237863	Ref	SKYEYE RECEIVER HARNESS	A
2	2820247	AR	Tubing, Heat Shrink	
4	1001097051	1	Connector - 4 Position	
4	1001119620	4	Pin, Male	
6	1001227996	1	Grommet	
7	1001237862	1	Cable, M8 Female Cordset	

**SECTION 8 - ELECTRICAL**

**FIGURE 8-91. SKYEYE RECEIVER HARNESS (PVC 2007)**



ART\_1001237863\_B

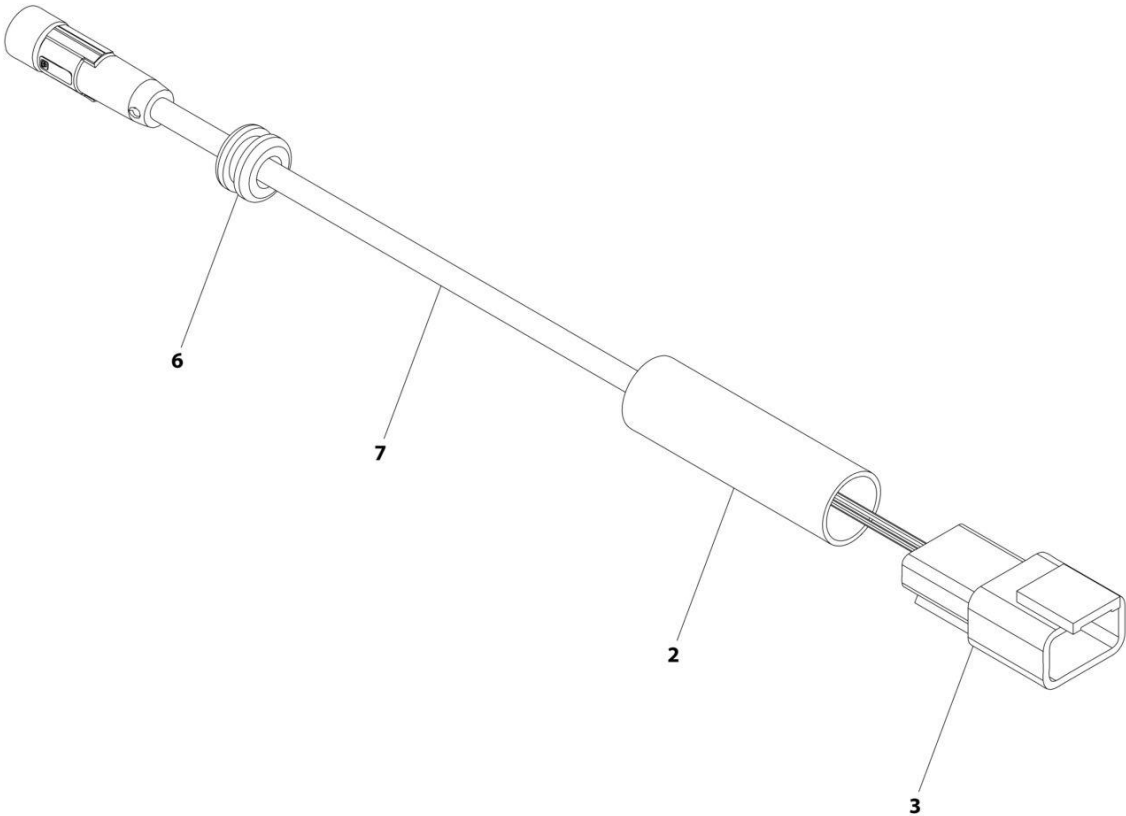
## SECTION 8 - ELECTRICAL

### FIGURE 8-91. SKYEYE RECEIVER HARNESS (PVC 2007)

ITEM	PART NUMBER	QTY	DESCRIPTION	REV
	1001237863	Ref	SKYEYE RECEIVER HARNESS	B
2	2820247	AR	Tubing, Heat Shrink	
4	1001097051	1	Connector - 4 Position	
4	1001119620	4	Pin, Male	
6	1001227996	1	Grommet	
7	1001258495	1	Cable, M8 Female Cordset	

**SECTION 8 - ELECTRICAL**

**FIGURE 8-92. SKYEYE EMITTER HARNESS (PVC 2001)**



ART\_1001237864

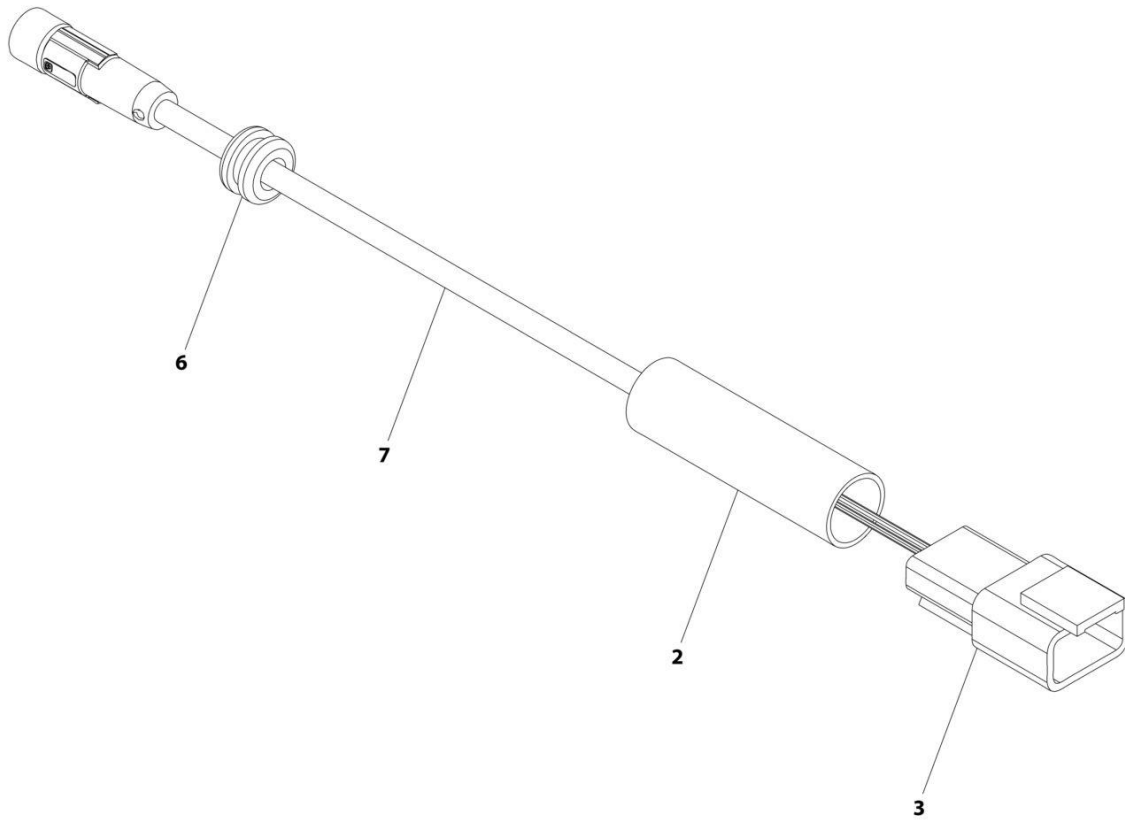
## SECTION 8 - ELECTRICAL

**FIGURE 8-92. SKYEYE EMITTER HARNESS (PVC 2001)**

ITEM	PART NUMBER	QTY	DESCRIPTION	REV
	1001237864	Ref	SKYEYE EMITTER HARNESS	A
2	2820247	AR	Tubing, Heat Shrink	
3	4460910	1	Connector - 3 Position	
3	1001119620	3	Pin, Male	
6	1001227996	1	Grommet	
7	1001237862	1	Cable, M8 Female Cordset	

# SECTION 8 - ELECTRICAL

## FIGURE 8-93. SKYEYE EMITTER HARNESS (PVC 2007)



ART\_1001237864\_B

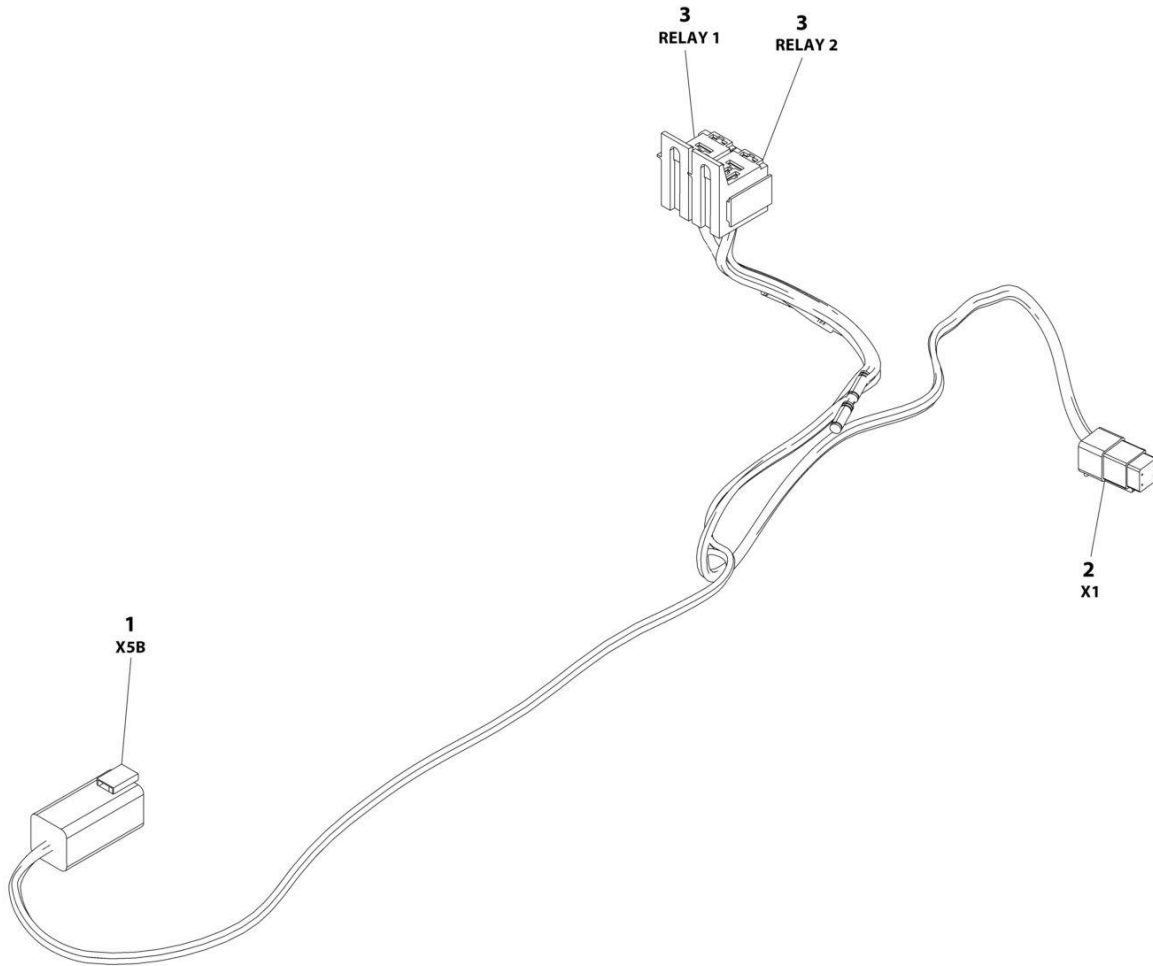
## SECTION 8 - ELECTRICAL

### FIGURE 8-93. SKYEYE EMITTER HARNESS (PVC 2007)

ITEM	PART NUMBER	QTY	DESCRIPTION	REV
	1001237864	Ref	SKYEYE EMITTER HARNESS	B
2	2820247	AR	Tubing, Heat Shrink	
3	4460910	1	Connector - 3 Position	
3	1001119620	3	Pin, Male	
6	1001227996	1	Grommet	
7	1001258495	1	Cable, M8 Female Cordset	

# SECTION 8 - ELECTRICAL

## FIGURE 8-94. SKYLINE HARNESS



ART\_1001238418



## SECTION 8 - ELECTRICAL

### FIGURE 8-94. SKYLINE HARNESS

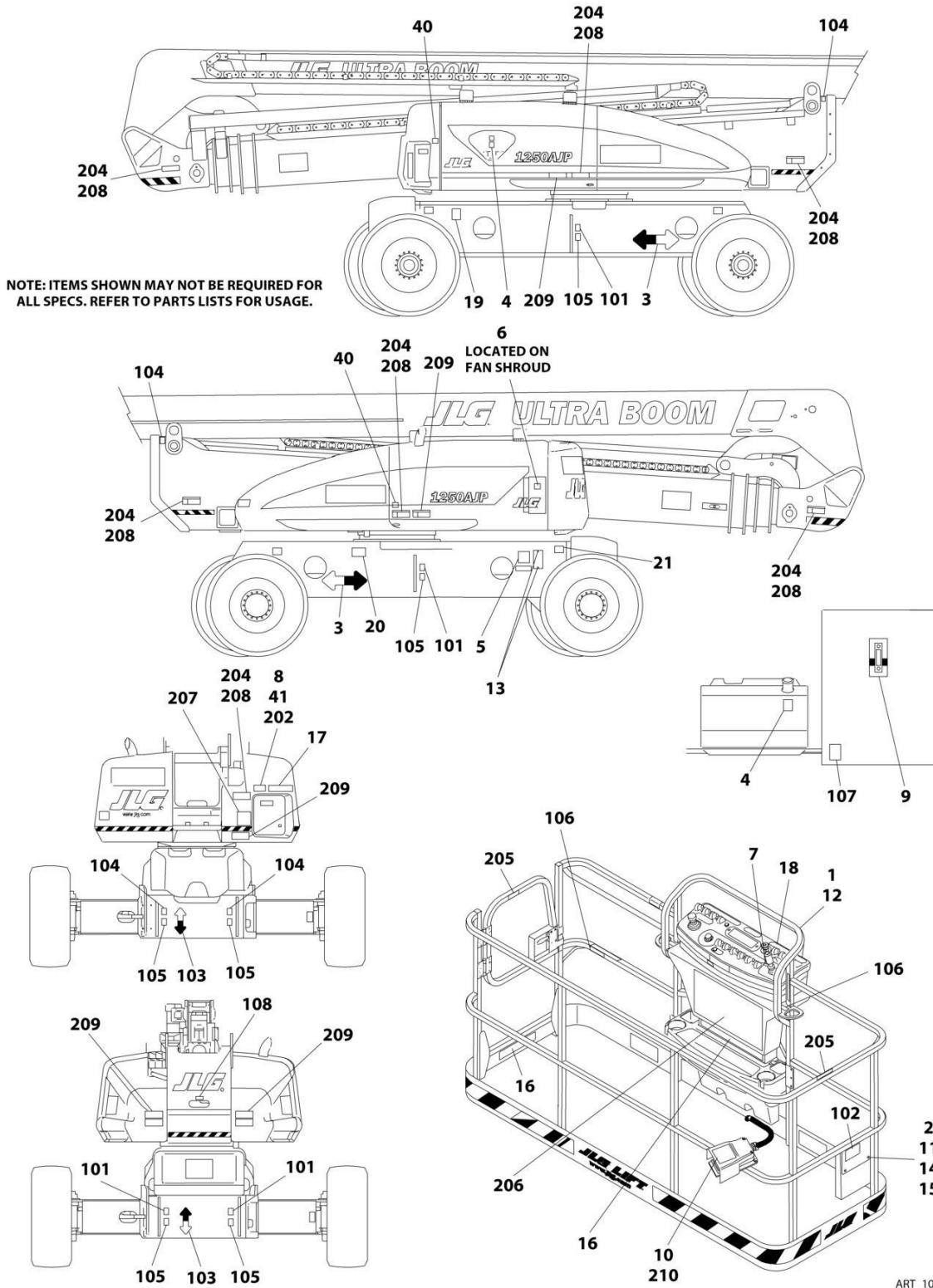
ITEM	PART NUMBER	QTY	DESCRIPTION	REV
	1001238418	Ref	SKYLINE HARNESS	B
1	4460899	1	Connector - 6 Position	
1	4460464	4	Pin, Male	
1	4460466	2	Plug, Terminal	
2	4461077	1	Connector - 4 Position	
2	1001126009	4	Socket, Female	
3	1001186432	2	Plug, Relay	
3	1001118388	5	Terminal	
3	1001118384	3	Terminal	
3	3740086	2	Relay	



**SECTION 9 - DECALS**

# SECTION 9 - DECALS

## FIGURE 9-1. DECAL INSTALLATION - ANSI SPEC



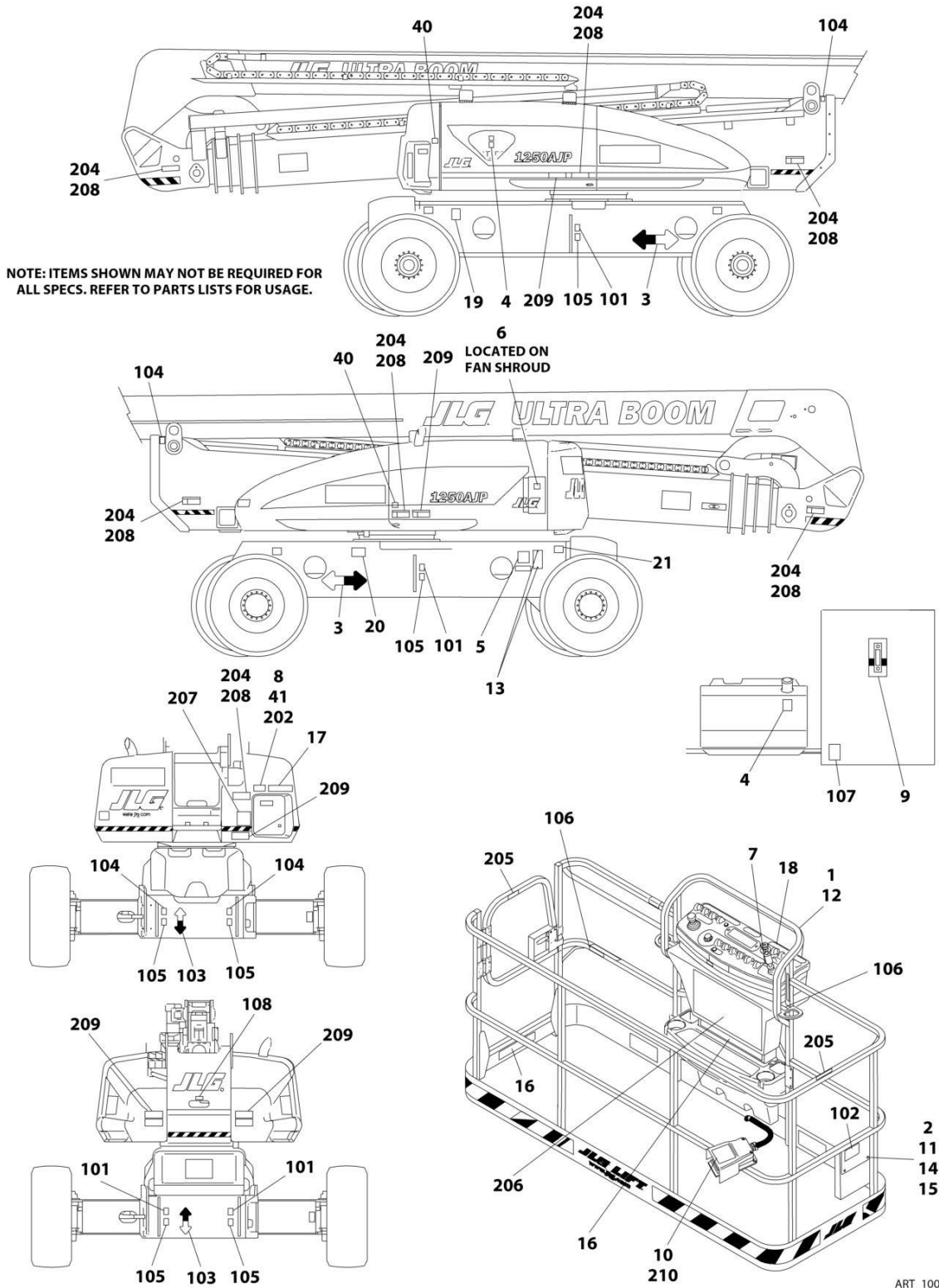
## SECTION 9 - DECALS

**FIGURE 9-1. DECAL INSTALLATION - ANSI SPEC**

ITEM	PART NUMBER	QTY	DESCRIPTION	REV
	1001251267	Ref	DECAL INSTALLATION - REFERENCE CHART	C
	1001243965	Ref	DECAL INSTALLATION - ANSI SPEC	B
1	0100048	AR	Grease, Dielectric	
2	0641406	4	Bolt 1/4 x 3/4	
3	1701501	4	Decal - Arrow	
4	1701505	2	Decal - Fuel	
5	See Note	1	Decal - Bar Code (Note: Not Available For Purchase)	
6	1704972	1	Decal - Warning Explosion/Fire (Not Shown - Located on Engine Air Filter Housing)	
7	1705351	1	Decal - Drive/Steer Instructions	
8	1705492	1	Decal - Tip Over Hazard	
9	1705511	1	Decal - Oil Level	
10	3252347	1	Decal - Footswitch	
11	3311405	4	Nut 1/4	
12	3520174	3	Plug	
13	3820001	2	Rivet	
14	4751400	4	Washer 1/4	
15	91403230	1	Box, Manual Storage	
16	1001253048	1	Decal - Capacity (Platform)	
17	1001253049	1	Decal - Capacity (Ground Control)	
18	1001122611	1	Decal - Stop	
19	1001131269	1	Decal - Patent	
20	1001223055	1	Decal - Yearly Inspection	
21	1001223453	1	Decal - Ices	
100	1001248539	1	Decal Master Kit (Not Shown - Includes Items 101-108)	
101	1701499	4	Decal - No Lift	
102	1701509	1	Decal - Manual	
103	1701529	2	Decal - Arrow	
104	1703811	8	Decal - Tie Down/Lift	
105	1703814	6	Decal - Tie Down	
106	1704277	4	Decal - Attach Lanyard Here	
107	1704412	1	Decal - Hydraulic Oil Chart	
108	3251243	1	Nameplate - 120V-60Hz	
200	1001248547	1	Decal Kit (Not Shown - Includes Items 204-209)	
204	1703953	7	Decal - Warning/Crushing	
205	1702868	2	Decal - No Hands	
206	1001231315	1	Decal - Danger/Warning (Platform)	
207	1705336	1	Decal - Danger/Warning (Ground Control)	
208	1703804	5	Decal - Warning Crushing	
209	1703805	5	Decal - Danger/Electrocution	

# SECTION 9 - DECALS

## FIGURE 9-2. DECAL INSTALLATION - AUSTRALIAN SPEC



ART\_1001246611

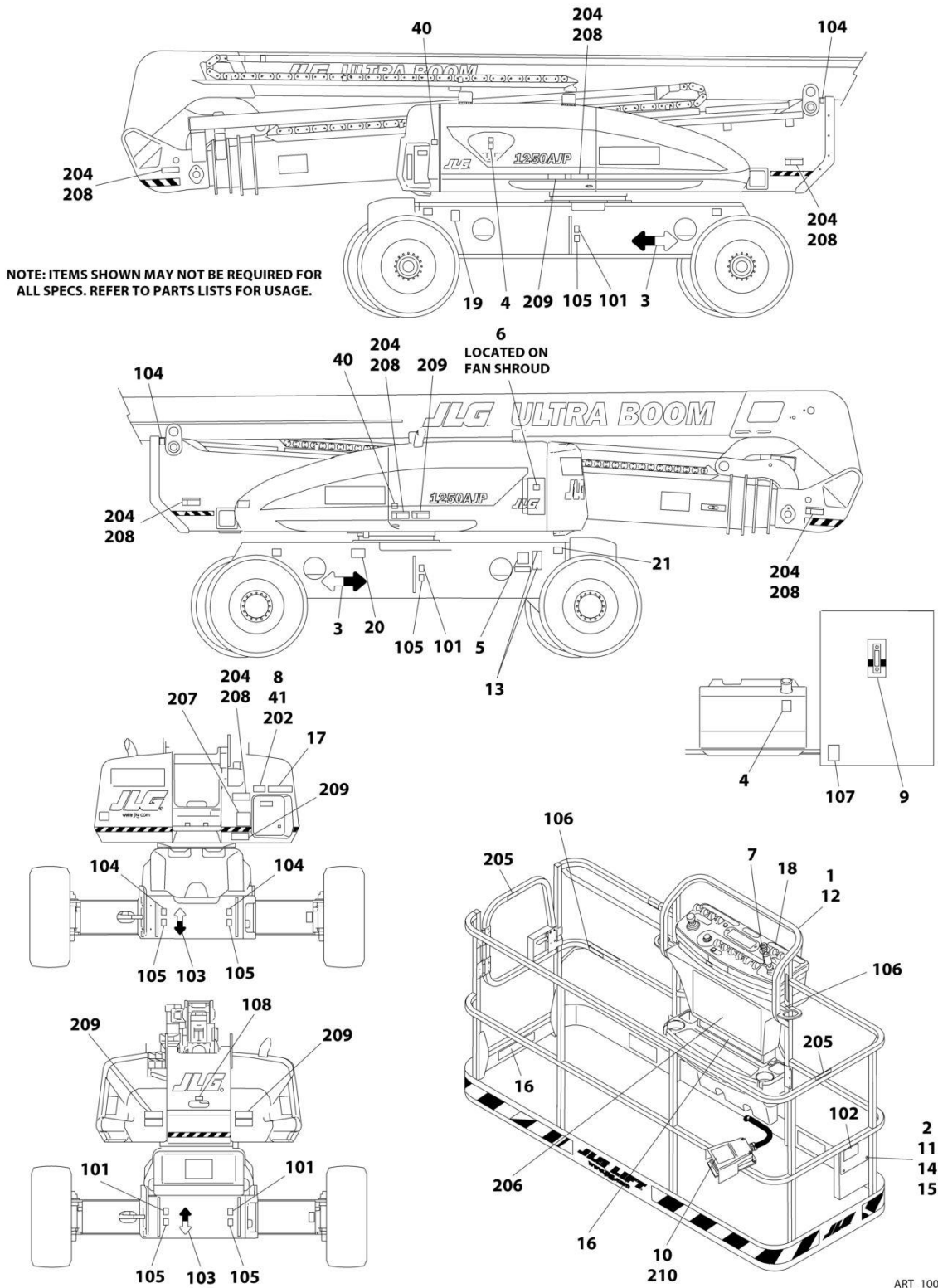
## SECTION 9 - DECALS

**FIGURE 9-2. DECAL INSTALLATION - AUSTRALIAN SPEC**

ITEM	PART NUMBER	QTY	DESCRIPTION	REV
	1001251267	Ref	DECAL INSTALLATION - REFERENCE CHART	C
	1001246611	Ref	DECAL INSTALLATION - AUSTRALIAN SPEC	A
1	0100048	AR	Grease, Dielectric	
2	0641406	4	Bolt 1/4 x 3/4	
3	1701501	4	Decal - Arrow	
4	1701505	2	Decal - Fuel	
5	See Note	1	Decal - Bar Code (Note: Not Available For Purchase)	
6	1706098	1	Decal - Warning Explosion/Fire (Not Shown - Located on Engine Air Filter Housing)	
9	1705511	1	Decal - Oil Level	
10	1705828	1	Decal - Footswitch	
11	3311405	4	Nut 1/4	
12	3520174	3	Plug	
13	3820001	6	Rivet	
14	4751400	4	Washer 1/4	
15	91403230	1	Box, Manual Storage	
16	1706770	1	Decal - Capacity (Platform)	
17	1705468	1	Decal - Capacity (Ground Control)	
18	1705174	1	Decal - Stop	
41	1001112551	1	Decal - Emergency Controls (Australian Spec)	
100	1001248540	1	Decal Master Kit (Not Shown - Includes Items 101-107)	
101	1701499	4	Decal - No Lift	
102	1701509	1	Decal - Manual	
103	1701529	2	Decal - Arrow	
104	1703811	4	Decal - Tie Down/Lift	
105	1703814	6	Decal - Tie Down	
106	1704277	4	Decal - Attach Lanyard Here	
107	1704412	1	Decal - Hydraulic Oil Chart	
200	1001248546	1	Decal Kit (Not Shown - Includes Items 206-209)	
206	1705921	1	Decal - Tipping/Electrical (Platform)	
207	1705822	1	Decal - Electrical/Safety (Ground Control)	
208	1701518	10	Decal - Warning Crushing	
209	1705961	5	Decal - Danger Electrocution	

# SECTION 9 - DECALS

## FIGURE 9-3. DECAL INSTALLATION - BRAZIL SPEC (PORTGUESE/ENGLISH)





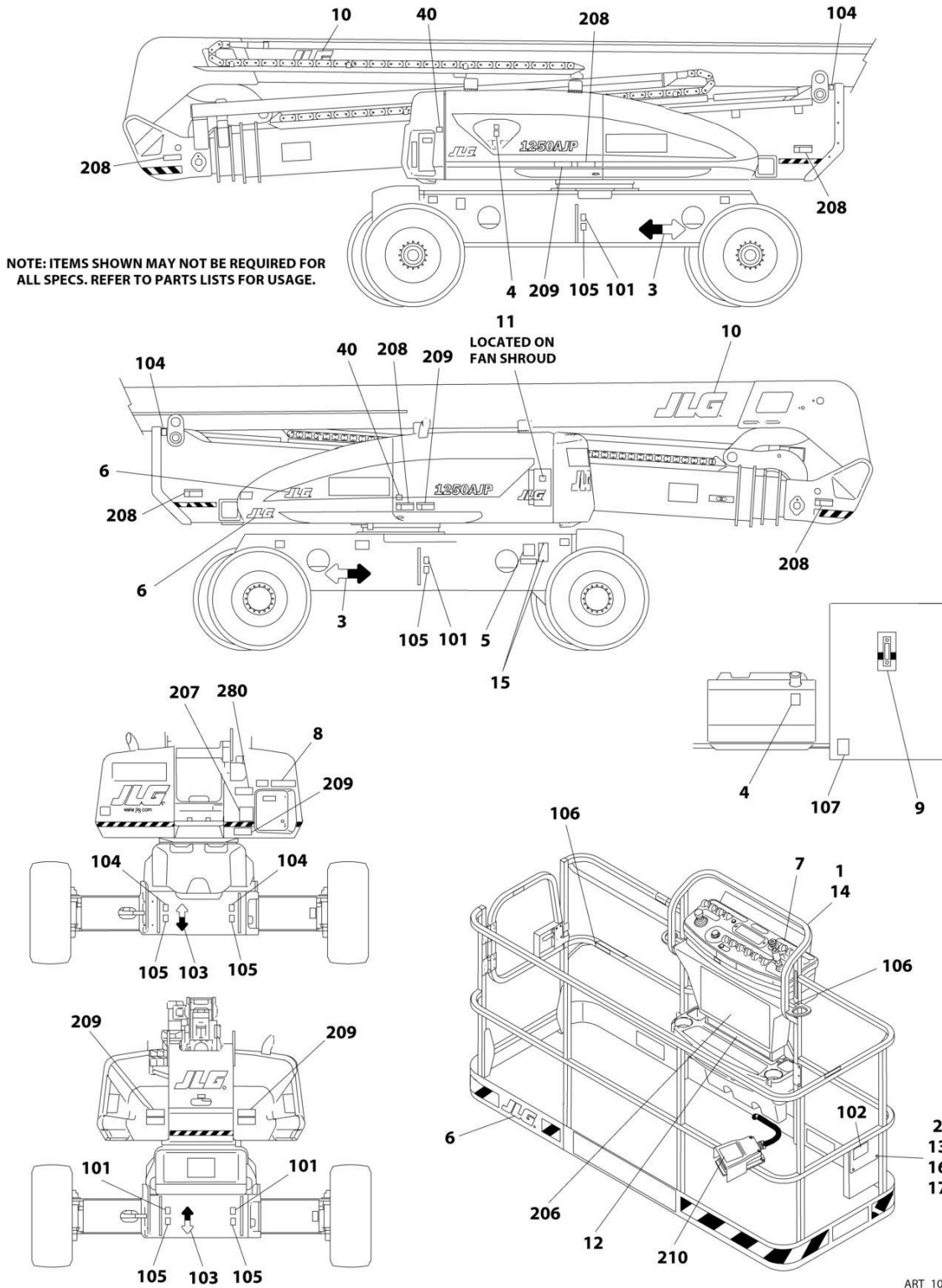
## SECTION 9 - DECALS

**FIGURE 9-3. DECAL INSTALLATION - BRAZIL SPEC (PORTGUESE/ENGLISH)**

ITEM	PART NUMBER	QTY	DESCRIPTION	REV
	1001251267	Ref	DECAL INSTALLATION - REFERENCE CHART	C
	1001244207	Ref	DECAL INSTALLATION - BRAZIL SPEC (PORTGUESE/ENGLISH)	B
2	0641406	4	Bolt 1/4 x 3/4	
3	1701501	4	Decal - Arrow	
4	1701505	2	Decal - Fuel	
5	See Note	1	Decal - Bar Code (Note: Not Available For Purchase)	
6	1706059	1	Decal - Warning Explosion/Fire (Not Shown - Located on Engine Air Filter Housing)	
7	1705905	1	Decal - Drive/Steer Instructions	
9	1705511	1	Decal - Oil Level	
11	3311405	4	Nut 1/4	
13	3820001	2	Rivet	
14	4751400	4	Washer 1/4	
15	91403230	1	Box, Manual Storage	
16	1001253057	1	Decal - Capacity (Platform)	
17	1001253058	1	Decal - Capacity (Ground Control)	
18	1001122611	1	Decal - Stop	
20	1001224052	1	Decal - Yearly Inspection	
100	1001248539	1	Decal Master Kit (Not Shown - Includes Items 101-108)	
101	1701499	4	Decal - No Lift	
102	1701509	1	Decal - Manual	
103	1701529	2	Decal - Arrow	
104	1703811	8	Decal - Tie Down/Lift	
105	1703814	6	Decal - Tie Down	
106	1704277	4	Decal - Attach Lanyard Here	
107	1704412	1	Decal - Hydraulic Oil Chart	
108	3251243	1	Nameplate - 120V-60Hz	
200	1001248551	1	Decal Kit (Not Shown - Includes Items 202-210)	
202	1705906	1	Decal - Tip Over Hazard	
203	1705901	1	Decal - Inspection (Not Shown)	
204	1705903	7	Decal - Warning/Crushing	
205	1705967	2	Decal - No Hands	
206	1001231319	1	Decal - Danger/Warning (Platform)	
207	1705896	1	Decal - Danger/Warning (Ground Control)	
208	1705898	5	Decal - Warning Crushing	
209	1705897	5	Decal - Danger/Electrocution	
210	1705902	1	Decal - Footswitch	

# SECTION 9 - DECALS

## FIGURE 9-4. DECAL INSTALLATION - CE SPEC



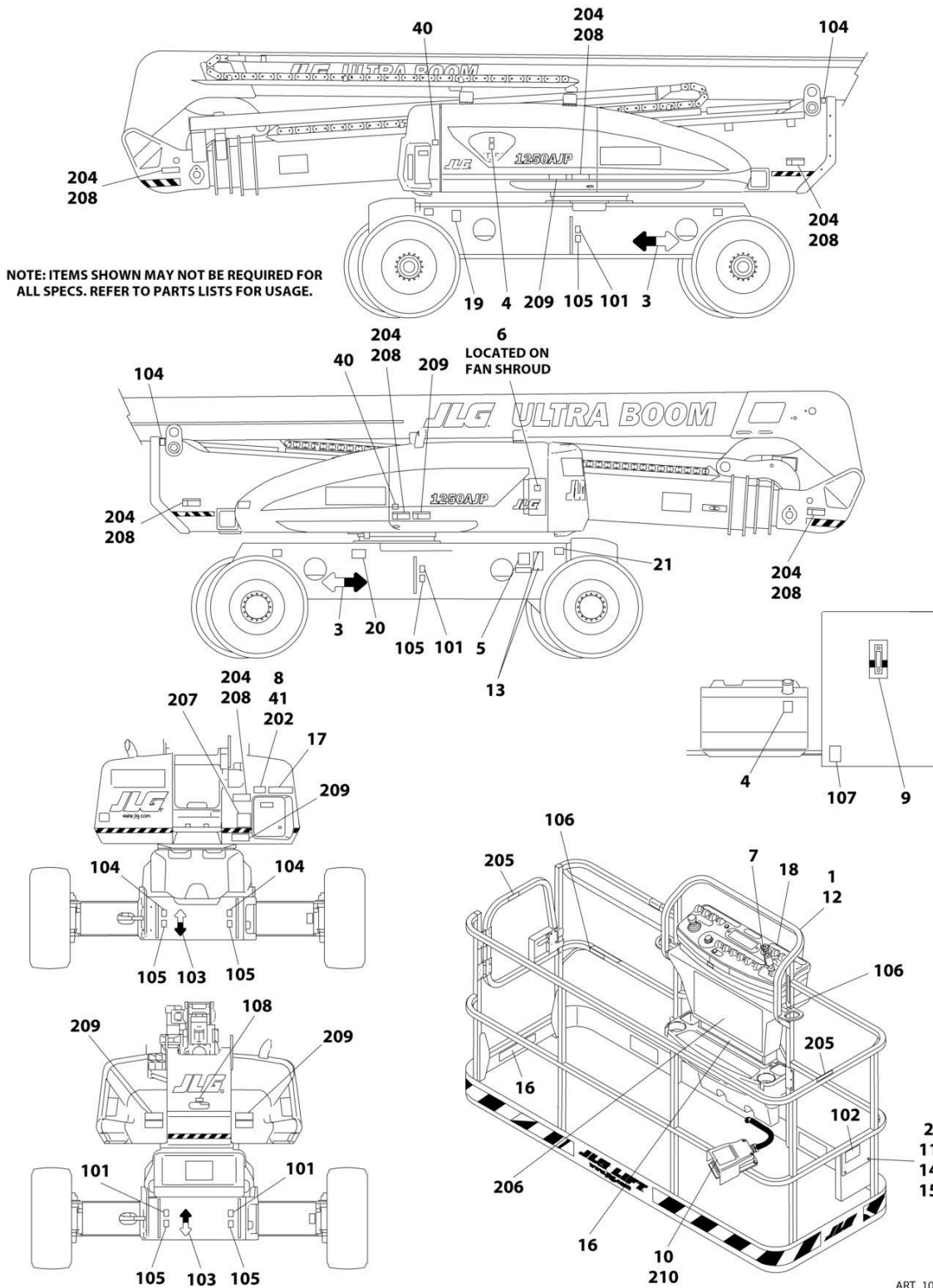
## SECTION 9 - DECALS

**FIGURE 9-4. DECAL INSTALLATION - CE SPEC**

ITEM	PART NUMBER	QTY	DESCRIPTION	REV
	1001251268	Ref	DECAL INSTALLATION - REFERENCE CHART	C
	1001246610	Ref	DECAL INSTALLATION - CE & UK CA SPEC	A
1	0100048	AR	Grease, Dielectric	
2	0641406	7	Bolt 1/4 x 3/4	
3	1701501	4	Decal - Arrow	
4	1701505	2	Decal - Fuel	
5	See Note	1	Decal - Bar Code (Note: Not Available For Purchase)	
6	1702773	3	Decal - JLG	
7	1705174	1	Decal - Stop	
8	1705468	1	Decal - Capacity (Ground Control)	
9	1705511	1	Decal - Oil Level	
10	1705864	2	Decal - JLG	
11	1706098	1	Decal - Warning Explosion/Fire (Not Shown - Located on Engine Air Filter Housing)	
12	1706770	1	Decal - Capacity (Platform)	
13	3311405	4	Nut 1/4	
14	3520174	3	Plug	
15	3820001	6	Rivet	
16	4751400	7	Washer 1/4	
17	91403230	1	Box, Manual Storage	
100	1001248540	1	Decal Master Kit (Not Shown - Includes Items 101-107)	
101	1701499	4	Decal - No Lift	
102	1701509	1	Decal - Manual	
103	1701529	2	Decal - Arrow	
104	1703811	4	Decal - Tie Down/Lift	
105	1703814	6	Decal - Tie Down	
106	1704277	4	Decal - Attach Lanyard Here	
107	1704412	1	Decal - Hydraulic Oil Chart	
200	1001248546	1	Decal Kit (Not Shown - Includes Items 206-210)	
206	1705921	1	Decal - Tipping/Electrical (Platform)	
207	1705822	1	Decal - Electrical/Safety (Ground Control)	
208	1701518	10	Decal - Warning Crushing	
209	1705961	5	Decal - Danger Electrocution	
210	1705828	1	Decal - Footswitch	

# SECTION 9 - DECALS

## FIGURE 9-5. DECAL INSTALLATION - CHINESE SPEC (CHINESE/ENGLISH)



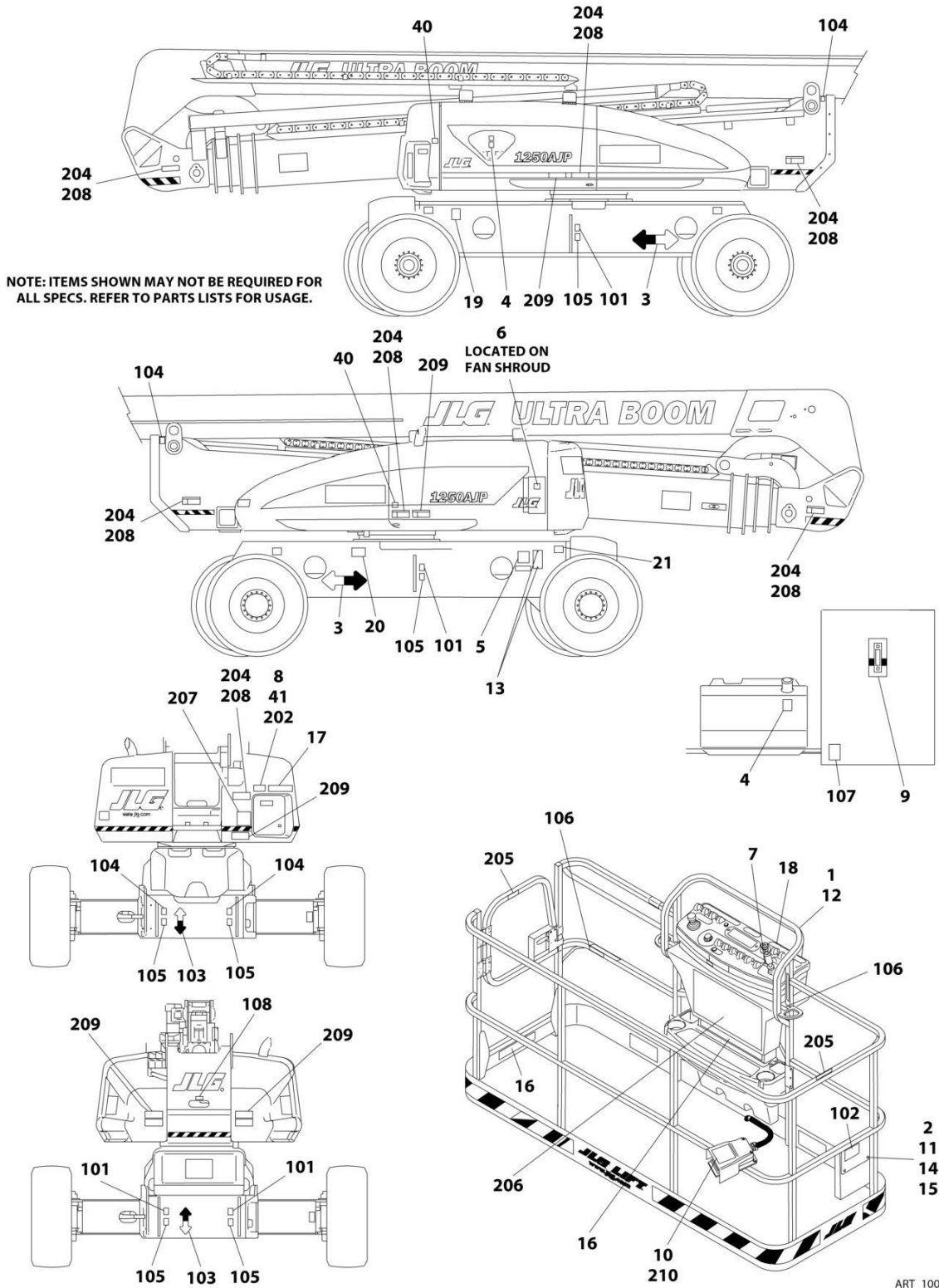
## SECTION 9 - DECALS

**FIGURE 9-5. DECAL INSTALLATION - CHINESE SPEC (CHINESE/ENGLISH)**

ITEM	PART NUMBER	QTY	DESCRIPTION	REV
	1001251267	Ref	DECAL INSTALLATION - REFERENCE CHART	C
	1001244206	Ref	DECAL INSTALLATION - CHINESE SPEC (CHINESE/ENGLISH)	B
2	0641406	4	Bolt 1/4 x 3/4	
3	1701501	4	Decal - Arrow	
4	1701505	2	Decal - Fuel	
5	See Note	1	Decal - Bar Code (Note: Not Available For Purchase)	
6	1706060	1	Decal - Warning Explosion/Fire (Not Shown - Located on Engine Air Filter Housing)	
7	1705430	1	Decal - Drive/Steer Instructions	
9	1705511	1	Decal - Oil Level	
11	3311405	4	Nut 1/4	
13	3820001	2	Rivet	
14	4751400	4	Washer 1/4	
15	91403230	1	Box, Manual Storage	
16	1001253054	2	Decal - Capacity (Platform)	
17	1001253056	1	Decal - Capacity (Ground Control)	
18	1001122611	1	Decal - Stop	
20	1001224050	1	Decal - Yearly Inspection	
40	1001244298	2	Decal - Wechat QR Code	
100	1001248539	1	Decal Master Kit (Not Shown - Includes Items 101-108)	
101	1701499	4	Decal - No Lift	
102	1701509	1	Decal - Manual	
103	1701529	2	Decal - Arrow	
104	1703811	8	Decal - Tie Down/Lift	
105	1703814	6	Decal - Tie Down	
106	1704277	4	Decal - Attach Lanyard Here	
107	1704412	1	Decal - Hydraulic Oil Chart	
108	3251243	1	Nameplate - 120V-60Hz	
200	1001248553	1	Decal Kit (Not Shown - Includes Items 202-210)	
202	1001117035	1	Decal - Tip Over Hazard	
204	1703943	7	Decal - Warning/Crushing	
205	1001116846	2	Decal - No Hands	
206	1001231321	1	Decal - Danger/Warning (Platform)	
207	1001116849	2	Decal - Danger/Warning (Ground Control)	
208	1703949	5	Decal - Warning Crushing	
209	1001116851	5	Decal - Danger/Electrocution	
210	1703982	1	Decal - Footswitch	

# SECTION 9 - DECALS

## FIGURE 9-6. DECAL INSTALLATION - CSA SPEC (ENGLISH/FRENCH)



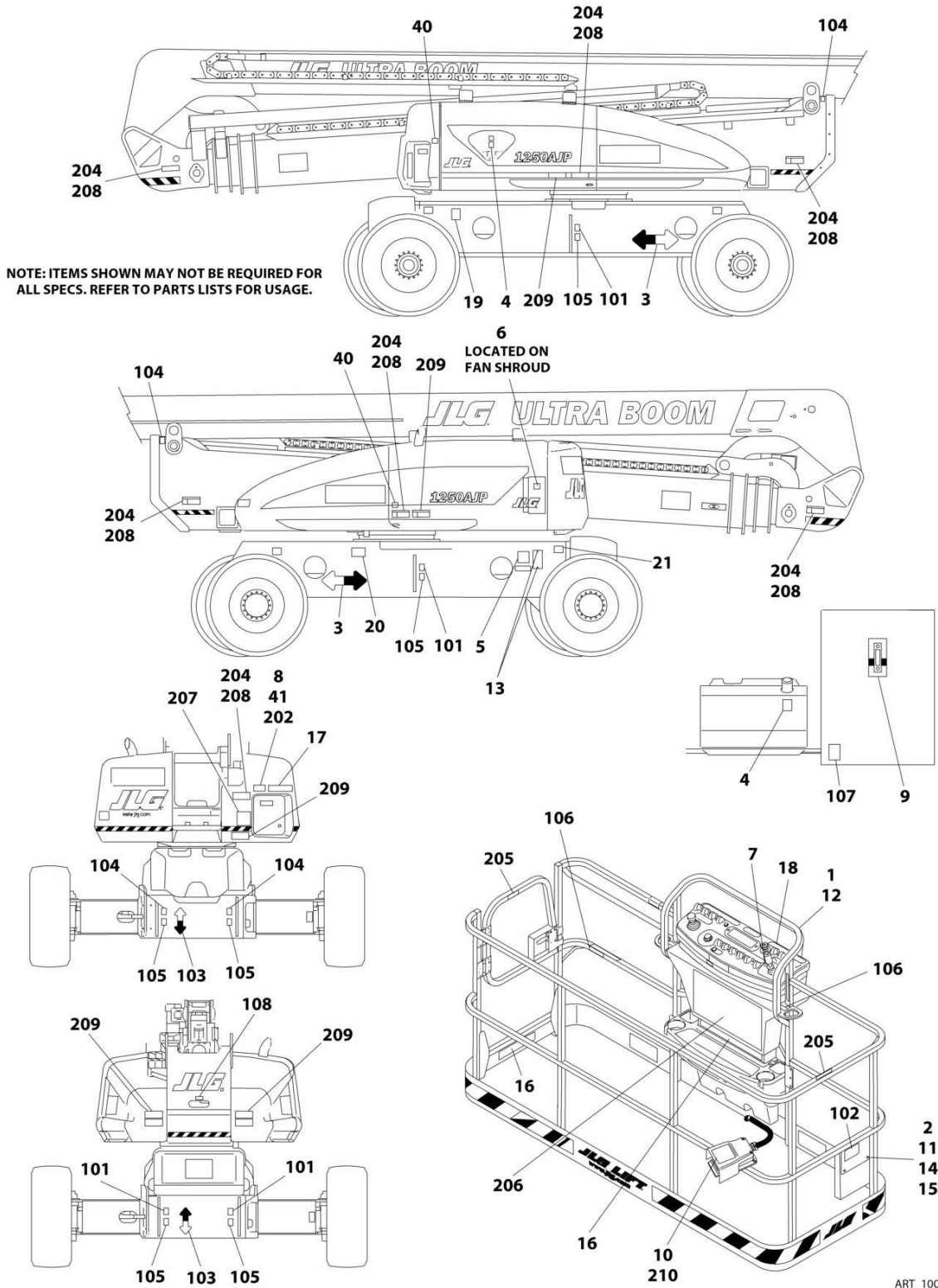
## SECTION 9 - DECALS

**FIGURE 9-6. DECAL INSTALLATION - CSA SPEC (ENGLISH/FRENCH)**

ITEM	PART NUMBER	QTY	DESCRIPTION	REV
	1001251267	Ref	DECAL INSTALLATION - REFERENCE CHART	C
	1001243994	Ref	DECAL INSTALLATION - CSA SPEC (ENGLISH/FRENCH)	B
2	0641406	4	Bolt 1/4 x 3/4	
3	1701501	4	Decal - Arrow	
4	1701505	2	Decal - Fuel	
5	See Note	1	Decal - Bar Code (Note: Not Available For Purchase)	
6	1706064	1	Decal - Warning Explosion/Fire (Not Shown - Located on Engine Air Filter Housing)	
7	1705429	1	Decal - Drive/Steer Instructions	
9	1705511	1	Decal - Oil Level	
11	3311405	4	Nut 1/4	
13	3820001	2	Rivet	
14	4751400	4	Washer 1/4	
15	91403230	1	Box, Manual Storage	
16	1001253050	1	Decal - Capacity (Platform)	
17	1001253051	1	Decal - Capacity (Ground Control)	
18	1705174	1	Decal - Stop	
19	1001131269	1	Decal - Patent	
20	1001223971	1	Decal - Yearly Inspection	
21	1001223453	1	Decal - Ices	
100	1001248539	1	Decal Master Kit (Not Shown - Includes Items 101-108)	
101	1701499	4	Decal - No Lift	
102	1701509	1	Decal - Manual	
103	1701529	2	Decal - Arrow	
104	1703811	8	Decal - Tie Down/Lift	
105	1703814	6	Decal - Tie Down	
106	1704277	4	Decal - Attach Lanyard Here	
107	1704412	1	Decal - Hydraulic Oil Chart	
108	3251243	1	Nameplate - 120V-60Hz	
200	1001248548	1	Decal Kit (Not Shown - Includes Items 202-210)	
202	1705505	1	Decal - Tip Over Hazard	
204	1703942	7	Decal - Warning/Crushing	
205	1704000	2	Decal - No Hands	
206	1001231316	1	Decal - Danger/Warning (Platform)	
207	1705347	1	Decal - Danger/Warning (Ground Control)	
208	1703948	5	Decal - Warning Crushing	
209	1703936	5	Decal - Danger/Electrocution	
210	1703984	1	Decal - Footswitch	

# SECTION 9 - DECALS

## FIGURE 9-7. DECAL INSTALLATION - JAPANESE SPEC (JAPANESE/ENGLISH)





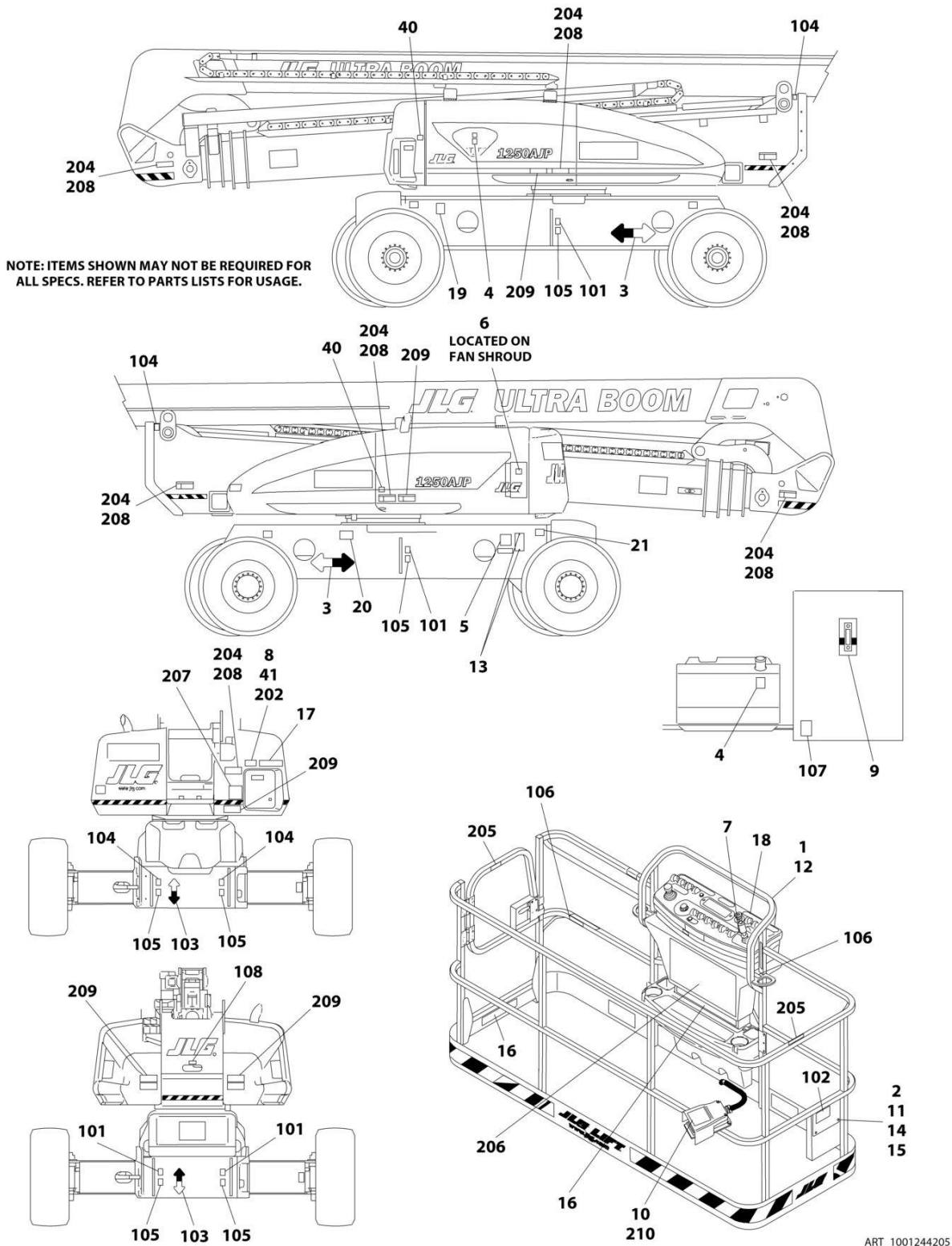
## SECTION 9 - DECALS

**FIGURE 9-7. DECAL INSTALLATION - JAPANESE SPEC (JAPANESE/ENGLISH)**

ITEM	PART NUMBER	QTY	DESCRIPTION	REV
	1001251267	Ref	DECAL INSTALLATION - REFERENCE CHART	C
	1001244209	Ref	DECAL INSTALLATION - JAPANESE SPEC (JAPANESE/ENGLISH)	B
2	0641406	4	Bolt 1/4 x 3/4	
3	1701501	4	Decal - Arrow	
4	1701505	2	Decal - Fuel	
5	See Note	1	Decal - Bar Code (Note: Not Available For Purchase)	
6	1706062	1	Decal - Warning Explosion/Fire (Not Shown - Located on Engine Air Filter Housing)	
7	1705426	1	Decal - Drive/Steer Instructions	
9	1705511	1	Decal - Oil Level	
11	3311405	4	Nut 1/4	
13	3820001	2	Rivet	
14	4751400	4	Washer 1/4	
15	91403230	1	Box, Manual Storage	
16	1001253061	1	Decal - Capacity (Platform)	
17	1001253062	1	Decal - Capacity (Ground Control)	
18	1001122611	1	Decal - Stop	
20	1001224053	1	Decal - Yearly Inspection	
100	1001248539	1	Decal Master Kit (Not Shown - Includes Items 101-108)	
101	1701499	4	Decal - No Lift	
102	1701509	1	Decal - Manual	
103	1701529	2	Decal - Arrow	
104	1703811	8	Decal - Tie Down/Lift	
105	1703814	6	Decal - Tie Down	
106	1704277	4	Decal - Attach Lanyard Here	
107	1704412	1	Decal - Hydraulic Oil Chart	
108	3251243	1	Nameplate - 120V-60Hz	
200	1001248552	1	Decal Kit (Not Shown - Includes Items 202-210)	
202	1705493	1	Decal - Tip Over Hazard	
204	1703944	7	Decal - Warning/Crushing	
206	1001231320	1	Decal - Danger/Warning (Platform)	
207	1705344	1	Decal - Danger/Warning (Ground Control)	
208	1703950	5	Decal - Warning Crushing	
209	1703938	5	Decal - Danger/Electrocution	
210	1703980	1	Decal - Footswitch	

# SECTION 9 - DECALS

## FIGURE 9-8. DECAL INSTALLATION - KOREAN SPEC (KOREAN/ENGLISH)



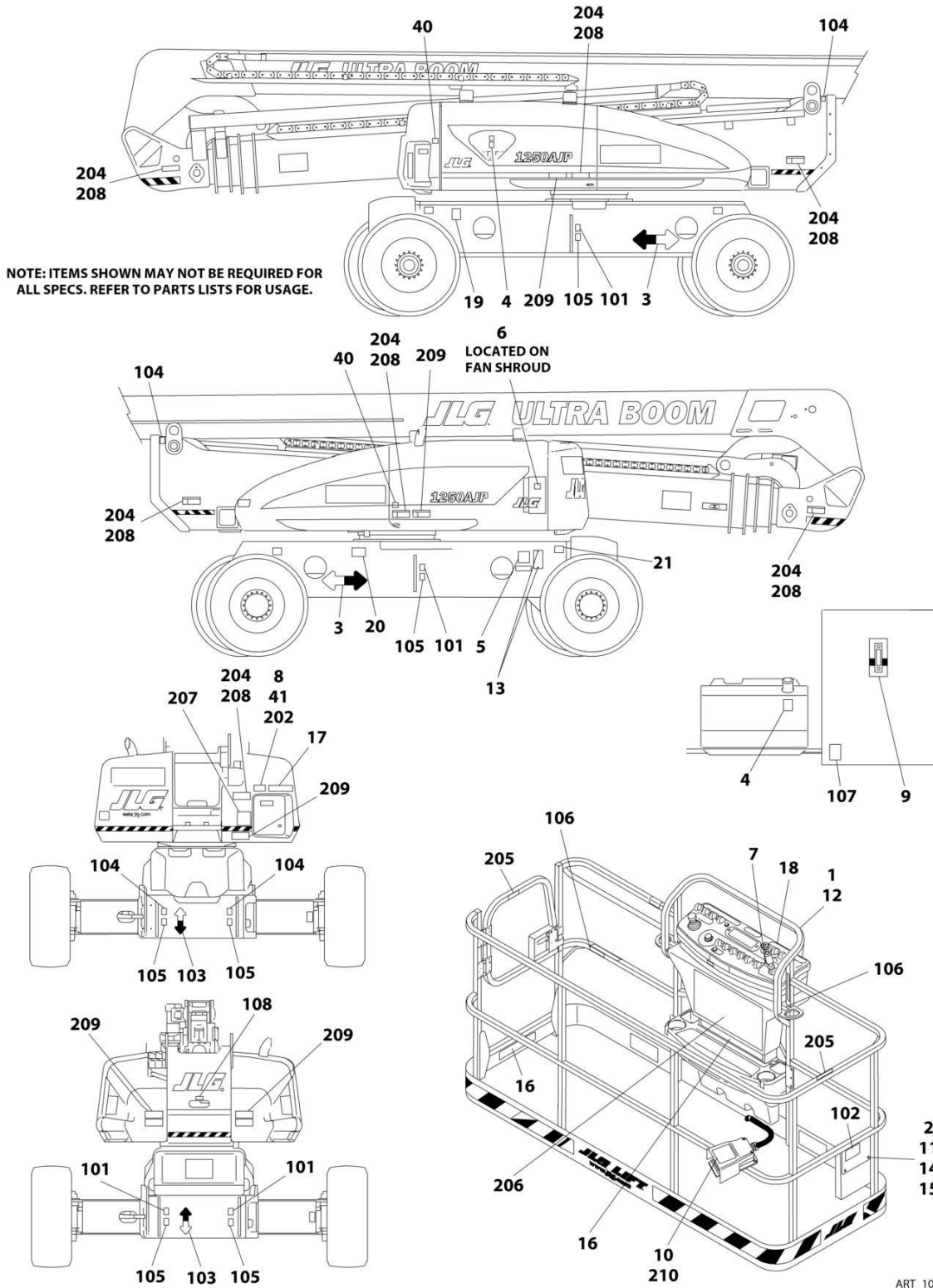
## SECTION 9 - DECALS

**FIGURE 9-8. DECAL INSTALLATION - KOREAN SPEC (KOREAN/ENGLISH)**

ITEM	PART NUMBER	QTY	DESCRIPTION	REV
	1001251267	Ref	DECAL INSTALLATION - REFERENCE CHART	C
	1001244205	Ref	DECAL INSTALLATION - KOREAN SPEC (KOREAN/ENGLISH)	B
2	0641406	4	Bolt 1/4 x 3/4	
3	1701501	4	Decal - Arrow	
4	1701505	2	Decal - Fuel	
5	See Note	1	Decal - Bar Code (Note: Not Available For Purchase)	
6	1706061	1	Decal - Warning Explosion/Fire (Not Shown - Located on Engine Air Filter Housing)	
7	1705427	1	Decal - Drive/Steer Instructions	
9	1705511	1	Decal - Oil Level	
11	3311405	4	Nut 1/4	
13	3820001	2	Rivet	
14	4751400	4	Washer 1/4	
15	91403230	1	Box, Manual Storage	
16	1001253052	1	Decal - Capacity (Platform)	
17	1001253053	1	Decal - Capacity (Ground Control)	
18	1001122611	1	Decal - Stop	
20	1001224048	1	Decal - Yearly Inspection	
100	1001248539	1	Decal Master Kit (Not Shown - Includes Items 101-108)	
101	1701499	4	Decal - No Lift	
102	1701509	1	Decal - Manual	
103	1701529	2	Decal - Arrow	
104	1703811	8	Decal - Tie Down/Lift	
105	1703814	6	Decal - Tie Down	
106	1704277	4	Decal - Attach Lanyard Here	
107	1704412	1	Decal - Hydraulic Oil Chart	
108	3251243	1	Nameplate - 120V-60Hz	
200	1001248549	1	Decal Kit (Not Shown - Includes Items 202-210)	
202	1705503	AR	Decal - Tip Over Hazard	
204	1703945	7	Decal - Warning/Crushing	
205	1705969	2	Decal - No Hands	
206	1001231317	1	Decal - Danger/Warning (Platform)	
207	1705345	1	Decal - Danger/Warning (Ground Control)	
208	1703951	5	Decal - Warning Crushing	
209	1703939	5	Decal - Danger/Electrocution	
210	1703981	1	Decal - Footswitch	

# SECTION 9 - DECALS

## FIGURE 9-9. DECAL INSTALLATION - LATIN AMERICAN SPEC (SPANISH/ENGLISH)



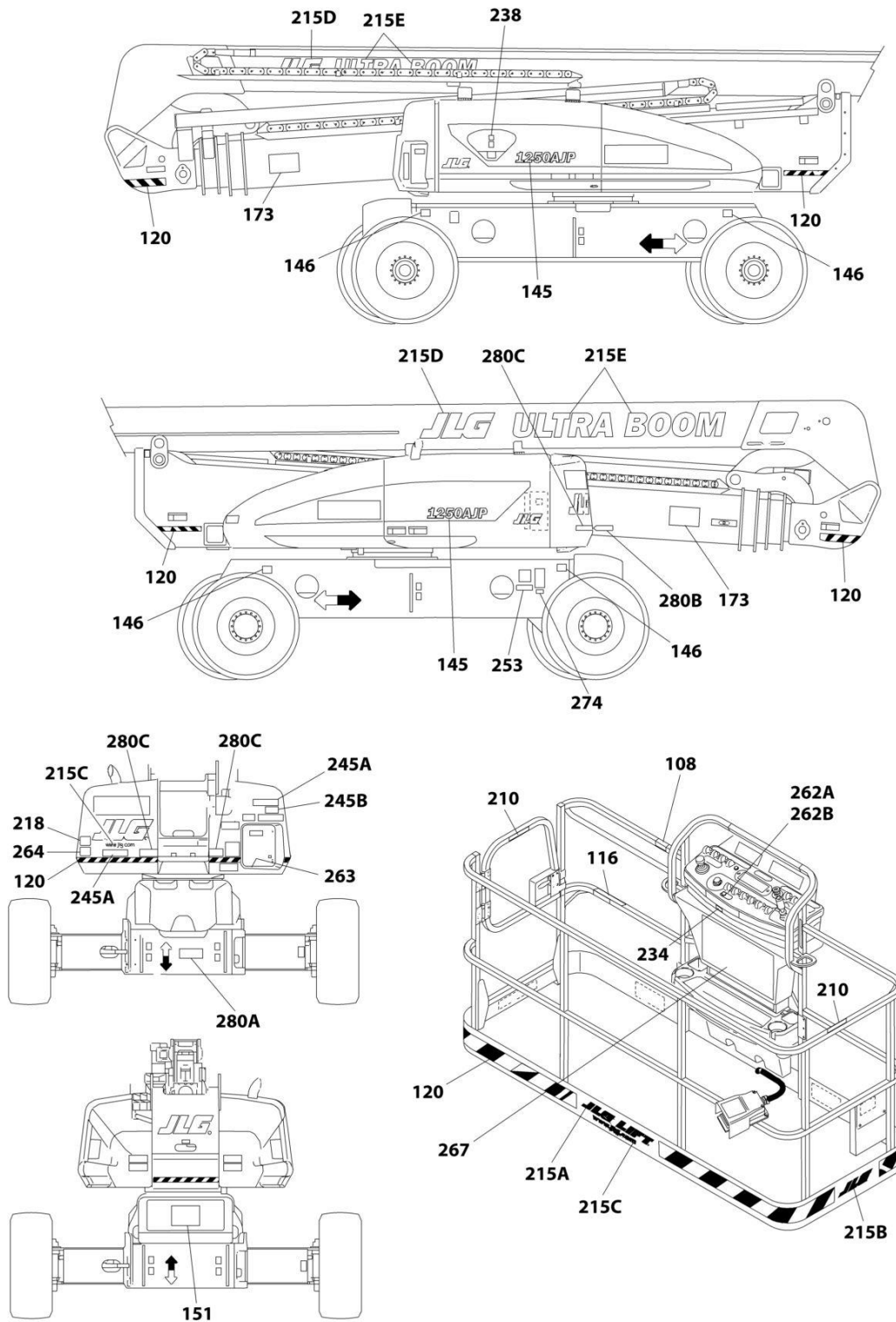
## SECTION 9 - DECALS

**FIGURE 9-9. DECAL INSTALLATION - LATIN AMERICAN SPEC (SPANISH/ENGLISH)**

ITEM	PART NUMBER	QTY	DESCRIPTION	REV
	1001251267	Ref	DECAL INSTALLATION - REFERENCE CHART	C
	1001244208	Ref	DECAL INSTALLATION - LATIN AMERICAN SPEC (SPANISH/ENGLISH)	B
2	0641406	4	Bolt 1/4 x 3/4	
3	1701501	4	Decal - Arrow	
4	1701505	2	Decal - Fuel	
5	See Note	1	Decal - Bar Code (Note: Not Available For Purchase)	
6	1706061	1	Decal - Warning Explosion/Fire (Not Shown - Located on Engine Air Filter Housing)	
7	1705910	1	Decal - Drive/Steer Instructions	
9	1705511	1	Decal - Oil Level	
11	3311405	4	Nut 1/4	
13	3820001	2	Rivet	
14	4751400	4	Washer 1/4	
15	91403230	1	Box, Manual Storage	
16	1001253059	1	Decal - Capacity (Platform)	
17	1001253060	1	Decal - Capacity (Ground Control)	
18	1001122611	1	Decal - Stop	
20	1001224049	1	Decal - Yearly Inspection	
100	1001248539	1	Decal Master Kit (Not Shown - Includes Items 101-108)	
101	1701499	4	Decal - No Lift	
102	1701509	1	Decal - Manual	
103	1701529	2	Decal - Arrow	
104	1703811	8	Decal - Tie Down/Lift	
105	1703814	6	Decal - Tie Down	
106	1704277	4	Decal - Attach Lanyard Here	
107	1704412	1	Decal - Hydraulic Oil Chart	
108	3251243	1	Nameplate - 120V-60Hz	
200	1001248550	1	Decal Kit (Not Shown - Includes Items 202-210)	
202	1705915	AR	Decal - Tip Over Hazard	
204	1703941	7	Decal - Warning/Crushing	
205	1704001	2	Decal - No Hands	
206	1001231318	1	Decal - Danger/Warning (Platform)	
207	1705917	1	Decal - Danger/Warning (Ground Control)	
208	1703947	5	Decal - Warning Crushing	
209	1703935	5	Decal - Danger/Electrocution	
210	1703983	1	Decal - Footswitch	

# SECTION 9 - DECALS

## FIGURE 9-10. DECAL INSTALLATION - OPTIONS



ART\_DECAL\_OPTIONS

## SECTION 9 - DECALS

**FIGURE 9-10. DECAL INSTALLATION - OPTIONS**

ITEM	PART NUMBER	QTY	DESCRIPTION	REV
	1001251267	Ref	DECAL INSTALLATION – REFERENCE CHART (ALL SPECS EXCEPT CE SPECS)	B
	1001251268	Ref	DECAL INSTALLATION – REFERENCE CHART (CE SPECS)	A
	1001261250	Ref	DECAL INSTALLATION - OPTIONS	B
108	1001231801	1	Decal - Warning (Proposition 65) (ANSI Spec Only)	
116	1703175	2	Decal - Lanyard Attach (GM Spec Only)	
120	4420051	29 ft /8.8m	Decal - Warning Stripes	
145	1705840	2	Decal - Model 1250AJP	
146	1703483	4	Decal - Tire Load	
151	1705838	1	Decal - Lift Diagram	
173	1703959	2	Decal - Quikstik	
210	1702868	2	Decal - No Hands (ANSI and ANSI Export Specs)	
210	1704000	2	Decal - No Hands (CSA Specs) (French/English)	
210	1704001	2	Decal - No Hands (ANSI Export Specs) (Spanish/English)	
210	1705969	2	Decal - No Hands (ANSI Export Specs) (Korean/English)	
210	1705967	2	Decal - No Hands (ANSI Export Specs) (English/Portuguese)	
215	0274730	Ref	Decal - JLG Logo	
215A	1702774	1	Decal - JLG Lift	
215B	1702773	1	Decal - JLG	
215C	1704885	1	Decal - www.jlg.com	
215D	1705864	2	Decal - JLG	
215E	1705865	2	Decal - Ultra Boom	
218	3251813	1	Decal - USA (ANSI, ANSI Export and CSA Specs)	
234	1001094055	1	Decal - Troubleshooting	
238	1001125387	1	Decal - Fuel Specification (Machines with Deutz TCD2.9L4 Engine Only) (ANSI and CSA Specs)	
238	1001139654	1	Decal - Fuel Specification (Machines with Deutz TCD2.9L4 Engine, Deutz TCD2.9L4 (Stage V Pre-Buy) Engine and Deutz TCD2.9L4 (Stage V) Engine Only) (ANSI Export, CE and Japanese Specs)	
245	1001120995	Ref	Decal - ClearSky Telematics Installation	
245A	1001116208	2	Decal - ClearSky	
245B	1001120989	1	Decal - Radio Frequency Device	
253	1001143852	1	Decal - Emissions Compliance (ANSI Export, CE (LRC) and Australian Specs)	
262A	1001141300	1	Decal - SkyGuard Override	
262B	1001141302	1	Decal - SkyGuard/Soft Touch Override	
263	1001197408	1	Decal - MSSO	
264	1705515	1	Decal - Sound Power Level (Deutz TD2011 Engines)	
264	1001191526	1	Decal - Sound Power Level (Deutz TCD2.9L4 Engines, Deutz TCD2.9L4 (Stage V Pre-Buy) Engines and Deutz TCD2.9L4 (Stage V) Engines)	
267	1001197511	Ref	Decal - Quick Reference (Dutch) (Lomax Rentals)	
267	1001197513	Ref	Decal - Quick Reference (Danish) (Lomax Rentals)	
267	1001180696	Ref	Decal - Quick Reference (English) (Lomax Rentals)	
267	1001197510	Ref	Decal - Quick Reference (French) (Lomax Rentals)	
267	1001197512	Ref	Decal - Quick Reference (German) (Lomax Rentals)	
267	1001197519	Ref	Decal - Quick Reference (Norwegian) (Lomax Rentals)	
267	1001197515	Ref	Decal - Quick Reference (Spanish) (Lomax Rentals)	
267	1001197514	Ref	Decal - Quick Reference (Swedish) (Lomax Rentals)	
274	1001214029	1	Decal Installation - EAC (Russian/CIS Specs)	

## SECTION 9 - DECALS

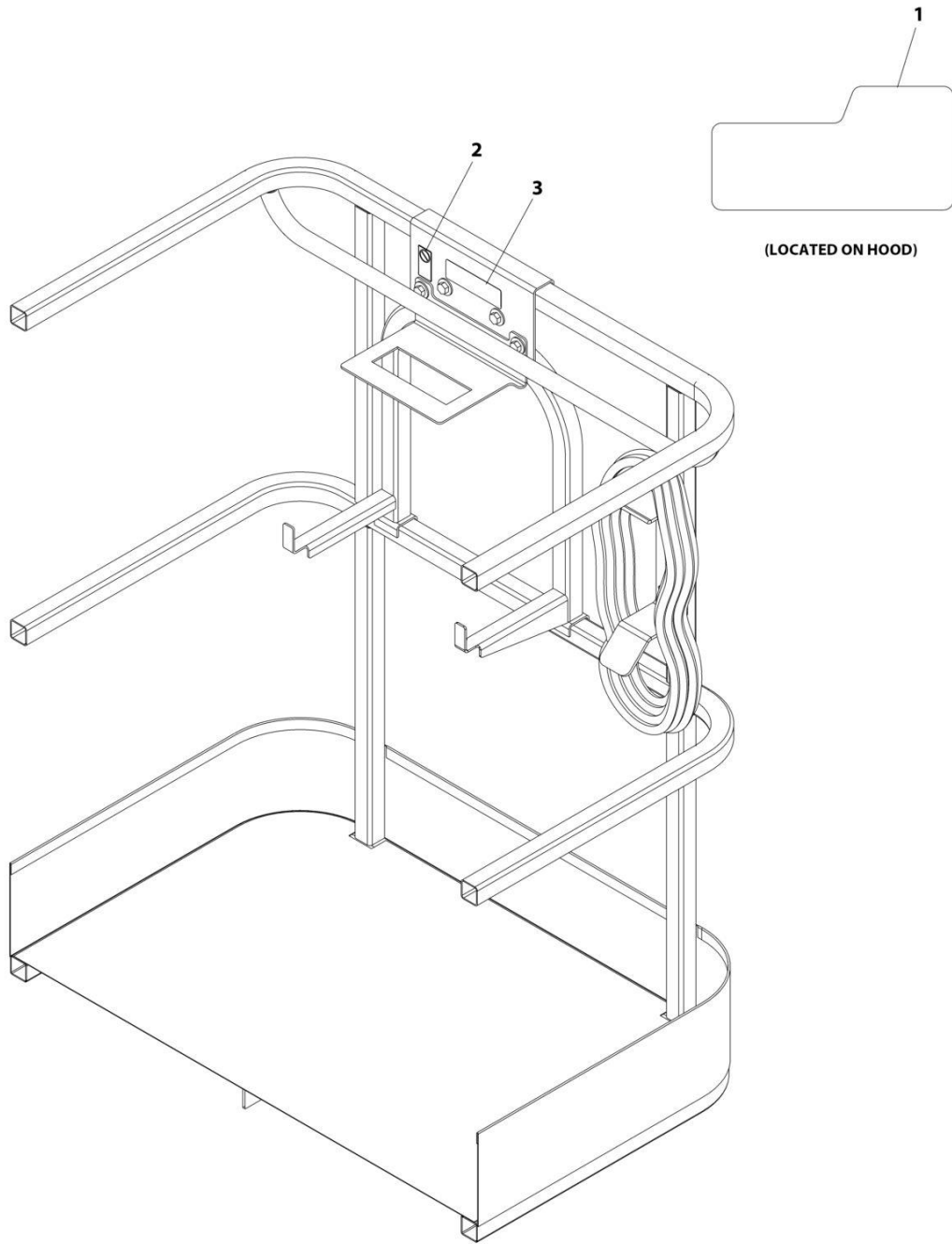
ITEM	PART NUMBER	QTY	DESCRIPTION	REV
274	1001173703	1	Decal - EAC (Russian/CIS Specs)	
280	1001221278	Ref	Decal Installation – Boom Transport Position	
280A	1001220512	1	Decal – Lower Boom	
280B	1001220510	2	Decal – Warning Arrow	
280C	1001220511	2	Decal – Warning Stripe	





# SECTION 9 - DECALS

## FIGURE 9-11. SKYWELDER DECAL INSTALLATION - 50HZ



ART\_0272588

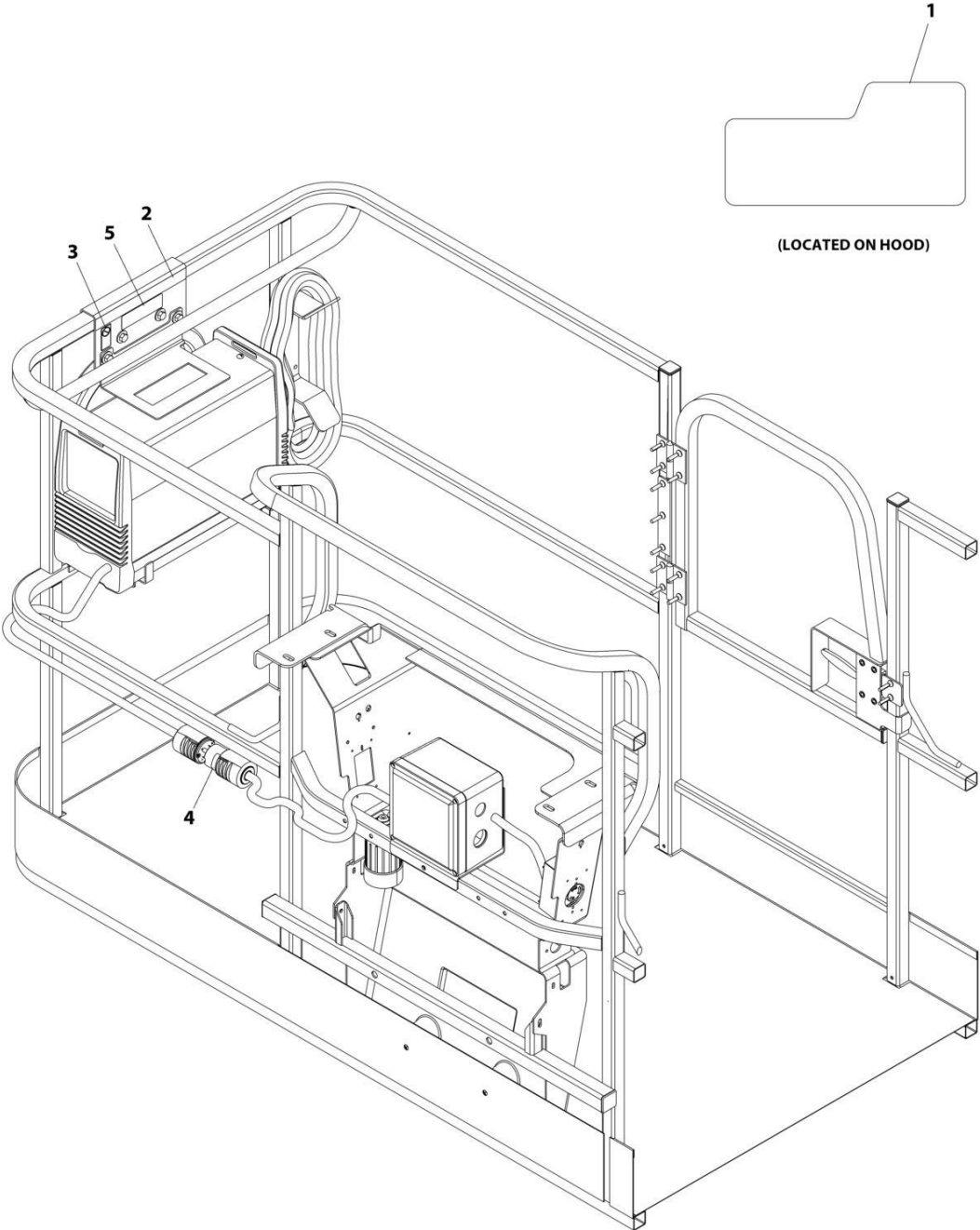
## SECTION 9 - DECALS

**FIGURE 9-11. SKYWELDER DECAL INSTALLATION - 50HZ**

ITEM	PART NUMBER	QTY	DESCRIPTION	REV
	0272588	Ref	SKYWELDER DECAL INSTALLATION - 50Hz	B
1	1705355	2	Decal - SkyWelder	
2	1705305	1	Decal - Weld Lead	
3	1001228988	1	Decal - Weight	

**SECTION 9 - DECALS**

**FIGURE 9-12. SKYWELDER DECAL INSTALLATION - 60HZ (PVC 2001)**



ART\_0272448

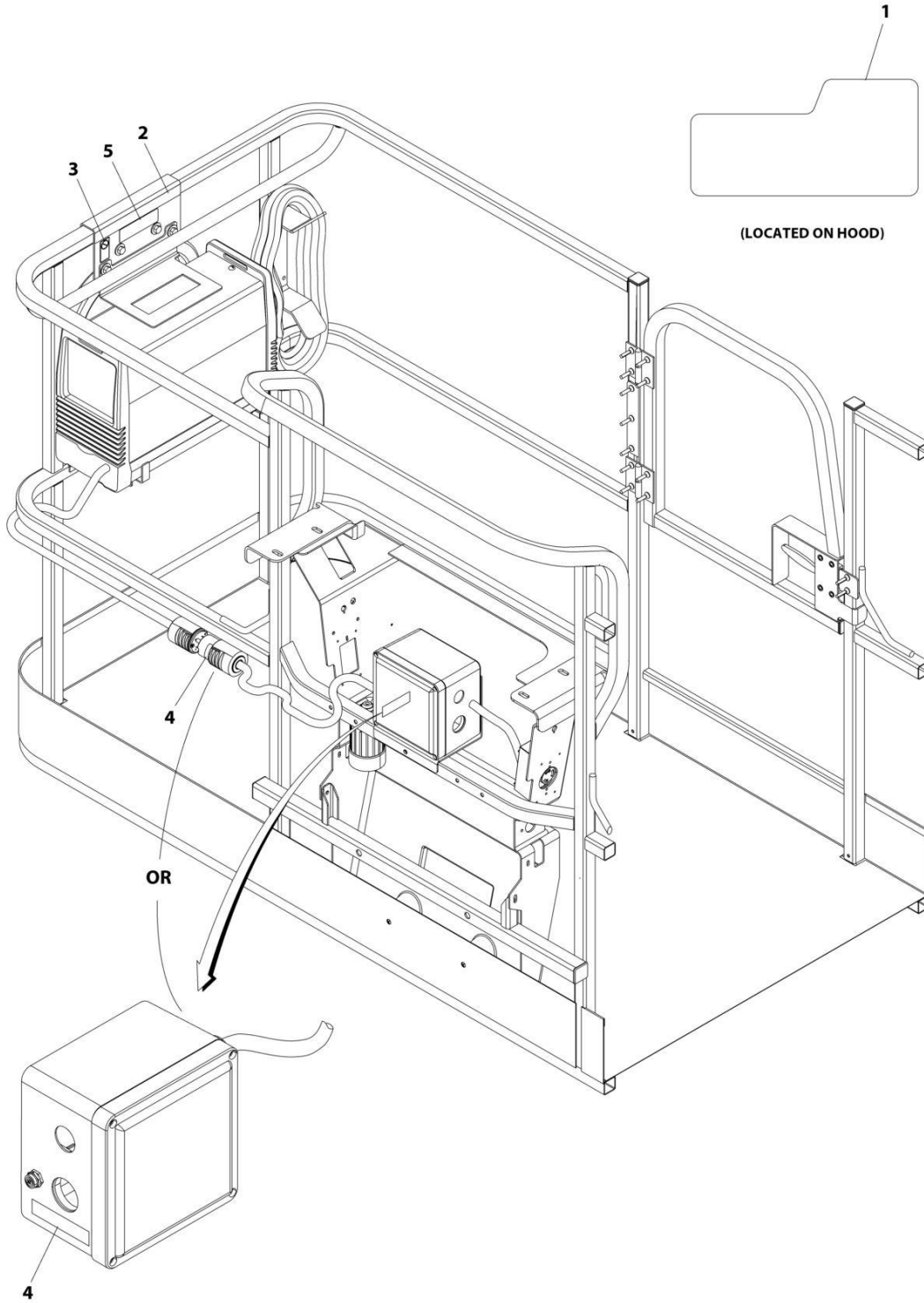
## SECTION 9 - DECALS

**FIGURE 9-12. SKYWELDER DECAL INSTALLATION - 60HZ (PVC 2001)**

ITEM	PART NUMBER	QTY	DESCRIPTION	REV
	0272448	Ref	SKYWELDER DECAL INSTALLATION - 60Hz	B
1	1705355	2	Decal - SkyWelder	
2	1702868	1	Decal - No Hands	
3	1705305	1	Decal - Weld Lead	
4	1705375	1	Decal - 240V - 3 Phase - 60Hz	
5	1001228988	1	Decal - Weight	

# SECTION 9 - DECALS

## FIGURE 9-13. SKYWELDER DECAL INSTALLATION - 60HZ (PVC 2007)



ART\_0272448\_C

## SECTION 9 - DECALS

**FIGURE 9-13. SKYWELDER DECAL INSTALLATION - 60HZ (PVC 2007)**

ITEM	PART NUMBER	QTY	DESCRIPTION	REV
	0272448	Ref	SKYWELDER DECAL INSTALLATION - 60Hz	C
1	1705355	2	Decal - SkyWelder	
2	1702868	1	Decal - No Hands	
3	1705305	1	Decal - Weld Lead	
4	1705375	1	Decal - 240V - 3 Phase - 60Hz	
5	1001228988	1	Decal - Weight	





## **SECTION 10 - RECOMMENDED SERVICE PARTS STOCK**

## **SECTION 10 - RECOMMENDED SERVICE PARTS STOCK**

# SECTION 10 - RECOMMENDED SERVICE PARTS STOCK

## FIGURE 10-1. RECOMMENDED SERVICE PARTS

ITEM	PART NUMBER	QTY	DESCRIPTION	REV
		Ref	Note: The following list will service one machine (built to current production per date on the front cover) with emergency repair parts which can be installed in the fields. Parts from the list should be replaced when inventory is depleted to keep service parts stock supplied. For further information, contact your JLG dealer or the JLG Industries Parts Department.	
		Ref	STANDARD PARTS	
	7018991	1	Coil	
	7012944	1	Coil	
	7024890	1	Coil	
	7012943	1	Coil	
	7027207	1	Coil	
	7027208	1	Coil	
	70007231	1	Coil	
	70007228	1	Coil	
	3740049	1	Relay	
	3740067	1	Relay	
	3740080	1	Relay	
	2120219	12	Element, High Pressure Filter	
	70002231	12	Element, Pressure Filter	
	2120168	12	Element, Hydraulic Oil Filter	
	7024444	12	Breather, Hydraulic Oil Tank	
	4360328	1	Switch, Toggle	
	4360475	1	Switch, Mushroom	
	4360476	1	Contact, Switch Block	
	2860030	1	Key, Replacement	
	70003919	1	Boom Powertrack Repair Kit	
	70003913	1	Boom Powertrack Repair Kit	
	7024571	1	Coil	
	70002097	12	Element, Pressure Filter	
	2940074	1	Latch, Platform	
	1001155045	1	Switch, Toggle	
	1001159256	1	Switch, Toggle	
	1001161709	1	Switch, Toggle	
	1001161710	1	Switch, Toggle	
	4360387	1	Switch, Push Button	
	4360407	1	Controller, Speed	
	1001129555	1	Controller, Lift and Swing	
	1001212415	1	Controller, Drive and Steer	
	3990001	2	Diode - 3 Amp	
	3740143	1	Relay	
	2400065	2	Fuse - 30 Amp	
	8229242	2	Fuse - 5Amp	
		Ref	VARIABLE PARTS	
	4360578	1	Switch, Limit	
	4360505	1	Switch, Rotary Angle Sensor	
	1001112758	1	Module, Chassis	
	1001227960	1	Module, B.L.A.M.	
	1001117308	1	Relay	

## SECTION 10 - RECOMMENDED SERVICE PARTS STOCK

ITEM	PART NUMBER	QTY	DESCRIPTION	REV
	3740086	1	Relay (SkyLine Options)	
	1001186431	1	Relay (SkyGuard Bar Options)	
	7003655	12	Element, Deutz TD2011 Air Filter	
	70024190	12	Element, Deutz TCD2.9L4, Deutz TCD2.9L4 (Stage V Pre-Buy) and Deutz TCD 2.9L4 (Stage V) Air Filter	
	7016331	12	Element, Deutz Engine Oil Filter	
	7016328	12	Element, Deutz TD2011 Engines Fuel	
	1001225430	12	Element, Deutz TCD2.9L4 and Deutz TCD2.9L4 (Stage V Pre-Buy) Engines Fuel	
	1001202281	1	Element, Deutz TCD2.9L4 Engines Water/Fuel	
	1001119508	1	Module, Ground Control	
	4360469	1	Switch, Key	
	3740080	1	Relay (110V/220V Generator Options)	
	4360336	1	Switch, Toggle (Generator Options)	
	4000008	1	Sensor, Proximity	
	1001147479	1	Switch, Digital Angle Sensor	
	4360548	1	Switch, Plunger	
	4360552	1	Switch, Boom Length	
	4360622	1	Switch, Rotary Transducer	
	1001117174	1	Footswitch	
	1600343	1	Module, Platform Control	
	4360057	1	Switch, Limit	
	4360579	1	Switch, Limit	
	1001181045	1	Breaker, Circuit - 30mA/16Amp (Brazil & CE Specs)	
	2400064	1	Fuse (7500W SkyPower Generator/ClearSky Telematics Options)	
	80983191	2	Fuse - 10Amp (Deutz TCD2.9L4 and Deutz TCD2.9L4 (Stage V Pre-Buy) Engines)	
	70023592	2	Fuse 20Amp (Deutz TCD2.9L4, Deutz TCD2.9L4 (Stage V Pre-Buy) and Deutz TCD 2.9L4 (Stage V) Engines)	
	70023593	2	Fuse 30Amp (Deutz TCD2.9L4, Deutz TCD2.9L4 (Stage V Pre-Buy) and Deutz TCD 2.9L4 (Stage V) Engines)	



**SECTION 11 - SPECIAL OPTIONS**

# SECTION 11 - SPECIAL OPTIONS

## FIGURE 11-1. SPECIAL OPTIONS

ITEM	PART NUMBER	QTY	DESCRIPTION	REV
		Ref	MISCELLANEOUS SPECIAL OPTIONS	
		Ref	Note: This is to accommodate machines ordered with special equipment. Options may not be applicable to all models. For more specific parts information contact JLG Parts Department.	
	1001108504	Ref	Additional Transport Tie Down (ANSI Specs)	
	1340067	Ref	Air Cleaner Pre-Cleaner	
	0273464	Ref	Airline Installation, 1/2 in	
	1001202697	Ref	Air Intake Shut-off Valve (Deutz TCD2.9L4 Engines)	
	1001249695	Ref	Analyzer, Machine System with Cable	
	1001249941	Ref	Analyzer, Machine System with Cable (Battery Powered)	
	1001241275	Ref	Axle Wear Pad Kit	
	0271803	Ref	Bellows, Cylinder (Fixed Axle)	
	0271804	Ref	Bellows, Cylinder (Oscillating Axle)	
	0273471	Ref	Bellows, Cylinder (Boom)	
	1001306146	Ref	Boom Angle Sensor Kit	
	0273513	Ref	Boom Wipers Installation	
		Ref	ClearSky (Telematics) Installations (Dealer Installed)	
	1001242192	Ref	ClearSky (Telematics) Access Control Installation Kit (Dealer Installed) (ANSI, ANSI Export and CSA Specs)	
	1001243183	Ref	ClearSky (Telematics) Added-on Kit (Dealer Installed) (ANSI, ANSI Export and CSA Specs)	
	1001243184	Ref	ClearSky (Telematics) Added-on Kit (Dealer Installed) (CE Specs)	
		Ref	ClearSky (Telematics) Installations (Dealer Installed)	
	1001119938	Ref	ClearSky Telematics (Dealer Installed) (ANSI Spec)	
	1001246142	Ref	ClearSky Telematics (Dealer Installed) (Australian Spec)	
	1001119946	Ref	ClearSky Telematics (Dealer Installed) (CSA Spec)	
		Ref	ClearSky Telematics (Factory Installed)	
	1001227449	Ref	Canbus Connection (ANSI and CSA Specs)	
	1001228953	Ref	Canbus Connection (ANSI Export and CE Specs)	
	1001246138	Ref	Canbus Connection (Australian Specs)	
	1001229107	Ref	3 Wire Connection (ANSI and CSA Specs)	
	1001233237	Ref	3 Wire Connection (ANSI Export and CE Specs)	
	0273862	Ref	Cold Weather Package (110V)	
	1001235617	Ref	Cold Weather Package (Deutz TCD2.9L4 Engines, Deutz TCD2.9L4 (Stage V Pre-Buy) Engines and Deutz TCD2.9L4 (Stage V) Engines)	
	0274885	Ref	Cold Weather Transformer Installation	
	0272621	Ref	Control System Analyzer Installation	
	1001233047	Ref	Crankcase Breather Heater (Deutz TCD2'9L4 Engines)	
	1001213183	Ref	Cribbing Enable Installation (ANSI Spec Only)	
		Ref	Decals Installations	
	0257195	Ref	Decal - Government Warranty Decal	
	1001109181	Ref	Decal Kit - Platform Console Box	
	1001108708	Ref	Decal Kit - Platform	
	2902356	Ref	Decal Kit - Tire Load	
		Ref	Electrical Connector Kits	
	1001148902	Ref	Amp/Tyco Electrical Connector Kit	
	1001148903	Ref	Deutsch DT Electrical Connector Kit	
	1001148904	Ref	Deutsch HD Electrical Connector Kit	

## SECTION 11 - SPECIAL OPTIONS

ITEM	PART NUMBER	QTY	DESCRIPTION	REV
	1001148905	Ref	Packard Electrical Connector Kit	
	1001148906	Ref	Various Electrical Connectors Kit	
	1001246867	Ref	Enhanced Detection System (EDS) Level 1 (2-Bar) Installation Kit	
	1001246860	Ref	Enhanced Detection System (EDS) Level 2 (3-Bar) Installation Kit	
	1001109621	Ref	Exhaust Raincap Installation	
	1120423	1	Raincap	
	1001109619	1	Tube, Exhaust Stack	
	1001237883	Ref	Fall Arrest Bolt on Kit (6FT x 1.83M) (ANSI, ANSI Export, China, CSA, and Japanese Specs) (Fits Platform p/ns 1001186384 & 1001228376)	
	1001237882	Ref	Fall Arrest Bolt on Kit (8FT x 2.44M) (ANSI, ANSI Export, China, CSA, and Japanese Specs) (Fits Platform p/ns 1001186383)	
	1001206794	Ref	Fan and Belt Grille Add-on Kit (Deutz D2011 Engines Only)	
	1001206796	Ref	Fan and Belt Grille Add-on Kit (Deutz TCD2.9L4 Engines Only)	
	1001202076	Ref	Fan and Belt Guard (Deutz TD2011 Engines)	
	1001202221	Ref	Fan and Belt Guard (Deutz TCD2.9L4 Engines, Deutz TCD2.9L4 (Stage V Pre-Buy) Engines and Deutz TCD2.9L4 (Stage V) Engines)	
	1001145708	Ref	Fan Guard Installation (Deutz TCD 2.9L4 Engines, Deutz TCD2.9L4 (Stage V Pre-Buy) Engines and Deutz TCD2.9L4 (Stage V) Engines Only)	
		Ref	Filter Kits	
		Ref	Deutz TD 2011 Engines	
	1001137028	1	Filter Kit (Service), Combined, Filter B-C45	
	1001137023	1	Kit (Service), Boom Hydraulic/Air Filter B-HA30	
		Ref	Deutz TCD 2.9L4 Engines	
	1001225648	1	Filter Kit (Service), Combined, Filter B-C	
	1001204046	1	Engine - Water/Fuel Filter	
	1001182242	1	Engine - Fuel/Engine Oil Filter C-FE1	
	1001139099	Ref	Fire Extinguisher Installation	
	1001237831	Ref	Fire Protection	
	1001117294	Ref	Foot Switch Shield (With Cold Weather Plus Package)	
	1001191395	Ref	Fuel Cap Cover, Lockable (Green)	
	1001202749	Ref	Fuel Cap Cover, Lockable (Black)	
	1001103286	Ref	Generator Hourmeter Installation	
	0273502	Ref	Headlight and Taillights Installation	
		Ref	Hose Kits	
	1001193806	Ref	Hose Kit - Boom Only	
	1001204898	Ref	Hose Kit - Platform Valve	
	1001241418	Ref	Hostile Environment Kit	
	0273503	Ref	Illumination Lights Installation	
	1001116352	Ref	Intercom System Installation - David Clark	
	1001148971	Ref	Lanyard (Bolt-on) Installation Kit	
	1001236951	Ref	Low Temperature Cutout Installation (Russian Specs)	
	1001195304	1	Platform Console Cover Kit (Clear Polycarbonate)	
	1580013	Ref	Platform Corner Storage Tray	
		Ref	Platform Entry Kits	
	1001142504	Ref	Drop Bar (Replacing Swing Gate with Drop Bar)	
	1001142505	Ref	Swing Gate (Replacing Drop Bar with Swing Gate)	
	0273466	Ref	Platform Floodlights Installation	
	1001172045	Ref	Platform Ladder Carrier Installation (30in and 36 in Platform)	
	2910351	Ref	Platform Level Cylinder Replacement Kit	

## SECTION 11 - SPECIAL OPTIONS

ITEM	PART NUMBER	QTY	DESCRIPTION	REV
		Ref	Platform Mesh to Mid Rail Installations (ANSI, ANSI Export, Australian and CSA Specs)	
	1001138772	Ref	Platform Mesh to Mid Rail Installation (Side Entry Platform) - 36in x 6ft (91.5cm x 1.83m) Platforms	
	1001138773	Ref	Platform Mesh to Mid Rail Installation (Side Entry Platform) - 36in x 8ft (91.5cm x 2.44m) Platforms	
	1001214540	Ref	Platform Mesh to Top Rail Add-On Kit - 36in x 8ft (91.5cm x 2.44m) with Gate	
	1001214548	Ref	Platform Mesh to Top Rail Add-On Kit - 36in x 6ft (91.5cm x 1.83m) with Gate	
		Ref	Platform Mesh to Top Rail (ANSI, ANSI Export and CSA Specs)	
	0273149	Ref	Platform Mesh to Top Rail Installation (Side Entry Platform) - 36in x 6ft (91.5cm x 1.83m) Platforms	
	0273145	Ref	Platform Mesh to Top Rail Installation (Side Entry Platform) - 36in x 8ft (91.5cm x 2.44m) Platforms	
	1001214561	Ref	Platform Mesh to Top Rail Add-On Kit - 36in x 8ft (91.5cm x 2.44m) with Gate	
	1001214562	Ref	Platform Mesh to Top Rail Add-On Kit - 36in x 6ft (91.5cm x 1.83m) with Gate	
	1001149730	Ref	Platform Mid Rail Repair Kit	
		Ref	Platform Rail Extensions	
	0272733	Ref	Platform Rail Extensions - 6ft Platform	
	0272725	Ref	Platform Rail Extensions - 8ft Platform	
	0273465	Ref	Platform Worklights Installation	
	1001209059	Ref	Platform Work Surface Installation	
	1001247073	Ref	Skyeye Retrofit Kit	
	1001241547	Ref	SkyEye Housing Repair Kit (LH)	
	1001241548	Ref	SkyEye Housing Repair Kit (RH)	
		Ref	SkyGuard Component Options:	
	1001209481	Ref	SkyGuard Complete Add-On Kit (Blue Beacon)	
	1001250035	Ref	SkyGuard Platform Sensor Kit	
	1001186431	2	Sensor Relay	
	1001249052	Ref	SkyGuard Retrofit Kit	
	1001206544	Ref	SkyGuard Strobe Light Kit (Blue Beacon)	
	1001210029	Ref	SkyGuard Strobe Light Kit (Red Beacon)	
	1001250595	Ref	SkyGuard 6-Pin Retrofit Installation Kit	
	1001232643	Ref	SkyLine Kit	
	1001253945	Ref	SkySense (EDS) Level 1 Installation (Factory Installed) (PVC 2001)	
	1001253946	Ref	SkySense (EDS) Level 1 Installation (Factory Installed) (PVC 2001)	
	1001250465	Ref	SkySense/Enhanced Detection System (EDS) Level 1 (2-Bar) Installation Kit (Factory Installed) (PVC 2007)	
	1001250466	Ref	SkySense/Enhanced Detection System (EDS) Level 2 (3-Bar) Installation Kit (Factory Installed) (PVC 2007)	
	1001231235	Ref	SkyWelder Locking Bracket	
		Ref	Tools For Service:	
	2901443	1	Analyzer Kit	
	3128444	1	CD, Troubleshooting	
	7002821	Ref	Crimper, Wire	
	7002823	Ref	Pin Extractor - Universal (For Electrical Connectors with Pins and Sockets)	
	4460467	1	Extractor - 16-18 Gauge (For Removal of Pin/Sockets from Deutsch Connectors)	



## SECTION 11 - SPECIAL OPTIONS

ITEM	PART NUMBER	QTY	DESCRIPTION	REV
	4460510	1	Extractor - 12-14 Gauge (For Removal of Pin/Sockets from Deutsch Connectors)	
	7016654	Ref	Screwdriver, Magnetic	
	7002822	Ref	Screwdriver, Pontimeter	
	7004275	Ref	Seal Tool 1 in (For Cylinders)	
	7004276	Ref	Seal Tool 1-1/2 in (For Cylinders)	
	7002828	Ref	Stripper, Wire	
	7016655	1	Wire Rope Sheave Gauge	
	1001106846	1	Sleeve, Cylinder Head Installation (Tower Lift Cylinder)	
	1001106847	1	Sleeve, Cylinder Piston Installation (Tower Lift Cylinder)	
	1001106848	1	Gauge, Go - No Go (Tower Lift Cylinder)	
	1001107000	1	Sleeve, Cylinder Head Installation (Main Lift Cylinder)	
	1001107001	1	Sleeve, Cylinder Piston Installation (Main Lift Cylinder)	
	1001107002	1	Gauge, Go - No Go (Main Lift Cylinder)	
	1001107143	1	Sleeve, Cylinder Head Installation (Tower Telescope Cylinder)	
	1001107145	1	Sleeve, Cylinder Piston Installation (Tower Telescope Cylinder)	
	1001107146	1	Gauge, Go - No Go (Tower Telescope Cylinder)	
	1001107147	1	Gauge, Go - No Go (Tower Telescope Cylinder)	
	1001137005	1	Software Cable Kit (Service Kit)	
	70004185	1	Torque Multiplier	
	70004646	1	Puller	
	70004647	1	Seal Tool for Lifeline Seal Assembly	
	70004648	1	Puller for Brake Disassembly	
	1001119136	Ref	Wear Pad Kit (Includes Wear Pads, Shims and Hardware)	
	0273467	Ref	Weld Leads at Platform Installation	



**PART NUMBER INDEX**

## SECTION 11 - SPECIAL OPTIONS

0080237	177, 181, 213, 217	0257728	551	0274885	856	0641413	71
0080244	189, 193, 201, 205, 225, 229, 237, 241	0257887	139	0275216	629, 765	0641414	485, 501, 503, 505, 507
0080277	29, 447	0259666	135	0275217	635, 769	0641416	627, 629, 631, 633, 635, 637, 639, 641, 643, 645, 647, 649, 651, 653, 655, 657
0100009	485	0271520	29	0275452	641, 773	0641418	463, 465, 467, 473, 475, 477, 479
0100011	19, 23, 29, 40, 44, 53, 55, 61, 65, 67, 69, 71, 91, 97, 99, 109, 111, 113, 115, 117, 119, 121, 124, 128, 132, 156, 157, 160, 161, 164, 165, 168, 169, 173, 177, 181, 185, 189, 193, 197, 201, 205, 209, 213, 217, 221, 225, 229, 233, 237, 241, 249, 253, 258, 261, 265, 268, 273, 277, 282, 285, 289, 292, 301, 305, 307, 311, 316, 323, 327, 329, 333, 336, 369, 377, 381, 385, 387, 391, 395, 399, 403, 407, 411, 415, 420, 424, 428, 435, 438, 442, 446, 449, 451, 453, 463, 465, 467, 473, 475, 477, 479, 501, 503, 505, 507, 511, 538, 543, 545, 547, 565, 567, 571, 573, 575, 623, 625, 663, 667	0271803	856	0275453	647, 777	0641424	53, 55
0100019	19, 23, 27, 29, 31, 33, 85, 87, 387, 391, 395, 399, 403, 407, 411, 415, 424, 428, 567, 575	0271804	856	0275454	653, 781	0641503	258, 270, 282, 294, 316, 336
0100020	258, 268, 282, 292, 316, 336, 381, 387, 396, 403, 499, 535, 538, 627, 629, 631, 633, 635, 637, 639, 641, 643, 645, 647, 649, 651, 653, 655, 657	0271852	49	0275685	31	0641504	53, 55
0100035	29, 123, 127, 145, 446, 485, 489	0271874	91	0340003	177, 181, 189, 193, 201, 205, 213, 217, 225, 229, 237, 241	0641505	29, 446
0100038	565, 567, 571, 573, 575	0272055	49	0340051	177, 181, 189, 193, 201, 205, 213, 217, 225, 229, 237, 241	0641506	97, 139, 156, 157, 161, 165, 169, 177, 181, 189, 193, 201, 205, 213, 217, 225, 229, 237, 241
0100048	123, 127, 131, 141, 143, 381, 387, 391, 396, 400, 403, 407, 485, 697, 823, 825, 829	0272056	49	0363037	19, 23	0641507	177, 181, 189, 193, 201, 205, 213, 217, 225, 229, 237, 241, 451, 453
0100062	258, 270, 282, 294, 316, 336	0272080	101	0363062	69, 71	0641508	99, 256, 268, 280, 292, 314, 336, 377
0100079	99, 173, 185, 197, 209, 221, 233, 249, 261, 273, 285, 301, 307, 323, 329, 373	0272254	545	0363076	19	0641509	53, 55, 153, 173, 185, 197, 209, 221, 233
0100081	99, 131, 156, 157, 161, 165, 169, 435, 438, 442, 513, 515, 517, 519, 521, 523, 525, 527, 529, 531, 533	0272418	513, 515, 517, 519, 521, 523, 525, 527, 529, 531, 533	0363081	377	0641510	161, 165, 169, 316
0140001	65, 67	0272427	505	0363082	377	0641511	29, 173, 185, 197, 209, 221, 233, 249, 261, 273, 285, 301, 307, 323, 329
0140011	485	0272435	396, 404	0363224	446	0641514	551, 553
0140032	139	0272448	847, 849	0400020	69, 71	0641516	381, 387, 395, 399, 403, 407
0200048	501, 503, 505	0272521	543	0440251	87	0641520	101, 103, 105, 107
0200742	377	0272588	845	0440273	411, 415	0641604	99, 420
0200833	29, 447	0272589	400, 408	0480100	551, 553	0641605	173, 177, 181, 185, 189, 193, 197, 201, 205, 209, 213, 217, 221, 225, 229, 233, 237, 241, 249, 261, 273, 285, 301, 307, 323, 329, 438, 442
0236768	69, 71	0272621	856	0480127	377	0641606	19, 23, 156, 160, 164, 168, 173, 185, 197, 210, 222, 234, 249, 256, 261, 268, 273, 280, 285, 292, 301, 307, 314, 323, 329, 336, 435, 438, 442, 538, 543, 545, 547, 577, 579
0239842	89	0272725	858	0480128	381, 395	0641607	69, 71, 109, 111, 113, 115, 117, 119, 121, 424, 428, 577, 579
0257195	856	0272725	858	0480129	399	0641608	19, 23, 53, 55, 65, 67, 71, 91, 101, 103, 151, 153, 156, 160, 164, 168, 177, 181, 189, 193, 201, 205, 213, 217, 225, 229, 237, 241, 249, 256, 261, 268, 273, 277, 280, 285, 289, 292, 301, 307, 311, 314, 323, 329, 333, 336, 377, 411, 415
		0272733	858	0561380	411, 415	0641609	19, 23, 177, 181, 189, 193, 201, 205, 213, 217, 225, 229, 237, 241
		0272948	525	0561533	420	0641610	156, 160, 164, 168, 173, 177, 181, 185, 189,
		0272949	519	0561547	411, 415		
		0272950	521	0630407	124, 128, 132		
		0272951	515	0630462	501, 503, 505		
		0272952	523	0630464	29, 123, 127, 131, 446		
		0273121	446	0630467	438		
		0273145	858	0630518	137, 489, 535, 538, 543, 545, 547		
		0273149	858	0630534	573		
		0273349	97	0630535	565, 567, 577, 579		
		0273350	156	0630537	571		
		0273353	538	0630539	435		
		0273360	435	0630548	123, 127, 131		
		0273361	438, 442	0630558	424, 428		
		0273395	151	0630568	486		
		0273401	99	0630593	435		
		0273404	533	0641404	71, 381, 385, 387, 391, 395, 399, 403, 407, 485, 511		
		0273405	529	0641405	446, 511, 623, 625, 663, 665, 667		
		0273406	527	0641406	65, 67, 123, 127, 131, 141, 160, 164, 168, 177, 181, 189, 193, 201, 205, 213, 217, 225, 229, 237, 241, 256, 268, 280, 292, 314, 336, 377, 391, 438, 442, 481, 483, 665, 667, 823, 825, 827, 829, 831, 833, 835, 837, 839		
		0273446	497	0641407	143, 338, 385		
		0273447	139	0641408	65, 67, 69, 99, 147, 149, 156, 160, 164, 168, 249, 261, 273, 285, 301, 307, 323, 329, 483, 697		
		0273451	87	0641410	173, 185, 197, 209, 221, 233, 249, 261, 273, 285, 301, 307, 323, 329		
		0273461	663	0641412	61		
		0273462	623				
		0273463	625				
		0273464	856				
		0273465	858				
		0273466	857				
		0273467	859				
		0273471	856				
		0273474	679				
		0273475	681				
		0273476	687				
		0273502	857				
		0273503	857				
		0273513	856				
		0273824	501				
		0273862	856				
		0274106	27				
		0274661	553				
		0274730	841				

## SECTION 11 - SPECIAL OPTIONS

193, 197, 201, 205, 209, 213, 217, 221, 225, 229, 233, 237, 241, 249, 256, 261, 268, 273, 280, 285, 292, 301, 307, 314, 323, 329, 336, 373, 377, 424, 428, 483	0642016 ..... 29	0761215.. 39, 214, 218, 225, 229, 238, 242, 277, 289, 311, 333	229, 237, 241, 256, 268, 280, 292, 314, 336
0641611 ..... 19, 23, 273, 369	0642020 ..... 23	0761216..... 449	0940092 .....501, 503, 505
0641612 .....316	0642212 411, 415, 513, 515, 517, 519, 521, 523, 525, 527, 529, 531, 533	0771212 256, 268, 280, 292, 314, 336	0940094 .....501, 503, 505
0641613 ..... 19, 23, 411, 415	0642214 ..... 19, 23	07711414 177, 181, 189, 193, 201, 205, 213, 217, 225, 229, 237, 241, 256, 268, 280, 292, 314, 336	0940102 513, 515, 517, 519, 521, 523, 525, 527, 529, 531, 533
0641615 .....99	0642616 .....411, 415	0791410..... 61	0940103 .....505
0641616 ..... 381, 385	0642624 .....411, 415	0791504..... 446	0940134 .....501
0641618 387, 391, 396, 400, 403, 407	0651606 173, 185, 197, 209, 221, 233, 250, 262, 274, 286, 302, 308, 323, 329	0791506..... 446	0940177 .....503
0641620 .....65, 67	0681608 ..... 449	0791510..... 438, 442	0961845 463, 465, 467, 473, 475, 477, 479
0641622 .....420	0681620 .....555, 557, 559	0791604..... 61, 446	0961893 .....573
0641626 .....438, 442	0681813 ..... 19, 23	0791605 156, 160, 164, 168, 446	0961896 .....565
0641628 .....435	0681814 ..... 19, 23, 469, 471	0791606..... 424, 428, 446	0961897 .....567, 577, 579
0641630 . 156, 160, 164, 168	0681816 ..... 19, 23	0791607..... 61	0961901 .....571
0641634 .....29	0681822 .....469, 471	0791608..... 438, 442, 446	0961949 .....567, 575
0641636 ..... 65, 67, 439, 443	0682014 .....425, 429	0791610..... 438, 442	0961950 .....565, 575
0641638 ..... 438, 442	0682016 .....411, 415	0791616..... 438, 442	0961951 .....424, 428, 579
0641644 .....438, 442	0682026 ..... 87	0791618 ..... 438, 442	0961986 177, 181, 189, 193, 201, 205, 213, 217, 225, 229, 237, 241, 256, 268, 280, 292, 314, 336
0641652 .....435	0682028 256, 268, 280, 292, 314, 336, 424, 428	0791622 .....438, 442	0962033 ..... 19, 23, 411, 415
0641706 256, 268, 280, 292, 314, 336	0682040 ..... 87	0791808..... 435, 438, 442	0962051 .....151, 153
0641708 256, 268, 280, 292, 314, 336	0682048 .....411, 415	0791810..... 446	0962122 .....411, 415
0641718 .....377	0682212 .....424, 428	0801365 .....420	0962224 .....425, 429
0641806 173, 185, 197, 209, 221, 233, 250, 262, 274, 286, 302, 308, 323, 329	0682422 ..... 85	0801366..... 420	0962257 .....573, 577
0641808 19, 23, 53, 55, 173, 177, 181, 185, 189, 193, 197, 201, 205, 209, 213, 217, 221, 225, 229, 233, 237, 241, 249, 261, 273, 285, 301, 307, 323, 329, 424, 428	0700408 627, 629, 631, 633, 635, 637, 639, 641, 643, 645, 647, 649, 651, 653, 655, 657	0801367 ..... 420	0962270 .....469, 471
0641809 420, 424, 428, 435, 438, 442	0700615 .....147, 149	0801369..... 424, 428	0962297 411, 415, 420, 569, 571
0641810 381, 385, 387, 391, 395, 399, 403, 407, 420, 424, 428	0700815 256, 268, 280, 292, 314, 336	0801370..... 411, 415, 420	0962423 .....29
0641812 ..97, 177, 181, 189, 193, 201, 205, 253, 265, 277, 289, 305, 311, 327, 333	0701418 ..... 377	0801371 .....411, 424	0962520 381, 385, 387, 391, 395, 399, 403, 407
0641813 .....424, 428	0701617 ..... 31, 33	0801497..... 424, 428	0962552 .....571
0641814 .. 20, 213, 217, 225, 229, 237, 241, 253, 265, 277, 289, 327, 333	0701619 ..... 49, 51	0801550..... 425, 429	0962556 .....425, 429
0641816 ..... 153	0711214 177, 181, 189, 193, 201, 205, 213, 217, 225, 229, 237, 241	0811606 420, 424, 428, 438, 442	0962561 .....567
0641818 151, 177, 181, 189, 193, 201, 205, 213, 217, 225, 229, 237, 241	0711417 189, 193, 201, 205, 225, 229, 237, 241	0816007..... 420, 424, 428	1001003498 .....729
0641820 .....97	0720804 ..... 485	0840062 ..... 747	1001091102 ..385, 391, 665, 667
0641826 177, 181, 189, 193, 201, 205, 213, 217, 225, 229, 237, 241	0721003 ..... 447	0860038 381, 387, 395, 403, 623, 625	1001091969 .....629
0642010 173, 185, 197, 209, 221, 233, 249, 261, 273, 285, 301, 307, 323, 329, 424, 428	0721005 ..... 505	0861538..... 395, 403	1001091970 .....635
0642012 513, 515, 517, 519, 521, 523, 525, 527, 529, 531, 533	0721006 .....369, 485	0861572..... 399, 407	1001091973 .....641
	0731005 .....501, 503	0861627..... 124, 128, 132	1001091974 .....647
	0731007 ..... 99	0861628..... 123	1001091975 .....653
	0741606 ..... 29	0861731 627, 645, 651, 657, 773, 775, 777, 779, 781, 783	1001092764 .....619
	0741607 381, 385, 387, 391, 403, 407	0861781 633, 639, 765, 767, 769, 771	1001093242 .....39
	0741806 .....424, 428	0861880. 689, 691, 693, 695	1001093243 .....35, 39
	0742210 .....411, 415	0902746. 157, 161, 165, 169	1001094055 .....841
	0760608 . 157, 161, 165, 169	0902761. 157, 161, 165, 169	1001096070 .....695
	0760808 ..... 338	0902762. 157, 161, 165, 169	1001096076 .....725, 729
	0760810 258, 270, 282, 294, 316, 449	0902763. 157, 161, 165, 169	1001096163 .....667
	0760812 .....442, 673	0902800..... 65, 67	1001096172 ..385, 391, 665, 667
	0761014 ..... 449	0902813..... 377	1001097051 .....811, 813
	0761015 .....411, 415	0902888 381, 387, 395, 399, 403, 407	1001097150 ...689, 691, 695
	0761210 249, 261, 273, 285, 301, 307, 323, 329	0902915..... 97	1001097820 .....584, 588
	0761212 ..... 338	0902932..... 438, 442	1001098012 ...535, 538, 541
	0761214 ..44, 258, 270, 282, 294, 316, 336	0902965..... 439, 443	1001098027 .....584
		0903154. 156, 160, 164, 168	1001098122 .....499
		0903161. 157, 161, 165, 169	1001098149 .....535
		0903162. 157, 161, 165, 169	1001098513 ...174, 177, 181
		0903696..... 69, 71	1001098518 .....185
		0940070 177, 181, 189, 193, 201, 205, 213, 217, 225,	1001098519 .....173
			1001098520 .....197
			1001098530 ...186, 189, 193
			1001098531 ...198, 201, 205

## SECTION 11 - SPECIAL OPTIONS

1001098601...177, 181, 190, 194, 202, 206, 213, 217, 226, 230, 238, 242, 245	1001108504.....856	1001116812 ..701, 713, 726, 730	1001126357.....709
1001098828.....449	1001108616..214, 218, 226, 230, 239, 243, 277, 289, 311, 333, 358	1001116846 .....831	1001126362.....710, 713
1001099366...513, 515, 517, 519, 521, 523, 525, 527, 529, 531, 533	1001108617 ..173, 185, 197, 209, 221, 233, 249, 261, 273, 285, 301, 307, 323, 329	1001116849 .....831	1001126363...710, 713, 714
1001099367...513, 515, 517, 519, 521, 523, 525, 527, 529, 531, 533	1001108708.....856	1001116851 .....831	1001126364...711, 713, 714
1001099421.....525	1001109181.....856	1001116952 .....710, 713	1001126365.....711
1001099422.....515	1001109438.....616	1001116967 .....709	1001126384.....709
1001099632.....29	1001109439.....616	1001116983 .....719	1001126391.....711, 713
1001100231.....691	1001109465 .....616	1001117035 .....831	1001126392.....711, 713
1001100326.....631	1001109468.....616	1001117078 ..397, 400, 405, 408	1001126485.....713
1001100327.....637	1001109470.....616	1001117106 .....710, 713	1001126487.....713
1001100331.....643	1001109471.....616	1001117107 .....710, 713	1001128527.....547
1001100333.....649	1001109503.....127	1001117140 ...161, 165, 169	1001128556.....547
1001100337.....655	1001109557.....665	1001117172 .....499	1001129555.....852
1001100341...631, 765, 767	1001109619.....857	1001117174 ...486, 499, 853	1001129858.....381, 382
1001100342...637, 769, 771	1001109621.....857	1001117294 .....857	1001131269.....823, 833
1001100345...643, 773, 775	1001109648.....665, 689	1001117308 ..257, 269, 281, 293, 315, 337, 852	1001131482.....153
1001100346...655, 781, 783	1001109654.....667, 691	1001118384 .....819	1001131542..177, 181, 189, 193, 201, 205, 213, 217, 225, 229, 237, 241, 250, 262, 274, 286, 302, 308, 323, 329
1001100347...649, 777, 779	1001109677.....103, 107	1001118388 .....753, 819	1001131730.....435
1001101191...627, 629, 631, 633, 635, 637, 639, 641, 643, 645, 647, 649, 651, 653, 655, 657, 689, 691, 693	1001110252..588, 596, 601, 605, 616	1001118762 .....571	1001131732.....439, 443
1001101196...629, 631, 633, 635, 637, 639	1001110425..249, 261, 273, 285, 301, 307, 323, 329	1001118957 .....103	1001131969.....683
1001101197...627, 641, 643, 645, 647, 649, 651, 653, 655, 657	1001110604.....616	1001119020 ..675, 726, 730, 749	1001133163.....71
1001101421.....513	1001110872.....659, 661	1001119119 .....99	1001133593.....71
1001101422.....513	1001110873 ..381, 387, 396, 404, 623	1001119136 .....859	1001133633..257, 269, 281, 293, 315, 337
1001101550.....43	1001111081.....601	1001119296 .....617	1001133634..257, 269, 281, 293, 315, 337
1001103286.....857	1001111082.....596	1001119455 .....99	1001133714...711, 714, 717
1001103793.....65, 77	1001111083.....605	1001119456 ...109, 119, 763	1001133715...711, 714, 717
1001103977.....617	1001111084.....588	1001119470 ..109, 111, 119, 121, 707	1001133956.....709, 713
1001104315.....33, 37	1001112551.....825	1001119508 ..123, 127, 131, 853	1001133957.....709, 713
1001104324.....33	1001112612...675, 701, 703	1001119529 ..123, 127, 131, 733	1001134390.....273, 277
1001104325.....37, 43	1001112669.....51	1001119619 .....809	1001134392..253, 256, 277, 280
1001104519.....755	1001112716.....51	1001119620 ..811, 813, 815, 817	1001134488..256, 270, 280, 294, 314, 337
1001104577.....617	1001112758.....53, 55, 852	1001119899 .....424, 428	1001135090..257, 269, 281, 293, 315, 337
1001104841.....77	1001112766..177, 181, 189, 193, 201, 205, 213, 217, 225, 229, 237, 241	1001119938 .....856	1001135124.....105, 107
1001106475.....424, 428	1001112796.....675	1001119946 .....856	1001135138..257, 269, 281, 293, 315, 337
1001106476.....424, 428	1001112850.....65, 67	1001119968 ..396, 400, 405, 408	1001135139..257, 269, 281, 293, 315, 337
1001106483.....424, 428	1001112927..214, 218, 226, 230, 238, 242, 277, 289, 311, 333, 365	1001120140 .....571	1001135140...711, 714, 717
1001106736.....701, 703	1001113961.....701, 703	1001120141 .....571	1001135141..257, 269, 281, 293, 315, 337
1001106846.....859	1001114438.....131, 703	1001120328 .....507, 511	1001135142..257, 269, 281, 293, 315, 337
1001106847.....859	1001114487 ..109, 111, 113, 115, 117, 119, 121	1001120564 .....101, 103	1001135143..257, 269, 281, 293, 315, 337
1001106848.....859	1001114495 ..257, 269, 281, 293, 315	1001120634 .....759	1001135144...711, 714, 717
1001107000.....859	1001115603.....531	1001120653 .....411	1001135145.....711, 714
1001107001.....859	1001115961.....51	1001120989 .....841	1001135146..257, 269, 281, 293, 315
1001107002.....859	1001116208.....841	1001120995 .....841	1001135147..257, 269, 281, 293, 315, 337
1001107143.....859	1001116352.....857	1001121615 .....749	1001135148..257, 269, 281, 293, 315, 337
1001107145.....859	1001116707.....709	1001121616 .....749	1001135149..257, 269, 281, 293, 315, 337
1001107146.....859	1001116710.....719	1001122528 ..396, 400, 405, 408	1001135150..257, 269, 281, 293, 316, 337
1001107147.....859	1001116720.....753	1001122611 ..823, 827, 831, 835, 837, 839	1001135151..257, 269, 281, 293, 315, 337
1001107197...210, 213, 217	1001116728.....710	1001125387 .....841	1001135152..257, 269, 281, 293, 315, 337
1001107972.....209	1001116774.....675	1001125425 .....377	1001135153..257, 269, 281, 293, 315, 337
1001107973...222, 225, 229	1001116792..249, 261, 273, 285, 301, 307, 323, 329	1001125427 .....395	1001135154..257, 269, 281, 293, 314, 337
1001107974.....221	1001116808.....675	1001125428 .....399	1001135155..257, 269, 281, 293, 314, 337
1001107975...234, 237, 241		1001126009 .....819	1001135156..257, 269, 281, 293, 314
1001107976.....233		1001126011 .....749	1001135157..257, 269, 281, 293, 315, 337
1001108256.....503		1001126351 .....709, 713	1001135158..257, 269, 281, 293, 315, 337
		1001126352 .....709	
		1001126356 .....709	

## SECTION 11 - SPECIAL OPTIONS

1001135926..257, 269, 281, 293, 314, 337	1001139520.....71, 619	1001144629..459, 461, 473, 477	301, 307, 316, 324, 330, 338, 369
1001135943..257, 269, 281, 293, 315, 337	1001139654.....841	1001145089..249, 261, 273, 285, 301, 307, 324, 330	1001155044 .....486
1001135946..257, 269, 281, 293, 315, 337	1001139665.....105, 107	1001145154..258, 270, 282, 294, 316, 338	1001155045 .....486, 852
1001136292..257, 269, 281, 293, 315	1001139666.....105, 107	1001145321 .....608	1001155575 ..257, 269, 281, 293, 315, 338
1001136356.....385	1001139958.....381	1001145322 .....616	1001155823 ..258, 270, 282, 294, 316, 338
1001136357.....391, 408	1001140222.....369	1001145323 .....69	1001157520 ..396, 400, 404, 408
1001136626..257, 269, 281, 293, 315, 337	1001140312.....270, 294	1001145382..178, 182, 190, 194, 202, 206, 214, 218, 226, 230, 238, 242	1001157521 ..396, 400, 404, 408
1001136665..257, 269, 281, 293, 315, 337	1001140344.....387	1001145405 .....535, 538	1001157525 ..399, 400, 407, 408
1001136834..257, 269, 281, 293, 315, 337	1001140346.....388	1001145560..249, 261, 273, 285, 301, 307, 324, 330	1001157528 ..396, 400, 404, 408
1001137005.....859	1001140347.....391	1001145708.....857	1001157592 ..395, 396, 403, 404
1001137023.....857	1001140397.....391	1001145842..250, 262, 274, 286, 302, 308, 324, 330	1001158007 ..396, 400, 404, 408
1001137028.....857	1001140429..463, 465, 467, 473, 475, 477, 479	1001146050.....153	1001158008 ..382, 388, 396, 400, 404, 408
1001137276..257, 269, 281, 293, 315, 337	1001140485....160, 164, 168	1001146132...160, 164, 168	1001158363 .....382, 388
1001137590.....403	1001140564...256, 269, 280, 293, 314, 338	1001146142...160, 164, 168	1001159118 .....659, 661
1001137591.....407	1001141300.....841	1001146178...160, 164, 168	1001159119 .....659, 661
1001137673.....507	1001141302.....841	1001146183...160, 164, 168	1001159120 .....659, 661
1001138011..387, 391, 404, 408	1001141304...258, 269, 282, 293, 316, 338	1001146219..256, 268, 280, 292, 314, 338	1001159121 .....661
1001138110.....711	1001141717...258, 269, 282, 293, 316, 338	1001146588...324, 330, 338	1001159186 ..725, 729, 749
1001138111.....711	1001141718.....369	1001147264.....710	1001159256 .....486, 852
1001138113.....711	1001141719...256, 269, 280, 293, 314, 338	1001147479.....446, 853	1001160505 ..156, 160, 164, 168
1001138228..257, 269, 281, 293, 315, 337	1001141745.....285, 289	1001148675.....659, 661	1001160567 .....99
1001138248..257, 269, 281, 293, 315, 337	1001141746...265, 268, 289, 292	1001148841 .....717	1001161042 .....683
1001138253..257, 269, 281, 293, 315, 337	1001141812.....249, 253	1001148842.....717	1001161043 .....683
1001138346..257, 269, 281, 293, 315, 709	1001141813.....261, 265	1001148843..258, 270, 282, 294, 316, 338, 717	1001161045 .....683
1001138491..249, 261, 273, 285, 301, 307, 323, 329, 719	1001142021.....161	1001148902.....856	1001161049 .....683
1001138494..465, 467, 473, 475, 477, 479	1001142023.....160, 161	1001148903.....856	1001161401 .....19, 24
1001138514..465, 467, 475, 479	1001142144....160, 164, 168	1001148904.....856	1001161402 .....19, 24
1001138524..257, 269, 281, 293, 315, 337	1001142181.....160	1001148905.....857	1001161403 .....19, 24
1001138559..257, 269, 281, 293, 315, 337	1001142375.....249	1001148971 .....857	1001161709 .....486, 852
1001138565.....385	1001142376.....273	1001149730.....858	1001161710 .....486, 852
1001138566..381, 385, 387, 391	1001142377.....261	1001149818.....145, 787	1001162880 .....69, 73
1001138717..258, 270, 282, 294, 316	1001142378.....285	1001149955.....145	1001163131 .....513
1001138772.....858	1001142380.....160	1001149994...145, 147, 149	1001163287 .....523
1001138773.....858	1001142398...257, 269, 281, 293, 315, 338	1001150406.....145	1001163288 .....529
1001138805.....573	1001142501...258, 270, 282, 294, 316, 338	1001151393.....135	1001163289 .....527
1001138811.....415	1001142504.....857	1001152456.....382, 388	1001163292 .....531
1001138812.....415, 428	1001142505.....857	1001152457...381, 387, 388	1001163293 .....519
1001138827..257, 269, 281, 293, 315, 337	1001142610...249, 261, 273, 285, 301, 307, 323, 329	1001152525..382, 388, 396, 400, 404, 408	1001163295 .....533
1001138838.....71, 75	1001142637...258, 270, 282, 294, 316, 338	1001152530.....382, 388	1001163296 .....525
1001139099.....857	1001142645.....387, 404	1001152533..381, 385, 387, 391, 721	1001163297 .....515
1001139240..257, 269, 281, 293, 315, 338	1001142683.....147, 149	1001152566...161, 165, 169	1001163298 .....521
1001139357.....381, 385	1001142685...258, 270, 282, 294, 316, 338	1001152742.....710	1001164700 .....73
1001139492.....107	1001142719.....147, 149	1001152963..253, 265, 305, 327, 352	1001165035 ..258, 270, 282, 294, 315, 338
1001139494.....105	1001142736....147, 149, 675	1001152971 .....612	1001165101 ..253, 265, 277, 289, 302, 308, 338, 369
	1001142938.....711, 714	1001153024..257, 269, 281, 293, 315, 338	1001165368 ...385, 391, 693
	1001142940.....711, 714	1001153186.....612	1001165820 ..258, 270, 282, 294, 316, 338
	1001142941.....711, 714	1001153188.....612	1001166393 ..257, 269, 281, 293, 315, 338
	1001143087.....105, 107	1001153257.....381, 387	1001166538 .....486, 495
	1001143123.....105, 107	1001153260.....382, 388	1001166539 .....486, 491
	1001143298.....153	1001153387..258, 270, 282, 294, 316, 338	1001167565 .....449
	1001143390...258, 270, 282, 294, 316, 338	1001154405..249, 258, 261, 270, 273, 282, 285, 294,	1001167567 .....449
	1001143852.....841		1001167596 .....449
	1001144089...258, 270, 282, 294, 316, 338		
	1001144433.....507		

## SECTION 11 - SPECIAL OPTIONS

1001167632.....	714	1001190985.....	449	1001212243.....	412, 416	1001227987.....	509
1001167635.....	713	1001191272...257, 269, 281,		1001212415.....	852	1001227996..	811, 813, 815,
1001167686.....	725	293, 315, 338		1001213183.....	856	817	
1001168402.....	449	1001191395.....	857	1001213447.....	750	1001228019.....	23, 565
1001170764.....	714	1001191526.....	841	1001213584...679, 681, 685		1001228025... 424, 428, 573	
1001170982.....	338	1001191541.....	19, 24	1001213585...679, 681, 685		1001228031.....	29, 575
1001171095...214, 218, 226,		1001191620.....	338	1001214029.....	841	1001228032.....	420, 579
230, 239, 243, 277, 289,		1001192401.....	726, 730	1001214540.....	858	1001228034... 424, 428, 567	
311, 333, 361		1001193018.. 627, 629, 631,		1001214548.....	858	1001228077... 411, 415, 571	
1001171130.....	387	633, 635, 637, 639, 641,		1001214561.....	858	1001228080... 424, 428, 577	
1001171131.....	659	643, 645, 647, 649, 651,		1001214562.....	858	1001228215.....	463
1001171482.....	131	653, 655, 657		1001214570.....	673	1001228224.....	509
1001172045.....	857	1001193674.....	19, 24	1001214571.....	673	1001228225.....	509
1001172760.....	486	1001193806.....	857	1001216630.....	449	1001228243.....	477
1001173703.....	842	1001195304.....	857	1001217005.....	147	1001228375.....	479
1001173889...608, 612, 616		1001196634.....	371	1001218622.....	687	1001228376.....	473
1001173890...609, 613, 617		1001197017... 501, 503, 505		1001218623.....	687	1001228377.....	475
1001173913.....	23	1001197408.....	841	1001219989..53, 55, 65, 67,		1001228488.....	85, 93
1001173914.....	19	1001197510.....	841	451, 453		1001228497.. 123, 128, 131,	
1001174040.....	449	1001197511.....	841	1001220379.....	710	761	
1001175887.....	577	1001197512.....	841	1001220510.....	842	1001228498... 411, 415, 759	
1001176346.....	61	1001197513.....	841	1001220511.....	842	1001228617.....	85
1001176469..... 127, 131		1001197514.....	841	1001220512.....	842	1001228953.....	856
1001176862.....	659	1001197515.....	841	1001220929.....	486	1001228988.. 547, 845, 847,	
1001176982.....	616	1001197519.....	841	10012221278.....	842	849	
1001178247...424, 428, 431		1001197719.....	714	10012221436.....	123	1001229058.....	85
1001178248...424, 428, 433		1001198671.....	373	10012221437.....	127	1001229107.....	856
1001179154...382, 388, 396,		1001200491.....	449	1001222314.....	451, 453	1001229341.....	509
404		1001200494.....	449	10012223055.....	823	1001230934.....	709, 713
1001180019.....	385	1001200839..... 425, 429		1001223453..... 823, 833		1001230935.....	709, 713
1001180219.....	391	1001200910.....	147	1001223459..... 711, 713		1001230936.....	709, 713
1001180620.....	338	1001201351.....	449	1001223971.....	833	1001231235.....	858
1001180696.....	841	1001201885.....	730	1001224048.....	837	1001231315.....	823
1001180951.....	685	1001202076.....	857	1001224049.....	839	1001231316.....	833
1001181045...691, 693, 695,		1001202221.....	857	1001224050.....	831	1001231317.....	837
853		1001202280.....	373	1001224052.....	827	1001231318.....	839
1001181046.....	689	1001202281..... 373, 853		1001224053.....	835	1001231319.....	827
1001181895..... 270, 294		1001202687.....	449	1001225118..178, 182, 190,		1001231320.....	835
1001181899.....	338	1001202697.....	856	194, 202, 206, 214, 218,		1001231321.....	831
1001182242.....	857	1001202749.....	857	226, 230, 238, 242		1001231801.....	841
1001182361..... 709, 713		1001203655.....	469	1001225245.....	531	1001231886.....	141
1001182806.....	143	1001203656.....	471	1001225246.....	533	1001231949.....	559
1001184682.....	141	1001204046.....	857	1001225247.....	523	1001231950.....	555, 557
1001184934.....	161	1001204725.....	449	1001225248.....	527	1001232010... 555, 557, 559	
1001185281.....	486	1001204898.....	857	1001225249.....	521	1001232011... 555, 557, 559	
1001185296.....	128	1001205958.. 641, 643, 645,		1001225250.....	519	1001232164.....	509
1001185297..... 127, 128		647, 649, 651, 653, 655,		1001225251.....	529	1001232165.....	509
1001186333.....	469	657		1001225346.....	673	1001232546.....	338, 341
1001186334.....	471	1001206250.....	645	1001225430..... 297, 853		1001232642.....	511
1001186379.....	465	1001206251.....	651	1001225431.....	297	1001232643.....	858
1001186382.....	467	1001206252.....	657	1001225580...507, 753, 755		1001232650.....	511
1001186383.....	461	1001206253.....	633	1001225648.....	857	1001232667.....	511
1001186384.....	459	1001206254.....	639	1001226293.....	687	1001232842.....	371
1001186431...507, 853, 858		1001206255.....	627	1001226294.....	687	1001233047.....	856
1001186432...753, 755, 819		1001206476.....	673	1001226306.....	687	1001233237.....	856
1001186517.....	507	1001206544.....	858	1001226872...463		1001233492.....	338
1001187382.....	449	1001206794.....	857	1001227449.....	856	1001233763.....	371
1001187383.....	449	1001206796.....	857	1001227633.....	509	1001233959.....	137, 489
1001187674.....	509	1001207004.....	149	1001227634.....	509	1001234800.....	713
1001187681.....	809	1001207969..... 451, 453		1001227932.....	679	1001235011.....	511
1001187807..... 137, 489		1001208299.....	338	1001227933.....	679	1001235013.....	511
1001188622.....	449	1001208994... 449, 451, 453		1001227934.....	679	1001235147.....	323
1001188844.....	449	1001209059.....	858	1001227935..... 681, 685		1001235148.....	329
1001188885.....	373	1001209481.....	858	1001227936..... 681, 685		1001235149.....	324, 327
1001188887.....	373	1001209664.....	507	1001227937.....	681	1001235150.....	330, 333
1001189001.....	449	1001210029.....	858	1001227960..... 65, 67, 852		1001235151... 327, 333, 336	
1001189002.....	449	1001212223.....	403, 407	1001227985.....	509	1001235459... 302, 308, 319	



## SECTION 11 - SPECIAL OPTIONS

1001235476.....307, 311	1001242824..... 673	1001251020..... 19, 23, 563	1120550.....29
1001235477...305, 311, 314	1001242825..... 673	1001251078... 411, 415, 569	1120555 513, 515, 517, 519,
1001235479..... 301, 305	1001243183..... 856	1001251267.. 823, 825, 827,	521, 523, 525, 527, 529,
1001235480..... 301	1001243184..... 856	831, 833, 835, 837, 839,	531, 533
1001235483..... 307	1001243414...156, 160, 164,	841	1180386.....438, 442
1001235617..... 856	168	1001251268..... 829, 841	1180387.....435
1001235952..... 338	1001243535...109, 111, 113,	1001252527..... 709, 713	1180388.....435
1001236087..... 489	123	1001252629... 555, 557, 559	1180389.....435
1001236091..... 137	1001243536...115, 119, 121,	1001252946..... 551, 553	1180390.....435
1001236375..... 673	127	1001253048..... 823	1260017..... 89
1001236376..... 673	1001243543..... 113	1001253049..... 823	1283457 584, 592, 599, 603,
1001236377..... 673	1001243544..... 109	1001253050..... 833	608
1001236378..... 673	1001243583..... 111	1001253051..... 833	1320022 173, 177, 181, 185,
1001236408..... 168	1001243590..... 115	1001253052..... 837	189, 193, 197, 201, 205,
1001236532..... 132	1001243592..... 119	1001253053..... 837	209, 213, 217, 221, 225,
1001236552..... 511	1001243593..... 121	1001253054..... 831	229, 233, 237, 241, 250,
1001236635..... 131	1001243731..... 143	1001253056..... 831	257, 262, 270, 274, 281,
1001236746..... 559	1001243734..... 141	1001253057..... 827	286, 294, 302, 308, 315,
1001236747..... 555	1001243849..... 143	1001253058..... 827	323, 329, 336, 373
1001236753..... 117	1001243895..... 371	1001253059..... 839	1320041 173, 185, 197, 209,
1001236756..... 117, 131	1001243965..... 823	1001253060..... 839	221, 233, 623, 625, 663,
1001236773..... 132	1001243989.....483, 485	1001253061..... 835	667
1001236891... 555, 557, 559	1001243994..... 833	1001253062..... 835	1320058 177, 181, 189, 193,
1001236895... 555, 557, 559	1001244026..... 147	1001253375..... 755	201, 205, 213, 217, 225,
1001236951..... 857	1001244027..... 149	1001253593..... 411, 415	229, 237, 241
1001237125... 164, 165, 168	1001244205..... 837	1001253945..... 858	1320060 177, 181, 189, 193,
1001237126..... 168	1001244206..... 831	1001253946..... 858	201, 205, 213, 217, 225,
1001237285..... 338, 713	1001244207..... 827	1001254068... 123, 127, 701	229, 237, 241
1001237544..... 489	1001244208..... 839	1001255133..... 449	1320095..... 123, 127, 131
1001237546..... 137	1001244209..... 835	1001256298..... 165	1320159.....438, 442
1001237667... 725, 729, 750	1001244298..... 831	1001256299..... 164	1320162 .101, 103, 105, 107
1001237668... 725, 729, 750	1001245916..... 486	1001256506..... 710	1320177.....535, 538
1001237705..... 517	1001246138..... 856	1001256507..... 709	1320187 173, 185, 197, 209,
1001237831..... 857	1001246142..... 856	1001256864..... 337	221, 233, 249, 261, 273,
1001237862..... 811, 815	1001246610..... 829	1001256879..... 324, 330	285, 301, 307, 323, 329
1001237863... 509, 811, 813	1001246611..... 825	1001257277.. 181, 194, 206,	1320190 173, 185, 197, 209,
1001237864... 509, 815, 817	1001246762..... 67, 81	218, 230, 242	221, 233, 249, 261, 273,
1001237865..... 509, 809	1001246860..... 857	1001258495..... 813, 817	285, 301, 307, 323, 329
1001237882..... 857	1001246867..... 857	1001258800..... 337	1320223 177, 181, 189, 193,
1001237883..... 857	1001247073..... 858	1001260432..... 336	201, 205, 213, 217, 225,
1001238263... 555, 557, 559	1001247468..... 449	1001261045..... 336	229, 237, 241
1001238319..... 509	1001248140...555, 557, 559	1001261085..... 336	1320263 .... 19, 23, 438, 442
1001238418..... 511, 819	1001248141...555, 557, 559	1001261250..... 841	1320277.....438, 442
1001238421..... 449	1001248539.. 823, 827, 831,	1001263923..... 747	1320288.....435, 438, 442
1001238423..... 517	833, 835, 837, 839	1001270339..... 677	1320289.....438, 442
1001238462..... 517	1001248540..... 825, 829	1001270340..... 677	1320294.....438, 442
1001238463..... 557	1001248546..... 825, 829	1001271497..... 749	1320296.....438, 442
1001238472..... 511	1001248547..... 823	1001283008..... 315	1320301.....446
1001238477..... 511	1001248548..... 833	1001306146..... 856	1320302 .538, 543, 545, 547
1001238495..... 507	1001248549..... 837	1060341. 501, 503, 505, 721	1320309.....789, 791
1001238559..... 511	1001248550..... 839	1060343..... 396, 404	1320322.....65, 67, 99
1001238824..... 511	1001248551..... 827	1060379..... 551, 553	1320323.....99
1001239202..... 714	1001248552..... 835	1060545..... 693	1320325.....438, 442
1001239281..... 141	1001248553..... 831	1060698..... 747	1320327.....438, 442
1001239345..... 677	1001249052..... 858	1060902..... 705, 735	1320328.....435
1001241275..... 856	1001249244..... 677	1060903..... 501, 503, 505	1321283.....324, 330
1001241383..... 143	1001249695..... 856	1060904. 201, 205, 237, 241	1321385.....439, 443
1001241418..... 857	1001249941..... 856	1060908 631, 637, 643, 649,	1321716.....324, 330
1001241547..... 858	1001249964...257, 269, 281,	655, 689, 691, 695	1340065 177, 181, 189, 193,
1001241548..... 858	293, 297	1060918.....499	201, 205, 213, 217, 225,
1001241891..... 486, 749	1001250035..... 858	1060981..... 761	229, 237, 241
1001241965..... 511	1001250301...156, 160, 164,	10702077396, 400, 404, 408	1340067..... 856
1001242192..... 856	168	10702082396, 400, 404, 408	1380147..... 151, 153
1001242324.. 123, 128, 132,	1001250465..... 858	1100141..... 424, 428	1560011.....789, 791
725, 729	1001250466..... 858	1120423..... 857	1560012.....789, 791
1001242373... 124, 128, 132	1001250595..... 858	1120549..... 29	1580012.....481
1001242756..... 677			1580013.....857

## SECTION 11 - SPECIAL OPTIONS

1600343 ..... 485, 853	1703811 823, 825, 827, 829, 831, 833, 835, 837, 839	1705744 .....485	2111620..... 608, 612, 616
1600443 ..... 245	1703814 823, 825, 827, 829, 831, 833, 835, 837, 839	1705745 .....485	2112016..... 77, 81
1660256 ..... 97	1703935 ..... 839	1705822 .....825, 829	2112020..... 608, 612, 616
1660261 ..... 446	1703936 ..... 833	1705828 .....825, 829	2113232..... 608, 612, 616
1670603 ..... 627	1703938 ..... 835	1705838 .....841	2120167..... 99
1670996 ..... 61	1703939 ..... 837	1705840 .....841	2120168..... 99, 852
1671013 ..... 420	1703941 ..... 839	1705864 .....829, 841	2120217..... 451, 453
1671023 177, 181, 189, 193, 201, 205, 213, 217, 225, 229, 237, 241	1703942 ..... 833	1705865 .....841	2120218 173, 185, 197, 209, 221, 233, 250, 262, 274, 286, 302, 308, 323, 329
1671039 ..... 446	1703943 ..... 831	1705896 .....827	2120219 173, 185, 197, 209, 221, 233, 250, 262, 274, 286, 302, 308, 323, 329, 852
1671040 ..... 29, 446	1703944 ..... 835	1705897 .....827	2130404..... 617
1671044 ..... 446	1703945 ..... 837	1705898 .....827	2130406..... 40, 44, 619
1671045 ..... 61	1703947 ..... 839	1705901 .....827	2130606 584, 588, 603, 605
1671046 ..... 61	1703948 ..... 833	1705902 .....827	2130612..... 584, 588
1671047 ..... 61	1703949 ..... 831	1705903 .....827	2130808..... 608, 612, 616
1671048 ..... 61	1703950 ..... 835	1705905 .....827	2130810..... 57, 78, 82
1671049 ..... 61	1703951 ..... 837	1705906 .....827	2130812.... 40, 44, 609, 613, 616
1671092 .....396, 404, 683	1703953 ..... 823	1705910 .....839	2131008 579, 608, 612, 616
1671093 .....538, 545, 683	1703955 ..... 841	1705915 .....839	2131010..... 78, 82
1671109 156, 160, 164, 168	1703959 ..... 841	1705917 .....839	2131210 579, 608, 612, 616
1671112 ..... 446	1703980 ..... 835	1705921 .....825, 829	2131212 101, 103, 105, 107, 608, 612, 616
1671113 ..... 446	1703981 ..... 837	1705922 .....825, 829	2131620..... 609, 613, 617
1671117 ..... 446	1703982 ..... 831	1705961 .....825, 829	2132020..... 609, 613, 617
1671118 156, 160, 164, 168	1703983 ..... 839	1705967 .....827, 841	2150404..... 584, 588
1671121 173, 185, 197, 209, 221, 233, 249, 261, 273, 285, 301, 307, 323, 329	1703984 ..... 833	1705969 .....837, 841	2150808..... 608, 612, 616
1671122 ..... 438, 442	1704000 ..... 833, 841	1706059 .....827	2151012..... 59
1671123 ..... 446	1704001 ..... 839, 841	1706060 .....831	2151212..... 608, 612, 616
1671142 ..... 447	1704260 .....485	1706061 .....837, 839	2160002..... 87
1671191 ..... 157	1704277 823, 825, 827, 829, 831, 833, 835, 837, 839	1706062 .....835	2170204..... 584, 588
1671192 ..... 156	1704412 823, 825, 827, 829, 831, 833, 835, 837, 839	1706064 .....833	2170308..... 609, 613, 617
1671193 157, 161, 165, 169	1704885 ..... 841	1706098 .....825, 829	2170312..... 619
1671194 156, 157, 160, 161, 164, 165, 168, 169	1704972 ..... 823	1706385 .....469, 471	2170504 592, 596, 599, 601
1671314 ..... 485	1705014 ..... 469, 471	1706770 .....825, 829	2170506..... 599, 601, 619
1701499 823, 825, 827, 829, 831, 833, 835, 837, 839	1705171 .....485	2030010 535, 538, 543, 545, 547	2170704 585, 589, 592, 596
1701501 823, 825, 827, 829, 831, 833, 835, 837, 839	1705174 ..... 825, 829, 833	2060025 177, 181, 189, 193, 201, 205, 213, 217, 225, 229, 237, 241	2170708..... 584, 588
1701505 823, 825, 827, 829, 831, 833, 835, 837, 839	1705305 547, 845, 847, 849	2080040 459, 461, 473, 477	2170712 101, 103, 105, 107, 584, 588, 617
1701509 513, 515, 517, 519, 521, 523, 525, 527, 529, 531, 533, 823, 825, 827, 829, 831, 833, 835, 837, 839	1705325 ..... 629, 631, 633	2080051 156, 160, 164, 168	2170804..... 592, 596
1701518 ..... 825, 829	1705336 ..... 823	2110404 39, 44, 77, 78, 81, 82, 455, 584, 588, 608, 612, 616	2170908..... 609, 613, 617
1701529 823, 825, 827, 829, 831, 833, 835, 837, 839	1705344 ..... 835	2110406 .....59, 77, 81, 599, 601, 617, 619	2171112..... 105, 107
1702565 ..... 485	1705345 ..... 837	2110604 .....599, 601	2171210..... 584, 588
1702566 ..... 485	1705347 ..... 833	2110606 .....57, 77, 81, 455, 599, 601	2171212..... 584, 588
1702773 469, 471, 829, 841	1705351 ..... 823	2110608 .....608, 612, 616	2171306..... 584, 588
1702774 ..... 841	1705355 ..... 845, 847, 849	2110610 584, 588, 608, 612, 616	2171308..... 584, 588
1702868 547, 823, 841, 847, 849	1705358 513, 515, 517, 519, 521, 523, 525, 527, 529, 531, 533	2110612 .....584, 588	2171310..... 584, 588
1702938 .....501, 503, 505	1705374 381, 387, 659, 661	2110808 ....39, 44, 592, 596, 608, 612, 616, 617	2180344..... 87
1702942 ..... 197, 233	1705375 396, 404, 547, 847, 849	2110810 ....59, 78, 82, 584, 588, 616	2180348 173, 185, 197, 209, 221, 233, 373
1703162 177, 181, 189, 193, 201, 205, 213, 217, 225, 229, 237, 241, 258, 270, 282, 294, 316, 336	1705387 381, 387, 396, 405	2110812 ....39, 44, 592, 596, 617	2180830..... 584, 588
1703175 ..... 841	1705426 ..... 835	2111010 ..77, 78, 81, 82, 97, 577, 584, 588, 609, 613, 617	2180832 249, 261, 273, 285, 301, 307, 323, 329, 535, 538
1703483 ..... 841	1705427 ..... 837	2111012 ....59, 97, 584, 588, 609, 613, 617	2220001..... 87
1703804 ..... 823	1705429 ..... 833	2111016 .....616	2220235..... 20, 592, 596
1703805 ..... 823	1705430 ..... 831	2111210 .....77, 78, 81, 82	2220313 173, 185, 197, 209, 221, 233, 249, 261, 273, 285, 301, 307, 323, 329
	1705460 396, 400, 404, 408	2111212 .....77, 81, 97, 577, 584, 588, 608, 612, 616	2220451 177, 181, 189, 193, 201, 205, 213, 217, 225, 229, 237, 241
	1705461 ..... 400, 408	2111616 .....617	2220478..... 608, 612, 616
	1705468 ..... 825, 829		
	1705489 385, 391, 400, 408		
	1705492 ..... 823		
	1705493 ..... 835		
	1705503 ..... 837		
	1705505 ..... 833		
	1705511 823, 825, 827, 829, 831, 833, 835, 837, 839		
	1705515 ..... 841		

## SECTION 11 - SPECIAL OPTIONS

2220498 177, 181, 189, 193, 201, 205, 213, 217, 225, 229, 237, 241	2753552 .....592, 596	2753998.....584, 588	3200362 177, 181, 189, 193, 202, 206, 213, 217, 225, 229, 238, 242
2220550 ..... 619	2753582 .....592, 596	2753999 103, 584, 588, 608, 612, 616	3200401 177, 181, 189, 193, 202, 206, 213, 217, 225, 229, 238, 242
2220737 ..... 608, 612	2753590 .....608, 612, 616	2754000..... 608, 612	3200433 .....446
2220811 ..... 608, 612, 617	2753673 .....608, 612, 616	2754001 ..... 608, 612, 616	3200458 .....446
2220816 .....373	2753677 .....592, 596	2754002..... 584, 588	3220126 177, 190, 202, 214, 226, 238
2220883 ..59, 567, 569, 571, 573, 579	2753685 .....592, 596	2754003..... 584, 588	3220130 .....375
2220885 565, 571, 573, 575, 577, 579	2753703 .....592, 596	2754004..... 608, 612, 616	3251102 377, 381, 385, 387, 391, 395, 399, 403, 407
2220886 .....567, 569, 577	2753713 .....592, 596	2754006..... 608	3251242 627, 635, 639, 641, 645, 647, 651, 653, 657
2220887 .....77, 81	2753714 .....592, 596	2754007..... 608, 612	3251243 381, 388, 396, 404, 823, 827, 831, 833, 835, 837, 839
2220888 .....78, 82, 571	2753715 .....592, 596	2754010..... 584, 588	3251813 .....841
2220893 .....99	2753716 .584, 588, 592, 596	2754011 ..... 584, 588	3252347 .....823
2221046 .....373	2753717 .....584, 588	2754123 ..... 584, 588	3252507 .637, 643, 649, 655
2221086 ..57, 59, 77, 78, 81, 82, 455	2753719 .....599, 601	2754124..... 584, 588	3271605 .....555, 557, 559
2221117 .....608, 612	2753726 .....599, 601	2754288 ..... 584, 588	3271805 .....469, 471
2221123 .....584, 588, 619	2753727 .....599, 601	2754870..... 608, 612, 616	3272001 256, 268, 280, 292, 314, 336, 411, 415, 425, 429, 555, 557, 559
2221176 173, 185, 197, 209, 221, 233	2753728 .....603, 605	2780286..... 31, 35	3290405 385, 391, 627, 629, 631, 633, 635, 637, 639, 641, 643, 645, 647, 649, 651, 653, 655, 657, 665, 667
2221221 .....617, 619	2753729 .....599, 601	2792647..... 599	3290601 .157, 161, 165, 169
2400060 371, 701, 703, 725, 730, 750	2753732 .....603, 605	2792772..... 592	3290605 .....535, 538
2400064 .....701, 703, 853	2753733 .....603, 605	2792773..... 603	3290606 .465, 467, 475, 479
2400065 .697, 725, 729, 852	2753734 .....603, 605	2820031 377, 381, 385, 387, 391, 395, 399, 403, 407	3290607 .....147, 149
2400066 .....697, 725, 729	2753735 .....603, 605	2820035 ..... 139, 371	3290801 256, 268, 280, 292, 314, 336
2410014 .....469, 471	2753736 .....603, 605	2820141 .....156	3290805 .....443, 673
2420172 .....123	2753737 .....603, 605	2820145..... 157	3290806 .....449
2420191 .....99	2753738 .....603, 605	2820146..... 157	3291001 .....449
2420203 .....377	2753739 .....603, 605	2820247. 811, 813, 815, 817	3291005 .....449
2460048 .....395, 399	2753741 .....608, 612	2840016..... 151, 153	3291007 .....411, 415
2460055 .....377	2753742 .....603, 605	2860030..... 135, 852	3291201 .....449
2540044 .....438, 442	2753743 .....603, 605	2900770 455, 565, 569, 571, 573, 579	3291205 .....449
2560136 .....485	2753744 .....592, 596	2900789..... 577, 579	3300151 463, 465, 467, 473, 475, 477, 479, 538, 543, 545, 547
2560187 .157, 161, 165, 169	2753748 .....592, 596	2900792..... 563	3300353 .....485
2580062 .201, 205, 237, 241	2753749 .....592, 596	2901443..... 858	3300364 .....446
2600279 .....124, 128, 132	2753750 .....592, 596	2902065 177, 181, 189, 193, 201, 205, 213, 217, 225, 229, 237, 241, 257, 268, 281, 292, 315, 336, 367	3300396 382, 388, 396, 400, 404, 408
2600280 .156, 160, 164, 168	2753752 .....592, 596	2902087 .....565	3300408 .....137
2600281 .459, 461, 473, 477	2753753 .....603, 605	2902212 513, 515, 517, 519, 521, 523, 525, 527, 529, 531, 533	3300430 .....446, 507
2680496 .157, 161, 165, 169	2753754 .....603, 605	2902217..... 538, 543, 545	3300454 ....65, 67, 147, 149, 178, 182, 190, 194, 202, 206, 214, 218, 226, 230, 238, 242
2680498 .157, 161, 165, 169	2753755 .....592, 596	2902257..... 575	3300464 .....29
2717059 .....584, 588	2753757 .....592, 596	2902285 .....567	3300465 .....575
2720015 257, 270, 281, 294, 315	2753759 .....592, 596	2902291 .....579	3300482 .....485
2720058 177, 181, 189, 193, 201, 205, 213, 217, 225, 229, 237, 241, 373	2753760 .....592, 596	2902292 173, 185, 197, 209, 221, 233	3300492 .....435, 439, 443
2720160 .....535, 538	2753761 .....592, 596	2902356..... 856	3310401 257, 268, 281, 292, 315, 336
2720500 177, 181, 189, 193, 201, 205, 213, 217, 225, 229, 237, 241	2753762 .....592, 596	2902443..... 707, 710, 713	3310601 123, 127, 131, 151, 153
2720501 177, 181, 189, 193, 201, 205, 213, 217, 225, 229, 237, 241	2753764 .....592, 596	2910351..... 857	3310805 .....19, 23
2720516 .....584, 588	2753766 .....592, 596	2915024..... 53, 55	
2750528 .....87	2753768 .....592, 596	2915072..... 87	
2750532 173, 177, 181, 185, 189, 193, 197, 201, 205, 209, 213, 217, 221, 227, 231, 233, 237, 241, 249, 261, 273, 285, 301, 307, 323, 329	2753778 .....101, 103	2920028. 485, 501, 503, 505	
2753541 .....592, 596	2753781 .....619	2920029. 485, 501, 503, 505	
2753545 .584, 588, 592, 596	2753843 .101, 608, 612, 616	2920161..... 145	
2753546 .....608, 612, 616	2753897 .....584, 588	2940074 459, 461, 473, 477, 852	
	2753975 .....608, 612, 616	2940173. 156, 160, 164, 168	
	2753976 .....608, 612, 616	3010133..... 411, 415	
	2753977 .....608, 612, 616	3010134..... 411, 415	
	2753978 .....584, 588	3010136..... 425, 429	
	2753979 .....608, 612, 616	3020037..... 305, 311	
	2753984 .....608, 612, 616	3020042..... 420, 425, 429	
	2753985 .....584, 588	3128444..... 858	
	2753986 .....584, 588	3160339..... 35, 37, 47	
	2753987 .....584, 588		
	2753988 .....608, 612, 616		
	2753989 .....608, 612, 616		
	2753990 .....608, 612, 616		
	2753991 .....608, 612, 616		
	2753992 .....608, 612, 616		
	2753993 .....584, 588		
	2753994 .....584, 588		
	2753995 .....608, 612		
	2753996 .....608, 612		
	2753997 .....608, 612		

## SECTION 11 - SPECIAL OPTIONS

3311001 123, 127, 131, 369, 382, 388, 396, 400, 404, 408	3322201.....97	3450404 .....151, 153	3574633 174, 186, 198, 210, 222, 234
3311005 377, 381, 387, 396, 400, 404, 408, 485, 535, 538, 543, 545, 547	3340763.....579	3451214 .....29	3574644.....435
3311401 123, 127, 131, 501, 503, 505	3340764.....438, 442	3460334 513, 515, 517, 519, 521, 523, 525, 527, 529, 531, 533	3575359.....501, 503
3311402 .....124, 128, 132	3340787.....438, 442	3470003 .....486	3575782. 157, 161, 165, 169
3311405 ....53, 55, 141, 143, 160, 164, 168, 178, 182, 190, 194, 202, 206, 214, 218, 226, 230, 238, 242, 249, 256, 261, 268, 273, 280, 285, 292, 301, 307, 314, 323, 329, 336, 377, 385, 391, 446, 483, 511, 627, 629, 631, 633, 635, 637, 639, 641, 643, 645, 647, 649, 651, 653, 655, 657, 667, 697, 823, 825, 827, 829, 831, 833, 835, 837, 839	3340877. 157, 161, 165, 169	3520026 .....485	3577121. 538, 543, 545, 547
3311501 157, 161, 165, 169, 501, 503, 505	3340881.....19, 23	3520030 .....485	3580158. 178, 182, 214, 218
3311505 .....29, 53, 55, 101, 103, 105, 107, 153, 173, 178, 182, 185, 190, 194, 197, 202, 206, 209, 214, 218, 221, 226, 230, 233, 238, 242, 451, 453, 551, 553	3340927.....411, 415	3520054 ..23, 178, 182, 190, 194, 202, 206, 214, 218, 226, 230, 238, 242, 338, 485	3580276.....377
3311508 381, 387, 395, 399, 403, 407	3340934.....438, 442	3520071 513, 515, 517, 519, 521, 523, 525, 527, 529, 531, 533	3580317 381, 385, 387, 391, 396, 399, 403, 407
3311601 ....71, 99, 156, 160, 164, 168, 486, 511	3340941.....435, 438, 442	3520072 459, 461, 463, 465, 467, 469, 471, 473, 475, 477, 479	3580318. 381, 387, 396, 403
3311602 .....435	3340942.....438, 442	3520174 .....823, 825, 829	3580319. 385, 391, 400, 407
3311605 .....53, 55, 69, 101, 103, 151, 153, 156, 160, 164, 168, 173, 178, 182, 185, 190, 194, 197, 202, 206, 209, 214, 218, 221, 226, 230, 233, 238, 242, 256, 268, 280, 292, 314, 336, 369, 377, 424, 428, 439, 443, 451, 453, 469, 471, 483, 538, 543, 545, 547	3340943.....438, 442	3520186 .156, 160, 164, 168	3580320 190, 194, 202, 206, 226, 230, 238, 242, 256, 268, 280, 292, 314
3311608 ....69, 71, 435, 438, 442, 446	3340956 513, 515, 517, 519, 521, 523, 525, 527, 529, 531, 533	3520189 .....400, 408	3600339 178, 182, 190, 194, 202, 206, 346
3311705 256, 268, 280, 292, 314, 336	3340974.....424, 428	3520192 .....400, 408	3620034.....101, 103
3311801 .387, 391, 403, 407	3340978.....420	3520198 459, 461, 463, 465, 467, 473, 475, 477, 479	3641569.....501, 503
3311805 ..97, 151, 153, 178, 182, 190, 194, 202, 206, 214, 218, 226, 230, 238, 242, 250, 262, 274, 286, 302, 308, 323, 329	3340979.....420	3537416 178, 182, 190, 194, 202, 206, 214, 218, 226, 230, 238, 242	3740049. 123, 127, 131, 852
3312002 ...85, 555, 557, 559	3340980.....420	3537445 .....151	3740067.... 69, 71, 178, 182, 190, 194, 202, 206, 214, 218, 226, 230, 238, 242, 852
3312005 ..23, 513, 515, 517, 519, 521, 523, 525, 527, 529, 531, 533	3340982.....577	3537455 .....438, 442	3740080 178, 182, 190, 194, 202, 206, 214, 218, 226, 230, 238, 242, 377, 697, 852, 853
3312205 513, 515, 517, 519, 521, 523, 525, 527, 529, 531, 533	3380434.....483	3538758 .....438, 442	3740086.....819, 853
3312602 145, 147, 149, 411, 415	3380473 173, 185, 197, 209, 221, 233	3539971 178, 182, 190, 194, 202, 206, 214, 218, 226, 230, 238, 242	3740143.....785, 852
	3380494.....124	3573142 178, 182, 190, 194, 202, 206, 214, 218, 226, 230, 238, 242	3760133.....420, 424, 428
	3380498 173, 185, 197, 209, 221, 233	3573144 .....124, 128, 132	3760170.....89
	3380523.....65, 67	3573294 .....19, 23	3760217.....424, 428
	3380528.....446	3573335 .....19, 23	3760233.....424, 428
	3380547.....411, 415	3573355 .....91	3760368.....573
	3380723 173, 185, 197, 209, 221, 233, 250, 262, 274, 286, 302, 308, 323, 329	3573400 .538, 543, 545, 547	3760383.....29, 446
	3421453.....535, 538	3573411 178, 182, 190, 194, 202, 206, 214, 218, 226, 230, 238, 242	3760475.....411, 415
	3421563.....89	3573412 178, 182, 190, 194, 202, 206, 214, 218, 226, 230, 238, 242	3790012.....485, 497
	3421565.....89	3573412 178, 182, 190, 194, 202, 206, 214, 218, 226, 230, 238, 242	3790152 214, 218, 227, 230, 239, 243, 277, 289, 311, 333
	3422178.....424, 428	3573412 178, 182, 190, 194, 202, 206, 214, 218, 226, 230, 238, 242	3790155 215, 218, 227, 231, 239, 243, 277, 289, 311, 333
	3422446 173, 185, 197, 209, 221, 233, 249, 261, 273, 285, 301, 307, 323, 329	3573412 178, 182, 190, 194, 202, 206, 214, 218, 226, 230, 238, 242	3790158.....44
	3422532 178, 182, 190, 194, 202, 206, 214, 218, 226, 230, 238, 242	3573642 .538, 543, 545, 547	3811340.....420
	3422661.....551, 553	3573644 173, 185, 197, 209, 221, 233	3820001 823, 825, 827, 829, 831, 833, 835, 837, 839
	3422833.....23	3573669 173, 185, 197, 209, 221, 233	3820020. 459, 461, 473, 477
	3422915.....23	3573727 173, 185, 198, 209, 221, 233	3841143 174, 186, 198, 210, 222, 234, 249, 261, 273, 285, 301, 307, 323, 329, 424, 428, 449
	3422917.....29	3573728 174, 186, 198, 209, 221, 234	3841203.....424, 428
	3422918.....19, 23	3574091 .....505	3841258.... 23, 29, 425, 429
	3422920.....411, 415	3574492 .....151	3841287.... 19, 23, 411, 415
	3422937.....424, 428	3574494 .....99	3841340.....53, 55, 99
	3422940.....29	3574533 .156, 160, 164, 168	3841356.....411, 415
	3422941.....29	3574580 .....577	3841581.....411, 415
	3422957.....424, 428	3574586 .....577	3900054.....469, 471
	3422958.....424, 428	3574606 .....438, 442	3900085.....145, 147, 149
	3422960.....19, 23	3574630 .....579	3900210.....451, 453
	3423058.....424, 428		3900232.. 99, 156, 160, 164, 168
	3423059.....424, 428		3900251.....124, 128, 132
	3423061.....411, 415		3900259.....425, 429
	3423062.....411, 415		
	3423063.....411, 415		
	3423064.....411, 415		
	3423065.....411, 415		
	3423066.....420		
	3423190.....424, 428		
	3423209.....411, 415		
	3423256.....29, 446		
	3430616.....486		
	3430816.....151, 153		

## SECTION 11 - SPECIAL OPTIONS

3900260.....438, 442	230, 238, 242, 256, 268,	4240032 147, 149, 697, 699,	4420060.....425, 429
3900267.....382, 388	280, 292, 314, 336	707, 789, 791	4420062.....551, 553
3900269.....420	3960551.....29	4240033 174, 186, 198, 210,	4420066 513, 515, 517, 519,
3900270.....19, 23	3960552.....29	222, 234, 439, 443, 446,	521, 523, 525, 527, 529,
3900283..61, 156, 160, 164,	3960571.....447	507, 509, 511, 677, 699,	531, 533
168, 435, 438, 442, 451,	3980006.....69, 71	707, 739, 757	4420068.....501, 503, 505
453	3990001.....725, 729, 852	4240099 178, 182, 190, 194,	4460007.....485
3900300.....382, 388	4000008.....447, 853	202, 206, 214, 218, 226,	4460016.....749
3900316 156, 160, 164, 168,	4010408 .385, 391, 665, 667	230, 238, 242, 258, 270,	4460019 697, 707, 710, 713,
174, 186, 198, 210, 222,	4010608 .....535, 538	282, 294, 316, 324, 330,	733
234, 250, 262, 274, 286,	4010618 .465, 467, 475, 479	336, 371, 501, 503, 505,	4460027 .....377
302, 308, 323, 329, 451,	4031505 .....509	538, 543, 545	4460035 .....701, 703
453	4031516 .....511	4240139.....99	4460042 .....711, 714, 750
3900322.....377	4031914 256, 268, 280, 292,	4240149 513, 515, 517, 519,	4460043 .....371, 710, 713
3900349.....485	314, 336	521, 523, 525, 527, 529,	4460049 .....501, 503, 505
3900363 .157, 161, 165, 169	4032014 256, 268, 280, 292,	531, 533	4460051 .....623, 625
3910408 257, 268, 281, 292,	314	4240150. 157, 161, 165, 169	4460068 .....382, 388
315, 336	4032022 178, 182, 190, 194,	4240153.....438, 442	4460071 381, 387, 396, 403,
3910606 381, 387, 396, 403,	202, 206, 214, 218, 226,	4240155.... 19, 24, 435, 438,	499
623, 625, 659, 661	230, 238, 242	442	4460121 .....677
3910608.....151, 153	4060092 .....625	4240156.....439, 443	4460125 .....625
3910612.....623	4060802 377, 381, 385, 387,	4300157. 387, 391, 403, 407	4460142 .....725, 729, 749
3910804.....135	391, 396, 400, 403, 407	4340810.....446	4460183 .....701, 703, 749
3930606.....446	4060804 157, 161, 165, 169,	4340811.....446	4460190 .....377
3930816.....446	178, 182, 190, 194, 202,	4340832.....123, 127, 131	4460205 .....623
3930820.....19, 23	206, 214, 218, 226, 230,	4340861.....447	4460213 .....749
3931008.....97	238, 242	4340959.....446	4460224 .....392
3931016 381, 387, 395, 399,	4060805 178, 182, 190, 194,	4340995. 156, 160, 164, 168	4460225 721, 723, 725, 729,
403, 407	202, 206, 214, 218, 226,	4340996. 156, 160, 164, 168	749
3931020.....29, 446	230, 238, 242	4341000. 156, 160, 164, 168	4460226 492, 495, 499, 669,
3931408.....507	4060806 .157, 161, 165, 169	4341001. 156, 160, 164, 168	750
3931412.....29, 446	4060808 .....53, 55	4341110 174, 186, 198, 210,	4460227 669, 677, 725, 729,
3931414.....446	4070864 .....420, 425, 429	222, 234	749
3931432 257, 268, 281, 292,	4071031 .....420, 446	4341158.....447	4460234 202, 206, 238, 242,
315, 336	4071035 .....19, 23	4360057. 501, 503, 505, 853	270, 294, 485, 501, 503,
3931508 258, 270, 282, 294,	4071036 .....19, 23	4360070 382, 388, 396, 400,	505
316, 336	4071039 .....19, 23	404, 408	4460247 .....710, 713
3931512..97, 256, 268, 280,	4071040 .....19, 23	4360274.....131	4460256 .697, 733, 789, 791
292, 314, 336	4071041 .....85	4360328 123, 127, 131, 497,	4460259 .725, 729, 733, 749
3931516.....573	4071042 .....19, 23	852	4460260 .725, 729, 733, 749
3931532.....579	4071044 .....425, 429	4360336 377, 381, 385, 387,	4460265 .....492, 495
3931616 109, 111, 113, 115,	4071045 .....425, 429	391, 396, 400, 403, 407,	4460267 .....747, 749, 787
117, 119, 121	4071048 .156, 160, 164, 168	853	4460268 139, 141, 143, 721,
3931624.....446	4071049 .....20	4360387 127, 131, 485, 501,	723, 747
3931628 256, 268, 280, 292,	4071050 .....20	503, 505, 852	4460294 .....392
314	4071054 .....19, 23	4360407.....485, 852	4460297 .....725, 729
3931656.....577	4071055 .....19, 23	4360469.....135, 853	4460312 .....733
3931724.....579	4071067 .....420	4360475 123, 127, 131, 485,	4460313 .707, 725, 729, 733
3931740.....577	4071069 .....420	852	4460315 .403, 623, 625, 707
3931816.....27	4071071 .....420	4360476 123, 127, 131, 485,	4460320 .....747, 787
3931824.....565, 567	4071072 .....438, 442	852	4460346 381, 387, 396, 403,
3932024.....29	4071073 .....425, 429	4360505.....29, 446, 852	623
3932240.....571	4071074 .....485	4360542.....377	4460374 .....697
3941404.....77, 81	4071076 .....435	4360548.....446, 853	4460375 .....697
3952020.....85	4071081 .....420	4360552.....447, 853	4460418 .....725, 729, 749
3960389.....447	4100063 .....439, 443	4360578.... 19, 23, 743, 745,	4460419 .725, 729, 747, 749
3960418.....124, 128, 132	4100101 .....425, 429	852	4460424 .139, 141, 143, 747
3960422 381, 387, 396, 403,	4160194 .156, 160, 164, 168	4360579.....807, 853	4460425 123, 127, 131, 382,
623, 625, 659, 661	4220189 .....435	4360622.....447, 853	388, 396, 400, 404, 408,
3960464 .157, 161, 165, 169	4220190 .....435	4400462.....99	501, 503, 505, 659, 661
3960525.....99	4220197 .....439, 443	4420014 513, 515, 517, 519,	4460426 382, 388, 396, 400,
3960543 178, 182, 190, 194,	4220235 .....27	521, 523, 525, 527, 529,	404, 408
202, 206, 214, 218, 226,	4240018 174, 186, 198, 210,	531, 533	4460428 .123, 127, 131, 485
230, 238, 242, 256, 268,	222, 234, 381, 385, 387,	4420037.... 69, 71, 538, 543,	4460434 .....749
280, 292, 314, 336	391, 396, 400, 403, 407,	545, 547	4460449 .....739
3960544 178, 182, 190, 194,	446, 659, 661	4420038.....99	4460458 .....710, 713
202, 206, 214, 218, 226,		4420051.....841	

## SECTION 11 - SPECIAL OPTIONS

4460464 499, 675, 677, 697, 699, 701, 703, 705, 710, 719, 725, 729, 733, 739, 747, 749, 753, 755, 757, 759, 763, 787, 801, 803, 819	4460874. 123, 127, 131, 749 4460875 ..... 123, 127, 131 4460876 ..... 725, 729, 749 4460877 ..... 726, 730 4460878 ..... 725, 729 4460879 ..... 749 4460880 699, 739, 747, 757, 763 4460884 677, 699, 714, 726, 730, 753, 755, 761, 795 4460887. 725, 729, 733, 749 4460888 ..... 726, 730, 749 4460891 675, 719, 733, 735, 747, 757 4460892. 123, 127, 131, 699 4460894 677, 699, 707, 710, 714, 725, 726, 729, 730, 749 4460897 697, 705, 719, 757, 763, 787 4460898 ..... 701, 703 4460899 733, 753, 755, 809, 819 4460905 123, 127, 131, 485, 701, 703, 749 4460910 ..... 815, 817 4460911 789, 791, 793, 795, 809 4460912. 789, 791, 793, 795 4460914.. 29, 123, 127, 131, 447 4460918 789, 791, 793, 795, 801, 803 4460925 ..... 749 4460926 ..... 757 4460928 ..... 675, 757 4460930 699, 707, 709, 710, 714, 725, 729, 737, 747 4460931. 709, 733, 747, 785 4460932 671, 677, 710, 719, 759, 793 4460933 675, 699, 701, 703, 710, 726, 730, 747, 749 4460934 ..... 699, 709, 805 4460935 ..... 699, 709 4460941 677, 699, 709, 719, 725, 729, 809 4460942 509, 677, 697, 710, 714, 719, 725, 729, 747 4460943 147, 149, 671, 677, 699, 709, 733, 743, 747, 749, 785, 793, 801, 803, 805, 809 4460944 671, 677, 699, 701, 707, 709, 710, 713, 714, 725, 726, 729, 730, 733, 745, 747, 749, 795, 801, 803, 805 4460945 ..... 701, 713 4460950 ..... 699, 710 4460951 ..... 729 4460956. 689, 691, 693, 695 4460957. 689, 691, 693, 695 4460958 ..... 661 4460962 ..... 538, 545, 683 4460963 ..... 396, 404, 683 4460965 ..... 725, 729, 747	4460967 .396, 400, 405, 408 4460968 .... 19, 23, 447, 743, 745, 807 4460970 ..... 677, 709 4460971 ..... 535, 538 4460982 ..... 710 4461003 ..... 799 4461004 ..... 747 4461005 ..... 707, 747 4461006 ..... 707, 747 4461007 ..... 747 4461008 .707, 711, 713, 747 4461009 ..... 801, 803 4461013 ..... 789, 791 4461052 ..... 707 4461053 ..... 707 4461054 .707, 711, 714, 719 4461060 ..... 707 4461070 .675, 707, 709, 710 4461071 ..... 707, 710, 713 4461072 ..... 707, 710, 713 4461073 ..... 707, 710, 713 4461074 ..... 707, 710, 713 4461077 .801, 803, 809, 819 4461095 .675, 707, 709, 710 4461097 ..... 707 4461196 ..... 765, 767 4461197 ..... 767 4461198 ..... 633, 765, 767 4461199 ..... 769, 771 4461200 ..... 771 4461201 ..... 639, 769, 771 4461203 ..... 775 4461205 .773, 775, 777, 779 4461206 ..... 779 4461244 ..... 645, 773, 775 4461245 ..... 651, 777, 779 4461246 ..... 657, 781, 783 4461249 ..... 781, 783 4461250 ..... 783 4530028 .538, 543, 545, 549 4562516 ..... 435, 438, 442 4568293 178, 182, 190, 194, 202, 206, 214, 218, 226, 230, 238, 242 4568426 ..... 101, 103 4568427 ..... 101, 103 4568815 ..... 609, 613, 616 4568849 ..... 608, 613, 616 4630006 ..... 425, 429 4640452 ..... 573 4640509 ..... 563 4640751 178, 182, 190, 194, 202, 206, 214, 218, 226, 230, 238, 242, 258, 270, 282, 294, 316, 336 4640858 ..... 565 4640938 ..... 569 4641114 ..... 573 4641155 ..... 53, 55 4641162 ..... 579 4641247 ..... 101, 105 4641255 ..... 455 4641260 ..... 573 4641268 ..... 53, 55, 57 4641276 ..... 565 4641285 ..... 571	4641288 ..... 577 4641298 ..... 579 4641316 ..... 619 4641340 ..... 569 4641370 ..... 569 4641372 ..... 584, 588 4641386 ..... 567 4641388 ..... 567 4641393 ..... 567 4641454 ..... 53, 55, 59 4641460 ..... 451, 453, 455 4700014 ..... 420 4710400 257, 268, 281, 292, 315, 336 4711000 369, 382, 388, 396, 400, 404, 408 4711400.. 53, 55, 65, 67, 69, 71, 141, 143, 156, 160, 164, 168, 174, 186, 198, 210, 222, 234, 249, 257, 261, 268, 273, 281, 285, 292, 301, 307, 315, 323, 329, 336, 381, 385, 387, 391, 396, 400, 403, 407, 438, 442, 447, 463, 465, 467, 473, 475, 477, 479, 507, 511, 623, 625, 627, 629, 631, 633, 635, 637, 639, 641, 643, 645, 647, 649, 651, 653, 655, 657, 663, 665, 667 4711500 ..... 29, 53, 55, 101, 103, 105, 107, 153, 174, 178, 182, 186, 190, 194, 198, 202, 206, 210, 214, 218, 222, 226, 230, 234, 238, 242, 256, 268, 280, 292, 314, 336, 439, 447, 451, 453 4711600.. 19, 23, 53, 55, 65, 67, 69, 71, 99, 151, 153, 156, 160, 164, 168, 174, 178, 182, 186, 190, 194, 198, 202, 206, 210, 214, 218, 222, 226, 230, 234, 238, 242, 249, 256, 261, 268, 273, 280, 285, 292, 301, 307, 314, 323, 329, 336, 369, 373, 377, 381, 385, 387, 391, 396, 400, 403, 407, 411, 415, 435, 439, 443, 451, 453, 486, 555, 557, 559 4711700 256, 268, 280, 292, 314, 336, 373, 377 4711800.. 19, 23, 29, 53, 55, 151, 153, 178, 182, 190, 194, 202, 206, 214, 218, 226, 230, 238, 242, 250, 262, 274, 286, 302, 308, 323, 329, 447, 469, 471 4711900 ..... 377 4712000.. 23, 513, 515, 517, 519, 521, 523, 525, 527, 529, 531, 533, 555, 557, 559
--	--	--	--

## SECTION 11 - SPECIAL OPTIONS

4712200 513, 515, 517, 519, 521, 523, 525, 527, 529, 531, 533	4811400 627, 629, 631, 633, 635, 637, 639, 641, 643, 645, 647, 649, 651, 653, 655, 657	4922785 ..... 705	70000841 ..... 39
4740171 ..... 265	4811600 ..... 29	4922947 ..... 791	70000842 ..... 39
4740181 ..... 29	4811700 147, 149, 336, 465, 467, 475, 479, 535, 538	4922948 ..... 789	70000843 ..... 39
4740229 ..... 29	4811900 157, 161, 165, 169, 256, 268, 280, 292, 314, 337, 443, 449, 673	4922949 ..... 805	70000844 ..... 39
4740274 178, 182, 190, 194, 202, 206, 214, 218, 226, 230, 238, 242	4811902 256, 268, 280, 292, 314, 337	4922950 ..... 795	70000845 ..... 39
4740362 ..... 483	4812000 256, 268, 280, 292, 314, 337, 411, 415, 449	4922951 ..... 793	70000846 ..... 39
4740397 ..... 131, 377, 485	4812100 249, 256, 261, 268, 273, 280, 285, 292, 301, 307, 314, 323, 329, 337, 449	4922955 ..... 741	70000847 ..... 39
4740430 ..... 61	4812200 256, 268, 280, 292, 314, 337	4922956 ..... 797	70000848 ..... 39
4740444 ..... 123, 127	4831900 256, 269, 280, 293, 314, 337	4922958 ..... 799	70000849 ..... 39
4740461 ..... 19, 23	4845582 ..... 551, 553	4922972 396, 400, 403, 407, 723	70000852 ..... 47
4740492 ..... 411, 415	4846383 ..... 19, 24	4923036 123, 127, 131, 785	70000853 ..... 47
4740500 156, 160, 164, 168	4846482 ..... 425, 429	4923169 ..... 807	70000854 ..... 47
4740505 ..... 29	4846503 ..... 156	4923170 ..... 743	70000855 ..... 47
4740518 178, 182, 190, 194, 202, 206, 214, 218, 226, 230, 238, 242	4846552 178, 182, 190, 194, 202, 206, 214, 218, 226, 230, 238, 242	4923171 ..... 745	70000856 ..... 47
4750600 123, 127, 131, 151, 153	4846627 538, 543, 545, 547	4923256 ..... 737	70000857 ..... 47
4750800 ..... 19, 23, 485	4846637 ..... 19, 24	4923373 ..... 801, 803	70000859 ..... 47
4751000 99, 123, 127, 131, 145, 147, 149, 377, 381, 387, 396, 400, 404, 408, 447, 485, 535, 538, 543, 545, 547	4846673 ..... 505	4923382 ..... 697	70000860 ..... 47
4751400 123, 127, 131, 147, 149, 178, 182, 190, 194, 202, 206, 214, 218, 226, 230, 238, 242, 256, 268, 280, 292, 314, 336, 377, 481, 483, 486, 501, 503, 505, 538, 543, 545, 547, 823, 825, 827, 829, 831, 833, 835, 837, 839	4846871 156, 160, 164, 168	4923397 123, 127, 131, 747	70000861 ..... 47
4751500 139, 157, 161, 165, 169, 381, 387, 396, 400, 403, 407, 501, 503, 505, 551, 553	4846872 156, 160, 164, 168	4923468 178, 182, 190, 194, 202, 206, 214, 218, 226, 230, 238, 242	70000862 ..... 47
4751600 29, 61, 69, 71, 91, 99, 101, 103, 109, 111, 113, 115, 117, 119, 121, 156, 160, 164, 168, 451, 453, 483, 538, 543, 545, 547	4846920 ..... 439, 443	4923592 178, 182, 190, 194, 214, 218, 226, 230	70000863 395, 399, 404, 407
4751700 256, 268, 280, 292, 314, 336	4846945 190, 194, 202, 206, 226, 230, 238, 242	4933218 ..... 501, 505	70000916 ..... 245
4751800 97, 469, 471, 501, 503, 505	4846946 178, 182, 190, 194, 202, 206, 214, 218, 226, 230, 238, 242	5241200 ..... 40, 44, 449	70000917 ..... 245
4752000 174, 186, 198, 210, 222, 234, 249, 261, 273, 285, 301, 307, 323, 329	4891400 ..... 447	5251008 ..... 449	70000918 ..... 245
4755000 ..... 29	4891500 ..... 378	5251016 ..... 449	70000919 ..... 245
4760600 ..... 623, 625	4891600 99, 156, 161, 164, 168, 214, 218, 226, 230, 238, 242, 277, 289, 311, 333, 435, 439, 443, 449	70000044 ..... 245	70000950 ..... 353
4760800 ..... 486	4891800 151, 153, 178, 182, 190, 194, 202, 206, 214, 218, 226, 230, 238, 242, 253, 277, 289, 305, 311, 327, 333, 381, 385, 387, 391, 396, 400, 403, 407, 420, 425, 429, 435, 439, 443	700000124 ..... 377	70001017 ..... 375
4761400 123, 127, 131, 481	4892000 31, 33, 49, 51, 87, 256, 268, 280, 292, 314, 337, 378, 411, 415	70000125 ..... 377	70001100 395, 399, 403, 407
4761600 ..... 71	4892400 ..... 85	70000342 ..... 431	70001123 ..... 97
4770600 ..... 151, 153	4892600001 ..... 449	70000345 245, 297, 319, 341	70001125 ..... 245
4791400 65, 67, 69, 71, 178, 182, 190, 194, 202, 206, 214, 218, 226, 230, 238, 242, 256, 268, 280, 292, 314, 338, 381, 385, 387, 391, 396, 400, 403, 407	4922099 ..... 725, 729	70000619 395, 399, 403, 407	70001126 ..... 245
	4922641 397, 400, 405, 408	70000777 ..... 569, 579	70001128 ..... 245
	4922666 ..... 486, 669	70000778 ..... 569, 579	70001129 ..... 245
	4922696 ..... 699	70000780 ..... 97	70001130 ..... 245
	4922718 ..... 671	70000781 ..... 81	70001131 ..... 245
	4922767 ..... 739	70000793 ..... 367	70001135 ..... 245
	4922777 ..... 757	70000796 ..... 433	70001344 173, 185, 197, 209, 221, 233, 250, 262, 274, 286, 302, 308, 323, 329
	4922784 ..... 735	70000801 ..... 59	70001384 395, 399, 403, 407
		70000802 ..... 59	70001421 ..... 78, 82
		70000803 ..... 59	70001424 ..... 541
		70000804 ..... 59	70001425 ..... 541
		70000805 ..... 59	70001427 ..... 541
		70000806 ..... 59	70001428 ..... 541
		70000810 ..... 39	70001429 ..... 541
		70000811 ..... 39	70001430 ..... 541
		70000812 ..... 39	70001431 ..... 541
		70000813 ..... 39	70001432 ..... 541
		70000816 ..... 39	70001435 ..... 245
		70000817 ..... 39	70001639 ..... 431
		70000818 ..... 39	70001640 ..... 433
		70000819 ..... 40	70001696 ..... 395, 399
		70000820 ..... 39	70001847 ..... 245
		70000821 ..... 39	70001850 ..... 245
		70000822 ..... 39	70001857 ..... 245
		70000823 ..... 39	70001867 ..... 245
		70000824 ..... 39	70001868 ..... 245
		70000825 ..... 39	70001870 245, 297, 319, 342
		70000826 ..... 39	70001871 ..... 245
		70000834 ..... 39	70001873 ..... 78, 82
		70000835 ..... 39	70001939 ..... 57
		70000836 ..... 39	70001952 ..... 346
		70000838 ..... 39	70001953 ..... 395, 399
		70000839 ..... 39	70001955 ..... 361
		70000840 ..... 39	70001956 ..... 361

## SECTION 11 - SPECIAL OPTIONS

70001958.....	359	70002168.....	359	70003135.....	245	70004507.....	297
70001966.....	382, 385, 388, 391, 395, 399, 404, 407	70002174.....	359	70003136.....	245	70004508.....	297, 341
70001968.....	347, 353	70002175.....	359	70003165.....	354	70004509.....	297
70001973	395, 399, 404, 408	70002177.....	359	70003167.....	353	70004510.....	297
70001974	395, 399, 404, 408	70002178.....	359	70003170.....	354	70004646.....	859
70001976.....	57	70002179.....	359	70003173.....	352	70004647.....	859
70002015.....	43	70002231.....	173, 185, 197, 209, 221, 233, 249, 261, 273, 285, 301, 307, 323, 329, 852	70003174.....	352	70004648.....	859
70002016.....	43	70002247.....	44	70003175.....	352	70004677.....	385
70002018.....	43	70002248.....	44	70003177.....	352	70004678	382, 385, 388, 391
70002019.....	43	70002249.....	44	70003340.....	353, 354	70004680	382, 385, 388, 392
70002020.....	43	70002255.....	395, 399	70003475.....	245	70004681.....	385, 392
70002021.....	43	70002291.....	404, 408	70003555.....	178, 190, 202, 214, 226, 238	70004682	382, 385, 388, 392
70002026.....	43	70002297.....	395, 399	70003628.....	47	70004683.....	385, 392
70002027.....	43	70002393.....	39	70003631	395, 399, 404, 407	70004684.....	382
70002029.....	43	70002394.....	39	70003708.....	382, 385, 388, 391, 395, 399, 404, 408	70004685.....	382, 388
70002030.....	43	70002395.....	39	70003709.....	382, 385, 388, 391, 395, 399, 404, 407	70004686.....	391
70002031.....	43	70002396.....	39	70003800.....	75	70004687.....	388
70002032.....	43, 93	70002397.....	39	70003801.....	75	70004738.....	495
70002033.....	43	70002398.....	39	70003802.....	75	70004739.....	495
70002034.....	43	70002399.....	39	70003803.....	75	70004740.....	495
70002035.....	43	70002460	395, 399, 404, 408	70003913.....	439, 443, 852	70004741.....	495
70002036.....	43	70002569.....	348	70003914.....	439, 443	70004742.....	495
70002037.....	43	70002576.....	365	70003916.....	439, 443	70004743.....	495
70002039.....	43	70002578.....	361	70003919.....	435, 852	70004744.....	495
70002040.....	43	70002580.....	361	70003920.....	435	70004745.....	495
70002041.....	43	70002582.....	361	70004005.....	73	70004746.....	495
70002044.....	43	70002583.....	361	70004006.....	73	70004747.....	495
70002045.....	43	70002585.....	361	70004007.....	73	70004748.....	495
70002046.....	43	70002586.....	361	70004092.....	382, 385, 388, 391, 404, 408	70004749.....	495
70002047.....	43	70002588.....	361	70004094.....	404, 408	70004750.....	495
70002048.....	43	70002589.....	361	70004098	382, 388, 404, 408	70004751.....	495
70002049.....	43	70002590.....	361	70004099	388, 391, 404, 407	70004752.....	491
70002050.....	43	70002592.....	362	70004169.....	395, 399	70004753.....	491
70002052.....	43	70002593.....	362	70004171	382, 385, 395, 399	70004754.....	491
70002057.....	43, 93	70002599.....	362	70004185.....	859	70004755.....	491
70002088.....	395, 399	70002600.....	358	70004275.....	319	70004756.....	491
70002097.....	451, 453, 852	70002601.....	358	70004277.....	298, 320, 342	70004757.....	491
70002132.....	358	70002602.....	358	70004279.....	320	70004758.....	491
70002133.....	358, 361	70002604.....	359	70004280.....	297, 319	70004759.....	491
70002134.....	358	70002605.....	359	70004282.....	298, 320	70004760.....	491
70002135.....	358	70002606.....	359	70004284.....	320	70004761.....	491
70002136.....	358	70002607.....	359	70004328.....	451, 453	70004762.....	491
70002137.....	358	70002608.....	359	70004414.....	99	70004763.....	491
70002138.....	358	70002609.....	359	70004416.....	361	70004764.....	491
70002139.....	358	70002610.....	359	70004417.....	361	70004765.....	491
70002140.....	358	70002612.....	359	70004420.....	361	70004766.....	491
70002141.....	358	70002616.....	359	70004421.....	361	70004767.....	491
70002142.....	358	70002617.....	359	70004422.....	362	70004768.....	491
70002145.....	358	70002618.....	358	70004423.....	361	70004769.....	491
70002148.....	358	70002619.....	358	70004426.....	361	70004770.....	491
70002150.....	358	70002620.....	358	70004467.....	93	70004771.....	491
70002151.....	358	70002621.....	359	70004469.....	93	70004772.....	491
70002152.....	358	70002622.....	359	70004474.....	93	70004773.....	491
70002153.....	358	70002623.....	359	70004477.....	93	70004774.....	492
70002154.....	358	70002674.....	43	70004480.....	93	70004775.....	492
70002155.....	358	70002718.....	245, 297, 319 78, 82	70004481.....	93	70005171.....	297
70002156.....	358	70002742.....	78, 82	70004494.....	94	70005172.....	297, 341
70002157.....	358	70002743.....	78, 82	70004501.....	298, 320	70005184.....	341
70002158.....	358	70002859.....	433	70004502.....	298, 320	70005317.....	93
70002159.....	358	70002902.....	499	70004503.....	320, 341	70005318.....	93
70002160.....	358	70002903.....	499	70004504.....	298, 341	70005418.....	362
70002161.....	358	70002904.....	499	70004505.....	297	70005433.....	569
70002162.....	358	70002905.....	499	70004506.....	297	70005445.....	320
70002163.....	358	70003043.....	78, 82			70005456.....	97
70002164.....	358					70005480.....	352
70002165.....	358					70005481.....	352



## SECTION 11 - SPECIAL OPTIONS

70005527.....	298	70006996.....	93	70024507.....	298, 320, 341	70025207.....	319
70005615.....	73	70006997.....	93	70024513.....	297, 319, 341	70025208.....	319
70005616.....	73	70006998.....	93	70024517.....	319	70025210.....	298, 320
70005617.....	73	70006999.....	93	70024904.....	297, 319, 342	70025231.....	319
70005618.....	73	70007000.....	93	70024905.....	297, 319	70025235.....	297, 320
70005619.....	73	70007001.....	93	70024906.....	297, 319	70025239.....	297, 319
70005647.....	298	70007002.....	93	70024907.....	319	70025242.....	298
70005648.....	298	70007003.....	93	70024910.....	320	70025477.....	320
70005921.....	297	70007004.....	94	70024912.....	298, 320	70025533.....	320
70005926.....	298	70007005.....	94	70024915.....	298, 320, 341	70025788.....	298
70005929.....	298	70007006.....	94	70024916.....	341	70025877.....	298
70005931.....	298, 341	70007007.....	94	70024917.....	298, 320	70026210.....	298, 320, 341
70005938.....	342	70007008.....	94	70024918.....	320, 341	7002821.....	858
70005941.....	297, 341	70007009.....	93	70024919.....	297, 320	7002822.....	859
70005942.....	297, 341	70007010.....	94	70024920.....	297, 298, 320	7002823.....	858
70006093.....	404, 407	70007011.....	93	70024924.....	297, 319, 341	7002828.....	859
70006094.....	404, 408	70007012.....	94	70024925.....	297, 319, 341	70028540.....	298
70006095.....	404, 408	70007013.....	94	70024961.....	297, 319, 341	70028699.....	298
70006096.....	404, 408	70007049.....	567	70025076.....	319	70029401.....	298, 341
70006097.....	404, 408	70007178.....	354	70025080.....	319	70029433.....	298
70006137.....	173, 185, 197, 209, 221, 233, 250, 262, 274, 286, 302, 308, 323, 329	70007226.....	81	70025082.....	319	70029451.....	297
70006144.....	297, 341	70007227.....	81	70025084.....	320	70029468.....	569
70006315.....	77, 81	70007228.....	81, 852	70025088.....	319	70029517.....	298
70006473.....	565	70007229.....	81	70025091.....	319	70029520.....	298
70006474.....	565	70007230.....	81	70025103.....	320	70029557.....	298
70006490.....	575	70007231.....	81, 852	7002511.....	297, 319	70029581.....	341
70006491.....	575	70007282.....	569	70025112.....	298, 320	70029797.....	298
70006492.....	575	70007325.....	298	70025120.....	298, 320	7003655 177, 181, 189, 193, 201, 205, 213, 217, 225, 229, 237, 241, 853	
70006493.....	575	70007326.....	298	70025130.....	341	7004275.....	859
70006494.....	567	70007327.....	298	70025135.....	297, 319	7004276.....	859
70006495.....	567	70007328.....	298	70025136.....	297, 319	7007207.....	358, 361
70006496.....	567	70007329.....	298	70025137.....	297, 319	7007415.....	359, 361, 362
70006507.....	571	70007330.....	298	70025140.....	297, 319	7007418.....	358
70006508.....	571	70007331.....	298	70025142.....	298, 320, 341	7007419.....	358
70006509.....	571	70007331.....	298	70025142.....	298, 320, 341	7007420.....	47
70006520.....	565	70007353.....	246	70025143.....	320	7007437.....	47
70006523.....	573	70007382.....	563	70025144.....	297, 320	7007438.....	47
70006524.....	573	70007383.....	563	70025145.....	297, 319	7007439.....	47, 359
70006525.....	573	70007384.....	563	70025146.....	297, 319	7007446.....	47, 358, 361
70006526.....	573	70007385.....	563	70025149.....	320	7007489.....	365
70006552381, 385, 387, 391		70007386.....	563	70025151.....	297, 320	7010543.....	59
70006553381, 385, 387, 391		70007431.....	569	70025152.....	297, 319	7010697.....	77, 81
70006653.....	298	70007432.....	569	70025153.....	319, 341	7011311 569, 571, 577, 584, 588	
70006693.....	577	70007433.....	569	70025154.....	297, 319	7011346 ..57, 455, 569, 579, 584, 588	
70006694.....	577	70007434.....	569	70025155.....	320	7011351.....	577
70006695.....	577	70007436.....	569	70025156.....	320	7011353.....	567
70006696.....	577	70007437.....	569	70025160.....	320, 341	7011355.....	455
70006713.....	579	70007438.....	569	70025161.....	320	7011359.....	579
70006714.....	579	70007439.....	569	70025162.....	319	7011361.....	579
70006715.....	579	70007439.....	569	70025162.....	319	7011362.....	569
70006716.....	579	70007603.....	341	70025163.....	319	7011364.....	569
70006717.....	579	70020329.....	353	70025164.....	298, 320, 341	7011365.....	569
70006718.....	579	70020336.....	354	70025171.....	319	7011367.....	569, 571
70006927.....	569	70021867.....	346, 352	70025176.....	319	7011368.....	577
70006986.....	93	70022286.....	361	70025177.....	320	7011369.....	577
70006987.....	93	70022564.....	569	70025178.....	320	7011370.....	577
70006988.....	93	70023592.....	257, 269, 281, 293, 315, 337, 853	70025179.....	320	7011371.....	577
70006989.....	93	70023593.....	257, 269, 281, 293, 315, 337, 853	70025180.....	320	7011372.....	577
70006990.....	93	70024190.....	257, 269, 281, 293, 315, 337, 853	70025181.....	297, 319	7011375.....	569
70006991.....	93	70024473.....	320	70025182.....	297, 320	7011376.....	567
70006992.....	93	70024484.....	320	70025183.....	298, 320	7012513.....	377
70006993.....	93	70024486.....	319	70025184.....	298, 320	7012514.....	377
70006994.....	93	70024488.....	319	70025190.....	319	7012558.....	377
70006995.....	93	70024494.....	297, 341	70025200.....	298, 320		
		70024504.....	298, 320, 341	70025202.....	319		
				70025203.....	320		
				70025204.....	319		
				70025205.....	297, 319		
				70025206.....	319		

## SECTION 11 - SPECIAL OPTIONS

7012706	346, 352	701293	359	7024532	541	7026693	77, 81
7012709	346	7022300	359	7024533	541	7026694	77, 81
7012715	346	7022301	358	7024534	541	7026695	77, 81
7012773	57	7022311	47	7024535	541	7026696	77, 81
7012941	59	7022314	47	7024536	541	7026697	77, 81
7012942	59	7022321	47	7024537	541	7026698	77
7012943	77, 81, 852	7022340	361	7024565	245	7026980	354
7012944	59, 455, 852	7022368	47	7024571	455, 852	7027008	173, 185, 197, 209, 221, 233
7012955	59	7022371	47	7024572	455	7027009	173, 185, 197, 209, 221, 233
7012967	59, 573	7023881	347	7024579	245, 297, 319	7027010	173, 185, 197, 209, 221, 233
7012998	59	7023887	352	7024584	173, 185, 197, 209, 221, 233	7027011	173, 185, 197, 209, 221, 233
7015003	177, 181, 189, 193, 201, 205, 213, 217, 225, 229, 237, 241	7023922	455	7024598	151, 153	7027046	249, 261, 273, 285, 301, 307, 324, 330
7015013	177, 181, 189, 193, 201, 205, 213, 217, 225, 229, 237, 241	7023936	71	7024800	359	7027047	249, 261, 273, 285, 301, 307, 324, 330
7015014	177, 181, 189, 193, 201, 205, 213, 217, 225, 229, 237, 241	7023962	361	7024865	47	7027048	249, 261, 273, 285, 301, 307, 324, 330
7015015	177, 181, 189, 193, 201, 205, 213, 217, 225, 229, 237, 241	7023964	361, 362	7024867	47	7027049	250, 262, 274, 286, 302, 308, 324, 330
7016319	145	7024005	347	7024868	47	7027200	77, 81
7016322	151, 153	7024006	353	7024890	65, 67, 852	7027201	77, 81
7016328	245, 853	7024038	346, 352	7024905	353	7027202	77, 81
7016331	245, 297, 319, 341, 853	7024042	346	7024906	347, 353	7027203	77, 81
7016372	145	7024043	346	7024907	353	7027204	77, 81
7016374	151, 153	7024044	346, 352	7024908	347, 353	7027206	77
7016654	859	7024064	346, 352	7024911	347, 353	7027207	77, 81, 852
7016655	859	7024065	347, 353	7024913	346, 352	7027208	77, 81, 852
7017142	431	7024068	347	7024914	346	7027209	77
7017159	431	7024069	348, 354	7024915	346	7027235	245
7017162	431, 433	7024070	347	7024916	346	7027236	245
7017163	431, 433	7024071	347, 353	7024917	346, 352	7027239	245
7017164	431, 433	7024072	347, 353	7024918	346, 352	7027240	245
7017185	433	7024073	347, 353	7024919	346, 352	7027276	245
7017195	431, 433	7024075	347, 353	7024920	346, 352	7027284	584, 588
7017402	455	7024076	347, 353	7024921	346, 352	7027285	584, 588
7017405	59	7024077	347, 353	7024922	346, 352	7027738	77, 81
7018936	348, 354	7024078	353	7024927	57	7027740	47
7018991	57, 852	7024079	353	7026018	455	7027773	549
7019680	377	7024080	347	7026019	455	7027774	549
7020021	99	7024081	347, 354	7026020	455	7027775	549
7020043	99	7024083	347	7026021	455	7027776	549
7020108	377	7024084	347	7026022	455	7027777	549
7020109	377	7024085	348	7026023	455	7027778	549
7020110	377	7024087	348	7026028	57	7027779	549
7020111	377	7024088	348	7026029	97	7027780	549
7020175	123, 127, 131, 485	7024089	348	7026030	97	7027790	245
7020176	123, 127, 131, 485	7024096	354	7026031	97	7027791	245
7020190	377	7024097	347	7026032	97	7027792	245
7020404	319	7024439	99	7026188	395, 399	7027799	395, 399, 404, 408
7020414	245	7024440	99	7026671	78, 82	7027882	77, 81
7020447	245	7024441	99	7026672	78, 82	7027887	377
7020460	245	7024443	99	7026678	78, 82	7028909	147, 149
7020465	245, 297, 319, 341	7024444	99, 852	7026680	78, 82	77363233	721, 723
7020468	245	7024444	99, 852	7026683	78, 82	8007894	78, 82
7020471	245	7024445	99	7026684	77, 81	8007935	78, 82
7020479	245	7024446	99	7026685	77, 81	8007939	78, 82
7020486	245	7024462	549	7026686	77, 81	8007954	78, 82
7020492	298, 320	7024463	549	7026687	77, 81	80334079	354
7021249	47	7024467	549	7026688	77, 81	80334251	97
7021256	359	7024469	549	7026689	77, 81	80484084	710, 713
7021265	359	7024470	549	7026690	77	80934174	353
7021275	47, 358, 361	7024471	541, 549	7026691	77	80934644	354
		7024472	549	7026692	77, 81	80983191	710, 853
		7024473	549				
		7024474	549				
		7024475	549				
		7024478	549				
		7024485	395, 399				
		7024488	395, 399, 403, 407				
		7024489	395, 399, 403, 407				
		7024530	541				
		7024531	541				

## SECTION 11 - SPECIAL OPTIONS

8220051 .....	719	8405007 257, 270, 281, 294,	8406201 .....	338	90028660 .....	174, 186, 198,
8220164 .....	709, 713	315, 337	8406302 256, 268, 280, 292,		210, 222, 234, 250, 262,	
8229242 .	710, 726, 730, 852	8405009 .....	314, 337		274, 286, 302, 308, 323,	
8229249 .....	750	8405201 256, 269, 280, 293,	8410013 178, 182, 190, 194,		329	
8310070 .....	447	314, 337	202, 206, 214, 218, 226,		91143339 .....	710
8310129 513, 515, 517, 519,		8405204 256, 269, 280, 293,	230, 238, 242, 256, 269,		91143340 .....	709
521, 523, 525, 527, 529,		314, 337	280, 293, 315		91203039 .....	449
531, 533		8405212 .....	8410014 .....	337	91403230 .....	823, 825, 827,
8405006 249, 258, 261, 270,		8405213 .....	8580420 .....	61	829, 831, 833, 835, 837,	
273, 282, 285, 294, 301,		337	88261024 .....	451, 453	839	
307, 316, 323, 329, 337,		8406102 258, 270, 282, 294,	88521214 .....	555, 557, 559	91563070 .....	256, 269, 280,
369		316, 337	88662523156, 160, 164, 168		293, 315, 337	
		8406112 258, 270, 282, 294,				
		316, 337				



**Corporate Office  
JLG Industries, Inc.  
1 JLG Drive  
McConnellsburg, PA 17233-9533 USA  
☎ (717) 485-5161 (Corporate)  
☎ (877) 554-5438 (Customer Support)  
📠 (717) 485-6417**

**Visit our website for JLG Worldwide Locations.  
[www.jlg.com](http://www.jlg.com)**



**OSHKOSH™**