



# Illustrated Parts Manual

***Model  
1500SJ***

**PVC  
2001  
2007**

**P/N 31215065**

**June 1, 2021 - Rev D**

***ANSI***

**CE**



**An Oshkosh Corporation Company**



## **REVISION LOG**

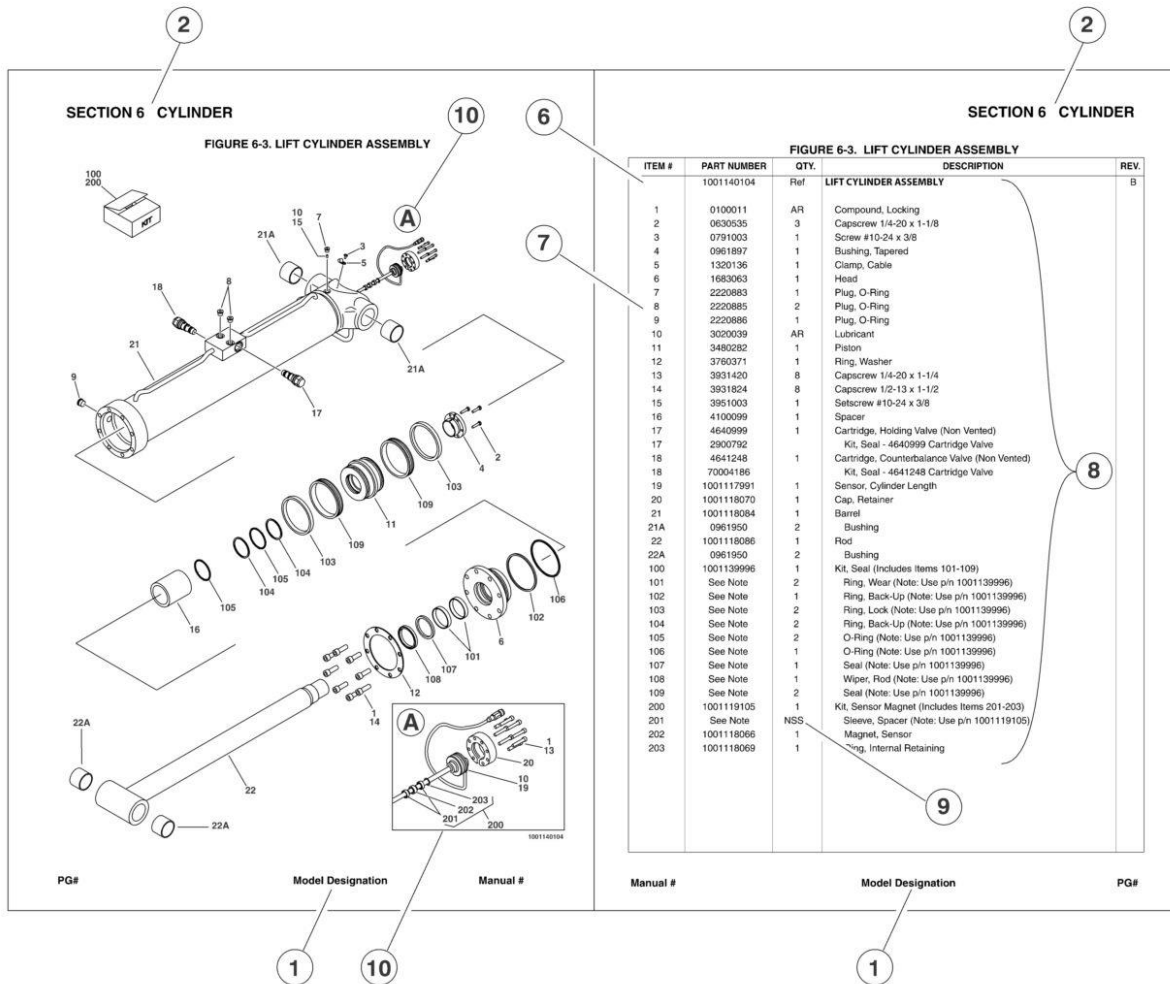
**November 1, 2019 - A - Original Issue Of Manual (Edited to B/M 1001261500 Revision B)**

**June 15, 2020 - B - Revised Manual (Edited to B/M 1001261500 Revision F)**

**December 1, 2020 - C- Revised Manual (Edited to B/M 1001261500 Revision G)**

**June 1, 2021 - D - Revised Manual (Edited to B/M 1001261500 Revision G)**

# GENERAL INFORMATION



## 1) MACHINE IDENTIFICATION

Machines are identified by model and in some cases a combination of models, serial number (SN) or regional standard (i.e. ANSI, CE, CSA). Components may also be identified by SN or manufacturer. Common components that may be identified by these characteristics are engines and hydraulic components.

## 2) PARTS MANUAL ORGANIZATION

Product information in this manual is organized under section titles. Frame, Cylinder, Hydraulic and Electrical are a few examples. Each section is organized by figure and page number. The information within the Figure is then organized by item number, part number, description and corresponding illustration (s).

## 3) TABLE OF CONTENTS

A table of contents is found toward the beginning of the manual. Figure number, description and page number are provided for quick reference to the page containing the related information.

## 4) RECOMMENDED SPARE PARTS

The Recommended Spare Parts, located near the end of the manual, reference most frequently used maintenance parts.

## 5) PART NUMBER INDEX

A numerical index listing all part numbers and the corresponding page number(s) appears at the back of the manual.

## GENERAL INFORMATION

### 6) NON-SERVICED PARTS

In some instances, it is necessary to display non-serviced parts, assemblies or installations. In the case of assemblies and installations there will be a Ref in the Qty column. In case of parts that are not available for service within assemblies or components, there will be a NSS (Not Sold Separately) or NLA (No Longer Available) listed in the Qty. column of the manual.

### 7) PARTS LIST ITEM NUMBERS

Numbers shown in the item# column correspond to numbers used in the associated illustration (s). Item numbers which missing from the sequence in the parts list are not used on that page

### 8) INDENTED PARTS DESCRIPTION

An indented part description is included in the item under which it is indented.

### 9) ABBREVIATION AND SYMBOLS

AC.....	.. Alternating Current	LCD.....	Liquid Crystal Display
ADE.....	Advanced Design Electronics	LED.....	Light Emitting Diodes
ANSI.....	American National Standards Institute	LH.....	Left Hand
AR.....	..AsRequired	LSS.....	..Load SensingSystem
ASSY.....	Assembly	M(m).....	Metric/Meter
AUX.....	Auxiliary	MM (mm).....	Milimeter
AWG.....	..American WireGauge	mA.....	Miliamps
B/M.....	Bill of Material	NLA.....	No Longer Available
CE.....	..European Conformity	NPT.....	National PipeThreads
CCW.....	..Counter Clockwise	NSS.....	..Not Sold Separately
cm.....	Centimeter	OD.....	..Outside Diameter
CW.....	..Clockwise	ORB.....	O-Ring Boss
CSA.....	..Canadian StandardAssociation	ORFS.....	O-Ring Face Seal
CYL.....	Cylinder	OZ (oz).....	..Ounces
DIA.....	Diameter	PG.....	..Page
DC.....	Direct Current	P/N.....	..Part Number
EMS.....	Emergency Stop	qt.....	..Quarts
ENG.....	Engine	QTY.....	..Quantity
FT (ft).....	Feet	REF.....	..Reference
GA (Ga).....	Gauge	REV.....	..Revision Level
HYD.....	Hydraulic	RH.....	..Right Hand
Hz.....	Hertz	SAE.....	Society of Automotive Engineers
ID.....	Inside Diameter	SN.....	..Serial Number
in.....	inches	SPEC(S).....	..Specifications
ISO.....	International Organization for Standards	T/T.....	..Turntable
JIC.....	Joint Industry Council	UGM.....	..Universal Ground Module
KG.....	Kilogram	V.....	..Volts
L.....	Liter	W.....	..Watts
LB.....	Pounds	#.....	..Number

### 10) ILLUSTRATION REFERENCE LETTERS

When necessary, illustrations may contain reference letters that are intended to track information (i. e. hoses, harnesses) from one point to another or to track visual enlargement of components to show details that may be located in another area on the illustration.

*Note: Due to continuous product improvements, JLG Industries, Inc. reserves the right to make specification changes without prior notification. Contact JLG Industries, Inc. for updated information.*



# TABLE OF CONTENTS

SECTION 1 - FRAME.....	15
FIGURE 1-1. AXLE INSTALLATION - FIXED.....	16
FIGURE 1-2. AXLE INSTALLATION - OSCILLATING.....	20
FIGURE 1-3. STEER INSTALLATION.....	24
FIGURE 1-4. WHEEL DRIVE INSTALLATION - BONFIGLIOLI .....	26
FIGURE 1-5. WHEEL DRIVE INSTALLATION - REGGIANA RIDUTTORI .....	28
FIGURE 1-6. DRIVE HUB ASSEMBLY - BONFIGLIOLI.....	30
FIGURE 1-7. DRIVE HUB ASSEMBLY - REGGIANA RIDUTTORI.....	34
FIGURE 1-8. DRIVE MOTOR ASSEMBLY .....	38
FIGURE 1-9. TIRE AND WHEEL INSTALLATION - FOAM FILLED.....	40
FIGURE 1-10. TIRE AND WHEEL INSTALLATION - SOLID .....	42
FIGURE 1-11. TIRE AND WHEEL INSTALLATION - SOLID NON MARKING .....	44
FIGURE 1-12. VALVES AND MODULES INSTALLATION - FRAME MOUNTED.....	46
FIGURE 1-13. STEER VALVE ASSEMBLY .....	48
FIGURE 1-14. TRACTION VALVE ASSEMBLY.....	50
FIGURE 1-15. FRAME COVERS INSTALLATION - PLASTIC.....	52
FIGURE 1-16. FRAME COVERS INSTALLATION - STEEL .....	54
SECTION 2 - TURNTABLE.....	57
FIGURE 2-1. VALVE, MODULE AND FILTER INSTALLATION - TURNTABLE MOUNTED .....	58
FIGURE 2-2. BATTERY, HORN AND AUXILIARY PUMP INSTALLATION .....	60
FIGURE 2-3. MAIN VALVE ASSEMBLY .....	62
FIGURE 2-4. AUXILIARY PUMP ASSEMBLY.....	66
FIGURE 2-5. SWING DRIVE INSTALLATION .....	68
FIGURE 2-6. TURNTABLE BEARING AND LUBE INSTALLATION .....	70
FIGURE 2-7. TURNTABLE LOCK INSTALLATION.....	72
FIGURE 2-8. SWING MOTOR/HUB ASSEMBLY.....	74
FIGURE 2-9. ROTARY COUPLING AND COLLECTOR RING INSTALLATION.....	78
FIGURE 2-10. TANK INSTALLATION - WITH 31 GAL/117.31 L FUEL TANK.....	80
FIGURE 2-11. TANK INSTALLATION - WITH 58.2 GAL/200 L FUEL TANK.....	82
FIGURE 2-12. HYDRAULIC OIL TANK ASSEMBLY.....	84
FIGURE 2-13. HYDRAULIC OIL COOLER INSTALLATION - DEUTZ TD2011 ENGINES WITH REXROTH PUMPS (OPTIONAL) .....	86
FIGURE 2-14. HYDRAULIC OIL COOLER INSTALLATION - DEUTZ TD2011 ENGINES WITH SAUER PUMPS (OPTIONAL)..	88
FIGURE 2-15. HYDRAULIC OIL COOLER INSTALLATION - DEUTZ TCD2.9L4 ENGINES, DEUTZ TCD2.9L4 (STAGE V PRE-BUY) ENGINES AND DEUTZ TCD2.9L4 (STAGE V) ENGINES WITH REXROTH PUMPS (OPTIONAL).....	90
FIGURE 2-16. HYDRAULIC OIL COOLER INSTALLATION - DEUTZ TCD2.9L4 ENGINES WITH REXROTH PUMPS (OPTIONAL) (CHINA SPEC ONLY) .....	92
FIGURE 2-17. HYDRAULIC OIL COOLER INSTALLATION - DEUTZ TCD2.9L4 ENGINES, DEUTZ TCD2.9L4 (STAGE V PRE-BUY) ENGINES AND DEUTZ TCD2.9L4 (STAGE V) ENGINES WITH SAUER PUMPS (OPTIONAL).....	94
FIGURE 2-18. HYDRAULIC OIL COOLER INSTALLATION - DEUTZ TCD2.9L4 ENGINES WITH SAUER PUMPS (OPTIONAL) (CHINA SPEC ONLY).....	96
FIGURE 2-19. GROUND CONTROL BOX INSTALLATION - TD2011 ENGINES WITH REXROTH PUMPS (ANSI EXPORT (LRC) AND AUSTRALIAN SPECS) .....	98
FIGURE 2-20. GROUND CONTROL BOX INSTALLATION - TD2011 ENGINES WITH REXROTH PUMPS (CE (LRC) SPECS) .....	100

# TABLE OF CONTENTS

FIGURE 2-21. GROUND CONTROL BOX INSTALLATION - TD2011 ENGINES WITH SAUER PUMPS (ANSI EXPORT (LRC) AND AUSTRALIAN SPECS).....	102
FIGURE 2-22. GROUND CONTROL BOX INSTALLATION - TD2011 ENGINES WITH SAUER PUMPS (CE (LRC) SPECS) ...	104
FIGURE 2-23. GROUND CONTROL BOX INSTALLATION - TCD2.9L4 ENGINES WITH REXROTH PUMPS (ANSI, ANSI EXPORT (HRC), CHINA, CSA AND JAPANESE SPECS) .....	106
FIGURE 2-24. GROUND CONTROL BOX INSTALLATION - TCD2.9L4 (STAGE V PRE-BUY) ENGINES WITH REXROTH PUMPS (CE SPECS).....	108
FIGURE 2-25. GROUND CONTROL BOX INSTALLATION - DEUTZ TCD2.9L4 (STAGE V) ENGINES CE SPECS) .....	110
FIGURE 2-26. GROUND CONTROL BOX ASSEMBLY - DEUTZ TD2011 ENGINES AND DEUTZ TCD2.9L4 ENGINES (ALL SPECS EXCEPT CE SPECS) .....	112
FIGURE 2-27. GROUND CONTROL BOX ASSEMBLY - DEUTZ TD2011 ENGINES AND DEUTZ TCD2.9L4 (STAGE V PRE-BUY) ENGINES (CE SPECS).....	114
FIGURE 2-28. GROUND CONTROL BOX ASSEMBLY - DEUTZ TCD2.9L4 (STAGE V) ENGINES (CE SPECS).....	118
FIGURE 2-29. KEYSWITCH INSTALLATION.....	122
FIGURE 2-30. LIGHT PANEL INSTALLATION.....	124
FIGURE 2-31. ALARMS INSTALLATION .....	126
FIGURE 2-32. BACKUP ALARM (WHITE NOISE) INSTALLATION .....	128
FIGURE 2-33. BACKUP ALARM AMBIENT (WHITE NOISE) INSTALLATION .....	130
FIGURE 2-34. STROBE LIGHT INSTALLATION (AMBER).....	132
FIGURE 2-35. STROBE LIGHT INSTALLATION (BLUE) .....	134
FIGURE 2-36. STROBE LIGHT INSTALLATION (RED).....	136
FIGURE 2-37. PINION SHIELD INSTALLATION.....	138
FIGURE 2-38. ENGINE TRAY JACK INSTALLATION - DEUTZ TD2011 ENGINES.....	140
FIGURE 2-39. ENGINE TRAY JACK INSTALLATION - DEUTZ TCD2.9L4 ENGINES, DEUTZ TCD2.9L4 (STAGE V PRE-BUY) ENGINES AND DEUTZ TCD2.9L4 (STAGE V) ENGINES .....	142
FIGURE 2-40. HOOD INSTALLATION - DEUTZ TD2011 ENGINES.....	144
FIGURE 2-41. HOOD INSTALLATION - DEUTZ TCD2.9L4 ENGINES AND DEUTZ TCD2.9L4 (STAGE V PRE-BUY) ENGINES (PVC 2001) .....	148
FIGURE 2-42. HOOD INSTALLATION - DEUTZ TCD2.9L4 ENGINES AND DEUTZ TCD2.9L4 (STAGE V PRE-BUY) ENGINES (PVC 2007) .....	152
FIGURE 2-43. HOOD INSTALLATION - DEUTZ TCD2.9L4 (STAGE V) ENGINES .....	156
SECTION 3 - ENGINE.....	161
FIGURE 3-1. DEUTZ TD2011 ENGINE INSTALLATION - WITH REXROTH PUMPS (WITHOUT SKYPOWER AND WITHOUT COLD WEATHER PLUS PACKAGE).....	162
FIGURE 3-2. DEUTZ TD2011 ENGINE ASSEMBLY - WITH REXROTH PUMPS (WITHOUT SKYPOWER AND WITHOUT COLD WEATHER PLUS PACKAGE) (PVC 2001).....	166
FIGURE 3-3. DEUTZ TD2011 ENGINE ASSEMBLY - WITH REXROTH PUMPS (WITHOUT SKYPOWER AND WITHOUT COLD WEATHER PLUS PACKAGE) (PVC 2007).....	170
FIGURE 3-4. DEUTZ TD2011 ENGINE INSTALLATION - WITH REXROTH PUMPS (WITH SKYPOWER AND WITHOUT COLD WEATHER PLUS PACKAGE) .....	174
FIGURE 3-5. DEUTZ TD2011 ENGINE ASSEMBLY - WITH REXROTH PUMPS (WITH SKYPOWER AND WITHOUT COLD WEATHER PLUS PACKAGE) (PVC 2001).....	178
FIGURE 3-6. DEUTZ TD2011 ENGINE ASSEMBLY - WITH REXROTH PUMPS (WITH SKYPOWER AND WITHOUT COLD WEATHER PLUS PACKAGE) (PVC 2007).....	182
FIGURE 3-7. DEUTZ TD2011 ENGINE INSTALLATION - WITH REXROTH PUMPS (WITH SKYPOWER AND WITH COLD WEATHER PLUS PACKAGE) .....	186
FIGURE 3-8. DEUTZ TD2011 ENGINE ASSEMBLY - WITH REXROTH PUMPS (WITH SKYPOWER AND WITH COLD WEATHER PLUS PACKAGE) (PVC 2001).....	190
FIGURE 3-9. DEUTZ TD2011 ENGINE ASSEMBLY - WITH REXROTH PUMPS (WITH SKYPOWER AND WITH COLD WEATHER PLUS PACKAGE) (PVC 2007).....	194



# TABLE OF CONTENTS

FIGURE 3-10. DEUTZ TD2011 ENGINE INSTALLATION - WITH SAUER PUMPS (WITHOUT SKYPOWER AND WITHOUT COLD WEATHER PLUS PACKAGE) .....	198
FIGURE 3-11. DEUTZ TD2011 ENGINE ASSEMBLY - WITH SAUER PUMPS (WITHOUT SKYPOWER AND WITHOUT COLD WEATHER PLUS PACKAGE) (PVC 2001) .....	202
FIGURE 3-12. DEUTZ TD2011 ENGINE ASSEMBLY - WITH SAUER PUMPS (WITHOUT SKYPOWER AND WITHOUT COLD WEATHER PLUS PACKAGE) (PVC 2007) .....	206
FIGURE 3-13. DEUTZ TD2011 ENGINE INSTALLATION - WITH SAUER PUMPS (WITH SKYPOWER AND WITHOUT COLD WEATHER PLUS PACKAGE) .....	210
FIGURE 3-14. DEUTZ TD2011 ENGINE INSTALLATION - WITH SAUER PUMPS (WITH SKYPOWER AND WITHOUT COLD WEATHER PLUS PACKAGE) (PVC 2001) .....	214
FIGURE 3-15. DEUTZ TD2011 ENGINE ASSEMBLY - WITH SAUER PUMPS (WITH SKYPOWER AND WITHOUT COLD WEATHER PLUS PACKAGE) (PVC 2007) .....	218
FIGURE 3-16. DEUTZ TD2011 ENGINE INSTALLATION - WITH SAUER PUMPS (WITH SKYPOWER AND WITH COLD WEATHER PLUS PACKAGE) .....	222
FIGURE 3-17. DEUTZ TD2011 ENGINE ASSEMBLY - WITH SAUER PUMPS (WITH SKYPOWER AND WITH COLD WEATHER PLUS PACKAGE) (PVC 2001) .....	226
FIGURE 3-18. DEUTZ TD2011 ENGINE ASSEMBLY - WITH SAUER PUMPS (WITH SKYPOWER AND WITH COLD WEATHER PLUS PACKAGE) (PVC 2007) .....	230
FIGURE 3-19. ENGINE COMPONENTS - DEUTZ TD2011 ENGINE .....	234
FIGURE 3-20. DEUTZ TCD2.9L4 ENGINE INSTALLATION - WITH REXROTH PUMPS (WITHOUT COLD WEATHER PLUS PACKAGE) .....	238
FIGURE 3-21. DEUTZ TCD2.9L4 ENGINE SUB-ASSEMBLY - WITH REXROTH PUMPS (WITHOUT COLD WEATHER PLUS PACKAGE) .....	242
FIGURE 3-22. DEUTZ TCD2.9L4 ENGINE INSTALLATION - WITH REXROTH PUMPS (WITHOUT COLD WEATHER PLUS PACKAGE) (CHINA SPEC ONLY) .....	244
FIGURE 3-23. DEUTZ TCD2.9L4 ENGINE SUB-ASSEMBLY - WITH REXROTH PUMPS (WITHOUT COLD WEATHER PLUS PACKAGE) (CHINA SPEC ONLY) .....	248
FIGURE 3-24. DEUTZ TCD2.9L4 ENGINE INSTALLATION - WITH REXROTH PUMPS (WITH COLD WEATHER PLUS PACKAGE) .....	250
FIGURE 3-25. DEUTZ TCD2.9L4 ENGINE SUB-ASSEMBLY - WITH REXROTH PUMPS (WITH COLD WEATHER PLUS PACKAGE) .....	254
FIGURE 3-26. DEUTZ TCD2.9L4 ENGINE INSTALLATION - WITH SAUER PUMPS (WITHOUT COLD WEATHER PLUS PACKAGE) .....	256
FIGURE 3-27. DEUTZ TCD2.9L4 ENGINE SUB-ASSEMBLY - WITH SAUER PUMPS (WITHOUT COLD WEATHER PLUS PACKAGE) .....	260
FIGURE 3-28. DEUTZ TCD2.9L4 ENGINE INSTALLATION - WITH SAUER PUMPS (WITHOUT COLD WEATHER PLUS PACKAGE) (CHINA SPEC ONLY) .....	262
FIGURE 3-29. DEUTZ TCD2.9L4 ENGINE SUB-ASSEMBLY - WITH SAUER PUMPS (WITHOUT COLD WEATHER PLUS PACKAGE) (CHINA SPEC ONLY) .....	266
FIGURE 3-30. DEUTZ TCD2.9L4 ENGINE INSTALLATION - WITH SAUER PUMPS (WITH COLD WEATHER PLUS PACKAGE) .....	268
FIGURE 3-31. DEUTZ TCD2.9L4 ENGINE SUB-ASSEMBLY - WITH SAUER PUMPS (WITH COLD WEATHER PLUS PACKAGE) .....	272
FIGURE 3-32. DEUTZ TCD2.9L4 ENGINE ASSEMBLY - WITHOUT COLD WEATHER PLUS PACKAGE .....	274
FIGURE 3-33. DEUTZ TCD2.9L4 ENGINE ASSEMBLY - WITHOUT COLD WEATHER PLUS PACKAGE (CHINA SPEC ONLY) (PVC 2001) .....	280
FIGURE 3-34. DEUTZ TCD2.9L4 ENGINE ASSEMBLY - WITHOUT COLD WEATHER PLUS PACKAGE (CHINA SPEC ONLY) (PVC 2007) .....	286
FIGURE 3-35. DEUTZ TCD2.9L4 ENGINE ASSEMBLY - WITH COLD WEATHER PLUS PACKAGE .....	292
FIGURE 3-36. DEUTZ TCD2.9L4 ENGINE COMPONENTS .....	298
FIGURE 3-37. ENGINE COMPONENTS - DEUTZ TCD2.9L4 ENGINE (CHINA SPEC ONLY) .....	302
FIGURE 3-38. DEUTZ TCD2.9L4 (STAGE V PRE-BUY) DIESEL ENGINE INSTALLATION - WITH SAUER PUMPS (WITHOUT COLD WEATHER PLUS PACKAGE) .....	306

# TABLE OF CONTENTS

FIGURE 3-39. DEUTZ TCD2.9L4 (STAGE V PRE-BUY) DIESEL ENGINE INSTALLATION - WITH REXROTH PUMPS (WITHOUT COLD WEATHER PLUS PACKAGE).....	310
FIGURE 3-40. DEUTZ TCD2.9L4 (STAGE V PRE-BUY) ENGINE SUB-ASSEMBLY - WITH SAUER PUMP (WITHOUT COLD WEATHER PLUS PACKAGE) .....	314
FIGURE 3-41. DEUTZ TCD2.9L4 (STAGE V PRE-BUY) ENGINE SUB-ASSEMBLY - WITH REXROTH PUMP (WITHOUT COLD WEATHER PLUS PACKAGE) .....	316
FIGURE 3-42. DEUTZ TCD2.9L4 (STAGE V PRE-BUY) ENGINE ASSEMBLY (WITHOUT COLD WEATHER PLUS PACKAGE) .....	318
FIGURE 3-43. DEUTZ TCD2.9L4 (STAGE V PRE-BUY) ENGINE COMPONENTS .....	324
FIGURE 3-44. DEUTZ TCD2.9L4 (STAGE V) DIESEL ENGINE INSTALLATION - WITH SAUER PUMPS (WITHOUT COLD WEATHER PLUS PACKAGE) .....	328
FIGURE 3-45. DEUTZ TCD2.9L4 (STAGE V) DIESEL ENGINE INSTALLATION - WITH REXROTH PUMPS (WITHOUT COLD WEATHER PLUS PACKAGE) .....	332
FIGURE 3-46. DEUTZ TCD2.9L4 (STAGE V) ENGINE SUB-ASSEMBLY - WITH SAUER PUMP (WITHOUT COLD WEATHER PLUS PACKAGE) .....	336
FIGURE 3-47. DEUTZ TCD2.9L4 (STAGE V) ENGINE SUB-ASSEMBLY - WITH REXROTH PUMP AND ABS HOODS (WITHOUT COLD WEATHER PLUS PACKAGE).....	338
FIGURE 3-48. DEUTZ TCD2.9L4 (STAGE V) ENGINE ASSEMBLY (WITHOUT COLD WEATHER PLUS PACKAGE) .....	340
FIGURE 3-49. DEUTZ TCD2.9L4 (STAGE V) ENGINE COMPONENTS .....	346
FIGURE 3-50. PUMP ASSEMBLY (REXROTH) (DEUTZ TD2011 ENGINES).....	350
FIGURE 3-51. PUMP ASSEMBLY (REXROTH) (DEUTZ TCD2.9L4 ENGINES AND DEUTZ TCD2.9L4 (STAGE V PRE-BUY) ENGINES).....	356
FIGURE 3-52. PUMP ASSEMBLY (SAUER TANDEM) .....	362
FIGURE 3-53. PUMP ASSEMBLY (SAUER PISTON) .....	366
FIGURE 3-54. PUMP ASSEMBLY (SAUER GEAR) .....	370
FIGURE 3-55. PUMP COUPLING KIT .....	372
FIGURE 3-56. FUEL-WATER SEPARATOR INSTALLATION - DEUTZ TD2011 (OPTIONAL).....	374
FIGURE 3-57. FUEL PUMP/FILTER BRACKET ASSEMBLY (DEUTZ TCD2.9L4 ENGINE AND DEUTZ TCD2.9L4 (STAGE V PRE-BUY) ENGINE) .....	376
FIGURE 3-58. FUEL PUMP/FILTER BRACKET ASSEMBLY - DEUTZ TCD2.9L4 ENGINE.....	378
FIGURE 3-59. FUEL FILTER/WATER SEPARATOR INSTALLATION - DEUTZ TCD2.9L4 ENGINE.....	380
FIGURE 3-60. BREATHER HEATER INSTALLATION - DEUTZ TCD2.9L4 ENGINES, DEUTZ TCD2.9L4 (STAGE V PRE-BUY) ENGINES AND DEUTZ TCD2.9L4 (STAGE V) ENGINES WITH ARCTIC PACKAGE.....	382
FIGURE 3-61. 4000W GENERATOR INSTALLATION - 60HZ SPECS (DEUTZ TD2011 ENGINES) .....	384
FIGURE 3-62. 4000W GENERATOR INSTALLATION - 50HZ SPECS (DEUTZ TD2011 ENGINES) .....	388
FIGURE 3-63. 4000W GENERATOR INSTALLATION - 60HZ SPEC (DEUTZ TCD2.9L4 ENGINES).....	392
FIGURE 3-64. 4000W GENERATOR INSTALLATION - 50HZ SPEC (DEUTZ TCD2.9L4 ENGINES, DEUTZ TCD2.9L4 (STAGE V PRE-BUY) ENGINES AND DEUTZ TCD2.9L4 (STAGE V) ENGINES) .....	396
FIGURE 3-65. 7500W SKYPOWER GENERATOR INSTALLATION - 60HZ SPEC (DEUTZ TD2011 ENGINES) (OPTIONAL) .....	400
FIGURE 3-66. 7500W SKYPOWER GENERATOR INSTALLATION - 50HZ SPEC (DEUTZ TD2011 ENGINES) (OPTIONAL) .....	404
FIGURE 3-67. 7500W SKYPOWER GENERATOR INSTALLATION - 60HZ SPEC (DEUTZ TCD2.9L4 ENGINES) (OPTIONAL) .....	408
FIGURE 3-68. 7500W SKYPOWER GENERATOR INSTALLATION - 50HZ SPEC (DEUTZ TCD2.9L4 ENGINES, DEUTZ TCD2.9L4 (STAGE V PRE-BUY) ENGINES AND DEUTZ TCD2.9L4 (STAGE V ENGINES) (OPTIONAL) .....	412
SECTION 4 - BOOM.....	415
FIGURE 4-1. BOOM INSTALLATION - WITHOUT COLD WEATHER PLUS PACKAGE .....	416
FIGURE 4-2. BOOM INSTALLATION - WITH COLD WEATHER PLUS PACKAGE.....	418
FIGURE 4-3. BOOM ASSEMBLY - WITHOUT COLD WEATHER PLUS PACKAGE (PVC 2001) .....	420
FIGURE 4-4. BOOM ASSEMBLY - WITHOUT COLD WEATHER PLUS PACKAGE (PVC 2007) .....	426

# TABLE OF CONTENTS

FIGURE 4-5. BOOM ASSEMBLY - WITH COLD WEATHER PLUS PACKAGE (PVC 2001) .....	432
FIGURE 4-6. BOOM ASSEMBLY - WITH COLD WEATHER PLUS PACKAGE (PVC 2007) .....	438
FIGURE 4-7. WIRE ROPE TOOLS INSTALLATION (OPTIONAL) .....	444
FIGURE 4-8. JIB INSTALLATION .....	446
FIGURE 4-9. JIB BOOM ASSEMBLY.....	448
FIGURE 4-10. PLATFORM ROTATE ACTUATOR ASSEMBLY .....	450
FIGURE 4-11. JIB ROTATE ACTUATOR ASSEMBLY .....	452
FIGURE 4-12. POWER TRACK INSTALLATION.....	454
FIGURE 4-13. BOOM SENSORS AND SWITCHES INSTALLATION.....	458
FIGURE 4-14. VALVES INSTALLATION - BOOM MOUNTED .....	462
FIGURE 4-15. PLATFORM VALVE ASSEMBLY.....	464
FIGURE 4-16. JIB VALVE ASSEMBLY .....	466
FIGURE 4-17. ENCLOSURE BOX ASSEMBLY.....	470
FIGURE 4-18. PLATFORM SUPPORT INSTALLATION.....	472
SECTION 5 - PLATFORM.....	475
FIGURE 5-1. PLATFORM ASSEMBLY - 30IN X 3FT (76CM X .91M) - DROP BAR ENTRY.....	476
FIGURE 5-2. PLATFORM ASSEMBLY - 30IN X 4FT (76CM X 1.22M) - SIDE GATE ENTRY .....	478
FIGURE 5-3. PLATFORM ASSEMBLY - 36IN X 6FT (91.5CM X 1.83M) WITH SWING GATE.....	480
FIGURE 5-4. PLATFORM ASSEMBLY - 36IN X 6FT (91.5CM X 1.83M) TRI-ENTRY WITH SWING GATE.....	482
FIGURE 5-5. PLATFORM ASSEMBLY - 36IN X 8FT (91.5CM X 2.44M) WITH SWING GATE.....	484
FIGURE 5-6. PLATFORM ASSEMBLY - 36IN X 8FT (91.5CM X 2.44M) WITH TRI-ENTRY (1 GATE/2 DROP BARS) .....	486
FIGURE 5-7. PLATFORM ASSEMBLY - 30IN X 4FT (76CM X 1.22M) WITH DROP BAR.....	488
FIGURE 5-8. PLATFORM ASSEMBLY - 36IN X 6FT (91.5CM X 1.83M) WITH DROP BAR.....	490
FIGURE 5-9. PLATFORM ASSEMBLY - 36IN X 6FT (91.5CM X 1.83M) TRI-ENTRY WITH DROPBAR.....	492
FIGURE 5-10. PLATFORM ASSEMBLY - 36IN X 8FT (91.5CM X 2.44M) WITH DROP BAR.....	494
FIGURE 5-11. PLATFORM ASSEMBLY - 36IN X 8FT (91.5CM X 2.44M) WITH TRI-ENTRY (3 DROP BARS) .....	496
FIGURE 5-12. PLATFORM ASSEMBLY - 36IN X 8FT (91.5CM X 2.44M) WITH FALL ARREST (ANSI SPECS).....	498
FIGURE 5-13. PLATFORM ASSEMBLY - 36IN X 8FT (91.5CM X 2.44M) WITH FALL ARREST (AUSTRALIAN AND CE SPECS) .....	500
FIGURE 5-14. PLATFORM CONSOLE BOX INSTALLATION .....	502
FIGURE 5-15. PLATFORM CONSOLE ASSEMBLY.....	504
FIGURE 5-16. LIGHT PANEL INSTALLATION - PLATFORM CONSOLE .....	508
FIGURE 5-17. LCD DISPLAY INSTALLATION .....	510
FIGURE 5-18. CONTROLLER ASSEMBLY - LIFT AND SWING .....	512
FIGURE 5-19. CONTROLLER ASSEMBLY - DRIVE AND STEER.....	516
FIGURE 5-20. FOOTSWITCH ASSEMBLY.....	518
FIGURE 5-21. TRAY INSTALLATION .....	520
FIGURE 5-22. SKYEYE INSTALLATION .....	522
FIGURE 5-23. SKYGUARD BAR INSTALLATION .....	524
FIGURE 5-24. SKYGLAZIER INSTALLATIONS (ANSI, AUSTRALIAN AND CSA SPECS).....	526
FIGURE 5-25. SKYLINE INSTALLATION .....	528
FIGURE 5-26. SKYWELDER/SKYCUTTER COMBO INSTALLATION (60HZ).....	530
FIGURE 5-27. SKYWELDER INSTALLATION (50HZ).....	534
FIGURE 5-28. SKYWELDER INSTALLATION (60HZ).....	536
FIGURE 5-29. SKYWELDER PREP PACKAGE (60HZ) .....	538

# TABLE OF CONTENTS

FIGURE 5-30. WELDER ASSEMBLY .....	540
FIGURE 5-31. SKYCUTTER INSTALLATION .....	542
FIGURE 5-32. PIPE RACK INSTALLATION (ANSI AND CSA SPECS) .....	544
FIGURE 5-33. PIPE RACK INSTALLATION (AUSTRALIAN AND CE SPEC) .....	546
FIGURE 5-34. FALL ARREST INSTALLATION (BOLT - ON EXTERNAL) 4FFT/1.22M PLATFORM).....	548
FIGURE 5-35. FALL ARREST INSTALLTION (BOLT-ON EXTERNAL) (6FT/1.82M PLATFORM) .....	550
FIGURE 5-36. FALL ARREST INSTALLTION (BOLT-ON EXTERNAL) (6FT/1.82M TRI-ENTRY PLATFORM) .....	552
FIGURE 5-37. FALL ARREST INSTALLTION (BOLT-ON EXTERNAL) (8FT/2.4M PLATFORM) .....	554
SECTION 6 - CYLINDER.....	557
FIGURE 6-1. AXLE EXTENSION CYLINDER ASSEMBLY .....	558
FIGURE 6-2. AXLE LOCKOUT CYLINDER ASSEMBLY.....	560
FIGURE 6-3. LEVEL (JIB) CYLINDER ASSEMBLY - WITH OR WITHOUT COLD WEATHER PLUS PACKAGE .....	562
FIGURE 6-4. LEVEL (PLATFORM) CYLINDER ASSEMBLY .....	564
FIGURE 6-5. LIFT (BOOM) CYLINDER ASSEMBLY.....	566
FIGURE 6-6. LIFT (JIB) CYLINDER ASSEMBLY .....	568
FIGURE 6-7. LOCK (JIB) CYLINDER ASSEMBLY .....	570
FIGURE 6-8. STEER CYLINDER ASSEMBLY .....	572
FIGURE 6-9. TELESCOPE (JIB) CYLINDER ASSEMBLY .....	574
FIGURE 6-10. TELESCOPE (MAIN BOOM) CYLINDER ASSEMBLY.....	576
SECTION 7 - HYDRAULIC .....	579
FIGURE 7-1. HYDRAULIC DIAGRAM - BOOM.....	580
FIGURE 7-2. HYDRAULIC DIAGRAM - DRIVE .....	584
FIGURE 7-3. HYDRAULIC DIAGRAM - OSCILLATING AXLE .....	588
FIGURE 7-4. HYDRAULIC DIAGRAM - STEER .....	590
FIGURE 7-5. HYDRAULIC DIAGRAM - TURNTABLE (DEUTZ TD2011 ENGINE MACHINES WITH REXROTH PUMPS) .....	592
FIGURE 7-6. HYDRAULIC DIAGRAM - TURNTABLE (DEUTZ TCD2.9L4 ENGINE MACHINES WITH REXROTH PUMPS) ...	594
FIGURE 7-7. HYDRAULIC DIAGRAM - TURNTABLE (DEUTZ TD2011 AND DEUTZ TCD2.9L4 ENGINE MACHINES WITH SAUER PUMPS).....	596
SECTION 8 - ELECTRICAL.....	599
FIGURE 8-1. AC BOX AT PLATFORM - 110V (ANSI SPECS).....	600
FIGURE 8-2. AC BOX AT PLATFORM - 110V GFI RECEPTACLE (ANSI SPECS).....	602
FIGURE 8-3. AC BOX AT PLATFORM - 220V GFI RECEPTACLE (ANSI SPECS).....	604
FIGURE 8-4. AC BOX AT PLATFORM INSTALLATION - BOX WITH COVER (2X4 BOX) WITH 4000W GENERATOR (ANSI EXPORT, AUSTRALIAN, CHINA AND JAPANESE SPECS) .....	606
FIGURE 8-5. AC BOX AT PLATFORM INSTALLATION - 110V IEC 60309 YELLOW WITHOUT 2500W GENERATOR (CE SPECS).....	608
FIGURE 8-6. AC BOX AT PLATFORM INSTALLATION - 110V IEC 60309 YELLOW WITH 4000W GENERATOR (CE SPECS) .....	610
FIGURE 8-7. AC BOX AT PLATFORM INSTALLATION - 220V IEC 60309 BLUE WITHOUT 2500W GENERATOR (CE SPECS) .....	612
FIGURE 8-8. AC BOX AT PLATFORM INSTALLATION - 220V IEC 60309 BLUE WITH 4000W GENERATOR (CE SPECS) ...	614
FIGURE 8-9. AC BOX AT PLATFORM INSTALLATION - 220V CEE7 POST GROUND (2X4 BOX) WITHOUT 2500W GENERATOR (CE SPECS).....	616
FIGURE 8-10. AC BOX AT PLATFORM INSTALLATION - 220V CEE7 POST GROUND (2X4 BOX) WITH 4000W GENERATOR (CE SPECS).....	618

# TABLE OF CONTENTS

FIGURE 8-11. AC BOX AT PLATFORM INSTALLATION - 220V CEE7 SIDE GROUND (2X4 BOX) WITHOUT 2500W GENERATOR (CE SPECS) .....	620
FIGURE 8-12. AC BOX AT PLATFORM INSTALLATION - 220V CEE7 SIDE GROUND (2X4 BOX) WITH 4000W GENERATOR (CE SPECS) .....	622
FIGURE 8-13. AC BOX AT PLATFORM INSTALLATION - 220V AFSINT 107 KEYED GROUND (2X4 BOX) WITHOUT 2500W GENERATOR (CE SPECS) .....	624
FIGURE 8-14. AC BOX AT PLATFORM INSTALLATION - 220V AFSINT 107 KEYED GROUND (2X4 BOX) WITH 4000W GENERATOR (CE SPECS) .....	626
FIGURE 8-15. AC BOX AT PLATFORM INSTALLATION - 240V (WITH 7500W SKYPOWER GENERATOR) (ALL SPECS EXCEPT AUSTRALIAN, CE & CHINA SPECS) .....	628
FIGURE 8-16. AC BOX AT PLATFORM INSTALLATION - 240V (WITH 4000W GENERATOR) (ALL SPECS EXCEPT AUSTRALIAN, CE & CHINA SPECS) .....	630
FIGURE 8-17. AC 16 AMP BREAKER BOX INSTALLATION (CE SPECS) .....	632
FIGURE 8-18. BATTERY DISCONNECT INSTALLATION .....	634
FIGURE 8-19. BEACON LIGHT HARNESS .....	636
FIGURE 8-20. B.L.A.M. HARNESS .....	638
FIGURE 8-21. B.L.A.M. TO BOOM LENGTH SENSOR HARNESS .....	640
FIGURE 8-22. B.L.A.M. TO BOOM ANGLE SENSOR HARNESS (LEFT SIDE) .....	642
FIGURE 8-23. B.L.A.M. TO BOOM ANGLE SENSOR HARNESS (RIGHT SIDE) .....	644
FIGURE 8-24. BOOM CABLES INSTALLATION (ANSI, CSA AND JAPANESE SPECS) .....	646
FIGURE 8-25. BOOM CABLES INSTALLATION - WITH 4000W 60HZ GENERATOR (ALL SPECS EXCEPT AUSTRALIAN AND CE SPECS) .....	648
FIGURE 8-26. BOOM CABLES INSTALLATION - WITH 4000W 50HZ GENERATOR (ANSI EXPORT, AUSTRALIAN, CE AND CHINA SPECS) .....	650
FIGURE 8-27. BOOM CABLES INSTALLATION - WITH 7500W GENERATOR .....	652
FIGURE 8-28. BOOM CYLINDER ANGLE HARNESS .....	654
FIGURE 8-29. BREAKER BOX KIT - 16 AMP .....	656
FIGURE 8-30. BREAKER BOX KIT - 16 AMP (4000W GENERATOR) .....	658
FIGURE 8-31. BREAKER BOX KIT - 16 AMP/30MA .....	660
FIGURE 8-32. CHASSIS HARNESS ASSEMBLY .....	662
FIGURE 8-33. ENGINE HARNESS - DEUTZ TD2011 ENGINES .....	664
FIGURE 8-34. ENGINE HARNESS - DEUTZ TCD2.9L4 ENGINES AND DEUTZ TCD2.9L4 (STAGE V PRE-BUY) ENGINES .....	666
FIGURE 8-35. ENGINE HARNESS - DEUTZ TCD2.9L4 ENGINES AND DEUTZ TCD2.9L4 (STAGE V) ENGINES .....	670
FIGURE 8-36. FUEL FILTER HARNESS - DEUTZ TCD2.9L4 ENGINES AND DEUTZ TCD2.9L4 (STAGE V PRE-BUY) ENGINES .....	674
FIGURE 8-37. FUEL HARNESS - DEUTZ TCD2.9L4 ENGINES AND DEUTZ TCD2.9L4 (STAGE V PRE-BUY) ENGINES .....	676
FIGURE 8-38. GENERATOR HARNESS - 4000W GENERATOR .....	678
FIGURE 8-39. GENERATOR HARNESS - 7500W GENERATOR .....	680
FIGURE 8-40. GROUND CONTROL BOX HARNESS ASSEMBLY .....	682
FIGURE 8-41. INTERFACE HARNESS .....	686
FIGURE 8-42. JIB BOOM CONTROL HARNESS .....	688
FIGURE 8-43. JIB ENABLE HARNESS .....	690
FIGURE 8-44. JIB VALVE HARNESS .....	692
FIGURE 8-45. LCD DISPLAY HARNESS .....	694
FIGURE 8-46. LOAD SENSING PIN HARNESS .....	696
FIGURE 8-47. MAIN BOOM CONTROL HARNESS .....	698
FIGURE 8-48. PLATFORM CONSOLE BOX HARNESS ASSEMBLY .....	700
FIGURE 8-49. PLATFORM VALVE HARNESS .....	702

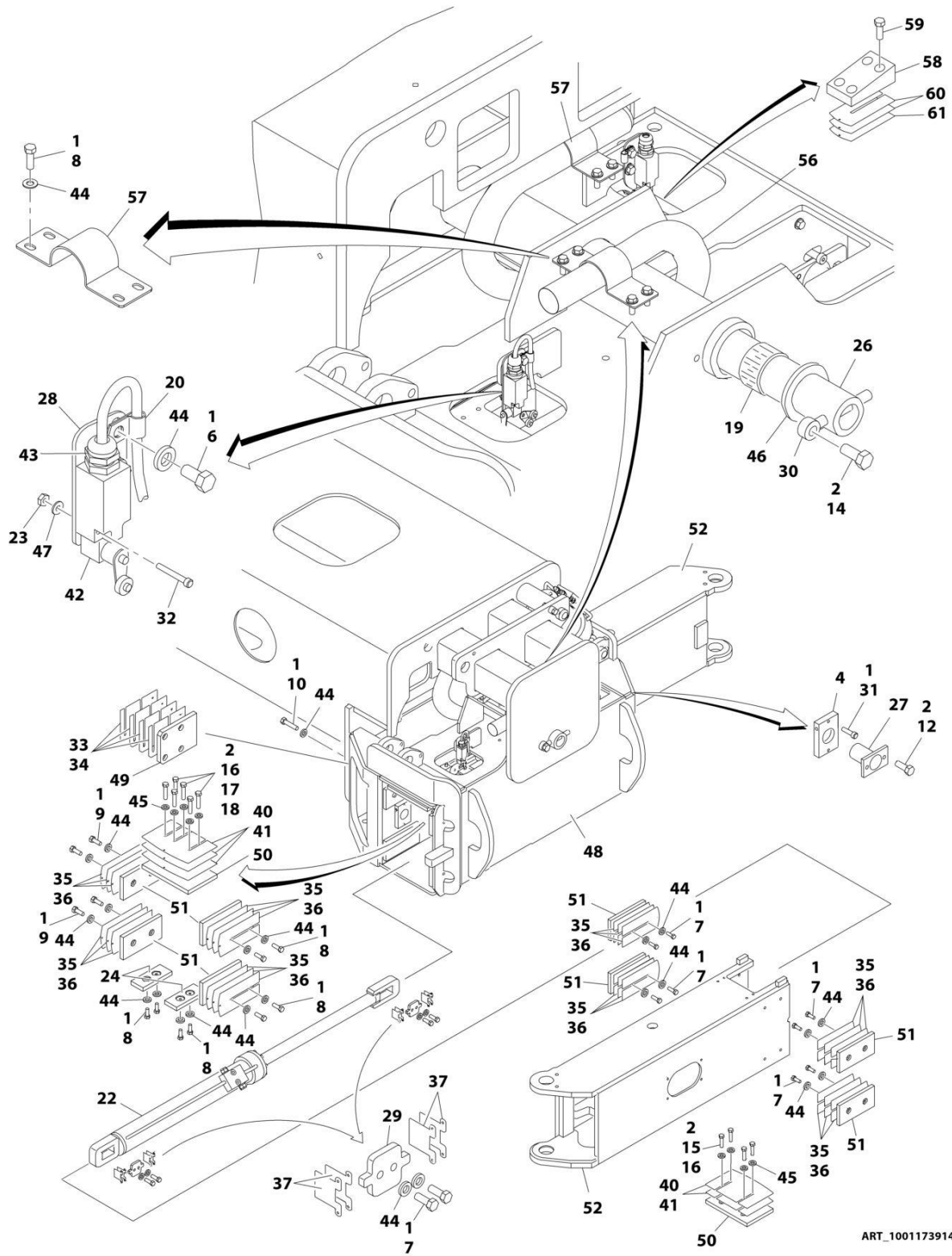
# TABLE OF CONTENTS

FIGURE 8-50. PUMP HARNESS .....	704
FIGURE 8-51. PUMP ADAPTER HARNESS - SAUER PUMP TO REXROTH PUMP.....	706
FIGURE 8-52. RECEPTACLE BOX KIT - 110V IEC YELLOW WITHOUT 2500W GENERATOR (CE SPECS) .....	708
FIGURE 8-53. RECEPTACLE BOX KIT - 220V IEC BLUE WITHOUT 2500W GENERATOR (CE SPECS).....	710
FIGURE 8-54. RECEPTACLE BOX KIT - 220V CEE7 POST GROUND WITHOUT 2500W GENERATOR (2X4 BOX) (CE SPECS).....	712
FIGURE 8-55. RECEPTACLE BOX KIT - 220V CEE7 SIDE GROUND WITHOUT 2500W GENERATOR (2X4 BOX) (CE SPECS) .....	714
FIGURE 8-56. RECEPTACLE BOX KIT - 220V AFSINT 107 KEYED GROUND WITHOUT 2500W GENERATOR (2X4 BOX) (CE SPECS).....	716
FIGURE 8-57. SKYEYE INTERMEDIATE HARNESS .....	718
FIGURE 8-58. SKYEYE RECEIVER HARNESS.....	720
FIGURE 8-59. SKYEYE EMITTER HARNESS .....	722
FIGURE 8-60. SKYLINE HARNESS .....	724
FIGURE 8-61. STROBE LIGHT HARNESS (AMBER).....	726
FIGURE 8-62. TURNTABLE HARNESS ASSEMBLY.....	728
SECTION 9 - DECALS .....	731
FIGURE 9-1. DECAL INSTALLATION - ANSI SPEC .....	732
FIGURE 9-2. DECAL INSTALLATION - AUSTRALIAN SPEC.....	734
FIGURE 9-3. DECAL INSTALLATION - BRAZIL SPEC (PORTUGUESE/ENGLISH).....	736
FIGURE 9-4. DECAL INSTALLATION - CE SPEC .....	738
FIGURE 9-5. DECAL INSTALLATION - CSA SPEC (FRENCH/ENGLISH).....	740
FIGURE 9-6. DECAL INSTALLATION - CHINESE SPEC (ENGLISH) .....	742
FIGURE 9-7. DECAL INSTALLATION - JAPANESE SPEC (JAPANESE/ENGLISH).....	744
FIGURE 9-8. DECAL INSTALLATION - KOREAN SPEC (KOREAN/ENGLISH) .....	746
FIGURE 9-9. DECAL INSTALLATION - LATIN AMERICAN SPEC (SPANISH/ENGLISH).....	748
FIGURE 9-10. DECAL INSTALLATION - OPTIONS .....	750
FIGURE 9-11. SKYCUTTER DECAL INSTALLATION (ANSI, ANSI EXPORT AND CSA SPECS).....	754
FIGURE 9-12. SKYCUTTER DECAL INSTALLATION (JAPANESE SPECS) .....	756
SECTION 10 - RECOMMENDED SERVICE PARTS STOCK.....	759
FIGURE 10-1. RECOMMENDED SERVICE PARTS STOCK.....	760
SECTION 11 - SPECIAL OPTIONS .....	763
FIGURE 11-1. SPECIAL OPTIONS .....	764
PART NUMBER INDEX.....	769

**SECTION 1 - FRAME**

# SECTION 1 - FRAME

## FIGURE 1-1. AXLE INSTALLATION - FIXED



ART\_1001173914\_J



# SECTION 1 - FRAME

## FIGURE 1-1. AXLE INSTALLATION - FIXED

ITEM	PART NUMBER	QTY	DESCRIPTION	REV
	1001173914	Ref	AXLE INSTALLATION - FIXED	J
1	0100011	AR	Compound, Locking	
2	0100019	AR	Compound, Locking	
4	0363037	4	Bar, Stop	
6	0641606	8	Bolt 3/8 x 3/4	
7	0641608	48	Bolt 3/8 x 1	
8	0641609	64	Bolt 3/8 x 1-1/8	
9	0641611	16	Bolt 3/8 x 1-3/8	
10	0641613	8	Bolt 3/8 x 1-5/8	
12	0641808	8	Bolt 1/2 x 1	
14	0642214	1	Bolt 3/4 x 1-3/4	
15	0681813	12	Bolt 1/2 x 1-5/8 Grade 8	
16	0681814	18	Bolt 1/2 x 1-3/4 Grade 8	
17	0681815	12	Bolt 1/2 x 1-7/8 Grade 8	
18	0681816	6	Bolt 1/2 x 2 Grade 8	
19	0962033	2	Bushing	
20	1320263	4	Clamp, Cable	
22	1001251020	4	Axle Extension Cylinder Assembly (See Separate Breakdown in CYLINDER SECTION)	
23	3310805	8	Nut #8	
24	3340881	8	Pad, Wear	
26	3422918	1	Pin	
27	3422960	4	Pin	
28	3573294	4	Plate	
29	3573335	8	Plate	
30	3841287	1	Keeper, Pin	
31	3900270	4	Bolt 1/2 x 1-1/2	
32	3930820	8	Capscrew #8 x 1-1/4	
33	4071035	2	Shim #18 Gauge	
34	4071036	4	Shim #11 Gauge	
35	4071039	10	Shim #18 Gauge	
36	4071040	36	Shim #11 Gauge	
37	4071042	24	Shim #16 Gauge	
40	4071054	8	Shim #18 Gauge	
41	4071055	12	Shim #11 Gauge	
42	4360578	4	Switch, Limit	
43	4460968	4	Connector, Strain Relief	
44	4711600	144	Washer 3/8	
45	4711800	48	Washer 1/2	
46	4740461	1	Thrustwasher	
47	4750800	8	Washer #8	
48	4846383	1	Box, Axle Pivot	
49	1001161401	2	Pad, Axle	
50	1001161402	8	Pad, Wear	
51	1001161403	32	Pad, Wear	
52	4846637	4	Extension, Axle	
55	4240155	6	Strap (Not Shown)	
56	1001193674	4	Sleeve, Nylon	
57	1001191541	8	Bracket, Hose Mount	
58	0363076	2	Bar	

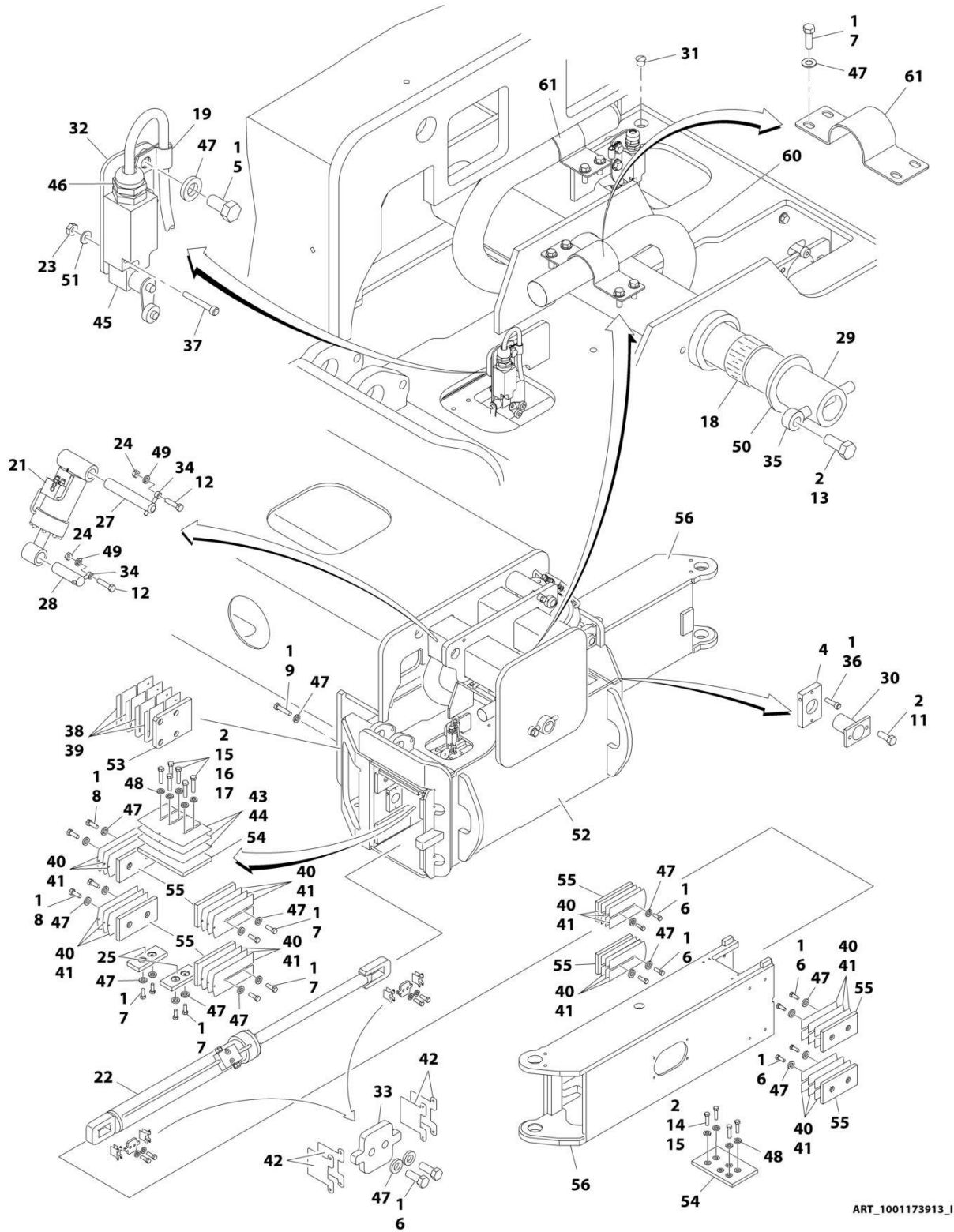
## SECTION 1 - FRAME

ITEM	PART NUMBER	QTY	DESCRIPTION	REV
59	0641814	4	Bolt 1/2 x 1-3/4	
60	4071049	4	Shim #11 Gauge	
61	4071050	2	Shim #16 Gauge	
62	2220235	1	Plug (Not Shown - Located on Junction Manifold)	



# SECTION 1 - FRAME

## FIGURE 1-2. AXLE INSTALLATION - OSCILLATING



ART\_1001173913\_I

# SECTION 1 - FRAME

## FIGURE 1-2. AXLE INSTALLATION - OSCILLATING

ITEM	PART NUMBER	QTY	DESCRIPTION	REV
	1001173913	Ref	AXLE INSTALLATION - OSCILLATING	I
1	0100011	AR	Compound, Locking	
2	0100019	AR	Compound, Locking	
4	0363037	4	Bar, Stop	
5	0641606	8	Bolt 3/8 x 3/4	
6	0641608	48	Bolt 3/8 x 1	
7	0641609	64	Bolt 3/6 x 1-1/8	
8	0641611	16	Bolt 3/8 x 1-3/8	
9	0641613	8	Bolt 3/8 x 1-5/8	
11	0641808	8	Bolt 1/2 x 1	
12	0642020	4	Bolt 5/8 x 2-1/2	
13	0642214	1	Bolt 3/4 x 1-3/4	
14	0681813	12	Bolt 1/2 x 1-5/8 Grade 8	
15	0681814	18	Bolt 1/2 x 1-3/4 Grade 8	
16	0681815	12	Bolt 1/2 x 1-7/8 Grade 8	
17	0681816	6	Bolt 1/2 x 2 Grade 8	
18	0962033	2	Bushing	
19	1320263	4	Clamp, Cable	
21	1001228019	2	Oscillating Axle Cylinder Assembly (See Separate Breakdown in CYLINDER SECTION)	
22	1001251020	4	Axle Extension Cylinder Assembly (See Separate Breakdown in CYLINDER SECTION)	
23	3310805	8	Nut #8	
24	3312005	4	Nut 5/8	
25	3340881	8	Pad, Wear	
27	3422833	2	Pin	
28	3422915	2	Pin	
29	3422918	1	Pin	
30	3422960	4	Pin	
31	3520054	4	Plug	
32	3573294	4	Plate	
33	3573335	8	Plate	
34	3841258	4	Keeper, Pin	
35	3841287	1	Keeper, Pin	
36	3900270	4	Bolt 1/2 x 1-1/2	
37	3930820	8	Capscrew #8 x 1-1/4	
38	4071035	2	Shim #18 Gauge	
39	4071036	4	Shim #11 Gauge	
40	4071039	10	Shim #18 Gauge	
41	4071040	36	Shim #11 Gauge	
42	4071042	24	Shim #16 Gauge	
43	4071054	8	Shim #18 Gauge	
44	4071055	12	Shim #11 Gauge	
45	4360578	4	Switch, Limit	
46	4460968	4	Connector, Strain Relief	
47	4711600	144	Washer 3/8	
48	4711800	48	Washer 1/2	
49	4712000	4	Washer 5/8	
50	4740461	1	Thrustwasher	
51	4750800	8	Washer #8	

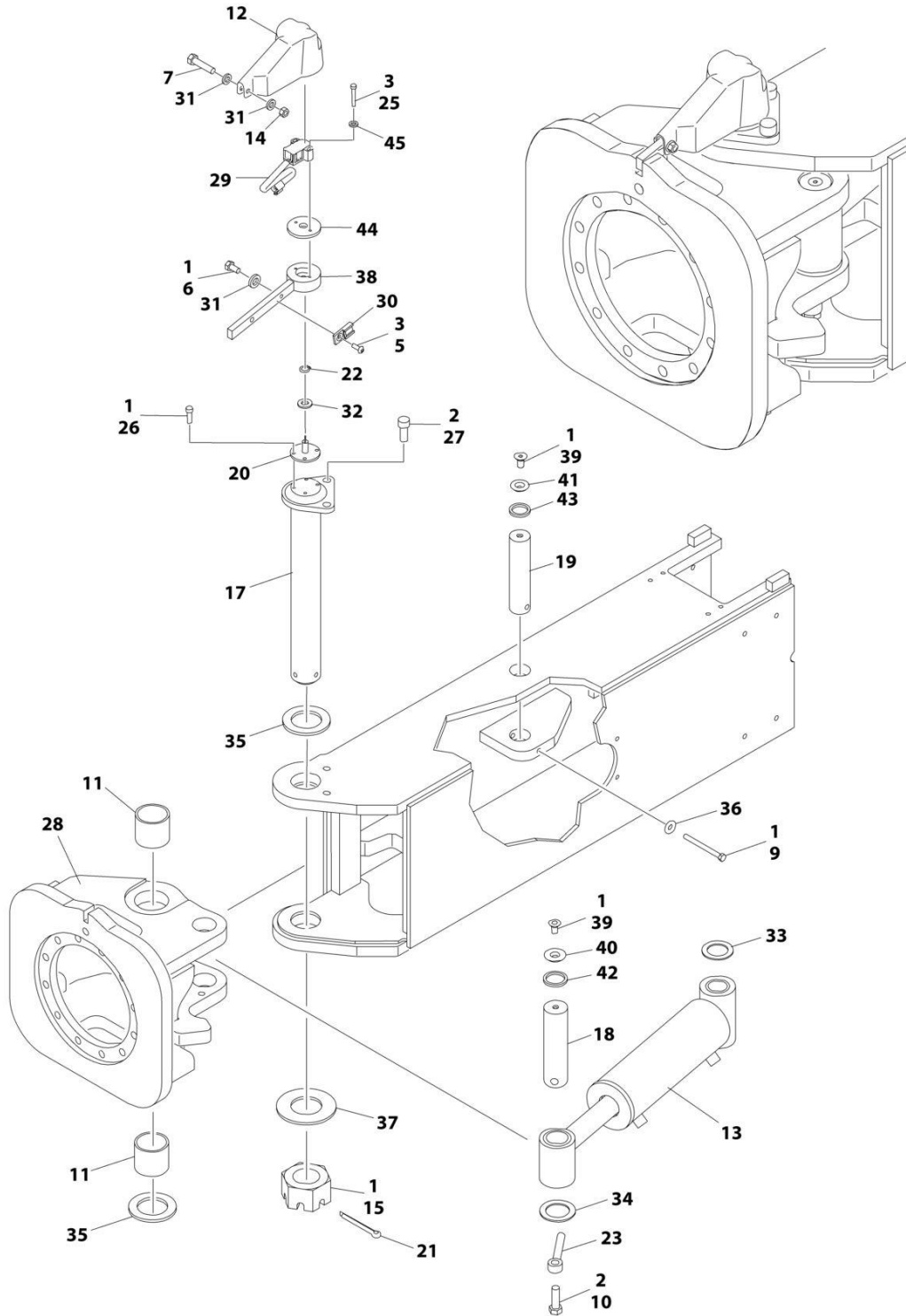
## SECTION 1 - FRAME

ITEM	PART NUMBER	QTY	DESCRIPTION	REV
52	4846383	1	Box, Axle Pivot	
53	1001161401	2	Pad, Axle	
54	1001161402	8	Pad, Wear	
55	1001161403	32	Pad, Wear	
56	4846637	4	Extension, Axle	
59	4240155	6	Strap (Not Shown)	
60	1001193674	4	Sleeve, Nylon	
61	1001191541	8	Bracket, Hose Mount	



# SECTION 1 - FRAME

## FIGURE 1-3. STEER INSTALLATION



ART\_0271520



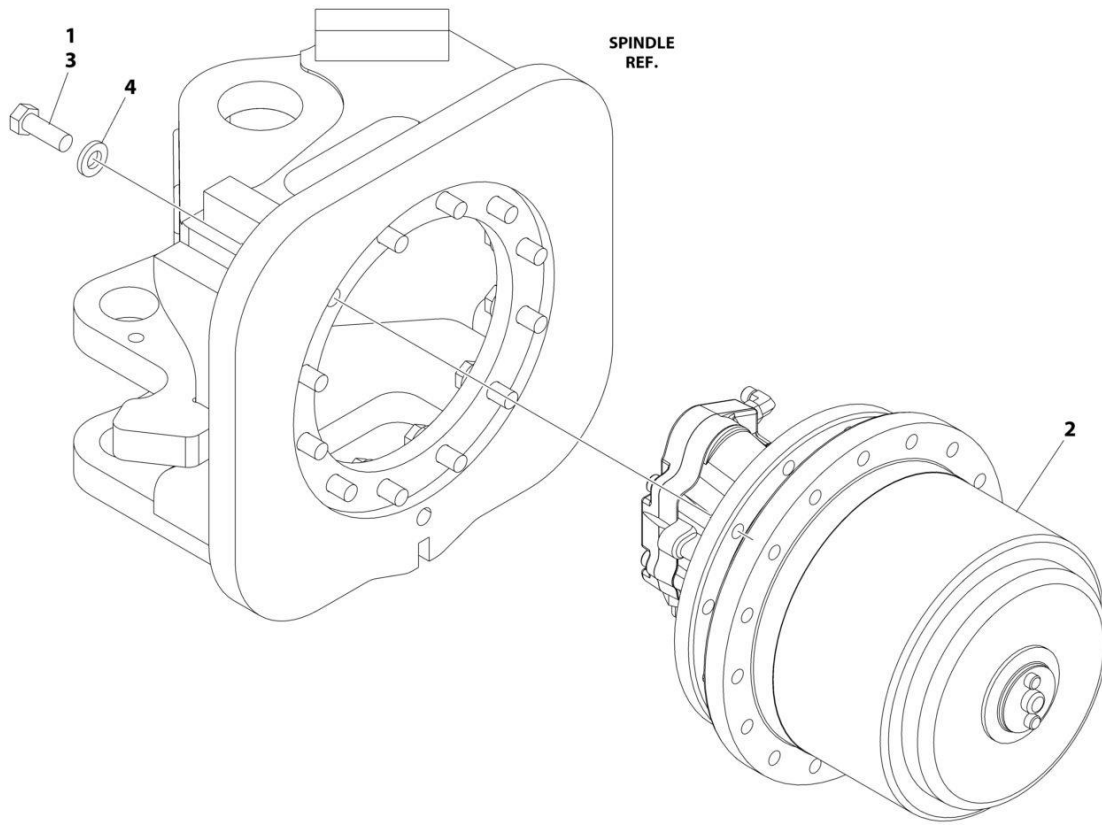
# SECTION 1 - FRAME

## FIGURE 1-3. STEER INSTALLATION

ITEM	PART NUMBER	QTY	DESCRIPTION	REV
	0271520	Ref	STEER INSTALLATION	L
1	0100011	AR	Compound, Locking	
2	0100019	AR	Compound, Locking	
3	0100035	AR	Compound, Locking	
5	0630464	4	Screw #10 x 1/2	
6	0641505	4	Bolt 5/16 x 5/8	
7	0641511	4	Bolt 5/16 x 1-3/8	
9	0641634	4	Bolt 3/8 x 4-1/4	
10	0642016	4	Bolt 5/8 x 2	
11	0962423	8	Bushing	
12	1671040	4	Cover, Sensor	
13	1001228031	4	Steer Cylinder Assembly (See Separate Breakdown in CYLINDER Section)	
14	3311505	4	Nut 5/16	
15	3300464	4	Nut, Slotted	
17	3422917	4	Kingpin	
18	3422940	4	Pin, Steer Cylinder (Outer)	
19	3422941	4	Pin, Steer Cylinder (Inner)	
20	3423256	4	Pin, Sensor	
21	3451214	4	Pin, Cotter 3/8 x 3-1/2	
22	3760383	4	Ring, Retaining	
23	3841258	4	Keeper, Pin	
25	3931020	8	Capscrew #10 x 1-1/4	
26	3931412	16	Capscrew 1/4 x 3/4	
27	3932024	8	Capscrew 5/8 x 1-1/2	
28	1001099632	4	Spindle	
29	4360505	4	Switch, Rotary Angle Sensor (Steer)	
30	4460914	4	Terminal	
31	4711500	12	Washer 5/16	
32	4711800	4	Washer 1/2	
33	4740181	4	Thrustwasher	
34	4740229	4	Thrustwasher	
35	4740505	8	Thrustwasher	
36	4751600	4	Washer 3/8	
37	4755000	4	Washer 2-1/2	
38	0200833	4	Arm, Steer	
39	0741606	8	Screw 3/8 x 3/4	
40	1120549	4	Cap, Seal (Outer)	
41	1120550	4	Cap, Seal (Inner)	
42	3960551	4	Seal (Outer)	
43	3960552	4	Seal (Inner)	
44	0080277	4	Adapter, Angle Sensor Pilot	
45	4811600	8	Washer M5	

# SECTION 1 - FRAME

## FIGURE 1-4. WHEEL DRIVE INSTALLATION - BONFIGLIOLI



ART\_0275685

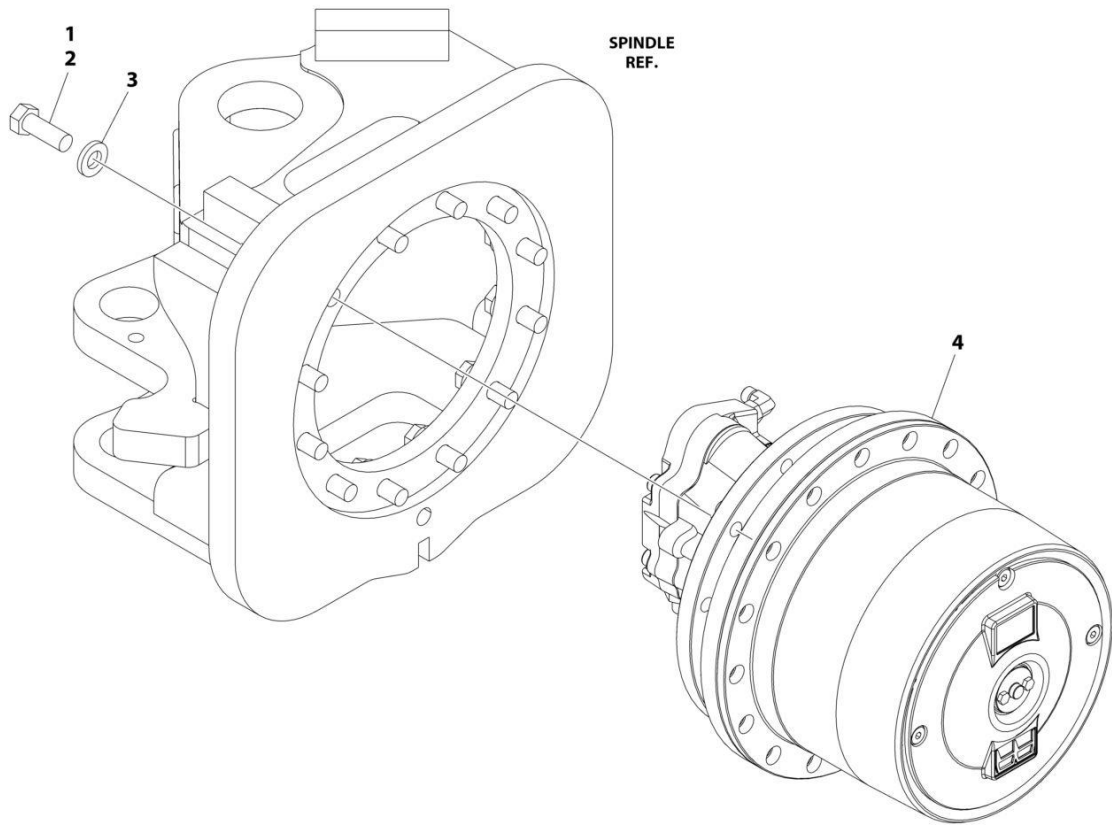
## SECTION 1 - FRAME

**FIGURE 1-4. WHEEL DRIVE INSTALLATION - BONFIGLIOLI**

ITEM	PART NUMBER	QTY	DESCRIPTION	REV
	0275685	Ref	WHEEL DRIVE INSTALLATION - BONFIGLIOLI	C
1	0100019	AR	Compound, Locking	
2	2780286	4	Drive Hub and Motor Assembly - Bonfiglioli (See Separate Breakdown in this Section)	
3	0701617	48	Bolt M16 x 45 (12 Per Wheel)	
4	4892000	48	Washer 5/8 (12 Per Wheel)	

# SECTION 1 - FRAME

## FIGURE 1-5. WHEEL DRIVE INSTALLATION - REGGIANA RIDUTTORI



ART\_1001104324

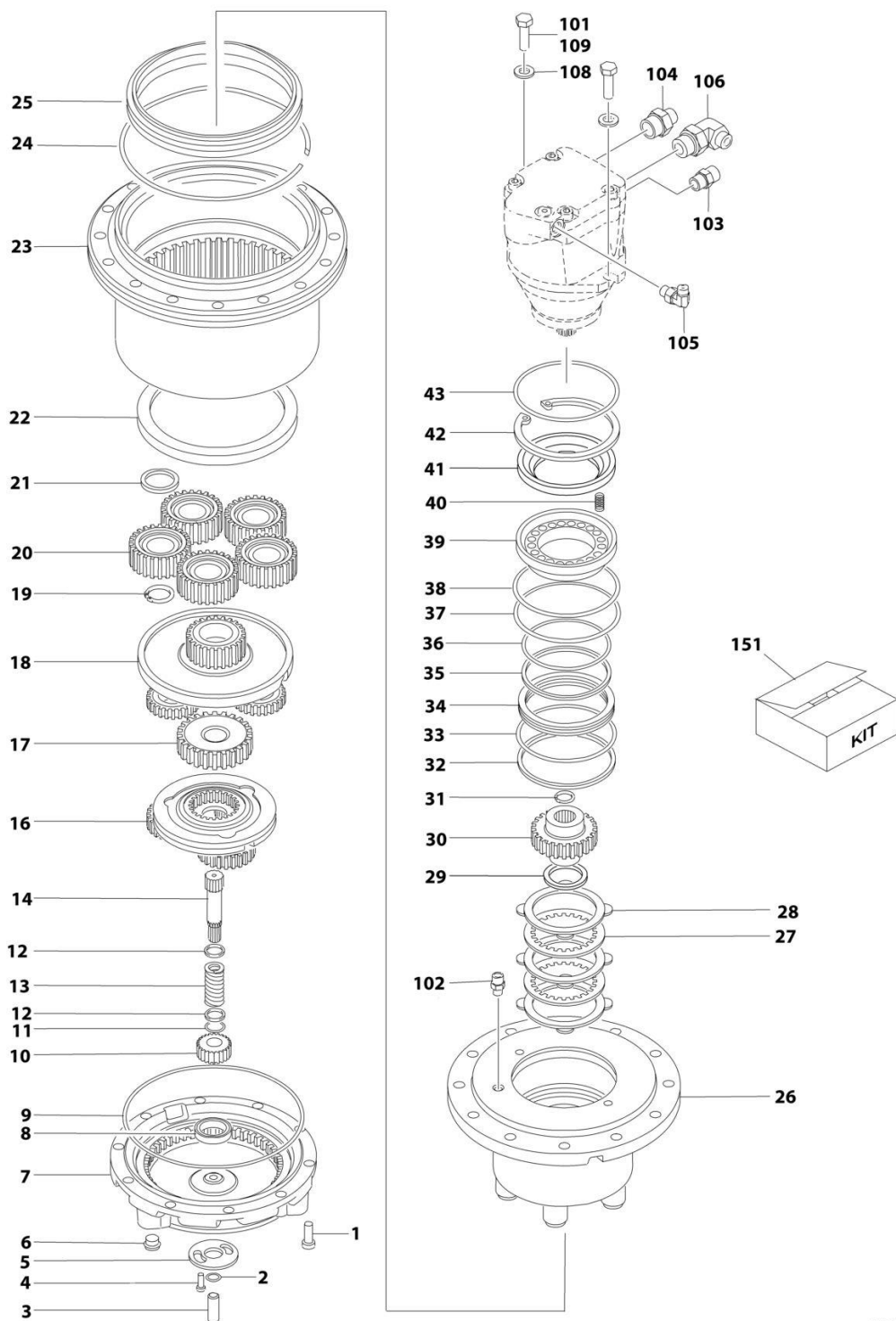
## SECTION 1 - FRAME

**FIGURE 1-5. WHEEL DRIVE INSTALLATION - REGGIANA RIDUTTORI**

ITEM	PART NUMBER	QTY	DESCRIPTION	REV
	1001104324	Ref	WHEEL DRIVE INSTALLATION - REGGIANA RIDUTTORI	B
1	0100019	AR	Compound, Locking	
2	0701617	48	Bolt M16 x 45 (12 Per Wheel)	
3	4892000	48	Washer 5/8 (12 Per Wheel)	
4	1001104315	4	Drive Hub and Motor Assembly - Reggiana Riduttori (See Separate Breakdown in this Section)	

# SECTION 1 - FRAME

## FIGURE 1-6. DRIVE HUB ASSEMBLY - BONFIGLIOLI



ART\_1001093243

# SECTION 1 - FRAME

## FIGURE 1-6. DRIVE HUB ASSEMBLY - BONFIGLIOLI

ITEM	PART NUMBER	QTY	DESCRIPTION	REV
	1001093243	Ref	DRIVE HUB ASSEMBLY - BONFIGLIOLI	F
		Ref	Note: Various brands used on Machines. Identify brand before ordering replacement parts.	
	1001093242	1	Hub, Torque - Bonfiglioli	
1	70000810	10	Bolt M10 x 25	
2	70000811	1	O-Ring	
3	70000812	1	Pin	
4	70000813	2	Bolt M8 x 16	
5	70002393	1	Cap, Disconnect	
6	See Note	2	Plug (Note: Not Available for Purchase)	
7	70002394	1	Cover Assembly (Includes Items 2-6 & 8)	
8	70000816	1	Pad	
9	70000817	1	O-Ring	
10	70000818	1	Gear, Primary Sun	
11	See Note	NSS	Ring, Neoprene (Note: Use Item 151)	
12	See Note	NSS	Washer (Note: Use Item 151)	
13	See Note	NSS	Spring (Note: Use Item 151)	
14	See Note	NSS	Shaft (Note: Use Item 151)	
16	70000820	1	Reduction Assembly, Primary	
17	70000821	1	Gear, Secondary Sun	
18	70000822	1	Reduction Assembly, Secondary	
19	70000823	5	Snap Ring	
20	70000824	5	Gear Assembly, Planetary	
21	70000825	5	Spacer	
22	70000826	1	Nut	
23	70002395	1	Housing (Includes Bearing)	
24	70002396	2	Ball Bearing	
25	70002397	1	Seal	
26	See Note	NSS	Spindle (Note: Not Available - Purchase Complete Assembly)	
27	70000834	4	Disc, Steel	
28	70000835	5	Disc, Lined	
29	70000836	1	Spacer	
30	70002398	1	Shaft, Brake	
31	70000838	1	Snap Ring	
32	70000839	1	Ring, Back-up	
33	70000840	1	O-Ring	
34	70000841	1	Spacer	
35	70000842	1	Ring, Back-up	
36	70000843	1	O-Ring	
37	70000844	1	O-Ring	
38	70000845	1	Ring, Back-up	
39	70000846	1	Piston, Brake	
40	70000847	15	Spring	
41	70000848	1	Plate, Spring Retainer	
42	70000849	1	Snap Ring	
48	70002399	1	O-Ring	
101	0761215	2	Bolt M12 x 35	
102	2110404	1	Fitting, Adapter	
103	2110808	1	Fitting, Adapter	
104	2110812	1	Fitting, Adapter	

## SECTION 1 - FRAME

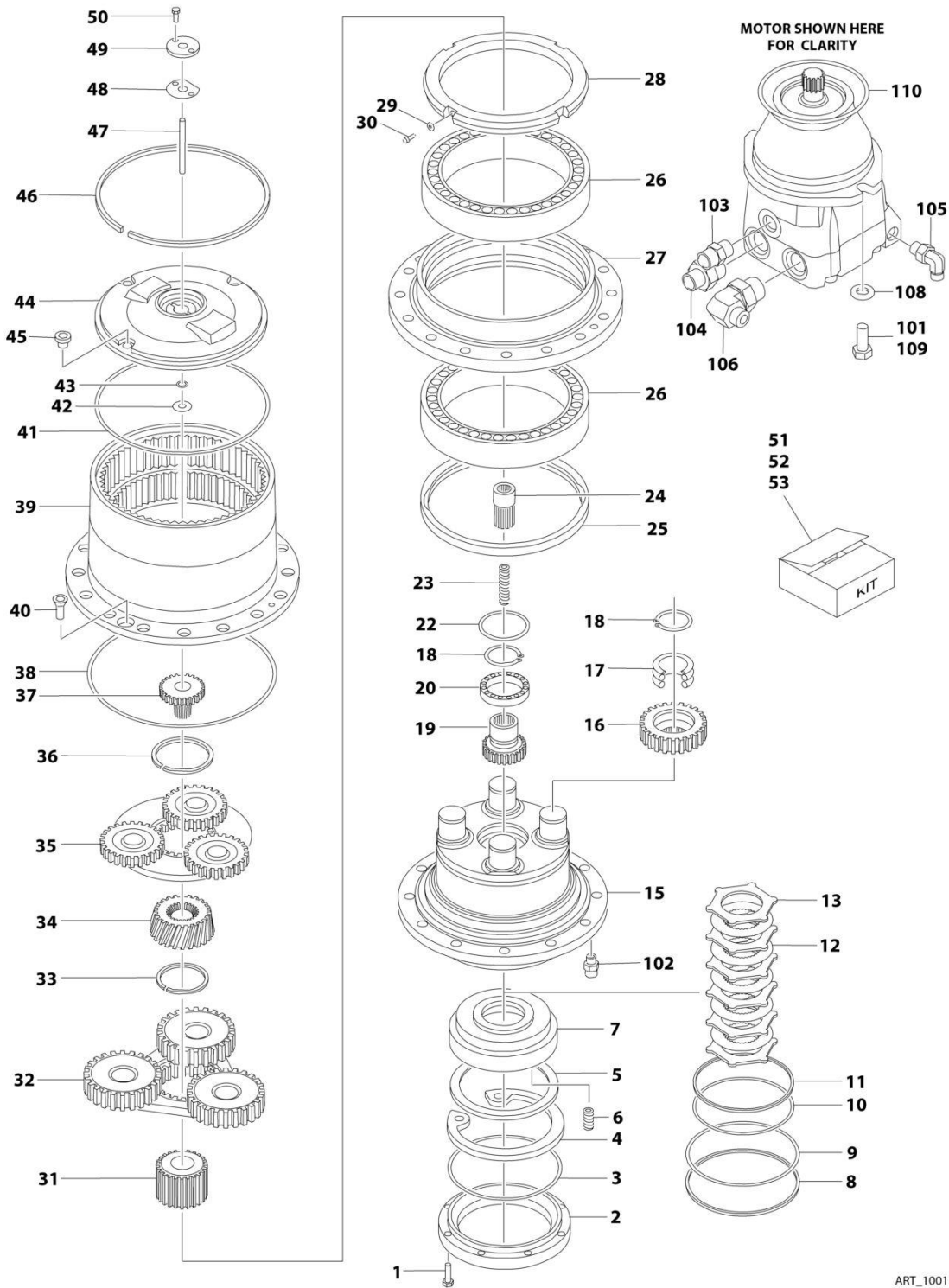
ITEM	PART NUMBER	QTY	DESCRIPTION	REV
105	2130406	1	Fitting, 90 Adapter	
106	2130812	1	Fitting, 90 Adapter	
108	5241200	2	Washer M12	
109	0100011	AR	Compound, Locking	
151	70000819	1	Brake Shaft Kit (Includes Items 11-14)	





# SECTION 1 - FRAME

## FIGURE 1-7. DRIVE HUB ASSEMBLY - REGGIANA RIDUTTORI



ART\_1001104325

# SECTION 1 - FRAME

## FIGURE 1-7. DRIVE HUB ASSEMBLY - REGGIANA RIDUTTORI

ITEM	PART NUMBER	QTY	DESCRIPTION	REV
	1001104325	Ref	DRIVE HUB ASSEMBLY - REGGIANA RIDUTTORI	G
		Ref	Note: Various brands used on Machines. Identify brand before ordering replacement parts.	
	1001101550	1	Hub, Torque	C
1	70002015	8	Bolt M8 x 25	
2	70002016	1	Ring, Motor Support	
3	See Note	NSS	O-Ring (Note: Use Item 51)	
4	70002018	1	Snap Ring	
5	70002019	1	Retainer, Spring	
6	70002020	9	Spring	
7	70002021	1	Piston	
8	See Note	NSS	Ring, Back-up (Note: Use Item 51 or 53)	
9	See Note	NSS	O-Ring (Note: Use Item 51 or 53)	
10	See Note	NSS	O-Ring (Note: Use Item 51 or 53)	
11	See Note	NSS	Ring, Back-up (Note: Use Item 51 or 53)	
12	70002026	5	Disc, Friction	
13	70002027	6	Disc, Steel	
15	70002029	1	Spindle	
16	70002030	4	Gear, Planetary	
17	70002031	4	Bearing	
18	70002032	5	Snap Ring	
19	70002033	1	Gear, Brake/Input	
20	70002034	1	Bearing	
22	70002035	1	Ring, Wear	
23	70002036	1	Spring	
24	70002037	1	Shaft, Engagement	
25	See Note	NSS	Seal (Note: Use Item 51)	
26	70002039	2	Bearing Assembly	
27	70002040	1	Support, Hub	
28	70002041	1	Nut, Retaining	
29	70002674	4	Washer	
30	70002674	4	Screw	
31	70002044	1	Gear, Planetary Sun	
32	70002045	1	Reduction Assembly, Secondary	
33	70002046	1	Snap Ring	
34	70002047	1	Gear, Secondary Input Sun	
35	70002048	1	Reduction Assembly, Primary	
36	70002049	1	Snap Ring	
37	70002050	1	Gear, Primary Input Sun	
38	See Note	NSS	O-Ring (Note: Use Item 51)	
39	See Note	NSS	Housing, Hub (Note: Not Available - Purchase Complete Assembly)	
40	70002052	2	Screw, Countersunk	
41	See Note	NSS	O-Ring (Note: Use Item 51 or 52)	
42	See Note	NSS	Thrustwasher (Note: Use Item 52)	
43	See Note	NSS	O-Ring (Note: Use Item 51 or 52)	
44	See Note	NSS	Cover, Hub (Note: Use Item 52)	
45	70002057	3	Plug	
46	See Note	NSS	Snap Ring (Note: Use Item 52)	
47	See Note	NSS	Pin, Engagement (Note: Use Item 52)	

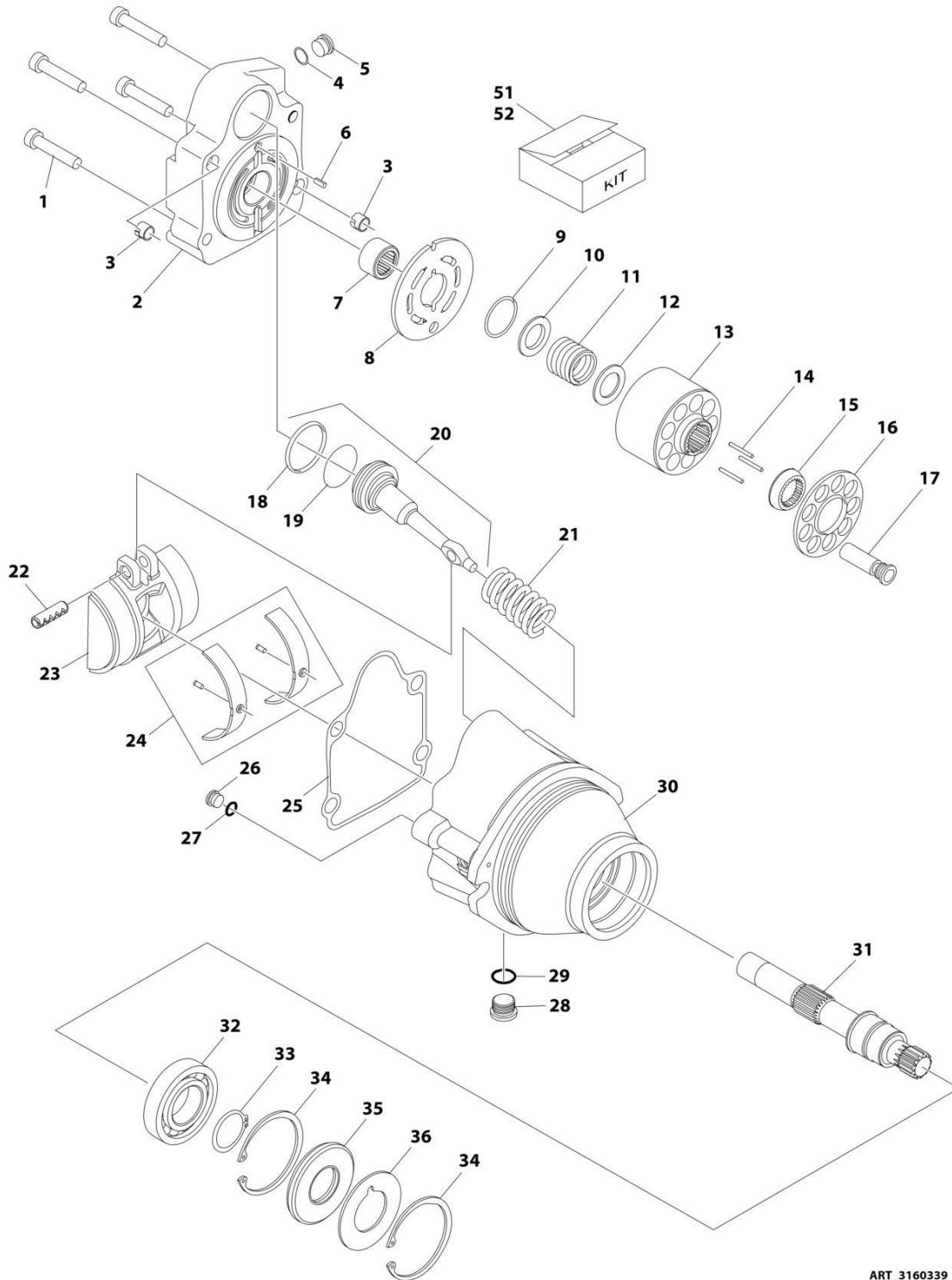
## SECTION 1 - FRAME

ITEM	PART NUMBER	QTY	DESCRIPTION	REV
48	See Note	NSS	Gasket (Note: Use Item 51 or 52)	
49	See Note	NSS	Cover, Engagement (Note: Use Item 52)	
50	See Note	NSS	Screw (Note: Use Item 52)	
51	70002248	1	Seal Kit (Includes Items 3, 8-11, 25, 38, 41, 43 & 48)	
52	70002247	1	Cover Kit (Includes Items 41-50)	
53	70002249	1	Brake Kit (Includes Items 4-13)	
101	0761214	2	Bolt M12 x 30	
102	2110404	1	Fitting, Adapter	
103	2110808	1	Fitting, Adapter	
104	2110812	1	Fitting, Adapter	
105	2130406	1	Fitting, 90 Adapter	
106	2130812	1	Fitting, 90 Adapter	
108	5241200	2	Washer M12	
109	0100011	AR	Compound, Locking	
110	3790158	1	O-Ring	



# SECTION 1 - FRAME

## FIGURE 1-8. DRIVE MOTOR ASSEMBLY



ART\_3160339

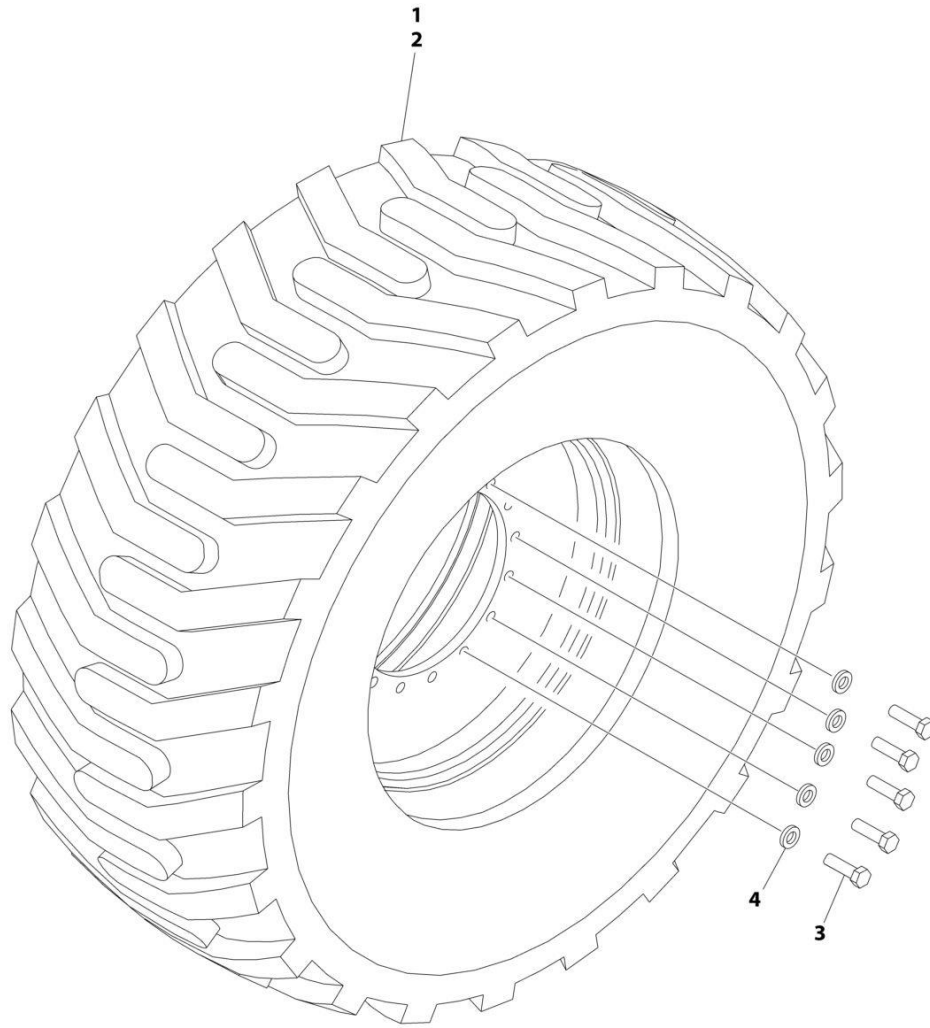
# SECTION 1 - FRAME

## FIGURE 1-8. DRIVE MOTOR ASSEMBLY

ITEM	PART NUMBER	QTY	DESCRIPTION	REV
	3160339	Ref	DRIVE MOTOR ASSEMBLY	D
1	7022368	4	Bolt	
2	70000859	1	End Cap, Motor	
3	70003628	2	Locating Pin	
4	See Note	NSS	O-Ring (Note: Use Item 51)	
5	7007420	1	Plug (Includes Item 4)	
6	7007446	1	Pin, Dowel	
7	7021249	1	Bearing, Needle	
8	70000854	1	Plate, Valve	
9	7022311	1	Snap Ring	
10	7022314	1	Retainer, Spring	
11	7024867	1	Spring	
12	7024868	1	Washer	
13	70000855	1	Block, Cylinder	
14	7021275	3	Pin, Slipper	
15	70000856	1	Guide	
16	70000857	1	Retainer, Slipper	
17	7024865	9	Piston, Cylinder	
18	See Note	NSS	Ring, Piston (Note: Use Item 51)	
19	See Note	NSS	O-Ring (Note: Use Item 51)	
20	70000860	1	Piston, Servo (Includes Items 18 & 19)	
21	70000861	1	Spring	
22	See Note	NSS	Pin (Note: Not Available for Purchase)	
23	70000853	1	Swash Plate	
24	70000852	1	Bearing Kit	
25	See Note	NSS	Gasket (Note: Use Item 51)	
26	See Note	NSS	Plug (Note: Not Available for Purchase)	
27	See Note	NSS	O-Ring (Note: Use Item 51)	
28	7022321	1	Plug (Includes Item 29)	
29	See Note	NSS	O-Ring (Note: Use Item 51)	
30	See Note	NSS	Housing (Note: Not Available - Purchase Complete Motor)	
31	70000858	1	Shaft	
32	7007437	1	Bearing	
33	7007439	1	Snap Ring	
34	7007438	2	Snap Ring	
35	See Note	NSS	Seal (Note: Use Item 51)	
36	7022371	1	Washer, Seal Support	
51	70000862	1	Kit 1 - Motor Seal Kit (Includes Items 4, 18, 19, 25, 27, 29 & 35)	
52	7027740	1	Kit 2 - Cylinder Block Kit (Includes Items 9-17)	

# SECTION 1 - FRAME

## FIGURE 1-9. TIRE AND WHEEL INSTALLATION - FOAM FILLED



ART\_0271852



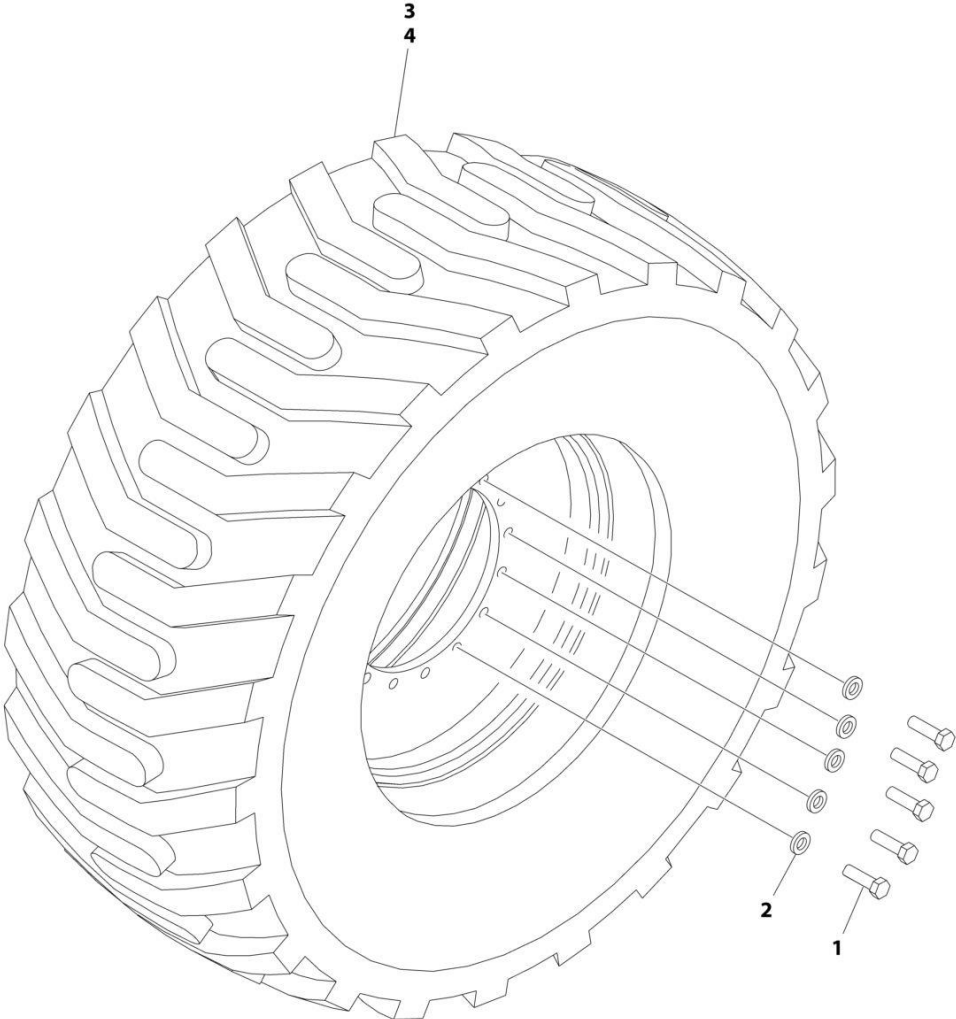
**SECTION 1 - FRAME**

**FIGURE 1-9. TIRE AND WHEEL INSTALLATION - FOAM FILLED**

<b>ITEM</b>	<b>PART NUMBER</b>	<b>QTY</b>	<b>DESCRIPTION</b>	<b>REV</b>
	0271852	Ref	TIRE AND WHEEL INSTALLATION - FOAM - FILLED	B
		Ref	Note: Assemblies may require ballast/foam filling to manufacturer's specifications prior to installing on a machine. Refer to Operation and Safety or Service and Maintenance Manuals. Purchase individual tire and/or rim only if able to foam fill tire and wheel assembly, otherwise, purchase complete assembly.	
1	0272055	2	Right Side Tire and Wheel Assembly - Foam - Filled	
2	0272056	2	Left Side Tire and Wheel Assembly - Foam - Filled	
3	0701619	64	Bolt M16 x 55 (16 Per Wheel)	
4	4892000	64	Washer 5/8 (16 Per Wheel)	

**SECTION 1 - FRAME**

**FIGURE 1-10. TIRE AND WHEEL INSTALLATION - SOLID**



ART\_1001115961

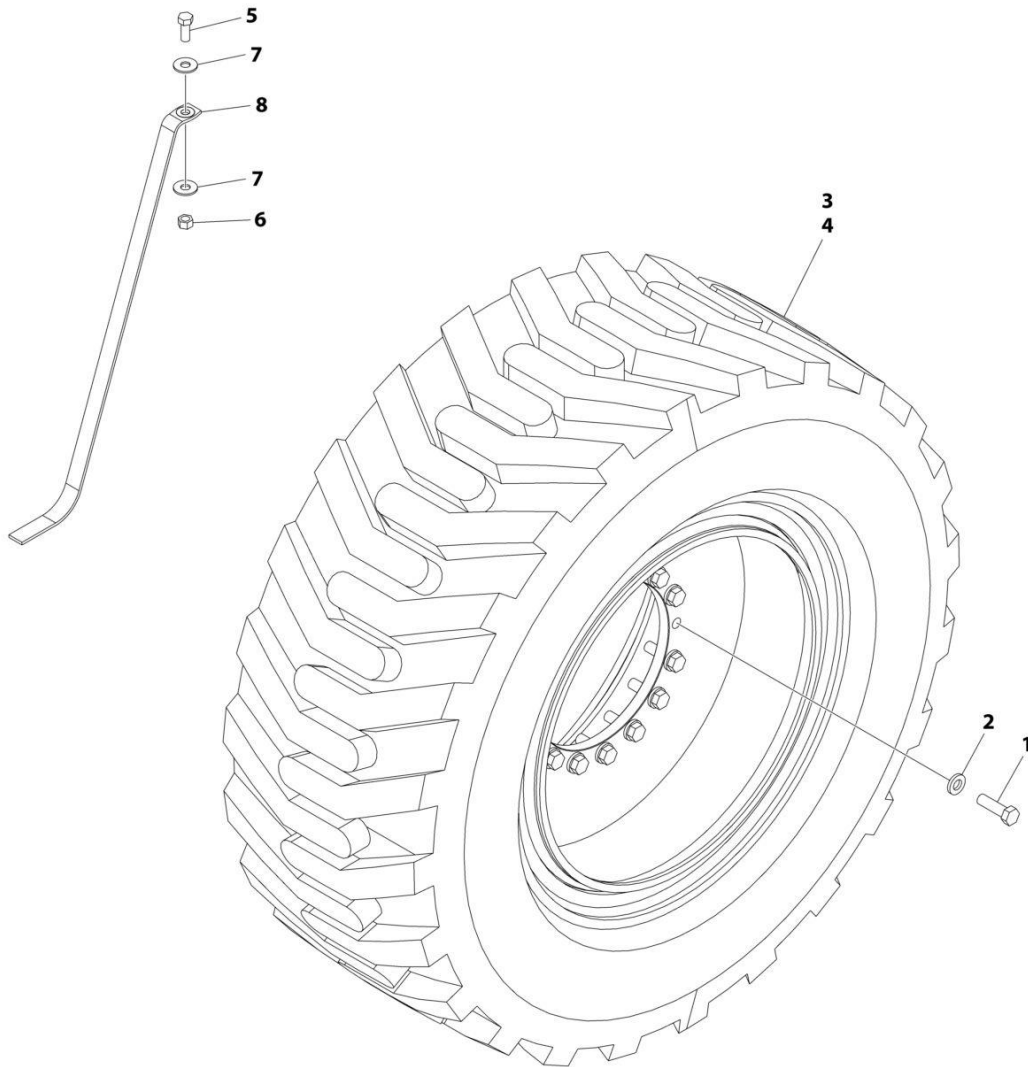
## SECTION 1 - FRAME

### FIGURE 1-10. TIRE AND WHEEL INSTALLATION - SOLID

ITEM	PART NUMBER	QTY	DESCRIPTION	REV
	1001115961	Ref	TIRE AND WHEEL INSTALLATION - SOLID	A
1	0701619	64	Bolt M16 x 55 (16 Per Wheel)	
2	4892000	64	Washer 5/8 (16 Per Wheel)	
3	1001112716	2	Right Side Tire and Wheel Assembly - Solid	
4	1001112669	2	Left Side Tire and Wheel Assembly - Solid	

# SECTION 1 - FRAME

FIGURE 1-11. TIRE AND WHEEL INSTALLATION - SOLID NON MARKING



ART\_1001223883

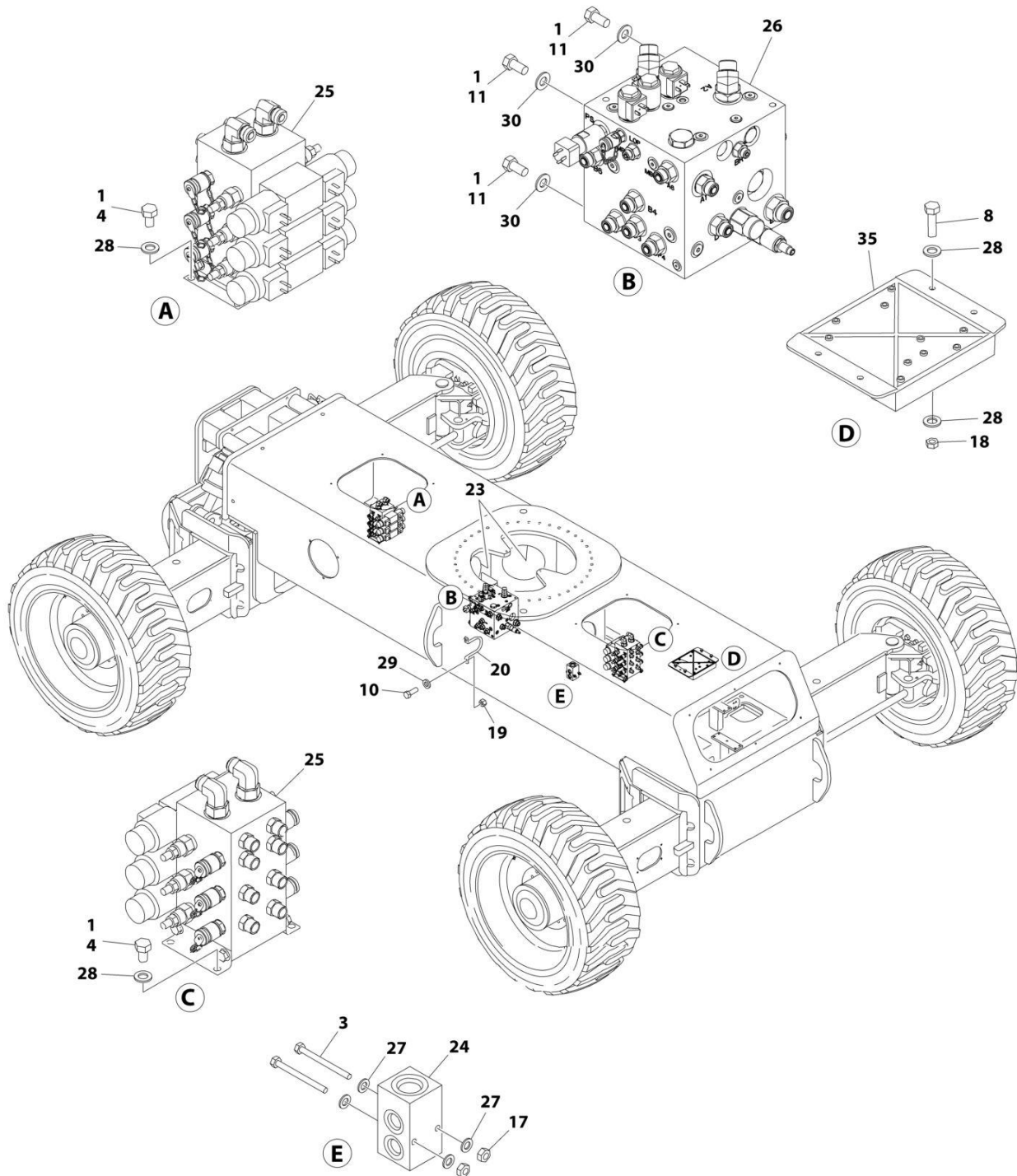
## SECTION 1 - FRAME

**FIGURE 1-11. TIRE AND WHEEL INSTALLATION - SOLID NON MARKING**

ITEM	PART NUMBER	QTY	DESCRIPTION	REV
	1001223883	Ref	TIRE AND WHEEL INSTALLATION - SOLID NON MARKING	B
1	0701619	64	Bolt M16 x 55 (16 Per Wheel)	
2	4892000	64	Washer 5/8 (16 Per Wheel)	
3	1001216876	2	Left Side Tire and Wheel Assembly - Solid	
4	1001216877	2	Right Side Tire and Wheel Assembly - Solid	
5	0641810	1	Bolt 1/2 x 1-1/4	
6	3311805	1	Nut 1/2	
7	4751800	2	Washer 1/2	
8	1001275637	1	Strap, Anti-static	

# SECTION 1 - FRAME

## FIGURE 1-12. VALVES AND MODULES INSTALLATION - FRAME MOUNTED



ART\_1001219992\_B\_10F3

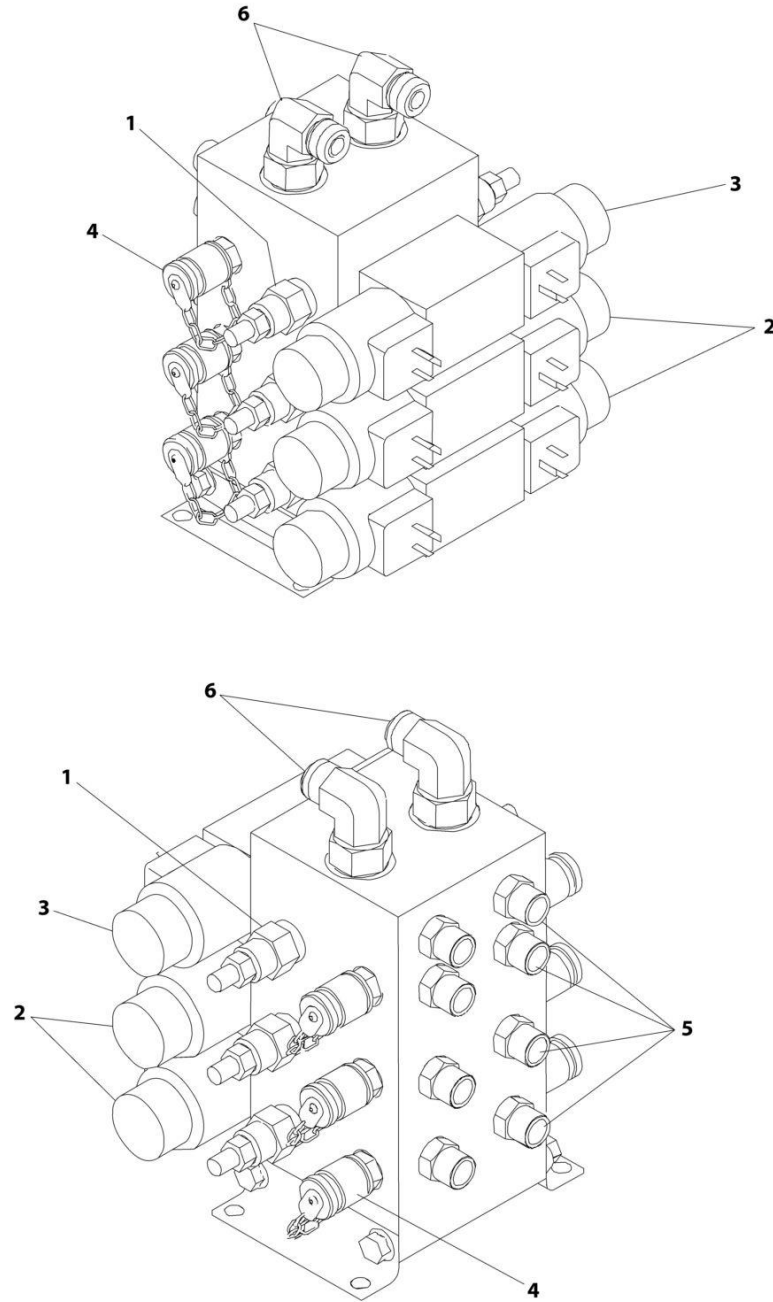
## SECTION 1 - FRAME

**FIGURE 1-12. VALVES AND MODULES INSTALLATION - FRAME MOUNTED**

ITEM	PART NUMBER	QTY	DESCRIPTION	REV
	1001219992	Ref	VALVES AND MODULES INSTALLATION - FRAME MOUNTED	B
1	0100011	AR	Compound, Locking	
3	0641424	2	Bolt 1/4 x 3	
4	0641504	8	Bolt 5/16 x 1/2	
8	0641509	4	Bolt 5/16 x 1-1/8	
10	0641608	20	Bolt 3/8 x 1	
11	0641808	4	Bolt 1/2 x 1	
17	3311405	2	Nut 1/4	
18	3311505	9	Nut 5/16	
19	3311605	4	Nut 3/8	
20	3841340	2	Loop, Hose	
23	4060808	124 in/ 3.2m	Flex-Trim	
24	4641155	1	Manifold, Junction	
25	4641268	2	Steer Valve Assembly (See Separate Breakdown in this Section)	
26	4641454	1	Traction Valve Assembly (See Separate Breakdown in this Section)	
27	4711400	8	Washer 1/4	
28	4711500	43	Washer 5/16	
29	4711600	24	Washer 3/8	
30	4711800	4	Washer 1/2	
35	100112758	1	Module, Chassis (Note: Re-calibration Required when Replaced)	

# SECTION 1 - FRAME

## FIGURE 1-13. STEER VALVE ASSEMBLY



ART\_4641268

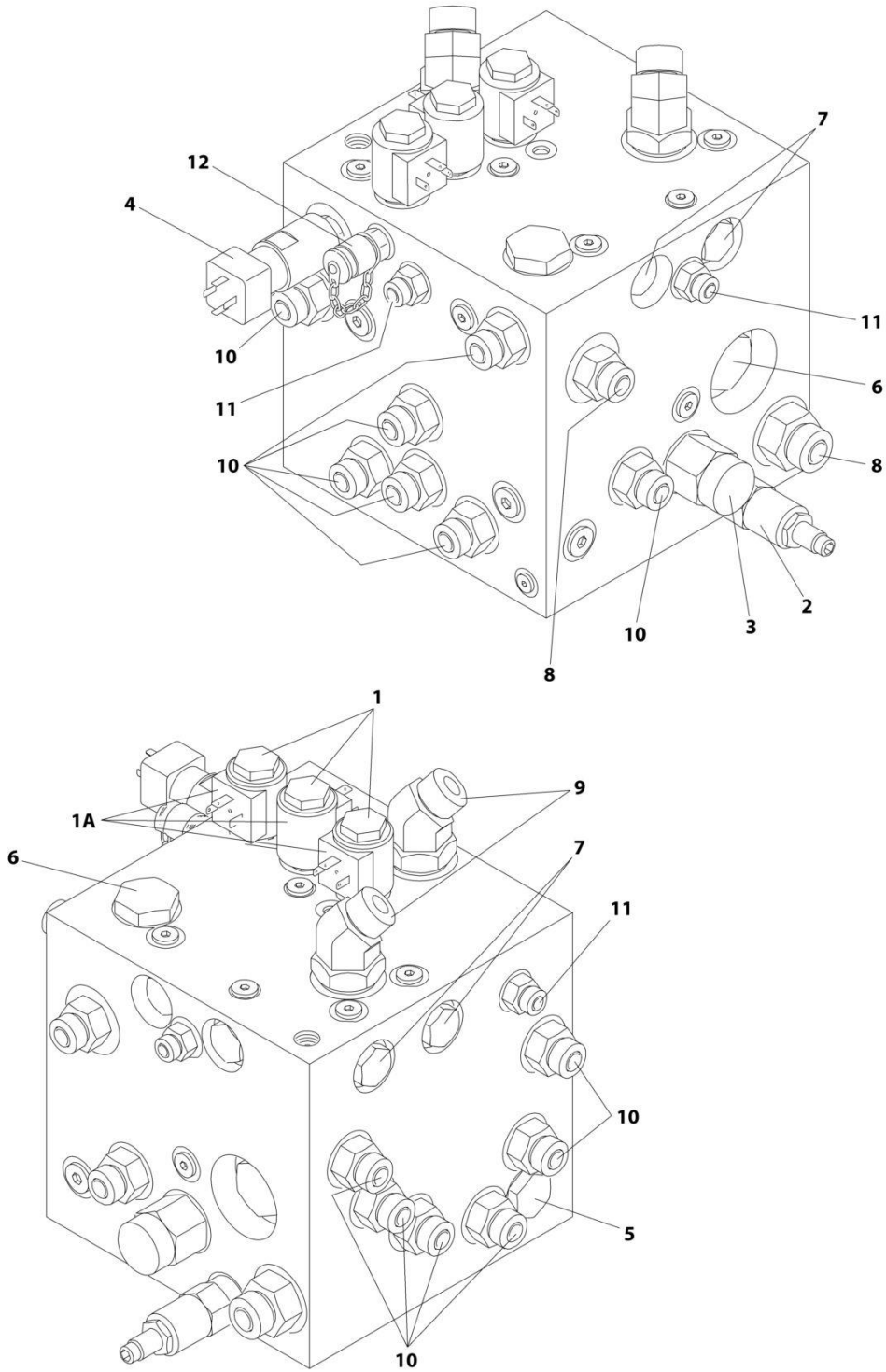


**FIGURE 1-13. STEER VALVE ASSEMBLY**

ITEM	PART NUMBER	QTY	DESCRIPTION	REV
	4641268	Ref	STEER VALVE ASSEMBLY	C
1	7026028	12	Cartridge (6 Per Valve)	
1	7011346	12	Seal Kit - Cartridge (1 Per Cartridge)	
2	7024927	4	Valve (2 Per Valve)	
2	7012773	4	Seal Kit - Cartridge (1 Per Cartridge)	
2	7018991	8	Coil (2 Per Valve)	
3	70001976	2	Valve (1 Per Valve)	
3	7012773	2	Seal Kit - Cartridge (1 Per Cartridge)	
3	7018991	4	Coil (2 Per Valve)	
3	70001939	2	Orifice	
4	2221086	6	Check, Pressure	
5	2110606	8	Fitting, Straight	
6	2130810	2	Fitting, 90	

# SECTION 1 - FRAME

## FIGURE 1-14. TRACTION VALVE ASSEMBLY



ART\_4641454

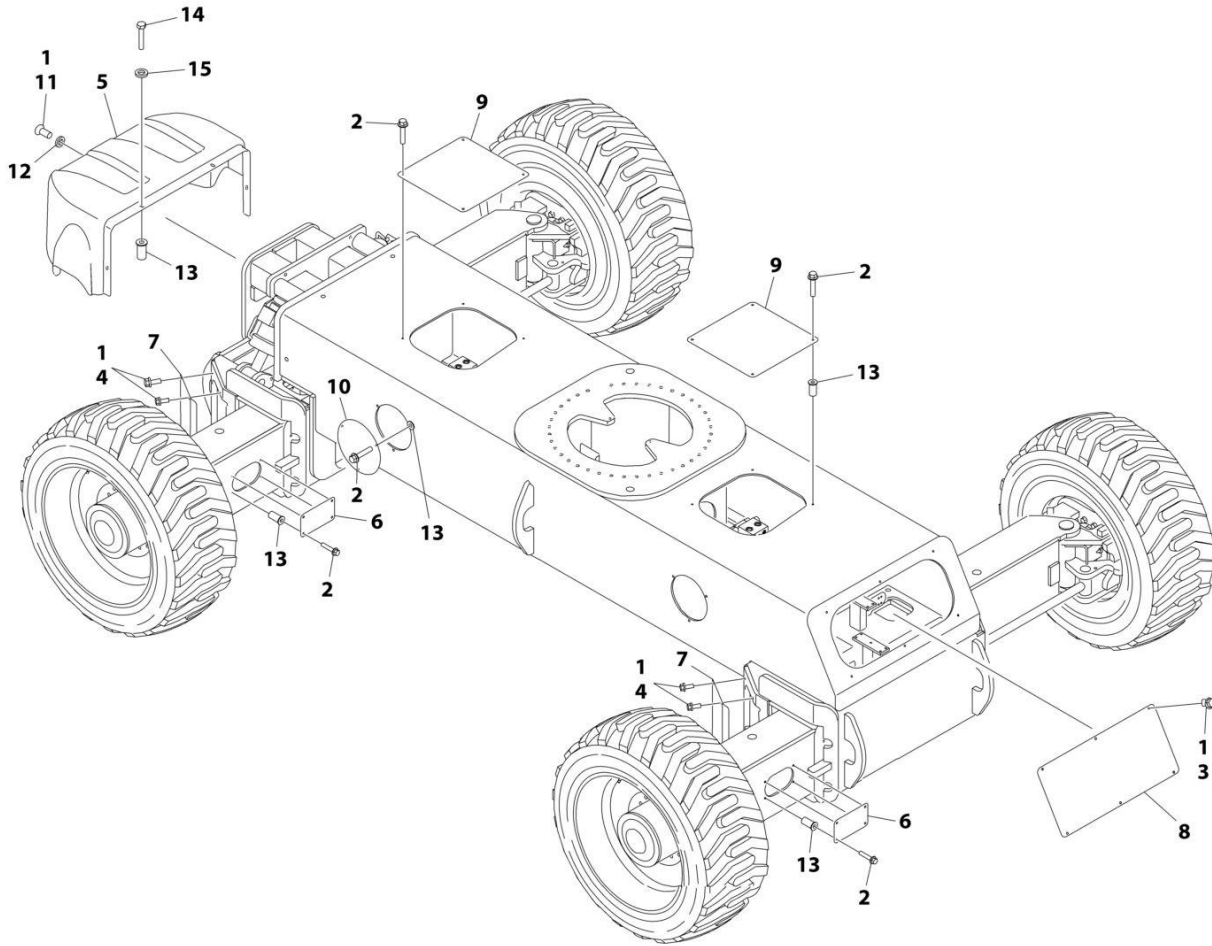
## SECTION 1 - FRAME

**FIGURE 1-14. TRACTION VALVE ASSEMBLY**

ITEM	PART NUMBER	QTY	DESCRIPTION	REV
	4641454	Ref	TRACTION VALVE ASSEMBLY	E
1	7012941	3	Cartridge, Valve (Steer, Brake and Axle Lockout)	
1	7010543	3	Seal Kit - 7012941 Cartridge	
1A	7012944	2	Coil	
2	70000801	1	Cartridge, Valve (Relief)	
2	7012998	1	Seal Kit - 70000801 Cartridge	
3	70000802	1	Cartridge, Valve (Pilot)	
3	7012942	1	Seal Kit - 70000802 Cartridge	
4	70000803	1	Pressure Switch	
5	70000804	1	Cartridge, Valve (Shuttle)	
5	70000805	1	Seal Kit - 70000804 Cartridge	
6	70000806	2	Cartridge, Valve (Flow Divider)	
6	7017405	2	Seal Kit - 70000806 Cartridge	
7	7012955	4	Cartridge, Valve (Check)	
7	7012967	4	Seal Kit - 7012955 Cartridge	
8	2111012	2	Fitting, Straight	
9	2151012	2	Fitting, 45	
10	2110810	13	Fitting, Straight	
11	2110406	3	Fitting, Straight	
12	2221086	1	Check, Pressure	
13	2220883	1	Plug, #4 (Not Shown)	

# SECTION 1 - FRAME

## FIGURE 1-15. FRAME COVERS INSTALLATION - PLASTIC



ART\_1001176346

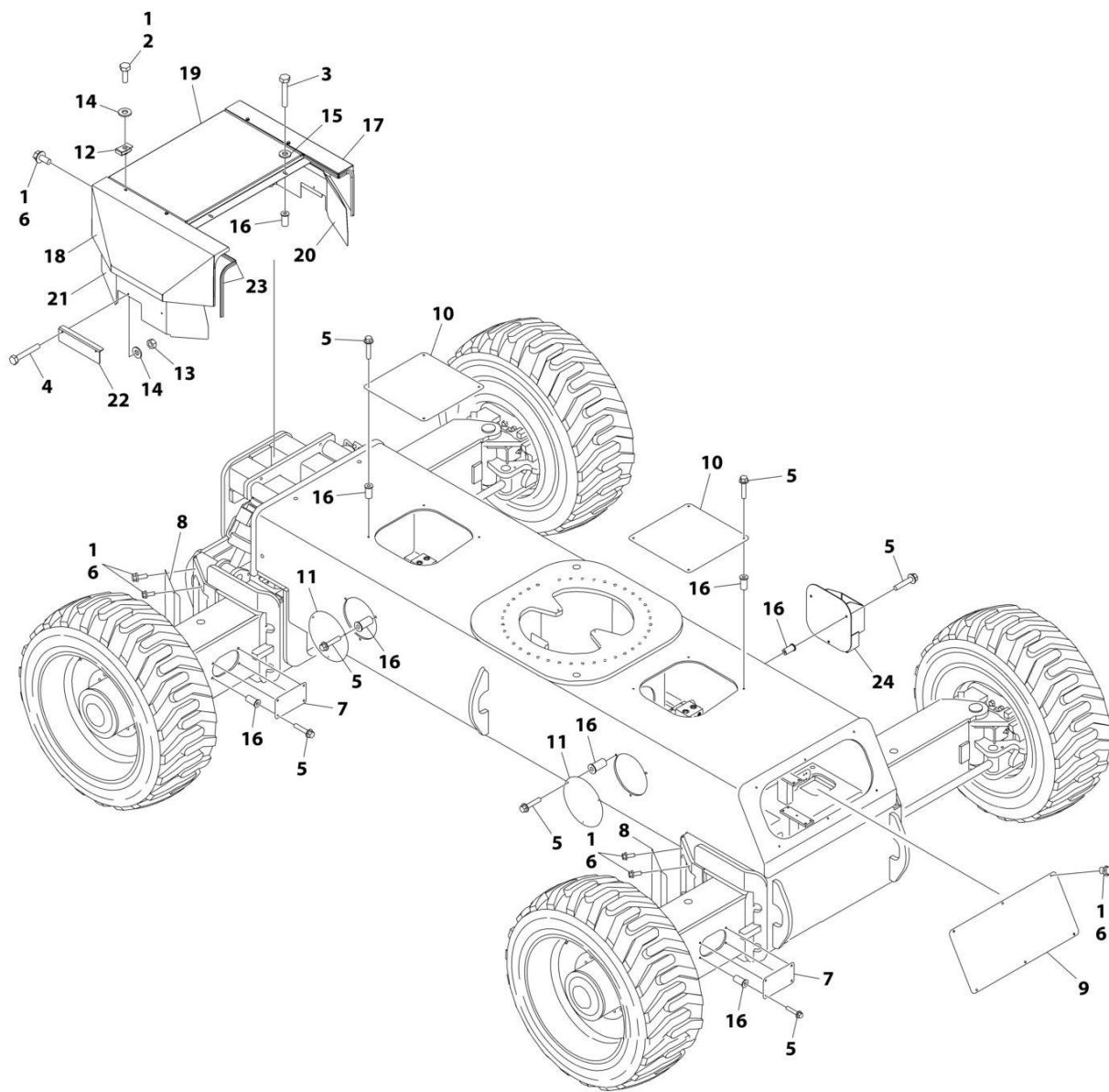
## SECTION 1 - FRAME

**FIGURE 1-15. FRAME COVERS INSTALLATION - PLASTIC**

ITEM	PART NUMBER	QTY	DESCRIPTION	REV
	1001176346	Ref	FRAME COVERS INSTALLATION - ABS	C
1	0100011	AR	Compound, Locking	
2	0791410	36	Screw 1/4 x 1-1/4	
3	0791604	6	Screw 3/8 x 1/2	
4	0791607	16	Screw 3/8 x 7/8	
5	1670996	1	Cover, Front	
6	1671045	4	Plate, Cover (Axle Side)	
7	1671046	4	Plate, Cover (Axle Corner)	
8	1671047	1	Plate, Cover (Rear)	
9	1671048	2	Plate, Cover (Frame Top)	
10	1671049	4	Plate, Cover (Frame Side)	
11	3900283	3	Screw 3/8 x 3/4	
12	4751600	3	Washer 3/8	
13	8580420	40	Nut, Well	
14	0641412	4	Bolt 1/4 x 1-1/2	
15	4740430	4	Washer, Fender	

# SECTION 1 - FRAME

## FIGURE 1-16. FRAME COVERS INSTALLATION - STEEL



ART\_1001176347

## SECTION 1 - FRAME

**FIGURE 1-16. FRAME COVERS INSTALLATION - STEEL**

ITEM	PART NUMBER	QTY	DESCRIPTION	REV
	1001176347	Ref	FRAME COVERS INSTALLATION (STEEL)	C
		Ref	Note: Only Available on ANSI, ANSI Export and Japanese Specs.	
1	0100011	AR	Compound, Locking	
2	0641406	8	Screw 1/4 x 3/4	
3	0641412	2	Bolt 1/4 x 1-1/2	
4	0641414	4	Screw 1/4 x 1-3/4	
5	0791410	36	Screw 1/4 x 1-1/4	
6	0791604	25	Screw 3/8 x 1/2	
7	1671045	4	Plate, Cover (Axle Side)	
8	1671046	4	Plate, Cover (Axle Corner)	
9	1671047	1	Plate, Cover (Rear)	
10	1671048	2	Plate, Cover (Frame Top)	
11	1671049	3	Plate, Cover (Frame Side)	
12	3300454	8	Nut 1/4	
13	3311405	4	Nut 1/4	
14	4711400	12	Washer 1/4	
15	4740430	2	Washer, Fender	
16	8580420	38	Nut, Well	
17	1001110108	1	Cover - RH Side	
18	1001110109	1	Cover - LH Side	
19	1001110110	1	Cover - Center Side	
20	1001110111	1	Shift - RH Side	
21	1001110112	1	Shift - LH Side	
22	1001110113	2	Plate	
23	1001110513	51 in /5.5m	Seal	
24	1001110877	1	Mount, Fire Extinguisher	

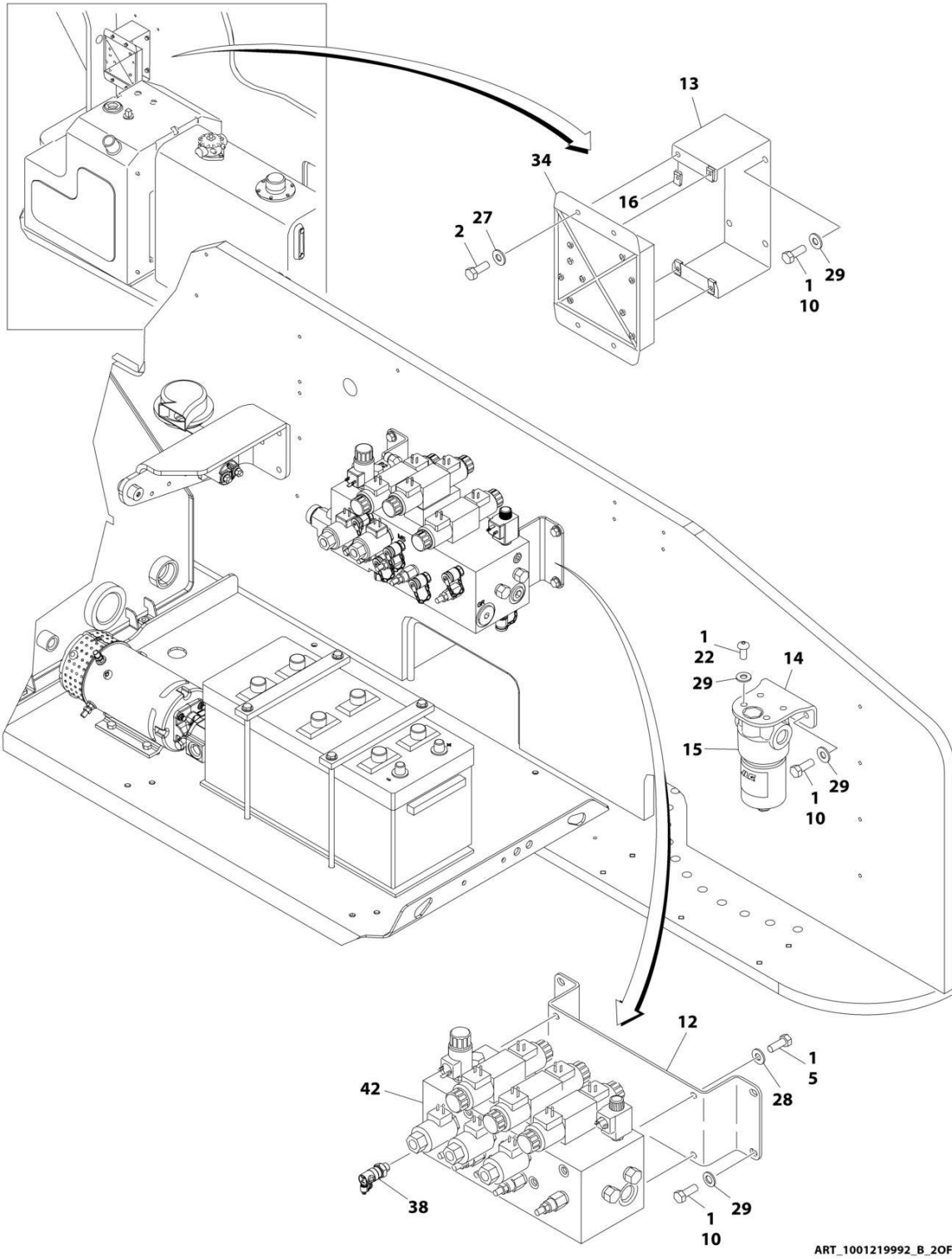




**SECTION 2 - TURNTABLE**

# SECTION 2 - TURNTABLE

## FIGURE 2-1. VALVE, MODULE AND FILTER INSTALLATION - TURNTABLE MOUNTED



ART\_1001219992\_B\_20F3

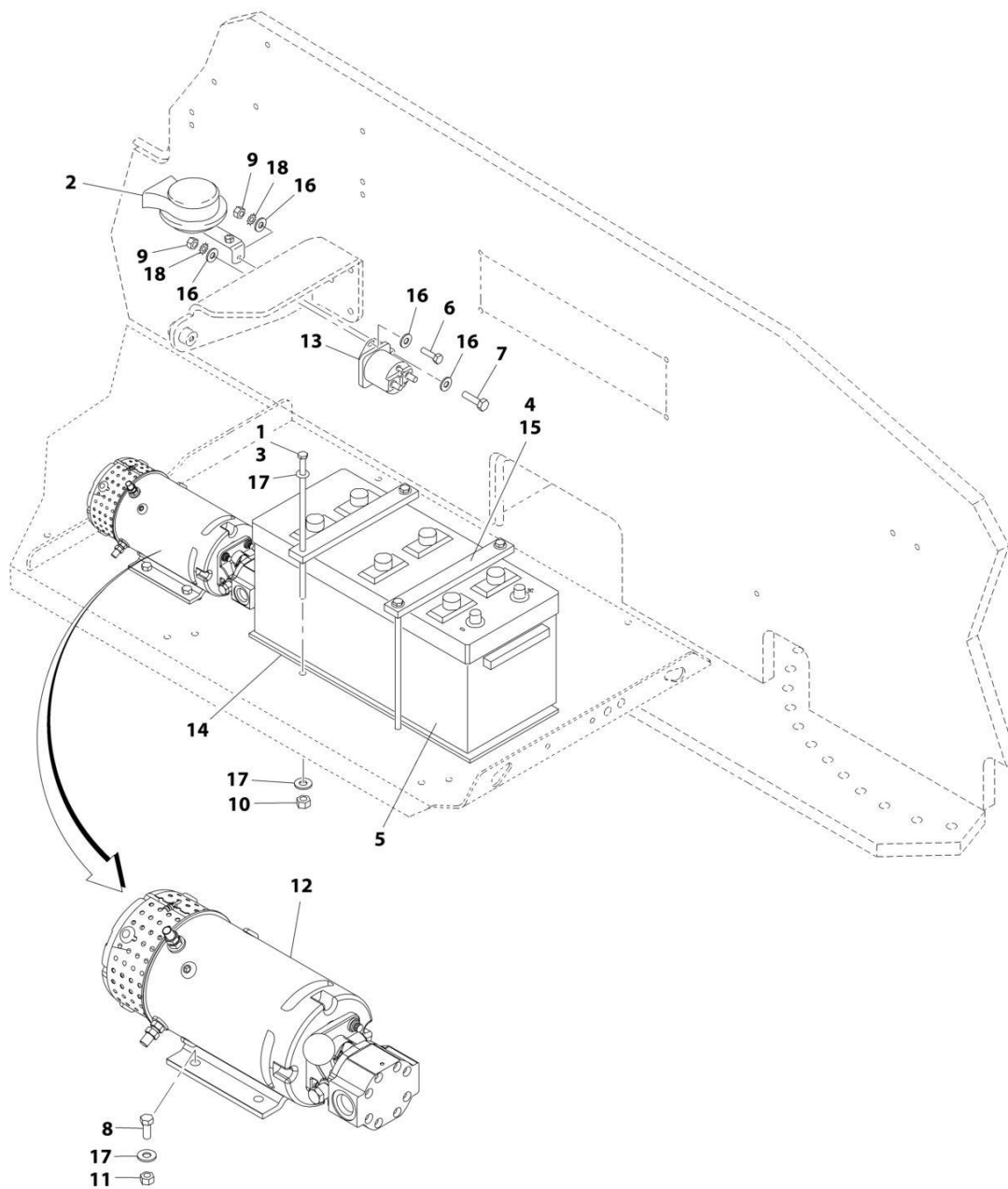
## SECTION 2 - TURNTABLE

**FIGURE 2-1. VALVE, MODULE AND FILTER INSTALLATION - TURNTABLE MOUNTED**

ITEM	PART NUMBER	QTY	DESCRIPTION	REV
	1001219992	Ref	VALVE, MODULE AND FILTER INSTALLATION - TURNTABLE MOUNTED	B
1	0100011	AR	Compound, Locking	
2	0641406	4	Bolt 1/4 x 3/4	
5	0641506	4	Bolt 5/16 x 3/4	
10	0641608	20	Bolt 3/8 x 1	
12	0902755	1	Bracket, Valve Mounting	
13	0902800	1	Bracket, Module Mounting	
14	0903530	1	Bracket, Filter Mounting	
15	2120217	1	Filter, Pressure	
15	70002097	1	Element	
15	70004328	1	Plug, Indicator	
16	3300454	4	Nut, Retainer	
22	3900283	4	Screw 3/8 x 3/4	
27	4711400	8	Washer 1/4	
28	4711500	43	Washer 5/16	
29	4711600	24	Washer 3/8	
34	1001227960	1	Module, B.L.A.M. (Note: Control System must be recalibrated when Module is replaced)	
38	1001119455	1	Valve, Oil Sampling	
42	1001132194	1	Main Valve Assembly (See Separate Breakdown in this Section)	

# SECTION 2 - TURNTABLE

## FIGURE 2-2. BATTERY, HORN AND AUXILIARY PUMP INSTALLATION



ART\_100119952

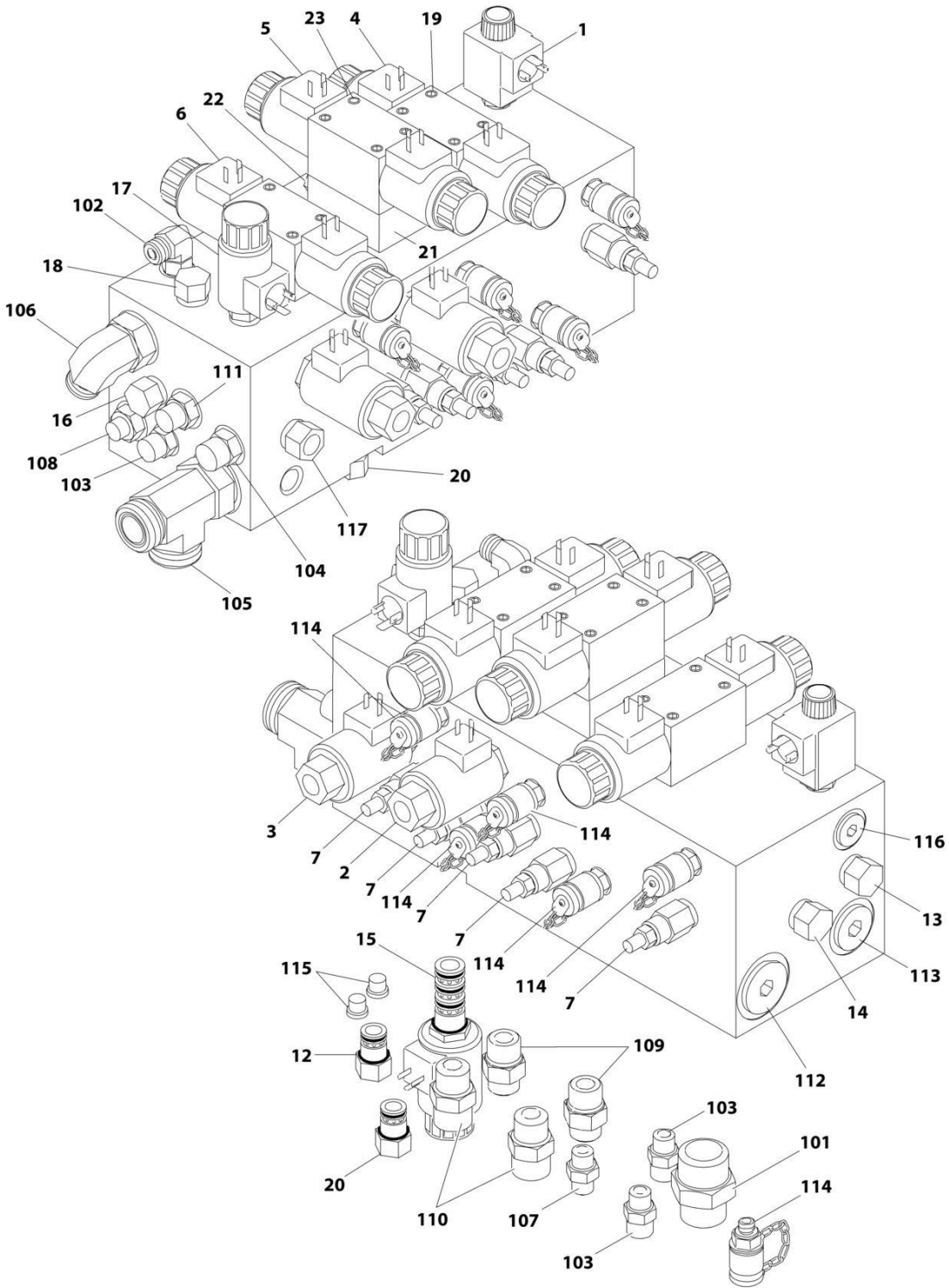
## SECTION 2 - TURNTABLE

**FIGURE 2-2. BATTERY, HORN AND AUXILIARY PUMP INSTALLATION**

ITEM	PART NUMBER	QTY	DESCRIPTION	REV
	1001119952	Ref	BATTERY, HORN AND AUXILIARY PUMP INSTALLATION	B
1	0100011	AR	Compound, Locking	
2	0140001	1	Horn	
3	0236768	4	Bolt, Hold-down	
4	0363062	2	Bar, Battery	
5	0400020	1	Battery	
6	0641408	1	Bolt 1/4 x 1	
7	0641412	1	Bolt 1/4 x 1-1/2	
8	0641607	4	Bolt 3/8 x 7/8	
9	3311405	3	Nut 1/4	
10	3311601	4	Nut 3/8	
11	3311605	4	Nut 3/8	
12	1001224066	1	Auxiliary Pump Assembly (See Separate Breakdown in this Section)	
13	3740067	1	Relay	
14	3980006	1	Seat, Battery	
15	4420037	17 in/ 43cm	Tape, Insulation	
16	4711400	4	Washer 1/4	
17	4711600	12	Washer 3/8	
18	4791400	2	Washer 1/4	

# SECTION 2 - TURNTABLE

## FIGURE 2-3. MAIN VALVE ASSEMBLY



ART\_1001132194

## SECTION 2 - TURNTABLE

### FIGURE 2-3. MAIN VALVE ASSEMBLY

ITEM	PART NUMBER	QTY	DESCRIPTION	REV
	1001132194	Ref	MAIN VALVE ASSEMBLY	B
1	7024573	1	Cartridge, Solenoid Valve (Dump)	
1	7024574	1	Seal Kit - Cartridge	
1	7011354	1	Coil	
2	7021636	1	Cartridge, Solenoid Valve (Lift Flow)	
2	7017495	1	Seal Kit - Cartridge	
2	7017451	1	Coil	
3	7021636	1	Cartridge, Solenoid Valve (Tele Flow)	
3	7017495	1	Seal Kit - Cartridge	
3	7017451	1	Coil	
4	7024924	1	Control Valve Assembly (Swing)	
4	7012773	1	Seal Kit - Valve	
4	7018991	2	Coil	
4	7021375	2	Nut, Coil	
5	7024925	1	Control Valve Assembly (Lift)	
5	7012773	1	Seal Kit - Valve	
5	7018991	2	Coil	
5	7021375	2	Nut, Coil	
6	70001976	1	Control Valve Assembly (Tele)	
6	7012773	1	Seal Kit - Valve	
6	7018991	2	Coil	
6	7021375	2	Nut, Coil	
7	7026007	5	Cartridge, Relief Valve (Swing/Lift Up/Lift Down/Tele In/Tele Out)	
7	7024574	1	Seal Kit - Cartridge	
12	7026000	1	Cartridge, Check Valve	
12	7011311	1	Seal Kit - Cartridge	
13	7026001	1	Cartridge, Check Valve	
13	7011311	1	Seal Kit - Cartridge	
14	7026002	1	Cartridge, Shuttle Valve	
14	2900770	1	Seal Kit - Cartridge	
15	7024570	1	Cartridge, Solenoid Valve (Aux Lift Down Select)	
15	70001930	1	Seal Kit - Cartridge	
15	7024571	1	Coil	
16	7026003	1	Cartridge, Pilot Valve	
16	7026004	1	Seal Kit - Cartridge	
17	7026005	1	Cartridge, Solenoid Valve (Aux Lift Down)	
17	7026006	1	Seal Kit - Cartridge	
17	7024571	1	Coil	
18	7026008	1	Cartridge, Check Valve	
18	7011346	1	Seal Kit - Cartridge	
19	7018942	8	Capscrew #10 x 2	
20	7026016	1	Cartridge, Valve	
20	7011346	1	Seal Kit - Cartridge	
21	70003630	1	Valve, Flow Sandwich	
21	7018968	4	O-Ring	
22	70003021	1	Cartridge, Valve	
22	70003018	1	Seal Kit - Cartridge	
23	7018986	4	Capscrew #10 x 3-1/2	
101	2111216	1	Fitting, Straight ORFS/ORB	
102	2130606	1	Fitting, 90 ORFS/ORB	

## SECTION 2 - TURNTABLE

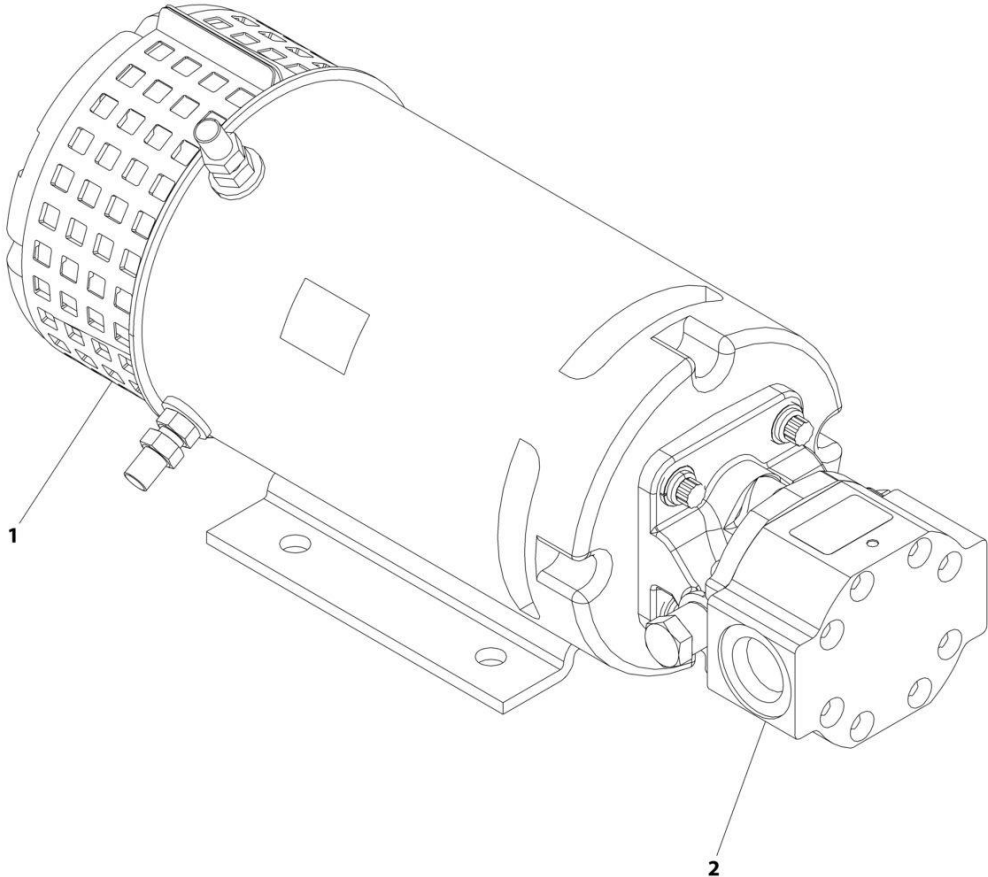
ITEM	PART NUMBER	QTY	DESCRIPTION	REV
103	2110606	3	Fitting, Straight ORFS/ORB	
104	2110808	1	Fitting, Straight ORFS/ORB	
105	2170316	1	Fitting, Tee ORFS/ORB/ORFS	
106	2131012	1	Fitting, 90 ORFS/ORB	
107	2110406	1	Fitting, Straight ORFS/ORB	
108	2110408	1	Fitting, Straight ORFS/ORB	
109	2110810	2	Fitting, Straight ORFS/ORB	
110	2111010	2	Fitting, Straight ORFS/ORB	
111	2110608	1	Fitting, Straight ORFS/ORB	
112	2220890	1	Plug	
113	70002760	1	Plug	
114	2221086	6	Check, Pressure	
115	70002758	2	Fitting, Plug	
116	70002759	1	Plug with O-Ring	
117	1001137354	1	Fitting, Straight FORB/ORB	





**SECTION 2 - TURNTABLE**

**FIGURE 2-4. AUXILIARY PUMP ASSEMBLY**



ART\_1001224066

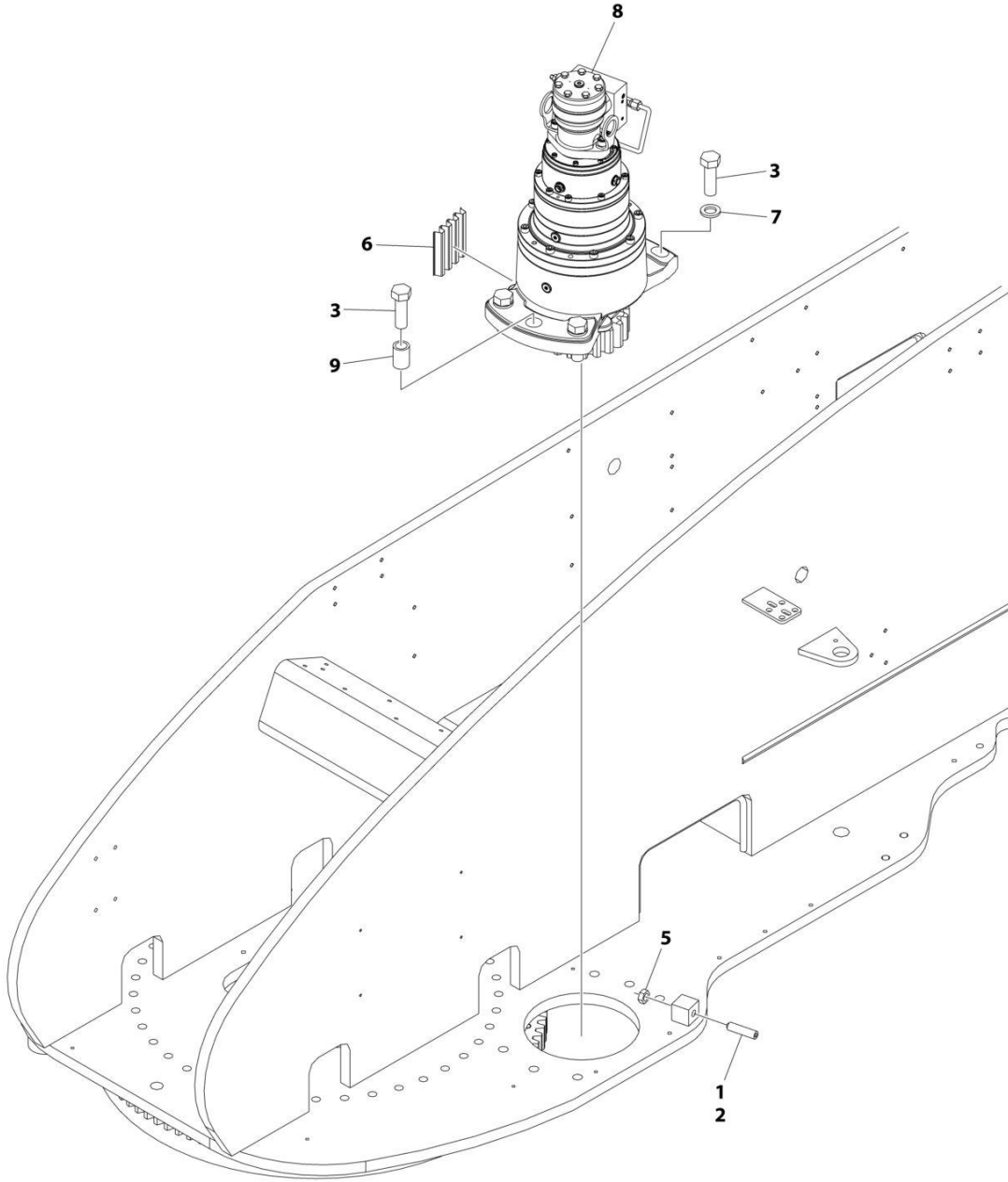
**SECTION 2 - TURNTABLE**

**FIGURE 2-4. AUXILIARY PUMP ASSEMBLY**

ITEM	PART NUMBER	QTY	DESCRIPTION	REV
	1001224066	Ref	AUXILIARY PUMP ASSEMBLY	B
1	7010924	1	Motor	
1	7010639	2	Brush	
1	7010640	8	Spring, Brush	
1	7011044	1	Gasket, Adapter to Motor	
2	70001001	1	Pump Kit (Includes Pump, Adapter to Motor Gasket p/n 7011044 and Mounting Hardware)	
2	70001000	1	Seal Kit (Includes Adapter to Motor Gasket p/n 7011044, Pump to Adapter Gasket, Shaft Seal and O-Rings for Hex Caps on Adapter)	

# SECTION 2 - TURNTABLE

## FIGURE 2-5. SWING DRIVE INSTALLATION



ART\_1001228617

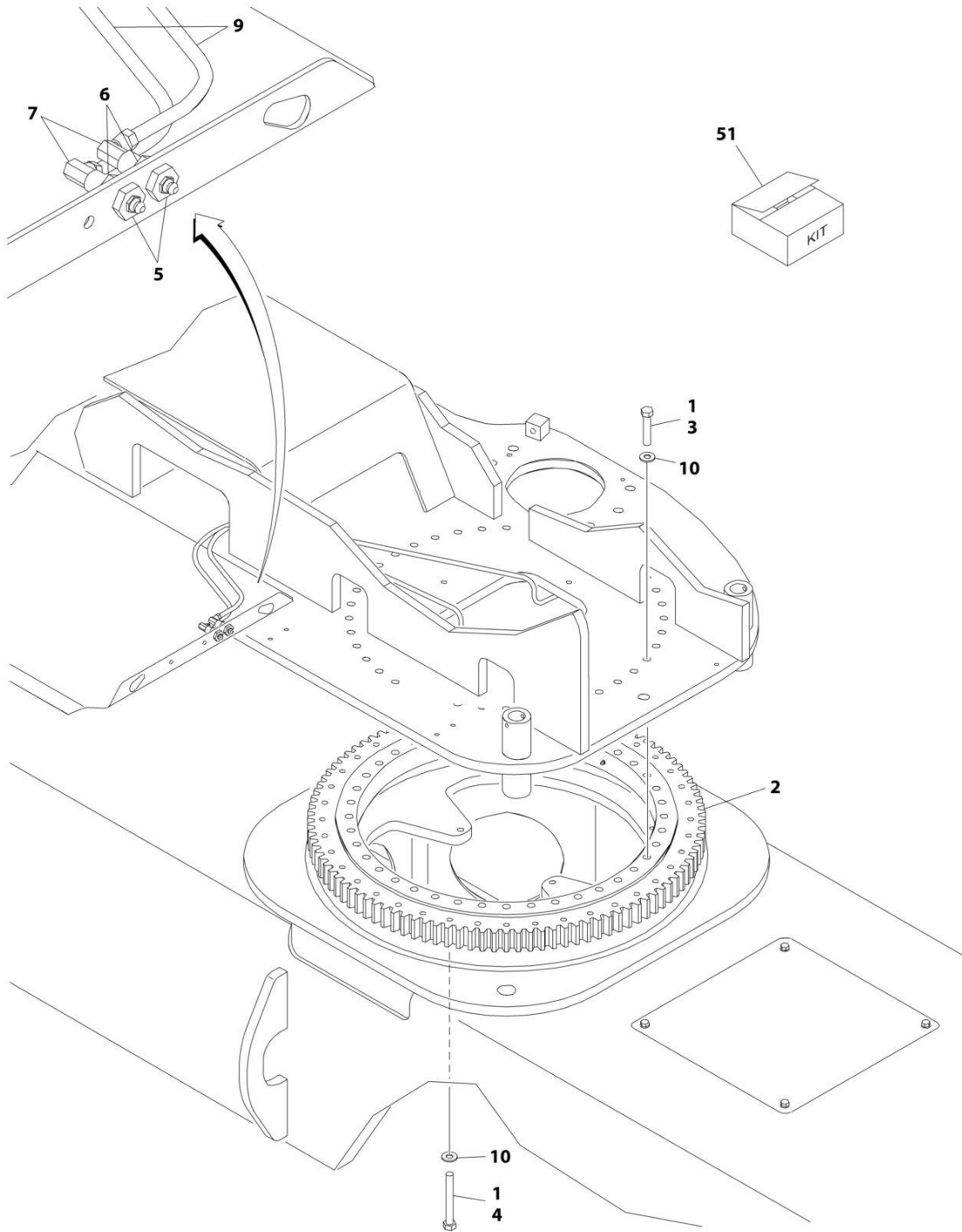
**SECTION 2 - TURNTABLE**

**FIGURE 2-5. SWING DRIVE INSTALLATION**

<b>ITEM</b>	<b>PART NUMBER</b>	<b>QTY</b>	<b>DESCRIPTION</b>	<b>REV</b>
	1001228617	Ref	SWING DRIVE INSTALLATION	E
1	0100019	AR	Compound, Locking	
2	3952020	1	Setscrew 5/8 x 2-1/2	
3	0682422	6	Bolt 7/8 x 2-3/4 Grade 8	
5	3312002	1	Nut 5/8	
6	4071041	1	Shim	
7	4892400	5	Washer 7/8	
8	1001228488	1	Swing Motor/Hub Assembly (See Separate Breakdown in this Section)	
9	1001229058	1	Sleeve	

# SECTION 2 - TURNTABLE

## FIGURE 2-6. TURNTABLE BEARING AND LUBE INSTALLATION



ART\_0271512

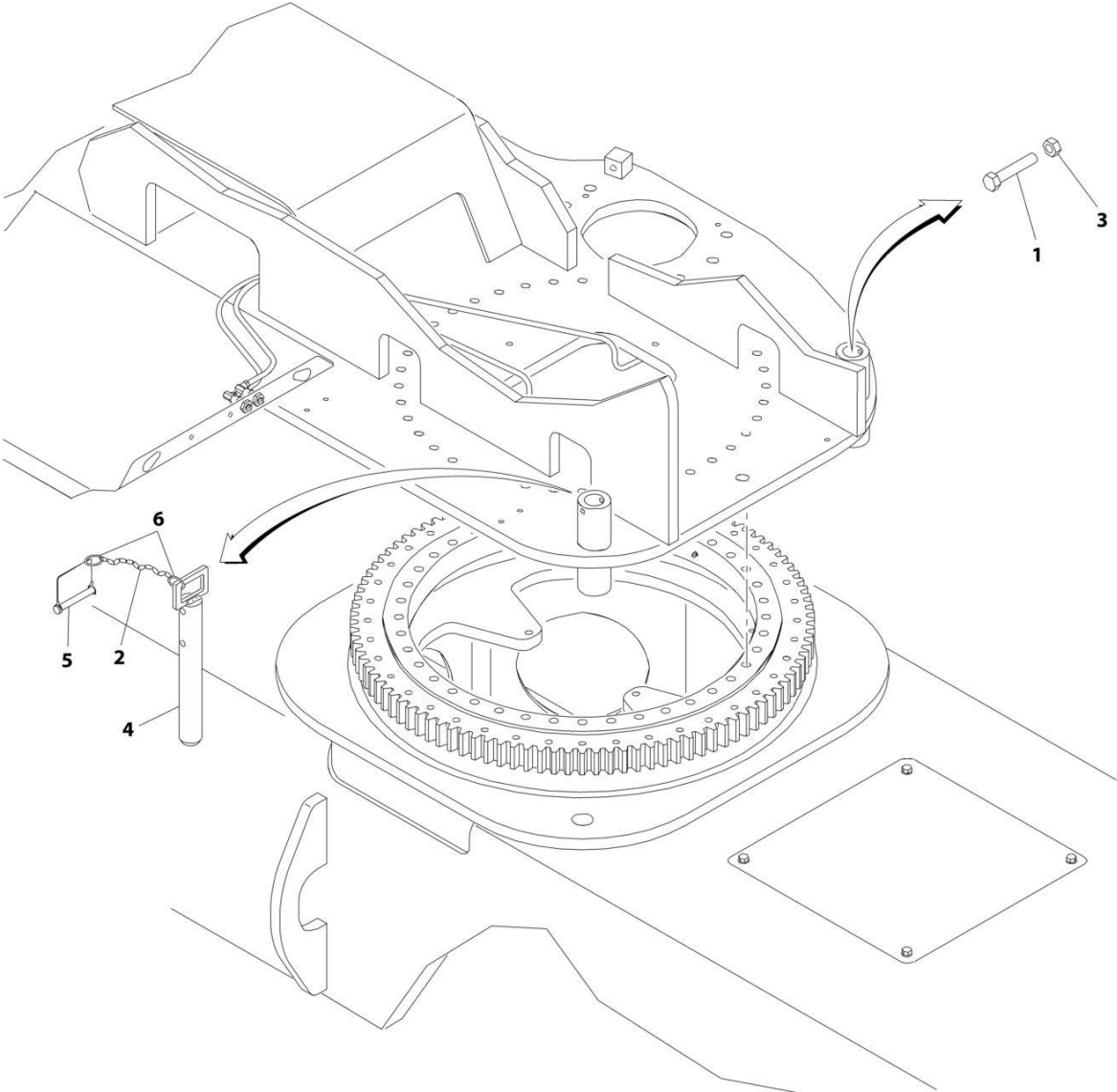
**SECTION 2 - TURNTABLE**

**FIGURE 2-6. TURNTABLE BEARING AND LUBE INSTALLATION**

<b>ITEM</b>	<b>PART NUMBER</b>	<b>QTY</b>	<b>DESCRIPTION</b>	<b>REV</b>
	0271512	Ref	TURNTABLE BEARING AND LUBE INSTALLATION	B
1	0100019	AR	Compound, Locking	
2	0440251	1	Bearing, Turntable	
3	0682026	40	Bolt 5/8 x 3-1/4 Grade 8	
4	0682040	40	Bolt 5/8 x 5 Grade 8	
5	2160002	2	Fitting, Grease	
6	2180344	2	Fitting, Bulkhead	
7	2220063	2	Fitting, Adapter	
9	2750528	2	Hose	
10	4892000	80	Washer 5/8	
51	2915072	1	Bearing Kit (Includes Items 2, 3, 4 & 10)	

# SECTION 2 - TURNTABLE

## FIGURE 2-7. TURNTABLE LOCK INSTALLATION



ART\_1001110186



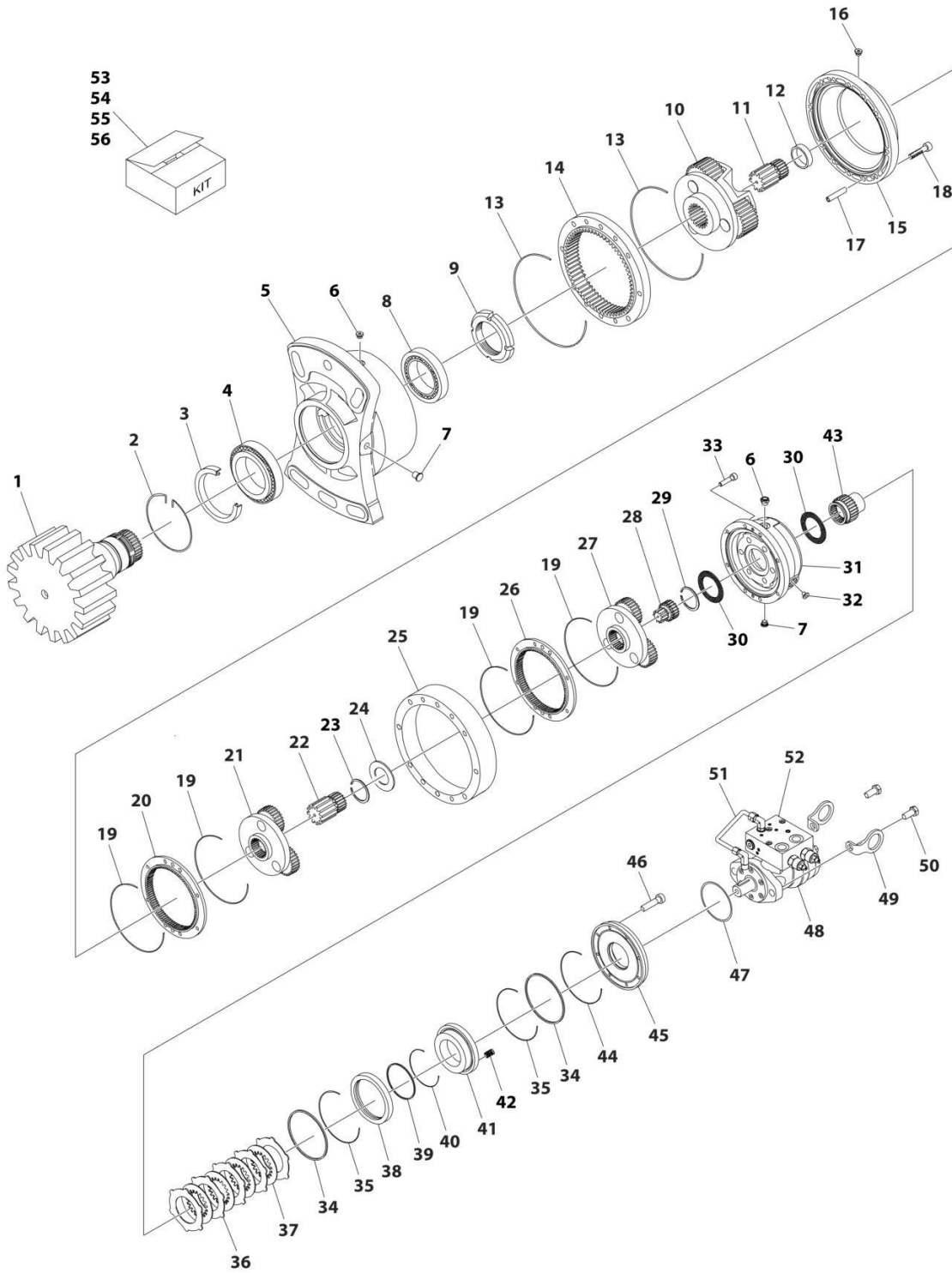
**SECTION 2 - TURNTABLE**

**FIGURE 2-7. TURNTABLE LOCK INSTALLATION**

<b>ITEM</b>	<b>PART NUMBER</b>	<b>QTY</b>	<b>DESCRIPTION</b>	<b>REV</b>
	1001110186	Ref	TURNTABLE LOCK INSTALLATION	C
1	0641524	1	Bolt 5/16 x 3	
2	1260017	9 in/23cm	Chain - #3	
3	3311505	1	Nut 5/16	
4	3421563	1	Pin, Turntable Lock	
5	3421565	1	Pin, Snap	
6	3760170	2	Ring, Quick Release	

# SECTION 2 - TURNTABLE

## FIGURE 2-8. SWING MOTOR/HUB ASSEMBLY



ART\_1001228488

## SECTION 2 - TURNTABLE

### FIGURE 2-8. SWING MOTOR/HUB ASSEMBLY

ITEM	PART NUMBER	QTY	DESCRIPTION	REV
	1001228488	Ref	SWING MOTOR/HUB ASSEMBLY	B
1	See Note	NSS	Shaft (Note: Use Item 56)	
2	70004467	1	Ring	
3	See Note	NSS	Seal, Oil (Note: Use Item 53)	
4	See Note	NSS	Bearing (Note: Use Item 55)	
5	See Note	NSS	Support, Output (Note: Not Available for Purchase)	
6	70002057	5	Plug with O-Ring	
7	70004469	2	Plug with O-Ring	
8	See Note	NSS	Bearing (Note: Use Item 55)	
9	See Note	NSS	Nut, Ring (Note: Use Item 56)	
10	70006986	1	Reduction, Gear - Complete	
11	70006987	1	Pinion	
12	70004477	1	Spacer	
13	See Note	NSS	O-Ring (Note: Use Item 53)	
14	70004474	1	Ring, Planetary	
15	70006988	1	Spacer	
16	70002057	2	Plug with O-Ring	
17	70006989	4	Pin, Spring	
18	70004480	8	Capscrew M10 x 55	
19	See Note	NSS	O-Ring (Note: Use Item 53)	
20	70006990	1	Ring, Planetary	
21	70006991	1	Reduction, Gear - Complete	
22	70006992	1	Pinion	
23	70002032	1	Ring	
24	70006993	1	Spacer	
25	70006994	1	Spacer	
26	70004481	1	Ring, Planetary	
27	70006995	1	Reduction, Gear - Complete	
28	70006996	1	Pinion	
29	70006997	1	Ring	
30	70006998	2	Washer	
31	See Note	NSS	Housing, Brake (Note: Not Available for Purchase)	
32	70006999	1	Plug	
33	70007000	8	Capscrew M8 x 90	
34	See Note	NSS	Seal (Note: Use Item 53 or 54)	
35	See Note	NSS	O-Ring (Note: Use Item 53 or 54)	
36	See Note	NSS	Disc, Steel (Note: Use Item 54)	
37	See Note	NSS	Disc (Note: Use Item 54)	
38	70005317	1	Spacer	
39	See Note	NSS	Seal (Note: Use Item 53 or 54)	
40	See Note	NSS	O-Ring (Note: Use Item 53 or 54)	
41	70005318	1	Piston, Brake	
42	See Note	NSS	Spring, Brake (Note: Use Item 54)	
43	70007001	1	Shaft, Input	
44	See Note	NSS	O-Ring (Note: Use Item 53 or 54)	
45	70007002	1	Cover	
46	70007003	8	Screw M6 x 25	
47	See Note	NSS	O-Ring (Note: Use Item 53)	
48	70007009	1	Motor	
48	70007011	1	Seal Kit	

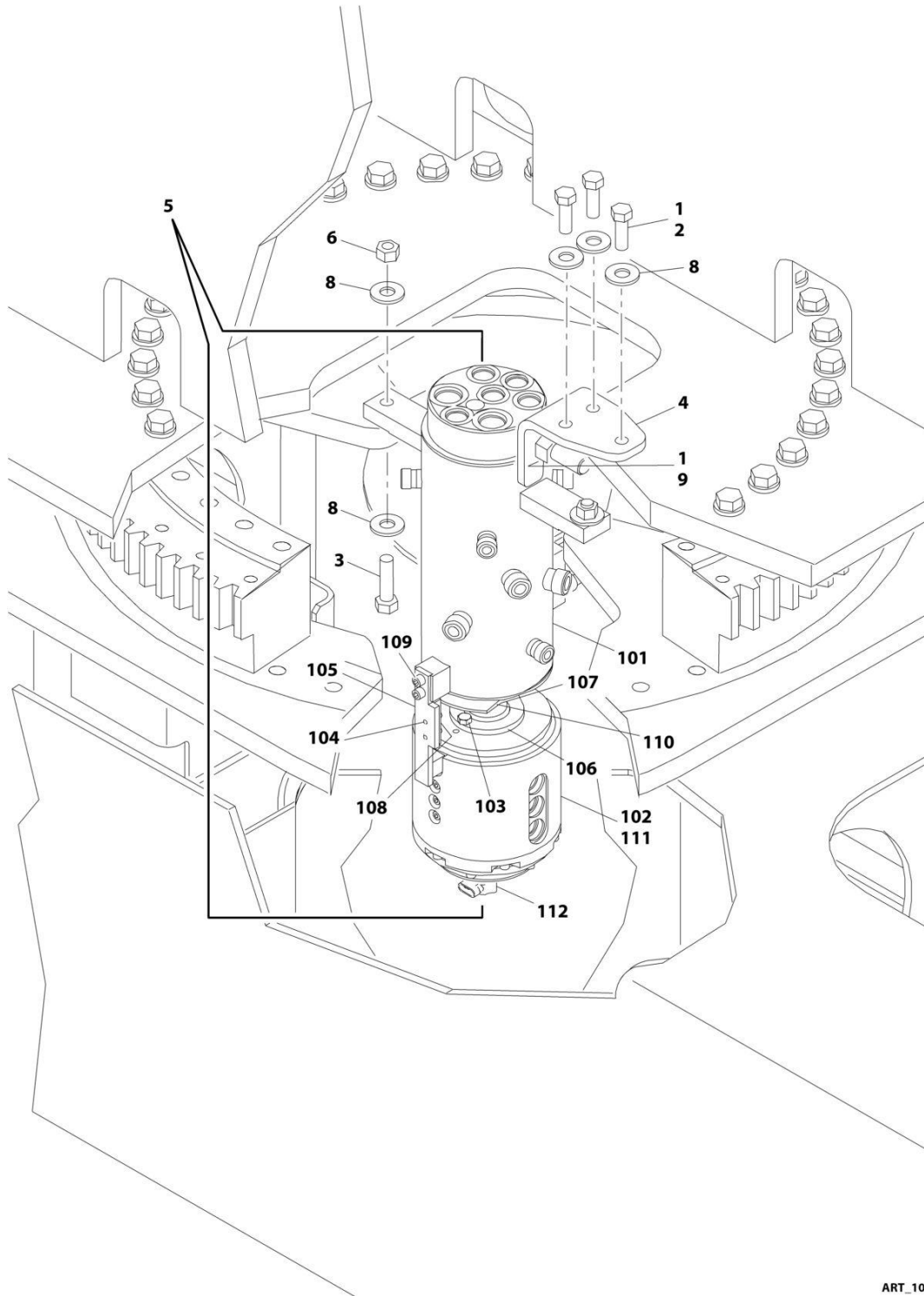
## SECTION 2 - TURNTABLE

ITEM	PART NUMBER	QTY	DESCRIPTION	REV
49	See Note	NSS	Lug, Lifting (Note: Not Available for Purchase)	
50	70004494	2	Capscrew M12 x 35	
51	70007004	1	Brake, Valve Adapter	
52	70007010	1	Valve	
52	70007012	1	Seal Kit	
52	70007013	1	Hardware Kit	
53	70007005	1	Seal Kit – Brake and Hub (Includes Items 3, 13, 19, 34, 35, 39, 40, 44 & 47)	
54	70007006	1	Seal Kit – Brake (Includes Items 34-37, 39, 40, 42 & 44)	
55	70007007	1	Bearing Kit (Includes Items 4 & 8)	
56	70007008	1	Output Shaft Kit (Includes Items 1 & 9)	



# SECTION 2 - TURNTABLE

## FIGURE 2-9. ROTARY COUPLING AND COLLECTOR RING INSTALLATION



ART\_1001119273

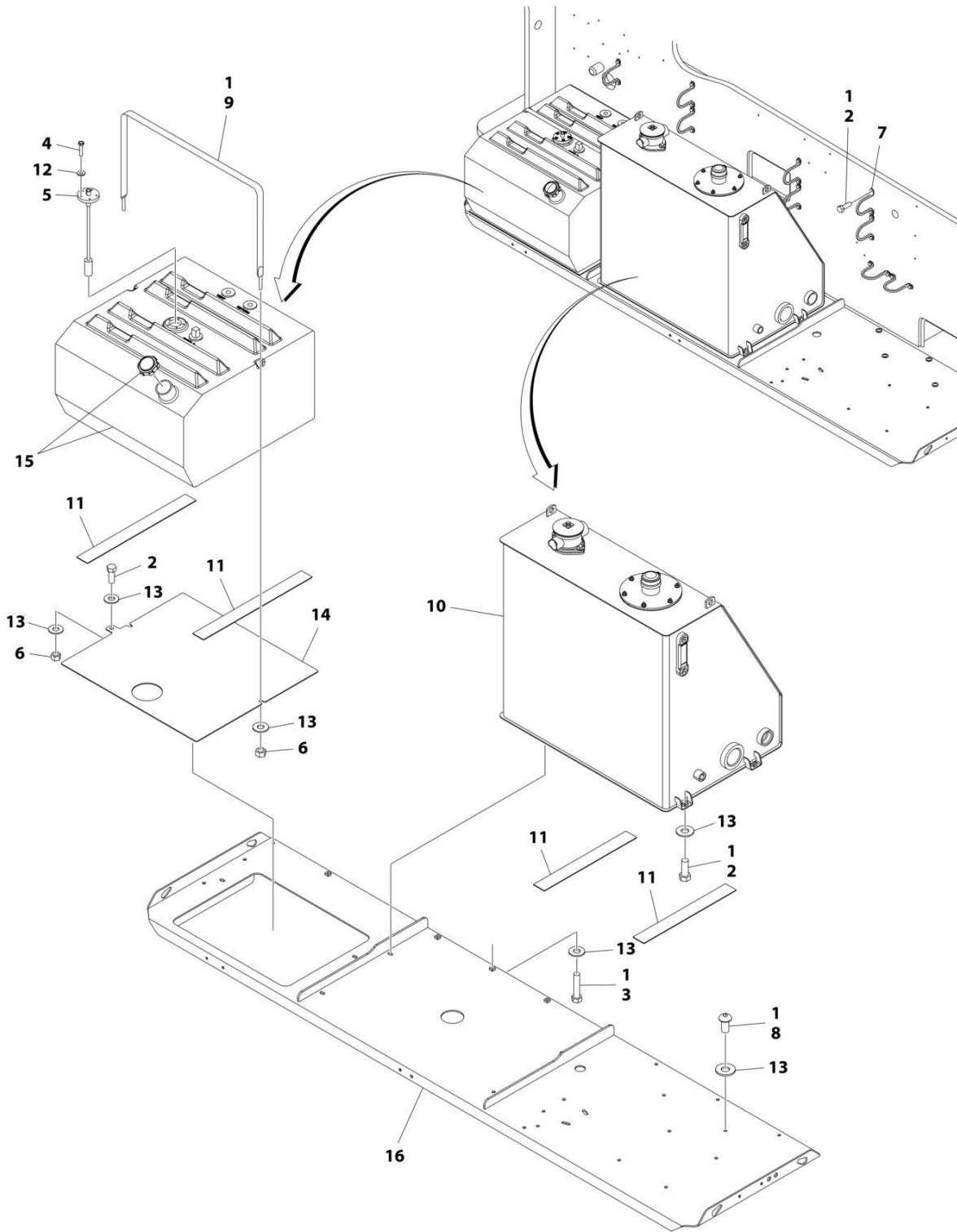
# SECTION 2 - TURNTABLE

**FIGURE 2-9. ROTARY COUPLING AND COLLECTOR RING INSTALLATION**

ITEM	PART NUMBER	QTY	DESCRIPTION	REV
	1001119273	Ref	ROTARY COUPLING AND COLLECTOR RING INSTALLATION	B
1	0100011	AR	Compound, Locking	
2	0641812	3	Bolt 1/2 x 1-1/2	
3	0641820	2	Bolt 1/2 x 2-1/2	
4	0902915	1	Bracket, Swivel	
5	1001119040	1	Rotary Coupling and Collector Ring Assembly (See Items 101-112 for Breakdown)	
6	3311805	2	Nut 1/2	
8	4751800	7	Washer 1/2	
9	3322201	2	Nut 3/4	
	1001119040	Ref	ROTARY COUPLING AND COLLECTOR RING ASSEMBLY	C
101	70001102	1	Coupling, Rotary	
101	See Note	NSS	Bearing (Note: Not Available for Purchase)	
101	70001101	1	Seal Kit - Coupling	
102	70003485	1	Contactora, Rotary Circuit (Does not include connector or pins)	
103	0641506	4	Bolt 5/16 x 3/4	
104	3931512	2	Capscrew 5/16 x 3/4	
105	70003484	1	Arm, Torque	
106	80334251	1	Adapter	
107	7026030	1	Plate, Cam	
108	7026031	1	Sensor, Proximity	
109	3931008	2	Capscrew #10 x 1/2	
110	7026032	1	Pin, Dowel	
111	0100048	AR	Grease, Silicone (Apply to Contactora Connector)	
112	1001133759	1	Sensor, Angle	

# SECTION 2 - TURNTABLE

## FIGURE 2-10. TANK INSTALLATION - WITH 31 GAL/117.31 L FUEL TANK



ART\_1001173915



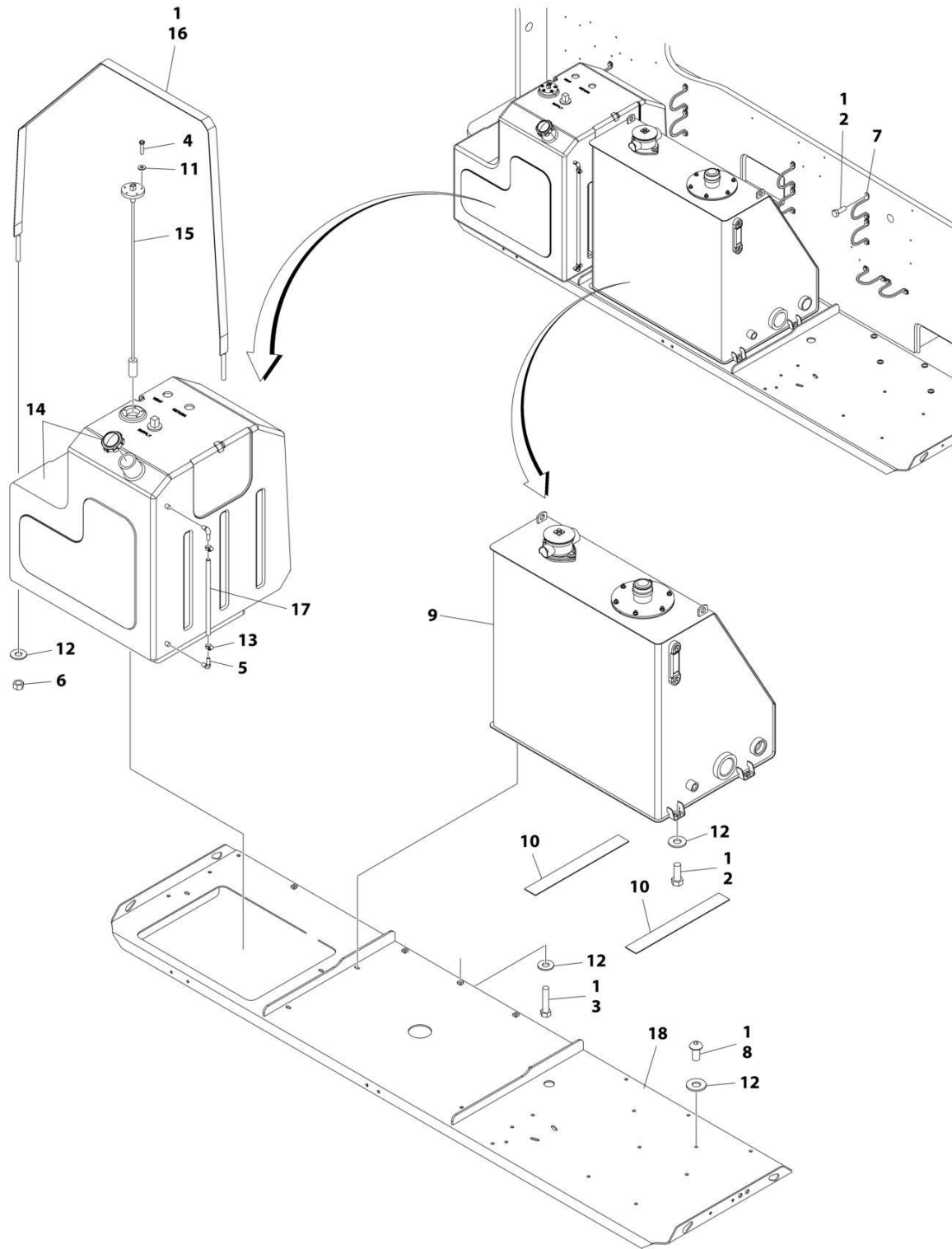
**SECTION 2 - TURNTABLE**

**FIGURE 2-10. TANK INSTALLATION - WITH 31 GAL/117.31 L FUEL TANK**

ITEM	PART NUMBER	QTY	DESCRIPTION	REV
	1001173915	Ref	TANKS INSTALLATION - WITH STEEL HOODS	C
1	0100011	AR	Compound, Locking	
2	0641608	23	Bolt 3/8 x 1	
3	0641614	10	Bolt 3/8 x 1-3/4	
4	0731007	5	Screw, Machine #10 x 7/8	
5	2420191	1	Gauge, Fuel	
6	3311601	3	Nut 3/8	
7	3841340	9	Loop, Hose	
8	3900283	6	Screw 3/8 x 3/4	
9	4240139	1	Strap, Tank	
10	4400457	1	Tank, Hydraulic Oil (See Separate Breakdown in this Section)	
11	4420038	74 in /1.9m	Tape	
12	4751000	5	Washer #10	
13	4751600	24	Washer 3/8	
14	1001107359	1	Plate, Support	
15	1001160567	1	Tank, Fuel	
15	70004414	1	Cap	
15	7020043	1	Tube, Pick up	
16	1001173171	1	Tray	

# SECTION 2 - TURNTABLE

## FIGURE 2-11. TANK INSTALLATION - WITH 58.2 GAL/200 L FUEL TANK



ART\_1001173918

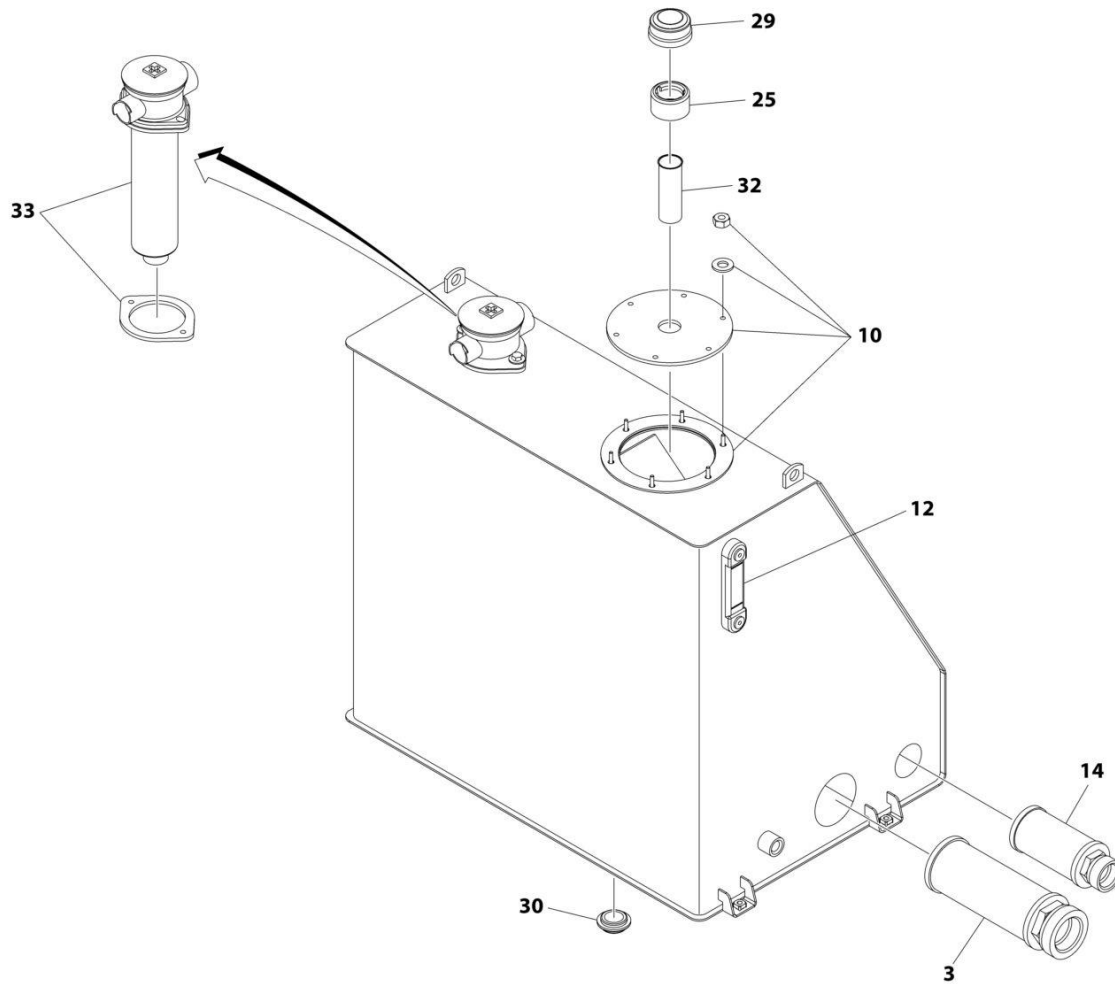
## SECTION 2 - TURNTABLE

**FIGURE 2-11. TANK INSTALLATION - WITH 58.2 GAL/200 L FUEL TANK**

ITEM	PART NUMBER	QTY	DESCRIPTION	REV
	1001173918	Ref	TANKS INSTALLATION - WITH STEEL HOODS AND 52.8 GAL/200 L FUEL TANK	C
1	0100011	AR	Compound, Locking	
2	0641608	22	Bolt 3/8 x 1	
3	0641614	10	Bolt 3/8 x 1-3/4	
4	0731007	5	Screw, Machine #10 x 7/8	
5	2180467	2	Fitting, Barb	
6	3311601	2	Nut 3/8	
7	3841340	9	Loop, Hose	
8	3900283	6	Screw 3/8 x 3/4	
9	4400457	1	Tank, Hydraulic Oil (See Separate Breakdown in this Section)	
10	4420038	74 in/1.9m	Tape	
11	4751000	5	Washer #10	
12	4751600	22	Washer 3/8	
13	8405009	2	Clamp	
14	1001108579	1	Tank, Fuel	
14	7016314	1	Cap	
14	70004413	1	Tube, Pick up	
15	1001109048	1	Gauge, Fuel	
16	1001110059	1	Strap, Tank Mounting	
17	1001113103	19.5 in /0.5m	Tube, Sight	
18	1001173171	1	Tray	

# SECTION 2 - TURNTABLE

## FIGURE 2-12. HYDRAULIC OIL TANK ASSEMBLY



ART\_4400457

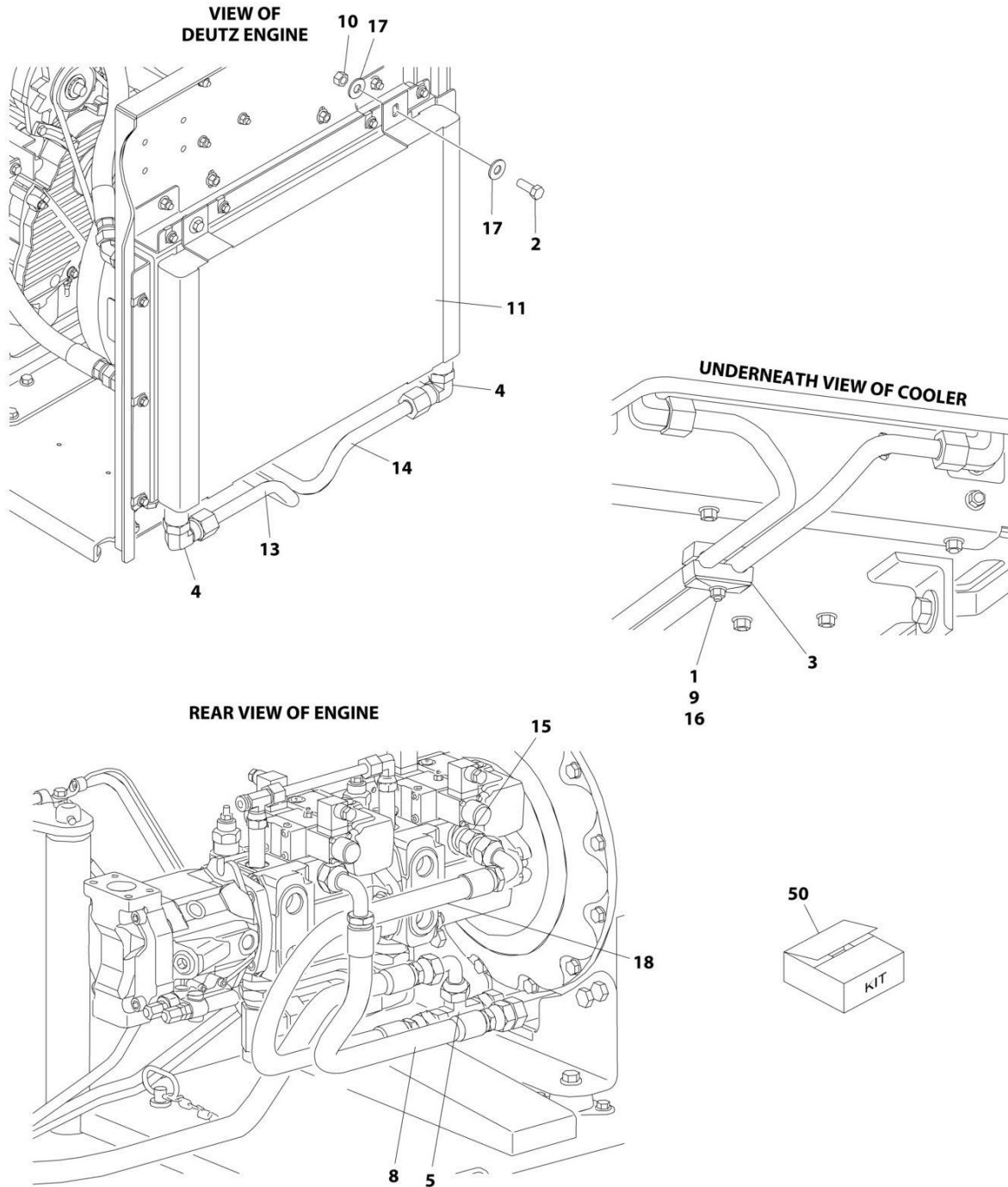
**SECTION 2 - TURNTABLE**

**FIGURE 2-12. HYDRAULIC OIL TANK ASSEMBLY**

ITEM	PART NUMBER	QTY	DESCRIPTION	REV
	4400457	Ref	HYDRAULIC OIL TANK ASSEMBLY	E
3	7026571	1	Strainer, Suction	
10	7024439	1	Cover	
10	7023306	1	Seal, Cover Plate	
10	7024440	1	Gasket	
12	7024441	1	Gauge, Sight	
14	7024442	1	Strainer	
25	7024445	1	Strainer (Filler Neck)	
29	7024444	1	Cap, Fill	
30	7024446	1	Plug, Magnetic	
32	7024443	1	Neck, Filler	
33	7024374	1	Filter, Hydraulic Oil	
33	7024375	1	Element, Filter	
33	7023347	1	Gasket, Filter Mounting Flange	

## SECTION 2 - TURNTABLE

FIGURE 2-13. HYDRAULIC OIL COOLER INSTALLATION - DEUTZ TD2011 ENGINES WITH REXROTH PUMPS (OPTIONAL)



ART\_0272080

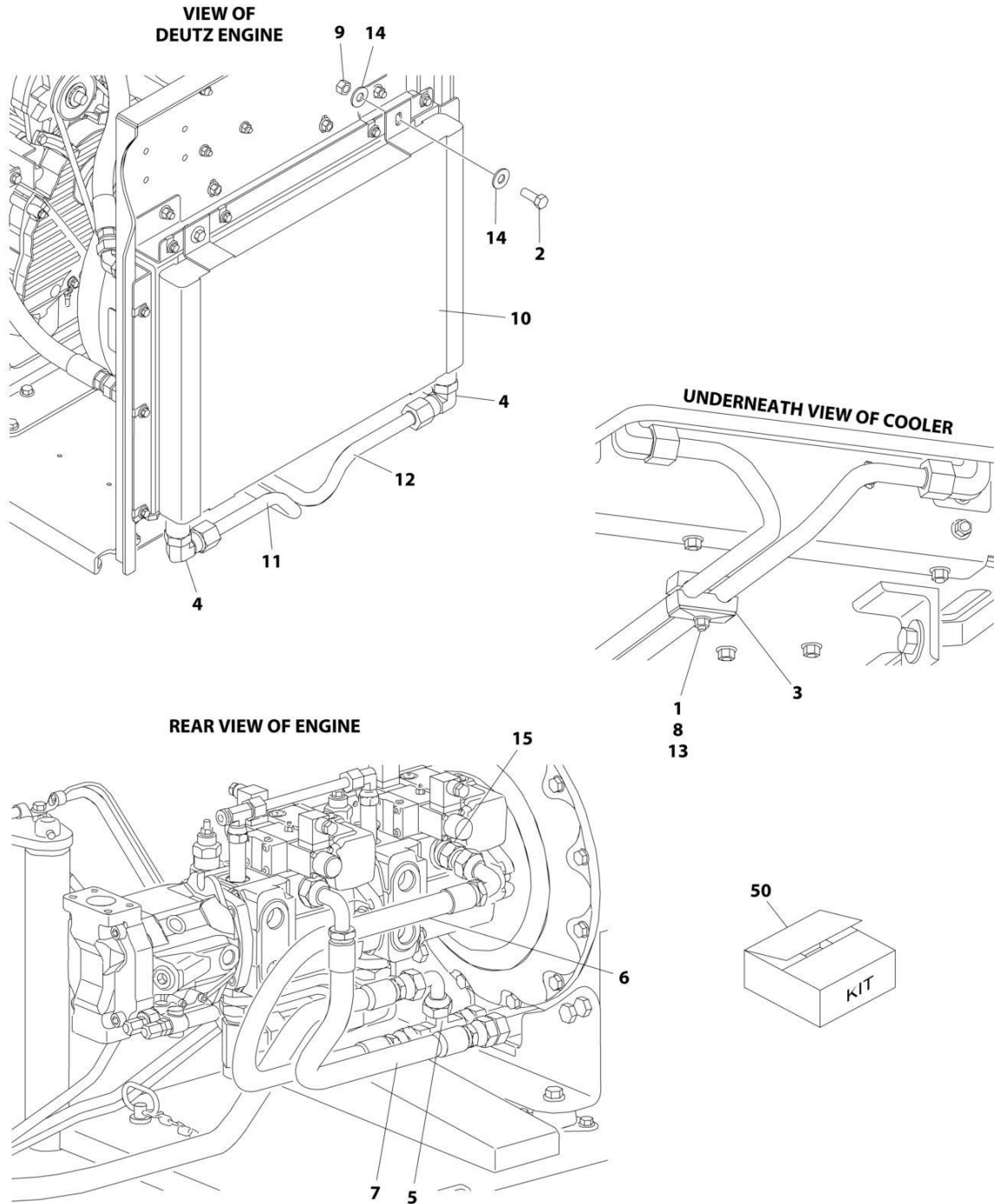
**SECTION 2 - TURNTABLE**

**FIGURE 2-13. HYDRAULIC OIL COOLER INSTALLATION - DEUTZ TD2011 ENGINES WITH REXROTH PUMPS (OPTIONAL)**

ITEM	PART NUMBER	QTY	DESCRIPTION	REV
	0272080	Ref	HYDRAULIC OIL COOLER INSTALLATION - DEUTZ TD2011 ENGINES WITH REXROTH PUMPS (OPTIONAL)	B
		Ref	Note: See Engine Installation for Engine Oil Cooler.	
1	0641520	2	Bolt 5/16 x 2-1/2	
2	0641608	4	Bolt 3/8 x 1	
3	1320162	2	Clamp, Hose	
4	2131212	2	Fitting, Elbow	
5	2170712	1	Fitting, Tee	
8	2753778	1	Hose	
9	3311505	2	Nut 5/16	
10	3311605	4	Nut 3/8	
11	3620034	1	Cooler, Hydraulic Oil	
13	4568426	1	Tube	
14	4568427	1	Tube	
15	4641247	1	Valve, Check	
16	4711500	4	Washer 5/16	
17	4751600	8	Washer 3/8	
18	2753843	1	Hose	
50	1001120564	1	Oil Cooler Add-on Kit (Includes Items 1-18)	

## SECTION 2 - TURNTABLE

FIGURE 2-14. HYDRAULIC OIL COOLER INSTALLATION - DEUTZ TD2011 ENGINES WITH SAUER PUMPS (OPTIONAL)



ART\_1001118957



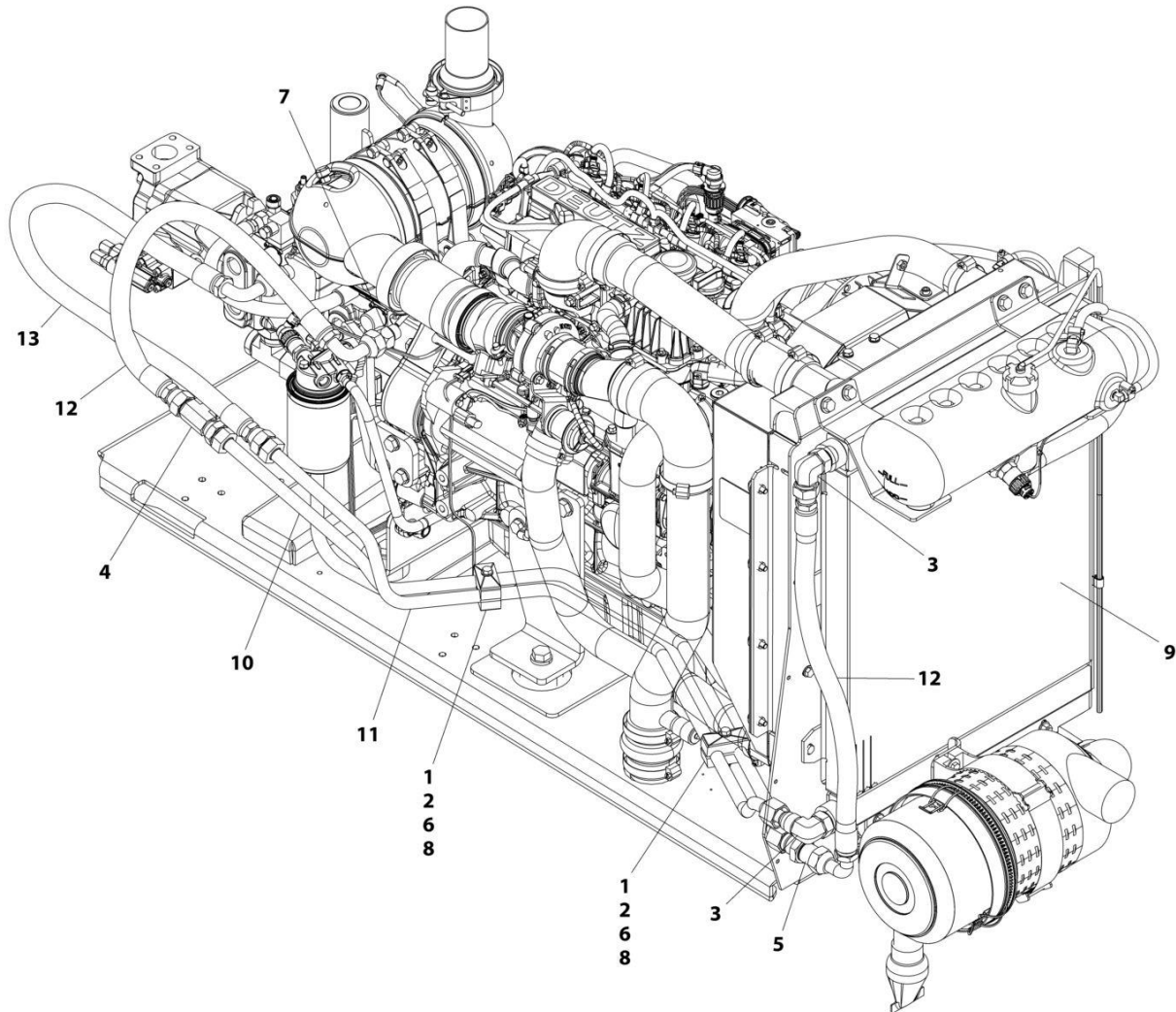
## SECTION 2 - TURNTABLE

**FIGURE 2-14. HYDRAULIC OIL COOLER INSTALLATION - DEUTZ TD2011 ENGINES WITH SAUER PUMPS (OPTIONAL)**

ITEM	PART NUMBER	QTY	DESCRIPTION	REV
	1001118957	Ref	HYDRAULIC OIL COOLER INSTALLATION - DEUTZ TD2011 ENGINES WITH SAUER PUMPS (OPTIONAL)	B
		Ref	Note: See Engine Installation for Engine Oil Cooler.	
1	0641520	2	Bolt 5/16 x 2-1/2	
2	0641608	4	Bolt 3/8 x 1	
3	1320162	2	Clamp, Hose	
4	2131212	2	Fitting, Elbow	
5	2170712	1	Fitting, Tee	
6	2753778	1	Hose	
7	2753999	1	Hose	
8	3311505	2	Nut 5/16	
9	3311605	4	Nut 3/8	
10	3620034	1	Cooler, Hydraulic Oil	
11	4568426	1	Tube	
12	4568427	1	Tube	
13	4711500	4	Washer 5/16	
14	4751600	8	Washer 3/8	
15	1001109677	1	Valve, Check	
50	1001120564	1	Oil Cooler Add-on Kit Options (Includes Items 1-15):	

## SECTION 2 - TURNTABLE

**FIGURE 2-15. HYDRAULIC OIL COOLER INSTALLATION - DEUTZ TCD2.9L4 ENGINES, DEUTZ TCD2.9L4 (STAGE V PRE-BUY) ENGINES AND DEUTZ TCD2.9L4 (STAGE V) ENGINES WITH REXROTH PUMPS (OPTIONAL)**



ART\_1001139494

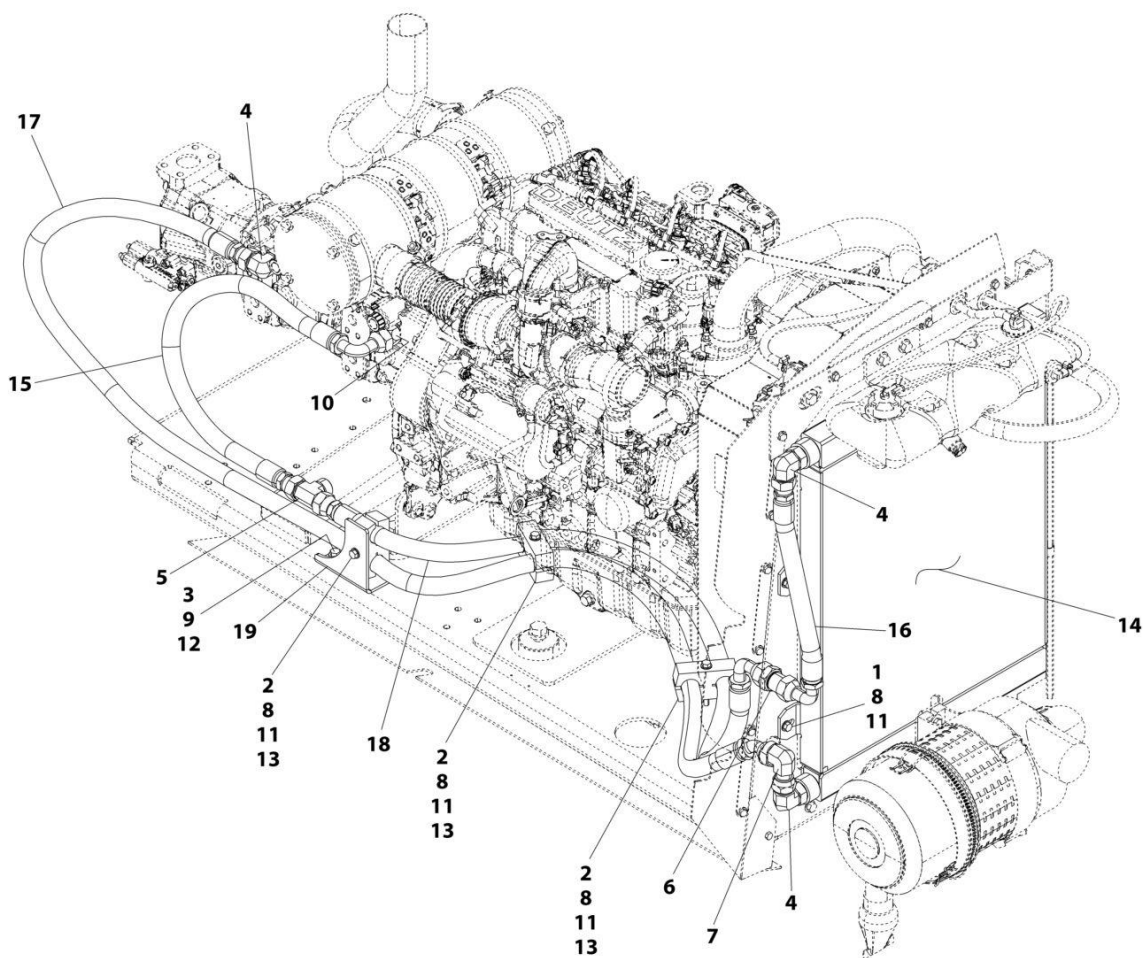
## SECTION 2 - TURNTABLE

**FIGURE 2-15. HYDRAULIC OIL COOLER INSTALLATION - DEUTZ TCD2.9L4 ENGINES, DEUTZ TCD2.9L4 (STAGE V PRE-BUY) ENGINES AND DEUTZ TCD2.9L4 (STAGE V) ENGINES WITH REXROTH PUMPS (OPTIONAL)**

ITEM	PART NUMBER	QTY	DESCRIPTION	REV
	1001139494	Ref	HYDRAULIC OIL COOLER INSTALLATION - DEUTZ TCD2.9L4 ENGINES WITH REXROTH PUMPS (OPTIONAL)	E
		Ref	Note: See Engine Installation for Engine Oil Cooler.	
1	0641520	2	Bolt 5/16 x 2-1/2	
2	1320162	2	Clamp, Hose	
3	2131212	2	Fitting, 90	
4	2170712	1	Fitting, Tee	
5	2171112	1	Fitting, Straight	
6	3311505	2	Nut 5/16	
7	4641247	1	Valve	
8	4711500	4	Washer 5/16	
9	1001135124	1	Cooler, Hydraulic Oil	
10	1001139665	1	Tube	
11	1001139666	1	Tube	
12	1001143087	2	Hose	
13	1001143123	1	Hose	

## SECTION 2 - TURNTABLE

FIGURE 2-16. HYDRAULIC OIL COOLER INSTALLATION - DEUTZ TCD2.9L4 ENGINES WITH REXROTH PUMPS (OPTIONAL) (CHINA SPEC ONLY)



ART\_1001221802

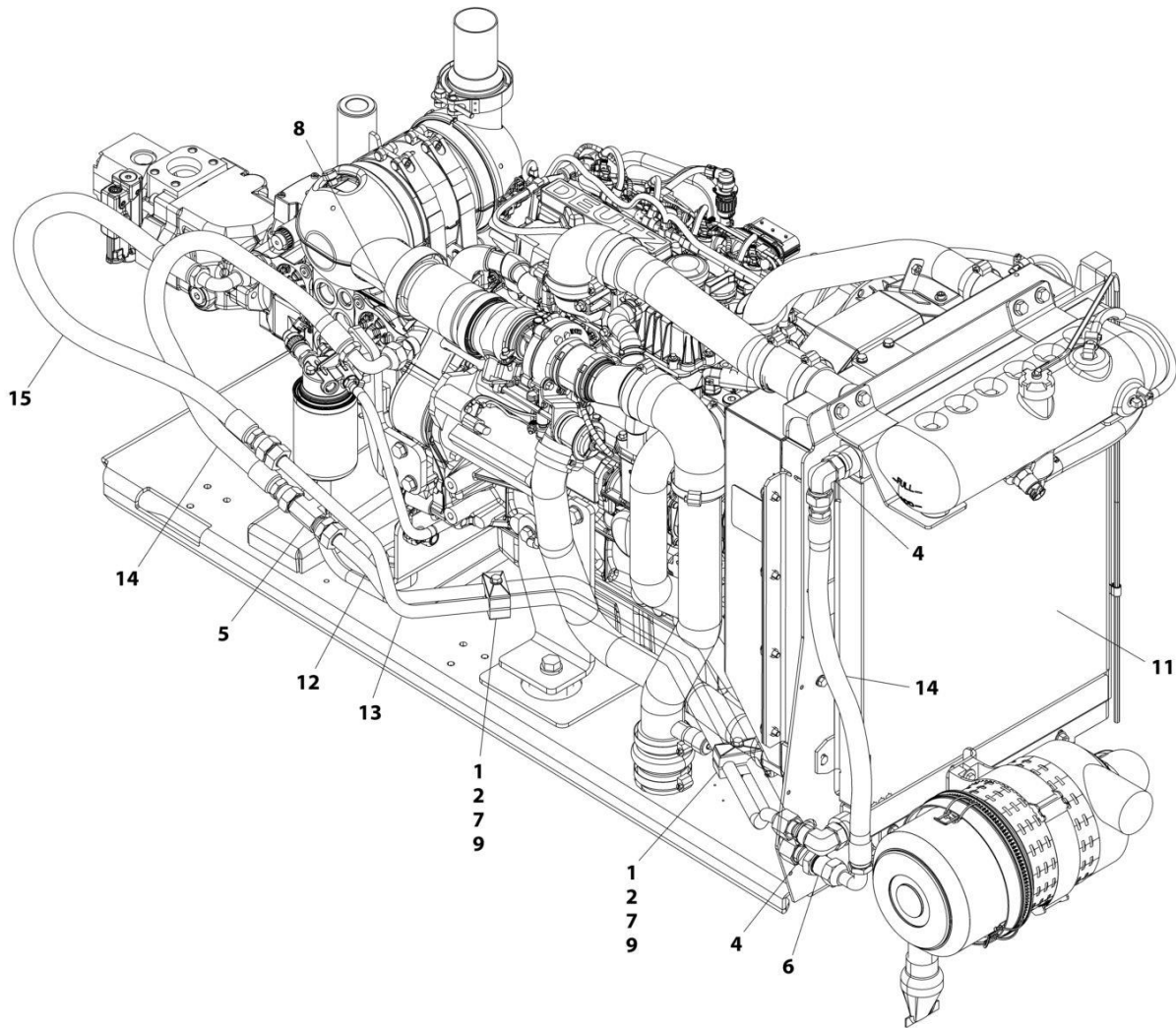
## SECTION 2 - TURNTABLE

**FIGURE 2-16. HYDRAULIC OIL COOLER INSTALLATION - DEUTZ TCD2.9L4 ENGINES WITH REXROTH PUMPS (OPTIONAL) (CHINA SPEC ONLY)**

ITEM	PART NUMBER	QTY	DESCRIPTION	REV
	1001221802	Ref	HYDRAULIC OIL COOLER INSTALLATION - DEUTZ TCD2.9L4 ENGINES WITH REXROTH PUMPS (OPTIONAL)	A
1	0641508	4	Bolt 5/16 x 1	
2	0641524	3	Bolt 5/16 x 3	
3	0641609	2	Bolt 3/8 x 1-1/8	
4	2131212	3	Fitting, 90 ORFS/ORB	
5	2170512	1	Fitting, Tee ORFS/ORFS/ORFS	
6	2171112	1	Fitting, Straight ORFS/ORFS	
7	2172112	1	Fitting, 90 ORFS/FSORFS	
8	3311505	7	Nut 5/16	
9	3311605	2	Nut 3/8	
10	4641247	1	Valve	
11	4711500	14	Washer 5/16	
12	4711600	4	Washer 3/8	
13	8750024	3	Clamp	
14	1001135124	1	Cooler, Hydraulic Oil	
15	1001143087	1	Hose	
16	1001181129	1	Hose	
17	1001188376	1	Hose	
18	1001188382	1	Hose	
19	1001220560	1	Bracket	

## SECTION 2 - TURNTABLE

FIGURE 2-17. HYDRAULIC OIL COOLER INSTALLATION - DEUTZ TCD2.9L4 ENGINES, DEUTZ TCD2.9L4 (STAGE V PRE-BUY) ENGINES AND DEUTZ TCD2.9L4 (STAGE V) ENGINES WITH SAUER PUMPS (OPTIONAL)



ART\_1001139492

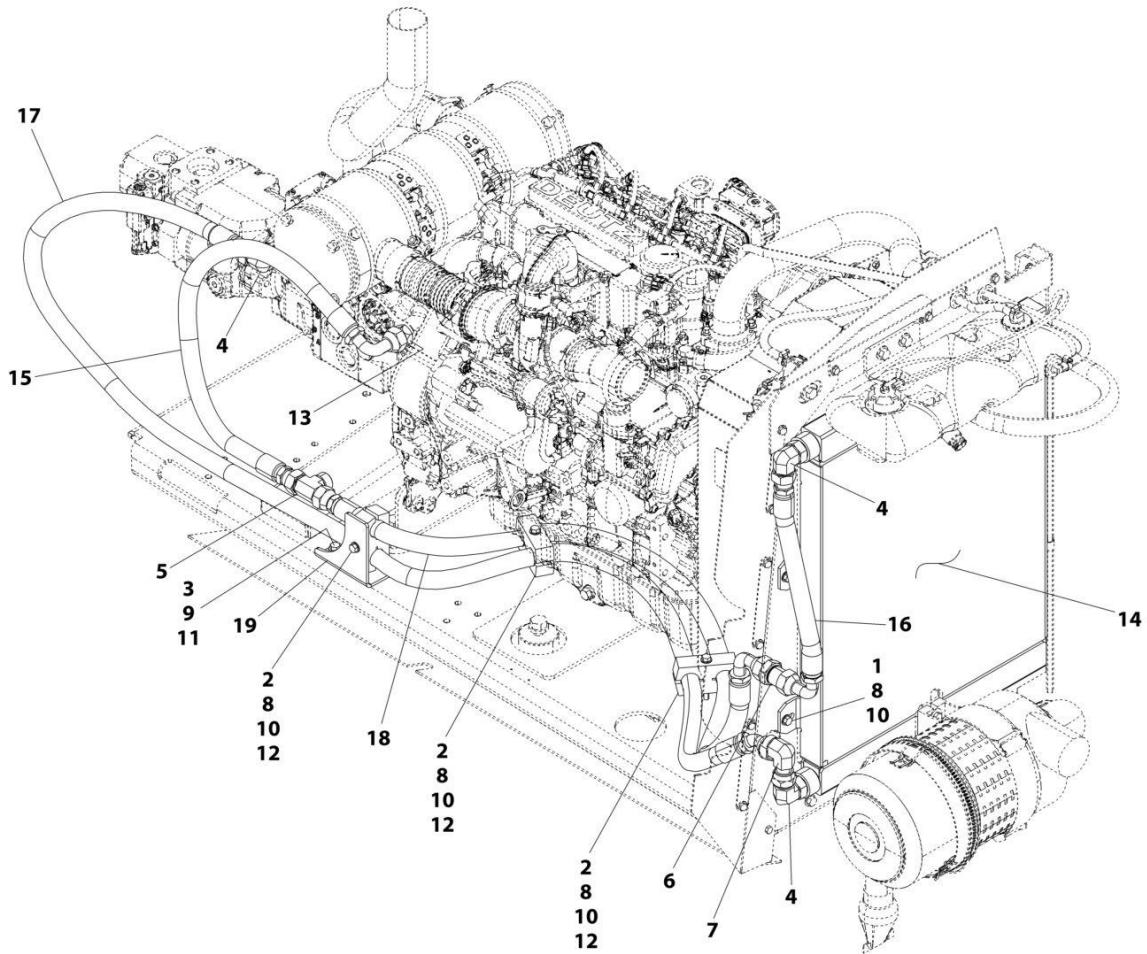
## SECTION 2 - TURNTABLE

**FIGURE 2-17. HYDRAULIC OIL COOLER INSTALLATION - DEUTZ TCD2.9L4 ENGINES, DEUTZ TCD2.9L4 (STAGE V PRE-BUY) ENGINES AND DEUTZ TCD2.9L4 (STAGE V) ENGINES WITH SAUER PUMPS (OPTIONAL)**

ITEM	PART NUMBER	QTY	DESCRIPTION	REV
	1001139492	Ref	HYDRAULIC OIL COOLER INSTALLATION - DEUTZ TCD2.9L4 ENGINES WITH SAUER PUMPS (OPTIONAL)	E
		Ref	Note: See Engine Installation for Engine Oil Cooler	
1	0641520	2	Bolt 5/16 x 2-1/2	
2	1320162	2	Clamp, Hose	
4	2131212	2	Fitting, 90	
5	2170712	1	Fitting, Tee	
6	2171112	1	Fitting, Straight	
7	3311505	2	Nut 5/16	
8	1001109677	1	Valve	
9	4711500	4	Washer 5/16	
11	1001135124	1	Cooler, Hydraulic Oil	
12	1001139665	1	Tube	
13	1001139666	1	Tube	
14	1001143087	2	Hose	
15	1001143123	1	Hose	

## SECTION 2 - TURNTABLE

FIGURE 2-18. HYDRAULIC OIL COOLER INSTALLATION - DEUTZ TCD2.9L4 ENGINES WITH SAUER PUMPS (OPTIONAL) (CHINA SPEC ONLY)



ART\_1001221666



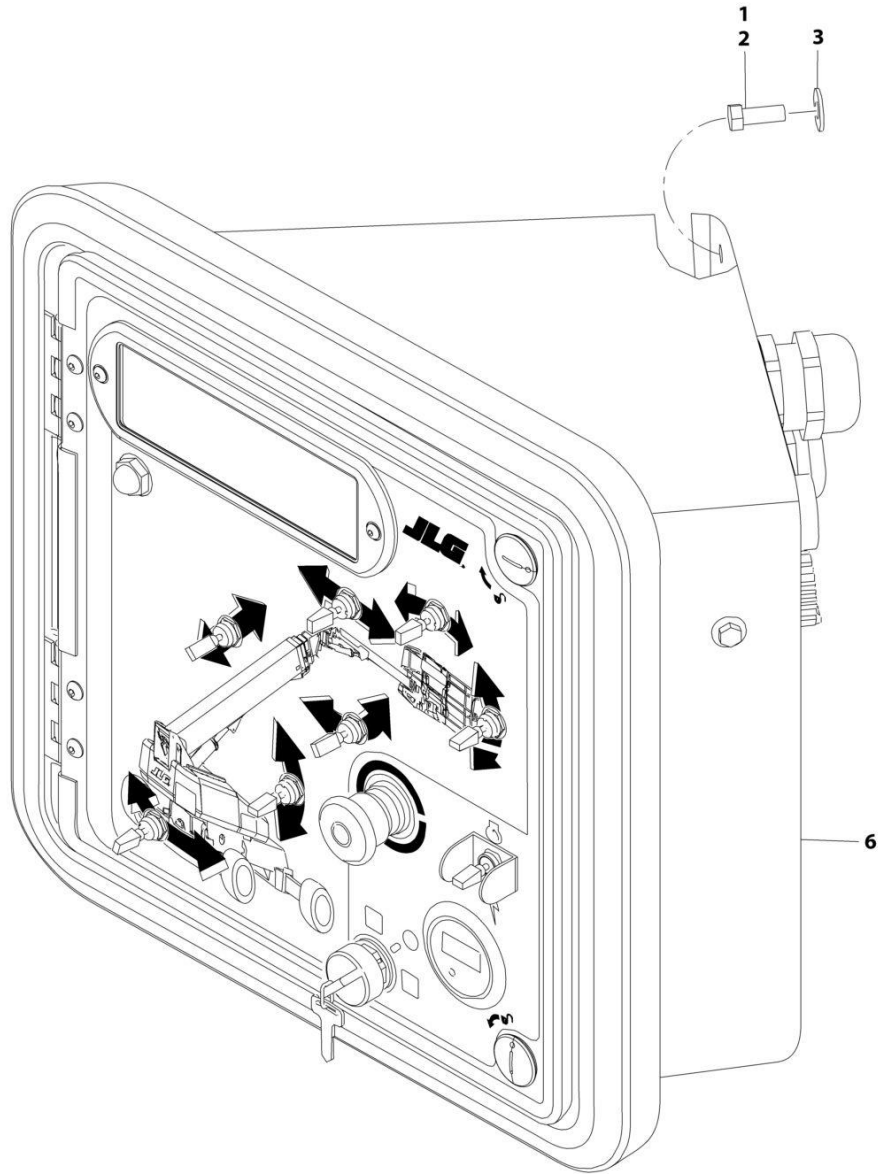
## SECTION 2 - TURNTABLE

**FIGURE 2-18. HYDRAULIC OIL COOLER INSTALLATION - DEUTZ TCD2.9L4 ENGINES WITH SAUER PUMPS (OPTIONAL) (CHINA SPEC ONLY)**

ITEM	PART NUMBER	QTY	DESCRIPTION	REV
	1001221666	Ref	HYDRAULIC OIL COOLER INSTALLATION - DEUTZ TCD2.9L4 ENGINES WITH SAUER PUMPS (OPTIONAL)	A
1	0641508	4	Bolt 5/16 x 1	
2	0641524	3	Bolt 5/16 x 3	
3	0641609	2	Bolt 3/8 x 1-1/8	
4	2131212	3	Fitting, 90 ORFS/ORB	
5	2170512	1	Fitting, Tee ORFS/ORFS/ORFS	
6	2171112	1	Fitting, Straight ORFS/ORFS	
7	2172112	1	Fitting, 90 ORFS/FSORFS	
8	3311505	7	Nut 5/16	
9	3311605	2	Nut 3/8	
10	4711500	14	Washer 5/16	
11	4711600	4	Washer 3/8	
12	8750024	3	Clamp	
13	1001109677	1	Valve	
14	1001135124	1	Cooler, Hydraulic Oil	
15	1001143087	1	Hose	
16	1001181129	1	Hose	
17	1001188376	1	Hose	
18	1001188382	1	Hose	
19	1001220560	1	Bracket	

## SECTION 2 - TURNTABLE

FIGURE 2-19. GROUND CONTROL BOX INSTALLATION - TD2011 ENGINES WITH REXROTH PUMPS  
(ANSI EXPORT (LRC) AND AUSTRALIAN SPECS)



ART\_1001245359

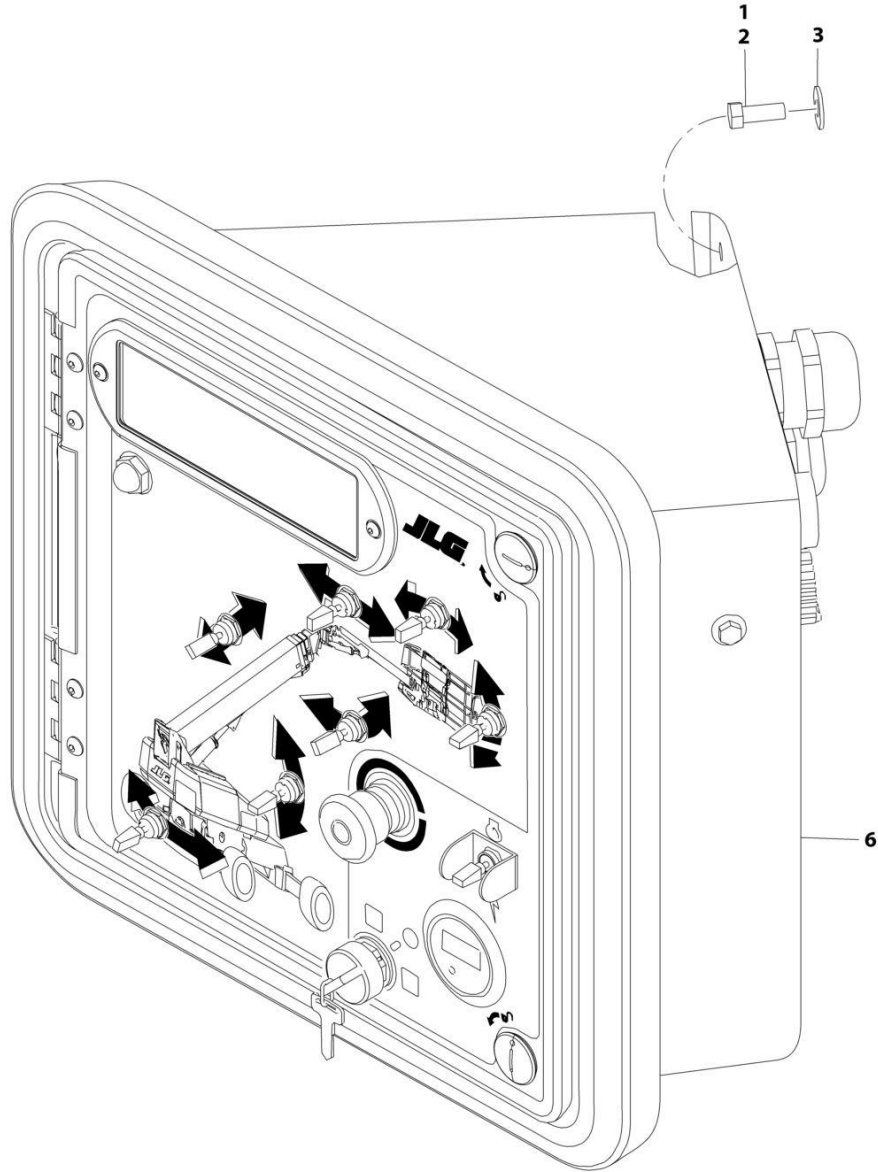
## SECTION 2 - TURNTABLE

**FIGURE 2-19. GROUND CONTROL BOX INSTALLATION - TD2011 ENGINES WITH REXROTH PUMPS  
(ANSI EXPORT (LRC) AND AUSTRALIAN SPECS)**

ITEM	PART NUMBER	QTY	DESCRIPTION	REV
	1001245359	Ref	GROUND CONTROL BOX INSTALLATION - TD2011 ENGINES WITH REXROTH PUMPS	A
1	0100011	AR	Compound, Locking	
2	3931616	4	Bolt 3/8 x 3/4	
3	4751600	4	Washer 3/8	
4	1001119456	2	Harness, Pump - Sauer to Rexroth Jumper Harness (Not Shown - See Separate Breakdown in ELECTRICAL SECTION)	
5	1001119470	1	Harness, Engine - Deutz TD2011 Engines (Not Shown - See Separate Breakdown in ELECTRICAL SECTION)	
6	1001245361	1	Ground Control Box Assembly (See Separate Breakdown in this Section)	

## SECTION 2 - TURNTABLE

FIGURE 2-20. GROUND CONTROL BOX INSTALLATION - TD2011 ENGINES WITH REXROTH PUMPS  
(CE (LRC) SPECS)



ART\_1001245363

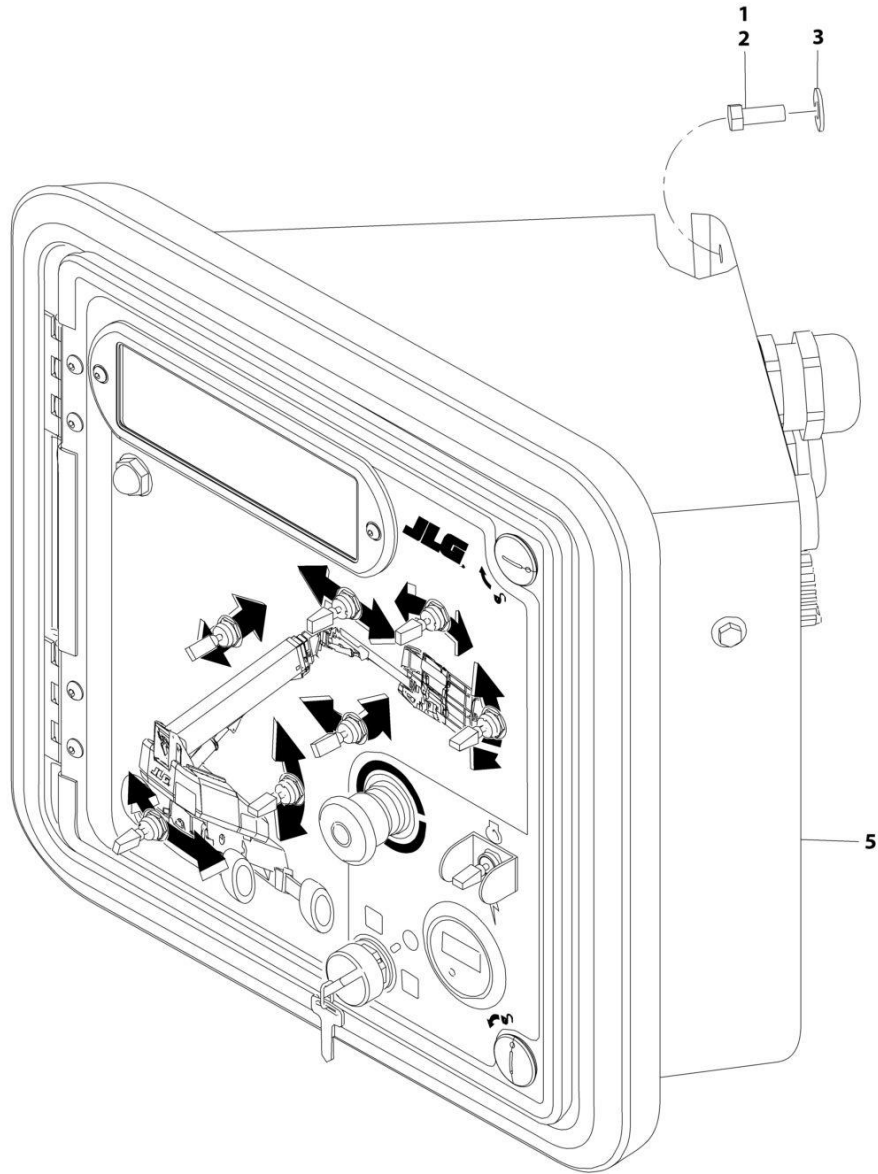
**SECTION 2 - TURNTABLE**

**FIGURE 2-20. GROUND CONTROL BOX INSTALLATION - TD2011 ENGINES WITH REXROTH PUMPS  
(CE (LRC) SPECS)**

ITEM	PART NUMBER	QTY	DESCRIPTION	REV
	1001245363	Ref	GROUND CONTROL BOX INSTALLATION - TD2011 ENGINES WITH REXROTH PUMPS	A
1	0100011	AR	Compound, Locking	
2	3931616	4	Bolt 3/8 x 3/4	
3	4751600	4	Washer 3/8	
4	1001119456	2	Harness, Pump - Sauer to Rexroth Jumper Harness (Not Shown - See Separate Breakdown in ELECTRICAL SECTION)	
5	1001119470	1	Harness, Engine - Deutz TD2011 Engines (Not Shown - See Separate Breakdown in ELECTRICAL SECTION)	
6	1001245365	1	Ground Control Box Assembly (See Separate Breakdown in this Section)	

## SECTION 2 - TURNTABLE

FIGURE 2-21. GROUND CONTROL BOX INSTALLATION - TD2011 ENGINES WITH SAUER PUMPS  
(ANSI EXPORT (LRC) AND AUSTRALIAN SPECS)



ART\_1001245360

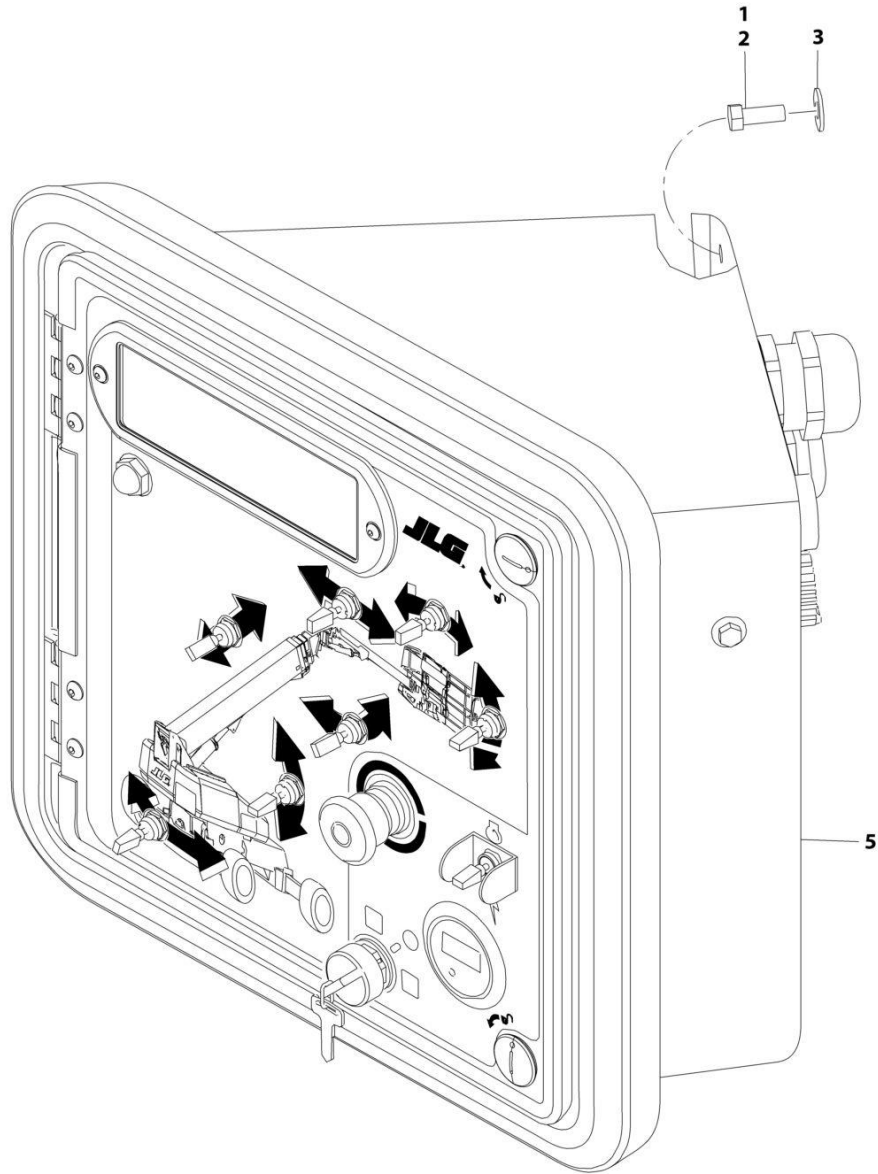
**SECTION 2 - TURNTABLE**

**FIGURE 2-21. GROUND CONTROL BOX INSTALLATION - TD2011 ENGINES WITH SAUER PUMPS  
(ANSI EXPORT (LRC) AND AUSTRALIAN SPECS)**

ITEM	PART NUMBER	QTY	DESCRIPTION	REV
	1001245360	Ref	GROUND CONTROL BOX INSTALLATION - TD2011 ENGINES WITH SAUER PUMPS	A
1	0100011	AR	Compound, Locking	
2	3931616	4	Bolt 3/8 x 3/4	
3	4751600	4	Washer 3/8	
4	1001119470	1	Harness, Engine - Deutz TD2011 Engines (Not Shown - See Separate Breakdown in ELECTRICAL SECTION)	
5	1001245361	1	Ground Control Box Assembly (See Separate Breakdown in this Section)	

## SECTION 2 - TURNTABLE

FIGURE 2-22. GROUND CONTROL BOX INSTALLATION - TD2011 ENGINES WITH SAUER PUMPS  
(CE (LRC) SPECS)



ART\_1001245364



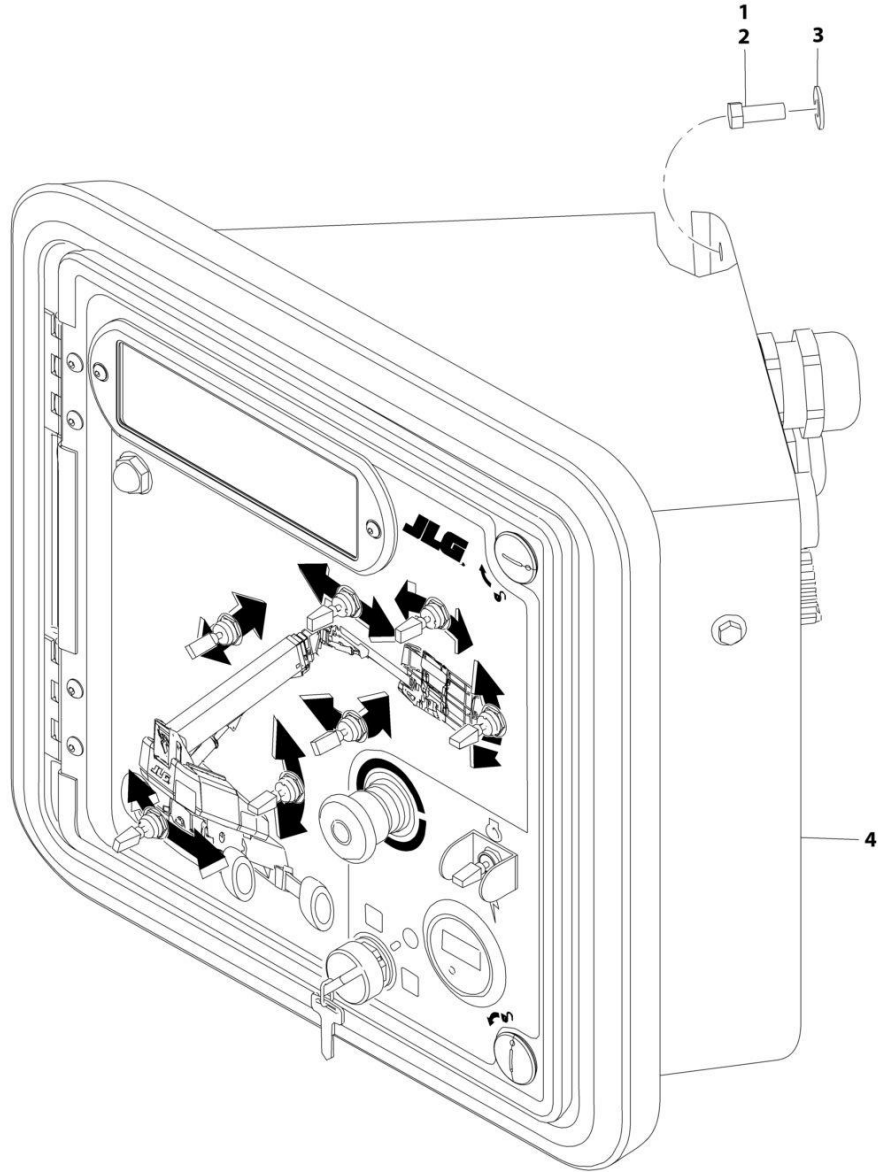
**SECTION 2 - TURNTABLE**

**FIGURE 2-22. GROUND CONTROL BOX INSTALLATION - TD2011 ENGINES WITH SAUER PUMPS  
(CE (LRC) SPECS)**

<b>ITEM</b>	<b>PART NUMBER</b>	<b>QTY</b>	<b>DESCRIPTION</b>	<b>REV</b>
	1001245364	Ref	GROUND CONTROL BOX INSTALLATION - TD2011 ENGINES WITH SAUER PUMPS	A
1	0100011	AR	Compound, Locking	
2	3931616	4	Bolt 3/8 x 3/4	
3	4751600	4	Washer 3/8	
4	1001119470	1	Harness, Engine - Deutz TD2011 Engines (Not Shown - See Separate Breakdown in ELECTRICAL Section)	
5	1001245365	1	Ground Control Box Assembly (See Separate Breakdown in this Section)	

## SECTION 2 - TURNTABLE

FIGURE 2-23. GROUND CONTROL BOX INSTALLATION - TCD2.9L4 ENGINES WITH REXROTH PUMPS (ANSI, ANSI EXPORT (HRC), CHINA, CSA AND JAPANESE SPECS)



ART\_1001245358

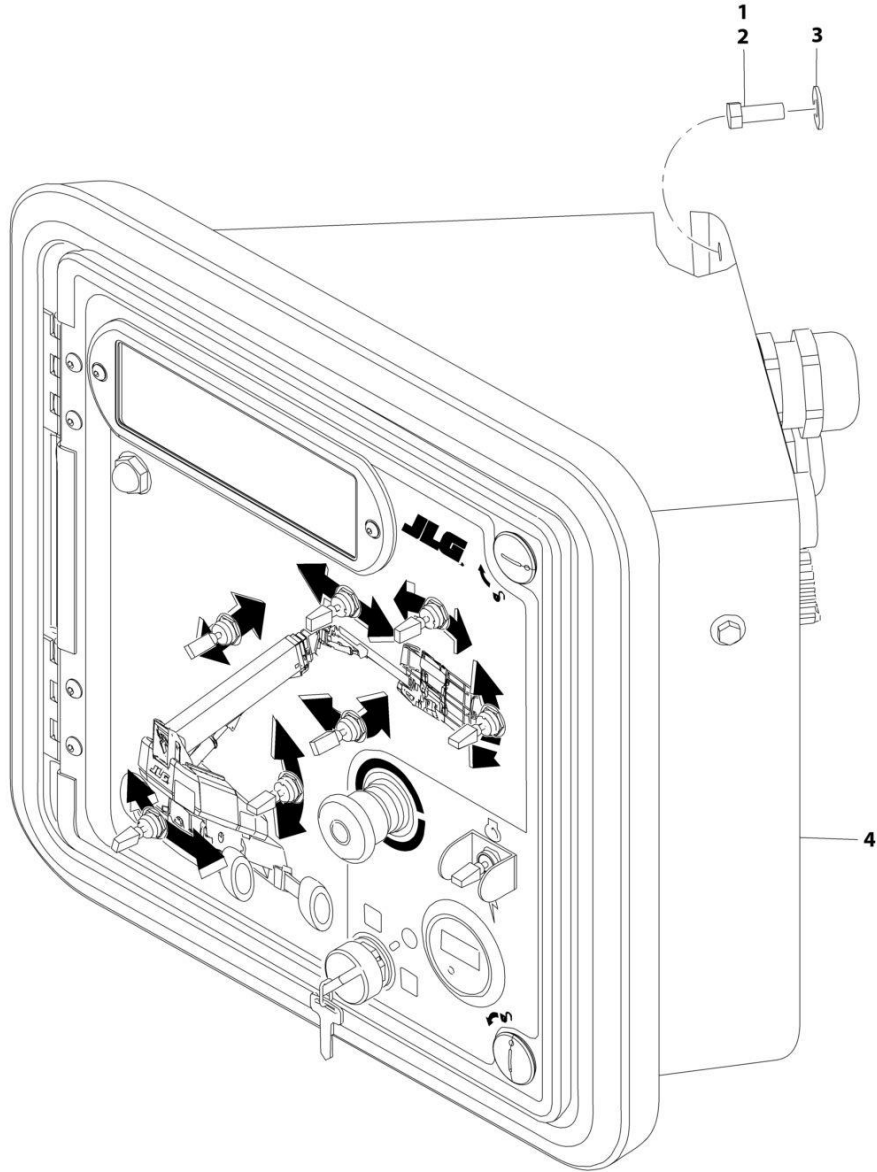
**SECTION 2 - TURNTABLE**

**FIGURE 2-23. GROUND CONTROL BOX INSTALLATION - TCD2.9L4 ENGINES WITH REXROTH PUMPS (ANSI, ANSI EXPORT (HRC), CHINA, CSA AND JAPANESE SPECS)**

ITEM	PART NUMBER	QTY	DESCRIPTION	REV
	1001245358	Ref	GROUND CONTROL BOX INSTALLATION - TCD2.9L4 ENGINES WITH REXROTH PUMPS	A
1	0100011	AR	Compound, Locking	
2	3931616	4	Bolt 3/8 x 3/4	
3	4751600	4	Washer 3/8	
4	1001245361	1	Ground Control Box Assembly (See Separate Breakdown in this Section)	

## SECTION 2 - TURNTABLE

FIGURE 2-24. GROUND CONTROL BOX INSTALLATION - TCD2.9L4 (STAGE V PRE-BUY) ENGINES WITH REXROTH PUMPS (CE SPECS)



ART\_1001245362

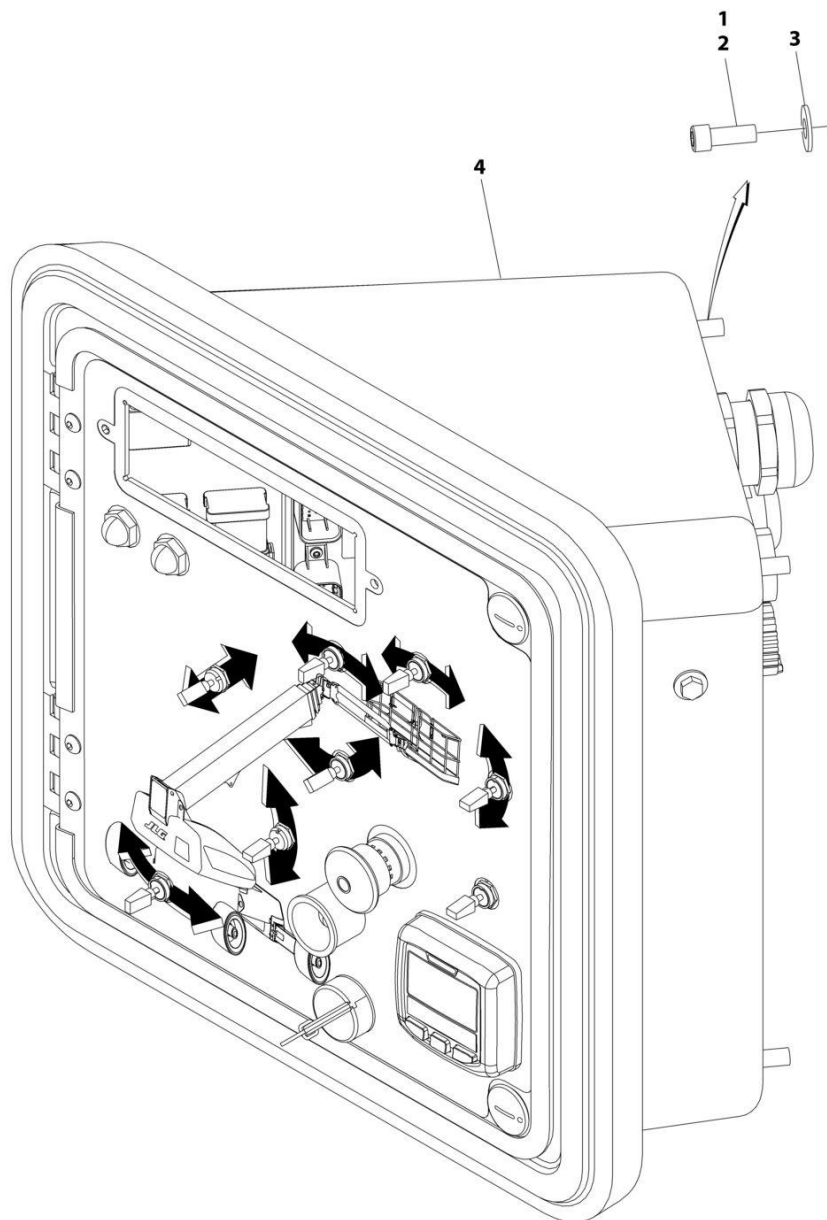
**SECTION 2 - TURNTABLE**

**FIGURE 2-24. GROUND CONTROL BOX INSTALLATION - TCD2.9L4 (STAGE V PRE-BUY) ENGINES WITH REXROTH PUMPS (CE SPECS)**

<b>ITEM</b>	<b>PART NUMBER</b>	<b>QTY</b>	<b>DESCRIPTION</b>	<b>REV</b>
	1001245362	Ref	GROUND CONTROL BOX INSTALLATION - TCD2.9L4 ENGINES WITH REXROTH PUMPS	A
1	0100011	AR	Compound, Locking	
2	3931616	4	Bolt 3/8 x 3/4	
3	4751600	4	Washer 3/8	
4	1001245365	1	Ground Control Box Assembly (See Separate Breakdown in this Section)	

## SECTION 2 - TURNTABLE

FIGURE 2-25. GROUND CONTROL BOX INSTALLATION – DEUTZ TCD2.9L4 (STAGE V) ENGINES CE SPECS)



ART\_1001236755

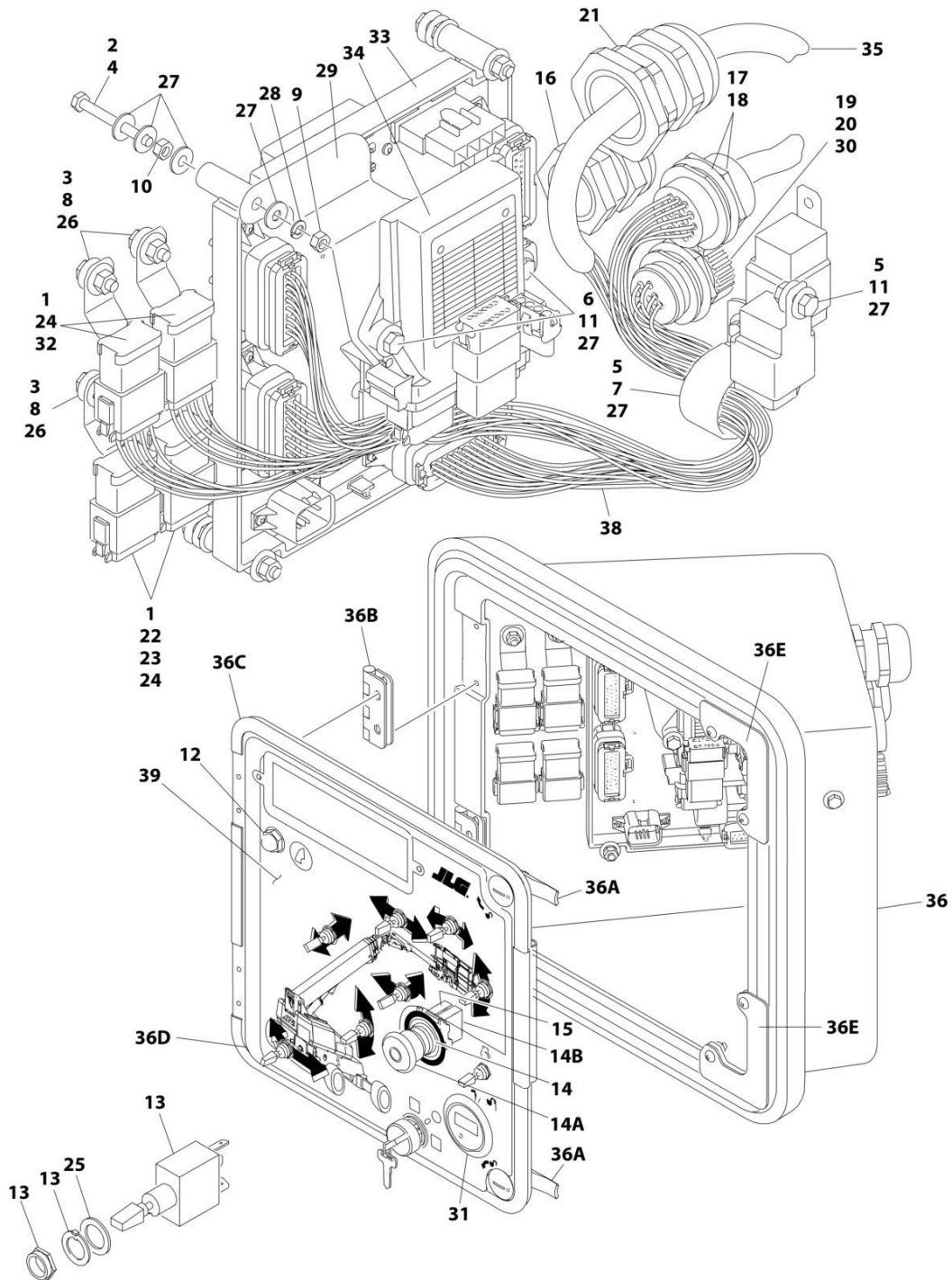
**SECTION 2 - TURNTABLE**

**FIGURE 2-25. GROUND CONTROL BOX INSTALLATION – DEUTZ TCD2.9L4 (STAGE V) ENGINES CE SPECS)**

<b>ITEM</b>	<b>PART NUMBER</b>	<b>QTY</b>	<b>DESCRIPTION</b>	<b>REV</b>
	1001236755	Ref	GROUND CONTROL BOX INSTALLATION - TCD2.9L4 ENGINES	B
1	0100011	AR	Compound, Locking	
2	3931616	4	Bolt 3/8 x 3/4	
3	4751600	4	Washer 3/8	
4	1001236758	1	Ground Control Box Assembly (See Separate Breakdown in this Section)	

## SECTION 2 - TURNTABLE

FIGURE 2-26. GROUND CONTROL BOX ASSEMBLY - DEUTZ TD2011 ENGINES AND DEUTZ TCD2.9L4 ENGINES (ALL SPECS EXCEPT CE SPECS)



ART\_1001245361



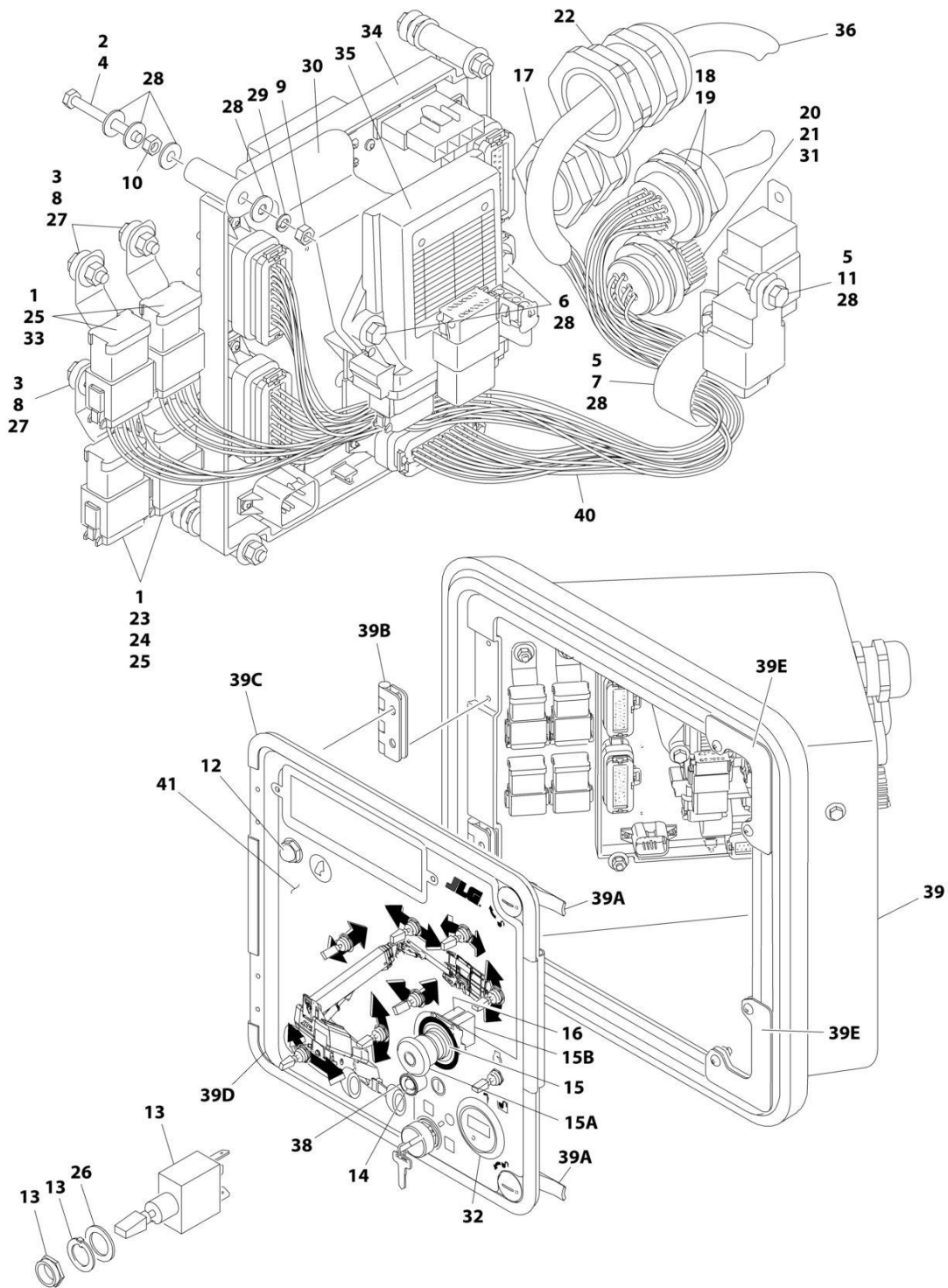
## SECTION 2 - TURNTABLE

**FIGURE 2-26. GROUND CONTROL BOX ASSEMBLY - DEUTZ TD2011 ENGINES AND DEUTZ TCD2.9L4 ENGINES (ALL SPECS EXCEPT CE SPECS)**

ITEM	PART NUMBER	QTY	DESCRIPTION	REV
	1001245361	Ref	GROUND CONTROL BOX ASSEMBLY	A
1	0100048	AR	Grease, Dielectric	
2	0100035	AR	Compound, Locking	
3	0630464	4	Bolt #10 x 1/2	
4	0630548	5	Screw, Self Tapping	
5	0641406	2	Bolt 1/4 x 3/4	
6	0641410	2	Bolt 1/4 x 1-1/4	
7	1320095	1	Clamp	
8	3311001	4	Nut #10	
9	3311401	5	Nut 1/4	
10	3311402	5	Nut 1/4	
11	3311405	4	Nut 1/4	
12	4360274	1	Switch, Pushbutton	
13	4360328	8	Switch, Toggle	
14	4360475	1	Switch, Push-Pull Emergency	
14A	7020175	1	Cap	
14B	7020176	1	Block, Contact	
15	4360476	1	Block, Contact	
16	4460426	1	Connector, Strain Relief	
17	4460470	1	Nut, Terminal	
18	4460471	1	Washer, Terminal	
19	4460496	1	Washer, Terminal	
20	4460497	1	Nut, Terminal	
21	4460526	1	Connector, Strain Relief	
22	4460837	2	Connector - 12 Position	
23	4460905	4	Plug, Seal (Not Shown)	
24	4460914	4	Mount, Base	
25	4740444	8	Washer, Special	
26	4751000	4	Washer #10	
27	4751400	28	Washer 1/4	
28	4761400	5	Washer 1/4	
29	1001100434	1	Mount, Module	
30	1001106736	1	Cap, Dust	
31	1001109503	1	Gauge, Indicator	
32	1001119020	2	Connector - 12 Position	
33	1001119509	1	Module, Ground Control (Note: Re-calibration Required when Replaced)	
34	1001119512	1	Module, Repeater	
35	1001119653	1	Harness, Turntable (See Separate Breakdown in ELECTRICAL Section)	
36	1001120309	1	Box Assembly	F
36A	1001242373	2	Latch	
36B	2600279	2	Hinge	
36C	3960418	53 in/1.4m	Seal	
36D	1001120311	1	Panel, Front	
36E	3573144	1	Plate, Latch	
38	1001242186	1	Harness, Ground Control Box (See Separate Breakdown in ELECTRICAL Section)	
39	1001245367	1	Decal - Lid	

## SECTION 2 - TURNTABLE

FIGURE 2-27. GROUND CONTROL BOX ASSEMBLY - DEUTZ TD2011 ENGINES AND DEUTZ TCD2.9L4 (STAGE V PRE-BUY) ENGINES (CE SPECS)



ART\_1001245365

## SECTION 2 - TURNTABLE

**FIGURE 2-27. GROUND CONTROL BOX ASSEMBLY - DEUTZ TD2011 ENGINES AND DEUTZ TCD2.9L4 (STAGE V PRE-BUY) ENGINES (CE SPECS)**

ITEM	PART NUMBER	QTY	DESCRIPTION	REV
	1001245365	Ref	GROUND CONTROL BOX ASSEMBLY	B
1	0100048	AR	Grease, Dielectric	
2	0100035	AR	Compound, Locking	
3	0630464	4	Bolt #10 x 1/2	
4	0630548	5	Screw, Self Tapping	
5	0641406	2	Bolt 1/4 x 3/4	
6	0641410	2	Bolt 1/4 x 1-1/4	
7	1320095	1	Clamp	
8	3311001	4	Nut #10	
9	3311401	5	Nut 1/4	
10	3311402	5	Nut 1/4	
11	3311405	4	Nut 1/4	
12	4360274	1	Switch, Pushbutton	
13	4360328	8	Switch, Toggle	
14	4360387	1	Switch, Pushbutton	
15	4360475	1	Switch, Push-Pull Emergency	
15A	7020175	1	Cap	
15B	7020176	1	Block, Contact	
16	4360476	1	Block, Contact	
17	4460426	1	Connector, Strain Relief	
18	4460470	1	Nut, Terminal	
19	4460471	1	Washer, Terminal	
20	4460496	1	Washer, Terminal	
21	4460497	1	Nut, Terminal	
22	4460526	1	Connector, Strain Relief	
23	4460837	2	Connector - 12 Position	
24	4460905	4	Plug, Seal (Not Shown)	
25	4460914	4	Mount, Base	
26	4740444	8	Washer, Special	
27	4751000	4	Washer #10	
28	4751400	28	Washer 1/4	
29	4761400	5	Washer 1/4	
30	1001100434	1	Mount, Module	
31	1001106736	1	Cap, Dust	
32	1001109503	1	Gauge, Indicator	
33	1001119020	2	Connector - 12 Position	
34	1001119509	1	Module, Ground Control (Note: Re-calibration Required when Replaced)	
35	1001119512	1	Module, Repeater	
36	1001119653	1	Harness, Turntable (See Separate Breakdown in ELECTRICAL SECTION)	
38	1001176469	1	Shroud	
39	1001184786	1	Box Assembly	C
39A	1001242373	2	Latch	
39B	2600279	2	Hinge	
39C	3960418	53 in/1.4m	Seal	
39D	1001184785	1	Panel, Front	
39E	3573144	1	Plate, Latch	

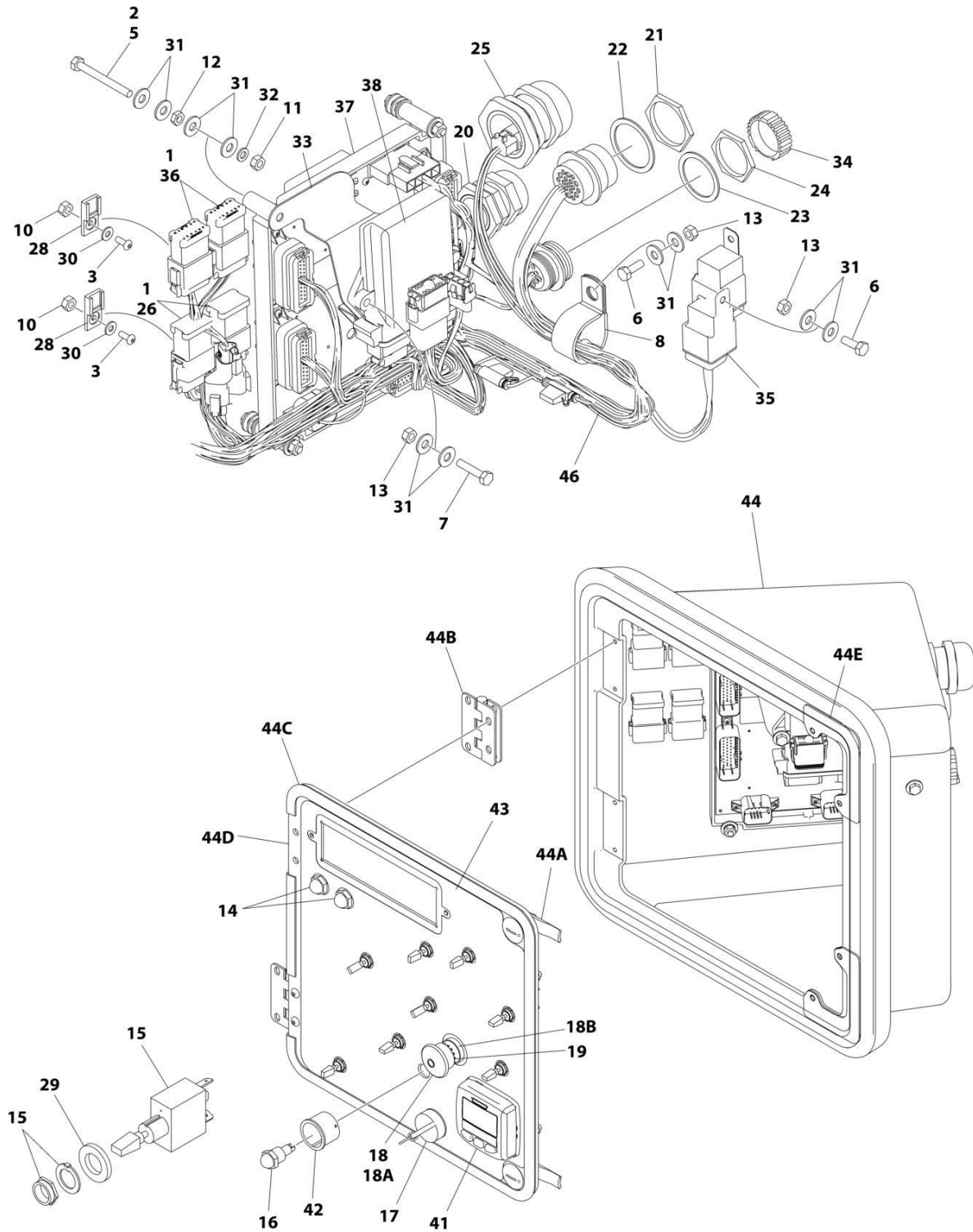
## SECTION 2 - TURNTABLE

ITEM	PART NUMBER	QTY	DESCRIPTION	REV
40	1001242186	1	Harness, Ground Control Box (See Separate Breakdown in ELECTRICAL SECTION)	
41	1001245368	1	Decal - Lid	



## SECTION 2 - TURNTABLE

FIGURE 2-28. GROUND CONTROL BOX ASSEMBLY - DEUTZ TCD2.9L4 (STAGE V) ENGINES (CE SPECS)



ART\_1001236758

## SECTION 2 - TURNTABLE

**FIGURE 2-28. GROUND CONTROL BOX ASSEMBLY - DEUTZ TCD2.9L4 (STAGE V) ENGINES (CE SPECS)**

ITEM	PART NUMBER	QTY	DESCRIPTION	REV
	1001236758	Ref	GROUND CONTROL BOX ASSEMBLY	C
1	0100048	AR	Grease, Dielectric	
2	0100081	AR	Adhesive #454	
3	0630464	4	Bolt #10 x 1/2	
5	0630548	5	Screw, Self Tapping	
6	0641406	2	Bolt 1/4 x 3/4	
7	0641410	2	Bolt 1/4 x 1-1/4	
8	1320095	1	Clamp	
10	3311001	4	Nut #10	
11	3311401	5	Nut 1/4	
12	3311402	5	Nut 1/4	
13	3311405	4	Nut 1/4	
14	4360274	1	Switch, Pushbutton	
15	4360328	8	Switch, Toggle	
16	4360387	1	Switch, Pushbutton	
17	4360469	1	Keyswitch	
17	2860030	1	Key, Replacement	
18	4360475	1	Switch, Push-Pull Emergency	
18A	7020175	1	Cap	
18B	7020176	1	Block, Contact	
19	4360476	1	Block, Contact	
20	4460426	1	Connector, Strain Relief	
21	4460470	1	Nut, Terminal	
22	4460471	1	Washer, Terminal	
23	4460496	1	Washer, Terminal	
24	4460497	1	Nut, Terminal	
25	4460526	1	Connector, Strain Relief	
26	4460837	2	Connector - 12 Position	
27	4460905	4	Plug, Seal (Not Shown)	
28	4460914	4	Mount, Base	
29	4740397	8	Washer	
30	4751000	4	Washer #10	
31	4751400	28	Washer 1/4	
32	4761400	5	Washer 1/4	
33	1001100434	1	Mount, Module	
34	1001106736	1	Cap, Dust	
35	1001117025	1	Relay with Connector	
35	3740080	1	Relay, Sealed	
35	4460374	1	Plug, Sealed	
35	4460375	4	Terminal, Female	
36	1001119020	2	Connector - 12 Position	
37	1001119509	1	Module, Ground Control (Note: Re-calibration Required when Replaced)	
38	1001119512	1	Module, Repeater	
39	1001119653	1	Harness, Turntable (Not Shown - See Separate Breakdown in ELECTRICAL Section)	
41	1001171482	1	Gauge, Indicator	
42	1001176469	1	Shroud	
43	1001236686	1	Decal - Lid	

## SECTION 2 - TURNTABLE

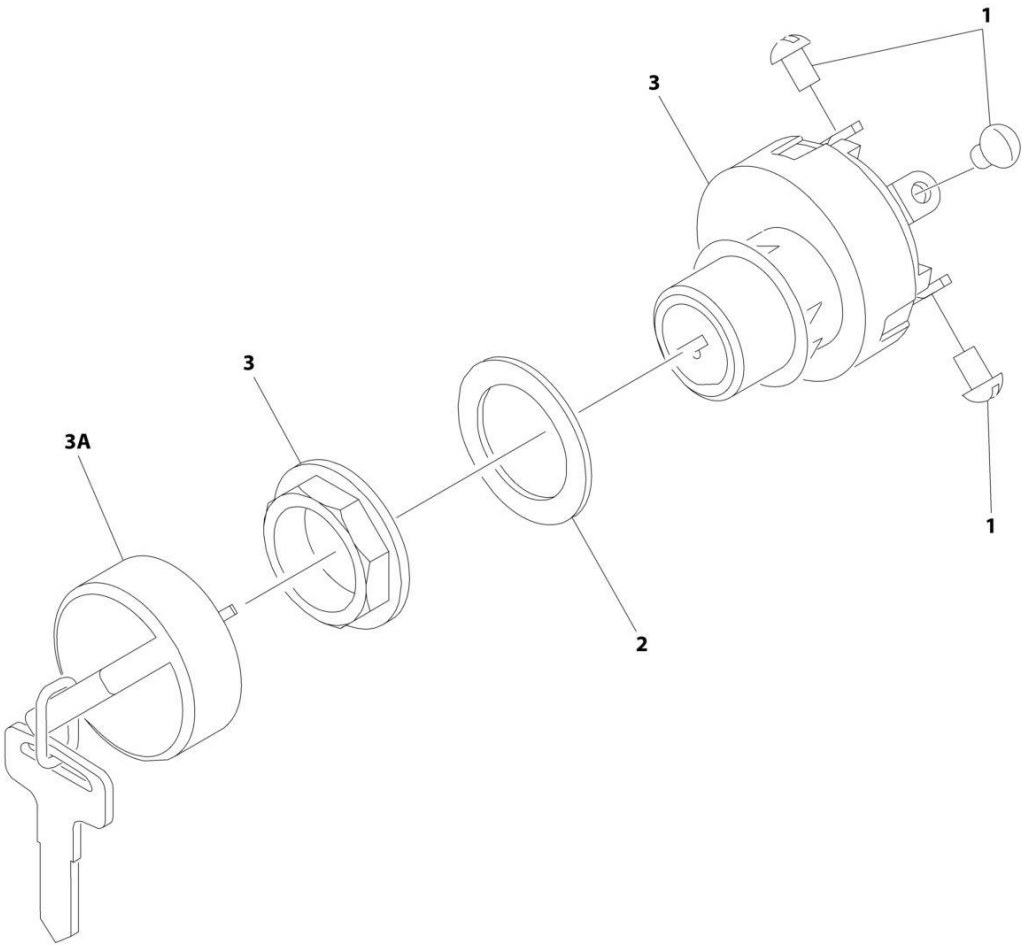
ITEM	PART NUMBER	QTY	DESCRIPTION	REV
44	1001236899	1	Box Assembly	C
44A	1001242373	2	Latch	
44B	2600279	2	Hinge	
44C	3960418	53 in/1.4m	Seal	
44D	1001236532	1	Panel, Front	
44E	3573144	1	Plate, Latch	
46	1001242186	Ref	Harness, Ground Control Box (See Separate Breakdown in ELECTRICAL Section)	





**SECTION 2 - TURNTABLE**

**FIGURE 2-29. KEYSWITCH INSTALLATION**



ART\_0259666

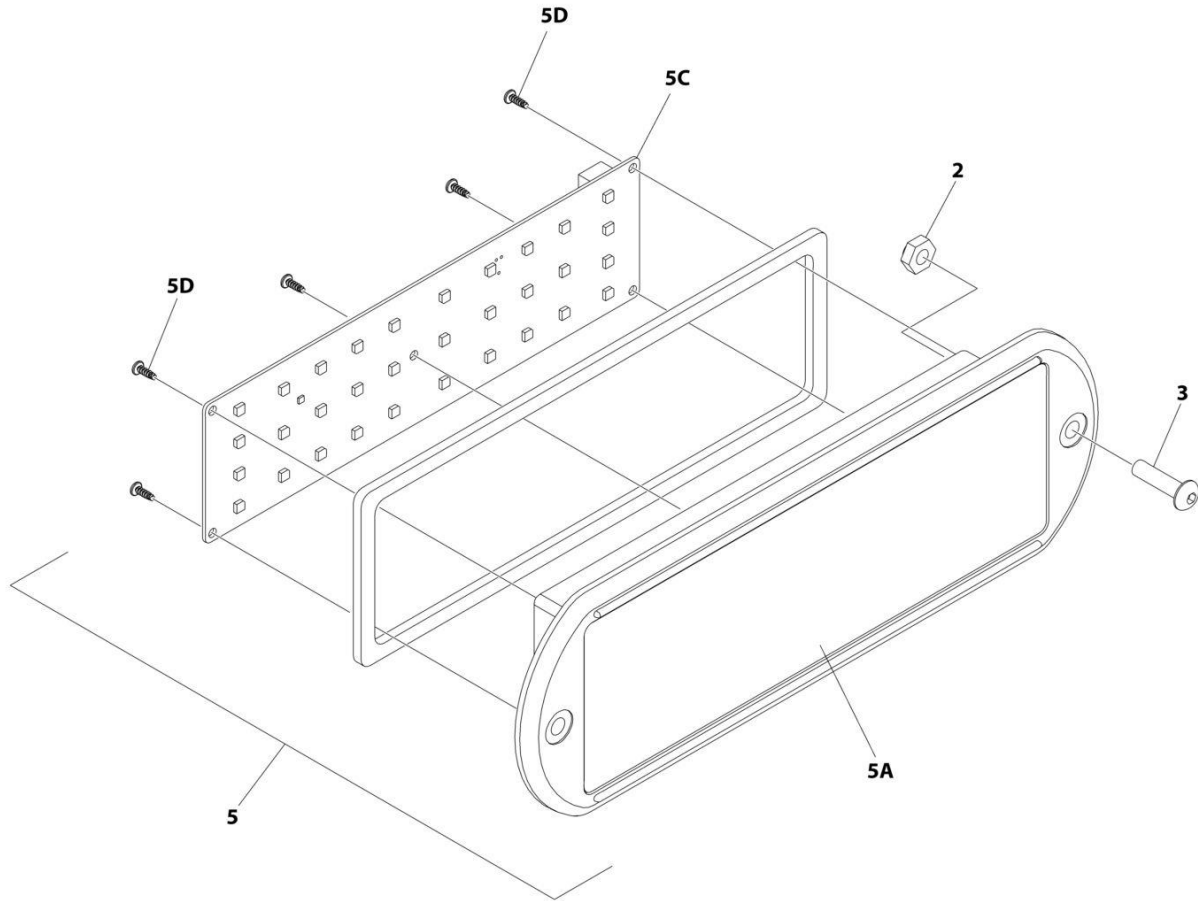
**SECTION 2 - TURNTABLE**

**FIGURE 2-29. KEYSWITCH INSTALLATION**

<b>ITEM</b>	<b>PART NUMBER</b>	<b>QTY</b>	<b>DESCRIPTION</b>	<b>REV</b>
	0259666	Ref	KEYSWITCH INSTALLATION	B
1	3910804	6	Screw #8 x 1/8	
2	1001151393	1	Shim .063	
3	4360469	1	Keyswitch	
3A	2860030	1	Key, Replacement	

# SECTION 2 - TURNTABLE

## FIGURE 2-30. LIGHT PANEL INSTALLATION



ART\_1001233959\_C\_10F2

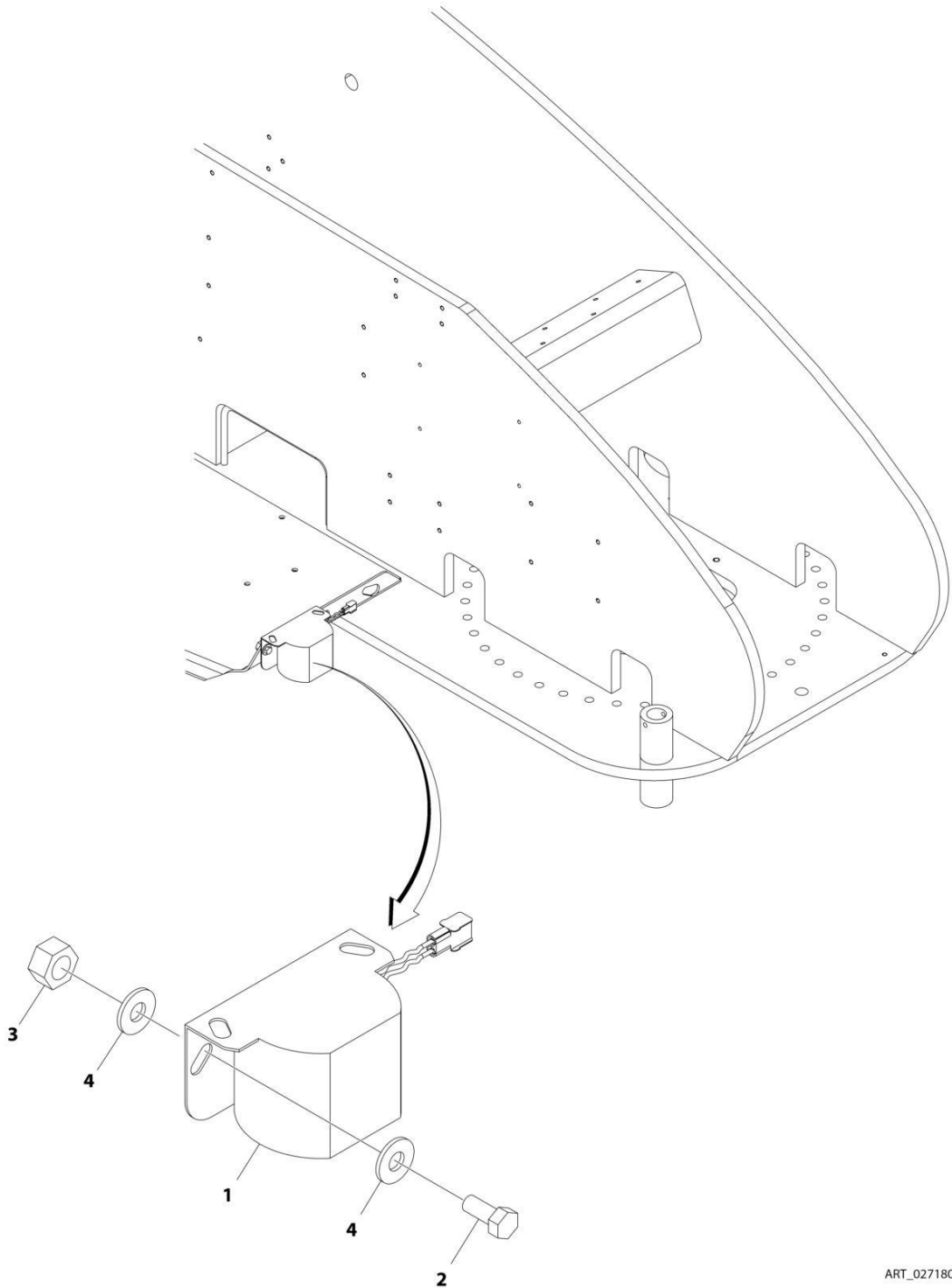
**SECTION 2 - TURNTABLE**

**FIGURE 2-30. LIGHT PANEL INSTALLATION**

ITEM	PART NUMBER	QTY	DESCRIPTION	REV
	1001233959	Ref	LIGHT PANEL INSTALLATION	C
2	3300408	2	Nut, Nylon Insert	
3	0630518	2	Screw #10 x 3/4	
5	1001237546	1	Light Panel Assembly	H
5A	1001236091	1	Lens, I-Con	
5C	1001187807	1	Panel, LED Light	
5D		Ref	Screw	

**SECTION 2 - TURNTABLE**

**FIGURE 2-31. ALARMS INSTALLATION**



ART\_0271806

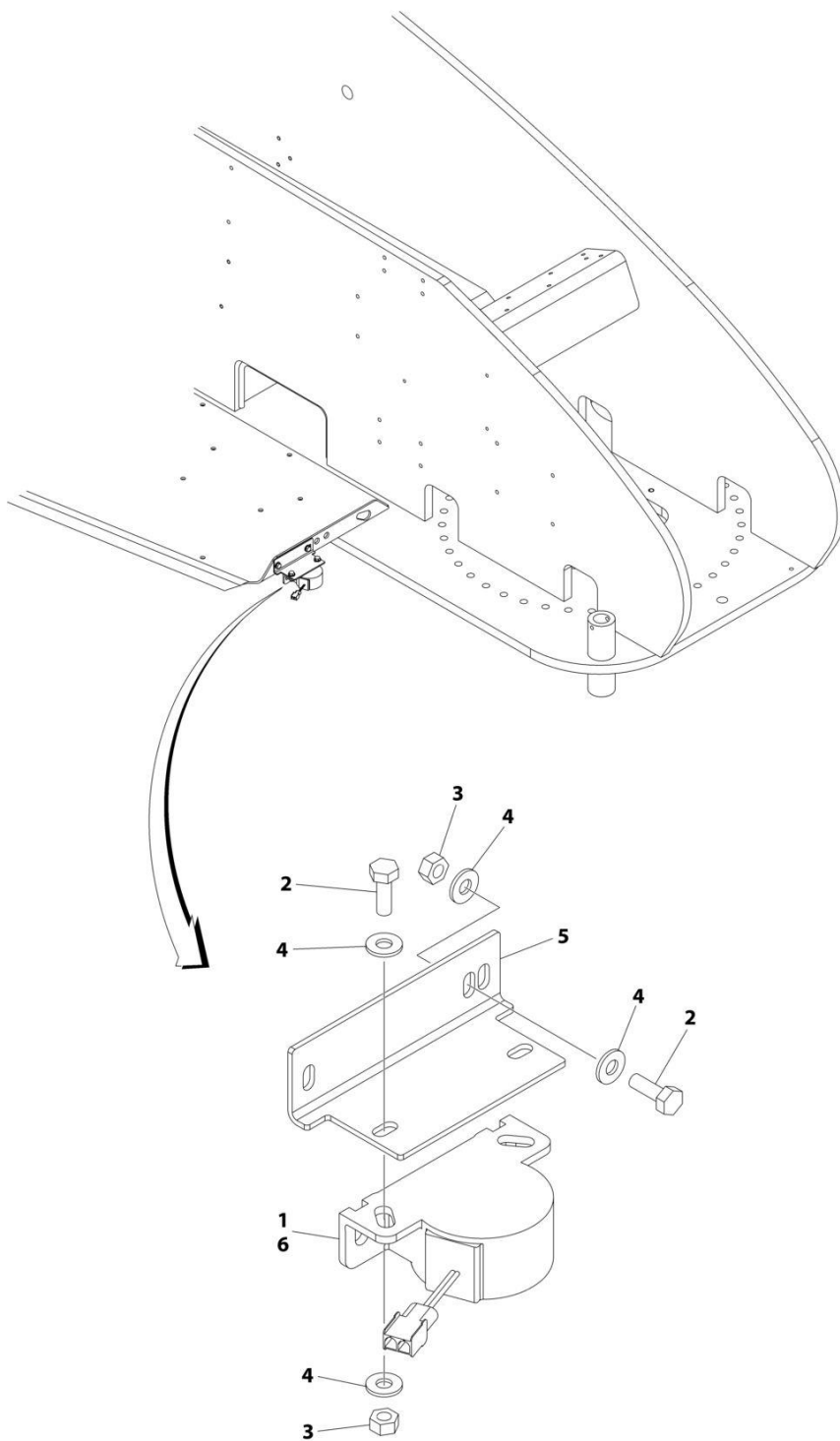
**SECTION 2 - TURNTABLE**

**FIGURE 2-31. ALARMS INSTALLATION**

ITEM	PART NUMBER	QTY	DESCRIPTION	REV
	0271806	Ref	ALARMS INSTALLATION	A
1	0257887	1	Alarm	
1	0140032	1	Alarm	
1	2820035	6 in/15cm	Loom	
1	4460424	1	Plug	
1	4460268	2	Socket, Female	
2	0641506	2	Bolt 5/16 x 3/4	
3	3311505	2	Nut 5/16	
4	4751500	4	Washer 5/16	

## SECTION 2 - TURNTABLE

FIGURE 2-32. BACKUP ALARM (WHITE NOISE) INSTALLATION



ART\_1001239281



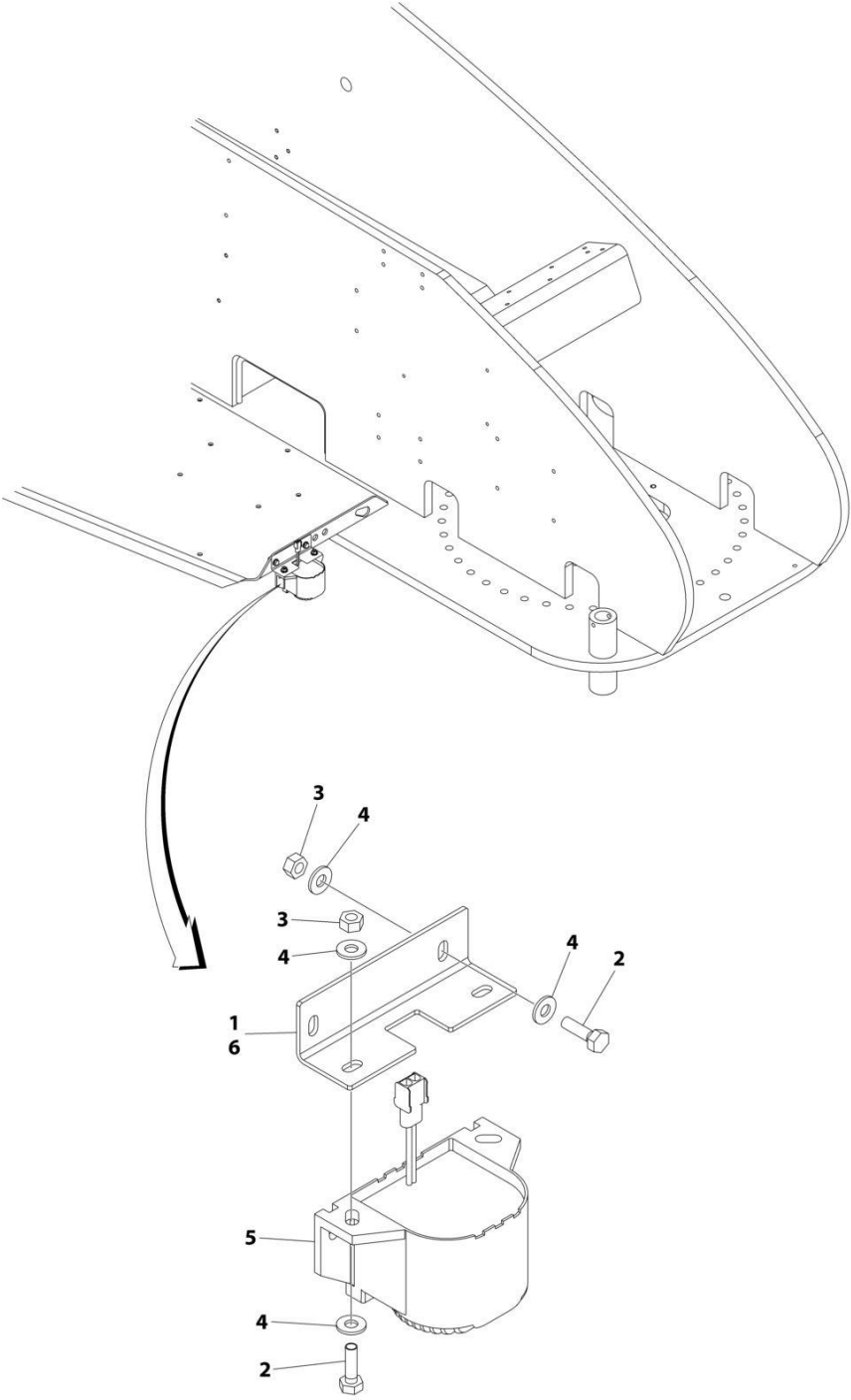
**SECTION 2 - TURNTABLE**

**FIGURE 2-32. BACKUP ALARM (WHITE NOISE) INSTALLATION**

<b>ITEM</b>	<b>PART NUMBER</b>	<b>QTY</b>	<b>DESCRIPTION</b>	<b>REV</b>
	1001239281	Ref	BACKUP ALARM (WHITE NOISE) INSTALLATION	A
1	0100048	AR	Grease, Dielectric	
2	0641406	4	Bolt 1/4 x 3/4	
3	3311405	4	Nut 1/4	
4	4711400	8	Washer 1/4	
5	1001231886	1	Plate	
6	1001243734	1	Alarm	
6	1001184682	1	Alarm	
6	4460424	1	Plug	
6	4460268	2	Socket, Female	

**SECTION 2 - TURNTABLE**

**FIGURE 2-33. BACKUP ALARM AMBIENT (WHITE NOISE) INSTALLATION**



ART\_1001241383

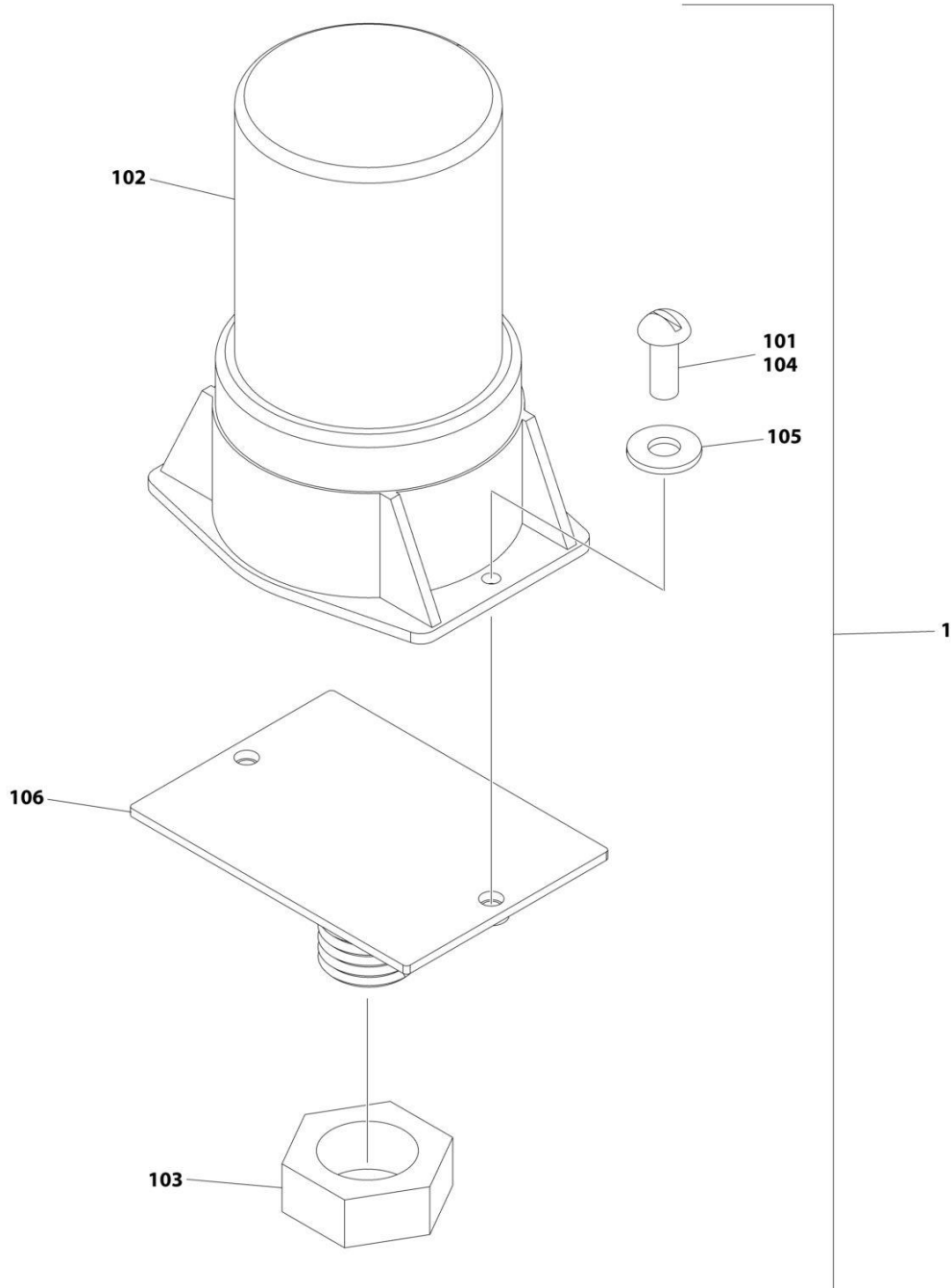
**SECTION 2 - TURNTABLE**

**FIGURE 2-33. BACKUP ALARM AMBIENT (WHITE NOISE) INSTALLATION**

<b>ITEM</b>	<b>PART NUMBER</b>	<b>QTY</b>	<b>DESCRIPTION</b>	<b>REV</b>
	1001241383	Ref	ALARM AMBIENT (WHITE NOISE) INSTALLATION	A
1	0100048	AR	Grease, Dielectric	
2	0641407	4	Bolt 1/4 x 7/8	
3	3311405	4	Nut 1/4	
4	4711400	8	Washer 1/4	
5	1001243731	1	Alarm	
5	1001182806	1	Alarm	
5	4460424	1	Plug	
5	4460268	2	Socket, Female	
6	1001243849	1	Plate	

# SECTION 2 - TURNTABLE

## FIGURE 2-34. STROBE LIGHT INSTALLATION (AMBER)



ART\_1001149955

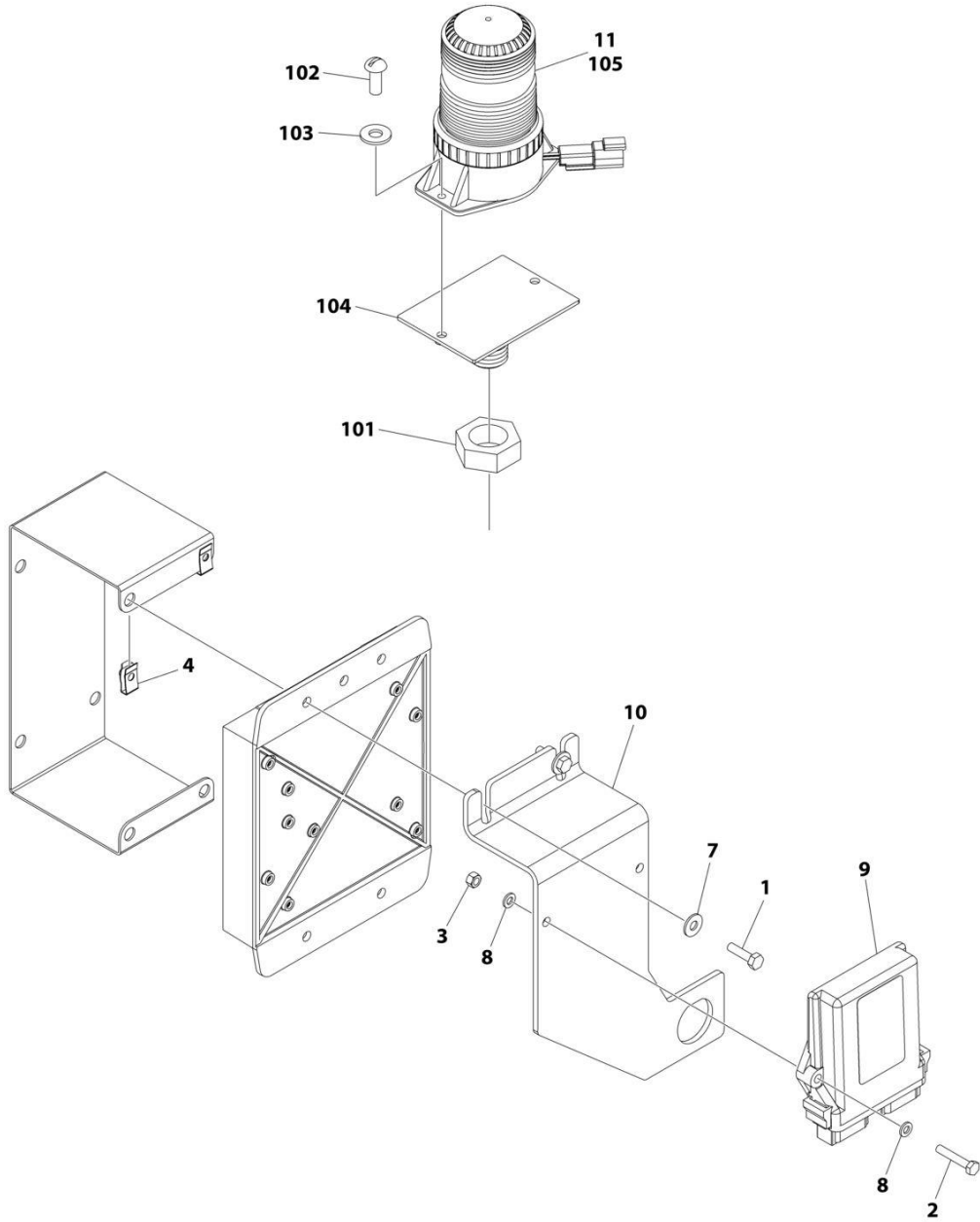
**SECTION 2 - TURNTABLE**

**FIGURE 2-34. STROBE LIGHT INSTALLATION (AMBER)**

<b>ITEM</b>	<b>PART NUMBER</b>	<b>QTY</b>	<b>DESCRIPTION</b>	<b>REV</b>
	1001149955	Ref	STROBE LIGHT INSTALLATION (AMBER)	B
1	1001150406	1	Strobe Light Assembly (Includes Items 101-106)	D
2	1001149818	1	Harness, Strobe Light (Not Shown - See Separate Breakdown in ELECTRICAL SECTION)	
101	0100035	AR	Compound, Locking	
102	2920161	1	Strobe Light/Harness Assembly	
102	7016319	1	Bulb	
102	7016372	1	Lens	
103	3312602	1	Nut 1	
104	3900085	2	Screw #10 x 1/2	
105	4751000	2	Washer 1/4	
106	1001149994	1	Mount Strobe	

# SECTION 2 - TURNTABLE

## FIGURE 2-35. STROBE LIGHT INSTALLATION (BLUE)



ART\_1001244026-A

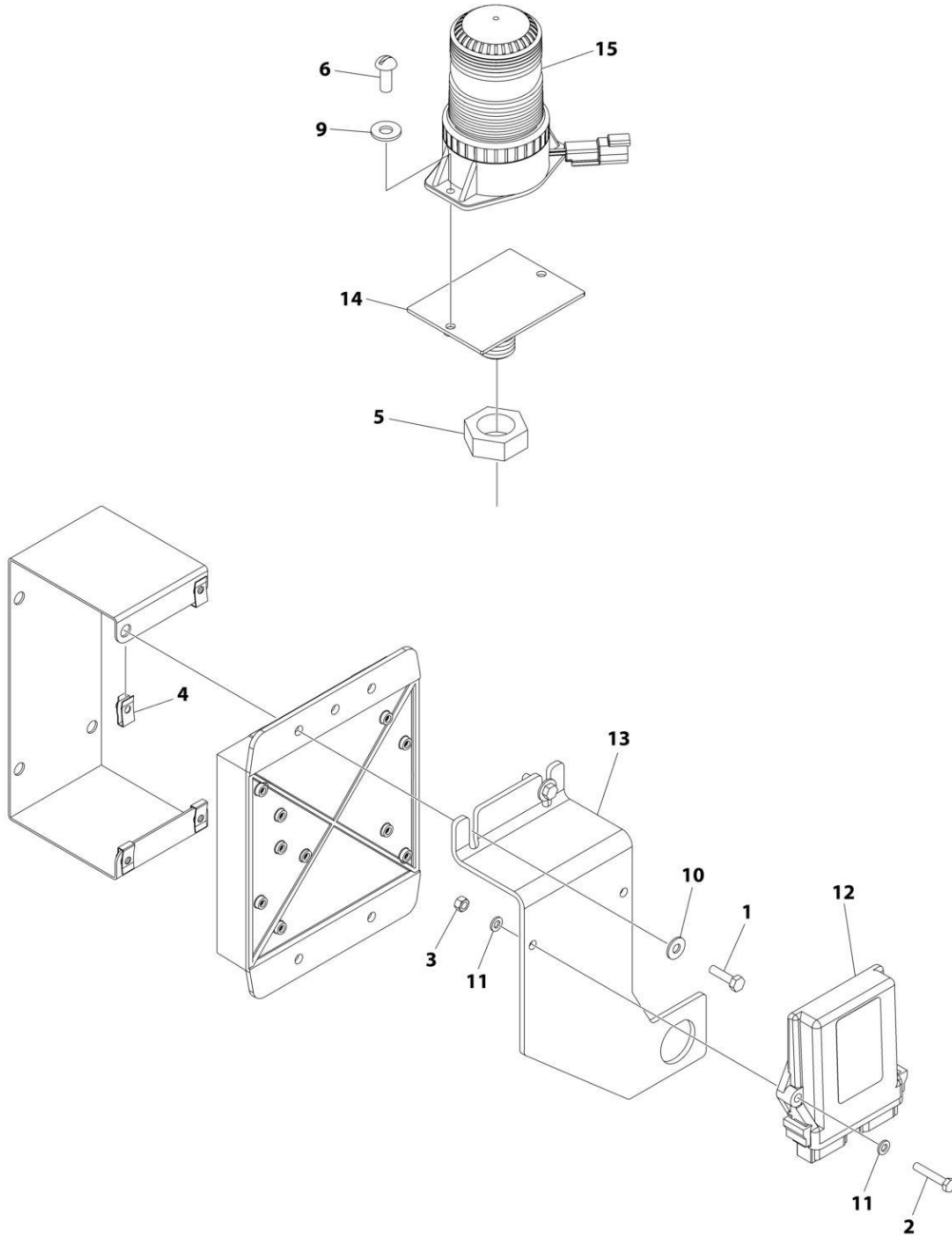
**SECTION 2 - TURNTABLE**

**FIGURE 2-35. STROBE LIGHT INSTALLATION (BLUE)**

ITEM	PART NUMBER	QTY	DESCRIPTION	REV
	1001244026	Ref	STROBE LIGHT INSTALLATION (BLUE)	A
1	0641408	2	Bolt 1/4 x 1	
2	0700615	2	Bolt M6 x 35	
3	3290607	2	Nut M6 x 1	
4	3300454	2	Nut 1/4	
5	4240032	AR	Tie-Strap (Not Shown)	
6	4460488	AR	Mounting Base (Not Shown)	
7	4751400	2	Washer 1/4	
8	4811700	4	Washer M6	
9	1001142683	1	Module, Control Beacon	
10	1001142719	1	Bracket	
11	1001217005	1	Blue Beacon Light Kit (See Items 101-105 for Breakdown)	
12	1001142736	1	Harness, Beacon Control (Not Shown - See Separate Breakdown in ELECTRICAL SECTION)	
101	3312602	1	Nut 1/4	
102	3900085	2	Screw 10 x 1/2	
103	4751000	2	Washer #10	
104	1001149994	1	Mount, Beacon	
105	1001200910	1	Light, Strobe	
105	7028909	1	Connector - 2 Position	
105	4460943	2	Pin, Male	

# SECTION 2 - TURNTABLE

## FIGURE 2-36. STROBE LIGHT INSTALLATION (RED)



ART\_1001244027



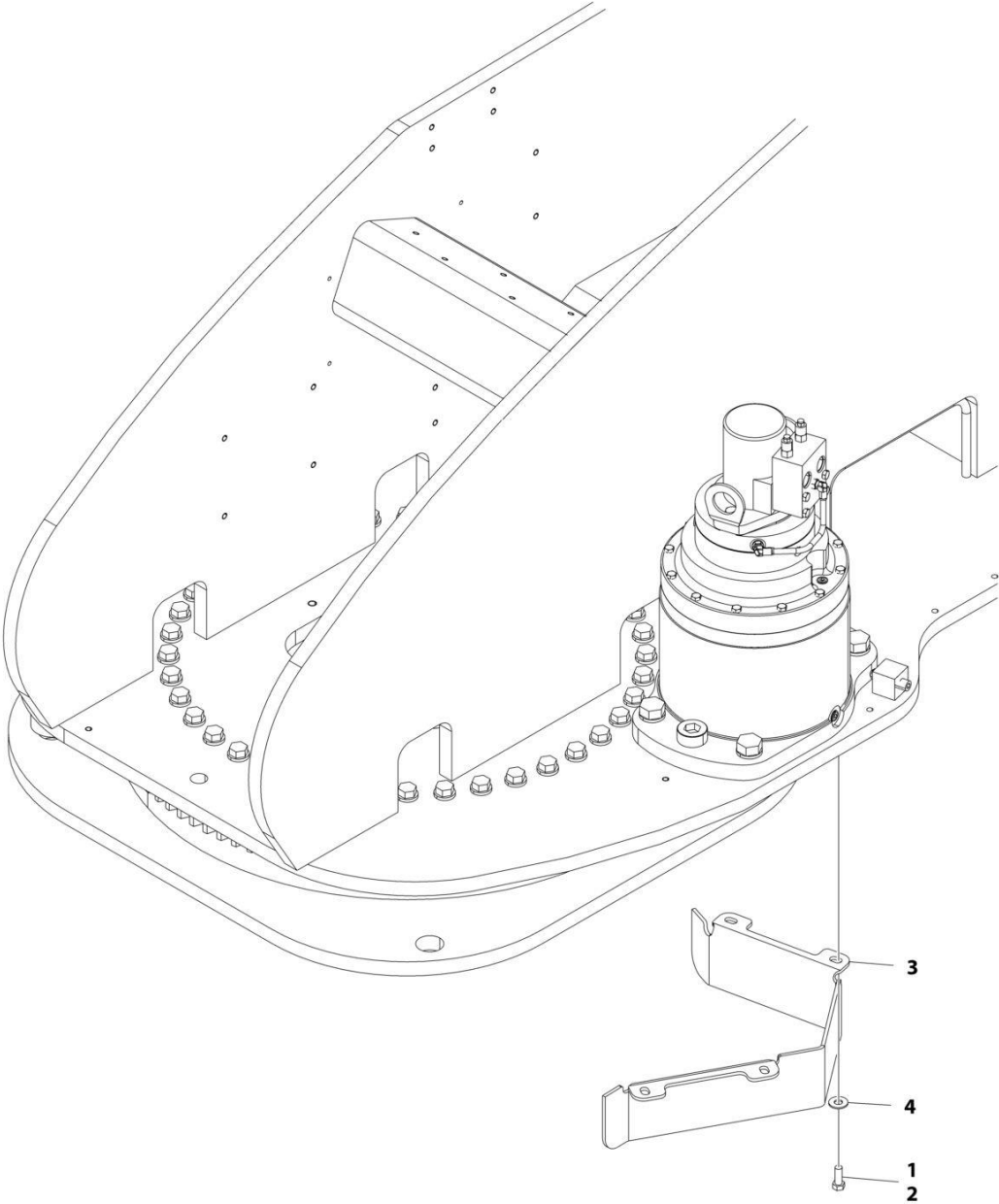
**SECTION 2 - TURNTABLE**

**FIGURE 2-36. STROBE LIGHT INSTALLATION (RED)**

ITEM	PART NUMBER	QTY	DESCRIPTION	REV
	1001244027	Ref	STROBE LIGHT INSTALLATION (RED)	A
1	0641408	2	Bolt 1/4 x 1	
2	0700615	2	Bolt M6 x 35	
3	3290607	2	Nut M6 x 1	
4	3300454	2	Nut	
5	3312602	1	Nut 1	
6	3900085	2	Screw 10 x 1/2	
7	4240032	AR	Tie-Strap (Not Shown)	
8	4460488	AR	Mounting Base (Not Shown)	
9	4751000	2	Washer #10	
10	4751400	2	Washer 1/4	
11	4811700	4	Washer M6	
12	1001142683	1	Module, Control Beacon	
13	1001142719	1	Bracket	
14	1001149994	1	Mount, Beacon	
15	1001207004	1	Light, Strobe	
15	7028909	1	Connector - 2 Position	
15	4460943	2	Pin, Male	
16	1001142736	1	Harness, Beacon Control (Not Shown - See Separate Breakdown in ELECTRICAL SECTION)	

**SECTION 2 - TURNTABLE**

**FIGURE 2-37. PINION SHIELD INSTALLATION**



ART\_0271874

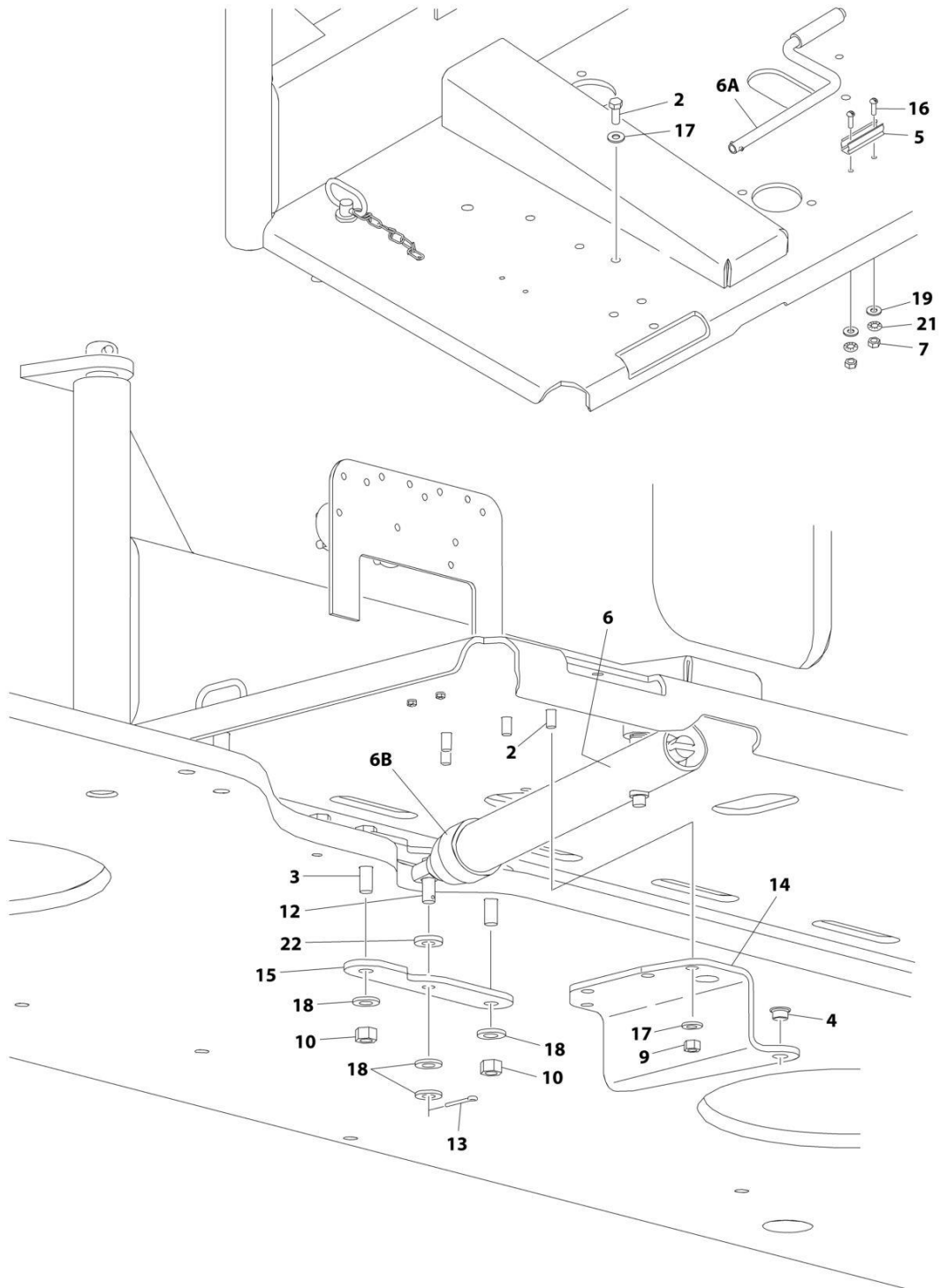
**SECTION 2 - TURNTABLE**

**FIGURE 2-37. PINION SHIELD INSTALLATION**

<b>ITEM</b>	<b>PART NUMBER</b>	<b>QTY</b>	<b>DESCRIPTION</b>	<b>REV</b>
	0271874	Ref	PINION SHIELD INSTALLATION	A
1	0100011	AR	Compound, Locking	
2	0641608	4	Bolt 3/8 x 1	
3	3573355	1	Plate, Pinion	
4	4751600	4	Washer 3/8	

# SECTION 2 - TURNTABLE

## FIGURE 2-38. ENGINE TRAY JACK INSTALLATION - DEUTZ TD2011 ENGINES



ART\_0272064

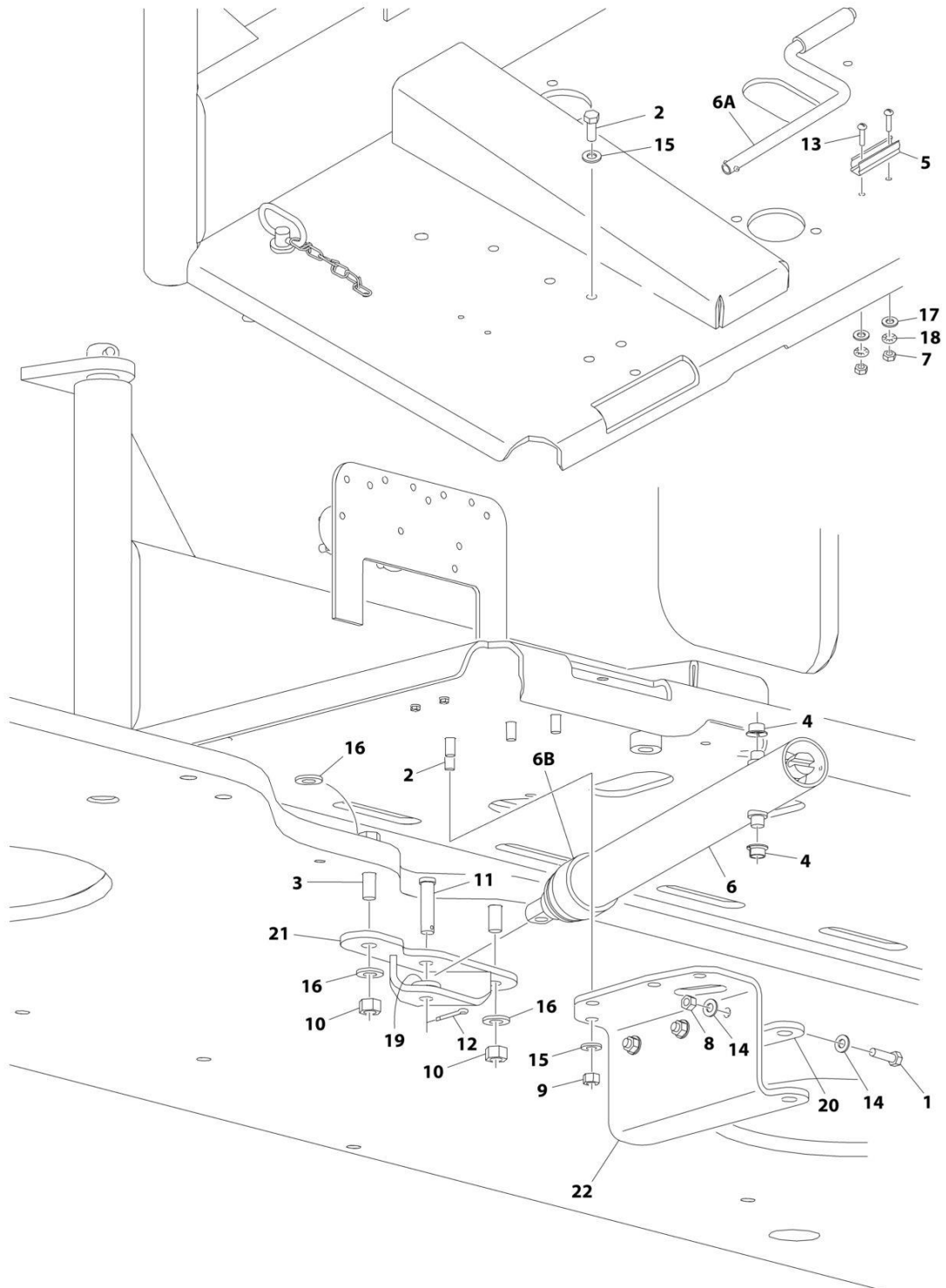
**SECTION 2 - TURNTABLE**

**FIGURE 2-38. ENGINE TRAY JACK INSTALLATION - DEUTZ TD2011 ENGINES**

ITEM	PART NUMBER	QTY	DESCRIPTION	REV
	0272064	Ref	ENGINE TRAY JACK INSTALLATION	C
2	0641608	4	Bolt 3/8 x 1	
3	0641818	2	Bolt 1/2 x 2-1/4	
4	0962051	2	Bearing, Flanged	
5	1380147	1	Clip, Spring	
6	2840016	1	Jack and Handle Assembly	
6A		Ref	Handle Options:	
6A	7016374	1	Burr Manufacturing Brand	
6A	7024598	1	Hammerblow Corp Brand	
6B	7016322	1	Wiper (Burr Manufacturing Brand Only)	
7	3310601	2	Nut #6	
9	3311605	4	Nut 3/8	
10	3311805	2	Nut 1/2	
12	3430816	1	Pin, Clevis	
13	3450404	1	Pin, Cotter 1/8 x 1	
14	3537445	1	Bracket	
15	3573454	2	Plate	
16	3910608	2	Screw #6 x 1/2	
17	4711600	8	Washer 3/8	
18	4711800	4	Washer 1/2	
19	4750600	2	Washer #6	
21	4770600	2	Starwasher #6	
22	4891800	1	Washer 1/2	

## SECTION 2 - TURNTABLE

FIGURE 2-39. ENGINE TRAY JACK INSTALLATION - DEUTZ TCD2.9L4 ENGINES, DEUTZ TCD2.9L4 (STAGE V PRE-BUY) ENGINES AND DEUTZ TCD2.9L4 (STAGE V) ENGINES



ART\_1001143294

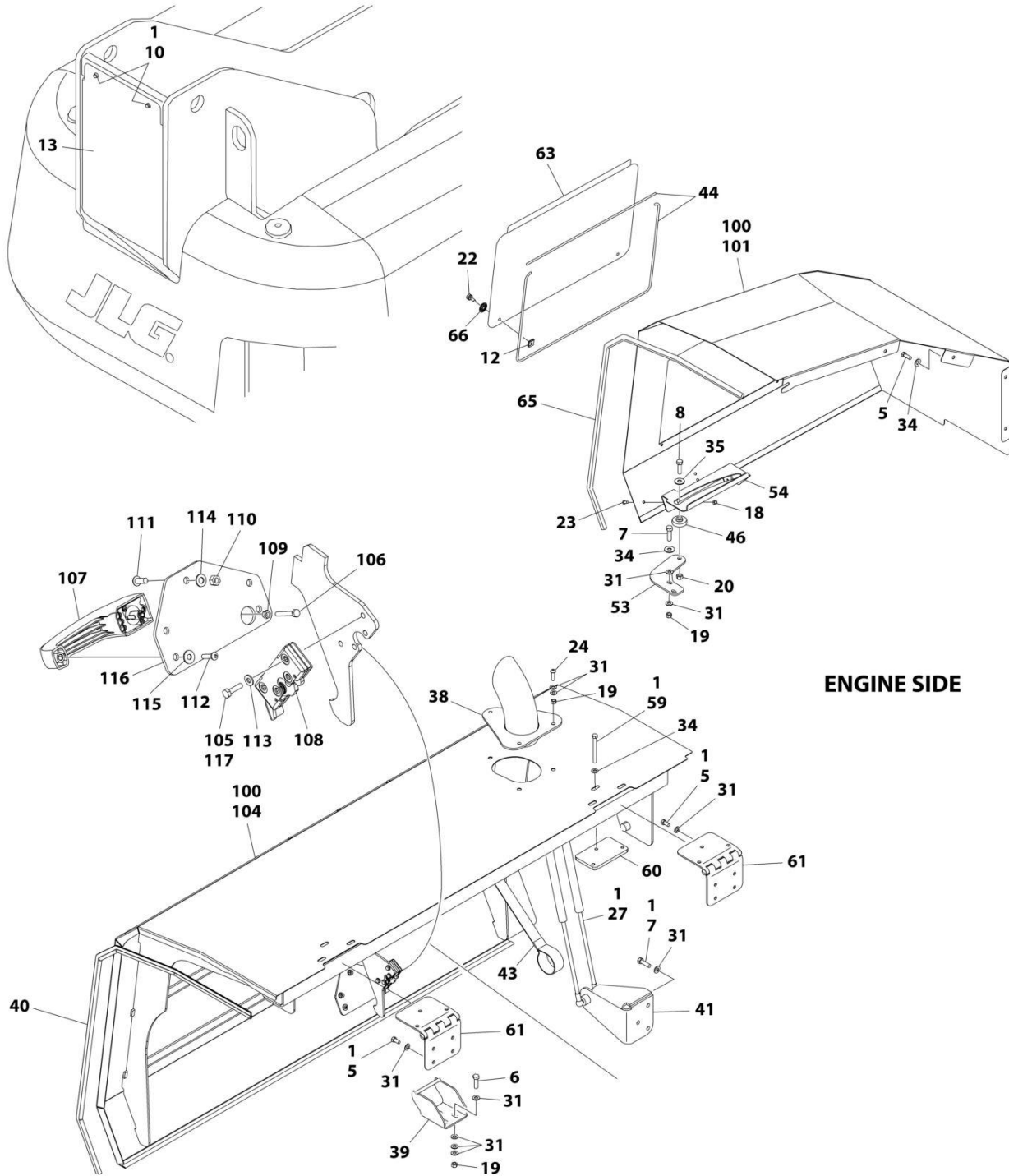
## SECTION 2 - TURNTABLE

**FIGURE 2-39. ENGINE TRAY JACK INSTALLATION - DEUTZ TCD2.9L4 ENGINES, DEUTZ TCD2.9L4 (STAGE V PRE-BUY) ENGINES AND DEUTZ TCD2.9L4 (STAGE V) ENGINES**

ITEM	PART NUMBER	QTY	DESCRIPTION	REV
	1001143294	Ref	ENGINE TRAY JACK INSTALLATION	A
1	0641509	3	Bolt 5/16 x 1-1/8	
2	0641608	4	Bolt 3/8 x 1	
3	0641816	2	Bolt 1/2 x 2	
4	0962051	2	Bearing, Flanged	
5	1380147	1	Clip, Spring	
6	2840016	1	Jack and Handle Assembly	
6A		Ref	Handle Options:	
6A	7016374	1	Burr Manufacturing Brand (Identified by 4in handle offset)	
6A	7024598	1	Hammerblow Corp Brand (Identified by 4-1/2in handle offset)	
6B	7016322	1	Wiper (Burr Manufacturing Brand Only)	
7	3310601	2	Nut #6	
8	3311505	3	Nut 5/16	
9	3311605	4	Nut 3/8	
10	3311805	2	Nut 1/2	
11	3430816	1	Pin, Clevis	
12	3450404	1	Pin, Cotter 1/8 x 1	
13	3910608	2	Screw #6 x 1/2	
14	4711500	6	Washer 5/16	
15	4711600	8	Washer 3/8	
16	4711800	4	Washer 1/2	
17	4750600	2	Washer #6	
18	4770600	2	Starwasher #6	
19	4891800	1	Washer 1/2	
20	1001131482	1	Plate, Jack Bracket	
21	1001135663	1	Support, Engine Tray Jack	
22	1001143298	1	Plate, Jack Bracket	

# SECTION 2 - TURNTABLE

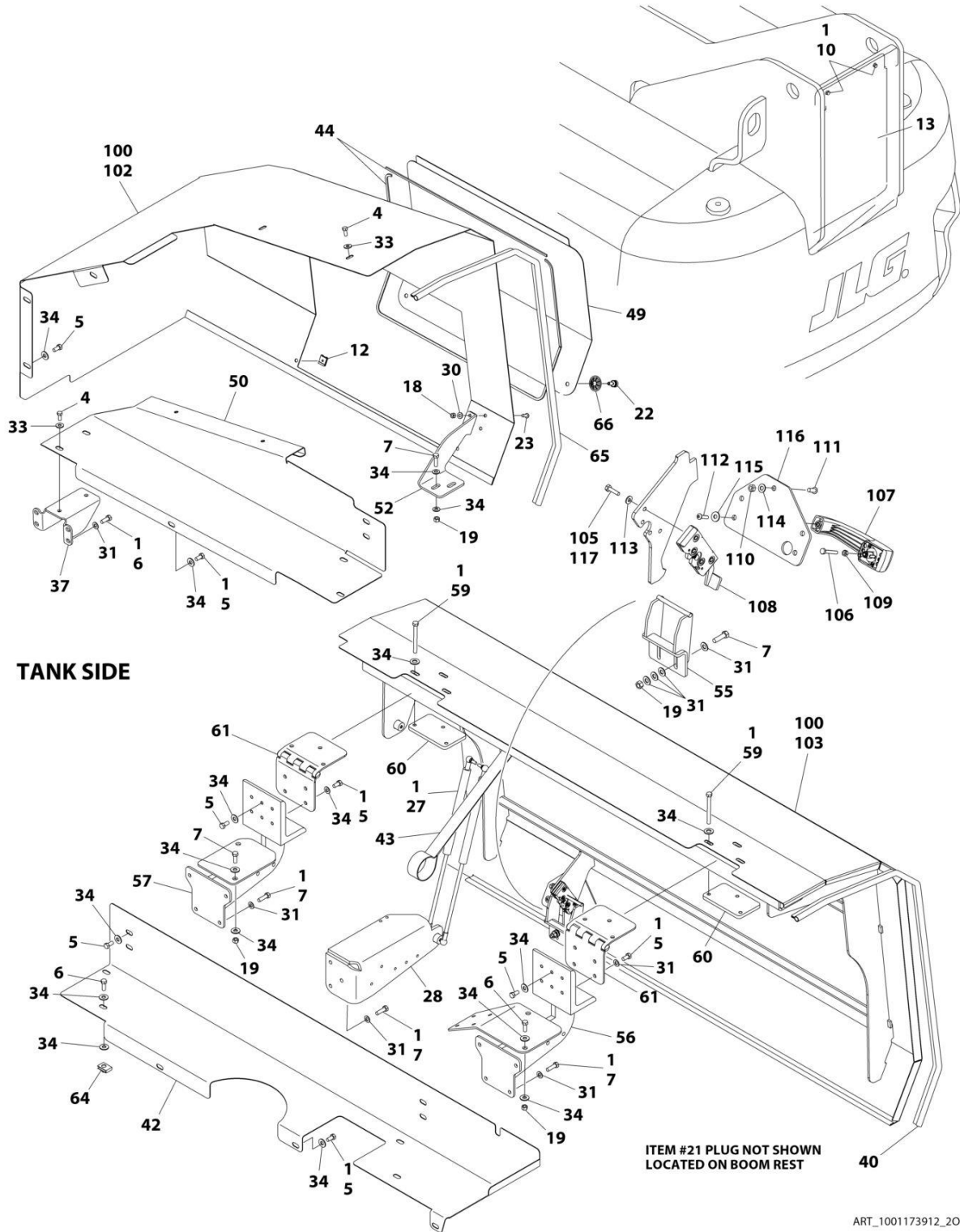
## FIGURE 2-40. HOOD INSTALLATION - DEUTZ TD2011 ENGINES



ART\_1001173912\_1OF2



# SECTION 2 - TURNTABLE



TANK SIDE

ITEM #21 PLUG NOT SHOWN  
LOCATED ON BOOM REST

ART\_1001173912\_20F2

## SECTION 2 - TURNTABLE

FIGURE 2-40. HOOD INSTALLATION - DEUTZ TD2011 ENGINES

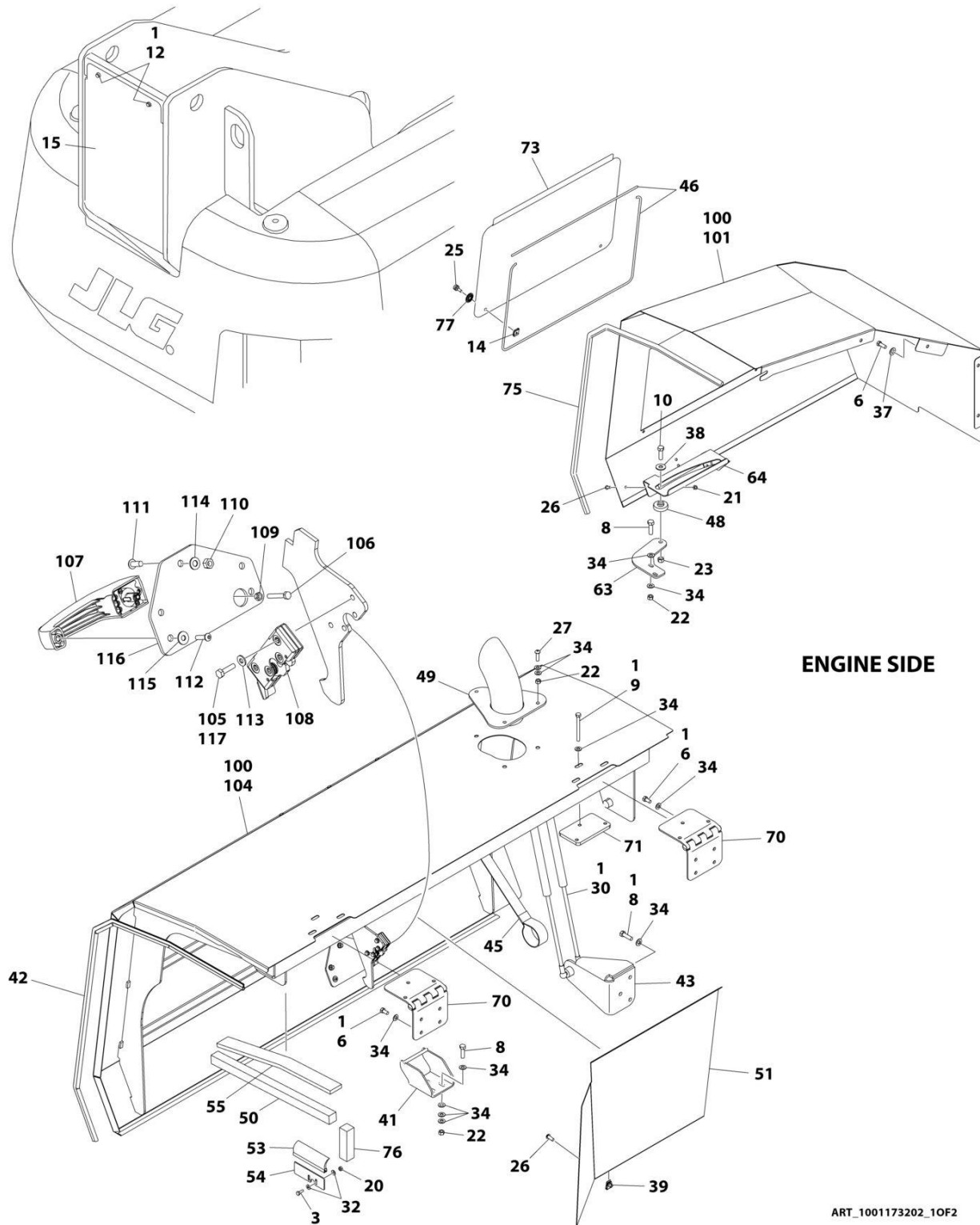
ITEM	PART NUMBER	QTY	DESCRIPTION	REV
	1001173912	Ref	HOOD INSTALLATION - DEUTZ TD2011/TD2.9L4 ENGINES (STEEL)	H
		Ref	Note: Replacement Decals Must be Ordered Separately - See DECAL SECTION.	
1	0100011	AR	Compound, Locking	
4	0641506	AR	Bolt 5/16 x 3/4	
5	0641606	32	Bolt 3/8 x 3/4	
6	0641608	8	Bolt 3/8 x 1	
7	0641610	AR	Bolt 3/8 x 1-1/4	
8	0641813	1	Bolt 1/2 x 1-5/8	
10	0791604	2	Screw 3/8 x 1/2	
12	1380169	4	Clip	
13	1671038	1	Cover	
18	3311505	5	Nut 5/16	
19	3311605	AR	Nut 3/8	
20	3311805	1	Nut 1/2	
21	3520034	2	Plug, Hole	
22	3900174	4	Screw, Thumb	
23	3900210	5	Screw 5/16 x 3/4	
24	3900232	3	Screw 3/8 x 1-1/4	
27	4160194	4	Spring, Gas	
28	4340999	1	Mount, Gas Spring	
30	4711500	2	Washer 5/16	
31	4711600	64	Washer 3/8	
33	4751500	4	Washer 5/16	
34	4751600	AR	Washer 3/8	
35	4751800	1	Washer 1/2	
37	3573232	1	Support, Power Track Trough	
38	1001110027	1	Stack, Exhaust	
39	1001110194	1	Bracket, Striker	
40	1001110433	AR	Seal	
41	1001110486	1	Mount, Gas Spring	
42	1001175859	1	Plate, Power Track Trough	
43	1001112691	2	Strap, Hand Pull	
44	1001113047	14.5 ft/ 4.4m	Seal	
46	1001131462	1	Pad, Hood Slide	
49	1001173166	1	Cover, Access (Tank Side)	
50	1001173170	1	Plate, Power Track Trough	
52	1001173185	1	Plate, Mounting	
53	1001173186	1	Bracket, Engine Tray	
54	1001173187	1	Bracket, Engine Tray	
55	1001173188	1	Bracket, Hood Latch	
56	1001173647	1	Support, Front Hood	
57	1001173651	1	Support, Front Hood	
59	0641630	12	Bolt 3/8 x 3-3/4	
60	1001175880	4	Plate	
61	1001175879	4	Hinge, Offset Hood	
63	1001180051	1	Cover, Access (Engine Side)	
64	88662523	4	Nut, Tinnerman	

## SECTION 2 - TURNTABLE

ITEM	PART NUMBER	QTY	DESCRIPTION	REV
65	3960447	10 ft/ 3.1m	Seal, Self-Gripping	
66	3760308	4	Retainer	
100	1001175250	1	Kit, Hood	E
101	1001173163	1	Hood, Engine Side - Rear	
102	1001173164	1	Hood, Tank Side - Rear	
103	1001173183	1	Hood, Tank Side - Front	
104	1001174331	1	Hood, Engine Side - Front	
105	0641408	8	Bolt 1/4 x 1	
106	0700616	2	Bolt M6 x 40	
107	2560187	2	Handle, Push Button	
108	2940173	2	Latch, Rotary	
109	3290601	2	Nut M6	
110	3311505	6	Nut 5/16	
111	3900210	6	Screw 5/16 x 3/4	
112	3900363	4	Screw M6 x 25	
113	4711400	8	Washer 1/4	
114	4711500	6	Washer 5/16	
115	4751400	4	Washer 1/4	
116	1001116290	2	Plate, Latch Mounting	
117	0100011	AR	Compound, Locking	

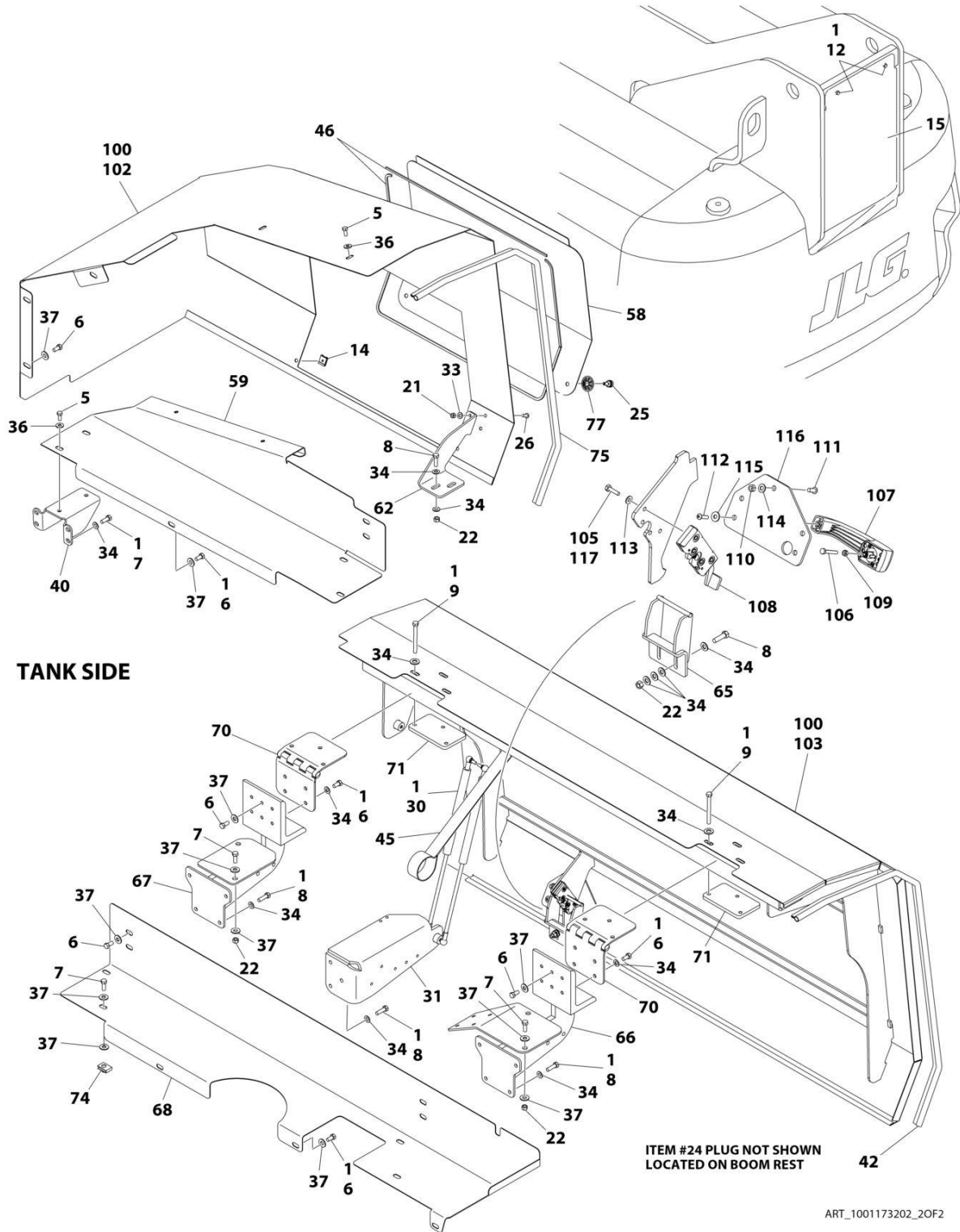
# SECTION 2 - TURNTABLE

## FIGURE 2-41. HOOD INSTALLATION - DEUTZ TCD2.9L4 ENGINES AND DEUTZ TCD2.9L4 (STAGE V PRE-BUY) ENGINES (PVC 2001)



ART\_1001173202\_10F2

# SECTION 2 - TURNTABLE



ART\_1001173202\_2OF2

## SECTION 2 - TURNTABLE

**FIGURE 2-41. HOOD INSTALLATION - DEUTZ TCD2.9L4 ENGINES AND DEUTZ TCD2.9L4 (STAGE V PRE-BUY) ENGINES (PVC 2001)**

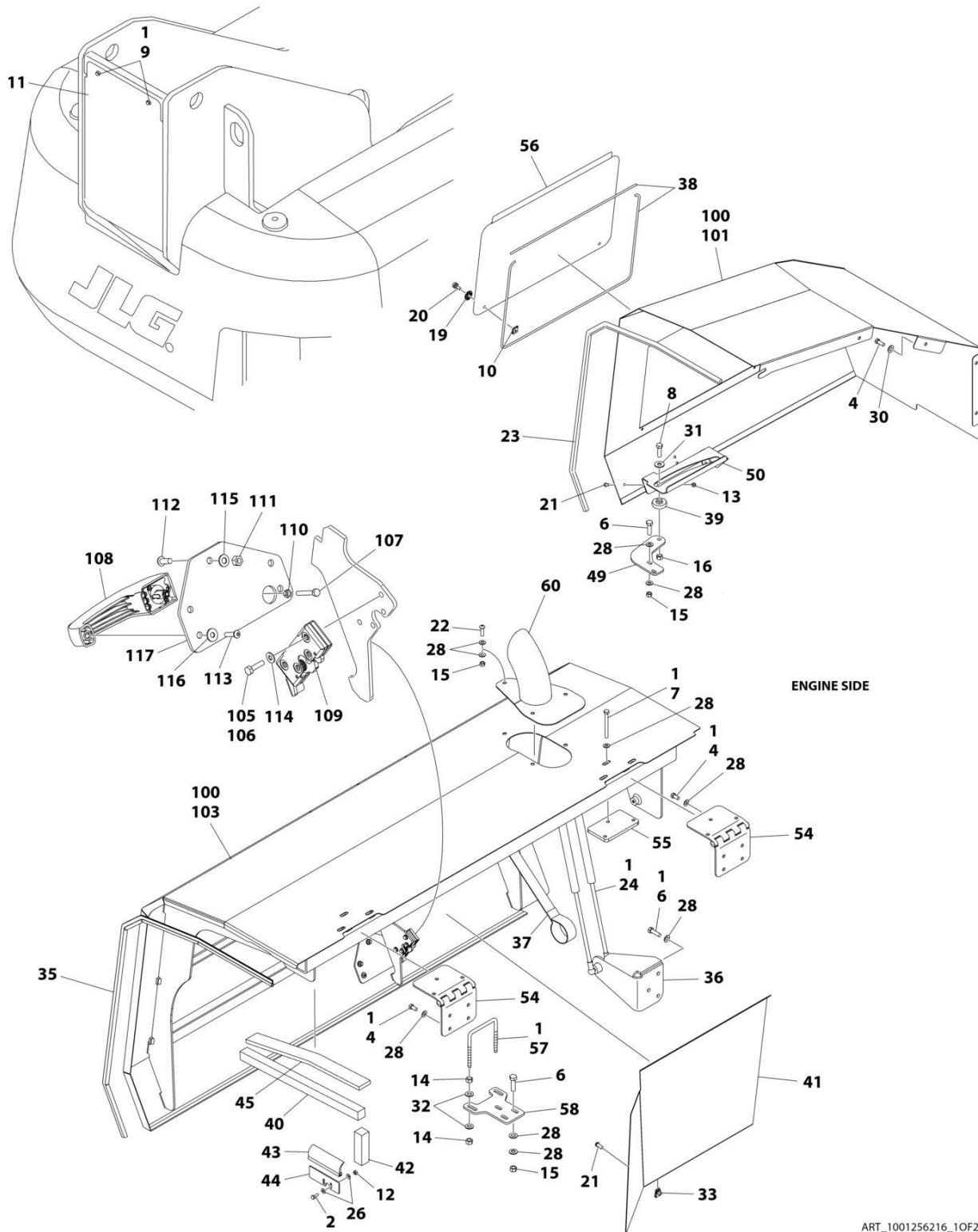
ITEM	PART NUMBER	QTY	DESCRIPTION	REV
	1001173202	Ref	HOOD INSTALLATION - DEUTZ TCD2.9L4 ENGINES (STEEL)	I
		Ref	Note: Replacement Decals Must be Ordered Separately - See DECAL SECTION.	
1	0100011	AR	Compound, Locking	
3	0641406	2	Bolt 1/4 x 3/4	
5	0641506	AR	Bolt 5/16 x 3/4	
6	0641606	32	Bolt 3/8 x 3/4	
7	0641608	8	Bolt 3/8 x 1	
8	0641610	AR	Bolt 3/8 x 1-1/4	
9	0641630	12	Bolt 3/8 x 3-3/4	
10	0641813	1	Bolt 1/2 x 1-5/8	
12	0791604	2	Screw 3/8 x 1/2	
14	1380169	4	Clip	
15	1671038	1	Cover	
20	3311405	2	Nut 1/4	
21	3311505	5	Nut 5/16	
22	3311605	AR	Nut 3/8	
23	3311805	1	Nut 1/2	
24	3520034	2	Plug, Hole	
25	3900174	4	Screw, Thumb	
26	3900210	10	Screw 5/16 x 3/4	
27	3900232	3	Screw 3/8 x 1-1/4	
30	4160194	4	Spring, Gas	
31	4340999	1	Mount, Gas Spring	
32	4711400	4	Washer 1/4	
33	4711500	2	Washer 5/16	
34	4711600	82	Washer 3/8	
36	4751500	AR	Washer 5/16	
37	4751600	AR	Washer 3/8	
38	4751800	1	Washer 1/2	
39	8310658	5	Nut .312 x 1	
40	3573232	1	Support, Power Track Trough	
41	1001110194	1	Bracket, Striker	
42	1001110433	AR	Seal	
43	1001110486	1	Mount, Gas Spring	
45	1001112691	2	Strap, Hand Pull	
46	1001113047	14.5 ft/ 4.2m	Seal	
48	1001131462	1	Pad, Hood Slide	
49	1001139778	1	Stack, Exhaust	
50	1001140485	1	Seal	
51	1001145162	1	Panel, Heat Deflector	
53	1001146178	1	Seal	
54	1001146183	1	Plate	
55	1001146244	1	Seal	
58	1001173166	1	Cover, Access (Tank Side)	
59	1001173170	1	Plate, Power Track Trough	
62	1001173185	1	Plate, Mounting	
63	1001173186	1	Bracket, Engine Tray	

## SECTION 2 - TURNTABLE

ITEM	PART NUMBER	QTY	DESCRIPTION	REV
64	1001173187	1	Bracket, Engine Tray	
65	1001173188	1	Bracket, Hood Latch	
66	1001173647	1	Support, Front Hood	
67	1001173651	1	Support, Front Hood	
68	1001175859	1	Plate, Power Track Trough	
70	1001175879	4	Hinge, Offset Hood	
71	1001175880	4	Plate	
73	1001180051	1	Cover, Access (Engine Side)	
74	88662523	1	Nut, Tinnerman	
75	3960447	10 ft/ 3.1m	Seal, Self-Gripping	
76	1001146132	1	Seal	
77	3760308	4	Retainer	
100	1001175237	1	Kit, Hood	D
101	1001173163	1	Hood, Engine Side - Rear	
102	1001173164	1	Hood, Tank Side - Rear	
103	1001173183	1	Hood, Tank Side - Front	
104	1001173184	1	Hood, Engine Side - Front	
105	0641408	8	Bolt 1/4 x 1	
106	0700616	2	Bolt M6 x 40	
107	2560187	2	Handle, Push Button	
108	2940173	2	Latch, Rotary	
109	3290601	2	Nut M6	
110	3311505	6	Nut 5/16	
111	3900210	6	Screw 5/16 x 3/4	
112	3900363	4	Screw M6 x 25	
113	4711400	8	Washer 1/4	
114	4711500	6	Washer 5/16	
115	4751400	4	Washer 1/4	
116	1001116290	2	Plate, Latch Mounting	
117	0100011	1	Compound, Locking	

# SECTION 2 - TURNTABLE

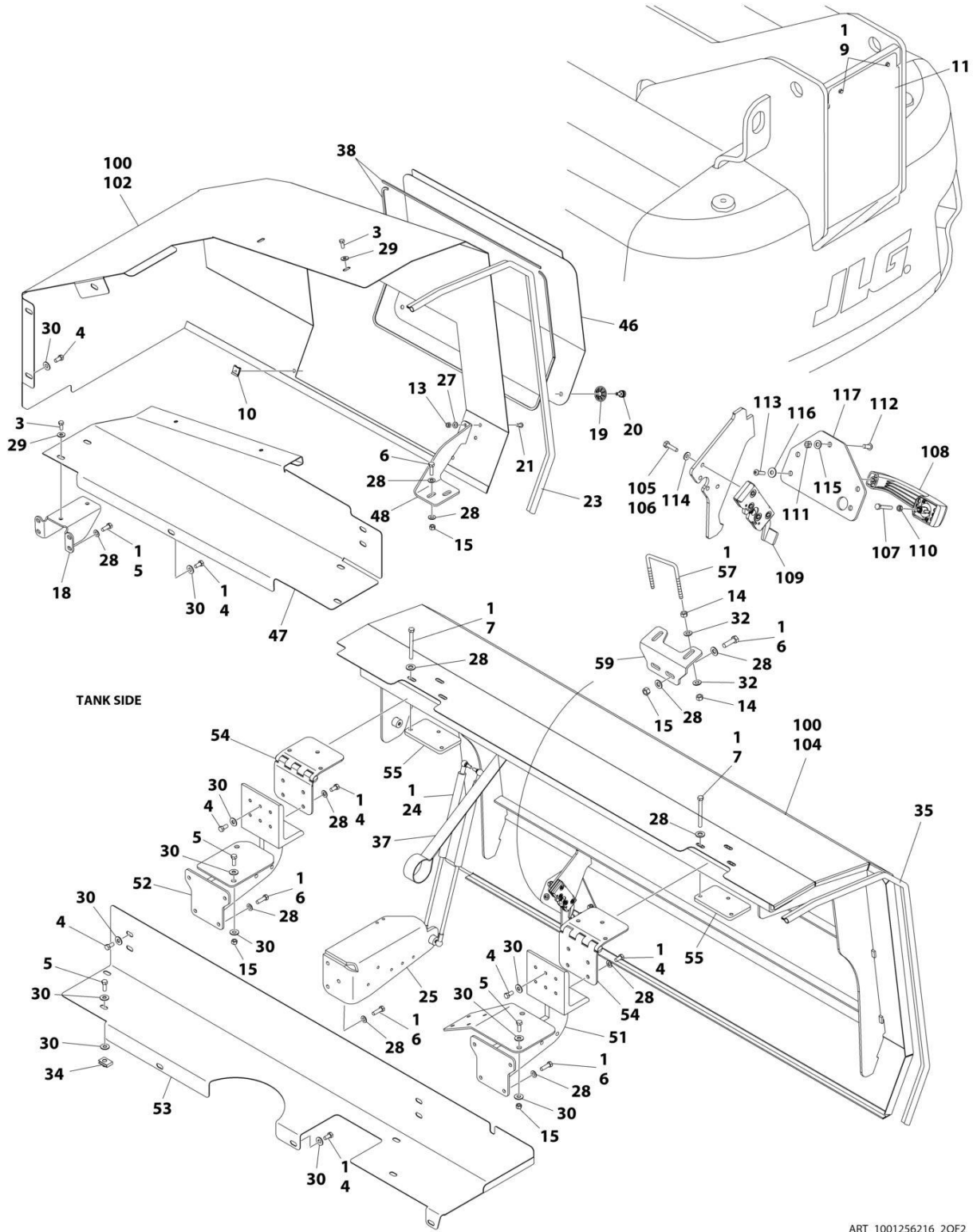
## FIGURE 2-42. HOOD INSTALLATION - DEUTZ TCD2.9L4 ENGINES AND DEUTZ TCD2.9L4 (STAGE V PRE-BUY) ENGINES (PVC 2007)



ART\_1001256216\_1OF2



# SECTION 2 - TURNTABLE



ART\_1001256216\_2OF2

## SECTION 2 - TURNTABLE

**FIGURE 2-42. HOOD INSTALLATION - DEUTZ TCD2.9L4 ENGINES AND DEUTZ TCD2.9L4 (STAGE V PRE-BUY) ENGINES (PVC 2007)**

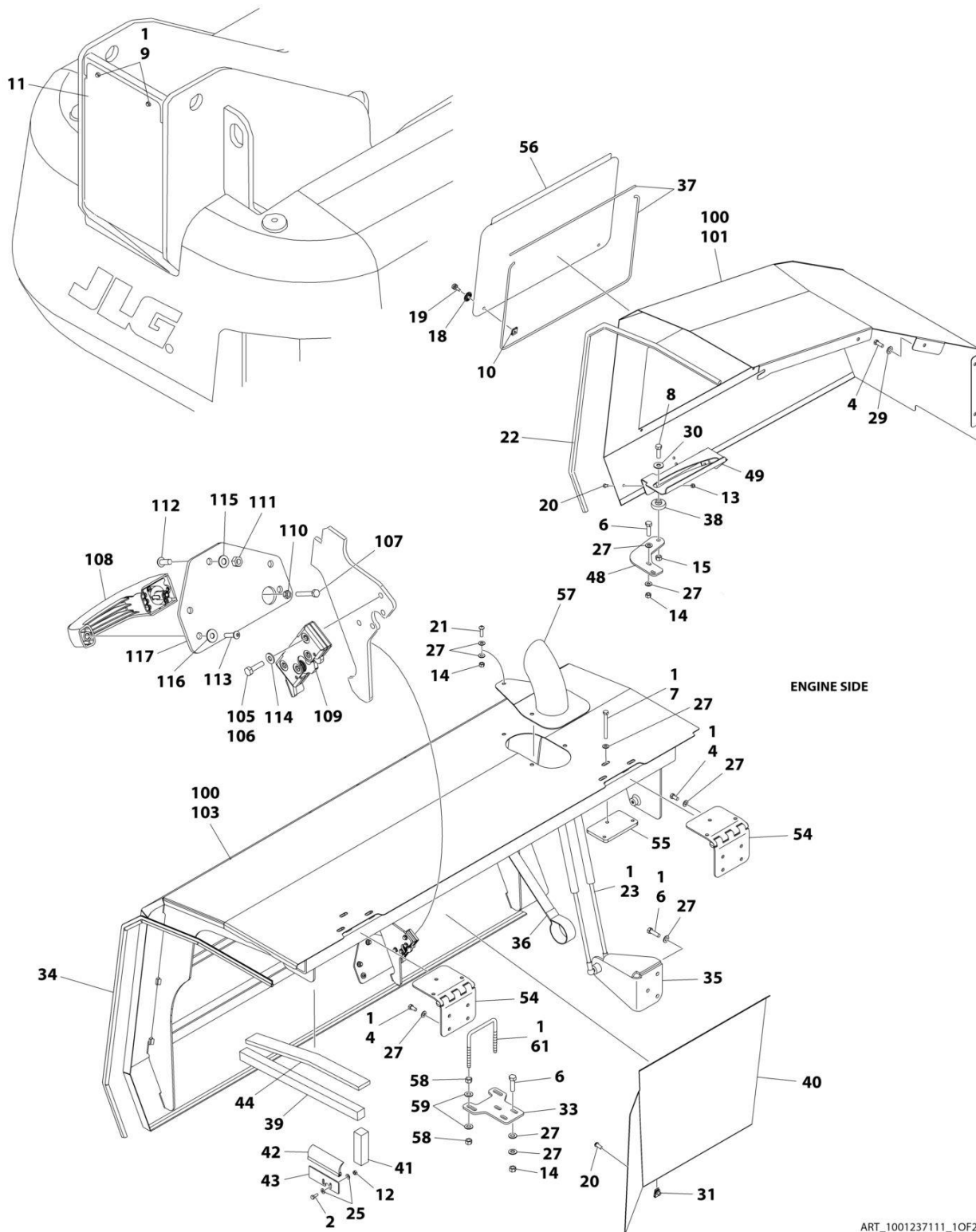
ITEM	PART NUMBER	QTY	DESCRIPTION	REV
	1001256216	Ref	HOOD INSTALLATION - DEUTZ TCD2.9L4 ENGINES (STEEL)	A
		Ref	Note: Replacement Decals Must be Ordered Separately - See DECAL Section.	
1	0100011	AR	Compound, Locking	
2	0641406	2	Bolt 1/4 x 3/4	
3	0641506	2	Bolt 5/16 x 3/4	
4	0641606	32	Bolt 3/8 x 3/4	
5	0641608	8	Bolt 3/8 x 1	
6	0641610	25	Bolt 3/8 x 1-1/4	
7	0641630	12	Bolt 3/8 x 3-3/4	
8	0641813	1	Bolt 1/2 x 1-5/8	
9	0791604	2	Screw 3/8 x 1/2	
10	1380169	4	Clip	
11	1671038	1	Cover	
12	3311405	2	Nut 1/4	
13	3311505	5	Nut 5/16	
14	3311601	8	Nut 3/8	
15	3311605	14	Nut 3/8	
16	3311805	1	Nut 1/2	
17	3520034	2	Plug, Hole (Not Shown)	
18	3573232	1	Support, Power Track Trough	
19	3760308	4	Retainer	
20	3900174	4	Screw, Thumb	
21	3900210	10	Screw 5/16 x 3/4	
22	3900232	3	Screw 3/8 x 1-1/4	
23	3960447	10 ft/ 3.1m	Seal, Self-Gripping	
24	4160194	4	Spring, Gas	
25	4340999	1	Mount, Gas Spring	
26	4711400	4	Washer 1/4	
27	4711500	2	Washer 5/16	
28	4711600	72	Washer 3/8	
29	4751500	2	Washer 5/16	
30	4751600	24	Washer 3/8	
31	4751800	1	Washer 1/2	
32	4891600	8	Washer 3/8	
33	8310658	5	Nut .312 x 1	
34	88662523	1	Nut, Tinnerman	
35	1001110433	9 ft/2.89m	Seal	
36	1001110486	1	Mount, Gas Spring	
37	1001112691	2	Strap, Hand Pull	
38	1001113047	14.5 ft/ 4.4m	Seal	
39	1001131462	1	Pad, Hood Slide	
40	1001140485	1	Seal	
41	1001145162	1	Panel, Heat Deflector	
42	1001146132	1	Seal	
43	1001146178	1	Seal	
44	1001146183	1	Plate	

## SECTION 2 - TURNTABLE

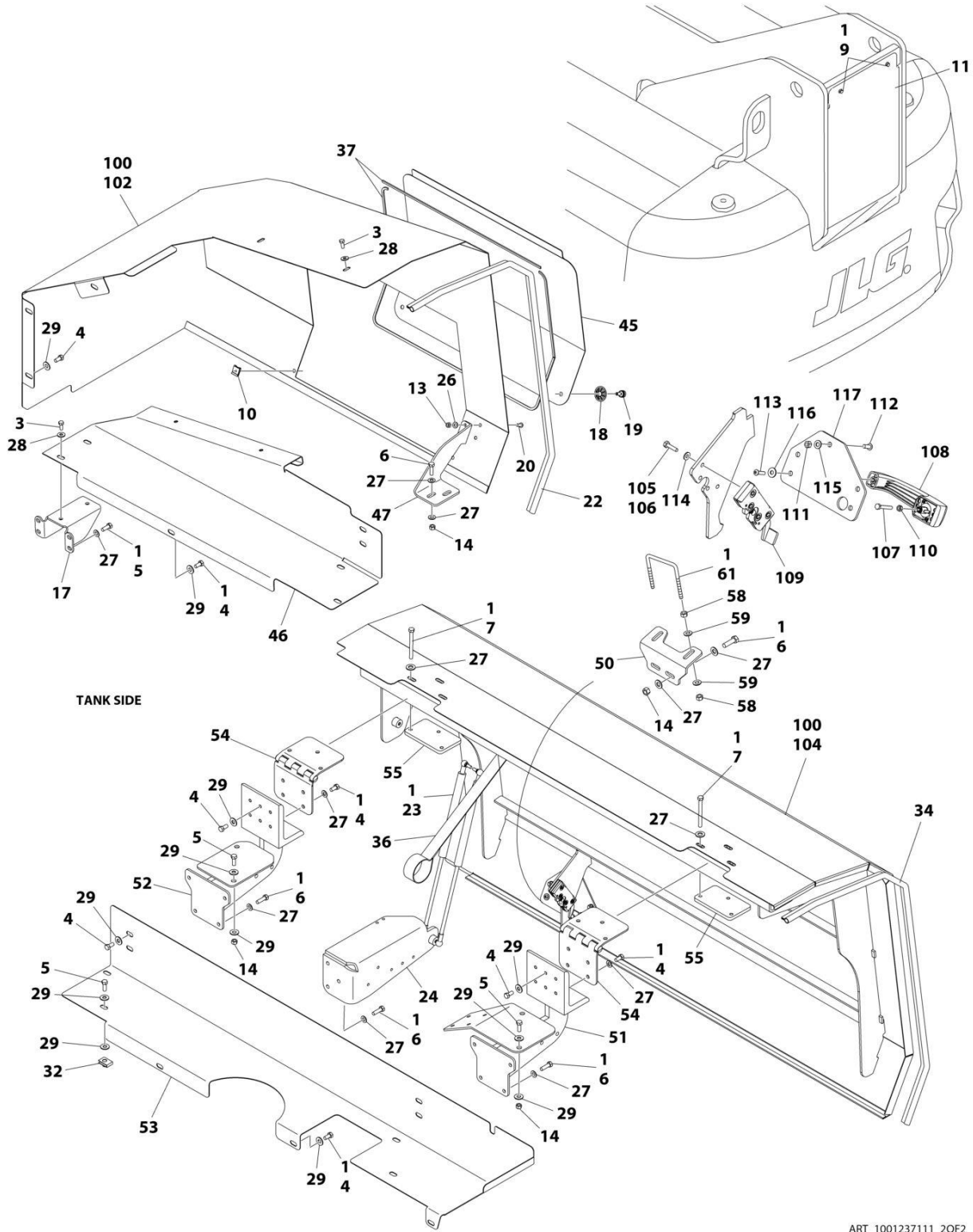
ITEM	PART NUMBER	QTY	DESCRIPTION	REV
45	1001146244	1	Seal	
46	1001173166	1	Cover, Access (Tank Side)	
47	1001173170	1	Plate, Power Track Trough	
48	1001173185	1	Plate, Mounting	
49	1001173186	1	Bracket, Engine Tray	
50	1001173187	1	Bracket, Engine Tray	
51	1001173647	1	Support, Front Hood	
52	1001173651	1	Support, Front Hood	
53	1001175859	1	Plate, Power Track Trough	
54	1001175879	4	Hinge, Offset Hood	
55	1001175880	4	Plate	
56	1001180051	1	Cover, Access (Engine Side)	
57	1001243414	2	U - Bolt	
58	1001250296	1	Bracket	
59	1001250297	1	Bracket	
60	1001256212	1	Stack, Exhaust	
100	1001237113	1	Kit, Hood	D
101	1001173163	1	Hood, Engine Side - Rear	
102	1001173164	1	Hood, Tank Side - Rear	
103	1001246618	1	Hood, Engine Side - Front	
104	1001246619	1	Hood, Tank Side - Front	
105	0100011	1	Compound, Locking	
106	0641408	8	Bolt 1/4 x 1	
107	0700616	2	Bolt M6 x 40	
108	2560187	2	Handle, Push Button	
109	2940173	2	Latch, Rotary	
110	3290601	2	Nut M6	
111	3311505	6	Nut 5/16	
112	3900210	6	Screw 5/16 x 3/4	
113	3900363	4	Screw M6 x 25	
114	4711400	8	Washer 1/4	
115	4711500	6	Washer 5/16	
116	4751400	4	Washer 1/4	
117	1001116290	2	Plate, Latch Mounting	

# SECTION 2 - TURNTABLE

## FIGURE 2-43. HOOD INSTALLATION - DEUTZ TCD2.9L4 (STAGE V) ENGINES



# SECTION 2 - TURNTABLE



ART\_1001237111\_20F2

## SECTION 2 - TURNTABLE

FIGURE 2-43. HOOD INSTALLATION - DEUTZ TCD2.9L4 (STAGE V) ENGINES

ITEM	PART NUMBER	QTY	DESCRIPTION	REV
	1001237111	Ref	HOOD INSTALLATION - DEUTZ TCD2.9L4 ENGINES (STEEL)	C
		Ref	Note: Replacement Decals Must be Ordered Separately - See DECAL Section.	
1	0100011	AR	Compound, Locking	
2	0641406	2	Bolt 1/4 x 3/4	
3	0641506	2	Bolt 5/16 x 3/4	
4	0641606	32	Bolt 3/8 x 3/4	
5	0641608	8	Bolt 3/8 x 1	
6	0641610	25	Bolt 3/8 x 1-1/4	
7	0641630	12	Bolt 3/8 x 3-3/4	
8	0641813	1	Bolt 1/2 x 1-5/8	
9	0791604	2	Screw 3/8 x 1/2	
10	1380169	4	Clip	
11	1671038	1	Cover	
12	3311405	2	Nut 1/4	
13	3311505	5	Nut 5/16	
14	3311605	14	Nut 3/8	
15	3311805	1	Nut 1/2	
16	3520034	2	Plug, Hole (Not Shown)	
17	3573232	1	Support, Power Track Trough	
18	3760308	4	Retainer	
19	3900174	4	Screw, Thumb	
20	3900210	10	Screw 5/16 x 3/4	
21	3900232	3	Screw 3/8 x 1-1/4	
22	3960447	10 ft/ 3.1m	Seal, Self-Gripping	
23	4160194	4	Spring, Gas	
24	4340999	1	Mount, Gas Spring	
25	4711400	4	Washer 1/4	
26	4711500	2	Washer 5/16	
27	4711600	72	Washer 3/8	
28	4751500	2	Washer 5/16	
29	4751600	24	Washer 3/8	
30	4751800	1	Washer 1/2	
31	8310658	5	Nut .312 x 1	
32	88662523	4	Nut, Tinnerman	
33	1001250296	1	Bracket	
34	1001110433	9 ft/2.89m	Seal	
35	1001110486	1	Mount, Gas Spring	
36	1001112691	2	Strap, Hand Pull	
37	1001113047	14.5 ft/ 4.4m	Seal	
38	1001131462	1	Pad, Hood Slide	
39	1001140485	1	Seal	
40	1001145162	1	Panel, Heat Deflector	
41	1001146132	1	Seal	
42	1001146178	1	Seal	
43	1001146183	1	Plate	
44	1001146244	1	Seal	
45	1001173166	1	Cover, Access (Tank Side)	

## SECTION 2 - TURNTABLE

ITEM	PART NUMBER	QTY	DESCRIPTION	REV
46	1001173170	1	Plate, Power Track Trough	
47	1001173185	1	Plate, Mounting	
48	1001173186	1	Bracket, Engine Tray	
49	1001173187	1	Bracket, Engine Tray	
50	1001250297	1	Bracket	
51	1001173647	1	Support, Front Hood	
52	1001173651	1	Support, Front Hood	
53	1001175859	1	Plate, Power Track Trough	
54	1001175879	4	Hinge, Offset Hood	
55	1001175880	4	Plate	
56	1001180051	1	Cover, Access (Engine Side)	
57	1001236411	1	Stack, Exhaust	
58	3311601	8	Nut 3/8	
59	4891600	8	Washer 3/8	
61	1001243414	2	U - Bolt	
100	1001237113	1	Kit, Hood	D
101	1001173163	1	Hood, Engine Side - Rear	
102	1001173164	1	Hood, Tank Side - Rear	
103	1001246618	1	Hood, Engine Side - Front	
104	1001246619	1	Hood, Tank Side - Front	
105	0100011	1	Compound, Locking	
106	0641408	8	Bolt 1/4 x 1	
107	0700616	2	Bolt M6 x 40	
108	2560187	2	Handle, Push Button	
109	2940173	2	Latch, Rotary	
110	3290601	2	Nut M6	
111	3311505	6	Nut 5/16	
112	3900210	6	Screw 5/16 x 3/4	
113	3900363	4	Screw M6 x 25	
114	4711400	8	Washer 1/4	
115	4711500	6	Washer 5/16	
116	4751400	4	Washer 1/4	
117	1001116290	2	Plate, Latch Mounting	

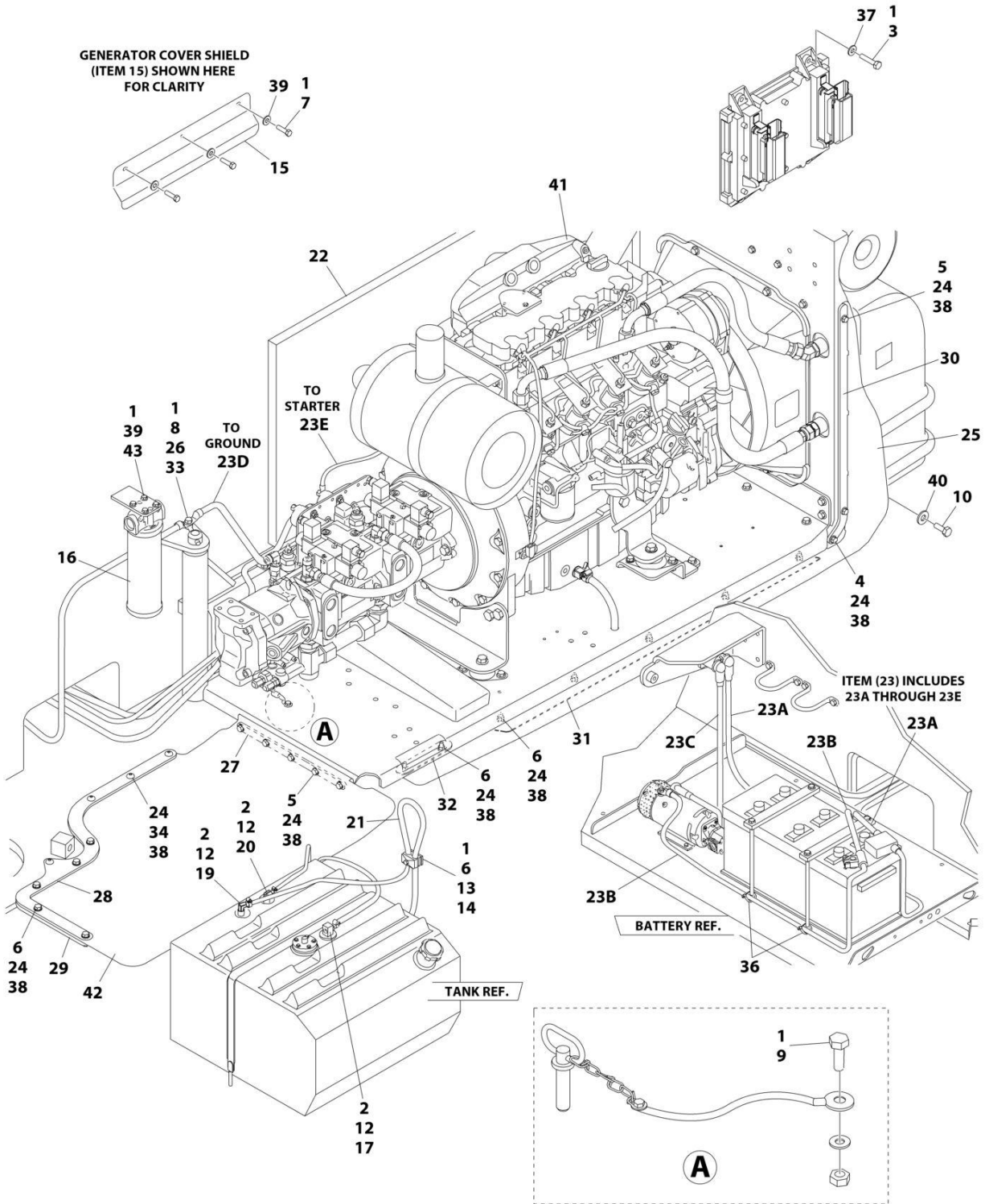




**SECTION 3 - ENGINE**

# SECTION 3 - ENGINE

FIGURE 3-1. DEUTZ TD2011 ENGINE INSTALLATION - WITH REXROTH PUMPS (WITHOUT SKYPOWER AND WITHOUT COLD WEATHER PLUS PACKAGE)



ART\_1001117370

## SECTION 3 - ENGINE

**FIGURE 3-1. DEUTZ TD2011 ENGINE INSTALLATION - WITH REXROTH PUMPS (WITHOUT SKYPOWER AND WITHOUT COLD WEATHER PLUS PACKAGE)**

ITEM	PART NUMBER	QTY	DESCRIPTION	REV
	1001117370	Ref	DEUTZ TD2011 DIESEL ENGINE INSTALLATION - WITH REXROTH PUMPS AND STEEL HOOD (WITHOUT SKYPOWER AND WITHOUT COLD WEATHER PLUS PACKAGE)	D
1	0100011	AR	Compound, Locking	
2	0100079	AR	Sealant, Pipe	
3	0641410	4	Bolt 1/4 x 1-1/4	
4	0641506	1	Bolt 5/16 x 3/4	
5	0641509	7	Bolt 5/16 x 1-1/8	
6	0641511	13	Bolt 5/16 x 1-3/8	
7	0641605	3	Bolt 3/8 x 5/8	
8	0641610	1	Bolt 3/8 x 1-1/4	
9	0641808	1	Bolt 1/2 x 1	
10	0642010	1	Bolt 5/8 x 1-1/4	
12	1320022	3	Clamp	
13	1320187	1	Clamp, Twin	
14	1320190	1	Cover, Clamp	
15	1671121	1	Cover, Generator	
16	1001108617	1	Pressure Filter	
16	70002231	1	Element, Filter	
17	2180348	1	Fitting, Barbed	
19	2220313	1	Fitting, Elbow Barbed	
20	2221176	1	Fitting, Elbow	
21	2750532	5 ft/ 1.5m	Hose	
22	2820170	1	Insulation, Sound Absorbing	
23	2902099	1	Battery Cable Kit	
23A	7024580	1	Cable, Red (To Aux Pump Relay, Battery Positive Terminal and Start Relay)	
23B	7024581	1	Cable, Black (To Aux Pump, Battery Negative Terminal and Ground at Tray Pivot)	
23C	7024582	1	Cable, Red (Aux Pump Relay to Aux Pump)	
23D	7024583	1	Cable, Black (Tray Pivot to Engine Mount)	
23E	7024584	1	Cable, Red (Start Relay to Starter)	
24	3311505	24	Nut 5/16	
25	3380473	1	Panel, Rubber	
26	3422446	1	Pin	
27	3573644	1	Plate, Tray Clamp	
28	1001112878	1	Plate, Top Clamp	
29	1001112879	1	Plate, Bottom Clamp	
30	3573669	1	Plate, Clamp	
31	1001112880	1	Plate, Tray Clamp	
32	3573728	1	Plate, Tray Clamp	
33	3841143	1	Keeper, Pin	
34	3900272	4	Screw 5/16 x 1-3/4	
35	4240018	2	Strap, Tie (Not Shown)	
36	4240099	AR	Strap, Tie	
37	4711400	4	Washer 1/4	
38	4711500	44	Washer 5/16	
39	4711600	7	Washer 3/8	
40	4752000	1	Washer 5/8	

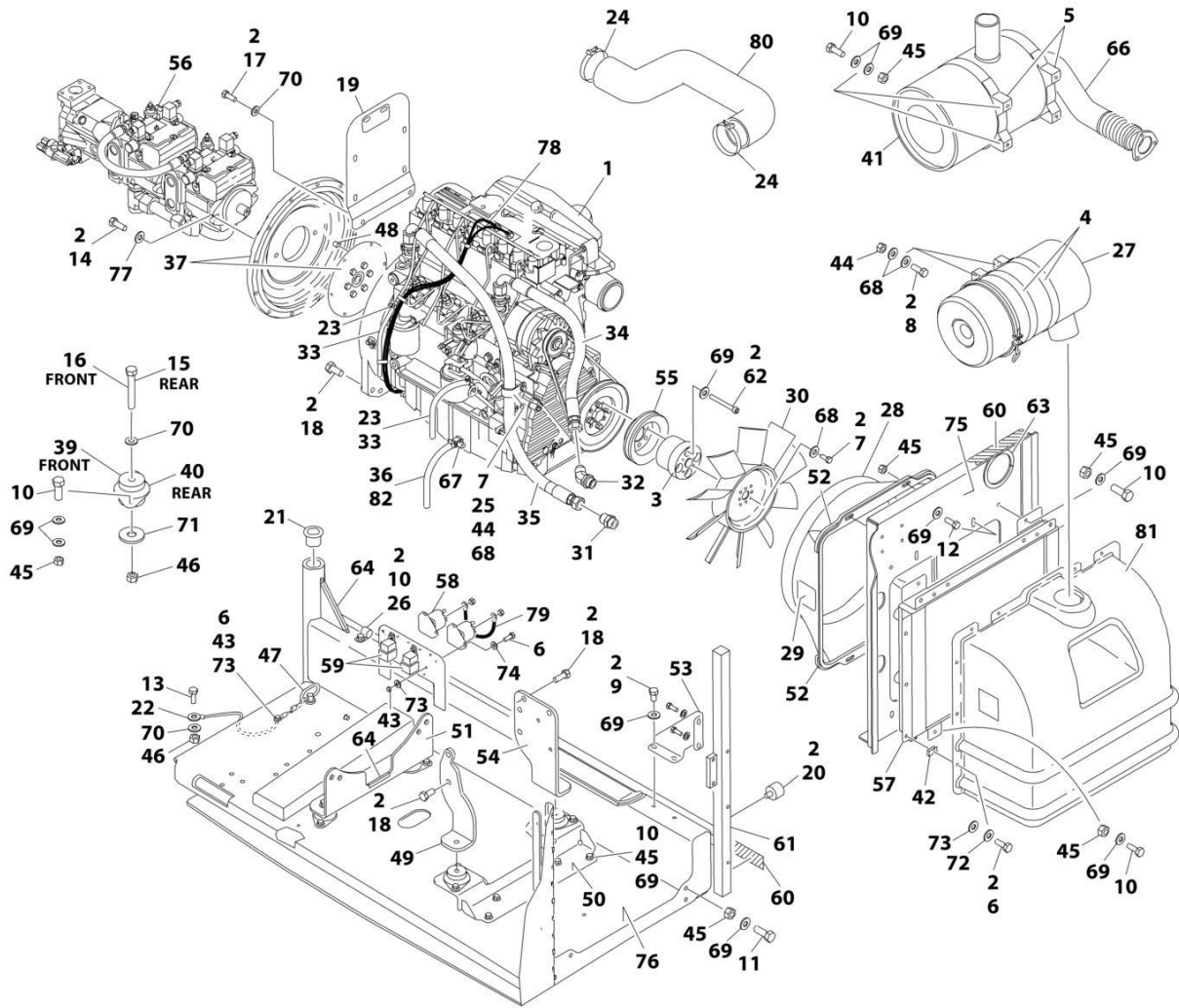
## SECTION 3 - ENGINE

ITEM	PART NUMBER	QTY	DESCRIPTION	REV
41	1001098513	1	Engine Assembly with Pumps (See Separate Breakdown in this Section)	
42	1001111132	1	Panel, Rubber	
43	0641606	4	Bolt 3/8 x 3/4	



# SECTION 3 - ENGINE

FIGURE 3-2. DEUTZ TD2011 ENGINE ASSEMBLY - WITH REXROTH PUMPS (WITHOUT SKYPOWER AND WITHOUT COLD WEATHER PLUS PACKAGE) (PVC 2001)



ART\_1001098513

## SECTION 3 - ENGINE

**FIGURE 3-2. DEUTZ TD2011 ENGINE ASSEMBLY - WITH REXROTH PUMPS (WITHOUT SKYPOWER AND WITHOUT COLD WEATHER PLUS PACKAGE) (PVC 2001)**

ITEM	PART NUMBER	QTY	DESCRIPTION	REV
	1001098513	Ref	DEUTZ TD2011 ENGINE ASSEMBLY - WITH REXROTH PUMPS	J
1	1001098601	1	Engine, Deutz TD2011 Components (See Separate Breakdown in this Section)	
2	0100011	AR	Compound, Locking	
3	0080237	1	Spacer, Fan	
4	0340003	2	Band, Air Cleaner	
5	0340051	2	Band, Muffler	
6	0641406	15	Bolt 1/4 x 3/4	
7	0641506	5	Bolt 5/16 x 3/4	
8	0641507	4	Bolt 5/16 x 7/8	
9	0641605	4	Bolt 3/8 x 5/8	
10	0641608	25	Bolt 3/8 x 1	
11	0641609	2	Bolt 3/8 x 1-1/8	
12	0641610	4	Bolt 3/8 x 1-1/4	
13	0641808	1	Bolt 1/2 x 1	
14	0641812	2	Bolt 1/2 x 1-1/2	
15	0641818	2	Bolt 1/2 x 2-1/4	
16	0641826	2	Bolt 1/2 x 3-1/4	
17	0711214	2	Bolt M12 x 30	
18	0771414	10	Bolt M14 x 30	
19	1001112766	1	Bracket, Muffler	
20	0940070	1	Bumper	
21	0961986	2	Bushing, Flanged	
22	1001131542	1	Lanyard	
23	1320022	3	Clamp	
24	1320058	2	Clamp	
25	1320060	1	Clamp	
26	1320223	1	J-Clip	
27	1340065	1	Air Cleaner Assembly	
27	7003655	1	Element, Air Cleaner	
27	7015013	1	Baffle, Rubber	
27	7015014	1	Clamp, Cap	
27	7015015	1	Cup	
27	7015003	1	Wingnut	
28	1671023	1	Shroud, Fan	
29	1703162	2	Decal - Fan Blade	
30	2060025	1	Fan	
31	2220451	1	Fitting, Straight	
32	2220498	1	Fitting, Elbow	
33	2720058	34 ft/ 10.3m	Hose	
34	2720500	1	Hose, Oil Cooler (Top)	
35	2720501	1	Hose, Oil Cooler (Bottom)	
36	2750532	0.75 ft /0.2m	Hose	
37	2902065	1	Pump Coupling Kit (See Separate Breakdown in this Section)	
39	3200362	2	Mount, Motor (Front)	
40	3200401	2	Mount, Motor (Rear)	
41	3220126	1	Muffler, Spark Arresting	

## SECTION 3 - ENGINE

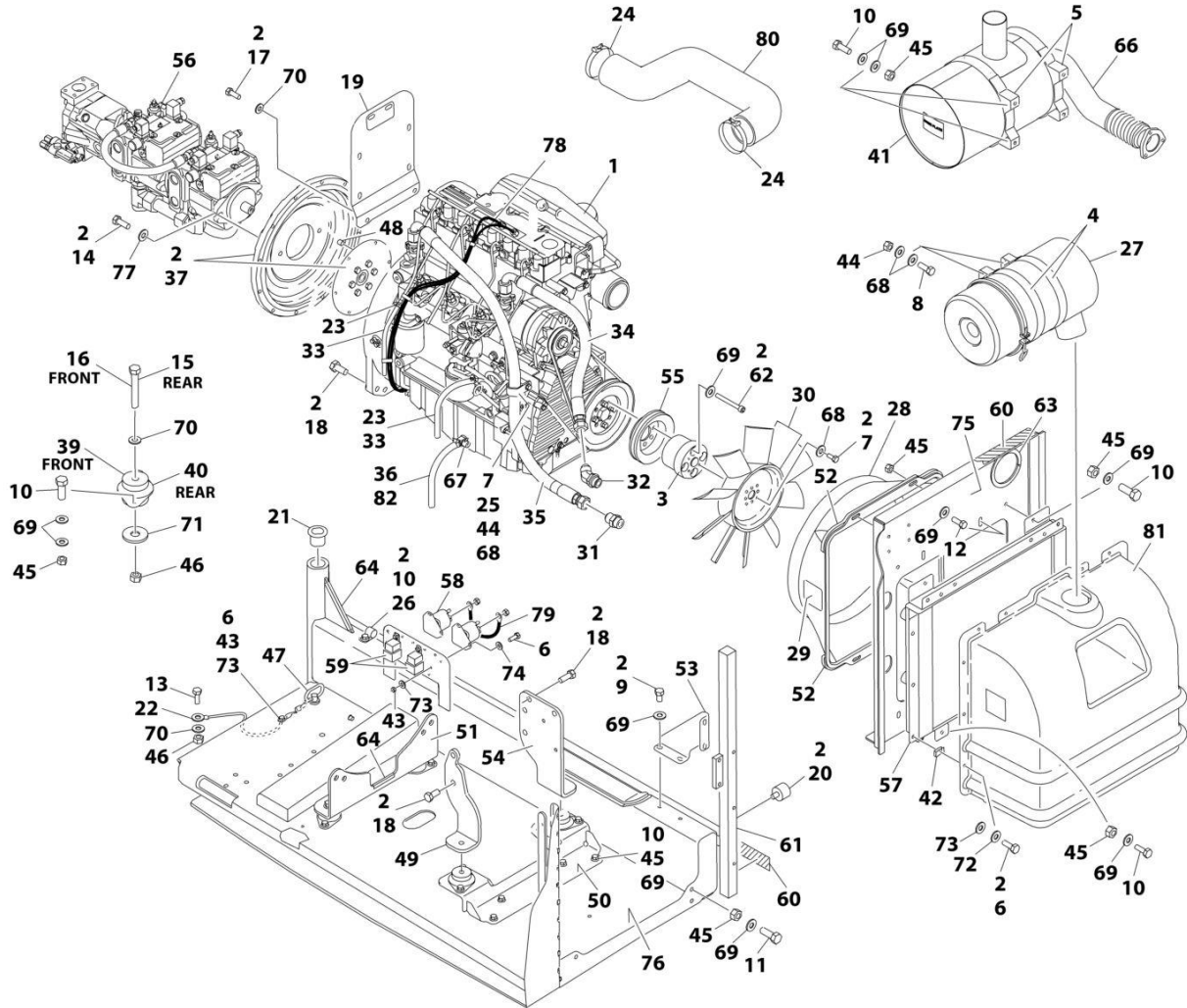
ITEM	PART NUMBER	QTY	DESCRIPTION	REV
41	70003555	1	Clamp	
42	3300454	10	Nut 1/4	
43	3311405	5	Nut 1/4	
44	3311505	5	Nut 5/16	
45	3311605	30	Nut 3/8	
46	3311805	5	Nut 1/2	
47	3422532	1	Pin, Hitch	
48	3520054	2	Plug	
49	3537416	1	Plate, Mounting (Front Right)	
50	3539971	1	Bracket, Engine Mounting (Front)	
51	3573142	1	Bracket, Engine Mounting (Rear)	
52	3573411	2	Plate, Clamp	
53	3573412	1	Gusset	
54	3573529	1	Plate, Mounting (Front Left)	
55	3580158	1	Pulley	
56	3600339	1	Pump Assembly - Rexroth (See Separate Breakdown in this Section)	
57	1001145382	1	Cooler, Engine Oil	
58	3740067	2	Relay, Start	
59	3740080	2	Relay	
60	3960543	1	Seal	
61	3960544	1	Seal	
62	4032022	4	Capscrew M10 x 90	
63	4060804	0.98 ft /0.3m	Flex-Trim	
64	4060805	0.67 ft /0.2m	Flex-Trim	
65	4240099	AR	Tie, Wire (Not Shown)	
66	4568293	1	Pipe, Exhaust	
67	4640751	1	Valve, Oil Drain	
68	4711500	13	Washer 5/16	
69	4711600	68	Washer 3/8	
70	4711800	7	Washer 1/2	
71	4740274	4	Washer, Snubbing	
72	4740518	10	Washer, Nylon	
73	4751400	20	Washer 1/4	
74	4791400	4	Washer 1/4	
75	4846552	1	Plate, Oil Cooler Mounting	
76	4846946	1	Tray	
77	4891800	2	Washer 1/2 Hardened	
78	4923468	1	Harness, Glow Plugs	
79	4923592	1	Cable, Jumper	
80	1001225118	1	Hose, Air Intake	
81	0272060	1	Box, Air Intake	
82	8410013	1	Clamp, Gear	





# SECTION 3 - ENGINE

FIGURE 3-3. DEUTZ TD2011 ENGINE ASSEMBLY - WITH REXROTH PUMPS (WITHOUT SKYPOWER AND WITHOUT COLD WEATHER PLUS PACKAGE) (PVC 2007)



ART\_1001098513\_M

## SECTION 3 - ENGINE

**FIGURE 3-3. DEUTZ TD2011 ENGINE ASSEMBLY - WITH REXROTH PUMPS (WITHOUT SKYPOWER AND WITHOUT COLD WEATHER PLUS PACKAGE) (PVC 2007)**

ITEM	PART NUMBER	QTY	DESCRIPTION	REV
	1001098513	Ref	DEUTZ TD2011 ENGINE ASSEMBLY - WITH REXROTH PUMPS	M
1	1001098601	1	Engine, Deutz TD2011 Components (See Separate Breakdown in this Section)	
2	0100011	AR	Compound, Locking	
3	0080237	1	Spacer, Fan	
4	0340003	2	Band, Air Cleaner	
5	0340051	2	Band, Muffler	
6	0641406	15	Bolt 1/4 x 3/4	
7	0641506	5	Bolt 5/16 x 3/4	
8	0641507	4	Bolt 5/16 x 7/8	
9	0641605	4	Bolt 3/8 x 5/8	
10	0641608	25	Bolt 3/8 x 1	
11	0641609	2	Bolt 3/8 x 1-1/8	
12	0641610	4	Bolt 3/8 x 1-1/4	
13	0641808	1	Bolt 1/2 x 1	
14	0641812	2	Bolt 1/2 x 1-1/2	
15	0641818	2	Bolt 1/2 x 2-1/4	
16	0641826	2	Bolt 1/2 x 3-1/4	
17	0711214	2	Bolt M12 x 30	
18	0771414	10	Bolt M14 x 30	
19	1001112766	1	Bracket, Muffler	
20	0940070	1	Bumper	
21	0961986	2	Bushing, Flanged	
22	1001131542	1	Lanyard	
23	1320022	3	Clamp	
24	1320058	2	Clamp	
25	1320060	1	Clamp	
26	1320223	1	J-Clip	
27	1340065	1	Air Cleaner Assembly	
27	7003655	1	Element, Air Cleaner	
27	7015013	1	Baffle, Rubber	
27	7015014	1	Clamp, Cap	
27	7015015	1	Cup	
27	7015003	1	Wingnut	
28	1671023	1	Shroud, Fan	
29	1703162	2	Decal - Fan Blade	
30	2060025	1	Fan	
31	2220451	1	Fitting, Straight	
32	2220498	1	Fitting, Elbow	
33	2720058	34 ft/ 10.3m	Hose	
34	2720500	1	Hose, Oil Cooler (Top)	
35	2720501	1	Hose, Oil Cooler (Bottom)	
36	2750532	0.75 ft /0.2m	Hose	
37	2902065	1	Pump Coupling Kit (See Separate Breakdown in this Section)	
39	3200362	2	Mount, Motor (Front)	
40	3200401	2	Mount, Motor (Rear)	
41	1001257277	1	Muffler, Spark Arresting	

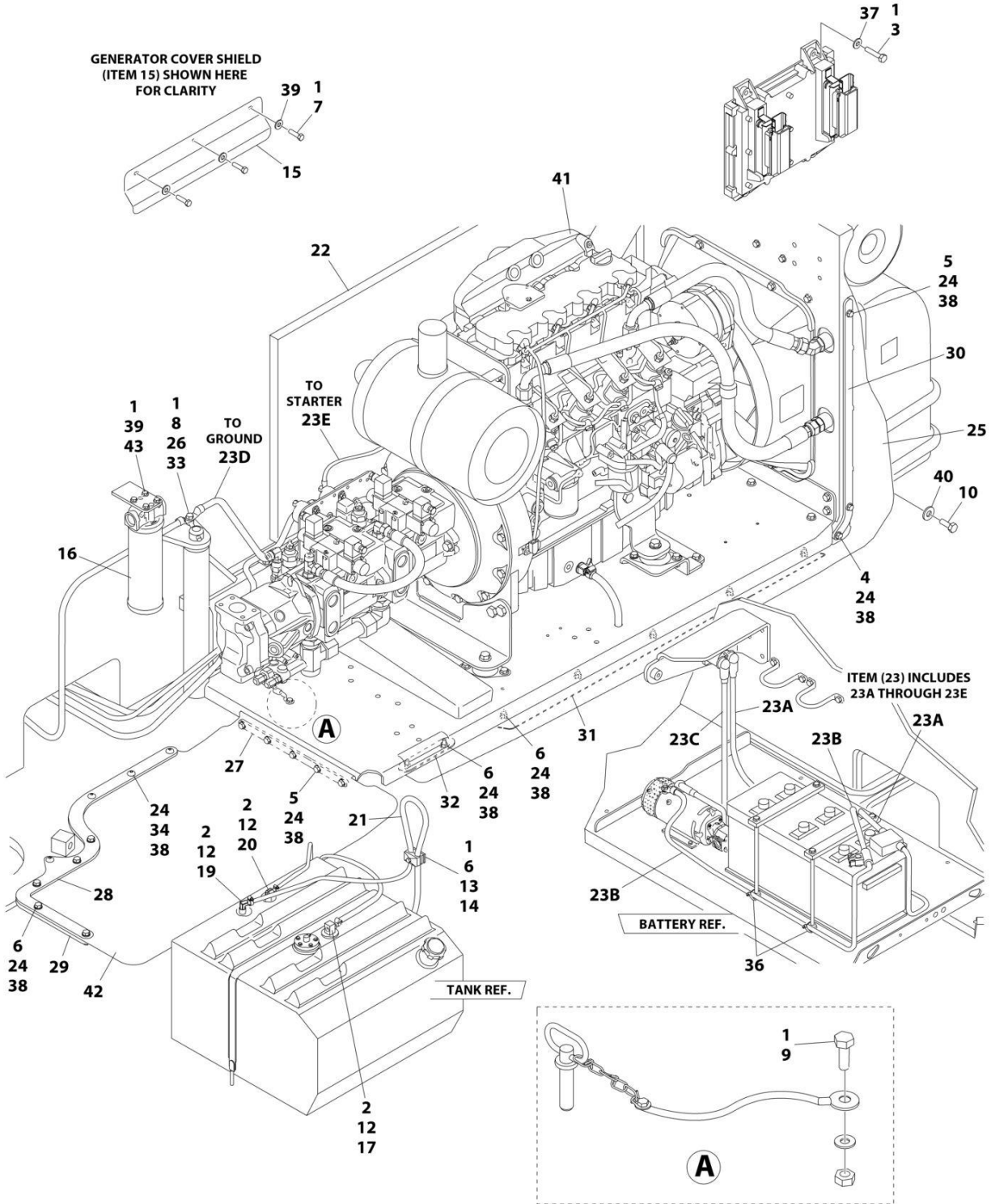
## SECTION 3 - ENGINE

ITEM	PART NUMBER	QTY	DESCRIPTION	REV
42	3300454	10	Nut 1/4	
43	3311405	5	Nut 1/4	
44	3311505	5	Nut 5/16	
45	3311605	30	Nut 3/8	
46	3311805	5	Nut 1/2	
47	3422532	1	Pin, Hitch	
48	3520054	2	Plug	
49	3537416	1	Plate, Mounting (Front Right)	
50	3539971	1	Bracket, Engine Mounting (Front)	
51	3573142	1	Bracket, Engine Mounting (Rear)	
52	3573411	2	Plate, Clamp	
53	3573412	1	Gusset	
54	3573529	1	Plate, Mounting (Front Left)	
55	3580158	1	Pulley	
56	3600339	1	Pump Assembly - Rexroth (See Separate Breakdown in this Section)	
57	1001145382	1	Cooler, Engine Oil	
58	3740067	2	Relay, Start	
59	3740080	2	Relay	
60	3960543	1	Seal	
61	3960544	1	Seal	
62	4032022	4	Capscrew M10 x 90	
63	4060804	0.98 ft /0.3m	Flex-Trim	
64	4060805	0.67 ft /0.2m	Flex-Trim	
65	4240099	AR	Tie, Wire (Not Shown)	
66	4568293	1	Pipe, Exhaust	
67	4640751	1	Valve, Oil Drain	
68	4711500	13	Washer 5/16	
69	4711600	68	Washer 3/8	
70	4711800	7	Washer 1/2	
71	4740274	4	Washer, Snubbing	
72	4740518	10	Washer, Nylon	
73	4751400	20	Washer 1/4	
74	4791400	4	Washer 1/4	
75	4846552	1	Plate, Oil Cooler Mounting	
76	4846946	1	Tray	
77	4891800	2	Washer 1/2 Hardened	
78	4923468	1	Harness, Glow Plugs	
79	4923592	1	Cable, Jumper	
80	1001225118	1	Hose, Air Intake	
81	0272060	1	Box, Air Intake	
82	8410013	1	Clamp, Gear	



# SECTION 3 - ENGINE

FIGURE 3-4. DEUTZ TD2011 ENGINE INSTALLATION - WITH REXROTH PUMPS (WITH SKYPOWER AND WITHOUT COLD WEATHER PLUS PACKAGE)



ART\_1001117371

## SECTION 3 - ENGINE

**FIGURE 3-4. DEUTZ TD2011 ENGINE INSTALLATION - WITH REXROTH PUMPS (WITH SKYPOWER AND WITHOUT COLD WEATHER PLUS PACKAGE)**

ITEM	PART NUMBER	QTY	DESCRIPTION	REV
	1001117371	Ref	DEUTZ TD2011 DIESEL ENGINE INSTALLATION - WITH REXROTH PUMPS AND STEEL HOODS (WITH SKYPOWER AND WITHOUT COLD WEATHER PLUS PACKAGE)	D
1	0100011	AR	Compound, Locking	
2	0100079	AR	Sealant, Pipe	
3	0641410	4	Bolt 1/4 x 1-1/4	
4	0641506	1	Bolt 5/16 x 3/4	
5	0641509	7	Bolt 5/16 x 1-1/8	
6	0641511	13	Bolt 5/16 x 1-3/8	
7	0641605	3	Bolt 3/8 x 5/8	
8	0641610	1	Bolt 3/8 x 1-1/4	
9	0641808	1	Bolt 1/2 x 1	
10	0642010	1	Bolt 5/8 x 1-1/4	
12	1320022	3	Clamp	
13	1320187	1	Clamp, Twin	
14	1320190	1	Cover, Clamp	
15	1671121	1	Cover, Generator	
16	1001108617	1	Pressure Filter	
16	70002231	1	Element, Filter	
17	2180348	1	Fitting, Barbed	
19	2220313	1	Fitting, Elbow Barbed	
20	2221176	1	Fitting, Elbow	
21	2750532	5 ft/ 1.5m	Hose	
22	2820170	1	Insulation, Sound Absorbing	
23	2902099	1	Battery Cable Kit	
23A	7024580	1	Cable, Red (To Aux Pump Relay, Battery Positive Terminal and Start Relay)	
23B	7024581	1	Cable, Black (To Aux Pump, Battery Negative Terminal and Ground at Tray Pivot)	
23C	7024582	1	Cable, Red (Aux Pump Relay to Aux Pump)	
23D	7024583	1	Cable, Black (Tray Pivot to Engine Mount)	
23E	7024584	1	Cable, Red (Start Relay to Starter)	
24	3311505	24	Nut 5/16	
25	3380473	1	Panel, Rubber	
26	3422446	1	Pin	
27	3573644	1	Plate, Tray Clamp	
28	1001112878	1	Plate, Top Clamp	
29	1001112879	1	Plate, Bottom Clamp	
30	3573669	1	Plate, Clamp	
31	1001112880	1	Plate, Tray Clamp	
32	3573728	1	Plate, Tray Clamp	
33	3841143	1	Keeper, Pin	
34	3900272	4	Screw 5/16 x 1-3/4	
35	4240018	2	Strap, Tie (Not Shown)	
36	4240099	AR	Strap, Tie	
37	4711400	4	Washer 1/4	
38	4711500	44	Washer 5/16	
39	4711600	7	Washer 3/8	
40	4752000	1	Washer 5/8	

## SECTION 3 - ENGINE

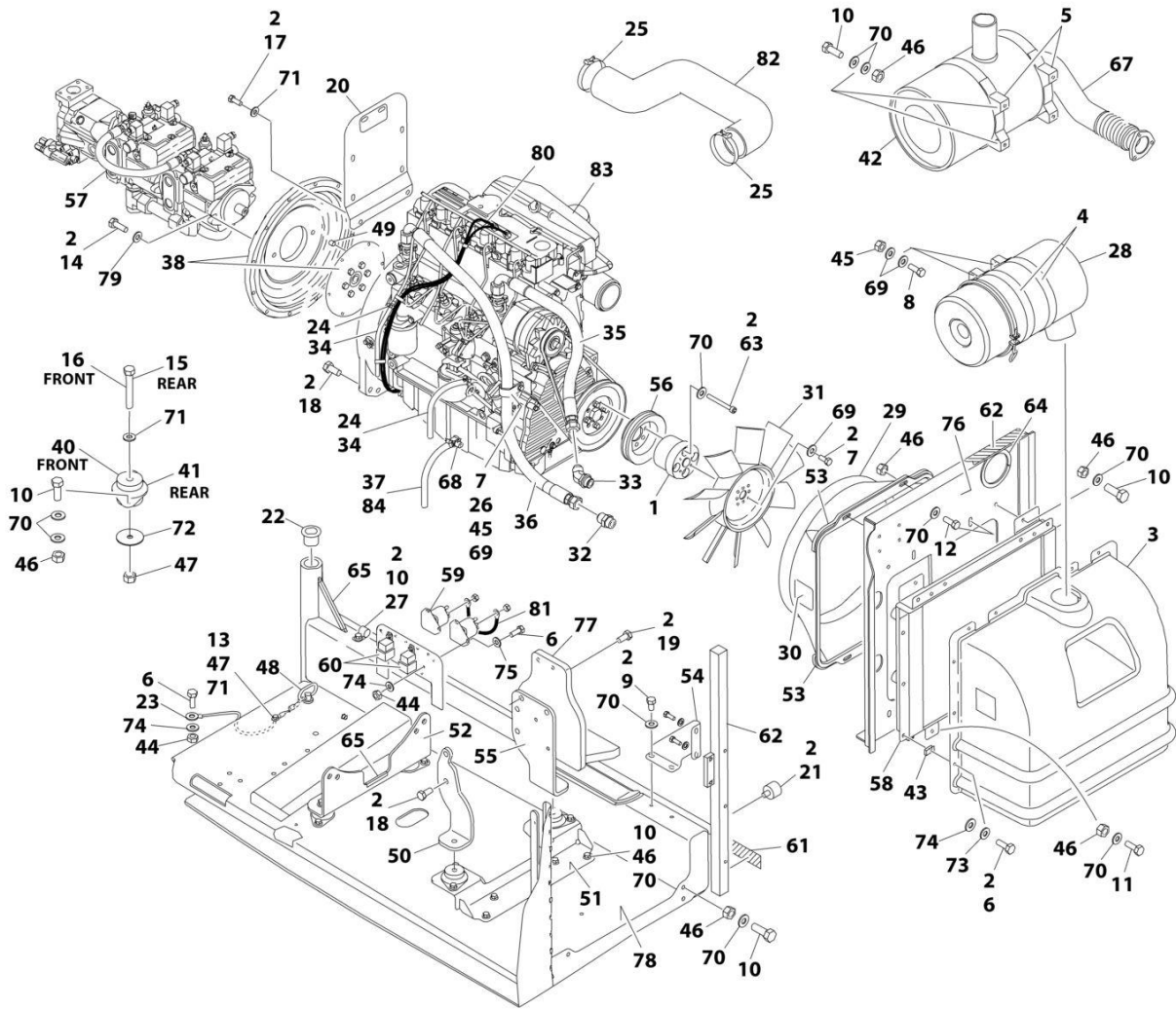
ITEM	PART NUMBER	QTY	DESCRIPTION	REV
41	1001098530	1	Engine Assembly with Pumps (See Separate Breakdown in this Section)	
42	1001111132	1	Panel, Rubber	
43	0641606	4	Bolt 3/8 x 3/4	





# SECTION 3 - ENGINE

FIGURE 3-5. DEUTZ TD2011 ENGINE ASSEMBLY - WITH REXROTH PUMPS (WITH SKYPOWER AND WITHOUT COLD WEATHER PLUS PACKAGE) (PVC 2001)



ART\_1001098530

## SECTION 3 - ENGINE

**FIGURE 3-5. DEUTZ TD2011 ENGINE ASSEMBLY - WITH REXROTH PUMPS (WITH SKYPOWER AND WITHOUT COLD WEATHER PLUS PACKAGE) (PVC 2001)**

ITEM	PART NUMBER	QTY	DESCRIPTION	REV
	1001098530	Ref	DEUTZ TD2011 ENGINE ASSEMBLY - WITH REXROTH PUMPS (WITH SKYPOWER AND WITHOUT COLD WEATHER PLUS PACKAGE)	K
1	0080244	1	Spacer, Fan	
2	0100011	AR	Compound, Locking	
3	0272060	1	Box, Air Intake	
4	0340003	2	Band, Air Cleaner	
5	0340051	2	Band, Muffler	
6	0641406	15	Bolt 1/4 x 3/4	
7	0641506	5	Bolt 5/16 x 3/4	
8	0641507	4	Bolt 5/16 x 7/8	
9	0641605	4	Bolt 3/8 x 5/8	
10	0641608	25	Bolt 3/8 x 1	
11	0641609	2	Bolt 3/8 x 1-1/8	
12	0641610	4	Bolt 3/8 x 1-1/4	
13	0641808	1	Bolt 1/2 x 1	
14	0641812	2	Bolt 1/2 x 1-1/2	
15	0641818	2	Bolt 1/2 x 2-1/4	
16	0641826	2	Bolt 1/2 x 3-1/4	
17	0711214	2	Bolt M12 x 30	
18	0771414	6	Bolt M14 x 30	
19	0711417	4	Bolt M14 x 45	
20	1001112766	1	Bracket, Muffler	
21	0940070	1	Bumper	
22	0961986	2	Bushing, Flanged	
23	1001131542	1	Lanyard	
24	1320022	2	Clamp	
25	1320058	2	Clamp	
26	1320060	1	Clamp	
27	1320223	1	J-Clip	
28	1340065	1	Air Cleaner Assembly	
28	7003655	1	Element, Air Cleaner	
28	7015013	1	Baffle, Rubber	
28	7015014	1	Clamp, Cap	
28	7015015	1	Cup	
28	7015003	1	Wingnut	
29	1671023	1	Shroud, Fan	
30	1703162	2	Decal - Fan Blade	
31	2060025	1	Fan	
32	2220451	1	Fitting, Straight	
33	2220498	1	Fitting, Elbow	
34	2720058	34 ft/ 10.3m	Hose	
35	2720500	1	Hose, Oil Cooler (Top)	
36	2720501	1	Hose, Oil Cooler (Bottom)	
37	2750532	0.75 ft /0.2m	Hose	
38	2902065	1	Pump Coupling Kit (See Separate Breakdown in this Section)	
40	3200362	2	Mount, Motor (Front)	
41	3200401	2	Mount, Motor (Rear)	

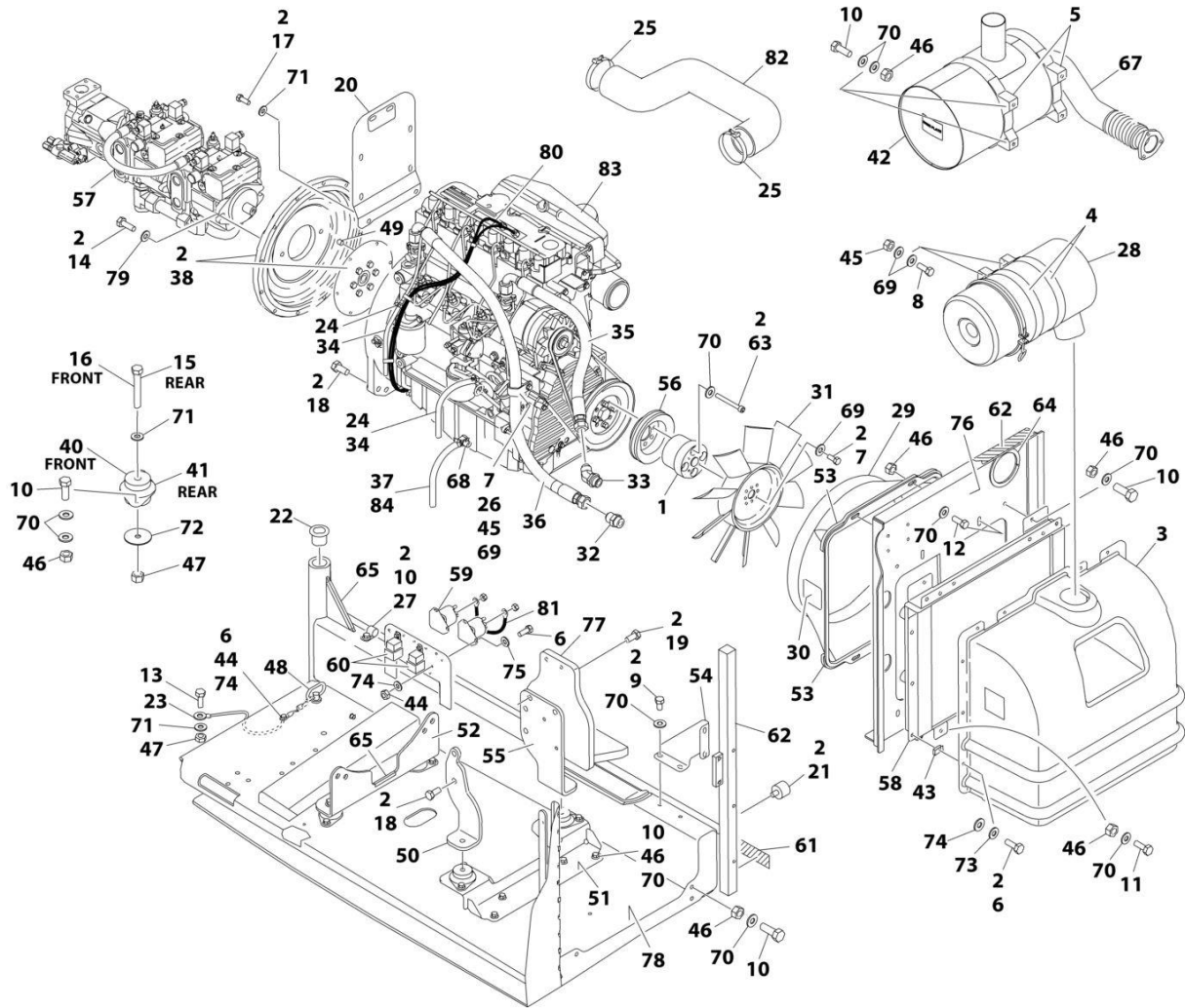
## SECTION 3 - ENGINE

ITEM	PART NUMBER	QTY	DESCRIPTION	REV
42	3220126	1	Muffler	
42	70003555	1	Clamp	
43	3300454	10	Nut	
44	3311405	5	Nut 1/4	
45	3311505	5	Nut 5/16	
46	3311605	30	Nut 3/8	
47	3311805	5	Nut 1/2	
48	3422532	1	Pin, Hitch	
49	3520054	2	Plug	
50	3537416	1	Plate, Mounting (Front Right)	
51	3539971	1	Bracket, Engine Mounting (Front)	
52	3573142	1	Bracket, Engine Mounting (Rear)	
53	3573411	2	Plate, Clamp	
54	3573412	1	Gusset	
55	3573529	1	Plate, Mounting (Front Left)	
56	3580320	1	Pulley	
57	3600339	1	Pump Assembly - Rexroth (See Separate Breakdown in this Section)	
58	1001145382	1	Cooler, Engine Oil	
59	3740067	2	Relay, Start	
60	3740080	2	Relay	
61	3960543	1	Seal	
62	3960544	1	Seal	
63	4032022	4	Capscrew M10 x 90	
64	4060804	0.98 ft /0.3m	Flex-Trim	
65	4060805	0.67 ft /0.2m	Flex-Trim	
66	4240099	AR	Tie, Wire (Not Shown)	
67	4568293	1	Pipe, Exhaust	
68	4640751	1	Valve, Oil Drain	
69	4711500	13	Washer 5/16	
70	4711600	68	Washer 3/8	
71	4711800	7	Washer 1/2	
72	4740274	4	Washer, Snubbing	
73	4740518	10	Washer, Nylon	
74	4751400	20	Washer 1/4	
75	4791400	4	Washer 1/4	
76	4846552	1	Plate, Oil Cooler Mounting	
77	4846945	1	Mount, Generator	
78	4846946	1	Tray	
79	4891800	2	Washer 1/2	
80	4923468	1	Harness, Glow Plugs	
81	4923592	1	Cable, Jumper	
82	1001225118	1	Hose, Air Intake	
83	1001098601	1	Engine, Deutz TD2011 Components (See Separate Breakdown in this Section)	
84	8410013	1	Clamp, Gear	



# SECTION 3 - ENGINE

FIGURE 3-6. DEUTZ TD2011 ENGINE ASSEMBLY - WITH REXROTH PUMPS (WITH SKYPOWER AND WITHOUT COLD WEATHER PLUS PACKAGE) (PVC 2007)



ART\_1001098530\_N

## SECTION 3 - ENGINE

**FIGURE 3-6. DEUTZ TD2011 ENGINE ASSEMBLY - WITH REXROTH PUMPS (WITH SKYPOWER AND WITHOUT COLD WEATHER PLUS PACKAGE) (PVC 2007)**

ITEM	PART NUMBER	QTY	DESCRIPTION	REV
	1001098530	Ref	DEUTZ TD2011 ENGINE ASSEMBLY - WITH REXROTH PUMPS (WITH SKYPOWER AND WITHOUT COLD WEATHER PLUS PACKAGE)	N
1	0080244	1	Spacer, Fan	
2	0100011	AR	Compound, Locking	
3	0272060	1	Box, Air Intake	
4	0340003	2	Band, Air Cleaner	
5	0340051	2	Band, Muffler	
6	0641406	15	Bolt 1/4 x 3/4	
7	0641506	5	Bolt 5/16 x 3/4	
8	0641507	4	Bolt 5/16 x 7/8	
9	0641605	4	Bolt 3/8 x 5/8	
10	0641608	25	Bolt 3/8 x 1	
11	0641609	2	Bolt 3/8 x 1-1/8	
12	0641610	4	Bolt 3/8 x 1-1/4	
13	0641808	1	Bolt 1/2 x 1	
14	0641812	2	Bolt 1/2 x 1-1/2	
15	0641818	2	Bolt 1/2 x 2-1/4	
16	0641826	2	Bolt 1/2 x 3-1/4	
17	0711214	2	Bolt M12 x 30	
18	0771414	6	Bolt M14 x 30	
19	0711417	4	Bolt M14 x 45	
20	1001112766	1	Bracket, Muffler	
21	0940070	1	Bumper	
22	0961986	2	Bushing, Flanged	
23	1001131542	1	Lanyard	
24	1320022	2	Clamp	
25	1320058	2	Clamp	
26	1320060	1	Clamp	
27	1320223	1	J-Clip	
28	1340065	1	Air Cleaner Assembly	
28	7003655	1	Element, Air Cleaner	
28	7015013	1	Baffle, Rubber	
28	7015014	1	Clamp, Cap	
28	7015015	1	Cup	
28	7015003	1	Wingnut	
29	1671023	1	Shroud, Fan	
30	1703162	2	Decal - Fan Blade	
31	2060025	1	Fan	
32	2220451	1	Fitting, Straight	
33	2220498	1	Fitting, Elbow	
34	2720058	34 ft/ 10.3m	Hose	
35	2720500	1	Hose, Oil Cooler (Top)	
36	2720501	1	Hose, Oil Cooler (Bottom)	
37	2750532	0.75 ft /0.2m	Hose	
38	2902065	1	Pump Coupling Kit (See Separate Breakdown in this Section)	
40	3200362	2	Mount, Motor (Front)	
41	3200401	2	Mount, Motor (Rear)	

## SECTION 3 - ENGINE

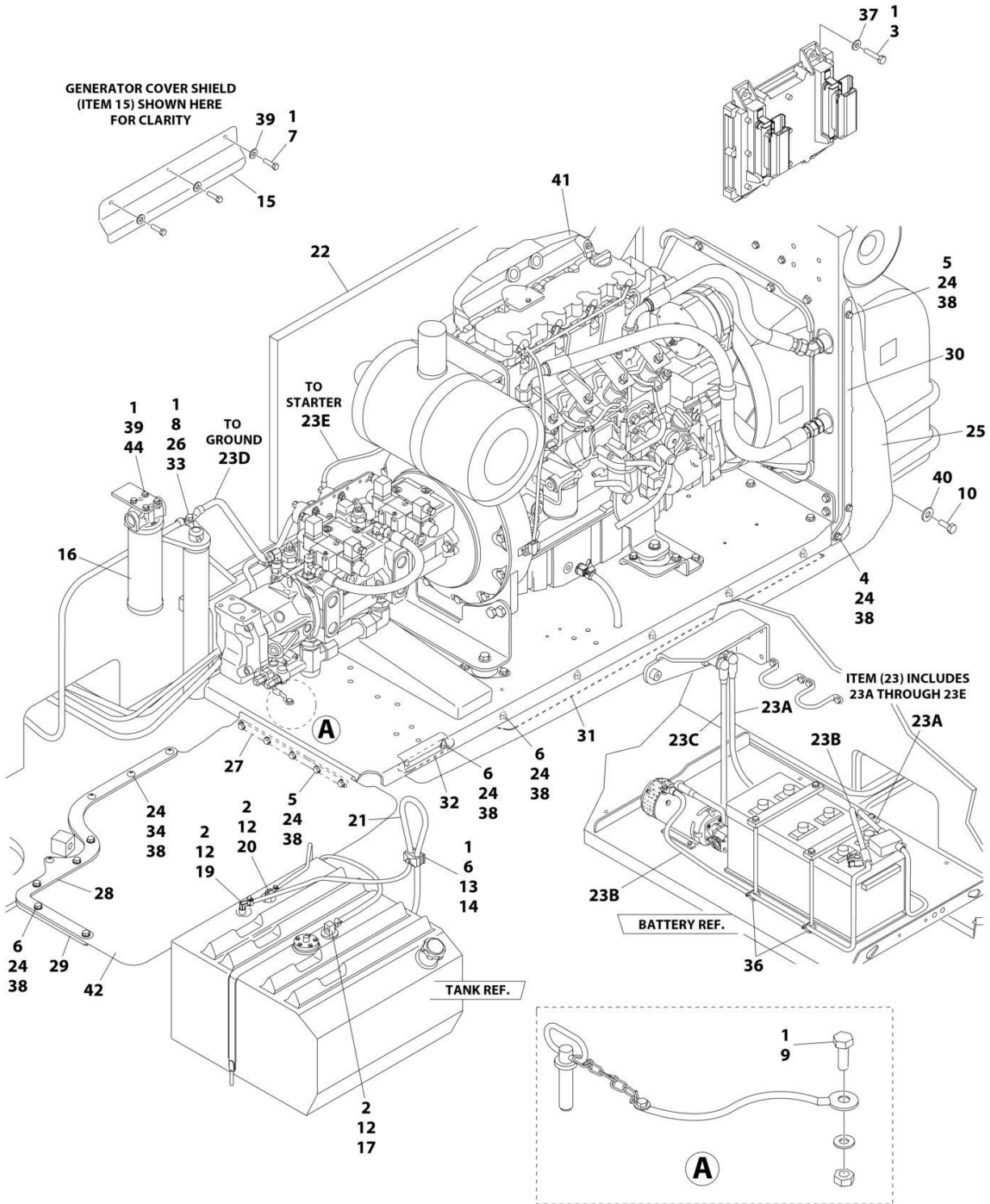
ITEM	PART NUMBER	QTY	DESCRIPTION	REV
42	1001257277	1	Muffler	
43	3300454	10	Nut	
44	3311405	5	Nut 1/4	
45	3311505	5	Nut 5/16	
46	3311605	30	Nut 3/8	
47	3311805	5	Nut 1/2	
48	3422532	1	Pin, Hitch	
49	3520054	2	Plug	
50	3537416	1	Plate, Mounting (Front Right)	
51	3539971	1	Bracket, Engine Mounting (Front)	
52	3573142	1	Bracket, Engine Mounting (Rear)	
53	3573411	2	Plate, Clamp	
54	3573412	1	Gusset	
55	3573529	1	Plate, Mounting (Front Left)	
56	3580320	1	Pulley	
57	3600339	1	Pump Assembly - Rexroth (See Separate Breakdown in this Section)	
58	1001145382	1	Cooler, Engine Oil	
59	3740067	2	Relay, Start	
60	3740080	2	Relay	
61	3960543	1	Seal	
62	3960544	1	Seal	
63	4032022	4	Capscrew M10 x 90	
64	4060804	0.98 ft /0.3m	Flex-Trim	
65	4060805	0.67 ft /0.2m	Flex-Trim	
66	4240099	AR	Tie, Wire (Not Shown)	
67	4568293	1	Pipe, Exhaust	
68	4640751	1	Valve, Oil Drain	
69	4711500	13	Washer 5/16	
70	4711600	68	Washer 3/8	
71	4711800	7	Washer 1/2	
72	4740274	4	Washer, Snubbing	
73	4740518	10	Washer, Nylon	
74	4751400	20	Washer 1/4	
75	4791400	4	Washer 1/4	
76	4846552	1	Plate, Oil Cooler Mounting	
77	4846945	1	Mount, Generator	
78	4846946	1	Tray	
79	4891800	2	Washer 1/2	
80	4923468	1	Harness, Glow Plugs	
81	4923592	1	Cable, Jumper	
82	1001225118	1	Hose, Air Intake	
83	1001098601	1	Engine, Deutz TD2011 Components (See Separate Breakdown in this Section)	
84	8410013	1	Clamp, Gear	





# SECTION 3 - ENGINE

FIGURE 3-7. DEUTZ TD2011 ENGINE INSTALLATION - WITH REXROTH PUMPS (WITH SKYPOWER AND WITH COLD WEATHER PLUS PACKAGE)



ART\_1001116015

## SECTION 3 - ENGINE

**FIGURE 3-7. DEUTZ TD2011 ENGINE INSTALLATION - WITH REXROTH PUMPS (WITH SKYPOWER AND WITH COLD WEATHER PLUS PACKAGE)**

ITEM	PART NUMBER	QTY	DESCRIPTION	REV
	1001116015	Ref	DEUTZ TD2011 DIESEL ENGINE INSTALLATION - WITH REXROTH PUMPS AND STEEL HOODS (WITH SKYPOWER AND WITH COLD WEATHER PLUS PACKAGE)	D
1	0100011	AR	Compound, Locking	
2	0100079	AR	Sealant, Pipe	
3	0641410	4	Bolt 1/4 x 1-1/4	
4	0641506	1	Bolt 5/16 x 3/4	
5	0641509	7	Bolt 5/16 x 1-1/8	
6	0641511	13	Bolt 5/16 x 1-3/8	
7	0641605	3	Bolt 3/8 x 5/8	
8	0641610	1	Bolt 3/8 x 1-1/4	
9	0641808	1	Bolt 1/2 x 1	
10	0642010	1	Bolt 5/8 x 1-1/4	
12	1320022	3	Clamp	
13	1320187	1	Clamp, Twin	
14	1320190	1	Cover, Clamp	
15	1671121	1	Cover, Generator	
16	1001108617	1	Pressure Filter	
16	70002231	1	Element, Filter	
17	2180348	1	Fitting, Barbed	
19	2220313	1	Fitting, Elbow Barbed	
20	2221176	1	Fitting, Elbow	
21	2750532	5 ft/ 1.5m	Hose	
22	2820170	1	Insulation, Sound Absorbing	
23	2902099	1	Battery Cable Kit	
23A	7024580	1	Cable, Red (To Aux Pump Relay, Battery Positive Terminal and Start Relay)	
23B	7024581	1	Cable, Black (To Aux Pump, Battery Negative Terminal and Ground at Tray Pivot)	
23C	7024582	1	Cable, Red (Aux Pump Relay to Aux Pump)	
23D	7024583	1	Cable, Black (Tray Pivot to Engine Mount)	
23E	7024584	1	Cable, Red (Start Relay to Starter)	
24	3311505	24	Nut 5/16	
25	3380473	1	Panel, Rubber	
26	3422446	1	Pin	
27	3573644	1	Plate, Tray Clamp	
28	1001112878	1	Plate, Top Clamp	
29	1001112879	1	Plate, Bottom Clamp	
30	3573669	1	Plate, Clamp	
31	1001112880	1	Plate, Tray Clamp	
32	3573728	1	Plate, Tray Clamp	
33	3841143	1	Keeper, Pin	
34	3900272	4	Screw, Button 5/16 x 1-3/4	
35	4240018	2	Strap, Tie (Not Shown)	
36	4240099	AR	Strap, Tie	
37	4711400	4	Washer 1/4	
38	4711500	44	Washer 5/16	
39	4711600	7	Washer 3/8	
40	4752000	1	Washer 5/8	

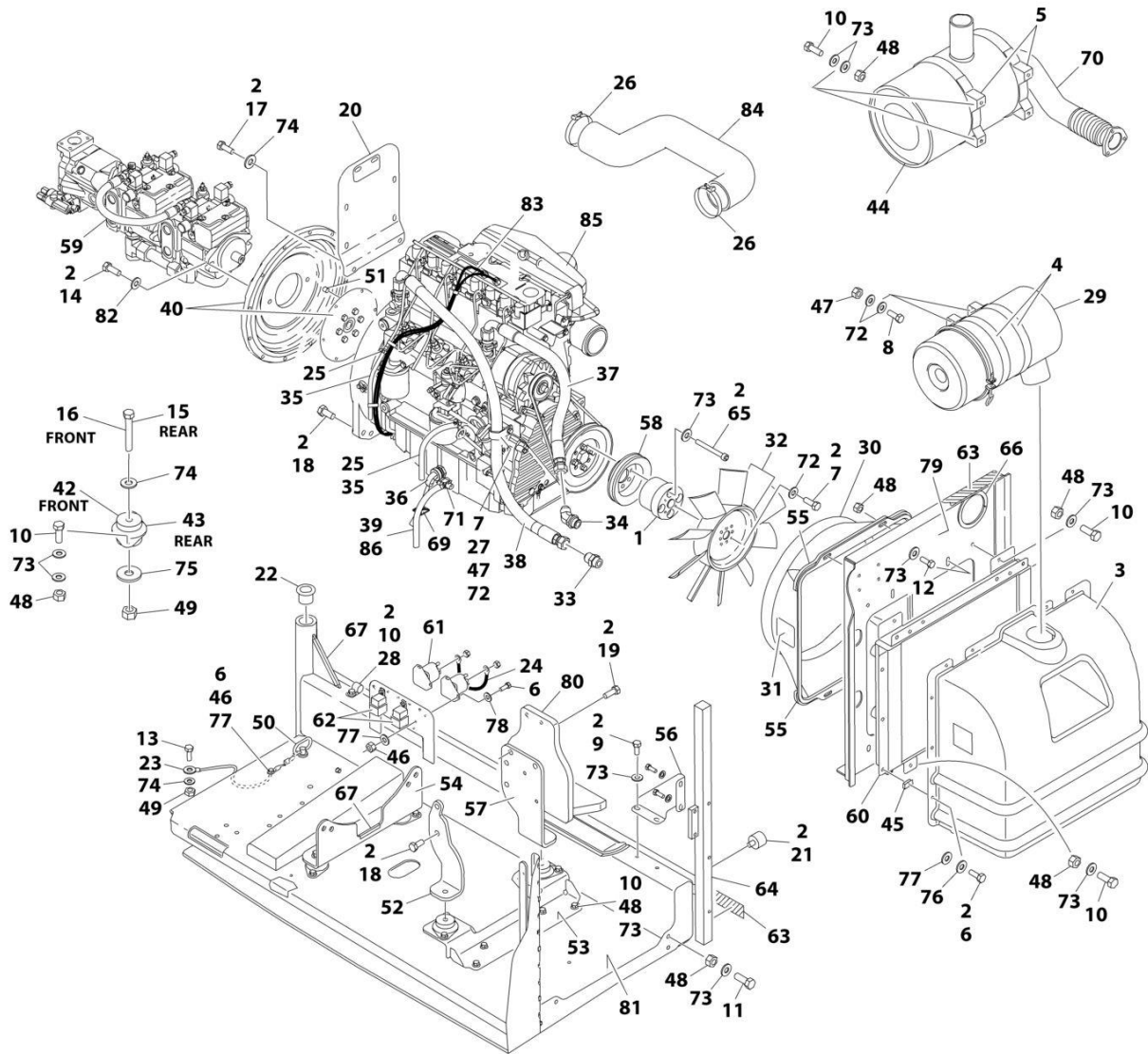
## SECTION 3 - ENGINE

ITEM	PART NUMBER	QTY	DESCRIPTION	REV
41	1001098531	1	Engine Assembly with Pumps (See Separate Breakdown in this Section)	
42	1001111132	1	Panel, Rubber	
43	1702942	1	Decal - Block Heater (Not Shown)	
44	0641606	4	Bolt 3/8 x 3/4	



# SECTION 3 - ENGINE

FIGURE 3-8. DEUTZ TD2011 ENGINE ASSEMBLY - WITH REXROTH PUMPS (WITH SKYPOWER AND WITH COLD WEATHER PLUS PACKAGE) (PVC 2001)



ART\_1001098531

## SECTION 3 - ENGINE

**FIGURE 3-8. DEUTZ TD2011 ENGINE ASSEMBLY - WITH REXROTH PUMPS (WITH SKYPOWER AND WITH COLD WEATHER PLUS PACKAGE) (PVC 2001)**

ITEM	PART NUMBER	QTY	DESCRIPTION	REV
	1001098531	Ref	DEUTZ TD2011 ENGINE ASSEMBLY - WITH REXROTH PUMPS (WITH SKYPOWER AND WITH COLD WEATHER PLUS PACKAGE)	K
1	0080244	1	Spacer, Fan	
2	0100011	AR	Compound, Locking	
3	0272060	1	Box, Air Intake	
4	0340003	2	Band, Air Cleaner	
5	0340051	2	Band, Muffler	
6	0641406	15	Bolt 1/4 x 3/4	
7	0641506	5	Bolt 5/16 x 3/4	
8	0641507	4	Bolt 5/16 x 7/8	
9	0641605	4	Bolt 3/8 x 5/8	
10	0641608	25	Bolt 3/8 x 1	
11	0641609	2	Bolt 3/8 x 1-1/8	
12	0641610	4	Bolt 3/8 x 1-1/4	
13	0641808	1	Bolt 1/2 x 1	
14	0641812	2	Bolt 1/2 x 1-1/2	
15	0641818	2	Bolt 1/2 x 2-1/4	
16	0641826	2	Bolt 1/2 x 3-1/4	
17	0711214	2	Bolt M12 x 30	
18	0771414	6	Bolt M14 x 30	
19	0711417	4	Bolt M14 x 45	
20	1001112766	1	Bracket, Muffler	
21	0940070	1	Bumper	
22	0961986	2	Bushing, Flanged	
23	1001131542	1	Lanyard	
24	1060904	1	Cable, Jumper	
25	1320022	2	Clamp	
26	1320058	2	Clamp	
27	1320060	1	Clamp	
28	1320223	1	J-Clip	
29	1340065	1	Air Cleaner Assembly	
29	7003655	1	Element, Air Cleaner	
29	7015013	1	Baffle, Rubber	
29	7015014	1	Clamp, Cap	
29	7015015	1	Cup	
29	7015003	1	Wingnut	
30	1671023	1	Shroud, Fan	
31	1703162	2	Decal - Fan Blade	
32	2060025	1	Fan	
33	2220451	1	Fitting, Straight	
34	2220498	1	Fitting, Elbow	
35	2720058	34 ft/ 10.3m	Hose	
36	2580062	1	Heater, Engine Block	
37	2720500	1	Hose, Oil Cooler (Top)	
38	2720501	1	Hose, Oil Cooler (Bottom)	
39	2750532	0.75 ft /0.2m	Hose	
40	2902065	1	Pump Coupling Kit (See Separate Breakdown in this Section)	

## SECTION 3 - ENGINE

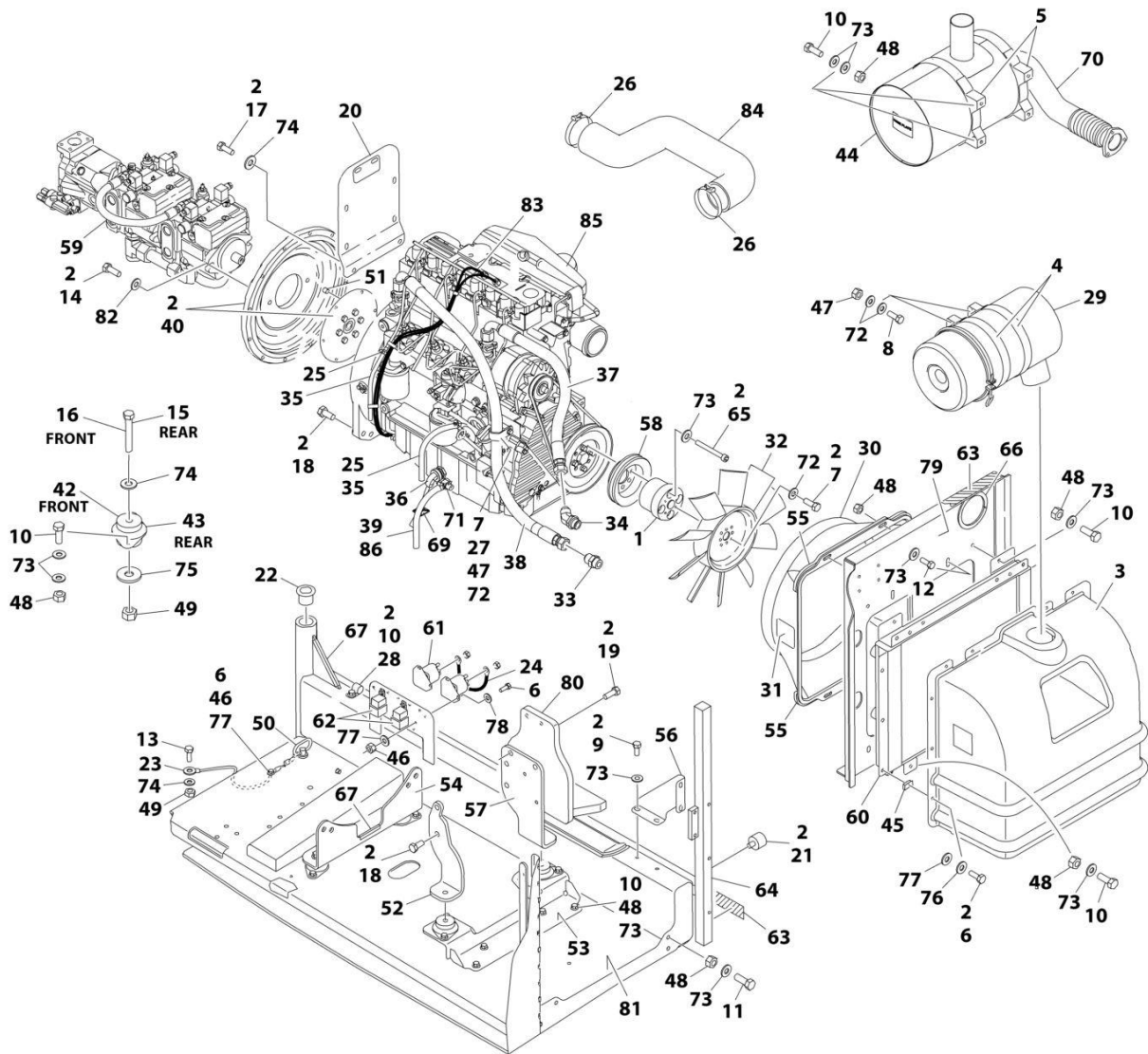
ITEM	PART NUMBER	QTY	DESCRIPTION	REV
42	3200362	2	Mount, Motor (Front)	
43	3200401	2	Mount, Motor (Rear)	
44	3220126	1	Muffler	
44	70003555	1	Clamp	
45	3300454	10	Nut 1/4	
46	3311405	5	Nut 1/4	
47	3311505	5	Nut 5/16	
48	3311605	30	Nut 3/8	
49	3311805	5	Nut 1/2	
50	3422532	1	Pin, Hitch	
51	3520054	2	Plug	
52	3537416	1	Plate, Mounting (Front Right)	
53	3539971	1	Bracket, Engine Mounting (Front)	
54	3573142	1	Bracket, Engine Mounting (Rear)	
55	3573411	2	Plate, Clamp	
56	3573412	1	Gusset	
57	3573529	1	Plate, Mounting (Front Left)	
58	3580320	1	Pulley	
59	3600339	1	Pump Assembly - Rexroth (See Separate Breakdown in this Section)	
60	1001145382	1	Cooler, Engine Oil	
61	3740067	2	Relay, Start	
62	3740080	2	Relay	
63	3960543	1	Seal	
64	3960544	1	Seal	
65	4032022	4	Capscrew M10 x 90	
66	4060804	0.98 ft /0.3m	Flex-Trim	
67	4060805	0.67 ft /0.2m	Flex-Trim	
68	4240099	AR	Tie, Wire (Not Shown)	
69	4460234	3	Mount, Wire Tie	
70	4568293	1	Pipe, Exhaust	
71	4640751	1	Valve, Oil Drain	
72	4711500	13	Washer 5/16	
73	4711600	68	Washer 3/8	
74	4711800	7	Washer 1/2	
75	4740274	4	Washer, Snubbing	
76	4740518	10	Washer, Nylon	
77	4751400	20	Washer 1/4	
78	4791400	4	Washer 1/4	
79	4846552	1	Plate, Oil Cooler Mounting	
80	4846945	1	Mount, Generator	
81	4846946	1	Tray	
82	4891800	2	Washer 1/2 Hardened	
83	4923468	1	Harness, Glow Plugs	
84	1001225118	1	Hose, Air Intake	
85	1001098601	1	Engine, Deutz TD2011 Components (See Separate Breakdown in this Section)	
86	8410013	1	Clamp, Gear	





# SECTION 3 - ENGINE

FIGURE 3-9. DEUTZ TD2011 ENGINE ASSEMBLY - WITH REXROTH PUMPS (WTH SKYPOWER AND WITH COLD WEATHER PLUS PACKAGE) (PVC 2007)



ART\_1001098531\_N

## SECTION 3 - ENGINE

**FIGURE 3-9. DEUTZ TD2011 ENGINE ASSEMBLY - WITH REXROTH PUMPS (WITH SKYPOWER AND WITH COLD WEATHER PLUS PACKAGE) (PVC 2007)**

ITEM	PART NUMBER	QTY	DESCRIPTION	REV
	1001098531	Ref	DEUTZ TD2011 ENGINE ASSEMBLY - WITH REXROTH PUMPS (WITH SKYPOWER AND WITH COLD WEATHER PLUS PACKAGE)	N
1	0080244	1	Spacer, Fan	
2	0100011	AR	Compound, Locking	
3	0272060	1	Box, Air Intake	
4	0340003	2	Band, Air Cleaner	
5	0340051	2	Band, Muffler	
6	0641406	15	Bolt 1/4 x 3/4	
7	0641506	5	Bolt 5/16 x 3/4	
8	0641507	4	Bolt 5/16 x 7/8	
9	0641605	4	Bolt 3/8 x 5/8	
10	0641608	25	Bolt 3/8 x 1	
11	0641609	2	Bolt 3/8 x 1-1/8	
12	0641610	4	Bolt 3/8 x 1-1/4	
13	0641808	1	Bolt 1/2 x 1	
14	0641812	2	Bolt 1/2 x 1-1/2	
15	0641818	2	Bolt 1/2 x 2-1/4	
16	0641826	2	Bolt 1/2 x 3-1/4	
17	0711214	2	Bolt M12 x 30	
18	0771414	6	Bolt M14 x 30	
19	0711417	4	Bolt M14 x 45	
20	1001112766	1	Bracket, Muffler	
21	0940070	1	Bumper	
22	0961986	2	Bushing, Flanged	
23	1001131542	1	Lanyard	
24	1060904	1	Cable, Jumper	
25	1320022	2	Clamp	
26	1320058	2	Clamp	
27	1320060	1	Clamp	
28	1320223	1	J-Clip	
29	1340065	1	Air Cleaner Assembly	
29	7003655	1	Element, Air Cleaner	
29	7015013	1	Baffle, Rubber	
29	7015014	1	Clamp, Cap	
29	7015015	1	Cup	
29	7015003	1	Wingnut	
30	1671023	1	Shroud, Fan	
31	1703162	2	Decal - Fan Blade	
32	2060025	1	Fan	
33	2220451	1	Fitting, Straight	
34	2220498	1	Fitting, Elbow	
35	2720058	34 ft/ 10.3m	Hose	
36	2580062	1	Heater, Engine Block	
37	2720500	1	Hose, Oil Cooler (Top)	
38	2720501	1	Hose, Oil Cooler (Bottom)	
39	2750532	0.75 ft /0.2m	Hose	
40	2902065	1	Pump Coupling Kit (See Separate Breakdown in this Section)	

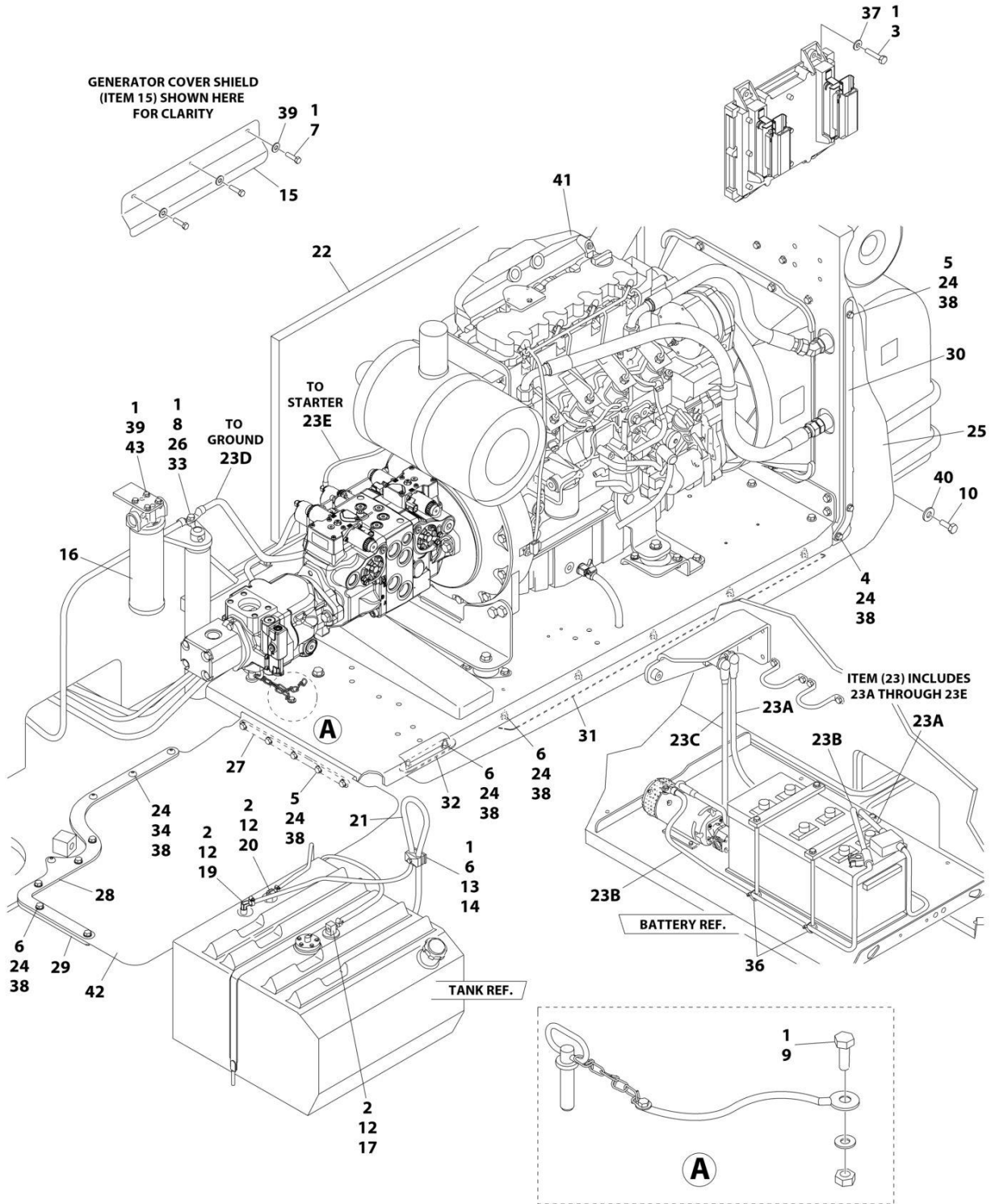
## SECTION 3 - ENGINE

ITEM	PART NUMBER	QTY	DESCRIPTION	REV
42	3200362	2	Mount, Motor (Front)	
43	3200401	2	Mount, Motor (Rear)	
44	1001257277	1	Muffler	
45	3300454	10	Nut 1/4	
46	3311405	5	Nut 1/4	
47	3311505	5	Nut 5/16	
48	3311605	30	Nut 3/8	
49	3311805	5	Nut 1/2	
50	3422532	1	Pin, Hitch	
51	3520054	2	Plug	
52	3537416	1	Plate, Mounting (Front Right)	
53	3539971	1	Bracket, Engine Mounting (Front)	
54	3573142	1	Bracket, Engine Mounting (Rear)	
55	3573411	2	Plate, Clamp	
56	3573412	1	Gusset	
57	3573529	1	Plate, Mounting (Front Left)	
58	3580320	1	Pulley	
59	3600339	1	Pump Assembly - Rexroth (See Separate Breakdown in this Section)	
60	1001145382	1	Cooler, Engine Oil	
61	3740067	2	Relay, Start	
62	3740080	2	Relay	
63	3960543	1	Seal	
64	3960544	1	Seal	
65	4032022	4	Capscrew M10 x 90	
66	4060804	0.98 ft /0.3m	Flex-Trim	
67	4060805	0.67 ft /0.2m	Flex-Trim	
68	4240099	AR	Tie, Wire (Not Shown)	
69	4460234	3	Mount, Wire Tie	
70	4568293	1	Pipe, Exhaust	
71	4640751	1	Valve, Oil Drain	
72	4711500	13	Washer 5/16	
73	4711600	68	Washer 3/8	
74	4711800	7	Washer 1/2	
75	4740274	4	Washer, Snubbing	
76	4740518	10	Washer, Nylon	
77	4751400	20	Washer 1/4	
78	4791400	4	Washer 1/4	
79	4846552	1	Plate, Oil Cooler Mounting	
80	4846945	1	Mount, Generator	
81	4846946	1	Tray	
82	4891800	2	Washer 1/2 Hardened	
83	4923468	1	Harness, Glow Plugs	
84	1001225118	1	Hose, Air Intake	
85	1001098601	1	Engine, Deutz TD2011 Components (See Separate Breakdown in this Section)	
86	8410013	1	Clamp, Gear	



# SECTION 3 - ENGINE

**FIGURE 3-10. DEUTZ TD2011 ENGINE INSTALLATION - WITH SAUER PUMPS (WITHOUT SKYPOWER AND WITHOUT COLD WEATHER PLUS PACKAGE)**



ART\_1001119052

## SECTION 3 - ENGINE

**FIGURE 3-10. DEUTZ TD2011 ENGINE INSTALLATION - WITH SAUER PUMPS (WITHOUT SKYPOWER AND WITHOUT COLD WEATHER PLUS PACKAGE)**

ITEM	PART NUMBER	QTY	DESCRIPTION	REV
	1001119052	Ref	DEUTZ TD2011 DIESEL ENGINE INSTALLATION - WITH SAUER PUMPS AND STEEL HOODS (WITHOUT SKYPOWER AND WITHOUT COLD WEATHER PLUS PACKAGE)	D
1	0100011	AR	Compound, Locking	
2	0100079	AR	Sealant, Pipe	
3	0641410	4	Bolt 1/4 x 1-1/4	
4	0641506	1	Bolt 5/16 x 3/4	
5	0641509	7	Bolt 5/16 x 1-1/8	
6	0641511	13	Bolt 5/16 x 1-3/8	
7	0641605	3	Bolt 3/8 x 5/8	
8	0641610	1	Bolt 3/8 x 1-1/4	
9	0641808	1	Bolt 1/2 x 1	
10	0642010	1	Bolt 5/8 x 1-1/4	
12	1320022	3	Clamp	
13	1320187	1	Clamp, Twin	
14	1320190	1	Cover, Clamp	
15	1671121	1	Cover, Generator	
16	1001108617	1	Pressure Filter	
16	70002231	1	Element, Filter	
17	2180348	1	Fitting, Barbed	
19	2220313	1	Fitting, Elbow Barbed	
20	2221176	1	Fitting, Elbow	
21	2750532	5 ft/ 1.5m	Hose	
22	2820170	1	Insulation, Sound Absorbing	
23	2902099	1	Battery Cable Kit	
23A	7024580	1	Cable, Red (To Aux Pump Relay, Battery Positive Terminal and Start Relay)	
23B	7024581	1	Cable, Black (To Aux Pump, Battery Negative Terminal and Ground at Tray Pivot)	
23C	7024582	1	Cable, Red (Aux Pump Relay to Aux Pump)	
23D	7024583	1	Cable, Black (Tray Pivot to Engine Mount)	
23E	7024584	1	Cable, Red (Start Relay to Starter)	
24	3311505	24	Nut 5/16	
25	3380473	1	Panel, Rubber	
26	3422446	1	Pin	
27	3573644	1	Plate, Tray Clamp	
28	1001112878	1	Plate, Top Clamp	
29	1001112879	1	Plate, Bottom Clamp	
30	3573669	1	Plate, Clamp	
31	1001112880	1	Plate, Tray Clamp	
32	3573728	1	Plate, Tray Clamp	
33	3841143	1	Keeper, Pin	
34	3900272	4	Screw 5/16 x 1-3/4	
35	4240018	2	Strap, Tie (Not Shown)	
36	4240099	AR	Strap, Tie	
37	4711400	4	Washer 1/4	
38	4711500	44	Washer 5/16	
39	4711600	7	Washer 3/8	
40	4752000	1	Washer 5/8	

## SECTION 3 - ENGINE

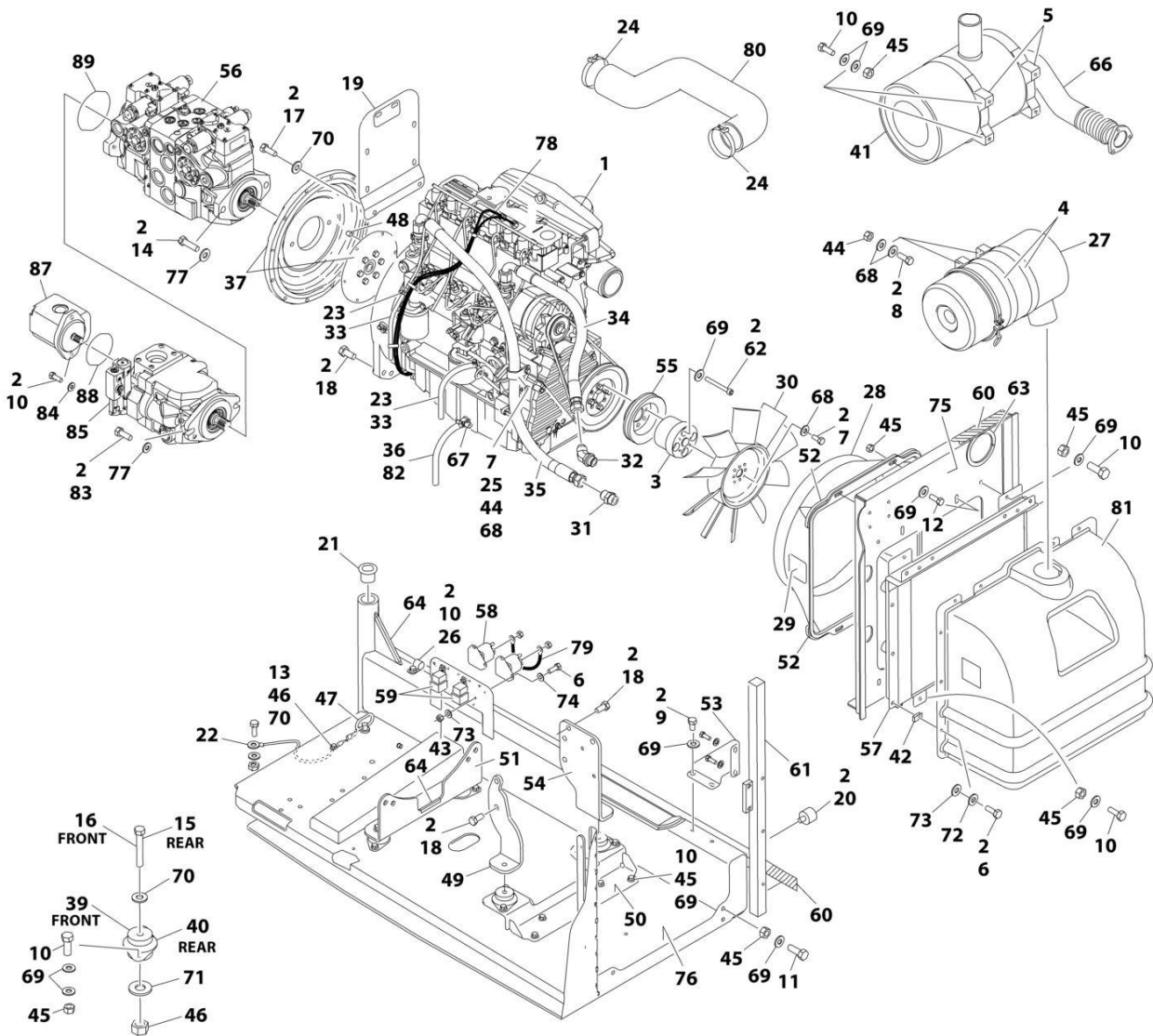
ITEM	PART NUMBER	QTY	DESCRIPTION	REV
41	1001107971	1	Engine Assembly with Pumps (See Separate Breakdown in this Section)	
42	1001111132	1	Panel, Rubber	
43	0641606	4	Bolt 3/8 x 3/4	





# SECTION 3 - ENGINE

FIGURE 3-11. DEUTZ TD2011 ENGINE ASSEMBLY - WITH SAUER PUMPS (WITHOUT SKYPOWER AND WITHOUT COLD WEATHER PLUS PACKAGE) (PVC 2001)



ART\_1001107971

## SECTION 3 - ENGINE

**FIGURE 3-11. DEUTZ TD2011 ENGINE ASSEMBLY - WITH SAUER PUMPS (WITHOUT SKYPOWER AND WITHOUT COLD WEATHER PLUS PACKAGE) (PVC 2001)**

ITEM	PART NUMBER	QTY	DESCRIPTION	REV
	1001107971	Ref	DEUTZ TD2011 ENGINE ASSEMBLY - WITH SAUER PUMPS (WITHOUT SKYPOWER AND WITHOUT COLD WEATHER PLUS PACKAGE)	J
1	1001098601	1	Engine, Deutz TD2011 Components (See Separate Breakdown in this Section)	
2	0100011	AR	Compound, Locking	
3	0080237	1	Spacer, Fan	
4	0340003	2	Band, Air Cleaner	
5	0340051	2	Band, Muffler	
6	0641406	15	Bolt 1/4 x 3/4	
7	0641506	5	Bolt 5/16 x 3/4	
8	0641507	4	Bolt 5/16 x 7/8	
9	0641605	4	Bolt 3/8 x 5/8	
10	0641608	27	Bolt 3/8 x 1	
11	0641609	2	Bolt 3/8 x 1-1/8	
12	0641610	4	Bolt 3/8 x 1-1/4	
13	0641808	1	Bolt 1/2 x 1	
14	0641814	2	Bolt 1/2 x 1-3/4	
15	0641818	2	Bolt 1/2 x 2-1/4	
16	0641826	2	Bolt 1/2 x 3-1/4	
17	0711214	2	Bolt M12 x 30	
18	0771414	10	Bolt M14 x 30	
19	1001112766	1	Bracket, Muffler	
20	0940070	1	Bumper	
21	0961986	2	Bushing, Flanged	
22	1001131542	1	Lanyard	
23	1320022	3	Clamp	
24	1320058	2	Clamp	
25	1320060	1	Clamp	
26	1320223	1	J-Clip	
27	1340065	1	Air Cleaner Assembly	
27	7003655	1	Element, Air Cleaner	
27	7015013	1	Baffle, Rubber	
27	7015014	1	Clamp, Cap	
27	7015015	1	Cup	
27	7015003	1	Wingnut	
28	1671023	1	Shroud, Fan	
29	1703162	2	Decal - Fan Blade	
30	2060025	1	Fan	
31	2220451	1	Fitting, Straight	
32	2220498	1	Fitting, Elbow	
33	2720058	34 ft /10.3m	Hose	
34	2720500	1	Hose, Oil Cooler (Top)	
35	2720501	1	Hose, Oil Cooler (Bottom)	
36	2750532	0.75 ft /0.2m	Hose	
37	2902065	1	Pump Coupling Kit (See Separate Breakdown in this Section)	
39	3200362	2	Mount, Motor (Front)	
40	3200401	2	Mount, Motor (Rear)	

## SECTION 3 - ENGINE

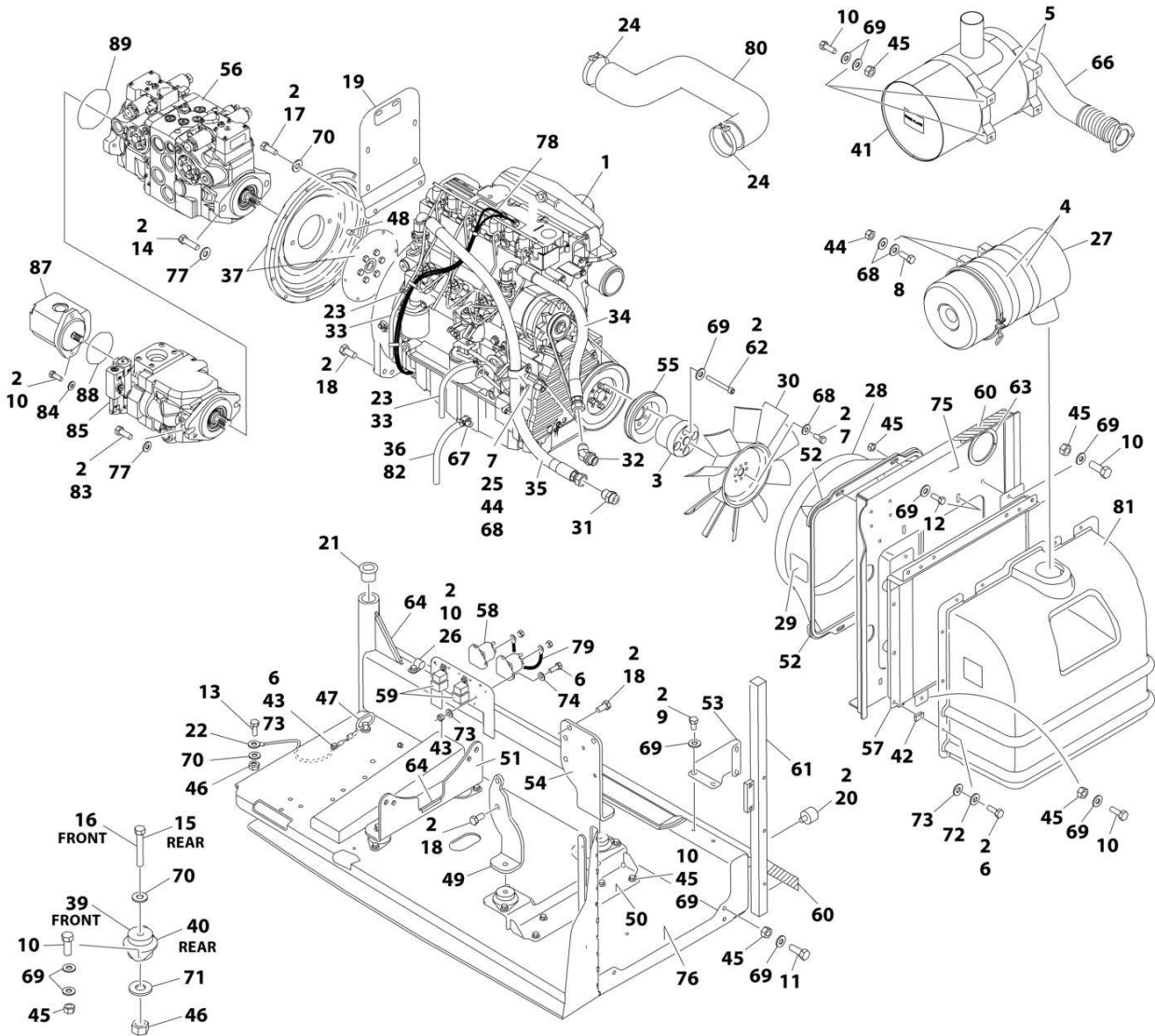
ITEM	PART NUMBER	QTY	DESCRIPTION	REV
41	3220126	1	Muffler	
41	70003555	1	Clamp	
42	3300454	10	Nut 1/4	
43	3311405	5	Nut 1/4	
44	3311505	5	Nut 5/16	
45	3311605	30	Nut 3/8	
46	3311805	5	Nut 1/2	
47	3422532	1	Pin, Hitch	
48	3520054	2	Plug	
49	3537416	1	Plate, Mounting (Front Right)	
50	3539971	1	Bracket, Engine Mounting (Front)	
51	3573142	1	Bracket, Engine Mounting (Rear)	
52	3573411	2	Plate, Clamp	
53	3573412	1	Gusset	
54	3573529	1	Plate, Mounting (Front Left)	
55	3580158	1	Pulley	
56	1001108616	1	Pump Assembly - Sauer (See Separate Breakdown in this Section)	
57	1001145382	1	Cooler, Engine Oil	
58	3740067	2	Relay, Start	
59	3740080	2	Relay	
60	3960543	1	Seal	
61	3960544	1	Seal	
62	4032022	4	Capscrew M10 x 90	
63	4060804	0.98 ft /0.3m	Flex-Trim	
64	4060805	0.67 ft /0.2m	Flex-Trim	
65	4240099	AR	Tie, Wire (Not Shown)	
66	4568293	1	Pipe, Exhaust	
67	4640751	1	Valve, Oil Drain	
68	4711500	13	Washer 5/16	
69	4711600	68	Washer 3/8	
70	4711800	7	Washer 1/2	
71	4740274	4	Washer, Snubbing	
72	4740518	10	Washer, Nylon	
73	4751400	20	Washer 1/4	
74	4791400	4	Washer 1/4	
75	4846552	1	Plate, Oil Cooler Mounting	
76	4846946	1	Tray	
77	4891800	4	Washer 1/2	
78	4923468	1	Harness, Glow Plugs	
79	4923592	1	Cable, Jumper	
80	1001225118	1	Hose, Air Intake	
81	0272060	1	Box, Air Intake	
82	8410013	1	Clamp, Gear	
83	0761215	2	Bolt M12 x 35mm	
84	4891600	2	Washer 3/8	
85	1001171095	1	Pump Assembly - Sauer Piston (See Separate Breakdown in this Section)	
87	1001112927	1	Pump Assembly - Sauer Gear (See Separate Breakdown in this Section)	
88	3790152	1	O-Ring	

## SECTION 3 - ENGINE

ITEM	PART NUMBER	QTY	DESCRIPTION	REV
89	3790155	1	O-Ring	

# SECTION 3 - ENGINE

FIGURE 3-12. DEUTZ TD2011 ENGINE ASSEMBLY - WITH SAUER PUMPS (WITHOUT SKYPOWER AND WITHOUT COLD WEATHER PLUS PACKAGE) (PVC 2007)



ART\_1001107971\_M

## SECTION 3 - ENGINE

**FIGURE 3-12. DEUTZ TD2011 ENGINE ASSEMBLY - WITH SAUER PUMPS (WITHOUT SKYPOWER AND WITHOUT COLD WEATHER PLUS PACKAGE) (PVC 2007)**

ITEM	PART NUMBER	QTY	DESCRIPTION	REV
	1001107971	Ref	DEUTZ TD2011 ENGINE ASSEMBLY - WITH SAUER PUMPS (WITHOUT SKYPOWER AND WITHOUT COLD WEATHER PLUS PACKAGE)	M
1	1001098601	1	Engine, Deutz TD2011 Components (See Separate Breakdown in this Section)	
2	0100011	AR	Compound, Locking	
3	0080237	1	Spacer, Fan	
4	0340003	2	Band, Air Cleaner	
5	0340051	2	Band, Muffler	
6	0641406	15	Bolt 1/4 x 3/4	
7	0641506	5	Bolt 5/16 x 3/4	
8	0641507	4	Bolt 5/16 x 7/8	
9	0641605	4	Bolt 3/8 x 5/8	
10	0641608	27	Bolt 3/8 x 1	
11	0641609	2	Bolt 3/8 x 1-1/8	
12	0641610	4	Bolt 3/8 x 1-1/4	
13	0641808	1	Bolt 1/2 x 1	
14	0641814	2	Bolt 1/2 x 1-3/4	
15	0641818	2	Bolt 1/2 x 2-1/4	
16	0641826	2	Bolt 1/2 x 3-1/4	
17	0711214	2	Bolt M12 x 30	
18	0771414	10	Bolt M14 x 30	
19	1001112766	1	Bracket, Muffler	
20	0940070	1	Bumper	
21	0961986	2	Bushing, Flanged	
22	1001131542	1	Lanyard	
23	1320022	3	Clamp	
24	1320058	2	Clamp	
25	1320060	1	Clamp	
26	1320223	1	J-Clip	
27	1340065	1	Air Cleaner Assembly	
27	7003655	1	Element, Air Cleaner	
27	7015013	1	Baffle, Rubber	
27	7015014	1	Clamp, Cap	
27	7015015	1	Cup	
27	7015003	1	Wingnut	
28	1671023	1	Shroud, Fan	
29	1703162	2	Decal - Fan Blade	
30	2060025	1	Fan	
31	2220451	1	Fitting, Straight	
32	2220498	1	Fitting, Elbow	
33	2720058	34 ft /10.3m	Hose	
34	2720500	1	Hose, Oil Cooler (Top)	
35	2720501	1	Hose, Oil Cooler (Bottom)	
36	2750532	0.75 ft /0.2m	Hose	
37	2902065	1	Pump Coupling Kit (See Separate Breakdown in this Section)	
39	3200362	2	Mount, Motor (Front)	
40	3200401	2	Mount, Motor (Rear)	

## SECTION 3 - ENGINE

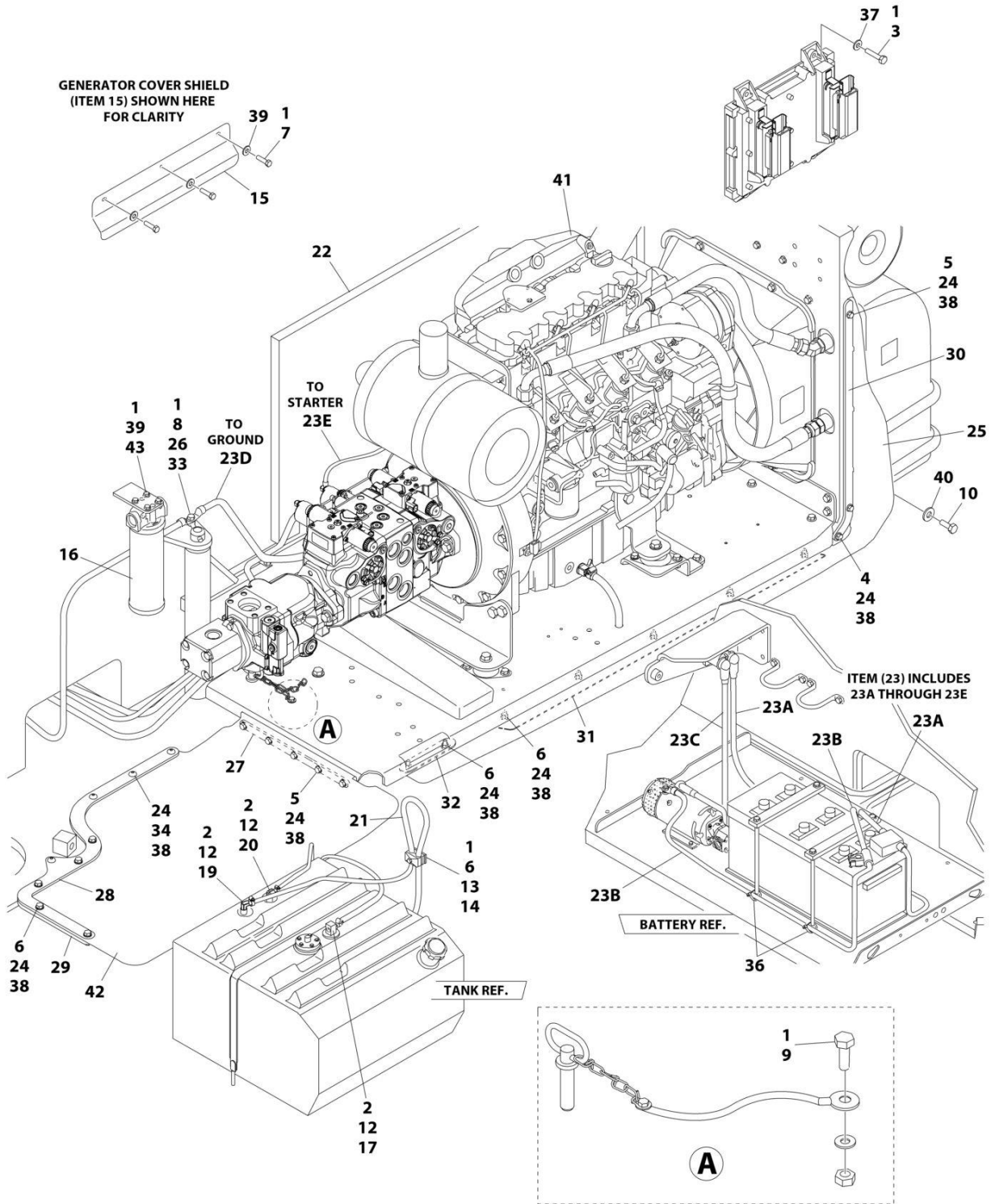
ITEM	PART NUMBER	QTY	DESCRIPTION	REV
41	1001257277	1	Muffler	
42	3300454	10	Nut 1/4	
43	3311405	5	Nut 1/4	
44	3311505	5	Nut 5/16	
45	3311605	30	Nut 3/8	
46	3311805	5	Nut 1/2	
47	3422532	1	Pin, Hitch	
48	3520054	2	Plug	
49	3537416	1	Plate, Mounting (Front Right)	
50	3539971	1	Bracket, Engine Mounting (Front)	
51	3573142	1	Bracket, Engine Mounting (Rear)	
52	3573411	2	Plate, Clamp	
53	3573412	1	Gusset	
54	3573529	1	Plate, Mounting (Front Left)	
55	3580158	1	Pulley	
56	1001108616	1	Pump Assembly - Sauer (See Separate Breakdown in this Section)	
57	1001145382	1	Cooler, Engine Oil	
58	3740067	2	Relay, Start	
59	3740080	2	Relay	
60	3960543	1	Seal	
61	3960544	1	Seal	
62	4032022	4	Capscrew M10 x 90	
63	4060804	0.98 ft /0.3m	Flex-Trim	
64	4060805	0.67 ft /0.2m	Flex-Trim	
65	4240099	AR	Tie, Wire (Not Shown)	
66	4568293	1	Pipe, Exhaust	
67	4640751	1	Valve, Oil Drain	
68	4711500	13	Washer 5/16	
69	4711600	68	Washer 3/8	
70	4711800	7	Washer 1/2	
71	4740274	4	Washer, Snubbing	
72	4740518	10	Washer, Nylon	
73	4751400	20	Washer 1/4	
74	4791400	4	Washer 1/4	
75	4846552	1	Plate, Oil Cooler Mounting	
76	4846946	1	Tray	
77	4891800	4	Washer 1/2	
78	4923468	1	Harness, Glow Plugs	
79	4923592	1	Cable, Jumper	
80	1001225118	1	Hose, Air Intake	
81	0272060	1	Box, Air Intake	
82	8410013	1	Clamp, Gear	
83	0761215	2	Bolt M12 x 35mm	
84	4891600	2	Washer 3/8	
85	1001171095	1	Pump Assembly - Sauer Piston (See Separate Breakdown in this Section)	
87	1001112927	1	Pump Assembly - Sauer Gear (See Separate Breakdown in this Section)	
88	3790152	1	O-Ring	
89	3790155	1	O-Ring	





# SECTION 3 - ENGINE

FIGURE 3-13. DEUTZ TD2011 ENGINE INSTALLATION - WITH SAUER PUMPS (WITH SKYPOWER AND WITHOUT COLD WEATHER PLUS PACKAGE)



ART\_1001119053

## SECTION 3 - ENGINE

**FIGURE 3-13. DEUTZ TD2011 ENGINE INSTALLATION - WITH SAUER PUMPS (WITH SKYPOWER AND WITHOUT COLD WEATHER PLUS PACKAGE)**

ITEM	PART NUMBER	QTY	DESCRIPTION	REV
	1001119053	Ref	DEUTZ TD2011 DIESEL ENGINE INSTALLATION - WITH SAUER PUMPS AND STEEL HOODS (WITH SKYPOWER AND WITHOUT COLD WEATHER PLUS PACKAGE)	D
1	0100011	AR	Compound, Locking	
2	0100079	AR	Sealant, Pipe	
3	0641410	4	Bolt 1/4 x 1-1/4	
4	0641506	1	Bolt 5/16 x 3/4	
5	0641509	7	Bolt 5/16 x 1-1/8	
6	0641511	13	Bolt 5/16 x 1-3/8	
7	0641605	3	Bolt 3/8 x 5/8	
8	0641610	1	Bolt 3/8 x 1-1/4	
9	0641808	1	Bolt 1/2 x 1	
10	0642010	1	Bolt 5/8 x 1-1/4	
12	1320022	3	Clamp	
13	1320187	1	Clamp, Twin	
14	1320190	1	Cover, Clamp	
15	1671121	1	Cover, Generator	
16	1001108617	1	Pressure Filter	
16	70002231	1	Element, Filter	
17	2180348	1	Fitting, Barbed	
19	2220313	1	Fitting, Elbow Barbed	
20	2221176	1	Fitting, Elbow	
21	2750532	5 ft/ 1.5m	Hose	
22	2820170	1	Insulation, Sound Absorbing	
23	2902099	1	Battery Cable Kit	
23A	7024580	1	Cable, Red (To Aux Pump Relay, Battery Positive Terminal and Start Relay)	
23B	7024581	1	Cable, Black (To Aux Pump, Battery Negative Terminal and Ground at Tray Pivot)	
23C	7024582	1	Cable, Red (Aux Pump Relay to Aux Pump)	
23D	7024583	1	Cable, Black (Tray Pivot to Engine Mount)	
23E	7024584	1	Cable, Red (Start Relay to Starter)	
24	3311505	24	Nut 5/16	
25	3380473	1	Panel, Rubber	
26	3422446	1	Pin	
27	3573644	1	Plate, Tray Clamp	
28	1001112878	1	Plate, Top Clamp	
29	1001112879	1	Plate, Bottom Clamp	
30	3573669	1	Plate, Clamp	
31	1001112880	1	Plate, Tray Clamp	
32	3573728	1	Plate, Tray Clamp	
33	3841143	1	Keeper, Pin	
34	3900272	4	Screw 5/16 x 1-3/4	
35	4240018	2	Strap, Tie (Not Shown)	
36	4240099	AR	Strap, Tie	
37	4711400	4	Washer 1/4	
38	4711500	44	Washer 5/16	
39	4711600	7	Washer 3/8	
40	4752000	1	Washer 5/8	

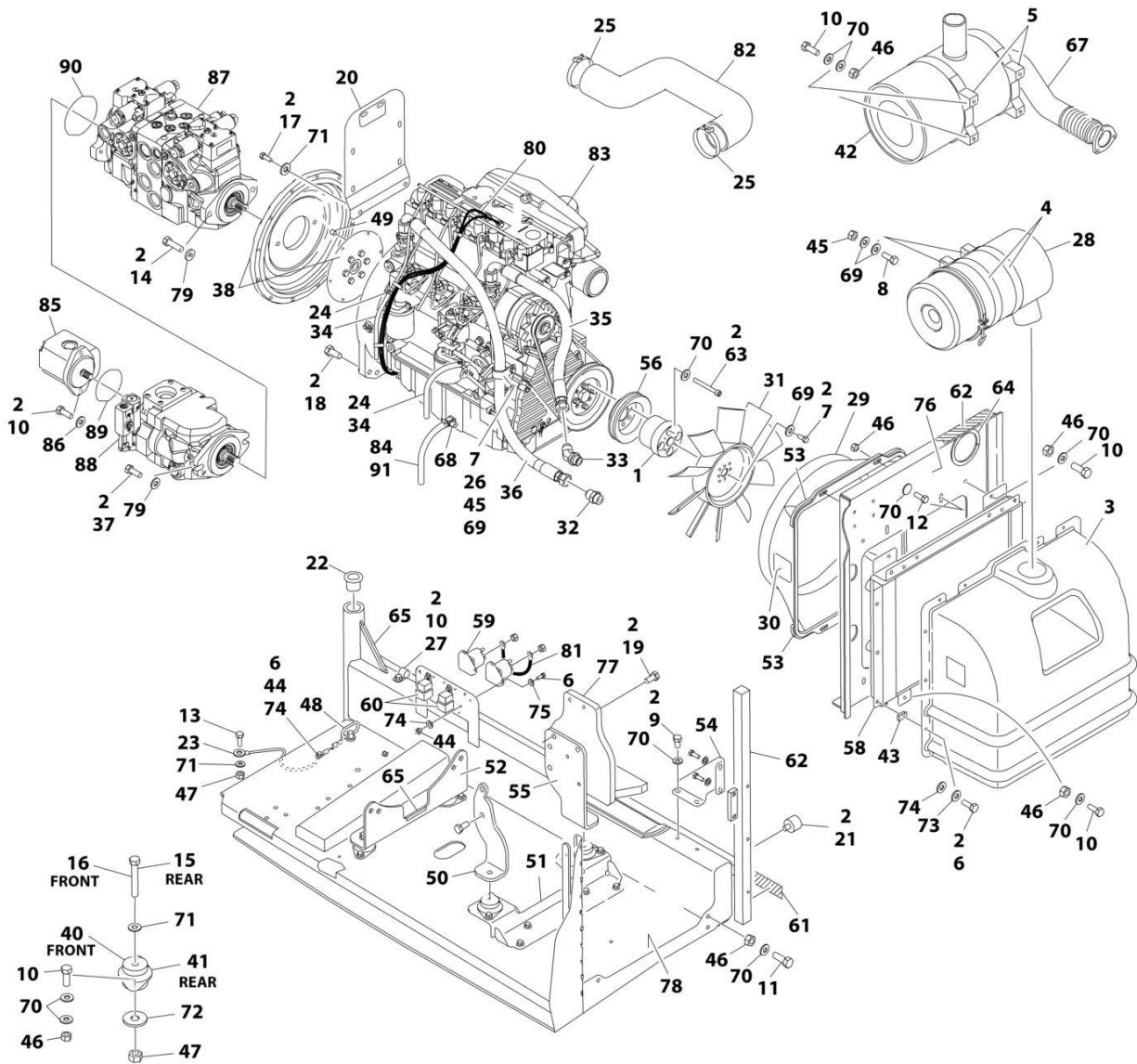
## SECTION 3 - ENGINE

ITEM	PART NUMBER	QTY	DESCRIPTION	REV
41	1001107973	1	Engine Assembly with Pumps (See Separate Breakdown in this Section)	
42	1001111132	1	Panel, Rubber	
43	0641606	4	Bolt 3/8 x 3/4	



# SECTION 3 - ENGINE

## FIGURE 3-14. DEUTZ TD2011 ENGINE INSTALLATION - WITH SAUER PUMPS (WITH SKYPOWER AND WITHOUT COLD WEATHER PLUS PACKAGE) (PVC 2001)



ART\_1001107973

## SECTION 3 - ENGINE

**FIGURE 3-14. DEUTZ TD2011 ENGINE INSTALLATION - WITH SAUER PUMPS (WITH SKYPOWER AND WITHOUT COLD WEATHER PLUS PACKAGE) (PVC 2001)**

ITEM	PART NUMBER	QTY	DESCRIPTION	REV
	1001107973	Ref	DEUTZ TD2011 ENGINE ASSEMBLY - WITH SAUER PUMPS (WITH SKYPOWER AND WITHOUT COLD WEATHER PLUS PACKAGE)	J
1	0080244	1	Spacer, Fan	
2	0100011	AR	Compound, Locking	
3	0272060	1	Box, Air Intake	
4	0340003	2	Band, Air Cleaner	
5	0340051	2	Band, Muffler	
6	0641406	15	Bolt 1/4 x 3/4	
7	0641506	5	Bolt 5/16 x 3/4	
8	0641507	4	Bolt 5/16 x 7/8	
9	0641605	4	Bolt 3/8 x 5/8	
10	0641608	27	Bolt 3/8 x 1	
11	0641609	2	Bolt 3/8 x 1-1/8	
12	0641610	4	Bolt 3/8 x 1-1/4	
13	0641808	1	Bolt 1/2 x 1	
14	0641814	2	Bolt 1/2 x 1-3/4	
15	0641818	2	Bolt 1/2 x 2-1/4	
16	0641826	2	Bolt 1/2 x 3-1/4	
17	0711214	2	Bolt M12 x 30	
18	0771414	6	Bolt M14 x 30	
19	0711417	4	Bolt M14 x 45	
20	1001112766	1	Bracket, Muffler	
21	0940070	1	Bumper	
22	0961986	2	Bushing, Flanged	
23	1001131542	1	Lanyard	
24	1320022	2	Clamp	
25	1320058	2	Clamp	
26	1320060	1	Clamp	
27	1320223	1	J-Clip	
28	1340065	1	Air Cleaner Assembly	
28	7003655	1	Element, Air Cleaner	
28	7015013	1	Baffle, Rubber	
28	7015014	1	Clamp, Cap	
28	7015015	1	Cup	
28	7015003	1	Wingnut	
29	1671023	1	Shroud, Fan	
30	1703162	2	Decal - Fan Blade	
31	2060025	1	Fan	
32	2220451	1	Fitting, Straight	
33	2220498	1	Fitting, Elbow	
34	2720058	34 ft/ 10.3m	Hose	
35	2720500	1	Hose, Oil Cooler (Top)	
36	2720501	1	Hose, Oil Cooler (Bottom)	
37	0761215	2	Bolt M12 x 35mm	
38	2902065	1	Pump Coupling Kit (See Separate Breakdown in this Section)	
40	3200362	2	Mount, Motor (Front)	
41	3200401	2	Mount, Motor (Rear)	

## SECTION 3 - ENGINE

ITEM	PART NUMBER	QTY	DESCRIPTION	REV
42	3220126	1	Muffler	
42	70003555	1	Clamp	
43	3300454	10	Nut	
44	3311405	5	Nut 1/4	
45	3311505	5	Nut 5/16	
46	3311605	30	Nut 3/8	
47	3311805	5	Nut 1/2	
48	3422532	1	Pin, Hitch	
49	3520054	2	Plug	
50	3537416	1	Plate, Mounting (Front Right)	
51	3539971	1	Bracket, Engine Mounting (Front)	
52	3573142	1	Bracket, Engine Mounting (Rear)	
53	3573411	2	Plate, Clamp	
54	3573412	1	Gusset	
55	3573529	1	Plate, Mounting (Front Left)	
56	3580320	1	Pulley	
58	1001145382	1	Cooler, Engine Oil	
59	3740067	2	Relay, Start	
60	3740080	2	Relay	
61	3960543	1	Seal	
62	3960544	1	Seal	
63	4032022	4	Capscrew M10 x 90	
64	4060804	0.98 ft /0.3m	Flex-Trim	
65	4060805	0.67 ft /0.2m	Flex-Trim	
66	4240099	AR	Tie, Wire (Not Shown)	
67	4568293	1	Pipe, Exhaust	
68	4640751	1	Valve, Oil Drain	
69	4711500	13	Washer 5/16	
70	4711600	68	Washer 3/8	
71	4711800	7	Washer 1/2	
72	4740274	4	Washer, Snubbing	
73	4740518	10	Washer, Nylon	
74	4751400	20	Washer 1/4	
75	4791400	4	Washer 1/4	
76	4846552	1	Plate, Oil Cooler Mounting	
77	4846945	1	Mount, Generator	
78	4846946	1	Tray	
79	4891800	4	Washer 1/2	
80	4923468	1	Harness, Glow Plugs	
81	4923592	1	Cable, Jumper	
82	1001225118	1	Hose, Air Intake	
83	1001098601	1	Engine, Deutz TD2011 Components (See Separate Breakdown in this Section)	
84	8410013	1	Clamp, Gear	
85	1001112927	1	Pump Assembly - Sauer Gear (See Separate Breakdown in this Section)	
86	4891600	2	Washer 3/8	
87	1001108616	1	Pump Assembly - Sauer (See Separate Breakdown in this Section)	
88	1001171095	1	Pump Assembly - Sauer Piston (See Separate Breakdown in this Section)	

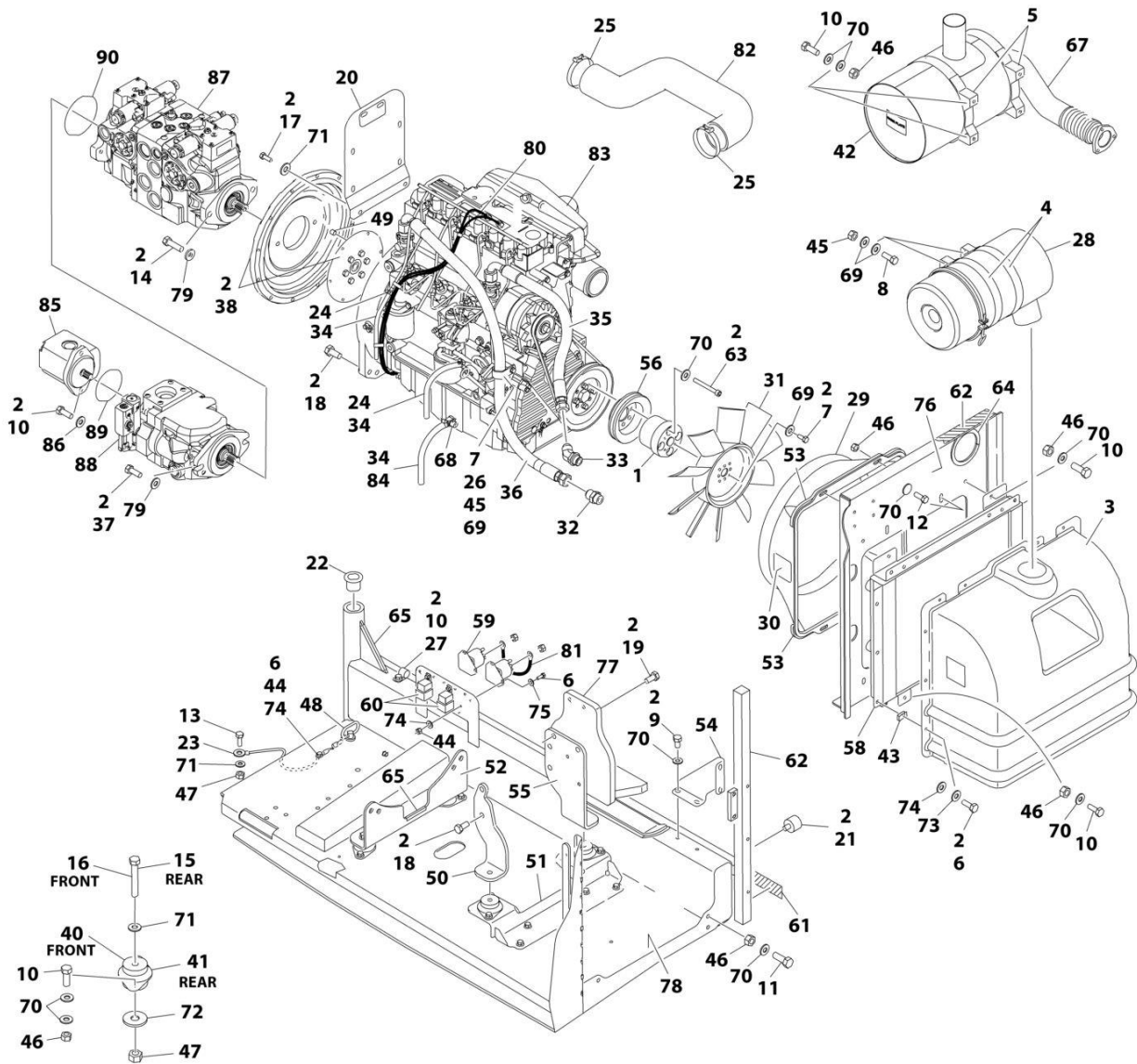


## SECTION 3 - ENGINE

ITEM	PART NUMBER	QTY	DESCRIPTION	REV
89	3790152	1	O-Ring	
90	3790155	1	O-Ring	
91	2750532	0.8 ft/ 0.2m	Hose	

# SECTION 3 - ENGINE

FIGURE 3-15. DEUTZ TD2011 ENGINE ASSEMBLY - WITH SAUER PUMPS (WITH SKYPOWER AND WITHOUT COLD WEATHER PLUS PACKAGE) (PVC 2007)



ART\_1001107973\_M

## SECTION 3 - ENGINE

**FIGURE 3-15. DEUTZ TD2011 ENGINE ASSEMBLY - WITH SAUER PUMPS (WITH SKYPOWER AND WITHOUT COLD WEATHER PLUS PACKAGE) (PVC 2007)**

ITEM	PART NUMBER	QTY	DESCRIPTION	REV
	1001107973	Ref	DEUTZ TD2011 ENGINE ASSEMBLY - WITH SAUER PUMPS (WITH SKYPOWER AND WITHOUT COLD WEATHER PLUS PACKAGE)	N
1	0080244	1	Spacer, Fan	
2	0100011	AR	Compound, Locking	
3	0272060	1	Box, Air Intake	
4	0340003	2	Band, Air Cleaner	
5	0340051	2	Band, Muffler	
6	0641406	15	Bolt 1/4 x 3/4	
7	0641506	5	Bolt 5/16 x 3/4	
8	0641507	4	Bolt 5/16 x 7/8	
9	0641605	4	Bolt 3/8 x 5/8	
10	0641608	27	Bolt 3/8 x 1	
11	0641609	2	Bolt 3/8 x 1-1/8	
12	0641610	4	Bolt 3/8 x 1-1/4	
13	0641808	1	Bolt 1/2 x 1	
14	0641814	2	Bolt 1/2 x 1-3/4	
15	0641818	2	Bolt 1/2 x 2-1/4	
16	0641826	2	Bolt 1/2 x 3-1/4	
17	0711214	2	Bolt M12 x 30	
18	0771414	6	Bolt M14 x 30	
19	0711417	4	Bolt M14 x 45	
20	1001112766	1	Bracket, Muffler	
21	0940070	1	Bumper	
22	0961986	2	Bushing, Flanged	
23	1001131542	1	Lanyard	
24	1320022	2	Clamp	
25	1320058	2	Clamp	
26	1320060	1	Clamp	
27	1320223	1	J-Clip	
28	1340065	1	Air Cleaner Assembly	
28	7003655	1	Element, Air Cleaner	
28	7015013	1	Baffle, Rubber	
28	7015014	1	Clamp, Cap	
28	7015015	1	Cup	
28	7015003	1	Wingnut	
29	1671023	1	Shroud, Fan	
30	1703162	2	Decal - Fan Blade	
31	2060025	1	Fan	
32	2220451	1	Fitting, Straight	
33	2220498	1	Fitting, Elbow	
34	2720058	34 ft/ 10.3m	Hose	
35	2720500	1	Hose, Oil Cooler (Top)	
36	2720501	1	Hose, Oil Cooler (Bottom)	
37	0761215	2	Bolt M12 x 35mm	
38	2902065	1	Pump Coupling Kit (See Separate Breakdown in this Section)	
40	3200362	2	Mount, Motor (Front)	
41	3200401	2	Mount, Motor (Rear)	

## SECTION 3 - ENGINE

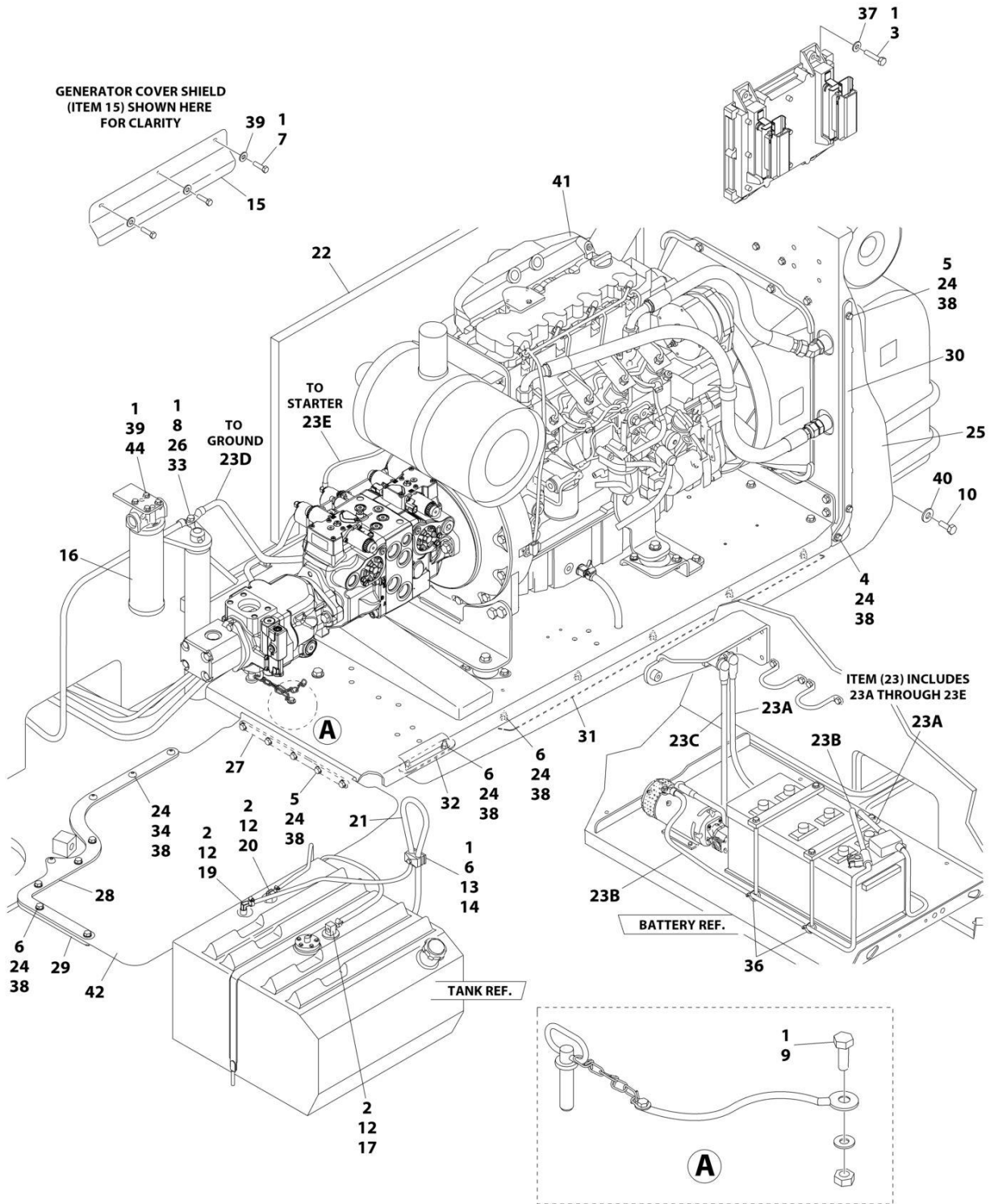
ITEM	PART NUMBER	QTY	DESCRIPTION	REV
42	1001257277	1	Muffler	
43	3300454	10	Nut	
44	3311405	5	Nut 1/4	
45	3311505	5	Nut 5/16	
46	3311605	30	Nut 3/8	
47	3311805	5	Nut 1/2	
48	3422532	1	Pin, Hitch	
49	3520054	2	Plug	
50	3537416	1	Plate, Mounting (Front Right)	
51	3539971	1	Bracket, Engine Mounting (Front)	
52	3573142	1	Bracket, Engine Mounting (Rear)	
53	3573411	2	Plate, Clamp	
54	3573412	1	Gusset	
55	3573529	1	Plate, Mounting (Front Left)	
56	3580320	1	Pulley	
58	1001145382	1	Cooler, Engine Oil	
59	3740067	2	Relay, Start	
60	3740080	2	Relay	
61	3960543	1	Seal	
62	3960544	1	Seal	
63	4032022	4	Capscrew M10 x 90	
64	4060804	0.98 ft /0.3m	Flex-Trim	
65	4060805	0.67 ft /0.2m	Flex-Trim	
66	4240099	AR	Tie, Wire (Not Shown)	
67	4568293	1	Pipe, Exhaust	
68	4640751	1	Valve, Oil Drain	
69	4711500	13	Washer 5/16	
70	4711600	68	Washer 3/8	
71	4711800	7	Washer 1/2	
72	4740274	4	Washer, Snubbing	
73	4740518	10	Washer, Nylon	
74	4751400	20	Washer 1/4	
75	4791400	4	Washer 1/4	
76	4846552	1	Plate, Oil Cooler Mounting	
77	4846945	1	Mount, Generator	
78	4846946	1	Tray	
79	4891800	4	Washer 1/2	
80	4923468	1	Harness, Glow Plugs	
81	4923592	1	Cable, Jumper	
82	1001225118	1	Hose, Air Intake	
83	1001098601	1	Engine, Deutz TD2011 Components (See Separate Breakdown in this Section)	
84	8410013	1	Clamp, Gear	
85	1001112927	1	Pump Assembly - Sauer Gear (See Separate Breakdown in this Section)	
86	4891600	2	Washer 3/8	
87	1001108616	1	Pump Assembly - Sauer (See Separate Breakdown in this Section)	
88	1001171095	1	Pump Assembly - Sauer Piston (See Separate Breakdown in this Section)	
89	3790152	1	O-Ring	

## SECTION 3 - ENGINE

ITEM	PART NUMBER	QTY	DESCRIPTION	REV
90	3790155	1	O-Ring	
91	2750532	0.8 ft/ 0.2m	Hose	

# SECTION 3 - ENGINE

FIGURE 3-16. DEUTZ TD2011 ENGINE INSTALLATION - WITH SAUER PUMPS (WITH SKYPOWER AND WITH COLD WEATHER PLUS PACKAGE)



ART\_1001119054

## SECTION 3 - ENGINE

**FIGURE 3-16. DEUTZ TD2011 ENGINE INSTALLATION - WITH SAUER PUMPS (WITH SKYPOWER AND WITH COLD WEATHER PLUS PACKAGE)**

ITEM	PART NUMBER	QTY	DESCRIPTION	REV
	1001119054	Ref	DEUTZ TD2011 DIESEL ENGINE INSTALLATION - WITH SAUER PUMPS AND STEEL HOODS (WITH SKYPOWER AND WITH COLD WEATHER PLUS PACKAGE)	D
1	0100011	AR	Compound, Locking	
2	0100079	AR	Sealant, Pipe	
3	0641410	4	Bolt 1/4 x 1-1/4	
4	0641506	1	Bolt 5/16 x 3/4	
5	0641509	7	Bolt 5/16 x 1-1/8	
6	0641511	13	Bolt 5/16 x 1-3/8	
7	0641605	3	Bolt 3/8 x 5/8	
8	0641610	1	Bolt 3/8 x 1-1/4	
9	0641808	1	Bolt 1/2 x 1	
10	0642010	1	Bolt 5/8 x 1-1/4	
12	1320022	3	Clamp	
13	1320187	1	Clamp, Twin	
14	1320190	1	Cover, Clamp	
15	1671121	1	Cover, Generator	
16	1001108617	1	Pressure Filter	
16	70002231	1	Element, Filter	
17	2180348	1	Fitting, Barbed	
19	2220313	1	Fitting, Elbow Barbed	
20	2221176	1	Fitting, Elbow	
21	2750532	5 ft/ 1.5m	Hose	
22	2820170	1	Insulation, Sound Absorbing	
23	2902099	1	Battery Cable Kit	
23A	7024580	1	Cable, Red (To Aux Pump Relay, Battery Positive Terminal and Start Relay)	
23B	7024581	1	Cable, Black (To Aux Pump, Battery Negative Terminal and Ground at Tray Pivot)	
23C	7024582	1	Cable, Red (Aux Pump Relay to Aux Pump)	
23D	7024583	1	Cable, Black (Tray Pivot to Engine Mount)	
23E	7024584	1	Cable, Red (Start Relay to Starter)	
24	3311505	24	Nut 5/16	
25	3380473	1	Panel, Rubber	
26	3422446	1	Pin	
27	3573644	1	Plate, Tray Clamp	
28	1001112878	1	Plate, Top Clamp	
29	1001112879	1	Plate, Bottom Clamp	
30	3573669	1	Plate, Clamp	
31	1001112880	1	Plate, Tray Clamp	
32	3573728	1	Plate, Tray Clamp	
33	3841143	1	Keeper, Pin	
34	3900272	4	Screw 5/16 x 1-3/4	
35	4240018	2	Strap, Tie (Not Shown)	
36	4240099	AR	Strap, Tie	
37	4711400	4	Washer 1/4	
38	4711500	44	Washer 5/16	
39	4711600	7	Washer 3/8	
40	4752000	1	Washer 5/8	

## SECTION 3 - ENGINE

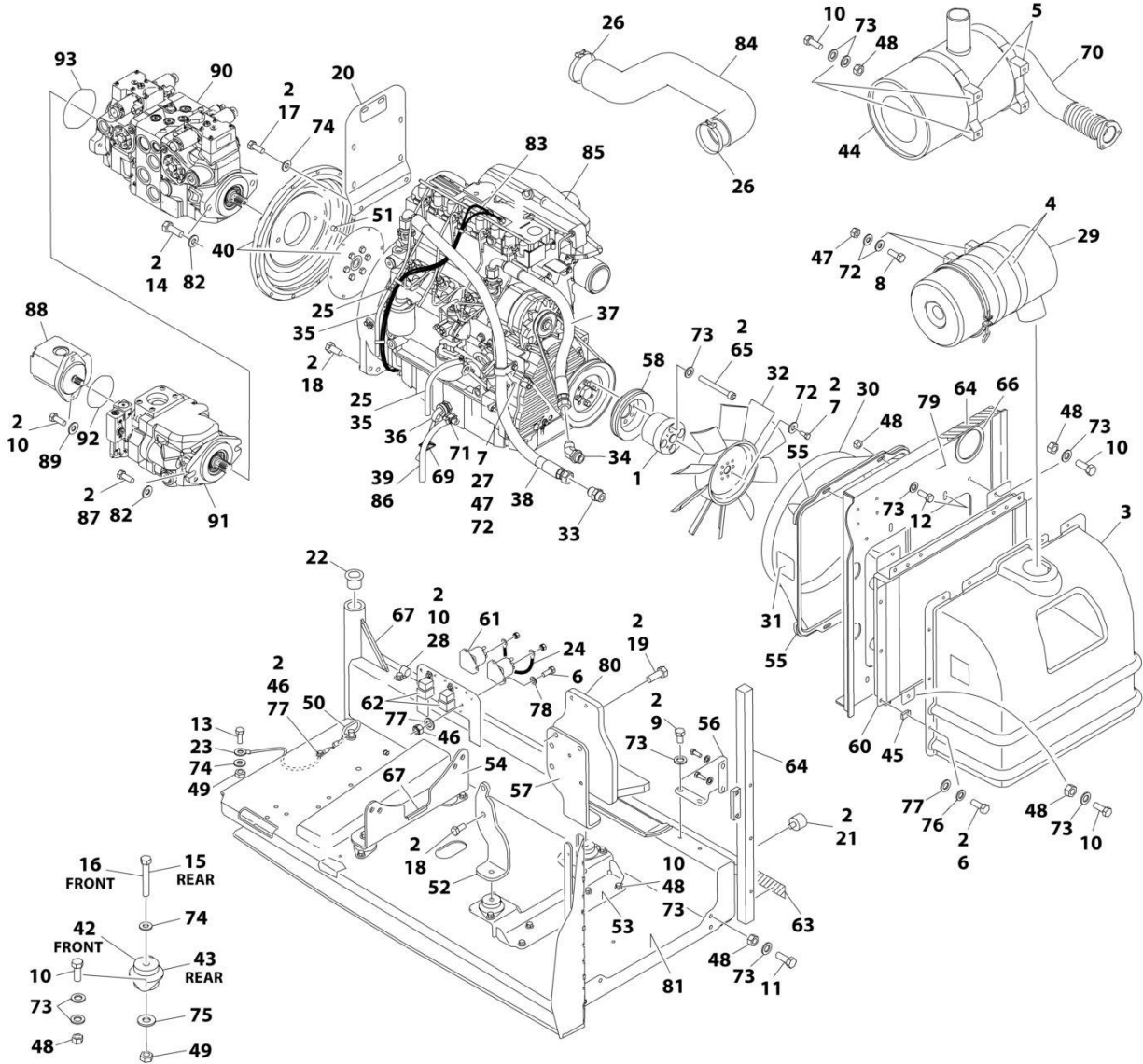
ITEM	PART NUMBER	QTY	DESCRIPTION	REV
41	1001107975	1	Engine Assembly with Pumps (See Separate Breakdown in this Section)	
42	1001111132	1	Panel, Rubber	
43	1702942	1	Decal - Block Heater (Not Shown)	
44	0641606	4	Bolt 3/8 x 3/4	





# SECTION 3 - ENGINE

FIGURE 3-17. DEUTZ TD2011 ENGINE ASSEMBLY - WITH SAUER PUMPS (WITH SKYPOWER AND WITH COLD WEATHER PLUS PACKAGE) (PVC 2001)



ART\_1001107975

## SECTION 3 - ENGINE

**FIGURE 3-17. DEUTZ TD2011 ENGINE ASSEMBLY - WITH SAUER PUMPS (WITH SKYPOWER AND WITH COLD WEATHER PLUS PACKAGE) (PVC 2001)**

ITEM	PART NUMBER	QTY	DESCRIPTION	REV
	1001107975	Ref	DEUTZ TD2011 ENGINE ASSEMBLY - WITH SAUER PUMPS (WITH SKYPOWER AND WITH COLD WEATHER PLUS PACKAGE)	J
1	0080244	1	Spacer, Fan	
2	0100011	AR	Compound, Locking	
3	0272060	1	Box, Air Intake	
4	0340003	2	Band, Air Cleaner	
5	0340051	2	Band, Muffler	
6	0641406	15	Bolt 1/4 x 3/4	
7	0641506	5	Bolt 5/16 x 3/4	
8	0641507	4	Bolt 5/16 x 7/8	
9	0641605	4	Bolt 3/8 x 5/8	
10	0641608	27	Bolt 3/8 x 1	
11	0641609	2	Bolt 3/8 x 1-1/8	
12	0641610	4	Bolt 3/8 x 1-1/4	
13	0641808	1	Bolt 1/2 x 1	
14	0641814	2	Bolt 1/2 x 1-3/4	
15	0641818	2	Bolt 1/2 x 2-1/4	
16	0641826	2	Bolt 1/2 x 3-1/4	
17	0711214	2	Bolt M12 x 30	
18	0771414	6	Bolt M14 x 30	
19	0711417	4	Bolt M14 x 45	
20	1001112766	1	Bracket, Muffler	
21	0940070	1	Bumper	
22	0961986	2	Bushing, Flanged	
23	1001131542	1	Lanyard	
24	1060904	1	Cable, Jumper	
25	1320022	2	Clamp	
26	1320058	2	Clamp	
27	1320060	1	Clamp	
28	1320223	1	J-Clip	
29	1340065	1	Air Cleaner Assembly	
29	7003655	1	Element, Air Cleaner	
29	7015013	1	Baffle, Rubber	
29	7015014	1	Clamp, Cap	
29	7015015	1	Cup	
29	7015003	1	Wingnut	
30	1671023	1	Shroud, Fan	
31	1703162	2	Decal - Fan Blade	
32	2060025	1	Fan	
33	2220451	1	Fitting, Straight	
34	2220498	1	Fitting, Elbow	
35	2720058	34 ft/ 10.3m	Hose	
36	2580062	1	Heater, Engine Block	
37	2720500	1	Hose, Oil Cooler (Top)	
38	2720501	1	Hose, Oil Cooler (Bottom)	
39	2750532	0.75 ft /0.2m	Hose	
40	2902065	1	Pump Coupling Kit (See Separate Breakdown in this Section))	

## SECTION 3 - ENGINE

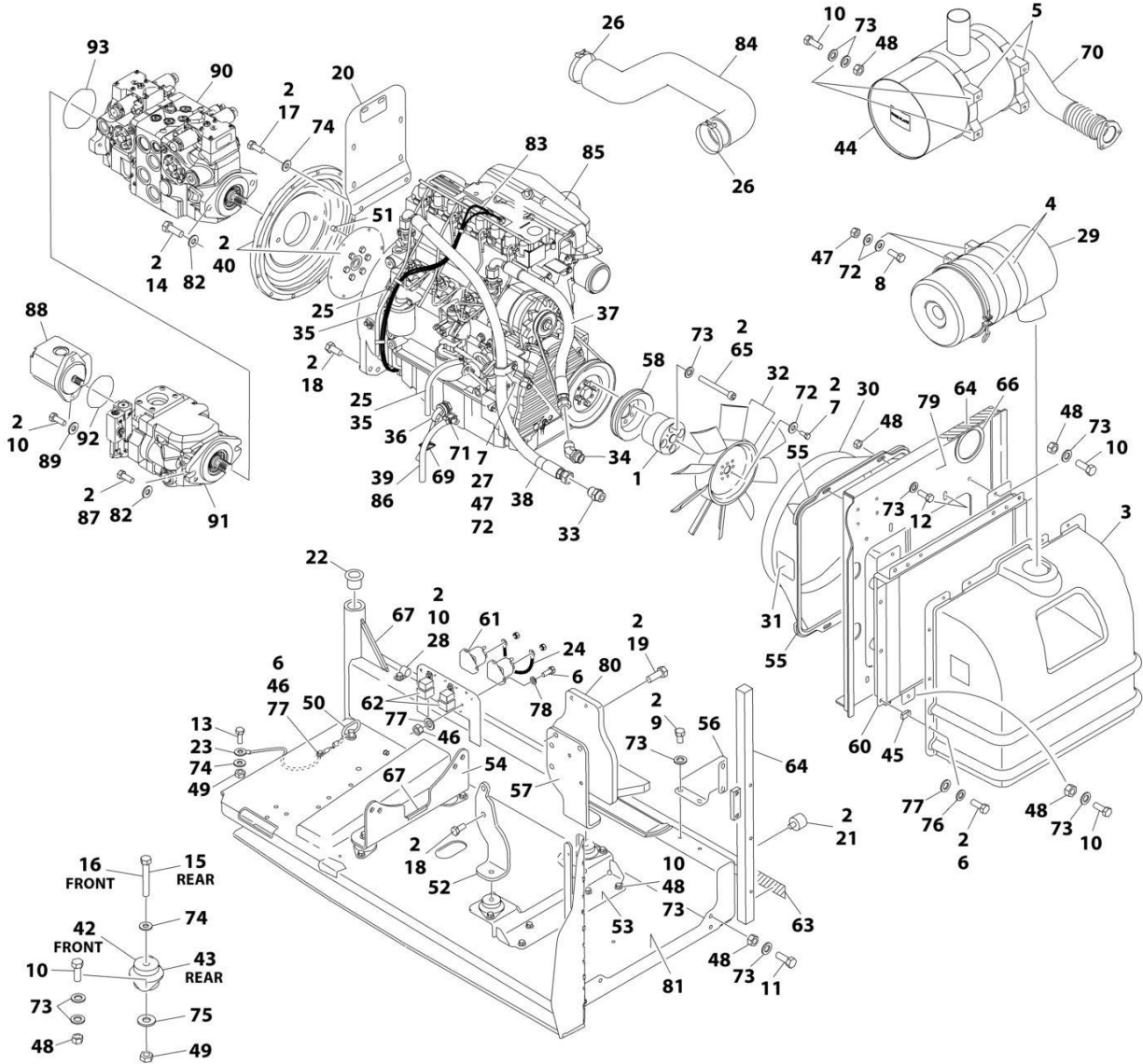
ITEM	PART NUMBER	QTY	DESCRIPTION	REV
42	3200362	2	Mount, Motor (Front)	
43	3200401	2	Mount, Motor (Rear)	
44	3220126	1	Muffler	
44	70003555	1	Clamp	
45	3300454	10	Nut	
46	3311405	5	Nut 1/4	
47	3311505	5	Nut 5/16	
48	3311605	30	Nut 3/8	
49	3311805	5	Nut 1/2	
50	3422532	1	Pin, Hitch	
51	3520054	2	Plug	
52	3537416	1	Plate, Mounting (Front Right)	
53	3539971	1	Bracket, Engine Mounting (Front)	
54	3573142	1	Bracket, Engine Mounting (Rear)	
55	3573411	2	Plate, Clamp	
56	3573412	1	Gusset	
57	3573529	1	Plate, Mounting (Front Left)	
58	3580320	1	Pulley	
60	1001145382	1	Cooler, Engine Oil	
61	3740067	2	Relay, Start	
62	3740080	2	Relay	
63	3960543	1	Seal	
64	3960544	1	Seal	
65	4032022	4	Capscrew M10 x 90	
66	4060804	0.98 ft /0.3m	Flex-Trim	
67	4060805	0.67 ft /0.2m	Flex-Trim	
68	4240099	AR	Tie, Wire (Not Shown)	
69	4460234	3	Mount, Wire Tie	
70	4568293	1	Pipe, Exhaust	
71	4640751	1	Valve, Oil Drain	
72	4711500	13	Washer 5/16	
73	4711600	68	Washer 3/8	
74	4711800	7	Washer 1/2	
75	4740274	4	Washer, Snubbing	
76	4740518	10	Washer, Nylon	
77	4751400	20	Washer 1/4	
78	4791400	4	Washer 1/4	
79	4846552	1	Plate, Oil Cooler Mounting	
80	4846945	1	Mount, Generator	
81	4846946	1	Tray	
82	4891800	4	Washer 1/2	
83	4923468	1	Harness, Glow Plugs	
84	1001225118	1	Hose, Air Intake	
85	1001098601	1	Engine, Deutz TD2011 Components (See Separate Breakdown in this Section)	
86	8410013	1	Clamp, Gear	
87	0761215	2	Bolt M12 x 35	
88	1001112927	1	Pump Assembly - Sauer Gear (See Separate Breakdown in this Section)	
89	4891600	2	Washer 3/8	

## SECTION 3 - ENGINE

ITEM	PART NUMBER	QTY	DESCRIPTION	REV
90	1001108616	1	Pump Assembly - Sauer Tandem (See Separate Breakdown in this Section)	
91	1001171095	1	Pump Assembly - Sauer Piston (See Separate Breakdown in this Section)	
92	3790152	1	O-Ring	
93	3790155	1	O-Ring	

# SECTION 3 - ENGINE

FIGURE 3-18. DEUTZ TD2011 ENGINE ASSEMBLY - WITH SAUER PUMPS (WITH SKYPOWER AND WITH COLD WEATHER PLUS PACKAGE) (PVC 2007)



ART\_1001107975\_M

## SECTION 3 - ENGINE

**FIGURE 3-18. DEUTZ TD2011 ENGINE ASSEMBLY - WITH SAUER PUMPS (WITH SKYPOWER AND WITH COLD WEATHER PLUS PACKAGE) (PVC 2007)**

ITEM	PART NUMBER	QTY	DESCRIPTION	REV
	1001107975	Ref	DEUTZ TD2011 ENGINE ASSEMBLY - WITH SAUER PUMPS (WITH SKYPOWER AND WITH COLD WEATHER PLUS PACKAGE)	M
1	0080244	1	Spacer, Fan	
2	0100011	AR	Compound, Locking	
3	0272060	1	Box, Air Intake	
4	0340003	2	Band, Air Cleaner	
5	0340051	2	Band, Muffler	
6	0641406	15	Bolt 1/4 x 3/4	
7	0641506	5	Bolt 5/16 x 3/4	
8	0641507	4	Bolt 5/16 x 7/8	
9	0641605	4	Bolt 3/8 x 5/8	
10	0641608	27	Bolt 3/8 x 1	
11	0641609	2	Bolt 3/8 x 1-1/8	
12	0641610	4	Bolt 3/8 x 1-1/4	
13	0641808	1	Bolt 1/2 x 1	
14	0641814	2	Bolt 1/2 x 1-3/4	
15	0641818	2	Bolt 1/2 x 2-1/4	
16	0641826	2	Bolt 1/2 x 3-1/4	
17	0711214	2	Bolt M12 x 30	
18	0771414	6	Bolt M14 x 30	
19	0711417	4	Bolt M14 x 45	
20	1001112766	1	Bracket, Muffler	
21	0940070	1	Bumper	
22	0961986	2	Bushing, Flanged	
23	1001131542	1	Lanyard	
24	1060904	1	Cable, Jumper	
25	1320022	2	Clamp	
26	1320058	2	Clamp	
27	1320060	1	Clamp	
28	1320223	1	J-Clip	
29	1340065	1	Air Cleaner Assembly	
29	7003655	1	Element, Air Cleaner	
29	7015013	1	Baffle, Rubber	
29	7015014	1	Clamp, Cap	
29	7015015	1	Cup	
29	7015003	1	Wingnut	
30	1671023	1	Shroud, Fan	
31	1703162	2	Decal - Fan Blade	
32	2060025	1	Fan	
33	2220451	1	Fitting, Straight	
34	2220498	1	Fitting, Elbow	
35	2720058	34 ft/ 10.3m	Hose	
36	2580062	1	Heater, Engine Block	
37	2720500	1	Hose, Oil Cooler (Top)	
38	2720501	1	Hose, Oil Cooler (Bottom)	
39	2750532	0.75 ft /0.2m	Hose	
40	2902065	1	Pump Coupling Kit (See Separate Breakdown in this Section))	

## SECTION 3 - ENGINE

ITEM	PART NUMBER	QTY	DESCRIPTION	REV
42	3200362	2	Mount, Motor (Front)	
43	3200401	2	Mount, Motor (Rear)	
44	1001257277	1	Muffler	
45	3300454	10	Nut	
46	3311405	5	Nut 1/4	
47	3311505	5	Nut 5/16	
48	3311605	30	Nut 3/8	
49	3311805	5	Nut 1/2	
50	3422532	1	Pin, Hitch	
51	3520054	2	Plug	
52	3537416	1	Plate, Mounting (Front Right)	
53	3539971	1	Bracket, Engine Mounting (Front)	
54	3573142	1	Bracket, Engine Mounting (Rear)	
55	3573411	2	Plate, Clamp	
56	3573412	1	Gusset	
57	3573529	1	Plate, Mounting (Front Left)	
58	3580320	1	Pulley	
60	1001145382	1	Cooler, Engine Oil	
61	3740067	2	Relay, Start	
62	3740080	2	Relay	
63	3960543	1	Seal	
64	3960544	1	Seal	
65	4032022	4	Capscrew M10 x 90	
66	4060804	0.98 ft /0.3m	Flex-Trim	
67	4060805	0.67 ft /0.2m	Flex-Trim	
68	4240099	AR	Tie, Wire (Not Shown)	
69	4460234	3	Mount, Wire Tie	
70	4568293	1	Pipe, Exhaust	
71	4640751	1	Valve, Oil Drain	
72	4711500	13	Washer 5/16	
73	4711600	68	Washer 3/8	
74	4711800	7	Washer 1/2	
75	4740274	4	Washer, Snubbing	
76	4740518	10	Washer, Nylon	
77	4751400	20	Washer 1/4	
78	4791400	4	Washer 1/4	
79	4846552	1	Plate, Oil Cooler Mounting	
80	4846945	1	Mount, Generator	
81	4846946	1	Tray	
82	4891800	4	Washer 1/2	
83	4923468	1	Harness, Glow Plugs	
84	1001225118	1	Hose, Air Intake	
85	1001098601	1	Engine, Deutz TD2011 Components (See Separate Breakdown in this Section)	
86	8410013	1	Clamp, Gear	
87	0761215	2	Bolt M12 x 35	
88	1001112927	1	Pump Assembly - Sauer Gear (See Separate Breakdown in this Section)	
89	4891600	2	Washer 3/8	

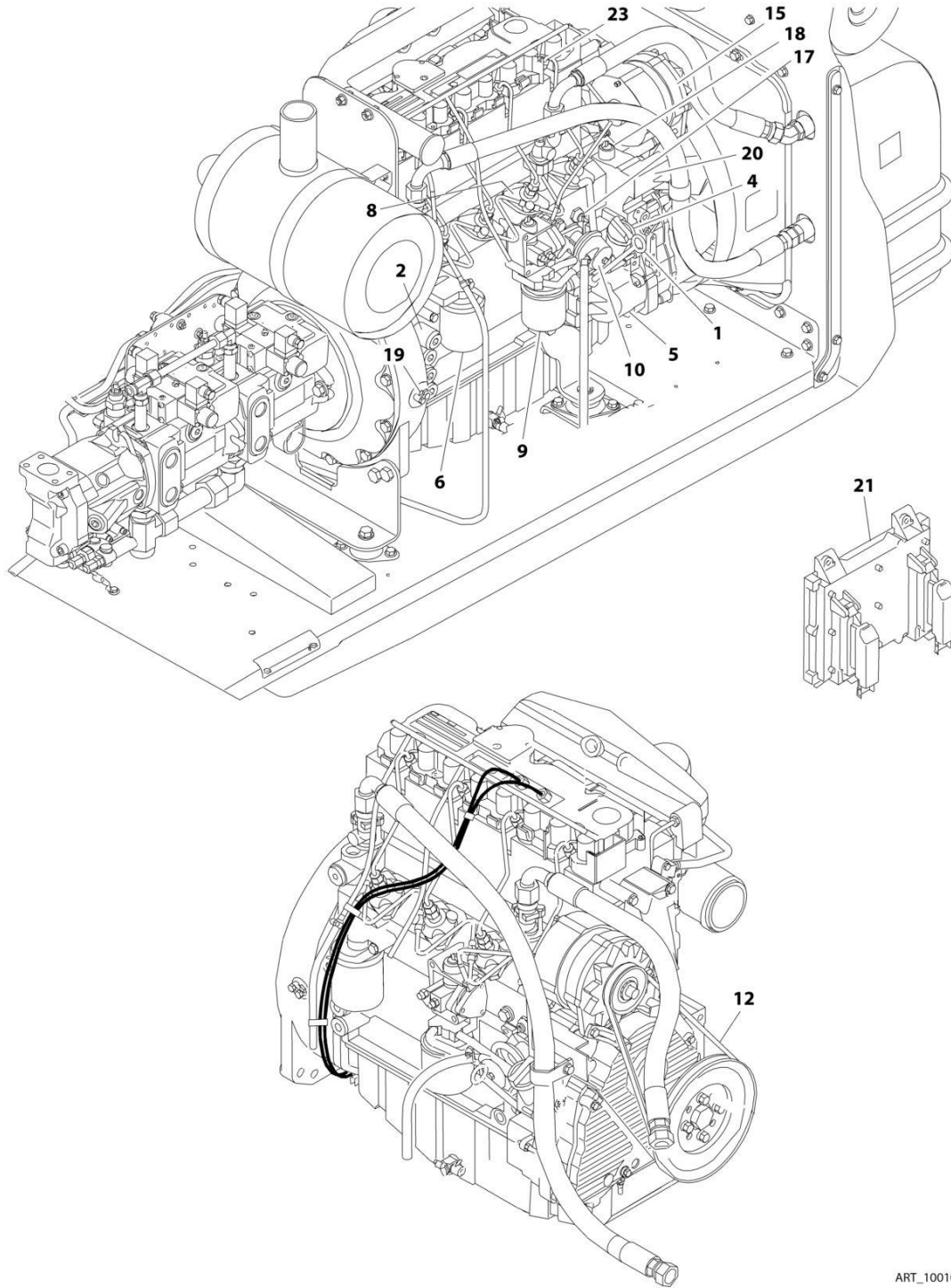


## SECTION 3 - ENGINE

ITEM	PART NUMBER	QTY	DESCRIPTION	REV
90	1001108616	1	Pump Assembly - Sauer Tandem (See Separate Breakdown in this Section)	
91	1001171095	1	Pump Assembly - Sauer Piston (See Separate Breakdown in this Section)	
92	3790152	1	O-Ring	
93	3790155	1	O-Ring	

# SECTION 3 - ENGINE

## FIGURE 3-19. ENGINE COMPONENTS - DEUTZ TD2011 ENGINE



ART\_1001098601

## SECTION 3 - ENGINE

**FIGURE 3-19. ENGINE COMPONENTS - DEUTZ TD2011 ENGINE**

ITEM	PART NUMBER	QTY	DESCRIPTION	REV
	1001098601	Ref	DEUTZ TD2011 ENGINE COMPONENTS	C
1	7027235	1	Dipstick	
1	70000044	1	O-Ring	
2	70003475	1	Thermostat	
2	7020460	1	Compression Spring	
3	70001870	1	Flywheel (Not Shown)	
3	7024579	1	Gear, Ring (Not Shown)	
4	7020465	1	Cap, Filler	
5	70001850	1	Pump, Oil	
5	7020468	1	Seal Between Oil Pump and Engine Block (Not Shown)	
6	7016331	1	Filter, Oil	
6	7027236	1	Sender, Temperature (Located near Oil Filter)	
8		Ref	Injector Pump	
8	70001128	AR	"A" Series	
8	70001129	AR	"B" Series	
8	70001130	AR	"C" Series	
8	70001131	AR	"D" Series	
8	7020447	AR	Gasket (1 per Injector)	
9	7016328	1	Filter, Fuel	
10	70000916	1	Pump Fuel Supply	
10	70001435	1	Repair Kit	
10	70000917	1	O-Seal Between Fuel Pump and Engine Block (Not Shown)	
10	70000918	1	Sealing Ring (Not Shown)	
10	70000919	1	Pump, Hand (Not Shown)	
11	7027239	1	Solenoid, Start (Not Shown - Located near Throttle)	
12	7020414	1	V-Belt	
13	7020471	4	Gasket, Exhaust Manifold to Engine Block (Not Shown)	
13	7020486	1	Gasket, Exhaust Manifold to Exhaust Pipe (Not Shown)	
14	7027240	1	Turbocharger (Not Shown)	
14	70001857	1	Flange, Turbocharger (Not Shown)	
14	70001135	1	Gasket (Not Shown)	
15	70001867	1	Alternator	
15	70001868	1	Regulator, Voltage (Not Shown)	
16	7020479	1	Starter (Not Shown - Located on Right Side of Engine)	
16	7026608	1	Relay, Start (Not Shown)	
17	7027790	1	Sensor, Oil Pressure	
18	7027791	1	Sensor, Temperature (Not Shown)	
19	7024565	1	Sensor, Speed	
20	7027792	1	Actuator Throttle	
20	7027276	2	Spring	
21	1600443	1	Module, EMR2 Controller	
22	70002718	1	Seal, Rear Main (Not Shown)	
23	70003135	4	Injector, Fuel	
23	70003136	1	Ring, Sealing	
24	70001847	1	Valve, Breather (Located - Front Cover) (Not Shown)	
24	70001126	1	O-Ring (Not Shown)	
25	70001125	1	Cap, Breather (Located In Cylinder Head Cover) (Not Shown)	
25	70001126	1	O-Ring (Not Shown)	
26	70001871	4	Gasket, Air Intake Manifold (Not Shown)	
27	70000345	4	Plug, Glow (Not Shown)	

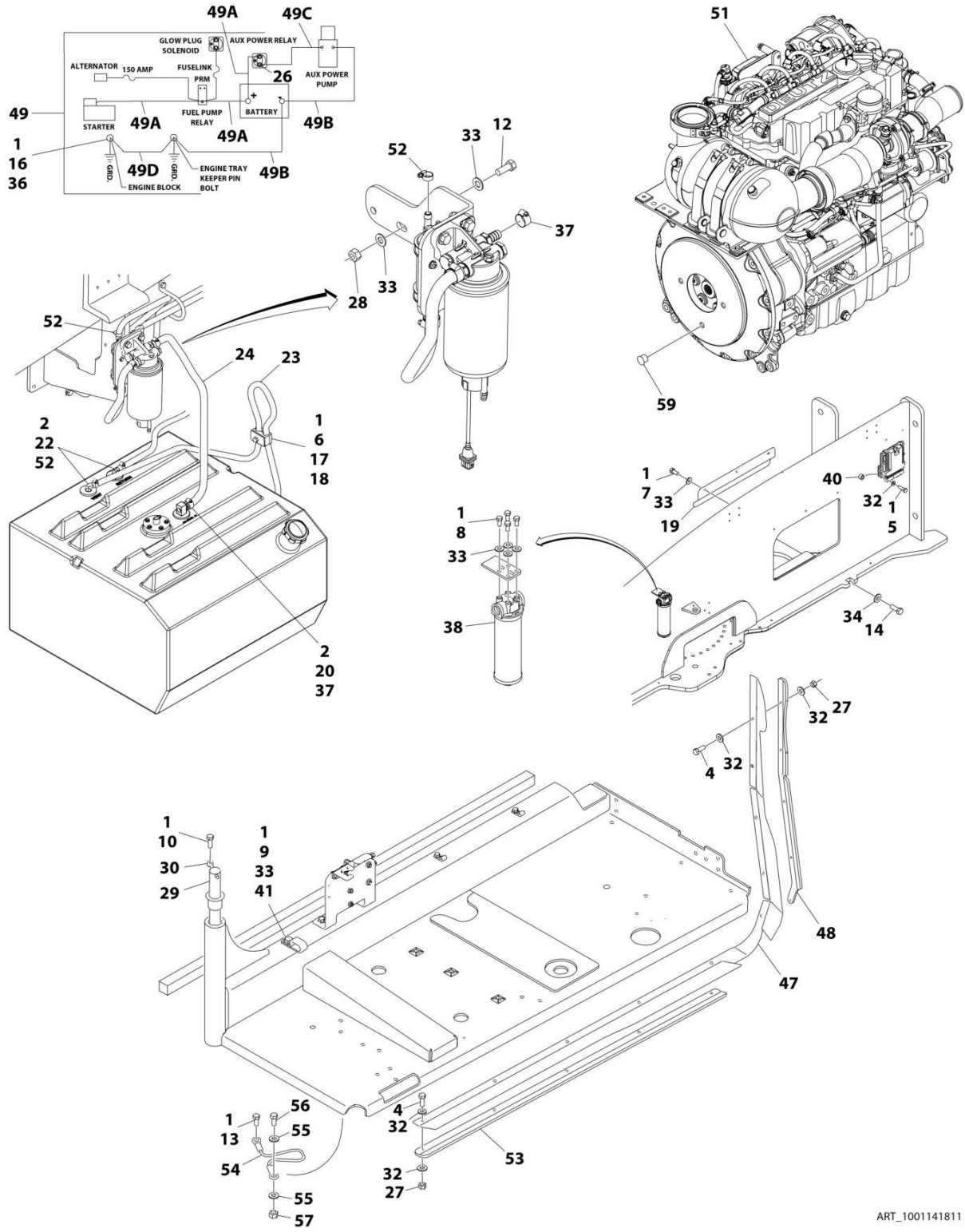
## SECTION 3 - ENGINE

ITEM	PART NUMBER	QTY	DESCRIPTION	REV
28	70007353	1	Gasket Kit (Not Shown)	



# SECTION 3 - ENGINE

FIGURE 3-20. DEUTZ TCD2.9L4 ENGINE INSTALLATION - WITH REXROTH PUMPS (WITHOUT COLD WEATHER PLUS PACKAGE)



ART\_1001141811

## SECTION 3 - ENGINE

**FIGURE 3-20. DEUTZ TCD2.9L4 ENGINE INSTALLATION - WITH REXROTH PUMPS (WITHOUT COLD WEATHER PLUS PACKAGE)**

ITEM	PART NUMBER	QTY	DESCRIPTION	REV
	1001141811	Ref	DEUTZ TCD2.9L4 DIESEL ENGINE INSTALLATION - WITH REXROTH PUMPS AND STEEL HOODS (WITHOUT COLD WEATHER PLUS PACKAGE)	K
1	0100011	AR	Compound, Locking	
2	0100079	AR	Sealant, Pipe	
4	0641408	10	Bolt 1/4 x 1	
5	0641410	4	Bolt 1/4 x 1-1/4	
6	0641511	1	Bolt 5/16 x 1-3/8	
7	0641605	3	Bolt 3/8 x 5/8	
8	0641606	4	Bolt 3/8 x 3/4	
9	0641608	1	Bolt 3/8 x 1	
10	0641610	1	Bolt 3/8 x 1-1/4	
12	0641612	2	Bolt 3/8 x 1-1/2	
13	0641808	1	Bolt 1/2 x 1	
14	0642010	1	Bolt 5/8 x 1-1/4	
16	0761210	1	Bolt M12 x 20	
17	1320187	1	Clamp	
18	1320190	1	Cover, Clamp	
19	1671121	1	Cover	
20	2180832	1	Fitting, Barbed	
22	2220313	2	Fitting, Elbow Barbed	
23	2750532	5 ft/ 1.5m	Hose	
24	1001154405	2 ft/ 0.6m	Hose	
26	3300220	2	Nut 5/16	
27	3311405	10	Nut 1/4	
28	3311605	2	Nut 3/8	
29	3422446	1	Pin, Pivot	
30	3841143	1	Pin, Keeper	
31	4240018	2	Strap, Tie (Not Shown)	
32	4711400	24	Washer 1/4	
33	4711600	12	Washer 3/8	
34	4752000	1	Washer 5/8	
36	4812100	1	Washer M12	
37	8405006	2	Clamp	
38	1001108617	1	Filter	
38	70002231	1	Element, Filter	
40	1001110425	4	Spacer	
41	1001116792	1	Clamp	
43	1001138491	NLA	Harness, Fuel (Use p/n 1001222665) (Not Shown - See Separate Breakdown in ELECTRICAL SECTION)	
47	1001140604	1	Panel, Rubber	
48	1001145089	1	Clamp	
49	1001141225	1	Battery Cable Kit	E
49A	7027042	1	Cable, Battery (Red) (Battery + to Relays and Starter)	
49B	7027043	1	Cable, Battery (Black) (Battery - to Tray Pivot Grd and Aux Pump)	
49C	7027044	1	Cable (Red) (Aux Relay to Aux Pump)	
49D	7027045	1	Cable, Battery (Black) (Engine to Tray Pivot Grd)	
51	1001141812	1	Engine Sub-Assembly (See Separate Breakdown in this Section)	
52	1320022	3	Clamp	

## SECTION 3 - ENGINE

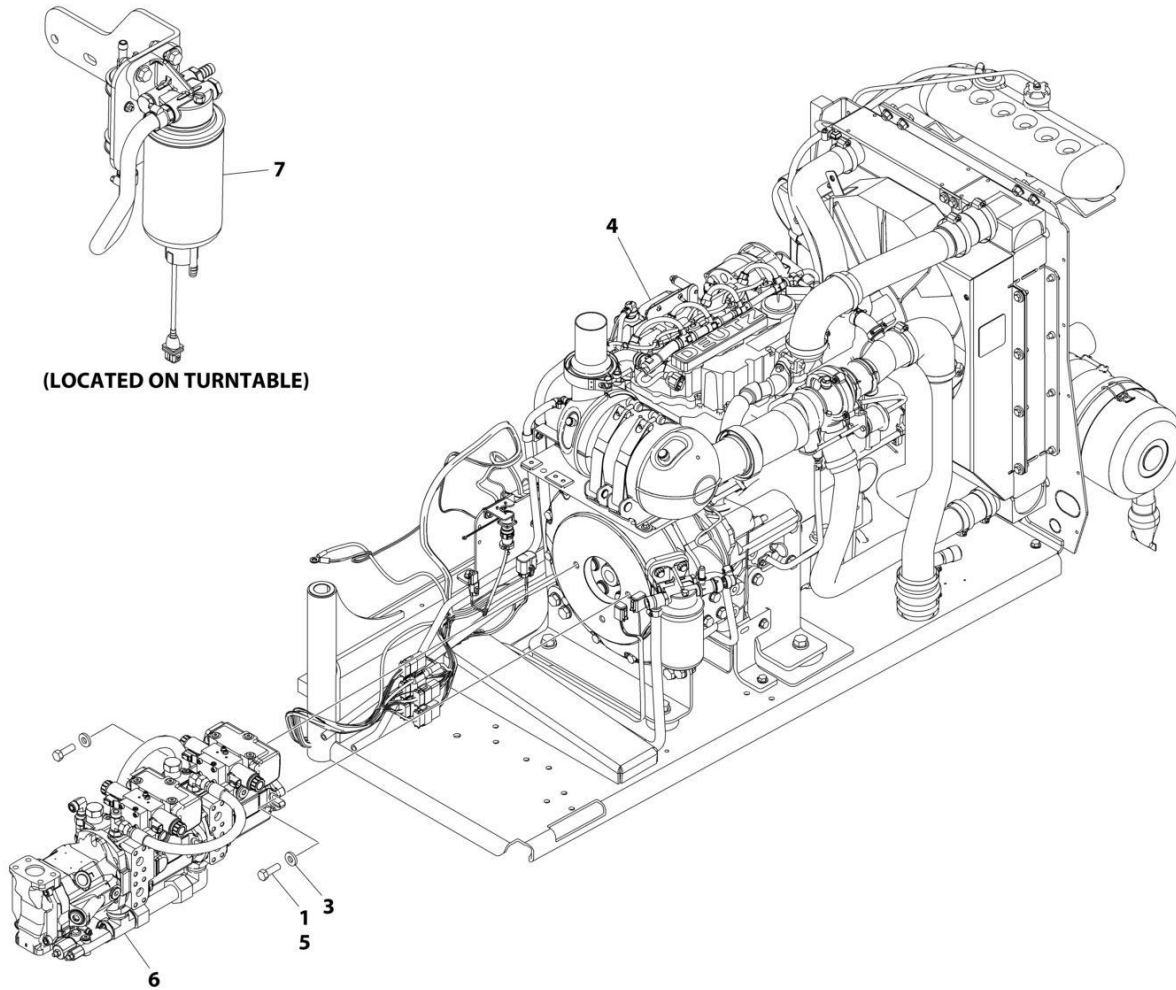
ITEM	PART NUMBER	QTY	DESCRIPTION	REV
53	1001145842	1	Plate, Clamping	
54	1001131542	1	Lanyard	
55	4711700	2	Washer 7/16	
56	0641708	1	Bolt 7/16 x 1	
57	3311705	1	Nut 7/16	
59	3520054	1	Plug	





# SECTION 3 - ENGINE

FIGURE 3-21. DEUTZ TCD2.9L4 ENGINE SUB-ASSEMBLY - WITH REXROTH PUMPS (WITHOUT COLD WEATHER PLUS PACKAGE)



ART\_1001141812

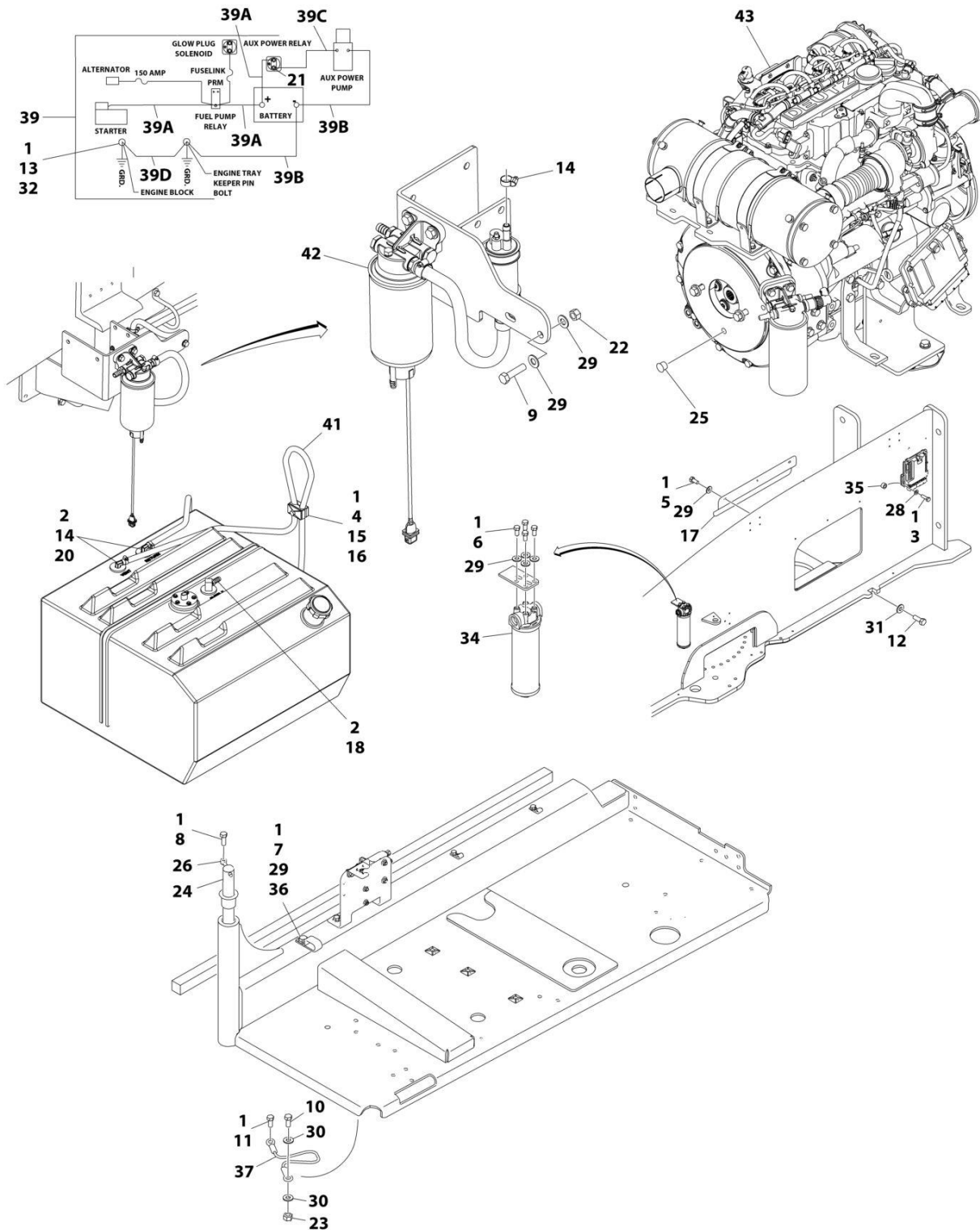
## SECTION 3 - ENGINE

**FIGURE 3-21. DEUTZ TCD2.9L4 ENGINE SUB-ASSEMBLY - WITH REXROTH PUMPS (WITHOUT COLD WEATHER PLUS PACKAGE)**

ITEM	PART NUMBER	QTY	DESCRIPTION	REV
	1001141812	Ref	DEUTZ TCD2.9L4 ENGINE SUB-ASSEMBLY	AO
1	0641812	2	Bolt 1/2 x 1-1/2	
1	0641814	2	Bolt 1/2 x 1-3/4	
3	4891800	2	Washer 1/2	
4	1001134392	1	Engine Assembly (See Separate Breakdown in this Section)	
5	0100011	AR	Compound, Locking	
6	1001152963	1	Pump Assembly - Rexroth (See Separate Breakdown in this Section)	
7	1001165101	1	Bracket, Fuel Pump Filter Assembly (See Separate Breakdown in this Section)	

# SECTION 3 - ENGINE

FIGURE 3-22. DEUTZ TCD2.9L4 ENGINE INSTALLATION - WITH REXROTH PUMPS (WITHOUT COLD WEATHER PLUS PACKAGE) (CHINA SPEC ONLY)



ART\_1001221259

## SECTION 3 - ENGINE

**FIGURE 3-22. DEUTZ TCD2.9L4 ENGINE INSTALLATION - WITH REXROTH PUMPS (WITHOUT COLD WEATHER PLUS PACKAGE) (CHINA SPEC ONLY)**

ITEM	PART NUMBER	QTY	DESCRIPTION	REV
	1001221259	Ref	DEUTZ TD2.9L4 DIESEL ENGINE INSTALLATION - WITH REXROTH PUMPS AND STEEL HOODS	C
1	0100011	AR	Compound, Locking	
2	0100079	AR	Sealant, Pipe	
3	0641410	4	Bolt 1/4 x 1-1/4	
4	0641511	1	Bolt 5/16 x 1-3/8	
5	0641605	3	Bolt 3/8 x 5/8	
6	0641606	4	Bolt 3/8 x 3/4	
7	0641608	1	Bolt 3/8 x 1	
8	0641610	1	Bolt 3/8 x 1-1/4	
9	0641612	2	Bolt 3/8 x 1-1/2	
10	0641708	1	Bolt 7/16 x 1	
11	0641808	1	Bolt 1/2 x 1	
12	0642010	1	Bolt 5/8 x 1-1/4	
13	0761210	1	Bolt M12 x 20	
14	1320022	3	Clamp	
15	1320187	1	Clamp	
16	1320190	1	Cover, Clamp	
17	1671121	1	Cover	
18	2180832	1	Fitting, Barbed	
20	2220313	2	Fitting, Elbow Barbed	
21	3300220	2	Nut 5/16	
22	3311605	2	Nut 3/8	
23	3311705	1	Nut 7/16	
24	3422446	1	Pin, Pivot	
25	3520054	1	Plug	
26	3841143	1	Pin, Keeper	
27	4240018	2	Strap, Tie (Not Shown)	
28	4711400	4	Washer 1/4	
29	4711600	12	Washer 3/8	
30	4711700	2	Washer 7/16	
31	4752000	1	Washer 5/8	
32	4812100	1	Washer M12	
34	1001108617	1	Filter	
34	70002231	1	Element, Filter	
35	1001110425	4	Spacer	
36	1001116792	1	Clamp	
37	1001131542	1	Lanyard	
38	1001138491	NLA	Harness, Fuel (Use p/n 1001222665) (Not Shown - See Separate Breakdown in ELECTRICAL SECTION)	
39	1001141225	1	Battery Cable Kit	E
39A	7027042	1	Cable, Battery (Red) (Battery + to Relays and Starter)	
39B	7027043	1	Cable, Battery (Black) (Battery - to Tray Pivot Grd and Aux Pump)	
39C	7027044	1	Cable (Red) (Aux Relay to Aux Pump)	
39D	7027045	1	Cable, Battery (Black) (Engine to Tray Pivot Grd)	
41	2750532	5 ft/ 1.5m	Hose	
42	1001227606	1	Bracket, Fuel Pump Filter Assembly (See Separate Breakdown in this Section)	

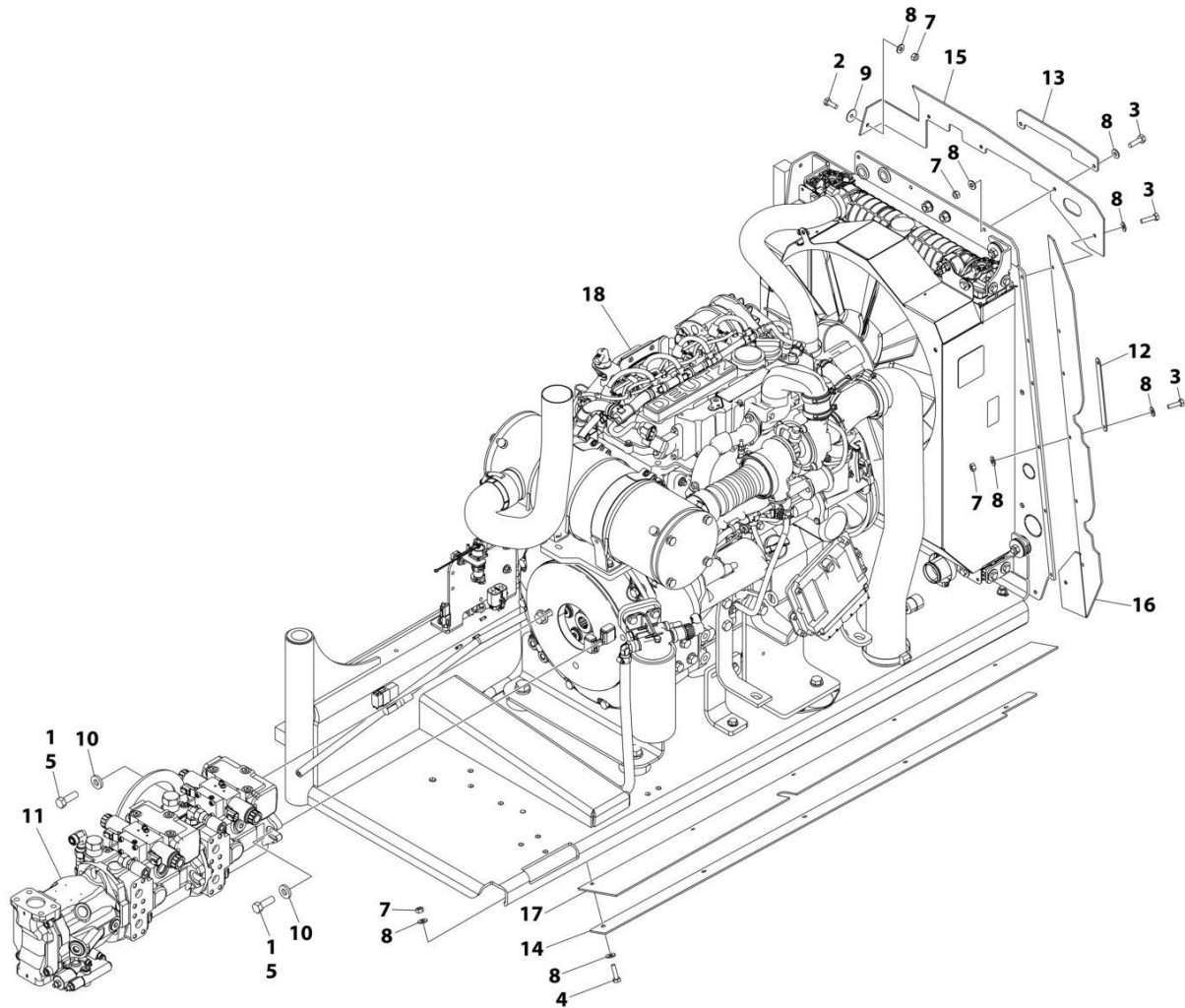
## SECTION 3 - ENGINE

ITEM	PART NUMBER	QTY	DESCRIPTION	REV
43	1001221263	1	Engine Sub-Assembly (See Separate Breakdown in this Section)	



# SECTION 3 - ENGINE

FIGURE 3-23. DEUTZ TCD2.9L4 ENGINE SUB-ASSEMBLY - WITH REXROTH PUMPS (WITHOUT COLD WEATHER PLUS PACKAGE) (CHINA SPEC ONLY)



ART\_1001221263



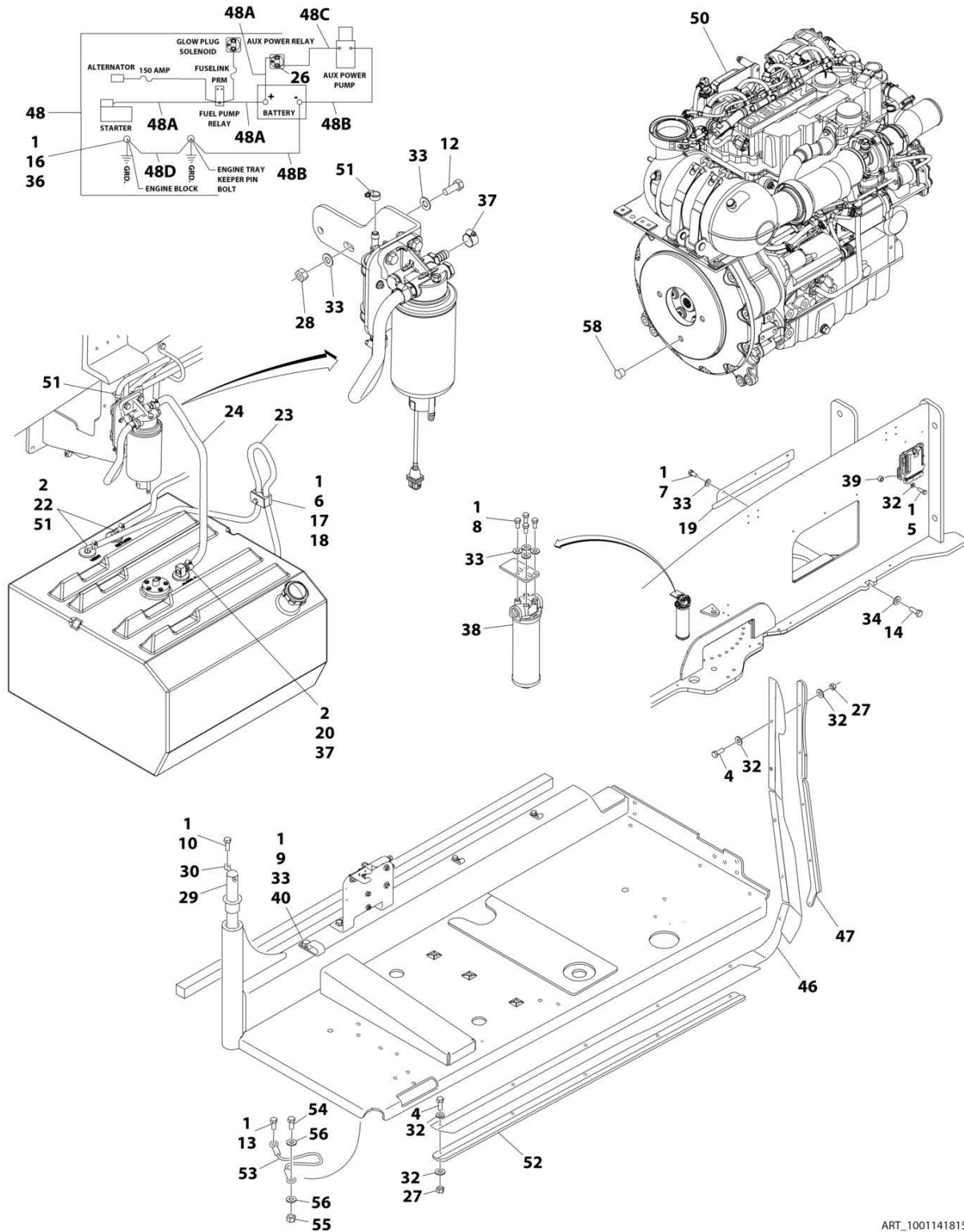
## SECTION 3 - ENGINE

**FIGURE 3-23. DEUTZ TCD2.9L4 ENGINE SUB-ASSEMBLY - WITH REXROTH PUMPS (WITHOUT COLD WEATHER PLUS PACKAGE) (CHINA SPEC ONLY)**

ITEM	PART NUMBER	QTY	DESCRIPTION	REV
	1001221263	Ref	DEUTZ TD2.9L4 ENGINE SUB-ASSEMBLY	Q
1	0100011	AR	Compound, Locking	
2	0641406	AR	Bolt 1/4 x 3/4	
3	0641407	8	Bolt 1/4 x 7/8	
4	0641408	AR	Bolt 1/4 x 1	
5	0641812	2	Bolt 1/2 x 1-1/2	
7	3311405	16	Nut 1/4	
8	4711400	AR	Washer 1/4	
9	4740430	AR	Washer, Fender	
10	4891800	2	Washer 1/2	
11	1001152963	1	Pump Assembly - Rexroth (See Separate Breakdown in this Section)	
12	1001167164	3	Plate, Support	
13	1001177945	1	Bracket	
14	1001177946	1	Bracket	
15	1001177957	1	Seal, Rubber Baffle	
16	1001177958	1	Seal, Rubber Baffle	
17	1001177959	1	Seal, Rubber Baffle	
18	1001220735	1	Deutz TD2.9L4 Engine Assembly (See Separate Breakdown in this Section)	

# SECTION 3 - ENGINE

FIGURE 3-24. DEUTZ TCD2.9L4 ENGINE INSTALLATION - WITH REXROTH PUMPS (WITH COLD WEATHER PLUS PACKAGE)



ART\_1001141815

## SECTION 3 - ENGINE

**FIGURE 3-24. DEUTZ TCD2.9L4 ENGINE INSTALLATION - WITH REXROTH PUMPS (WITH COLD WEATHER PLUS PACKAGE)**

ITEM	PART NUMBER	QTY	DESCRIPTION	REV
	1001141815	Ref	DEUTZ TCD2.9L4 DIESEL ENGINE INSTALLATION - WITH REXROTH PUMPS AND STEEL HOODS (WITH COLD WEATHER PLUS PACKAGE)	M
1	0100011	AR	Compound, Locking	
2	0100079	AR	Sealant, Pipe	
4	0641408	10	Bolt 1/4 x 1	
5	0641410	4	Bolt 1/4 x 1-1/4	
6	0641511	1	Bolt 5/16 x 1-3/8	
7	0641605	3	Bolt 3/8 x 5/8	
8	0641606	4	Bolt 3/8 x 3/4	
9	0641608	1	Bolt 3/8 x 1	
10	0641610	1	Bolt 3/8 x 1-1/4	
12	0641612	2	Bolt 3/8 x 1-1/2	
13	0641808	1	Bolt 1/2 x 1	
14	0642010	1	Bolt 5/8 x 1-1/4	
16	0761210	1	Bolt M12 x 20	
17	1320187	1	Clamp	
18	1320190	1	Cover, Clamp	
19	1671121	1	Cover	
20	2180832	1	Fitting, Barbed	
22	2220313	2	Fitting, Elbow Barbed	
23	2750532	5 ft/ 1.5m	Hose	
24	1001154405	2 ft/ 0.6m	Hose	
26	3300220	2	Nut 5/16	
27	3311405	10	Nut 1/4	
28	3311605	2	Nut 3/8	
29	3422446	1	Pin, Pivot	
30	3841143	1	Pin, Keeper	
31	4240018	2	Strap, Tie (Not Shown)	
32	4711400	24	Washer 1/4	
33	4711600	12	Washer 3/8	
34	4752000	1	Washer 5/8	
36	4812100	1	Washer M12	
37	8405006	2	Clamp	
38	1001108617	1	Filter	
38	70002231	1	Element, Filter	
39	1001110425	4	Spacer	
40	1001116792	1	Clamp	
42	1001138491	NLA	Harness, Fuel (Use p/n 1001222665) (Not Shown - See Separate Breakdown in ELECTRICAL SECTION)	
46	1001140604	1	Panel, Rubber	
47	1001145089	1	Clamp	
48	1001141225	1	Battery Cable Kit	E
48A	7027042	1	Cable, Battery (Red) (Battery + to Relays and Starter)	
48B	7027043	1	Cable, Battery (Black) (Battery - to Tray Pivot Grd and Aux Pump)	
48C	7027044	1	Cable (Red) (Aux Relay to Aux Pump)	
48D	7027045	1	Cable, Battery (Black) (Engine to Tray Pivot Grd)	
50	1001141813	1	Engine Sub-Assembly (See Separate Breakdown in this Section)	
51	1320022	3	Clamp	

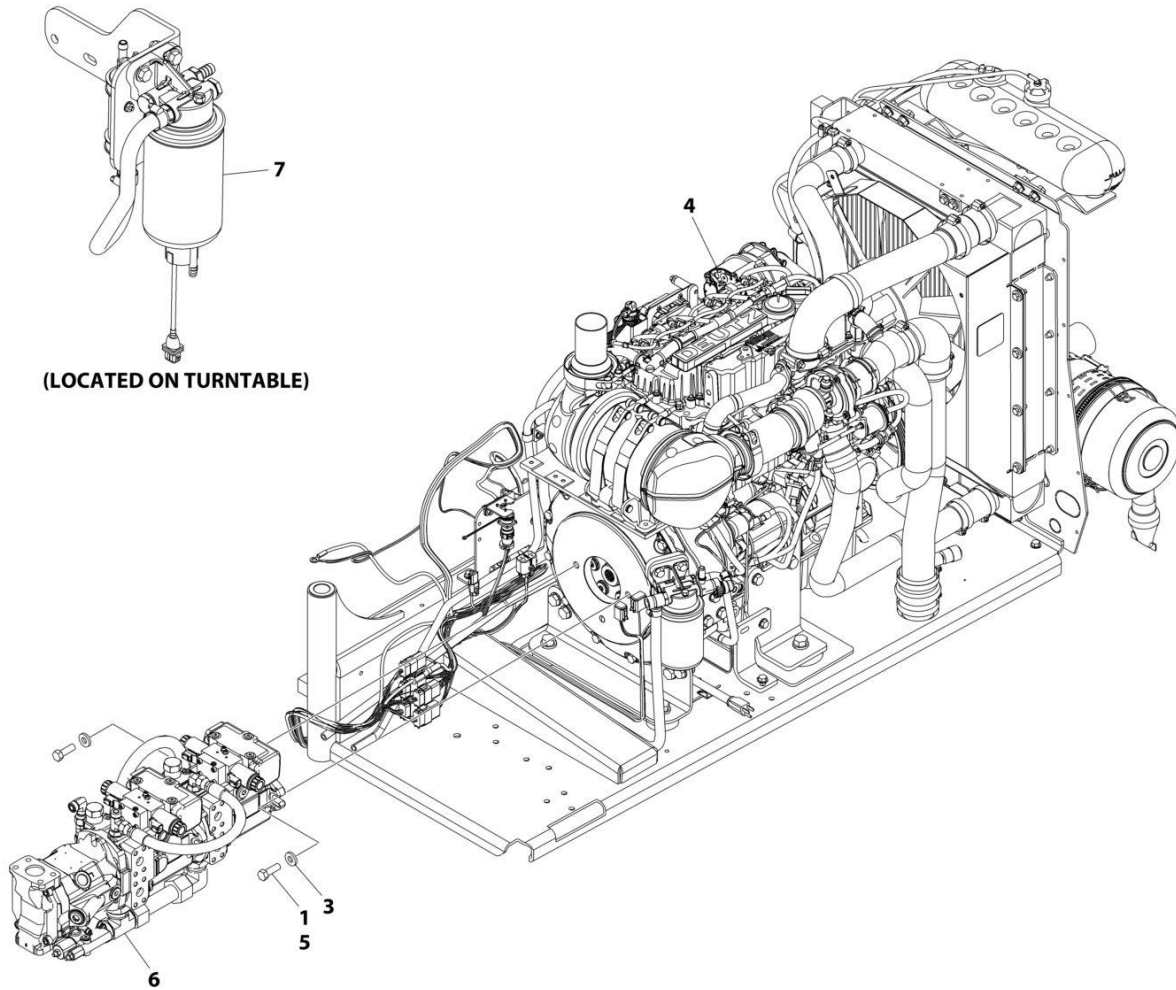
## SECTION 3 - ENGINE

ITEM	PART NUMBER	QTY	DESCRIPTION	REV
52	1001145842	1	Plate, Clamping	
53	1001131542	1	Lanyard	
54	0641708	1	Bolt 7/16 x 1	
55	3311705	1	Nut 7/16	
56	4711700	2	Washer 7/16	
58	3520054	1	Plug	



# SECTION 3 - ENGINE

FIGURE 3-25. DEUTZ TCD2.9L4 ENGINE SUB-ASSEMBLY - WITH REXROTH PUMPS (WITH COLD WEATHER PLUS PACKAGE)



ART\_1001141813

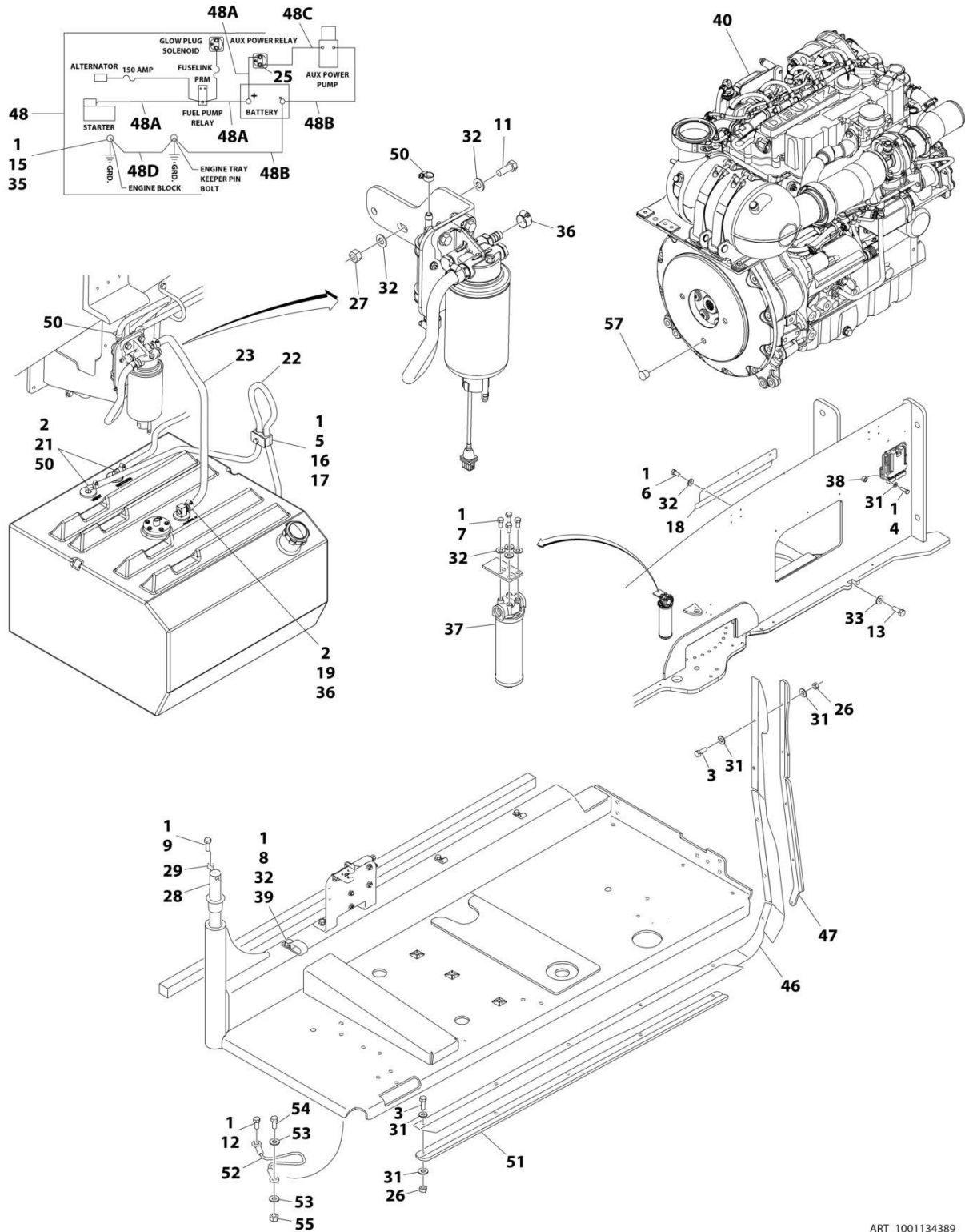
## SECTION 3 - ENGINE

**FIGURE 3-25. DEUTZ TCD2.9L4 ENGINE SUB-ASSEMBLY - WITH REXROTH PUMPS (WITH COLD WEATHER PLUS PACKAGE)**

ITEM	PART NUMBER	QTY	DESCRIPTION	REV
	1001141813	Ref	DEUTZ TCD2.9L4 ENGINE SUB-ASSEMBLY	AP
1	0641812	2	Bolt 1/2 x 1-1/2	
1	0641814	2	Bolt 1/2 x 1-1/2	
3	4740171	2	Washer 1/2	
4	1001141746	1	Engine Assembly (See Separate Breakdown in this Section)	
5	0100011	AR	Compound, Locking	
6	1001152963	1	Pump Assembly - Rexroth (See Separate Breakdown in this Section)	
7	1001165101	1	Bracket, Fuel Pump Filter Assembly (See Separate Breakdown in this Section)	

# SECTION 3 - ENGINE

**FIGURE 3-26. DEUTZ TCD2.9L4 ENGINE INSTALLATION - WITH SAUER PUMPS (WITHOUT COLD WEATHER PLUS PACKAGE)**



ART\_1001134389



## SECTION 3 - ENGINE

**FIGURE 3-26. DEUTZ TCD2.9L4 ENGINE INSTALLATION - WITH SAUER PUMPS (WITHOUT COLD WEATHER PLUS PACKAGE)**

ITEM	PART NUMBER	QTY	DESCRIPTION	REV
	1001134389	Ref	DEUTZ TCD2.9L4 DIESEL ENGINE INSTALLATION - WITH SAUER PUMPS AND STEEL HOODS (WITHOUT COLD WEATHER PLUS PACKAGE)	K
1	0100011	AR	Compound, Locking	
2	0100079	AR	Sealant, Pipe	
3	0641408	10	Bolt 1/4 x 1	
4	0641410	4	Bolt 1/4 x 1-1/4	
5	0641511	1	Bolt 5/16 x 1-3/8	
6	0641605	3	Bolt 3/8 x 5/8	
7	0641606	4	Bolt 3/8 x 3/4	
8	0641608	1	Bolt 3/8 x 1	
9	0641610	1	Bolt 3/8 x 1-1/4	
11	0641612	2	Bolt 3/8 x 1-1/2	
12	0641808	1	Bolt 1/2 x 1	
13	0642010	1	Bolt 5/8 x 1-1/4	
15	0761210	1	Bolt M12 x 20	
16	1320187	1	Clamp	
17	1320190	1	Cover, Clamp	
18	1671121	1	Cover	
19	2180832	1	Fitting, Barbed	
21	2220313	2	Fitting, Elbow Barbed	
22	2750532	5 ft/ 1.5m	Hose	
23	1001154405	2 ft/ 0.6m	Hose	
25	3300220	2	Nut 5/16	
26	3311405	10	Nut 1/4	
27	3311605	2	Nut 3/8	
28	3422446	1	Pin, Pivot	
29	3841143	1	Pin, Keeper	
30	4240018	2	Strap, Tie (Not Shown)	
31	4711400	24	Washer 1/4	
32	4711600	12	Washer 3/8	
33	4752000	1	Washer 5/8	
35	4812100	1	Washer M12	
36	8405006	2	Clamp	
37	1001108617	1	Filter	
37	70002231	1	Element, Filter	
38	1001110425	4	Spacer	
39	1001116792	1	Clamp	
40	1001134390	1	Engine Sub-Assembly (See Separate Breakdown in this Section)	
42	1001138491	NLA	Harness, Fuel (Use p/n 1001222665) (Not Shown - See Separate Breakdown in ELECTRICAL SECTION)	
46	1001140604	1	Panel, Rubber	
47	1001145089	1	Clamp	
48	1001141225	1	Battery Cable Kit	E
48A	7027042	1	Cable, Battery (Red) (Battery + to Relays and Starter)	
48B	7027043	1	Cable, Battery (Black) (Battery - to Tray Pivot Grd and Aux Pump)	
48C	7027044	1	Cable (Red) (Aux Relay to Aux Pump)	
48D	7027045	1	Cable, Battery (Black) (Engine to Tray Pivot Grd)	
50	1320022	3	Clamp	

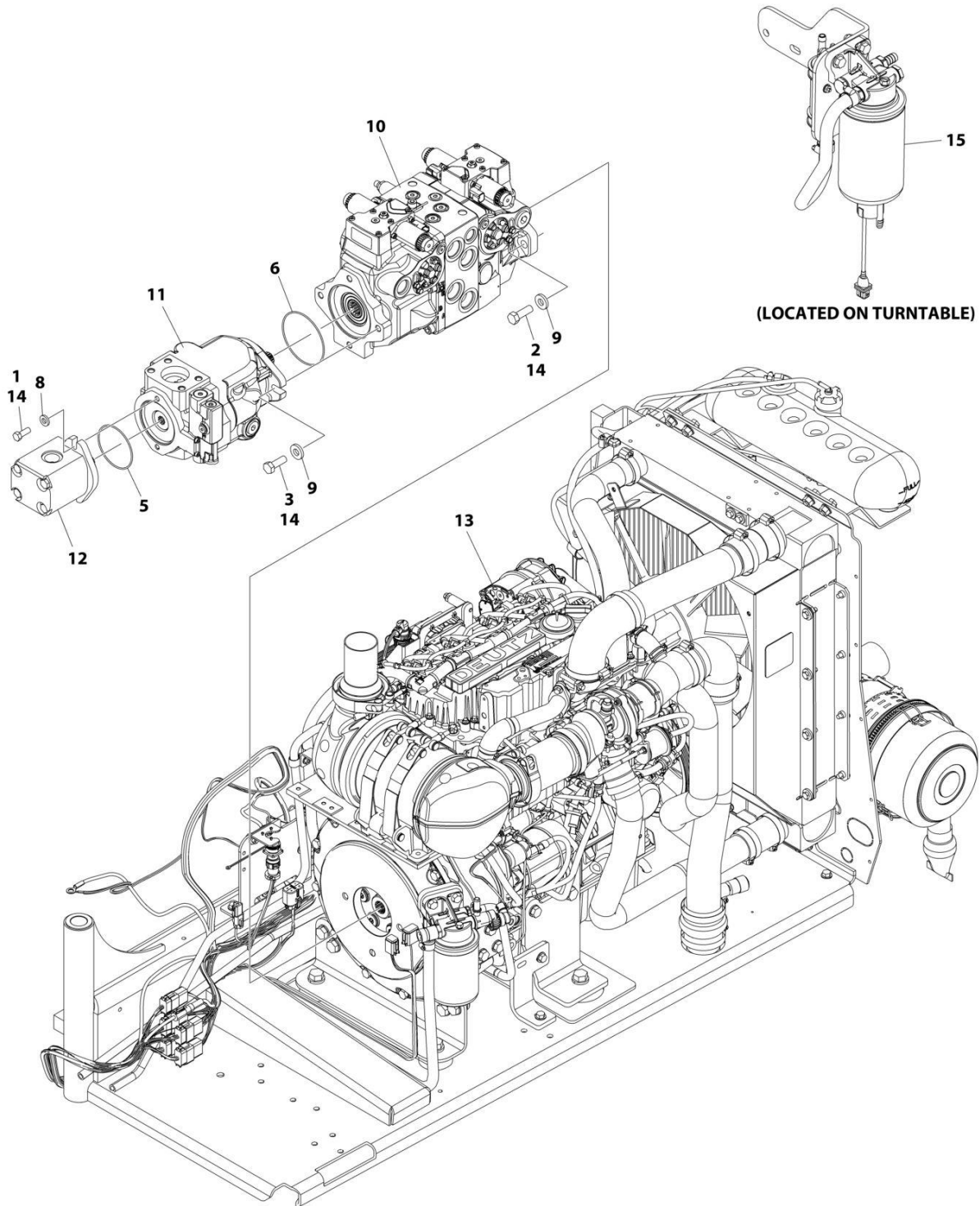
## SECTION 3 - ENGINE

ITEM	PART NUMBER	QTY	DESCRIPTION	REV
51	1001145842	1	Plate, Clamping	
52	1001131542	1	Lanyard	
53	4711700	2	Washer 7/16	
54	0641708	1	Bolt 7/16 x 1	
55	3311705	1	Nut 7/16	
57	3520054	1	Plug	



# SECTION 3 - ENGINE

FIGURE 3-27. DEUTZ TCD2.9L4 ENGINE SUB-ASSEMBLY - WITH SAUER PUMPS (WITHOUT COLD WEATHER PLUS PACKAGE)



ART\_1001134390

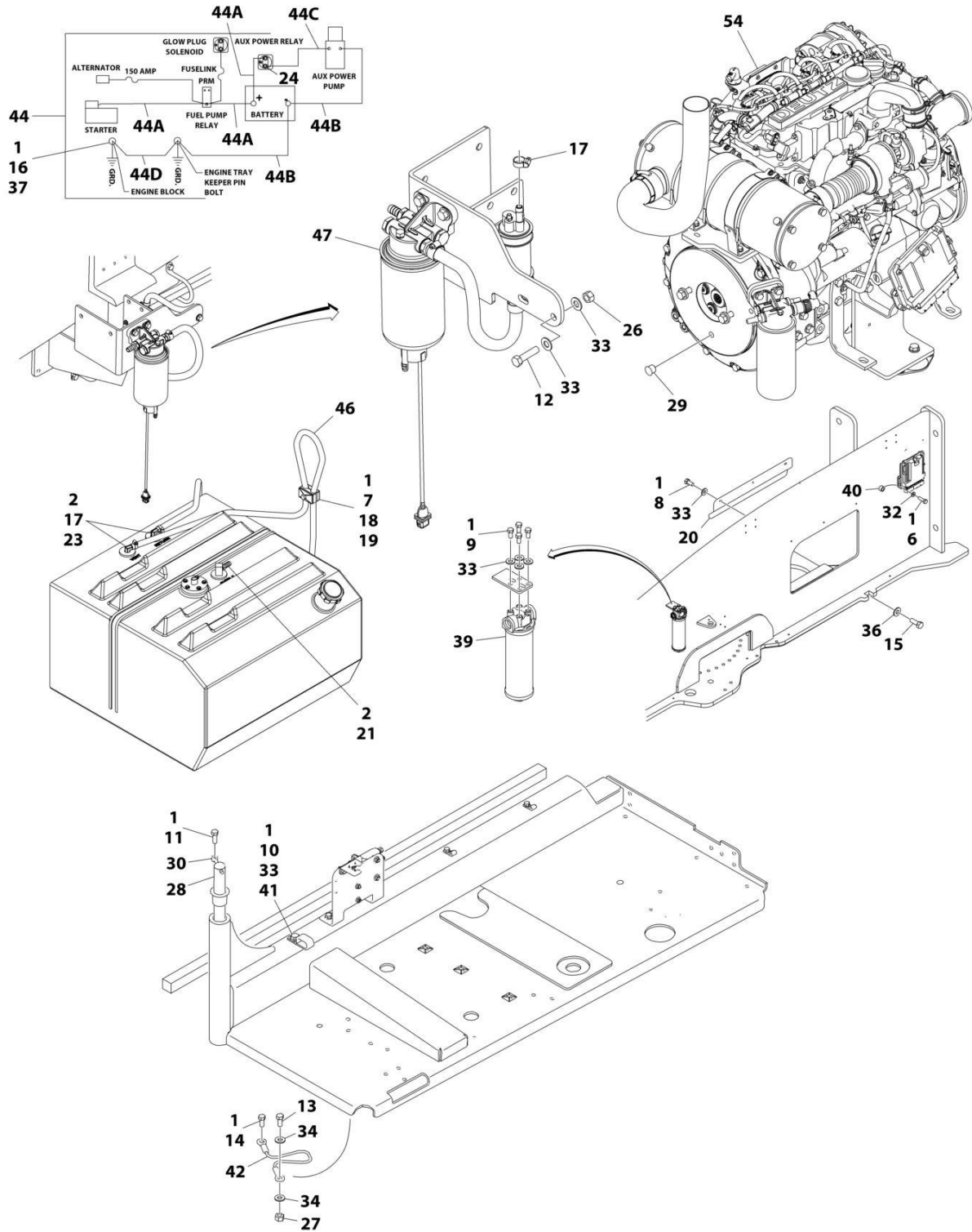
## SECTION 3 - ENGINE

**FIGURE 3-27. DEUTZ TCD2.9L4 ENGINE SUB-ASSEMBLY - WITH SAUER PUMPS (WITHOUT COLD WEATHER PLUS PACKAGE)**

ITEM	PART NUMBER	QTY	DESCRIPTION	REV
	1001134390	Ref	DEUTZ TCD2.9L4 ENGINE SUB-ASSEMBLY	AM
1	0641608	2	Bolt 3/8 x 1	
2	0641812	2	Bolt 1/2 x 1-1/2	
2	0641814	2	Bolt 1/2 x 1-3/4	
3	0761215	2	Bolt M12 x 35	
5	3790152	1	O-Ring	
6	3790155	1	O-Ring	
8	4891600	2	Washer 3/8	
9	4891800	4	Washer 1/2	
10	1001108616	1	Pump Assembly - Sauer Tandem (See Separate Breakdown in this Section)	
11	1001171095	1	Pump Assembly - Sauer Piston (See Separate Breakdown in this Section)	
12	1001112927	1	Pump Assembly - Sauer Gear (See Separate Breakdown in this Section)	
13	1001134392	1	Engine Assembly (See Separate Breakdown in this Section)	
14	0100011	AR	Compound, Locking	
15	1001165101	1	Bracket, Fuel Pump Filter Assembly (See Separate Breakdown in this Section)	

# SECTION 3 - ENGINE

**FIGURE 3-28. DEUTZ TCD2.9L4 ENGINE INSTALLATION - WITH SAUER PUMPS (WITHOUT COLD WEATHER PLUS PACKAGE) (CHINA SPEC ONLY)**



ART\_1001221261

## SECTION 3 - ENGINE

**FIGURE 3-28. DEUTZ TCD2.9L4 ENGINE INSTALLATION - WITH SAUER PUMPS (WITHOUT COLD WEATHER PLUS PACKAGE) (CHINA SPEC ONLY)**

ITEM	PART NUMBER	QTY	DESCRIPTION	REV
	1001221261	Ref	DEUTZ TD2.9L4 DIESEL ENGINE INSTALLATION - WITH SAUER PUMPS AND STEEL HOODS	D
1	0100011	AR	Compound, Locking	
2	0100079	AR	Sealant, Pipe	
6	0641410	4	Bolt 1/4 x 1-1/4	
7	0641511	1	Bolt 5/16 x 1-3/8	
8	0641605	3	Bolt 3/8 x 5/8	
9	0641606	4	Bolt 3/8 x 3/4	
10	0641608	1	Bolt 3/8 x 1	
11	0641610	1	Bolt 3/8 x 1-1/4	
12	0641612	2	Bolt 3/8 x 1-1/2	
13	0641708	1	Bolt 7/16 x 1	
14	0641808	1	Bolt 1/2 x 1	
15	0642010	1	Bolt 5/8 x 1-1/4	
16	0761210	1	Bolt M12 x 20	
17	1320022	3	Clamp	
18	1320187	1	Clamp	
19	1320190	1	Cover, Clamp	
20	1671121	1	Cover	
21	2180832	1	Fitting, Barbed	
23	2220313	2	Fitting, Elbow Barbed	
24	3300220	2	Nut 5/16	
26	3311605	2	Nut 3/8	
27	3311705	1	Nut 7/16	
28	3422446	1	Pin, Pivot	
29	3520054	1	Plug	
30	3841143	1	Pin, Keeper	
31	4240018	2	Strap, Tie (Not Shown)	
32	4711400	4	Washer 1/4	
33	4711600	12	Washer 3/8	
34	4711700	2	Washer 7/16	
36	4752000	1	Washer 5/8	
37	4812100	1	Washer M12	
39	1001108617	1	Filter	
39	70002231	1	Element, Filter	
40	1001110425	4	Spacer	
41	1001116792	1	Clamp	
42	1001131542	1	Lanyard	
43	1001138491	NLA	Harness, Fuel (Use p/n 1001222665) (Not Shown - See Separate Breakdown in ELECTRICAL SECTION)	
44	1001141225	1	Battery Cable Kit	E
44A	7027042	1	Cable, Battery (Red) (Battery + to Relays and Starter)	
44B	7027043	1	Cable, Battery (Black) (Battery - to Tray Pivot Grd and Aux Pump)	
44C	7027044	1	Cable (Red) (Aux Relay to Aux Pump)	
44D	7027045	1	Cable, Battery (Black) (Engine to Tray Pivot Grd)	
46	2750532	5 ft/ 1.5m	Hose	
47	1001227606	1	Bracket, Fuel Pump Filter Assembly (See Separate Breakdown in this Section)	

## SECTION 3 - ENGINE

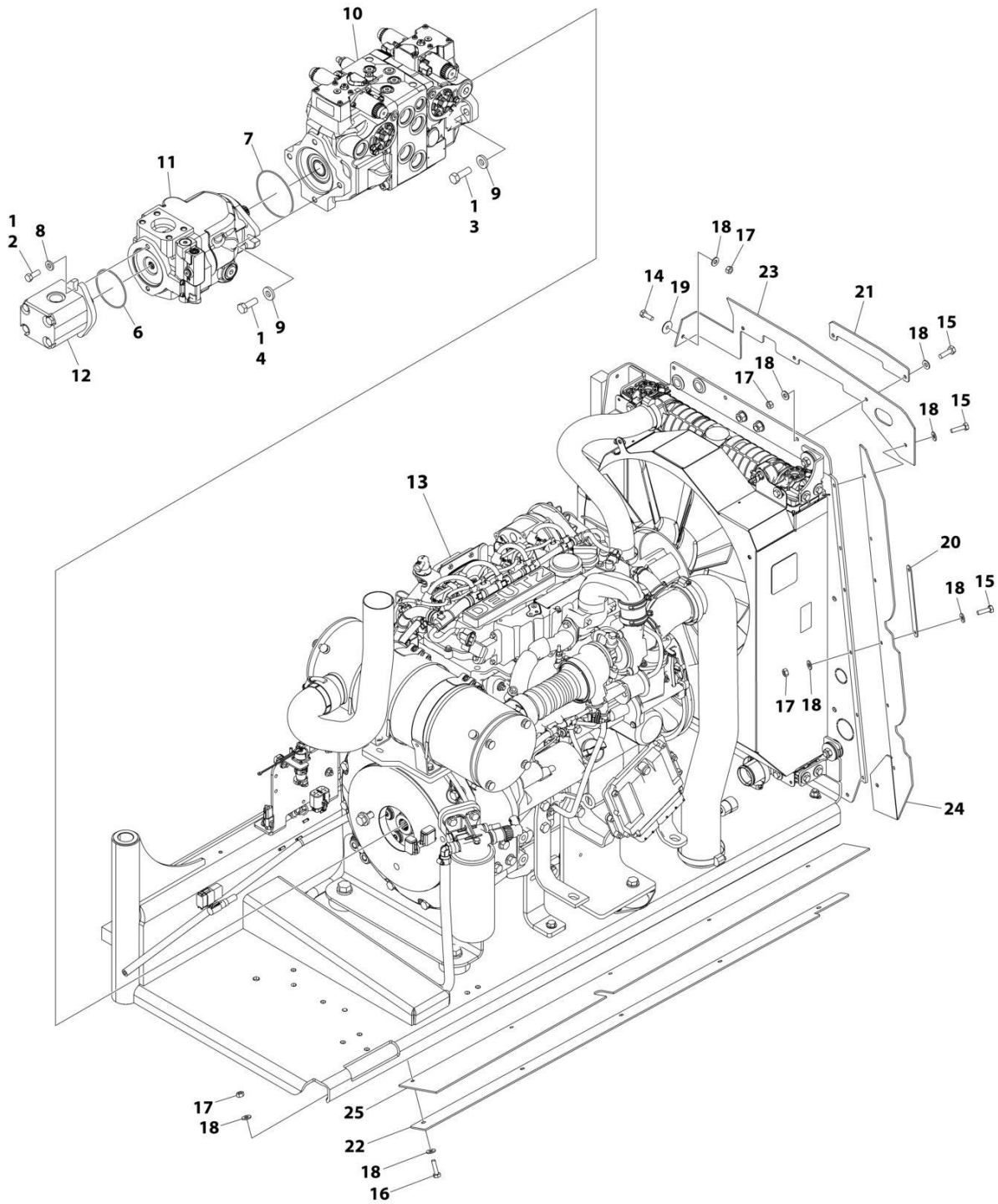
ITEM	PART NUMBER	QTY	DESCRIPTION	REV
54	1001221265	1	Engine Sub-Assembly (See Separate Breakdown in this Section)	





# SECTION 3 - ENGINE

FIGURE 3-29. DEUTZ TCD2.9L4 ENGINE SUB-ASSEMBLY - WITH SAUER PUMPS (WITHOUT COLD WEATHER PLUS PACKAGE) (CHINA SPEC ONLY)



ART\_1001221265

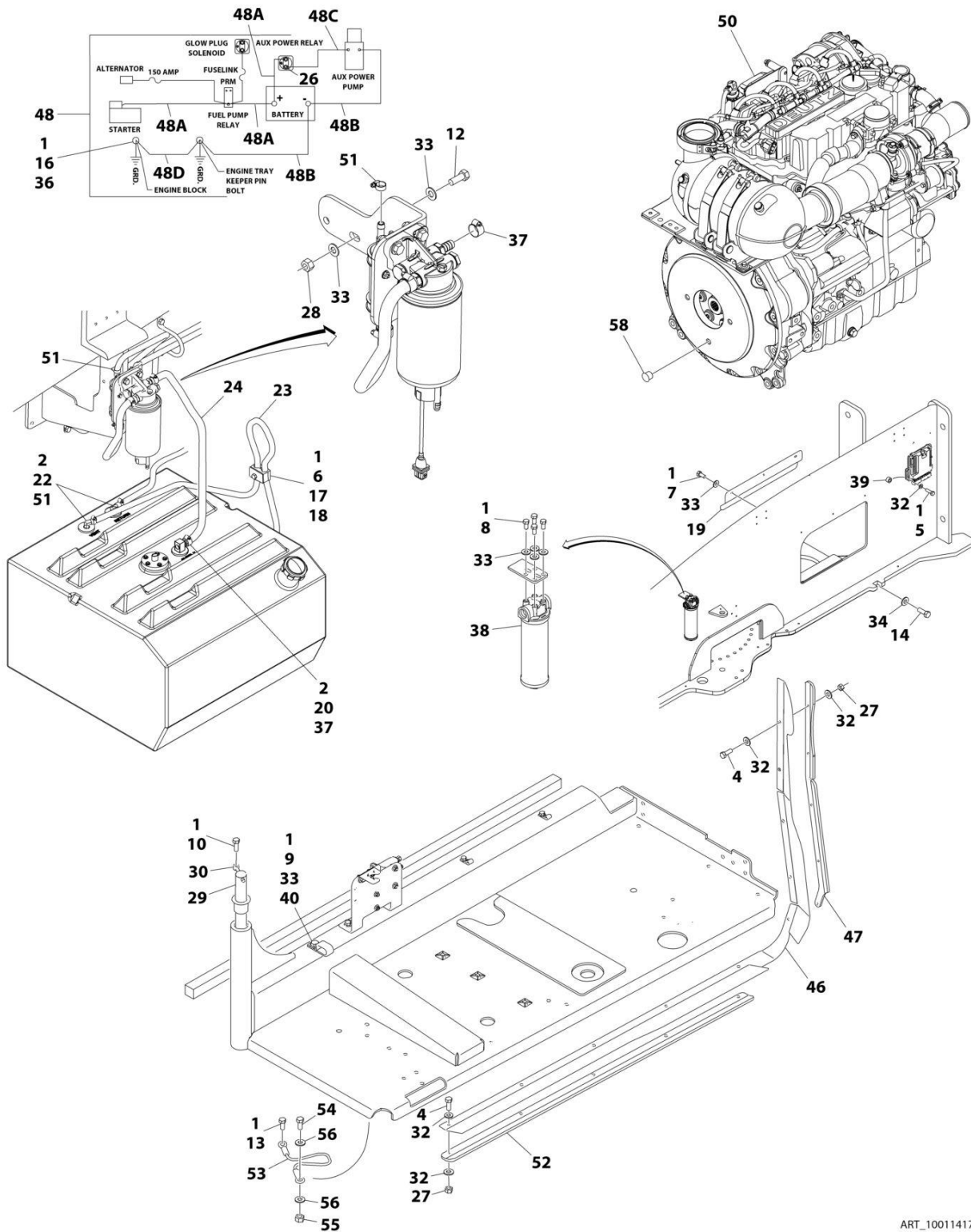
## SECTION 3 - ENGINE

**FIGURE 3-29. DEUTZ TCD2.9L4 ENGINE SUB-ASSEMBLY - WITH SAUER PUMPS (WITHOUT COLD WEATHER PLUS PACKAGE) (CHINA SPEC ONLY)**

ITEM	PART NUMBER	QTY	DESCRIPTION	REV
	1001221265	Ref	DEUTZ TD2.9L4 ENGINE SUB-ASSEMBLY	R
1	0100011	AR	Compound, Locking	
2	0641608	2	Bolt 3/8 x 1	
3	0641812	2	Bolt 1/2 x 1-1/2	
4	0761215	2	Bolt M12 x 35	
6	3790152	1	O-Ring	
7	3790155	1	O-Ring	
8	4891600	2	Washer 3/8	
9	4891800	4	Washer 1/2	
10	1001108616	1	Pump Assembly (Sauer Tandem) (See Separate Breakdown in this Section)	
11	1001171095	1	Pump Assembly (Sauer Piston) (See Separate Breakdown in this Section)	
12	1001112927	1	Pump Assembly (Sauer Gear) (See Separate Breakdown in this Section)	
13	1001220735	1	Deutz TD2.9L4 Engine Assembly (See Separate Breakdown in this Section)	
14	0641406	AR	Bolt 1/4 x 3/4	
15	0641407	8	Bolt 1/4 x 7/8	
16	0641408	AR	Bolt 1/4 x 1	
16	0641407	AR	Bolt 1/4 x 7/8	
17	3311405	16	Nut 1/4	
18	4711400	AR	Washer 1/4	
19	4740430	AR	Washer, Fender	
20	1001167164	3	Plate, Support	
21	1001177945	1	Bracket	
22	1001177946	1	Bracket	
23	1001177957	1	Seal, Rubber Baffle	
24	1001177958	1	Seal, Rubber Baffle	
25	1001177959	1	Seal, Rubber Baffle	

# SECTION 3 - ENGINE

**FIGURE 3-30. DEUTZ TCD2.9L4 ENGINE INSTALLATION - WITH SAUER PUMPS (WITH COLD WEATHER PLUS PACKAGE)**



ART\_1001141744

## SECTION 3 - ENGINE

**FIGURE 3-30. DEUTZ TCD2.9L4 ENGINE INSTALLATION - WITH SAUER PUMPS (WITH COLD WEATHER PLUS PACKAGE)**

ITEM	PART NUMBER	QTY	DESCRIPTION	REV
	1001141744	Ref	DEUTZ TCD2.9L4 DIESEL ENGINE INSTALLATION - WITH SAUER PUMPS AND STEEL HOODS (WITH COLD WEATHER PLUS PACKAGE)	M
1	0100011	AR	Compound, Locking	
2	0100079	AR	Sealant, Pipe	
4	0641408	10	Bolt 1/4 x 1	
5	0641410	4	Bolt 1/4 x 1-1/4	
6	0641511	1	Bolt 5/16 x 1-3/8	
7	0641605	3	Bolt 3/8 x 5/8	
8	0641606	4	Bolt 3/8 x 3/4	
9	0641608	1	Bolt 3/8 x 1	
10	0641610	1	Bolt 3/8 x 1-1/4	
12	0641612	2	Bolt 3/8 x 1-1/2	
13	0641808	1	Bolt 1/2 x 1	
14	0642010	1	Bolt 5/8 x 1-1/4	
16	0761210	1	Bolt M12 x 20	
17	1320187	1	Clamp	
18	1320190	1	Cover, Clamp	
19	1671121	1	Cover	
20	2180832	1	Fitting, Barbed	
22	2220313	2	Fitting, Elbow Barbed	
23	2750532	5 ft/ 1.5m	Hose	
24	1001154405	2 ft/ 0.6m	Hose	
26	3300220	2	Nut 5/16	
27	3311405	10	Nut 1/4	
28	3311605	2	Nut 3/8	
29	3422446	1	Pin, Pivot	
30	3841143	1	Pin, Keeper	
31	4240018	2	Strap, Tie (Not Shown)	
32	4711400	24	Washer 1/4	
33	4711600	12	Washer 3/8	
34	4752000	1	Washer 5/8	
36	4812100	1	Washer M12	
37	8405006	2	Clamp	
38	1001108617	1	Filter	
38	70002231	1	Element, Filter	
39	1001110425	4	Spacer	
40	1001116792	1	Clamp	
42	1001138491	NLA	Harness, Fuel (Use p/n 1001222665) (Not Shown - See Separate Breakdown in ELECTRICAL SECTION)	
46	1001140604	1	Panel, Rubber	
47	1001145089	1	Clamp	
48	1001141225	1	Battery Cable Kit	E
48A	7027042	1	Cable, Battery (Red) (Battery + to Relays and Starter)	
48B	7027043	1	Cable, Battery (Black) (Battery - to Tray Pivot Grd and Aux Pump)	
48C	7027044	1	Cable (Red) (Aux Relay to Aux Pump)	
48D	7027045	1	Cable, Battery (Black) (Engine to Tray Pivot Grd)	
50	1001141745	1	Engine Sub-Assembly (See Separate Breakdown in this Section)	
51	1320022	3	Clamp	

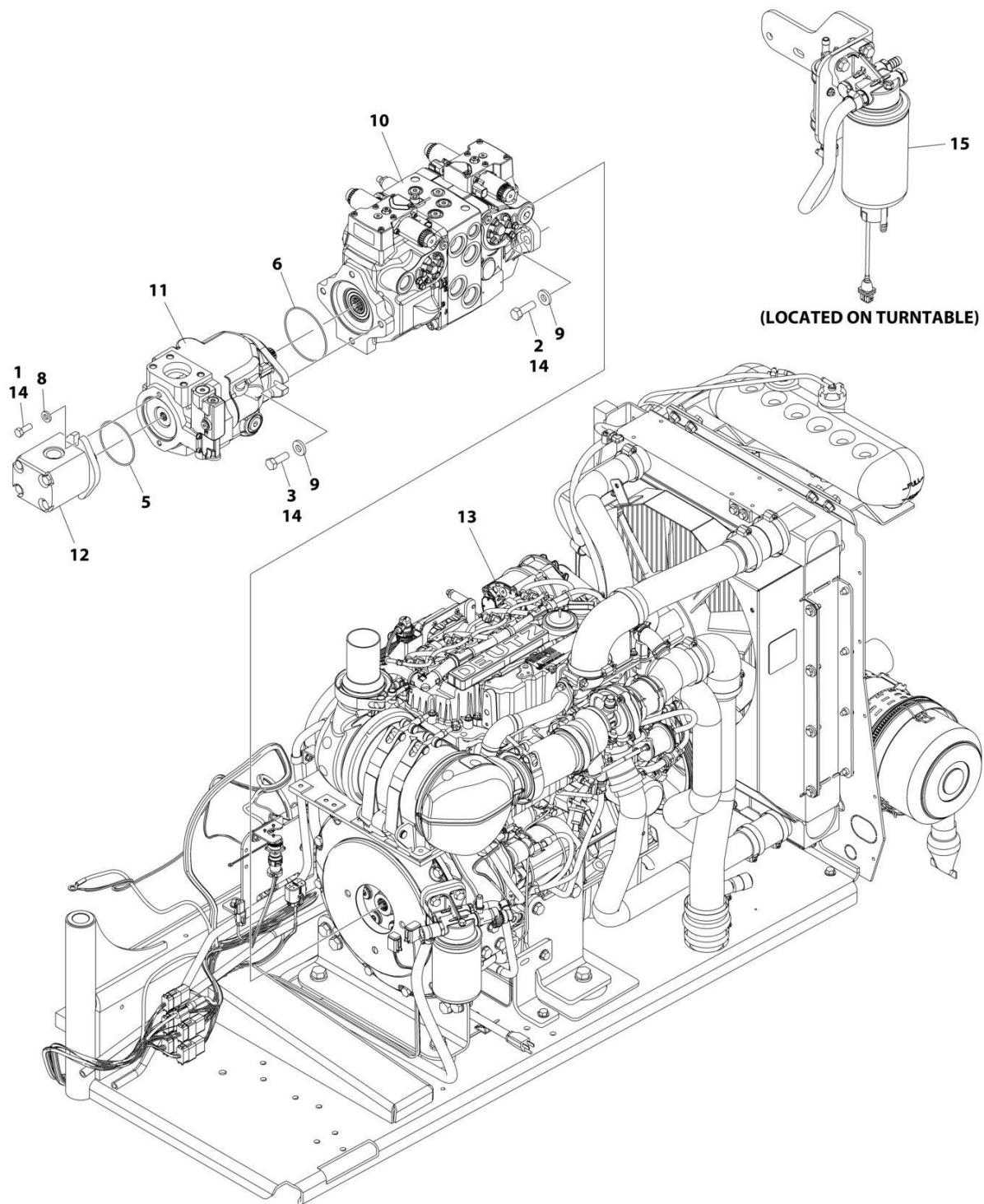
## SECTION 3 - ENGINE

ITEM	PART NUMBER	QTY	DESCRIPTION	REV
52	1001145842	1	Plate, Clamping	
53	1001131542	1	Lanyard	
54	0641708	1	Bolt 7/16 x 1	
55	3311705	1	Nut 7/16	
56	4711700	2	Washer 7/16	
58	3520054	1	Plug	



# SECTION 3 - ENGINE

## FIGURE 3-31. DEUTZ TCD2.9L4 ENGINE SUB-ASSEMBLY - WITH SAUER PUMPS (WITH COLD WEATHER PLUS PACKAGE)



ART\_1001141745



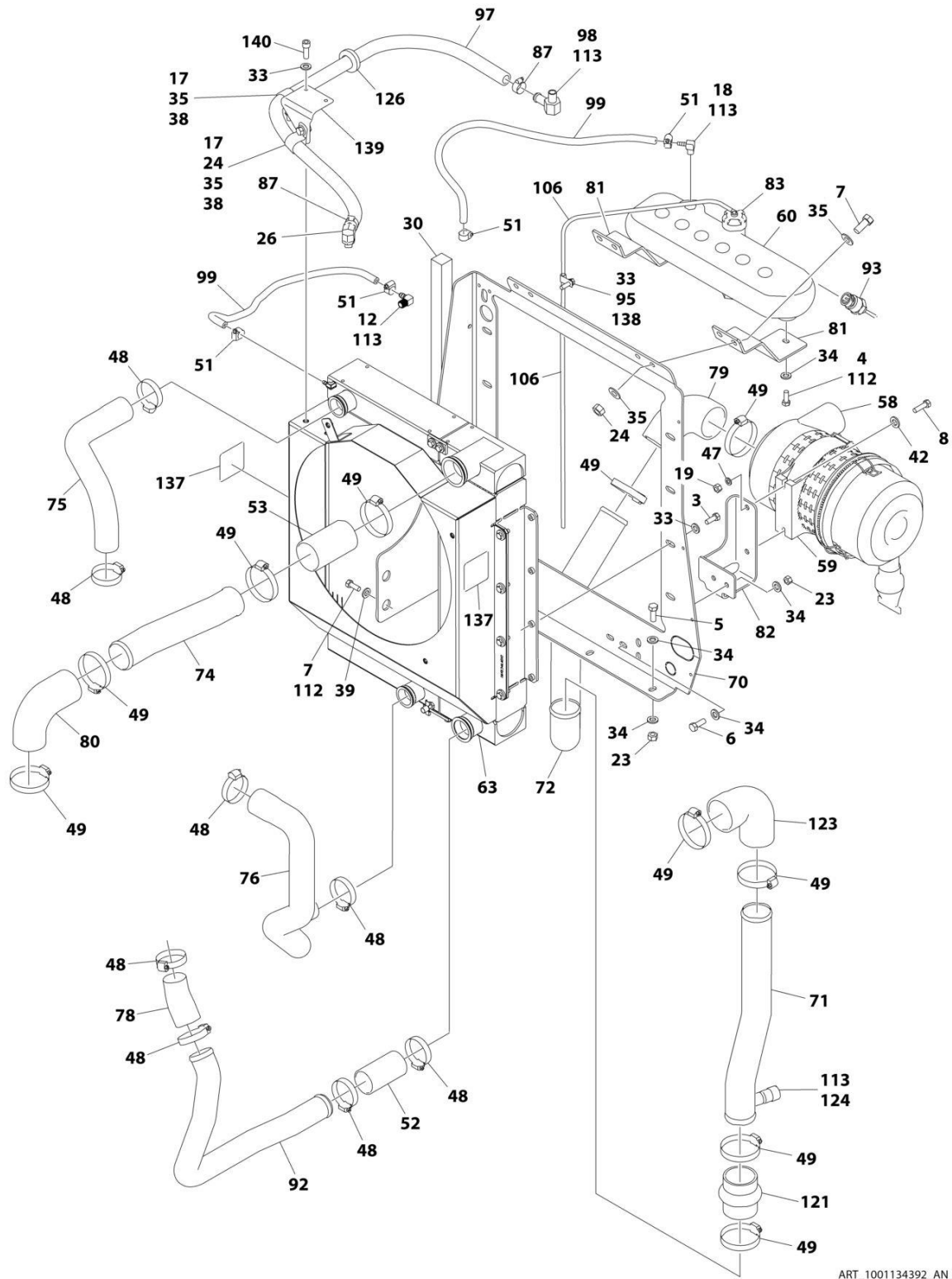
## SECTION 3 - ENGINE

**FIGURE 3-31. DEUTZ TCD2.9L4 ENGINE SUB-ASSEMBLY - WITH SAUER PUMPS (WITH COLD WEATHER PLUS PACKAGE)**

ITEM	PART NUMBER	QTY	DESCRIPTION	REV
	1001141745	Ref	DEUTZ TCD2.9L4 ENGINE SUB-ASSEMBLY	AL
1	0641608	2	Bolt 3/8 x 1	
2	0641812	2	Bolt 1/2 x 1-1/2	
2	0641814	2	Bolt 1/2 x 1-3/4	
3	0761215	2	Bolt M12 x 35	
5	3790152	1	O-Ring	
6	3790155	1	O-Ring	
8	4891600	2	Washer 3/8	
9	4891800	4	Washer 1/2	
10	1001108616	1	Pump Assembly - Sauer Tandem (See Separate Breakdown in this Section)	
11	1001171095	1	Pump Assembly - Sauer Piston (See Separate Breakdown in this Section)	
12	1001112927	1	Pump Assembly - Sauer Gear (See Separate Breakdown in this Section)	
13	1001141746	1	Engine Assembly (See Separate Breakdown in this Section)	
14	0100011	AR	Compound, Locking	
15	1001165101	1	Bracket, Fuel Pump Filter Assembly (See Separate Breakdown in this Section)	

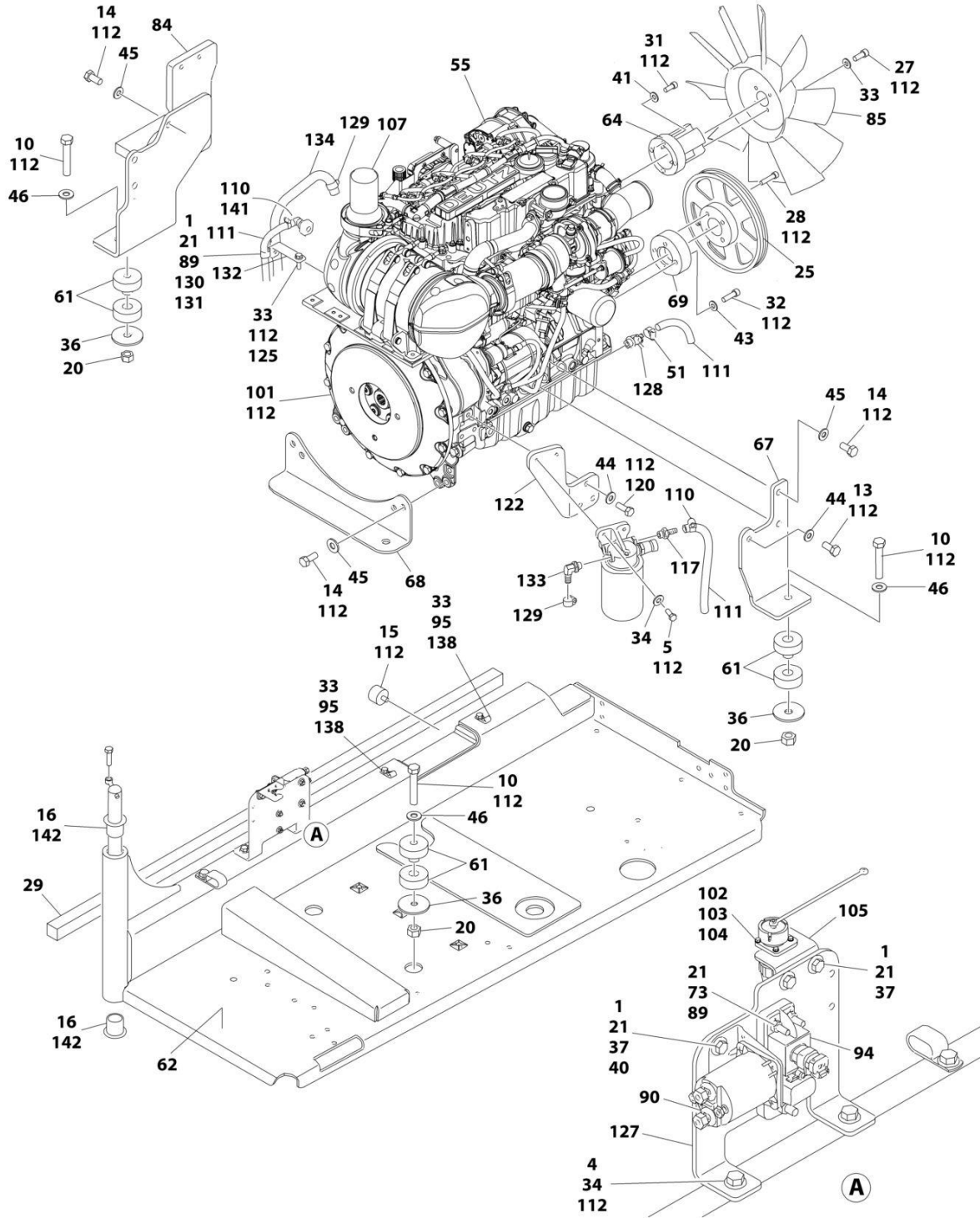
# SECTION 3 - ENGINE

## FIGURE 3-32. DEUTZ TCD2.9L4 ENGINE ASSEMBLY - WITHOUT COLD WEATHER PLUS PACKAGE



ART\_1001134392\_AN\_10F2

# SECTION 3 - ENGINE



ART\_1001134392\_AN\_2OF2

## SECTION 3 - ENGINE

FIGURE 3-32. DEUTZ TCD2.9L4 ENGINE ASSEMBLY - WITHOUT COLD WEATHER PLUS PACKAGE

ITEM	PART NUMBER	QTY	DESCRIPTION	REV
	1001134392	Ref	DEUTZ TCD2.9L4 ENGINE ASSEMBLY (WITHOUT COLD WEATHER PLUS PACKAGE)	AN
1	0641406	5	Bolt 1/4 x 3/4	
3	0641508	8	Bolt 5/16 x 1	
4	0641606	5	Bolt 3/8 x 3/4	
5	0641608	9	Bolt 3/8 x 1	
6	0641610	2	Bolt 3/8 x 1-1/4	
7	0641708	6	Bolt 7/16 x 1	
8	0700815	2	Bolt M8 x 35	
10	0682028	4	Bolt 5/8 x 3-1/2 Grade 8	
12	1001140564	1	Fitting, 90 Barbed	
13	0771212	1	Bolt M12 x 25 Grade 10.9	
14	0771414	9	Bolt M14 x 30 Grade 10.9	
15	0940070	1	Bumper	
16	0961986	2	Bushing, Flanged	
17	0641706	2	Bolt 7/16 x 3/4	
18	1001134488	1	Fitting, 90 Barbed	
19	3290801	2	Nut M8	
20	3272001	4	Nut 5/8 Grade 8	
21	3311405	6	Nut 1/4	
23	3311605	9	Nut 3/8	
24	3311705	5	Nut 7/16	
25	3580320	1	Pulley	
26	1001141719	1	Fitting, 90 Barbed	
27	3931512	4	Capscrew 5/16 x 3/4	
28	3931628	4	Capscrew 3/8 x 1-3/4	
29	3960543	1	Seal	
30	3960544	1	Seal	
31	4031914	4	Bolt M8 x 50	
32	4032014	4	Bolt M10 x 50	
33	4711500	19	Washer 5/16	
34	4711600	25	Washer 3/8	
35	4711700	10	Washer 7/16	
36	1001146219	4	Washer Special	
37	4751400	8	Washer 1/4	
38	8406302	2	Clamp	
39	4751700	2	Washer 7/16	
40	4791400	2	Starwasher 1/4	
41	4811900	4	Washer M8	
42	4811902	2	Washer M8	
43	4812000	4	Washer M10	
44	4812100	4	Washer M12	
45	4812200	9	Washer M14	
46	4892000	4	Washer 5/8	
47	4831900	2	Washer M8	
48	8405201	8	Clamp	
49	8405204	10	Clamp	
51	8410013	5	Clamp	
52	91563070	1	Coupling, Rubber	
53	1001114495	1	Hose	

## SECTION 3 - ENGINE

ITEM	PART NUMBER	QTY	DESCRIPTION	REV
55	1001249964	1	Engine, Deutz TCD2.9L4 (See Separate Breakdown in this Section)	
58	1001133633	1	Air Cleaner Assembly	
58	70024190	1	Element, Air Filter	
59	1001133634	1	Clamp	
60	1001166393	1	Tank, Surge	
61	1001155575	4	Mount, Motor	
62	1001191272	1	Tray	
63	1001135090	1	Radiator	
64	1001135138	1	Spacer, Fan	
67	1001135560	1	Support, Engine	
68	1001135562	1	Support, Engine - Rear	
69	1001135679	1	Spacer, Pulley	
70	1001135680	1	Support, Radiator	
71	1001135901	1	Pipe, Air Intake	
72	1001135903	1	Pipe, Air Intake	
73	3931432	1	Capscrew 1/4 x 2	
74	1001135914	1	Pipe, Air Cleaner to Intake	
75	1001135924	1	Hose, Radiator (Upper)	
76	1001135926	1	Hose, Radiator (Lower)	
78	1001135943	1	Coupling, Rubber	
79	1001135946	1	Elbow, Rubber	
80	1001136292	1	Pipe, 90	
81	1001136626	2	Bracket	
82	1001136665	1	Bracket	
83	1001136834	1	Cap, Tank	
84	1001142398	1	Support, Engine	
85	1001137276	1	Fan	
87	8405007	2	Clamp	
89	4711400	3	Washer 1/4	
90	1001117308	1	Relay	
92	1001135913	1	Pipe, Turbo to Air Cleaner	
93	1001138827	1	Sensor, Coolant Level	
94	1001138228	1	Module, Power	
94	70023592	1	Fuse 20Amp (Switched Output)	
94	70023593	1	Fuse 30Amp (Battery Output)	
95	1001138253	5	Clamp	
96	1001138346	1	Harness, Engine (Not Shown - See Separate Breakdown in ELECTRICAL SECTION)	
97	1001138524	1	Hose	
98	1001138559	1	Fitting, 90	
99	2720015	4.5 ft/ 1.4m	Hose	
101	2902065	1	Pump Coupling Kit (See Separate Breakdown in this Section)	
102	3310401	3	Nut #4	
103	3910408	3	Screw #4 x 1/2	
104	4710400	3	Washer #4	
105	1001139240	1	Bracket	
106	1001138248	4 ft/ 1.2m	Tubing	
107	1001153024	1	Pipe, Exhaust	
110	1320022	2	Clamp	

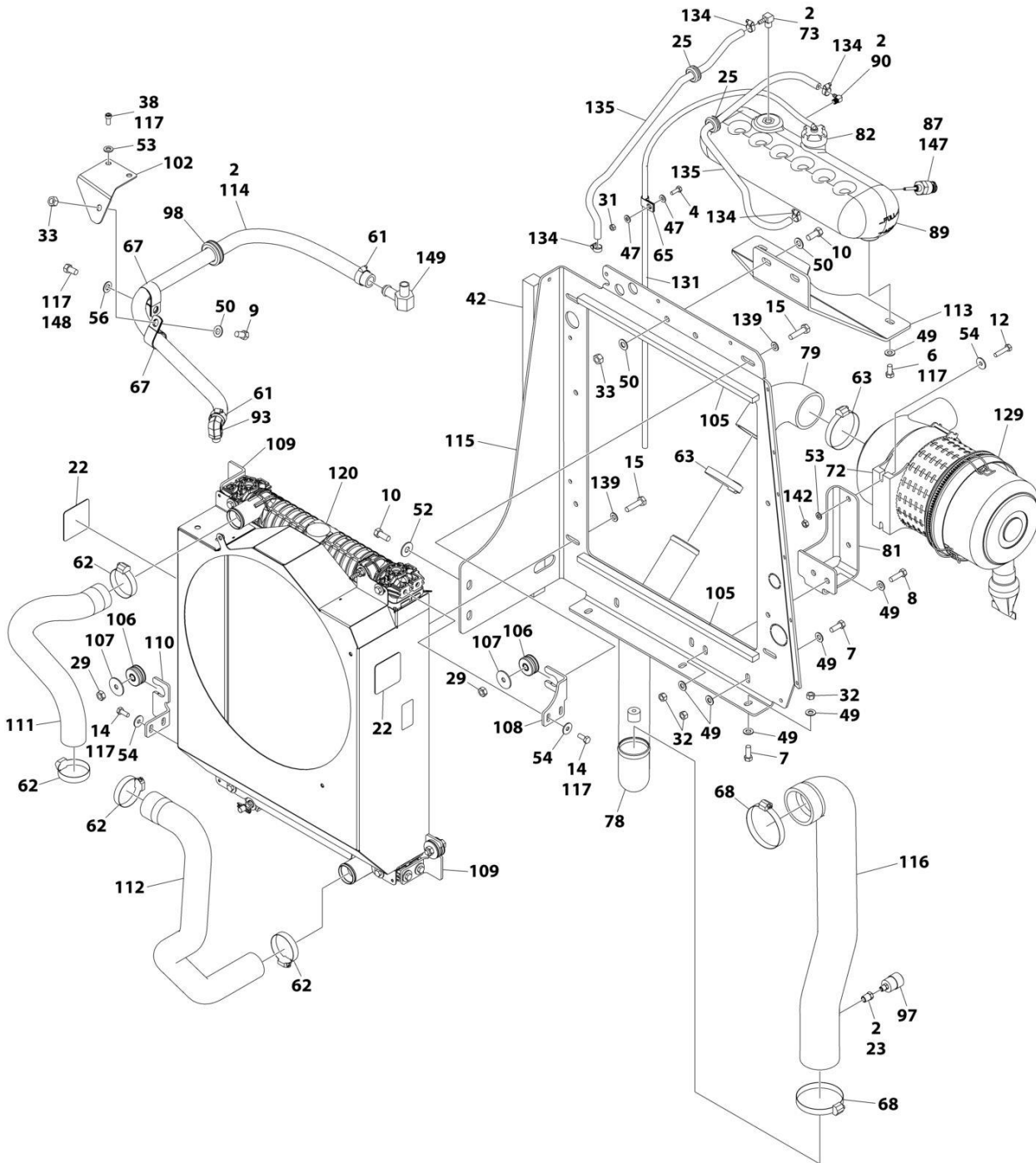
## SECTION 3 - ENGINE

ITEM	PART NUMBER	QTY	DESCRIPTION	REV
111	1001165035	30.5 ft/ 9.3m	Hose	
112	0100011	AR	Compound, Locking	
113	0100020	AR	Sealant	
114	1001141304	1	Wire, Glow Plug (Not Shown)	
115	1001135779	1	Cable, Alternator Positive (Not Shown)	
117	1001141717	1	Fitting, Straight	
120	0761214	3	Bolt M12 x 30	
121	1001142637	1	Hose, Hump	
122	1001142685	1	Bracket	
123	1001165820	1	Pipe, Elbow	
124	1001143390	1	Indicator, Air Filter Service	
125	0760810	2	Bolt M8 x 20	
126	1001144089	1	Grommet	
127	1001145154	1	Plate, Mounting	
128	4640751	1	Valve, Oil Drain	
129	8405006	2	Clamp	
130	8406102	AR	Clip	
131	8406112	1	Clip	
132	1001138717	1	Bracket	
133	1001142501	1	Fitting, 90 Barbed	
134	1001154405	5 ft/ 1.5m	Hose	
135	1001148843	1	Harness, Fuel Filter (Not Shown - See Separate Breakdown in ELECTRICAL Section)	
137	1703162	2	Decal - Fan	
138	0641503	3	Bolt 5/16 x 3/8	
139	1001153387	1	Plate	
140	3931508	2	Capscrew 5/16 x 1/2	
141	1001155823	1	Coupling	
142	0100062	AR	Adhesive, Loctite #680	
143	4240099	AR	Tie-Strap (Not Shown)	



# SECTION 3 - ENGINE

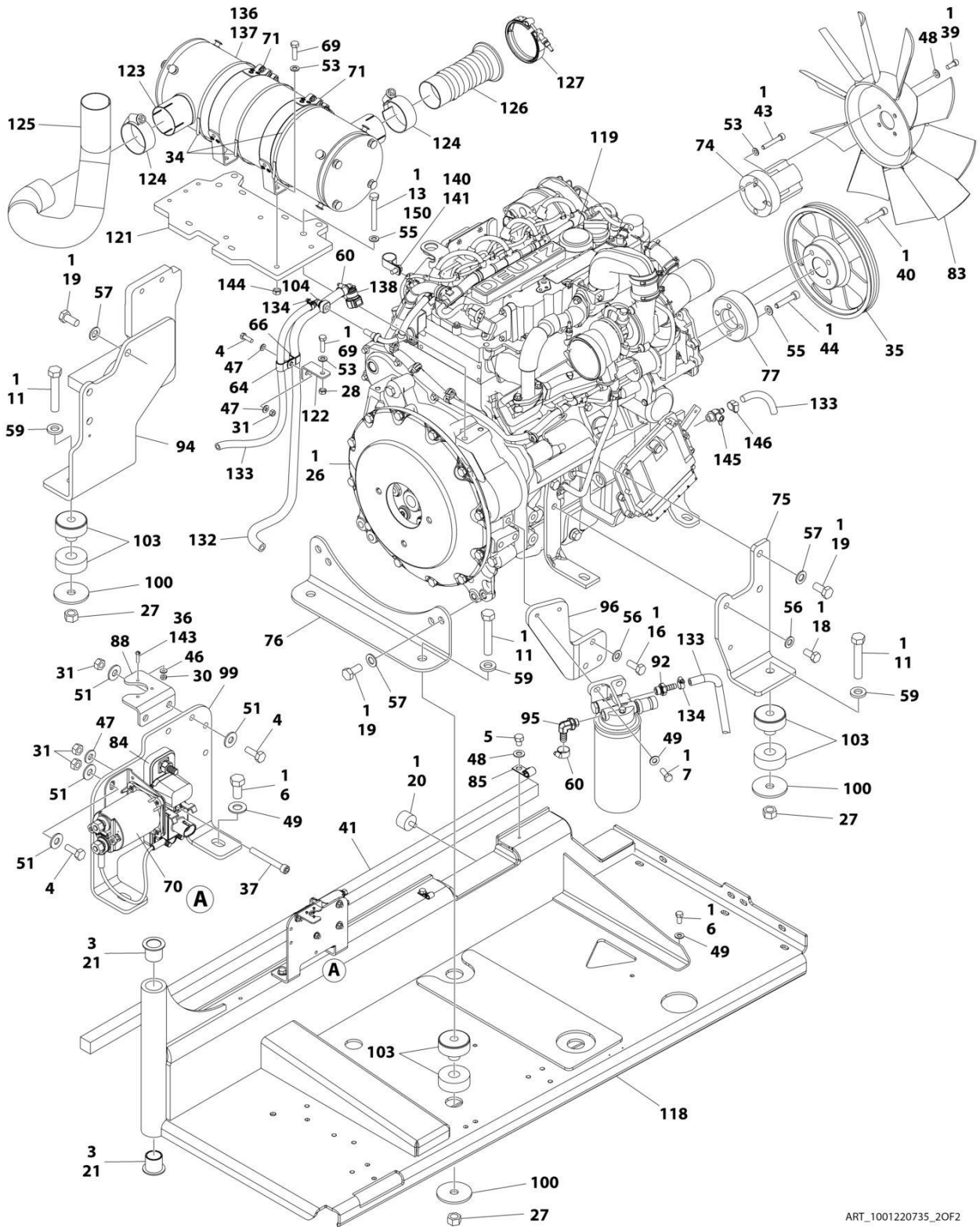
FIGURE 3-33. DEUTZ TCD2.9L4 ENGINE ASSEMBLY - WITHOUT COLD WEATHER PLUS PACKAGE (CHINA SPEC ONLY) (PVC 2001)



ART\_1001220735\_10F2



# SECTION 3 - ENGINE



ART\_1001220735\_20F2

## SECTION 3 - ENGINE

**FIGURE 3-33. DEUTZ TCD2.9L4 ENGINE ASSEMBLY - WITHOUT COLD WEATHER PLUS PACKAGE  
(CHINA SPEC ONLY) (PVC 2001)**

ITEM	PART NUMBER	QTY	DESCRIPTION	REV
	1001220735	Ref	DEUTZ TD2.9L4 ENGINE ASSEMBLY	L
1	0100011	AR	Compound, Locking	
2	0100020	AR	Sealant	
3	0100062	AR	Adhesive, Loctite #680	
4	0641406	7	Bolt 1/4 x 3/4	
5	0641503	2	Bolt 5/16 x 3/8	
6	0641606	5	Bolt 3/8 x 3/4	
7	0641608	7	Bolt 3/8 x 1	
8	0641610	2	Bolt 3/8 x 1-1/4	
9	0641706	AR	Bolt 7/16 x 3/4	
10	0641708	4	Bolt 7/16 x 1	
11	0682028	4	Bolt 5/8 x 3-1/2 Grade 8	
12	0700815	2	Bolt M8 x 35	
13	0701024	AR	Bolt M10 x 80	
13	0701025	AR	Bolt M10 x 85	
14	0760810	8	Bolt M8 x 20	
15	0761016	4	Bolt M10 x 40	
16	0761214	3	Bolt M12 x 30	
18	0771212	1	Bolt M12 x 25 Grade 10.9	
19	0771414	9	Bolt M14 x 30 Grade 10.9	
20	0940070	1	Bumper	
21	0961986	2	Bushing, Flanged	
22	1703162	2	Decal - Fan	
23	2220273	1	Fitting, Straight NPTF/FNPTF	
25	2540038	2	Grommet	
26	2902065	1	Pump Coupling Kit (See Separate Breakdown in this Section)	
27	3272001	4	Nut 5/8 Grade 8	
28	3290801	AR	Nut M8	
29	3291001	4	Nut M10	
29	3291007	4	Nut M10	
30	3310401	3	Nut #4	
31	3311405	8	Nut 1/4	
32	3311605	7	Nut 3/8	
33	3311705	3	Nut 7/16	
34	1001137336	AR	Strap	
35	3580320	1	Pulley	
36	3910408	3	Screw #4 x 1/2	
37	3931432	1	Capscrew 1/4 x 2	
38	3931508	2	Capscrew 5/16 x 1/2	
38	4031907	2	Capscrew M8 x 16	
39	3931512	4	Capscrew 5/16 x 3/4	
40	3931628	4	Capscrew 3/8 x 1-3/4	
41	3960543	1	Seal	
42	3960544	1	Seal	
43	4031914	4	Bolt M8 x 50	
44	4032014	4	Bolt M10 x 50	
45	4240099	AR	Tie-Strap (Not Shown)	
46	4710400	3	Washer #4	
47	4711400	7	Washer 1/4	

## SECTION 3 - ENGINE

ITEM	PART NUMBER	QTY	DESCRIPTION	REV
48	4711500	AR	Washer 5/16	
49	4711600	21	Washer 3/8	
50	4711700	6	Washer 7/16	
51	4751400	8	Washer 1/4	
52	4751700	2	Washer 7/16	
53	4811900	AR	Washer M8	
54	4811902	10	Washer M8	
55	4812000	AR	Washer M10	
56	4812100	AR	Washer M12	
57	4812200	9	Washer M14	
59	4892000	4	Washer 5/8	
60	8405006	2	Clamp	
61	8405007	2	Clamp	
62	8405201	4	Clamp	
63	8405204	2	Clamp	
64	8406102	1	Clip	
65	8406109	2	Clip	
66	8406112	1	Clip	
67	8406302	2	Clamp	
68	8410011	2	Clamp	
69	0760814001	1	Bolt M8 x 30	
69	0760814	5	Bolt M8 x 30	
70	1001117308	1	Relay	
71	1001119727	2	Clamp	
72	1001133634	1	Clamp	
73	1001134488	1	Fitting, 90 Barbed	
74	1001135138	1	Spacer, Fan	
75	1001135560	1	Support, Engine	
76	1001135562	1	Support, Engine - Rear	
77	1001135679	1	Spacer, Pulley	
78	1001135903	1	Pipe, Air Intake	
79	1001135946	1	Elbow, Rubber	
81	1001136665	1	Bracket	
82	1001136834	1	Cap, Tank	
83	1001137276	1	Fan	
84	1001138228	1	Module, Power	
84	70023592	1	Fuse 20Amp (Switched Output)	
84	70023593	1	Fuse 30Amp (Battery Output)	
85	1001138253	2	Clamp	
86	1001138346	1	Harness, Engine (Not Shown - See Separate Breakdown in ELECTRICAL Section)	
87	1001138827	1	Sensor, Coolant Level	
88	1001139240	1	Bracket	
89	1001166393	1	Tank, Surge	
90	1001140564	1	Fitting, 90 Barbed	
91	1001141304	1	Wire, Glow Plug (Not Shown)	
92	1001141717	1	Fitting, Straight	
93	1001141719	1	Fitting, 90 Barbed	
94	1001142398	1	Support, Engine	
95	1001142501	1	Fitting, 90 Barbed	
96	1001142685	1	Bracket	
97	1001143390	1	Indicator, Air Filter Service	

## SECTION 3 - ENGINE

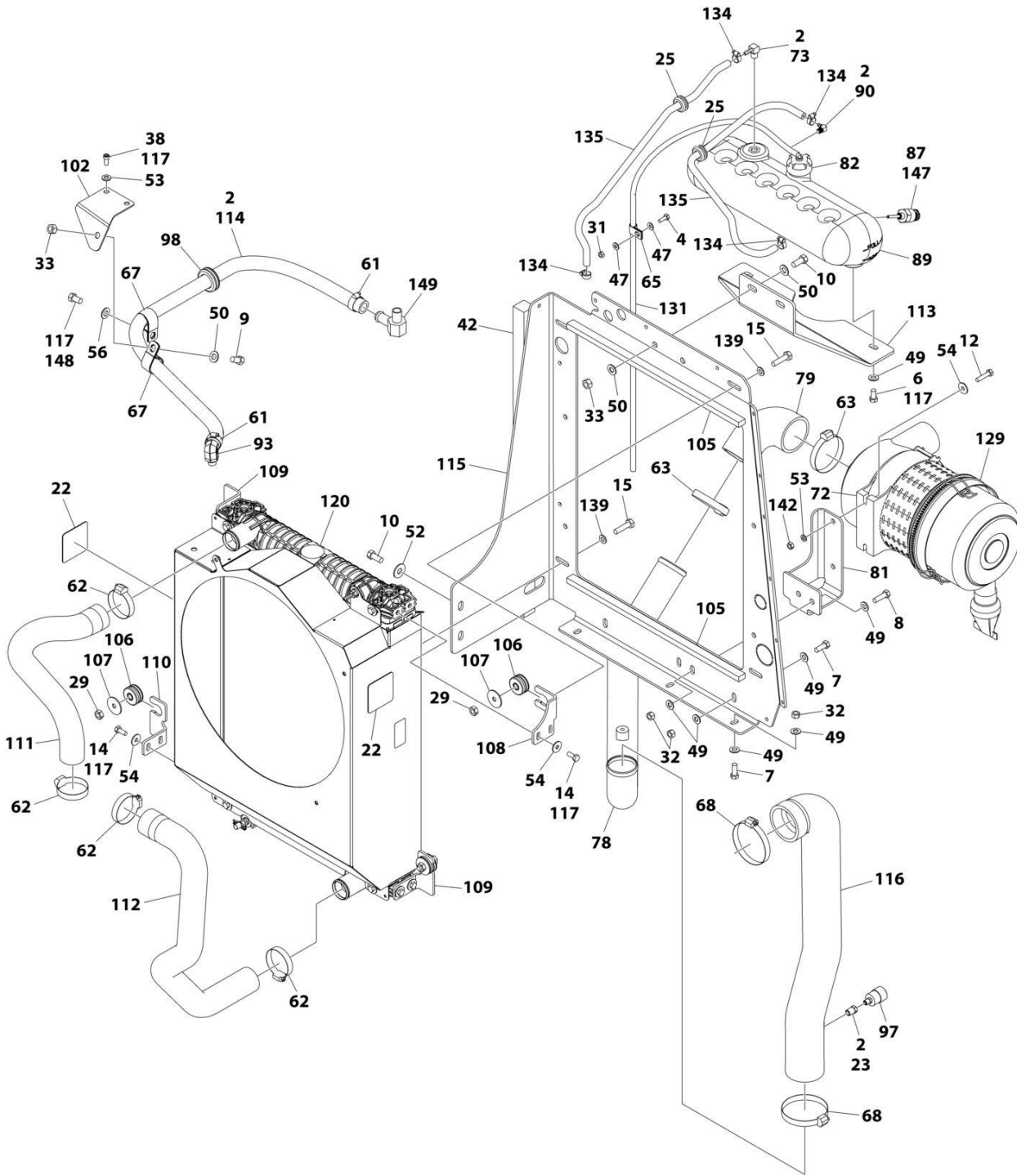
ITEM	PART NUMBER	QTY	DESCRIPTION	REV
98	1001144089	1	Grommet	
99	1001145154	1	Plate, Mounting	
100	1001146219	4	Washer Special	
101	1001148843	1	Harness, Fuel Filter (Not Shown - See Separate Breakdown in ELECTRICAL Section)	
102	1001229600	1	Plate	
103	1001155575	4	Mount, Motor	
104	1001155823	1	Coupling	
105	1001168166	2	Seal	
106	1001169054	4	Isolator	
107	1001169138	4	Pad	
108	1001170035	1	Bracket	
109	1001176329	2	Bracket	
110	1001176330	1	Bracket	
111	1001176415	1	Hose, Radiator (Upper)	
112	1001176416	1	Hose, Radiator (Lower)	
113	1001229599	1	Bracket	
114	1001138524	1	Hose	
115	1001178236	1	Support, Radiator	
116	1001178894	1	Hose, Air Intake	
117	1001180620	AR	Adhesive	
118	1001187011	1	Tray	
119	1001219642	1	Engine, Deutz TD2.9L4 (See Separate Breakdown in this Section)	
120	1001220770	1	Radiator	
121	1001221203	1	Muffler Bracket Assembly	
122	1001221205	1	Bracket	
123	1001221207	1	Muffler	
124	1001221212	2	Clamp	
125	1001221213	1	Pipe, Exhaust	
126	1001221217	1	Pipe, Flex Assembly	
127	1001221219	1	Clamp	
129	1001133633	1	Air Cleaner Assembly	
129	70024190	1	Element, Air Filter	
130	1001135779	1	Cable, Alternator Positive (Not Shown)	
131	1001138248	4 ft/ 1.2m	Tubing	
132	1001154405	5 ft/ 1.5m	Hose	
133	1001165035	30.5 ft/ 9.3m	Hose	
134	1320022	2	Clamp	
135	2720015	5 ft/ 1.52m	Hose	
136	1001221427	1	Muffler-Wrap Assembly	
137	4920385	AR	Wire, Safety	
138	1001170982	1	Adapter	
139	4812002	4	Washer M10	
140	1320130	1	Clamp	
141	5250808	1	Bolt M8 x 16	
142	3290805	2	Nut, M10 (Not Shown)	
143	0100035	AR	Compound, Locking	
144	3290807	4	Nut M8	
145	4640751	1	Valve, Oil Drain	
146	8410013	1	Clamp, Gear	

## SECTION 3 - ENGINE

ITEM	PART NUMBER	QTY	DESCRIPTION	REV
147	1001182997	AR	Adhesive	
148	0761210	1	Bolt M12 x 20	
149	1001138559	1	Fitting, 90	
150	0701022	AR	Bolt M10 x 70	

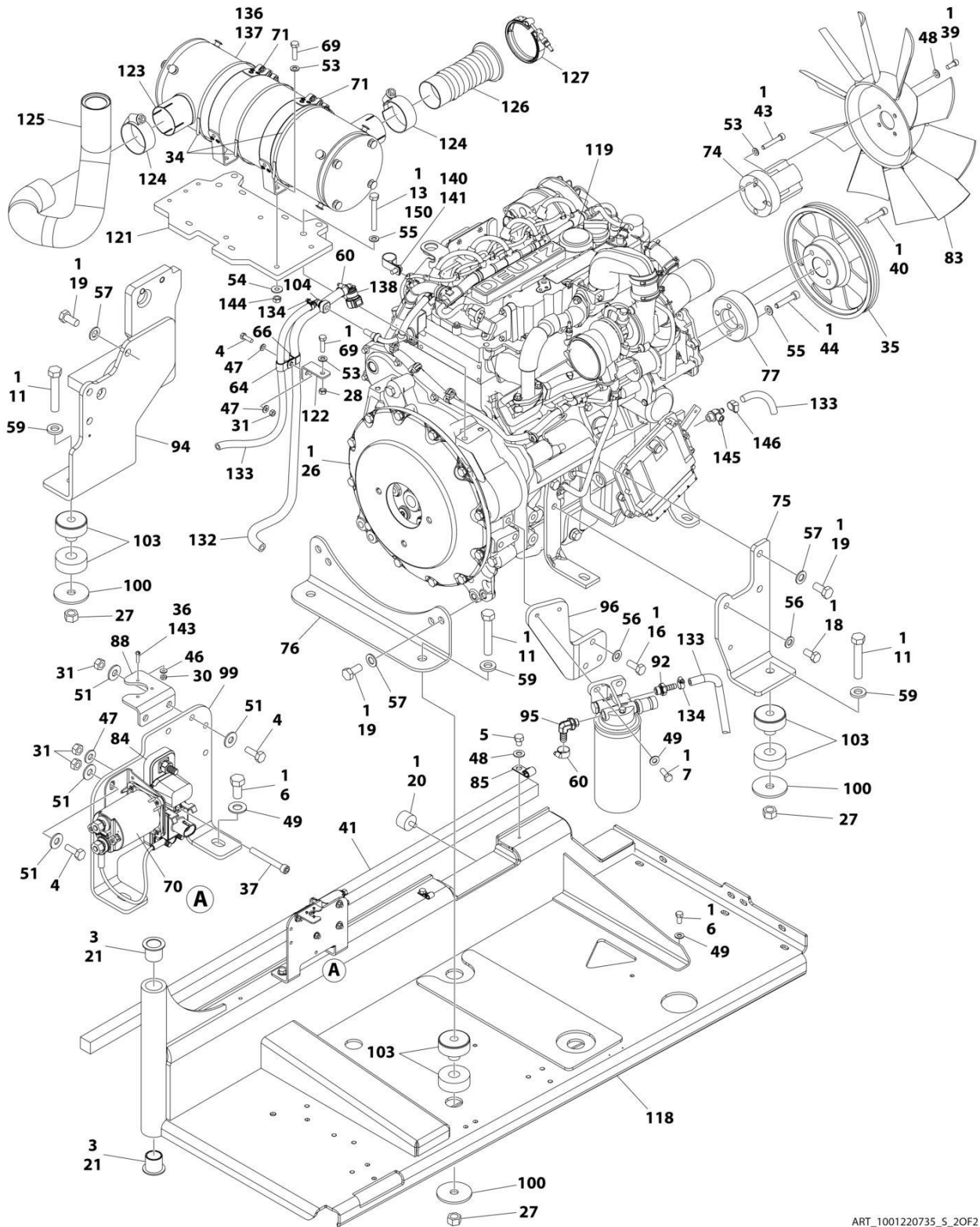
# SECTION 3 - ENGINE

FIGURE 3-34. DEUTZ TCD2.9L4 ENGINE ASSEMBLY - WITHOUT COLD WEATHER PLUS PACKAGE (CHINA SPEC ONLY) (PVC 2007)



ART\_1001220735\_S\_10F2

# SECTION 3 - ENGINE



ART\_1001220735\_S\_2OF2

## SECTION 3 - ENGINE

**FIGURE 3-34. DEUTZ TCD2.9L4 ENGINE ASSEMBLY - WITHOUT COLD WEATHER PLUS PACKAGE  
(CHINA SPEC ONLY) (PVC 2007)**

ITEM	PART NUMBER	QTY	DESCRIPTION	REV
	1001220735	Ref	DEUTZ TD2.9L4 ENGINE ASSEMBLY	S
1	0100011	AR	Compound, Locking	
2	0100020	AR	Sealant	
3	0100062	AR	Adhesive, Loctite #680	
4	0641406	7	Bolt 1/4 x 3/4	
5	0641503	2	Bolt 5/16 x 3/8	
6	0641606	5	Bolt 3/8 x 3/4	
7	0641608	7	Bolt 3/8 x 1	
8	0641610	2	Bolt 3/8 x 1-1/4	
9	0641706	AR	Bolt 7/16 x 3/4	
10	0641708	4	Bolt 7/16 x 1	
11	0682028	4	Bolt 5/8 x 3-1/2 Grade 8	
12	0700815	2	Bolt M8 x 35	
13	0701024	AR	Bolt M10 x 80	
13	0701025	AR	Bolt M10 x 85	
14	0760810	8	Bolt M8 x 20	
15	0761016	4	Bolt M10 x 40	
16	0761214	3	Bolt M12 x 30	
18	0771212	1	Bolt M12 x 25 Grade 10.9	
19	0771414	9	Bolt M14 x 30 Grade 10.9	
20	0940070	1	Bumper	
21	0961986	2	Bushing, Flanged	
22	1703162	2	Decal - Fan	
23	2220273	1	Fitting, Straight NPTF/FNPTF	
25	2540038	2	Grommet	
26	2902065	1	Pump Coupling Kit (See Separate Breakdown in this Section)	
27	3272001	4	Nut 5/8 Grade 8	
28	3290801	AR	Nut M8	
29	3291001	4	Nut M10	
29	3291007	4	Nut M10	
30	3310401	3	Nut #4	
31	3311405	8	Nut 1/4	
32	3311605	7	Nut 3/8	
33	3311705	3	Nut 7/16	
34	1001137336	AR	Strap	
35	3580320	1	Pulley	
36	3910408	3	Screw #4 x 1/2	
37	3931432	1	Capscrew 1/4 x 2	
38	3931508	2	Capscrew 5/16 x 1/2	
38	4031907	2	Capscrew M8 x 16	
39	3931512	4	Capscrew 5/16 x 3/4	
40	3931628	4	Capscrew 3/8 x 1-3/4	
41	3960543	1	Seal	
42	3960544	1	Seal	
43	4031914	4	Bolt M8 x 50	
44	4032014	4	Bolt M10 x 50	
45	4240099	AR	Tie-Strap (Not Shown)	
46	4710400	3	Washer #4	
47	4711400	7	Washer 1/4	



## SECTION 3 - ENGINE

ITEM	PART NUMBER	QTY	DESCRIPTION	REV
48	4711500	AR	Washer 5/16	
49	4711600	21	Washer 3/8	
50	4711700	6	Washer 7/16	
51	4751400	8	Washer 1/4	
52	4751700	2	Washer 7/16	
53	4811900	13	Washer M8	
54	4811902	14	Washer M8	
55	4812000	AR	Washer M10	
56	4812100	AR	Washer M12	
57	4812200	9	Washer M14	
59	4892000	4	Washer 5/8	
60	8405006	2	Clamp	
61	8405007	2	Clamp	
62	8405201	4	Clamp	
63	8405204	2	Clamp	
64	8406102	1	Clip	
65	8406109	2	Clip	
66	8406112	1	Clip	
67	8406302	2	Clamp	
68	8410011	2	Clamp	
69	0760814001	1	Bolt M8 x 30	
69	0760814	5	Bolt M8 x 30	
70	1001117308	1	Relay	
71	1001119727	2	Clamp	
72	1001133634	1	Clamp	
73	1001134488	1	Fitting, 90 Barbed	
74	1001135138	1	Spacer, Fan	
75	1001135560	1	Support, Engine	
76	1001135562	1	Support, Engine - Rear	
77	1001135679	1	Spacer, Pulley	
78	1001135903	1	Pipe, Air Intake	
79	1001135946	1	Elbow, Rubber	
81	1001136665	1	Bracket	
82	1001136834	1	Cap, Tank	
83	1001137276	1	Fan	
84	1001138228	1	Module, Power	
84	70023592	1	Fuse 20Amp (Switched Output)	
84	70023593	1	Fuse 30Amp (Battery Output)	
85	1001138253	2	Clamp	
86	1001138346	1	Harness, Engine (Not Shown - See Separate Breakdown in ELECTRICAL Section)	
87	1001138827	1	Sensor, Coolant Level	
88	1001139240	1	Bracket	
89	1001166393	1	Tank, Surge	
90	1001140564	1	Fitting, 90 Barbed	
91	1001141304	1	Wire, Glow Plug (Not Shown)	
92	1001141717	1	Fitting, Straight	
93	1001141719	1	Fitting, 90 Barbed	
94	1001283008	1	Support, Engine	
95	1001142501	1	Fitting, 90 Barbed	
96	1001142685	1	Bracket	
97	1001143390	1	Indicator, Air Filter Service	

## SECTION 3 - ENGINE

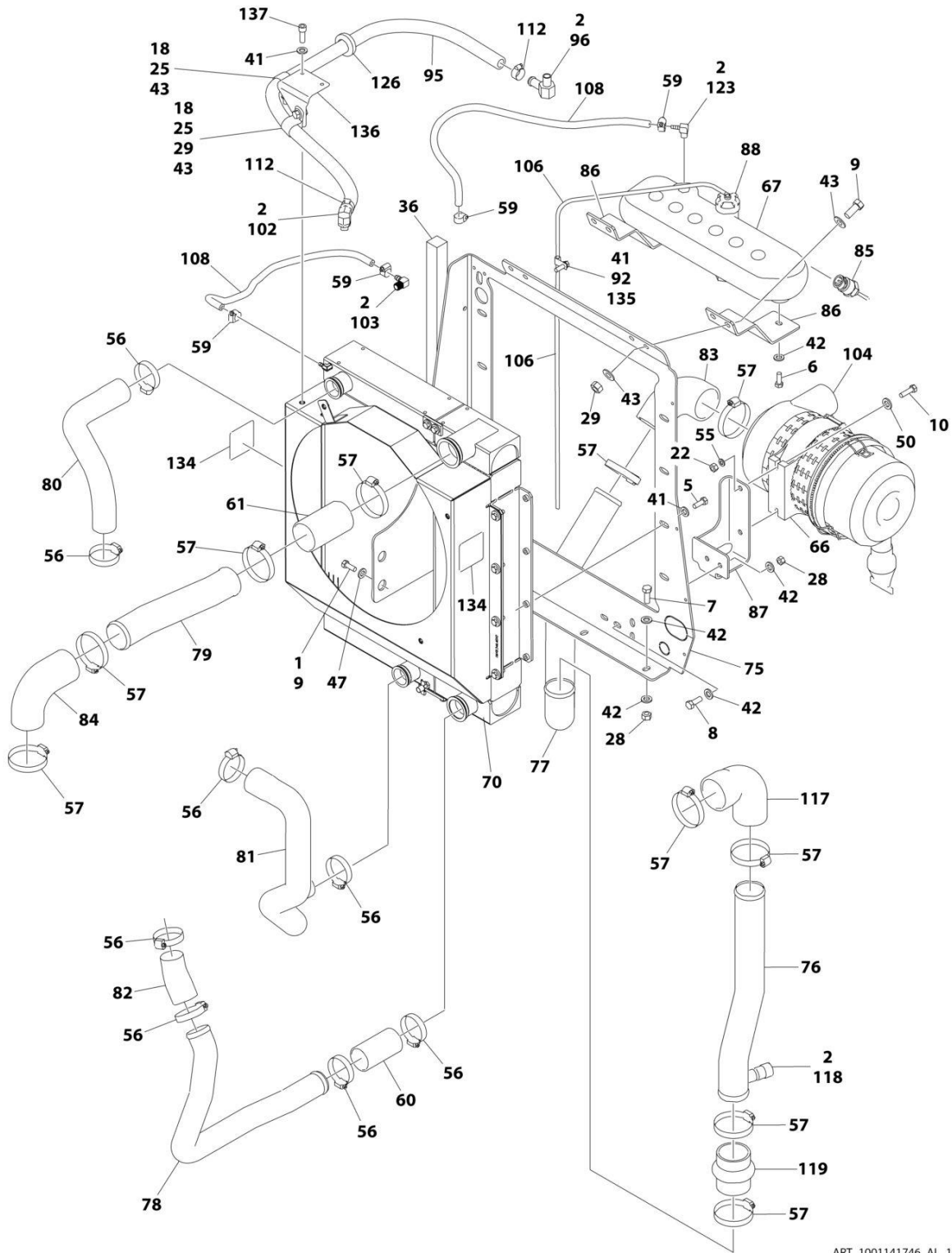
ITEM	PART NUMBER	QTY	DESCRIPTION	REV
98	1001144089	1	Grommet	
99	1001145154	1	Plate, Mounting	
100	1001146219	4	Washer Special	
101	1001148843	1	Harness, Fuel Filter (Not Shown - See Separate Breakdown in ELECTRICAL Section)	
102	1001229600	1	Plate	
103	1001155575	4	Mount, Motor	
104	1001155823	1	Coupling	
105	1001168166	2	Seal	
106	1001169054	4	Isolator	
107	1001169138	4	Pad	
108	1001170035	1	Bracket	
109	1001176329	2	Bracket	
110	1001176330	1	Bracket	
111	1001176415	1	Hose, Radiator (Upper)	
112	1001176416	1	Hose, Radiator (Lower)	
113	1001229599	1	Bracket	
114	1001138524	1	Hose	
115	1001178236	1	Support, Radiator	
116	1001178894	1	Hose, Air Intake	
117	1001180620	AR	Adhesive	
118	1001187011	1	Tray	
119	1001219642	1	Engine, Deutz TD2.9L4 (See Separate Breakdown in this Section)	
120	1001220770	1	Radiator	
121	1001221203	1	Muffler Bracket Assembly	
122	1001221205	1	Bracket	
123	1001151432	1	Muffler	
124	1001221212	2	Clamp	
125	1001257155	1	Pipe, Exhaust	
126	1001221217	1	Pipe, Flex Assembly	
127	1001221219	1	Clamp	
129	1001133633	1	Air Cleaner Assembly	
129	70024190	1	Element, Air Filter	
130	1001135779	1	Cable, Alternator Positive (Not Shown)	
131	1001138248	4 ft/ 1.2m	Tubing	
132	1001154405	5 ft/ 1.5m	Hose	
133	1001165035	30.5 ft/ 9.3m	Hose	
134	1320022	6	Clamp	
135	2720015	5 ft/ 1.52m	Hose	
136	1001221427	1	Muffler-Wrap Assembly	
137	4920385	AR	Wire, Safety	
138	1001170982	1	Adapter	
139	4812002	4	Washer M10	
140	1320130	1	Clamp	
141	5250808	1	Bolt M8 x 16	
142	3290805	2	Nut, M10 (Not Shown)	
143	0100035	AR	Compound, Locking	
144	3290807	4	Nut M8	
145	4640751	1	Valve, Oil Drain	
146	8410013	1	Clamp, Gear	

## SECTION 3 - ENGINE

ITEM	PART NUMBER	QTY	DESCRIPTION	REV
147	1001182997	AR	Adhesive	
148	0761210	1	Bolt M12 x 20	
149	1001138559	1	Fitting, 90	
150	0701022	AR	Bolt M10 x 70	

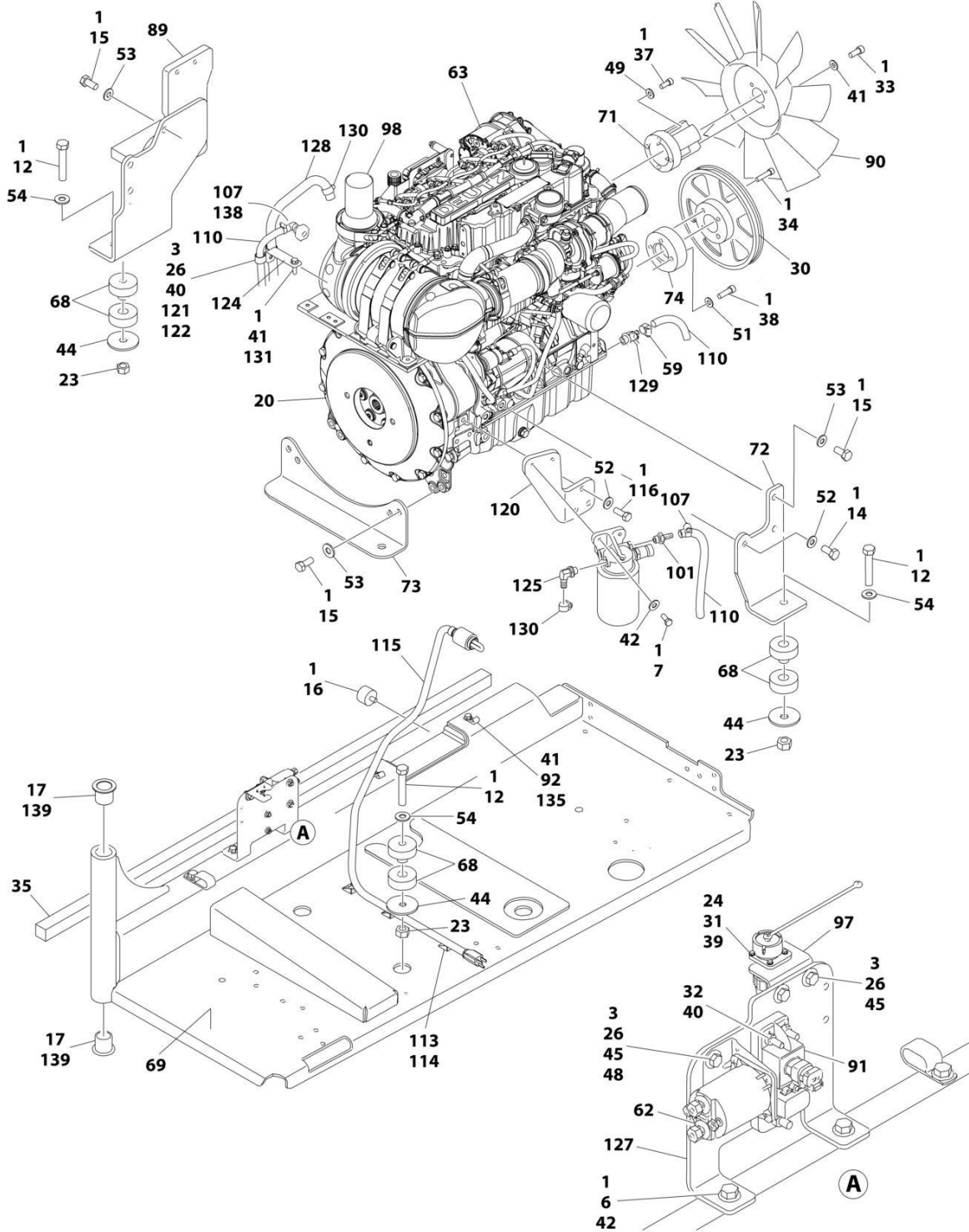
# SECTION 3 - ENGINE

## FIGURE 3-35. DEUTZ TCD2.9L4 ENGINE ASSEMBLY - WITH COLD WEATHER PLUS PACKAGE



ART\_1001141746\_AL\_10F2

# SECTION 3 - ENGINE



ART\_1001141746\_AL\_20F2

## SECTION 3 - ENGINE

**FIGURE 3-35. DEUTZ TCD2.9L4 ENGINE ASSEMBLY - WITH COLD WEATHER PLUS PACKAGE**

ITEM	PART NUMBER	QTY	DESCRIPTION	REV
	1001141746	Ref	DEUTZ TCD2.9L4 ENGINE ASSEMBLY (WITH COLD WEATHER PLUS PACKAGE)	AL
1	0100011	AR	Compound, Locking	
2	0100020	AR	Sealant	
3	0641406	5	Bolt 1/4 x 3/4	
5	0641508	8	Bolt 5/16 x 1	
6	0641606	5	Bolt 3/8 x 3/4	
7	0641608	9	Bolt 3/8 x 1	
8	0641610	2	Bolt 3/8 x 1-1/4	
9	0641708	6	Bolt 7/16 x 1	
10	0700815	2	Bolt M8 x 35	
12	0682028	4	Bolt 5/8 x 3-1/2 Grade 8	
14	0771212	1	Bolt M12 x 25 Grade 10.9	
15	0771414	9	Bolt M14 x 30 Grade 10.9	
16	0940070	1	Bumper	
17	0961986	2	Bushing, Flanged	
18	0641706	2	Bolt 7/16 x 3/4	
20	2902065	1	Pump Coupling Kit (See Separate Breakdown in this Section)	
22	3290801	2	Nut M8	
23	3272001	4	Nut 5/8 Grade 8	
24	3310401	3	Nut #4	
25	8406302	2	Clamp	
26	3311405	6	Nut 1/4	
28	3311605	9	Nut 3/8	
29	3311705	5	Nut 7/16	
30	3580320	1	Pulley	
31	3910408	3	Screw #4 x 1/2	
32	3931432	1	Capscrew 1/4 x 2	
33	3931512	4	Capscrew 5/16 x 3/4	
34	3931628	4	Capscrew 3/8 x 1-3/4	
35	3960543	1	Seal	
36	3960544	1	Seal	
37	4031914	4	Bolt M8 x 50	
38	4032014	4	Bolt M10 x 50	
39	4710400	3	Washer #4	
40	4711400	3	Washer 1/4	
41	4711500	19	Washer 5/16	
42	4711600	25	Washer 3/8	
43	4711700	10	Washer 7/16	
44	1001146219	4	Washer Special	
45	4751400	8	Washer 1/4	
47	4751700	2	Washer 7/16	
48	4791400	2	Starwasher 1/4	
49	4811900	4	Washer M8	
50	4811902	2	Washer M8	
51	4812000	4	Washer M10	
52	4812100	4	Washer M12	
53	4812200	9	Washer M14	
54	4892000	4	Washer 5/8	
55	4831900	2	Washer M8	

## SECTION 3 - ENGINE

ITEM	PART NUMBER	QTY	DESCRIPTION	REV
56	8405201	8	Clamp	
57	8405204	10	Clamp	
59	8410013	5	Clamp	
60	91563070	1	Coupling, Rubber	
61	1001114495	1	Hose	
62	1001117308	1	Relay	
63	1001249964	1	Engine, Deutz TCD2.9L4 (See Separate Breakdown in this Section)	
66	1001133634	1	Clamp	
67	1001166393	1	Tank, Surge	
68	1001155575	4	Mount, Motor	
69	1001191272	1	Tray	
70	1001135090	1	Radiator	
71	1001135138	1	Spacer, Fan	
72	1001135560	1	Support, Engine	
73	1001135562	1	Support, Engine - Rear	
74	1001135679	1	Spacer, Pulley	
75	1001135680	1	Support, Radiator	
76	1001135901	1	Pipe, Air Intake	
77	1001135903	1	Pipe, Air Intake	
78	1001135913	1	Pipe, Turbo to Air Cleaner	
79	1001135914	1	Pipe, Air Cleaner to Intake	
80	1001135924	1	Hose, Radiator (Upper)	
81	1001135926	1	Hose, Radiator (Lower)	
82	1001135943	1	Coupling, Rubber	
83	1001135946	1	Elbow, Rubber	
84	1001136292	1	Pipe, 90	
85	1001138827	1	Sensor, Coolant Level	
86	1001136626	2	Bracket	
87	1001136665	1	Bracket	
88	1001136834	1	Cap, Tank	
89	1001142398	1	Support, Engine	
90	1001137276	1	Fan	
91	1001138228	1	Module, Power	
91	70023592	1	Fuse 20Amp (Switched Output)	
91	70023593	1	Fuse 30Amp (Battery Output)	
92	1001138253	5	Clamp	
94	1001138346	1	Harness, Engine (Not Shown - See Separate Breakdown in ELECTRICAL Section)	
95	1001138524	1	Hose	
96	1001138559	1	Fitting, 90	
97	1001139240	1	Bracket	
98	1001153024	1	Pipe, Exhaust	
100	1001141304	1	Wire, Glow Plug (Not Shown)	
101	1001141717	1	Fitting, Straight	
102	1001141719	1	Fitting, 90 Barbed	
103	1001140564	1	Fitting, 90 Barbed	
104	1001133633	1	Air Cleaner Assembly	
104	70024190	1	Element, Air Filter	
105	1001135779	1	Cable, Alternator Positive (Not Shown)	
106	1001138248	4 ft/ 1.2m	Tubing	
107	1320022	2	Clamp	

## SECTION 3 - ENGINE

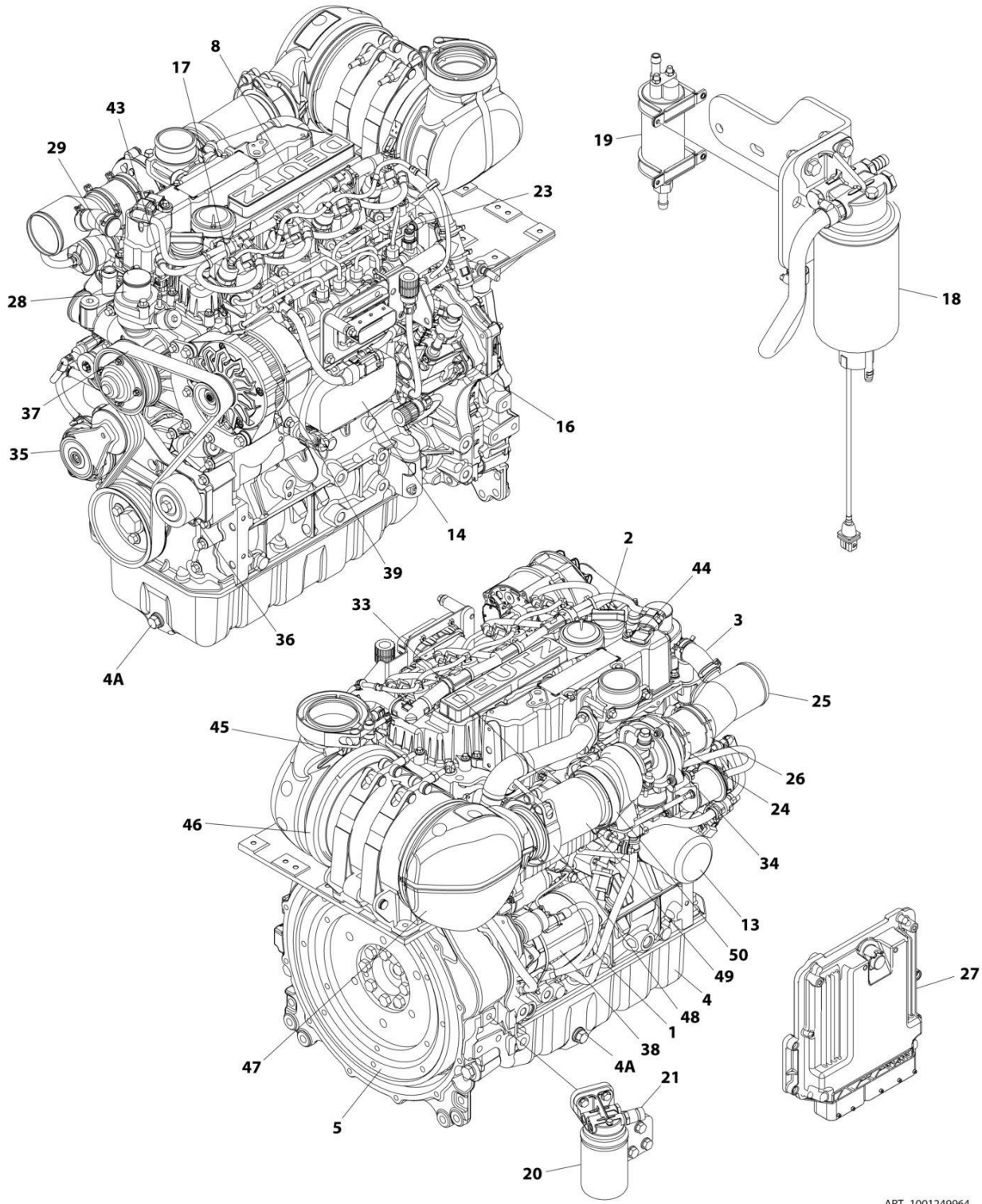
ITEM	PART NUMBER	QTY	DESCRIPTION	REV
108	2720015	4.5 ft/ 1.4m	Hose	
110	1001165035	30.5 ft/ 9.3m	Hose	
112	8405007	2	Clamp	
113	4240099	AR	Tie-Strap (Used to Secure Block Heater Cord)	
114	4460234	3	Mount, Wire Tie (Used to Secure Block Heater Cord)	
115	1001140312	1	Heater, Block	
116	0761214	3	Bolt M12 x 30	
117	1001165820	1	Pipe, Elbow	
118	1001143390	1	Indicator, Air Filter Service	
119	1001142637	1	Hose, Hump	
120	1001142685	1	Bracket	
121	8406102	AR	Clip	
122	8406112	1	Clip	
123	1001134488	1	Fitting, 90 Barbed	
124	1001138717	1	Bracket	
125	1001142501	1	Fitting, 90 Barbed	
126	1001144089	1	Grommet	
127	1001145154	1	Plate, Mounting	
128	1001154405	5 ft/ 1.5m	Hose	
129	4640751	1	Valve, Oil Drain	
130	8405006	2	Clamp	
131	0760810	AR	Bolt M8 x 20	
132	1001148843	1	Harness, Fuel Filter (Not Shown - See Separate Breakdown in ELECTRICAL SECTION)	
134	1703162	2	Decal - Fan	
135	0641503	3	Bolt 5/16 x 3/8	
136	1001153387	1	Plate	
137	3931508	2	Capscrew 5/16 x 1/2	
138	1001155823	1	Coupling	
139	0100062	AR	Adhesive, Loctite #680	
140	1001181895	AR	Adhesive, Loctite #640 (Not Shown - Apply to Block Heater)	





# SECTION 3 - ENGINE

## FIGURE 3-36. DEUTZ TCD2.9L4 ENGINE COMPONENTS



ART\_1001249964

## SECTION 3 - ENGINE

**FIGURE 3-36. DEUTZ TCD2.9L4 ENGINE COMPONENTS**

ITEM	PART NUMBER	QTY	DESCRIPTION	REV
	1001249964	Ref	DEUTZ TCD2.9L4 ENGINE COMPONENTS	A
1	70024904	1	Dipstick	
1	70024905	1	O-Ring	
2	7020465	2	Cap, Filler	
3	7002511	2	Clamp	
4		Ref	Pan, Oil	
4A	70005941	2	Plug	
4A	70005942	2	Washer, Sealing	
5	70001870	1	Flywheel	
5	7024579	1	Gear, Ring	
6	70024906	1	Gasket, Head (Not Shown)	
8	70005921	1	Cover, Valve	
8	70005171	1	Gasket	
8	70025205	1	Gasket, Small Valve Cover	
10	70004280	1	Seal, Shaft - Front (Not Shown)	
11	70002718	1	Seal, Shaft - Rear (Not Shown)	
12	70005172	1	Pump, Oil Lube (Not Shown)	
12	70025135	1	O-Ring	
12	70025136	1	Gasket	
13	7016331	1	Filter, Oil	
13	70025137	1	Bushing	
14	70024494	1	Cooler, Engine Oil	
14	70024925	1	Gasket	
16	70024924	1	Pump, Fuel	
16	70025152	1	O-Ring	
16	70004505	1	Valve, Overflow	
16	70004506	1	O-Ring	
16	70004507	1	O-Ring	
16	70004508	1	Valve Volume Control	
16	70004509	1	O-Ring	
16	70004510	1	Gasket	
17	70025181	4	Injector, Fuel	
17	70025140	4	Washer, Sealing	
17	70025146	4	Clamp (Top of Injector)	
17	70025145	4	O-Ring	
17	70025154	4	Shoe, Clamping	
17	70000345	1	Plug, Glow (Not Shown)	
18	70024961	1	Fuel Filter Assembly	
18	1001225430	1	Filter, Fuel	
18	70024513	1	Cable, Sensor	
18	70025239	1	Ring, Sealing	
19	70006144	1	Pump, Fuel	
19	70025144	2	Clamp	
20	70029451	1	Filter with Head	
20	1001225431	1	Filter, Fuel	
21	70024919	1	Sensor, Pressure	
21	70024920	1	O-Ring	
22	70025151	1	Rail, Fuel (Not Shown)	
22	70025235	1	Repair Kit (Not Shown)	
23	70025182	1	Fuel Line - High Pressure (Cylinder 1 & 2)	

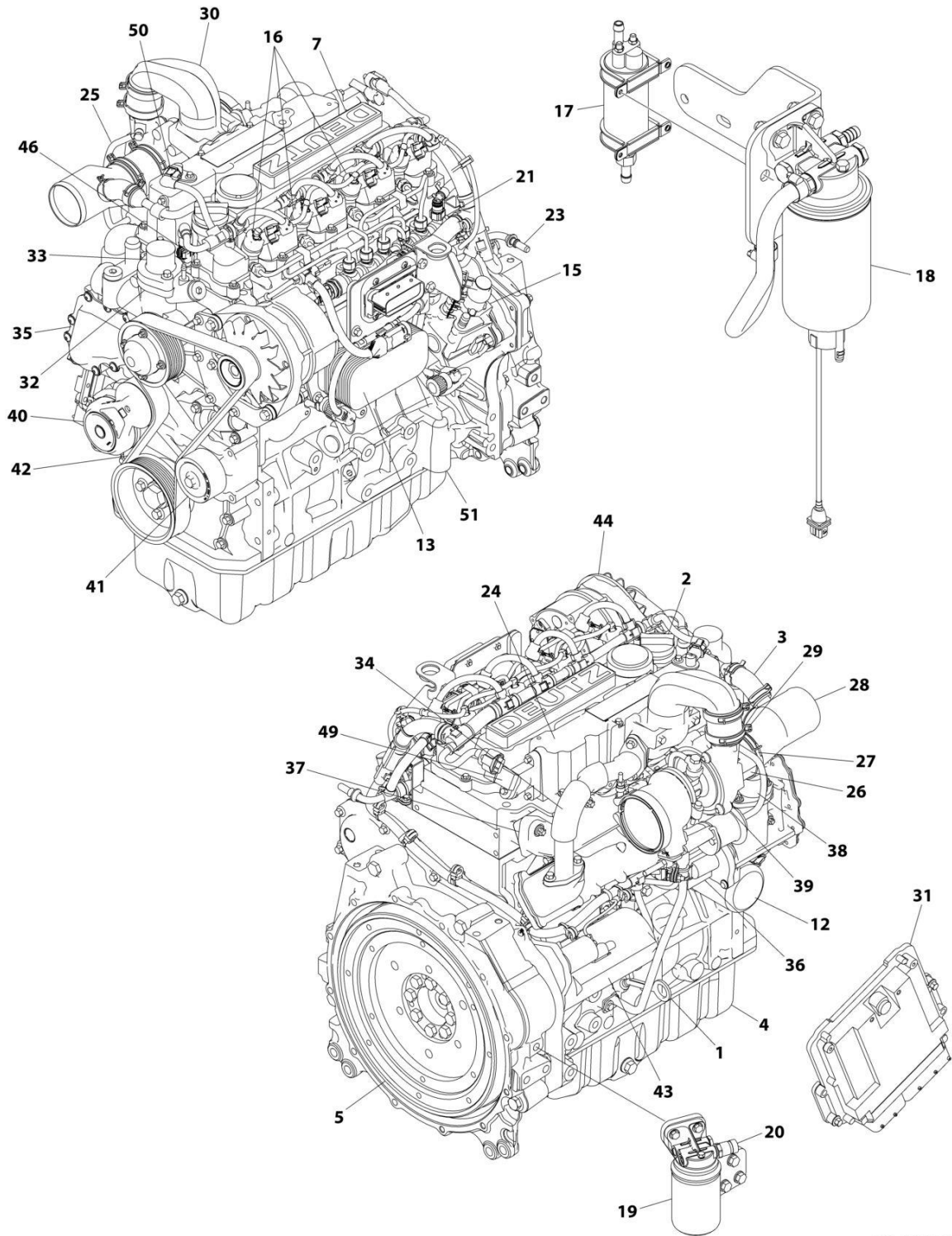
## SECTION 3 - ENGINE

ITEM	PART NUMBER	QTY	DESCRIPTION	REV
23	70025183	1	Fuel Line - High Pressure (Cylinder 3 & 4)	
23	70025184	1	Fuel Line - High Pressure (Supply)	
24	70004501	1	Sleeve, Rubber	
25	70004502	1	Pipe, Intake	
25	70005926	1	Pipe, Elbow	
26	70025112	2	Clamp	
27	70025210	1	ECU (Engine Control Unit)	
28	70029797	1	Pump, Water	
28	70025200	1	Ring, Sealing	
28	70007325	1	Gasket	
28	7020492	2	Ring, Sealing (Plug)	
29	70005929	1	Thermostat	
29	70025184	1	O-Ring (Thermostat to Cover)	
29	70005931	1	Gasket (Thermostat to Pump)	
29	70025142	1	Cover, Thermostat	
31	70007326	1	Valve, Shuttle (EGR) (Not Shown)	
31	70007327	1	Gasket	
33	70004282	1	Manifold, Exhaust	
33	70025164	1	Gasket, Exhaust Manifold to Head	
33	70029557	1	Gasket, Exhaust Manifold to Pipe	
34	70007328	1	Turbocharger	
34	70024912	1	Gasket, Exhaust Manifold	
35	70028699	1	Tensioner, Belt	
36		Ref	Idler Roller	
37	70004277	1	Belt, Drive	
38	70024915	1	Starter	
38	70005647	1	Switch, Solenoid	
38	70005648	1	Relay	
39	70029401	1	Generator	
39	70006653	1	Regulator, Voltage	
40	70007329	1	Harness, Engine (Not Shown)	
41	70024504	1	Sensor, Pressure (Not Shown - Located Top Rear)	
41	70024920	1	O-Ring	
42	70026210	2	Sensor, Speed (Not Shown - Located Left Side Front and Flywheel Housing)	
42	70024917	2	O-Ring	
43	70028540	1	Sender, Temperature	
44	70024507	1	Sensor, Pressure	
44	70025120	1	O-Ring	
45	70007331	1	Outlet, Muffler	
46	70029517	1	Clip	
46	70029520	1	Gasket	
47	70007330	1	Inlet	
48	70025877	1	Clip	
48	70025788	1	Nut	
48	70025242	1	Gasket	
49	70004504	1	Compensator	
50	70005527	1	Clip	
50	70029433	1	Clip	
50	70025242	1	Gasket	



# SECTION 3 - ENGINE

## FIGURE 3-37. ENGINE COMPONENTS - DEUTZ TCD2.9L4 ENGINE (CHINA SPEC ONLY)



ART\_1001219642

## SECTION 3 - ENGINE

**FIGURE 3-37. ENGINE COMPONENTS - DEUTZ TCD2.9L4 ENGINE (CHINA SPEC ONLY)**

ITEM	PART NUMBER	QTY	DESCRIPTION	REV
	1001219642	Ref	DEUTZ TD2.9L4 ENGINE COMPONENTS	D
1	70006127	1	Dipstick	
1	70024905	1	O-Ring	
2	7020465	2	Cap, Filler	
3	70005920	1	Hose	
3	70025111	2	Clamp	
4	70025162	1	Pan, Oil	
4	70005941	2	Plug	
4	70005942	2	Washer, Sealing	
5	70001870	1	Flywheel	
5	7024579	1	Gear, Ring	
6	70024906	1	Gasket, Head (Not Shown)	
7	70005921	1	Cover, Valve	
7	70025205	1	Gasket	
7	70005171	1	Gasket	
8	70025076	1	Valve (Not Shown - Located on Right Side of Front Engine Cover)	
8	70025176	1	Spring	
8	70025082	1	Ring, Sealing	
8	70025091	1	Plug	
9	70004280	1	Seal, Shaft - Front (Not Shown)	
10	70002718	1	Seal, Shaft - Rear (Not Shown)	
11	70005172	1	Pump, Oil Lube (Not Shown)	
11	70025135	1	O-Ring	
11	70005173	1	Gasket	
12	7016331	1	Filter, Oil	
12	70025137	1	Bushing	
13	70024494	1	Cooler, Engine Oil (Not Shown - Located on Right Side)	
13	70024925	1	Gasket	
14	70025171	1	Oil Suction Pump (Not Shown - Located Inside of Engine Oil Pan)	
15	70024924	1	Pump, Fuel	
15	70025152	1	O-Ring	
15	70025080	1	Washer	
15	70024488	1	Spacer	
15	70024517	1	O-Ring	
16	70025181	4	Injector, Fuel (Not Shown - Located on Right Side)	
16	70025140	4	Washer, Sealing	
16	70025146	4	Clamp (Top of Injector)	
16	70025145	4	O-Ring	
16	70025154	4	Shoe, Clamping	
16	70000345	1	Plug, Glow (Not Shown)	
16	70025231	1	Harness, Glow Plug (Not Shown)	
17	70005174	NLA	Pump, Fuel (Use p/n 1001226098)	
17	70025144	2	Clamp	
18	70024961	1	Fuel Filter Assembly	
18	70025153	NLA	Filter, Fuel (Use p/n 1001225430)	
18	70024513	1	Cable, Sensor	
18	70025239	1	Ring, Sealing	
19	70004511	1	Filter with Head	
19	70004512	NLA	Filter, Fuel (Use p/n 1001225432)	
20	70024504	1	Sensor, Pressure	

## SECTION 3 - ENGINE

ITEM	PART NUMBER	QTY	DESCRIPTION	REV
20	70024920	1	O-Ring	
21	70025151	1	Rail, Fuel	
21	70025235	1	Repair Kit	
21	70025240	1	O-Ring	
22	70025182	1	Fuel Line - High Pressure (Cylinder 1 & 2) (Not Shown)	
22	70025183	1	Fuel Line - High Pressure (Cylinder 3 & 4) (Not Shown)	
22	70025184	1	Fuel Line - High Pressure (Supply) (Not Shown)	
23	70025158	1	Manifold, Fuel	
23	70025109	2	Clamp	
23	70025115	1	Clamp	
23	70025133	1	Hose	
23	70024502	1	Pipe	
23	70025185	1	Hose	
23	70025101	2	Clamp	
24	70005923	1	Charge Air Pipe	
24	70005924	1	O-Ring	
24	70005177	1	Gasket	
25	70005925	1	Breather Line	
25	70005181	1	O-Ring	
26	70004501	1	Sleeve, Rubber	
27	70025112	2	Clamp	
28	70005926	1	Elbow Connector	
29	70005927	1	Sleeve, Rubber	
29	70025107	2	Clamp	
30	70005928	1	Charge Air Elbow	
31	70025210	1	ECU (Engine Control Unit)	
32	70024910	1	Pump, Water	
32	70025200	1	Ring, Sealing	
32	70025084	2	Plug	
32	7020492	2	Ring, Sealing	
33	70005929	1	Thermostat	
33	70005184	1	O-Ring	
33	70025142	1	Cover, Thermostat	
33	70025931	1	Gasket	
34	70025178	1	Pipe	
34	70025768	1	Valve, Shuttle	
34	70025179	2	Gasket	
34	70025180	1	Gasket	
35	70025203	1	Module, EGR (Includes Item 36)	
35	70025155	1	Plug	
36	70005188	1	Control Valve	
36	70005189	1	Seal	
37	70004282	1	Manifold, Exhaust	
37	70025164	1	Gasket, Exhaust Manifold to Head	
38	70026995	1	Pipe (Not Shown - Located on Left Side)	
38	70021895	2	Gasket	
39	70004276	1	Turbocharger	
39	70024912	1	Gasket, Exhaust Manifold	
39	70024509	1	Gasket, Return Line	
40	70025477	1	Tensioner, Belt	
41	70024484	1	Idler Roller	

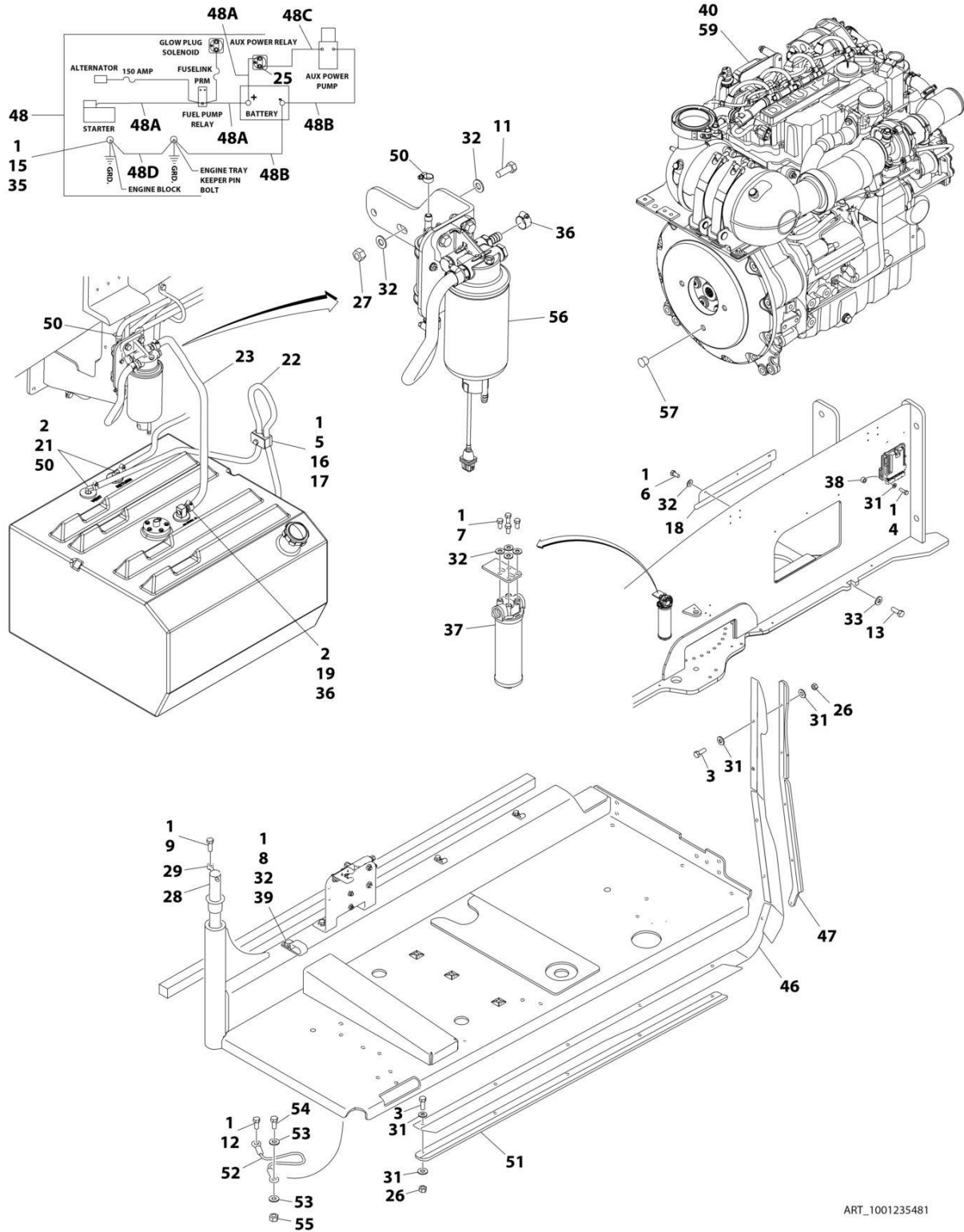


## SECTION 3 - ENGINE

ITEM	PART NUMBER	QTY	DESCRIPTION	REV
42	70004277	1	Belt, Drive	
43	70024915	1	Starter	
43	70005647	1	Switch, Solenoid	
43	70005648	1	Relay	
44	70025533	1	Generator	
44	70025149	1	Regulator, Voltage	
45	70025077	1	Harness, Engine (Not Shown)	
46	70024918	1	Sender, Temperature	
47	70024504	1	Sensor, Pressure (Not Shown - Located on Right Side)	
47	70024920	1	O-Ring	
48	70026210	2	Sensor, Speed (Not Shown - Located Left Side Front and Flywheel Housing)	
48	70005191	2	O-Ring	
49	70024507	1	Sensor, Pressure (Not Shown - Located Top Rear)	
49	70025120	1	O-Ring	
50	70024922	1	Temperature, Transmitter	
50	70035212	1	O-Ring	
51	70025660	1	Screw	

# SECTION 3 - ENGINE

FIGURE 3-38. DEUTZ TCD2.9L4 (STAGE V PRE-BUY) DIESEL ENGINE INSTALLATION - WITH SAUER PUMPS (WITHOUT COLD WEATHER PLUS PACKAGE)



ART\_1001235481

## SECTION 3 - ENGINE

**FIGURE 3-38. DEUTZ TCD2.9L4 (STAGE V PRE-BUY) DIESEL ENGINE INSTALLATION - WITH SAUER PUMPS (WITHOUT COLD WEATHER PLUS PACKAGE)**

ITEM	PART NUMBER	QTY	DESCRIPTION	REV
	1001235481	Ref	DEUTZ TCD2.9L4 (STAGE V PRE-BUY) DIESEL ENGINE INSTALLATION - WITH SAUER PUMPS (WITHOUT COLD WEATHER PLUS PACKAGE)	D
1	0100011	AR	Compound, Locking	
2	0100079	AR	Sealant, Pipe	
3	0641408	10	Bolt 1/4 x 1	
4	0641410	4	Bolt 1/4 x 1-1/4	
5	0641511	1	Bolt 5/16 x 1-3/8	
6	0641605	3	Bolt 3/8 x 5/8	
7	0641606	4	Bolt 3/8 x 3/4	
8	0641608	1	Bolt 3/8 x 1	
9	0641610	1	Bolt 3/8 x 1-1/4	
11	0641612	2	Bolt 3/8 x 1-1/2	
12	0641808	1	Bolt 1/2 x 1	
13	0642010	1	Bolt 5/8 x 1-1/4	
15	0761210	1	Bolt M12 x 20	
16	1320187	1	Clamp	
17	1320190	1	Cover, Clamp	
18	1671121	1	Cover	
19	2180832	1	Fitting, Barbed	
21	2220313	2	Fitting, 90 Barbed	
22	2750532	5 ft/ 1.5m	Hose	
23	1001154405	2 ft/ 0.6m	Hose	
25	3300220	2	Nut 5/16	
26	3311405	10	Nut 1/4	
27	3311605	2	Nut 3/8	
28	3422446	1	Pin, Pivot	
29	3841143	1	Pin, Keeper	
30	4240018	2	Strap, Tie (Not Shown)	
31	4711400	24	Washer 1/4	
32	4711600	12	Washer 3/8	
33	4752000	1	Washer 5/8	
35	4812100	1	Washer M12	
36	8405006	2	Clamp	
37	1001108617	1	Filter	
37	70002231	1	Element, Filter	
38	1001110425	4	Spacer	
39	1001116792	1	Clamp	
40	1001235476	1	Engine Sub-Assembly (See Separate Breakdown in this Section)	
42	1001138491	NLA	Harness, Fuel (Use p/n 1001222665) (Not Shown - See Separate Breakdown in ELECTRICAL Section)	
46	1001140604	1	Panel, Rubber	
47	1001145089	1	Clamp	
48	1001141225	1	Battery Cable Kit	E
48A	7027042	1	Cable, Battery (Red) (Battery + to Relays and Starter)	
48B	7027043	1	Cable, Battery (Black) (Battery - to Tray Pivot Grd and Aux Pump)	
48C	7027044	1	Cable (Red) (Aux Relay to Aux Pump)	
48D	7027045	1	Cable, Battery (Black) (Engine to Tray Pivot Grd)	
50	1320022	3	Clamp	

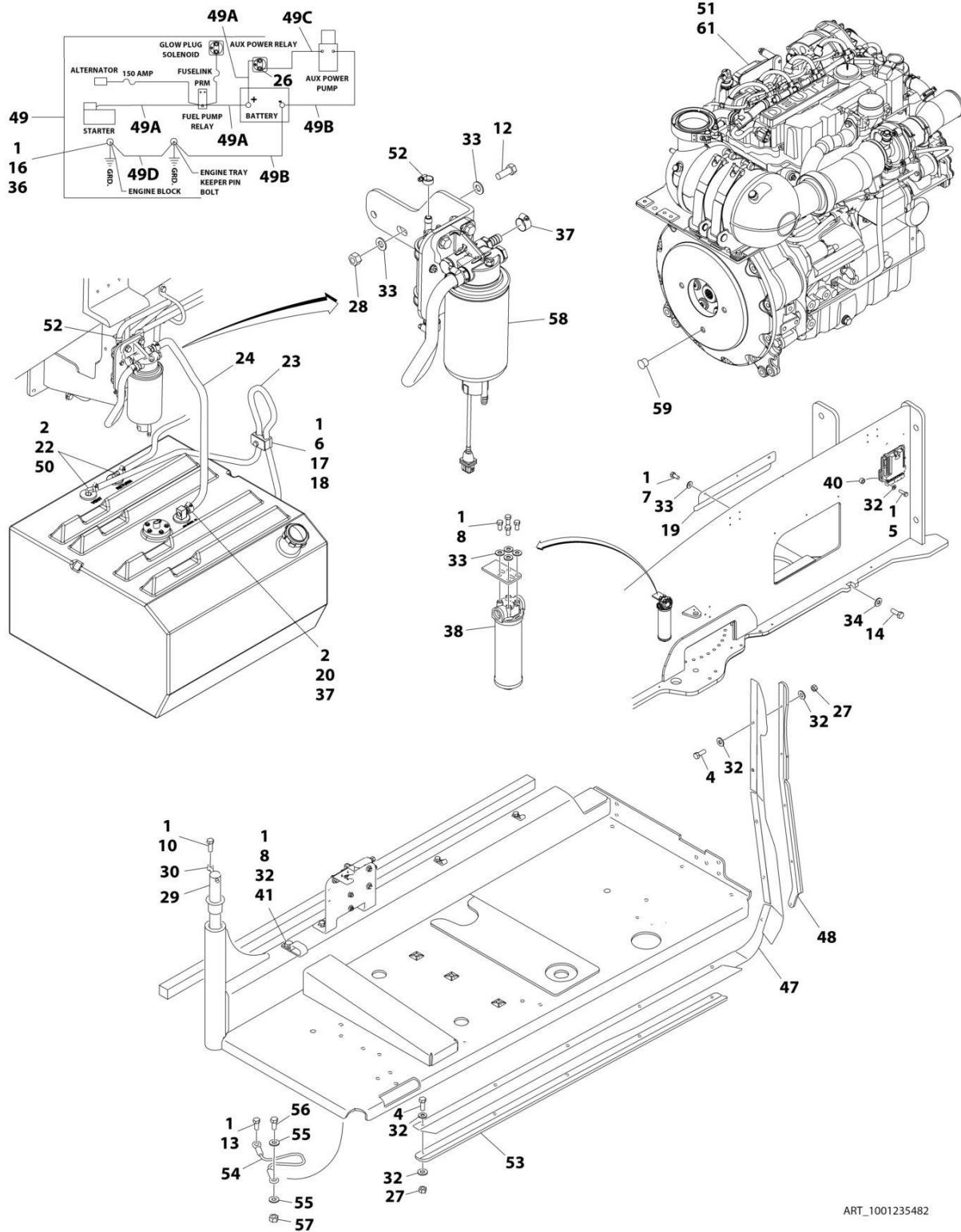
## SECTION 3 - ENGINE

ITEM	PART NUMBER	QTY	DESCRIPTION	REV
51	1001145842	1	Plate, Clamping	
52	1001131542	1	Lanyard	
53	4711700	2	Washer 7/16	
54	0641708	1	Bolt 7/16 x 1	
55	3311705	1	Nut 7/16	
56	1001165101	1	Bracket, Fuel Pump Filter Assembly (See Separate Breakdown in this Section)	
57	3520054	1	Plug	
59	1001235459	1	Engine, Deutz TCD2.9L4 (Stage V Pre-Buy) (See Separate Breakdown in this Section)	



# SECTION 3 - ENGINE

**FIGURE 3-39. DEUTZ TCD2.9L4 (STAGE V PRE-BUY) DIESEL ENGINE INSTALLATION - WITH REXROTH PUMPS (WITHOUT COLD WEATHER PLUS PACKAGE)**



ART\_1001235482

## SECTION 3 - ENGINE

**FIGURE 3-39. DEUTZ TCD2.9L4 (STAGE V PRE-BUY) DIESEL ENGINE INSTALLATION - WITH REXROTH PUMPS (WITHOUT COLD WEATHER PLUS PACKAGE)**

ITEM	PART NUMBER	QTY	DESCRIPTION	REV
	1001235482	Ref	DEUTZ TCD2.9L4 (STAGE V PRE-BUY) DIESEL ENGINE INSTALLATION - WITH REXROTH PUMPS (WITHOUT COLD WEATHER PLUS PACKAGE)	D
1	0100011	AR	Compound, Locking	
2	0100079	AR	Sealant, Pipe	
4	0641408	10	Bolt 1/4 x 1	
5	0641410	4	Bolt 1/4 x 1-1/4	
6	0641511	1	Bolt 5/16 x 1-3/8	
7	0641605	3	Bolt 3/8 x 5/8	
8	0641606	4	Bolt 3/8 x 3/4	
9	0641608	1	Bolt 3/8 x 1	
10	0641610	1	Bolt 3/8 x 1-1/4	
12	0641612	2	Bolt 3/8 x 1-1/2	
13	0641808	1	Bolt 1/2 x 1	
14	0642010	1	Bolt 5/8 x 1-1/4	
16	0761210	1	Bolt M12 x 20	
17	1320187	1	Clamp	
18	1320190	1	Cover, Clamp	
19	1671121	1	Cover	
20	2180832	1	Fitting, Barbed	
22	2220313	2	Fitting, 90 Barbed	
23	2750532	5 ft/ 1.5m	Hose	
24	1001154405	2 ft/ 0.6m	Hose	
26	3300220	2	Nut 5/16	
27	3311405	10	Nut 1/4	
28	3311605	2	Nut 3/8	
29	3422446	1	Pin, Pivot	
30	3841143	1	Pin, Keeper	
31	4240018	2	Strap, Tie (Not Shown)	
32	4711400	24	Washer 1/4	
33	4711600	12	Washer 3/8	
34	4752000	1	Washer 5/8	
36	4812100	1	Washer M12	
37	8405006	2	Clamp	
38	1001108617	1	Filter	
38	70002231	1	Element, Filter	
40	1001110425	4	Spacer	
41	1001116792	1	Clamp	
43	1001138491	NLA	Harness, Fuel (Use p/n 1001222665) (Not Shown - See Separate Breakdown in ELECTRICAL Section)	
47	1001140604	1	Panel, Rubber	
48	1001145089	1	Clamp	
49	1001141225	1	Battery Cable Kit	
49A	7027042	1	Cable, Battery (Red) (Battery + to Relays and Starter)	
49B	7027043	1	Cable, Battery (Black) (Battery - to Tray Pivot Grd and Aux Pump)	
49C	7027044	1	Cable (Red) (Aux Relay to Aux Pump)	
49D	7027045	1	Cable, Battery (Black) (Engine to Tray Pivot Grd)	
51	1001235479	1	Engine Sub-Assembly (See Separate Breakdown in this Section)	
52	1320022	3	Clamp	

## SECTION 3 - ENGINE

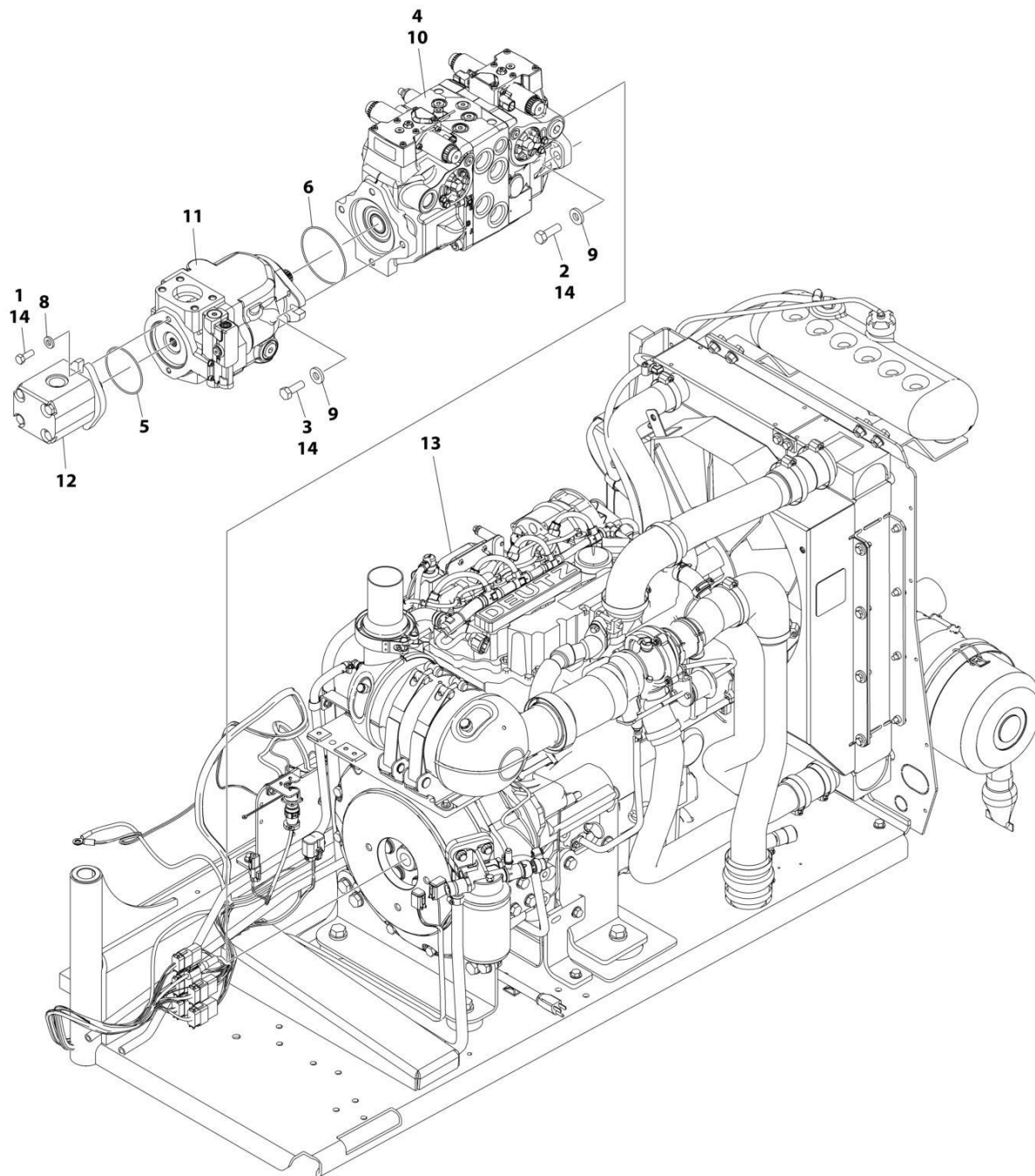
ITEM	PART NUMBER	QTY	DESCRIPTION	REV
53	1001145842	1	Plate, Clamping	
54	1001131542	1	Lanyard	
55	4711700	2	Washer 7/16	
56	0641708	1	Bolt 7/16 x 1	
57	3311705	1	Nut 7/16	
58	1001165101	1	Bracket, Fuel Pump Filter Assembly (See Separate Breakdown in this Section)	
59	3520054	1	Plug	
61	1001235459	1	Engine, Deutz TCD2.9L4 (Stage V Pre-Buy) (See Separate Breakdown in this Section)	





## SECTION 3 - ENGINE

FIGURE 3-40. DEUTZ TCD2.9L4 (STAGE V PRE-BUY) ENGINE SUB-ASSEMBLY - WITH SAUER PUMP  
(WITHOUT COLD WEATHER PLUS PACKAGE)



ART\_1001235476

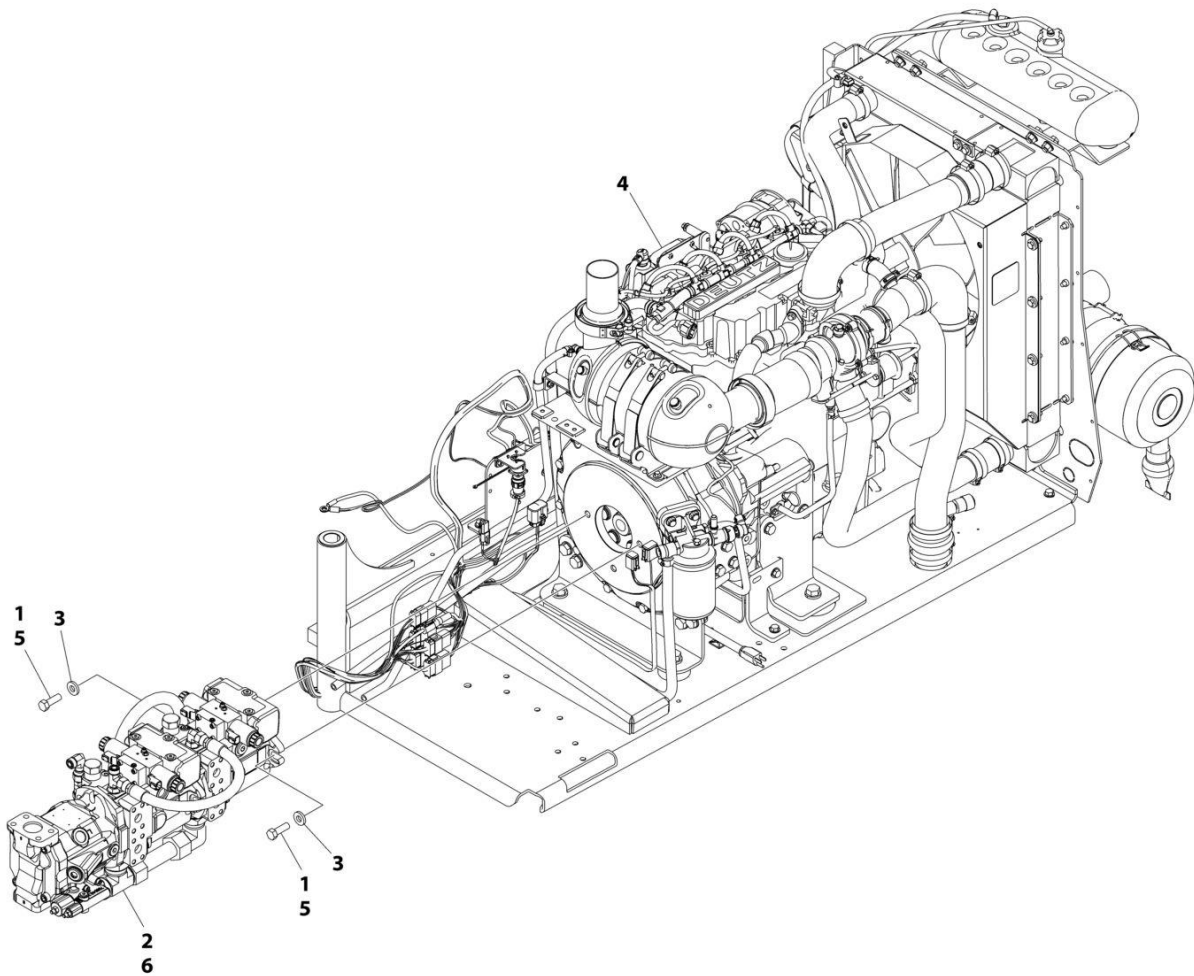
## SECTION 3 - ENGINE

**FIGURE 3-40. DEUTZ TCD2.9L4 (STAGE V PRE-BUY) ENGINE SUB-ASSEMBLY - WITH SAUER PUMP  
(WITHOUT COLD WEATHER PLUS PACKAGE)**

ITEM	PART NUMBER	QTY	DESCRIPTION	REV
	1001235476	Ref	DEUTZ TCD2.9L4 (STAGE V PRE-BUY) ENGINE SUB-ASSEMBLY	K
1	0641608	2	Bolt 3/8 x 1	
2	0641812	2	Bolt 1/2 x 1-1/2	
3	0761215	2	Bolt M12 x 35	
4	3020037	AR	Grease, Pump Coupling	
5	3790152	1	O-Ring	
6	3790155	1	O-Ring	
8	4891600	2	Washer 3/8	
9	4891800	4	Washer 1/2	
10	1001108616	1	Pump Assembly - Sauer Tandem (See Separate Breakdown in this Section)	
11	1001171095	1	Pump Assembly - Sauer Piston (See Separate Breakdown in this Section)	
12	1001112927	1	Pump Assembly - Sauer Gear (See Separate Breakdown in this Section)	
13	1001235477	1	Engine Assembly (See Separate Breakdown in this Section)	
14	0100011	AR	Compound, Locking	

# SECTION 3 - ENGINE

**FIGURE 3-41. DEUTZ TCD2.9L4 (STAGE V PRE-BUY) ENGINE SUB-ASSEMBLY - WITH REXROTH PUMP (WITHOUT COLD WEATHER PLUS PACKAGE)**



ART\_1001235479

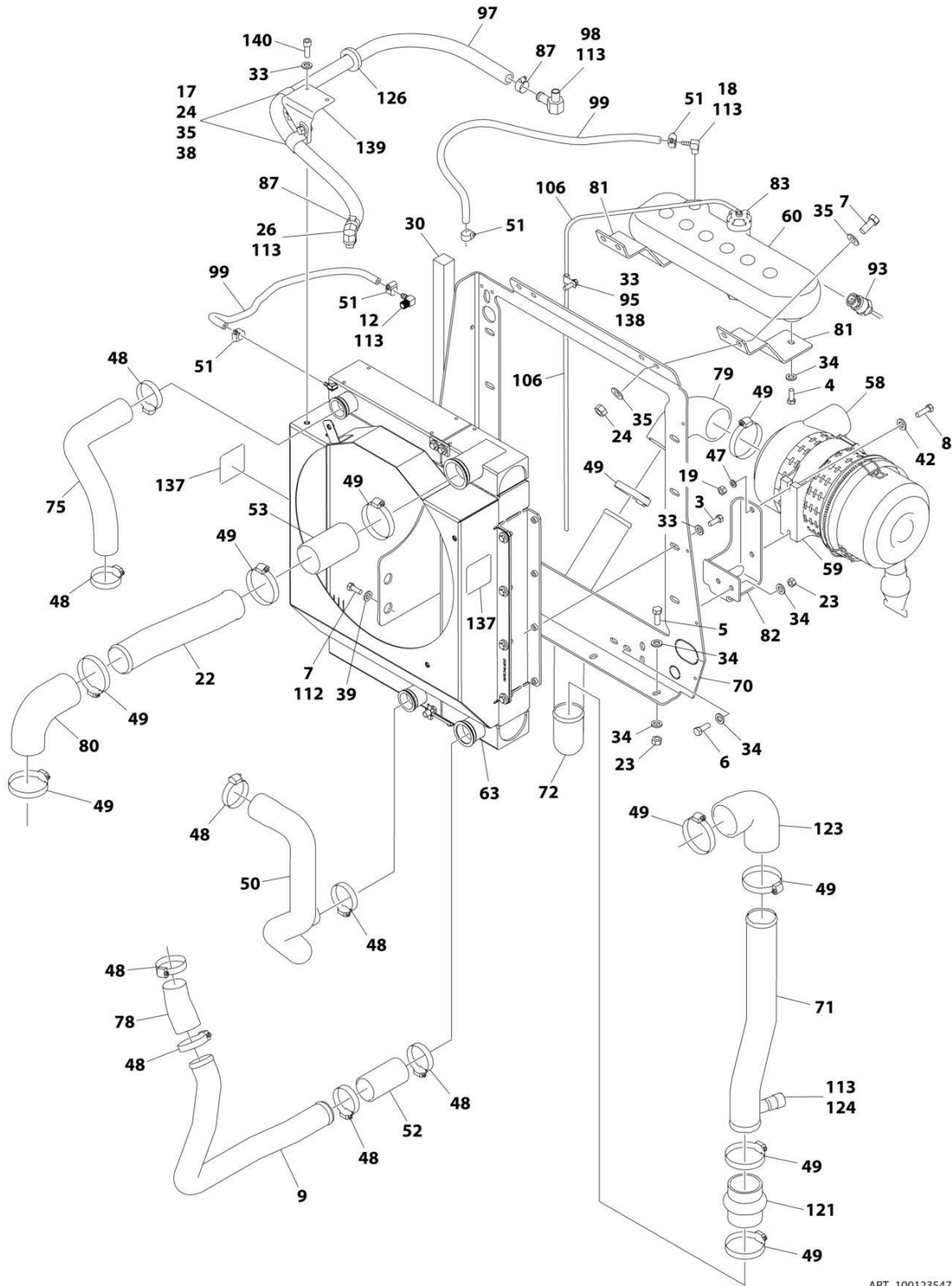
## SECTION 3 - ENGINE

**FIGURE 3-41. DEUTZ TCD2.9L4 (STAGE V PRE-BUY) ENGINE SUB-ASSEMBLY - WITH REXROTH PUMP (WITHOUT COLD WEATHER PLUS PACKAGE)**

ITEM	PART NUMBER	QTY	DESCRIPTION	REV
	1001235479	Ref	DEUTZ TCD2.9L4 (STAGE V PRE-BUY) ENGINE SUB-ASSEMBLY	K
1	0641812	2	Bolt 1/2 x 1-1/2	
2	3020037	AR	Grease, Pump Coupling	
3	4891800	2	Washer 1/2	
4	1001235477	1	Engine Assembly (See Separate Breakdown in this Section)	
5	0100011	AR	Compound, Locking	
6	1001152963	1	Pump Assembly - Rexroth (See Separate Breakdown in this Section)	

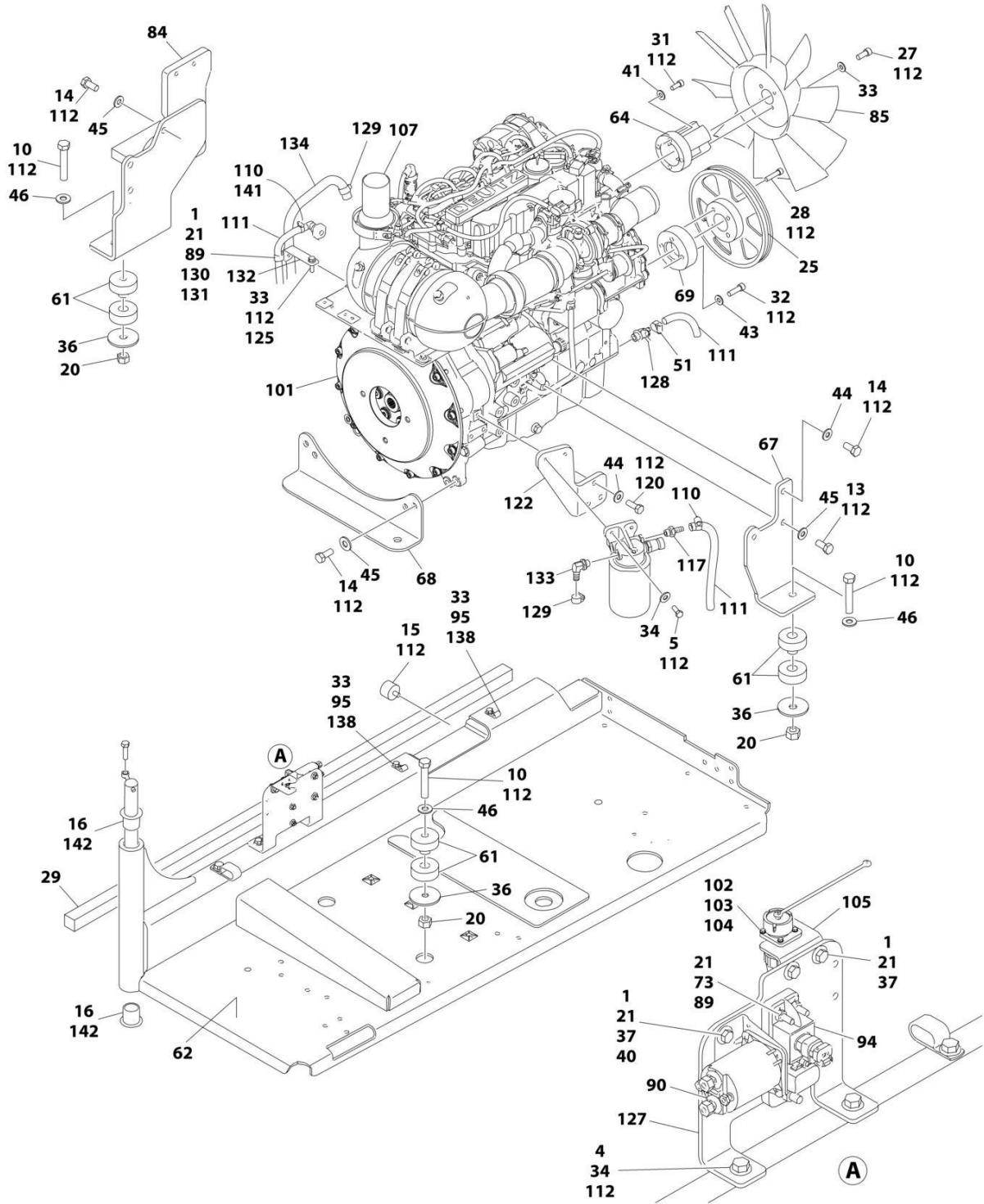
# SECTION 3 - ENGINE

## FIGURE 3-42. DEUTZ TCD2.9L4 (STAGE V PRE-BUY) ENGINE ASSEMBLY (WITHOUT COLD WEATHER PLUS PACKAGE)



ART\_1001235477\_10F2

# SECTION 3 - ENGINE



ART\_1001235477\_20F2

## SECTION 3 - ENGINE

**FIGURE 3-42. DEUTZ TCD2.9L4 (STAGE V PRE-BUY) ENGINE ASSEMBLY (WITHOUT COLD WEATHER PLUS PACKAGE)**

ITEM	PART NUMBER	QTY	DESCRIPTION	REV
	1001235477	Ref	DEUTZ TCD2.9L4 (STAGE V PRE-BUY) ENGINE ASSEMBLY	J
1	0641406	5	Bolt 1/4 x 3/4	
3	0641508	8	Bolt 5/16 x 1	
4	0641606	3	Bolt 3/8 x 3/4	
5	0641608	9	Bolt 3/8 x 1	
6	0641610	2	Bolt 3/8 x 1-1/4	
7	0641708	6	Bolt 7/16 x 1	
8	0700815	2	Bolt M8 x 35	
9	1001135913	1	Pipe, Turbo to Air Cleaner	
10	0682028	4	Bolt 5/8 x 3-1/2 Grade 8	
12	1001140564	1	Fitting, 90 Barbed	
13	0771212	1	Bolt M12 x 25 Grade 10.9	
14	0771414	9	Bolt M14 x 30 Grade 10.9	
15	0940070	1	Bumper	
16	0961986	2	Bushing, Flanged	
17	0641706	2	Bolt 7/16 x 3/4	
18	1001134488	1	Fitting, 90 Barbed	
19	3290801	2	Nut M8	
20	3272001	4	Nut 5/8 Grade 8	
21	3311405	6	Nut 1/4	
22	1001135914	1	Pipe, Air Cleaner to Intake	
23	3311605	9	Nut 3/8	
24	3311705	5	Nut 7/16	
25	3580320	1	Pulley	
26	1001141719	1	Fitting, 90 Barbed	
27	3931512	4	Capscrew 5/16 x 3/4	
28	3931628	4	Capscrew 3/8 x 1-3/4	
29	3960543	1	Seal	
30	3960544	1	Seal	
31	4031914	4	Bolt M8 x 50	
32	4032014	4	Bolt M10 x 50	
33	4711500	19	Washer 5/16	
34	4711600	25	Washer 3/8	
35	4711700	10	Washer 7/16	
36	1001146219	4	Washer Special	
37	4751400	8	Washer 1/4	
38	8406302	2	Clamp	
39	4751700	2	Washer 7/16	
40	4791400	2	Starwasher 1/4	
41	4811900	4	Washer M8	
42	4811902	2	Washer M8	
43	4812000	4	Washer M10	
44	4812100	4	Washer M12	
45	4812200	9	Washer M14	
46	4892000	4	Washer 5/8	
47	4831900	2	Washer M8	
48	8405201	8	Clamp	
49	8405204	10	Clamp	
50	1001135926	1	Pipe, Radiator (Lower)	



## SECTION 3 - ENGINE

ITEM	PART NUMBER	QTY	DESCRIPTION	REV
51	8410013	5	Clamp	
52	91563070	1	Coupling, Rubber	
53	1001114495	1	Hose	
58	1001133633	1	Air Cleaner Assembly	
58	70024190	1	Element, Air Filter	
59	1001133634	1	Clamp	
60	1001166393	1	Tank, Surge	
61	1001155575	4	Mount, Motor	
62	1001191272	1	Tray	
63	1001135090	1	Radiator	
64	1001135138	1	Spacer, Fan	
67	1001135560	1	Support, Engine	
68	1001135562	1	Support, Engine - Rear	
69	1001135679	1	Spacer, Pulley	
70	1001135680	1	Support, Radiator	
71	1001135901	1	Pipe, Air Intake	
72	1001135903	1	Pipe, Air Intake	
73	3931432	1	Capscrew 1/4 x 2	
75	1001135924	1	Hose, Radiator (Upper)	
78	1001135943	1	Coupling, Rubber	
79	1001135946	1	Elbow, Rubber	
80	1001136292	1	Pipe, 90	
81	1001136626	2	Bracket	
82	1001136665	1	Bracket	
83	1001136834	1	Cap, Tank	
84	1001142398	1	Support, Engine	
84	1001283008	1	Support, Engine	
85	1001137276	1	Fan	
87	8405007	2	Clamp	
89	4711400	3	Washer 1/4	
90	1001117308	1	Relay	
93	1001138827	1	Sensor, Coolant Level	
94	1001138228	1	Module, Power	
94	70023592	1	Fuse 20Amp (Switched Output)	
94	70023593	1	Fuse 30Amp (Battery Output)	
95	1001138253	5	Clamp	
96	1001138346	1	Harness, Engine (Not Shown - See Separate Breakdown in ELECTRICAL Section)	
97	1001138524	1	Hose	
98	1001138559	1	Fitting, 90	
99	2720015	4.5 ft/ 1.4m	Hose	
101	2902065	1	Pump Coupling Kit (See Separate Breakdown in this Section)	
102	3310401	3	Nut #4	
103	3910408	3	Screw #4 x 1/2	
104	4710400	3	Washer #4	
105	1001139240	1	Bracket	
106	1001138248	4 ft/ 1.2m	Tubing	
107	1001153024	1	Pipe, Exhaust	
110	1320022	2	Clamp	
111	1001165035	30.5 ft/ 9.3m	Hose	

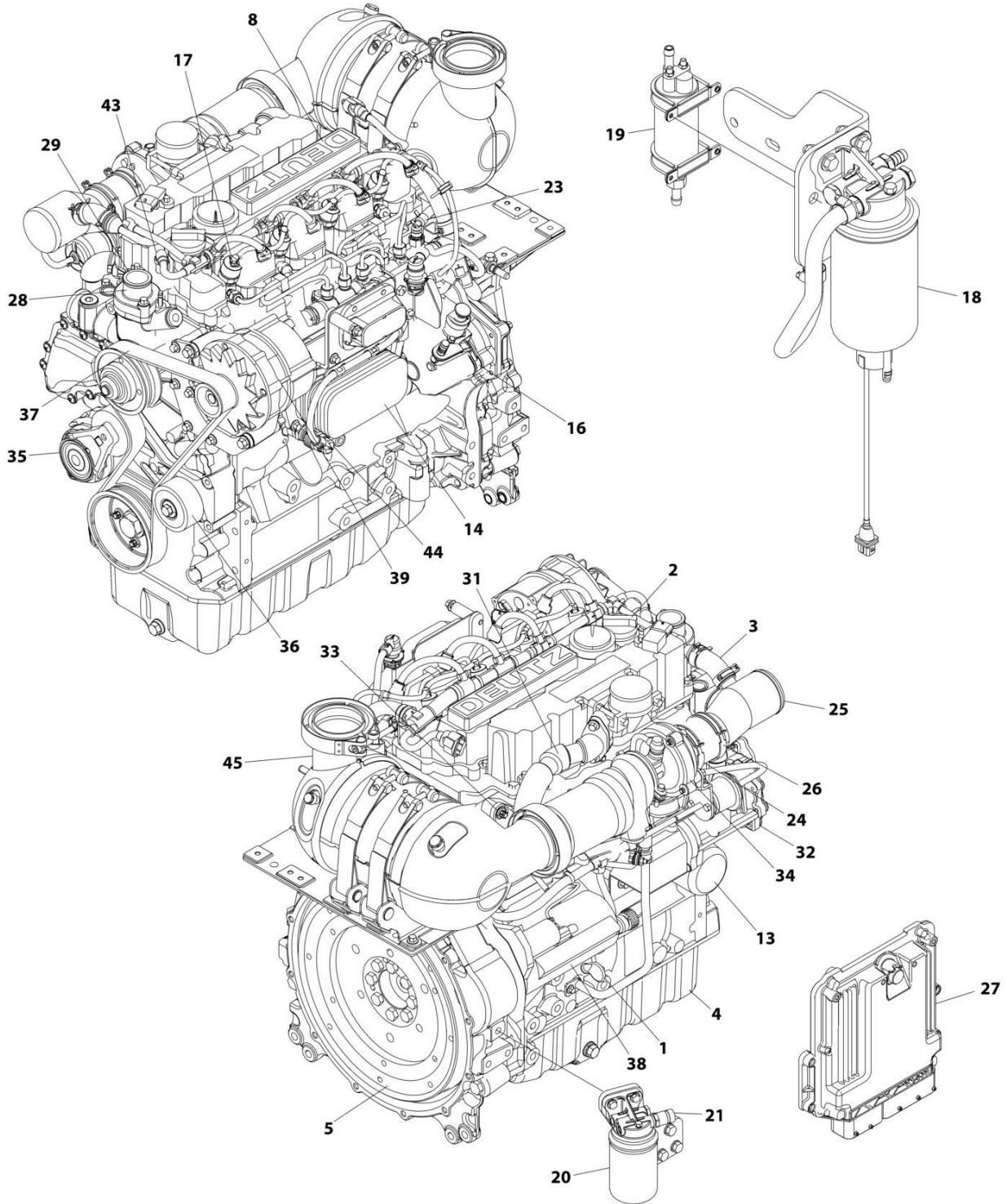
## SECTION 3 - ENGINE

ITEM	PART NUMBER	QTY	DESCRIPTION	REV
112	0100011	AR	Compound, Locking	
113	0100020	AR	Sealant	
114	1001141304	1	Wire, Glow Plug (Not Shown)	
115	1001135779	1	Cable, Alternator Positive (Not Shown)	
117	1001141717	1	Fitting, Straight	
120	0761214	3	Bolt M12 x 30	
121	1001142637	1	Hose, Hump	
122	1001142685	1	Bracket	
123	1001165820	1	Pipe, Elbow	
124	1001143390	1	Indicator, Air Filter Service	
125	0760810	2	Bolt M8 x 20	
126	1001144089	1	Grommet	
127	1001145154	1	Plate, Mounting	
128	4640751	1	Valve, Oil Drain	
129	8405006	2	Clamp	
130	8406102	AR	Clip	
131	8406112	1	Clip	
132	1001138717	1	Bracket	
133	1001142501	1	Fitting, 90 Barbed	
134	1001154405	5 ft/ 1.5m	Hose	
135	1001148843	1	Harness, Fuel Filter (Not Shown - See Separate Breakdown in ELECTRICAL Section)	
137	1703162	2	Decal - Fan	
138	0641503	1	Bolt 5/16 x 3/8	
139	1001153387	1	Plate	
140	3931508	2	Capscrew 5/16 x 1/2	
141	1001155823	1	Coupling	
142	0100062	AR	Adhesive, Loctite #680	
143	4240099	AR	Tie-Strap (Not Shown)	
144	0641510	2	Bolt 5/16 x 1-1/4 Grade 5 (Not Shown)	
145	0641612	2	Bolt 3/8 x 1-1/2 Grade 5 (Not Shown)	



# SECTION 3 - ENGINE

## FIGURE 3-43. DEUTZ TCD2.9L4 (STAGE V PRE-BUY) ENGINE COMPONENTS



ART\_1001128947

## SECTION 3 - ENGINE

**FIGURE 3-43. DEUTZ TCD2.9L4 (STAGE V PRE-BUY) ENGINE COMPONENTS**

ITEM	PART NUMBER	QTY	DESCRIPTION	REV
	1001235459	Ref	DEUTZ TCD2.9L4 (STAGE V PRE-BUY) ENGINE COMPONENTS	B
1	70024904	1	Dipstick	
1	70024905	1	O-Ring	
2	7020465	2	Cap, Filler	
3	7002511	2	Clamp	
4	70025162	1	Pan, Oil	
4	70025088	2	Plug	
4	7020404	2	Washer, Sealing	
5	70001870	1	Flywheel	
5	7024579	1	Gear, Ring	
6	70024906	1	Gasket, Head (Not Shown)	
7	70025204	1	Shield, Heat (Not Shown)	
8	70025163	1	Cover, Valve	
8	70025205	1	Gasket	
8	70025206	1	Gasket, Small Valve Cover	
8	70025207	1	Gasket, Large Valve Cover	
8	70025208	1	Gasket	
9	70025076	1	Valve (Not Shown - Located on Right Side of Front Engine Cover)	
9	70025176	1	Spring	
9	70025082	1	Ring, Sealing	
9	70025091	1	Plug	
10	70025190	1	Cover, Front (Not Shown - Located on Front of Engine)	
10	70024907	1	Gasket, Front Cover	
10	70004280	1	Seal, Shaft - Front	
11	70002718	1	Seal, Shaft - Rear (Not Shown)	
12	70025202	1	Pump, Oil Lube (Not Shown)	
12	70025135	1	O-Ring	
12	70025136	1	Gasket	
13	7016331	1	Filter, Oil	
13	70025137	1	Bushing	
14	70004275	1	Cooler, Engine Oil	
14	70024925	1	Gasket	
15	70025171	1	Oil Suction Pump (Not Shown - Located Inside of Engine Oil Pan)	
16	70024924	1	Pump, Fuel	
16	70025152	1	O-Ring	
16	70025080	1	Washer	
16	70024488	1	Spacer	
16	70024517	1	O-Ring	
17	70025181	4	Injector, Fuel	
17	70025140	4	Washer, Sealing	
17	70025146	4	Clamp (Top of Injector)	
17	70025145	4	O-Ring	
17	70025154	4	Shoe, Clamping	
17	70000345	1	Plug, Glow (Not Shown)	
17	70025231	1	Harness, Glow Plug (Not Shown)	
18	70024961	1	Fuel Filter Assembly	
18	70025153	NLA	Filter, Fuel (Use p/n 1001225430)	
18	70024513	1	Cable, Sensor	
18	70025239	1	Ring, Sealing	
19	70024486	2	Pump, Fuel	

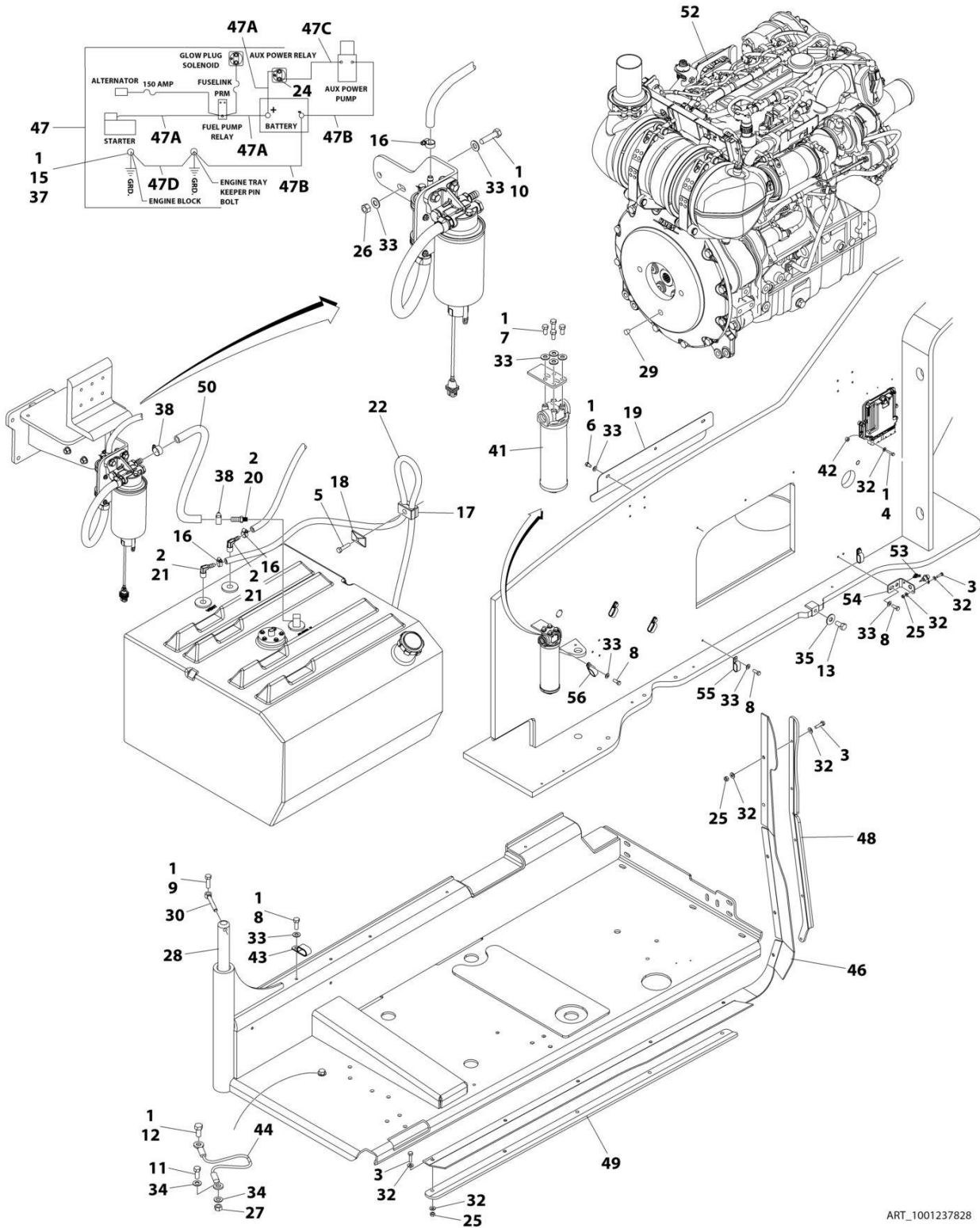
## SECTION 3 - ENGINE

ITEM	PART NUMBER	QTY	DESCRIPTION	REV
19	70025144	1	Clamp	
20	70025160	1	Filter with Head	
20	70025161	NLA	Filter, Fuel (Use p/n 1001225431)	
21	70024504	1	Sensor, Pressure	
21	70024920	1	O-Ring	
21	70025103	1	Retainer	
22	70025151	1	Rail, Fuel (Not Shown)	
22	70025235	1	Repair Kit (Not Shown)	
23	70025182	1	Fuel Line - High Pressure (Cylinder 1 & 2)	
23	70025183	1	Fuel Line - High Pressure (Cylinder 3 & 4)	
23	70025184	1	Fuel Line - High Pressure (Supply)	
24	70004501	1	Sleeve, Rubber	
25	70004502	1	Pipe, Intake	
26	70025112	2	Clamp	
27	70025210	1	ECU (Engine Control Unit)	
28	70024910	1	Pump, Water	
28	70025200	1	Ring, Sealing	
28	70025084	2	Plug	
28	7020492	2	Ring, Sealing	
29	70024473	1	Thermostat	
29	70025143	1	O-Ring	
29	70025142	1	Cover, Thermostat	
30	70025177	1	Pipe (Not Shown - Located on Left Side)	
30	70025179	2	Gasket (Not Shown)	
31	70025178	1	Pipe	
31	70025156	1	Valve, Shuttle	
31	70025179	2	Gasket	
31	70025180	1	Gasket	
32	70025203	1	Module, EGR	
32	70025155	1	Plug	
33	70004282	1	Manifold, Exhaust	
33	70025164	1	Gasket, Exhaust Manifold to Head	
34	70004503	1	Turbocharger	
34	70024912	1	Gasket, Exhaust Manifold	
35	70025477	1	Tensioner, Belt	
36	70024484	1	Idler Roller	
37	70004277	1	Belt, Drive	
38	70024915	1	Starter	
39	70025533	1	Generator	
39	70025149	1	Regulator, Voltage	
40	70004284	1	Harness, Engine (Not Shown)	
41	70024507	1	Sensor, Pressure (Not Shown - Located Top Rear)	
41	70025120	1	O-Ring	
42	70026210	1	Sensor (Not Shown - Located Left Side Front and Flywheel Housing)	
42	70024917	1	O-Ring	
43	70024918	1	Sender, Temperature	
44	70024919	1	Sensor, Pressure	
44	70024920	1	O-Ring	
45	70005445	1	Outlet, Muffler	
46	70004279	1	Gasket Kit (Not Shown)	



# SECTION 3 - ENGINE

FIGURE 3-44. DEUTZ TCD2.9L4 (STAGE V) DIESEL ENGINE INSTALLATION - WITH SAUER PUMPS (WITHOUT COLD WEATHER PLUS PACKAGE)



ART\_1001237828



## SECTION 3 - ENGINE

**FIGURE 3-44. DEUTZ TCD2.9L4 (STAGE V) DIESEL ENGINE INSTALLATION - WITH SAUER PUMPS  
(WITHOUT COLD WEATHER PLUS PACKAGE)**

ITEM	PART NUMBER	QTY	DESCRIPTION	REV
	1001237828	Ref	DEUTZ TCD2.9L4 (STAGE V) DIESEL ENGINE INSTALLATION - WITH SAUER PUMPS (WITHOUT COLD WEATHER PLUS PACKAGE)	F
1	0100011	AR	Compound, Locking	
2	0100079	AR	Sealant, Pipe	
3	0641408	11	Bolt 1/4 x 1	
4	0641410	4	Bolt 1/4 x 1-1/4	
5	0641511	1	Bolt 5/16 x 1-3/8	
6	0641605	3	Bolt 3/8 x 5/8	
7	0641606	4	Bolt 3/8 x 3/4	
8	0641608	8	Bolt 3/8 x 1	
9	0641610	1	Bolt 3/8 x 1-1/4	
10	0641612	2	Bolt 3/8 x 1-1/2	
11	0641708	1	Bolt 7/16 x 1	
12	0641808	1	Bolt 1/2 x 1	
13	0642010	1	Bolt 5/8 x 1-1/4	
15	0761210	1	Bolt M12 x 20	
16	1320022	3	Clamp	
17	1320187	1	Clamp	
18	1320190	1	Cover, Clamp	
19	1671121	1	Cover	
20	2180832	1	Fitting, Barbed	
21	2220313	2	Fitting, 90 Barbed	
22	2750532	5 ft/ 1.5m	Hose	
24	3300220	2	Nut 5/16	
25	3311405	11	Nut 1/4	
26	3311605	2	Nut 3/8	
27	3311705	1	Nut 7/16	
28	3422446	1	Pin, Pivot	
29	3520054	1	Plug	
30	3841143	1	Pin, Keeper	
31	4240018	2	Strap, Tie (Not Shown)	
32	4711400	26	Washer 1/4	
33	4711600	19	Washer 3/8	
34	4711700	2	Washer 7/16	
35	4752000	1	Washer 5/8	
37	4812100	1	Washer M12	
38	8405006	2	Clamp	
41	1001108617	1	Filter	
41	70002231	1	Element, Filter	
42	1001110425	4	Spacer	
43	1001116792	1	Clamp	
44	1001131542	1	Lanyard	
45	1001138491	NLA	Harness, Fuel (Use p/n 1001222665) (Not Shown - See Separate Breakdown in ELECTRICAL Section)	
46	1001140604	1	Panel, Rubber	
47	1001141225	1	Battery Cable Kit	E
47A	7027042	1	Cable, Battery (Red) (Battery + to Relays and Starter)	
47B	7027043	1	Cable, Battery (Black) (Battery - to Tray Pivot Grd and Aux Pump)	

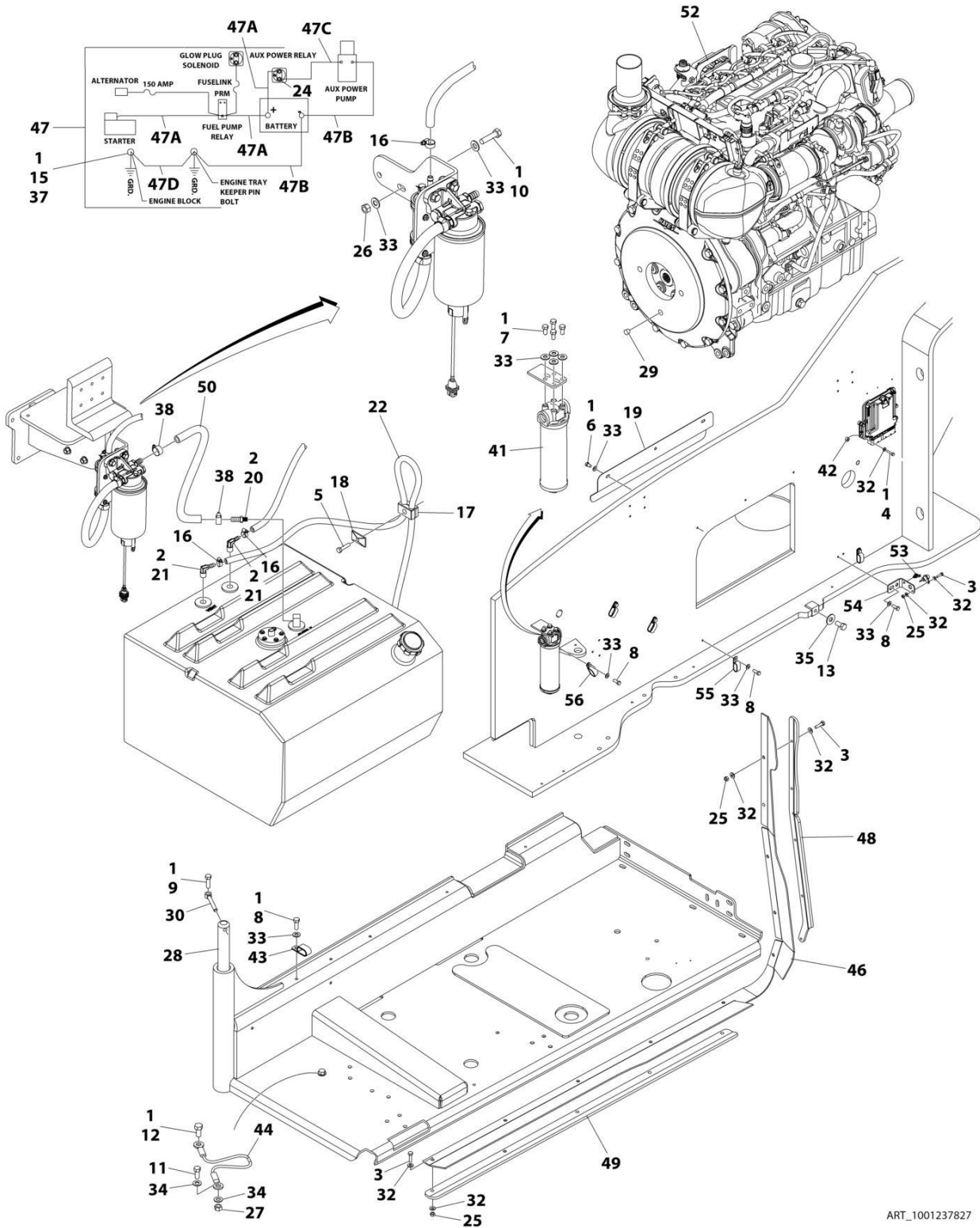
## SECTION 3 - ENGINE

ITEM	PART NUMBER	QTY	DESCRIPTION	REV
47C	7027044	1	Cable (Red) (Aux Relay to Aux Pump)	
47D	7027045	1	Cable, Battery (Black) (Engine to Tray Pivot Grd)	
48	1001145089	1	Clamp	
49	1001145842	1	Plate, Clamping	
50	1001154405	1.6 ft/ 0.5m	Hose	
52	1001235150	1	Engine Sub-Assembly (See Separate Breakdown in this Section)	
53	1001146588	1	Strap	
54	1001256879	1	Bracket	
55	1321283	2	Clamp	
56	1321716	3	Clamp	
57	4240099	AR	Tie-Strap (Not Shown)	



# SECTION 3 - ENGINE

FIGURE 3-45. DEUTZ TCD2.9L4 (STAGE V) DIESEL ENGINE INSTALLATION - WITH REXROTH PUMPS (WITHOUT COLD WEATHER PLUS PACKAGE)



ART\_1001237827

## SECTION 3 - ENGINE

**FIGURE 3-45. DEUTZ TCD2.9L4 (STAGE V) DIESEL ENGINE INSTALLATION - WITH REXROTH PUMPS (WITHOUT COLD WEATHER PLUS PACKAGE)**

ITEM	PART NUMBER	QTY	DESCRIPTION	REV
	1001237827	Ref	DEUTZ TCD2.9L4 (STAGE V) DIESEL ENGINE INSTALLATION - WITH REXROTH PUMPS (WITHOUT COLD WEATHER PLUS PACKAGE)	F
1	0100011	AR	Compound, Locking	
2	0100079	AR	Sealant, Pipe	
3	0641408	11	Bolt 1/4 x 1	
4	0641410	4	Bolt 1/4 x 1-1/4	
5	0641511	1	Bolt 5/16 x 1-3/8	
6	0641605	3	Bolt 3/8 x 5/8	
7	0641606	4	Bolt 3/8 x 3/4	
8	0641608	8	Bolt 3/8 x 1	
9	0641610	1	Bolt 3/8 x 1-1/4	
10	0641612	2	Bolt 3/8 x 1-1/2	
11	0641708	1	Bolt 7/16 x 1	
12	0641808	1	Bolt 1/2 x 1	
13	0642010	1	Bolt 5/8 x 1-1/4	
15	0761210	1	Bolt M12 x 20	
16	1320022	3	Clamp	
17	1320187	1	Clamp	
18	1320190	1	Cover, Clamp	
19	1671121	1	Cover	
20	2180832	1	Fitting, Barbed	
21	2220313	2	Fitting, 90 Barbed	
22	2750532	5 ft/ 1.5m	Hose	
24	3300220	2	Nut 5/16	
25	3311405	11	Nut 1/4	
26	3311605	2	Nut 3/8	
27	3311705	1	Nut 7/16	
28	3422446	1	Pin, Pivot	
29	3520054	1	Plug	
30	3841143	1	Pin, Keeper	
31	4240018	2	Strap, Tie (Not Shown)	
32	4711400	26	Washer 1/4	
33	4711600	19	Washer 3/8	
34	4711700	2	Washer 7/16	
35	4752000	1	Washer 5/8	
37	4812100	1	Washer M12	
38	8405006	2	Clamp	
41	1001108617	1	Filter	
41	70002231	1	Element, Filter	
42	1001110425	4	Spacer	
43	1001116792	1	Clamp	
44	1001131542	1	Lanyard	
45	1001138491	NLA	Harness, Fuel (Use p/n 1001222665) (Not Shown - See Separate Breakdown in ELECTRICAL Section)	
46	1001140604	1	Panel, Rubber	
47	1001141225	1	Battery Cable Kit	E
47A	7027042	1	Cable, Battery (Red) (Battery + to Relays and Starter)	
47B	7027043	1	Cable, Battery (Black) (Battery - to Tray Pivot Grd and Aux Pump)	

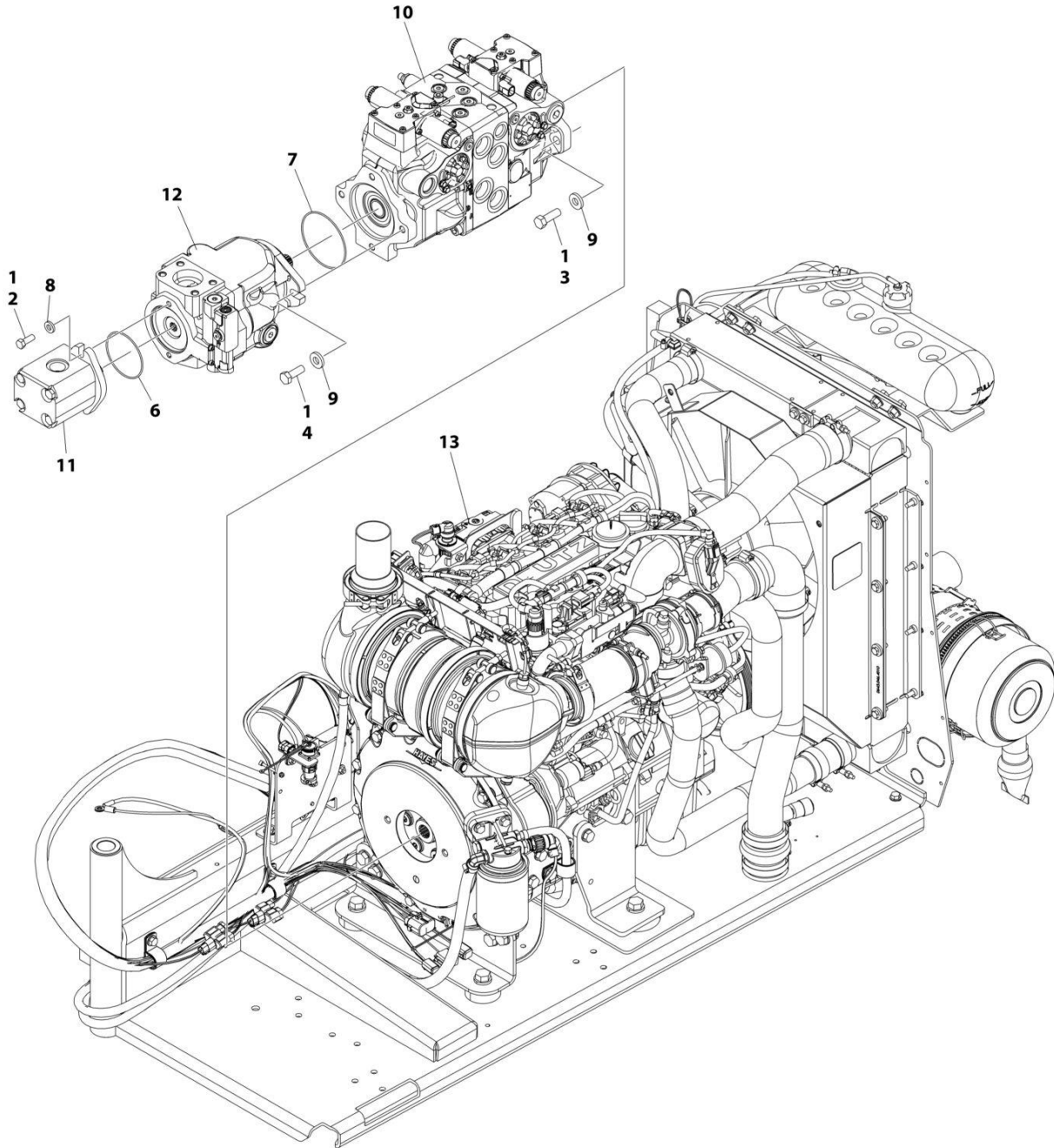
## SECTION 3 - ENGINE

ITEM	PART NUMBER	QTY	DESCRIPTION	REV
47C	7027044	1	Cable (Red) (Aux Relay to Aux Pump)	
47D	7027045	1	Cable, Battery (Black) (Engine to Tray Pivot Grd)	
48	1001145089	1	Clamp	
49	1001145842	1	Plate, Clamping	
50	1001154405	1.6 ft/ 0.5m	Hose	
52	1001235150	1	Engine Sub-Assembly (See Separate Breakdown in this Section)	
53	1001146588	1	Strap	
54	1001256879	1	Bracket	
55	1321283	2	Clamp	
56	1321716	3	Clamp	
57	4240099	AR	Tie-Strap (Not Shown)	



# SECTION 3 - ENGINE

**FIGURE 3-46. DEUTZ TCD2.9L4 (STAGE V) ENGINE SUB-ASSEMBLY - WITH SAUER PUMP  
(WITHOUT COLD WEATHER PLUS PACKAGE)**



ART\_1001235150



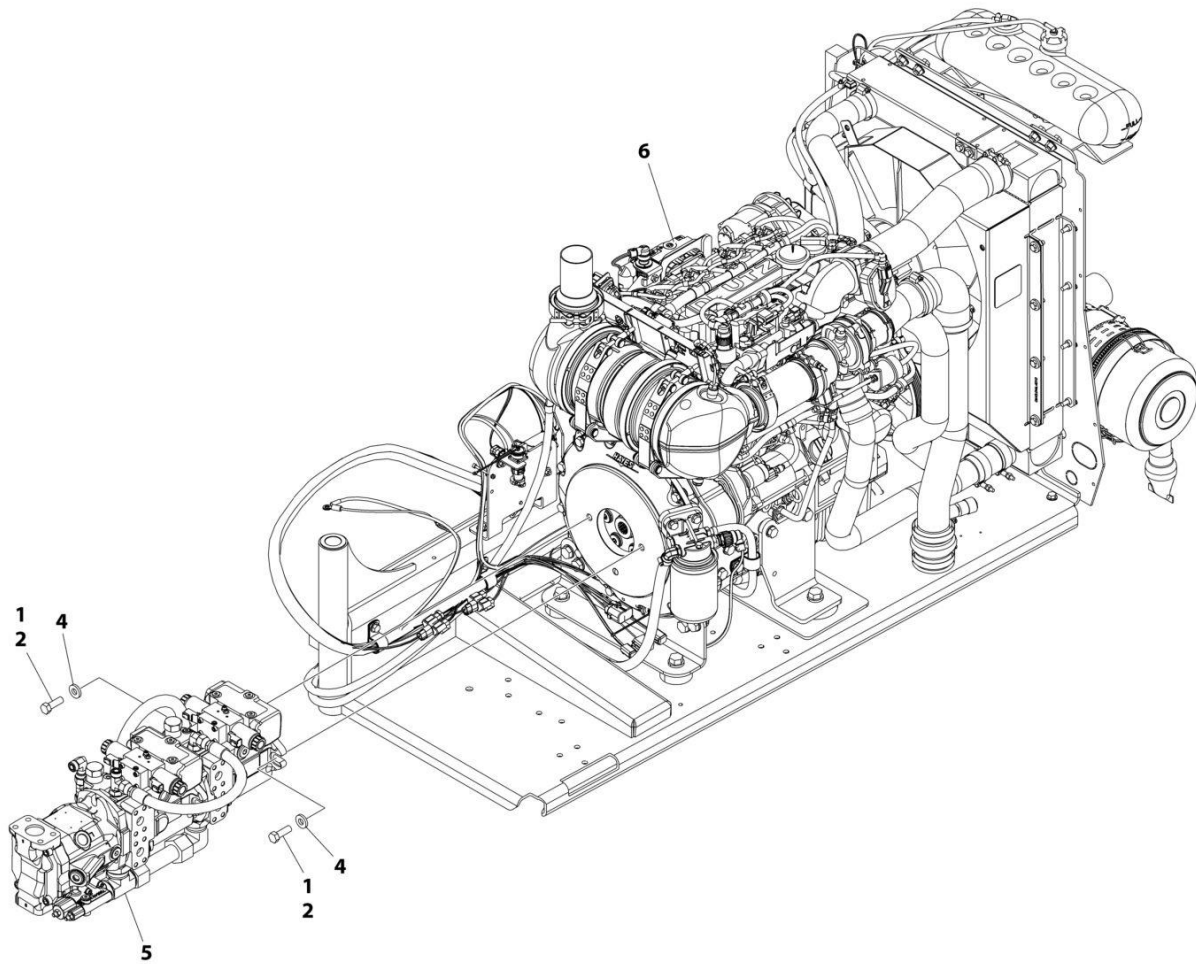
## SECTION 3 - ENGINE

**FIGURE 3-46. DEUTZ TCD2.9L4 (STAGE V) ENGINE SUB-ASSEMBLY - WITH SAUER PUMP  
(WITHOUT COLD WEATHER PLUS PACKAGE)**

ITEM	PART NUMBER	QTY	DESCRIPTION	REV
	1001235150	Ref	DEUTZ TCD2.9L4 (STAGE V) ENGINE SUB-ASSEMBLY	Q
1	0100011	AR	Compound, Locking	
2	0641608	2	Bolt 3/8 x 1	
3	0641812	2	Bolt 1/2 x 1-1/2	
3	0641814	2	Bolt 1/2 x 1-3/4	
4	0761215	2	Bolt M12 x 35	
6	3790152	1	O-Ring	
7	3790155	1	O-Ring	
8	4891600	2	Washer 3/8	
9	4891800	4	Washer 1/2	
10	1001108616	1	Pump Assembly - Sauer Tandem (See Separate Breakdown in this Section)	
11	1001112927	1	Pump Assembly - Sauer Gear (See Separate Breakdown in this Section)	
12	1001171095	1	Pump Assembly - Sauer Piston (See Separate Breakdown in this Section)	
13	1001235151	1	Engine Assembly (See Separate Breakdown in this Section)	

# SECTION 3 - ENGINE

**FIGURE 3-47. DEUTZ TCD2.9L4 (STAGE V) ENGINE SUB-ASSEMBLY - WITH REXROTH PUMP AND ABS HOODS (WITHOUT COLD WEATHER PLUS PACKAGE)**



ART\_1001235149

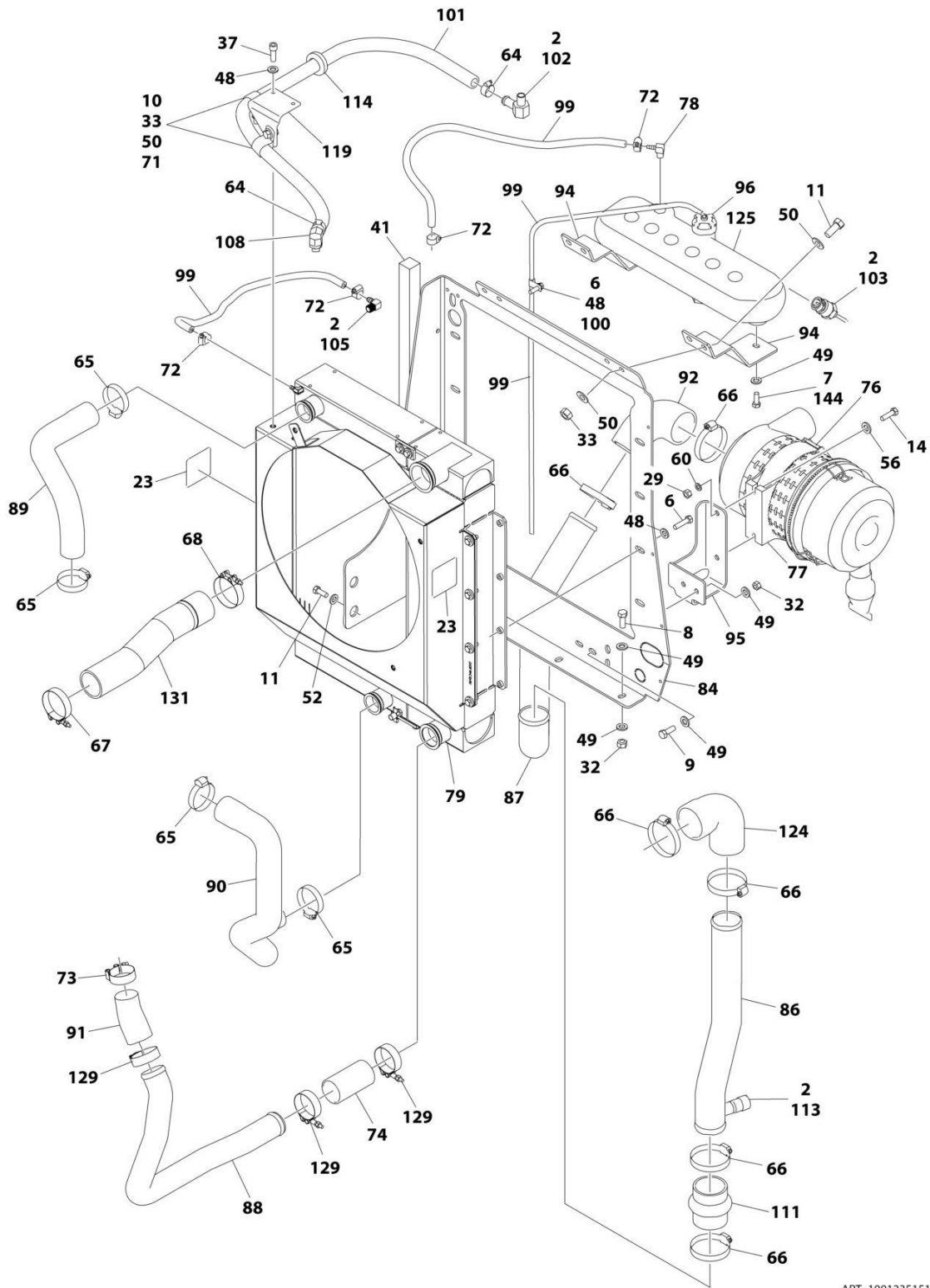
## SECTION 3 - ENGINE

**FIGURE 3-47. DEUTZ TCD2.9L4 (STAGE V) ENGINE SUB-ASSEMBLY - WITH REXROTH PUMP AND ABS HOODS (WITHOUT COLD WEATHER PLUS PACKAGE)**

ITEM	PART NUMBER	QTY	DESCRIPTION	REV
	1001235149	Ref	DEUTZ TCD2.9L4 (STAGE V) ENGINE SUB-ASSEMBLY	Q
1	0100011	AR	Compound, Locking	
2	0641812	2	Bolt 1/2 x 1-1/2	
2	0641814	2	Bolt 1/2 x 1-3/4	
4	4891800	2	Washer 1/2	
5	1001152963	1	Pump Assembly - Rexroth (See Separate Breakdown in this Section)	
6	1001235151	1	Engine Assembly (See Separate Breakdown in this Section)	

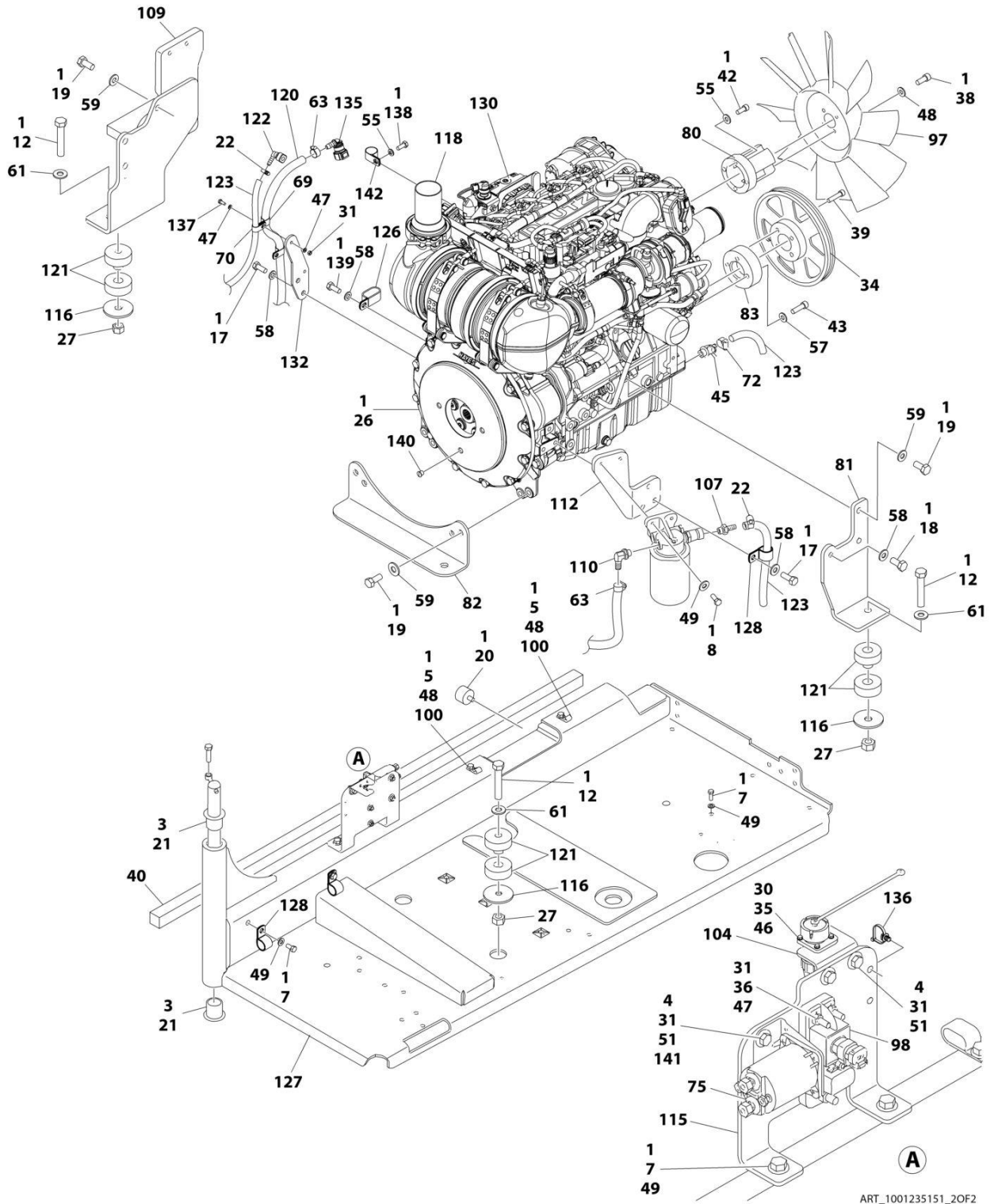
# SECTION 3 - ENGINE

## FIGURE 3-48. DEUTZ TCD2.9L4 (STAGE V) ENGINE ASSEMBLY (WITHOUT COLD WEATHER PLUS PACKAGE)



ART\_1001235151\_10F2

# SECTION 3 - ENGINE



ART\_1001235151\_20F2

## SECTION 3 - ENGINE

**FIGURE 3-48. DEUTZ TCD2.9L4 (STAGE V) ENGINE ASSEMBLY (WITHOUT COLD WEATHER PLUS PACKAGE)**

ITEM	PART NUMBER	QTY	DESCRIPTION	REV
	1001235151	Ref	DEUTZ TCD2.9L4 (STAGE V) ENGINE ASSEMBLY (WITHOUT COLD WEATHER PLUS PACKAGE)	K
1	0100011	AR	Compound, Locking	
2	0100020	AR	Sealant	
3	0100062	AR	Adhesive, Loctite #680	
4	0641406	4	Bolt 1/4 x 3/4	
5	0641503	3	Bolt 5/16 x 3/8	
6	0641508	8	Bolt 5/16 x 1-1/4	
7	0641606	7	Bolt 3/8 x 3/4	
8	0641608	9	Bolt 3/8 x 1	
9	0641610	2	Bolt 3/8 x 1-1/4	
10	0641706	2	Bolt 7/16 x 3/4	
11	0641708	6	Bolt 7/16 x 1	
12	0682028	4	Bolt 5/8 x 3-1/2 Grade 8	
14	0700815	2	Bolt M8 x 35	
17	0761214	5	Bolt M12 x 30	
18	0771212	1	Bolt M12 x 25 Grade 10.9	
19	0771414	9	Bolt M14 x 30 Grade 10.9	
20	0940070	1	Bumper	
21	0961986	2	Bushing, Flanged	
22	1320022	2	Clamp	
23	1703162	2	Decal - Fan	
26	2902065	1	Pump Coupling Kit (See Separate Breakdown in this Section)	
27	3272001	4	Nut 5/8 Grade 8	
29	3290801	2	Nut M8	
30	3310401	3	Nut #4	
31	3311405	7	Nut 1/4	
32	3311605	9	Nut 3/8	
33	3311705	5	Nut 7/16	
34	1001260432	1	Pulley	
35	3910408	3	Screw #4 x 1/2	
36	3931432	1	Capscrew 1/4 x 2	
37	3931508	2	Capscrew 5/16 x 1/2	
38	3931512	4	Capscrew 5/16 x 3/4	
39	1001261085	4	Screw M10	
40	3960543	1	Seal	
41	3960544	1	Seal	
42	4031914	4	Bolt M8 x 50	
43	1001261045	4	Screw M10	
44	4240099	AR	Tie-Strap (Not Shown)	
45	4640751	1	Valve, Oil Drain	
46	4710400	3	Washer #4	
47	4711400	5	Washer 1/4	
48	4711500	17	Washer 5/16	
49	4711600	27	Washer 3/8	
50	4711700	10	Washer 7/16	
51	4751400	8	Washer 1/4	
52	4751700	2	Washer 7/16	
54	4811700	4	Washer M6	

## SECTION 3 - ENGINE

ITEM	PART NUMBER	QTY	DESCRIPTION	REV
55	4811900	5	Washer M8	
56	4811902	2	Washer M8	
57	4812000	4	Washer M10	
58	4812100	7	Washer M12	
59	4812200	9	Washer M14	
60	4831900	2	Washer M8	
61	4892000	4	Washer 5/8	
63	8405006	2	Clamp	
64	8405007	2	Clamp	
65	8405201	4	Clamp	
66	8405204	6	Clamp	
67	8405212	1	Clamp	
68	8405213	1	Clamp	
69	8406102	2	Clip	
70	8406112	1	Clip	
71	8406302	2	Clamp	
72	8405009	5	Clamp	
73	8410014	1	Clamp	
74	91563070	1	Coupling, Rubber	
75	1001117308	1	Relay	
76	1001133633	1	Air Cleaner Assembly	
76	70024190	1	Element, Air Filter	
77	1001133634	1	Clamp	
78	1001134488	1	Fitting, 90 Barbed	
79	1001135090	1	Radiator (AKG Brand)	
79	1001256864	1	Radiator (YMER Brand)	
80	1001135138	1	Spacer, Fan	
81	1001135560	1	Support, Engine	
82	1001135562	1	Support, Engine - Rear	
83	1001258800	1	Spacer, Pulley	
84	1001135680	1	Support, Radiator	
85	1001135779	1	Cable, Alternator Positive (Not Shown)	
86	1001135901	1	Pipe, Air Intake	
87	1001135903	1	Pipe, Air Intake	
88	1001135913	1	Pipe, Turbo to Air Cleaner	
89	1001135924	1	Hose, Radiator (Upper)	
90	1001135926	1	Pipe, Radiator (Lower)	
91	1001135943	1	Coupling, Rubber	
92	1001135946	1	Elbow, Rubber	
94	1001136626	2	Bracket	
95	1001136665	1	Bracket	
96	1001136834	1	Cap, Tank	
97	1001137276	1	Fan	
98	1001138228	1	Module, Power	
98	70023592	1	Fuse 20Amp (Switched Output)	
98	70023593	1	Fuse 30Amp (Battery Output)	
99	1001138248	8.6 ft/ 2.59 m	Tubing	
100	1001138253	5	Clamp	
101	1001138524	1	Hose	
102	1001138559	1	Fitting, 90	
103	1001138827	1	Sensor, Coolant Level	

## SECTION 3 - ENGINE

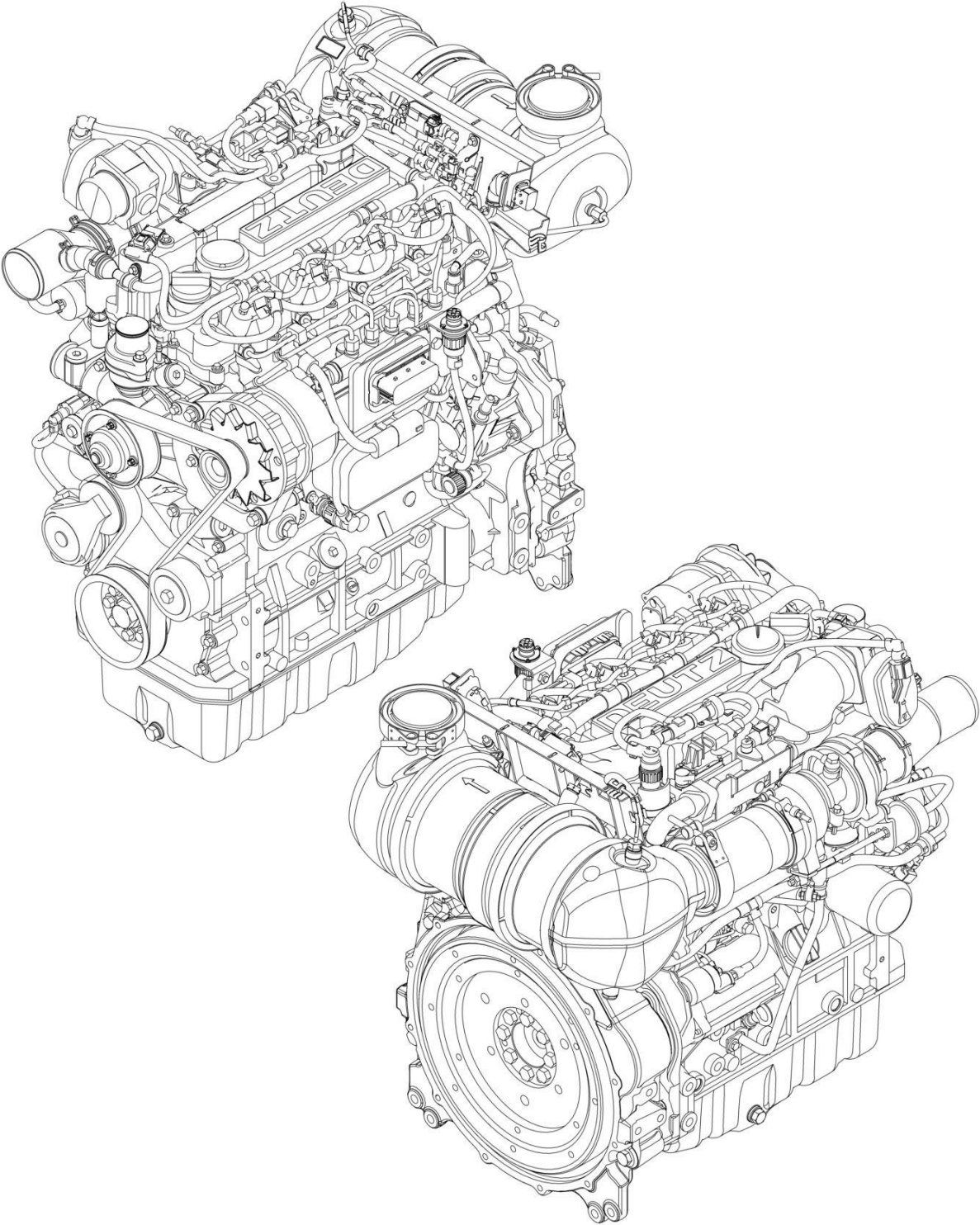
ITEM	PART NUMBER	QTY	DESCRIPTION	REV
104	1001139240	1	Bracket	
105	1001140564	1	Fitting, 90 Barbed	
106	1001141304	1	Wire, Glow Plug (Not Shown)	
107	1001141717	1	Fitting, Straight	
108	1001141719	1	Fitting, 90 Barbed	
109	1001142398	1	Support, Engine	
110	1001142501	1	Fitting, 90 Barbed	
111	1001142637	1	Hose, Hump	
112	1001142685	1	Bracket	
113	1001143390	1	Indicator, Air Filter Service	
114	1001144089	1	Grommet	
115	1001145154	1	Plate, Mounting	
116	1001146219	4	Washer Special	
117	1001148843	1	Harness, Fuel Filter (Not Shown - See Separate Breakdown in ELECTRICAL Section)	
118	1001153024	1	Pipe, Exhaust	
119	1001153387	1	Plate	
120	1001154405	4.7 ft/ 1.44m	Hose	
121	1001155575	4	Mount, Motor	
122	1001155823	1	Coupling	
123	1001165035	30.5 ft/ 9.3m	Hose	
124	1001165820	1	Pipe, Elbow	
125	1001166393	1	Tank, Surge	
126	1001181899	1	Clamp	
127	1001191272	1	Tray	
128	1001191620	3	Clamp	
129	1001208299	3	Clamp	
130	1001232546	1	Engine, Deutz TCD2.9L4 (Stage V) Engine Components (See Separate Breakdown in this Section)	
131	1001233492	1	Hose	
132	1001235952	1	Bracket	
133	1001237285	1	Harness, Engine (Not Shown - See Separate Breakdown in ELECTRICAL Section)	
135	1001170982	1	Adapter	
136	1001146588	1	Strap	
137	0641407	2	Bolt 1/4 x 7/8	
138	0760808	1	Bolt M8 x 16	
139	0761212	1	Bolt M12 x 25	
140	3520054	1	Plug, Hole	
141	4791400	2	Starwasher 1/4	
142	8406201	1	Clip	
143	1001165101	1	Fuel Pump/Bracket Assembly (Not Shown - See Separate breakdown in this Section)	
144	1001180620	AR	Adhesive	





**SECTION 3 - ENGINE**

**FIGURE 3-49. DEUTZ TCD2.9L4 (STAGE V) ENGINE COMPONENTS**



ART\_1001232546

## SECTION 3 - ENGINE

**FIGURE 3-49. DEUTZ TCD2.9L4 (STAGE V) ENGINE COMPONENTS**

ITEM	PART NUMBER	QTY	DESCRIPTION	REV
	1001232546	Ref	DEUTZ ENGINE COMPONENTS	H
		Ref	Note: For complete list of parts, contact JLG Parts Department	
		Ref	Air Intake System Components	
	70004503	1	Turbocharger	
		Ref	Cooling System Components	
	70029581	1	Pump, Coolant (Includes Gasket & Seals)	
	70007603	1	Thermostat	
	70005184	1	O-Ring	
	70005931	1	Gasket	
	70025142	1	Cover	
		Ref	Electrical System Components	
		Ref	Module, ECU/ECM	
	70029401	1	Generator (Includes Controller, Fan & Hardware)	
	70024915	1	Starter (Includes Solenoid & Relay)	
	70026210	1	Sender, Tacho-Generator (Speed) (On Rear of Block) (Includes Seal)	
	70024916	1	Sender, Tacho-Generator (Speed) (On Cover) (Includes Seal)	
	70024918	1	Sender, Temperature (Includes Seal) (On Air Intake Manifold)	
	70024507	1	Sensor, Pressure (Includes Seal) (On Air Intake Manifold)	
	70024504	1	Sensor, Pressure (Includes Seal) (On Fuel Filter & Side of Block)	
		Ref	Sensor, Pressure (Includes Seal) (On Exhaust Manifold)	
		Ref	Sensor, Temperature (Includes Seal) (On Exhaust Manifold)	
	70000345	4	Plug, Glow	
		Ref	Exhaust System Components	
		Ref	Valve, EGR	
	70025130	8	Bolt, Exhaust Manifold	
	70025164	1	Gasket, Exhaust Manifold	
		Ref	Outlet, Muffler	
		Ref	Muffler	
		Ref	Bracket, Muffler Mounting	
	70004504	1	Compensator, Exhaust	
		Ref	Fuel System Components	
	70024924	1	Pump, High Pressure	
		Ref	Injector (Includes Sealing washer, Clamp & O-Ring)	
	70006144	1	Pump, Fuel Supply (Includes Clamps)	
	70024961	1	Filter, Fuel (Pre-Filter Assembly) (Includes Head, Spin on filter, Sensor Cable & Seal)	
	70025153	1	Filter, Fuel Spin On	
	70024513	1	Sensor Cable (Includes Seal)	
	70025160	1	Filter, Fuel (Assembly) (Includes Head & Spin on Filter)	
		Ref	Filter, Fuel Spin On	
	70004508	1	Vol. Control Valve (Includes O-Ring & Gasket)	
		Ref	Lubricating System Components	
	7020465	2	Cap, Oil Fill	
	70005941	2	Plug, Oil Drain	
	70005942	2	Seal, Oil Drain Plug	
	70005172	1	Pump, Oil (Includes Seal & Gasket)	
	7016331	1	Filter, Oil	
	70024494	1	Cooler, Oil	
	70024925	1	Gasket, Oil Cooler	

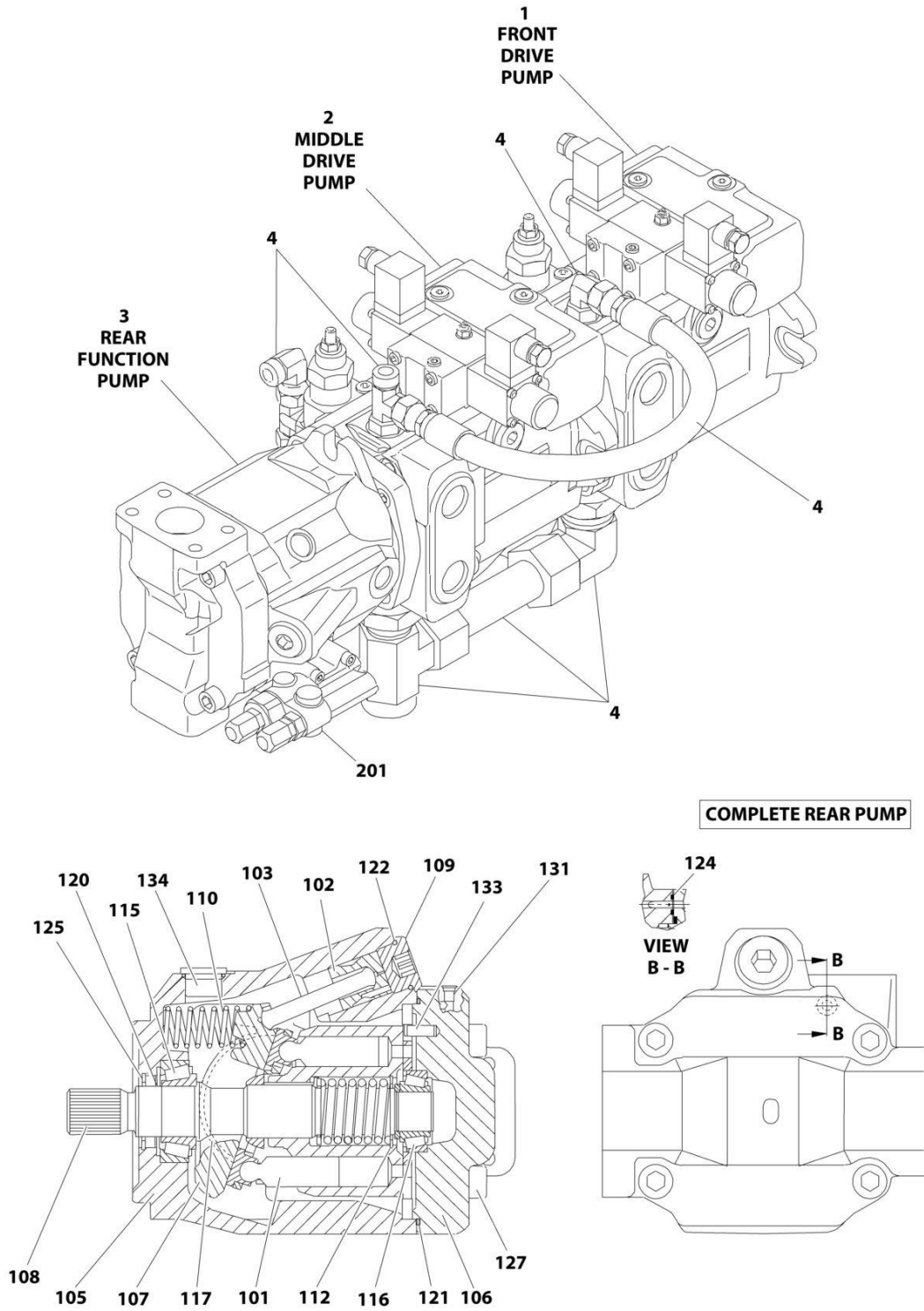
## SECTION 3 - ENGINE

ITEM	PART NUMBER	QTY	DESCRIPTION	REV
	70024904	1	Dipstick (Includes Seal)	
		Ref	Mechanical Components	
	70001870	1	Flywheel (includes Gear)	
	70004277	1	V-Belt	
	70005938	1	Gasket Set - Complete	



# SECTION 3 - ENGINE

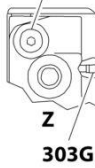
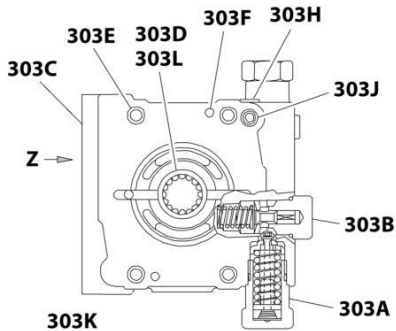
## FIGURE 3-50. PUMP ASSEMBLY (REXROTH) (DEUTZ TD2011 ENGINES)



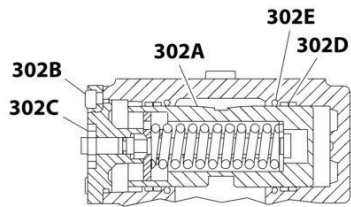
ART\_3600339\_10F2

# SECTION 3 - ENGINE

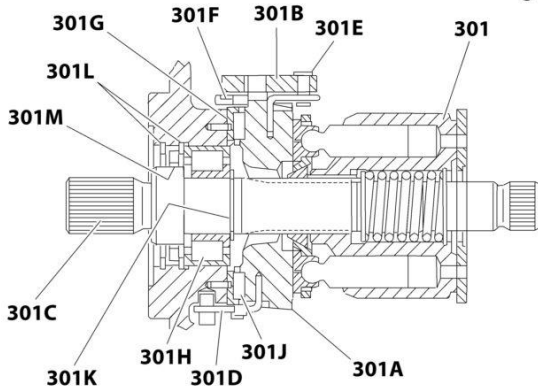
**COMPLETE FRONT AND PUMPS**



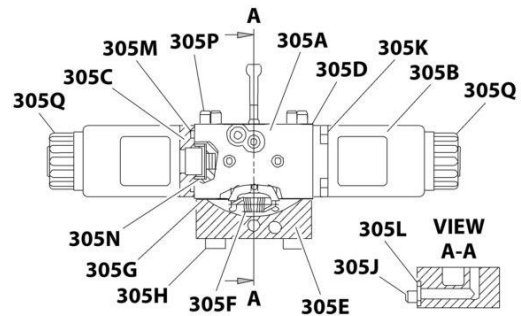
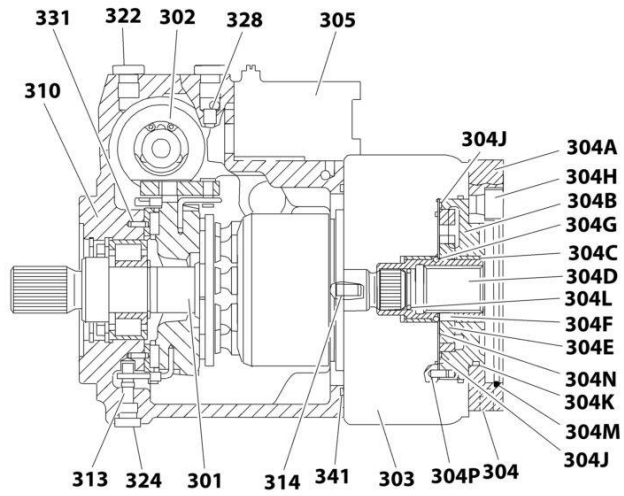
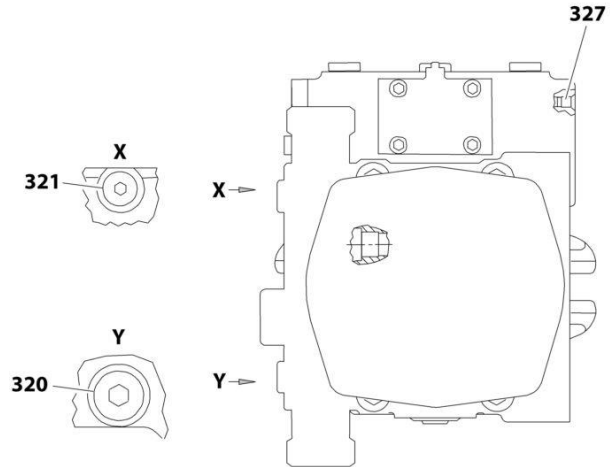
**PORT PLATE SECTION FRONT AND MID PUMPS (DETAIL OF ITEM 303)**



**HYD. CONTROL FRONT AND MID PUMPS (DETAIL OF ITEM 302)**



**ROTARY GROUP FRONT AND MID PUMPS (DETAIL OF ITEM 301)**



**CONTROL MODULE FRONT AND MID PUMPS (DETAIL OF ITEM 305)**

ART\_3600339\_20F2

## SECTION 3 - ENGINE

**FIGURE 3-50. PUMP ASSEMBLY (REXROTH) (DEUTZ TD2011 ENGINES)**

ITEM	PART NUMBER	QTY	DESCRIPTION	REV
	3600339	Ref	PUMP ASSEMBLY (REXROTH) (DEUTZ TD2011 ENGINES)	D
1	7024042	1	Front Drive Pump Assembly (Includes Items 301-341)	
2	7024043	1	Middle Drive Pump Assembly (Includes Items 301-341)	
3	7024044	1	Rear Function Pump Assembly (Includes Items 101-201)	
4	70001952	1	Hydraulic Kit (Includes all Rexroth Supplied Hydraulic Fittings, Hoses and Tubes)	
	7024044	Ref	REAR FUNCTION PUMP ASSEMBLY	
101	7024914	1	Rotary Section	
102	See Note	1	Piston, Control (Note: Not Available - Purchase Complete Assembly)	
103	See Note	1	Rod, Piston (Note: Not Available - Purchase Complete Assembly)	
105	See Note	1	Housing, Pump (Note: Not Available - Purchase Complete Assembly)	
106	See Note	1	Plate, Port (Note: Not Available - Purchase Complete Assembly)	
107	7024915	1	Plate, Swash	
108	7024916	1	Driveshaft	
109	See Note	1	Plug (Note: Not Available for Purchase)	
110	See Note	1	Spring (Note: Not Available for Purchase)	
112	7012709	1	Shim	
115	7024038	1	Bearing, Roller	
116	7012706	1	Bearing, Roller	
117	7024917	2	Shell, Cradle	
120	7024918	1	Seal, Shaft	
121	7024919	1	O-Ring	
122	7024920	1	O-Ring	
124	7024921	1	Seal	
125	7012715	1	V-Ring	
127	See Note	4	Capscrew M12 x 45 Grade 10.9 (Note: Not Available for Purchase)	
131	See Note	1	Plug (Note: Not Available for Purchase)	
133	See Note	1	Pin, Dowel (Note: Not Available for Purchase)	
134	See Note	1	Plug (Note: Not Available for Purchase)	
201	7024913	Ref	Pilot Valve Assembly	
		Ref	Note: Two mounting designs of p/n 7024913 pilot valve exist. Early design uses qty. 3 O-rings. Late design uses qty 1 sealing plate. Seal designs cannot be interchanged. Verify seal design before ordering.	
201	7024922	3	O-Ring (Seals between Pilot Valve and Rear Pump)	
201	70021867	1	Plate, Sealing (Seals between Pilot Valve and Rear Pump)	
		Ref	FRONT DRIVE PUMP ASSEMBLIES	
	7024042	Ref	Front Drive Pump Assembly	
	7024043	Ref	Middle Drive Pump Assembly	
301	7024064	1	Rotary Group	
301A	See Note	NSS	Cradle (Note: Use Item 301)	
301B	See Note	NSS	Ring, Slide (Note: Use Item 301)	
301C	See Note	NSS	Driveshaft (Note: Use Item 301)	
301D	See Note	NSS	Wire (Note: Use Item 301)	
301E	See Note	NSS	Pin, Joint (Note: Use Item 301)	
301F	See Note	NSS	Wire (Note: Use Item 301)	
301G	See Note	NSS	Liner, Bearing (Note: Use Item 301)	
301H	See Note	NSS	Bearing, Roller (Note: Use Item 301)	
301J	See Note	NSS	Cradle Bearing Assembly (Note: Use Item 301)	



## SECTION 3 - ENGINE

ITEM	PART NUMBER	QTY	DESCRIPTION	REV
301K	See Note	NSS	Ring, Retaining (Note: Use Item 301)	
301L	70001968	2	Ring, Retaining	
301M	7024070	1	Seal, Shaft Ring	
302	7024065	1	Control Group - Hydraulic	
302A	See Note	NSS	Piston, Positioning - Complete (Note: Use Item 302)	
302A	7024071	1	O-Ring, Outer Seal	
302A	7024072	1	O-Ring, Stem	
302B	See Note	4	Capscrew M6 x 12 (Note: Not Available - Purchase Locally)	
302C	See Note	NSS	Nut (Note: Use Item 302)	
302D	See Note	NSS	Ring, Guide (Note: Use Item 302)	
302E	See Note	NSS	Seal, O-Ring (Note: Use Item 302)	
303	7024911	1	Port Plate Group	
303A	7024073	2	Cartridge, Relief Valve (High Pressure)	
303A	7024075	1	O-Ring	
303A	7024076	1	Ring, Back-up	
303B		Ref	Cartridge Options:	
303B	7024097	1	Front Pump Cartridge (Lock Valve with Orifice) Note: Sold as an Assembly except Outer Seal.	
303B	7024075	1	O-Ring	
303B	7023881	1	Middle Pump Cartridge (Pressure Relief Valve) Note: Sold as an Assembly except Outer Seal.	
303B	7024077	1	O-Ring	
303C	See Note	NSS	Plate, Port (Note: Use Item 303)	
303D	See Note	NSS	Bushing, Bearing (Note: Use Item 303)	
303E	See Note	4	Capscrew M12 x 70 Grade10.9 (Note: Not Available - Purchase Locally)	
303F	See Note	NSS	Pin, Dowel (Note: Use Item 303)	
303G	See Note	NSS	Pin, Break-Off (Note: Use Item 303)	
303H	See Note	1	Screw, Locking M10 x 1 (Note: Not Available - Purchase Locally)	
303J	7024908	2	O-Ring	
303K	See Note	2	Screw, Locking 7/16 (Note: Not Available - Purchase Locally)	
303L	See Note	NSS	Bearing, Roller (Note: Use Item 303)	
304	7024906	1	Internal Gear Pump	
304A	See Note	NSS	Flange, Intermediate (Note: Use Item 304)	
304B	See Note	NSS	IZP-Housing (Note: Use Item 304)	
304C	See Note	NSS	Bushing, Bearing (Note: Use Item 304)	
304D	See Note	NSS	Coupling, Driveshaft Through (Note: Use Item 304)	
304E	See Note	NSS	Gear Set (Note: Use Item 304)	
304F	See Note	NSS	Key, Driveshaft (Note: Use Item 304)	
304G	See Note	NSS	Ring, Retaining (Note: Use Item 304)	
304H	See Note	4	Capscrew M10 x 20 (Note: Not Available - Purchase Locally)	
304J	7024080	2	Seal	
304K	7024081	1	O-Ring	
304L	See Note	NSS	Ring, Retaining (Note: Use Item 304)	
304M	See Note	NSS	O-Ring (Note: Use Item 304)	
304N	7024005	1	Plate, Wear	
304P	See Note	NSS	Pin, Cylinder (Note: Use Item 304)	
305	7024068	1	Control Module	
305A	7024084	1	Valve Body, Lever and Internal Components	
305B	7024083	2	Coil, Solenoid	
305C	See Note	NSS	Spacer, Coil (Note: Use Item 305)	

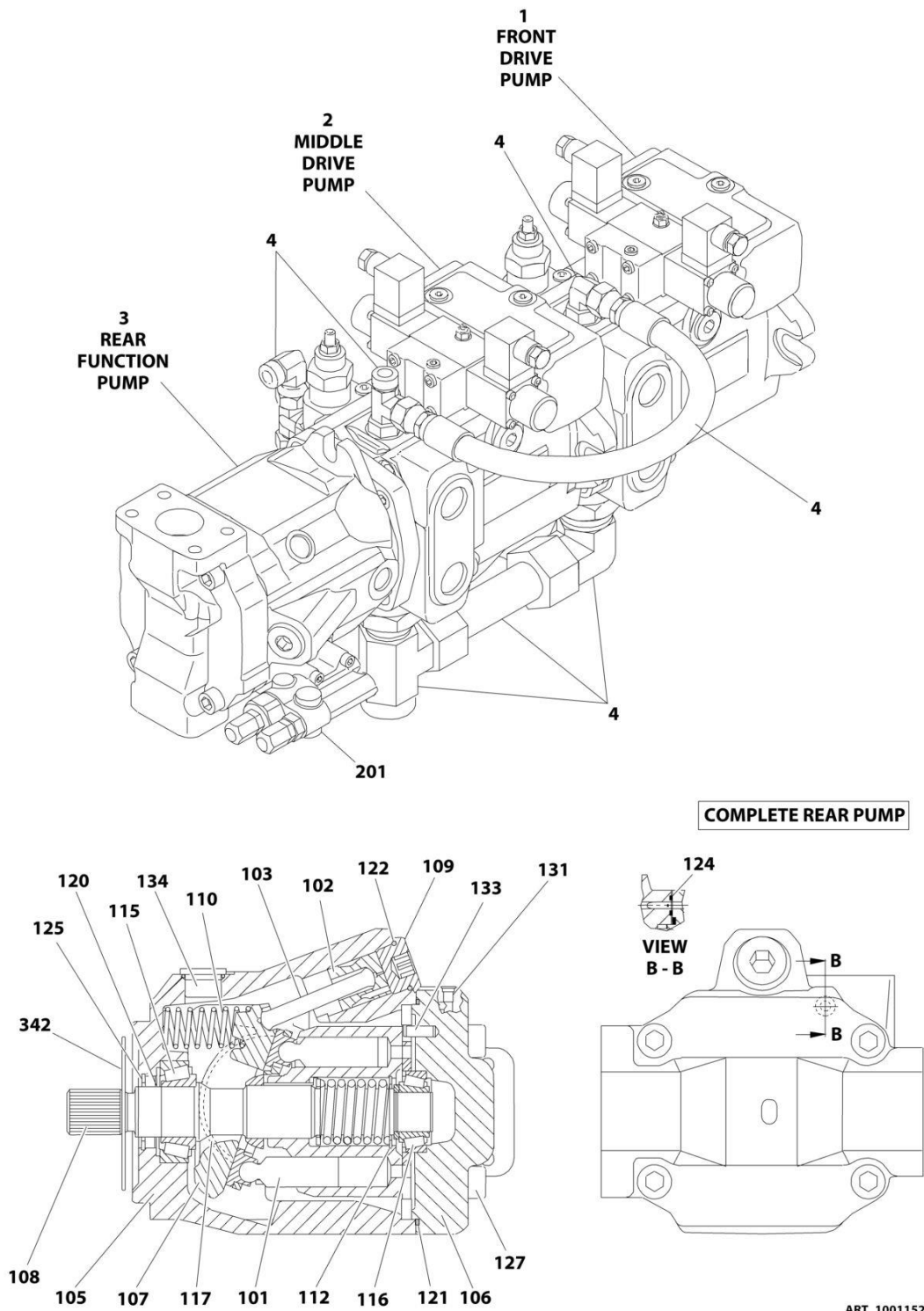
## SECTION 3 - ENGINE

ITEM	PART NUMBER	QTY	DESCRIPTION	REV
305D	7024085	1	Gasket	
305E	See Note	NSS	Cover (Note: Use Item 305)	
305F	See Note	NSS	Spring, Draw (Note: Use Item 305)	
305G	See Note	NSS	Gasket (Note: Use Item 305)	
305H	See Note	4	Capscrew M6 x 65 (Note: Not Available - Purchase Locally)	
305J	See Note	1	Capscrew M6 x 45 (Note: Not Available - Purchase Locally)	
305K	See Note	8	Capscrew M5 x 10 (Note: Not Available - Purchase Locally)	
305L	7024087	1	O-Ring	
305M	7024088	2	O-Ring	
305N	7024089	2	Cup, Spring	
305P	See Note	NSS	Pin, Cylinder (Note: Use Item 305)	
305Q	70002569	2	Nut, Coil	
310	See Note	1	Housing (Note: Not Available for Purchase)	
313	See Note	2	Pin, Dowel (Note: Not Available for Purchase)	
314	See Note	1	Pin, Cylinder (Note: Not Available for Purchase)	
320	See Note	1	Screw 7/8 (Front Drive Pump Only) (Note: Not Available - Purchase Locally)	
321	See Note	1	Screw 9/16 (Note: Not Available - Purchase Locally)	
322	See Note	1	Screw 7/16 (Note: Not Available - Purchase Locally)	
324	See Note	1	Screw M10 x 1 (Note: Not Available - Purchase Locally)	
327	See Note	1	Pin, Double Break-Off (Note: Not Available for Purchase)	
328	7018936	2	Orifice	
331	See Note	2	Pin, Clamping (Note: Not Available for Purchase)	
341	7024069	1	O-Ring	



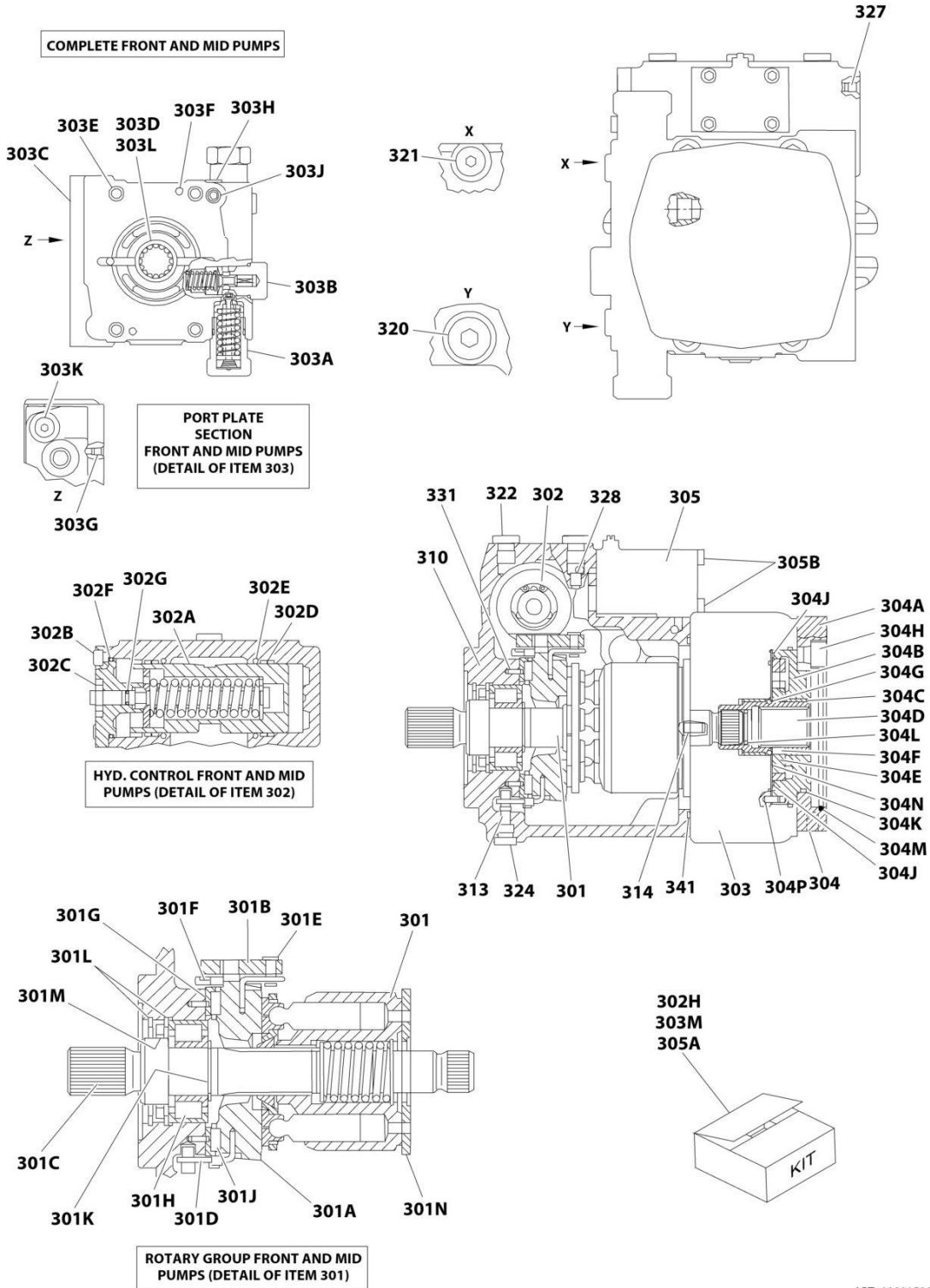
# SECTION 3 - ENGINE

**FIGURE 3-51. PUMP ASSEMBLY (REXROTH) (DEUTZ TCD2.9L4 ENGINES AND DEUTZ TCD2.9L4 (STAGE V PRE-BUY) ENGINES)**



ART\_1001152963\_TOF2

# SECTION 3 - ENGINE



ART\_1001152963\_20F2

## SECTION 3 - ENGINE

**FIGURE 3-51. PUMP ASSEMBLY (REXROTH) (DEUTZ TCD2.9L4 ENGINES AND DEUTZ TCD2.9L4 (STAGE V PRE-BUY) ENGINES)**

ITEM	PART NUMBER	QTY	DESCRIPTION	REV
	1001152963	Ref	PUMP ASSEMBLY (REXROTH) (DEUTZ TCD2.9L4 ENGINES)	C
1	70005480	1	Front Drive Pump Assembly Options (Includes Items 301-341)	
2	70005481	1	Middle Drive Pump Assembly (Includes Items 301-341)	
3	7024044	1	Rear Function Pump Assembly (Includes Items 101-201)	
4	See Note	NSS	Hydraulic Kit (Includes all Rexroth Supplied Hydraulic Fittings, Hoses and Tubes) (Note: Not Available for Purchase)	
	7024044	Ref	REAR FUNCTION PUMP ASSEMBLY	
101	70003173	1	Rotary Section	
102	See Note	1	Piston Control (Note: Not Available - Purchase Complete Assembly)	
103	See Note	1	Rod, Piston (Note: Not Available - Purchase Complete Assembly)	
105	See Note	1	Housing, Pump (Note: Not Available - Purchase Complete Assembly)	
106	See Note	1	Plate, Port (Note: Not Available - Purchase Complete Assembly)	
107	70003174	1	Plate, Swash	
108	70003175	1	Driveshaft	
109	See Note	1	Plug (Note: Not Available for Purchase)	
110	See Note	1	Spring (Note: Not Available for Purchase)	
112		Ref	Shim	
115	7024038	1	Bearing, Roller	
116	7012706	1	Bearing, Roller	
117	7024917	2	Shell, Cradle	
120	7024918	1	Seal, Shaft	
121	7024919	1	O-Ring	
122	7024920	1	O-Ring	
124	7024921	1	Seal	
125	70003177	1	V-Ring	
127	See Note	4	Capscrew M12 x 45 Grade 10.9 (Note: Not Available for Purchase)	
131	See Note	1	Plug (Note: Not Available for Purchase)	
133	See Note	1	Pin, Dowel (Note: Not Available for Purchase)	
134	See Note	1	Plug (Note: Not Available for Purchase)	
201	7024913	Ref	Pilot Valve Assembly	
		Ref	Note: Two mounting designs of p/n 7024913 pilot valve exist. Early design uses qty. 3 o-rings. Late design uses qty. 1 sealing plate. Seal designs cannot be interchanged. Verify seal design before ordering.	
201	7024922	3	O-Ring (Seals between Pilot Valve and Rear Pump)	
201	70021867	1	Plate, Sealing (Seals between Pilot Valve and Rear Pump)	
		Ref	FRONT DRIVE PUMP ASSEMBLIES	
	70005480	Ref	Front Drive Pump Assembly	
	70005481	Ref	Middle Drive Pump Assembly	
		Ref	Note: Service Parts not available at time of printing, call-out number on illustration for ref only.	
301	7024064	1	Rotary Group	
301A	See Note	NSS	Cradle (Note: Use Item 301)	
301B	See Note	NSS	Ring, Slide (Note: Use Item 301)	
301C	7023887	1	Driveshaft	
301D	See Note	NSS	Wire (Note: Use Item 301)	
301E	See Note	NSS	Pin, Joint (Note: Use Item 301)	
301F	See Note	NSS	Wire (Note: Use Item 301)	

## SECTION 3 - ENGINE

ITEM	PART NUMBER	QTY	DESCRIPTION	REV
301G	See Note	NSS	Liner, Bearing (Note: Use Item 301)	
301H	See Note	NSS	Bearing, Roller (Note: Use Item 301)	
301J	See Note	NSS	Cradle Bearing Assembly (Note: Use Item 301)	
301K	70001968	1	Ring, Retaining	
301L	See Note	NSS	Ring, Retaining (Note: Not Available for Purchase)	
301M	70003167	1	Seal, Shaft Ring	
301N	70000950	1	Plate	
302	7024065	1	Control Group - Hydraulic	
302A	See Note	NSS	Piston, Positioning - Complete (Note: Use Item 302)	
302A	See Note	NSS	O-Ring, Outer Seal (Note: Not Available for Purchase)	
302A	See Note	NSS	O-Ring, Stem (Note: Not Available for Purchase)	
302B	See Note	4	Capscrew M6 x 12 (Note: Not Available - Purchase Locally)	
302C	See Note	NSS	Nut (Note: Use Item 302)	
302D	See Note	NSS	Ring, Guide (Note: Use Item 302)	
302E	See Note	NSS	Seal, O-Ring (Note: Use Item 302)	
302F	7024071	1	O-Ring	
302G	7024072	1	O-Ring	
302H	7024006	1	Seal Kit - Control Section	
303	7024905	1	Port Plate Group (Front)	
303	7024911	1	Port Plate Group (Mid)	
303A	7024073	1	Cartridge, Relief Valve (High Pressure)	
303A	7024075	1	O-Ring	
303A	7024076	1	Ring, Back-up	
303B		Ref	Cartridge Options:	
303B	7024907	1	Front Pump Cartridge (Lock Valve With Orifice)	
303B	7024909	1	Screw, Locking	
303B	7024075	1	O-Ring	
303B	70020329	1	Middle Pump Cartridge (Pressure Relief Valve)	
303B	7024909	1	Screw, Locking	
303B	7024077	1	O-Ring	
303C	See Note	NSS	Plate, Port (Note: Use Item 303)	
303D	See Note	NSS	Bushing, Bearing (Note: Use Item 303)	
303E	See Note	4	Capscrew M12 x 70 Grade 10.9 (Note: Not Available - Purchase Locally)	
303F	See Note	NSS	Pin, Dowel (Note: Use Item 303)	
303G	70003340	1	Pin, Break-Off	
303H	See Note	1	Screw, Locking M10 x 1 (Note: Not Available - Purchase Locally)	
303J	7024908	1	O-Ring	
303K	See Note	2	Screw, Locking 7/16 (Note: Not Available - Purchase Locally)	
303L	See Note	NSS	Bearing, Roller (Note: Use Item 303)	
303M	7024006	1	Seal Kit - Port Plate Group	
304	7024906	1	Internal Gear Pump	
304A	See Note	NSS	Flange, Intermediate (Note: Use Item 304)	
304B	See Note	NSS	IZP-Housing (Note: Use Item 304)	
304C	See Note	NSS	Bushing, Bearing (Note: Use Item 304)	
304D	See Note	NSS	Coupling, Driveshaft Through (Note: Use Item 304)	
304E	7024078	1	Gear Set	
304F	7024079	1	Key, Driveshaft	
304G	80934174	1	Ring, Retaining	
304H	See Note	4	Capscrew M10 x 20 (Note: Not Available - Purchase Locally)	
304J	See Note	NSS	Seal (Note: Not Available for Purchase)	

## SECTION 3 - ENGINE

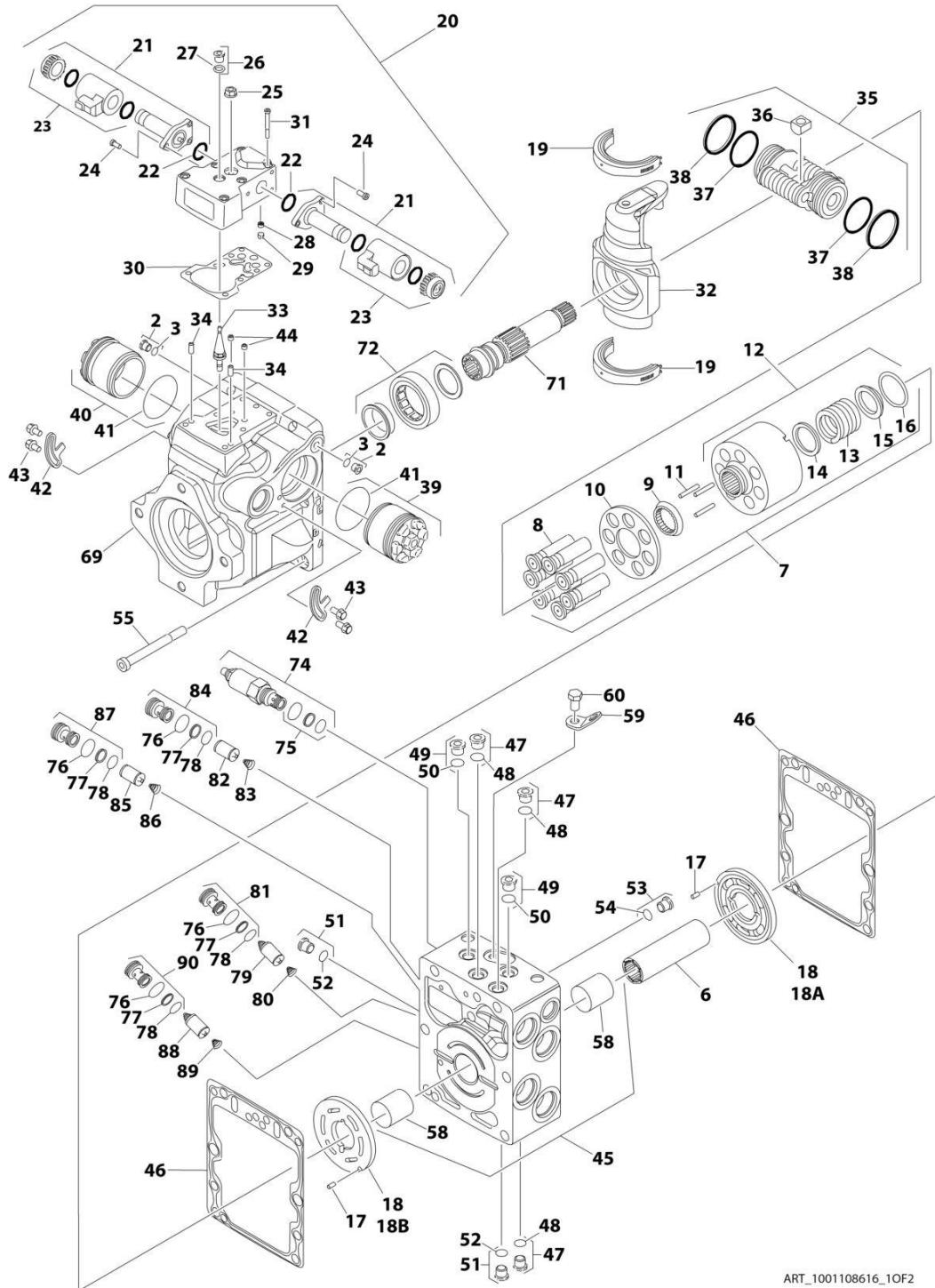
ITEM	PART NUMBER	QTY	DESCRIPTION	REV
304K	7024081	1	O-Ring	
304L	See Note	NSS	Ring, Retaining (Note: Use Item 304)	
304M	See Note	NSS	O-Ring (Note: Use Item 304)	
304N	See Note	NSS	Plate, Wear (Note: Not Available for Purchase)	
304P	See Note	NSS	Pin, Cylinder (Note: Use Item 304)	
305	70003165	1	Control Module	
305	70003170	1	Coil, Solenoid	
305A	70020336	1	Seal Kit - Control Module	
305B	80934644	4	Capscrew	
310	See Note	1	Housing (Note: Not Available for Purchase)	
313	See Note	2	Pin, Dowel (Note: Not Available for Purchase)	
314	See Note	1	Pin, Cylinder (Note: Not Available for Purchase)	
320	7026980	1	Screw 7/8 (Front Drive Pump Only)	
321	80334079	1	Screw 9/16	
322	See Note	1	Screw 7/16 (Note: Not Available - Purchase Locally)	
324	See Note	1	Screw M10 x 1 (Note: Not Available - Purchase Locally)	
327	70003340	1	Pin, Double Break-Off	
328	7018936	1	Orifice	
331	7024096	2	Pin, Clamping	
341	7024069	1	O-Ring	
342	70007178	1	O-Ring	



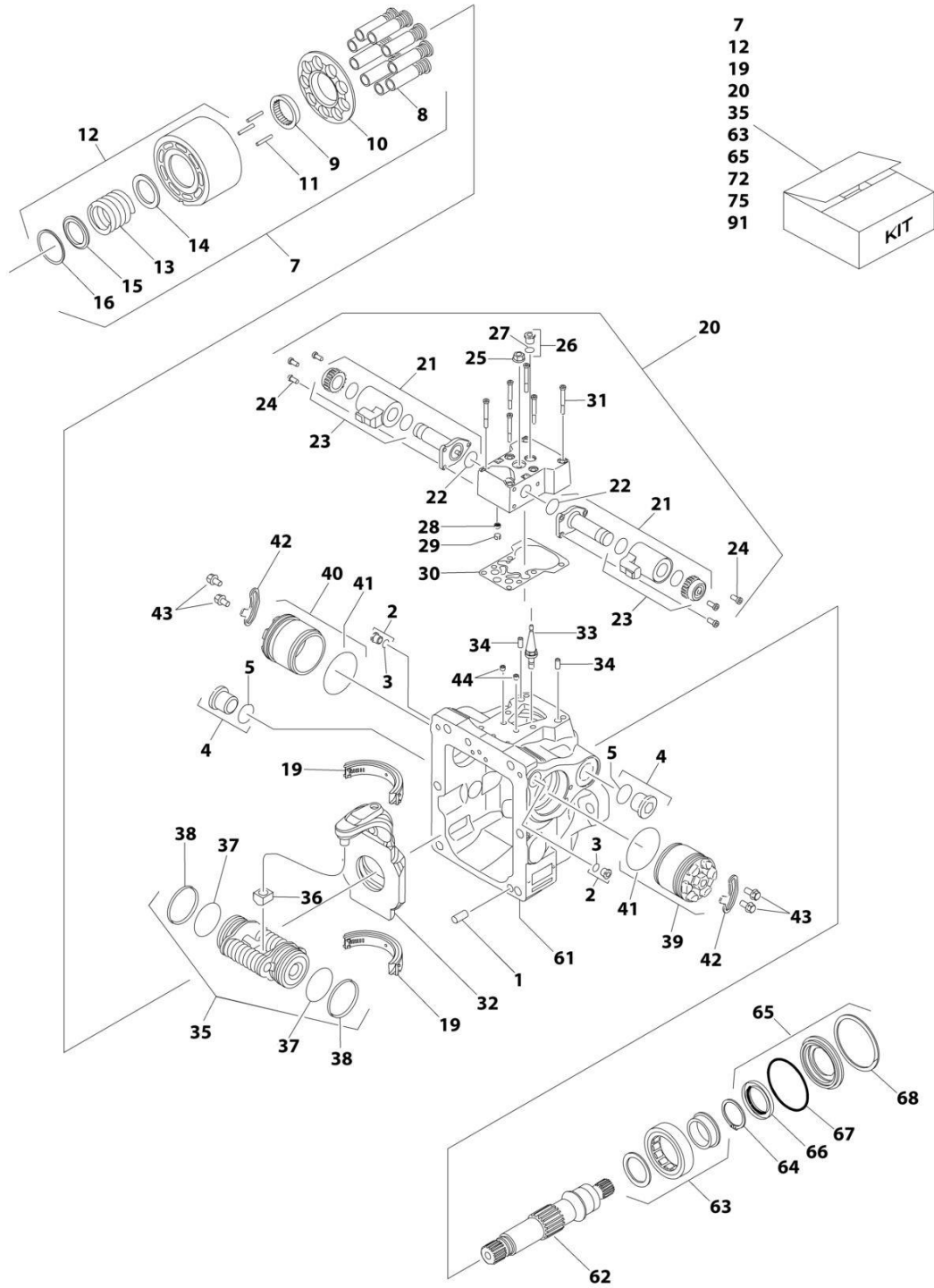


# SECTION 3 - ENGINE

## FIGURE 3-52. PUMP ASSEMBLY (SAUER TANDEM)



# SECTION 3 - ENGINE



ART\_1001108616\_2OF2

## SECTION 3 - ENGINE

**FIGURE 3-52. PUMP ASSEMBLY (SAUER TANDEM)**

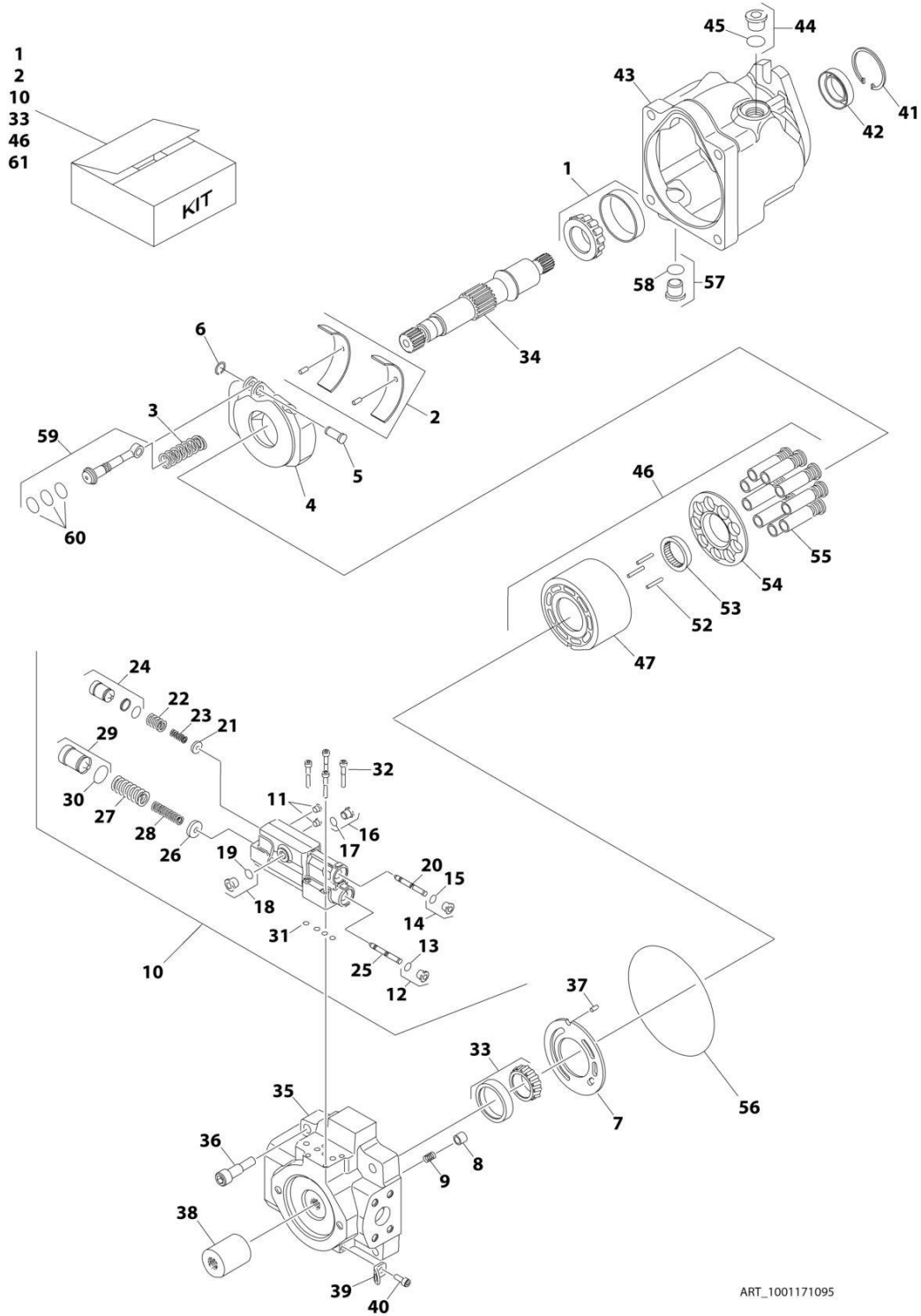
ITEM	PART NUMBER	QTY	DESCRIPTION	REV
	1001108616	Ref	PUMP ASSEMBLY (SAUER TANDEM)	D
1	70002132	4	Pin	
2	70002133	4	Plug Assembly (Includes Item 3)	
3	7007207	4	O-Ring (Part of Item 2)	
4	7007419	2	Plug Assembly (Includes Item 5)	
5	7007418	2	O-Ring (Part of Item 4)	
6	70002600	1	Coupling	
7	70002135	2	Cylinder Block Kit (Each Kit Includes Qty 1 of Items 8-10 & 12-16 & Qty 3 of Item 11)	
8	70002136	2	Piston Assembly Kit (Includes Qty 9 Piston Assemblies) (Part of Item 7)	
9	70002137	2	Guide, Slipper Retainer (Part of Item 7)	
10	70002138	2	Retainer, Slipper (Part of Item 7)	
11	7021275	6	Pin, Slipper Retainer Holddown (Part of Item 7)	
12	70002135	2	Cylinder Block Assembly (Includes Qty 1 of Item 13-16) (Part of Item 7)	
13	70002139	2	Spring (Part of Item 12)	
14	70002140	2	Washer (Part of Item 12)	
15	70002141	2	Washer (Part of Item 12)	
16	70002142	2	Ring, Retaining (Part of Item 12)	
17	7007446	2	Pin	
18		Ref	Plate, Valve Options:	
18A	70002601	1	Plate, CW Valve	
18B	70002602	1	Plate, CCW Valve	
19	70002145	2	Swash Plate Bearing Kit (Includes Qty 2 Bearings)	
20	70002618	2	EDC Kit (Includes Items 21-31)	
21	70002619	4	Solenoid Valve Assembly (Includes Items 22 & 23) (Part of Item 20)	
22	70002148	4	O-Ring (2 Per EDC Assembly) (Part of Item 21)	
23	70002620	4	Coil, Nut and Seals Kit (2 Per EDC Assembly) (Part of Item 21)	
24	70002150	12	Screw (Part of Item 20)	
25	7022301	2	Nut, Seal (Part of Item 20)	
26	70002151	2	Plug Assembly (Part of Item 20) (Includes Item 27)	
27	7007207	2	O-Ring (Part of Item 26)	
28	70002134	2	Screen (Part of Item 20)	
29	70002153	2	Ring, Locking (Part of Item 20)	
30	70002154	2	Gasket, Control (Part of Item 20)	
31	70002156	12	Capscrew (Part of Item 20)	
32	70002152	2	Swash Plate	
33	70002155	2	Link, Swash Plate	
34	70002157	4	Pin, Dowel	
35	70002158	2	Servo Piston Assembly (Includes Items 36-38)	
36	70002159	2	Block, Slider (Part of Item 35)	
37	70002160	2	O-Ring (Part of Item 35)	
38	70002161	2	Ring, Piston (Part of Item 35)	
39	70002162	2	Cylinder, Servo	
40	70002162	2	Cylinder, Servo	
41	70002163	4	O-Ring	
42	70002164	4	Plate, Locking	
43	70002165	8	Screw	

## SECTION 3 - ENGINE

ITEM	PART NUMBER	QTY	DESCRIPTION	REV
44	70002604	4	Orifice	
45	70002605	1	Center Section Assembly (Includes Item 58)	
46	70002168	2	Gasket, End Cap	
47	70001958	2	Plug Assembly (Includes Item 48)	
48	7021256	2	O-Ring (Part of Item 47)	
49	70001958	2	Plug Assembly (Includes Item 50)	
50	7021256	2	O-Ring (Part of Item 49)	
51	70001958	2	Plug Assembly (Includes Item 52)	
52	7021256	2	O-Ring (Part of Item 51)	
53	70001958	2	Plug Assembly (Includes Item 54)	
54	7021256	2	O-Ring (Part of Item 53)	
55	70002606	4	Capscrew	
58	70002607	2	Bearing, Journal (Part of Item 45)	
59	70002608	1	Bracket, Lifting	
60	70002609	1	Screw	
61	See Note	1	Housing (Note: Not Available for Purchase)	
62	70002175	1	Shaft	
63	70002610	1	Ball Bearing Kit	
	7007439	1	Ring, Retaining	
65	70002174	1	Shaft Seal Kit (Includes Items 66-68) (Note: This is a universal kit and will contain extra pieces that are not used on this pump assembly)	
66	70002177	1	Seal, Lip	
67	70002178	1	O-Ring	
68	70002179	1	Ring, Retaining	
69	See Note	1	Housing (Note: Not Available for Purchase)	
71	70002612	1	Shaft	
72	70002610	1	Ball Bearing Kit	
74	70002621	1	High Pressure Relief Valve Cartridge Assembly (Includes Item 75)	
75	70002622	1	Seal Kit - 70002621 Valve (Part of Item 74)	
76	7007415	1	O-Ring (Part of Items 81, 84, 87 & 90)	
77	7021293	1	Ring, Back-up (Part of Items 81, 84, 87 & 90)	
78	7022300	1	O-Ring (Part of Items 81, 84, 87 & 90)	
79	70002616	1	SCR Valve Assembly	
80	7024800	1	Spring	
81	7021265	1	Plug Assembly (Includes Qty 1 of Items 76-78)	
82	70002616	1	SCR Valve Assembly	
83	7024800	1	Spring	
84	7021265	1	Plug Assembly (Includes Qty 1 of Item 76-78)	
85	70002616	1	SCR Valve Assembly	
86	7024800	1	Spring	
87	70002617	1	Plug Assembly (Includes Qty 1 of Item 76-78)	
88	70002616	1	SCR Valve Assembly	
89	7024800	1	Spring	
90	7021265	1	Plug Assembly (Includes Qty 1 of Items 76-78)	
91	70002623	1	Overhaul Seal Kit (Includes Items 3, 5, 22, 27, 30, 37, 38, 41, 46, 48, 50, 52, 54, 66, 67, 75, 76, 77 & 78)	

# SECTION 3 - ENGINE

## FIGURE 3-53. PUMP ASSEMBLY (SAUER PISTON)



ART\_1001171095

## SECTION 3 - ENGINE

**FIGURE 3-53. PUMP ASSEMBLY (SAUER PISTON)**

ITEM	PART NUMBER	QTY	DESCRIPTION	REV
	1001171095	Ref	PUMP ASSEMBLY (SAUER PISTON)	B
1	70002578	1	Bearing Kit - Front (Includes Cup and Cone)	
2	70004426	1	Swash Plate Bearing Kit (Includes Qty 2 Bearings and Retainer Pins)	
3	70002580	1	Spring, Bias	
4	70004416	1	Swash Plate Assembly	
5	70002582	1	Shaft	
6	70002583	1	Ring, Retaining	
7	70004417	1	Plate, Valve	
8	70001956	1	Poppet, Check Valve	
9	70001955	1	Spring	
10	70022286	1	Control Kit (Includes Items 11-32)	
11	See Note	NSS	Setscrew (Note: Use Item 10)	
12	70002133	1	Plug Assembly (Includes Item 13)	
13	7007207	1	O-Ring (Part of Item 12)	
14	70002133	1	Plug Assembly (Part of Item 15)	
15	7007207	1	O-Ring (Part of Item 14)	
16	70002133	1	Plug Assembly (Includes Item 17)	
17	7007207	1	O-Ring (Part of Item 16)	
18	70002133	1	Plug Assembly (Includes Item 19)	
19	7007207	1	O-Ring (Part of Item 18)	
20	See Note	NSS	Spool (Note: Use Item 10)	
21	See Note	NSS	Guide, Spring LS (Note: Use Item 10)	
22	See Note	NSS	Spring, Outer LS (Note: Use Item 10)	
23	See Note	NSS	Spring, Inner LS (Note: Use Item 10)	
24	See Note	NSS	Plug, Adjusting LS (Note: Use Item 10 or 61)	
25	See Note	NSS	Spool, Control (Note: Use Item 10)	
26	See Note	NSS	Guide, Spring PC (Note: Use Item 10)	
27	See Note	NSS	Spring, Outer PC (Note: Use Item 10)	
28	See Note	NSS	Spring, Inner PC (Note: Use Item 10)	
29	See Note	NSS	Plug, Adjusting PC (Note: Use Item 10)	
30	See Note	NSS	O-Ring (Note: Use Item 10 or 61)	
31	See Note	NSS	Ring, Seal (Note: Use Item 10 or 61)	
32	See Note	NSS	Capscrew (Note: Use Item 10)	
33	70002585	1	Bearing Kit - Rear (Includes Cup and Cone)	
34	70002586	1	Shaft	
35	70004420	1	Cap, End	
36	70002588	4	Capscrew	
37	7007446	1	Pin, Slotted	
38	70002589	1	Coupling	
39	7022340	1	Bracket, Lifting	
40	70002590	1	Capscrew	
41	7023962	1	Ring, Retaining	
42	See Note	NSS	Seal, Lip (Note: Use Item 61)	
43	See Note	NSS	Housing (Note: Not Available for Purchase)	
44	7023964	1	Plug Assembly (Includes Item 45)	
45	7007415	1	O-Ring (Part of Item 44)	
46	70004423	1	Cylinder Block Kit (Includes Items 47-55)	
47	70004421	1	Cylinder	
52	7021275	3	Pin, Hold-down	

## SECTION 3 - ENGINE

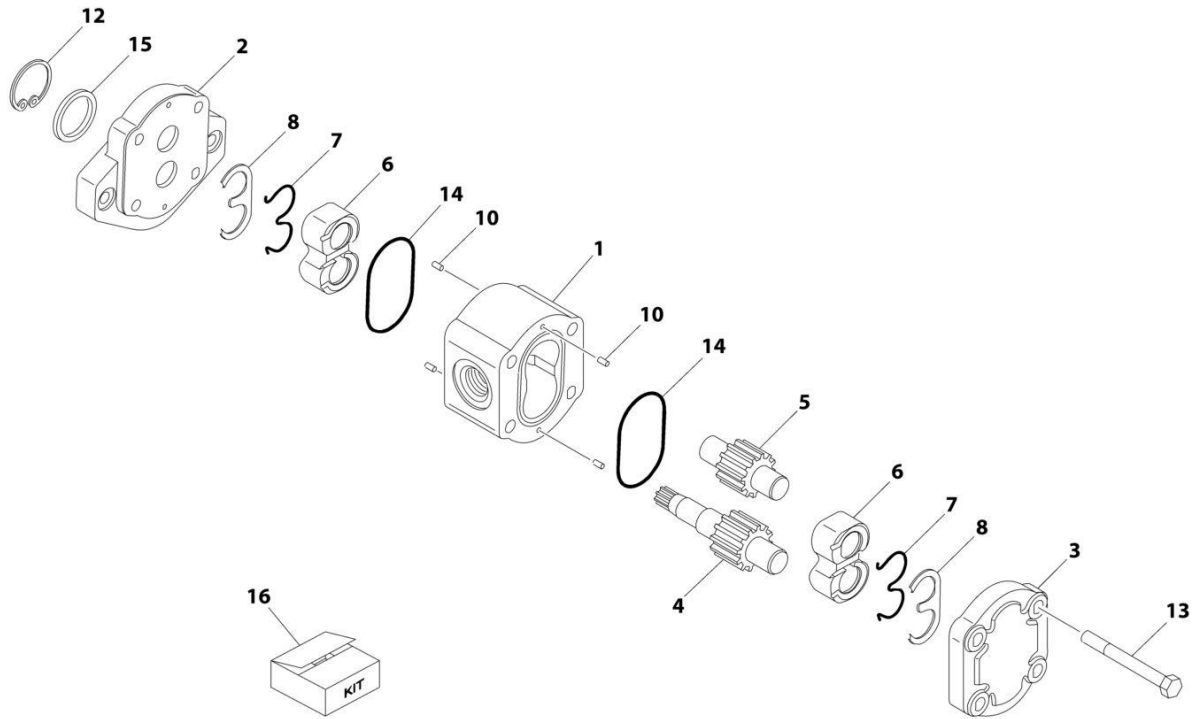
ITEM	PART NUMBER	QTY	DESCRIPTION	REV
53	70002592	1	Guide, Slipper Retainer	
54	70002593	1	Retainer, Slipper	
55	70004422	1	Piston Assembly	
56	See Note	NSS	Seal, End Cap (Note: Use Item 61)	
57	7023964	1	Plug, O-Ring (Includes Item 58)	
58	7007415	1	O-Ring (Part of Item 57)	
59	70005418	1	Servo Piston Assembly (Includes Item 60)	
60	See Note	NSS	Ring, Piston (Part of Item 59) (Note: Use Item 61)	
61	70002599	1	Complete Seal Kit (Includes Items 13, 15, 17, 19, 24, 30, 31, 42, 45, 56, 58 & 60)	





# SECTION 3 - ENGINE

## FIGURE 3-54. PUMP ASSEMBLY (SAUER GEAR)



ART\_1001112927

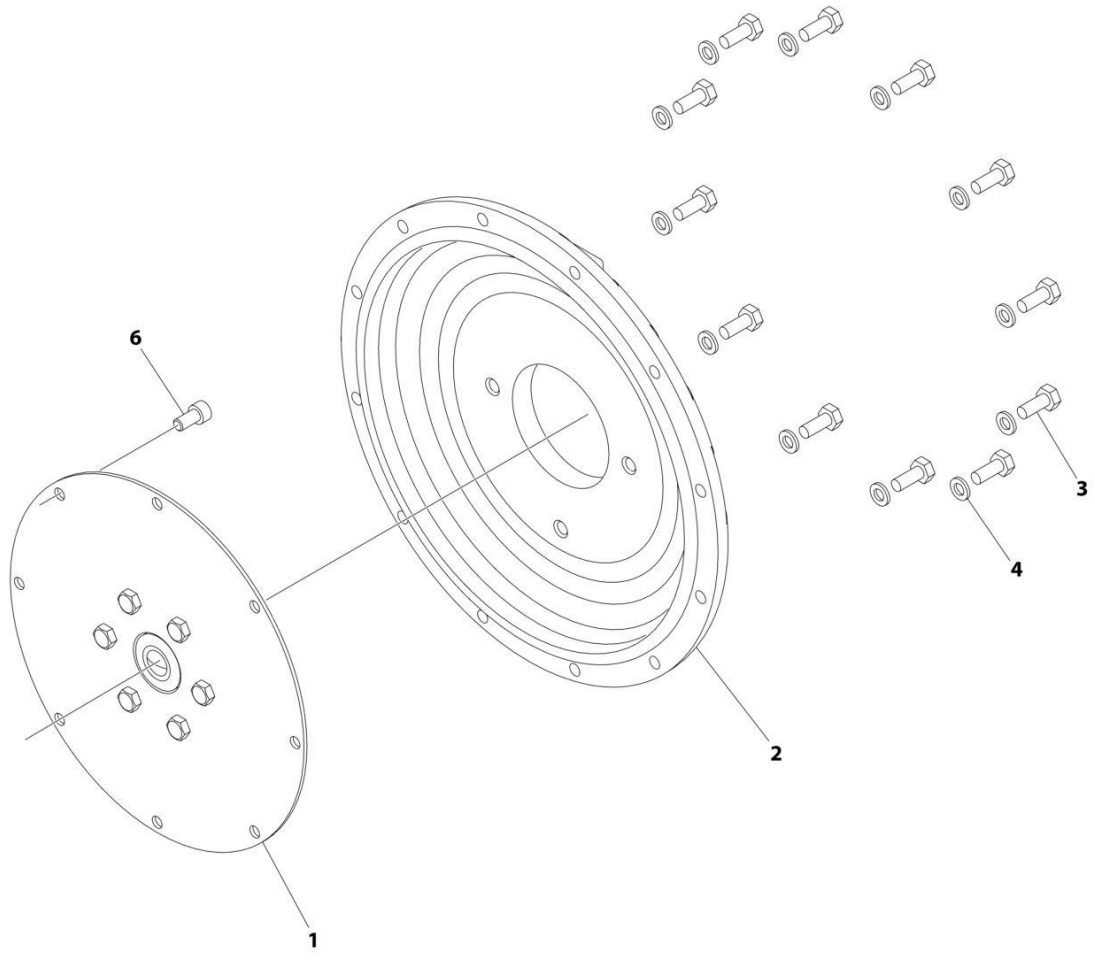
## SECTION 3 - ENGINE

**FIGURE 3-54. PUMP ASSEMBLY (SAUER GEAR)**

ITEM	PART NUMBER	QTY	DESCRIPTION	REV
	1001112927	Ref	PUMP ASSEMBLY (SAUER GEAR)	A
1	See Note	NSS	Body (Note: Use p/n 1001112927)	
2	See Note	NSS	Cover, Front (Note: Use p/n 1001112927)	
3	See Note	NSS	Cover, Rear (Note: Use p/n 1001112927)	
4	See Note	NSS	Shaft, Gear (Note: Use p/n 1001112927)	
5	See Note	NSS	Gear, Idler (Note: Use p/n 1001112927)	
6	See Note	NSS	Block, Bearing (Note: Use p/n 1001112927)	
7	7007489	2	Ring, Anti-Extrusion	
8	7007489	2	Ring, Seal	
10	See Note	NSS	Pin, Dowel (Note: Use p/n 1001112927)	
12	70002576	1	Ring, Retaining	
13	See Note	NSS	Capscrew (Note: Use p/n 1001112927)	
14	7007489	2	O-Ring	
15	7007489	1	Seal, Lip	
16	7007489	1	Seal Kit - 1001112927 Pump (Includes Items 7, 8, 14 & 15)	

# SECTION 3 - ENGINE

## FIGURE 3-55. PUMP COUPLING KIT



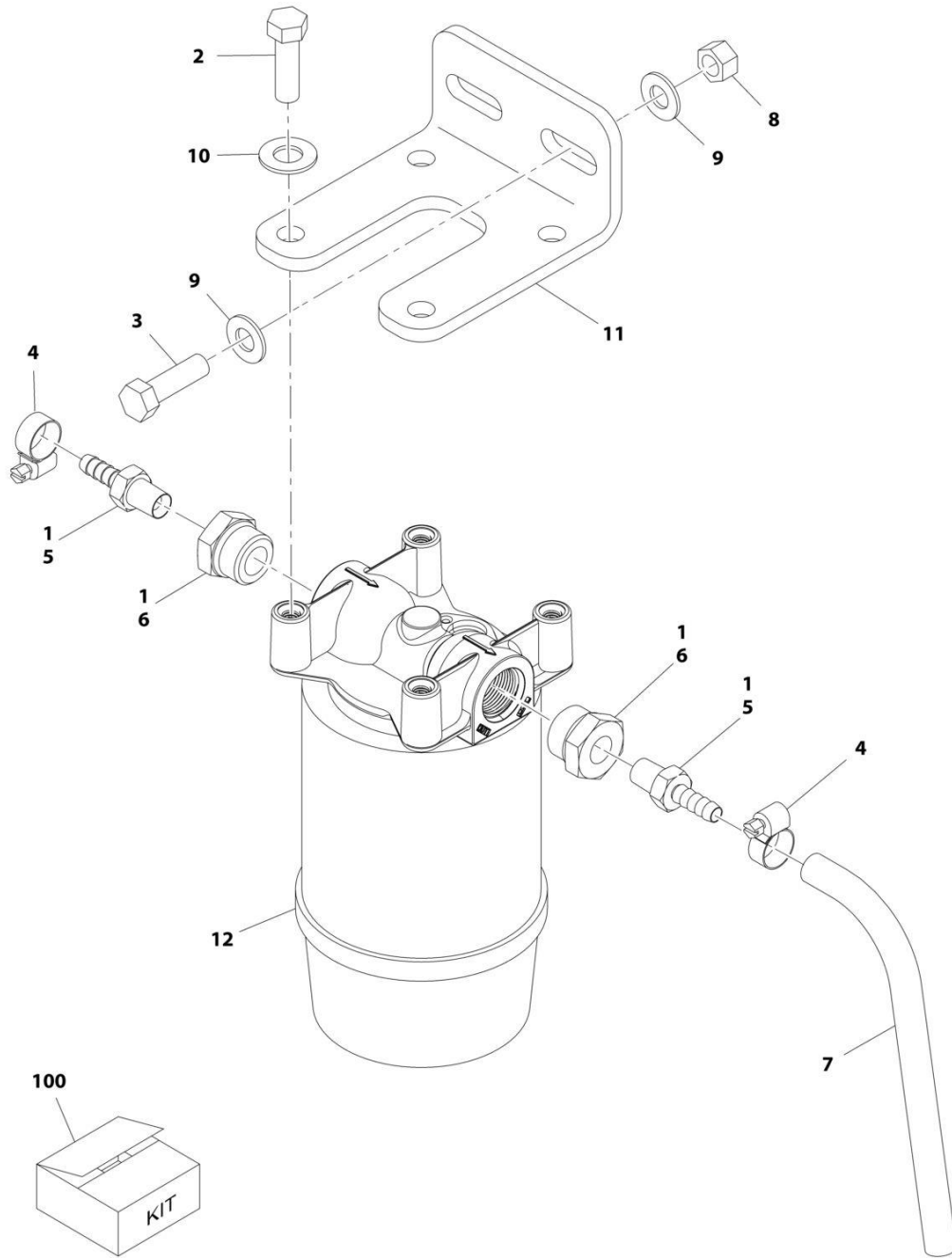
ART\_2902065

FIGURE 3-55. PUMP COUPLING KIT

ITEM	PART NUMBER	QTY	DESCRIPTION	REV
	2902065	Ref	PUMP COUPLING KIT	L
1	70000793	1	Coupling, Hayes	
2	See Note	NSS	Plate, Pump Adapter (Note: Use p/n 2902065)	
3	See Note	NSS	Bolt M10 x 30 Grade 10.9 (Note: Use p/n 2902065)	
4	See Note	NSS	Washer M10 (Note: Use p/n 2902065)	
6	See Note	NSS	Bolt M10 x 20 Grade 10.9 (Note: Use p/n 2902065)	

# SECTION 3 - ENGINE

## FIGURE 3-56. FUEL-WATER SEPARATOR INSTALLATION - DEUTZ TD2011 (OPTIONAL)



ART\_1001198751

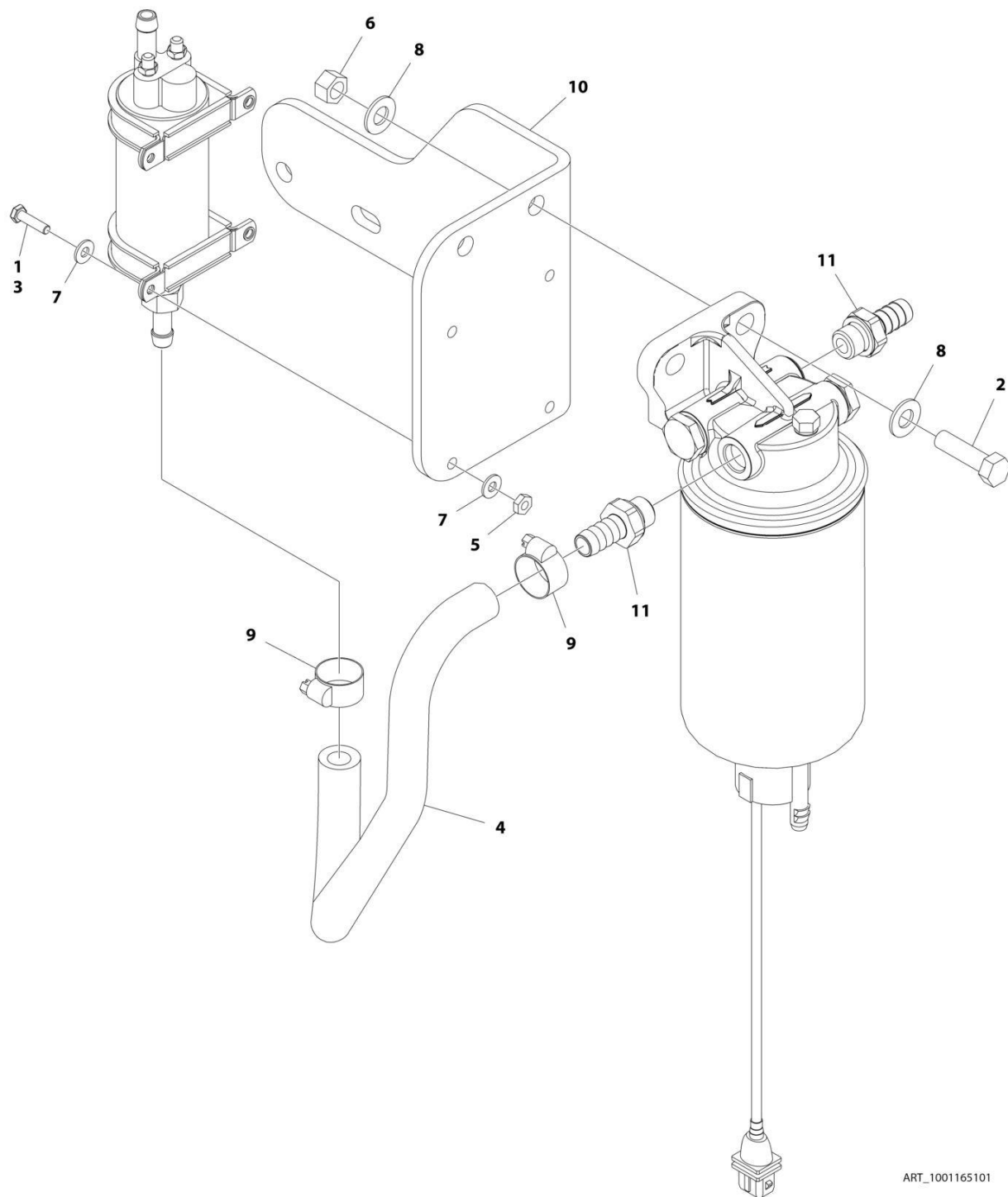
## SECTION 3 - ENGINE

**FIGURE 3-56. FUEL-WATER SEPARATOR INSTALLATION - DEUTZ TD2011 (OPTIONAL)**

ITEM	PART NUMBER	QTY	DESCRIPTION	REV
	1001198751	Ref	FUEL-WATER SEPARATOR INSTALLATION - DEUTZ TD2011 (OPTIONAL)	A
1	0100079	AR	Sealant	
2	0641610	4	Bolt 3/8 x 1-1/4	
3	0641612	2	Bolt 3/8 x 1-1/2	
4	1320022	2	Clamp	
5	2180348	2	Fitting, Barbed Straight	
6	2220816	2	Fitting, Straight FNPTF/ORB	
7	2720058	4.5 ft /1.4m	Hose	
8	3271601	2	Nut 3/8	
9	4711600	4	Washer 3/8	
10	4711700	4	Washer 7/16	
11	1001188884	1	Bracket	
12	1001188887	1	Fuel/Water Separator Assembly	
12	1001202280	1	Head	
12	1001202281	1	Element	
100	1001203866	1	Water/Separator Add-on Kit	

## SECTION 3 - ENGINE

FIGURE 3-57. FUEL PUMP/FILTER BRACKET ASSEMBLY (DEUTZ TCD2.9L4 ENGINE AND DEUTZ TCD2.9L4 (STAGE V PRE-BUY) ENGINE)



ART\_1001165101



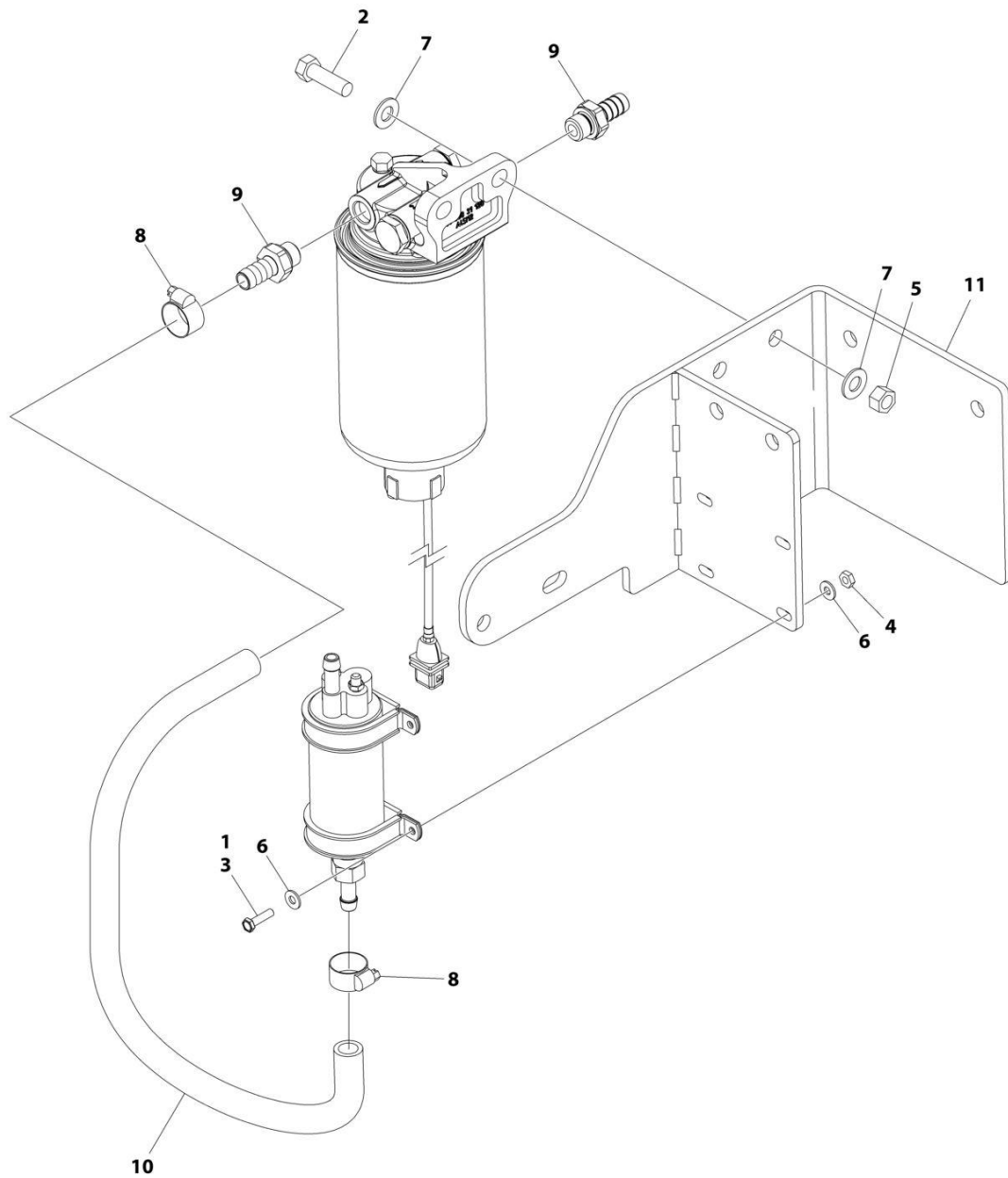
## SECTION 3 - ENGINE

**FIGURE 3-57. FUEL PUMP/FILTER BRACKET ASSEMBLY (DEUTZ TCD2.9L4 ENGINE AND DEUTZ TCD2.9L4 (STAGE V PRE-BUY) ENGINE)**

ITEM	PART NUMBER	QTY	DESCRIPTION	REV
	1001165101	Ref	FUEL PUMP/FILTER BRACKET ASSEMBLY - DEUTZ TCD2.9L4 ENGINE AND DEUTZ TCD2.9L4 (STAGE V PRE-BUY) ENGINE	C
1	0100011	AR	Compound, Locking	
2	0641611	2	Bolt 3/8 x 1-3/8	
3	0721006	4	Bolt #10 x 3/4	
4	1001154405	1.5 ft /0.4m	Hose	
5	3311001	4	Nut #10	
6	3311605	2	Nut 3/8	
7	4711000	8	Washer #10	
8	4711600	4	Washer 3/8	
9	8405006	2	Clamp	
10	1001140222	1	Bracket, Fuel Pump Mounting	
11	1001141718	1	Fitting, Barbed	

# SECTION 3 - ENGINE

## FIGURE 3-58. FUEL PUMP/FILTER BRACKET ASSEMBLY - DEUTZ TCD2.9L4 ENGINE



ART\_1001227606

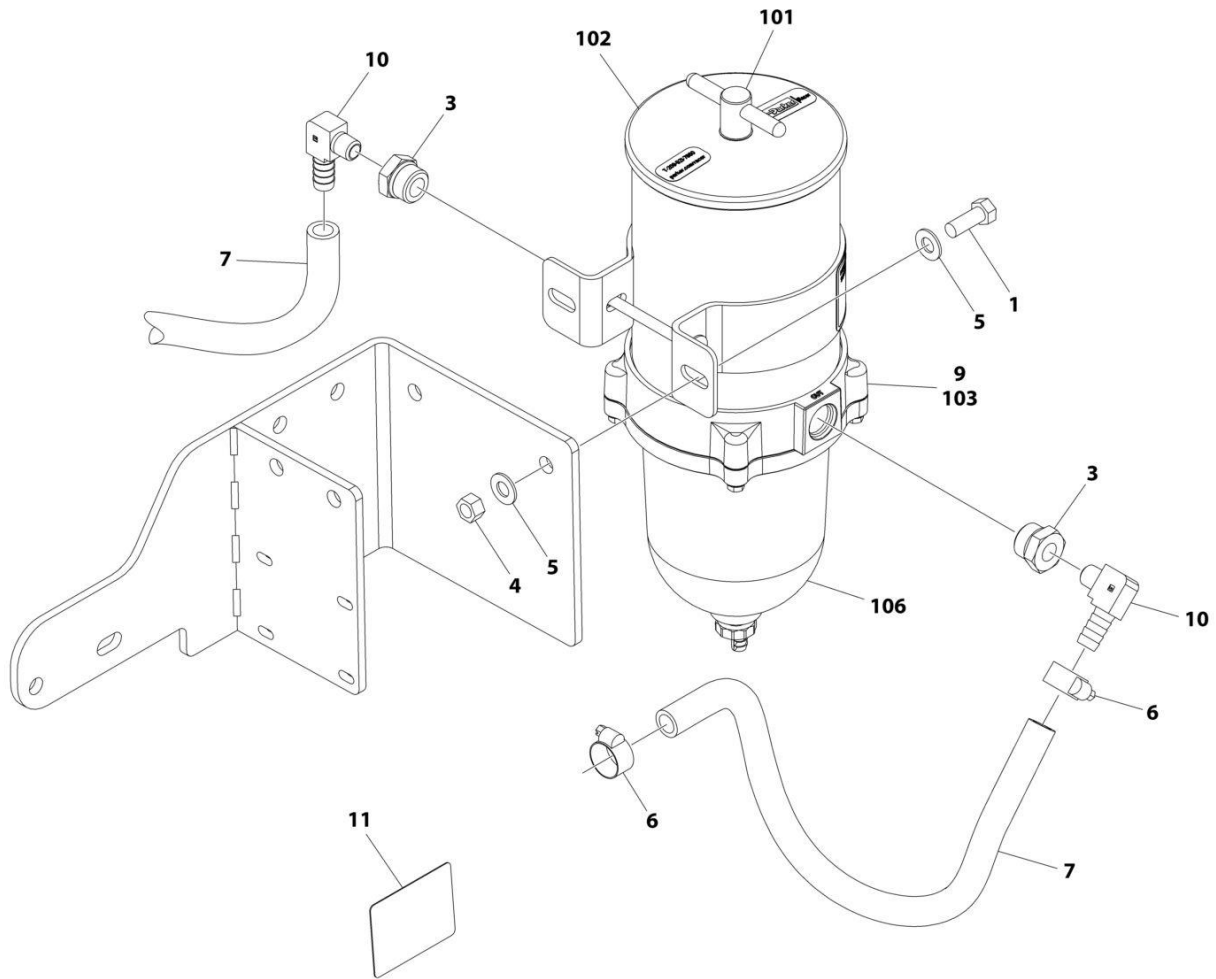
## SECTION 3 - ENGINE

**FIGURE 3-58. FUEL PUMP/FILTER BRACKET ASSEMBLY - DEUTZ TCD2.9L4 ENGINE**

ITEM	PART NUMBER	QTY	DESCRIPTION	REV
	1001227606	Ref	FUEL PUMP/FILTER BRACKET ASSEMBLY - DEUTZ TD2.9L4 ENGINE	A
1	0100011	AR	Compound, Locking	
2	0641610	2	Bolt 3/8 x 1-1/4	
3	0721006	4	Bolt #10 x 3/4	
4	3311001	4	Nut #10	
5	3311605	2	Nut 3/8	
6	4711000	8	Washer #10	
7	4711600	4	Washer 3/8	
8	8405006	2	Clamp	
9	1001141718	2	Fitting, Barbed	
10	1001154405	1.5 ft/ 0.4m	Hose	
11	1001222773	1	Bracket, Fuel Pump Mounting	

# SECTION 3 - ENGINE

## FIGURE 3-59. FUEL FILTER/WATER SEPARATOR INSTALLATION - DEUTZ TCD2.9L4 ENGINE



NOTE: LOCATED ON HOOD

ART\_1001223068

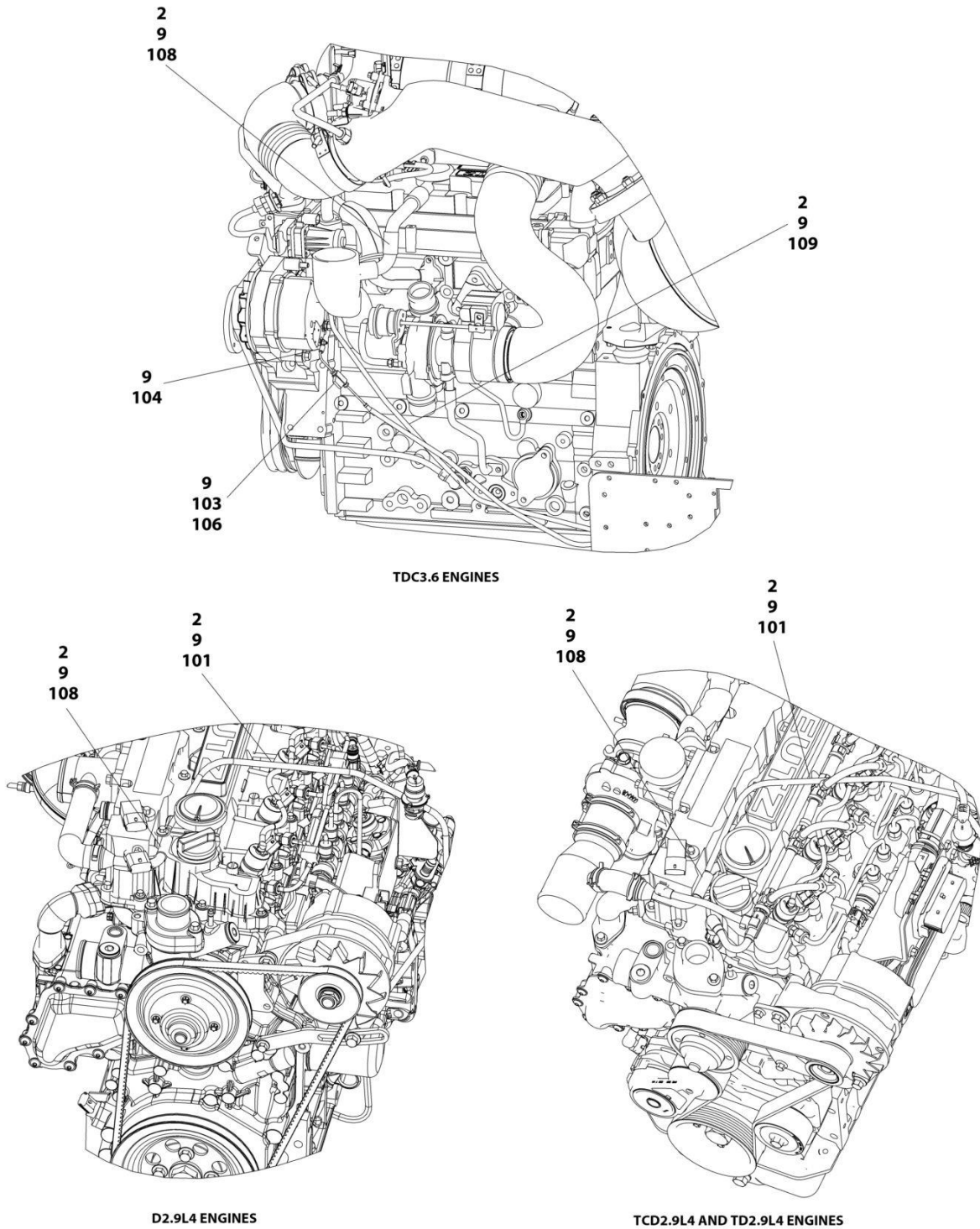
## SECTION 3 - ENGINE

**FIGURE 3-59. FUEL FILTER/WATER SEPARATOR INSTALLATION - DEUTZ TCD2.9L4 ENGINE**

ITEM	PART NUMBER	QTY	DESCRIPTION	REV
	1001223068	Ref	FUEL FILTER/WATER SEPARATOR INSTALLATION - DEUTZ TD2.9L4 ENGINE	C
1	0641608	2	Bolt 3/8 x 1	
3	2220816	2	Fitting, Adapter FNPTF/ORB	
4	3311605	2	Nut 3/8	
5	4711600	4	Washer 3/8	
6	8405006	4	Clamp	
7	1001154405	4 ft/ 1.22m	Hose	
9	1001222817	1	Fuel Filter Assembly (See Items 101-107 for Breakdown)	
10	1001178797	2	Fitting, 90	
11	1001226923	1	Decal - Fuel Water Separator	
	1001222817	Ref	FUEL FILTER ASSEMBLY	
101	70006403	1	T-Handle Kit (Includes O-Ring)	
102	70006404	1	Lid Kit (Includes Gasket)	
103	70006405	1	Element	
104	70006406	1	Checkball & Gasket Kit (Not Shown)	
105	70006407	1	Centrifuge and Baffle Kit (Not Shown)	
106	70006409	1	Bowl Kit (Includes Gasket, O-Ring and Drain)	
106	70006408	1	Gasket, Bowl	
107	70006410	1	Bowl Ring Kit (Includes Gasket & Hardware) (Not Shown)	

# SECTION 3 - ENGINE

**FIGURE 3-60. BREATHER HEATER INSTALLATION - DEUTZ TCD2.9L4 ENGINES, DEUTZ TCD2.9L4 (STAGE V PRE-BUY) ENGINES AND DEUTZ TCD2.9L4 (STAGE V) ENGINES WITH ARCTIC PACKAGE**



ART\_1001233763

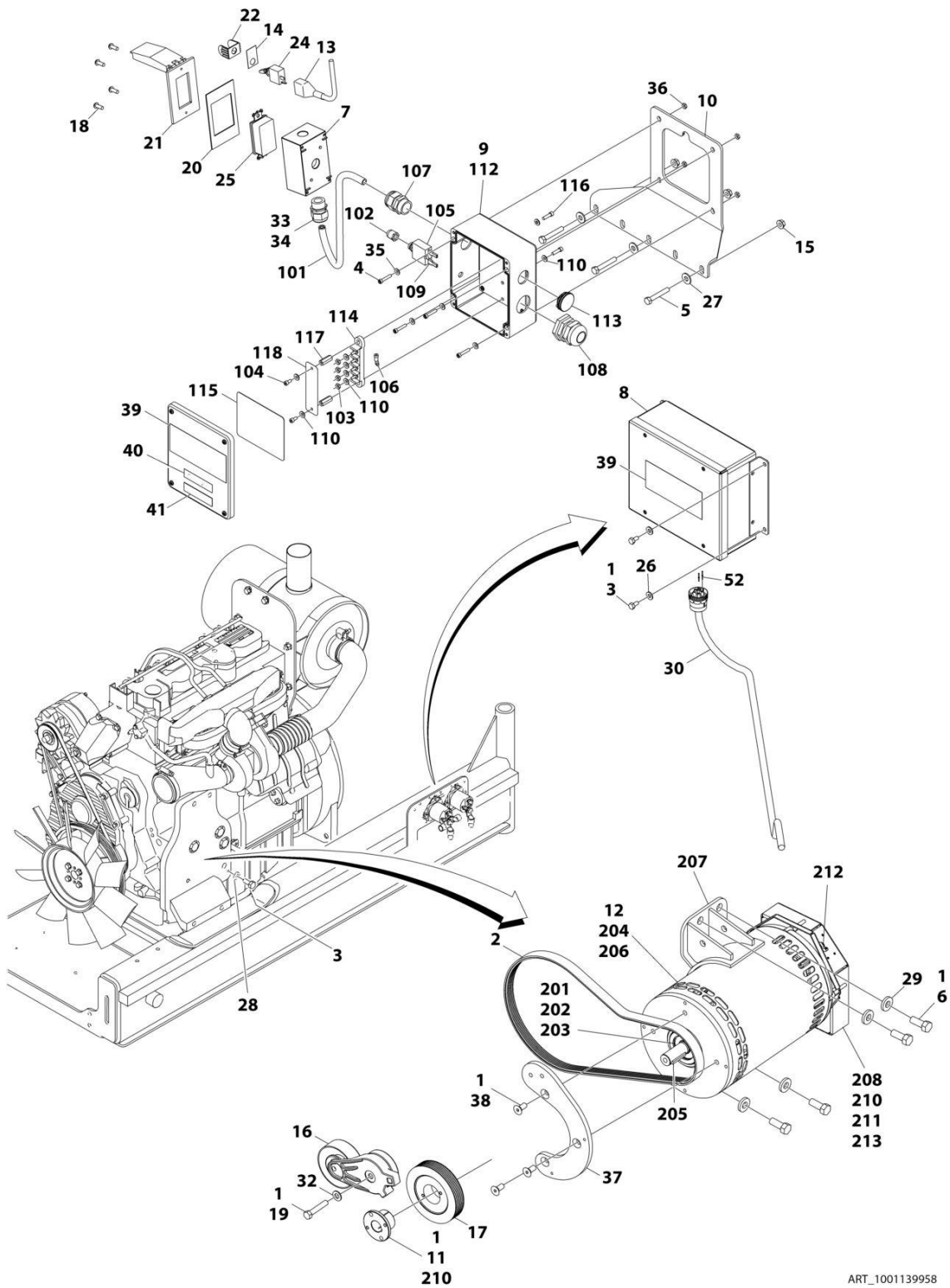
## SECTION 3 - ENGINE

**FIGURE 3-60. BREATHER HEATER INSTALLATION - DEUTZ TCD2.9L4 ENGINES, DEUTZ TCD2.9L4 (STAGE V PRE-BUY) ENGINES AND DEUTZ TCD2.9L4 (STAGE V) ENGINES WITH ARCTIC PACKAGE**

ITEM	PART NUMBER	QTY	DESCRIPTION	REV
	1001233763	Ref	BREATHER HEATER INSTALLATION - DEUTZ ENGINES	D
2	4240099	AR	Tie-Strap	
9	1001243895	1	Breather Heater Harness	C
101	2820035	AR	Insulation	
103	2400060	1	Fuseholder with Cover	
104	4460043	1	Terminal, Ring	
105	4460722	1	Terminal, Ring (Not Shown)	
106	1001196634	1	Fuse - 2 Amp	
108	1001232842	1	Breather Heater Kit	

# SECTION 3 - ENGINE

## FIGURE 3-61. 4000W GENERATOR INSTALLATION - 60HZ SPECS (DEUTZ TD2011 ENGINES)



ART\_1001139958



## SECTION 3 - ENGINE

**FIGURE 3-61. 4000W GENERATOR INSTALLATION - 60HZ SPECS (DEUTZ TD2011 ENGINES)**

ITEM	PART NUMBER	QTY	DESCRIPTION	REV
	1001139958	Ref	4000W GENERATOR INSTALLATION - 60HZ SPEC (DEUTZ TD2011 ENGINES)	B
		Ref	Note: See ELECTRICAL SECTION for Boom Cable Installation.	
1	0100011	AR	Compound, Locking	
2	0480128	1	Belt, Generator	
3	0641404	5	Bolt 1/4 x 1/2	
4	3931016	4	Screw 1/4 x 1	
5	0641516	3	Bolt 5/16 x 2	
6	0641810	4	Bolt 1/2 x 1-1/4	
7	0860038	1	Box, Switch-Weatherhead	
8	1001138566	1	Box, Generator Control	
8	70006552	1	Capacitor	
8	70006553	1	Relay	
9	1001152457	1	Box, Junction Assembly (See Items 101-118 for Breakdown)	
10	0902888	1	Bracket, Generator Junction Box	
11	0962520	1	Bushing, Taper	
12	1001129858	1	Generator, 4000W Assembly (See Items 200-213 for Breakdown)	
13	2820031	AR	Insulator, Heat Shrink	
14	3251102	1	Nameplate, Generator	
15	3311508	3	Nut 5/16	
16	3580317	1	Pulley, Belt Tensioner	
17	3580318	1	Pulley, Generator	
18	3910606	4	Screw 6 x 3/8	
19	0641616	AR	Bolt 3/8 x 2	
20	3960422	1	Gasket, AC Receptacle	
21	1001110873	1	Cover, Gang Vertical Receptacle GFCI	
22	4060802	1	Guard, Switch	
23	4240018	AR	Strap, Tie (Not Shown)	
24	4360336	1	Switch, Toggle	
25	4460346	1	Terminal, Receptacle	
26	4711400	4	Washer 1/4	
27	4751500	3	Washer 5/16	
28	4791400	2	Starwasher 1/4	
29	4891800	4	Washer 1/2	
30	1001152533	1	Harness, Generator Cable (See Separate Breakdown in ELECTRICAL SECTION)	
31	1001153257	1	Diagram, Generator Wiring (Not Shown)	
32	4711600	1	Washer 3/8	
33	0100020	AR	Sealant, Pipe	
34	4460071	1	Connector, Strain Relief	
35	4751000	4	Washer #10	
36	3311005	4	Nut #10	
37	1001139357	1	Mount, Generator Tensioner	
38	0741607	3	Screw 3/8 x 0.88	
39	1705387	3	Decal - Hazardous Voltage	
40	3251243	1	Decal - 120V-60Hz	
41	1705374	1	Decal - 240V-60Hz	
52	0100048	AR	Grease, Dielectric	
	1001152457	Ref	JUNCTION BOX ASSEMBLY	B

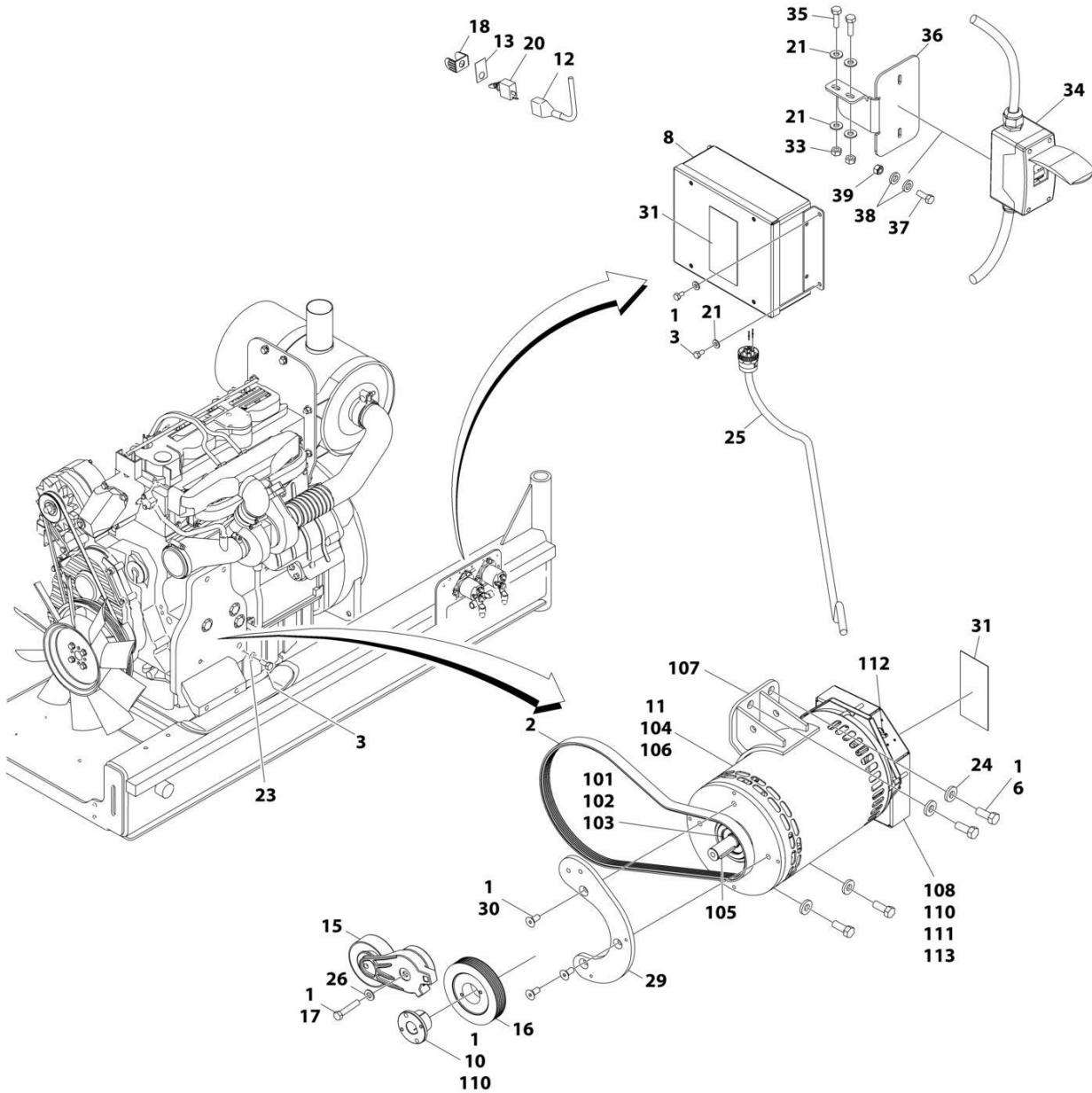
## SECTION 3 - ENGINE

ITEM	PART NUMBER	QTY	DESCRIPTION	REV
101	1001179154	2.5 ft/ 0.8m	Cable, 12/3	
102	3300396	1	Cover, Fuse	
103	3311001	4	Nut #10 Grade 2	
104	3900300	2	Screw, Spec, Cap	
105	4360070	1	Circuit Breaker, 15Amp	
106	4460068	3	Terminal, Ring	
107	4460425	1	Terminal, Strain Relief	
108	4460426	1	Connector, Strain Relief	
109	4460483	2	Terminal	
110	4711000	8	Washer #10	
112	1001152456	1	Box, Junction	
113	1001152525	1	Plug, Hole Pluggit	
114	1001152530	1	Terminal, Block, 4 Pole	
115	1001153260	1	Decal - Wiring 4000W Generator	
116	3900267	2	Screw, Spec, Cap	
117	1001158008	2	Stand-Off, Female, Threaded	
118	1001158363	1	Plate, Cover, PVC	
	1001129858	Ref	4000W GENERATOR ASSEMBLY	
201	70003709	1	Ring, Retaining	
202	70003708	1	Ring, Retaining	
203	70001966	1	Bearing, Ball	
204	70004092	1	Endbell	
205	70004171	1	Key	
206	70004676	1	Rotor Assembly	
207	70004684	1	Stator, Generator 4000W	
208	70004678	1	Endbell	
210	70004680	1	Enclosure	
211	70004685	1	Cover, Enclosure	
212	70004682	1	Protector, Supplementary, Manual Reset	
213	70004098	1	Bushing, Strain Relief	



# SECTION 3 - ENGINE

## FIGURE 3-62. 4000W GENERATOR INSTALLATION - 50HZ SPECS (DEUTZ TD2011 ENGINES)



ART\_1001139959

## SECTION 3 - ENGINE

**FIGURE 3-62. 4000W GENERATOR INSTALLATION - 50HZ SPECS (DEUTZ TD2011 ENGINES)**

ITEM	PART NUMBER	QTY	DESCRIPTION	REV
	1001139959	Ref	4000W GENERATOR INSTALLATION - 50HZ SPEC (DEUTZ TD2011 ENGINES)	D
		Ref	Note: See ELECTRICAL SECTION for Boom Cable Installation.	
1	0100011	AR	Compound, Locking	
2	1001136356	1	Belt, Generator	
3	0641404	5	Bolt 1/4 x 1/2	
6	0641810	4	Bolt 1/2 x 1-1/4	
8	1001138566	1	Box, Generator Control	
8	70006552	1	Capacitor	
8	70006553	1	Relay	
10	0962520	1	Bushing, Taper	
11	1001138565	1	Generator, 4000W Assembly Options: (See items 101-113 for Breakdown)	
12	2820031	AR	Insulator, Heat Shrink	
13	3251102	1	Nameplate, Generator	
15	3580317	1	Pulley, Belt Tensioner	
16	3580319	1	Pulley, Generator	
17	0641616	1	Bolt 3/8 x 2	
18	4060802	1	Guard, Switch	
19	4240018	AR	Strap, Tie (Not Shown)	
20	4360336	1	Switch, Toggle	
21	4711400	8	Washer 1/4	
23	4791400	2	Washer 1/4	
24	4891800	4	Washer 1/2	
25	1001152533	1	Harness, Generator Cable (See Separate Breakdown in ELECTRICAL SECTION)	
26	4711600	1	Washer 3/8	
29	1001139357	1	Mount, Generator Tensioner	
30	0741607	3	Screw, Flat head, 3/8 x .88	
31	1705489	AR	Decal - Hazardous Voltage	
33	3311405	2	Nut 1/4	
34	1001165368	1	Kit, Box and Breaker (See Separate Breakdown in ELECTRICAL SECTION)	
35	0641407	2	Bolt 1/4 x 7/8	
36	1001094915	1	Bracket, AC Breaker Box	
37	4010408	2	Screw M4 x 16	
38	1001091102	4	Washer M4	
39	3290405	2	Nut M4	
	1001138565	Ref	4000W GENERATOR ASSEMBLY	
101	70003709	1	Ring, Retaining	
102	70003708	1	Ring, Retaining	
103	70001966	1	Bearing, Ball	
104	70004092	1	Endbell	
105	70004171	1	Key	
106	70004676	1	Rotor Assembly	
107	70004677	1	Stator, Generator 4000W	
108	70004678	1	Endbell	
110	70004680	1	Enclosure	
111	70004681	1	Cover, Enclosure	
112	70004682	1	Protector, Supplementary, Manual Reset	

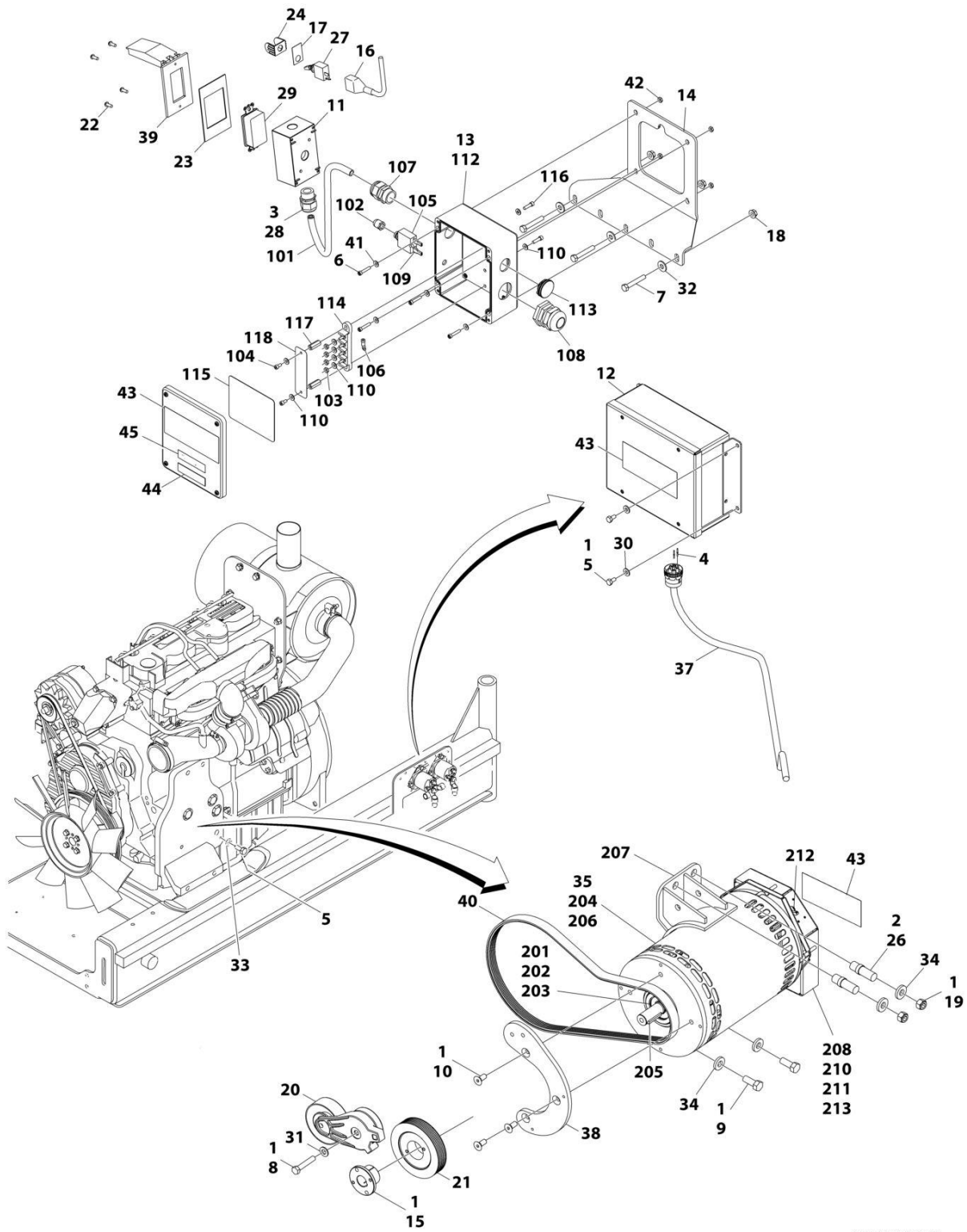
## SECTION 3 - ENGINE

ITEM	PART NUMBER	QTY	DESCRIPTION	REV
113	70004683	1	Bushing, Strain Relief	



# SECTION 3 - ENGINE

## FIGURE 3-63. 4000W GENERATOR INSTALLATION - 60HZ SPEC (DEUTZ TCD2.9L4 ENGINES)



ART\_1001171130



## SECTION 3 - ENGINE

**FIGURE 3-63. 4000W GENERATOR INSTALLATION - 60HZ SPEC (DEUTZ TCD2.9L4 ENGINES)**

ITEM	PART NUMBER	QTY	DESCRIPTION	REV
	1001171130	Ref	4000W GENERATOR INSTALLATION - 60HZ SPEC (DEUTZ TCD2.9L4 ENGINES)	B
		Ref	Note: See ELECTRICAL SECTION for Boom Cable Installation.	
1	0100011	AR	Compound, Locking	
2	0100019	AR	Compound, Locking	
3	0100020	AR	Sealant, Pipe	
4	0100048	AR	Grease, Dielectric	
5	0641404	5	Bolt 1/4 x 1/2	
6	3931016	4	Screw 1/4 x 1	
7	0641516	3	Bolt 5/16 x 2	
8	0641618	1	Bolt 3/8 x 2-1/4	
9	0641810	2	Bolt 1/2 x 1-1/4	
10	0741607	3	Screw 3/8 x 0.88	
11	0860038	1	Box, Switch-Weatherhead	
12	1001138566	1	Box, Generator Control	
12	70006552	1	Capacitor	
12	70006553	1	Relay	
13	1001152457	1	Box, Junction Assembly (See Items 101-118 for Breakdown)	
14	0902888	1	Bracket, Generator Junction Box	
15	0962520	1	Bushing, Taper	
16	2820031	AR	Insulator, Heat Shrink	
17	3251102	1	Nameplate, Generator	
18	3311508	3	Nut 5/16	
19	3311801	2	Nut 1/2	
20	3580317	1	Pulley, Belt Tensioner	
21	3580318	1	Pulley, Generator	
22	3910606	4	Screw 6 x 3/8	
23	3960422	1	Gasket, AC Receptacle	
24	4060802	1	Guard, Switch	
25	4240018	AR	Strap, Tie (Not Shown)	
26	4300157	2	Stud	
27	4360336	1	Switch, Toggle	
28	4460071	1	Connector, Strain Relief	
29	4460346	1	Terminal, Receptacle	
30	4711400	4	Washer 1/4	
31	4711600	1	Washer 3/8	
32	4751500	3	Washer 5/16	
33	4791400	2	Starwasher 1/4	
34	4891800	4	Washer 1/2	
35	1001140344	1	Generator, 4000W Assembly (See Items 200-213 for Breakdown)	
36	1001153257	1	Diagram, Generator Wiring (Not Shown)	
37	1001152533	1	Harness, Generator Cable (See Separate Breakdown in ELECTRICAL SECTION)	
38	1001138011	1	Mount, Generator Tensioner	
39	1001110873	1	Cover, Gang Vertical Receptacle GFCI	
40	1001142645	1	Belt, Generator	
41	4751000	4	Washer #10	
42	3311005	4	Nut 10	
43	1705387	3	Decal - Hazardous Voltage	
44	1705374	1	Decal - 240V-60Hz	

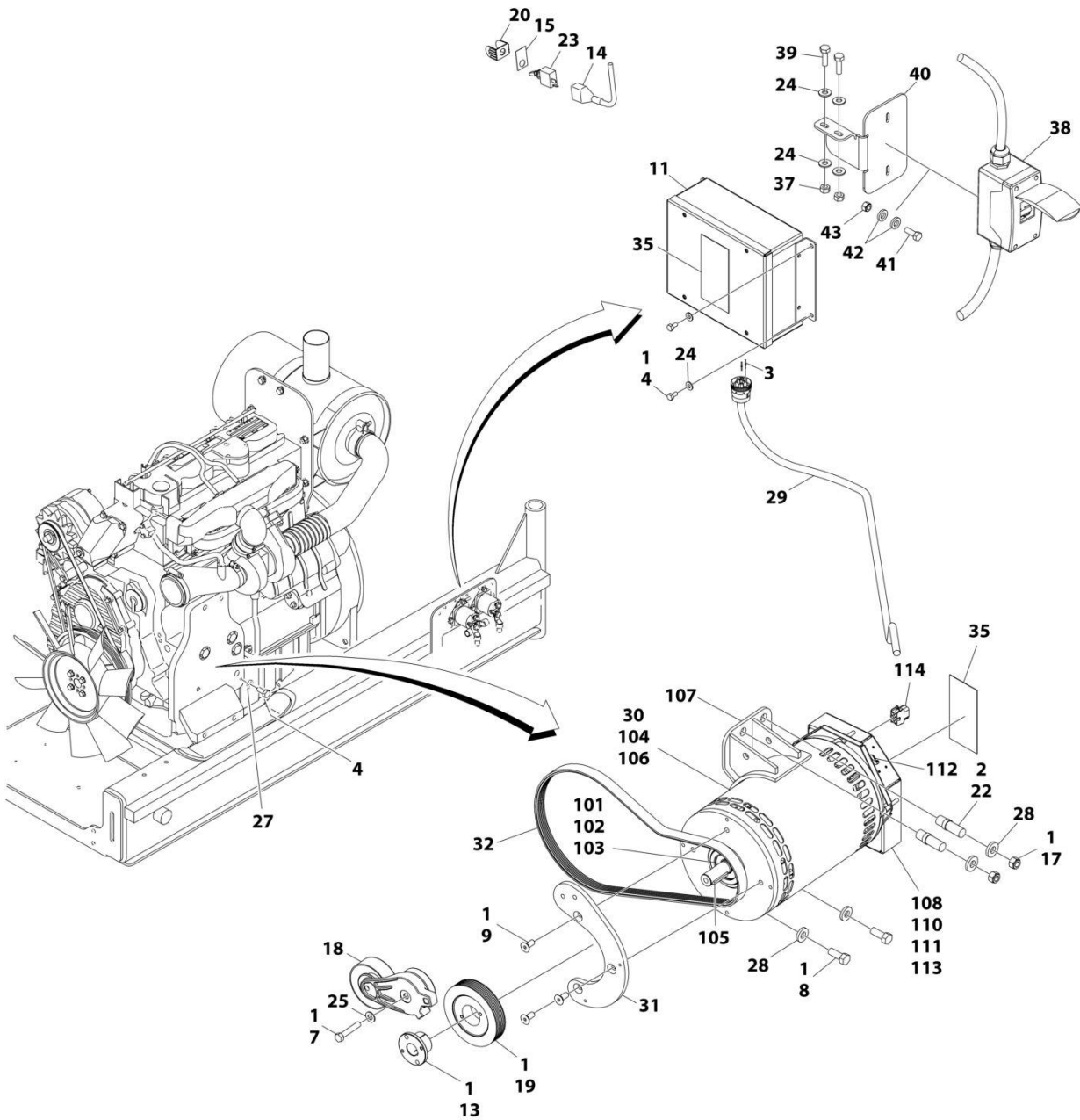
## SECTION 3 - ENGINE

ITEM	PART NUMBER	QTY	DESCRIPTION	REV
45	3251243	1	Decal - 120V-60Hz	B
	1001152457	Ref	JUNCTION BOX ASSEMBLY	
101	1001179154	2.5 ft/ 0.8m	Cable, Electrical 12/3	
102	3300396	1	Cover, Fuse	
103	3311001	4	Nut 10 Grade 2	
104	3900300	2	Screw, Spec, Cap	
105	4360070	1	Circuit Breaker, 15Amp	
106	4460068	3	Terminal, Ring	
107	4460425	1	Terminal, Strain Relief	
108	4460426	1	Connector, Strain Relief	
109	4460483	2	Terminal	
110	4711000	AR	Washer #10	
112	1001152456	1	Box, Junction	
113	1001152525	1	Plug, Hole Pluggit	
114	1001152530	1	Terminal, Block, 4 Pole	
115	1001153260	1	Decal - Wiring 4000W Generator	
116	3900267	2	Screw, Spec, Cap	
117	1001158008	2	Stand-Off, Female, Threaded	
118	1001158363	1	Plate, Cover, PVC	
	1001140346	Ref	4000W GENERATOR ASSEMBLY	
201	70003709	1	Ring, Retaining	
202	70003708	1	Ring, Retaining	
203	70001966	1	Bearing, Ball	
204	70004092	1	Endbell	
205	70004099	1	Key	
206	70004676	1	Rotor Assembly	
207	70004687	1	Stator, Generator 4000W	
208	70004678	1	Endbell	
210	70004680	1	Enclosure	
211	70004685	1	Cover, Enclosure	
212	70004682	1	Protector, Supplementary, Manual Reset	
213	70004098	1	Bushing, Strain Relief	



# SECTION 3 - ENGINE

**FIGURE 3-64. 4000W GENERATOR INSTALLATION - 50HZ SPEC (DEUTZ TCD2.9L4 ENGINES, DEUTZ TCD2.9L4 (STAGE V PRE-BUY) ENGINES AND DEUTZ TCD2.9L4 (STAGE V) ENGINES)**



ART\_1001171273

## SECTION 3 - ENGINE

**FIGURE 3-64. 4000W GENERATOR INSTALLATION - 50HZ SPEC (DEUTZ TCD2.9L4 ENGINES, DEUTZ TCD2.9L4 (STAGE V PRE-BUY) ENGINES AND DEUTZ TCD2.9L4 (STAGE V) ENGINES)**

ITEM	PART NUMBER	QTY	DESCRIPTION	REV
	1001171273	Ref	4000W GENERATOR INSTALLATION - 50HZ SPEC (DEUTZ TCD2.9L4 ENGINES	C
		Ref	Note: See ELECTRICAL SECTION for Boom Cable Installation.	
1	0100011	AR	Compound, Locking	
2	0100019	AR	Compound, Locking	
3	0100048	AR	Grease, Dielectric	
4	0641404	5	Bolt 1/4 x 1/2	
7	0641618	1	Bolt 3/8 x 2-1/4	
8	0641810	2	Bolt 1/2 x 1-1/4	
9	0741607	3	Screw 3/8 x 0.88	
11	1001138566	1	Box, Generator Control	
11	70006552	1	Capacitor	
11	70006553	1	Relay	
13	0962520	1	Bushing, Taper	
14	2820031	AR	Insulator, Heat Shrink	
15	3251102	1	Nameplate, Generator	
17	3311801	2	Nut 1/2	
18	3580317	1	Pulley, Belt Tensioner	
19	3580319	1	Pulley, Generator	
20	4060802	1	Guard, Switch	
21	4240018	AR	Strap, Tie (Not Shown)	
22	4300157	2	Stud	
23	4360336	1	Switch, Toggle	
24	4711400	8	Washer 1/4	
25	4711600	1	Washer 3/8	
27	4791400	2	Starwasher 1/4	
28	4891800	4	Washer 1/2	
29	1001152533	1	Harness, Generator Cable (See Separate Breakdown in ELECTRICAL Section)	
30	1001140347	1	Generator, 4000W Assembly (See Items 101-114 for Breakdown)	
31	1001138011	1	Mount, Generator Tensioner	
32	1001136357	1	Belt, Generator	
35	1705489	AR	Decal - Hazardous Voltage	
37	3311405	2	Nut 1/4	
38	1001165368	1	Kit, Box and Breaker (See Separate Breakdown in ELECTRICAL Section)	
39	0641407	2	Bolt 1/4 x 7/8	
40	1001094915	1	Bracket	
41	4010408	2	Screw M4 x 16	
42	1001091102	4	Washer M4	
43	3290405	2	Nut M4	
	1001140347	Ref	4000W GENERATOR ASSEMBLY	
101	70003709	1	Ring, Retaining	
102	70003708	1	Ring, Retaining	
103	70001966	1	Bearing, Ball	
104	70004092	1	Endbell	
105	70004099	1	Key	
106	70004676	1	Rotor Assembly	
107	70004686	1	Stator, Generator 4000W	

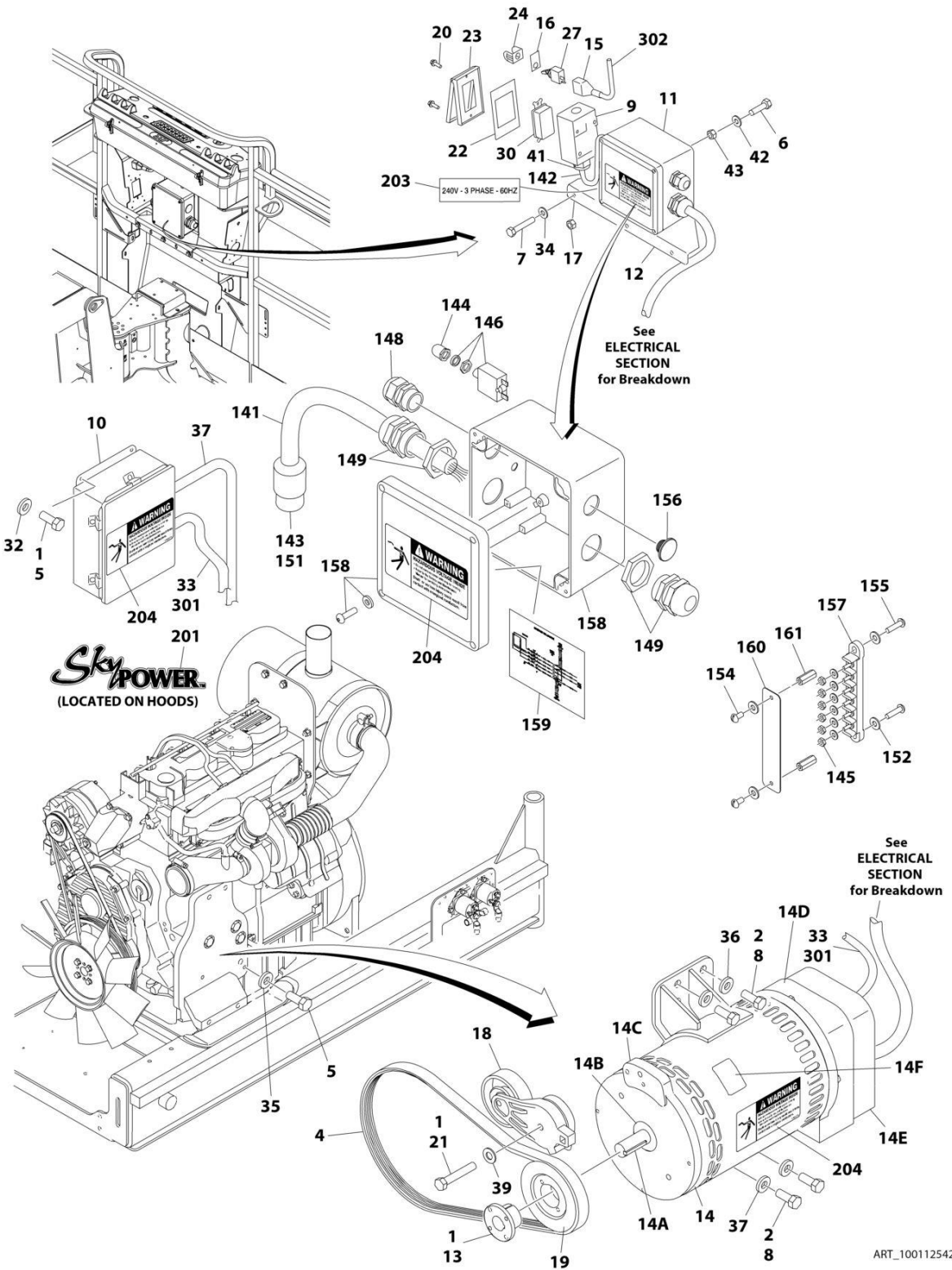
### SECTION 3 - ENGINE

ITEM	PART NUMBER	QTY	DESCRIPTION	REV
108	70004678	1	Endbell	
110	70004680	1	Enclosure	
111	70004681	1	Cover, Enclosure	
112	70004682	1	Protector, Supplementary, Manual Reset	
113	70004683	1	Bushing, Strain Relief	
114	4460224	1	Connector - 6 Position (50Hz) (Located on Enclosure Cover)	
114	4460294	2	Pin, Male (50Hz) (Located on Enclosure Cover)	



# SECTION 3 - ENGINE

## FIGURE 3-65. 7500W SKYPOWER GENERATOR INSTALLATION - 60HZ SPEC (DEUTZ TD2011 ENGINES) (OPTIONAL)





## SECTION 3 - ENGINE

**FIGURE 3-65. 7500W SKYPOWER GENERATOR INSTALLATION - 60HZ SPEC (DEUTZ TD2011 ENGINES) (OPTIONAL)**

ITEM	PART NUMBER	QTY	DESCRIPTION	REV
	1001125427	Ref	7500W SKYPOWER GENERATOR INSTALLATION - 60HZ SPEC (DEUTZ TD2011 ENGINES)	D
		Ref	Note: See ELECTRICAL SECTION for Boom Cable Installation.	
1	0100011	AR	Compound, Locking	
2	0100019	AR	Compound, Locking	
4	0480128	1	Belt, Generator	
5	0641404	6	Bolt 1/4 x 1/2	
6	3931016	AR	Bolt 10 x 1	
7	0641516	3	Bolt 5/16 x 2	
8	0641810	4	Bolt 1/2 x 1-1/4	
9	0860038	1	Box, Switch	
10	0861538	1	Box, Generator Control	
10	7024488	1	Card, Circuit - Generator Power (Not Shown)	
10	See Note	1	Fuse (Note: Not Available - Purchase Locally)	
10	7024489	1	Card, Circuit - Control (Not Shown)	
		Ref	Note: When replacing card, rocker switch on card must be set for required application.	
10	70000619	1	Harness, Circuit Card	
11	1001157592	1	Junction Box Assembly Options (See Items 141-161 for Breakdown)	
12	0902888	1	Bracket, Generator Junction Box	
13	0962520	1	Bushing, Taper	
14	2460048	1	Generator, 7500W	
14	70001100	1	Rotor (Includes p/n 70001384 & 70000863) (Not Shown)	
14	70001384	1	Bearing, Shaft (Rear) (Not Shown)	
14	70000863	1	Fan, Generator (Not Shown)	
14	70002088	1	Stator (Not Shown)	
14	70002297	2	Stud 1/4 x 12-7/8 (Not Shown)	
14	70003631	1	Brushholder Assembly (Not Shown) (was p/n 7024484)	
14A	70004171	1	Key	
14B	70001966	1	Bearing, Ball Radial (Located in Belt Tensioner Endbell)	
14B	70003709	1	Ring, Retaining (Small)	
14B	70003708	1	Ring, Retaining (Large)	
14C	70001953	1	Endbell, Belt Tensioner	
14D	70004169	1	Kit, Endbell (Includes Endbell, Brush Block and Shroud Assembly)	
14E	7027799	1	Block, Connector 6 Position (Not Shown)	
14E	70002460	6	Nut, Brass (Attaches p/n 7027799 to Cover) (Not Shown)	
14E	7024485	1	Breaker, Circuit 30Amp (Not Shown)	
14E	70001696	1	Boot, Breaker (Not Shown)	
14E	7026597	1	Connector with Leads (Not Shown)	
14E	7026626	1	Connector with Pins (Not Shown)	
14E	7026188	1	Clamp, Cable (Not Shown)	
14E	70002255	1	Plate, End Panel (Not Shown)	
14E	See Note	NSS	Insulator, End Panel (Note: Not Available for Purchase)	
14E	70001974	1	Decal - Terminal Connections (Not Shown)	
14F	70001973	1	Decal - Warning Moving Parts	
15	2820031	AR	Insulator, Heat Shrink	
16	3251102	1	Nameplate, Generator	
17	3311508	3	Nut 5/16	

## SECTION 3 - ENGINE

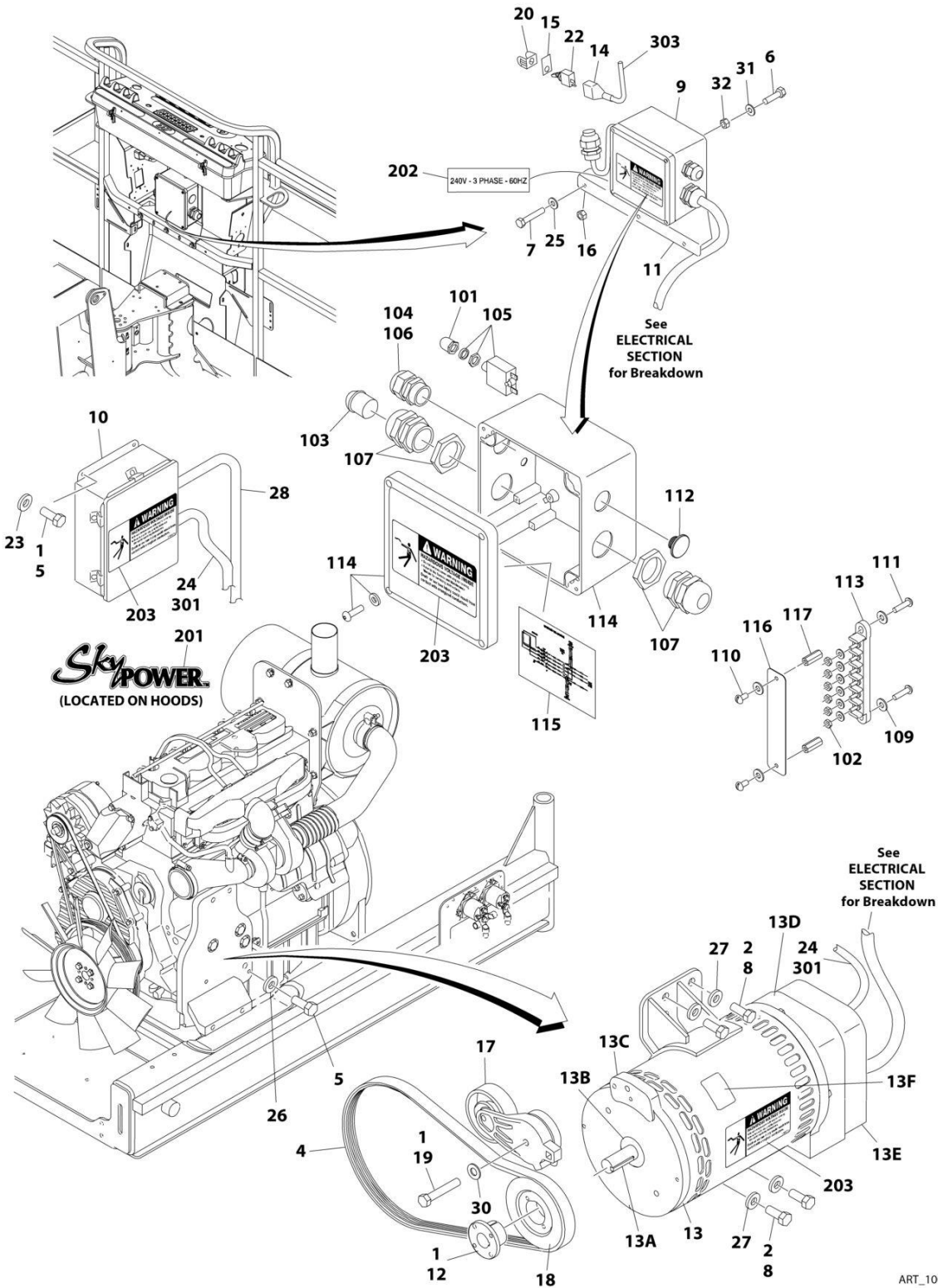
ITEM	PART NUMBER	QTY	DESCRIPTION	REV
18	3580317	1	Pulley, Belt Tensioner	
19	3580318	1	Pulley, Generator	
20	3910606	4	Screw #6 x 3/8	
21	0641618	1	Bolt 3/8 x 2	
22	3960422	1	Gasket, AC Receptacle	
23	1001110873	1	Shield, Receptacle Cover	
24	4060802	1	Guard, Switch	
26	4240018	AR	Strap, Tie (Not Shown)	
27	4360336	1	Switch, Toggle	
30	4460346	1	Terminal, Receptacle	
32	4711400	4	Washer 1/4	
33	0100048	AR	Grease, Dielectric	
34	4751500	3	Washer 5/16	
35	4791400	2	Starwasher 1/4	
36	4891800	4	Washer 1/2	
37	4922972	1	Harness, Generator Cable (See Separate Breakdown in ELECTRICAL SECTION)	
39	4711600	1	Washer 3/8	
40	0100020	AR	Sealant, Pipe (Not Shown)	
41	4460071	1	Connector, Strain Relief	
42	4751000	4	Washer #10	
43	3311005	4	Nut #10	
	1001157592	Ref	JUNCTION BOX ASSEMBLY	C
141	1060343	1.5 ft/ 0.5m	Cable, Electrical 10/4	
142	1001179154	2.5 ft/ 0.8m	Cable, 12/3	
143	1671092	1	Cover	
144	3300396	1	Cover, Fuse	
145	3311001	6	Nut #10	
146	4360070	1	Circuit Breaker - 15Amp	
148	4460425	1	Strain Relief, Terminal	
149	4460426	2	Connector, Strain Relief	
151	4460963	1	Connector	
152	4711000	10	Washer #10	
154	10702077	2	Screw #10 x 3/8	
155	10702082	2	Screw #10 x 3/4	
156	1001152525	1	Plug	
157	1001157520	1	Block, Terminal	
158	1001157521	1	Box, Junction	
159	1001157528	1	Decal - Wiring Schematic	
160	1001158007	1	Decal - PVC	
161	1001158008	2	Stand-Off	
	0272435	Ref	DECAL INSTALLATION	D
201	1705460	2	Decal - SkyPower	
202	3251243	1	Decal - 120V - 60Hz (Located at Platform Receptacle)	
203	1705375	1	Decal - 240V - 3 Phase	
204	1705387	3	Decal - Hazardous Voltage	
	1001122528	Ref	ELECTRICAL DIAGRAM COMPONENTS	B
301	1001119968	1	Generator Harness	B
301A	4460967	1	Plug, Male - 3 Position (Not Shown)	
301A	4460465	6	Socket, Female	

## SECTION 3 - ENGINE

ITEM	PART NUMBER	QTY	DESCRIPTION	REV
301B	1001117078	1	Fuseholder with Fuse (Not Shown)	
302	4922641	1	Switch, Harness	

# SECTION 3 - ENGINE

**FIGURE 3-66. 7500W SKYPOWER GENERATOR INSTALLATION - 50HZ SPEC (DEUTZ TD2011 ENGINES) (OPTIONAL)**



ART\_1001125428

## SECTION 3 - ENGINE

**FIGURE 3-66. 7500W SKYPOWER GENERATOR INSTALLATION - 50HZ SPEC (DEUTZ TD2011 ENGINES) (OPTIONAL)**

ITEM	PART NUMBER	QTY	DESCRIPTION	REV
	1001125428	Ref	7500W SKYPOWER GENERATOR INSTALLATION - 50HZ SPEC (DEUTZ TD2011 ENGINES)	C
		Ref	Note: See ELECTRICAL SECTION for Boom Cable Installation.	
1	0100011	AR	Compound, Locking	
2	0100019	AR	Compound, Locking	
4	0480129	1	Belt, Generator	
5	0641404	5	Bolt 1/4 x 1/2	
6	3931016	4	Bolt 10 x 1	
7	0641516	3	Bolt 5/16 x 2	
8	0641810	4	Bolt 1/2 x 1-1/4	
9	1001157525	1	Junction Box Assembly (See Items 101-117 for Breakdown)	
10	0861572	1	Box, Generator Control	
10	7024488	1	Card, Circuit - Generator Power (Not Shown)	
10	See Note	1	Fuse (Note: Not Available - Purchase Locally)	
10	7024489	1	Card, Circuit - Control (Not Shown)	
		Ref	Note: When replacing card, rocker switch on card must be set for required application.	
10	70000619	1	Harness, Circuit Card	
11	0902888	1	Bracket, Generator Junction Box	
12	0962520	1	Bushing, Taper	
13	2460048	1	Generator, 7500W	
13	70001100	1	Rotor (Includes p/n 70001384 & 70000863) (Not Shown)	
13	70001384	1	Bearing, Shaft (Rear) (Not Shown)	
13	70000863	1	Fan, Generator (Not Shown)	
13	70002088	1	Stator (Not Shown)	
13	70002297	2	Stud 1/4 x 12-7/8	
13	70003631	1	Brushholder Assembly (Not Shown)	
13A	70004171	1	Key	
13B	70001966	1	Bearing, Ball Radial (Located in Belt Tensioner Endbell)	
13B	70003709	1	Ring, Retaining (Small)	
13B	70003708	1	Ring, Retaining (Large)	
13C	70001953	1	Endbell, Belt Tensioner	
13D	70004169	1	Kit, Endbell (Includes Endbell, Brush Block and Shroud Assembly)	
13E	7027799	1	Block, Connector 6 Position (Not Shown)	
13E	70002460	6	Nut, Brass (Attaches p/n 7027799 to Cover) (Not Shown)	
13E	7024485	1	Breaker, Circuit 30Amp (Not Shown)	
13E	70001696	1	Boot, Breaker (Not Shown)	
13E	7026597	1	Connector with Lead (Not Shown)	
13E	7026626	1	Connector with Pins (Not Shown)	
13E	7026188	1	Clamp, Cable (Not Shown)	
13E	70002255	1	Plate, End Panel (Not Shown)	
13E	See Note	1	Insulator, End Panel (Not Shown) (Note: Not Available for Purchase)	
13E	70001974	1	Decal - Terminal Connections (Not Shown)	
13F	70001973	1	Decal - Warning Moving Parts	
14	2820031	AR	Insulator, Heat Shrink	
15	3251102	1	Nameplate, Generator	
16	3311508	3	Nut 5/16	
17	3580317	1	Pulley, Belt Tensioner	

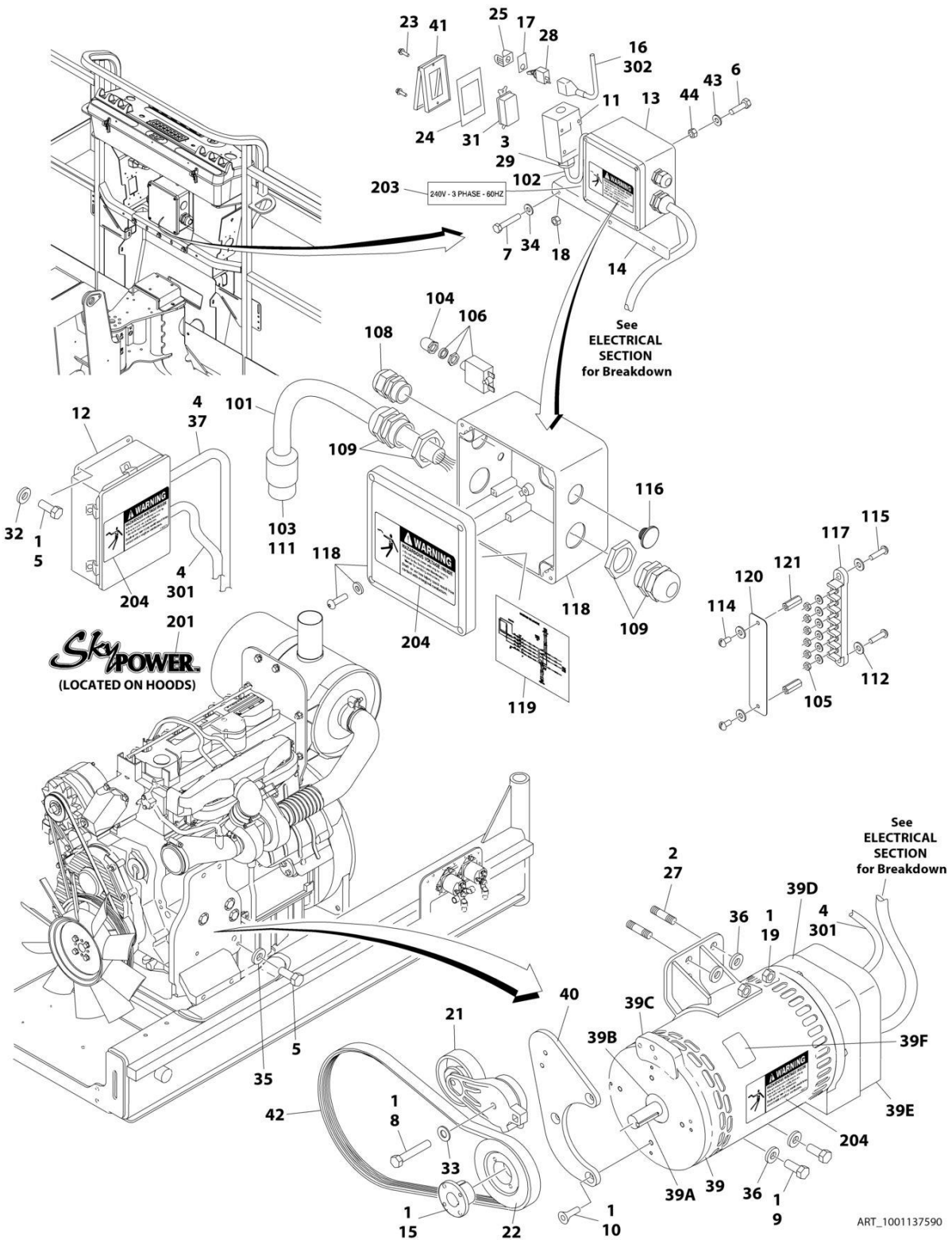
## SECTION 3 - ENGINE

ITEM	PART NUMBER	QTY	DESCRIPTION	REV
18	3580319	1	Pulley, Generator	
19	0641618	1	Bolt 3/8 x 2	
20	4060802	1	Guard, Switch	
21	4240018	AR	Strap, Tie (Not Shown)	
22	4360336	1	Switch, Toggle	
23	4711400	4	Washer 1/4	
24	0100048	AR	Grease, Dielectric	
25	4751500	3	Washer 5/16	
26	4791400	2	Starwasher 1/4	
27	4891800	4	Washer 1/2	
28	4922972	1	Harness, Generator Cable (See Separate Breakdown in ELECTRICAL SECTION)	
30	4711600	1	Washer 3/8	
31	4751000	4	Washer #10	
32	3311005	4	Nut #10	
	1001157525	Ref	JUNCTION BOX ASSEMBLY	B
101	3300396	1	Cover, Fuse	
102	3311001	6	Nut #10	
103	3520189	1	Plug	
104	3520192	1	Plug	
105	4360070	1	Circuit Breaker - 15Amp	
106	4460425	1	Strain Relief, Terminal	
107	4460426	2	Connector, Strain Relief	
109	4711000	10	Washer #10	
110	10702077	2	Screw #10 x 3/8	
111	10702082	2	Screw #10 x 3/4	
112	1001152525	1	Plug	
113	1001157520	1	Block, Terminal	
114	1001157521	1	Box, Junction	
115	1001157528	1	Decal - Wiring Schematic	
116	1001158007	1	Cover, PVC	
117	1001158008	2	Stand-Off	
	0272589	Ref	DECAL INSTALLATION	A
201	1705460	2	Decal - SkyPower	
202	1705461	1	Decal - 240V - 3 Phase	
203	1705489	3	Decal - Hazardous Voltage	
	1001122528	Ref	ELECTRICAL DIAGRAM COMPONENTS	B
301	1001119968	1	Generator Harness	B
301A	4460967	1	Plug, Male - 3 Position (Not Shown)	
301A	4460465	6	Socket, Female	
301B	1001117078	1	Fuseholder with Fuse (Not Shown)	
303	4922641	1	Switch Harness	



# SECTION 3 - ENGINE

FIGURE 3-67. 7500W SKYPOWER GENERATOR INSTALLATION - 60HZ SPEC (DEUTZ TCD2.9L4 ENGINES) (OPTIONAL)





## SECTION 3 - ENGINE

**FIGURE 3-67. 7500W SKYPOWER GENERATOR INSTALLATION - 60HZ SPEC (DEUTZ TCD2.9L4 ENGINES) (OPTIONAL)**

ITEM	PART NUMBER	QTY	DESCRIPTION	REV
	1001137590	Ref	7500W SKYPOWER GENERATOR INSTALLATION - 60HZ SPEC (DEUTZ TCD2.9L4 ENGINES)	G
		Ref	Note: See ELECTRICAL SECTION for Boom Cable Installation.	
1	0100011	AR	Compound, Locking	
2	0100019	AR	Compound, Locking	
3	0100020	AR	Sealant, Pipe	
4	0100048	AR	Grease, Dielectric	
5	0641404	5	Bolt 1/4 x 1/2	
6	3931016	4	Bolt 10 x 1	
7	0641516	3	Bolt 5/16 x 2	
8	0641618	1	Bolt 3/8 x 2	
9	0641810	2	Bolt 1/2 x 1-1/4	
10	0741607	3	Screw 3/8 x 7/8	
11	0860038	1	Box, Switch	
12	0861538	1	Box, Generator Control	
12	7024488	1	Card, Circuit - Generator Power (Not Shown)	
12	See Note	1	Fuse (Note: Not Available Purchase Locally)	
12	7024489	1	Card, Circuit - Control (Not Shown)	
		Ref	Note: When replacing card, rocker switch on card must be set for required application.	
12	70000619	1	Harness, Circuit Card	
13	1001157592	1	Junction Box Assembly (See Items 101-121 for Breakdown)	
14	0902888	1	Bracket, Generator Junction Box	
15	0962520	1	Bushing, Taper	
16	2820031	AR	Insulator, Heat Shrink	
17	3251102	1	Nameplate, Generator	
18	3311508	3	Nut 5/16	
19	3311801	2	Nut 1/2	
21	3580317	1	Pulley, Belt Tensioner	
22	3580318	1	Pulley, Generator	
23	3910606	AR	Screw #6 x 3/8	
24	3960422	1	Gasket, AC Receptacle	
25	4060802	1	Guard, Switch	
26	4240018	AR	Strap, Tie (Not Shown)	
27	4300157	2	Stud 1/2	
28	4360336	1	Switch, Toggle	
29	4460071	1	Connector, Strain Relief	
30	4460315	3	Terminal, Spade (Not Shown)	
31	4460346	1	Terminal, Receptacle	
32	4711400	4	Washer 1/4	
33	4711600	1	Washer 3/8	
34	4751500	3	Washer 5/16	
35	4791400	2	Starwasher 1/4	
36	4891800	4	Washer 1/2	
37	4922972	1	Harness, Generator Cable (See Separate Breakdown in ELECTRICAL SECTION)	
39	1001212223	1	Generator, 7500W	
39	70001100	1	Rotor (Includes p/n 70001384 & 70000863)	
39	70001384	1	Bearing, Shaft (Rear)	

## SECTION 3 - ENGINE

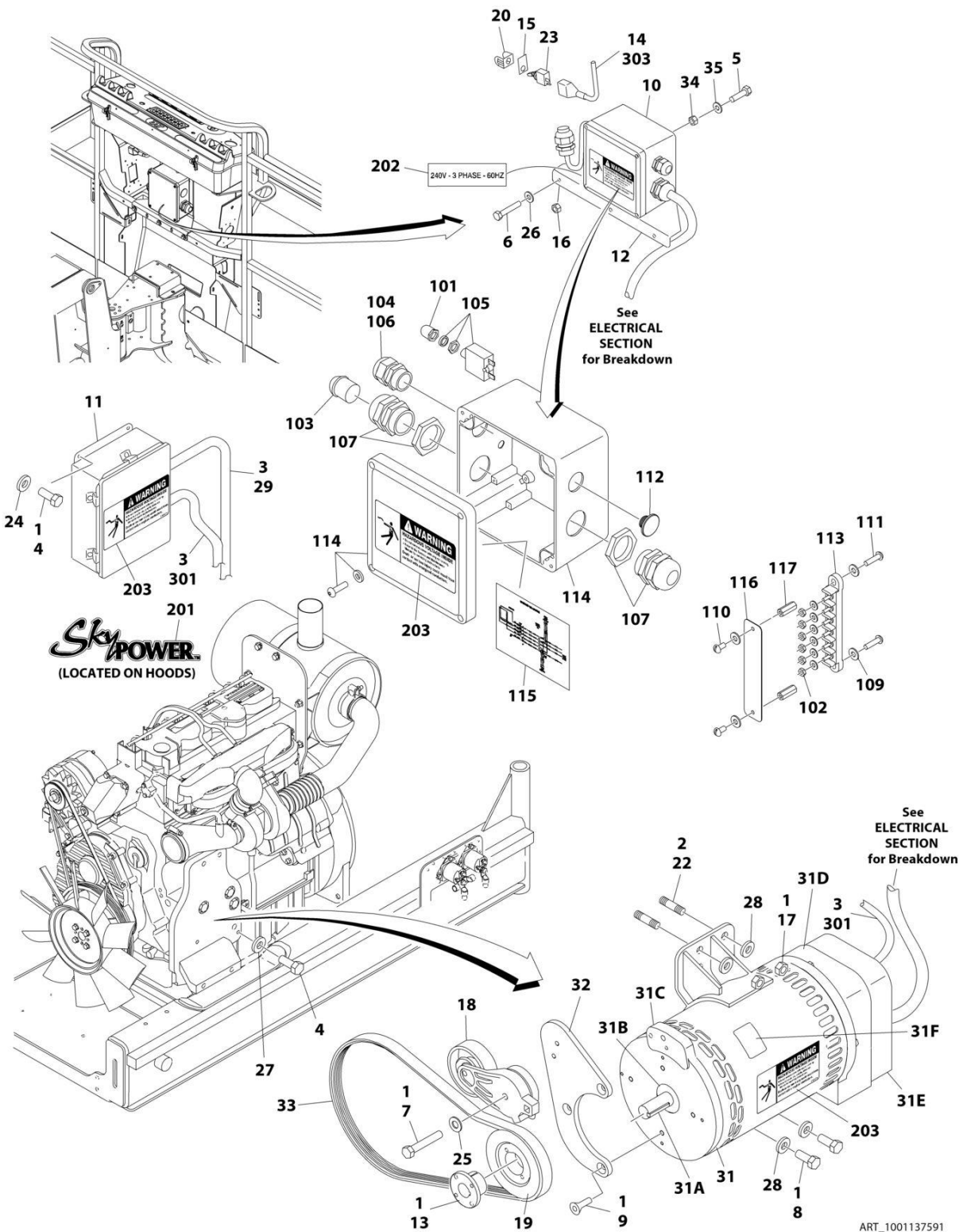
ITEM	PART NUMBER	QTY	DESCRIPTION	REV
39	7000863	1	Fan, Generator	
39	70006093	1	Stater	
39	70003631	1	Brush-holder Assembly (was p/n 7024484)	
39A	70004099	NLA	Key (Use p/n 70004171)	
39B	70001966	1	Bearing, Ball Radial (Located in Belt Tensioner Endbell)	
39B	70003709	1	Ring, Retaining (Small)	
39B	70003708	1	Ring, Retaining (Large)	
39C	70004092	1	Endbell, Belt Tensioner	
39D	70004094	1	Endbell, Brush Block	
39E	70006094	1	Shroud Assembly	
39E	7027799	1	Block, Connector - 6 Position (Not Shown)	
39E	70002460	6	Nut, Brass (Attaches p/n 7027799 to Cover) (Not Shown)	
39E	70006095	1	Breaker, Circuit 30Amp (Not Shown)	
39E	70006096	1	Boot, Breaker (Not Shown)	
39E	7026597	1	Connector with Leads (Not Shown)	
39E	7026626	1	Connector with Pins (Not Shown)	
39E	70004098	1	Clamp, Cable (Not Shown)	
39E	70006097	1	Plate, End Panel (Not Shown)	
39E	70002291	1	Insulator, End Panel Generator (Not Shown)	
39E	70001974	1	Decal - Terminal Connections (Not Shown)	
39F	70001973	1	Decal - Warning Moving Parts	
40	1001138011	1	Bracket	
41	1001110873	1	Shield, Receptacle Cover	
42	1001142645	1	Belt, Generator	
43	4751000	4	Washer #10	
44	3311005	4	Nut #10	
	1001157592	Ref	JUNCTION BOX ASSEMBLY	C
101	1060343	1.5 ft/ 0.5m	Cable, Electrical 10/4	
102	1001179154	2.5 ft/ 0.8m	Cable, Electrical 12/3	
103	1671092	1	Cover	
104	3300396	1	Cover, Fuse	
105	3311001	6	Nut #10	
106	4360070	1	Circuit Breaker - 15Amp	
108	4460425	1	Strain Relief, Terminal	
109	4460426	2	Connector, Strain Relief	
111	4460963	1	Connector	
112	4711000	10	Washer #10	
114	10702077	2	Screw #10 x 3/8	
115	10702082	2	Screw #10 x 3/4	
116	1001152525	1	Plug	
117	1001157520	1	Block, Terminal	
118	1001157521	1	Box, Junction	
119	1001157528	1	Decal - Wiring Schematic	
120	1001158007	1	Cover, PVC	
121	1001158008	2	Stand-Off	
	0272435	Ref	DECAL INSTALLATION	D
201	1705460	2	Decal - SkyPower	
202	3251243	1	Decal - 120V - 60Hz (Not Shown - Located at Platform Receptacle)	
203	1705375	1	Decal - 240V - 3 Phase	

## SECTION 3 - ENGINE

ITEM	PART NUMBER	QTY	DESCRIPTION	REV
204	1705387	3	Decal - Hazardous Voltage	
	1001122528	Ref	ELECTRICAL DIAGRAM COMPONENTS	B
301	1001119968	1	Generator Harness	B
301A	4460967	1	Plug, Male - 3 Position (Not Shown)	
301A	4460465	6	Socket, Female	
301B	1001117078	1	Fuseholder with Fuse (Not Shown)	
302	4922641	1	Switch Harness	

# SECTION 3 - ENGINE

**FIGURE 3-68. 7500W SKYPOWER GENERATOR INSTALLATION - 50HZ SPEC (DEUTZ TCD2.9L4 ENGINES, DEUTZ TCD2.9L4 (STAGE V PRE-BUY) ENGINES AND DEUTZ TCD2.9L4 (STAGE V ENGINES) (OPTIONAL)**



ART\_1001137591

## SECTION 3 - ENGINE

**FIGURE 3-68. 7500W SKYPOWER GENERATOR INSTALLATION - 50HZ SPEC (DEUTZ TCD2.9L4 ENGINES, DEUTZ TCD2.9L4 (STAGE V PRE-BUY) ENGINES AND DEUTZ TCD2.9L4 (STAGE V ENGINES) (OPTIONAL)**

ITEM	PART NUMBER	QTY	DESCRIPTION	REV
	1001137591	Ref	7500W SKYPOWER GENERATOR INSTALLATION - 50HZ SPEC (DEUTZ TCD2.9L4 ENGINES)	D
		Ref	Note: See ELECTRICAL SECTION for Boom Cable Installation.	
1	0100011	AR	Compound, Locking	
2	0100019	AR	Compound, Locking	
3	0100048	AR	Grease, Dielectric	
4	0641404	5	Bolt 1/4 x 1/2	
5	3931016	4	Bolt 10 x 1	
6	0641516	3	Bolt 5/16 x 2	
7	0641618	1	Bolt 3/8 x 2	
8	0641810	2	Bolt 1/2 x 1-1/4	
9	0741607	3	Screw 3/8 x 7/8	
10	1001157525	1	Junction Box Assembly (See Items 101-117 for Breakdown)	
11	0861572	1	Box, Generator Control	
11	7024488	1	Card, Circuit - Generator Power (Not Shown)	
11	See Note	1	Fuse (Note: Not Available - Purchase Locally)	
11	7024489	1	Card, Circuit - Control (Not Shown)	
		Ref	Note: When replacing card, rocker switch on card must be set for required application.	
11	70000619	1	Harness, Circuit Card	
12	0902888	1	Bracket, Generator Junction Box	
13	0962520	1	Bushing, Taper	
14	2820031	AR	Insulator, Heat Shrink	
15	3251102	1	Nameplate, Generator	
16	3311508	3	Nut 5/16	
17	3311801	2	Nut 1/2	
18	3580317	1	Pulley, Belt Tensioner	
19	3580319	1	Pulley, Generator	
20	4060802	1	Guard, Switch	
21	4240018	AR	Strap, Tie (Not Shown)	
22	4300157	2	Stud 1/2	
23	4360336	1	Switch, Toggle	
24	4711400	4	Washer 1/4	
25	4711600	1	Washer 3/8	
26	4751500	3	Washer 5/16	
27	4791400	2	Starwasher 1/4	
28	4891800	4	Washer 1/2	
29	4922972	1	Harness, Generator Cable (See Separate Breakdown in ELECTRICAL Section)	
31	1001212223	1	Generator, 7500W	
31	70001100	1	Rotor (Includes p/n 70001384 & 70000863) (Not Shown)	
31	70001384	1	Bearing, Shaft (Rear) (Not Shown)	
31	70000863	1	Fan, Generator (Not Shown)	
31	70006093	1	Stator (Not Shown)	
31	70003631	1	Brush-holder Assembly (Not Shown)	
31A	70004099	NLA	Key (Use p/n 70004171)	
31B	70001966	1	Bearing, Ball Radial (Located in Belt Tensioner Endbell)	
31B	70003709	1	Ring, Retaining (Small)	

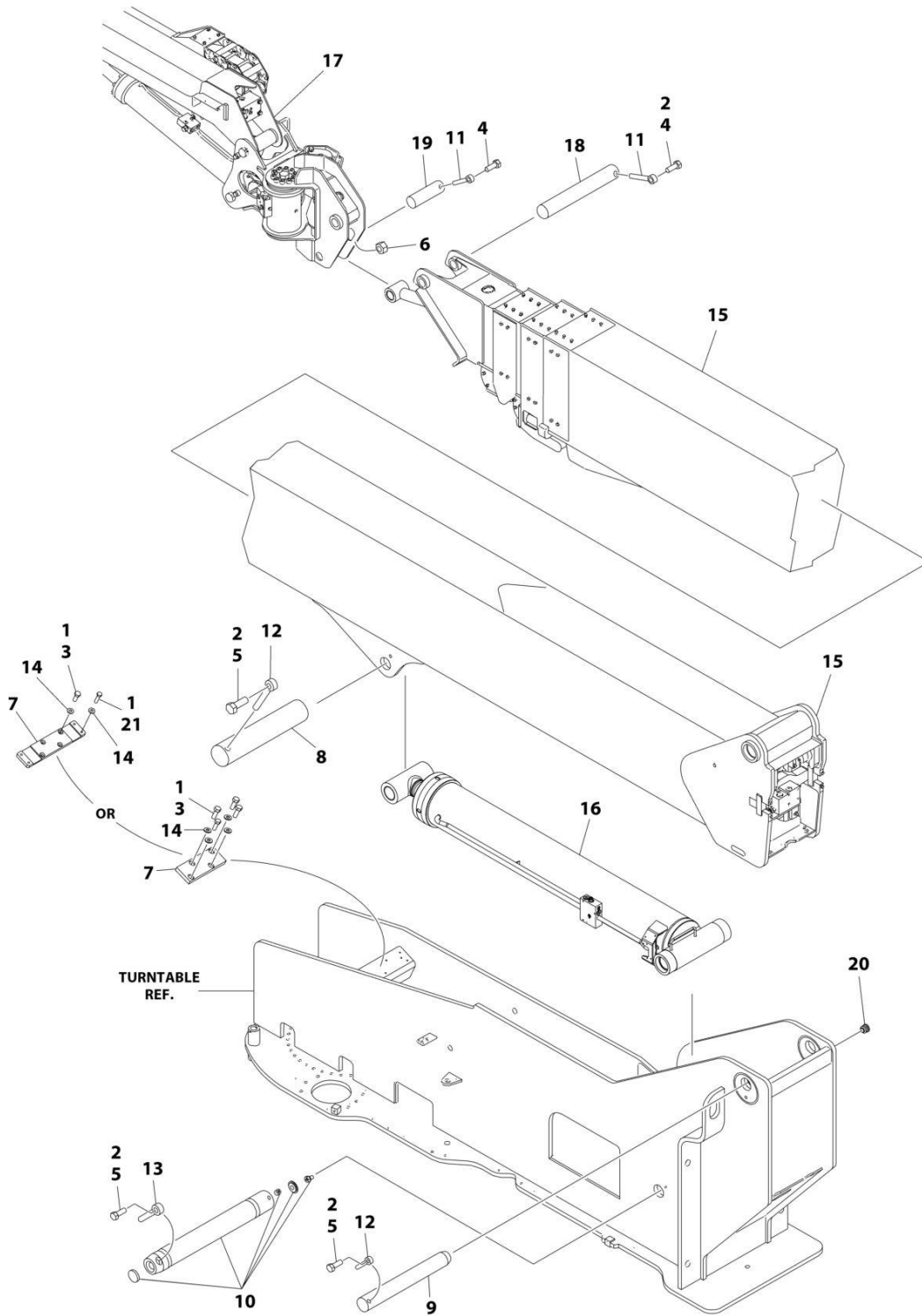
## SECTION 3 - ENGINE

ITEM	PART NUMBER	QTY	DESCRIPTION	REV
31B	70003708	1	Ring, Retaining (Large)	
31C	70004092	1	Endbell, Belt Tensioner	
31D	70004094	1	Endbell, Brush Block	
31E	70006094	1	Shroud Assembly	
31E	7027799	1	Block, Connector - 6 Position (Not Shown)	
31E	70002460	6	Nut, Brass (Attaches p/n 7027799 to Cover) (Not Shown)	
31E	70006095	1	Breaker, Circuit 30Amp (Not Shown)	
31E	70006096	1	Boot, Breaker (Not Shown)	
31E	7026597	1	Connector with Leads (Not Shown)	
31E	7026626	1	Connector with Pins (Not Shown)	
31E	70004098	1	Clamp, Cable (Not Shown)	
31E	70006097	1	Plate, End Panel (Not Shown)	
31E	70002291	1	Insulator, End Panel (Not Shown)	
31E	70001974	1	Decal - Terminal Connections (Not Shown)	
31F	70001973	1	Decal - Warning Moving Parts	
32	1001138011	1	Bracket	
33	1001136357	1	Belt, Generator	
34	3311005	4	Nut #10	
35	4751000	4	Washer #10	
	1001157525	Ref	JUNCTION BOX ASSEMBLY	B
101	3300396	1	Cover, Fuse	
102	3311001	6	Nut #10	
103	3520189	1	Plug (50Hz Spec Only)	
104	3520192	1	Plug	
105	4360070	1	Circuit Breaker - 15Amp	
106	4460425	1	Strain Relief, Terminal	
107	4460426	2	Connector, Strain Relief	
109	4711000	10	Washer #10	
110	10702077	2	Screw #10 x 3/8	
111	10702082	2	Screw #10 x 3/4	
112	1001152525	1	Plug	
113	1001157520	1	Block, Terminal	
114	1001157521	1	Box, Junction	
115	1001157528	1	Decal - Wiring Schematic	
116	1001158007	1	Cover, PVC	
117	1001158008	2	Stand-Off	
	0272589	Ref	DECAL INSTALLATION	A
201	1705460	2	Decal - SkyPower	
202	1705461	1	Decal - 240V - 3 Phase	
203	1705489	3	Decal - Hazardous Voltage	
	1001122528	Ref	ELECTRICAL DIAGRAM COMPONENTS	B
301	1001119968	1	Generator Harness (With UGM)	B
301A	4460967	1	Plug, Male - 3 Position (Not Shown)	
301A	4460465	6	Socket, Female	
301B	1001117078	1	Fuseholder with Fuse (Not Shown)	
303	4922641	1	Switch Harness	

**SECTION 4 - BOOM**

# SECTION 4 - BOOM

## FIGURE 4-1. BOOM INSTALLATION - WITHOUT COLD WEATHER PLUS PACKAGE



ART\_100119970\_G



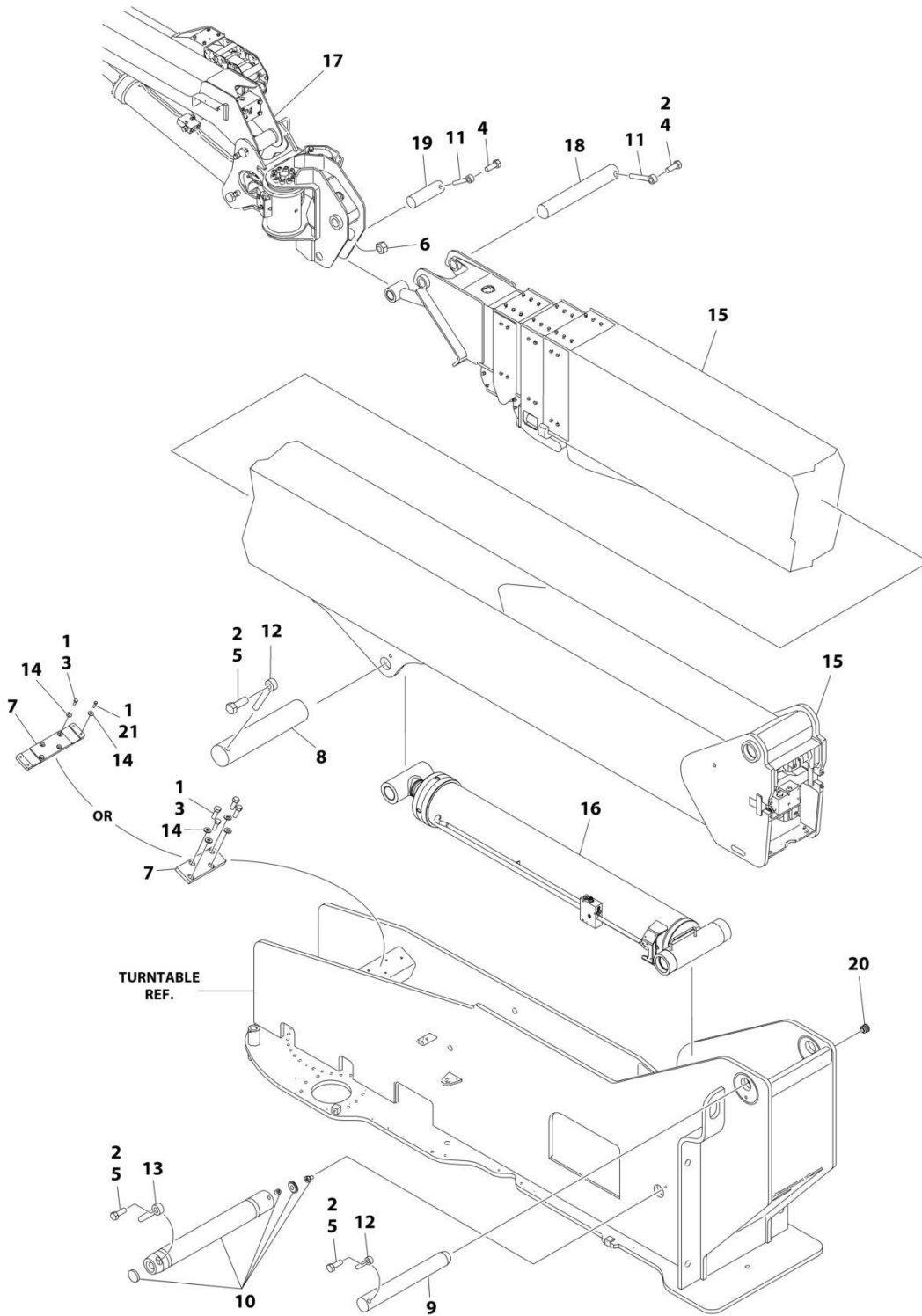
## SECTION 4 - BOOM

**FIGURE 4-1. BOOM INSTALLATION - WITHOUT COLD WEATHER PLUS PACKAGE**

ITEM	PART NUMBER	QTY	DESCRIPTION	REV
	1001119970	Ref	BOOM INSTALLATION - WITHOUT COLD WEATHER PLUS PACKAGE	G
1	0100011	AR	Compound, Locking	
2	0100019	AR	Compound, Locking	
3	0641608	4	Bolt 3/8 x 1	
4	0642012	2	Bolt 5/8 x 1-1/2	
5	0642214	3	Bolt 3/4 x 1-3/4	
6	3312005	1	Nut 5/8	
7	1001237755	1	Pad	
8	3422955	1	Pin	
9	3422988	1	Pin	
10	3423208	1	Pin, Load Sensing	
11	3841258	2	Keeper, Pin	
12	3841287	2	Keeper, Pin	
13	3841581	1	Keeper, Pin	
14	4751600	AR	Washer 3/8	
15	1001117455	1	Boom Assembly (See Separate Breakdown in this Section)	
16	1001251045	1	Lift Cylinder Assembly (See Separate Breakdown in CYLINDER Section)	
17	1001140108	1	Jib Installation (See Separate Breakdown in this Section)	
18	1001119899	1	Pin	
19	1001119999	1	Pin	
20	1001213705	1	Plug	
21	0641612	4	Bolt 3/8 x 1-1/2	

# SECTION 4 - BOOM

## FIGURE 4-2. BOOM INSTALLATION - WITH COLD WEATHER PLUS PACKAGE



ART\_1001140105

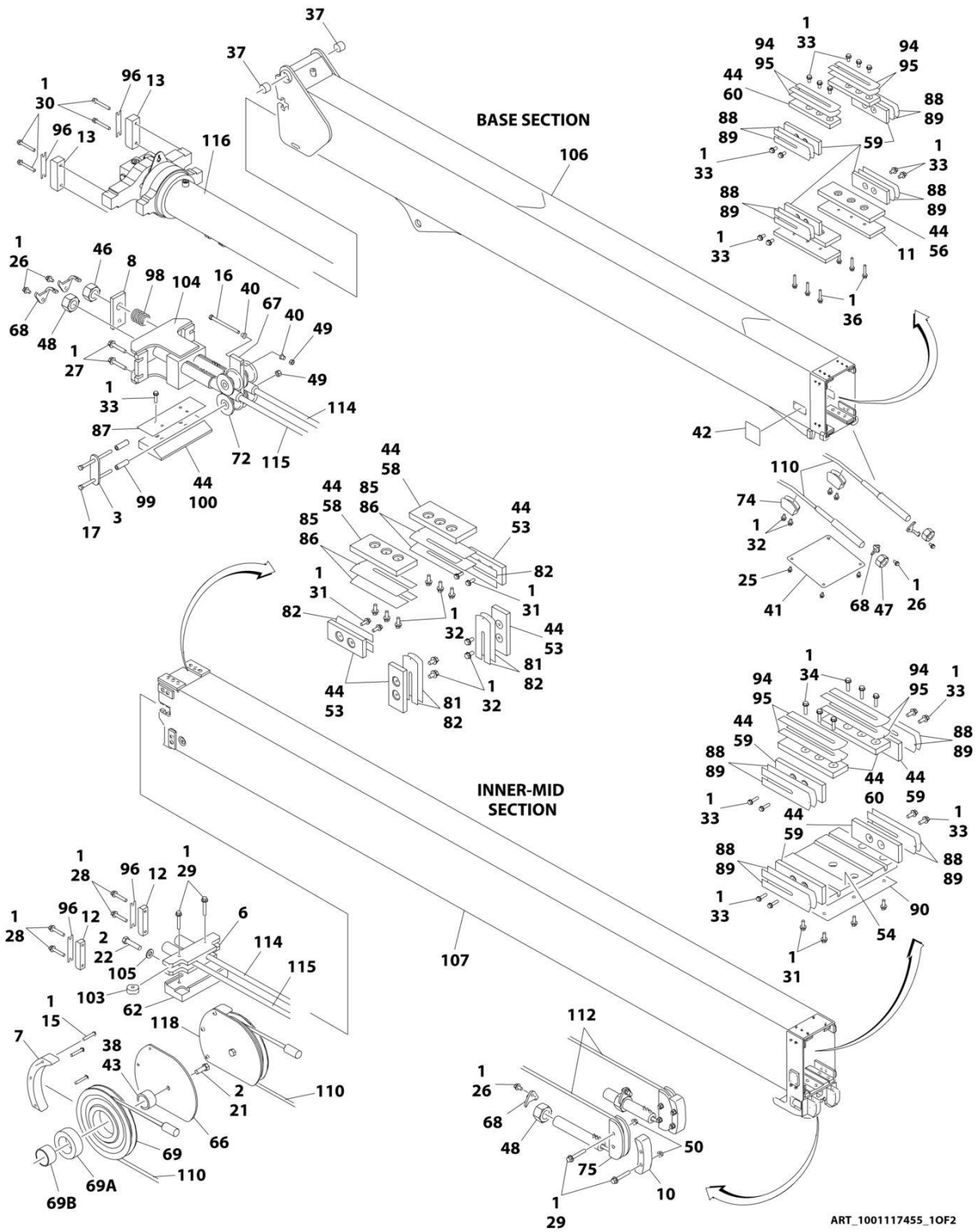
## SECTION 4 - BOOM

**FIGURE 4-2. BOOM INSTALLATION - WITH COLD WEATHER PLUS PACKAGE**

ITEM	PART NUMBER	QTY	DESCRIPTION	REV
	1001140105	Ref	BOOM INSTALLATION - WITH COLD WEATHER PLUS PACKAGE	F
1	0100011	AR	Compound, Locking	
2	0100019	AR	Compound, Locking	
3	0641608	4	Bolt 3/8 x 1	
4	0642012	2	Bolt 5/8 x 1-1/2	
5	0642214	3	Bolt 3/4 x 1-3/4	
6	3312005	1	Nut 5/8	
7	1001237755	1	Pad	
8	3422955	1	Pin	
9	3422988	1	Pin	
10	3423208	1	Pin, Load Sensing	
11	3841258	2	Keeper, Pin	
12	3841287	2	Keeper, Pin	
13	3841581	1	Keeper, Pin	
14	4751600	AR	Washer 3/8	
15	1001140107	1	Boom Assembly (See Separate Breakdown in this Section)	
16	1001251045	1	Lift Cylinder Assembly (See Separate Breakdown in CYLINDER Section)	
17	1001140108	1	Jib Installation (See Separate Breakdown in this Section)	
18	1001119899	1	Pin	
19	1001119999	1	Pin	
20	1001213705	1	Plug	
21	0641612	1	Bolt 3/8 x 1-1/2	

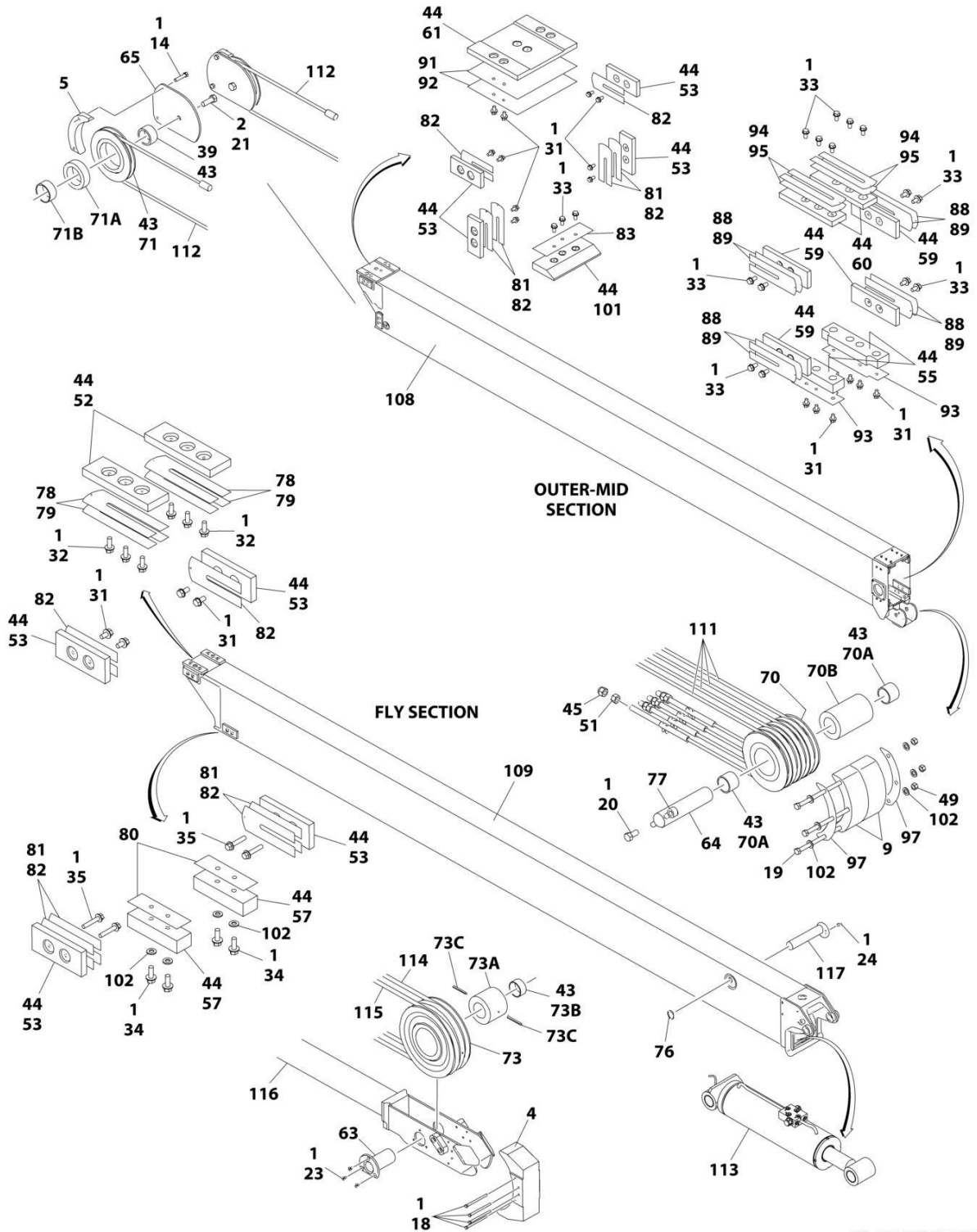
# SECTION 4 - BOOM

FIGURE 4-3. BOOM ASSEMBLY - WITHOUT COLD WEATHER PLUS PACKAGE (PVC 2001)



ART\_1001117455\_10F2

# SECTION 4 - BOOM



ART\_1001117455\_20F2

## SECTION 4 - BOOM

FIGURE 4-3. BOOM ASSEMBLY - WITHOUT COLD WEATHER PLUS PACKAGE (PVC 2001)

ITEM	PART NUMBER	QTY	DESCRIPTION	REV
	1001117455	Ref	BOOM ASSEMBLY - WITHOUT COLD WEATHER PLUS PACKAGE	J
1	0100011	AR	Compound, Locking	
2	0100019	AR	Compound, Locking	
3	0363066	2	Bar, Stabilizer	
4	0561431	1	Block, Rope Retainer	
5	0561437	2	Block, Rope Retainer	
6	0561439	1	Block, Outer Mid Extend	
7	0561444	2	Block, Cable Retainer	
8	0561454	1	Block, Switch Adjuster	
9	0561457	2	Block, Cable Retainer	
10	0561458	2	Block, Cable Retainer	
11	0561471	2	Block, Spacer	
12	0561482	2	Block, Trunnion Keeper	
13	0561500	2	Block, Trunnion Keeper	
14	0641615	4	Bolt 3/8 x 1-7/8	
15	0641618	6	Screw 3/8 x 2-1/4	
16	0641640	1	Bolt 3/8 x 5	
17	0641644	2	Bolt 3/8 x 5-1/2	
18	0641646	4	Bolt 3/8 x 5-3/4	
19	0641652	3	Bolt 3/8 x 6-1/2	
20	0641808	1	Bolt 1/2 x 1	
21	0642014	4	Bolt 5/8 x 1-3/4	
22	0642022	2	Bolt 5/8 x 2-3/4	
23	0741606	3	Screw 3/8 x 3/4	
24	0741806	1	Screw 1/2 x 3/4	
25	0791604	4	Screw 3/8 x 1/2	
26	0791605	6	Screw 3/8 x 5/8	
27	0791612	4	Screw 3/8 x 1-1/2	
28	0791618	4	Screw 3/8 x 2-1/4	
29	0791620	10	Screw 3/8 x 2-1/2	
30	0791624	4	Screw 3/8 x 3	
31	0811606	30	Screw 3/8 x 3/4	
32	0811607	24	Screw 3/8 x 7/8	
33	0811608	43	Screw 3/8 x 1	
34	0811610	10	Screw 3/8 x 1-1/4	
35	0811614	4	Screw 3/8 x 1-3/4	
36	0811616	6	Screw 3/8 x 2	
37	0962297	2	Bushing	
38	0962409	2	Bushing	
39	0962410	2	Bushing	
40	0962447	2	Bearing, Flanged	
41	1671032	1	Cover	
42	1671033	1	Cover	
43	3020039	AR	Lubricant, Moly	
44	3020042	AR	Lubricant with PTFE	
45	3300239	4	Nut, Nylon Insert	
46	3300458	1	Nut 1-12	
47	3300460	2	Nut 1-1/4-7	
48	3300461	3	Nut 1-3/8-6	

## SECTION 4 - BOOM

ITEM	PART NUMBER	QTY	DESCRIPTION	REV
49	3311605	6	Nut 3/8-16	
50	3311608	8	Nut 3/8-16	
51	3311801	4	Nut 1/2-13	
52	3340871	2	Pad, Wear	
53	3340881	12	Pad, Wear	
54	3340910	1	Pad, Wear	
55	3340912	2	Pad, Wear	
56	3340916	2	Pad, Wear	
57	3340917	2	Pad, Wear	
58	3340918	2	Pad, Wear	
59	3340921	12	Pad, Wear	
60	3340922	6	Pad, Wear	
61	3340926	1	Pad, Wear	
62	3340955	1	Pad	
63	3422926	1	Pin	
64	3422959	1	Pin	
65	3572950	2	Plate, Cable Retract Retainer	
66	1001131292	1	Plate, Cable Retract Retainer (LH)	
67	3573437	1	Plate, Pulley Adjustment	
68	3573444	6	Plate, Lock	
69	1001131330	2	Sheave	
69A	0962402	2	Bushing (Outer)	
69B	0962406	2	Bushing (Inner)	
70	3580300	1	Sheave	
70A	1001139972	1	Bushing (Inner)	
70B	0962403	1	Bushing (Outer)	
71	3580302	2	Sheave	
71A	0962404	2	Bushing (Outer)	
71B	0962411	2	Bushing (Inner)	
72	3580306	4	Pulley	
73	1001154260	2	Sheave	
73A	1001154306	2	Bushing (Outer)	
73B	1001154304	2	Bushing (Inner)	
73C	1001154294	2	Ring, Retainer	
74	3580341	2	Sheave	
75	3580342	2	Sheave	
76	3760217	1	Ring, Retaining	
77	3841203	1	Keeper, Pin	
78	4070863	2	Shim #11 Gauge	
79	4070864	2	Shim #18 Gauge	
80	4070895	2	Shim #16 Gauge	
81	4070897	6	Shim #18 Gauge	
82	4070898	12	Shim #11 Gauge	
83	4071012	1	Shim #16 Gauge	
85	4071015	2	Shim #16 Gauge	
86	4071016	2	Shim #11 Gauge	
87	4071017	1	Shim #16 Gauge	
88	4071018	8	Shim #16 Gauge	
89	4071019	12	Shim #11 Gauge	
90	4071024	1	Shim #16 Gauge	
91	4071025	1	Shim #16 Gauge	

## SECTION 4 - BOOM

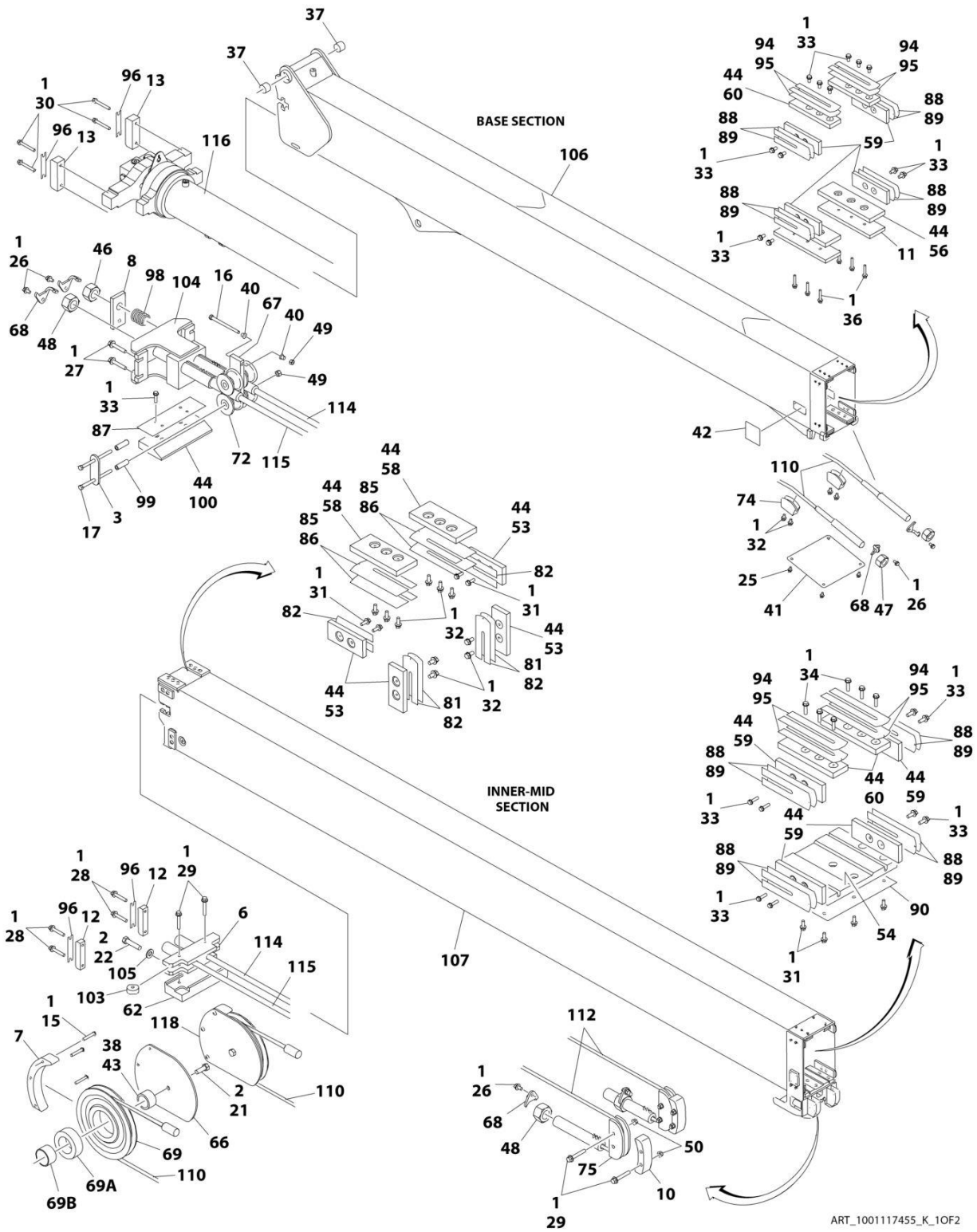
ITEM	PART NUMBER	QTY	DESCRIPTION	REV
92	4071026	1	Shim #11 Gauge	
93	4071027	2	Shim #16 Gauge	
94	4071028	6	Shim #16 Gauge	
95	4071029	6	Shim #11 Gauge	
96	4071031	4	Shim #16 Gauge	
97	4071046	2	Shim #16 Gauge	
98	4160197	1	Spring	
99	4568423	4	Tube, Spacer	
100	1001131296	1	Pad, Wear	
101	4700039	1	Pad, Wear	
102	4711600	10	Washer 3/8	
103	4740509	2	Spacer	
104	4846453	1	Plate, Mounting	
105	4892000	2	Washer 5/8	
106	1001117456	1	Base, Boom	
107	1001117457	1	Mid, Inner	
108	1001117458	1	Mid, Outer	
109	1001117459	1	Fly, Boom	
110	1001117479	2	Cable, Outer Mid Retract	
111	1001117480	4	Cable, Fly Extend	
112	1001117481	2	Cable, Fly Retract	
113	1001228043	1	Jib Level Cylinder Assembly (See Separate Breakdown in CYLINDER Section)	
114	1001118430	1	Cable, Outer Mid Extend	
115	1001118431	1	Cable, Outer Mid Extend	
116	1001228047	1	Telescope Cylinder Assembly (See Separate Breakdown in CYLINDER Section)	
117	1001119571	1	Pin	
118	1001131293	1	Plate, Cable Retract Retainer (RH)	
		Ref	Kit Options:	
	1001143929	1	Main Boom Wear Pad Kit (Includes Items 11, 31-36, 52-61, 78-95 & 101-102)	
	1001143927	1	Wire Rope Kit (Includes Items 14-23, 26-30, 38-40, 45-51, 63, 64, 69A, 69B, 70-73, 77, 99, 102, 105 & 110-115)	





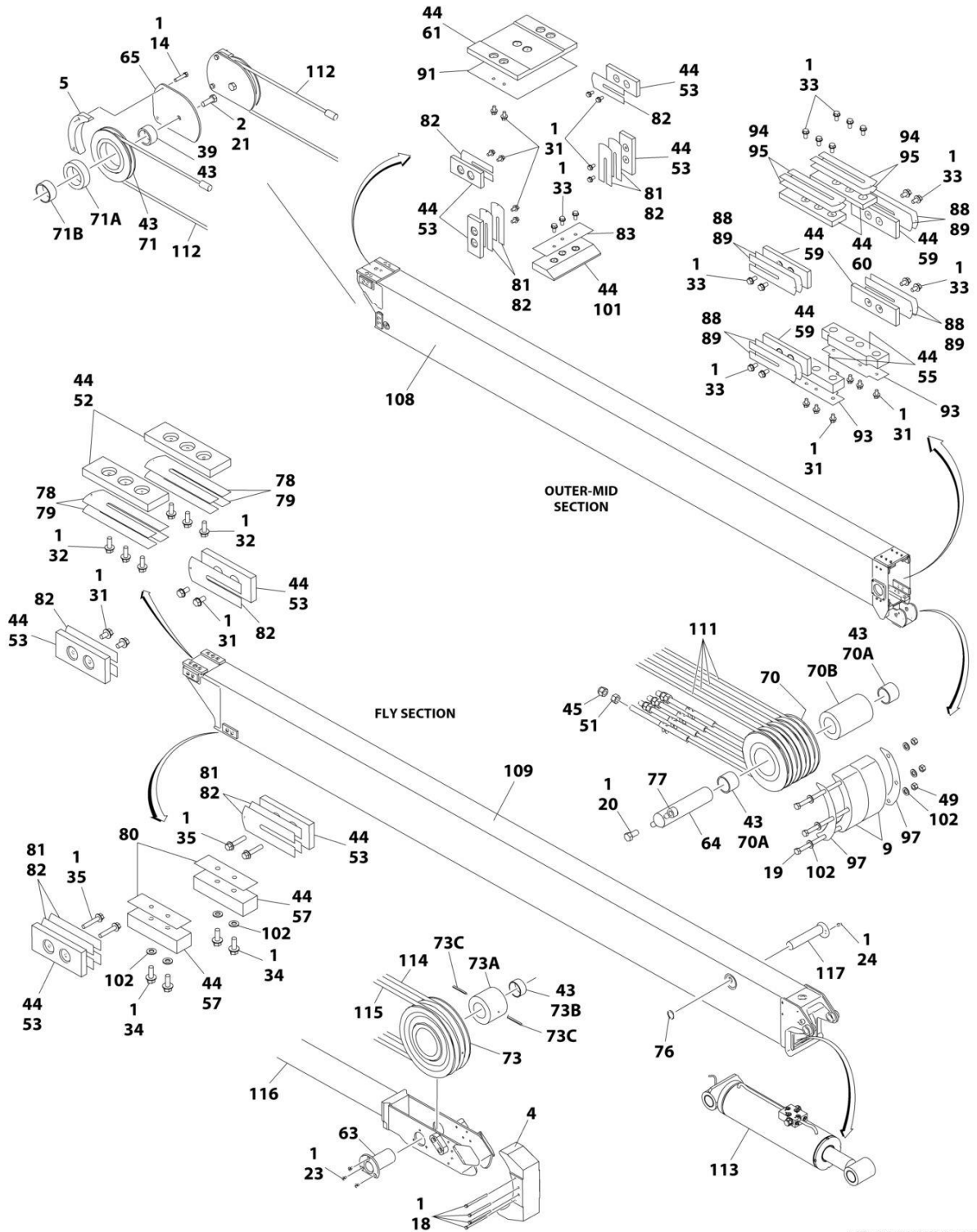
# SECTION 4 - BOOM

FIGURE 4-4. BOOM ASSEMBLY - WITHOUT COLD WEATHER PLUS PACKAGE (PVC 2007)



ART\_100117455\_K\_10F2

# SECTION 4 - BOOM



ART\_1001117455\_K\_20F2

## SECTION 4 - BOOM

FIGURE 4-4. BOOM ASSEMBLY - WITHOUT COLD WEATHER PLUS PACKAGE (PVC 2007)

ITEM	PART NUMBER	QTY	DESCRIPTION	REV
	1001117455	Ref	BOOM ASSEMBLY - WITHOUT COLD WEATHER PLUS PACKAGE	K
1	0100011	AR	Compound, Locking	
2	0100019	AR	Compound, Locking	
3	0363066	2	Bar, Stabilizer	
4	0561431	1	Block, Rope Retainer	
5	0561437	2	Block, Rope Retainer	
6	0561439	1	Block, Outer Mid Extend	
7	0561444	2	Block, Cable Retainer	
8	0561454	1	Block, Switch Adjuster	
9	0561457	2	Block, Cable Retainer	
10	0561458	2	Block, Cable Retainer	
11	0561471	2	Block, Spacer	
12	0561482	2	Block, Trunnion Keeper	
13	0561500	2	Block, Trunnion Keeper	
14	0641615	4	Bolt 3/8 x 1-7/8	
15	0641618	6	Screw 3/8 x 2-1/4	
16	0641640	1	Bolt 3/8 x 5	
17	0641644	2	Bolt 3/8 x 5-1/2	
18	0641646	4	Bolt 3/8 x 5-3/4	
19	0641652	3	Bolt 3/8 x 6-1/2	
20	0641808	1	Bolt 1/2 x 1	
21	0642014	4	Bolt 5/8 x 1-3/4	
22	0642022	2	Bolt 5/8 x 2-3/4	
23	0741606	3	Screw 3/8 x 3/4	
24	0741806	1	Screw 1/2 x 3/4	
25	0791604	4	Screw 3/8 x 1/2	
26	0791605	6	Screw 3/8 x 5/8	
27	0791612	4	Screw 3/8 x 1-1/2	
28	0791618	4	Screw 3/8 x 2-1/4	
29	0791620	10	Screw 3/8 x 2-1/2	
30	0791624	4	Screw 3/8 x 3	
31	0811606	30	Screw 3/8 x 3/4	
32	0811607	24	Screw 3/8 x 7/8	
33	0811608	43	Screw 3/8 x 1	
34	0811610	10	Screw 3/8 x 1-1/4	
35	0811614	4	Screw 3/8 x 1-3/4	
36	0811616	6	Screw 3/8 x 2	
37	0962297	2	Bushing	
38	0962409	2	Bushing	
39	0962410	2	Bushing	
40	0962447	2	Bearing, Flanged	
41	1671032	1	Cover	
42	1671033	1	Cover	
43	3020039	AR	Lubricant, Moly	
44	3020042	AR	Lubricant with PTFE	
45	3300239	4	Nut, Nylon Insert	
46	3300458	1	Nut 1-12	
47	3300460	2	Nut 1-1/4-7	
48	3300461	3	Nut 1-3/8-6	

## SECTION 4 - BOOM

ITEM	PART NUMBER	QTY	DESCRIPTION	REV
49	3311605	6	Nut 3/8-16	
50	3311608	8	Nut 3/8-16	
51	3311801	4	Nut 1/2-13	
52	3340871	2	Pad, Wear	
53	3340881	12	Pad, Wear	
54	3340910	1	Pad, Wear	
55	3340912	2	Pad, Wear	
56	3340916	2	Pad, Wear	
57	3340917	2	Pad, Wear	
58	3340918	2	Pad, Wear	
59	3340921	12	Pad, Wear	
60	3340922	6	Pad, Wear	
61	3340926	1	Pad, Wear	
62	3340955	1	Pad	
63	3422926	1	Pin	
64	3422959	1	Pin	
65	3572950	2	Plate, Cable Retract Retainer	
66	1001131292	1	Plate, Cable Retract Retainer (LH)	
67	3573437	1	Plate, Pulley Adjustment	
68	3573444	6	Plate, Lock	
69	1001131330	2	Sheave	
69A	0962402	2	Bushing (Outer)	
69B	0962406	2	Bushing (Inner)	
70	3580300	1	Sheave	
70A	1001139972	1	Bushing (Inner)	
70B	0962403	1	Bushing (Outer)	
71	3580302	2	Sheave	
71A	0962404	2	Bushing (Outer)	
71B	0962411	2	Bushing (Inner)	
72	3580306	4	Pulley	
73	1001154260	2	Sheave	
73A	1001154306	2	Bushing (Outer)	
73B	1001154304	2	Bushing (Inner)	
73C	1001154294	2	Ring, Retainer	
74	3580341	2	Sheave	
75	3580342	2	Sheave	
76	3760217	1	Ring, Retaining	
77	3841203	1	Keeper, Pin	
78	4070863	2	Shim #11 Gauge	
79	4070864	2	Shim #18 Gauge	
80	4070895	2	Shim #16 Gauge	
81	4070897	6	Shim #18 Gauge	
82	4070898	12	Shim #11 Gauge	
83	4071012	1	Shim #16 Gauge	
85	4071015	2	Shim #16 Gauge	
86	4071016	2	Shim #11 Gauge	
87	4071017	1	Shim #16 Gauge	
88	4071018	8	Shim #16 Gauge	
89	4071019	12	Shim #11 Gauge	
90	4071024	1	Shim #16 Gauge	
91	4071025	1	Shim #16 Gauge	

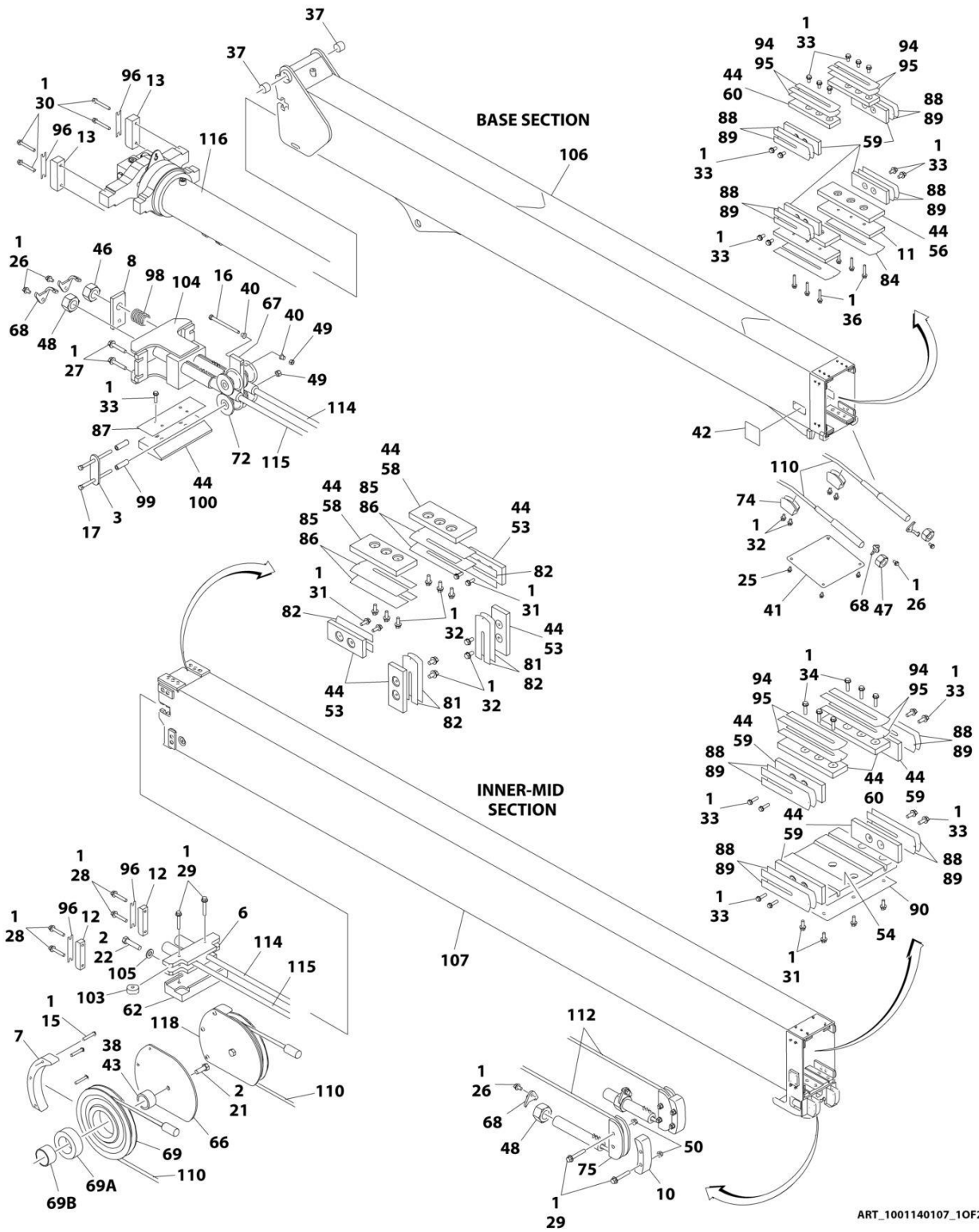
## SECTION 4 - BOOM

ITEM	PART NUMBER	QTY	DESCRIPTION	REV
93	4071027	2	Shim #16 Gauge	
94	4071028	6	Shim #16 Gauge	
95	4071029	6	Shim #11 Gauge	
96	4071031	4	Shim #16 Gauge	
97	4071046	2	Shim #16 Gauge	
98	4160197	1	Spring	
99	4568423	4	Tube, Spacer	
100	1001131296	1	Pad, Wear	
101	4700039	1	Pad, Wear	
102	4711600	10	Washer 3/8	
103	4740509	2	Spacer	
104	4846453	1	Plate, Mounting	
105	4892000	2	Washer 5/8	
106	1001117456	1	Base, Boom	
107	1001117457	1	Mid, Inner	
108	1001117458	1	Mid, Outer	
109	1001117459	1	Fly, Boom	
110	1001117479	2	Cable, Outer Mid Retract	
111	1001117480	4	Cable, Fly Extend	
112	1001117481	2	Cable, Fly Retract	
113	1001228043	1	Jib Level Cylinder Assembly (See Separate Breakdown in CYLINDER Section)	
114	1001118430	1	Cable, Outer Mid Extend	
115	1001118431	1	Cable, Outer Mid Extend	
116	1001228047	1	Telescope Cylinder Assembly (See Separate Breakdown in CYLINDER Section)	
117	1001119571	1	Pin	
118	1001131293	1	Plate, Cable Retract Retainer (RH)	
		Ref	Kit Options:	
	1001143929	1	Main Boom Wear Pad Kit (Includes Items 11, 31-36, 52-61, 78-95 & 101-102)	
	1001143927	1	Wire Rope Kit (Includes Items 14-23, 26-30, 38-40, 45-51, 63, 64, 69A, 69B, 70-73, 77, 99, 102, 105 & 110-115)	



# SECTION 4 - BOOM

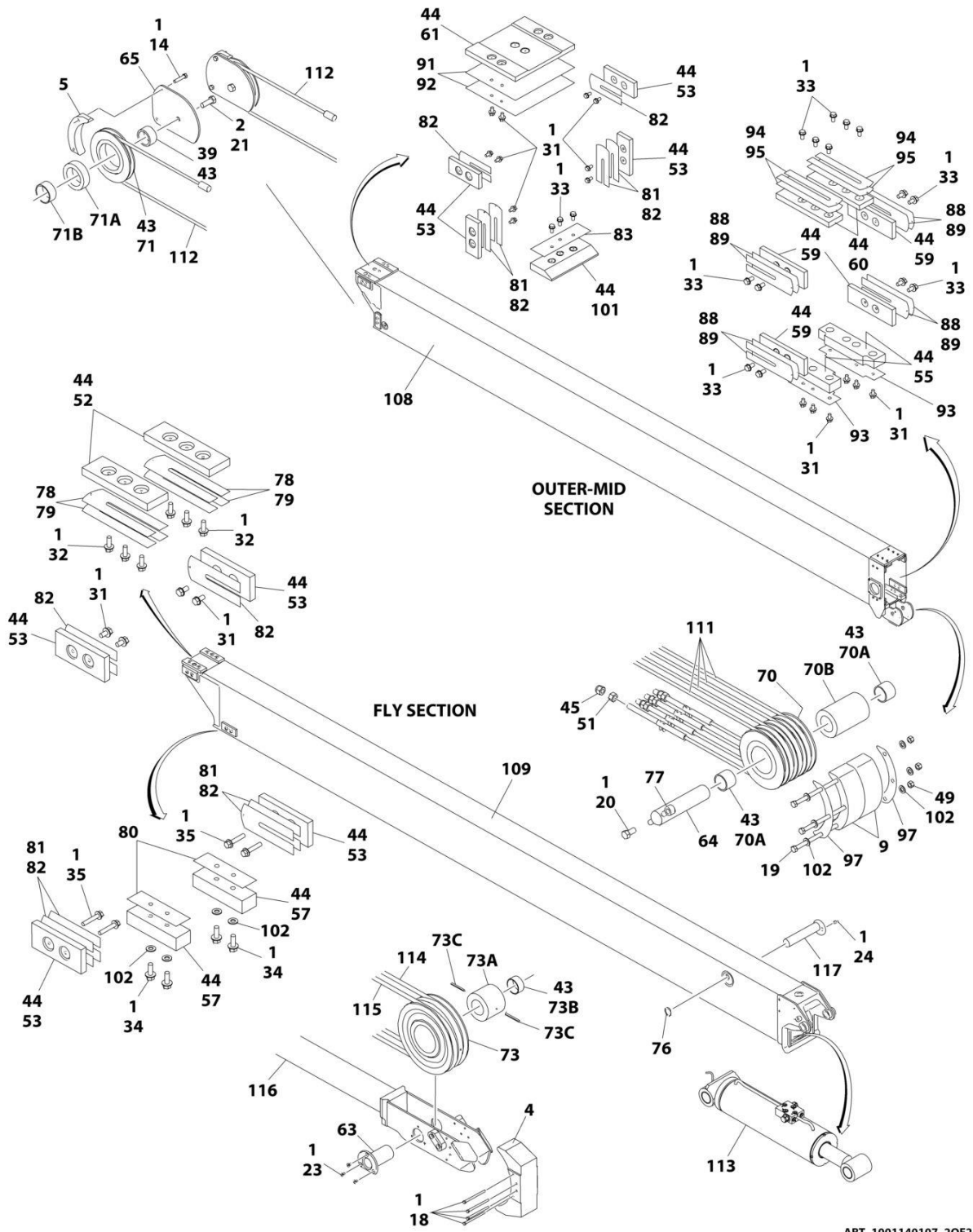
FIGURE 4-5. BOOM ASSEMBLY - WITH COLD WEATHER PLUS PACKAGE (PVC 2001)



ART\_1001140107\_10F2



# SECTION 4 - BOOM



ART\_1001140107\_20F2

## SECTION 4 - BOOM

**FIGURE 4-5. BOOM ASSEMBLY - WITH COLD WEATHER PLUS PACKAGE (PVC 2001)**

ITEM	PART NUMBER	QTY	DESCRIPTION	REV
	1001140107	Ref	BOOM ASSEMBLY - WITH COLD WEATHER PLUS PACKAGE	D
1	0100011	AR	Compound, Locking	
2	0100019	AR	Compound, Locking	
3	0363066	2	Bar, Stabilizer	
4	0561431	1	Block, Rope Retainer	
5	0561437	2	Block, Rope Retainer	
6	0561439	1	Block, Outer Mid Extend	
7	0561444	2	Block, Cable Retainer	
8	0561454	1	Block, Switch Adjuster	
9	0561457	2	Block, Cable Retainer	
10	0561458	2	Block, Cable Retainer	
11	0561471	2	Block, Spacer	
12	0561482	2	Block, Trunnion Keeper	
13	0561500	2	Block, Trunnion Keeper	
14	0641615	4	Bolt 3/8 x 1-7/8	
15	0641618	6	Screw 3/8 x 2-1/4	
16	0641640	1	Bolt 3/8 x 5	
17	0641644	2	Bolt 3/8 x 5-1/2	
18	0641646	4	Bolt 3/8 x 5-3/4	
19	0641652	3	Bolt 3/8 x 6-1/2	
20	0641808	1	Bolt 1/2 x 1	
21	0642014	4	Bolt 5/8 x 1-3/4	
22	0642022	2	Bolt 5/8 x 2-3/4	
23	0741606	3	Screw 3/8 x 3/4	
24	0741806	1	Screw 1/2 x 3/4	
25	0791604	4	Screw 3/8 x 1/2	
26	0791605	6	Screw 3/8 x 5/8	
27	0791612	4	Screw 3/8 x 1-1/2	
28	0791618	4	Screw 3/8 x 2-1/4	
29	0791620	10	Screw 3/8 x 2-1/2	
30	0791624	4	Screw 3/8 x 3	
31	0811606	30	Screw 3/8 x 3/4	
32	0811607	24	Screw 3/8 x 7/8	
33	0811608	43	Screw 3/8 x 1	
34	0811610	10	Screw 3/8 x 1-1/4	
35	0811614	4	Screw 3/8 x 1-3/4	
36	0811616	6	Screw 3/8 x 2	
37	0962297	2	Bushing	
38	0962409	2	Bushing	
39	0962410	2	Bushing	
40	0962447	2	Bearing, Flanged	
41	1671032	1	Cover	
42	1671033	1	Cover	
43	3020039	AR	Lubricant, Moly	
44	3020042	AR	Lubricant with PTFE	
45	3300239	4	Nut, Nylon Insert	
46	3300458	1	Nut 1-12	
47	3300460	2	Nut 1-1/4-7	
48	3300461	3	Nut 1-3/8-6	
49	3311605	6	Nut 3/8-16	

## SECTION 4 - BOOM

ITEM	PART NUMBER	QTY	DESCRIPTION	REV
50	3311608	8	Nut 3/8-16	
51	3311801	4	Nut 1/2-13	
52	3340871	2	Pad, Wear	
53	3340881	12	Pad, Wear	
54	3340910	1	Pad, Wear	
55	3340912	2	Pad, Wear	
56	3340916	2	Pad, Wear	
57	3340917	2	Pad, Wear	
58	3340918	2	Pad, Wear	
59	3340921	12	Pad, Wear	
60	3340922	6	Pad, Wear	
61	3340926	1	Pad, Wear	
62	3340955	1	Pad	
63	3422926	1	Pin	
64	3422959	1	Pin	
65	3572950	2	Plate, Cable Retract Retainer	
66	1001131292	1	Plate, Cable Retract Retainer (LH)	
67	3573437	1	Plate, Pulley Adjustment	
68	3573444	6	Plate, Lock	
69	1001131330	2	Sheave	
69A	0962402	2	Bushing (Outer)	
69B	0962406	2	Bushing (Inner)	
70	3580300	1	Sheave	
70A	1001139972	1	Bushing (Inner)	
70B	0962403	1	Bushing (Outer)	
71	3580302	2	Sheave	
71A	0962404	2	Bushing (Outer)	
71B	0962411	2	Bushing (Inner)	
72	3580306	4	Pulley	
73	1001154260	2	Sheave	
73A	1001154306	2	Bushing (Outer)	
73B	1001154304	2	Bushing (Inner)	
73C	1001154294	2	Ring, Retainer	
74	3580341	2	Sheave	
75	3580342	2	Sheave	
76	3760217	1	Ring, Retaining	
77	3841203	1	Keeper, Pin	
78	4070863	2	Shim #11 Gauge	
79	4070864	2	Shim #18 Gauge	
80	4070895	2	Shim #16 Gauge	
81	4070897	6	Shim #18 Gauge	
82	4070898	12	Shim #11 Gauge	
83	4071012	1	Shim #16 Gauge	
84	4071013	2	Shim #16 Gauge	
85	4071015	2	Shim #16 Gauge	
86	4071016	2	Shim #11 Gauge	
87	4071017	1	Shim #16 Gauge	
88	4071018	8	Shim #16 Gauge	
89	4071019	12	Shim #11 Gauge	
90	4071024	1	Shim #16 Gauge	
91	4071025	1	Shim #16 Gauge	

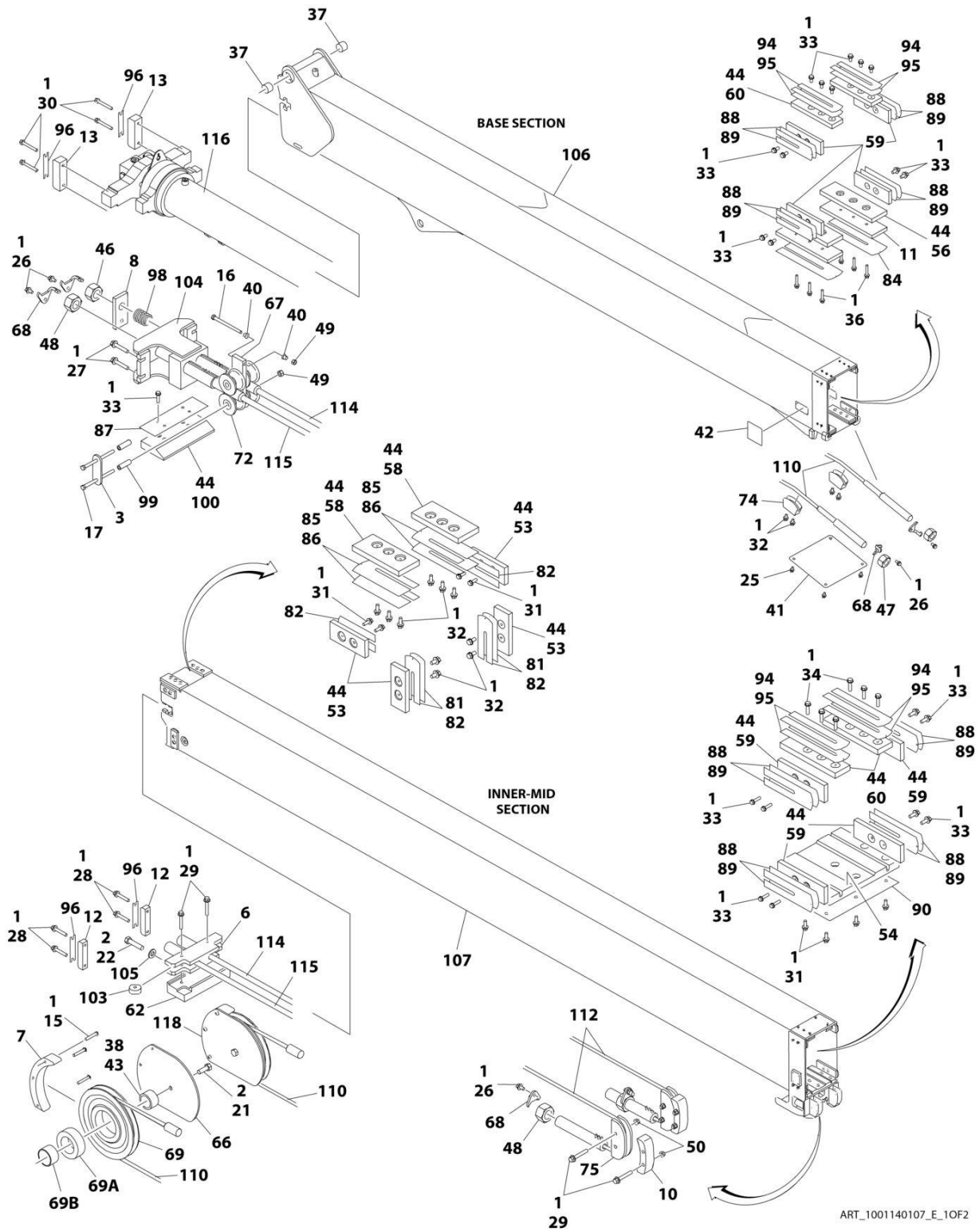
## SECTION 4 - BOOM

ITEM	PART NUMBER	QTY	DESCRIPTION	REV
92	4071026	1	Shim #11 Gauge	
93	4071027	2	Shim #16 Gauge	
94	4071028	6	Shim #16 Gauge	
95	4071029	6	Shim #11 Gauge	
96	4071031	4	Shim #16 Gauge	
97	4071046	2	Shim #16 Gauge	
98	4160197	1	Spring	
99	4568423	4	Tube, Spacer	
100	1001131296	1	Pad, Wear	
101	4700039	1	Pad, Wear	
102	4711600	10	Washer 3/8	
103	4740509	2	Spacer	
104	4846453	1	Plate, Mounting	
105	4892000	2	Washer 5/8	
106	1001117456	1	Base, Boom	
107	1001117457	1	Mid, Inner	
108	1001117458	1	Mid, Outer	
109	1001117459	1	Fly, Boom	
110	1001117479	2	Cable, Outer Mid Retract	
111	1001117480	4	Cable, Fly Extend	
112	1001117481	2	Cable, Fly Retract	
113	1001228043	1	Jib Level Cylinder Assembly (See Separate Breakdown in CYLINDER Section)	
114	1001118430	1	Cable, Outer Mid Extend	
115	1001118431	1	Cable, Outer Mid Extend	
116	1001228047	1	Telescope Cylinder Assembly (See Separate Breakdown in CYLINDER Section)	
117	1001119571	1	Pin	
118	1001131293	1	Plate, Cable Retract Retainer (RH)	
		Ref	Kit Options:	
	1001143929	1	Main Boom Wear Pad Kit (Includes Items 11, 31-36, 52-61, 78-95 & 101-102)	
	1001143927	1	Wire Rope Kit (Includes Items 14-23, 26-30, 38-40, 45-51, 63, 64, 69A, 69B, 70-73, 77, 99, 102, 105 & 110-115)	



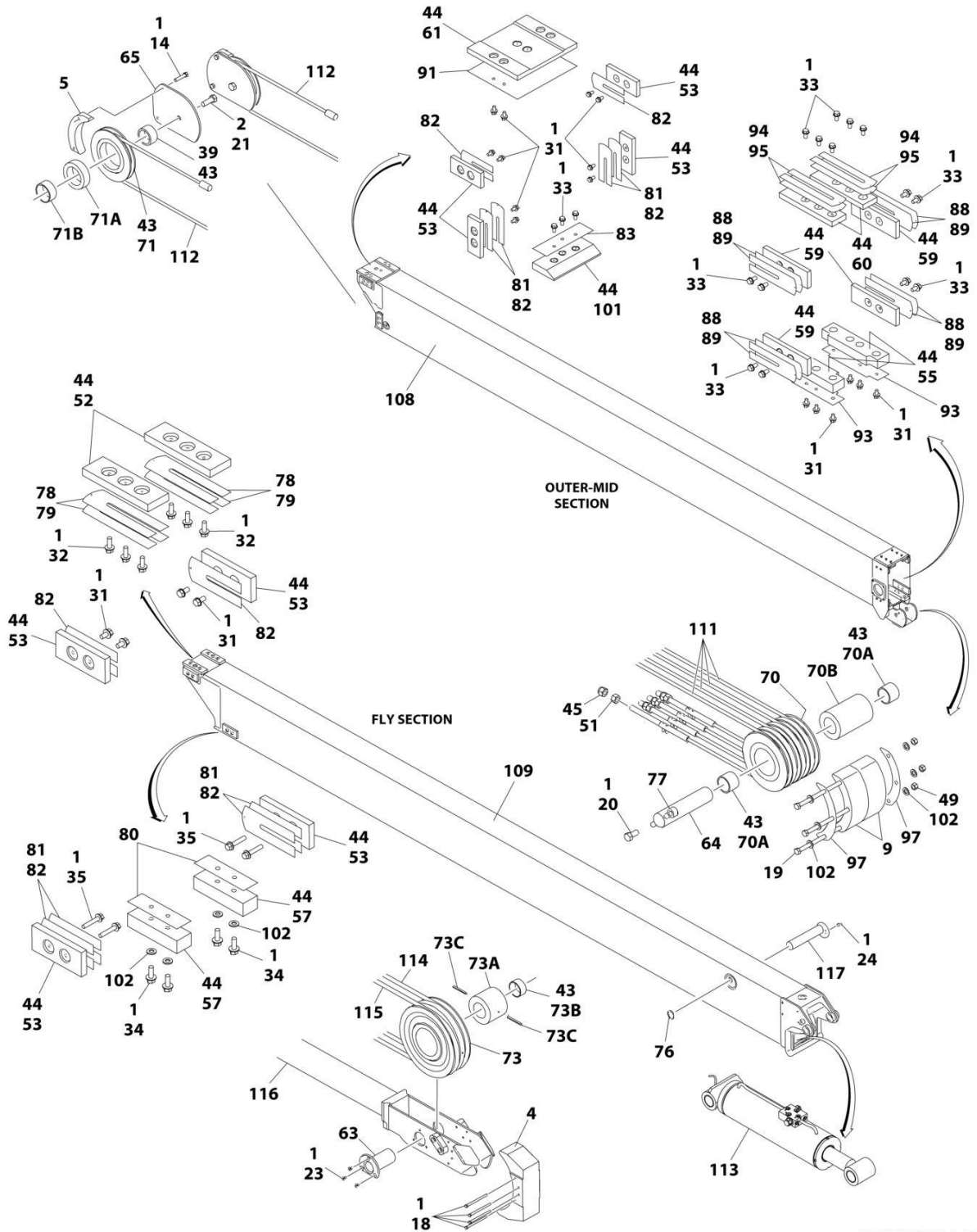
# SECTION 4 - BOOM

FIGURE 4-6. BOOM ASSEMBLY - WITH COLD WEATHER PLUS PACKAGE (PVC 2007)



ART\_1001140107\_E\_1OF2

# SECTION 4 - BOOM



ART\_1001140107\_E\_20F2

## SECTION 4 - BOOM

**FIGURE 4-6. BOOM ASSEMBLY - WITH COLD WEATHER PLUS PACKAGE (PVC 2007)**

ITEM	PART NUMBER	QTY	DESCRIPTION	REV
	1001140107	Ref	BOOM ASSEMBLY - WITH COLD WEATHER PLUS PACKAGE	E
1	0100011	AR	Compound, Locking	
2	0100019	AR	Compound, Locking	
3	0363066	2	Bar, Stabilizer	
4	0561431	1	Block, Rope Retainer	
5	0561437	2	Block, Rope Retainer	
6	0561439	1	Block, Outer Mid Extend	
7	0561444	2	Block, Cable Retainer	
8	0561454	1	Block, Switch Adjuster	
9	0561457	2	Block, Cable Retainer	
10	0561458	2	Block, Cable Retainer	
11	0561471	2	Block, Spacer	
12	0561482	2	Block, Trunnion Keeper	
13	0561500	2	Block, Trunnion Keeper	
14	0641615	4	Bolt 3/8 x 1-7/8	
15	0641618	6	Screw 3/8 x 2-1/4	
16	0641640	1	Bolt 3/8 x 5	
17	0641644	2	Bolt 3/8 x 5-1/2	
18	0641646	4	Bolt 3/8 x 5-3/4	
19	0641652	3	Bolt 3/8 x 6-1/2	
20	0641808	1	Bolt 1/2 x 1	
21	0642014	4	Bolt 5/8 x 1-3/4	
22	0642022	2	Bolt 5/8 x 2-3/4	
23	0741606	3	Screw 3/8 x 3/4	
24	0741806	1	Screw 1/2 x 3/4	
25	0791604	4	Screw 3/8 x 1/2	
26	0791605	6	Screw 3/8 x 5/8	
27	0791612	4	Screw 3/8 x 1-1/2	
28	0791618	4	Screw 3/8 x 2-1/4	
29	0791620	10	Screw 3/8 x 2-1/2	
30	0791624	4	Screw 3/8 x 3	
31	0811606	30	Screw 3/8 x 3/4	
32	0811607	24	Screw 3/8 x 7/8	
33	0811608	43	Screw 3/8 x 1	
34	0811610	10	Screw 3/8 x 1-1/4	
35	0811614	4	Screw 3/8 x 1-3/4	
36	0811616	6	Screw 3/8 x 2	
37	0962297	2	Bushing	
38	0962409	2	Bushing	
39	0962410	2	Bushing	
40	0962447	2	Bearing, Flanged	
41	1671032	1	Cover	
42	1671033	1	Cover	
43	3020039	AR	Lubricant, Moly	
44	3020042	AR	Lubricant with PTFE	
45	3300239	4	Nut, Nylon Insert	
46	3300458	1	Nut 1-12	
47	3300460	2	Nut 1-1/4-7	
48	3300461	3	Nut 1-3/8-6	
49	3311605	6	Nut 3/8-16	



## SECTION 4 - BOOM

ITEM	PART NUMBER	QTY	DESCRIPTION	REV
50	3311608	8	Nut 3/8-16	
51	3311801	4	Nut 1/2-13	
52	3340871	2	Pad, Wear	
53	3340881	12	Pad, Wear	
54	3340910	1	Pad, Wear	
55	3340912	2	Pad, Wear	
56	3340916	2	Pad, Wear	
57	3340917	2	Pad, Wear	
58	3340918	2	Pad, Wear	
59	3340921	12	Pad, Wear	
60	3340922	6	Pad, Wear	
61	3340926	1	Pad, Wear	
62	3340955	1	Pad	
63	3422926	1	Pin	
64	3422959	1	Pin	
65	3572950	2	Plate, Cable Retract Retainer	
66	1001131292	1	Plate, Cable Retract Retainer (LH)	
67	3573437	1	Plate, Pulley Adjustment	
68	3573444	6	Plate, Lock	
69	1001131330	2	Sheave	
69A	0962402	2	Bushing (Outer)	
69B	0962406	2	Bushing (Inner)	
70	3580300	1	Sheave	
70A	1001139972	1	Bushing (Inner)	
70B	0962403	1	Bushing (Outer)	
71	3580302	2	Sheave	
71A	0962404	2	Bushing (Outer)	
71B	0962411	2	Bushing (Inner)	
72	3580306	4	Pulley	
73	1001154260	2	Sheave	
73A	1001154306	2	Bushing (Outer)	
73B	1001154304	2	Bushing (Inner)	
73C	1001154294	2	Ring, Retainer	
74	3580341	2	Sheave	
75	3580342	2	Sheave	
76	3760217	1	Ring, Retaining	
77	3841203	1	Keeper, Pin	
78	4070863	2	Shim #11 Gauge	
79	4070864	2	Shim #18 Gauge	
80	4070895	2	Shim #16 Gauge	
81	4070897	6	Shim #18 Gauge	
82	4070898	12	Shim #11 Gauge	
83	4071012	1	Shim #16 Gauge	
84	4071013	2	Shim #16 Gauge	
85	4071015	2	Shim #16 Gauge	
86	4071016	2	Shim #11 Gauge	
87	4071017	1	Shim #16 Gauge	
88	4071018	8	Shim #16 Gauge	
89	4071019	12	Shim #11 Gauge	
90	4071024	1	Shim #16 Gauge	
91	4071025	1	Shim #16 Gauge	

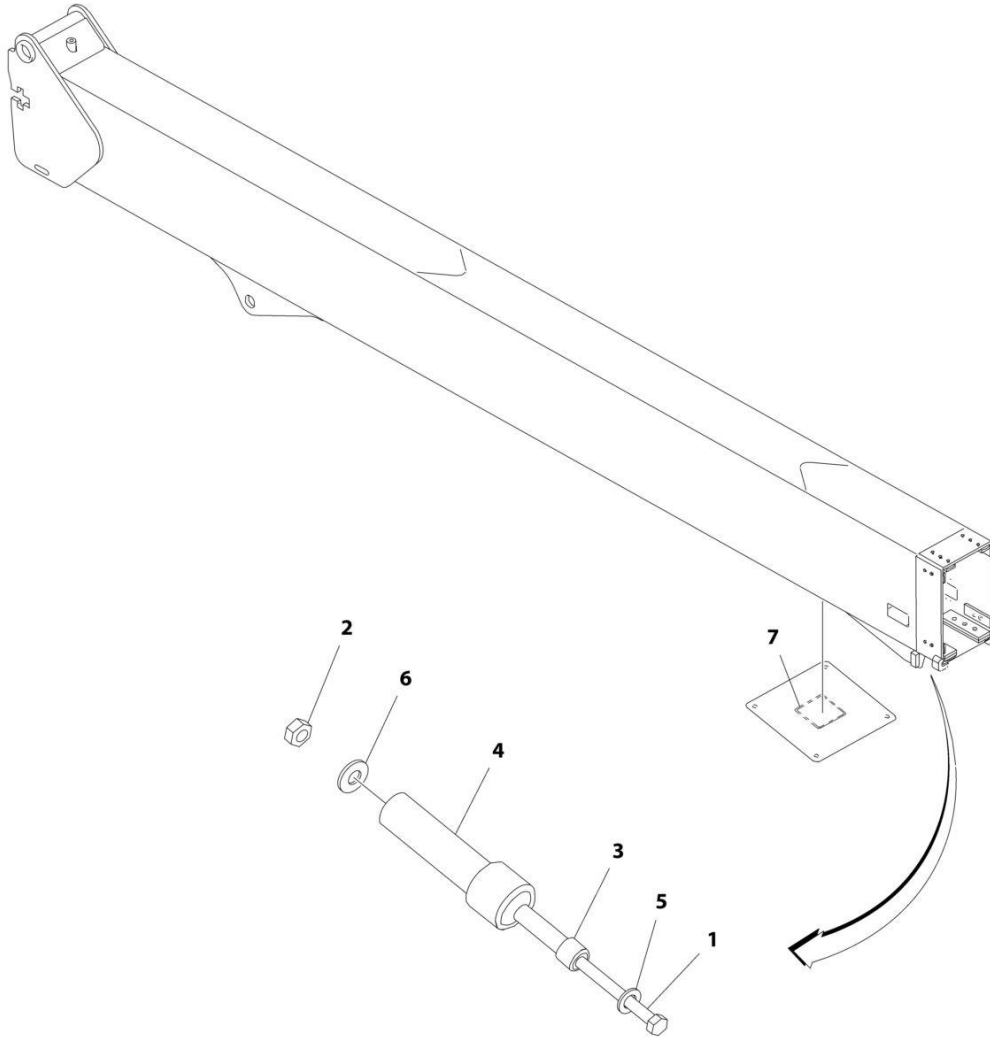
## SECTION 4 - BOOM

ITEM	PART NUMBER	QTY	DESCRIPTION	REV
93	4071027	2	Shim #16 Gauge	
94	4071028	6	Shim #16 Gauge	
95	4071029	6	Shim #11 Gauge	
96	4071031	4	Shim #16 Gauge	
97	4071046	2	Shim #16 Gauge	
98	4160197	1	Spring	
99	4568423	4	Tube, Spacer	
100	1001131296	1	Pad, Wear	
101	4700039	1	Pad, Wear	
102	4711600	10	Washer 3/8	
103	4740509	2	Spacer	
104	4846453	1	Plate, Mounting	
105	4892000	2	Washer 5/8	
106	1001117456	1	Base, Boom	
107	1001117457	1	Mid, Inner	
108	1001117458	1	Mid, Outer	
109	1001117459	1	Fly, Boom	
110	1001117479	2	Cable, Outer Mid Retract	
111	1001117480	4	Cable, Fly Extend	
112	1001117481	2	Cable, Fly Retract	
113	1001228043	1	Jib Level Cylinder Assembly (See Separate Breakdown in CYLINDER Section)	
114	1001118430	1	Cable, Outer Mid Extend	
115	1001118431	1	Cable, Outer Mid Extend	
116	1001228047	1	Telescope Cylinder Assembly (See Separate Breakdown in CYLINDER Section)	
117	1001119571	1	Pin	
118	1001131293	1	Plate, Cable Retract Retainer (RH)	
		Ref	Kit Options:	
	1001143929	1	Main Boom Wear Pad Kit (Includes Items 11, 31-36, 52-61, 78-95 & 101-102)	
	1001143927	1	Wire Rope Kit (Includes Items 14-23, 26-30, 38-40, 45-51, 63, 64, 69A, 69B, 70-73, 77, 99, 102, 105 & 110-115)	



# SECTION 4 - BOOM

## FIGURE 4-7. WIRE ROPE TOOLS INSTALLATION (OPTIONAL)



ART\_0272048

**FIGURE 4-7. WIRE ROPE TOOLS INSTALLATION (OPTIONAL)**

<b>ITEM</b>	<b>PART NUMBER</b>	<b>QTY</b>	<b>DESCRIPTION</b>	<b>REV</b>
	0272048	Ref	WIRE ROPE TOOLS INSTALLATION (OPTIONAL)	B
1	0641676	1	Bolt 3/8 x 9-1/2	
2	3311605	1	Nut 3/8	
3	4120040	1	Socket 3/4	
4	4120043	1	Socket 2	
5	4711600	1	Washer 3/8	
6	4891600	1	Washer 3/8	
7	1705307	1	Decal - Tool Location	

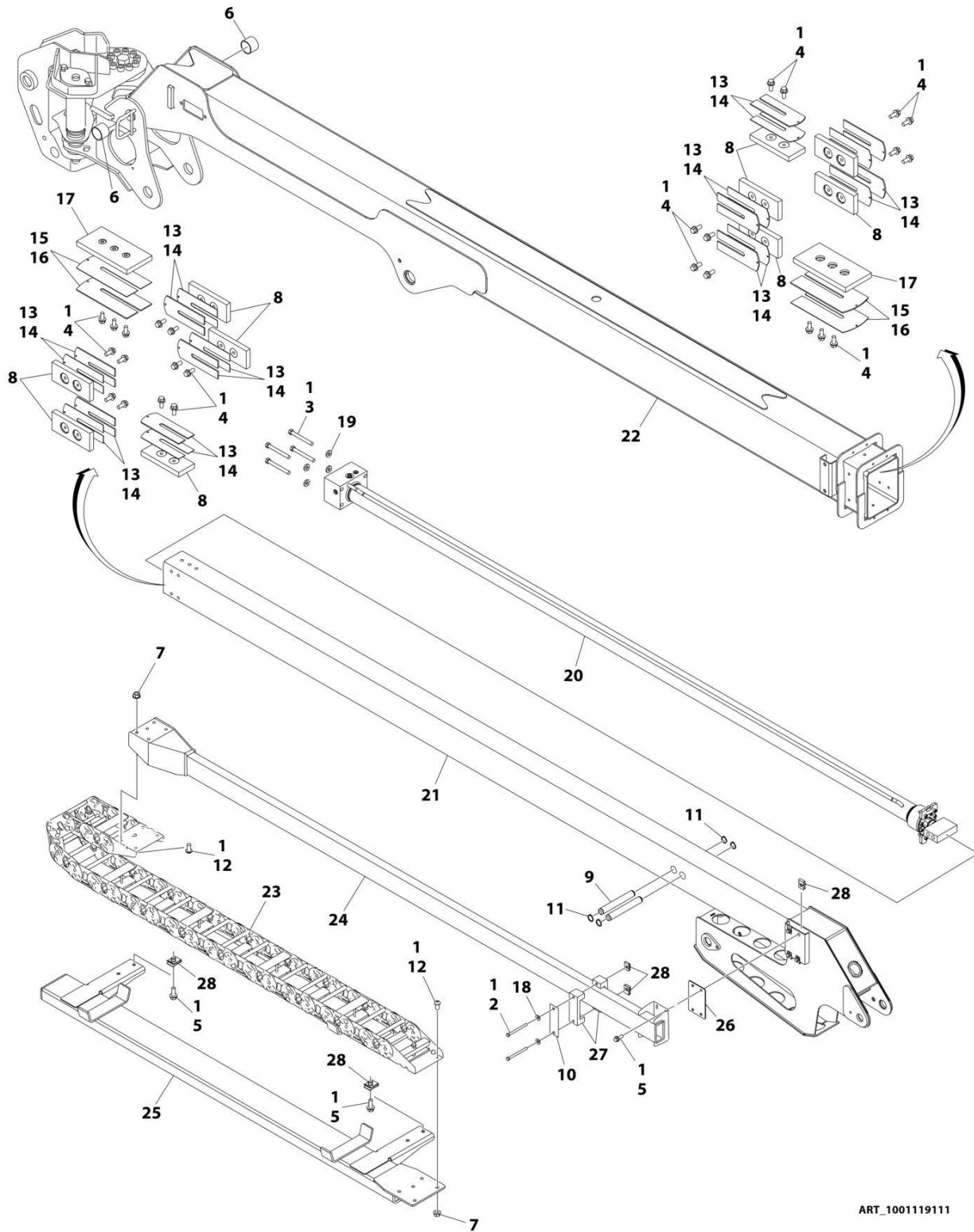


FIGURE 4-8. JIB INSTALLATION

ITEM	PART NUMBER	QTY	DESCRIPTION	REV
	1001140108	Ref	JIB INSTALLATION	G
1	0100011	AR	Compound, Locking	
2	0100019	AR	Compound, Locking	
3	0100063	AR	Compound, Locking	
4	91471226	AR	Shim 16Ga	
5	91471227	AR	Shim 20Ga	
6	0641606	1	Bolt 3/8 x 3/4	
7	0641808	2	Bolt 1/2 x 1	
8	0642010	2	Bolt 5/8 x 1-1/4	
9	0642014	1	Bolt 5/8 x 1-3/4	
10	0682022	2	Bolt 5/8 x 2-3/4 Grade 8	
11	0683020	1	Bolt 1-1/4 x 2-1/4 Grade 8	
12	0811608	2	Screw 3/8 x 1	
13	0961950	2	Bushing	
14	0962181	2	Bushing	
15	3272005	2	Nut 5/8 Grade 8	
16	3312005	1	Nut 5/8	
17	3841143	1	Keeper, Pin	
18	3841203	2	Keeper, Pin	
19	3841258	3	Keeper, Pin	
20	3932016	10	Capscrew 5/8 x 1	
21	3932224	10	Capscrew 3/4 x 1-1/2	
22	4892000	4	Washer 5/8	
23	1001228057	1	Platform Level Cylinder Assembly (See Separate Breakdown in CYLINDER SECTION)	
24	1001228058	1	Jib Lift Cylinder Assembly (See Separate Breakdown in CYLINDER SECTION)	
25	1001118369	1	Pad, Wear	
26	1001118564	1	Pivot, Jib	
27	1001178249	1	Platform Rotate Actuator Assembly (See Separate Breakdown in this Section)	
28	1001119042	1	Cap	
29	1001119111	1	Jib Boom Assembly (See Separate Breakdown in this Section)	
30	1001228046	1	Jib Lock Cylinder Assembly (See Separate Breakdown in CYLINDER SECTION)	
31	1001178250	1	Jib Rotate Actuator Assembly (See Separate Breakdown in this Section)	
32	1001119985	1	Pin	
33	1001119990	1	Pin	
34	1001119991	1	Pin	
35	1001119998	1	Pin	
36	1001120000	2	Pin	
37	1001120014	1	Shim 11Ga	
38	1001120015	AR	Shim 18Ga	
39	1001120037	1	Bearing, Flange	
40	1001120038	1	Bearing	
41	1001120039	1	Bearing	
42	1001225266	AR	Shim	

# SECTION 4 - BOOM

## FIGURE 4-9. JIB BOOM ASSEMBLY



ART\_1001119111

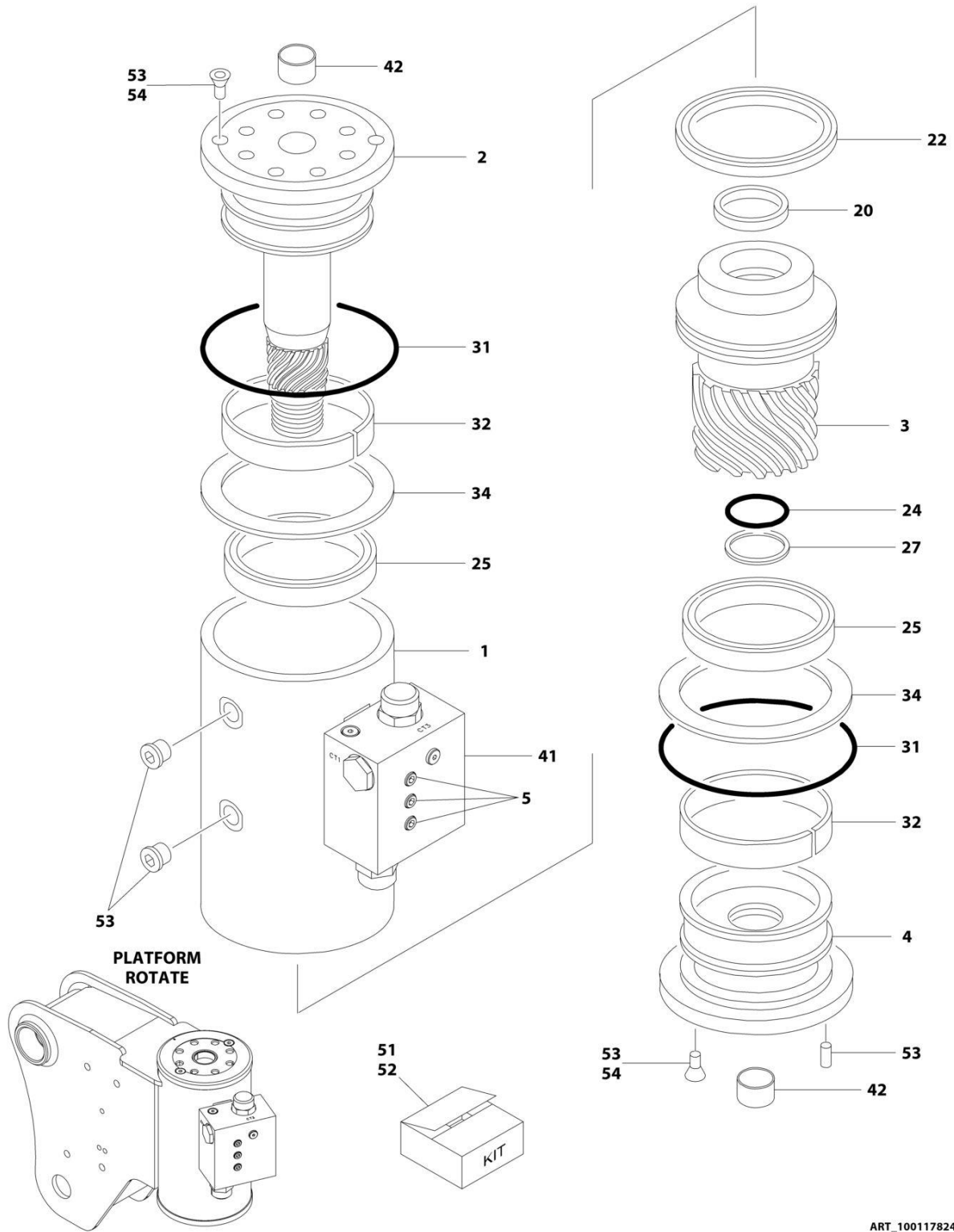


FIGURE 4-9. JIB BOOM ASSEMBLY

ITEM	PART NUMBER	QTY	DESCRIPTION	REV
	1001119111	Ref	JIB BOOM ASSEMBLY	M
1	0100011	AR	Compound, Locking	
2	0641636	2	Bolt 3/8 x 4-1/2	
3	0681836	4	Bolt 1/2 x 4-1/2 Grade 8	
4	0811607	26	Screw 3/8 x 7/8	
5	0811608	8	Screw 3/8 x 1	
6	0961950	2	Bushing	
7	3311608	8	Nut 3/8	
8	3340881	10	Pad, Wear	
9	3423161	2	Pin	
10	3575889	1	Plate	
11	3760351	4	Ring, Retaining	
12	3900283	8	Screw 3/8 x 3/4	
13	4070897	10	Pad, Wear	
14	4070898	10	Pad, Wear	
15	4071039	2	Shim 18Ga	
16	4071040	2	Shim 11Ga	
17	1001129961	2	Pad, Wear	
18	4751600	2	Washer 3/8	
19	4891800	4	Washer 1/2	
20	1001228048	1	Jib Telescope Cylinder Assembly (See Separate Breakdown in CYLINDER SECTION)	
21	1001119413	1	Boom, Jib Fly	
22	1001119414	1	Boom, Jib Base	
23	1001134180	1	Power Track Assembly	
23	70003923	AR	Repair Section (Includes links, cross bars and mounting hardware)	
23	70003924	1	Mounting Bracket Repair Kit (Includes mounting feet for both ends of power track and attaching hardware)	
24	1001119654	1	Tube, Push	
25	1001119668	1	Support, Power Track	
26	1001119710	1	Shim, Push Tube	
27	1001119714	2	Pad, Push Tube	
28	88662523	10	Nut, Retainer	
	1001143928	1	Jib Wear Pad Kit (Includes Items 4, 5, 8 & 13-17)	

# SECTION 4 - BOOM

## FIGURE 4-10. PLATFORM ROTATE ACTUATOR ASSEMBLY



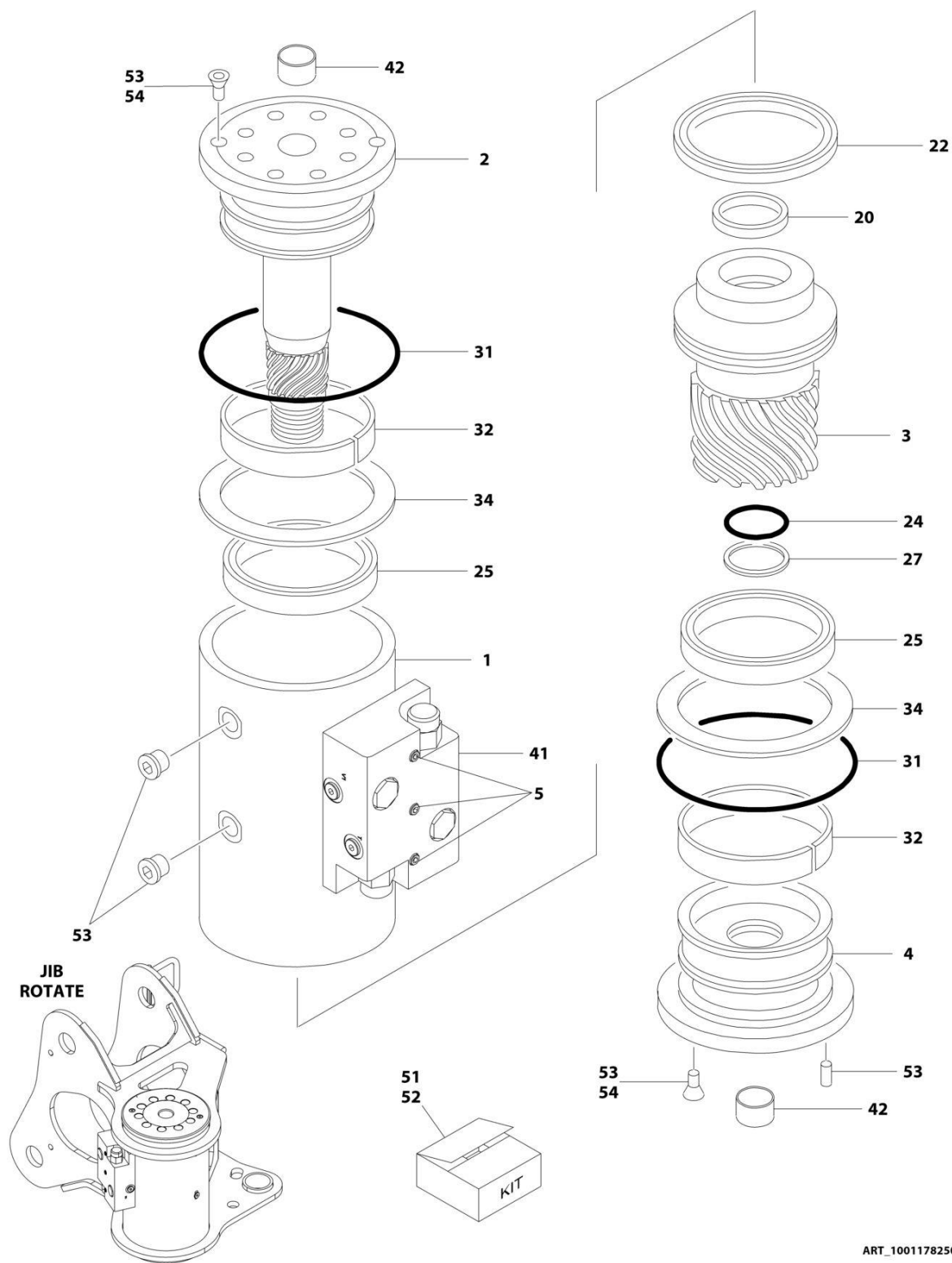
ART\_1001178249

FIGURE 4-10. PLATFORM ROTATE ACTUATOR ASSEMBLY

ITEM	PART NUMBER	QTY	DESCRIPTION	REV
	1001178249	Ref	PLATFORM ROTATE ACTUATOR ASSEMBLY	A
1	See Note	NSS	Case/Bracket Weldment (Note: Use p/n 1001178249)	
2	7017162	1	Shaft	
3	7017163	1	Sleeve, Piston	
4	7017164	1	Cap, End	
5	See Note	NSS	Capscrew 1/4 x 1-1/2 Grade 8 (Note: Not Available for Purchase)	
20	See Note	NSS	Seal, Rod (Note: Use Item 52)	
22	See Note	NSS	Seal, Piston (Note: Use Item 52)	
24	See Note	NSS	Seal, Cap (Note: Use Item 52)	
25	See Note	NSS	Packing, Bearing (Note: Use Item 52)	
27	See Note	NSS	Ring, Cap Back-up (Note: Use Item 52)	
31	See Note	NSS	Seal (Note: Use Item 52)	
32	See Note	NSS	Bearing, Shaft (Note: Use Item 51)	
34	See Note	NSS	Thrustwasher (Note: Use Item 51)	
41		Ref	Motion Control Valve Assembly	
41	7017183	1	Valve Assembly for Platform Rotate Actuator	
41	7017193	2	Replacement Cartridge (Located on Top and Bottom of Valve) (Valve for Platform Rotate Actuator Only)	
41	See Note	2	Seal Kit - 7017193 Cartridge (Note: Not Available for Purchase)	
41	See Note	1	Replacement Cartridge (Not Shown - Located on Side of Valve) (Valve for Platform Rotate Actuator Only) (Note: Not Available for Purchase)	
41	See Note	1	Seal Kit - 7017193 Cartridge (Note: Not Available for Purchase)	
41	70002859	1	Valve Assembly for Jib Rotator Actuator (No Service Parts Available)	
42	7017195	2	Bushing, Shaft	
51	7017159	1	Bearing Kit (Includes Items 32 & 34)	
52	70000342	1	Seal Kit (Includes Items 20, 22, 24, 25, 27 & 31)	
53	7017142	1	Hardware Kit	
54	70001697	4	Screw 1/4 x 3/8 Grade 8	

# SECTION 4 - BOOM

## FIGURE 4-11. JIB ROTATE ACTUATOR ASSEMBLY



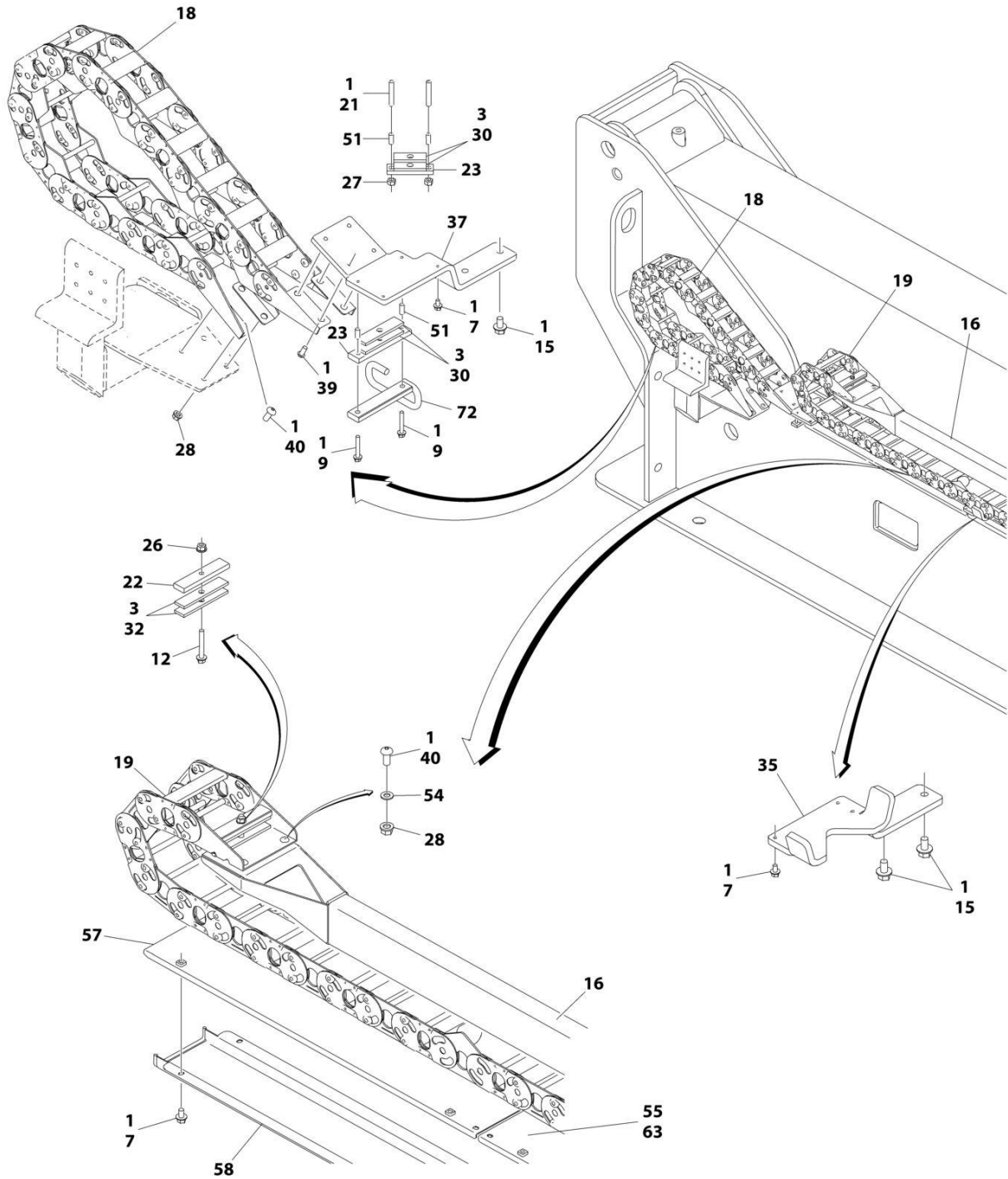
ART\_1001178250

FIGURE 4-11. JIB ROTATE ACTUATOR ASSEMBLY

ITEM	PART NUMBER	QTY	DESCRIPTION	REV
	1001178250	Ref	JIB ROTATE ACTUATOR ASSEMBLY	A
1	See Note	NSS	Case/Bracket Weldment (Note: Use p/n 1001178250)	
2	70002853	1	Shaft	
3	70002854	1	Sleeve, Piston	
4	70002855	1	Cap, End	
5	See Note	NSS	Capscrew 1/4 x 1-1/2 Grade 8 (Note: Not Available for Purchase)	
20	See Note	NSS	Seal, Rod (Note: Use Item 52)	
22	See Note	NSS	Seal, Piston (Note: Use Item 52)	
24	See Note	NSS	Seal, Cap (Note: Use Item 52)	
25	See Note	NSS	Packing, Bearing (Note: Use Item 52)	
27	See Note	NSS	Ring, Cap Back-up (Note: Use Item 52)	
31	See Note	NSS	Seal (Note: Use Item 52)	
32	See Note	NSS	Bearing, Shaft (Note: Use Item 51)	
34	See Note	NSS	Thrustwasher (Note: Use Item 51)	
41	70002859	NSS	Motion Control Valve Assembly (No Service Parts Available)	
42	See Note	NSS	Bushing, Shaft (Note: Not Available for Purchase)	
51	70002857	1	Bearing Kit (Includes Items 32 & 34)	
52	70005170	1	Seal Kit (Includes Items 20, 22, 24, 25, 27 & 31)	
53	70002858	1	Hardware Kit	
54	70001697	4	Screw 1/4 x 3/8 Grade 8	

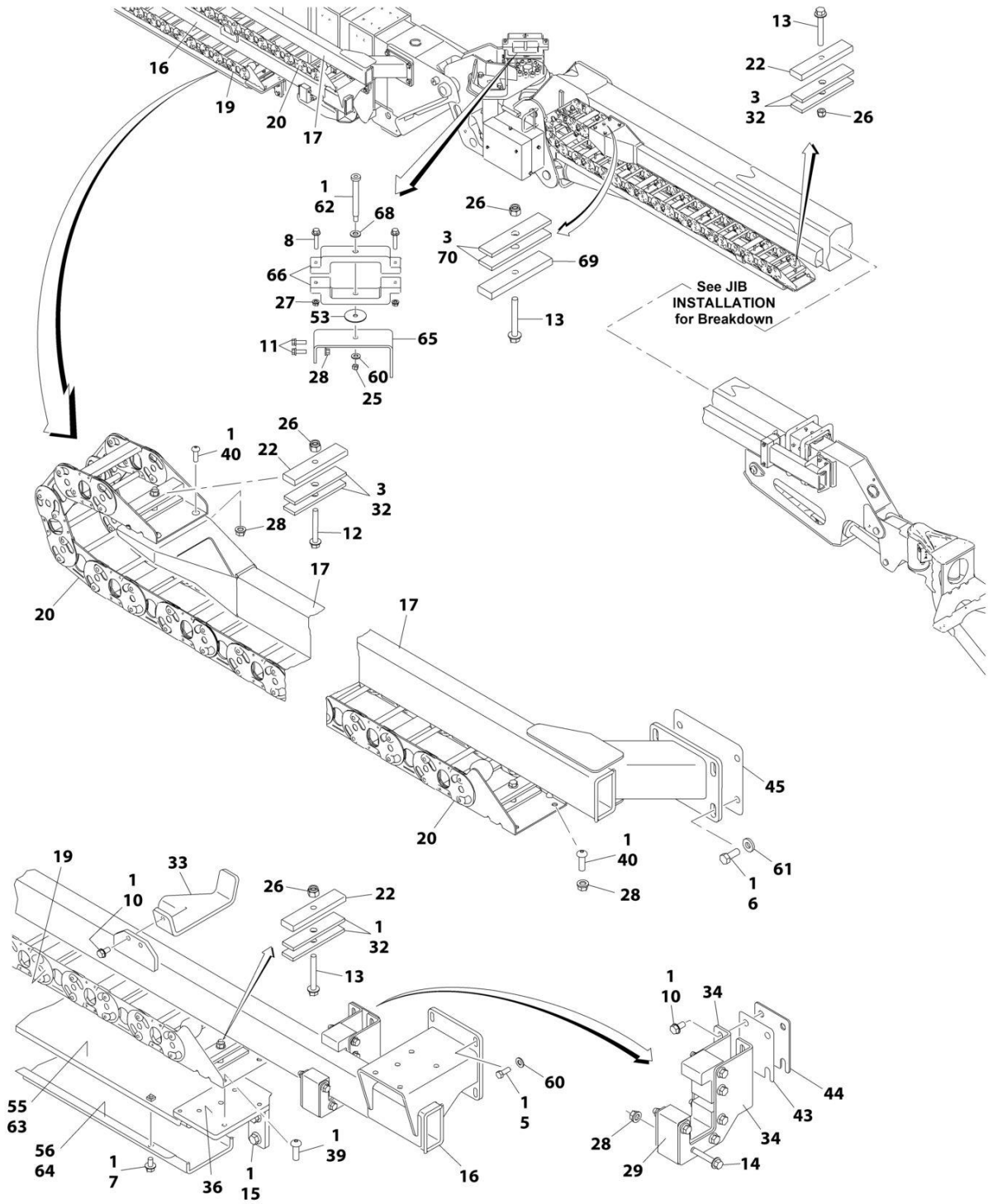
# SECTION 4 - BOOM

## FIGURE 4-12. POWER TRACK INSTALLATION



ART\_1001119944\_10F2

# SECTION 4 - BOOM



ART\_1001119944\_20F2

## SECTION 4 - BOOM

**FIGURE 4-12. POWER TRACK INSTALLATION**

ITEM	PART NUMBER	QTY	DESCRIPTION	REV
	1001119944	Ref	POWER TRACK INSTALLATION	M
1	0100011	AR	Compound, Locking	
2	0100019	AR	Compound, Locking (Not Shown)	
3	0100081	AR	Adhesive #454	
5	0641608	4	Bolt 3/8 x 1	
6	0641810	4	Bolt 1/2 x 1-1/4	
7	0791504	66	Screw 5/16 x 1/2	
8	0791516	2	Screw 5/16 x 2	
9	0791520	2	Setscrew 5/16 x 2-1/2	
10	0791607	10	Screw 3/8 x 7/8	
11	0791609	2	Screw 3/8 x 1-1/8	
12	0791620	2	Screw 3/8 x 2-1/2	
13	0791622	4	Screw 3/8 x 2-3/4	
14	0791624	6	Screw 3/8 x 3	
15	0791808	16	Screw 1/2 x 1	
16	1180362	1	Tube, Push (Lower)	
17	1180363	1	Tube, Push (Upper)	
18	1001131620	1	Carrier (T/T to Boom)	
18	70003917	AR	Section Repair Kit (Includes Inner and Outer Links, Joining Bars and Rollers and Assembling Hardware)	
18	70003918	1	Mounting Bracket Kit (Includes Mounting Brackets for Both Ends, 1 Roller Assembly and Assembling Hardware)	
19	1001131733	1	Carrier (Lower)	
19	70003913	AR	Section Repair Kit (Includes Inner and Outer Links, Joining Bars and Rollers and Assembling Hardware)	
19	70003915	1	Mounting Bracket Kit (Includes Mounting Brackets for Both Ends, 1 Roller Assembly and Assembling Hardware)	
19	70003914	AR	Center Bracket Kit (Includes 1 Flat Bar, 1 Round Bar, 1 Roller and Assembling Hardware)	
20	1001131728	1	Carrier (Upper)	
20	70003913	AR	Section Repair Kit (Includes Inner and Outer Links, Joining Bars and Rollers and Assembling Hardware)	
20	70003915	1	Mounting Bracket Kit (Includes Mounting Brackets for Both Ends, 1 Roller Assembly and Assembling Hardware)	
20	70003914	AR	Center Bracket Kit (Includes 1 Flat Bar, 1 Round Bar, 1 Roller and Assembling Hardware)	
21	3951522	2	Setscrew 5/16 x 2-3/4	
22	1320294	5	Clamp, Bar	
23	1320295	AR	Clamp, Bar	
25	3271601	2	Nut 3/8 Grade 8	
26	3300492	6	Nut, Nylon Insert	
27	3311508	4	Nut 5/16	
28	3311608	24	Nut 3/8	
29	3340925	1	Pad	
30	3340940	4	Pad, Rubber	
32	3340942	10	Pad, Rubber	
33	3573016	3	Support, Track	
34	3573179	2	Plate, Mounting	
35	3573181	6	Support, Track	
36	3573194	1	Plate, Track Mounting	
37	3573210	1	Plate, Track Mounting	

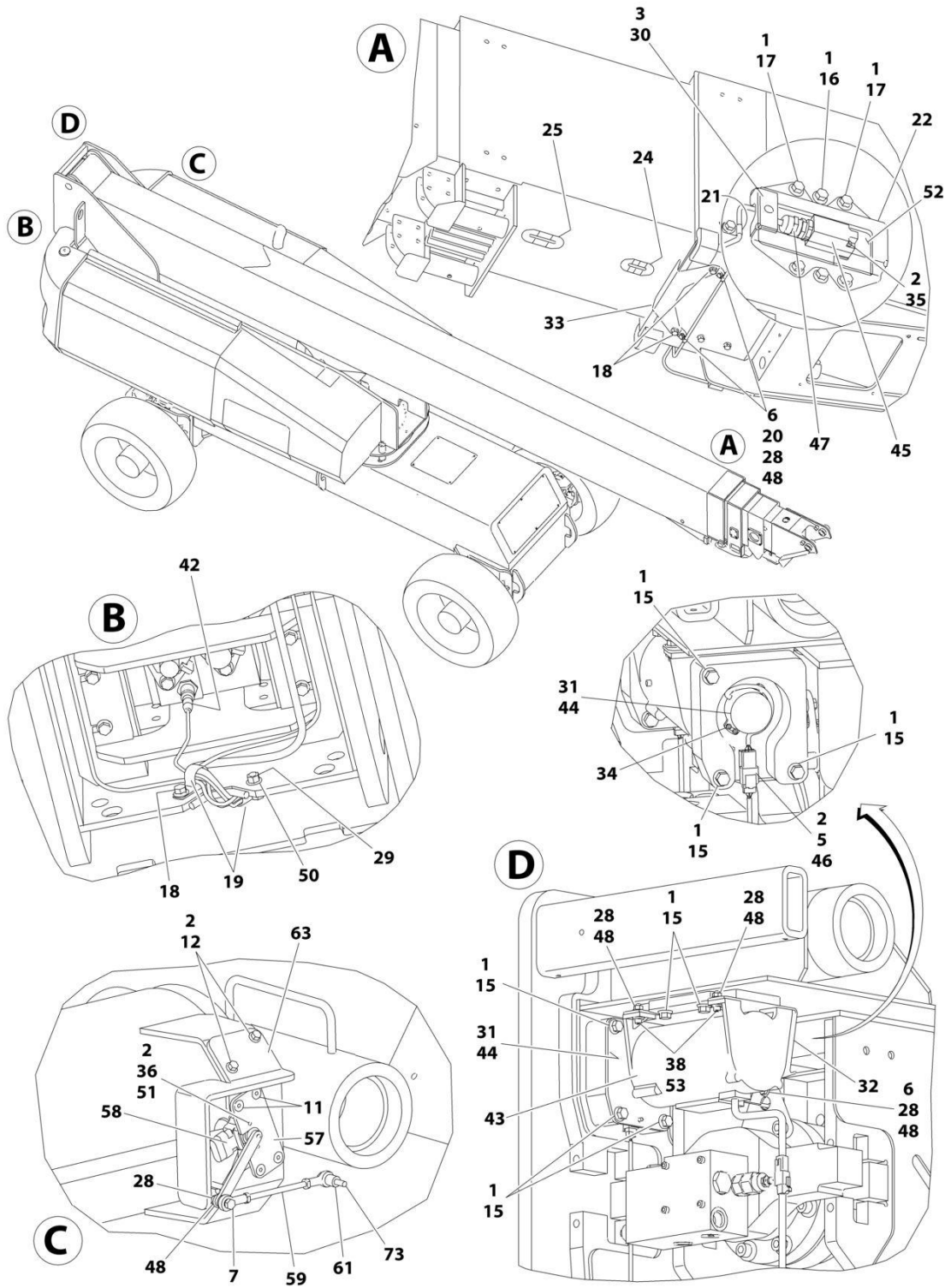


## SECTION 4 - BOOM

ITEM	PART NUMBER	QTY	DESCRIPTION	REV
39	3900283	AR	Screw 3/8 x 3/4	
40	3900316	16	Screw 3/8 x 1	
42	4060804	11 in /28cm	Shield, Flex Trim 3/16 (Not Shown)	
43	4071021	1	Shim, Adjusting 16Ga	
44	4071022	1	Shim, Adjusting 11Ga	
45	4071023	1	Shim, Adjusting 11Ga	
47	4240018	10	Tie-Strap (Not Shown)	
48	4240153	3	Strap, 4 Cinch (Not Shown)	
49	4240155	6	Strap, 8 Cinch (Not Shown)	
50	1001137263	1	Strap, 12 Cinch (Not Shown)	
51	4562516	AR	Tubing, Poly	
53	4740400	1	Washer, Special	
54	4751500	4	Washer 5/16	
55	4846423	5	Cover, Cable (Rear)	
56	4846429	5	Support, Cable (Rear)	
57	4846431	1	Cover, Cable (Front)	
58	4846485	1	Support, Cable (Front)	
60	4891600	5	Washer 3/8	
61	4891800	4	Washer 1/2	
62	8310235	1	Capscrew 3/8	
63	1001119521	1	Cover, Cable (Middle)	
64	1001119522	1	Support, Cable (Middle)	
65	1001120209	1	Bracket, Guide Block	
66	1001120257	2	Pad, Guide	
68	4711800	1	Washer 1/2	
69	1320298	1	Clamp, Bar	
70	3340939	2	Pad, Rubber	
71	1001137262	1	Strap, 4 Cinch (Not Shown)	
72	1001212790	1	Clamp	
73	1001307894	1	Cable, Platform Power A	
74	1001308291	1	Cable, Platform Power B	

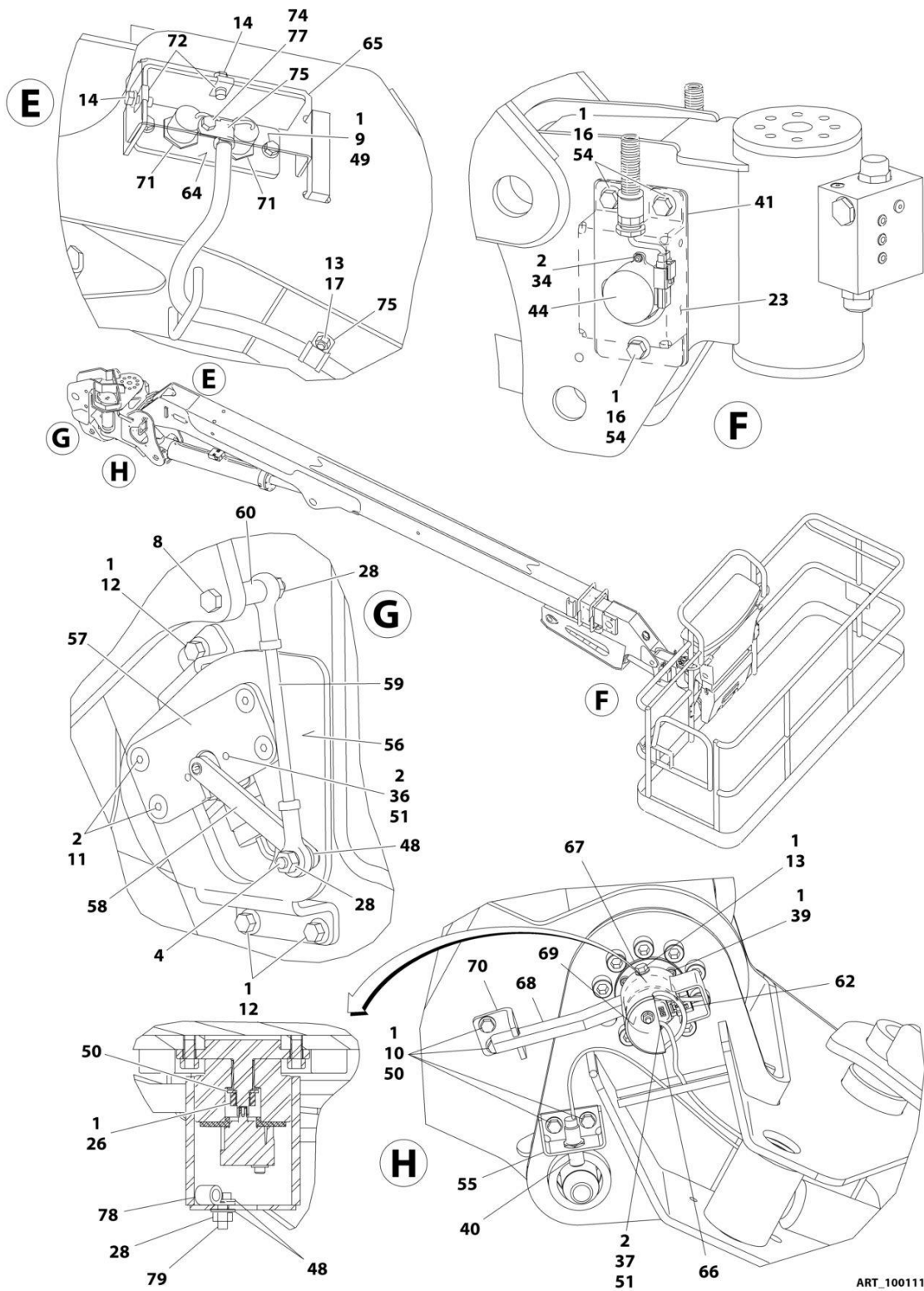
# SECTION 4 - BOOM

## FIGURE 4-13. BOOM SENSORS AND SWITCHES INSTALLATION



ART\_1001119225\_10F2

# SECTION 4 - BOOM



ART\_1001119225\_20F2

## SECTION 4 - BOOM

**FIGURE 4-13. BOOM SENSORS AND SWITCHES INSTALLATION**

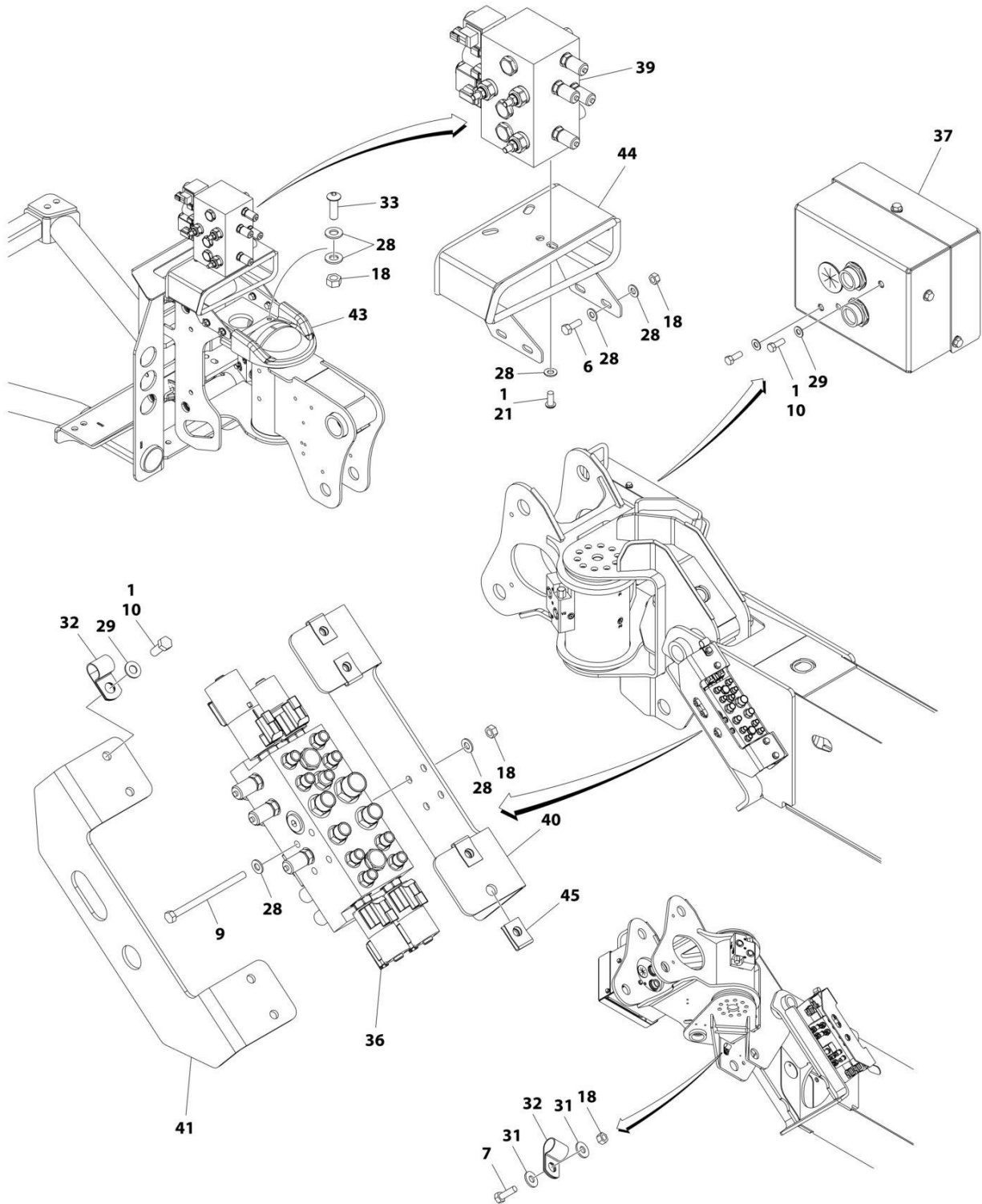
ITEM	PART NUMBER	QTY	DESCRIPTION	REV
	1001119225	Ref	BOOM SENSORS AND SWITCHES INSTALLATION	H
1	0100011	AR	Compound, Locking	
2	0100035	AR	Compound, Locking	
3	0100081	AR	Adhesive	
4	0630357	1	Screw 1/4 x 1	
5	0630464	2	Screw #10 x 1/2	
6	0641405	3	Bolt 1/4 x 5/8	
7	0641408	1	Bolt 1/4 x 1	
8	0641418	1	Bolt 1/4 x 2-1/4	
9	0641508	2	Bolt 5/16 x 1	
10	0641607	4	Bolt 3/8 x 7/8	
11	0741404	8	Screw 1/4 x 1/2	
12	0791406	5	Screw 1/4 x 3/4	
13	0791505	3	Screw 5/16 x 5/8	
14	0791506	2	Screw 5/16 x 3/4	
15	0791604	8	Screw 3/8 x 1/2	
16	0791605	10	Screw 3/8 x 5/8	
17	0791606	4	Screw 3/8 x 3/4	
18	0791608	2	Screw 3/8 x 1	
19	1320130	2	Clamp, Hose	
20	1320136	2	Clamp, Hose	
21	1320301	1	Clamp, Cable	
22	1671031	1	Cover, Limit Switch	
23	1671044	2	Cover, Level Sensor	
24	1705366	1	Decal - Boom Length (500LB Cap)	
25	1705367	1	Decal - Boom Length (1000LB Cap)	
26	3281601	1	Nut 3/8 Grade 8	
28	3311405	11	Nut 1/4	
29	3311605	2	Nut 3/8	
30	3340941	1	Pad, Rubber	
31	3573301	2	Plate, Sensor Mounting	
32	3574431	1	Plate, Switch Mounting	
33	3574616	1	Plate, Boom Length	
34	3930606	12	Capscrew #6 x 3/8	
35	3930816	2	Capscrew #8 x 1	
36	3930820	4	Capscrew #8 x 1-1/4	
37	3930824	2	Capscrew #8 x 1-1/2	
38	3931414	4	Capscrew 1/4 x 7/8	
39	3931508	4	Capscrew 5/16 x 1/2	
40	4000008	1	Sensor, Proximity (Jib Lock) (Note: Control System must be recalibrated when Sensor is replaced)	
41	4341158	2	Plate, Mounting Sensor	
42	4360527	1	Switch, Proximity (Cable Break) (Note: Control System must be recalibrated when Switch is replaced)	
43	4360543	1	Sensor, String (Boom Length) (Note: Control System must be recalibrated when Sensor is replaced)	
44	1001147479	4	Sensor, Angle Indicator (Platform Level and Main Boom Angle) (Note: Control System must be recalibrated when Sensor is replaced)	
45	4360578	1	Switch, Limit (Boom Length) (Note: Control System must be recalibrated when Switch is replaced)	

## SECTION 4 - BOOM

ITEM	PART NUMBER	QTY	DESCRIPTION	REV
46	4460914	2	Terminal, Base	
47	4460968	1	Connector, Strain Relief	
48	4711400	15	Washer 1/4	
49	4711500	2	Washer 5/16	
50	4711600	7	Washer 3/8	
51	4750800	6	Washer 1/4	
52	4846484	1	Mount, Switch	
53	4891400	4	Washer 1/4	
54	8310070	6	Pushnut 3/8	
55	1001118373	1	Bracket, Sensor Mounting	
56	1001118930	1	Cover, Sensor	
57	1001118931	2	Mount, Sensor	
58	1001118971	2	Sensor, Angle Indicator (Main Boom Protractor) (Note: Control System must be recalibrated when Sensor is replaced)	
58	70005667	1	Arm (1 Per Sensor)	
59	1001119033	2	Link, Sensor	
60	1001119137	1	Sleeve, Spacer	
61	1001119141	1	Sleeve, Spacer	
62	1001135479	1	Sensor, Angle Indicator (Jib Rotate) (Note: Control System must be recalibrated when Sensor is replaced)	
63	1001119729	1	Cover, Sensor	
64	1001120028	1	Mount, Sensor	
65	1001120048	1	Cover, Sensor	
66	1001179510	1	Cover, Sensor	
67	1001135483	1	Pin, Angle Sensor	
68	1001120076	1	Mount, Sensor	
69	1001135484	1	Adapter	
70	1001120084	1	Bracket	
71	1001120104	2	Switch, Proximity (Jib Telescope) (Note: Control System must be recalibrated when Switch is replaced)	
72	88662530	2	Nut, Retainer	
73	0641412	1	Bolt 1/4 x 1-1/2	
74	0641504	1	Bolt 5/16 x 1/2	
75	1320061	2	Clamp, Cable	
77	3311505	2	Nut 5/16	
78	1321293	1	Clamp	
79	0641406	1	Bolt 1/4 x 3/4	

# SECTION 4 - BOOM

## FIGURE 4-14. VALVES INSTALLATION - BOOM MOUNTED



ART\_1001219992\_B\_30F3

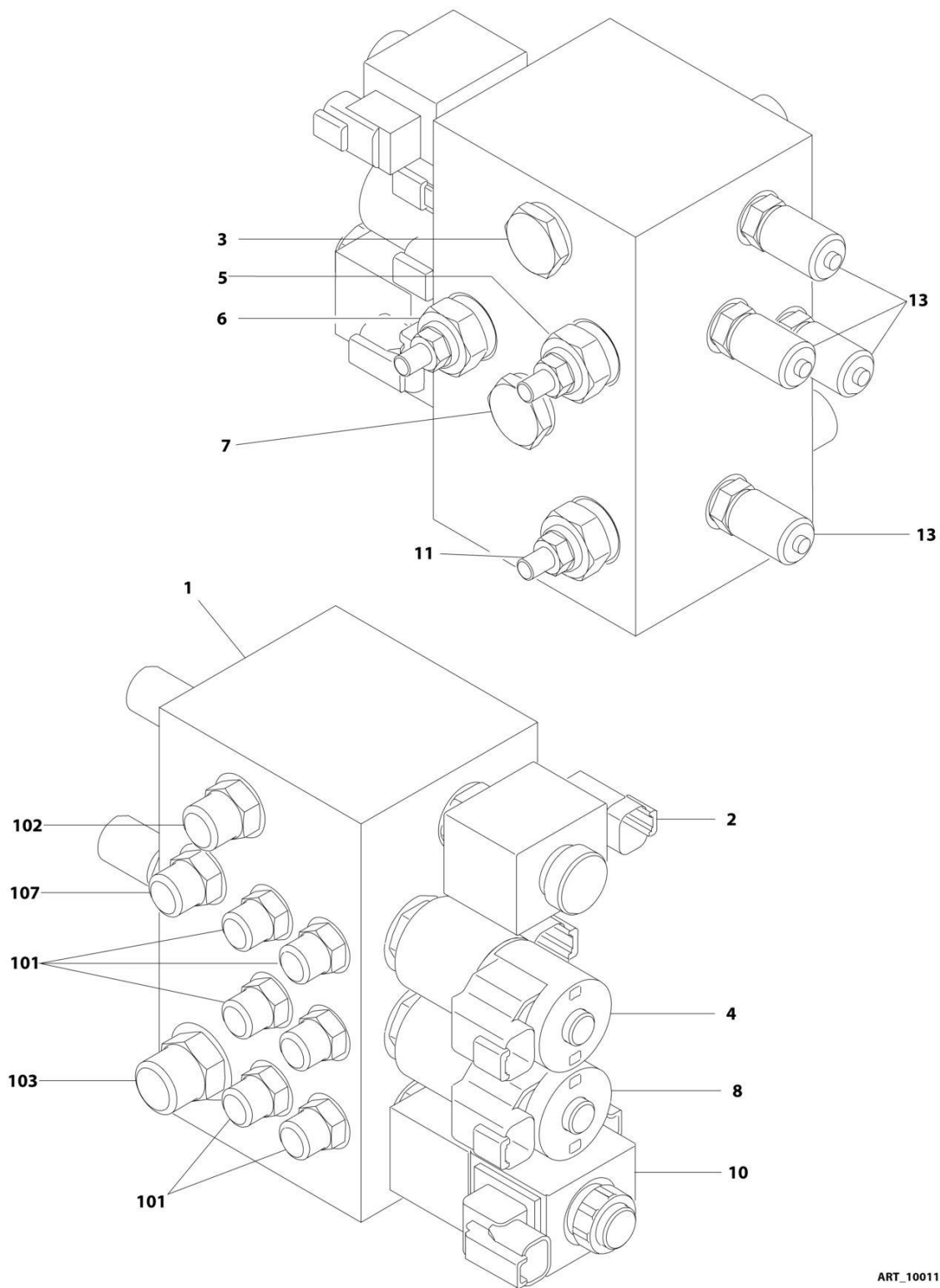
## SECTION 4 - BOOM

**FIGURE 4-14. VALVES INSTALLATION - BOOM MOUNTED**

ITEM	PART NUMBER	QTY	DESCRIPTION	REV
	1001219992	Ref	VALVES INSTALLATION - BOON MOUNTED	B
1	0100011	AR	Compound, Locking	
6	0641507	4	Bolt 5/16 x 7/8	
7	0641508	1	Bolt 5/16 x 1	
9	0641538	4	Bolt 5/16 x 3/4	
10	0641608	20	Bolt 3/8 x 1	
18	3311505	15	Nut 5/16	
21	3900210	3	Screw 5/16 x 3/4	
28	4711500	43	Washer 5/16	
29	4711600	24	Washer 3/8	
31	4751500	2	Washer 5/16	
32	8406105	2	Clamp	
33	88261024	2	Screw 5/16 x 1	
36	1001118286	1	Jib Valve Assembly (See Separate Breakdown in this Section)	
37	1001119212	1	Enclosure Box Assembly (See Separate Breakdown in this Section)	
39	1001119702	1	Platform Valve Assembly (See Separate Breakdown in this Section)	
40	1001119703	1	Plate, Valve Mounting	
41	1001119704	1	Plate, Valve Protection	
43	1001207969	1	Cover	
44	1001208994	1	Mount, Valve	
45	88662523	4	Nut	

# SECTION 4 - BOOM

## FIGURE 4-15. PLATFORM VALVE ASSEMBLY



ART\_1001119702

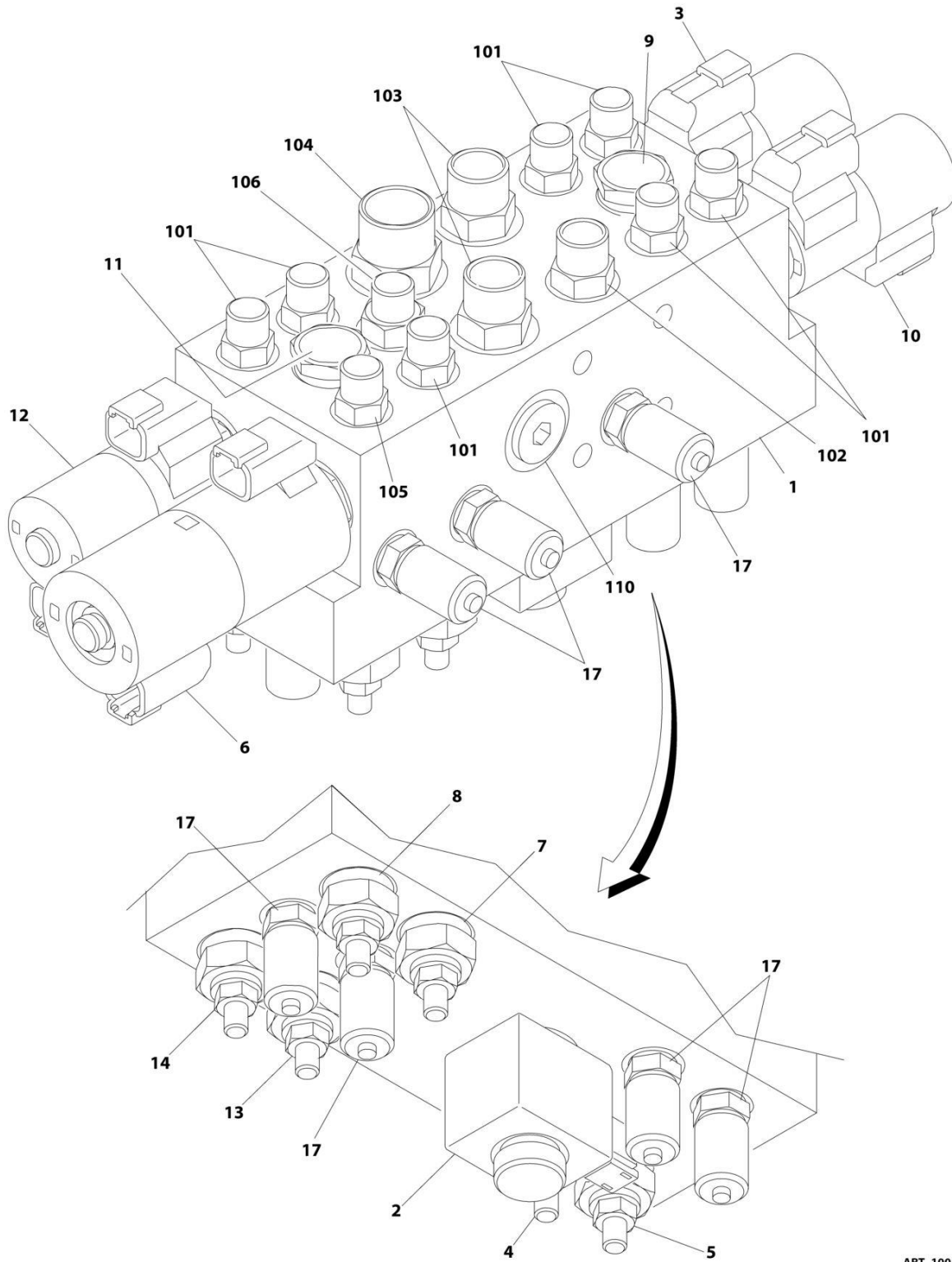


FIGURE 4-15. PLATFORM VALVE ASSEMBLY

ITEM	PART NUMBER	QTY	DESCRIPTION	REV
	1001119702	Ref	PLATFORM VALVE ASSEMBLY	F
		Ref	Cartridges:	
1	See Note	NSS	Block, Valve (Note: Not Available for Purchase)	
2	70003025	1	Valve, Cartridge (Valve Inlet)	
2	70004050	1	Seal Kit - 70003025 Cartridge	
2	70004051	1	Nut, Coil	
2	70003026	1	Coil	
3	70003021	1	Valve, Cartridge (Valve Inlet)	
3	70004052	1	Seal Kit - 70003021 Cartridge	
4	7024899	1	Valve, Cartridge (Platform Level)	
4	7017402	1	Seal Kit - 7024899 Cartridge	
4	7022390	1	Nut, Coil	
4	70003023	1	Spacer, Coil	
4	7024885	2	Coil	
5	70003019	1	Valve, Cartridge (Platform Level)	
5	70004052	1	Seal Kit - 70003019 Cartridge	
6	70003019	1	Valve, Cartridge (Platform Level)	
6	70004052	1	Seal Kit - 70003019 Cartridge	
7	70003027	1	Valve, Cartridge (Platform Rotate)	
7	70004052	1	Seal Kit - 70003027 Cartridge	
8	7024899	1	Valve, Cartridge (Platform Rotate)	
8	7017402	1	Seal Kit - 7024899 Cartridge	
8	7022390	1	Nut, Coil	
8	70003023	1	Spacer, Coil	
8	7024885	2	Coil	
10	70003028	1	Valve, Cartridge (Jib Lock Pin)	
10	70004053	1	Seal Kit - 70003028 Cartridge	
10	70004054	1	Nut, Coil	
10	70003026	2	Coil	
11	70003019	1	Valve, Cartridge (Jib Lock Pin)	
11	70004052	1	Seal Kit - 70003019 Cartridge	
13	2221086	4	Check, Pressure	
		Ref	Fittings:	
101	2110404	6	Fitting, Straight ORFS/ORB	
102	2110606	1	Fitting, Straight ORFS/ORB	
103	2110808	1	Fitting, Straight ORFS/ORB	
107	2110406	1	Fitting, Straight ORFS/ORB	

# SECTION 4 - BOOM

## FIGURE 4-16. JIB VALVE ASSEMBLY



ART\_100118286

FIGURE 4-16. JIB VALVE ASSEMBLY

ITEM	PART NUMBER	QTY	DESCRIPTION	REV
	1001118286	Ref	JIB VALVE ASSEMBLY	E
		Ref	Cartridges:	
1	See Note	1	Block, Valve (Note: Not Available for Purchase)	
2	70003017	1	Valve, Cartridge (Valve Inlet)	
2	70004055	1	Seal Kit - 70003017 Cartridge	
2	70004051	1	Nut, Coil	
2	70022147	1	Coil	
3	7023922	1	Valve, Cartridge (Jib Level)	
3	7017402	1	Seal Kit - 7023922 Cartridge	
3	7022390	1	Nut, Coil	
3	70003023	1	Spacer, Coil	
3	7024885	2	Coil	
4	70003019	1	Valve, Cartridge (Jib Level)	
4	70004052	1	Seal Kit - 70003019 Cartridge	
5	70003019	1	Valve, Cartridge (Jib Level)	
5	70004052	1	Seal Kit - 70003019 Cartridge	
6	70003022	1	Valve, Cartridge (Jib Tele)	
6	7012903	1	Seal Kit - 70003022 Cartridge	
6	7022390	1	Nut, Coil	
6	70003024	1	Spacer, Coil	
6	7024883	2	Coil	
7	70003019	1	Valve, Cartridge (Jib Tele)	
7	70004052	1	Seal Kit - 70003019 Cartridge	
8	70003019	1	Valve, Cartridge (Jib Tele)	
8	70004052	1	Seal Kit - 70003019 Cartridge	
9	70003020	1	Valve, Cartridge (Jib Swing)	
9	70004052	1	Seal Kit - 70003020 Cartridge	
10	7024899	1	Valve, Cartridge (Jib Swing)	
10	7017402	1	Seal Kit - 7024899 Cartridge	
10	7022390	1	Nut, Coil	
10	70003023	1	Spacer, Coil	
10	7024885	2	Coil	
11	70003021	1	Valve, Cartridge (Jib Lift)	
11	70004052	1	Seal Kit - 70003021 Cartridge	
12	7023922	1	Valve, Cartridge (Jib Lift)	
12	7017402	1	Seal Kit - 7023922 Cartridge	
12	7022390	1	Nut, Coil	
12	70003023	1	Spacer, Coil	
12	7024885	2	Coil	
13	70003019	1	Valve, Cartridge (Jib Lift)	
13	70004052	1	Seal Kit - 70003019 Cartridge	
14	70003019	1	Valve, Cartridge (Jib Lift)	
14	70004052	1	Seal Kit - 70003019 Cartridge	
17	2221086	7	Check, Pressure	
		Ref	Fittings:	
101	2110404	7	Fitting, Straight ORFS/ORB	
102	2110606	1	Fitting, Straight ORFS/ORB	
103	2110808	2	Fitting, Straight ORFS/ORB	
104	2111010	1	Fitting, Straight ORFS/ORB	
105	2110604	1	Fitting, Straight ORFS/ORB	

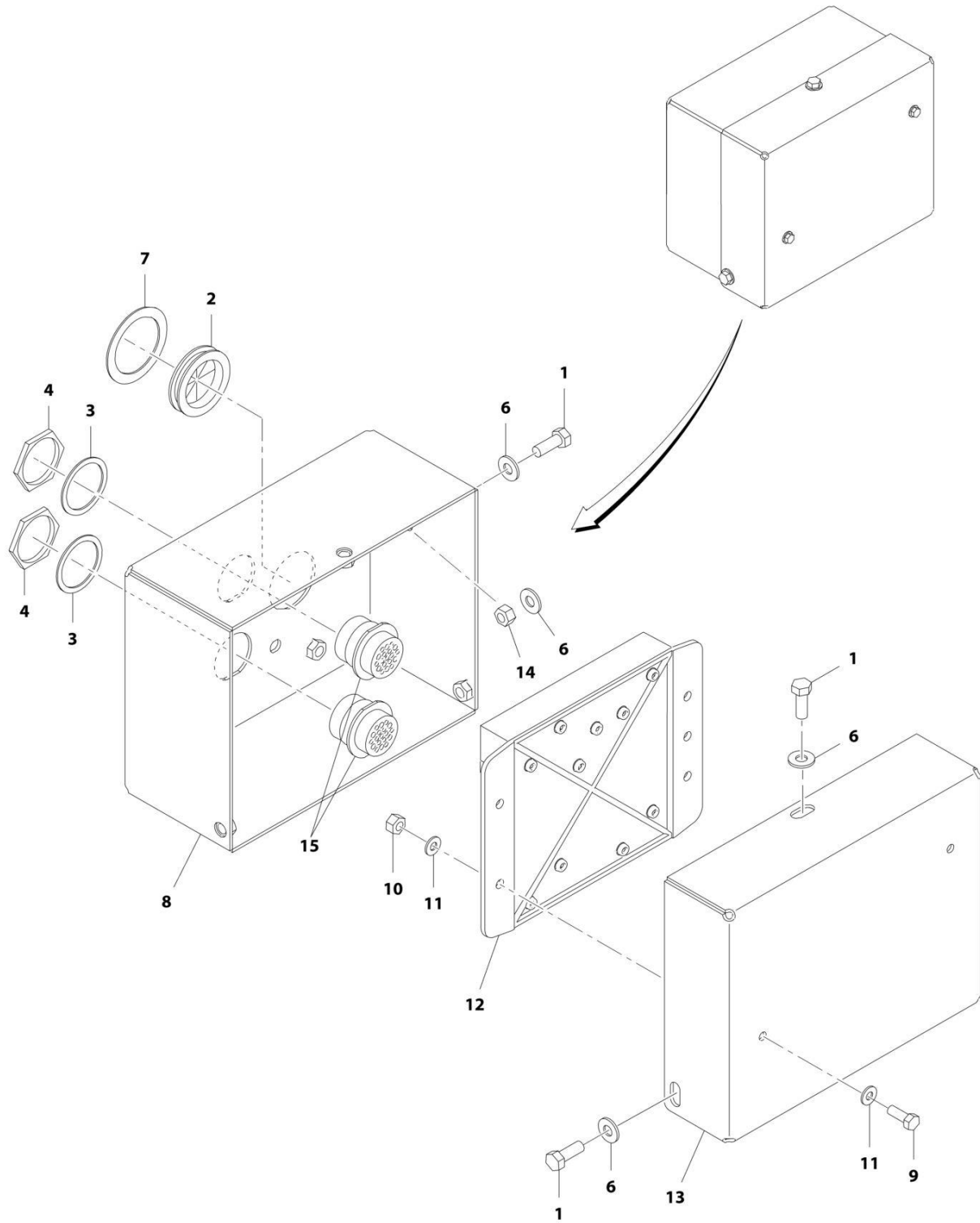
## SECTION 4 - BOOM

ITEM	PART NUMBER	QTY	DESCRIPTION	REV
106	2110406	1	Fitting, Straight ORFS/ORB	
110	70002759	1	Plug	



# SECTION 4 - BOOM

## FIGURE 4-17. ENCLOSURE BOX ASSEMBLY



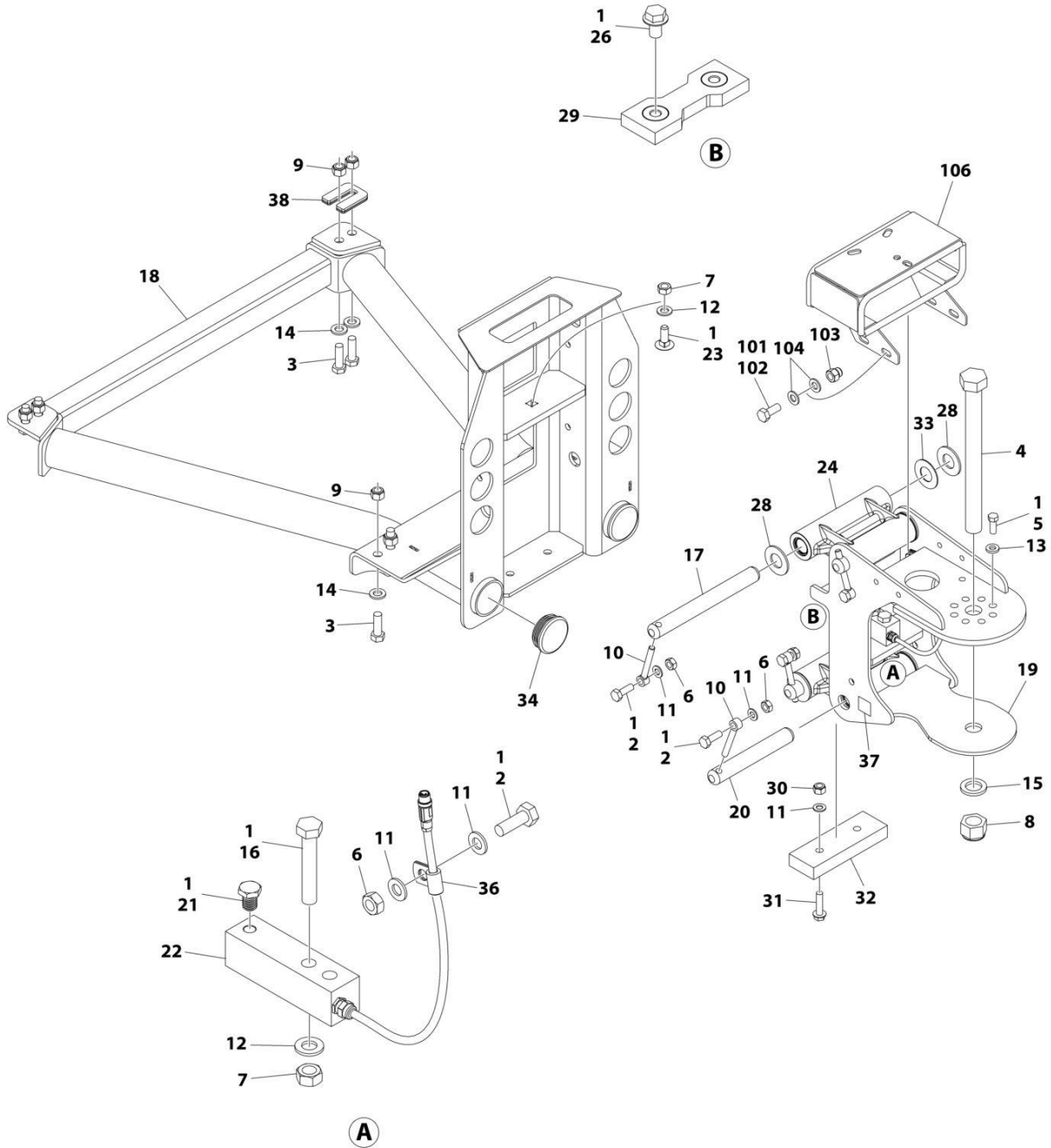
ART\_1001119212

FIGURE 4-17. ENCLOSURE BOX ASSEMBLY

ITEM	PART NUMBER	QTY	DESCRIPTION	REV
	1001119212	Ref	ENCLOSURE BOX ASSEMBLY	D
1	0641608	5	Bolt 3/8 x 1	
2	2540045	1	Grommet	
3	4460470	2	Washer, Terminal	
4	4460971	2	Nut, Terminal	
6	4711600	7	Washer 3/8	
7	1001119211	1	Washer, Grommet	
8	1001119214	1	Box Assembly	
9	0641406	2	Bolt 1/4 x 3/4	
10	3311405	2	Nut 1/4	
11	4711400	4	Washer 1/4	
12	1001119262	1	Module, Jib Control (Note: Control System must be recalibrated when replaced)	
13	1001119215	1	Cover	
14	3311605	2	Nut 3/8	
15	1001119392	1	Harness, Jib Valve (See Separate Breakdown in ELECTRICAL SECTION)	

# SECTION 4 - BOOM

## FIGURE 4-18. PLATFORM SUPPORT INSTALLATION



ART\_1001167596\_N



## SECTION 4 - BOOM

**FIGURE 4-18. PLATFORM SUPPORT INSTALLATION**

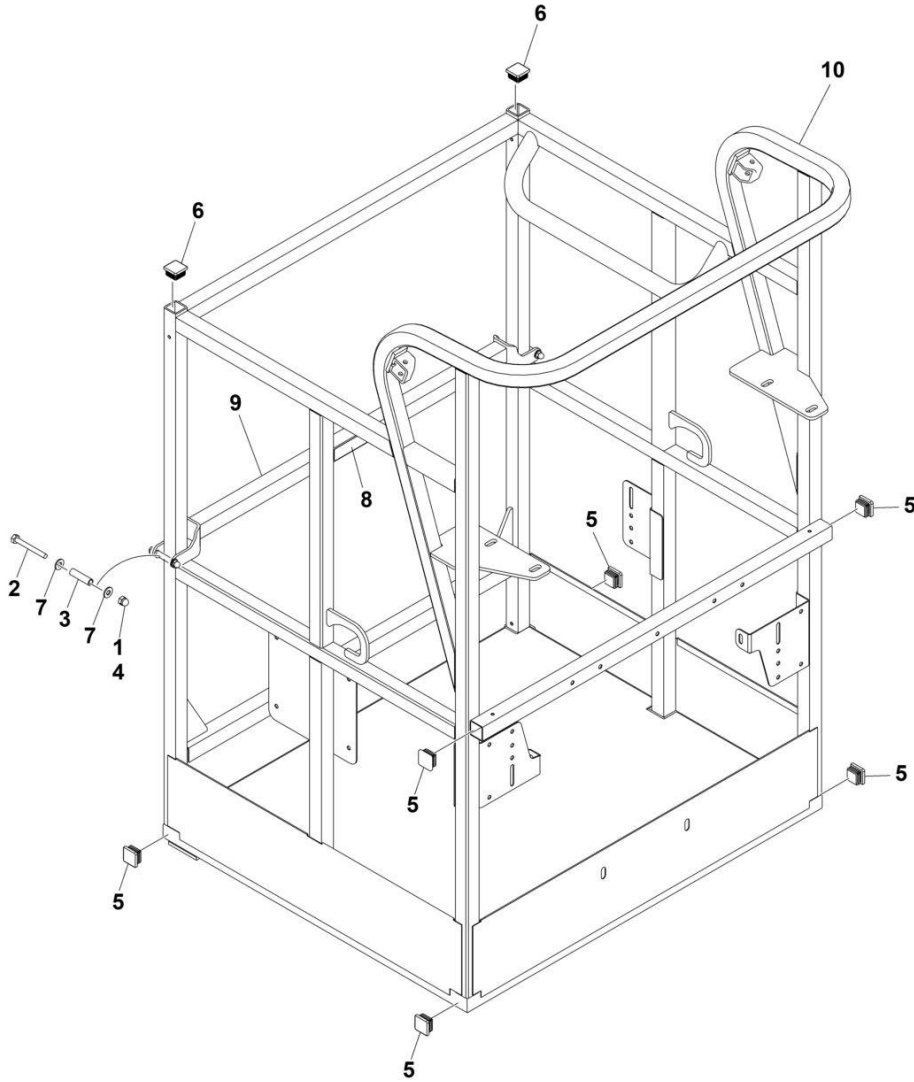
ITEM	PART NUMBER	QTY	DESCRIPTION	REV
	1001167596	Ref	PLATFORM SUPPORT INSTALLATION	N
1	0100011	AR	Compound, Locking	
2	0761014	5	Bolt M10 x 30	
3	0761216	8	Bolt M12 x 40	
4	1001255133	1	Bolt 1 x 11 GRD8	
5	0681608	8	Bolt 3/8 x 1 GRD8	
6	3291001	5	Nut M10	
7	3291201	3	Nut M12	
8	1001174040	1	Nut 1	
9	3291205	8	Nut M12	
10	3841143	4	Keeper, Pin	
11	4812000	8	Washer M10	
12	4812100	3	Washer M12	
13	4891600	8	Washer 3/8	
14	5241200	8	Washer M12	
15	4892600001	1	Washer 1	
16	1001098828	2	Bolt M12 x 70 CL10.9	
17	1001167565	2	Pin	
18	1001200494	1	Support, Platform	
19	1001167567	1	Support, Rotator	
20	1001168402	2	Pin	
21	1001188622	1	Screw	
22	1001247468	1	Loadcell	
23	1001188844	1	Bolt M12 x 35	
24	1001201351	2	Link	
24	1001187382	4	Bearing	
24	1001187383	4	Seal	
26	5251008	2	Bolt M10 x 16 CL10.9	
28	1001189002	8	Bearing	
29	1001190985	1	Pad, Wear	
30	3291005	2	Nut M10	
31	5251016	2	Bolt M10 x 40 CL10.9	
32	1001200491	1	Pad, Wear	
33	1001189001	4	Bearing	
34	1001204725	2	Plug	
36	91203039	1	Clamp	
37	1001216630	2	Decal - Tie Down/No Lift	
38	1001238421	Ref	Kit, Platform Leveling (Not Shown)	
	1001202687	Ref	VALVE MOUNT INSTALLATION	B
101	0100011	AR	Compound, Locking	
102	0760810	4	Bolt M8 x 20	
103	3290806	4	Nut M8	
104	4811900	8	Washer M8	
106	1001208994	1	Mount, Valve	



**SECTION 5 - PLATFORM**

# SECTION 5 - PLATFORM

FIGURE 5-1. PLATFORM ASSEMBLY - 30IN X 3FT (76CM X .91M) - DROP BAR ENTRY



ART\_1001228215

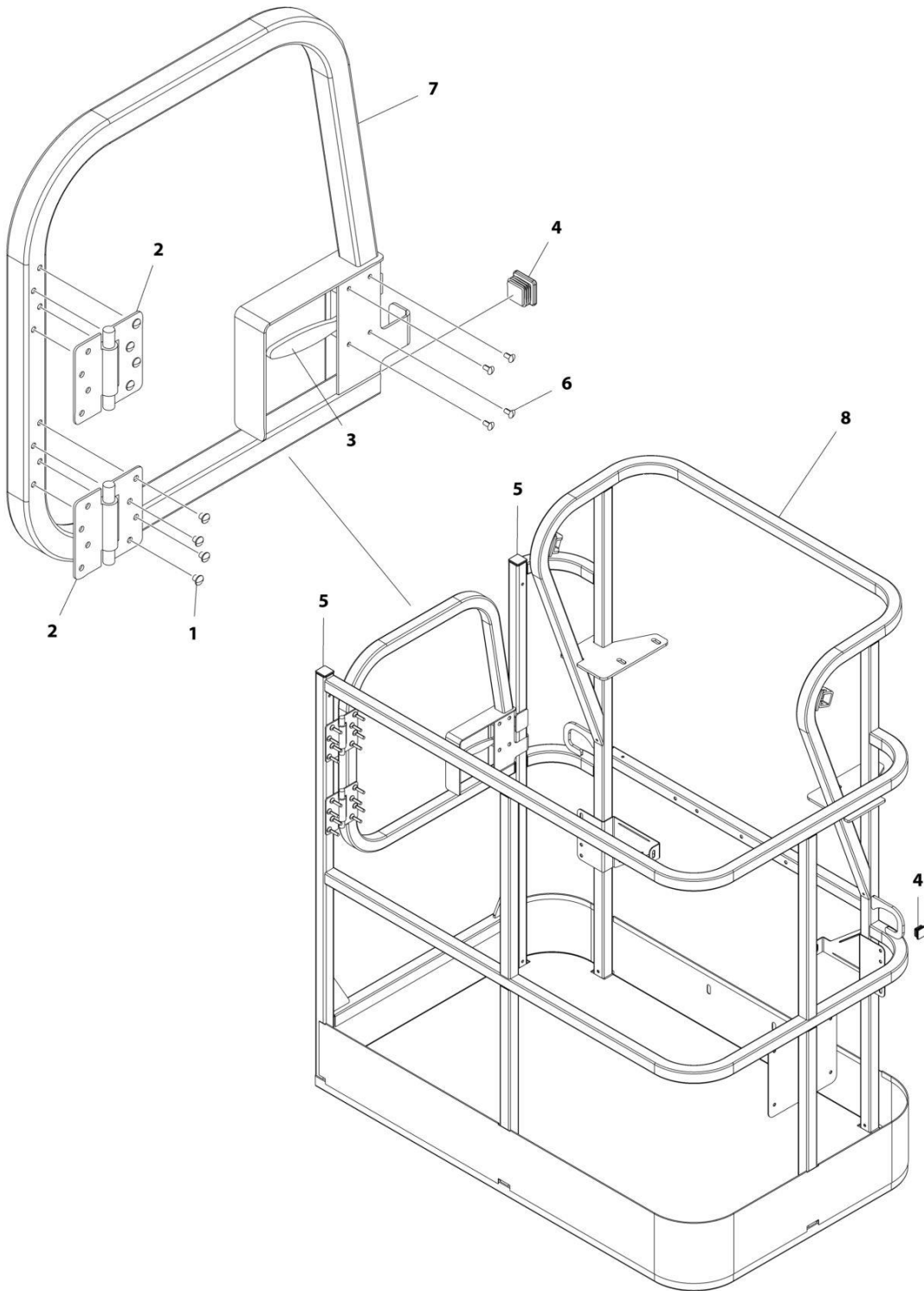
## SECTION 5 - PLATFORM

**FIGURE 5-1. PLATFORM ASSEMBLY - 30IN X 3FT (76CM X .91M) - DROP BAR ENTRY**

ITEM	PART NUMBER	QTY	DESCRIPTION	REV
	1001228215	Ref	PLATFORM ASSEMBLY	A
	See Note	Ref	Note: Platform and Mesh must be ordered separately for Platforms with Mesh. See SPECIAL OPTIONS SECTION for Mesh Installations.	
	See Note	Ref	Note: Replacement Decals Must be Ordered Separately - See DECAL SECTION.	
1	0100011	AR	Compound, Locking	
2	0641418	2	Bolt 1/4 x 2-1/4	
3	0961845	2	Bushing	
4	3300151	2	Nut 1/4	
5	3520072	6	Cap, Plug	
6	3520198	2	Cap, Plug	
7	4711400	4	Washer 1/4	
8	1001140429	1	Decal - Drop Bar	
9	1001226872	1	Bar, Drop	
10	See Note	NSS	Platform (Note: Not Available - Purchase Platform Assembly)	

# SECTION 5 - PLATFORM

## FIGURE 5-2. PLATFORM ASSEMBLY - 30IN X 4FT (76CM X 1.22M) - SIDE GATE ENTRY



ART\_1001186387

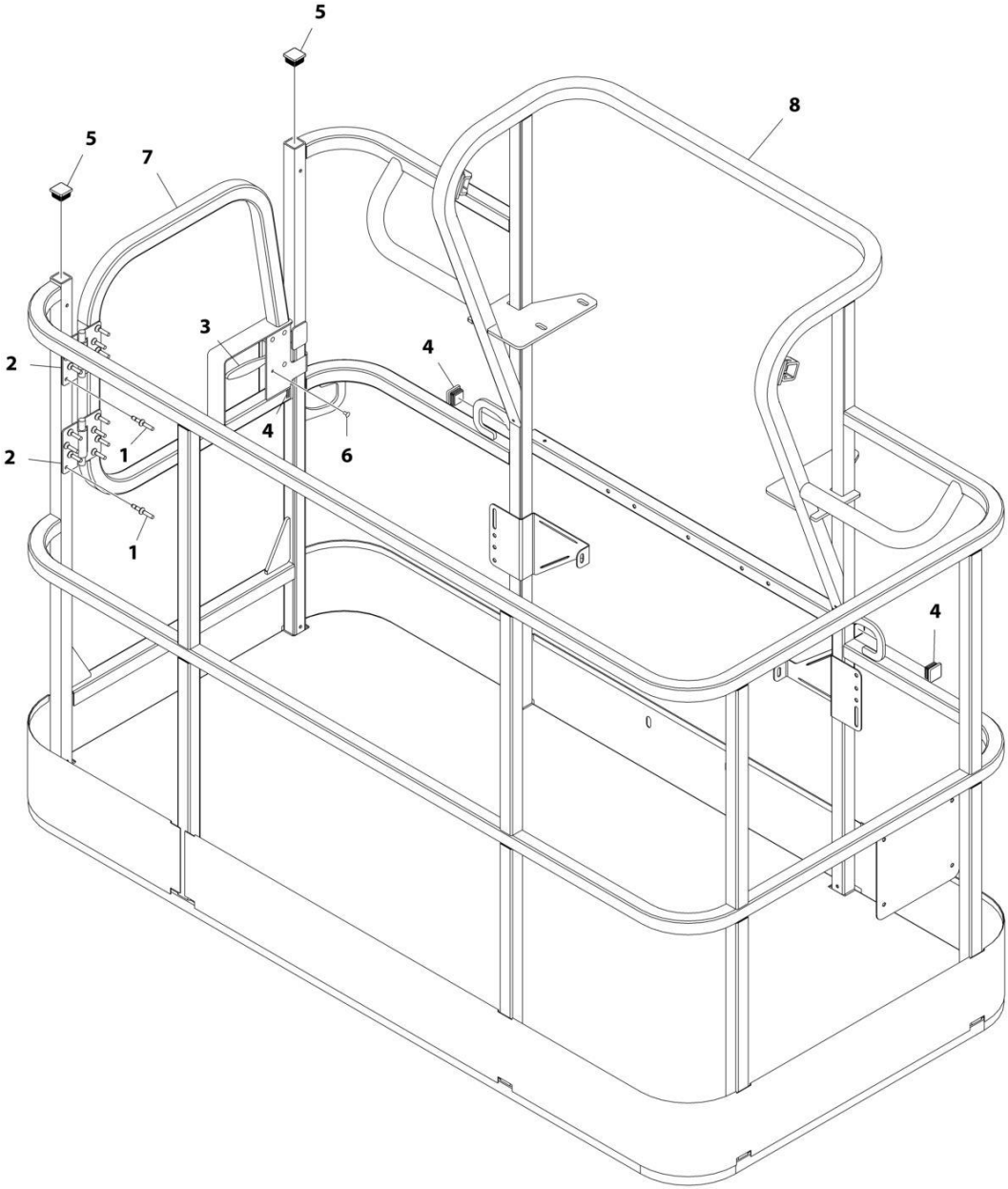
## SECTION 5 - PLATFORM

**FIGURE 5-2. PLATFORM ASSEMBLY - 30IN X 4FT (76CM X 1.22M) - SIDE GATE ENTRY**

ITEM	PART NUMBER	QTY	DESCRIPTION	REV
	1001186387	Ref	PLATFORM ASSEMBLY	C
		Ref	Note: Platform and Mesh must be ordered separately for Platforms with Mesh. See SPECIAL OPTIONS SECTION for Mesh Installations.	
		Ref	Note: Replacement Decals Must be Ordered Separately - See DECALS SECTION.	
1	2080040	16	Fastener, Huck	
2	2600281	2	Hinge, Self-Closing	
3	2940074	1	Latch	
4	3520072	3	Plug	
5	3520198	2	Plug	
6	3820020	4	Rivet	
7	1001144629	1	Gate	
8	See Note	1	Platform (Note: Not Available - Purchase Platform Assembly)	

# SECTION 5 - PLATFORM

FIGURE 5-3. PLATFORM ASSEMBLY - 36IN X 6FT (91.5CM X 1.83M) WITH SWING GATE



ART\_1001186384



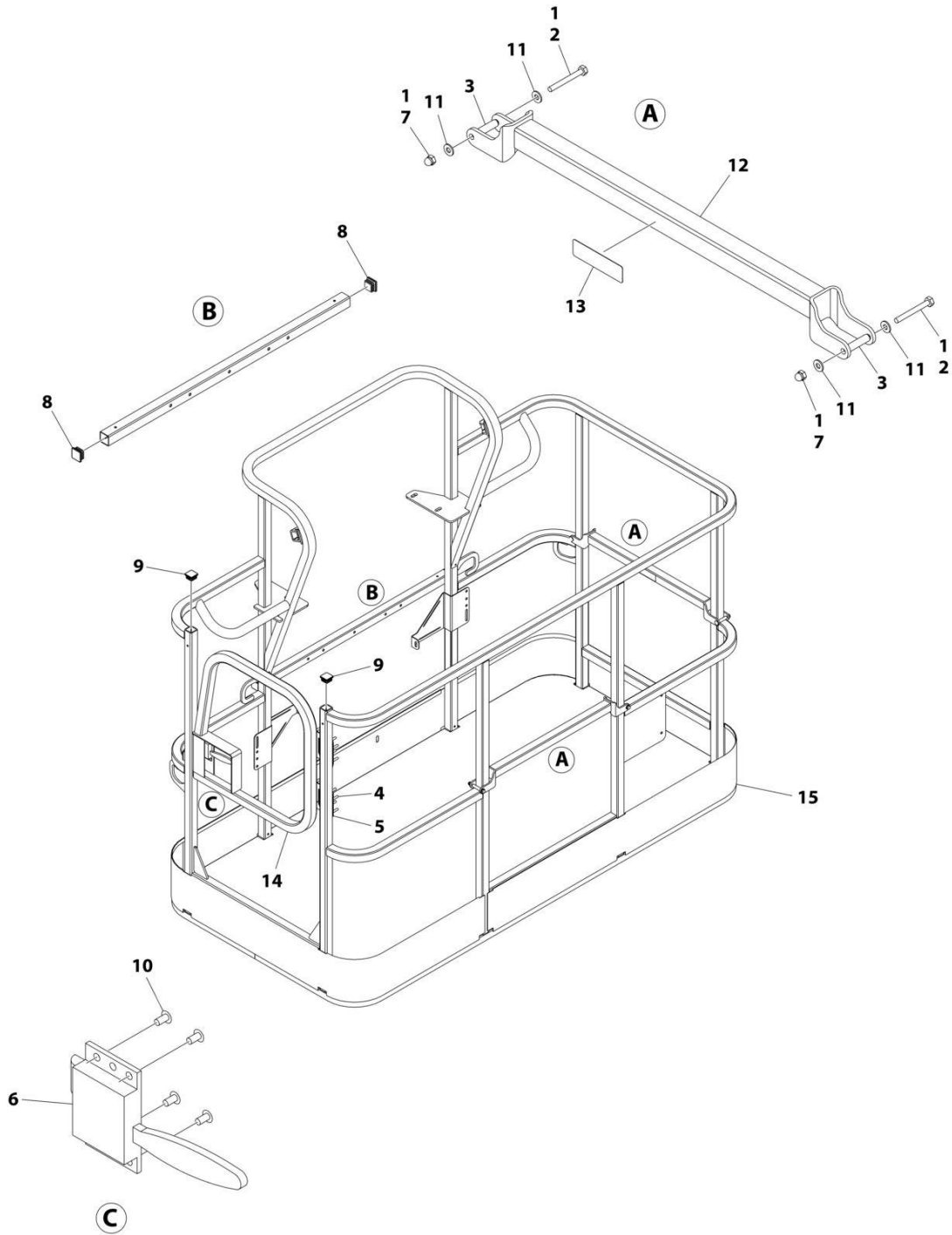
## SECTION 5 - PLATFORM

**FIGURE 5-3. PLATFORM ASSEMBLY - 36IN X 6FT (91.5CM X 1.83M) WITH SWING GATE**

ITEM	PART NUMBER	QTY	DESCRIPTION	REV
	1001186384	Ref	PLATFORM ASSEMBLY - 36IN X 6FT (91.5CM X 1.83M) WITH SWING GATE	C
	See Note	Ref	Note: Platform and Mesh must be ordered separately for Platforms with Mesh. See SPECIAL OPTIONS SECTION for Mesh Installations.	
	See Note	Ref	Note: Replacement Decals Must be Ordered Separately - See DECALS SECTION.	
1	2080040	16	Fastener, Huck	
2	2600281	2	Hinge	
3	2940074	1	Latch	
4	3520072	3	Plug	
5	3520198	2	Plug	
6	3820020	4	Rivet	
7	1001144629	1	Gate	
8	See Note	NSS	Platform (Note: Not Available - Purchase Platform Assembly)	

# SECTION 5 - PLATFORM

FIGURE 5-4. PLATFORM ASSEMBLY - 36IN X 6FT (91.5CM X 1.83M) TRI-ENTRY WITH SWING GATE



ART\_1001228376

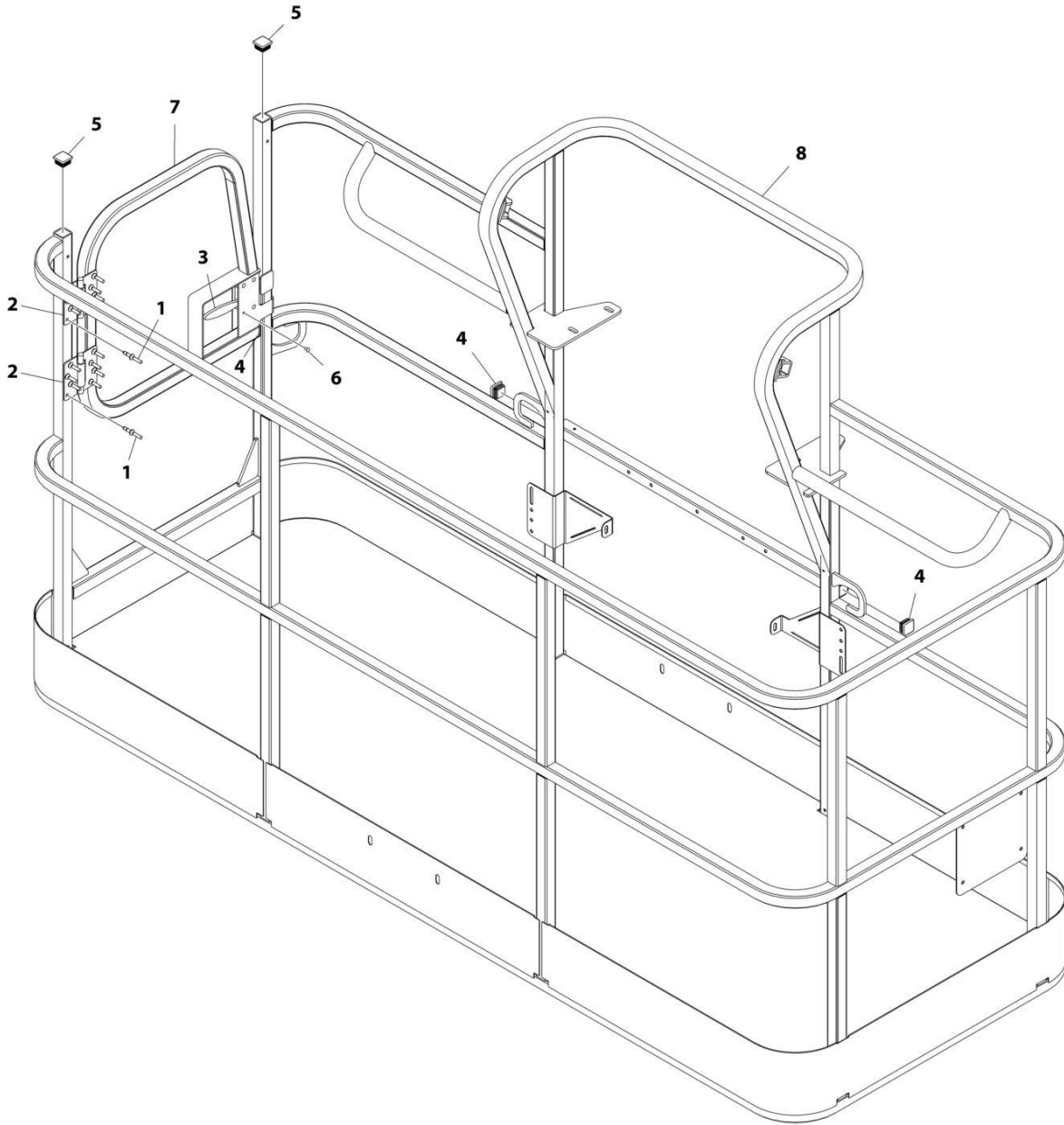
## SECTION 5 - PLATFORM

**FIGURE 5-4. PLATFORM ASSEMBLY - 36IN X 6FT (91.5CM X 1.83M) TRI-ENTRY WITH SWING GATE**

ITEM	PART NUMBER	QTY	DESCRIPTION	REV
	1001228376	Ref	PLATFORM ASSEMBLY - 36IN x 6FT (91.5CM x 1.83M)	B
		Ref	Note: Platform and Mesh must be ordered separately for Platforms with Mesh. See SPECIAL OPTIONS SECTION for Mesh Installations.	
		Ref	Note: Replacement Decals Must be Ordered Separately - See DECAL SECTION.	
1	0100011	AR	Compound, Locking	
2	0641418	4	Bolt 1/4 x 2-1/4	
3	0961845	4	Bushing	
4	2080040	16	Fastener	
5	2600281	2	Hinge	
6	2940074	1	Latch	
7	3300151	4	Nut 1/4	
8	3520072	3	Plug	
9	3520198	2	Plug	
10	3820020	4	Rivet	
11	4711400	8	Washer 1/4	
12	1001138494	2	Bar, Drop	
13	1001140429	2	Decal - Drop Bar	
14	1001144629	1	Gate	
15	See Note	NSS	Platform (Note: Not Available - Purchase Platform Assembly)	

# SECTION 5 - PLATFORM

FIGURE 5-5. PLATFORM ASSEMBLY - 36IN X 8FT (91.5CM X 2.44M) WITH SWING GATE



ART\_1001186383

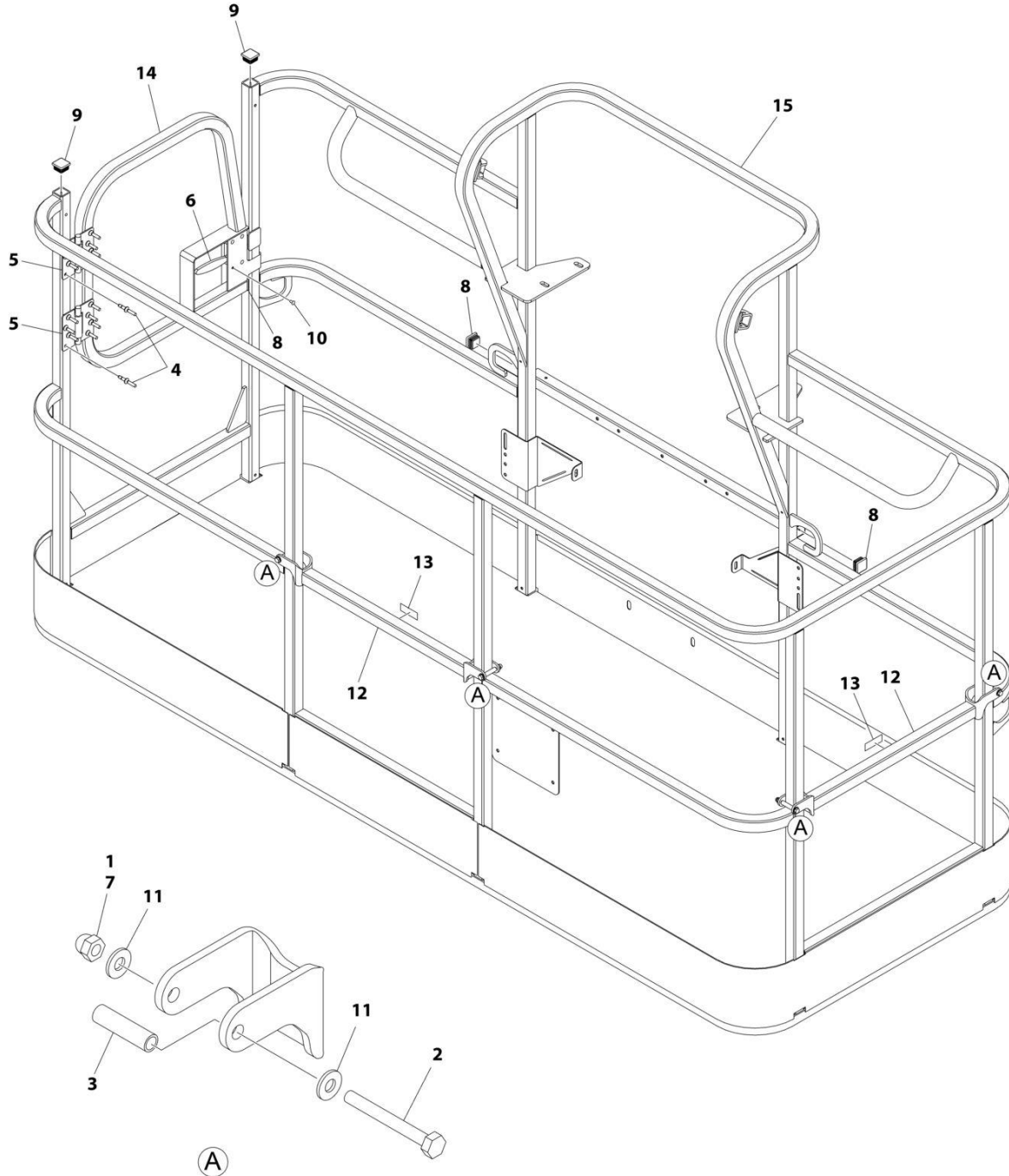
## SECTION 5 - PLATFORM

**FIGURE 5-5. PLATFORM ASSEMBLY - 36IN X 8FT (91.5CM X 2.44M) WITH SWING GATE**

ITEM	PART NUMBER	QTY	DESCRIPTION	REV
	1001186383	Ref	PLATFORM ASSEMBLY - 36IN X 8FT (91.5CM X 2.44M) WITH SWING GATE	D
		Ref	Note: Platform and Mesh must be ordered separately for Platforms with Mesh. See SPECIAL OPTIONS SECTION for Mesh Installations.	
		Ref	Note: Replacement Decals Must be Ordered Separately - See DECALS SECTION.	
1	2080040	16	Fastener, Huck	
2	2600281	2	Hinge	
3	2940074	1	Latch	
4	3520072	3	Plug	
5	3520198	2	Plug	
6	3820020	4	Rivet	
7	1001144629	1	Gate	
8	See Note	NSS	Platform (Note: Not Available - Purchase Platform Assembly)	

# SECTION 5 - PLATFORM

FIGURE 5-6. PLATFORM ASSEMBLY - 36IN X 8FT (91.5CM X 2.44M) WITH TRI-ENTRY (1 GATE/2 DROP BARS)



ART\_1001228243

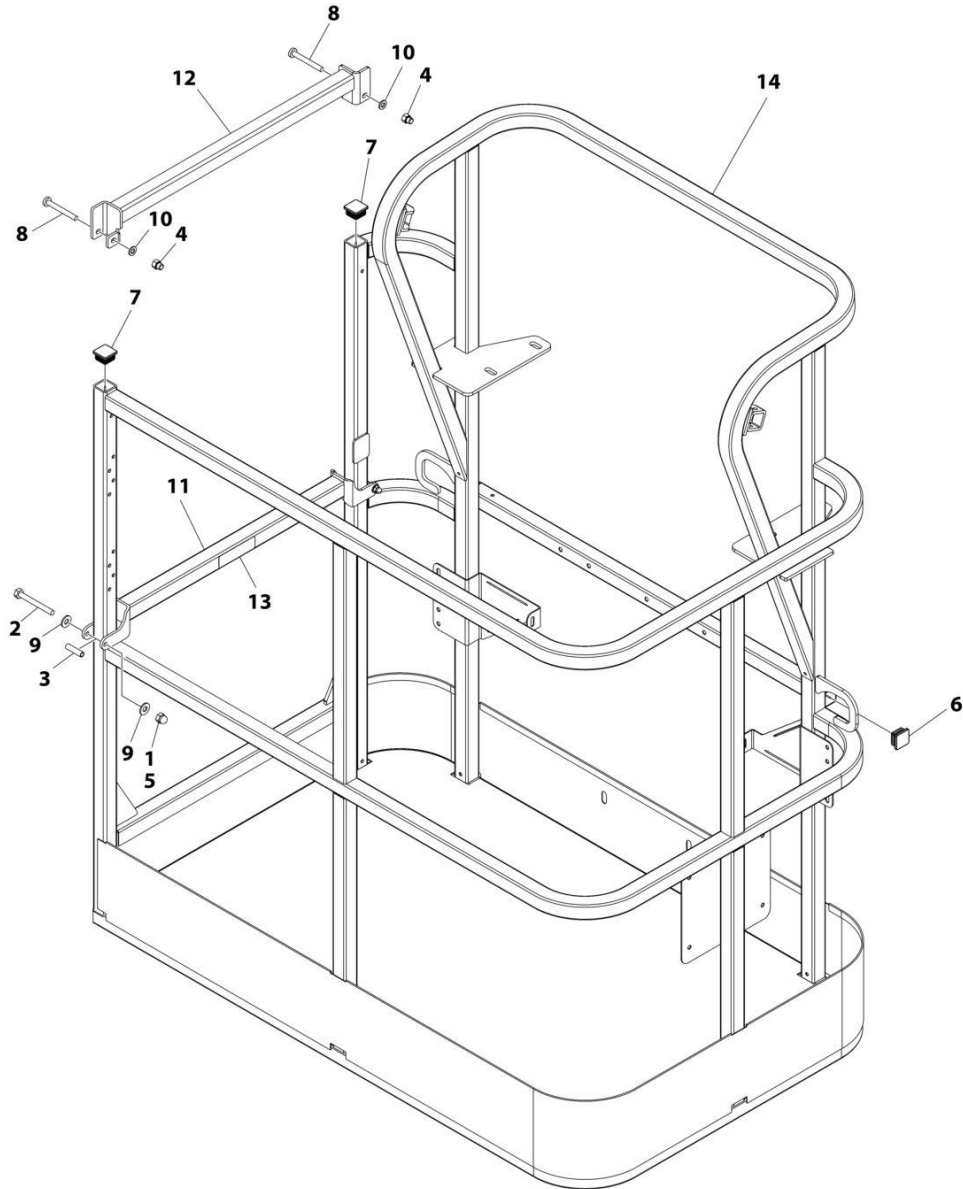
## SECTION 5 - PLATFORM

**FIGURE 5-6. PLATFORM ASSEMBLY - 36IN X 8FT (91.5CM X 2.44M) WITH TRI-ENTRY (1 GATE/2 DROP BARS)**

ITEM	PART NUMBER	QTY	DESCRIPTION	REV
	1001228243	Ref	PLATFORM ASSEMBLY - 36IN X 8FT (91.5CM X 2.44M) WITH TRI-ENTRY	A
		Ref	Note: Platform and Mesh must be ordered separately for Platforms with Mesh. See SPECIAL OPTIONS SECTION for Mesh Installations.	
1	0100011	AR	Compound, Locking	
2	0641418	4	Bolt 1/4 x 2-1/4	
3	0961845	4	Bushing	
4	2080040	16	Fastener, Huck	
5	2600281	2	Hinge, Self-Closing	
6	2940074	1	Latch	
7	3300151	4	Nut 1/4	
8	3520072	3	Cap, Plug	
9	3520198	2	Cap, Plug	
10	3820020	4	Rivet	
11	4711400	8	Washer 1/4	
12	1001138494	2	Bar, Drop	
13	1001140429	2	Decal - Drop Bar	
14	1001144629	1	Gate, Weldment	
15	See Note	1	Platform (Note: Not Available - Purchase Platform Assembly)	

# SECTION 5 - PLATFORM

FIGURE 5-7. PLATFORM ASSEMBLY - 30IN X 4FT (76CM X 1.22M) WITH DROP BAR



ART\_1001186375



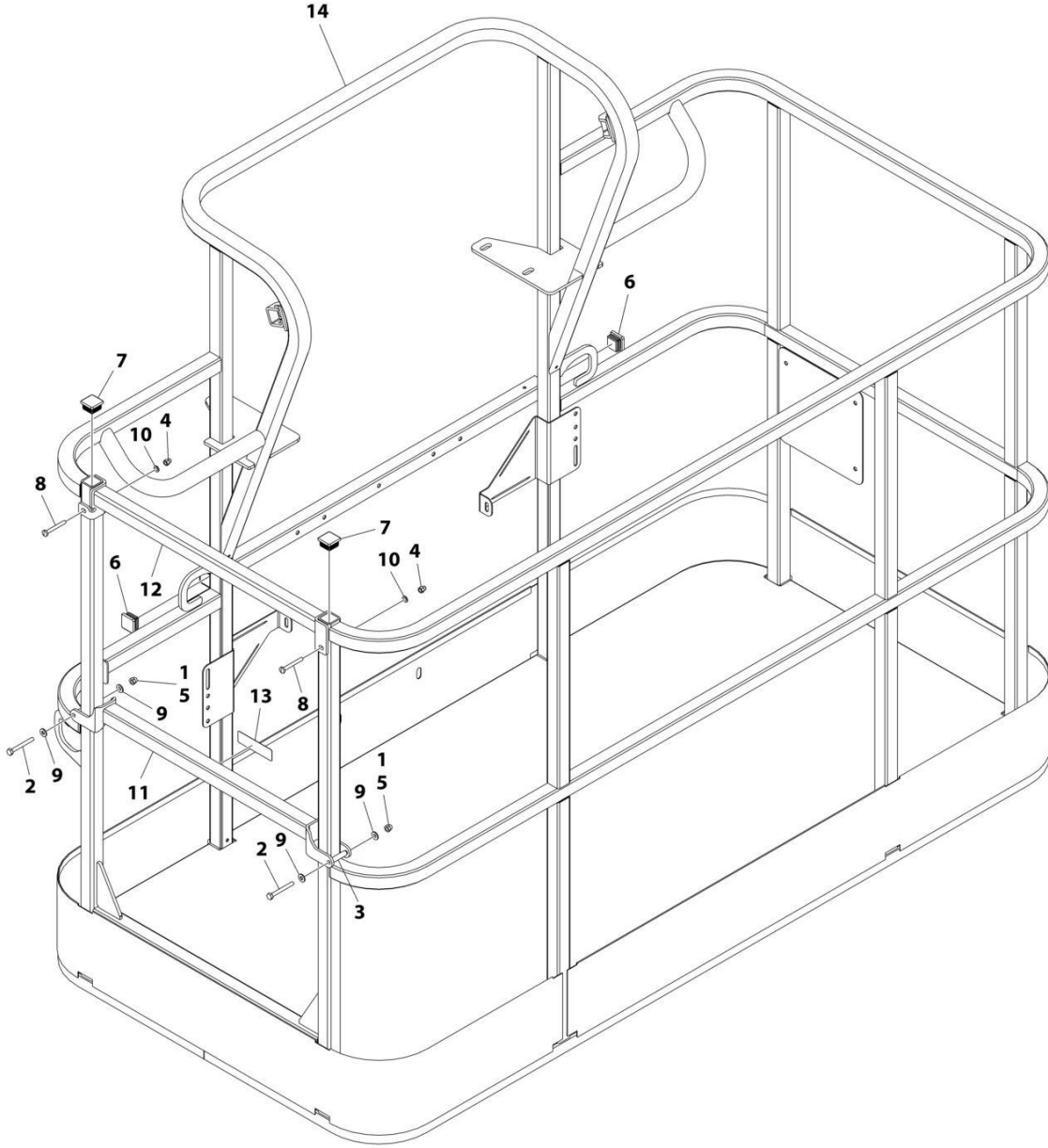
## SECTION 5 - PLATFORM

**FIGURE 5-7. PLATFORM ASSEMBLY - 30IN X 4FT (76CM X 1.22M) WITH DROP BAR**

ITEM	PART NUMBER	QTY	DESCRIPTION	REV
	1001186375	Ref	PLATFORM ASSEMBLY	B
		Ref	Note: Platform and Mesh must be ordered separately for Platforms with Mesh. See SPECIAL OPTIONS SECTION for Mesh Installations.	
		Ref	Note: Replacement Decals Must be Ordered Separately - See DECALS SECTION.	
1	0100011	AR	Compound, Locking	
2	0641418	2	Bolt 1/4 x 2-1/4	
3	0961845	2	Bushing	
4	3290606	2	Nut M6	
5	3300151	2	Nut 1/4	
6	3520072	2	Plug	
7	3520198	2	Plug	
8	4010618	2	Screw M6 x 50	
9	4711400	4	Washer 1/4	
10	4811700	2	Washer M6	
11	1001138494	1	Bar, Drop	
12	1001138514	1	Rail - Top	
13	1001140429	1	Decal - Drop Bar	
14	See Note	1	Platform (Note: Not Available - Purchase Platform Assembly)	

# SECTION 5 - PLATFORM

FIGURE 5-8. PLATFORM ASSEMBLY - 36IN X 6FT (91.5CM X 1.83M) WITH DROP BAR



ART\_1001186379

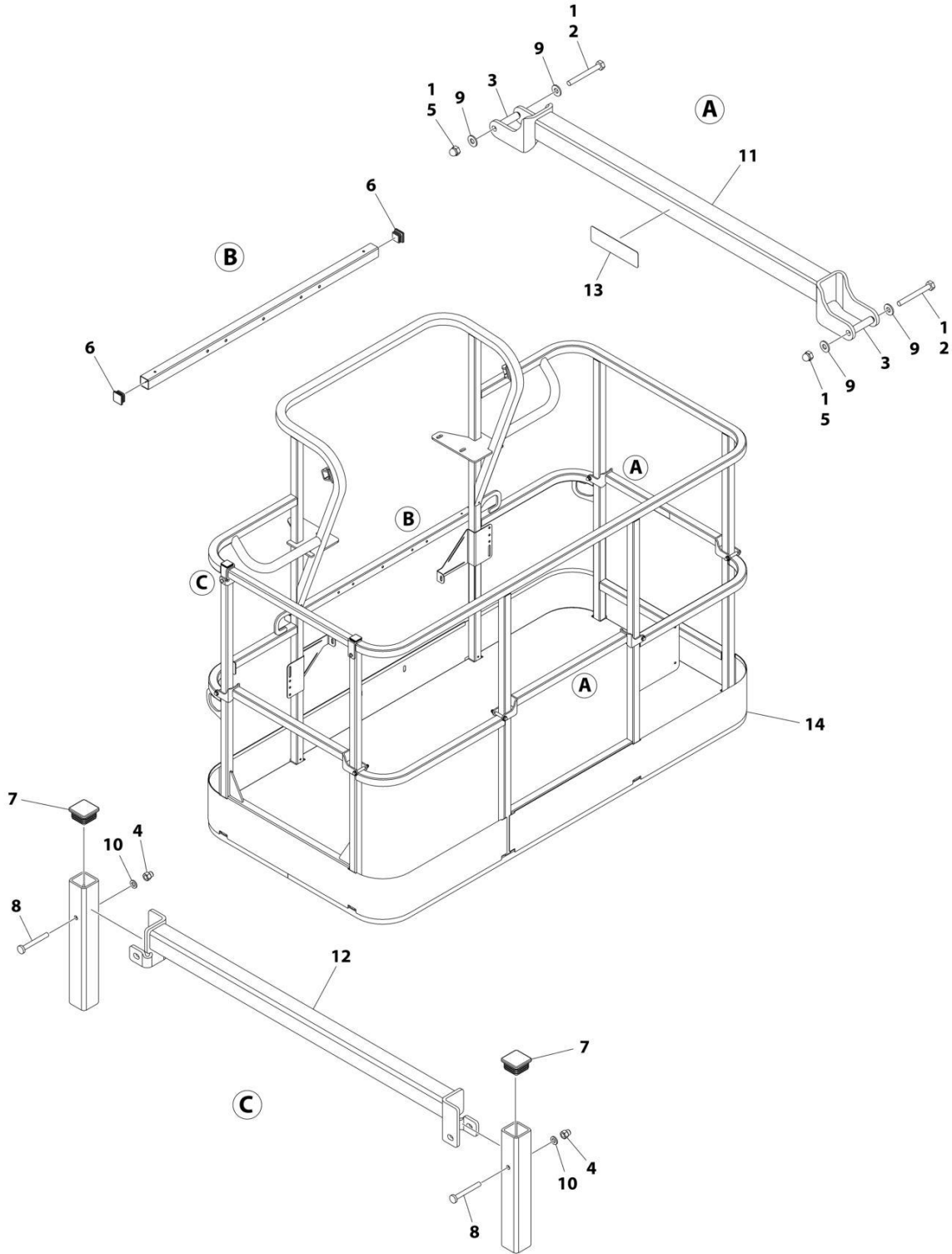
## SECTION 5 - PLATFORM

**FIGURE 5-8. PLATFORM ASSEMBLY - 36IN X 6FT (91.5CM X 1.83M) WITH DROP BAR**

ITEM	PART NUMBER	QTY	DESCRIPTION	REV
	1001186379	Ref	PLATFORM ASSEMBLY - 36IN X 6FT (91.5CM X 1.83M) WITH DROP BAR	B
		Ref	Note: Platform and Mesh must be ordered separately for Platforms with Mesh. See SPECIAL OPTIONS SECTION for Mesh Installations.	
		Ref	Note: Replacement Decals Must be Ordered Separately - See DECALS SECTION.	
1	0100011	AR	Compound, Locking	
2	0641418	2	Bolt 1/4 x 2-1/4	
3	0961845	2	Bushing	
4	3290606	2	Nut M6	
5	3300151	2	Nut 1/4	
6	3520072	2	Plug	
7	3520198	2	Plug	
8	4010618	2	Screw M6 x 50	
9	4711400	4	Washer 1/4	
10	4811700	2	Washer M6	
11	1001138494	1	Bar, Drop	
12	1001138514	1	Rail (Top)	
13	1001140429	1	Decal - Drop Bar	
14	See Note	NSS	Platform (Note: Not Available - Purchase Platform Assembly)	

# SECTION 5 - PLATFORM

FIGURE 5-9. PLATFORM ASSEMBLY - 36IN X 6FT (91.5CM X 1.83M) TRI-ENTRY WITH DROPBAR



ART\_1001228377

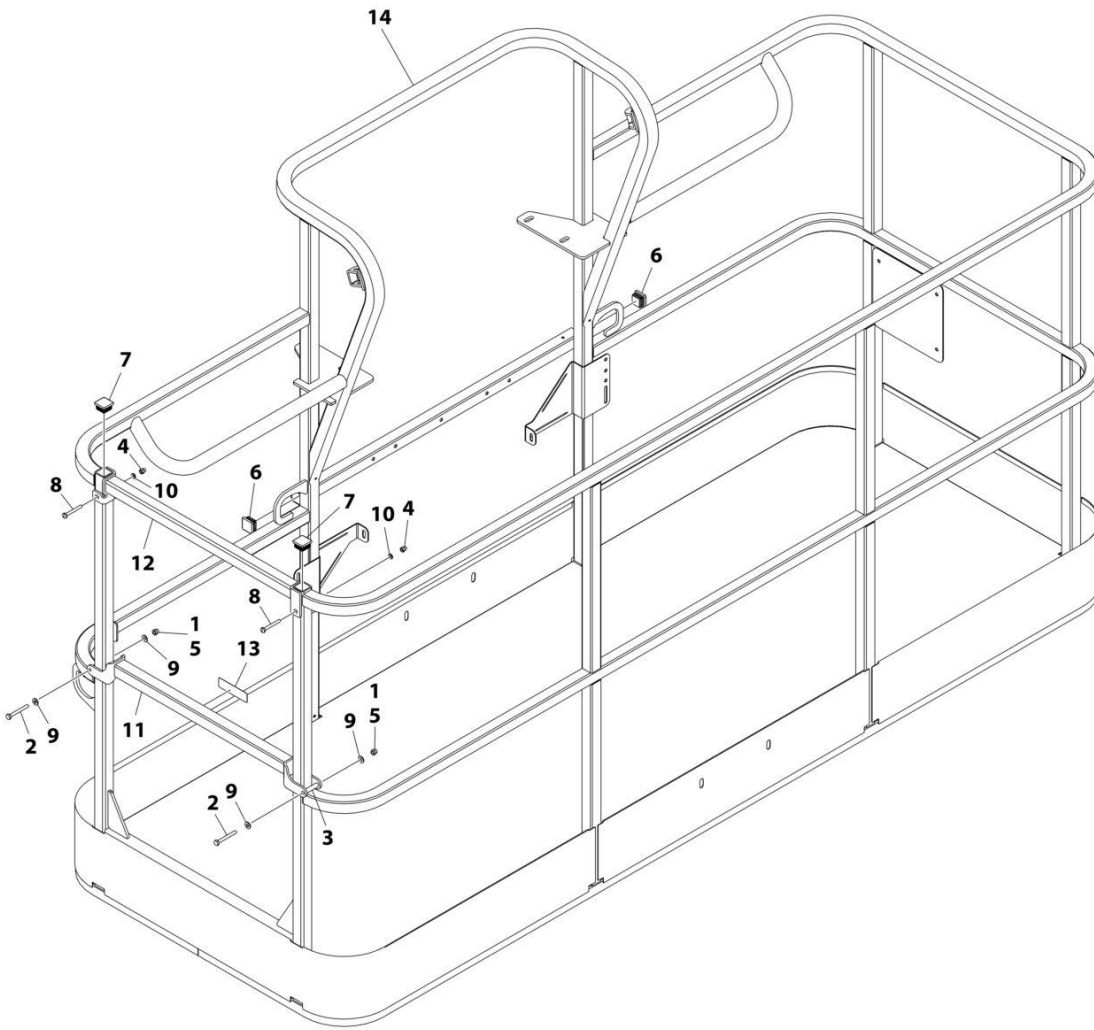
## SECTION 5 - PLATFORM

**FIGURE 5-9. PLATFORM ASSEMBLY - 36IN X 6FT (91.5CM X 1.83M) TRI-ENTRY WITH DROPBAR**

ITEM	PART NUMBER	QTY	DESCRIPTION	REV
	1001228377	Ref	PLATFORM ASSEMBLY - 36IN x 6FT (91.5CM x 1.83M)	B
		Ref	Note: Platform and Mesh must be ordered separately for Platforms with Mesh. See SPECIAL OPTIONS SECTION for Mesh Installations.	
		Ref	Note: Replacement Decals Must be Ordered Separately - See DECAL SECTION.	
1	0100011	1	Compound, Locking	
2	0641418	6	Bolt 1/4 x 2-1/4	
3	0961845	6	Bushing	
4	3290606	2	Nut M6	
5	3300151	6	Nut 1/4	
6	3520072	2	Plug	
7	3520198	2	Plug	
8	4010618	2	Screw M6 x 50	
9	4711400	12	Washer 1/4	
10	4811700	2	Washer M6	
11	1001138494	3	Bar, Drop	
12	1001138514	1	Rail (Top)	
13	1001140429	3	Decal - Drop Bar	
14	See Note	NSS	Platform, Weldment (Note: Not Available - Purchase Platform Assembly)	

# SECTION 5 - PLATFORM

FIGURE 5-10. PLATFORM ASSEMBLY - 36IN X 8FT (91.5CM X 2.44M) WITH DROP BAR



ART\_1001186382

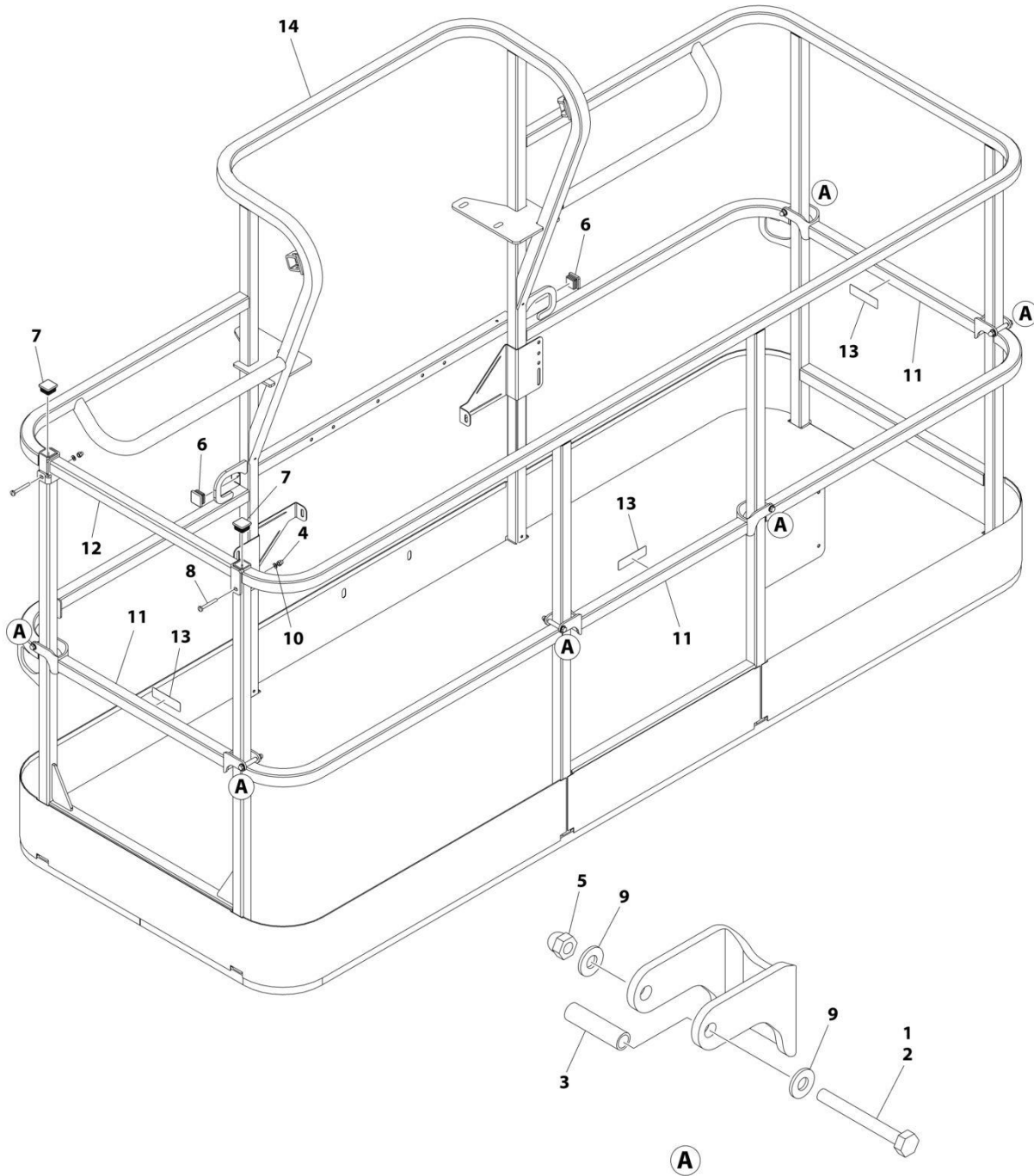
## SECTION 5 - PLATFORM

**FIGURE 5-10. PLATFORM ASSEMBLY - 36IN X 8FT (91.5CM X 2.44M) WITH DROP BAR**

ITEM	PART NUMBER	QTY	DESCRIPTION	REV
	1001186382	Ref	PLATFORM ASSEMBLY - 36IN X 8FT (91.5CM X 2.44M) WITH DROP BAR	C
		Ref	Note: Platform and Mesh must be ordered separately for Platforms with Mesh. See SPECIAL OPTIONS SECTION for Mesh Installations.	
		Ref	Note: Replacement Decals Must be Ordered Separately - See DECALS SECTION.	
1	0100011	AR	Compound, Locking	
2	0641418	2	Bolt 1/4 x 2-1/4	
3	0961845	2	Bushing	
4	3290606	2	Nut M6	
5	3300151	2	Nut 1/4	
6	3520072	2	Plug	
7	3520198	2	Plug	
8	4010618	2	Screw M6 x 50	
9	4711400	4	Washer 1/4	
10	4811700	2	Washer M6	
11	1001138494	1	Bar, Drop	
12	1001138514	1	Rail (Top)	
13	1001140429	1	Decal - Drop Bar	
14	See Note	NSS	Platform (Note: Not Available - Purchase Platform Assembly)	

# SECTION 5 - PLATFORM

FIGURE 5-11. PLATFORM ASSEMBLY - 36IN X 8FT (91.5CM X 2.44M) WITH TRI-ENTRY (3 DROP BARS)



ART\_1001228375



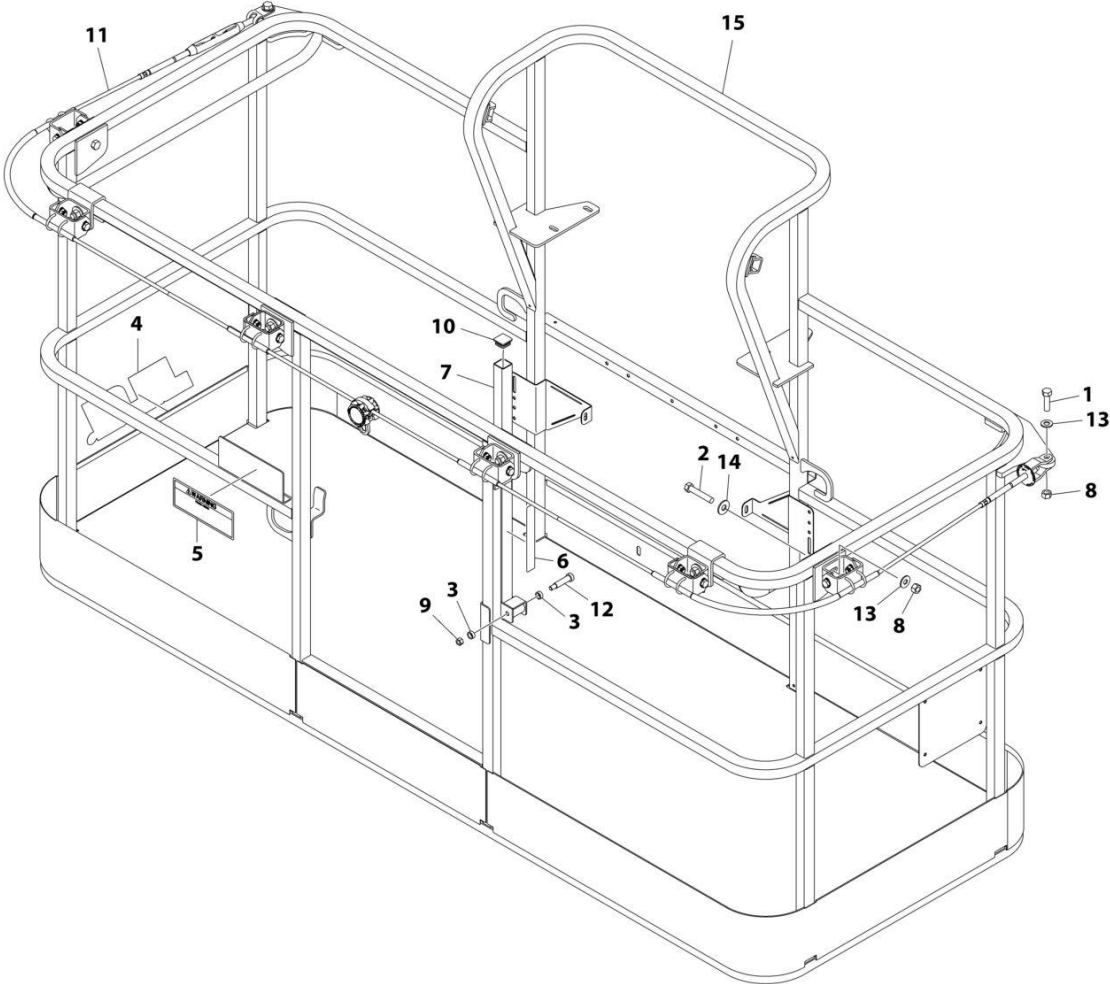
## SECTION 5 - PLATFORM

**FIGURE 5-11. PLATFORM ASSEMBLY - 36IN X 8FT (91.5CM X 2.44M) WITH TRI-ENTRY (3 DROP BARS)**

ITEM	PART NUMBER	QTY	DESCRIPTION	REV
	1001228375	Ref	PLATFORM ASSEMBLY - 36IN X 8FT (91.5CM X 2.44M) WITH TRI-ENTRY	A
		Ref	Note: Platform and Mesh must be ordered separately for Platforms with Mesh. See SPECIAL OPTIONS SECTION for Mesh Installations.	
		Ref	Note: Replacement Decals Must be Ordered Separately - See DECAL SECTION.	
1	0100011	AR	Compound, Locking	
2	0641418	6	Bolt 1/4 x 2-1/4	
3	0961845	6	Bushing	
4	3290606	2	Nut M6 x 1	
5	3300151	6	Nut 1/4	
6	3520072	2	Cap, Plug	
7	3520198	2	Cap, Plug	
8	4010618	2	Screw M6 x 50	
9	4711400	12	Washer 1/4	
10	4811700	2	Washer M6	
11	1001138494	3	Bar, Drop	
12	1001138514	1	Rail (Top)	
13	1001140429	3	Decal - Drop Bar	
14	See Note	1	Platform (Note: Not Available - Purchase Platform Assembly)	

**SECTION 5 - PLATFORM**

**FIGURE 5-12. PLATFORM ASSEMBLY - 36IN X 8FT (91.5CM X 2.44M) WITH FALL ARREST (ANSI SPECS)**



ART\_1001186334

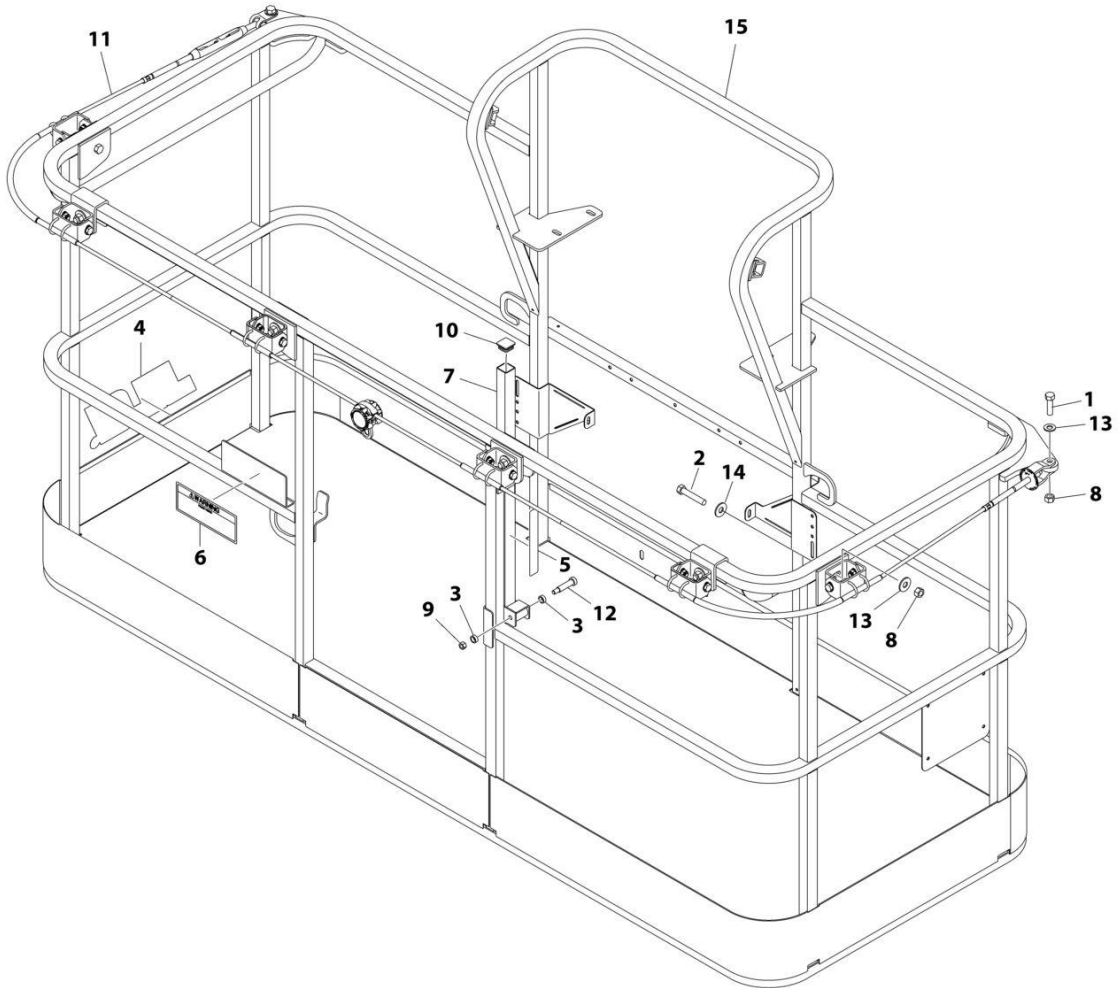
## SECTION 5 - PLATFORM

**FIGURE 5-12. PLATFORM ASSEMBLY - 36IN X 8FT (91.5CM X 2.44M) WITH FALL ARREST (ANSI SPECS)**

ITEM	PART NUMBER	QTY	DESCRIPTION	REV
	1001186334	Ref	PLATFORM ASSEMBLY	D
		Ref	Note: Replacement Decals Must be Ordered Separately - See DECALS SECTION.	
1	0681814	2	Bolt 1/2 x 1-3/4 Grade 8	
2	0681822	6	Bolt 1/2 x 2-3/4 Grade 8	
3	0962270	2	Bearing	
4	1702773	1	Decal - JLG	
5	1705014	1	Decal - Safety	
6	1706385	1	Decal - Drop Bar	
7	2410014	1	Bar, Drop	
8	3271805	8	Nut 1/2 Grade 8	
9	3311605	1	Nut 3/8	
10	3520072	1	Plug	
11	1001203656	1	Cable	
12	3900054	1	Bolt 1/2 x 1-3/4	
13	4711800	2	Washer 1/2	
14	4751800	6	Washer 1/2	
15	See Note	NSS	Platform (Note: Purchase Platform Assembly)	

# SECTION 5 - PLATFORM

FIGURE 5-13. PLATFORM ASSEMBLY - 36IN X 8FT (91.5CM X 2.44M) WITH FALL ARREST (AUSTRALIAN AND CE SPECS)



ART\_1001186389

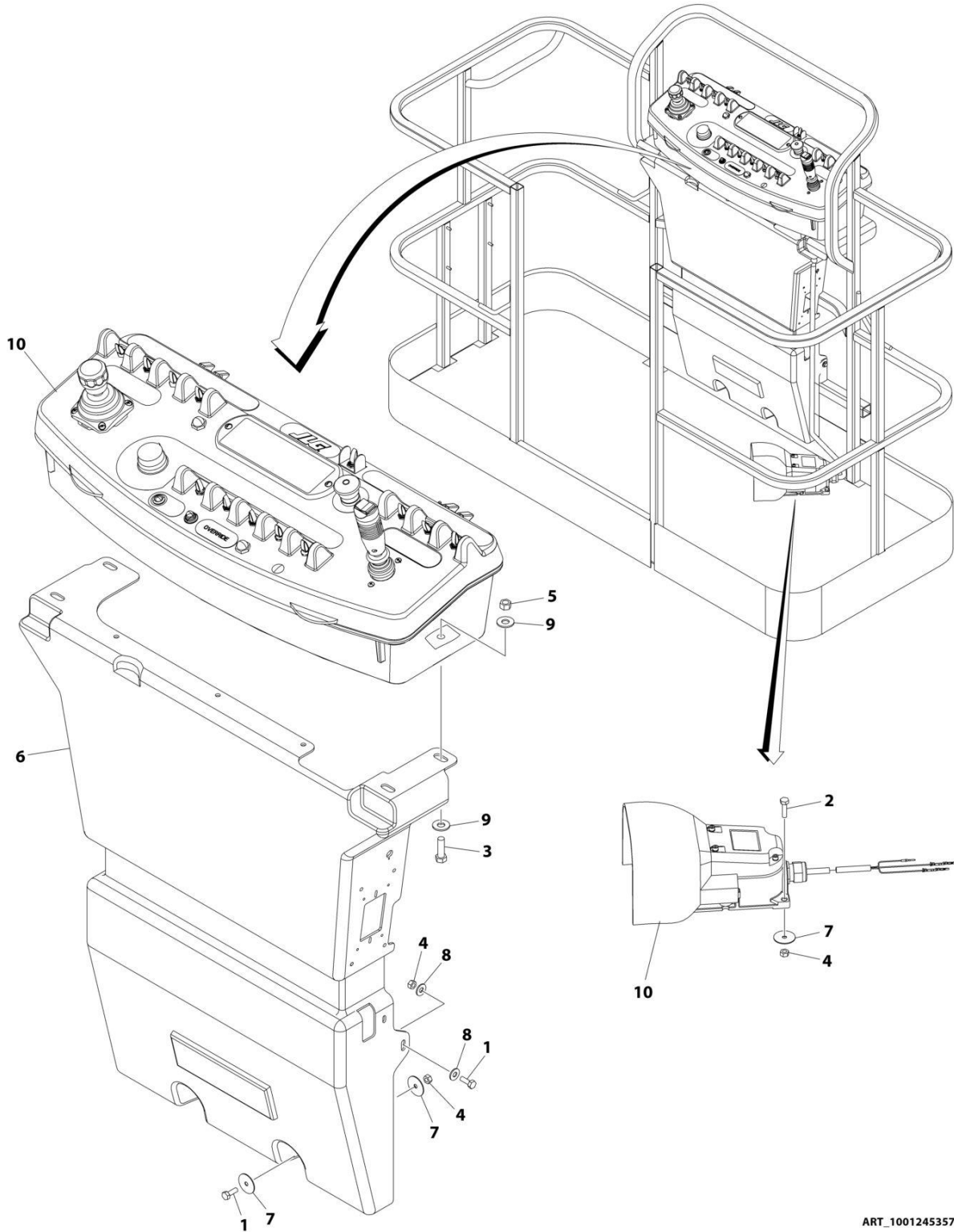
## SECTION 5 - PLATFORM

**FIGURE 5-13. PLATFORM ASSEMBLY - 36IN X 8FT (91.5CM X 2.44M) WITH FALL ARREST  
(AUSTRALIAN AND CE SPECS)**

ITEM	PART NUMBER	QTY	DESCRIPTION	REV
	1001186389	Ref	PLATFORM ASSEMBLY - 36IN X 8FT (91.5CM X 2.44M) WITH FALL ARREST	D
		Ref	Note: Standard decals must be ordered separately - See DECAL SECTION.	
1	0681814	2	Bolt 1/2 x 1-3/4 Grade 8	
2	0681822	6	Bolt 1/2 x 2-3/4 Grade 8	
3	0962270	2	Bearing	
4	1702773	1	Decal - JLG	
5	1706493	1	Decal - Drop Bar	
6	1706501	1	Decal - Safety	
7	2410014	1	Gate	
8	3271805	8	Nut 1/2 Grade 8	
9	3311605	1	Nut 3/8	
10	3520072	1	Plug	
11	1001203656	1	Cable	
12	3900054	1	Bolt 1/2 x 1-3/4	
13	4711800	8	Washer 1/2	
14	4751800	6	Washer 1/2	
15	1001186318	NSS	Platform (Note: Not Available - Purchase Platform Assembly)	

# SECTION 5 - PLATFORM

## FIGURE 5-14. PLATFORM CONSOLE BOX INSTALLATION



ART\_1001245357

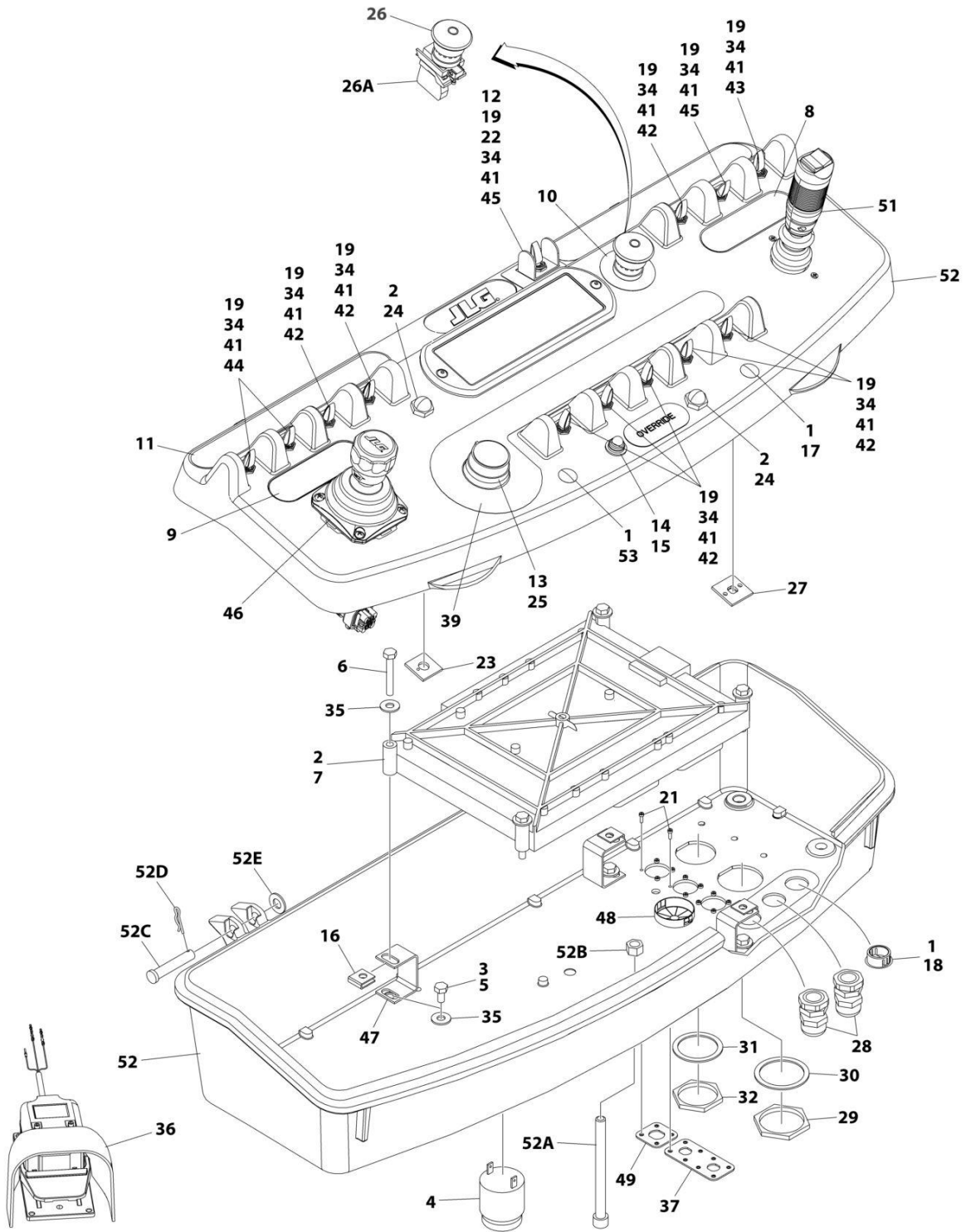
## SECTION 5 - PLATFORM

**FIGURE 5-14. PLATFORM CONSOLE BOX INSTALLATION**

ITEM	PART NUMBER	QTY	DESCRIPTION	REV
	1001245357	Ref	PLATFORM CONSOLE BOX INSTALLATION	A
		Ref	Note: Replacement Decals Must be Ordered Separately - See DECALS SECTION.	
1	0641406	4	Bolt 1/4 x 3/4	
2	0641408	3	Bolt 1/4 x 1	
3	0641610	4	Bolt 3/8 x 1-1/4	
4	3311405	7	Nut 1/4	
5	3311605	4	Nut 3/8	
6	3380434	1	Panel, Molded	
7	4740362	7	Washer, Fender	
8	4751400	4	Washer 1/4	
9	4751600	8	Washer 3/8	
10	1001245356	1	Platform Console Box Assembly (See Separate Breakdown in this Section)	

# SECTION 5 - PLATFORM

## FIGURE 5-15. PLATFORM CONSOLE ASSEMBLY



ART\_1001245356



## SECTION 5 - PLATFORM

### FIGURE 5-15. PLATFORM CONSOLE ASSEMBLY

ITEM	PART NUMBER	QTY	DESCRIPTION	REV
	1001245356	Ref	PLATFORM CONSOLE ASSEMBLY	C
1	0100009	AR	Sealant	
2	0100035	AR	Compound, Locking	
3	0100048	AR	Grease, Dielectric	
4	0140011	1	Alarm	
5	0641404	4	Bolt 1/4 x 1/2	
6	0641414	4	Bolt 1/4 x 1-3/4	
7	1600343	1	Module, Control (Note: Re-calibration Required when Replaced)	
8	1702565	1	Decal - Drive and Steer	
9	1702566	1	Decal - Lift and Swing	
10	1704260	1	Decal - EMS	
11	1705744	1	Decal - Horn	
12	1706741	1	Decal - Jib Select	
13	2560136	1	Handle, Knob	
14	2920028	1	Lamp, Indicator	
15	2920029	1	Bulb	
16	3300353	4	Nut, Retainer	
17	3520026	1	Plug, Hole	
18	3520030	1	Plug, Hole	
19	3790012	13	O-Ring	
21	3900349	12	Capscrew M2.5	
22	4060906	1	Guard, Switch	
23	4071074	1	Shim, Switch	
24	4360387	2	Switch, Pushbutton	
25	4360407	1	Controller, Speed	
25	See Note	NSS	Gasket "Top Hat" (Included with Switch) (Note: Not Available - Purchase Complete Controller)	
25	70003784	1	Seal	
26	4360475	1	Switch, Emergency Stop	
26	7020175	1	Cap, Red	
26A	7020176	1	Block, Contact	
27	4460234	3	Base, Mounting	
28	4460428	2	Connector, Strain Relief	
29	4460470	1	Nut, Terminal	
30	4460471	1	Washer, Terminal	
31	4460496	1	Washer, Terminal	
32	4460497	1	Washer	
33	4460905	AR	Seal, Plug (Not Shown)	
34	4740397	13	Washer	
35	4751400	8	Washer 1/4	
36	1001117174	1	Footswitch Assembly (See Separate Breakdown in this Section)	
37	1001120338	1	Mount, Connector	
39	1001125195	1	Decal - Function Speed	
41	1001155044	13	Nut 15/32-32	
42	1001155045	8	Switch, Toggle	
43	1001159256	1	Switch, Toggle	
44	1001161709	2	Switch, Toggle	
45	1001161710	2	Switch, Toggle	
46	1001166539	NLA	Controller Assembly - Lift and Swing (Use p/n 1001129555) (See Separate Breakdown in this Section)	

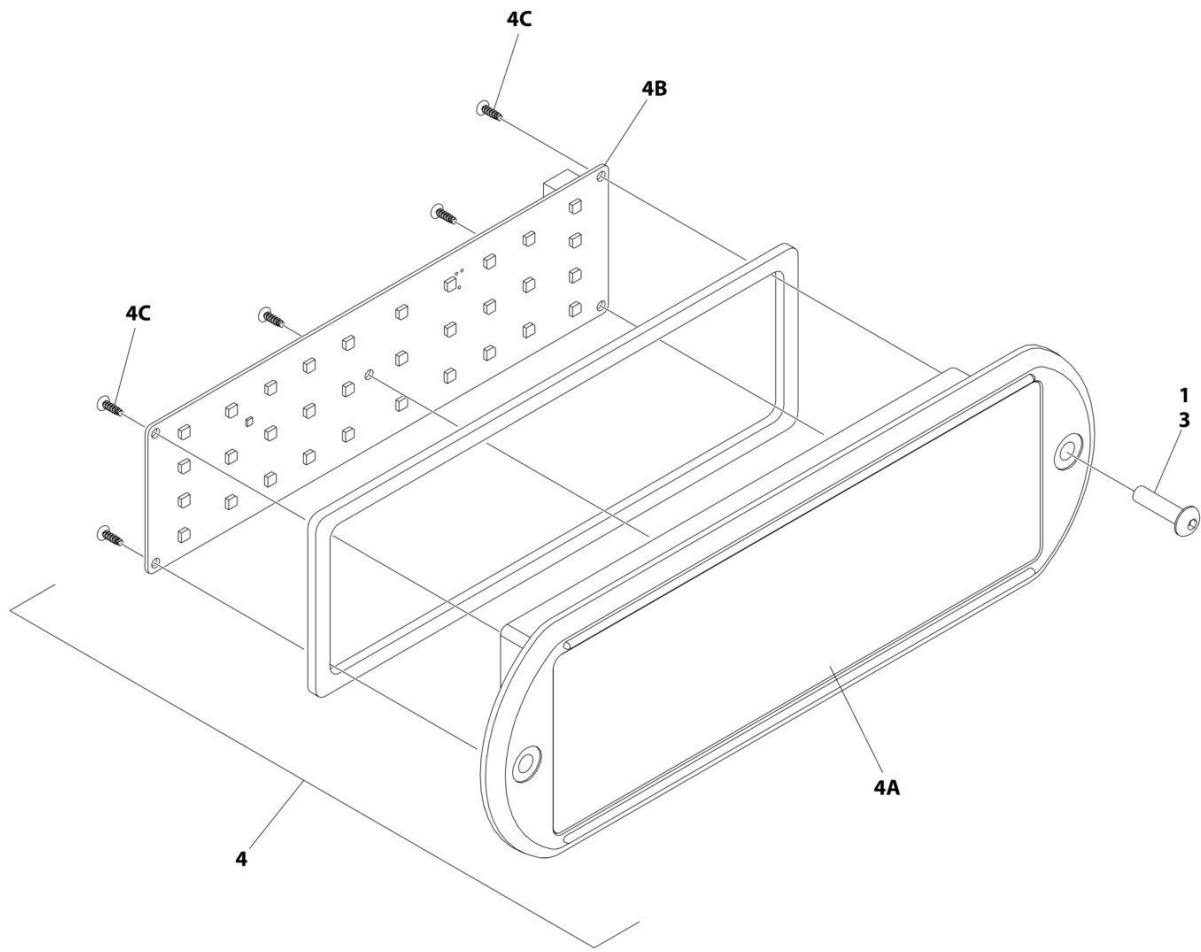
## SECTION 5 - PLATFORM

ITEM	PART NUMBER	QTY	DESCRIPTION	REV
47	1001172760	4	Bracket, Support	
48	1001185281	1	Plug	
49	1001220929	1	Mount, Connector	
50	1001242189	1	Harness, Console Box (Not Shown - See Separate Breakdown in ELECTRICAL Section)	
51	1001166538	NLA	Controller Assembly - Drive and Steer (Use p/n 1001212415) (See Separate Breakdown in this Section)	
52	1001245916	1	Box, Console	
52A	0630568	1	Capscrew 3/8 x 4-1/2	
52B	3311601	1	Nut 3/8	
52C	3430616	2	Pin, Clevis	
52D	3470003	2	Pin, Hair	
52E	4711600	2	Washer, 3/8	
53	3520027	1	Plug	



# SECTION 5 - PLATFORM

## FIGURE 5-16. LIGHT PANEL INSTALLATION - PLATFORM CONSOLE



ART\_1001233959\_C\_20F2

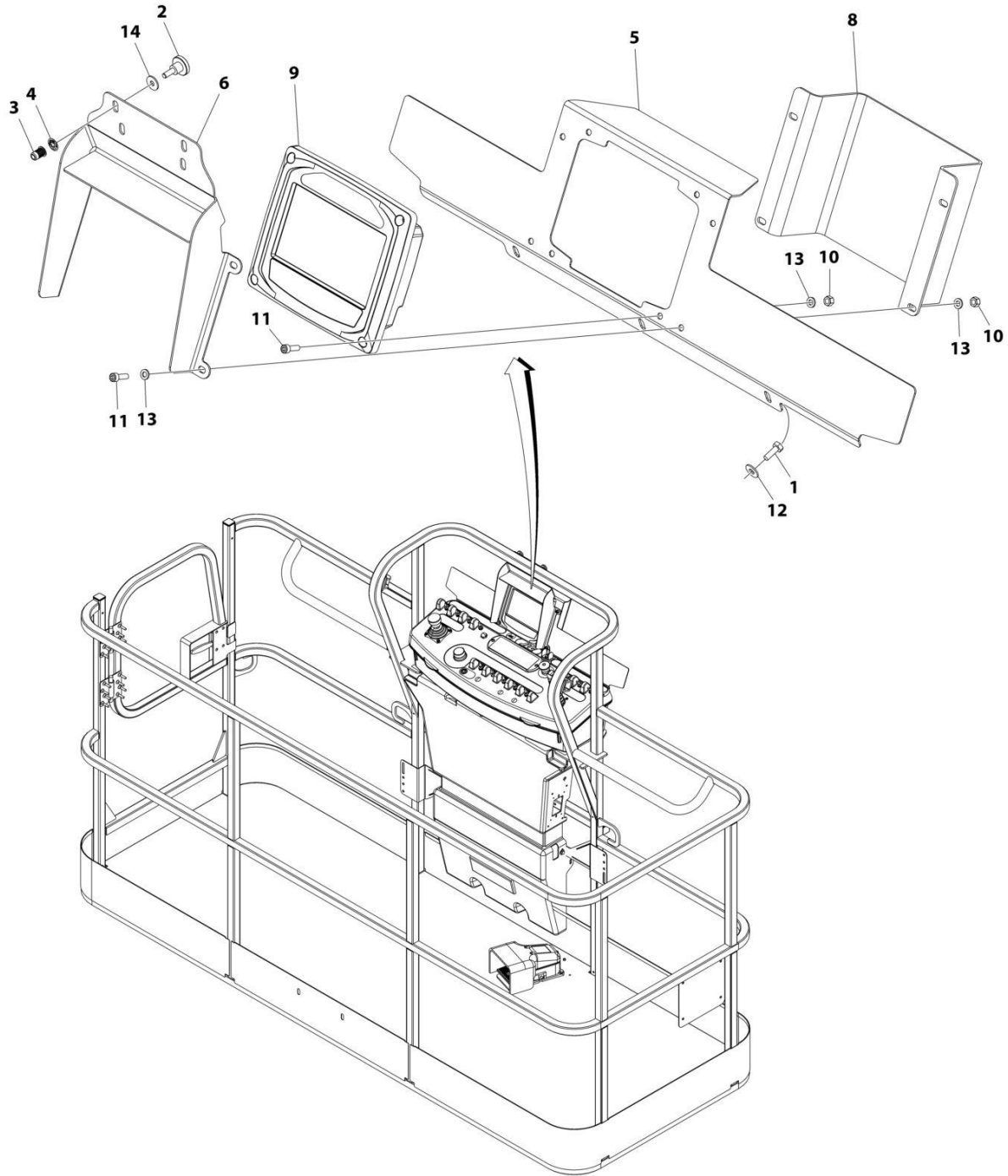
## SECTION 5 - PLATFORM

**FIGURE 5-16. LIGHT PANEL INSTALLATION - PLATFORM CONSOLE**

ITEM	PART NUMBER	QTY	DESCRIPTION	REV
	1001233959	Ref	LIGHT PANEL INSTALLATION - PLATFORM CONSOLE	C
1	0100035	AR	Compound, Locking	
3	0630518	2	Screw #10 x 3/4	
4	1001237544	1	Light Panel Assembly	H
4A	1001236087	1	Lens, I-Con	
4B	1001187807	1	Panel, LED Light	
4C		Ref	Screw	

# SECTION 5 - PLATFORM

## FIGURE 5-17. LCD DISPLAY INSTALLATION



ART\_1001215375

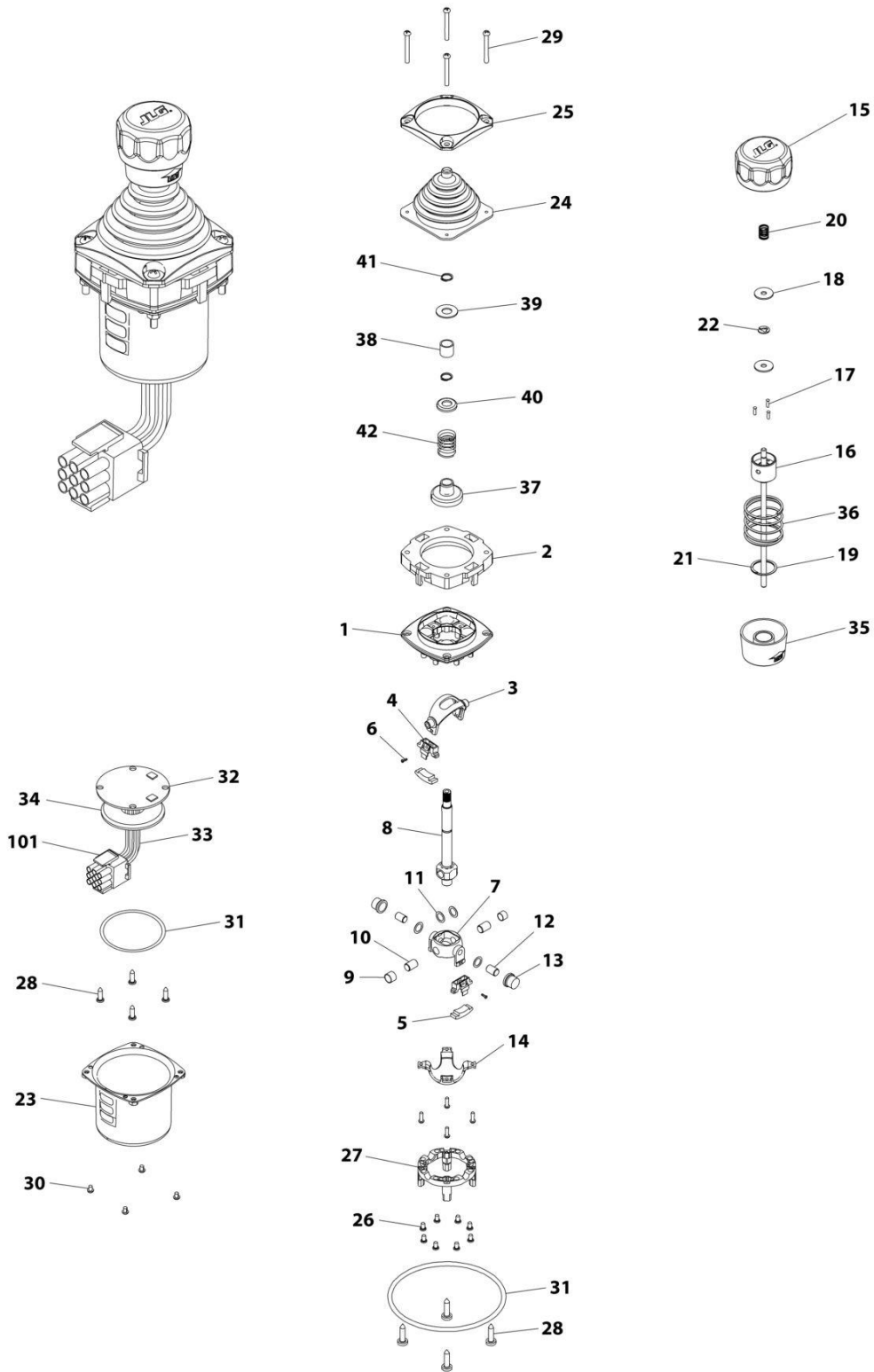
## SECTION 5 - PLATFORM

**FIGURE 5-17. LCD DISPLAY INSTALLATION**

ITEM	PART NUMBER	QTY	DESCRIPTION	REV
	1001215375	Ref	LCD DISPLAY INSTALLATION	A
1	0641406001	3	Bolt 1/4 x 3/4	
2	1001173609	2	Screw, Thumb M6 x 16	
3	1001176636	2	Rivet, Nut M6	
4	1001177635	2	Nut M6	
5	1001215379	1	Bracket, Mounting	
6	1001215380	1	Bracket, Visor	
7	1001220482	1	Harness, LCD Display (Not Shown - See Separate Breakdown in ELECTRICAL SECTION)	
8	1001228976	1	Cover	
9	1001229485	1	Electrical Assembly	
9	1001220955	1	Gauge, LCD Display	
9	1001176582	1	Decal - Platform Display	
9	1001180491	4	Screw #10	
9	1001229922	1	Screen Protector, LCD Display	
10	3290605001	8	Nut M6	
11	4031708001	8	Bolt M6 x 20	
12	4751400001	3	Washer 1/4	
13	4811700001	12	Washer M6	
14	4811702001	2	Washer M6	

# SECTION 5 - PLATFORM

## FIGURE 5-18. CONTROLLER ASSEMBLY - LIFT AND SWING



ART\_1001166539



## SECTION 5 - PLATFORM

**FIGURE 5-18. CONTROLLER ASSEMBLY - LIFT AND SWING**

ITEM	PART NUMBER	QTY	DESCRIPTION	REV
	1001166539	Ref	CONTROLLER ASSEMBLY	E
		Ref	Note: Original Equipment Controller May Have Been Replaced with Service Replacement Controller. Visually Identify Controller Before Ordering Parts.	
		Ref	Note: For Replacement, Use p/n 1001129555	
1	See Note	NSS	Main Cast Body (Note: Not Available - Purchase Complete Assembly)	
2	70004752	1	Adapter	
3	See Note	NSS	Pivot Arm, Plastic (Note: Not Available - Purchase Complete Assembly)	
4	See Note	NSS	Holder, Magnet (Note: Not Available - Purchase Complete Assembly)	
5	See Note	NSS	Arc, Magnet (Note: Not Available - Purchase Complete Assembly)	
6	See Note	NSS	Screw (Note: Not Available for Purchase)	
7	See Note	NSS	Pivot Arm, Cast (Note: Not Available - Purchase Complete Assembly)	
8	See Note	NSS	Shaft, Main (Note: Not Available - Purchase Complete Assembly)	
9	See Note	NSS	Bearing (Note: Not Available - Purchase Complete Assembly)	
10	See Note	NSS	Pin (Note: Not Available - Purchase Complete Assembly)	
11	See Note	NSS	Shim (Note: Not Available - Purchase Complete Assembly)	
12	See Note	NSS	Pin (Note: Not Available - Purchase Complete Assembly)	
13	See Note	NSS	Bearing (Note: Not Available - Purchase Complete Assembly)	
14	See Note	NSS	Dome, Centering (Note: Not Available - Purchase Complete Assembly)	
15	70004753	1	Cap	
16	70004754	1	Insert, Cap	
17	70004755	3	Pin	
18	70004756	2	Washer	
19	70004757	1	Pin, Centering	
20	70004758	1	Spring	
21	70004759	1	Ring, Retaining	
22	70004760	1	E-Ring	
23	70004761	1	Can, Enclosure	
24	70004762	1	Boot	
25	70004763	1	Bezel	
26	See Note	NSS	Screw (Note: Not Available for Purchase)	
27	See Note	NSS	Base Mounting (Note: Not Available - Purchase Complete Assembly)	
28	See Note	NSS	Screw (Note: Not Available for Purchase)	
29	70004764	4	Screw	
30	70004765	4	Screw	
31	70004766	1	O-Ring	
32	See Note	NSS	Plate (Note: Not Available - Purchase Complete Assembly)	
33	See Note	NSS	Harness (Note: Not Available - Purchase Complete Assembly)	
34	70004767	1	Grommet, Rubber	
35	70004768	1	Housing	
36	70004769	1	Spring	
37	70004770	1	Stopper	
38	70004771	1	Spacer	
39	70004772	1	Washer	
40	70004773	1	Disc	

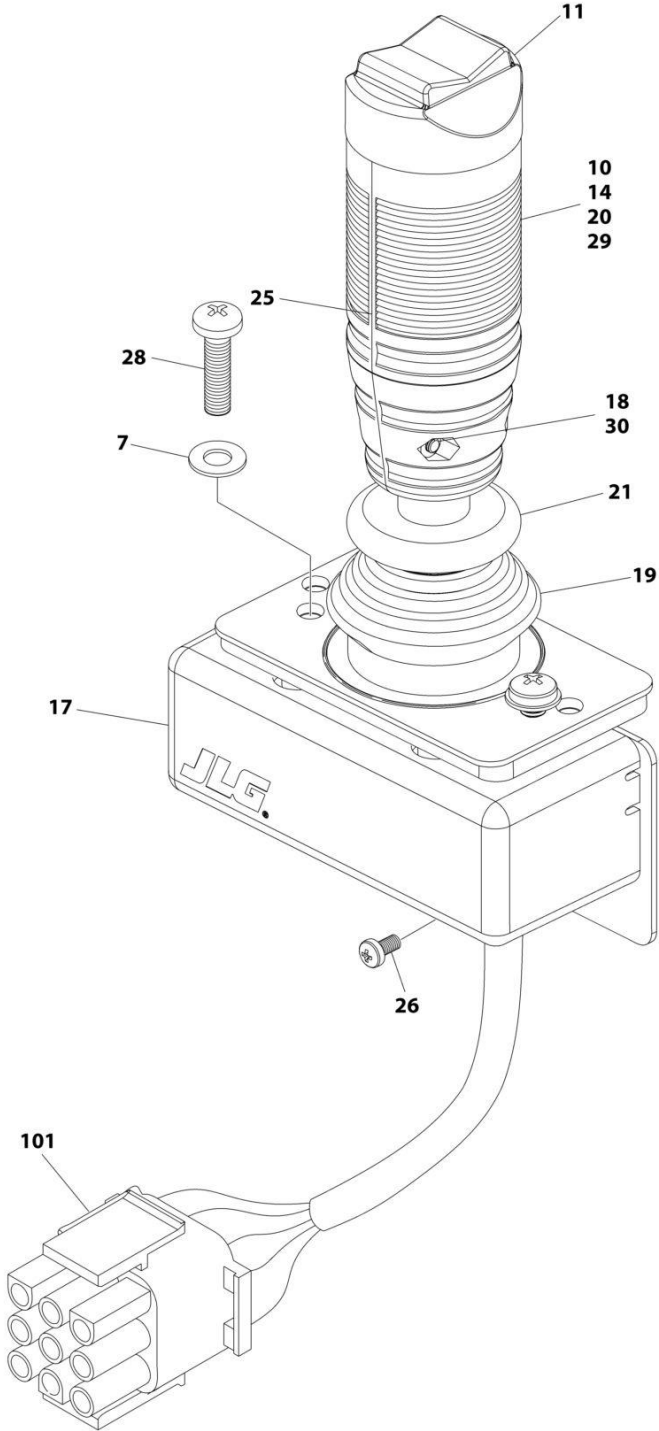
## SECTION 5 - PLATFORM

ITEM	PART NUMBER	QTY	DESCRIPTION	REV
41	70004774	2	Ring, Retaining	
42	70004775	1	Spring	
101	4460265	1	Connector - 9 Position	
101	4460226	6	Socket, Female	



**SECTION 5 - PLATFORM**

**FIGURE 5-19. CONTROLLER ASSEMBLY - DRIVE AND STEER**



ART\_1001166538

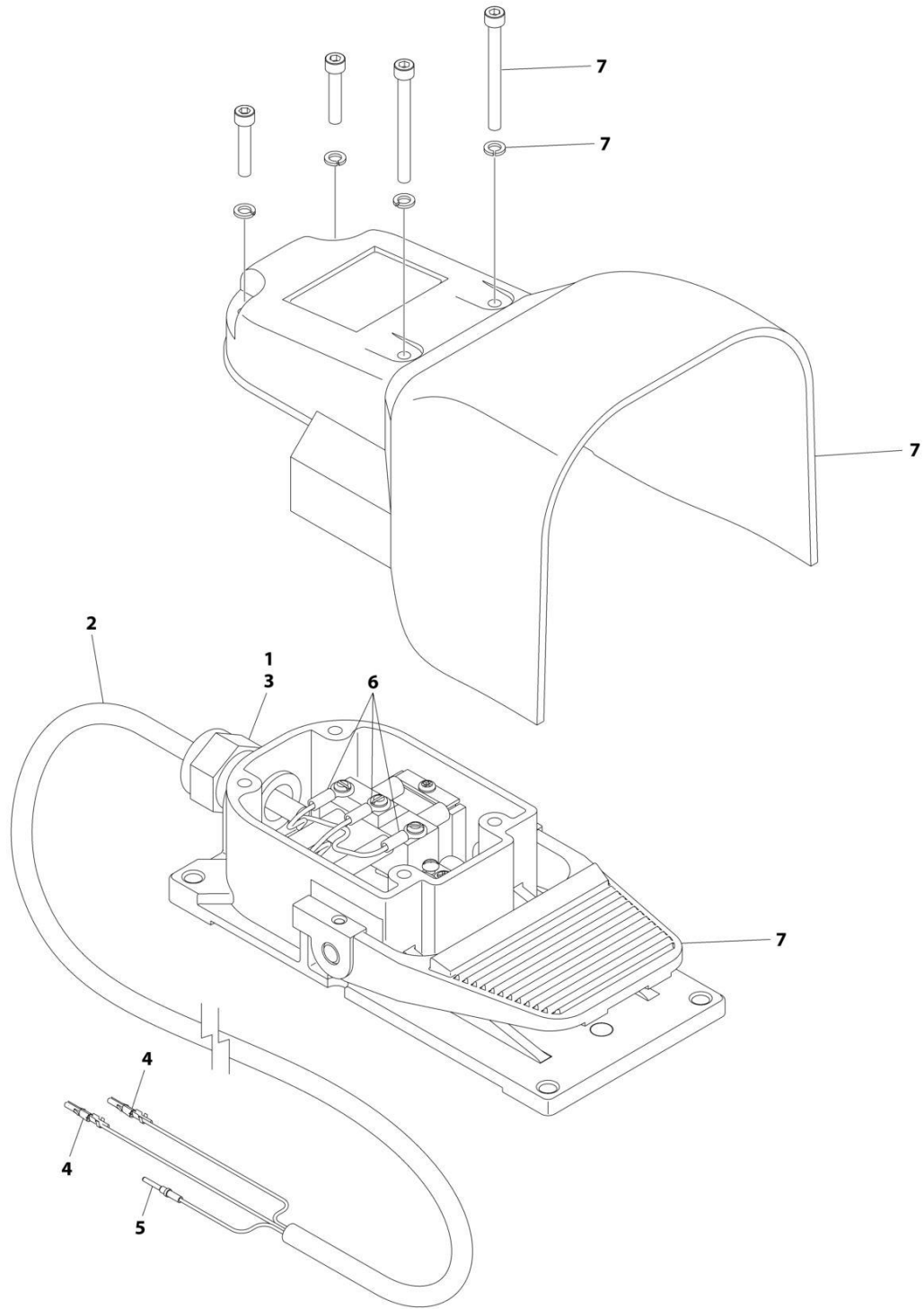
## SECTION 5 - PLATFORM

**FIGURE 5-19. CONTROLLER ASSEMBLY - DRIVE AND STEER**

ITEM	PART NUMBER	QTY	DESCRIPTION	REV
	1001166538	Ref	CONTROLLER ASSEMBLY - DRIVE AND STEER	G
		Ref	Note: For Replacement, Use p/n 1001212415.	
7	70004738	2	Washer	
10	70004739	1	Roller	
11	70004740	1	Boot, Switch	
14	70004741	2	Half, Handle	
17	70004742	1	Enclosure	
18	70004743	4	Nut	
19	70004744	NLA	Boot, Controller (Use p/n 70005230 Boot/Base Assembly)	
20	70004745	NLA	Tube, Locking (Use p/n 70005230 Boot/Base Assembly)	
21	70004746	NLA	Disc, Locking (Use p/n 70005230 Boot/Base Assembly)	
25	70004747	2	Seal, Rope	
26	70004748	1	Screw M3 x 6	
28	70004749	2	Screw M5 x 20	
29	70004750	1	Pin, Dowel	
30	70004751	4	Screw M3 x 16	
101	4460265	1	Connector - 9 Position	
101	4460226	7	Socket, Female	

# SECTION 5 - PLATFORM

## FIGURE 5-20. FOOTSWITCH ASSEMBLY



ART\_1001117174

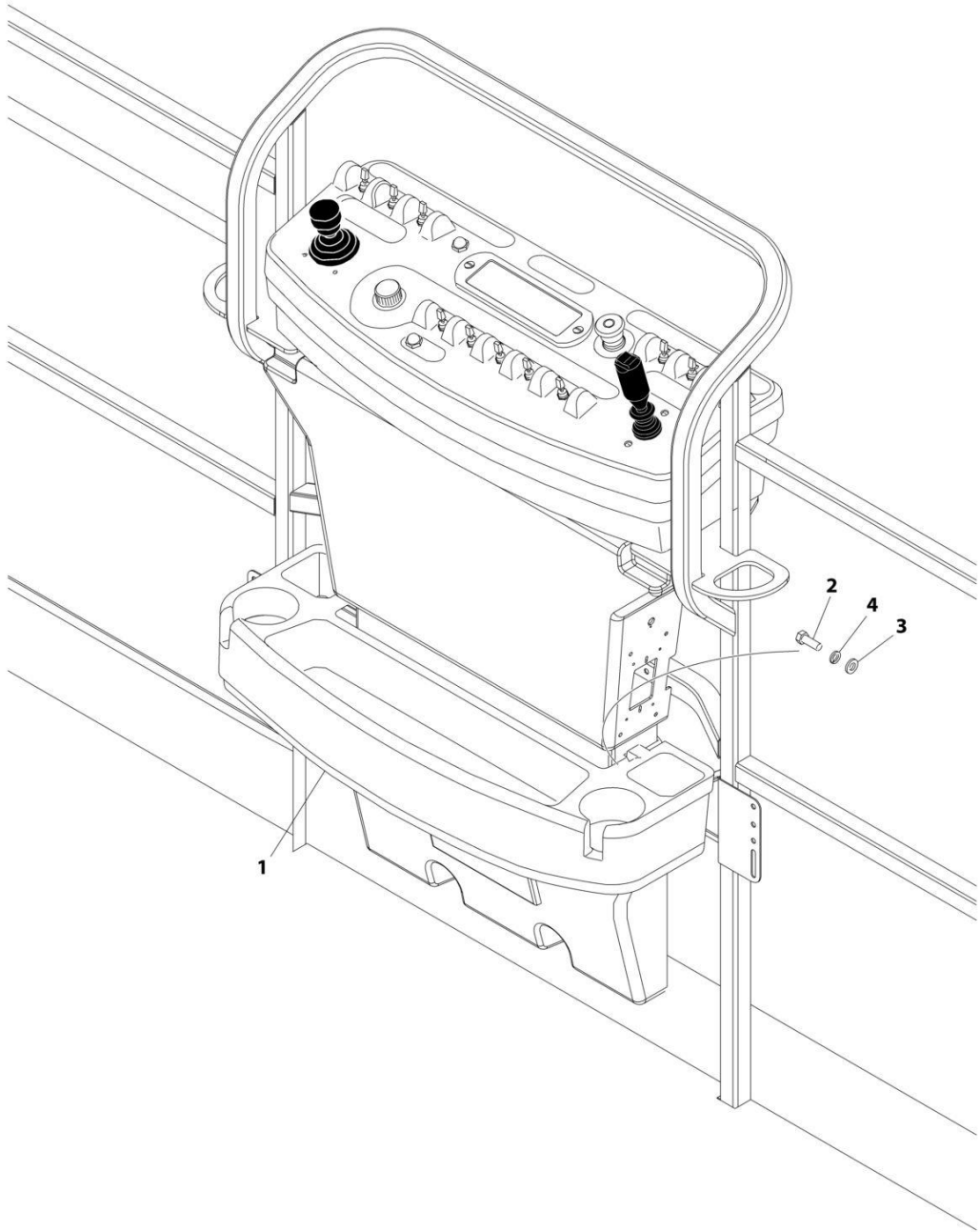
## SECTION 5 - PLATFORM

### FIGURE 5-20. FOOTSWITCH ASSEMBLY

ITEM	PART NUMBER	QTY	DESCRIPTION	REV
	1001117174	Ref	FOOTSWITCH ASSEMBLY	C
1	0100020	AR	Sealant	
2	1060918	7.5 ft/ 2.3m	Cable, Electrical - 18/3	
3	4460071	1	Connector, Strain Relief	
4	4460226	2	Socket, Female	
5	4460464	1	Pin, Male	
6	1001098122	3	Terminal	
7	1001117172	1	Footswitch	
7	70002902	1	Switch, 20Amp	
7	70002903	1	Gasket	
7	70002905	1	Cover	
7	70002904	1	Kit, Replacement Bolt	

**SECTION 5 - PLATFORM**

**FIGURE 5-21. TRAY INSTALLATION**



ART\_1580012



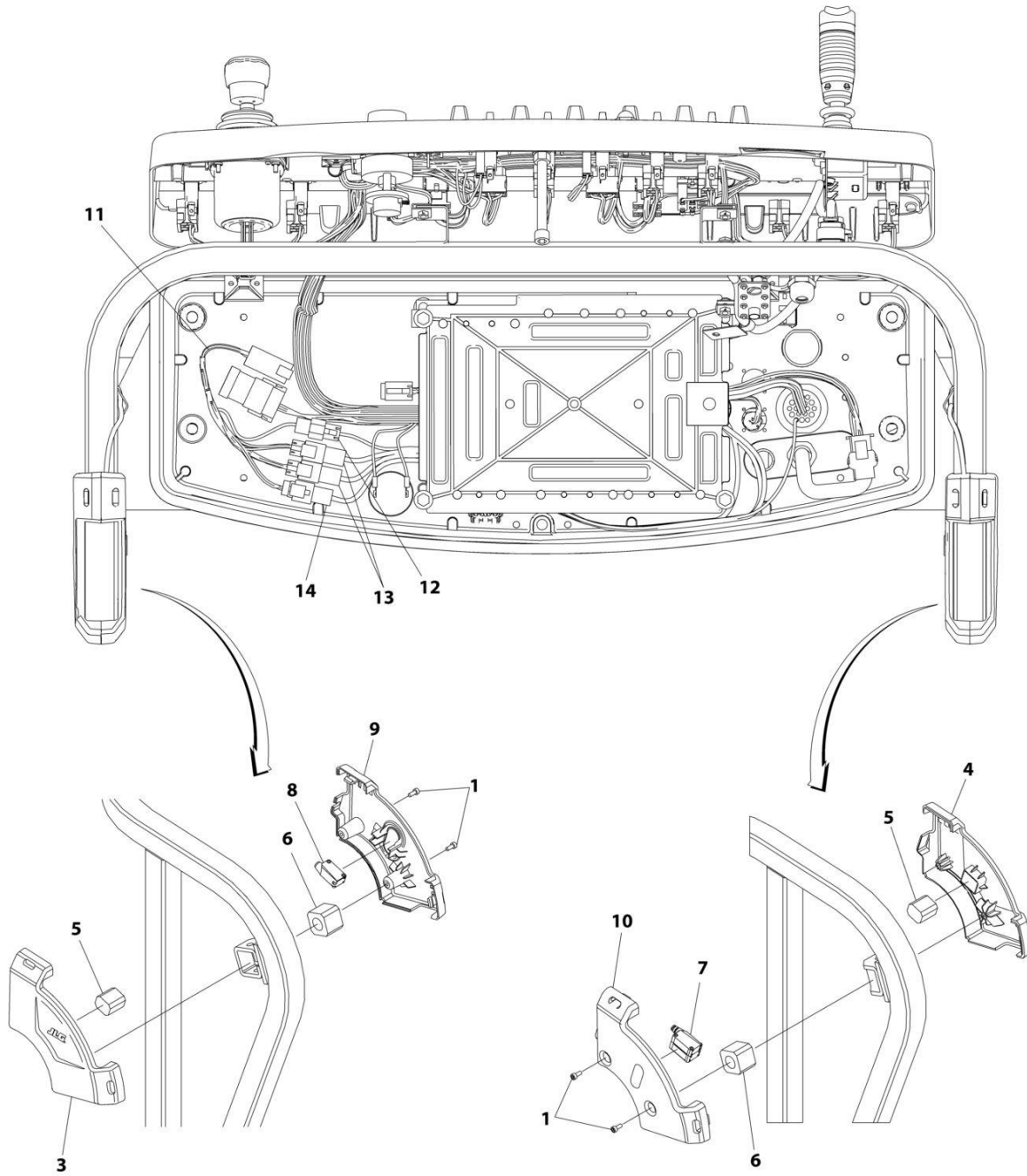
## SECTION 5 - PLATFORM

### FIGURE 5-21. TRAY INSTALLATION

ITEM	PART NUMBER	QTY	DESCRIPTION	REV
	1580012	Ref	TRAY ASSEMBLY	C
1	See Note	NSS	Tray, Storage (Center) (Note: Purchase p/n 1580012)	
2	0641406	2	Bolt 1/4 x 3/4	
3	4751400	2	Washer 1/4	
4	4761400	2	Washer 1/4	

# SECTION 5 - PLATFORM

## FIGURE 5-22. SKYEYE INSTALLATION



ART\_1001229341

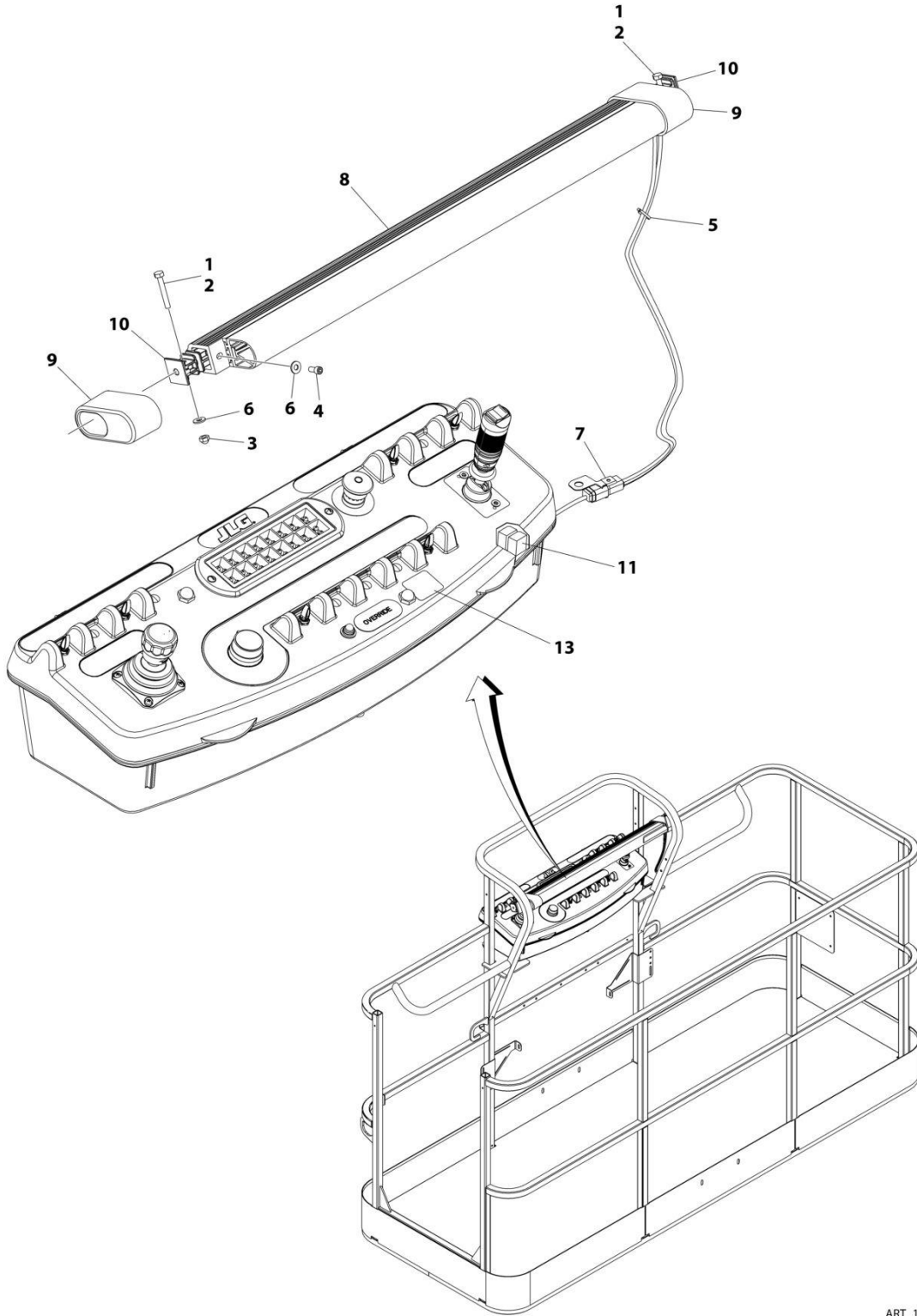
## SECTION 5 - PLATFORM

**FIGURE 5-22. SKYEYE INSTALLATION**

ITEM	PART NUMBER	QTY	DESCRIPTION	REV
	1001229341	Ref	SKYEYE INSTALLATION	B
1	4031505	4	Bolt M4 x 10	
2	4240033	AR	Tie-Strap (Not Shown)	
3	1001227633	1	Housing, LH Outer	
4	1001227634	1	Housing, RH Outer	
5	1001227985	2	Shim	
6	1001227987	2	Shim	
7	1001228224	2	Sensor, Receiver	
8	1001228225	1	Sensor, Emitter	
9	1001232164	1	Housing, LH Inner	
10	1001232165	1	Housing, RH Inner	
11	1001237865	1	Harness, Skyeeye Intermediate (See Separate Breakdown in ELECTRICAL Section)	
12	1001238319	NLA	Harness, Skyeeye Drain Jumper	
12	1001187674	1	Plug, Male - 2 Position	
12	4460942	1	Terminal	
12	4460466	1	Plug, Terminal	
12	4460508	1	Pin, Male	
13	1001237863	2	Harness, Skyeeye Receiver (See Separate Breakdown in ELECTRICAL Section)	
14	1001237864	1	Harness, Skyeeye Emitter (See Separate Breakdown in ELECTRICAL Section)	

# SECTION 5 - PLATFORM

## FIGURE 5-23. SKYGUARD BAR INSTALLATION



ART\_1001238495

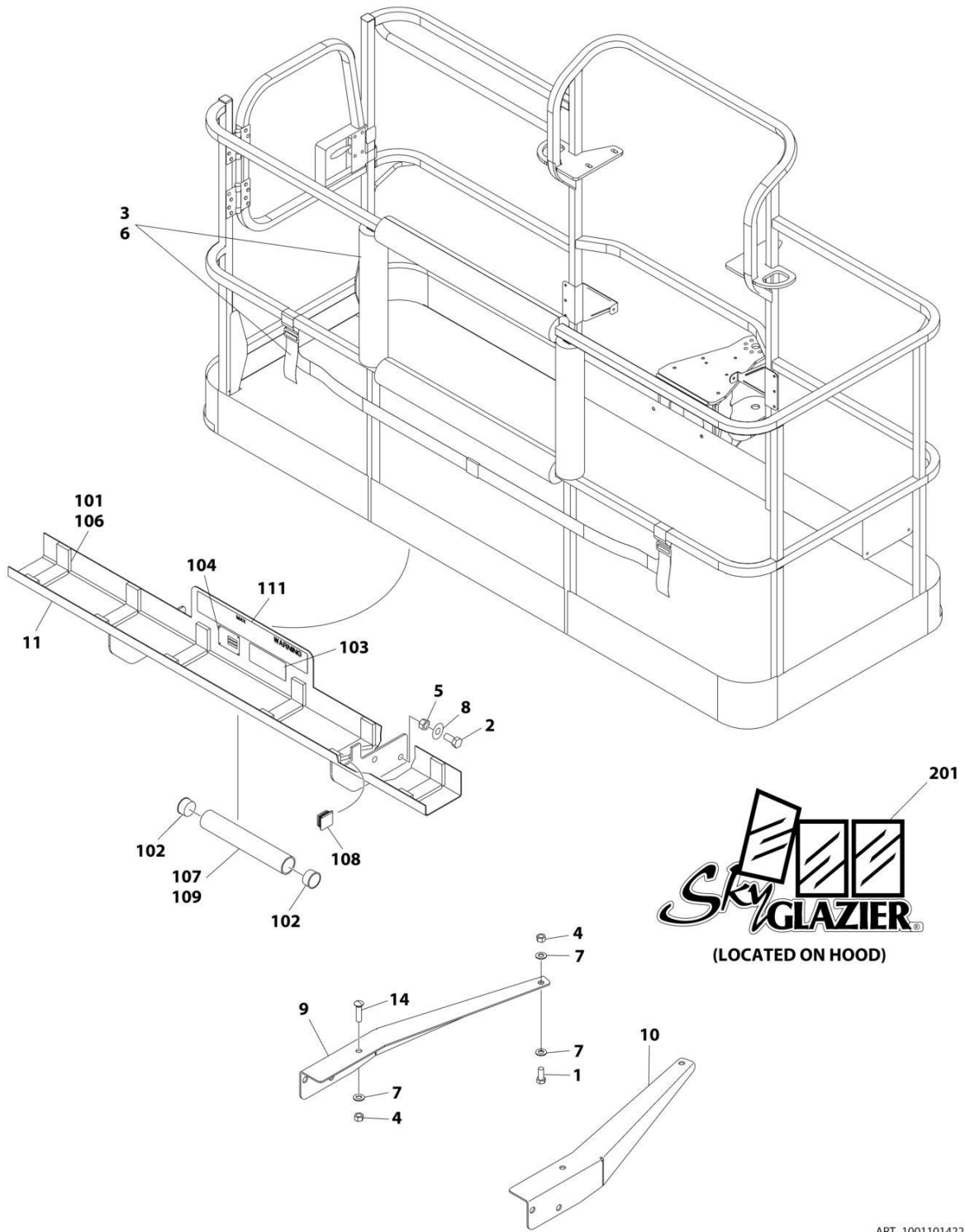
## SECTION 5 - PLATFORM

**FIGURE 5-23. SKYGUARD BAR INSTALLATION**

ITEM	PART NUMBER	QTY	DESCRIPTION	REV
	1001238495	Ref	SKYGUARD BAR INSTALLATION	A
1	0100011	AR	Compound, Locking	
2	0641414	2	Bolt 1/4 x 1-3/4	
3	3300430	2	Nut 1/4	
4	3931408	2	Capscrew 1/4 x 1/2	
5	4240033	8	Tie-Strap	
6	4711400	6	Washer 1/4	
7	1001120328	1	Mount	
8	1001137673	1	SkyGuard Switch Assembly	
9	1001186517	2	Cover, Platform Sensor	
10	1001209664	2	Support, Block	
11	1001186431	2	Relay	
12	1001225580	1	Interface Harness Assembly (Not Shown - Located Inside Console Box) (See Separate Breakdown in ELECTRICAL Section)	
13	1001144433	1	Decal - No Weight SkyGuard	

# SECTION 5 - PLATFORM

FIGURE 5-24. SKYGLAZIER INSTALLATIONS (ANSI, AUSTRALIAN AND CSA SPECS)



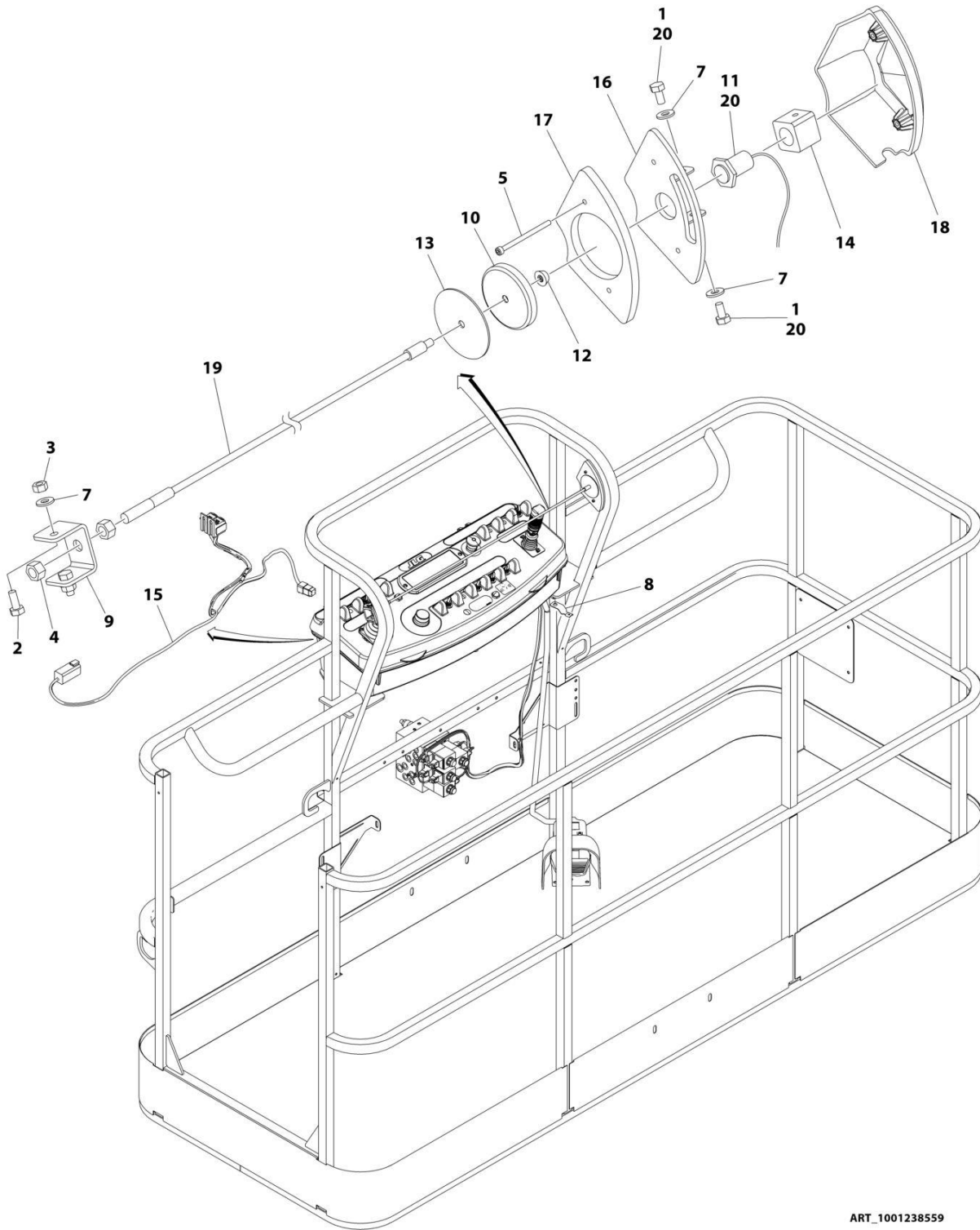
## SECTION 5 - PLATFORM

**FIGURE 5-24. SKYGLAZIER INSTALLATIONS (ANSI, AUSTRALIAN AND CSA SPECS)**

ITEM	PART NUMBER	QTY	DESCRIPTION	REV
	1001101422	Ref	SKYGLAZIER INSTALLATION	C
1	0642012	2	Bolt 5/8 x 1-1/2	
2	0642212	4	Bolt 3/4 x 1-1/2	
3	2902212	1	Bumpers and Strap Kit	
3	0940102	1	Bumper Only	
3	4240149	1	Strap Only	
4	3312005	4	Nut 5/8	
5	3312205	4	Nut 3/4	
6	4420014	AR	Tape	
7	4712000	6	Washer 5/8	
8	4712200	8	Washer 3/4	
9	1001099366	1	Support	
10	1001099367	1	Support	
11	1001101421	1	Tray Assembly (See Items 101-111 for Breakdown)	
14	8310129	2	Bolt 3/4 x 2-1/2	
	1001101421	Ref	TRAY ASSEMBLY	F
101	0100081	AR	Adhesive	
102	1120555	2	Cap, Tube	
103	1701509	1	Decal - Manual	
104	See Note	NSS	Nameplate - Serial Number (Note: Not Available for Purchase)	
106	3340956	1	Pad Kit	
107	3460334	1	Tube	
108	3520071	2	Plug	
109	4420066	AR	Tape, Double Sided	
111	1001163131	2	Decal - Glazier Capacity	
	0272418	Ref	SKYGLAZIER DECAL INSTALLATION	4
201	1705358	2	Decal - SkyGlazier	

# SECTION 5 - PLATFORM

## FIGURE 5-25. SKYLINE INSTALLATION



ART\_1001238559



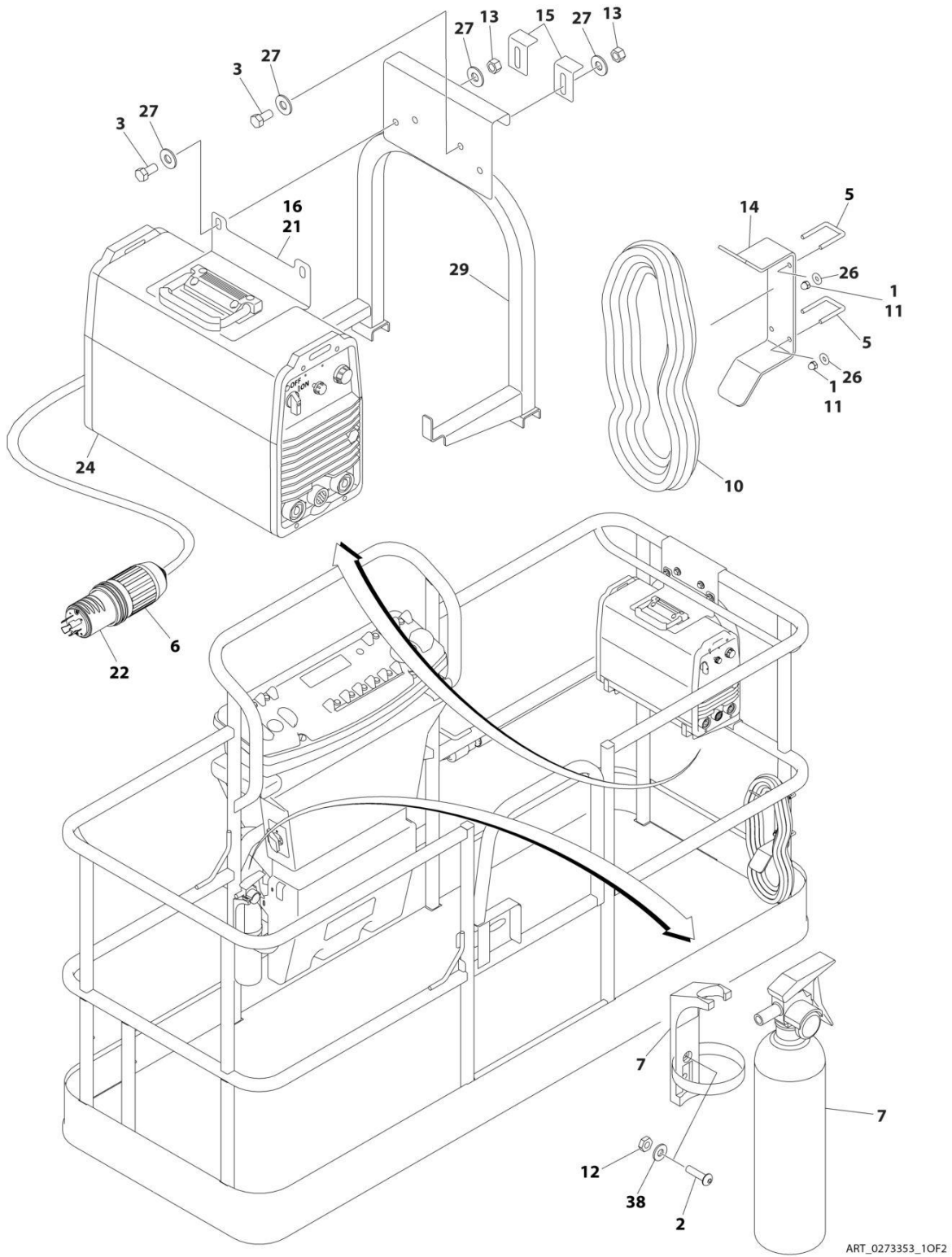
## SECTION 5 - PLATFORM

### FIGURE 5-25. SKYLINE INSTALLATION

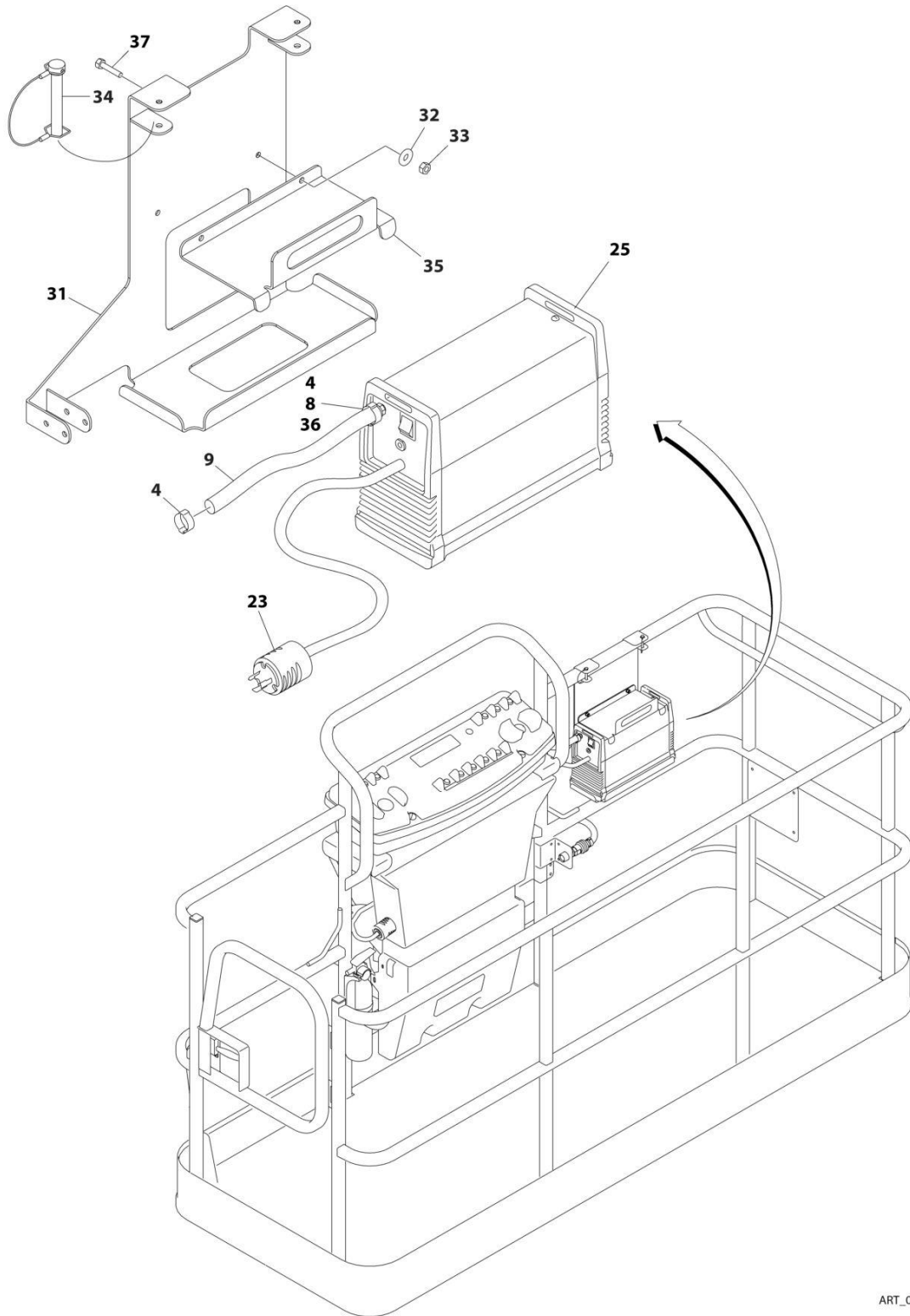
ITEM	PART NUMBER	QTY	DESCRIPTION	REV
	1001238559	Ref	SKYLINE INSTALLATION	B
1	0641404	2	Bolt 1/4 x 1/2	
2	0641405	2	Bolt 1/4 x 5/8	
3	3311405	2	Nut 1/4	
4	3311601	2	Nut 3/8	
5	4031516	2	Capscrew M4 x 60	
6	4240033	AR	Tie-Strap (Not Shown)	
7	4711400	4	Washer 1/4	
8	1001120328	1	Mount	
9	1001232642	1	Bracket	
10	1001232650	1	Magnet	
11	1001232667	1	Sensor, Proximity	
12	1001235011	1	Nut	
13	1001235013	1	Washer	
14	1001236552	1	Block	
15	1001238418	1	Harness, Skyline (See Separate Breakdown in ELECTRICAL Section)	
16	1001238472	1	Mount	
17	1001238477	1	Housing, LH	
18	1001241965	1	Housing, RH	
19	1001238824	1	Rope	
20	0100011	AR	Compound, Locking	

# SECTION 5 - PLATFORM

## FIGURE 5-26. SKYWELDER/SKYCUTTER COMBO INSTALLATION (60HZ)



# SECTION 5 - PLATFORM



ART\_0273353\_20F2

## SECTION 5 - PLATFORM

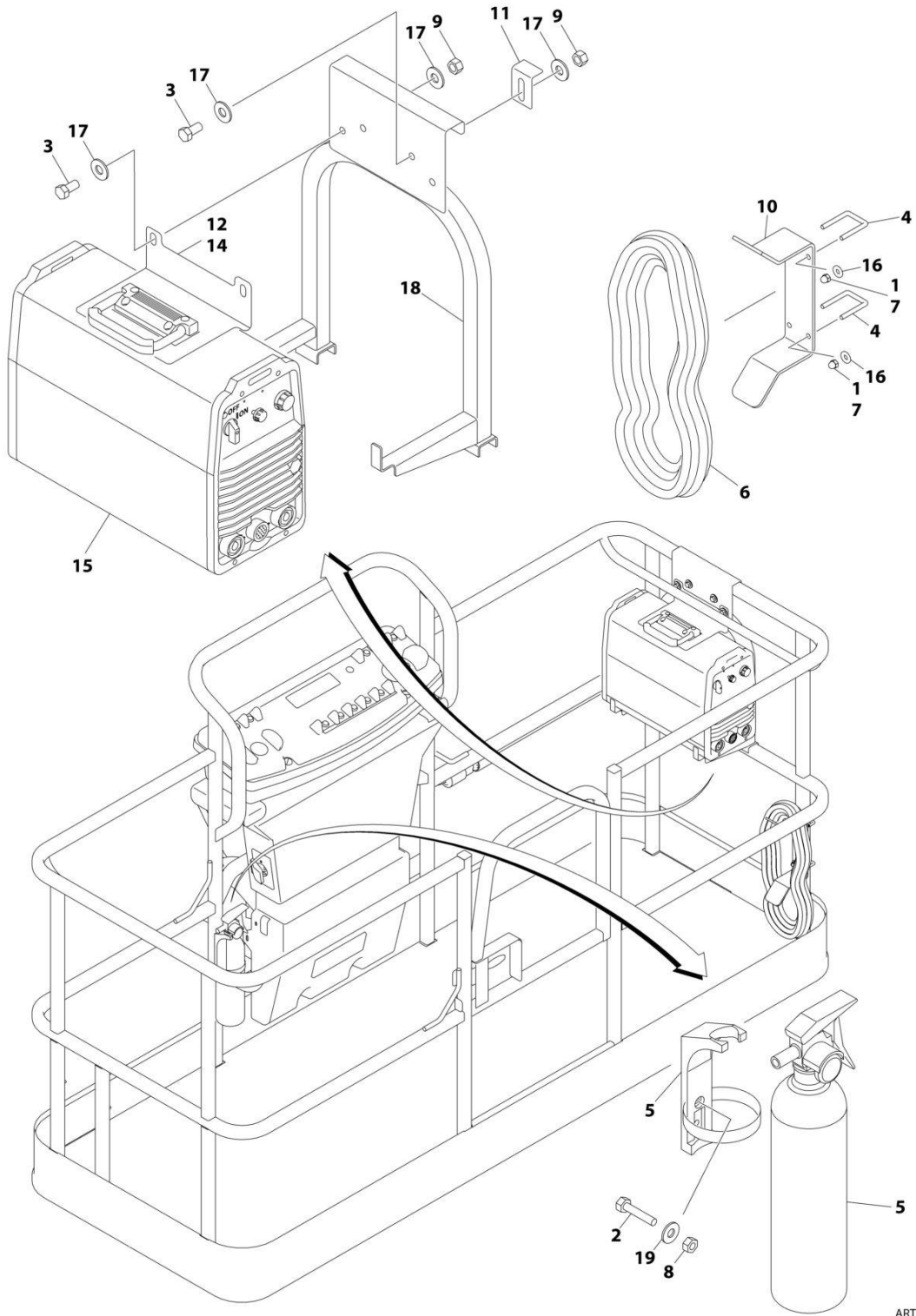
**FIGURE 5-26. SKYWELDER/SKYCUTTER COMBO INSTALLATION (60HZ)**

ITEM	PART NUMBER	QTY	DESCRIPTION	REV
	0273353	Ref	SKYWELDER/SKYCUTTER COMBO INSTALLATION (60HZ)	G
1	0100011	AR	Compound, Locking	
2	0630518	2	Screw #10 x 3/4	
3	0641606	4	Bolt 3/8 x 3/4	
4	1320177	2	Clamp	
5	1320302	2	Clamp	
6	1671093	1	Cover, Plug	
7	2030010	1	Extinguisher, Fire	
8	2180832	1	Fitting, Barbed/NPT	
9	2720160	4.5 ft /1.37m	Hose	
10	2902217	1	Weld Leads Kit	
11	3300151	4	Nut 1/4	
12	3311005	2	Nut #10	
13	3311605	4	Nut 3/8	
14	3573400	1	Bracket	
15	3577121	2	Angle	
16	3573642	1	Plate	
20	4240099	AR	Tie-Strap (Not Shown)	
21	4420037	2.36 ft /.71m	Tape	
22	4460962	1	Plug, Twist Lock	
23	4460971	1	Plug, Twist Lock	
24	4530028	1	Welder Assembly (See Separate Breakdown in this section)	
25	1001098012	1	Plasma Cutter Assembly (See Separate Breakdown in this Section)	
26	4751400	4	Washer 1/4	
27	4751600	8	Washer 3/8	
29	4846627	1	Support	
31	1001145405	1	Bracket	
32	4811700	2	Washer M6	
33	3290605	2	Nut M6	
34	3421453	3	Pin	
35	3576799	1	Plate, Hold-Down	
36	0100020	1	Sealant	
37	4010608	2	Screw M6 x 16	
38	4751000	2	Washer #10	



# SECTION 5 - PLATFORM

## FIGURE 5-27. SKYWELDER INSTALLATION (50HZ)



ART\_0272521\_F

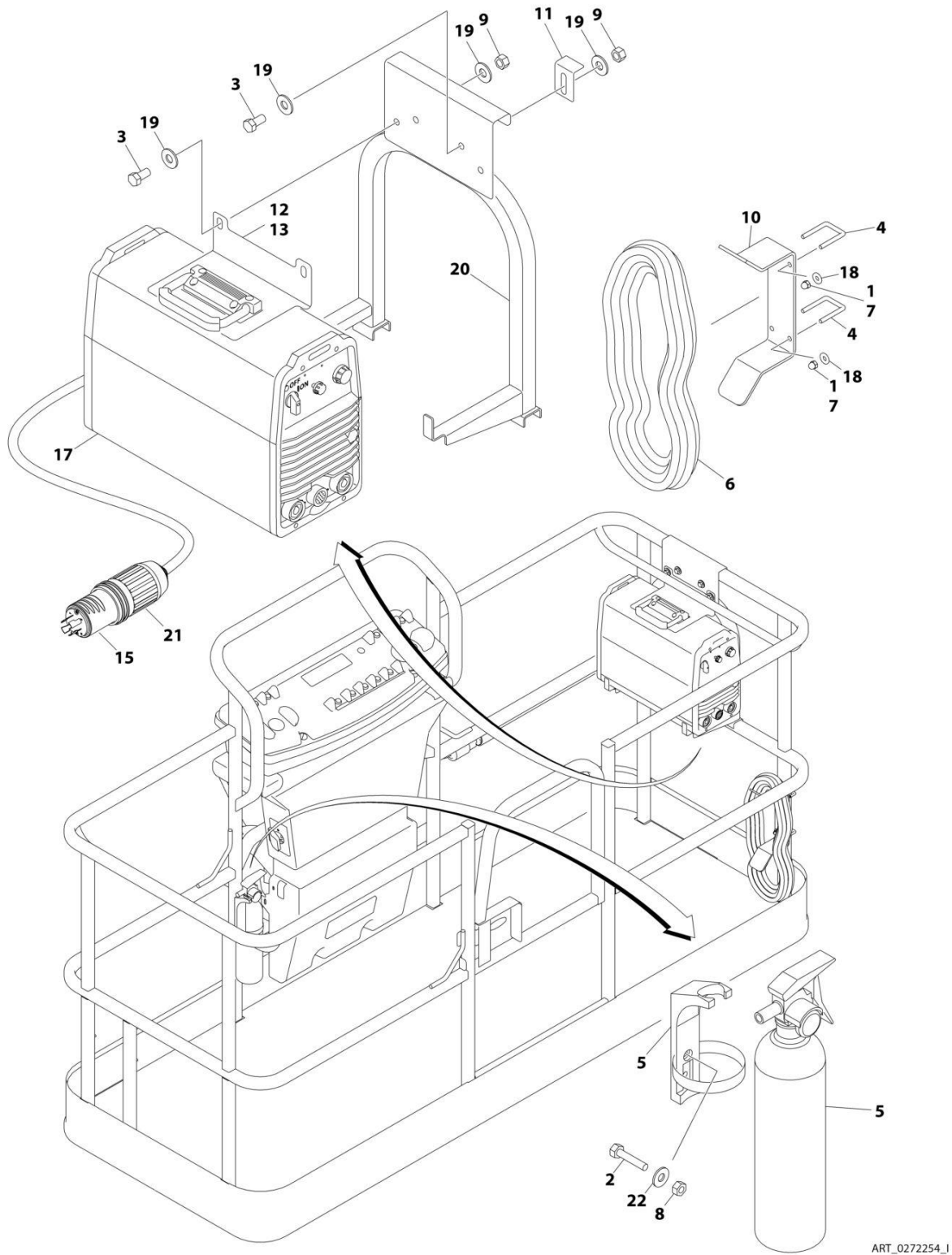
## SECTION 5 - PLATFORM

**FIGURE 5-27. SKYWELDER INSTALLATION (50HZ)**

ITEM	PART NUMBER	QTY	DESCRIPTION	REV
	0272521	Ref	SKYWELDER INSTALLATION	F
1	0100011	AR	Compound, Locking	
2	0630518	2	Screw #10 x 3/4	
3	0641606	4	Bolt 3/8 x 3/4	
4	1320302	2	U-Clamp	
5	2030010	1	Extinguisher, Fire	
6	2902217	1	Weld Leads Kit	
7	3300151	4	Nut 1/4	
8	3311005	2	Nut #10	
9	3311605	4	Nut 3/8	
10	3573400	1	Bracket	
11	3577121	2	Angle	
12	3573642	1	Plate	
13	4240099	AR	Tie-Strap (Not Shown)	
14	4420037	AR	Tape	
15	4530028	1	Welder Assembly (See Separate Breakdown in this Section)	
16	4751400	4	Washer 1/4	
17	4751600	8	Washer 3/8	
18	4846627	1	Support	
19	4751000	2	Washer #10	

# SECTION 5 - PLATFORM

## FIGURE 5-28. SKYWELDER INSTALLATION (60HZ)





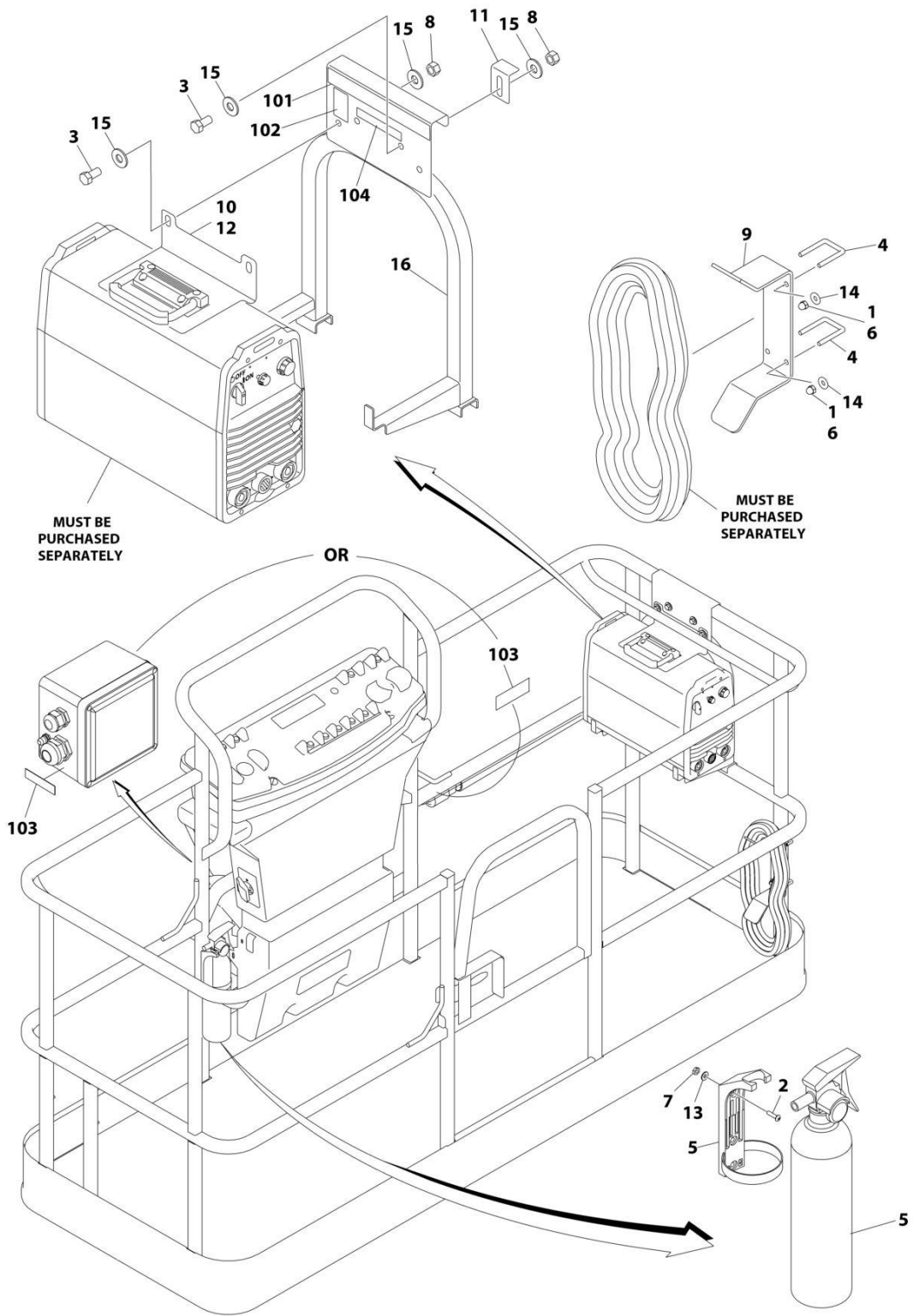
## SECTION 5 - PLATFORM

**FIGURE 5-28. SKYWELDER INSTALLATION (60HZ)**

ITEM	PART NUMBER	QTY	DESCRIPTION	REV
	0272254	Ref	SKYWELDER INSTALLATION	1
1	0100011	AR	Compound, Locking	
2	0630518	2	Screw #10 x 3/4	
3	0641606	4	Bolt 3/8 x 3/4	
4	1320302	2	U-Clamp	
5	2030010	1	Extinguisher, Fire	
6	2902217	1	Weld Leads Kit	
7	3300151	4	Nut 1/4	
8	3311005	2	Nut #10	
9	3311605	4	Nut 3/8	
10	3573400	1	Bracket	
11	3577121	2	Angle	
12	3573642	1	Plate	
13	4420037	AR	Tape	
14	4240099	AR	Tie-Strap (Not Shown)	
15	4460962	1	Plug, Male Twistlock	
17	4530028	1	Welder Assembly (See Separate Breakdown in this Section)	
18	4751400	4	Washer 1/4	
19	4751600	8	Washer 3/8	
20	4846627	1	Support	
21	1671093	1	Cover, Plug	
22	4751000	2	Washer #10	

# SECTION 5 - PLATFORM

## FIGURE 5-29. SKYWELDER PREP PACKAGE (60HZ)



ART\_1001128527\_B

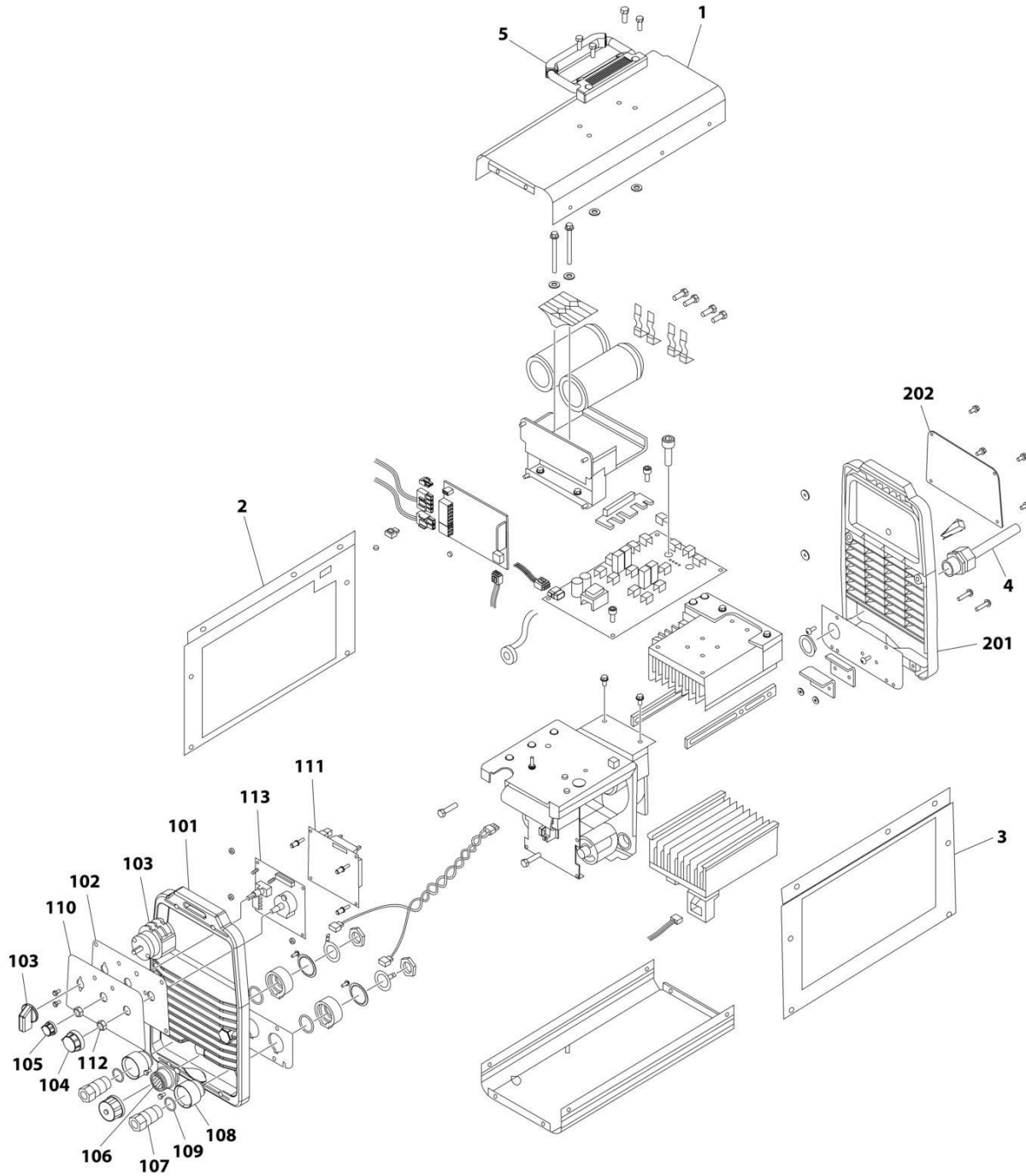
## SECTION 5 - PLATFORM

**FIGURE 5-29. SKYWELDER PREP PACKAGE (60HZ)**

ITEM	PART NUMBER	QTY	DESCRIPTION	REV
	1001128527	Ref	SKYWELDER PREP PACKAGE	B
1	0100011	AR	Compound, Locking	
2	0630518	2	Screw #10 x 3/4	
3	0641606	4	Bolt 3/8 x 3/4	
4	1320302	2	U-Clamp	
5	2030010	1	Extinguisher, Fire	
6	3300151	4	Nut 1/4	
7	3311005	2	Nut #10	
8	3311605	4	Nut 3/8	
9	3573400	1	Bracket	
10	3573642	1	Plate	
11	3577121	2	Angle	
12	4420037	AR	Tape	
13	4751000	2	Washer #10	
14	4751400	4	Washer 1/4	
15	4751600	8	Washer 3/8	
16	4846627	1	Support	
	1001128556	Ref	SKYWELDER DECAL INSTALLATION	C
101	1702868	1	Decal - No Hands	
102	1705305	1	Decal - Weld Lead	
103	1705375	1	Decal - 240V - 3 Phase - 60Hz	
104	1001228988	1	Decal - Weight	

# SECTION 5 - PLATFORM

## FIGURE 5-30. WELDER ASSEMBLY



ART\_4530028

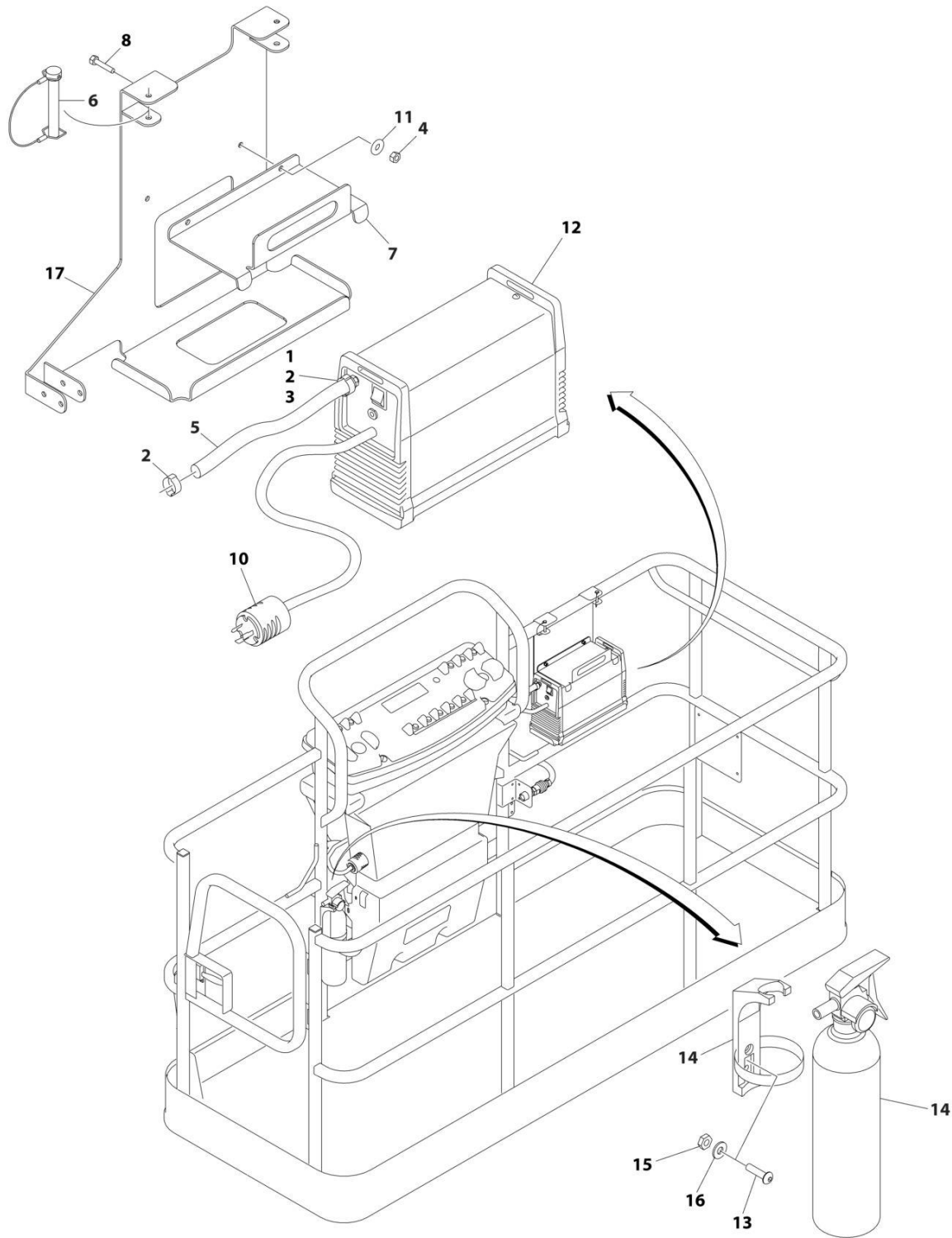
## SECTION 5 - PLATFORM

### FIGURE 5-30. WELDER ASSEMBLY

ITEM	PART NUMBER	QTY	DESCRIPTION	REV
	4530028	Ref	WELDER ASSEMBLY	B
		Ref	Note: For Other Components, contact your Miller Welder Dealer.	
1	7027773	1	Cover, Top	
1	7027774	1	Decal - Static Precautionary Warning	
2	See Note	NSS	Panel, LH Side (Note: Part of Item 1. Purchase Item 1)	
3	See Note	NSS	Panel, RH Side (Note: Part of Item 1. Purchase Item 1)	
4	7024467	1	Cable, Power	
4	7027775	1	Decal - Electrical Shock Warning (Not Shown)	
5	7027776	1	Handle, Carrying	
101	7024462	1	Panel, Front	
102	7024463	1	Panel, Console	
103	7024469	1	Switch with Lead	
104	7024470	1	Knob	
105	7024471	1	Knob	
106	7024472	1	Receptacle with Leads and Plugs	
107	7024473	2	Receptacle, Twistlock Female	
108	7024474	2	Insulator	
109	7024475	2	O-Ring	
110	7027777	1	Nameplate	
111	7027779	1	Circuit Card Assembly (Process Control)	
112	7024478	2	Nut	
113	7027778	1	Circuit Card Assembly (Operator Interface)	
201	7024462	1	Panel, Rear	
202	7027780	1	Panel, Cover	

# SECTION 5 - PLATFORM

## FIGURE 5-31. SKYCUTTER INSTALLATION



ART\_1001098149\_D

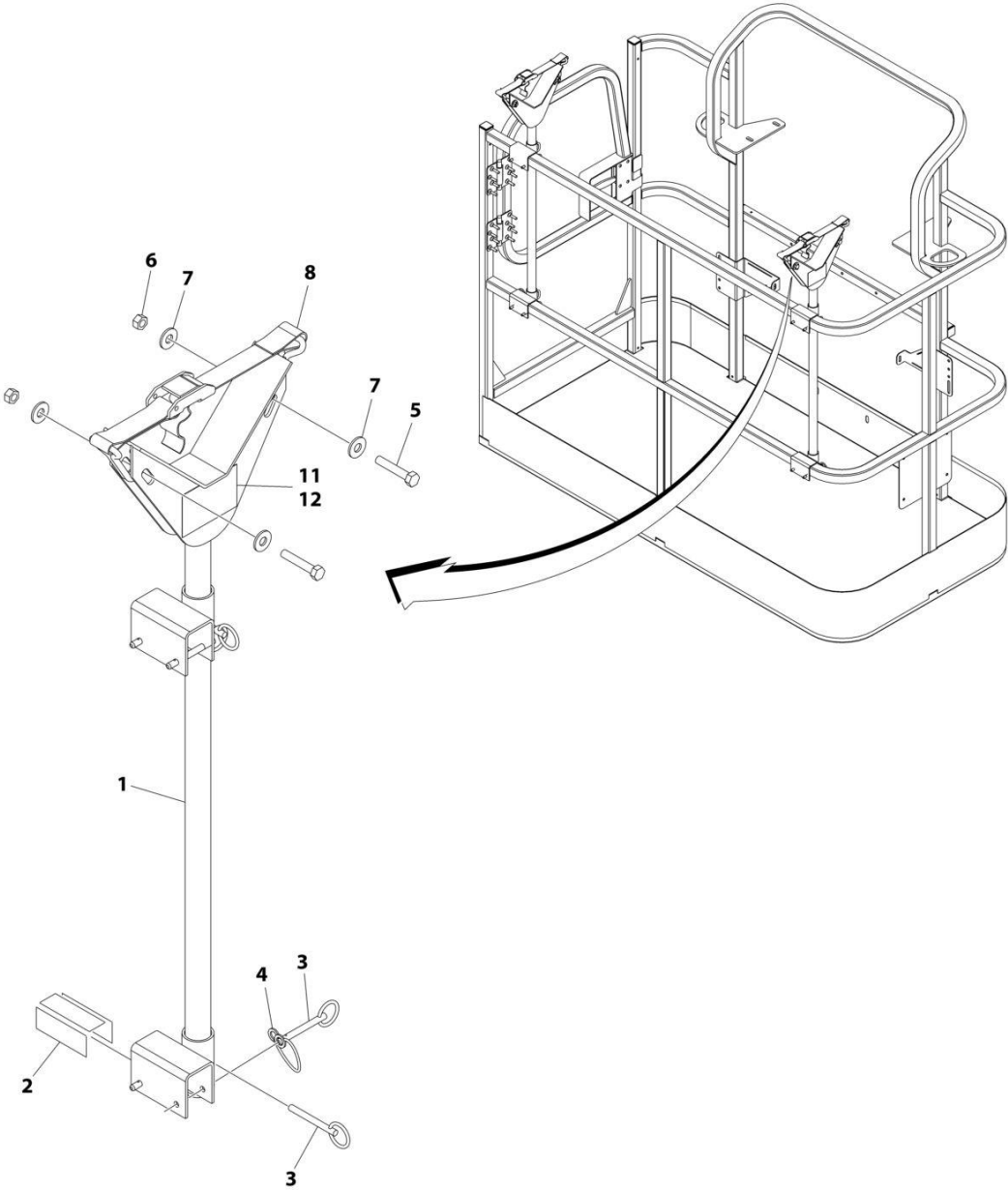
## SECTION 5 - PLATFORM

**FIGURE 5-31. SKYCUTTER INSTALLATION**

ITEM	PART NUMBER	QTY	DESCRIPTION	REV
	1001098149	Ref	SKYCUTTER INSTALLATION	D
		Ref	Note: When replacing platform on machines with SkyCutter option, new bracket p/n 1001145405 must be purchased to accommodate SkyCutter components.	
1	0100020	AR	Sealant	
2	1320177	2	Clamp, Hose	
3	2180832	1	Fitting, NPT/Barbed	
4	3290605	2	Nut M6	
5	2720160	3 ft /.9m	Hose	
6	3421453	3	Pin	
7	3576799	1	Plate, Hold-Down	
8	4010608	2	Screw M6 x 16	
10	4460971	1	Plug, Twistlock	
11	4811700	2	Washer M6	
12	1001098012	1	Plasma Cutter Assembly (See Separate Breakdown in this Section)	
13	0630518	2	Screw #10 x 3/4	
14	2030010	1	Extinguisher, Fire	
15	3311005	2	Nut #10	
16	4751000	2	Washer #10	
17	1001145405	1	Support	

**SECTION 5 - PLATFORM**

**FIGURE 5-32. PIPE RACK INSTALLATION (ANSI AND CSA SPECS)**



ART\_0257728\_E



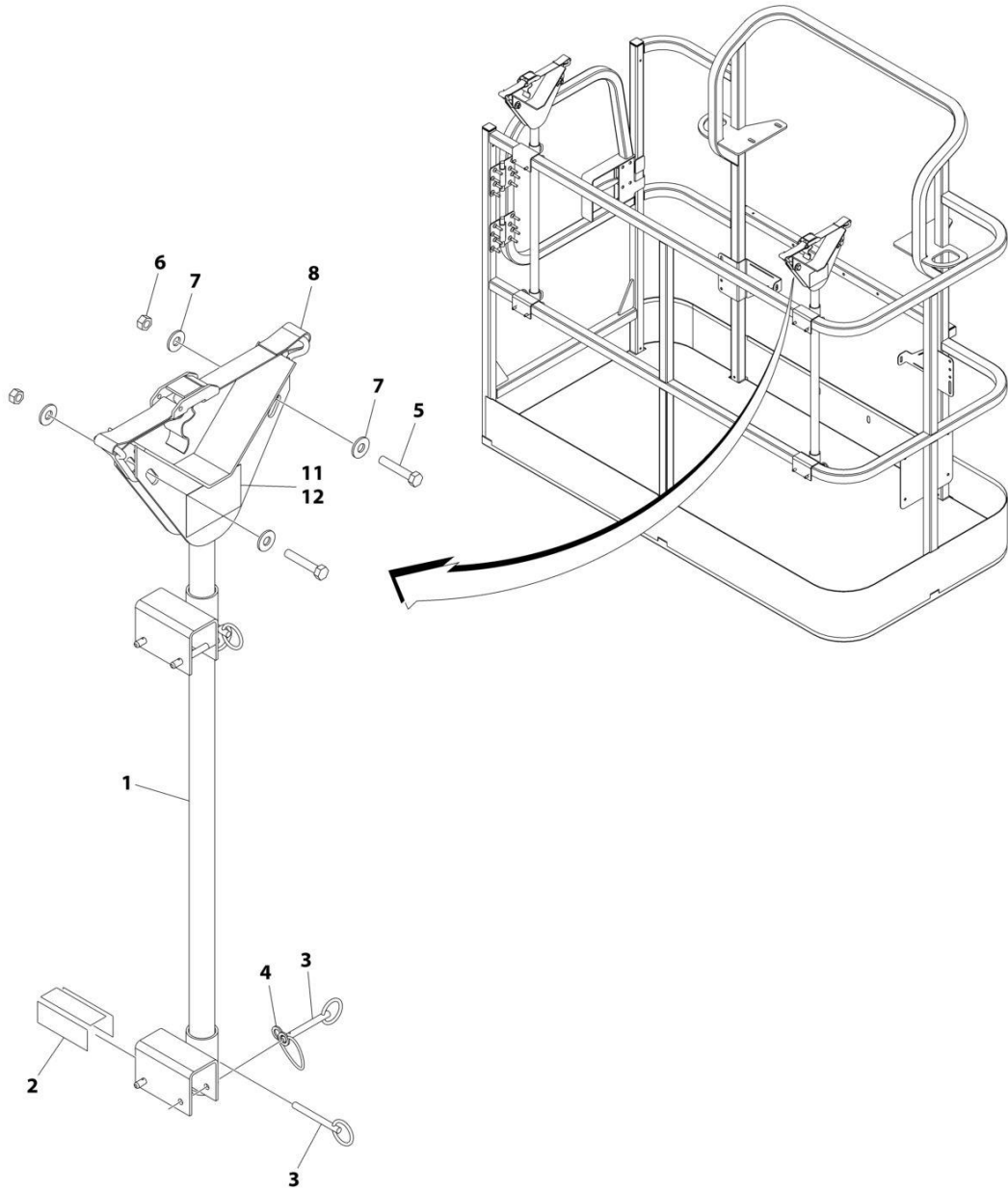
## SECTION 5 - PLATFORM

**FIGURE 5-32. PIPE RACK INSTALLATION (ANSI AND CSA SPECS)**

ITEM	PART NUMBER	QTY	DESCRIPTION	REV
	0257728	Ref	PIPE RACK INSTALLATION	E
1	4845582	2	Rack, Pipe	
2	4420062	AR	Tape	
3	3422661	10	Pin	
4	1060379	4	Lanyard	
5	0641514	4	Bolt 5/16 x 1-3/4	
6	3311505	4	Nut 5/16	
7	4751500	8	Washer 5/16	
8	0480100	2	Tie-Down	
11	1001252946	2	Decal - Capacity (500-600LBS/2227-272KG Zones)	
12	1001252947	2	Decal - Capacity (660-1000LBS/299-454KG Zones)	

# SECTION 5 - PLATFORM

## FIGURE 5-33. PIPE RACK INSTALLATION (AUSTRALIAN AND CE SPEC)



ART\_0274661\_C

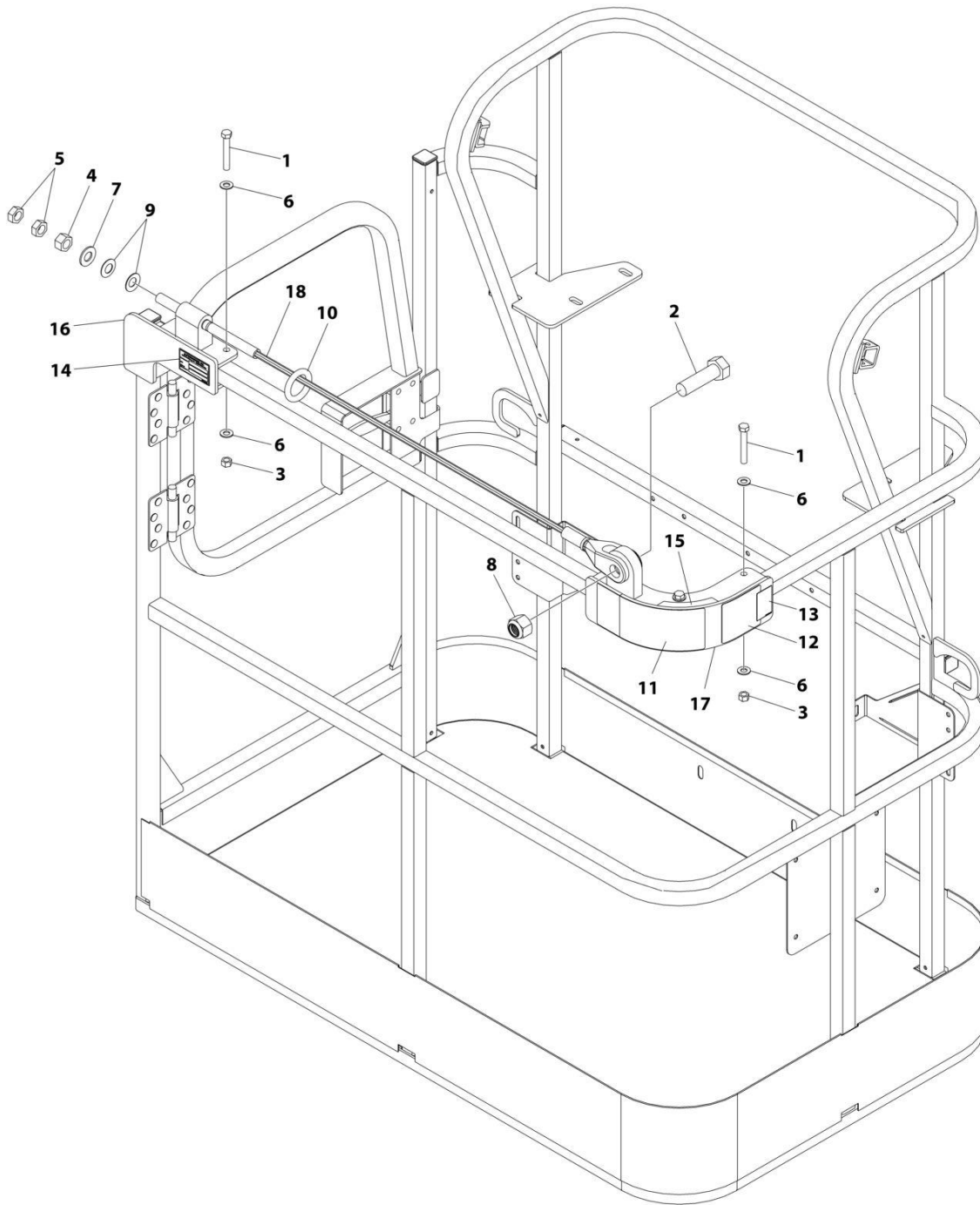
## SECTION 5 - PLATFORM

**FIGURE 5-33. PIPE RACK INSTALLATION (AUSTRALIAN AND CE SPEC)**

ITEM	PART NUMBER	QTY	DESCRIPTION	REV
	0274661	Ref	PIPE RACK INSTALLATION	C
1	4845582	2	Rack, Pipe	
2	4420062	AR	Tape	
3	3422661	10	Pin	
4	1060379	4	Lanyard	
5	0641514	4	Bolt 5/16 x 1-3/4	
6	3311505	4	Nut 5/16	
7	4751500	8	Washer 5/16	
8	0480100	2	Tie-Down	
11	1001252946	2	Decal - Capacity (1) (500-600LBSS/227-272KG Zones) (1200SJP,1250AJP,1350SJP,1500SJ,400S,450A,450AJ,460SJ,520AJ,800S,860SJ)	
12	1001252947	2	Decal - Capacity (2) (660-1000LBSS/299-454KG Zones)	

# SECTION 5 - PLATFORM

FIGURE 5-34. FALL ARREST INSTALLATION (BOLT - ON EXTERNAL) 4FFT/1.22M PLATFORM)



ART\_1001261338

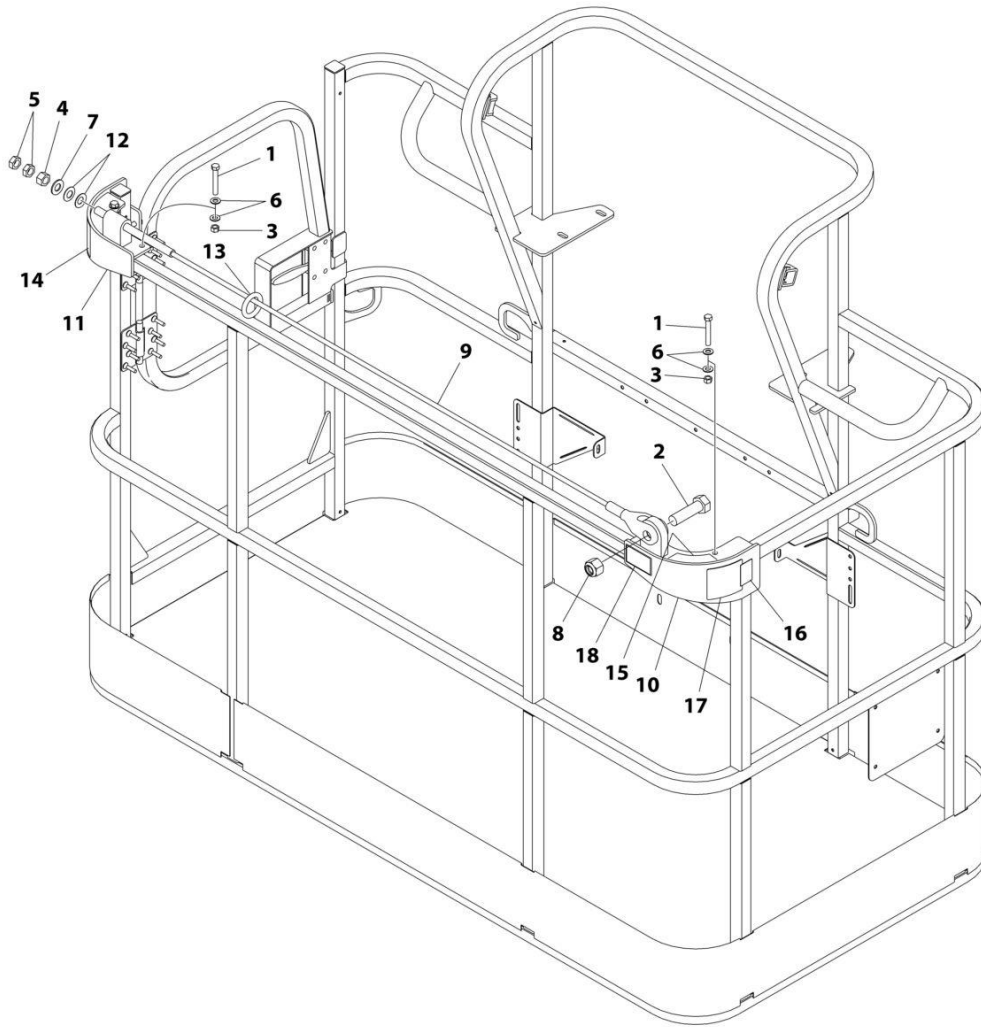
## SECTION 5 - PLATFORM

**FIGURE 5-34. FALL ARREST INSTALLATION (BOLT - ON EXTERNAL) 4FFT/1.22M PLATFORM)**

ITEM	PART NUMBER	QTY	DESCRIPTION	REV
	1001261338	Ref	FALL ARREST INSTALLATION	A
1	0681620	6	Bolt 3/8 x 2-1/2	
2	0682424	1	Bolt 7/8 x 3	
3	3271605	6	Nut 3/8	
4	3272001	1	Nut 5/8	
5	3312002	2	Nut 5/8	
6	4711600	12	Washer 3/8	
7	4712000	1	Washer 5/8	
8	88521214	1	Nut 7/8	
9	1001236891	2	Washer	
10	1001236895	1	Ring	
11	1001238263	1	Decal - Warning Falling Hazard	
12	1001248140	1	Decal - Bolt Fall Arrest Re-Cert	
13	1001248141	1	Decal - Incription	
14	See Note	NSS	Nameplate - Manufacturers Serial Number (Note: Not Available for Purchase)	
15	1001252629	1	Decal - Weight	
16	1001257271	1	Bracket (RH)	
17	1001257274	1	Bracket (LH)	
18	1001261335	1	Rope	

# SECTION 5 - PLATFORM

## FIGURE 5-35. FALL ARREST INSTALLTION (BOLT-ON EXTERNAL) (6FT/1.82M PLATFORM)



ART\_1001236747

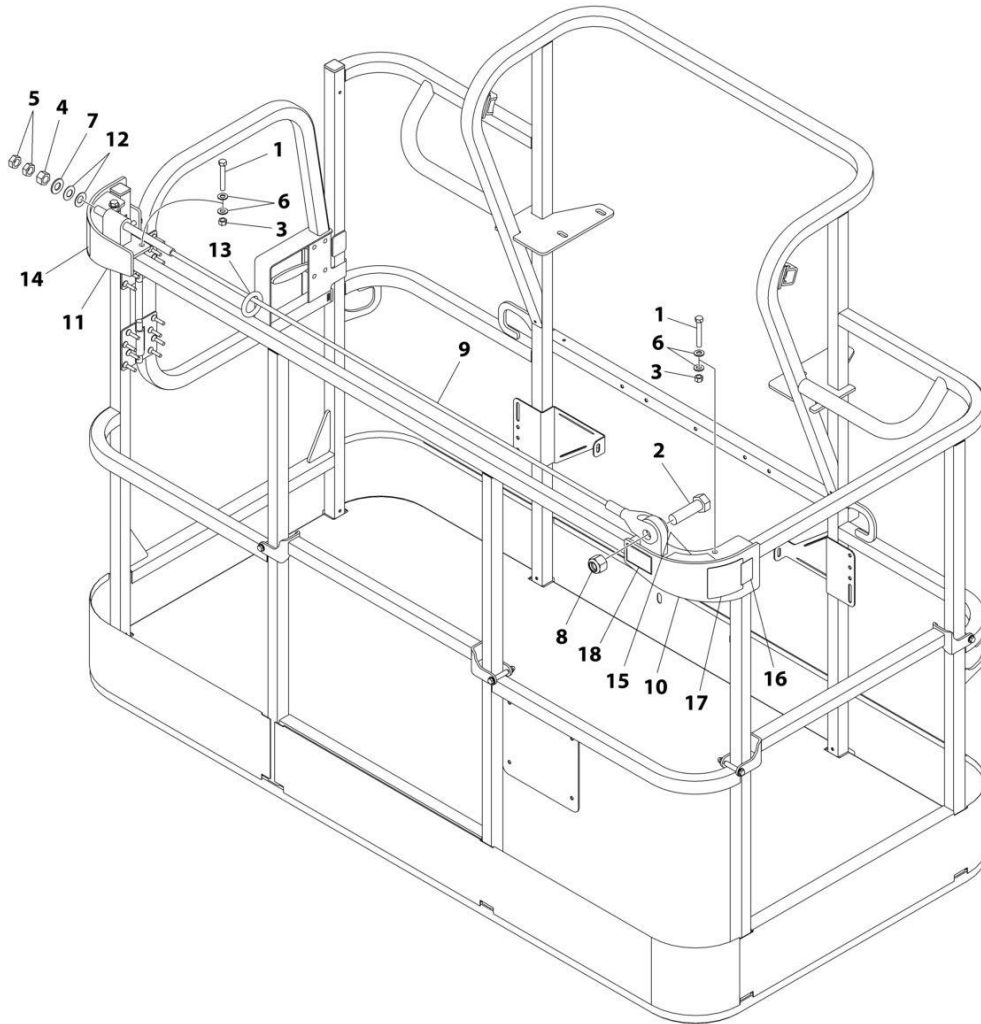
## SECTION 5 - PLATFORM

**FIGURE 5-35. FALL ARREST INSTALLTION (BOLT-ON EXTERNAL) (6FT/1.82M PLATFORM)**

ITEM	PART NUMBER	QTY	DESCRIPTION	REV
	1001236747	Ref	FALL ARREST INSTALLATION (BOLT - ON) 6FT/1.82M PLATFORM	C
1	0681620	6	Bolt 3/8 x 2-1/2	
2	0682424	1	Bolt 7/8 x 3	
3	3271605	6	Nut 3/8	
4	3272001	1	Nut 5/8	
5	3312002	2	Nut 5/8	
6	4711600	12	Washer 3/8	
7	4712000	1	Washer 5/8	
8	88521214	1	Nut 7/8	
9	1001231950	1	Rope	
10	1001232010	1	Bracket (RH)	
11	1001232011	1	Bracket (LH)	
12	1001236891	2	Washer	
13	1001236895	1	Ring	
14	1001238263	1	Decal - Warning Falling Hazard	
15	1001252629	1	Decal - Weight	
16	1001248140	1	Decal - Bolt Fall Arrest Re-Cert	
17	1001248141	1	Decal - Inscription	

# SECTION 5 - PLATFORM

FIGURE 5-36. FALL ARREST INSTALLTION (BOLT-ON EXTERNAL) (6FT/1.82M TRI-ENTRY PLATFORM)



ART\_1001238463



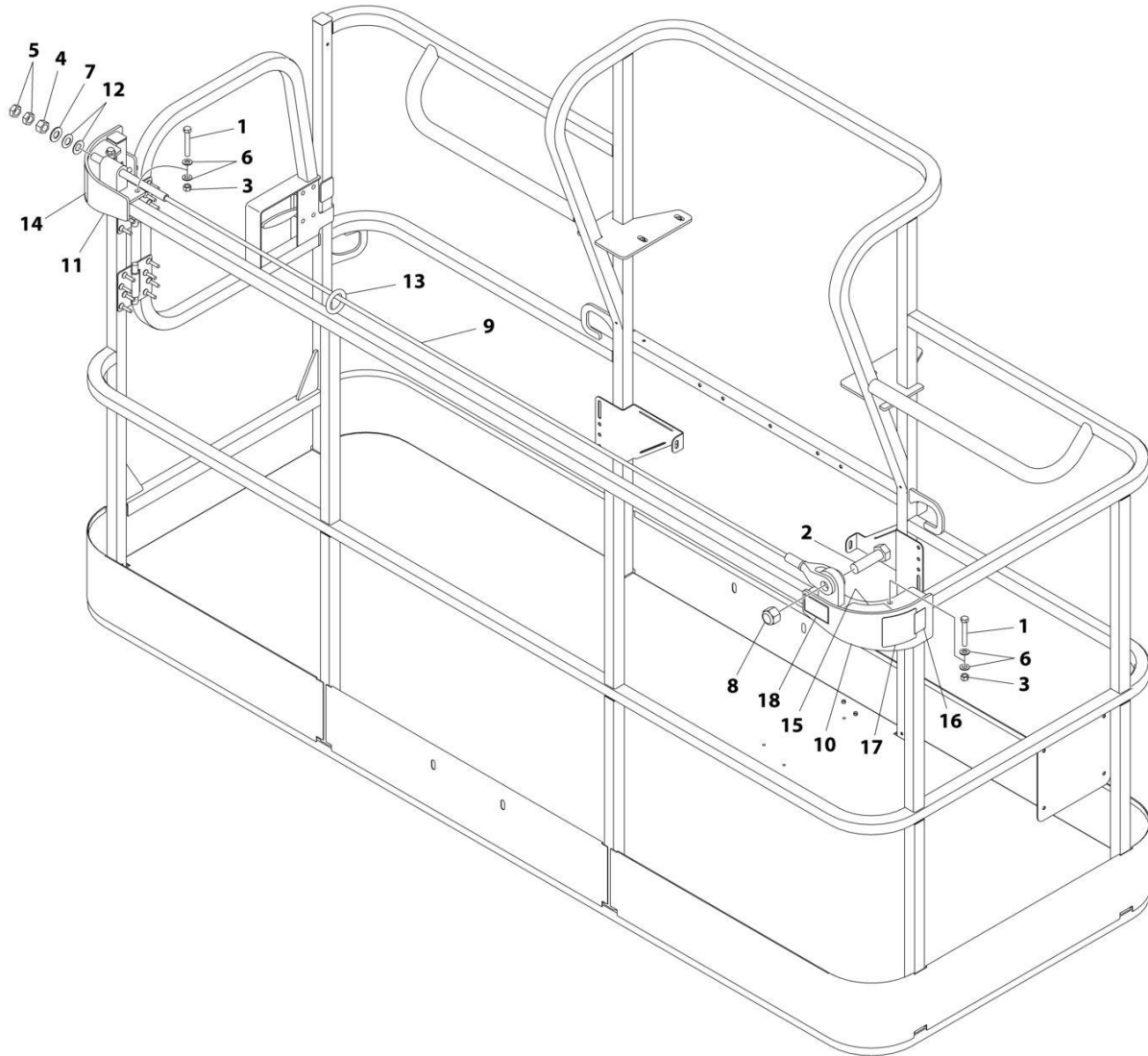
## SECTION 5 - PLATFORM

**FIGURE 5-36. FALL ARREST INSTALLTION (BOLT-ON EXTERNAL) (6FT/1.82M TRI-ENTRY PLATFORM)**

ITEM	PART NUMBER	QTY	DESCRIPTION	REV
	1001238463	Ref	FALL ARREST INSTALLATION (BOLT - ON) 6FT/1.82M PLATFORM	C
1	0681620	6	Bolt 3/8 x 2-1/2	
2	0682424	1	Bolt 7/8 x 3	
3	3271605	6	Nut 3/8	
4	3272001	1	Nut 5/8	
5	3312002	2	Nut 5/8	
6	4711600	12	Washer 3/8	
7	4712000	1	Washer 5/8	
8	88521214	1	Nut 7/8	
9	1001231950	1	Rope	
10	1001232010	1	Bracket (RH)	
11	1001232011	1	Bracket (LH)	
12	1001236891	2	Washer	
13	1001236895	1	Ring	
14	1001238263	1	Decal - Warning Falling Hazard	
15	1001252629	1	Decal - Weight	
16	1001248140	1	Decal - Bolt Fall Arrest Re-Cert	
17	1001248141	1	Decal - Inscription	

# SECTION 5 - PLATFORM

FIGURE 5-37. FALL ARREST INSTALLTION (BOLT-ON EXTERNAL) (8FT/2.4M PLATFORM)



ART\_1001236746

## SECTION 5 - PLATFORM

**FIGURE 5-37. FALL ARREST INSTALLTION (BOLT-ON EXTERNAL) (8FT/2.4M PLATFORM)**

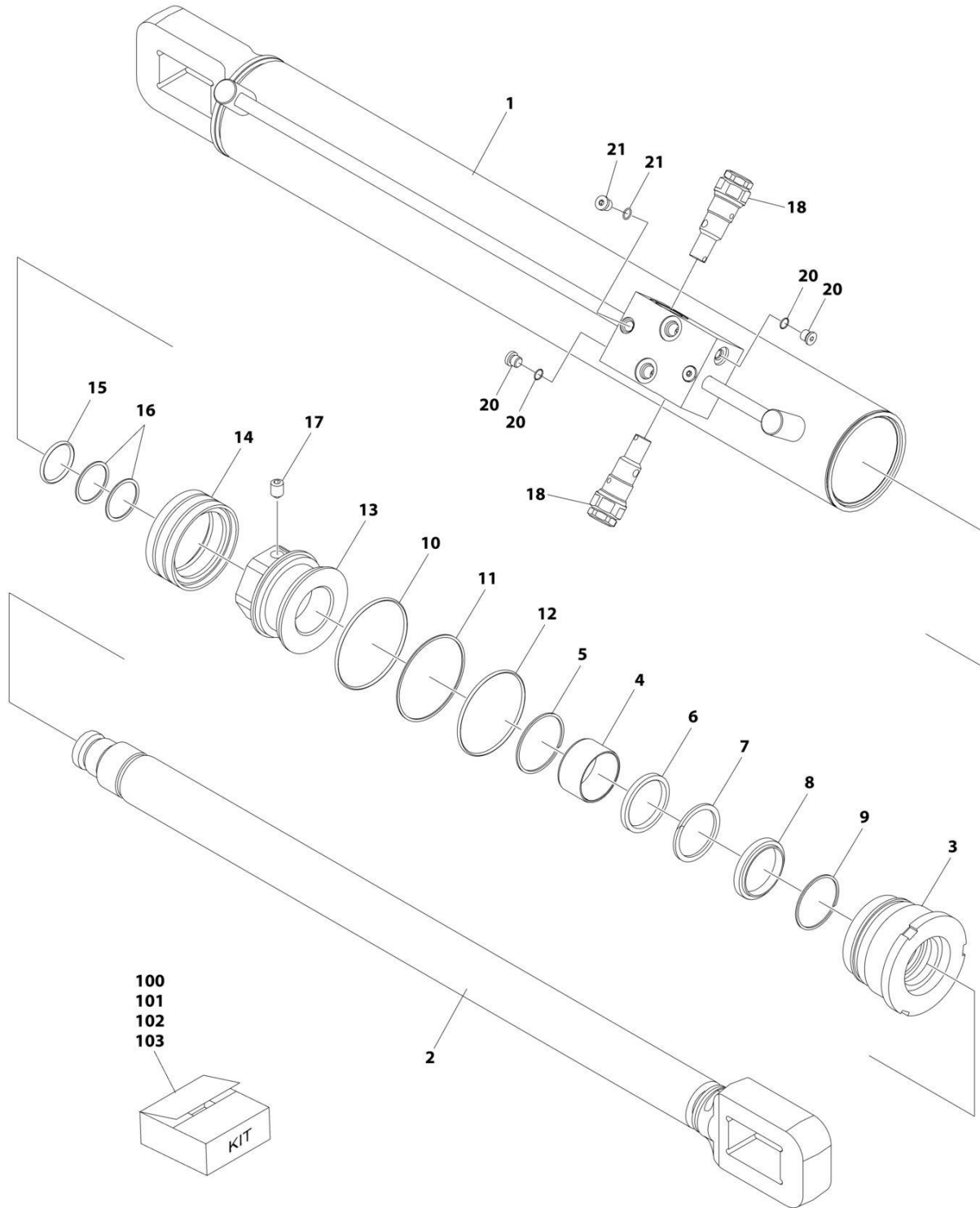
ITEM	PART NUMBER	QTY	DESCRIPTION	REV
	1001236746	Ref	FALL ARREST INSTALLATION (BOLT - ON) 8FT/2.4M PLATFORM	C
1	0681620	6	Bolt 3/8 x 2-1/2	
2	0682424	1	Bolt 7/8 x 3	
3	3271605	6	Nut 3/8	
4	3272001	1	Nut 5/8	
5	3312002	2	Nut 5/8	
6	4711600	12	Washer 3/8	
7	4712000	1	Washer 5/8	
8	88521214	1	Nut 7/8	
9	1001231949	1	Rope	
10	1001232010	1	Bracket (RH)	
11	1001232011	1	Bracket (LH)	
12	1001236891	2	Washer	
13	1001236895	1	Ring	
14	1001238263	1	Decal - Warning Falling Hazard	
15	1001252629	1	Decal - Weight 23LBS/10.4KG	
16	1001248140	1	Decal - Bolt Fall Arrest Re-Cert	
17	1001248141	1	Decal - Inscription	



**SECTION 6 - CYLINDER**

# SECTION 6 - CYLINDER

## FIGURE 6-1. AXLE EXTENSION CYLINDER ASSEMBLY



ART\_1001251020

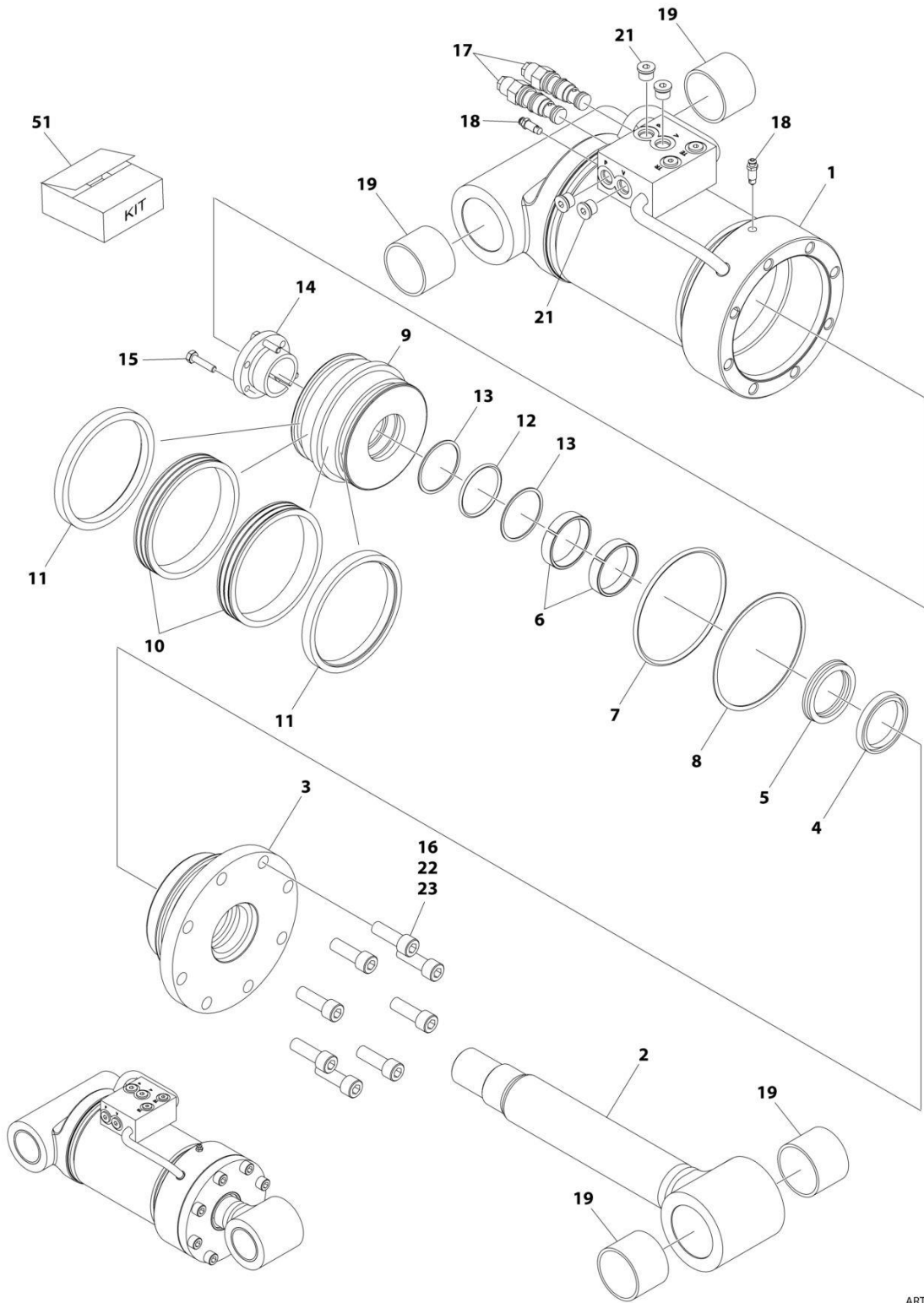
## SECTION 6 - CYLINDER

### FIGURE 6-1. AXLE EXTENSION CYLINDER ASSEMBLY

ITEM	PART NUMBER	QTY	DESCRIPTION	REV
	1001251020	Ref	AXLE EXTENSION CYLINDER ASSEMBLY	A
		Ref	Note: Original Cylinder May Have Been Replaced with Service Replacement. Identify PN Stamped on Cylinder Before Ordering Parts.	
1	See Note	NSS	Barrel (Note: Use p/n 1001251020)	
2	70007382	1	Rod	
3	See Note	NSS	Head (Use Item 100)	
5	See Note	NSS	Ring (Note: Use Item 100)	
6	See Note	NSS	Seal (Note: Use Item 101)	
7	See Note	NSS	Ring, Back-up (Note: Use Item 101)	
8	See Note	NSS	Wiper, Rod (Note: Use Item 101)	
9	See Note	NSS	Ring, Retaining (Note: Use Item 101)	
10	See Note	NSS	O-Ring (Note: Use Item 101)	
11	See Note	NSS	Ring, Back-up (Note: Use Item 101)	
12	See Note	NSS	O-Ring (Note: Use Item 101)	
13	See Note	NSS	Piston (Note: Use Item 102)	
14	See Note	NSS	Seal (Note: Use Item 101)	
15	See Note	NSS	O-Ring (Note: Use Item 101)	
16	See Note	NSS	Ring, Back-up (Note: Use Item 101)	
17	See Note	NSS	Setscrew (Note: Use Item 102)	
18	4640509	2	Cartridge, Holding Valve	
18	2900792	2	Seal Kit - 4640509 Cartridge Valve (1 Per Assembly)	
20	See Note	NSS	Plug (Note: Use Item 103)	
21	See Note	NSS	Plug (Note: Use Item 103)	
100	70007383	1	Rod Cover Kit (Includes Items 3-5)	
101	70007384	1	Seal Kit (Includes Items 6-12 & 14-16)	
102	70007385	1	Piston Kit (Includes Items 13 & 17)	
103	70007386	1	Plug Kit (Includes Items 20 & 21)	

# SECTION 6 - CYLINDER

## FIGURE 6-2. AXLE LOCKOUT CYLINDER ASSEMBLY



ART\_1001228019



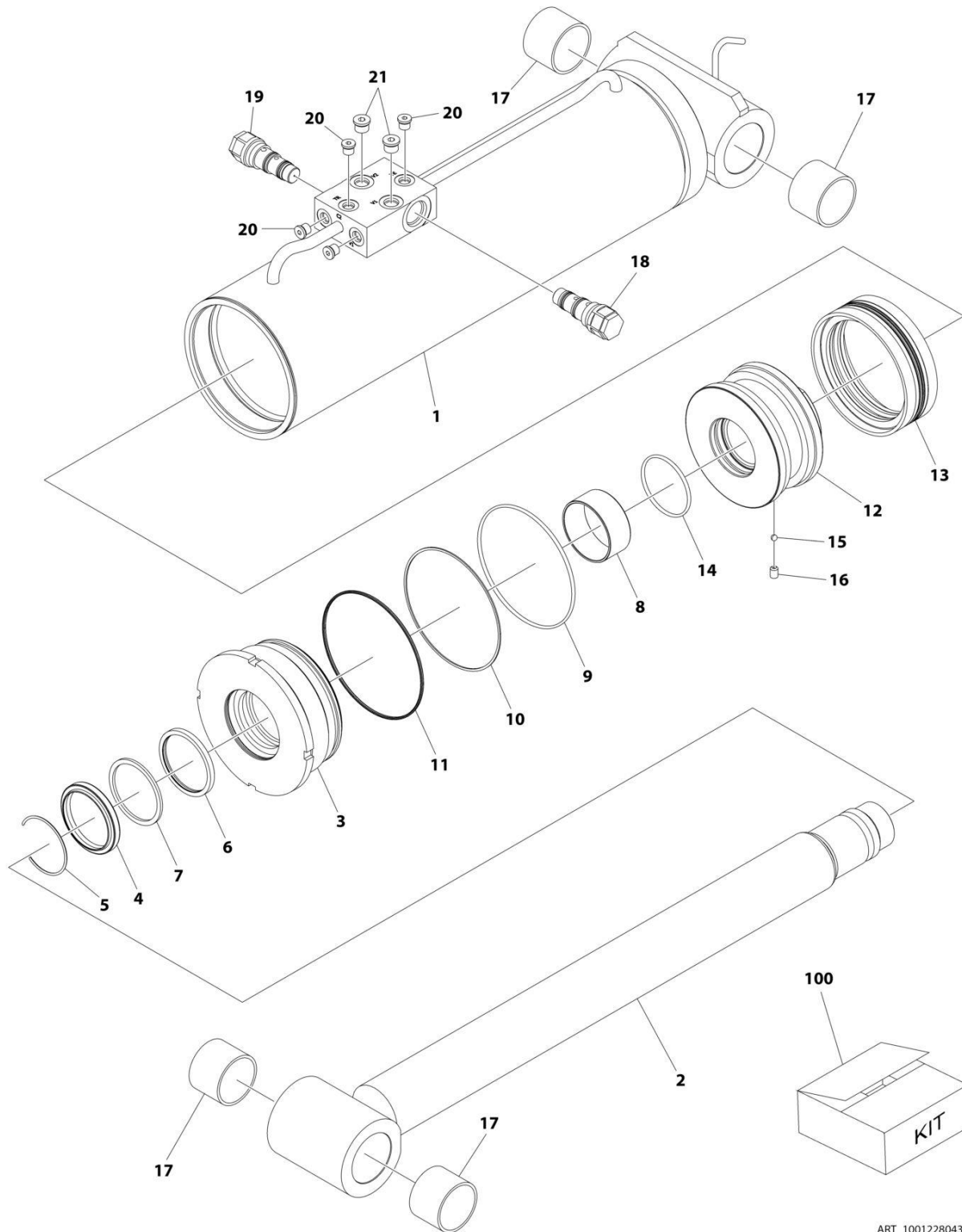
## SECTION 6 - CYLINDER

**FIGURE 6-2. AXLE LOCKOUT CYLINDER ASSEMBLY**

ITEM	PART NUMBER	QTY	DESCRIPTION	REV
	1001228019	Ref	AXLE LOCKOUT CYLINDER ASSEMBLY	D
		Ref	Note: Original Cylinder May Have Been Replaced with Service Replacement. Identify PN Stamped on Cylinder Before Ordering Parts.	
1	See Note	NSS	Barrel (Note: Not Available for Purchase)	
2	70006520	1	Rod	
3	70006474	1	Head	
4	See Note	NSS	Wiper (Note: Use Item 51)	
5	See Note	NSS	Seal, Rod (Note: Use Item 51)	
6	See Note	NSS	Ring, Wear (Note: Use Item 51)	
7	See Note	NSS	O-Ring (Note: Use Item 51)	
8	See Note	NSS	Ring, Back-up (Note: Use Item 51)	
9	70006473	1	Piston	
10	See Note	NSS	Seal (Note: Use Item 51)	
11	See Note	NSS	Ring, Lock (Note: Use Item 51)	
12	See Note	NSS	O-Ring (Note: Use Item 51)	
13	See Note	NSS	Ring, Back-up (Note: Use Item 51)	
14	0961896	1	Bushing	
15	0630535	3	Bolt 1/4 x 1-1/8	
16	3931824	8	Bolt 1/2 x 1-1/2	
17	4641276	2	Cartridge, Valve Options: (Counterbalance)	
17	2900770	2	Seal Kit - 4641276 Valve (1 Per Assembly)	
18	4640858	2	Valve, Bleeder	
19	0961950	4	Bearing	
21	2220885	4	Plug, O-Ring	
22	0100011	AR	Compound, Locking	
23	0100038	AR	Primer, Locking	
51	2902087	1	Seal Kit (Includes Items 4-8 & 10-13)	

# SECTION 6 - CYLINDER

## FIGURE 6-3. LEVEL (JIB) CYLINDER ASSEMBLY - WITH OR WITHOUT COLD WEATHER PLUS PACKAGE



ART\_1001228043

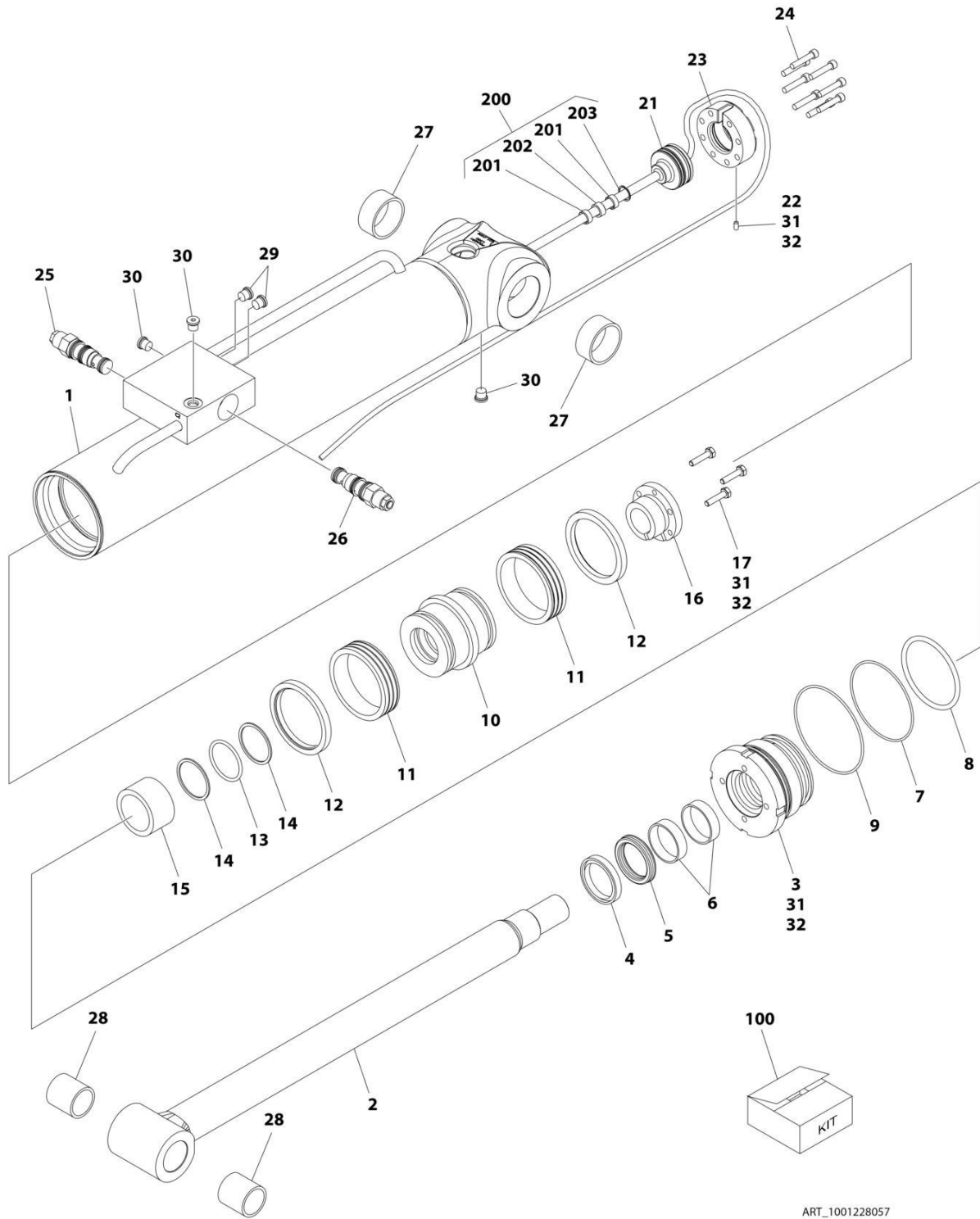
## SECTION 6 - CYLINDER

**FIGURE 6-3. LEVEL (JIB) CYLINDER ASSEMBLY - WITH OR WITHOUT COLD WEATHER PLUS PACKAGE**

ITEM	PART NUMBER	QTY	DESCRIPTION	REV
	1001228043	Ref	LEVEL (JIB) CYLINDER ASSEMBLY - WITH OR WITHOUT COLD WEATHER PLUS PACKAGE	B
		Ref	Note: Original Cylinder May Have Been Replaced with Service Replacement. Identify PN Stamped on Cylinder Before Ordering Parts.	
1	See Note	NSS	Barrel Weldment (Note: Not Available for Purchase)	
2	70006646	1	Rod Weldment	
3	70006635	1	Head	
4	See Note	NSS	Wiper, Rod (Note: Use Item 100)	
5	70050795	1	Ring, Retaining	
6	See Note	NSS	Seal, Rod (Note: Use Item 100)	
7	See Note	NSS	Ring, Back-up (Note: Use Item 100)	
8	70006636	1	Ring, Wear	
9	See Note	NSS	O-Ring (Note: Use Item 100)	
10	See Note	NSS	Ring, Back-up (Note: Use Item 100)	
11	See Note	NSS	O-Ring (Note: Use Item 100)	
12	70006637	1	Piston	
13	See Note	NSS	Seal, Piston (Note: Use Item 100)	
14	See Note	NSS	O-Ring (Note: Use Item 100)	
15	70006596	1	Ball, Steel	
16	70022564	1	Setscrew	
17	0961950	4	Bushing	
18	4640999	1	Cartridge, Holding Valve (Non Vented)	
18	2900792	1	Seal Kit - 4640999 Cartridge Valve	
19	4641248	1	Cartridge, Counterbalance Valve (Non Vented)	
19	See Note	1	Seal Kit - 4641248 Cartridge Valve (Note: Not Available for Purchase)	
20	2220883	4	Plug, O-Ring	
21	2220885	2	Plug, O-Ring	
100	70006647	1	Seal Kit (Includes Items 4, 6, 7, 9-11, 13 & 14)	

# SECTION 6 - CYLINDER

## FIGURE 6-4. LEVEL (PLATFORM) CYLINDER ASSEMBLY



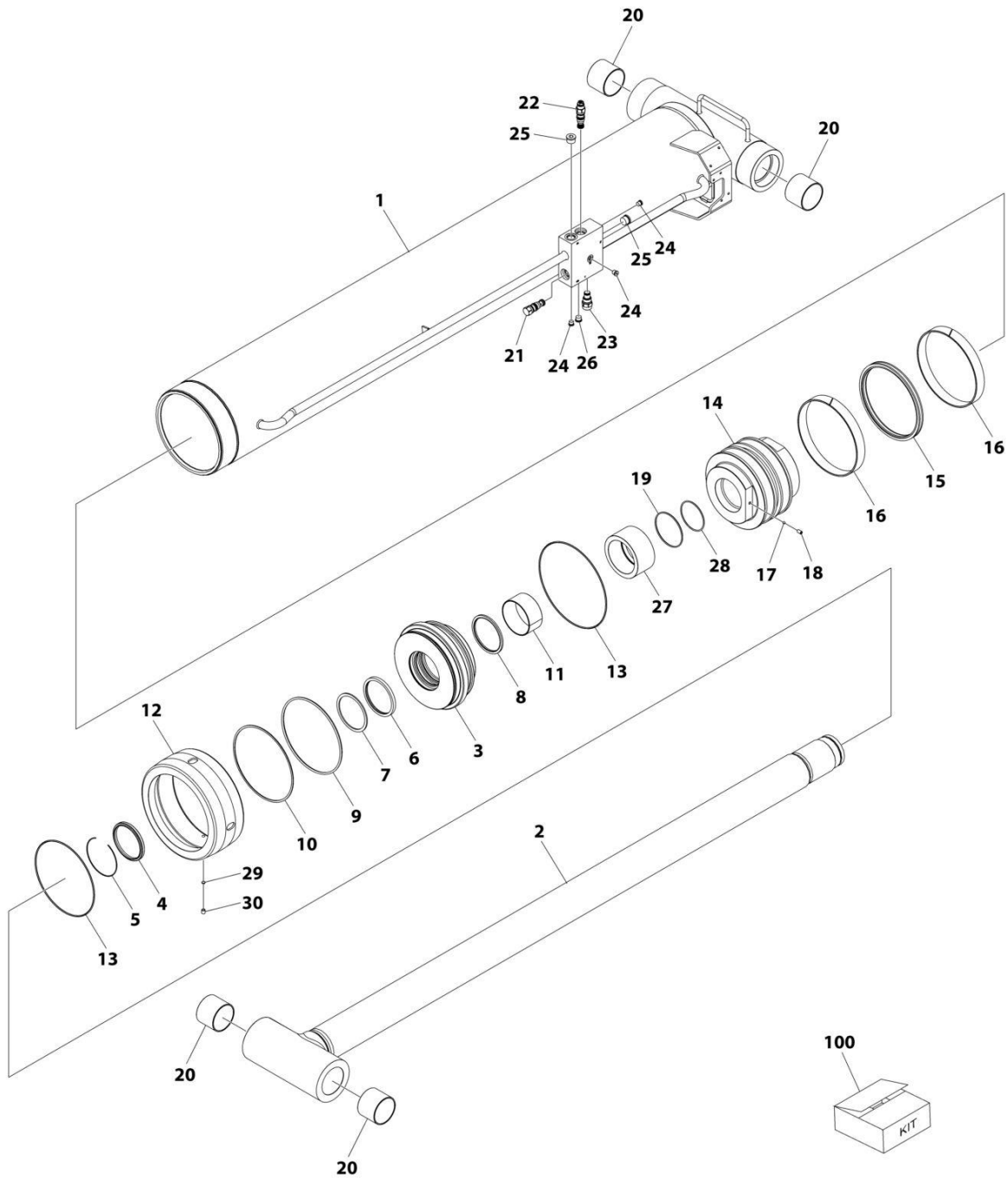
## SECTION 6 - CYLINDER

### FIGURE 6-4. LEVEL (PLATFORM) CYLINDER ASSEMBLY

ITEM	PART NUMBER	QTY	DESCRIPTION	REV
	1001228057	Ref	LEVEL (PLATFORM) CYLINDER ASSEMBLY	F
		Ref	Note: Original Cylinder May Have Been Replaced with Service Replacement. Identify PN Stamped on Cylinder Before Ordering Parts.	
1	See Note	NSS	Barrel Weldment (Note: Not Available for Purchase)	
2	70006519	1	Rod Weldment	
3	70006518	1	Head	
4	See Note	NSS	Wiper, Rod (Note: Use Item 100)	
5	See Note	NSS	Seal, Rod (Note: Use Item 100)	
6	See Note	NSS	Ring, Wear (Note: Use Item 100)	
7	See Note	NSS	O-Ring (Note: Use Item 100)	
8	See Note	NSS	Ring, Back-up (Note: Use Item 100)	
9	See Note	NSS	O-Ring (Note: Use Item 100)	
10	70006517	1	Piston	
11	See Note	NSS	Ring, Lock (Note: Use Item 100)	
12	See Note	NSS	Ring, Guide (Note: Use Item 100)	
13	See Note	NSS	O-Ring (Note: Use Item 100)	
14	See Note	NSS	Ring, Back-up (Note: Use Item 100)	
15	70006516	1	Spacer	
16	0961902	1	Bushing, Tapered	
17	0630535	3	Capscrew 1/4 x 1-1/8	
21	1001117990	1	Sensor, Cylinder Length	
22	70006464	1	Setscrew M5	
23	70006463	1	Cap, Retainer	
24	3931420	8	Capscrew 1/4 x 1-1/4	
25	4640489	1	Cartridge, Counterbalance Valve	
25	See Note	NSS	Seal Kit - 4640489 Cartridge Valve (1 Per Valve) (Note: Not Available for Purchase)	
26	4641260	1	Cartridge, Counterbalance Valve	
26	2900770	1	Seal Kit - 4641260 Cartridge Valve (1 Per Valve)	
27	1001117969	2	Bushing	
28	0962006	2	Bushing	
29	2220883	2	Plug, O-Ring	
30	2220883	3	Plug, O-Ring	
31	0100011	AR	Compound, Locking	
32	0100038	AR	Primer, Locking	
100	1001139995	1	Seal Kit (Includes Items 4-9 & 11-14)	
200	1001119105	1	Sensor Magnet Kit (Includes Items 201-203)	
201	1001117994	2	Sleeve, Spacer	
202	1001118066	1	Magnet, Sensor	
203	1001118069	1	Ring, Internal Retaining	

# SECTION 6 - CYLINDER

## FIGURE 6-5. LIFT (BOOM) CYLINDER ASSEMBLY



ART\_1001251045

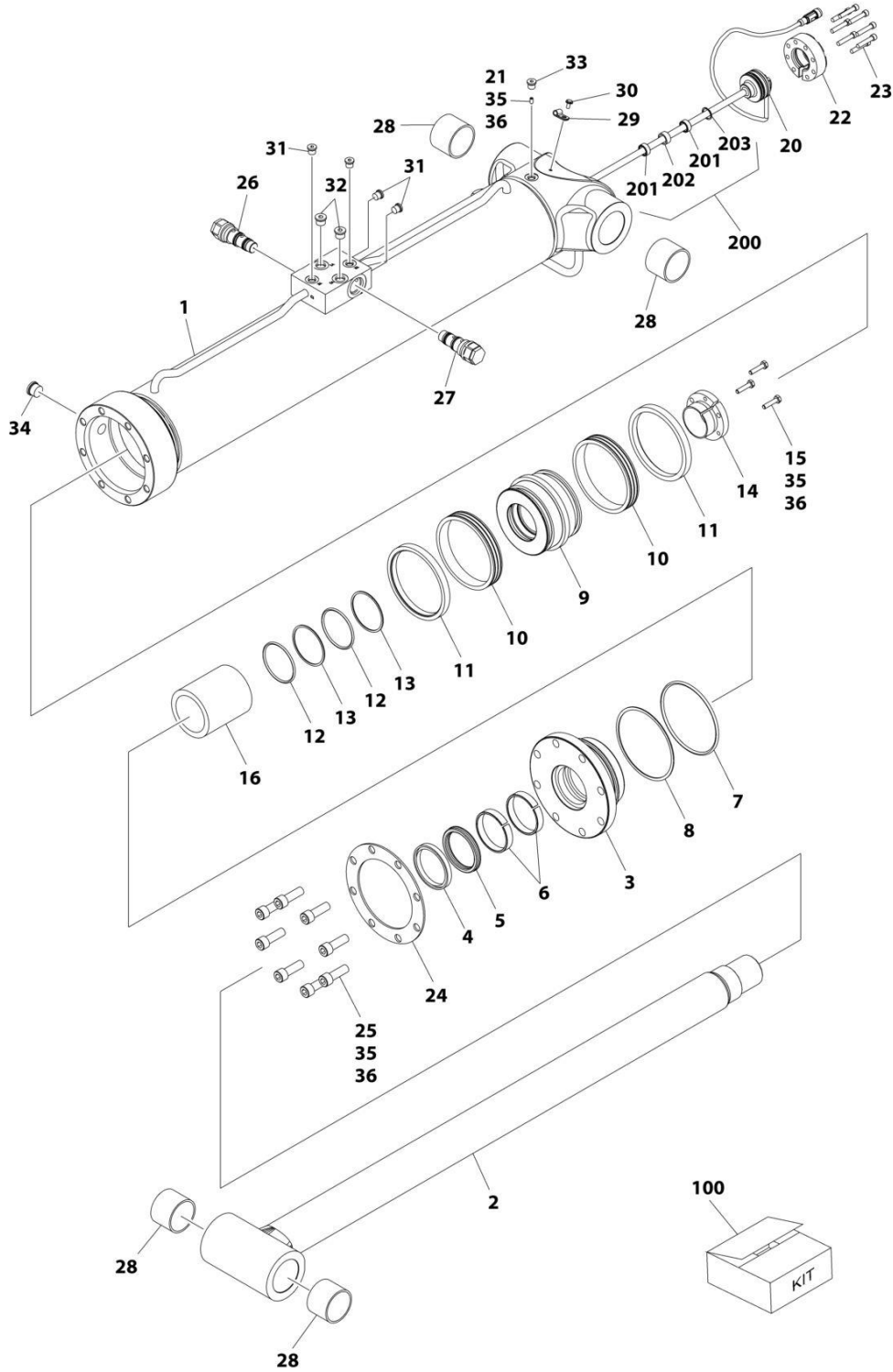
## SECTION 6 - CYLINDER

### FIGURE 6-5. LIFT (BOOM) CYLINDER ASSEMBLY

ITEM	PART NUMBER	QTY	DESCRIPTION	REV
	1001251045	Ref	LIFT (BOOM) CYLINDER ASSEMBLY	A
		Ref	Note: Original Cylinder may have been replaced with Service Replacement. Identify PN Stamped on Cylinder before ordering parts	
1	See Note	NSS	Barrel (Note: Not Available for Purchase)	
2	70007440	1	Rod	
3	70007441	1	Head	
4	See Note	NSS	Wiper, Rod (Note: Use Item 100)	
5	70026283	1	Ring, Retaining	
6	See Note	NSS	Seal, Rod (Note: Use Item 100)	
7	See Note	NSS	Ring, Back-up (Note: Use Item 100)	
8	See Note	NSS	O-Ring (Note: Use Item 100)	
9	See Note	NSS	O-Ring (Note: Use Item 100)	
10	See Note	NSS	Ring, Back-up (Note: Use Item 100)	
11	70026284	1	Ring, Wear (Note: Use Item 100)	
12	70007435	1	Cap, Cylinder	
13	See Note	NSS	O-Ring (Note: Use Item 100)	
14	70007442	1	Piston	
15	See Note	NSS	Seal, Piston (Note: Use Item 100)	
16	See Note	NSS	Ring, Wear (Note: Use Item 100)	
17	70022564	1	Ball, Steel	
18	70007442	1	Setscrew	
19	See Note	NSS	O-Ring (Note: Use Item 100)	
20	0962297	4	Bearing	
21	4640438	1	Cartridge, Check Valve	
21	2900770	1	Seal Kit - 4640438 Cartridge Valve	
22	1001125279	1	Cartridge, Valve	
22	2900770	1	Seal Kit - 1001125279 Cartridge Valve	
23	4641210	1	Cartridge, Pressure Regulator Valve	
23	7010545	1	Seal Kit - 4641210 Cartridge Valve	
24	2220883	3	Plug, O-Ring	
25	70005433	2	Plug, O-Ring	
26	2220885	1	Plug, O-Ring	
27	70007443	1	Spacer	
28	See Note	NSS	O-Ring (Note: Use Item 100)	
29	70007282	1	Insert, Locking	
30	70007438	1	Setscrew	
100	70007444	1	Seal Kit (Includes Items 4, 6-10, 13, 15, 16, 19 & 28)	

# SECTION 6 - CYLINDER

## FIGURE 6-6. LIFT (JIB) CYLINDER ASSEMBLY



ART\_1001228058



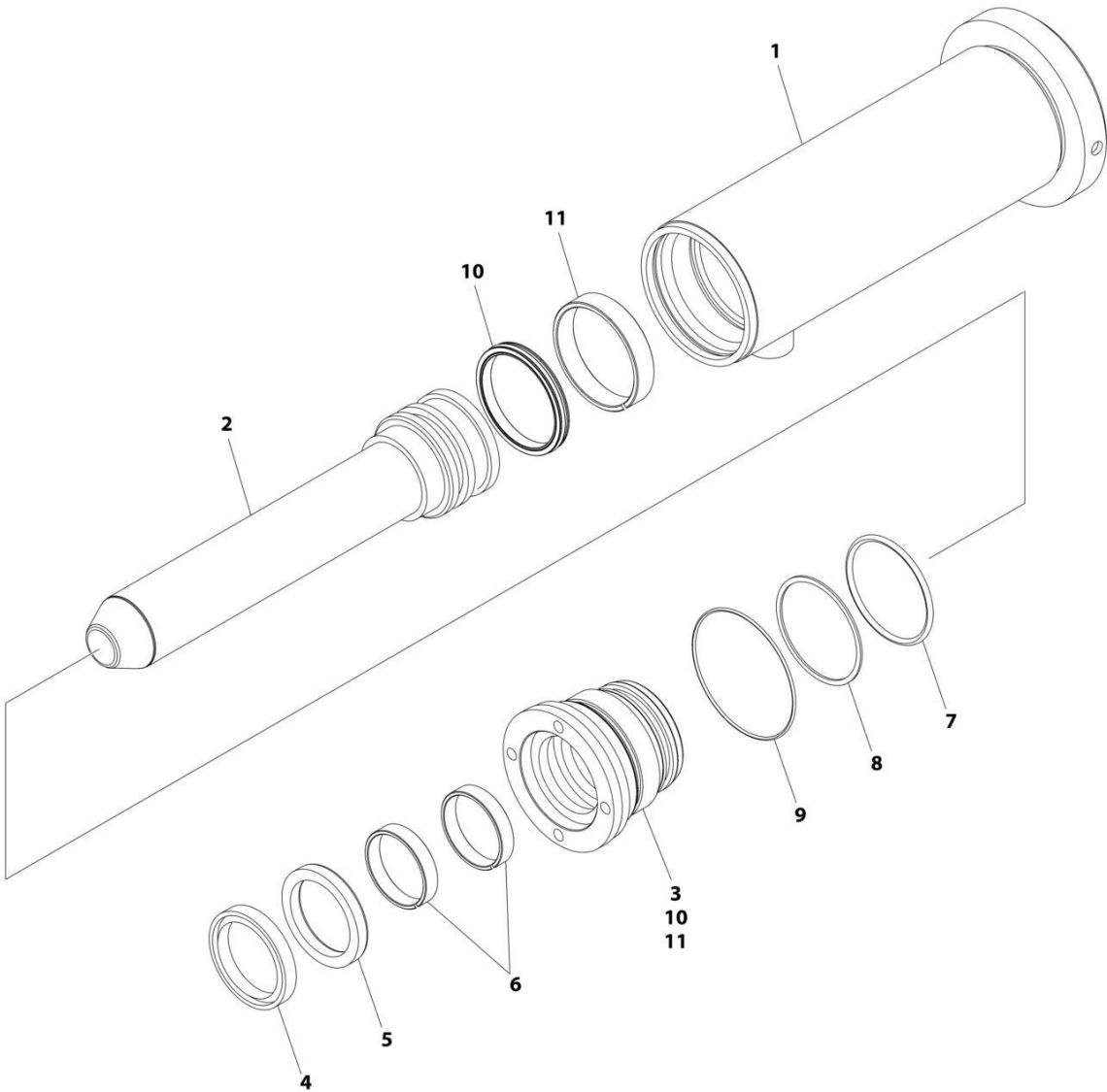
## SECTION 6 - CYLINDER

### FIGURE 6-6. LIFT (JIB) CYLINDER ASSEMBLY

ITEM	PART NUMBER	QTY	DESCRIPTION	REV
	1001228058	Ref	LIFT (JIB) CYLINDER ASSEMBLY	F
		Ref	Note: Original Cylinder May Have Been Replaced with Service Replacement. Identify PN Stamped on Cylinder Before Ordering Parts.	
1	See Note	NSS	Barrel Weldment (Note: Not Available for Purchase)	
2	70006468	1	Rod Weldment	
3	70006467	1	Head	
4	See Note	NSS	Wiper (Note: Use Item 100)	
5	See Note	NSS	Seal, Rod (Note: Use Item 100)	
6	See Note	NSS	Ring, Wear (Note: Use Item 100)	
7	See Note	NSS	O-Ring (Note: Use Item 100)	
8	See Note	NSS	Ring, Back-up (Note: Use Item 100)	
9	70006466	1	Piston	
10	See Note	NSS	Ring, Lock (Note: Use Item 100)	
11	See Note	NSS	Ring, Guide (Note: Use Item 100)	
12	See Note	NSS	O-Ring (Note: Use Item 100)	
13	See Note	NSS	Ring, Back-up (Note: Use Item 100)	
14	0961897	1	Bushing, Tapered	
15	0630535	3	Capscrew 1/4 x 1-1/8	
16	70006465	1	Spacer	
20	1001117991	1	Sensor, Cylinder Length	
21	70006464	1	Setscrew M5	
22	70006463	1	Cap, Retainer	
23	3931420	1	Capscrew 1/4 x 1-1/4	
24	3760371	1	Ring, Washer	
25	3931824	8	Capscrew 1/2 x 1-1/2	
26	4641248	1	Cartridge, Counterbalance Valve (Non Vented)	
26	See Note	NSS	Seal Kit - 4641248 Cartridge Valve (Note: Not Available for Purchase)	
27	4640999	1	Cartridge, Holding Valve (Non Vented)	
27	2900792	1	Seal Kit - 4640999 Cartridge Valve	
28	0961950	2	Bushing	
29	1320136	1	Clamp, Cable	
30	70006462	1	Bolt M5	
31	2220883	2	Plug, O-Ring	
32	2220885	2	Plug, O-Ring	
33	2220883	3	Plug, O-Ring	
34	2220886	1	Plug, O-Ring	
35	0100011	AR	Compound, Locking	
36	0100038	AR	Primer, Locking	
100	1001139996	1	Seal Kit (Includes Items 4-8 & 10-13)	
200	1001119105	1	Sensor Magnet Kit (Includes Items 201-203)	
201	1001117994	2	Sleeve, Spacer	
202	1001118066	1	Magnet, Sensor	
203	1001118069	1	Ring, Internal Retaining	

**SECTION 6 - CYLINDER**

**FIGURE 6-7. LOCK (JIB) CYLINDER ASSEMBLY**



ART\_1001228046

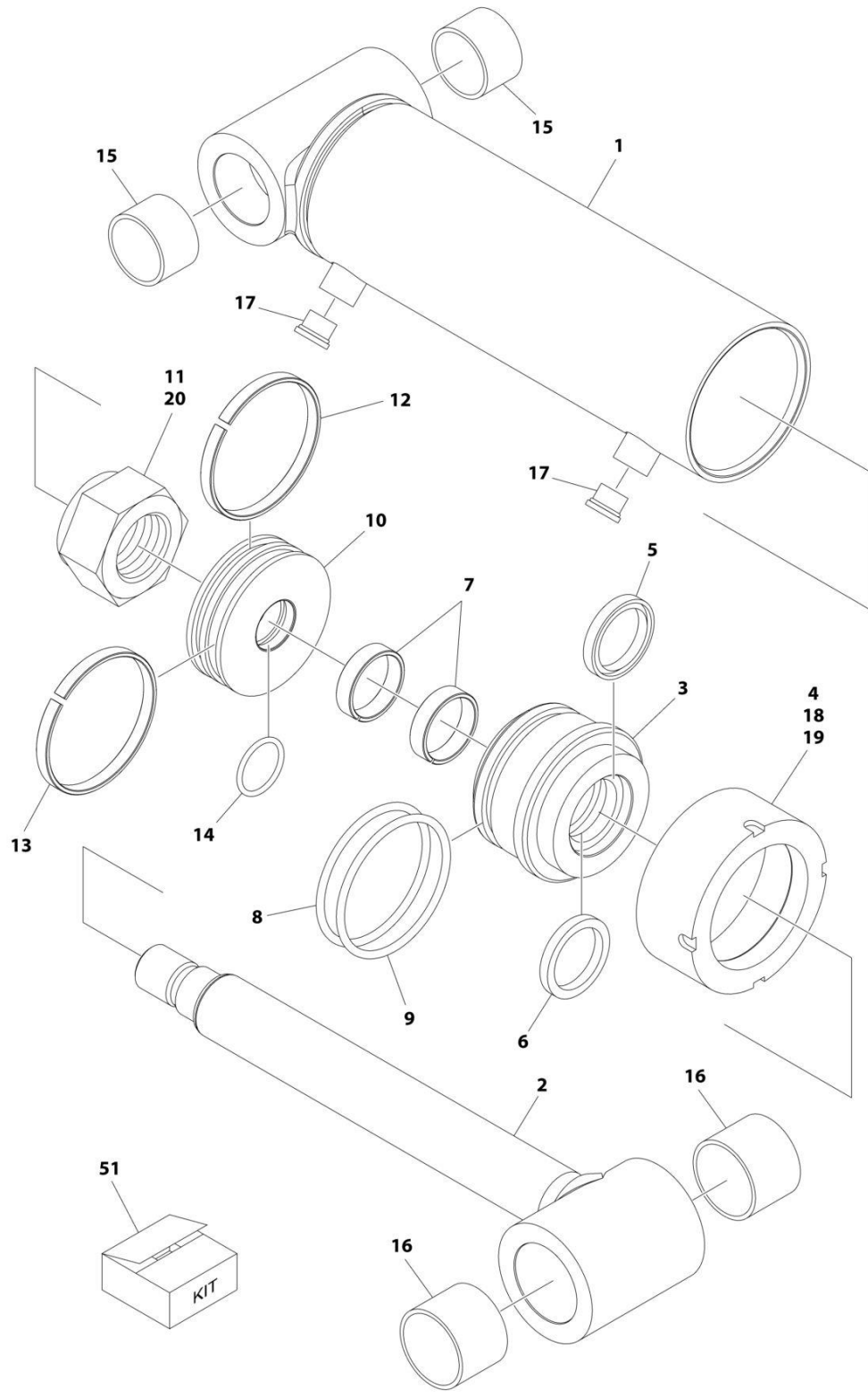
## SECTION 6 - CYLINDER

**FIGURE 6-7. LOCK (JIB) CYLINDER ASSEMBLY**

ITEM	PART NUMBER	QTY	DESCRIPTION	REV
	1001228046	Ref	LOCK (JIB) CYLINDER ASSEMBLY	C
		Ref	Note: Original Cylinder May Have Been Replaced with Service Replacement. Identify PN Stamped on Cylinder Before Ordering Parts.	
1	See Note	NSS	Barrel Weldment (Note: Not Available for Purchase)	
2	70006449	1	Rod	
3	70006448	1	Head	
4	See Note	NSS	Ring, Wiper (Note: Use Item 100)	
5	See Note	NSS	Seal, Rod (Note: Use Item 100)	
6	See Note	NSS	Ring, Wear (Note: Use Item 100)	
7	See Note	NSS	O-Ring (Note: Use Item 100)	
8	See Note	NSS	Ring, Back-up (Note: Use Item 100)	
9	See Note	NSS	O-Ring (Note: Use Item 100)	
10	0100011	AR	Compound, Locking	
11	0100038	AR	Primer, Locking	
100	1001119452	1	Seal Kit (Includes Items 4-9)	

# SECTION 6 - CYLINDER

## FIGURE 6-8. STEER CYLINDER ASSEMBLY



ART\_1001228031

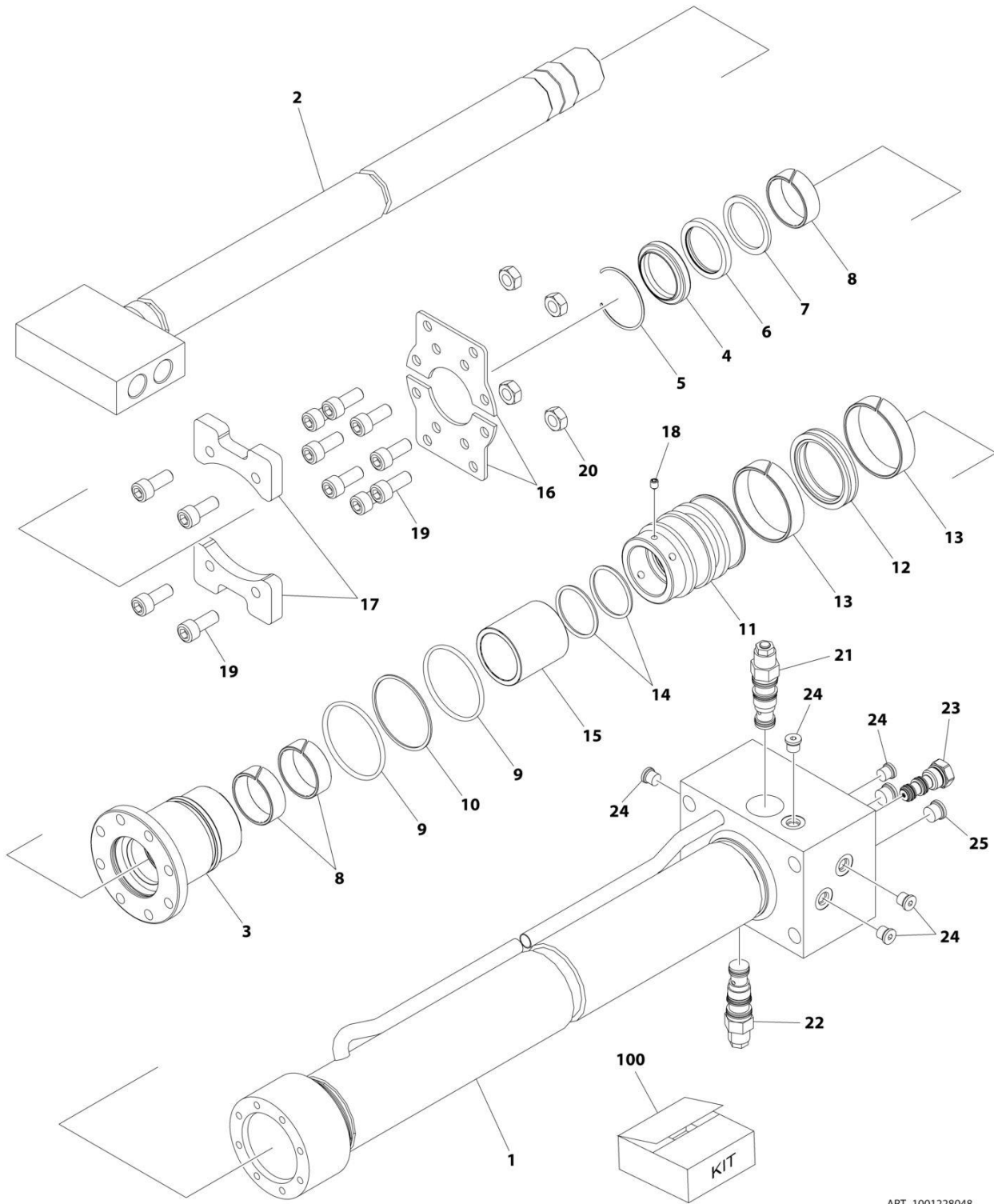
## SECTION 6 - CYLINDER

**FIGURE 6-8. STEER CYLINDER ASSEMBLY**

ITEM	PART NUMBER	QTY	DESCRIPTION	REV
	1001228031	Ref	STEER CYLINDER ASSEMBLY	C
		Ref	Note: Original Cylinder May Have Been Replaced with Service Replacement. Identify PN Stamped on Cylinder Before Ordering Parts.	
1	See Note	NSS	Barrel (Note: Not Available for Purchase)	
2	70006493	1	Rod	
3	70006492	1	Head	
4	70006491	1	Cap, Cylinder	
5	See Note	NSS	Wiper (Note: Use Item 51)	
6	See Note	NSS	Seal, Piston (Note: Use Item 51)	
7	See Note	NSS	Ring, Wear (Note: Use Item 51)	
8	See Note	NSS	O-Ring (Note: Use Item 51)	
9	See Note	NSS	Ring, Back-up (Note: Use Item 51)	
10	70006490	1	Piston	
11	3300465	1	Nut	
12	See Note	1	Seal (Note: Use Item 51)	
13	See Note	1	Ring, Wear (Note: Use Item 51)	
14	See Note	1	O-Ring (Note: Use Item 51)	
15	0961949	2	Bushing	
16	0961950	2	Bushing	
17	2220885	2	Plug (With O-Ring)	
18	0100011	AR	Compound, Locking	
19	0100038	AR	Primer, Locking	
20	0100019	AR	Compound, Locking	
51	2902257	1	Seal Kit (Includes Items 5-9 & 12-14)	

# SECTION 6 - CYLINDER

## FIGURE 6-9. TELESCOPE (JIB) CYLINDER ASSEMBLY



ART\_1001228048

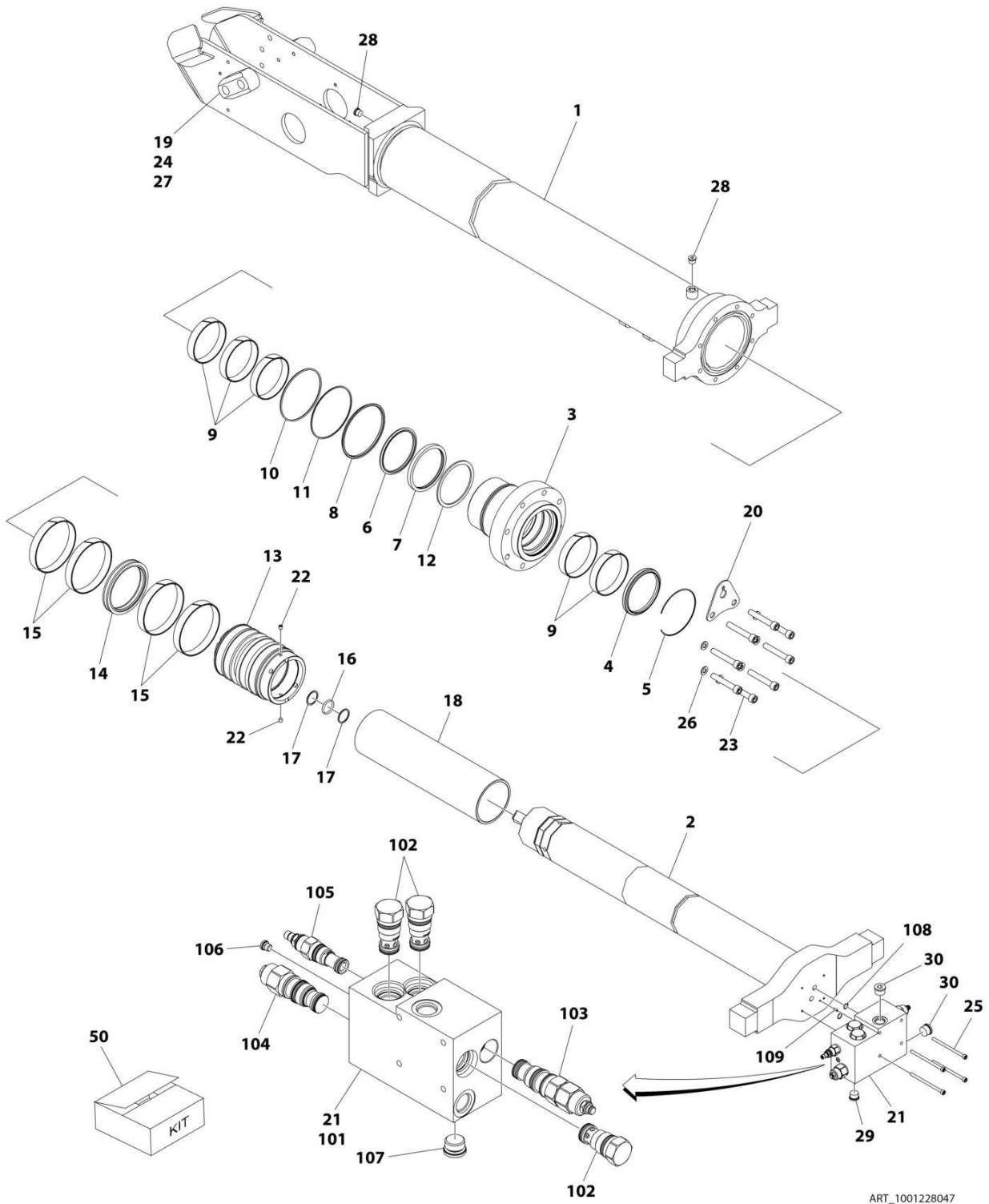
## SECTION 6 - CYLINDER

### FIGURE 6-9. TELESCOPE (JIB) CYLINDER ASSEMBLY

ITEM	PART NUMBER	QTY	DESCRIPTION	REV
	1001228048	Ref	TELESCOPE (JIB) CYLINDER ASSEMBLY	C
		Ref	Note: Original Cylinder May Have Been Replaced with Service Replacement. Identify PN Stamped on Cylinder Before Ordering Parts.	
1	See Note	NSS	Barrel Weldment (Note: Not Available for Purchase)	
2	70006845	1	Rod Weldment	
3	70006846	1	Head	
4	See Note	NSS	Wiper, Rod (Note: Use Item 100)	
5	70002373	1	Ring, Retaining	
6	See Note	NSS	Seal, Rod (Note: Use Item 100)	
7	See Note	NSS	Ring, Back-up (Note: Use Item 100)	
8	See Note	NSS	Ring, Wear (Note: Use Item 100)	
9	See Note	NSS	O-Ring (Note: Use Item 100)	
10	See Note	NSS	Ring, Back-up (Note: Use Item 100)	
11	70006847	1	Piston	
12	See Note	NSS	Seal, Piston (Note: Use Item 100)	
13	See Note	NSS	Ring, Wear (Note: Use Item 100)	
14	70006848	2	O-Ring	
15	70006849	1	Spacer	
16	70006850	2	Plate	
17	70006851	2	Bracket	
18	70005879	1	Setscrew	
19	70005885	12	Capscrew M8	
20	70005594	4	Nut M8	
21	4640771	1	Cartridge, Counterbalance Valve	
21	2900770	1	Seal Kit - 4640771 Valve	
22	1001121155	1	Cartridge, Counterbalance Valve	
22	2900770	1	Seal Kit - 1001121155 Valve	
23	10837580	1	Cartridge, Shuttle Valve	
23	7010543	1	Seal Kit - 10837580 Valve	
24	2220883	6	Plug (With O-Ring)	
25	2220885	2	Plug (With O-Ring)	
100	70006852	1	Seal Kit (Includes Items 4, 6-10, 12 & 13)	

# SECTION 6 - CYLINDER

## FIGURE 6-10. TELESCOPE (MAIN BOOM) CYLINDER ASSEMBLY



ART\_1001228047



## SECTION 6 - CYLINDER

**FIGURE 6-10. TELESCOPE (MAIN BOOM) CYLINDER ASSEMBLY**

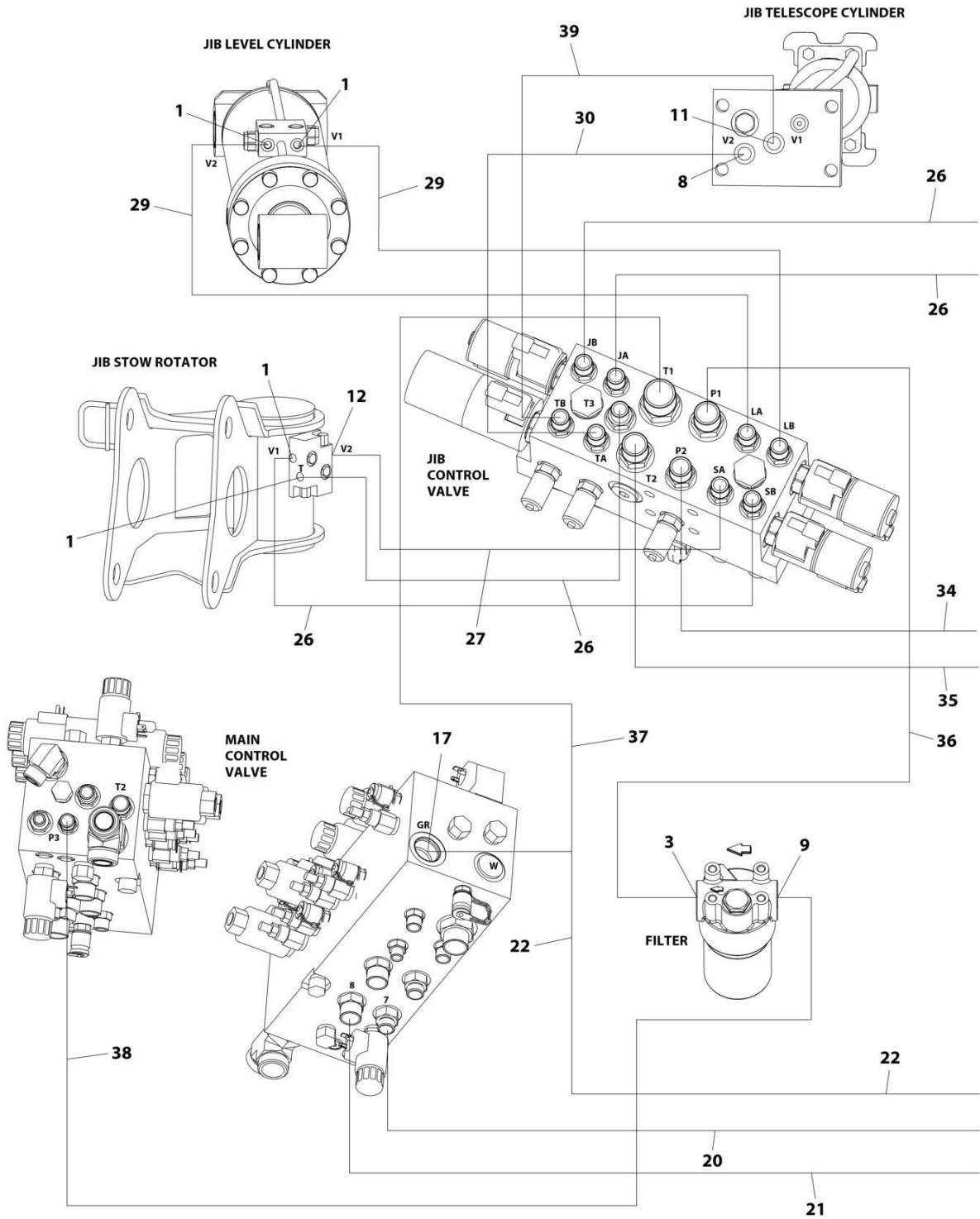
ITEM	PART NUMBER	QTY	DESCRIPTION	REV
	1001228047	Ref	TELESCOPE (MAIN BOOM) CYLINDER ASSEMBLY	C
		Ref	Note: Original Cylinder May Have Been Replaced with Service Replacement. Identify PN Stamped on Cylinder Before Ordering Parts.	
1	See Note	NSS	Barrel (Note: Not Available for Purchase)	
2	70006824	1	Rod	
3	70006825	1	Head	
4	See Note	NSS	Wiper, Rod (Note: Use Item 50)	
5	70026283	1	Ring, Retaining	
6	See Note	NSS	Seal, Rod (Note: Use Item 50)	
7	See Note	NSS	Ring, Back-up (Note: Use Item 50)	
8	See Note	NSS	O-Ring (Note: Use Item 50)	
9	See Note	NSS	Ring, Wear (Note: Use Item 50)	
10	See Note	NSS	O-Ring (Note: Use Item 50)	
11	See Note	NSS	Ring, Back-up (Note: Use Item 50)	
12	See Note	NSS	O-Ring (Note: Use Item 50)	
13	70006826	1	Piston	
14	See Note	NSS	Seal, Piston (Note: Use Item 50)	
15	See Note	NSS	Ring, Wear (Note: Use Item 50)	
16	See Note	NSS	O-Ring (Note: Use Item 50)	
17	See Note	NSS	Ring, Back-up (Note: Use Item 50)	
18	70006827	1	Spacer	
19	70006828	2	Pad, Wear	
20	70006829	1	Bracket	
21	1001144398	1	Valve Assembly (See Items 101-109 for Breakdown)	
22	70006799	2	Setscrew	
23	70005882	8	Capscrew M12	
24	70005885	4	Capscrew	
25	70006830	4	Capscrew	
26	70005883	6	Washer M12	
27	70006344	4	Washer	
28	2220885	2	Plug, O-Ring	
29	2220886	1	Plug, O-Ring	
30	70005433	2	Plug, O-Ring	
50	70006831	1	Seal Kit (Includes Items 4, 6-12 & 14-17)	
	1001144398	Ref	VALVE ASSEMBLY	A
101	See Note	NSS	Body, Valve (Note: Not Available for Purchase)	
102	7011368	3	Cartridge, Check Valve	
102	7011351	3	Seal Kit - 7011368 Cartridge	
103	70004029	1	Cartridge, Counterbalance Valve	
103	7011371	1	Seal Kit - 70004029 Cartridge	
104	4641289	1	Cartridge, Counterbalance Valve	
104	2900789	1	Seal Kit - 4641289 Cartridge	
105	70004030	1	Cartridge, Relief Valve	
105	7011311	1	Seal Kit - 70004030 Cartridge	
106	70003031	1	Plug, O-Ring	
107	70003030	1	Plug, O-Ring	
108	70003029	2	O-Ring	
109	See Note	NSS	Pin (Note: Not Available for Purchase)	



**SECTION 7 - HYDRAULIC**

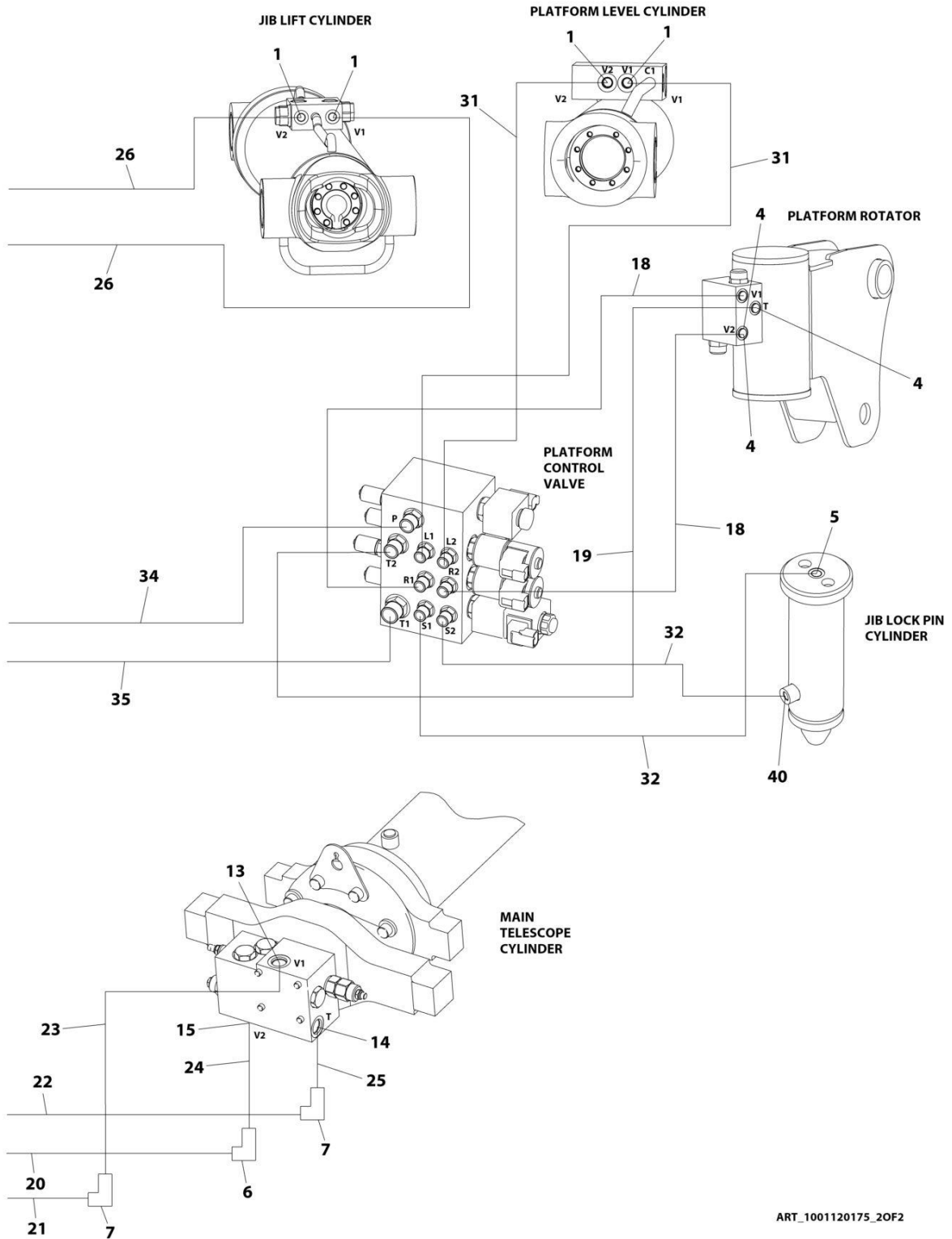
# SECTION 7 - HYDRAULIC

## FIGURE 7-1. HYDRAULIC DIAGRAM - BOOM



ART\_1001120175\_10F2

# SECTION 7 - HYDRAULIC



ART\_1001120175\_20F2

## SECTION 7 - HYDRAULIC

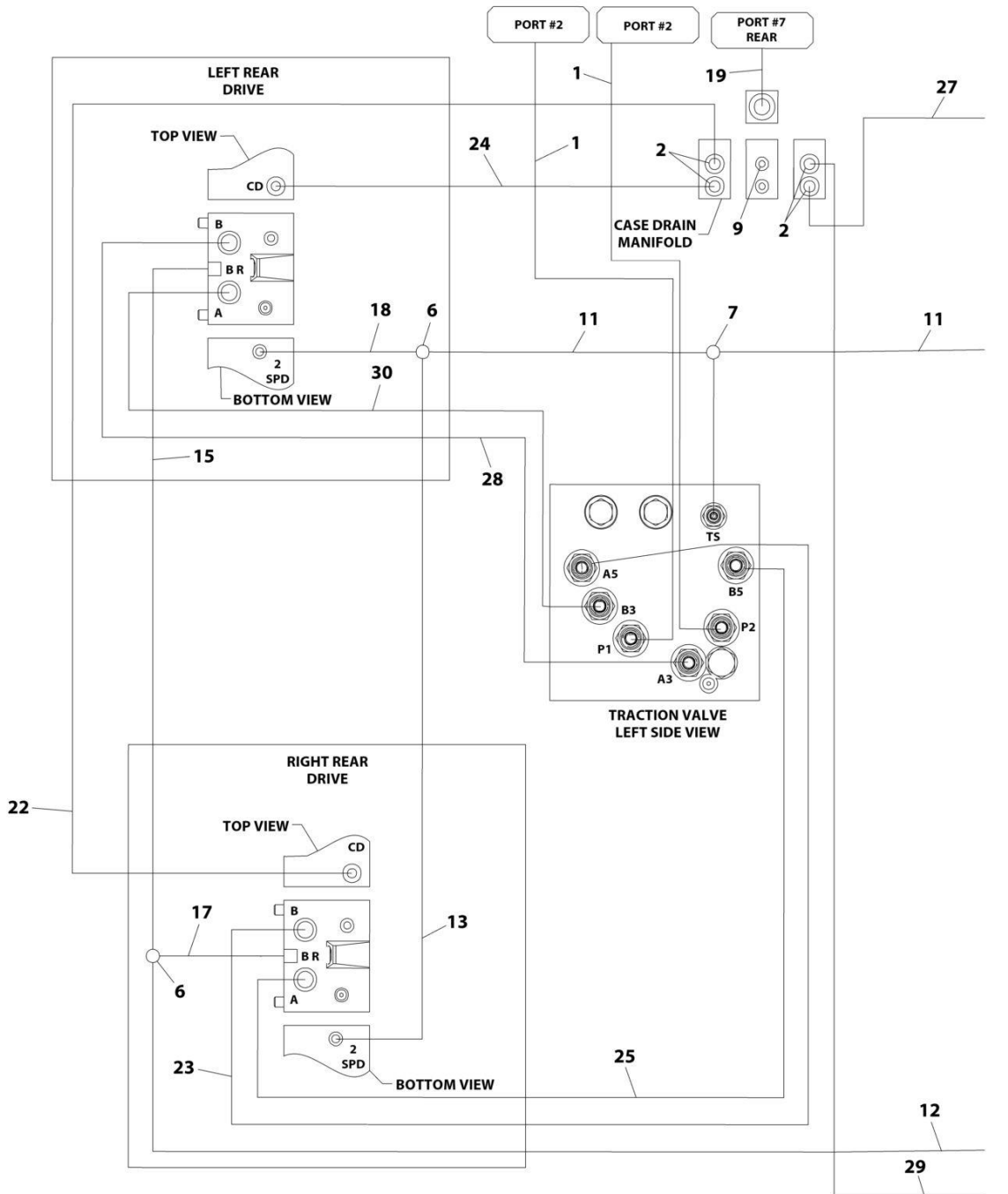
**FIGURE 7-1. HYDRAULIC DIAGRAM - BOOM**

ITEM	PART NUMBER	QTY	DESCRIPTION	REV
		Ref	HYDRAULIC DIAGRAM - BOOM	
	1001120168	Ref	Hydraulic Diagram Chart for Deutz TD2011 Engine Machines with Rexroth Pumps	F
	1001152972	Ref	Hydraulic Diagram Chart for Deutz TCD2.9L4 Engine Machines with Rexroth Pumps	B
	1001120169	Ref	Hydraulic Diagram Chart for Deutz TD2011 & Deutz TCD2.9L4 Engine Machines with Sauer Pumps	E
	1001120175	Ref	Hydraulic Diagram - Main Boom and Jib	G
1	2110404	8	Fitting, Straight ORFS/ORB	
3	2110812	1	Fitting, Straight ORFS/ORB	
4	2150404	3	Fitting, 45 ORFS/ORB	
5	2110406	2	Fitting, Straight ORFS/ORB	
6	2171208	1	Fitting, 90 ORFS/ORB	
7	2171210	2	Fitting, 90 ORFS/ORB	
8	2130406	2	Fitting, 90 ORFS/ORB	
9	2130812	1	Fitting, 90 ORFS/ORB	
11	1001134728	1	Fitting, 90 with 0.090 Orifice	
12	2130404	1	Fitting, 90 ORFS/ORB	
13	2111010	1	Fitting, Straight ORFS/ORB	
14	2131010	1	Fitting, 90 ORFS/ORB	
15	2130808	1	Fitting, 90 ORFS/ORB	
17	2170710	1	Fitting, Straight Adapter ORFS/ORFS/ORB	
18	2753545	2	Hose	
19	1001120348	1	Hose	
20	2753755	1	Hose	
21	2753767	1	Hose	
22	1001120349	1	Hose	
23	2753763	1	Hose	
24	1001120350	1	Hose	
25	1001120351	1	Hose	
26	2753784	4	Hose	
27	2753675	1	Hose	
29	2753743	2	Hose	
30	1001213385	1	Hose	
31	2754470	1	Hose	
32	1001120352	2	Hose	
34	1001120354	1	Hose	
35	1001120355	1	Hose	
36	1001120356	1	Hose	
37	1001120357	1	Hose	
38	1001119546	1	Hose	
39	2717235	1	Hose	
40	2150406	1	Adapter ORFS/ORB	



# SECTION 7 - HYDRAULIC

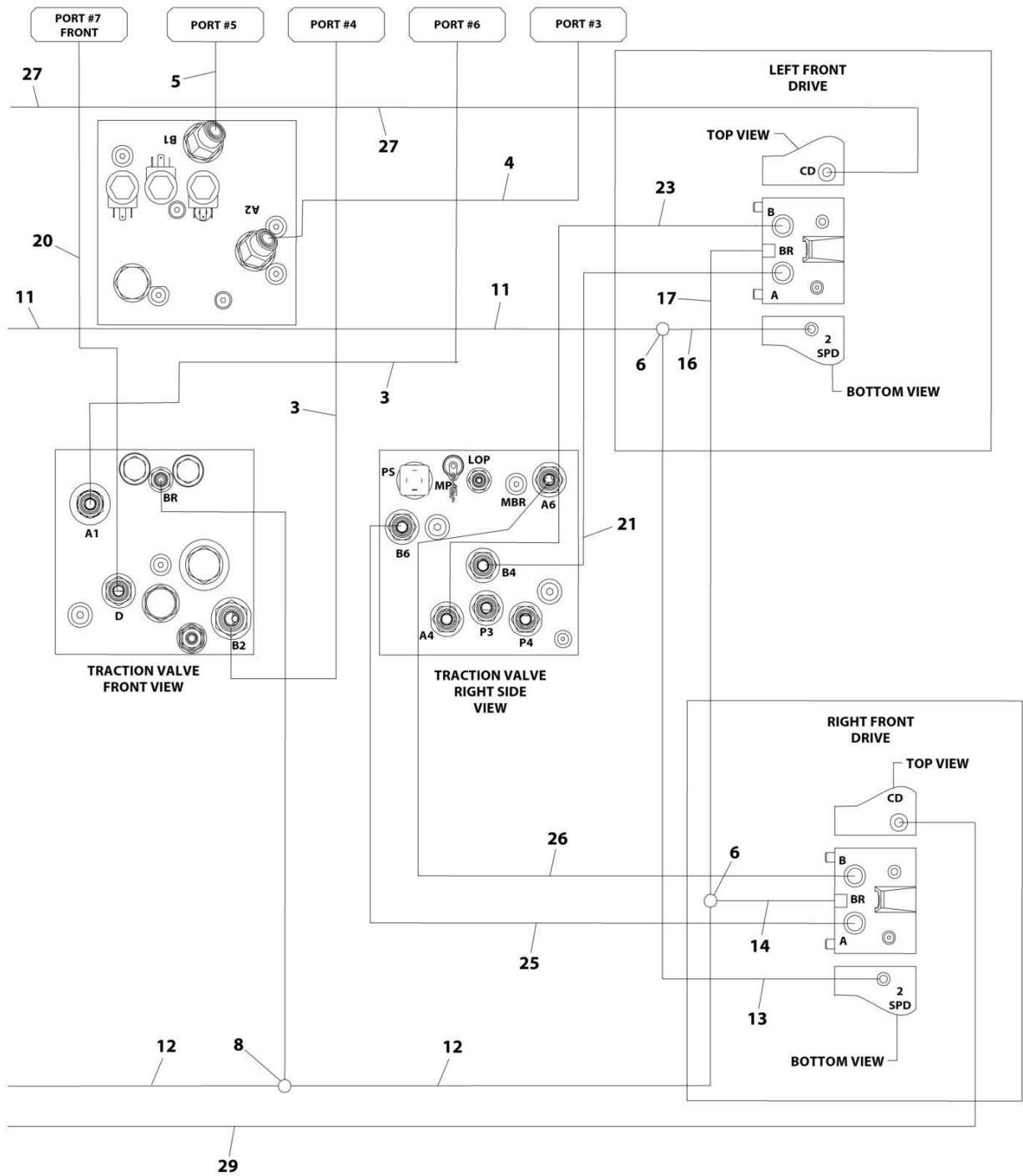
## FIGURE 7-2. HYDRAULIC DIAGRAM - DRIVE



ART\_1001120172\_10F2



# SECTION 7 - HYDRAULIC



ART\_1001120172\_20F2

# SECTION 7 - HYDRAULIC

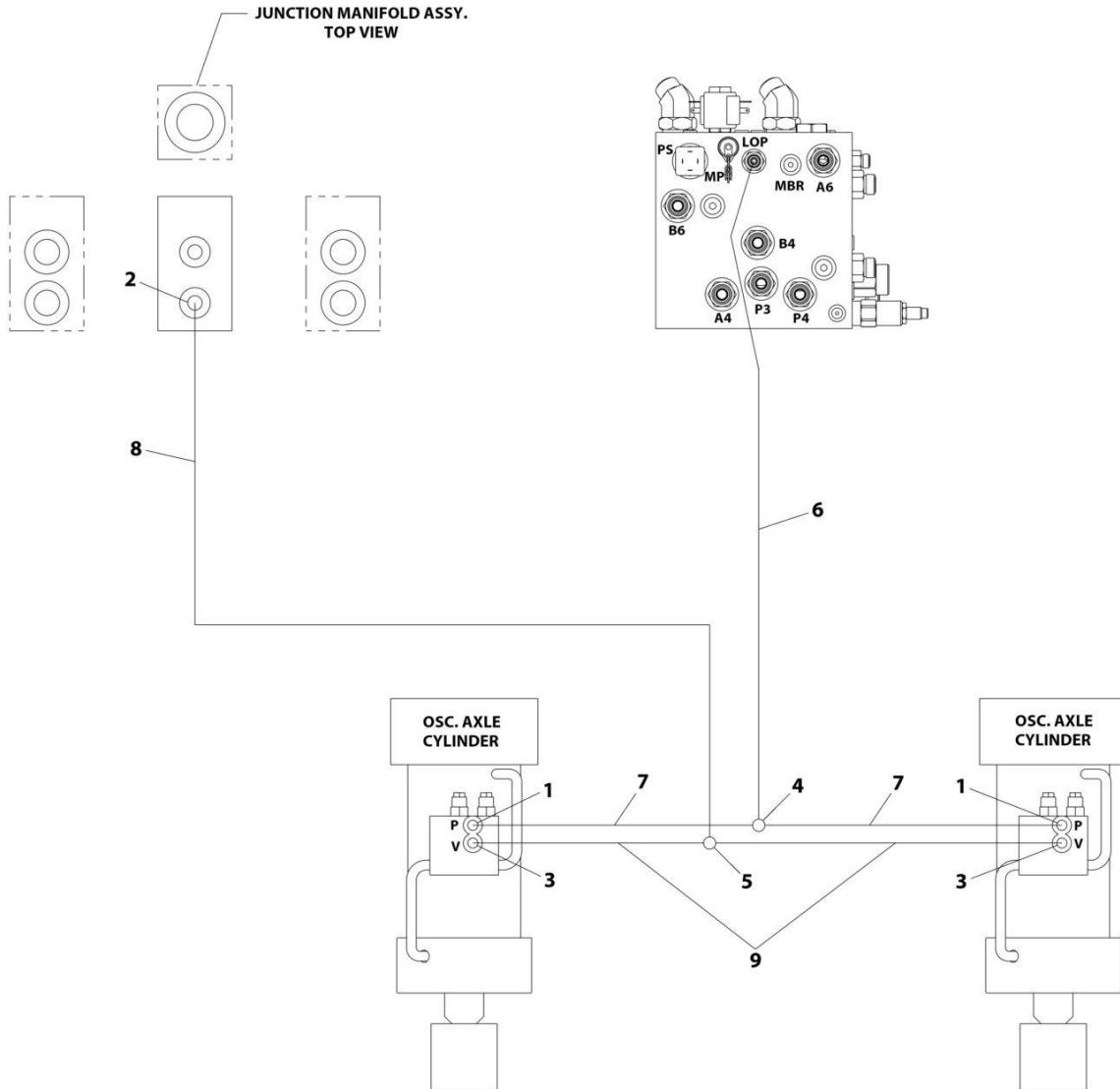
## FIGURE 7-2. HYDRAULIC DIAGRAM - DRIVE

ITEM	PART NUMBER	QTY	DESCRIPTION	REV
		Ref	HYDRAULIC DIAGRAM - DRIVE	
	1001120168	Ref	Hydraulic Diagram Chart for Deutz TD2011 Engine Machines with Rexroth Pumps	F
	1001152972	Ref	Hydraulic Diagram Chart for Deutz TCD2.9L4 Engine Machines with Rexroth Pumps	B
	1001120169	Ref	Hydraulic Diagram Chart for Deutz TD2011 & Deutz TCD2.9L4 Engine Machines with Sauer Pumps	E
	1001120172	Ref	Hydraulic Diagram - Drive	B
1	2753685	2	Hose	
2	2110808	4	Fitting, Straight ORFS/ORB	
3	2753703	2	Hose	
4	2753764	1	Hose	
5	2753768	1	Hose	
6	2170504	4	Fitting, Tee ORFS/ORFS/ORFS	
7	2170704	1	Fitting, Tee ORFS/ORB/ORFS	
8	2170804	1	Fitting, Tee ORFS/ORB/ORFS	
9	2220235	1	Plug	
11	2753541	2	Hose	
12	2753545	2	Hose	
13	2753677	2	Hose	
14	2753714	1	Hose	
15	2753713	1	Hose	
16	2753716	1	Hose	
17	2753715	2	Hose	
18	2753552	1	Hose	
19	2753752	1	Hose	
20	2753582	1	Hose	
21	2753756	1	Hose	
22	2753747	1	Hose	
23	2753757	2	Hose	
24	2753748	1	Hose	
25	2753759	2	Hose	
26	2753760	1	Hose	
27	2753749	1	Hose	
28	2753761	1	Hose	
29	2753750	1	Hose	
30	2753762	1	Hose	



# SECTION 7 - HYDRAULIC

## FIGURE 7-3. HYDRAULIC DIAGRAM - OSCILLATING AXLE



ART\_1001120174

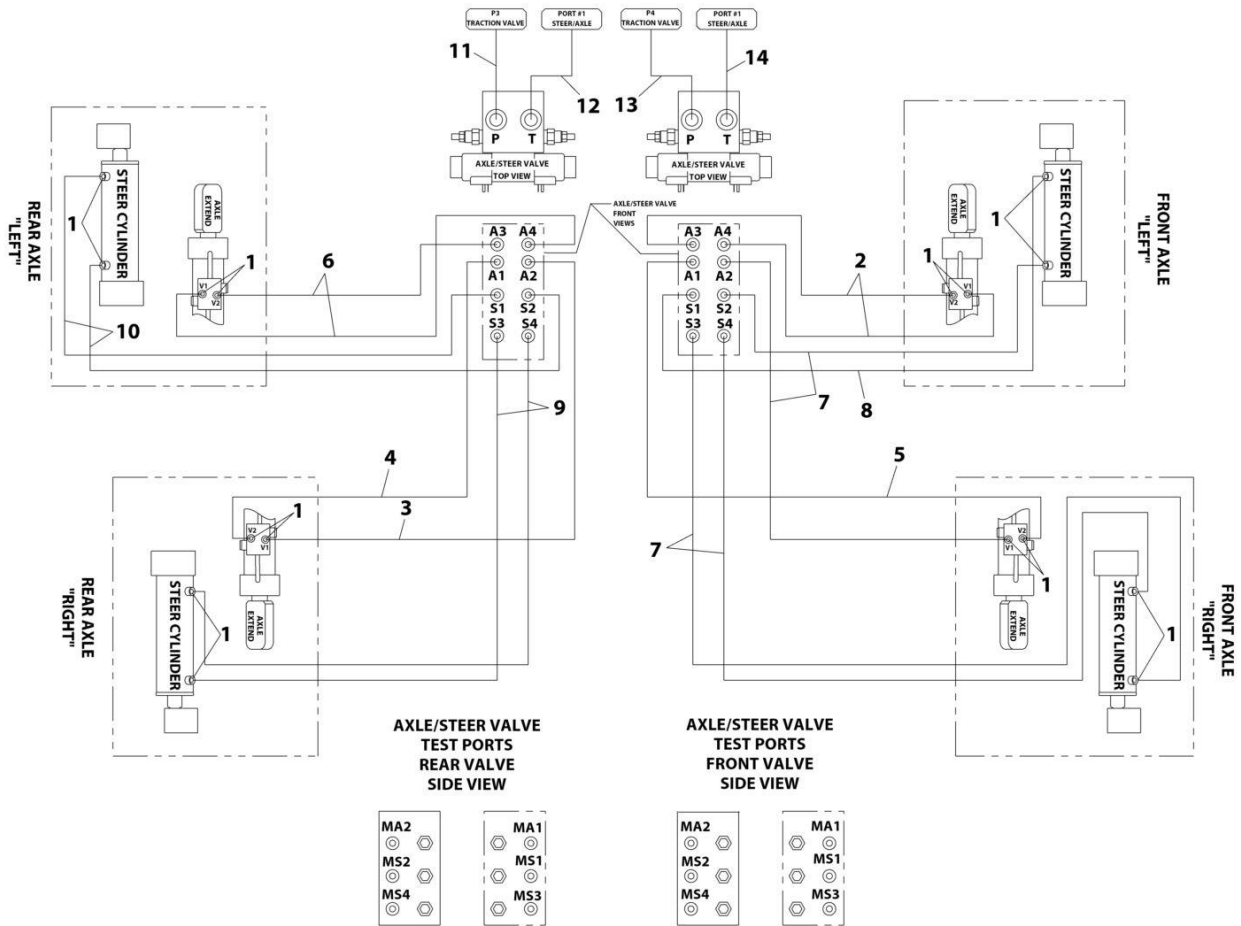
## SECTION 7 - HYDRAULIC

**FIGURE 7-3. HYDRAULIC DIAGRAM - OSCILLATING AXLE**

ITEM	PART NUMBER	QTY	DESCRIPTION	REV
		Ref	HYDRAULIC DIAGRAM - OSCILLATING AXLE	
	1001120168	Ref	Hydraulic Diagram Chart for Deutz TD2011 Engine Machines with Rexroth Pumps	F
	1001152972	Ref	Hydraulic Diagram Chart for Deutz TCD2.9L4 Engine Machines with Rexroth Pumps	B
	1001120169	Ref	Hydraulic Diagram Chart for Deutz TD2011 & Deutz TCD2.9L4 Engine Machines with Sauer Pumps	E
	1001120174	Ref	Hydraulic Diagram - Oscillating Axle	1
1	2110406	2	Fitting, Straight ORFS/ORB	
2	2110604	1	Fitting, Straight ORFS/ORB	
3	2110606	2	Fitting, Straight ORFS/ORB	
4	2170504	1	Fitting, Tee ORFS/ORFS/ORFS	
5	2170506	1	Fitting, Tee ORFS/ORFS/ORFS	
6	2753726	1	Hose	
7	2753719	2	Hose	
8	2753727	1	Hose	
9	2753729	2	Hose	

# SECTION 7 - HYDRAULIC

## FIGURE 7-4. HYDRAULIC DIAGRAM - STEER



ART\_1001120173

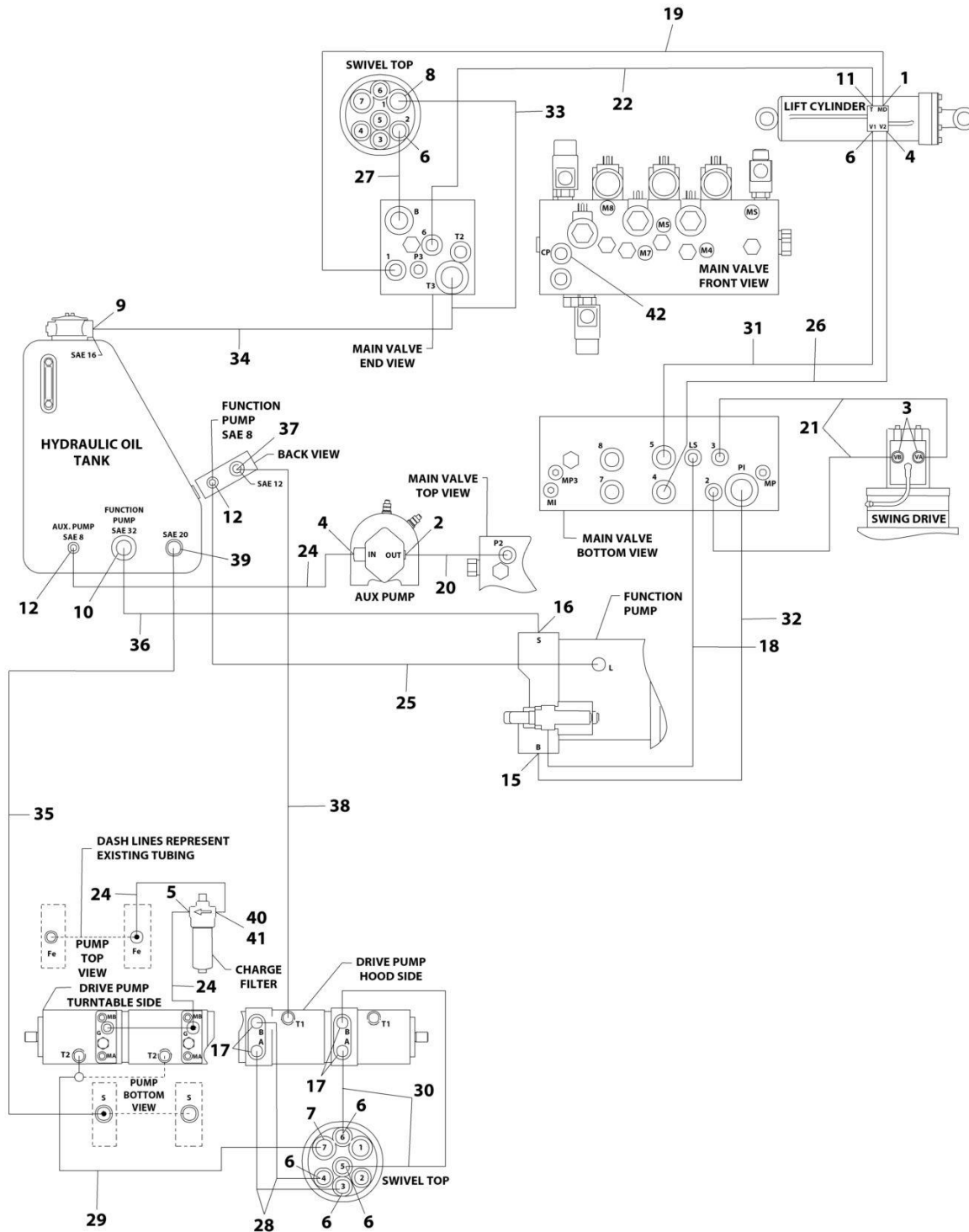
## SECTION 7 - HYDRAULIC

### FIGURE 7-4. HYDRAULIC DIAGRAM - STEER

ITEM	PART NUMBER	QTY	DESCRIPTION	REV
		Ref	HYDRAULIC DIAGRAM - STEER	
	1001120168	Ref	Hydraulic Diagram Chart for Deutz TD2011 Engine Machines with Rexroth Pumps	F
	1001152972	Ref	Hydraulic Diagram Chart for Deutz TCD2.9L4 Engine Machines with Rexroth Pumps	B
	1001120169	Ref	Hydraulic Diagram Chart for Deutz TD2011 & Deutz TCD2.9L4 Engine Machines with Sauer Pumps	E
	1001120173	Ref	Hydraulic Diagram - Steer	1
1	2130606	16	Fitting, 90 ORFS/ORB	
2	2753732	2	Hose	
3	2753733	1	Hose	
4	2753728	1	Hose	
5	2753734	1	Hose	
6	2753735	2	Hose	
7	2753736	4	Hose	
8	2753737	1	Hose	
9	2753738	2	Hose	
10	2753739	2	Hose	
11	2753753	1	Hose	
12	2753742	1	Hose	
13	2753754	1	Hose	
14	2753743	1	Hose	

# SECTION 7 - HYDRAULIC

FIGURE 7-5. HYDRAULIC DIAGRAM - TURNTABLE (DEUTZ TD2011 ENGINE MACHINES WITH REXROTH PUMPS)



ART\_1001120170



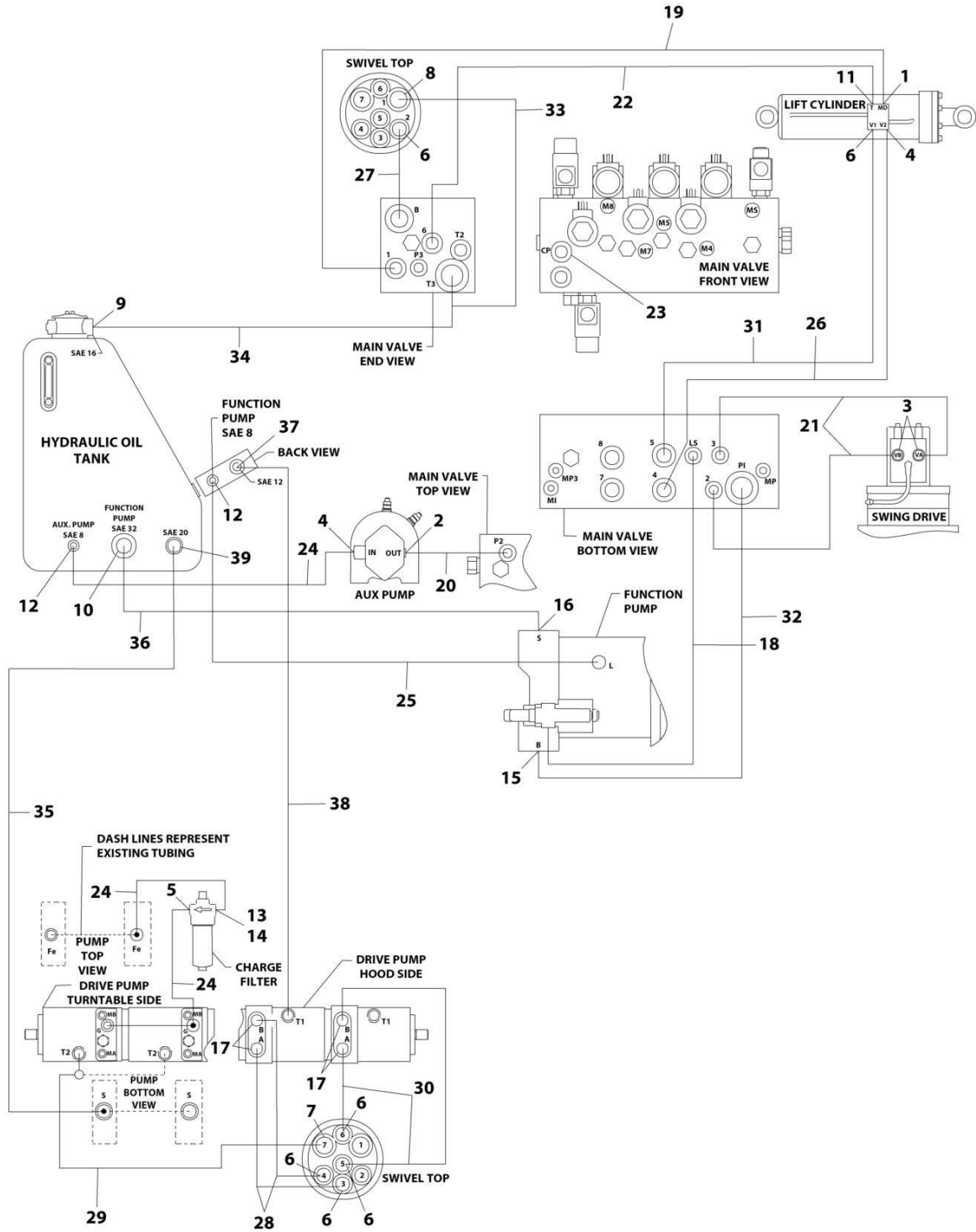
## SECTION 7 - HYDRAULIC

**FIGURE 7-5. HYDRAULIC DIAGRAM - TURNTABLE (DEUTZ TD2011 ENGINE MACHINES WITH REXROTH PUMPS)**

ITEM	PART NUMBER	QTY	DESCRIPTION	REV
		Ref	HYDRAULIC DIAGRAM - TURNTABLE (DEUTZ TD2011 ENGINE MACHINES WITH REXROTH PUMPS)	
	1001120168	Ref	Hydraulic Diagram Chart for Deutz TD2011 Engine Machines with Rexroth Pumps	F
	1001120170	Ref	Hydraulic Diagram - Turntable	C
1	2110404	1	Fitting, Straight ORFS/ORB	
2	2110608	1	Fitting, Straight ORFS/ORB	
3	2110610	2	Fitting, Straight ORFS/ORB	
4	2110810	2	Fitting, Straight ORFS/ORB	
5	2110812	1	Fitting, Straight ORFS/ORB	
6	2111010	6	Fitting, Straight ORFS/ORB	
7	2111012	1	Fitting, Straight ORFS/ORB	
8	2111212	1	Fitting, Straight ORFS/ORB	
9	2111616	1	Fitting, Straight ORFS/ORB	
10	2113232	1	Fitting, Straight ORFS/ORB	
11	2130606	1	Fitting, 90 ORFS/ORB	
12	2130808	2	Fitting, 90 ORFS/ORB	
15	2220478	1	Flange Kit	
16	2220737	1	Flange Kit	
17	2221117	4	Flange Kit	
18	1001213385	1	Hose	
19	2753718	1	Hose	
20	2753730	1	Hose	
21	2753731	2	Hose	
22	2753734	1	Hose	
24	2753746	3	Hose	
25	2753741	1	Hose	
26	2753744	1	Hose	
27	2753766	1	Hose	
28	2753769	2	Hose	
29	2753708	1	Hose	
30	2753770	2	Hose	
31	2753765	1	Hose	
32	2753771	1	Hose	
33	2753772	1	Hose	
34	2753774	1	Hose	
35	2753775	1	Hose	
36	2753776	1	Hose	
37	2131212	1	Fitting, 90 ORFS/ORB	
38	2753773	1	Hose	
39	2112020	1	Fitting, Straight ORFS/ORB	
40	2221084	1	Fitting, Tee ORFS/ORB/ORFS	
41	2170908	1	Fitting, Cap ORFS	
42	1001119455	1	Valve, Oil Sampling	

# SECTION 7 - HYDRAULIC

FIGURE 7-6. HYDRAULIC DIAGRAM - TURNTABLE (DEUTZ TCD2.9L4 ENGINE MACHINES WITH REXROTH PUMPS)



ART\_1001152969

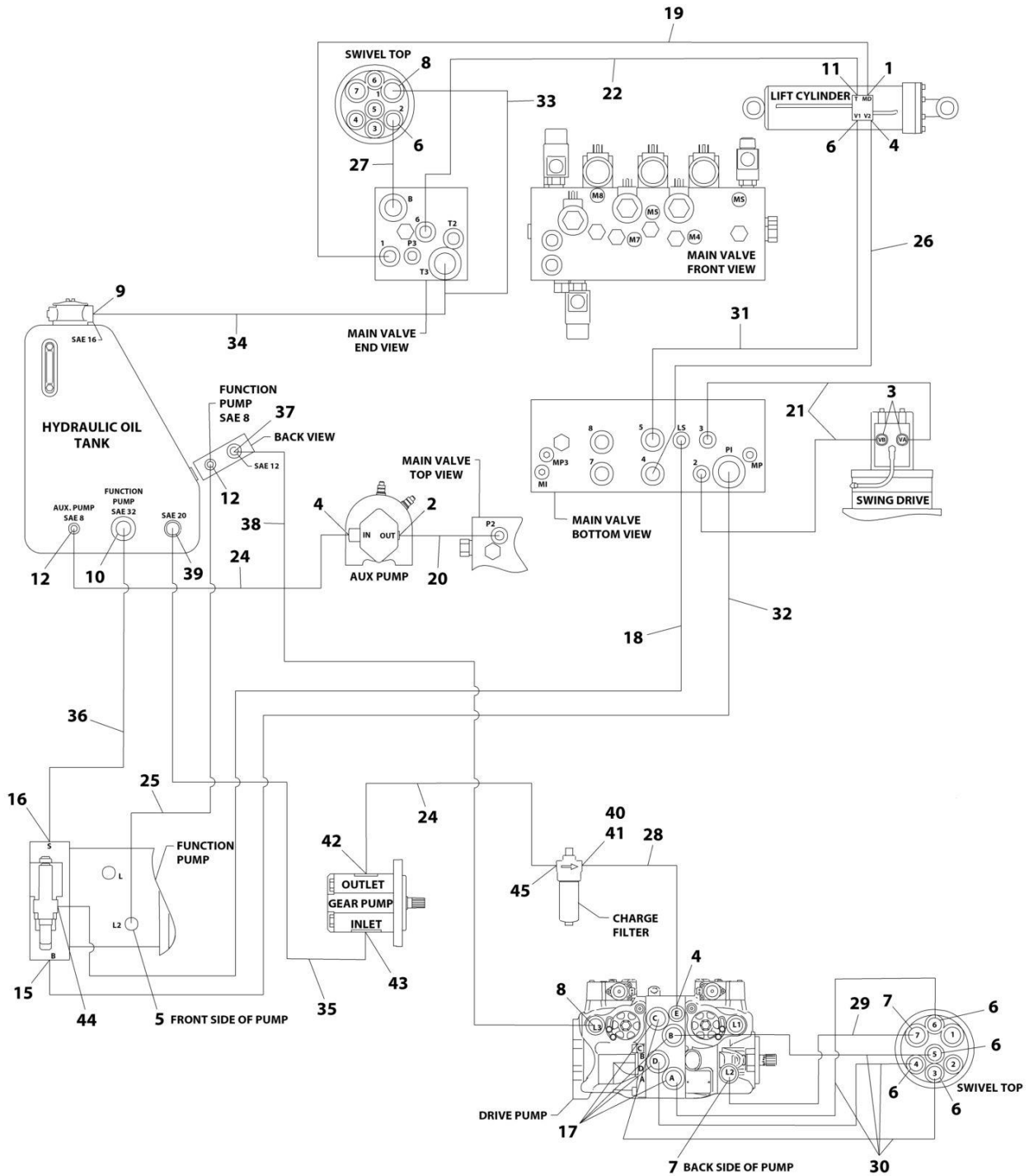
## SECTION 7 - HYDRAULIC

**FIGURE 7-6. HYDRAULIC DIAGRAM - TURNTABLE (DEUTZ TCD2.9L4 ENGINE MACHINES WITH REXROTH PUMPS)**

ITEM	PART NUMBER	QTY	DESCRIPTION	REV
		Ref	HYDRAULIC DIAGRAM - TURNTABLE (DEUTZ TCD2.9L4 ENGINE MACHINES WITH REXROTH PUMPS)	
	1001152972	Ref	Hydraulic Diagram Chart for Deutz TCD2.9L4 Engine Machines with Rexroth Pumps	B
	1001152969	Ref	Hydraulic Diagram - Turntable	A
1	2110404	1	Fitting, Straight ORFS/ORB	
2	2110608	1	Fitting, Straight ORFS/ORB	
3	2110610	2	Fitting, Straight ORFS/ORB	
4	2110810	2	Fitting, Straight ORFS/ORB	
5	2110812	1	Fitting, Straight ORFS/ORB	
6	2111010	6	Fitting, Straight ORFS/ORB	
7	2111012	1	Fitting, Straight ORFS/ORB	
8	2111212	1	Fitting, Straight ORFS/ORB	
9	2111616	1	Fitting, Straight ORFS/ORB	
10	2113232	1	Fitting, Straight ORFS/ORB	
11	2130606	1	Fitting, 90 ORFS/ORB	
12	2130808	2	Fitting, 90 ORFS/ORB	
13	2221084	1	Fitting, Tee ORFS/ORB/ORFS	
14	2170908	1	Fitting, Cap ORFS	
15	2220478	1	Flange Kit	
16	2220737	1	Flange Kit	
17	2221117	4	Flange Kit	
18	2753622	1	Hose	
19	2753718	1	Hose	
20	2753730	1	Hose	
21	2753731	2	Hose	
22	2753734	1	Hose	
23	1001119455	1	Valve, Oil Sampling	
24	2753746	3	Hose	
25	2753741	1	Hose	
26	2753744	1	Hose	
27	2753766	1	Hose	
28	2753769	2	Hose	
29	2753708	1	Hose	
30	2753770	2	Hose	
31	2753765	1	Hose	
32	2753771	1	Hose	
33	2753772	1	Hose	
34	2753774	1	Hose	
35	1001152966	1	Hose	
36	2753776	1	Hose	
37	2131212	1	Fitting, 90 ORFS/ORB	
38	2753773	1	Hose	
39	2112020	1	Fitting, Straight ORFS/ORB	

# SECTION 7 - HYDRAULIC

FIGURE 7-7. HYDRAULIC DIAGRAM - TURNTABLE (DEUTZ TD2011 AND DEUTZ TCD2.9L4 ENGINE MACHINES WITH SAUER PUMPS)



ART\_1001120171

## SECTION 7 - HYDRAULIC

**FIGURE 7-7. HYDRAULIC DIAGRAM - TURNTABLE (DEUTZ TD2011 AND DEUTZ TCD2.9L4 ENGINE MACHINES WITH SAUER PUMPS)**

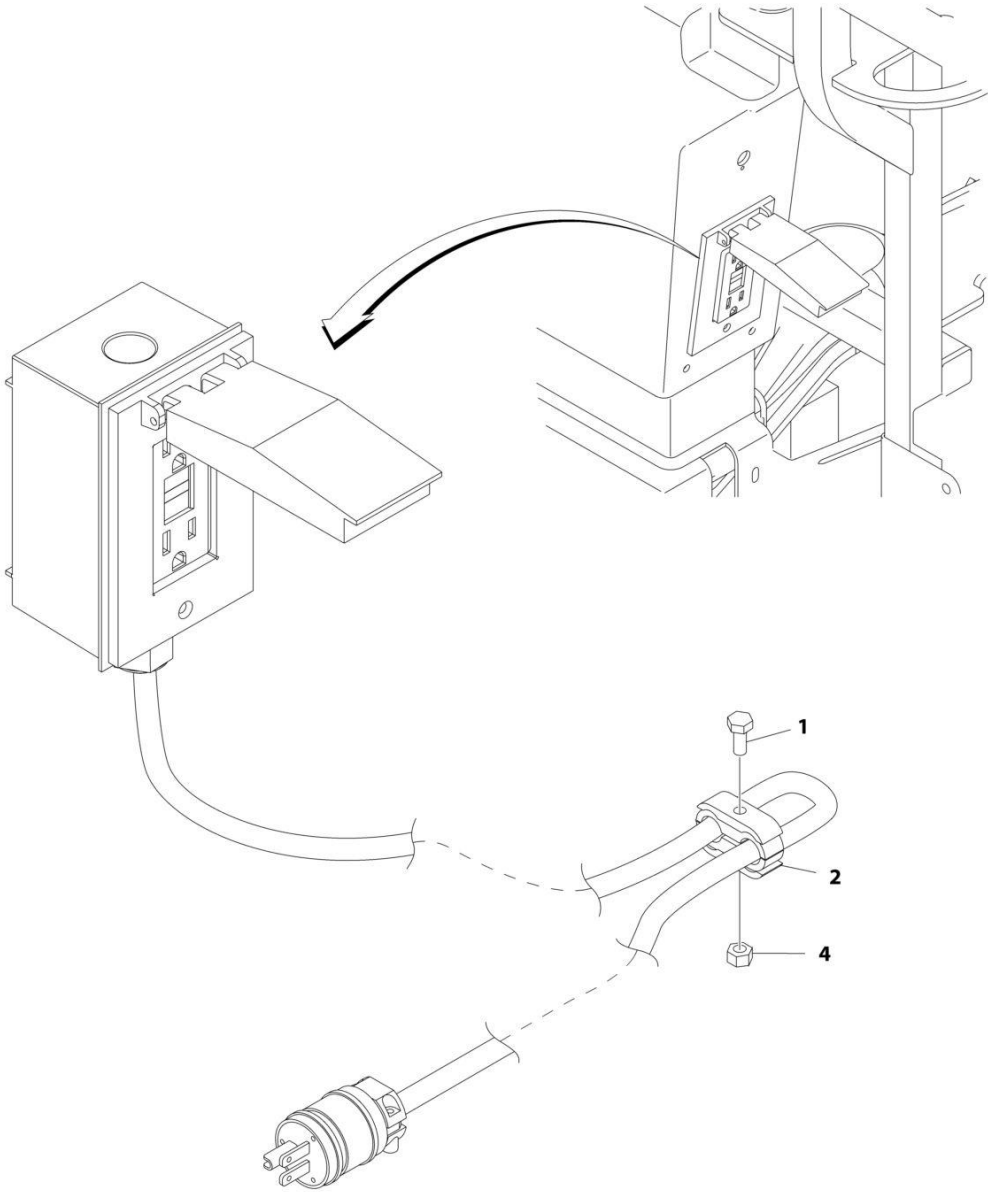
ITEM	PART NUMBER	QTY	DESCRIPTION	REV
		Ref	HYDRAULIC DIAGRAM - TURNTABLE (DEUTZ TD2011 AND DEUTZ TCD2.9L4 ENGINE MACHINES WITH SAUER PUMPS)	
	1001120169	Ref	Hydraulic Diagram Chart for Deutz TD2011 and Deutz TCD2.9L4 Engine Machines with Sauer Pumps	E
	1001120171	Ref	Hydraulic Diagram - Turntable	E
1	2110404	1	Fitting, Straight ORFS/ORB	
2	2110608	1	Fitting, Straight ORFS/ORB	
3	2110610	2	Fitting, Straight ORFS/ORB	
4	2110810	3	Fitting, Straight ORFS/ORB	
5	2130810	1	Fitting, 90 ORFS/ORB	
6	2111010	6	Fitting, Straight ORFS/ORB	
7	2111012	2	Fitting, Straight ORFS/ORB	
8	2111212	1	Fitting, Straight ORFS/ORB	
9	2111616	1	Fitting, Straight ORFS/ORB	
10	2113232	1	Fitting, Straight ORFS/ORB	
11	2130606	1	Fitting, 90 ORFS/ORB	
12	2130808	AR	Fitting, 90 ORFS/ORB	
15	2220478	1	Flange Kit	
16	1001110604	1	Flange Kit	
17	2111016	4	Fitting, Straight ORFS/ORB	
18	1001213385	1	Hose	
19	2753718	1	Hose	
20	2753730	1	Hose	
21	2753731	2	Hose	
22	2753734	1	Hose	
24	2753746	2	Hose	
25	1001118934	1	Hose	
26	2753744	1	Hose	
27	2753766	1	Hose	
28	1001118933	1	Hose	
29	2753708	1	Hose	
30	1001109468	4	Hose	
31	2753765	1	Hose	
32	2753771	1	Hose	
33	2753772	1	Hose	
34	2753774	1	Hose	
35	1001119817	1	Hose	
36	1001118935	1	Hose	
37	2131612	1	Fitting, 90 ORFS/ORB	
38	1001119138	1	Hose	
39	2112020	1	Fitting, Straight ORFS/ORB	
40	2221084	1	Fitting, Tee ORFS/ORFS/ORB	
41	2170908	1	Fitting, Cap ORFS	
42	2110812	1	Fitting, Straight ORFS/ORB	
43	2112016	1	Fitting, Straight ORFS/ORB	
44	2130404	1	Fitting, 90 ORFS/ORB	
45	2130812	1	Fitting, 90 ORFS/ORB	



**SECTION 8 - ELECTRICAL**

**SECTION 8 - ELECTRICAL**

**FIGURE 8-1. AC BOX AT PLATFORM - 110V (ANSI SPECS)**



ART\_0271955



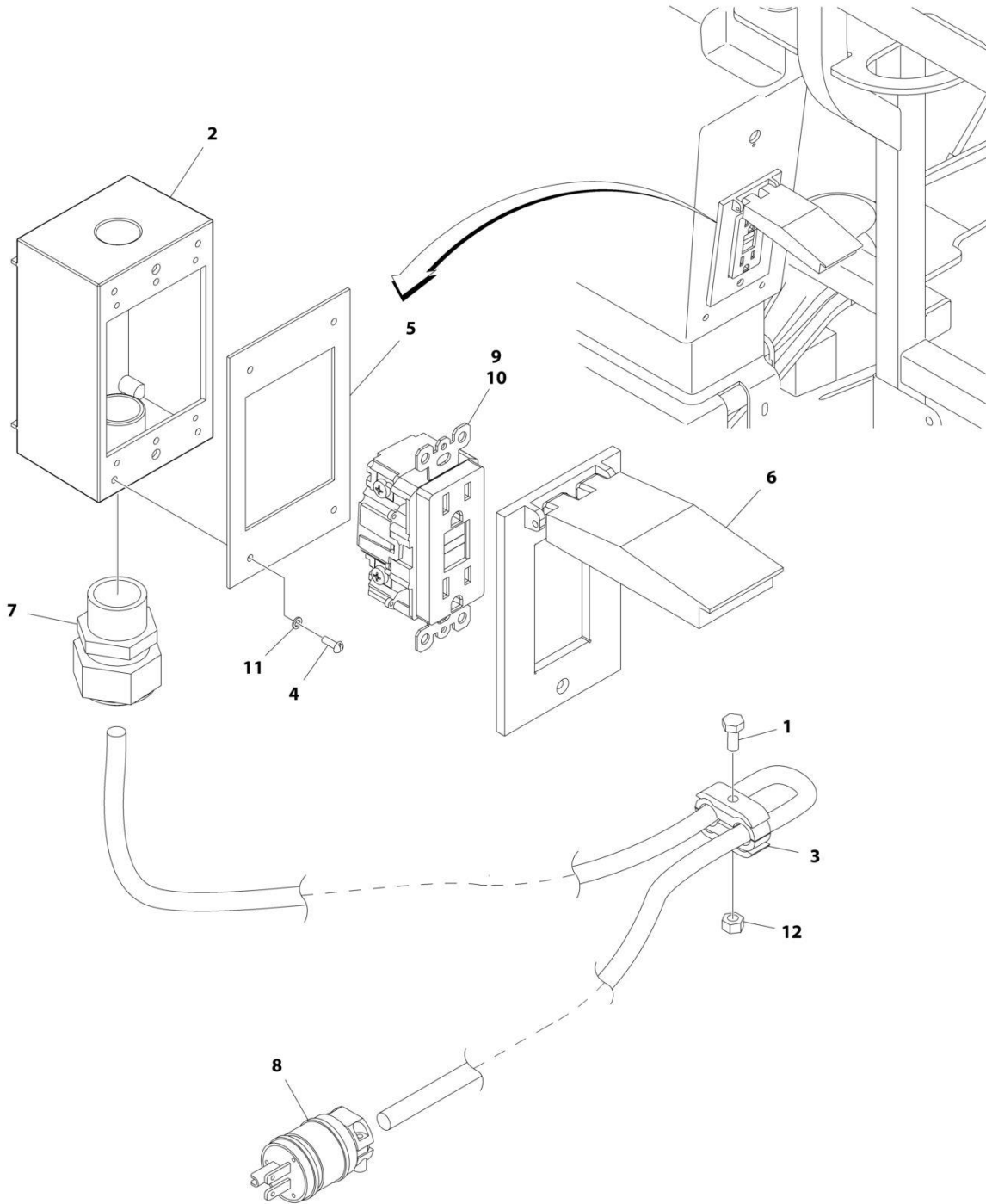
## SECTION 8 - ELECTRICAL

**FIGURE 8-1. AC BOX AT PLATFORM - 110V (ANSI SPECS)**

ITEM	PART NUMBER	QTY	DESCRIPTION	REV
	0271955	Ref	AC BOX AT PLATFORM - 110V	C
1	0641416	1	Bolt 1/4 x 2	
2	1320146	1	Clamp	
4	3311405	1	Nut 1/4	

# SECTION 8 - ELECTRICAL

## FIGURE 8-2. AC BOX AT PLATFORM - 110V GFI RECEPTACLE (ANSI SPECS)



ART\_0271953

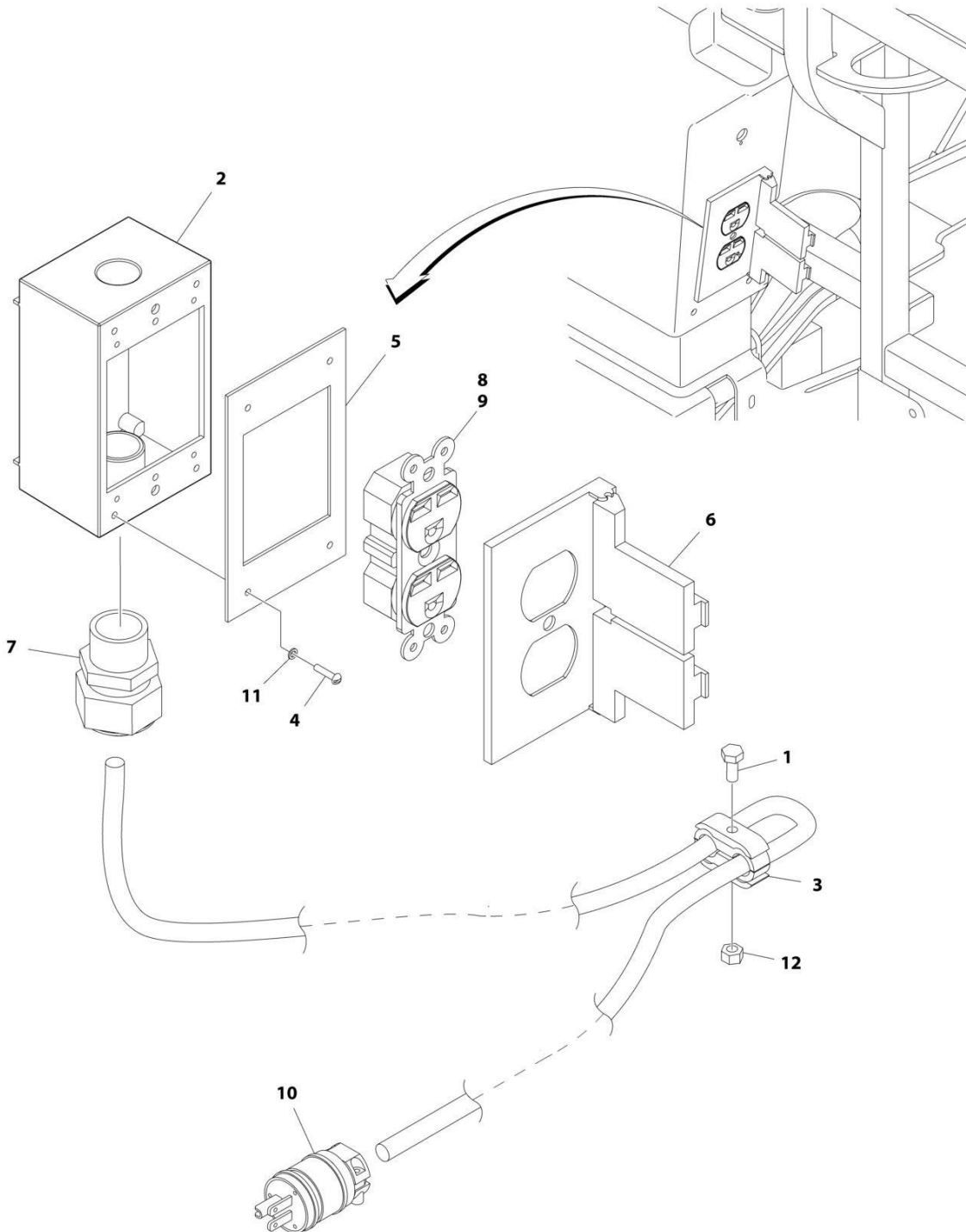
## SECTION 8 - ELECTRICAL

**FIGURE 8-2. AC BOX AT PLATFORM - 110V GFI RECEPTACLE (ANSI SPECS)**

ITEM	PART NUMBER	QTY	DESCRIPTION	REV
	0271953	Ref	AC BOX AT PLATFORM - 110V GFI RECEPTACLE	D
1	0641416	1	Bolt 1/4 x 2	
2	0860038	1	Box, Switch	
3	1320146	1	Clamp	
4	3910606	4	Screw 6 x 3/8	
5	3960422	1	Gasket, AC Receptacle	
6	1001110873	1	Shield, Receptacle Cover	
7	4460051	1	Connector, Strain Relief	
8	4460205	1	Plug, Male	
9	4460315	1	Terminal, Spade	
10	4460346	1	Terminal, Receptacle	
11	4760600	4	Washer 6	
12	3311405	1	Nut 1/4	

# SECTION 8 - ELECTRICAL

## FIGURE 8-3. AC BOX AT PLATFORM - 220V GFI RECEPTACLE (ANSI SPECS)



ART\_0271954

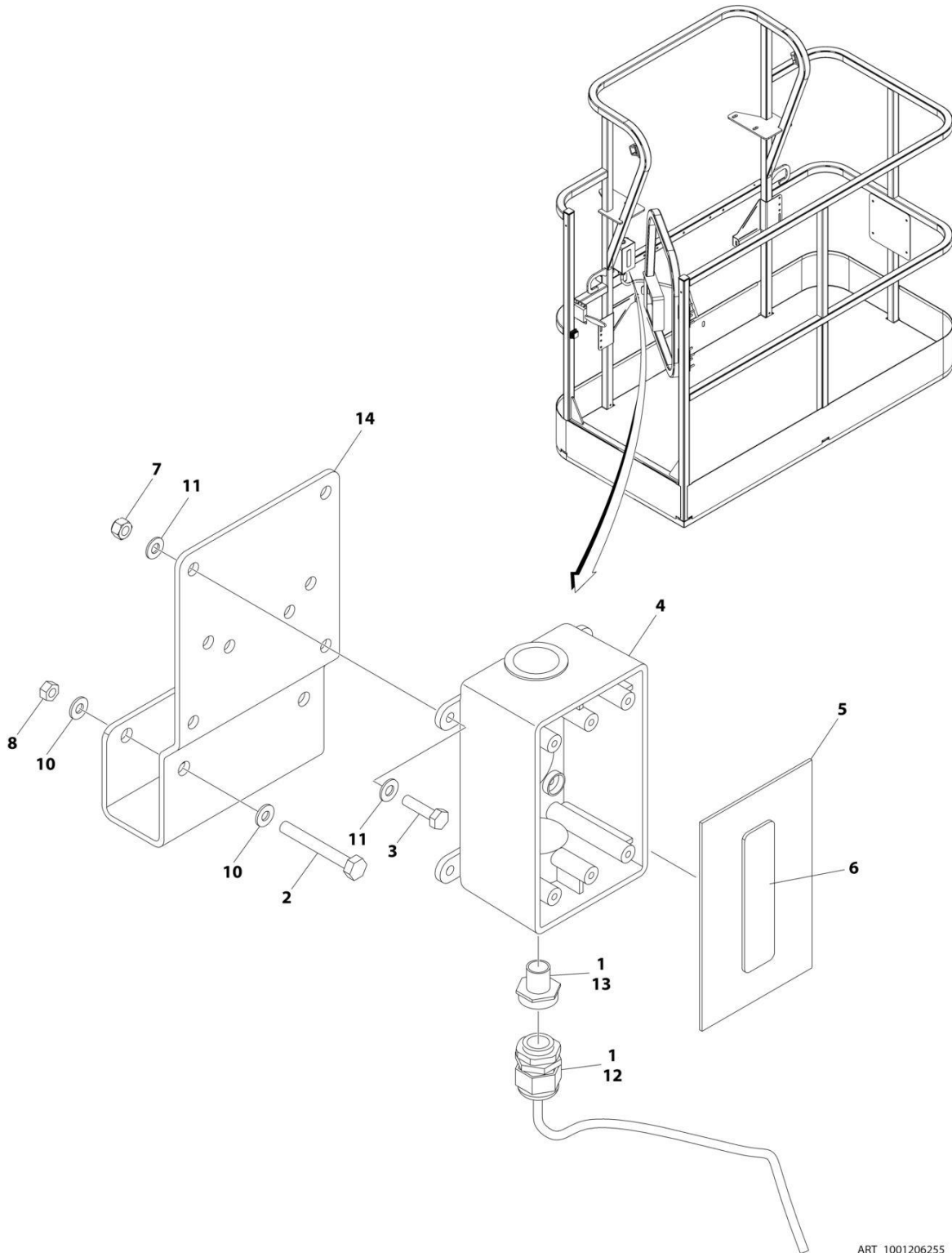
## SECTION 8 - ELECTRICAL

**FIGURE 8-3. AC BOX AT PLATFORM - 220V GFI RECEPTACLE (ANSI SPECS)**

ITEM	PART NUMBER	QTY	DESCRIPTION	REV
	0271954	Ref	AC BOX AT PLATFORM - 220V GFI RECEPTACLE	C
1	0641416	1	Bolt 1/4 x 2	
2	0860038	1	Box, Switch	
3	1320146	1	Clamp	
4	3910606	4	Screw 6 x 3/8	
5	3960422	1	Gasket, AC Receptacle	
6	4060092	1	Shield, Receptacle Cover	
7	4460051	1	Connector, Strain Relief	
8	4460125	1	Terminal, Receptacle	
9	4460315	1	Terminal, Spade	
10	4460709	1	Plug, Male	
11	4760600	4	Washer 6	
12	3311405	1	Nut 1/4	

## SECTION 8 - ELECTRICAL

FIGURE 8-4. AC BOX AT PLATFORM INSTALLATION - BOX WITH COVER (2X4 BOX) WITH 4000W GENERATOR (ANSI EXPORT, AUSTRALIAN, CHINA AND JAPANESE SPECS)



ART\_1001206255

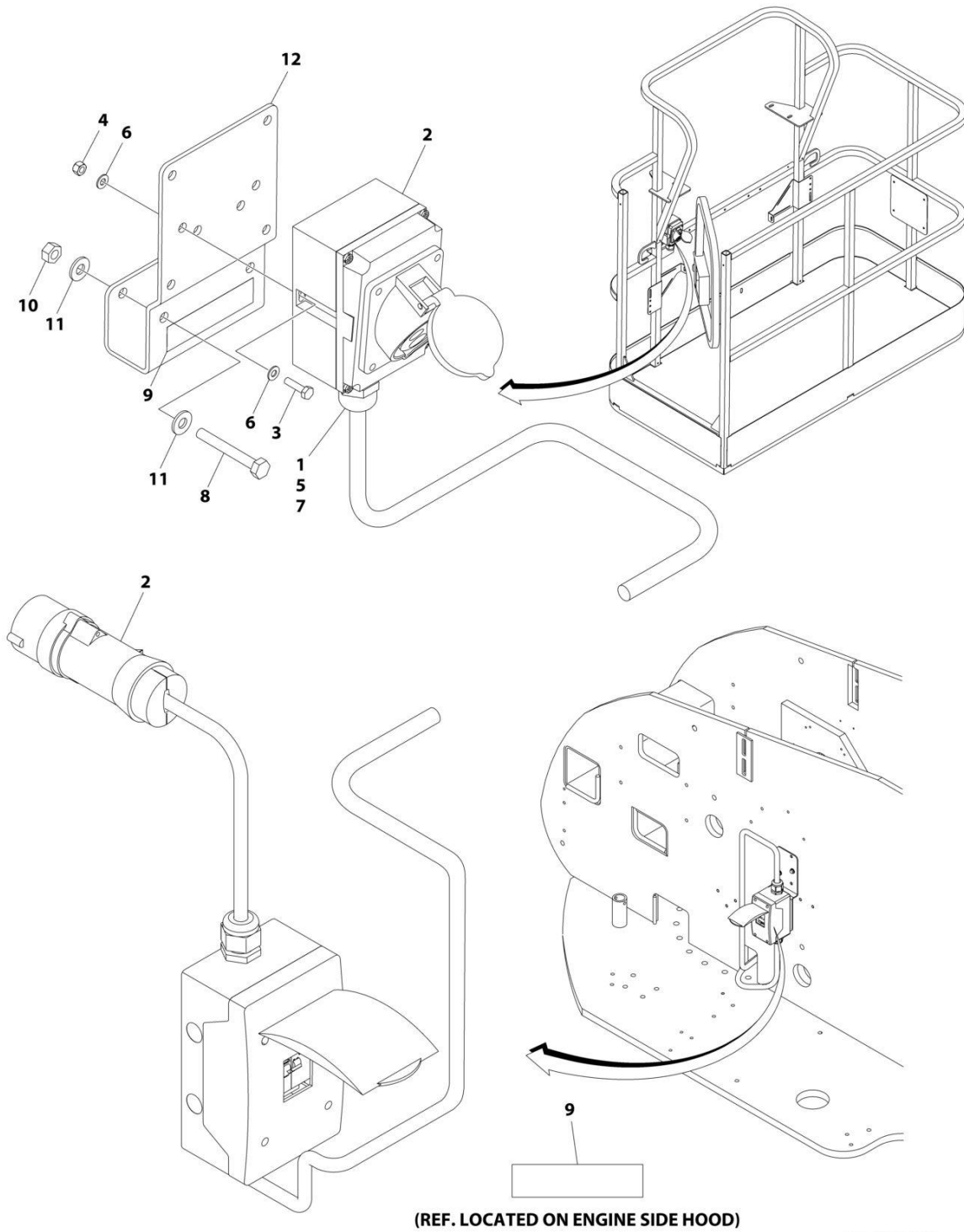
## SECTION 8 - ELECTRICAL

**FIGURE 8-4. AC BOX AT PLATFORM INSTALLATION - BOX WITH COVER (2X4 BOX) WITH 4000W GENERATOR (ANSI EXPORT, AUSTRALIAN, CHINA AND JAPANESE SPECS)**

ITEM	PART NUMBER	QTY	DESCRIPTION	REV
	1001206255	Ref	AC BOX AT PLATFORM INSTALLATION - BOX WITH COVER (2X4 BOX) WITH 4000W GENERATOR	A
1	0100020	AR	Sealant, Pipe	
2	0641416	2	Bolt 1/4 x 2	
3	0700408	4	Bolt M4 x 16	
4	0861731	1	Box, Switch	
5	1670603	1	Cover	
6	3251242	1	Decal - 240V-50Hz	
7	3290405	4	Nut M4	
8	3311405	2	Nut 1/4	
10	4711400	4	Washer 1/4	
11	4811400	8	Washer M4	
12	1001101191	1	Connector, Strain Relief	
13	1001101197	1	Adapter	
14	1001193018	1	Bracket, AC Receptacle	

# SECTION 8 - ELECTRICAL

FIGURE 8-5. AC BOX AT PLATFORM INSTALLATION - 110V IEC 60309 YELLOW WITHOUT 2500W GENERATOR (CE SPECS)



ART\_1001091969



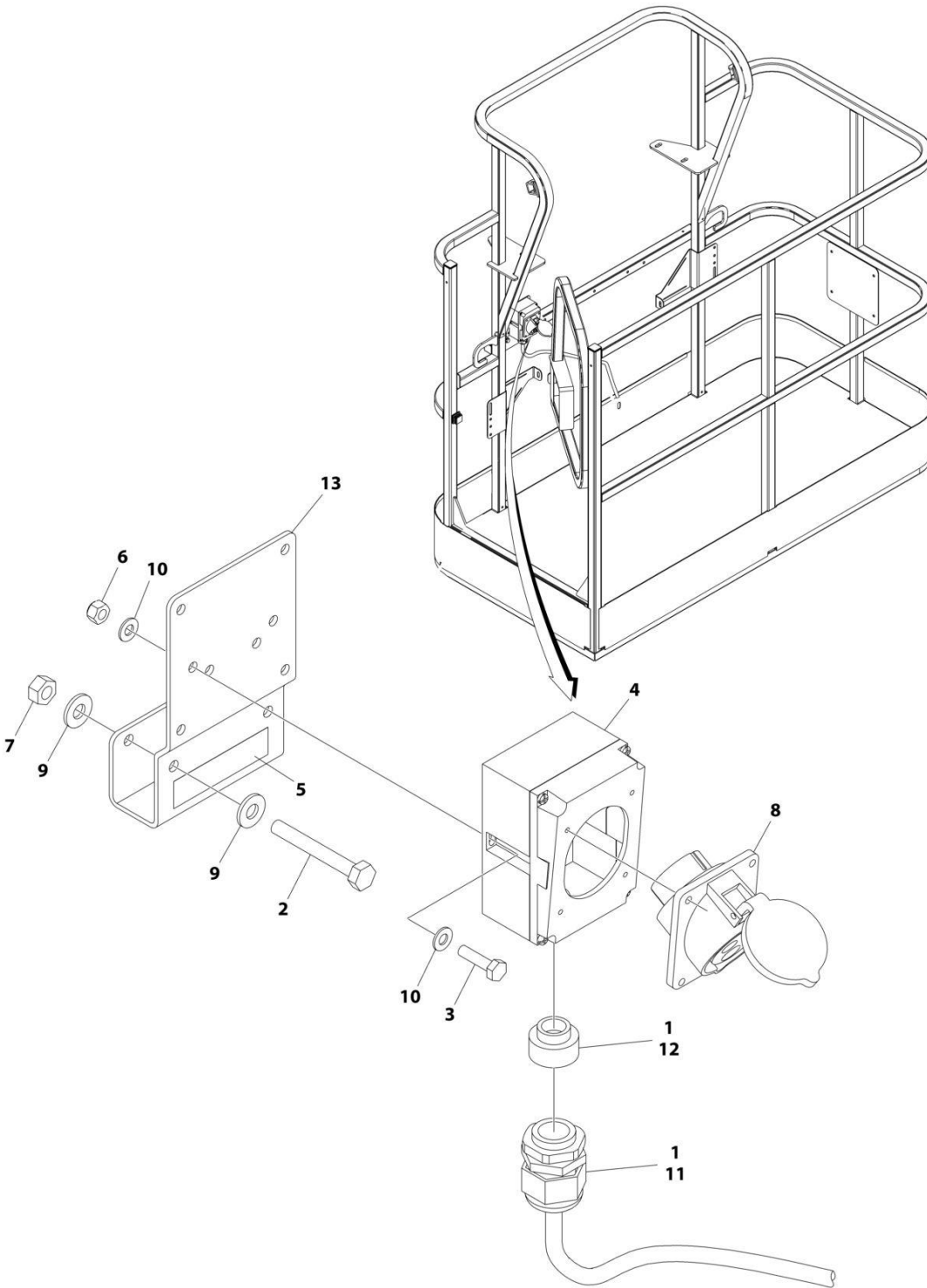
## SECTION 8 - ELECTRICAL

**FIGURE 8-5. AC BOX AT PLATFORM INSTALLATION - 110V IEC 60309 YELLOW WITHOUT 2500W GENERATOR (CE SPECS)**

ITEM	PART NUMBER	QTY	DESCRIPTION	REV
	1001091969	Ref	AC BOX AT PLATFORM INSTALLATION - 110V IEC YELLOW	D
1	0100020	AR	Sealant, Pipe	
2	0275216	1	Receptacle Box Kit (See Separate Breakdown in this Section)	
3	0700408	2	Bolt M4 x 16	
4	3290405	2	Nut M4	
5	1001101196	1	Adapter	
6	4811400	4	Washer M4	
7	1001101191	1	Connector, Strain Relief	
8	0641416	2	Bolt 1/4 x 2	
9	1705325	2	Decal - 110V	
10	3311405	2	Nut 1/4	
11	4711400	4	Washer 1/4	
12	1001193018	1	Bracket	

# SECTION 8 - ELECTRICAL

FIGURE 8-6. AC BOX AT PLATFORM INSTALLATION - 110V IEC 60309 YELLOW WITH 4000W GENERATOR (CE SPECS)



ART\_1001206253

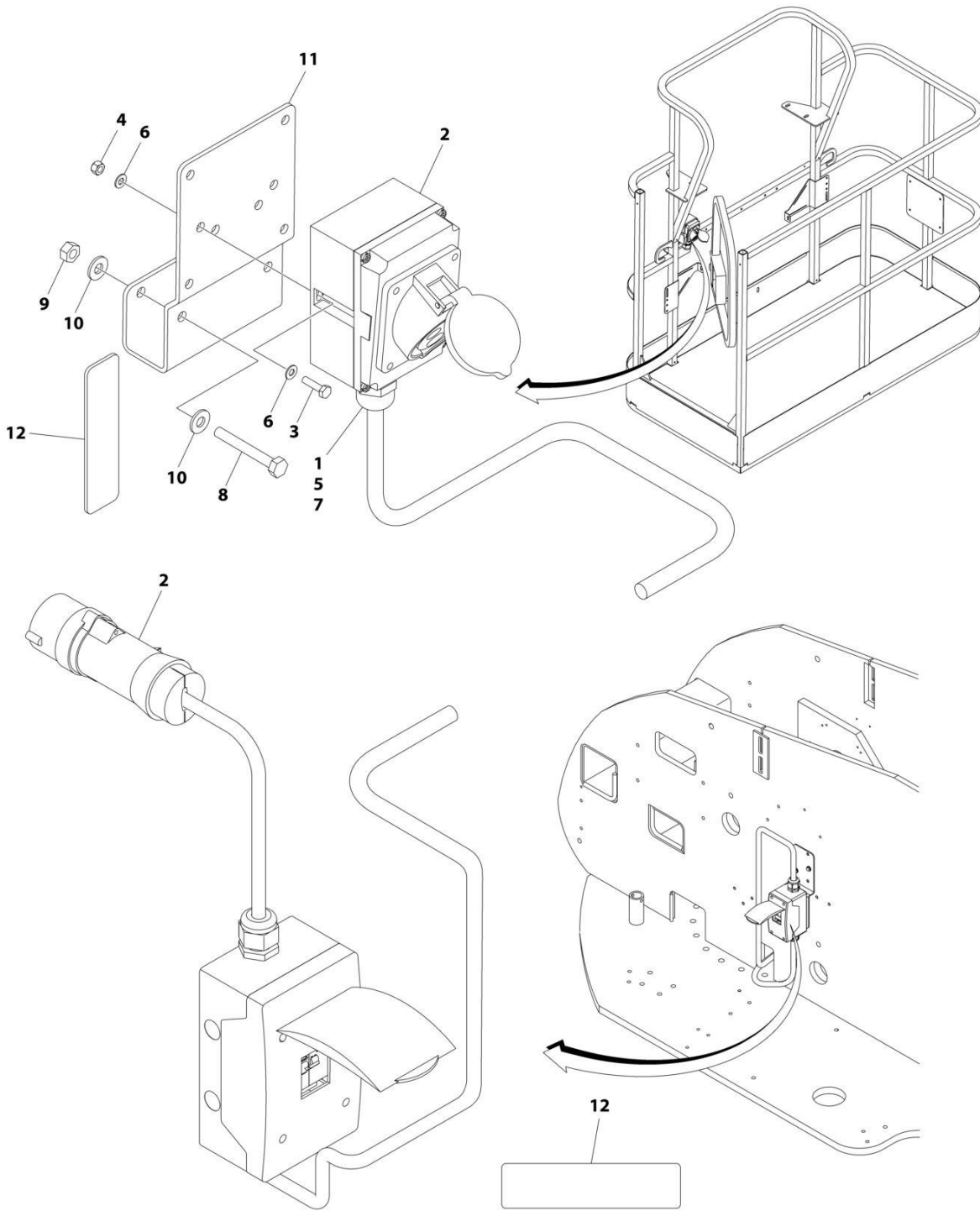
## SECTION 8 - ELECTRICAL

**FIGURE 8-6. AC BOX AT PLATFORM INSTALLATION - 110V IEC 60309 YELLOW WITH 4000W GENERATOR (CE SPECS)**

ITEM	PART NUMBER	QTY	DESCRIPTION	REV
	1001206253	Ref	AC BOX AT PLATFORM INSTALLATION - 110V IEC 60309 YELLOW WITHOUT 4000W GENERATOR	A
1	0100020	AR	Sealant, Pipe	
2	0641416	2	Bolt 1/4 x 2	
3	0700408	2	Bolt M4 x 16	
4	0861781	1	Box, Switch	
5	1705325	1	Decal - 110V	
6	3290405	2	Nut M4	
7	3311405	2	Nut 1/4	
8	4461198	1	Receptacle	
9	4711400	4	Washer 1/4	
10	4811400	4	Washer M4	
11	1001101191	1	Connector, Strain Relief	
12	1001101196	1	Adapter	
13	1001193018	1	Bracket, AC Receptacle	

# SECTION 8 - ELECTRICAL

## FIGURE 8-7. AC BOX AT PLATFORM INSTALLATION - 220V IEC 60309 BLUE WITHOUT 2500W GENERATOR (CE SPECS)



(REF. LOCATED ON ENGINE SIDE HOOD)

ART\_1001091970

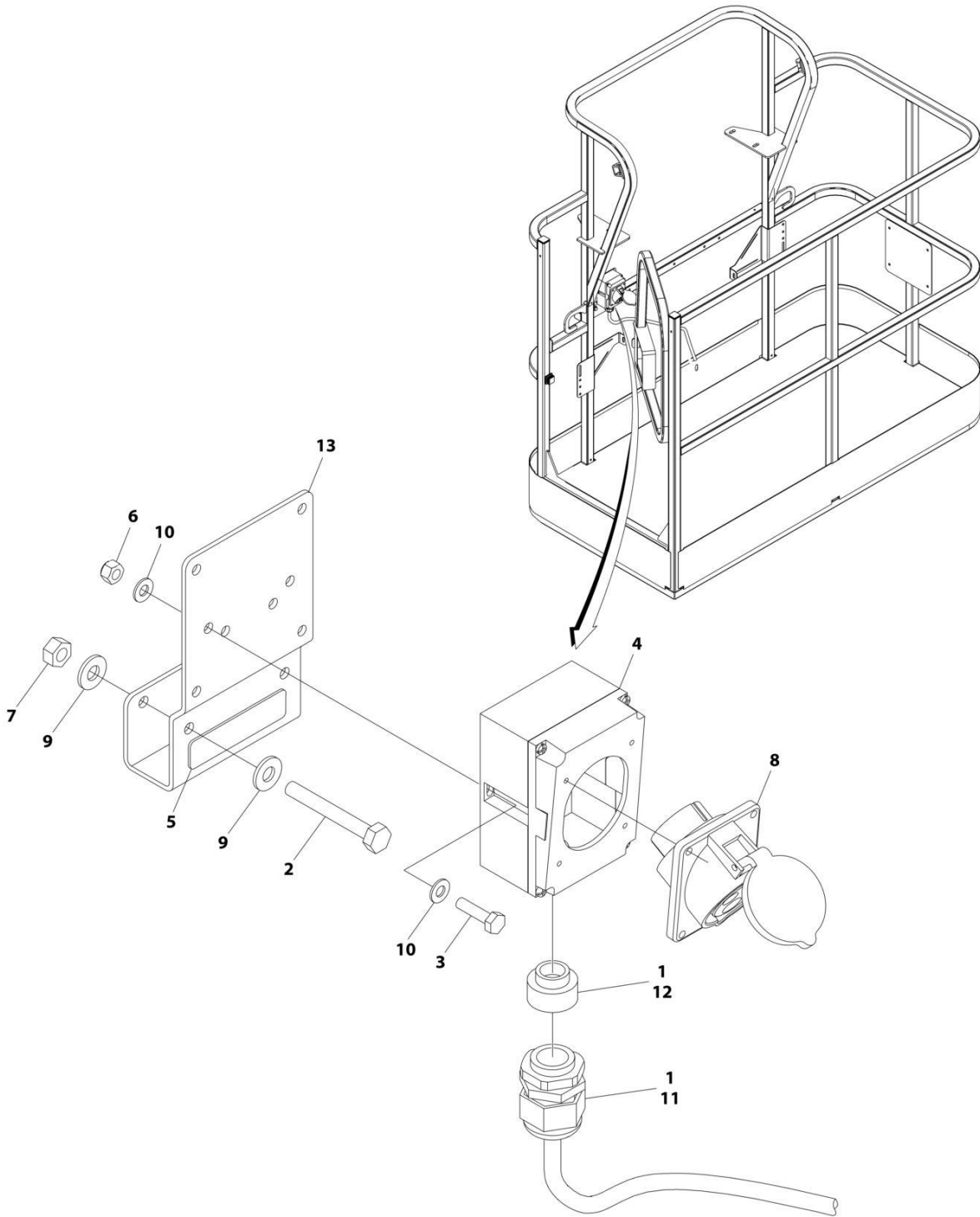
## SECTION 8 - ELECTRICAL

**FIGURE 8-7. AC BOX AT PLATFORM INSTALLATION - 220V IEC 60309 BLUE WITHOUT 2500W GENERATOR (CE SPECS)**

ITEM	PART NUMBER	QTY	DESCRIPTION	REV
	1001091970	Ref	AC BOX AT PLATFORM INSTALLATION - 220V IEC BLUE	D
1	0100020	AR	Sealant, Pipe	
2	0275217	1	Receptacle Box Kit (See Separate Breakdown in this Section)	
3	0700408	2	Bolt M4 x 16	
4	3290405	2	Nut M4	
5	1001101196	1	Adapter	
6	4811400	4	Washer M4	
7	1001101191	1	Connector, Strain Relief	
8	0641416	2	Bolt 1/4 x 2	
9	3311405	2	Nut 1/4	
10	4711400	4	Washer 1/4	
11	1001193018	1	Bracket	
12	3251242	2	Decal - 240V/50Hz	

# SECTION 8 - ELECTRICAL

FIGURE 8-8. AC BOX AT PLATFORM INSTALLATION - 220V IEC 60309 BLUE WITH 4000W GENERATOR (CE SPECS)



ART\_1001206254

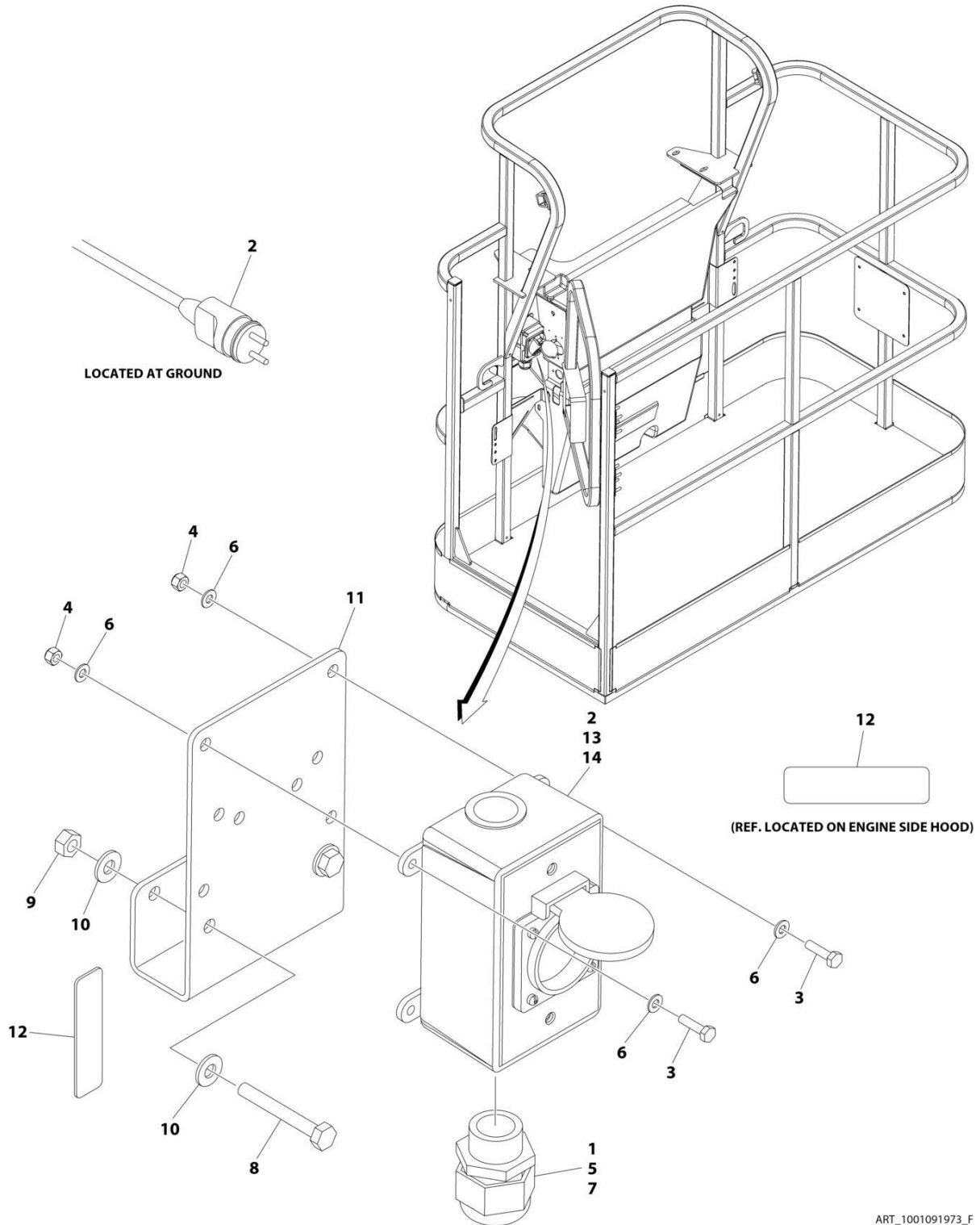
## SECTION 8 - ELECTRICAL

**FIGURE 8-8. AC BOX AT PLATFORM INSTALLATION - 220V IEC 60309 BLUE WITH 4000W GENERATOR (CE SPECS)**

ITEM	PART NUMBER	QTY	DESCRIPTION	REV
	1001206254	Ref	AC BOX AT PLATFORM INSTALLATION - 220V IEC BLUE	A
1	0100020	AR	Sealant, Pipe	
2	0641416	2	Bolt 1/4 x 2	
3	0700408	2	Bolt M4 x 16	
4	0861781	1	Box, Switch	
5	3251242	1	Decal - 240V/50Hz	
6	3290405	2	Nut M4	
7	3311405	2	Nut 1/4	
8	4461201	1	Receptacle	
9	4711400	4	Washer 1/4	
10	4811400	4	Washer M4	
11	1001101191	1	Connector, Strain Relief	
12	1001101196	1	Adapter	
13	1001193018	1	Bracket, AC Receptacle	

# SECTION 8 - ELECTRICAL

## FIGURE 8-9. AC BOX AT PLATFORM INSTALLATION - 220V CEE7 POST GROUND (2X4 BOX) WITHOUT 2500W GENERATOR (CE SPECS)





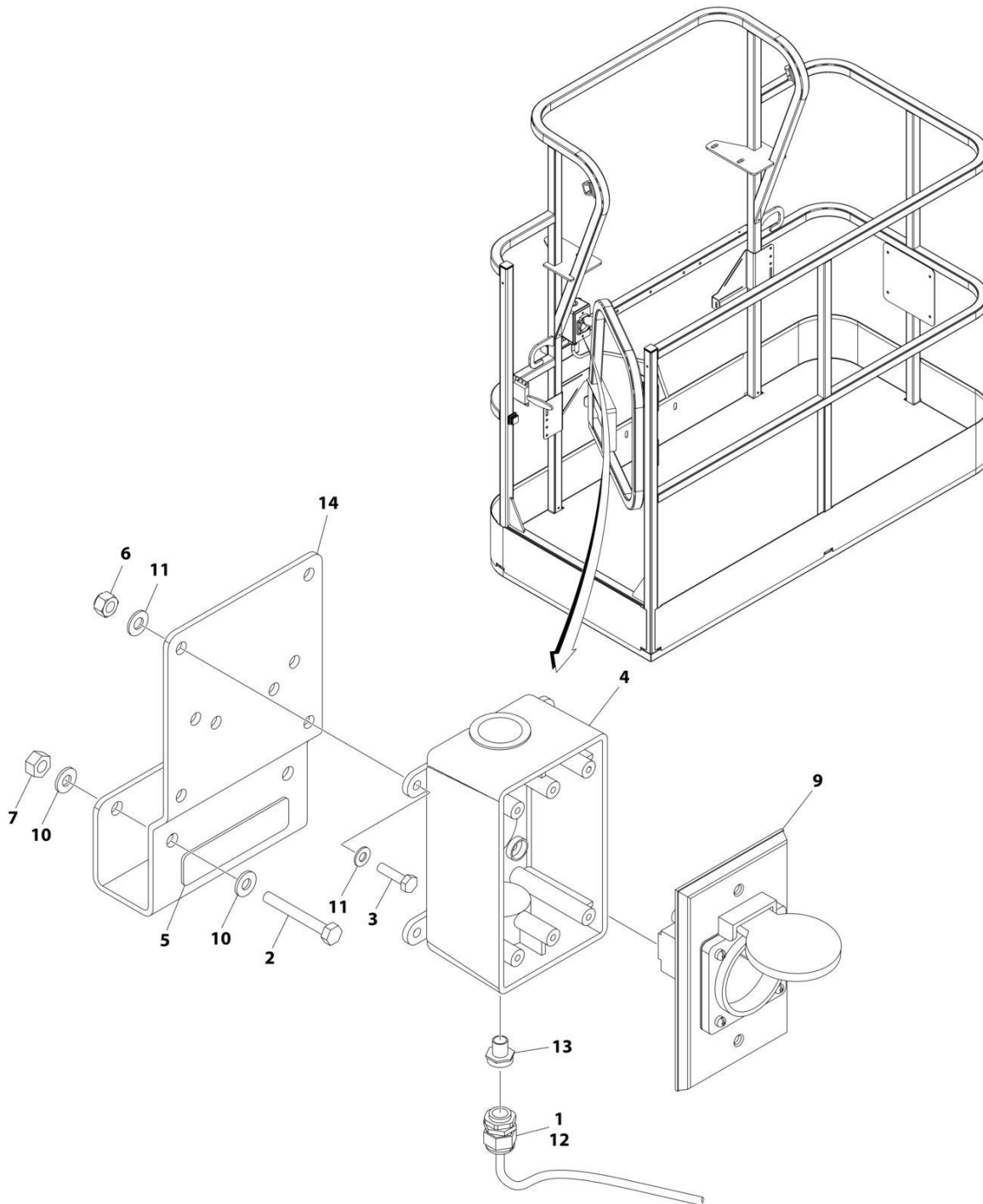
## SECTION 8 - ELECTRICAL

**FIGURE 8-9. AC BOX AT PLATFORM INSTALLATION - 220V CEE7 POST GROUND (2X4 BOX)  
WITHOUT 2500W GENERATOR (CE SPECS)**

ITEM	PART NUMBER	QTY	DESCRIPTION	REV
	1001091973	Ref	AC BOX AT PLATFORM INSTALLATION - 220V CEE7 2X4 BOX POST GROUND	F
1	0100020	AR	Sealant, Pipe	
2	0275452	1	Receptacle Box Kit (See Separate Breakdown in this Section)	
3	0700408	4	Bolt M4 x 16	
4	3290405	4	Nut M4	
5	1001101197	1	Adapter	
6	4811400	8	Washer M4	
7	1001101191	1	Connector, Strain Relief	
8	0641416	2	Bolt 1/4 x 2	
9	3311405	2	Nut 1/4	
10	4711400	4	Washer 1/4	
11	1001193018	1	Bracket	
12	3251242	2	Decal - 240V/50Hz	
13	4460806	2	Terminal, Fork (Not Shown)	
14	1001205958	1	Terminal (Not Shown)	

# SECTION 8 - ELECTRICAL

FIGURE 8-10. AC BOX AT PLATFORM INSTALLATION - 220V CEE7 POST GROUND (2X4 BOX) WITH 4000W GENERATOR (CE SPECS)



ART\_1001206250

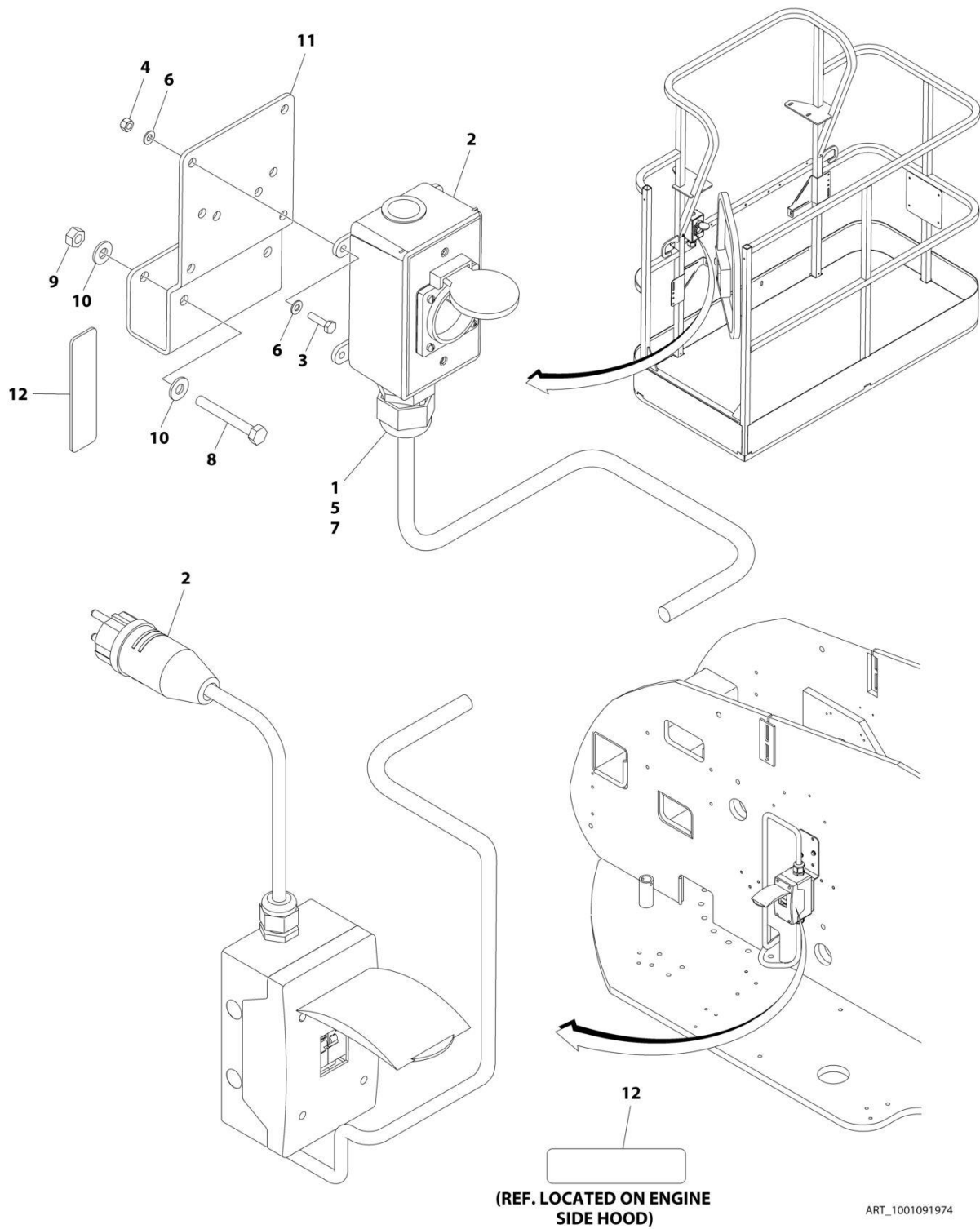
## SECTION 8 - ELECTRICAL

**FIGURE 8-10. AC BOX AT PLATFORM INSTALLATION - 220V CEE7 POST GROUND (2X4 BOX) WITH 4000W GENERATOR (CE SPECS)**

ITEM	PART NUMBER	QTY	DESCRIPTION	REV
	1001206250	Ref	AC BOX AT PLATFORM INSTALLATION - 220V CEE7 2X4 BOX POST GROUND	A
1	0100020	AR	Sealant, Pipe	
2	0641416	2	Bolt 1/4 x 2	
3	0700408	4	Bolt M4 x 16	
4	0861731	1	Box, Switch	
5	3251242	1	Decal - 240V/50Hz	
6	3290405	4	Nut M4	
7	3311405	2	Nut 1/4	
8	4460806	2	Terminal, Fork (Not Shown)	
9	4461244	1	Receptacle	
10	4711400	4	Washer 1/4	
11	4811400	8	Washer M4	
12	1001101191	1	Connector, Strain Relief	
13	1001101197	1	Adapter	
14	1001193018	1	Bracket, AC Receptacle	
15	1001205958	1	Terminal (Not Shown)	

# SECTION 8 - ELECTRICAL

FIGURE 8-11. AC BOX AT PLATFORM INSTALLATION - 220V CEE7 SIDE GROUND (2X4 BOX) WITHOUT 2500W GENERATOR (CE SPECS)



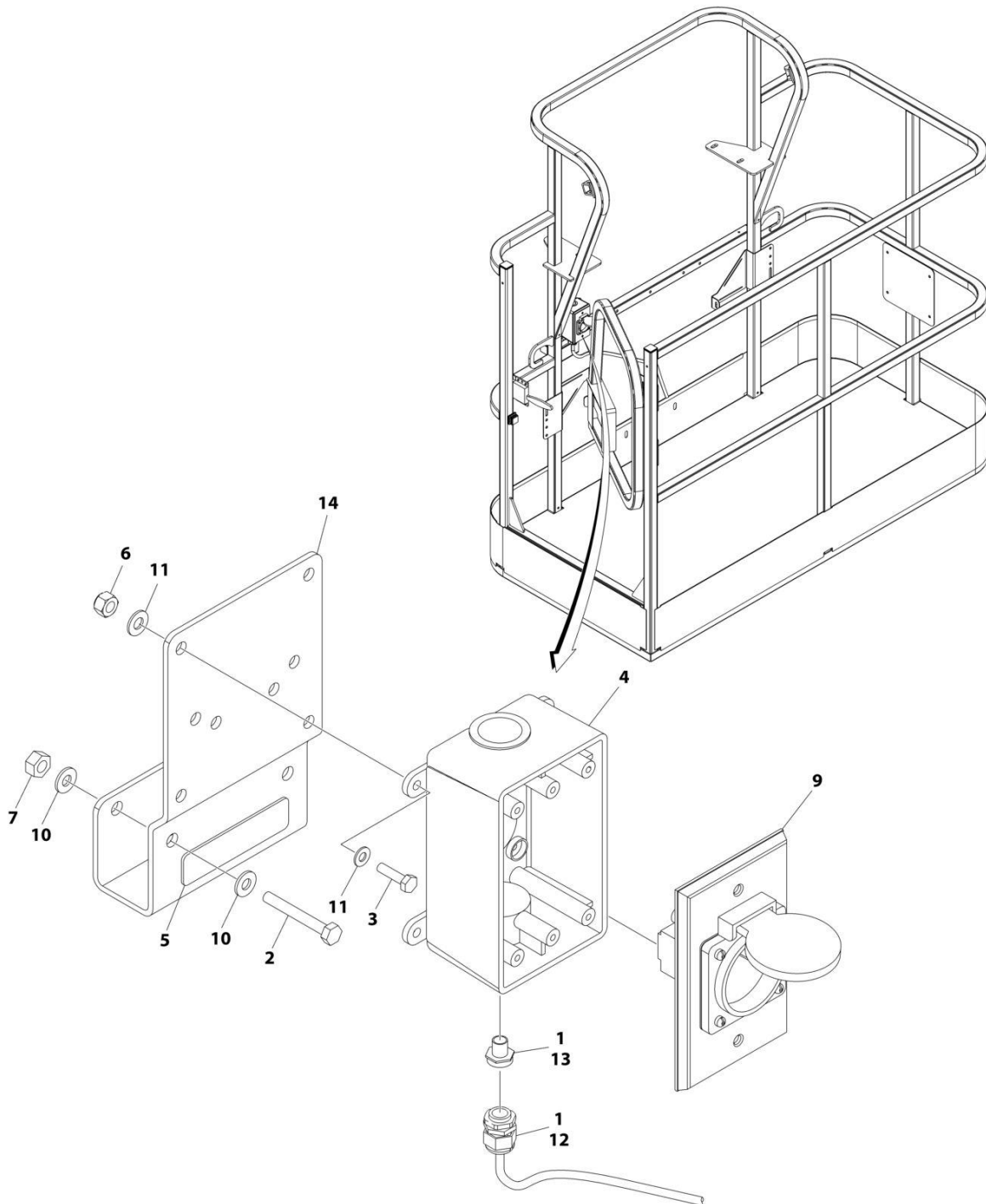
## SECTION 8 - ELECTRICAL

**FIGURE 8-11. AC BOX AT PLATFORM INSTALLATION - 220V CEE7 SIDE GROUND (2X4 BOX)  
WITHOUT 2500W GENERATOR (CE SPECS)**

ITEM	PART NUMBER	QTY	DESCRIPTION	REV
	1001091974	Ref	AC BOX AT PLATFORM INSTALLATION - 220V CEE7 2X4 BOX SIDE GROUND	F
1	0100020	AR	Sealant, Pipe	
2	0275453	1	Receptacle Box Kit (See Separate Breakdown in this Section)	
3	0700408	4	Bolt M4 x 16	
4	3290405	4	Nut M4	
5	1001101197	1	Adapter	
6	4811400	8	Washer M4	
7	1001101191	1	Connector, Strain Relief	
8	0641416	2	Bolt 1/4 x 2	
9	3311405	2	Nut 1/4	
10	4711400	4	Washer 1/4	
11	1001193018	1	Bracket	
12	3251242	2	Decal - 240V/50Hz	
13	4460806	2	Terminal, Fork (Not Shown)	
14	1001205958	1	Terminal (Not Shown)	

## SECTION 8 - ELECTRICAL

FIGURE 8-12. AC BOX AT PLATFORM INSTALLATION - 220V CEE7 SIDE GROUND (2X4 BOX) WITH 4000W GENERATOR (CE SPECS)



ART\_1001206251

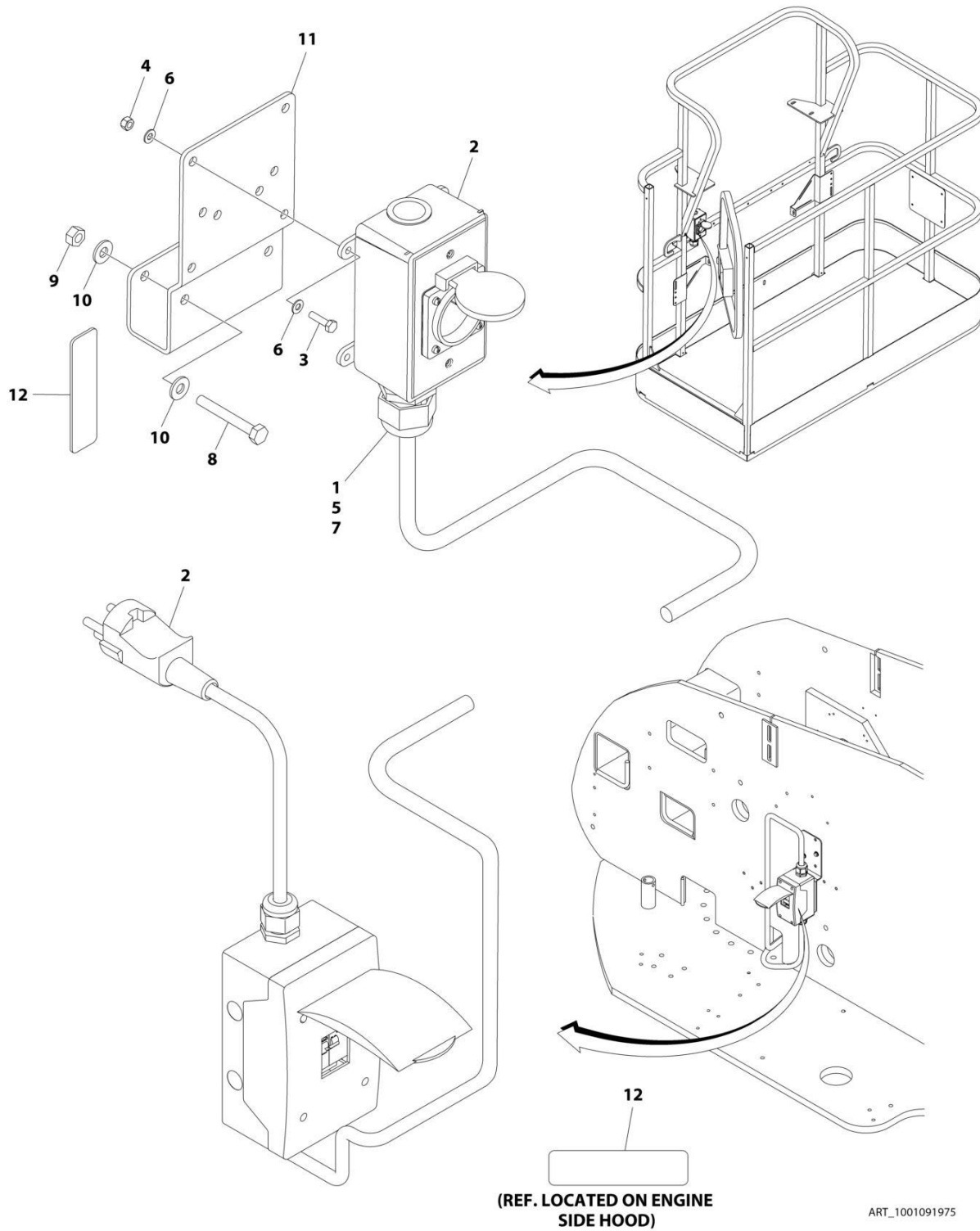
## SECTION 8 - ELECTRICAL

**FIGURE 8-12. AC BOX AT PLATFORM INSTALLATION - 220V CEE7 SIDE GROUND (2X4 BOX) WITH 4000W GENERATOR (CE SPECS)**

ITEM	PART NUMBER	QTY	DESCRIPTION	REV
	1001206251	Ref	AC BOX AT PLATFORM INSTALLATION - 220V CEE7 2X4 BOX SIDE GROUND	A
1	0100020	AR	Sealant, Pipe	
2	0641416	2	Bolt 1/4 x 2	
3	0700408	4	Bolt M4 x 16	
4	0861731	1	Box, Switch	
5	3251242	1	Decal - 240V/50Hz	
6	3290405	4	Nut M4	
7	3311405	2	Nut 1/4	
8	4460806	2	Terminal, Fork (Not Shown)	
9	4461245	1	Receptacle	
10	4711400	4	Washer 1/4	
11	4811400	8	Washer M4	
12	1001101191	1	Connector, Strain Relief	
13	1001101197	1	Adapter	
14	1001193018	1	Bracket, AC Receptacle	
15	1001205958	1	Terminal (Not Shown)	

# SECTION 8 - ELECTRICAL

FIGURE 8-13. AC BOX AT PLATFORM INSTALLATION - 220V AFSINT 107 KEYED GROUND (2X4 BOX) WITHOUT 2500W GENERATOR (CE SPECS)





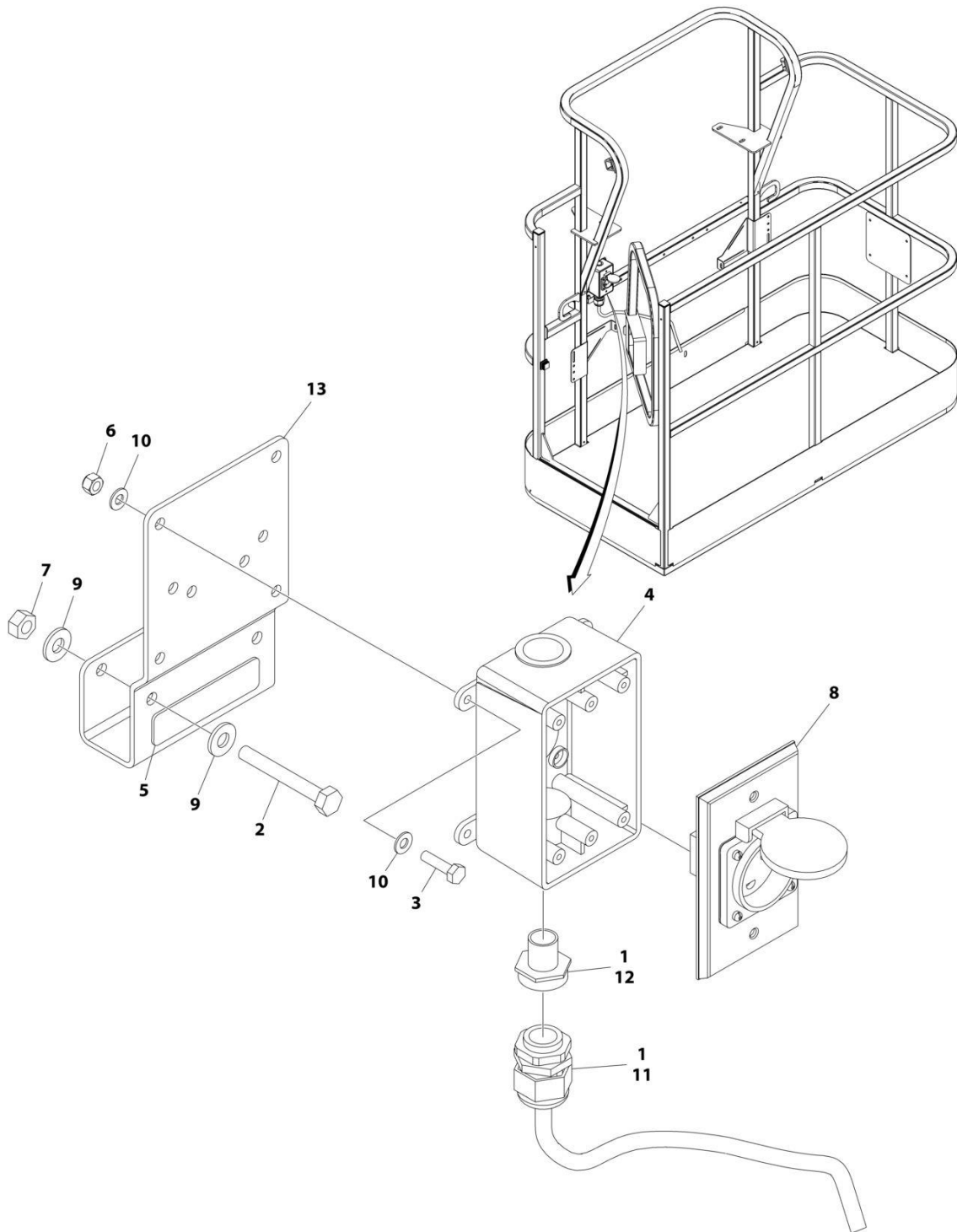
## SECTION 8 - ELECTRICAL

**FIGURE 8-13. AC BOX AT PLATFORM INSTALLATION - 220V AFSINT 107 KEYED GROUND (2X4 BOX) WITHOUT 2500W GENERATOR (CE SPECS)**

ITEM	PART NUMBER	QTY	DESCRIPTION	REV
	1001091975	Ref	AC BOX AT PLATFORM INSTALLATION - 220V AFSINT 107 2X4 BOX KEYED GROUND	F
1	0100020	AR	Sealant, Pipe	
2	0275454	1	Receptacle Box Kit (See Separate Breakdown in this Section)	
3	0700408	4	Bolt M4 x 16	
4	3290405	4	Nut M4	
5	1001101197	1	Adapter	
6	4811400	8	Washer M4	
7	1001101191	1	Connector, Strain Relief	
8	0641416	2	Bolt 1/4 x 2	
9	3311405	2	Nut 1/4	
10	4711400	4	Washer 1/4	
11	1001193018	1	Bracket	
12	3251242	2	Decal - 240V/50Hz	
13	1001205958	3	Terminal (Not Shown)	

# SECTION 8 - ELECTRICAL

FIGURE 8-14. AC BOX AT PLATFORM INSTALLATION - 220V AFSINT 107 KEYED GROUND (2X4 BOX) WITH 4000W GENERATOR (CE SPECS)



ART\_1001206252

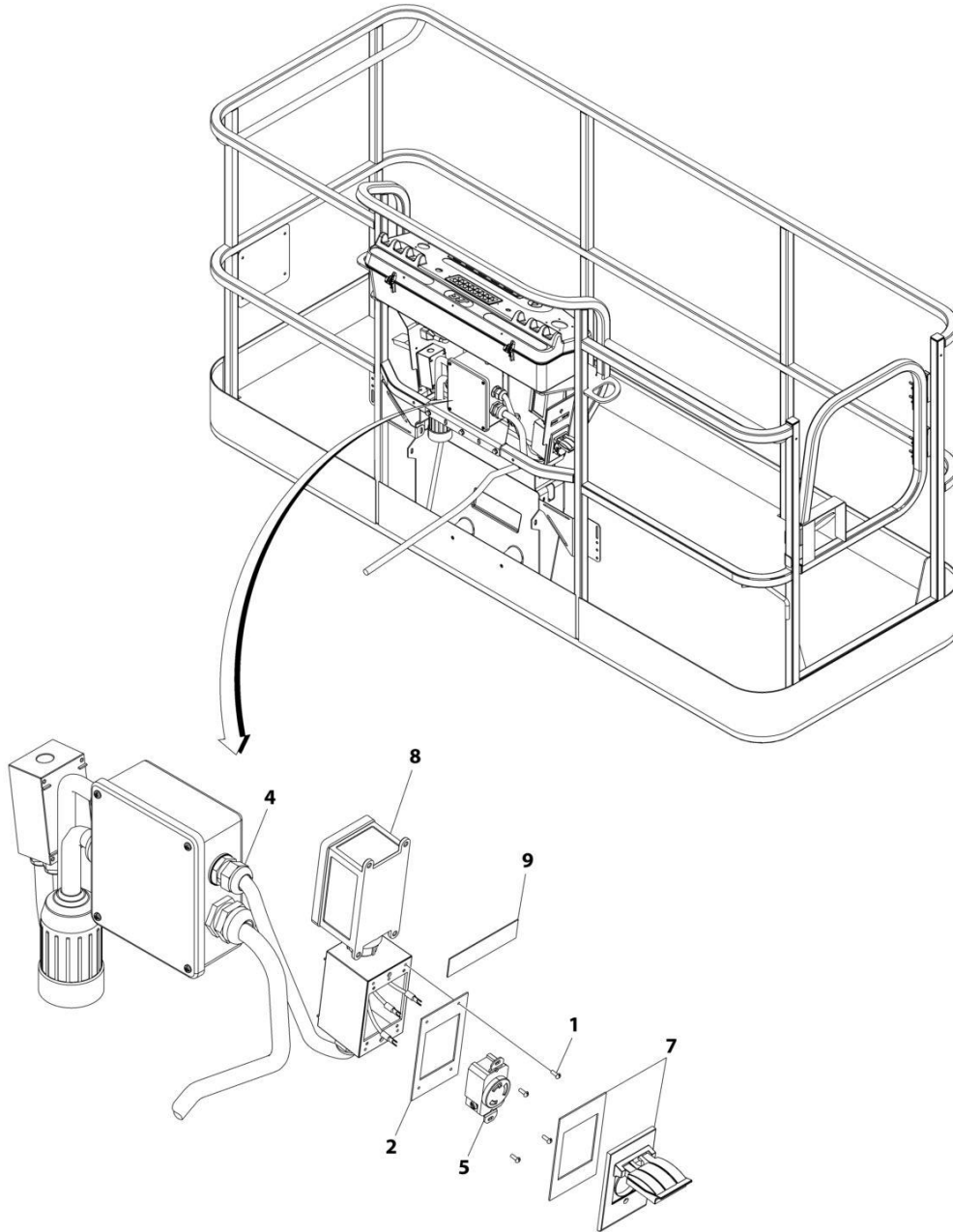
## SECTION 8 - ELECTRICAL

**FIGURE 8-14. AC BOX AT PLATFORM INSTALLATION - 220V AFSINT 107 KEYED GROUND (2X4 BOX) WITH 4000W GENERATOR (CE SPECS)**

ITEM	PART NUMBER	QTY	DESCRIPTION	REV
	1001206252	Ref	AC BOX AT PLATFORM INSTALLATION - 220V AFSINT 107 2x4 BOX KEYED GROUND	A
1	0100020	AR	Sealant, Pipe	
2	0641416	2	Bolt 1/4 x 2	
3	0700408	4	Bolt M4 x 16	
4	0861731	1	Box, Switch	
5	3251242	1	Decal - 240V/50Hz	
6	3290405	4	Nut M4	
7	3311405	2	Nut 1/4	
8	4461246	1	Receptacle	
9	4711400	4	Washer 1/4	
10	4811400	8	Washer M4	
11	1001101191	1	Connector, Strain Relief	
12	1001101197	1	Adapter	
13	1001193018	1	Bracket, AC Receptacle	
14	1001205958	3	Terminal (Not Shown)	

# SECTION 8 - ELECTRICAL

FIGURE 8-15. AC BOX AT PLATFORM INSTALLATION - 240V (WITH 7500W SKYPOWER GENERATOR) (ALL SPECS EXCEPT AUSTRALIAN, CE & CHINA SPECS)



ART\_1001159121

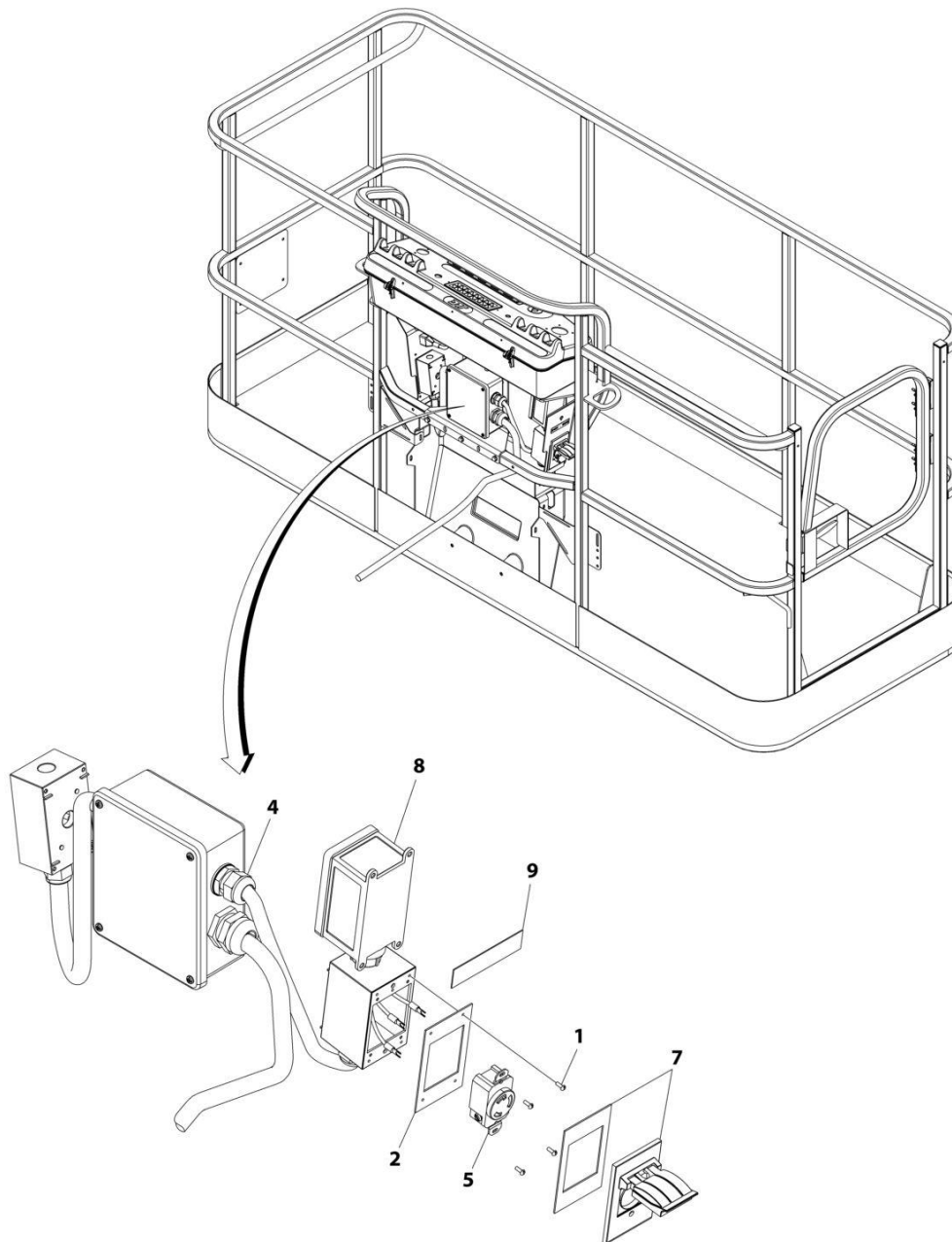
## SECTION 8 - ELECTRICAL

**FIGURE 8-15. AC BOX AT PLATFORM INSTALLATION - 240V (WITH 7500W SKYPOWER GENERATOR) (ALL SPECS EXCEPT AUSTRALIAN, CE & CHINA SPECS)**

ITEM	PART NUMBER	QTY	DESCRIPTION	REV
	1001159121	Ref	AC BOX AT PLATFORM INSTALLATION - 240V RECEPTACLE	B
1	3910606	4	Screw 6 x 3/8	
2	3960422	1	Gasket	
3	4240018	AR	Tie-Strap (Not Shown)	
4	4460425	1	Connector, Strain Relief	
5	4460958	1	Receptacle	
7	1001110872	1	Cover, Receptacle	
8	1001159120	1	Receptacle/Breaker Box Assembly	
8	1001148675	1	Box, Receptacle	
8	1001159118	1	Breaker Box Assembly	
8	4460612	1	Connector, Strain Relief	
8	1001159119	1	Connector (Between Boxes)	
9	1705374	1	Decal - 240V/60Hz	

## SECTION 8 - ELECTRICAL

FIGURE 8-16. AC BOX AT PLATFORM INSTALLATION - 240V (WITH 4000W GENERATOR) (ALL SPECS EXCEPT AUSTRALIAN, CE & CHINA SPECS)



ART\_1001171131

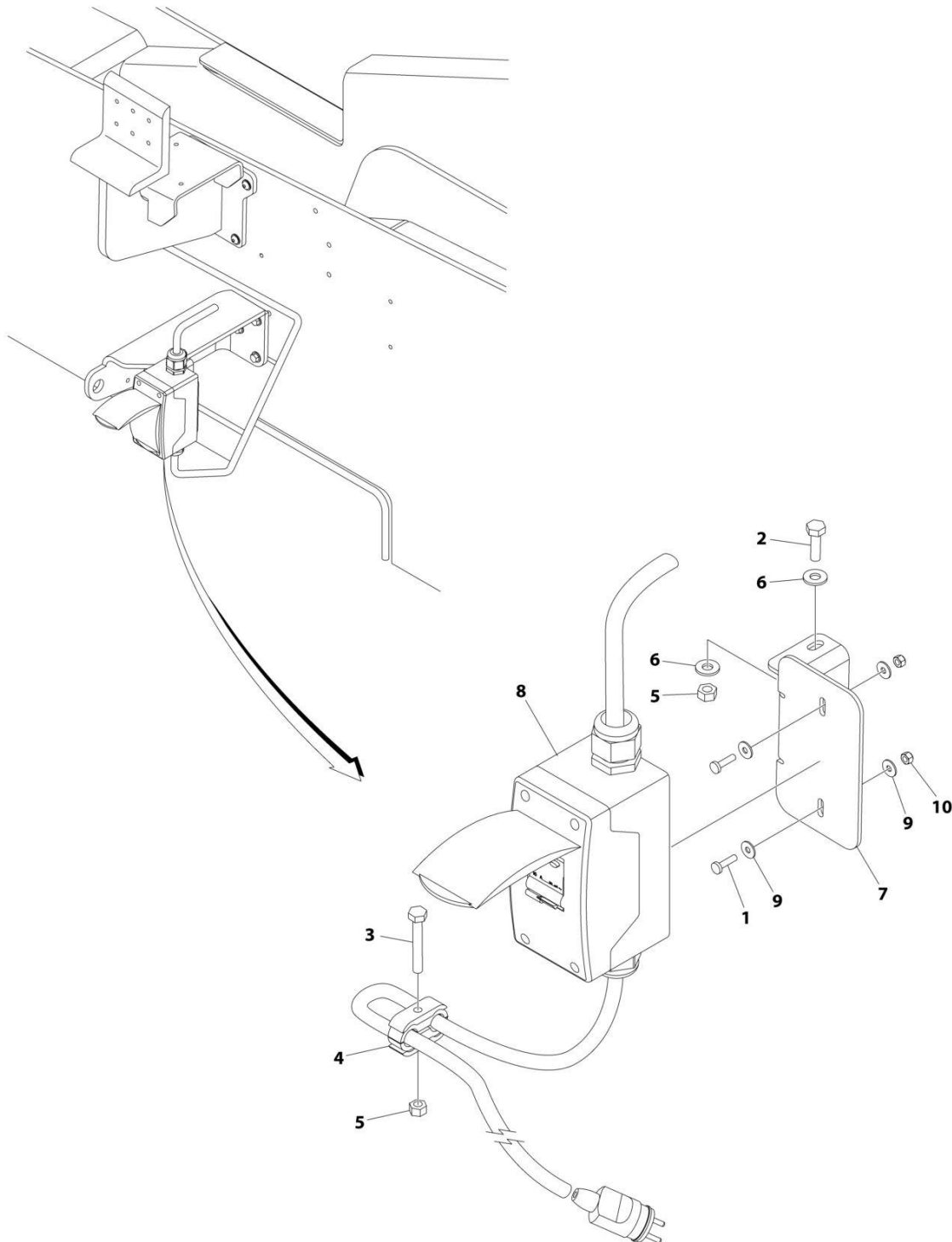
## SECTION 8 - ELECTRICAL

**FIGURE 8-16. AC BOX AT PLATFORM INSTALLATION - 240V (WITH 4000W GENERATOR) (ALL SPECS EXCEPT AUSTRALIAN, CE & CHINA SPECS)**

ITEM	PART NUMBER	QTY	DESCRIPTION	REV
	1001171131	Ref	AC BOX AT PLATFORM INSTALLATION - 240V RECEPTACLE	B
1	3910606	4	Screw 6 x 3/8	
2	3960422	1	Gasket	
3	4240018	AR	Tie-Strap (Not Shown)	
4	4460425	1	Connector, Strain Relief	
5	1001176862	1	Receptacle	
7	1001110872	1	Cover, Receptacle	
8	1001159120	1	Receptacle/Breaker Box Assembly	
8	1001148675	1	Box, Receptacle	
8	1001159118	1	Breaker GFCI 30Amp 240VAC	
8	4460612	1	Connector, Strain Relief	
8	1001159119	1	Connector (Between Boxes)	
9	1705374	1	Decal - 240V/60Hz	

# SECTION 8 - ELECTRICAL

## FIGURE 8-17. AC 16 AMP BREAKER BOX INSTALLATION (CE SPECS)



ART\_1001095976



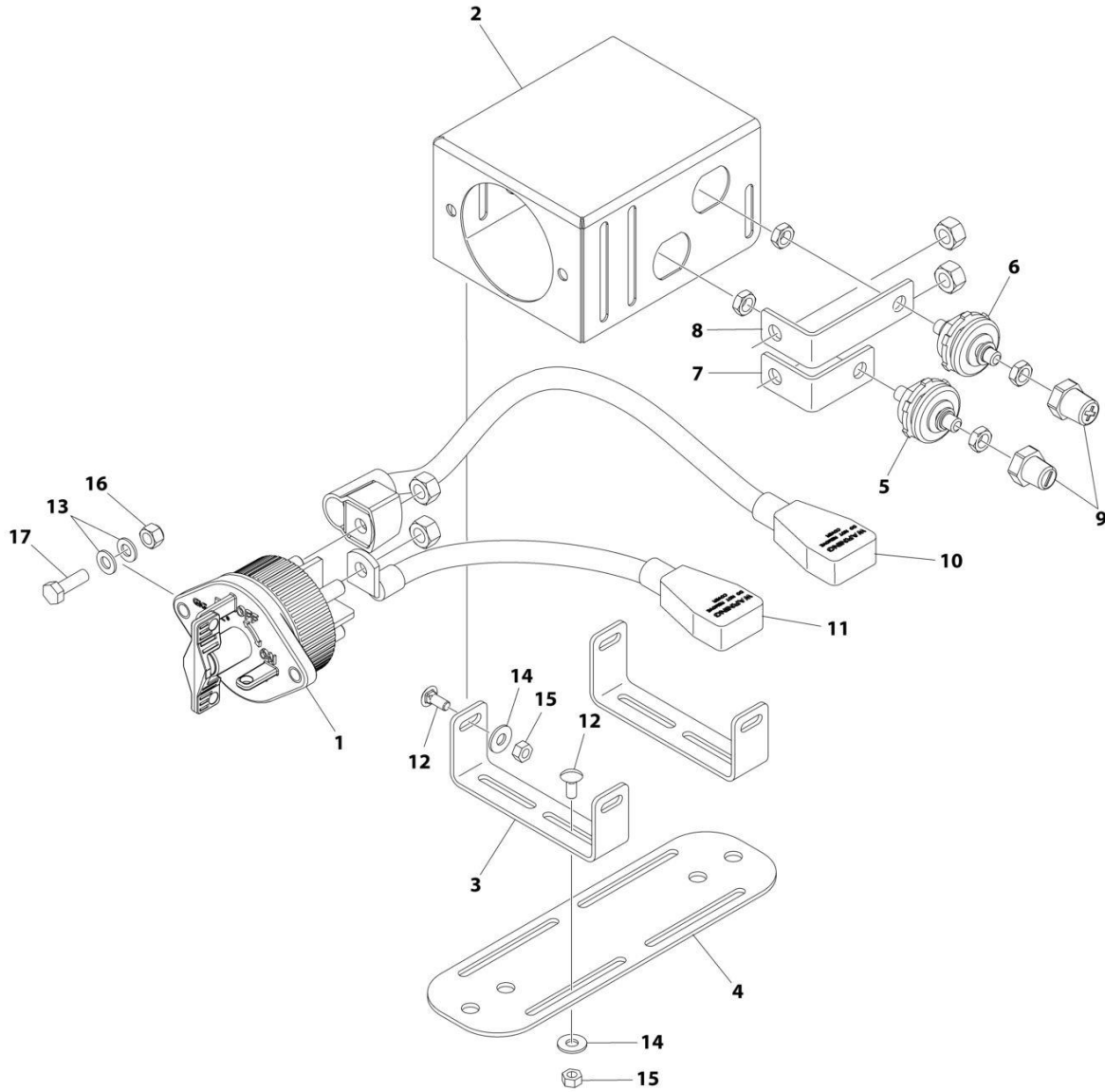
## SECTION 8 - ELECTRICAL

**FIGURE 8-17. AC 16 AMP BREAKER BOX INSTALLATION (CE SPECS)**

ITEM	PART NUMBER	QTY	DESCRIPTION	REV
	1001095976	Ref	AC 16 AMP BREAKER BOX INSTALLATION	D
1	4010408	2	Screw M4 x 16	
2	0641407	2	Bolt 1/4 x 7/8	
3	0641416	AR	Bolt 1/4 x 2	
4	1320146	1	Clamp	
5	3311405	AR	Nut 1/4	
6	4711400	AR	Washer 1/4	
7	1001094915	1	Bracket	
8	1001109654	1	Breaker Box Kit - 16 Amp (See Separate Breakdown in this Section)	
9	1001091102	4	Washer M4	
10	3290405	2	Nut M4	

# SECTION 8 - ELECTRICAL

## FIGURE 8-18. BATTERY DISCONNECT INSTALLATION



ART\_1001241630

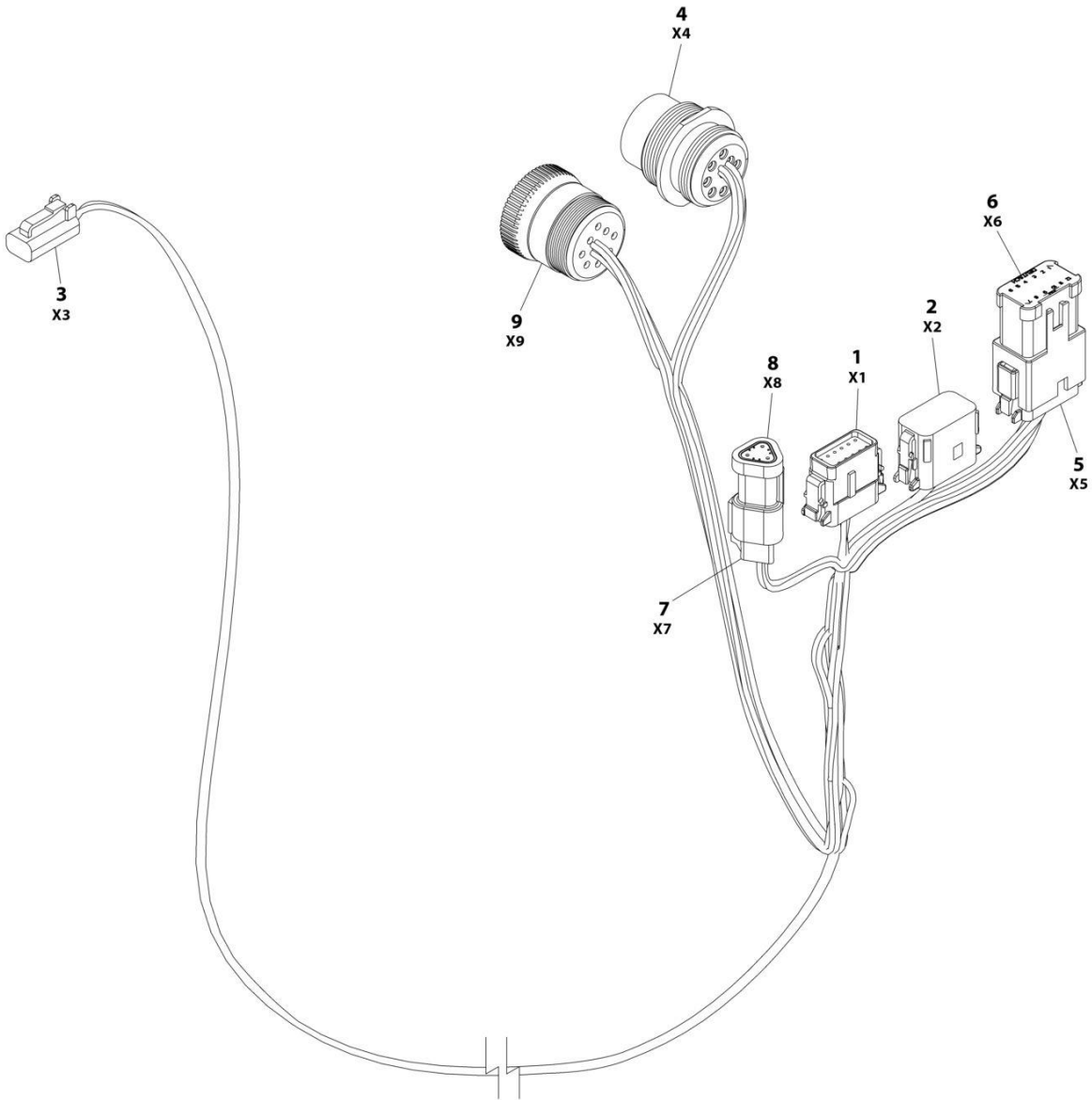
## SECTION 8 - ELECTRICAL

**FIGURE 8-18. BATTERY DISCONNECT INSTALLATION**

ITEM	PART NUMBER	QTY	DESCRIPTION	REV
	1001241630	Ref	BATTERY DISCONNECT SWITCH	A
1	1001225346	1	Switch, Battery Disconnect	
2	1001226531	1	Mount	
3	1001239805	2	Mount	
4	1001241585	1	Plate	
5	1001214571	1	Connector (Black)	
6	1001214570	1	Connector (Red)	
7	1001209474	1	Buss bar	
8	1001209432	1	Buss bar	
9	1001206476	1	Connector	
10	1001236504	1	Cable (Positive)	
11	1001236505	1	Cable (Negative)	
12	88411013	8	Bolt 1/4 x 3/4	
13	4811900	4	Washer M8	
14	4751400	8	Washer 1/4	
15	3311405	8	Nut 1/4	
16	3290805	2	Nut M8	
17	0760812	2	Bolt M8 x 25	

# SECTION 8 - ELECTRICAL

## FIGURE 8-19. BEACON LIGHT HARNESS



ART\_1001142736

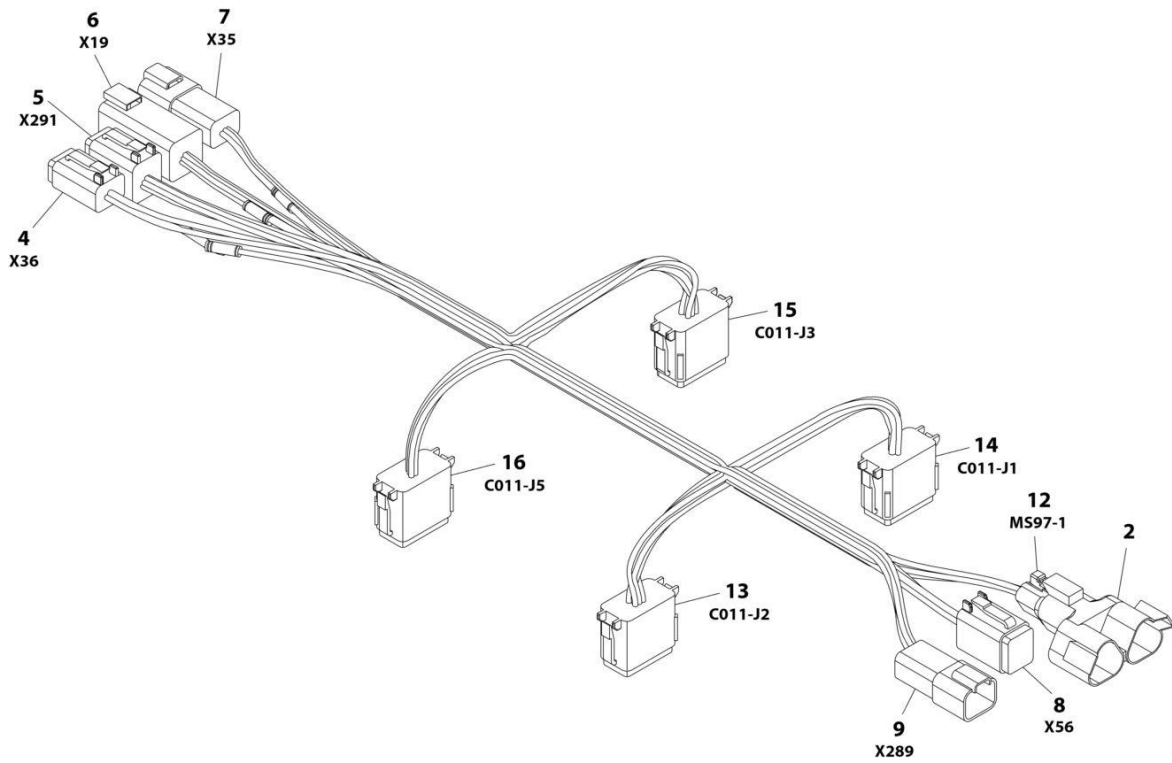
## SECTION 8 - ELECTRICAL

### FIGURE 8-19. BEACON LIGHT HARNESS

ITEM	PART NUMBER	QTY	DESCRIPTION	REV
	1001142736	Ref	STROBE LIGHT HARNESS	F
1	1001116808	1	Plug, Male - 12 Position	
1	4460928	3	Socket, Female	
1	4460518	9	Plug, Terminal	
2	1001116774	1	Plug, Male - 12 Position	
2	4460928	3	Socket, Female	
2	4460518	9	Plug, Terminal	
3	4460891	1	Plug, Male - 2 Position	
3	4460465	2	Socket, Female	
4	1001112612	1	Connector - 9 Position	
4	4460464	6	Pin, Male	
4	4460466	3	Plug, Terminal	
5	4460933	1	Plug, Male - 12 Position	
5	4460465	12	Socket, Female	
6	1001119020	1	Bussbar - 12 Position	
7	4461095	1	Plug, Male - 3 Position	
7	4460465	3	Socket, Female	
8	4461070	1	Bussbar - 3 Position	
9	1001112796	1	Connector - 9 Position	
9	4460465	6	Socket, Female	
9	4460466	3	Plug, Terminal	

# SECTION 8 - ELECTRICAL

## FIGURE 8-20. B.L.A.M. HARNESS



ART\_1001242185

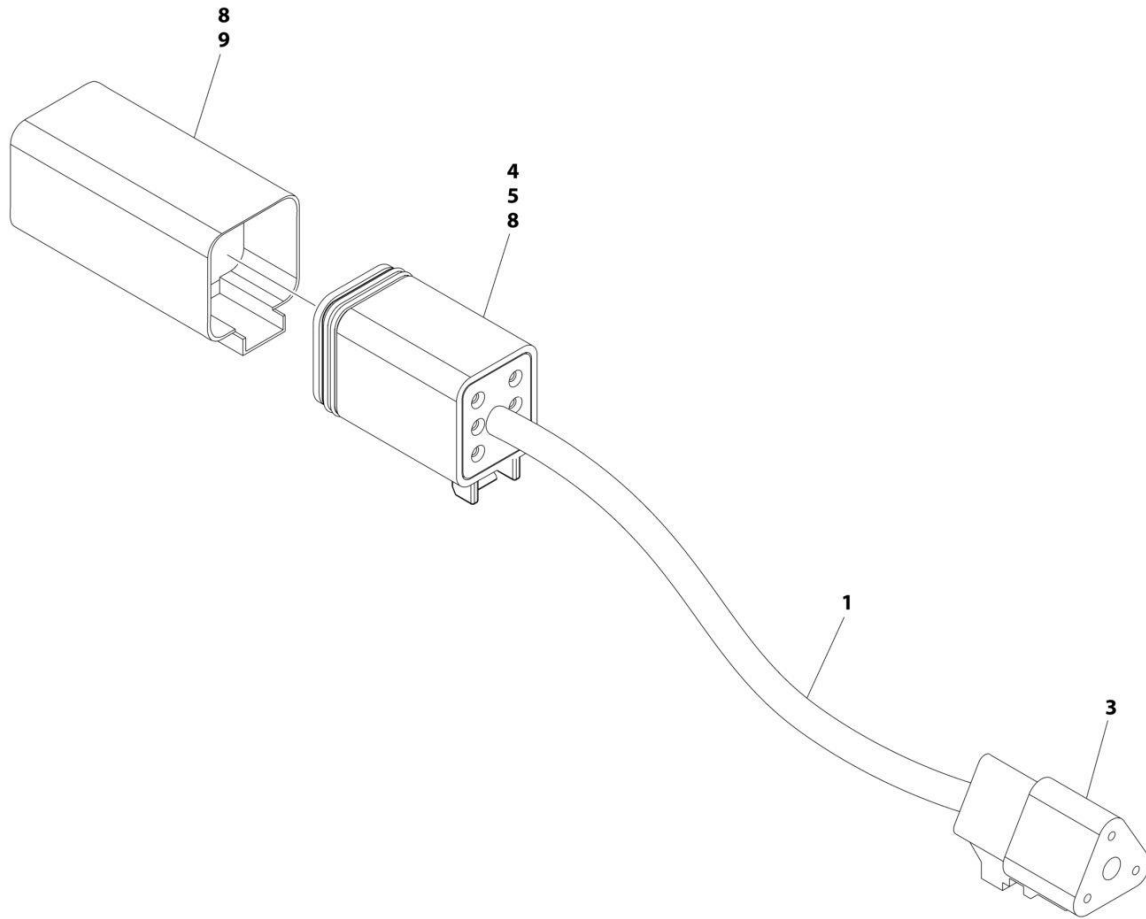
## SECTION 8 - ELECTRICAL

### FIGURE 8-20. B.L.A.M. HARNESS

ITEM	PART NUMBER	QTY	DESCRIPTION	REV
	1001242185	Ref	B.L.A.M. HARNESS	B
2	4460945	1	Connector, Female - 3 Way	
4	4460884	1	Connector, Gray - 4 Position	
4	4460944	4	Socket, Female (Gold)	
5	4460894	1	Plug, Male - 6 Position	
5	4460944	6	Socket, Female (Gold)	
6	4460899	1	Connector, Female - 6 Position	
6	4460943	4	Pin, Male 16 Ga	
7	4460932	1	Connector, Female - 4 Position	
7	4460943	4	Pin, Male 16 Ga	
8	4460894	1	Plug, Male - 6 Position	
8	4460465	5	Socket, Female 18 Gauge	
9	4460932	1	Connector, Female - 4 Position	
9	4460941	2	Pin, Male	
9	4460464	1	Pin, Male	
12	4460965	1	Connector, Female - 3 Position	
12	4460944	3	Socket, Female (Gold)	
13	1001270340	1	Plug, Male - 12 Position	
13	4460944	5	Socket, Female (Gold)	
13	4460465	3	Socket, Female 18 Gauge	
14	1001270339	1	Connector, Male - 12 Position (Gray)	
14	4460944	3	Socket, Female (Gold)	
14	4460465	4	Socket, Female 18 Gauge	
14	4460942	2	Socket, Female	
15	1001239344	1	Plug, Male - 12 Position (Green)	
15	4460944	11	Socket, Female (Gold)	
16	1001239345	1	Plug, Male - 12 Position (Brown)	
16	4460465	5	Socket, Female 18 Gauge	
16	4460944	7	Socket, Female (Gold)	

# SECTION 8 - ELECTRICAL

## FIGURE 8-21. B.L.A.M. TO BOOM LENGTH SENSOR HARNESS



ART\_4922716



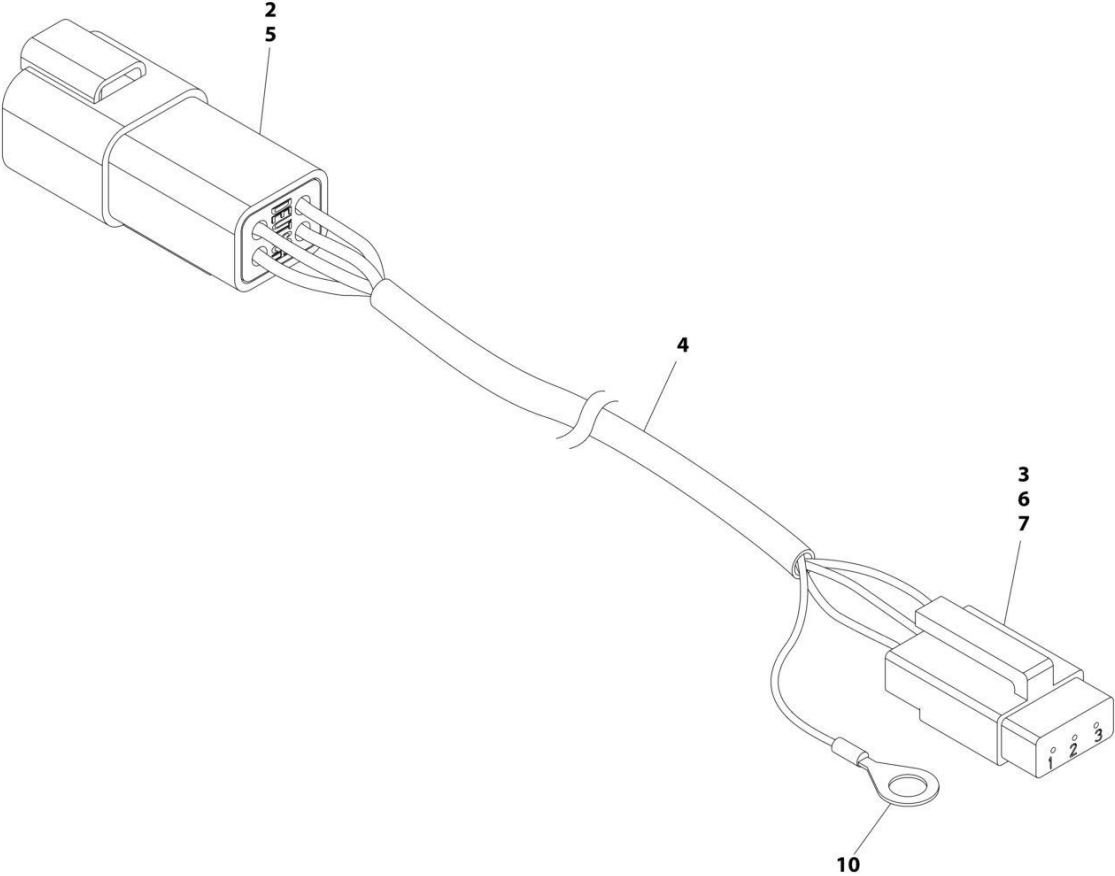
## SECTION 8 - ELECTRICAL

### FIGURE 8-21. B.L.A.M. TO BOOM LENGTH SENSOR HARNESS

ITEM	PART NUMBER	QTY	DESCRIPTION	REV
	4922716	Ref	B.L.A.M. TO BOOM LENGTH SENSOR HARNESS	H
1	1060981	14 ft/ 4.3m	Cable, Electrical 18/3	
3	4460539	1	Connector - 3 Position	
4	4460944	7	Socket, Female (Gold)	
5	4460894	1	Plug, Male - 6 Position	
8	4460466	AR	Plug, Terminal	
9	4460899	1	Connector, Female - 6 Position	

**SECTION 8 - ELECTRICAL**

**FIGURE 8-22. B.L.A.M. TO BOOM ANGLE SENSOR HARNESS (LEFT SIDE)**



ART\_4922781

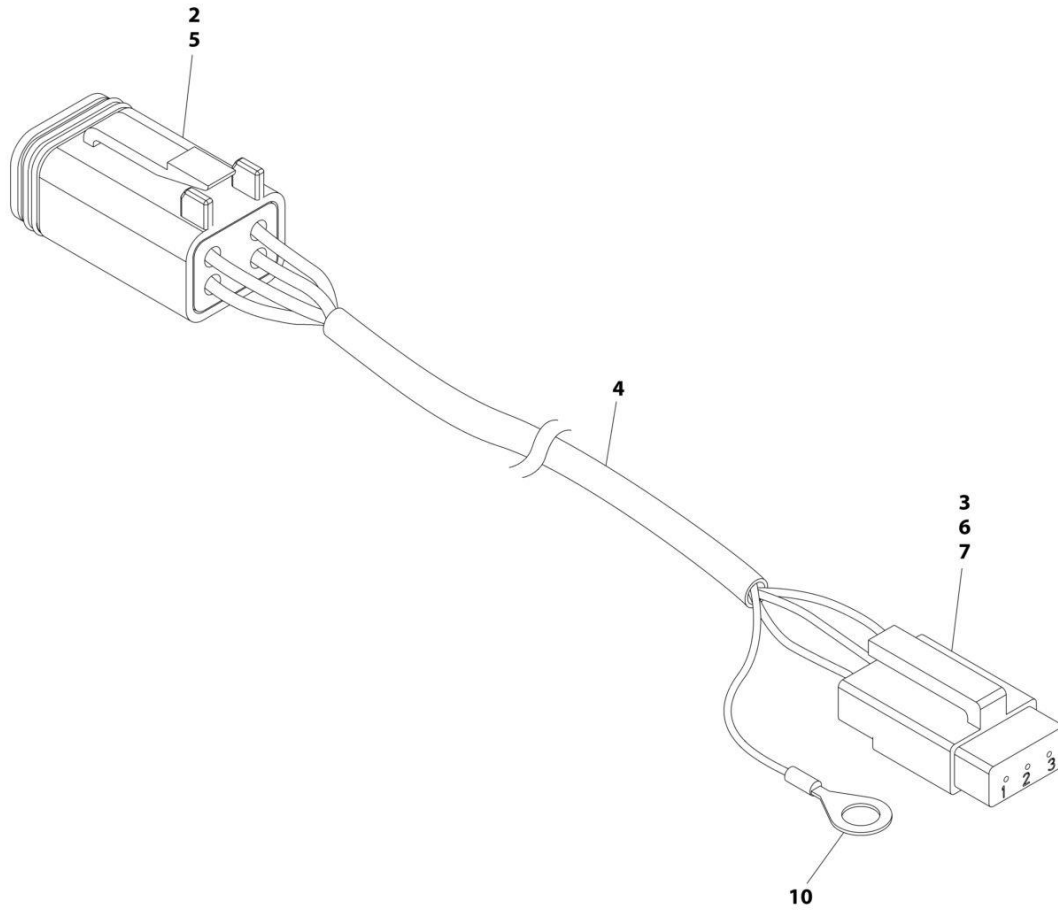
## SECTION 8 - ELECTRICAL

**FIGURE 8-22. B.L.A.M. TO BOOM ANGLE SENSOR HARNESS (LEFT SIDE)**

ITEM	PART NUMBER	QTY	DESCRIPTION	REV
	4922781	Ref	B.L.A.M. TO BOOM ANGLE SENSOR HARNESS (LEFT SIDE)	F
2	4460932	1	Connector, Female - 4 Position	
3	4460912	1	Lock, Wedge - Position	
4	1060982	16.2 ft/ 4.9m	Cable, Electrical 18/3	
5	4460943	4	Pin, Male 16 Ga	
6	4460911	1	Plug, Male - 3 Position	
7	4460918	3	Socket, Female (Gold)	
10	4460722	1	Terminal, Ring	

# SECTION 8 - ELECTRICAL

## FIGURE 8-23. B.L.A.M. TO BOOM ANGLE SENSOR HARNESS (RIGHT SIDE)



ART\_4922780

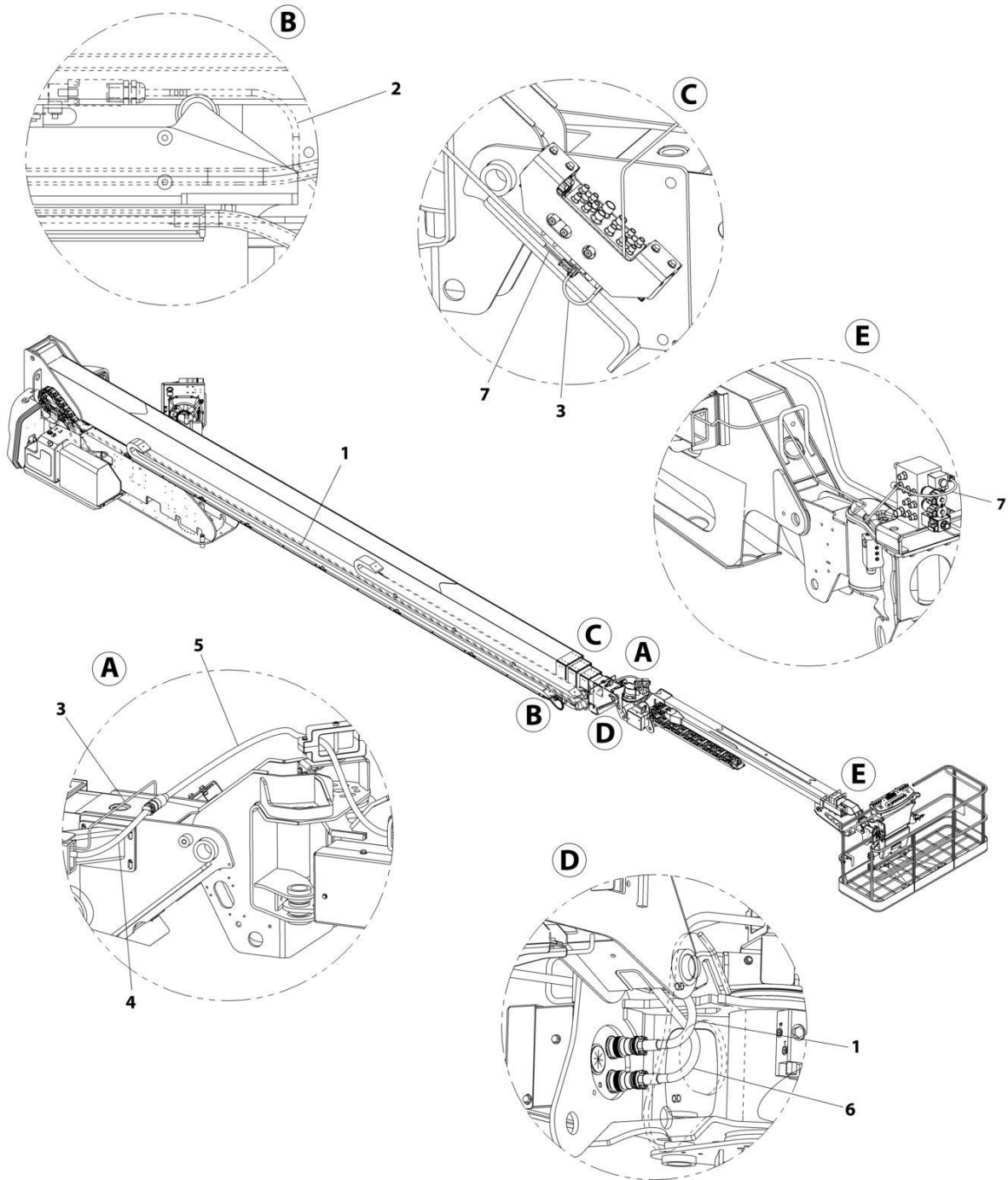
## SECTION 8 - ELECTRICAL

**FIGURE 8-23. B.L.A.M. TO BOOM ANGLE SENSOR HARNESS (RIGHT SIDE)**

ITEM	PART NUMBER	QTY	DESCRIPTION	REV
	4922780	Ref	B.L.A.M. TO BOOM ANGLE SENSOR HARNESS (RIGHT SIDE)	E
2	4460884	1	Connector, Gray - 4 Position	
3	4460912	1	Lock, Wedge - Position	
4	1060981	16.2 ft/ 4.9m	Cable, Electrical 18/3	
5	4460944	4	Socket, Female (Gold)	
6	4460911	1	Plug, Male - 3 Position	
7	4460918	3	Socket, Female (Gold)	
10	4460722	1	Terminal, Ring	

# SECTION 8 - ELECTRICAL

## FIGURE 8-24. BOOM CABLES INSTALLATION (ANSI, CSA AND JAPANESE SPECS)



ART\_1001120137

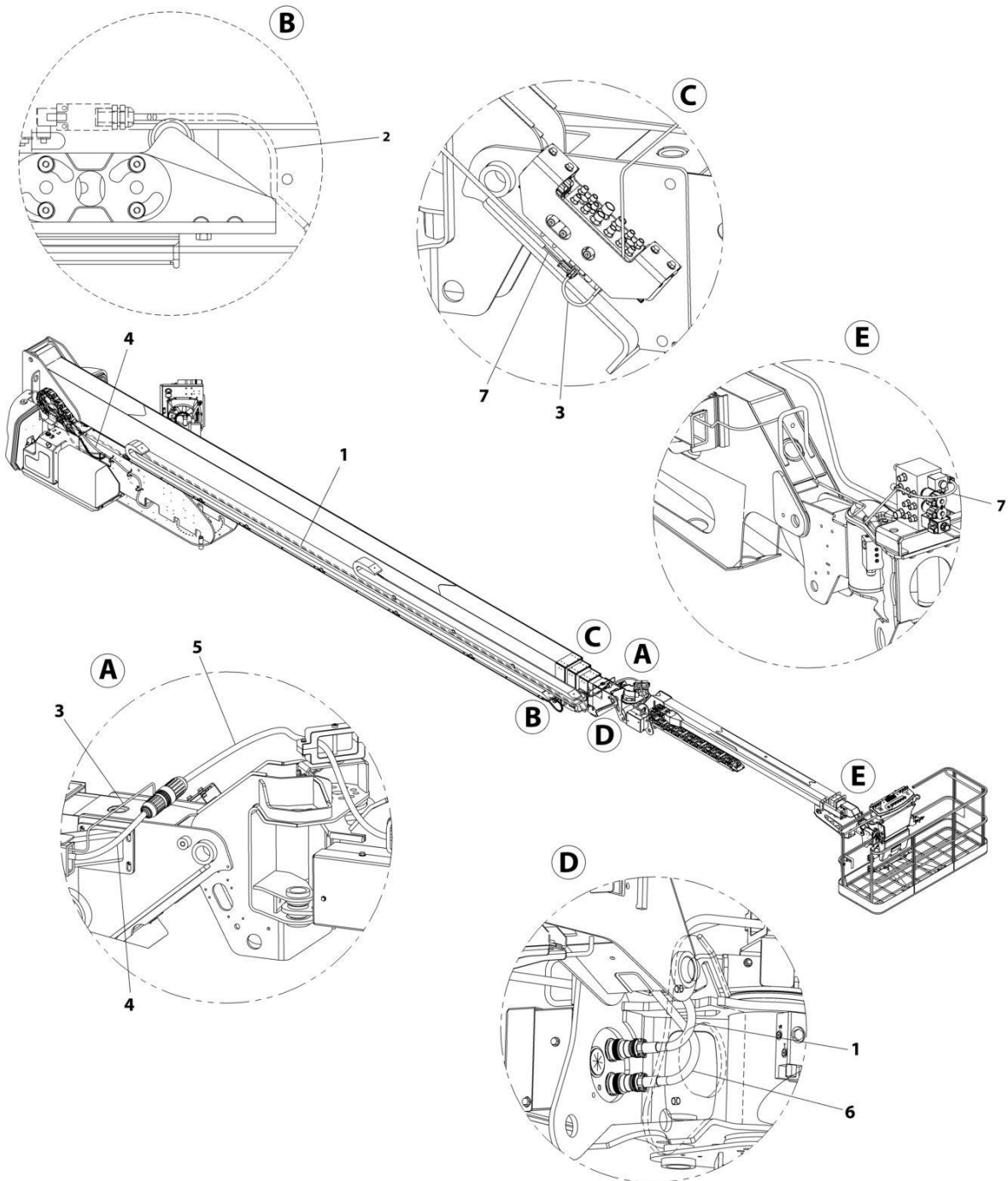
## SECTION 8 - ELECTRICAL

**FIGURE 8-24. BOOM CABLES INSTALLATION (ANSI, CSA AND JAPANESE SPECS)**

ITEM	PART NUMBER	QTY	DESCRIPTION	REV
	1001120137	Ref	BOOM CABLES INSTALLATION (ANSI, CSA AND JAPANESE SPECS)	E
1	1001122396	1	Harness, Main Boom Control (See Separate Breakdown in this Section)	
2	1001179216	1	Transport Switch Cable	
3	1001119393	1	Harness, Jib Enable (See Separate Breakdown in this Section)	
4	1001120099	1	Harness, Main Boom AC/Generator Power	
4	4460134	1	Receptacle, Female	
5	1001120107	1	Harness, Jib Boom AC/Generator Power	
5	4460205	1	Plug, Male	
6	1001120098	1	Harness, Jib Control (See Separate Breakdown in this Section)	
7	1001125666	1	Harness, Platform Dump	
7	4460891	2	Plug, Male - 2 Position	
7	4460942	4	Socket, Female	
8	1001307894	1	Cable, Platform Power A	
9	1001308291	1	Cable, Platform Power B	

# SECTION 8 - ELECTRICAL

FIGURE 8-25. BOOM CABLES INSTALLATION - WITH 4000W 60HZ GENERATOR (ALL SPECS EXCEPT AUSTRALIAN AND CE SPECS)



ART\_1001161052



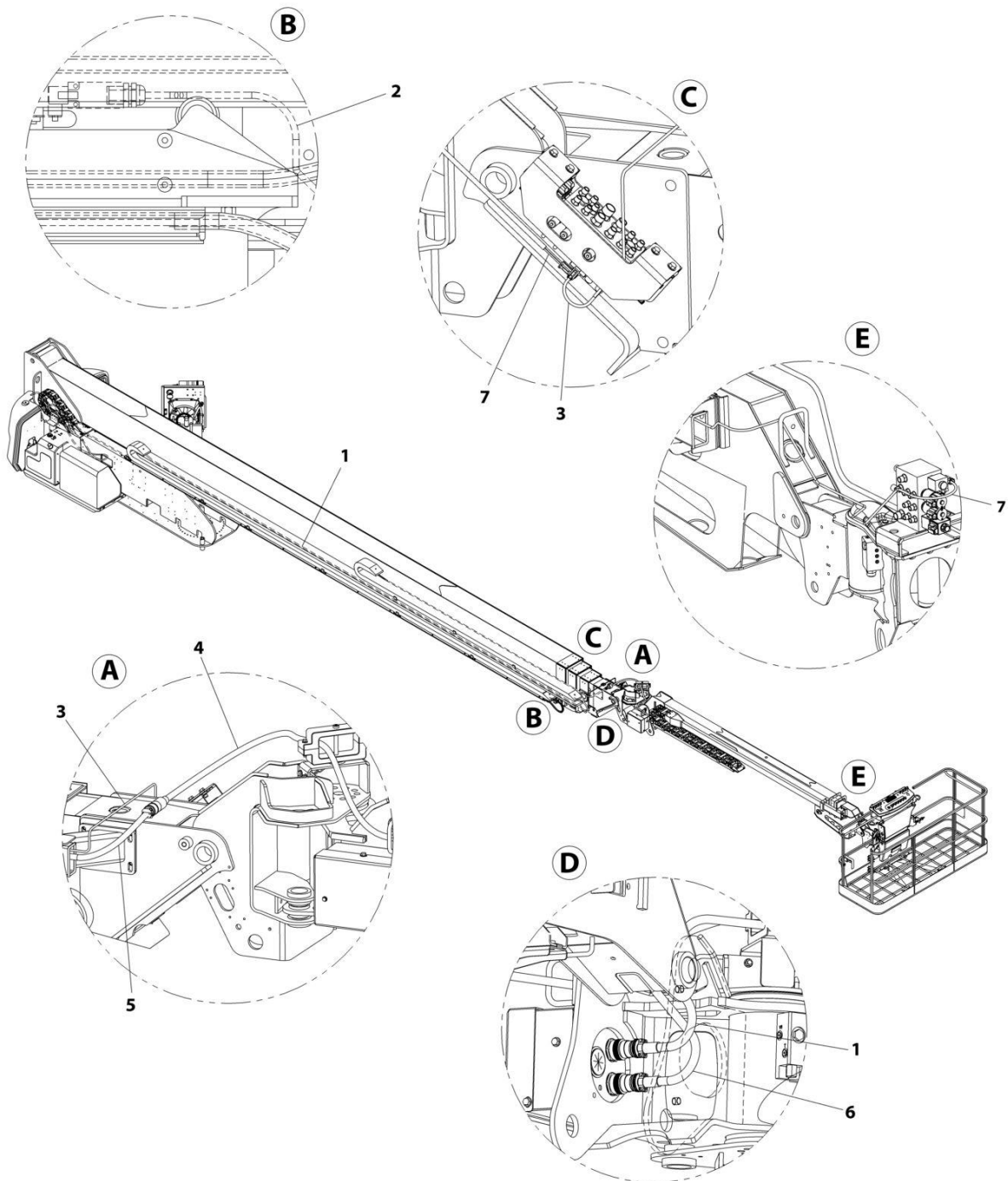
## SECTION 8 - ELECTRICAL

**FIGURE 8-25. BOOM CABLES INSTALLATION - WITH 4000W 60HZ GENERATOR (ALL SPECS EXCEPT AUSTRALIAN AND CE SPECS)**

ITEM	PART NUMBER	QTY	DESCRIPTION	REV
	1001161052	Ref	BOOM CABLES INSTALLATION - WITH 4000W 60HZ GENERATOR	C
1	1001122396	1	Harness, Main Boom Control (See Separate Breakdown in this Section)	
2	1001179216	1	Transport Switch Cable	
3	1001119393	1	Harness, Jib Enable (See Separate Breakdown in this Section)	
4	1001161046	1	Harness, Main Boom AC/Generator Power	
4	1671092	1	Cover	
4	4460963	1	Connector, Female	
5	1001161047	1	Harness, Jib Boom AC/Generator Power	
5	1671093	1	Cover	
5	4460962	1	Plug, Male	
6	1001120098	1	Harness, Jib Control (See Separate Breakdown in this Section)	
7	1001125666	1	Harness, Platform Dump	
7	4460891	2	Plug, Male - 2 Position	
7	4460942	4	Socket, Female	
8	1001307894	1	Cable, Platform Power A	
9	1001308291	1	Cable, Platform Power B	

# SECTION 8 - ELECTRICAL

FIGURE 8-26. BOOM CABLES INSTALLATION - WITH 4000W 50HZ GENERATOR (ANSI EXPORT, AUSTRALIAN, CE AND CHINA SPECS)



ART\_1001120138

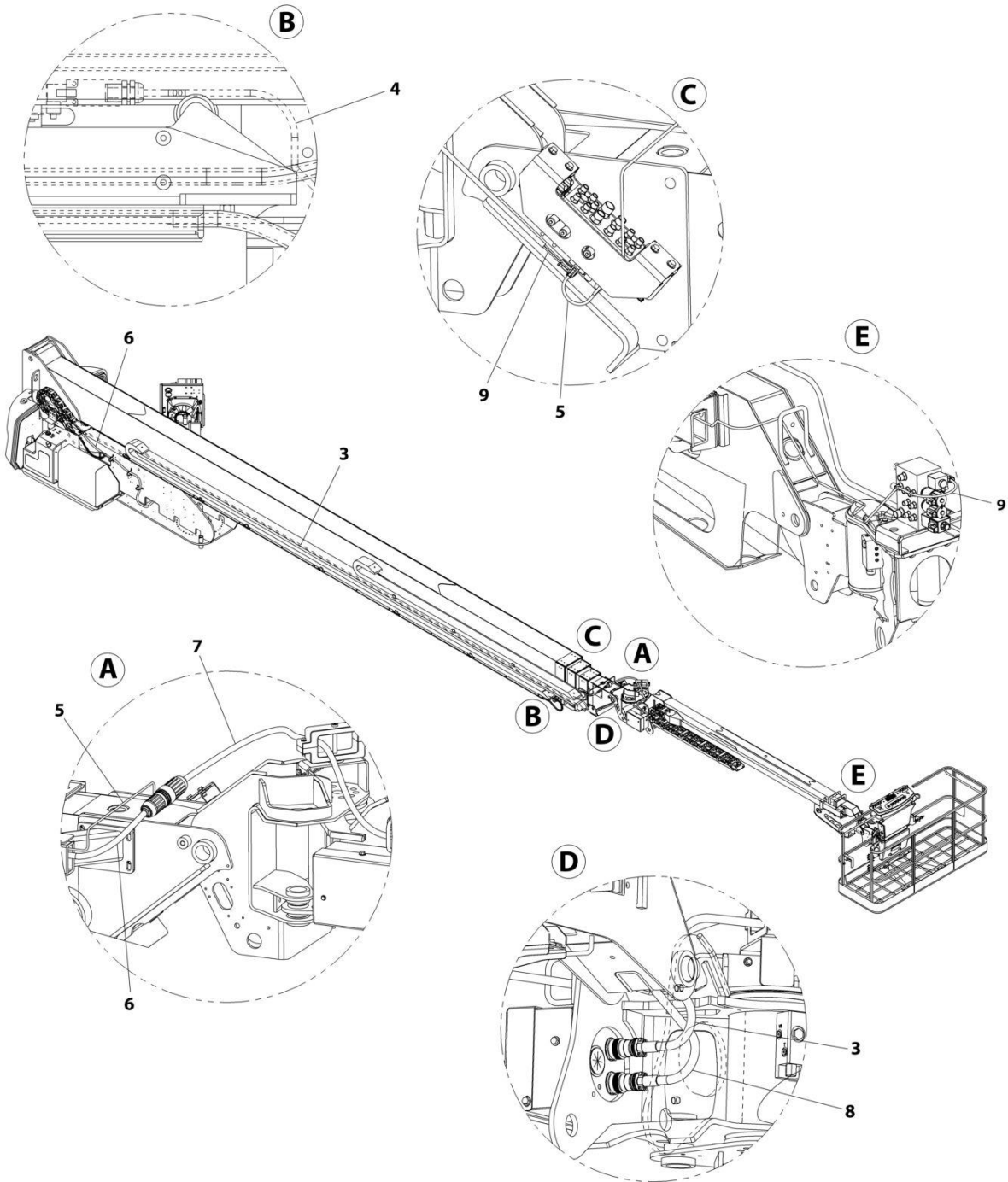
## SECTION 8 - ELECTRICAL

**FIGURE 8-26. BOOM CABLES INSTALLATION - WITH 4000W 50HZ GENERATOR (ANSI EXPORT, AUSTRALIAN, CE AND CHINA SPECS)**

ITEM	PART NUMBER	QTY	DESCRIPTION	REV
	1001120138	Ref	BOOM CABLES INSTALLATION - WITH 4000W 50HZ GENERATOR	F
1	1001122396	1	Harness, Main Boom Control (See Separate Breakdown in this Section)	
2	1001179216	1	Transport Switch Cable	
3	1001119393	1	Harness, Jib Enable (See Separate Breakdown in this Section)	
4	1001120108	1	Harness, Jib Boom AC/Generator Power	
4	4460709	1	Plug, Male	
5	1001120111	1	Harness, Main Boom AC/Generator Power	
5	4460710	1	Receptacle, Female	
6	1001120098	1	Harness, Jib Control (See Separate Breakdown in this Section)	
7	1001125666	1	Harness, Platform Dump	
7	4460891	2	Plug, Male - 2 Position	
7	4460942	4	Socket, Female	
8	1001307894	1	Cable, Platform Power A	
9	1001308291	1	Cable, Platform Power B	

# SECTION 8 - ELECTRICAL

## FIGURE 8-27. BOOM CABLES INSTALLATION - WITH 7500W GENERATOR



ART\_1001120139

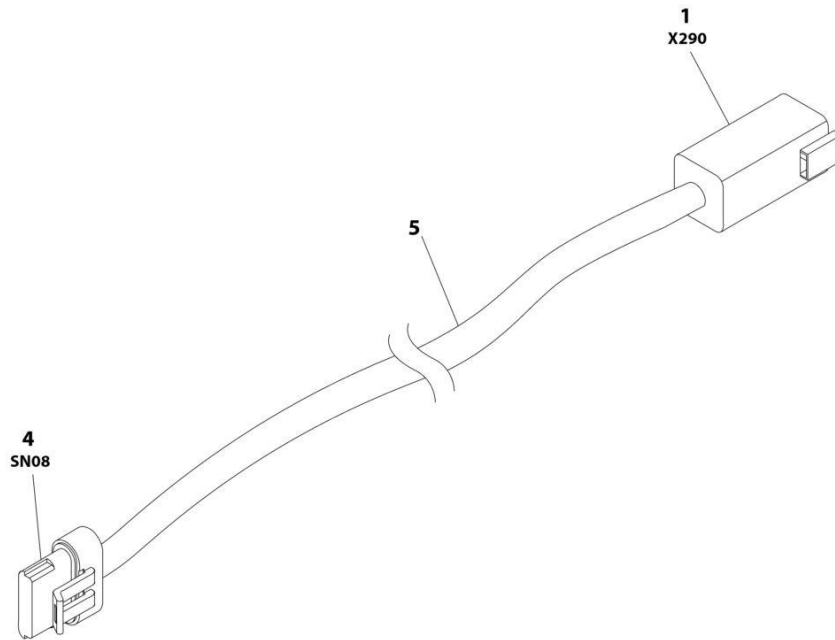
## SECTION 8 - ELECTRICAL

**FIGURE 8-27. BOOM CABLES INSTALLATION - WITH 7500W GENERATOR**

ITEM	PART NUMBER	QTY	DESCRIPTION	REV
	1001120139	Ref	BOOM CABLES INSTALLATION - WITH 7500W GENERATOR	G
3	1001122396	1	Harness, Main Boom Control (See Separate Breakdown in this Section)	
4	1001179216	1	Transport Switch Cable	
5	1001119393	1	Harness, Jib Enable (See Separate Breakdown in this Section)	
6	1001226289	1	Harness, Main Boom AC/Generator Power	
6	1001218623	1	Connector, Female	
7	1001226290	1	Harness, Jib Boom AC/Generator Power	
7	1001218622	1	Plug, Male	
8	1001120098	1	Harness, Jib Control (See Separate Breakdown in this Section)	
9	1001125666	1	Harness, Platform Dump	
9	4460891	2	Plug, Male - 2 Position	
9	4460942	4	Socket, Female	
10	1001307894	1	Cable, Platform Power A	
11	1001308291	1	Cable, Platform Power B	

# SECTION 8 - ELECTRICAL

## FIGURE 8-28. BOOM CYLINDER ANGLE HARNESS



ART\_1001120278

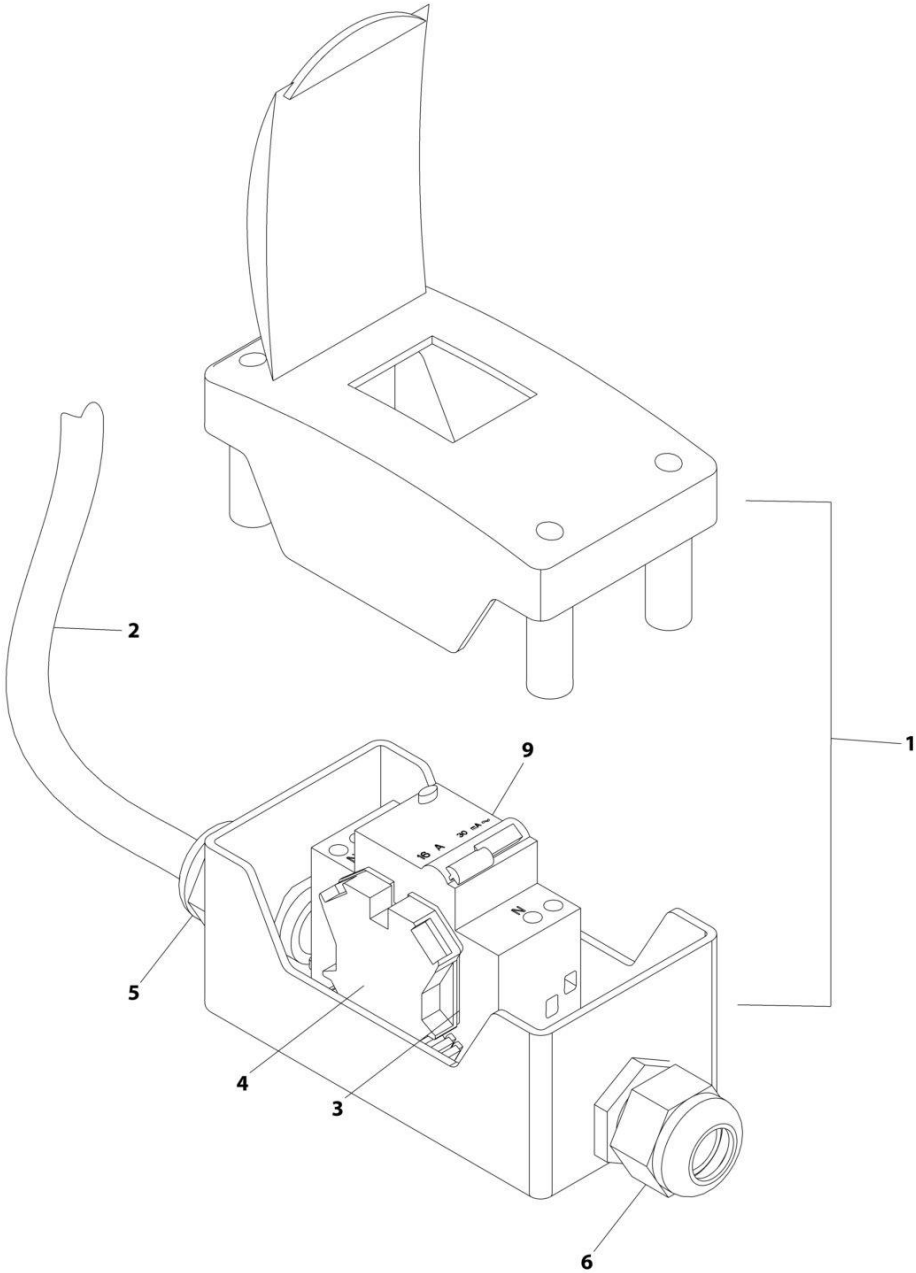
## SECTION 8 - ELECTRICAL

### FIGURE 8-28. BOOM CYLINDER ANGLE HARNESS

ITEM	PART NUMBER	QTY	DESCRIPTION	REV
	1001120278	Ref	BOOM CYLINDER ANGLE HARNESS	D
1	4460899	1	Connector, Female - 6 Position	
1	4460943	6	Pin, Male 16 Ga	
4	1001230931	1	Plug, Male - 6 Position	
4	1001116748	6	Socket, Female	
5	1060979	10.5 ft/ 4.4m	Cable, Electrical 18/6	

**SECTION 8 - ELECTRICAL**

**FIGURE 8-29. BREAKER BOX KIT - 16 AMP**



ART\_1001109654



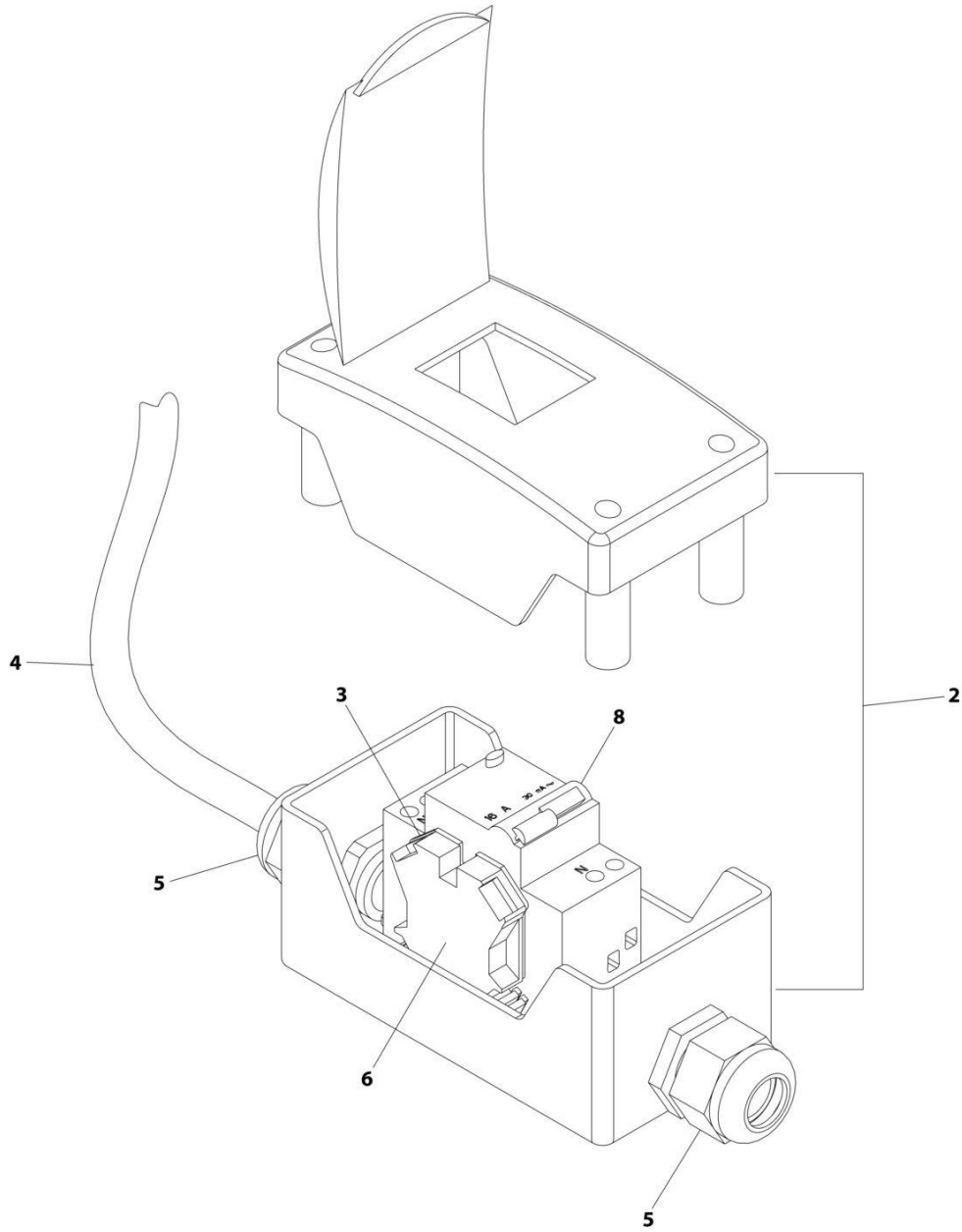
## SECTION 8 - ELECTRICAL

### FIGURE 8-29. BREAKER BOX KIT - 16 AMP

ITEM	PART NUMBER	QTY	DESCRIPTION	REV
	1001109654	Ref	BREAKER BOX KIT	C
1	0861880	1	Box, Breaker	
2	1060908	12 ft/ 3.6m	Cable 12/3	
3	4460956	1	Barrier, Terminal Block End	
4	4460957	1	Block, Terminal	
5	1001097150	1	Connector, Strain Relief	
6	1001101191	1	Connector, Strain Relief	
9	1001181045	1	Breaker - 30mA/16Amp	
10	1001100231	3	Terminal (Not Shown)	

# SECTION 8 - ELECTRICAL

## FIGURE 8-30. BREAKER BOX KIT - 16 AMP (4000W GENERATOR)



ART\_1001165368\_B

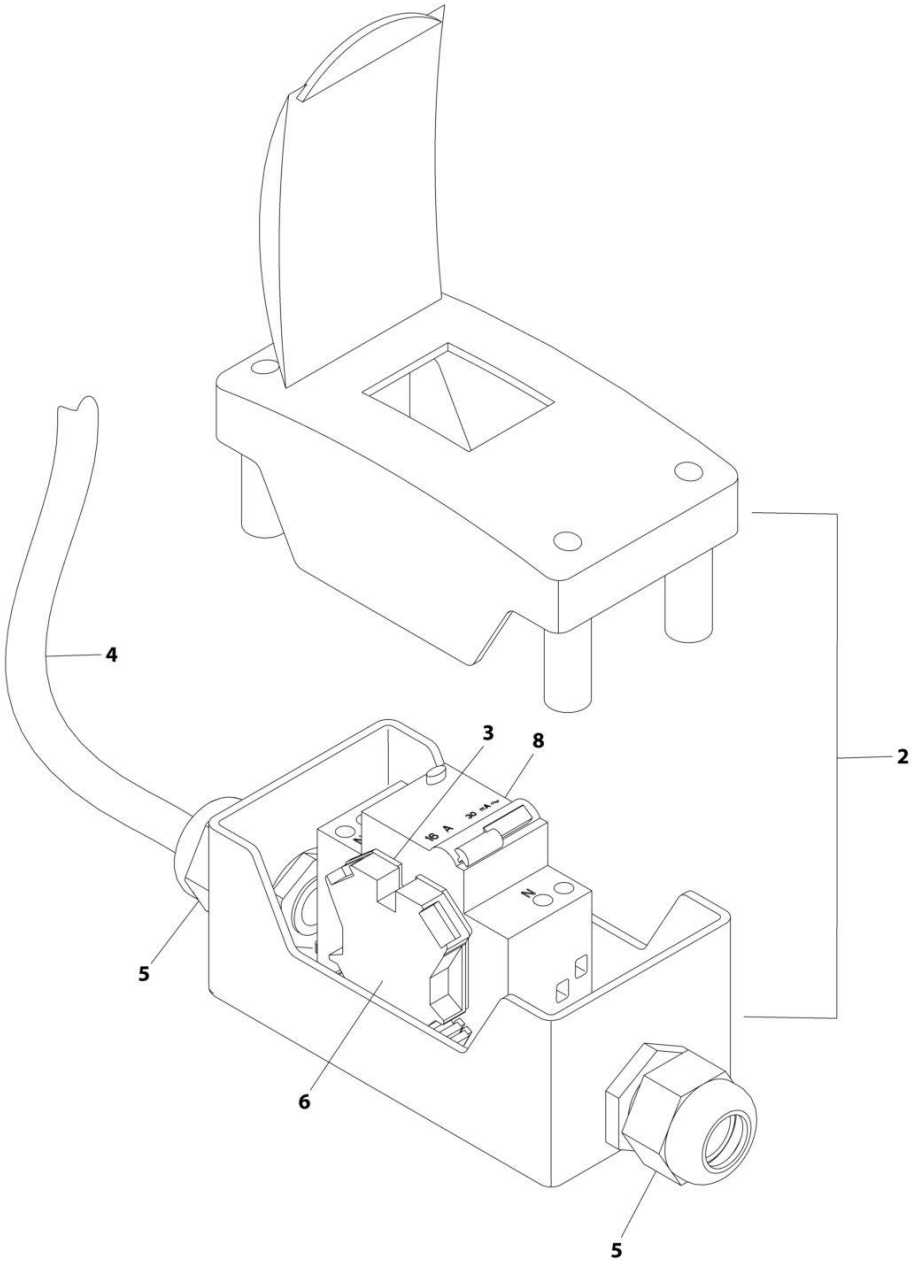
## SECTION 8 - ELECTRICAL

**FIGURE 8-30. BREAKER BOX KIT - 16 AMP (4000W GENERATOR)**

ITEM	PART NUMBER	QTY	DESCRIPTION	REV
	1001165368	Ref	BREAKER BOX KIT	B
2	0861880	1	Box, Circuit Breaker	
3	4460956	1	Barrier, Terminal Block End	
4	1060545	12 ft/ 3.6m	Cable, Electrical 10/3	
5	1001101191	2	Connector, Strain Relief	
6	4460957	1	Block, Terminal	
8	1001181045	1	Breaker 30mA/16Amp	

**SECTION 8 - ELECTRICAL**

**FIGURE 8-31. BREAKER BOX KIT - 16 AMP/30MA**



ART\_1001096070

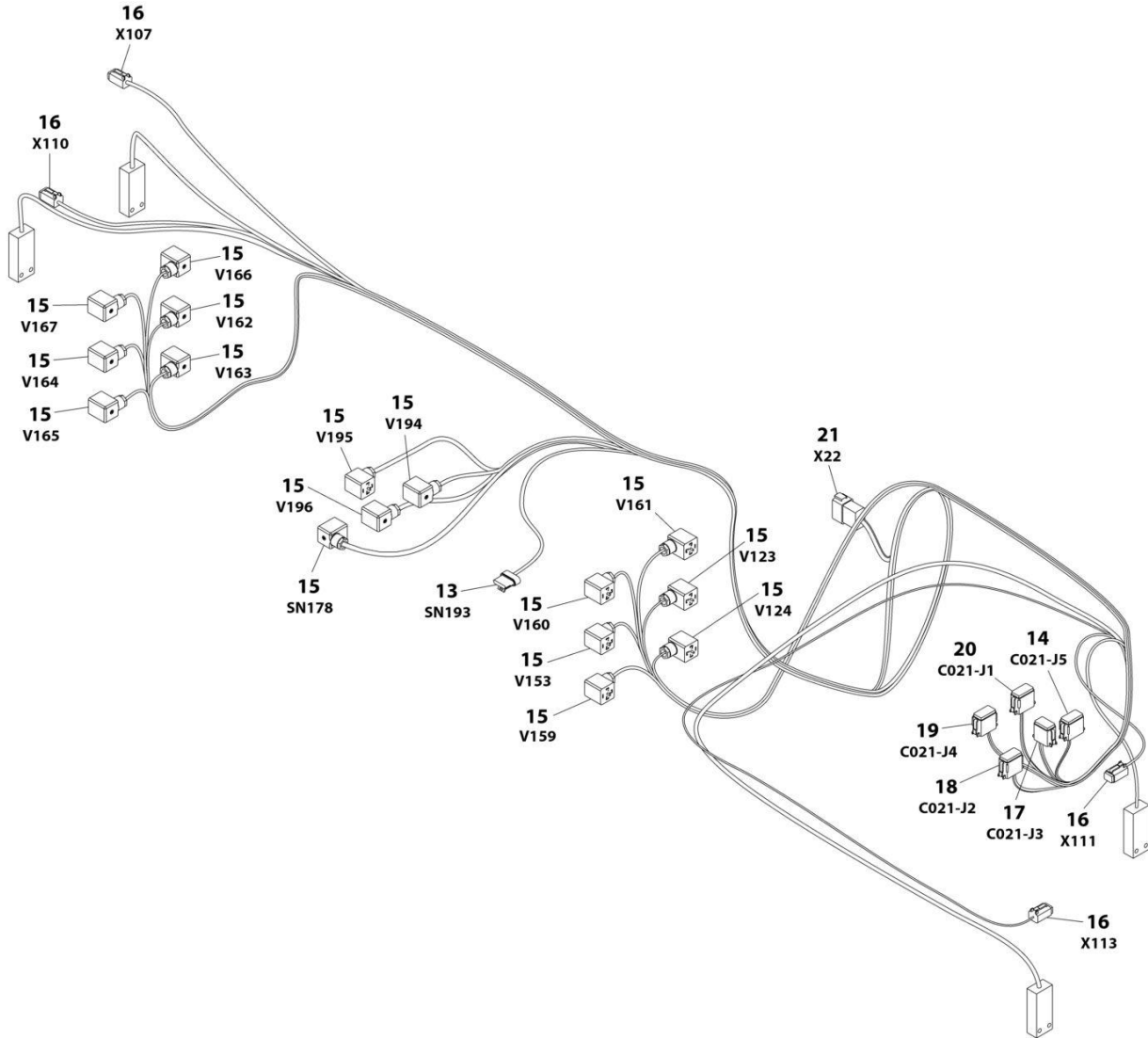
## SECTION 8 - ELECTRICAL

### FIGURE 8-31. BREAKER BOX KIT - 16 AMP/30MA

ITEM	PART NUMBER	QTY	DESCRIPTION	REV
	1001096070	Ref	BREAKER BOX KIT	E
2	0861880	1	Box	
3	4460956	1	Barrier, Terminal Block End	
4	1060908	12 ft/ 3.6m	Cable, 12/3	
5	1001097150	2	Connector, Strain Relief	
6	4460957	1	Block, Terminal	
8	1001181045	1	Breaker, 16Amp	

# SECTION 8 - ELECTRICAL

## FIGURE 8-32. CHASSIS HARNESS ASSEMBLY



ART\_1001119395

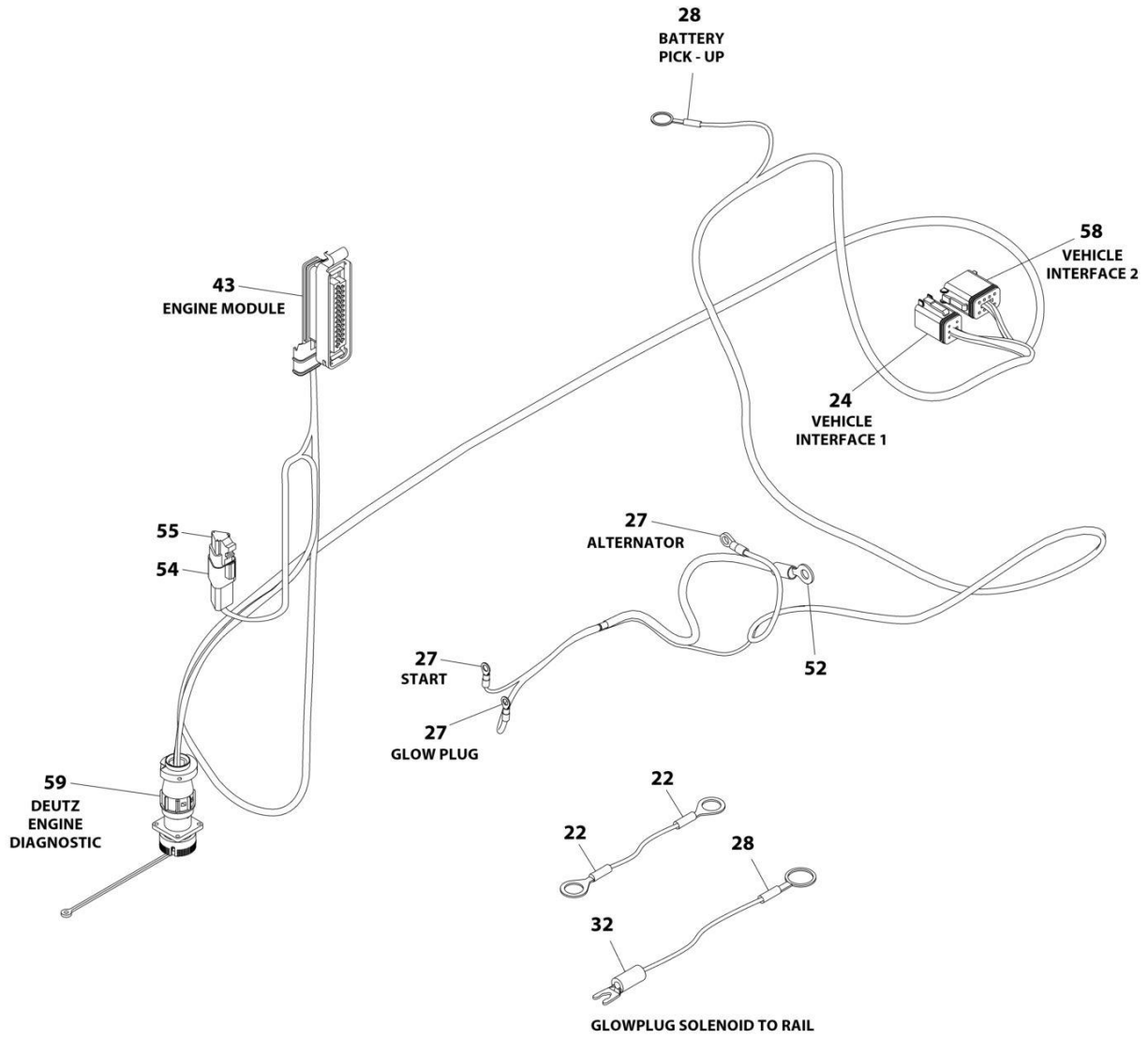
## SECTION 8 - ELECTRICAL

**FIGURE 8-32. CHASSIS HARNESS ASSEMBLY**

ITEM	PART NUMBER	QTY	DESCRIPTION	REV
	1001119395	Ref	CHASSIS HARNESS ASSEMBLY	C
13	1001230931	1	Plug, Male - 6 Position	
13	1001116748	6	Socket, Female	
14	4460836	1	Plug, Male - 12 Position	
14	4460465	9	Socket, Female 18 Gauge	
15	4460880	16	DIN Connector	
16	4460884	4	Connector, Gray - 4 Position	
16	4460944	16	Socket, Female (Gold)	
17	4460930	1	Connector, Gray - 8 Position	
17	4460465	4	Socket, Female	
18	4460933	1	Connector, Male - 12 Position (Gray)	
18	4460465	4	Socket, Female	
18	4460944	3	Socket, Female (Gold)	
18	4460942	2	Socket, Female	
19	4460934	1	Plug, Male - 12 Position (Green)	
19	4460944	12	Socket, Female (Gold)	
20	4460935	1	Plug, Male - 12 Position (Brown)	
20	4460465	10	Socket, Female 18 Gauge	
21	4460950	1	Connector, Female - 12 Position	
21	4460464	4	Pin, Male	
21	4460943	3	Pin, Male 16 Ga	
21	4460941	2	Pin, Male	

# SECTION 8 - ELECTRICAL

## FIGURE 8-33. ENGINE HARNESS - DEUTZ TD2011 ENGINES



ART\_100119470



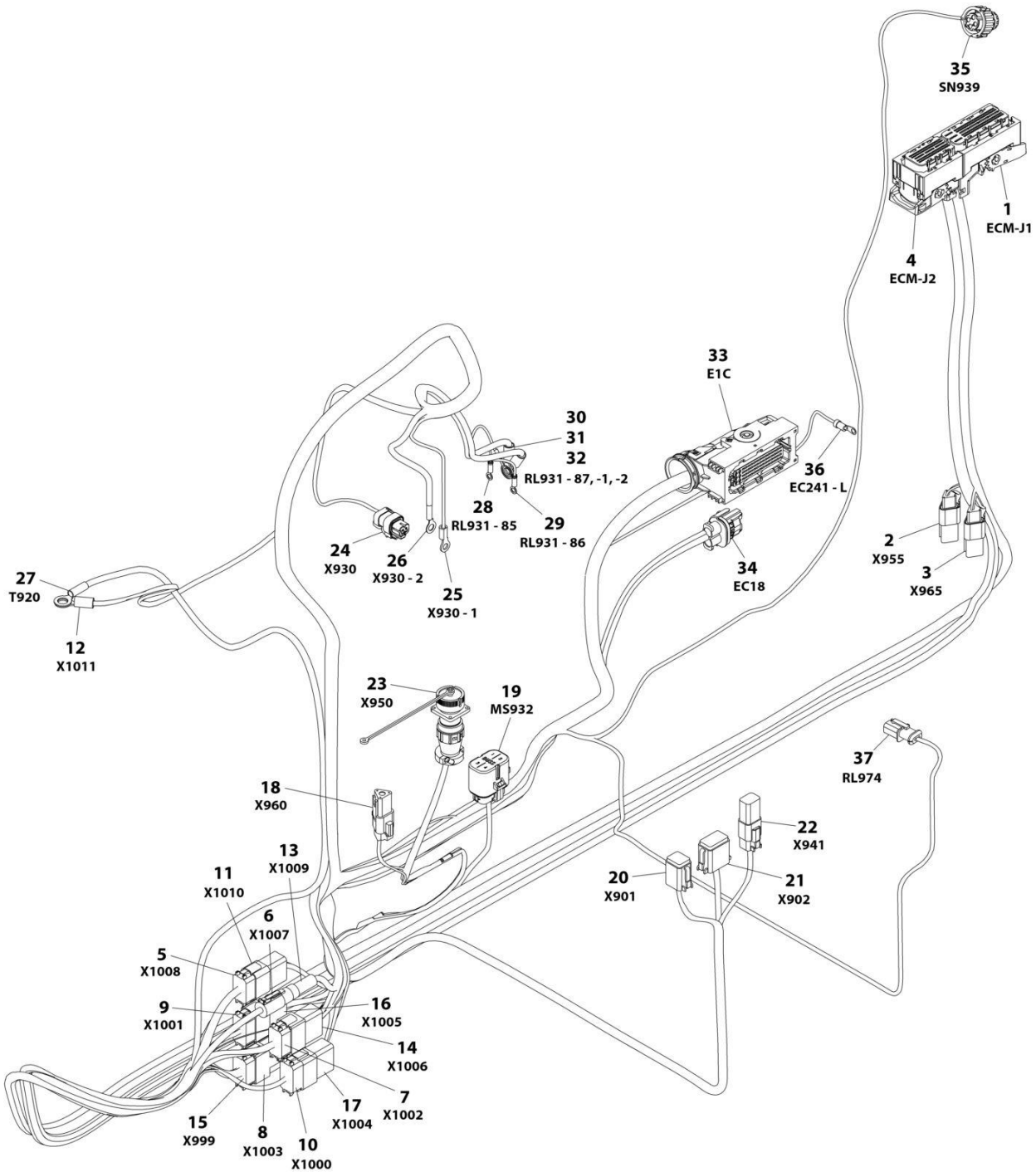
## SECTION 8 - ELECTRICAL

### FIGURE 8-33. ENGINE HARNESS - DEUTZ TD2011 ENGINES

ITEM	PART NUMBER	QTY	DESCRIPTION	REV
	1001119470	Ref	ENGINE HARNESS - DEUTZ TD2011 ENGINES	B
22	4460702	2	Terminal, Eyelet	
24	4460894	1	Connector - 6 Position	
24	4460465	2	Socket, Female	
24	4460466	1	Plug, Terminal	
24	4460944	3	Socket, Female	
27	4460313	3	Terminal, Eyelet	
28	4460019	2	Terminal, Eyelet	
32	4460315	1	Terminal, Fork	
43	4461052	1	Connector - 25 Position	
43	4461005	5	Terminal	
43	4461006	5	Seal	
43	4461060	2	Terminal (Tin)	
43	4461054	2	Seal, Terminal	
43	4461008	18	Plug, Hole	
43	4461053	1	Cover, Plug	
50	4240032	AR	Tie-Strap (Not Shown)	
51	4240033	AR	Tie-Strap (Not Shown)	
52	4461097	1	Terminal, Eyelet	
54	4461095	1	Connector - 3 Position	
54	4460944	3	Socket, Female	
55	4461070	1	Connector with Resistor (3 Position)	
58	4460930	1	Connector - 8 Position	
58	4460465	2	Socket, Female	
58	4460466	6	Seal, Plug	
59	2902443	1	Kit, Receptacle	
59	4461071	8	Terminal, Female (Gold)	
59	4461072	1	Connector, Flange Mount	
59	4461073	1	Connector, Dust Cap	
59	4461074	1	Connector, Shell	

# SECTION 8 - ELECTRICAL

FIGURE 8-34. ENGINE HARNESS - DEUTZ TCD2.9L4 ENGINES AND DEUTZ TCD2.9L4 (STAGE V PRE-BUY) ENGINES



ART\_1001138346

## SECTION 8 - ELECTRICAL

**FIGURE 8-34. ENGINE HARNESS - DEUTZ TCD2.9L4 ENGINES AND DEUTZ TCD2.9L4 (STAGE V PRE-BUY) ENGINES**

ITEM	PART NUMBER	QTY	DESCRIPTION	REV
	1001138346	Ref	ENGINE HARNESS - DEUTZ TCD2.9L4 ENGINES AND DEUTZ TCD2.9L4 (STAGE V PRE-BUY) ENGINES	H
1	1001133956	1	Connector (Includes Cover, Locks and Retention Plate)	
1	1001182361	6	Terminal	
1	1001230934	15	Terminal	
1	1001126351	1	Terminal	
1	1001256507	4	Terminal	
1	1001230936	3	Plug, Terminal	
1	1001230935	62	Plug, Terminal	
1	1001126352	6	Terminal	
1	1001126384	19	Terminal	
1	1001126357	3	Plug, Seal	
1	1001126356	65	Plug, Seal	
2	4461070	1	Connector with Resistor (3 Position)	
2	4461095	1	Connector - 3 Position	
2	4460944	2	Socket, Female	
2	4460466	1	Seal, Plug	
3	4461070	1	Connector with Resistor (3 Position)	
3	4461095	1	Connector - 3 Position	
3	4460944	2	Socket, Female	
3	4460466	1	Seal, Plug	
4	1001133957	1	Connector (Includes Cover, Locks and Retention Plate)	
4	1001126351	13	Terminal	
4	1001230934	11	Terminal	
4	1001252527	4	Terminal	
4	1001256507	2	Terminal	
4	1001230935	19	Plug, Terminal	
4	1001230936	11	Plug, Terminal	
5	4460930	1	Connector - 8 Position	
5	4460944	5	Socket, Female (Gold)	
5	4460465	2	Socket, Female	
5	4460466	1	Seal, Plug	
6	1001116707	1	Connector - 1 Position	
6	91143340	1	Terminal	
7	4460935	1	Plug, Brown - 12 Position	
7	4460465	12	Socket, Female	
8	4460970	1	Connector - 12 Position	
8	4460941	12	Pin, Male	
9	4460934	1	Connector, Green - 12 Position	
9	4460465	10	Socket, Female	
9	4460466	2	Seal, Plug	
10	4460836	1	Connector, Black - 12 Position	
10	4460465	8	Socket, Female	
10	4460466	4	Seal, Plug	
11	4460931	1	Connector - 8 Position (Gray)	
11	4460943	5	Pin, Male (Gold)	
11	4460466	3	Plug, Socket	
12	8220164	1	Terminal, Eyelet	
13	1001116967	1	Connector - 1 Position	

## SECTION 8 - ELECTRICAL

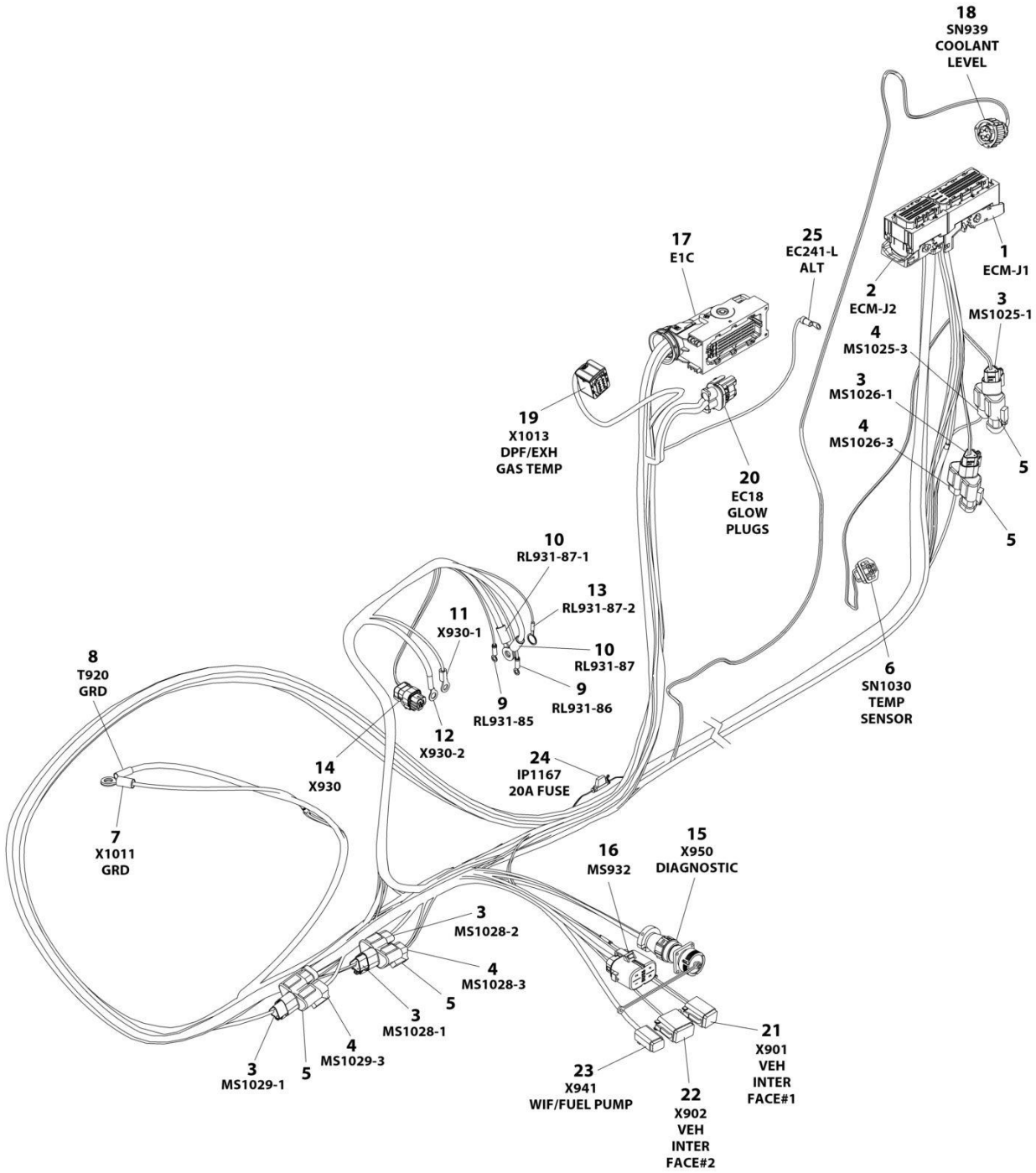
ITEM	PART NUMBER	QTY	DESCRIPTION	REV
13	91143339	1	Terminal	
14	4460982	1	Connector - 12 Position	
14	4460464	12	Pin, Male	
15	4460933	1	Connector, Gray - 12 Position	
15	4460942	12	Socket, Female	
16	1001152742	1	Connector - 12 Position	
16	4460464	10	Pin, Male	
16	4460466	2	Seal, Plug	
17	4460950	1	Connector - 12 Position	
17	4460464	8	Pin, Male	
17	4460466	4	Plug, Seal	
18	4461070	1	Connector with Resistor (3 Position)	
18	4461095	1	Connector - 3 Position	
18	4460944	2	Socket, Female	
18	4460466	1	Seal, Plug	
19	80484084	1	Connector - 8 Position	
19	8229242	1	Fuse - 5A	
19	80983191	1	Fuse - 10A	
19	1001147264	1	Cap	
19	1001116728	4	Plug	
19	4460458	4	Seal	
20	4460894	1	Connector - 6 Position	
20	4460465	3	Socket, Female	
20	4460944	2	Socket, Female	
20	4460466	1	Seal, Plug	
21	4460930	1	Connector - 8 Position	
21	4460465	1	Socket, Female	
21	4460466	7	Plug, Seal	
22	1001220379	1	Connector - 4 Position	
22	4460465	2	Socket, Female	
22	4460942	2	Socket, Female	
22	4460932	1	Connector - 4 Position	
22	4460466	4	Seal, Plug	
23	2902443	1	Kit, Receptacle	
23	4461071	8	Terminal, Female (Gold)	
23	4461072	1	Connector, Flange Mount	
23	4461073	1	Connector, Dust Cap	
23	4461074	1	Connector, Shell	
24	1001116952	1	Connector - 2 Position	
24	4460465	2	Socket, Female	
25	4460043	1	Terminal, Eyelet	
26	1001117106	1	Terminal, Eyelet	
27	4460019	1	Terminal, Eyelet	
28	4460247	1	Terminal, Eyelet	
29	4460247	1	Terminal, Eyelet	
30	1001117107	1	Terminal, Eyelet	
31	1001117107	1	Terminal, Eyelet	
32	4460703	1	Terminal, Eyelet	
33	1001126362	1	Connector - 62 Position	
33	1001126363	23	Terminal	
33	1001256506	2	Seal	

## SECTION 8 - ELECTRICAL

ITEM	PART NUMBER	QTY	DESCRIPTION	REV
33	1001126364	21	Seal	
33	1001126392	10	Terminal	
33	1001223459	10	Seal	
33	1001126365	2	Terminal	
33	4461054	2	Seal	
33	1001126391	22	Plug, Terminal	
33	4461008	4	Plug, Cavity	
34	1001142938	1	Connector - 2 Position	
34	1001142940	2	Terminal, Female	
34	1001142941	2	Seal	
35	1001133714	1	Connector - 4 Position	
35	1001133715	3	Terminal, Female	
35	1001135650	1	Seal	
35	1001135651	1	Plug, Cavity	
36	4460042	1	Terminal, Eyelet	
37	1001138110	1	Connector - 2 Position	
37	1001138111	2	Socket, Female	
37	1001138113	2	Seal	

# SECTION 8 - ELECTRICAL

## FIGURE 8-35. ENGINE HARNESS - DEUTZ TCD2.9L4 ENGINES AND DEUTZ TCD2.9L4 (STAGE V) ENGINES



ART\_1001237285

## SECTION 8 - ELECTRICAL

**FIGURE 8-35. ENGINE HARNESS - DEUTZ TCD2.9L4 ENGINES AND DEUTZ TCD2.9L4 (STAGE V) ENGINES**

ITEM	PART NUMBER	QTY	DESCRIPTION	REV
	1001237285	Ref	ENGINE HARNESS	G
1	1001133956	1	Connector (Includes Cover, Locks and Retention Plate)	
1	1001182361	6	Terminal	
1	1001230934	25	Terminal	
1	1001126351	3	Terminal	
1	1001252527	4	Terminal	
1	1001230935	55	Plug, Terminal	
1	1001230936	1	Plug, Terminal	
2	1001133957	1	Connector (Includes Cover, Locks and Retention Plate)	
2	1001126351	13	Terminal	
2	1001230934	26	Terminal	
2	1001230935	9	Terminal	
2	1001230936	11	Plug, Terminal	
3	1001116812	5	Plug, Male - 3 Position	
3	4460944	10	Socket, Female	
3	4460466	5	Plug, Terminal	
4	4460539	4	Plug, Male - 3 Position	
4	4460944	8	Socket, Female	
4	4460466	4	Plug, Terminal	
5	4460945	4	Connector - 3 Way	
6	1001126487	1	Connector - 3 Position	
6	1001167635	2	Terminal	
6	1001126485	2	Seal	
7	8220164	1	Terminal, Eyelet	
8	4460019	1	Terminal, Eyelet	
9	4460247	2	Terminal, Eyelet	
10	1001117107	2	Terminal, Eyelet	
11	4460043	1	Terminal, Eyelet	
12	1001117106	1	Terminal, Eyelet	
13	4460703	1	Terminal, Eyelet	
14	1001116952	1	Connector - 2 Position	
14	4460465	2	Socket, Female	
15	2902443	1	Kit, Receptacle	
15	4461071	8	Terminal, Female (Gold)	
15	4461072	1	Connector, Flange Mount	
15	4461073	1	Connector, Dust Cap	
15	4461074	1	Connector, Shell	
16	80484084	1	Connector - 8 Position	
16	4460748	4	Plug, Terminal	
16	4460746	3	Terminal	
16	1001234800	1	Terminal	
16	4460458	4	Seal	
17	1001126362	1	Connector - 62 Position	
17	1001126363	36	Terminal	
17	1001126364	36	Seal	
17	1001126391	7	Plug, Terminal	
17	4461008	4	Plug, Cavity	
17	1001126392	12	Terminal	
17	1001223459	12	Seal	

## SECTION 8 - ELECTRICAL

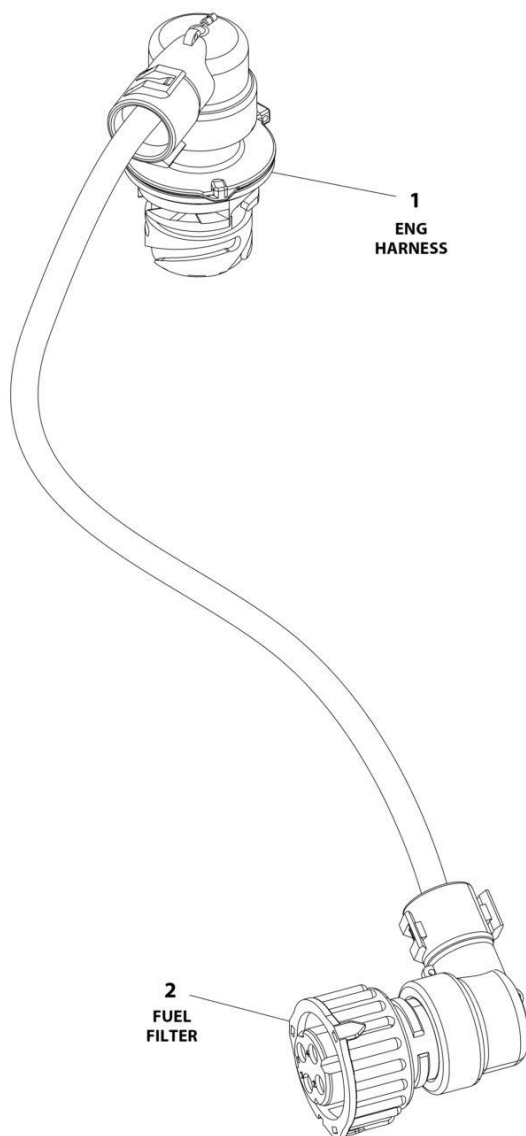
ITEM	PART NUMBER	QTY	DESCRIPTION	REV
17	1001167632	2	Terminal	
17	4461054	2	Seal	
18	1001133714	1	Connector - 4 Position	
18	1001133715	3	Terminal, Female	
18	1001135650	1	Seal	
18	1001135651	1	Plug, Cavity	
19	1001239202	1	Connector - 8 Position	
19	1001126363	7	Terminal	
19	1001126364	7	Seal	
19	1001135651	1	Plug, Terminal	
20	1001142938	1	Connector - 2 Position	
20	1001142940	2	Terminal, Female	
20	1001142941	2	Seal	
21	4460894	1	Connector - 6 Position	
21	4460465	2	Socket, Female	
21	4460944	2	Socket, Female	
21	4460466	2	Seal, Plug	
22	4460930	1	Connector - 8 Position	
22	4460465	1	Socket, Female	
22	4460466	7	Seal, Plug	
23	4460884	1	Connector - 4 Position	
23	4460465	2	Socket, Female	
23	4460942	2	Socket, Female	
24	1001170764	1	Fuseholder with Cover and 20AMP Fuse	
24	1001197719	1	Resistor 620ohm/5 watt	
25	4460042	1	Terminal, Eyelet	





## SECTION 8 - ELECTRICAL

FIGURE 8-36. FUEL FILTER HARNESS - DEUTZ TCD2.9L4 ENGINES AND DEUTZ TCD2.9L4 (STAGE V PRE-BUY) ENGINES



ART\_1001148843

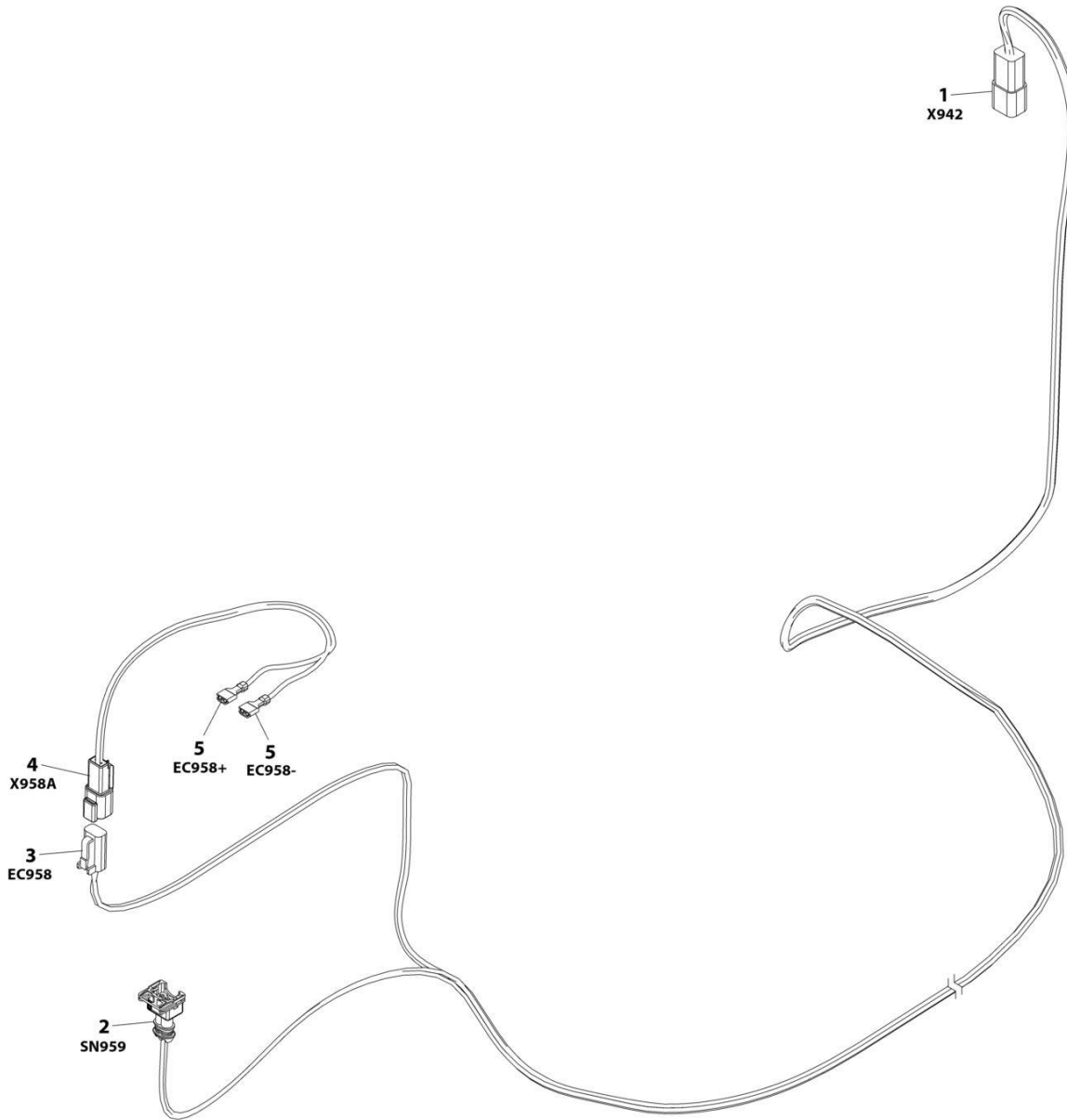
## SECTION 8 - ELECTRICAL

**FIGURE 8-36. FUEL FILTER HARNESS - DEUTZ TCD2.9L4 ENGINES AND DEUTZ TCD2.9L4 (STAGE V PRE-BUY) ENGINES**

ITEM	PART NUMBER	QTY	DESCRIPTION	REV
	1001148843	Ref	FUEL FILTER HARNESS - DEUTZ TCD2.9L4 ENGINES	A
1	1001148842	1	Connector - 4 Position	
1	1001148841	4	Pin, Male	
1	1001135650	4	Seal	
2	1001133714	1	Plug, Male - 4 Position	
2	1001133715	4	Socket, Female	
2	1001135650	4	Seal	

# SECTION 8 - ELECTRICAL

FIGURE 8-37. FUEL HARNESS - DEUTZ TCD2.9L4 ENGINES AND DEUTZ TCD2.9L4 (STAGE V PRE-BUY) ENGINES



ART\_1001138491

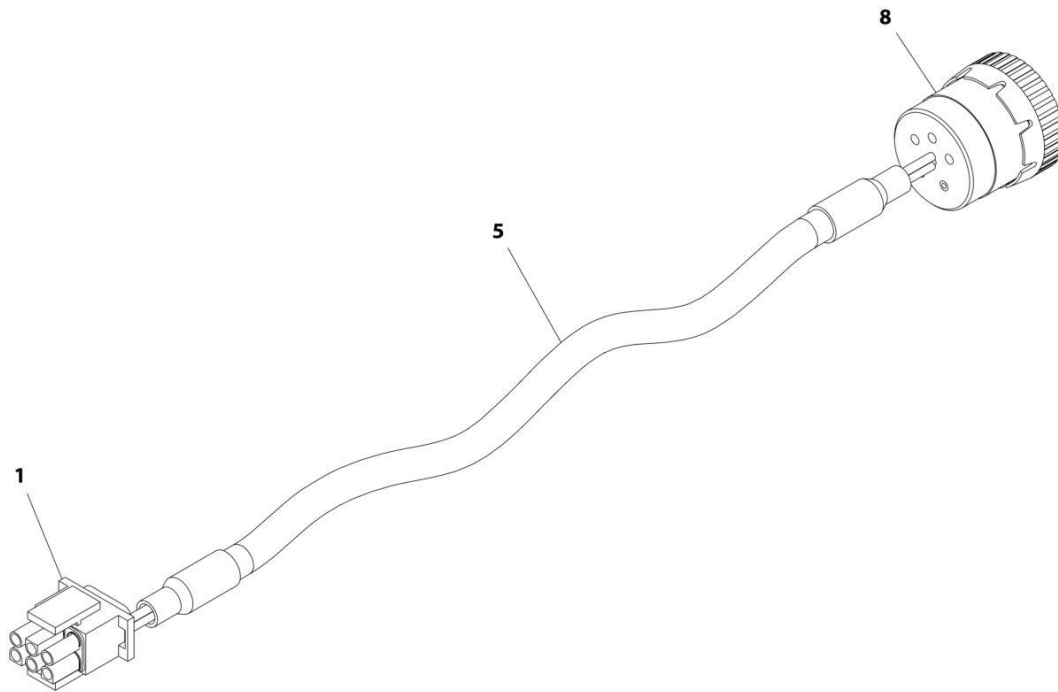
## SECTION 8 - ELECTRICAL

**FIGURE 8-37. FUEL HARNESS - DEUTZ TCD2.9L4 ENGINES AND DEUTZ TCD2.9L4 (STAGE V PRE-BUY) ENGINES**

ITEM	PART NUMBER	QTY	DESCRIPTION	REV
	1001138491	Ref	FUEL PUMP HARNESS	D
1	4460932	1	Receptacle, Female - 4 Position	
1	4460941	2	Pin, Male	
1	4460464	2	Pin, Male	
2	1001116983	1	Plug, Male - 2 Position	
2	1001116710	2	Socket, Female	
2	4461054	2	Seal	
3	4460891	1	Plug, Male - 2 Position	
3	4460942	2	Socket, Female	
4	4460897	1	Connector - 2 Position	
4	4460941	2	Pin, Male	
5	8220051	2	Terminal, Ring	

# SECTION 8 - ELECTRICAL

FIGURE 8-38. GENERATOR HARNESS - 4000W GENERATOR



ART\_1001152533

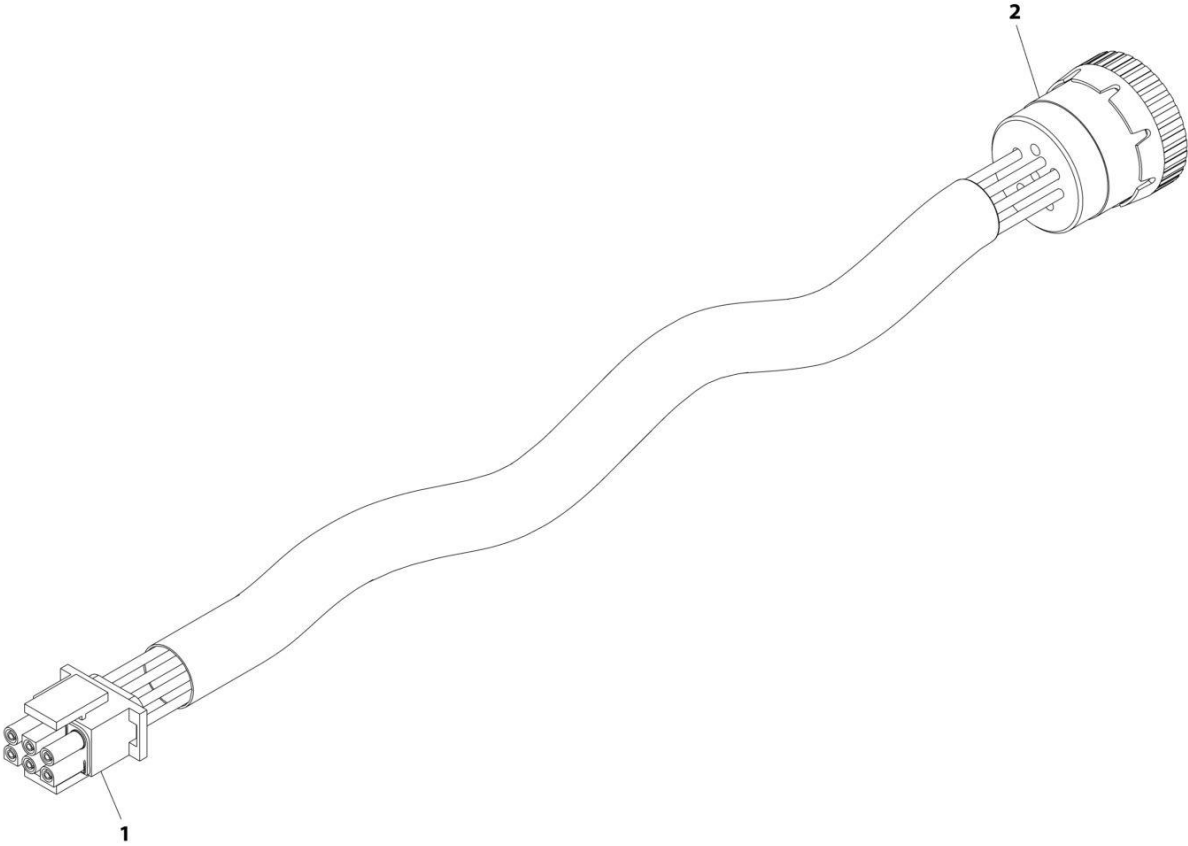
## SECTION 8 - ELECTRICAL

### FIGURE 8-38. GENERATOR HARNESS - 4000W GENERATOR

ITEM	PART NUMBER	QTY	DESCRIPTION	REV
	1001152533	Ref	GENERATOR HARNESS - 4000W GENERATOR	A
1	4460225	1	Connector - 6 Position	
1	4460268	2	Socket, Female	
1	4460807	1	Seal, Plug	
1	4460808	1	Seal, Plug	
5	1060341	8 ft /2.4m	Cable, 16/2	
8	77363233	1	Connector - 6 Position	
8	4460465	2	Socket, Female	

**SECTION 8 - ELECTRICAL**

**FIGURE 8-39. GENERATOR HARNESS - 7500W GENERATOR**



ART\_4922972



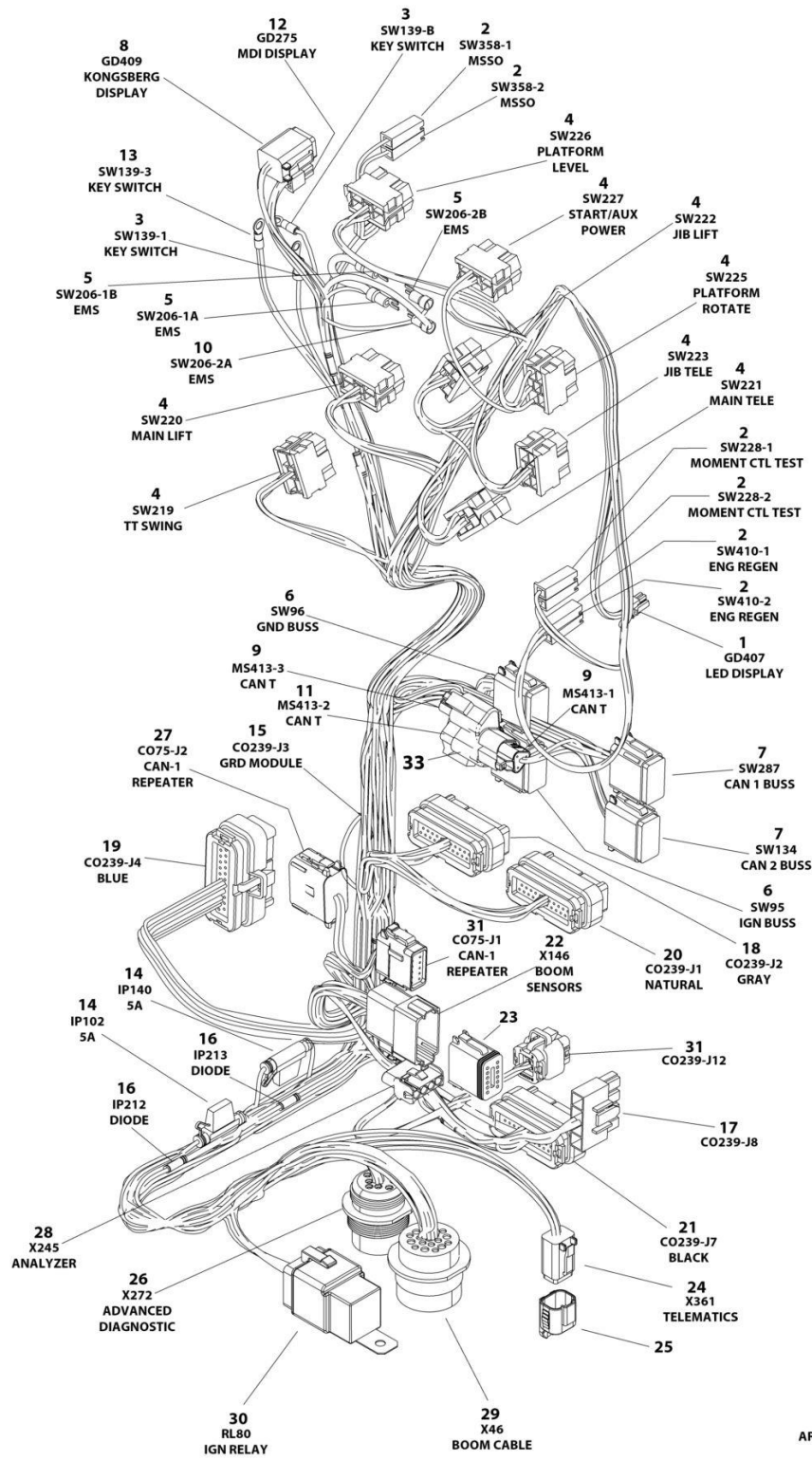
## SECTION 8 - ELECTRICAL

### FIGURE 8-39. GENERATOR HARNESS - 7500W GENERATOR

ITEM	PART NUMBER	QTY	DESCRIPTION	REV
	4922972	Ref	GENERATOR HARNESS - 7500W GENERATOR	C
1	4460225	1	Connector - 6 Position	
1	4460268	6	Socket, Female	
1	4460807	1	Seal, Plug	
1	4460808	1	Seal, Plug	
2	77363233	1	Connector - 6 Position	
2	4460465	6	Socket, Female	

# SECTION 8 - ELECTRICAL

## FIGURE 8-40. GROUND CONTROL BOX HARNESS ASSEMBLY



ART\_1001242186

## SECTION 8 - ELECTRICAL

### FIGURE 8-40. GROUND CONTROL BOX HARNESS ASSEMBLY

ITEM	PART NUMBER	QTY	DESCRIPTION	REV
	1001242186	Ref	GROUND CONTROL BOX HARNESS ASSEMBLY	C
1	1001237667	1	Connector - 6 Position	
1	1001237668	5	Socket, Female	
2	4460260	6	Terminal, Housing	
2	4460259	6	Terminal	
3	4460313	2	Terminal, Ring	
4	4460418	8	Connector - 6 Position	
4	4460419	24	Socket, Female	
5	4460806	4	Terminal, Fork	
6	4460836	2	Connector - 12 Position	
6	4460465	14	Socket, Female	
7	4460933	2	Connector, Male - 12 Position (Gray)	
7	4460871	13	Socket, Female	
8	4460894	1	Connector - 6 Position	
8	4460465	4	Socket, Female	
8	4460466	2	Plug	
9	1001116812	2	Plug, Male - 3 Position	
9	4460944	4	Socket, Female (Gold)	
9	4460466	2	Seal, Plug	
10	4460144	1	Terminal, Fork	
11	4460539	1	Plug, Male - 3 Position	
12	4460868	1	Connector - 6 Pin	
12	4460877	4	Socket, Female	
13	4460042	1	Terminal, Ring	
14	2400066	2	Fuseholder	
14	2400064	2	Fuse - 5Amp	
15	4460871	1	Socket, Female	
16	3990001	2	Diode - 3Amp	
17	4460878	1	Connector - 4 Position	
17	4460877	2	Socket, Female	
18	4460875	1	Connector, Gray - 35 Position	
18	4460871	7	Socket, Female	
18	4460905	28	Seal, Plug	
19	4460836	2	Connector - 12 Position	
19	4460465	12	Socket, Female	
20	4460874	1	Connector - 35 Position (Natural)	
20	4460871	7	Socket, Female	
20	4460905	17	Seal, Plug	
21	4460873	1	Connector - 35 Position (Black)	
21	4460871	18	Socket, Female	
21	4460905	17	Seal, Plug	
22	4460970	1	Connector - 12 Position	
22	4460464	10	Pin, Male	
23	4460933	1	Connector, Male - 12 Position (Gray)	
23	4460465	6	Socket, Female	
23	4460942	4	Socket, Female	
24	4460884	1	Connector, Gray - 4 Position	
24	4460465	4	Socket, Female	
25	1001192401	1	Connector, Dust Cap	
26	1001112612	1	Connector, Diagnostic	

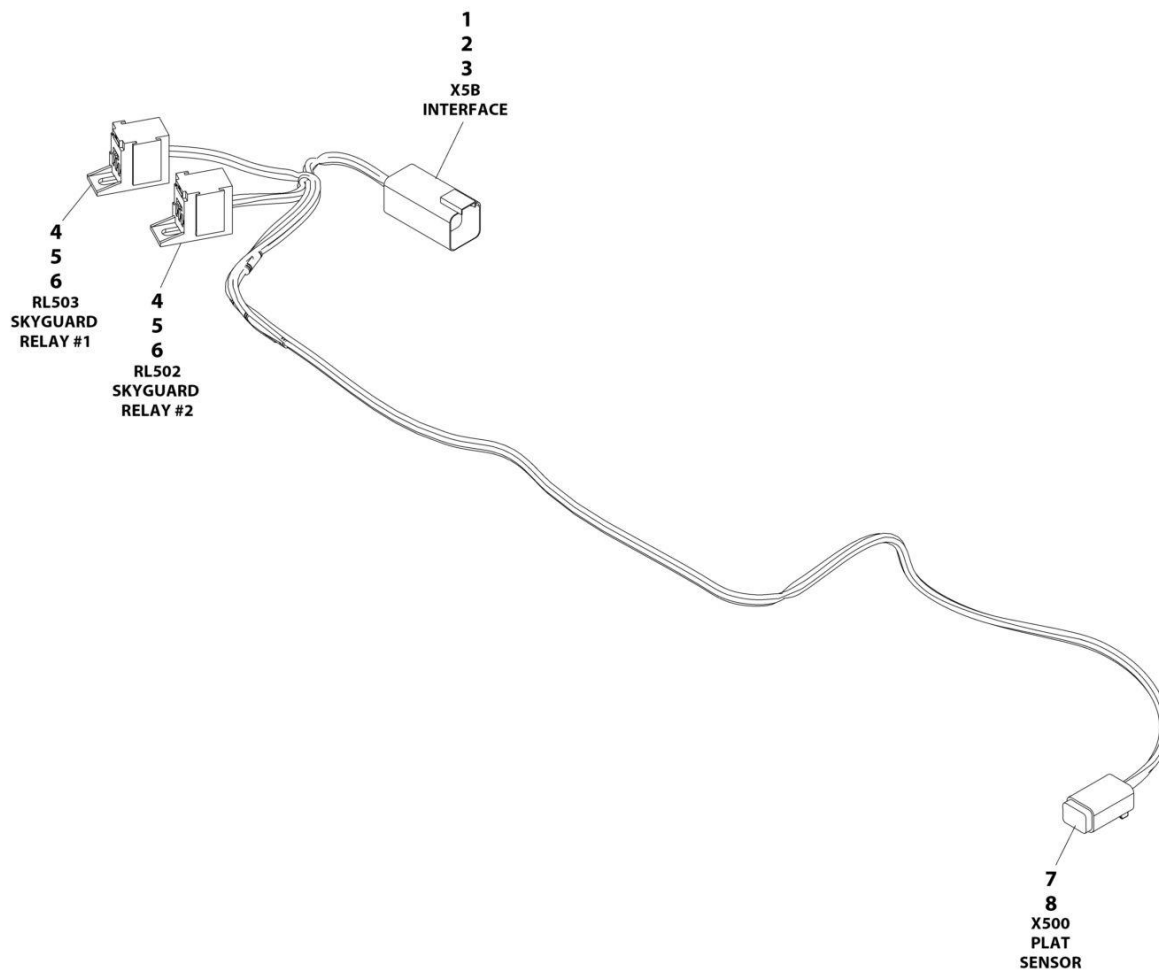
## SECTION 8 - ELECTRICAL

ITEM	PART NUMBER	QTY	DESCRIPTION	REV
26	4460464	6	Pin, Male	
26	4460466	3	Seal, Plug	
27	1001116808	1	Connector - 12 Position	
27	4460918	3	Socket, Female (Gold)	
27	4460518	9	Seal, Plug	
28	4460761	1	Connector - 4 Position	
28	4460227	4	Pin, Male	
29	4460866	1	Connector - 19 Position	
29	4460464	11	Pin, Male	
29	4460508	4	Pin, Male Deutsch 12 Ga	
29	4460466	4	Seal, Plug	
30	1001117025	1	Relay with Connector	
30	3740080	1	Relay, Sealed	
30	4460374	1	Plug, Sealed	
30	4460375	4	Terminal, Female	
31	1001116774	1	Connector - 12 Position	
31	4460928	2	Socket, Female	
31	4460918	2	Socket, Female (Gold)	
31	4460518	8	Seal, Plug	
32	1001113961	1	Connector - 8 Position	
32	4460871	5	Socket, Female	
32	4460905	2	Seal, Plug	
33	4460945	1	Connector, Female - 3 Way	



# SECTION 8 - ELECTRICAL

## FIGURE 8-41. INTERFACE HARNESS



ART\_1001225580\_E

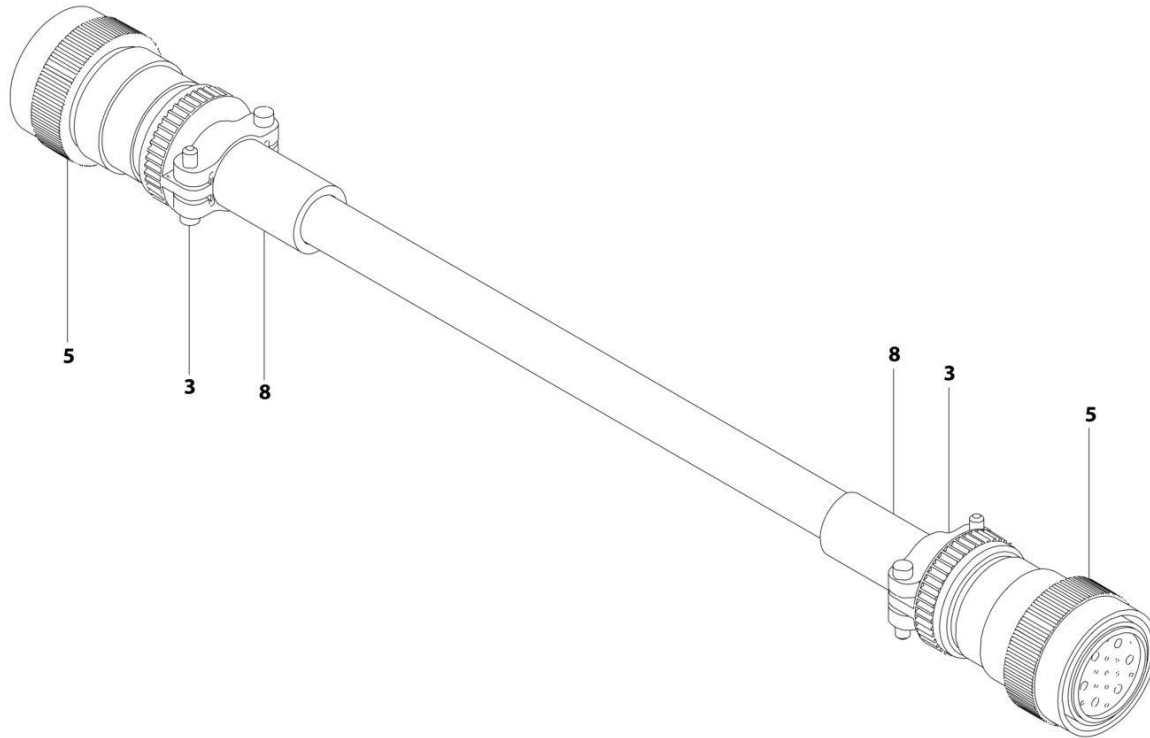
## SECTION 8 - ELECTRICAL

### FIGURE 8-41. INTERFACE HARNESS

ITEM	PART NUMBER	QTY	DESCRIPTION	REV
	1001225580	Ref	PLATFORM INTERFACE HARNESS - WITH 1 CELL LSS	E
1	4460899	1	Connector	
2	4460464	4	Terminal	
3	4460466	2	Plug	
4	1001186432	2	Connector	
5	1001253375	4	Terminal	
6	1001104519	4	Terminal	
7	4460884	1	Connector	
8	4460465	4	Terminal	

# SECTION 8 - ELECTRICAL

## FIGURE 8-42. JIB BOOM CONTROL HARNESS



ART\_1001120098



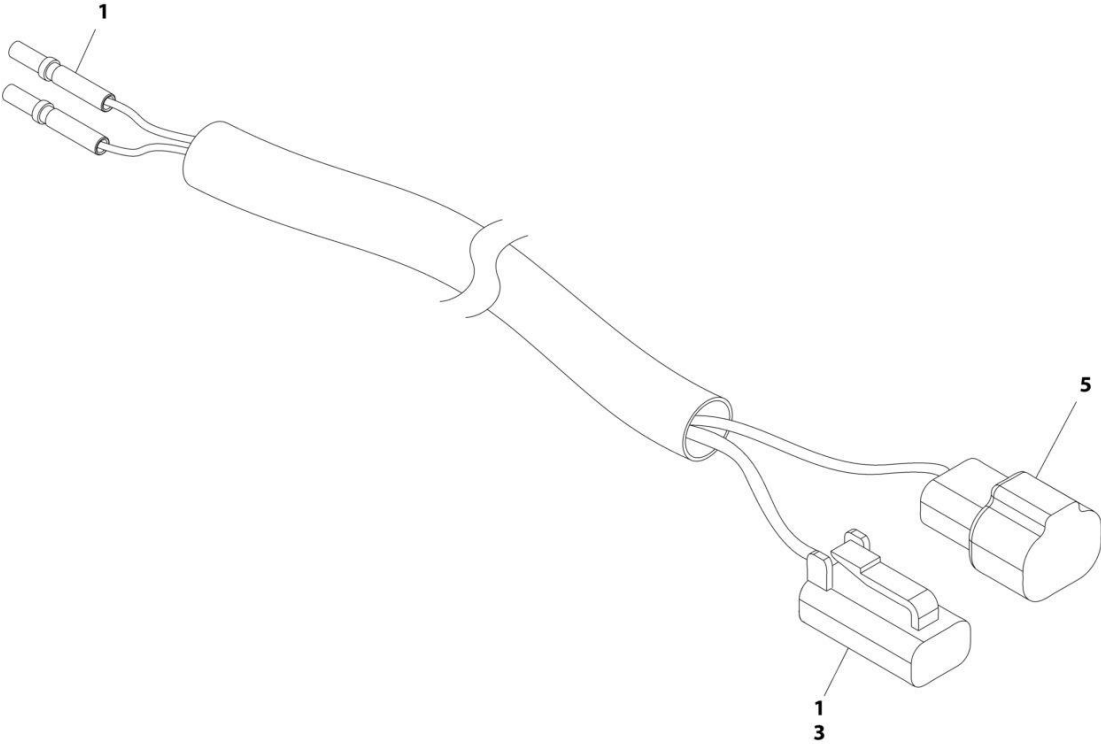
## SECTION 8 - ELECTRICAL

### FIGURE 8-42. JIB BOOM CONTROL HARNESS

ITEM	PART NUMBER	QTY	DESCRIPTION	REV
	1001120098	Ref	JIB BOOM CONTROL HARNESS	D
3	4460473	2	Clamp	
5	4460865	2	Connector - 19 Position	
5	4460509	8	Socket, Female	
5	4460465	22	Socket, Female	
5	4460466	8	Plug, Socket	
8	1001226400	2	Heat Shrink	

**SECTION 8 - ELECTRICAL**

**FIGURE 8-43. JIB ENABLE HARNESS**



ART\_100119393

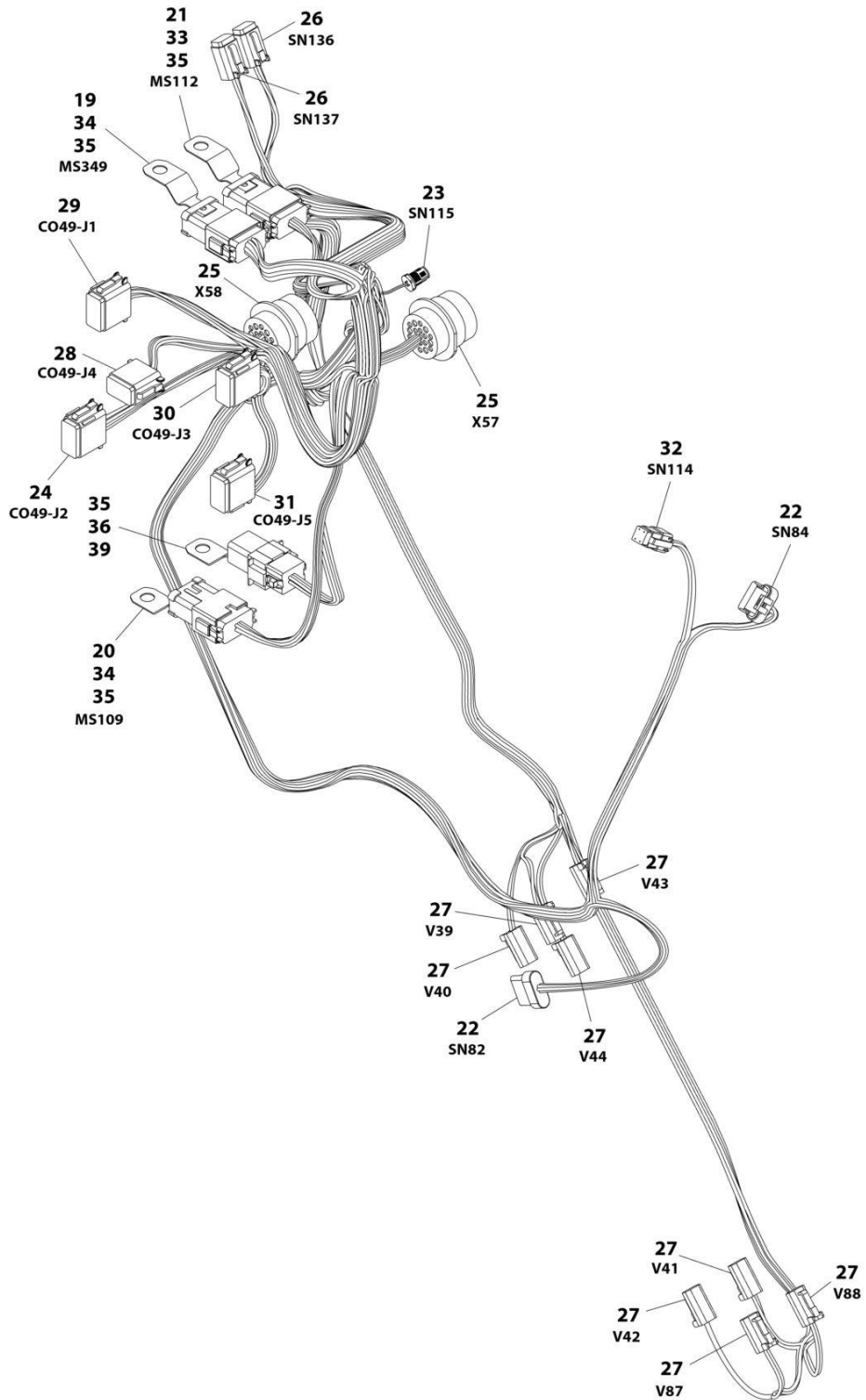
## SECTION 8 - ELECTRICAL

### FIGURE 8-43. JIB ENABLE HARNESS

ITEM	PART NUMBER	QTY	DESCRIPTION	REV
	1001119393	Ref	JIB ENABLE HARNESS	D
1	4460942	4	Socket, Female	
3	4460891	1	Plug, Male - 2 Position	
3	4460942	2	Socket, Female	
5	4460897	1	Plug, Male - 2 Position (Includes Wedge Lock and Seal)	
5	4460941	2	Pin, Male	

# SECTION 8 - ELECTRICAL

## FIGURE 8-44. JIB VALVE HARNESS



ART\_1001119392

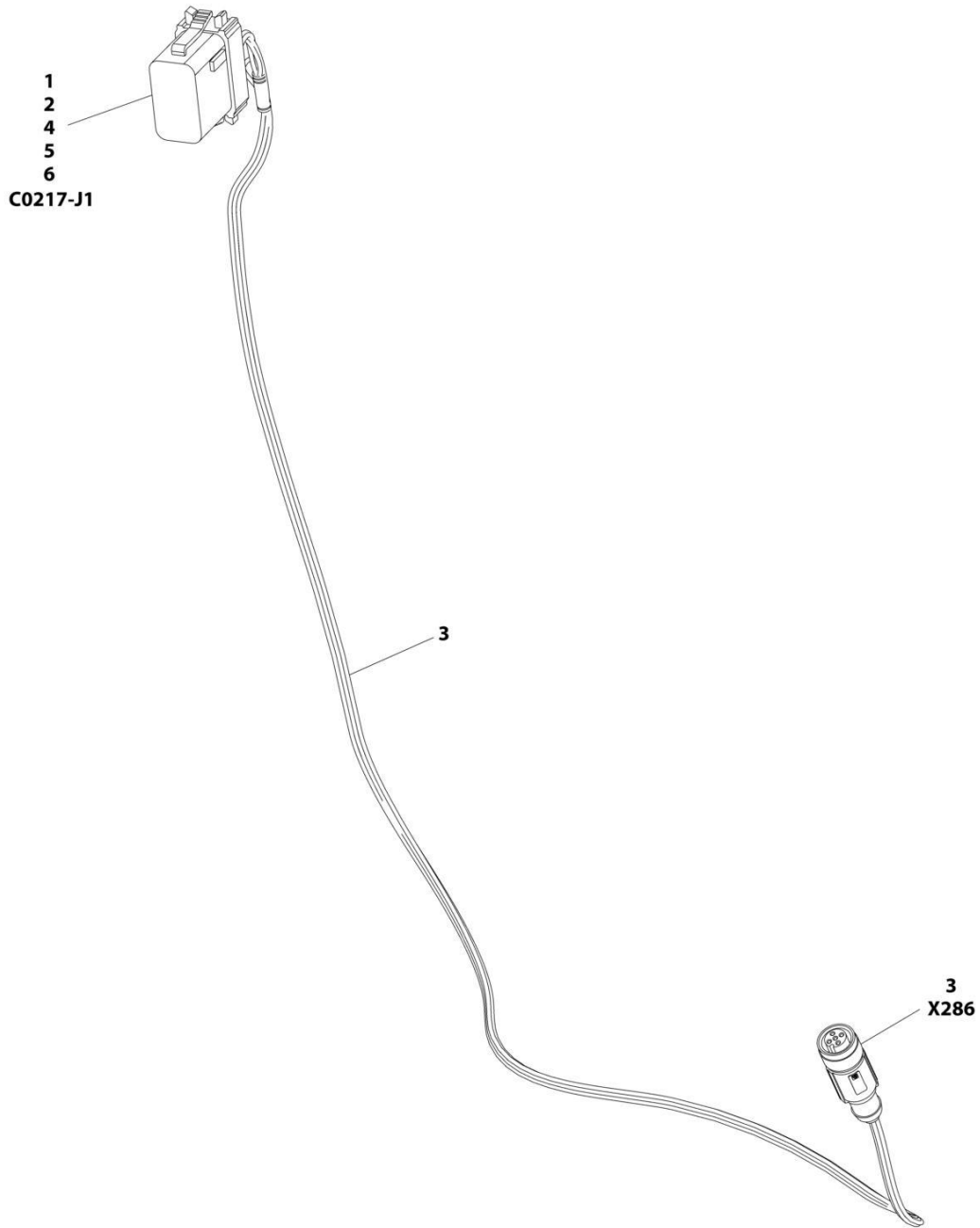
## SECTION 8 - ELECTRICAL

### FIGURE 8-44. JIB VALVE HARNESS

ITEM	PART NUMBER	QTY	DESCRIPTION	REV
	1001119392	Ref	JIB VALVE HARNESS	K
19	4460933	1	Connector, Male - 12 Position (Gray)	
19	4460465	9	Socket, Female	
20	4460933	1	Connector, Male - 12 Position (Gray)	
20	4460944	8	Socket, Female (Gold)	
21	4460933	1	Connector, Male - 12 Position (Gray)	
21	4460465	2	Socket, Female	
21	4460942	2	Socket, Female	
21	1001157890	8	Socket, Female	
22	1001230931	2	Plug, Male - 6 Position	
22	1001116748	12	Socket, Female	
23	1001120055	1	Connector - 5 Position with Leads	
24	4460836	1	Connector - 12 Position	
24	4460465	9	Socket, Female	
25	4460866	2	Connector - 19 Position	
25	4460464	20	Pin, Male	
25	4460508	8	Pin, Male Deutsch 12 Ga	
26	4460884	2	Connector, Gray - 4 Position	
26	4460465	8	Socket, Female	
27	4460891	8	Plug, Male - 2 Position	
27	4460465	16	Socket, Female	
28	4460930	1	Connector - 8 Position (Gray)	
28	4460465	6	Socket, Female	
29	4460933	1	Connector, Male - 12 Position (Gray)	
29	4460465	7	Socket, Female	
29	4460942	2	Socket, Female	
30	4460934	1	Plug, Male - 12 Position (Green)	
30	4460465	12	Socket, Female	
31	4460935	1	Plug, Male - 12 Position (Brown)	
31	4460465	7	Socket, Female 18 Gauge	
32	4461077	1	Plug, Male - 4 Position	
32	1001126008	4	Socket, Female	
33	1001125677	1	Connector - 12 Position Buss Bar	
34	1001119020	2	Connector - 12 Position Buss Bar	
35	1001120328	4	Mount, Deutsch	
36	4460852	1	Connector - 8 Position Buss Bar	
39	4460851	1	Plug, Male - 8 Position	
39	4460465	7	Socket, Female 18 Gauge	

# SECTION 8 - ELECTRICAL

## FIGURE 8-45. LCD DISPLAY HARNESS



ART\_1001220482

## SECTION 8 - ELECTRICAL

### FIGURE 8-45. LCD DISPLAY HARNESS

ITEM	PART NUMBER	QTY	DESCRIPTION	REV
	1001220482	Ref	LCD DISPLAY HARNESS	A
1	4460465	3	Socket, Female	
2	4460944	2	Socket, Female (Gold)	
3	1001125295	1	Connector with Cable	
4	1001176333	1	Connector - 12 Position	
5	4460466	13	Plug, Seal	
6	2820171	3	Tube, Heat Shrink	

# SECTION 8 - ELECTRICAL

## FIGURE 8-46. LOAD SENSING PIN HARNESS



ART\_4923256



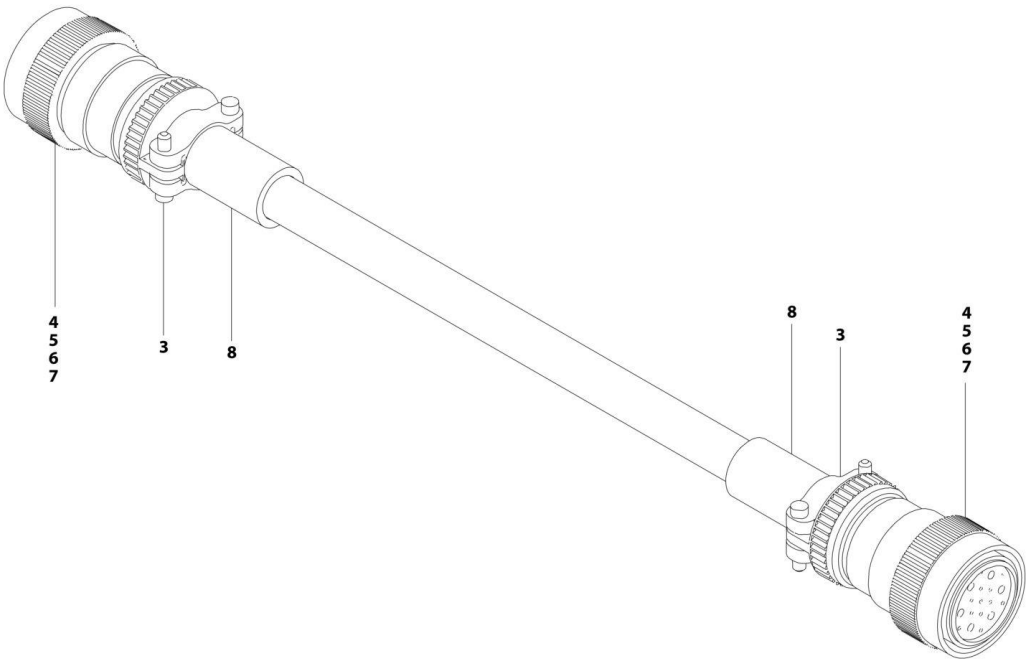
## SECTION 8 - ELECTRICAL

### FIGURE 8-46. LOAD SENSING PIN HARNESS

ITEM	PART NUMBER	QTY	DESCRIPTION	REV
	4923256	Ref	LOAD SENSING PIN HARNESS	C
1	4460930	1	Connector - 8 Position (Gray)	
1	4460465	4	Socket, Female	
1	4460466	3	Plug, Sealing	
2	See Note	NSS	Connector - 4 Position (Note: Not Available for Purchase)	
2	See Note	NSS	Terminal (Note: Not Available for Purchase)	

**SECTION 8 - ELECTRICAL**

**FIGURE 8-47. MAIN BOOM CONTROL HARNESS**



ART\_1001122396

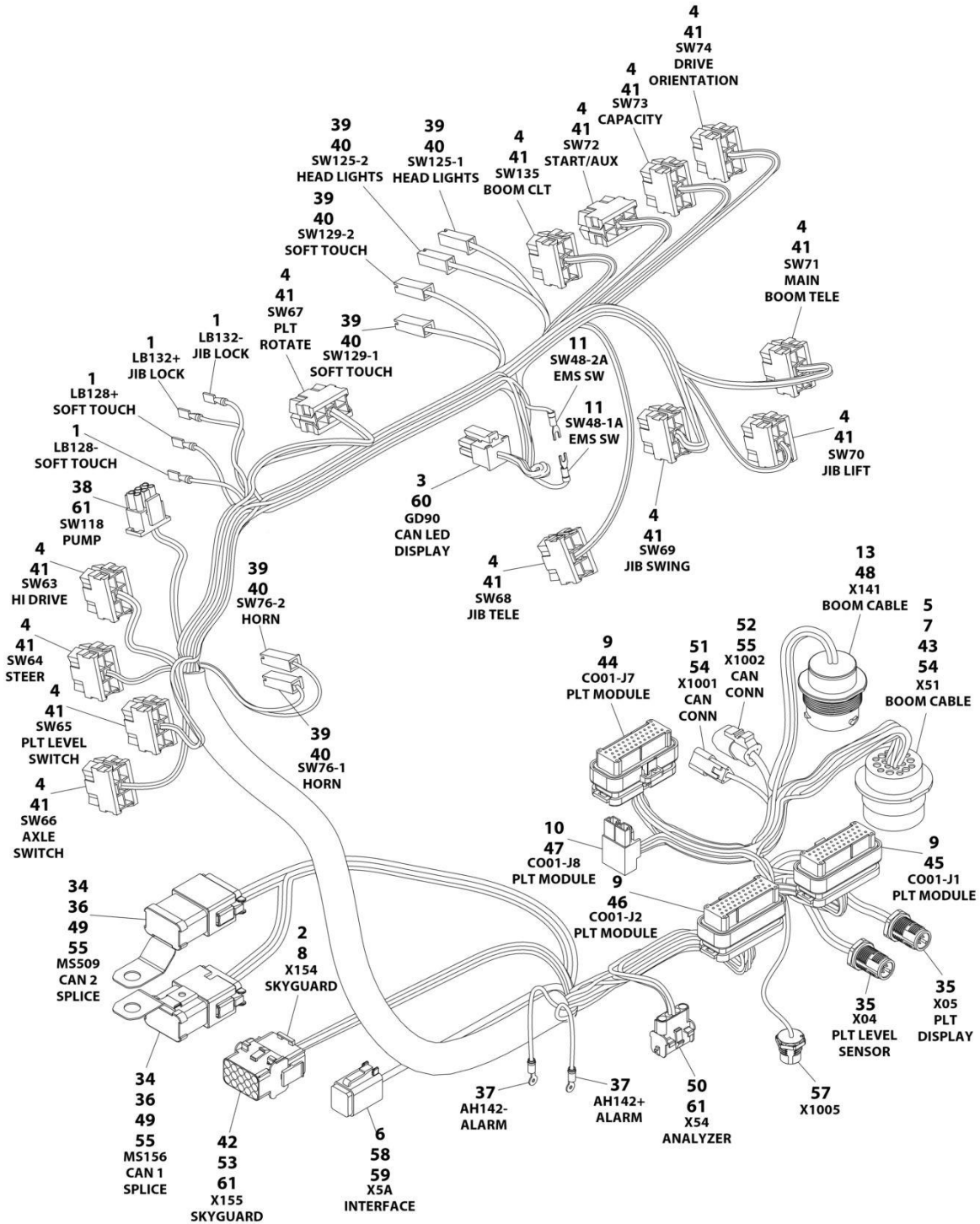
## SECTION 8 - ELECTRICAL

### FIGURE 8-47. MAIN BOOM CONTROL HARNESS

ITEM	PART NUMBER	QTY	DESCRIPTION	REV
	1001122396	Ref	MAIN BOOM CONTROL HARNESS	D
3	4460473	2	Clamp	
4	4460509	8	Socket, Female	
5	4460865	2	Connector - 19 Position	
6	4460465	22	Socket, Female	
7	4460466	8	Plug, Socket	
8	1001226400	2	Heat Shrink	

# SECTION 8 - ELECTRICAL

FIGURE 8-48. PLATFORM CONSOLE BOX HARNESS ASSEMBLY



ART\_1001242189

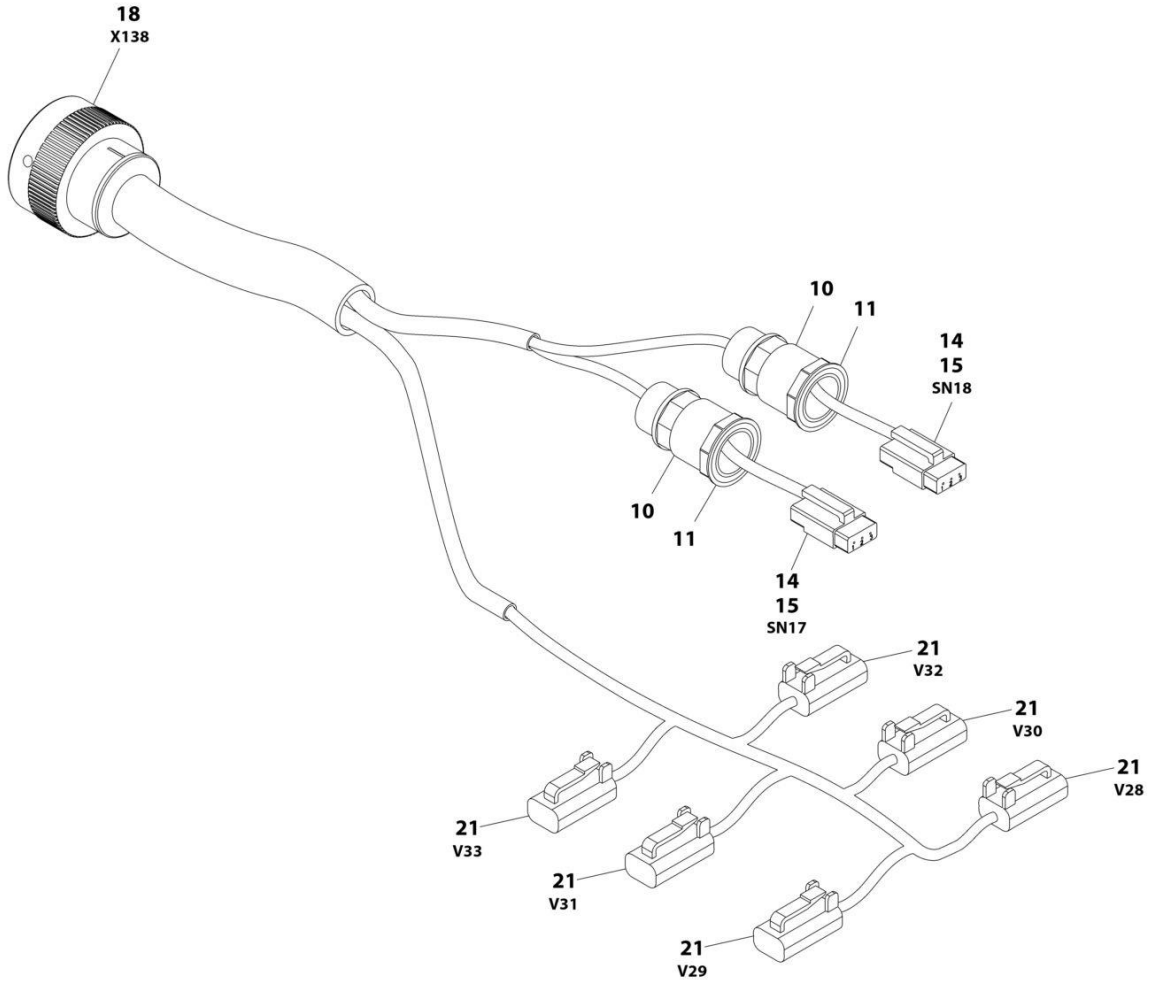
## SECTION 8 - ELECTRICAL

**FIGURE 8-48. PLATFORM CONSOLE BOX HARNESS ASSEMBLY**

ITEM	PART NUMBER	QTY	DESCRIPTION	REV
	1001242189	Ref	PLATFORM CONSOLE BOX HARNESS	F
1	4460016	5	Terminal	
2	4460226	21	Socket	
3	1001237667	1	Connector	
4	4460419	36	Socket	
5	4460464	7	Pin (20-16Awg Nickel)	
6	4460466	10	Plug	
7	4460508	4	Pin (14-12Awg Nickel)	
8	4460708	1	Connector	
9	4460871	70	Socket	
10	4460887	2	Socket	
11	4460888	2	Terminal, Fork	
13	4460929	12	Pin	
34	1001119020	2	Connector, Bussbar	
35	1001120055	2	Connector	
36	1001120328	2	Mount	
37	4460213	2	Terminal, Ring	
38	4460225	1	Connector	
39	4460259	6	Socket	
40	4460260	6	Connector	
41	4460418	13	Connector	
42	4460434	1	Connector	
43	4460866	1	Connector	
44	4460873	1	Connector	
45	4460874	1	Connector	
46	4460876	1	Connector	
47	4460879	1	Connector	
48	4460925	1	Connector	
49	4460933	2	Connector	
50	4460761	1	Connector	
51	4460536	1	Connector	
52	4460539	1	Connector (Includes Wedge Lock and Seal)	
53	4460267	2	Pin (20-14Awg)	
54	4460943	6	Pin (20-16Awg Gold)	
55	4460944	25	Socket	
57	1001213447	1	Connector	
58	4460894	1	Connector	
59	4460465	5	Socket	
60	1001237668	4	Socket	
61	4460227	19	Pin (24-18Awg)	

# SECTION 8 - ELECTRICAL

## FIGURE 8-49. PLATFORM VALVE HARNESS



ART\_1001119390

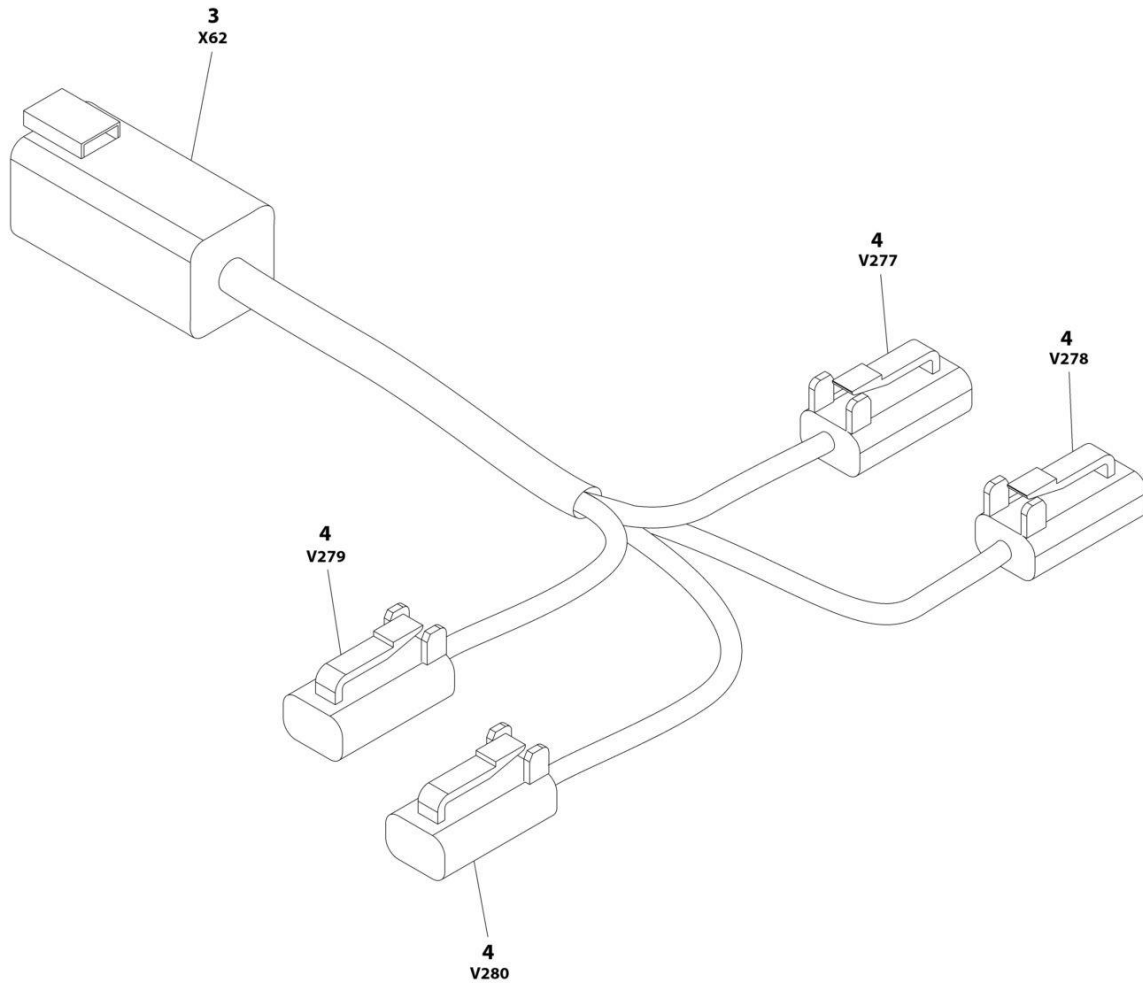
## SECTION 8 - ELECTRICAL

### FIGURE 8-49. PLATFORM VALVE HARNESS

ITEM	PART NUMBER	QTY	DESCRIPTION	REV
	1001119390	Ref	PLATFORM VALVE HARNESS	D
10	1560011	2	Connector, Conduit	
11	1560012	2	Nut, Conduit Connector	
14	4460911	2	Plug, Male - 3 Position	
14	4460918	6	Socket, Female (Gold)	
15	4460912	2	Lock, Wedge - Position	
18	4460926	1	Connector - 21 Position	
18	4460918	6	Socket, Female (Gold)	
18	4460928	8	Socket, Female	
21	4460891	6	Plug, Male - 2 Position	
21	4460465	12	Socket, Female	

# SECTION 8 - ELECTRICAL

## FIGURE 8-50. PUMP HARNESS



ART\_1001120276



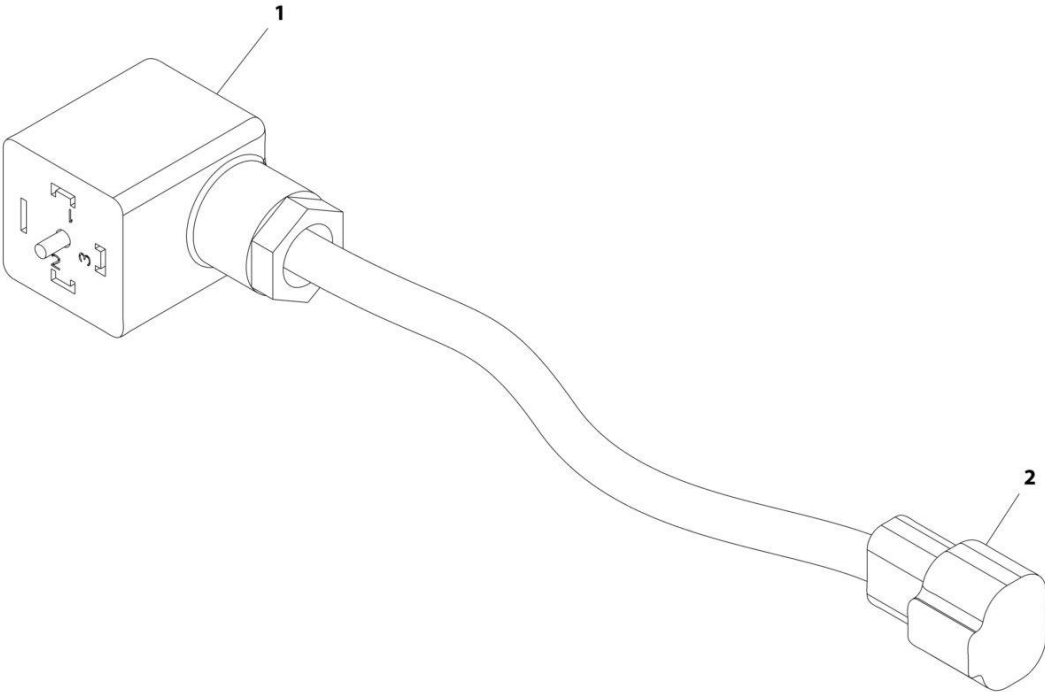
## SECTION 8 - ELECTRICAL

### FIGURE 8-50. PUMP HARNESS

ITEM	PART NUMBER	QTY	DESCRIPTION	REV
	1001120276	Ref	PUMP HARNESS	A
3	4460899	1	Connector, Female - 6 Position	
3	4460464	5	Pin, Male	
4	4460891	4	Plug, Male - 2 Position	
4	4460465	8	Socket, Female	

**SECTION 8 - ELECTRICAL**

**FIGURE 8-51. PUMP ADAPTER HARNESS - SAUER PUMP TO REXROTH PUMP**



ART\_1001119456

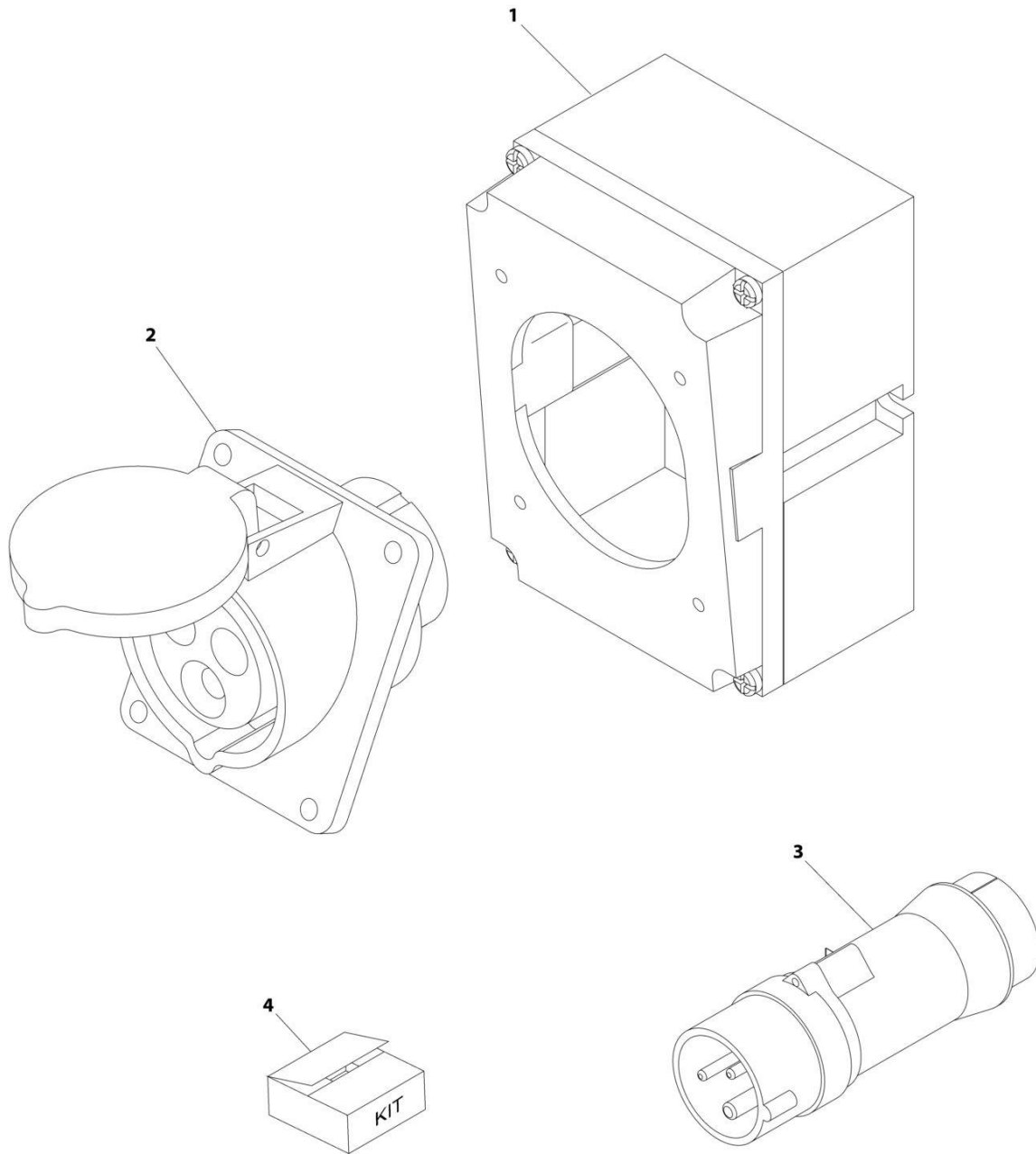
## SECTION 8 - ELECTRICAL

### FIGURE 8-51. PUMP ADAPTER HARNESS - SAUER PUMP TO REXROTH PUMP

ITEM	PART NUMBER	QTY	DESCRIPTION	REV
	1001119456	Ref	PUMP ADAPTER HARNESS - SAUER PUMPS	C
1	4460880	2	DIN Connector	
2	4460897	2	Connector - 2 Position	
2	4460464	4	Pin, Male	

# SECTION 8 - ELECTRICAL

FIGURE 8-52. RECEPTACLE BOX KIT - 110V IEC YELLOW WITHOUT 2500W GENERATOR (CE SPECS)



ART\_0275216

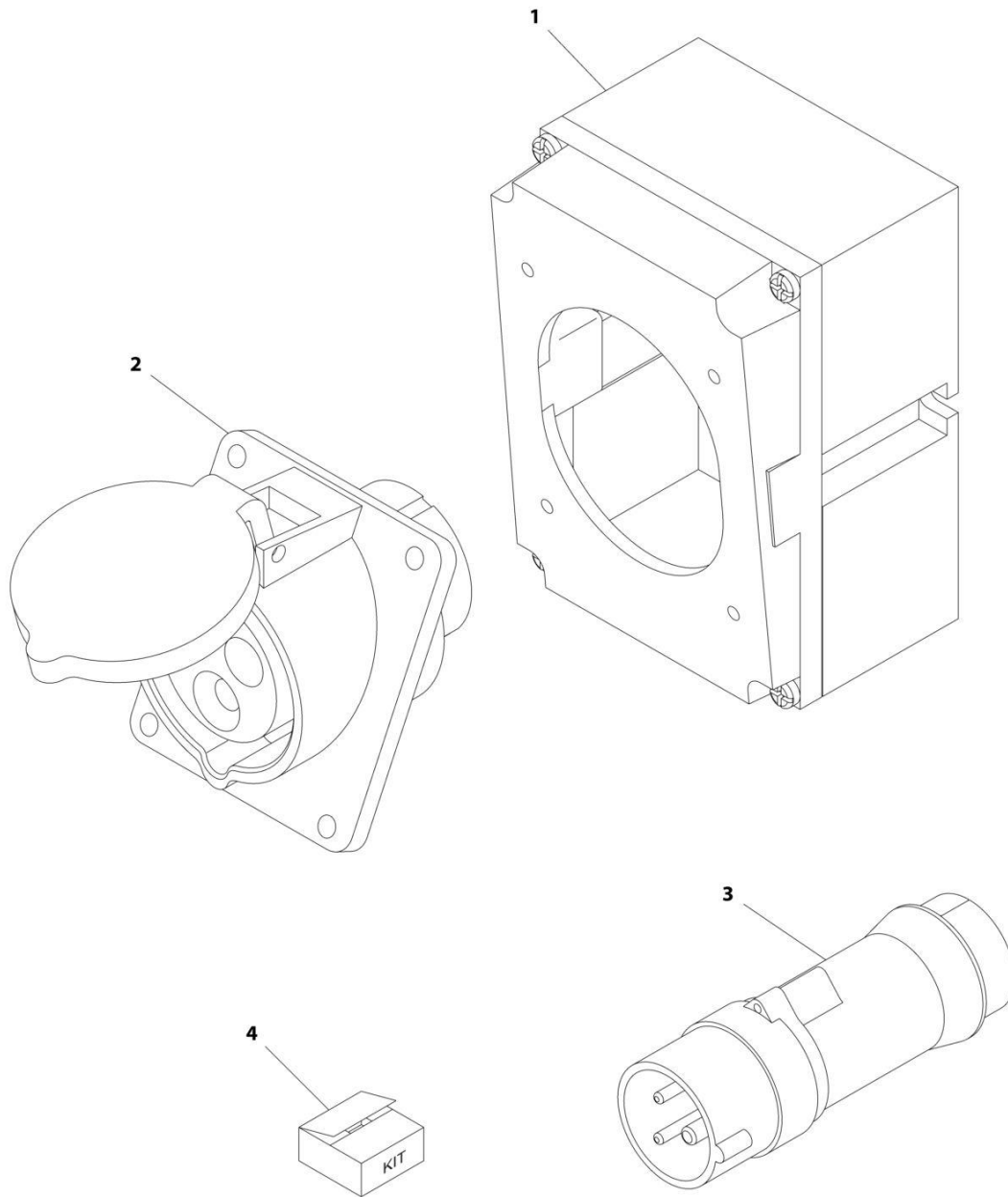
## SECTION 8 - ELECTRICAL

**FIGURE 8-52. RECEPTACLE BOX KIT - 110V IEC YELLOW WITHOUT 2500W GENERATOR (CE SPECS)**

ITEM	PART NUMBER	QTY	DESCRIPTION	REV
	0275216	Ref	RECEPTACLE BOX KIT - 110V IEC YELLOW	B
1	0861781	1	Box, Switch	
2	4461198	1	Receptacle	
3	4461196	1	Plug, Male	
4	1001100341	1	Plug and Socket Kit (Includes Items 1-3 and Female Plug p/n 4461197)	

# SECTION 8 - ELECTRICAL

FIGURE 8-53. RECEPTACLE BOX KIT - 220V IEC BLUE WITHOUT 2500W GENERATOR (CE SPECS)



ART\_0275217

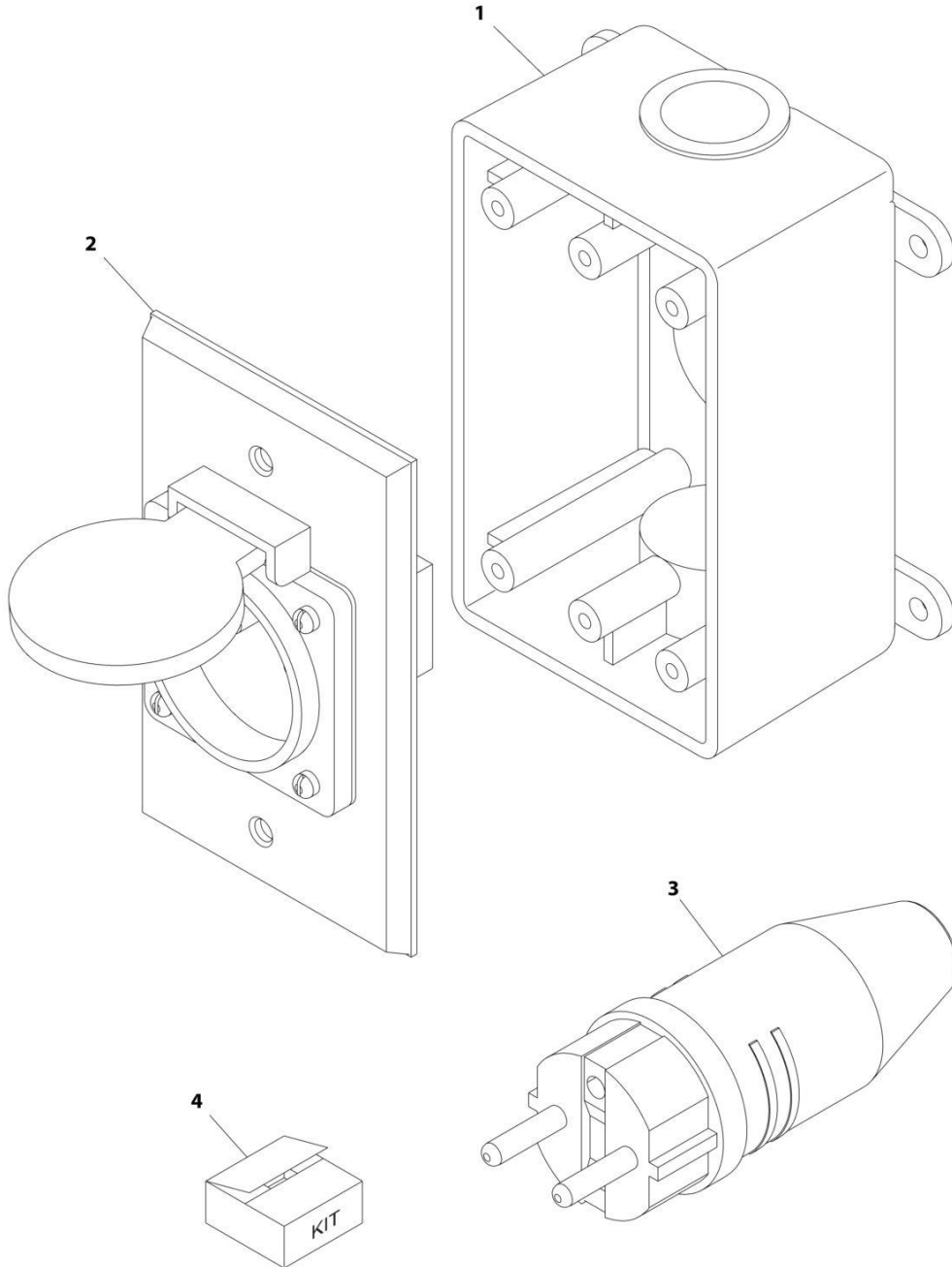
## SECTION 8 - ELECTRICAL

**FIGURE 8-53. RECEPTACLE BOX KIT - 220V IEC BLUE WITHOUT 2500W GENERATOR (CE SPECS)**

ITEM	PART NUMBER	QTY	DESCRIPTION	REV
	0275217	Ref	RECEPTACLE BOX KIT - 220V IEC BLUE	B
1	0861781	1	Box, Switch	
2	4461201	1	Receptacle	
3	4461199	1	Plug, Male	
4	1001100342	1	Plug and Socket Kit (Includes Items 1-3 and Female Plug p/n 4461200)	

# SECTION 8 - ELECTRICAL

FIGURE 8-54. RECEPTACLE BOX KIT - 220V CEE7 POST GROUND WITHOUT 2500W GENERATOR  
(2X4 BOX) (CE SPECS)



ART\_0275452-C



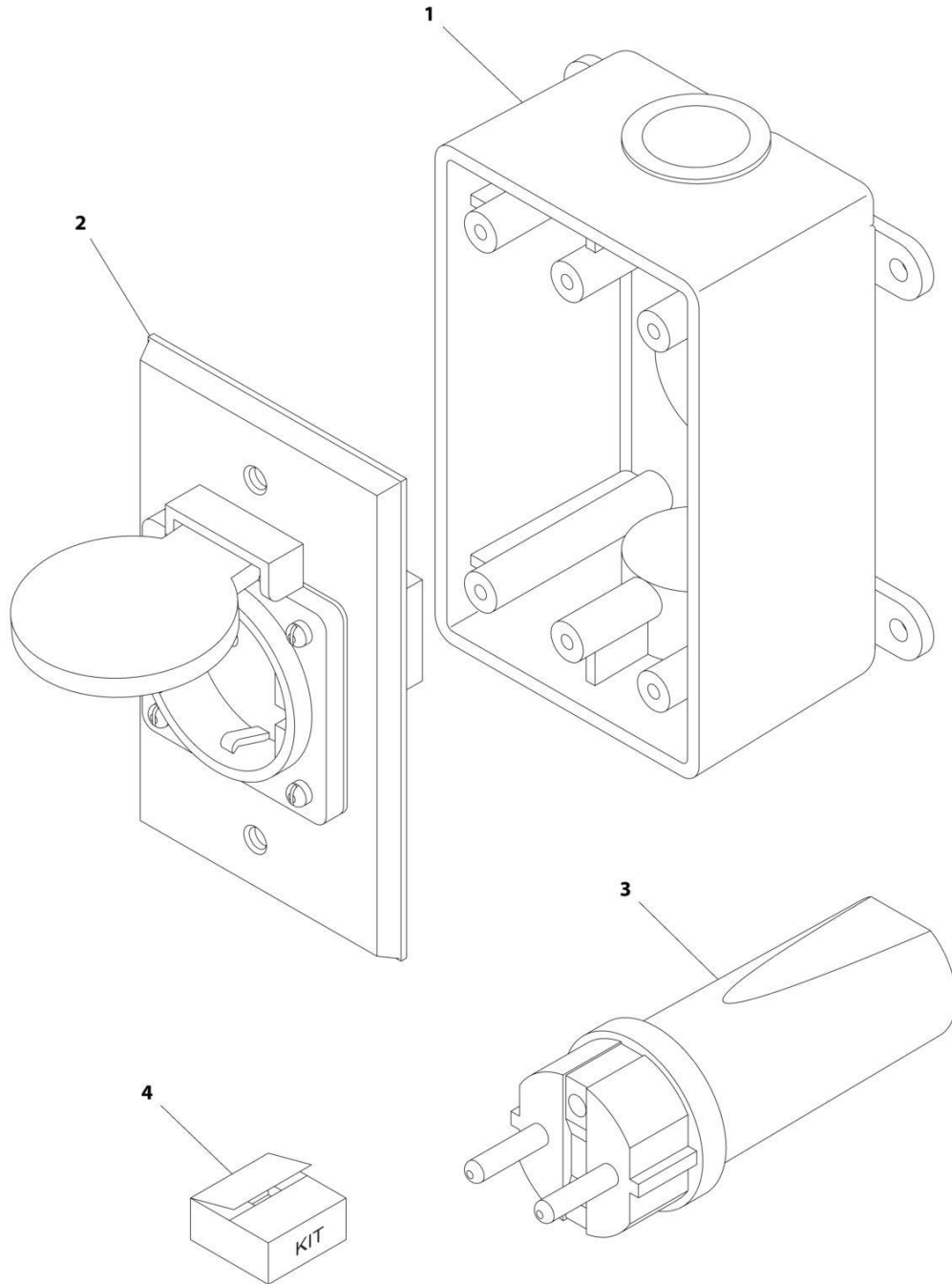
## SECTION 8 - ELECTRICAL

**FIGURE 8-54. RECEPTACLE BOX KIT - 220V CEE7 POST GROUND WITHOUT 2500W GENERATOR  
(2X4 BOX) (CE SPECS)**

ITEM	PART NUMBER	QTY	DESCRIPTION	REV
	0275452	Ref	RECEPTACLE BOX KIT - 220V CEE7 POST GROUND 2IN X 4IN BOX	C
1	0861731	1	Box, Switch	
2	4461244	1	Receptacle	
3	4461205	1	Plug, Male	
4	1001100345	1	Plug and Socket Kit (Includes Items 1-3 and Female Plug p/n 4461203)	

# SECTION 8 - ELECTRICAL

FIGURE 8-55. RECEPTACLE BOX KIT - 220V CEE7 SIDE GROUND WITHOUT 2500W GENERATOR  
(2X4 BOX) (CE SPECS)



ART\_0275453

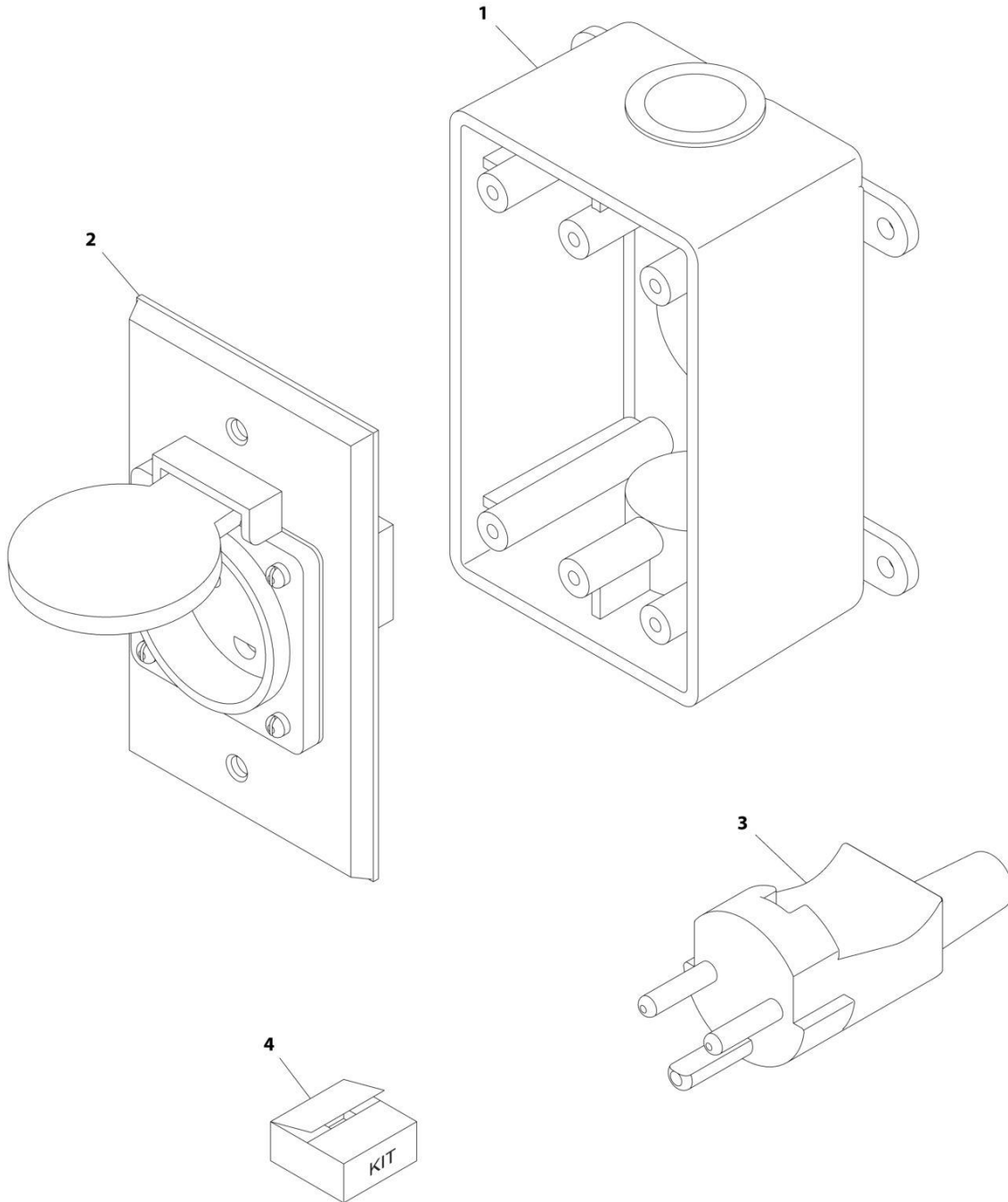
## SECTION 8 - ELECTRICAL

**FIGURE 8-55. RECEPTACLE BOX KIT - 220V CEE7 SIDE GROUND WITHOUT 2500W GENERATOR  
(2X4 BOX) (CE SPECS)**

ITEM	PART NUMBER	QTY	DESCRIPTION	REV
	0275453	Ref	RECEPTACLE BOX KIT - 220V CEE7 SIDE GROUND	B
1	0861731	1	Box, Switch	
2	4461245	1	Receptacle	
3	4461205	1	Plug, Male	
4	1001100347	1	Plug and Socket Kit (Includes Items 1-3 and Female Plug p/n 4461206)	

# SECTION 8 - ELECTRICAL

FIGURE 8-56. RECEPTACLE BOX KIT - 220V AFSINT 107 KEYED GROUND WITHOUT 2500W GENERATOR (2X4 BOX) (CE SPECS)



ART\_0275454

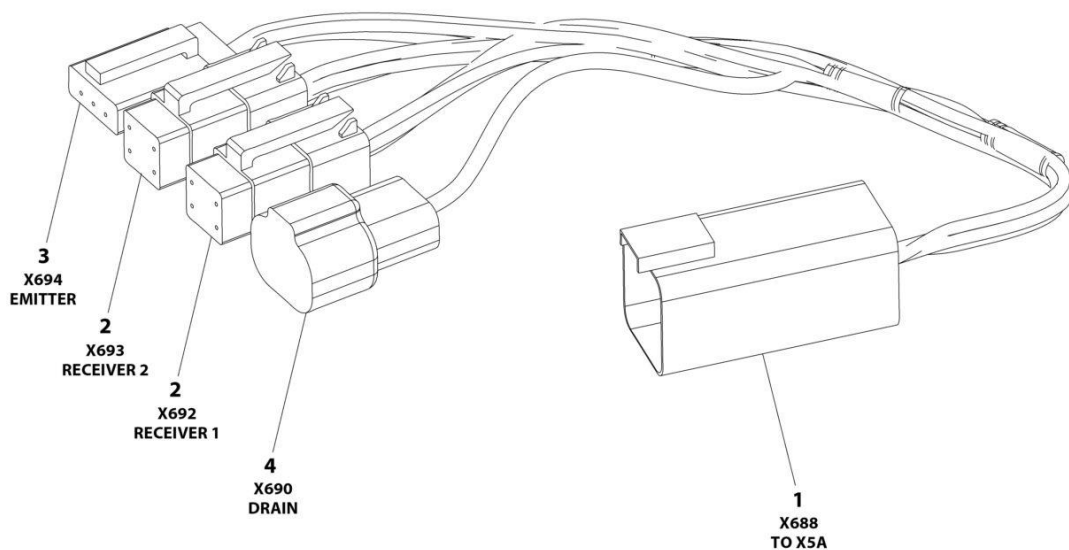
## SECTION 8 - ELECTRICAL

**FIGURE 8-56. RECEPTACLE BOX KIT - 220V AFSINT 107 KEYED GROUND WITHOUT 2500W GENERATOR (2X4 BOX) (CE SPECS)**

ITEM	PART NUMBER	QTY	DESCRIPTION	REV
	0275454	Ref	RECEPTACLE BOX KIT - 220V AFSINT 107	B
1	0861731	1	Box, Switch	
2	4461246	1	Receptacle	
3	4461249	1	Plug, Male	
4	1001100346	1	Plug and Socket Kit (Includes Items 1-3 and Female Plug p/n 4461250)	

# SECTION 8 - ELECTRICAL

## FIGURE 8-57. SKYEYE INTERMEDIATE HARNESS



ART\_1001237865

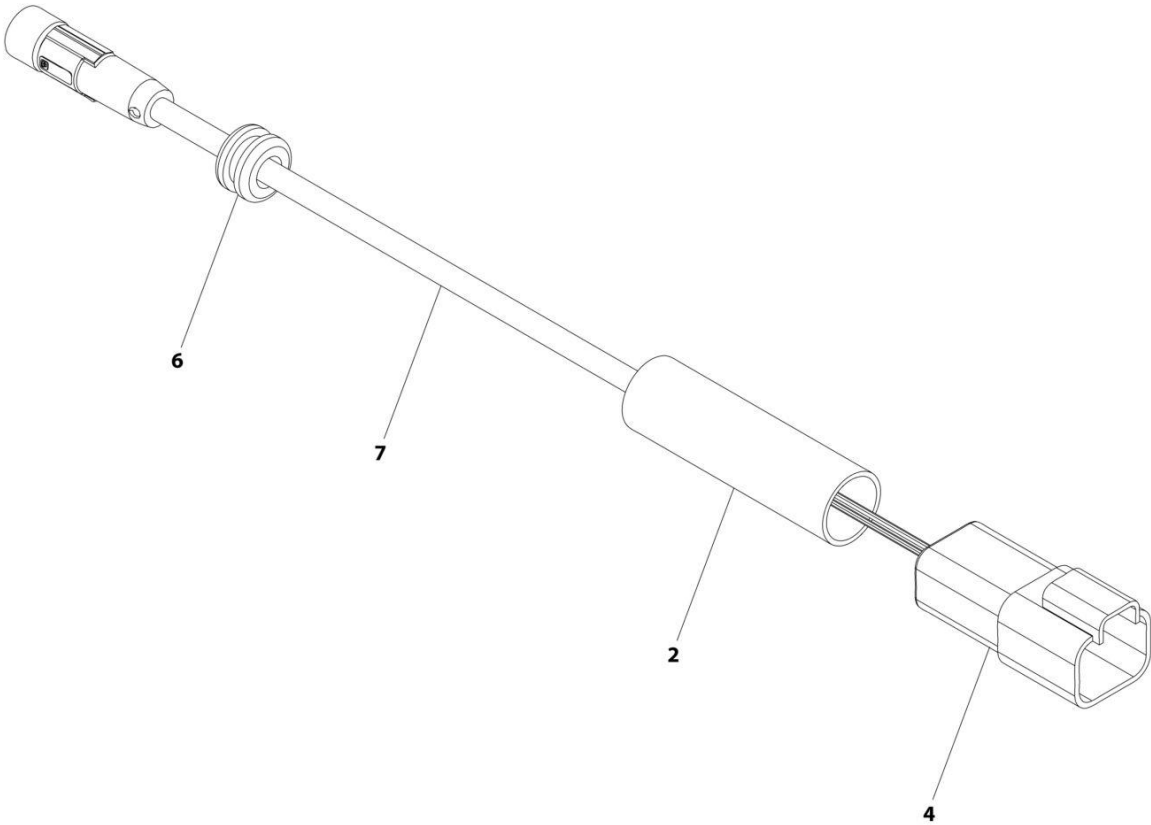
## SECTION 8 - ELECTRICAL

### FIGURE 8-57. SKYEYE INTERMEDIATE HARNESS

ITEM	PART NUMBER	QTY	DESCRIPTION	REV
	1001237865	Ref	SKYEYE INTERMEDIATE HARNESS	A
1	4460899	1	Connector - 6 Position	
1	4460943	4	Pin, Male	
1	4460466	2	Plug, Terminal	
2	4461077	2	Connector - 4 Position	
2	1001119619	8	Socket, Female	
3	4460911	1	Connector - 3 Position	
3	1001119619	3	Socket, Female	
4	1001187681	1	Connector - 2 Position	
4	4460941	1	Pin, Male	
4	4460466	1	Plug, Terminal	

**SECTION 8 - ELECTRICAL**

**FIGURE 8-58. SKYEYE RECEIVER HARNESS**



ART\_1001237863



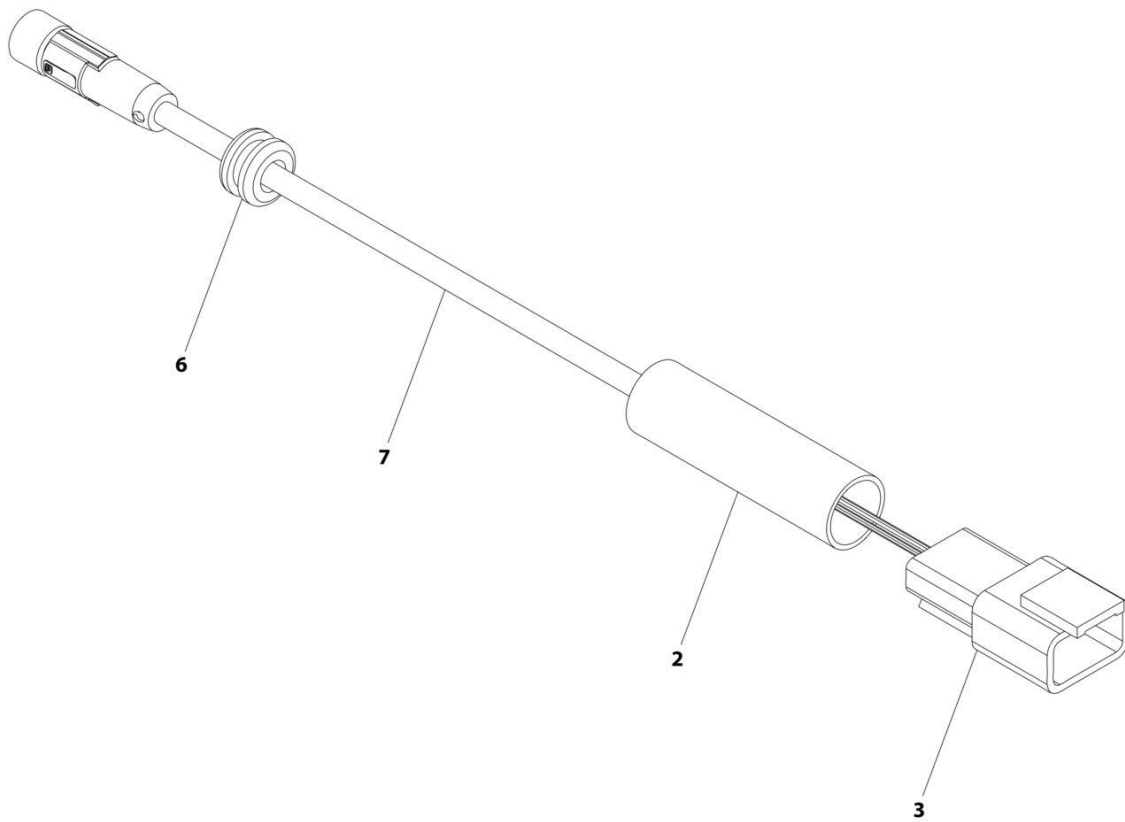
## SECTION 8 - ELECTRICAL

### FIGURE 8-58. SKYEYE RECEIVER HARNESS

ITEM	PART NUMBER	QTY	DESCRIPTION	REV
	1001237863	Ref	SKYEYE RECEIVER HARNESS	A
2	2820247	AR	Tubing, Heat Shrink	
4	1001097051	1	Connector - 4 Position	
4	1001119620	4	Pin, Male	
6	1001227996	1	Grommet	
7	1001237862	1	Cable, M8 Female Cordset	

# SECTION 8 - ELECTRICAL

## FIGURE 8-59. SKYEYE EMITTER HARNESS



ART\_1001237864

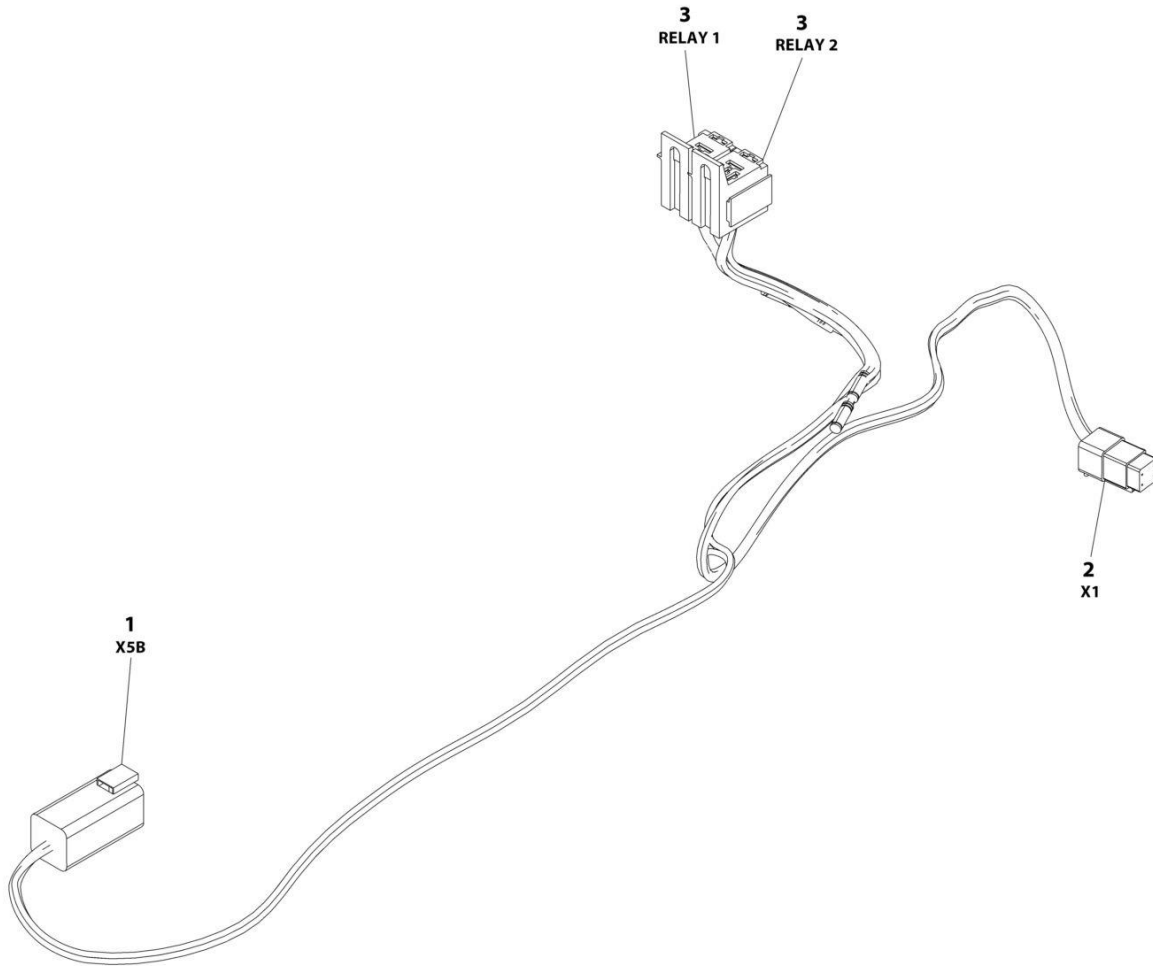
## SECTION 8 - ELECTRICAL

### FIGURE 8-59. SKYEYE EMITTER HARNESS

ITEM	PART NUMBER	QTY	DESCRIPTION	REV
	1001237864	Ref	SKYEYE EMITTER HARNESS	A
2	2820247	AR	Tubing, Heat Shrink	
3	4460910	1	Connector - 3 Position	
3	1001119620	3	Pin, Male	
6	1001227996	1	Grommet	
7	1001237862	1	Cable, M8 Female Cordset	

# SECTION 8 - ELECTRICAL

## FIGURE 8-60. SKYLINE HARNESS



ART\_1001238418

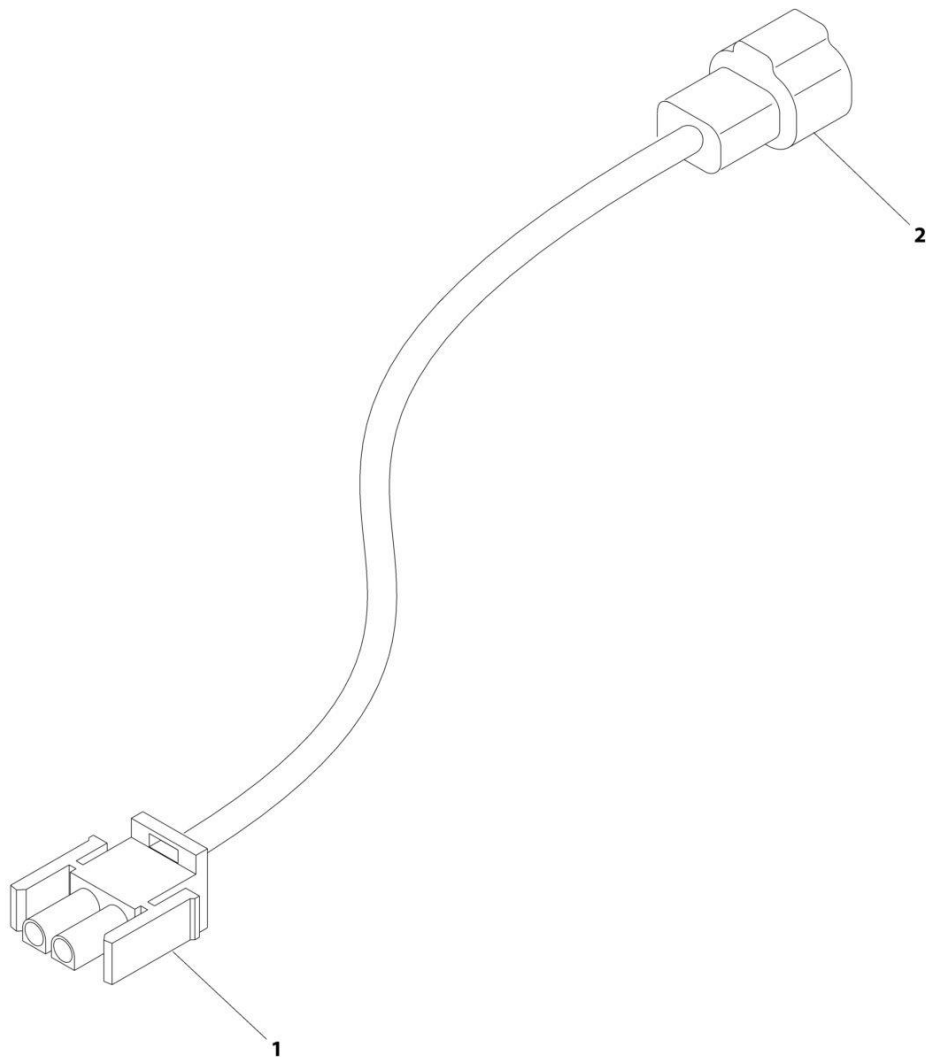
## SECTION 8 - ELECTRICAL

### FIGURE 8-60. SKYLINE HARNESS

ITEM	PART NUMBER	QTY	DESCRIPTION	REV
	1001238418	Ref	SKYLINE HARNESS	B
1	4460899	1	Connector - 6 Position	
1	4460464	4	Pin, Male	
1	4460466	2	Plug, Terminal	
2	4461077	1	Connector - 4 Position	
2	1001126009	4	Socket, Female	
3	1001186432	2	Plug, Relay	
3	1001118388	5	Terminal	
3	1001118384	3	Terminal	
3	3740086	2	Relay	

# SECTION 8 - ELECTRICAL

## FIGURE 8-61. STROBE LIGHT HARNESS (AMBER)



ART\_1001149818

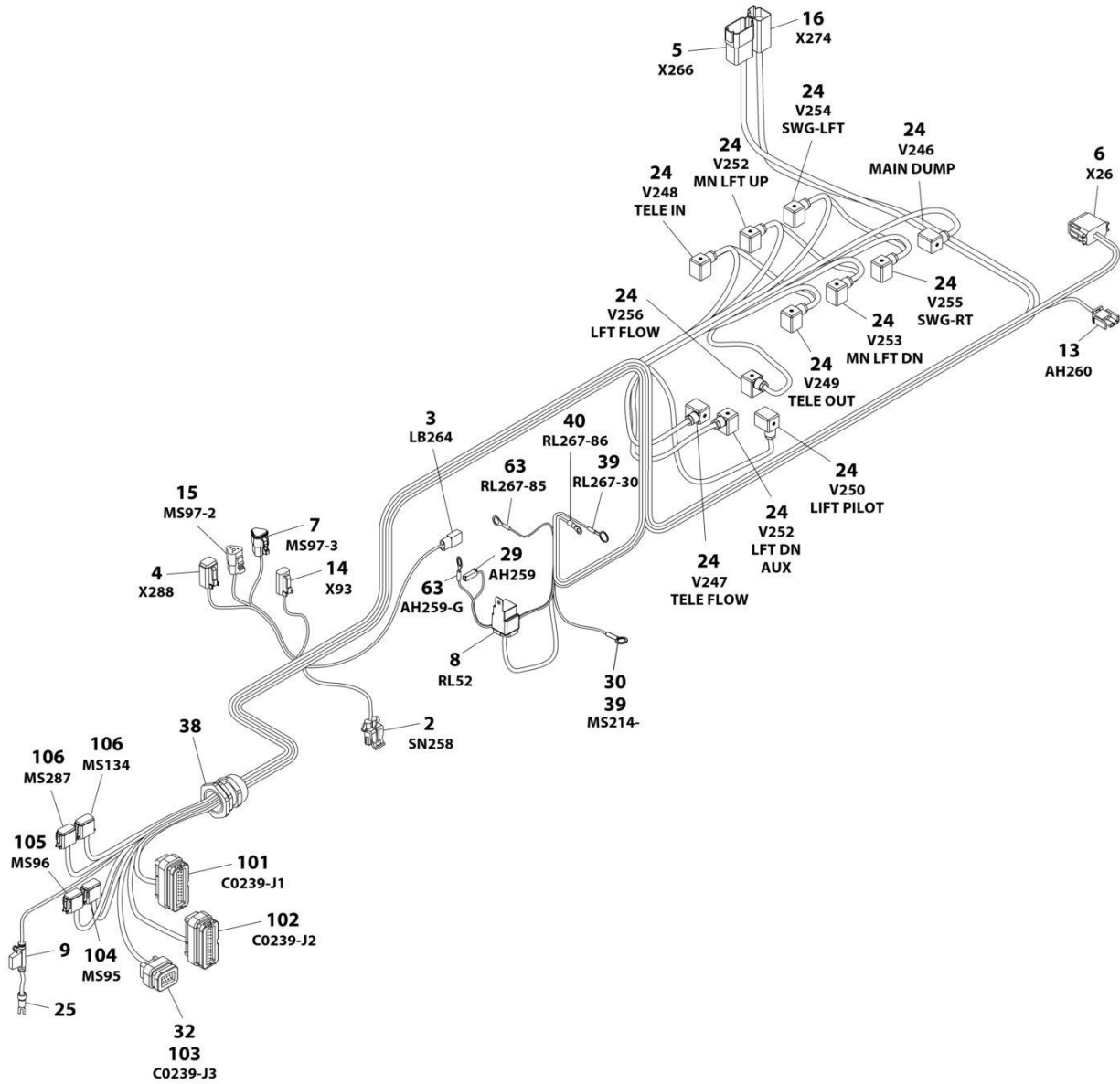
## SECTION 8 - ELECTRICAL

### FIGURE 8-61. STROBE LIGHT HARNESS (AMBER)

ITEM	PART NUMBER	QTY	DESCRIPTION	REV
	1001149818	Ref	STROBE LIGHT HARNESS (AMBER)	D
1	4460320	1	Plug, Male - 2 Position	
1	4460267	2	Pin, Male	
2	4460897	1	Connector - 2 Position	
2	4460464	2	Pin, Male	

# SECTION 8 - ELECTRICAL

## FIGURE 8-62. TURNTABLE HARNESS ASSEMBLY



ART\_1001119653



## SECTION 8 - ELECTRICAL

### FIGURE 8-62. TURNTABLE HARNESS ASSEMBLY

ITEM	PART NUMBER	QTY	DESCRIPTION	REV
	1001119653	Ref	TURNTABLE HARNESS ASSEMBLY	I
2	4460843	1	Plug, Male - 2 Position	
2	4460842	2	Socket, Female	
3	4460424	1	Connector, Female - 2 Position	
3	4460268	2	Socket, Female	
4	4460884	1	Connector, Gray - 4 Position	
4	4460465	3	Socket, Female	
5	4460931	1	Connector, Female - 8 Position	
5	4460464	8	Pin, Male	
6	4460836	1	Connector - 12 Position	
6	4460465	3	Socket, Female	
6	4460944	2	Socket, Female (Gold)	
6	4460942	2	Socket, Female	
7	1001116812	1	Plug, Male - 3 Position (Includes Wedge Lock and Seal)	
7	4460944	2	Socket, Female (Gold)	
8	1001117025	1	Relay with Connector	
8	3740080	1	Relay, Sealed	
8	4460374	1	Plug, Sealed	
8	4460375	4	Terminal, Female	
9	2400066	1	Fuseholder	
9	2400065	1	Fuse - 30Amp	
13	4460320	1	Plug, Male - 2 Position	
13	4460267	2	Pin, Male	
14	4460891	1	Plug, Male - 2 Position	
14	4460465	2	Socket, Female	
15	4460539	1	Connector - 3 Position	
15	4460944	3	Socket, Female (Gold)	
16	4460899	1	Connector, Female - 6 Position	
16	4460464	3	Pin, Male	
16	4460943	2	Pin, Male 16 Ga	
16	4460465	1	Socket, Female	
24	4460880	11	DIN Connector	
25	4460806	1	Terminal, Fork	
29	4460260	1	Terminal, Housing	
29	4460259	1	Terminal	
30	4460256	AR	Terminal, Ring	
32	4460872	1	Plug, Male - 14 Position	
32	4460871	1	Socket, Female	
38	4460526	1	Connector, Strain Relief	
39	4460019	AR	Terminal, Ring	
40	4460313	1	Terminal, Ring	
63	4460702	2	Terminal, Ring	
		Ref	ADDITIONAL COMPONENTS	
101	4460874	1	Connector - 35 Position (Natural)	
101	4460871	10	Socket, Female	
102	4460875	1	Connector, Gray - 35 Position	
102	4460871	19	Socket, Female	
103	4460872	1	Plug, Male - 14 Position	
103	4460871	1	Socket, Female	
104	4460836	1	Plug, Male - 12 Position	

## SECTION 8 - ELECTRICAL

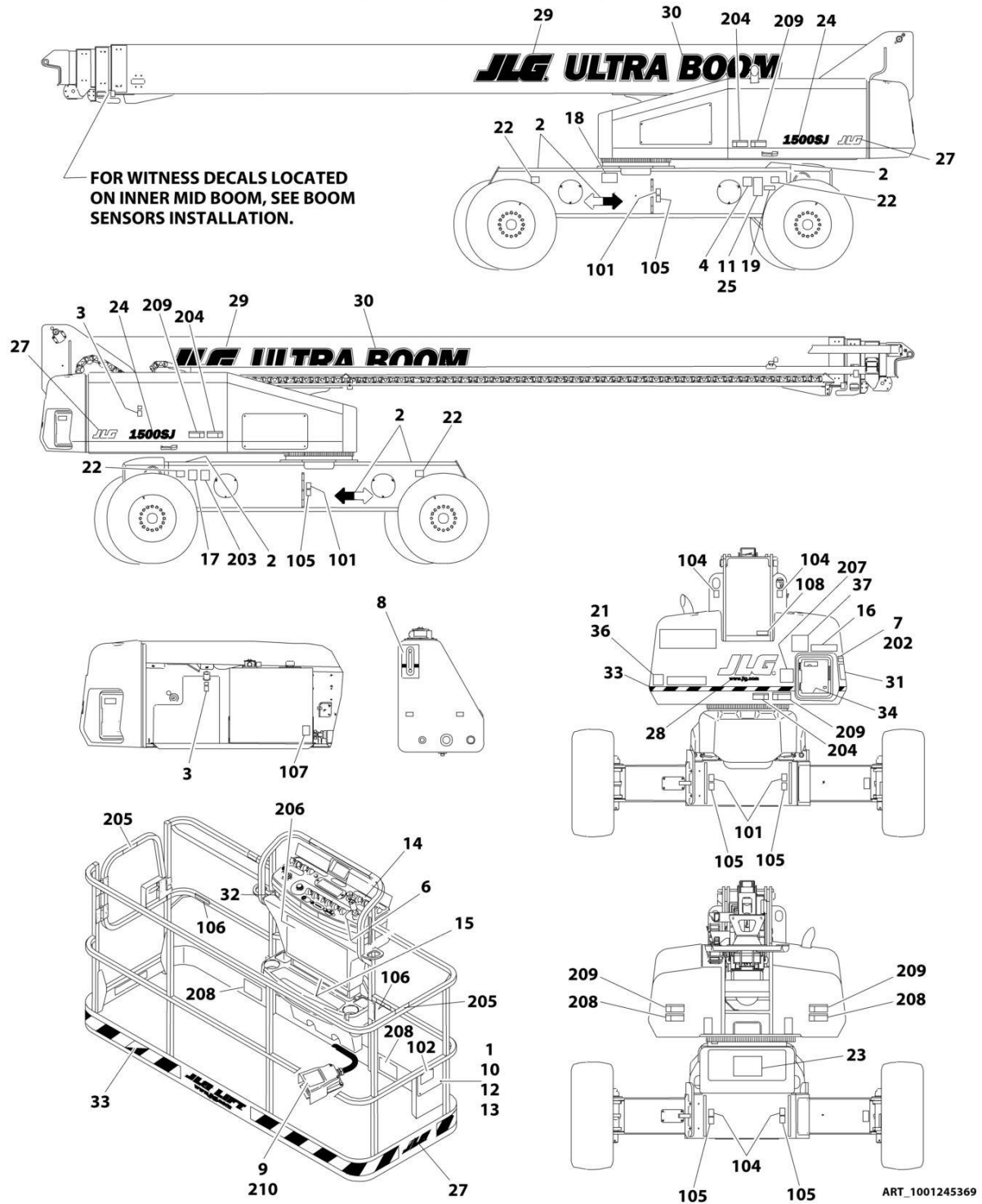
ITEM	PART NUMBER	QTY	DESCRIPTION	REV
104	4460465	4	Socket, Female	
105	4460836	1	Plug, Male - 12 Position	
105	4460465	5	Socket, Female	
106	4460933	2	Connector, Male - 12 Position (Gray)	
106	4460944	6	Socket, Female (Gold)	

**SECTION 9 - DECALS**

# SECTION 9 - DECALS

## FIGURE 9-1. DECAL INSTALLATION - ANSI SPEC

NOTE: ITEMS SHOWN MAY NOT BE REQUIRED FOR ALL SPECS. REFER TO PARTS LISTS FOR USAGE.



## SECTION 9 - DECALS

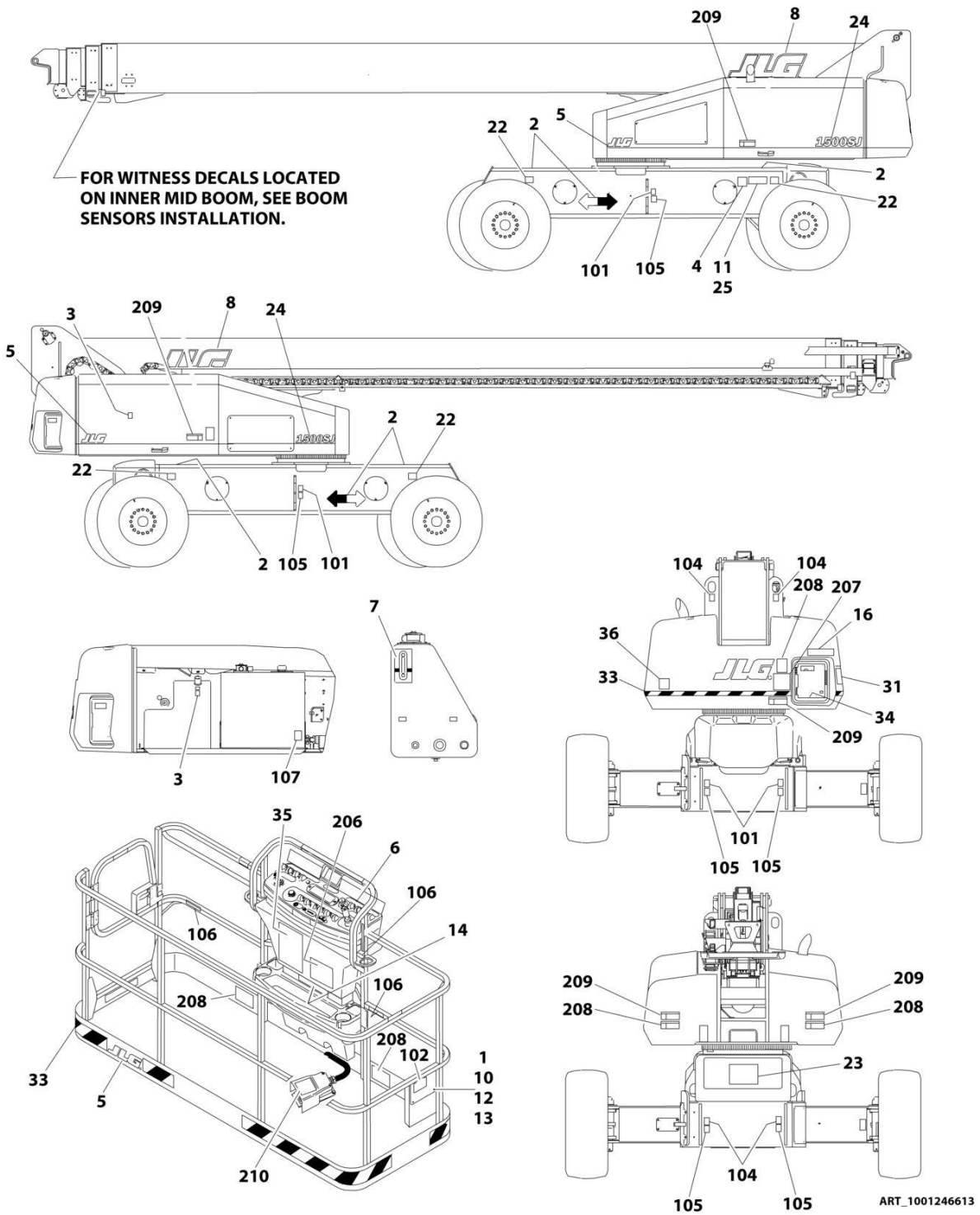
**FIGURE 9-1. DECAL INSTALLATION - ANSI SPEC**

ITEM	PART NUMBER	QTY	DESCRIPTION	REV
	1001248555	Ref	DECAL INSTALLATION - REFERENCE CHART	C
	1001245369	Ref	DECAL INSTALLATION - ANSI SPEC	B
1	0641406	4	Bolt 1/4 x 3/4	
2	1701501	4	Decal - Arrow	
3	1701505	2	Decal - Fuel	
4	See Note	1	Decal - Bar Code (Note: Not Available for Purchase)	
5	1704972	1	Decal - Warning Explosion/Fire (Not Shown - Located on Air Intake Box in Engine Compartment)	
6	1705351	1	Decal - Drive/Steer Instructions	
7	1705492	1	Decal - Tip Over Hazard	
8	1705511	1	Decal - Oil Level	
9	3252347	1	Decal - Footswitch	
10	3311405	4	Nut 1/4	
11	3820001	2	Rivet	
12	4751400	4	Washer 1/4	
13	91403230	1	Box, Manual Storage	
14	1001122611	1	Decal - Stop	
15	1001253543	1	Decal - Capacity (Platform)	
16	1001253544	1	Decal - Capacity (Ground Control)	
17	1001131269	1	Decal - Patent	
18	1001223055	1	Decal - Yearly Inspection	
19	1001223453	1	Decal - ICES	
100	1001248539	1	Decal Kit - Master (Includes Items 101-108)	
101	1701499	4	Decal - No Lift	
102	1701509	1	Decal - Manual	
104	1703811	4	Decal - Tie Down/Lift	
105	1703814	6	Decal - Tie Down	
106	1704277	3	Decal - Attach Lanyard Here	
107	1704412	1	Decal - Hydraulic Oil Chart	
108	3251243	1	Nameplate - 120V-60Hz	
200	1001248547	1	Decal Kit - Country Spec (Includes Items 204-209)	
204	1703953	7	Decal - Warning/Crushing	
205	1702868	2	Decal - No Hands	
206	1001231315	1	Decal - Danger/Warning (Platform)	
207	1705336	1	Decal - Danger/Warning (Ground Control)	
208	1703804	5	Decal - Warning Crushing	
209	1703805	5	Decal - Danger/Electrocution	

# SECTION 9 - DECALS

## FIGURE 9-2. DECAL INSTALLATION - AUSTRALIAN SPEC

NOTE: ITEMS SHOWN MAY NOT BE REQUIRED FOR ALL SPECS. REFER TO PARTS LISTS FOR USAGE.



## SECTION 9 - DECALS

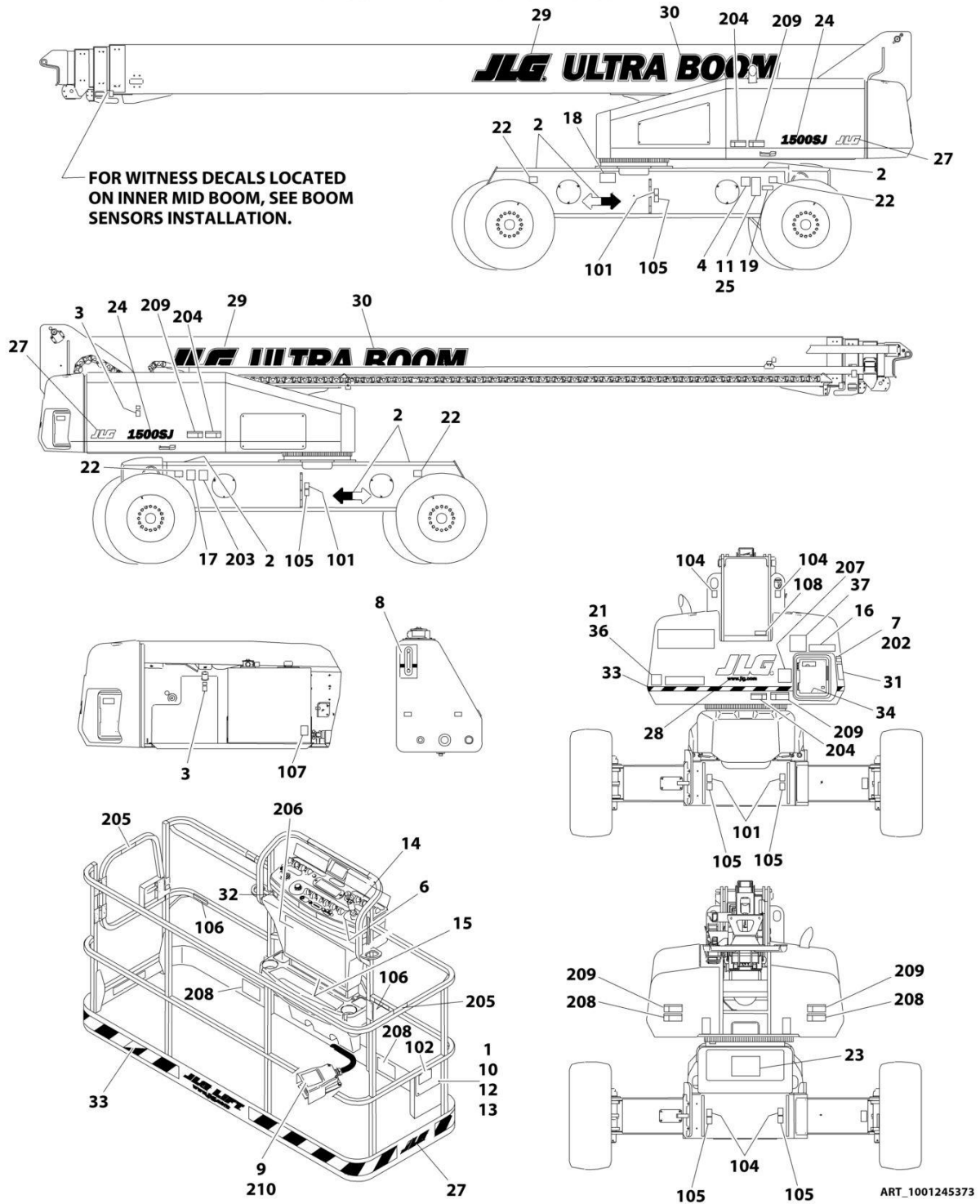
**FIGURE 9-2. DECAL INSTALLATION - AUSTRALIAN SPEC**

ITEM	PART NUMBER	QTY	DESCRIPTION	REV
	1001248561	Ref	DECAL INSTALLATION - REFERENCE CHART	B
	1001246613	Ref	DECAL INSTALLATION - AUSTRALIAN SPEC	A
1	0641406	4	Bolt 1/4 x 3/4	
2	1701501	4	Decal - Arrow	
3	1701505	2	Decal - Fuel	
4	See Note	1	Decal - Bar Code (Note: Not Available for Purchase)	
5	1706098	1	Decal - Warning Explosion/Fire (Not Shown - Located on Air Intake Box in Engine Compartment)	
6	1001125178	1	Decal - Capacity (Ground Control)	
8	1705511	1	Decal - Oil Level	
10	3311405	4	Nut 1/4	
11	3820001	6	Rivet	
12	4751400	4	Washer 1/4	
13	91403230	1	Box, Manual Storage	
14	1705174	1	Decal - Stop	
15	1001125177	1	Decal - Capacity (Platform)	
37	1001112551	1	Decal - Emergency Controls	
100	1001248540	1	Decal Kit - Master (Includes Items 101-107)	
101	1701499	4	Decal - No Lift	
102	1701509	1	Decal - Manual	
104	1703811	4	Decal - Tie Down/Lift	
105	1703814	6	Decal - Tie Down	
106	1704277	4	Decal - Attach Lanyard Here	
107	1704412	1	Decal - Hydraulic Oil Chart	
200	1001248546	1	Decal Kit - Country Spec (Includes Items 206-210)	
206	1705921	1	Decal - Tipping/Electrical (Platform)	
207	1705822	1	Decal - Electrical/Safety (Ground Control)	
208	1701518	10	Decal - Warning Crushing	
209	1705961	5	Decal - Danger Electrocution	
210	1705828	1	Decal - Footswitch	

# SECTION 9 - DECALS

## FIGURE 9-3. DECAL INSTALLATION - BRAZIL SPEC (PORTUGUESE/ENGLISH)

NOTE: ITEMS SHOWN MAY NOT BE REQUIRED FOR ALL SPECS. REFER TO PARTS LISTS FOR USAGE.





## SECTION 9 - DECALS

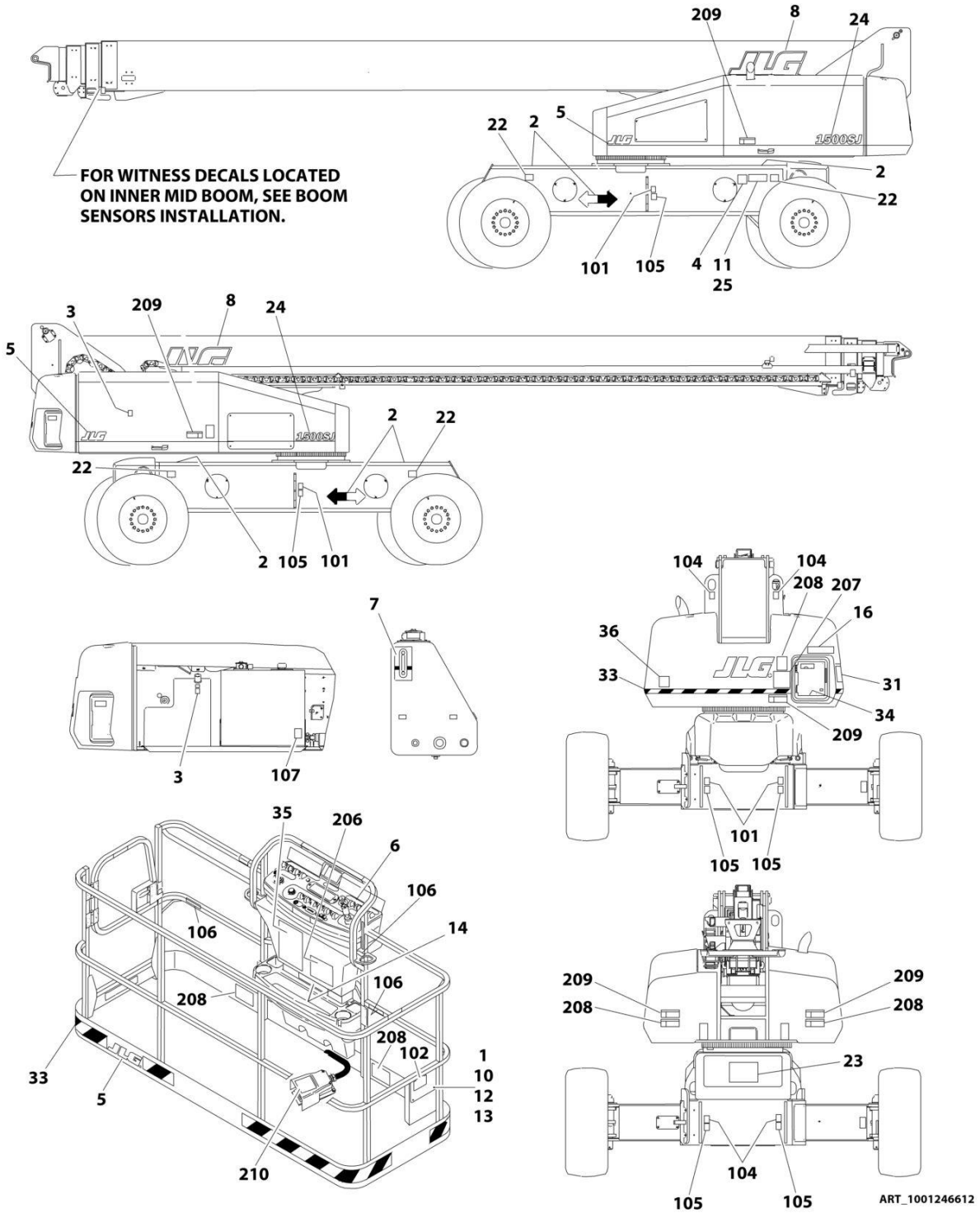
**FIGURE 9-3. DECAL INSTALLATION - BRAZIL SPEC (PORTUGUESE/ENGLISH)**

ITEM	PART NUMBER	QTY	DESCRIPTION	REV
	1001248555	Ref	DECAL INSTALLATION - REFERENCE CHART	C
	1001245373	Ref	DECAL INSTALLATION - BRAZIL SPEC (PORTUGUESE/ENGLISH)	B
1	0641406	4	Bolt 1/4 x 3/4	
2	1701501	4	Decal - Arrow	
3	1701505	2	Decal - Fuel	
4	See Note	1	Decal - Bar Code (Note: Not Available for Purchase)	
5	1706059	1	Decal - Warning Explosion/Fire (Not Shown - Located on Air Intake Box in Engine Compartment)	
6	1705905	1	Decal - Drive/Steer Instructions	
8	1705511	1	Decal - Oil Level	
10	3311405	4	Nut 1/4	
11	3820001	2	Rivet	
12	4751400	4	Washer 1/4	
13	91403230	1	Box, Manual Storage	
14	1001122611	1	Decal - Stop	
15	1001253551	1	Decal - Capacity (Platform)	
16	1001253552	1	Decal - Capacity (Ground Control)	
18	1001224052	1	Decal - Yearly Inspection	
100	1001248539	1	Decal Kit - Master (Includes Items 101-107)	
101	1701499	4	Decal - No Lift	
102	1701509	1	Decal - Manual	
104	1703811	8	Decal - Tie Down/Lift	
105	1703814	6	Decal - Tie Down	
106	1704277	4	Decal - Attach Lanyard Here	
107	1704412	1	Decal - Hydraulic Oil Chart	
200	1001248551	1	Decal Kit - Country Spec (Includes Items 202-210)	
202	1705906	1	Decal - Tip Over Hazard	
203	1705901	1	Decal - Inspection	
204	1705903	7	Decal - Warning/Crushing	
205	1705967	2	Decal - No Hands	
206	1001231319	1	Decal - Danger/Warning (Platform)	
207	1705896	1	Decal - Danger/Warning (Ground Control)	
208	1705898	5	Decal - Warning Crushing	
209	1705897	5	Decal - Danger/Electrocution	
210	1705902	1	Decal - Footswitch	

# SECTION 9 - DECALS

## FIGURE 9-4. DECAL INSTALLATION - CE SPEC

NOTE: ITEMS SHOWN MAY NOT BE REQUIRED FOR ALL SPECS. REFER TO PARTS LISTS FOR USAGE.



## SECTION 9 - DECALS

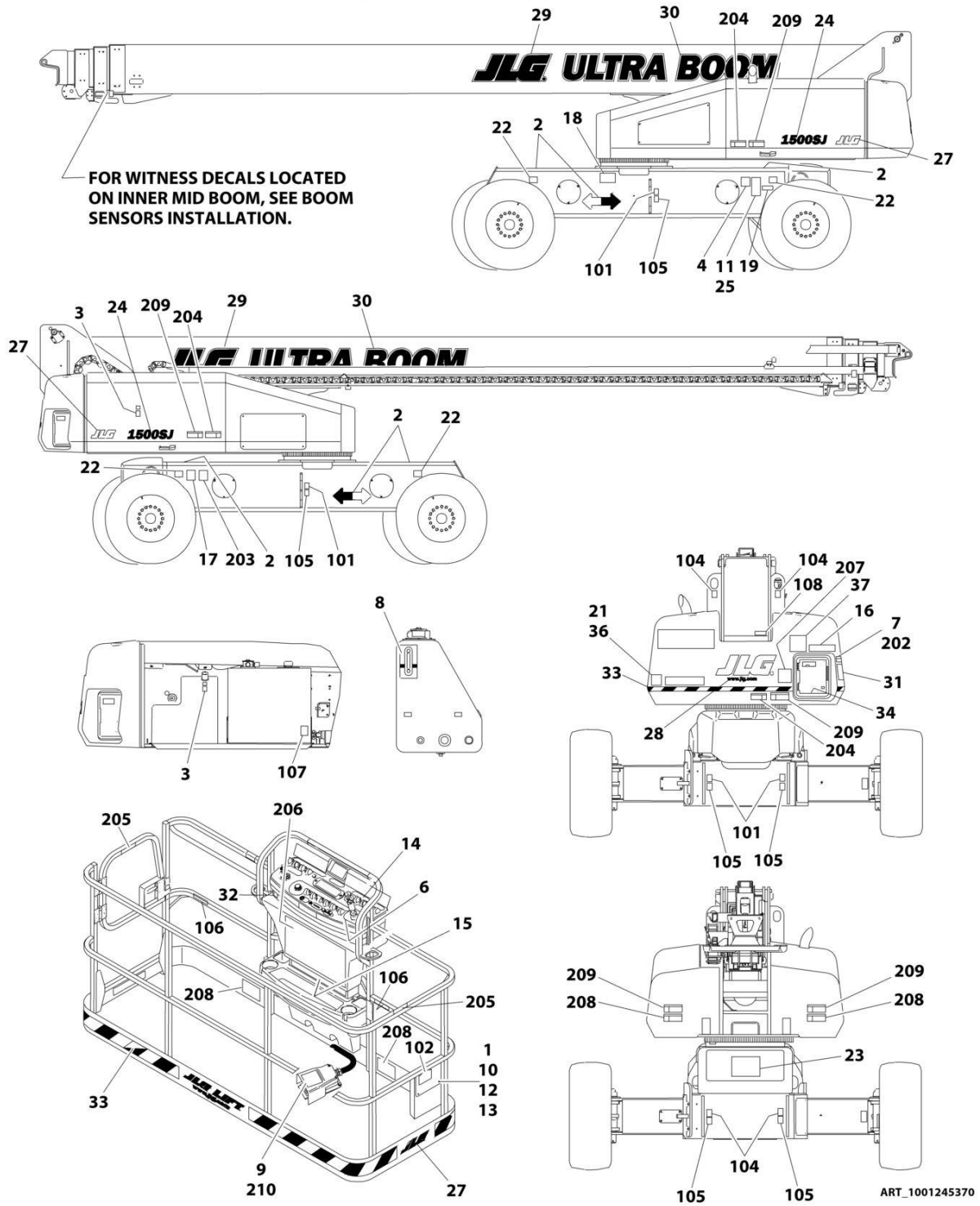
**FIGURE 9-4. DECAL INSTALLATION - CE SPEC**

ITEM	PART NUMBER	QTY	DESCRIPTION	REV
	1001248561	Ref	DECAL INSTALLATION - REFERENCE CHART	B
	1001246612	Ref	DECAL INSTALLATION - CE & UK CA SPEC	A
1	0641406	4	Bolt 1/4 x 3/4	
2	1701501	4	Decal - Arrow	
3	1701505	2	Decal - Fuel	
4	See Note	1	Decal - Bar Code (Note: Not Available for Purchase)	
5	1702773	3	Decal - JLG	
6	1705174	1	Decal - Stop	
7	1705511	1	Decal - Oil Level	
8	1705864	2	Decal - JLG	
9	1706098	1	Decal - Warning Explosion/Fire (Not Shown - Located on Air Intake Box in Engine Compartment)	
10	3311405	4	Nut 1/4	
11	3820001	2	Rivet	
12	4751400	4	Washer 1/4	
13	91403230	1	Box, Manual Storage	
14	1001125177	1	Decal - Capacity (Platform)	
15	1001125178	1	Decal - Capacity (Ground Control)	
100	1001248540	1	Decal Kit - Master (Includes Items 101-107)	
101	1701499	4	Decal - No Lift	
102	1701509	1	Decal - Manual	
104	1703811	4	Decal - Tie Down/Lift	
105	1703814	6	Decal - Tie Down	
106	1704277	4	Decal - Attach Lanyard Here	
107	1704412	1	Decal - Hydraulic Oil Chart	
200	1001248546	1	Decal Kit - Country Spec (Includes Items 206-210)	
206	1705921	1	Decal - Tipping/Electrical (Platform)	
207	1705822	1	Decal - Electrical/Safety (Ground Control)	
208	1701518	10	Decal - Warning Crushing	
209	1705961	5	Decal - Danger Electrocution	
210	1705828	1	Decal - Footswitch	

# SECTION 9 - DECALS

## FIGURE 9-5. DECAL INSTALLATION - CSA SPEC (FRENCH/ENGLISH)

NOTE: ITEMS SHOWN MAY NOT BE REQUIRED FOR ALL SPECS. REFER TO PARTS LISTS FOR USAGE.



ART\_1001245370

## SECTION 9 - DECALS

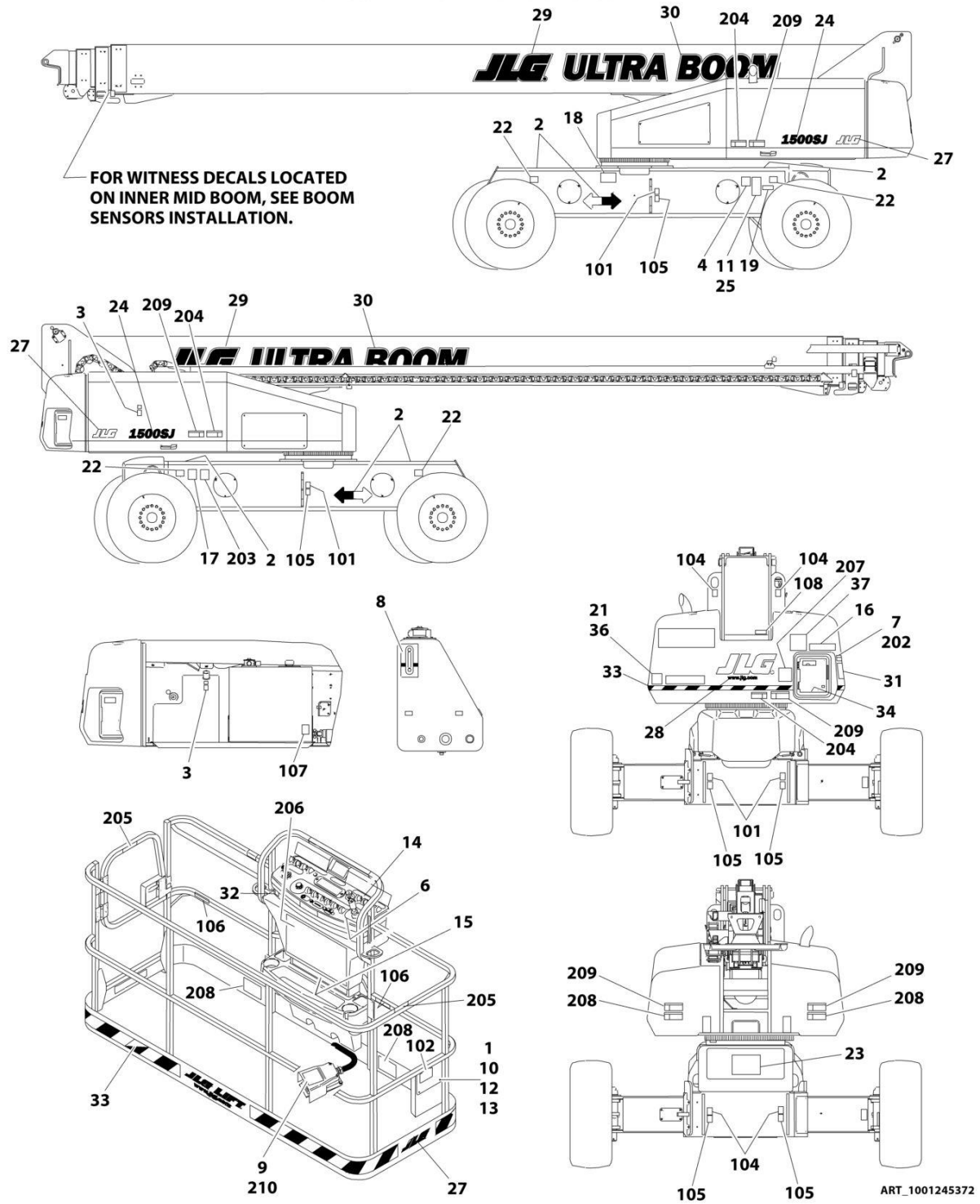
**FIGURE 9-5. DECAL INSTALLATION - CSA SPEC (FRENCH/ENGLISH)**

ITEM	PART NUMBER	QTY	DESCRIPTION	REV
	1001248555	Ref	DECAL INSTALLATION - REFERENCE CHART	C
	1001245370	Ref	DECAL INSTALLATION - CSA SPEC (FRENCH/ENGLISH)	B
1	0641406	4	Bolt 1/4 x 3/4	
2	1701501	4	Decal - Arrow	
3	1701505	2	Decal - Fuel	
4	See Note	1	Decal - Bar Code (Note: Not Available for Purchase)	
5	1706064	1	Decal - Warning Explosion/Fire (Not Shown - Located on Air Intake Box in Engine Compartment)	
6	1705429	1	Decal - Drive/Steer Instructions	
8	1705511	1	Decal - Oil Level	
10	3311405	4	Nut 1/4	
11	3820001	2	Rivet	
12	4751400	4	Washer 1/4	
13	91403230	1	Box, Manual Storage	
14	1705174	1	Decal - Stop	
15	1001253545	1	Decal - Capacity (Platform)	
16	1001253546	1	Decal - Capacity (Ground Control)	
30	1001131269	1	Decal - Patent	
18	1001223971	1	Decal - Yearly Inspection	
19	1001223453	1	Decal - ICES	
100	1001248539	1	Decal Kit - Master (Includes Items 101-108)	
101	1701499	4	Decal - No Lift	
102	1701509	1	Decal - Manual	
104	1703811	8	Decal - Tie Down/Lift	
105	1703814	6	Decal - Tie Down	
106	1704277	4	Decal - Attach Lanyard Here	
107	1704412	1	Decal - Hydraulic Oil Chart	
108	3251243	1	Nameplate - 120V-60Hz	
200	1001248548	1	Decal Kit - Country Spec (Includes Items 202-210)	
202	1705505	1	Decal - Tip Over Hazard	
203	1704006	1	Decal - Inspection	
204	1703942	7	Decal - Warning/Crushing	
205	1704000	2	Decal - No Hands	
206	1001231316	1	Decal - Danger/Warning (Platform)	
207	1705347	1	Decal - Danger/Warning (Ground Control)	
208	1703948	5	Decal - Warning Crushing	
209	1703936	5	Decal - Danger/Electrocution	
210	1703984	1	Decal - Footswitch	

# SECTION 9 - DECALS

## FIGURE 9-6. DECAL INSTALLATION - CHINESE SPEC (ENGLISH)

NOTE: ITEMS SHOWN MAY NOT BE REQUIRED FOR ALL SPECS. REFER TO PARTS LISTS FOR USAGE.



## SECTION 9 - DECALS

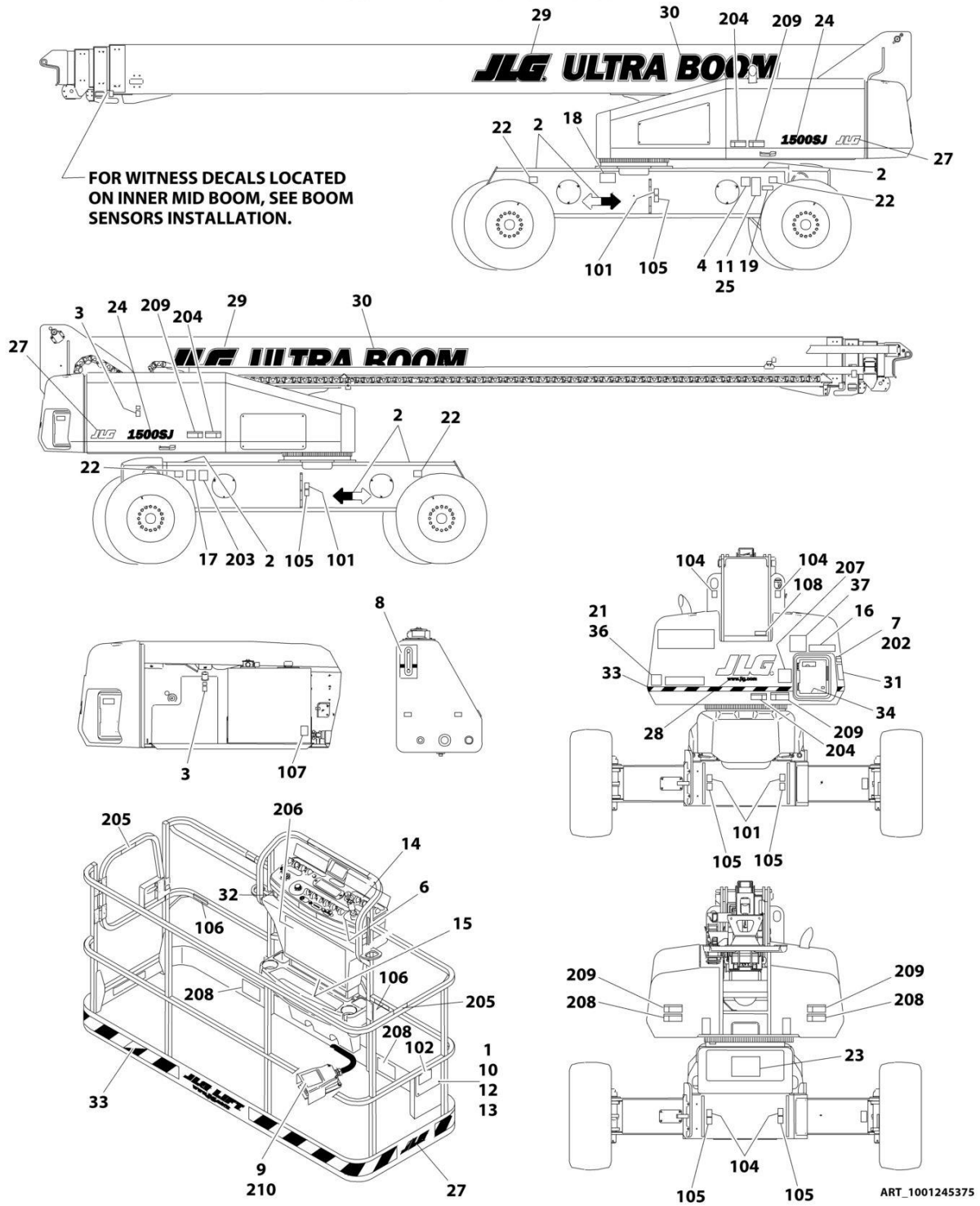
**FIGURE 9-6. DECAL INSTALLATION - CHINESE SPEC (ENGLISH)**

ITEM	PART NUMBER	QTY	DESCRIPTION	REV
	1001248555	Ref	DECAL INSTALLATION - REFERENCE CHART	C
	1001245372	Ref	DECAL INSTALLATION - CHINESE SPEC (ENGLISH)	C
1	0641406	4	Bolt 1/4 x 3/4	
2	1701501	4	Decal - Arrow	
3	1701505	2	Decal - Fuel	
4	See Note	1	Decal - Bar Code (Note: Not Available for Purchase)	
5	1706060	1	Decal - Warning Explosion/Fire (Not Shown - Located on Air Intake Box in Engine Compartment)	
6	1705430	1	Decal - Drive/Steer Instructions	
8	1705511	1	Decal - Oil Level	
10	3311405	4	Nut 1/4	
11	3820001	2	Rivet	
12	4751400	4	Washer 1/4	
13	91403230	1	Box, Manual Storage	
14	1001122611	1	Decal - Stop	
15	1001253549	1	Decal - Capacity (Platform)	
16	1001253550	1	Decal - Capacity (Ground Control)	
18	1001224050	1	Decal - Yearly Inspection	
100	1001248539	1	Decal Kit - Master (Includes Items 101-108)	
101	1701499	4	Decal - No Lift	
102	1701509	1	Decal - Manual	
104	1703811	8	Decal - Tie Down/Lift	
105	1703814	6	Decal - Tie Down	
106	1704277	4	Decal - Attach Lanyard Here	
107	1704412	1	Decal - Hydraulic Oil Chart	
108	3251243	1	Nameplate - 120V-60Hz	
200	1001248553	1	Decal Kit - Country Spec (Includes Items 202-210)	
202	1001117035	1	Decal - Tip Over Hazard	
204	1703943	7	Decal - Warning/Crushing	
205	1001116846	1	Decal - No Hands	
206	1001231321	1	Decal - Danger/Warning (Platform)	
207	1001116849	1	Decal - Warning Inspection (MTB)	
208	1703949	5	Decal - Warning Crushing	
209	1001116851	1	Decal - Danger Electrocution	
210	1703982	1	Decal - Footswitch	

# SECTION 9 - DECALS

## FIGURE 9-7. DECAL INSTALLATION - JAPANESE SPEC (JAPANESE/ENGLISH)

NOTE: ITEMS SHOWN MAY NOT BE REQUIRED FOR ALL SPECS. REFER TO PARTS LISTS FOR USAGE.





## SECTION 9 - DECALS

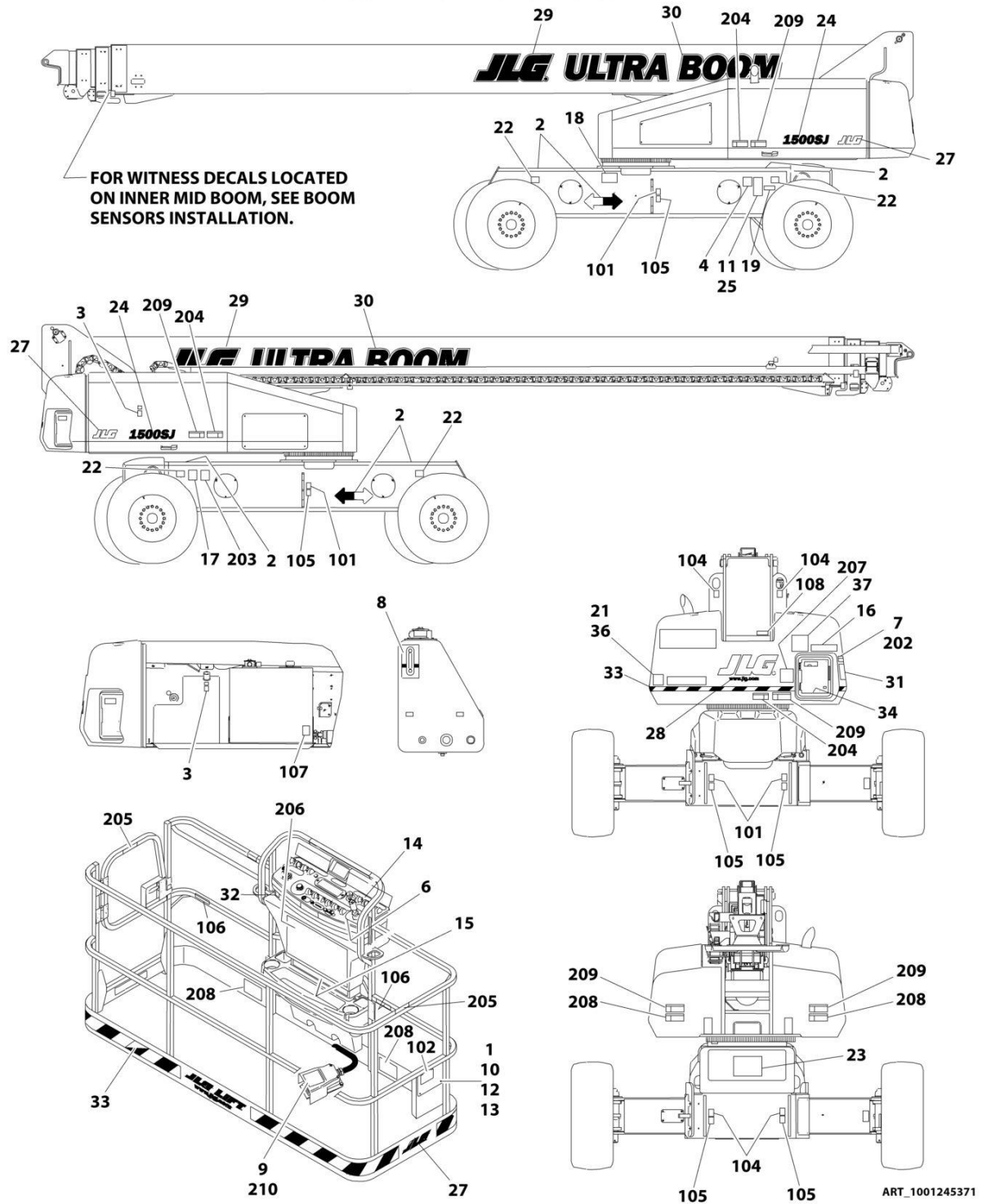
**FIGURE 9-7. DECAL INSTALLATION - JAPANESE SPEC (JAPANESE/ENGLISH)**

ITEM	PART NUMBER	QTY	DESCRIPTION	REV
	1001248555	Ref	DECAL INSTALLATION - REFERENCE CHART	C
	1001245375	Ref	DECAL INSTALLATION - JAPANESE SPEC (JAPANESE/ENGLISH)	B
1	0641406	4	Bolt 1/4 x 3/4	
2	1701501	4	Decal - Arrow	
3	1701505	2	Decal - Fuel	
4	See Note	1	Decal - Bar Code (Note: Not Available for Purchase)	
5	1706062	1	Decal - Warning Explosion/Fire (Not Shown - Located on Air Intake Box in Engine Compartment)	
6	1705426	1	Decal - Drive/Steer Instructions	
8	1705511	1	Decal - Oil Level	
10	3311405	4	Nut 1/4	
11	3820001	2	Rivet	
12	4751400	4	Washer 1/4	
13	91403230	1	Box, Manual Storage	
14	1001122611	1	Decal - Stop	
15	1001253555	1	Decal - Capacity (Platform)	
16	1001253556	1	Decal - Capacity (Ground Control)	
18	1001224053	1	Decal - Yearly Inspection	
100	1001248539	1	Decal Kit - Master (Includes Items 101-107)	
101	1701499	4	Decal - No Lift	
102	1701509	1	Decal - Manual	
104	1703811	8	Decal - Tie Down/Lift	
105	1703814	6	Decal - Tie Down	
106	1704277	4	Decal - Attach Lanyard Here	
107	1704412	1	Decal - Hydraulic Oil Chart	
200	1001248552	1	Decal Kit - Country Spec (Includes Items 202-210)	
202	1705493	1	Decal - Tip Over Hazard	
204	1703944	7	Decal - Warning/Crushing	
206	1001231320	1	Decal - Danger/Warning (Platform)	
207	1705344	1	Decal - Danger/Warning (Ground Control)	
208	1703950	5	Decal - Warning Crushing	
209	1703938	5	Decal - Danger/Electrocution	
210	1703980	1	Decal - Footswitch	

# SECTION 9 - DECALS

## FIGURE 9-8. DECAL INSTALLATION - KOREAN SPEC (KOREAN/ENGLISH)

NOTE: ITEMS SHOWN MAY NOT BE REQUIRED FOR ALL SPECS. REFER TO PARTS LISTS FOR USAGE.



## SECTION 9 - DECALS

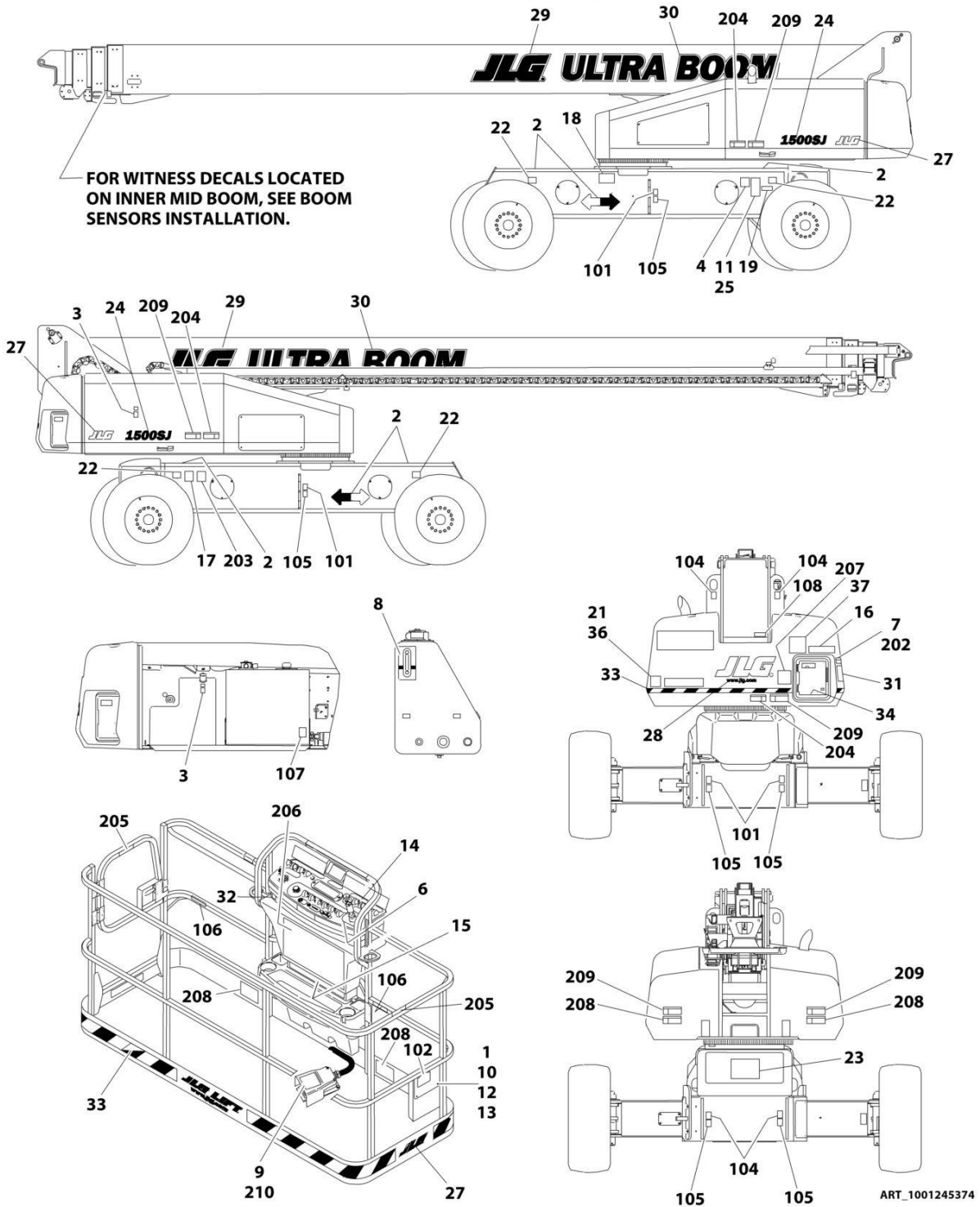
**FIGURE 9-8. DECAL INSTALLATION - KOREAN SPEC (KOREAN/ENGLISH)**

ITEM	PART NUMBER	QTY	DESCRIPTION	REV
	1001248555	Ref	DECAL INSTALLATION - REFERENCE CHART	C
	1001245371	Ref	DECAL INSTALLATION - KOREAN SPEC (KOREAN/ENGLISH)	B
1	0641406	4	Bolt 1/4 x 3/4	
2	1701501	4	Decal - Arrow	
3	1701505	2	Decal - Fuel	
4	See Note	1	Decal - Bar Code (Note: Not Available for Purchase)	
5	1706061	1	Decal - Warning Explosion/Fire (Not Shown - Located on Air Intake Box in Engine Compartment)	
6	1705427	1	Decal - Drive/Steer Instructions	
8	1705511	1	Decal - Oil Level	
10	3311405	4	Nut 1/4	
11	3820001	2	Rivet	
12	4751400	4	Washer 1/4	
13	91403230	1	Box, Manual Storage	
14	1001122611	1	Decal - Stop	
15	1001253547	1	Decal - Capacity (Platform)	
16	1001253548	1	Decal - Capacity (Ground Control)	
18	1001224048	1	Decal - Yearly Inspection	
100	1001248539	1	Decal Kit - Master (Includes Items 101-107)	
101	1701499	4	Decal - No Lift	
102	1701509	1	Decal - Manual	
104	1703811	8	Decal - Tie Down/Lift	
105	1703814	6	Decal - Tie Down	
106	1704277	4	Decal - Attach Lanyard Here	
107	1704412	1	Decal - Hydraulic Oil Chart	
200	1001248549	1	Decal Kit - Country Spec (Includes Items 202-210)	
202	1705503	1	Decal - Tip Over Hazard	
204	1703945	7	Decal - Warning/Crushing	
205	1705969	2	Decal - No Hands	
206	1001231317	1	Decal - Danger/Warning (Platform)	
207	1705345	1	Decal - Danger/Warning (Ground Control)	
208	1703951	5	Decal - Warning Crushing	
209	1703939	5	Decal - Danger/Electrocution	
210	1703981	1	Decal - Footswitch	

# SECTION 9 - DECALS

## FIGURE 9-9. DECAL INSTALLATION - LATIN AMERICAN SPEC (SPANISH/ENGLISH)

NOTE: ITEMS SHOWN MAY NOT BE REQUIRED FOR ALL SPECS. REFER TO PARTS LISTS FOR USAGE.



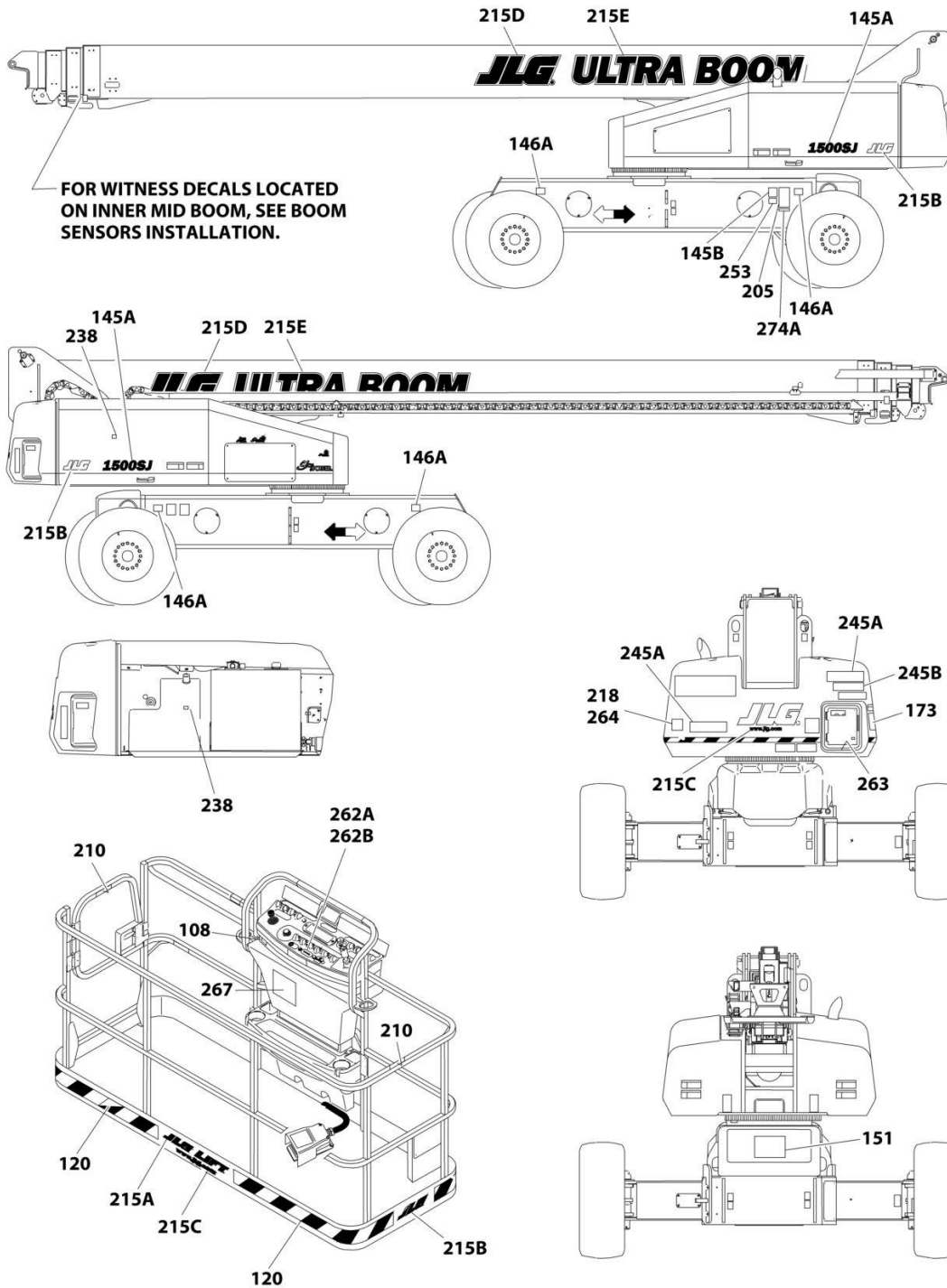
## SECTION 9 - DECALS

**FIGURE 9-9. DECAL INSTALLATION - LATIN AMERICAN SPEC (SPANISH/ENGLISH)**

ITEM	PART NUMBER	QTY	DESCRIPTION	REV
	1001248555	Ref	DECAL INSTALLATION - REFERENCE CHART	C
	1001245374	Ref	DECAL INSTALLATION - LATIN AMERICAN SPEC (SPANISH/ENGLISH)	B
1	0641406	4	Bolt 1/4 x 3/4	
2	1701501	4	Decal - Arrow	
3	1701505	2	Decal - Fuel	
4	See Note	1	Decal - Bar Code (Note: Not Available for Purchase)	
5	1706063	1	Decal - Warning Explosion/Fire (Not Shown - Located on Air Intake Box in Engine Compartment)	
6	1705910	1	Decal - Drive/Steer Instructions	
8	1705511	1	Decal - Oil Level	
10	3311405	4	Nut 1/4	
11	3820001	2	Rivet	
12	4751400	4	Washer 1/4	
13	91403230	1	Box, Manual Storage	
14	1001122611	1	Decal - Stop	
15	1001253553	1	Decal - Capacity (Platform)	
16	1001253554	1	Decal - Capacity (Ground Control)	
18	1001224049	1	Decal - Yearly Inspection	
100	1001248539	1	Decal Kit - Master (Includes Items 101-107)	
101	1701499	4	Decal - No Lift	
102	1701509	1	Decal - Manual	
104	1703811	8	Decal - Tie Down/Lift	
105	1703814	6	Decal - Tie Down	
106	1704277	4	Decal - Attach Lanyard Here	
107	1704412	1	Decal - Hydraulic Oil Chart	
200	1001248550	1	Decal Kit - Country Spec (Includes Items 202-210)	
202	1705915	1	Decal - Tip Over Hazard	
203	1704007	1	Decal - Inspection	
204	1703941	4	Decal - Warning/Crushing	
205	1704001	2	Decal - No Hands	
206	1001231318	1	Decal - Danger/Warning (Platform)	
207	1705917	1	Decal - Danger/Warning (Ground Control)	
208	1703947	5	Decal - Warning Crushing	
209	1703935	5	Decal - Danger/Electrocution	
210	1703983	1	Decal - Footswitch	

# SECTION 9 - DECALS

## FIGURE 9-10. DECAL INSTALLATION - OPTIONS



ART\_DECAL\_OPTIONS

## SECTION 9 - DECALS

### FIGURE 9-10. DECAL INSTALLATION - OPTIONS

ITEM	PART NUMBER	QTY	DESCRIPTION	REV
	1001248555	Ref	DECAL INSTALLATION - REFERENCE CHART	B
	1001261500	Ref	DECAL INSTALLATION - OPTIONS	B
108	1001231801	1	Decal - Warning (Proposition 65) (ANSI Spec Only)	
120	4420051	22 ft/6.71m	Decal - Warning Stripes	
145	1001125152	1	Decal - Model Designation Installation	C
145A	1001125191	2	Decal - 1500SJ	
145B	See Note	1	Decal - Bar Code (Note: Not Available for Purchase)	
146	1001125153	1	Decal - Max Tire Load Kit	1
146A	1001125192	4	Decal - Max Tire Load	
151	1001125274	1	Decal - Lift Diagram	
173	1001125196	1	Decal - Daily Check List - ANSI Spec	
173	1001125196	1	Decal - Daily Check List - Australian Spec	
173	1001125200	1	Decal - Daily Check List - Brazil Spec (Spanish/Portuguese)	
173	1001125198	1	Decal - Daily Check List - Chinese Spec (Chinese/English)	
173	1001125201	1	Decal - Daily Check List - CSA Spec (English/French)	
173	1001125209	1	Decal - Daily Check List - Danish Spec	
173	1001125203	1	Decal - Daily Check List - Dutch Spec	
173	1001172840	1	Decal - Daily Check List - Estonian Spec	
173	1001125207	1	Decal - Daily Check List - Finnish Spec	
173	1001125204	1	Decal - Daily Check List - French Spec	
173	1001125211	1	Decal - Daily Check List - German Spec	
173	1001125205	1	Decal - Daily Check List - Italian Spec	
173	1001125202	1	Decal - Daily Check List - Japanese Spec (Japanese/English)	
173	1001125197	1	Decal - Daily Check List - Korean Spec (Korean/English)	
173	1001125199	1	Decal - Daily Check List - Latin American Spec (Spanish/English)	
173	1001125210	1	Decal - Daily Check List - Norwegian Spec	
173	1001125212	1	Decal - Daily Check List - Polish Spec	
173	1001125200	1	Decal - Daily Check List - Portuguese Spec	
173	1001125206	1	Decal - Daily Check List - Spanish Spec	
173	1001125208	1	Decal - Daily Check List - Swedish Spec	
173	1001125196	1	Decal - Daily Check List - UK English Spec	
205	See Note	1	Decal - Nameplate (Note: Not Available for Purchase)	
210	1702868	2	Decal - No Hands - ANSI Spec	
210	1704000	2	Decal - No Hands - CSA Spec (French/English)	
210	1705969	2	Decal - No Hands - Korean Spec (Korean/English)	
215	1001116025	1	Decal - JLG Decal Installation	D
215A	1702774	1	Decal - JLG Lift	
215B	1702773	3	Decal - JLG	
215C	1704885	1	Decal - Website	
215D	1705864	2	Decal - JLG	
215E	1705865	2	Decal - Ultra Boom	
218	3251813	1	Decal - USA (ANSI, ANSI Export and CSA Specs)	
238	1001125387	1	Decal - Ultra Low Sulfur Fuel (Deutz TCD2.9L4 Engines) (ANSI and CSA Specs)	
238	1001139654	1	Decal - Ultra Low Sulfur Fuel (Deutz TCD2.9L4 Engines and Deutz TCD2.9L4 (Stage V Pre-Buy) Engines) (ANSI Export (HRC), CE and Japanese Specs)	
245	1001120994	1	Decal - ClearSky Telematics Decal Installation	A
245A	1001116208	2	Decal - ClearSky	

## SECTION 9 - DECALS

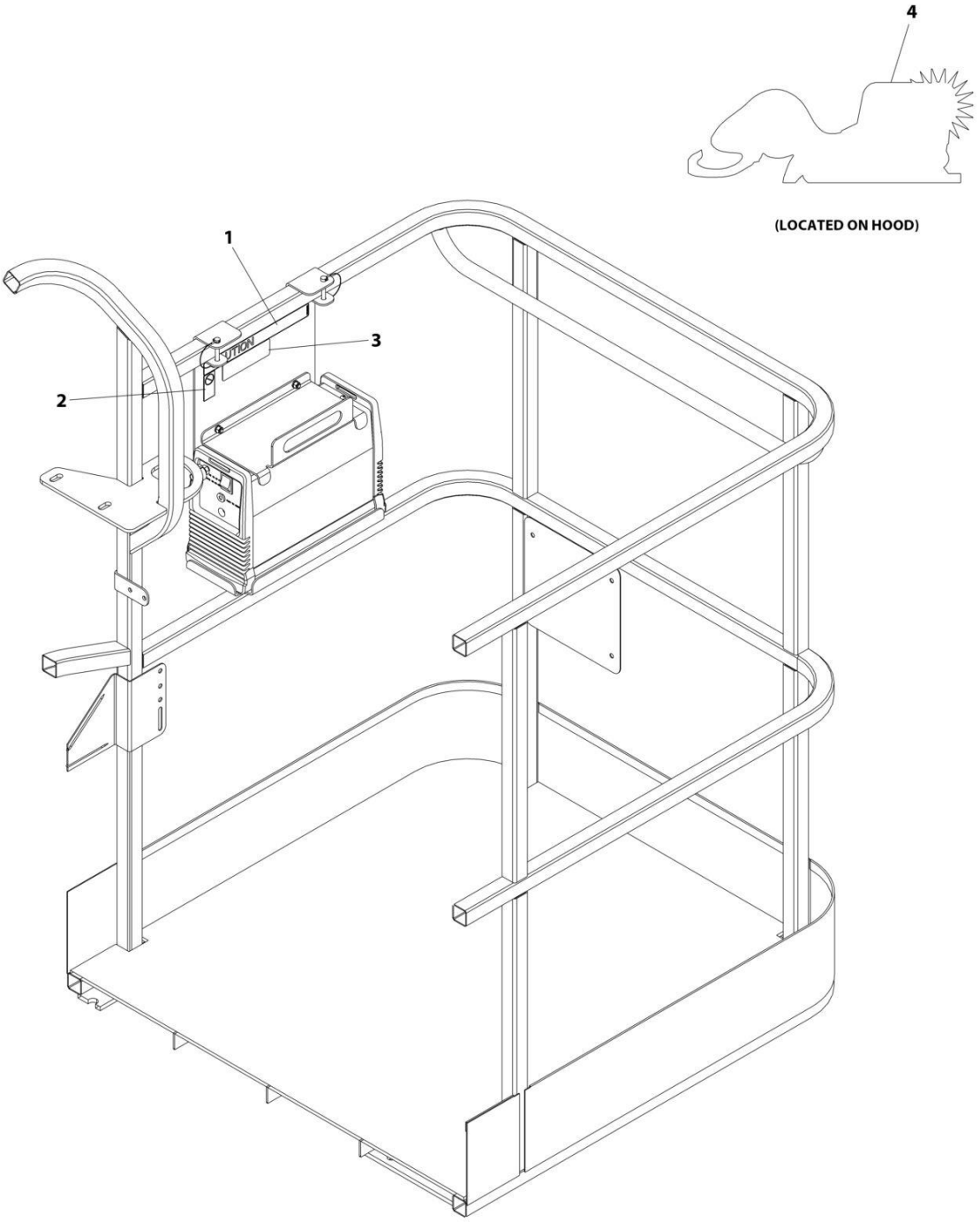
ITEM	PART NUMBER	QTY	DESCRIPTION	REV
245B	1001120989	1	Decal - Radio Frequency Device	
253	1001143852	1	Decal – EPA (ANSI Export (LRC), CE (LRC) and Australian Specs)	
262A	1001141300	1	Decal - SkyGuard Override	
262B	1001141302	1	Decal - SkyGuard/Soft Touch Override	
263	1001197408	1	Decal - MSSO (CE Specs Only)	
264	8007508	1	Decal - Sound Power (104dB) (Deutz TD2011 Engines)	
264	1705980	1	Decal - Sound Power (106dB) (Deutz TD2011 Engines)	
264	1001191525	1	Decal - Sound Power (108dB) (Deutz TCD2.9L4 Engines, Deutz TCD2.9L4(Stage V Pre-Buy) Engines and Deutz TCD2.9L4(Stage V) Engines)	
267	1001200067	1	Decal - Quick Start Guide (Danish)	
267	1001200065	1	Decal - Quick Start Guide (Dutch)	
267	1001177562	1	Decal - Quick Start Guide (English)	
267	1001200064	1	Decal - Quick Start Guide (French)	
267	1001200066	1	Decal - Quick Start Guide (German)	
267	1001200071	1	Decal - Quick Start Guide (Norwegian)	
267	1001200070	1	Decal - Quick Start Guide (Spanish)	
267	1001200069	1	Decal - Quick Start Guide (Swedish)	
274	1001214029	1	Decal - EAC Installation (CIS and Russia Specs)	
274A	1001173703	1	Decal - EAC	





# SECTION 9 - DECALS

FIGURE 9-11. SKYCUTTER DECAL INSTALLATION (ANSI, ANSI EXPORT AND CSA SPECS)



ART\_0272599

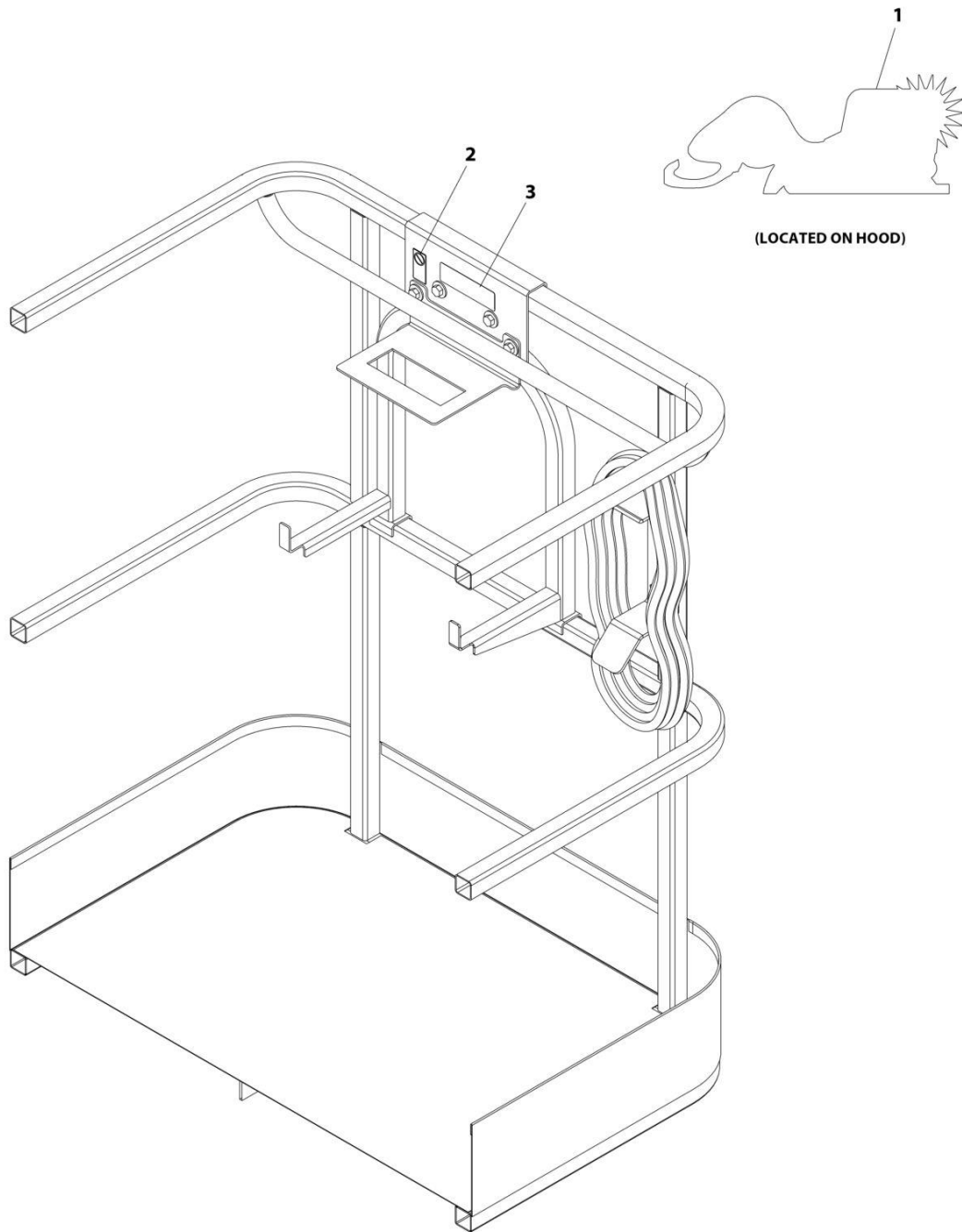
## SECTION 9 - DECALS

**FIGURE 9-11. SKYCUTTER DECAL INSTALLATION (ANSI, ANSI EXPORT AND CSA SPECS)**

ITEM	PART NUMBER	QTY	DESCRIPTION	REV
	0272599	Ref	SKYCUTTER DECAL INSTALLATION	C
1	1702868	1	Decal - No Hands	
2	1705305	1	Decal - Weld Leads	
3	1001252627	1	Decal - Weight	
4	1705490	2	Decal - SkyCutter	

# SECTION 9 - DECALS

## FIGURE 9-12. SKYCUTTER DECAL INSTALLATION (JAPANESE SPECS)



ART\_0272607\_C

## SECTION 9 - DECALS

**FIGURE 9-12. SKYCUTTER DECAL INSTALLATION (JAPANESE SPECS)**

ITEM	PART NUMBER	QTY	DESCRIPTION	REV
	0272607	1	SKYCUTTER DECAL INSTALLATION	C
1	1705490	2	Decal - SkyCutter	
2	1705305	1	Decal - Weld Lead	
3	1001252627	1	Decal - Weight	



## **SECTION 10 - RECOMMENDED SERVICE PARTS STOCK**

## **SECTION 10 - RECOMMENDED SERVICE PARTS STOCK**

# SECTION 10 - RECOMMENDED SERVICE PARTS STOCK

## FIGURE 10-1. RECOMMENDED SERVICE PARTS STOCK

ITEM	PART NUMBER	QTY	DESCRIPTION	REV
		Ref	Note: The following list will service one machine (built to current production per date on the front cover) with emergency repair parts which can be installed in the field. Parts from the list should be replaced when inventory is depleted to keep service parts stock supplied. For further information, contact your JLG dealer or the JLG Industries Parts Department.	
		Ref	STANDARD PARTS	
	7018991	1	Coil	
	7012944	1	Coil	
	3740067	1	Relay	
	7011354	1	Coil	
	7017451	1	Coil	
	7024571	1	Coil	
	70002231	12	Element, Pressure Filter	
	3740080	1	Relay	
	7024444	12	Breather, Hydraulic Oil Tank	
	7024375	12	Element, Hydraulic Oil Filter	
	4360505	1	Switch	
	4360274	1	Switch, Push Button	
	4360328	1	Switch, Toggle	
	4360475	1	Switch, Mushroom	
	4360476	1	Contact, Switch Block	
	2860030	1	Key, Replacement	
	70003923	1	Jib Power Track Repair Kit	
	70003917	1	Boom Power Track Repair Section	
	70003913	1	Boom Power Track Repair Section	
	70003026	1	Coil	
	7024885	1	Coil	
	70022147	1	Coil	
	7024883	1	Coil	
	2940074	1	Latch, Platform	
	1001129555	1	Controller, Lift and Swing	
	1001212415	1	Controller, Drive and Steer	
	1001159256	1	Switch, Toggle	
	1001161709	1	Switch, Toggle	
	4360387	1	Switch, Push Button	
	1001161710	1	Switch, Toggle	
	1001155045	1	Switch, Toggle	
	4360407	1	Controller, Speed	
	3990001	2	Diode - 3Amp	
	2400064	2	Fuse	
	2400065	2	Fuse	
		Ref	VARIABLE PARTS	
	4360578	1	Switch, Limit	
	1001112758	1	Module (Chassis)	
	1001227960	1	Module, B.L.A.M.	
	7027795	1	Module, Deutz Engine	
	70023593	2	Fuse 30Amp (Deutz TCD2.9L4 Engines)	
	70023592	2	Fuse 20Amp (Deutz TCD2.9L4 Engines)	



## SECTION 10 - RECOMMENDED SERVICE PARTS STOCK

ITEM	PART NUMBER	QTY	DESCRIPTION	REV
	7016331	12	Element, Deutz TD2011 Engine Oil Filter	
	7016328	12	Element, Deutz TD2011 Engine Fuel	
	7003655	12	Element, Deutz TD2011 Engine Air Filter	
	70024190	12	Element, Deutz TCD2.9L4 Engines Air Filter	
	1001225430	4	Filter, Fuel (Deutz TCD2.9L4 and Deutz TCD2.9L4 (Stage V Pre-Buy) Engines)	
	1001225431	4	Filter, Fuel (Deutz TCD2.9L4 and Deutz TCD2.9L4 (Stage V Pre-Buy) Engines)	
	7016331	12	Element, Deutz TCD2.9L4 and Deutz TCD2.9L4 (Stage V Pre-Buy) Engines Oil Filter	
	70025210	1	ECU (Deutz TCD2.9L4 and Deutz TCD2.9L4 (Stage V Pre-Buy) Engines)	
	1001202281	12	Element, Deutz TD2011 Engine Fuel, Water Separator	
	70006405	12	Element, Deutz TCD2.9L4 Engines Fuel, Water Separator	
	1001117308	1	Relay (Deutz TCD2.9L4 Engines)	
	1001138228	1	Relay, Power Module (Deutz TCD2.9L4 Engines)	
	7026031	1	Sensor, Proximity	
	1001119509	1	Module, Ground Control	
	1001119512	1	Module, Repeater	
	4360469	1	Switch, Key	
	4360336	1	Switch, Toggle (Generator Options)	
	1001172663	1	Cell, Platform Load	
	4360070	1	Circuit Breaker 15Amp (Machines with Generator)	
	4000008	1	Switch, Jib Lock Proximity	
	4360527	1	Switch, Cable Break	
	4360543	1	Sensor, Boom Length	
	1001147479	1	Sensor, Angle Indicator	
	1001118971	1	Switch, Angle Indicator (Main Boom Protractor) Proximity	
	1001135479	1	Switch, Angle Indicator (Jib Rotate) Proximity	
	1001120104	1	Switch, Jib Telescope Proximity	
	1001119262	1	Module, Jib Control	
	1001117174	1	Footswitch Kit	
	1600343	1	Module, Platform Control	
	1001181045	1	Circuit Breaker 30mAmp/16Amp (CE Spec Machines)	
	80983191	2	Fuse - 10Amp (Deutz TCD2.9L4 and Deutz TCD2.9L4 (Stage V Pre-Buy) Engines with Arctic Package)	



**SECTION 11 - SPECIAL OPTIONS**

## SECTION 11 - SPECIAL OPTIONS

FIGURE 11-1. SPECIAL OPTIONS

ITEM	PART NUMBER	QTY	DESCRIPTION	REV
		Ref	Note: This list is to accommodate machines ordered with special equipment. Options may not be applicable to all models. For more specific parts information contact JLG Parts Department.	
		Ref	MISCELLANEOUS SPECIAL OPTIONS	
	0272078	Ref	Accessory Counterweight (Required with SkyWelder and/or Fall Arrest Platform Options)	
	1340067	Ref	Air Cleaner Pre-Cleaner	
	1001120325	Ref	Airline Installation, 1/2	
	1001202697	Ref	Air Intake Shut-off Valve (Deutz TCD2.9L4 Engines) (ANSI and CSA Specs)	
	1001249695	1	Analyzer, Machine System with Cable	
	1001249941	1	Analyzer, Machine System with Cable (Battery Powered)	
	0271803	Ref	Bellows, Cylinder (Fixed Axle)	
	0271804	Ref	Bellows, Cylinder (Oscillating Axle)	
	1001122591	Ref	Bellows, Cylinder (Boom)	
	0271875	Ref	Boom Wipers Installation (Boom)	
	1001134627	Ref	Boom Wipers Installation (Jib)	
		Ref	ClearSky (Telematics) Installations (Dealer Installed)	
	1001242192	Ref	ClearSky (Telematics) Access Control Installation Kit (Dealer Installed) (ANSI, ANSI Export and CSA Specs)	
	1001243183	Ref	ClearSky (Telematics) Added-on Kit (Dealer Installed) (ANSI, ANSI Export and CSA Specs)	
	1001246142	Ref	ClearSky (Telematics) Added-on Kit (Dealer Installed) (Australian Specs)	
	1001243184	Ref	ClearSky (Telematics) Added-on Kit (Dealer Installed) (CE Specs)	
	1001227451	Ref	ClearSky Telematics Installation - Canbus Connection (ANSI & CSA Specs)	
	1001246127	Ref	ClearSky Telematics Installation - Canbus Connection (Australian Specs)	
	1001228952	Ref	ClearSky Telematics Installation - Canbus Connection (ANSI Export and CE Specs)	
	1001246128	Ref	ClearSky Telematics Installation - Canbus Connection (China Specs)	
	1001229107	Ref	ClearSky Telematics Installation - 3 Wire Connection (ANSI & CSA Specs)	
	1001233237	Ref	ClearSky Telematics Installation - 3 Wire Connection (ANSI Export and CE Specs)	
	0273862	Ref	Cold Weather Package (Deutz TD2011 Engines)	
	1001235617	Ref	Cold Weather Package (Deutz TCD2.9L4 Engines, Deutz TCD2.9L4 (Stage V Pre-Buy) Engines and Deutz TCD2.9L4 (Stage V) Engines)	
	0272621	Ref	Control System Analyzer Installation	
	1001233047	Ref	Crankcase Breather Heater Kit (Deutz TCD2.9L4 Engines)	
	1001216363	Ref	Cribbing Enable Installation	
		Ref	Decal Kits	
	1001143931	Ref	Decal Kit - Platform (ANSI Spec)	
	1001143930	Ref	Decal Kit - Platform Console Box	
		Ref	Electrical Connector Kits	
	1001148902	Ref	Amp/Tyco Electrical Connector Kit	
	1001148903	Ref	Deutsch DT Electrical Connector Kit	
	1001148904	Ref	Deutsch HD Electrical Connector Kit	

## SECTION 11 - SPECIAL OPTIONS

ITEM	PART NUMBER	QTY	DESCRIPTION	REV
	1001148905	Ref	Packard Electrical Connector Kit	
	1001148906	Ref	Various Electrical Connectors Kit	
	1001246867	Ref	Enhanced Detection System (EDS) Level 1 (2-Bar) Installation Kit	
	1001246860	Ref	Enhanced Detection System (EDS) Level 2 (3-Bar) Installation Kit	
	1001237883	Ref	Fall Arrest (Bolt-on) Add-on Kit (6ft/1.82m Platform) (ANSI, ANSI Export, China, CSA & Japanese Specs Only) (Fits Platform p/ns 1001186384)	
	1001237882	Ref	Fall Arrest (Bolt-on) Add-on Kit (8ft/2.4m Platform) (ANSI, ANSI Export, China, CSA & Japanese Specs Only) (Fits Platform p/ns 1001186383)	
	1001182600	NLA	Fan and Belt Shield Kit (Deutz TD2011 Engines Only) (Use p/n 1001202221)	
	1001202221	Ref	Fan and Belt Shield Kit (Deutz TD2011 Engines Only)	
	1001206794	Ref	Fan and Belt Shield Add-on Kit (Deutz TD2011 Engines Only)	
	1001145708	Ref	Fan Guard Installation (Deutz TCD2.9L4 Engines, Deutz TCD2.9L4 (Stage V Pre-Buy) Engines and Deutz TCD2.9L4 (Stage V) Engines Only)	
	1001203564	Ref	Fan and Belt Guard Installation (Deutz TCD2.9L4 Engines, Deutz TCD2.9L4 (Stage V Pre-Buy) Engines and Deutz TCD2.9L4 (Stage V) Engines Only)	
	1001206797	Ref	Fan and Belt Guard Add-on Kit (Deutz TCD2.9L4 Engines Only)	
		Ref	Filter Kits:	
	1001133071	1	Combined Filter Kit (Hydraulic/Air and Fuel/Engine Oil) (Deutz TD2011 Engines)	
	1001181151	1	Combined Filter Kit (Hydraulic/Air and Fuel/Engine Oil) (Deutz TCD2.9L4 Engines)	
	1001139099	Ref	Fire Extinguisher Installation	
	1001117294	Ref	Foot Switch Shield	
	1001191395	Ref	Fuel Cap Cover (Lockable) (Green)	
	1001202749	Ref	Fuel Cap Cover (Lockable) (Black)	
	1001222665	Ref	Fuel Pump Harness Kit (Deutz TCD2.9L4 Engines)	
	1001103286	Ref	Generator Hourmeter Installation	
	0271769	Ref	Headlight and Taillights Installation	
	1001228431	Ref	Hose/Cable Protection Installation (Boom)	
	1001187456	Ref	Hose/Cable Protection Installation - Without LSS (Platform)	
	1001233494	Ref	Hose/Cable Protection Installation - With LSS (Platform)	
	1001239634	Ref	Hose Kit - Jib Valve	
	1001204900	Ref	Platform Valve Hose Kit	
	1001187787	Ref	Hose Kit - Upper Power Track	
	1001241420	Ref	Hostile Environment Kit	
	0271808	Ref	Illumination Lights Installation	
	1001120362	Ref	Intercom System (David Clark)	
	1001148971	Ref	Lanyard (Bolt-on) Installation Kit	
	1001236951	Ref	Low Temperature Cutout Installation (Russian Specs)	
	1001172045	Ref	Platform Cable Carrier Installation	
	1001197436	Ref	Platform Console Cover Installation	
	1580013	Ref	Platform Corner Storage Tray	
		Ref	Platform Entry Kits	
	1001142504	Ref	Drop Bar (Replacing Swing Gate with Drop Bar)	
	1001142505	Ref	Swing Gate (Replacing Drop Bar with Swing Gate)	
	1001120467	Ref	Platform Floodlights Installation	
		Ref	Platform Mesh to Top Rail Installations	

## SECTION 11 - SPECIAL OPTIONS

ITEM	PART NUMBER	QTY	DESCRIPTION	REV
	0273145	Ref	36in x 8ft (91.5cm x 2.44m) (ANSI Spec)	
	0273149	Ref	36in x 6ft (91.5cm x 1.83m) (ANSI and ANSI Export Specs)	
		Ref	Platform Mesh to Mid Rail Installations	
	1001138773	Ref	36in x 8ft (91.5cm x 2.44m) (ANSI, ANSI Export and Australian Specs)	
	1001138772	Ref	36in x 6ft (91.5cm x 1.83m) (ANSI, ANSI Export and Australian Specs)	
	1001140318	Ref	30in x 4ft (76.2cm x 1.22m) (ANSI, ANSI Export and Australian Specs)	
	1001149730	Ref	Platform Mid Rail Repair Kit	
		Ref	Platform Rail Extensions	
	0272733	Ref	6ft Platform	
	0272725	Ref	8ft Platform	
	1001120466	Ref	Platform Worklights Installation	
	1001209059	Ref	Platform Work Surface Installation	
	1001247073	Ref	SkyEye Retrofit Kit	
	1001241547	Ref	SkyEye Housing Repair Kit (LH)	
	1001241548	Ref	SkyEye Housing Repair Kit (RH)	
	1001209481	Ref	SkyGuard Complete Add-on Kit (Blue Beacon)	
	1001210043	Ref	SkyGuard Complete Add-on Kit (Red Beacon)	
	1001250035	Ref	SkyGuard Platform Sensor Kit	
	1001249052	Ref	SkyGuard Retrofit Kit	
	1001206544	Ref	SkyGuard Strobe Light Kit (Blue Beacon)	
	1001210028	Ref	SkyGuard Strobe Light Kit (Red Beacon)	
	1001250595	Ref	SkyGuard 6-Pin Retrofit Installation Kit	
	1001232643	Ref	SkyLine Kit	
	1001253945	Ref	SkySense (EDS) Level 1 Installation (Factory Installed) (PVC 2001)	
	1001253946	Ref	SkySense (EDS) Level 1 Installation (Factory Installed) (PVC 2001)	
	1001250465	Ref	SkySense/Enhanced Detection System (EDS) Level 1 (2-Bar) Installation Kit (Factory Installed) (PVC 2007)	
	1001250466	Ref	SkySense/Enhanced Detection System (EDS) Level 2 (3-Bar) Installation Kit (Factory Installed) (PVC 2007)	
	1001231235	Ref	SkyWelder Locking Bracket	
	0273824	Ref	Soft Touch System Installation - 6ft/1.8m Platforms	
	0272427	Ref	Soft Touch System Installation - 8ft/2.4m Platforms	
	0273706	Ref	Soft Touch System Installation - 6ft/1.8m Platforms (With Fall Arrest)	
		Ref	Tools For Service:	
	2901443	1	Analyzer Kit	
	0272048	Ref	Boom Cable Tools Installation	
	4120040	1	Socket 3/4	
	4120043	1	Socket 2	
	1705307	1	Decal - Tool Location	
	7002821	Ref	Crimper, Wire	
	7002823	Ref	Pin Extractor - Universal (For Electrical Connectors with Pins and Sockets)	
	4460467	1	Extractor - 16-18 Gauge (For Removal of Pin/Sockets from Deutsch Connectors)	
	4460510	1	Extractor - 12-14 Gauge (For Removal of Pin/Sockets from Deutsch Connectors)	
	7016654	Ref	Screwdriver, Magnetic	
	7002822	Ref	Screwdriver, Potentiometer	

## SECTION 11 - SPECIAL OPTIONS

ITEM	PART NUMBER	QTY	DESCRIPTION	REV
	7004275	Ref	Seal Tool 1 (For Cylinders)	
	7004276	Ref	Seal Tool 1 1/2 (For Cylinders)	
	7002828	Ref	Stripper, Wire	
	4921850	1	Throttle Service Harness	
	70004185	1	Torque Multiplier	
	7016655	1	Wire Rope Sheave Gauge	
	1001137005	1	Software Cable Kit	
	70004646	1	Puller (Hub Assembly)	
	70004647	1	Seal Tool (Hub Assembly)	
	70004648	1	Puller (Hub Assembly)	
	1001143927	Ref	Wire Rope Kit	





**PART NUMBER INDEX**

## SECTION 11 - SPECIAL OPTIONS

0080237 .... 167, 171, 203, 207	0200833 ..... 25	0561431 ... 422, 428, 434, 440	0641503.....278, 282, 288, 296, 322, 342
0080244.... 179, 183, 191, 195, 215, 219, 227, 231	0236768 ..... 61	0561437 ... 422, 428, 434, 440	0641504.....47, 461
0080277 .....25	0257728 ..... 545	0561439 ... 422, 428, 434, 440	0641505.....25
0100009 .....505	0257887 ..... 127	0561444 ... 422, 428, 434, 440	0641506 59, 79, 127, 146, 150, 154, 158, 163, 167, 171, 175, 179, 183, 187, 191, 195, 199, 203, 207, 211, 215, 219, 223, 227, 231
0100011 .... 17, 21, 25, 32, 36, 47, 53, 55, 59, 61, 79, 81, 83, 99, 101, 103, 105, 107, 109, 111, 139, 146, 147, 150, 151, 154, 155, 158, 159, 163, 167, 171, 175, 179, 183, 187, 191, 195, 199, 203, 207, 211, 215, 219, 223, 227, 231, 239, 243, 245, 249, 251, 255, 257,261, 263, 267, 269, 273, 278, 282, 288, 294, 307, 311, 315, 317, 322, 329, 333, 337, 339, 342, 377, 379, 385, 389, 393, 397, 401, 405, 409, 413, 417, 419, 422, 428, 434, 440, 447, 449, 456, 460, 463, 473, 477, 483, 487, 489, 491, 493, 495, 497, 525, 529, 532, 535, 537, 539, 561, 565, 569, 571, 573	0271512 ..... 71	0561454 ... 422, 428, 434, 440	0641507.... 167, 171, 179, 183, 191, 195, 203, 207, 215, 219, 227, 231, 463
0100019 .... 17, 21, 25, 27, 29, 69, 71, 393, 397, 401, 405, 409, 413, 417, 419, 422, 428, 434, 440, 447, 456, 573	0271520 ..... 25	0561457 ... 422, 428, 434, 440	0641508 93, 97, 276, 294, 320, 342, 460, 463
0100020 .... 278, 282, 288, 294, 322, 342, 385, 393, 402, 409, 519, 532, 543, 607, 609, 611, 613, 615, 617, 619, 621, 623, 625, 627	0271769 ..... 765	0561458 ... 422, 428, 434, 440	0641509.....47, 143, 163, 175, 187, 199, 211, 223
0100035 .....25, 113, 115, 133, 284, 290, 460, 505, 509	0271803 ..... 764	0561471 ... 422, 428, 434, 440	0641510.....322
0100038....561, 565, 569, 571, 573	0271804 ..... 764	0630357 ..... 460	0641511.....25, 163, 175, 187, 199, 211, 223, 239, 245, 251, 257, 263, 269, 307, 311, 329, 333
0100048.....79, 113, 115, 119, 129, 131, 385, 393, 397, 402, 406, 409, 413, 505	0271806 ..... 127	0630464 ..... 25, 113, 115, 119, 460	0641514.....545, 547
0100062....278, 282, 288, 296, 322, 342	0271808 ..... 765	0630518 ... 125, 509, 532, 535, 537, 539, 543	0641516....385, 393, 401, 405, 409, 413
0100063 .....447	0271852 ..... 41	0630535 .... 561, 565, 569	0641520.....87, 89, 91, 95
0100079.... 163, 175, 187, 199, 211, 223, 239, 245, 251, 257, 263, 269, 307, 311, 329, 333, 375	0271874 ..... 139	0630548 .... 113, 115, 119	0641524.....73, 93, 97
0100081 .... 119, 456, 460, 527	0271875 ..... 764	0630568 ..... 506	0641538.....463
0140001 .....61	0271953 ..... 603	0641404 ... 385, 389, 393, 397, 401, 405, 409, 413, 505, 529	0641605....163, 167, 171, 175, 179, 183, 187, 191, 195, 199, 203, 207, 211, 215, 219, 223, 227, 231, 239, 245, 251, 257, 263, 269, 307, 311, 329, 333
0140011 .....505	0271954 ..... 605	0641405 ..... 460, 529	0641606 17, 21, 146, 150, 154, 158, 164, 176, 188, 200, 212, 224, 239, 245, 251, 257, 263, 269, 276, 282, 288, 294, 307, 311, 320, 329, 333, 342, 447, 532, 535, 537, 539
0140032 .....127	0272048 ..... 445, 766	0641406 55, 59, 113, 115, 119, 129, 150, 154, 158, 167, 171, 179, 183, 191, 195, 203, 207, 215, 219, 227, 231, 249, 267, 276, 282, 288, 294, 320, 342, 461, 471, 503, 521, 733, 735, 737, 739, 741, 743, 745, 747, 749	0641607.....61, 460
	0272055 ..... 41	0641408 ..... 61, 135, 137, 147, 151, 155, 159, 239, 249, 251, 257, 267, 269, 307, 311, 329, 333, 460, 503	0641608.... 17, 21, 47, 59, 81, 83, 87, 89, 139, 141, 143, 146, 150, 154, 158, 167, 171, 179, 183, 191, 195, 203, 207, 215, 219, 227, 231, 239, 245, 251, 257, 261, 263, 267, 269, 273, 276, 282, 288, 294, 307, 311, 315, 320, 329, 333, 337, 342, 381, 417, 419, 456, 463, 471
	0272056 ..... 41	0641410 ... 113, 115, 119, 163, 175, 187, 199, 211, 223, 239, 245, 251, 257, 263, 269, 307, 311, 329, 333	0641609.... 17, 21, 93, 97, 167, 171, 179, 183, 191, 195, 203, 207, 215, 219, 227, 231
	0272060 ... 168, 172, 179, 183, 191, 195, 204, 208, 215, 219, 227, 231	0641412 .. 53, 55, 61, 461	0641610.... 146, 150, 154, 158, 163, 167, 171, 175, 179, 183, 187, 191, 195, 199, 203,
	0272064 ..... 141	0641414 ..... 55, 505, 525	
	0272078 ..... 764	0641416 ... 601, 603, 605, 607, 609, 611, 613, 615, 617, 619, 621, 623, 625, 627, 633	
	0272080 ..... 87	0641418 ... 460, 477, 483, 487, 489, 491, 493, 495, 497	
	0272254 ..... 537	0641424 ..... 47	
	0272418 ..... 527		
	0272427 ..... 766		
	0272435 ..... 402, 410		
	0272521 ..... 535		
	0272589 ..... 406, 414		
	0272599 ..... 755		
	0272607 ..... 757		
	0272621 ..... 764		
	0272725 ..... 766		
	0272733 ..... 766		
	0273145 ..... 766		
	0273149 ..... 766		
	0273353 ..... 532		
	0273706 ..... 766		
	0273824 ..... 766		
	0273862 ..... 764		
	0274661 ..... 547		
	0275216 ..... 609, 709		
	0275217 ..... 613, 711		
	0275452 ..... 617, 713		
	0275453 ..... 621, 715		
	0275454 ..... 625, 717		
	0275685 ..... 27		
	0340003 ... 167, 171, 179, 183, 191, 195, 203, 207, 215, 219, 227, 231		
	0340051 ... 167, 171, 179, 183, 191, 195, 203, 207, 215, 219, 227, 231		
	0363037 ..... 17, 21		
	0363062 ..... 61		
	0363066 ... 422, 428, 434, 440		
	0363076 ..... 17		
	0400020 ..... 61		
	0440251 ..... 71		
	0480100 ..... 545, 547		
	0480128 ..... 385, 401		
	0480129 ..... 405		

## SECTION 11 - SPECIAL OPTIONS

207, 211, 215, 219, 223, 227, 231, 239, 245, 251, 257, 263, 269, 276, 282, 288, 294, 307, 311, 320, 329, 333, 342, 375, 379, 503	0641820 ..... 79	0760814.....283, 289	0861880 .... 657, 659, 661
0641611 ..... 17, 21, 377	0641826 ... 167, 171, 179, 183, 191, 195, 203, 207, 215, 219, 227, 231	0760814001.....283, 289	0902755 ..... 59
0641612 ... 239, 245, 251, 257, 263, 269, 307, 311, 322, 329, 333, 375, 417, 419	0642010 ... 163, 175, 187, 199, 211, 223, 239, 245, 251, 257, 263, 269, 307, 311, 329, 333, 447	0761014.....473	0902800 ..... 59
0641613 ..... 17, 21	0642012 .... 417, 419, 527	0761016.....282, 288	0902888... 385, 393, 401, 405, 409, 413
0641614 ..... 81, 83	0642014 ... 422, 428, 434, 440, 447	0761210....239, 245, 251, 257, 263, 269, 285, 291, 307, 311, 329, 333	0902915 ..... 79
0641615 ... 422, 428, 434, 440	0642016 ..... 25	0761212.....344	0903530 ..... 59
0641616 ..... 385, 389	0642020 ..... 21	0761214.....36, 278, 282, 288, 296, 322, 342	0940070... 167, 171, 179, 183, 191, 195, 203, 207, 215, 219, 227, 231, 276, 282, 288, 294, 320, 342
0641618... 393, 397, 402, 406, 409, 413, 422, 428, 434, 440	0642022 ... 422, 428, 434, 440	0761215.....31, 204, 208, 215, 219, 228, 232, 261, 267, 273, 315, 337	0940102 ..... 527
0641630... 146, 150, 154, 158	0642212 ..... 527	0771212....276, 282, 288, 294, 320, 342	0961845... 477, 483, 487, 489, 491, 493, 495, 497
0641634 ..... 25	0642214 17, 21, 417, 419	0771414....167, 171, 179, 183, 191, 195, 203, 207, 215, 219, 227, 231, 276, 282, 288, 294, 320, 342	0961896 ..... 561
0641636 ..... 449	0681608 ..... 473	0791406.....460	0961897 ..... 569
0641640 ... 422, 428, 434, 440	0681620 ... 549, 551, 553, 555	0791410.....53, 55	0961902 ..... 565
0641644 ... 422, 428, 434, 440	0681813 ..... 17, 21	0791504.....456	0961949 ..... 573
0641646 ... 422, 428, 434, 440	0681814 17, 21, 499, 501	0791505.....460	0961950... 447, 449, 561, 563, 569, 573
0641652 ... 422, 428, 434, 440	0681815 ..... 17, 21	0791506.....460	0961986... 167, 171, 179, 183, 191, 195, 203, 207, 215, 219, 227, 231, 276, 282, 288, 294, 320, 342
0641676 ..... 445	0681822 ..... 499, 501	0791516.....456	0962006 ..... 565
0641706 ... 276, 282, 288, 294, 320, 342	0681836 ..... 449	0791520.....456	0962033 ..... 17, 21
0641708... 240, 245, 252, 258, 263, 270, 276, 282, 288, 294, 308, 312, 320, 329, 333, 342	0682022 ..... 447	0791604 53, 55, 146, 150, 154, 158, 422, 428, 434, 440, 460	0962051 ..... 141, 143
0641808. 17, 21, 47, 163, 167, 171, 175, 179, 183, 187, 191, 195, 199, 203, 207, 211, 215, 219, 223, 227, 231, 239, 245, 251, 257, 263, 269, 307, 311, 329, 333, 422, 428, 434, 440, 447	0682026 ..... 71	0791605....422, 428, 434, 440, 460	0962181 ..... 447
0641810 ..... 45, 385, 389, 393, 397, 401, 405, 409, 413, 456	0682028 ... 276, 282, 288, 294, 320, 342	0791606.....460	0962270 ..... 499, 501
0641812 ..... 79, 167, 171, 179, 183, 191, 195, 243, 249, 255, 261, 267, 273, 315, 317, 337, 339	0682040 ..... 71	0791607.....53, 456	0962297 ... 422, 428, 434, 440, 567
0641813... 146, 150, 154, 158	0682422 ..... 69	0791608.....460	0962402... 423, 429, 435, 441
0641814 ..... 18, 203, 207, 215, 219, 227, 231, 243, 255, 261, 273, 337, 339	0682424 ... 549, 551, 553, 555	0791609.....456	0962403... 423, 429, 435, 441
0641816 ..... 143	0683020 ..... 447	0791612....422, 428, 434, 440	0962404 ... 423, 429, 435, 441
0641818 ... 141, 167, 171, 179, 183, 191, 195, 203, 207, 215, 219, 227, 231	0700408 ... 607, 609, 611, 613, 615, 617, 619, 621, 623, 625, 627	0791618....422, 428, 434, 440	0962406 ... 423, 429, 435, 441
	0700615 ..... 135, 137	0791620....422, 428, 434, 440, 456	0962409 ... 422, 428, 434, 440
	0700616 ... 147, 151, 155, 159	0791622.....456	0962410 ... 422, 428, 434, 440
	0700815 ... 276, 282, 288, 294, 320, 342	0791624....422, 428, 434, 440, 456	0962411 ... 423, 429, 435, 441
	0701022 ..... 285, 291	0791808.....456	0962423 ..... 25
	0701024 ..... 282, 288	0811606....422, 428, 434, 440	0962447 ... 422, 428, 434, 440
	0701025 ..... 282, 288	0811607....422, 428, 434, 440, 449	0962520... 385, 389, 393, 397, 401, 405, 409, 413
	0701617 ..... 27, 29	0811610....422, 428, 434, 440	1001091102 ..... 389, 397, 633
	0701619 ..... 41, 43, 45	0811614....422, 428, 434, 440	1001091969 ..... 609
	0711214 ... 167, 171, 179, 183, 191, 195, 203, 207, 215, 219, 227, 231	0811616....422, 428, 434, 440	1001091970 ..... 613
	0711417 ... 179, 183, 191, 195, 215, 219, 227, 231	0860038....385, 393, 401, 409, 603, 605	1001091973 ..... 617
	0721006 ..... 377, 379	0861538.....401, 409	1001091974 ..... 621
	0731007 ..... 81, 83	0861572.....405, 413	1001091975 ..... 625
	0741404 ..... 460	0861731....607, 619, 623, 627, 713, 715, 717	1001093242 ..... 31
	0741606 .... 25, 422, 428, 434, 440	0861781....611, 615, 709, 711	1001093243 ..... 31
	0741607 ... 385, 389, 393, 397, 409, 413		1001094915 ..... 389, 397, 633
	0741806 ... 422, 428, 434, 440		1001095976 ..... 633
	0760808 ..... 344		1001096070 ..... 661
	0760810 ... 278, 282, 288, 296, 322, 473		1001097051 ..... 721
	0760812 ..... 635		1001097150 ..... 657, 661

## SECTION 11 - SPECIAL OPTIONS

1001098012.....532, 543	1001110108..... 55	1001116812 ..... 671, 683, 729	1001119052.....199
1001098122.....519	1001110109..... 55	1001116846 ..... 743	1001119053.....211
1001098149.....543	1001110110..... 55	1001116849 ..... 743	1001119054.....223
1001098513.....164, 167, 171	1001110111..... 55	1001116851 ..... 743	1001119105.....565, 569
1001098530.....176, 179, 183	1001110112..... 55	1001116952 ..... 668, 671	1001119111.....447, 449
1001098531.....188, 191, 195	1001110113..... 55	1001116967 ..... 667	1001119137.....461
1001098601.....167, 171, 180, 184, 192, 196, 203, 207, 216, 220, 228, 232, 235	1001110186 ..... 73	1001116983 ..... 677	1001119138.....597
1001098828.....473	1001110194 ..... 146, 150	1001117025 ..... 119, 684, 729	1001119141.....461
1001099366.....527	1001110425 ..... 239, 245, 251, 257, 263, 269, 307, 311, 329, 333	1001117035 ..... 743	1001119211.....471
1001099367.....527	1001110433 ..... 146, 150, 154, 158	1001117078 ..... 403, 406, 411, 414	1001119212.....463, 471
1001099632.....25	1001110486 ..... 146, 150, 154, 158	1001117106 ..... 668, 671	1001119214.....471
1001100231.....657	1001110513..... 55	1001117107 ..... 668, 671	1001119215.....471
1001100341.....709	1001110604 ..... 597	1001117172 ..... 519	1001119225.....460
1001100342.....711	1001110872 ..... 629, 631	1001117174 ..... 505, 519, 761	1001119262.....471, 761
1001100345.....713	1001110873 ..... 385, 393, 402, 410, 603	1001117294 ..... 765	1001119273.....79
1001100346.....717	1001110877 ..... 55	1001117308 ..... 277, 283, 289, 295, 321, 343, 761	1001119300.....703
1001100347.....715	1001111132 ..... 164, 176, 188, 200, 212, 224	1001117370 ..... 163	1001119392.....471, 693
1001100434.....113, 115, 119	1001112551 ..... 735	1001117371 ..... 175	1001119393.....647, 649, 651, 653, 691
1001101191.....607, 609, 611, 613, 615, 617, 619, 621, 623, 625, 627, 657, 659	1001112612 ..... 637, 683	1001117455 ..... 417, 422, 428	1001119395.....663
1001101196.....609, 611, 613, 615	1001112669 ..... 43	1001117456 ..... 424, 430, 436, 442	1001119413.....449
1001101197.....607, 617, 619, 621, 623, 625, 627	1001112691 ..... 146, 150, 154, 158	1001117457 ..... 424, 430, 436, 442	1001119414.....449
1001101197.....607, 617, 619, 621, 623, 625, 627	1001112716 ..... 43	1001117458 ..... 424, 430, 436, 442	1001119452.....571
1001101421.....527	1001112758 ..... 47, 760	1001117459 ..... 424, 430, 436, 442	1001119455.59, 593, 595
1001101422.....527	1001112766 ..... 167, 171, 179, 183, 191, 195, 203, 207, 215, 219, 227, 231	1001117479 ..... 424, 430, 436, 442	1001119456.99, 101, 707
1001101550.....35	1001112796 ..... 637	1001117480 ..... 424, 430, 436, 442	1001119470.99, 101, 103, 105, 665
1001103286.....765	1001112878 ..... 163, 175, 187, 199, 211, 223	1001117481 ..... 424, 430, 436, 442	1001119509.....113, 115, 119, 761
1001104315.....29	1001112879 ..... 163, 175, 187, 199, 211, 223	1001117969 ..... 565	1001119512.....113, 115, 119, 761
1001104324.....29	1001112880 ..... 163, 175, 187, 199, 211, 223	1001117990 ..... 565	1001119521.....457
1001104325.....35	1001112927 ..... 204, 208, 216, 220, 228, 232, 261, 267, 273, 315, 337, 371	1001117991 ..... 569	1001119522.....457
1001104519.....687	1001113047 ..... 146, 150, 154, 158	1001117994 ..... 565, 569	1001119546.....582
1001106736.....113, 115, 119	1001113103 ..... 83	1001118066 ..... 565, 569	1001119571.....424, 430, 436, 442
1001107359.....81	1001113961 ..... 684	1001118069 ..... 565, 569	1001119619.....719
1001107971.....200, 203, 207	1001114495 ..... 276, 295, 321	1001118286 ..... 463, 467	1001119620.....721, 723
1001107973.....212, 215, 219	1001115961 ..... 43	1001118369 ..... 447	1001119653.....113, 115, 119, 729
1001107975.....224, 227, 231	1001116015 ..... 187	1001118373 ..... 461	1001119654.....449
1001108579.....83	1001116025 ..... 751	1001118384 ..... 725	1001119668.....449
1001108616.....204, 208, 216, 220, 229, 233, 261, 267, 273, 315, 337, 364	1001116208 ..... 751	1001118388 ..... 725	1001119702.....463, 465
1001108617.....163, 175, 187, 199, 211, 223, 239, 245, 251, 257, 263, 269, 307, 311, 329, 333	1001116290 ..... 147, 151, 155, 159	1001118430 ..... 424, 430, 436, 442	1001119703.....463
1001109048.....83	1001116707 ..... 667	1001118431 ..... 424, 430, 436, 442	1001119704.....463
1001109468.....597	1001116710 ..... 677	1001118564 ..... 447	1001119710.....449
1001109503.....113, 115	1001116728 ..... 668	1001118930 ..... 461	1001119714.....449
1001109654.....633, 657	1001116748 ..... 655, 663, 693	1001118931 ..... 461	1001119727.....283, 289
1001109677.....89, 95, 97	1001116774 ..... 637, 684	1001118933 ..... 597	1001119729.....461
1001110027.....146	1001116792 ..... 239, 245, 251, 257, 263, 269, 307, 311, 329, 333	1001118934 ..... 597	1001119817.....597
1001110059.....83	1001116808 ..... 637, 684	1001118935 ..... 597	1001119899.....417, 419
		1001118957 ..... 89	1001119944.....456
		1001118971 ..... 461, 761	1001119952.....61
		1001119020 ..... 113, 115, 119, 637, 693, 701	1001119968.....402, 406, 411, 414
		1001119033 ..... 461	1001119970.....417
		1001119040 ..... 79	1001119985.....447
		1001119042 ..... 447	1001119990.....447
			1001119991.....447
			1001119998.....447
			1001119999.....417, 419
			1001120000.....447
			1001120014.....447
			1001120015.....447
			1001120028.....461
			1001120037.....447
			1001120038.....447

## SECTION 11 - SPECIAL OPTIONS

1001120039..... 447	1001125198..... 751	1001132194.....59, 63	1001136665..... 277, 283,
1001120048..... 461	1001125199..... 751	1001133071.....765	289, 295, 321, 343
1001120055..... 693, 701	1001125200..... 751	1001133633.....277, 284,	1001136834..... 277, 283,
1001120076..... 461	1001125201..... 751	290, 295, 321, 343	289, 295, 321, 343
1001120084..... 461	1001125202..... 751	1001133634.....277, 283,	1001137005..... 767
1001120098..... 647, 649,	1001125203..... 751	289, 295, 321, 343	1001137262..... 457
651, 653, 689	1001125204..... 751	1001133714.....669, 672,	1001137263..... 457
1001120099..... 647	1001125205..... 751	675	1001137276..... 277, 283,
1001120104..... 461, 761	1001125206..... 751	1001133715.....669, 672,	289, 295, 321, 343
1001120107..... 647	1001125207..... 751	675	1001137336..... 282, 288
1001120108..... 651	1001125208..... 751	1001133759.....79	1001137354..... 64
1001120111..... 651	1001125209..... 751	1001133956.....667, 671	1001137590..... 409
1001120137..... 647	1001125210..... 751	1001133957.....667, 671	1001137591..... 413
1001120138..... 651	1001125211..... 751	1001134180.....449	1001137673..... 525
1001120139..... 653	1001125212..... 751	1001134389.....257	1001138011..... 393, 397,
1001120168..... 582, 586,	1001125274..... 751	1001134390.....257, 261	410, 414
589, 591, 593	1001125279.....567	1001134392.....243, 261,	1001138110..... 669
1001120169..... 582, 586,	1001125295.....695	276	1001138111..... 669
589, 591, 597	1001125387..... 751	1001134488.....276, 283,	1001138113..... 669
1001120170..... 593	1001125427..... 401	289, 296, 320, 343	1001138228..... 277, 283,
1001120171..... 597	1001125428..... 405	1001134627.....764	289, 295, 321, 343, 761
1001120172..... 586	1001125666..... 647, 649,	1001134728.....582	1001138248..... 277, 284,
1001120173..... 591	651, 653	1001135090.....277, 295,	290, 295, 321, 343
1001120174..... 589	1001125677.....693	321, 343	1001138253..... 277, 283,
1001120175..... 582	1001126008.....693	1001135124.....91, 93, 95,	289, 295, 321, 343
1001120209..... 457	1001126009..... 725	97	1001138346..... 277, 283,
1001120257..... 457	1001126351.....667, 671	1001135138.....277, 283,	289, 295, 321, 667
1001120276..... 705	1001126352.....667	289, 295, 321, 343	1001138491..... 239, 245,
1001120278..... 655	1001126356.....667	1001135479.....461, 761	251, 257, 263, 269,
1001120309..... 113	1001126357.....667	1001135483.....461	307, 311, 329, 333, 677
1001120311..... 113	1001126362.....668, 671	1001135484.....461	1001138494..... 483, 487,
1001120325..... 764	1001126363.....668, 671,	1001135560.....277, 283,	489, 491, 493, 495, 497
1001120328..... 525, 529,	672	289, 295, 321, 343	1001138514..... 489, 491,
693, 701	1001126364.....669, 671,	1001135562.....277, 283,	493, 495, 497
1001120338..... 505	672	289, 295, 321, 343	1001138524..... 277, 284,
1001120348..... 582	1001126365.....669	1001135650.....669, 672,	290, 295, 321, 343
1001120349..... 582	1001126384.....667	675	1001138559..... 277, 285,
1001120350..... 582	1001126391.....669, 671	1001135651.....669, 672	291, 295, 321, 343
1001120351..... 582	1001126392.....669, 671	1001135663.....143	1001138565..... 389
1001120352..... 582	1001126485.....671	1001135679.....277, 283,	1001138566..... 385, 389,
1001120354..... 582	1001126487.....671	289, 295, 321	393, 397
1001120355..... 582	1001128527.....539	1001135680.....277, 295,	1001138717..... 278, 296,
1001120356..... 582	1001128556.....539	321, 343	322
1001120357..... 582	1001129555.....760	1001135779.....278, 284,	1001138772..... 766
1001120362..... 765	1001129858.....385, 386	290, 295, 322, 343	1001138773..... 766
1001120466..... 766	1001129961.....449	1001135901.....277, 295,	1001138827..... 277, 283,
1001120467..... 765	1001131269..... 733, 741	321, 343	289, 295, 321, 343
1001120564..... 87, 89	1001131292..... 423, 429,	1001135903.....277, 283,	1001139099..... 765
1001120989..... 752	435, 441	289, 295, 321, 343	1001139240..... 277, 283,
1001120994..... 751	1001131293..... 424, 430,	1001135913.....277, 295,	289, 295, 321, 344
1001121155..... 575	436, 442	320, 343	1001139357..... 385, 389
1001122396..... 647, 649,	1001131296..... 424, 430,	1001135914.....277, 295,	1001139492..... 95
651, 653, 699	436, 442	320	1001139494..... 91
1001122528..... 402, 406,	1001131330..... 423, 429,	1001135924.....277, 295,	1001139654..... 751
411, 414	435, 441	321, 343	1001139665..... 91, 95
1001122591..... 764	1001131462..... 146, 150,	1001135926.....277, 295,	1001139666..... 91, 95
1001122611..... 733, 737,	154, 158	320, 343	1001139778..... 150
743, 745, 747, 749	1001131482.....143	1001135943.....277, 295,	1001139958..... 385
1001125152..... 751	1001131542..... 167, 171,	321, 343	1001139959..... 389
1001125153..... 751	179, 183, 191, 195,	1001135946.....277, 283,	1001139972..... 423, 429,
1001125177..... 735, 739	203, 207, 215, 219,	289, 295, 321, 343	435, 441
1001125178..... 735, 739	227, 231, 240, 245,	1001136292.....277, 295,	1001139995..... 565
1001125191..... 751	252, 258, 263, 270,	321	1001139996..... 569
1001125192..... 751	308, 312, 329, 333	1001136356.....389	1001140105..... 419
1001125195..... 505	1001131620..... 456	1001136357.....397, 414	1001140107..... 419, 434,
1001125196..... 751	1001131728..... 456	1001136626.....277, 295,	440
1001125197..... 751	1001131733..... 456	321, 343	

## SECTION 11 - SPECIAL OPTIONS

1001140108.....417, 419, 447	1001143929 ..... 424, 430, 436, 442	1001152742 ..... 668	1001165101.....243, 255, 261, 273, 308, 312, 344, 377
1001140222.....377	1001143930 ..... 764	1001152963 ..... 243, 249, 255, 317, 339, 358	1001165368.....389, 397, 659
1001140312.....296	1001143931 ..... 764	1001152966 ..... 595	1001165820.....278, 296, 322, 344
1001140318.....766	1001144089 ..... 278, 284, 290, 296, 322, 344	1001152969 ..... 595	1001166393.....277, 283, 289, 295, 321, 344
1001140344.....393	1001144398 ..... 577	1001152972 ..... 582, 586, 589, 591, 595	1001166538.....506, 517
1001140346.....394	1001144433 ..... 525	1001153024 ..... 277, 295, 321, 344	1001166539.....505, 513
1001140347.....397	1001144629 ..... 479, 481, 483, 485, 487	1001153257 ..... 385, 393	1001167164.....249, 267
1001140429.....477, 483, 487, 489, 491, 493, 495, 497	1001145089 ..... 239, 251, 257, 269, 307, 311, 330, 334	1001153260 ..... 386, 394	1001167565.....473
1001140485.....150, 154, 158	1001145154 ..... 278, 284, 290, 296, 322, 344	1001153387 ..... 278, 296, 322, 344	1001167567.....473
1001140564.....276, 283, 289, 295, 320, 344	1001145162 ..... 150, 154, 158	1001154260 ..... 423, 429, 435, 441	1001167596.....473
1001140604.....239, 251, 257, 269, 307, 311, 329, 333	1001145382 ..... 168, 172, 180, 184, 192, 196, 204, 208, 216, 220, 228, 232	1001154294 ..... 423, 429, 435, 441	1001167632.....672
1001141225.....239, 245, 251, 257, 263, 269, 307, 311, 329, 333	1001145382 ..... 168, 172, 180, 184, 192, 196, 204, 208, 216, 220, 228, 232	1001154304 ..... 423, 429, 435, 441	1001167635.....671
1001141300.....752	1001145405 ..... 532, 543	1001154306 ..... 423, 429, 435, 441	1001168166.....284, 290
1001141302.....752	1001145708 ..... 765	1001154405 ..... 239, 251, 257, 269, 278, 284, 290, 296, 307, 311, 322, 330, 334, 344, 377, 379, 381	1001168402.....473
1001141304.....278, 283, 289, 295, 322, 344	1001145842 ..... 240, 252, 258, 270, 308, 312, 330, 334	1001155044 ..... 505	1001169054.....284, 290
1001141717.....278, 283, 289, 295, 322, 344	1001146132 ..... 151, 154, 158	1001155045 ..... 505, 760	1001169138.....284, 290
1001141718.....377, 379	1001146178 ..... 150, 154, 158	1001155575 ..... 277, 284, 290, 295, 321, 344	1001170035.....284, 290
1001141719.....276, 283, 289, 295, 320, 344	1001146183 ..... 150, 154, 158	1001155823 ..... 278, 284, 290, 296, 322, 344	1001170764.....672
1001141744.....269	1001146219 ..... 276, 284, 290, 294, 320, 344	1001157520 ..... 402, 406, 410, 414	1001170982.....284, 290, 344
1001141745.....269, 273	1001146244 ..... 150, 155, 158	1001157521 ..... 402, 406, 410, 414	1001171095.....204, 208, 216, 220, 229, 233, 261, 267, 273, 315, 337, 367
1001141746.....255, 273, 294	1001146588 ..... 330, 334, 344	1001157525 ..... 405, 406, 413, 414	1001171130.....393
1001141811.....239	1001147264 ..... 668	1001157528 ..... 402, 406, 410, 414	1001171131.....631
1001141812.....239, 243	1001147479 ..... 460, 761	1001157592 ..... 401, 402, 409, 410	1001171273.....397
1001141813.....251, 255	1001148675 ..... 629, 631	1001157890 ..... 693	1001171482.....119
1001141815.....251	1001148841 ..... 675	1001158007 ..... 402, 406, 410, 414	1001172045.....765
1001142398.....277, 283, 295, 321, 344	1001148842 ..... 675	1001158008 ..... 386, 394, 402, 406, 410, 414	1001172663.....761
1001142501.....278, 283, 289, 296, 322, 344	1001148843 ..... 278, 284, 290, 296, 322, 344, 675	1001158363 ..... 386, 394	1001172760.....506
1001142504.....765	1001148902 ..... 764	1001159118 ..... 629, 631	1001172840.....751
1001142505.....765	1001148903 ..... 764	1001159119 ..... 629, 631	1001173163.....147, 151, 155, 159
1001142637.....278, 296, 322, 344	1001148904 ..... 764	1001159120 ..... 629, 631	1001173166.....146, 150, 155, 158
1001142645.....393, 410	1001148905 ..... 765	1001159121 ..... 629	1001173170.....146, 150, 155, 159
1001142683.....135, 137	1001148906 ..... 765	1001159256 ..... 505, 760	1001173171.....81, 83
1001142685.....278, 283, 289, 296, 322, 344	1001148971 ..... 765	1001160567 ..... 81	1001173183.....147, 151
1001142719.....135, 137	1001149730 ..... 766	1001161046 ..... 649	1001173184.....151
1001142736.....135, 137, 637	1001149818 ..... 133, 727	1001161047 ..... 649	1001173185.....146, 150, 155, 159
1001142938.....669, 672	1001149955 ..... 133	1001161052 ..... 649	1001173186.....146, 150, 155, 159
1001142940.....669, 672	1001149994 ..... 133, 135, 137	1001161401 ..... 17, 22	1001173187.....146, 151, 155, 159
1001142941.....669, 672	1001150406 ..... 133	1001161402 ..... 17, 22	1001173188.....146, 151
1001143087.....91, 93, 95, 97	1001151393 ..... 123	1001161403 ..... 17, 22	1001173202.....150
1001143123.....91, 95	1001151432 ..... 290	1001161709 ..... 505, 760	1001173609.....511
1001143294.....143	1001152456 ..... 386, 394	1001161710 ..... 505, 760	1001173647.....146, 151, 155, 159
1001143298.....143	1001152457 ..... 385, 393, 394	1001163131 ..... 527	1001173651.....146, 151, 155, 159
1001143390.....278, 283, 289, 296, 322, 344	1001152525 ..... 386, 394, 402, 406, 410, 414	1001165035 ..... 278, 284, 290, 296, 321, 344	1001173703.....752
1001143852.....752	1001152530 ..... 386, 394		1001173912.....146
1001143927.....424, 430, 436, 442, 767	1001152533 ..... 385, 389, 393, 397, 679		1001173913.....21
1001143928.....449			1001173914.....17
			1001173915.....81
			1001173918.....83

## SECTION 11 - SPECIAL OPTIONS

1001174040 ..... 473	1001186432..... 687, 725	1001206794..... 765	1001224048 ..... 747
1001174331 ..... 147	1001186517..... 525	1001206797 ..... 765	1001224049 ..... 749
1001175237 ..... 151	1001187011..... 284, 290	1001207004..... 137	1001224050 ..... 743
1001175250 ..... 147	1001187382..... 473	1001207969..... 463	1001224052 ..... 737
1001175859 ..... 146, 151, 155, 159	1001187383..... 473	1001208299..... 344	1001224053 ..... 745
1001175879 ..... 146, 151, 155, 159	1001187456..... 765	1001208994..... 463, 473	1001224066 ..... 61, 67
1001175880 ..... 146, 151, 155, 159	1001187674..... 523	1001209059..... 766	1001225118 ..... 168, 172, 180, 184, 192, 196, 204, 208, 216, 220, 228, 232
1001176329 ..... 284, 290	1001187681..... 719	1001209432..... 635	1001225266 ..... 447
1001176330 ..... 284, 290	1001187787..... 765	1001209474..... 635	1001225346 ..... 635
1001176333 ..... 695	1001187807..... 125, 509	1001209481..... 766	1001225430 ..... 299, 761
1001176346 ..... 53	1001188376..... 93, 97	1001209664..... 525	1001225431 ..... 299, 761
1001176347 ..... 55	1001188382..... 93, 97	1001210028..... 766	1001225580 ..... 525, 687
1001176415 ..... 284, 290	1001188622..... 473	1001210043..... 766	1001226289 ..... 653
1001176416 ..... 284, 290	1001188844..... 473	1001212223..... 409, 413	1001226290 ..... 653
1001176469 ..... 115, 119	1001188884..... 375	1001212415..... 760	1001226400 ..... 689, 699
1001176582 ..... 511	1001188887..... 375	1001212790..... 457	1001226531 ..... 635
1001176636 ..... 511	1001189001..... 473	1001213385..... 582, 593, 597	1001226872 ..... 477
1001176862 ..... 631	1001189002..... 473	1001213447..... 701	1001226923 ..... 381
1001177562 ..... 752	1001190985..... 473	1001213705..... 417, 419	1001227451 ..... 764
1001177635 ..... 511	1001191272..... 277, 295, 321, 344	1001214029..... 752	1001227606 ..... 245, 263, 379
1001177945 ..... 249, 267	1001191395..... 765	1001214570..... 635	1001227633 ..... 523
1001177946 ..... 249, 267	1001191525..... 752	1001214571..... 635	1001227634 ..... 523
1001177957 ..... 249, 267	1001191541..... 17, 22	1001215375..... 511	1001227960 ..... 59, 760
1001177958 ..... 249, 267	1001191620..... 344	1001215379..... 511	1001227985 ..... 523
1001177959 ..... 249, 267	1001192401..... 683	1001215380..... 511	1001227987 ..... 523
1001178236 ..... 284, 290	1001193018..... 607, 609, 611, 613, 615, 617, 619, 621, 623, 625, 627	1001216363..... 764	1001227996 ..... 721, 723
1001178249 ..... 447, 451	1001193674..... 17, 22	1001216630..... 473	1001228019 ..... 21, 561
1001178250 ..... 447, 453	1001196634..... 383	1001216876..... 45	1001228031 ..... 25, 573
1001178797 ..... 381	1001197408..... 752	1001216877..... 45	1001228043 ..... 424, 430, 436, 442, 563
1001178894 ..... 284, 290	1001197436..... 765	1001217005..... 135	1001228046 ..... 447, 571
1001179154 ..... 386, 394, 402, 410	1001197719..... 672	1001218622..... 653	1001228047 ..... 424, 430, 436, 442, 577
1001179216 ..... 647, 649, 651, 653	1001198751..... 375	1001218623..... 653	1001228048 ..... 449, 575
1001179510 ..... 461	1001200064..... 752	1001218776..... 45	1001228057 ..... 447, 565
1001180051 ..... 146, 151, 155, 159	1001200065..... 752	1001217005..... 135	1001228058 ..... 447, 569
1001180491 ..... 511	1001200066..... 752	1001218622..... 653	1001228215 ..... 477
1001180620 ..... 284, 290, 344	1001200067..... 752	1001218623..... 653	1001228224 ..... 523
1001181045 ..... 657, 659, 661, 761	1001200069..... 752	1001219642..... 284, 290, 303	1001228225 ..... 523
1001181129 ..... 93, 97	1001200070..... 752	1001219992... 47, 59, 463	1001228243 ..... 487
1001181151 ..... 765	1001200071..... 752	1001220379..... 668	1001228375 ..... 497
1001181895 ..... 296	1001200491..... 473	1001220482..... 511, 695	1001228376 ..... 483
1001181899 ..... 344	1001200494..... 473	1001220560..... 93, 97	1001228377 ..... 493
1001182361 ..... 667, 671	1001200910..... 135	1001220735..... 249, 267, 282, 288	1001228431 ..... 765
1001182600 ..... 765	1001201351..... 473	1001220770 ..... 284, 290	1001228488 ..... 69, 75
1001182806 ..... 131	1001202221..... 765	1001220929..... 506	1001228617 ..... 69
1001182997 ..... 285, 291	1001202280..... 375	1001220955..... 511	1001228952 ..... 764
1001184682 ..... 129	1001202281..... 375, 761	1001221203..... 284, 290	1001228976 ..... 511
1001184785 ..... 115	1001202687..... 473	1001221205..... 284, 290	1001228988 ..... 539
1001184786 ..... 115	1001202697..... 764	1001221207..... 284	1001229058 ..... 69
1001185281 ..... 506	1001202749..... 765	1001221212..... 284, 290	1001229107 ..... 764
1001186318 ..... 501	1001203564..... 765	1001221213..... 284	1001229341 ..... 523
1001186334 ..... 499	1001203656..... 499, 501	1001221217..... 284, 290	1001229485 ..... 511
1001186375 ..... 489	1001203866..... 375	1001221219..... 284, 290	1001229599 ..... 284, 290
1001186379 ..... 491	1001204725..... 473	1001221259..... 245	1001229600 ..... 284, 290
1001186382 ..... 495	1001204900..... 765	1001221261..... 263	1001229922 ..... 511
1001186383 ..... 485	1001205958..... 617, 619, 621, 623, 625, 627	1001221263..... 246, 249	1001230931 ..... 655, 663, 693
1001186384 ..... 481	1001206250..... 619	1001221265..... 264, 267	1001230934 ..... 667, 671
1001186387 ..... 479	1001206251..... 623	1001221265..... 264, 267	1001230935 ..... 667, 671
1001186389 ..... 501	1001206252..... 627	1001221427..... 284, 290	1001230936 ..... 667, 671
1001186431 ..... 525	1001206253..... 611	1001221666..... 97	1001231235 ..... 766
	1001206254..... 615	1001221802..... 93	1001231315 ..... 733
	1001206255..... 607	1001222665..... 765	
	1001206476..... 635	1001222773..... 379	
	1001206544..... 766	1001222817..... 381	
		1001223055..... 733	
		1001223068..... 381	
		1001223453..... 733, 741	
		1001223459..... 669, 671	
		1001223883..... 45	
		1001223971..... 741	

## SECTION 11 - SPECIAL OPTIONS

1001231316.....741	1001237544.....509	1001245369.....733	1001253551.....737
1001231317.....747	1001237546.....125	1001245370.....741	1001253552.....737
1001231318.....749	1001237667.....683, 701	1001245371.....747	1001253553.....749
1001231319.....737	1001237668.....683, 701	1001245372.....743	1001253554.....749
1001231320.....745	1001237755.....417, 419	1001245373.....737	1001253555.....745
1001231321.....743	1001237827.....333	1001245374.....749	1001253556.....745
1001231801.....751	1001237828.....329	1001245375.....745	1001253945.....766
1001231886.....129	1001237862.....721, 723	1001245916.....506	1001253946.....766
1001231949.....555	1001237863.....523, 721	1001246127.....764	1001255133.....473
1001231950.....551, 553	1001237864.....523, 723	1001246128.....764	1001256212.....155
1001232010.....551, 553, 555	1001237865.....523, 719	1001246142.....764	1001256216.....154
1001232011.....551, 553, 555	1001237882.....765	1001246612.....739	1001256506.....668
1001232164.....523	1001237883.....765	1001246613.....735	1001256507.....667
1001232165.....523	1001238263.....549, 551, 553, 555	1001246618.....155, 159	1001256864.....343
1001232546.....344, 347	1001238319.....523	1001246619.....155, 159	1001256879.....330, 334
1001232642.....529	1001238418.....529, 725	1001246860.....765	1001257155.....290
1001232643.....766	1001238421.....473	1001246867.....765	1001257271.....549
1001232650.....529	1001238421.....473	1001247073.....766	1001257274.....549
1001232667.....529	1001238463.....553	1001247468.....473	1001257277.....171, 184, 196, 208, 220, 232
1001232842.....383	1001238472.....529	1001248140.....549, 551, 553, 555	1001258800.....343
1001233047.....764	1001238477.....529	1001248141.....549, 551, 553, 555	1001260432.....342
1001233237.....764	1001238495.....525	1001248539.....733, 737, 741, 743, 745, 747, 749	1001261045.....342
1001233492.....344	1001238559.....529	1001248540.....735, 739	1001261085.....342
1001233494.....765	1001238824.....529	1001248546.....735, 739	1001261335.....549
1001233763.....383	1001239202.....672	1001248547.....733	1001261338.....549
1001233959.....125, 509	1001239281.....129	1001248548.....741	1001261500.....751
1001234800.....671	1001239344.....639	1001248549.....747	1001270339.....639
1001235011.....529	1001239345.....639	1001248550.....749	1001270340.....639
1001235013.....529	1001239634.....765	1001248551.....737	1001275637.....45
1001235149.....339	1001239805.....635	1001248552.....745	1001283008.....289, 321
1001235150.....330, 334, 337	1001241383.....131	1001248553.....743	1001307894.....457, 647, 649, 651, 653
1001235151.....337, 339, 342	1001241420.....765	1001248555.....733, 737, 741, 743, 745, 747, 749, 751	1001308291.....457, 647, 649, 651, 653
1001235459.....308, 312, 325	1001241547.....766	1001248561.....735, 739	1060341.....679
1001235476.....307, 315	1001241548.....766	1001249052.....766	1060343.....402, 410
1001235477.....315, 317, 320	1001241585.....635	1001249695.....764	1060379.....545, 547
1001235479.....311, 317	1001241630.....635	1001249941.....764	1060545.....659
1001235481.....307	1001241965.....529	1001249964.....277, 295, 299	1060904.....191, 195, 227, 231
1001235482.....311	1001242185.....639	1001250035.....766	1060908.....657, 661
1001235617.....764	1001242186.....113, 116, 120, 683	1001250296.....155, 158	1060918.....519
1001235952.....344	1001242189.....506, 701	1001250297.....155, 159	1060979.....655
1001236087.....509	1001242192.....764	1001250465.....766	1060981.....641, 645
1001236091.....125	1001242373.....113, 115, 120	1001250466.....766	1060982.....643
1001236411.....159	1001243183.....764	1001250466.....766	10702077.....402, 406, 410, 414
1001236504.....635	1001243184.....764	1001250595.....766	10702082.....402, 406, 410, 414
1001236505.....635	1001243414.....155, 159	1001251020.....17, 21, 559	10837580.....575
1001236532.....120	1001243731.....131	1001251045.....417, 419, 567	1120549.....25
1001236552.....529	1001243734.....129	1001252527.....667, 671	1120550.....25
1001236686.....119	1001243849.....131	1001252627.....755, 757	1120555.....527
1001236746.....555	1001243895.....383	1001252629.....549, 551, 553, 555	1180362.....456
1001236747.....551	1001244026.....135	1001252946.....545, 547	1180363.....456
1001236755.....111	1001244027.....137	1001252947.....545, 547	1260017.....73
1001236758.....111, 119	1001245356.....503, 505	1001253375.....687	1320022.....163, 167, 171, 175, 179, 183, 187, 191, 195, 199, 203, 207, 211, 215, 219, 223, 227, 231, 239, 245, 251, 257, 263, 269, 277, 284, 290, 295, 307, 311, 321, 329, 333, 342, 375
1001236891.....549, 551, 553, 555	1001245357.....503	1001253375.....687	
1001236895.....549, 551, 553, 555	1001245358.....107	1001253543.....733	
1001236899.....120	1001245359.....99	1001253544.....733	
1001236951.....765	1001245360.....103	1001253545.....741	
1001237111.....158	1001245361.....103, 107, 113	1001253546.....741	
1001237113.....155, 159	1001245362.....109	1001253547.....747	
1001237285.....344, 671	1001245363.....101	1001253548.....747	
	1001245364.....105	1001253549.....743	
	1001245365.....101, 105, 109, 115	1001253550.....743	
	1001245367.....113		
	1001245368.....116		



## SECTION 11 - SPECIAL OPTIONS

1320058 ... 167, 171, 179, 183, 191, 195, 203, 207, 215, 219, 227, 231	1671092 .... 402, 410, 649	1704277 .... 733, 735, 737, 739, 741, 743, 745, 747, 749	1706062 ..... 745
1320060 ... 167, 171, 179, 183, 191, 195, 203, 207, 215, 219, 227, 231	1671093 .... 532, 537, 649	1704412 .... 733, 735, 737, 739, 741, 743, 745, 747, 749	1706063 ..... 749
1320061 ..... 461	1671121 ... 163, 175, 187, 199, 211, 223, 239, 245, 251, 257, 263, 269, 307, 311, 329, 333	1704885 ..... 751	1706064 ..... 741
1320095 .... 113, 115, 119	1701499 ... 733, 735, 737, 739, 741, 743, 745, 747, 749	1704972 ..... 733	1706098 ..... 735, 739
1320130 .... 284, 290, 460	1701501 ... 733, 735, 737, 739, 741, 743, 745, 747, 749	1705014 ..... 499	1706385 ..... 499
1320136 ..... 460, 569	1701505 ... 733, 735, 737, 739, 741, 743, 745, 747, 749	1705174 .... 735, 739, 741	1706493 ..... 501
1320146 ... 601, 603, 605, 633	1701509 ... 527, 733, 735, 737, 739, 741, 743, 745, 747, 749	1705305 .... 539, 755, 757	1706501 ..... 501
1320162 .... 87, 89, 91, 95	1701518 ..... 735, 739	1705307 ..... 445, 766	1706741 ..... 505
1320177 ..... 532, 543	1702565 ..... 505	1705325 ..... 609, 611	2030010 ... 532, 535, 537, 539, 543
1320187 ... 163, 175, 187, 199, 211, 223, 239, 245, 251, 257, 263, 269, 307, 311, 329, 333	1702566 ..... 505	1705336 ..... 733	2060025 ... 167, 171, 179, 183, 191, 195, 203, 207, 215, 219, 227, 231
1320190 ... 163, 175, 187, 199, 211, 223, 239, 245, 251, 257, 263, 269, 307, 311, 329, 333	1702773 ... 499, 501, 739, 751	1705344 ..... 745	2080040 ... 479, 481, 483, 485, 487
1320223 ... 167, 171, 179, 183, 191, 195, 203, 207, 215, 219, 227, 231	1702774 ..... 751	1705345 ..... 747	211040431, 36, 465, 467, 582, 593, 595, 597
1320263 ..... 17, 21	1702868 ... 539, 733, 751, 755	1705347 ..... 741	211040651, 64, 465, 468, 582, 589
1320294 ..... 456	1702942 ..... 188, 224	1705351 ..... 733	2110408 ..... 64
1320295 ..... 456	1703162 ... 167, 171, 179, 183, 191, 195, 203, 207, 215, 219, 227, 231, 278, 282, 288, 296, 322, 342	1705358 ..... 527	2110604 ..... 467, 589
1320298 ..... 457	1703804 ..... 733	1705366 ..... 460	211060649, 64, 465, 467, 589
1320301 ..... 460	1703805 ..... 733	1705367 ..... 460	2110608 .... 64, 593, 595, 597
1320302 ... 532, 535, 537, 539	1703811 ... 733, 735, 737, 739, 741, 743, 745, 747, 749	1705374 .... 385, 393, 629, 631	2110610 .... 593, 595, 597
1321283 ..... 330, 334	1703935 ..... 749	1705375 .... 402, 410, 539	2110808 . 31, 36, 64, 465, 467, 586
1321293 ..... 461	1703936 ..... 741	1705387 .... 385, 393, 402, 411	211081051, 64, 593, 595, 597
1321716 ..... 330, 334	1703938 ..... 745	1705426 ..... 745	211081231, 36, 582, 593, 595, 597
1340065 ... 167, 171, 179, 183, 191, 195, 203, 207, 215, 219, 227, 231	1703939 ..... 747	1705427 ..... 747	2111010 .... 64, 467, 582, 593, 595, 597
1340067 ..... 764	1703941 ..... 749	1705429 ..... 741	2111012 .... 51, 593, 595, 597
1380147 ..... 141, 143	1703942 ..... 741	1705430 ..... 743	2111016 ..... 597
1380169 ... 146, 150, 154, 158	1703943 ..... 743	1705430 ..... 743	2111212 .... 593, 595, 597
1560011 ..... 703	1703944 ..... 745	1705460 .... 402, 406, 410, 414	2111216 ..... 63
1560012 ..... 703	1703945 ..... 747	1705461 ..... 406, 414	2111616 .... 593, 595, 597
1580012 ..... 521	1703947 ..... 749	1705489 .... 389, 397, 406, 414	2112016 ..... 597
1580013 ..... 765	1703948 ..... 741	1705490 ..... 755, 757	2112020 .... 593, 595, 597
1600343 ..... 505, 761	1703949 ..... 743	1705492 ..... 733	2113232 .... 593, 595, 597
1600443 ..... 235	1703950 ..... 745	1705493 ..... 745	2120217 ..... 59
1670603 ..... 607	1703951 ..... 747	1705503 ..... 747	2130404 ..... 582, 597
1670996 ..... 53	1703953 ..... 733	1705505 ..... 741	2130406 ..... 32, 36, 582
1671023 ... 167, 171, 179, 183, 191, 195, 203, 207, 215, 219, 227, 231	1703980 ..... 745	1705511 .... 733, 735, 737, 739, 741, 743, 745, 747, 749	2130606 .... 63, 591, 593, 595, 597
1671031 ..... 460	1703981 ..... 747	1705511 .... 733, 735, 737, 739, 741, 743, 745, 747, 749	2130808 ... 582, 593, 595, 597
1671032 ... 422, 428, 434, 440	1703982 ..... 743	1705511 .... 733, 735, 737, 739, 741, 743, 745, 747, 749	2130810 ..... 49, 597
1671033 ... 422, 428, 434, 440	1703983 ..... 749	1705511 .... 733, 735, 737, 739, 741, 743, 745, 747, 749	2130812 . 32, 36, 582, 597
1671038 ... 146, 150, 154, 158	1703984 ..... 741	1705511 .... 733, 735, 737, 739, 741, 743, 745, 747, 749	2131010 ..... 582
1671040 ..... 25	1704000 ..... 741, 751	1705511 .... 733, 735, 737, 739, 741, 743, 745, 747, 749	2131012 ..... 64
1671044 ..... 460	1704001 ..... 749	1705511 .... 733, 735, 737, 739, 741, 743, 745, 747, 749	2131212 ... 87, 89, 91, 93, 95, 97, 593, 595
1671045 ..... 53, 55	1704006 ..... 741	1705511 .... 733, 735, 737, 739, 741, 743, 745, 747, 749	2131612 ..... 597
1671046 ..... 53, 55	1704007 ..... 749	1705511 .... 733, 735, 737, 739, 741, 743, 745, 747, 749	2150404 ..... 582
1671047 ..... 53, 55	1704260 ..... 505	1705511 .... 733, 735, 737, 739, 741, 743, 745, 747, 749	2150406 ..... 582
1671048 ..... 53, 55		1705511 .... 733, 735, 737, 739, 741, 743, 745, 747, 749	2151012 ..... 51
1671049 ..... 53, 55		1705511 .... 733, 735, 737, 739, 741, 743, 745, 747, 749	2160002 ..... 71
		1705511 .... 733, 735, 737, 739, 741, 743, 745, 747, 749	2170316 ..... 64
		1705511 .... 733, 735, 737, 739, 741, 743, 745, 747, 749	2170504 ..... 586, 589
		1705511 .... 733, 735, 737, 739, 741, 743, 745, 747, 749	2170506 ..... 589
		1705511 .... 733, 735, 737, 739, 741, 743, 745, 747, 749	2170512 ..... 93, 97
		1705511 .... 733, 735, 737, 739, 741, 743, 745, 747, 749	2170704 ..... 586
		1705511 .... 733, 735, 737, 739, 741, 743, 745, 747, 749	2170710 ..... 582

## SECTION 11 - SPECIAL OPTIONS

2170712.....87, 89, 91, 95	2720500... 167, 171, 179,	2753766 .... 593, 595, 597	3251242.....607, 613, 615,
2170804.....586	183, 191, 195, 203,	2753767 ..... 582	617, 619, 621, 623,
2170908.....593, 595, 597	207, 215, 219, 227, 231	2753768 ..... 586	625, 627
2171112.....91, 93, 95, 97	2720501 ... 167, 171, 179,	2753769 ..... 593, 595	3251243....385, 394, 402,
2171208.....582	183, 191, 195, 203,	2753770 ..... 593, 595	410, 733, 741, 743
2171210.....582	207, 215, 219, 227, 231	2753771 .... 593, 595, 597	3251813.....751
2172112.....93, 97	2750528 ..... 71	2753772 .... 593, 595, 597	3252347.....733
2180344.....71	2750532 ... 163, 167, 171,	2753773 ..... 593, 595	3271601.....375, 456
2180348....163, 175, 187,	175, 179, 183, 187,	2753774 .... 593, 595, 597	3271605....549, 551, 553,
199, 211, 223, 375	191, 195, 199, 203,	2753775 ..... 593	555
2180467.....83	207, 211, 217, 221,	2753776 ..... 593, 595	3271805.....499, 501
2180832....239, 245, 251,	223, 227, 231, 239,	2753778 ..... 87, 89	3272001....276, 282, 288,
257, 263, 269, 307,	245, 251, 257, 263,	2753784 ..... 582	294, 320, 342, 549,
311, 329, 333, 532, 543	269, 307, 311, 329, 333	2753843 ..... 87	551, 553, 555
2220063.....71	2753541 ..... 586	2753999 ..... 89	3272005.....447
2220235.....18, 586	2753545 ..... 582, 586	2754470 ..... 582	3281601.....460
2220273.....282, 288	2753552 ..... 586	2780286 ..... 27	3290405....389, 397, 607,
2220313....163, 175, 187,	2753582 ..... 586	2820031 ... 385, 389, 393,	609, 611, 613, 615,
199, 211, 223, 239,	2753622 ..... 595	397, 401, 405, 409, 413	617, 619, 621, 623,
245, 251, 257, 263,	2753675 ..... 582	2820035 ..... 127, 383	625, 627, 633
269, 307, 311, 329, 333	2753677 ..... 586	2820170 ... 163, 175, 187,	3290601....147, 151, 155,
2220451....167, 171, 179,	2753685 ..... 586	199, 211, 223	159
183, 191, 195, 203,	2753703 ..... 586	2820171 ..... 695	3290605.....532, 543
207, 215, 219, 227, 231	2753708 .... 593, 595, 597	2820247 ..... 721, 723	3290605001.....511
2220478.....593, 595, 597	2753713 ..... 586	2840016 ..... 141, 143	3290606....489, 491, 493,
2220498....167, 171, 179,	2753714 ..... 586	2860030 .... 119, 123, 760	495, 497
183, 191, 195, 203,	2753715 ..... 586	2900770 .... 63, 561, 565,	3290607.....135, 137
207, 215, 219, 227, 231	2753716 ..... 586	567, 575	3290801....276, 282, 288,
2220737 ..... 593, 595	2753718 .... 593, 595, 597	2900789 ..... 577	294, 320, 342
2220816.....375, 381	2753719 ..... 589	2900792 .... 559, 563, 569	3290805....284, 290, 635
2220883.....51, 563, 565,	2753726 ..... 589	2901443 ..... 766	3290806.....473
567, 569, 575	2753727 ..... 589	2902065 ... 167, 171, 179,	3290807.....284, 290
2220885....561, 563, 567,	2753728 ..... 591	183, 191, 195, 203,	3291001....282, 288, 473
569, 573, 575, 577	2753729 ..... 589	207, 215, 219, 227,	3291005.....473
2220886 ..... 569, 577	2753730 .... 593, 595, 597	231, 277, 282, 288,	3291007.....282, 288
2220890.....64	2753731 .... 593, 595, 597	294, 321, 342, 373	3291201.....473
2221084....593, 595, 597	2753732 ..... 591	2902087 ..... 561	3291205.....473
2221086..49, 51, 64, 465,	2753733 ..... 591	2902099 ... 163, 175, 187,	3300151....477, 483, 487,
467	2753734 ... 591, 593, 595,	199, 211, 223	489, 491, 493, 495,
2221117 ..... 593, 595	597	2902212 ..... 527	497, 532, 535, 537, 539
2221176....163, 175, 187,	2753735 ..... 591	2902217 .... 532, 535, 537	3300220....239, 245, 251,
199, 211, 223	2753736 ..... 591	2902257 ..... 573	257, 263, 269, 307,
2400060.....383	2753737 ..... 591	2902443 .... 665, 668, 671	311, 329, 333
2400064.....683, 760	2753738 ..... 591	2915072 ..... 71	3300239....422, 428, 434,
2400065.....729, 760	2753739 ..... 591	2920028 ..... 505	440
2400066.....683, 729	2753741 ..... 593, 595	2920029 ..... 505	3300353.....505
2410014.....499, 501	2753742 ..... 591	2920161 ..... 133	3300396....386, 394, 402,
2420191 ..... 81	2753743 ..... 582, 591	2940074 ... 479, 481, 483,	406, 410, 414
2460048.....401, 405	2753744 .... 593, 595, 597	485, 487, 760	3300408.....125
2540038.....282, 288	2753746 .... 593, 595, 597	2940173 ... 147, 151, 155,	3300430.....525
2540045.....471	2753747 ..... 586	159	330045455, 59, 135, 137,
2560136.....505	2753748 ..... 586	3020037 ..... 315, 317	168, 172, 180, 184,
2560187 .... 147, 151, 155,	2753749 ..... 586	3020039 ... 422, 428, 434,	192, 196, 204, 208,
159	2753750 ..... 586	440	216, 220, 228, 232
2580062....191, 195, 227,	2753752 ..... 586	3020042 ... 422, 428, 434,	3300458....422, 428, 434,
231	2753753 ..... 591	440	440
2600279....113, 115, 120	2753754 ..... 591	3160339 ..... 39	3300460....422, 428, 434,
2600281....479, 481, 483,	2753755 ..... 582	3200362 ... 167, 171, 179,	440
485, 487	2753756 ..... 586	183, 192, 196, 203,	3300461....422, 428, 434,
2717235.....582	2753757 ..... 586	207, 215, 219, 228, 232	440
2720015....277, 284, 290,	2753759 ..... 586	3200401 ... 167, 171, 179,	3300464.....25
296, 321	2753760 ..... 586	183, 192, 196, 203,	3300465.....573
2720058....167, 171, 179,	2753761 ..... 586	207, 215, 219, 228, 232	3300492.....456
183, 191, 195, 203,	2753762 ..... 586	3220126 ... 167, 180, 192,	3310401....277, 282, 288,
207, 215, 219, 227,	2753763 ..... 582	204, 216, 228	294, 321, 342
231, 375	2753764 ..... 586	3251102 ... 385, 389, 393,	3310601.....141, 143
2720160.....532, 543	2753765 .... 593, 595, 597	397, 401, 405, 409, 413	3310805.....17, 21

## SECTION 11 - SPECIAL OPTIONS

3311001 ... 113, 115, 119, 377, 379, 386, 394, 402, 406, 410, 414	3312002 ..... 69, 549, 551, 553, 555	3450404 ..... 141, 143	3573644 ... 163, 175, 187, 199, 211, 223
3311005 ... 385, 393, 402, 406, 410, 414, 532, 535, 537, 539, 543	3312005 ..... 21, 417, 419, 447, 527	3460334 ..... 527	3573669 ... 163, 175, 187, 199, 211, 223
3311401 ... 113, 115, 119	3312205 ..... 527	3470003 ..... 506	3573728 ... 163, 175, 187, 199, 211, 223
3311402 ... 113, 115, 119	3312602 .... 133, 135, 137	3520026 ..... 505	3574431 ..... 460
3311405 . 47, 55, 61, 113, 115, 119, 129, 131, 150, 154, 158, 168, 172, 180, 184, 192, 196, 204, 208, 216, 220, 228, 232, 239, 249, 251, 257, 267, 269, 276, 282, 288, 294, 307, 311, 320, 329, 333, 342, 389, 397, 460, 471, 503, 529, 601, 603, 605, 607, 609, 611, 613, 615, 617, 619, 621, 623, 625, 627, 633, 635, 733, 735, 737, 739, 741, 743, 745, 747, 749	3322201 ..... 79	3520027 ..... 506	3574616 ..... 460
3311505 ... 25, 47, 73, 87, 89, 91, 93, 95, 97, 127, 143, 146, 147, 150, 151, 154, 155, 158, 159, 163, 168, 172, 175, 180, 184, 187, 192, 196, 199, 204, 208, 211, 216, 220, 223, 228, 232, 461, 463, 545, 547	3340871 ... 423, 429, 435, 441	3520030 ..... 505	3575889 ..... 449
3311508 ... 385, 393, 401, 405, 409, 413, 456	3340881 17, 21, 423, 429, 435, 441, 449	3520034 .... 146, 150, 154, 158	3576799 ..... 532, 543
3311601 . 61, 81, 83, 154, 159, 506, 529	3340910 ... 423, 429, 435, 441	3520054 ..... 21, 168, 172, 180, 184, 192, 196, 204, 208, 216, 220, 228, 232, 240, 245, 252, 258, 263, 270, 308, 312, 329, 333, 344	3577121 ... 532, 535, 537, 539
3311605 ... 47, 61, 87, 89, 93, 97, 141, 143, 146, 150, 154, 158, 168, 172, 180, 184, 192, 196, 204, 208, 216, 220, 228, 232, 239, 245, 251, 257, 263, 269, 276, 282, 288, 294, 307, 311, 320, 329, 333, 342, 377, 379, 381, 423, 429, 434, 440, 445, 460, 471, 499, 501, 503, 532, 535, 537, 539	3340912 ... 423, 429, 435, 441	3520071 ..... 527	3580158 ... 168, 172, 204, 208
3311608 ... 423, 429, 435, 441, 449, 456	3340916 ... 423, 429, 435, 441	3520072 .... 477, 479, 481, 483, 485, 487, 489, 491, 493, 495, 497, 499, 501	3580300 ... 423, 429, 435, 441
3311705 ... 240, 245, 252, 258, 263, 270, 276, 282, 288, 294, 308, 312, 320, 329, 333, 342	3340917 ... 423, 429, 435, 441	3520189 ..... 406, 414	3580302 ... 423, 429, 435, 441
3311801 ... 393, 397, 409, 413, 423, 429, 435, 441	3340918 ... 423, 429, 435, 441	3520192 ..... 406, 414	3580306 ... 423, 429, 435, 441
3311805 45, 79, 141, 143, 146, 150, 154, 158, 168, 172, 180, 184, 192, 196, 204, 208, 216, 220, 228, 232	3340921 ... 423, 429, 435, 441	3520198 .... 477, 479, 481, 483, 485, 487, 489, 491, 493, 495, 497	3580317 ... 385, 389, 393, 397, 402, 405, 409, 413
	3340922 ... 423, 429, 435, 441	3520199 ..... 406, 414	3580318 ... 385, 393, 402, 409
	3340925 ..... 456	3537416 .... 168, 172, 180, 184, 192, 196, 204, 208, 216, 220, 228, 232	3580319 ... 389, 397, 406, 413
	3340926 ... 423, 429, 435, 441	3537445 ..... 141	3580320 ... 180, 184, 192, 196, 216, 220, 228, 232, 276, 282, 288, 294, 320
	3340939 ..... 457	3539971 .... 168, 172, 180, 184, 192, 196, 204, 208, 216, 220, 228, 232	3580342 ... 423, 429, 435, 441
	3340940 ..... 456	3572950 .... 423, 429, 435, 441	3600339 ... 168, 172, 180, 184, 192, 196, 352
	3340941 ..... 460	3573016 ..... 456	3620034 ..... 87, 89
	3340942 ..... 456	3573142 .... 168, 172, 180, 184, 192, 196, 204, 208, 216, 220, 228, 232	3740067 ..... 61, 168, 172, 180, 184, 192, 196, 204, 208, 216, 220, 228, 232, 760
	3340955 ... 423, 429, 435, 441	3573144 .... 113, 115, 120	3740080 ... 119, 168, 172, 180, 184, 192, 196, 204, 208, 216, 220, 228, 232, 684, 729, 760
	3340956 ..... 527	3573179 ..... 456	3740086 ..... 725
	3380434 ..... 503	3573181 ..... 456	3760170 ..... 73
	3380473 ... 163, 175, 187, 199, 211, 223	3573194 ..... 456	3760217 ... 423, 429, 435, 441
	3421453 ..... 532, 543	3573210 ..... 456	3760308 ... 147, 151, 154, 158
	3421563 ..... 73	3573232 .... 146, 150, 154, 158	3760351 ..... 449
	3421565 ..... 73	3573294 ..... 17, 21	3760371 ..... 569
	3422446 ... 163, 175, 187, 199, 211, 223, 239, 245, 251, 257, 263, 269, 307, 311, 329, 333	3573301 ..... 460	3760383 ..... 25
	3422532 ... 168, 172, 180, 184, 192, 196, 204, 208, 216, 220, 228, 232	3573335 ..... 17, 21	3790012 ..... 505
	3422661 ..... 545, 547	3573355 ..... 139	3790152 ... 204, 208, 217, 220, 229, 233, 261, 267, 273, 315, 337
	3422833 ..... 21	3573400 .... 532, 535, 537, 539	3790155 ... 205, 208, 217, 221, 229, 233, 261, 267, 273, 315, 337
	3422915 ..... 21	3573411 .... 168, 172, 180, 184, 192, 196, 204, 208, 216, 220, 228, 232	3790158 ..... 36
	3422917 ..... 25	3573412 .... 168, 172, 180, 184, 192, 196, 204, 208, 216, 220, 228, 232	3820001 ... 733, 735, 737, 739, 741, 743, 745, 747, 749
	3422918 ..... 17, 21	3573437 .... 423, 429, 435, 441	3820020 ... 479, 481, 483, 485, 487
	3422926 ... 423, 429, 435, 441	3573444 .... 423, 429, 435, 441	
	3422940 ..... 25	3573454 ..... 141	
	3422941 ..... 25	3573529 .... 168, 172, 180, 184, 192, 196, 204, 208, 216, 220, 228, 232	
	3422955 ..... 417, 419	3573642 .... 532, 535, 537, 539	
	3422959 ... 423, 429, 435, 441		
	3422960 ..... 17, 21		
	3422988 ..... 417, 419		
	3423161 ..... 449		
	3423208 ..... 417, 419		
	3423256 ..... 25		
	3430616 ..... 506		
	3430816 ..... 141, 143		

## SECTION 11 - SPECIAL OPTIONS

3841143.... 163, 175, 187, 199, 211, 223, 239, 245, 251, 257, 263, 269, 307, 311, 329, 333, 447, 473	3960422 ... 385, 393, 402, 409, 603, 605, 629, 631	4071019 ... 423, 429, 435, 441	4360274.... 113, 115, 119, 760
3841203.... 423, 429, 435, 441, 447	3960447 ... 147, 151, 154, 158	4071021 ..... 457	4360328.... 113, 115, 119, 760
384125821, 25, 417, 419, 447	3960543 ... 168, 172, 180, 184, 192, 196, 204, 208, 216, 220, 228, 232, 276, 282, 288, 294, 320, 342	4071022 ..... 457	4360336.... 385, 389, 393, 397, 402, 406, 409, 413, 761
3841287.17, 21, 417, 419	3960544 ... 168, 172, 180, 184, 192, 196, 204, 208, 216, 220, 228, 232, 276, 282, 288, 294, 320, 342	4071023 ..... 457	4360387.... 115, 119, 505, 760
3841340..... 47, 81, 83	3960551 ..... 25	4071024 ... 423, 429, 435, 441	4360407..... 505, 760
3841581 ..... 417, 419	3960552 ..... 25	4071025 ... 423, 429, 435, 441	4360469.... 119, 123, 761
3900054 ..... 499, 501	3980006 ..... 61	4071026 ..... 424, 436	4360475.... 113, 115, 119, 505, 760
3900085.... 133, 135, 137	3990001 ..... 683, 760	4071027 ... 424, 430, 436, 442	4360476.... 113, 115, 119, 760
3900174.... 146, 150, 154, 158	4000008 ..... 460, 761	4071028 ... 424, 430, 436, 442	4360505..... 25, 760
3900210.... 146, 147, 150, 151, 154, 155, 158, 159, 463	4010408 .... 389, 397, 633	4071029 ... 424, 430, 436, 442	4360527..... 460, 761
3900232.... 146, 150, 154, 158	4010608 ..... 532, 543	4071031 ... 424, 430, 436, 442	4360543..... 460, 761
3900267 ..... 386, 394	4010618 ... 489, 491, 493, 495, 497	4071035 ..... 17, 21	4360578.17, 21, 460, 760
3900270 ..... 17, 21	4031505 ..... 523	4071036 ..... 17, 21	4400457..... 81, 83, 85
3900272.... 163, 175, 187, 199, 211, 223	4031516 ..... 529	4071039 ..... 17, 21, 449	4420014..... 527
3900283.... 53, 59, 81, 83, 449, 457	4031708001 ..... 511	4071040 ..... 17, 21, 449	4420037..... 61, 532, 535, 537, 539
3900300..... 386, 394	4031907 ..... 282, 288	4071041 ..... 69	4420038..... 81, 83
3900316..... 457	4031914 ... 276, 282, 288, 294, 320, 342	4071042 ..... 17, 21	4420051..... 751
3900349..... 505	4032014 ... 276, 282, 288, 294, 320	4071046 ... 424, 430, 436, 442	4420062..... 545, 547
3900363.... 147, 151, 155, 159	4032022 ... 168, 172, 180, 184, 192, 196, 204, 208, 216, 220, 228, 232	4071049 ..... 18	4420066..... 527
3910408.... 277, 282, 288, 294, 321, 342	4060092 ..... 605	4071050 ..... 18	4460016..... 701
3910606.... 385, 393, 402, 409, 603, 605, 629, 631	4060802 ... 385, 389, 393, 397, 402, 406, 409, 413	4071054 ..... 17, 21	4460019.... 665, 668, 671, 729
3910608..... 141, 143	4060804 ... 168, 172, 180, 184, 192, 196, 204, 208, 216, 220, 228, 232, 457	4071055 ..... 17, 21	4460042.... 669, 672, 683
3910804..... 123	4060805 ... 168, 172, 180, 184, 192, 196, 204, 208, 216, 220, 228, 232, 457	4071074 ..... 505	4460043.... 383, 668, 671
3930606..... 460	4060906 ..... 505	4120040 ..... 445, 766	4460051..... 603, 605
3930816..... 460	4070863 ... 423, 429, 435, 441	4120043 ..... 445, 766	4460068..... 386, 394
3930820..... 17, 21, 460	4070864 ... 423, 429, 435, 441	4160194 ... 146, 150, 154, 158	4460071.... 385, 393, 402, 409, 519
3930824..... 460	4070895 ... 423, 429, 435, 441	4160197 ... 424, 430, 436, 442	4460125..... 605
3931008..... 79	4070897 ... 423, 429, 435, 441, 449	4240018 ... 163, 175, 187, 199, 211, 223, 239, 245, 251, 257, 263, 269, 307, 311, 329, 333, 385, 389, 393, 397, 402, 406, 409, 413, 457, 629, 631	4460134..... 647
3931016.... 385, 393, 401, 405, 409, 413	4070898 ... 423, 429, 435, 441, 449	4240032 .... 135, 137, 665	4460144..... 683
3931020..... 25	4071012 ... 423, 429, 435, 441	4240033 ... 523, 525, 529, 665	4460205..... 603, 647
3931408..... 525	4071013 ..... 435, 441	4240099 ... 163, 168, 172, 175, 180, 184, 187, 192, 196, 199, 204, 208, 211, 216, 220, 223, 228, 232, 278, 282, 288, 296, 322, 330, 334, 342, 383, 532, 535, 537	4460213..... 701
3931412..... 25	4071015 ... 423, 429, 435, 441	4240139 ..... 81	4460224..... 398
3931414..... 460	4071016 ... 423, 429, 435, 441	4240149 ..... 527	4460225.... 679, 681, 701
3931420..... 565, 569	4071017 ... 423, 429, 435, 441	4240153 ..... 457	4460226.... 514, 517, 519, 701
3931432.... 277, 282, 288, 294, 321, 342	4071018 ... 423, 429, 435, 441	4240155 ..... 17, 22, 457	4460227..... 684, 701
3931508.... 278, 282, 288, 296, 322, 342, 460	4071019 ... 423, 429, 435, 441	4300157 ... 393, 397, 409, 413	4460234.... 192, 196, 228, 232, 296, 505
3931512..... 79, 276, 282, 288, 294, 320, 342	4071020 ... 423, 429, 435, 441	4340999 ... 146, 150, 154, 158	4460247..... 668, 671
3931616.... 99, 101, 103, 105, 107, 109, 111	4071021 ..... 457	4341158 ..... 460	4460256..... 729
3931628.... 276, 282, 288, 294, 320	4071022 ..... 457	4360070 ... 386, 394, 402, 406, 410, 414, 761	4460259.... 683, 701, 729
3931824..... 561, 569	4071023 ..... 457		4460260.... 683, 701, 729
3932016..... 447	4071024 ... 423, 429, 435, 441		4460265..... 514, 517
3932024..... 25	4071025 ... 423, 429, 435, 441		4460267.... 701, 727, 729
3932224..... 447	4071026 ..... 424, 436		4460268.... 127, 129, 131, 679, 681, 729
3951522..... 456	4071027 ... 424, 430, 436, 442		4460294..... 398
3952020..... 69	4071028 ... 424, 430, 436, 442		4460313.... 665, 683, 729
3960418.... 113, 115, 120	4071029 ... 424, 430, 436, 442		4460315.... 409, 603, 605, 665

## SECTION 11 - SPECIAL OPTIONS

4460424 ... 127, 129, 131, 729	4460851 ..... 693	4460956.....657, 659, 661	4641289 ..... 577
4460425 ... 386, 394, 402, 406, 410, 414, 629, 631	4460852 ..... 693	4460957.....657, 659, 661	4641454 ..... 47, 51
4460426 ... 113, 115, 119, 386, 394, 402, 406, 410, 414	4460865 ..... 689, 699	4460958.....629	4700039 ... 424, 430, 436, 442
4460428 ..... 505	4460866 ... 684, 693, 701	4460962.....532, 537, 649	4710400 ... 277, 282, 288, 294, 321, 342
4460434 ..... 701	4460868 ..... 683	4460963.....402, 410, 649	4711000 ... 377, 379, 386, 394, 402, 406, 410, 414
4460458 ..... 668, 671	4460871 ... 683, 684, 701, 729	4460965.....639	4711400 ... 47, 55, 59, 61, 129, 131, 147, 150, 151, 154, 155, 158, 159, 163, 175, 187, 199, 211, 223, 239, 245, 249, 251, 257, 263, 267, 269, 277, 282, 288, 294, 307, 311, 321, 329, 333, 342, 385, 389, 393, 397, 402, 406, 409, 413, 461, 471, 477, 483, 487, 489, 491,493, 495, 497, 525, 529, 607, 609, 611, 613, 615, 617, 619, 621, 623, 625, 627, 633
4460464 ... 519, 637, 639, 663, 668, 677, 683, 684, 687, 693, 701, 705, 707, 725, 727, 729	4460872 ..... 729	4460967....402, 406, 411, 414	4711500 ... 25, 47, 59, 87, 89, 91, 93, 95, 97, 143, 146, 147, 150, 151, 154, 155, 158, 159, 163, 168, 172, 175, 180, 184, 187, 192, 196, 199, 204, 208, 211, 216, 220, 223, 228, 232, 276, 283, 289, 294, 320, 342, 461, 463
4460465 ... 402, 406, 411, 414, 637, 639, 663, 665, 667, 668, 671, 672, 679, 681, 683, 687, 689, 693, 695, 697, 699, 701, 703, 705, 729, 730	4460873 ..... 683, 701	4460968.....17, 21, 461	4711600 ... 17, 21, 47, 59, 61, 93, 97, 141, 143, 146, 150, 154, 158, 163, 168, 172, 175, 180, 184, 187, 192, 196, 199, 204, 208, 211, 216, 220, 223, 228, 232, 239, 245, 251, 257, 263, 269, 276, 283, 289, 294, 307, 311, 320, 329, 333, 342, 375, 377, 379, 381, 385, 389, 393, 397, 402, 406, 409, 413, 424, 430, 436, 442, 445, 461, 463, 471, 506, 549, 551, 553, 555
4460466 ... 523, 637, 641, 665, 667, 668, 671, 672, 683, 684, 687, 689, 695, 697, 699, 701, 719, 725	4460874 ... 683, 701, 729	4460970.....667, 683	4711700 ... 240, 245, 252, 258, 263, 270, 276, 283, 289, 294, 308, 312, 320, 329, 333, 342, 375
4460467 ..... 766	4460875 ..... 683, 729	4460971.....471, 532, 543	4711800 ... 17, 21, 25, 47, 141, 143, 168, 172, 180, 184, 192, 196, 204, 208, 216, 220, 228, 232, 457, 499, 501
4460470 ... 113, 115, 119, 471, 505	4460876 ..... 701	4460982.....668	4712000 ..... 21, 527, 549, 551, 553, 555
4460471 ... 113, 115, 119, 505	4460877 ..... 683	4461005.....665	4712200 ..... 527
4460473 ..... 689, 699	4460878 ..... 683	4461006.....665	
4460483 ..... 386, 394	4460879 ..... 701	4461008.....665, 669, 671	
4460488 ..... 135, 137	4460880 ... 663, 707, 729	4461052.....665	
4460496 ... 113, 115, 119, 505	4460884 ... 639, 645, 663, 672, 683, 687, 693, 729	4461053.....665	
4460497 ... 113, 115, 119, 505	4460887 ..... 701	4461054....665, 669, 672, 677	
4460508 ... 523, 684, 693, 701	4460888 ..... 701	4461060.....665	
4460509 ..... 689, 699	4460891 ... 637, 647, 649, 651, 653, 677, 691, 693, 703, 705, 729	4461070....637, 665, 667, 668	
4460510 ..... 766	4460894 ... 639, 641, 665, 668, 672, 683, 701	4461071.....665, 668, 671	
4460518 ..... 637, 684	4460897 ... 677, 691, 707, 727	4461072.....665, 668, 671	
4460526 ... 113, 115, 119, 729	4460899 ... 639, 641, 655, 687, 705, 719, 725, 729	4461073.....665, 668, 671	
4460536 ..... 701	4460905 ... 113, 115, 119, 505, 683, 684	4461074.....665, 668, 671	
4460539 ... 641, 671, 683, 701, 729	4460910 ..... 723	4461077.....693, 719, 725	
4460612 ..... 629, 631	4460911 ... 643, 645, 703, 719	4461095....637, 665, 667, 668	
4460702 ..... 665, 729	4460912 ... 643, 645, 703	4461097.....665	
4460703 ..... 668, 671	4460914 ..... 25, 113, 115, 119, 461	4461196.....709	
4460708 ..... 701	4460918 ... 643, 645, 684, 703	4461198.....611, 709	
4460709 ..... 605, 651	4460925 ..... 701	4461199.....711	
4460710 ..... 651	4460926 ..... 703	4461201.....615, 711	
4460722 ... 383, 643, 645	4460928 ... 637, 684, 703	4461205.....713, 715	
4460746 ..... 671	4460929 ..... 701	4461244.....619, 713	
4460748 ..... 671	4460930 ... 663, 665, 667, 668, 672, 693, 697	4461245.....623, 715	
4460761 ..... 684, 701	4460931 ..... 667, 729	4461246.....627, 717	
4460806 ... 617, 619, 621, 623, 683, 729	4460932 ... 639, 643, 668, 677	4461249.....717	
4460807 ..... 679, 681	4460933 ... 637, 663, 668, 683, 693, 701, 730	4530028....532, 535, 537, 541	
4460808 ..... 679, 681	4460934 ... 663, 667, 693	4562516.....457	
4460836 ... 663, 667, 683, 693, 729, 730	4460935 ... 663, 667, 693	4568293....168, 172, 180, 184, 192, 196, 204, 208, 216, 220, 228, 232	
4460837 ... 113, 115, 119	4460941 ... 639, 663, 667, 677, 691, 719	4568423....424, 430, 436, 442	
4460842 ..... 729	4460942 ... 523, 639, 647, 649, 651, 653, 663, 668, 672, 677, 683, 691, 693, 729	4568426.....87, 89	
4460843 ..... 729	4460943 ... 135, 137, 639, 643, 655, 663, 667, 701, 719, 729	4568427.....87, 89	
	4460944 ... 639, 641, 645, 663, 665, 667, 668, 671, 672, 683, 693, 695, 701, 729, 730	4640438.....567	
	4460945 ... 639, 671, 684	4640489.....565	
	4460950 ..... 663, 668	4640509 ..... 559	
		4640751....168, 172, 180, 184, 192, 196, 204, 208, 216, 220, 228, 232, 278, 284, 290, 296, 322, 342	
		4640771 ..... 575	
		4640858.....561	
		4640999.....563, 569	
		4641155.....47	
		4641210.....567	
		4641247.....87, 91, 93	
		4641248.....563, 569	
		4641260.....565	
		4641268.....47, 49	
		4641276.....561	

## SECTION 11 - SPECIAL OPTIONS

4740171.....255	4811400 ... 607, 609, 611,	4922641 ... 403, 406, 411,	70000859.....39
4740181.....25	613, 615, 617, 619,	414	70000860.....39
4740229.....25	621, 623, 625, 627	4922716 ..... 641	70000861.....39
4740274.... 168, 172, 180,	4811600 ..... 25	4922780 ..... 645	70000862.....39
184, 192, 196, 204,	4811700 ... 135, 137, 342,	4922781 ..... 643	70000863.. 401, 405, 410,
208, 216, 220, 228, 232	489, 491, 493, 495,	4922972 ... 402, 406, 409,	413
4740362.....503	497, 532, 543	413, 681	70000916.....235
4740397..... 119, 505	4811700001 ..... 511	4923256 ..... 697	70000917.....235
4740400.....457	4811702001 ..... 511	4923468 ... 168, 172, 180,	70000918.....235
4740430.53, 55, 249, 267	4811900 ... 276, 283, 289,	184, 192, 196, 204,	70000919.....235
4740444..... 113, 115	294, 320, 343, 473, 635	208, 216, 220, 228, 232	70000950.....359
4740461.....17, 21	4811902 ... 276, 283, 289,	4923592 ... 168, 172, 180,	70001000.....67
4740505.....25	294, 320, 343	184, 204, 208, 216, 220	70001001.....67
4740509.... 424, 430, 436,	4812000 ... 276, 283, 289,	5241200 ..... 32, 36, 473	70001100.. 401, 405, 409,
442	294, 320, 343, 473	5250808 ..... 284, 290	413
4740518.... 168, 172, 180,	4812002 ..... 284, 290	5251008 ..... 473	70001101.....79
184, 192, 196, 204,	4812100 ... 239, 245, 251,	5251016 ..... 473	70001102.....79
208, 216, 220, 228, 232	257, 263, 269, 276,	70000044 ..... 235	70001125.....235
4750600..... 141, 143	283, 289, 294, 307,	70000342 ..... 451	70001126.....235
4750800.....17, 21, 461	311, 320, 329, 333,	70000345 . 235, 299, 303,	70001128.....235
475100081, 83, 113, 115,	343, 473	325, 347	70001129.....235
119, 133, 135, 137,	4812200 ... 276, 283, 289,	70000619 . 401, 405, 409,	70001130.....235
385, 393, 402, 406,	294, 320, 343	413	70001131.....235
410, 414, 532, 535,	4831900 ... 276, 294, 320,	70000793 ..... 373	70001135.....235
537, 539, 543	343	70000801 ..... 51	70001384.. 401, 405, 409,
4751400.... 113, 115, 119,	4845582 ..... 545, 547	70000802 ..... 51	413
135, 137, 147, 151,	4846383 ..... 17, 22	70000803 ..... 51	70001435.....235
155, 159, 168, 172,	4846423 ..... 457	70000804 ..... 51	70001696..... 401, 405
180, 184, 192, 196,	4846429 ..... 457	70000805 ..... 51	70001697..... 451, 453
204, 208, 216, 220,	4846431 ..... 457	70000806 ..... 51	70001847.....235
228, 232, 276, 283,	4846453 ... 424, 430, 436,	70000810 ..... 31	70001850.....235
289, 294, 320, 342,	442	70000811 ..... 31	70001857.....235
503, 505, 521, 532,	4846484 ..... 461	70000812 ..... 31	70001867.....235
535, 537, 539, 635,	4846485 ..... 457	70000813 ..... 31	70001868.....235
733, 735, 737, 739,	4846552 ... 168, 172, 180,	70000816 ..... 31	70001870.. 235, 299, 303,
741, 743, 745, 747, 749	184, 192, 196, 204,	70000817 ..... 31	325, 348
4751400001.....511	208, 216, 220, 228, 232	70000818 ..... 31	70001871.....235
4751500.... 127, 146, 150,	4846627 ... 532, 535, 537,	70000819 ..... 32	70001930.....63
154, 158, 385, 393,	539	70000820 ..... 31	70001939.....49
402, 406, 409, 413,	4846637 ..... 17, 22	70000821 ..... 31	70001952.....352
457, 463, 545, 547	4846945 ... 180, 184, 192,	70000822 ..... 31	70001953..... 401, 405
4751600....25, 53, 81, 83,	196, 216, 220, 228, 232	70000823 ..... 31	70001955.....367
87, 89, 99, 101, 103,	4846946 ... 168, 172, 180,	70000824 ..... 31	70001956.....367
105, 107, 109, 111,	184, 192, 196, 204,	70000825 ..... 31	70001958.....365
139, 146, 150, 154,	208, 216, 220, 228, 232	70000826 ..... 31	70001966.. 386, 389, 394,
158, 417, 419, 449,	4891400 ..... 461	70000834 ..... 31	397, 401, 405, 410, 413
503, 532, 535, 537, 539	4891600 ... 154, 159, 204,	70000835 ..... 31	70001968..... 353, 359
4751700....276, 283, 289,	208, 216, 220, 228,	70000836 ..... 31	70001973.. 401, 405, 410,
294, 320, 342	232, 261, 267, 273,	70000838 ..... 31	414
475180045, 79, 146, 150,	315, 337, 445, 457, 473	70000839 ..... 31	70001974.. 401, 405, 410,
154, 158, 499, 501	4891800 ... 141, 143, 168,	70000840 ..... 31	414
4752000.... 163, 175, 187,	172, 180, 184, 192,	70000841 ..... 31	70001976..... 49, 63
199, 211, 223, 239,	196, 204, 208, 216,	70000842 ..... 31	70002015.....35
245, 251, 257, 263,	220, 228, 232, 243,	70000843 ..... 31	70002016.....35
269, 307, 311, 329, 333	249, 261, 267, 273,	70000844 ..... 31	70002018.....35
4755000.....25	315, 317, 337, 339,	70000845 ..... 31	70002019.....35
4760600.....603, 605	385, 389, 393, 397,	70000846 ..... 31	70002020.....35
4761400.... 113, 115, 119,	402, 406, 409, 413,	70000847 ..... 31	70002021.....35
521	449, 457	70000848 ..... 31	70002026.....35
4770600..... 141, 143	4892000 ... 27, 29, 41, 43,	70000849 ..... 31	70002027.....35
4791400.... 61, 168, 172,	45, 71, 276, 283, 289,	70000852 ..... 39	70002029.....35
180, 184, 192, 196,	294, 320, 343, 424,	70000853 ..... 39	70002030.....35
204, 208, 216, 220,	430, 436, 442, 447	70000854 ..... 39	70002031.....35
228, 232, 276, 294,	4892400 ..... 69	70000855 ..... 39	70002032..... 35, 75
320, 344, 385, 389,	4892600001 ..... 473	70000856 ..... 39	70002033.....35
393, 397, 402, 406,	4920385 ..... 284, 290	70000857 ..... 39	70002034.....35
409, 413	4921850 ..... 767	70000858 ..... 39	70002035.....35

## SECTION 11 - SPECIAL OPTIONS

70002036 .....	35	70002397 .....	31	70003030.....	577	70004422.....	368
70002037 .....	35	70002398 .....	31	70003031.....	577	70004423.....	367
70002039 .....	35	70002399 .....	31	70003135.....	235	70004426.....	367
70002040 .....	35	70002460 .	401, 405, 410, 414	70003136.....	235	70004467.....	75
70002041 .....	35			70003165.....	360	70004469.....	75
70002044 .....	35	70002569 .....	354	70003167.....	359	70004474.....	75
70002045 .....	35	70002576 .....	371	70003170.....	360	70004477.....	75
70002046 .....	35	70002578 .....	367	70003173.....	358	70004480.....	75
70002047 .....	35	70002580 .....	367	70003174.....	358	70004481.....	75
70002048 .....	35	70002582 .....	367	70003175.....	358	70004494.....	76
70002049 .....	35	70002583 .....	367	70003177.....	358	70004501 ..	300, 304, 326
70002050 .....	35	70002585 .....	367	70003340.....	359, 360	70004502.....	300, 326
70002052 .....	35	70002586 .....	367	70003475.....	235	70004503.....	326, 347
70002057 .....	35, 75	70002588 .....	367	70003484.....	79	70004504.....	300, 347
70002088 .....	401, 405	70002589 .....	367	70003485.....	79	70004505.....	299
70002097 .....	59	70002590 .....	367	70003555..	168, 180, 192, 204, 216, 228	70004506.....	299
70002132 .....	364	70002592 .....	368	70003628.....	39	70004507.....	299
70002133 .....	364, 367	70002593 .....	368	70003628.....	39	70004508.....	299, 347
70002134 .....	364	70002599 .....	368	70003630.....	63	70004509.....	299
70002135 .....	364	70002600 .....	364	70003631..	401, 405, 410, 413	70004510.....	299
70002136 .....	364	70002601 .....	364	70003708..	386, 389, 394, 397, 401, 405, 410, 414	70004511.....	303
70002137 .....	364	70002602 .....	364	70003709..	386, 389, 394, 397, 401, 405, 410, 413	70004512.....	303
70002138 .....	364	70002604 .....	365	70003784.....	505	70004646.....	767
70002139 .....	364	70002605 .....	365	70003913.....	456, 760	70004647.....	767
70002140 .....	364	70002606 .....	365	70003914.....	456	70004648.....	767
70002141 .....	364	70002607 .....	365	70003915.....	456	70004676 .	386, 389, 394, 397
70002142 .....	364	70002608 .....	365	70003917.....	456, 760	70004677.....	389
70002145 .....	364	70002609 .....	365	70003918.....	456	70004678 .	386, 389, 394, 398
70002148 .....	364	70002610 .....	365	70003923.....	449, 760	70004680 .	386, 389, 394, 398
70002150 .....	364	70002612 .....	365	70003924.....	449	70004681.....	389, 398
70002151 .....	364	70002616 .....	365	70004029.....	577	70004682 .	386, 389, 394, 398
70002152 .....	364	70002617 .....	365	70004030.....	577	70004683.....	390, 398
70002153 .....	364	70002618 .....	364	70004050.....	465	70004684.....	386
70002154 .....	364	70002619 .....	364	70004051.....	465, 467	70004685.....	386, 394
70002155 .....	364	70002621 .....	365	70004052.....	465, 467	70004686.....	397
70002156 .....	364	70002622 .....	365	70004053.....	465	70004687.....	394
70002157 .....	364	70002623 .....	365	70004054.....	465	70004738.....	517
70002158 .....	364	70002624 .....	365	70004055.....	467	70004739.....	517
70002159 .....	364	70002674 .....	35	70004092..	386, 389, 394, 397, 410, 414	70004740.....	517
70002160 .....	364	70002718 .	235, 299, 303, 325	70004094.....	410, 414	70004741.....	517
70002161 .....	364	70002758 .....	64	70004098..	386, 394, 410, 414	70004742.....	517
70002162 .....	364	70002759 .....	64, 468	70004099..	394, 397, 410, 413	70004743.....	517
70002163 .....	364	70002760 .....	64	70004169.....	401, 405	70004744.....	517
70002164 .....	364	70002853 .....	453	70004171..	386, 389, 401, 405	70004745.....	517
70002165 .....	364	70002854 .....	453	70004185.....	767	70004746.....	517
70002168 .....	365	70002855 .....	453	70004275.....	325	70004747.....	517
70002174 .....	365	70002857 .....	453	70004276.....	304	70004748.....	517
70002175 .....	365	70002858 .....	453	70004277..	300, 305, 326, 348	70004749.....	517
70002177 .....	365	70002859 .....	451, 453	70004279.....	326	70004750.....	517
70002178 .....	365	70002902 .....	519	70004280...299, 303, 325		70004751.....	517
70002179 .....	365	70002903 .....	519	70004282...300, 304, 326		70004752.....	513
70002231 .	163, 175, 187, 199, 211, 223, 239, 245, 251, 257, 263, 269, 307, 311, 329, 333, 760	70002904 .....	519	70004284.....	326	70004753.....	513
70002247 .....	36	70002905 .....	519	70004328.....	59	70004754.....	513
70002248 .....	36	70003017 .....	467	70004413.....	83	70004755.....	513
70002249 .....	36	70003018 .....	63	70004414.....	81	70004756.....	513
70002255 .....	401, 405	70003019 .....	465, 467	70004416.....	367	70004757.....	513
70002291 .....	410, 414	70003020 .....	467	70004417.....	367	70004758.....	513
70002297 .....	401, 405	70003021 ....	63, 465, 467	70004420.....	367	70004759.....	513
70002373 .....	575	70003022 .....	467	70004421.....	367	70004760.....	513
70002393 .....	31	70003023 .....	465, 467			70004761.....	513
70002394 .....	31	70003024 .....	467			70004762.....	513
70002395 .....	31	70003025 .....	465			70004763.....	513
70002396 .....	31	70003026 .....	465, 760			70004764.....	513
		70003027 .....	465				
		70003028 .....	465				
		70003029 .....	577				

## SECTION 11 - SPECIAL OPTIONS

70004765.....	513	70006448.....	571	70007005.....	76	70024916.....	347
70004766.....	513	70006449.....	571	70007006.....	76	70024917.....	300, 326
70004767.....	513	70006462.....	569	70007007.....	76	70024918... ..	305, 326, 347
70004768.....	513	70006463.....	565, 569	70007008.....	76	70024919.....	299, 326
70004769.....	513	70006464.....	565, 569	70007009.....	75	70024920.. ..	299, 300, 304, 305, 326
70004770.....	513	70006465.....	569	70007010.....	76	70024922.....	305
70004771.....	513	70006466.....	569	70007011.....	75	70024924.. ..	299, 303, 325, 347
70004772.....	513	70006467.....	569	70007012.....	76	70024925.. ..	299, 303, 325, 347
70004773.....	513	70006468.....	569	70007013.....	76	70024961.. ..	299, 303, 325, 347
70004774.....	514	70006473.....	561	70007178.....	360	70025076.....	303, 325
70004775.....	514	70006474.....	561	70007282.....	567	70025077.....	305
70005170.....	453	70006490.....	573	70007325.....	300	70025080.....	303, 325
70005171.....	299, 303	70006491.....	573	70007326.....	300	70025082.....	303, 325
70005172... ..	299, 303, 347	70006492.....	573	70007327.....	300	70025084.....	304, 326
70005173.....	303	70006493.....	573	70007328.....	300	70025088.....	325
70005174.....	303	70006493.....	573	70007329.....	300	70025091.....	303, 325
70005177.....	304	70006516.....	565	70007329.....	300	70025101.....	304
70005181.....	304	70006517.....	565	70007330.....	300	70025103.....	326
70005184.....	304, 347	70006518.....	565	70007331.....	300	70025107.....	304
70005188.....	304	70006519.....	565	70007353.....	236	70025109.....	304
70005189.....	304	70006520.....	561	70007382.....	559	70025111.....	299, 325
70005191.....	305	70006552 . 385, 389, 393, 397		70007382.....	559	70025112... ..	300, 304, 326
70005317.....	75	70006553 . 385, 389, 393, 397		70007383.....	559	70025115.....	304
70005318.....	75	70006596.....	563	70007384.....	559	70025120... ..	300, 305, 326
70005418.....	368	70006635.....	563	70007385.....	559	70025130.....	347
70005433.....	567, 577	70006636.....	563	70007386.....	559	70025133.....	304
70005445.....	326	70006637.....	563	70007435.....	567	70025135... ..	299, 303, 325
70005480.....	358	70006646.....	563	70007438.....	567	70025136.....	299, 325
70005481.....	358	70006647.....	563	70007440.....	567	70025137... ..	299, 303, 325
70005527.....	300	70006653.....	300	70007441.....	567	70025140... ..	299, 303, 325
70005594.....	575	70006799.....	577	70007442.....	567	70025142.. ..	300, 304, 326, 347
70005647.....	300, 305	70006824.....	577	70007443.....	567	70025143.....	326
70005648.....	300, 305	70006825.....	577	70007444.....	567	70025144... ..	299, 303, 326
70005667.....	461	70006826.....	577	70007603.....	347	70025145... ..	299, 303, 325
70005879.....	575	70006827.....	577	70020329.....	359	70025146... ..	299, 303, 325
70005882.....	577	70006828.....	577	70020336.....	360	70025149.....	305, 326
70005883.....	577	70006829.....	577	70021867.....	352, 358	70025151... ..	299, 304, 326
70005885.....	575, 577	70006829.....	577	70021895.....	304	70025152... ..	299, 303, 325
70005920.....	303	70006830.....	577	70022147.....	467, 760	70025153... ..	303, 325, 347
70005921.....	299, 303	70006831.....	577	70022286.....	367	70025154... ..	299, 303, 325
70005923.....	304	70006845.....	575	70022564.....	563, 567	70025155.....	304, 326
70005924.....	304	70006846.....	575	70023592 . 277, 283, 289, 295, 321, 343, 760		70025156.....	326
70005925.....	304	70006847.....	575	70023593 . 277, 283, 289, 295, 321, 343, 760		70025158.....	304
70005926.....	300, 304	70006848.....	575	70024190 . 277, 284, 290, 295, 321, 343, 761		70025160.....	326, 347
70005927.....	304	70006849.....	575	70024473.....	326	70025161.....	326
70005928.....	304	70006850.....	575	70024484.....	304, 326	70025162.....	303, 325
70005929.....	300, 304	70006851.....	575	70024486.....	325	70025163.....	325
70005931.....	300, 347	70006852.....	575	70024488.....	303, 325	70025164.. ..	300, 304, 326, 347
70005938.....	348	70006986.....	75	70024494 .. 299, 303, 347		70025171.....	303, 325
70005941... ..	299, 303, 347	70006987.....	75	70024502.....	304	70025176.....	303, 325
70005942... ..	299, 303, 347	70006988.....	75	70024504 . 300, 303, 305, 326, 347		70025177.....	326
70006093.....	410, 413	70006989.....	75	70024509.....	304	70025178.....	304, 326
70006094.....	410, 414	70006990.....	75	70024513 . 299, 303, 325, 347		70025179.....	304, 326
70006095.....	410, 414	70006991.....	75	70024517.....	303, 325	70025180.....	304, 326
70006096.....	410, 414	70006992.....	75	70024904 .. 299, 325, 348		70025181... ..	299, 303, 325
70006097.....	410, 414	70006993.....	75	70024905 .. 299, 303, 325		70025182... ..	299, 304, 326
70006127.....	303	70006994.....	75	70024906 .. 299, 303, 325		70025183... ..	300, 304, 326
70006144.....	299, 347	70006995.....	75	70024907.....	325	70025184... ..	300, 304, 326
70006344.....	577	70006996.....	75	70024910.....	304, 326	70025185.....	304
70006403.....	381	70006997.....	75	70024912 .. 300, 304, 326		70025190.....	325
70006404.....	381	70006998.....	75	70024915 . 300, 305, 326, 347			
70006405.....	381, 761	70006999.....	75				
70006406.....	381	70007000.....	75				
70006407.....	381	70007001.....	75				
70006408.....	381	70007002.....	75				
70006409.....	381	70007003.....	75				
70006410.....	381	70007004.....	76				



## SECTION 11 - SPECIAL OPTIONS

70025200 .. 300, 304, 326	7011351 ..... 577	7020479..... 235	7024467 ..... 541
70025202 ..... 325	7011354 ..... 63, 760	7020486..... 235	7024469 ..... 541
70025203 ..... 304, 326	7011368 ..... 577	7020492..... 300, 304, 326	7024470 ..... 541
70025204 ..... 325	7011371 ..... 577	7021249..... 39	7024471 ..... 541
70025205 .. 299, 303, 325	7012706 ..... 352, 358	7021256..... 365	7024472 ..... 541
70025206 ..... 325	7012709 ..... 352	7021265..... 365	7024473 ..... 541
70025207 ..... 325	7012715 ..... 352	7021275..... 39, 364, 367	7024474 ..... 541
70025208 ..... 325	7012773 ..... 49, 63	7021293..... 365	7024475 ..... 541
70025210 . 300, 304, 326, 761	7012903 ..... 467	7021375..... 63	7024478 ..... 541
70025231 ..... 303, 325	7012941 ..... 51	7021636..... 63	7024485 ..... 401, 405
70025235 .. 299, 304, 326	7012942 ..... 51	7022300..... 365	7024488 ... 401, 405, 409, 413
70025239 .. 299, 303, 325	7012944 ..... 51, 760	7022301..... 364	7024489 ... 401, 405, 409, 413
70025240 ..... 304	7012955 ..... 51	7022311..... 39	7024565 ..... 235
70025242 ..... 300	7012967 ..... 51	7022314..... 39	7024570 ..... 63
70025477 ..... 304, 326	7012998 ..... 51	7022321..... 39	7024571 ..... 63, 760
70025533 ..... 305, 326	7015003 ... 167, 171, 179, 183, 191, 195, 203, 207, 215, 219, 227, 231	7022340..... 367	7024573 ..... 63
70025660 ..... 305	7015013 ... 167, 171, 179, 183, 191, 195, 203, 207, 215, 219, 227, 231	7022368..... 39	7024574 ..... 63
70025768 ..... 304	7015014 ... 167, 171, 179, 183, 191, 195, 203, 207, 215, 219, 227, 231	7022371..... 39	7024579 ... 235, 299, 303, 325
70025788 ..... 300	7016314 ..... 83	7022390..... 465, 467	7024580 ... 163, 175, 187, 199, 211, 223
70025877 ..... 300	7016319 ..... 133	7023306..... 85	7024581 ... 163, 175, 187, 199, 211, 223
70025931 ..... 304	7016322 ..... 141, 143	7023347 ..... 85	7024582 ... 163, 175, 187, 199, 211, 223
70026210 . 300, 305, 326, 347	7016328 ..... 235, 761	7023881..... 353	7024583 ... 163, 175, 187, 199, 211, 223
70026283 ..... 567, 577	7016331 ... 235, 299, 303, 325, 347, 761	7023887..... 358	7024584 ... 163, 175, 187, 199, 211, 223
70026284 ..... 567	7015015 ... 167, 171, 179, 183, 191, 195, 203, 207, 215, 219, 227, 231	7023922..... 467	7024598 ..... 141, 143
70026995 ..... 304	7016372 ..... 133	7023962..... 367	7024800 ..... 365
7002821 ..... 766	7016374 ..... 141, 143	7023964..... 367, 368	7024865 ..... 39
7002822 ..... 766	7016654 ..... 766	7024005..... 353	7024867 ..... 39
7002823 ..... 766	7016655 ..... 767	7024006..... 359	7024868 ..... 39
7002828 ..... 767	7017142 ..... 451	7024038..... 352, 358	7024883 ..... 467, 760
70028540 ..... 300	7017159 ..... 451	7024042..... 352	7024885 ... 465, 467, 760
70028699 ..... 300	7017162 ..... 451	7024043..... 352	7024899 ..... 465, 467
70029401 ..... 300, 347	7017163 ..... 451	7024044..... 352, 358	7024905 ..... 359
70029433 ..... 300	7017166 ..... 451	7024064..... 352, 358	7024906 ..... 353, 359
70029451 ..... 299	7017183 ..... 451	7024065..... 353, 359	7024907 ..... 359
70029517 ..... 300	7017193 ..... 451	7024068..... 353	7024908 ..... 353, 359
70029520 ..... 300	7017195 ..... 451	7024069..... 354, 360	7024909 ..... 359
70029557 ..... 300	7017402 ..... 465, 467	7024070..... 353	7024911 ..... 353, 359
70029581 ..... 347	7017405 ..... 51	7024071..... 353, 359	7024913 ..... 352, 358
70029797 ..... 300	7017451 ..... 63, 760	7024072..... 353, 359	7024914 ..... 352
70035212 ..... 305	7017495 ..... 63	7024073..... 353, 359	7024915 ..... 352
7003655 ... 167, 171, 179, 183, 191, 195, 203, 207, 215, 219, 227, 231, 761	7018936 ..... 354, 360	7024075..... 353, 359	7024916 ..... 352
7004275 ..... 767	7018942 ..... 63	7024076..... 353, 359	7024917 ..... 352, 358
7004276 ..... 767	7018968 ..... 63	7024077..... 353, 359	7024918 ..... 352, 358
70050795 ..... 563	7018986 ..... 63	7024078..... 359	7024919 ..... 352, 358
7007207 ..... 364, 367	7018991 ..... 49, 63, 760	7024079..... 359	7024920 ..... 352, 358
7007415 ... 365, 367, 368	7020043 ..... 81	7024080..... 353	7024921 ..... 352, 358
7007418 ..... 364	7020175 ... 113, 115, 119, 505	7024081..... 353, 360	7024922 ..... 352, 358
7007419 ..... 364	7020176 ... 113, 115, 119, 505	7024082..... 354	7024924 ..... 63
7007420 ..... 39	7020404 ..... 325	7024083..... 353	7024925 ..... 63
7007437 ..... 39	7020414 ..... 235	7024084..... 353	7024927 ..... 49
7007438 ..... 39	7020447 ..... 235	7024085..... 354	7026000 ..... 63
7007439 ..... 39, 365	7020460 ..... 235	7024087..... 354	7026001 ..... 63
7007446 ..... 39, 364, 367	7020465 ... 235, 299, 303, 325, 347	7024088..... 354	7026002 ..... 63
7007489 ..... 371	7020471 ..... 235	7024089..... 354	7026003 ..... 63
7010543 ..... 51, 575		7024096..... 360	7026004 ..... 63
7010545 ..... 567		7024097..... 353	7026005 ..... 63
7010639 ..... 67		7024374..... 85	7026006 ..... 63
7010640 ..... 67		7024375..... 85, 760	7026007 ..... 63
7010924 ..... 67		7024439..... 85	7026008 ..... 63
7011044 ..... 67		7024440..... 85	
7011311 ..... 63, 577		7024441..... 85	
7011346 ..... 49, 63		7024442..... 85	
		7024443..... 85	
		7024444..... 85, 760	
		7024445..... 85	
		7024446..... 85	
		7024462..... 541	
		7024463..... 541	

## SECTION 11 - SPECIAL OPTIONS

7026016.....63	7027240 ..... 235	8229242 ..... 668	8410011.....283, 289
7026028.....49	7027276 ..... 235	8310070 ..... 461	8410013.... 168, 172, 180,
7026030.....79	7027740 ..... 39	8310129 ..... 527	184, 192, 196, 204,
7026031.....79, 761	7027773 ..... 541	8310235 ..... 457	208, 216, 220, 228,
7026032.....79	7027774 ..... 541	8310658 .... 150, 154, 158	232, 276, 284, 290,
7026188.....401, 405	7027775 ..... 541	8405006 ... 239, 251, 257,	295, 321
7026571 .....85	7027776 ..... 541	269, 278, 283, 289,	8410014.....343
7026597 .... 401, 405, 410,	7027777 ..... 541	296, 307, 311, 322,	8580420.....53, 55
414	7027778 ..... 541	329, 333, 343, 377,	8750024.....93, 97
7026608.....235	7027779 ..... 541	379, 381	88261024.....463
7026626.... 401, 405, 410,	7027780 ..... 541	8405007 ... 277, 283, 289,	88411013.....635
414	7027790 ..... 235	296, 321, 343	88521214.. 549, 551, 553,
7026980.....360	7027791 ..... 235	8405009 ..... 83, 343	555
7027042.... 239, 245, 251,	7027792 ..... 235	8405201 ... 276, 283, 289,	88662523.. 146, 151, 154,
257, 263, 269, 307,	7027795 ..... 760	295, 320, 343	158, 449, 463
311, 329, 333	7027799 ... 401, 405, 410,	8405204 ... 276, 283, 289,	88662530.....461
7027043.... 239, 245, 251,	414	295, 320, 343	91143339.....668
257, 263, 269, 307,	7028909 ..... 135, 137	8405212 ..... 343	91143340.....667
311, 329, 333	77363233 ..... 679, 681	8405213 ..... 343	91203039.....473
7027044.... 239, 245, 251,	8007508 ..... 752	8406102 ... 278, 283, 289,	91403230.. 733, 735, 737,
257, 263, 269, 307,	80334079 ..... 360	296, 322, 343	739, 741, 743, 745,
311, 330, 334	80334251 ..... 79	8406105 ..... 463	747, 749
7027045.... 239, 245, 251,	80484084 ..... 668, 671	8406109 ..... 283, 289	91471226.....447
257, 263, 269, 307,	80934174 ..... 359	8406112 ... 278, 283, 289,	91471227.....447
311, 330, 334	80934644 ..... 360	296, 322, 343	91563070.. 276, 295, 321,
7027235.....235	80983191 ..... 668, 761	8406201 ..... 344	343
7027236.....235	8220051 ..... 677	8406302 ... 276, 283, 289,	
7027239.....235	8220164 ..... 667, 671	294, 320, 343	





**Corporate Office  
JLG Industries, Inc.  
1 JLG Drive  
McConnellsburg, PA 17233-9533 USA  
☎ (717) 485-5161 (Corporate)  
☎ (877) 554-5438 (Customer Support)  
📠 (717) 485-6417**

**Visit our website for JLG Worldwide Locations.  
[www.jlg.com](http://www.jlg.com)**



**OSHKOSH™**