



Illustrated Parts Manual

Model 1500AJP

PVC
2201

P/N
31219964

September 1, 2023 - Rev D

ANSI

CE



**UK
CA**

AS/NZS



An Oshkosh Corporation Company

REVISION LOG

January 10, 2022 - A - Original Issue of Manual (Edited to B/M 1001261501 L)
July 11, 2022 - B - Revised Manual (Edited to B/M 1001261501 M)
January 9, 2023 - C - Revised Manual (Edited to B/M 1001261501 M)
September 1, 2023 - D - Revised Manual (Edited to B/M 1001261501 M)

GENERAL INFORMATION

SECTION 6 CYLINDER

FIGURE 6-3. LIFT CYLINDER ASSEMBLY

PG# Model Designation Manual #

SECTION 6 CYLINDER

FIGURE 6-3. LIFT CYLINDER ASSEMBLY

ITEM #	PART NUMBER	QTY	DESCRIPTION	REV
	1001140104	Ref	LIFT CYLINDER ASSEMBLY	B
1	0100011	AR	Compound, Locking	
2	0630305	3	Capscrew 1/4-20 x 1-1/8	
3	0791003	1	Screw #10-24 x 3/8	
4	0961897	1	Bushing, Tapered	
5	1320136	1	Clamp, Cable	
6	1683063	1	Head	
7	2220683	1	Plug, O-Ring	
8	2220685	2	Plug, O-Ring	
9	2220686	1	Plug, O-Ring	
10	3020039	AR	Lubricant	
11	3480282	1	Piston	
12	3760371	1	Ring, Washer	
13	3931420	8	Capscrew 1/4-20 x 1-1/4	
14	3931824	8	Capscrew 1/2-13 x 1-1/2	
15	3951003	1	Setscrew #10-24 x 3/8	
16	4100099	1	Spacer	
17	4640999	1	Cartridge, Holding Valve (Non Vented)	
18	4641248	1	Cartridge, Countbalance Valve (Non Vented)	
19	70004186	1	Kit, Seal - 4641248 Cartridge Valve	
20	1001117991	1	Sensor, Cylinder Length	
21	1001118070	1	Cap, Retainer	
22	1001118084	1	Barrel	
21A	0961950	2	Bushing	
22	1001118086	1	Rod	
22A	0961950	2	Bushing	
100	1001139996	1	Kit, Seal (Includes Items 101-109)	
101	See Note	2	Ring, Wear (Note: Use p/n 1001139996)	
102	See Note	1	Ring, Back-Up (Note: Use p/n 1001139996)	
103	See Note	2	Ring, Lock (Note: Use p/n 1001139996)	
104	See Note	2	Ring, Back-Up (Note: Use p/n 1001139996)	
105	See Note	2	O-Ring (Note: Use p/n 1001139996)	
106	See Note	1	O-Ring (Note: Use p/n 1001139996)	
107	See Note	1	Seal (Note: Use p/n 1001139996)	
108	See Note	1	Wiper, Rod (Note: Use p/n 1001139996)	
109	See Note	2	Seal (Note: Use p/n 1001139996)	
200	1001119105	1	Kit, Sensor Magnet (Includes Items 201-203)	
201	See Note		Sleeve, Spacer (Note: Use p/n 1001119105)	
202	1001118066		Magnet, Sensor	
203	1001118069	1	Ring, Internal Retaining	

Manual # Model Designation PG#

1) MACHINE IDENTIFICATION

Machines are identified by model and in some cases a combination of models, serial number (SN) or regional standard (i.e ANSI, CE, CSA). Components may also be identified by SN or manufacturer. Common components that may be identified by these characteristics are engines and hydraulic components.

2) PARTS MANUAL ORGANIZATION

Product information in this manual is organized under section titles. Frame, Cylinder, Hydraulic and Electrical are a few examples. Each section is organized by figure and page number. The information within the Figure is then organized by item number, part number, description and corresponding illustration (s).

3) TABLE OF CONTENTS (NOT SHOWN)

A table of contents is found toward the beginning of the manual. Figure number, description and page number are provided for quick reference to the page containing the related information.

4) RECOMMENDED SPARE PARTS (NOT SHOWN)

The Recommended Spare Parts List, located near the end of the manual, reference most frequently used maintenance parts.

5) PART NUMBER INDEX (NOT SHOWN)

A numerical index listing all part numbers and the corresponding page number(s) appears at the back of the manual.

GENERAL INFORMATION

6) NON-SERVICED PARTS

In some instances, it is necessary to display non-serviced parts, assemblies or installations. In the case of assemblies and installations there will be a Ref in the Qty. column. In case of parts that are not available for service within assemblies or components, there will be a NSS (Not Sold Separately) or NLA (No Longer Available) listed in the Qty. column of the manual.

7) PARTS LIST ITEM NUMBERS

Numbers shown in the item# column correspond to numbers used in the associated illustration (s). Item numbers which are missing from the sequence in the parts list are not used on that page.

8) INDENTED PARTS DESCRIPTION

An indented part description is included in the item under which it is indented.

9) ABBREVIATION AND SYMBOLS

AC.....	Alternating Current	L.....	Liter
ADE.....	Advanced Design Electronics	LB(LBS).....	Pounds
AG.....	Agricultural	LCD.....	Liquid Crystal Display
ANSI.....	American National Standards Institute	LED.....	Light Emitting Diodes
AR.....	As Required	LH.....	Left Hand
ASSY.....	Assembly	LRC.....	Low Rated Countries
AUS.....	Australia	LSS.....	Load Sensing System
AUX.....	Auxiliary	M(m).....	Metric/Meter
AWG.....	American Wire Gauge	MM(mm).....	Milimeter
B/M.....	Bill of Material	mA.....	Miliamps
CAC.....	Charge Air Cooler	NLA.....	No Longer Available
CE.....	European Conformity	NPT.....	National Pipe Threads
CCW.....	Counter Clockwise	NSS.....	Not Sold Separately
CM.....	Centimeter	OD.....	Outside Diameter
CW.....	Clockwise	ORB.....	O-Ring Boss
CSA.....	Canadian Standards Association	ORFS.....	O-Ring Face Seal
CYL.....	Cylinder	OZ (oz).....	Ounces
DIA.....	Diameter	PG.....	Page
DC.....	Direct Current	PN.....	Part Number
DEF.....	Diesel Exhaust Fluid	QT(qt.).....	Quarts
EMS.....	Emergency Stop	QTY.....	Quantity
ENG.....	Engine	REF.....	Reference
FT(ft).....	Feet	REV.....	Revision Level
GA(Ga).....	Gauge	RH.....	Right Hand
HRC.....	High Rated Countries	SAE.....	Society of Automotive Engineers
HVAC.....	Heating, Ventilating, and Air Conditioning	SN.....	Serial Number
HYD.....	Hydraulic	SPEC(S).....	Specifications
Hz.....	Hertz	T/T.....	Turntable
ID.....	Inside Diameter	UGM.....	Universal Ground Module
IN.....	inches	V.....	Volts
ISO.....	International Organization for Standards	W.....	Watts
JIC.....	Joint Industry Council	#.....	Number
KG.....	Kilogram		

10) ILLUSTRATION REFERENCE LETTERS

When necessary, illustrations may contain reference letters that are intended to track information (i. e. hoses, harnesses) from one point to another or to track visual enlargement of components to show details that may be located in another area on the illustration.

Note: Due to continuous product improvements, JLG Industries, Inc. reserves the right to make specification changes without prior notification. Contact JLG Industries, Inc. for updated information.

TABLE OF CONTENTS

SECTION 1 - FRAME.....	15
FIGURE 1-1. AXLE INSTALLATION (Prior to SN 0300293919).....	16
FIGURE 1-2. AXLE INSTALLATION (SN 0300293919 to Present).....	18
FIGURE 1-3. STEER INSTALLATION (Prior to SN 0300293919).....	20
FIGURE 1-4. STEER INSTALLATION (SN 0300293919 to Present).....	22
FIGURE 1-5. WHEEL DRIVE INSTALLATION.....	24
FIGURE 1-6. DRIVE MOTOR ASSEMBLY.....	26
FIGURE 1-7. DRIVE HUB ASSEMBLY.....	28
FIGURE 1-8. TIRE/WHEEL INSTALLATION.....	32
FIGURE 1-9. VALVES INSTALLATION - FRAME.....	34
FIGURE 1-10. TRACTION VALVE ASSEMBLY.....	36
FIGURE 1-11. STEER/AXLE EXTEND VALVE ASSEMBLY.....	38
FIGURE 1-12. ELECTRICAL COMPONENTS INSTALLATION - FRAME (HRC) (ANSI, ANSI EXPORT, CSA AND JAPANESE SPECS).....	40
FIGURE 1-13. ELECTRICAL COMPONENTS INSTALLATION - FRAME (HRC) (CE & UK CA SPECS).....	42
FIGURE 1-14. ELECTRICAL COMPONENTS INSTALLATION - FRAME (LRC) (ANSI EXPORT, AUSTRALIAN AND CHINA SPECS).....	44
FIGURE 1-15. ELECTRICAL COMPONENTS INSTALLATION - FRAME (LRC) (CE & UK CA SPECS).....	46
FIGURE 1-16. ELECTRICAL COMPONENTS INSTALLATION WITH TOWER STOW - FRAME (HRC) (ANSI, ANSI EXPORT, CSA AND JAPANESE SPECS).....	48
FIGURE 1-17. ELECTRICAL COMPONENTS INSTALLATION WITH TOWER STOW - FRAME (HRC) (CE & UK CA SPECS).....	50
FIGURE 1-18. ELECTRICAL COMPONENTS INSTALLATION WITH TOWER STOW - FRAME (LRC) (ANSI EXPORT, AUSTRALIAN AND CHINA SPECS).....	52
FIGURE 1-19. ELECTRICAL COMPONENTS INSTALLATION WITH TOWER STOW - FRAME (LRC) (CE & UK CA SPECS).....	54
FIGURE 1-20. COVERS INSTALLATION - FRAME.....	56
SECTION 2 - TURNTABLE.....	59
FIGURE 2-1. VALVES AND FILTERS INSTALLATION - TURNTABLE (PARKER HYDRAULIC FILTER).....	60
FIGURE 2-2. VALVES AND FILTERS INSTALLATION - TURNTABLE (DONALDSON HYDRAULIC FILTER).....	62
FIGURE 2-3. MAIN VALVE ASSEMBLY.....	64
FIGURE 2-4. JUNCTION VALVE ASSEMBLY.....	68
FIGURE 2-5. TURNTABLE BEARING INSTALLATION.....	70
FIGURE 2-6. TURNTABLE LOCK INSTALLATION.....	72
FIGURE 2-7. SWING DRIVE INSTALLATION.....	74
FIGURE 2-8. SWING HUB/BRAKE/MOTOR ASSEMBLY.....	76
FIGURE 2-9. COUPLING/COLLECTOR RING INSTALLATION.....	80
FIGURE 2-10. COUPLING/COLLECTOR RING ASSEMBLY.....	82
FIGURE 2-11. TANKS INSTALLATION (WITHOUT DIESEL EXHAUST FLUID TANK).....	84
FIGURE 2-12. TANKS INSTALLATION (WITH DIESEL EXHAUST FLUID TANK).....	86
FIGURE 2-13. HYDRAULIC TANK ASSEMBLY.....	88
FIGURE 2-14. AUXILIARY POWER AND BATTERIES INSTALLATIONS.....	90
FIGURE 2-15. AUXILIARY PUMP/MOTOR ASSEMBLY.....	92
FIGURE 2-16. ELECTRICAL COMPONENTS INSTALLATION - TURNTABLE (HRC) (ANSI, ANSI EXPORT, CSA AND JAPANESE SPECS).....	94
FIGURE 2-17. ELECTRICAL COMPONENTS INSTALLATION - TURNTABLE (HRC) (CE & UK CA SPECS).....	98
FIGURE 2-18. ELECTRICAL COMPONENTS INSTALLATION - TURNTABLE (LRC) (ANSI EXPORT, AUSTRALIAN AND CHINA SPECS).....	102

TABLE OF CONTENTS

FIGURE 2-19. ELECTRICAL COMPONENTS INSTALLATION - TURNTABLE (LRC) (CE & UK CA SPECS).....	106
FIGURE 2-20. ELECTRICAL COMPONENTS INSTALLATION WITH TOWER STOW - TURNTABLE (HRC) (ANSI, ANSI EXPORT, CSA AND JAPANESE SPECS).....	110
FIGURE 2-21. ELECTRICAL COMPONENTS INSTALLATION WITH TOWER STOW - TURNTABLE (HRC) (CE & UK CA SPECS).....	114
FIGURE 2-22. ELECTRICAL COMPONENTS INSTALLATION WITH TOWER STOW - TURNTABLE (LRC) (ANSI EXPORT, AUSTRALIAN AND CHINA SPECS).....	118
FIGURE 2-23. ELECTRICAL COMPONENTS INSTALLATION WITH TOWER STOW - TURNTABLE (LRC) (CE & UK CA SPECS).....	122
FIGURE 2-24. GROUND CONTROL CONSOLE ASSEMBLY (HRC) (ANSI, ANSI EXPORT, CSA AND JAPANESE SPECS) ..	126
FIGURE 2-25. GROUND CONTROL CONSOLE ASSEMBLY (HRC) (CE & UK CA SPECS).....	128
FIGURE 2-26. GROUND CONTROL CONSOLE ASSEMBLY (LRC) (ANSI EXPORT, AUSTRALIAN AND CHINA SPECS)	130
FIGURE 2-27. GROUND CONTROL CONSOLE ASSEMBLY (LRC) (CE & UK CA SPECS)	132
FIGURE 2-28. GROUND CONTROL CONSOLE ASSEMBLY WITH TOWER STOW (HRC) (ANSI, ANSI EXPORT, CSA AND JAPANESE SPECS)	134
FIGURE 2-29. GROUND CONTROL CONSOLE ASSEMBLY WITH TOWER STOW (HRC) (CE & UK CA SPECS).....	136
FIGURE 2-30. GROUND CONTROL CONSOLE ASSEMBLY WITH TOWER STOW (LRC) (ANSI EXPORT, AUSTRALIAN AND CHINA SPECS).....	138
FIGURE 2-31. GROUND CONTROL CONSOLE ASSEMBLY WITH TOWER STOW (LRC) (CE & UK CA SPECS)	140
FIGURE 2-32. LIGHT PANEL INSTALLATION.....	142
FIGURE 2-33. ALARM INSTALLATION.....	144
FIGURE 2-34. WHITE NOISE ALARM INSTALLATION	146
FIGURE 2-35. WHITE NOISE AMBIENT ALARM INSTALLATION	148
FIGURE 2-36. STROBE LIGHT INSTALLATION - AMBER.....	150
FIGURE 2-37. STROBE LIGHT INSTALLATION - BLUE	152
FIGURE 2-38. STROBE LIGHT INSTALLATION - RED	154
FIGURE 2-39. HOOD INSTALLATION	156
FIGURE 2-40. VENTURI INSTALLATION (HRC)	162
FIGURE 2-41. VENTURI INSTALLATION (LRC).....	164
SECTION 3 - ENGINE.....	167
FIGURE 3-1. ENGINE INSTALLATION (HRC) (WITHOUT COLD WEATHER PACKAGE)	168
FIGURE 3-2. ENGINE ASSEMBLY WITH PUMPS (HRC) (WITHOUT COLD WEATHER PACKAGE).....	172
FIGURE 3-3. ENGINE ASSEMBLY (HRC) (WITHOUT COLD WEATHER PACKAGE)	174
FIGURE 3-4. ENGINE INSTALLATION (HRC) (WITH COLD WEATHER PACKAGE).....	180
FIGURE 3-5. ENGINE ASSEMBLY WITH PUMPS (HRC) (WITH COLD WEATHER PACKAGE)	184
FIGURE 3-6. ENGINE ASSEMBLY (HRC) (WITH COLD WEATHER PACKAGE).....	186
FIGURE 3-7. DEUTZ HRC ENGINE COMPONENTS.....	192
FIGURE 3-8. ENGINE INSTALLATION (LRC) (WITHOUT COLD WEATHER PACKAGE).....	196
FIGURE 3-9. ENGINE ASSEMBLY WITH PUMPS (LRC) (WITHOUT COLD WEATHER PACKAGE)	200
FIGURE 3-10. ENGINE ASSEMBLY (LRC) (WITHOUT COLD WEATHER PACKAGE).....	202
FIGURE 3-11. ENGINE INSTALLATION (LRC) (WITH COLD WEATHER PACKAGE)	208
FIGURE 3-12. ENGINE ASSEMBLY WITH PUMPS (LRC) (WITH COLD WEATHER PACKAGE).....	212
FIGURE 3-13. ENGINE ASSEMBLY (LRC) (WITH COLD WEATHER PACKAGE)	214
FIGURE 3-14. DEUTZ LRC ENGINE COMPONENTS	220
FIGURE 3-15. ENGINE INSTALLATION (HRC) (STAGE V) (WITHOUT COLD WEATHER PACKAGE)	222
FIGURE 3-16. ENGINE ASSEMBLY WITH PUMPS (HRC) (STAGE V) (WITHOUT COLD WEATHER PACKAGE).....	228
FIGURE 3-17. ENGINE ASSEMBLY (HRC) (STAGE V) (WITHOUT COLD WEATHER PACKAGE)	232

TABLE OF CONTENTS

FIGURE 3-18. ENGINE INSTALLATION (HRC) (WITH COLD WEATHER PACKAGE)	238
FIGURE 3-19. ENGINE ASSEMBLY WITH PUMPS (HRC) (WITH COLD WEATHER PACKAGE).....	244
FIGURE 3-20. ENGINE ASSEMBLY (HRC) (STAGE V) (WITH COLD WEATHER PACKAGE)	248
FIGURE 3-21. DEUTZ HRC (STAGE V) ENGINE COMPONENTS	254
FIGURE 3-22. PUMP COUPLING KIT	258
FIGURE 3-23. TANDEM PUMP ASSEMBLY	260
FIGURE 3-24. PISTON PUMP ASSEMBLY	264
FIGURE 3-25. GEAR PUMP ASSEMBLY	268
FIGURE 3-26. FUEL FILTER/WATER SEPARATOR INSTALLATION (LRC).....	270
FIGURE 3-27. SPARK ARRESTOR INSTALLATION (LRC) (OPTIONAL).....	272
FIGURE 3-28. 4000W GENERATOR INSTALLATION - 50HZ.....	274
FIGURE 3-29. 4000W GENERATOR INSTALLATION - 60HZ.....	278
FIGURE 3-30. 7500W SKYPOWER GENERATOR INSTALLATION - 50HZ	282
FIGURE 3-31. 7500W SKYPOWER GENERATOR INSTALLATION - 60HZ	286
FIGURE 3-32. BREATHER HEATER INSTALLATION - MACHINES WITH COLD WEATHER PACKAGE	290
SECTION 4 - BOOM.....	293
FIGURE 4-1. BOOM AND CYLINDERS INSTALLATION.....	294
FIGURE 4-2. TOWER BOOM ASSEMBLY	298
FIGURE 4-3. MAIN BOOM AND JIB ASSEMBLY (Prior to SN 0300293517)	302
FIGURE 4-4. MAIN BOOM AND JIB ASSEMBLY (SN 0300293517 to Present).....	308
FIGURE 4-5. MAIN BOOM AND JIB ASSEMBLY (SN 0300293517 to Present).....	310
FIGURE 4-6. MAIN BOOM AND JIB ASSEMBLY (SN 0300293517 to Present).....	312
FIGURE 4-7. PLATFORM ROTATOR ASSEMBLY.....	316
FIGURE 4-8. JIB ROTATOR ASSEMBLY	318
FIGURE 4-9. POWER TRACK INSTALLATION - TOWER BOOM.....	320
FIGURE 4-10. POWER TRACK INSTALLATION - MAIN BOOM.....	322
FIGURE 4-11. VALVES AND FILTERS INSTALLATION - BOOM	324
FIGURE 4-12. BOOM VALVE ASSEMBLY	326
FIGURE 4-13. PLATFORM VALVE ASSEMBLY	328
FIGURE 4-14. BOOM SENSORS AND COVERS INSTALLATION.....	330
FIGURE 4-15. PLATFORM SUPPORT INSTALLATION - WITH LSS.....	336
SECTION 5 - PLATFORM.....	339
FIGURE 5-1. PLATFORM ASSEMBLY - 30IN X 3FT (76CM X .91M) - DROP BAR ENTRY.....	340
FIGURE 5-2. PLATFORM ASSEMBLY - 30IN X 4FT (76.2CM X 1.22M) WITH SWING GATE	342
FIGURE 5-3. PLATFORM ASSEMBLY - 30IN X 4FT (76.2CM X 1.22M) WITH DROP BAR	344
FIGURE 5-4. PLATFORM ASSEMBLY - 36IN X 6FT (91.5CM X 1.83M) WITH SWING GATE	346
FIGURE 5-5. PLATFORM ASSEMBLY - 36IN X 6FT (91.5CM X 1.83M) TRI-ENTRY WITH SWING GATE.....	348
FIGURE 5-6. PLATFORM ASSEMBLY - 36IN X 6FT (91.5CM X 1.83M) WITH DROP BAR	350
FIGURE 5-7. PLATFORM ASSEMBLY - 36IN X 6FT (91.5CM X 1.83M) TRI-ENTRY WITH DROPBAR.....	352
FIGURE 5-8. PLATFORM ASSEMBLY - 36IN X 6FT (91.5CM X 1.83M) WITH FALL ARREST (ANSI, ANSI EXPORT AND CSA SPECS)	354
FIGURE 5-9. PLATFORM ASSEMBLY - 36IN X 8FT (91.5CM X 2.44M) WITH SWING GATE.....	356
FIGURE 5-10. PLATFORM ASSEMBLY - 36IN X 8FT (91.5CM X 2.44M) WITH TRI-ENTRY (1 GATE/2 DROP BARS)	358
FIGURE 5-11. PLATFORM ASSEMBLY - 36IN X 8FT (91.5CM X 2.44M) WITH DROP BAR	360

TABLE OF CONTENTS

FIGURE 5-12. PLATFORM ASSEMBLY - 36IN X 8FT (91.5CM X 2.44M) WITH TRI-ENTRY (3 DROP BARS).....	362
FIGURE 5-13. PLATFORM ASSEMBLY - 36IN X 8FT (91.5CM X 2.44M) WITH FALL ARREST (ANSI, ANSI EXPORT AND CSA SPECS).....	364
FIGURE 5-14. PLATFORM ASSEMBLY - 36IN X 8FT (91.5CM X 2.44M) WITH FALL ARREST (ALL SPECS EXCEPT CSA SPECS).....	366
FIGURE 5-15. TRAY ASSEMBLY.....	368
FIGURE 5-16. LCD DISPLAY INSTALLATION.....	370
FIGURE 5-17. CONSOLE BOX AND FOOTSWITCH INSTALLATION.....	372
FIGURE 5-18. CONSOLE BOX AND FOOTSWITCH INSTALLATION - WITH TOWER STOW.....	374
FIGURE 5-19. PLATFORM CONSOLE ASSEMBLY.....	376
FIGURE 5-20. PLATFORM CONSOLE ASSEMBLY - WITH TOWER STOW.....	380
FIGURE 5-21. CONSOLE DECAL AND LIGHT PANEL INSTALLATION.....	384
FIGURE 5-22. CONTROLLER ASSEMBLY (LIFT AND SWING).....	386
FIGURE 5-23. CONTROLLER ASSEMBLY (DRIVE AND STEER).....	390
FIGURE 5-24. FOOTSWITCH ASSEMBLY.....	392
FIGURE 5-25. SKYEYE INSTALLATION.....	394
FIGURE 5-26. SKYGUARD BAR INSTALLATION.....	396
FIGURE 5-27. SKYLINE INSTALLATION.....	398
FIGURE 5-28. SKYSENSE MID TUBE SENSOR ASSEMBLY.....	400
FIGURE 5-29. SKYSENSE OVERHEAD SENSOR ASSEMBLY.....	402
FIGURE 5-30. SKYGLAZIER INSTALLATION (ANSI, ANSI EXPORT, AUSTRALIAN, CE AND CSA SPECS).....	404
FIGURE 5-31. SKYWELDER/SKYCUTTER COMBO INSTALLATION (60HZ).....	406
FIGURE 5-32. SKYWELDER INSTALLATION (50HZ).....	410
FIGURE 5-33. SKYWELDER INSTALLATION (60HZ).....	412
FIGURE 5-34. SKYWELDER PREP PACKAGE (60HZ).....	414
FIGURE 5-35. WELDER ASSEMBLY.....	416
FIGURE 5-36. SKYCUTTER INSTALLATION.....	418
FIGURE 5-37. PLASMA CUTTER ASSEMBLY.....	420
FIGURE 5-38. FALL ARREST INSTALLATION (BOLT - ON EXTERNAL) 4FFT/1.22M PLATFORM).....	422
FIGURE 5-39. FALL ARREST INSTALLATION (BOLT-ON EXTERNAL) (6FT/1.82M PLATFORM).....	424
FIGURE 5-40. FALL ARREST INSTALLATION (BOLT-ON EXTERNAL) (6FT/1.82M TRI-ENTRY PLATFORM).....	426
FIGURE 5-41. FALL ARREST INSTALLATION (BOLT-ON EXTERNAL) (8FT/2.4M PLATFORM).....	428
FIGURE 5-42. USB CHARGER INSTALLATION.....	430
SECTION 6 - CYLINDER.....	433
FIGURE 6-1. AXLE EXTEND CYLINDER ASSEMBLY (Prior to SN 0300293919).....	434
FIGURE 6-2. AXLE EXTEND CYLINDER ASSEMBLY (SN 0300293919 to Present).....	436
FIGURE 6-3. LEVEL CYLINDER ASSEMBLY - PLATFORM SLAVE.....	438
FIGURE 6-4. LIFT CYLINDER ASSEMBLY - JIB (Prior to SN 0300293517).....	440
FIGURE 6-5. LIFT CYLINDER ASSEMBLY - JIB (SN 0300293517 to Present).....	442
FIGURE 6-6. LIFT CYLINDER ASSEMBLY - MAIN BOOM.....	444
FIGURE 6-7. LIFT CYLINDER ASSEMBLY - TOWER BOOM.....	446
FIGURE 6-8. STEER CYLINDER ASSEMBLY (Prior to SN 0300293919).....	448
FIGURE 6-9. STEER CYLINDER ASSEMBLY (SN 0300293919 to Present).....	450
FIGURE 6-10. TELESCOPE CYLINDER ASSEMBLY - MAIN BOOM.....	452
FIGURE 6-11. TELESCOPE CYLINDER ASSEMBLY - TOWER BOOM.....	454

TABLE OF CONTENTS

SECTION 7 - HYDRAULIC	457
FIGURE 7-1. BOOM AND JIB HYDRAULIC DIAGRAM	458
FIGURE 7-2. CHASSIS HYDRAULIC DIAGRAM	460
FIGURE 7-3. TURNTABLE HYDRAULIC DIAGRAM	464
SECTION 8 - ELECTRICAL	471
FIGURE 8-1. AC BOX AT PLATFORM INSTALLATION - 110V GFI (ANSI, CSA AND JAPANESE SPECS)	472
FIGURE 8-2. AC BOX AT PLATFORM INSTALLATION - 110V IEC YELLOW WITHOUT GENERATOR (CE & UK CA SPECS)	474
FIGURE 8-3. AC BOX AT PLATFORM INSTALLATION - 110V IEC YELLOW WITH 4000W GENERATOR (CE & UK CA SPECS)	476
FIGURE 8-4. AC BOX AT PLATFORM INSTALLATION - 220V IEC BLUE WITHOUT GENERATOR (CE & UK CA SPECS) ...	478
FIGURE 8-5. AC BOX AT PLATFORM INSTALLATION - 220V IEC BLUE WITH 4000W GENERATOR (CE & UK CA SPECS)	480
FIGURE 8-6. AC BOX AT PLATFORM INSTALLATION - 220V CEE7 POST GROUND WITHOUT GENERATOR (CE & UK CA SPECS)	482
FIGURE 8-7. AC BOX AT PLATFORM INSTALLATION - 220V CEE7 POST GROUND WITH 4000W GENERATOR (CE & UK CA SPECS)	484
FIGURE 8-8. AC BOX AT PLATFORM INSTALLATION - 220V CEE7 SIDE GROUND WITHOUT GENERATOR (CE & UK CA SPECS)	486
FIGURE 8-9. AC BOX AT PLATFORM INSTALLATION - 220V CEE7 SIDE GROUND WITH 4000W GENERATOR (CE & UK CA SPECS)	488
FIGURE 8-10. AC BOX AT PLATFORM INSTALLATION - 220V AFSINT 107 KEYED GROUND WITHOUT GENERATOR (CE & UK CA SPECS)	490
FIGURE 8-11. AC BOX AT PLATFORM INSTALLATION - 220V AFSINT 107 KEYED GROUND WITH 4000W GENERATOR (CE & UK CA SPECS)	492
FIGURE 8-12. AC BOX AT PLATFORM INSTALLATION - BOX WITH COVER WITH 4000W GENERATOR (ANSI EXPORT, AUSTRALIAN, CHINA, JAPANESE, CE & UK CA SPECS)	494
FIGURE 8-13. AC BOX AT PLATFORM INSTALLATION - 240V (WITH 7500W SKYPOWER GENERATOR) (ANSI & CSA SPECS)	496
FIGURE 8-14. AC LEAD INSTALLATION (ANSI EXPORT, AUSTRALIAN, CHINA, CE & UK CA SPECS)	498
FIGURE 8-15. BATTERY DISCONNECT INSTALLATION	500
FIGURE 8-16. BLAM HARNESS	502
FIGURE 8-17. BOOM CABLES INSTALLATION - WITHOUT GENERATOR (ALL SPEC EXCEPT AUSTRALIAN, CHINA, CE & UK CA SPECS)	504
FIGURE 8-18. BOOM CABLES INSTALLATION - WITHOUT GENERATOR (AUSTRALIAN, CHINA, CE & UK CA SPECS)....	506
FIGURE 8-19. BOOM CABLES INSTALLATION - WITH 4000W GENERATOR (ALL SPECS)	508
FIGURE 8-20. BOOM CABLES INSTALLATION - WITH SKYPOWER 7500W GENERATOR (ALL SPECS EXCEPT CE & UK CA SPECS)	510
FIGURE 8-21. BOOM CABLE (MAIN BOOM)	512
FIGURE 8-22. BOOM CABLE (TOWER BOOM)	514
FIGURE 8-23. BOOM CONTROL BOX ASSEMBLY	516
FIGURE 8-24. BREAKER BOX INSTALLATION - WITH 2 BREAKERS (CE & UK CA SPECS)	518
FIGURE 8-25. BREAKER BOX INSTALLATION - WITH 3 BREAKERS (CE & UK CA SPECS)	520
FIGURE 8-26. BREAKER BOX KIT - WITH 2 BREAKERS (CE & UK CA SPECS)	522
FIGURE 8-27. BREAKER BOX KIT - WITH 3 BREAKERS (CE & UK CA SPECS)	524
FIGURE 8-28. BREAKER BOX KIT - 4000W 50HZ GENERATOR	526
FIGURE 8-29. CHASSIS HARNESS	528
FIGURE 8-30. DEF TANK EXTENSION HARNESS	532
FIGURE 8-31. DIESEL EXHAUST FLUID TANK HARNESS	534

TABLE OF CONTENTS

FIGURE 8-32. DRIVE PUMP HARNESS	536
FIGURE 8-33. ENGINE HARNESS (HRC)	538
FIGURE 8-34. ENGINE HARNESS STAGE V (HRC).....	542
FIGURE 8-35. ENGINE HARNESS (LRC).....	546
FIGURE 8-36. ENGINE CAN HARNESS.....	550
FIGURE 8-37. FUEL PUMP AND WIF HARNESS.....	552
FIGURE 8-38. PLATFORM OUTLET HARNESS.....	554
FIGURE 8-39. GENERATOR TO CONTROL BOX HARNESS (4000W GENERATOR)	556
FIGURE 8-40. GENERATOR TO CONTROL BOX HARNESS (7500W GENERATOR)	558
FIGURE 8-41. GENERATOR TO PLATFORM HARNESS (4000W-60HZ GENERATOR).....	560
FIGURE 8-42. GENERATOR TO PLATFORM HARNESS (4000W-50HZ & 7500W GENERATOR)	562
FIGURE 8-43. GROUND CONTROL HARNESS.....	564
FIGURE 8-44. INTERFACE HARNESS - WITH 1 CELL LSS	566
FIGURE 8-45. LCD DISPLAY HARNESS	568
FIGURE 8-46. MAIN BOOM CONTROL BOX HARNESS	570
FIGURE 8-47. PLATFORM CONSOLE HARNESS - WITH SKYGUARD	574
FIGURE 8-48. RECEPTACLE BOX KIT - 110V IEC YELLOW (CE & UK CA SPEC).....	578
FIGURE 8-49. RECEPTACLE BOX KIT - 220V IEC BLUE (CE & UK CA SPEC)	580
FIGURE 8-50. RECEPTACLE BOX KIT - 220V CEE7 POST GROUND (CE & UK CA SPEC).....	582
FIGURE 8-51. RECEPTACLE BOX KIT - 220V CEE7 SIDE GROUND (CE & UK CA SPEC)	584
FIGURE 8-52. RECEPTACLE BOX KIT - 220V AFSINT 107 (CE & UK CA SPEC)	586
FIGURE 8-53. SECONDARY CONTROL HARNESS	588
FIGURE 8-54. SENSOR HARNESS - AXLE.....	590
FIGURE 8-55. SENSOR HARNESS - BOOM.....	592
FIGURE 8-56. SENSOR HARNESS - PLATFORM LEVEL	594
FIGURE 8-57. SKYEYE INTERMEDIATE HARNESS	596
FIGURE 8-58. SKYEYE EMITTER HARNESS	598
FIGURE 8-59. SKYEYE RECEIVER HARNESS.....	600
FIGURE 8-60. SKYLINE HARNESS	602
FIGURE 8-61. STEER HARNESS	604
FIGURE 8-62. STROBE LIGHT HARNESS	606
FIGURE 8-63. TURNTABLE HARNESS.....	608
FIGURE 8-64. VALVE HARNESS - BOOM.....	612
FIGURE 8-65. VALVE HARNESS - PLATFORM.....	614
FIGURE 8-66. VALVE HARNESS - TURNTABLE	616
FIGURE 8-67. WHITE NOISE MOTION ARLARM HARNESS	618
SECTION 9 - DECALS	621
FIGURE 9-1. DECAL INSTALLATION - ANSI SPEC.....	622
FIGURE 9-2. DECAL INSTALLATION - AUSTRALIAN SPEC.....	626
FIGURE 9-3. DECAL INSTALLATION - BRAZIL SPEC (ENGLISH/PORTUGUESE).....	630
FIGURE 9-4. DECAL INSTALLATION - CE & UK CA SPEC	634
FIGURE 9-5. DECAL INSTALLATION - CHINA SPEC (ENGLISH/CHINESE)	638
FIGURE 9-6. DECAL INSTALLATION - CSA SPEC (ENGLISH/FRENCH)	642
FIGURE 9-7. DECAL INSTALLATION - JAPAN SPEC (ENGLISH/JAPANESE)	646
FIGURE 9-8. DECAL INSTALLATION - KOREA SPEC (ENGLISH/KOREAN).....	650

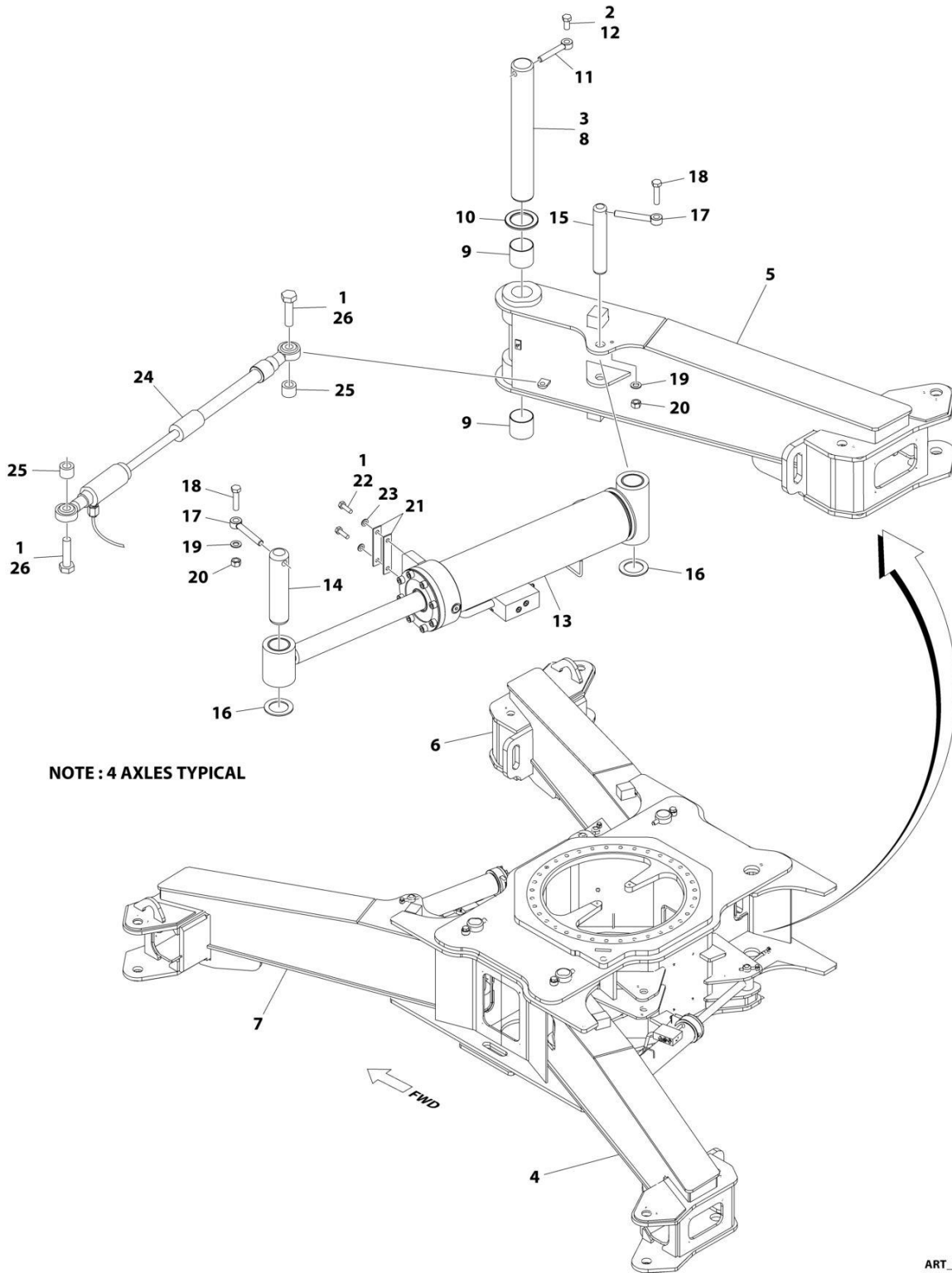
TABLE OF CONTENTS

FIGURE 9-9. DECAL INSTALLATION - CSA SPEC (ENGLISH/FRENCH)	654
FIGURE 9-10. DECAL INSTALLATION - OPTIONS	658
FIGURE 9-11. DECAL INSTALLATION - OPTIONS	660
FIGURE 9-12. SKYCUTTER DECAL INSTALLATION (ANSI, ANSI EXPORT AND CSA SPECS)	664
FIGURE 9-13. SKYCUTTER DECAL INSTALLATION (JAPANESE SPECS).....	666
SECTION 10 - RECOMMENDED SERVICE PARTS STOCK	669
FIGURE 10-1. RECOMMENDED SERVICE PARTS STOCK	670
SECTION 11 - SPECIAL OPTIONS/ACCESSORIES/KITS	673
FIGURE 11-1. SPECIAL OPTIONS/ACCESSORIES/KITS	674
PART NUMBER INDEX	679

SECTION 1 - FRAME

SECTION 1 - FRAME

FIGURE 1-1. AXLE INSTALLATION (Prior to SN 0300293919)



ART_1001190949

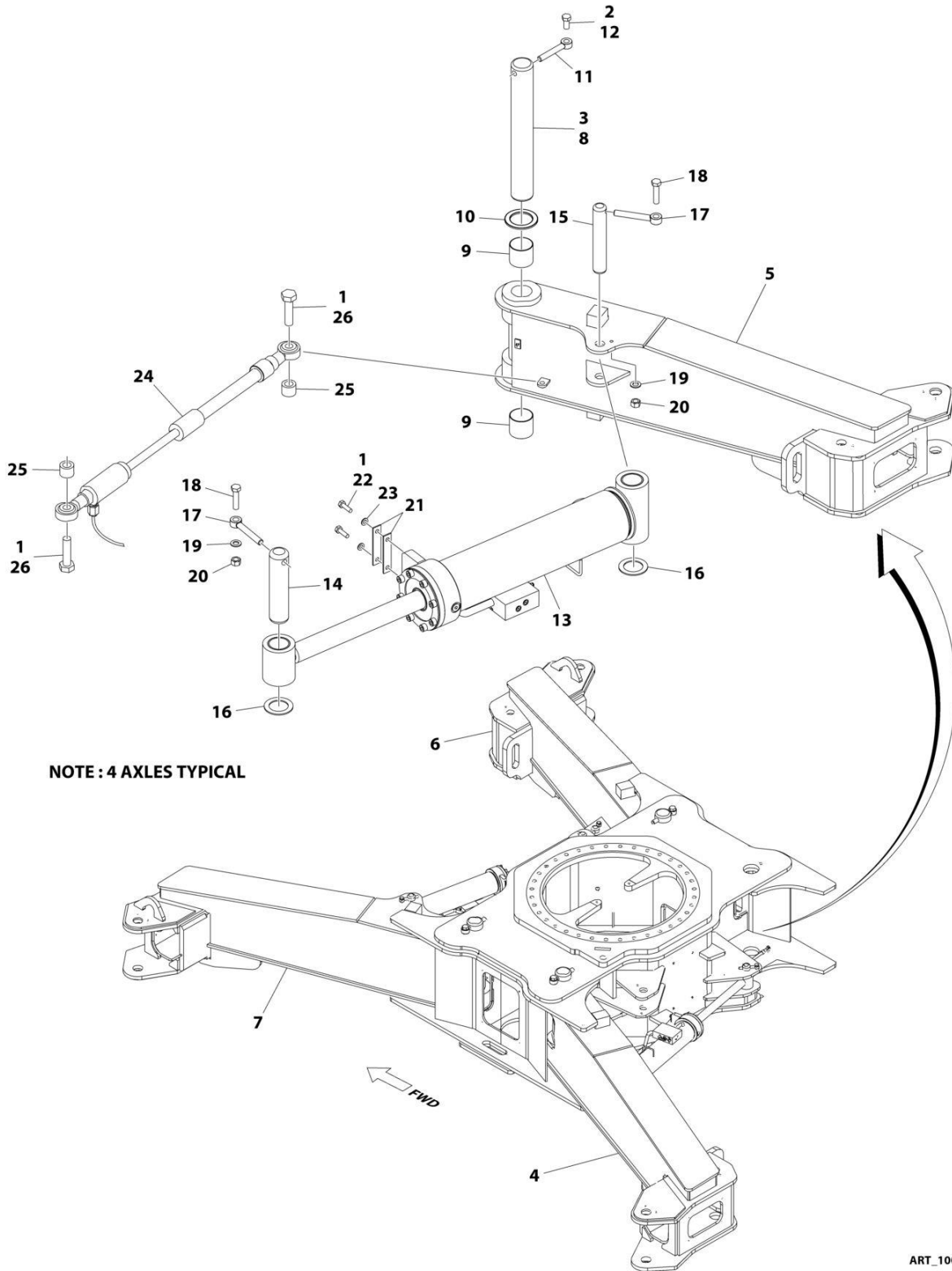
SECTION 1 - FRAME

FIGURE 1-1. AXLE INSTALLATION (Prior to SN 0300293919)

ITEM	PART NUMBER	QTY	DESCRIPTION	REV
	1001190949	Ref	AXLE INSTALLATION	F
1	0100011	AR	Compound, Locking	
2	0100071	AR	Compound, Locking	
3	3020039	AR	Lubricant	
4	1001190950	1	Axle - Rear LH	
5	1001190951	1	Axle - Rear RH	
6	1001190952	1	Axle - Front RH	
7	1001190953	1	Axle - Front LH	
8	1001155363	4	Pin	
9	0440273	8	Bushing	
10	1001155133	4	Washer, Thrust	
11	3841356	4	Keeper, Pin	
12	0762418001	4	Bolt M24 x 50	
13	1001228066	4	Axle Extend Cylinder Assembly (See Separate Breakdown in CYLINDER SECTION)	
14	3422912	4	Pin	
15	1001120000	4	Pin	
16	4740229	8	Washer, Thrust	
17	3841258	8	Keeper, Pin	
18	0701420001	8	Bolt M14 x 60	
19	4812200001	8	Washer M14	
20	3291407001	8	Nut M14	
21	1001158017	AR	Shim	
22	0761015001	8	Bolt M10 x 35	
23	1001172358	8	Washer M10	
24	1001157084	4	Axle Sensor and Harness Assembly	
24	4460910	1	Receptacle, Female - 3 Position	
24	4460917	6	Pin, Male	
25	1001157007	8	Sleeve	
26	0761016001	8	Bolt M10 x 40	

SECTION 1 - FRAME

FIGURE 1-2. AXLE INSTALLATION (SN 0300293919 to Present)



ART_1001190949_B

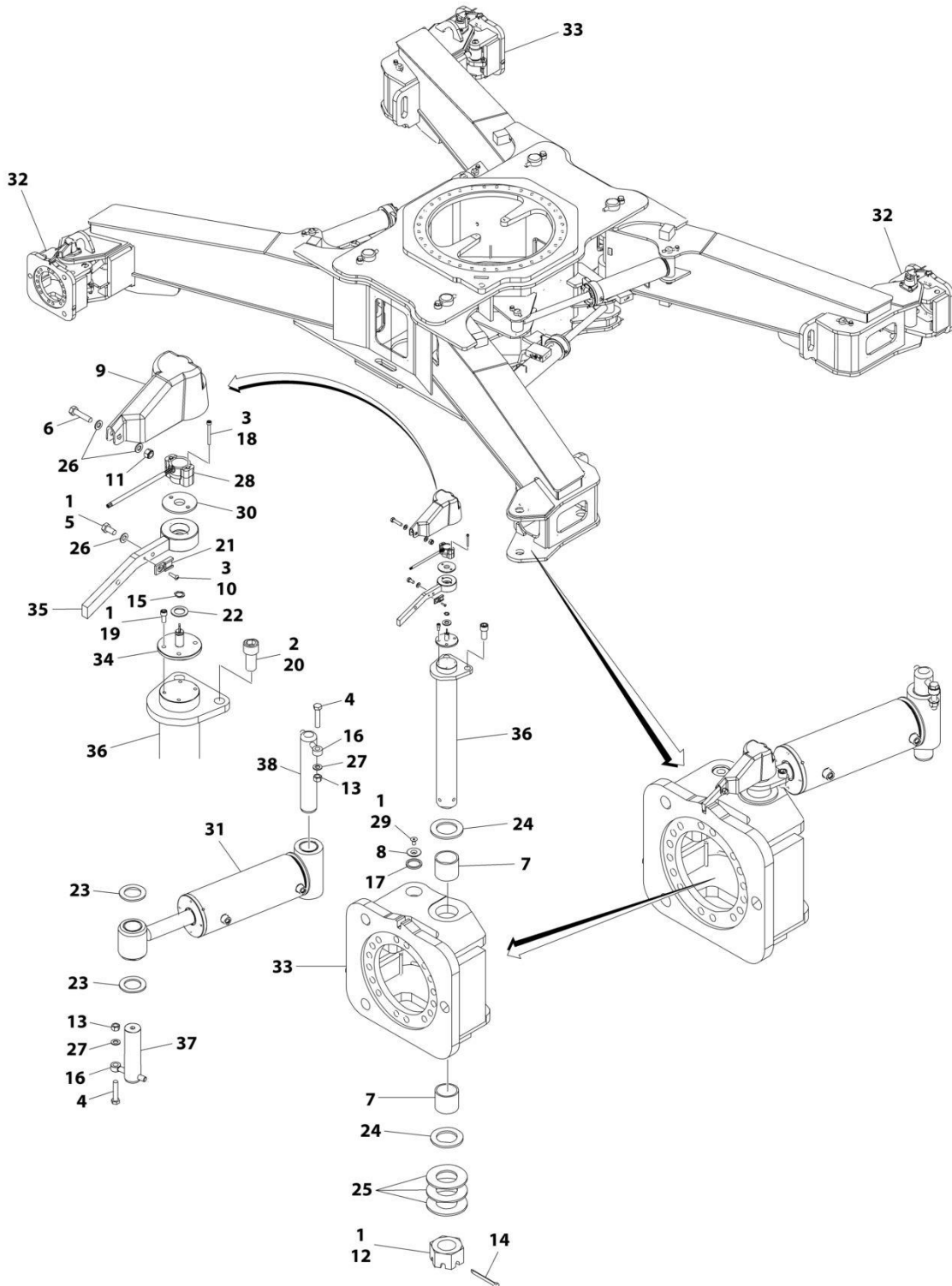
SECTION 1 - FRAME

FIGURE 1-2. AXLE INSTALLATION (SN 0300293919 to Present)

ITEM	PART NUMBER	QTY	DESCRIPTION	REV
	1001190949	Ref	AXLE INSTALLATION	G
1	0100011	AR	Compound, Locking	
2	0100071	AR	Compound, Locking	
3	3020039	AR	Lubricant	
4	1001190950	1	Axle - Rear LH	
5	1001190951	1	Axle - Rear RH	
6	1001190952	1	Axle - Front RH	
7	1001190953	1	Axle - Front LH	
8	1001155363	4	Pin	
9	0440273	8	Bushing	
10	1001155133	4	Washer, Thrust	
11	3841356	4	Keeper, Pin	
12	0762418001	4	Bolt M24 x 50	
13	1001251066	4	Axle Extend Cylinder Assembly (See Separate Breakdown in CYLINDER Section)	
14	3422912	4	Pin	
15	1001120000	4	Pin	
16	4740229	8	Washer, Thrust	
17	3841258	8	Keeper, Pin	
18	0701420001	8	Bolt M14 x 60	
19	4812200001	8	Washer M14	
20	3291407001	8	Nut M14	
21	1001158017	AR	Shim	
22	0761015001	8	Bolt M10 x 35	
23	1001172358	8	Washer M10	
24	1001157084	4	Axle Sensor and Harness Assembly	
24	4460910	1	Receptacle, Female - 3 Position	
24	4460917	6	Pin, Male	
25	1001157007	8	Sleeve	
26	0761016001	8	Bolt M10 x 40	

SECTION 1 - FRAME

FIGURE 1-3. STEER INSTALLATION (Prior to SN 0300293919)



ART_1001156606

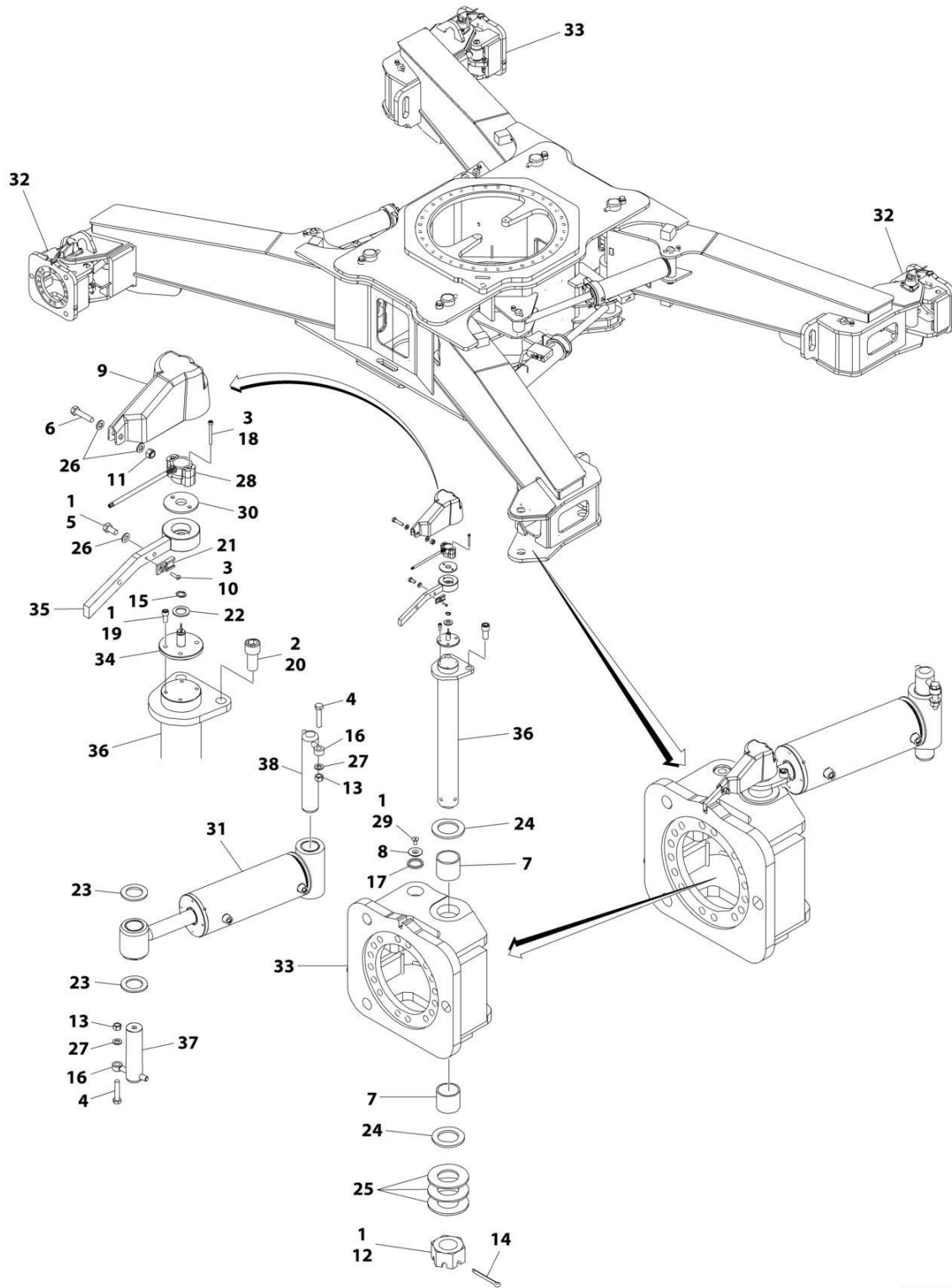
SECTION 1 - FRAME

FIGURE 1-3. STEER INSTALLATION (Prior to SN 0300293919)

ITEM	PART NUMBER	QTY	DESCRIPTION	REV
	1001156606	Ref	STEER INSTALLATION	F
1	0100011	AR	Compound, Locking	
2	0100019	AR	Compound, Locking	
3	0100035	AR	Compound, Locking	
4	0701422001	8	Bolt M14 x 70	
5	0760808001	4	Bolt M8 x 16	
6	0760815001	4	Bolt M8 x 35	
7	0962423	8	Bushing	
8	1120549	4	Cap	
9	1671040	4	Cover	
10	2080091	4	Screw M4 x 16	
11	3290805001	4	Nut M8	
12	3300464001	4	Nut	
13	3291407001	8	Nut M14	
14	3451214	4	Pin, Cotter	
15	3760383	4	Ring	
16	3841258	8	Keeper, Pin	
17	3960551	4	Seal	
18	4031512	8	Capscrew M4 x 40	
19	4031707	16	Capscrew M6 x 16	
20	4032311001	8	Capscrew M16 x 35	
21	4460914	4	Base, Terminal	
22	4711800	4	Washer 1/2	
23	4740229	8	Washer, Thrust	
24	4740505	8	Washer, Thrust	
25	4755000001	18	Washer 2-1/2	
26	4811900001	12	Washer M8	
27	4812200001	8	Washer M14	
28	1001146963	4	Sensor Assembly	
28	4460899	1	Connector - 6 Position	
28	4460464	6	Socket, Female	
29	1001174345	4	Screw M20 x 20	
30	1001155836	4	Adapter	
31	1001228065	4	Steer Cylinder Assembly (See Separate Breakdown in CYLINDER SECTION)	
32	1001156678	2	Spindle - Front LH and Rear RH	
33	1001156679	2	Spindle - Front RH and Rear LH	
34	1001156778	4	Pin	
35	1001156785	4	Link	
36	1001156815	4	Kingpin	
37	1001156991	4	Pin	
38	1001156996	4	Pin	
39	1001155817	4	Steer Harness (Not Shown - See Separate Breakdown in ELECTRICAL SECTION)	

SECTION 1 - FRAME

FIGURE 1-4. STEER INSTALLATION (SN 0300293919 to Present)



ART_1001156606_G

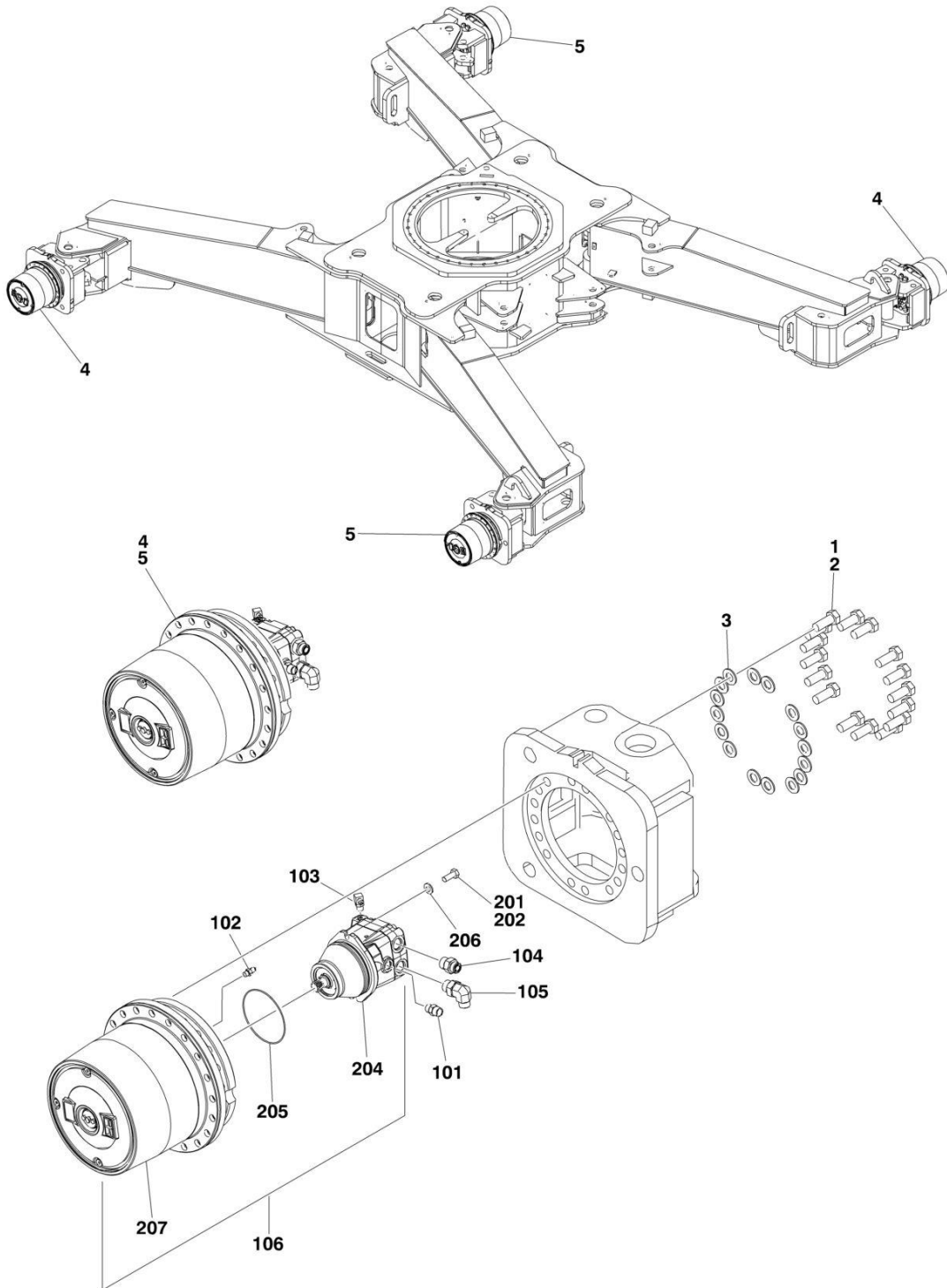
SECTION 1 - FRAME

FIGURE 1-4. STEER INSTALLATION (SN 0300293919 to Present)

ITEM	PART NUMBER	QTY	DESCRIPTION	REV
	1001156606	Ref	STEER INSTALLATION	G
1	0100011	AR	Compound, Locking	
2	0100019	AR	Compound, Locking	
3	0100035	AR	Compound, Locking	
4	0701422001	8	Bolt M14 x 70	
5	0760808001	4	Bolt M8 x 16	
6	0760815001	4	Bolt M8 x 35	
7	0962423	8	Bushing	
8	1120549	4	Cap	
9	1671040	4	Cover	
10	2080091	4	Screw M4 x 16	
11	3290805001	4	Nut M8	
12	3300464001	4	Nut	
13	3291407001	8	Nut M14	
14	3451214	4	Pin, Cotter	
15	3760383	4	Ring	
16	3841258	8	Keeper, Pin	
17	3960551	4	Seal	
18	4031512	8	Capscrew M4 x 40	
19	4031707	16	Capscrew M6 x 16	
20	4032311001	8	Capscrew M16 x 35	
21	4460914	4	Base, Terminal	
22	4711800	4	Washer 1/2	
23	4740229	8	Washer, Thrust	
24	4740505	8	Washer, Thrust	
25	4755000001	18	Washer 2-1/2	
26	4811900001	12	Washer M8	
27	4812200001	8	Washer M14	
28	1001146963	4	Sensor Assembly	
28	4460899	1	Connector - 6 Position	
28	4460464	6	Socket, Female	
29	1001174345	4	Screw M20 x 20	
30	1001155836	4	Adapter	
31	1001251065	4	Steer Cylinder Assembly (See Separate Breakdown in CYLINDER Section)	
32	1001156678	2	Spindle - Front LH and Rear RH	
33	1001156679	2	Spindle - Front RH and Rear LH	
34	1001156778	4	Pin	
35	1001156785	4	Link	
36	1001156815	4	Kingpin	
37	1001156991	4	Pin	
38	1001156996	4	Pin	
39	1001155817	4	Steer Harness (Not Shown - See Separate Breakdown in ELECTRICAL SECTION)	

SECTION 1 - FRAME

FIGURE 1-5. WHEEL DRIVE INSTALLATION



ART_1001157850

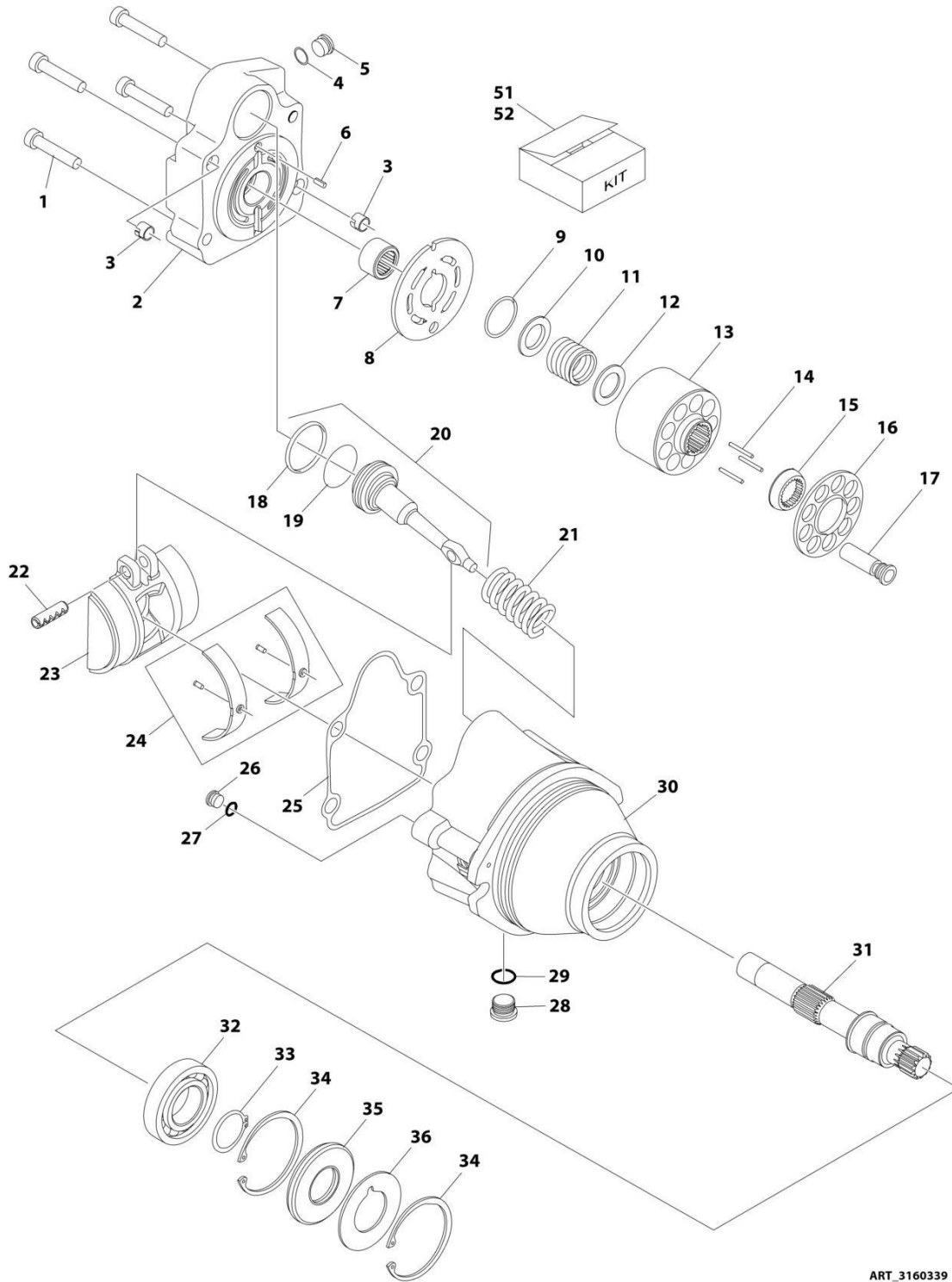
SECTION 1 - FRAME

FIGURE 1-5. WHEEL DRIVE INSTALLATION

ITEM	PART NUMBER	QTY	DESCRIPTION	REV
	1001157850	Ref	WHEEL DRIVE INSTALLATION	F
1	0100019	AR	Compound, Locking	
2	0762018001	64	Bolt M20 x 50	
3	5242000001	64	Washer M20	
4	1001154759	2	Drive Hub/Motor with Fittings - Front LH and Rear RH (See Items 101-106 for Breakdown)	
5	1001157849	2	Drive Hub/Motor with Fittings - Front RH and Rear LH (See Items 101-106 for Breakdown)	
	1001154759	Ref	HUB/MOTOR ASSEMBLY WITH FITTINGS - FRONT LH AND REAR RH	E
	1001157849	Ref	HUB/MOTOR ASSEMBLY WITH FITTINGS - FRONT RH AND REAR LH	E
101	2110808	1	Fitting, Straight ORFS/ORB	
102	2220415	1	Fitting, Straight JIC/ORB	
103	2220472	1	Fitting, 90 JIC/ORB	
104	2111012	1	Fitting, Straight ORFS/ORB	
105	2131012	1	Fitting, 90 ORFS/ORB	
106	1001154772	1	Drive Hub/Motor (See Items 201-207 for Breakdown)	
	1001154772	Ref	DRIVE HUB/MOTOR ASSEMBLY	E
201	0100011	AR	Compound, Locking	
202	0761214	2	Bolt M12 x 30	
204	3160339	1	Motor - Drive (See Separate Breakdown in this Section)	
205	3790158	1	O-Ring	
206	5241200	2	Washer M12	
207	1001149921	1	Hub - Drive (See Separate Breakdown in this Section)	

SECTION 1 - FRAME

FIGURE 1-6. DRIVE MOTOR ASSEMBLY



ART_3160339

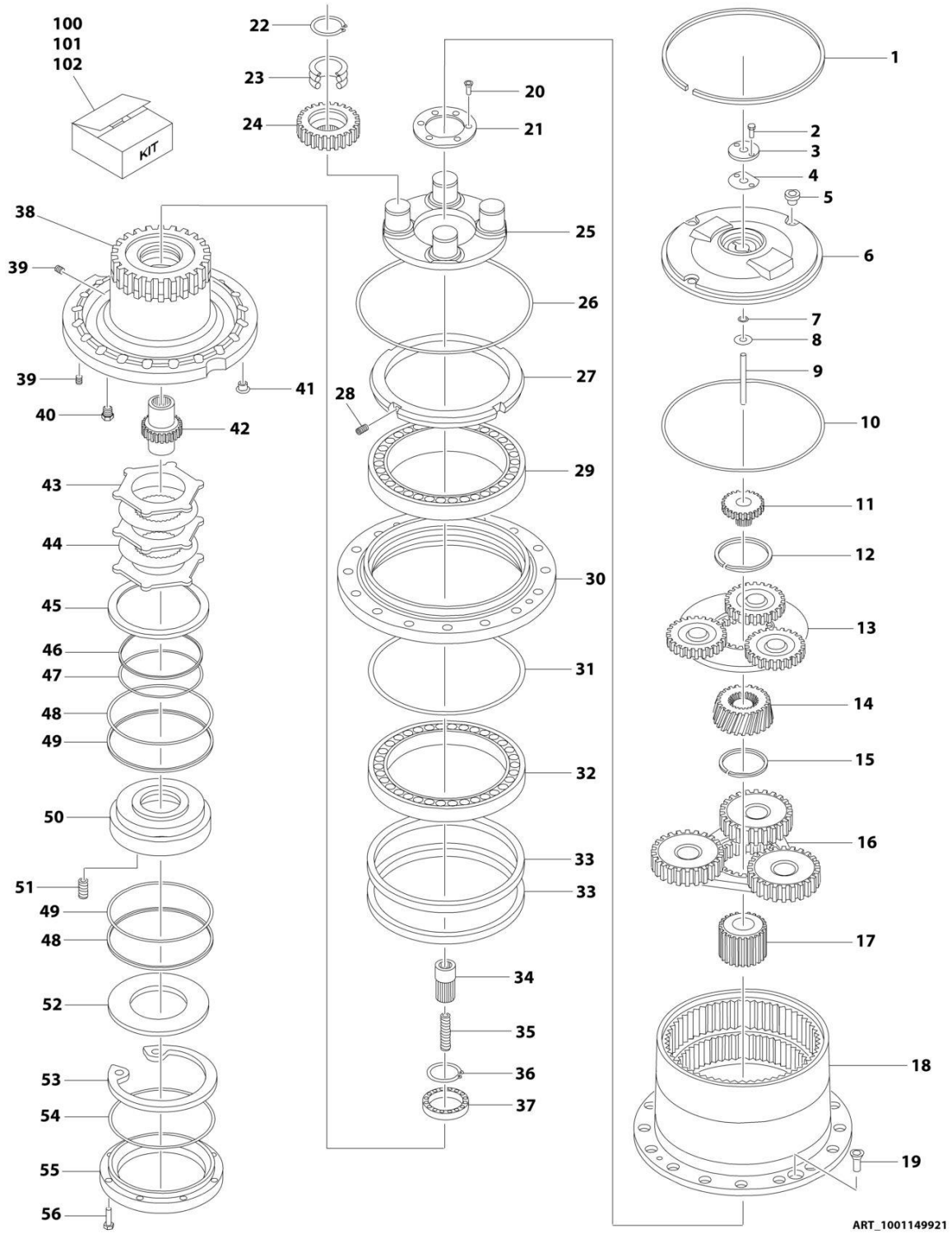
SECTION 1 - FRAME

FIGURE 1-6. DRIVE MOTOR ASSEMBLY

ITEM	PART NUMBER	QTY	DESCRIPTION	REV
	3160339	Ref	DRIVE MOTOR ASSEMBLY	D
1	7022368	4	Bolt	
2	70000859	1	End Cap, Motor	
3	70003628	2	Locating Pin	
4	See Note	NSS	O-Ring (Note: Use Item 51)	
5	7007420	1	Plug (Includes Item 4)	
6	7007446	1	Pin, Dowel	
7	7021249	1	Bearing, Needle	
8	70000854	1	Plate, Valve	
9	7022311	1	Snap Ring	
10	7022314	1	Retainer, Spring	
11	7024867	1	Spring	
12	7024868	1	Washer	
13	70000855	1	Block, Cylinder	
14	7021275	3	Pin, Slipper	
15	70000856	1	Guide	
16	70000857	1	Retainer, Slipper	
17	7024865	9	Piston, Cylinder	
18	See Note	NSS	Ring, Piston (Note: Use Item 51)	
19	See Note	NSS	O-Ring (Note: Use Item 51)	
20	70000860	1	Piston, Servo (Includes Items 18 & 19)	
21	70000861	1	Spring	
22	See Note	NSS	Pin (Note: Not Available for Purchase)	
23	70000853	1	Swash Plate	
24	70000852	1	Bearing Kit	
25	See Note	NSS	Gasket (Note: Use Item 51)	
26	See Note	NSS	Plug (Note: Not Available for Purchase)	
27	See Note	NSS	O-Ring (Note: Use Item 51)	
28	7022321	1	Plug (Includes Item 29)	
29	See Note	NSS	O-Ring (Note: Use Item 51)	
30	See Note	NSS	Housing (Note: Not Available - Purchase Complete Motor)	
31	70000858	1	Shaft	
32	7007437	1	Bearing	
33	7007439	1	Snap Ring	
34	7007438	2	Snap Ring	
35	See Note	NSS	Seal (Note: Use Item 51)	
36	7022371	1	Washer, Seal Support	
51	70000862	1	Kit 1 - Motor Seal Kit (Includes Items 4, 18, 19, 25, 27, 29 & 35)	
52	7027740	1	Kit 2 - Cylinder Block Kit (Includes Items 9-17)	

SECTION 1 - FRAME

FIGURE 1-7. DRIVE HUB ASSEMBLY



SECTION 1 - FRAME

FIGURE 1-7. DRIVE HUB ASSEMBLY

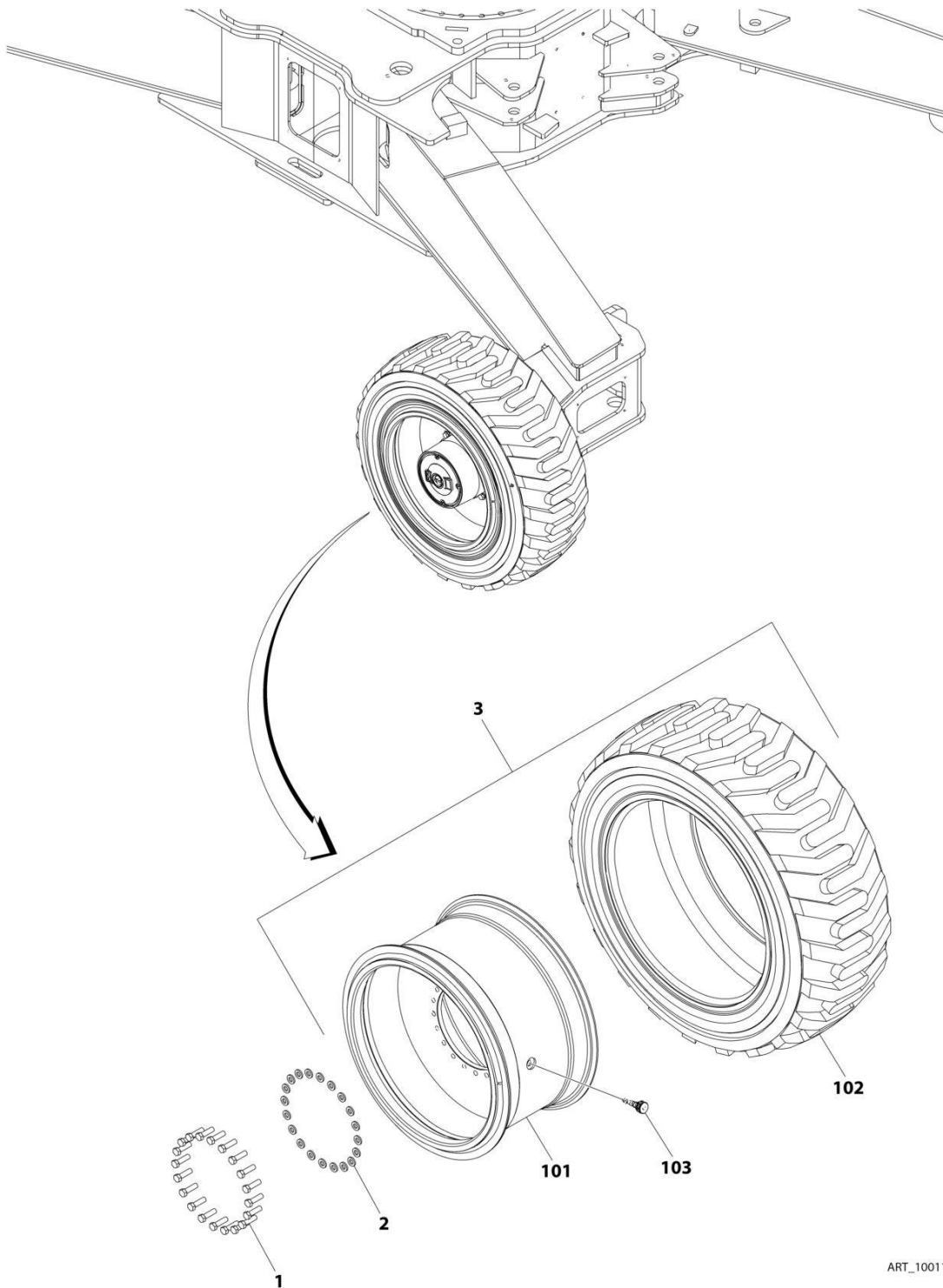
ITEM	PART NUMBER	QTY	DESCRIPTION	REV
	1001149921	Ref	DRIVE HUB ASSEMBLY	G
1	70004429	1	Ring	
2	See Note	NSS	Screw M6 x 20 (Note: Use Item 101)	
3	See Note	NSS	Cover (Note: Use Item 101)	
4	70004429	1	Gasket	
5	70002057	3	Plug	
6	See Note	NSS	Cover (Note: Use Item 101)	
7	See Note	NSS	O-Ring (Note: Use Item 100 or 101)	
8	See Note	NSS	Shim (Note: Use Item 101)	
9	See Note	NSS	Pin (Note: Use Item 101)	
10	See Note	NSS	O-Ring (Note: Use Item 100 or 101)	
11	70004430	1	Pinion	
12	70004431	1	Ring, Retaining	
13	70004432	1	Assembly, Gear Reduction	
14	70004433	1	Pinion	
15	70004434	1	Ring	
16	70004435	1	Assembly, Gear Reduction	
17	70004436	1	Pinion	
18	See Note	NSS	Housing, Hub (Note: Use p/n 1001149921)	
19	70002052	2	Screw M10 x 25	
20	70004437	6	Screw M6 x 14	
21	70004438	1	Plug	
22	70002032	4	Ring, Retaining	
23	70002031	4	Bearing	
24	70004439	4	Wheel, Planet	
25	70004440	1	Flange	
26	See Note	NSS	O-Ring (Note: Use Item 100)	
27	70004441	1	Nut	
28	70004363	2	Screw M6 x 10	
29	70004442	1	Bearing	
30	See Note	NSS	Support, Hub (Note: Use p/n 1001149921)	
31	See Note	NSS	O-Ring (Note: Use Item 100)	
32	70004443	1	Bearing	
33	See Note	1	Seal (Note: Use Item 100)	
34	70004444	1	Coupling	
35	70002036	1	Spring	
36	70004445	1	Ring, Retaining	
37	70004446	1	Bearing	
38	See Note	NSS	Axle (Note: Use p/n 1001149921)	
39	70004447	3	Plug	
40	70002057	3	Plug (Includes O-Ring)	
41	70002028	1	Plug, Plastic	
42	70004448	1	Shaft, Input	
43	See Note	NSS	Disc, Iron (Note: Use Item 102)	
44	See Note	NSS	Disc, Brake (Note: Use Item 102)	
45	See Note	NSS	Spacer (Note: Use Item 102)	
46	See Note	NSS	Seal (Note: Use Item 100 or 102)	
47	See Note	NSS	O-Ring (Note: Use Item 100 or 102)	
48	See Note	NSS	Seal (Note: Use Item 100 or 102)	
49	See Note	NSS	O-Ring (Note: Use Item 100 or 102)	

SECTION 1 - FRAME

ITEM	PART NUMBER	QTY	DESCRIPTION	REV
50	See Note	NSS	Piston, Brake (Note: Use Item 102)	
51	See Note	NSS	Spring, Brake (Note: Use Item 102)	
52	See Note	NSS	Spacer (Note: Use Item 102)	
53	See Note	NSS	Ring, Retaining (Note: Use Item 102)	
54	See Note	NSS	O-Ring (Note: Use Item 100)	
55	70004449	1	Support, Motor	
56	70004450	6	Screw M8 x 25	
100	70004451	1	Kit, Seal (Includes Items 4, 7, 10, 26, 31, 33, 46-49 & 54)	
101	70004452	1	Kit, Cover (Includes Items 2-10)	
102	70004453	1	Kit, Brake (Includes Items 43-53)	

SECTION 1 - FRAME

FIGURE 1-8. TIRE/WHEEL INSTALLATION



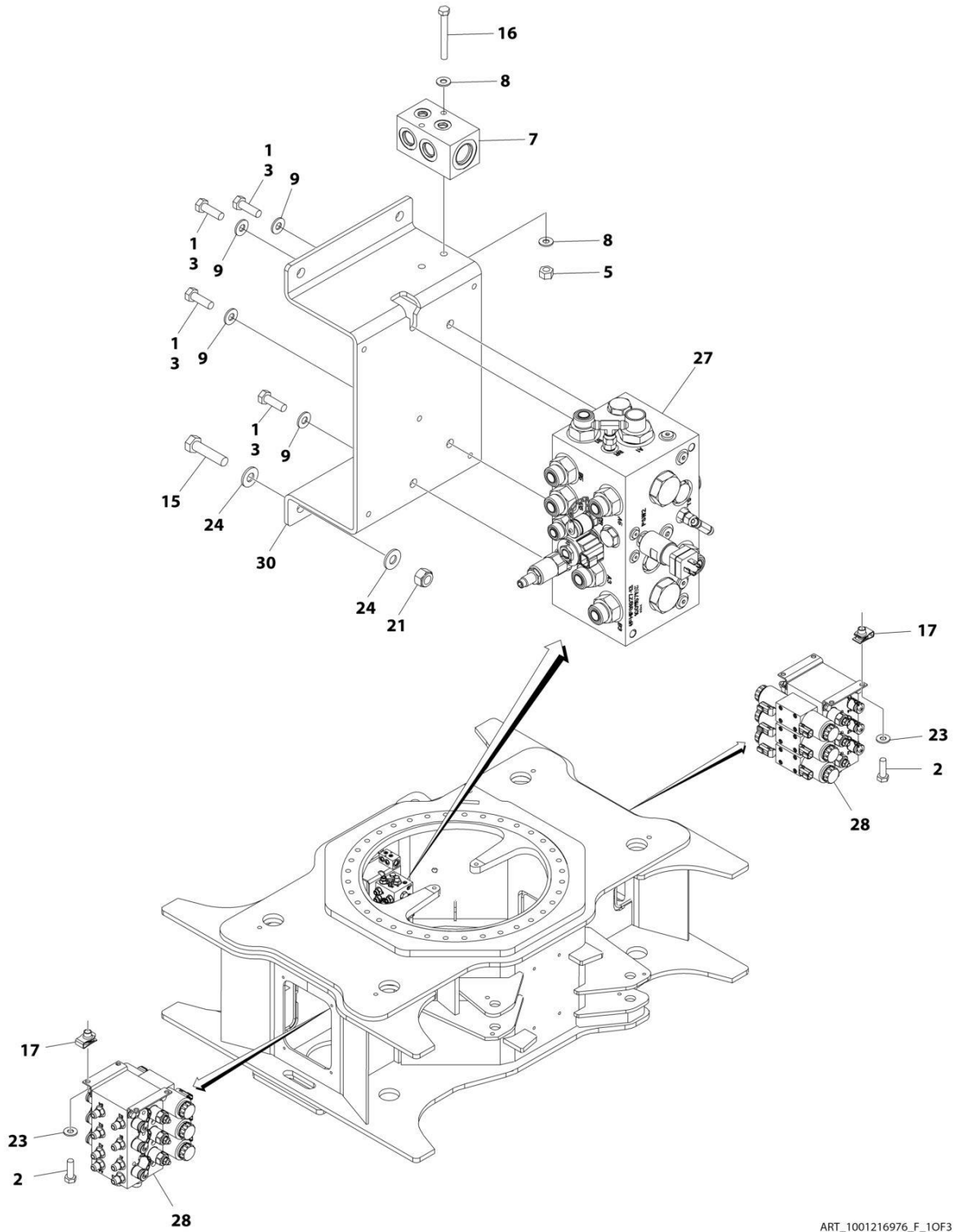
ART_1001157216

FIGURE 1-8. TIRE/WHEEL INSTALLATION

ITEM	PART NUMBER	QTY	DESCRIPTION	REV
	1001157216	Ref	TIRE/WHEEL INSTALLATION	F
		Ref	Note: Requires ballast/foam filling to manufacturer's specifications prior to installing on a machine. Refer to Service and Maintenance Manuals. Purchase individual tire and/or rim only if able to foam fill tire and wheel assembly, otherwise, purchase complete.	
1	0701619001	80	Bolt M16 x 55 (20 Per Wheel)	
2	1001172356	80	Washer 5/8 (20 Per Wheel)	
3	1001147616	2	Tire/Wheel (RH Side)	
3	1001149711	2	Tire/Wheel (LH Side)	
	1001147616	Ref	TIRE/WHEEL ASSEMBLY (RH SIDE)	I
	1001149711	Ref	TIRE/WHEEL ASSEMBLY (LH SIDE)	I
101	1001147617	4	Wheel (1 per Tire/Wheel)	
102	1001147618	4	Tire (1 per Tire/Wheel)	
103	1001157467	4	Valve (1 per Tire/Wheel)	

SECTION 1 - FRAME

FIGURE 1-9. VALVES INSTALLATION - FRAME



ART_1001216976_F_10F3

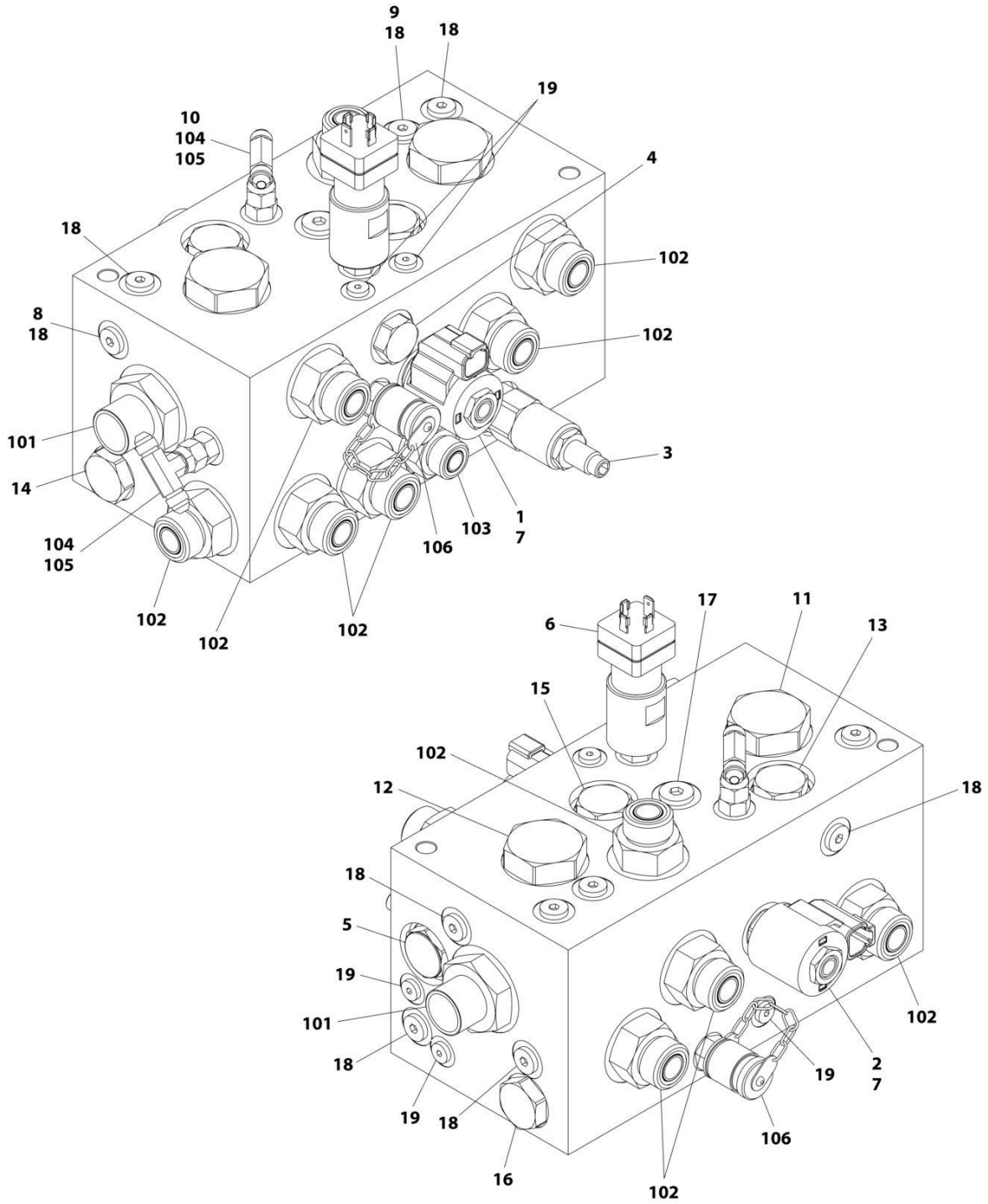
SECTION 1 - FRAME

FIGURE 1-9. VALVES INSTALLATION - FRAME

ITEM	PART NUMBER	QTY	DESCRIPTION	REV
	1001216976	Ref	VALVES INSTALLATION - FRAME	F
1	0100011	AR	Compound, Locking	
2	0760812	8	Bolt M8 x 25	
3	0761012	4	Bolt M10 x 25	
5	3290607	2	Nut M6	
7	4641155	1	Manifold, Junction	
8	4811700	4	Washer M6	
9	4812000	4	Washer M10	
15	0761218001	4	Bolt M12 x 50	
16	1001096653	2	Bolt M6 x 70	
17	1001118274	8	Nut M8	
21	3291205001	4	Nut M12	
23	4811900001	8	Washer M8	
24	4812100001	8	Washer M12	
27	1001219110	1	Traction Valve Assembly (See Separate Breakdown in this Section)	
28	1001157207	2	Steer/Axle Extend Valve Assembly (See Separate Breakdown in this Section)	
30	1001164354	1	Bracket	

SECTION 1 - FRAME

FIGURE 1-10. TRACTION VALVE ASSEMBLY



ART_1001219110

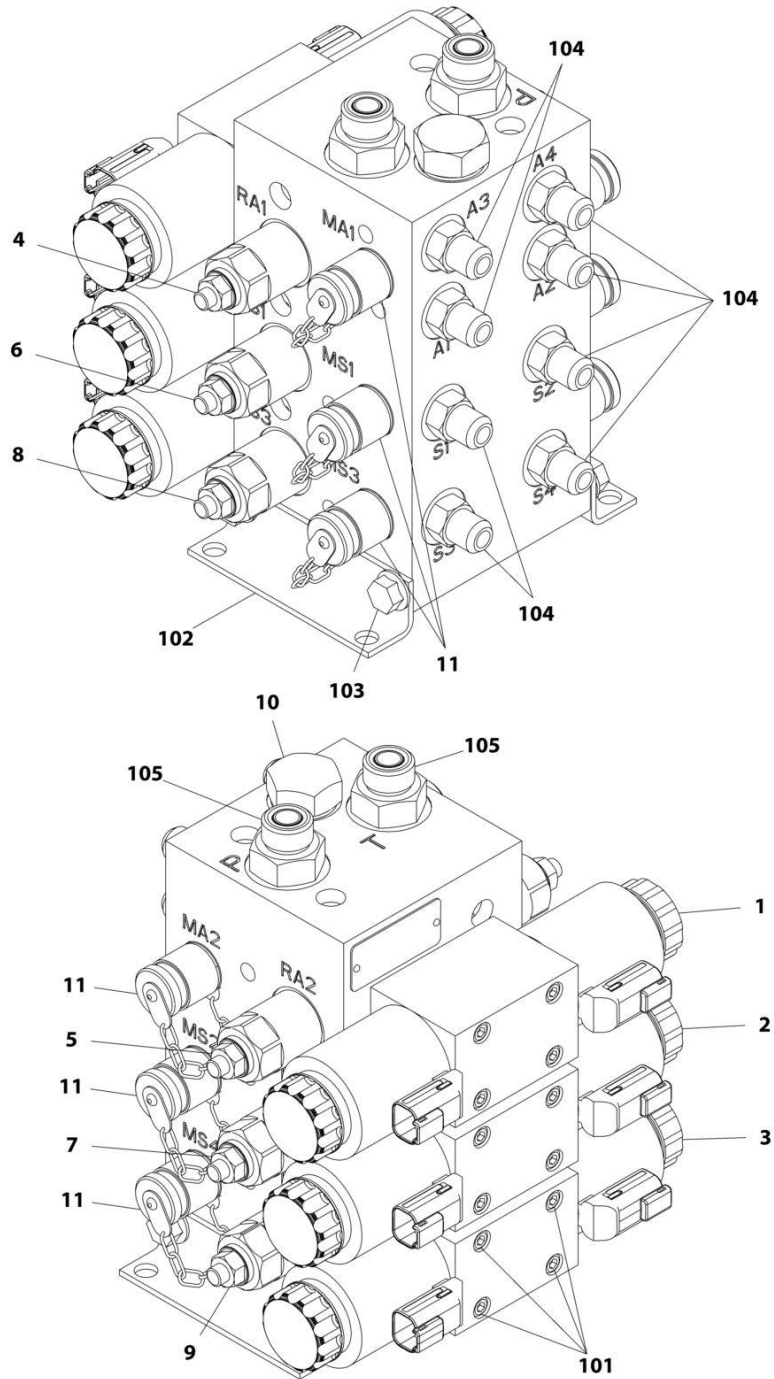
SECTION 1 - FRAME

FIGURE 1-10. TRACTION VALVE ASSEMBLY

ITEM	PART NUMBER	QTY	DESCRIPTION	REV
	1001219110	Ref	TRACTION VALVE ASSEMBLY	B
1	7012941	1	Cartridge, Solenoid Less Coil	
1	7010543	1	Kit, Seal	
2	7012941	1	Cartridge, Solenoid Less Coil	
2	7010543	1	Kit, Seal	
3	70004383	1	Cartridge, Relief	
3	7012998	1	Kit, Seal	
4	70004384	1	Cartridge, Load Shuttle	
4	7012973	1	Kit, Seal	
5	70000804	1	Cartridge	
5	70000805	1	Kit, Seal	
6	70000803	1	Cartridge, Pressure Switch	
7	70002386	2	Coil	
8	7017493	1	Orifice	
9	7017493	1	Orifice	
10	70004386	1	Orifice	
11	70004017	1	Cartridge, Flow Divider	
11	7021625	1	Kit, Seal	
12	70004017	1	Cartridge, Flow Divider	
12	7021625	1	Kit, Seal	
13	70003408	1	Cartridge, Check	
13	7022399	1	Kit, Seal	
14	70003408	1	Cartridge, Check	
14	7022399	1	Kit, Seal	
15	70003408	1	Cartridge, Check	
15	7022399	1	Kit, Seal	
16	70003408	1	Cartridge, Check	
16	7022399	1	Kit, Seal	
17	2220885	1	Plug	
18	2220883	9	Plug	
19	2220881	8	Plug	
101	2111016	2	Fitting, Straight ORB/ORFS	
102	2111012	10	Fitting, Straight ORB/ORFS	
103	2110810	1	Fitting, Straight ORB/ORFS	
104	2220415	2	Fitting, Straight JIC/ORB	
105	2220861	2	Fitting, Tee JIC/ORB	
106	2221086	2	Fitting, Test	

SECTION 1 - FRAME

FIGURE 1-11. STEER/AXLE EXTEND VALVE ASSEMBLY



ART_1001157207

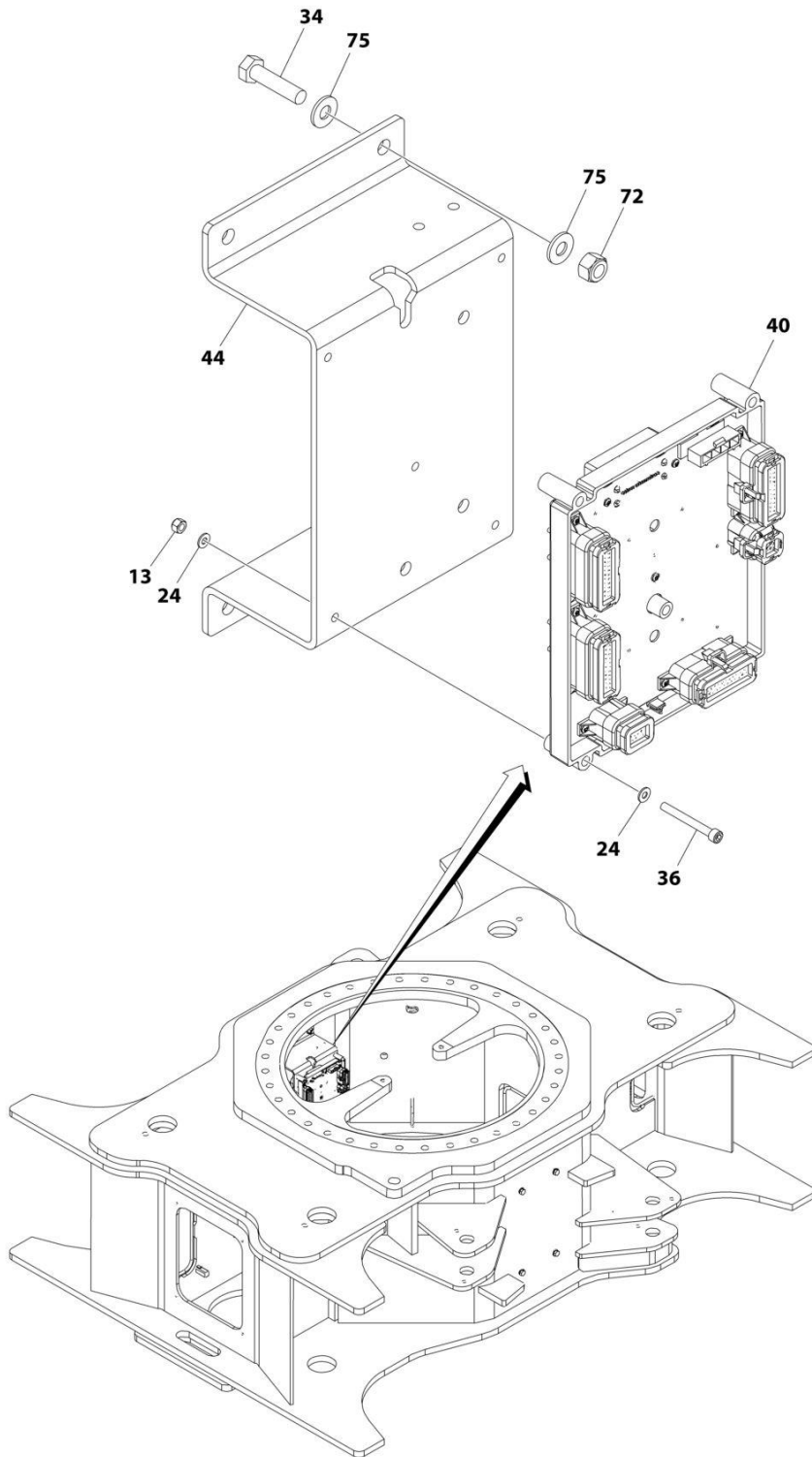
SECTION 1 - FRAME

FIGURE 1-11. STEER/AXLE EXTEND VALVE ASSEMBLY

ITEM	PART NUMBER	QTY	DESCRIPTION	REV
	1001157207	Ref	STEER/AXLE EXTEND VALVE ASSEMBLY	G
1	70004459	1	Valve, Direction Control	
1	7012773	1	Kit, Seal	
1	70004460	2	Coil	
1	7021375	2	Nut, Coil	
1	70004461	2	O-Ring, Solenoid Pole	
2	70004462	1	Valve, Direction Control	
2	7012773	1	Kit, Seal	
2	70004463	2	Coil	
2	7021375	2	Nut, Coil	
2	70004461	2	O-Ring, Solenoid Pole	
3	70004462	1	Valve, Direction Control	
3	7012773	1	Kit, Seal	
3	70004463	2	Coil	
3	7021375	2	Nut, Coil	
3	70004461	2	O-Ring, Solenoid Pole	
4	70004464	1	Cartridge, Relief	
4	70004055	1	Kit, Seal	
5	70004464	1	Cartridge, Relief	
5	70004055	1	Kit, Seal	
6	70004464	1	Cartridge, Relief	
6	70004055	1	Kit, Seal	
7	70004464	1	Cartridge, Relief	
7	70004055	1	Kit, Seal	
8	70004464	1	Cartridge, Relief	
8	70004055	1	Kit, Seal	
9	70004464	1	Cartridge, Relief	
9	70004055	1	Kit, Seal	
10	70004465	1	Cartridge, Flow Divider	
10	70004164	1	Kit, Seal	
11	2221086	6	Fitting, Test	
101	See Note	NSS	Capscrew #10 x 2 (Note: Purchase Locally)	
102	See Note	NSS	Bracket (Note: Not Available for Purchase)	
103	0641504	4	Bolt 5/16 x 1/2	
104	2220371	8	Fitting, Straight JIC/ORB	
105	2110810	2	Fitting, Straight ORB/ORFS	

SECTION 1 - FRAME

FIGURE 1-12. ELECTRICAL COMPONENTS INSTALLATION - FRAME (HRC) (ANSI, ANSI EXPORT, CSA AND JAPANESE SPECS)



ART_1001243047_C_1OF2

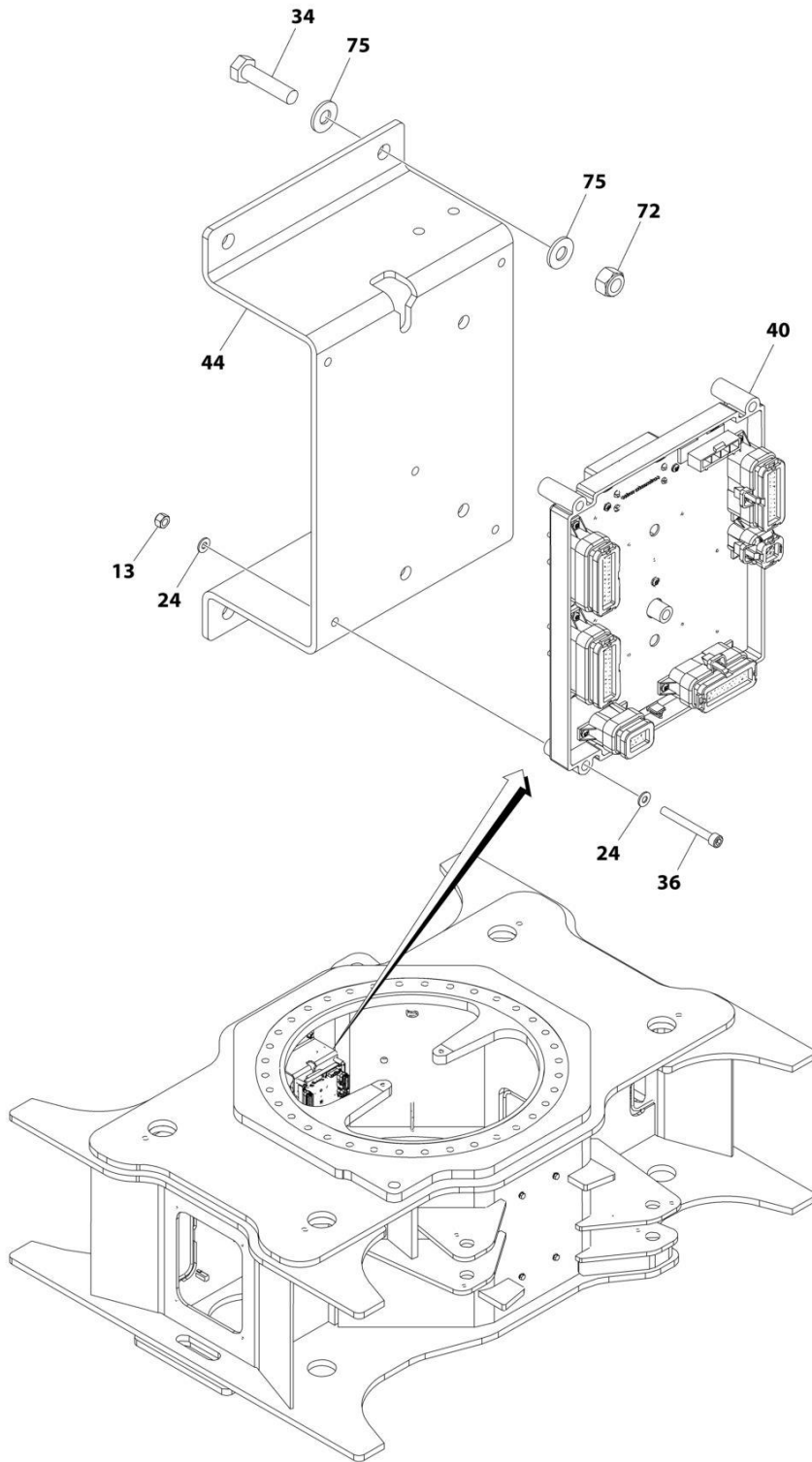
SECTION 1 - FRAME

FIGURE 1-12. ELECTRICAL COMPONENTS INSTALLATION - FRAME (HRC) (ANSI, ANSI EXPORT, CSA AND JAPANESE SPECS)

ITEM	PART NUMBER	QTY	DESCRIPTION	REV
	1001243047	Ref	ELECTRICAL COMPONENTS INSTALLATION - FRAME (HRC)	C
13	3290605	5	Nut M6	
24	4811700	10	Washer M6	
34	0761218001	4	Bolt M12 x 50	
36	1001118878	5	Capscrew M6 x 55	
39	1001149975	1	Chassis Harness (Not Shown - See Separate Breakdown in ELECTRICAL Section)	
40	1001150162	1	Module, Control (Note: Re-calibration Required when Replaced)	
43	1001163631	4	Axle Sensor Harness (Not Shown - See Separate Breakdown in ELECTRICAL Section)	
44	1001164354	1	Bracket	
72	3291205001	4	Nut M12	
75	4812100001	8	Washer M12	

SECTION 1 - FRAME

FIGURE 1-13. ELECTRICAL COMPONENTS INSTALLATION - FRAME (HRC) (CE & UK CA SPECS)



ART_1001243050_C_10F2

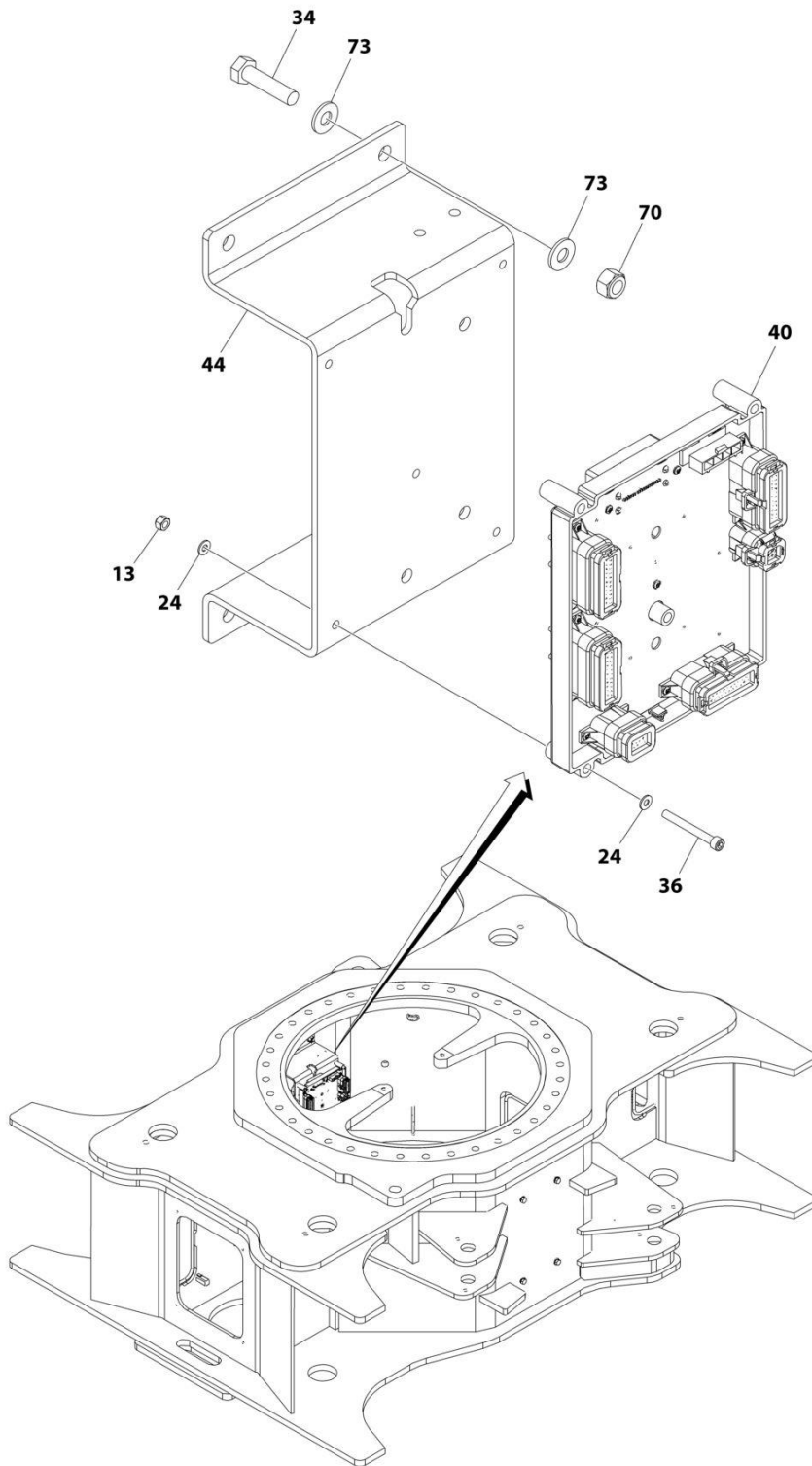
SECTION 1 - FRAME

FIGURE 1-13. ELECTRICAL COMPONENTS INSTALLATION - FRAME (HRC) (CE & UK CA SPECS)

ITEM	PART NUMBER	QTY	DESCRIPTION	REV
	1001243050	Ref	ELECTRICAL COMPONENTS INSTALLATION - FRAME (HRC)	C
13	3290605	5	Nut M6	
24	4811700	6	Washer M6	
34	0761218001	4	Bolt M12 x 50	
36	1001118878	5	Capscrew M6 x 55	
39	1001149975	1	Chassis Harness (Not Shown - See Separate Breakdown in ELECTRICAL Section)	
40	1001150162	1	Module, Control (Note: Re-calibration Required when Replaced)	
43	1001163631	4	Axle Sensor Harness (Not Shown - See Separate Breakdown in ELECTRICAL Section)	
44	1001164354	1	Bracket	
72	3291205001	4	Nut M12	
75	4812100001	8	Washer M12	

SECTION 1 - FRAME

FIGURE 1-14. ELECTRICAL COMPONENTS INSTALLATION - FRAME (LRC) (ANSI EXPORT, AUSTRALIAN AND CHINA SPECS)



ART_1001243053_C_1OF2

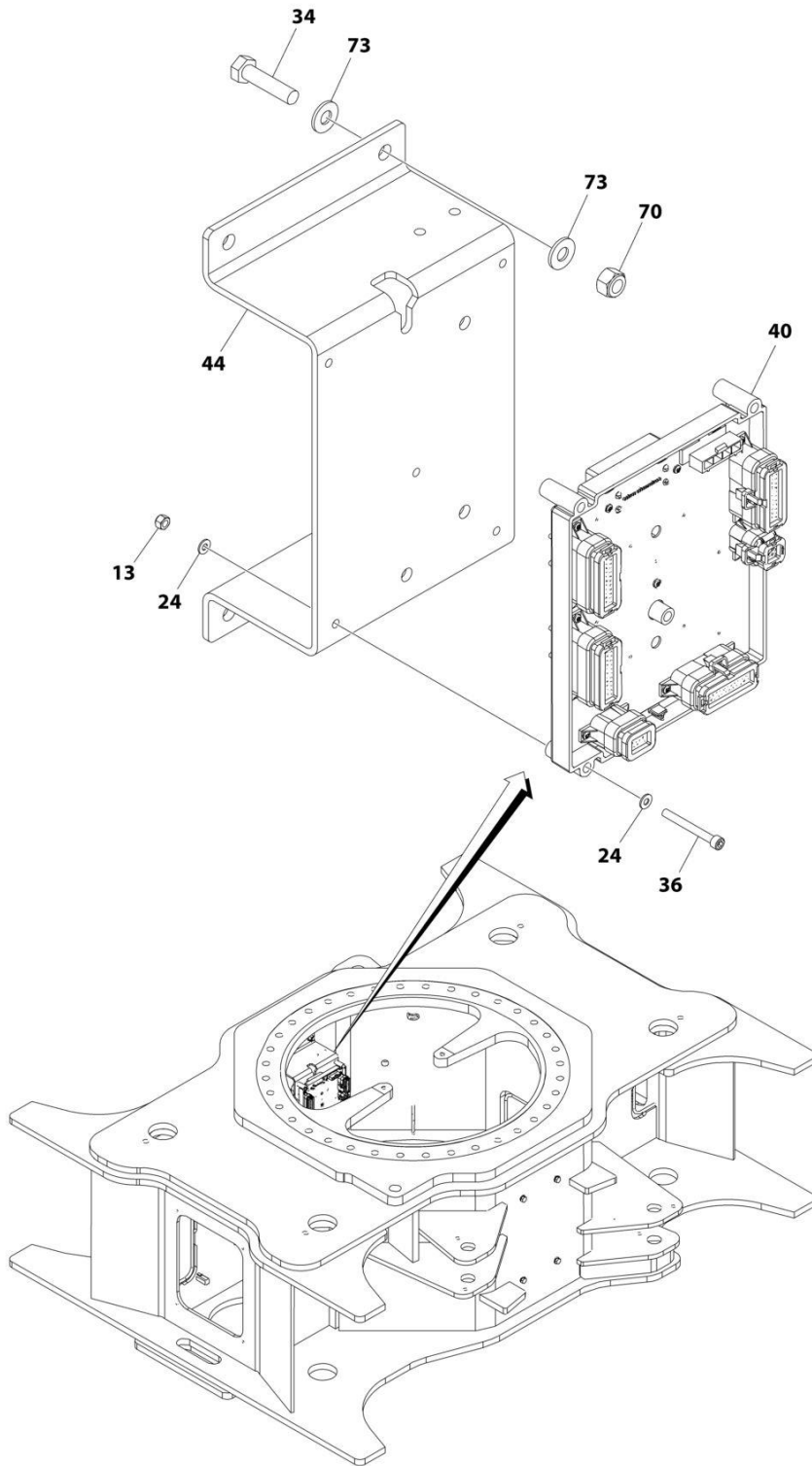
SECTION 1 - FRAME

FIGURE 1-14. ELECTRICAL COMPONENTS INSTALLATION - FRAME (LRC) (ANSI EXPORT, AUSTRALIAN AND CHINA SPECS)

ITEM	PART NUMBER	QTY	DESCRIPTION	REV
	1001243053	Ref	ELECTRICAL COMPONENTS INSTALLATION - FRAME (LRC)	C
13	3290605	5	Nut M6	
24	4811700	6	Washer M6	
34	0761218001	4	Bolt M12 x 50	
36	1001118878	5	Capscrew M6 x 55	
39	1001149975	1	Chassis Harness (Not Shown - See Separate Breakdown in ELECTRICAL Section)	
40	1001150162	1	Module, Control (Note: Re-calibration Required when Replaced)	
43	1001163631	4	Axle Sensor Harness (Not Shown - See Separate Breakdown in ELECTRICAL Section)	
44	1001164354	1	Bracket	
70	3291205001	4	Nut M12	
73	4812100001	8	Washer M12	

SECTION 1 - FRAME

FIGURE 1-15. ELECTRICAL COMPONENTS INSTALLATION - FRAME (LRC) (CE & UK CA SPECS)



ART_1001243055_C_1OF2

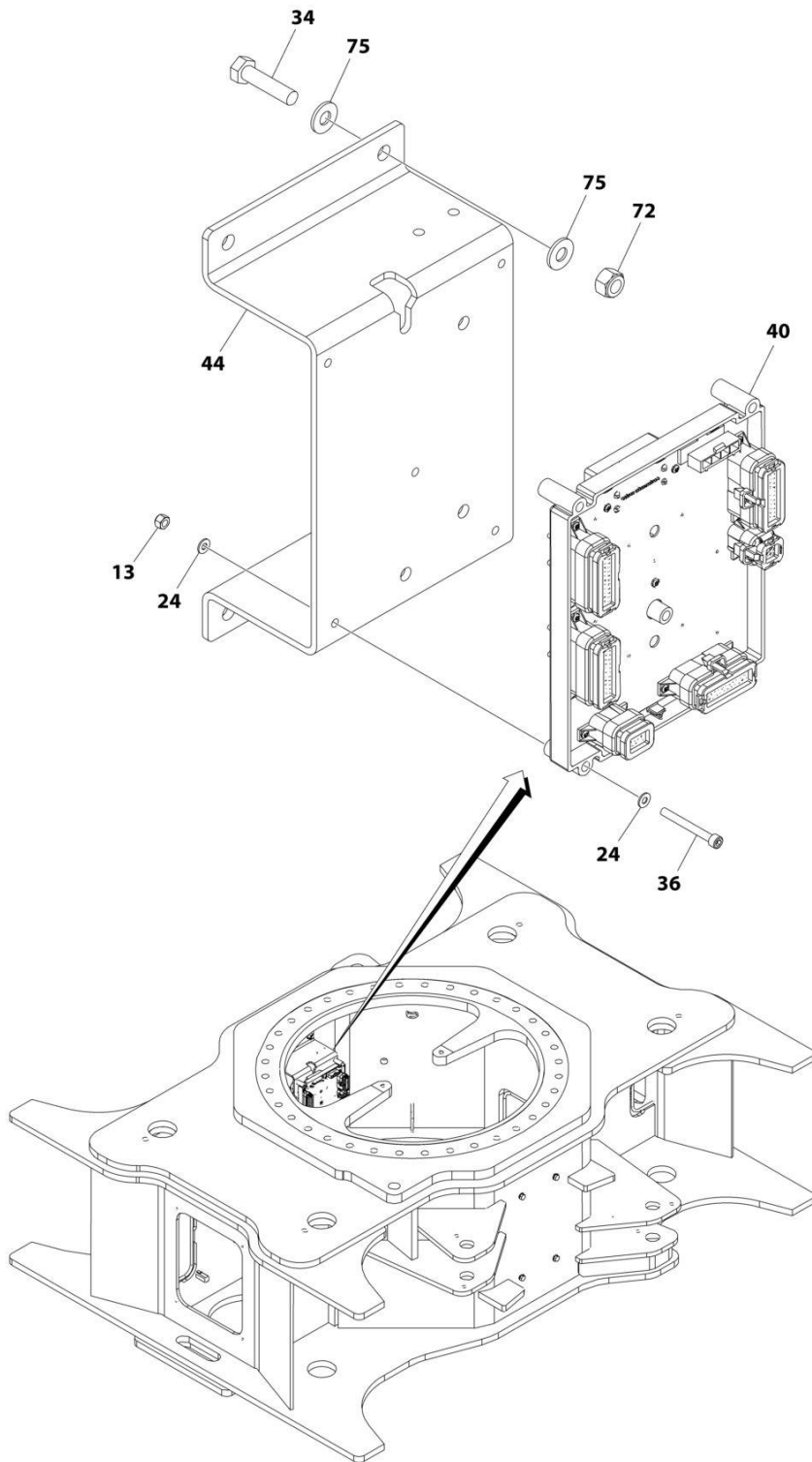
SECTION 1 - FRAME

FIGURE 1-15. ELECTRICAL COMPONENTS INSTALLATION - FRAME (LRC) (CE & UK CA SPECS)

ITEM	PART NUMBER	QTY	DESCRIPTION	REV
	1001243055	Ref	ELECTRICAL COMPONENTS INSTALLATION - FRAME (LRC)	C
13	3290605	5	Nut M6	
24	4811700	6	Washer M6	
34	0761218001	4	Bolt M12 x 50	
36	1001118878	5	Capscrew M6 x 55	
39	1001149975	1	Chassis Harness (Not Shown - See Separate Breakdown in ELECTRICAL Section)	
40	1001150162	1	Module, Control (Note: Re-calibration Required when Replaced)	
43	1001163631	4	Axle Sensor Harness (Not Shown - See Separate Breakdown in ELECTRICAL Section)	
44	1001164354	1	Bracket	
70	3291205001	4	Nut M12	
73	4812100001	8	Washer M12	

SECTION 1 - FRAME

FIGURE 1-16. ELECTRICAL COMPONENTS INSTALLATION WITH TOWER STOW - FRAME (HRC)
(ANSI, ANSI EXPORT, CSA AND JAPANESE SPECS)



ART_1001267659_B_1OF2

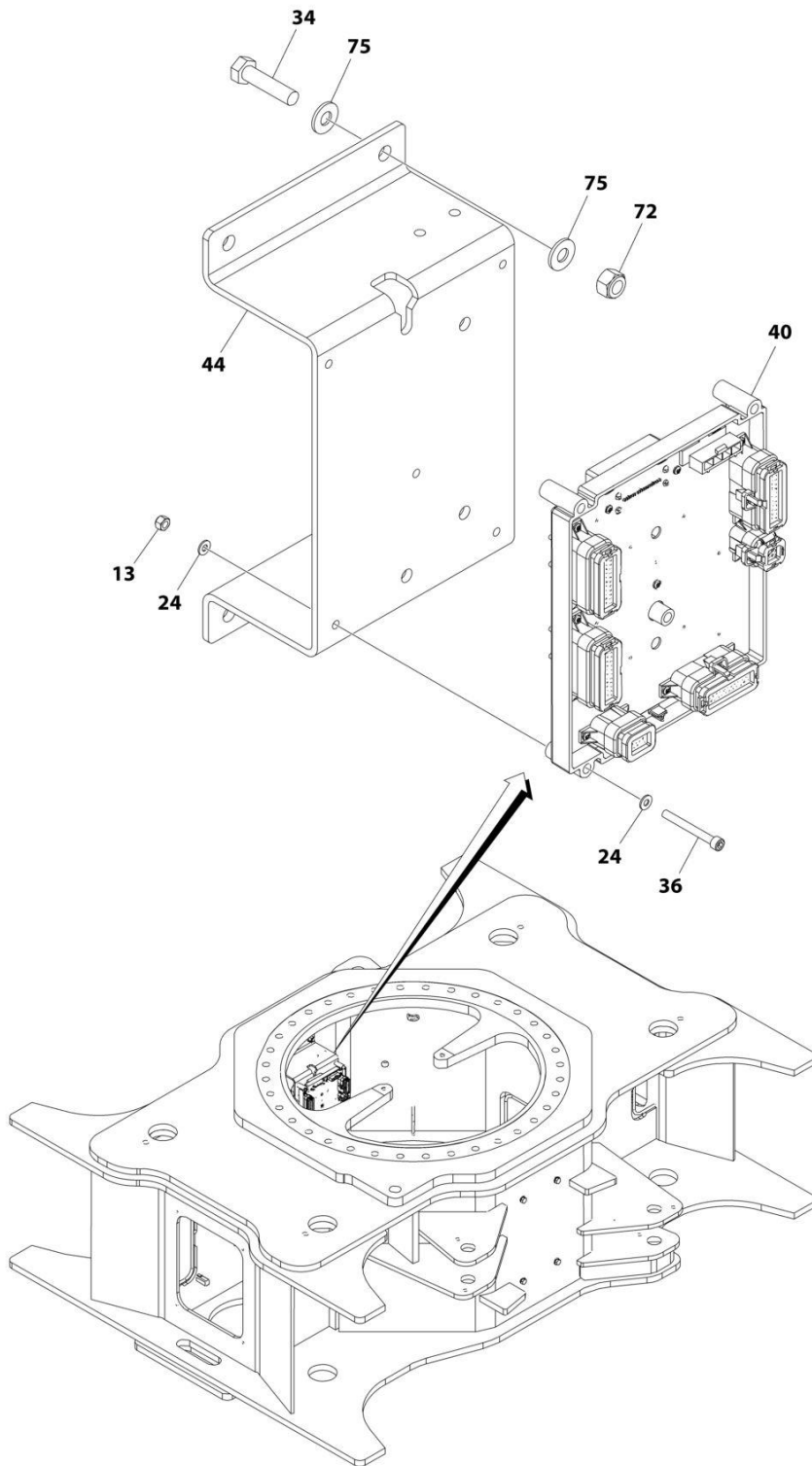
SECTION 1 - FRAME

**FIGURE 1-16. ELECTRICAL COMPONENTS INSTALLATION WITH TOWER STOW - FRAME (HRC)
(ANSI, ANSI EXPORT, CSA AND JAPANESE SPECS)**

ITEM	PART NUMBER	QTY	DESCRIPTION	REV
	1001267659	Ref	ELECTRICAL COMPONENTS INSTALLATION - FRAME (HRC)	B
13	3290605	5	Nut M6	
24	4811700	10	Washer M6	
34	0761218001	4	Bolt M12 x 50	
36	1001118878	5	Capscrew M6 x 55	
39	1001149975	1	Chassis Harness (Not Shown - See Separate Breakdown in ELECTRICAL Section)	
40	1001150162	1	Module, Control (Note: Re-calibration Required when Replaced)	
43	1001163631	4	Axle Sensor Harness (Not Shown - See Separate Breakdown in ELECTRICAL Section)	
44	1001164354	1	Bracket	
72	3291205001	4	Nut M12	
75	4812100001	8	Washer M12	

SECTION 1 - FRAME

FIGURE 1-17. ELECTRICAL COMPONENTS INSTALLATION WITH TOWER STOW - FRAME (HRC) (CE & UK CA SPECS)



ART_1001267660_B_10F2

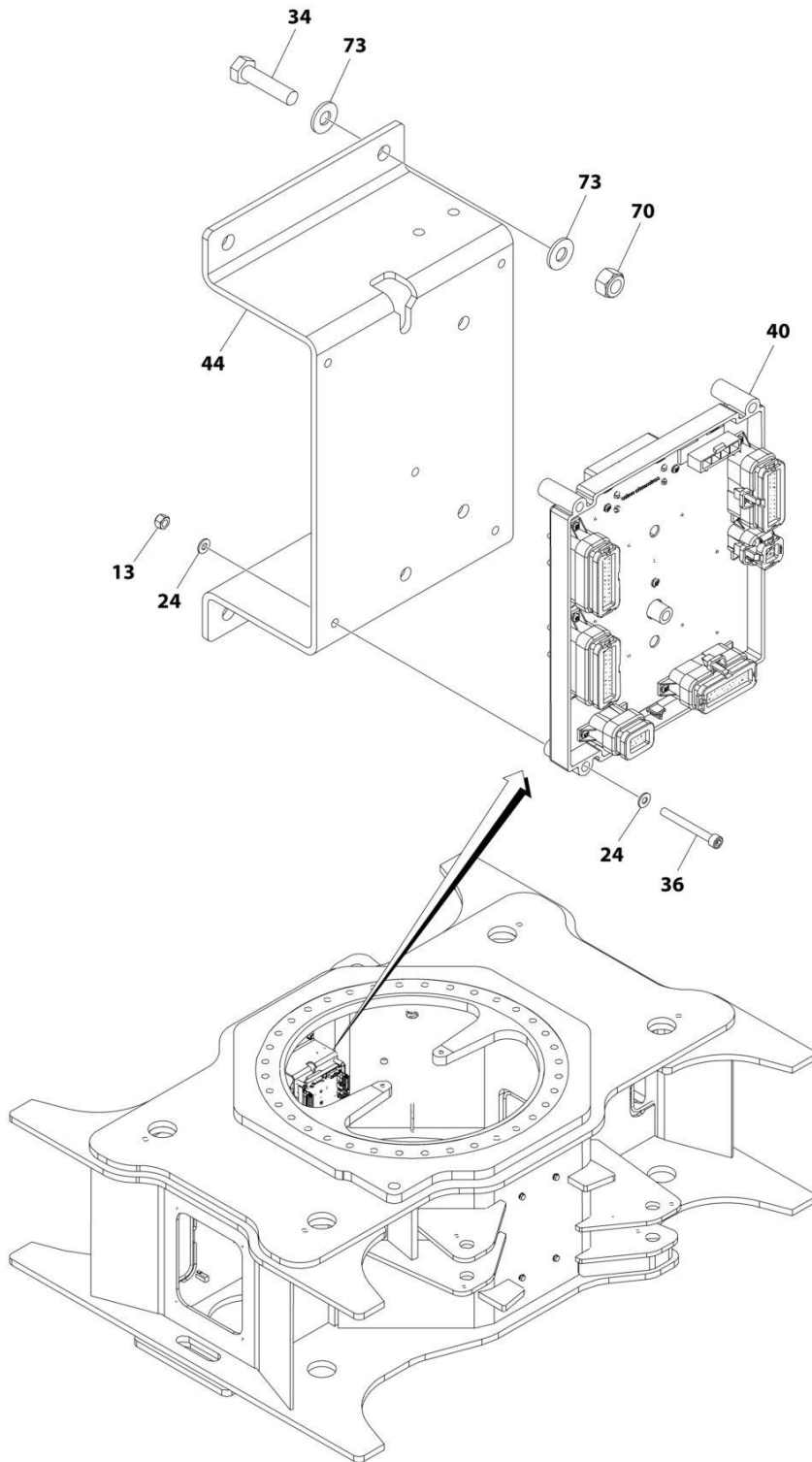
SECTION 1 - FRAME

FIGURE 1-17. ELECTRICAL COMPONENTS INSTALLATION WITH TOWER STOW - FRAME (HRC) (CE & UK CA SPECS)

ITEM	PART NUMBER	QTY	DESCRIPTION	REV
	1001267660	Ref	ELECTRICAL COMPONENTS INSTALLATION - FRAME (HRC)	B
13	3290605	5	Nut M6	
24	4811700	6	Washer M6	
34	0761218001	4	Bolt M12 x 50	
36	1001118878	5	Capscrew M6 x 55	
39	1001149975	1	Chassis Harness (Not Shown - See Separate Breakdown in ELECTRICAL Section)	
40	1001150162	1	Module, Control (Note: Re-calibration Required when Replaced)	
43	1001163631	4	Axle Sensor Harness (Not Shown - See Separate Breakdown in ELECTRICAL Section)	
44	1001164354	1	Bracket	
72	3291205001	4	Nut M12	
75	4812100001	8	Washer M12	

SECTION 1 - FRAME

FIGURE 1-18. ELECTRICAL COMPONENTS INSTALLATION WITH TOWER STOW - FRAME (LRC)
(ANSI EXPORT, AUSTRALIAN AND CHINA SPECS)



ART_1001267661_B_10F2

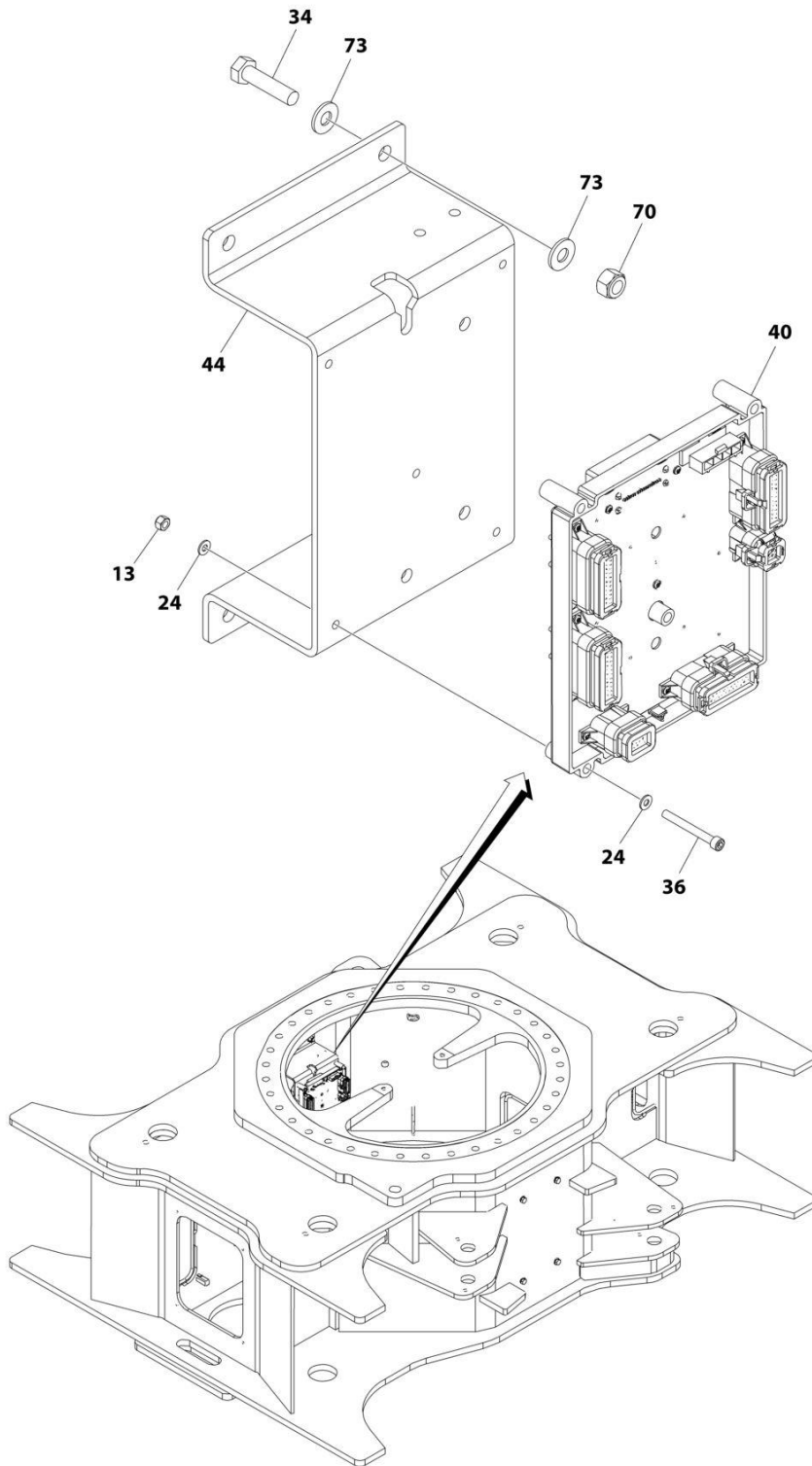
SECTION 1 - FRAME

**FIGURE 1-18. ELECTRICAL COMPONENTS INSTALLATION WITH TOWER STOW - FRAME (LRC)
(ANSI EXPORT, AUSTRALIAN AND CHINA SPECS)**

ITEM	PART NUMBER	QTY	DESCRIPTION	REV
	1001267661	Ref	ELECTRICAL COMPONENTS INSTALLATION - FRAME (LRC)	B
13	3290605	5	Nut M6	
24	4811700	6	Washer M6	
34	0761218001	4	Bolt M12 x 50	
36	1001118878	5	Capscrew M6 x 55	
39	1001149975	1	Chassis Harness (Not Shown - See Separate Breakdown in ELECTRICAL Section)	
40	1001150162	1	Module, Control (Note: Re-calibration Required when Replaced)	
43	1001163631	4	Axle Sensor Harness (Not Shown - See Separate Breakdown in ELECTRICAL Section)	
44	1001164354	1	Bracket	
70	3291205001	4	Nut M12	
73	4812100001	8	Washer M12	

SECTION 1 - FRAME

FIGURE 1-19. ELECTRICAL COMPONENTS INSTALLATION WITH TOWER STOW - FRAME (LRC) (CE & UK CA SPECS)



ART_1001267662_B_10F2

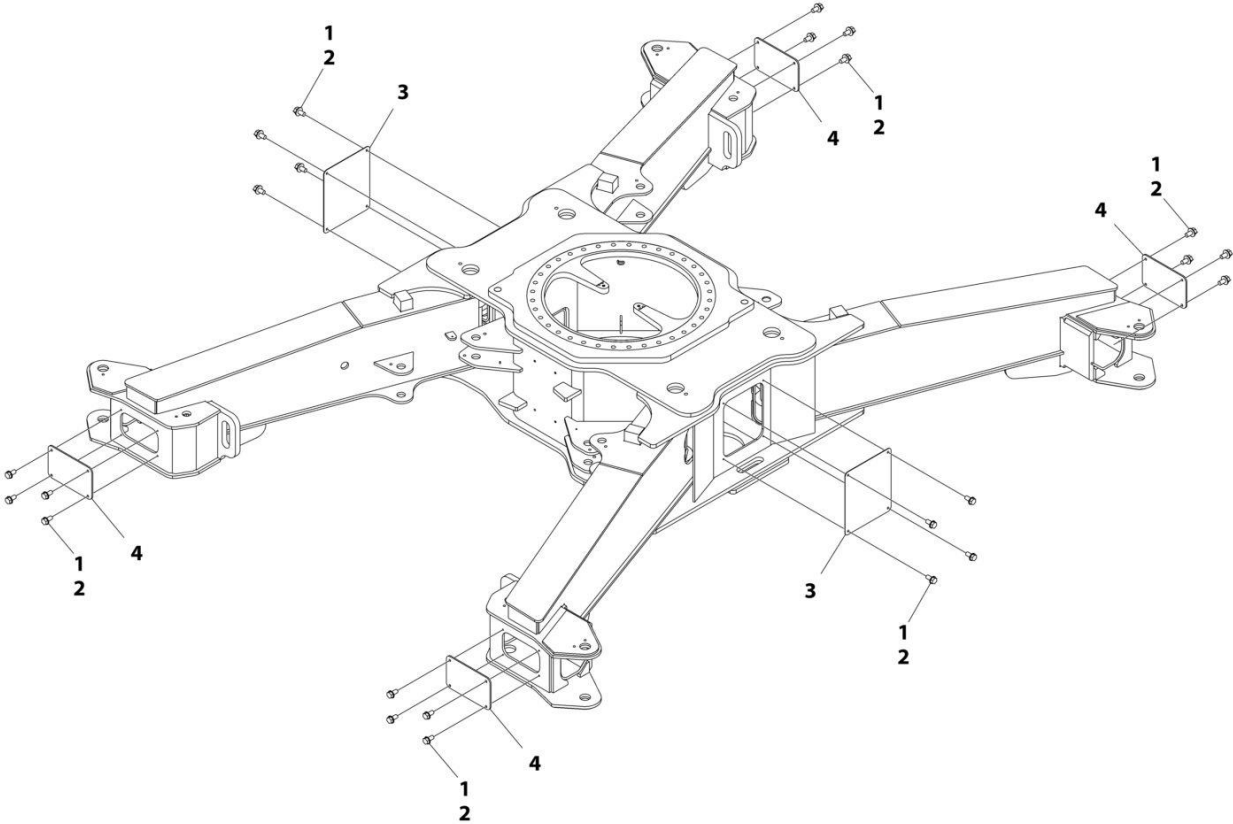
SECTION 1 - FRAME

FIGURE 1-19. ELECTRICAL COMPONENTS INSTALLATION WITH TOWER STOW - FRAME (LRC) (CE & UK CA SPECS)

ITEM	PART NUMBER	QTY	DESCRIPTION	REV
	1001267662	Ref	ELECTRICAL COMPONENTS INSTALLATION - FRAME (LRC)	B
13	3290605	5	Nut M6	
24	4811700	6	Washer M6	
34	0761218001	4	Bolt M12 x 50	
36	1001118878	5	Capscrew M6 x 55	
39	1001149975	1	Chassis Harness (Not Shown - See Separate Breakdown in ELECTRICAL Section)	
40	1001150162	1	Module, Control (Note: Re-calibration Required when Replaced)	
43	1001163631	4	Axle Sensor Harness (Not Shown - See Separate Breakdown in ELECTRICAL Section)	
44	1001164354	1	Bracket	
70	3291205001	4	Nut M12	
73	4812100001	8	Washer M12	

SECTION 1 - FRAME

FIGURE 1-20. COVERS INSTALLATION - FRAME



ART_1001157670

SECTION 1 - FRAME

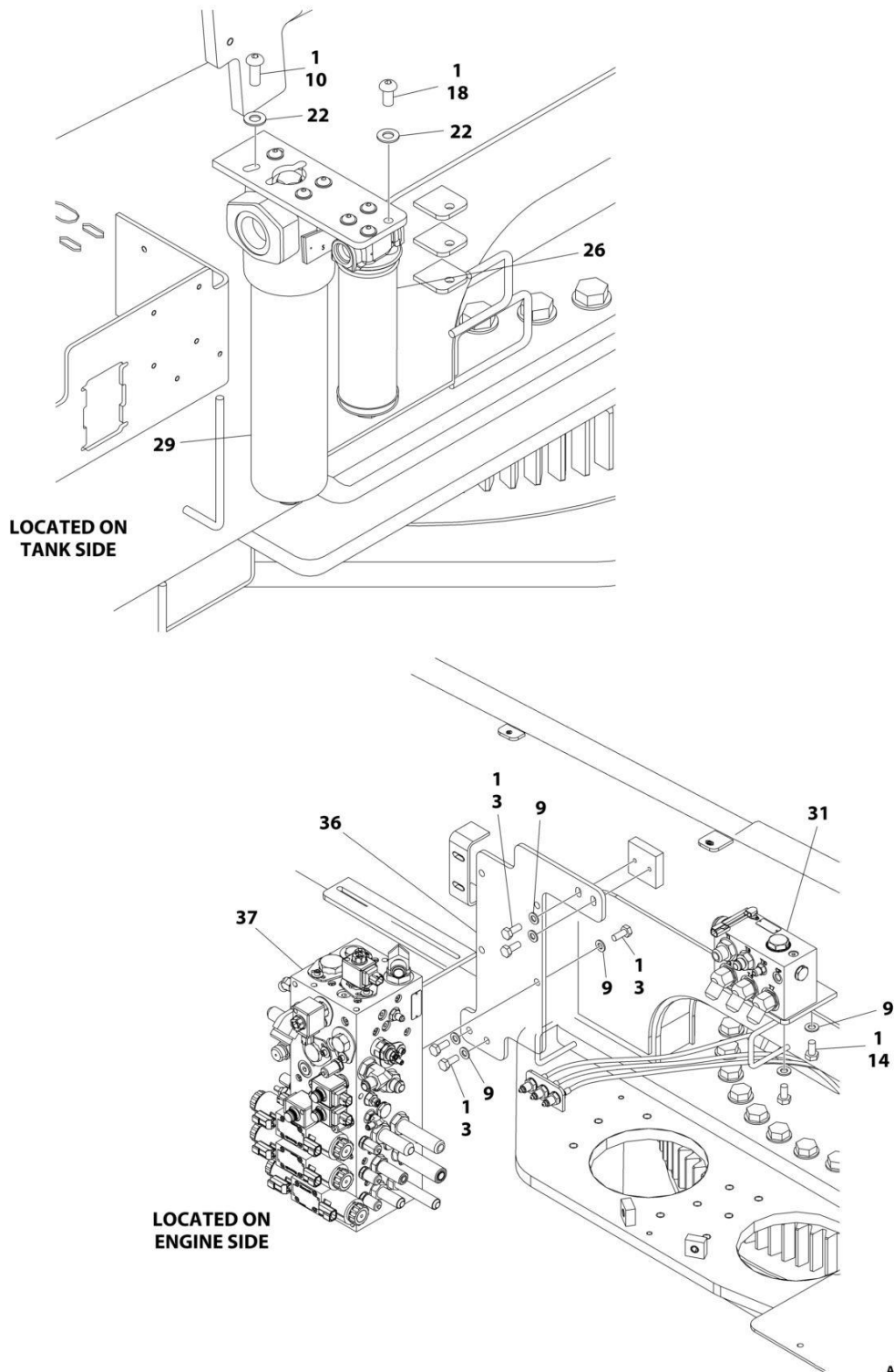
FIGURE 1-20. COVERS INSTALLATION - FRAME

ITEM	PART NUMBER	QTY	DESCRIPTION	REV
	1001157670	Ref	COVERS INSTALLATION - FRAME	B
1	0100011	AR	Compound, Locking	
2	5251210001	24	Bolt M12 x 20	
3	1001155561	2	Cover	
4	1001156867	4	Cover	

SECTION 2 - TURNTABLE

SECTION 2 - TURNTABLE

FIGURE 2-1. VALVES AND FILTERS INSTALLATION - TURNTABLE (PARKER HYDRAULIC FILTER)



ART_1001216976_20F3

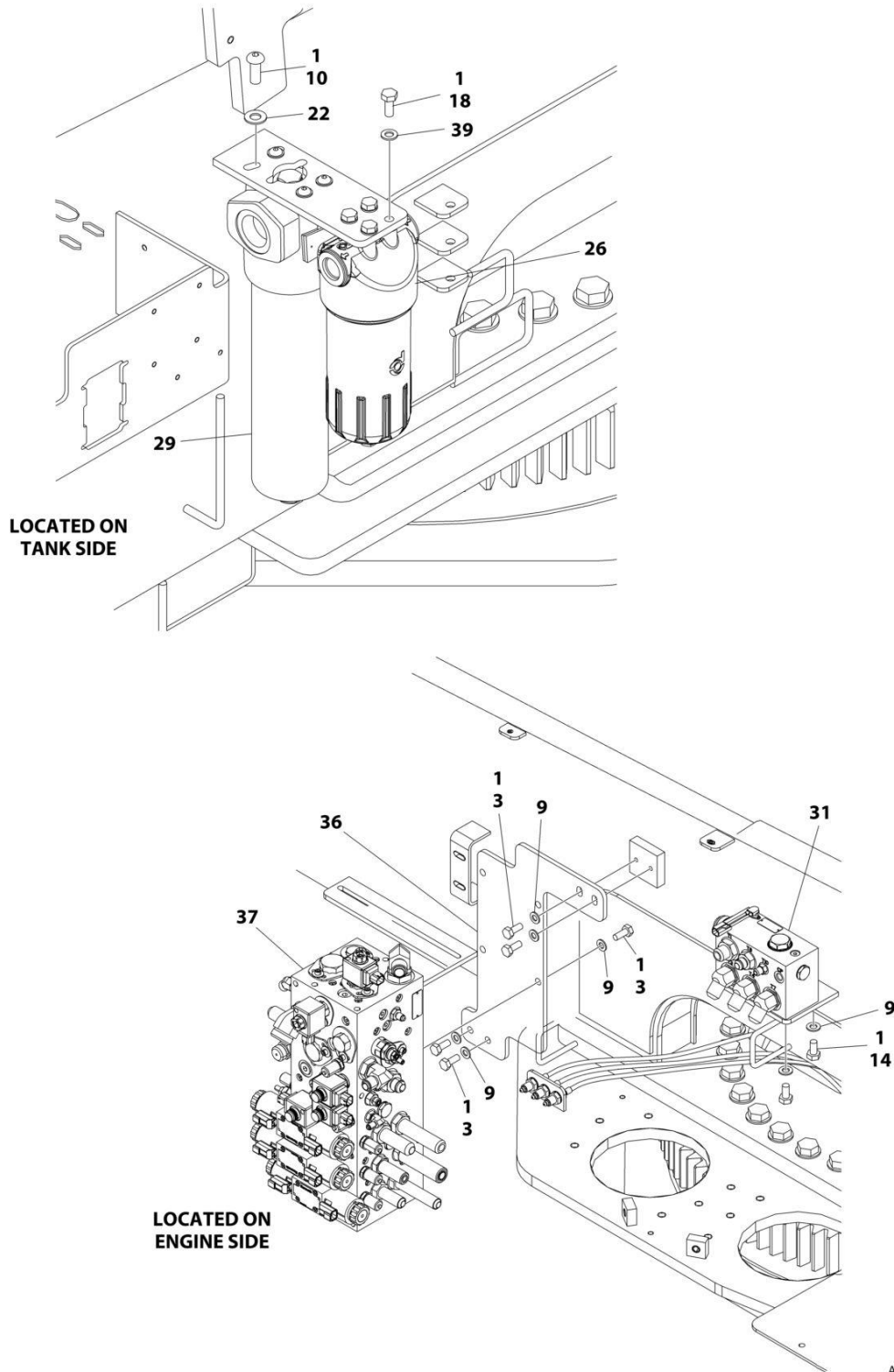
SECTION 2 - TURNTABLE

FIGURE 2-1. VALVES AND FILTERS INSTALLATION - TURNTABLE (PARKER HYDRAULIC FILTER)

ITEM	PART NUMBER	QTY	DESCRIPTION	REV
	1001216976	Ref	VALVES AND FILTERS INSTALLATION - TURNTABLE	E
1	0100011	AR	Compound, Locking	
3	0761012	8	Bolt M10 x 25	
9	4812000	12	Washer M10	
10	88261128	4	Screw 3/8 x 1	
14	0761010001	4	Bolt M10 x 20	
18	1001173846	4	Screw 3/8 x 3/4	
18	1001238236	4	Screw 3/8 x 7/8	
22	4711600001	8	Washer 3/8	
26	1001108617	1	Filter	
26	70002231	1	Element, Filter	
29	1001158412	1	Filter, High Pressure	
29	1001161232	1	Element, High Pressure Filter	
29	70006137	1	Seal Kit - 1001158412 Filter	
31	1001200988	1	Return Valve Assembly (See Separate Breakdown in this Section)	
36	1001213392	1	Bracket	
37	1001234247	1	Main Valve Assembly (See Separate Breakdown in this Section)	

SECTION 2 - TURNTABLE

FIGURE 2-2. VALVES AND FILTERS INSTALLATION - TURNTABLE (DONALDSON HYDRAULIC FILTER)



ART_1001216976_F_2OF3

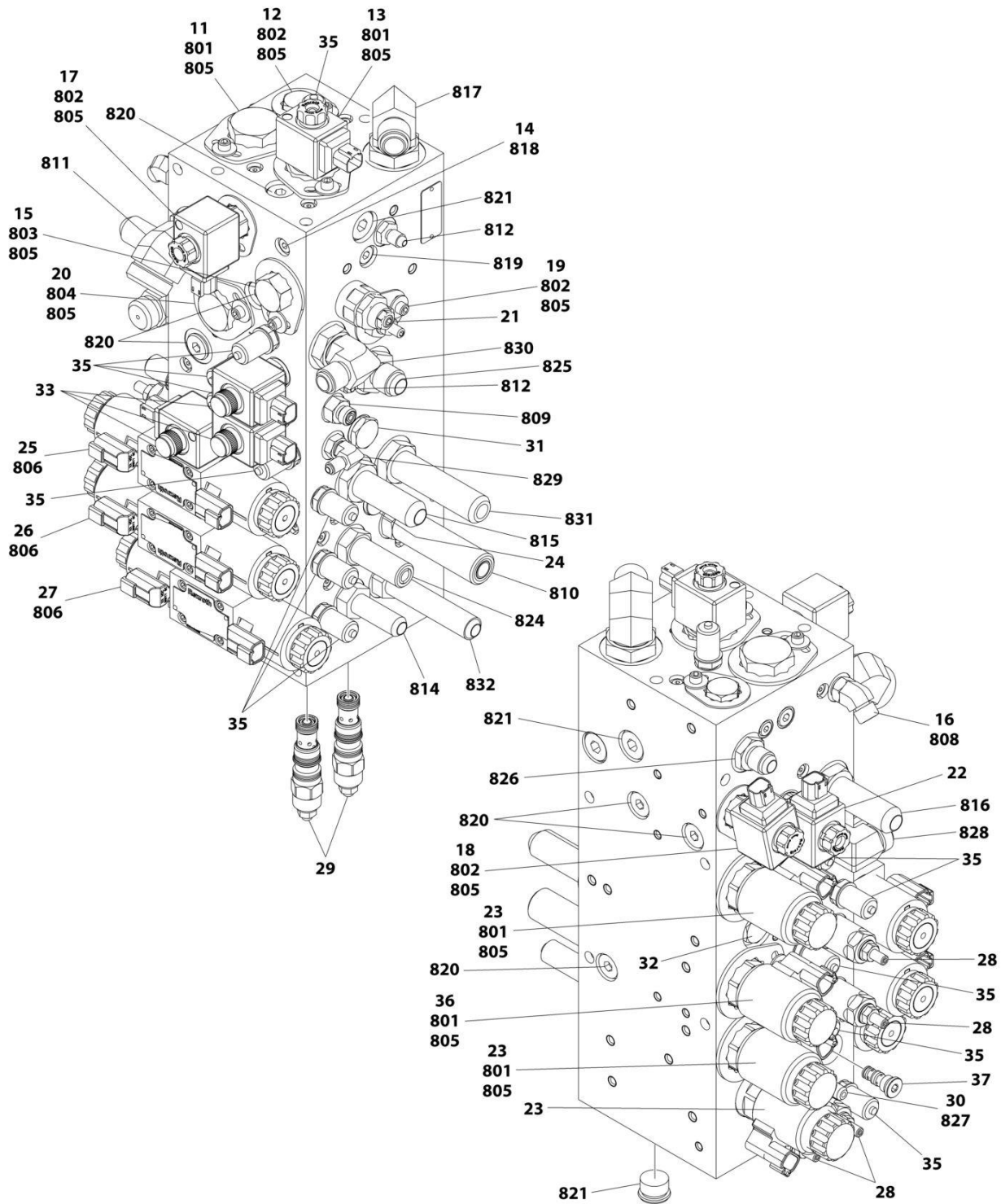
SECTION 2 - TURNTABLE

FIGURE 2-2. VALVES AND FILTERS INSTALLATION - TURNTABLE (DONALDSON HYDRAULIC FILTER)

ITEM	PART NUMBER	QTY	DESCRIPTION	REV
	1001216976	Ref	VALVES AND FILTERS INSTALLATION - TURNTABLE	F
1	0100011	AR	Compound, Locking	
3	0761012	8	Bolt M10 x 25	
9	4812000	12	Washer M10	
10	88261128	4	Screw 3/8 x 1	
14	0761010001	4	Bolt M10 x 20	
18	0761012001	1	Bolt M10 x 25	
22	4711600001	8	Washer 3/8	
26	1001293701	1	Filter	
26	70008358	1	Element, Filter	
26	70008368	1	Head, Filter	
26	70008369	1	Housing, Filter	
29	1001158412	1	Filter, High Pressure	
29	1001161232	1	Element, High Pressure Filter	
29	70006137	1	Seal Kit - 1001158412 Filter	
31	1001200988	1	Return Valve Assembly (See Separate Breakdown in this Section)	
36	1001213392	1	Bracket	
37	1001234247	1	Main Valve Assembly (See Separate Breakdown in this Section)	
39	1001172358	4	Washer M10	

SECTION 2 - TURNTABLE

FIGURE 2-3. MAIN VALVE ASSEMBLY



ART_1001234247

SECTION 2 - TURNTABLE

FIGURE 2-3. MAIN VALVE ASSEMBLY

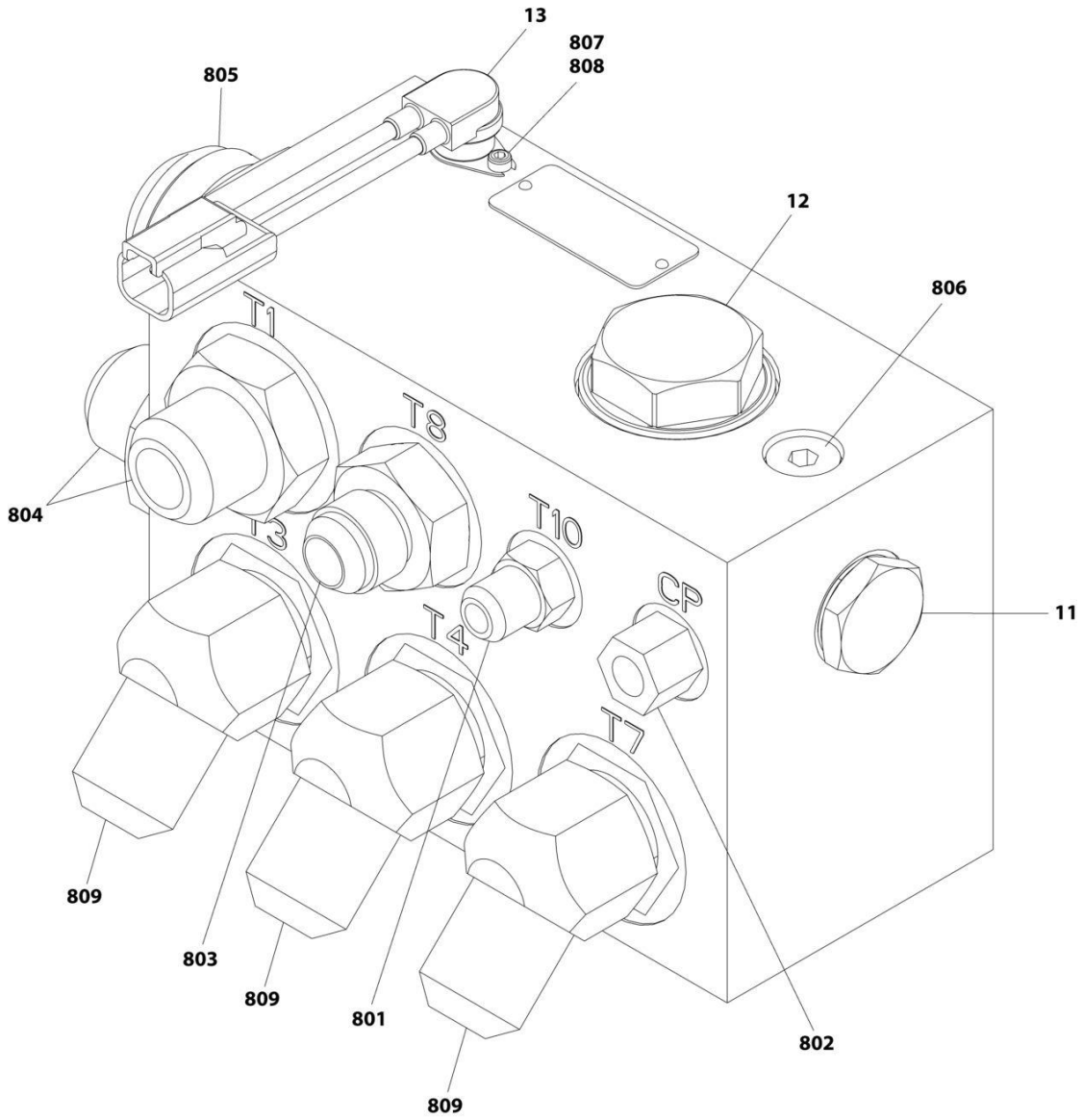
ITEM	PART NUMBER	QTY	DESCRIPTION	REV
	1001234247	Ref	MAIN VALVE ASSEMBLY	C
11	70005943	1	Valve, Cartridge (Check)	
11	70005944	1	Seal Kit - 70005943 Valve	
12	70004585	1	Valve, Cartridge (Check)	
12	70004052	1	Seal Kit - 70004585 Valve	
13	70005945	1	Valve, Solenoid Less Coil (Directional Control)	
13	70005946	1	Seal Kit - 70005945 Valve	
13	70004588	1	Coil	
13	70005947	1	Coil Nut and Pole Tube O-Ring Kit	
14	70004589	1	Orifice 2.2mm	
15	70004590	1	Valve, Solenoid Less Coil (Directional Control)	
15	70023862	1	Seal Kit - 70004590 Valve	
16	70006707	1	Orifice .7mm	
17	70005948	1	Valve, Solenoid Less Coil (Directional Control)	
17	70004055	1	Seal Kit - 70005948 Valve	
17	70004588	1	Coil	
17	70005947	1	Coil Nut and Pole Tube O-Ring Kit	
18	70005948	1	Valve, Solenoid Less Coil (Directional Control)	
18	See Note	NSS	Seal Kit - 70004598 Valve (Note: Not Available)	
18	70004588	1	Coil	
18	70005947	1	Coil Nut and Pole Tube O-Ring Kit	
19	70004591	1	Valve, Cartridge (Pressure Reducing)	
19	70004592	1	Seal Kit - 70004591 Valve	
20	70004583	1	Valve, Cartridge (Check)	
20	70004584	1	Seal Kit - 70004583 Valve	
21	70006708	1	Valve, Cartridge (Relief)	
21	See Note	NSS	Seal Kit - 70006708 Valve (Note: Not Available)	
22	70004586	1	Valve, Solenoid Less Coil (Directional Control)	
22	70004587	1	Seal Kit - 70004586 Valve	
22	70004588	1	Coil	
22	70005947	1	Coil Nut and Pole Tube O-Ring Kit	
23	70004593	3	Valve, Solenoid Less Coil (Flow Control)	
23	70004594	3	Seal Kit - 70004593 Valve	
23	70004595	3	Coil	
23	70004597	3	Nut, Coil	
23	70004596	3	O-Ring, Pole Tube	
24	70023859	3	Valve, Cartridge (Shuttle)	
24	70023860	3	Seal Kit - 70023859 Valve	
25	70004459	1	Valve, Solenoid Less Coil (Tele)	
25	7012773	1	Seal Kit - 70004459 Valve	
25	70004460	1	Coil	
25	7021375	1	Nut, Coil	
26	70004600	1	Valve, Solenoid Less Coil (Lift)	
26	7012773	1	Seal Kit - 70004600 Valve	
26	70004460	1	Coil	
26	7021375	1	Nut, Coil	
27	70004609	1	Valve, Solenoid Less Coil (Lift)	
27	7012773	1	Seal Kit - 70004609 Valve	
27	70004460	1	Coil	
27	7021375	1	Nut, Coil	

SECTION 2 - TURNTABLE

ITEM	PART NUMBER	QTY	DESCRIPTION	REV
28	70004601	4	Valve, Cartridge (Relief)	
28	70004602	4	Seal Kit - 70004601 Valve	
29	70004610	2	Valve, Cartridge (Counterbalance)	
30	70005950	1	Orifice	
31	70005951	1	Valve, Cartridge (Check)	
31	70004052	1	Seal Kit - 70005951 Valve	
32	70005952	1	Valve, Cartridge (Check)	
32	70004052	1	Seal Kit - 70005952 Valve	
33	70004457	3	Valve, Solenoid Less Coil (Directional Control)	
33	70004050	3	Seal Kit - 70004457 Valve	
33	70004588	3	Coil	
33	70005947	3	Coil Nut and Pole Tube O-Ring Kit	
35	2221086	13	Fitting, Test	
36	70005953	1	Valve, Solenoid Less Coil (Flow Control)	
36	70004594	1	Seal Kit - 70005953 Valve	
36	70004595	1	Coil	
36	70004597	1	Nut, Coil	
36	70004596	1	O-Ring, Pole Tube	
37	70004613	1	Valve, Cartridge (Check)	
37	70023860	1	Seal Kit - 70004613 Valve	
801	70000781	5	Plate, Locking	
802	70004619	4	Plate, Locking	
803	70004618	1	Plate, Locking	
804	70002962	1	Plate, Locking	
805	70005958	11	Capscrew	
806	7018942	12	Capscrew	
808	2150606	1	Fitting, 45 ORFS/ORB	
809	2110406	1	Fitting, Straight ORFS/ORB	
810	1001213297	1	Fitting, Straight ORFS/ORB	
811	2151616	1	Fitting, 45 JIC/ORB	
812	2220582	2	Fitting, Straight JIC/ORB	
814	1001213292	1	Fitting, Straight JIC/ORB	
815	1001213294	1	Fitting, Straight JIC/ORB	
816	1001213294	1	Fitting, Straight JIC/ORB	
817	2220465	1	Fitting, 90 JIC/ORB	
818	70002758	1	Plug	
819	70004617	1	Plug	
820	70002759	6	Plug	
821	70004603	4	Plug	
824	1001213296	1	Fitting, Straight ORFS/ORB	
825	2220865	1	Fitting, Straight JIC/ORB	
826	2220374	1	Fitting, Straight JIC/ORB	
827	1001213295	1	Fitting, Straight JIC/ORB	
828	2131010	1	Fitting, 90 ORFS/ORB	
829	2220472	1	Fitting, 90 JIC/ORB	
830	2220906	1	Fitting, 90 JIC/ORB	
831	1001213298	1	Fitting, Straight JIC/ORB	
832	1001213293	1	Fitting, Straight JIC/ORB	

SECTION 2 - TURNTABLE

FIGURE 2-4. JUNCTION VALVE ASSEMBLY



ART_1001200988

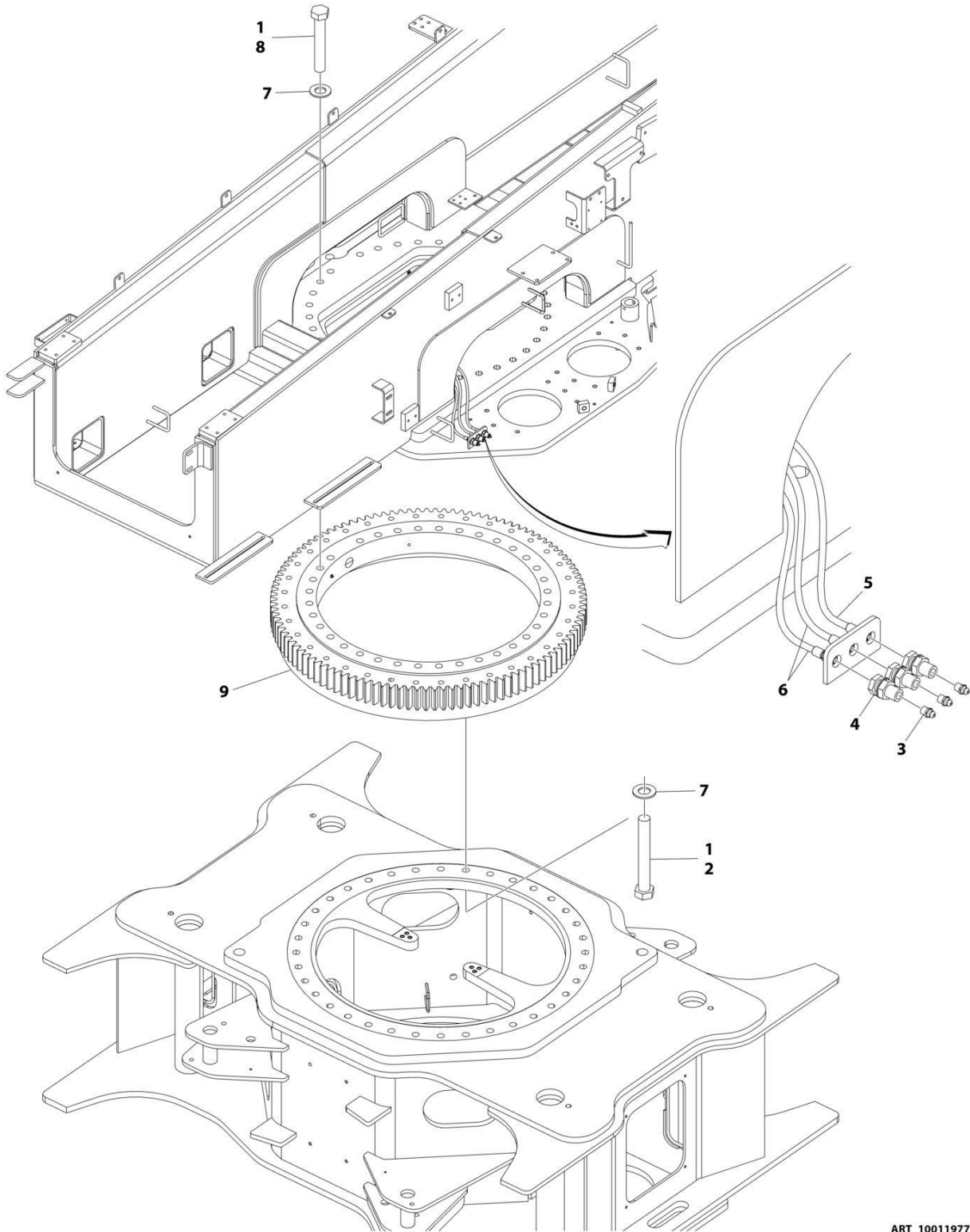
SECTION 2 - TURNTABLE

FIGURE 2-4. JUNCTION VALVE ASSEMBLY

ITEM	PART NUMBER	QTY	DESCRIPTION	REV
	1001200988	Ref	JUNCTION VALVE ASSEMBLY	L
11	70023866	1	Valve, Cartridge (Check)	
11	70023867	1	Seal Kit - 70023866 Valve	
12	70005959	1	Valve, Cartridge (Check)	
12	70004614	1	Seal Kit - 70005959 Valve	
13	70004614	1	Switch, Temperature	
801	2220371	1	Fitting, Straight ORFS/ORB	
802	2221155	1	Fitting, Straight FORB/MORB	
803	2220865	1	Fitting, Straight JIC/ORB	
804	2220435	2	Fitting, Straight JIC/ORB	
805	2220380	1	Fitting, Straight JIC/ORB	
806	70005199	1	Plug	
807	70004615	2	Capscrew	
808	70005961	2	Insert, Threaded	
809	70005958	3	Fitting, 45 JIC/ORB	

SECTION 2 - TURNTABLE

FIGURE 2-5. TURNTABLE BEARING INSTALLATION



ART_1001197761

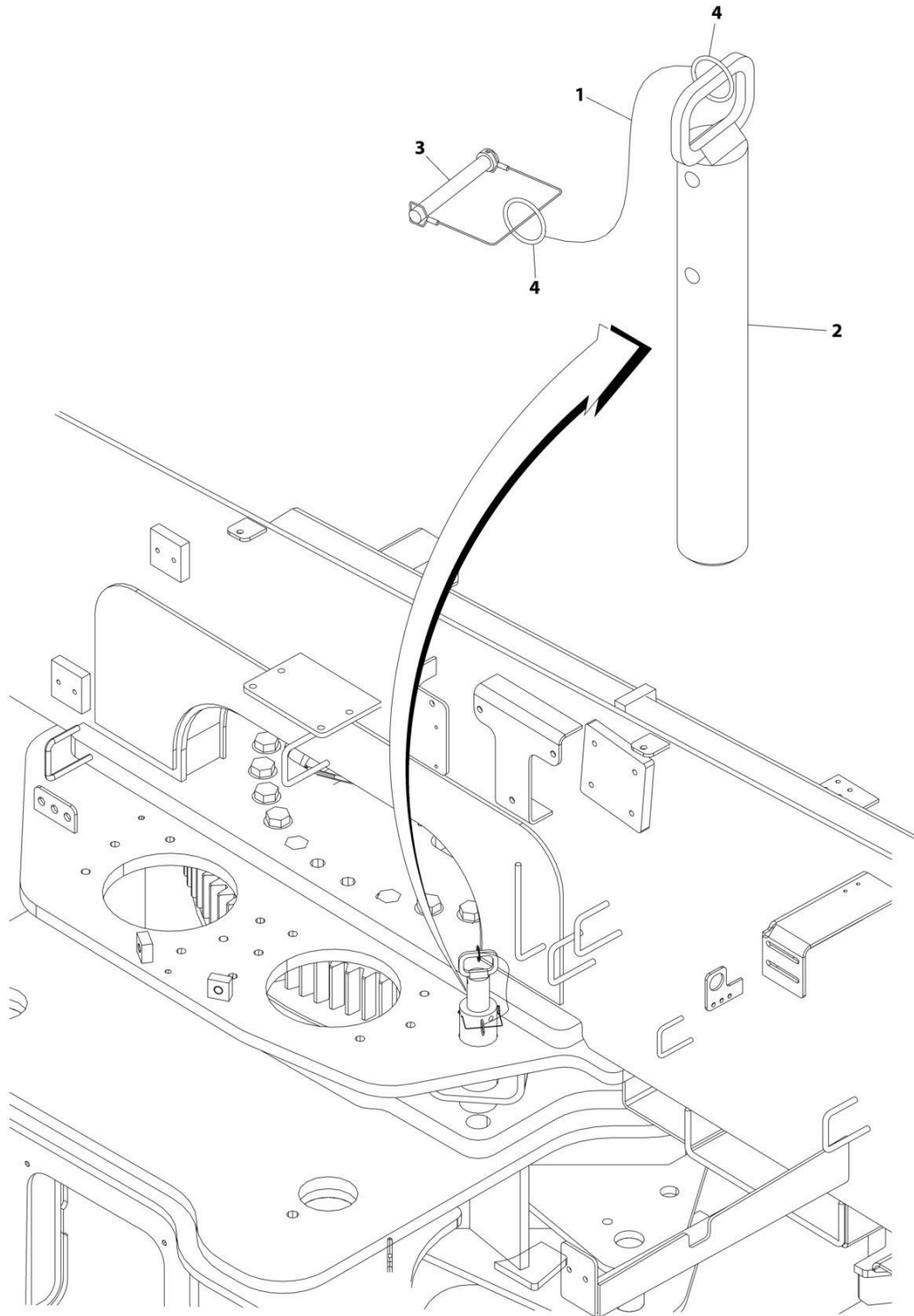
SECTION 2 - TURNTABLE

FIGURE 2-5. TURNTABLE BEARING INSTALLATION

ITEM	PART NUMBER	QTY	DESCRIPTION	REV
	1001197761	Ref	TURNTABLE BEARING INSTALLATION	A
1	0100019	AR	Compound, Locking	
2	0712435	36	Bolt M24 x 180 Grade 10.9	
3	2160002	3	Fitting, Grease	
4	2180344	3	Fitting, Bulkhead NPT	
5	2750528	1	Hose	
6	2751032	2	Hose	
7	5242400	69	Washer M24	
8	1001097587	33	Bolt M24 x 150 Grade 10.9	
9	1001149823	1	Bearing, Swing	
10	1001193630	1	Bearing Kit (Not Shown - Includes Items 2, 7, 8 & 9)	

SECTION 2 - TURNTABLE

FIGURE 2-6. TURNTABLE LOCK INSTALLATION



ART_1001197142

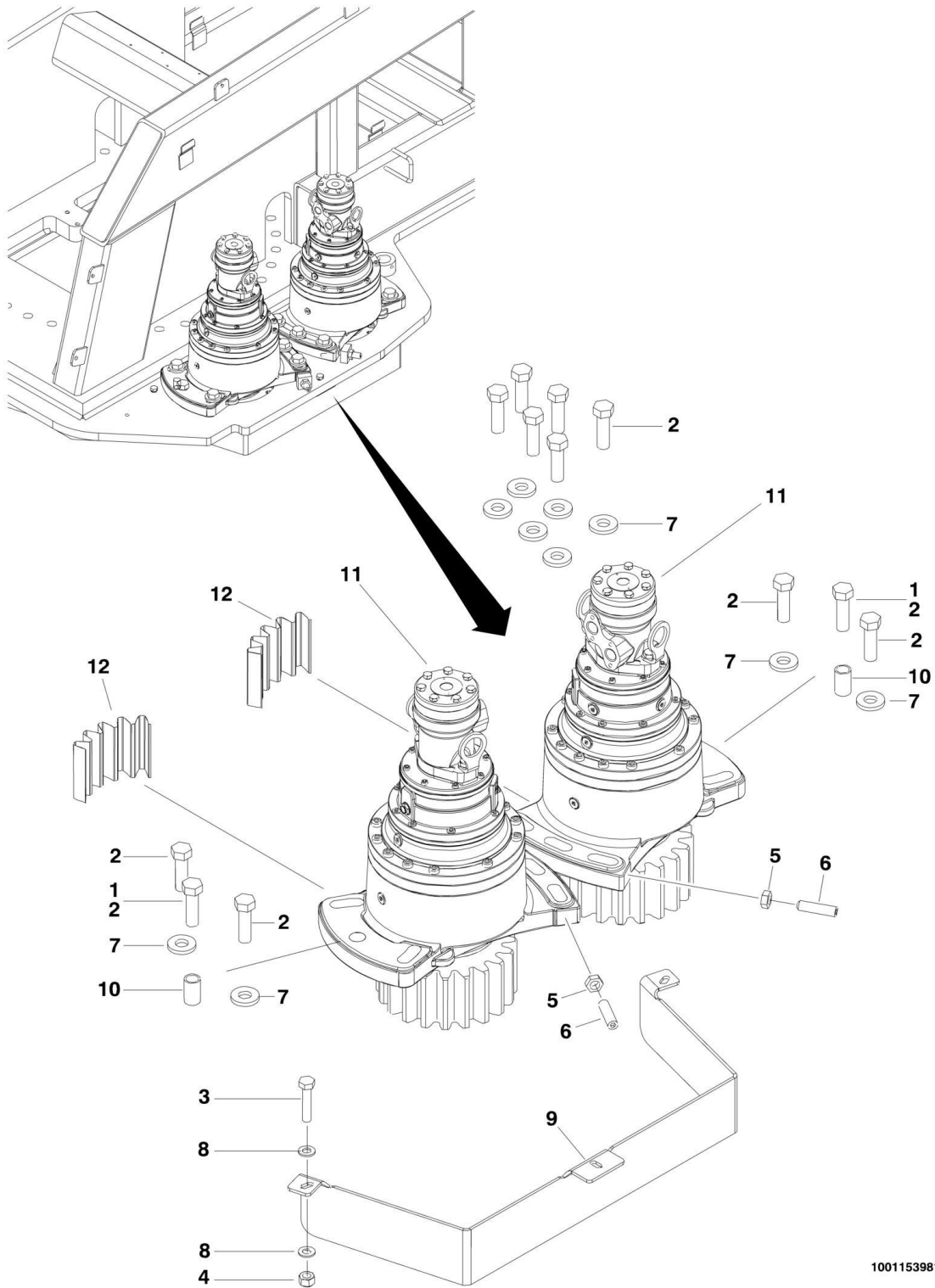
SECTION 2 - TURNTABLE

FIGURE 2-6. TURNTABLE LOCK INSTALLATION

ITEM	PART NUMBER	QTY	DESCRIPTION	REV
	1001197142	Ref	TURNTABLE LOCK INSTALLATION	A
1	1260017	8 in /20cm	Chain	
2	3421563	1	Pin	
3	3421565	1	Pin	
4	3760170	2	Ring	

SECTION 2 - TURNTABLE

FIGURE 2-7. SWING DRIVE INSTALLATION



1001153981

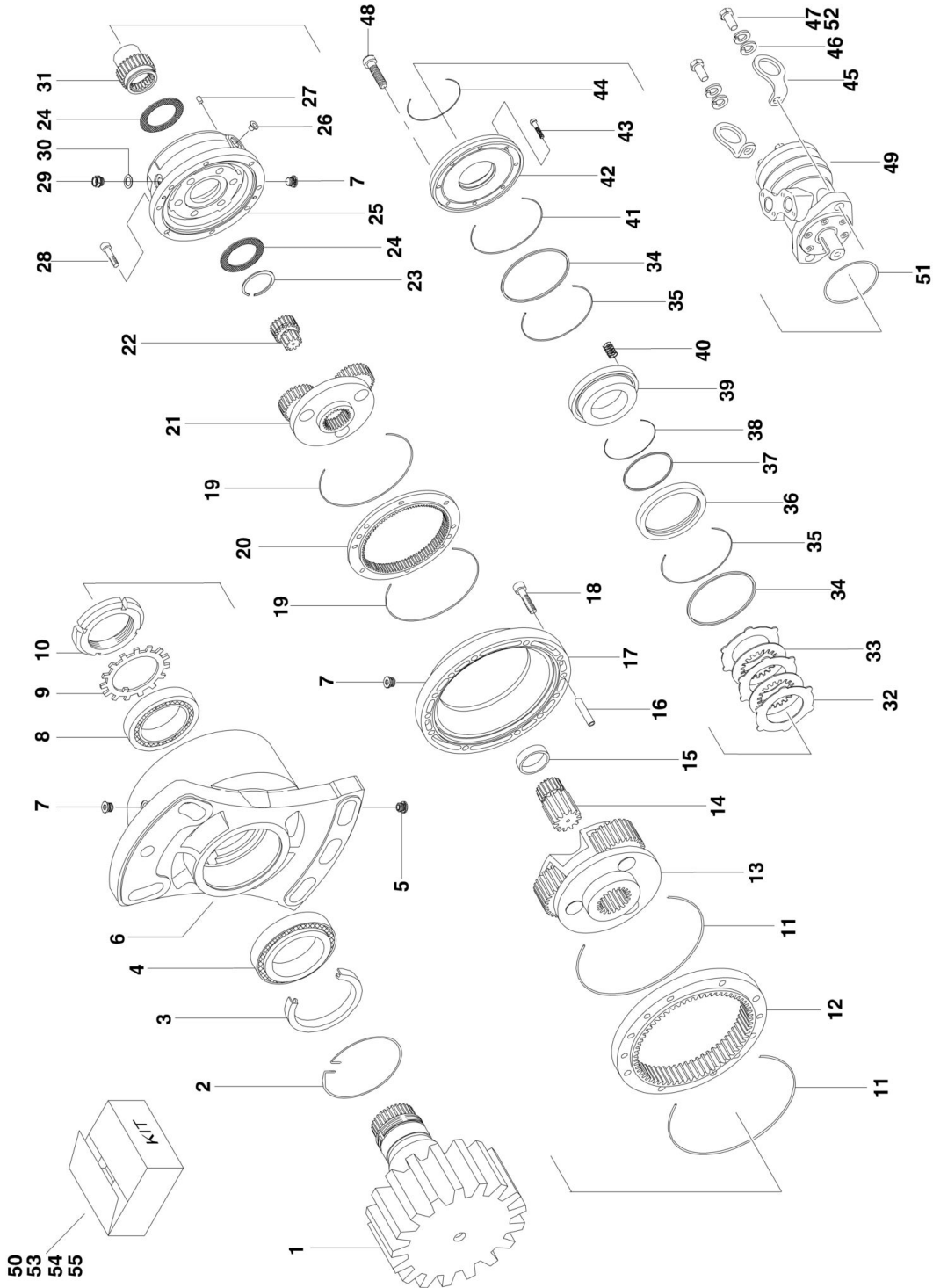
SECTION 2 - TURNTABLE

FIGURE 2-7. SWING DRIVE INSTALLATION

ITEM	PART NUMBER	QTY	DESCRIPTION	REV
	1001153981	Ref	SWING DRIVE INSTALLATION	C
1	0100019	AR	Compound, Locking	
2	0682220	12	Bolt 3/4 x 2-1/2 Grade 8	
3	0701018	3	Bolt M10 x 50	
4	3291005	3	Nut M10	
5	3312002	2	Nut 5/8	
6	3952020	2	Setscrew 5/8 x 2-1/2	
7	4740057	10	Washer	
8	4812000	6	Washer M10	
9	1001150725	1	Shield	
10	1001153983	2	Bar	
11	1001153984	2	Swing Hub/Brake/Motor Assembly (See Separate Breakdown in this Section)	
12	1001154377	2	Shim	

SECTION 2 - TURNTABLE

FIGURE 2-8. SWING HUB/BRAKE/MOTOR ASSEMBLY



1001153984

SECTION 2 - TURNTABLE

FIGURE 2-8. SWING HUB/BRAKE/MOTOR ASSEMBLY

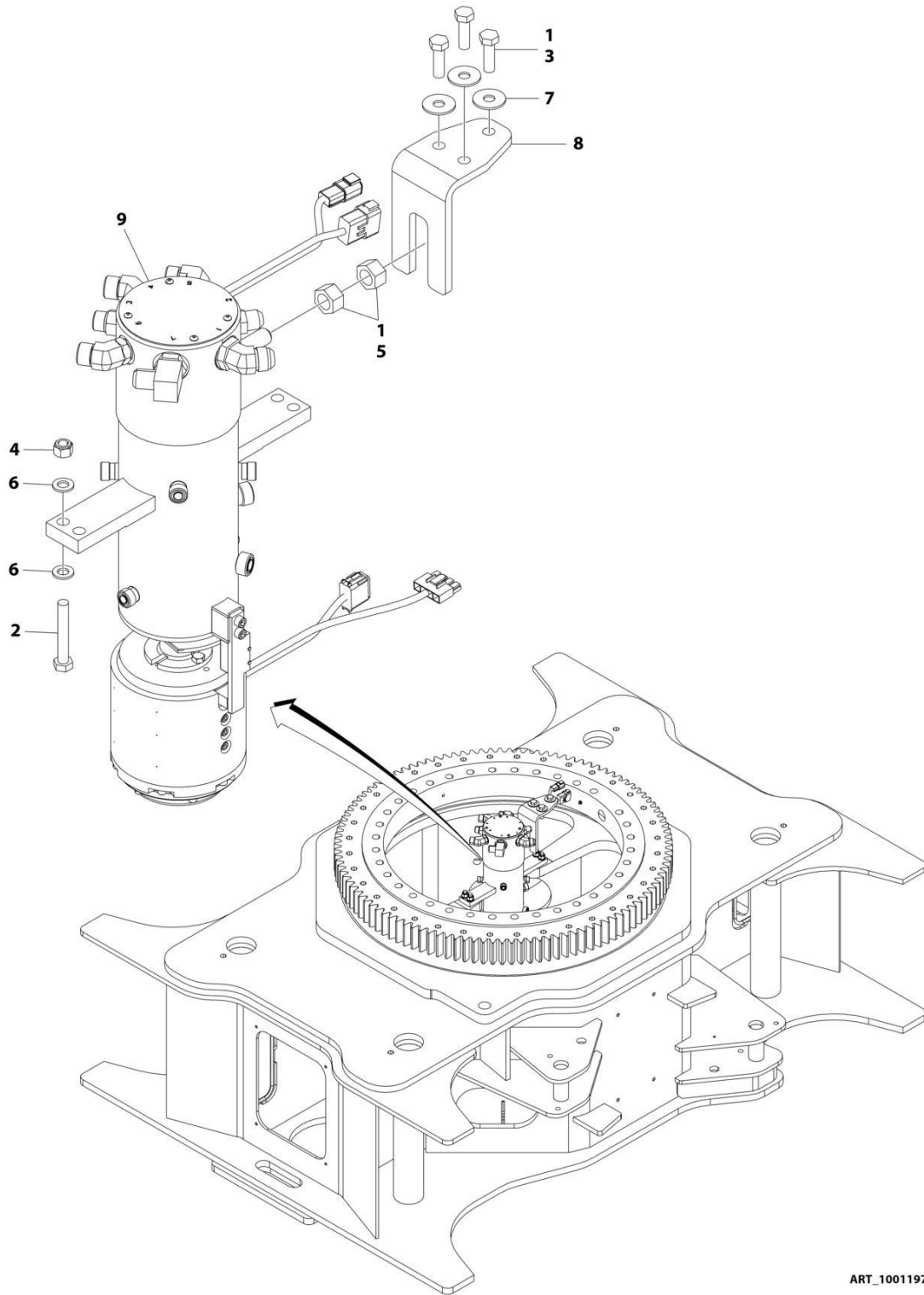
ITEM	PART NUMBER	QTY	DESCRIPTION	REV
	1001153984	Ref	HUB/BRAKE/MOTOR - SWING	E
1	70004466	1	Shaft	
2	70004467	1	Ring	
3	See Note	NSS	Seal, Oil (Use p/n 70004489)	
4	70004468	1	Bearing	
5	70004469	1	Plug with O-Ring	
6	70004470	1	Support, Output	
7	70002057	5	Plug with O-Ring	
8	70004471	1	Bearing	
9	70004472	1	Washer	
10	70004473	1	Nut, Ring	
11	See Note	NSS	O-Ring (Use p/n 70004489)	
12	70004474	1	Ring, Planetary	
13	70004475	1	Reduction, Gear - Complete	
14	70004476	1	Pinion	
15	70004477	1	Spacer	
16	70004478	4	Pin, Spring	
17	70004479	1	Spacer	
18	70004480	8	Capscrew M10x55	
19	See Note	NSS	O-Ring (Use p/n 70004489)	
20	70004481	1	Ring, Planetary	
21	70004482	1	Reduction, Gear - Complete	
22	70004483	1	Pinion	
23	See Note	NSS	Ring (Use p/n 70004488)	
24	See Note	NSS	Washer (Use p/n 70004488)	
25	See Note	NSS	Housing, Brake (Use p/n 70004488)	
26	See Note	NSS	Plug (Use p/n 70004488)	
27	See Note	NSS	Plug (Use p/n 70004488)	
28	See Note	NSS	Capscrew M8x35 (Use p/n 70004488)	
29	See Note	NSS	Plug (Use p/n 70004488)	
30	See Note	NSS	Washer (Use p/n 70004488)	
31	See Note	NSS	Shaft, Input (Use p/n 70004488)	
32	See Note	NSS	Disc, Steel (Use p/n 70004488)	
33	See Note	NSS	Disc (Use p/n 70004488)	
34	See Note	NSS	Seal (Use p/n 70004488 or 70004490)	
35	See Note	NSS	O-Ring (Use p/n 70004488 or 70004490)	
36	See Note	NSS	Spacer (Use p/n 70004488)	
37	See Note	NSS	Seal (Use p/n 70004488 or 70004490)	
38	See Note	NSS	O-Ring (Use p/n 70004488 or 70004490)	
39	See Note	NSS	Piston, Brake (Use p/n 70004488)	
40	See Note	NSS	Spring, Brake (Use p/n 70004488)	
41	See Note	NSS	O-Ring (Use p/n 70004488 or 70004490)	
42	See Note	NSS	Cover (Use p/n 70004488 or 70004490)	
43	See Note	NSS	Screw M6x25 (Use p/n 70004488)	
44	See Note	NSS	O-Ring (Use p/n 70004488 or 70004490)	
45	70004484	2	Lug, Lifting	
46	70004485	4	Washer, Lock	
47	70004486	2	Capscrew M12x25	
48	70004487	2	Capscrew M12x35	
49	70004491	1	Motor	

SECTION 2 - TURNTABLE

ITEM	PART NUMBER	QTY	DESCRIPTION	REV
		Ref	Note: Seal Kit is the only replacement component available. Otherwise, replacement complete motor.	
50	70004492	1	Kit, Seal - Motor	
51	70004493	1	O-Ring	
52	70004494	2	Bolt	
53	70004488	1	Kit, Brake (Includes Items 23-44)	
54	70004489	1	Kit, Seal - Gearbox (Includes Items 3, 11 & 19)	
55	70004490	1	Kit, Brake Seal (Includes Items 34, 35, 37, 38 & 44)	

SECTION 2 - TURNTABLE

FIGURE 2-9. COUPLING/COLLECTOR RING INSTALLATION



ART_1001197118

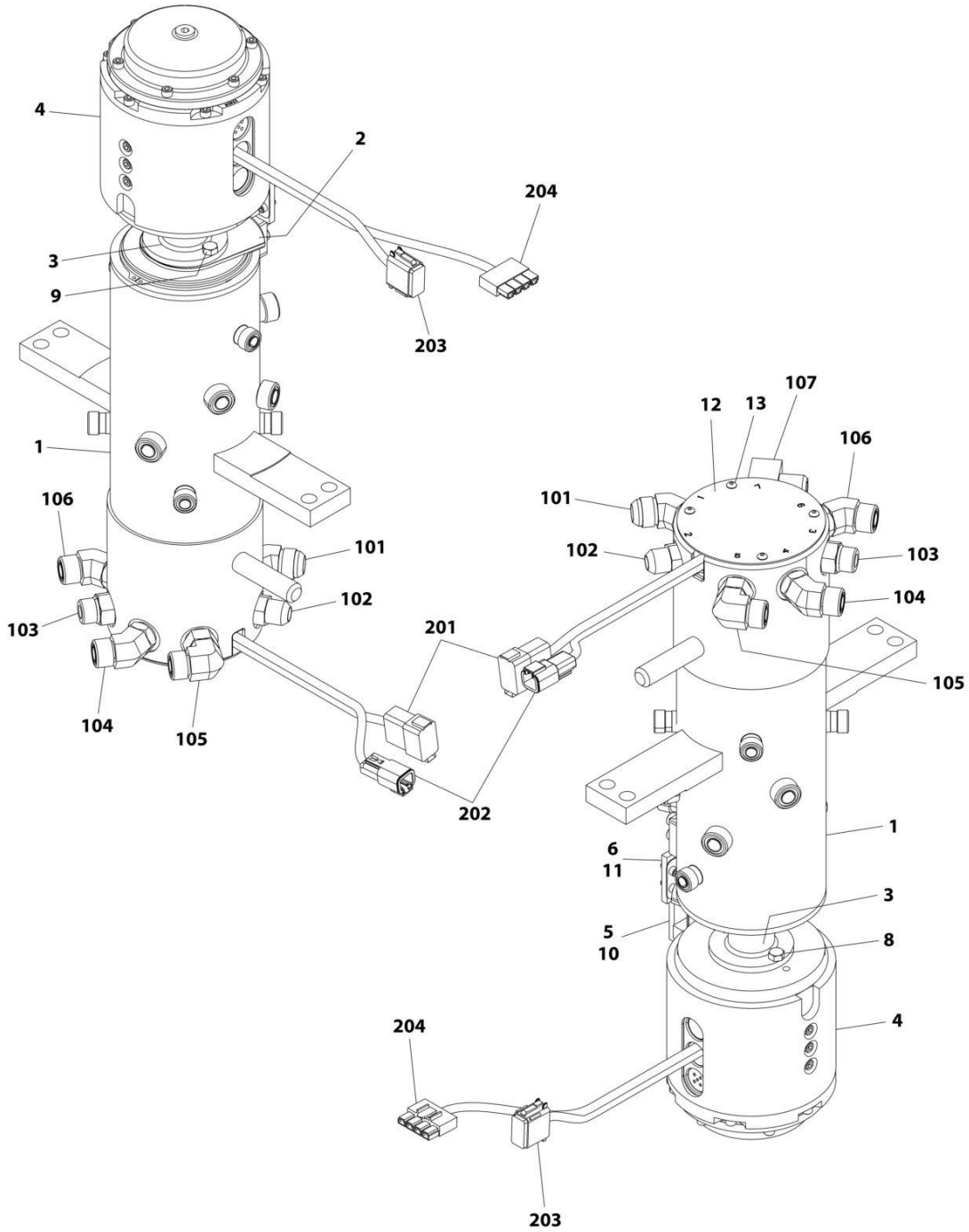
SECTION 2 - TURNTABLE

FIGURE 2-9. COUPLING/COLLECTOR RING INSTALLATION

ITEM	PART NUMBER	QTY	DESCRIPTION	REV
	1001197118	Ref	COUPLING/COLLECTOR RING INSTALLATION	C
1	0100011	AR	Compound, Locking	
2	0701224	4	Bolt M12 x 80	
3	0761216	3	Bolt M12 x 40	
4	3291205	4	Nut M12	
5	3322201	2	Nut 3/4	
6	4812100	8	Washer M12	
7	4812102	3	Washer M12	
8	1001154196	1	Bracket	
9	1001195588	1	Coupling/Collector Ring Assembly (See Separate Breakdown in this Section)	

SECTION 2 - TURNTABLE

FIGURE 2-10. COUPLING/COLLECTOR RING ASSEMBLY



ART_1001195588

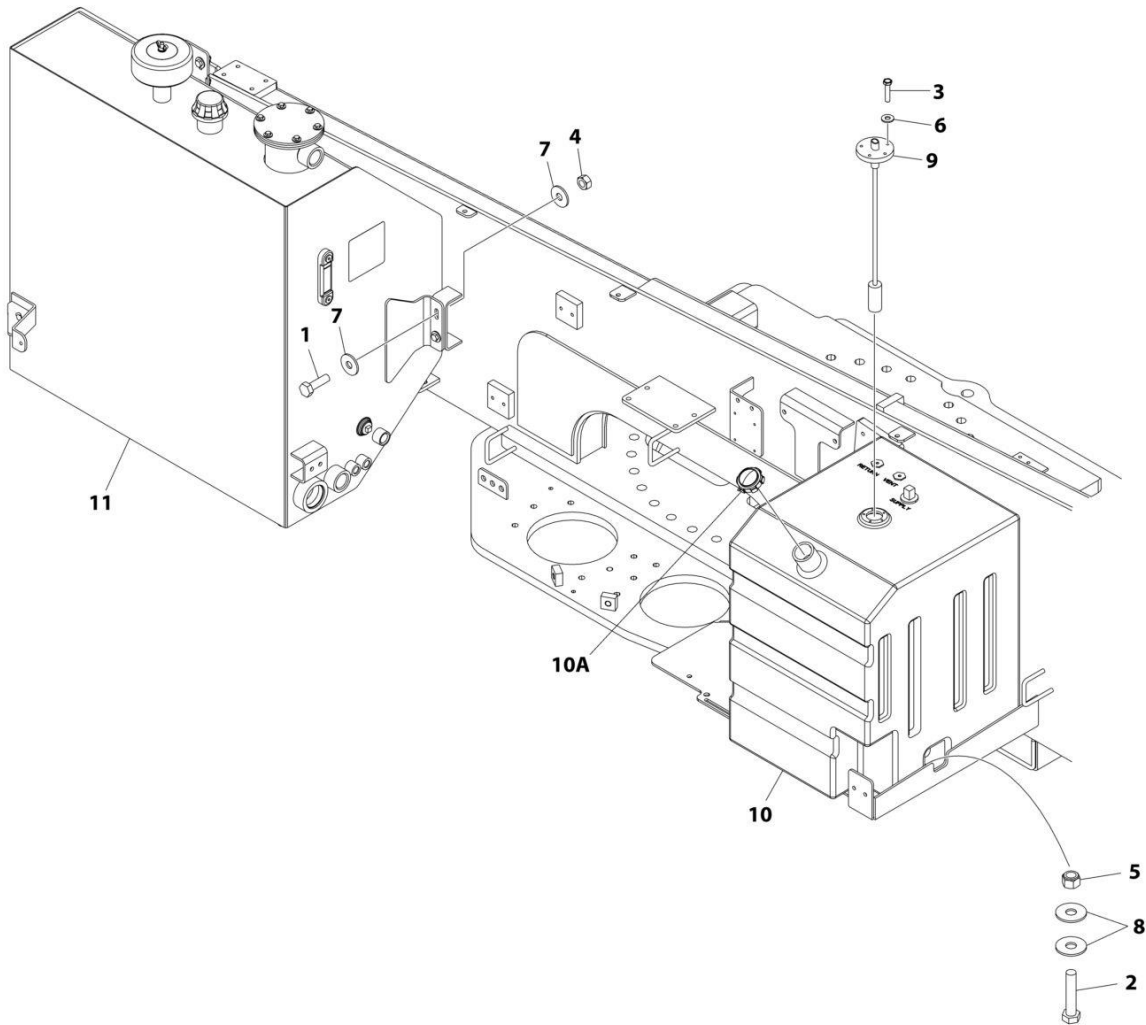
SECTION 2 - TURNTABLE

FIGURE 2-10. COUPLING/COLLECTOR RING ASSEMBLY

ITEM	PART NUMBER	QTY	DESCRIPTION	REV
	1001195588	Ref	COUPLING/COLLECTOR RING ASSEMBLY	E
1	70005679	1	Coupling, Rotary	
2	7026030	1	Cam	
3	See Note	1	Adapter	
4	70005678	1	Ring, Collector	
5	70003484	1	Arm	
6	7026031	1	Sensor, Proximity	
7	7026032	1	Pin, Dowel (Not Shown)	
8	0641506	2	Bolt 5/16 x 3/4	
9	0641508	2	Bolt 5/16 x 1	
10	3931512	2	Capscrew 5/16 x 3/4	
11	See Note	NSS	Capscrew #10 x 1/2 (Note: Purchase Locally)	
12	See Note	NSS	Cover (Note: Purchase Complete Assembly)	
13	See Note	NSS	Screw #10 x 3/8 (Note: Purchase Locally)	
101	2220498	1	Fitting, 45 JIC/ORB	
102	2220947	1	Fitting, Straight JIC/ORB	
103	2111010	1	Fitting, Straight ORBS/ORB	
104	2151010	1	Fitting, 45 ORBS/ORB	
105	2131010	1	Fitting, 90 ORBS/ORB	
106	2151010	1	Fitting, 45 ORBS/ORB	
107	2220906	1	Fitting, 90 JIC/ORB	
201	4460837	1	Receptacle, Female - 12 Position	
201	4460943	3	Pin, Male	
201	4460516	3	Pin, Male	
201	4460466	6	Plug, Terminal	
202	4461017	1	Receptacle, Female - 2 Position	
202	4460464	2	Pin, Male	
203	4460836	1	Plug, Male - 12 Position	
203	4460944	3	Socket, Female	
203	4460465	5	Socket, Female	
203	4460466	4	Plug, Terminal	
204	4460878	1	Plug, Male - 4 Position	
204	4460887	2	Terminal	

SECTION 2 - TURNTABLE

FIGURE 2-11. TANKS INSTALLATION (WITHOUT DIESEL EXHAUST FLUID TANK)



ART_1001197627

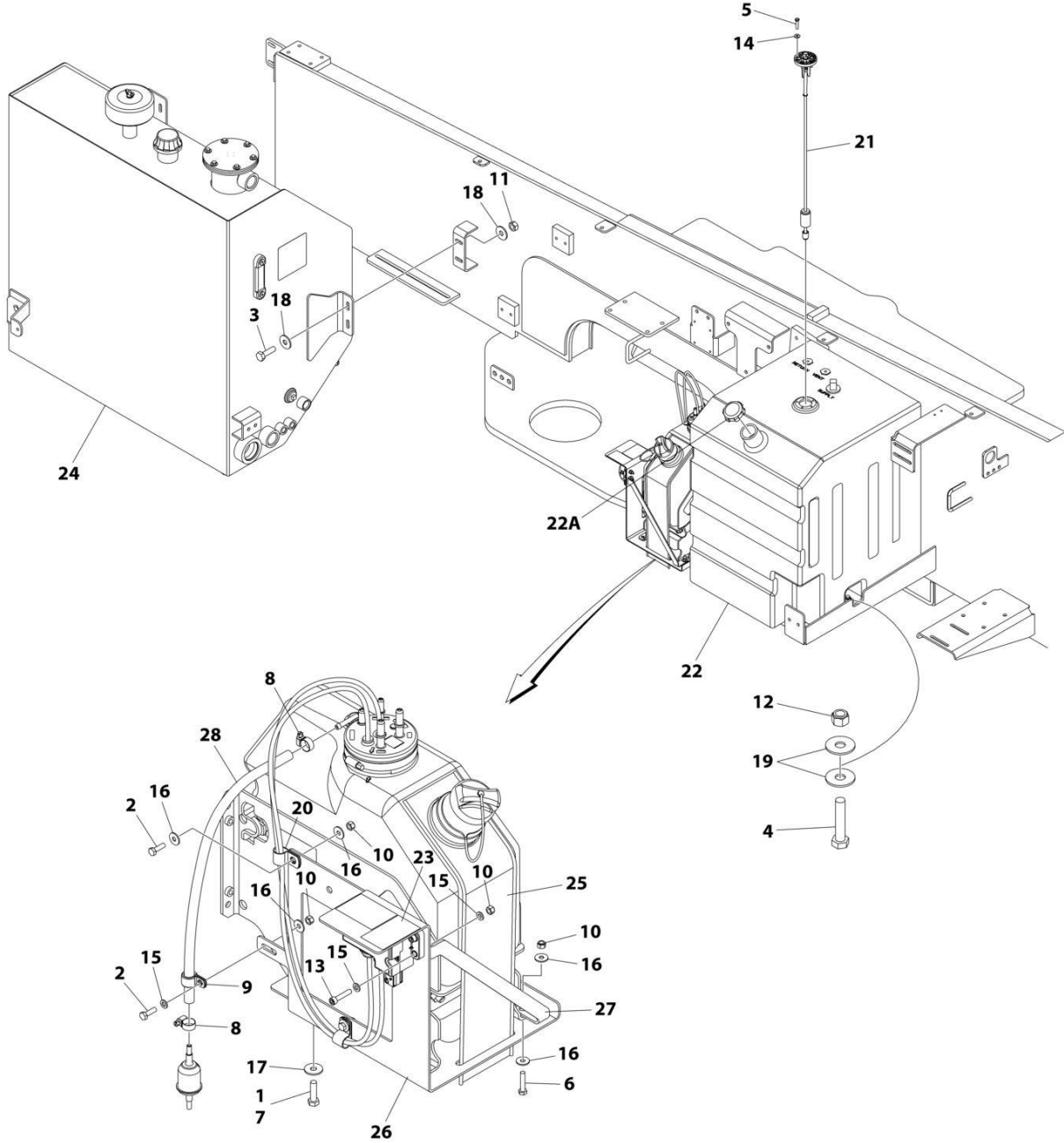
SECTION 2 - TURNTABLE

FIGURE 2-11. TANKS INSTALLATION (WITHOUT DIESEL EXHAUST FLUID TANK)

ITEM	PART NUMBER	QTY	DESCRIPTION	REV
	1001197627	Ref	TANKS INSTALLATION (WITHOUT DIESEL EXHAUST FLUID TANK)	C
1	0701015	4	Bolt M10 x 35	
2	0701220	2	Bolt M12 x 60	
3	0731007	5	Screw #10 x 7/8	
4	3291007	4	Nut M10	
5	3291205	2	Nut M12	
6	4751000	5	Washer #10	
7	4812002	8	Washer M10	
8	4812102	4	Washer M12	
9	1001109048	1	Gauge, Fuel	
9	3960525	1	Gasket (Gauge to Tank)	
10	1001188491	1	Tank, Fuel	
10A	70005565	1	Cap, Fuel	
11	1001197292	1	Hydraulic Tank Assembly (See Separate Breakdown in this Section)	

SECTION 2 - TURNTABLE

FIGURE 2-12. TANKS INSTALLATION (WITH DIESEL EXHAUST FLUID TANK)



ART_1001242390

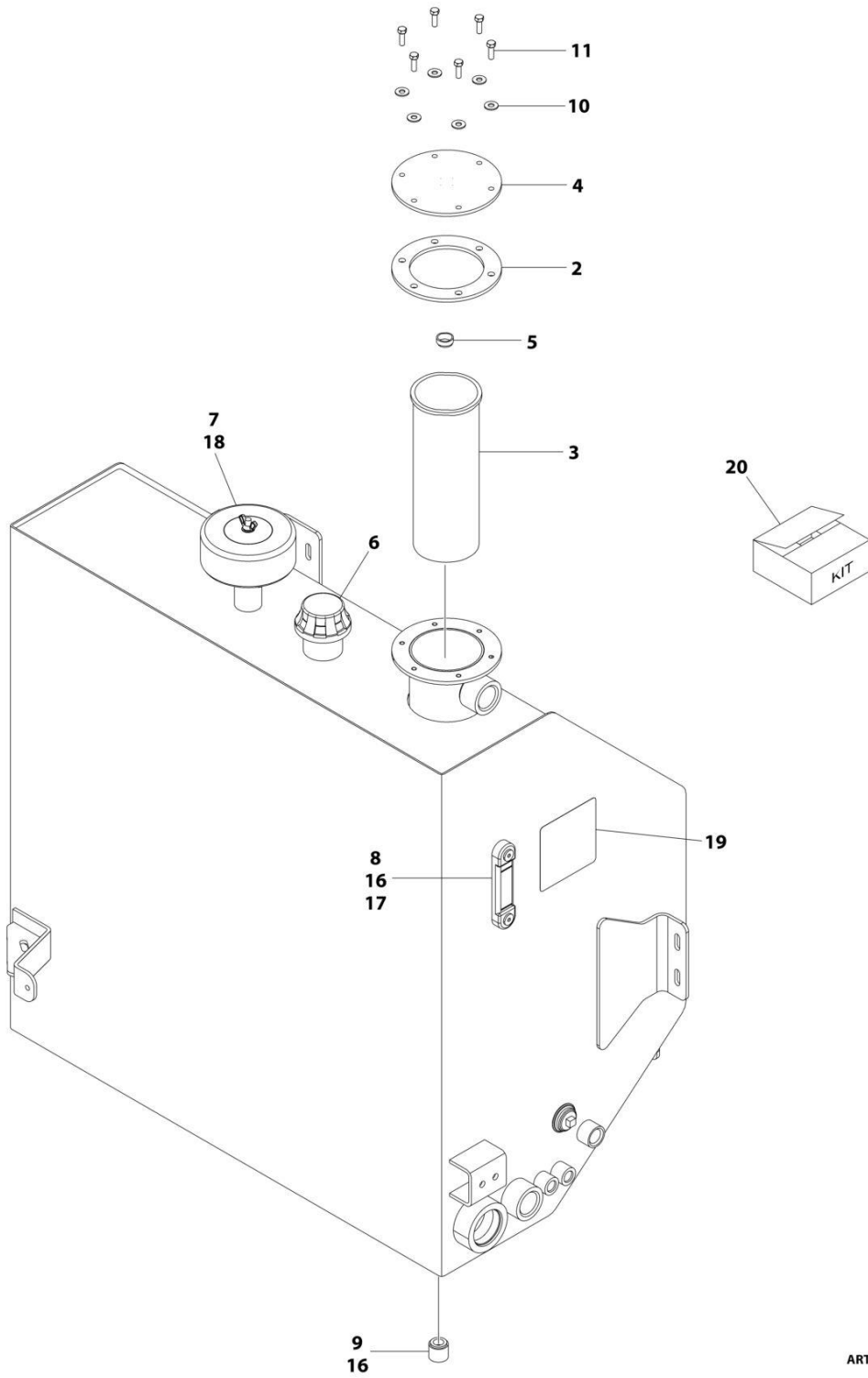
SECTION 2 - TURNTABLE

FIGURE 2-12. TANKS INSTALLATION (WITH DIESEL EXHAUST FLUID TANK)

ITEM	PART NUMBER	QTY	DESCRIPTION	REV
	1001242390	Ref	TANKS INSTALLATION (WITH DIESEL EXHAUST FLUID TANK)	A
1	0100011	AR	Compound, Locking	
2	0700610	3	Bolt M6 x 20	
3	0701015	4	Bolt M10 x 35	
4	0701220	2	Bolt M12 x 60	
5	0731007	5	Screw #10 x 7/8	
6	0760614	1	Bolt M6 x 30	
7	0760814	4	Bolt M8 x 30	
8	1320022	2	Clamp	
9	1320041	1	Clamp	
10	3290605	8	Nut M6	
11	3291007	4	Nut M10	
12	3291205	2	Nut M12	
13	4031710	4	Bolt M6 x 30	
14	4751000	5	Washer #10	
15	4811700	9	Washer M6	
16	4811702	7	Washer M6	
17	4811902	4	Washer M8	
18	4812002	8	Washer M10	
19	4812102	4	Washer M12	
20	8406101	2	Clip	
21	1001109048	1	Gauge, Fuel	
21	3960525	1	Gasket (Gauge to Tank)	
22	1001188491	1	Tank, Fuel	
22A	70005565	1	Cap, Fuel	
23	1001196806	1	Decal - Diesel Exhaust Fluid	
24	1001197292	1	Hydraulic Tank Assembly (See Separate Breakdown in this Section)	
25	1001238158	1	Sleeve, Spill Guard	
26	1001238262	1	Support	
27	1001241631	1	Bracket	
28	1001175201	18 in/ 0.46m	Hose	

SECTION 2 - TURNTABLE

FIGURE 2-13. HYDRAULIC TANK ASSEMBLY



ART_1001197292

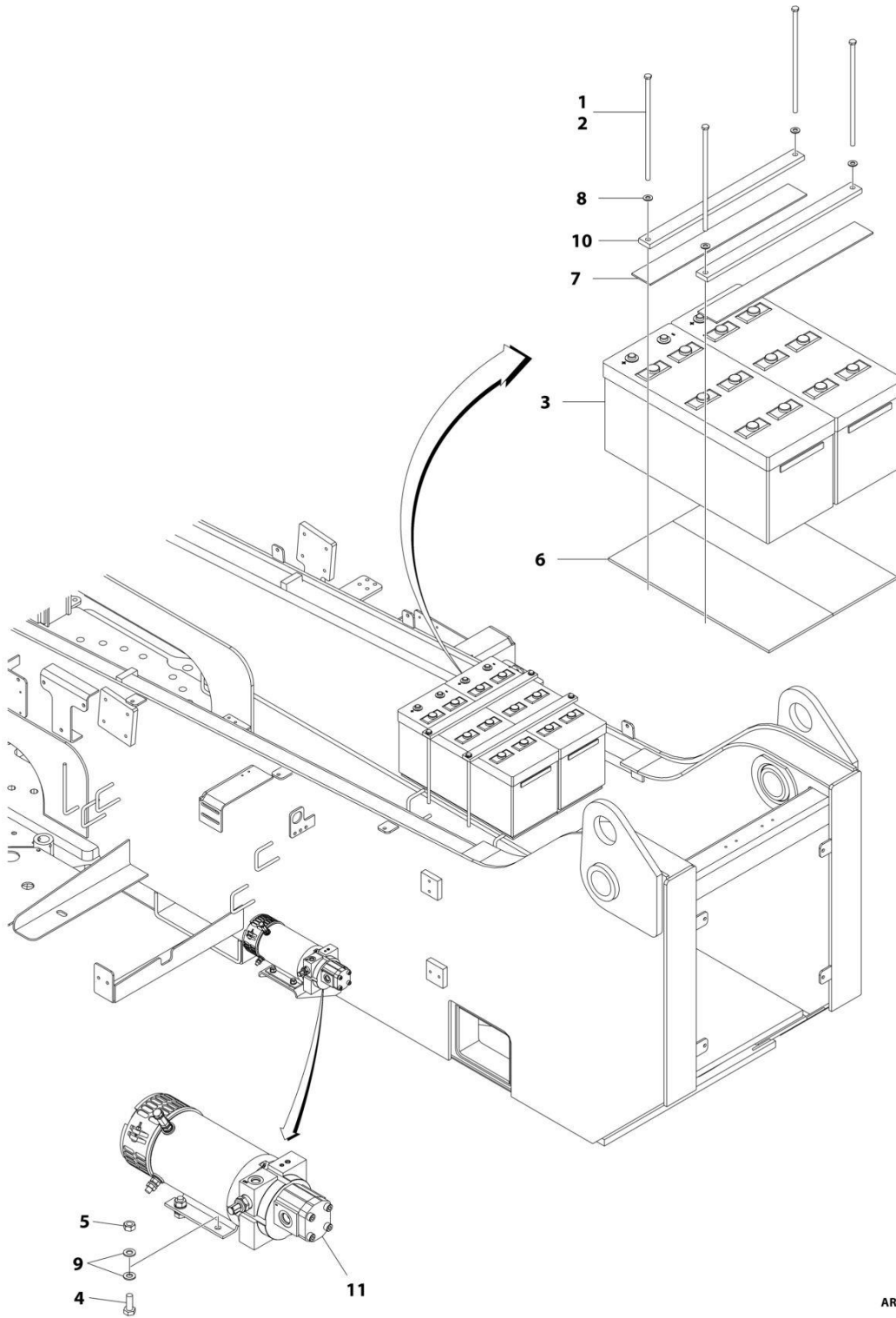
SECTION 2 - TURNTABLE

FIGURE 2-13. HYDRAULIC TANK ASSEMBLY

ITEM	PART NUMBER	QTY	DESCRIPTION	REV
	1001197292	Ref	HYDRAULIC TANK ASSEMBLY	D
2	See Note	NSS	Gasket (Note: Use Item 20)	
3	See Note	NSS	Element, Filter (Note: Use Item 20)	
4	See Note	NSS	Cover (Note: Not Available for Purchase)	
5	70004412	1	Spring	
6	70002838	1	Cap, Fill	
7	See Note	NSS	Breather (Note: Use Item 20)	
8	7024441	1	Gauge	
9	See Note	NSS	Plug (Note: Purchase Locally)	
10	See Note	NSS	Washer 5/16 Stainless Steel (Note: Purchase Locally)	
11	See Note	NSS	Bolt 5/16 x 1 Stainless Steel (Note: Purchase Locally)	
16	See Note	AR	Loctite #243 (Note: Purchase Locally)	
17	See Note	AR	Lubricant (Note: Purchase Locally)	
18	See Note	AR	Loctite #565 (Note: Purchase Locally)	
19	70004411	1	Decal - Service	
20	70004150	1	Tank Filter/ Breather Kit (Includes Item 2, 3 & 7)	

SECTION 2 - TURNTABLE

FIGURE 2-14. AUXILIARY POWER AND BATTERIES INSTALLATIONS



ART_1001197345

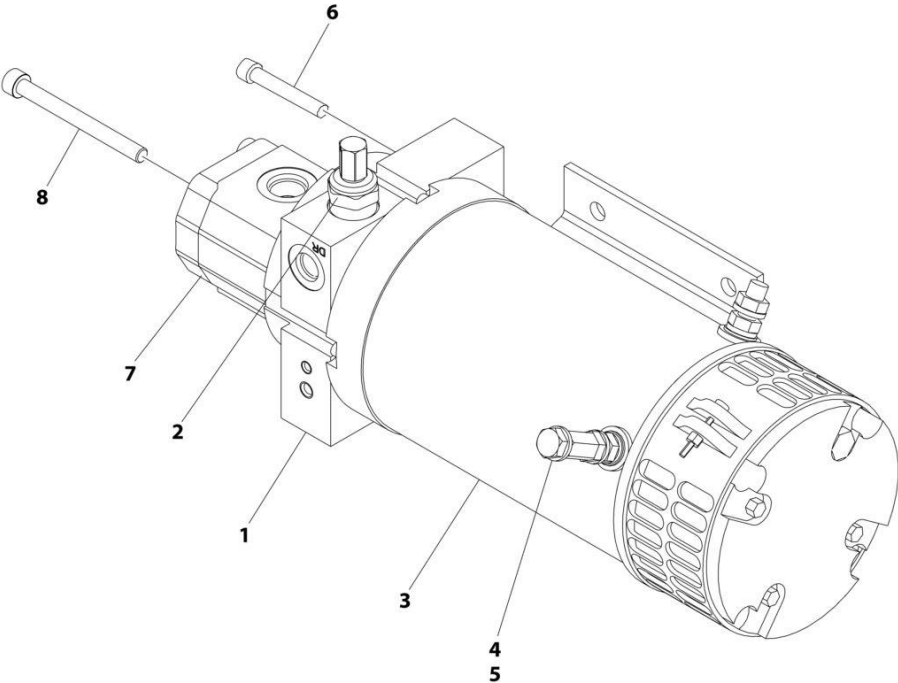
SECTION 2 - TURNTABLE

FIGURE 2-14. AUXILIARY POWER AND BATTERIES INSTALLATIONS

ITEM	PART NUMBER	QTY	DESCRIPTION	REV
	1001197345	Ref	AUXILIARY POWER AND BATTERIES INSTALLATIONS	A
1	0100011	AR	Compound, Locking	
2	0236768	4	Bolt, Tie-Down	
3	0400020	2	Battery	
4	0701013	4	Bolt M10 x 28	
5	3291007	4	Nut M10	
6	3980006	2	Seat, Battery	
7	4420038	34 in /85cm	Tape	
8	4711600	4	Washer 3/8	
9	4812000	8	Washer M10	
10	1001154035	2	Plate	
11	1001162880	1	Auxiliary Pump/Motor Assembly (See Separate Breakdown in this Section)	

SECTION 2 - TURNTABLE

FIGURE 2-15. AUXILIARY PUMP/MOTOR ASSEMBLY



ART_1001162880

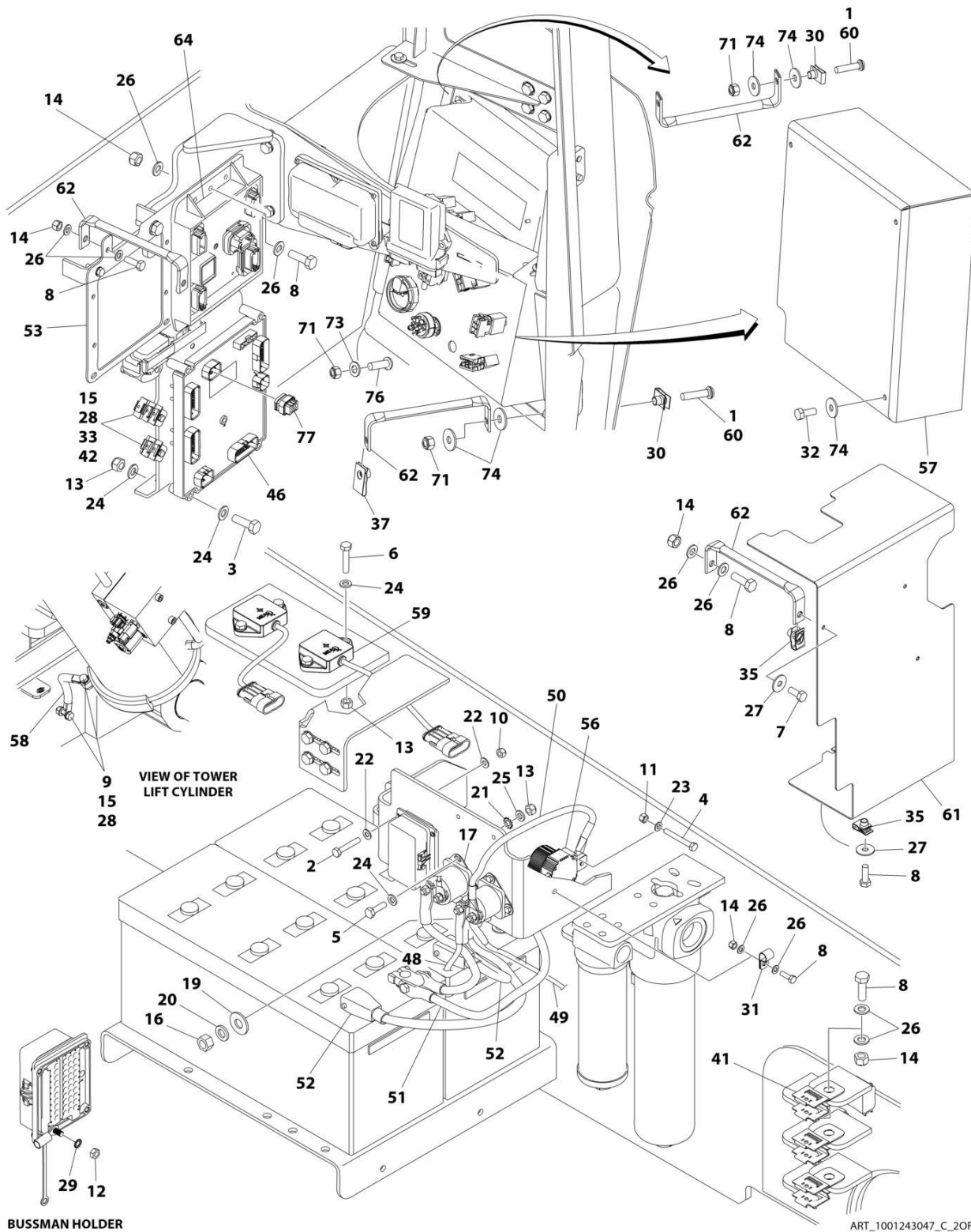
SECTION 2 - TURNTABLE

FIGURE 2-15. AUXILIARY PUMP/MOTOR ASSEMBLY

ITEM	PART NUMBER	QTY	DESCRIPTION	REV
	1001162880	Ref	AUXILIARY PUMP ASSEMBLY (WITHOUT COLD WEATHER PLUS PACKAGE)	A
1	1001164700	1	Base Assembly	
1	70005618	1	Plug	
1	70005617	1	Spring	
1	70005616	1	Poppet, Check	
2	1001164700	1	Valve, Relief	
3	See Note	1	Motor (Note: Not Available for Purchase)	
4	70004006	1	Nut 3/8	
5	70004007	1	Bolt 3/8x3/4	
6	70004005	4	Capscrew 1/4x3	
6	See Note	1	Sleeve (Note: Not Available for Purchase)	
7	See Note	1	Pump Assembly (Note: Not Available for Purchase)	
7	70005615	1	Seal, Shaft	
7	70005619	1	Bearing	
8	See Note	4	Screw M8 x 85 (Note: Not Available for Purchase)	

SECTION 2 - TURNTABLE

FIGURE 2-16. ELECTRICAL COMPONENTS INSTALLATION - TURNTABLE (HRC) (ANSI, ANSI EXPORT, CSA AND JAPANESE SPECS)



SECTION 2 - TURNTABLE

FIGURE 2-16. ELECTRICAL COMPONENTS INSTALLATION - TURNTABLE (HRC) (ANSI, ANSI EXPORT, CSA AND JAPANESE SPECS)

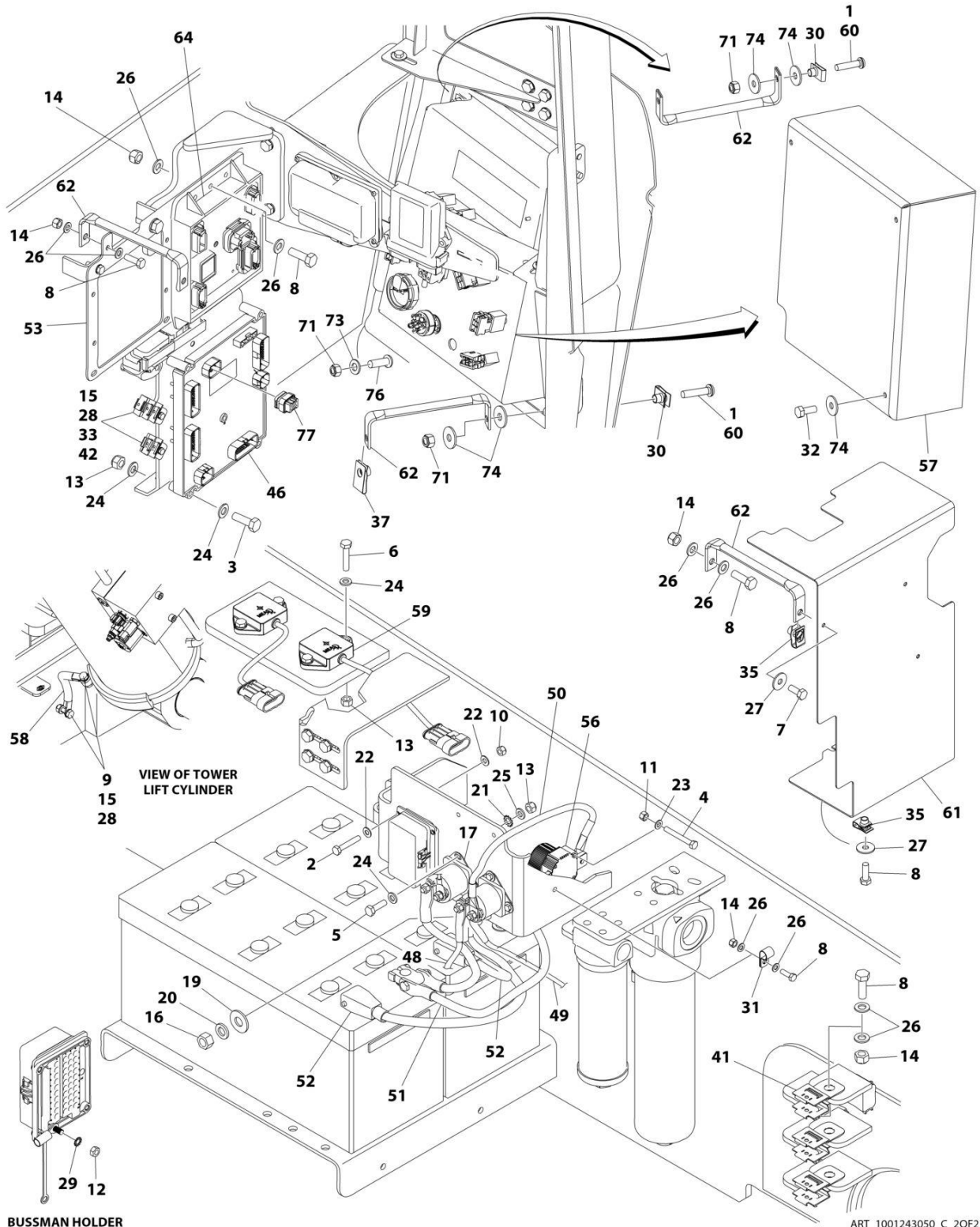
ITEM	PART NUMBER	QTY	DESCRIPTION	REV
	1001243047	Ref	ELECTRICAL COMPONENTS INSTALLATION - TURNTABLE (HRC)	C
1	0100011	AR	Compound, Locking	
2	0700412	4	Bolt M4 x 25	
3	0700620	4	Bolt M6 x 60	
4	0760516	2	Bolt M5 x 40	
5	0760610	4	Bolt M6 x 20	
6	0760613	4	Bolt M6 x 28	
7	0760810	3	Bolt M8 x 20	
8	0760812	12	Bolt M8 x 25	
9	0761015	3	Bolt M10 x 35	
10	3290405	4	Nut M4	
11	3290507	2	Nut M5	
12	3290601	1	Nut M6	
13	3290605	17	Nut M6	
14	3290805	10	Nut M8	
15	3291007	5	Nut M10	
16	3311601	2	Nut 3/8	
17	3740067	2	Relay	
18	4240099	1	Tie-Strap (Not Shown)	
19	4751600	4	Washer 3/8	
20	4761600	2	Washer 3/8	
21	4791400	4	Washer 1/4	
22	4811400	8	Washer M4	
23	4811600	2	Washer M5	
24	4811700	30	Washer M6	
25	4811702	4	Washer M6	
26	4811900	20	Washer M8	
27	4811902	5	Washer M8	
28	4812000	10	Washer M10	
29	4871700	1	Washer M6	
30	8310686	3	Nut, Retainer M8	
31	8406101	1	Clip	
32	0760810001	3	Bolt M8 x 20	
33	0761013001	2	Bolt M10 x 28	
35	100118274	5	Nut, Tinnerman M8	
37	1001149160	3	Nut, Tinnerman M8	
38	1001149970	1	Drive Pump Harness (Not Shown - See Separate Breakdown in ELECTRICAL Section)	
41	1001155967	6	Holder	
42	1001156107	2	Holder	
45	1001187744	AR	Sealant (Not Shown)	
46	1001281500	1	Module, Control (Note: Re-calibration Required when Replaced)	
47	1001258191	1	BLAM Harness (Not Shown - See Separate Breakdown in ELECTRICAL Section)	
48	1001200604	1	Cable, Auxiliary Pump (+)	
49	1001200605	1	Cable, Auxiliary Pump (-)	
50	1001200606	1	Cable, Battery to Auxiliary Relay	
51	1001200726	1	Cable Kit, Battery Positive (Note: Includes Battery Terminal and Qty 4 Cables)	

SECTION 2 - TURNTABLE

ITEM	PART NUMBER	QTY	DESCRIPTION	REV
52	1001200727	1	Cable Kit, Battery Negative (Note: Includes Qty 2 Cables)	
53	1001201103	1	Plate	
54	1001206817	1	Diesel Exhaust Fluid Tank Harness (Not Shown - See Separate Breakdown in ELECTRICAL Section)	
55	1001211885	1	Fuel Pump and WIF Harness (Not Shown - See Separate Breakdown in ELECTRICAL Section)	
56	1001216021	1	Relay	
57	1001216238	1	Cover	
58	1001217007	1	Cable, Ground	
59	1001219601	2	Sensor, Dual Axis	
60	1001221585	3	Screw M8 x 35	
61	1001225167	1	Cover	
62	1001225279	6	Bracket	
63	1001226102	1	Connector, Resistor - 20K Ohm (Not Shown - Located Near Item 12)	
64	1001227960	1	Module, Control (Note: Re-calibration Required when Replaced)	
65	1001228364	1	Wire, Relay Grounding (Not Shown)	
66	1001238483	1	Def Tank Extension Harness (Not Shown - See Separate Breakdown in ELECTRICAL Section)	
67	1001242123	1	Valve Harness (Not Shown - See Separate Breakdown in ELECTRICAL Section)	
68	1001279238	1	Turntable Harness (Not Shown - See Separate Breakdown in ELECTRICAL Section)	
69	1001242126	1	Ground Control Harness (Not Shown - See Separate Breakdown in ELECTRICAL Section)	
70	1001243048	1	Ground Control Box Assembly (Not Shown - See Separate Breakdown in this Section)	
71	3290805001	4	Nut M8	
73	4811900001	1	Washer M8	
74	4811902001	9	Washer M8	
76	8310643001	1	Screw M8 x 25	
77	1001246859	1	Connector	

SECTION 2 - TURNTABLE

FIGURE 2-17. ELECTRICAL COMPONENTS INSTALLATION - TURNTABLE (HRC) (CE & UK CA SPECS)



ART_1001243050_C_20F2

SECTION 2 - TURNTABLE

FIGURE 2-17. ELECTRICAL COMPONENTS INSTALLATION - TURNTABLE (HRC) (CE & UK CA SPECS)

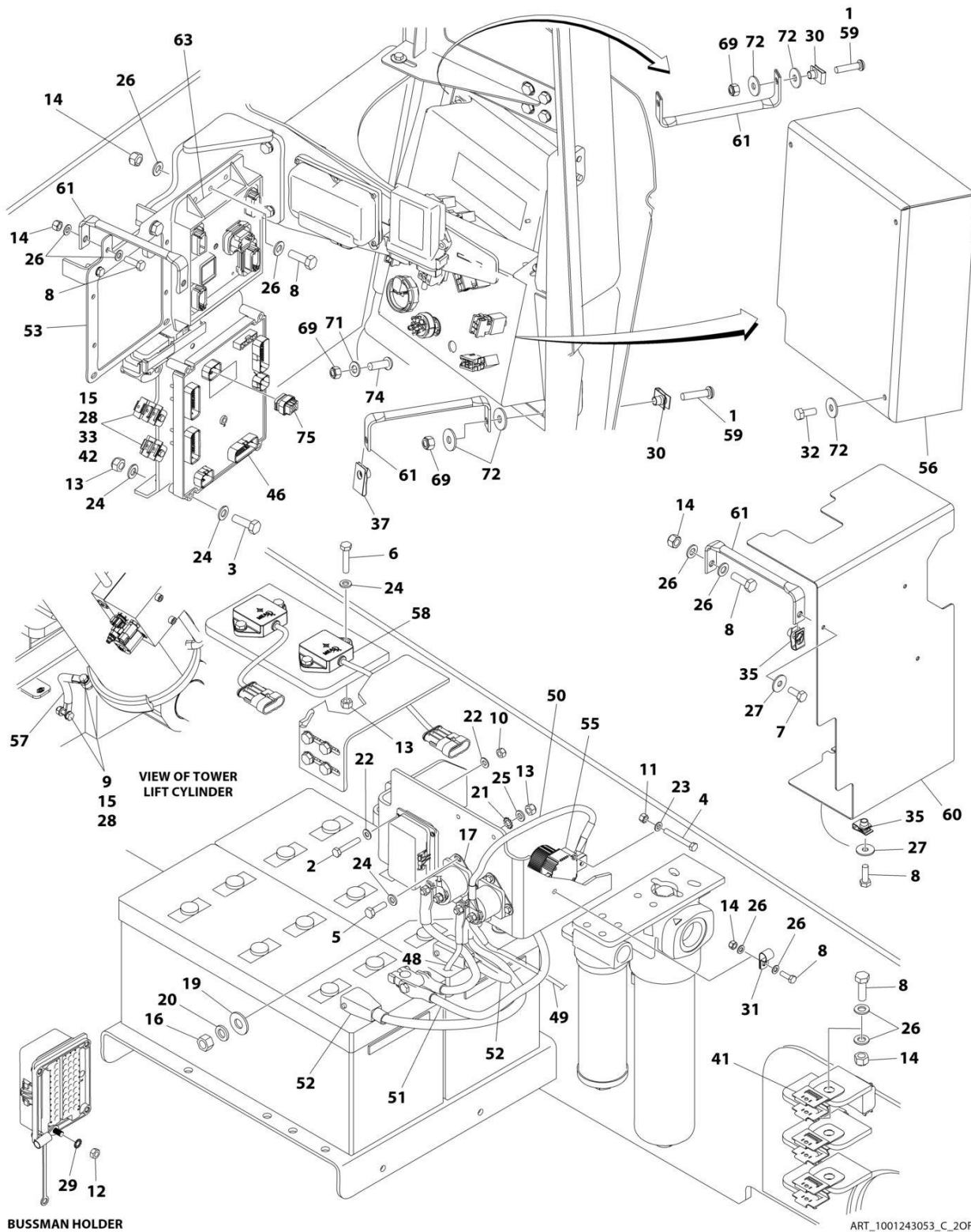
ITEM	PART NUMBER	QTY	DESCRIPTION	REV
	1001243050	Ref	ELECTRICAL COMPONENTS INSTALLATION - TURNTABLE (HRC)	C
1	0100011	AR	Compound, Locking	
2	0700412	4	Bolt M4 x 25	
3	0700620	4	Bolt M6 x 60	
4	0760516	2	Bolt M5 x 40	
5	0760610	4	Bolt M6 x 20	
6	0760613	4	Bolt M6 x 28	
7	0760810	3	Bolt M8 x 20	
8	0760812	12	Bolt M8 x 25	
9	0761015	3	Bolt M10 x 35	
10	3290405	4	Nut M4	
11	3290507	2	Nut M5	
12	3290601	1	Nut M6	
13	3290605	17	Nut M6	
14	3290805	10	Nut M8	
15	3291007	5	Nut M10	
16	3311601	2	Nut 3/8	
17	3740067	2	Relay	
18	4240099	1	Tie-Strap (Not Shown)	
19	4751600	4	Washer 3/8	
20	4761600	2	Washer 3/8	
21	4791400	4	Washer 1/4	
22	4811400	8	Washer M4	
23	4811600	2	Washer M5	
24	4811700	30	Washer M6	
25	4811702	4	Washer M6	
26	4811900	20	Washer M8	
27	4811902	5	Washer M8	
28	4812000	10	Washer M10	
29	4871700	1	Washer M6	
30	8310686	3	Nut, Retainer M8	
31	8406101	1	Clip	
32	0760810001	3	Bolt M8 x 20	
33	0761013001	2	Bolt M10 x 28	
35	100118274	5	Nut, Tinnerman M8	
37	1001149160	3	Nut, Tinnerman M8	
38	1001149970	1	Drive Pump Harness (Not Shown - See Separate Breakdown in ELECTRICAL Section)	
41	1001155967	6	Holder	
42	1001156107	2	Holder	
45	1001187744	AR	Sealant (Not Shown)	
46	1001281500	1	Module, Control (Note: Re-calibration Required when Replaced)	
47	1001258191	1	BLAM Harness (Not Shown - See Separate Breakdown in ELECTRICAL Section)	
48	1001200604	1	Cable, Auxiliary Pump (+)	
49	1001200605	1	Cable, Auxiliary Pump (-)	
50	1001200606	1	Cable, Battery to Auxiliary Relay	
51	1001200726	1	Cable Kit, Battery Positive (Note: Includes Battery Terminal and Qty 4 Cables)	

SECTION 2 - TURNTABLE

ITEM	PART NUMBER	QTY	DESCRIPTION	REV
52	1001200727	1	Cable Kit, Battery Negative (Note: Includes Qty 2 Cables)	
53	1001201103	1	Plate	
54	1001206817	1	Diesel Exhaust Fluid Tank Harness (Not Shown - See Separate Breakdown in ELECTRICAL Section)	
55	1001211885	1	Fuel Pump and WIF Harness (Not Shown - See Separate Breakdown in ELECTRICAL Section)	
56	1001216021	1	Relay	
57	1001216238	1	Cover	
58	1001217007	1	Cable, Ground	
59	1001219601	2	Sensor, Dual Axis	
60	1001221585	3	Screw M8 x 35	
61	1001225167	1	Cover	
62	1001225279	6	Bracket	
63	1001226102	1	Connector, Resistor - 20K Ohm (Not Shown - Located Near Item 12)	
64	1001227960	1	Module, Control (Note: Re-calibration Required when Replaced)	
65	1001228364	1	Wire, Relay Grounding (Not Shown)	
66	1001238483	1	Def Tank Extension Harness (Not Shown - See Separate Breakdown in ELECTRICAL Section)	
67	1001242123	1	Valve Harness (Not Shown - See Separate Breakdown in ELECTRICAL Section)	
68	1001279238	1	Turntable Harness (Not Shown - See Separate Breakdown in ELECTRICAL Section)	
69	1001242126	1	Ground Control Harness (Not Shown - See Separate Breakdown in ELECTRICAL Section)	
70	1001243052	1	Ground Control Box Assembly (Not Shown - See Separate Breakdown in this Section)	
71	3290805001	4	Nut M8	
73	4811900001	1	Washer M8	
74	4811902001	9	Washer M8	
76	8310643001	1	Screw M8 x 25	
77	1001246859	1	Connector	

SECTION 2 - TURNTABLE

FIGURE 2-18. ELECTRICAL COMPONENTS INSTALLATION - TURNTABLE (LRC) (ANSI EXPORT, AUSTRALIAN AND CHINA SPECS)



SECTION 2 - TURNTABLE

FIGURE 2-18. ELECTRICAL COMPONENTS INSTALLATION - TURNTABLE (LRC) (ANSI EXPORT, AUSTRALIAN AND CHINA SPECS)

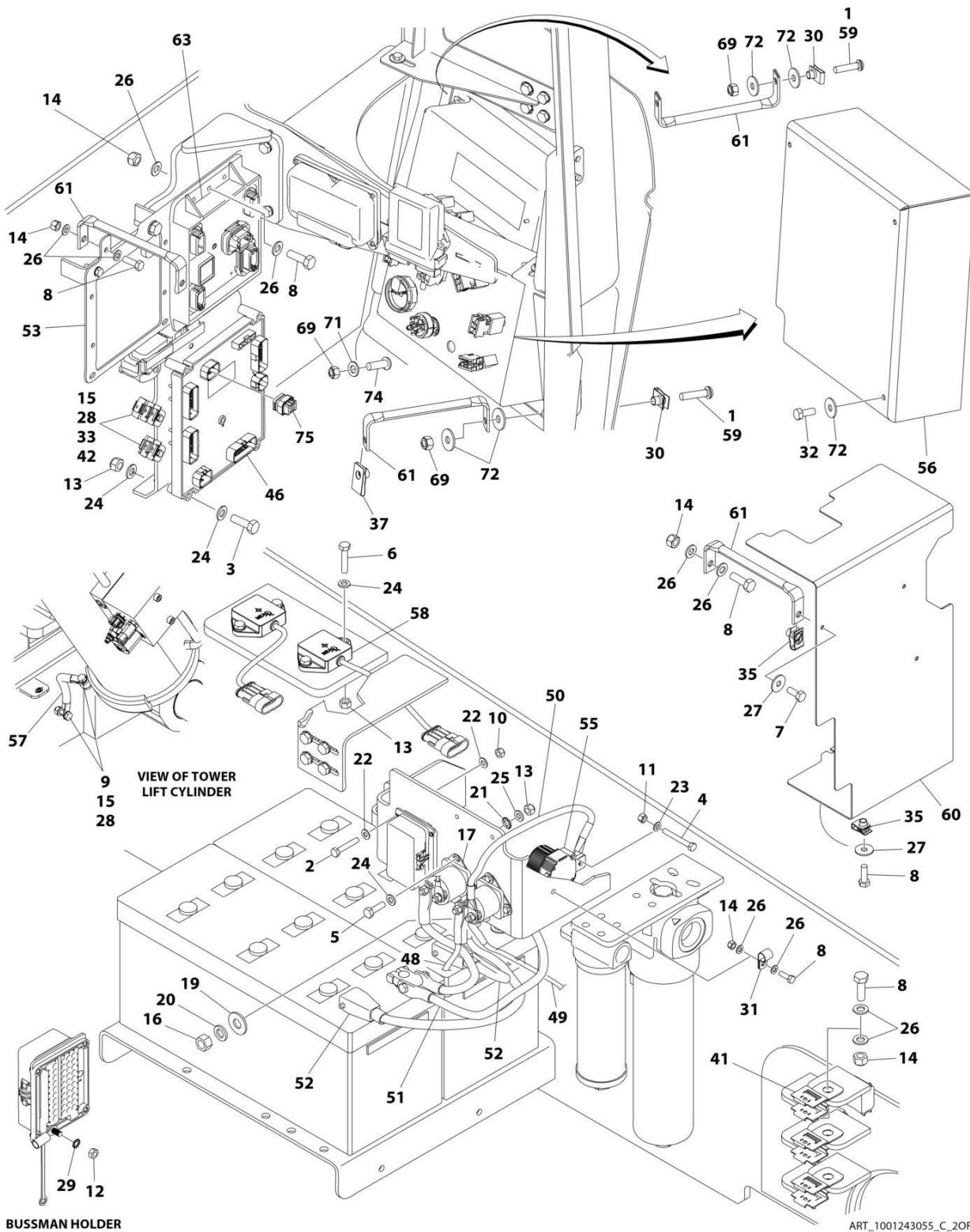
ITEM	PART NUMBER	QTY	DESCRIPTION	REV
	1001243053	Ref	ELECTRICAL COMPONENTS INSTALLATION - TURNTABLE (LRC)	C
1	0100011	AR	Compound, Locking	
2	0700412	4	Bolt M4 x 25	
3	0700620	4	Bolt M6 x 60	
4	0760516	2	Bolt M5 x 40	
5	0760610	4	Bolt M6 x 20	
6	0760613	4	Bolt M6 x 28	
7	0760810	3	Bolt M8 x 20	
8	0760812	11	Bolt M8 x 25	
9	0761015	3	Bolt M10 x 35	
10	3290405	4	Nut M4	
11	3290507	2	Nut M5	
12	3290601	1	Nut M6	
13	3290605	17	Nut M6	
14	3290805	9	Nut M8	
15	3291007	5	Nut M10	
16	3311601	2	Nut 3/8	
17	3740067	2	Relay	
18	4240099	AR	Tie-Strap (Not Shown)	
19	4751600	4	Washer 3/8	
20	4761600	2	Washer 3/8	
21	4791400	4	Washer 1/4	
22	4811400	8	Washer M4	
23	4811600	2	Washer M5	
24	4811700	30	Washer M6	
25	4811702	4	Washer M6	
26	4811900	18	Washer M8	
27	4811902	5	Washer M8	
28	4812000	10	Washer M10	
29	4871700	1	Washer M6	
30	8310686	3	Nut, Retainer M8	
31	8406101	1	Clip	
32	0760810001	3	Bolt M8 x 20	
33	0761013001	2	Bolt M10 x 28	
35	100118274	5	Nut, Tinnerman M8	
37	1001149160	3	Nut, Tinnerman M8	
38	1001149970	1	Drive Pump Harness (Not Shown - See Separate Breakdown in ELECTRICAL Section)	
41	1001155967	4	Holder	
42	1001156107	2	Holder	
45	1001187744	AR	Sealant (Not Shown)	
46	1001281500	1	Module, Control (Note: Re-calibration Required when Replaced)	
47	1001258191	1	BLAM Harness (Not Shown - See Separate Breakdown in ELECTRICAL Section)	
48	1001200604	1	Cable, Auxiliary Pump (+)	
49	1001200605	1	Cable, Auxiliary Pump (-)	
50	1001200606	1	Cable, Battery to Auxiliary Relay	
51	1001200726	1	Cable Kit, Battery Positive (Note: Includes Battery Terminal and Qty 4 Cables)	

SECTION 2 - TURNTABLE

ITEM	PART NUMBER	QTY	DESCRIPTION	REV
52	1001200727	1	Cable Kit, Battery Negative (Note: Includes Qty 2 Cables)	
53	1001201103	1	Plate	
54	1001211885	1	Fuel Pump and WIF Harness (Not Shown - See Separate Breakdown in ELECTRICAL Section)	
55	1001216021	1	Relay	
56	1001216238	1	Cover	
57	1001217007	1	Cable, Ground	
58	1001219601	2	Sensor, Dual Axis	
59	1001221585	3	Screw M8 x 35	
60	1001225167	1	Cover	
61	1001225279	6	Bracket	
62	1001226102	1	Connector, Resistor - 20K Ohm (Not Shown - Located Near Item 12)	
63	1001227960	1	Module, Control (Note: Re-calibration Required when Replaced)	
64	1001228364	1	Wire, Relay Grounding (Not Shown)	
65	1001242123	1	Valve Harness (Not Shown - See Separate Breakdown in ELECTRICAL Section)	
66	1001279238	1	Turntable Harness (Not Shown - See Separate Breakdown in ELECTRICAL Section)	
67	1001242126	1	Ground Control Harness (Not Shown - See Separate Breakdown in ELECTRICAL Section)	
68	1001243054	1	Ground Control Box Assembly (Not Shown - See Separate Breakdown in this Section)	
69	3290805001	4	Nut M8	
71	4811900001	1	Washer M8	
72	4811902001	9	Washer M8	
74	8310643001	1	Screw M8 x 25	
75	1001246859	1	Connector	

SECTION 2 - TURNTABLE

FIGURE 2-19. ELECTRICAL COMPONENTS INSTALLATION - TURNTABLE (LRC) (CE & UK CA SPECS)



SECTION 2 - TURNTABLE

FIGURE 2-19. ELECTRICAL COMPONENTS INSTALLATION - TURNTABLE (LRC) (CE & UK CA SPECS)

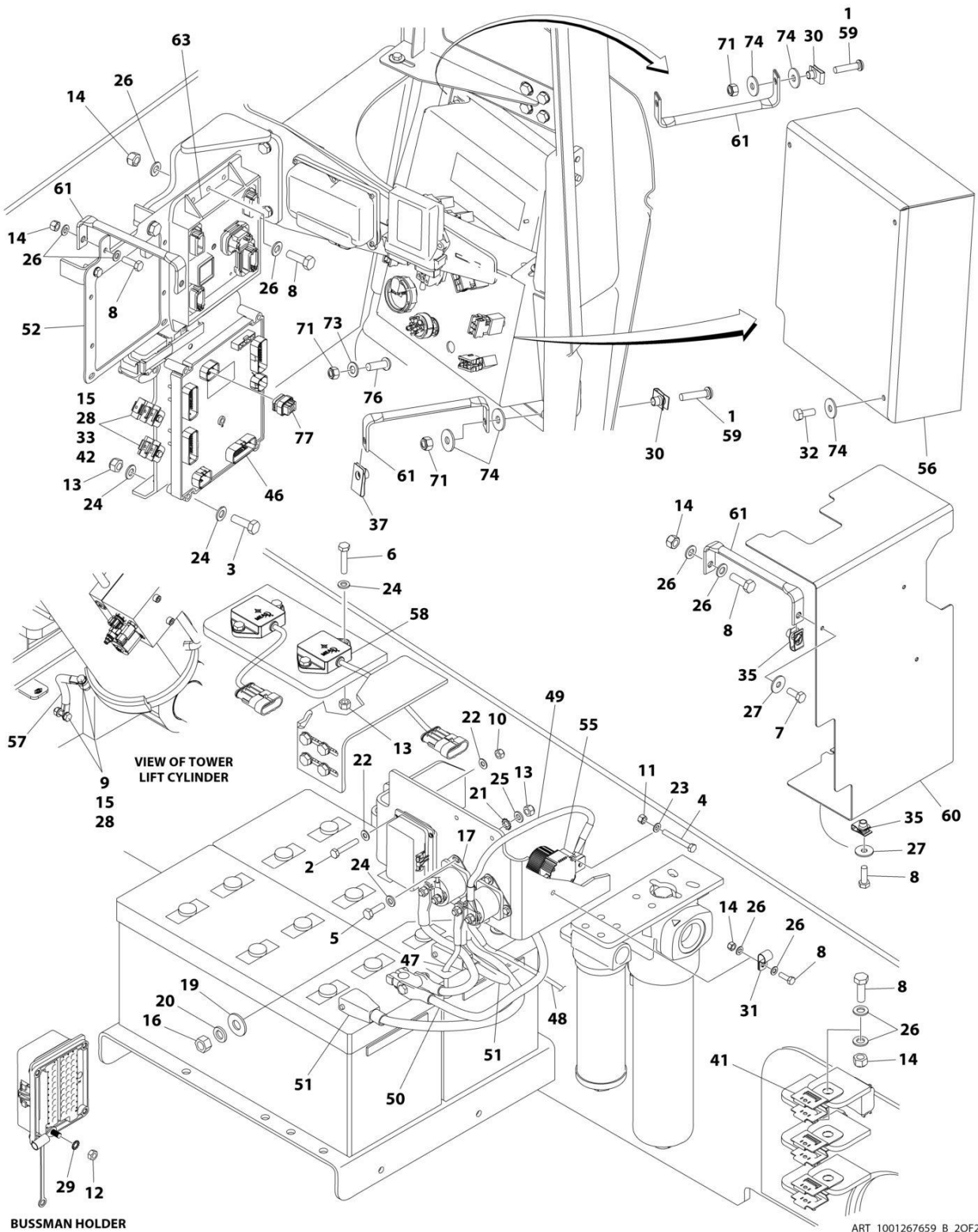
ITEM	PART NUMBER	QTY	DESCRIPTION	REV
	1001243055	Ref	ELECTRICAL COMPONENTS INSTALLATION - TURNTABLE (LRC)	C
1	0100011	AR	Compound, Locking	
2	0700412	4	Bolt M4 x 25	
3	0700620	4	Bolt M6 x 60	
4	0760516	2	Bolt M5 x 40	
5	0760610	4	Bolt M6 x 20	
6	0760613	4	Bolt M6 x 28	
7	0760810	3	Bolt M8 x 20	
8	0760812	11	Bolt M8 x 25	
9	0761015	3	Bolt M10 x 35	
10	3290405	4	Nut M4	
11	3290507	2	Nut M5	
12	3290601	1	Nut M6	
13	3290605	17	Nut M6	
14	3290805	9	Nut M8	
15	3291007	5	Nut M10	
16	3311601	2	Nut 3/8	
17	3740067	2	Relay	
18	4240099	AR	Tie-Strap (Not Shown)	
19	4751600	4	Washer 3/8	
20	4761600	2	Washer 3/8	
21	4791400	4	Washer 1/4	
22	4811400	8	Washer M4	
23	4811600	2	Washer M5	
24	4811700	30	Washer M6	
25	4811702	4	Washer M6	
26	4811900	18	Washer M8	
27	4811902	5	Washer M8	
28	4812000	10	Washer M10	
29	4871700	1	Washer M6	
30	8310686	3	Nut, Retainer M8	
31	8406101	1	Clip	
32	0760810001	3	Bolt M8 x 20	
33	0761013001	2	Bolt M10 x 28	
35	100118274	5	Nut, Tinnerman M8	
37	1001149160	3	Nut, Tinnerman M8	
38	1001149970	1	Drive Pump Harness (Not Shown - See Separate Breakdown in ELECTRICAL Section)	
41	1001155967	4	Holder	
42	1001156107	2	Holder	
45	1001187744	AR	Sealant (Not Shown)	
46	1001281500	1	Module, Control (Note: Re-calibration Required when Replaced)	
47	1001258191	1	BLAM Harness (Not Shown - See Separate Breakdown in ELECTRICAL Section)	
48	1001200604	1	Cable, Auxiliary Pump (+)	
49	1001200605	1	Cable, Auxiliary Pump (-)	
50	1001200606	1	Cable, Battery to Auxiliary Relay	
51	1001200726	1	Cable Kit, Battery Positive (Note: Includes Battery Terminal and Qty 4 Cables)	

SECTION 2 - TURNTABLE

ITEM	PART NUMBER	QTY	DESCRIPTION	REV
52	1001200727	1	Cable Kit, Battery Negative (Note: Includes Qty 2 Cables)	
53	1001201103	1	Plate	
54	1001211885	1	Fuel Pump and WIF Harness (Not Shown - See Separate Breakdown in ELECTRICAL Section)	
55	1001216021	1	Relay	
56	1001216238	1	Cover	
57	1001217007	1	Cable, Ground	
58	1001219601	2	Sensor, Dual Axis	
59	1001221585	3	Screw M8 x 35	
60	1001225167	1	Cover	
61	1001225279	6	Bracket	
62	1001226102	1	Connector, Resistor - 20K Ohm (Not Shown - Located Near Item 12)	
63	1001227960	1	Module, Control (Note: Re-calibration Required when Replaced)	
64	1001228364	1	Wire, Relay Grounding (Not Shown)	
65	1001242123	1	Valve Harness (Not Shown - See Separate Breakdown in ELECTRICAL Section)	
66	1001279238	1	Turntable Harness (Not Shown - See Separate Breakdown in ELECTRICAL Section)	
67	1001242126	1	Ground Control Harness (Not Shown - See Separate Breakdown in ELECTRICAL Section)	
68	1001243056	1	Ground Control Box Assembly (Not Shown - See Separate Breakdown in this Section)	
69	3290805001	4	Nut M8	
71	4811900001	1	Washer M8	
72	4811902001	9	Washer M8	
74	8310643001	1	Screw M8 x 25	
75	1001246859	1	Connector	

SECTION 2 - TURNTABLE

FIGURE 2-20. ELECTRICAL COMPONENTS INSTALLATION WITH TOWER STOW - TURNTABLE (HRC) (ANSI, ANSI EXPORT, CSA AND JAPANESE SPECS)



SECTION 2 - TURNTABLE

FIGURE 2-20. ELECTRICAL COMPONENTS INSTALLATION WITH TOWER STOW - TURNTABLE (HRC) (ANSI, ANSI EXPORT, CSA AND JAPANESE SPECS)

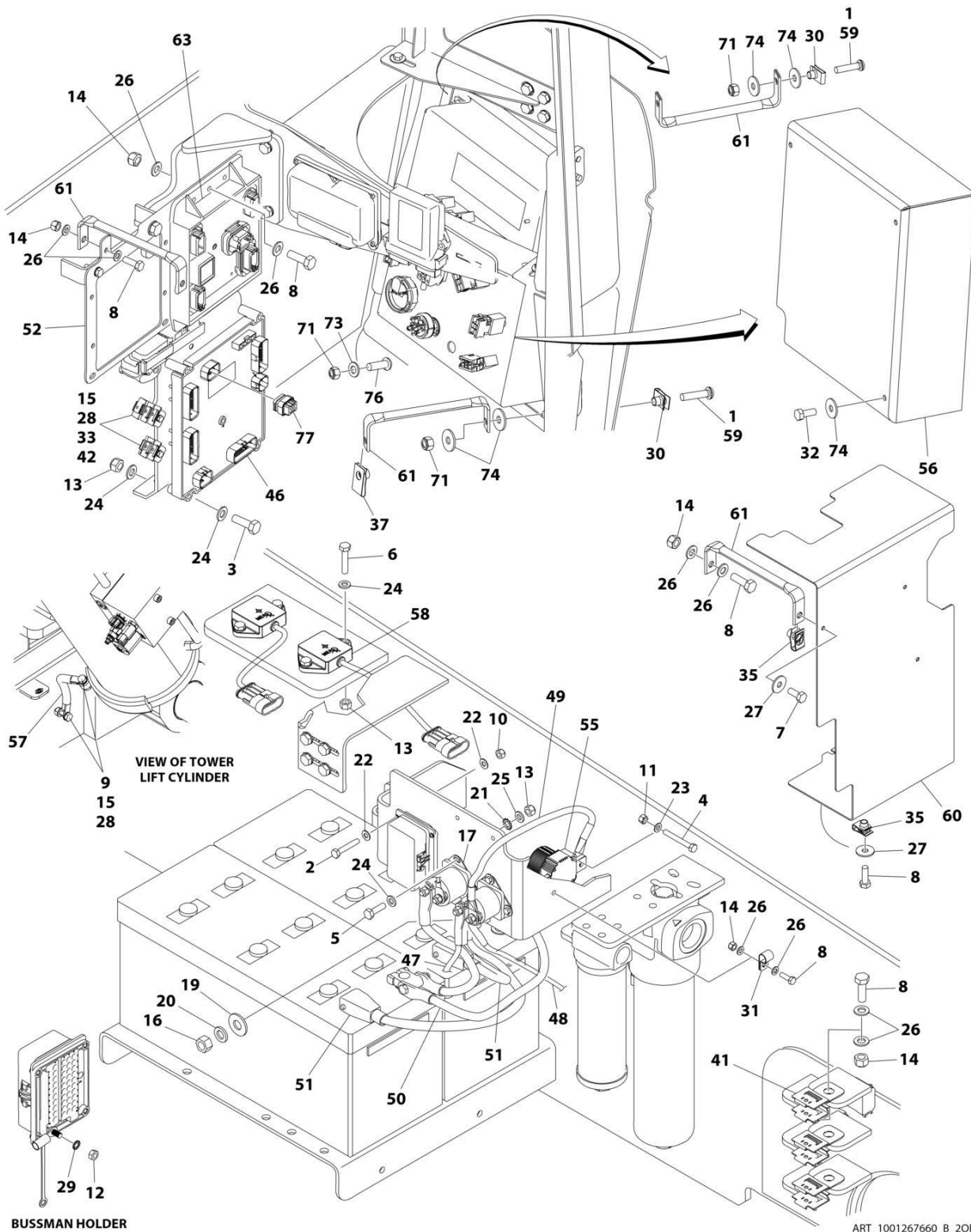
ITEM	PART NUMBER	QTY	DESCRIPTION	REV
	1001267659	Ref	ELECTRICAL COMPONENTS INSTALLATION - TURNTABLE (HRC)	B
1	0100011	AR	Compound, Locking	
2	0700412	4	Bolt M4 x 25	
3	0700620	4	Bolt M6 x 60	
4	0760516	2	Bolt M5 x 40	
5	0760610	4	Bolt M6 x 20	
6	0760613	4	Bolt M6 x 28	
7	0760810	3	Bolt M8 x 20	
8	0760812	12	Bolt M8 x 25	
9	0761015	3	Bolt M10 x 35	
10	3290405	4	Nut M4	
11	3290507	2	Nut M5	
12	3290601	1	Nut M6	
13	3290605	17	Nut M6	
14	3290805	10	Nut M8	
15	3291007	5	Nut M10	
16	3311601	2	Nut 3/8	
17	3740067	2	Relay	
18	4240099	1	Tie-Strap (Not Shown)	
19	4751600	4	Washer 3/8	
20	4761600	2	Washer 3/8	
21	4791400	4	Washer 1/4	
22	4811400	8	Washer M4	
23	4811600	2	Washer M5	
24	4811700	30	Washer M6	
25	4811702	4	Washer M6	
26	4811900	20	Washer M8	
27	4811902	5	Washer M8	
28	4812000	10	Washer M10	
29	4871700	1	Washer M6	
30	8310686	3	Nut, Retainer M8	
31	8406101	1	Clip	
32	0760810001	3	Bolt M8 x 20	
33	0761013001	2	Bolt M10 x 28	
35	100118274	5	Nut, Tinnerman M8	
37	1001149160	3	Nut, Tinnerman M8	
38	1001149970	1	Drive Pump Harness (Not Shown - See Separate Breakdown in ELECTRICAL Section)	
41	1001155967	6	Holder	
42	1001156107	2	Holder	
45	1001187744	AR	Sealant (Not Shown)	
46	1001281500	1	Module, Control (Note: Re-calibration Required when Replaced)	
47	1001200604	1	Cable, Auxiliary Pump (+)	
48	1001200605	1	Cable, Auxiliary Pump (-)	
49	1001200606	1	Cable, Battery to Auxiliary Relay	
50	1001200726	1	Cable Kit, Battery Positive (Note: Includes Battery Terminal and Qty 4 Cables)	
51	1001200727	1	Cable Kit, Battery Negative (Note: Includes Qty 2 Cables)	

SECTION 2 - TURNTABLE

ITEM	PART NUMBER	QTY	DESCRIPTION	REV
52	1001201103	1	Plate	
53	1001206817	1	Diesel Exhaust Fluid Tank Harness (Not Shown - See Separate Breakdown in ELECTRICAL Section)	
54	1001211885	1	Fuel Pump and WIF Harness (Not Shown - See Separate Breakdown in ELECTRICAL Section)	
55	1001216021	1	Relay	
56	1001216238	1	Cover	
57	1001217007	1	Cable, Ground	
58	1001219601	2	Sensor, Dual Axis	
59	1001221585	3	Screw M8 x 35	
60	1001225167	1	Cover	
61	1001225279	6	Bracket	
62	1001226102	1	Connector, Resistor - 20K Ohm (Not Shown - Located Near Item 12)	
63	1001227960	1	Module, Control (Note: Re-calibration Required when Replaced)	
64	1001228364	1	Wire, Relay Grounding (Not Shown)	
65	1001238483	1	Def Tank Extension Harness (Not Shown - See Separate Breakdown in ELECTRICAL Section)	
66	1001242123	1	Valve Harness (Not Shown - See Separate Breakdown in ELECTRICAL Section)	
67	1001279238	1	Turntable Harness (Not Shown - See Separate Breakdown in ELECTRICAL Section)	
68	1001242126	1	Ground Control Harness (Not Shown - See Separate Breakdown in ELECTRICAL Section)	
69	1001258191	1	BLAM Harness (Not Shown - See Separate Breakdown in ELECTRICAL Section)	
70	1001265870	1	Ground Control Box Assembly (Not Shown - See Separate Breakdown in this Section)	
71	3290805001	4	Nut M8	
73	4811900001	1	Washer M8	
74	4811902001	9	Washer M8	
76	8310643001	1	Screw M8 x 25	
77	1001246859	1	Connector	

SECTION 2 - TURNTABLE

FIGURE 2-21. ELECTRICAL COMPONENTS INSTALLATION WITH TOWER STOW - TURNTABLE (HRC) (CE & UK CA SPECS)



SECTION 2 - TURNTABLE

**FIGURE 2-21. ELECTRICAL COMPONENTS INSTALLATION WITH TOWER STOW - TURNTABLE
(HRC) (CE & UK CA SPECS)**

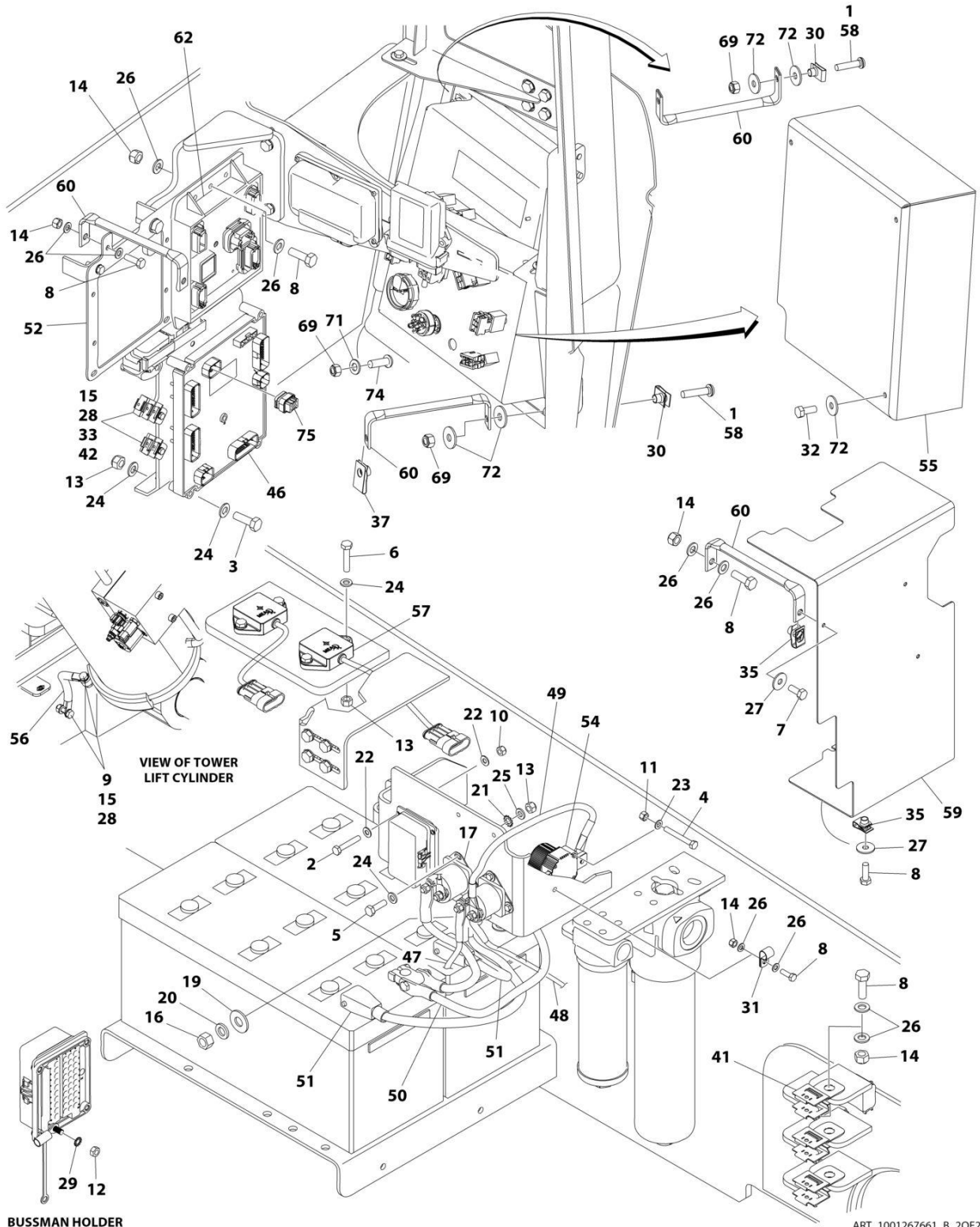
ITEM	PART NUMBER	QTY	DESCRIPTION	REV
	1001267660	Ref	ELECTRICAL COMPONENTS INSTALLATION - TURNTABLE (HRC)	B
1	0100011	AR	Compound, Locking	
2	0700412	4	Bolt M4 x 25	
3	0700620	4	Bolt M6 x 60	
4	0760516	2	Bolt M5 x 40	
5	0760610	4	Bolt M6 x 20	
6	0760613	4	Bolt M6 x 28	
7	0760810	3	Bolt M8 x 20	
8	0760812	12	Bolt M8 x 25	
9	0761015	3	Bolt M10 x 35	
10	3290405	4	Nut M4	
11	3290507	2	Nut M5	
12	3290601	1	Nut M6	
13	3290605	17	Nut M6	
14	3290805	10	Nut M8	
15	3291007	5	Nut M10	
16	3311601	2	Nut 3/8	
17	3740067	2	Relay	
18	4240099	1	Tie-Strap (Not Shown)	
19	4751600	4	Washer 3/8	
20	4761600	2	Washer 3/8	
21	4791400	4	Washer 1/4	
22	4811400	8	Washer M4	
23	4811600	2	Washer M5	
24	4811700	30	Washer M6	
25	4811702	4	Washer M6	
26	4811900	20	Washer M8	
27	4811902	5	Washer M8	
28	4812000	10	Washer M10	
29	4871700	1	Washer M6	
30	8310686	3	Nut, Retainer M8	
31	8406101	1	Clip	
32	0760810001	3	Bolt M8 x 20	
33	0761013001	2	Bolt M10 x 28	
35	100118274	5	Nut, Tinnerman M8	
37	1001149160	3	Nut, Tinnerman M8	
38	1001149970	1	Drive Pump Harness (Not Shown - See Separate Breakdown in ELECTRICAL Section)	
41	1001155967	6	Holder	
42	1001156107	2	Holder	
45	1001187744	AR	Sealant (Not Shown)	
46	1001281500	1	Module, Control (Note: Re-calibration Required when Replaced)	
47	1001200604	1	Cable, Auxiliary Pump (+)	
48	1001200605	1	Cable, Auxiliary Pump (-)	
49	1001200606	1	Cable, Battery to Auxiliary Relay	
50	1001200726	1	Cable Kit, Battery Positive (Note: Includes Battery Terminal and Qty 4 Cables)	
51	1001200727	1	Cable Kit, Battery Negative (Note: Includes Qty 2 Cables)	

SECTION 2 - TURNTABLE

ITEM	PART NUMBER	QTY	DESCRIPTION	REV
52	1001201103	1	Plate	
53	1001206817	1	Diesel Exhaust Fluid Tank Harness (Not Shown - See Separate Breakdown in ELECTRICAL Section)	
54	1001211885	1	Fuel Pump and WIF Harness (Not Shown - See Separate Breakdown in ELECTRICAL Section)	
55	1001216021	1	Relay	
56	1001216238	1	Cover	
57	1001217007	1	Cable, Ground	
58	1001219601	2	Sensor, Dual Axis	
59	1001221585	3	Screw M8 x 35	
60	1001225167	1	Cover	
61	1001225279	6	Bracket	
62	1001226102	1	Connector, Resistor - 20K Ohm (Not Shown - Located Near Item 12)	
63	1001227960	1	Module, Control (Note: Re-calibration Required when Replaced)	
64	1001228364	1	Wire, Relay Grounding (Not Shown)	
65	1001238483	1	Def Tank Extension Harness (Not Shown - See Separate Breakdown in ELECTRICAL Section)	
66	1001242123	1	Valve Harness (Not Shown - See Separate Breakdown in ELECTRICAL Section)	
67	1001279238	1	Turntable Harness (Not Shown - See Separate Breakdown in ELECTRICAL Section)	
68	1001242126	1	Ground Control Harness (Not Shown - See Separate Breakdown in ELECTRICAL Section)	
69	1001258191	1	BLAM Harness (Not Shown - See Separate Breakdown in ELECTRICAL Section)	
70	1001265871	1	Ground Control Box Assembly (Not Shown - See Separate Breakdown in this Section)	
71	3290805001	4	Nut M8	
73	4811900001	1	Washer M8	
74	4811902001	9	Washer M8	
76	8310643001	1	Screw M8 x 25	
77	1001246859	1	Connector	

SECTION 2 - TURNTABLE

FIGURE 2-22. ELECTRICAL COMPONENTS INSTALLATION WITH TOWER STOW - TURNTABLE (LRC) (ANSI EXPORT, AUSTRALIAN AND CHINA SPECS)



SECTION 2 - TURNTABLE

FIGURE 2-22. ELECTRICAL COMPONENTS INSTALLATION WITH TOWER STOW - TURNTABLE (LRC) (ANSI EXPORT, AUSTRALIAN AND CHINA SPECS)

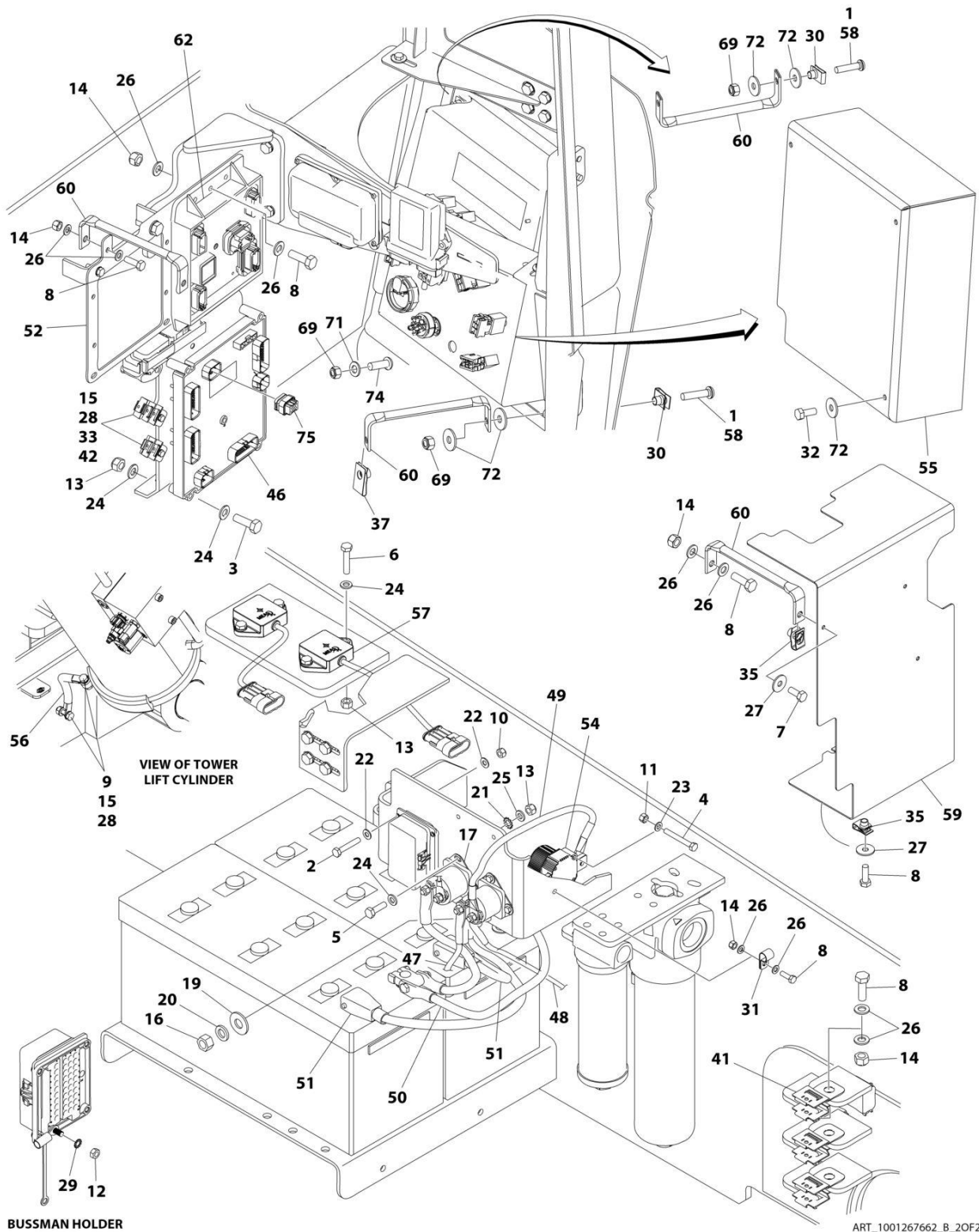
ITEM	PART NUMBER	QTY	DESCRIPTION	REV
	1001267661	Ref	ELECTRICAL COMPONENTS INSTALLATION - TURNTABLE (LRC)	B
1	0100011	AR	Compound, Locking	
2	0700412	4	Bolt M4 x 25	
3	0700620	4	Bolt M6 x 60	
4	0760516	2	Bolt M5 x 40	
5	0760610	4	Bolt M6 x 20	
6	0760613	4	Bolt M6 x 28	
7	0760810	3	Bolt M8 x 20	
8	0760812	11	Bolt M8 x 25	
9	0761015	3	Bolt M10 x 35	
10	3290405	4	Nut M4	
11	3290507	2	Nut M5	
12	3290601	1	Nut M6	
13	3290605	17	Nut M6	
14	3290805	9	Nut M8	
15	3291007	5	Nut M10	
16	3311601	2	Nut 3/8	
17	3740067	2	Relay	
18	4240099	AR	Tie-Strap (Not Shown)	
19	4751600	4	Washer 3/8	
20	4761600	2	Washer 3/8	
21	4791400	4	Washer 1/4	
22	4811400	8	Washer M4	
23	4811600	2	Washer M5	
24	4811700	30	Washer M6	
25	4811702	4	Washer M6	
26	4811900	18	Washer M8	
27	4811902	5	Washer M8	
28	4812000	10	Washer M10	
29	4871700	1	Washer M6	
30	8310686	3	Nut, Retainer M8	
31	8406101	1	Clip	
32	0760810001	3	Bolt M8 x 20	
33	0761013001	2	Bolt M10 x 28	
35	100118274	5	Nut, Tinnerman M8	
37	1001149160	3	Nut, Tinnerman M8	
38	1001149970	1	Drive Pump Harness (Not Shown - See Separate Breakdown in ELECTRICAL Section)	
41	1001155967	4	Holder	
42	1001156107	2	Holder	
45	1001187744	AR	Sealant (Not Shown)	
46	1001281500	1	Module, Control (Note: Re-calibration Required when Replaced)	
47	1001200604	1	Cable, Auxiliary Pump (+)	
48	1001200605	1	Cable, Auxiliary Pump (-)	
49	1001200606	1	Cable, Battery to Auxiliary Relay	
50	1001200726	1	Cable Kit, Battery Positive (Note: Includes Battery Terminal and Qty 4 Cables)	
51	1001200727	1	Cable Kit, Battery Negative (Note: Includes Qty 2 Cables)	

SECTION 2 - TURNTABLE

ITEM	PART NUMBER	QTY	DESCRIPTION	REV
52	1001201103	1	Plate	
53	1001211885	1	Fuel Pump and WIF Harness (Not Shown - See Separate Breakdown in ELECTRICAL Section)	
54	1001216021	1	Relay	
55	1001216238	1	Cover	
56	1001217007	1	Cable, Ground	
57	1001219601	2	Sensor, Dual Axis	
58	1001221585	3	Screw M8 x 35	
59	1001225167	1	Cover	
60	1001225279	6	Bracket	
61	1001226102	1	Connector, Resistor - 20K Ohm (Not Shown - Located Near Item 12)	
62	1001227960	1	Module, Control (Note: Re-calibration Required when Replaced)	
63	1001228364	1	Wire, Relay Grounding (Not Shown)	
64	1001242123	1	Valve Harness (Not Shown - See Separate Breakdown in ELECTRICAL Section)	
65	1001279238	1	Turntable Harness (Not Shown - See Separate Breakdown in ELECTRICAL Section)	
66	1001242126	1	Ground Control Harness (Not Shown - See Separate Breakdown in ELECTRICAL Section)	
67	1001258191	1	BLAM Harness (Not Shown - See Separate Breakdown in ELECTRICAL Section)	
68	1001265872	1	Ground Control Box Assembly (Not Shown - See Separate Breakdown in this Section)	
69	3290805001	4	Nut M8	
71	4811900001	1	Washer M8	
72	4811902001	9	Washer M8	
74	8310643001	1	Screw M8 x 25	
75	1001246859	1	Connector	

SECTION 2 - TURNTABLE

FIGURE 2-23. ELECTRICAL COMPONENTS INSTALLATION WITH TOWER STOW - TURNTABLE (LRC) (CE & UK CA SPECS)



SECTION 2 - TURNTABLE

**FIGURE 2-23. ELECTRICAL COMPONENTS INSTALLATION WITH TOWER STOW - TURNTABLE
(LRC) (CE & UK CA SPECS)**

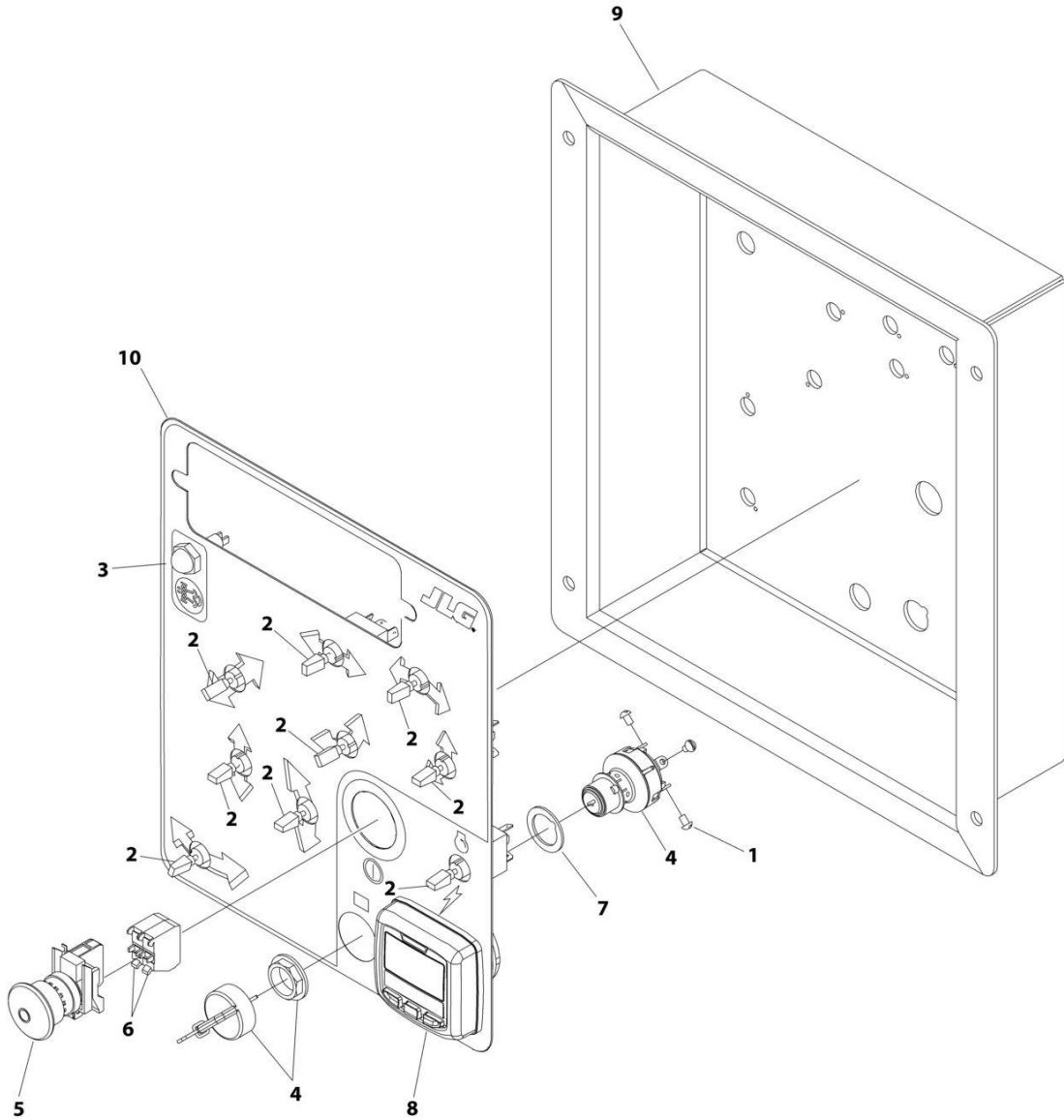
ITEM	PART NUMBER	QTY	DESCRIPTION	REV
	1001267662	Ref	ELECTRICAL COMPONENTS INSTALLATION - TURNTABLE (LRC)	B
1	0100011	AR	Compound, Locking	
2	0700412	4	Bolt M4 x 25	
3	0700620	4	Bolt M6 x 60	
4	0760516	2	Bolt M5 x 40	
5	0760610	4	Bolt M6 x 20	
6	0760613	4	Bolt M6 x 28	
7	0760810	3	Bolt M8 x 20	
8	0760812	11	Bolt M8 x 25	
9	0761015	3	Bolt M10 x 35	
10	3290405	4	Nut M4	
11	3290507	2	Nut M5	
12	3290601	1	Nut M6	
13	3290605	17	Nut M6	
14	3290805	9	Nut M8	
15	3291007	5	Nut M10	
16	3311601	2	Nut 3/8	
17	3740067	2	Relay	
18	4240099	AR	Tie-Strap (Not Shown)	
19	4751600	4	Washer 3/8	
20	4761600	2	Washer 3/8	
21	4791400	4	Washer 1/4	
22	4811400	8	Washer M4	
23	4811600	2	Washer M5	
24	4811700	30	Washer M6	
25	4811702	4	Washer M6	
26	4811900	18	Washer M8	
27	4811902	5	Washer M8	
28	4812000	10	Washer M10	
29	4871700	1	Washer M6	
30	8310686	3	Nut, Retainer M8	
31	8406101	1	Clip	
32	0760810001	3	Bolt M8 x 20	
33	0761013001	2	Bolt M10 x 28	
35	100118274	5	Nut, Tinnerman M8	
37	1001149160	3	Nut, Tinnerman M8	
38	1001149970	1	Drive Pump Harness (Not Shown - See Separate Breakdown in ELECTRICAL Section)	
41	1001155967	4	Holder	
42	1001156107	2	Holder	
45	1001187744	AR	Sealant (Not Shown)	
46	1001281500	1	Module, Control (Note: Re-calibration Required when Replaced)	
47	1001200604	1	Cable, Auxiliary Pump (+)	
48	1001200605	1	Cable, Auxiliary Pump (-)	
49	1001200606	1	Cable, Battery to Auxiliary Relay	
50	1001200726	1	Cable Kit, Battery Positive (Note: Includes Battery Terminal and Qty 4 Cables)	
51	1001200727	1	Cable Kit, Battery Negative (Note: Includes Qty 2 Cables)	

SECTION 2 - TURNTABLE

ITEM	PART NUMBER	QTY	DESCRIPTION	REV
52	1001201103	1	Plate	
53	1001211885	1	Fuel Pump and WIF Harness (Not Shown - See Separate Breakdown in ELECTRICAL Section)	
54	1001216021	1	Relay	
55	1001216238	1	Cover	
56	1001217007	1	Cable, Ground	
57	1001219601	2	Sensor, Dual Axis	
58	1001221585	3	Screw M8 x 35	
59	1001225167	1	Cover	
60	1001225279	6	Bracket	
61	1001226102	1	Connector, Resistor - 20K Ohm (Not Shown - Located Near Item 12)	
62	1001227960	1	Module, Control (Note: Re-calibration Required when Replaced)	
63	1001228364	1	Wire, Relay Grounding (Not Shown)	
64	1001242123	1	Valve Harness (Not Shown - See Separate Breakdown in ELECTRICAL Section)	
65	1001279238	1	Turntable Harness (Not Shown - See Separate Breakdown in ELECTRICAL Section)	
66	1001242126	1	Ground Control Harness (Not Shown - See Separate Breakdown in ELECTRICAL Section)	
67	1001258191	1	BLAM Harness (Not Shown - See Separate Breakdown in ELECTRICAL Section)	
68	1001265873	1	Ground Control Box Assembly (Not Shown - See Separate Breakdown in this Section)	
69	3290805001	4	Nut M8	
71	4811900001	1	Washer M8	
72	4811902001	9	Washer M8	
74	8310643001	1	Screw M8 x 25	
75	1001246859	1	Connector	

SECTION 2 - TURNTABLE

FIGURE 2-24. GROUND CONTROL CONSOLE ASSEMBLY (HRC) (ANSI, ANSI EXPORT, CSA AND JAPANESE SPECS)



ART_1001243048

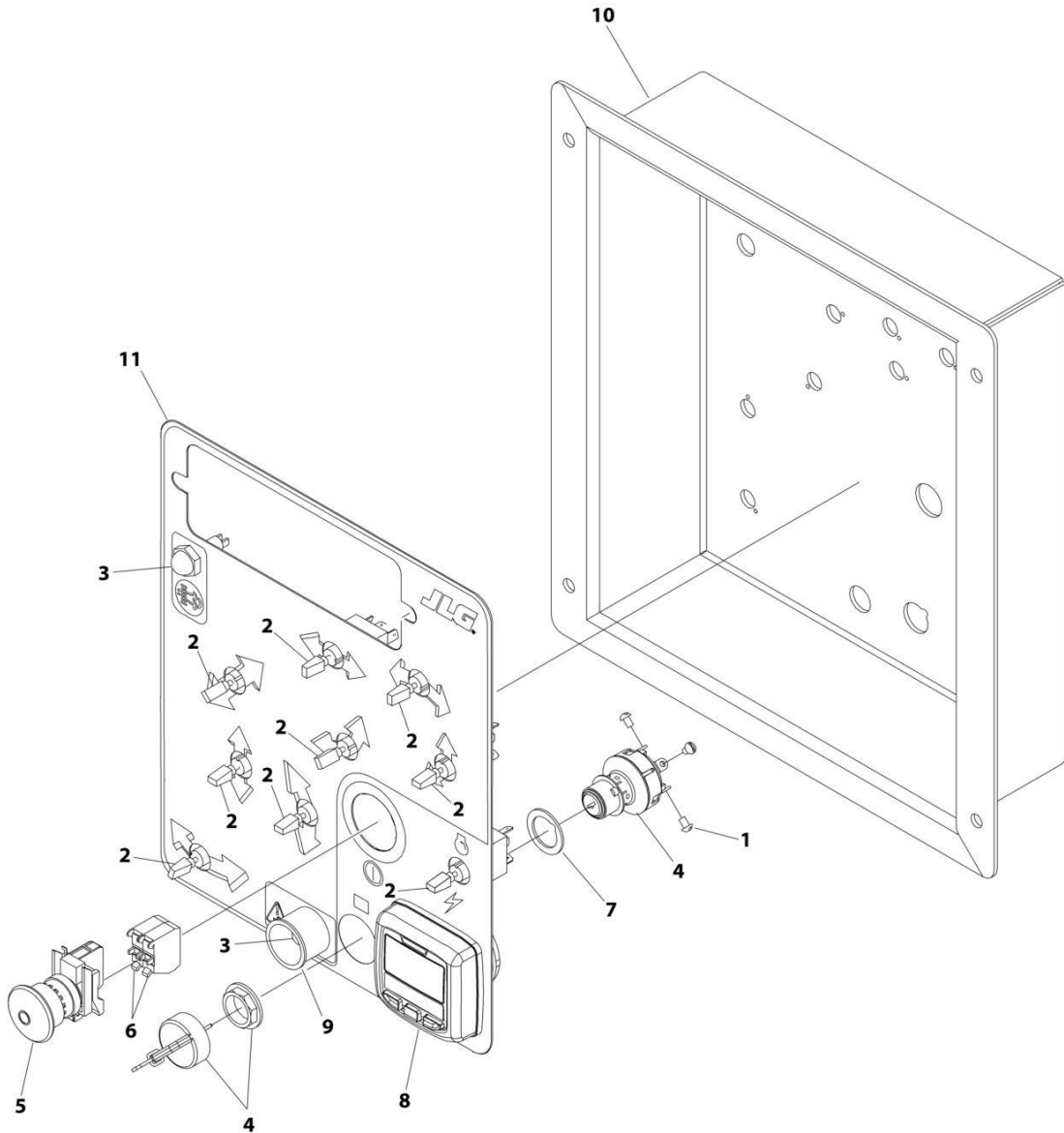
SECTION 2 - TURNTABLE

FIGURE 2-24. GROUND CONTROL CONSOLE ASSEMBLY (HRC) (ANSI, ANSI EXPORT, CSA AND JAPANESE SPECS)

ITEM	PART NUMBER	QTY	DESCRIPTION	REV
	1001243048	Ref	GROUND CONTROL CONSOLE ASSEMBLY (HRC)	A
1	3910804	6	Screw #8 x 1/4	
2	4360328	9	Switch, Toggle	
3	4360387	1	Switch, Push Button	
4	4360469	1	Switch, Key	
4	2360030	1 Set	Key, Replacement	
5	4360475	1	Switch, Push-Pull Emergency	
5	7020175	1	Cap	
5	7020176	1	Block, Contact	
6	4360476	2	Block, Contact	
7	1001151393	1	Shim	
8	1001171482	1	Gauge	
9	1001200854	1	Panel	
10	1001200692	1	Decal - Ground Control	

SECTION 2 - TURNTABLE

FIGURE 2-25. GROUND CONTROL CONSOLE ASSEMBLY (HRC) (CE & UK CA SPECS)



ART_1001243052

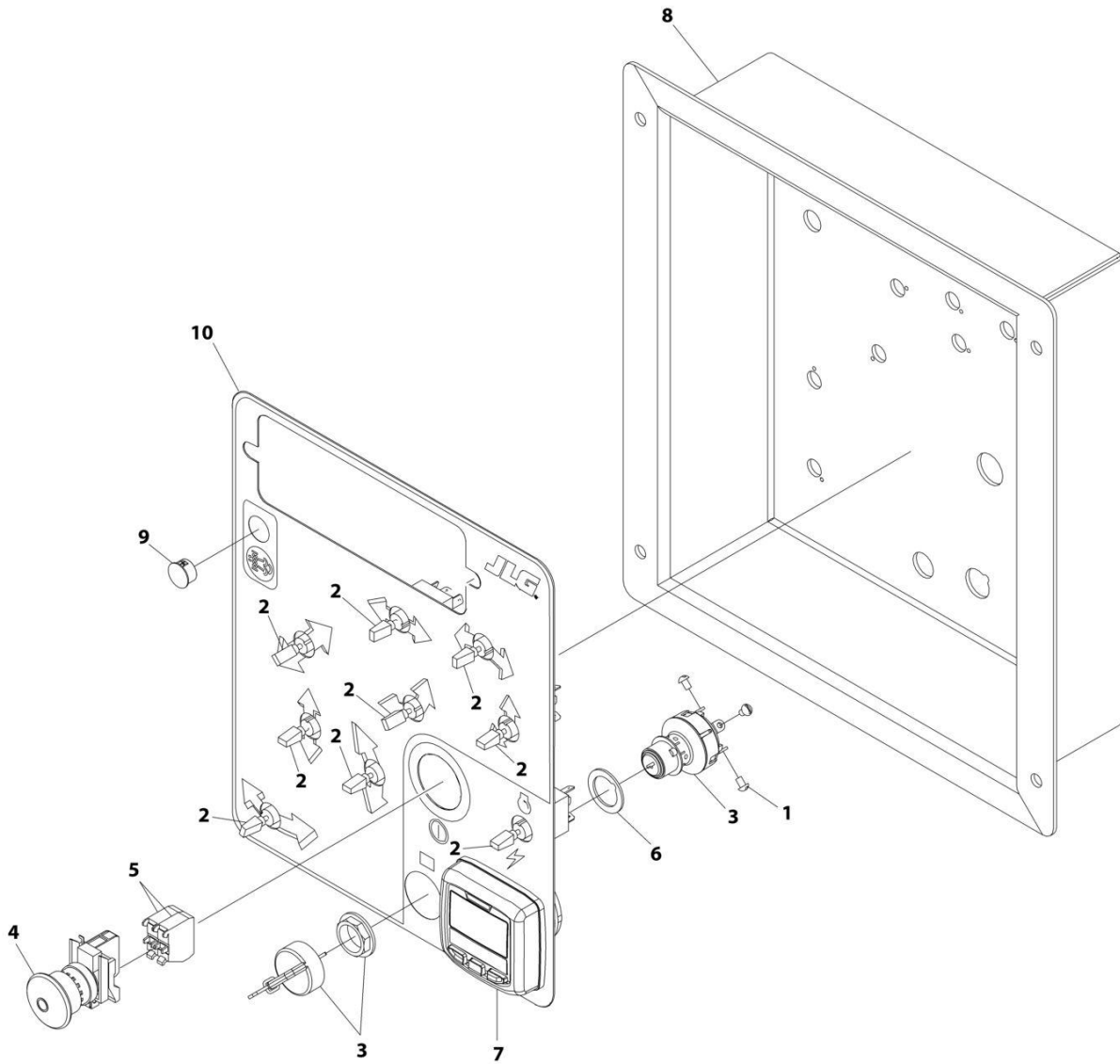
SECTION 2 - TURNTABLE

FIGURE 2-25. GROUND CONTROL CONSOLE ASSEMBLY (HRC) (CE & UK CA SPECS)

ITEM	PART NUMBER	QTY	DESCRIPTION	REV
	1001243052	Ref	GROUND CONTROL CONSOLE ASSEMBLY (HRC)	A
1	3910804	6	Screw #8 x 1/4	
2	4360328	9	Switch, Toggle	
3	4360387	1	Switch, Push Button	
4	4360469	1	Switch, Key	
4	2360030	1 Set	Key, Replacement	
5	4360475	1	Switch, Push-Pull Emergency	
5	7020175	1	Cap	
5	7020176	1	Block, Contact	
6	4360476	2	Block, Contact	
7	1001151393	1	Shim	
8	1001171482	1	Gauge	
9	1001176469	1	Shroud	
10	1001200854	1	Panel	
11	1001243051	1	Decal - Ground Control	

SECTION 2 - TURNTABLE

FIGURE 2-26. GROUND CONTROL CONSOLE ASSEMBLY (LRC) (ANSI EXPORT, AUSTRALIAN AND CHINA SPECS)



ART_1001243054

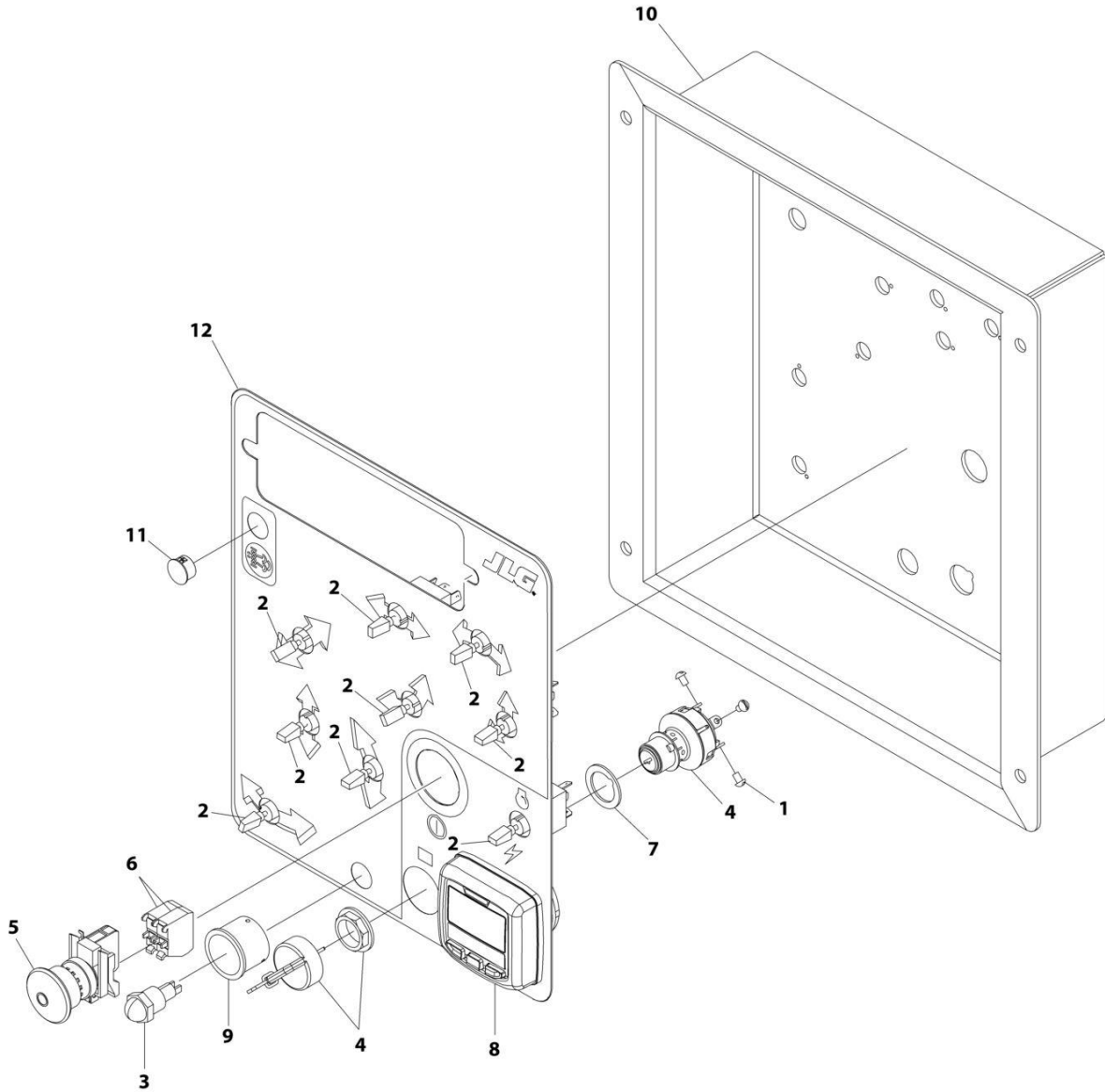
SECTION 2 - TURNTABLE

FIGURE 2-26. GROUND CONTROL CONSOLE ASSEMBLY (LRC) (ANSI EXPORT, AUSTRALIAN AND CHINA SPECS)

ITEM	PART NUMBER	QTY	DESCRIPTION	REV
	1001243054	Ref	GROUND CONTROL CONSOLE ASSEMBLY (LRC)	A
1	3910804	6	Screw #8 x 1/4	
2	4360328	9	Switch, Toggle	
3	4360469	1	Switch, Key	
3	2360030	1 Set	Key, Replacement	
4	4360475	1	Switch, Push-Pull Emergency	
4	7020175	1	Cap	
4	7020176	1	Block, Contact	
5	4360476	2	Block, Contact	
6	1001151393	1	Shim	
7	1001171482	1	Gauge	
8	1001200854	1	Panel	
9	1001207963	1	Plug	
10	1001200692	1	Decal - Ground Control	

SECTION 2 - TURNTABLE

FIGURE 2-27. GROUND CONTROL CONSOLE ASSEMBLY (LRC) (CE & UK CA SPECS)



ART_1001243056

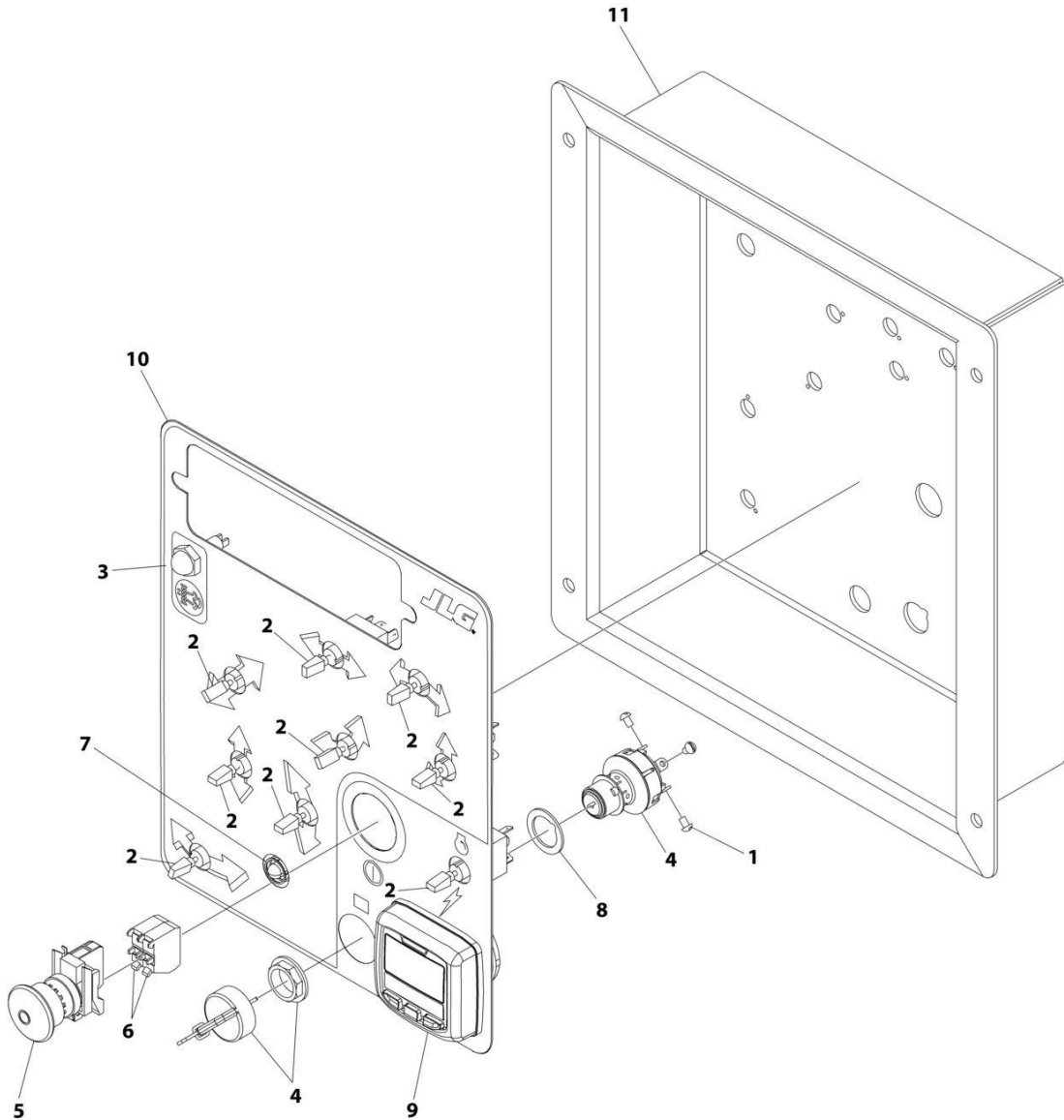
SECTION 2 - TURNTABLE

FIGURE 2-27. GROUND CONTROL CONSOLE ASSEMBLY (LRC) (CE & UK CA SPECS)

ITEM	PART NUMBER	QTY	DESCRIPTION	REV
	1001243056	Ref	GROUND CONTROL CONSOLE ASSEMBLY (LRC)	A
1	3910804	6	Screw #8 x 1/4	
2	4360328	9	Switch, Toggle	
3	4360387	1	Switch, Push Button	
4	4360469	1	Switch, Key	
4	2360030	1 Set	Key, Replacement	
5	4360475	1	Switch, Push-Pull Emergency	
5	7020175	1	Cap	
5	7020176	1	Block, Contact	
6	4360476	2	Block, Contact	
7	1001151393	1	Shim	
8	1001171482	1	Gauge	
9	1001176469	1	Shroud	
10	1001200854	1	Panel	
11	1001207963	1	Plug	
12	1001243051	1	Decal - Ground Control	

SECTION 2 - TURNTABLE

FIGURE 2-28. GROUND CONTROL CONSOLE ASSEMBLY WITH TOWER STOW (HRC) (ANSI, ANSI EXPORT, CSA AND JAPANESE SPECS)



ART_1001265870

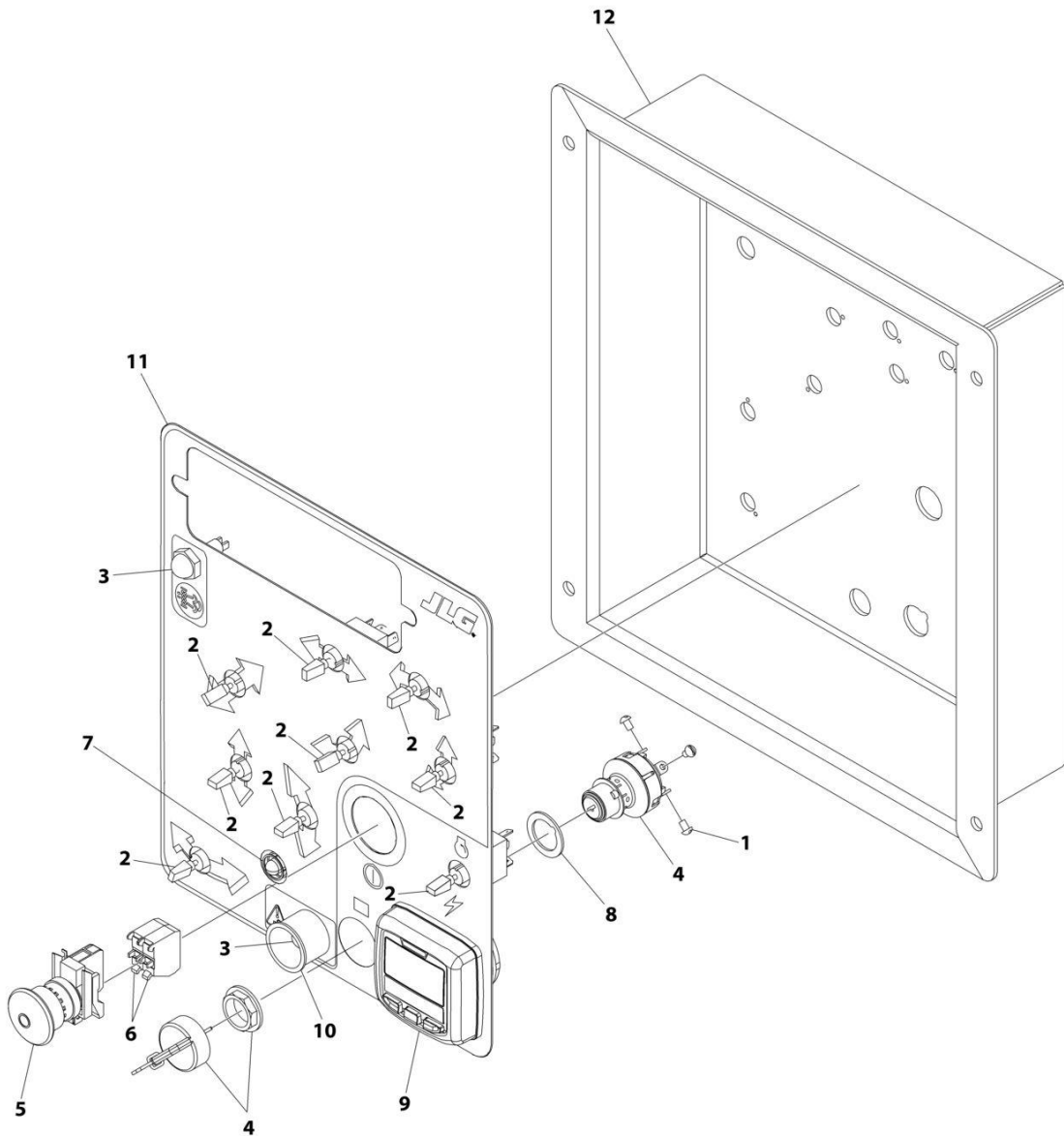
SECTION 2 - TURNTABLE

FIGURE 2-28. GROUND CONTROL CONSOLE ASSEMBLY WITH TOWER STOW (HRC) (ANSI, ANSI EXPORT, CSA AND JAPANESE SPECS)

ITEM	PART NUMBER	QTY	DESCRIPTION	REV
	1001265870	Ref	GROUND CONTROL CONSOLE ASSEMBLY (HRC)	A
1	3910804	6	Screw #8 x 1/4	
2	4360328	9	Switch, Toggle	
3	4360387	1	Switch, Push Button	
4	4360469	1	Switch, Key	
4	2360030	1 Set	Key, Replacement	
5	4360475	1	Switch, Push-Pull Emergency	
5	7020175	1	Cap	
5	7020176	1	Block, Contact	
6	4360476	2	Block, Contact	
7	1001137364	1	Lamp, Indicator	
8	1001151393	1	Shim	
9	1001171482	1	Gauge	
10	1001265857	1	Decal - Ground Control	
11	1001265863	1	Panel	

SECTION 2 - TURNTABLE

FIGURE 2-29. GROUND CONTROL CONSOLE ASSEMBLY WITH TOWER STOW (HRC) (CE & UK CA SPECS)



ART_1001265871

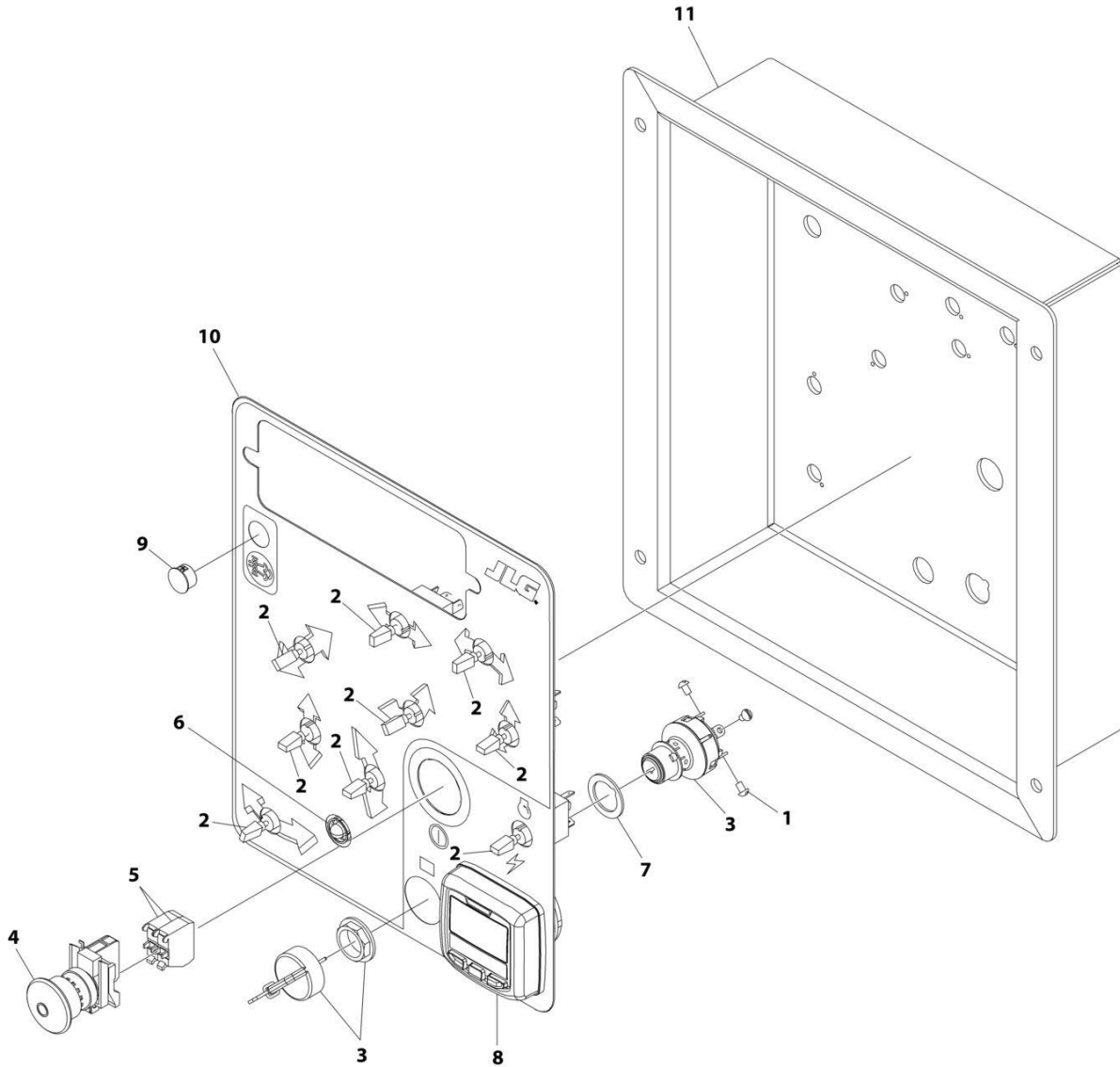
SECTION 2 - TURNTABLE

FIGURE 2-29. GROUND CONTROL CONSOLE ASSEMBLY WITH TOWER STOW (HRC) (CE & UK CA SPECS)

ITEM	PART NUMBER	QTY	DESCRIPTION	REV
	1001265871	Ref	GROUND CONTROL CONSOLE ASSEMBLY (HRC)	A
1	3910804	6	Screw #8 x 1/4	
2	4360328	9	Switch, Toggle	
3	4360387	1	Switch, Push Button	
4	4360469	1	Switch, Key	
4	2360030	1 Set	Key, Replacement	
5	4360475	1	Switch, Push-Pull Emergency	
5	7020175	1	Cap	
5	7020176	1	Block, Contact	
6	4360476	2	Block, Contact	
7	1001137364	1	Lamp, Indicator	
8	1001151393	1	Shim	
9	1001171482	1	Gauge	
10	1001176469	1	Shroud	
11	1001265858	1	Decal - Ground Control	
12	1001265863	1	Panel	

SECTION 2 - TURNTABLE

FIGURE 2-30. GROUND CONTROL CONSOLE ASSEMBLY WITH TOWER STOW (LRC) (ANSI EXPORT, AUSTRALIAN AND CHINA SPECS)



ART_1001265872

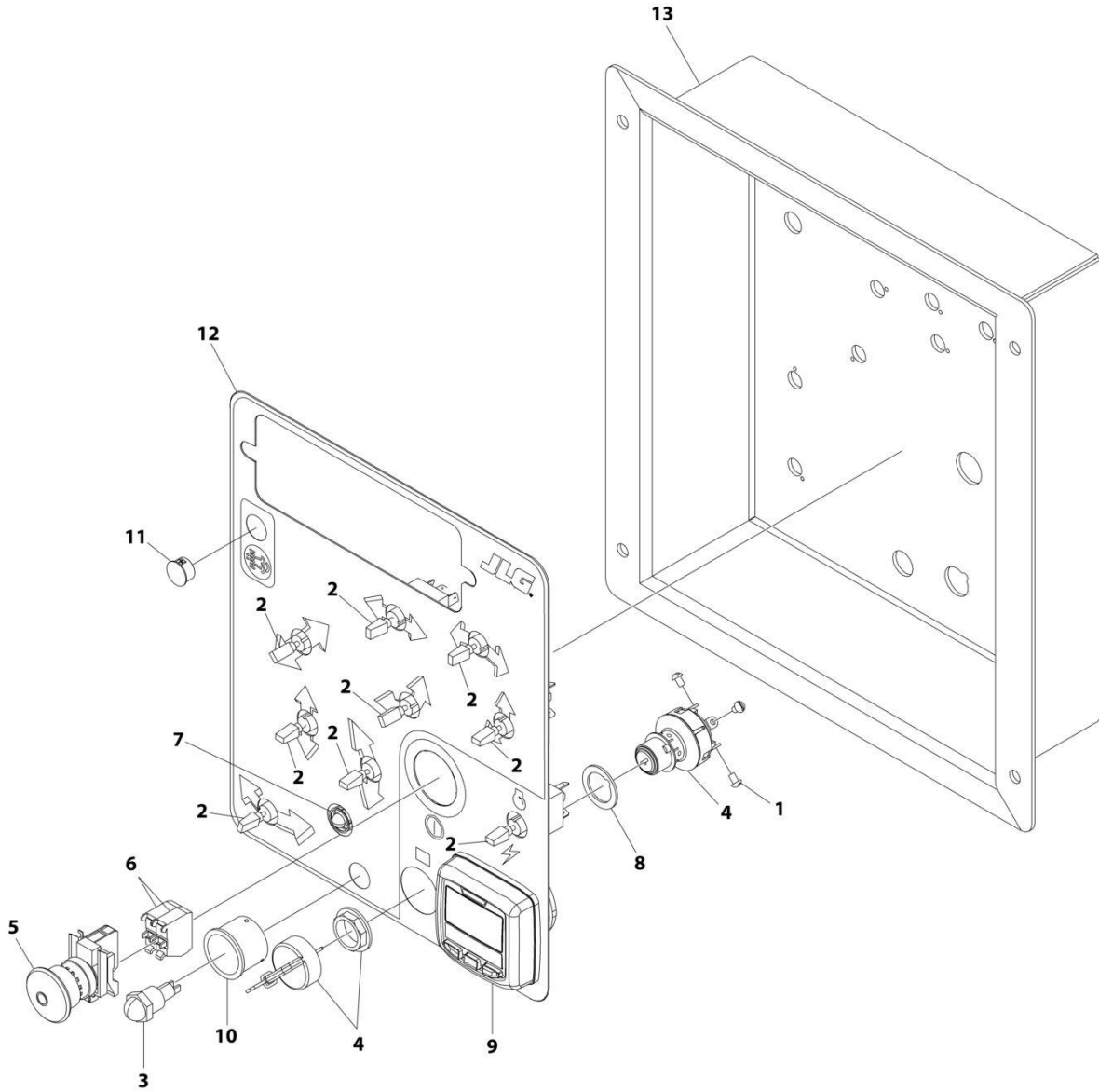
SECTION 2 - TURNTABLE

FIGURE 2-30. GROUND CONTROL CONSOLE ASSEMBLY WITH TOWER STOW (LRC) (ANSI EXPORT, AUSTRALIAN AND CHINA SPECS)

ITEM	PART NUMBER	QTY	DESCRIPTION	REV
	1001265872	Ref	GROUND CONTROL CONSOLE ASSEMBLY (LRC)	A
1	3910804	6	Screw #8 x 1/4	
2	4360328	9	Switch, Toggle	
3	4360469	1	Switch, Key	
3	2360030	1 Set	Key, Replacement	
4	4360475	1	Switch, Push-Pull Emergency	
4	7020175	1	Cap	
4	7020176	1	Block, Contact	
5	4360476	2	Block, Contact	
6	1001137364	1	Lamp, Indicator	
7	1001151393	1	Shim	
8	1001171482	1	Gauge	
9	1001207963	1	Plug	
10	1001265857	1	Decal - Ground Control	
11	1001265863	1	Panel	

SECTION 2 - TURNTABLE

FIGURE 2-31. GROUND CONTROL CONSOLE ASSEMBLY WITH TOWER STOW (LRC) (CE & UK CA SPECS)



ART_1001265873

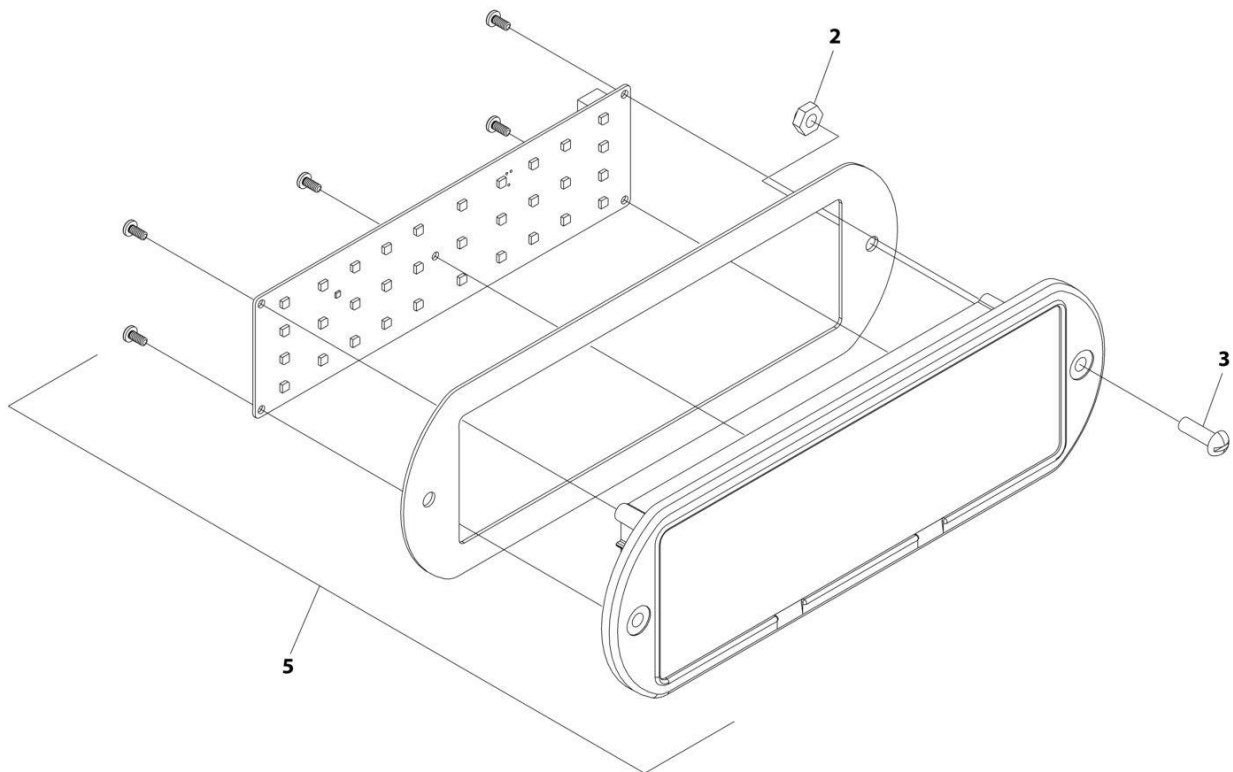
SECTION 2 - TURNTABLE

FIGURE 2-31. GROUND CONTROL CONSOLE ASSEMBLY WITH TOWER STOW (LRC) (CE & UK CA SPECS)

ITEM	PART NUMBER	QTY	DESCRIPTION	REV
	1001265873	Ref	GROUND CONTROL CONSOLE ASSEMBLY (LRC)	A
1	3910804	6	Screw #8 x 1/4	
2	4360328	9	Switch, Toggle	
3	4360387	1	Switch, Push Button	
4	4360469	1	Switch, Key	
4	2360030	1 Set	Key, Replacement	
5	4360475	1	Switch, Push-Pull Emergency	
5	7020175	1	Cap	
5	7020176	1	Block, Contact	
6	4360476	2	Block, Contact	
7	1001137364	1	Lamp, Indicator	
8	1001151393	1	Shim	
9	1001171482	1	Gauge	
10	1001176469	1	Shroud	
11	1001207963	1	Plug	
12	1001265858	1	Decal - Ground Control	
13	1001265863	1	Panel	

SECTION 2 - TURNTABLE

FIGURE 2-32. LIGHT PANEL INSTALLATION



ART_1001245176_10F2

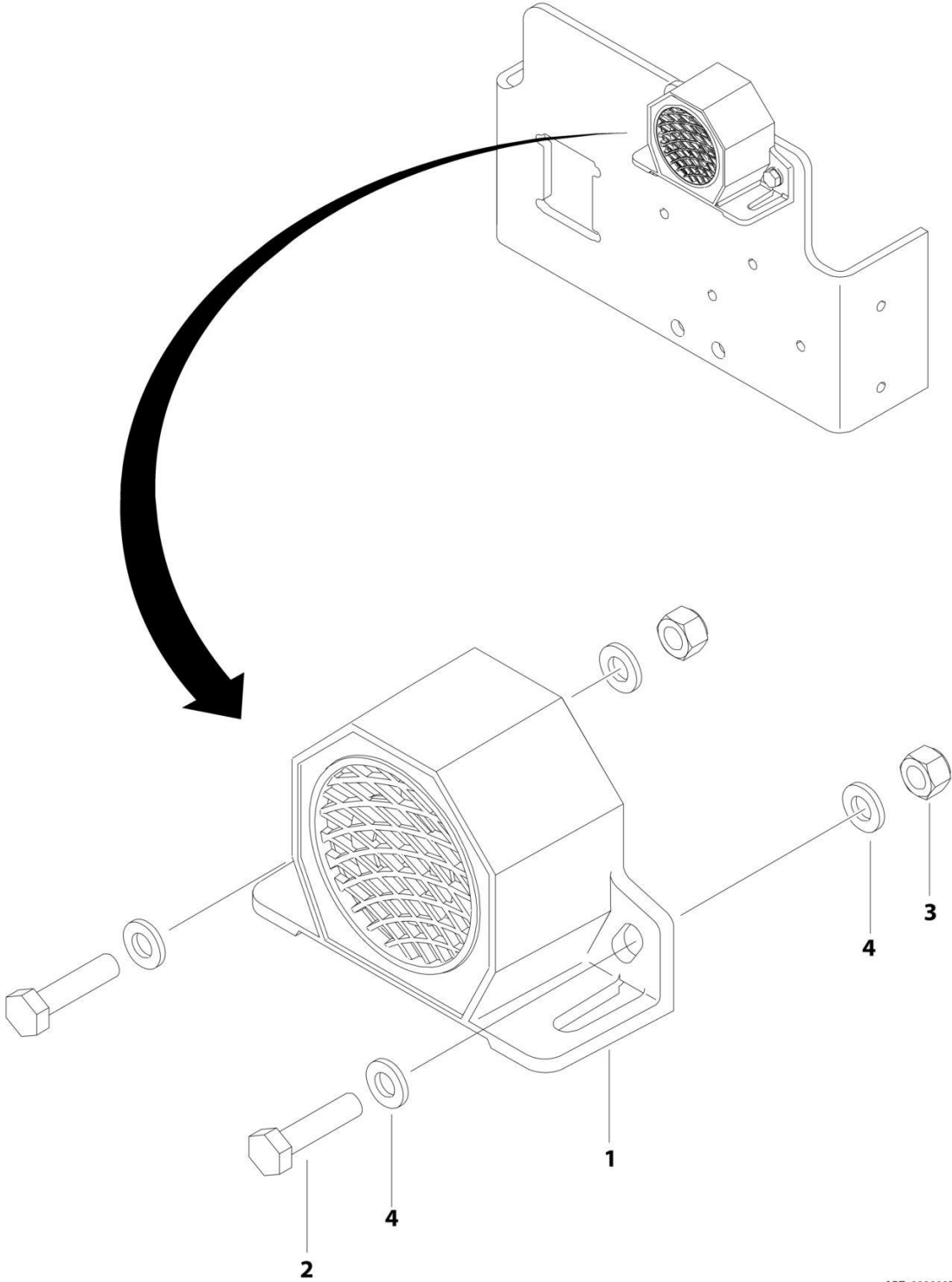
SECTION 2 - TURNTABLE

FIGURE 2-32. LIGHT PANEL INSTALLATION

ITEM	PART NUMBER	QTY	DESCRIPTION	REV
	1001245176	Ref	LIGHT PANEL INSTALLATION	C
2	3300408	2	Nut	
3	0630518	4	Screw 10 x 3/4	
5	1001245206	1	Light Panel Assembly	
5	1001245160	1	Overlay	
5	1001238732	1	Light Panel	

SECTION 2 - TURNTABLE

FIGURE 2-33. ALARM INSTALLATION



ART_1001197331

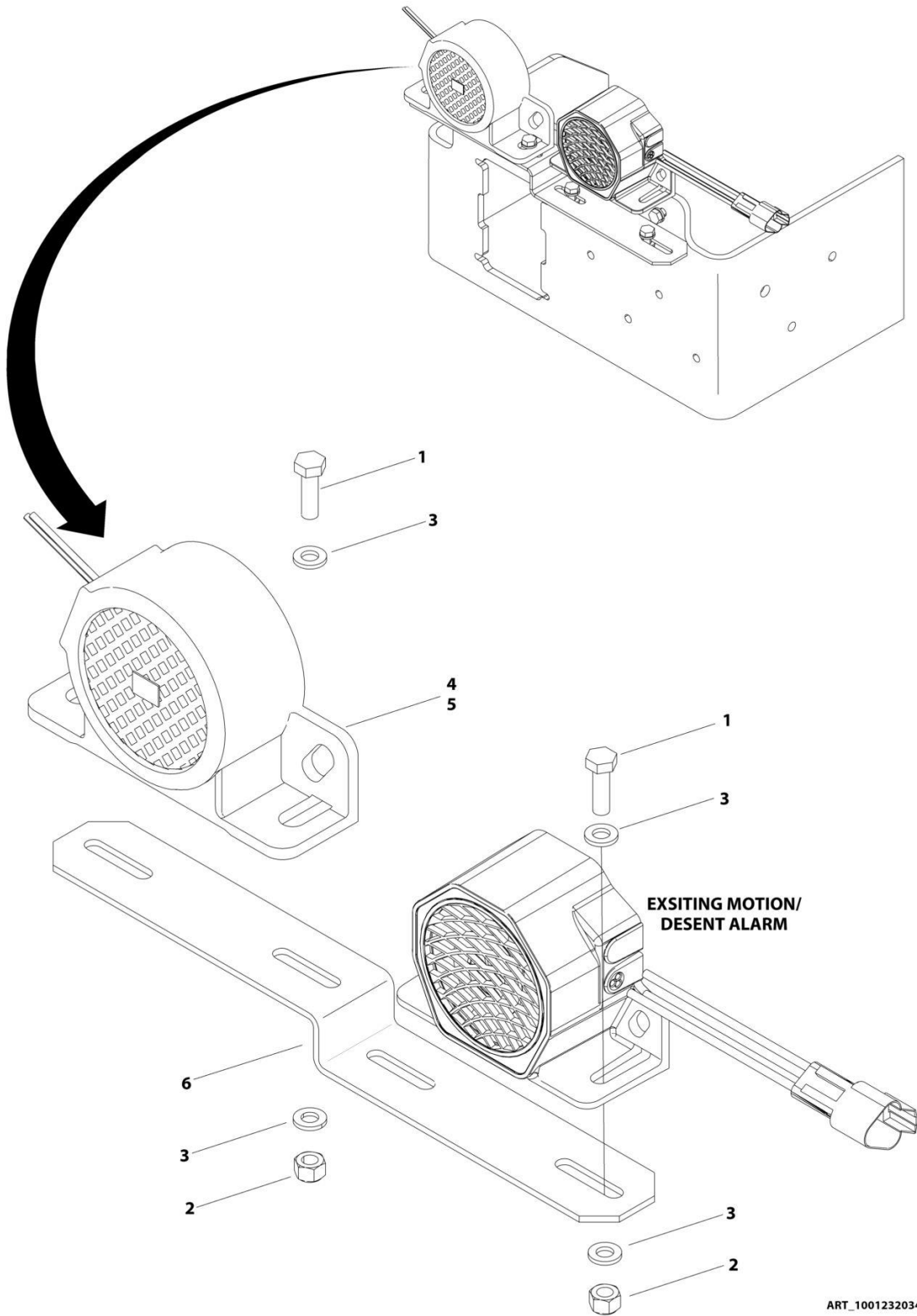
SECTION 2 - TURNTABLE

FIGURE 2-33. ALARM INSTALLATION

ITEM	PART NUMBER	QTY	DESCRIPTION	REV
	1001197331	Ref	ALARM INSTALLATION	A
1	0140043	1	Alarm	
1	4460536	1	Receptacle, Female - 3 Position	
1	4460943	3	Pin, Male	
2	0700612	2	Bolt M6 x 25	
3	3290605	2	Nut M6	
4	4811700	4	Washer M6	

SECTION 2 - TURNTABLE

FIGURE 2-34. WHITE NOISE ALARM INSTALLATION



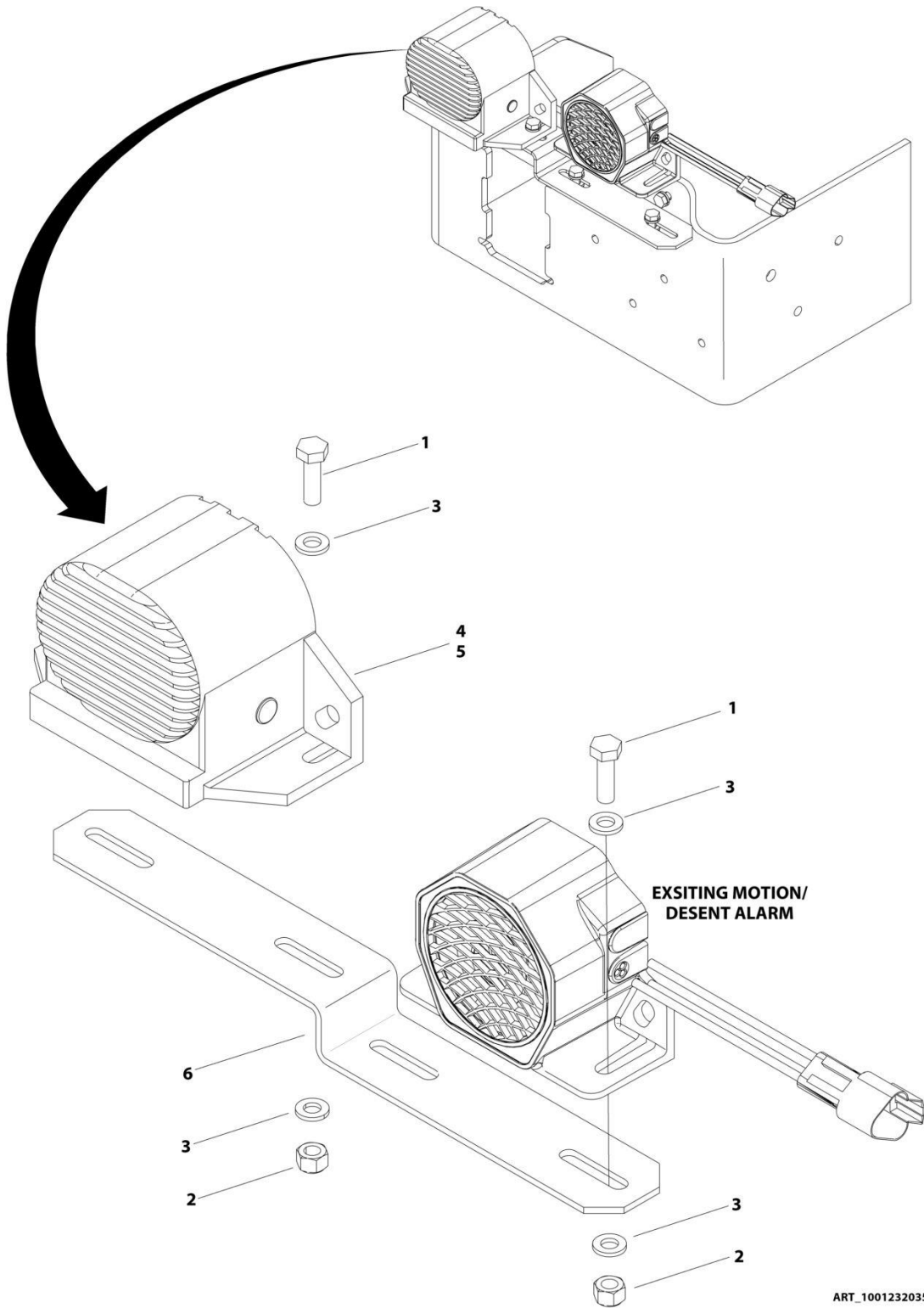
SECTION 2 - TURNTABLE

FIGURE 2-34. WHITE NOISE ALARM INSTALLATION

ITEM	PART NUMBER	QTY	DESCRIPTION	REV
	1001232034	Ref	WHITE NOISE ALARM INSTALLATION	A
1	0700610	4	Bolt M6 x 20	
2	3290605	4	Nut M6	
3	4811700	8	Washer M6	
4	1001184682	1	Alarm	
5	1001231008	1	White Noise Motion Alarm Harness (Not Shown - See Separate Breakdown in ELECTRICAL SECTION)	
6	1001231711	1	Bracket	

SECTION 2 - TURNTABLE

FIGURE 2-35. WHITE NOISE AMBIENT ALARM INSTALLATION



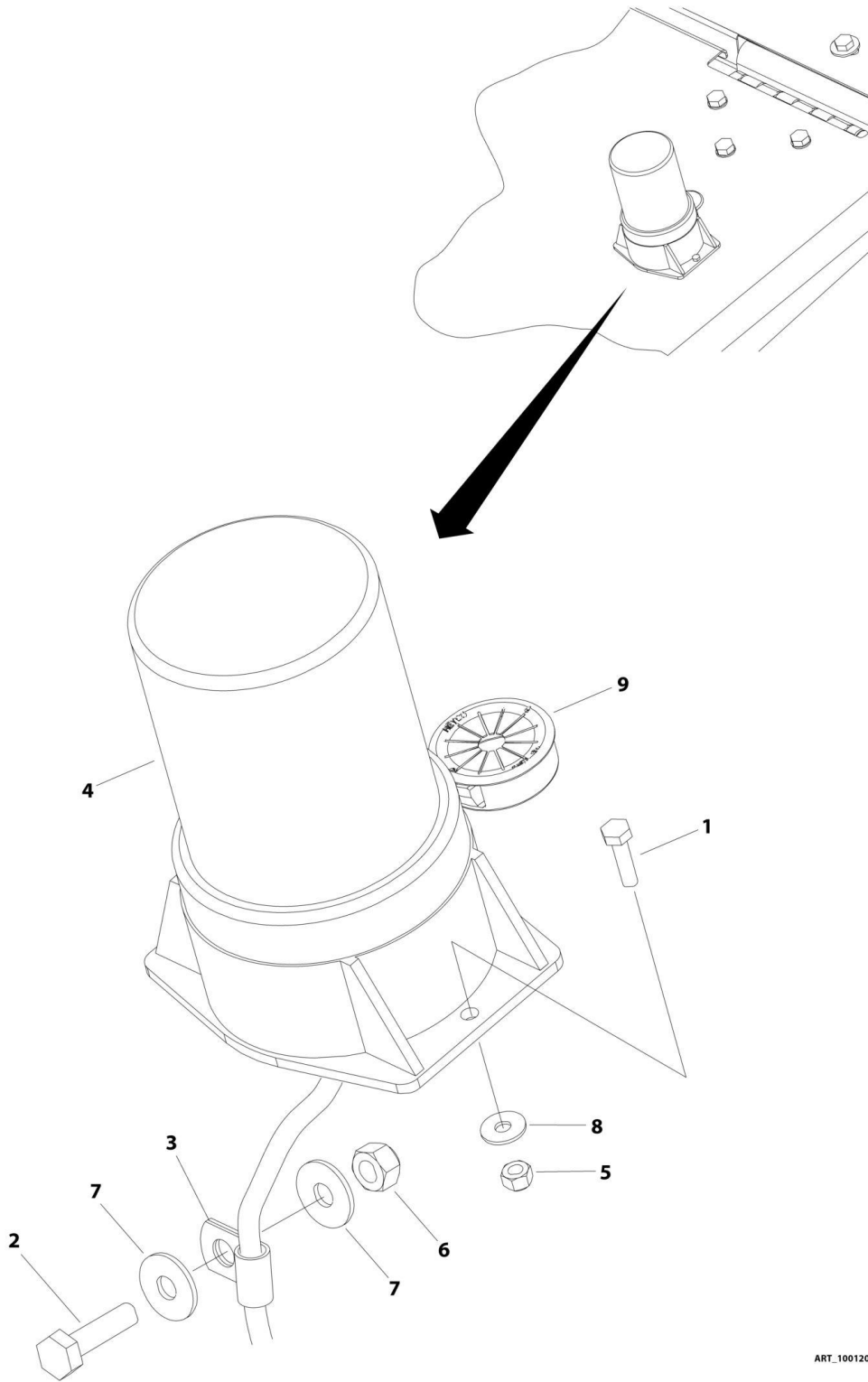
SECTION 2 - TURNTABLE

FIGURE 2-35. WHITE NOISE AMBIENT ALARM INSTALLATION

ITEM	PART NUMBER	QTY	DESCRIPTION	REV
	1001232035	Ref	WHITE NOISE AMBIENT ALARM INSTALLATION	A
1	0700610	4	Bolt M6 x 20	
2	3290605	4	Nut M6	
3	4811700	8	Washer M6	
4	1001182806	1	Alarm	
5	1001231008	1	White Noise Motion Alarm Harness (Not Shown - See Separate Breakdown in ELECTRICAL SECTION)	
6	1001231711	1	Bracket	

SECTION 2 - TURNTABLE

FIGURE 2-36. STROBE LIGHT INSTALLATION - AMBER



ART_1001203413

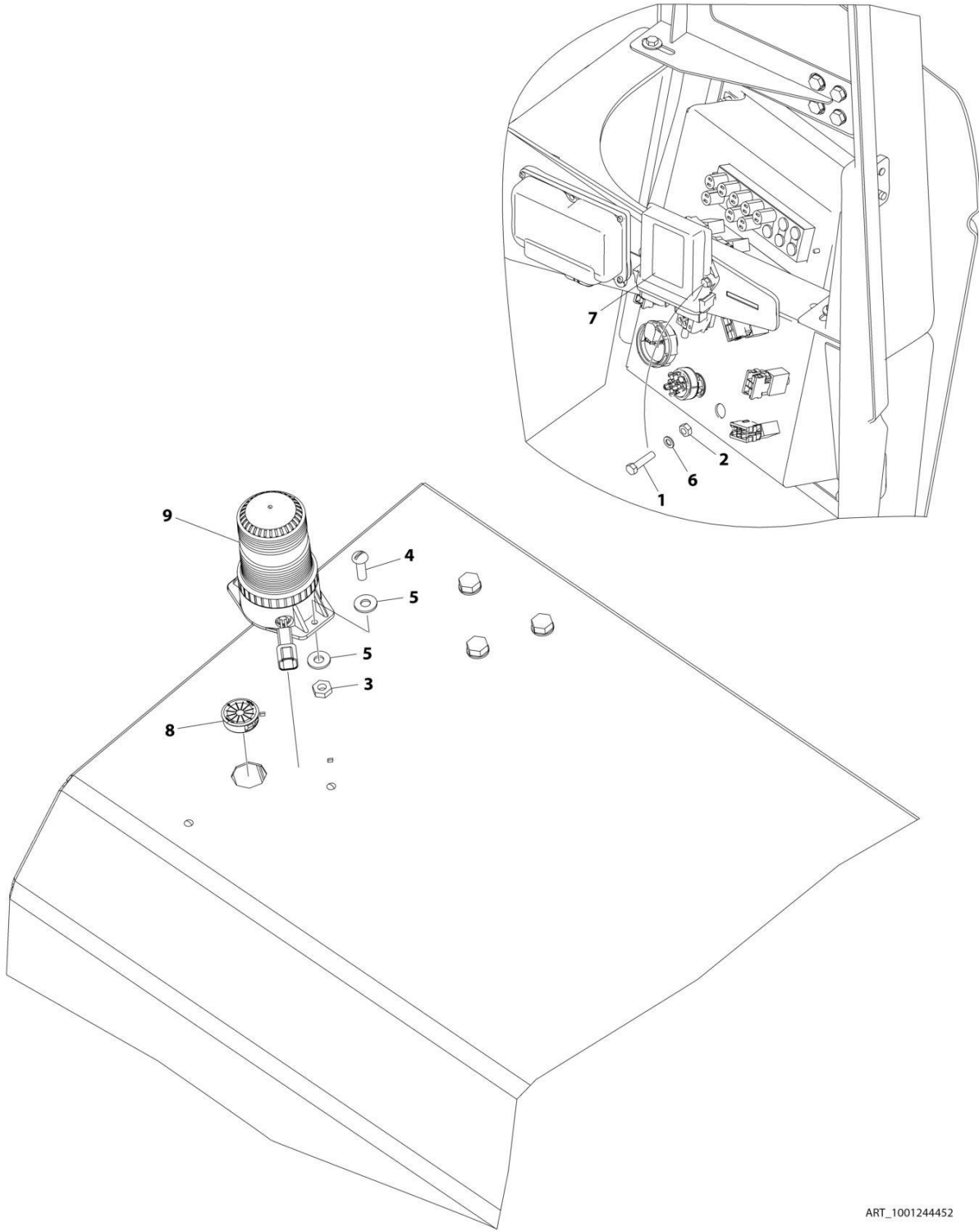
SECTION 2 - TURNTABLE

FIGURE 2-36. STROBE LIGHT INSTALLATION - AMBER

ITEM	PART NUMBER	QTY	DESCRIPTION	REV
	1001203413	Ref	STROBE LIGHT INSTALLATION - AMBER	A
1	0760408	2	Bolt M4 x 16	
2	0760610	1	Bolt M6 x 20	
3	1320263	2	Clamp	
4	2920161	1	Strobe Light/Guard/Harness Assembly	
4	7016319	1	Bulb, Replacement	
4	7016272	1	Lens, Replacement	
4	4460891	1	Plug, Male - 2 Position	
4	4460465	1	Socket, Female	
5	3290405	2	Nut M4	
6	3290607	1	Nut M6	
7	4811702	2	Washer M6	
8	1001091102	2	Washer M4	
9	1001169085	1	Grommet	
10	1001202787	1	Strobe Light Harness (Not Shown)	
10	4460891	1	Plug, Male - 2 Position	
10	4460465	1	Socket, Female	
10	4460897	1	Receptacle, Female - 2 Position	
10	4460464	1	Pin, Male	
100	4060865	1	Guard (Not Shown - Must be Purchased Separately)	

SECTION 2 - TURNTABLE

FIGURE 2-37. STROBE LIGHT INSTALLATION - BLUE



ART_1001244452

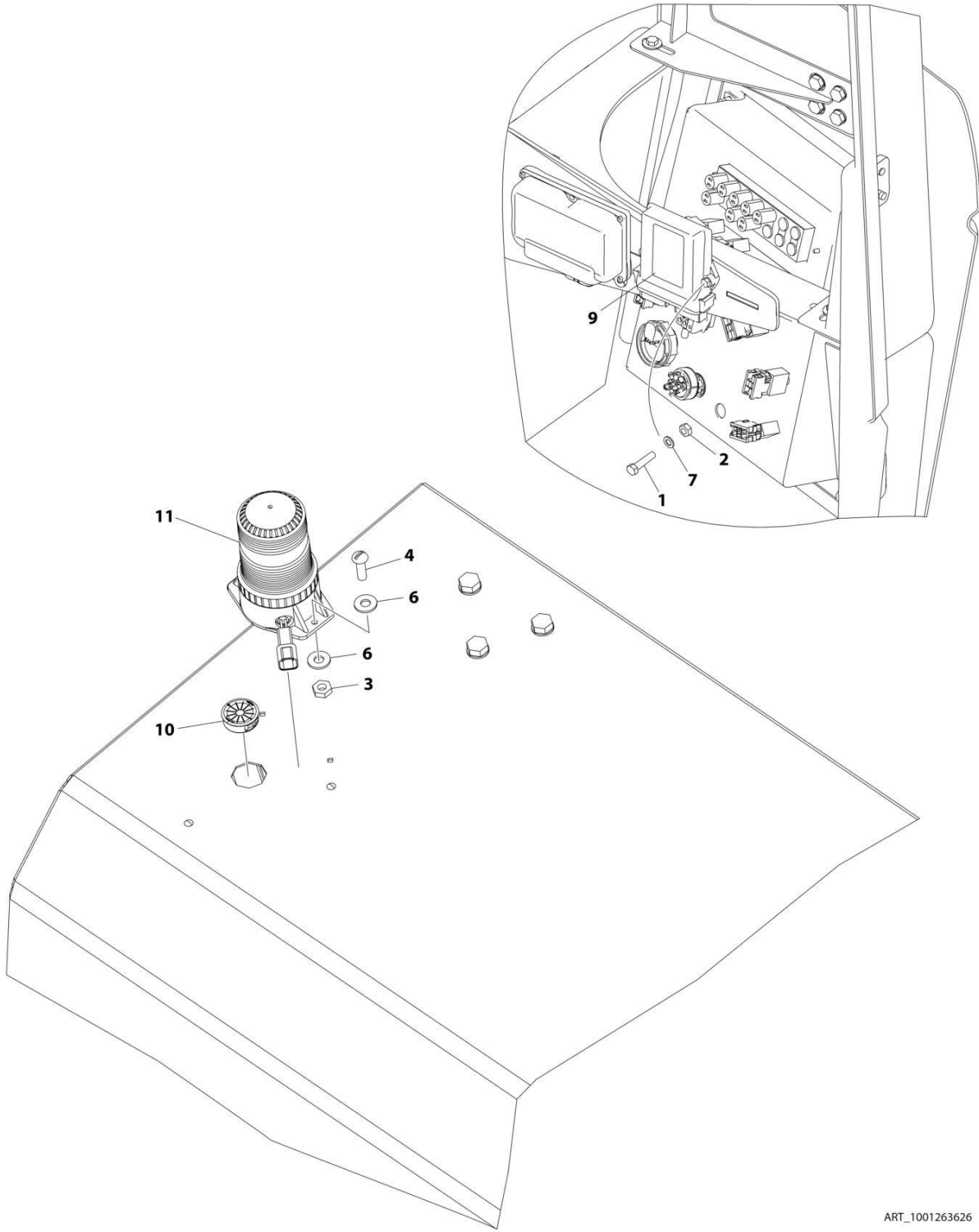
SECTION 2 - TURNTABLE

FIGURE 2-37. STROBE LIGHT INSTALLATION - BLUE

ITEM	PART NUMBER	QTY	DESCRIPTION	REV
	1001244452	Ref	STROBE LIGHT INSTALLATION - BLUE	B
1	0700615	2	Bolt M6 x 35	
2	3290605	2	Nut M6	
3	3311005	2	Nut #10	
4	3911010	2	Screw #10 x 5/8	
5	4711000	4	Washer #10	
6	4811700	2	Washer M6	
7	1001142683	1	Module, Beacon Control	
8	1001169085	1	Grommet	
9	1001200910	1	Strobe Light/Harness Assembly	
9	4460897	1	Connector - 2 Position	
9	4460464	2	Pin, Male	
10	1001210781	1	Strobe Light Harness (Not Shown - See Separate Breakdown in ELECTRICAL Section)	
11	4460488	3	Mounting Base, Terminal (Not Shown)	
12	1001008559	6	Tie, Strap (Not Shown)	

SECTION 2 - TURNTABLE

FIGURE 2-38. STROBE LIGHT INSTALLATION - RED



ART_1001263626

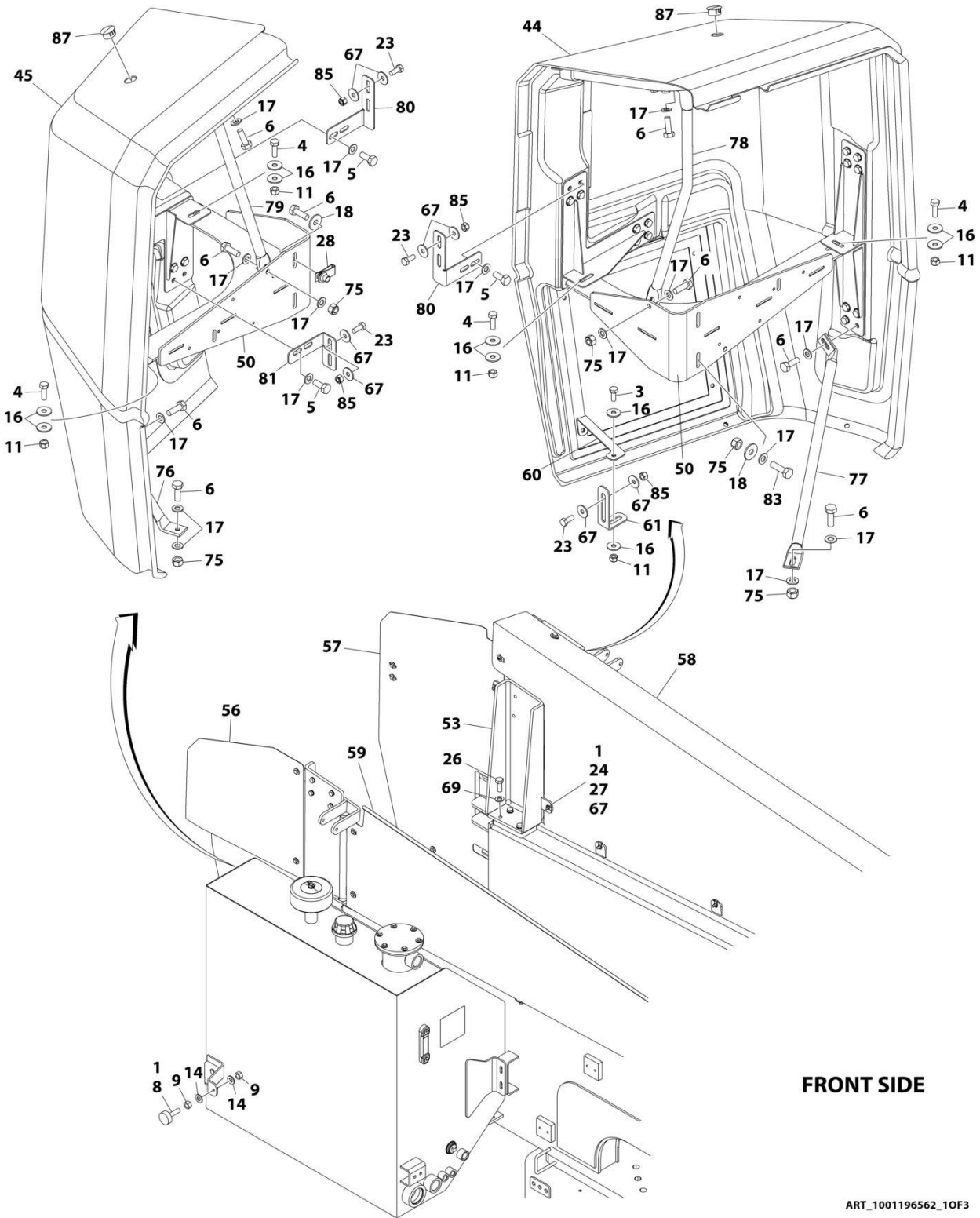
SECTION 2 - TURNTABLE

FIGURE 2-38. STROBE LIGHT INSTALLATION - RED

ITEM	PART NUMBER	QTY	DESCRIPTION	REV
	1001263626	Ref	STROBE LIGHT INSTALLATION	A
1	0700615	2	Bolt M6 x 35	
2	3290605	2	Nut M6	
3	3311005	2	Nut #10	
4	3911010	2	Screw #10 x 5/8	
5	4460488	3	Mounting Base, Terminal (Not Shown)	
6	4711000	4	Washer #10	
7	4811700	2	Washer M6	
8	1001008559	6	Tie-Strap (Not Shown)	
9	1001142683	1	Module, Beacon Control	
10	1001169085	1	Grommet	
11	1001207004	1	Strobe Light/Harness Assembly	
11	4460897	1	Connector - 2 Position	
11	4460464	2	Pin, Male	
12	1001210781	1	Strobe Light Harness (Not Shown - See Separate Breakdown in ELECTRICAL Section)	

SECTION 2 - TURNTABLE

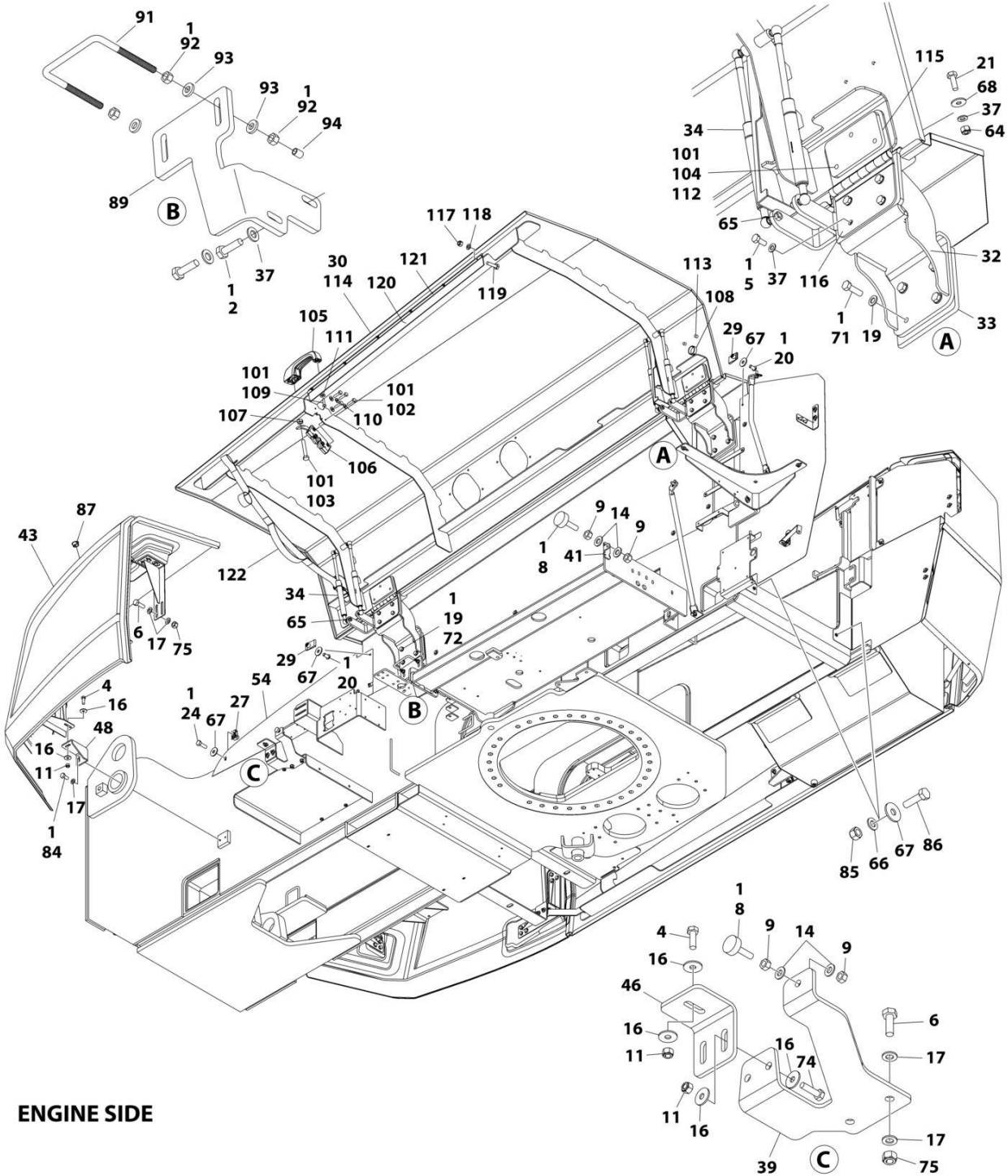
FIGURE 2-39. HOOD INSTALLATION



FRONT SIDE

ART_1001196562_10F3

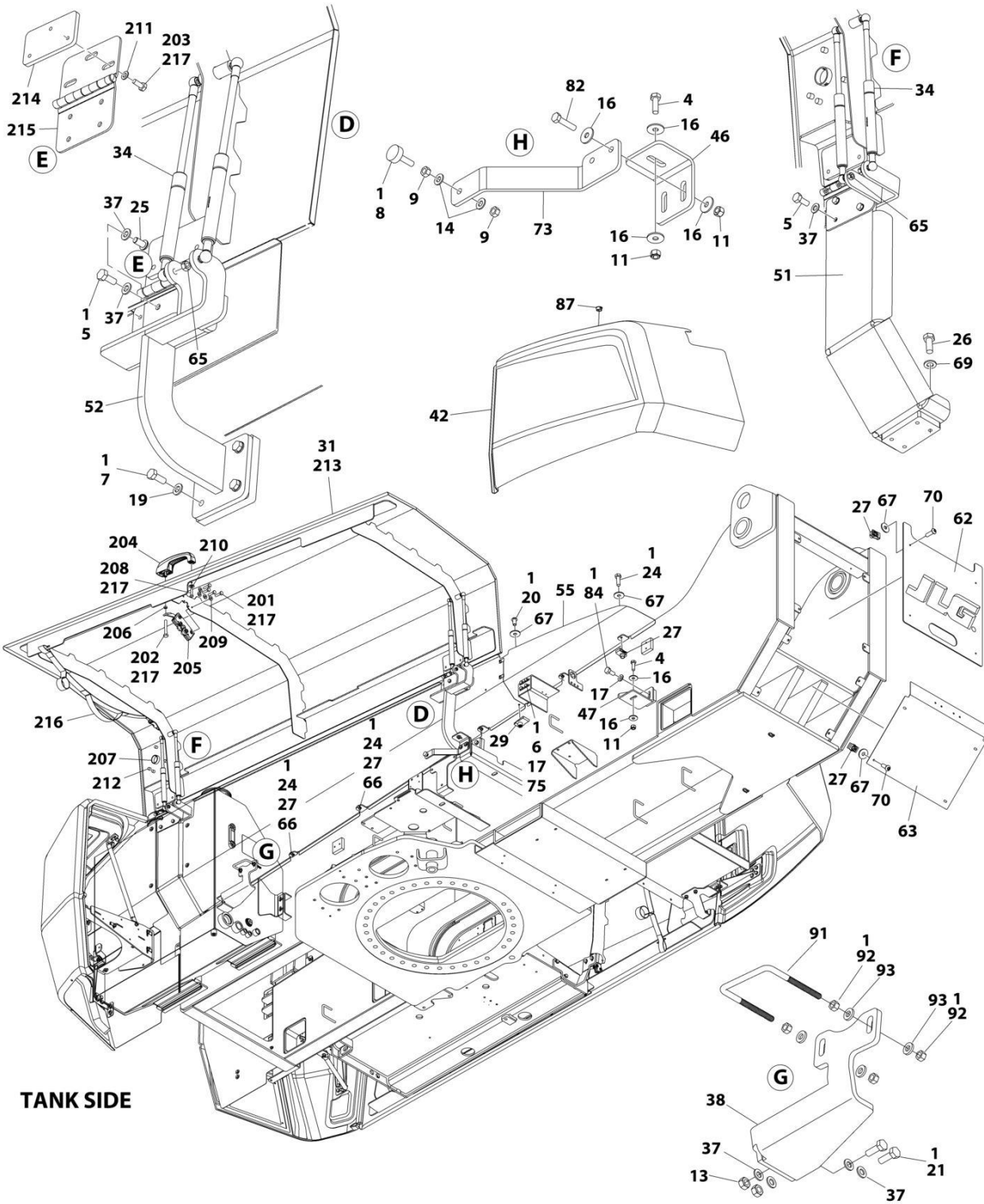
SECTION 2 - TURNTABLE



ENGINE SIDE

ART_1001196562_20F3

SECTION 2 - TURNTABLE



TANK SIDE

ART_1001196562_30F3

SECTION 2 - TURNTABLE

FIGURE 2-39. HOOD INSTALLATION

ITEM	PART NUMBER	QTY	DESCRIPTION	REV
	1001196562	Ref	HOOD INSTALLATION	M
1	0100011	AR	Compound, Locking	
2	0701015	2	Bolt M10 x 35	
3	0760810	1	Bolt M8 x 20	
4	0760812	8	Bolt M8 x 25	
5	0761012	22	Bolt M10 x 25	
6	0761014	21	Bolt M10 x 35	
7	0761214	4	Bolt M12 x 30	
8	0940049	4	Bumper	
9	3271501	8	Nut 5/16	
11	3290805	12	Nut M8	
13	3291007	2	Nut M10	
14	4711500	8	Washer 5/16	
16	4811902	26	Washer M8	
17	4812000	44	Washer M10	
18	4812002	5	Washer M10	
19	4812100	12	Washer M12	
20	0630615001	6	Screw M8 x 16	
21	0701014001	4	Bolt M10 x 30	
23	0760810001	8	Bolt M8 x 20	
24	0760812001	19	Bolt M8 x 25	
25	0761007001	2	Bolt M10 x 14	
26	0761214001	8	Bolt M12 x 30	
27	1001118274	27	Nut M8	
28	1001118972	3	Nut M10	
29	1001149160	6	Nut M8	
30	1001155438	1	Hood - Engine Side (See Items 101-122 for Breakdown)	
31	1001155456	1	Hood - Tank Side (See Items 201-217 for Breakdown)	
32	1001155591	2	Bracket	
33	1001155832	2	Plate, Spacer	
34	1001227710	8	Spring, Gas	
37	1001172358	26	Washer M10	
39	1001197937	1	Mount, Cover	
41	1001198685	1	Brace	
42	1001199310	1	Cover, Rear Left	
43	1001199319	1	Cover, Rear Right	
44	1001199465	1	Cover, Front Right	
45	1001199468	1	Cover, Front Left	
46	1001199753	2	Support	
47	1001199754	1	Bracket	
48	1001199755	1	Bracket	
50	1001199764	2	Bracket	
51	1001199778	1	Bracket	
52	1001199780	1	Support	
53	1001199782	1	Mount	
54	1001200501	1	Plate	
55	1001200502	1	Plate	
56	1001200519	1	Panel, Turntable Side	
57	1001200522	1	Cover	
58	1001200532	1	Panel, Filter	

SECTION 2 - TURNTABLE

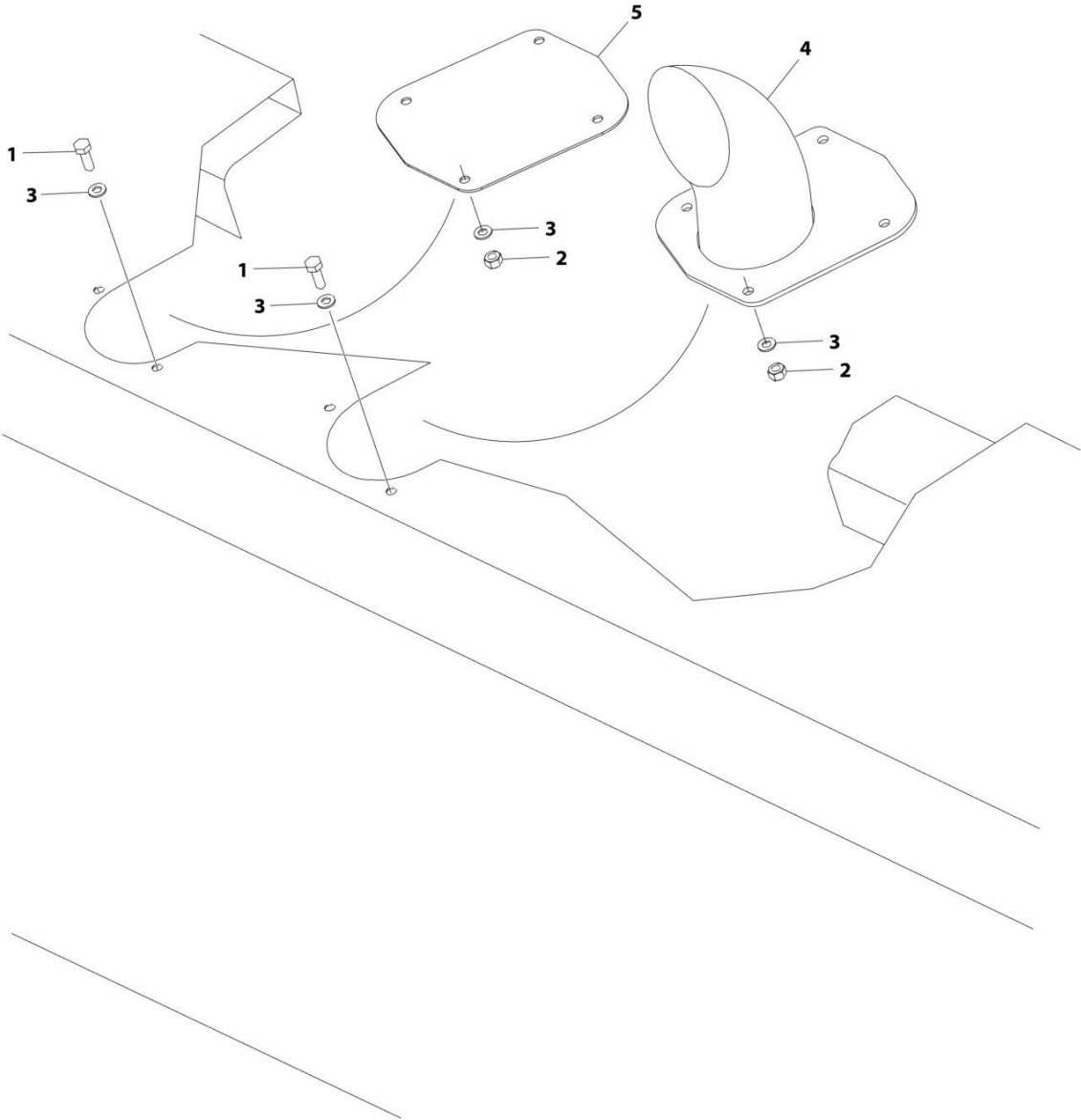
ITEM	PART NUMBER	QTY	DESCRIPTION	REV
59	1001202169	1	Panel, Hood	
60	1001202181	1	Strut	
61	1001202225	1	Bracket	
62	1001202733	1	Cover, Turntable	
63	1001202734	1	Cover, Turntable	
64	3291005001	2	Nut M10	
65	3291007001	8	Nut M10	
66	4811900001	4	Washer M8	
67	4811902001	49	Washer M8	
68	4812002001	2	Washer M10	
69	4812100001	8	Washer M12	
70	8310643001	8	Screw M8 x 25	
71	0761216	4	Bolt M12 x 40	
72	0761217	4	Bolt M12 x 45	
73	1001209961	1	Bracket, Bumper	
74	0760814	2	Bolt M8 x 30	
75	3291005	16	Nut M10	
76	1001209626	1	Brace	
77	1001209935	1	Brace	
78	1001210116	1	Brace	
79	1001210259	1	Brace	
80	1001210283	2	Bracket	
81	1001210294	1	Bracket	
82	0760815	2	Bolt M8 x 35	
83	0761015	2	Bolt M10 x 35	
84	0761011	4	Bolt M10 x 22	
85	3290805001	11	Nut M8	
86	0760814001	2	Bolt M8 x 30	
87	1001131130	4	Plug	
88	1001180620	AR	Compound, Locking	
89	1001250302	1	Bracket	
90	1001250303	1	Bracket	
91	1001243414	2	Bolt U	
92	3311601	8	Nut 3/8	
93	4891600	8	Washer 3/8	
94	1001218572	2	Cap	
	1001155438	Ref	HOOD ASSEMBLY - ENGINE SIDE	F
		Ref	Note: Replacement Decals Must be Ordered Separately - See DECAL SECTION.	
101	0100011	AR	Compound, Locking	
102	0641408	4	Bolt 1/4 x 1	
103	0700616	1	Bolt 5/16 x 3/4	
104	0761012001	1	Bolt M10 x 25	
105	2560187	1	Handle, Push Button	
106	2940173	1	Latch	
107	3290601	1	Nut M6	
108	3520032	1	Plug	
109	3900363	2	Screw M6 x 25	
110	4711400	AR	Washer 1/4	
111	4811900	AR	Washer M8	
112	1001172358	AR	Washer M10	
113	3520173	2	Plug	

SECTION 2 - TURNTABLE

ITEM	PART NUMBER	QTY	DESCRIPTION	REV
114	1001155437	1	Hood	
115	1001155584	2	Plate	
116	1001156347	2	Hinge	
117	3290605	6	Nut M6	
118	4811700	AR	Washer M6	
119	0760612	6	Bolt M6 x 25	
120	1001157906	1	Seal	
121	1001157907	1	Plate	
122	1001160505	1	Strap	
	1001155456	Ref	HOOD ASSEMBLY - TANK SIDE	F
		Ref	Note: Replacement Decals Must be Ordered Separately - See DECAL SECTION.	
201	0641408	4	Bolt 1/4 x 1	
202	0700616	1	Bolt 5/16 x 3/4	
203	0761012001	6	Bolt M10 x 25	
204	2560187	1	Handle, Push Button	
205	2940173	1	Latch	
206	3290601	1	Nut M6	
207	3520032	1	Plug	
208	3900363	2	Screw M6 x 25	
209	4711400	AR	Washer 1/4	
210	4811900	AR	Washer M8	
211	1001172358	AR	Washer M10	
212	3520173	5	Plug	
213	1001155454	1	Hood	
214	1001155584	2	Plate	
215	1001156347	2	Hinge	
216	1001160505	1	Strap	
217	0100011	AR	Compound, Locking	

SECTION 2 - TURNTABLE

FIGURE 2-40. VENTURI INSTALLATION (HRC)



ART_1001161488

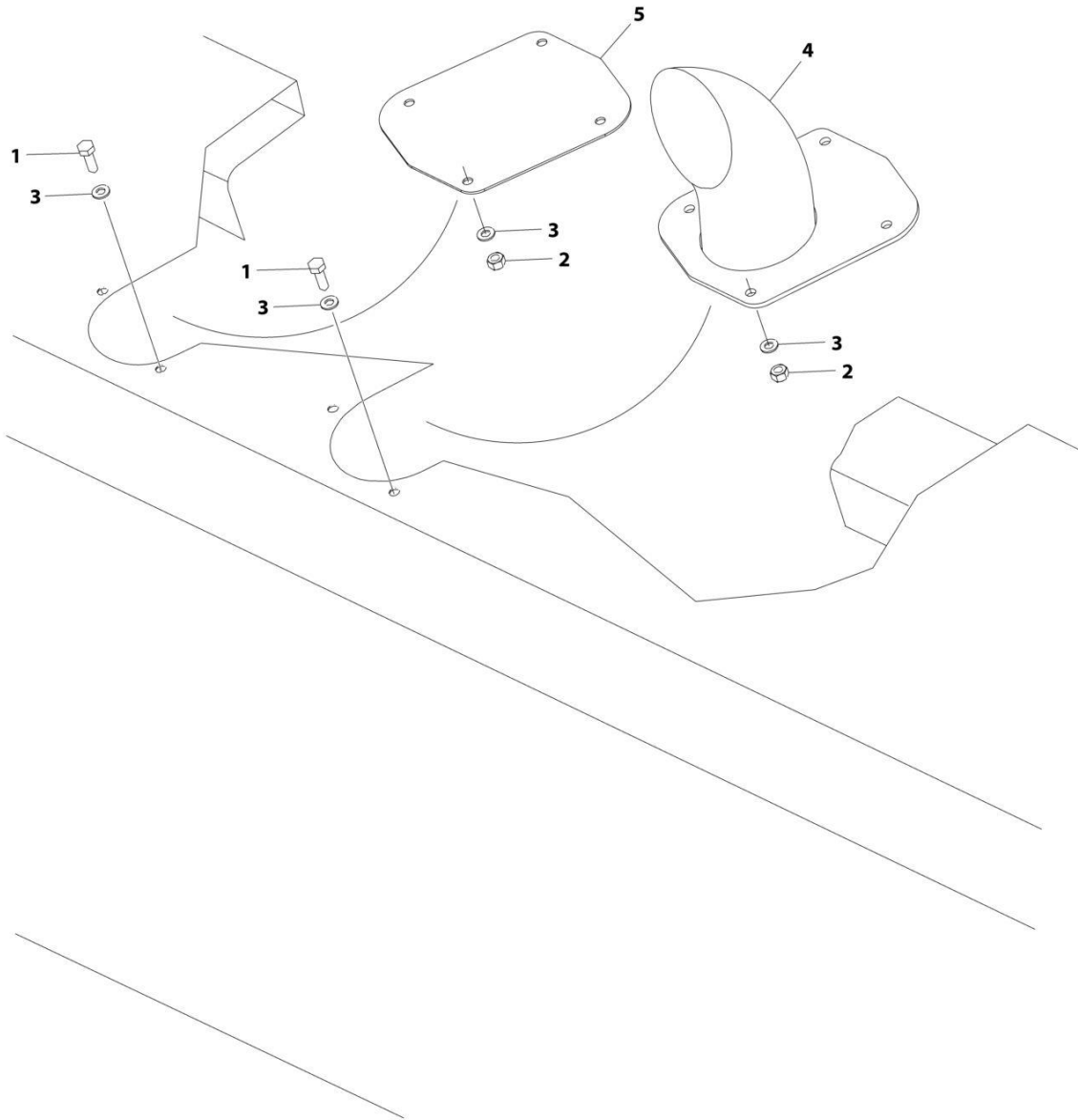
SECTION 2 - TURNTABLE

FIGURE 2-40. VENTURI INSTALLATION (HRC)

ITEM	PART NUMBER	QTY	DESCRIPTION	REV
	1001161488	Ref	VENTURI INSTALLATION (HRC)	E
1	0701014001	8	Bolt M10 x 30	
2	3291005001	8	Nut M10	
3	1001172358	16	Washer M10	
4	1001155527	1	Venturi, Exhaust	
5	1001190927	1	Panel	

SECTION 2 - TURNTABLE

FIGURE 2-41. VENTURI INSTALLATION (LRC)



ART_1001190032

SECTION 2 - TURNTABLE

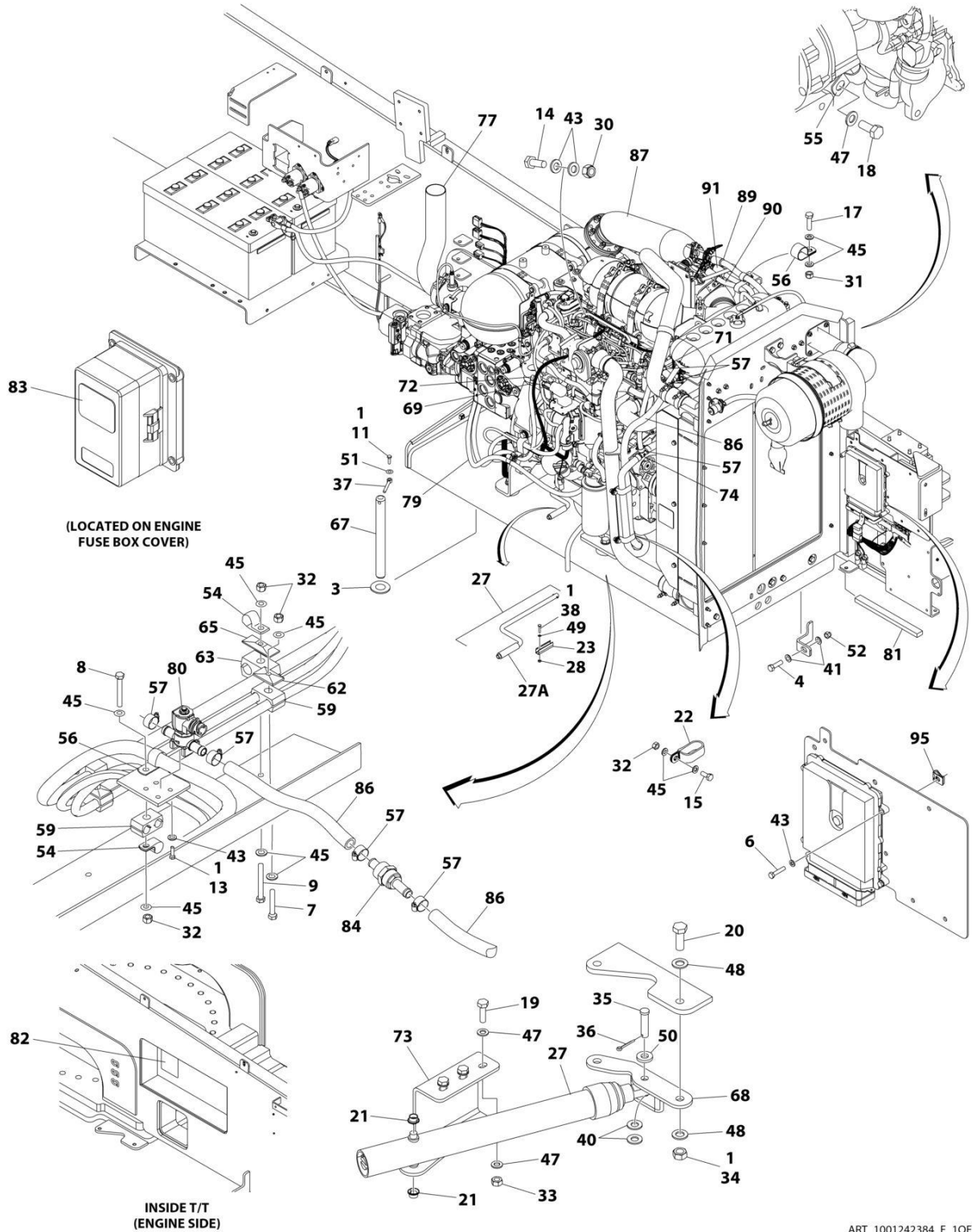
FIGURE 2-41. VENTURI INSTALLATION (LRC)

ITEM	PART NUMBER	QTY	DESCRIPTION	REV
	1001190032	Ref	VENTURI INSTALLATION (LRC)	B
1	0701014001	8	Bolt M10 x 30	
2	3291005001	8	Nut M10	
3	1001172358	16	Washer M10	
4	1001161470	1	Venturi, Exhaust	
5	1001190927	1	Panel	

SECTION 3 - ENGINE

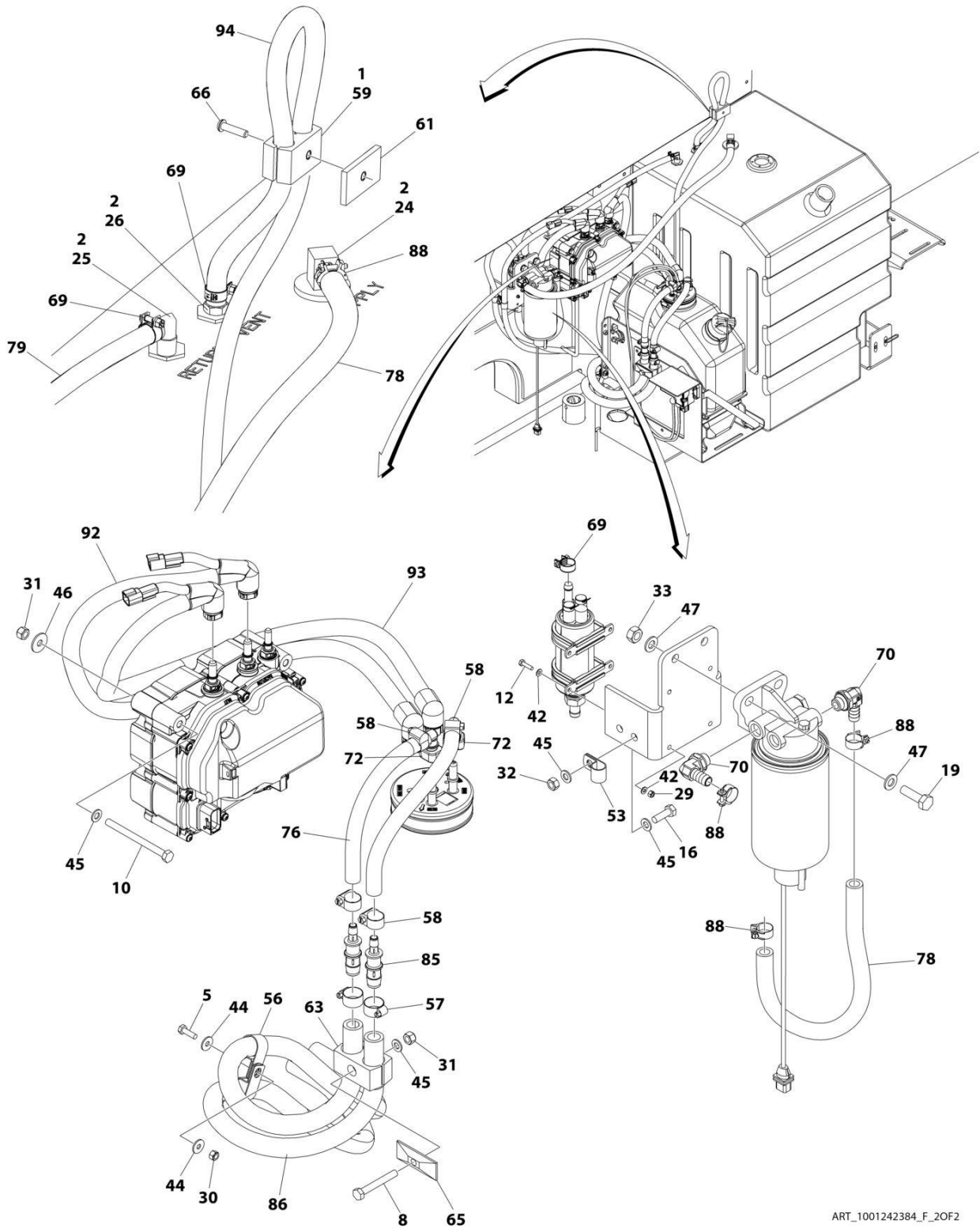
SECTION 3 - ENGINE

FIGURE 3-1. ENGINE INSTALLATION (HRC) (WITHOUT COLD WEATHER PACKAGE)



ART_1001242384_F_10F2

SECTION 3 - ENGINE



ART_1001242384_F_2OF2

SECTION 3 - ENGINE

FIGURE 3-1. ENGINE INSTALLATION (HRC) (WITHOUT COLD WEATHER PACKAGE)

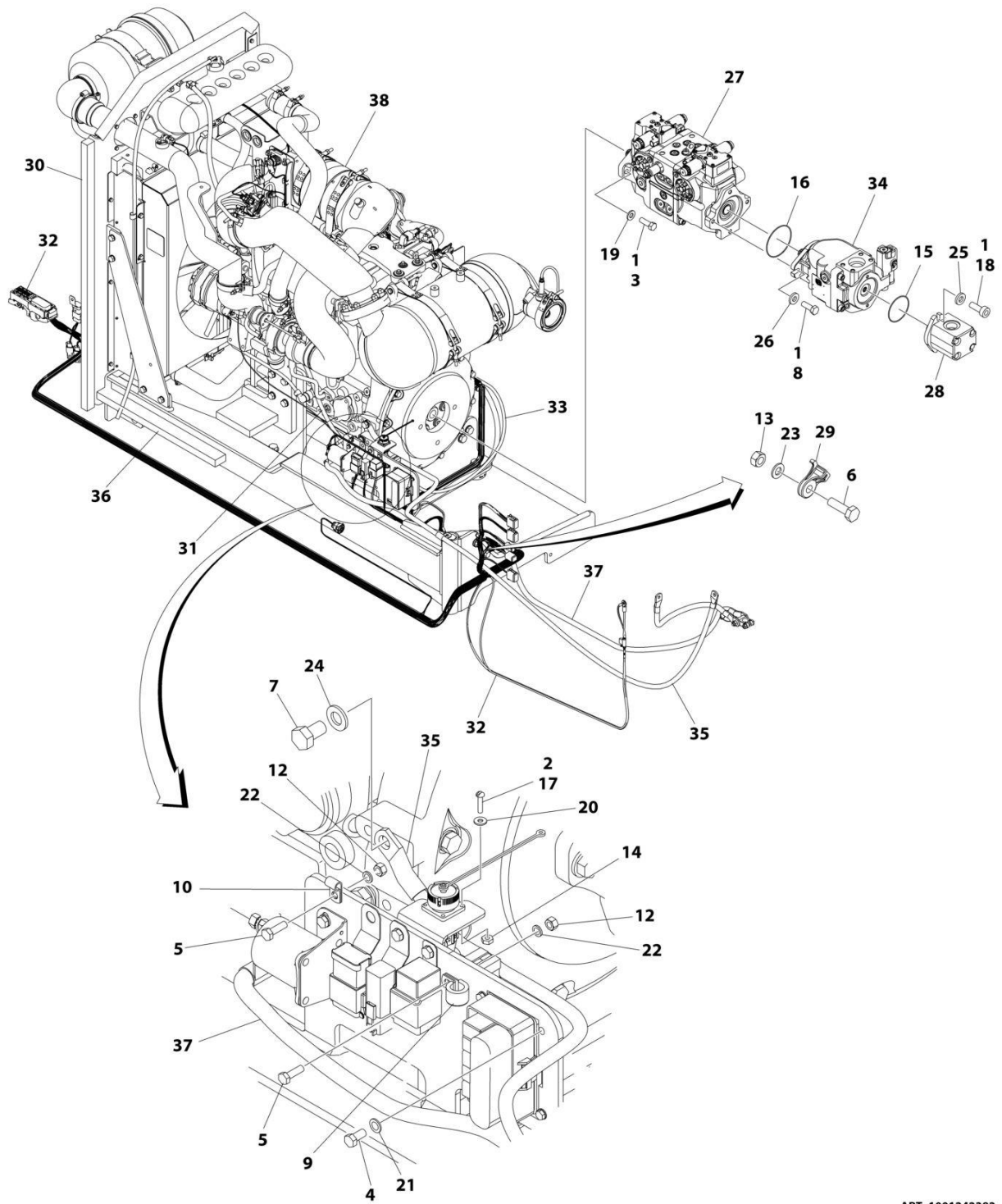
ITEM	PART NUMBER	QTY	DESCRIPTION	REV
	1001242384	Ref	ENGINE INSTALLATION (HRC) (WITHOUT COLD WEATHER PACKAGE)	F
1	0100011	AR	Compound, Locking	
2	0100020	AR	Sealant	
3	0440162	1	Bearing	
4	0642220	1	Bolt 3/4 x 2-1/2	
5	0700610	1	Bolt M6 x 20	
6	0700614	4	Bolt M6 x 30	
7	0700818	2	Bolt M8 x 50	
8	0700820	2	Bolt M8 x 60	
9	0700822	2	Bolt M8 x 70	
10	0700827	3	Bolt M8 x 100	
11	0711015	1	Bolt M10 x 35	
12	0760408	4	Bolt M4 x 16	
13	0760606	4	Bolt M6 x 12	
14	0760608	1	Bolt M6 x 16	
15	0760810	3	Bolt M8 x 20	
16	0760812	2	Bolt M8 x 25	
17	0760814	1	Bolt M8 x 30	
18	0761009	1	Bolt M10 x 18	
19	0761015	5	Bolt M10 x 35	
20	0771416	2	Bolt M14 x 40	
21	0962051	2	Bearing	
22	1321716	3	Clamp	
23	1380147	1	Clip	
24	2180832	1	Fitting, Straight Barbed/NPTF	
25	2220313	1	Fitting, 90 Barbed/NPTF	
26	2221114	1	Fitting, Straight Barbed/NPT	
27	2840016	1	Tray Jack Assembly	
27	7016322	1	Wiper (Burr Brand)	
27A	7016374	1	Handle (Burr Brand)	
27A	7024598	1	Handle (Hammerblow Brand)	
28	3290301	2	Nut M3	
29	3290405	4	Nut M4	
30	3290605	2	Nut M6	
31	3290805	6	Nut M8	
32	3290807	9	Nut M8	
33	3291007	5	Nut M10	
34	3331411	2	Nut M14	
35	3430816	1	Pin	
36	3450404	1	Pin, Cotter 1/8 x 1	
37	3841143	1	Keeper, Pin	
38	4010308	2	Screw M3 x 16	
39	4240099	AR	Tie-Strap (Not Shown)	
40	4711800	2	Washer 1/2	
41	4712200	2	Washer 3/4	
42	4811400	8	Washer M4	
43	4811700	10	Washer M6	
44	4811702	2	Washer M6	
45	4811900	26	Washer M8	

SECTION 3 - ENGINE

ITEM	PART NUMBER	QTY	DESCRIPTION	REV
46	4811902	3	Washer M8	
47	4812000	11	Washer M10	
48	4812200	4	Washer M14	
49	4871200	2	Washer M3	
50	4891800	1	Washer 1/2	
51	5241000	1	Washer M10	
52	8310067	1	Nut 3/4	
53	8406101	1	Clip	
54	8406102	3	Clip	
55	8406105	1	Clip	
56	8406201	6	Clip	
57	8410009	14	Clamp	
58	8410013	4	Clamp	
59	8750014	4	Clamp	
61	8750031	1	Plate, Clamp	
62	8769123	2	Cover, Clamp	
63	8769127	3	Clamp	
65	77133137	3	Cover, Clamp	
66	1001101580	1	Screw M8 x 30	
67	1001135196	1	Pin	
68	1001135497	1	Support	
69	1001136975	5	Clamp	
70	1001142501	2	Fitting, 90 Barbed	
71	1001154262	2	Fitting, Straight Barbed	
72	1001155823	3	Fitting, 90 Barbed	
73	1001155939	1	Mount	
74	1001162212	2	Fitting, Tee Barbed	
76	1001181625	2 ft/ 0.61m	Hose	
77	1001190475	1	Pipe, Exhaust	
78	1001154405	53 in/ 1.4m	Hose	
79	1001165035	31 ft/ 9.4m	Hose	
80	1001199670	1	Valve, Flow	
81	1001206747	1	Seal	
82	1001212056	1	Decal - Engine Fuse Box	
83	1001224046	1	Decal - Engine Fuse Box Cover	
84	1001228872	1	Filter, Coolant Screen	
85	1001238470	2	Fitting, Reducer Barbed	
86	82033995	378 in/ 9.6m	Hose	
87	1001242382	1	Engine Assembly with Pumps (HRC) (Without Cold Weather Package) (See Separate Breakdown in this Section)	
88	1001186342	4	Clip	
89	1001187518	1	Hose	
90	1001193980	1	Hose, Return	
91	1001212825	1	Hose	
92	1001238401	1	Hose, Backflow	
93	1001238402	1	Hose, Suction	
94	2750532	4 ft/ 1.2m	Hose	
95	8305919	4	Nut, Retainer M6	

SECTION 3 - ENGINE

FIGURE 3-2. ENGINE ASSEMBLY WITH PUMPS (HRC) (WITHOUT COLD WEATHER PACKAGE)



ART_1001242382

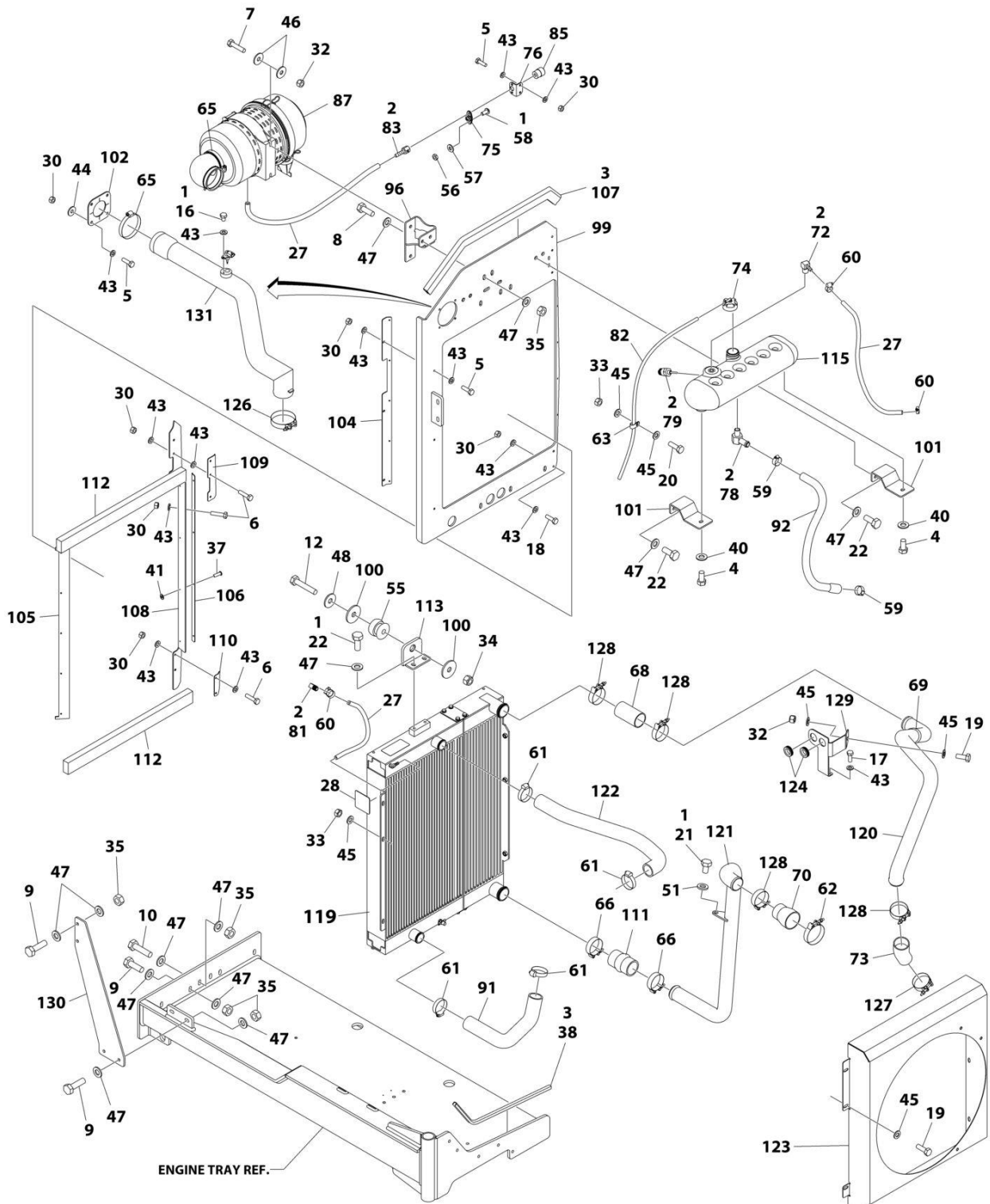
SECTION 3 - ENGINE

FIGURE 3-2. ENGINE ASSEMBLY WITH PUMPS (HRC) (WITHOUT COLD WEATHER PACKAGE)

ITEM	PART NUMBER	QTY	DESCRIPTION	REV
	1001242382	Ref	ENGINE ASSEMBLY WITH PUMPS (HRC) (WITHOUT COLD WEATHER PACKAGE)	C
1	0100011	AR	Compound, Locking	
2	0100035	AR	Compound, Locking	
3	0641812	2	Bolt 1/2 x 1-1/2	
4	0760508	4	Bolt M5 x 16	
5	0760610	2	Bolt M6 x 20	
6	0761015	2	Bolt M10 x 35	
7	0761210	1	Bolt M12 x 20	
8	0761216	2	Bolt M12 x 40	
9	1320041	1	Clamp	
10	1320136	1	Clamp	
12	3290607	2	Nut M6	
13	3291007	2	Nut M10	
14	3310401	3	Nut #4	
15	3790152	1	O-Ring	
16	3790155	1	O-Ring	
17	3910408	3	Screw #4 x 1/2	
18	3931620	2	Capscrew 3/8 x 1-1/4	
19	4740171	2	Washer	
20	4750400	3	Washer #4	
21	4811600	4	Washer M5	
22	4811700	2	Washer M6	
23	4812000	2	Washer M10	
24	4812100	1	Washer M12	
25	4891600	2	Washer 3/8	
26	4891800	2	Washer 1/2	
27	1001108616	1	Tandem Pump Assembly (See Separate Breakdown in this Section)	
28	1001112927	1	Gear Pump Assembly (See Separate Breakdown in this Section)	
29	1001156107	2	Holder, Cable	
30	1001156718	1	Seal	
31	1001157073	1	Cable, Alternator	
32	1001188922	1	Engine Harness (See Separate Breakdown in ELECTRICAL SECTION)	
33	1001197445	1	Cable, Glow Plug	
34	1001199470	1	Piston Pump Assembly (See Separate Breakdown in this Section)	
35	1001202355	1	Cable, Battery Negative	
36	1001206747	1	Seal	
37	1001234791	1	Cable, Battery Positive	
38	1001242378	1	Engine Assembly (HRC) (Without Cold Weather Package) (See Separate Breakdown in this Section)	

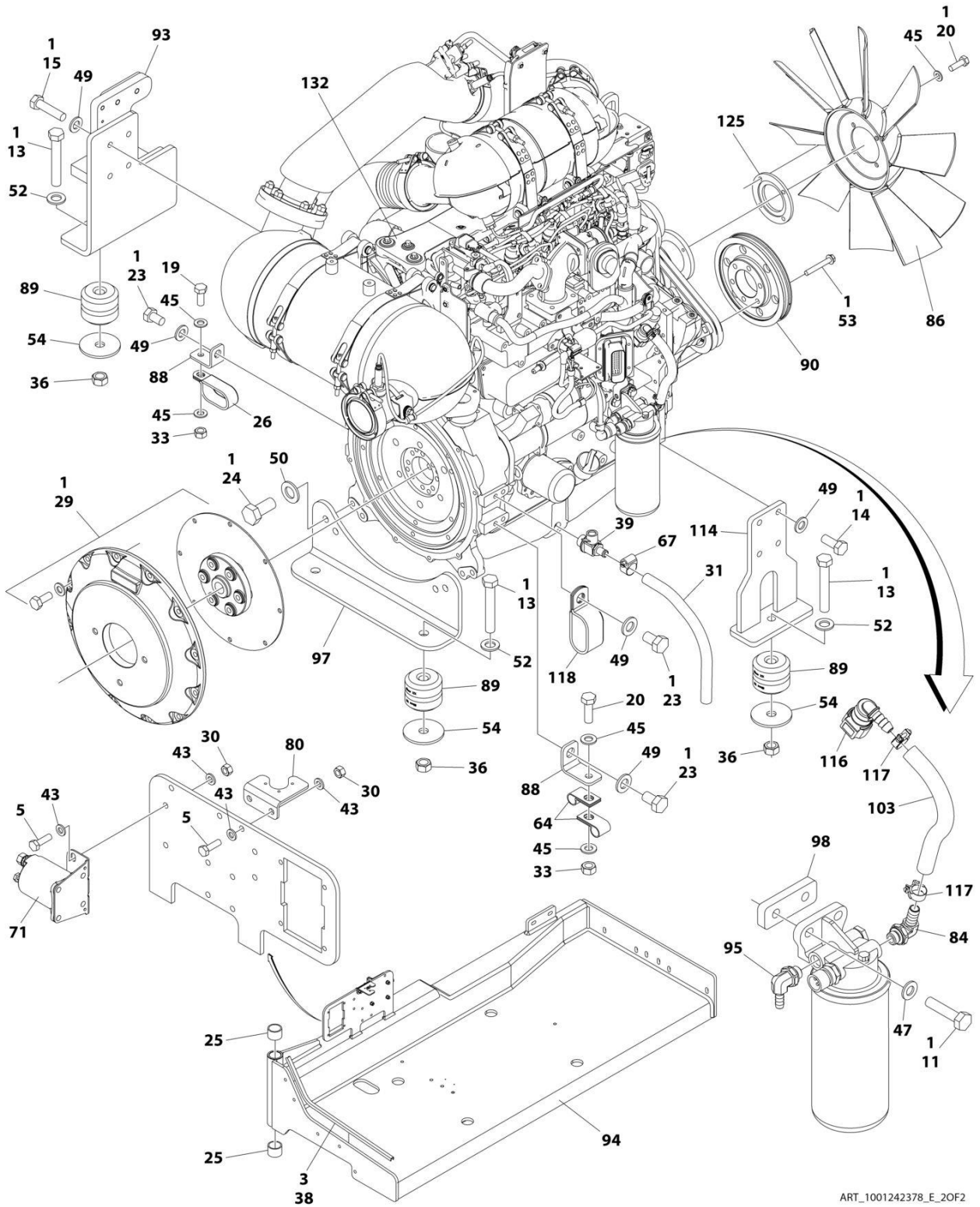
SECTION 3 - ENGINE

FIGURE 3-3. ENGINE ASSEMBLY (HRC) (WITHOUT COLD WEATHER PACKAGE)



ART_1001242378_E_10F2

SECTION 3 - ENGINE



ART_1001242378_E_20F2

SECTION 3 - ENGINE

FIGURE 3-3. ENGINE ASSEMBLY (HRC) (WITHOUT COLD WEATHER PACKAGE)

ITEM	PART NUMBER	QTY	DESCRIPTION	REV
	1001242378	Ref	DEUTZ T4F ENGINE ASSEMBLY	F
1	0100011	AR	Compound, Locking	
2	0100020	AR	Sealant	
3	0100081	AR	Adhesive	
4	0641606	2	Bolt 3/8 x 3/4	
5	0700610	13	Bolt M6 x 20	
6	0700612	7	Bolt M6 x 25	
7	0700815	2	Bolt M8 x 35	
8	0701013	2	Bolt M10 x 28	
9	0701015	6	Bolt M10 x 35	
10	0701016	2	Bolt M10 x 40	
11	0701017	2	Bolt M10 x 45	
12	0701019	1	Bolt M10 x 55	
13	0701627	4	Bolt M16 x 100	
14	0711214	4	Bolt M12 x 30 Grade 10.9	
15	0711218	4	Bolt M12 x 50 Grade 10.9	
16	0760604	1	Bolt M6 x 8	
17	0760608	2	Bolt M6 x 16	
18	0760614	2	Bolt M6 x 30	
19	0760810	6	Bolt M8 x 20	
20	0760812	7	Bolt M8 x 25	
21	0761008	1	Bolt M10 x 16	
22	0761012	6	Bolt M10 x 25	
23	0761210	3	Bolt M12 x 20	
24	0771415	4	Bolt M14 x 35 Grade 10.9	
25	0961951	2	Bushing	
26	1321716	1	Clamp	
27	2720015	5 ft/ 1.5m	Hose	
28	1703162	2	Decal - Fan Blade	
29	2902065	1	Pump Coupling Kit (See Separate Breakdown in this Section)	
30	3290607	22	Nut M6	
31	1001165035	1 ft/ 0.3m	Hose	
32	3290805	3	Nut M8	
33	3290807	5	Nut M8	
34	3291005	1	Nut M10	
35	3291007	10	Nut M10	
36	3291601	4	Nut M16	
37	3820032	9	Rivet	
38	4060807	22 in/ 55cm	Flex-Trim	
39	4640751	1	Valve, Oil Drain	
40	4711600	2	Washer 3/8	
41	4811600	4	Washer M5	
42	4240099	AR	Tie-Strap (Not Shown)	
43	4811700	43	Washer M6	
44	4811702	4	Washer M6	
45	4811900	19	Washer M8	
46	4811902	4	Washer M8	
47	4812000	30	Washer M10	
48	4812002	1	Washer M10	

SECTION 3 - ENGINE

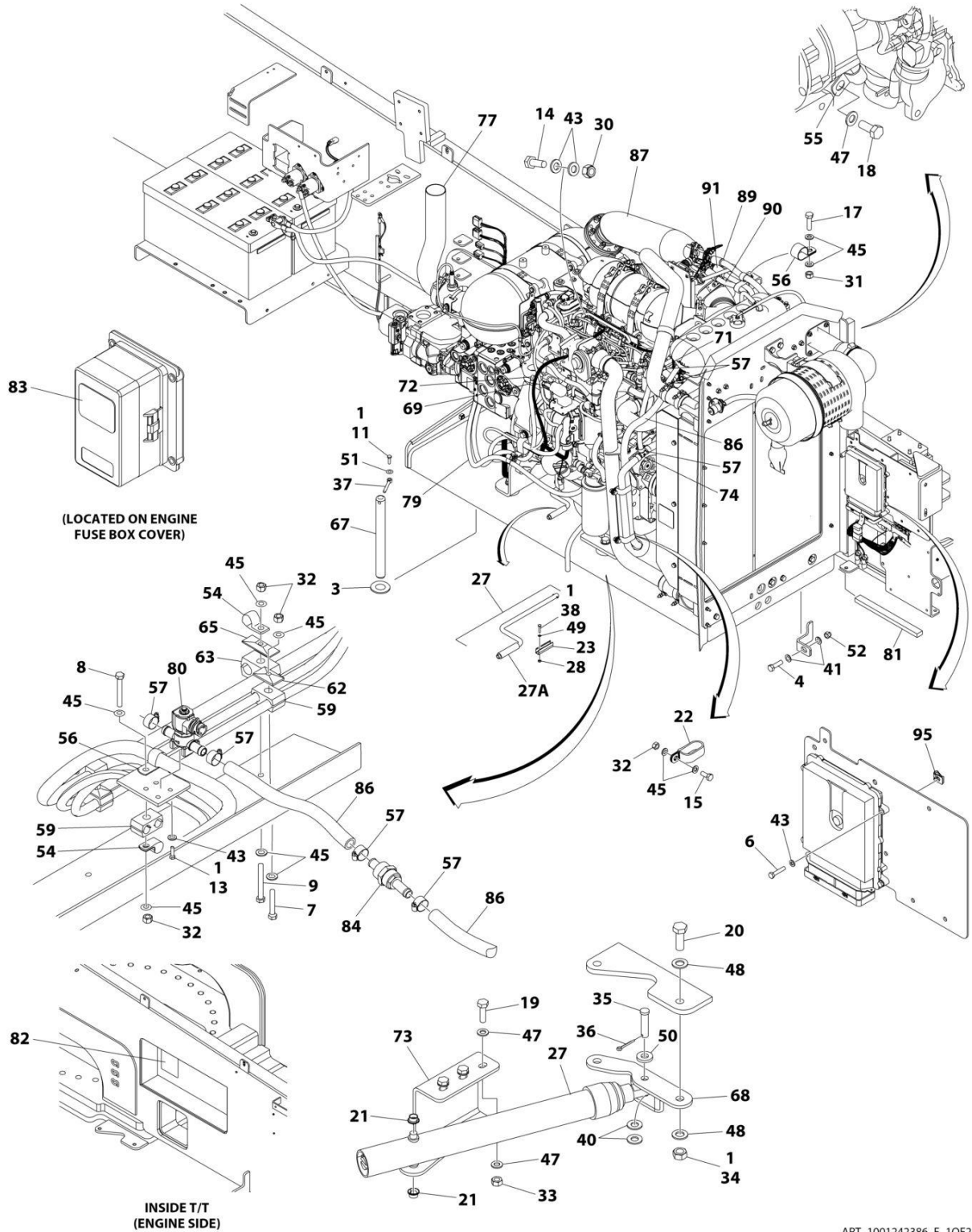
ITEM	PART NUMBER	QTY	DESCRIPTION	REV
49	4812100	11	Washer M12	
50	4812200	4	Washer M14	
51	5241000	1	Washer M10	
52	5241600	4	Washer M16	
53	5251022	6	Bolt M10 x 70	
54	7300435	4	Washer	
55	8278020	1	Mount	
56	8305401	2	Nut 1/4	
57	8307109	2	Washer 1/4	
58	8310548	2	Screw 1/4 x 1/2	
59	8405007	2	Clamp	
60	8405009	4	Clamp	
61	8405104	4	Clamp	
62	8405211	1	Clamp	
63	8406109	2	Clip	
64	8406110	2	Clip	
65	8410011	2	Clamp	
66	8410012	2	Clamp	
67	8410013	1	Clamp	
68	91563070	1	Coupling, Rubber	
69	1001097588	1	Clip	
70	1001117244	1	Reducer	
71	1001117308	1	Relay, 200Amp	
72	1001134488	1	Fitting, 90 NPT/Barbed	
73	1001135943	1	Coupling	
74	1001136834	1	Cap	
75	1001138173	1	Support	
76	1001138175	1	Bracket	
78	1001138559	1	Fitting, 90 NPT	
79	1001138827	1	Sensor	
80	1001139240	1	Bracket	
81	1001140564	1	Fitting, 90 NPT/Barbed	
82	1001138248	5 ft/ 1.5m	Tubing	
83	1001141995	1	Fitting, Straight NPT/Barbed	
84	1001142501	1	Fitting, 90 NPT/Barbed	
85	1001143390	1	Indicator, Air Restriction	
86	1001147567	1	Fan	
87	1001147847	1	Filter, Air	
87	70023809	1	Element, Primary	
87	70023872	1	Element, Secondary	
87	70024328	1	Elbow, Rubber	
87	70024329	1	Clamp, Mounting	
88	1001148641	2	Bracket	
89	1001149517	4	Mount, Motor	
90	1001149746	1	Pulley	
91	1001150504	1	Hose	
92	1001150553	1	Hose	
93	1001151491	1	Support	
94	1001151749	1	Tray	
95	1001152489	1	Fitting, 90 Barbed	
96	1001155023	1	Plate	

SECTION 3 - ENGINE

ITEM	PART NUMBER	QTY	DESCRIPTION	REV
97	1001155496	1	Support	
98	1001155498	1	Plate	
99	1001155525	1	Support	
100	1001155540	2	Washer	
101	1001155557	2	Plate	
102	1001155563	1	Seal	
103	1001154405	8.5 in/ 21cm	Hose	
104	1001155564	1	Bracket	
105	1001155565	1	Seal	
106	1001155566	1	Bracket	
107	1001155728	1	Seal	
108	1001156034	1	Seal	
109	1001156035	1	Bracket	
110	1001156062	1	Bracket	
111	1001156091	1	Hose	
112	1001156644	2	Seal	
113	1001157862	1	Bracket	
114	1001160518	1	Support	
115	1001166393	1	Tank	
116	1001170982	1	Fitting, 90 SAE/Barbed	
117	1001175568	2	Clip	
118	1001181899	1	Clamp	
119	1001256862	1	Radiator	
120	1001189291	1	Pipe, Exhaust	
121	1001190418	1	Tube	
122	1001191122	1	Hose, Upper	
123	1001192138	1	Shroud	
124	1001193599	2	Grommet	
125	1001197317	1	Spacer	
126	1001208297	1	Clamp	
127	1001208298	1	Clamp	
128	1001208299	4	Clamp	
129	1001212810	1	Support	
130	1001212817	1	Plate	
131	1001212826	1	Tube, Intake	
132	1001251858	1	Deutz HRC Engine Components (See Separate Breakdown in this Section)	

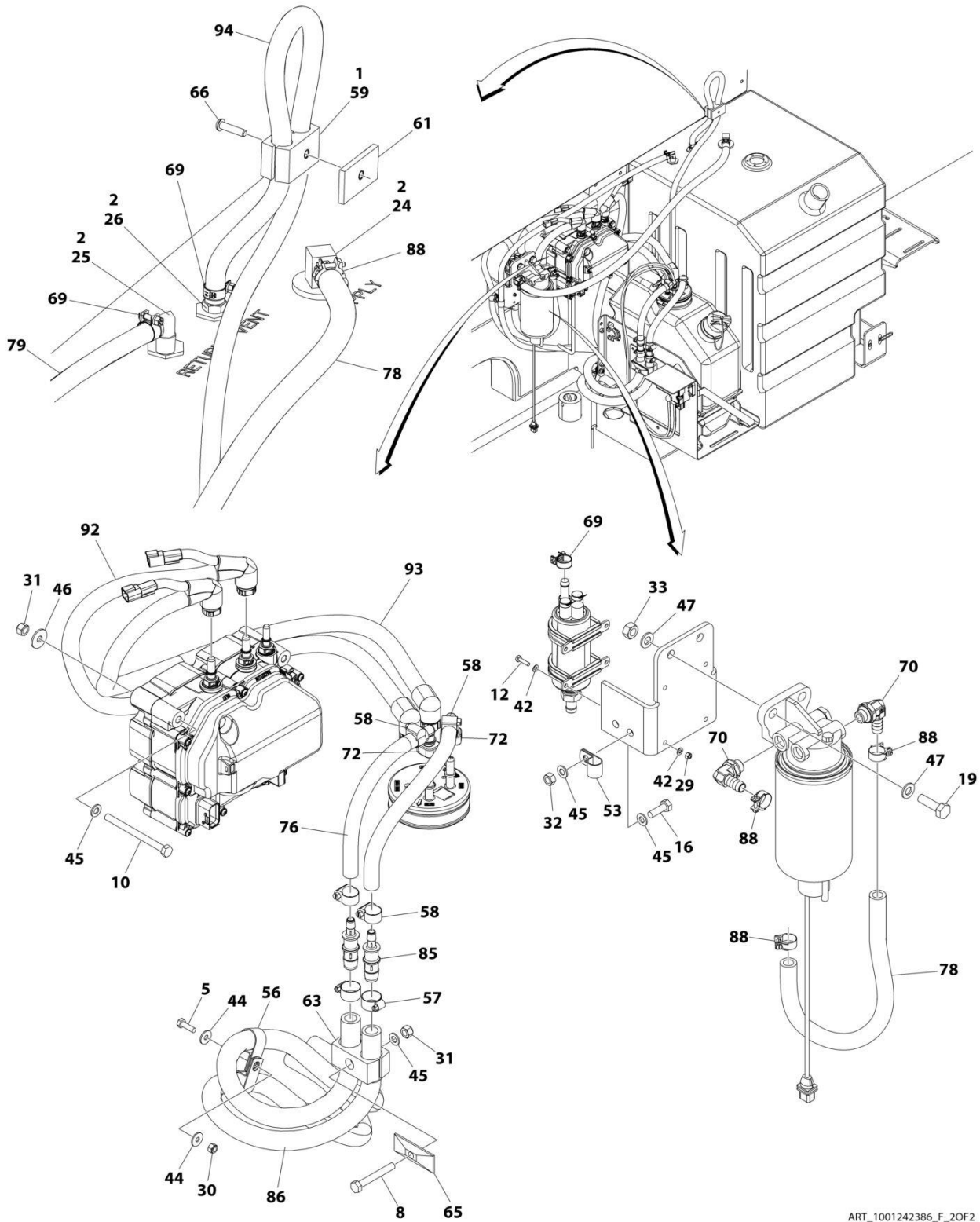
SECTION 3 - ENGINE

FIGURE 3-4. ENGINE INSTALLATION (HRC) (WITH COLD WEATHER PACKAGE)



ART_1001242386_F_10F2

SECTION 3 - ENGINE



ART_1001242386_F_2OF2

SECTION 3 - ENGINE

FIGURE 3-4. ENGINE INSTALLATION (HRC) (WITH COLD WEATHER PACKAGE)

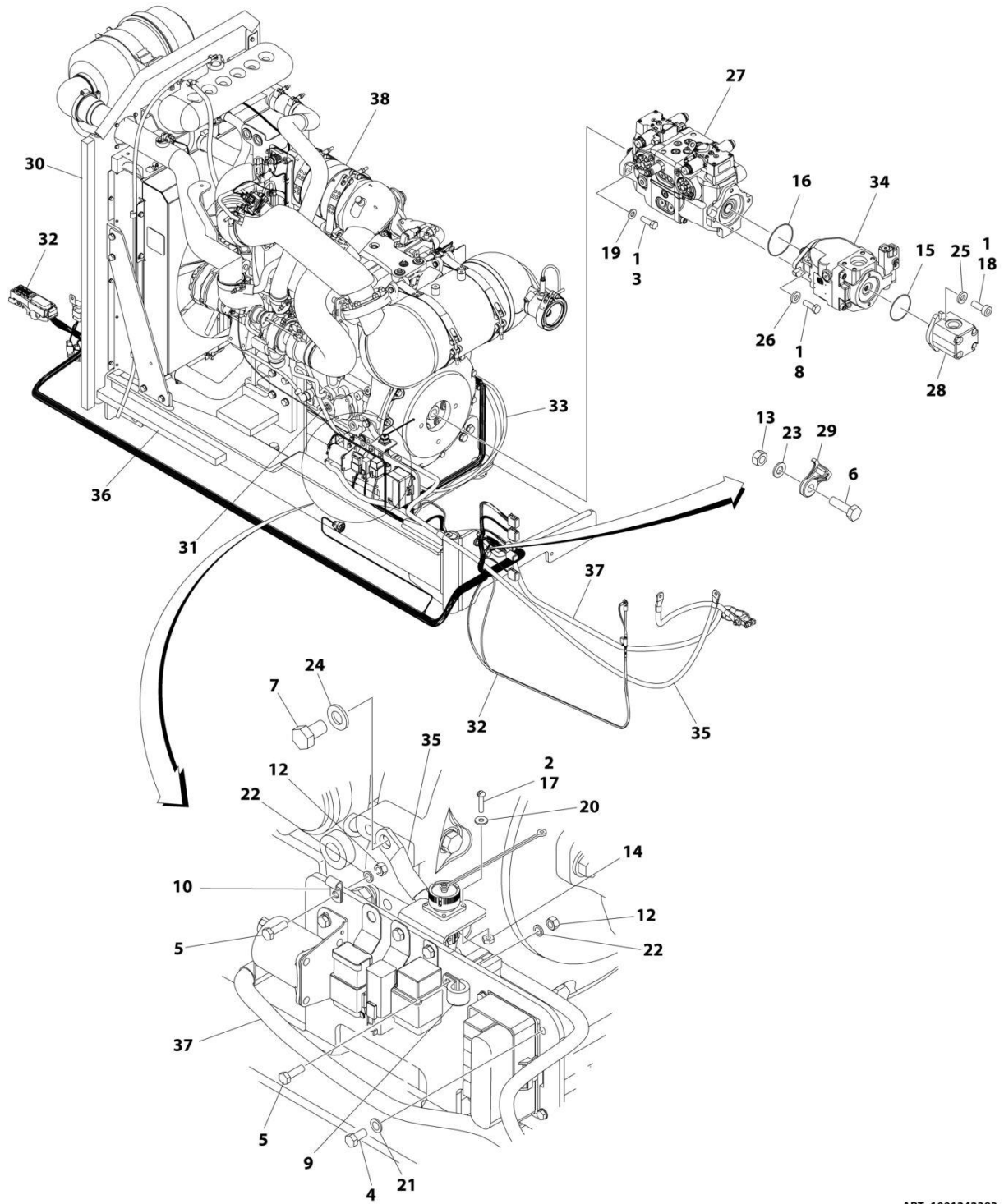
ITEM	PART NUMBER	QTY	DESCRIPTION	REV
	1001242386	Ref	ENGINE INSTALLATION (HRC) (WITH COLD WEATHER PACKAGE)	F
1	0100011	AR	Compound, Locking	
2	0100020	AR	Sealant	
3	0440162	1	Bearing	
4	0642220	1	Bolt 3/4 x 2-1/2	
5	0700610	1	Bolt M6 x 20	
6	0700614	4	Bolt M6 x 30	
7	0700818	2	Bolt M8 x 50	
8	0700820	1	Bolt M8 x 60	
9	0700822	2	Bolt M8 x 70	
10	0700827	3	Bolt M8 x 100	
11	0711015	1	Bolt M10 x 35	
12	0760408	4	Bolt M4 x 16	
13	0760606	4	Bolt M6 x 12	
14	0760608	1	Bolt M6 x 16	
15	0760810	3	Bolt M8 x 20	
16	0760812	2	Bolt M8 x 25	
17	0760814	1	Bolt M8 x 30	
18	0761009	1	Bolt M10 x 18	
19	0761015	5	Bolt M10 x 35	
20	0771416	2	Bolt M14 x 40	
21	0962051	2	Bearing	
22	1321716	3	Clamp	
23	1380147	1	Clip	
24	2180832	1	Fitting, Straight Barbed/NPTF	
25	2220313	1	Fitting, 90 Barbed/NPTF	
26	2221114	1	Fitting, Straight Barbed/NPT	
27	2840016	1	Tray Jack Assembly	
27	7016322	1	Wiper (Burr Brand)	
27A	7016374	1	Handle (Burr Brand)	
27A	7024598	1	Handle (Hammerblow Brand)	
28	3290301	2	Nut M3	
29	3290405	4	Nut M4	
30	3290605	2	Nut M6	
31	3290805	6	Nut M8	
32	3290807	9	Nut M8	
33	3291007	5	Nut M10	
34	3331411	2	Nut M14	
35	3430816	1	Pin	
36	3450404	1	Pin, Cotter 1/8 x 1	
37	3841143	1	Keeper, Pin	
38	4010308	2	Screw M3 x 16	
39	4240099	AR	Tie-Strap (Not Shown)	
40	4711800	2	Washer 1/2	
41	4712200	2	Washer 3/4	
42	4811400	8	Washer M4	
43	4811700	10	Washer M6	
44	4811702	2	Washer M6	
45	4811900	26	Washer M8	

SECTION 3 - ENGINE

ITEM	PART NUMBER	QTY	DESCRIPTION	REV
46	4811902	3	Washer M8	
47	4812000	11	Washer M10	
48	4812200	4	Washer M14	
49	4871200	2	Washer M3	
50	4891800	1	Washer 1/2	
51	5241000	1	Washer M10	
52	8310067	1	Nut 3/4	
53	8406101	1	Clip	
54	8406102	3	Clip	
55	8406105	1	Clip	
56	8406201	6	Clip	
57	8410009	14	Clamp	
58	8410013	4	Clamp	
59	8750014	4	Clamp	
61	8750031	1	Plate, Clamp	
62	8769123	2	Cover, Clamp	
63	8769127	3	Cover, Clamp	
65	77133137	3	Cover, Clamp	
66	1001101580	1	Screw M8 x 30	
67	1001135196	1	Pin	
68	1001135497	1	Support	
69	1001136975	5	Clamp	
70	1001142501	2	Fitting, 90 Barbed	
71	1001154262	2	Fitting, Straight Barbed	
72	1001155823	3	Fitting, 90 Barbed	
73	1001155939	1	Mount	
74	1001162212	2	Fitting, Tee Barbed	
76	1001181625	2 ft/ 0.61m	Hose	
77	1001190475	1	Pipe, Exhaust	
78	1001154405	53 in/ 1.4m	Hose	
79	1001165035	31 ft/ 9.4m	Hose	
80	1001199670	1	Valve, Flow	
81	1001206747	1	Seal	
82	1001212056	1	Decal - Engine Fuse Box	
83	1001224046	1	Decal - Engine Fuse Box Cover	
84	1001228872	1	Filter, Coolant Screen	
85	1001238470	2	Fitting, Reducer Barbed	
86	82033995	374 in/ 9.5m	Hose	
87	1001242383	1	Engine Assembly with Pumps (HRC) (With Cold Weather Package) (See Separate Breakdown in this Section)	
88	1001186342	4	Clip	
89	1001187518	1	Hose	
90	1001193980	1	Hose, Return	
91	1001212825	1	Hose	
92	1001238401	1	Hose, Backflow	
93	1001238402	1	Hose, Suction	
94	2750532	4 ft/ 1.2m	Hose	
95	8305919	4	Nut, Tinnerman M6	

SECTION 3 - ENGINE

FIGURE 3-5. ENGINE ASSEMBLY WITH PUMPS (HRC) (WITH COLD WEATHER PACKAGE)



ART_1001242383

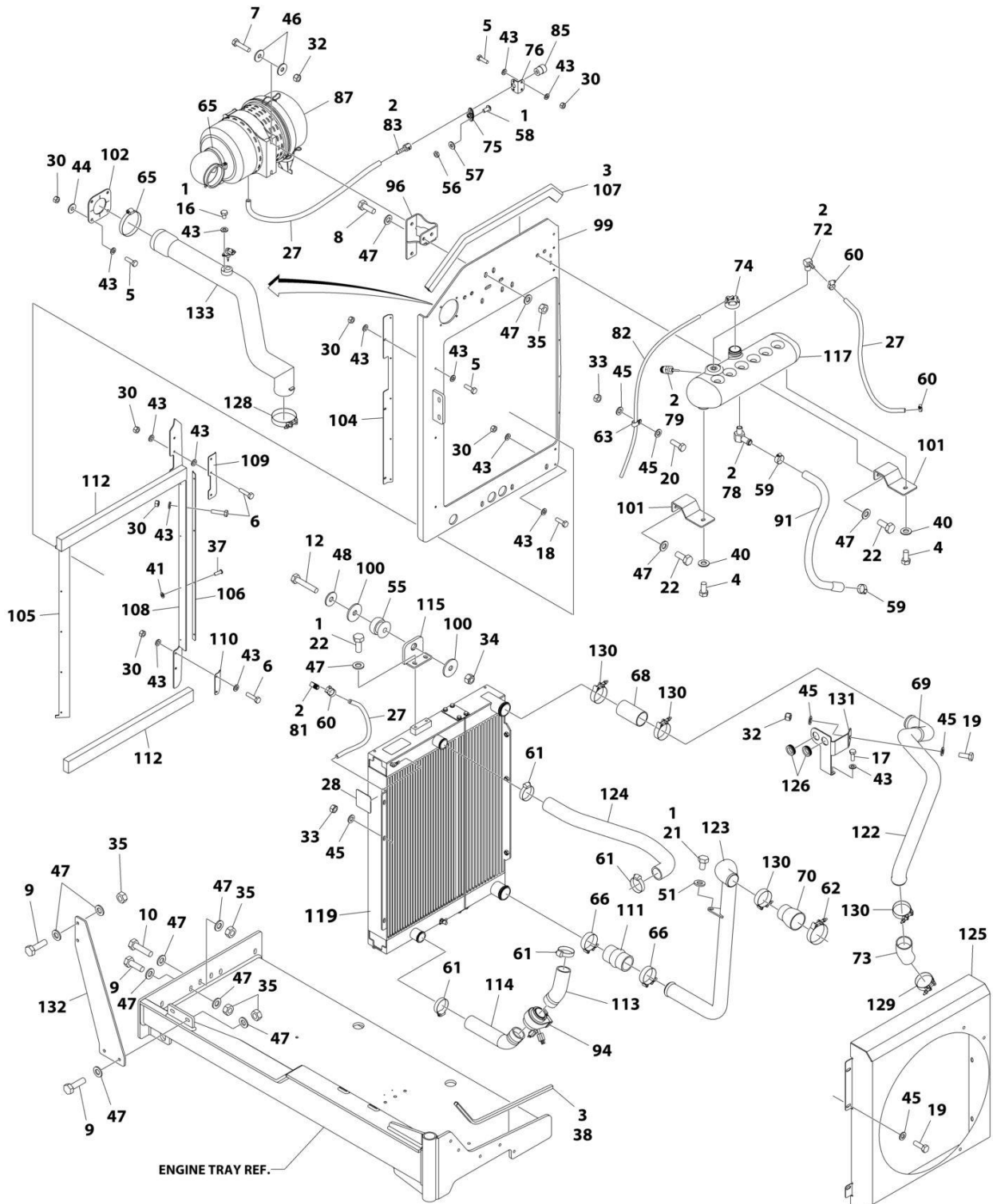
SECTION 3 - ENGINE

FIGURE 3-5. ENGINE ASSEMBLY WITH PUMPS (HRC) (WITH COLD WEATHER PACKAGE)

ITEM	PART NUMBER	QTY	DESCRIPTION	REV
	1001242383	Ref	ENGINE ASSEMBLY WITH PUMPS (HRC) (WITH COLD WEATHER PACKAGE)	C
1	0100011	AR	Compound, Locking	
2	0100035	AR	Compound, Locking	
3	0641812	2	Bolt 1/2 x 1-1/2	
4	0760508	4	Bolt M5 x 16	
5	0760610	2	Bolt M6 x 20	
6	0761015	2	Bolt M10 x 35	
7	0761210	1	Bolt M12 x 20	
8	0761216	2	Bolt M12 x 40	
9	1320041	1	Clamp	
10	1320136	1	Clamp	
12	3290607	2	Nut M6	
13	3291007	2	Nut M10	
14	3310401	3	Nut #4	
15	3790152	1	O-Ring	
16	3790155	1	O-Ring	
17	3910408	3	Screw #4 x 1/2	
18	3931620	2	Capscrew 3/8 x 1-1/4	
19	4740171	2	Washer	
20	4750400	3	Washer #4	
21	4811600	4	Washer M5	
22	4811700	2	Washer M6	
23	4812000	2	Washer M10	
24	4812100	1	Washer M12	
25	4891600	2	Washer 3/8	
26	4891800	2	Washer 1/2	
27	1001108616	1	Tandem Pump Assembly (See Separate Breakdown in this Section)	
28	1001112927	1	Gear Pump Assembly (See Separate Breakdown in this Section)	
29	1001156107	2	Holder, Cable	
30	1001156718	1	Seal	
31	1001157073	1	Cable, Alternator	
32	1001188922	1	Engine Harness (See Separate Breakdown in ELECTRICAL SECTION)	
33	1001197445	1	Cable, Glow Plug	
34	1001199470	1	Piston Pump Assembly (See Separate Breakdown in this Section)	
35	1001202355	1	Cable, Battery Negative	
36	1001206747	1	Seal	
37	1001234791	1	Cable, Battery Positive	
38	1001242380	1	Engine Assembly (HRC) (With Cold Weather Package) (See Separate Breakdown in this Section)	

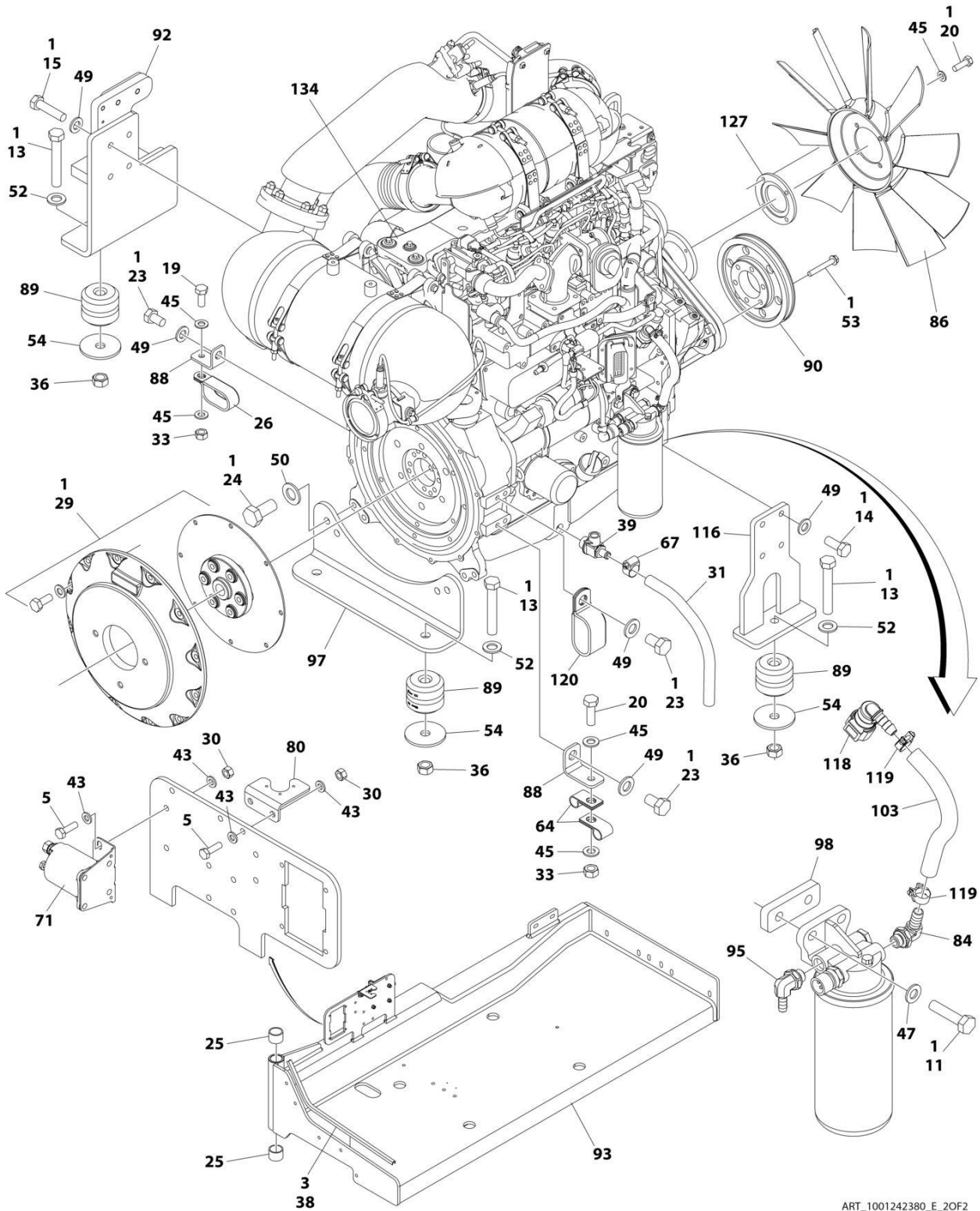
SECTION 3 - ENGINE

FIGURE 3-6. ENGINE ASSEMBLY (HRC) (WITH COLD WEATHER PACKAGE)



ART_1001242380_E_1OF2

SECTION 3 - ENGINE



ART_1001242380_E_20F2

SECTION 3 - ENGINE

FIGURE 3-6. ENGINE ASSEMBLY (HRC) (WITH COLD WEATHER PACKAGE)

ITEM	PART NUMBER	QTY	DESCRIPTION	REV
	1001242380	Ref	DEUTZ T4F ENGINE ASSEMBLY	F
1	0100011	AR	Compound, Locking	
2	0100020	AR	Sealant	
3	0100081	AR	Adhesive	
4	0641606	2	Bolt 3/8 x 3/4	
5	0700610	13	Bolt M6 x 20	
6	0700612	7	Bolt M6 x 25	
7	0700815	2	Bolt M8 x 35	
8	0701013	2	Bolt M10 x 28	
9	0701015	6	Bolt M10 x 35	
10	0701016	2	Bolt M10 x 40	
11	0701017	2	Bolt M10 x 45	
12	0701019	1	Bolt M10 x 55	
13	0701627	4	Bolt M16 x 100	
14	0711214	4	Bolt M12 x 30 Grade 10.9	
15	0711218	4	Bolt M12 x 50 Grade 10.9	
16	0760604	1	Bolt M6 x 8	
17	0760608	2	Bolt M6 x 16	
18	0760614	2	Bolt M6 x 30	
19	0760810	6	Bolt M8 x 20	
20	0760812	7	Bolt M8 x 25	
21	0761008	1	Bolt M10 x 16	
22	0761012	6	Bolt M10 x 25	
23	0761210	3	Bolt M12 x 20	
24	0771415	4	Bolt M14 x 35 Grade 10.9	
25	0961951	2	Bushing	
26	1321716	1	Clamp	
27	2720015	5 ft/ 1.5m	Hose	
28	1703162	2	Decal - Fan Blade	
29	2902065	1	Pump Coupling Kit (See Separate Breakdown in this Section)	
30	3290607	22	Nut M6	
31	1001165035	1 ft/ 0.3m	Hose	
32	3290805	3	Nut M8	
33	3290807	5	Nut M8	
34	3291005	1	Nut M10	
35	3291007	10	Nut M10	
36	3291601	4	Nut M16	
37	3820032	9	Rivet	
38	4060807	22 in/ 55cm	Flex-Trim	
39	4640751	1	Valve, Oil Drain	
40	4711600	2	Washer 3/8	
41	4811600	4	Washer M5	
42	4240099	AR	Tie-Strap (Not Shown)	
43	4811700	43	Washer M6	
44	4811702	4	Washer M6	
45	4811900	19	Washer M8	
46	4811902	4	Washer M8	
47	4812000	30	Washer M10	
48	4812002	1	Washer M10	

SECTION 3 - ENGINE

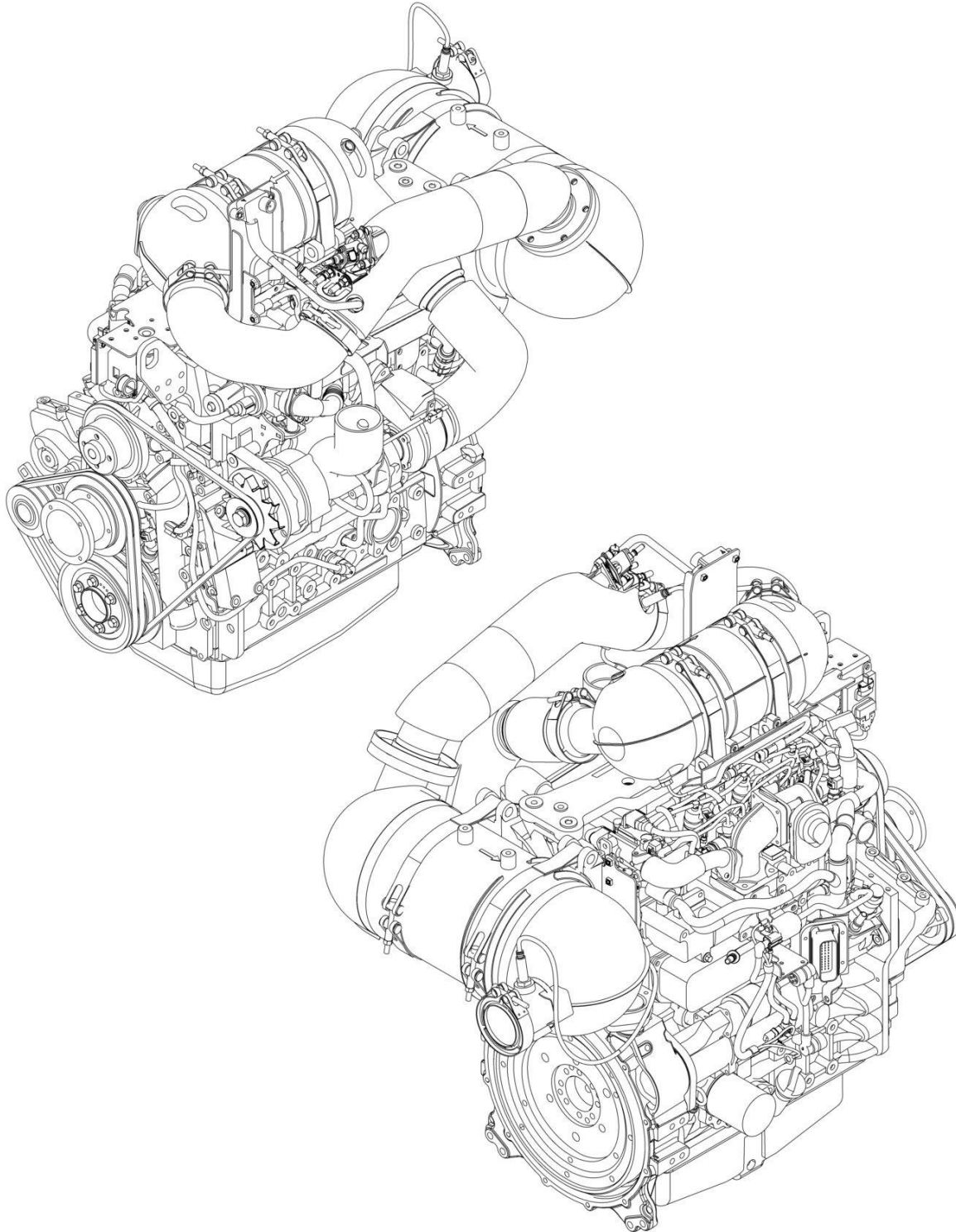
ITEM	PART NUMBER	QTY	DESCRIPTION	REV
49	4812100	11	Washer M12	
50	4812200	4	Washer M14	
51	5241000	1	Washer M10	
52	5241600	4	Washer M16	
53	5251022	6	Bolt M10 x 70	
54	7300435	4	Washer	
55	8278020	1	Mount	
56	8305401	2	Nut 1/4	
57	8307109	2	Washer 1/4	
58	8310548	2	Screw 1/4 x 1/2	
59	8405007	2	Clamp	
60	8405009	4	Clamp	
61	8405104	4	Clamp	
62	8405211	1	Clamp	
63	8406109	2	Clip	
64	8406110	2	Clip	
65	8410011	2	Clamp	
66	8410012	2	Clamp	
67	8410013	1	Clamp	
68	91563070	1	Coupling, Rubber	
69	1001097588	1	Clip	
70	1001117244	1	Reducer	
71	1001117308	1	Relay, 200Amp	
72	1001134488	1	Fitting, 90 NPT/Barbed	
73	1001135943	1	Coupling	
74	1001136834	1	Cap	
75	1001138173	1	Support	
76	1001138175	1	Bracket	
78	1001138559	1	Fitting, 90 NPT	
79	1001138827	1	Sensor	
80	1001139240	1	Bracket	
81	1001140564	1	Fitting, 90 NPT/Barbed	
82	1001138248	5 ft/ 1.5m	Tubing	
83	1001141995	1	Fitting, Straight NPT/Barbed	
84	1001142501	1	Fitting, 90 NPT/Barbed	
85	1001143390	1	Indicator, Air Restriction	
86	1001147567	1	Fan	
87	1001147847	1	Filter, Air	
87	70023809	1	Element, Primary	
87	70023872	1	Element, Secondary	
87	70024328	1	Elbow, Rubber	
87	70024329	1	Clamp, Mounting	
88	1001148641	2	Bracket	
89	1001149517	4	Mount, Motor	
90	1001149746	1	Pulley	
91	1001150553	1	Hose	
92	1001151491	1	Support	
93	1001151749	1	Tray	
94	1001152112	1	Heater	
95	1001152489	1	Fitting, 90 Barbed	
96	1001155023	1	Plate	

SECTION 3 - ENGINE

ITEM	PART NUMBER	QTY	DESCRIPTION	REV
97	1001155496	1	Support	
98	1001155498	1	Plate	
99	1001155525	1	Support	
100	1001155540	2	Washer	
101	1001155557	2	Plate	
102	1001155563	1	Seal	
103	1001154405	8.5 in/ 21cm	Hose	
104	1001155564	1	Bracket	
105	1001155565	1	Seal	
106	1001155566	1	Bracket	
107	1001155728	1	Seal	
108	1001156034	1	Seal	
109	1001156035	1	Bracket	
110	1001156062	1	Bracket	
111	1001156091	1	Hose	
112	1001156644	2	Seal	
113	1001157300	1	Hose	
114	1001157301	1	Hose	
115	1001157862	1	Bracket	
116	1001160518	1	Support	
117	1001166393	1	Tank	
118	1001170982	1	Fitting, 90 SAE/Barbed	
119	1001175568	2	Clip	
120	1001181899	1	Clamp	
121	1001256862	1	Radiator	
122	1001189291	1	Pipe, Exhaust	
123	1001190418	1	Tube	
124	1001191122	1	Hose, Upper	
125	1001192138	1	Shroud	
126	1001193599	2	Grommet	
127	1001197317	1	Spacer	
128	1001208297	1	Clamp	
129	1001208298	1	Clamp	
130	1001208299	4	Clamp	
131	1001212810	1	Support	
132	1001212817	1	Plate	
133	1001212826	1	Tube, Intake	
134	1001251858	1	Deutz HRC Engine Components (See Separate Breakdown in this Section)	

SECTION 3 - ENGINE

FIGURE 3-7. DEUTZ HRC ENGINE COMPONENTS



ART_1001251858

SECTION 3 - ENGINE

FIGURE 3-7. DEUTZ HRC ENGINE COMPONENTS

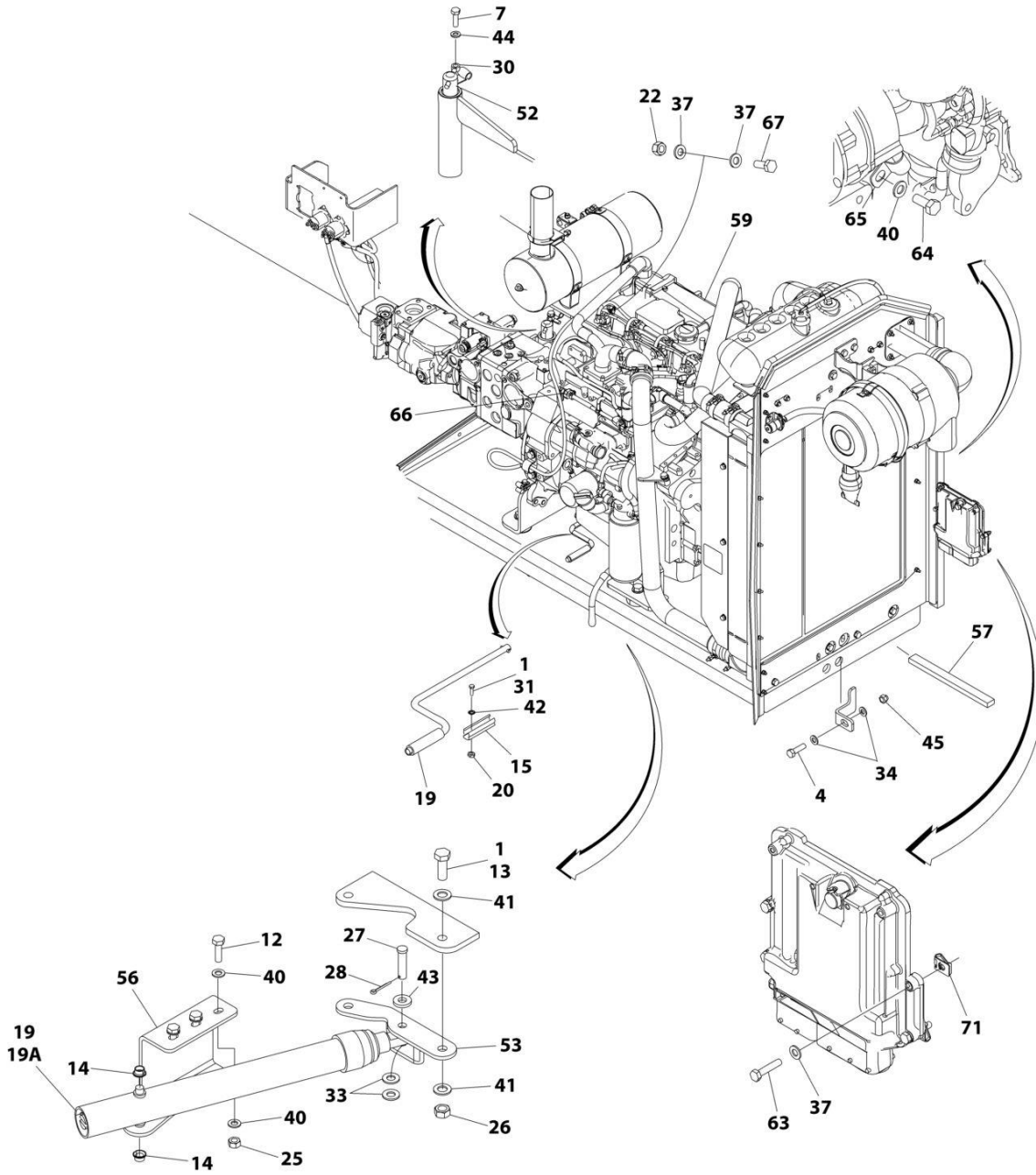
ITEM	PART NUMBER	QTY	DESCRIPTION	REV
	1001251858	Ref	DEUTZ ENGINE COMPONENTS	B
		Ref	Note: For complete list of parts, contact JLG Parts Department	
		Ref	Air Intake System Components	
	70007083	1	Turbocharger	
		Ref	Cooling System Components	
	70004515	1	Pump, Coolant	
		Ref	Electrical System Components	
	70027420	1	Module, ECU/ECM	
	70029401	1	Generator (Includes Regulator & Fan)	
	70006653	1	Regulator	
	70004520	1	Starter (Includes Solenoid)	
	70025780	1	Relay	
	70007085	1	Harness, Engine	
	70005517	1	Harness, Starter	
	70026210	2	Sender, Tacho-Generator (Speed) (Includes Seal)	
	70005559	1	Sender, Temperature	
	70028540	1	Sender, Temperature (On Thermostat Housing)	
	70027405	2	Sender, Temperature (On Exhaust) (Includes Seal)	
	70005556	1	Sender, Temperature (On Exhaust) (Includes Seal)	
	70005524	1	Sensor (On Exhaust)	
	70005522	1	Sensor, Pressure (O2) (On Exhaust)	
	70005523	1	Sensor, Pressure (O2) (On Exhaust)	
	70024507	1	Sensor, Pressure (Includes Seal) (On Air Intake Manifold)	
	70005504	1	Sensor, Pressure (Includes Seal) (On Exhaust)	
	70024504	1	Sensor, Pressure (Includes Seal) (On Block)	
	70024474	4	Plug, Glow	
	70005544	1	Unit, Exhaust Metering (Includes Gasket)	
		Ref	Exhaust System Components	
	70005513	1	Valve, EGR	
	70005511	1	Gasket, Exhaust (Manifold to Head)	
	70024480	1	Gasket, Exhaust (Manifold to TurboCharger)	
	70007083	1	Turbocharger	
	70027460	1	Tank, DEF (Includes Filter, Cover & Breather)	
	70027464	1	Filter (Inside DEF Tank)	
	70027467	1	Breather (On DEF Tank)	
	70007093	1	Catalyst	
	70008612	1	DEF Tank Assembly (Includes Cap, Filler Filter & Venting Valve)	
	70027495	1	Filter, Filler - DEF Tank	
	70008613	1	Cap/Cover, DEF Tank	
	70027467	1	Valve, Venting - DEF Tank	
	1001293066	1	Sensor, Level - DEF Tank	
	70027463	1	Clip, Level Sensor - DEF Tank	
	70027464	1	Filter, DEF In-line	
		Ref	Fuel System Components	
	70024487	1	Pump, Fuel Injector	
	70024485	4	Injector (Includes Seal, Clamp & O-Ring)	
	70006144	1	Pump, Fuel Supply (Includes Clamps)	
	70025153	1	Filter, Fuel (Pre-Filter)	
	70004512	1	Filter, Fuel	
	70005492	1	Valve, Throttle	

SECTION 3 - ENGINE

ITEM	PART NUMBER	QTY	DESCRIPTION	REV
	70005548	1	Pump, Fuel Supply (Includes Filter)	
	70005549	1	Filter (Inside Fuel Supply Pump)	
		Ref	Lubricating System Components	
	70025745	1	Dipstick	
	7020465	2	Cap, Oil Fill	
	70025088	1	Plug, Oil Drain	
	7020404	2	Seal, Oil Drain Plug	
		Ref	Pump, Oil (Includes Bolts & Bushing)	
	7016331	1	Filter, Oil	
	70024494	1	Cooler, Oil	
		Ref	Mechanical Components	
	70005498	1	V-Belt (Set of 2)	
	70005516	1	V-Belt (Generator)	
	70024481	1	Gasket, Valve Cover	
	70025789	1	Gasket, Head	
	70025707	1	Gasket Kit - Complete	

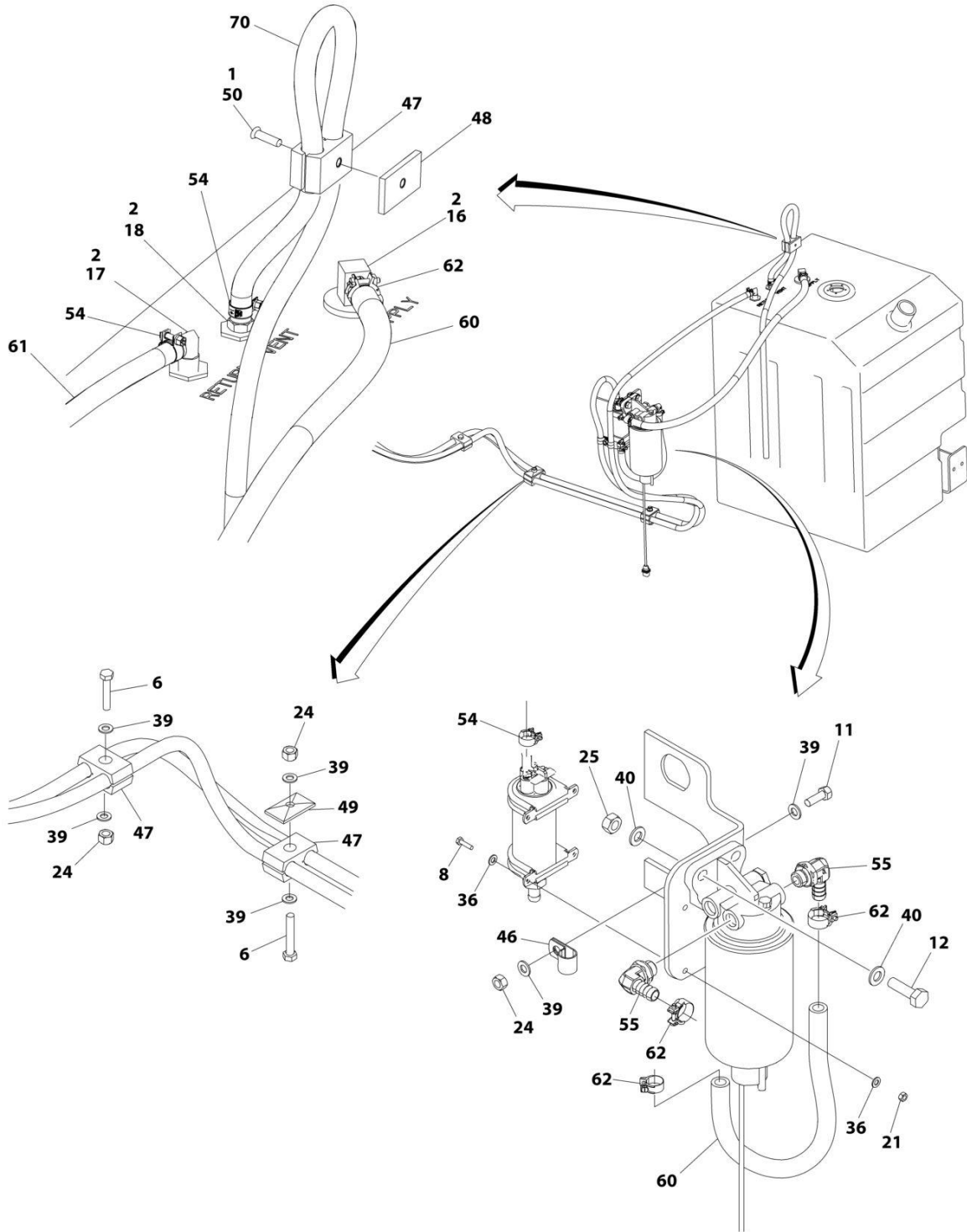
SECTION 3 - ENGINE

FIGURE 3-8. ENGINE INSTALLATION (LRC) (WITHOUT COLD WEATHER PACKAGE)



ART_1001197307_K_10F2

SECTION 3 - ENGINE



ART_1001197307_K_2OF2

SECTION 3 - ENGINE

FIGURE 3-8. ENGINE INSTALLATION (LRC) (WITHOUT COLD WEATHER PACKAGE)

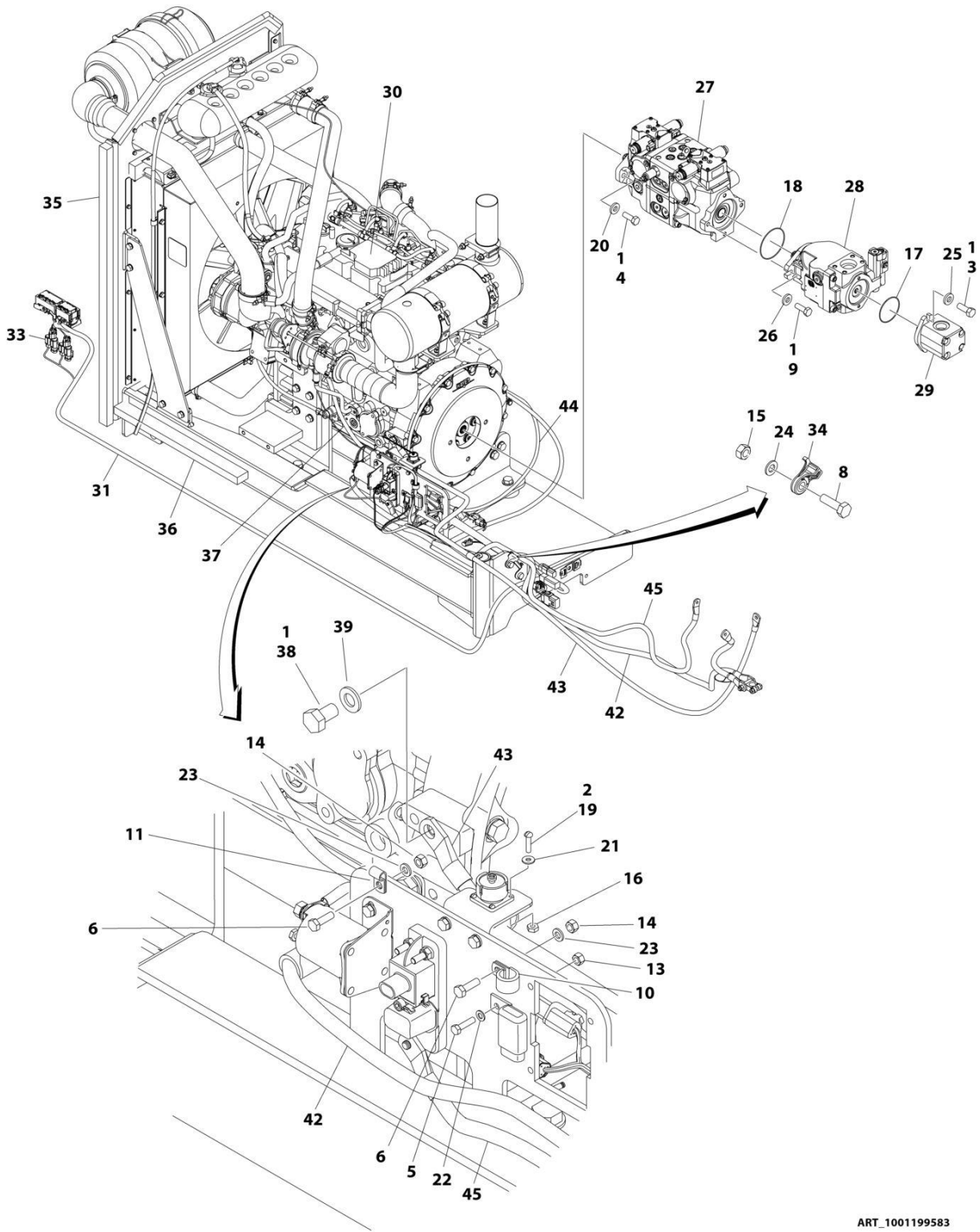
ITEM	PART NUMBER	QTY	DESCRIPTION	REV
	1001197307	Ref	ENGINE INSTALLATION (LRC) (WITHOUT COLD WEATHER PACKAGE)	K
1	0100011	AR	Compound, Locking	
2	0100020	AR	Sealant	
3	0440162	1	Bearing (Not Shown)	
4	0642220	1	Bolt 3/4 x 2-1/2	
6	0700818	3	Bolt M8 x 50	
7	0711015	1	Bolt M10 x 35	
8	0760408	4	Bolt M4 x 16	
11	0760812	1	Bolt M8 x 25	
12	0761015	5	Bolt M10 x 35	
13	0771416	2	Bolt M14 x 40	
14	0962051	2	Bearing	
15	1380147	1	Clip	
16	2180832	1	Fitting, Straight Barbed/NPTF	
17	2220313	1	Fitting, 90 Barbed/NPTF	
18	2221114	1	Fitting, Straight Barbed/NPT	
19	2840016	1	Tray Jack Assembly	
19	7016322	1	Wiper (Burr Brand)	
19A	7016374	1	Handle (Burr Brand)	
19A	7024598	1	Handle (Hammerblow Brand)	
20	3290301	2	Nut M3	
21	3290405	4	Nut M4	
22	3290605	1	Nut M6	
24	3290807	4	Nut M8	
25	3291007	5	Nut M10	
26	3331411	2	Nut M14	
27	3430816	1	Pin	
28	3450404	1	Pin, Cotter 1/8 x 1	
30	3841143	1	Keeper, Pin	
31	4010308	2	Screw M3 x 16	
32	4240099	AR	Tie-Strap (Not Shown)	
33	4711800	2	Washer 1/2	
34	4712200	2	Washer 3/4	
36	4811400	8	Washer M4	
37	4811700	6	Washer M6	
39	4811900	8	Washer M8	
40	4812000	11	Washer M10	
41	4812200	4	Washer M14	
42	4871200	2	Washer M3	
43	4891800	1	Washer 1/2	
44	5241000	1	Washer M10	
45	8310067	1	Nut 3/4	
46	8406101	1	Clip	
47	8750014	4	Clamp	
48	8750031	1	Plate, Clamp	
49	8769123	2	Cover, Clamp	
50	1001101580	1	Screw M8 x 30	
52	1001135196	1	Pin	
53	1001135497	1	Support	

SECTION 3 - ENGINE

ITEM	PART NUMBER	QTY	DESCRIPTION	REV
54	1001136975	5	Clamp	
55	1001142501	2	Fitting, 90 Barbed	
56	1001155939	1	Mount	
57	1001206747	1	Seal	
59	1001199583	1	Engine Assembly with Pumps (LRC) (Without Cold Weather Package) (See Separate Breakdown in this Section)	
60	1001154405	53 in /1.4m	Hose	
61	1001165035	31 ft /9.4m	Hose	
62	1001186342	4	Clip	
63	0700614	4	Bolt M6 x 30	
64	0761009	1	Bolt M10 x 18	
65	8406105	1	Clip	
66	1001155823	1	Fitting, 90 Barbed	
67	0760608	1	Bolt M6 x 16	
70	2750532	4 ft /1.2m	Hose	
71	8305919	4	Nut, Retainer M6	

SECTION 3 - ENGINE

FIGURE 3-9. ENGINE ASSEMBLY WITH PUMPS (LRC) (WITHOUT COLD WEATHER PACKAGE)



ART_1001199583

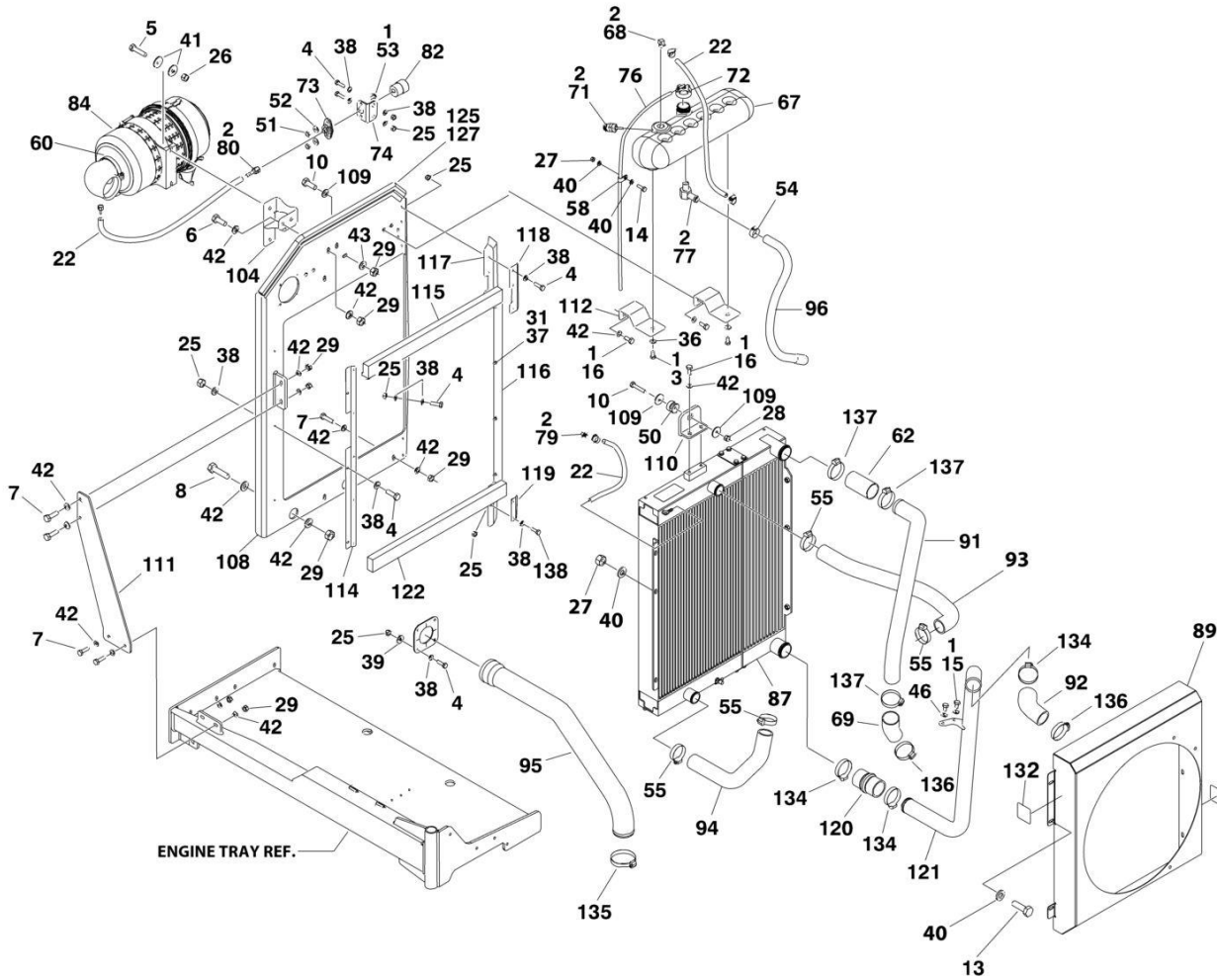
SECTION 3 - ENGINE

FIGURE 3-9. ENGINE ASSEMBLY WITH PUMPS (LRC) (WITHOUT COLD WEATHER PACKAGE)

ITEM	PART NUMBER	QTY	DESCRIPTION	REV
	1001199583	Ref	ENGINE ASSEMBLY WITH PUMPS (LRC) (WITHOUT COLD WEATHER PACKAGE)	J
1	0100011	AR	Compound, Locking	
2	0100035	AR	Compound, Locking	
3	0641608	2	Bolt 3/8 x 1	
4	0641812	2	Bolt 1/2 x 1-1/2	
5	0700510	1	Bolt M5 x 20	
6	0760610	2	Bolt M6 x 20	
8	0761015	2	Bolt M10 x 35	
9	0761216	2	Bolt M12 x 40	
10	1320041	1	Clamp	
11	1320136	1	Clamp	
13	3290507	1	Nut M5	
14	3290607	2	Nut M6	
15	3291007	2	Nut M10	
16	3310401	3	Nut #4	
17	3790152	1	O-Ring	
18	3790155	1	O-Ring	
19	3910408	3	Screw #4 x 1/2	
20	4740171	2	Washer	
21	4750400	3	Washer #4	
22	4811600	2	Washer M5	
23	4811700	2	Washer M6	
24	4812000	2	Washer M10	
25	4891600	2	Washer 3/8	
26	4891800	2	Washer 1/2	
27	1001108616	1	Tandem Pump Assembly (See Separate Breakdown in this Section)	
28	1001199470	1	Piston Pump Assembly (See Separate Breakdown in this Section)	
29	1001112927	1	Gear Pump Assembly (See Separate Breakdown in this Section)	
30	1001149867	1	Engine Assembly (LRC) (Without Cold Weather Package) (See Separate Breakdown in this Section)	
31	1001149971	1	Engine Harness (See Separate Breakdown in ELECTRICAL SECTION)	
33	1001156001	1	Engine Harness Can (See Separate Breakdown in ELECTRICAL SECTION)	
34	1001156107	2	Holder, Cable	
35	1001156718	1	Seal	
36	1001206747	1	Seal	
37	1001157073	1	Cable, Alternator	
38	0761210	1	Bolt M12 x 20	
39	4812100	1	Washer M12	
42	1001234791	1	Cable, Battery Positive	
43	1001202355	1	Cable, Battery Negative	
44	1001168734	1	Cable, Glow Plug	
45	1001222918	1	Cable, System B+	

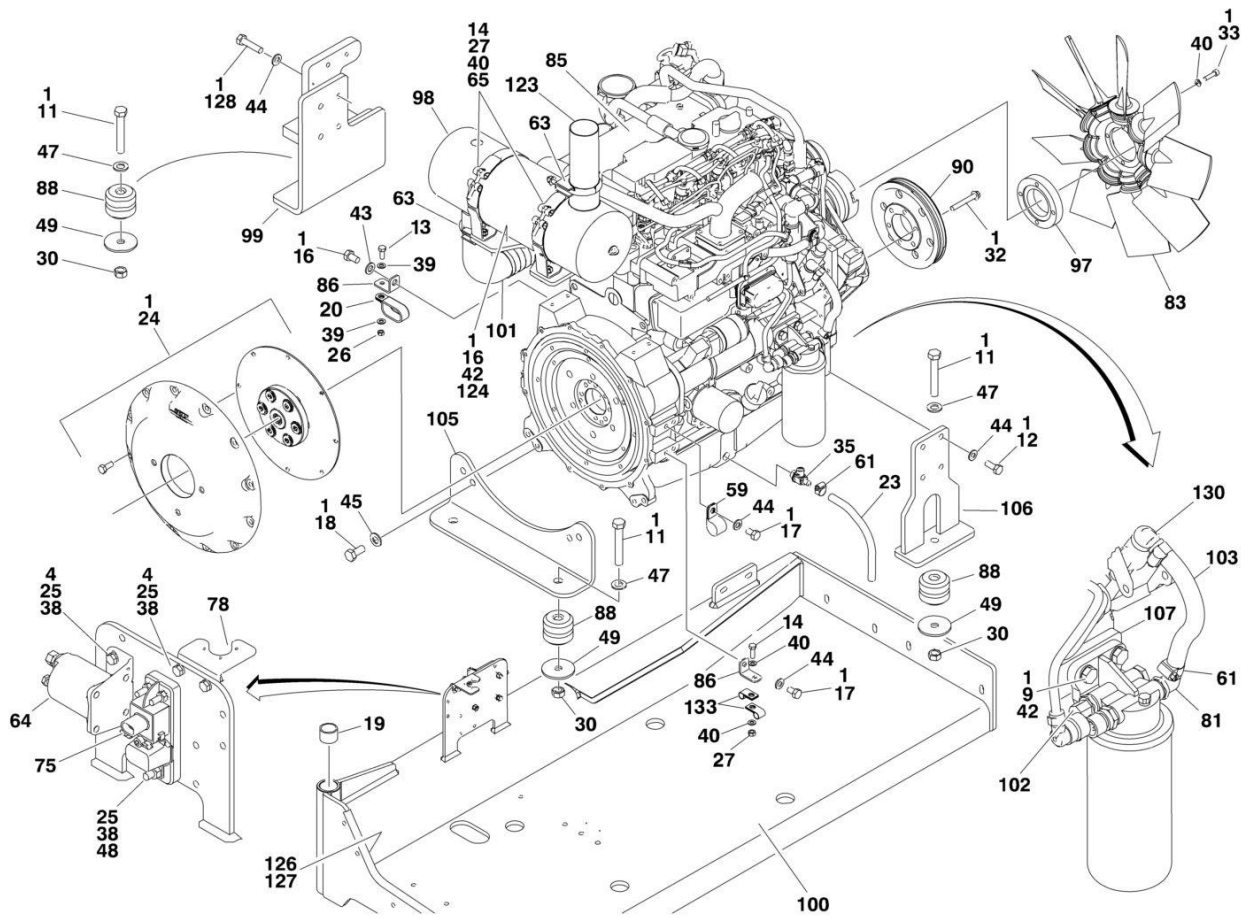
SECTION 3 - ENGINE

FIGURE 3-10. ENGINE ASSEMBLY (LRC) (WITHOUT COLD WEATHER PACKAGE)



ART_1001149867_S_10F2

SECTION 3 - ENGINE



ART_1001149867_S_20F2

SECTION 3 - ENGINE

FIGURE 3-10. ENGINE ASSEMBLY (LRC) (WITHOUT COLD WEATHER PACKAGE)

ITEM	PART NUMBER	QTY	DESCRIPTION	REV
	1001149867	Ref	DEUTZ LRC ENGINE ASSEMBLY	T
1	0100011	AR	Compound, Locking	
2	0100020	AR	Sealant	
3	0641606	2	Bolt 3/8 x 3/4	
4	0700612	20	Bolt M6 x 25	
5	0700815	2	Bolt M8 x 35	
6	0701013	2	Bolt M10 x 28	
7	0701015	6	Bolt M10 x 35	
8	0701016	2	Bolt M10 x 40	
9	0701017	2	Bolt M10 x 45	
10	0701019	1	Bolt M10 x 55	
11	0701627	4	Bolt M16 x 100	
12	0711214	4	Bolt M12 x 30 Grade 10.9	
13	0760810	5	Bolt M8 x 20	
14	0760812	7	Bolt M8 x 25	
15	0761008	2	Bolt M10 x 16	
16	0761012	10	Bolt M10 x 25	
17	0761210	3	Bolt M12 x 20	
18	0771415	4	Bolt M14 x 35 Grade 10.9	
19	0961951	2	Bushing	
20	1321716	1	Clamp	
22	2720015	5 ft/1.5m	Hose	
23	1001165035	1 ft/30.5m	Hose	
24	2902065	1	Pump Coupling Kit (See Separate Breakdown in this Section)	
25	3290607	23	Nut M6	
26	3290805	2	Nut M8	
27	3290807	9	Nut M8	
28	3291005	1	Nut M10	
29	3291007	10	Nut M10	
30	3291601	4	Nut M16	
31	3820032	9	Rivet	
32	5251022	6	Bolt M10 x 70	
33	4031912	4	Capscrew M8 x 40	
34	4240099	AR	Tie-Strap (Not Shown)	
35	4640751	1	Valve, Oil Drain	
36	4711600	2	Washer 3/8	
37	4811600	4	Washer M5	
38	4811700	41	Washer M6	
39	4811702	4	Washer M6	
40	4811900	25	Washer M8	
41	4811902	4	Washer M8	
42	4812000	34	Washer M10	
43	4812002	1	Washer M10	
44	4812100	11	Washer M12	
45	4812200	4	Washer M14	
46	5241000	2	Washer M10	
47	5241600	4	Washer M16	
48	5271614	1	Capscrew M16 x 50	
49	7300435	4	Washer	
50	8278020	1	Mount	

SECTION 3 - ENGINE

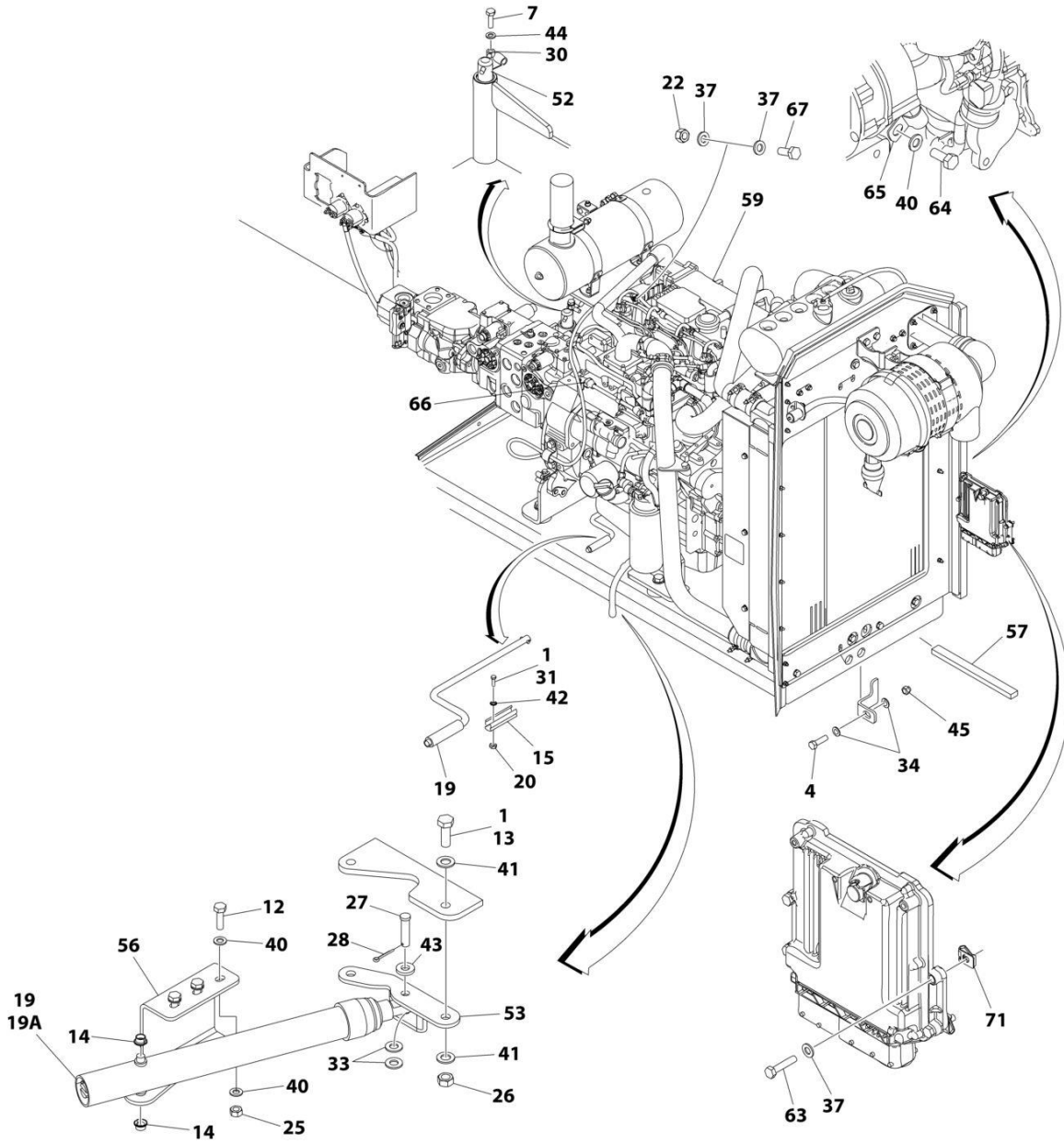
ITEM	PART NUMBER	QTY	DESCRIPTION	REV
51	8305401	2	Nut 1/4	
52	8307109	2	Washer 1/4	
53	8310548	2	Screw 1/4 x 1/2	
54	8405007	2	Clamp	
55	8405104	4	Clamp	
58	8406109	2	Clamp	
59	8406303	1	Clip	
60	8410011	1	Clamp	
61	8410013	3	Clamp	
62	91563070	1	Coupling, Rubber	
63	1001111116	2	Clamp	
64	1001117308	1	Relay	
65	1001119727	2	Clamp	
67	1001166393	1	Tank	
68	1001134488	1	Fitting, 90 NPT/Barbed	
69	1001135943	1	Coupling	
71	1001138827	1	Sensor	
72	1001136834	1	Cap	
73	1001138173	1	Support	
74	1001138175	1	Bracket	
75	1001138228	1	Module, Relay	
75	70023592	1	Fuse 20Amp	
75	70023593	1	Fuse 30Amp	
76	1001138248	5 ft/1.5m	Tubing	
77	1001138559	1	Fitting, 90 NPT	
78	1001139240	1	Bracket	
79	1001140564	1	Fitting, 90 NPT/Barbed	
80	1001141995	1	Fitting, Straight NPT/Barbed	
81	1001142501	1	Fitting, 90 NPT/Barbed	
82	1001143390	1	Indicator, Air Restriction	
83	1001177137	1	Fan	
84	1001147847	1	Filter, Air	
84	70023809	1	Element, Primary	
84	70023872	1	Element, Secondary	
84	70024328	1	Elbow, Rubber	
84	70024329	1	Clamp, Mounting	
85	1001251857	1	Deutz LRC Engine Components (See Separate Breakdown in this Section)	
86	1001148641	2	Bracket	
87	1001256862	1	Radiator	
88	1001149517	4	Mount, Motor	
89	1001192138	1	Shroud	
90	1001149746	1	Pulley	
91	1001150498	1	Tube	
92	1001150499	1	Hose	
93	1001191122	1	Hose	
94	1001150504	1	Hose	
95	1001150505	1	Pipe	
96	1001150553	1	Hose	
97	1001177134	1	Adapter	
98	1001151432	1	Muffler	
99	1001151491	1	Support	

SECTION 3 - ENGINE

ITEM	PART NUMBER	QTY	DESCRIPTION	REV
100	1001151749	1	Tray	
101	1001151761	1	Pipe, Exhaust	
102	1001152489	1	Fitting, 90 Barbed	
103	1001154405	8.5 in/ 21cm	Hose	
104	1001155023	1	Plate	
105	1001155496	1	Support	
106	1001160518	1	Support	
107	1001155498	1	Plate	
108	1001155525	1	Support	
109	1001155540	2	Washer	
110	1001157862	1	Bracket	
111	1001212817	1	Plate	
112	1001155557	2	Plate	
113	1001155563	1	Seal	
114	1001155564	1	Bracket	
115	1001155565	1	Seal	
116	1001155566	1	Bracket	
117	1001156034	1	Seal	
118	1001156035	1	Bracket	
119	1001156062	1	Bracket	
120	1001156091	1	Hose	
121	1001156112	1	Tube	
122	1001156644	2	Seal	
123	1001158262	1	Pipe, Exhaust	
124	1001158289	1	Bracket	
125	1001155728	1	Seal	
126	4060807	22 in/ 55cm	Flex-Trim	
127	0100081	AR	Adhesive	
128	0711218	4	Bolt M12 x 50 Grade 10.9	
129	1320022	4	Clamp	
130	1001170982	1	Fitting, 90 SAE/Barbed	
132	1703162	2	Decal - Fan Blade	
133	8406110	2	Clip	
134	8410012	3	Clamp	
135	1001208297	1	Clamp	
136	1001208298	2	Clamp	
137	1001208299	3	Clamp	
138	0760614	2	Bolt M6 x 30	

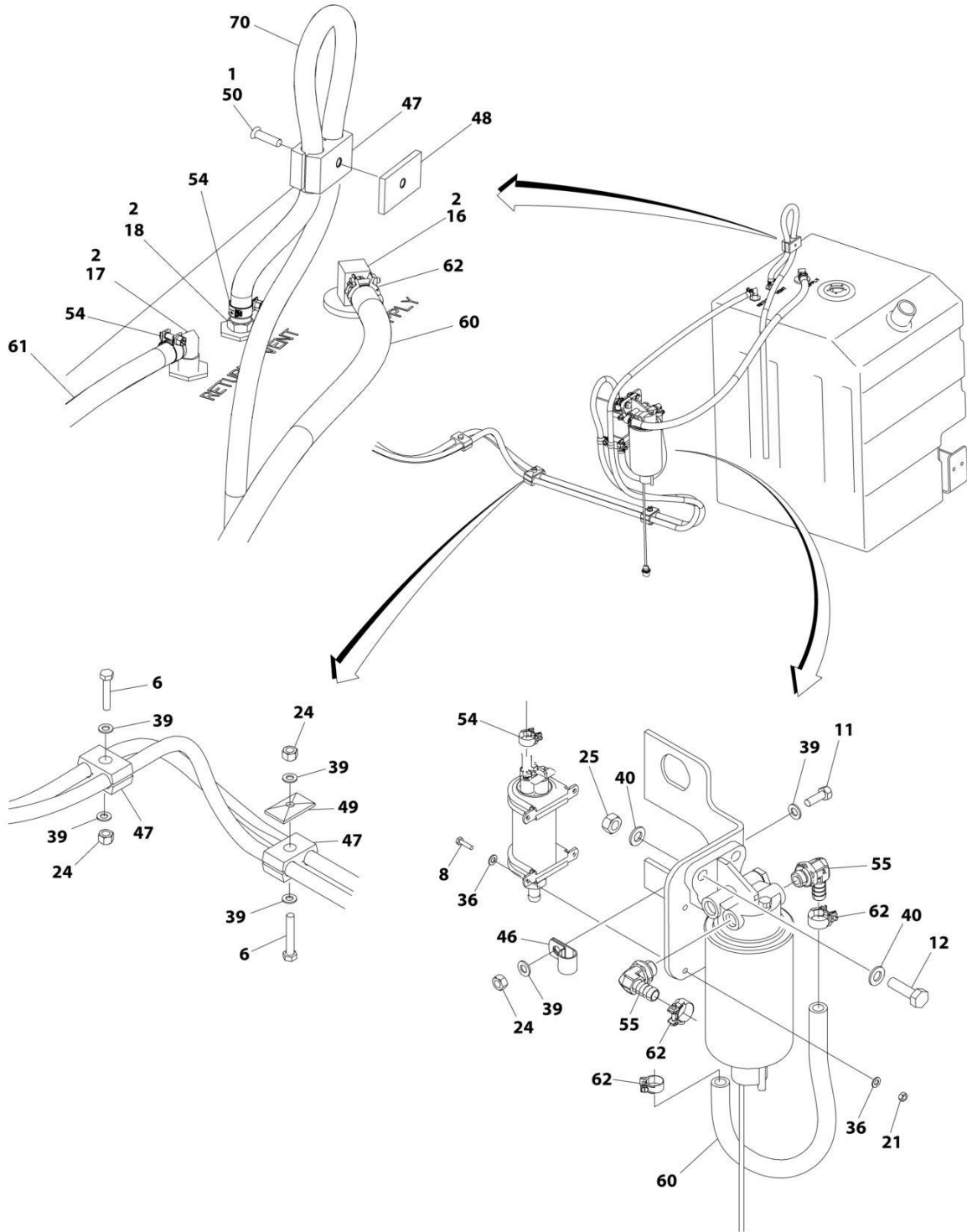
SECTION 3 - ENGINE

FIGURE 3-11. ENGINE INSTALLATION (LRC) (WITH COLD WEATHER PACKAGE)



ART_1001197308_K_10F2

SECTION 3 - ENGINE



ART_1001197308_K_2OF2

SECTION 3 - ENGINE

FIGURE 3-11. ENGINE INSTALLATION (LRC) (WITH COLD WEATHER PACKAGE)

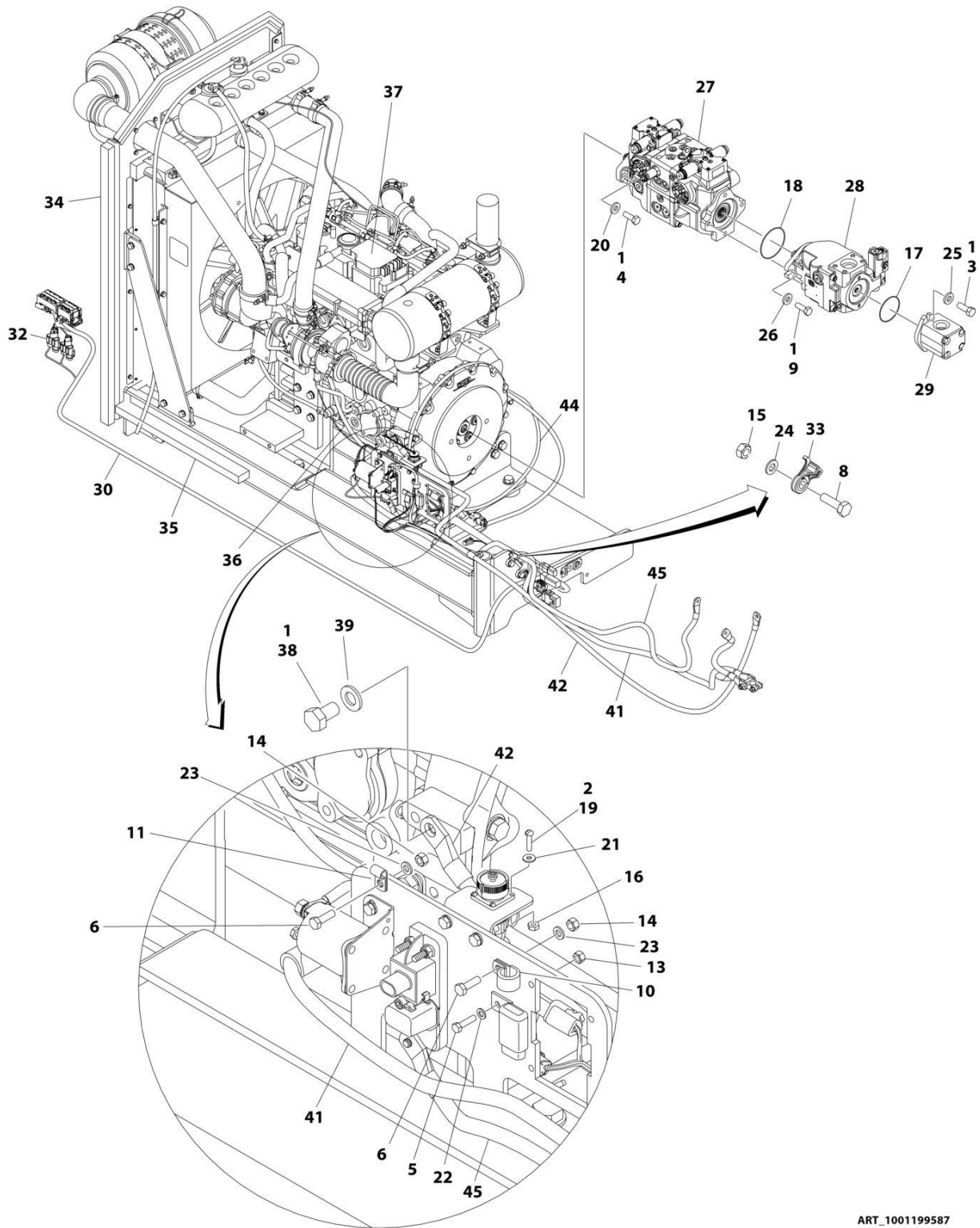
ITEM	PART NUMBER	QTY	DESCRIPTION	REV
	1001197308	Ref	ENGINE INSTALLATION (LRC) (WITH COLD WEATHER PACKAGE)	K
1	0100011	AR	Compound, Locking	
2	0100020	AR	Sealant	
3	0440162	1	Bearing (Not Shown)	
4	0642220	1	Bolt 3/4 x 2-1/2	
6	0700818	3	Bolt M8 x 50	
7	0711015	1	Bolt M10 x 35	
8	0760408	4	Bolt M4 x 16	
11	0760812	1	Bolt M8 x 25	
12	0761015	5	Bolt M10 x 35	
13	0771416	2	Bolt M14 x 40	
14	0962051	2	Bearing	
15	1380147	1	Clip	
16	2180832	1	Fitting, Straight Barbed/NPTF	
17	2220313	1	Fitting, 90 Barbed/NPTF	
18	2221114	1	Fitting, Straight Barbed/NPT	
19	2840016	1	Tray Jack Assembly	
19	7016322	1	Wiper (Burr Brand)	
19A	7016374	1	Handle (Burr Brand)	
19A	7024598	1	Handle (Hammerblow Brand)	
20	3290301	2	Nut M3	
21	3290405	4	Nut M4	
22	3290605	1	Nut M6	
24	3290807	4	Nut M8	
25	3291007	5	Nut M10	
26	3331411	2	Nut M14	
27	3430816	1	Pin	
28	3450404	1	Pin, Cotter 1/8 x 1	
30	3841143	1	Keeper, Pin	
31	4010308	2	Screw M3 x 16	
32	4240099	AR	Tie-Strap (Not Shown)	
33	4711800	2	Washer 1/2	
34	4712200	2	Washer 3/4	
36	4811400	8	Washer M4	
37	4811700	6	Washer M6	
39	4811900	8	Washer M8	
40	4812000	11	Washer M10	
41	4812200	4	Washer M14	
42	4871200	2	Washer M3	
43	4891800	1	Washer 1/2	
44	5241000	1	Washer M10	
45	8310067	1	Nut 3/4	
46	8406101	1	Clip	
47	8750014	4	Clamp	
48	8750031	1	Plate, Clamp	
49	8769123	2	Cover, Clamp	
50	1001101580	1	Screw M8 x 30	
52	1001135196	1	Pin	
53	1001135497	1	Support	

SECTION 3 - ENGINE

ITEM	PART NUMBER	QTY	DESCRIPTION	REV
54	1001136975	5	Clamp	
55	1001142501	2	Fitting, 90 Barbed	
56	1001155939	1	Mount	
57	1001206747	1	Seal	
59	1001199587	1	Engine Assembly with Pumps (LRC) (With Cold Weather Package) (See Separate Breakdown in this Section)	
60	1001154405	53 in /1.4m	Hose	
61	1001165035	31 ft /9.4m	Hose	
62	1001186342	4	Clip	
63	0700614	4	Bolt M6 x 30	
64	0761009	1	Bolt M10 x 18	
65	8406105	1	Clip	
66	1001155823	1	Fitting, 90 Barbed	
67	0760608	1	Bolt M6 x 16	
70	2750532	4 ft /1.2m	Hose	
71	8305919	4	Nut, Retainer M6	

SECTION 3 - ENGINE

FIGURE 3-12. ENGINE ASSEMBLY WITH PUMPS (LRC) (WITH COLD WEATHER PACKAGE)



ART_1001199587

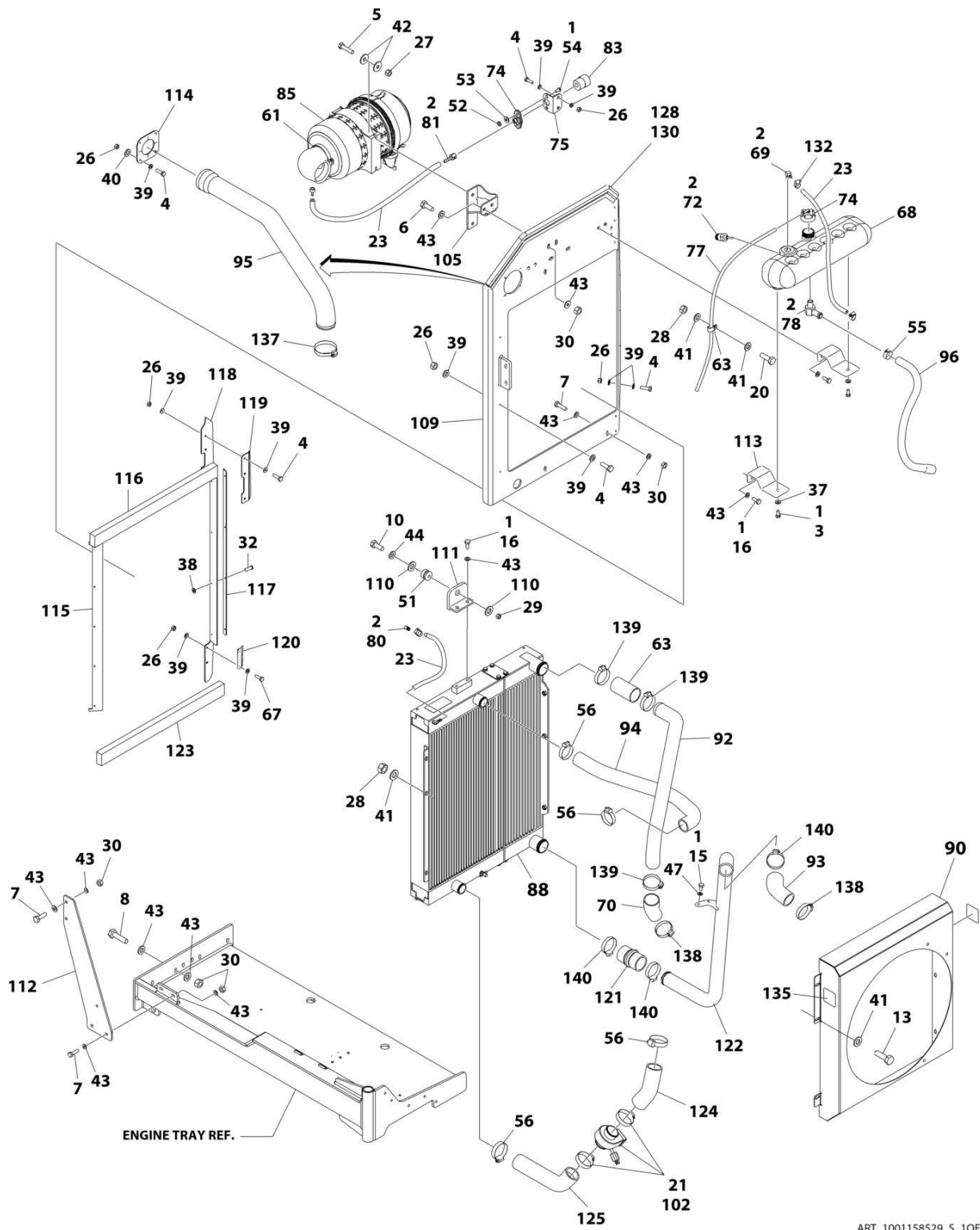
SECTION 3 - ENGINE

FIGURE 3-12. ENGINE ASSEMBLY WITH PUMPS (LRC) (WITH COLD WEATHER PACKAGE)

ITEM	PART NUMBER	QTY	DESCRIPTION	REV
	1001199587	Ref	ENGINE ASSEMBLY WITH PUMPS (LRC) (WITH COLD WEATHER PACKAGE)	J
1	0100011	AR	Compound, Locking	
2	0100035	AR	Compound, Locking	
3	0641608	2	Bolt 3/8 x 1	
4	0641812	2	Bolt 1/2 x 1-1/2	
5	0700510	1	Bolt M5 x 20	
6	0760610	2	Bolt M6 x 20	
8	0761015	2	Bolt M10 x 35	
9	0761216	2	Bolt 12 x 40	
10	1320041	1	Clamp	
11	1320136	1	Clamp	
13	3290507	1	Nut M5	
14	3290607	2	Nut M6	
15	3291007	2	Nut M10	
16	3310401	3	Nut #4	
17	3790152	1	O-Ring	
18	3790155	1	O-Ring	
19	3910408	3	Screw #4 x 1/2	
20	4740171	2	Washer	
21	4750400	3	Washer #4	
22	4811600	2	Washer M5	
23	4811700	2	Washer M6	
24	4812000	2	Washer M10	
25	4891600	2	Washer 3/8	
26	4891800	2	Washer 1/2	
27	1001108616	1	Tandem Pump Assembly (See Separate Breakdown in this Section)	
28	1001199470	1	Piston Pump Assembly (See Separate Breakdown in this Section)	
29	1001112927	1	Gear Pump Assembly (See Separate Breakdown in this Section)	
30	1001149971	1	Engine Harness (See Separate Breakdown in ELECTRICAL SECTION)	
32	1001156001	1	Engine Harness Can (See Separate Breakdown in ELECTRICAL SECTION)	
33	1001156107	2	Holder, Cable	
34	1001156718	1	Seal	
35	1001206747	1	Seal	
36	1001157073	1	Cable, Alternator	
37	1001158529	1	Engine Assembly (LRC) (With Cold Weather Package) (See Separate Breakdown in this Section)	
38	0761210	1	Bolt M12 x 20	
39	4812100	1	Washer M12	
41	1001234791	1	Cable, Battery Positive	
42	1001202355	1	Cable, Battery Negative	
44	1001168734	1	Cable, Glow Plug	
45	1001222918	1	Cable, System B+	

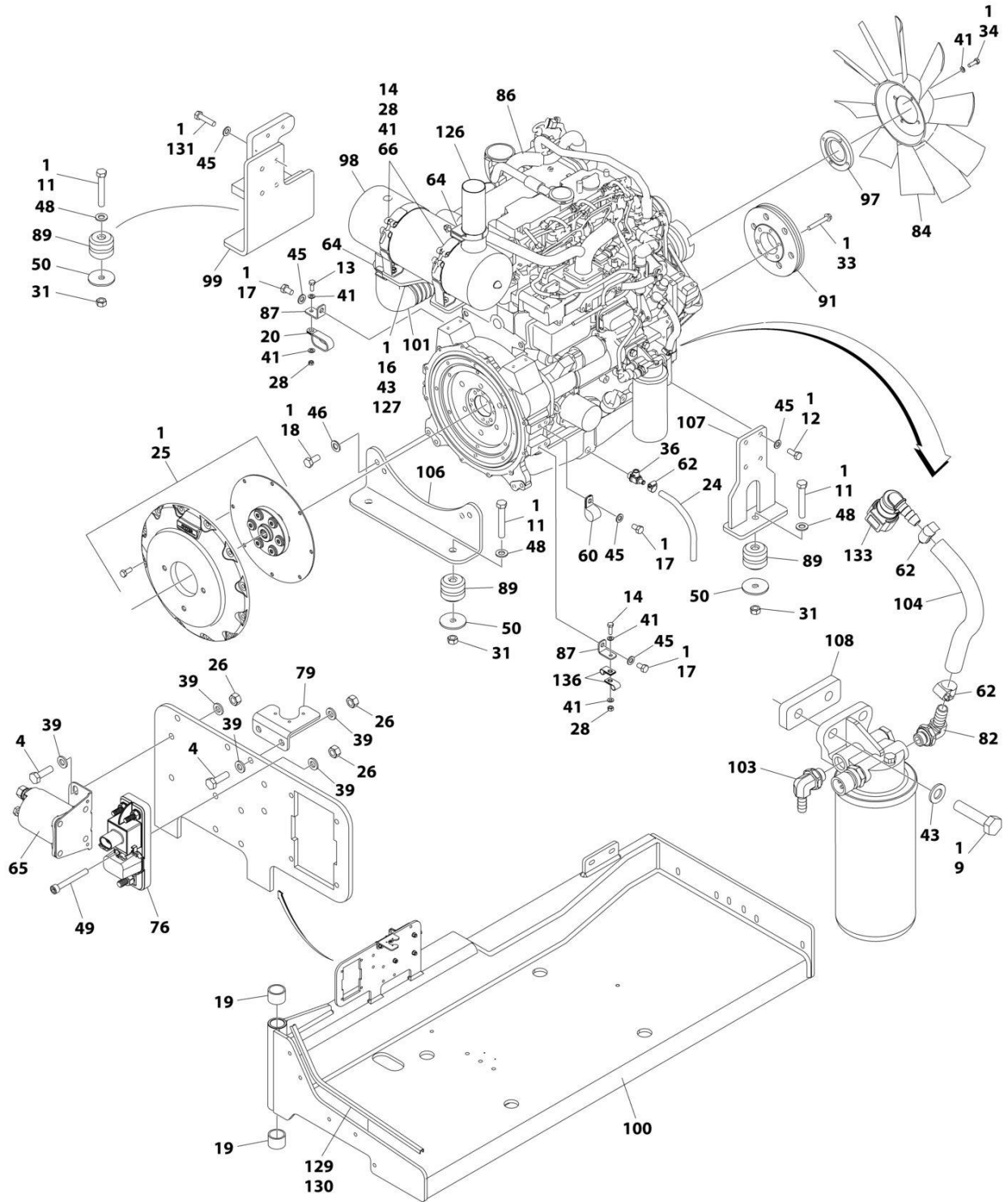
SECTION 3 - ENGINE

FIGURE 3-13. ENGINE ASSEMBLY (LRC) (WITH COLD WEATHER PACKAGE)



ART_1001158529_S_10F2

SECTION 3 - ENGINE



ART_1001158529_S_20F2

SECTION 3 - ENGINE

FIGURE 3-13. ENGINE ASSEMBLY (LRC) (WITH COLD WEATHER PACKAGE)

ITEM	PART NUMBER	QTY	DESCRIPTION	REV
	1001158529	Ref	DEUTZ LRC ENGINE ASSEMBLY - WITH COLD WEATHER PKG	T
1	0100011	AR	Compound, Locking	
2	0100020	AR	Sealant	
3	0641606	2	Bolt 3/8 x 3/4	
4	0700612	20	Bolt M6 x 25	
5	0700815	2	Bolt M8 x 35	
6	0701013	2	Bolt M10 x 28	
7	0701015	6	Bolt M10 x 35	
8	0701016	2	Bolt M10 x 40	
9	0701017	2	Bolt M10 x 45	
10	0701019	1	Bolt M10 x 55	
11	0701627	4	Bolt M16 x 100	
12	0711214	4	Bolt M12 x 30 Grade 10.9	
13	0760810	5	Bolt M8 x 20	
14	0760812	7	Bolt M8 x 25	
15	0761008	2	Bolt M10 x 16	
16	0761012	10	Bolt M10 x 25	
17	0761210	3	Bolt M12 x 20	
18	0771415	4	Bolt M14 x 35 Grade 10.9	
19	0961951	2	Bushing	
20	1321716	1	Clamp	
21	1702942	1	Decal - Engine Block Heater	
23	2720015	5 ft/1.5m	Hose	
24	1001165035	1 ft/30.5m	Hose	
25	2902065	1	Pump Coupling Kit (See Separate Breakdown in this Section)	
26	3290607	23	Nut M6	
27	3290805	2	Nut M8	
28	3290807	9	Nut M8	
29	3291005	1	Nut M10	
30	3291007	10	Nut M10	
31	3291601	4	Nut M16	
32	3820032	9	Rivet	
33	5251022	6	Bolt M10 x 70	
34	4031912	4	Capscrew M8 x 40	
35	4240099	AR	Tie-Strap (Not Shown)	
36	4640751	1	Valve, Oil Drain	
37	4711600	2	Washer 3/8	
38	4811600	4	Washer M5	
39	4811700	41	Washer M6	
40	4811702	4	Washer M6	
41	4811900	25	Washer M8	
42	4811902	4	Washer M8	
43	4812000	34	Washer M10	
44	4812002	1	Washer M10	
45	4812100	11	Washer M12	
46	4812200	4	Washer M14	
47	5241000	2	Washer M10	
48	5241600	4	Washer M16	
49	5271614	1	Capscrew M16 x 50	
50	7300435	4	Washer	

SECTION 3 - ENGINE

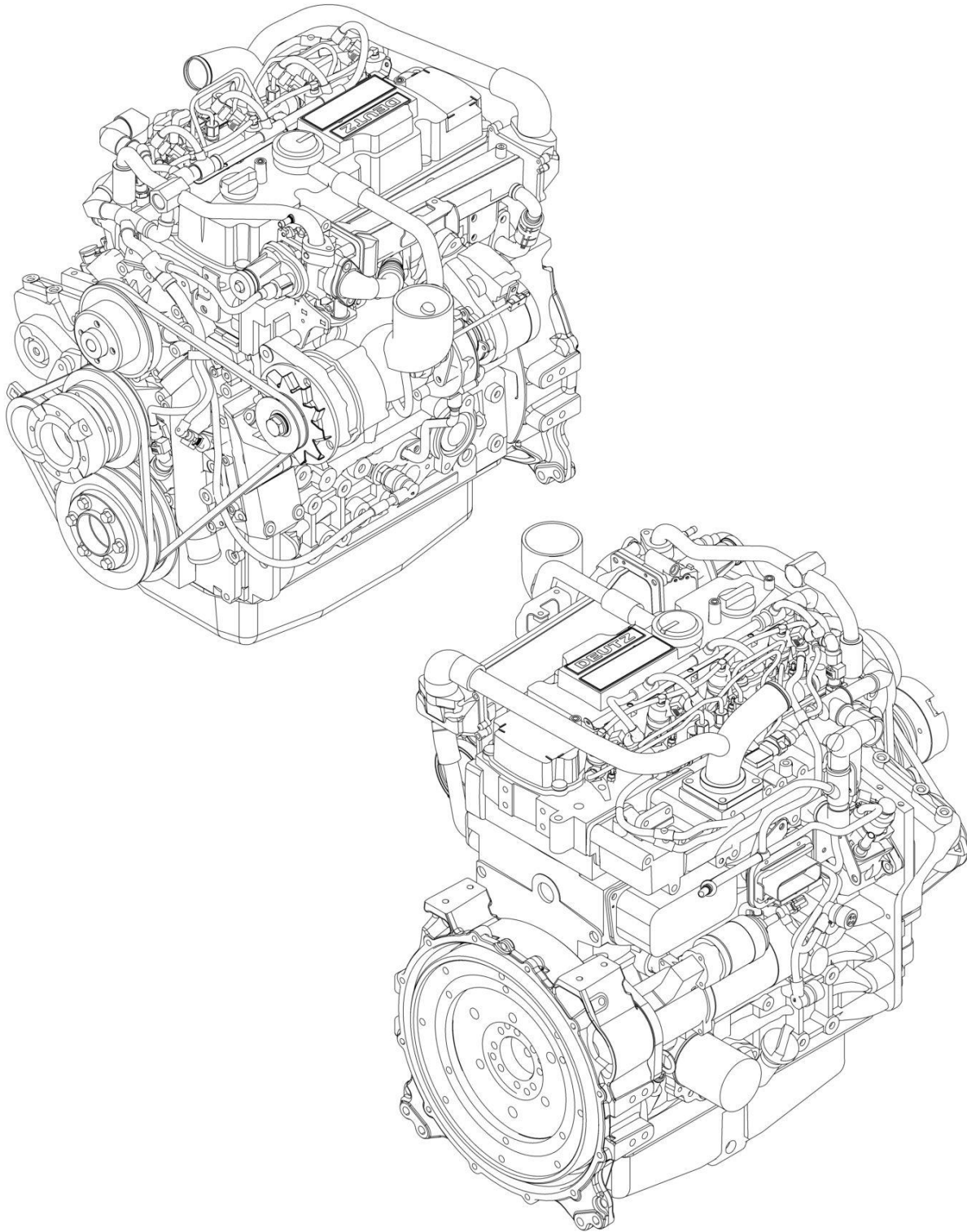
ITEM	PART NUMBER	QTY	DESCRIPTION	REV
51	8278020	1	Mount	
52	8305401	2	Nut 1/4	
53	8307109	2	Washer 1/4	
54	8310548	2	Screw 1/4 x 1/2	
55	8405007	2	Clamp	
56	8405104	4	Clamp	
59	8406109	2	Clamp	
60	8406303	1	Clip	
61	8410011	1	Clamp	
62	8410013	3	Clamp	
63	91563070	1	Coupling, Rubber	
64	1001111116	2	Clamp	
65	1001117308	1	Relay	
66	1001119727	2	Clamp	
67	0760614	2	Bolt M6 x 30	
68	1001166393	1	Tank	
69	1001134488	1	Fitting, 90 NPT/Barbed	
70	1001135943	1	Coupling	
72	1001138827	1	Sensor	
73	1001136834	1	Cap	
74	1001138173	1	Support	
75	1001138175	1	Bracket	
76	1001138228	1	Module, Relay	
76	70023592	1	Fuse 20Amp	
76	70023593	1	Fuse 30Amp	
77	1001138248	5 ft/1.5m	Tubing	
78	1001138559	1	Fitting, 90 NPT	
79	1001139240	1	Bracket	
80	1001140564	1	Fitting, 90 NPT/Barbed	
81	1001141995	1	Fitting, Straight NPT/Barbed	
82	1001142501	1	Fitting, 90 NPT/Barbed	
83	1001143390	1	Indicator, Air Restriction	
84	1001177137	1	Fan	
85	1001147847	1	Filter, Air	
85	70023809	1	Element, Primary	
85	70023872	1	Element, Secondary	
85	70024328	1	Elbow, Rubber	
85	70024329	1	Clamp, Mounting	
86	1001251857	1	Deutz LRC Engine Components (See Separate Breakdown in this Section)	
87	1001148641	2	Bracket	
88	1001256862	1	Radiator	
89	1001149517	4	Mount, Motor	
90	1001192138	1	Shroud	
91	1001149746	1	Pulley	
92	1001150498	1	Tube	
93	1001150499	1	Hose	
94	1001191122	1	Hose	
95	1001150505	1	Pipe	
96	1001150553	1	Hose	
97	1001177134	1	Adapter	
98	1001151432	1	Muffler	

SECTION 3 - ENGINE

ITEM	PART NUMBER	QTY	DESCRIPTION	REV
99	1001151491	1	Support	
100	1001151749	1	Tray	
101	1001151761	1	Pipe, Exhaust	
102	1001152112	1	Heater, Engine Block	
103	1001152489	1	Fitting, 90 Barbed	
104	1001154405	8.5 in /21cm	Hose	
105	1001155023	1	Plate	
106	1001155496	1	Support	
107	1001160518	1	Support	
108	1001155498	1	Plate	
109	1001155525	1	Support	
110	1001155540	2	Washer	
111	1001157862	1	Bracket	
112	1001212817	1	Plate	
113	1001155557	2	Plate	
114	1001155563	1	Seal	
115	1001155564	1	Bracket	
116	1001155565	1	Seal	
117	1001155566	1	Bracket	
118	1001156034	1	Seal	
119	1001156035	1	Bracket	
120	1001156062	1	Bracket	
121	1001156091	1	Hose	
122	1001156112	1	Tube	
123	1001156644	2	Seal	
124	1001157300	1	Hose, Lower Radiator (Top Section)	
125	1001157301	1	Hose, Lower Radiator (Bottom Section)	
126	1001158262	1	Pipe, Exhaust	
127	1001158289	1	Bracket	
128	1001155728	1	Seal	
129	4060807	22 in/ 55cm	Flex-Trim	
130	0100081	AR	Adhesive	
131	0711218	4	Bolt M12 x 50 Grade 10.9	
132	1320022	4	Clamp	
133	1001170982	1	Fitting, 90 SAE/Barbed	
135	1703162	2	Decal - Fan Blade	
136	8406110	2	Clip	
137	1001208297	1	Clamp	
138	1001208298	2	Clamp	
139	1001208299	3	Clamp	
140	8410012	3	Clamp	

SECTION 3 - ENGINE

FIGURE 3-14. DEUTZ LRC ENGINE COMPONENTS



ART_1001251857

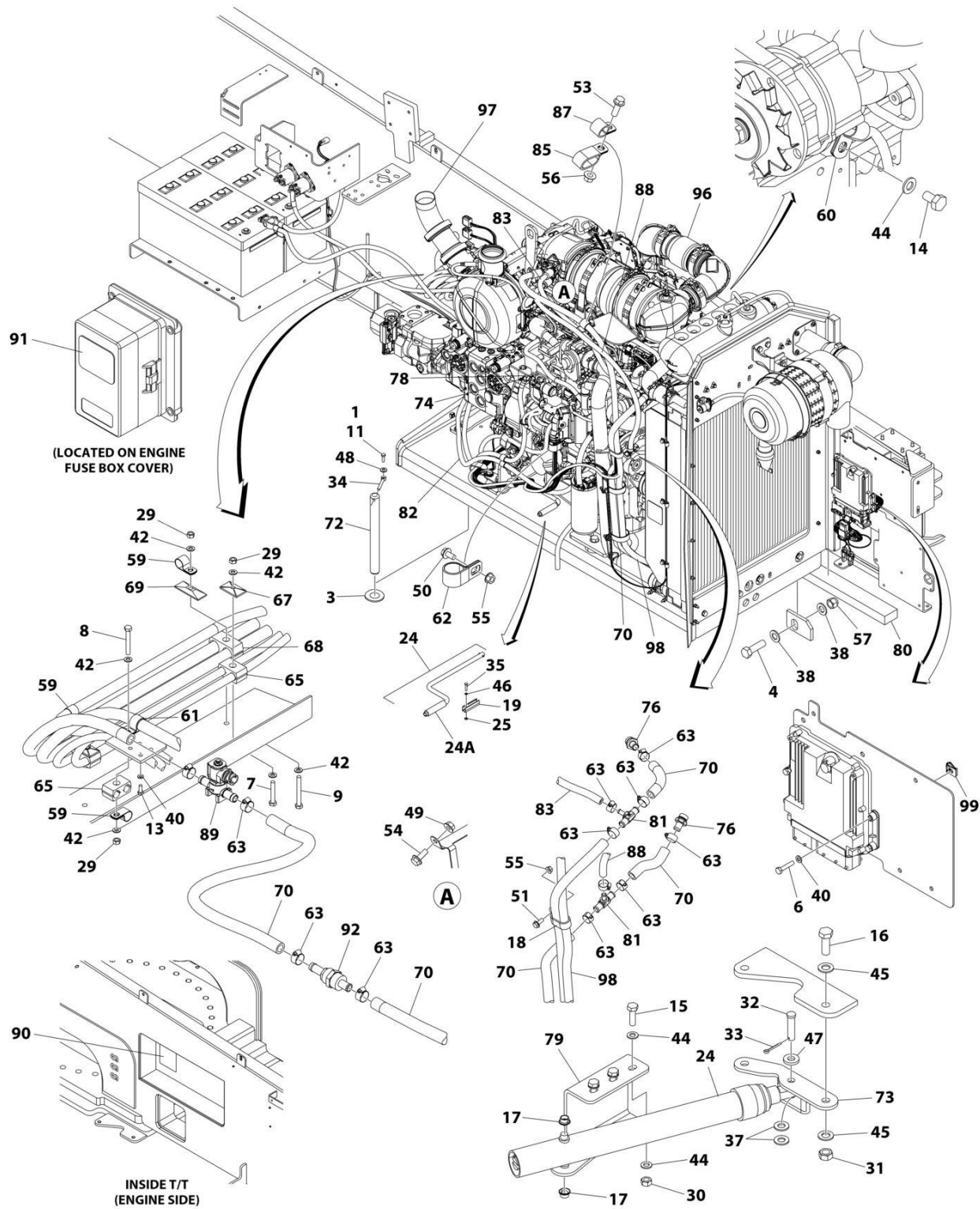
SECTION 3 - ENGINE

FIGURE 3-14. DEUTZ LRC ENGINE COMPONENTS

ITEM	PART NUMBER	QTY	DESCRIPTION	REV
	1001251857	Ref	DEUTZ ENGINE COMPONENTS	A
		Ref	Note: For complete list of parts, contact JLG Parts Department	
		Ref	Air Intake System Components	
	70004518	1	Turbocharger	
		Ref	Cooling System Components	
	70004515	1	Pump, Coolant	
		Ref	Electrical System Components	
	70024472	1	Module, ECU/ECM	
	70029401	1	Generator (Includes Regulator & Fan)	
	70006653	1	Regulator	
	70004520	1	Starter (Includes Solenoid)	
	70025780	1	Relay	
	70005564	1	Harness, Engine	
	70026210	1	Sender, Tacho-Generator (Speed) (On Front Cover) (Includes Seal)	
	70028540	1	Sender, Temperature (On Thermostat Housing)	
	70024507	1	Sensor, Pressure (Includes Seal) (On Air Intake Manifold)	
	70024504	1	Sensor, Pressure (Includes Seal) (On Block)	
	70024474	4	Plug, Glow	
		Ref	Exhaust System Components	
	70027569	1	Valve, EGR	
		Ref	Fuel System Components	
	70024487	1	Pump, Fuel Injector	
	70024485	4	Injector (Includes Seal, Clamp & O-Ring)	
	70006144	1	Pump, Fuel Supply (Includes Clamps)	
	70025153	1	Filter, Fuel (Pre-Filter)	
	70004512	1	Filter, Fuel	
		Ref	Lubricating System Components	
	70025745	1	Dipstick	
	7020465	2	Cap, Oil Fill	
	70025088	1	Plug, Oil Drain	
	7020404	2	Seal, Oil Drain Plug	
		Ref	Pump, Oil (Includes Bolts & Bushing)	
	7016331	1	Filter, Oil	
	70024494	1	Cooler, Oil	
		Ref	Mechanical Components	
	70004517	1	V-Belt	
	70004519	1	V-Belt	
	70024481	1	Gasket, Valve Cover	
	70025789	1	Gasket, Head	

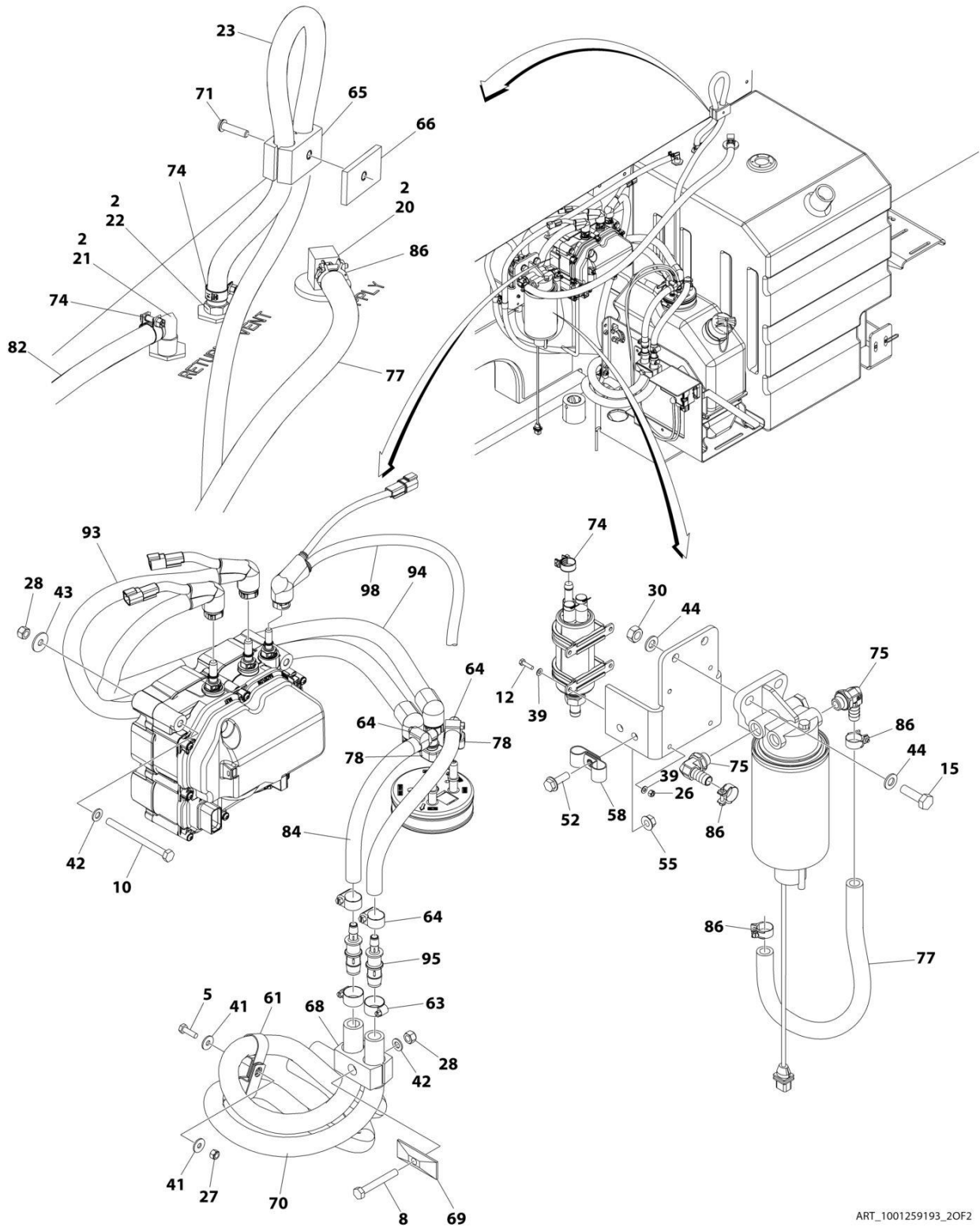
SECTION 3 - ENGINE

FIGURE 3-15. ENGINE INSTALLATION (HRC) (STAGE V) (WITHOUT COLD WEATHER PACKAGE)



ART_1001259193_10F2

SECTION 3 - ENGINE



ART_1001259193_2OF2

SECTION 3 - ENGINE

FIGURE 3-15. ENGINE INSTALLATION (HRC) (STAGE V) (WITHOUT COLD WEATHER PACKAGE)

ITEM	PART NUMBER	QTY	DESCRIPTION	REV
	1001259193	Ref	ENGINE INSTALLATION (HRC)	D
1	0100011	AR	Compound, Locking	
2	0100020	AR	Sealant	
3	0440162	1	Bearing	
4	0642220	1	Bolt 3/4 x 2-1/2	
5	0700610	1	Bolt M6 x 20	
6	0700614	4	Bolt M6 x 30	
7	0700818	2	Bolt M8 x 50	
8	0700820	2	Bolt M8 x 60	
9	0700822	2	Bolt M8 x 70	
10	0700827	3	Bolt M8 x 100	
11	0711015	1	Bolt M10 x 35	
12	0760408	4	Bolt M4 x 16	
13	0760608	4	Bolt M6 x 16	
14	0761009	1	Bolt M10 x 18	
15	0761015	5	Bolt M10 x 35	
16	0771416	2	Bolt M14 x 40	
17	0962051	2	Bearing	
18	1321716	1	Clamp	
19	1380147	1	Clip	
20	2180832	1	Fitting, Straight Barbed/NPTF	
21	2220313	1	Fitting, 90 Barbed/NPTF	
22	2221114	1	Fitting, Straight Barbed/NPT	
23	2750532	4 ft/ 1.2m	Hose	
24	2840016	1	Tray Jack Assembly	
24	7016322	1	Wiper (Burr Brand)	
24A	7016374	1	Handle (Burr Brand)	
24A	7024598	1	Handle (Hammerblow Brand)	
25	3290301	2	Nut M3	
26	3290405	4	Nut M4	
27	3290605	1	Nut M6	
28	3290805	4	Nut M8	
29	3290807	5	Nut M8	
30	3291007	5	Nut M10	
31	3331411	2	Nut M14	
32	3430816	1	Pin	
33	3450404	1	Pin, Cotter 1/8 x 1	
34	3841143	1	Keeper, Pin	
35	4010308	2	Screw M3 x 16	
36	4240099	AR	Tie-Strap (Not Shown)	
37	4711800	2	Washer 1/2	
38	4712200	2	Washer 3/4	
39	4811400	8	Washer M4	
40	4811700	8	Washer M6	
41	4811702	2	Washer M6	
42	4811900	14	Washer M8	
43	4811902	3	Washer M8	
44	4812000	11	Washer M10	
45	4812200	4	Washer M14	
46	4871200	2	Washer M3	

SECTION 3 - ENGINE

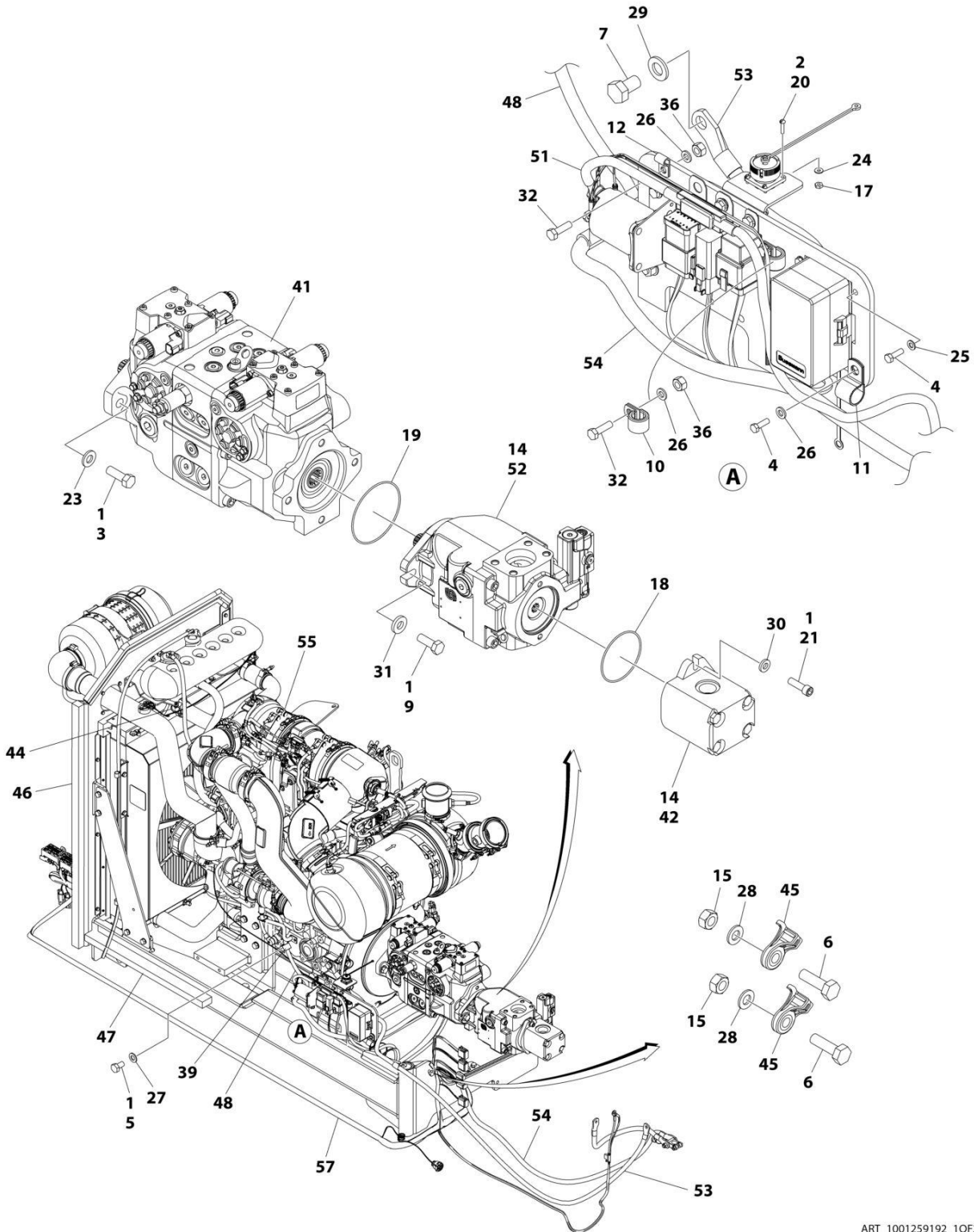
ITEM	PART NUMBER	QTY	DESCRIPTION	REV
47	4891800	1	Washer 1/2	
48	5241000	1	Washer M10	
49	5250608	1	Bolt M6 x 16	
50	5250808	1	Bolt M8 x 16	
51	5250810	1	Bolt M8 x 20	
52	5250812	1	Bolt M8 x 25	
53	5251215	1	Bolt M12 x 35	
54	5260600	1	Nut M6	
55	5260800	3	Nut M8	
56	5261200	1	Nut M12	
57	8310067	1	Nut 3/4	
58	8406101	2	Clip	
59	8406102	3	Clip	
60	8406105	1	Clip	
61	8406201	3	Clip	
62	8406303	1	Clamp	
63	8410009	14	Clamp	
64	8410013	4	Clamp	
65	8750014	4	Clamp	
66	8750031	1	Plate, Clamp	
67	8769123	2	Cover, Clamp	
68	8769127	3	Cover, Clamp	
69	77133137	3	Cover, Clamp	
70	82033995	374 in/ 9.5m	Hose	
71	1001101580	1	Screw M8 x 30	
72	1001135196	1	Pin	
73	1001135497	1	Support	
74	1001136975	5	Clamp	
75	1001142501	2	Fitting, 90 Barbed	
76	1001154262	2	Fitting, Straight Barbed	
77	1001154405	51 in/ 1.3m	Hose	
78	1001155823	3	Fitting, 90 Barbed	
79	1001155939	1	Mount	
80	1001206747	1	Seal	
81	1001162212	2	Fitting, Tee Barbed	
82	1001165035	28 ft/ 8.4m	Hose	
83	1001169409	1	Hose	
84	1001181625	1.65 ft/ 0.50m	Hose	
85	1001181899	1	Clamp	
86	1001186342	4	Clip	
87	1001191620	1	Clamp	
88	1001193980	1	Hose, Return	
89	1001199670	1	Valve, Flow	
90	1001212056	1	Decal - Engine Fuse Box	
91	1001224046	1	Decal - Engine Fuse Box Cover	
92	1001228872	1	Filter, Coolant Screen	
93	1001238401	1	Hose, Backflow	
94	1001238402	1	Hose, Suction	

SECTION 3 - ENGINE

ITEM	PART NUMBER	QTY	DESCRIPTION	REV
95	1001238470	2	Fitting, Reducer Barbed	
96	1001259192	1	Engine Assembly with Pumps (HRC) (Stage V) (With Cold Weather Package) (See Separate Breakdown in this Section)	
97	1001259204	1	Pipe	
98	1001260287	1	Hose	
99	8305919	4	Nut, Retainer	

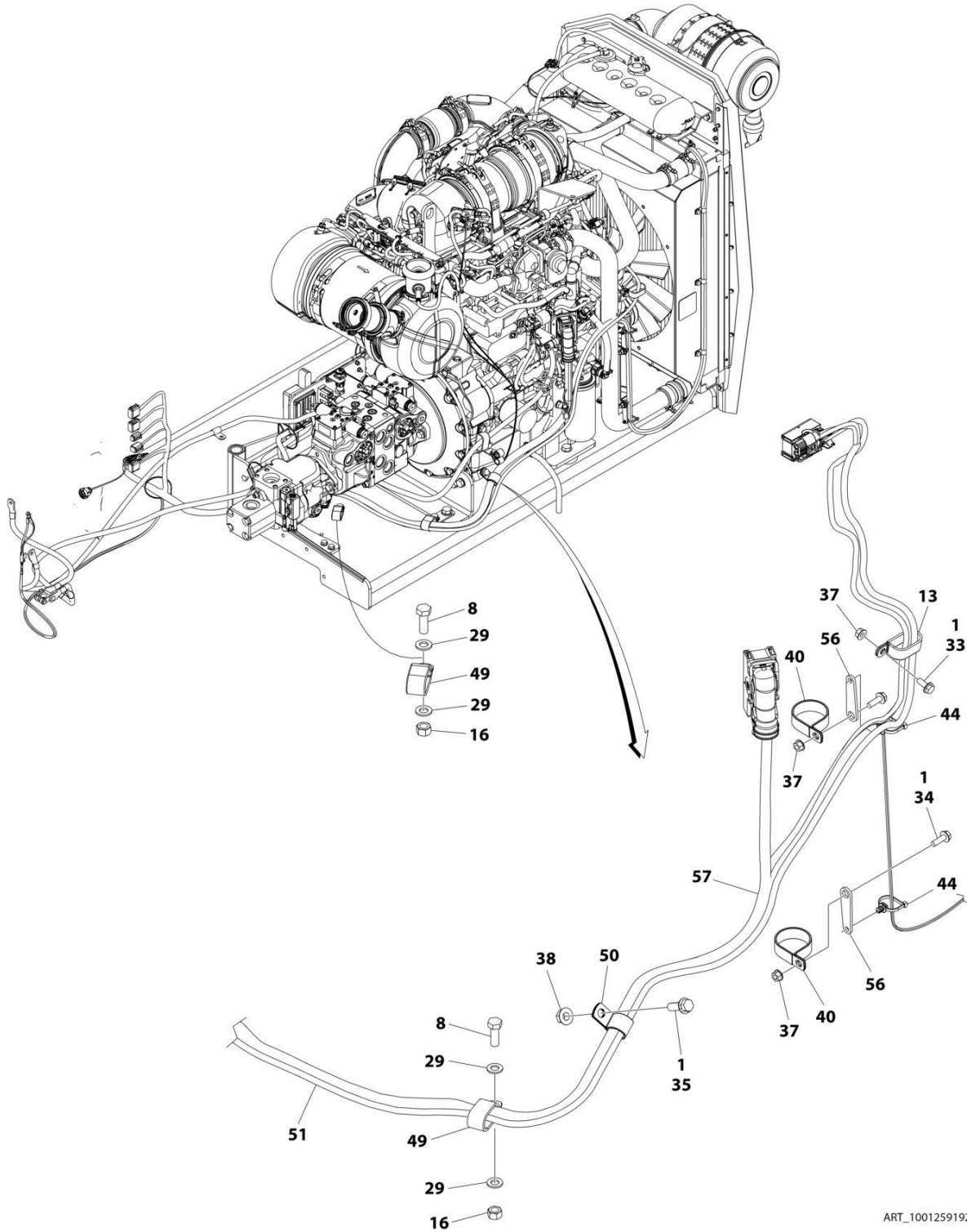
SECTION 3 - ENGINE

FIGURE 3-16. ENGINE ASSEMBLY WITH PUMPS (HRC) (STAGE V) (WITHOUT COLD WEATHER PACKAGE)



ART_1001259192_10F2

SECTION 3 - ENGINE



ART_1001259192_20F2

SECTION 3 - ENGINE

FIGURE 3-16. ENGINE ASSEMBLY WITH PUMPS (HRC) (STAGE V) (WITHOUT COLD WEATHER PACKAGE)

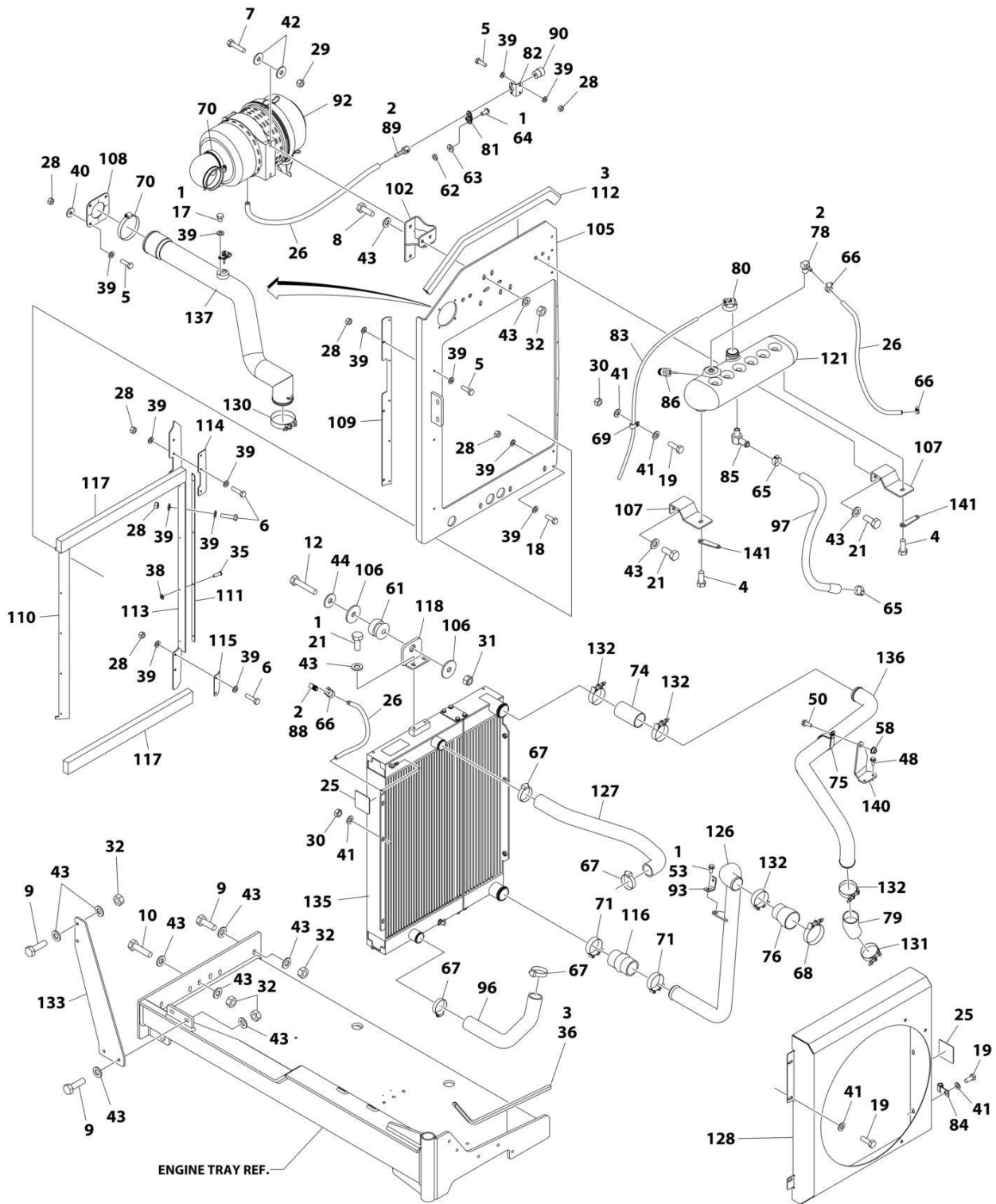
ITEM	PART NUMBER	QTY	DESCRIPTION	REV
	1001259192	Ref	ENGINE ASSEMBLY WITH PUMPS (HRC)	D
1	0100011	AR	Compound, Locking	
2	0100035	AR	Compound, Locking	
3	0641812	2	Bolt 1/2 x 1-1/2	
4	0760508	4	Bolt M5 x 16	
5	0760807	1	Bolt M8 x 14	
6	0761015	2	Bolt M10 x 35	
7	0761210	1	Bolt M12 x 20	
8	0761215	2	Bolt M12 x 35	
9	0761216	2	Bolt M12 x 40	
10	1320041	1	Clamp	
11	1320061	1	Clamp	
12	1320136	1	Clamp	
13	1321716	1	Clamp	
14	3020037	AR	Lubricant	
15	3291007	2	Nut M10	
16	3291207	2	Nut M12	
17	3310401	3	Nut #4	
18	3790152	1	O-Ring	
19	3790155	1	O-Ring	
20	3910408	3	Screw #4 x 1/2	
21	3931620	2	Capscrew 3/8 x 1-1/4	
22	4240099	AR	Tie-Strap (Not Shown)	
23	4740171	2	Washer	
24	4750400	3	Washer #4	
25	4811600	3	Washer M5	
26	4811700	3	Washer M6	
27	4811900	1	Washer M8	
28	4812000	2	Washer M10	
29	4812100	5	Washer M12	
30	4891600	2	Washer 3/8	
31	4891800	2	Washer 1/2	
32	5250611	2	Screw M6 x 22	
32	0760610	2	Bolt M6 x 20	
33	5250810	1	Bolt M8 x 20	
34	5250812	2	Bolt M8 x 25	
35	5251215	1	Bolt M12 x 35	
36	5260600	2	Nut M6	
36	3290607	2	Nut, Lock M6	
37	5260800	3	Nut M8	
38	5261200	1	Nut M12	
39	91043147	1	Clamp	
40	1001097588	2	Clamp	
41	1001108616	1	Tandem Pump Assembly (See Separate Breakdown in this Section)	
42	1001112927	1	Gear Pump Assembly (See Separate Breakdown in this Section)	
44	1001146588	4	Tie-Strap	
45	1001156107	2	Holder, Cable	
46	1001156718	1	Seal	

SECTION 3 - ENGINE

ITEM	PART NUMBER	QTY	DESCRIPTION	REV
47	1001206747	1	Seal	
48	1001157073	1	Cable, Alternator	
49	1001181899	2	Clamp	
50	1001191620	1	Clamp	
51	1001274992	1	Cable, Glow Plug	
52	1001199470	1	Piston Pump Assembly (See Separate Breakdown in this Section)	
53	1001202355	1	Cable, Battery Negative	
54	1001234791	1	Cable, Battery Positive	
55	1001259191	1	Engine Assembly (HRC) (Stage V) (With Cold Weather Package) (See Separate Breakdown in this Section)	
56	1001260307	2	Bracket	
57	1001262056	1	Engine Harness (See Separate Breakdown in ELECTRICAL Section)	

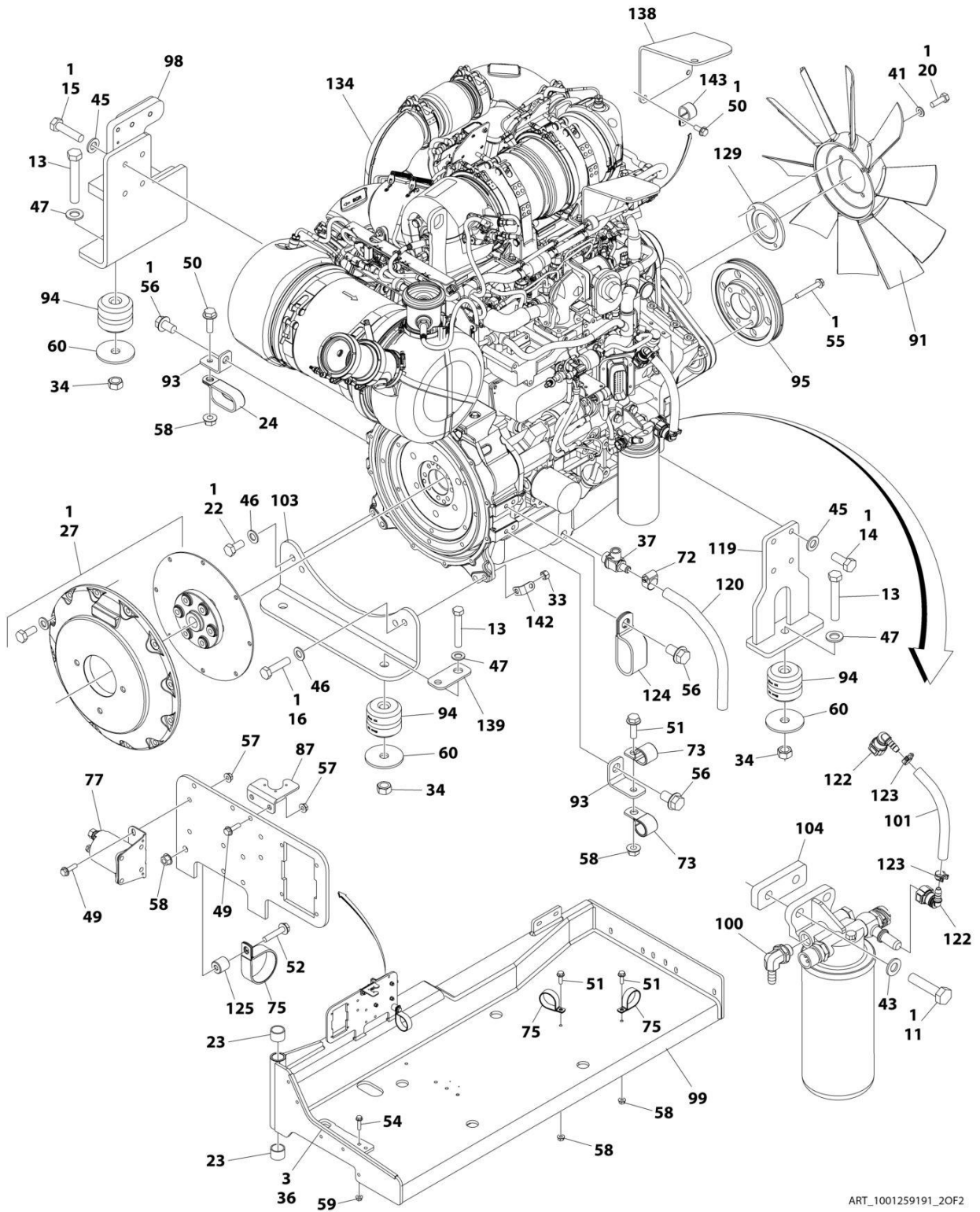
SECTION 3 - ENGINE

FIGURE 3-17. ENGINE ASSEMBLY (HRC) (STAGE V) (WITHOUT COLD WEATHER PACKAGE)



ART_1001259191_10F2

SECTION 3 - ENGINE



ART_1001259191_20F2

SECTION 3 - ENGINE

FIGURE 3-17. ENGINE ASSEMBLY (HRC) (STAGE V) (WITHOUT COLD WEATHER PACKAGE)

ITEM	PART NUMBER	QTY	DESCRIPTION	REV
	1001259191	Ref	DEUTZ T4F ENGINE ASSEMBLY	E
1	0100011	AR	Compound, Locking	
2	0100020	AR	Sealant	
3	0100081	AR	Adhesive	
4	0641607	2	Bolt 3/8 x 7/8	
5	0700610	9	Bolt M6 x 20	
6	0700612	7	Bolt M6 x 25	
7	0700815	2	Bolt M8 x 35	
8	0701013	2	Bolt M10 x 28	
9	0701015	6	Bolt M10 x 35	
10	0701016	2	Bolt M10 x 40	
11	0701017	2	Bolt M10 x 45	
12	0701019	1	Bolt M10 x 55	
13	0701627	4	Bolt M16 x 100	
14	0711214	4	Bolt M12 x 30 Grade 10.9	
15	0711218	4	Bolt M12 x 50 Grade 10.9	
16	0711419	1	Bolt M14 x 55	
17	0760604	1	Bolt M6 x 8	
18	0760614	2	Bolt M6 x 30	
19	0760810	6	Bolt M8 x 20	
20	0760812	4	Bolt M8 x 25	
21	0761012	6	Bolt M10 x 25	
22	0771415	3	Bolt M14 x 35 Grade 10.9	
23	0961951	2	Bushing	
24	1321716	1	Clamp	
25	1703162	2	Decal - Fan Blade	
26	2720015	5 ft/ 1.5m	Hose	
27	2902065	1	Pump Coupling Kit (See Separate Breakdown in this Section)	
28	3290607	18	Nut M6	
29	3290805	2	Nut M8	
30	3290807	3	Nut M8	
31	3291005	1	Nut M10	
32	3291007	10	Nut M10	
33	3291407	1	Nut M14	
34	3291601	4	Nut M16	
35	3820032	9	Rivet	
36	4060807	22 in/ 56cm	Flex-Trim	
37	4640751	1	Valve, Oil Drain	
38	4811600	4	Washer M5	
39	4811700	33	Washer M6	
40	4811702	4	Washer M6	
41	4811900	13	Washer M8	
42	4811902	4	Washer M8	
43	4812000	30	Washer M10	
44	4812002	1	Washer M10	
45	4812100	8	Washer M12	
46	4812200	4	Washer M14	
47	5241600	4	Washer M16	
48	5250608	2	Bolt M6 x 16	

SECTION 3 - ENGINE

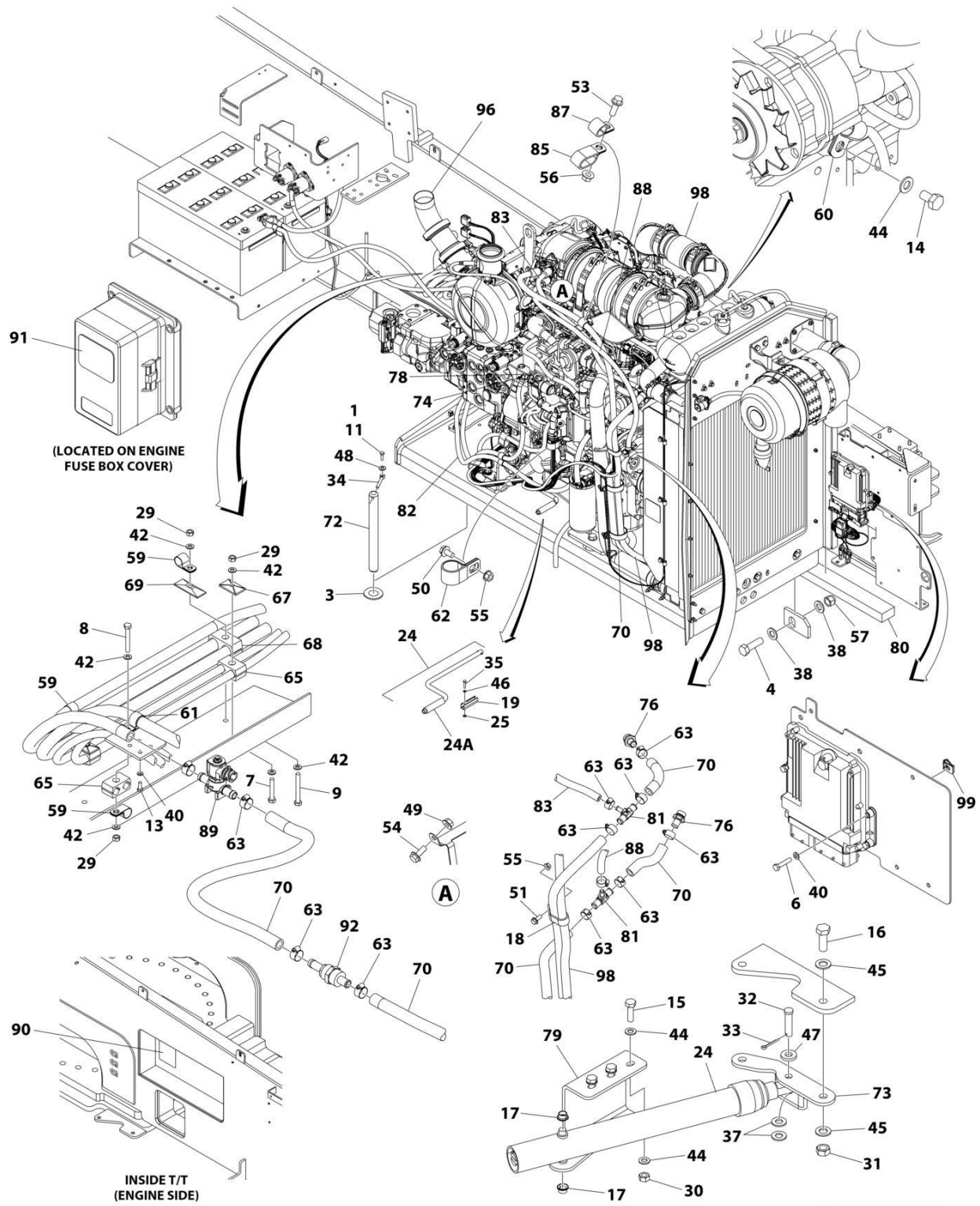
ITEM	PART NUMBER	QTY	DESCRIPTION	REV
49	5250611	4	Bolt M6 x 22	
50	5250810	4	Bolt M8 x 20	
51	5250812	3	Bolt M8 x 25	
52	5250816	1	Bolt M8 x 40	
53	5251010	1	Bolt M10 x 20	
54	5251016	2	Bolt M10 x 40	
55	5251022	6	Bolt M10 x 70	
56	5251210	3	Bolt M12 x 20	
57	5260600	4	Nut M6	
58	5260800	6	Nut M8	
59	5261000	2	Nut M10	
60	7300435	4	Washer	
61	8278020	1	Mount	
62	8305401	2	Nut 1/4	
63	8307109	2	Washer 1/4	
64	8310548	2	Screw 1/4 x 1/2	
65	8405007	2	Clamp	
66	8405009	4	Clamp	
67	8405104	4	Clamp	
68	8405211	1	Clamp	
69	8406109	2	Clip	
70	8410011	2	Clamp	
71	8410012	2	Clamp	
72	8410013	1	Clamp	
73	24861170	2	Clamp	
74	91563070	1	Coupling, Rubber	
75	1001097588	4	Clip	
76	1001117244	1	Reducer	
77	1001117308	1	Relay, 200Amp	
78	1001134488	1	Fitting, 90 NPT/Barbed	
79	1001135943	1	Coupling	
80	1001136834	1	Cap	
81	1001138173	1	Support	
82	1001138175	1	Bracket	
83	1001138248	5 ft/ 1.5m	Tubing	
84	1001138253	3	Clamp	
85	1001138559	1	Fitting, 90 NPT	
86	1001138827	1	Sensor	
87	1001139240	1	Bracket	
88	1001140564	1	Fitting, 90 NPT/Barbed	
89	1001141995	1	Fitting, Straight NPT/Barbed	
90	1001143390	1	Indicator, Air Restriction	
91	1001147567	1	Fan	
92	1001147847	1	Filter, Air	
92	70023809	1	Element, Primary	
92	70023872	1	Element, Secondary	
92	70024328	1	Elbow, Rubber	
92	70024329	1	Clamp, Mounting	
93	1001148641	3	Bracket	
94	1001149517	4	Mount, Motor	
95	1001149746	1	Pulley	

SECTION 3 - ENGINE

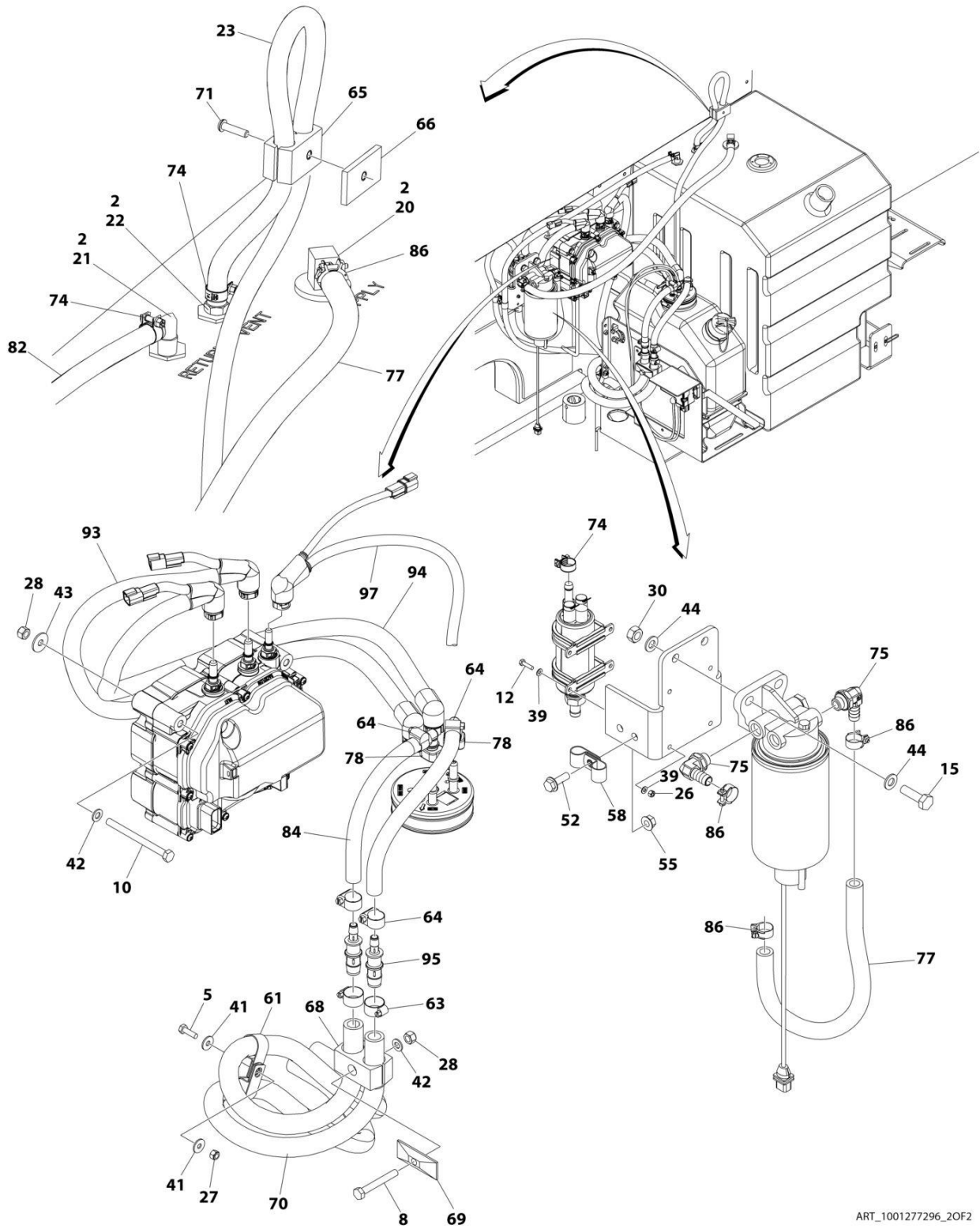
ITEM	PART NUMBER	QTY	DESCRIPTION	REV
96	1001150504	1	Hose	
97	1001150553	1	Hose	
98	1001151491	1	Support	
99	1001151749	1	Tray	
100	1001152489	1	Fitting, 90 Barbed	
101	1001154405	8.5 in/ 21cm	Hose	
102	1001155023	1	Plate	
103	1001155496	1	Support	
104	1001155498	1	Plate	
105	1001155525	1	Support	
106	1001155540	2	Washer	
107	1001155557	2	Plate	
108	1001155563	1	Seal	
109	1001155564	1	Bracket	
110	1001155565	1	Seal	
111	1001155566	1	Bracket	
112	1001155728	1	Seal	
113	1001156034	1	Seal	
114	1001156035	1	Bracket	
115	1001156062	1	Bracket	
116	1001156091	1	Hose	
117	1001156644	2	Seal	
118	1001157862	1	Bracket	
119	1001160518	1	Support	
120	1001165035	1 ft/ 0.3m	Hose	
121	1001166393	1	Tank	
122	1001170982	2	Fitting, 90 SAE/Barbed	
123	1001175568	2	Clip	
124	1001181899	1	Clamp	
125	1001182833	1	Bar	
126	1001190418	1	Tube	
127	1001191122	1	Hose, Upper	
128	1001192138	1	Shroud	
129	1001197317	1	Spacer	
130	1001208297	1	Clamp	
131	1001208298	1	Clamp	
132	1001208299	4	Clamp	
133	1001212817	1	Plate	
134	1001256823	1	Deutz HRC (Stage V) Engine Components (See Separate Breakdown in this Section)	
135	1001256862	1	Radiator	
136	1001259203	1	Hose	
137	1001259208	1	Hose	
138	1001259278	1	Bracket	
139	1001259281	1	Bracket	
140	1001291543	1	Support, Hose	
141	1001260307	2	Bracket	
142	1001260889	1	Bracket	
143	1001100319	1	Clip	

SECTION 3 - ENGINE

FIGURE 3-18. ENGINE INSTALLATION (HRC) (WITH COLD WEATHER PACKAGE)



SECTION 3 - ENGINE



ART_1001277296_2OF2

SECTION 3 - ENGINE

FIGURE 3-18. ENGINE INSTALLATION (HRC) (WITH COLD WEATHER PACKAGE)

ITEM	PART NUMBER	QTY	DESCRIPTION	REV
	1001277296	Ref	ENGINE INSTALLATION (HRC)	C
1	0100011	AR	Compound, Locking	
2	0100020	AR	Sealant	
3	0440162	1	Bearing	
4	0642220	1	Bolt 3/4 x 2-1/2	
5	0700610	1	Bolt M6 x 20	
6	0700614	4	Bolt M6 x 30	
7	0700818	2	Bolt M8 x 50	
8	0700820	2	Bolt M8 x 60	
9	0700822	2	Bolt M8 x 70	
10	0700827	3	Bolt M8 x 100	
11	0711015	1	Bolt M10 x 35	
12	0760408	4	Bolt M4 x 16	
13	0760608	4	Bolt M6 x 16	
14	0761009	1	Bolt M10 x 18	
15	0761015	5	Bolt M10 x 35	
16	0771416	2	Bolt M14 x 40	
17	0962051	2	Bearing	
18	1321716	1	Clamp	
19	1380147	1	Clip	
20	2180832	1	Fitting, Straight Barbed/NPTF	
21	2220313	1	Fitting, 90 Barbed/NPTF	
22	2221114	1	Fitting, Straight Barbed/NPT	
23	2750532	4 ft/ 1.2m	Hose	
24	2840016	1	Tray Jack Assembly	
24	7016322	1	Wiper (Burr Brand)	
24A	7016374	1	Handle (Burr Brand)	
24A	7024598	1	Handle (Hammerblow Brand)	
25	3290301	2	Nut M3	
26	3290405	4	Nut M4	
27	3290605	1	Nut M6	
28	3290805	4	Nut M8	
29	3290807	5	Nut M8	
30	3291007	5	Nut M10	
31	3331411	2	Nut M14	
32	3430816	1	Pin	
33	3450404	1	Pin, Cotter 1/8 x 1	
34	3841143	1	Keeper, Pin	
35	4010308	2	Screw M3 x 16	
36	4240099	AR	Tie-Strap (Not Shown)	
37	4711800	2	Washer 1/2	
38	4712200	2	Washer 3/4	
39	4811400	8	Washer M4	
40	4811700	8	Washer M6	
41	4811702	2	Washer M6	
42	4811900	14	Washer M8	
43	4811902	3	Washer M8	
44	4812000	11	Washer M10	
45	4812200	4	Washer M14	
46	4871200	2	Washer M3	

SECTION 3 - ENGINE

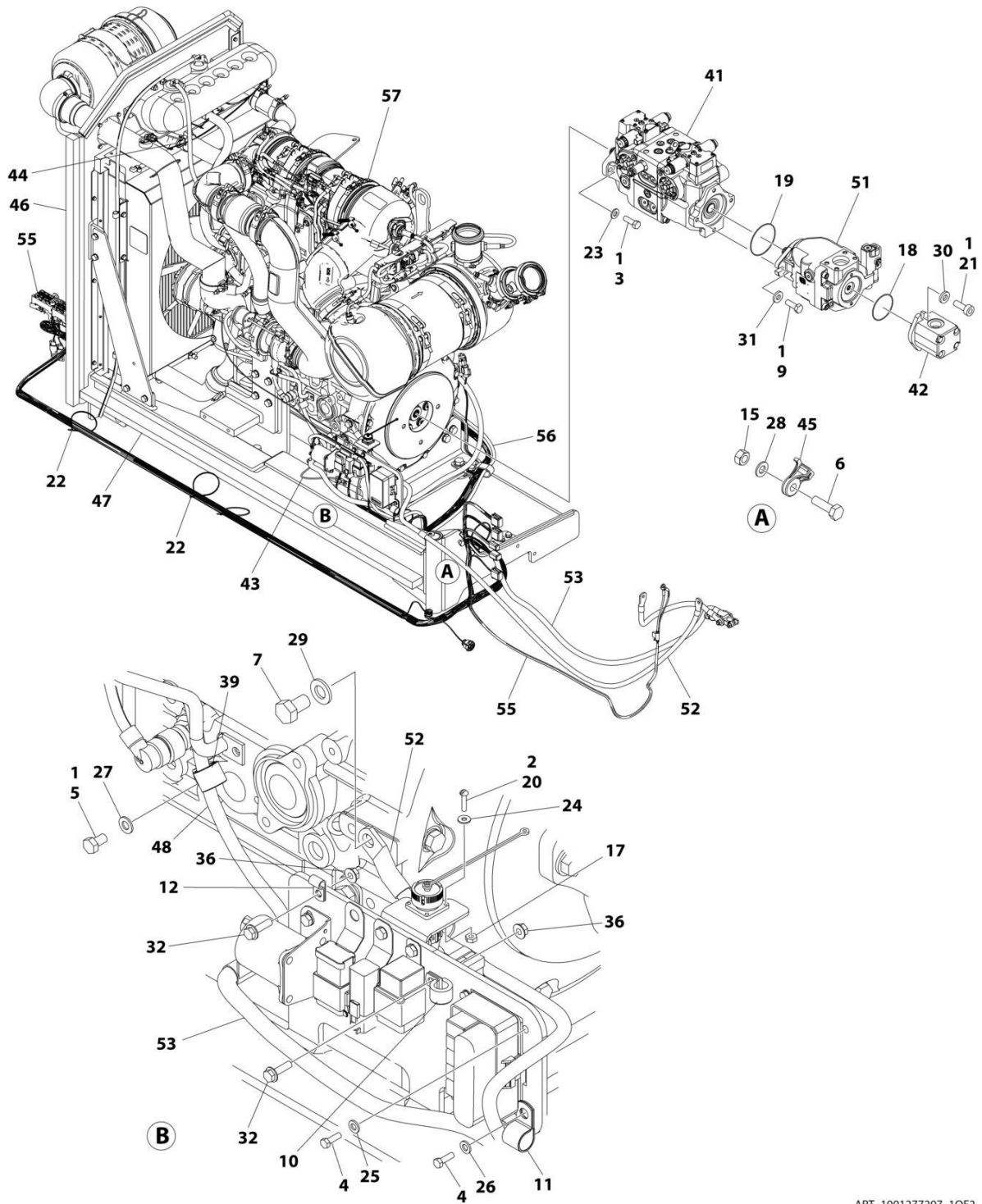
ITEM	PART NUMBER	QTY	DESCRIPTION	REV
47	4891800	1	Washer 1/2	
48	5241000	1	Washer M10	
49	5250608	1	Bolt M6 x 16	
50	5250808	1	Bolt M8 x 16	
51	5250810	1	Bolt M8 x 20	
52	5250812	1	Bolt M8 x 25	
53	5251215	1	Bolt M12 x 35	
54	5260600	1	Nut M6	
55	5260800	3	Nut M8	
56	5261200	1	Nut M12	
57	8310067	1	Nut 3/4	
58	8406101	2	Clip	
59	8406102	3	Clip	
60	8406105	1	Clip	
61	8406201	3	Clip	
62	8406303	1	Clamp	
63	8410009	14	Clamp	
64	8410013	4	Clamp	
65	8750014	4	Clamp	
66	8750031	1	Plate, Clamp	
67	8769123	2	Cover, Clamp	
68	8769127	3	Cover, Clamp	
69	77133137	3	Cover, Clamp	
70	82033995	374 in/ 9.5m	Hose	
71	1001101580	1	Screw M8 x 30	
72	1001135196	1	Pin	
73	1001135497	1	Support	
74	1001136975	5	Clamp	
75	1001142501	2	Fitting, 90 Barbed	
76	1001154262	2	Fitting, Straight Barbed	
77	1001154405	51 in/ 1.3m	Hose	
78	1001155823	3	Fitting, 90 Barbed	
79	1001155939	1	Mount	
80	1001156719	1	Seal	
81	1001162212	2	Fitting, Tee Barbed	
82	1001165035	28 ft/ 8.4m	Hose	
83	1001169409	1	Hose	
84	1001181625	1.65 ft/ 0.50m	Hose	
85	1001181899	1	Clamp	
86	1001186342	4	Clip	
87	1001191620	1	Clamp	
88	1001193980	1	Hose, Return	
89	1001199670	1	Valve, Flow	
90	1001212056	1	Decal - Engine Fuse Box	
91	1001224046	1	Decal - Engine Fuse Box Cover	
92	1001228872	1	Filter, Coolant Screen	
93	1001238401	1	Hose, Backflow	
94	1001238402	1	Hose, Suction	

SECTION 3 - ENGINE

ITEM	PART NUMBER	QTY	DESCRIPTION	REV
95	1001238470	2	Fitting, Reducer Barbed	
96	1001259204	1	Pipe	
97	1001260287	1	Hose	
98	1001277297	1	Engine Assembly with Pumps (HRC) (Stage V) (With Cold Weather Package) (See Separate Breakdown in this Section)	
99	8305919	4	Nut, Retainer	

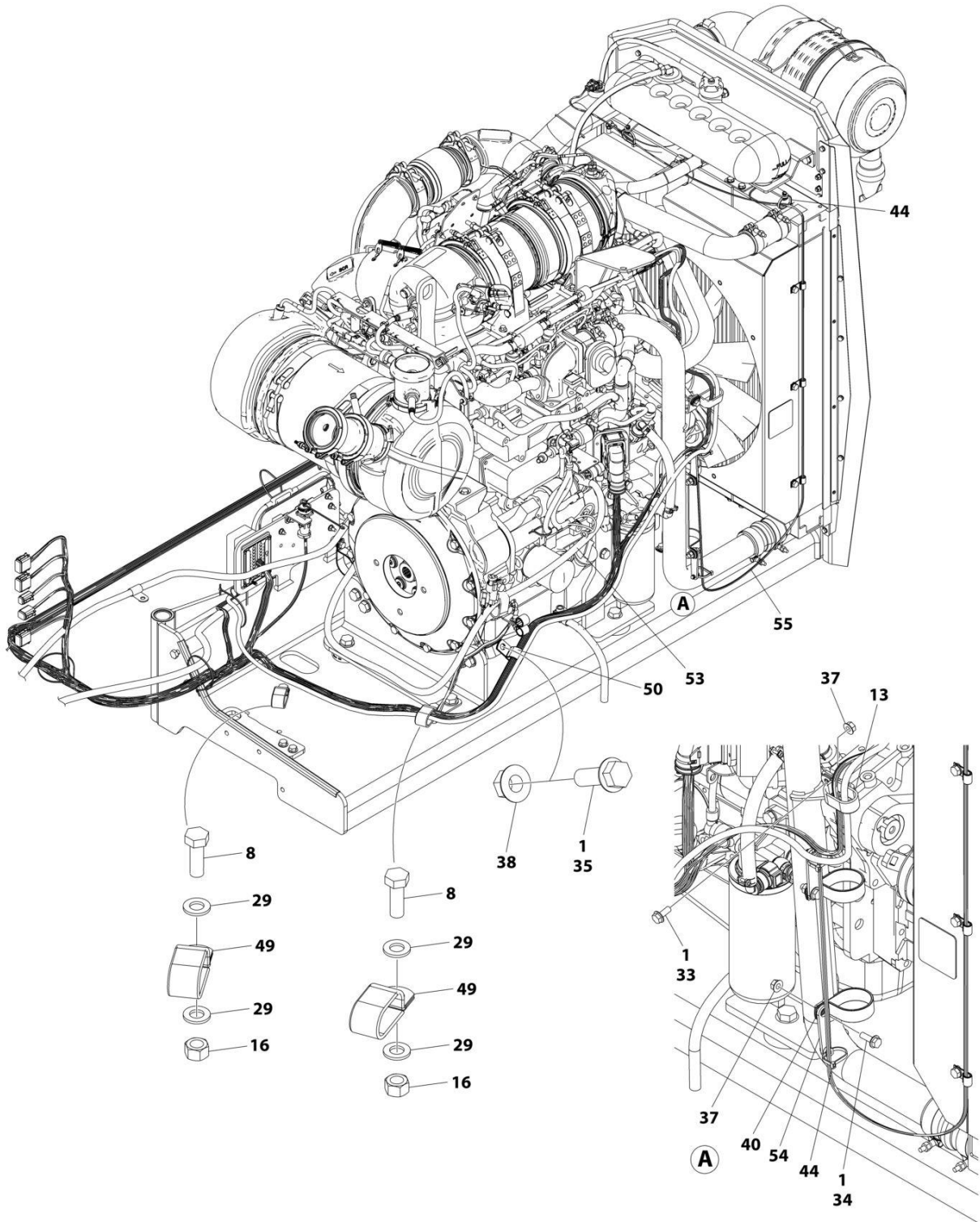
SECTION 3 - ENGINE

FIGURE 3-19. ENGINE ASSEMBLY WITH PUMPS (HRC) (WITH COLD WEATHER PACKAGE)



ART_1001277297_10F2

SECTION 3 - ENGINE



ART_1001277297_2OF2

SECTION 3 - ENGINE

FIGURE 3-19. ENGINE ASSEMBLY WITH PUMPS (HRC) (WITH COLD WEATHER PACKAGE)

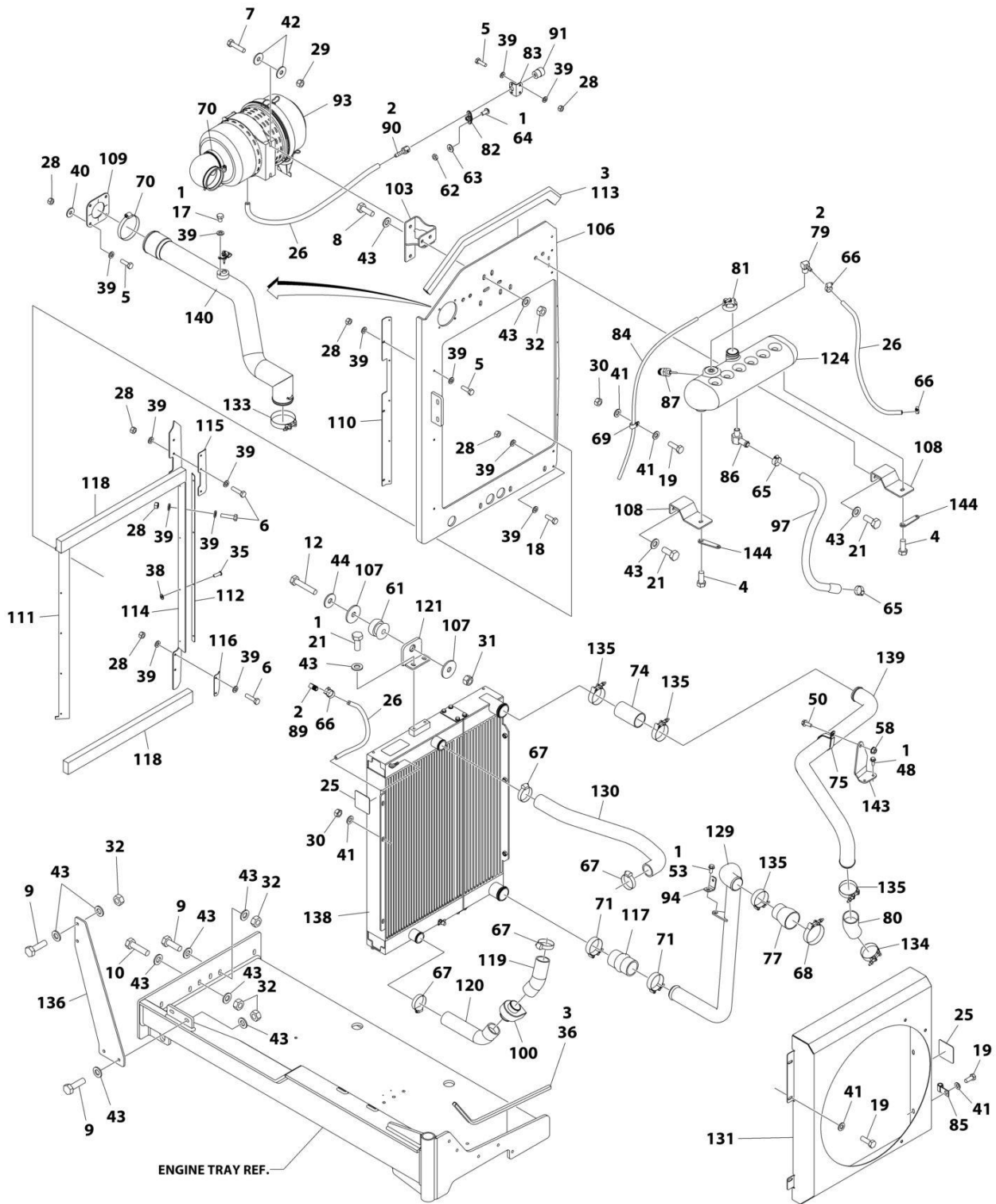
ITEM	PART NUMBER	QTY	DESCRIPTION	REV
	1001277297	Ref	ENGINE ASSEMBLY WITH PUMPS (HRC)	C
1	0100011	AR	Compound, Locking	
2	0100035	AR	Compound, Locking	
3	0641812	2	Bolt 1/2 x 1-1/2	
4	0760508	4	Bolt M5 x 16	
5	0760807	1	Bolt M8 x 14	
6	0761015	2	Bolt M10 x 35	
7	0761210	1	Bolt M12 x 20	
8	0761215	2	Bolt M12 x 35	
9	0761216	2	Bolt M12 x 40	
10	1320041	1	Clamp	
11	1320061	1	Clamp	
12	1320136	1	Clamp	
13	1321716	1	Clamp	
14	3020037	AR	Lubricant	
15	3291007	2	Nut M10	
16	3291207	2	Nut M12	
17	3310401	3	Nut #4	
18	3790152	1	O-Ring	
19	3790155	1	O-Ring	
20	3910408	3	Screw #4 x 1/2	
21	3931620	2	Capscrew 3/8 x 1-1/4	
22	4240099	AR	Tie-Strap (Not Shown)	
23	4740171	2	Washer	
24	4750400	3	Washer #4	
25	4811600	3	Washer M5	
26	4811700	1	Washer M6	
27	4811900	1	Washer M8	
28	4812000	2	Washer M10	
29	4812100	5	Washer M12	
30	4891600	2	Washer 3/8	
31	4891800	2	Washer 1/2	
32	5250611	2	Screw M6 x 22	
33	5250810	1	Bolt M8 x 20	
34	5250812	2	Bolt M8 x 25	
35	5251215	1	Bolt M12 x 35	
36	5260600	2	Nut M6	
37	5260800	3	Nut M8	
38	5261200	1	Nut M12	
39	91043147	1	Clamp	
40	1001097588	2	Clamp	
41	1001108616	1	Tandem Pump Assembly (See Separate Breakdown in this Section)	
42	1001112927	1	Gear Pump Assembly (See Separate Breakdown in this Section)	
43	1001141304	1	Wire, Glow Fuse	
44	1001146588	4	Tie-Strap	
45	1001156107	2	Holder, Cable	
46	1001156718	1	Seal	
47	1001156719	1	Seal	
48	1001157073	1	Cable, Alternator	

SECTION 3 - ENGINE

ITEM	PART NUMBER	QTY	DESCRIPTION	REV
49	1001181899	2	Clamp	
50	1001191620	1	Clamp	
51	1001199470	1	Piston Pump Assembly (See Separate Breakdown in this Section)	
52	1001202355	1	Cable, Battery Negative	
53	1001234791	1	Cable, Battery Positive	
54	1001260307	2	Bracket	
55	1001262056	1	Engine Harness (See Separate Breakdown in ELECTRICAL Section)	
56	1001274992	1	Cable, Glow Plug	
57	1001277298	1	Engine Assembly (HRC) (Stage V) (With Cold Weather Package) (See Separate Breakdown in this Section)	

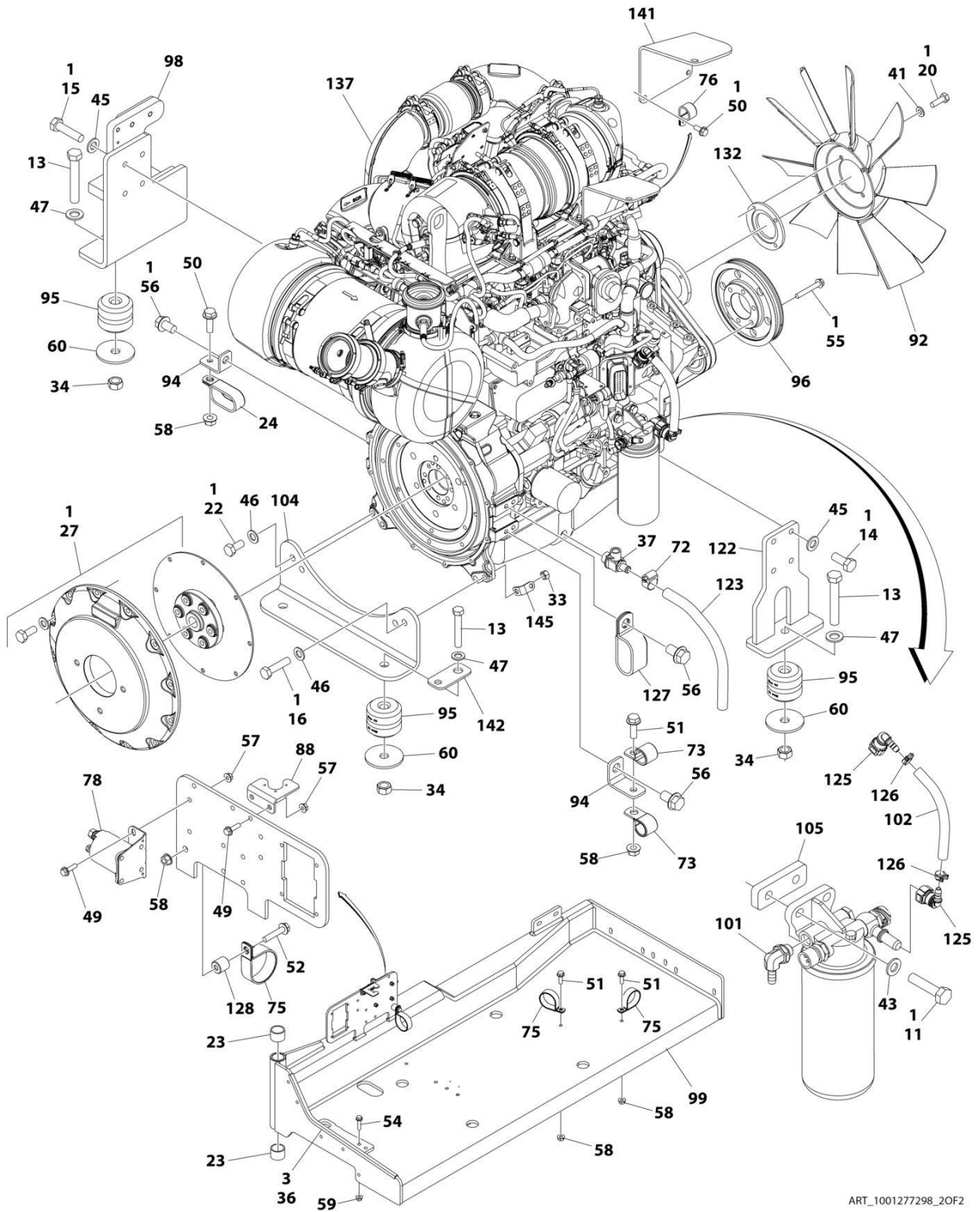
SECTION 3 - ENGINE

FIGURE 3-20. ENGINE ASSEMBLY (HRC) (STAGE V) (WITH COLD WEATHER PACKAGE)



ART_1001277298_10F2

SECTION 3 - ENGINE



ART_1001277298_20F2

SECTION 3 - ENGINE

FIGURE 3-20. ENGINE ASSEMBLY (HRC) (STAGE V) (WITH COLD WEATHER PACKAGE)

ITEM	PART NUMBER	QTY	DESCRIPTION	REV
	1001277298	Ref	DEUTZ T4F ENGINE ASSEMBLY	A
1	0100011	AR	Compound, Locking	
2	0100020	AR	Sealant	
3	0100081	AR	Adhesive	
4	0641607	2	Bolt 3/8 x 7/8	
5	0700610	9	Bolt M6 x 20	
6	0700612	7	Bolt M6 x 25	
7	0700815	2	Bolt M8 x 35	
8	0701013	2	Bolt M10 x 28	
9	0701015	6	Bolt M10 x 35	
10	0701016	2	Bolt M10 x 40	
11	0701017	2	Bolt M10 x 45	
12	0701019	1	Bolt M10 x 55	
13	0701627	4	Bolt M16 x 100	
14	0711214	4	Bolt M12 x 30 Grade 10.9	
15	0711218	4	Bolt M12 x 50 Grade 10.9	
16	0711419	1	Bolt M14 x 55	
17	0760604	1	Bolt M6 x 8	
18	0760614	2	Bolt M6 x 30	
19	0760810	6	Bolt M8 x 20	
20	0760812	4	Bolt M8 x 25	
21	0761012	6	Bolt M10 x 25	
22	0771415	3	Bolt M14 x 35 Grade 10.9	
23	0961951	2	Bushing	
24	1321716	1	Clamp	
25	1703162	2	Decal - Fan Blade	
26	2720015	5 ft/ 1.5m	Hose	
27	2902065	1	Pump Coupling Kit (See Separate Breakdown in this Section)	
28	3290607	18	Nut M6	
29	3290805	2	Nut M8	
30	3290807	3	Nut M8	
31	3291005	1	Nut M10	
32	3291007	10	Nut M10	
33	3291407	1	Nut M14	
34	3291601	4	Nut M16	
35	3820032	9	Rivet	
36	4060807	22 in/ 56cm	Flex-Trim	
37	4640751	1	Valve, Oil Drain	
38	4811600	4	Washer M5	
39	4811700	33	Washer M6	
40	4811702	4	Washer M6	
41	4811900	13	Washer M8	
42	4811902	4	Washer M8	
43	4812000	30	Washer M10	
44	4812002	1	Washer M10	
45	4812100	8	Washer M12	
46	4812200	4	Washer M14	
47	5241600	4	Washer M16	
48	5250608	2	Bolt M6 x 16	

SECTION 3 - ENGINE

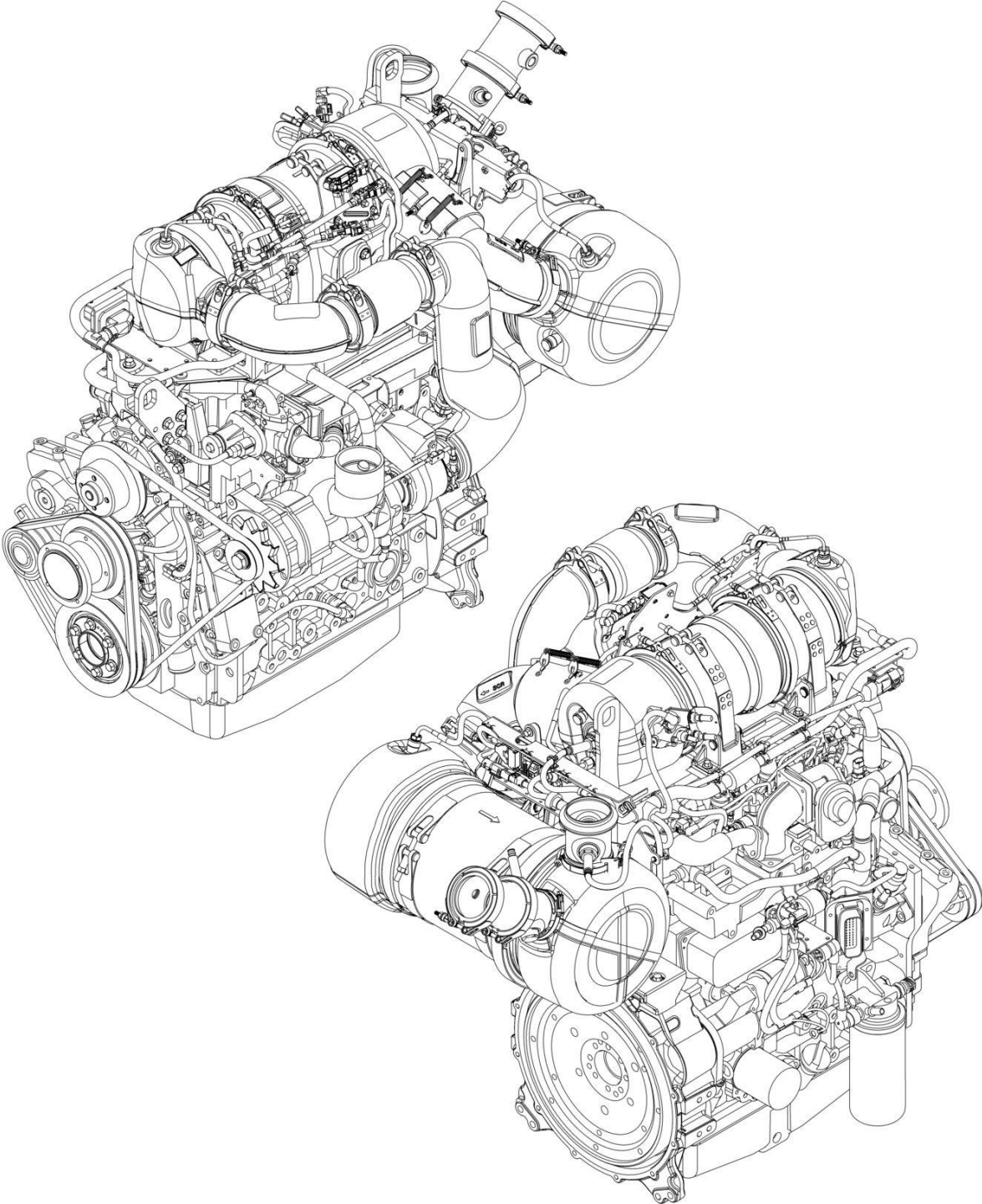
ITEM	PART NUMBER	QTY	DESCRIPTION	REV
49	5250611	4	Bolt M6 x 22	
50	5250810	4	Bolt M8 x 20	
51	5250812	3	Bolt M8 x 25	
52	5250816	1	Bolt M8 x 40	
53	5251010	1	Bolt M10 x 20	
54	5251016	2	Bolt M10 x 40	
55	5251022	6	Bolt M10 x 70	
56	5251210	3	Bolt M12 x 20	
57	5260600	4	Nut M6	
58	5260800	6	Nut M8	
59	5261000	2	Nut M10	
60	7300435	4	Washer	
61	8278020	1	Mount	
62	8305401	2	Nut 1/4	
63	8307109	2	Washer 1/4	
64	8310548	2	Screw 1/4 x 1/2	
65	8405007	2	Clamp	
66	8405009	4	Clamp	
67	8405104	4	Clamp	
68	8405211	1	Clamp	
69	8406109	2	Clip	
70	8410011	2	Clamp	
71	8410012	2	Clamp	
72	8410013	1	Clamp	
73	24861170	2	Clamp	
74	91563070	1	Coupling, Rubber	
75	1001097588	4	Clip	
76	1001100319	1	Clip	
77	1001117244	1	Reducer	
78	1001117308	1	Relay, 200Amp	
79	1001134488	1	Fitting, 90 NPT/Barbed	
80	1001135943	1	Coupling	
81	1001136834	1	Cap	
82	1001138173	1	Support	
83	1001138175	1	Bracket	
84	1001138248	5 ft/ 1.5m	Tubing	
85	1001138253	3	Clamp	
86	1001138559	1	Fitting, 90 NPT	
87	1001138827	1	Sensor	
88	1001139240	1	Bracket	
89	1001140564	1	Fitting, 90 NPT/Barbed	
90	1001141995	1	Fitting, Straight NPT/Barbed	
91	1001143390	1	Indicator, Air Restriction	
92	1001147567	1	Fan	
93	1001147847	1	Filter, Air	
93	70023809	1	Element, Primary	
93	70023872	1	Element, Secondary	
93	70024328	1	Elbow, Rubber	
93	70024329	1	Clamp, Mounting	
94	1001148641	3	Bracket	
95	1001149517	4	Mount, Motor	

SECTION 3 - ENGINE

ITEM	PART NUMBER	QTY	DESCRIPTION	REV
96	1001149746	1	Pulley	
97	1001150553	1	Hose	
98	1001151491	1	Support	
99	1001151749	1	Tray	
100	1001152112	1	Heater	
101	1001152489	1	Fitting, 90 Barbed	
102	1001154405	0.5 in/ 21cm	Hose	
103	1001155023	1	Plate	
104	1001155496	1	Support	
105	1001155498	1	Plate	
106	1001155525	1	Support	
107	1001155540	2	Washer	
108	1001155557	2	Plate	
109	1001155563	1	Seal	
110	1001155564	1	Bracket	
111	1001155565	1	Seal	
112	1001155566	1	Bracket	
113	1001155728	1	Seal	
114	1001156034	1	Seal	
115	1001156035	1	Bracket	
116	1001156062	1	Bracket	
117	1001156091	1	Hose	
118	1001156644	2	Seal	
119	1001157300	1	Hose	
120	1001157301	1	Hose	
121	1001157862	1	Bracket	
122	1001160518	1	Support	
123	1001165035	1 ft/ 0.3m	Hose	
124	1001166393	1	Tank	
125	1001170982	2	Fitting, 90 SAE/Barbed	
126	1001175568	2	Clip	
127	1001181899	1	Clamp	
128	1001182833	1	Bar	
129	1001190418	1	Tube	
130	1001191122	1	Hose, Upper	
131	1001192138	1	Shroud	
132	1001197317	1	Spacer	
133	1001208297	1	Clamp	
134	1001208298	1	Clamp	
135	1001208299	4	Clamp	
136	1001212817	1	Plate	
137	1001256823	1	Deutz T4F Engine Components (See Separate Breakdown in this Section)	
138	1001256862	1	Radiator	
139	1001259203	1	Pipe, Turbo Exhaust	
140	1001259208	1	Pipe, Intake	
141	1001259278	1	Bracket	
142	1001259281	1	Bracket	
143	1001291543	1	Support, Hose	
144	1001260307	2	Bracket	
145	1001260889	1	Bracket	

SECTION 3 - ENGINE

FIGURE 3-21. DEUTZ HRC (STAGE V) ENGINE COMPONENTS



ART_1001256823

SECTION 3 - ENGINE

FIGURE 3-21. DEUTZ HRC (STAGE V) ENGINE COMPONENTS

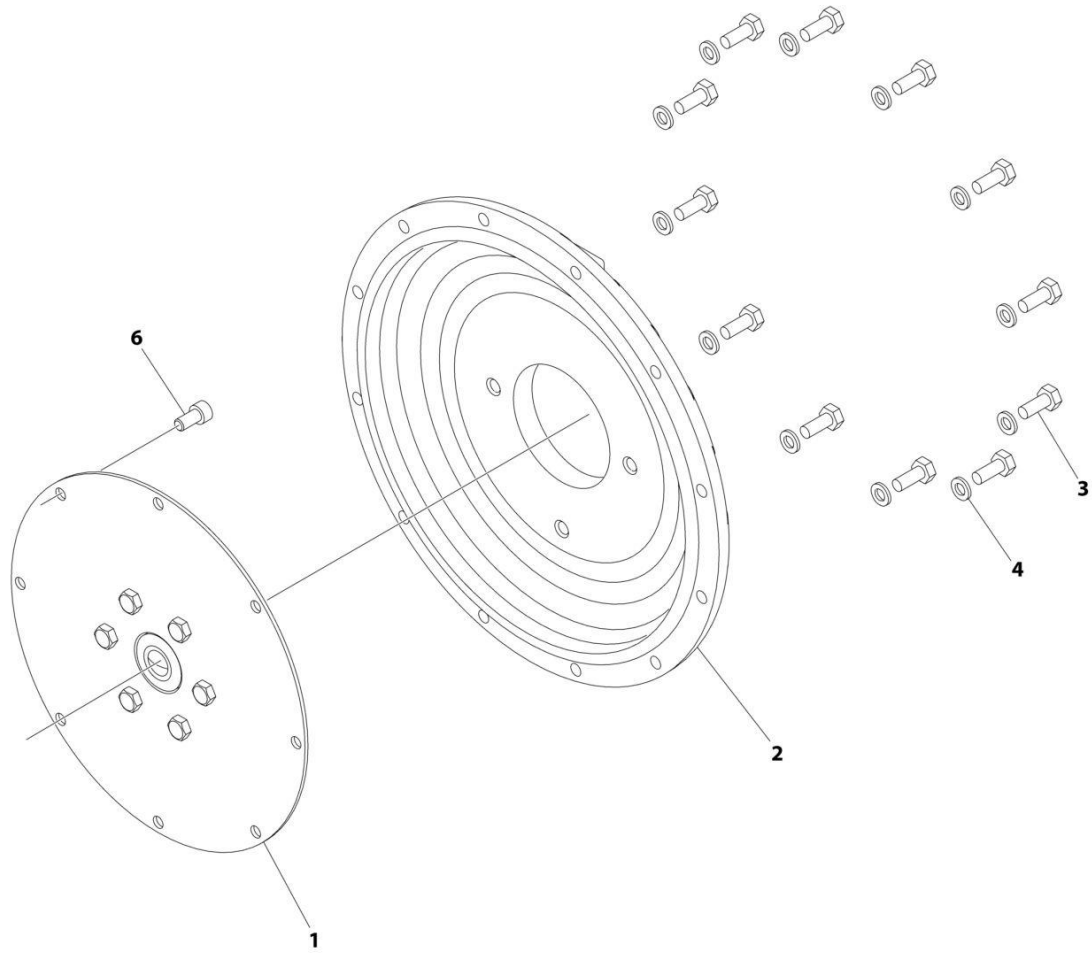
ITEM	PART NUMBER	QTY	DESCRIPTION	REV
	1001256823	Ref	DEUTZ ENGINE COMPONENTS	E
		Ref	Note: For complete list of parts, contact JLG Parts Department	
		Ref	Air Intake System Components	
	70007083	1	Turbocharger	
		Ref	Cooling System Components	
	70004515	1	Pump, Coolant	
		Ref	Electrical System Components	
		Ref	Module, ECU/ECM	
	70029401	1	Generator (Includes Regulator & Fan)	
	70006653	1	Regulator	
	70004520	1	Starter (Includes Solenoid)	
	70025780	1	Relay, Starter	
	70005517	1	Harness, Starter to Relay	
		Ref	Harness, Injector	
	70026210	1	Sender, Tacho-Generator (Speed) (On Rear of Block & Front Cover) (Includes Seal)	
	70005559	1	Sender, Temperature (Includes Seal) (On Air Intake Manifold)	
	70024507	1	Sensor, Pressure (Includes Seal) (On Air Intake Manifold)	
	70024504	1	Sensor, Pressure (Includes Seal) (On Fuel Filter & Side of Block)	
	70029407	1	Sensor, Pressure (Includes Seal) (On Exhaust Manifold)	
	70024474	4	Plug, Glow	
		Ref	Exhaust System Components	
		Ref	Valve, EGR	
	70027425	8	Bolt, Exhaust Manifold	
	70005511	1	Gasket, Exhaust Manifold	
		Ref	Outlet, Muffler	
		Ref	Muffler	
		Ref	Bracket, Muffler Mounting	
		Ref	Compensator, Exhaust	
	70024480	1	Gasket, Turbo to Exhaust Manifold	
	70008612	1	DEF Tank Assembly (Includes Cap, Filler Filter & Venting Valve)	
	70027495	1	Filter, Filler - DEF Tank	
	70008613	1	Cap/Cover, DEF Tank	
	70027467	1	Valve, Venting - DEF Tank	
	1001293066	1	Sensor, Level - DEF Tank	
	70027463	1	Clip, Level Sensor - DEF Tank	
	70027464	1	Filter, DEF In-line	
		Ref	Fuel System Components	
		Ref	Pump, High Pressure	
	70024485	1	Injector (Includes Sealing washer, Clamp & O-Ring)	
	70006144	1	Pump, Fuel Supply (Includes Clamps)	
	70024961	1	Filter, Fuel (Pre-Filter Assembly) (Includes Head, Spin on filter, Sensor Cable & Seal)	
	70025153	1	Filter, Fuel Spin On	
	70024513	1	Sensor Cable (Includes Seal)	
	70004511	1	Filter, Fuel (Assembly) (Includes Head & Spin on Filter)	
	70004512	1	Filter, Fuel Spin On	
	70004508	1	Vol. Control Valve (Includes O-Ring & Gasket)	
	70005548	1	Pump, DEF Supply (Includes Filter, Cover & Fittings)	
		Ref	Lubricating System Components	

SECTION 3 - ENGINE

ITEM	PART NUMBER	QTY	DESCRIPTION	REV
	7020465	2	Cap, Oil Fill	
	70025088	2	Plug, Oil Drain	
	7020404	2	Seal, Oil Drain Plug	
		Ref	Pump, Oil (Includes seal 7 Gasket)	
	7016331	1	Filter, Oil	
	70024494	1	Cooler, Oil	
	70024495	1	Gasket, Oil Cooler	
	70025745	1	Dipstick (Includes Seal)	
		Ref	Mechanical Components	
	70001870	1	Flywheel (includes Gear)	
	70005498	1	Set, Narrow V-Belts	
	70005516	1	V-Belt	
	70025707	1	Gasket Set - Complete	

SECTION 3 - ENGINE

FIGURE 3-22. PUMP COUPLING KIT



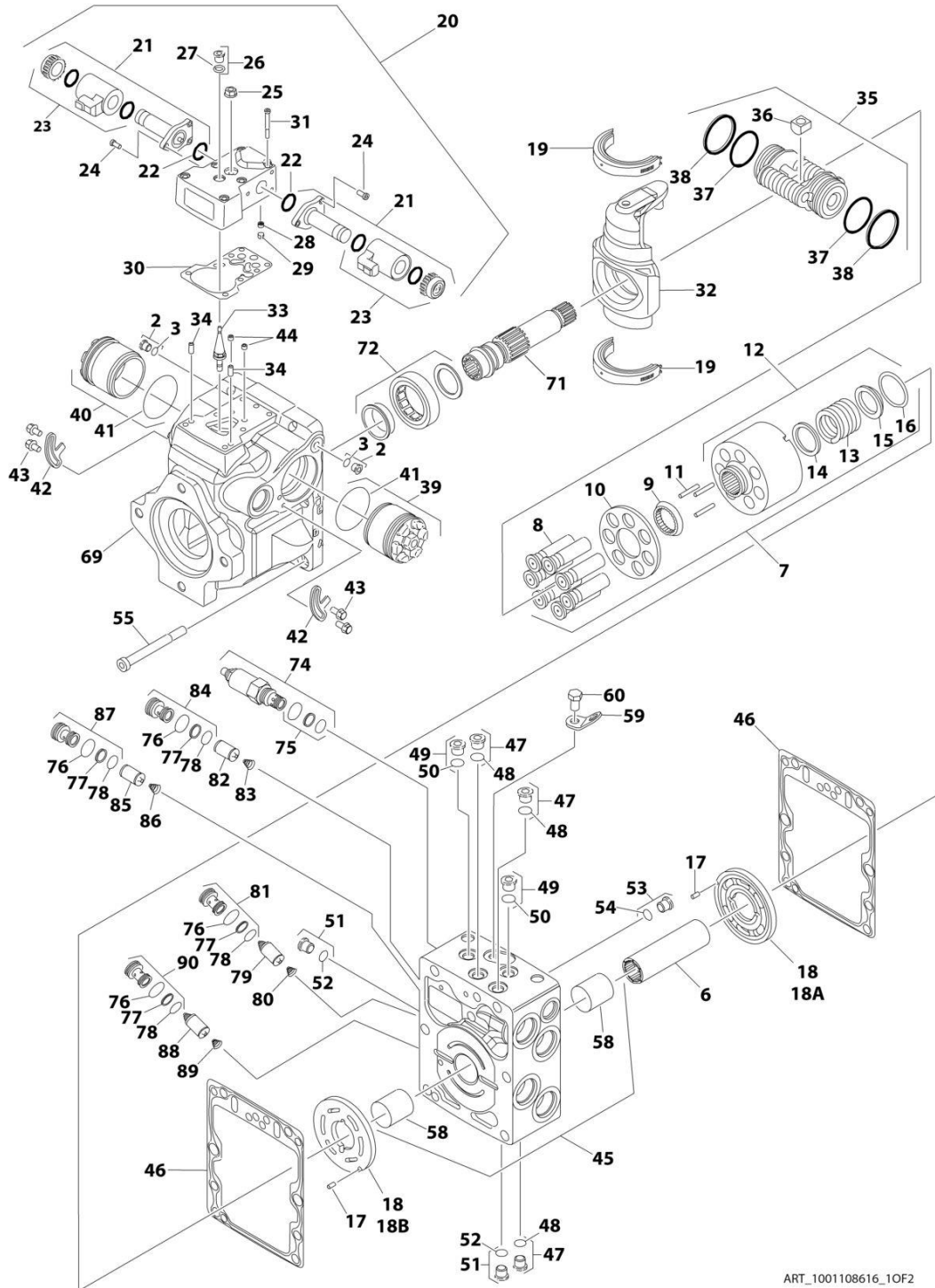
ART_2902065

FIGURE 3-22. PUMP COUPLING KIT

ITEM	PART NUMBER	QTY	DESCRIPTION	REV
	2902065	Ref	PUMP COUPLING KIT	L
1	70000793	1	Coupling, Hayes	
2	See Note	NSS	Plate, Pump Adapter (Note: Use p/n 2902065)	
3	See Note	NSS	Bolt M10 x 30 Grade 10.9 (Note: Use p/n 2902065)	
4	See Note	NSS	Washer M10 (Note: Use p/n 2902065)	
6	See Note	NSS	Bolt M10 x 20 Grade 10.9 (Note: Use p/n 2902065)	

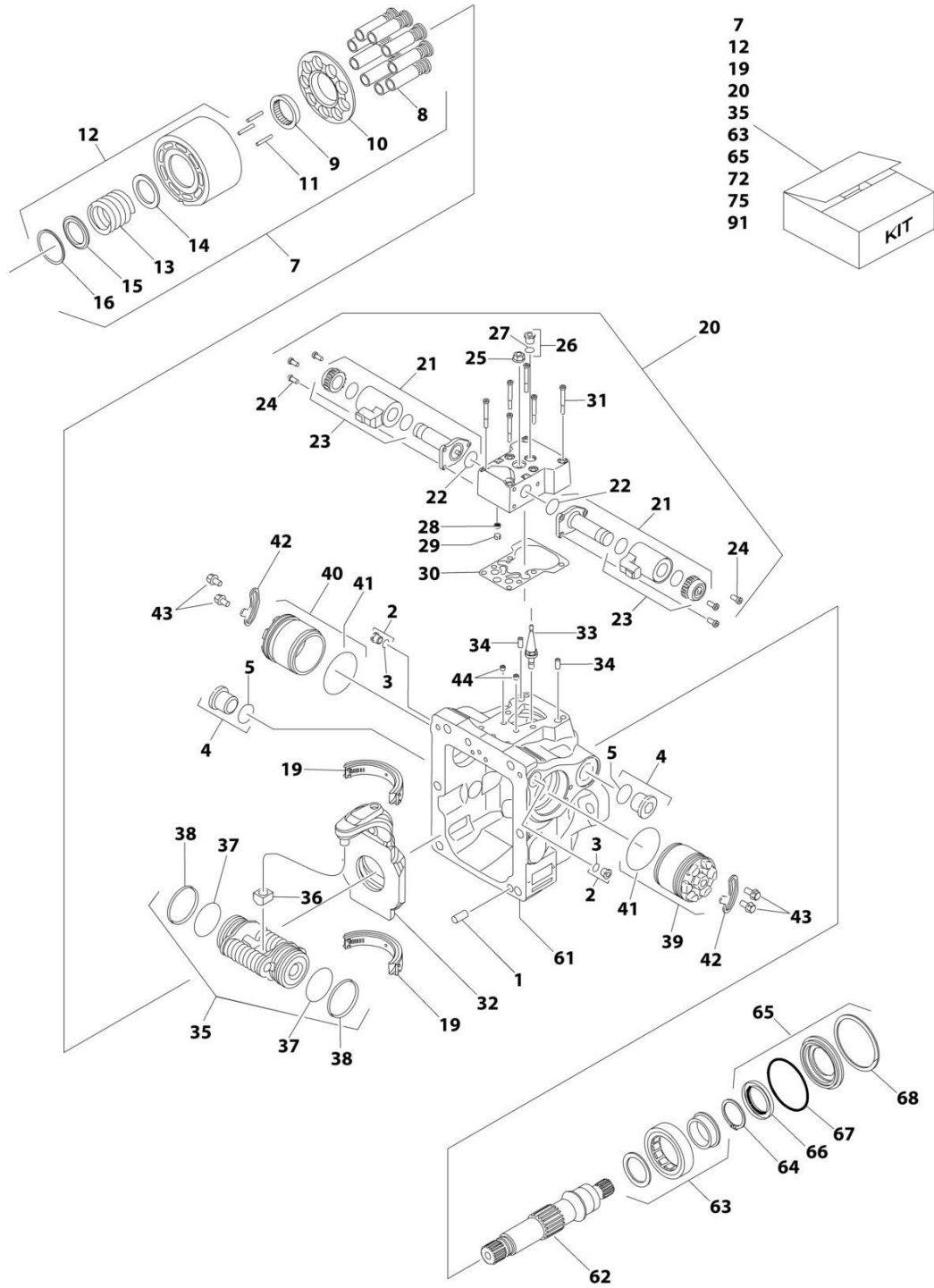
SECTION 3 - ENGINE

FIGURE 3-23. TANDEM PUMP ASSEMBLY



ART_1001108616_10F2

SECTION 3 - ENGINE



ART_1001108616_20F2

SECTION 3 - ENGINE

FIGURE 3-23. TANDEM PUMP ASSEMBLY

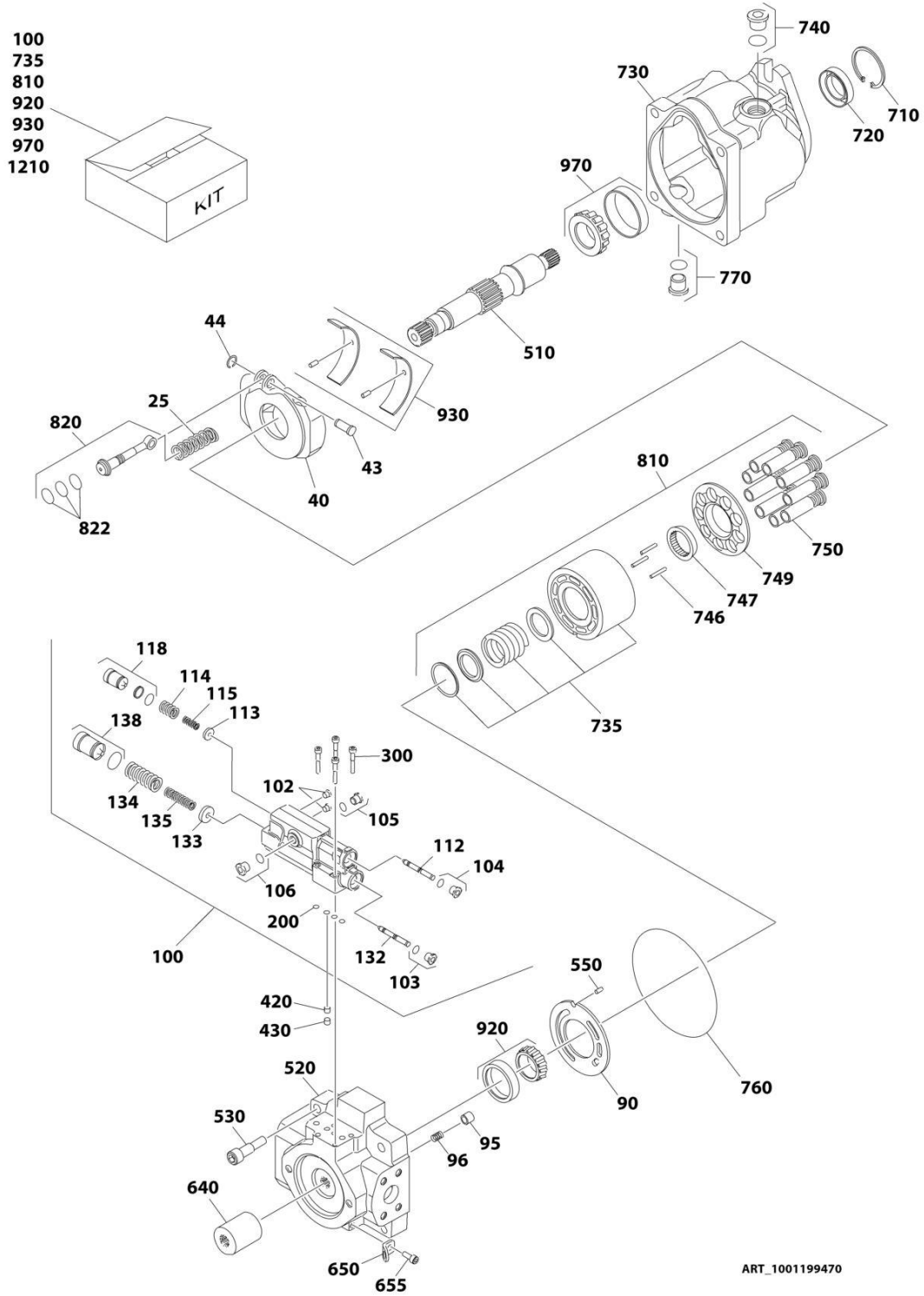
ITEM	PART NUMBER	QTY	DESCRIPTION	REV
	1001108616	Ref	PUMP ASSEMBLY (SAUER TANDEM)	D
1	70002132	4	Pin	
2	70002133	4	Plug Assembly (Includes Item 3)	
3	7007207	4	O-Ring (Part of Item 2)	
4	7007419	2	Plug Assembly (Includes Item 5)	
5	7007418	2	O-Ring (Part of Item 4)	
6	70002600	1	Coupling	
7	70002135	2	Cylinder Block Kit (Each Kit Includes Qty 1 of Items 8-10 & 12-16 & Qty 3 of Item 11)	
8	70002136	2	Piston Assembly Kit (Includes Qty 9 Piston Assemblies) (Part of Item 7)	
9	70002137	2	Guide, Slipper Retainer (Part of Item 7)	
10	70002138	2	Retainer, Slipper (Part of Item 7)	
11	7021275	6	Pin, Slipper Retainer Holddown (Part of Item 7)	
12	70002135	2	Cylinder Block Assembly (Includes Qty 1 of Item 13-16) (Part of Item 7)	
13	70002139	2	Spring (Part of Item 12)	
14	70002140	2	Washer (Part of Item 12)	
15	70002141	2	Washer (Part of Item 12)	
16	70002142	2	Ring, Retaining (Part of Item 12)	
17	7007446	2	Pin	
18		Ref	Plate, Valve Options:	
18A	70002601	1	Plate, CW Valve	
18B	70002602	1	Plate, CCW Valve	
19	70002145	2	Swash Plate Bearing Kit (Includes Qty 2 Bearings)	
20	70002618	2	EDC Kit (Includes Items 21-31)	
21	70002619	4	Solenoid Valve Assembly (Includes Items 22 & 23) (Part of Item 20)	
22	70002148	4	O-Ring (2 Per EDC Assembly) (Part of Item 21)	
23	70002620	4	Coil, Nut and Seals Kit (2 Per EDC Assembly) (Part of Item 21)	
24	70002150	12	Screw (Part of Item 20)	
25	7022301	2	Nut, Seal (Part of Item 20)	
26	70002151	2	Plug Assembly (Part of Item 20) (Includes Item 27)	
27	7007207	2	O-Ring (Part of Item 26)	
28	70002134	2	Screen (Part of Item 20)	
29	70002153	2	Ring, Locking (Part of Item 20)	
30	70002154	2	Gasket, Control (Part of Item 20)	
31	70002156	12	Capscrew (Part of Item 20)	
32	70002152	2	Swash Plate	
33	70002155	2	Link, Swash Plate	
34	70002157	4	Pin, Dowel	
35	70002158	2	Servo Piston Assembly (Includes Items 36-38)	
36	70002159	2	Block, Slider (Part of Item 35)	
37	70002160	2	O-Ring (Part of Item 35)	
38	70002161	2	Ring, Piston (Part of Item 35)	
39	70002162	2	Cylinder, Servo	
40	70002162	2	Cylinder, Servo	
41	70002163	4	O-Ring	
42	70002164	4	Plate, Locking	
43	70002165	8	Screw	

SECTION 3 - ENGINE

ITEM	PART NUMBER	QTY	DESCRIPTION	REV
44	70002604	4	Orifice	
45	70002605	1	Center Section Assembly (Includes Item 58)	
46	70002168	2	Gasket, End Cap	
47	70001958	2	Plug Assembly (Includes Item 48)	
48	7021256	2	O-Ring (Part of Item 47)	
49	70001958	2	Plug Assembly (Includes Item 50)	
50	7021256	2	O-Ring (Part of Item 49)	
51	70001958	2	Plug Assembly (Includes Item 52)	
52	7021256	2	O-Ring (Part of Item 51)	
53	70001958	2	Plug Assembly (Includes Item 54)	
54	7021256	2	O-Ring (Part of Item 53)	
55	70002606	4	Capscrew	
58	70002607	2	Bearing, Journal (Part of Item 45)	
59	70002608	1	Bracket, Lifting	
60	70002609	1	Screw	
61	See Note	1	Housing (Note: Not Available for Purchase)	
62	70002175	1	Shaft	
63	70002610	1	Ball Bearing Kit	
	7007439	1	Ring, Retaining	
65	70002174	1	Shaft Seal Kit (Includes Items 66-68) (Note: This is a universal kit and will contain extra pieces that are not used on this pump assembly)	
66	70002177	1	Seal, Lip	
67	70002178	1	O-Ring	
68	70002179	1	Ring, Retaining	
69	See Note	1	Housing (Note: Not Available for Purchase)	
71	70002612	1	Shaft	
72	70002610	1	Ball Bearing Kit	
74	70002621	1	High Pressure Relief Valve Cartridge Assembly (Includes Item 75)	
75	70002622	1	Seal Kit - 70002621 Valve (Part of Item 74)	
76	7007415	1	O-Ring (Part of Items 81, 84, 87 & 90)	
77	7021293	1	Ring, Back-up (Part of Items 81, 84, 87 & 90)	
78	7022300	1	O-Ring (Part of Items 81, 84, 87 & 90)	
79	70002616	1	SCR Valve Assembly	
80	7024800	1	Spring	
81	7021265	1	Plug Assembly (Includes Qty 1 of Items 76-78)	
82	70002616	1	SCR Valve Assembly	
83	7024800	1	Spring	
84	7021265	1	Plug Assembly (Includes Qty 1 of Item 76-78)	
85	70002616	1	SCR Valve Assembly	
86	7024800	1	Spring	
87	70002617	1	Plug Assembly (Includes Qty 1 of Item 76-78)	
88	70002616	1	SCR Valve Assembly	
89	7024800	1	Spring	
90	7021265	1	Plug Assembly (Includes Qty 1 of Items 76-78)	
91	70002623	1	Overhaul Seal Kit (Includes Items 3, 5, 22, 27, 30, 37, 38, 41, 46, 48, 50, 52, 54, 66, 67, 75, 76, 77 & 78)	

SECTION 3 - ENGINE

FIGURE 3-24. PISTON PUMP ASSEMBLY



SECTION 3 - ENGINE

FIGURE 3-24. PISTON PUMP ASSEMBLY

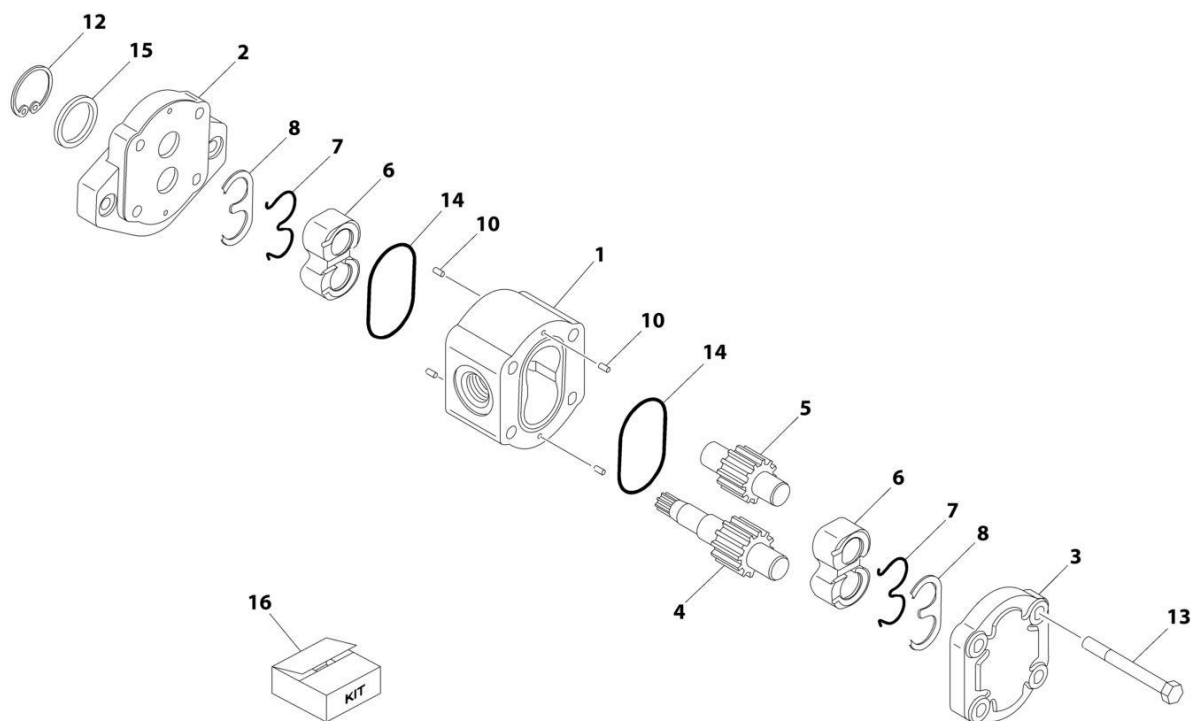
ITEM	PART NUMBER	QTY	DESCRIPTION	REV
	1001199470	Ref	PISTON PUMP ASSEMBLY	E
25	70002580	1	Spring, Bias	
40	70004416	1	Swashplate Assembly	
43	70002582	1	Shaft	
44	70002583	1	Ring, Retaining	
90	70004417	1	Plate, Valve	
95	70001956	1	Poppet, Check Valve	
96	70001955	1	Spring	
100	70022286	1	Kit, Control (Includes Items 102-300)	
102	70023351	1	Setscrew	
103	70002133	1	Plug Assembly (Includes O-Ring)	
103	7007207	1	O-Ring	
104	70002133	1	Plug Assembly (Includes O-Ring)	
104	7007207	1	O-Ring	
105	70002133	1	Plug Assembly (Includes O-Ring)	
105	7007207	1	O-Ring	
106	70002133	1	Plug Assembly (Includes O-Ring)	
106	7007207	1	O-Ring	
112	70004418	1	Spool	
113	70023353	1	Guide, Spring LS	
114	70023354	1	Spring, Outer LS	
115	70023355	1	Spring, Inner LS	
118	70024039	1	Plug, Adjusting LS	
132	70023352	1	Spool, Control	
133	70023357	1	Guide, Spring PC	
134	70023358	1	Spring, Outer PC	
135	70023359	1	Spring, Inner PC	
138	70024040	1	Plug, Adjusting PC (Includes O-Ring)	
138	70023361	1	O-Ring	
200	70023362	4	Ring, Seal	
300	70023363	4	Capscrew	
420	7023377	1	Plug, Orifice	
430	70004419	1	Plug, Orifice	
510	70002586	1	Shaft	
520	70004420	1	Cap, End	
530	70002588	4	Capscrew	
550	7007446	1	Pin, Slotted	
640	70002589	1	Coupling	
650	7022340	1	Bracket, Lifting	
655	70002590	1	Capscrew	
710	7023962	1	Ring, Retaining	
720	70022287	1	Seal, Lip	
730	See Note	NSS	Housing (Note: Not Available for Purchase)	
735	70004421	1	Block, Cylinder	
740	7023964	1	Plug Assembly (Includes O-Ring)	
740	7007415	1	O-Ring	
746	7021275	3	Pin, Hold-down	
747	70002592	1	Guide, Slipper Retainer	
749	70002593	1	Retainer, Slipper	
750	70004422	9	Piston Assembly	

SECTION 3 - ENGINE

ITEM	PART NUMBER	QTY	DESCRIPTION	REV
760	70002595	1	Seal, End Cap	
770	7023964	1	Plug, O-Ring (Includes O-Ring)	
770	7007415	1	O-Ring	
810	70004423	1	Kit, Cylinder Block (Includes Items 735, 746, 747, 749 & 750)	
820	70025979	1	Piston, Servo (Includes Item 822)	
822	70004425	3	Ring, Piston (Part of Item 820)	
920	70002585	1	Kit, Bearing - Rear (Includes Cup and Cone)	
930	70004426	1	Kit, Swashplate Bearing (Includes Qty 2 Bearings and Retainer Pins)	
970	70002578	1	Bearing Kit - Front (Includes Cup and Cone)	
1210	70002599	1	Kit, Complete Seal (Includes Items 200, 720, 760, 822 and Plug O-Rings)	

SECTION 3 - ENGINE

FIGURE 3-25. GEAR PUMP ASSEMBLY



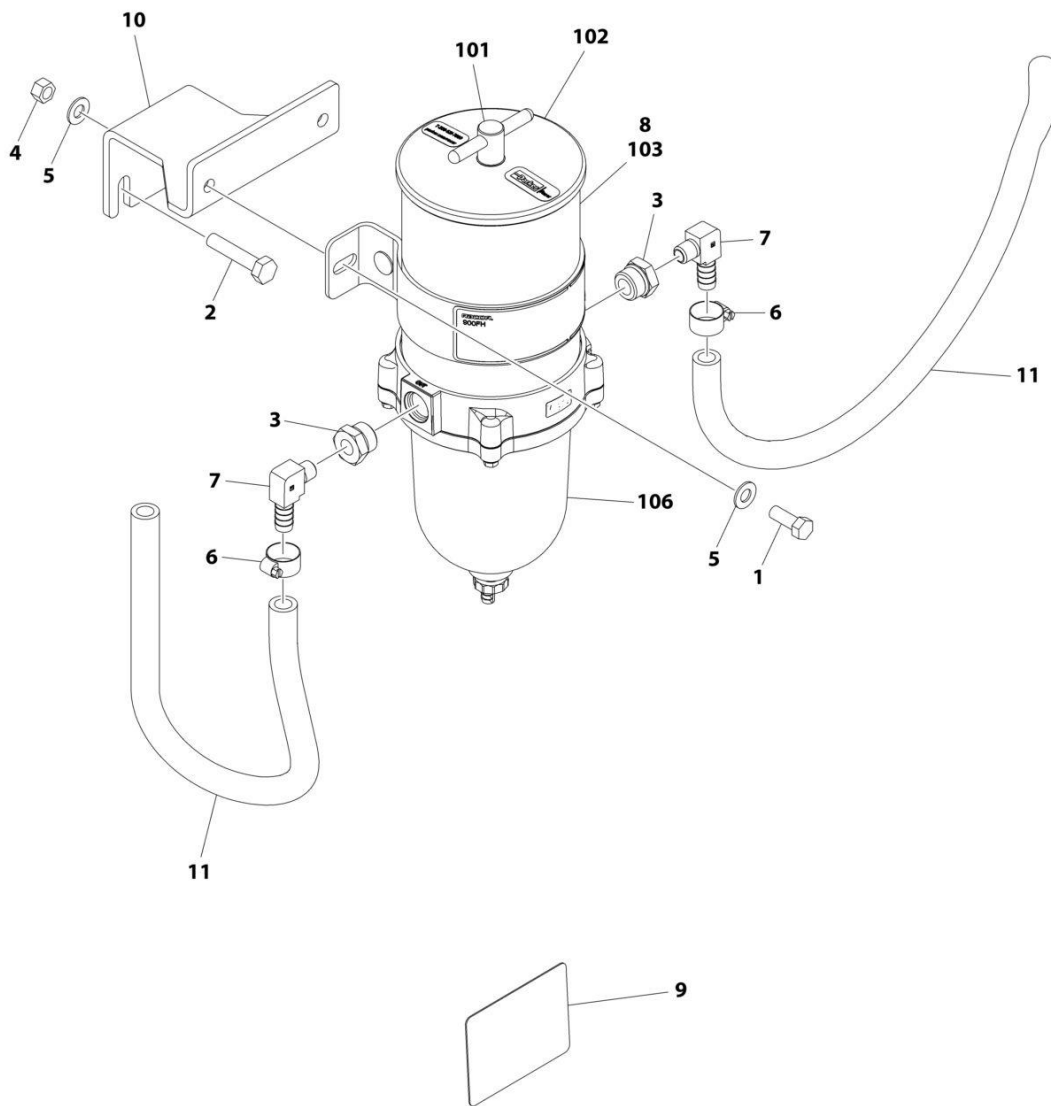
ART_1001112927

FIGURE 3-25. GEAR PUMP ASSEMBLY

ITEM	PART NUMBER	QTY	DESCRIPTION	REV
	1001112927	Ref	PUMP ASSEMBLY (SAUER GEAR)	A
1	See Note	NSS	Body (Note: Use p/n 1001112927)	
2	See Note	NSS	Cover, Front (Note: Use p/n 1001112927)	
3	See Note	NSS	Cover, Rear (Note: Use p/n 1001112927)	
4	See Note	NSS	Shaft, Gear (Note: Use p/n 1001112927)	
5	See Note	NSS	Gear, Idler (Note: Use p/n 1001112927)	
6	See Note	NSS	Block, Bearing (Note: Use p/n 1001112927)	
7	7007489	2	Ring, Anti-Extrusion	
8	7007489	2	Ring, Seal	
10	See Note	NSS	Pin, Dowel (Note: Use p/n 1001112927)	
12	70002576	1	Ring, Retaining	
13	See Note	NSS	Capscrew (Note: Use p/n 1001112927)	
14	7007489	2	O-Ring	
15	7007489	1	Seal, Lip	
16	7007489	1	Seal Kit - 1001112927 Pump (Includes Items 7, 8, 14 & 15)	

SECTION 3 - ENGINE

FIGURE 3-26. FUEL FILTER/WATER SEPARATOR INSTALLATION (LRC)



LOCATED ON TANK SIDE HOOD

ART_1001227912

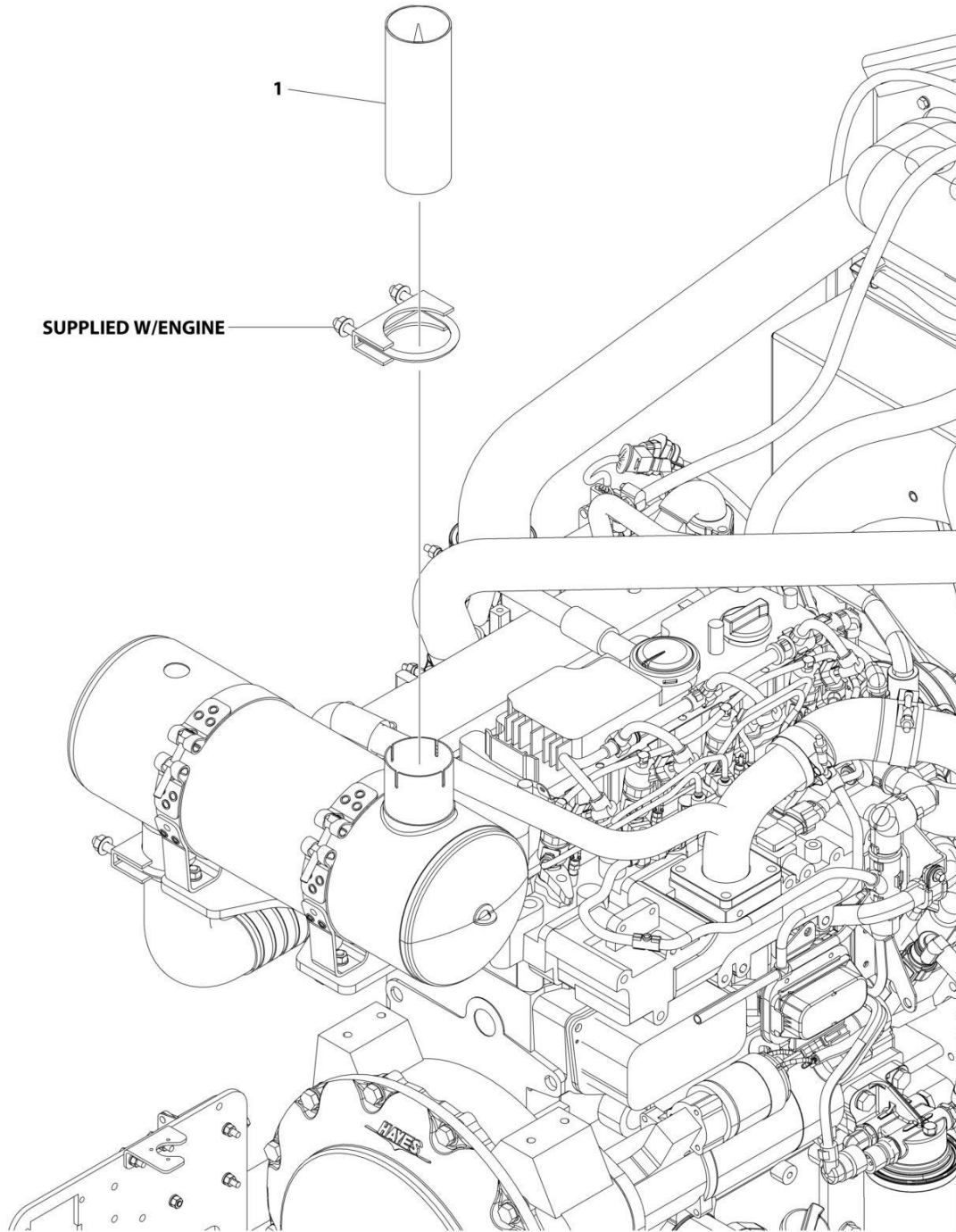
SECTION 3 - ENGINE

FIGURE 3-26. FUEL FILTER/WATER SEPARATOR INSTALLATION (LRC)

ITEM	PART NUMBER	QTY	DESCRIPTION	REV
	1001227912	Ref	FUEL FILTER/WATER SEPARATOR INSTALLATION (LRC)	A
1	0641608	2	Bolt 3/8 x 1	
2	0761018	2	Bolt M10 x 50	
3	2220816	2	Fitting, Adapter FNPTF/ORB	
4	3311605	2	Nut 3/8	
5	4711600	4	Washer 3/8	
6	8405006	2	Clamp	
7	1001178797	2	Fitting, 90 Elbow	
8	1001222817	1	Fuel Filter Assembly (See Items 101-107 for Breakdown)	
9	1001226923	1	Decal - Fuel Water Separator	
10	1001227948	1	Mount, Fuel Filter	
11	1001154405	4 ft/ 1.22m	Hose	
	1001222817	Ref	FUEL FILTER ASSEMBLY	
101	70006403	1	T-Handle Kit (Includes O-Ring)	
102	70006404	1	Lid Kit (Includes Gasket)	
103	70006405	1	Element	
104	70006406	1	Checkball & Gasket Kit (Not Shown)	
105	70006407	1	Centrifuge and Baffle Kit (Not Shown)	
106	70006409	1	Bowl Kit (Includes Gasket, O-Ring and Drain)	
106	70006408	1	Gasket, Bowl	
107	70006410	1	Bowl Ring Kit (Includes Gasket & Hardware) (Not Shown)	

SECTION 3 - ENGINE

FIGURE 3-27. SPARK ARRESTOR INSTALLATION (LRC) (OPTIONAL)



ART_1001158607

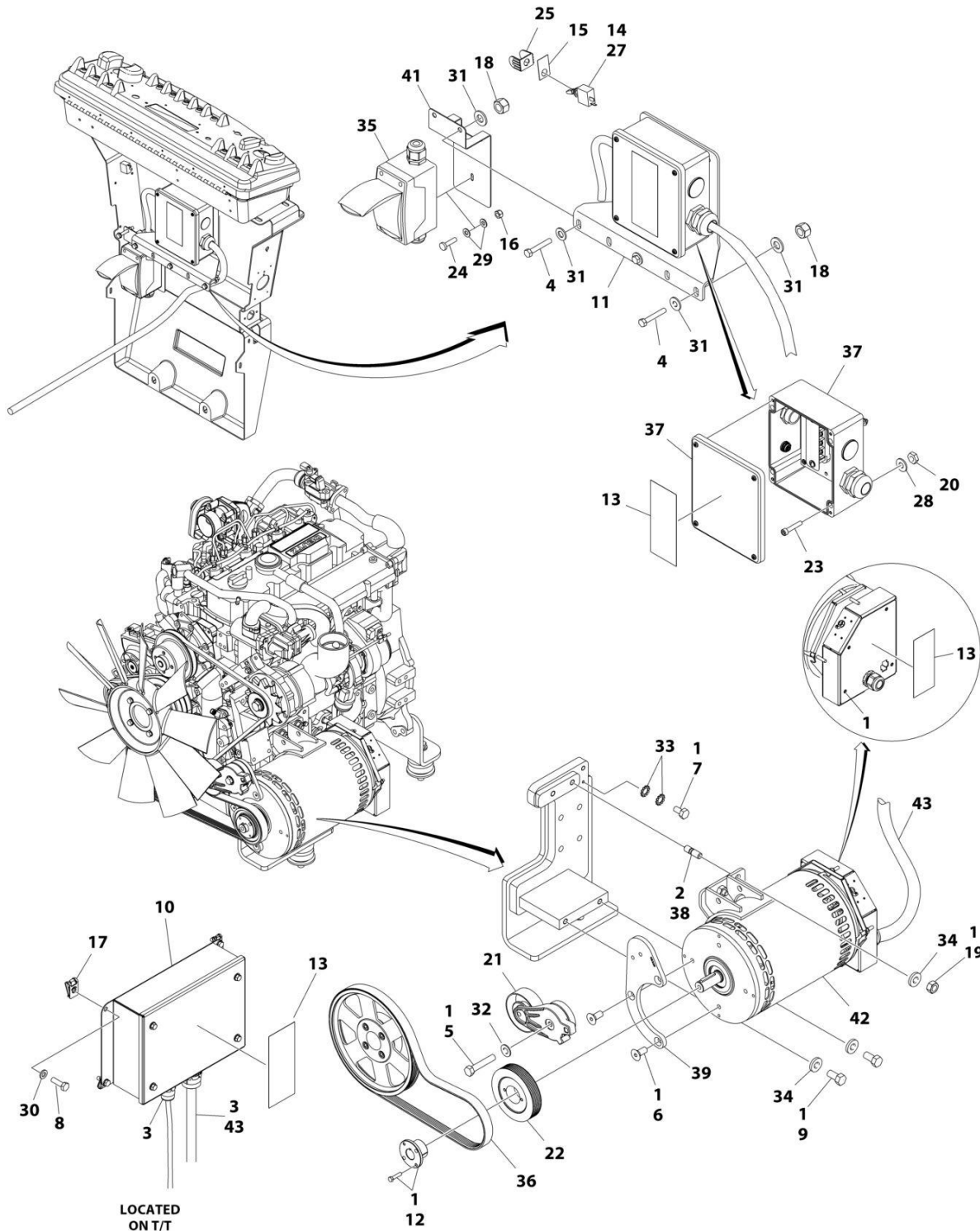
SECTION 3 - ENGINE

FIGURE 3-27. SPARK ARRESTOR INSTALLATION (LRC) (OPTIONAL)

ITEM	PART NUMBER	QTY	DESCRIPTION	REV
1	1001158607 1001158263	Ref 1	SPARK ARRESTOR INSTALLATION Arrestor, Spark	B

SECTION 3 - ENGINE

FIGURE 3-28. 4000W GENERATOR INSTALLATION - 50HZ



SECTION 3 - ENGINE

FIGURE 3-28. 4000W GENERATOR INSTALLATION - 50HZ

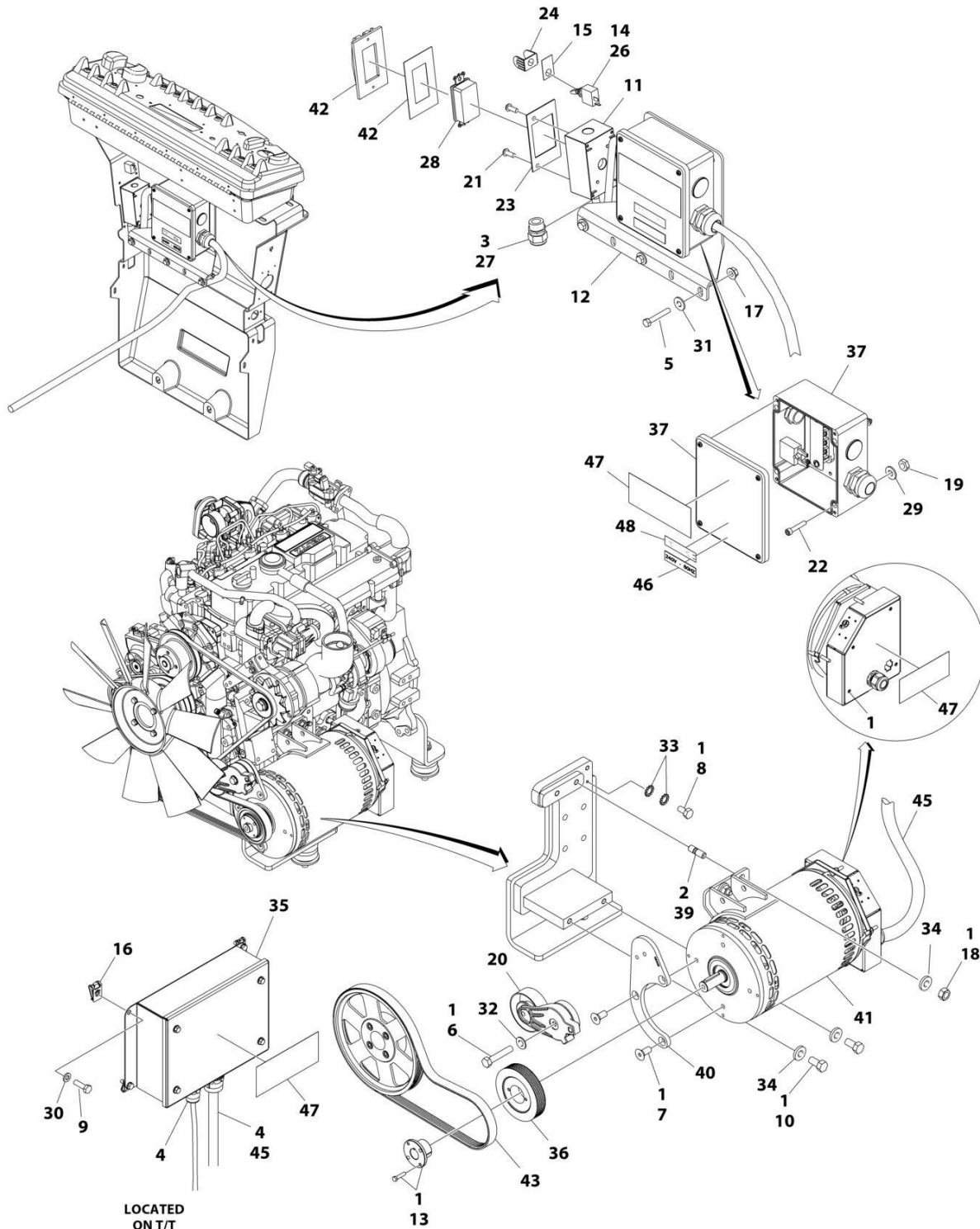
ITEM	PART NUMBER	QTY	DESCRIPTION	REV
	1001200698	Ref	4000W GENERATOR INSTALLATION - 50HZ	D
1	0100011	AR	Compound, Locking	
2	0100019	AR	Compound, Locking	
3	0100048	AR	Grease, Dielectric	
4	0700819001	4	Bolt M8 x 55	
5	0701018	1	Bolt M10 x 50	
6	0741607	3	Screw 3/8 x 7/8	
7	0760606	1	Bolt M6 x 12	
8	0760610	4	Bolt M6 x 20	
9	0761212	2	Bolt M12 x 25	
10	1001138566	1	Control Box Assembly	
10	77363232	1	Connector - 6 Position	
10	See Note	NSS	Connector - 3 Position (Note: Not Available for Purchase)	
10	70006552	1	Capacitor	
10	70006553	1	Relay	
11	0902888	1	Bracket, Junction Box	
12	0962520	1	Bushing, Split	
13	1705489	3	Decal - Hazardous Voltage	
14	2820031	0.3 ft /0.1m	Heat Shrink	
15	3251102	1	Nameplate, Generator	
16	3290405001	2	Nut M4	
17	8305919	4	Nut, Retainer	
18	3290805001	4	Nut M8	
19	3291201	2	Nut M12	
20	3311005001	4	Nut #10	
21	3580317	1	Tensioner, Belt with Pulley	
22	3580318	1	Pulley, Generator	
23	3931016	4	Capscrew #10 x 1	
24	4010408	2	Screw M4 x 16	
25	4060802	1	Guard, Switch	
26	4240018	AR	Tie-Strap (Not Shown)	
27	4360336	1	Switch, Toggle	
28	4751000001	4	Washer #10	
29	4811400001	4	Washer M4	
30	4811700	4	Washer M6	
31	4811900001	8	Washer M8	
32	4812000	1	Washer M10	
33	4871700	2	Washer M6	
34	5241200	4	Washer M12	
35	1001096612	1	Breaker Box Kit (See Separate Breakdown in ELECTRICAL Section)	
36	1001148059	1	Belt, Generator	
37	1001152458	1	Junction Box Assembly	
37	4460425	1	Connector, Strain Relief (LH Side)	
37	4460426	1	Connector, Strain Relief (RH Side)	
37	1001152530	1	Block, Terminal	
37	1001158363	1	Cover, Terminal Block	
38	1001155041	2	Stud	
39	1001155338	1	Support, Tensioner	

SECTION 3 - ENGINE

ITEM	PART NUMBER	QTY	DESCRIPTION	REV
41	1001204650	1	Bracket	
42	1001206119	1	Generator Assembly	
42	70003709	1	Ring, Retaining (External)	
42	70003708	1	Ring, Retaining (Internal)	
42	70001966	1	Bearing	
42	70004092	1	Endbell (Shaft End)	
42	70004171	1	Key	
42	70004676	1	Rotor	
42	70005624	1	Stator	
42	70004678	1	Endbell (Rear)	
42	70004679	1	Cover, Endbell (Rear)	
42	70004680	1	Enclosure, Wiring	
42	70004681	1	Cover, Enclosure	
42	70004682	1	Switch, Reset (Located on Enclosure Cover)	
42	70004098	1	Connector, Strain Relief (Located on Enclosure Cover)	
42	70004683	1	Bushing, Connector (Use p/n 70004098)	
42	70001973	1	Decal - Warning Pinch Point	
43	1001152532	1	Generator (See Separate Breakdown in ELECTRICAL Section)	
		Ref	ELECTRICAL DIAGRAM COMPONENTS	
101	1001153259	1	Generator to Platform Harness (Not Shown) (See Separate Breakdown in ELECTRICAL Section)	
103	4922641	1	Generator Switch Harness (Not Shown)	

SECTION 3 - ENGINE

FIGURE 3-29. 4000W GENERATOR INSTALLATION - 60HZ



SECTION 3 - ENGINE

FIGURE 3-29. 4000W GENERATOR INSTALLATION - 60HZ

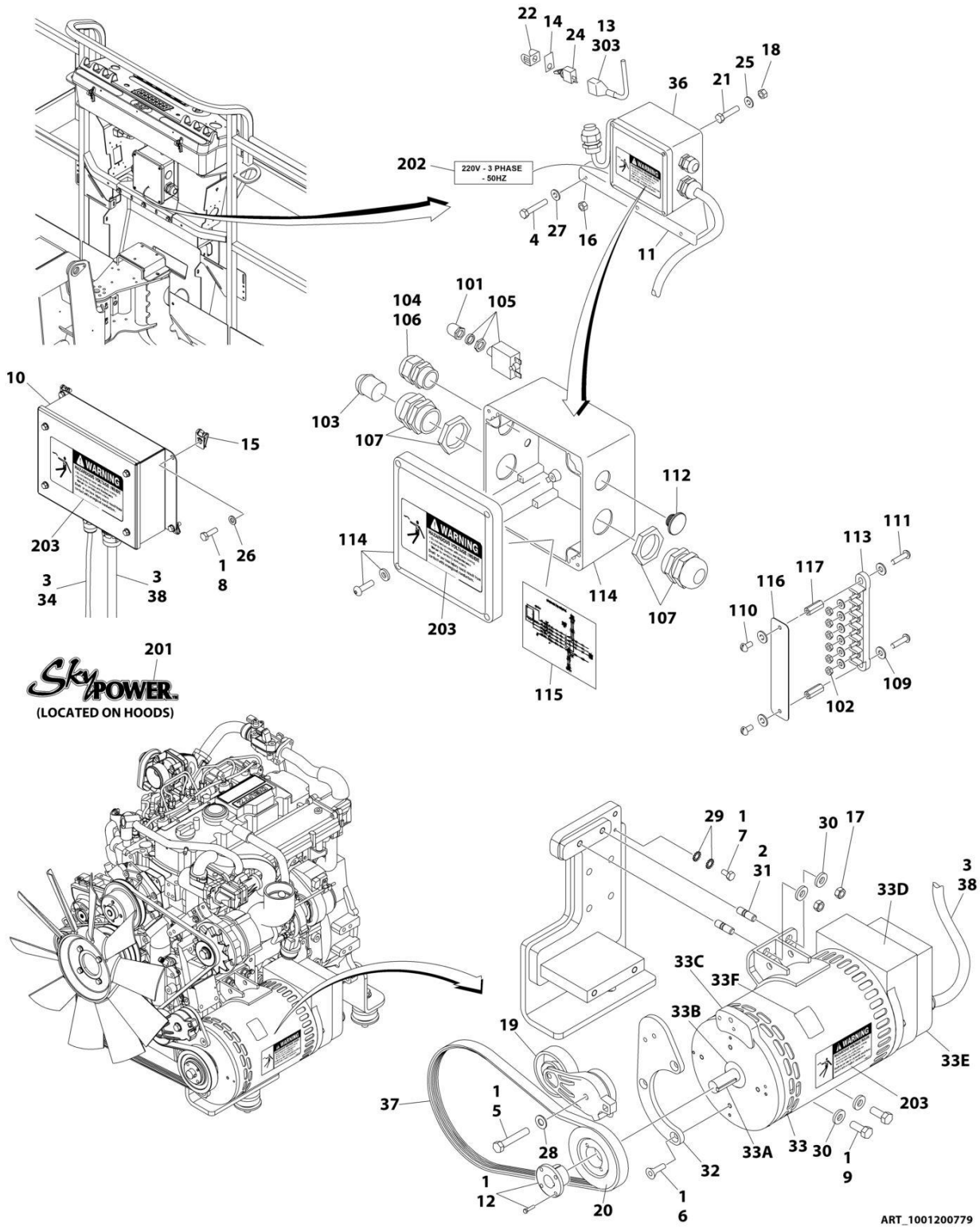
ITEM	PART NUMBER	QTY	DESCRIPTION	REV
	1001200699	Ref	4000W GENERATOR INSTALLATION - 60HZ	B
1	0100011	AR	Compound, Locking	
2	0100019	AR	Compound, Locking	
3	0100020	AR	Sealant	
4	0100048	AR	Grease, Dielectric	
5	0700818001	3	Bolt M8 x 50	
6	0701018	1	Bolt M10 x 50	
7	0741607	3	Screw 3/8 x 7/8	
8	0760606	1	Bolt M6 x 12	
9	0760610	4	Bolt M6 x 20	
10	0761212	2	Bolt M12 x 25	
11	0860038	1	Box, Switch	
12	0902888	1	Bracket, Junction Box	
13	0962520	1	Bushing, Split	
14	2820031	0.3 ft /0.1m	Heat Shrink	
15	3251102	1	Nameplate, Generator	
16	8305919	4	Nut, Retainer	
17	3290805001	3	Nut M8	
18	3291201	2	Nut M12	
19	3311005	4	Nut #10	
20	3580317	1	Tensioner, Belt with Pulley	
21	3910606	4	Screw M6 x 3/8	
22	3931016	4	Capscrew #10 x 1	
23	3960422	1	Gasket, AC Receptacle	
24	4060802	1	Guard, Switch	
25	4240018	AR	Tie-Strap (Not Shown)	
26	4360336	1	Switch, Toggle	
27	4460071	1	Connector, Strain Relief	
28	4460346	1	Receptacle	
29	4751000	4	Washer #10	
30	4811700	4	Washer M6	
31	4811900001	6	Washer M8	
32	4812000	1	Washer M10	
33	4871700	2	Washer M6	
34	5241200	4	Washer M12	
35	1001138566	1	Control Box Assembly	
35	77363232	1	Connector - 6 Position	
35	See Note	NSS	Connector - 3 Position (Note: Not Available for Purchase)	
35	70006552	1	Capacitor	
35	70006553	1	Relay	
36	1001150174	1	Pulley, Generator	
37	1001152457	1	Junction Box Assembly	
37	3300396	1	Cover, Breaker	
37	4360070	1	Breaker, Circuit - 15Amp	
37	1001152530	1	Block, Terminal	
37	1001158363	1	Cover, Terminal Block	
37	4460425	1	Connector, Strain Relief (LH Side)	
37	4460426	1	Connector, Strain Relief (RH Side)	
39	1001155041	2	Stud	

SECTION 3 - ENGINE

ITEM	PART NUMBER	QTY	DESCRIPTION	REV
40	1001155338	1	Support, Tensioner	
41	1001200565	1	Generator Assembly	
41	70003709	1	Ring, Retaining (External)	
41	70003708	1	Ring, Retaining (Internal)	
41	70001966	1	Bearing	
41	70004092	1	Endbell (Shaft End)	
41	70004171	1	Key	
41	70004676	1	Rotor	
41	70005625	1	Stator	
41	70004678	1	Endbell (Rear)	
41	70004679	1	Cover, Endbell (Rear)	
41	70004680	1	Enclosure, Wiring	
41	70004685	1	Cover, Enclosure	
41	70005624	1	Switch, Reset (Located on Enclosure Cover)	
41	70004098	1	Connector, Strain Relief (Located on Enclosure Cover)	
41	70004683	1	Bushing, Connector (Use with p/n 70004098)	
41	70001973	1	Decal - Warning Pinch Point	
42	1001110873	1	Cover, Receptacle (60Hz)	
43	1001155303	1	Belt, Generator	
45	1001152532	1	Generator Harness (See Separate Breakdown in ELECTRICAL Section)	
46	1705374	1	Decal - 240V	
47	1705387	3	Decal - Hazardous Voltage	
48	3251243	1	Decal - 120V	
		Ref	ELECTRICAL DIAGRAM COMPONENTS	
101	1001153259	1	Generator to Platform Harness (Not Shown) (See Separate Breakdown in ELECTRICAL Section)	
103	4922641	1	Generator Switch Harness (Not Shown)	

SECTION 3 - ENGINE

FIGURE 3-30. 7500W SKYPOWER GENERATOR INSTALLATION - 50HZ



SECTION 3 - ENGINE

FIGURE 3-30. 7500W SKYPOWER GENERATOR INSTALLATION - 50HZ

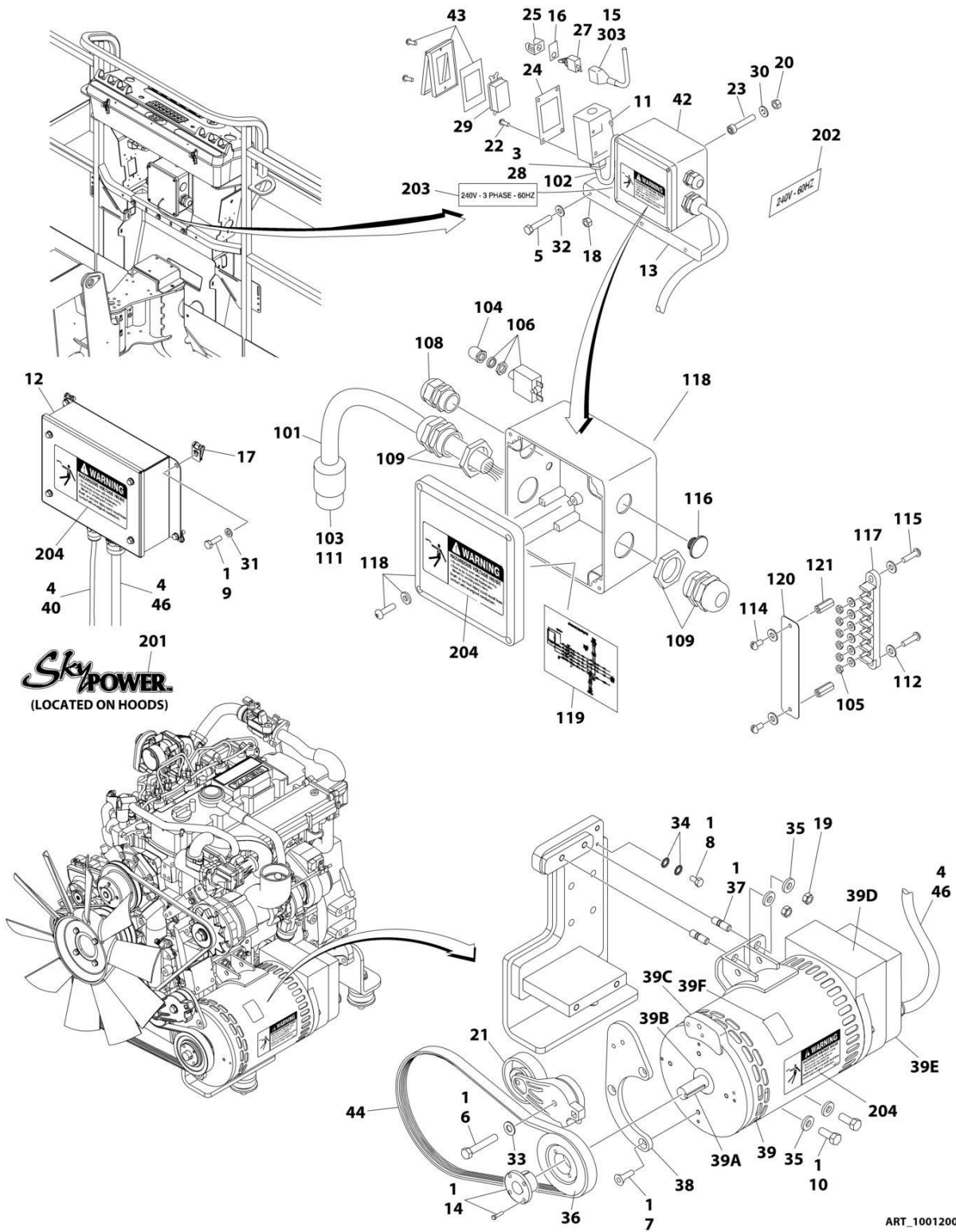
ITEM	PART NUMBER	QTY	DESCRIPTION	REV
	1001200779	Ref	7500W SKYPOWER GENERATOR INSTALLATION - 50HZ	C
		Ref	Note: See ELECTRICAL SECTION for Boom Cable Installation.	
1	0100011	AR	Compound, Locking	
2	0100019	AR	Compound, Locking	
3	0100048	AR	Grease, Dielectric	
4	0700818001	3	Bolt M8 x 50	
5	0701018	1	Bolt M10 x 50	
6	0741607	3	Screw 3/8 x 7/8	
7	0760606	1	Bolt M6 x 12	
8	0760610	4	Bolt M6 x 20	
9	0761212	2	Bolt M12 x 25	
10	0861572	1	Box, Generator Control	
10	7024488	1	Card, Circuit - Generator Power (Not Shown)	
10	See Note	1	Fuse (Note: Not Available Purchase Locally)	
10	7024489	1	Card, Circuit - Control (Not Shown)	
		Ref	Note: When replacing card, rocker switch on card must be set for required application.	
10	70000619	1	Circuit Card Harness	
10	77363232	1	Connector - 6 Position	
10	See Note	NSS	Connector - 3 Position (Note: Not Available for Purchase)	
11	0902888	1	Bracket	
12	0962520	1	Bushing	
13	2820031	AR	Heat Shrink	
14	3251102	1	Nameplate, Generator	
15	8305919	4	Nut, Retainer M6	
16	3290805001	3	Nut M8	
17	3291201	2	Nut M12	
18	3311005	4	Nut #10	
19	3580317	1	Tensioner, Belt with Pulley	
20	3580318	1	Pulley, Generator	
21	3931016	4	Capscrew #10 x 1	
22	4060802	1	Guard, Switch	
23	4240018	AR	Tie-Strap (Not Shown)	
24	4360336	1	Switch, Toggle	
25	4751000	4	Washer #10	
26	4711700	4	Washer M6	
27	4811900001	6	Washer M8	
28	4812000	1	Washer M10	
29	4871700	2	Washer M6	
30	5241200	4	Washer M12	
31	1001155041	2	Stud	
32	1001155338	1	Bracket	
33	1001155348	1	Generator, 7500W	
33	70001100	1	Rotor (Includes p/n 70001384 & 70000863) (Not Shown)	
33	70001384	1	Bearing, Shaft (Rear) (Not Shown)	
33	70000863	1	Fan, Generator (Not Shown)	
33	70005651	1	Stator (Not Shown)	
33	70002297	2	Stud 1/4 x 12-7/8 (Not Shown)	
33	70003631	1	Brushholder Assembly (Not Shown)	
33A	70004171	1	Key	

SECTION 3 - ENGINE

ITEM	PART NUMBER	QTY	DESCRIPTION	REV
33B	70001966	1	Bearing, Ball Radial (Located in Belt Tensioner Endbell)	
33B	70003709	1	Ring, Retaining (Small)	
33B	70003708	1	Ring, Retaining (Large)	
33C	70004092	1	Endbell, Belt Tensioner	
33D	70004094	1	Endbell, Brush Block	
33E	70004096	1	Shroud Assembly	
33E	7027799	1	Block, Connector - 6 Position (Not Shown)	
33E	70002460	6	Nut, Brass (Attaches p/n 7027799 to Cover) (Not Shown)	
33E	7024485	1	Breaker, Circuit 30Amp (Not Shown)	
33E	70001696	1	Boot, Breaker (Not Shown)	
33E	7026597	1	Connector with Leads (Not Shown)	
33E	7026626	1	Connector with Pins (Not Shown)	
33E	70004098	1	Clamp, Cable (Not Shown)	
33E	70005652	1	Plate, End Panel (Not Shown)	
33E	70004097	1	Insulator, End Panel (Not Shown)	
33E	70001974	1	Decal - Terminal Connections (Not Shown)	
33F	70001973	1	Decal - Warning Moving Parts	
34	1001156030	1	Generator Harness (See Separate Breakdown in ELECTRICAL SECTION)	
36	1001157525	1	Junction Box Assembly (See Items 101-117 for Breakdown)	
37	1001148059	1	Belt, Generator	
38	4922925	1	Generator Harness (See Separate Breakdown in ELECTRICAL SECTION)	
	1001157525	Ref	JUNCTION BOX ASSEMBLY	B
101	3300396	1	Cover, Fuse	
102	3311001	6	Nut #10	
103	3520189	1	Plug (50Hz Spec Only)	
104	3520192	1	Plug	
105	4360070	1	Circuit Breaker - 15Amp	
106	4460425	1	Strain Relief, Terminal	
107	4460426	2	Connector, Strain Relief	
109	4711000	10	Washer #10	
110	10702077	2	Screw #10 x 3/8	
111	10702082	2	Screw #10 x 3/4	
112	1001152525	1	Plug	
113	1001157520	1	Block, Terminal	
114	1001157521	1	Box, Junction	
115	1001157528	1	Decal - Wiring Schematic	
116	1001158007	1	Cover, PVC	
117	1001158008	2	Stand-off	
	0272589	Ref	DECAL INSTALLATION	A
201	1705460	2	Decal - SkyPower	
202	1705461	1	Decal - 240V - 3 Phase	
203	1705489	3	Decal - Hazardous Voltage	
		Ref	ELECTRICAL DIAGRAM COMPONENTS	
303	4922641	1	Generator Switch Harness	

SECTION 3 - ENGINE

FIGURE 3-31. 7500W SKYPOWER GENERATOR INSTALLATION - 60HZ



ART_1001200780

SECTION 3 - ENGINE

FIGURE 3-31. 7500W SKYPOWER GENERATOR INSTALLATION - 60HZ

ITEM	PART NUMBER	QTY	DESCRIPTION	REV
	1001200780	Ref	7500W SKYPOWER GENERATOR INSTALLATION - 60HZ	B
1	0100011	AR	Compound, Locking	
2	0100019	AR	Compound, Locking (Not Shown)	
3	0100020	AR	Sealant, Pipe	
4	0100048	AR	Grease, Dielectric	
5	0700818001	3	Bolt M8 x 50	
6	0701018	1	Bolt M10 x 50	
7	0741607	3	Screw 3/8 x 7/8	
8	0760606	1	Bolt M6 x 12	
9	0760610	4	Bolt M6 x 20	
10	0761212	2	Bolt M12 x 25	
11	0860038	1	Box, Switch	
12	0861538	1	Box, Generator Control	
12	7024488	1	Card, Circuit - Generator Power (Not Shown)	
12	See Note	1	Fuse (Note: Not Available Purchase Locally)	
12	7024489	1	Card, Circuit - Control (Not Shown)	
		Ref	Note: When replacing card, rocker switch on card must be set for required application.	
12	70000619	1	Circuit Card Harness	
12	77363232	1	Connector - 6 Position	
12	See Note	1	Connector - 3 Position (Note: Not Available for Purchase)	
13	0902888	1	Bracket, Generator Junction Box	
14	0962520	1	Bushing, Taper	
15	2820031	AR	Insulator, Heat Shrink	
16	3251102	1	Nameplate, Generator	
17	8305919	4	Nut, Retainer M6	
18	3290805001	3	Nut M8	
19	3291201	2	Nut M12	
20	3311005	4	Nut #10	
21	3580317	1	Pulley, Belt Tensioner	
22	3910606	4	Screw #6 x 3/8	
23	3931016	4	Capscrew #10 x 1	
24	3960422	1	Gasket, AC Receptacle	
25	4060802	1	Guard, Switch	
26	4240018	AR	Tie-Strap (Not Shown)	
27	4360336	1	Switch, Toggle	
28	4460071	1	Connector, Strain Relief	
29	4460346	1	Terminal, Receptacle	
30	4751000	4	Washer #10	
31	4711700	4	Washer M6	
32	4811900001	6	Washer M8	
33	4812000	1	Washer M10	
34	4871700	2	Washer M6	
35	5241200	4	Washer M12	
36	1001150174	1	Pulley, Generator	
37	1001155041	2	Stud	
38	1001155338	1	Bracket	
39	1001155348	1	Generator, 7500W	
39	70001100	1	Rotor (Includes p/n 70001384 & 70000863) (Not Shown)	
39	70001384	1	Bearing, Shaft (Rear) (Not Shown)	

SECTION 3 - ENGINE

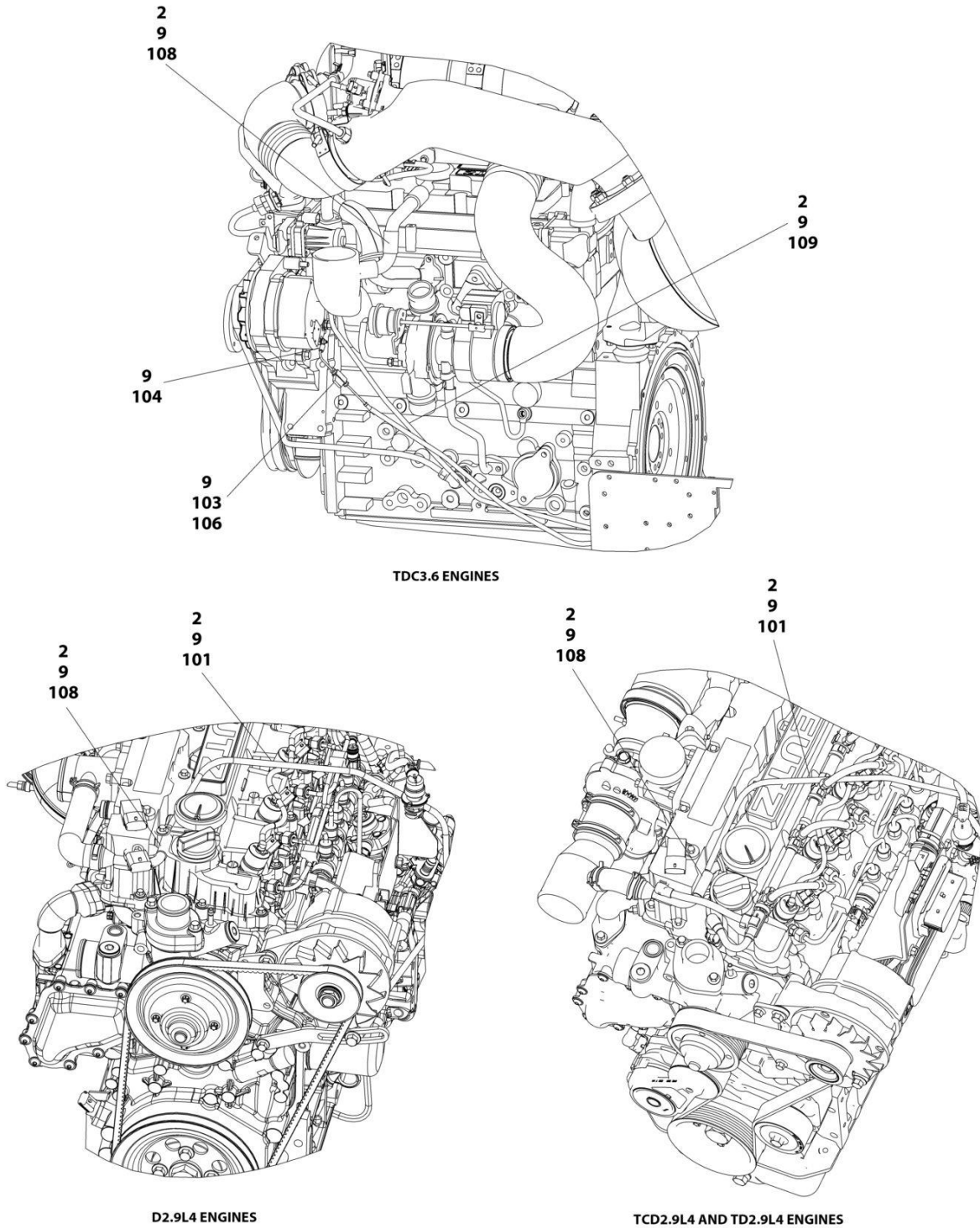
ITEM	PART NUMBER	QTY	DESCRIPTION	REV
39	7000863	1	Fan, Generator (Not Shown)	
39	70004093	1	Stator (Not Shown)	
39	70002297	2	Stud 1/4-20 x 12-7/8 (Not Shown)	
39	70003631	1	Brushholder Assembly (Not Shown)	
39A	70004099	1	Key	
39B	70001966	1	Bearing, Ball Radial (Located in Belt Tensioner Endbell)	
39B	70003709	1	Ring, Retaining (Small)	
39B	70003708	1	Ring, Retaining (Large)	
39C	70004092	1	Endbell, Belt Tensioner	
39D	70004094	1	Endbell, Brush Block	
39E	70004096	1	Shroud Assembly	
39E	7027799	1	Block, Connector - 6 Position (Not Shown)	
39E	70002460	6	Nut, Brass (Attaches p/n 7027799 to Cover) (Not Shown)	
39E	7024485	1	Breaker, Circuit 30Amp (Not Shown)	
39E	70001696	1	Boot, Breaker (Not Shown)	
39E	7026597	1	Connector with Leads (Not Shown)	
39E	7026626	1	Connector with Pins (Not Shown)	
39E	70004098	1	Clamp, Cable (Not Shown)	
39E	70004095	1	Plate, End Panel (Not Shown)	
39E	70004097	1	Insulator, End Panel (Not Shown)	
39E	70001974	1	Decal - Terminal Connections (Not Shown)	
39F	70001973	1	Decal - Warning Moving Parts	
40	1001156030	1	Generator Harness (See Separate Breakdown in ELECTRICAL SECTION)	
42	1001157592	1	Junction Box Assembly (See Items 101-121 for Breakdown)	
43	1001110873	1	Shield, Receptacle Cover	
44	1001155303	1	Belt, Generator	
46	4922925	1	Generator Harness (See Separate Breakdown in ELECTRICAL SECTION)	
	1001157592	Ref	JUNCTION BOX ASSEMBLY	C
101	1060343	1.5 ft /0.5m	Cable, Electrical 10/4	
102	1001179154	2.5 ft /0.8m	Cable, Electrical 12/3	
103	1671092	1	Cover	
104	3300396	1	Cover, Fuse	
105	3311001	6	Nut #10	
106	4360070	1	Circuit Breaker - 15Amp	
108	4460425	1	Strain Relief, Terminal	
109	4460426	2	Connector, Strain Relief	
111	4460963	1	Connector	
112	4711000	10	Washer #10	
114	10702077	2	Screw #10 x 3/8	
115	10702082	2	Screw #10 x 3/4	
116	1001152525	1	Plug	
117	1001157520	1	Block, Terminal	
118	1001157521	1	Box, Junction	
119	1001157528	1	Decal - Wiring Schematic	
120	1001158007	1	Cover, PVC	
121	1001158008	2	Stand-Off	
	0272435	Ref	DECAL INSTALLATION	D
201	1705460	2	Decal - SkyPower	

SECTION 3 - ENGINE

ITEM	PART NUMBER	QTY	DESCRIPTION	REV
202	3251243	1	Decal - 120V - 60Hz	
203	1705375	1	Decal - 240V - 3 Phase	
204	1705387	3	Decal - Hazardous Voltage	
		Ref	ELECTRICAL DIAGRAM COMPONENTS	
303	4922641	1	Generator Switch Harness	

SECTION 3 - ENGINE

FIGURE 3-32. BREATHER HEATER INSTALLATION - MACHINES WITH COLD WEATHER PACKAGE



ART_1001233763

SECTION 3 - ENGINE

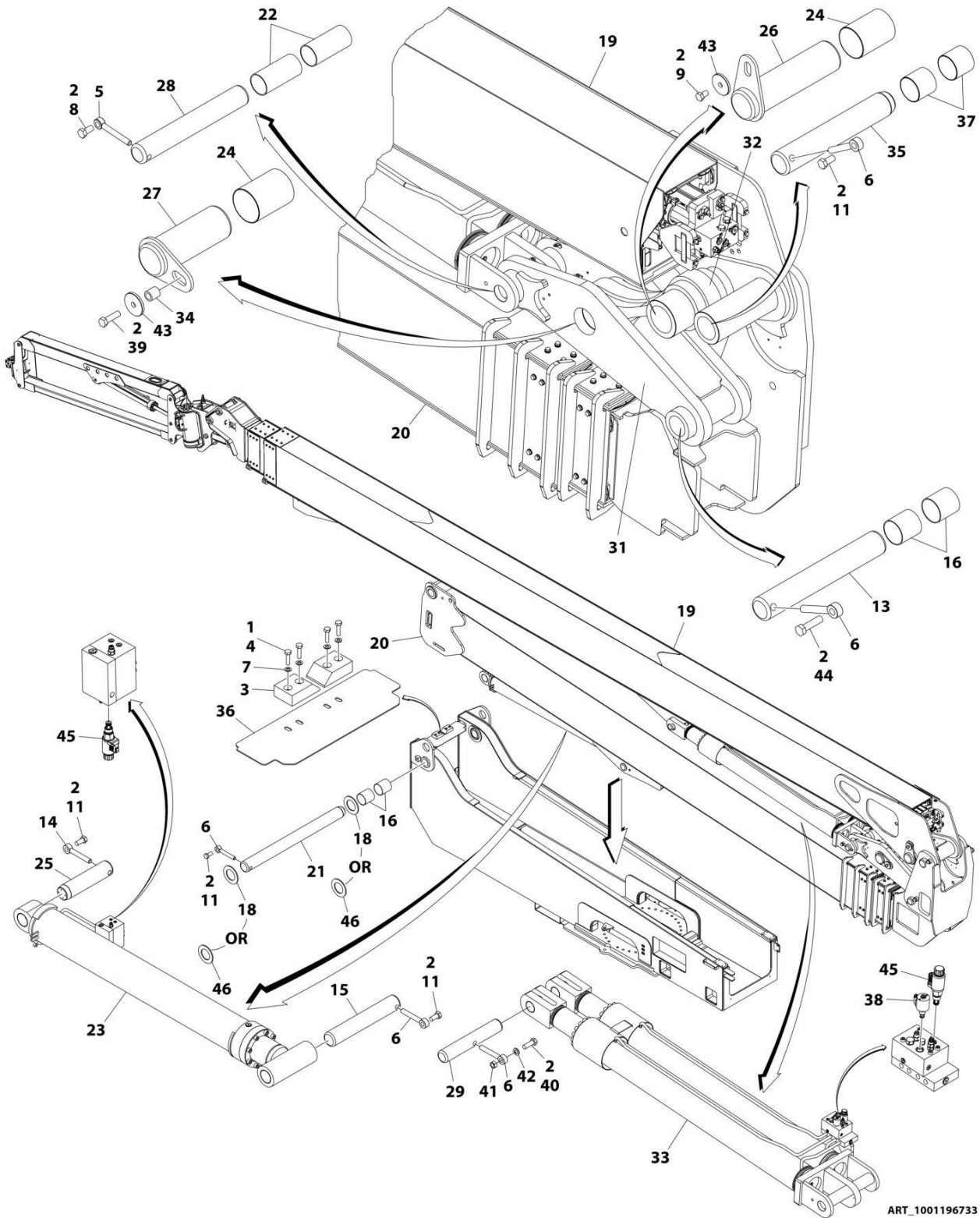
FIGURE 3-32. BREATHER HEATER INSTALLATION - MACHINES WITH COLD WEATHER PACKAGE

ITEM	PART NUMBER	QTY	DESCRIPTION	REV
	1001233763	Ref	BREATHER HEATER INSTALLATION - DEUTZ ENGINES	D
2	4240099	AR	Tie-Strap	
9	1001243895	1	Breather Heater Harness	C
101	2820035	AR	Insulation	
103	2400060	1	Fuseholder with Cover	
104	4460043	1	Terminal, Ring	
105	4460722	1	Terminal, Ring (Not Shown)	
106	1001196634	1	Fuse - 2 Amp	
108	1001232842	1	Breather Heater Kit	

SECTION 4 - BOOM

SECTION 4 - BOOM

FIGURE 4-1. BOOM AND CYLINDERS INSTALLATION



ART_1001196733

SECTION 4 - BOOM

FIGURE 4-1. BOOM AND CYLINDERS INSTALLATION

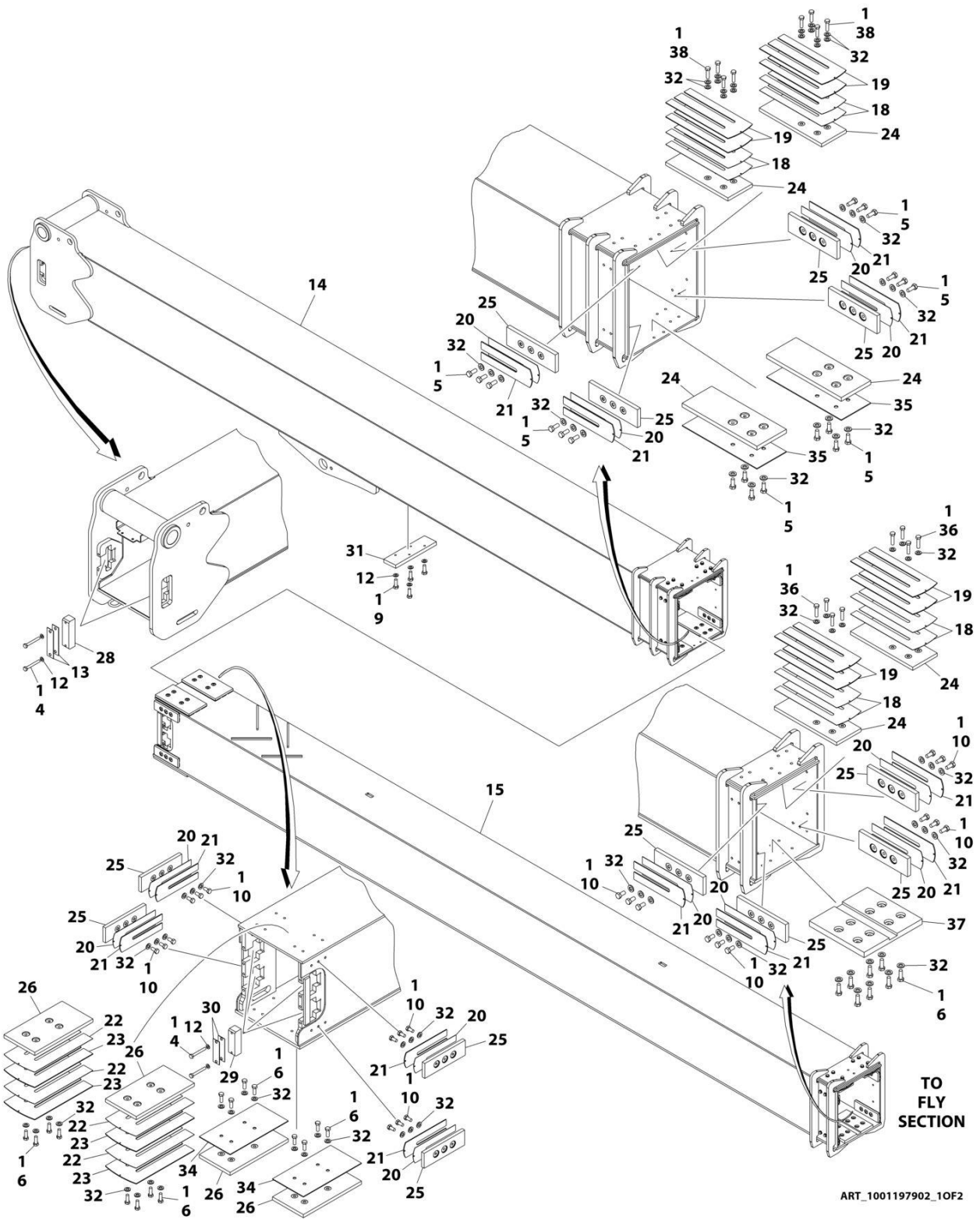
ITEM	PART NUMBER	QTY	DESCRIPTION	REV
	1001196733	Ref	BOOM AND CYLINDERS INSTALLATION	I
1	0100011	AR	Compound, Locking	
2	0100019	AR	Compound, Locking	
3	0561380	2	Block, Boom Rest	
4	0761016001	4	Bolt M10 x 40	
5	3841287	1	Keeper, Pin	
6	3841356	5	Keeper, Pin	
7	1001172358	4	Washer M10	
8	0762016001	1	Bolt M20 x 40	
9	0762014001	1	Bolt M20 x 30	
11	0762418001	4	Bolt M24 x 50	
13	1001134314	1	Pin	
14	1001146940	1	Keeper, Pin	
15	1001156650	1	Pin	
16	1001157887	4	Bearing	
18	1001180153	AR	Washer	
19	1001196917	1	Main Boom and Jib Assembly (See Separate Breakdown in this Section)	
20	1001197902	1	Tower Boom Assembly (See Separate Breakdown in this Section)	
21	1001197969	1	Pivot	
22	1001197973	2	Bearing	
23	1001228090	1	Lift Cylinder Assembly - Tower Boom (See Separate Breakdown in CYLINDER SECTION)	
24	1001198749	2	Bearing	
25	1001198757	1	Pin	
26	1001198758	1	Pin	
27	1001198759	1	Pin	
28	1001198760	1	Pin	
29	1001198761	1	Pin	
31	1001199804	1	Link	
32	1001199812	1	Link	
33	1001228094	1	Lift Cylinder Assembly - Main Boom (See Separate Breakdown in CYLINDER SECTION))	
34	1001200154	1	Spacer	
35	1001200574	1	Pin	
36	1001200576	1	Deflector	
37	0440273	2	Bearing	
38	1001201938	1	Cartridge Valve Assembly	
38	70005657	1	Cartridge, Solenoid Valve Less Coil	
38	70026446	1	Seal Kit - 70005657 Valve	
38	70003788	1	Coil	
39	0702022001	1	Bolt M20 x 70	
40	0762422001	1	Bolt M24 x 70	
41	3292401001	1	Nut M24	
42	4812700001	1	Washer M24	
43	1001207937	2	Washer	
44	0702426001	1	Bolt M24 x 90	
45	1001218037	2	Cartridge, Valve Assembly	
45	70006003	2	Cartridge, Solenoid Valve Less Coil	
45	70006005	2	Seal Kit - 70006003 Valve	

SECTION 4 - BOOM

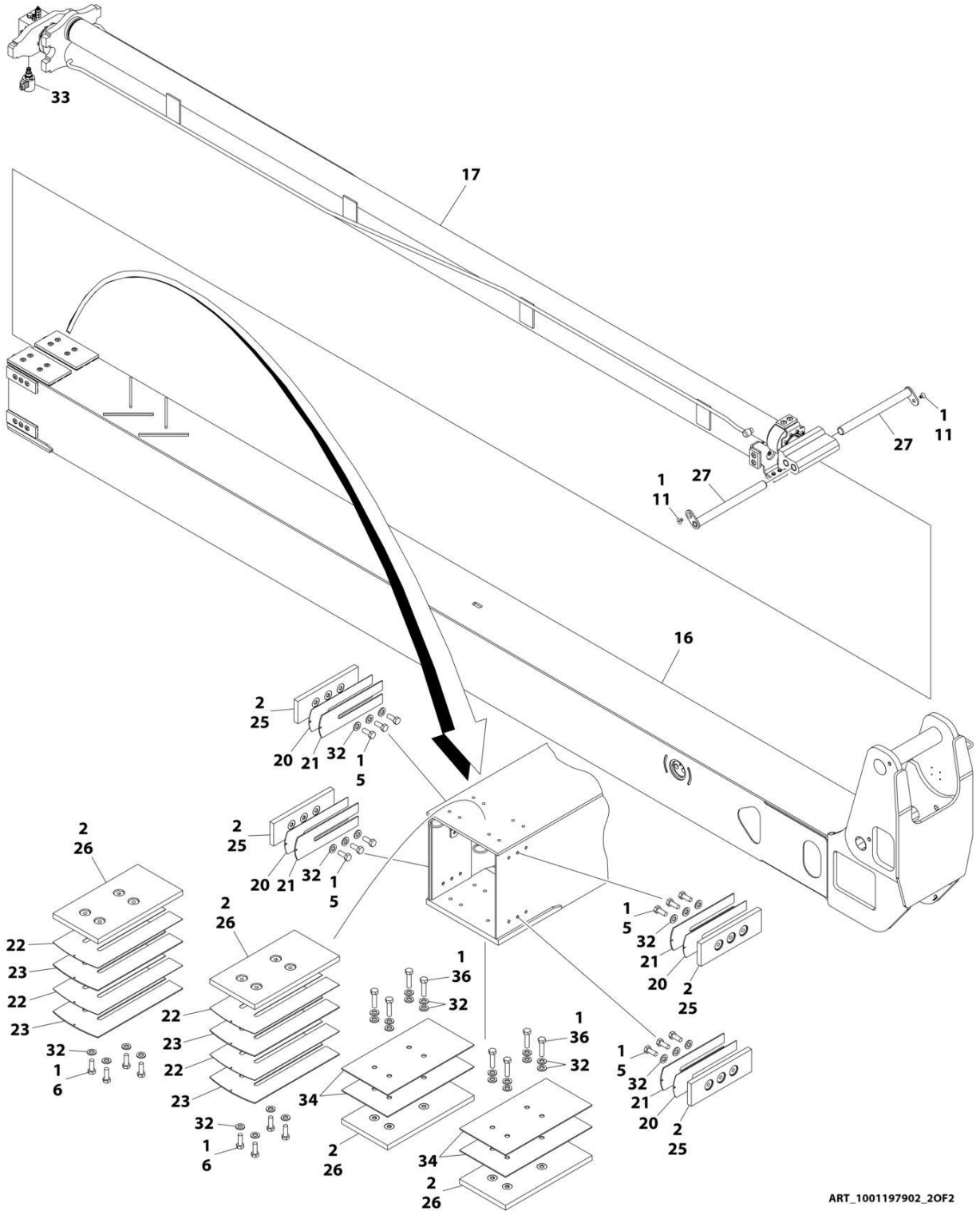
ITEM	PART NUMBER	QTY	DESCRIPTION	REV
45	70006004	2	Coil	
45	70006006	2	Nut, Coil	
46	1001221425	AR	Washer	

SECTION 4 - BOOM

FIGURE 4-2. TOWER BOOM ASSEMBLY



SECTION 4 - BOOM



ART_1001197902_20F2

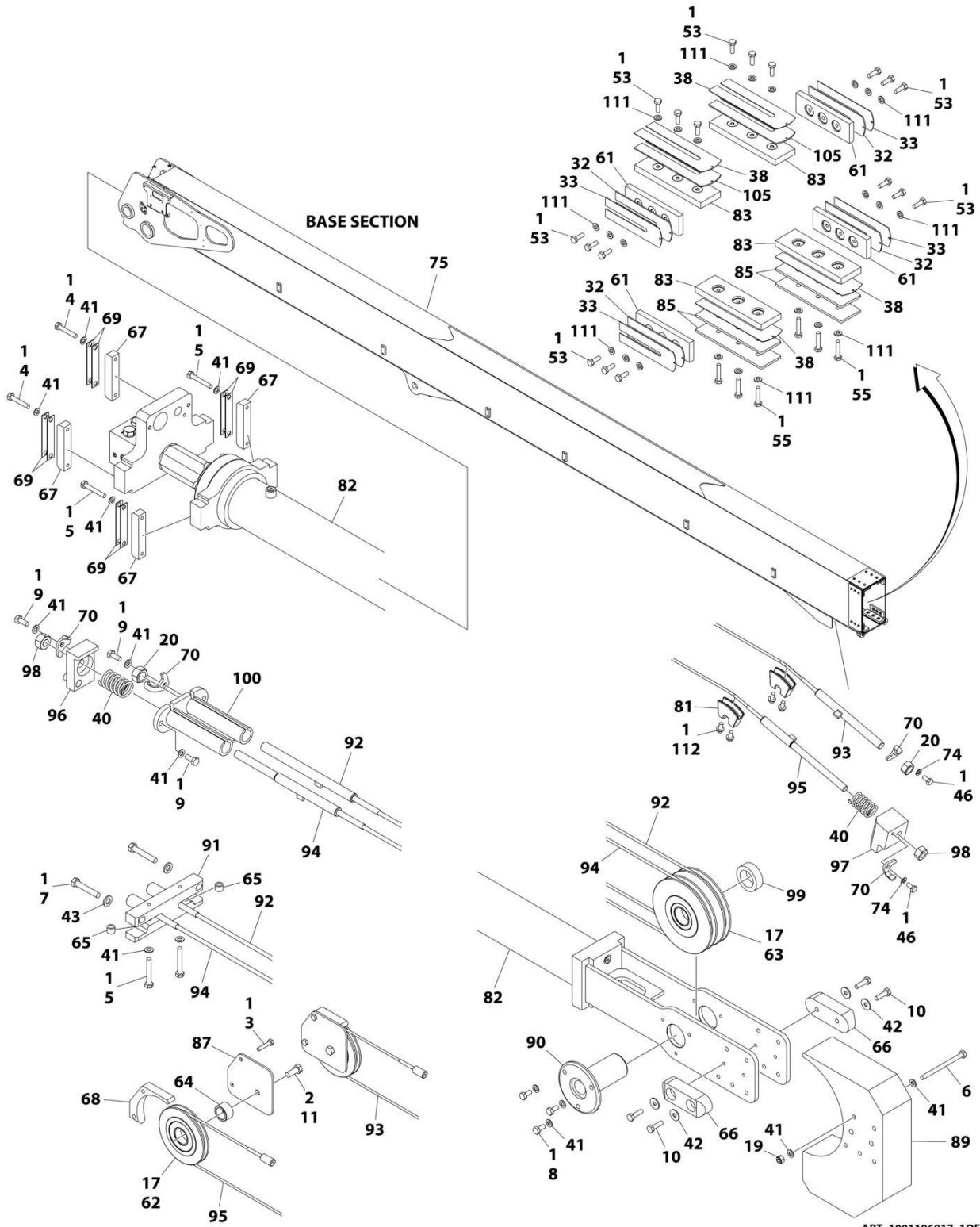
SECTION 4 - BOOM

FIGURE 4-2. TOWER BOOM ASSEMBLY

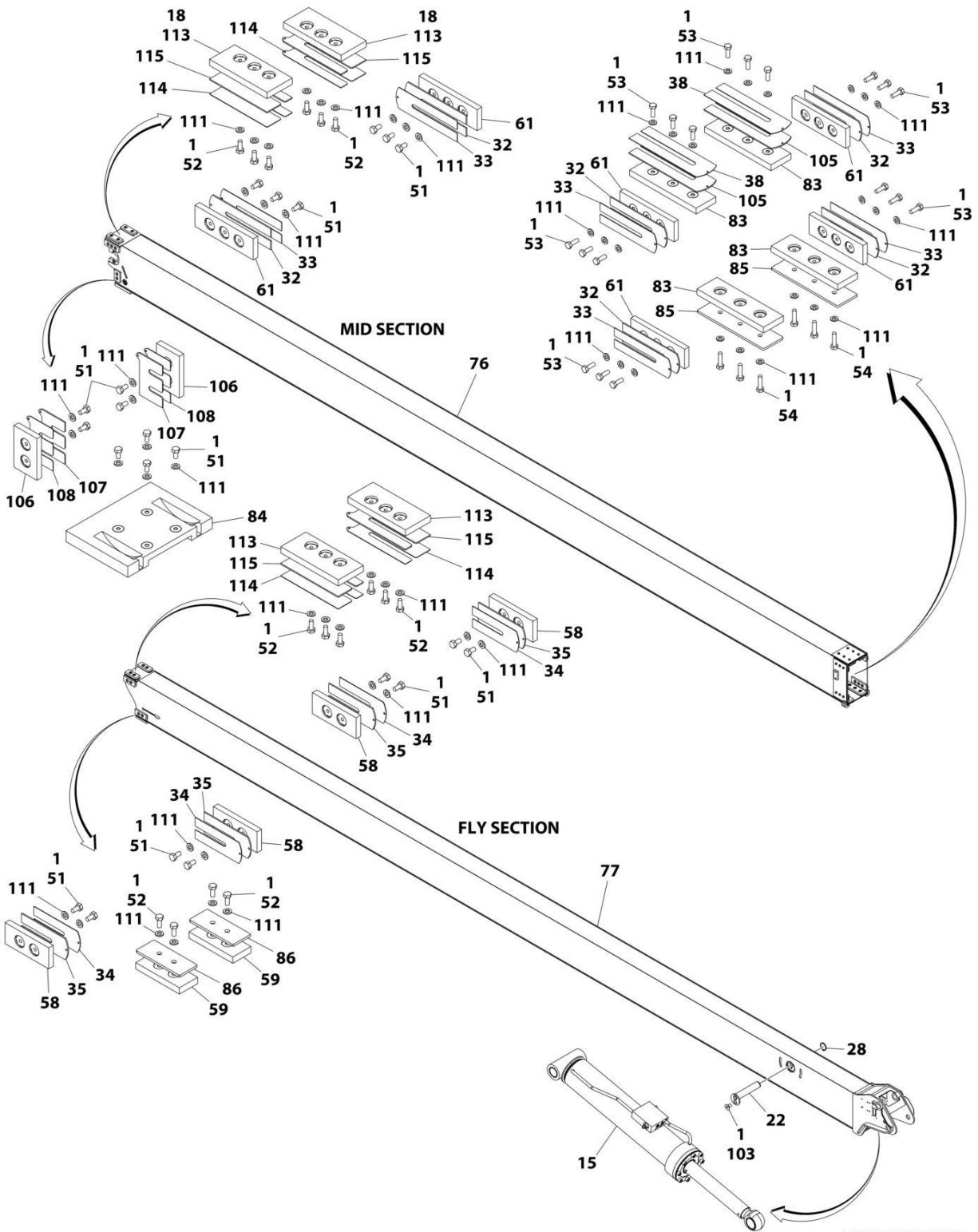
ITEM	PART NUMBER	QTY	DESCRIPTION	REV
	1001197902	Ref	TOWER BOOM ASSEMBLY	H
1	0100011	AR	Compound, Locking	
2	3020042	AR	Lubricant	
4	0701024001	12	Bolt M10 x 80	
5	0711214001	32	Bolt M12 x 30	
6	0711215001	32	Bolt M12 x 35	
9	0761014001	4	Bolt M10 x 30	
10	0771212001	24	Bolt M12 x 25	
11	1001137032	2	Screw M10 x 16	
12	1001172358	16	Washer M10	
13	1001173662	4	Shim 16 Gauge	
14	1001197899	1	Base, Boom (Section 1)	
15	1001209368	1	Mid, Boom (Section 2)	
16	1001197901	1	Fly, Boom (Section 3)	
17	1001228091	1	Telescope Cylinder Assembly - Tower (See Separate Breakdown in CYLINDER SECTION)	
18	1001198640	8	Shim 18 Gauge	
19	1001198641	8	Shim 11 Gauge	
20	1001198642	16	Shim 18 Gauge	
21	1001198643	16	Shim 11 Gauge	
22	1001198644	8	Shim 18 Gauge	
23	1001198645	8	Shim 11 Gauge	
24	1001209375	6	Pad, Wear	
25	1001198732	16	Pad, Wear	
26	1001209374	8	Pad, Wear	
27	1001201007	2	Pin	
28	1001201333	2	Block, Trunnion	
29	1001201334	4	Block, Trunnion	
30	1001201335	8	Shim 16 Gauge	
31	1001204914	1	Pad	
32	5241200001	128	Washer M12	
33	1001201938	1	Cartridge Valve Assembly	
34	1001209372	6	Plate, Spacer	
35	1001209373	2	Plate, Spacer	
36	0771218001	16	Bolt M12 x 50	
37	1001212669	1	Pad, Wear	
38	0711217001	8	Bolt M12 x 45	

SECTION 4 - BOOM

FIGURE 4-3. MAIN BOOM AND JIB ASSEMBLY (Prior to SN 0300293517)

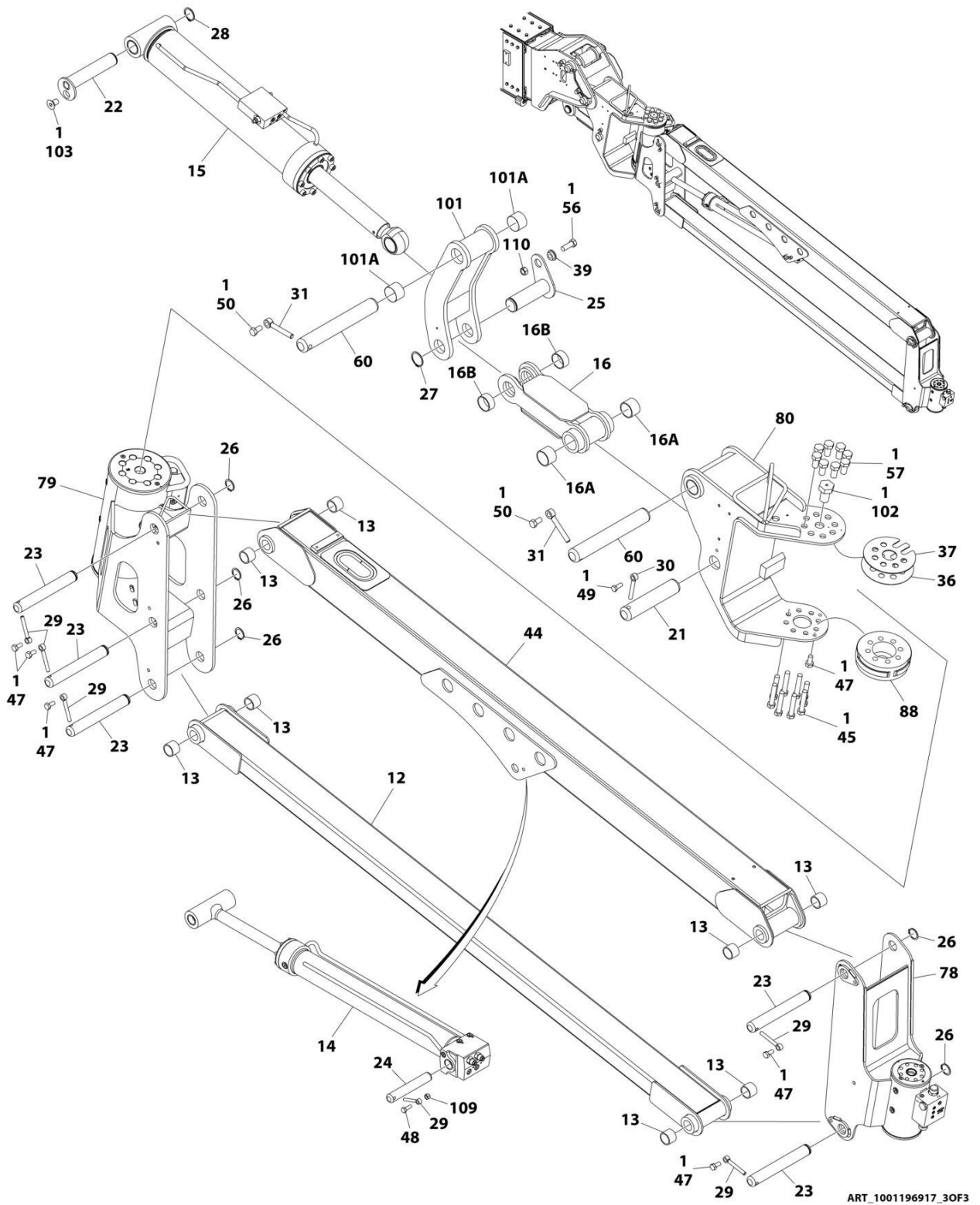


SECTION 4 - BOOM



ART_1001196917_20F3

SECTION 4 - BOOM



ART_1001196917_30F3

SECTION 4 - BOOM

FIGURE 4-3. MAIN BOOM AND JIB ASSEMBLY (Prior to SN 0300293517)

ITEM	PART NUMBER	QTY	DESCRIPTION	REV
	1001196917	Ref	MAIN BOOM AND JIB ASSEMBLY	K
1	0100011	AR	Compound, Locking	
2	0100019	AR	Compound, Locking	
3	0701018	4	Bolt M10 x 50	
4	0701020	4	Bolt M10 x 60	
5	0701022	6	Bolt M10 x 70	
6	0701031	5	Bolt M10 x 140	
7	0701222	2	Bolt M12 x 70	
8	0761011	3	Bolt M10 x 22	
9	0761012	4	Bolt M10 x 25	
10	0761015	4	Bolt M10 x 35	
11	0761616	2	Bolt M16 x 40	
12	0801550	1	Link, Jib (Lower) (Includes Item 13)	
13	0961951	8	Bushing (Part of Item 12 & 44)	
14	1001228025	1	Lift Cylinder Assembly - Jib (See Separate Breakdown in CYLINDER SECTION)	
15	1001228034	1	Level Cylinder Assembly (See Separate Breakdown in CYLINDER SECTION)	
16	3010136	1	Link, Level (Outer)	
16A	0962224	2	Bushing	
16B	0962556	2	Bushing	
17	3020039	AR	Lubricant	
18	3020042	AR	Lubricant	
19	3291005	5	Nut M10	
20	3292201	2	Nut M22	
21	3422178	1	Pin	
22	3422937	1	Pin	
23	3422957	5	Pin	
24	3422958	1	Pin	
25	3423190	1	Pin	
26	3760133	5	Ring, Retaining	
27	3760217	1	Ring, Retaining	
28	3760233	1	Ring, Retaining	
29	3841143	6	Keeper, Pin	
30	3841203	1	Keeper, Pin	
31	3841258	2	Keeper, Pin	
32	4070863	10	Shim 11 Gauge	
33	4070864	10	Shim 18 Gauge	
34	4070897	4	Shim 18 Gauge	
35	4070898	4	Shim 11 Gauge	
36	4071044	1	Shim 18 Gauge	
37	4071045	1	Shim 11 Gauge	
38	4071073	4	Shim 18 Gauge	
39	4100101	1	Spacer	
40	4160197	2	Spring	
41	4812000	27	Washer M10	
42	4812002	4	Washer M10	
43	5241200	2	Washer M12	
44	4846482	1	Link, Jib (Upper) (Includes Item 13)	
45	0711626001	8	Bolt M16 x 90 Grade 10.9	

SECTION 4 - BOOM

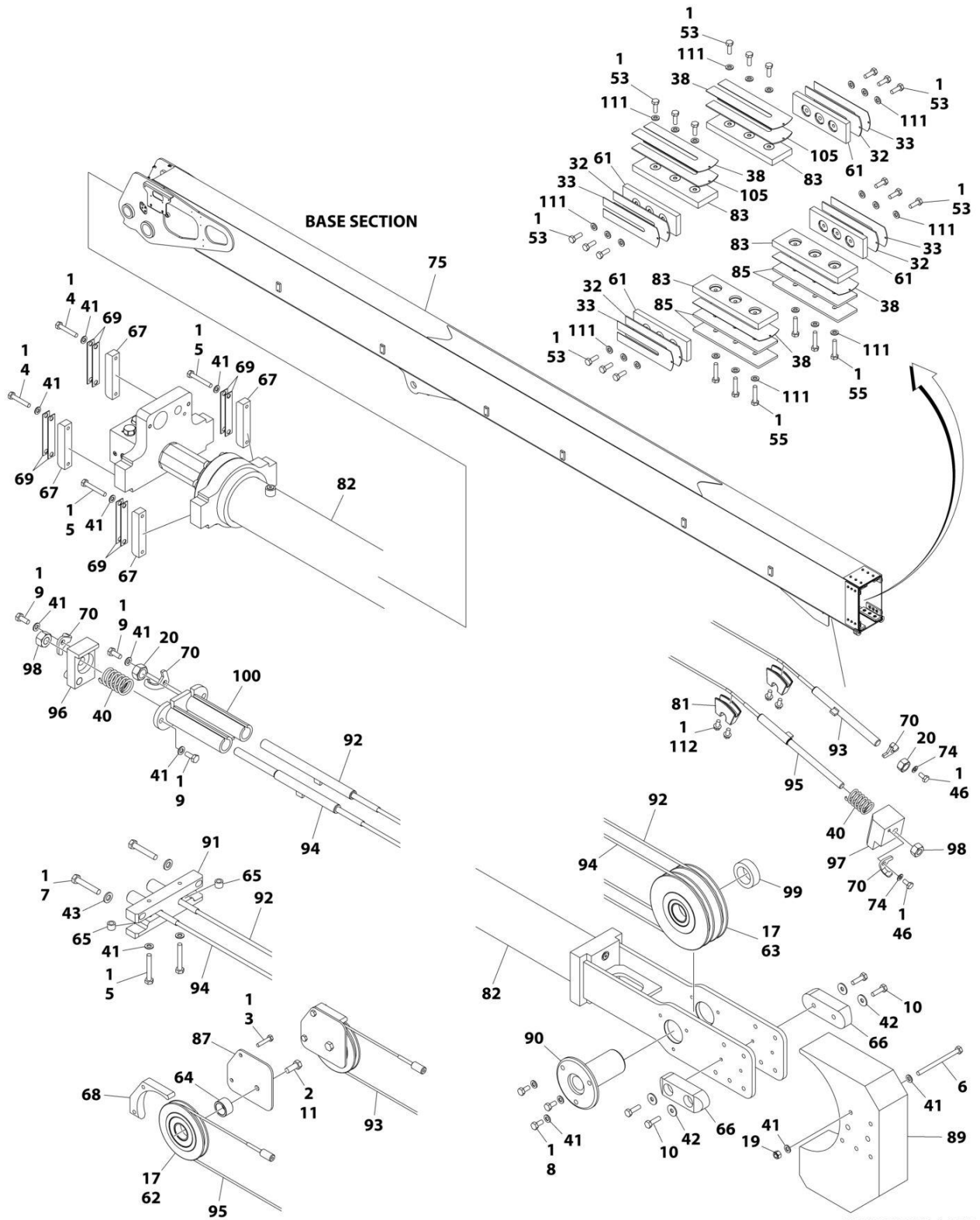
ITEM	PART NUMBER	QTY	DESCRIPTION	REV
46	0761010001	2	Bolt M10 x 20	
47	0761011001	7	Bolt M10 x 22	
48	0761014001	1	Bolt M10 x 30	
49	0761214001	1	Bolt M12 x 30	
50	0761614001	2	Bolt M16 x 30	
51	0771010001	22	Bolt M10 x 20 Grade 10.9	
52	0771012001	16	Bolt M10 x 25 Grade 10.9	
53	0771014001	36	Bolt M10 x 30 Grade 10.9	
54	0771016001	6	Bolt M10 x 40 Grade 10.9	
55	0771018001	6	Bolt M10 x 50 Grade 10.9	
56	0771617001	1	Bolt M16 x 45 Grade 10.9	
57	0772016001	8	Bolt M20 x 40 Grade 10.9	
58	1001118287	4	Pad, Wear	
59	1001118288	4	Pad, Wear	
60	1001119899	2	Pin	
61	1001136583	10	Pad, Wear	
62	1001222385	2	Sheave	
62	1001153785	1	Bushing	
62	1001154247	1	Ring, Snap	
62	1001222387	1	Bushing	
63	1001222402	2	Sheave	
63	1001153827	1	Bushing	
63	1001154247	1	Ring, Snap	
63	1001222404	1	Bushing	
64	1001156613	2	Bushing	
65	1001157007	2	Sleeve, Spacer, Sensor	
66	1001157454	2	Pad, Wear	
67	1001157872	4	Block, Trunnion	
68	1001157878	2	Retainer, Rope	
69	1001157885	8	Shim 16 Gauge	
70	1001167497	4	Plate, Keeper	
74	1001172358	2	Washer M10	
75	1001195924	1	Boom, Base	
76	1001219583	1	Boom, Mid	
77	1001219590	1	Boom, Fly	
78	1001195939	1	Platform Rotator Assembly (See Separate Breakdown in this Section)	
79	1001195940	1	Jib Rotator Assembly (See Separate Breakdown in this Section)	
80	1001195941	1	Pivot, Jib	
81	1001198864	2	Sheave, Deflector	
82	1001228093	1	Telescope Cylinder Assembly - Main Boom (See Separate Breakdown in CYLINDER SECTION)	
83	1001199083	8	Pad	
84	1001199084	1	Pad	
85	1001199085	6	Shim 6mm	
86	1001199086	2	Shim 6mm	
87	1001199117	2	Plate, Sheave	
88	1001199320	1	Cam	
89	1001199610	1	Retainer, Rope	
90	1001199641	1	Pin	
91	1001199990	1	Block, Cable Mount	
92	1001200091	1	Rope, Extend	

SECTION 4 - BOOM

ITEM	PART NUMBER	QTY	DESCRIPTION	REV
93	1001200092	1	Rope, Retract	
94	1001200093	1	Rope, Extend	
95	1001200094	1	Rope, Retract	
96	1001200732	1	Block, Mounting	
97	1001200733	1	Block, Mounting	
98	1001200736	2	Nut M18	
99	1001200739	1	Spacer	
100	1001200741	1	Retainer, Rope	
101	1001200839	1	Link, Level (Inner)	
101A	0962224	2	Bushing	
102	1001201485	1	Bolt M30 x 50	
103	1001201846	1	Screw M12 x 20 Grade 10.9	
105	1001202793	4	Shim 11 Gauge	
106	1001203753	2	Pad, Wear	
107	1001203754	2	Shim 11 Gauge	
108	1001203755	2	Shim 18 Gauge	
109	3291005001	1	Nut M10	
110	3331611001	1	Nut M16	
111	5241000001	86	Washer M10	
112	5251010001	4	Bolt M10 x 20	
113	1001148012	4	Pad, Wear	
114	1001219599	8	Shim 18 Gauge	
115	1001219600	4	Shim 11 Gauge	

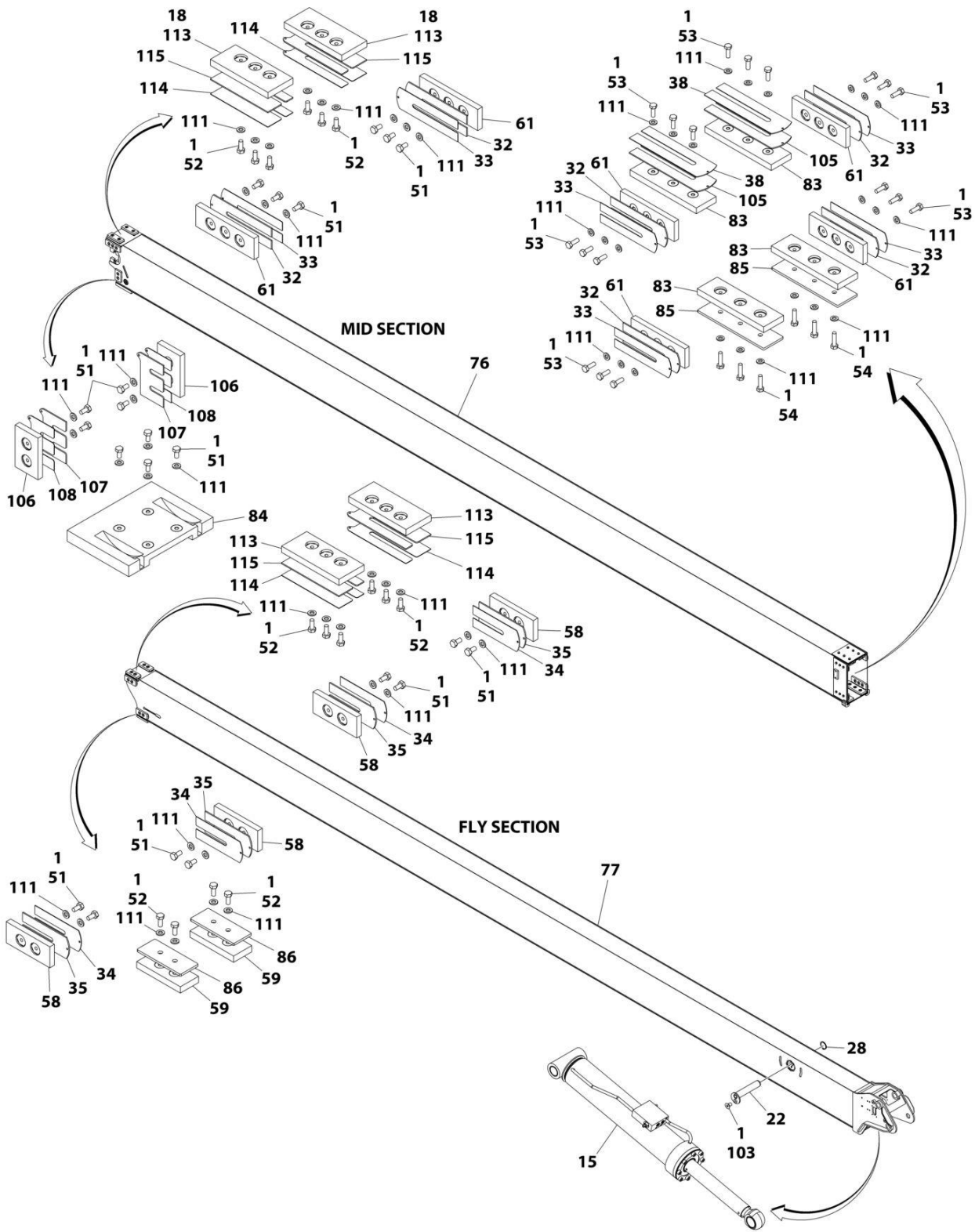
SECTION 4 - BOOM

FIGURE 4-4. MAIN BOOM AND JIB ASSEMBLY (SN 0300293517 to Present)



SECTION 4 - BOOM

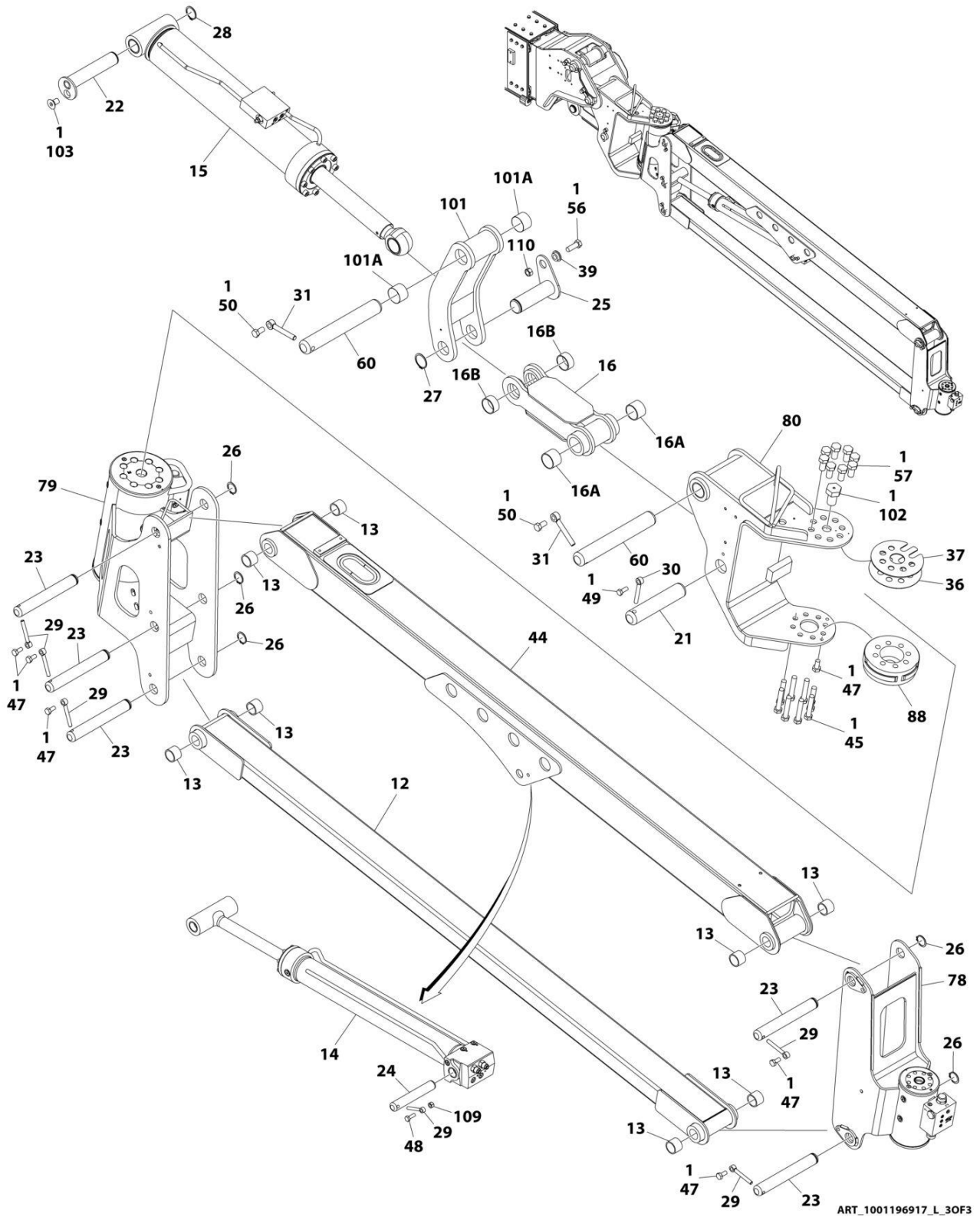
FIGURE 4-5. MAIN BOOM AND JIB ASSEMBLY (SN 0300293517 to Present)



ART_1001196917_L_20F3

SECTION 4 - BOOM

FIGURE 4-6. MAIN BOOM AND JIB ASSEMBLY (SN 0300293517 to Present)



ART_1001196917_L_30F3

SECTION 4 - BOOM

FIGURE 4-6. MAIN BOOM AND JIB ASSEMBLY (SN 0300293517 to Present)

ITEM	PART NUMBER	QTY	DESCRIPTION	REV
	1001196917	Ref	MAIN BOOM AND JIB ASSEMBLY	L
1	0100011	AR	Compound, Locking	
2	0100019	AR	Compound, Locking	
3	0701018	4	Bolt M10 x 50	
4	0701020	4	Bolt M10 x 60	
5	0701022	6	Bolt M10 x 70	
6	0701031	5	Bolt M10 x 140	
7	0701222	2	Bolt M12 x 70	
8	0761011	3	Bolt M10 x 22	
9	0761012	4	Bolt M10 x 25	
10	0761015	4	Bolt M10 x 35	
11	0761616	2	Bolt M16 x 40	
12	0801550	1	Link, Jib (Lower) (Includes Item 13)	
13	0961951	8	Bushing (Part of Item 12 & 44)	
14	1001251025	1	Lift Cylinder Assembly - Jib (See Separate Breakdown in CYLINDER Section)	
15	1001228034	1	Level Cylinder Assembly (See Separate Breakdown in CYLINDER Section)	
16	3010136	1	Link, Level (Outer)	
16A	0962224	2	Bushing	
16B	0962556	2	Bushing	
17	3020039	AR	Lubricant	
18	3020042	AR	Lubricant	
19	3291005	5	Nut M10	
20	3292201	2	Nut M22	
21	3422178	1	Pin	
22	3422937	1	Pin	
23	3422957	5	Pin	
24	3422958	1	Pin	
25	3423190	1	Pin	
26	3760133	5	Ring, Retaining	
27	3760217	1	Ring, Retaining	
28	3760233	1	Ring, Retaining	
29	3841143	6	Keeper, Pin	
30	3841203	1	Keeper, Pin	
31	3841258	2	Keeper, Pin	
32	4070863	10	Shim 11 Gauge	
33	4070864	10	Shim 18 Gauge	
34	4070897	4	Shim 18 Gauge	
35	4070898	4	Shim 11 Gauge	
36	4071044	1	Shim 18 Gauge	
37	4071045	1	Shim 11 Gauge	
38	4071073	4	Shim 18 Gauge	
39	4100101	1	Spacer	
40	4160197	2	Spring	
41	4812000	27	Washer M10	
42	4812002	4	Washer M10	
43	5241200	2	Washer M12	
44	4846482	1	Link, Jib (Upper) (Includes Item 13)	
45	0711626001	8	Bolt M16 x 90 Grade 10.9	

SECTION 4 - BOOM

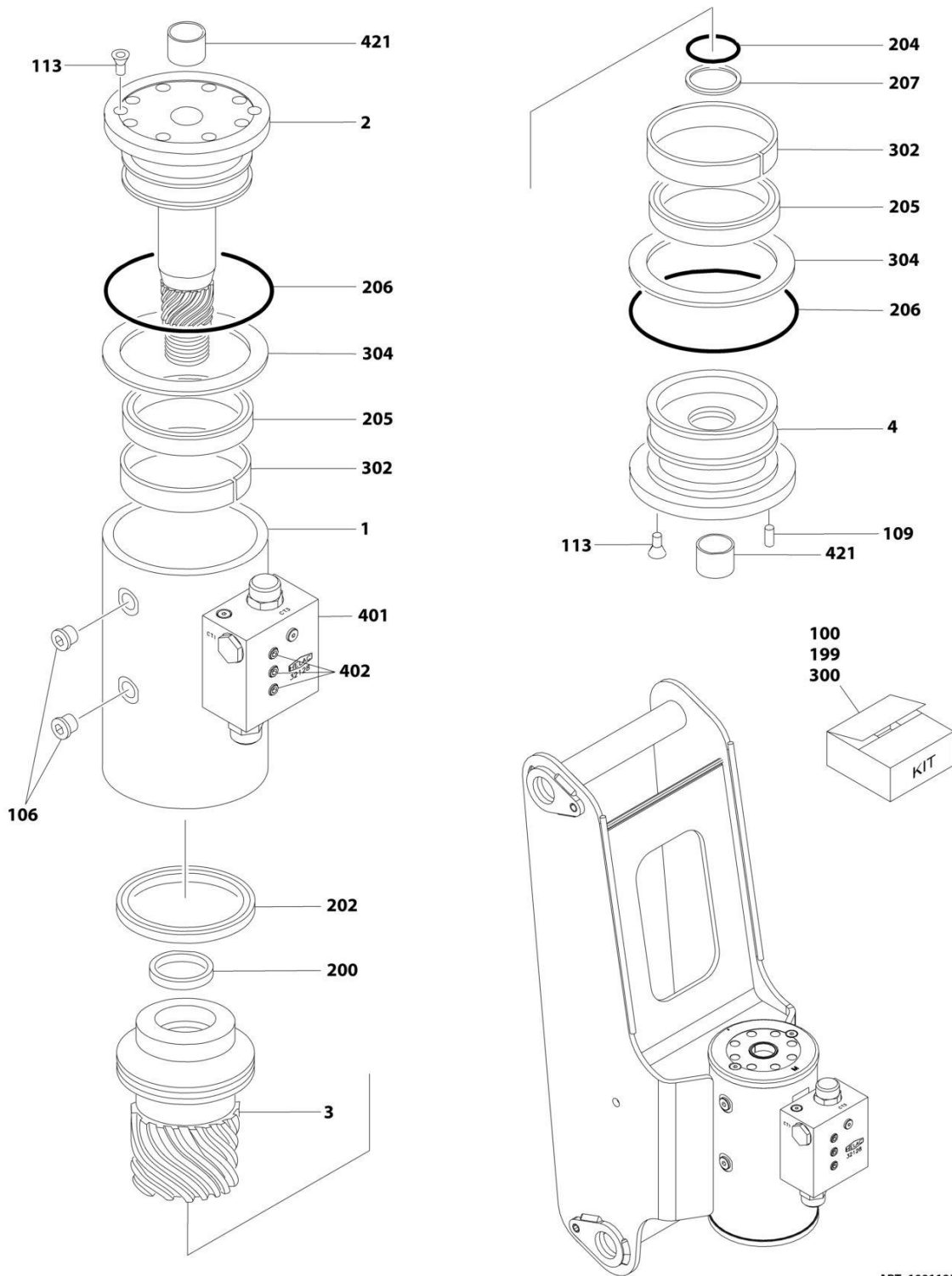
ITEM	PART NUMBER	QTY	DESCRIPTION	REV
46	0761010001	2	Bolt M10 x 20	
47	0761011001	7	Bolt M10 x 22	
48	0761014001	1	Bolt M10 x 30	
49	0761214001	1	Bolt M12 x 30	
50	0761614001	2	Bolt M16 x 30	
51	0771010001	22	Bolt M10 x 20 Grade 10.9	
52	0771012001	16	Bolt M10 x 25 Grade 10.9	
53	0771014001	36	Bolt M10 x 30 Grade 10.9	
54	0771016001	6	Bolt M10 x 40 Grade 10.9	
55	0771018001	6	Bolt M10 x 50 Grade 10.9	
56	0771617001	1	Bolt M16 x 45 Grade 10.9	
57	0772016001	8	Bolt M20 x 40 Grade 10.9	
58	1001118287	4	Pad, Wear	
59	1001118288	4	Pad, Wear	
60	1001119899	2	Pin	
61	1001136583	10	Pad, Wear	
62	1001222385	2	Sheave	
62	1001153785	1	Bushing	
62	1001154247	1	Ring, Snap	
62	1001222387	1	Bushing	
63	1001222402	2	Sheave	
63	1001153827	1	Bushing	
63	1001154247	1	Ring, Snap	
63	1001222404	1	Bushing	
64	1001156613	2	Bushing	
65	1001157007	2	Sleeve, Spacer, Sensor	
66	1001157454	2	Pad, Wear	
67	1001157872	4	Block, Trunnion	
68	1001157878	2	Retainer, Rope	
69	1001157885	8	Shim 16 Gauge	
70	1001167497	4	Plate, Keeper	
74	1001172358	2	Washer M10	
75	1001195924	1	Boom, Base	
76	1001219583	1	Boom, Mid	
77	1001219590	1	Boom, Fly	
78	1001195939	1	Platform Rotator Assembly (See Separate Breakdown in this Section)	
79	1001195940	1	Jib Rotator Assembly (See Separate Breakdown in this Section)	
80	1001195941	1	Pivot, Jib	
81	1001198864	2	Sheave, Deflector	
82	1001228093	1	Telescope Cylinder Assembly - Main Boom (See Separate Breakdown in CYLINDER SECTION)	
83	1001199083	8	Pad	
84	1001199084	1	Pad	
85	1001199085	6	Shim 6mm	
86	1001199086	2	Shim 6mm	
87	1001199117	2	Plate, Sheave	
88	1001199320	1	Cam	
89	1001199610	1	Retainer, Rope	
90	1001199641	1	Pin	
91	1001199990	1	Block, Cable Mount	
92	1001200091	1	Rope, Extend	

SECTION 4 - BOOM

ITEM	PART NUMBER	QTY	DESCRIPTION	REV
93	1001200092	1	Rope, Retract	
94	1001200093	1	Rope, Extend	
95	1001200094	1	Rope, Retract	
96	1001200732	1	Block, Mounting	
97	1001200733	1	Block, Mounting	
98	1001200736	2	Nut M18	
99	1001200739	1	Spacer	
100	1001200741	1	Retainer, Rope	
101	1001200839	1	Link, Level (Inner)	
101A	0962224	2	Bushing	
102	1001201485	1	Bolt M30 x 50	
103	1001201846	1	Screw M12 x 20 Grade 10.9	
105	1001202793	4	Shim 11 Gauge	
106	1001203753	2	Pad, Wear	
107	1001203754	2	Shim 11 Gauge	
108	1001203755	2	Shim 18 Gauge	
109	3291005001	1	Nut M10	
110	3331611001	1	Nut M16	
111	5241000001	86	Washer M10	
112	5251010001	4	Bolt M10 x 20	
113	1001148012	4	Pad, Wear	
114	1001219599	8	Shim 18 Gauge	
115	1001219600	4	Shim 11 Gauge	

SECTION 4 - BOOM

FIGURE 4-7. PLATFORM ROTATOR ASSEMBLY



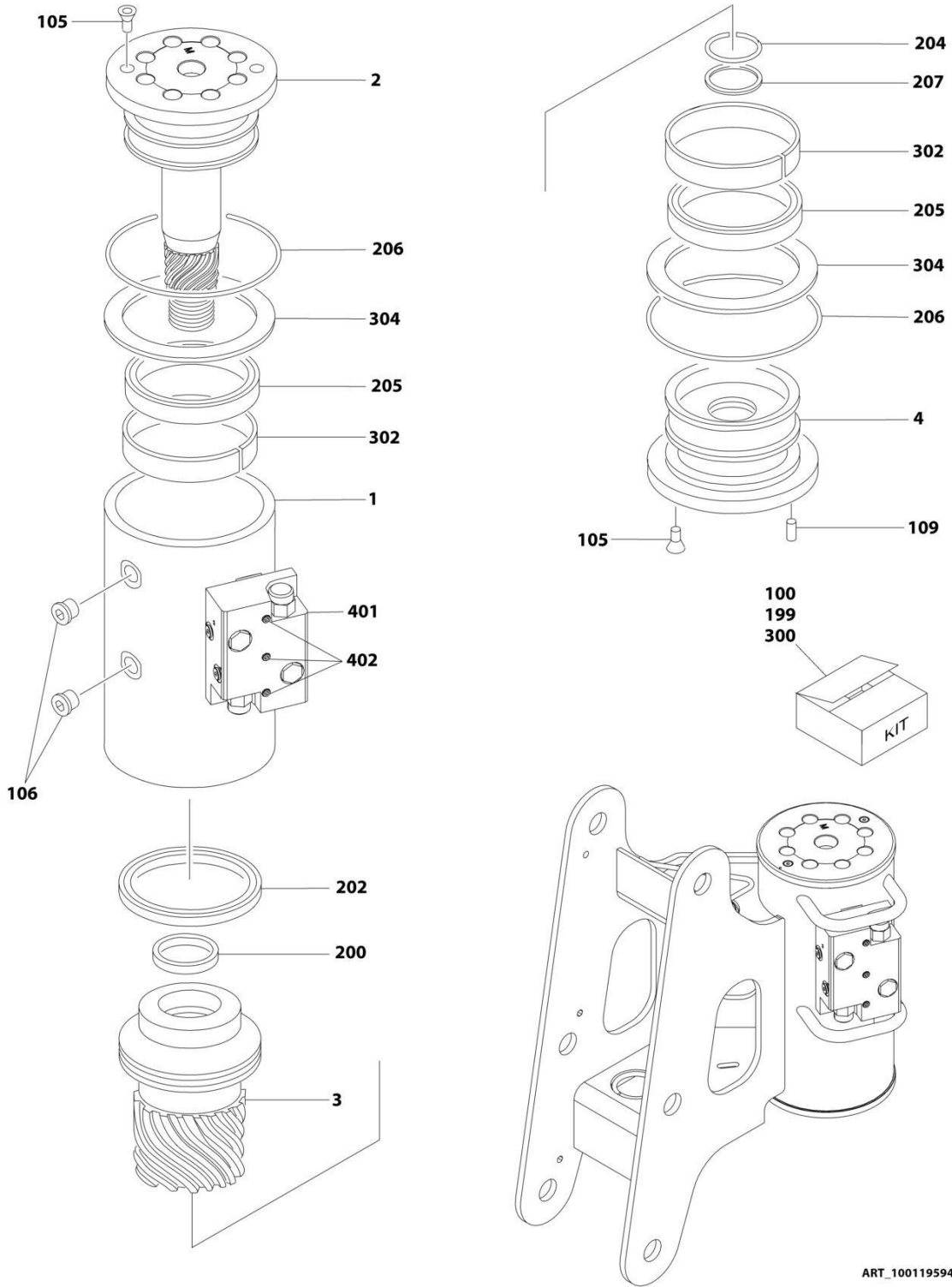
ART_1001195939

FIGURE 4-7. PLATFORM ROTATOR ASSEMBLY

ITEM	PART NUMBER	QTY	DESCRIPTION	REV
	1001195939	Ref	PLATFORM ROTATOR ASSEMBLY	C
1	See Note	NSS	Housing/Ring Gear (Note: Purchase Complete Assembly)	
2	70003948	1	Shaft	
3	7017163	1	Piston	
4	7017164	1	Cap	
100	7017142	1	Hardware Kit (Includes Items 106-109)	
106	See Note	NSS	Plug (Note: Use Item 100)	
109	See Note	NSS	Pin, Dowel (Note: Use Item 100)	
113	70001697	6	Screw 1/4 x 3/8	
199	70000342	1	Seal Kit - Low Temperature (Includes Items 200-207)	
200	See Note	NSS	T-Seal (Note: Use Item 199)	
202	See Note	NSS	T-Seal (Note: Use Item 199)	
204	See Note	NSS	O-Ring (Note: Use Item 199)	
205	See Note	NSS	Seal (Note: Use Item 199)	
206	See Note	NSS	O-Ring (Note: Use Item 199)	
207	See Note	1	Ring, Back-up (Note: Use Item 199)	
300	7017159	1	Bearing Kit (Includes Items 302-304)	
302	See Note	NSS	Bearing (Note: Use Item 300)	
304	See Note	NSS	Washer, Thrust (Note: Use Item 300)	
401	70001639	1	Valve, Control (Note: Sold as Assembly Only)	
402	See Note	NSS	Bolt 1/4 x 1-1/2 Grade 8 (Note: Purchase Locally)	
421	7017195	2	Bushing	

SECTION 4 - BOOM

FIGURE 4-8. JIB ROTATOR ASSEMBLY



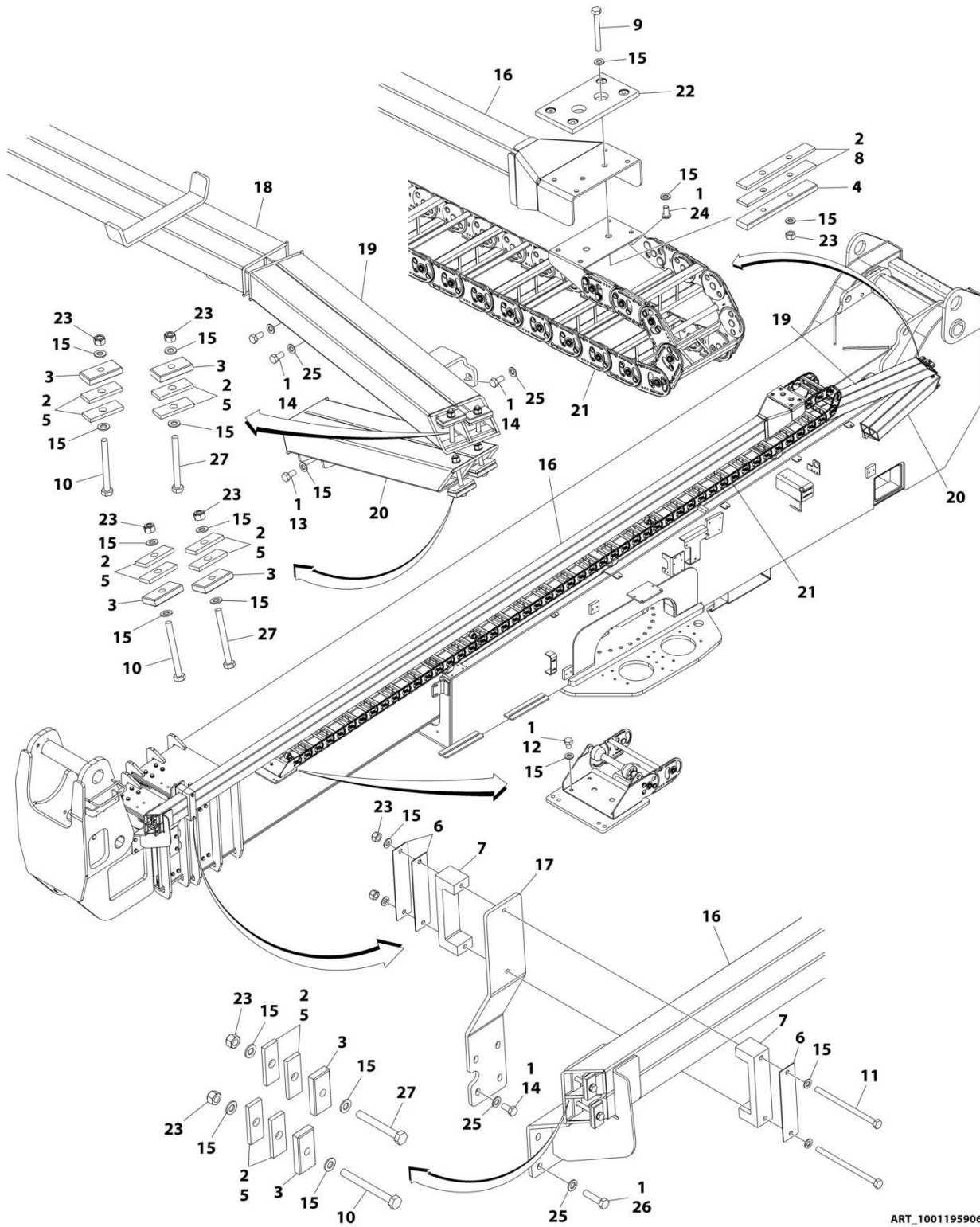
ART_1001195940

FIGURE 4-8. JIB ROTATOR ASSEMBLY

ITEM	PART NUMBER	QTY	DESCRIPTION	REV
	1001195940	Ref	JIB ROTATOR ASSEMBLY	D
1	See Note	NSS	Housing/Ring Gear (Note: Purchase Complete Assembly)	
2	70005620	1	Shaft	
3	7017187	1	Piston	
4	70005621	1	Cap	
5	7017189	1	Ring, Lock (Not Shown)	
100	70001640	1	Hardware Kit (Includes Items 105-109)	
105	See Note	NSS	Screw (Note: Use Item 100)	
106	See Note	NSS	Plug (Note: Use Item 100)	
109	See Note	NSS	Setscrew (Note: Use Item 100)	
199	70000796	1	Seal Kit (Includes Items 200-207)	
200	See Note	NSS	T-Seal (Note: Use Item 199)	
202	See Note	NSS	T-Seal (Note: Use Item 199)	
204	See Note	NSS	O-Ring (Note: Use Item 199)	
205	See Note	NSS	Seal (Note: Use Item 199)	
206	See Note	NSS	O-Ring (Note: Use Item 199)	
207	See Note	NSS	Ring, Back-up (Note: Use Item 199)	
300	70005622	1	Bearing Kit (Includes Items 302-304)	
302	See Note	NSS	Bearing (Note: Use Item 300)	
304	See Note	2	Washer, Thrust (Note: Use Item 300)	
401	70002859	1	Valve, Control (Note: Sold as Assembly Only)	
402	See Note	NSS	Bolt 1/4 x 1-1/2 Grade 8 (Note: Purchase Locally)	

SECTION 4 - BOOM

FIGURE 4-9. POWER TRACK INSTALLATION - TOWER BOOM



ART_1001195906

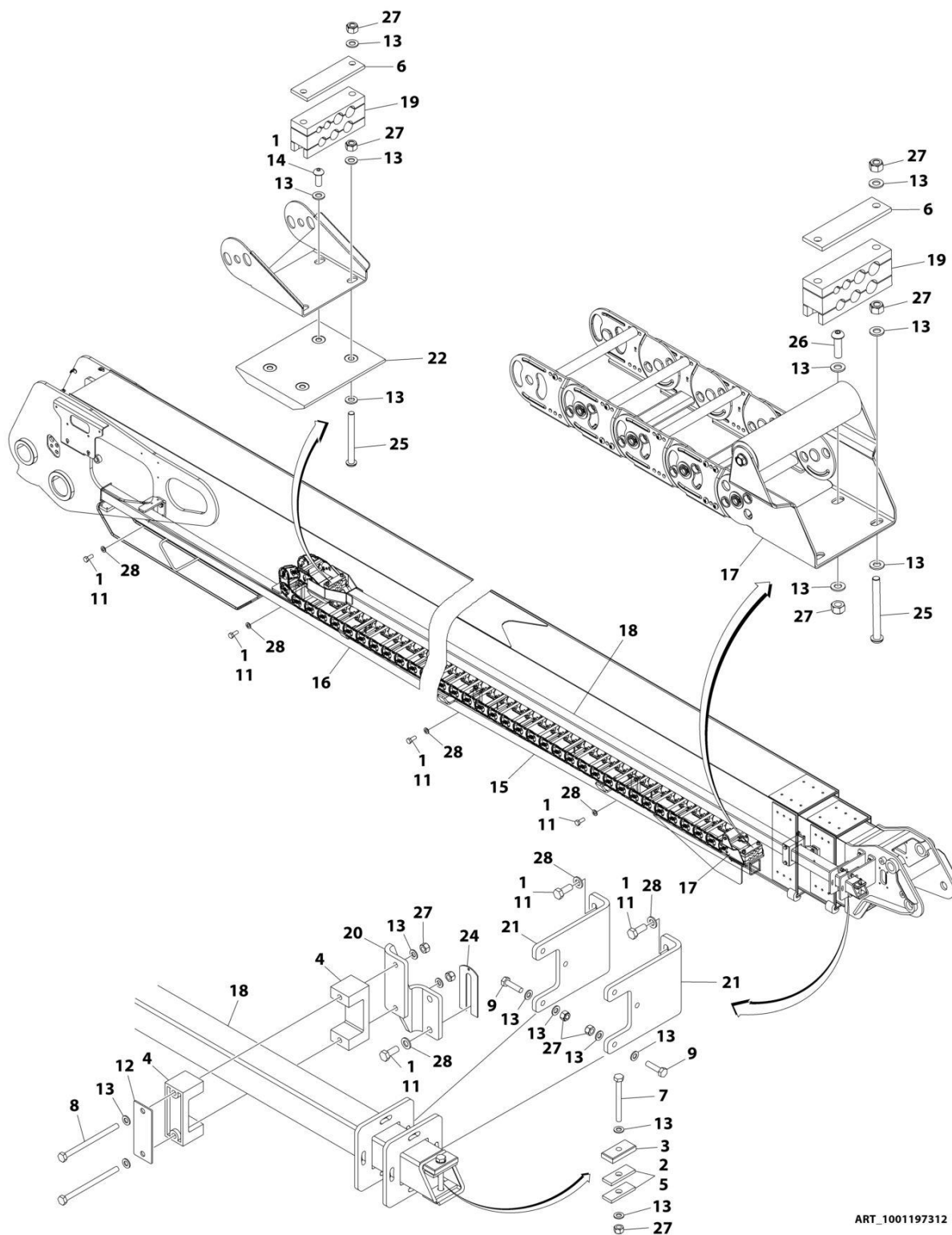
SECTION 4 - BOOM

FIGURE 4-9. POWER TRACK INSTALLATION - TOWER BOOM

ITEM	PART NUMBER	QTY	DESCRIPTION	REV
	1001195906	Ref	POWER TRACK INSTALLATION - TOWER BOOM	D
1	0100011	AR	Compound, Locking	
2	0100081	AR	Adhesive	
3	1320288	6	Clamp	
4	1320328	1	Clamp	
5	3340941	12	Pad	
6	4071076	AR	Shim	
7	4220189	2	Block	
8	4220190	2	Pad	
9	0701026001	2	Bolt M10 x 90	
10	0701027001	3	Bolt M10 x 100	
11	0701034001	2	Bolt M10 x 170	
12	0761007001	4	Bolt M10 x 14	
13	0761012001	2	Bolt M10 x 25	
14	0761212001	16	Bolt M12 x 25	
15	1001172358	30	Washer M10	
16	1001197760	1	Tube, Push	
17	1001197766	1	Plate, Support	
18	1001201997	1	Tube	
19	1001202000	1	Tube	
20	1001202002	1	Tube	
21	1001202005	1	Power Track Assembly	
21	70003919	AR	Repair Kit	
21	70003920	2	Mounting Feet & Roller Kit	
22	1001202245	1	Pad	
23	3291005001	10	Nut M10	
24	3900393001	4	Screw M10 x 20	
25	4812100001	19	Washer M12	
26	0761218001	3	Bolt M12 x 50	
27	0701024001	3	Bolt M10 x 80	

SECTION 4 - BOOM

FIGURE 4-10. POWER TRACK INSTALLATION - MAIN BOOM



ART_1001197312

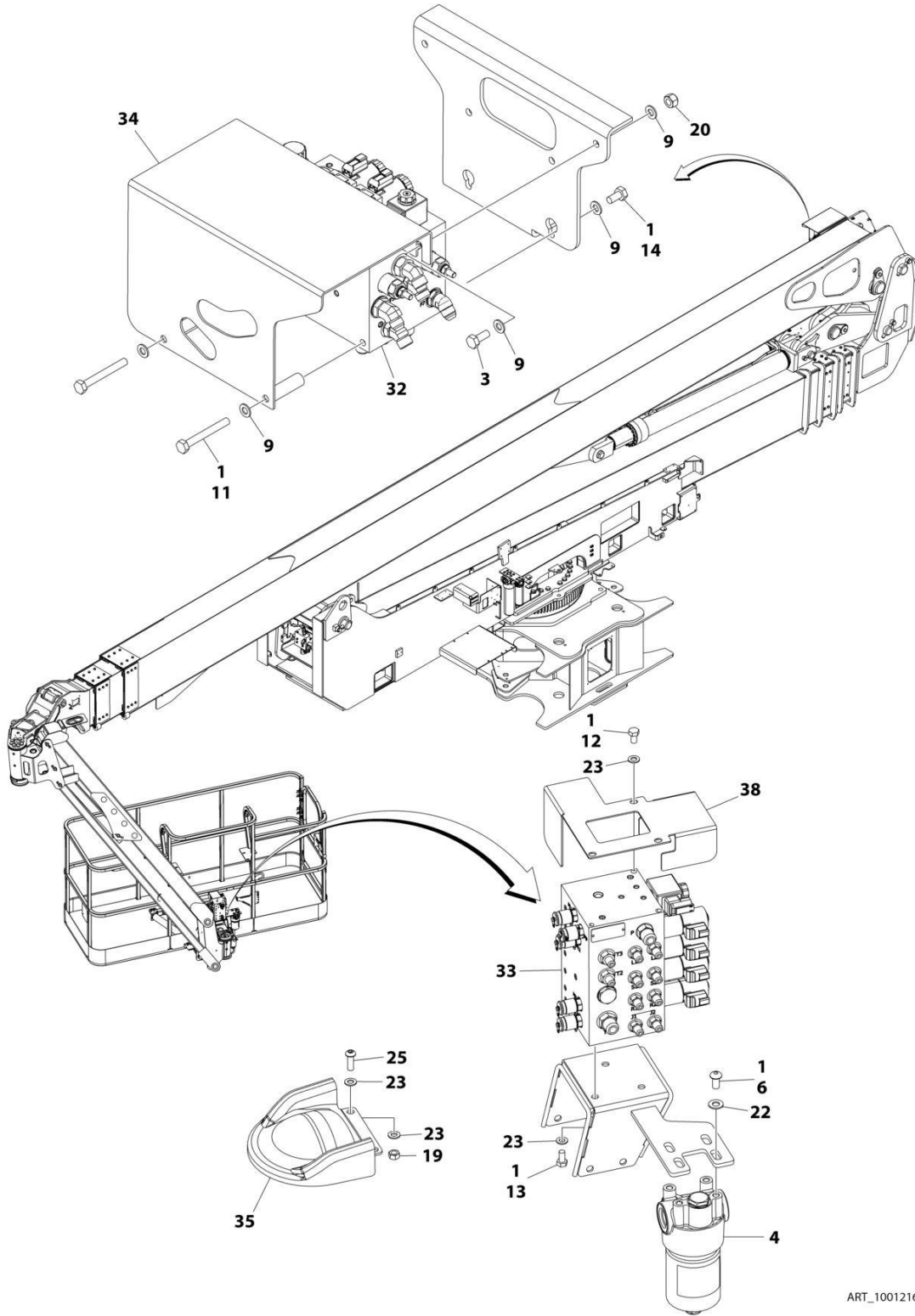
SECTION 4 - BOOM

FIGURE 4-10. POWER TRACK INSTALLATION - MAIN BOOM

ITEM	PART NUMBER	QTY	DESCRIPTION	REV
	1001197312	Ref	POWER TRACK INSTALLATION - MAIN BOOM	I
1	0100011	AR	Compound, Locking	
2	0100081	AR	Adhesive	
3	1320288	1	Clamp	
4	3340764	2	Pad	
5	3340941	2	Pad	
6	1001208596	2	Plate, Clamp	
7	0701027001	1	Bolt M10 x 100	
8	0701032001	2	Bolt M10 x 150	
9	0761016001	6	Bolt M10 x 40	
11	0761214001	20	Bolt M12 x 30	
12	3538758	1	Plate, Mounting	
13	1001172358	34	Washer M10	
14	1001173763	2	Screw M10 x 25	
15	1001198376	1	Tube	
16	1001198377	1	Tube	
17	1001198382	1	Power Track Assembly	
17	70004071	AR	Repair Kit	
17	70005666	2	Mounting Feet Kit	
18	1001198383	1	Tube, Push	
19	1001198386	2	Clamp	
20	1001198388	1	Bracket	
21	1001198389	2	Bracket	
22	1001209633	1	Pad	
24	1001199315	AR	Shim	
25	1001199671	4	Screw M10 x 100	
26	1001200686	2	Screw M10 x 35	
27	3291005001	19	Nut M10	
28	4812100001	20	Washer M12	

SECTION 4 - BOOM

FIGURE 4-11. VALVES AND FILTERS INSTALLATION - BOOM



ART_1001216976_F_30F3

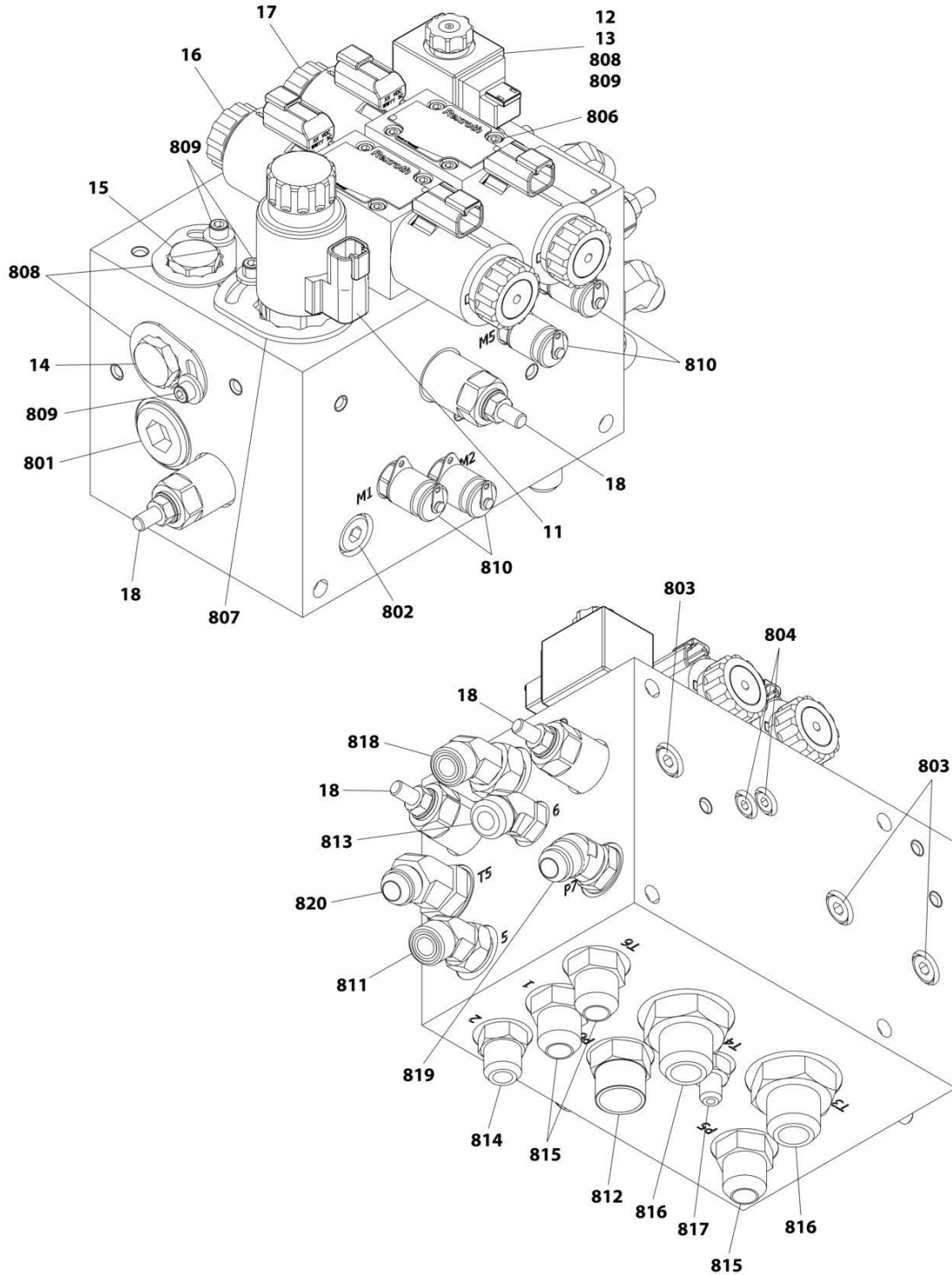
SECTION 4 - BOOM

FIGURE 4-11. VALVES AND FILTERS INSTALLATION - BOOM

ITEM	PART NUMBER	QTY	DESCRIPTION	REV
	1001216976	Ref	VALVES AND FILTERS INSTALLATION - BOOM	F
1	0100011	AR	Compound, Locking	
3	0761012	2	Bolt M10 x 25	
4	2120217	1	Filter	
4	70002097	1	Element	
6	3900283	4	Screw 3/8 x 3/4	
9	4812000	10	Washer M10	
11	0701025001	2	Bolt M10 x 85	
12	0760807001	3	Bolt M8 x 14	
13	0760808001	3	Bolt M8 x 16	
14	0761010001	4	Bolt M10 x 20	
19	3290807001	2	Nut M8	
20	3291005001	2	Nut M10	
22	4711600001	4	Washer 3/8	
23	4811900001	10	Washer M8	
25	8310643001	2	Bolt M8 x 25	
32	1001201503	1	Boom Valve Assembly (See Separate Breakdown in this Section)	
33	1001201986	1	Platform Valve Assembly (See Separate Breakdown in this Section)	
34	1001202692	1	Cover	
35	1001207969	1	Cover	
38	1001214756	1	Cover	

SECTION 4 - BOOM

FIGURE 4-12. BOOM VALVE ASSEMBLY



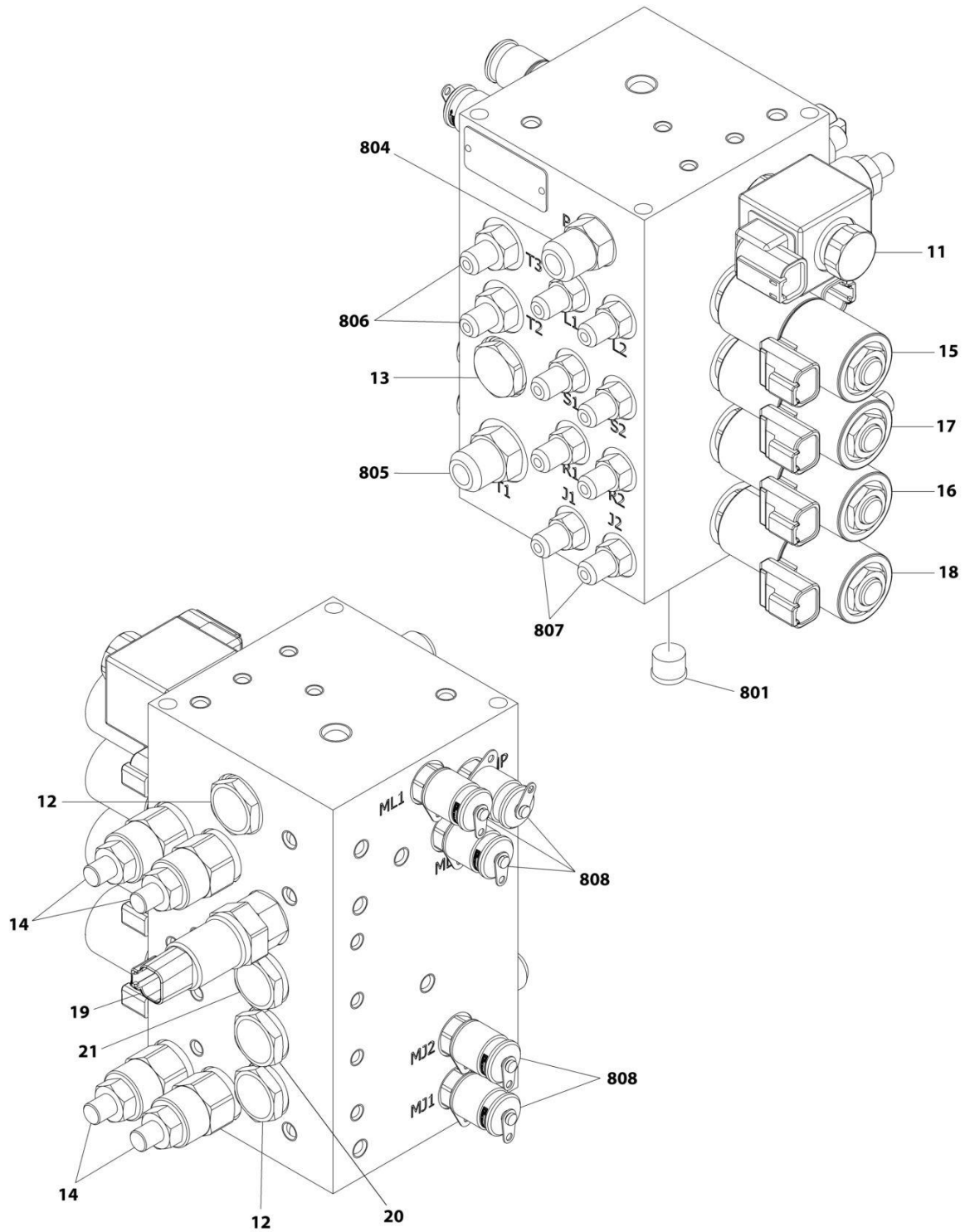
ART_1001201503

FIGURE 4-12. BOOM VALVE ASSEMBLY

ITEM	PART NUMBER	QTY	DESCRIPTION	REV
	1001201503	Ref	BOOM VALVE ASSEMBLY	K
11	70004593	1	Valve, Solenoid Less Coil (Flow Control)	
11	70004594	1	Seal Kit - 70004593 Valve	
11	70004595	1	Coil	
11	70004597	1	Nut, Coil	
11	70004596	1	O-Ring, Pole Tube	
12	7022523	1	Orifice 1mm	
13	70005962	1	Valve, Solenoid Less Coil (Directional Control)	
13	70004052	1	Seal Kit - 70005962 Valve	
13	70004588	1	Coil	
13	70004456	1	Nut, Coil	
13	70004051	1	O-Ring, Pole Tube	
14	70005963	1	Valve, Cartridge (Check)	
14	70005964	1	Seal Kit - 70005963 Valve	
15	70004585	1	Valve, Cartridge (Check)	
15	70004052	1	Seal Kit - 70004585 Valve	
16	70004459	1	Valve, Solenoid Less Coil (Main Tele)	
16	7012773	1	Seal Kit - 70004459 Valve	
16	70004460	1	Coil	
16	7021375	1	Nut, Coil	
16	70004596	1	O-Ring, Pole Tube	
17	70004459	1	Valve, Solenoid Less Coil (Main Lift)	
17	7012773	1	Seal Kit - 70004459 Valve	
17	70004460	1	Coil	
17	7021375	1	Nut, Coil	
17	70004596	1	O-Ring, Pole Tube	
18	70004601	4	Valve, Cartridge (Relief)	
18	70004602	4	Seal Kit - 70004602 Valve	
801	70005965	1	Plug	
802	70002759	1	Plug	
803	70004617	5	Plug	
804	70002758	2	Plug	
806	7018942	8	Capscrew #10 x 2	
807	70005954	1	Plate, Locking	
808	70005955	1	Plate, Locking	
809	70005958	4	Capscrew	
810	2221086	4	Fitting, Test	
811	2150808	1	Fitting, 45 ORFS/ORB	
812	2111010	1	Fitting, Straight ORFS/ORB	
813	2150806	1	Fitting, 45 ORFS/ORB	
814	2220373	1	Fitting, Straight JIC/ORB	
815	2220947	3	Fitting, Straight JIC/ORB	
816	2220435	2	Fitting, Straight JIC/ORB	
817	2220582	1	Fitting, Straight JIC/ORB	
818	2150810	1	Fitting, 45 JIC/ORB	
819	2220500	1	Fitting, 45 JIC/ORB	
820	2220499	1	Fitting, 45 JIC/ORB	

SECTION 4 - BOOM

FIGURE 4-13. PLATFORM VALVE ASSEMBLY



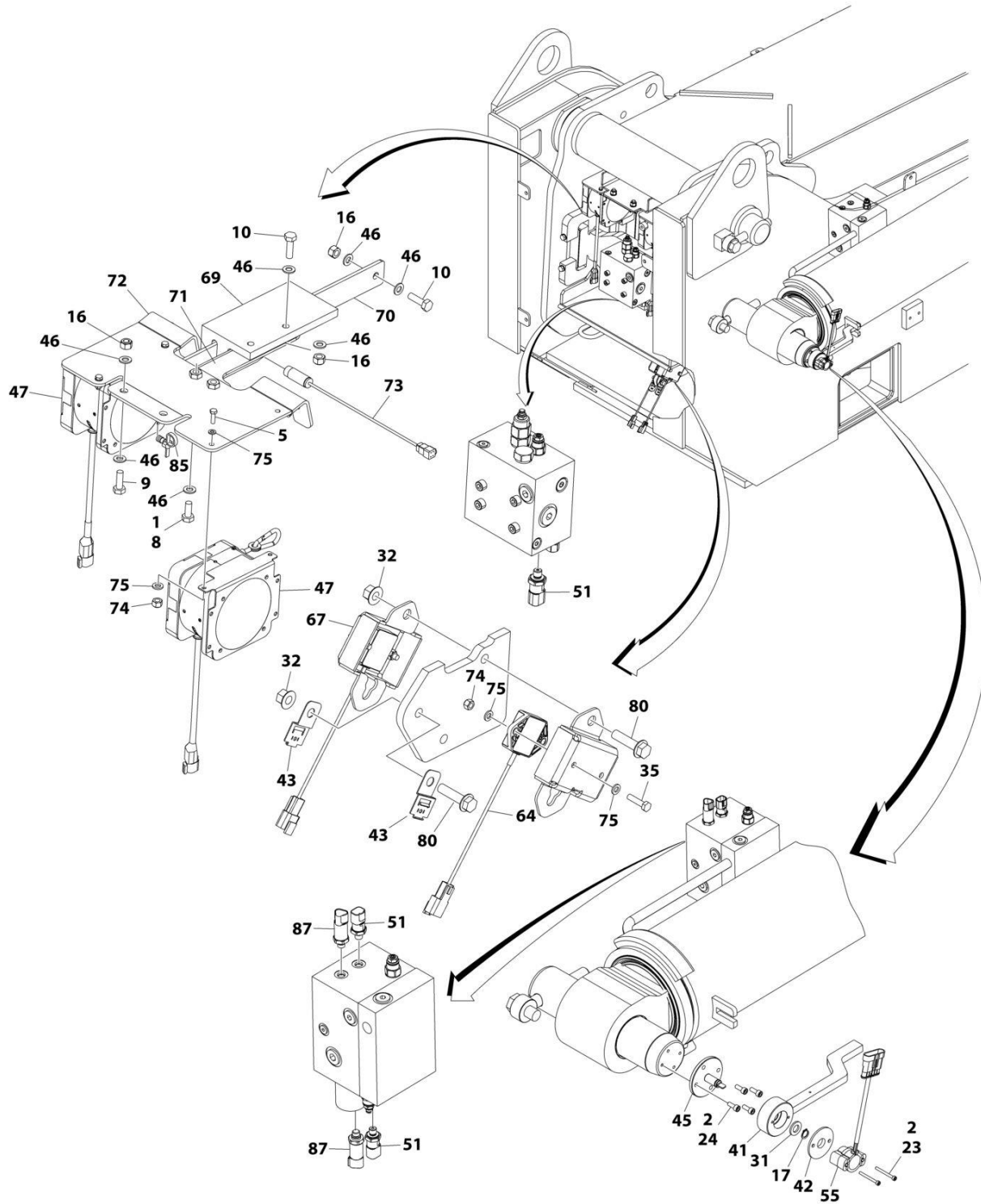
ART_1001201986

FIGURE 4-13. PLATFORM VALVE ASSEMBLY

ITEM	PART NUMBER	QTY	DESCRIPTION	REV
	1001201986	Ref	PLATFORM VALVE ASSEMBLY	K
11	70004457	1	Valve, Solenoid Less Coil (Dump)	
11	70004050	1	Seal Kit - 70004457 Valve	
11	70004653	1	Coil	
11	70004051	1	Seal Kit - 70004653 Coil	
12	70003021	2	Valve, Cartridge (Flow Control)	
12	70004052	2	Seal Kit - 70003021 Valve	
13	70004585	1	Valve, Cartridge (Check)	
13	70004052	1	Seal Kit - 70004585 Valve	
14	70003019	4	Valve, Cartridge (Pressure Relief)	
14	70004052	4	Seal Kit - 70003019 Valve	
15	7023922	1	Valve, Solenoid Less Coil (Platform Level)	
15	7017402	1	Seal Kit - 7023922 Valve	
15	7024885	2	Coil	
15	7022390	1	Nut, Coil	
15	70003023	1	Spacer, Coil	
16	7024899	1	Valve, Solenoid Less Coil (Platform Rotate)	
16	7017402	1	Seal Kit - 7024899 Valve	
16	7024885	2	Coil	
16	7022390	1	Nut, Coil	
16	70003023	1	Spacer, Coil	
17	7024899	1	Valve, Solenoid Less Coil (Platform Sideswing Rotate)	
17	7017402	1	Seal Kit - 7024899 Valve	
17	7024885	2	Coil	
17	7022390	1	Nut, Coil	
17	70003023	1	Spacer, Coil	
18	7023922	1	Valve, Solenoid Less Coil (Jib)	
18	7017402	1	Seal Kit - 7023922 Valve	
18	7024885	2	Coil	
18	7022390	1	Nut, Coil	
18	70003023	1	Spacer, Coil	
19	70005966	1	Switch, Pressure	
19	70005967	1	Connector	
20	70003027	2	Valve, Cartridge (Flow Control)	
20	70004052	2	Seal Kit - 70003027 Valve	
21	70003020	2	Valve, Cartridge (Flow Control)	
21	70004052	2	Seal Kit - 70003020 Valve	
801	70004617	1	Plug	
804	2220600	1	Fitting, Straight JIC/ORB	
805	2220373	1	Fitting, Straight JIC/ORB	
806	2220582	2	Fitting, Straight JIC/ORB	
807	2220415	8	Fitting, Straight JIC/ORB	
808	2221086	5	Fitting, Test	

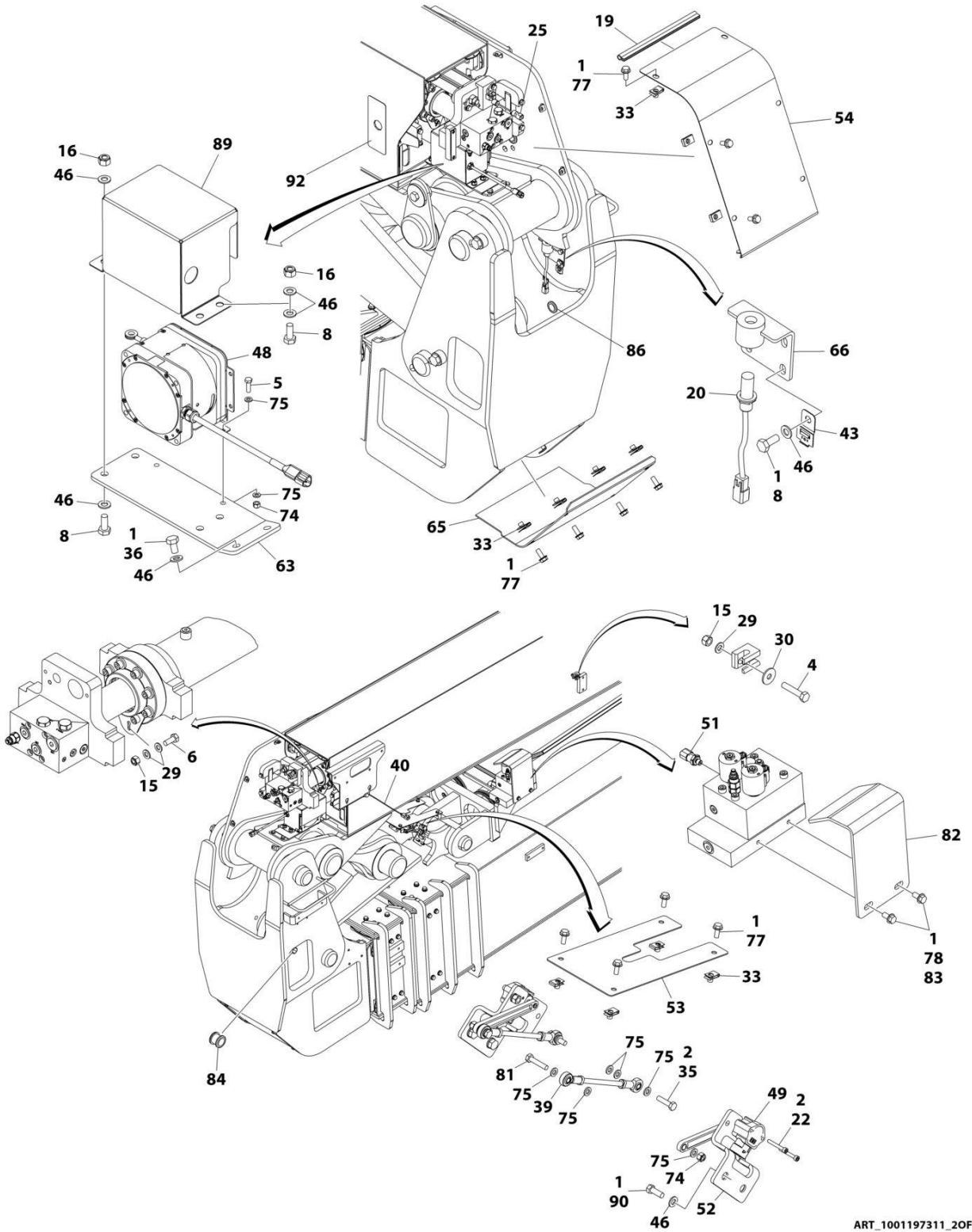
SECTION 4 - BOOM

FIGURE 4-14. BOOM SENSORS AND COVERS INSTALLATION



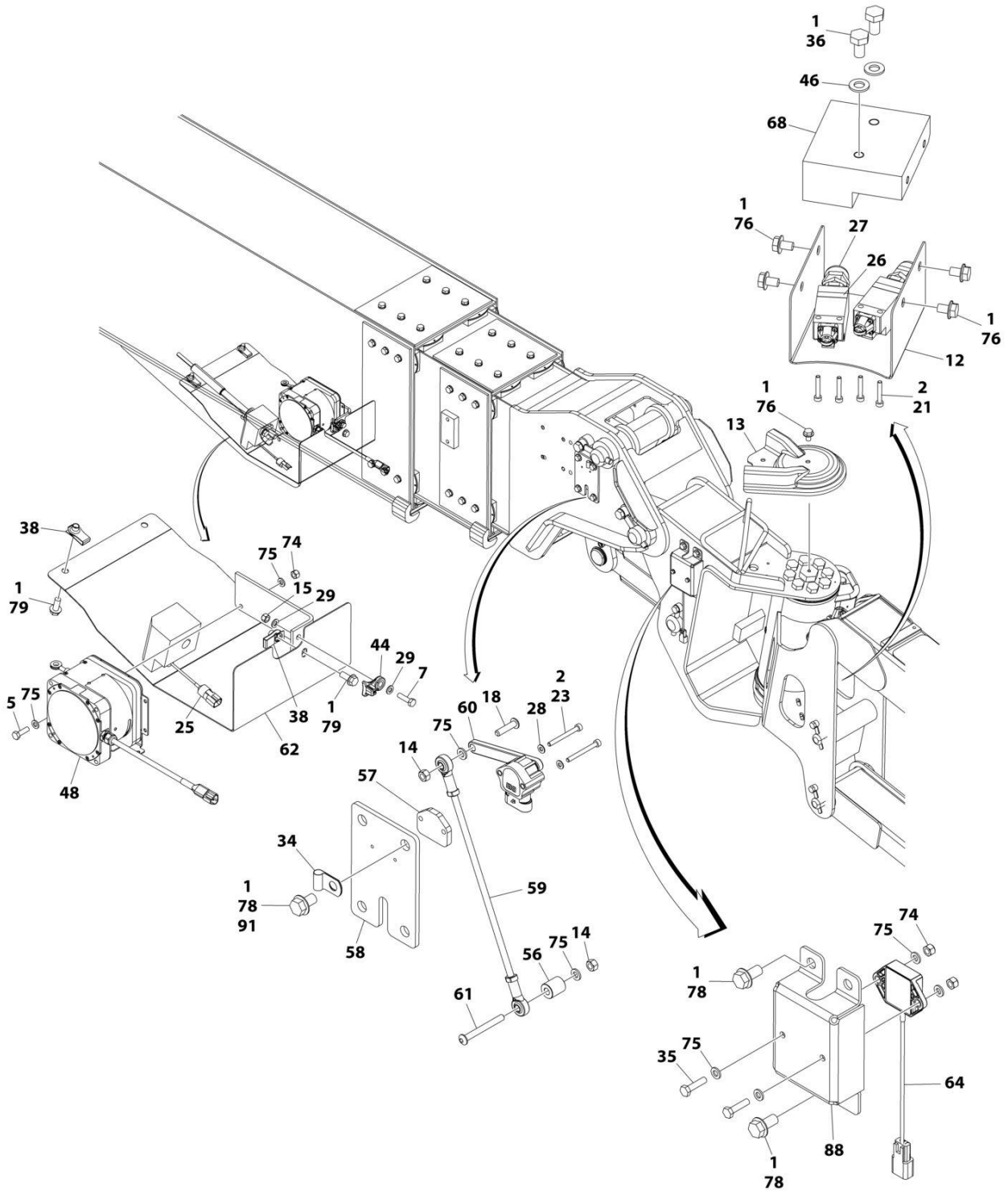
ART_1001197311_10F3

SECTION 4 - BOOM



ART_1001197311_20F3

SECTION 4 - BOOM



ART_1001197311_30F3

SECTION 4 - BOOM

FIGURE 4-14. BOOM SENSORS AND COVERS INSTALLATION

ITEM	PART NUMBER	QTY	DESCRIPTION	REV
	1001197311	Ref	BOOM SENSORS AND COVERS INSTALLATION	O
1	0100011	AR	Compound, Locking	
2	0100035	AR	Compound, Locking	
4	0700816	1	Bolt M8 x 40	
5	0760610	8	Bolt M6 x 20	
6	0760810	1	Bolt M8 x 20	
7	0760814	1	Bolt M8 x 30	
8	0761012001	10	Bolt M10 x 25	
9	0761014	2	Bolt M10 x 30	
10	0761015	4	Bolt M10 x 35	
12	1671039	1	Cover	
13	1671122	1	Cover	
14	3290607	2	Nut M6	
15	3290805	3	Nut M8	
16	3291005	6	Nut M10	
17	3760383	1	Ring	
18	3900363	1	Screw M6 x 25	
19	3960389	1.1 ft/ 0.3m	Seal	
20	4000008	1	Proximity Sensor Assembly (Note: Re-calibration Required when Replaced)	
20	4461076	1	Receptacle, Female - 4 Position	
20	4460917	4	Pin, Male	
21	4031509	4	Capscrew M4 x 25	
22	4031510	4	Capscrew M4 x 30	
23	4031512	4	Capscrew M4 x 40	
24	4031707	4	Capscrew M6 x 16	
25	1001196517	2	Switch, Proximity (Note: Re-calibration Required when Replaced)	
26	4360548	2	Switch, Limit	
27	4460968	2	Connector, Strain Relief	
28	4811400	2	Washer M4	
29	4811900	5	Washer M8	
30	4811902	1	Washer M8	
31	4812100	1	Washer M12	
32	5261018	3	Nut M10 Grade 10.9	
33	8310686	14	Nut, Retainer M8	
34	8406003	1	Clip	
35	0760612001	8	Bolt M6 x 25	
36	0761009001	4	Bolt M10 x 18	
38	1001118972	3	Nut M10	
39	1001216579	2	Link, Sensor	
40	1001120104	1	Proximity Sensor Assembly (Note: Re-calibration Required when Replaced)	
40	4460932	1	Receptacle, Female - 2 Position	
40	4460464	2	Pin, Male	
41	1001155262	1	Link, Sensor	
42	1001155836	1	Adapter	
43	1001155967	3	Holder	
44	1001156107	1	Holder	
45	1001156778	1	Pin	

SECTION 4 - BOOM

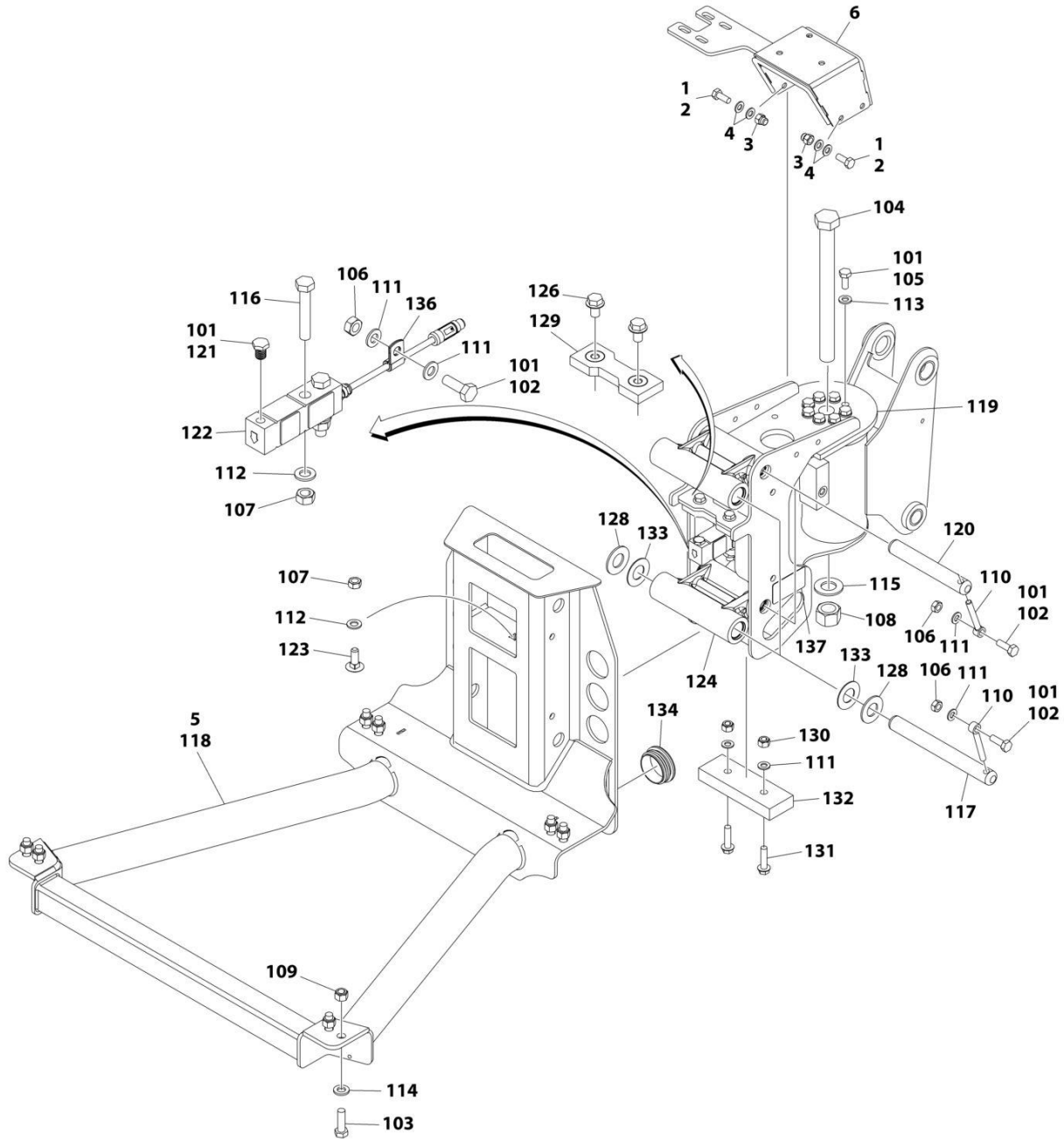
ITEM	PART NUMBER	QTY	DESCRIPTION	REV
46	1001172358	30	Washer M10	
47	1001197960	2	Sensor, Boom Length	
47	4460536	1	Receptacle, Female - 3 Position	
47	4460943	3	Pin, Male	
47	4460539	1	Receptacle, Female - 3 Position	
47	4460466	3	Plug, Terminal	
48	1001197961	2	Sensor, Boom Length	
48	4460536	1	Receptacle, Female - 3 Position	
48	4460943	3	Pin, Male	
48	4460539	1	Receptacle, Female - 3 Position	
48	4460466	3	Plug, Terminal	
49	1001200345	2	Sensor, Angle	
51	1001200550	4	Transducer, Pressure	
52	1001216258	2	Bracket	
53	1001200587	1	Cover	
54	1001200734	1	Panel, Boom Base	
55	1001200764	1	Sensor, BEI Angle	
55	4461228	1	Plug, Male - 6 Position	
55	1001104497	6	Socket, Female	
56	1001200834	1	Spacer	
57	1001200836	1	Plate	
58	1001200837	1	Plate, Mounting	
59	1001200838	1	Link, Sensor	
60	1001200848	1	Sensor, Angle	
61	1001200849	1	Screw M6 x 55	
62	1001201068	1	Cover	
63	1001201069	1	Bracket	
64	1001201095	3	Sensor, Angle Gravity	
64	4460910	1	Receptacle, Female - 3 Position	
64	4460917	3	Pin, Male	
64	4460913	AR	Lock, Wedge	
65	1001202055	1	Cover, Boom Fly	
66	1001202179	1	Bracket	
67	1001202182	2	Shield	
68	1001202950	1	Mount, Switch	
69	1001203898	1	Stop	
70	1001203899	1	Bar	
71	1001203900	1	Plate	
72	1001203904	1	Bracket	
73	1001204043	1	Sensor, Proximity	
73	4461077	1	Plug, Male - 4 Position	
73	4460918	4	Socket, Female	
74	3290605001	16	Nut M6	
75	4811700001	42	Washer M6	
76	5250806001	7	Bolt M8 x 12	
77	5250810001	14	Bolt M8 x 20	
78	5251010001	5	Bolt M10 x 20	
79	5251012001	3	Bolt M10 x 25	
80	5251016001	3	Bolt M10 x 40	
81	0760614001	2	Bolt M6 x 30	
82	1001220470	1	Plate	

SECTION 4 - BOOM

ITEM	PART NUMBER	QTY	DESCRIPTION	REV
83	0100038	AR	Primer, Locking	
84	1001212663	1	Grommet	
85	7894000042	1	Tie-Strap	
86	1001213053	1	Grommet	
87	1001199043	2	Transducer, Pressure	
88	1001213836	1	Cover	
89	1001214098	1	Cover	
90	8310614	4	Screw M10 x 30	
91	5251008001	4	Bolt M10 x 16	
92	1001171324	1	Cover	

SECTION 4 - BOOM

FIGURE 4-15. PLATFORM SUPPORT INSTALLATION - WITH LSS



ART_1001204911_F

SECTION 4 - BOOM

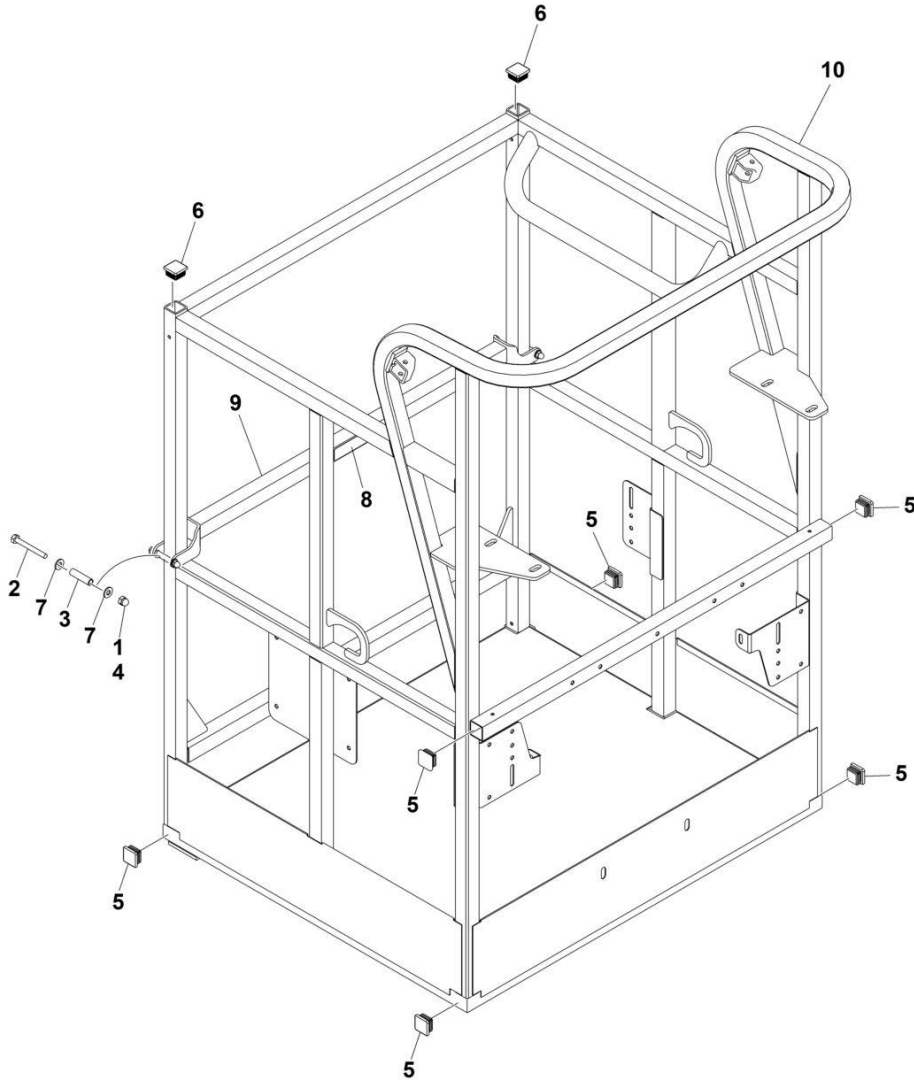
FIGURE 4-15. PLATFORM SUPPORT INSTALLATION - WITH LSS

ITEM	PART NUMBER	QTY	DESCRIPTION	REV
	1001204911	Ref	PLATFORM SUPPORT INSTALLATION - WITH LSS	F
1	0100011	AR	Compound, Locking	
2	0760812001	4	Bolt M8 x 25	
3	3290805001	4	Nut M8	
4	4811900001	8	Washer M8	
5	1001207388	1	Platform Support Assembly - With LSS	
6	1001204073	1	Bracket, Mounting	
	1001207388	Ref	PLATFORM SUPPORT ASSEMBLY - WITH LSS	H
101	0100011	AR	Compound, Locking	
102	0761014001	5	Bolt M10 x 30	
103	0761216001	8	Bolt M12 x 40	
104	0712445001	1	Bolt M24 x 280	
105	0771012001	8	Bolt M10 x 25 Grade 10.9	
106	3291001001	5	Nut M10	
107	3291201001	3	Nut M12	
108	3332415001	1	Nut M24 Grade 10.9	
109	3291205001	8	Nut M12	
110	3841143	4	Keeper, Pin	
111	1001172358	8	Washer M10	
112	4812100001	3	Washer M12	
113	5241000001	8	Washer M10	
114	5241200001	8	Washer M12	
115	5242400001	1	Washer M24	
116	0711222001	2	Screw M12 x 70 Grade 10.9	
117	1001167565	2	Pin	
118	1001200494	1	Support, Platform	
119	1001167567	1	Bracket, Actuator	
120	1001168402	2	Pin	
121	1001188622	1	Screw	
122	1001247468	1	Gauge, Load Sensing	
123	1001188844	1	Bolt M12 x 35	
124	1001201351	2	Link	
126	5251008001	2	Bolt M10 x 16	
128	1001189002	8	Bearing	
129	1001190985	1	Pad, Wear	
130	3291005001	2	Nut M10	
131	5251016001	2	Bolt M10 x 40	
132	1001200491	1	Plate, Wear	
133	1001189001	4	Bearing	
134	1001204725	2	Plug	
136	91203039	1	Clamp	
137	1001216630	2	Decal - Tie Down/No Lift	

SECTION 5 - PLATFORM

SECTION 5 - PLATFORM

FIGURE 5-1. PLATFORM ASSEMBLY - 30IN X 3FT (76CM X .91M) - DROP BAR ENTRY



ART_1001228215

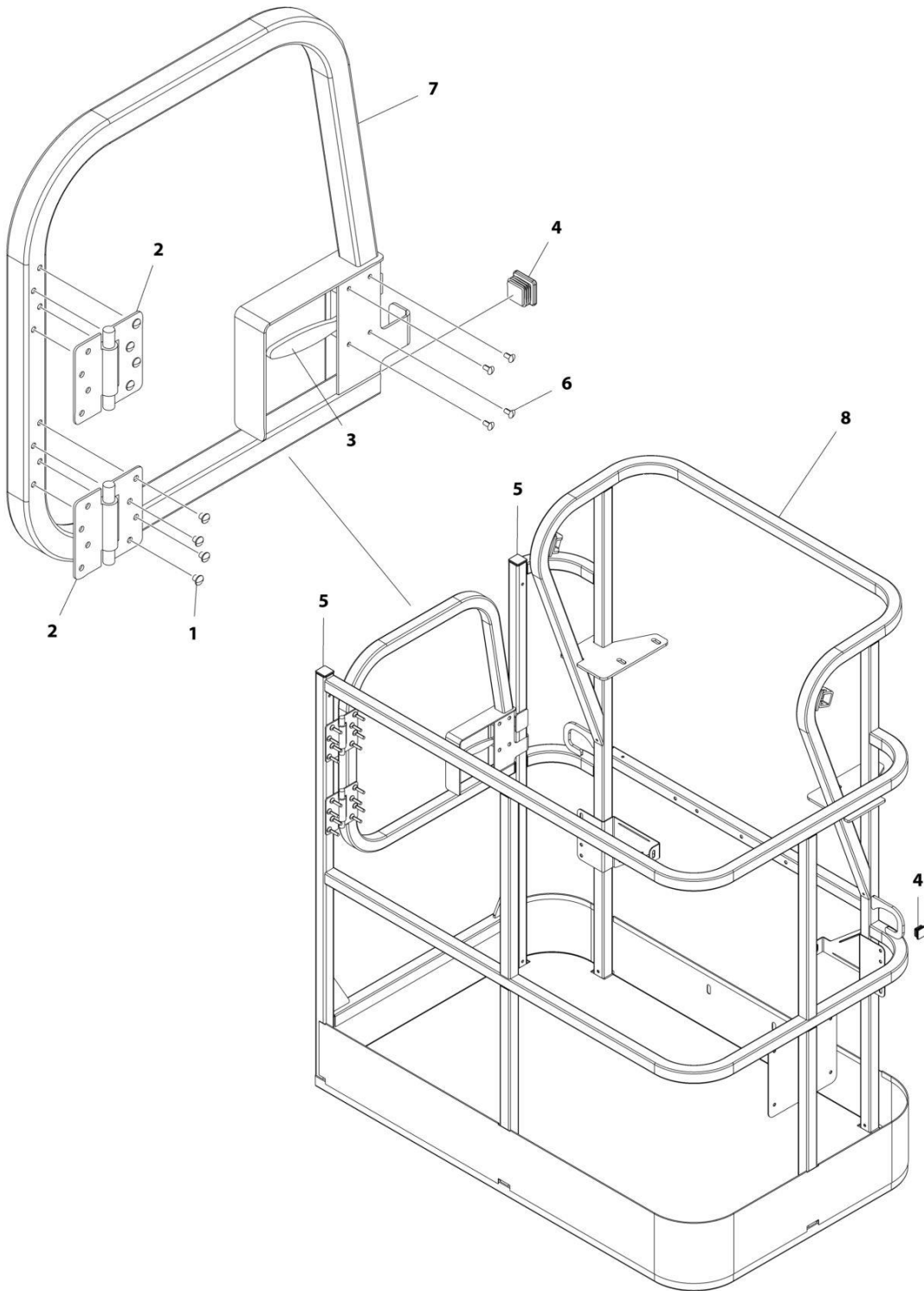
SECTION 5 - PLATFORM

FIGURE 5-1. PLATFORM ASSEMBLY - 30IN X 3FT (76CM X .91M) - DROP BAR ENTRY

ITEM	PART NUMBER	QTY	DESCRIPTION	REV
	1001228215	Ref	PLATFORM ASSEMBLY	A
	See Note	Ref	Note: Platform and Mesh must be ordered separately for Platforms with Mesh. See SPECIAL OPTIONS SECTION for Mesh Installations.	
	See Note	Ref	Note: Replacement Decals Must be Ordered Separately - See DECAL SECTION.	
1	0100011	AR	Compound, Locking	
2	0641418	2	Bolt 1/4 x 2-1/4	
3	0961845	2	Bushing	
4	3300151	2	Nut 1/4	
5	3520072	6	Cap, Plug	
6	3520198	2	Cap, Plug	
7	4711400	4	Washer 1/4	
8	1001140429	1	Decal - Drop Bar	
9	1001226872	1	Bar, Drop	
10	See Note	NSS	Platform (Note: Not Available - Purchase Platform Assembly)	

SECTION 5 - PLATFORM

FIGURE 5-2. PLATFORM ASSEMBLY - 30IN X 4FT (76.2CM X 1.22M) WITH SWING GATE



ART_1001186387

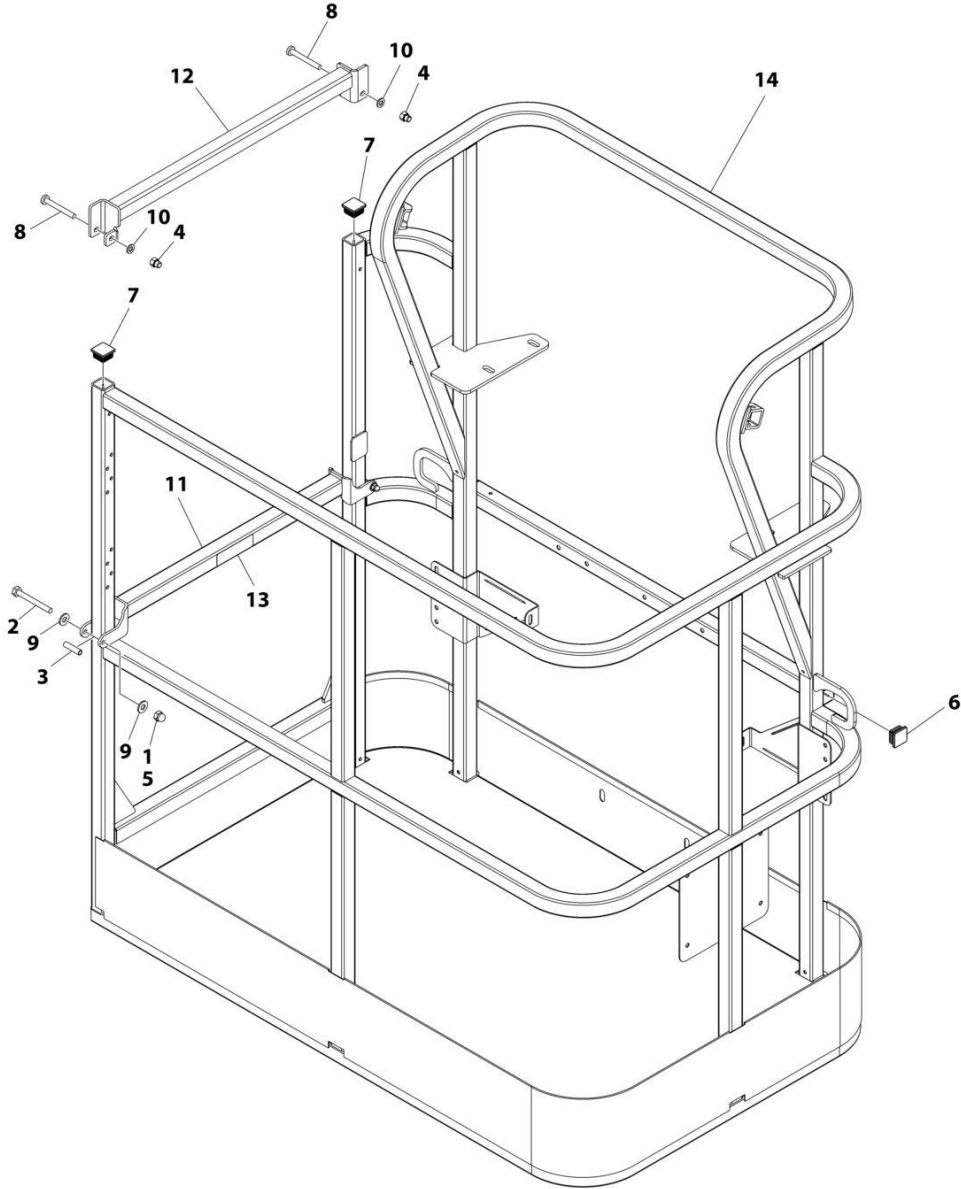
SECTION 5 - PLATFORM

FIGURE 5-2. PLATFORM ASSEMBLY - 30IN X 4FT (76.2CM X 1.22M) WITH SWING GATE

ITEM	PART NUMBER	QTY	DESCRIPTION	REV
	1001186387	Ref	PLATFORM ASSEMBLY	C
		Ref	Note: Platform and Mesh must be ordered separately for Platforms with Mesh. See SPECIAL OPTIONS SECTION for Mesh Installations.	
		Ref	Note: Replacement Decals Must be Ordered Separately - See DECALS SECTION.	
1	2080040	16	Fastener, Huck	
2	2600281	2	Hinge, Self-Closing	
3	2940074	1	Latch	
4	3520072	3	Plug	
5	3520198	2	Plug	
6	3820020	4	Rivet	
7	1001144629	1	Gate	
8	See Note	1	Platform (Note: Not Available - Purchase Platform Assembly)	

SECTION 5 - PLATFORM

FIGURE 5-3. PLATFORM ASSEMBLY - 30IN X 4FT (76.2CM X 1.22M) WITH DROP BAR



ART_1001186375

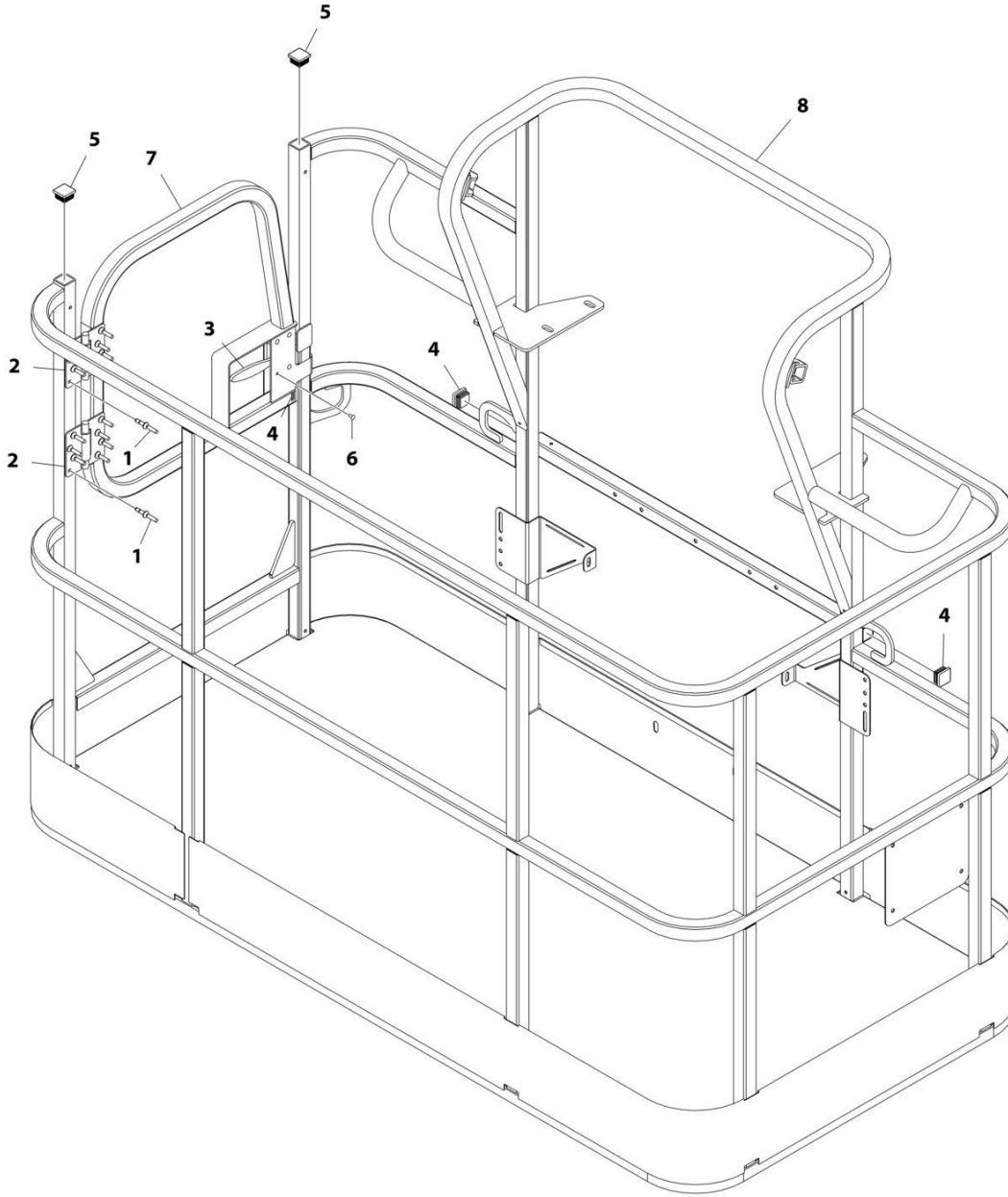
SECTION 5 - PLATFORM

FIGURE 5-3. PLATFORM ASSEMBLY - 30IN X 4FT (76.2CM X 1.22M) WITH DROP BAR

ITEM	PART NUMBER	QTY	DESCRIPTION	REV
	1001186375	Ref	PLATFORM ASSEMBLY	B
		Ref	Note: Platform and Mesh must be ordered separately for Platforms with Mesh. See SPECIAL OPTIONS SECTION for Mesh Installations.	
		Ref	Note: Replacement Decals Must be Ordered Separately - See DECALS SECTION.	
1	0100011	AR	Compound, Locking	
2	0641418	2	Bolt 1/4 x 2-1/4	
3	0961845	2	Bushing	
4	3290606	2	Nut M6	
5	3300151	2	Nut 1/4	
6	3520072	2	Plug	
7	3520198	2	Plug	
8	4010618	2	Screw M6 x 50	
9	4711400	4	Washer 1/4	
10	4811700	2	Washer M6	
11	1001138494	1	Bar, Drop	
12	1001138514	1	Rail - Top	
13	1001140429	1	Decal - Drop Bar	
14	See Note	1	Platform (Note: Not Available - Purchase Platform Assembly)	

SECTION 5 - PLATFORM

FIGURE 5-4. PLATFORM ASSEMBLY - 36IN X 6FT (91.5CM X 1.83M) WITH SWING GATE



ART_1001186384

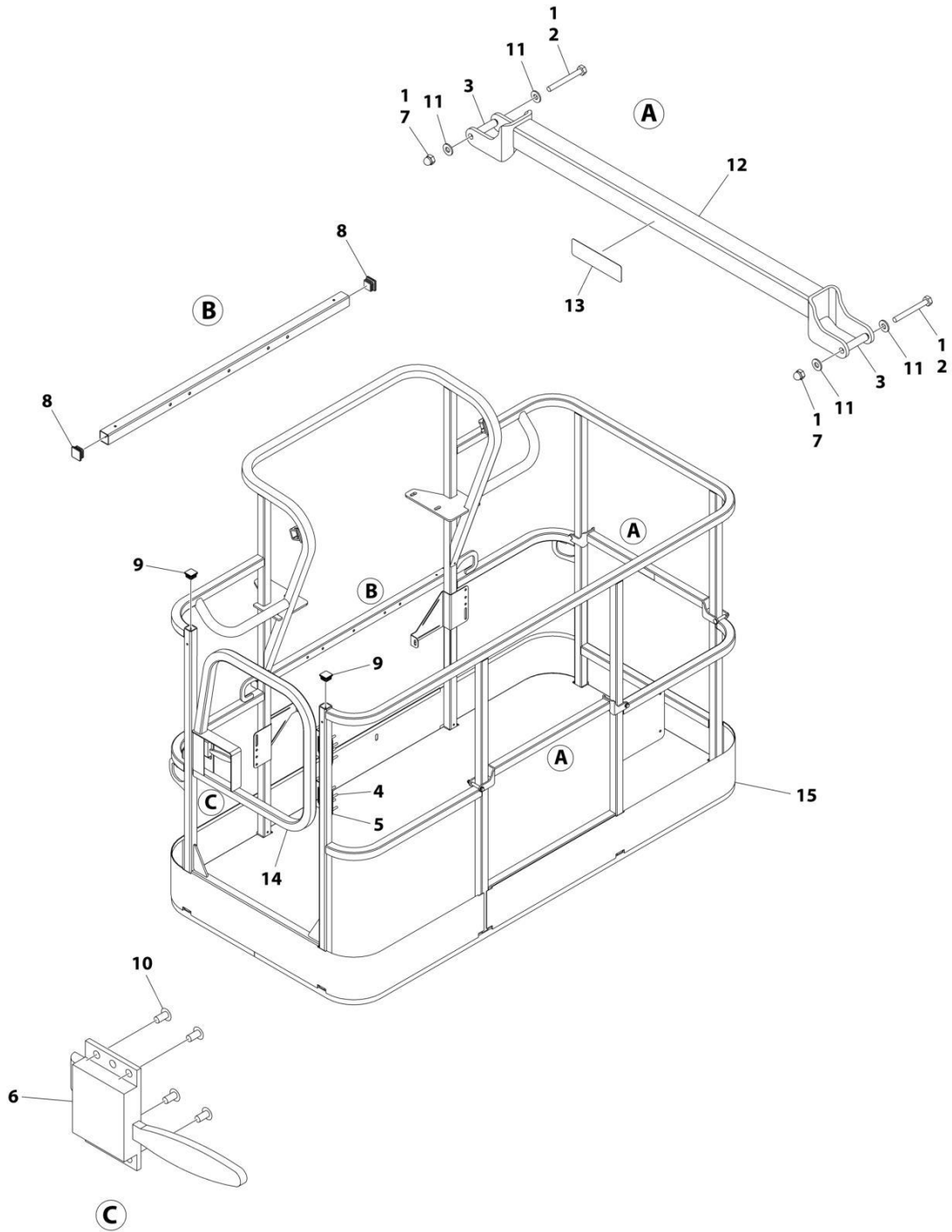
SECTION 5 - PLATFORM

FIGURE 5-4. PLATFORM ASSEMBLY - 36IN X 6FT (91.5CM X 1.83M) WITH SWING GATE

ITEM	PART NUMBER	QTY	DESCRIPTION	REV
	1001186384	Ref	PLATFORM ASSEMBLY - 36IN X 6FT (91.5CM X 1.83M) WITH SWING GATE	C
	See Note	Ref	Note: Platform and Mesh must be ordered separately for Platforms with Mesh. See SPECIAL OPTIONS SECTION for Mesh Installations.	
	See Note	Ref	Note: Replacement Decals Must be Ordered Separately - See DECALS SECTION.	
1	2080040	16	Fastener, Huck	
2	2600281	2	Hinge	
3	2940074	1	Latch	
4	3520072	3	Plug	
5	3520198	2	Plug	
6	3820020	4	Rivet	
7	1001144629	1	Gate	
8	See Note	NSS	Platform (Note: Not Available - Purchase Platform Assembly)	

SECTION 5 - PLATFORM

FIGURE 5-5. PLATFORM ASSEMBLY - 36IN X 6FT (91.5CM X 1.83M) TRI-ENTRY WITH SWING GATE



ART_1001228376

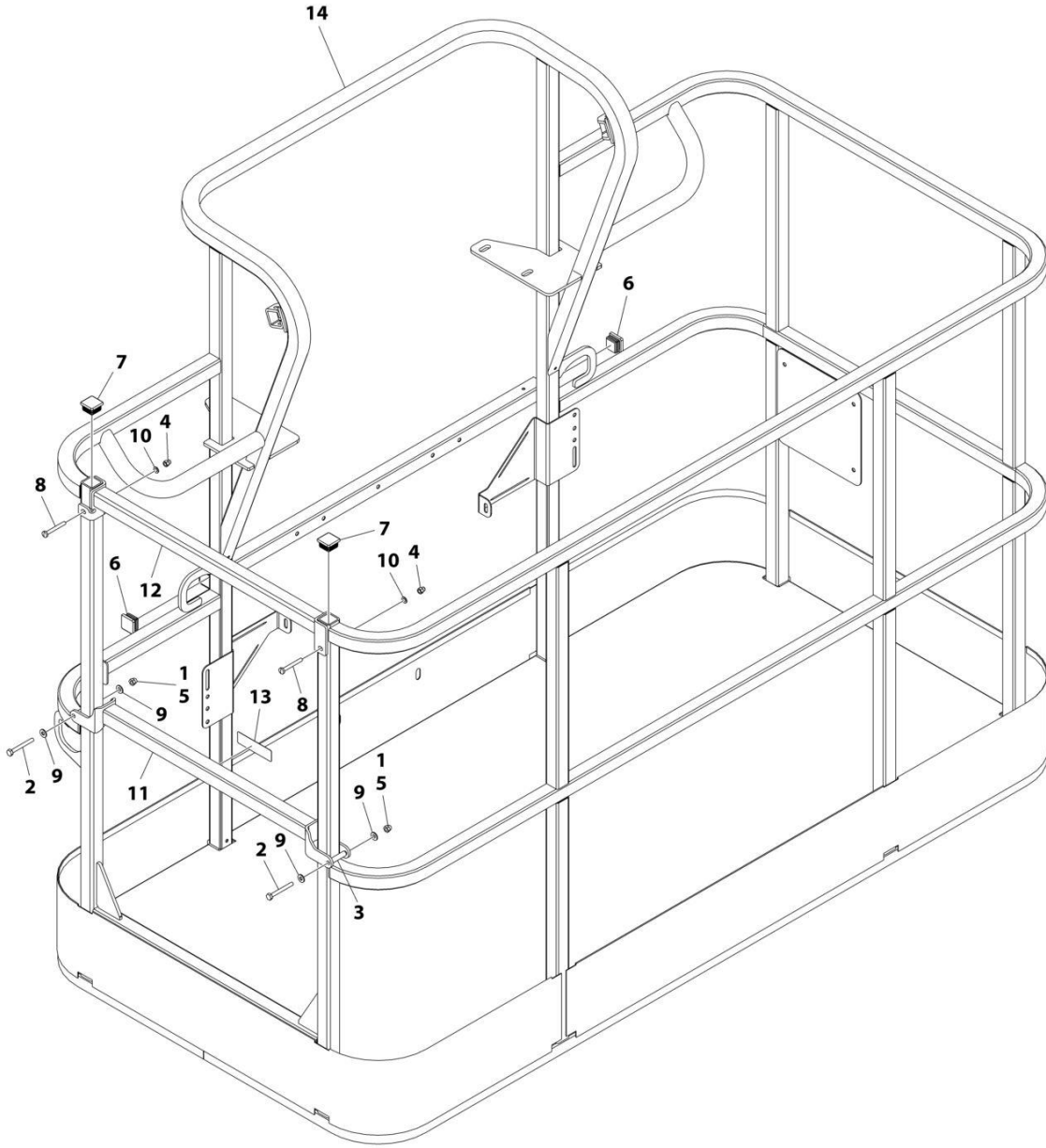
SECTION 5 - PLATFORM

FIGURE 5-5. PLATFORM ASSEMBLY - 36IN X 6FT (91.5CM X 1.83M) TRI-ENTRY WITH SWING GATE

ITEM	PART NUMBER	QTY	DESCRIPTION	REV
	1001228376	Ref	PLATFORM ASSEMBLY - 36IN x 6FT (91.5CM x 1.83M)	B
		Ref	Note: Platform and Mesh must be ordered separately for Platforms with Mesh. See SPECIAL OPTIONS SECTION for Mesh Installations.	
		Ref	Note: Replacement Decals Must be Ordered Separately - See DECAL SECTION.	
1	0100011	AR	Compound, Locking	
2	0641418	4	Bolt 1/4 x 2-1/4	
3	0961845	4	Bushing	
4	2080040	16	Fastener	
5	2600281	2	Hinge	
6	2940074	1	Latch	
7	3300151	4	Nut 1/4	
8	3520072	3	Plug	
9	3520198	2	Plug	
10	3820020	4	Rivet	
11	4711400	8	Washer 1/4	
12	1001138494	2	Bar, Drop	
13	1001140429	2	Decal - Drop Bar	
14	1001144629	1	Gate	
15	See Note	NSS	Platform (Note: Not Available - Purchase Platform Assembly)	

SECTION 5 - PLATFORM

FIGURE 5-6. PLATFORM ASSEMBLY - 36IN X 6FT (91.5CM X 1.83M) WITH DROP BAR



ART_1001186379

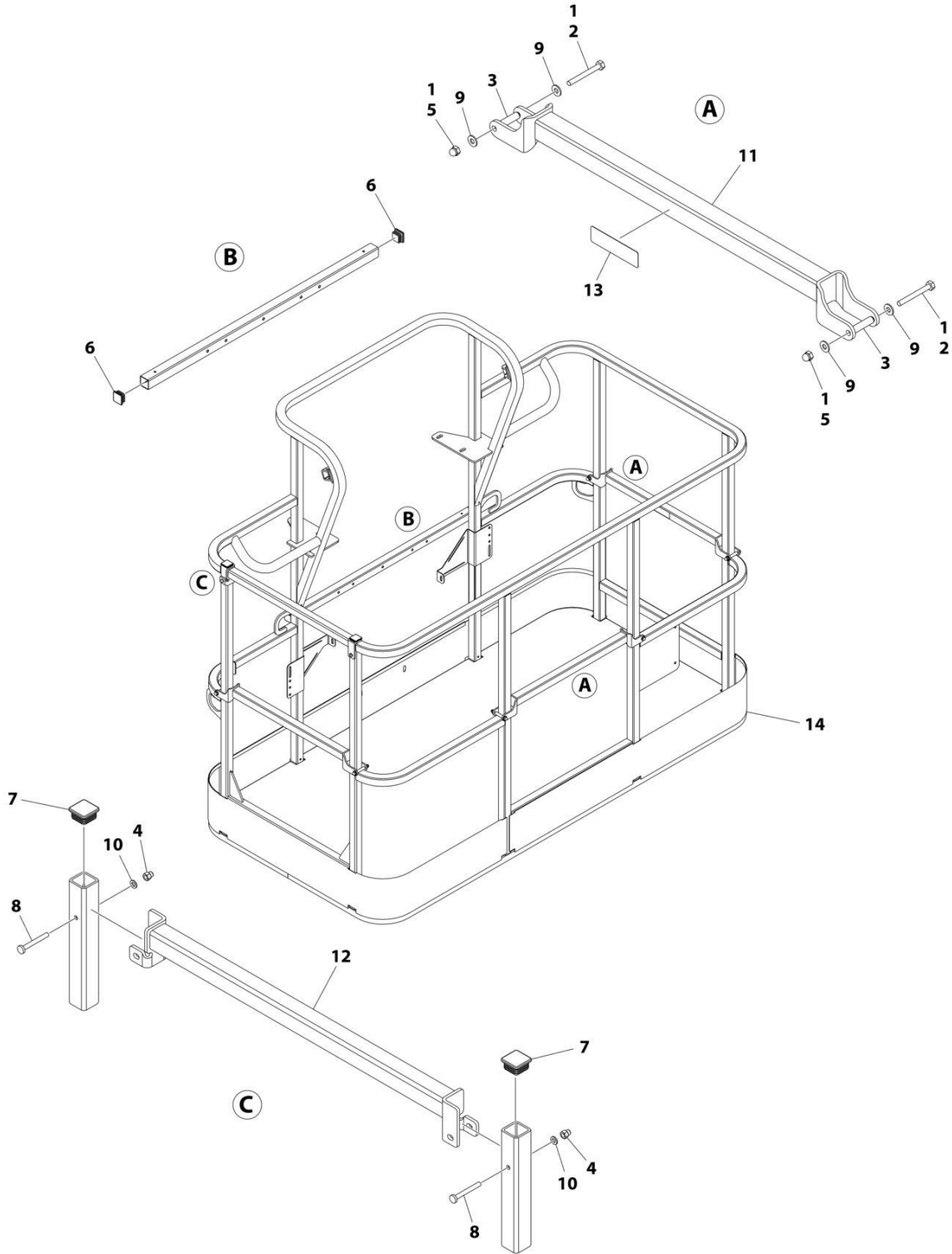
SECTION 5 - PLATFORM

FIGURE 5-6. PLATFORM ASSEMBLY - 36IN X 6FT (91.5CM X 1.83M) WITH DROP BAR

ITEM	PART NUMBER	QTY	DESCRIPTION	REV
	1001186379	Ref	PLATFORM ASSEMBLY - 36IN X 6FT (91.5CM X 1.83M) WITH DROP BAR	B
		Ref	Note: Platform and Mesh must be ordered separately for Platforms with Mesh. See SPECIAL OPTIONS SECTION for Mesh Installations.	
		Ref	Note: Replacement Decals Must be Ordered Separately - See DECALS SECTION.	
1	0100011	AR	Compound, Locking	
2	0641418	2	Bolt 1/4 x 2-1/4	
3	0961845	2	Bushing	
4	3290606	2	Nut M6	
5	3300151	2	Nut 1/4	
6	3520072	2	Plug	
7	3520198	2	Plug	
8	4010618	2	Screw M6 x 50	
9	4711400	4	Washer 1/4	
10	4811700	2	Washer M6	
11	1001138494	1	Bar, Drop	
12	1001138514	1	Rail (Top)	
13	1001140429	1	Decal - Drop Bar	
14	See Note	NSS	Platform (Note: Not Available - Purchase Platform Assembly)	

SECTION 5 - PLATFORM

FIGURE 5-7. PLATFORM ASSEMBLY - 36IN X 6FT (91.5CM X 1.83M) TRI-ENTRY WITH DROPBAR



ART_1001228377

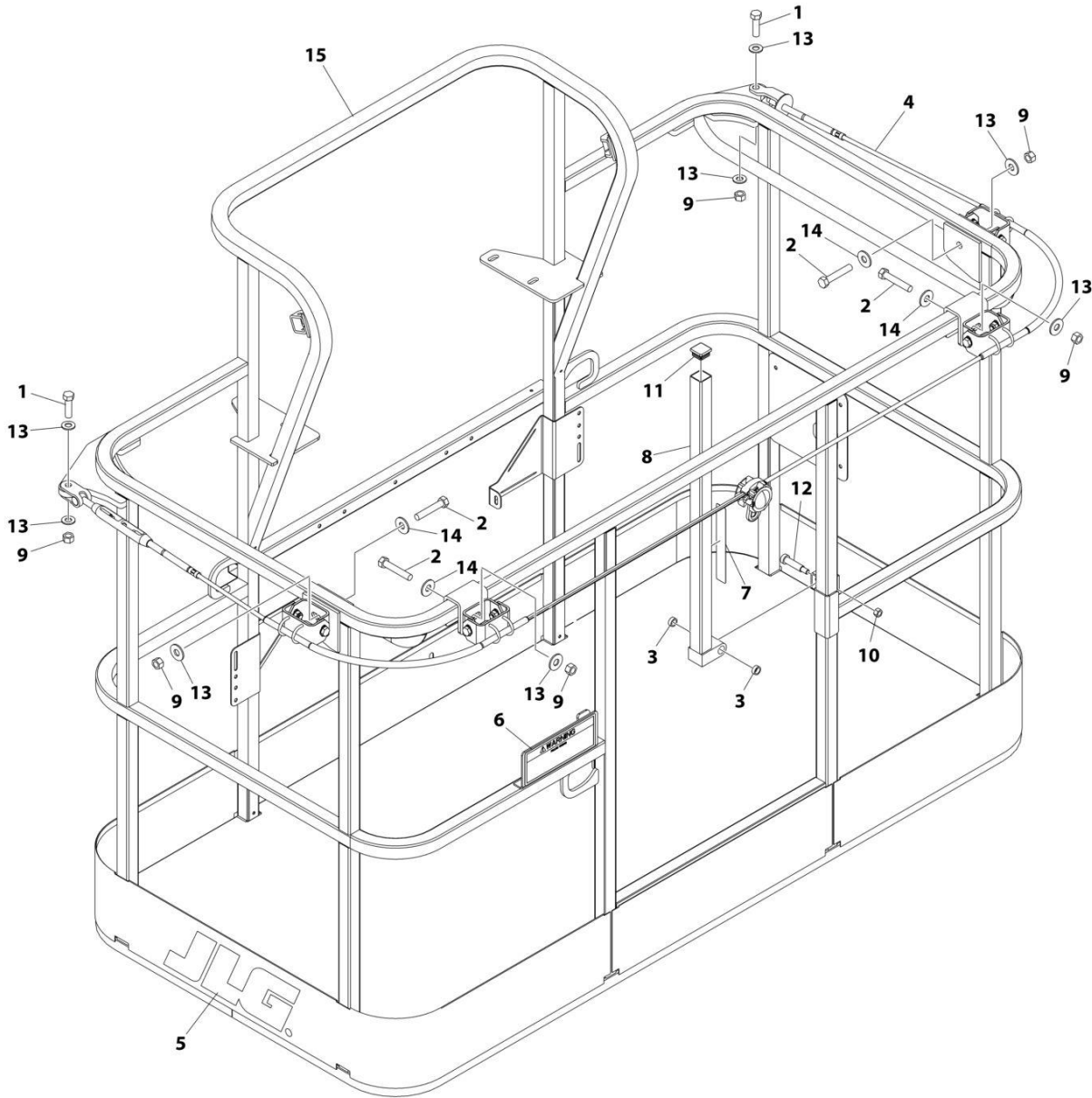
SECTION 5 - PLATFORM

FIGURE 5-7. PLATFORM ASSEMBLY - 36IN X 6FT (91.5CM X 1.83M) TRI-ENTRY WITH DROPBAR

ITEM	PART NUMBER	QTY	DESCRIPTION	REV
	1001228377	Ref	PLATFORM ASSEMBLY - 36IN x 6FT (91.5CM x 1.83M)	B
		Ref	Note: Platform and Mesh must be ordered separately for Platforms with Mesh. See SPECIAL OPTIONS SECTION for Mesh Installations.	
		Ref	Note: Replacement Decals Must be Ordered Separately - See DECAL SECTION.	
1	0100011	1	Compound, Locking	
2	0641418	6	Bolt 1/4 x 2-1/4	
3	0961845	6	Bushing	
4	3290606	2	Nut M6	
5	3300151	6	Nut 1/4	
6	3520072	2	Plug	
7	3520198	2	Plug	
8	4010618	2	Screw M6 x 50	
9	4711400	12	Washer 1/4	
10	4811700	2	Washer M6	
11	1001138494	3	Bar, Drop	
12	1001138514	1	Rail (Top)	
13	1001140429	3	Decal - Drop Bar	
14	See Note	NSS	Platform, Weldment (Note: Not Available - Purchase Platform Assembly)	

SECTION 5 - PLATFORM

FIGURE 5-8. PLATFORM ASSEMBLY - 36IN X 6FT (91.5CM X 1.83M) WITH FALL ARREST (ANSI, ANSI EXPORT AND CSA SPECS)



ART_1001186333

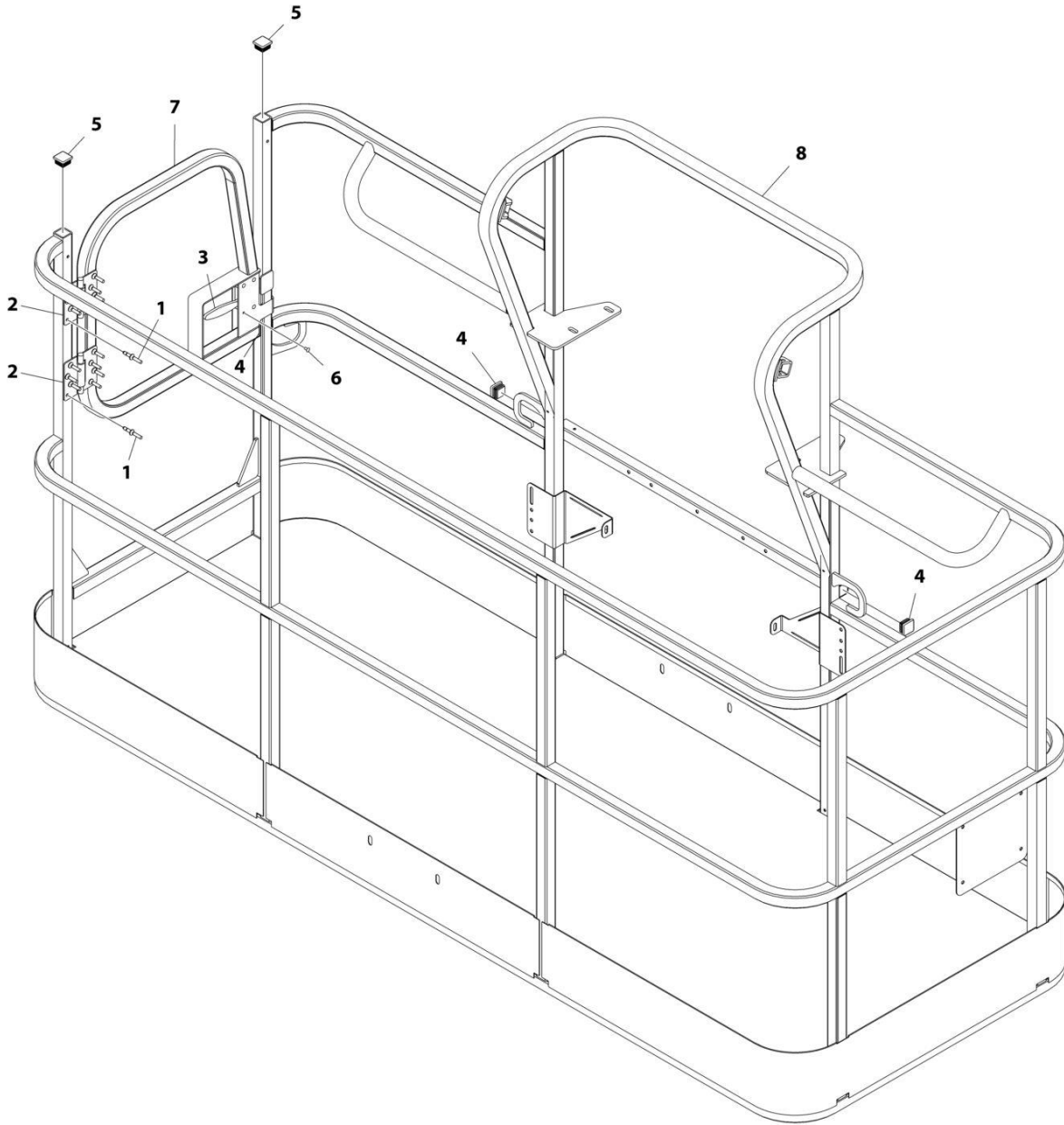
SECTION 5 - PLATFORM

FIGURE 5-8. PLATFORM ASSEMBLY - 36IN X 6FT (91.5CM X 1.83M) WITH FALL ARREST (ANSI, ANSI EXPORT AND CSA SPECS)

ITEM	PART NUMBER	QTY	DESCRIPTION	REV
	1001186333	Ref	PLATFORM ASSEMBLY	C
		Ref	Note: Replacement Decals Must be Ordered Separately - See DECALS SECTION.	
1	0681814	2	Bolt 1/2 x 1-3/4 Grade 8	
2	0681822	4	Bolt 1/2 x 2-3/4 Grade 8	
3	0962270	2	Bearing	
4	1001203655	1	Cable	
5	1702773	1	Decal - JLG	
6	1705014	1	Decal - Safety	
7	1706385	1	Decal - Drop Bar	
8	2410014	1	Bar, Drop	
9	3271805	6	Nut 1/2 Grade 8	
10	3311605	1	Nut 3/8	
11	3520072	1	Plug	
12	3900054	1	Bolt 1/2 x 1-3/4	
13	4711800	8	Washer 1/2	
14	4751800	4	Washer 1/2	
15	See Note	NSS	Platform (Note: Not Available - Purchase Platform Assembly)	

SECTION 5 - PLATFORM

FIGURE 5-9. PLATFORM ASSEMBLY - 36IN X 8FT (91.5CM X 2.44M) WITH SWING GATE



ART_1001186383

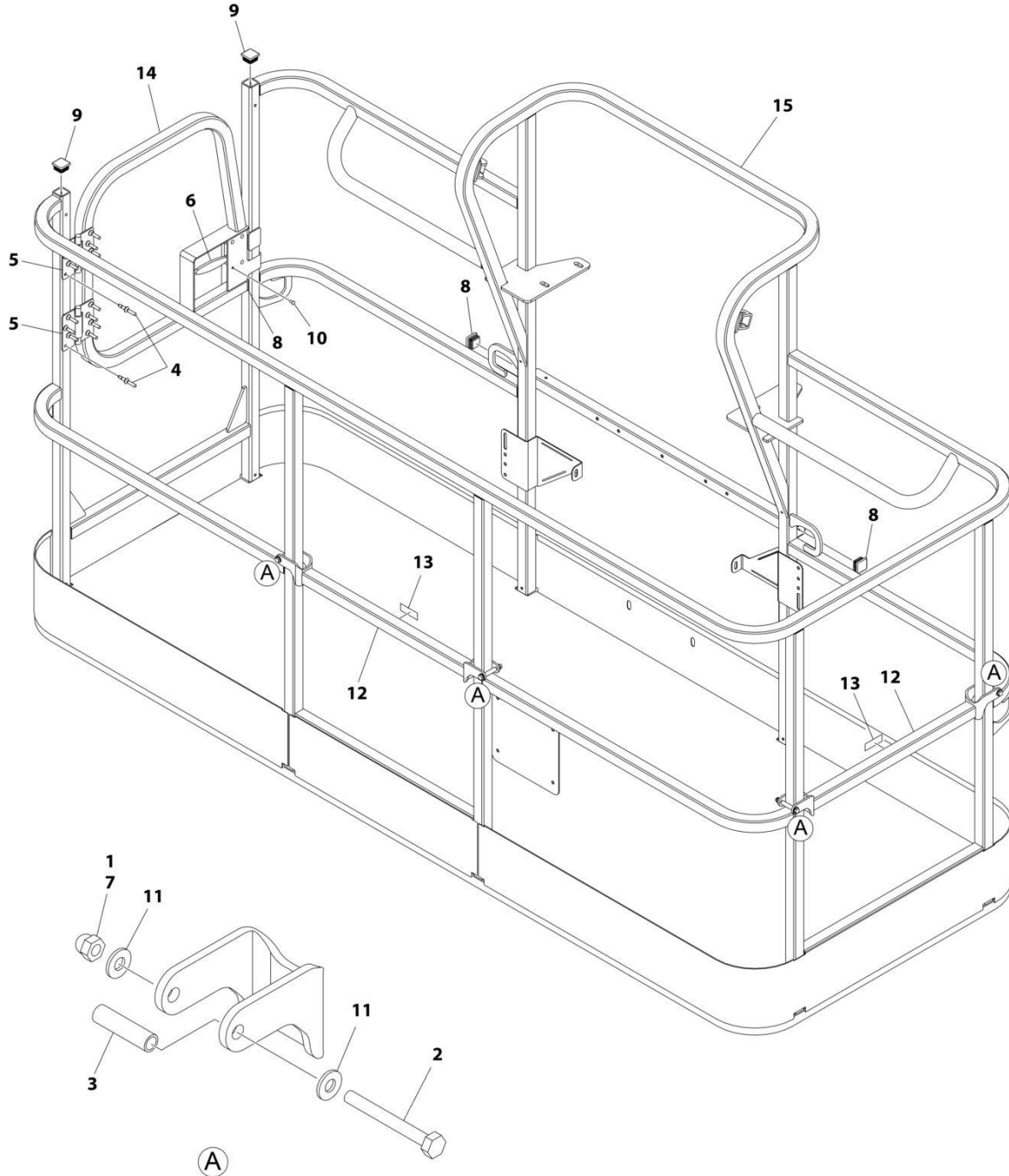
SECTION 5 - PLATFORM

FIGURE 5-9. PLATFORM ASSEMBLY - 36IN X 8FT (91.5CM X 2.44M) WITH SWING GATE

ITEM	PART NUMBER	QTY	DESCRIPTION	REV
	1001186383	Ref	PLATFORM ASSEMBLY - 36IN X 8FT (91.5CM X 2.44M) WITH SWING GATE	D
		Ref	Note: Platform and Mesh must be ordered separately for Platforms with Mesh. See SPECIAL OPTIONS SECTION for Mesh Installations.	
		Ref	Note: Replacement Decals Must be Ordered Separately - See DECALS SECTION.	
1	2080040	16	Fastener, Huck	
2	2600281	2	Hinge	
3	2940074	1	Latch	
4	3520072	3	Plug	
5	3520198	2	Plug	
6	3820020	4	Rivet	
7	1001144629	1	Gate	
8	See Note	NSS	Platform (Note: Not Available - Purchase Platform Assembly)	

SECTION 5 - PLATFORM

FIGURE 5-10. PLATFORM ASSEMBLY - 36IN X 8FT (91.5CM X 2.44M) WITH TRI-ENTRY (1 GATE/2 DROP BARS)



ART_1001228243

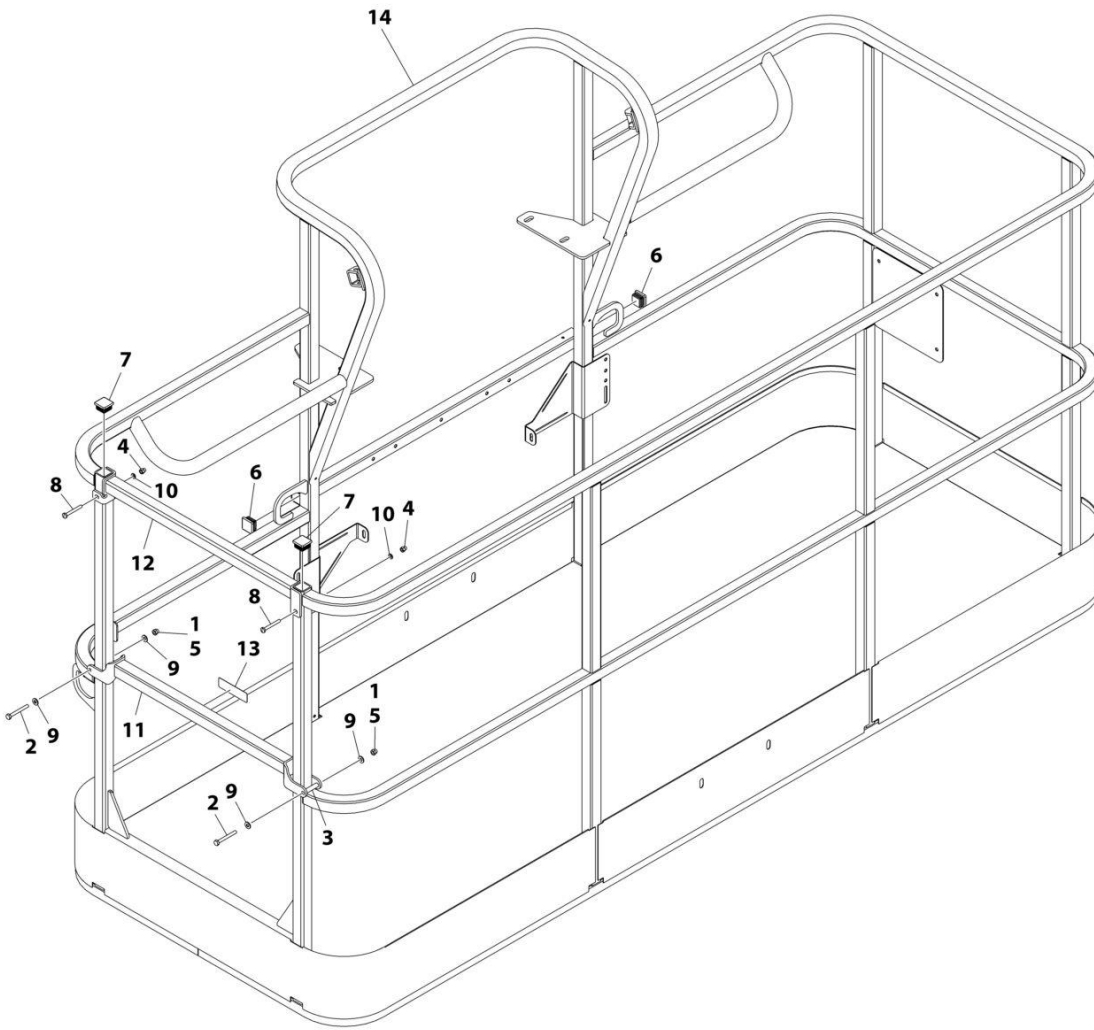
SECTION 5 - PLATFORM

FIGURE 5-10. PLATFORM ASSEMBLY - 36IN X 8FT (91.5CM X 2.44M) WITH TRI-ENTRY (1 GATE/2 DROP BARS)

ITEM	PART NUMBER	QTY	DESCRIPTION	REV
	1001228243	Ref	PLATFORM ASSEMBLY - 36IN X 8FT (91.5CM X 2.44M) WITH TRI-ENTRY	A
		Ref	Note: Platform and Mesh must be ordered separately for Platforms with Mesh. See SPECIAL OPTIONS SECTION for Mesh Installations.	
1	0100011	AR	Compound, Locking	
2	0641418	4	Bolt 1/4 x 2-1/4	
3	0961845	4	Bushing	
4	2080040	16	Fastener, Huck	
5	2600281	2	Hinge, Self-Closing	
6	2940074	1	Latch	
7	3300151	4	Nut 1/4	
8	3520072	3	Cap, Plug	
9	3520198	2	Cap, Plug	
10	3820020	4	Rivet	
11	4711400	8	Washer 1/4	
12	1001138494	2	Bar, Drop	
13	1001140429	2	Decal - Drop Bar	
14	1001144629	1	Gate, Weldment	
15	See Note	1	Platform (Note: Not Available - Purchase Platform Assembly)	

SECTION 5 - PLATFORM

FIGURE 5-11. PLATFORM ASSEMBLY - 36IN X 8FT (91.5CM X 2.44M) WITH DROP BAR



ART_1001186382

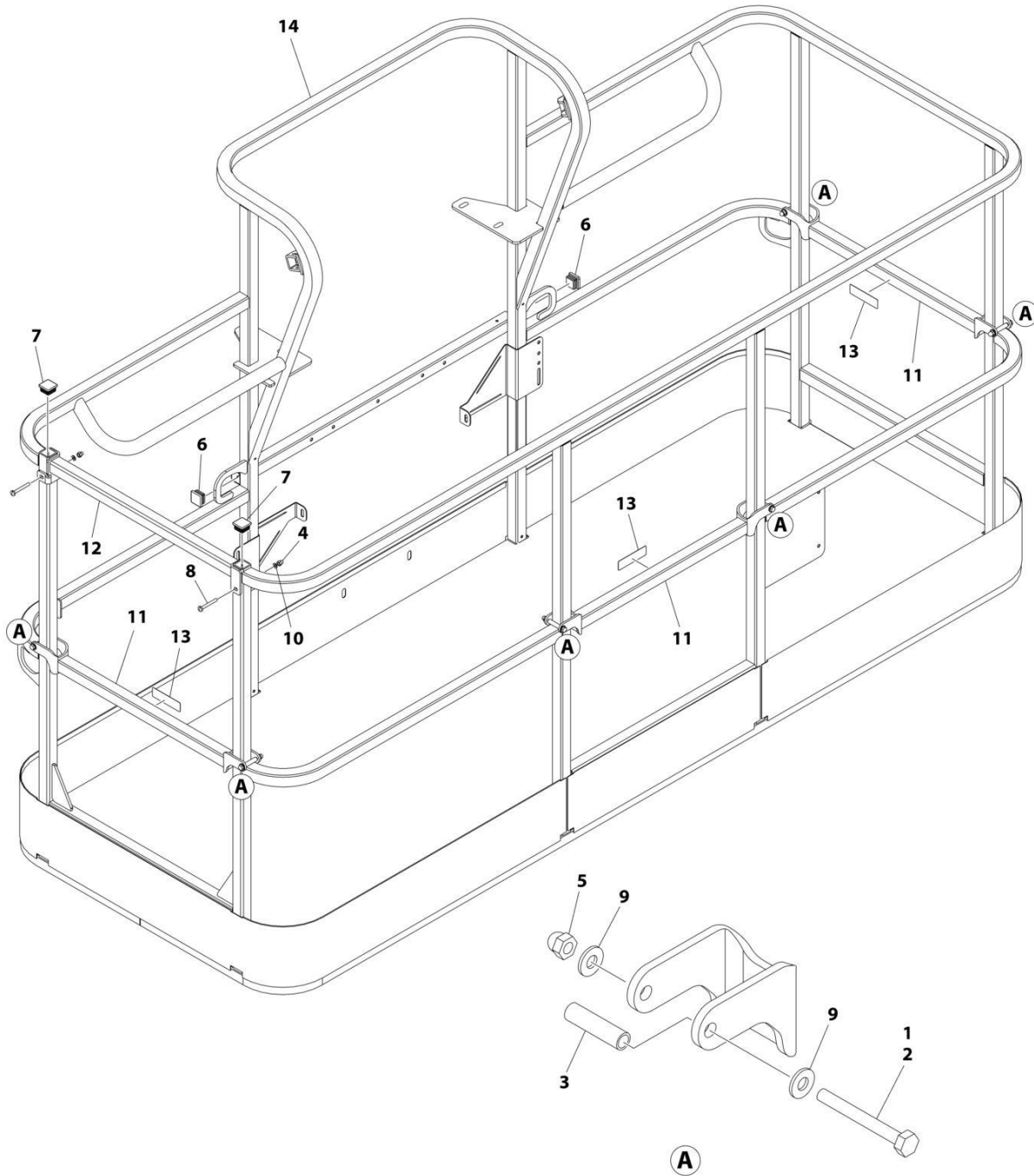
SECTION 5 - PLATFORM

FIGURE 5-11. PLATFORM ASSEMBLY - 36IN X 8FT (91.5CM X 2.44M) WITH DROP BAR

ITEM	PART NUMBER	QTY	DESCRIPTION	REV
	1001186382	Ref	PLATFORM ASSEMBLY - 36IN X 8FT (91.5CM X 2.44M) WITH DROP BAR	C
		Ref	Note: Platform and Mesh must be ordered separately for Platforms with Mesh. See SPECIAL OPTIONS SECTION for Mesh Installations.	
		Ref	Note: Replacement Decals Must be Ordered Separately - See DECALS SECTION.	
1	0100011	AR	Compound, Locking	
2	0641418	2	Bolt 1/4 x 2-1/4	
3	0961845	2	Bushing	
4	3290606	2	Nut M6	
5	3300151	2	Nut 1/4	
6	3520072	2	Plug	
7	3520198	2	Plug	
8	4010618	2	Screw M6 x 50	
9	4711400	4	Washer 1/4	
10	4811700	2	Washer M6	
11	1001138494	1	Bar, Drop	
12	1001138514	1	Rail (Top)	
13	1001140429	1	Decal - Drop Bar	
14	See Note	NSS	Platform (Note: Not Available - Purchase Platform Assembly)	

SECTION 5 - PLATFORM

FIGURE 5-12. PLATFORM ASSEMBLY - 36IN X 8FT (91.5CM X 2.44M) WITH TRI-ENTRY (3 DROP BARS)



ART_1001228375

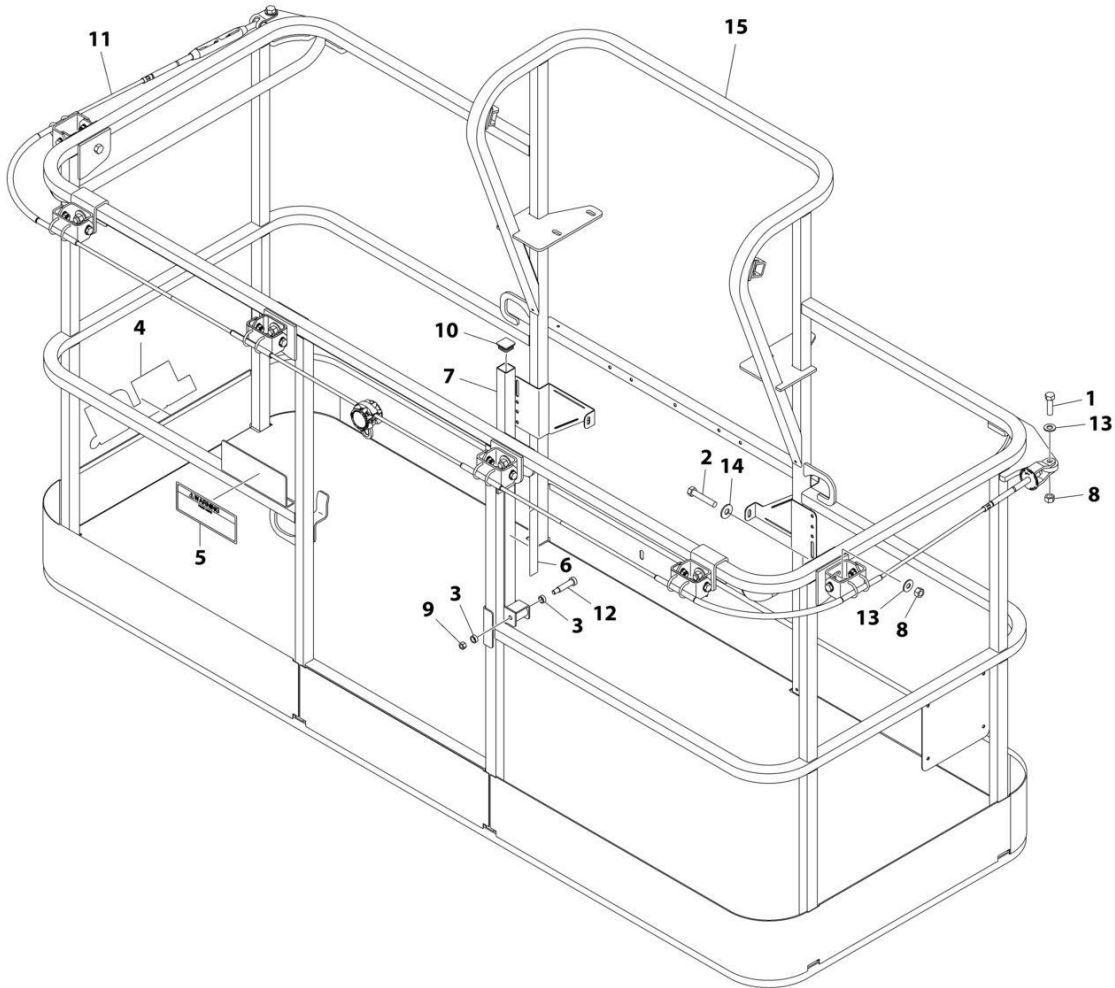
SECTION 5 - PLATFORM

FIGURE 5-12. PLATFORM ASSEMBLY - 36IN X 8FT (91.5CM X 2.44M) WITH TRI-ENTRY (3 DROP BARS)

ITEM	PART NUMBER	QTY	DESCRIPTION	REV
	1001228375	Ref	PLATFORM ASSEMBLY - 36IN X 8FT (91.5CM X 2.44M) WITH TRI-ENTRY	A
		Ref	Note: Platform and Mesh must be ordered separately for Platforms with Mesh. See SPECIAL OPTIONS SECTION for Mesh Installations.	
		Ref	Note: Replacement Decals Must be Ordered Separately - See DECAL SECTION.	
1	0100011	AR	Compound, Locking	
2	0641418	6	Bolt 1/4 x 2-1/4	
3	0961845	6	Bushing	
4	3290606	2	Nut M6 x 1	
5	3300151	6	Nut 1/4	
6	3520072	2	Cap, Plug	
7	3520198	2	Cap, Plug	
8	4010618	2	Screw M6 x 50	
9	4711400	12	Washer 1/4	
10	4811700	2	Washer M6	
11	1001138494	3	Bar, Drop	
12	1001138514	1	Rail (Top)	
13	1001140429	3	Decal - Drop Bar	
14	See Note	1	Platform (Note: Not Available - Purchase Platform Assembly)	

SECTION 5 - PLATFORM

FIGURE 5-13. PLATFORM ASSEMBLY - 36IN X 8FT (91.5CM X 2.44M) WITH FALL ARREST (ANSI, ANSI EXPORT AND CSA SPECS)



ART_1001186334

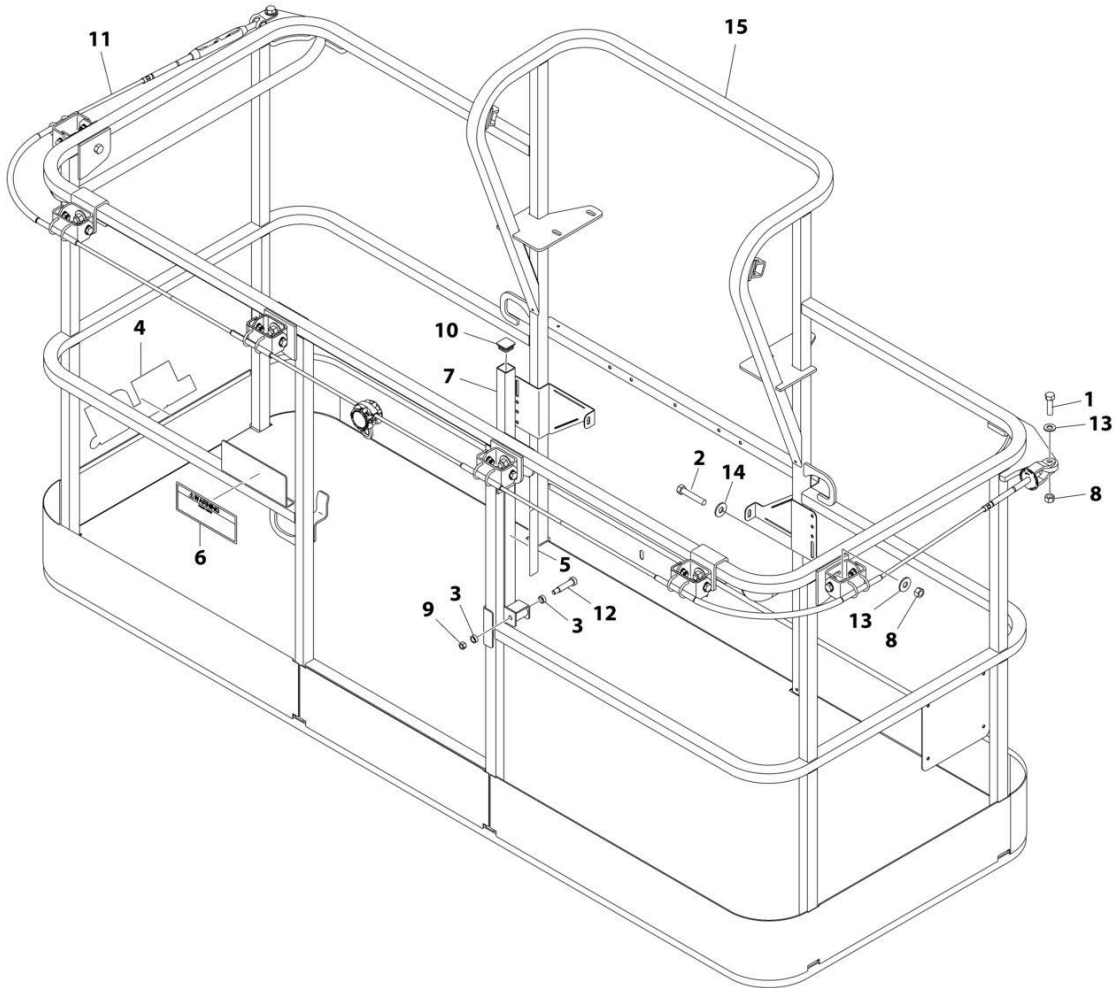
SECTION 5 - PLATFORM

FIGURE 5-13. PLATFORM ASSEMBLY - 36IN X 8FT (91.5CM X 2.44M) WITH FALL ARREST (ANSI, ANSI EXPORT AND CSA SPECS)

ITEM	PART NUMBER	QTY	DESCRIPTION	REV
	1001186334	Ref	PLATFORM ASSEMBLY	D
		Ref	Note: Replacement Decals Must be Ordered Separately - See DECALS SECTION.	
1	0681814	2	Bolt 1/2 x 1-3/4 Grade 8	
2	0681822	6	Bolt 1/2 x 2-3/4 Grade 8	
3	0962270	2	Bearing	
4	1702773	1	Decal - JLG	
5	1705014	1	Decal - Safety	
6	1706385	1	Decal - Drop Bar	
7	2410014	1	Bar, Drop	
8	3271805	8	Nut 1/2 Grade 8	
9	3311605	1	Nut 3/8	
10	3520072	1	Plug	
11	1001203656	1	Cable	
12	3900054	1	Bolt 1/2 x 1-3/4	
13	4711800	2	Washer 1/2	
14	4751800	6	Washer 1/2	
15	See Note	NSS	Platform (Note: Purchase Platform Assembly)	

SECTION 5 - PLATFORM

FIGURE 5-14. PLATFORM ASSEMBLY - 36IN X 8FT (91.5CM X 2.44M) WITH FALL ARREST (ALL SPECS EXCEPT CSA SPECS)



ART_1001186389

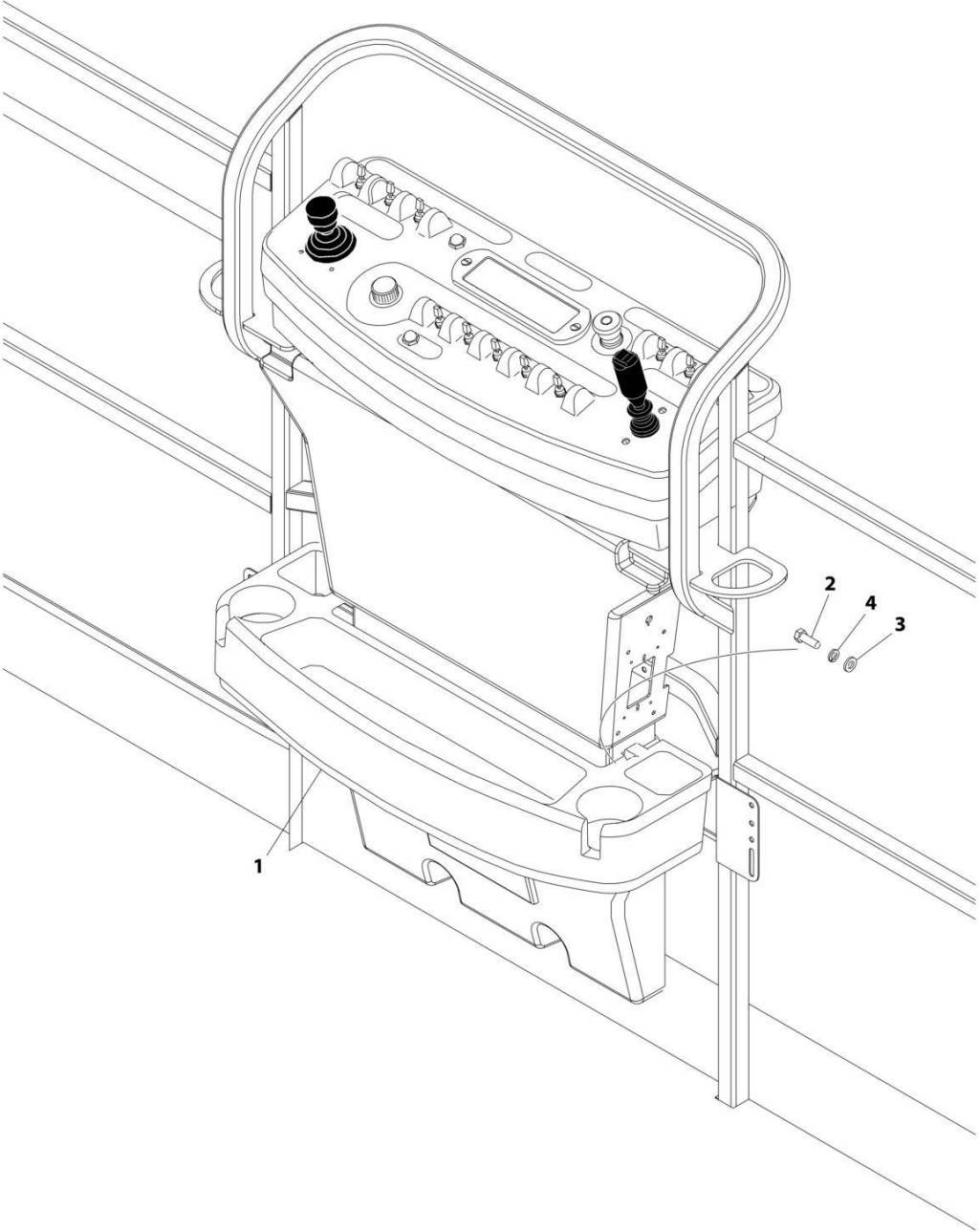
SECTION 5 - PLATFORM

FIGURE 5-14. PLATFORM ASSEMBLY - 36IN X 8FT (91.5CM X 2.44M) WITH FALL ARREST (ALL SPECS EXCEPT CSA SPECS)

ITEM	PART NUMBER	QTY	DESCRIPTION	REV
	1001186389	Ref	PLATFORM ASSEMBLY - 36IN X 8FT (91.5CM X 2.44M) WITH FALL ARREST	D
		Ref	Note: Standard decals must be ordered separately - See DECAL SECTION.	
1	0681814	2	Bolt 1/2 x 1-3/4 Grade 8	
2	0681822	6	Bolt 1/2 x 2-3/4 Grade 8	
3	0962270	2	Bearing	
4	1702773	1	Decal - JLG	
5	1706493	1	Decal - Drop Bar	
6	1706501	1	Decal - Safety	
7	2410014	1	Gate	
8	3271805	8	Nut 1/2 Grade 8	
9	3311605	1	Nut 3/8	
10	3520072	1	Plug	
11	1001203656	1	Cable	
12	3900054	1	Bolt 1/2 x 1-3/4	
13	4711800	8	Washer 1/2	
14	4751800	6	Washer 1/2	
15	1001186318	NSS	Platform (Note: Not Available - Purchase Platform Assembly)	

SECTION 5 - PLATFORM

FIGURE 5-15. TRAY ASSEMBLY



ART_1580012

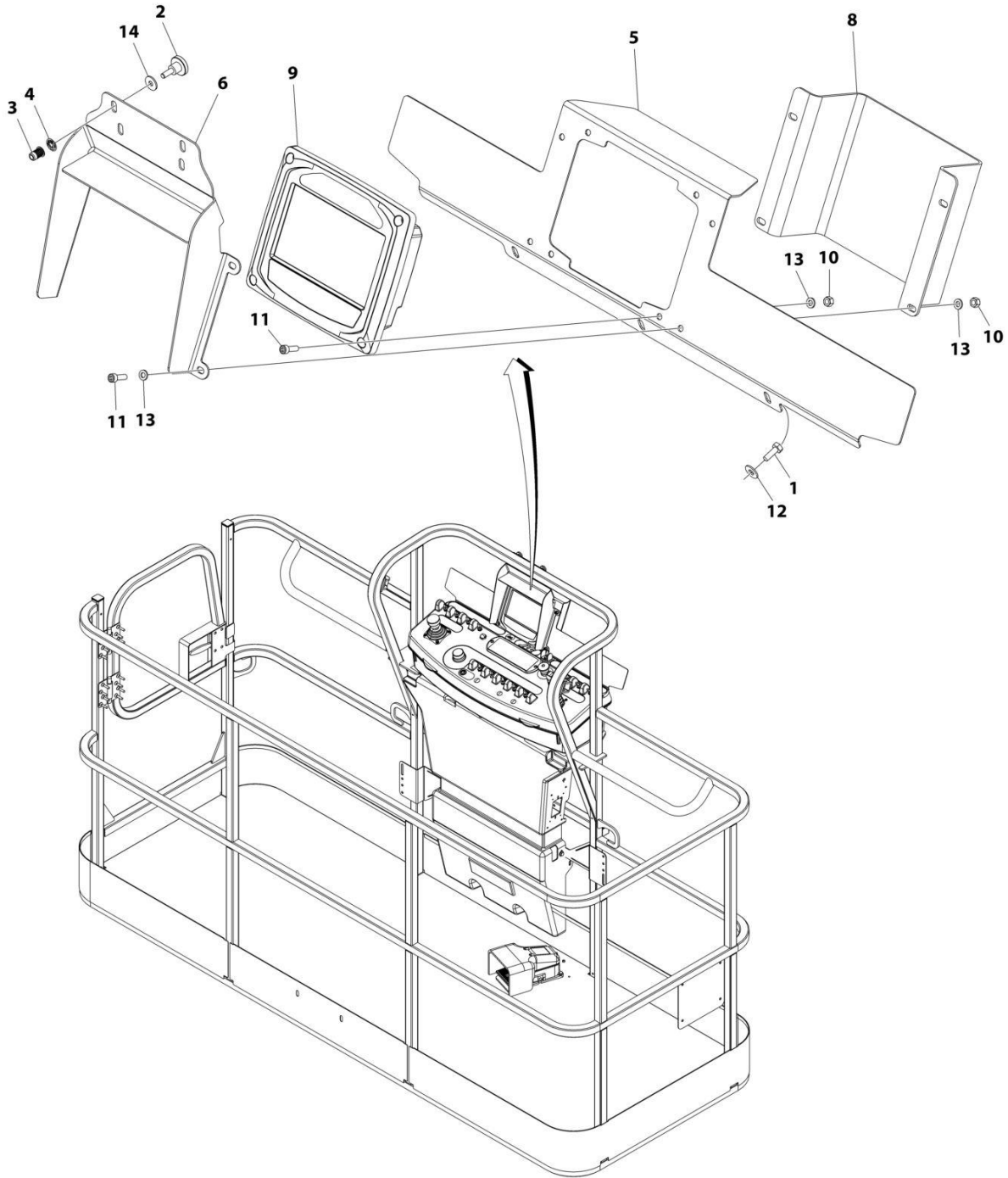
SECTION 5 - PLATFORM

FIGURE 5-15. TRAY ASSEMBLY

ITEM	PART NUMBER	QTY	DESCRIPTION	REV
	1580012	Ref	TRAY ASSEMBLY	C
1	See Note	NSS	Tray, Storage (Center) (Note: Purchase p/n 1580012)	
2	0641406	2	Bolt 1/4 x 3/4	
3	4751400	2	Washer 1/4	
4	4761400	2	Washer 1/4	

SECTION 5 - PLATFORM

FIGURE 5-16. LCD DISPLAY INSTALLATION



ART_1001215375

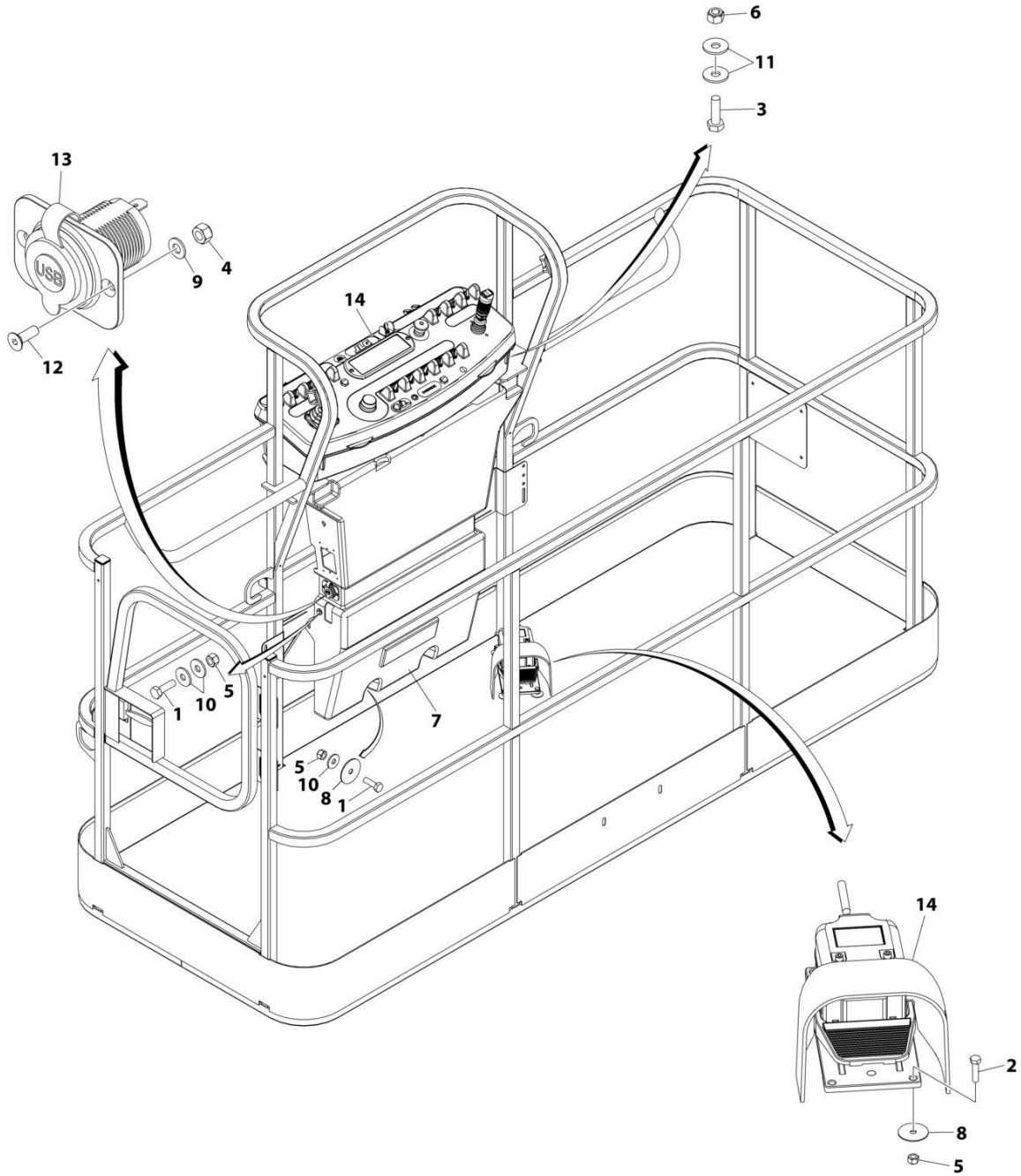
SECTION 5 - PLATFORM

FIGURE 5-16. LCD DISPLAY INSTALLATION

ITEM	PART NUMBER	QTY	DESCRIPTION	REV
	1001215375	Ref	LCD DISPLAY INSTALLATION	A
1	0641406001	3	Bolt 1/4 x 3/4	
2	1001173609	2	Screw, Thumb M6 x 16	
3	1001176636	2	Rivet, Nut M6	
4	1001177635	2	Nut M6	
5	1001215379	1	Bracket, Mounting	
6	1001215380	1	Bracket, Visor	
7	1001220482	1	Harness, LCD Display (Not Shown - See Separate Breakdown in ELECTRICAL SECTION)	
8	1001228976	1	Cover	
9	1001229485	1	Electrical Assembly	
9	1001220955	1	Gauge, LCD Display	
9	1001176582	1	Decal - Platform Display	
9	1001180491	4	Screw #10	
9	1001229922	1	Screen Protector, LCD Display	
10	3290605001	8	Nut M6	
11	4031708001	8	Bolt M6 x 20	
12	4751400001	3	Washer 1/4	
13	4811700001	12	Washer M6	
14	4811702001	2	Washer M6	

SECTION 5 - PLATFORM

FIGURE 5-17. CONSOLE BOX AND FOOTSWITCH INSTALLATION



ART_1001267388

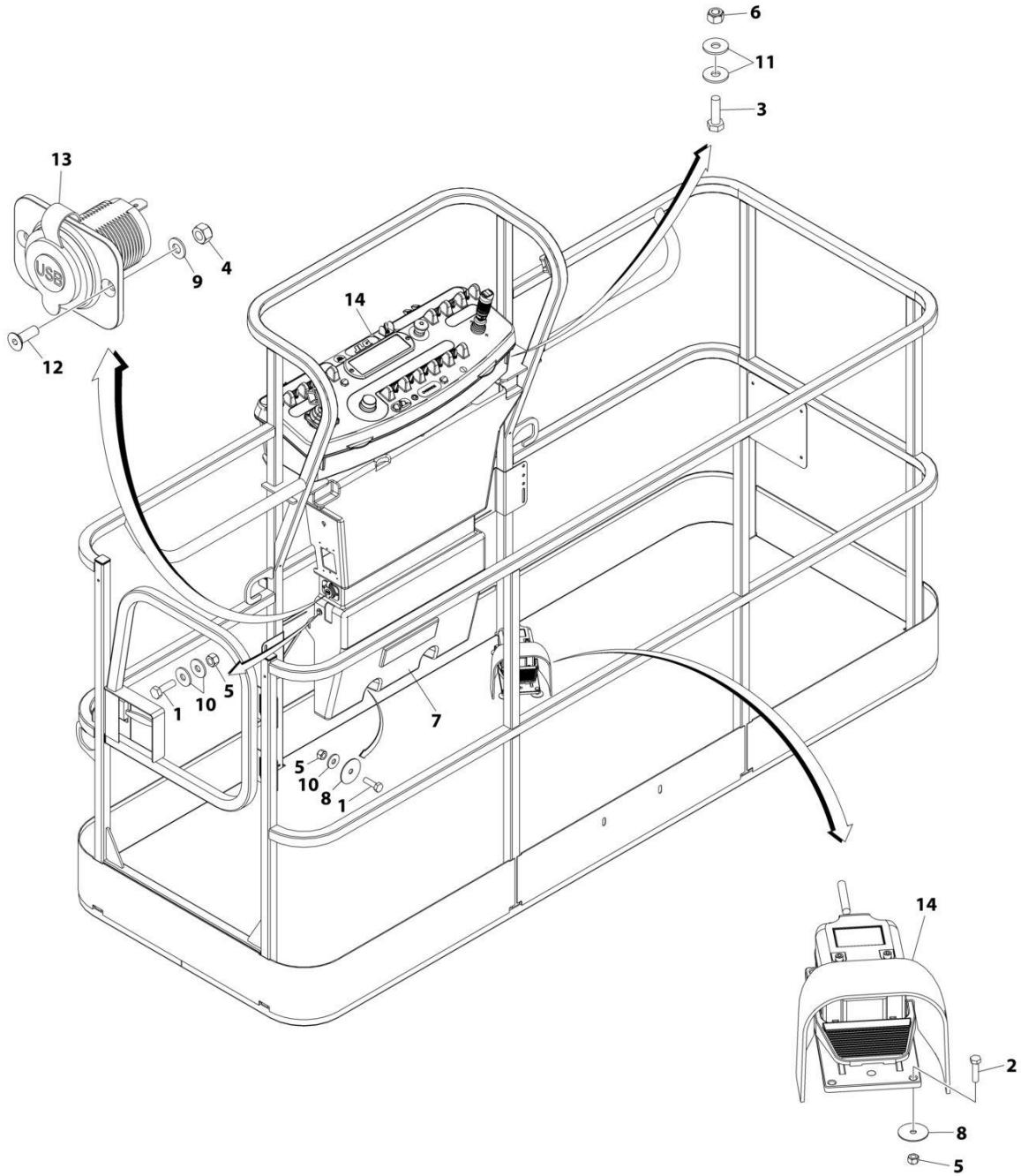
SECTION 5 - PLATFORM

FIGURE 5-17. CONSOLE BOX AND FOOTSWITCH INSTALLATION

ITEM	PART NUMBER	QTY	DESCRIPTION	REV
	1001267388	Ref	CONSOLE BOX AND FOOTSWITCH INSTALLATION	A
1	0760610	4	Bolt M6 x 20	
2	0760612	4	Bolt M6 x 25	
3	0761015	4	Bolt M10 x 35	
4	3290405	2	Nut M4	
5	3290605	8	Nut M6	
6	3291005	4	Nut M10	
7	3380434	1	Panel	
8	4740362	6	Washer	
9	4811400	2	Washer M4	
10	4811702	6	Washer M6	
11	4812002	8	Washer M10	
12	1001097244	2	Screw M4 x 12	
13	1001210636	1	Receptacle	
14	1001267390	1	Platform Console Assembly (See Separate Breakdown in this Section)	

SECTION 5 - PLATFORM

FIGURE 5-18. CONSOLE BOX AND FOOTSWITCH INSTALLATION - WITH TOWER STOW



ART_1001265902

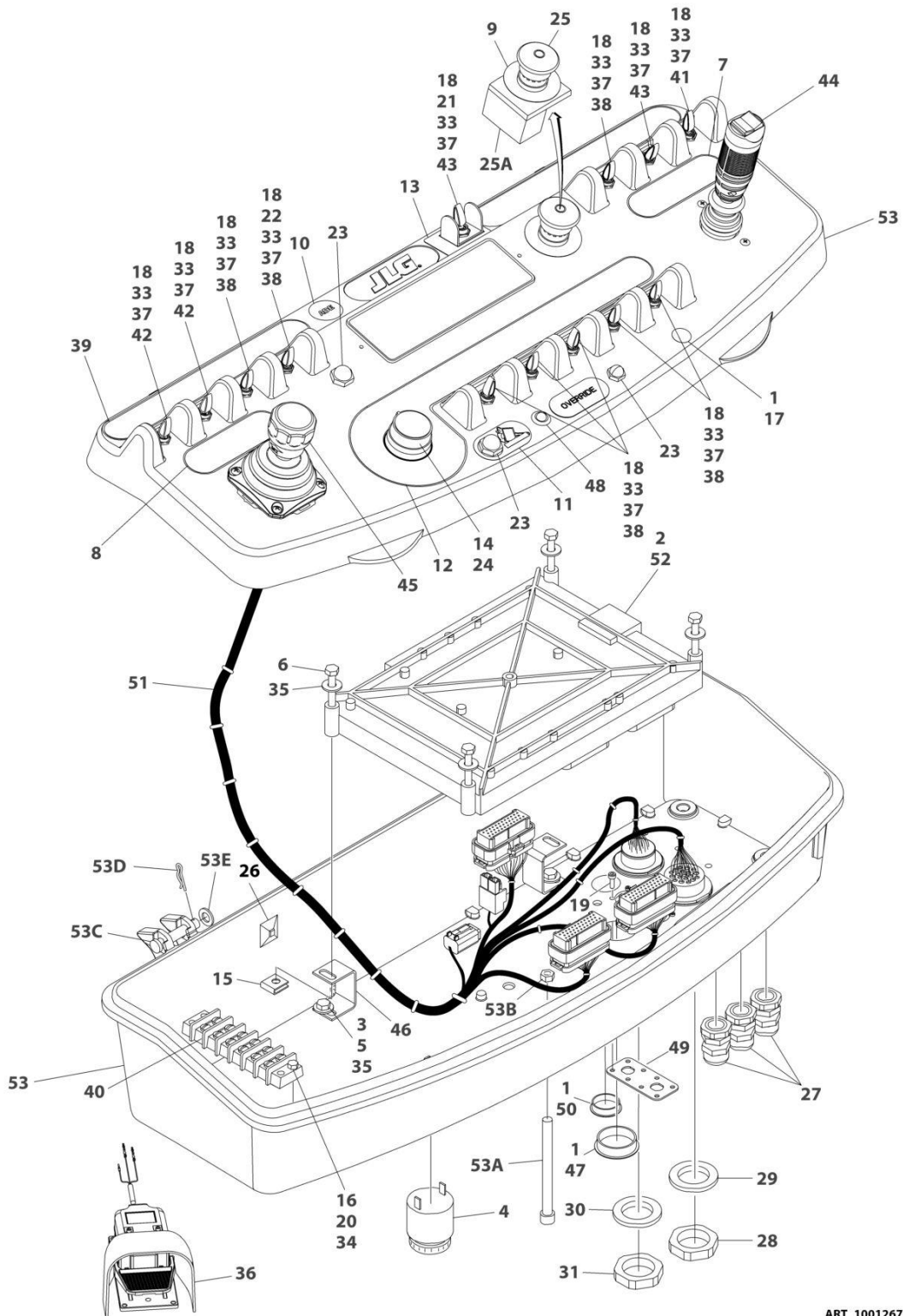
SECTION 5 - PLATFORM

FIGURE 5-18. CONSOLE BOX AND FOOTSWITCH INSTALLATION - WITH TOWER STOW

ITEM	PART NUMBER	QTY	DESCRIPTION	REV
	1001265902	Ref	CONSOLE BOX AND FOOTSWITCH INSTALLATION	A
1	0760610	4	Bolt M6 x 20	
2	0760612	4	Bolt M6 x 25	
3	0761015	4	Bolt M10 x 35	
4	3290405	2	Nut M4	
5	3290605	8	Nut M6	
6	3291005	4	Nut M10	
7	3380434	1	Panel	
8	4740362	6	Washer	
9	4811400	2	Washer M4	
10	4811702	6	Washer M6	
11	4812002	8	Washer M10	
12	1001097244	2	Screw M4 x 12	
13	1001210636	1	Receptacle	
14	1001265904	1	Platform Console Assembly - with Tower Stow (See Separate Breakdown in this Section)	

SECTION 5 - PLATFORM

FIGURE 5-19. PLATFORM CONSOLE ASSEMBLY



ART_1001267390

SECTION 5 - PLATFORM

FIGURE 5-19. PLATFORM CONSOLE ASSEMBLY

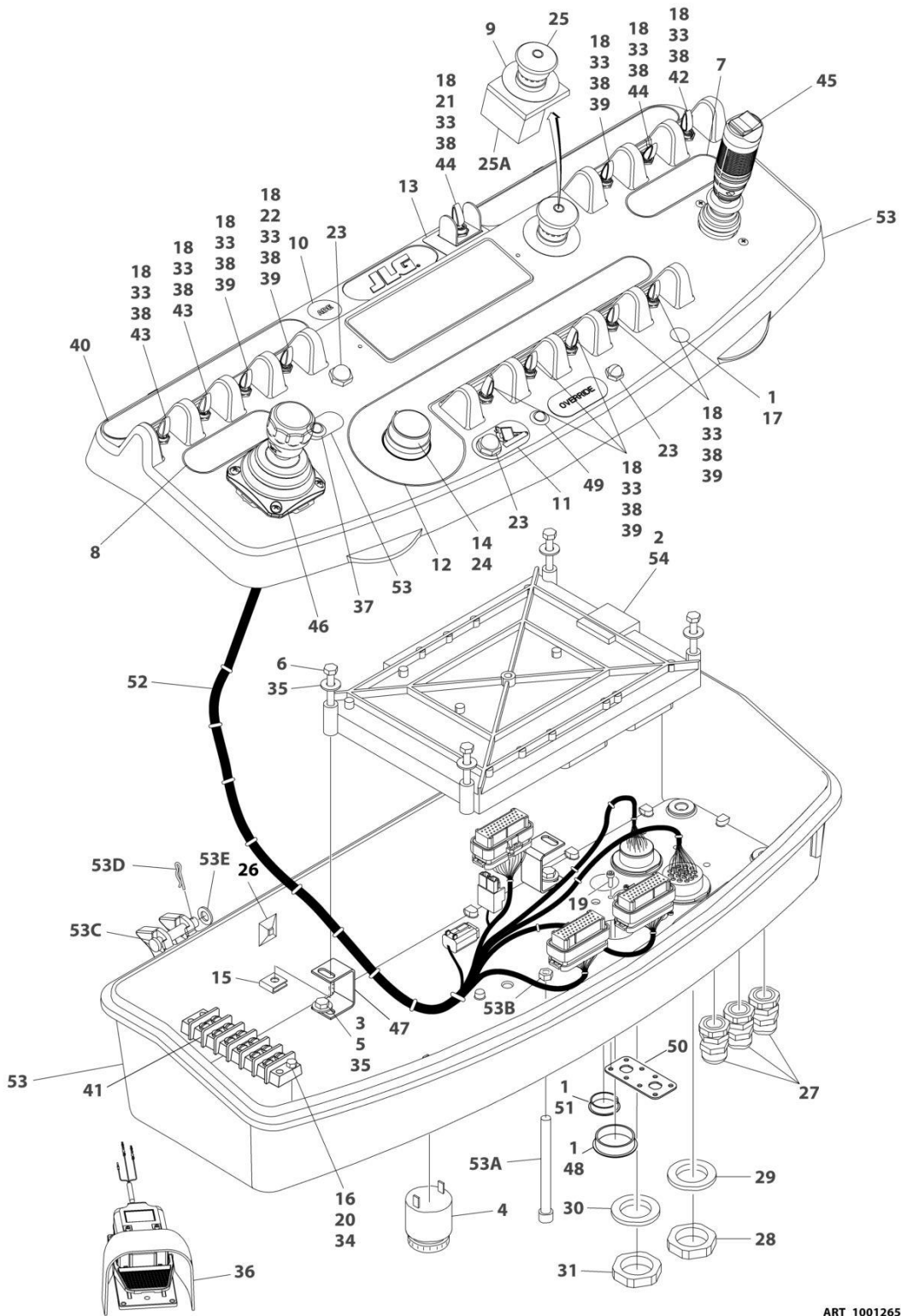
ITEM	PART NUMBER	QTY	DESCRIPTION	REV
	1001267390	Ref	PLATFORM CONSOLE ASSEMBLY	B
1	0100009	AR	Sealant	
2	0100048	AR	Grease, Dielectric	
3	0100081	AR	Adhesive	
4	0140011	1	Alarm	
5	0641404	4	Bolt 1/4 x 1/2	
6	0641414	4	Bolt 1/4 x 1-3/4	
7	1702565	1	Decal - Drive and Steer	
8	1702566	1	Decal - Lift and Swing	
9	1704260	1	Decal - EMS	
10	1705132	1	Decal - Control ADE	
11	1705171	1	Decal - Jib Stow	
12	1705745	1	Decal - Function Speed	
13	1706741	1	Decal - Boom Control Select	
14	2560136	1	Handle, Knob	
15	3300353	4	Nut, Tinnerman	
16	3311005	2	Nut #10	
17	3520026	1	Plug	
18	3790012	13	O-Ring	
19	3900349	8	Capscrew M2.5	
20	3931012	2	Capscrew #10 x 3/4	
21	4060906	1	Guard, Switch	
22	4071074	1	Shim	
23	4360387	3	Switch, Push Button	
24	4360407	1	Controller, Speed	
24	4460224	1	Receptacle, Female - 6 Position	
24	4460226	1	Socket, Female	
24	See Note	1	Gasket "Top Hat" (Included with Switch) (Note: Not Available - Purchase Complete Controller.)	
24	70003784	1	Seal	
25	4360475	1	Switch, Emergency Stop	
25	7020175	1	Cap, Red	
25A	7020176	1	Contact Block	
26	4460234	3	Base, Mounting	
27	4460428	3	Connector, Strain Relief	
28	4460470	1	Nut, Terminal	
29	4460471	1	Washer, Terminal	
30	4460496	1	Washer, Terminal	
31	4460497	1	Nut, Terminal	
32	4460905	5	Plug, Terminal (Not Shown)	
33	4740397	13	Spacer	
34	4751000	2	Washer #10	
35	4751400	8	Washer 1/4	
36	1001117174	1	Footswitch Assembly (See Separate Breakdown in this Section)	
37	1001155044	13	Nut 15/32	
38	1001155045	8	Switch, Toggle	
39	1001156926	1	Decal - Horn	
40	1001157292	1	Bar, Buss	
41	1001159256	1	Switch, Toggle	
42	1001161709	2	Switch, Toggle	

SECTION 5 - PLATFORM

ITEM	PART NUMBER	QTY	DESCRIPTION	REV
43	1001161710	2	Switch, Toggle	
44	1001166538	NLA	Controller Assembly (Drive and Steer) (Use p/n 1001212415) (See Separate Breakdown in this Section)	
45	1001166539	NLA	Controller Assembly (Lift and Swing) (Use p/n 1001129555) (See Separate Breakdown in this Section)	
46	1001172760	4	Bracket	
47	1001185281	1	Plug	
48	1001206532	1	Lamp, Indicator	
49	1001213882	1	Mount, Connector	
50	1001220486	1	Plug	
51	1001242124	1	Platform Console Harness (See Separate Breakdown in ELECTRICAL SECTION)	
52	1001199483	1	Module, Platform (Note: Re-calibration Required when Replaced)	
53	1001265905	1	BOX,CONSOLE ASSEMBLY	A
53A	0630568	1	Screw 3/8 x 4-1/2	
53B	3311601	1	Nut 3/8	
53C	3430616	2	Pin	
53D	3470003	2	Pin	
53E	4711600	2	Washer 3/8	

SECTION 5 - PLATFORM

FIGURE 5-20. PLATFORM CONSOLE ASSEMBLY - WITH TOWER STOW



ART_1001265904

SECTION 5 - PLATFORM

FIGURE 5-20. PLATFORM CONSOLE ASSEMBLY - WITH TOWER STOW

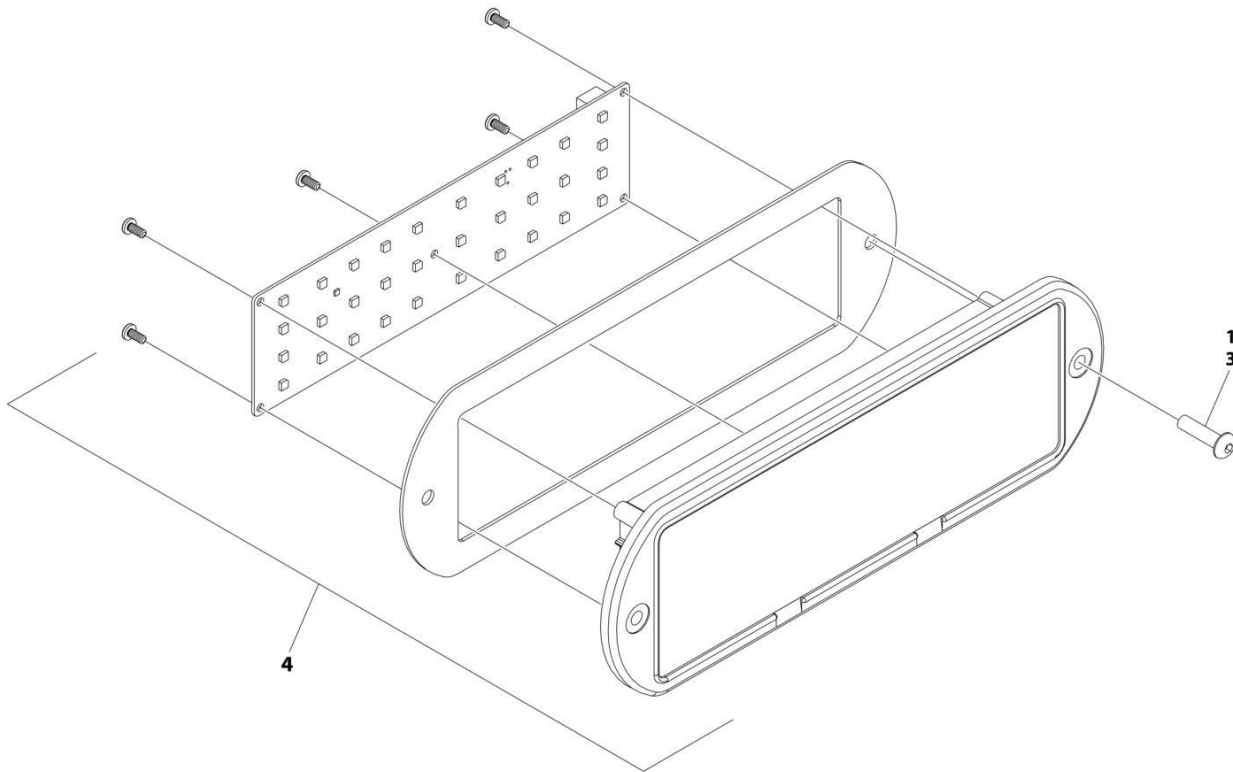
ITEM	PART NUMBER	QTY	DESCRIPTION	REV
	1001265904	Ref	PLATFORM CONSOLE ASSEMBLY	B
1	0100009	AR	Sealant	
2	0100048	AR	Grease, Dielectric	
3	0100081	AR	Adhesive	
4	0140011	1	Alarm	
5	0641404	4	Bolt 1/4 x 1/2	
6	0641414	4	Bolt 1/4 x 1-3/4	
7	1702565	1	Decal - Drive and Steer	
8	1702566	1	Decal - Lift and Swing	
9	1704260	1	Decal - EMS	
10	1705132	1	Decal - Control ADE	
11	1705171	1	Decal - Jib Stow	
12	1705745	1	Decal - Function Speed	
13	1706741	1	Decal - Boom Control Select	
14	2560136	1	Handle, Knob	
15	3300353	4	Nut, Tinnerman	
16	3311005	2	Nut #10	
17	3520026	1	Plug	
18	3790012	13	O-Ring	
19	3900349	8	Capscrew M2.5	
20	3931012	2	Capscrew #10 x 3/4	
21	4060906	1	Guard, Switch	
22	4071074	1	Shim	
23	4360387	3	Switch, Push Button	
24	4360407	1	Controller, Speed	
24	4460224	1	Receptacle, Female - 6 Position	
24	4460226	1	Socket, Female	
24	See Note	1	Gasket "Top Hat" (Included with Switch) (Note: Not Available - Purchase Complete Controller.)	
24	70003784	1	Seal	
25	4360475	1	Switch, Emergency Stop	
25	7020175	1	Cap, Red	
25A	7020176	1	Contact Block	
26	4460234	3	Base, Mounting	
27	4460428	3	Connector, Strain Relief	
28	4460470	1	Nut, Terminal	
29	4460471	1	Washer, Terminal	
30	4460496	1	Washer, Terminal	
31	4460497	1	Nut, Terminal	
32	4460905	5	Plug, Terminal (Not Shown)	
33	4740397	13	Spacer	
34	4751000	2	Washer #10	
35	4751400	8	Washer 1/4	
36	1001117174	1	Footswitch Assembly (See Separate Breakdown in this Section)	
37	1001137364	1	Lamp, Indicator	
38	1001155044	13	Nut 15/32	
39	1001155045	8	Switch, Toggle	
40	1001156926	1	Decal - Horn	
41	1001157292	1	Bar, Buss	
42	1001159256	1	Switch, Toggle	

SECTION 5 - PLATFORM

ITEM	PART NUMBER	QTY	DESCRIPTION	REV
43	1001161709	2	Switch, Toggle	
44	1001161710	2	Switch, Toggle	
45	1001166538	NLA	Controller Assembly (Drive and Steer) (Use p/n 1001212415) (See Separate Breakdown in this Section)	
46	1001166539	NLA	Controller Assembly (Lift and Swing) (Use p/n 1001129555) (See Separate Breakdown in this Section)	
47	1001172760	4	Bracket	
48	1001185281	1	Plug	
49	1001206532	1	Lamp, Indicator	
50	1001213882	1	Mount, Connector	
51	1001220486	1	Plug	
52	1001242124	1	Platform Console Harness (See Separate Breakdown in ELECTRICAL SECTION)	
53	1001260937	1	Decal - Tower Stow	
54	1001199483	1	Module, Platform (Note: Re-calibration Required when Replaced)	
55	1001265905	1	BOX,CONSOLE ASSEMBLY	A
53A	0630568	1	Screw 3/8 x 4-1/2	
53B	3311601	1	Nut 3/8	
53C	3430616	2	Pin	
53D	3470003	2	Pin	
53E	4711600	2	Washer 3/8	

SECTION 5 - PLATFORM

FIGURE 5-21. CONSOLE DECAL AND LIGHT PANEL INSTALLATION



ART_1001245176_20F2

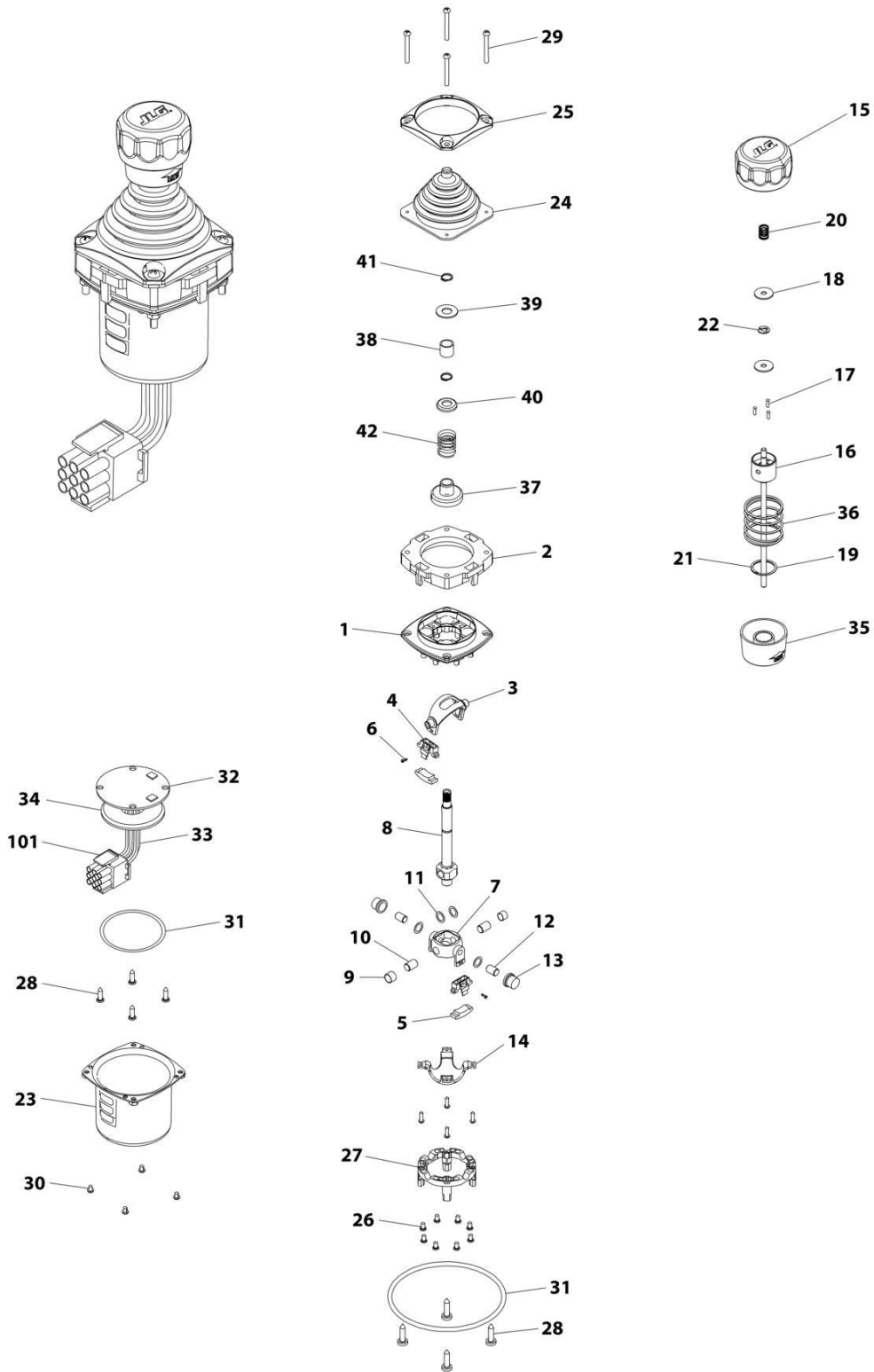
SECTION 5 - PLATFORM

FIGURE 5-21. CONSOLE DECAL AND LIGHT PANEL INSTALLATION

ITEM	PART NUMBER	QTY	DESCRIPTION	REV
	1001245176	Ref	LIGHT PANEL INSTALLATION	C
1	0100035	AR	Compound, Locking	
3	0630518	2	Screw #10 x 3/4	
	1001284588	1	Light Panel Electrical Assembly	
4	1001282106	1	Housing and Seal	
4	1001284587	1	Light Panel (LED)	

SECTION 5 - PLATFORM

FIGURE 5-22. CONTROLLER ASSEMBLY (LIFT AND SWING)



ART_1001166539

SECTION 5 - PLATFORM

FIGURE 5-22. CONTROLLER ASSEMBLY (LIFT AND SWING)

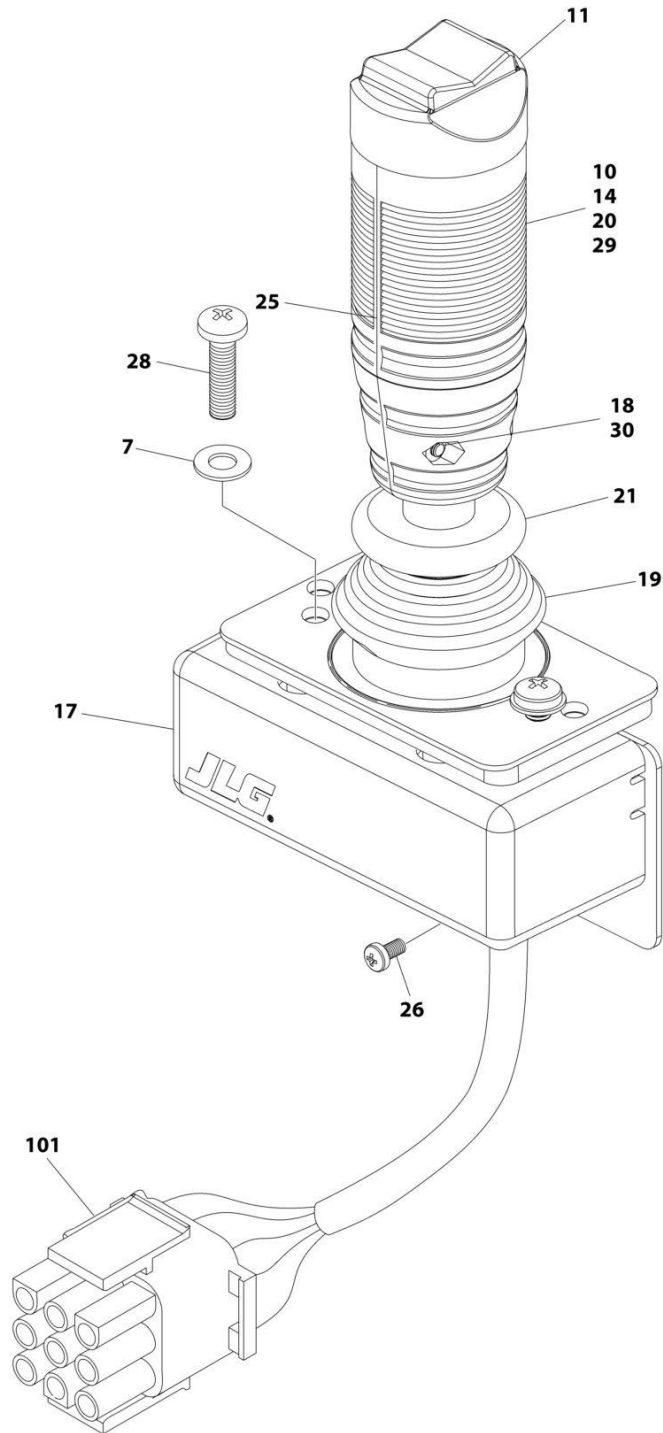
ITEM	PART NUMBER	QTY	DESCRIPTION	REV
	1001166539	Ref	CONTROLLER ASSEMBLY	E
		Ref	Note: Original Equipment Controller May Have Been Replaced with Service Replacement Controller. Visually Identify Controller Before Ordering Parts.	
		Ref	Note: For Replacement, Use p/n 1001129555	
1	See Note	NSS	Main Cast Body (Note: Not Available - Purchase Complete Assembly)	
2	70004752	1	Adapter	
3	See Note	NSS	Pivot Arm, Plastic (Note: Not Available - Purchase Complete Assembly)	
4	See Note	NSS	Holder, Magnet (Note: Not Available - Purchase Complete Assembly)	
5	See Note	NSS	Arc, Magnet (Note: Not Available - Purchase Complete Assembly)	
6	See Note	NSS	Screw (Note: Not Available for Purchase)	
7	See Note	NSS	Pivot Arm, Cast (Note: Not Available - Purchase Complete Assembly)	
8	See Note	NSS	Shaft, Main (Note: Not Available - Purchase Complete Assembly)	
9	See Note	NSS	Bearing (Note: Not Available - Purchase Complete Assembly)	
10	See Note	NSS	Pin (Note: Not Available - Purchase Complete Assembly)	
11	See Note	NSS	Shim (Note: Not Available - Purchase Complete Assembly)	
12	See Note	NSS	Pin (Note: Not Available - Purchase Complete Assembly)	
13	See Note	NSS	Bearing (Note: Not Available - Purchase Complete Assembly)	
14	See Note	NSS	Dome, Centering (Note: Not Available - Purchase Complete Assembly)	
15	70004753	1	Cap	
16	70004754	1	Insert, Cap	
17	70004755	3	Pin	
18	70004756	2	Washer	
19	70004757	1	Pin, Centering	
20	70004758	1	Spring	
21	70004759	1	Ring, Retaining	
22	70004760	1	E-Ring	
23	70004761	1	Can, Enclosure	
24	70004762	1	Boot	
25	70004763	1	Bezel	
26	See Note	NSS	Screw (Note: Not Available for Purchase)	
27	See Note	NSS	Base Mounting (Note: Not Available - Purchase Complete Assembly)	
28	See Note	NSS	Screw (Note: Not Available for Purchase)	
29	70004764	4	Screw	
30	70004765	4	Screw	
31	70004766	1	O-Ring	
32	See Note	NSS	Plate (Note: Not Available - Purchase Complete Assembly)	
33	See Note	NSS	Harness (Note: Not Available - Purchase Complete Assembly)	
34	70004767	1	Grommet, Rubber	
35	70004768	1	Housing	
36	70004769	1	Spring	
37	70004770	1	Stopper	
38	70004771	1	Spacer	
39	70004772	1	Washer	
40	70004773	1	Disc	

SECTION 5 - PLATFORM

ITEM	PART NUMBER	QTY	DESCRIPTION	REV
41	70004774	2	Ring, Retaining	
42	70004775	1	Spring	
101	4460265	1	Connector - 9 Position	
101	4460226	6	Socket, Female	

SECTION 5 - PLATFORM

FIGURE 5-23. CONTROLLER ASSEMBLY (DRIVE AND STEER)



ART_1001166538

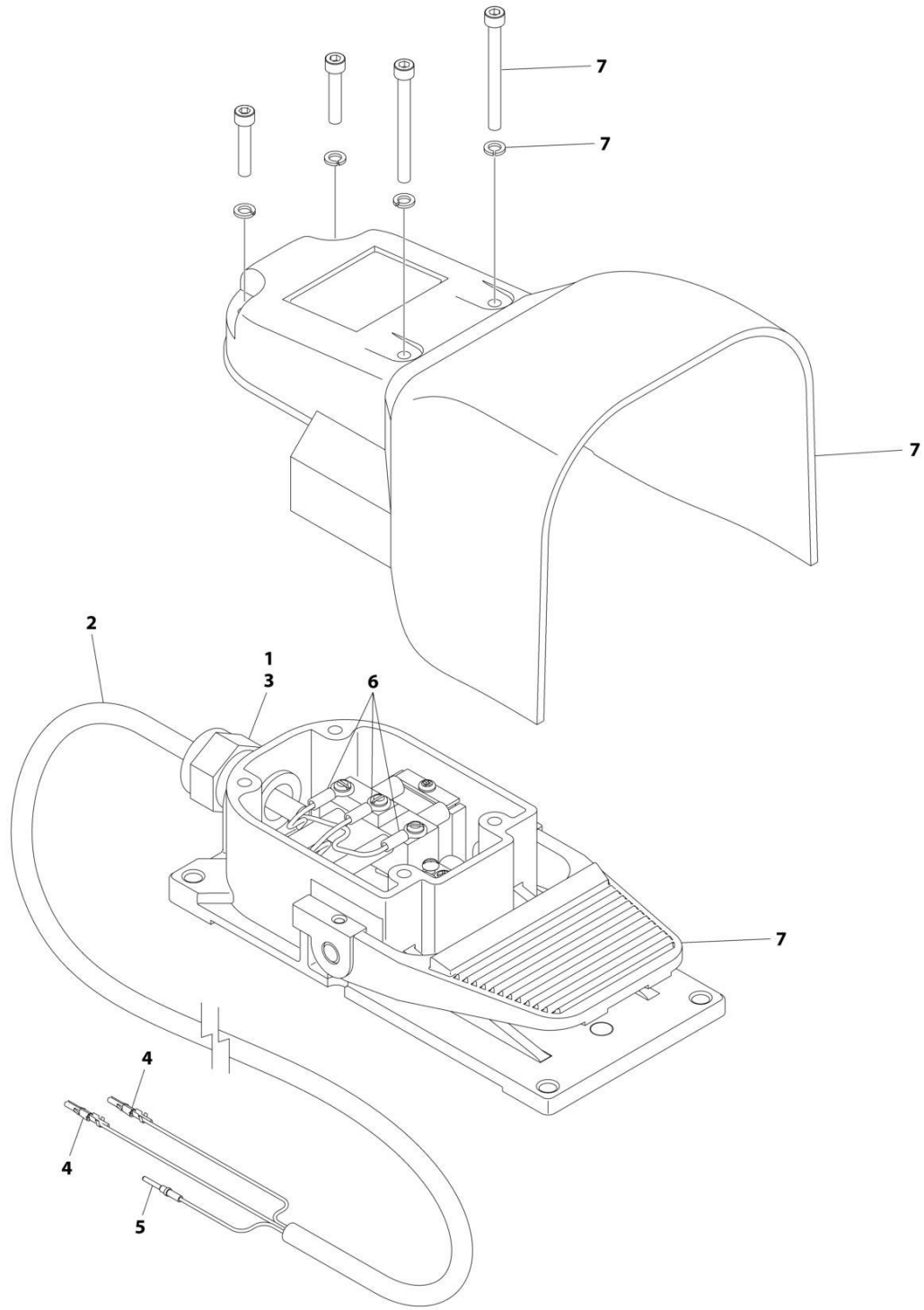
SECTION 5 - PLATFORM

FIGURE 5-23. CONTROLLER ASSEMBLY (DRIVE AND STEER)

ITEM	PART NUMBER	QTY	DESCRIPTION	REV
	1001166538	Ref	CONTROLLER ASSEMBLY - DRIVE AND STEER	G
		Ref	Note: For Replacement, Use p/n 1001212415.	
7	70004738	2	Washer	
10	70004739	1	Roller	
11	70004740	1	Boot, Switch	
14	70004741	2	Half, Handle	
17	70004742	1	Enclosure	
18	70004743	4	Nut	
19	70004744	NLA	Boot, Controller (Use p/n 70005230 Boot/Base Assembly)	
20	70004745	NLA	Tube, Locking (Use p/n 70005230 Boot/Base Assembly)	
21	70004746	NLA	Disc, Locking (Use p/n 70005230 Boot/Base Assembly)	
25	70004747	2	Seal, Rope	
26	70004748	1	Screw M3 x 6	
28	70004749	2	Screw M5 x 20	
29	70004750	1	Pin, Dowel	
30	70004751	4	Screw M3 x 16	
101	4460265	1	Connector - 9 Position	
101	4460226	7	Socket, Female	

SECTION 5 - PLATFORM

FIGURE 5-24. FOOTSWITCH ASSEMBLY



ART_100117174

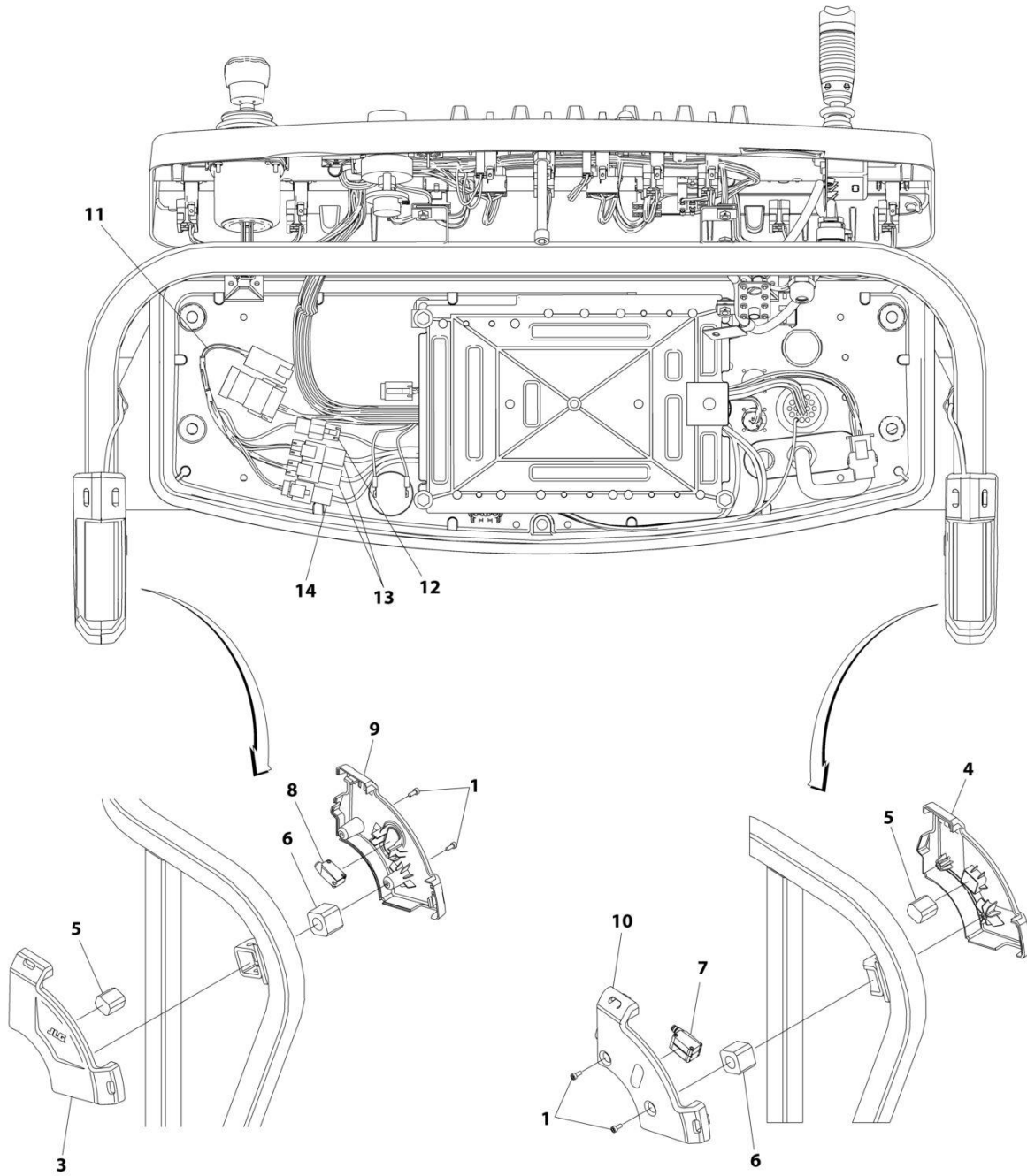
SECTION 5 - PLATFORM

FIGURE 5-24. FOOTSWITCH ASSEMBLY

ITEM	PART NUMBER	QTY	DESCRIPTION	REV
	1001117174	Ref	FOOTSWITCH ASSEMBLY	C
1	0100020	AR	Sealant	
2	1060918	7.5 ft/ 2.3m	Cable, Electrical - 18/3	
3	4460071	1	Connector, Strain Relief	
4	4460226	2	Socket, Female	
5	4460464	1	Pin, Male	
6	1001098122	3	Terminal	
7	1001117172	1	Footswitch	
7	70002902	1	Switch, 20Amp	
7	70002903	1	Gasket	
7	70002905	1	Cover	
7	70002904	1	Kit, Replacement Bolt	

SECTION 5 - PLATFORM

FIGURE 5-25. SKYEYE INSTALLATION



ART_1001229341

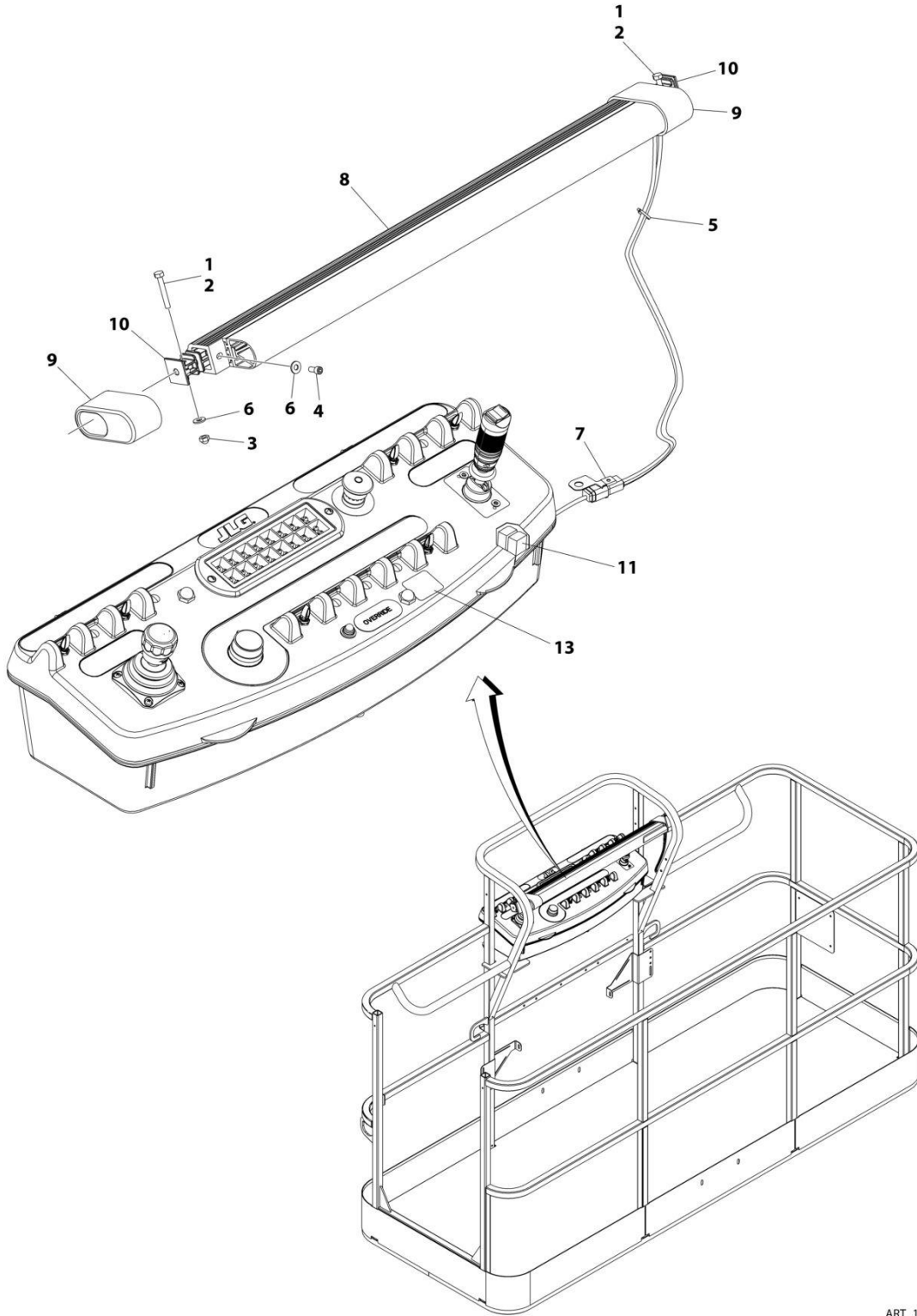
SECTION 5 - PLATFORM

FIGURE 5-25. SKYEYE INSTALLATION

ITEM	PART NUMBER	QTY	DESCRIPTION	REV
	1001229341	Ref	SKYEYE INSTALLATION	B
1	4031505	4	Bolt M4 x 10	
2	4240033	AR	Tie-Strap (Not Shown)	
3	1001227633	1	Housing, LH Outer	
4	1001227634	1	Housing, RH Outer	
5	1001227985	2	Shim	
6	1001227987	2	Shim	
7	1001228224	2	Sensor, Receiver	
8	1001228225	1	Sensor, Emitter	
9	1001232164	1	Housing, LH Inner	
10	1001232165	1	Housing, RH Inner	
11	1001237865	1	Harness, Skyeeye Intermediate (See Separate Breakdown in ELECTRICAL Section)	
12	1001238319	NLA	Harness, Skyeeye Drain Jumper	
12	1001187674	1	Plug, Male - 2 Position	
12	4460942	1	Terminal	
12	4460466	1	Plug, Terminal	
12	4460508	1	Pin, Male	
13	1001237863	2	Harness, Skyeeye Receiver (See Separate Breakdown in ELECTRICAL Section)	
14	1001237864	1	Harness, Skyeeye Emitter (See Separate Breakdown in ELECTRICAL Section)	

SECTION 5 - PLATFORM

FIGURE 5-26. SKYGUARD BAR INSTALLATION



ART_1001238495

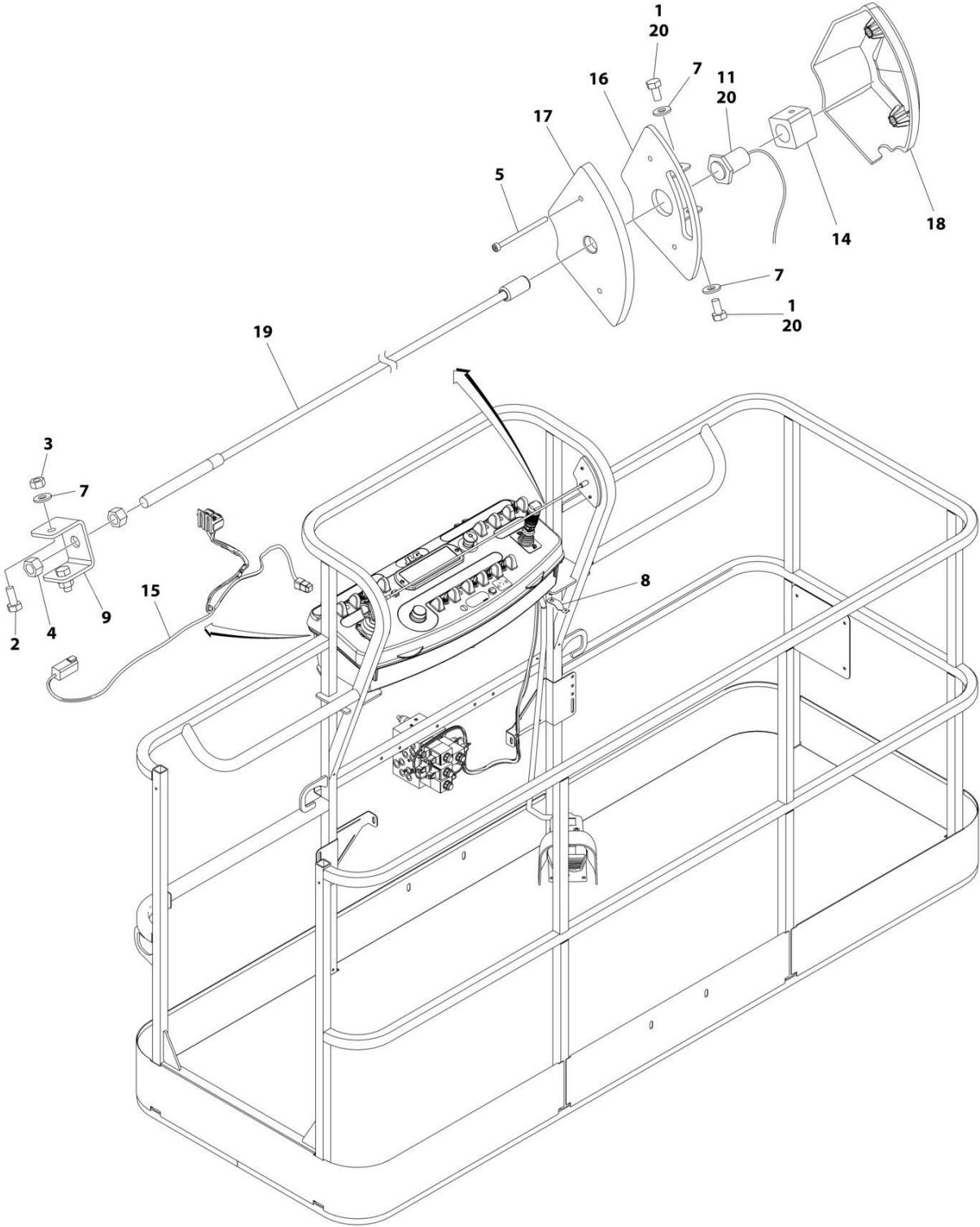
SECTION 5 - PLATFORM

FIGURE 5-26. SKYGUARD BAR INSTALLATION

ITEM	PART NUMBER	QTY	DESCRIPTION	REV
	1001238495	Ref	SKYGUARD BAR INSTALLATION	A
1	0100011	AR	Compound, Locking	
2	0641414	2	Bolt 1/4 x 1-3/4	
3	3300430	2	Nut 1/4	
4	3931408	2	Capscrew 1/4 x 1/2	
5	4240033	8	Tie-Strap	
6	4711400	6	Washer 1/4	
7	1001120328	1	Mount	
8	1001137673	1	SkyGuard Switch Assembly	
9	1001186517	2	Cover, Platform Sensor	
10	1001209664	2	Support, Block	
11	1001186431	2	Relay	
12	1001225580	1	Interface Harness Assembly (Not Shown - Located Inside Console Box) (See Separate Breakdown in ELECTRICAL Section)	
13	1001144433	1	Decal - No Weight SkyGuard	

SECTION 5 - PLATFORM

FIGURE 5-27. SKYLINE INSTALLATION



ART_1001238559_D

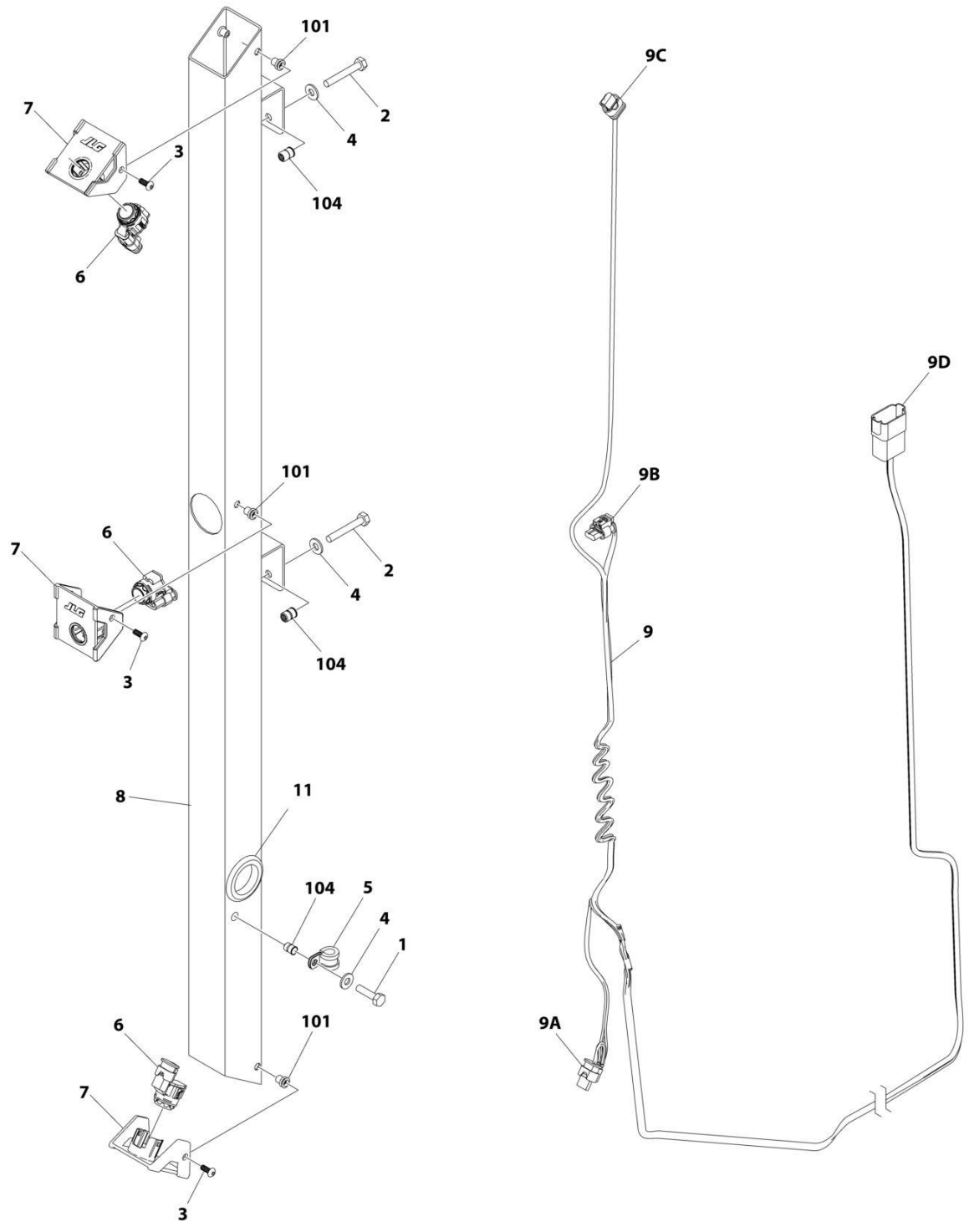
SECTION 5 - PLATFORM

FIGURE 5-27. SKYLINE INSTALLATION

ITEM	PART NUMBER	QTY	DESCRIPTION	REV
	1001238559	Ref	SKYLINE INSTALLATION	D
1	0641404	2	Bolt 1/4 x 1/2	
2	0641405	2	Bolt 1/4 x 5/8	
3	3311405	2	Nut 1/4	
4	3311601	2	Nut 3/8	
5	4031516	2	Capscrew M4 x 60	
6	4240033	AR	Tie-Strap (Not Shown)	
7	4711400	4	Washer 1/4	
8	1001120328	1	Mount	
9	1001232642	1	Bracket	
11	1001232667	1	Sensor, Proximity	
11	1001311034	1	Sensor, Proximity	
14	1001236552	1	Block	
15	1001238418	1	Harness, Skyline (See Separate Breakdown in ELECTRICAL Section)	
16	1001238472	1	Mount	
17	1001254473	1	Housing, LH	
18	1001241965	1	Housing, RH	
19	1001254472	1	Rod	
20	0100011	AR	Compound, Locking	

SECTION 5 - PLATFORM

FIGURE 5-28. SKYSENSE MID TUBE SENSOR ASSEMBLY



ART_1001243205

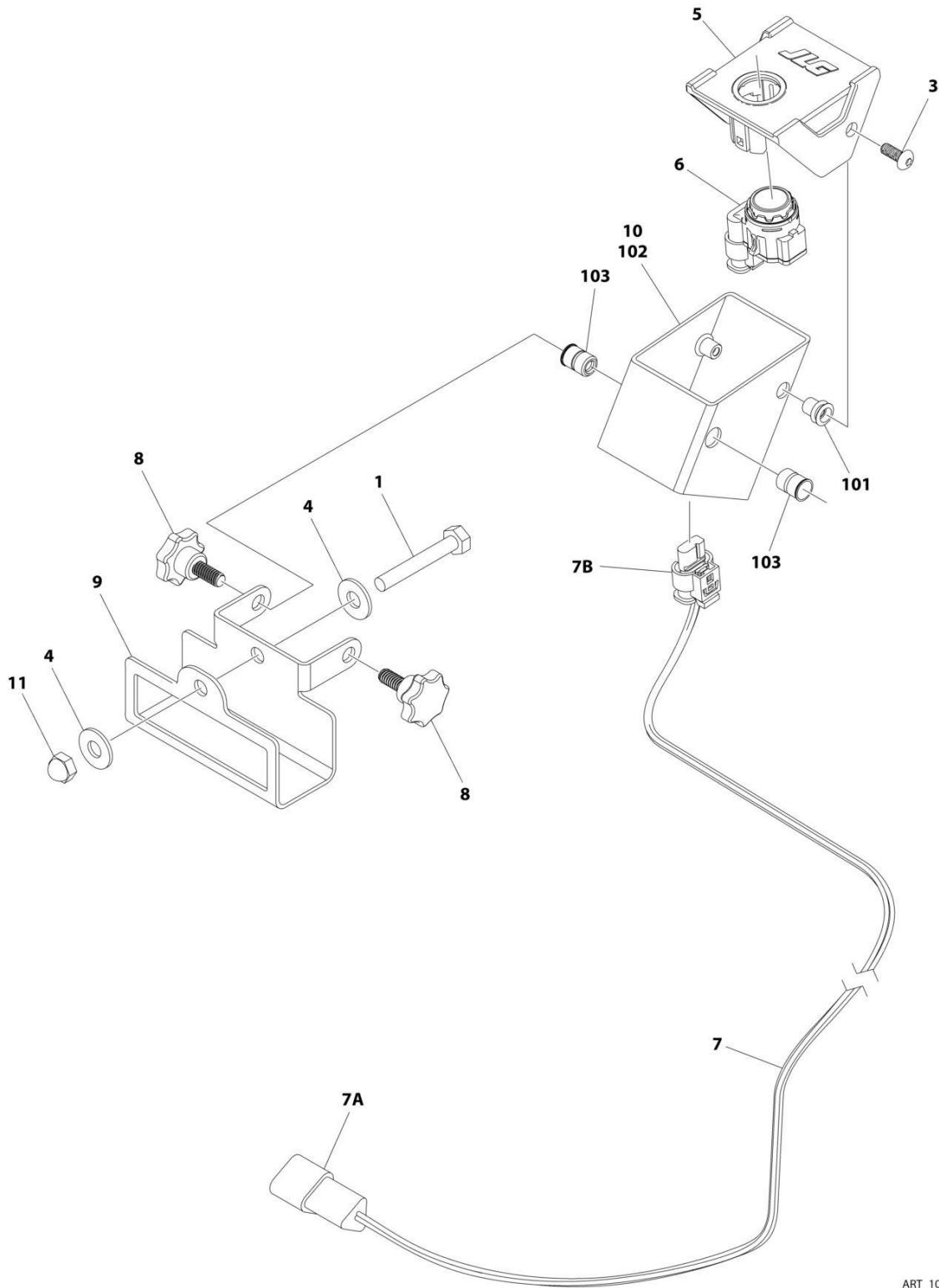
SECTION 5 - PLATFORM

FIGURE 5-28. SKYSENSE MID TUBE SENSOR ASSEMBLY

ITEM	PART NUMBER	QTY	DESCRIPTION	REV
	1001243205	Ref	SKYSENSE MID TUBE SENSOR ASSEMBLY	C
1	0641408	1	Bolt 1/4 x 1	
2	0641414	2	Bolt 1/4 x 1-3/4	
3	1001260525	6	Screw #10 x 1/2	
4	4711400	3	Washer 1/4	
5	1001260524	1	Clamp	
6	1001237902	3	Sensor, SkySense	
7	1001241162	3	Mount, Sensor	
8	1001243092	1	Tube Assembly (Includes items 101 through 104)	C
9	1001244336	1	Harness, SkySense Mid Tube	D
9A	1001237898	1	Connector	
9A	1001237888	3	Terminal	
9B	1001237898	1	Connector	
9B	1001237888	3	Terminal	
9C	1001237898	1	Connector	
9C	1001237888	3	Terminal	
9D	4460931	1	Connector	
9D	4460943	7	Pin	
9D	4460466	1	Plug	
10	1001246389	1	Decal (Not Shown)	
11	1001247252	1	Grommet	
101	2080069	6	Fastener	
104	1001258730	3	Rivnut	

SECTION 5 - PLATFORM

FIGURE 5-29. SKYSENSE OVERHEAD SENSOR ASSEMBLY



ART_1001244733

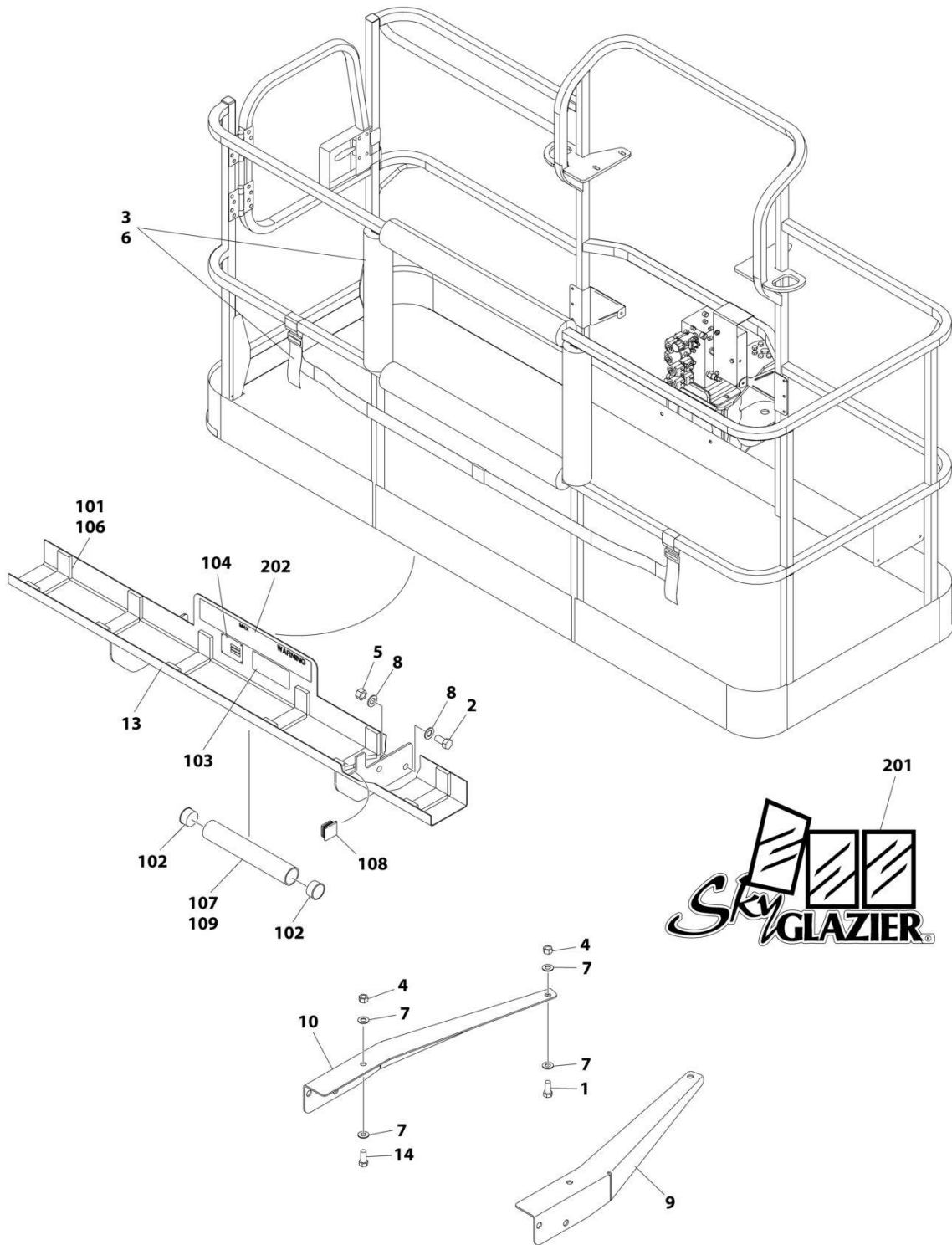
SECTION 5 - PLATFORM

FIGURE 5-29. SKYSENSE OVERHEAD SENSOR ASSEMBLY

ITEM	PART NUMBER	QTY	DESCRIPTION	REV
	1001244733	Ref	SKYSENSE OVERHEAD SENSOR ASSEMBLY	D
1	0641414	1	Bolt 1/4 x 1-3/4	
3	1001260525	2	Screw #10 x 1/2	
4	4751400	2	Washer 1/4	
5	1001237891	1	Mount, Sensor	
6	1001237902	1	Sensor, SkySense	
7	1001244335	1	Harness, SkySense Overhead	D
7A	4460536	1	Connector	
7A	4460943	3	Pin	
7B	1001237898	1	Connector	
7B	1001237888	1	Terminal	
8	1001244671	2	Knob	
9	1001244709	1	Bracket, Mounting	
10	1001244732	1	Housing Assembly (Includes items 101 through 103)	B
11	3300430	1	Nut	
101	2080069	2	Fastener	
102	1001244710	1	Housing, Sensor	
103	1001258730	2	Rivnut	

SECTION 5 - PLATFORM

FIGURE 5-30. SKYGLAZIER INSTALLATION (ANSI, ANSI EXPORT, AUSTRALIAN, CE AND CSA SPECS)



ART_1001172578

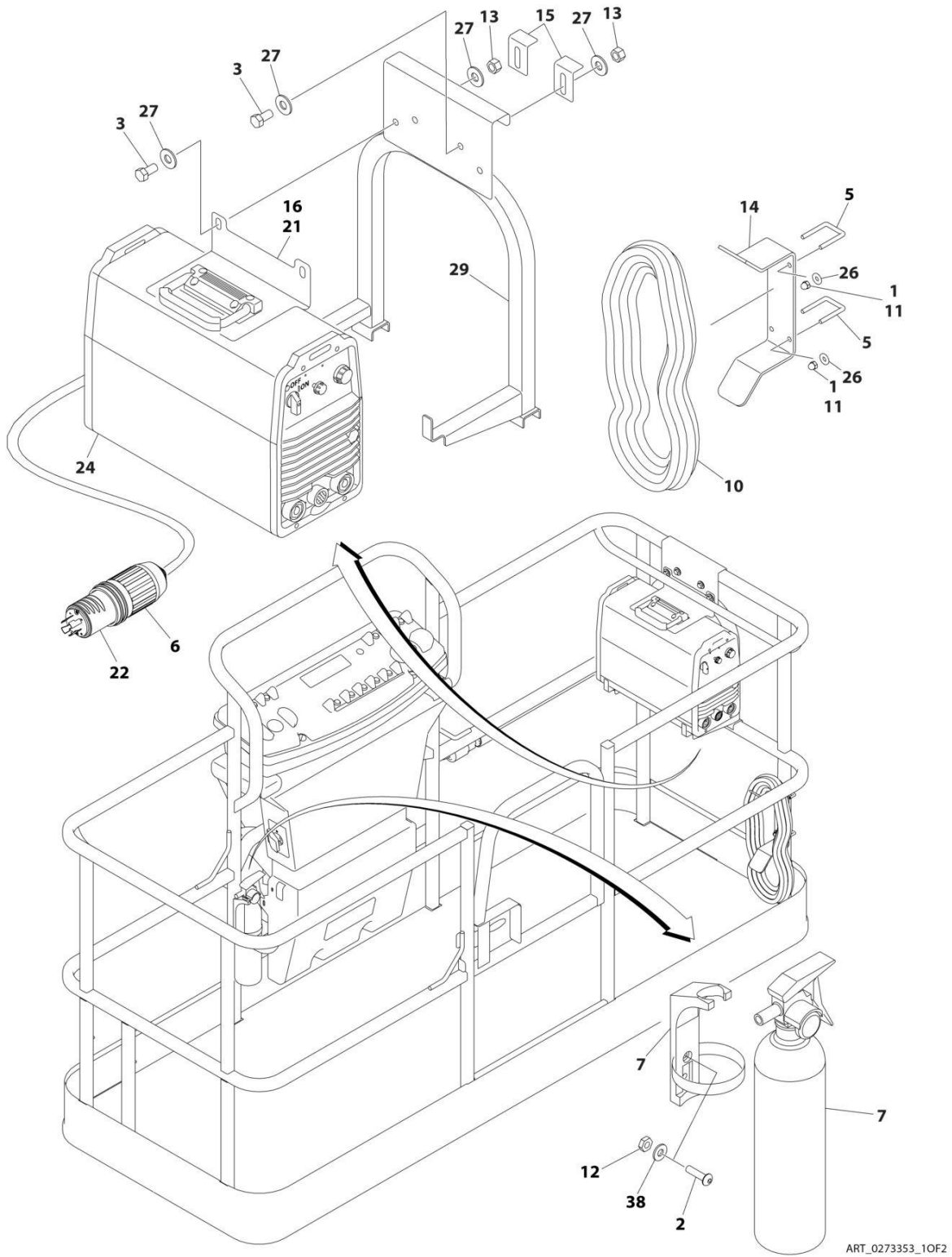
SECTION 5 - PLATFORM

FIGURE 5-30. SKYGLAZIER INSTALLATION (ANSI, ANSI EXPORT, AUSTRALIAN, CE AND CSA SPECS)

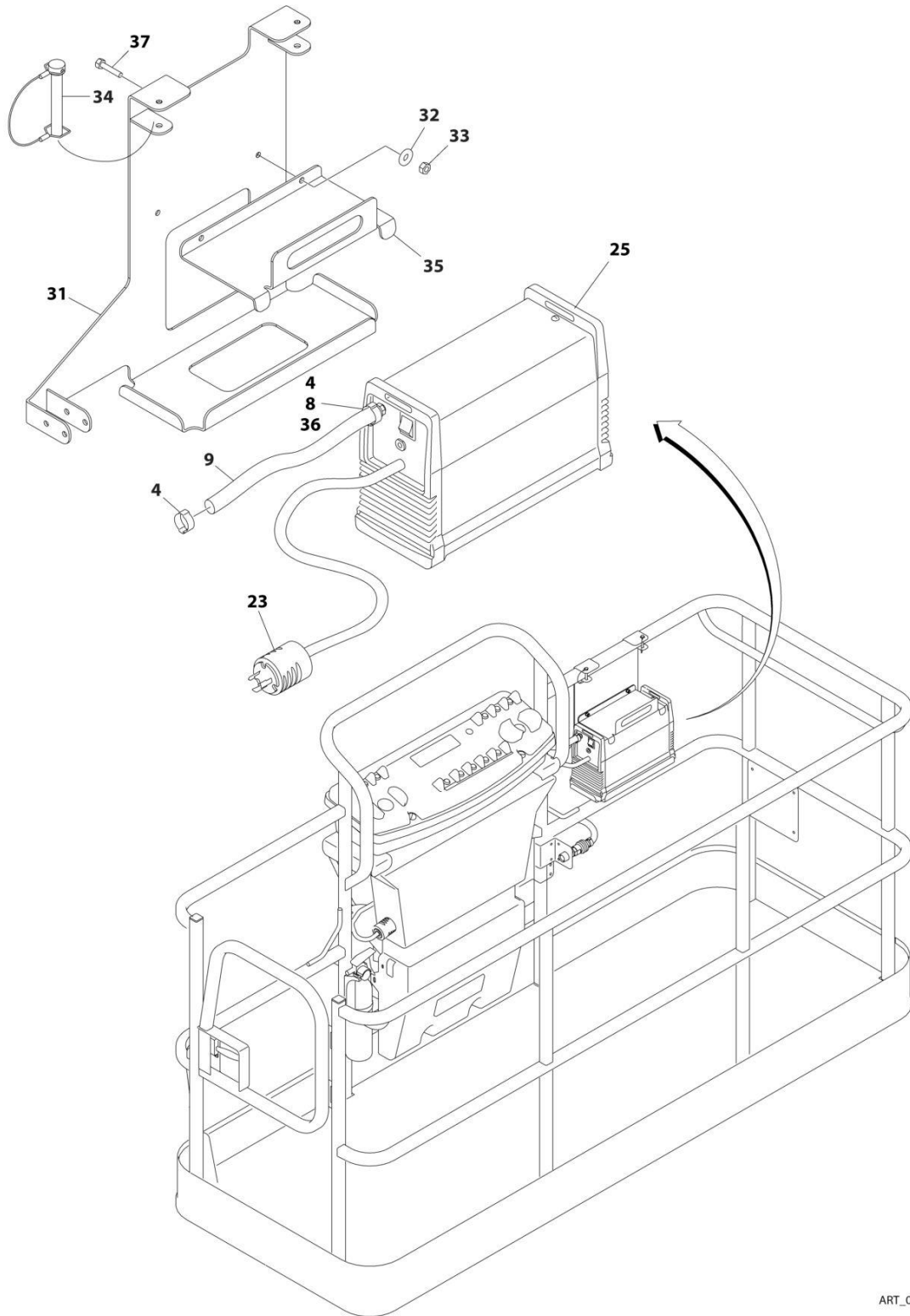
ITEM	PART NUMBER	QTY	DESCRIPTION	REV
	1001172578	Ref	SKYGLAZIER INSTALLATION	C
1	0642012	2	Bolt 5/8 x 1-1/2	
2	0642212	4	Bolt 3/4 x 1-1/2	
3	2902212	1	Bumpers and Strap Kit	
3	0940102	1	Bumper Only	
3	4240149	1	Strap Only	
4	3312005	4	Nut 5/8	
5	3312205	4	Nut 3/4	
6	4420014	AR	Tape	
7	4712000	6	Washer 5/8	
8	4712200	8	Washer 3/4	
9	1001099366	1	Support	
10	1001099367	1	Support	
13	1001172577	1	Tray Assembly (See Items 101-109 for Breakdown)	
14	8310129	2	Bolt 3/4 x 2-1/2	
	1001172577	Ref	TRAY ASSEMBLY	C
101	0100081	AR	Adhesive	
102	1120555	2	Cap, Tube	
103	1701509	2	Decal - Manual	
104	See Note	NSS	Nameplate - Serial Number (Note: Not Available for Purchase)	
106	3340956	1	Pad Kit	
107	3460334	1	Tube	
108	3520071	2	Plug	
109	4420066	AR	Tape, Double Sided	
	1001172570	Ref	SKYGLAZIER DECAL INSTALLATION (CSA SPECS) (ENGLISH DECALS)	C
	1001172620	Ref	SKYGLAZIER DECAL INSTALLATION (AUSTRALIAN SPEC) (AUSTRALIAN DECALS)	C
201	1705358	2	Decal - SkyGlazier	
202	1001199035	2	Decal - SkyGlazier Capacity (ANSI Specs)	
202	1001199036	2	Decal - SkyGlazier Capacity (Australian Specs)	

SECTION 5 - PLATFORM

FIGURE 5-31. SKYWELDER/SKYCUTTER COMBO INSTALLATION (60HZ)



SECTION 5 - PLATFORM



ART_0273353_20F2

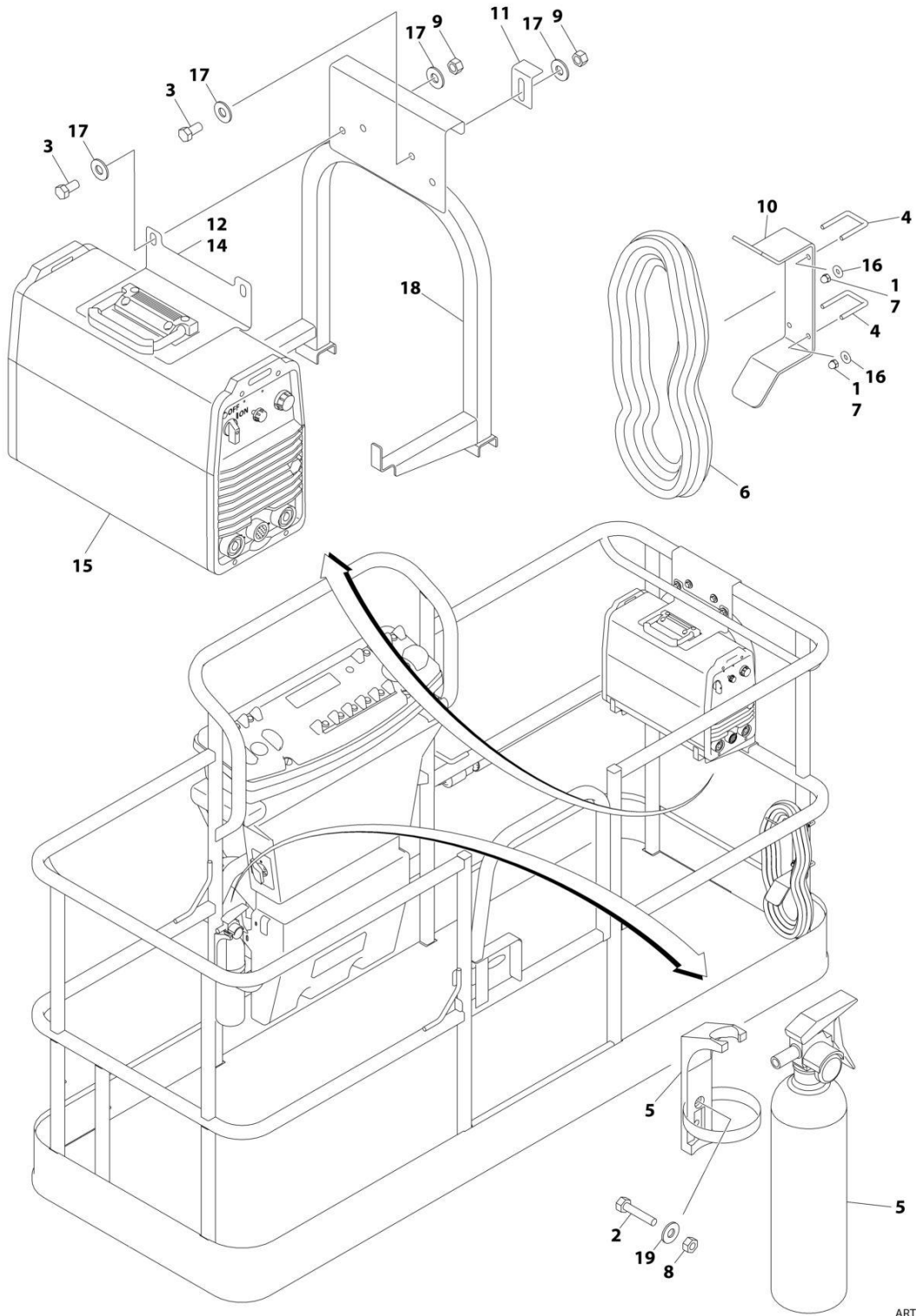
SECTION 5 - PLATFORM

FIGURE 5-31. SKYWELDER/SKYCUTTER COMBO INSTALLATION (60HZ)

ITEM	PART NUMBER	QTY	DESCRIPTION	REV
	0273353	Ref	SKYWELDER/SKYCUTTER COMBO INSTALLATION (60HZ)	G
1	0100011	AR	Compound, Locking	
2	0630518	2	Screw #10 x 3/4	
3	0641606	4	Bolt 3/8 x 3/4	
4	1320177	2	Clamp	
5	1320302	2	Clamp	
6	1671093	1	Cover, Plug	
7	2030010	1	Extinguisher, Fire	
8	2180832	1	Fitting, Barbed/NPT	
9	2720160	4.5 ft /1.37m	Hose	
10	2902217	1	Weld Leads Kit	
11	3300151	4	Nut 1/4	
12	3311005	2	Nut #10	
13	3311605	4	Nut 3/8	
14	3573400	1	Bracket	
15	3577121	2	Angle	
16	3573642	1	Plate	
20	4240099	AR	Tie-Strap (Not Shown)	
21	4420037	2.36 ft /.71m	Tape	
22	4460962	1	Plug, Twist Lock	
23	4460971	1	Plug, Twist Lock	
24	4530028	1	Welder Assembly (See Separate Breakdown in this section)	
25	1001098012	1	Plasma Cutter Assembly (See Separate Breakdown in this Section)	
26	4751400	4	Washer 1/4	
27	4751600	8	Washer 3/8	
29	4846627	1	Support	
31	1001145405	1	Bracket	
32	4811700	2	Washer M6	
33	3290605	2	Nut M6	
34	3421453	3	Pin	
35	3576799	1	Plate, Hold-Down	
36	0100020	1	Sealant	
37	4010608	2	Screw M6 x 16	
38	4751000	2	Washer #10	

SECTION 5 - PLATFORM

FIGURE 5-32. SKYWELDER INSTALLATION (50HZ)



ART_0272521_F

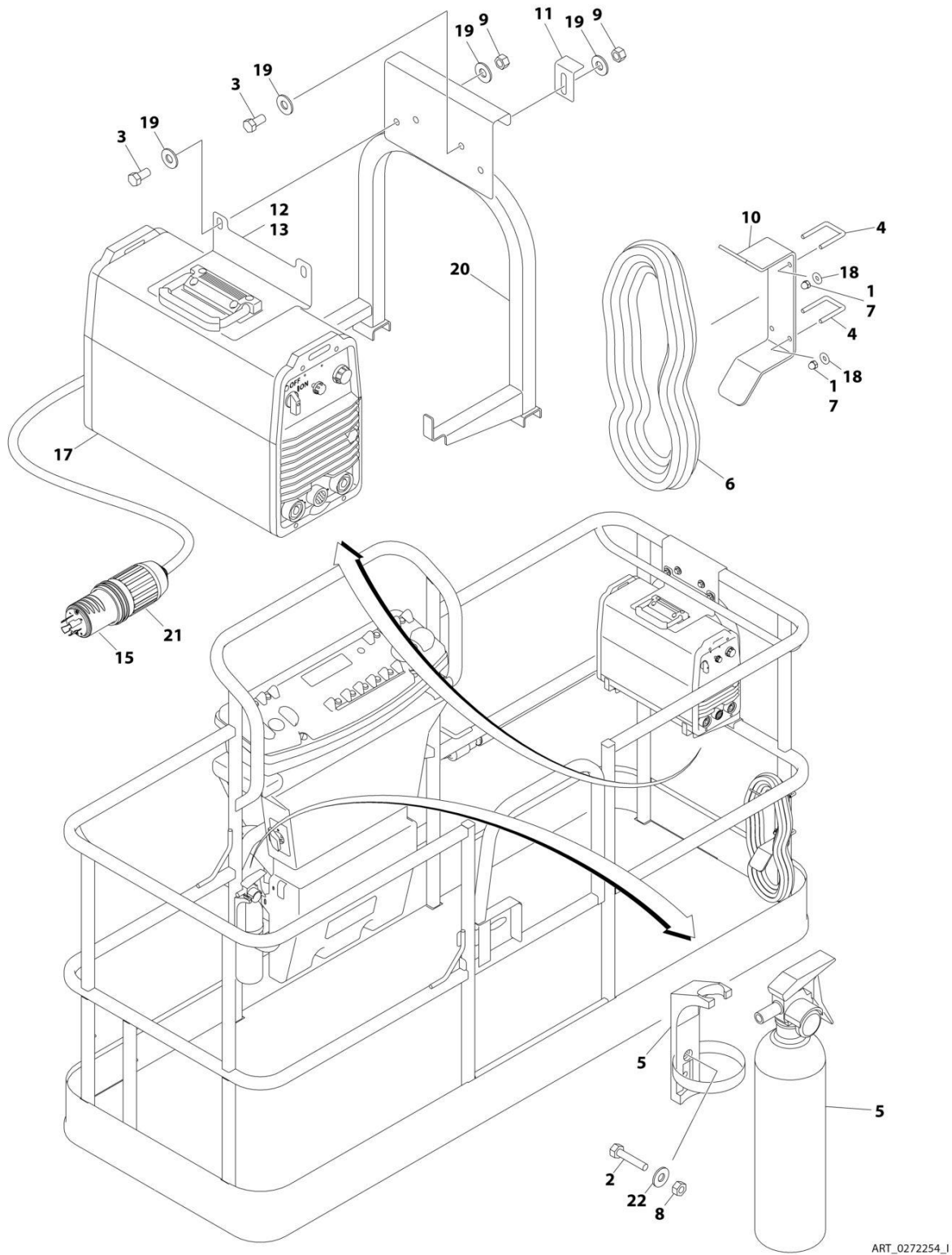
SECTION 5 - PLATFORM

FIGURE 5-32. SKYWELDER INSTALLATION (50HZ)

ITEM	PART NUMBER	QTY	DESCRIPTION	REV
	0272521	Ref	SKYWELDER INSTALLATION	F
1	0100011	AR	Compound, Locking	
2	0630518	2	Screw #10 x 3/4	
3	0641606	4	Bolt 3/8 x 3/4	
4	1320302	2	U-Clamp	
5	2030010	1	Extinguisher, Fire	
6	2902217	1	Weld Leads Kit	
7	3300151	4	Nut 1/4	
8	3311005	2	Nut #10	
9	3311605	4	Nut 3/8	
10	3573400	1	Bracket	
11	3577121	2	Angle	
12	3573642	1	Plate	
13	4240099	AR	Tie-Strap (Not Shown)	
14	4420037	AR	Tape	
15	4530028	1	Welder Assembly (See Separate Breakdown in this Section)	
16	4751400	4	Washer 1/4	
17	4751600	8	Washer 3/8	
18	4846627	1	Support	
19	4751000	2	Washer #10	

SECTION 5 - PLATFORM

FIGURE 5-33. SKYWELDER INSTALLATION (60HZ)



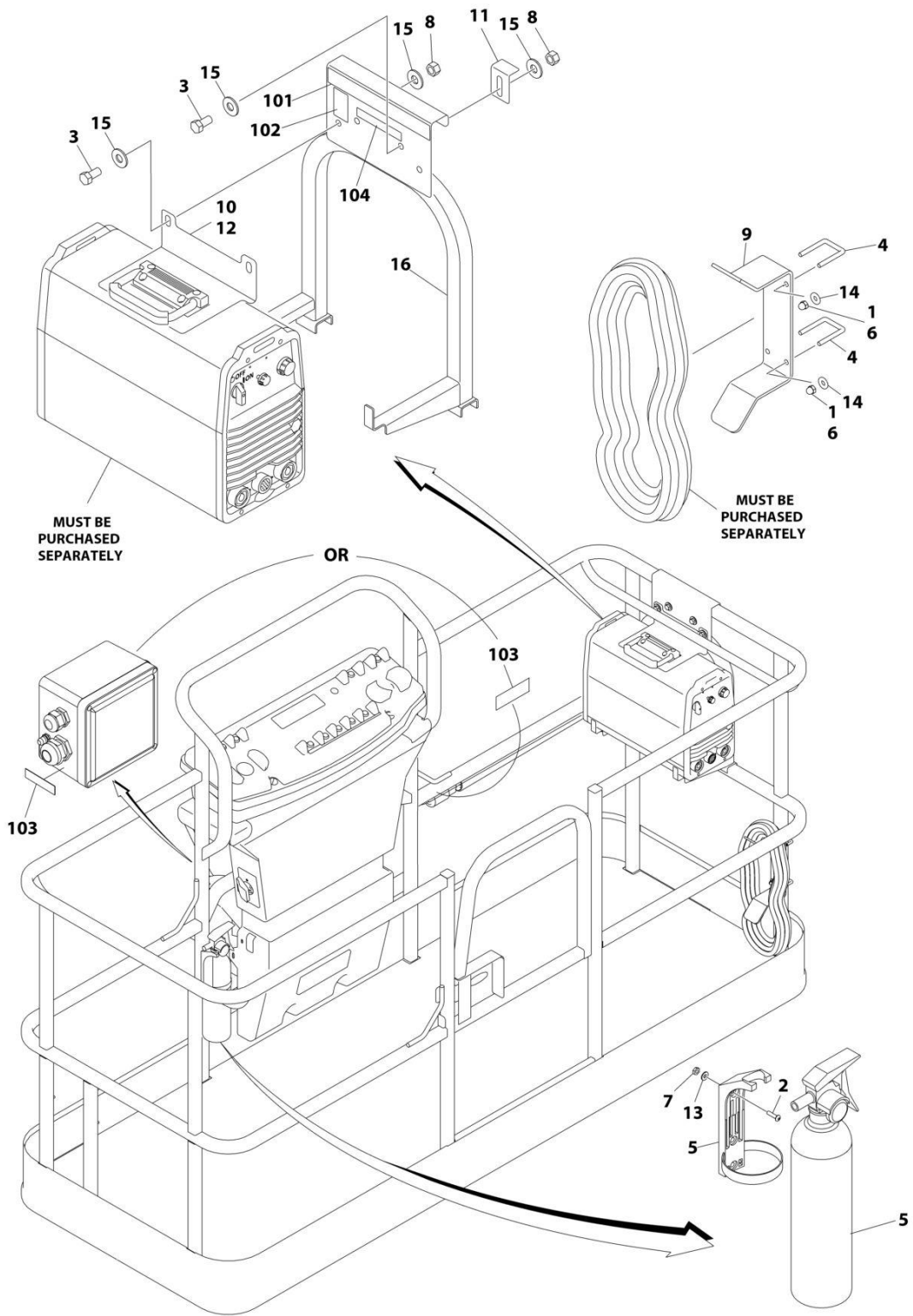
SECTION 5 - PLATFORM

FIGURE 5-33. SKYWELDER INSTALLATION (60HZ)

ITEM	PART NUMBER	QTY	DESCRIPTION	REV
	0272254	Ref	SKYWELDER INSTALLATION	1
1	0100011	AR	Compound, Locking	
2	0630518	2	Screw #10 x 3/4	
3	0641606	4	Bolt 3/8 x 3/4	
4	1320302	2	U-Clamp	
5	2030010	1	Extinguisher, Fire	
6	2902217	1	Weld Leads Kit	
7	3300151	4	Nut 1/4	
8	3311005	2	Nut #10	
9	3311605	4	Nut 3/8	
10	3573400	1	Bracket	
11	3577121	2	Angle	
12	3573642	1	Plate	
13	4420037	AR	Tape	
14	4240099	AR	Tie-Strap (Not Shown)	
15	4460962	1	Plug, Male Twistlock	
17	4530028	1	Welder Assembly (See Separate Breakdown in this Section)	
18	4751400	4	Washer 1/4	
19	4751600	8	Washer 3/8	
20	4846627	1	Support	
21	1671093	1	Cover, Plug	
22	4751000	2	Washer #10	

SECTION 5 - PLATFORM

FIGURE 5-34. SKYWELDER PREP PACKAGE (60HZ)



ART_1001128527_B

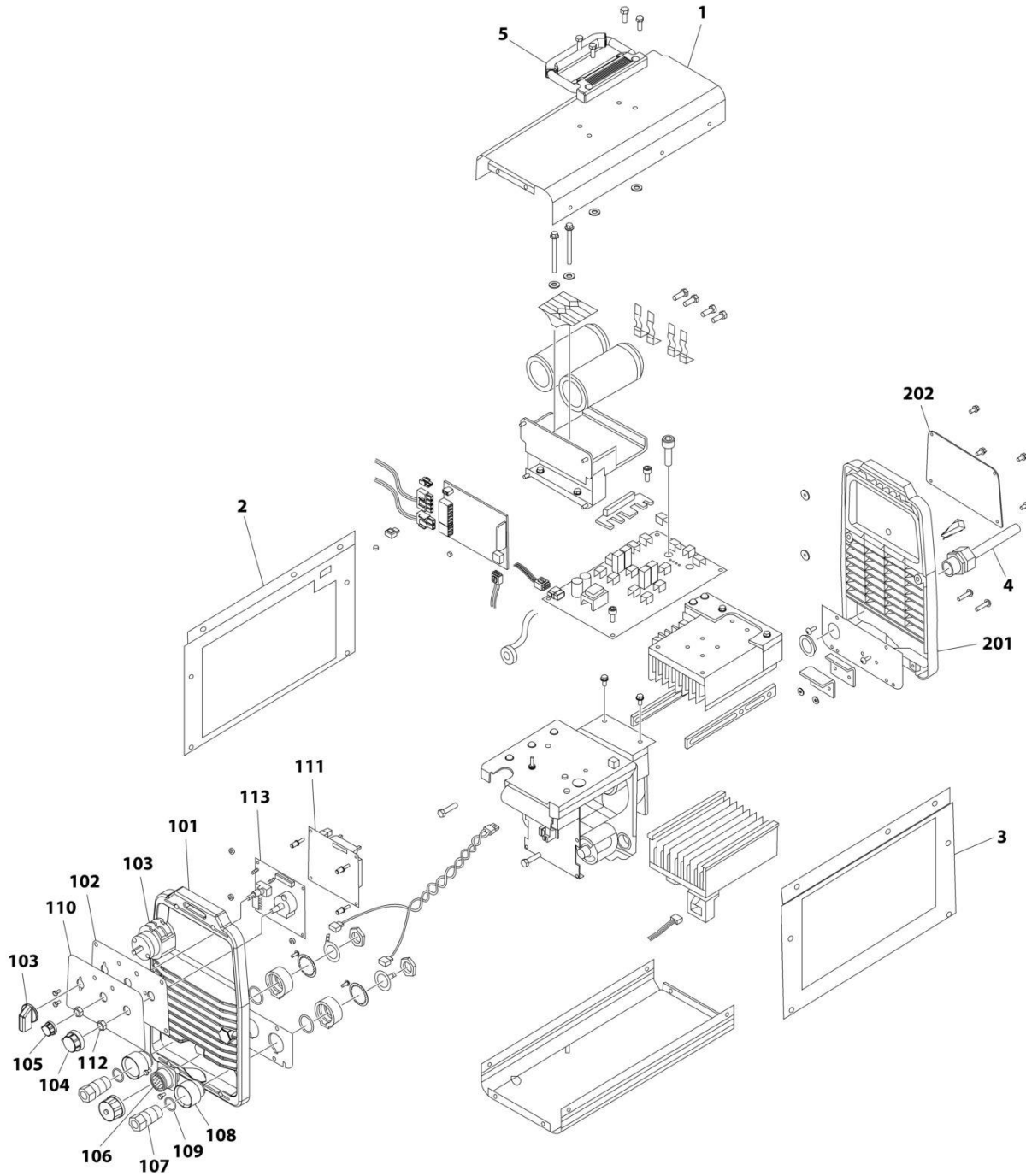
SECTION 5 - PLATFORM

FIGURE 5-34. SKYWELDER PREP PACKAGE (60HZ)

ITEM	PART NUMBER	QTY	DESCRIPTION	REV
	1001128527	Ref	SKYWELDER PREP PACKAGE	B
1	0100011	AR	Compound, Locking	
2	0630518	2	Screw #10 x 3/4	
3	0641606	4	Bolt 3/8 x 3/4	
4	1320302	2	U-Clamp	
5	2030010	1	Extinguisher, Fire	
6	3300151	4	Nut 1/4	
7	3311005	2	Nut #10	
8	3311605	4	Nut 3/8	
9	3573400	1	Bracket	
10	3573642	1	Plate	
11	3577121	2	Angle	
12	4420037	AR	Tape	
13	4751000	2	Washer #10	
14	4751400	4	Washer 1/4	
15	4751600	8	Washer 3/8	
16	4846627	1	Support	
	1001128556	Ref	SKYWELDER DECAL INSTALLATION	C
101	1702868	1	Decal - No Hands	
102	1705305	1	Decal - Weld Lead	
103	1705375	1	Decal - 240V - 3 Phase - 60Hz	
104	1001228988	1	Decal - Weight	

SECTION 5 - PLATFORM

FIGURE 5-35. WELDER ASSEMBLY



ART_4530028

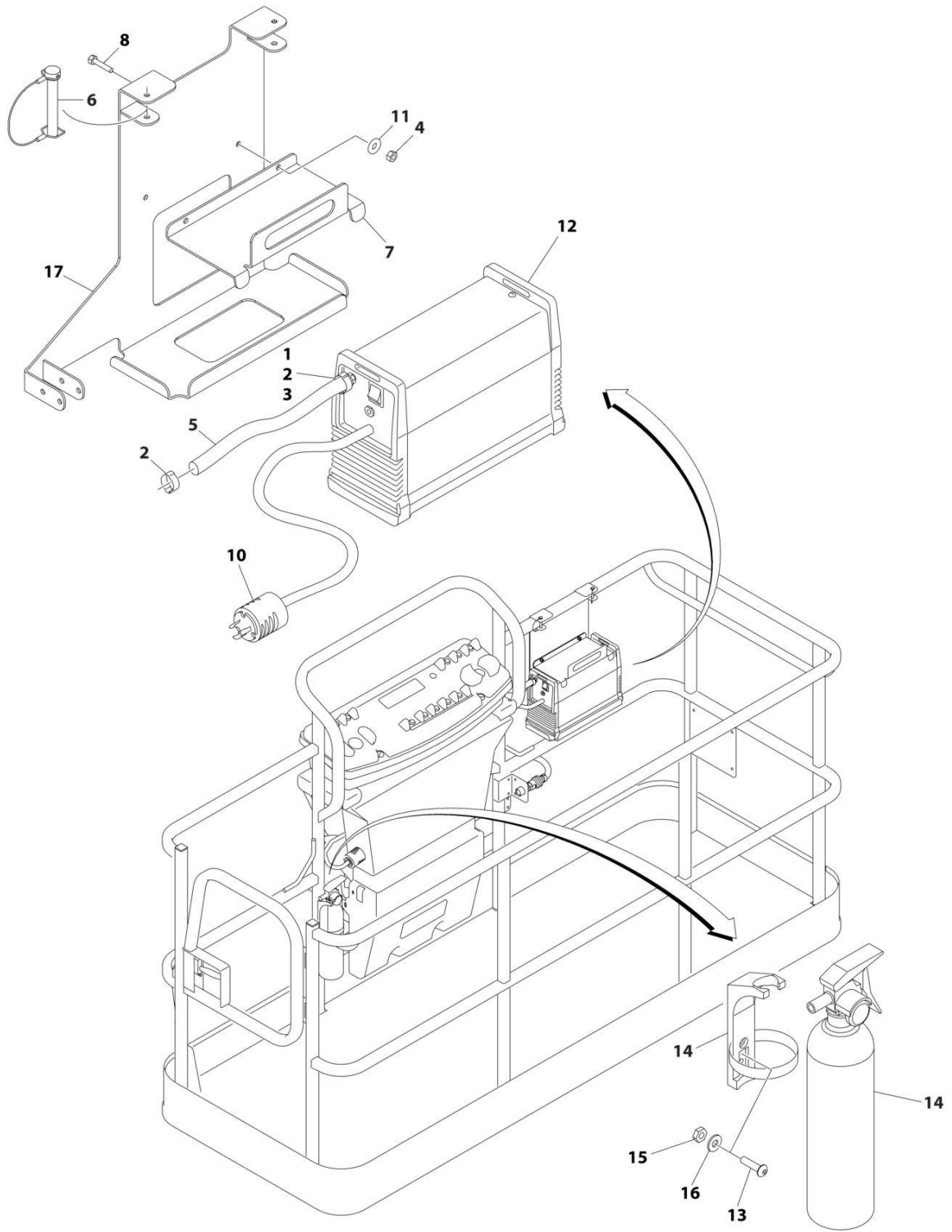
SECTION 5 - PLATFORM

FIGURE 5-35. WELDER ASSEMBLY

ITEM	PART NUMBER	QTY	DESCRIPTION	REV
	4530028	Ref	WELDER ASSEMBLY	B
		Ref	Note: For Other Components, contact your Miller Welder Dealer.	
1	7027773	1	Cover, Top	
1	7027774	1	Decal - Static Precautionary Warning	
2	See Note	NSS	Panel, LH Side (Note: Part of Item 1. Purchase Item 1)	
3	See Note	NSS	Panel, RH Side (Note: Part of Item 1. Purchase Item 1)	
4	7024467	1	Cable, Power	
4	7027775	1	Decal - Electrical Shock Warning (Not Shown)	
5	7027776	1	Handle, Carrying	
101	7024462	1	Panel, Front	
102	7024463	1	Panel, Console	
103	7024469	1	Switch with Lead	
104	7024470	1	Knob	
105	7024471	1	Knob	
106	7024472	1	Receptacle with Leads and Plugs	
107	7024473	2	Receptacle, Twistlock Female	
108	7024474	2	Insulator	
109	7024475	2	O-Ring	
110	7027777	1	Nameplate	
111	7027779	1	Circuit Card Assembly (Process Control)	
112	7024478	2	Nut	
113	7027778	1	Circuit Card Assembly (Operator Interface)	
201	7024462	1	Panel, Rear	
202	7027780	1	Panel, Cover	

SECTION 5 - PLATFORM

FIGURE 5-36. SKYCUTTER INSTALLATION



ART_1001098149_D

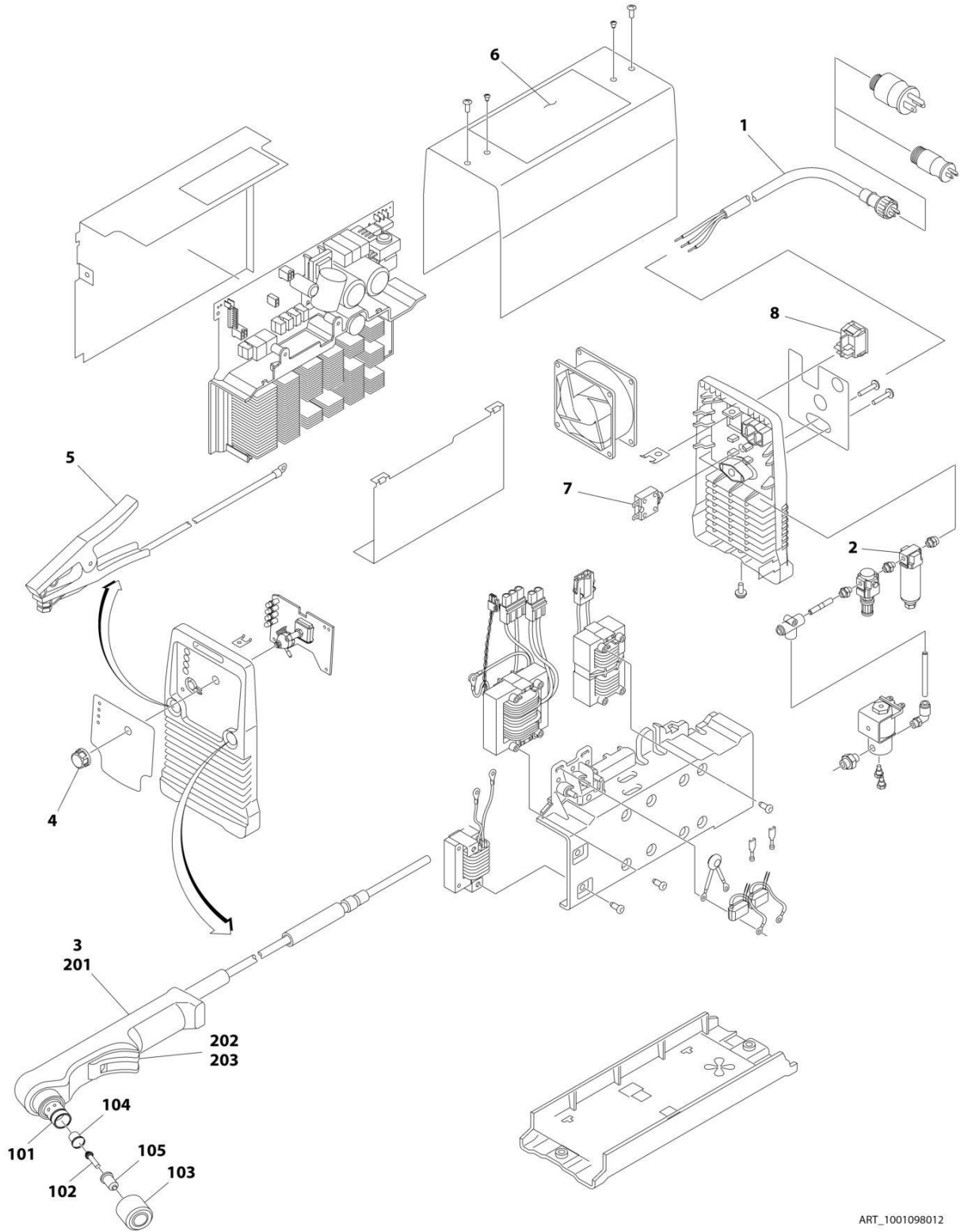
SECTION 5 - PLATFORM

FIGURE 5-36. SKYCUTTER INSTALLATION

ITEM	PART NUMBER	QTY	DESCRIPTION	REV
	1001098149	Ref	SKYCUTTER INSTALLATION	D
		Ref	Note: When replacing platform on machines with SkyCutter option, new bracket p/n 1001145405 must be purchased to accommodate SkyCutter components.	
1	0100020	AR	Sealant	
2	1320177	2	Clamp, Hose	
3	2180832	1	Fitting, NPT/Barbed	
4	3290605	2	Nut M6	
5	2720160	3 ft /.9m	Hose	
6	3421453	3	Pin	
7	3576799	1	Plate, Hold-Down	
8	4010608	2	Screw M6 x 16	
10	4460971	1	Plug, Twistlock	
11	4811700	2	Washer M6	
12	1001098012	1	Plasma Cutter Assembly (See Separate Breakdown in this Section)	
13	0630518	2	Screw #10 x 3/4	
14	2030010	1	Extinguisher, Fire	
15	3311005	2	Nut #10	
16	4751000	2	Washer #10	
17	1001145405	1	Support	

SECTION 5 - PLATFORM

FIGURE 5-37. PLASMA CUTTER ASSEMBLY



ART_1001098012

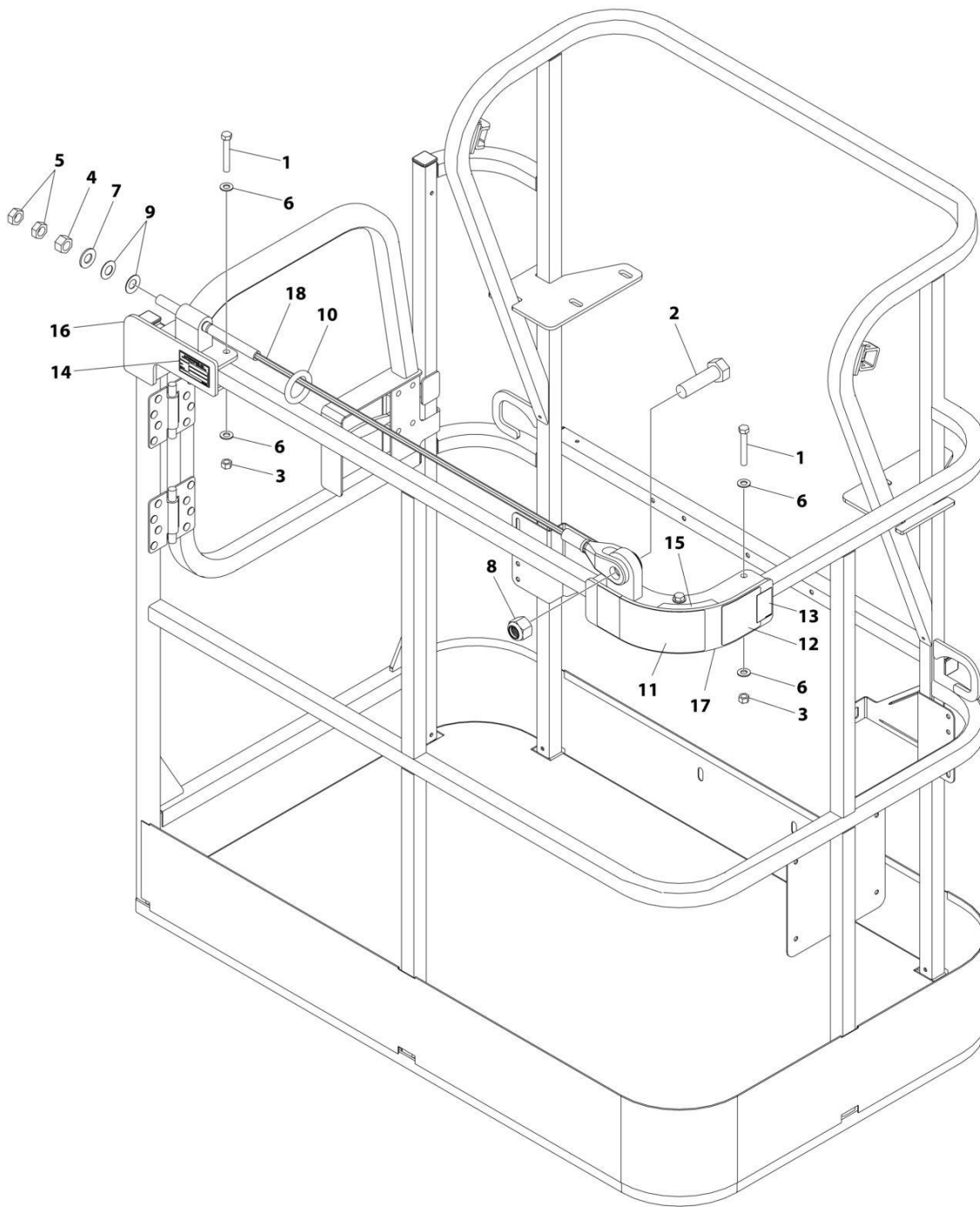
SECTION 5 - PLATFORM

FIGURE 5-37. PLASMA CUTTER ASSEMBLY

ITEM	PART NUMBER	QTY	DESCRIPTION	REV
	1001098012	Ref	PLASMA CUTTER ASSEMBLY	A
		Ref	Note: For Other Components, contact your Miller Welder Dealer.	
1	70001424	1	Cable, Power	
1	70001425	1	Decal - Voltage Warning	
2	70001427	1	Filter, Regulator	
3	70001428	1	Torch Assembly (See Items 101-203 for Breakdown)	
4	7024471	1	Knob	
5	70001429	1	Clamp with Cable	
6	70001430	1	Decal - Caution	
7	70001431	1	Breaker, Circuit	
8	70001432	1	Switch, Rocker	
	70001428	Ref	TORCH ASSEMBLY	
101	7024530	1	O-Ring	
102	7024531	1	Electrode	
103	7024532	1	Cup, Retaining	
104	7024533	1	Swirl Ring	
105	7024534	1	Tip	
201	7024535	1	Handle, Torch	
202	7024536	1	Switch	
203	7024537	1	Trigger	

SECTION 5 - PLATFORM

FIGURE 5-38. FALL ARREST INSTALLATION (BOLT - ON EXTERNAL) 4FFT/1.22M PLATFORM)



ART_1001261338

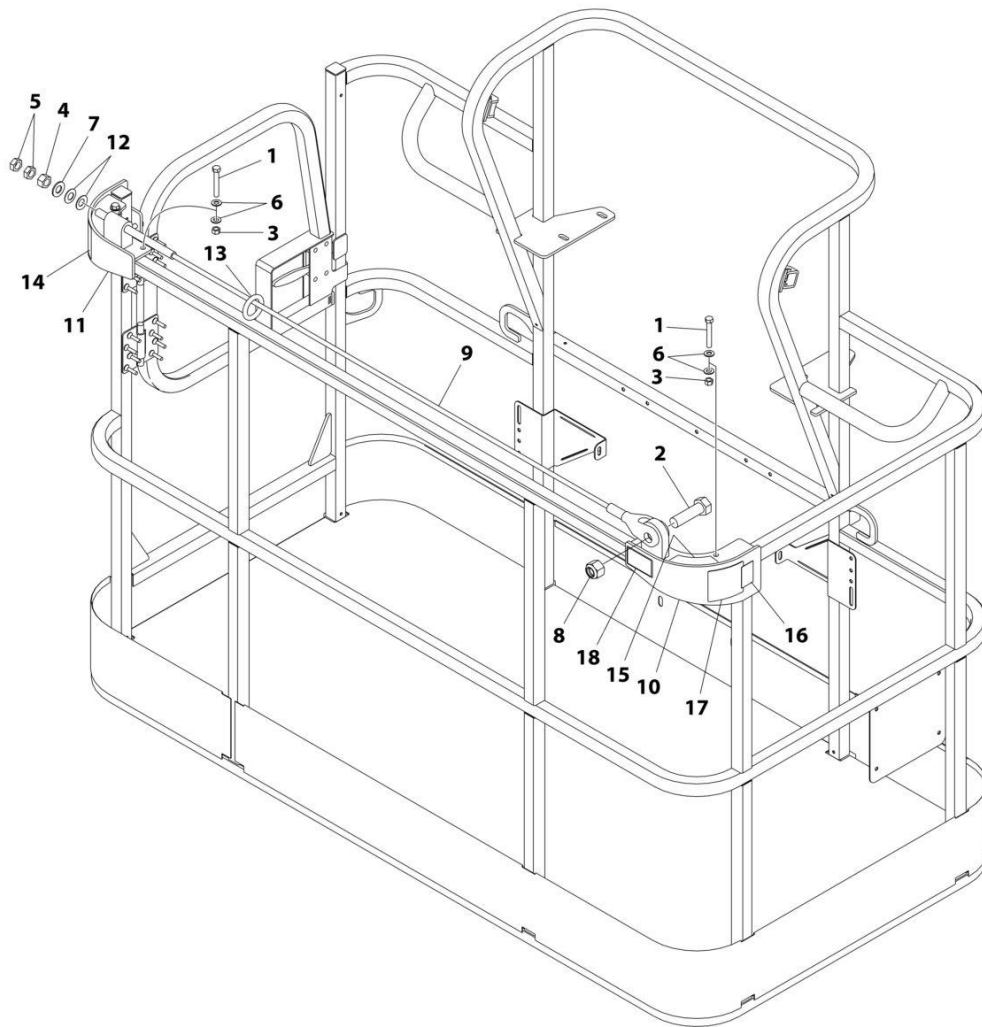
SECTION 5 - PLATFORM

FIGURE 5-38. FALL ARREST INSTALLATION (BOLT - ON EXTERNAL) 4FFT/1.22M PLATFORM)

ITEM	PART NUMBER	QTY	DESCRIPTION	REV
	1001261338	Ref	FALL ARREST INSTALLATION	A
1	0681620	6	Bolt 3/8 x 2-1/2	
2	0682424	1	Bolt 7/8 x 3	
3	3271605	6	Nut 3/8	
4	3272001	1	Nut 5/8	
5	3312002	2	Nut 5/8	
6	4711600	12	Washer 3/8	
7	4712000	1	Washer 5/8	
8	88521214	1	Nut 7/8	
9	1001236891	2	Washer	
10	1001236895	1	Ring	
11	1001238263	1	Decal - Warning Falling Hazard	
12	1001248140	1	Decal - Bolt Fall Arrest Re-Cert	
13	1001248141	1	Decal - Incription	
14	See Note	NSS	Nameplate - Manufacturers Serial Number (Note: Not Available for Purchase)	
15	1001252629	1	Decal - Weight	
16	1001257271	1	Bracket (RH)	
17	1001257274	1	Bracket (LH)	
18	1001261335	1	Rope	

SECTION 5 - PLATFORM

FIGURE 5-39. FALL ARREST INSTALLATION (BOLT-ON EXTERNAL) (6FT/1.82M PLATFORM)



ART_1001236747

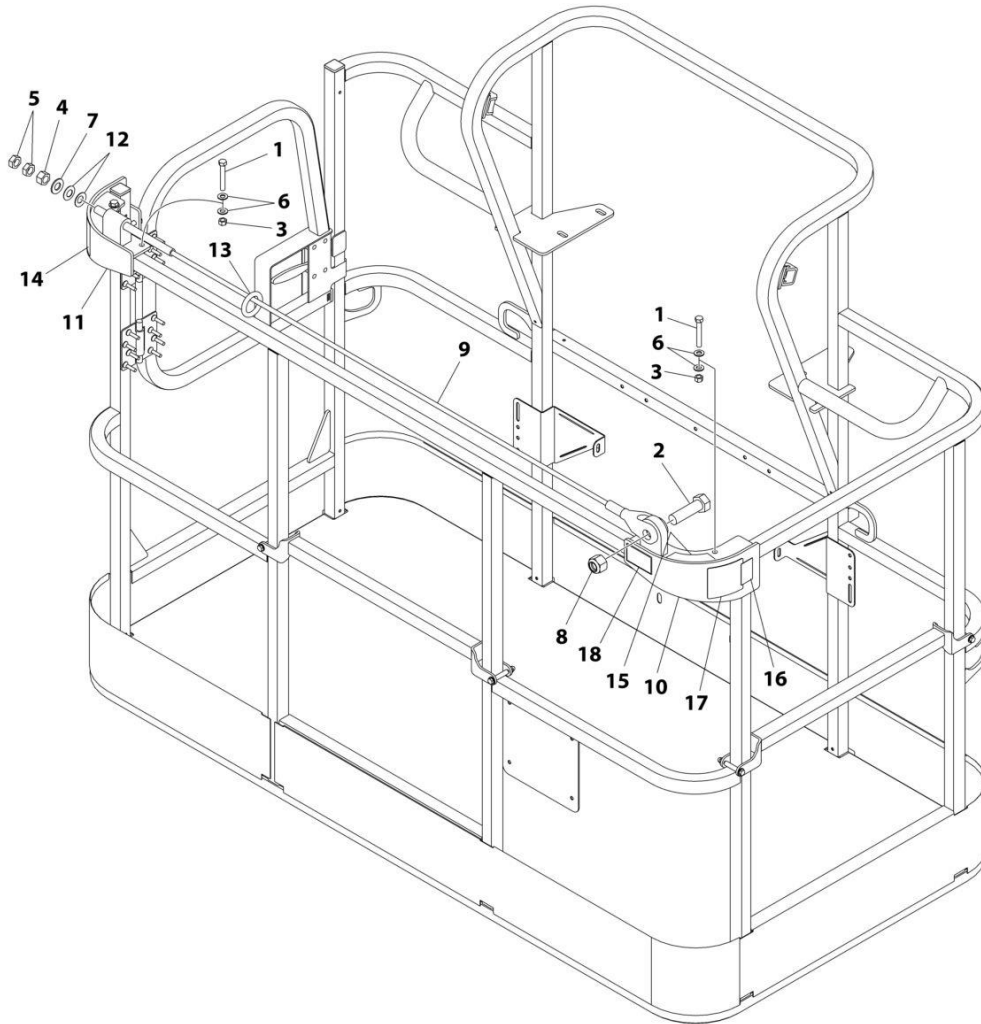
SECTION 5 - PLATFORM

FIGURE 5-39. FALL ARREST INSTALLATION (BOLT-ON EXTERNAL) (6FT/1.82M PLATFORM)

ITEM	PART NUMBER	QTY	DESCRIPTION	REV
	1001236747	Ref	FALL ARREST INSTALLATION (BOLT - ON) 6FT/1.82M PLATFORM	C
1	0681620	6	Bolt 3/8 x 2-1/2	
2	0682424	1	Bolt 7/8 x 3	
3	3271605	6	Nut 3/8	
4	3272001	1	Nut 5/8	
5	3312002	2	Nut 5/8	
6	4711600	12	Washer 3/8	
7	4712000	1	Washer 5/8	
8	88521214	1	Nut 7/8	
9	1001231950	1	Rope	
10	1001232010	1	Bracket (RH)	
11	1001232011	1	Bracket (LH)	
12	1001236891	2	Washer	
13	1001236895	1	Ring	
14	1001238263	1	Decal - Warning Falling Hazard	
15	1001252629	1	Decal - Weight	
16	1001248140	1	Decal - Bolt Fall Arrest Re-Cert	
17	1001248141	1	Decal - Inscription	

SECTION 5 - PLATFORM

FIGURE 5-40. FALL ARREST INSTALLATION (BOLT-ON EXTERNAL) (6FT/1.82M TRI-ENTRY PLATFORM)



ART_1001238463

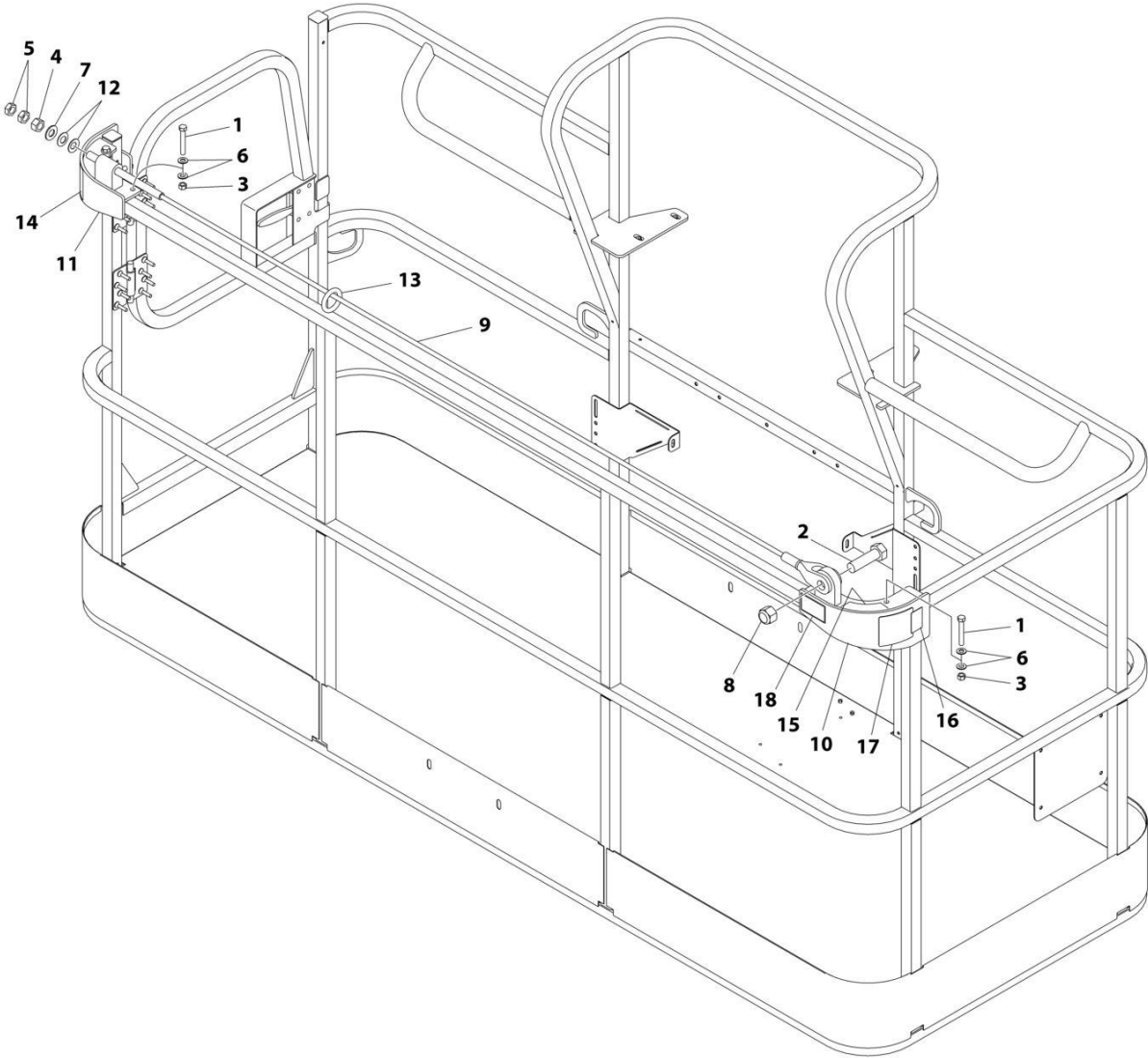
SECTION 5 - PLATFORM

FIGURE 5-40. FALL ARREST INSTALLATION (BOLT-ON EXTERNAL) (6FT/1.82M TRI-ENTRY PLATFORM)

ITEM	PART NUMBER	QTY	DESCRIPTION	REV
	1001238463	Ref	FALL ARREST INSTALLATION (BOLT - ON) 6FT/1.82M PLATFORM	C
1	0681620	6	Bolt 3/8 x 2-1/2	
2	0682424	1	Bolt 7/8 x 3	
3	3271605	6	Nut 3/8	
4	3272001	1	Nut 5/8	
5	3312002	2	Nut 5/8	
6	4711600	12	Washer 3/8	
7	4712000	1	Washer 5/8	
8	88521214	1	Nut 7/8	
9	1001231950	1	Rope	
10	1001232010	1	Bracket (RH)	
11	1001232011	1	Bracket (LH)	
12	1001236891	2	Washer	
13	1001236895	1	Ring	
14	1001238263	1	Decal - Warning Falling Hazard	
15	1001252629	1	Decal - Weight	
16	1001248140	1	Decal - Bolt Fall Arrest Re-Cert	
17	1001248141	1	Decal - Inscription	

SECTION 5 - PLATFORM

FIGURE 5-41. FALL ARREST INSTALLATION (BOLT-ON EXTERNAL) (8FT/2.4M PLATFORM)



ART_1001236746

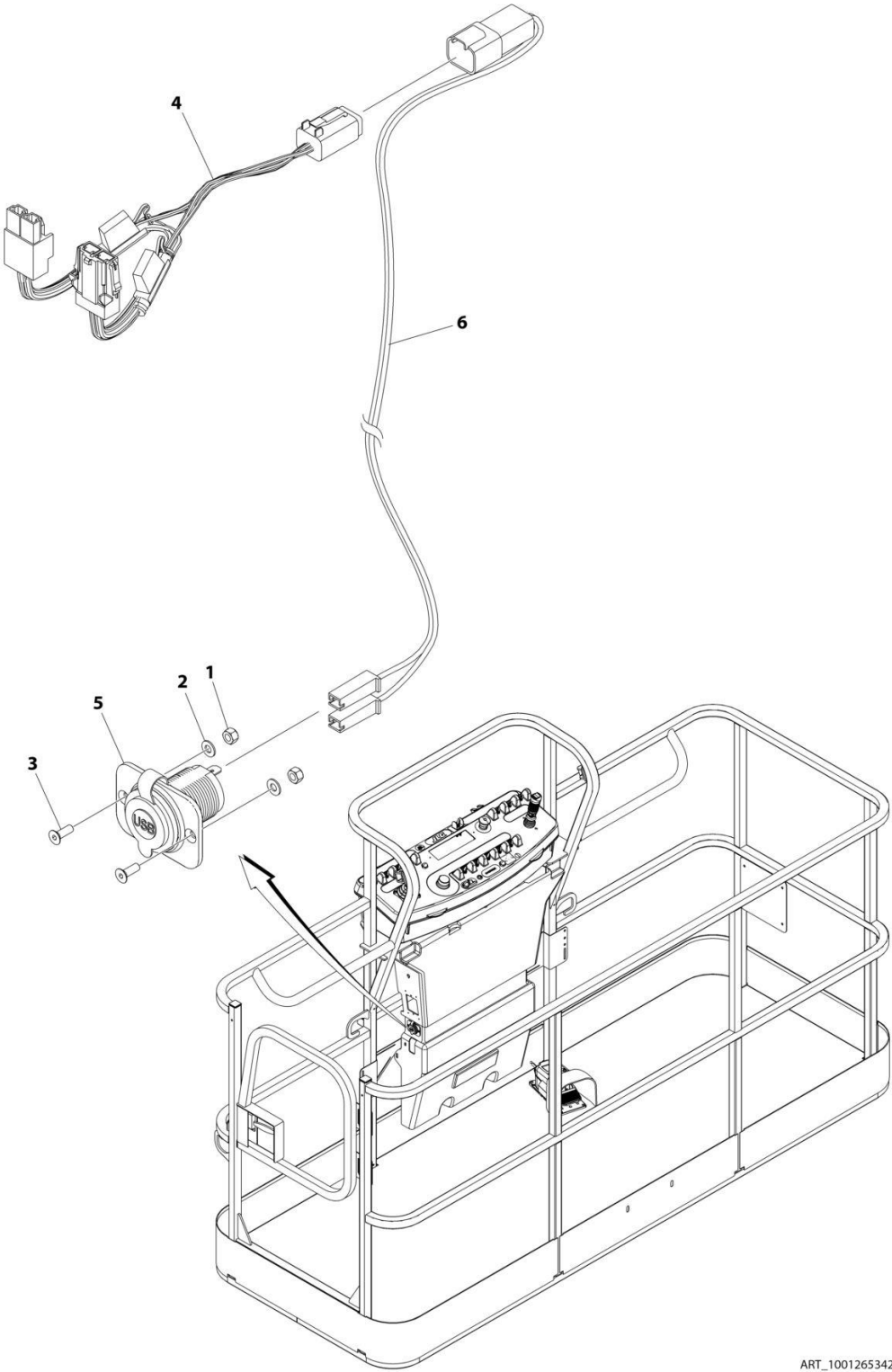
SECTION 5 - PLATFORM

FIGURE 5-41. FALL ARREST INSTALLATION (BOLT-ON EXTERNAL) (8FT/2.4M PLATFORM)

ITEM	PART NUMBER	QTY	DESCRIPTION	REV
	1001236746	Ref	FALL ARREST INSTALLATION (BOLT - ON) 8FT/2.4M PLATFORM	C
1	0681620	6	Bolt 3/8 x 2-1/2	
2	0682424	1	Bolt 7/8 x 3	
3	3271605	6	Nut 3/8	
4	3272001	1	Nut 5/8	
5	3312002	2	Nut 5/8	
6	4711600	12	Washer 3/8	
7	4712000	1	Washer 5/8	
8	88521214	1	Nut 7/8	
9	1001231949	1	Rope	
10	1001232010	1	Bracket (RH)	
11	1001232011	1	Bracket (LH)	
12	1001236891	2	Washer	
13	1001236895	1	Ring	
14	1001238263	1	Decal - Warning Falling Hazard	
15	1001252629	1	Decal - Weight 23LBS/10.4KG	
16	1001248140	1	Decal - Bolt Fall Arrest Re-Cert	
17	1001248141	1	Decal - Inscription	

SECTION 5 - PLATFORM

FIGURE 5-42. USB CHARGER INSTALLATION



ART_1001265342

SECTION 5 - PLATFORM

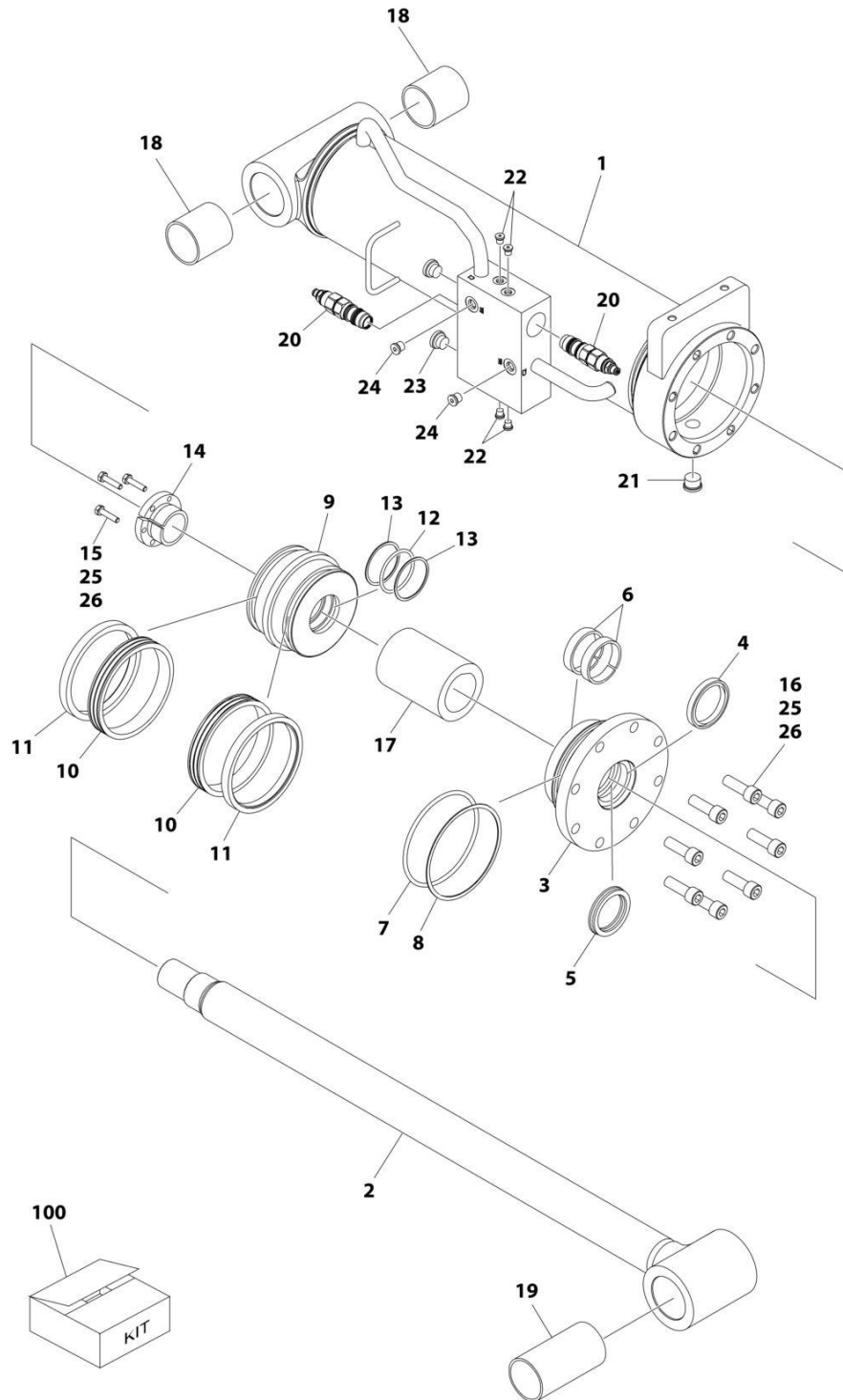
FIGURE 5-42. USB CHARGER INSTALLATION

ITEM	PART NUMBER	QTY	DESCRIPTION	REV
	1001265342	Ref	USB CHARGER INSTALLATION	A
1	3290405	2	Nut M4	
2	4811400	2	Washer M4	
3	1001097244	2	Screw M4 x 12	
4	1001120484	1	Harness, Work Lights	
4	4460879	1	Plug, Male - 2 Position	
4	4460887	2	Terminal	
4	2400060	2	Fuseholder Includes Cover	
4	8229249	2	Fuse, 3 Amp	
4	4460884	1	Connector - 4 Position	
4	4460465	4	Socket, Female	
4	1001120471	1	Connector - 2 Position	
4	1001120477	2	Terminal	
5	1001210636	1	Receptacle, USB	
6	1001265163	1	Harness, USB	A
6	4460260	2	Cover, Terminal	
6	4460259	2	Terminal	
6	4460932	1	Receptacle, Bussbar - 4 Position	
6	4460464	2	Pin, Male	
6	4460466	2	Plug, Terminal	

SECTION 6 - CYLINDER

SECTION 6 - CYLINDER

FIGURE 6-1. AXLE EXTEND CYLINDER ASSEMBLY (Prior to SN 0300293919)



ART_1001228066

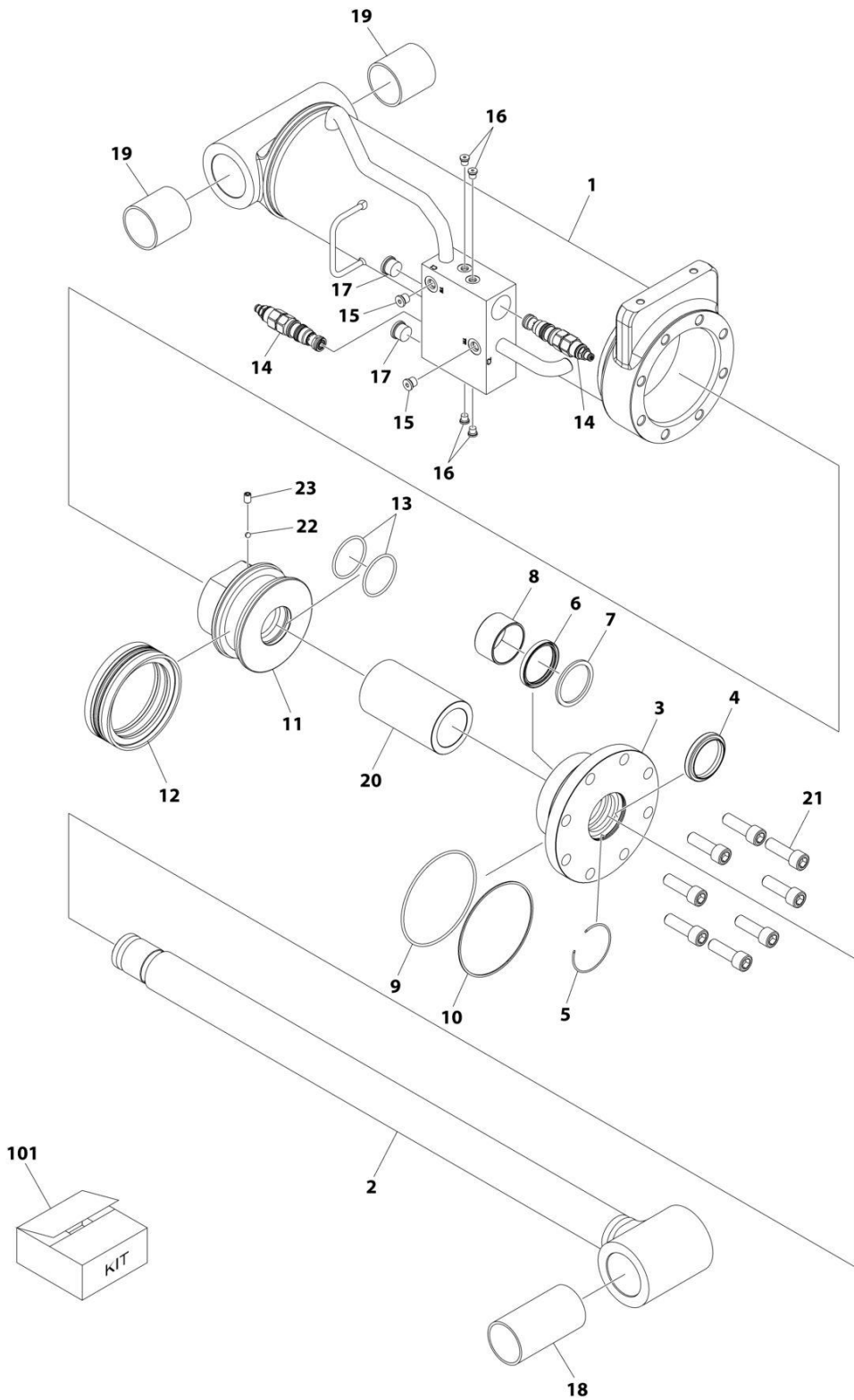
SECTION 6 - CYLINDER

FIGURE 6-1. AXLE EXTEND CYLINDER ASSEMBLY (Prior to SN 0300293919)

ITEM	PART NUMBER	QTY	DESCRIPTION	REV
	1001228066	Ref	AXLE EXTEND CYLINDER ASSEMBLY	D
		Ref	Note: Original Cylinder May Have Been Replaced with Service Replacement. Identify PN Stamped on Cylinder Before Ordering Parts.	
1	See Note	NSS	Barrel Weldment (Note: Not Available for Purchase)	
2	70006475	1	Rod Weldment	
3	70006474	1	Head	
4	See Note	NSS	Wiper, Rod (Note: Use Item 100)	
5	See Note	NSS	Seal (Note: Use Item 100)	
6	See Note	NSS	Ring, Wear (Note: Use Item 100)	
7	See Note	NSS	O-Ring (Note: Use Item 100)	
8	See Note	NSS	Ring, Back-up (Note: Use Item 100)	
9	70006473	1	Piston	
10	See Note	NSS	Seal (Note: Use Item 100)	
11	See Note	NSS	Ring, Lock (Note: Use Item 100)	
12	See Note	NSS	O-Ring (Note: Use Item 100)	
13	See Note	NSS	Ring, Back-up (Note: Use Item 100)	
14	0961896	1	Bushing, Tapered	
15	0630535	3	Bolt 1/4 x 1-1/8	
16	3931824	8	Capscrew 1/2 x 1-1/2	
17	70006472	1	Tube, Spacer	
18	0962561	2	Bushing	
19	1001157080	1	Bushing	
20	1001156016	2	Valve (Counterbalance)	
20	7011376	2	Kit, Seal - 1001156016 Valve	
21	2220886	1	Plug	
22	2220881	4	Plug	
23	2220886	2	Plug	
24	2220883	AR	Plug, O-Ring	
25	0100011	AR	Compound, Locking	
26	0100038	AR	Primer, Locking	
100	2902087	1	Kit, Seal (Includes Items 4-8 & 10-13)	

SECTION 6 - CYLINDER

FIGURE 6-2. AXLE EXTEND CYLINDER ASSEMBLY (SN 0300293919 to Present)



ART_1001251066

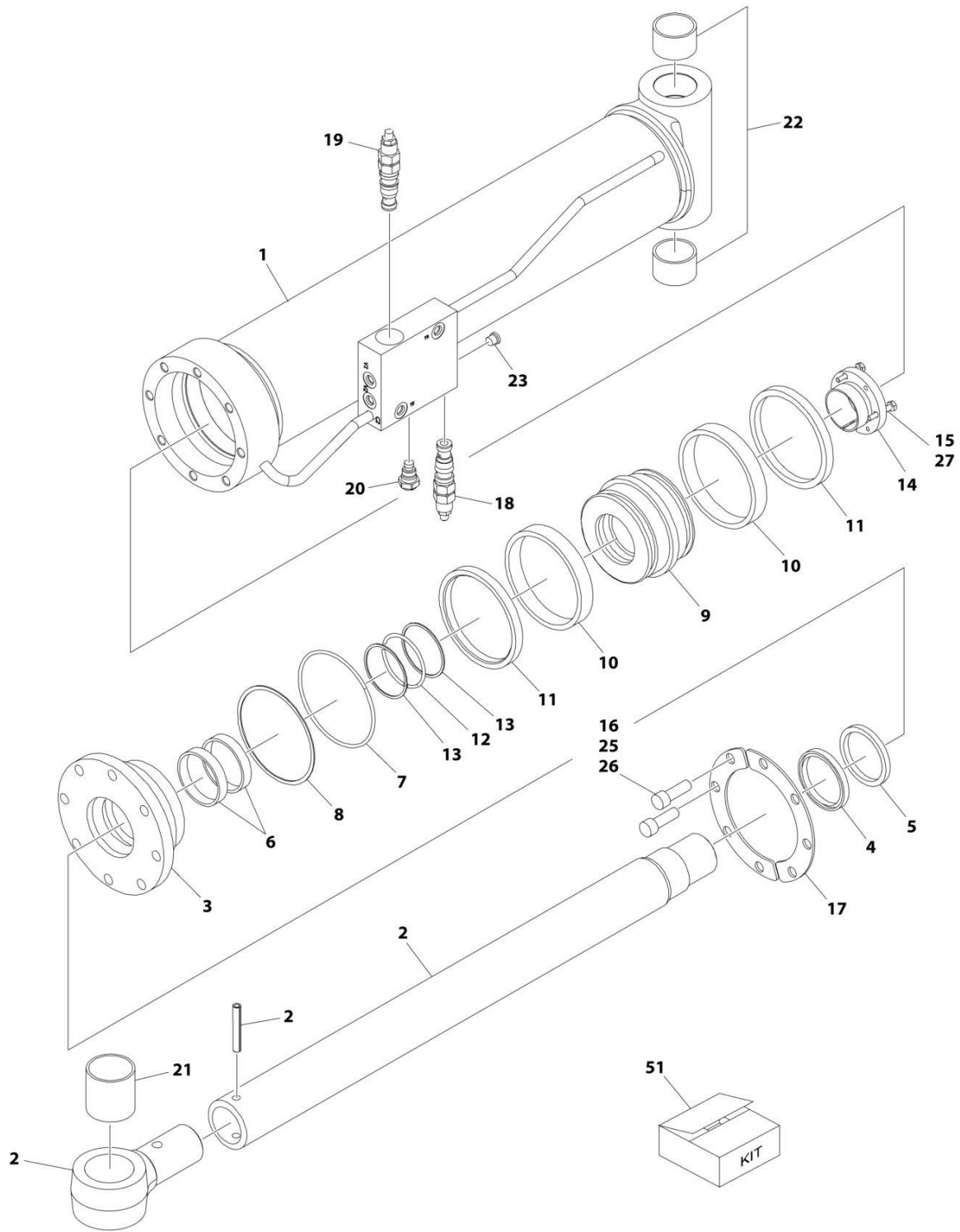
SECTION 6 - CYLINDER

FIGURE 6-2. AXLE EXTEND CYLINDER ASSEMBLY (SN 0300293919 to Present)

ITEM	PART NUMBER	QTY	DESCRIPTION	REV
	1001251066	Ref	AXLE EXTEND CYLINDER ASSEMBLY	A
		Ref	Note: Original Cylinder May Have Been Replaced with Service Replacement. Identify PN Stamped on Cylinder Before Ordering Parts.	
1	See Note	NSS	Barrel (Note: Not Available for Purchase)	
2	70008014	1	Rod	
3	70008015	1	Head	
4	See Note	NSS	Wiper (Note: Use Item 101)	
5	7002412	1	Ring, Retaining	
6	See Note	NSS	Seal, Rod (Note: Use Item 101)	
7	See Note	NSS	Ring, Backup (Note: Use Item 101)	
8	70052577	1	Bushing	
9	See Note	NSS	O-Ring (Note: Use Item 101)	
10	See Note	NSS	Ring, Backup (Note: Use Item 101)	
11	70008016	1	Piston	
12	See Note	NSS	Seal, Piston (Note: Use Item 101)	
13	See Note	NSS	O-Ring (Note: Use Item 101)	
14	1001156016	2	Valve, Counterbalance	
14	7011376	2	Seal Kit (Use with 1001156016)	
15	2220883	2	Plug - 7/16	
16	2220881	4	Plug - 5/16	
17	2220886	2	Plug - 3/4	
18	1001157080	1	Bushing	
19	0962561	2	Bushing	
20	70008017	1	Spacer	
21	70008018	8	Bolt M14 x 45	
22	70022564	1	Ball, Steel	
23	70029468	1	Setscrew M8 x 14	
101	70008019	1	Seal Kit (Includes Items 4, 6-7, 9-10 & 12-13)	

SECTION 6 - CYLINDER

FIGURE 6-3. LEVEL CYLINDER ASSEMBLY - PLATFORM SLAVE



ART_1001228034

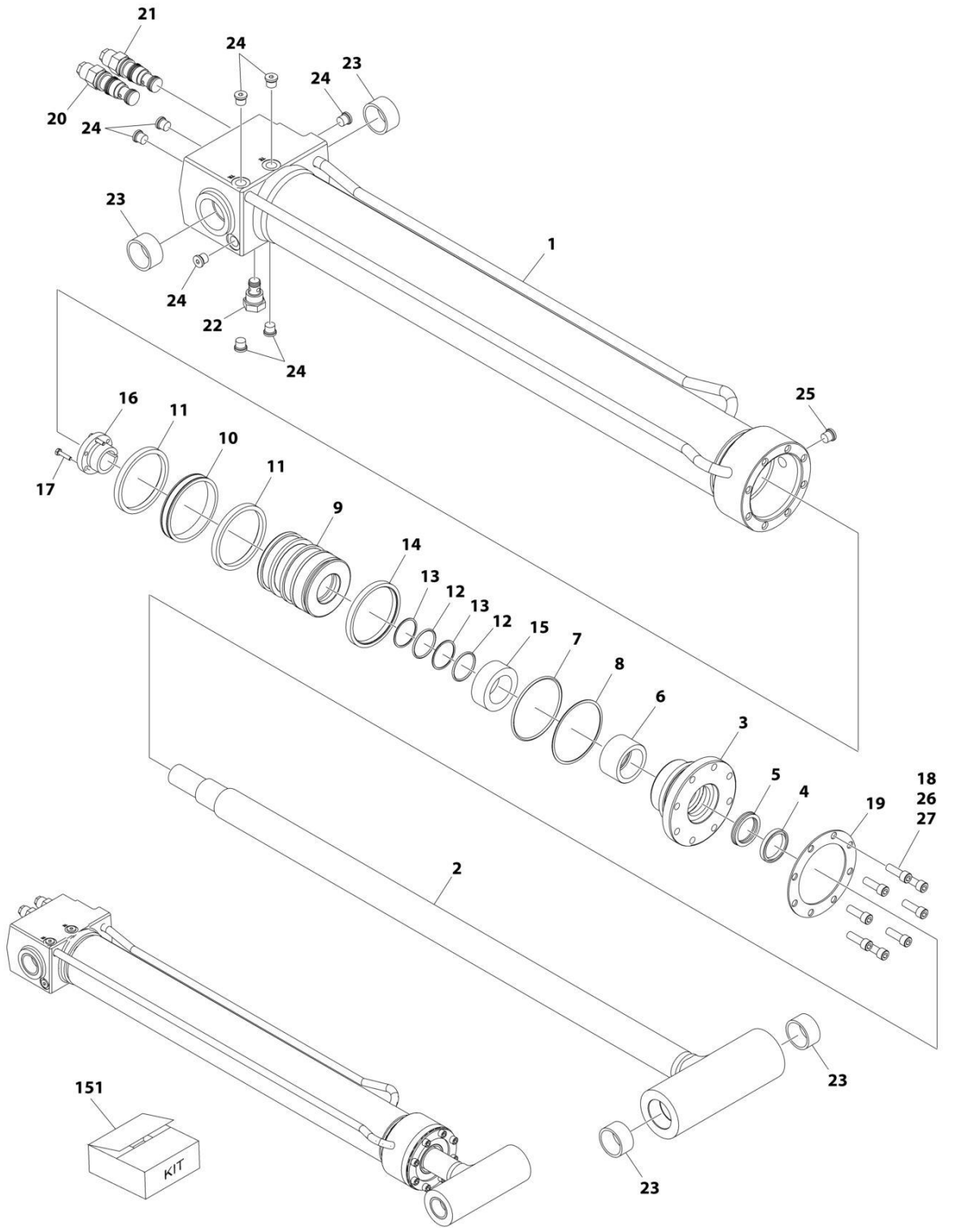
SECTION 6 - CYLINDER

FIGURE 6-3. LEVEL CYLINDER ASSEMBLY - PLATFORM SLAVE

ITEM	PART NUMBER	QTY	DESCRIPTION	REV
	1001228034	Ref	PLATFORM LEVEL CYLINDER ASSEMBLY	E
		Ref	Note: Original Cylinder May Have Been Replaced with Service Replacement. Identify PN Stamped on Cylinder Before Ordering Parts.	
1	See Note	NSS	Barrel (Note: Not Available for Purchase)	
2	70006496	1	Rod	
3	70006495	1	Head	
4	See Note	NSS	Wiper, Rod (Note: Use Item 51)	
5	See Note	NSS	Seal, Rod (Note: Use Item 51)	
6	See Note	NSS	Ring, Wear (Note: Use Item 51)	
7	See Note	NSS	O-Ring (Note: Use Item 51)	
8	See Note	NSS	Ring, Back-up (Note: Use Item 51)	
9	70006494	1	Piston	
10	See Note	NSS	Ring, Guide (Note: Use Item 51)	
11	See Note	NSS	Ring, Lock (Note: Use Item 51)	
12	See Note	NSS	O-Ring (Note: Use Item 51)	
13	See Note	NSS	Ring, Back-up (Note: Use Item 51)	
14	0961897	1	Bushing, Tapered	
15	0630535	3	Capscrew 1/4 x 1-1/8	
16	3931824	8	Capscrew 1/2 x 1-1/2	
17	70007049	1	Ring, Washer	
18	4641386	1	Cartridge, Holding Valve (Vented)	
18	7011376	1	Seal Kit - 4641386 Cartridge (1 Per Cartridge)	
19	4641393	1	Cartridge, Holding Valve (Vented)	
19	7011376	1	Seal Kit - 4641393 Cartridge (1 Per Cartridge)	
20	4641388	1	Cartridge, Holding Valve	
20	7011353	1	Seal Kit - 4641388 Cartridge (1 Per Cartridge)	
21	0962561	1	Bushing	
22	0961949	2	Bushing	
23	2220883	5	Plug, O-Ring	
24	2220886	AR	Plug, O-Ring	
25	0100011	AR	Compound, Locking	
26	0100038	AR	Primer, Locking	
27	0100019	AR	Compound, Locking	
51	2902285	1	Seal Kit (Includes Items 4-8 & 10-13)	

SECTION 6 - CYLINDER

FIGURE 6-4. LIFT CYLINDER ASSEMBLY - JIB (Prior to SN 0300293517)



ART_1001228025

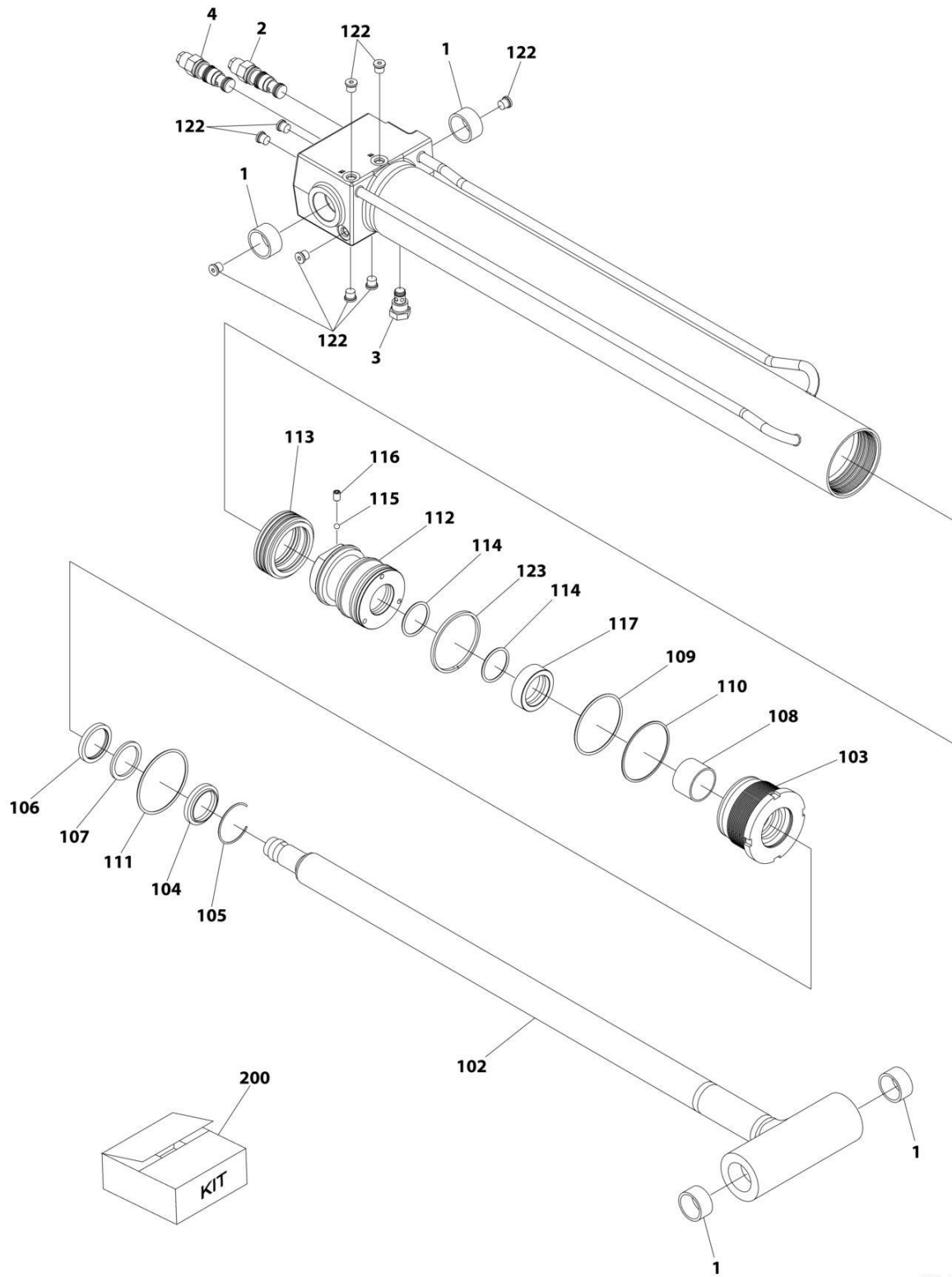
SECTION 6 - CYLINDER

FIGURE 6-4. LIFT CYLINDER ASSEMBLY - JIB (Prior to SN 0300293517)

ITEM	PART NUMBER	QTY	DESCRIPTION	REV
	1001228025	Ref	JIB CYLINDER ASSEMBLY	G
		Ref	Note: Original Cylinder May Have Been Replaced with Service Replacement. Identify PN Stamped on Cylinder Before Ordering Parts.	
1	See Note	NSS	Barrel (Note: Not Available for Purchase)	
2	70006526	1	Rod	
3	70006525	1	Head	
4	See Note	NSS	Wiper, Rod (Note: Use Item 151)	
5	See Note	NSS	Seal (Note: Use Item 151)	
6	See Note	NSS	Ring, Wear (Note: Use Item 151)	
7	See Note	NSS	O-Ring (Note: Use Item 151)	
8	See Note	NSS	Ring, Back-up (Note: Use Item 151)	
9	70006524	1	Piston	
10	See Note	NSS	Seal (Note: Use Item 151)	
11	See Note	NSS	Ring, Wear (Note: Use Item 151)	
12	See Note	NSS	O-Ring (Note: Use Item 151)	
13	See Note	NSS	Ring, Back-up (Note: Use Item 151)	
14	See Note	NSS	Seal (Note: Use Item 151)	
15	70006523	1	Spacer	
16	0961893	1	Bushing, Tapered	
17	0630534	3	Capscrew #10 x 1	
18	3931516	8	Capscrew 5/16 x 1	
19	3760368	1	Ring, Washer	
20	4641260	1	Cartridge, Counterbalance (Port above V1)	
20	2900770	1	Seal Kit - 4641260 Cartridge Valve (1 Per Valve)	
21	4640452	1	Cartridge, Counterbalance (Port above V2)	
21	2900770	1	Seal Kit - 4640452 Cartridge Valve (1 Per Valve)	
22	4641114	1	Cartridge, Restricted/Check	
22	7012967	1	Seal Kit - 4641114 Cartridge Valve (1 Per Valve)	
23	0962257	4	Bushing	
24	2220883	8	Plug, O-Ring	
25	2220885	AR	Plug, O-Ring	
26	0100011	AR	Compound, Locking	
27	0100038	AR	Primer, Locking	
151	1001138805	1	Seal Kit (Includes Items 4-8 & 10-14)	

SECTION 6 - CYLINDER

FIGURE 6-5. LIFT CYLINDER ASSEMBLY - JIB (SN 0300293517 to Present)



ART_1001251025

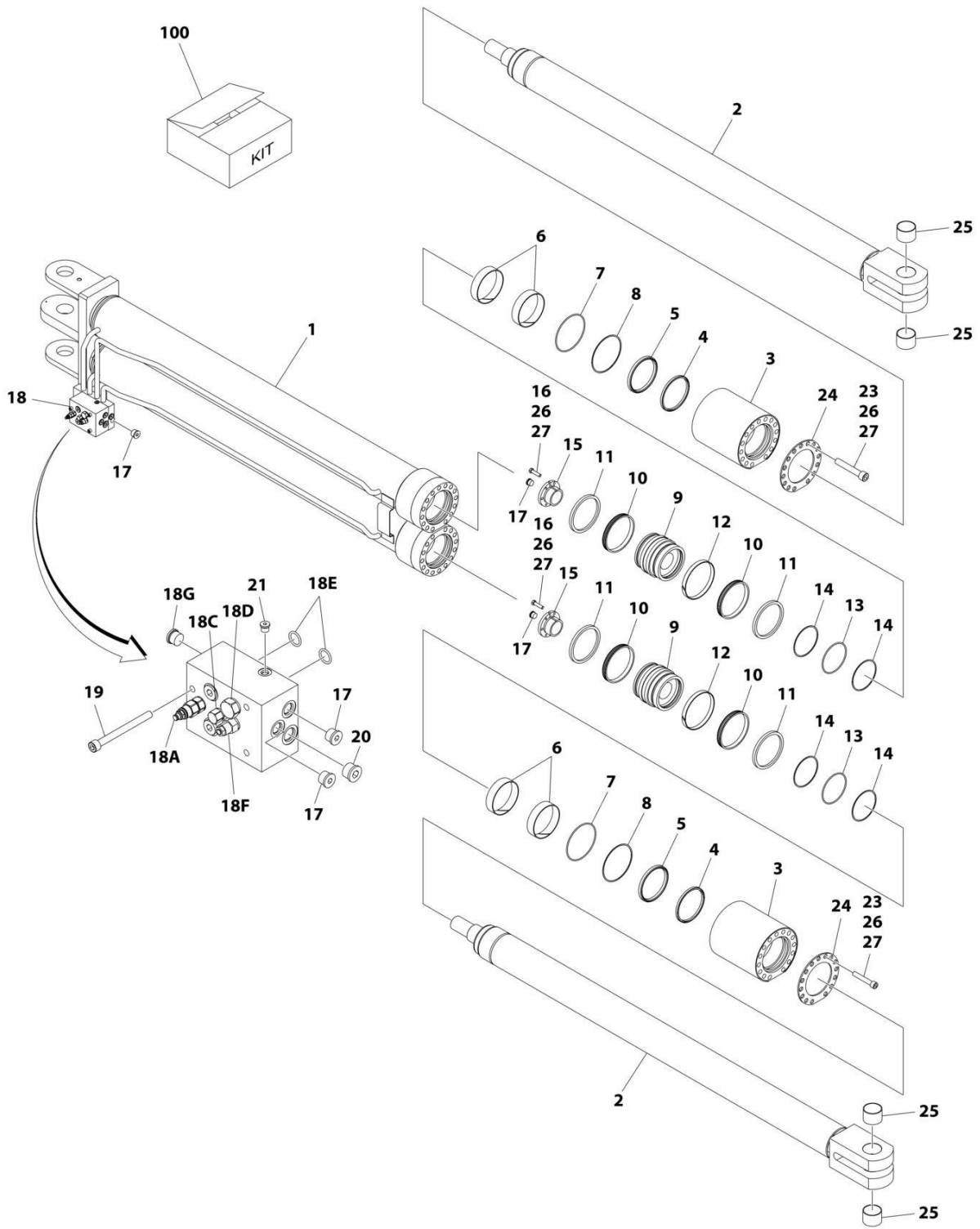
SECTION 6 - CYLINDER

FIGURE 6-5. LIFT CYLINDER ASSEMBLY - JIB (SN 0300293517 to Present)

ITEM	PART NUMBER	QTY	DESCRIPTION	REV
	1001251025	Ref	JIB CYLINDER ASSEMBLY	A
		Ref	Note: Original Cylinder May Have Been Replaced with Service Replacement. Identify PN Stamped on Cylinder Before Ordering Parts.	
1	0962257	4	Bushing	
2	4640452	1	Valve, Counterbalance	
2	2900770	1	Seal Kit - For 4640452 Counterbalance Valve	
3	4641114	1	Valve, Check	
3	7012998	1	Seal Kit - For 4641114 Check Valve	
4	4641260	1	Valve, Counterbalance	
4	2900770	1	Seal Kit - For 4641260 Counterbalance Valve	
102	70007993	1	Rod	
103	70007994	1	Head	
104	See Note	NSS	Wiper (Note: Use Item 200)	
105	70002373	1	Ring, Retaining	
106	See Note	NSS	Seal (Note: Use Item 200)	
107	See Note	NSS	Ring (Note: Use Item 200)	
108	70005143	1	Bearing	
109	See Note	NSS	O-Ring (Note: Use Item 200)	
110	See Note	NSS	Ring (Note: Use Item 200)	
111	See Note	NSS	O-Ring (Note: Use Item 200)	
112	70007995	1	Piston	
113	See Note	NSS	Seal (Note: Use Item 200)	
114	See Note	NSS	O-Ring (Note: Use Item 200)	
115	70022564	1	Ball, Steel	
116	70006596	1	Setscrew M8 x 1-1/4	
117	70007996	1	Spacer	
122	2220883	9	Plug	
123	70007997	1	Ring	
200	70007998	1	Seal Kit (Includes Items 104, 106, 107, 109-111, 113 & 114)	

SECTION 6 - CYLINDER

FIGURE 6-6. LIFT CYLINDER ASSEMBLY - MAIN BOOM



ART_1001228094

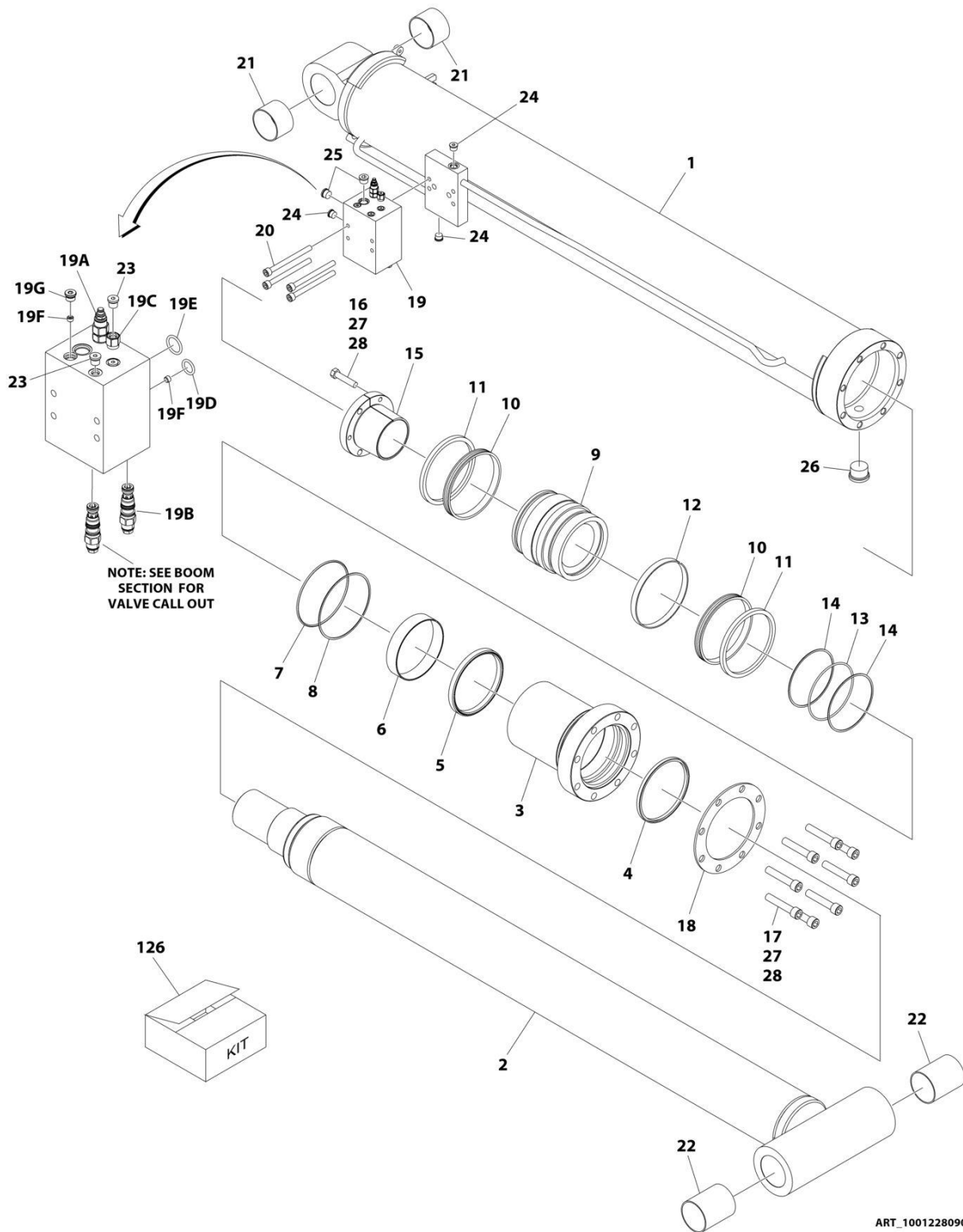
SECTION 6 - CYLINDER

FIGURE 6-6. LIFT CYLINDER ASSEMBLY - MAIN BOOM

ITEM	PART NUMBER	QTY	DESCRIPTION	REV
	1001228094	Ref	LIFT CYLINDER ASSEMBLY - MAIN BOOM	D
		Ref	Note: Original Cylinder May Have Been Replaced with Service Replacement. Identify PN Stamped on Cylinder Before Ordering Parts.	
1	See Note	NSS	Barrel Weldment (Note: Not Available for Purchase)	
2	70006546	2	Rod	
3	70006545	2	Head	
4	See Note	NSS	Wiper (Note: Use Item 100)	
5	See Note	NSS	Seal (Note: Use Item 100)	
6	See Note	NSS	Ring, Wear (Note: Use Item 100)	
7	See Note	NSS	O-Ring (Note: Use Item 100)	
8	See Note	NSS	Ring, Back-up (Note: Use Item 100)	
9	1001202201	2	Piston	
10	See Note	NSS	Seal (Note: Use Item 100)	
11	See Note	NSS	Ring, Lock (Note: Use Item 100)	
12	See Note	NSS	Ring, Wear (Note: Use Item 100)	
13	See Note	NSS	O-Ring (Note: Use Item 100)	
14	See Note	NSS	Ring, Back-up (Note: Use Item 100)	
15	0961898	2	Bushing	
16	0630536	6	Capscrew 3/8 x 1-1/2	
17	2220886	6	Plug #8	
18	1001204041	1	Valve Assembly	C
18A	70005659	1	Cartridge, Valve (Counterbalance)	
18A	7011376	1	Seal Kit - 70005659 Valve	
18C	70005658	1	Cartridge, Valve (Shuttle)	
18C	7026004	1	Seal Kit - 70005658 Valve	
18D	70004406	1	Cartridge, Valve (Check)	
18D	7011351	1	Seal Kit - 70004406 Valve	
18E	70000778	2	O-Ring	
18F	1001156033	1	Cartridge, Valve (Counterbalance)	
18F	7024574	1	Seal Kit - 1001156033 Valve	
18G	70005598	1	Plug #6	
19	5272024	4	Capscrew M10 x 110	
20	2220887	3	Plug #10	
21	2220883	1	Plug #4	
23	3932272	30	Capscrew 3/4 x 4-1/2	
24	1001202236	2	Ring, Washer	
25	1001198762	4	Bearing	
26	0100011	AR	Compound, Locking	
27	0100038	AR	Primer, Locking	
100	1001202539	2	Kit Seal - Cylinder (Includes Items 4-8 & 10-14)	

SECTION 6 - CYLINDER

FIGURE 6-7. LIFT CYLINDER ASSEMBLY - TOWER BOOM



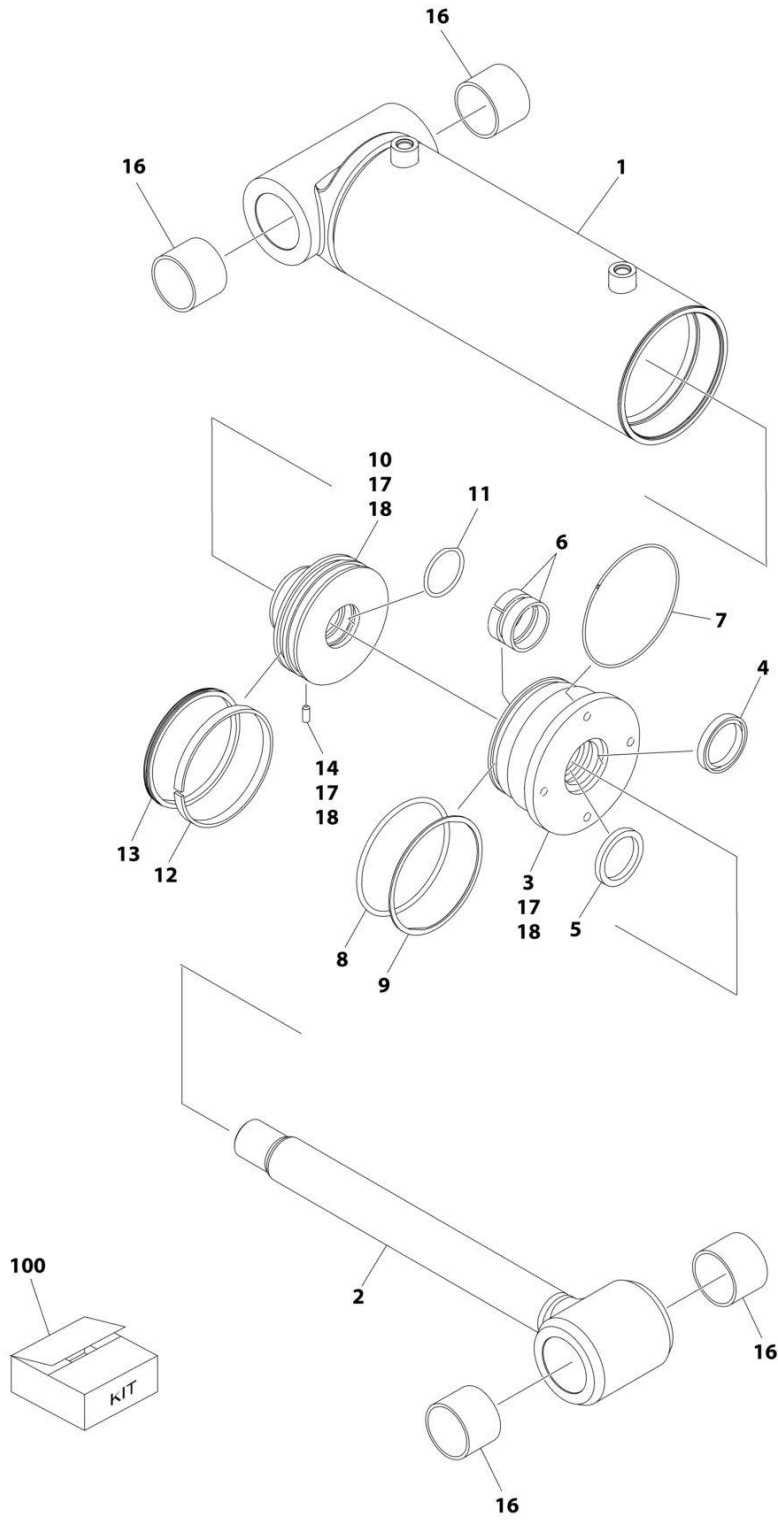
SECTION 6 - CYLINDER

FIGURE 6-7. LIFT CYLINDER ASSEMBLY - TOWER BOOM

ITEM	PART NUMBER	QTY	DESCRIPTION	REV
	1001228090	Ref	LIFT CYLINDER ASSEMBLY - TOWER BOOM	C
		Ref	Note: Original Cylinder May Have Been Replaced with Service Replacement. Identify PN Stamped on Cylinder Before Ordering Parts.	
1	See Note	NSS	Barrel Weldment (Note: Not Available for Purchase)	
2	70006512	1	Rod	
3	70006511	1	Head	
4	See Note	NSS	Ring, Wiper (Note: Use Item 126)	
5	See Note	NSS	Seal, Rod (Note: Use Item 126)	
6	See Note	NSS	Ring, Wear (Note: Use Item 126)	
7	See Note	NSS	O-Ring (Note: Use Item 126)	
8	See Note	NSS	Ring, Back-up (Note: Use Item 126)	
9	70006510	1	Piston	
10	See Note	NSS	Ring, Hydrolock (Note: Use Item 126)	
11	See Note	NSS	Ring, Lock (Note: Use Item 126)	
12	See Note	NSS	Ring, Wear (Note: Use Item 126)	
13	See Note	NSS	O-Ring (Note: Use Item 126)	
14	See Note	NSS	Ring, Back-up (Note: Use Item 126)	
15	0962562	1	Bushing, Tapered	
16	1001206184	3	Bolt 5/8 x 2-7/8 Grade 8	
17	3932264	8	Capscrew 3/4 x 4	
18	1001151503	1	Ring, Washer	
19	1001212199	1	Valve Assembly	
19A	70005656	1	Cartridge, Valve (Counterbalance)	
19A	7011376	1	Seal Kit - 70005656 Valve	
19B	70005655	1	Cartridge, Valve (Counterbalance)	
19B	2900770	1	Seal Kit - 70005655 Valve	
19C	7011361	1	Cartridge, Valve (Shuttle)	
19C	7011346	1	Seal Kit - 7011361 Valve	
19D	70005654	1	O-Ring	
19E	70024072	1	O-Ring	
19F	70005633	2	Orifice .031	
19G	70005598	1	Plug #6	
20	5272025	4	Capscrew M10 x 120	
21	1001133927	2	Bearing	
22	1001150942	2	Bushing	
23	2220883	5	Plug #4	
24	2220886	3	Plug #8	
25	2220887	2	Plug #10	
26	2220888	1	Plug #12	
27	0100011	AR	Compound, Locking	
28	0100038	AR	Primer, Locking	
126	1001160169	1	Seal Kit (Includes Items 4-8 & 10-14)	

SECTION 6 - CYLINDER

FIGURE 6-8. STEER CYLINDER ASSEMBLY (Prior to SN 0300293919)



ART_1001228065

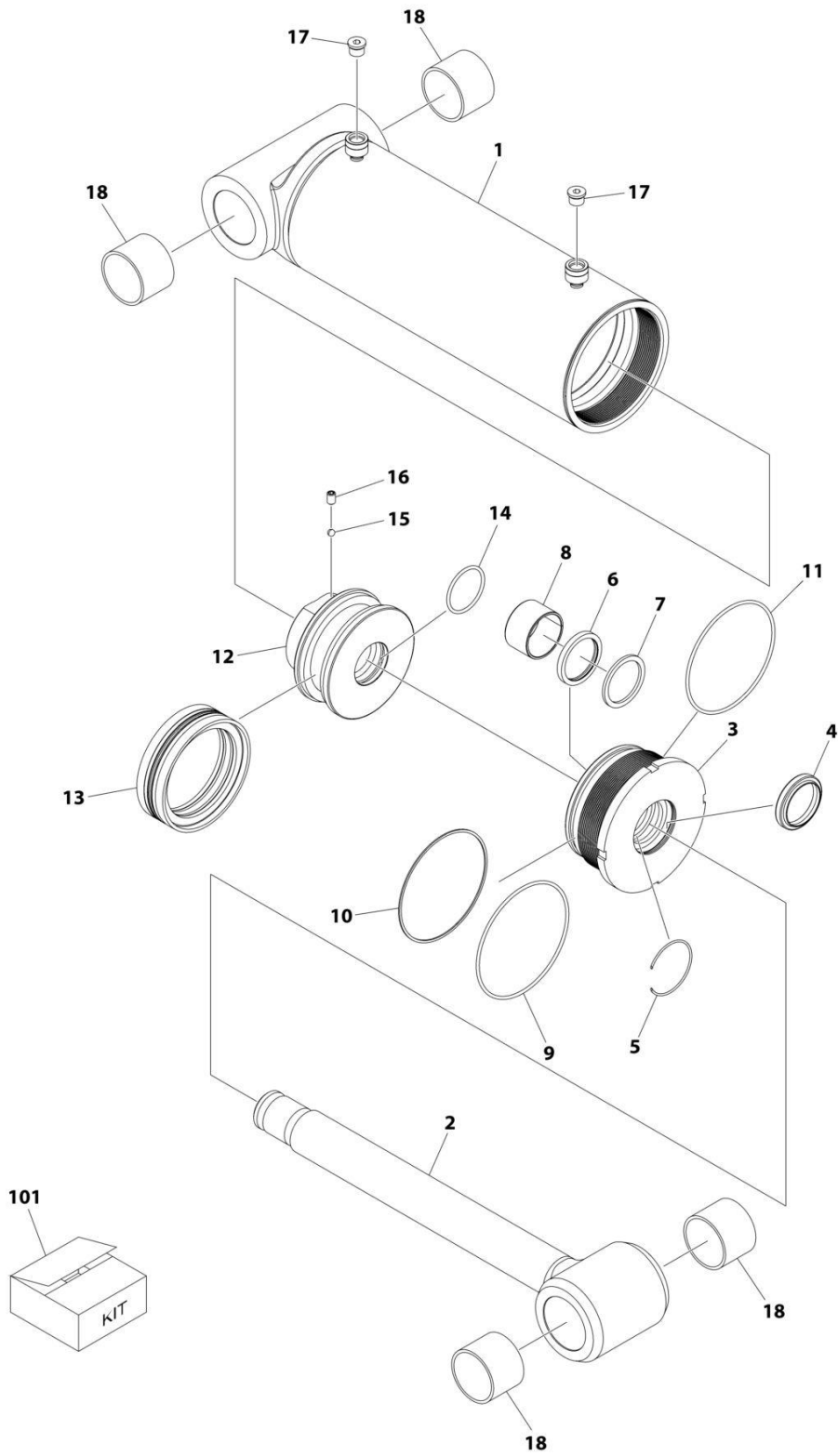
SECTION 6 - CYLINDER

FIGURE 6-8. STEER CYLINDER ASSEMBLY (Prior to SN 0300293919)

ITEM	PART NUMBER	QTY	DESCRIPTION	REV
	1001228065	Ref	STEER CYLINDER ASSEMBLY	D
		Ref	Note: Original Cylinder May Have Been Replaced with Service Replacement. Identify PN Stamped on Cylinder Before Ordering Parts.	
1	See Note	NSS	Barrel Weldment (Note: Not Available for Purchase)	
2	70006471	1	Rod	
3	70006470	1	Head	
4	See Note	NSS	Seal, Wiper (Note: Use Item 100)	
5	See Note	NSS	Seal (Note: Use Item 100)	
6	See Note	NSS	Ring, Wear (Note: Use Item 100)	
7	See Note	NSS	O-Ring (Note: Use Item 100)	
8	See Note	NSS	O-Ring (Note: Use Item 100)	
9	See Note	NSS	Ring, Wear (Note: Use Item 100)	
10	70005878	1	Piston	
11	See Note	NSS	O-Ring (Note: Use Item 100)	
12	See Note	NSS	Ring, Wear (Note: Use Item 100)	
13	See Note	NSS	Seal (Note: Use Item 100)	
14	3951405	1	Setscrew 1/4 x 5/8	
16	0961950	4	Bushing	
17	0100011	AR	Compound, Locking	
18	0100038	1	Lubricant	
100	1001157958	1	Kit, Seal (Includes Items 4-9 & 11-13)	

SECTION 6 - CYLINDER

FIGURE 6-9. STEER CYLINDER ASSEMBLY (SN 0300293919 to Present)



ART_1001251065

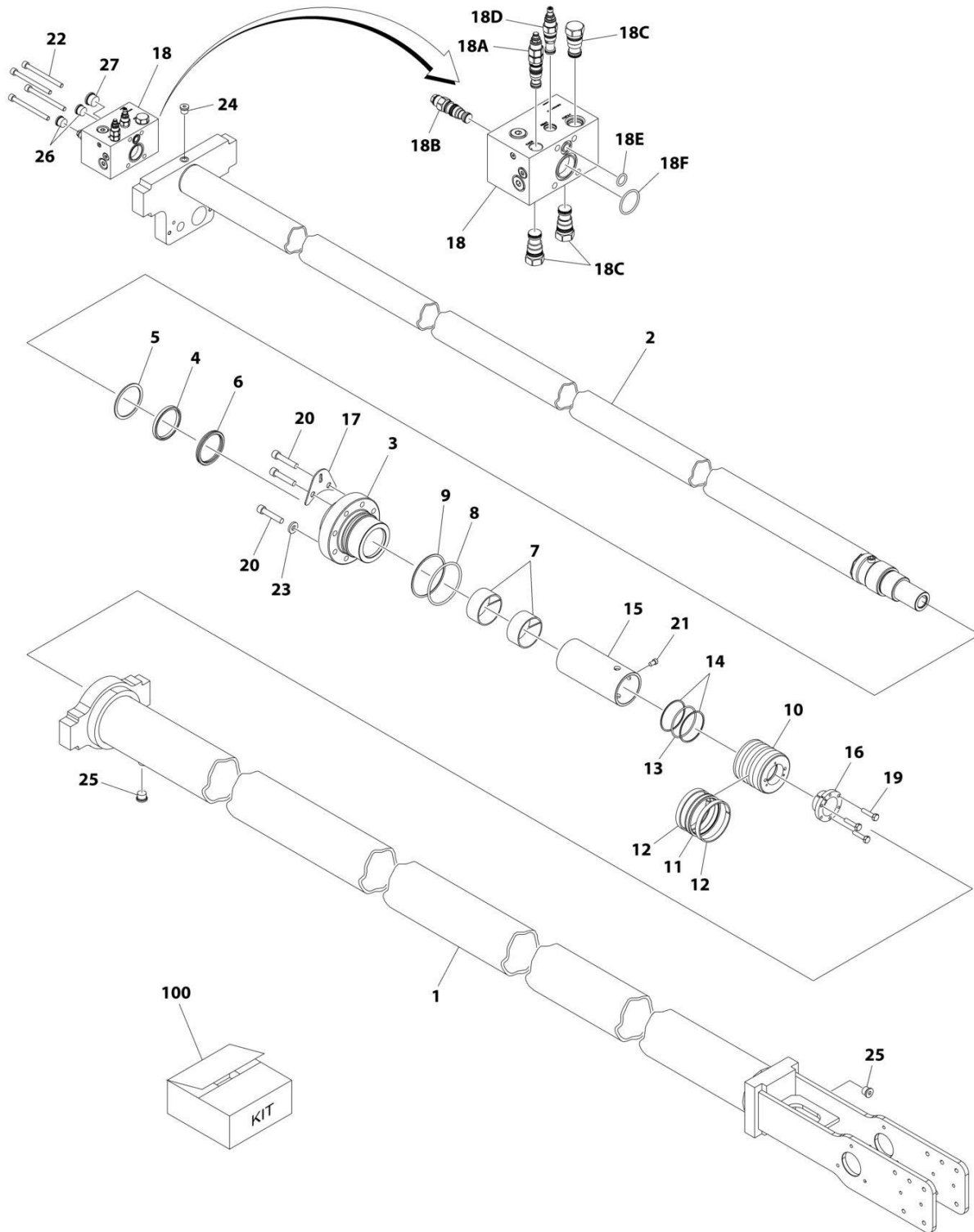
SECTION 6 - CYLINDER

FIGURE 6-9. STEER CYLINDER ASSEMBLY (SN 0300293919 to Present)

ITEM	PART NUMBER	QTY	DESCRIPTION	REV
	1001251065	Ref	STEER CYLINDER ASSEMBLY	A
		Ref	Note: Original Cylinder May Have Been Replaced with Service Replacement. Identify PN Stamped on Cylinder Before Ordering Parts.	
1	See Note	NSS	Barrel (Note: Not Available for Purchase)	
2	7008010	1	Rod	
3	7008011	1	Head	
4	See Note	NSS	Wiper (Note: Use Item 101)	
5	70002410	1	Ring, Retaining	
6	See Note	NSS	Seal, Rod (Note: Use Item 101)	
7	See Note	NSS	Ring, Backup (Note: Use Item 101)	
8	7004237	1	Bushing	
9	See Note	NSS	O-Ring (Note: Use Item 101)	
10	See Note	NSS	Ring, Backup (Note: Use Item 101)	
11	See Note	NSS	O-Ring (Note: Use Item 101)	
12	70008012	1	Piston	
13	See Note	NSS	Seal, Piston (Note: Use Item 101)	
14	See Note	NSS	O-Ring (Note: Use Item 101)	
15	70022564	1	Ball, Steel	
16	70006596	1	Setscrew M8 x 12	
17	2220885	2	Plug 9/16	
18	0961950	4	Bushing	
101	70008013	1	Seal Kit (Includes Items 4, 6-7, 9-11 & 13-14)	

SECTION 6 - CYLINDER

FIGURE 6-10. TELESCOPE CYLINDER ASSEMBLY - MAIN BOOM



ART_1001228093

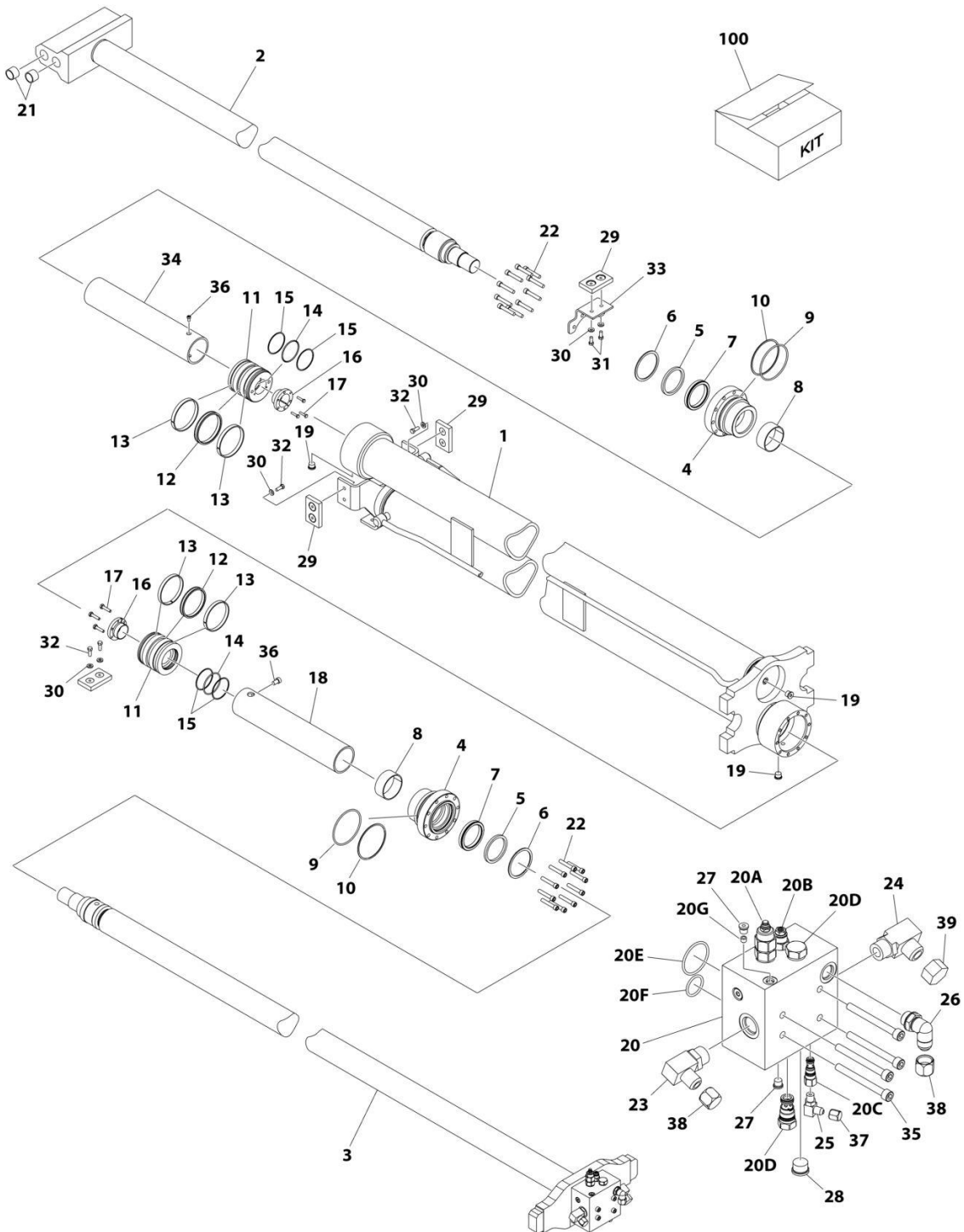
SECTION 6 - CYLINDER

FIGURE 6-10. TELESCOPE CYLINDER ASSEMBLY - MAIN BOOM

ITEM	PART NUMBER	QTY	DESCRIPTION	REV
	1001228093	Ref	TELESCOPE CYLINDER ASSEMBLY - MAIN BOOM	C
		Ref	Note: Original Cylinder May Have Been Replaced with Service Replacement. Identify PN Stamped on Cylinder Before Ordering Parts.	
1	See Note	NSS	Barrel Weldment (Note: Not Available for Purchase)	
2	70006866	1	Rod	
3	70006867	1	Head	
4	See Note	NSS	Seal, Wiper (Note: Use Item 100)	
5	See Note	NSS	Ring, Retaining (Note: Use Item 100)	
6	See Note	NSS	Seal, Rod (Note: Use Item 100)	
7	See Note	NSS	Ring, Wear (Note: Use Item 100)	
8	See Note	NSS	O-Ring (Note: Use Item 100)	
9	See Note	NSS	Ring, Back-up (Note: Use Item 100)	
10	70006868	1	Piston	
11	See Note	NSS	Seal (Note: Use Item 100)	
12	See Note	NSS	Ring, Wear (Note: Use Item 100)	
13	See Note	NSS	O-Ring (Note: Use Item 100)	
14	See Note	NSS	Ring, Back-up (Note: Use Item 100)	
15	70006869	1	Spacer	
16	0961903	1	Bushing, Tapered	
17	70006870	1	Bracket	
18	1001201772	1	Valve Assembly	D
18A	7011381	1	Cartridge, Valve (Counterbalance)	
18A	2900770	1	Seal Kit - 7011381 Valve	
18B	4640746	1	Cartridge, Valve (Counterbalance)	
18B	2900770	1	Seal Kit - 4640746 Valve	
18C	70004406	3	Cartridge, Valve (Check)	
18C	7011351	3	Seal Kit - 70004406 Valve	
18D	70005999	1	Cartridge, Valve (Relief)	
18D	See Note	NSS	Seal Kit - 70005999 Valve (Note: Not Available for Purchase)	
18E	70005654	1	O-Ring	
18F	70004407	1	O-Ring	
19	0630535	3	Capscrew 1/4 x 1-1/8	
20	70006871	8	Bolt	
21	70006731	1	Bolt	
22	70023368	4	Bolt	
23	70006872	6	Washer	
24	2220883	1	Plug #4	
25	2220885	2	Plug #6	
26	70005433	2	Plug	
27	70027702	1	Plug	
100	1001199297	1	Seal, Kit - Cylinder (Includes Items 101-110)	

SECTION 6 - CYLINDER

FIGURE 6-11. TELESCOPE CYLINDER ASSEMBLY - TOWER BOOM



ART_1001228091

SECTION 6 - CYLINDER

FIGURE 6-11. TELESCOPE CYLINDER ASSEMBLY - TOWER BOOM

ITEM	PART NUMBER	QTY	DESCRIPTION	REV
	1001228091	Ref	TELESCOPE CYLINDER ASSEMBLY - TOWER BOOM	C
		Ref	Note: Original Cylinder May Have Been Replaced with Service Replacement. Identify PN Stamped on Cylinder Before Ordering Parts.	
1	See Note	NSS	Barrel Weldment (Note: Not Available for Purchase)	
2	70006853	1	Rod	
3	70006854	1	Rod	
4	70006867	1	Head	
5	See Note	NSS	Seal, Wiper (Note: Use Item 100)	
6	See Note	NSS	Ring, Retaining (Note: Use Item 100)	
7	See Note	NSS	Seal, Rod (Note: Use Item 100)	
8	See Note	NSS	Ring, Wear (Note: Use Item 100)	
9	See Note	NSS	O-Ring (Note: Use Item 100)	
10	See Note	NSS	Ring, Back-up (Note: Use Item 100)	
11	70006856	1	Piston	
12	See Note	NSS	Seal (Note: Use Item 100)	
13	See Note	NSS	Ring, Wear (Note: Use Item 100)	
14	See Note	NSS	O-Ring (Note: Use Item 100)	
15	See Note	NSS	Ring, Back-up (Note: Use Item 100)	
16	0961897	1	Bushing, Tapered	
17	0630535	3	Capscrew 1/4 x 1-1/8	
18	70006857	1	Spacer	
19	2220885	4	Plug #6	
20	1001205683	1	Valve Assembly	
20A	70005603	1	Cartridge, Valve (Counterbalance)	
20A	7011371	1	Seal Kit - 70005603 Valve	
20B	70005602	1	Cartridge, Valve (Counterbalance)	
20B	2900770	1	Seal Kit - 70005602 Valve	
20C	7011361	1	Cartridge, Valve (Shuttle)	
20C	7011346	1	Seal Kit - 7011361 Valve	
20D	7011368	2	Cartridge, Valve (Check)	
20D	7011351	2	Seal Kit - 7011368 Valve	
20E	70005601	1	O-Ring	
20F	70005600	1	O-Ring	
20G	70005599	2	Orifice .031	
21	0961951	4	Bushing	
22	70006732	20	Bolt	
23	70006858	1	Connector	
24	70006859	1	Connector	
25	70005804	1	Connector	
26	70006860	1	Connector	
27	2220883	2	Plug #4	
28	70005433	1	Plug	
29	3340763	4	Pad, Wear	
30	70006344	8	Washer	
31	0681607	2	Bolt 3/8 x 7/8 Grade 8	
32	0681608	6	Bolt 3/8 x 1 Grade 8	
33	1001198587	1	Plate, Mounting	
34	70006861	1	Spacer	
35	70006862	4	Bolt	

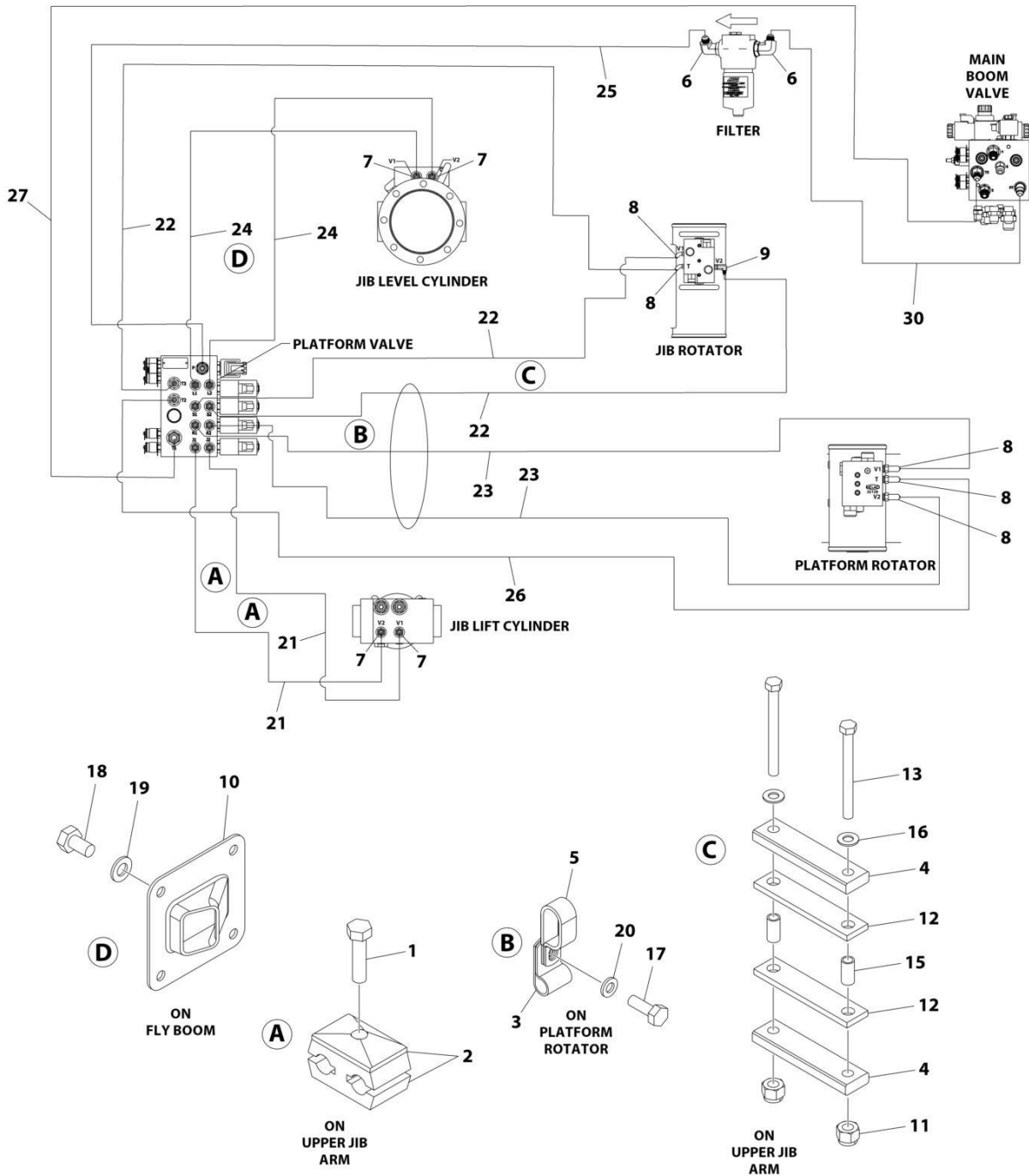
SECTION 6 - CYLINDER

ITEM	PART NUMBER	QTY	DESCRIPTION	REV
36	70006731	2	Bolt	
37	70006863	1	Cap, Dust	
38	70006864	2	Cap, Dust	
39	70006865	1	Cap, Dust	
100	1001198594	1	Seal kit (Includes Items 5-10 & 12-15)	

SECTION 7 - HYDRAULIC

SECTION 7 - HYDRAULIC

FIGURE 7-1. BOOM AND JIB HYDRAULIC DIAGRAM



ART_1001197361

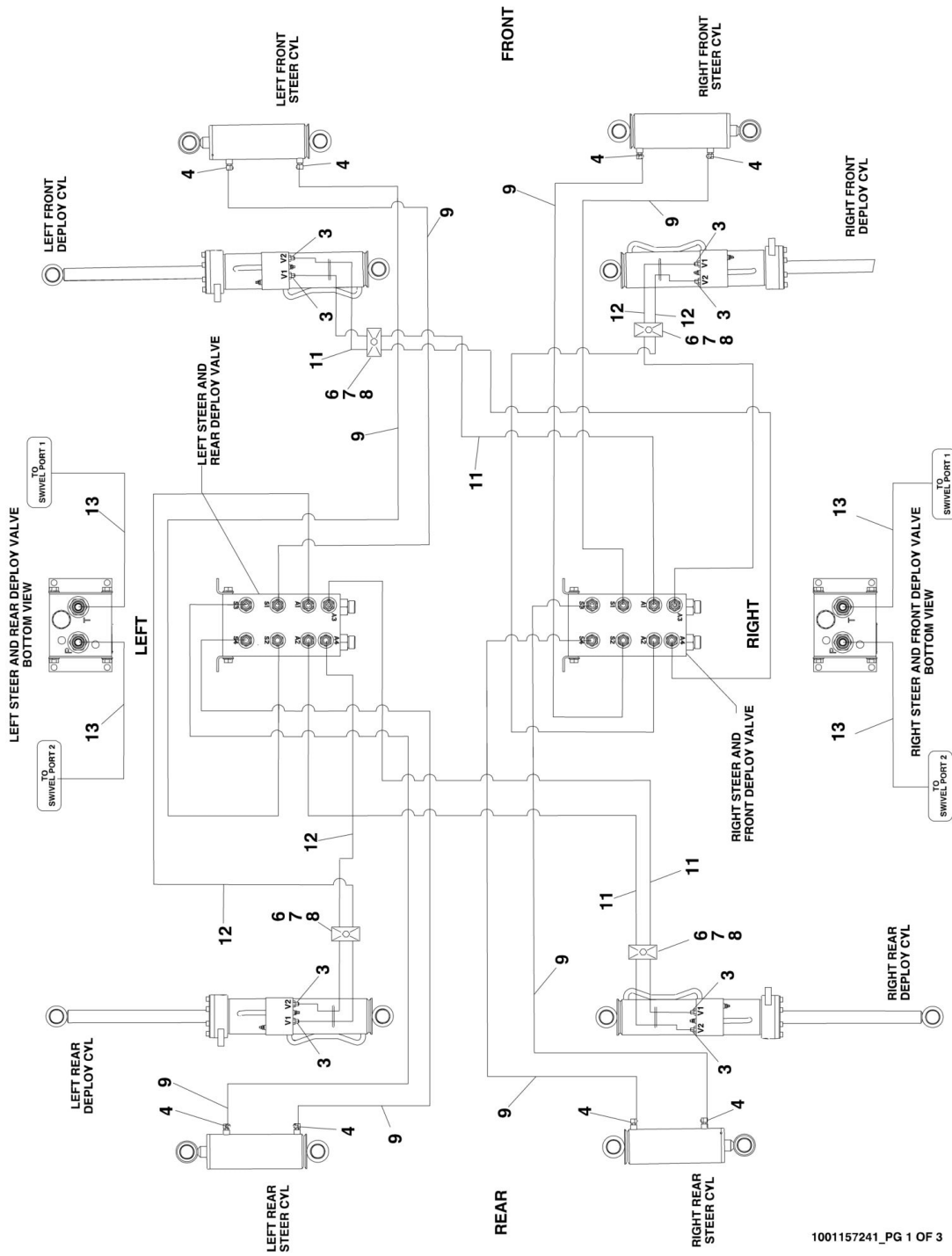
SECTION 7 - HYDRAULIC

FIGURE 7-1. BOOM AND JIB HYDRAULIC DIAGRAM

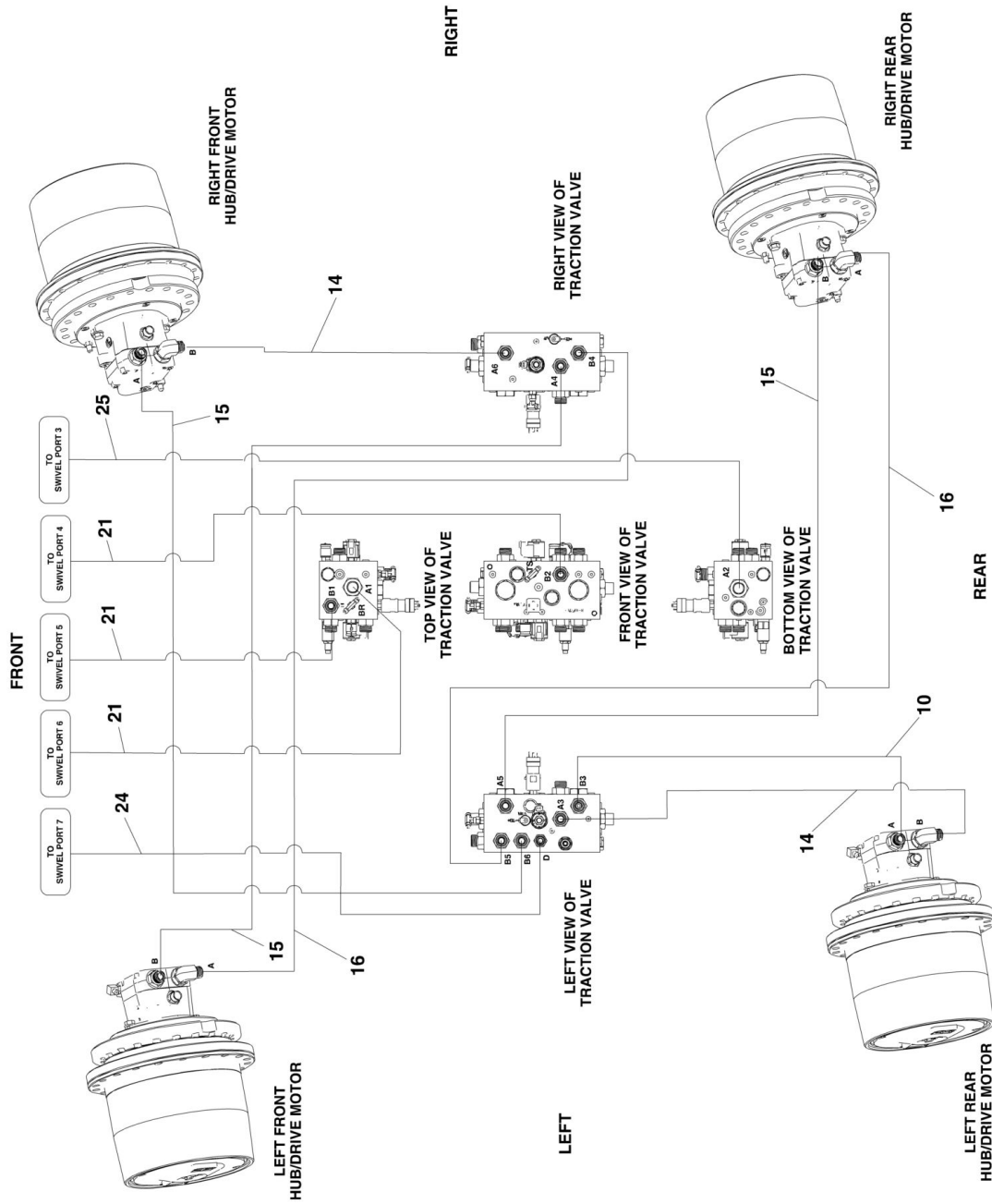
ITEM	PART NUMBER	QTY	DESCRIPTION	REV
	1001197361	Ref	BOOM AND JIB HYDRAULIC DIAGRAM	D
1	0641510	2	Bolt 5/16 x 1-1/4	
2	1320159	2	Clamp	
3	1320263	1	Clamp	
4	1320296	3	Clamp	
5	1321385	1	Clamp	
6	2220366	2	Fitting, 90 JIC/ORB	
7	2220415	4	Fitting, Straight JIC/ORB	
8	2220502	5	Fitting, 45 JIC/ORB	
9	2220940	1	Fitting, 90 JIC/ORB	
10	2540044	1	Guide, Hose	
11	3300492	2	Nut 3/8	
12	3340934	4	Pad, Rubber	
13	3900260	4	Bolt 3/8 x 4	
14	4240018	11	Tie-Strap (Not Shown)	
15	4562516	4 in/0.1m	Tubing	
16	4711600	4	Washer 3/8	
17	0760610001	1	Bolt M6 x 20	
18	0761009001	4	Bolt M10 x 18	
19	1001172358	4	Washer M10	
20	4811700001	1	Washer M6	
21	1001201130	2	Hose	
22	1001201131	3	Hose	
23	1001201132	2	Hose	
24	1001201133	2	Hose	
25	1001201134	1	Hose	
26	1001201135	1	Hose	
27	1001201136	1	Hose	
28	4100063	1	Protector, Hose Wrap (Not Shown)	
29	4240033	4	Tie-Strap (Not Shown)	
30	1001226902	1	Hose	

SECTION 7 - HYDRAULIC

FIGURE 7-2. CHASSIS HYDRAULIC DIAGRAM

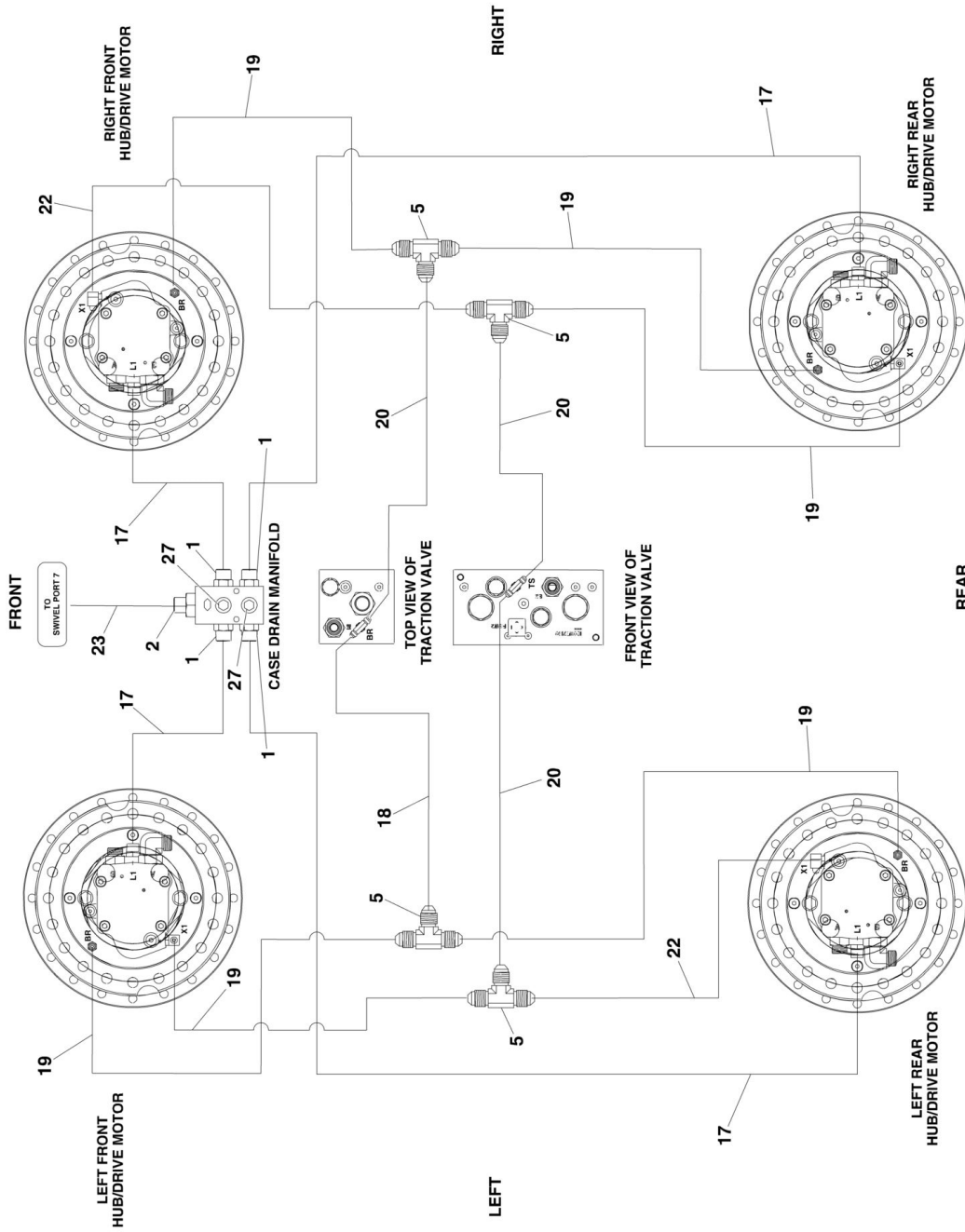


SECTION 7 - HYDRAULIC



1001157241_PG 2 OF 3

SECTION 7 - HYDRAULIC



1001157241_PG 3 OF 3

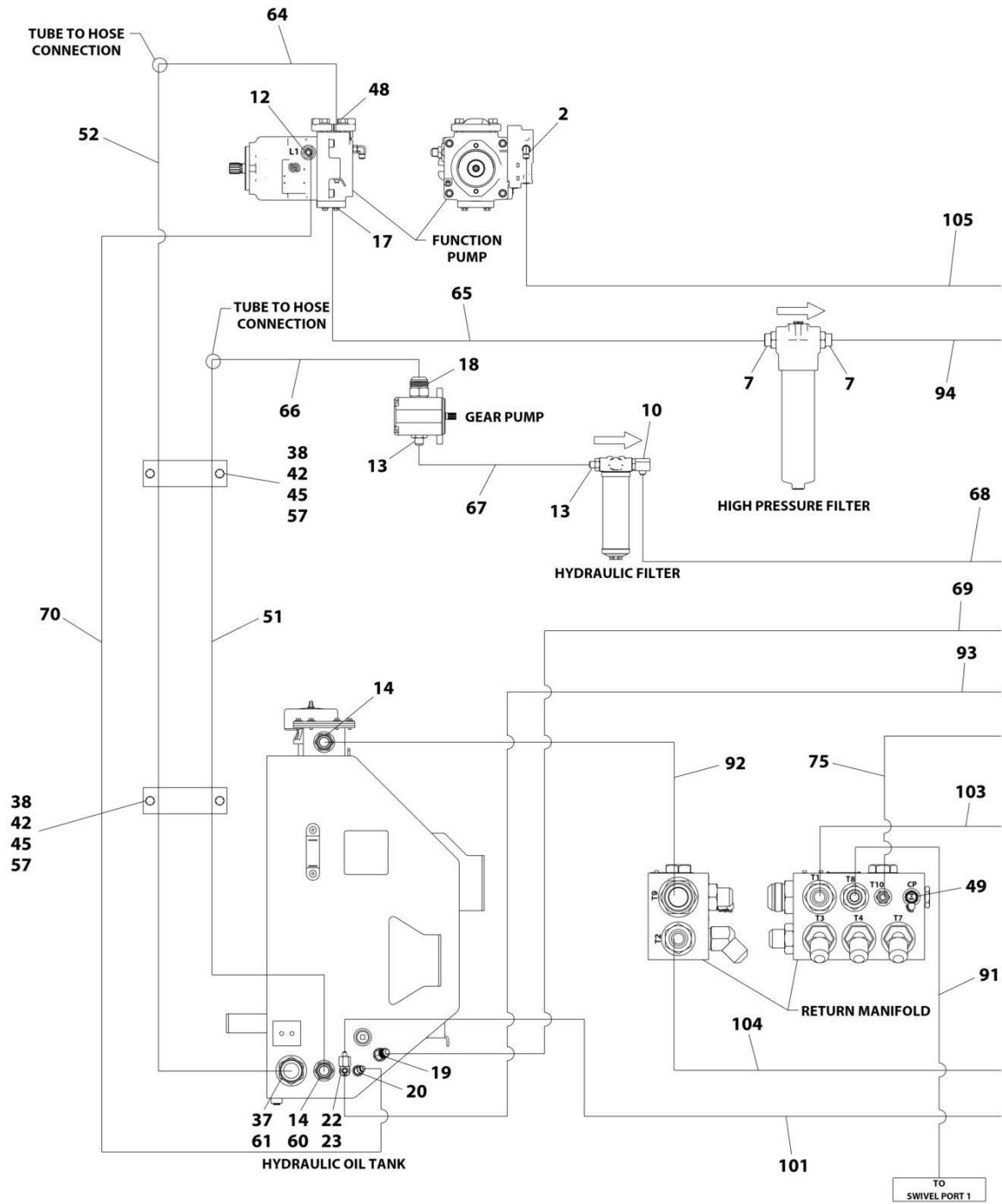
SECTION 7 - HYDRAULIC

FIGURE 7-2. CHASSIS HYDRAULIC DIAGRAM

ITEM	PART NUMBER	QTY	DESCRIPTION	REV
	1001157241	Ref	CHASSIS HYDRAULIC DIAGRAM	D
1	2110808	4	Fitting, Straight ORFS/ORB	
2	2110812	1	Fitting, Straight ORFS/ORB	
3	2220372	8	Fitting, Straight JIC/ORB	
4	2220473	8	Fitting, 90 JIC/ORB	
5	2220504	4	Fitting, Tee JIC/JIC/JIC	
6	8769122	4	Clamp Set	
7	8769128	4	Cover	
8	0641511001	4	Bolt 5/16 x 1-3/8	
9	1001161269	8	Hose	
10	1001161270	1	Hose	
11	1001161271	4	Hose	
12	1001161272	4	Hose	
13	1001161273	4	Hose	
14	1001161274	2	Hose	
15	1001161275	3	Hose	
16	1001161276	2	Hose	
17	1001161277	4	Hose	
18	1001161278	1	Hose	
19	1001161279	6	Hose	
20	1001161280	3	Hose	
21	1001161281	3	Hose	
22	1001161282	2	Hose	
23	1001161283	1	Hose	
24	1001161289	1	Hose	
25	1001161290	1	Hose	
26	4240018	18	Tie-Strap (Not Shown)	
27	2220235	2	Fitting, O-Ring	

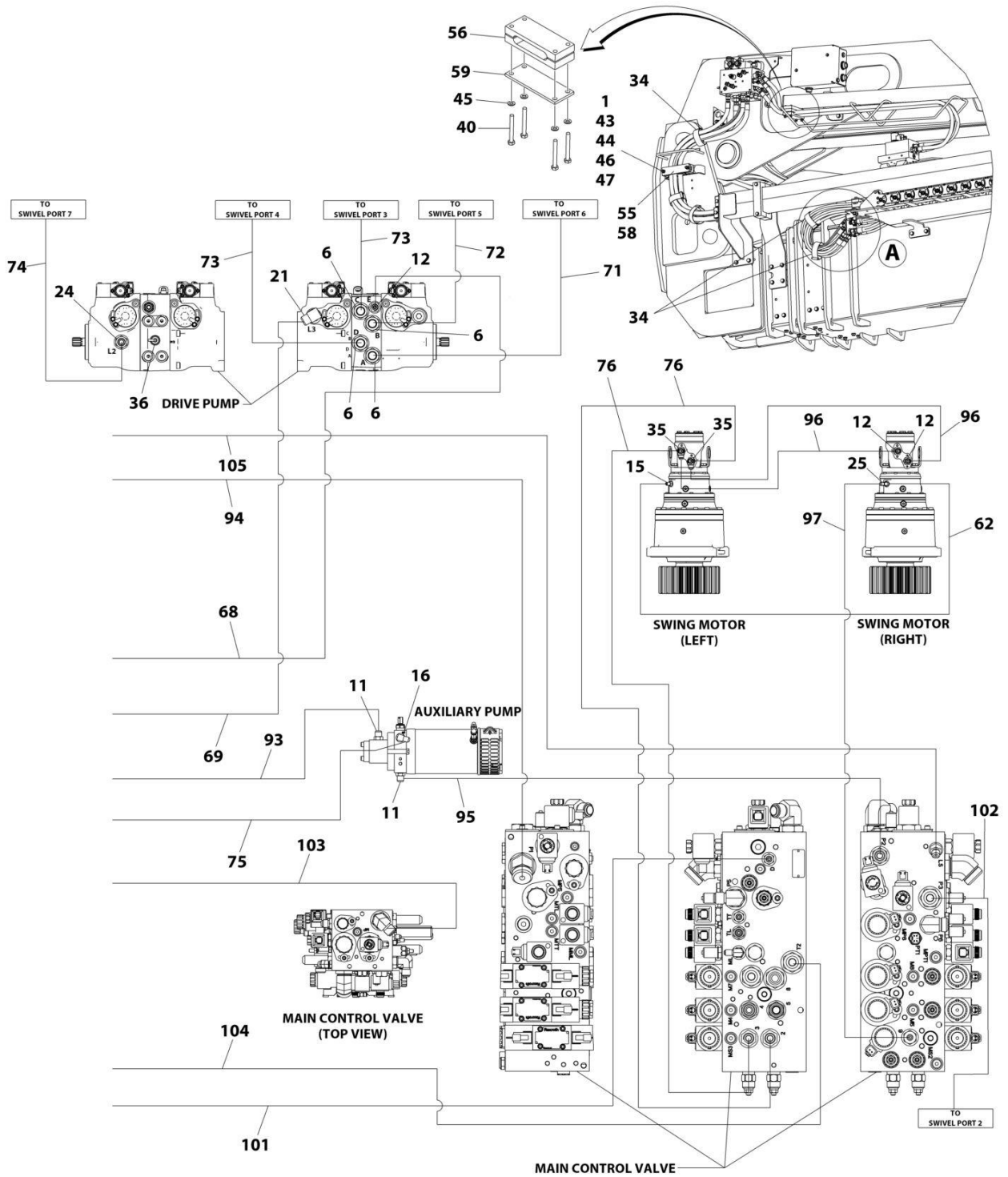
SECTION 7 - HYDRAULIC

FIGURE 7-3. TURNTABLE HYDRAULIC DIAGRAM



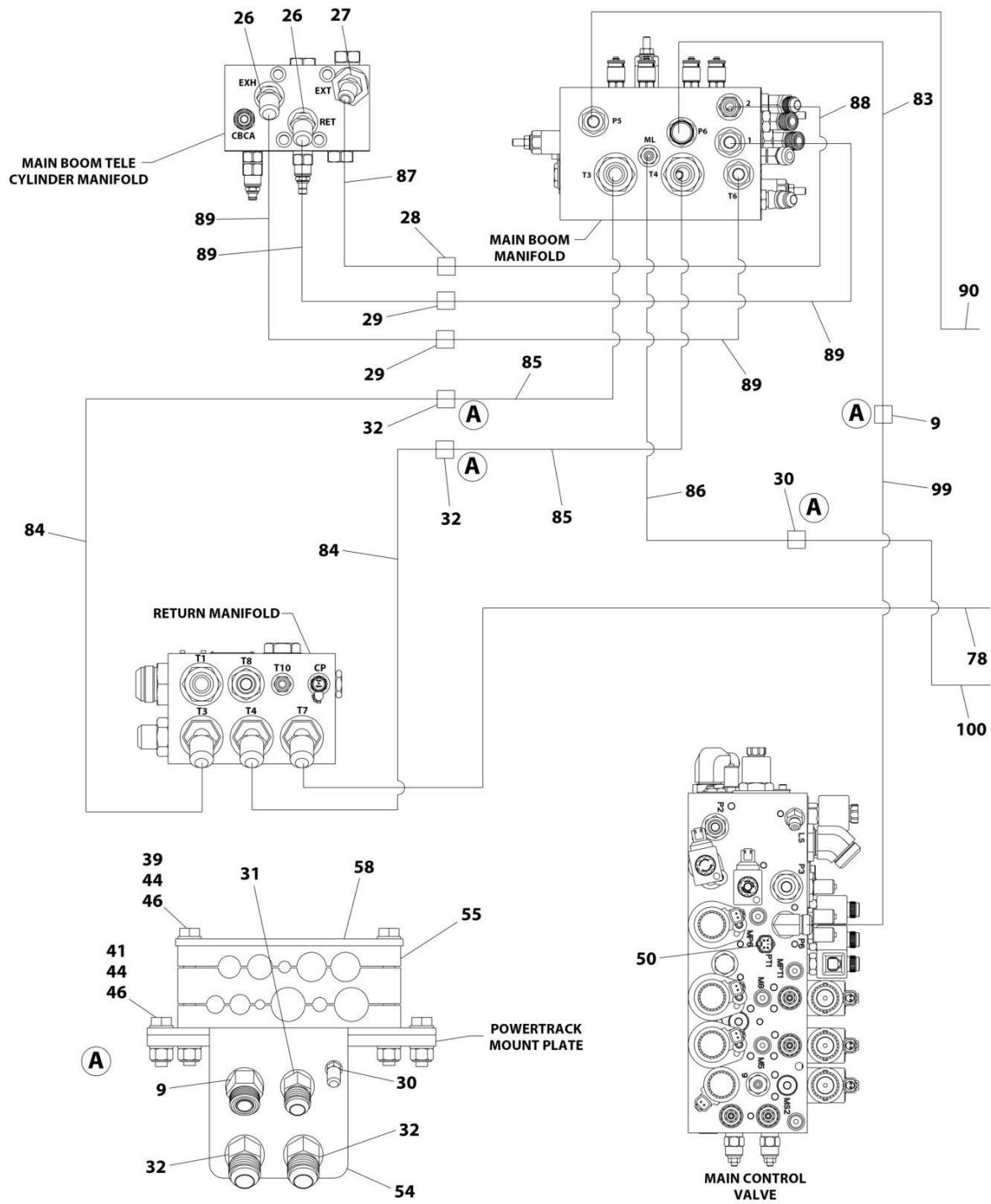
ART_1001212512_10F4

SECTION 7 - HYDRAULIC



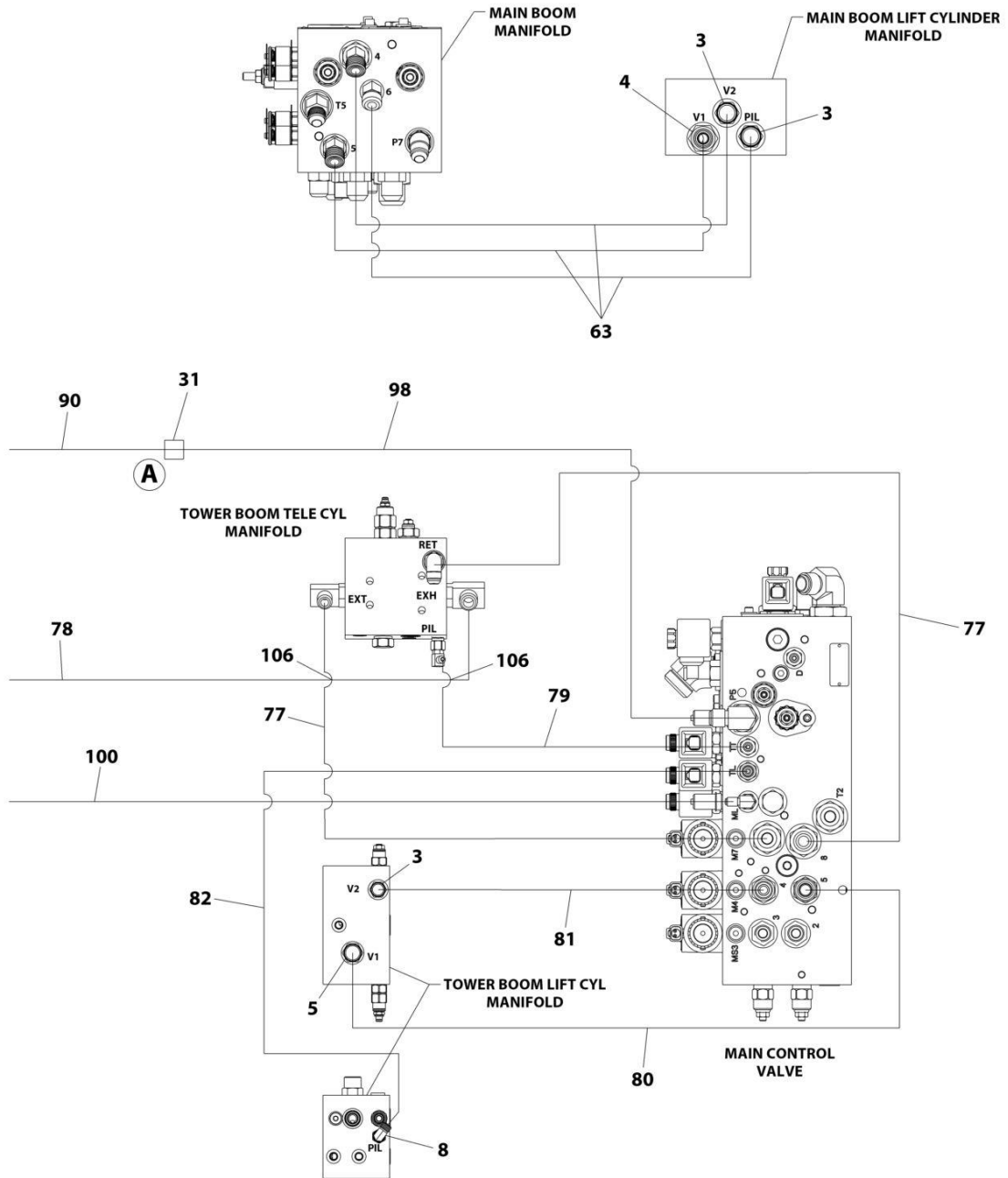
ART_1001212512_20F4

SECTION 7 - HYDRAULIC



ART_1001212512_30F4

SECTION 7 - HYDRAULIC



ART_1001212512_40F4

SECTION 7 - HYDRAULIC

FIGURE 7-3. TURNTABLE HYDRAULIC DIAGRAM

ITEM	PART NUMBER	QTY	DESCRIPTION	REV
	1001212512	Ref	TURNTABLE HYDRAULIC DIAGRAM	G
1	0100019	AR	Compound, Locking	
2	2110604	1	Fitting, 90 ORFS/ORB	
3	2110808	3	Fitting, Straight ORFS/ORB	
4	2110810	1	Fitting, Straight ORFS/ORB	
5	2111010	1	Fitting, Straight ORFS/ORB	
6	2111016	4	Fitting, Straight ORFS/ORB	
7	2111620	2	Fitting, Straight ORFS/ORB	
8	2170204	1	Fitting, 90 ORFS/ORB	
9	2171310	1	Fitting, 45 ORFS	
10	2220366	1	Fitting, 90 JIC/ORB	
11	2220373	2	Fitting, Straight JIC/ORB	
12	2220374	4	Fitting, Straight JIC/ORB	
13	2220375	2	Fitting, Straight JIC/ORB	
14	2220380	2	Fitting, Straight JIC/ORB	
15	2220415	1	Fitting, Straight JIC/ORB	
16	2220473	1	Fitting, 90 JIC/ORB	
17	2220478	1	Fitting Kit - Split Flange	
18	2220479	1	Fitting, Straight JIC/ORB	
19	2220498	1	Fitting, 45 JIC/ORB	
20	2220500	1	Fitting, 45 JIC/ORB	
21	2220578	1	Fitting, 90 JIC/ORB	
22	2220602	1	Fitting, Tee JIC/ORB/JIC	
23	2220618	1	Fitting, Straight JIC/FSJIC	
24	2220865	1	Fitting, Straight JIC/ORB	
25	2221034	1	Fitting, Tee	
26	2221050	2	Fitting, 45 JIC/ORB	
27	2221077	1	Fitting, 45	
28	2230025	1	Fitting, Straight JIC/JIC	
29	2230026	2	Fitting, Straight JIC/JIC	
30	2230031	1	Fitting, 45 JIC/JIC	
31	2230035	1	Fitting, 45 JIC/JIC	
32	2230036	2	Fitting, 45 JIC/JIC	
33	4240018	4	Tie-Strap (Not Shown)	
34	1001137263	AR	Strap, Cinch	
35	8760554	2	Fitting, Tee JIC/ORB/JIC	
36	77133089	1	Valve, Check	
37	88662013	1	Fitting, Straight JIC/ORB	
38	0700823001	4	Bolt M8 x 75	
39	0701028001	2	Bolt M10 x 110	
40	0760822001	4	Bolt M8 x 70	
41	0761015001	2	Bolt M10 x 35	
42	3290801001	4	Nut M8	
43	3291001001	2	Nut M10	
44	3291005001	6	Nut M10	
45	4811900001	12	Washer M8	
46	1001172358	10	Washer M10	
47	1001202136	2	Stud M10 x 115	
48	1001110604	1	Fitting Kit - Split Flange	
49	1001119455	1	Fitting, Test	

SECTION 7 - HYDRAULIC

ITEM	PART NUMBER	QTY	DESCRIPTION	REV
50	1001200550	1	Sensor, Pressure Transducer	
51	1001202320	1	Tube	
52	1001212328	1	Tube	
53	1001207279	1	Shield (Not Shown)	
54	1001202705	1	Bracket	
55	1001202706	2	Clamp	
56	1001202707	1	Clamp	
57	1001207102	2	Clamp	
58	1001202708	2	Cover, Clamp	
59	1001202709	1	Cover, Clamp	
60	1001217086	1	Seal, Conical	
61	1001217087	1	Seal, Conical	
62	1001161647	1	Hose	
63	1001200977	1	Hose	
64	1001205083	1	Hose	
65	1001205084	1	Hose	
66	1001205086	1	Hose	
67	1001205087	1	Hose	
68	1001205088	1	Hose	
69	1001205089	1	Hose	
70	1001205090	1	Hose	
71	1001205092	1	Hose	
72	1001205093	1	Hose	
73	1001205094	2	Hose	
74	1001205095	1	Hose	
75	1001205096	1	Hose	
76	1001205098	2	Hose	
77	1001205100	2	Hose	
78	1001205102	1	Hose	
79	1001205103	1	Hose	
80	1001205104	1	Hose	
81	1001205105	1	Hose	
82	1001205106	1	Hose	
83	1001205108	1	Hose	
84	1001205110	2	Hose	
85	1001205111	2	Hose	
86	1001205113	1	Hose	
87	1001205114	1	Hose	
88	1001205115	1	Hose	
89	1001205116	4	Hose	
90	1001205117	1	Hose	
91	1001205124	1	Hose	
92	1001205125	1	Hose	
93	1001205949	1	Hose	
94	1001212491	1	Hose	
95	1001212492	1	Hose	
96	1001212494	2	Hose	
97	1001212495	1	Hose	
98	1001212502	1	Hose	
99	1001212503	1	Hose	
100	1001212504	1	Hose	

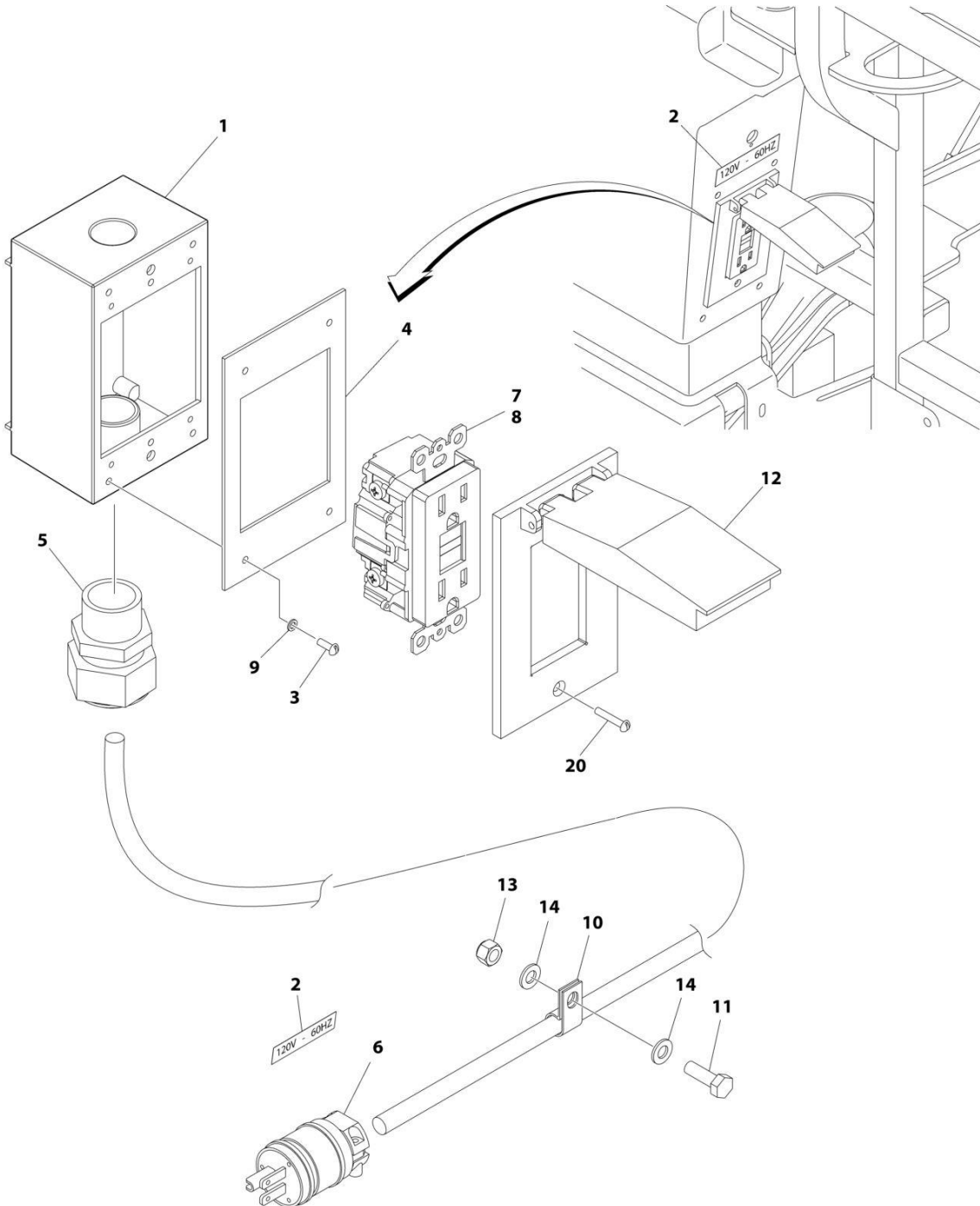
SECTION 7 - HYDRAULIC

ITEM	PART NUMBER	QTY	DESCRIPTION	REV
101	1001212505	1	Hose	
102	1001212507	1	Hose	
103	1001212509	1	Hose	
104	1001231291	1	Hose	
105	1001232201	1	Hose	
106	4240155	6	Strap, Cinch	

SECTION 8 - ELECTRICAL

SECTION 8 - ELECTRICAL

FIGURE 8-1. AC BOX AT PLATFORM INSTALLATION - 110V GFI (ANSI, CSA AND JAPANESE SPECS)



ART_1001197333

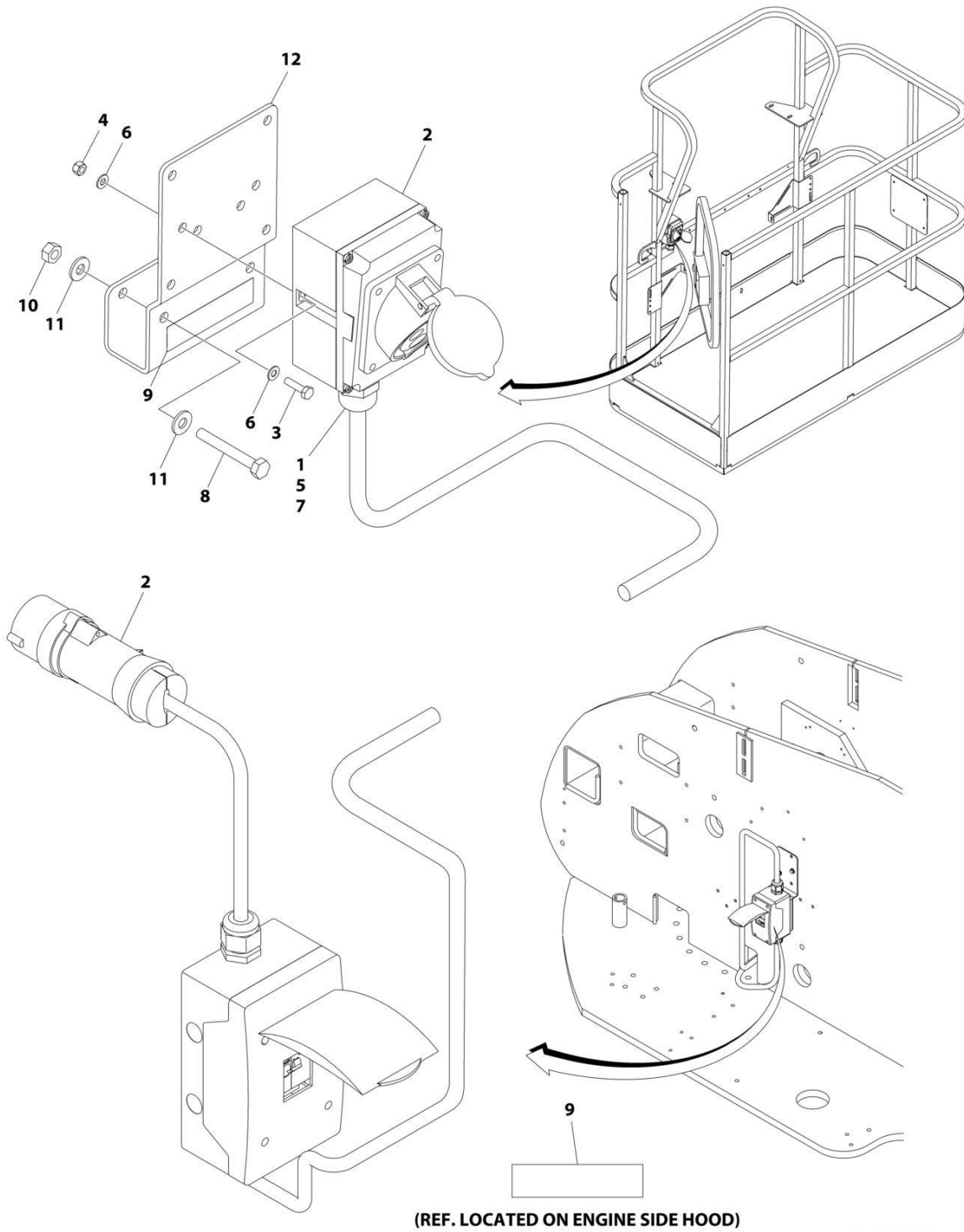
SECTION 8 - ELECTRICAL

FIGURE 8-1. AC BOX AT PLATFORM INSTALLATION - 110V GFI (ANSI, CSA AND JAPANESE SPECS)

ITEM	PART NUMBER	QTY	DESCRIPTION	REV
	1001197333	Ref	AC BOX AT PLATFORM INSTALLATION - 110V GFI	B
1	0860038	1	Box, Switch	
2	3251243	2	Decal - 120V/60Hz	
3	3910606	4	Screw #6 x 3/8	
4	3960422	1	Gasket, AC Receptacle	
5	4460051	1	Connector, Strain Relief	
6	4460205	1	Plug, Male	
7	4460315	3	Terminal, Spade	
8	4460346	1	Terminal, Receptacle	
9	4760600	4	Washer #6	
10	8406109	1	Clamp	
11	0760812001	1	Bolt M8 x 25	
12	1001110873	1	Shield, Receptacle Cover	
13	3290805001	1	Nut M8	
14	4811900001	2	Washer M8	
20	3910612	2	Screw #6 x 3/4	

SECTION 8 - ELECTRICAL

FIGURE 8-2. AC BOX AT PLATFORM INSTALLATION - 110V IEC YELLOW WITHOUT GENERATOR
(CE & UK CA SPECS)



ART_1001091969

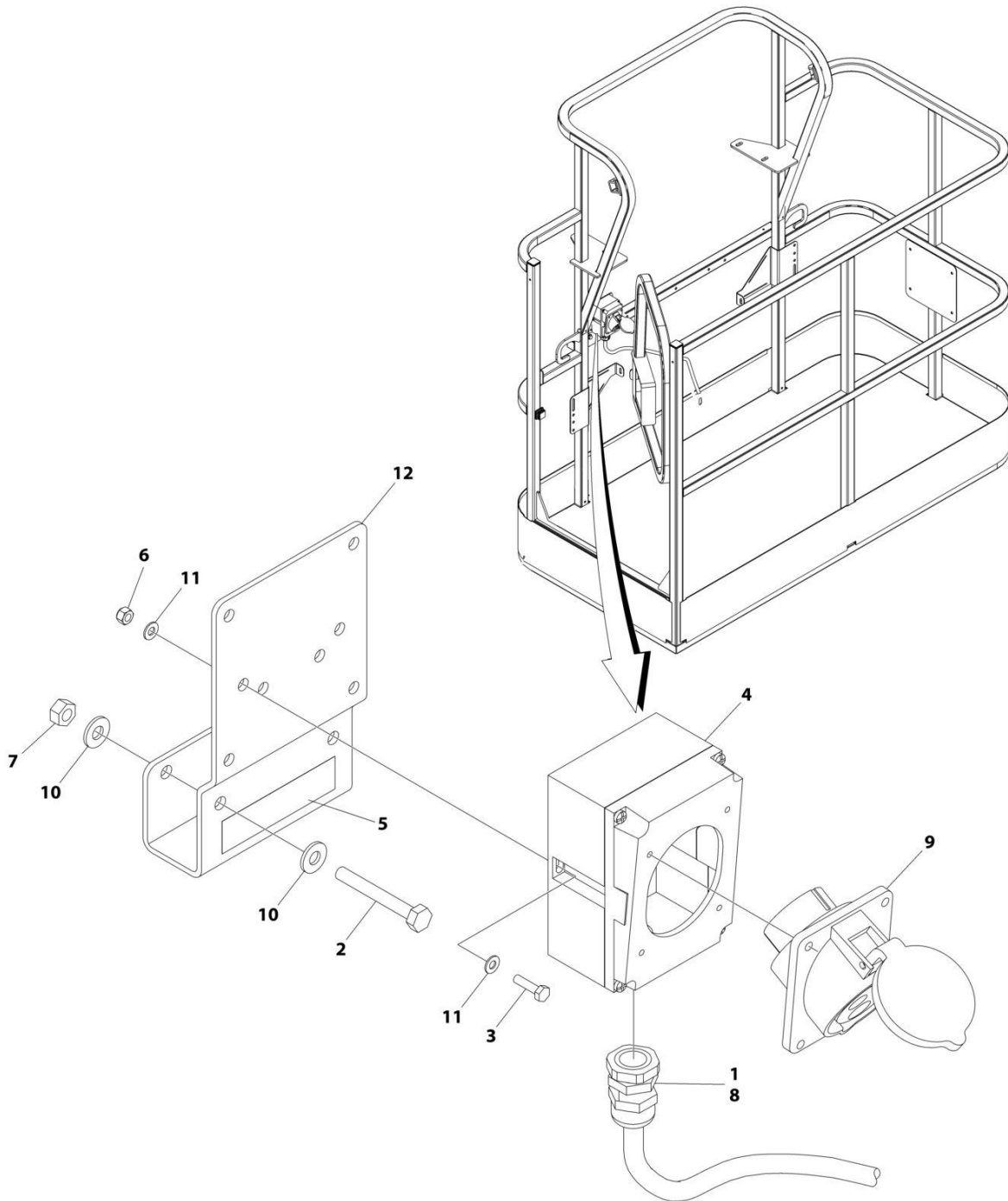
SECTION 8 - ELECTRICAL

**FIGURE 8-2. AC BOX AT PLATFORM INSTALLATION - 110V IEC YELLOW WITHOUT GENERATOR
(CE & UK CA SPECS)**

ITEM	PART NUMBER	QTY	DESCRIPTION	REV
	1001091969	Ref	AC BOX AT PLATFORM INSTALLATION - 110V IEC YELLOW	D
1	0100020	AR	Sealant, Pipe	
2	0275216	1	Receptacle Box Kit (See Separate Breakdown in this Section)	
3	0700408	2	Bolt M4 x 16	
4	3290405	2	Nut M4	
5	1001101196	1	Adapter	
6	4811400	4	Washer M4	
7	1001101191	1	Connector, Strain Relief	
8	0641416	2	Bolt 1/4 x 2	
9	1705325	2	Decal - 110V	
10	3311405	2	Nut 1/4	
11	4711400	4	Washer 1/4	
12	1001193018	1	Bracket	

SECTION 8 - ELECTRICAL

FIGURE 8-3. AC BOX AT PLATFORM INSTALLATION - 110V IEC YELLOW WITH 4000W GENERATOR
(CE & UK CA SPECS)



ART_1001194203

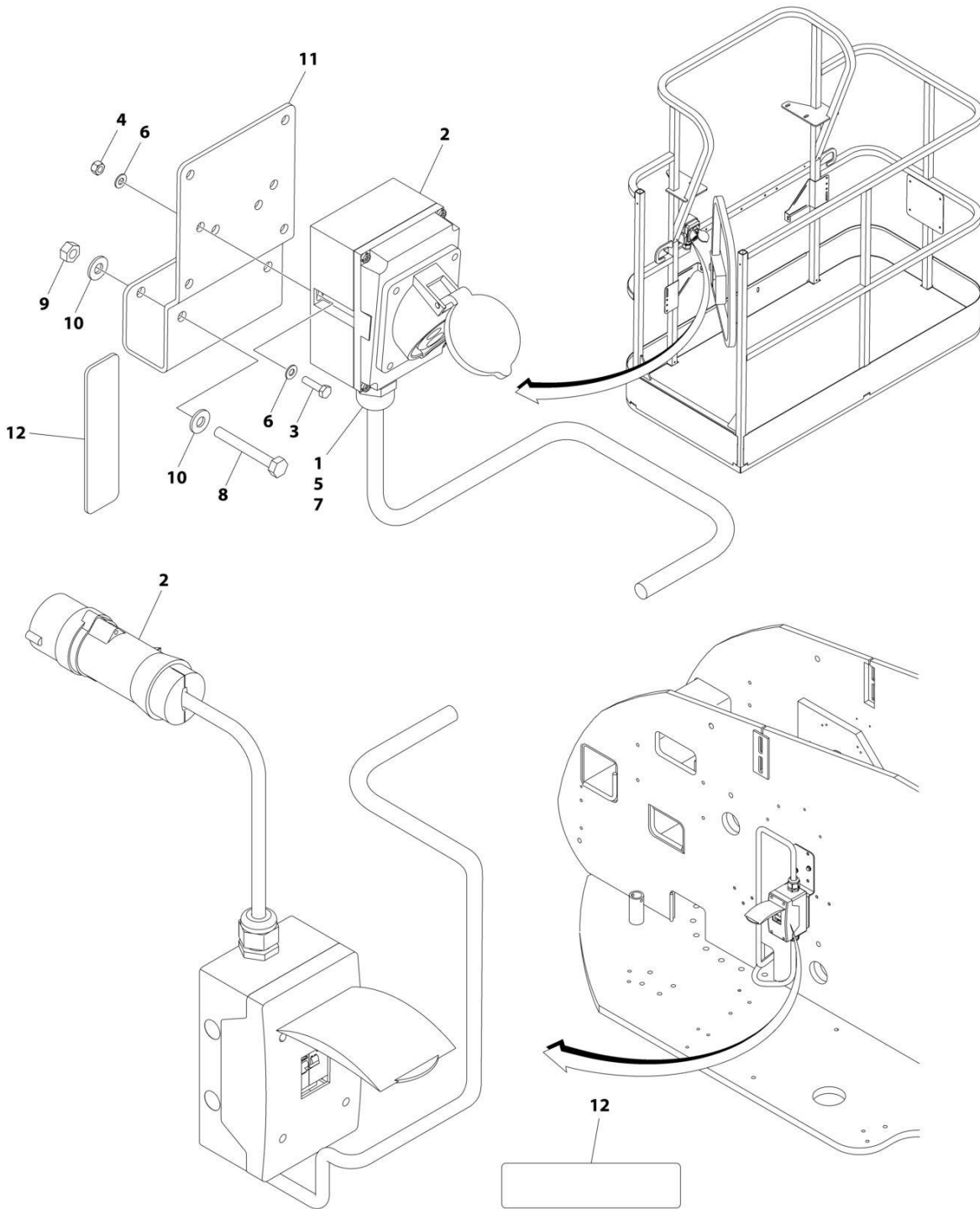
SECTION 8 - ELECTRICAL

**FIGURE 8-3. AC BOX AT PLATFORM INSTALLATION - 110V IEC YELLOW WITH 4000W GENERATOR
(CE & UK CA SPECS)**

ITEM	PART NUMBER	QTY	DESCRIPTION	REV
	1001194203	Ref	AC BOX AT PLATFORM INSTALLATION	B
1	0100020	AR	Sealant, Pipe	
2	0641416	2	Bolt 1/4 x 2	
3	0700408	2	Bolt M4 x 16	
4	0861781	1	Box, Switch	
5	1705325	1	Decal - 110V	
6	3290405	2	Nut M4	
7	3311405	2	Nut 1/4	
8	4460968	1	Connector, Strain Relief	
9	4461198	1	Receptacle	
10	4711400	4	Washer 1/4	
11	4811400	4	Washer M4	
12	1001193018	1	Bracket, AC Receptacle	

SECTION 8 - ELECTRICAL

FIGURE 8-4. AC BOX AT PLATFORM INSTALLATION - 220V IEC BLUE WITHOUT GENERATOR (CE & UK CA SPECS)



(REF. LOCATED ON ENGINE SIDE HOOD)

ART_1001091970

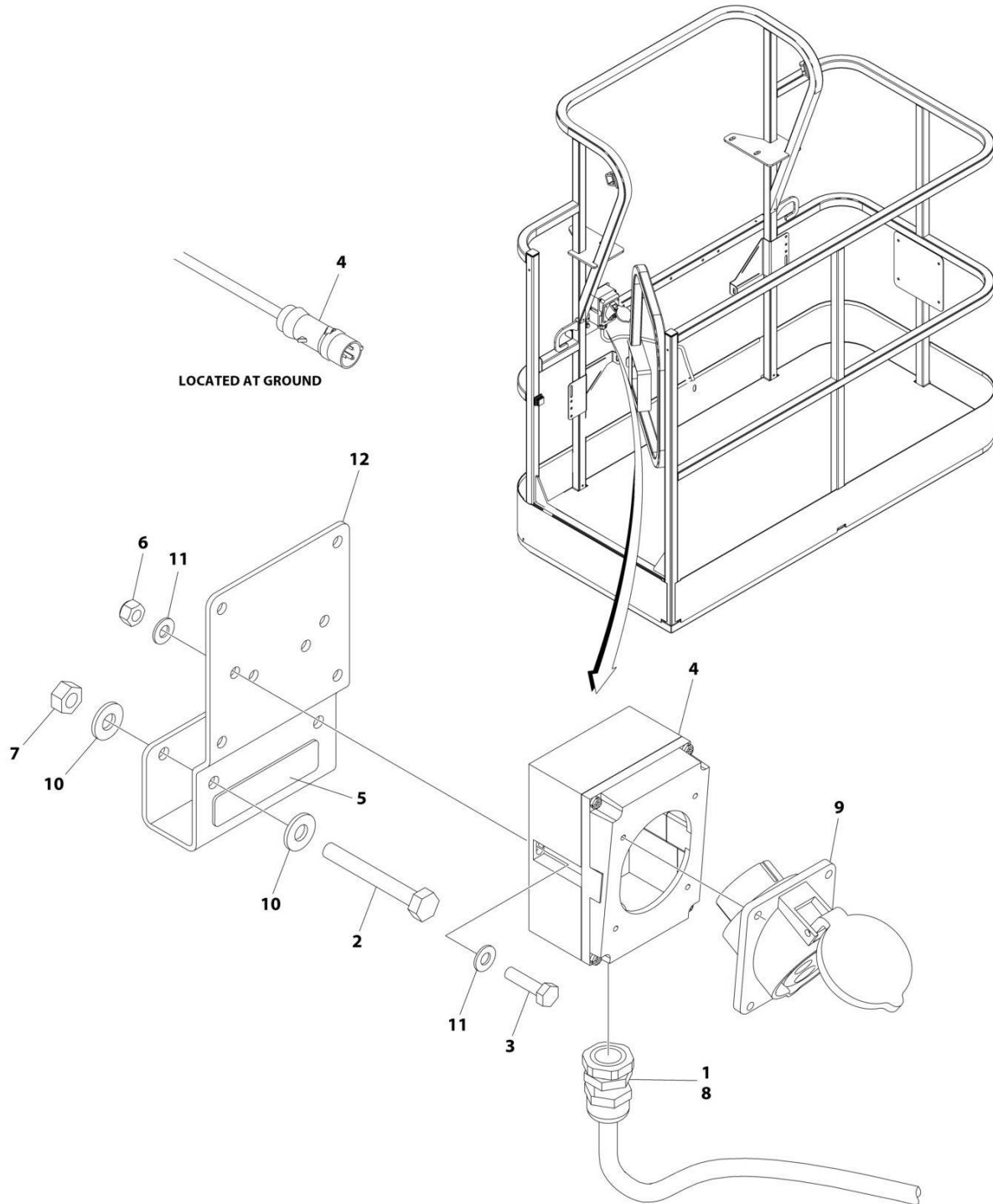
SECTION 8 - ELECTRICAL

FIGURE 8-4. AC BOX AT PLATFORM INSTALLATION - 220V IEC BLUE WITHOUT GENERATOR (CE & UK CA SPECS)

ITEM	PART NUMBER	QTY	DESCRIPTION	REV
	1001091970	Ref	AC BOX AT PLATFORM INSTALLATION - 220V IEC BLUE	D
1	0100020	AR	Sealant, Pipe	
2	0275217	1	Receptacle Box Kit (See Separate Breakdown in this Section)	
3	0700408	2	Bolt M4 x 16	
4	3290405	2	Nut M4	
5	1001101196	1	Adapter	
6	4811400	4	Washer M4	
7	1001101191	1	Connector, Strain Relief	
8	0641416	2	Bolt 1/4 x 2	
9	3311405	2	Nut 1/4	
10	4711400	4	Washer 1/4	
11	1001193018	1	Bracket	
12	3251242	2	Decal - 240V/50Hz	

SECTION 8 - ELECTRICAL

FIGURE 8-5. AC BOX AT PLATFORM INSTALLATION - 220V IEC BLUE WITH 4000W GENERATOR
(CE & UK CA SPECS)



ART_1001194204

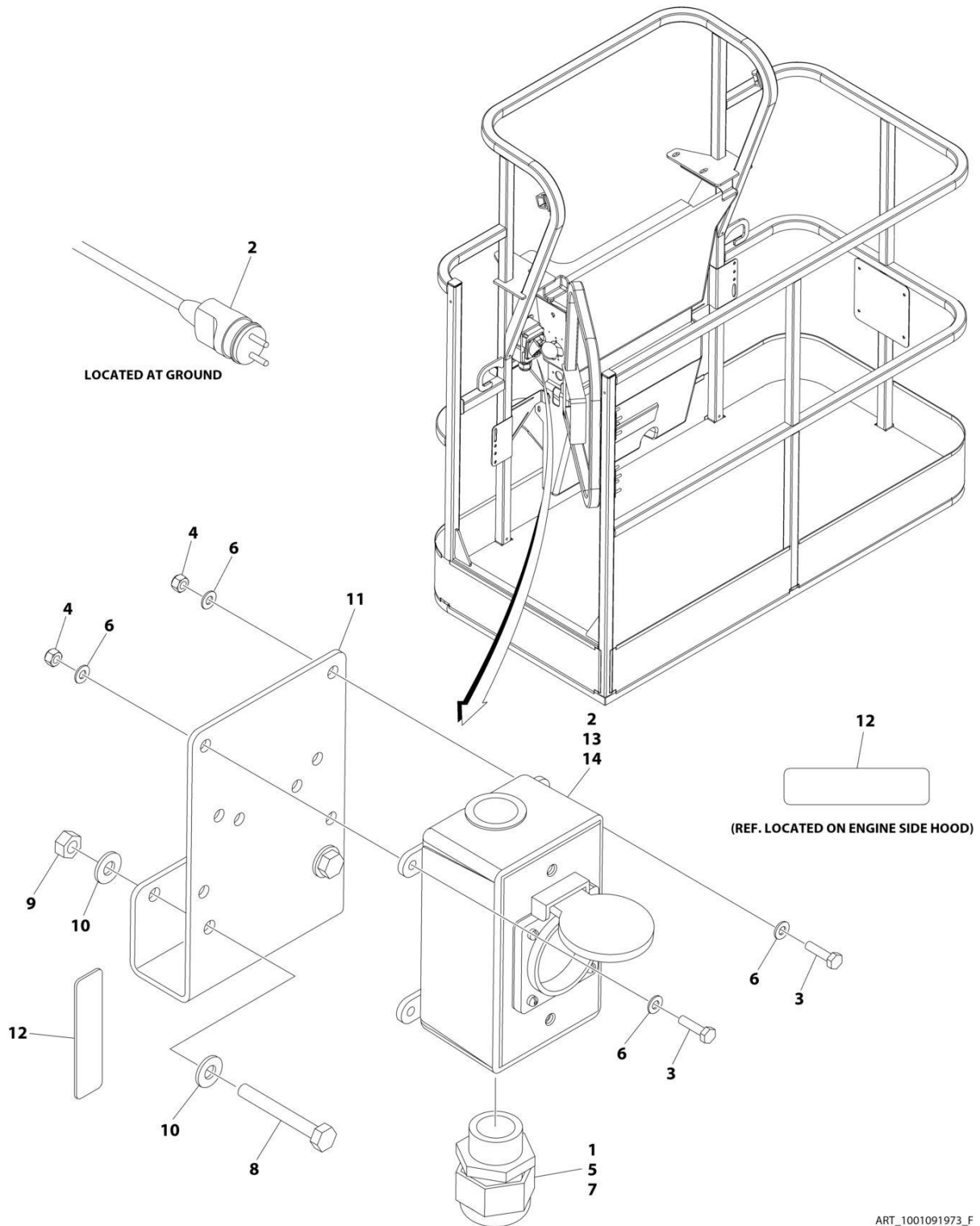
SECTION 8 - ELECTRICAL

**FIGURE 8-5. AC BOX AT PLATFORM INSTALLATION - 220V IEC BLUE WITH 4000W GENERATOR
(CE & UK CA SPECS)**

ITEM	PART NUMBER	QTY	DESCRIPTION	REV
	1001194204	Ref	AC BOX AT PLATFORM INSTALLATION	B
1	0100020	AR	Sealant, Pipe	
2	0641416	2	Bolt 1/4 x 2	
3	0700408	2	Bolt M4 x 16	
4	0861781	1	Box, Switch	
5	3251242	1	Decal - 240V/50Hz	
6	3290405	2	Nut M4	
7	3311405	2	Nut 1/4	
8	4460968	1	Connector, Strain Relief	
9	4461201	1	Receptacle	
10	4711400	4	Washer 1/4	
11	4811400	4	Washer M4	
12	1001193018	1	Bracket, AC Receptacle	

SECTION 8 - ELECTRICAL

FIGURE 8-6. AC BOX AT PLATFORM INSTALLATION - 220V CEE7 POST GROUND WITHOUT GENERATOR (CE & UK CA SPECS)



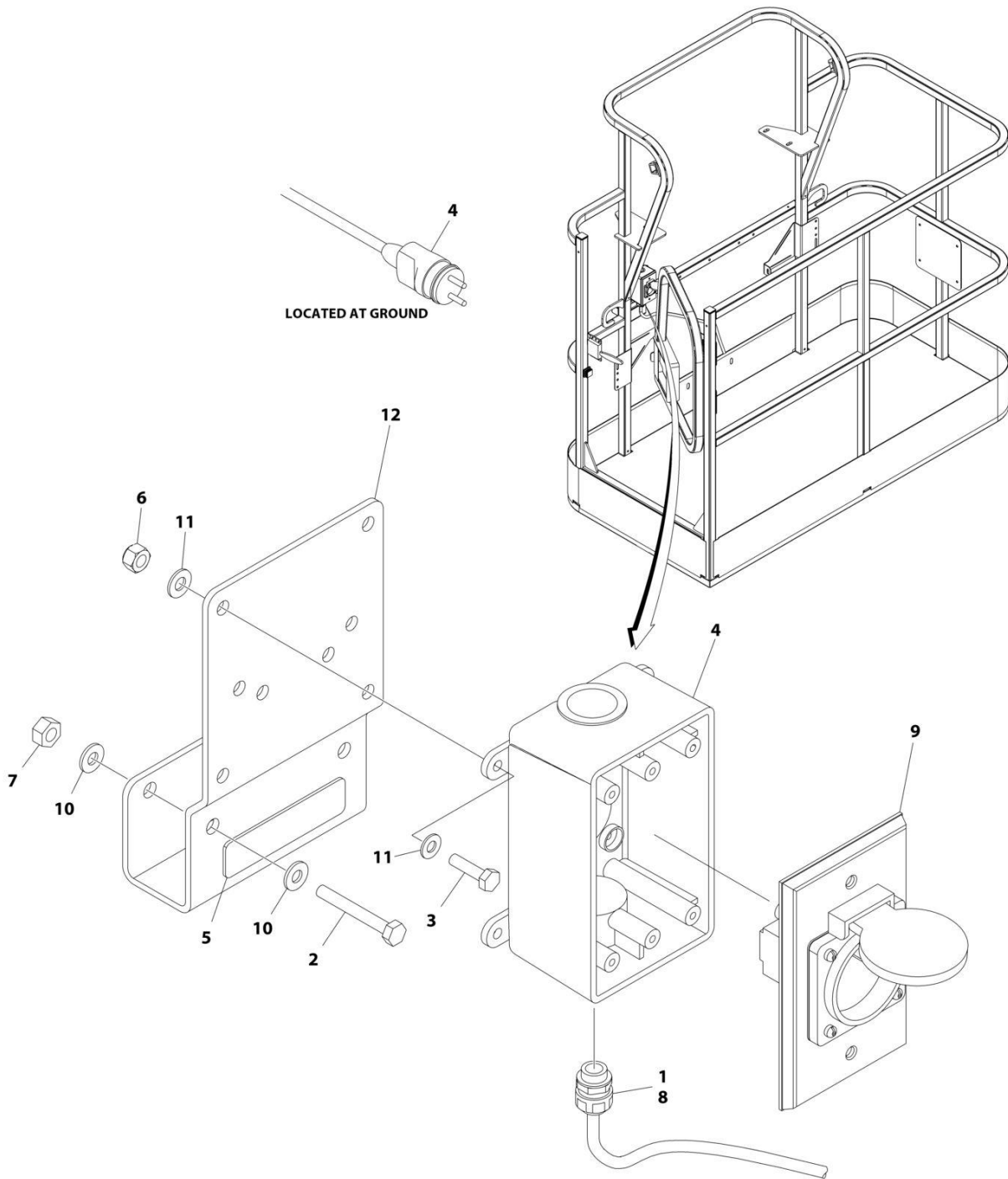
SECTION 8 - ELECTRICAL

FIGURE 8-6. AC BOX AT PLATFORM INSTALLATION - 220V CEE7 POST GROUND WITHOUT GENERATOR (CE & UK CA SPECS)

ITEM	PART NUMBER	QTY	DESCRIPTION	REV
	1001091973	Ref	AC BOX AT PLATFORM INSTALLATION - 220V CEE7 2X4 BOX POST GROUND	F
1	0100020	AR	Sealant, Pipe	
2	0275452	1	Receptacle Box Kit (See Separate Breakdown in this Section)	
3	0700408	4	Bolt M4 x 16	
4	3290405	4	Nut M4	
5	1001101197	1	Adapter	
6	4811400	8	Washer M4	
7	1001101191	1	Connector, Strain Relief	
8	0641416	2	Bolt 1/4 x 2	
9	3311405	2	Nut 1/4	
10	4711400	4	Washer 1/4	
11	1001193018	1	Bracket	
12	3251242	2	Decal - 240V/50Hz	
13	4460806	2	Terminal, Fork (Not Shown)	
14	1001205958	1	Terminal (Not Shown)	

SECTION 8 - ELECTRICAL

FIGURE 8-7. AC BOX AT PLATFORM INSTALLATION - 220V CEE7 POST GROUND WITH 4000W GENERATOR (CE & UK CA SPECS)



ART_1001194197

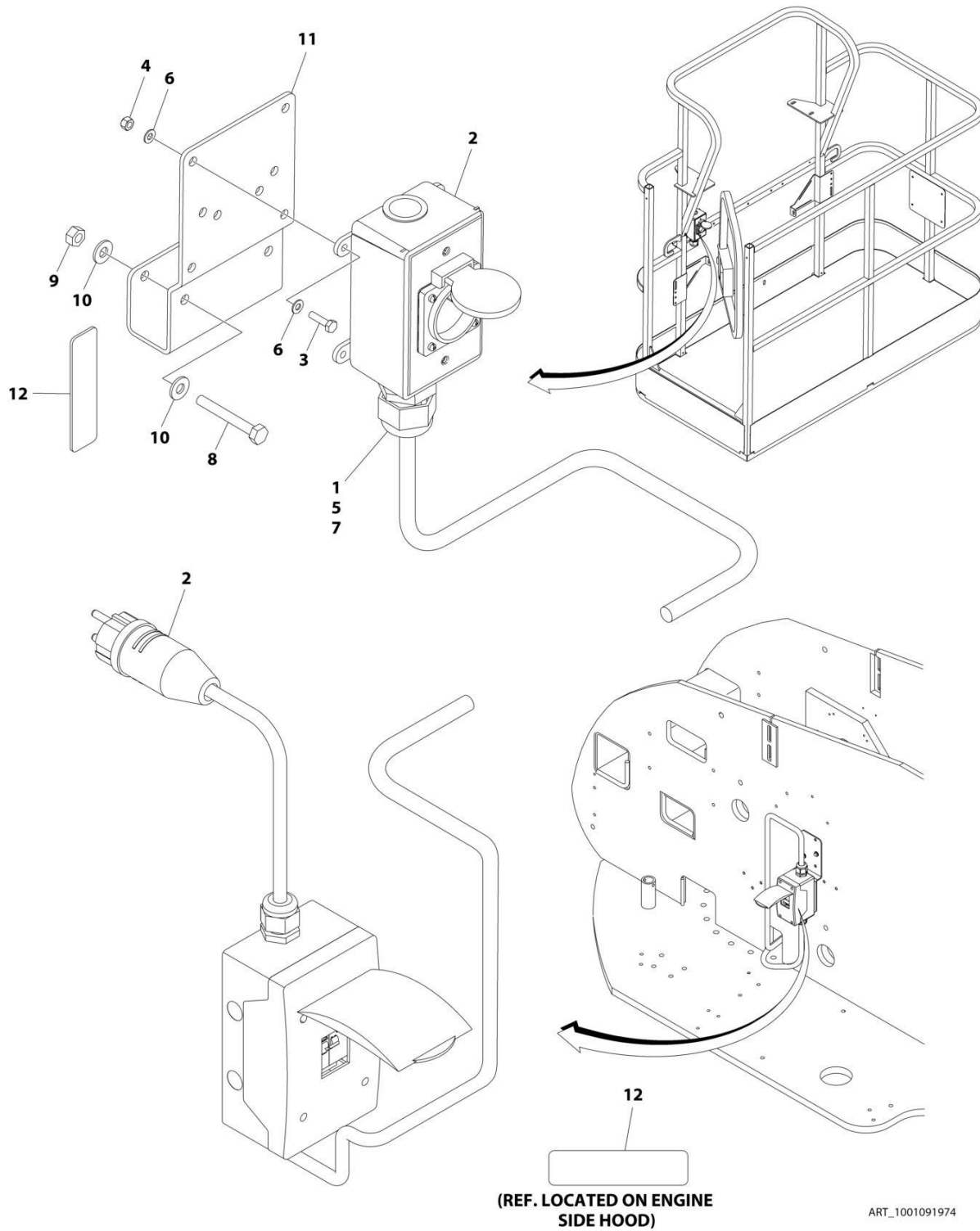
SECTION 8 - ELECTRICAL

FIGURE 8-7. AC BOX AT PLATFORM INSTALLATION - 220V CEE7 POST GROUND WITH 4000W GENERATOR (CE & UK CA SPECS)

ITEM	PART NUMBER	QTY	DESCRIPTION	REV
	1001194197	Ref	AC BOX AT PLATFORM INSTALLATION	B
1	0100020	AR	Sealant, Pipe	
2	0641416	2	Bolt 1/4 x 2	
3	0700408	4	Bolt M4 x 16	
4	0861731	1	Box, Switch	
5	3251242	1	Decal - 240V/50Hz	
6	3290405	4	Nut M4	
7	3311405	2	Nut 1/4	
8	4460662	1	Connector, Strain Relief	
9	4461244	1	Receptacle	
10	4711400	4	Washer 1/4	
11	4811400	8	Washer M4	
12	1001193018	1	Bracket, AC Receptacle	
13	4460806	2	Terminal, Fork (Not Shown)	
14	1001205958	1	Terminal (Not Shown)	

SECTION 8 - ELECTRICAL

FIGURE 8-8. AC BOX AT PLATFORM INSTALLATION - 220V CEE7 SIDE GROUND WITHOUT GENERATOR (CE & UK CA SPECS)



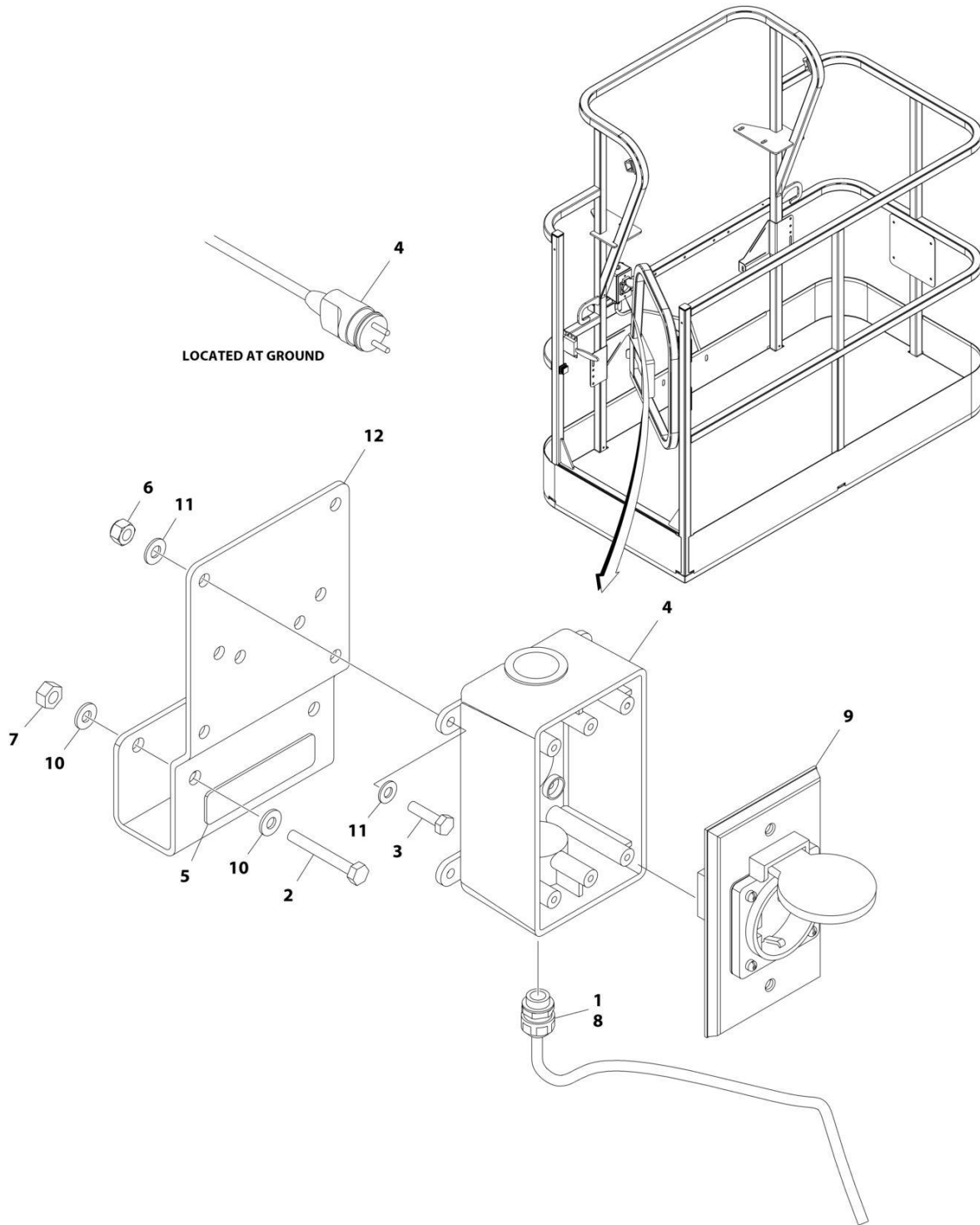
SECTION 8 - ELECTRICAL

FIGURE 8-8. AC BOX AT PLATFORM INSTALLATION - 220V CEE7 SIDE GROUND WITHOUT GENERATOR (CE & UK CA SPECS)

ITEM	PART NUMBER	QTY	DESCRIPTION	REV
	1001091974	Ref	AC BOX AT PLATFORM INSTALLATION - 220V CEE7 2X4 BOX SIDE GROUND	F
1	0100020	AR	Sealant, Pipe	
2	0275453	1	Receptacle Box Kit (See Separate Breakdown in this Section)	
3	0700408	4	Bolt M4 x 16	
4	3290405	4	Nut M4	
5	1001101197	1	Adapter	
6	4811400	8	Washer M4	
7	1001101191	1	Connector, Strain Relief	
8	0641416	2	Bolt 1/4 x 2	
9	3311405	2	Nut 1/4	
10	4711400	4	Washer 1/4	
11	1001193018	1	Bracket	
12	3251242	2	Decal - 240V/50Hz	
13	4460806	2	Terminal, Fork (Not Shown)	
14	1001205958	1	Terminal (Not Shown)	

SECTION 8 - ELECTRICAL

FIGURE 8-9. AC BOX AT PLATFORM INSTALLATION - 220V CEE7 SIDE GROUND WITH 4000W GENERATOR (CE & UK CA SPECS)



ART_1001194198

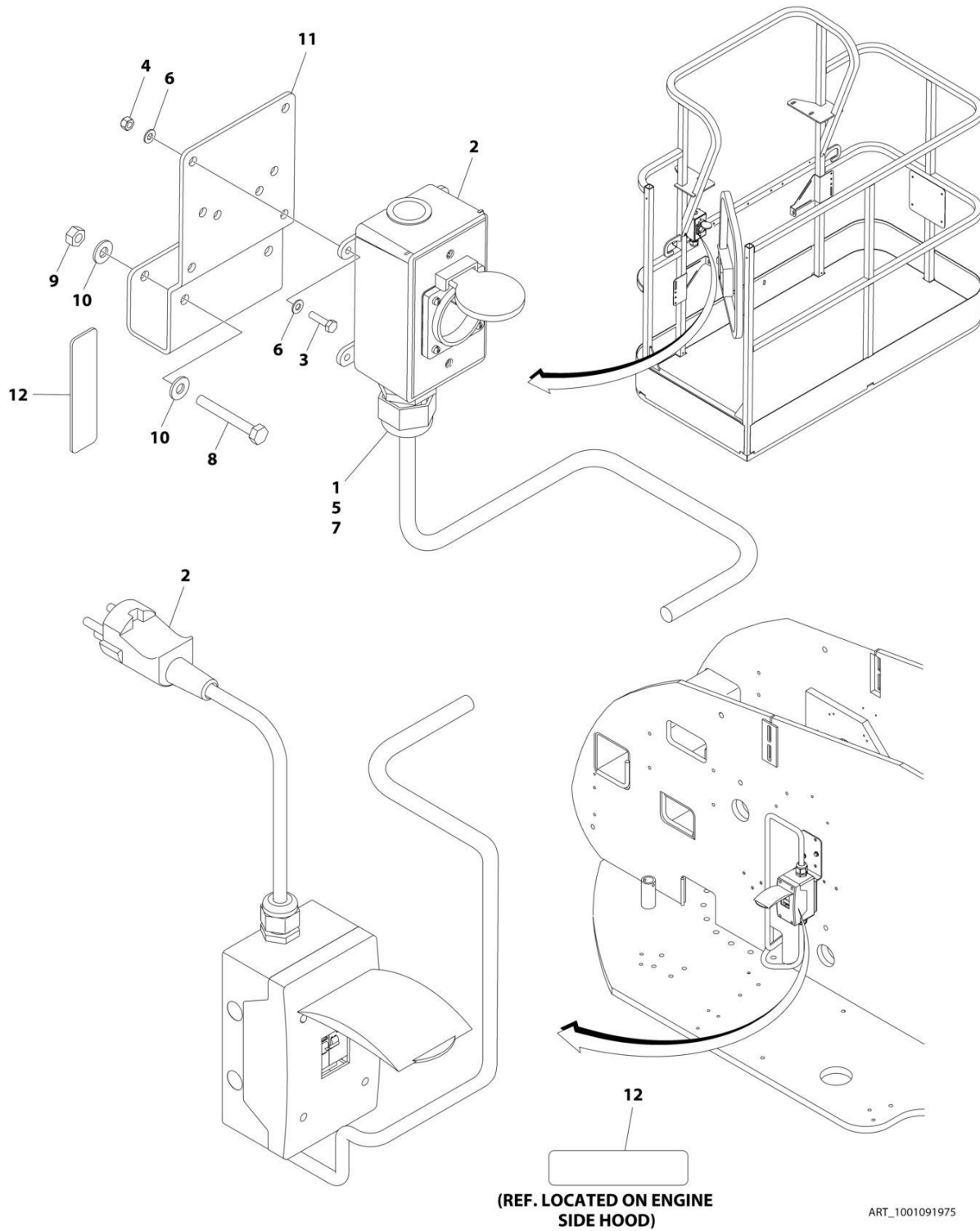
SECTION 8 - ELECTRICAL

FIGURE 8-9. AC BOX AT PLATFORM INSTALLATION - 220V CEE7 SIDE GROUND WITH 4000W GENERATOR (CE & UK CA SPECS)

ITEM	PART NUMBER	QTY	DESCRIPTION	REV
	1001194198	Ref	AC BOX AT PLATFORM INSTALLATION	B
1	0100020	AR	Sealant, Pipe	
2	0641416	2	Bolt 1/4 x 2	
3	0700408	4	Bolt M4 x 16	
4	0861731	1	Box, Switch	
5	3251242	1	Decal - 240V/50Hz	
6	3290405	4	Nut M4	
7	3311405	2	Nut 1/4	
8	4460662	1	Connector, Strain Relief	
9	4461245	1	Receptacle	
10	4711400	4	Washer 1/4	
11	4811400	8	Washer M4	
12	1001193018	1	Bracket, AC Receptacle	
13	4460806	2	Terminal, Fork (Not Shown)	
14	1001205958	1	Terminal (Not Shown)	

SECTION 8 - ELECTRICAL

FIGURE 8-10. AC BOX AT PLATFORM INSTALLATION - 220V AFSINT 107 KEYED GROUND WITHOUT GENERATOR (CE & UK CA SPECS)



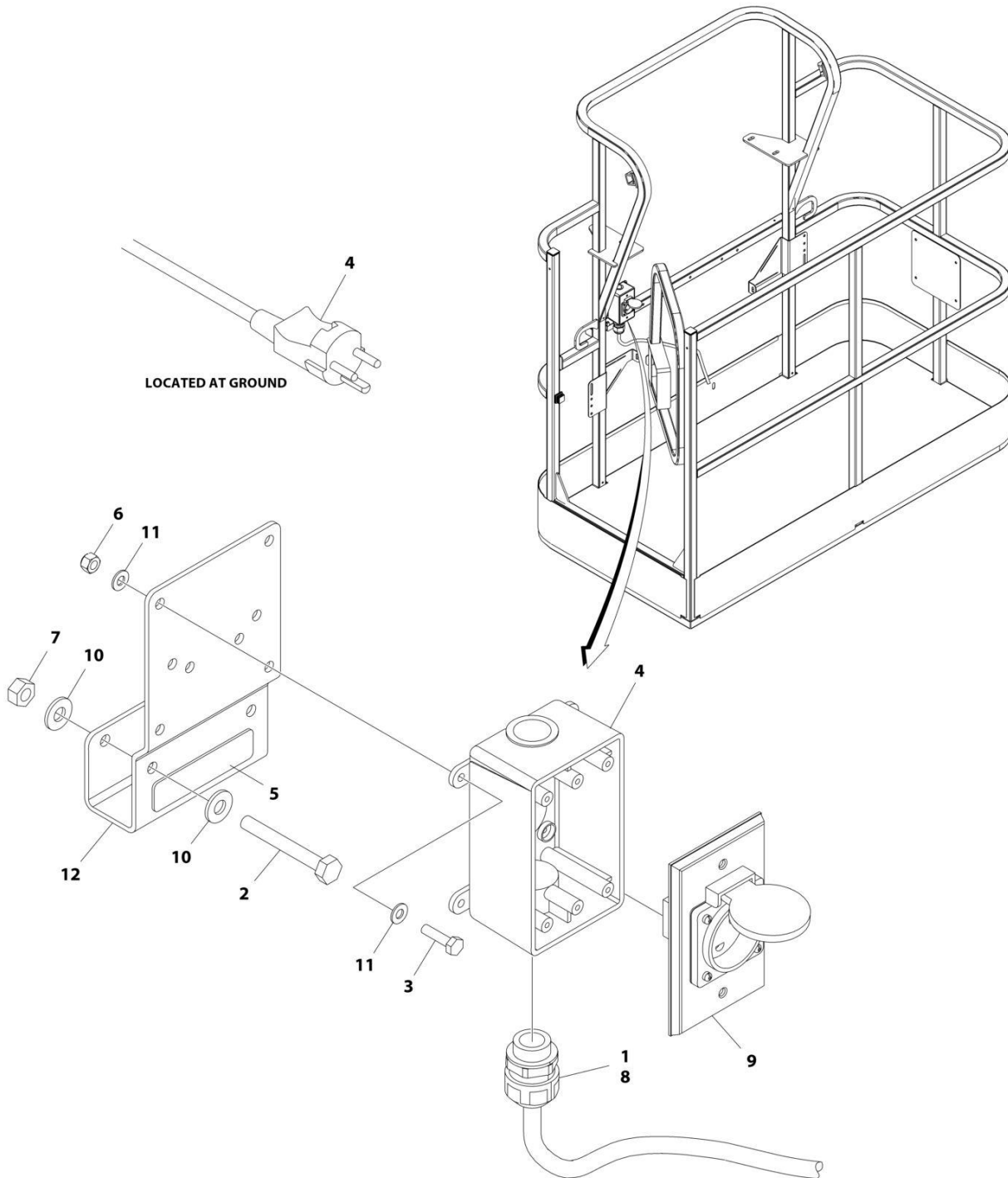
SECTION 8 - ELECTRICAL

**FIGURE 8-10. AC BOX AT PLATFORM INSTALLATION - 220V AFSINT 107 KEYED GROUND
WITHOUT GENERATOR (CE & UK CA SPECS)**

ITEM	PART NUMBER	QTY	DESCRIPTION	REV
	1001091975	Ref	AC BOX AT PLATFORM INSTALLATION - 220V AFSINT 107 2X4 BOX KEYED GROUND	F
1	0100020	AR	Sealant, Pipe	
2	0275454	1	Receptacle Box Kit (See Separate Breakdown in this Section)	
3	0700408	4	Bolt M4 x 16	
4	3290405	4	Nut M4	
5	1001101197	1	Adapter	
6	4811400	8	Washer M4	
7	1001101191	1	Connector, Strain Relief	
8	0641416	2	Bolt 1/4 x 2	
9	3311405	2	Nut 1/4	
10	4711400	4	Washer 1/4	
11	1001193018	1	Bracket	
12	3251242	2	Decal - 240V/50Hz	
13	1001205958	3	Terminal (Not Shown)	

SECTION 8 - ELECTRICAL

FIGURE 8-11. AC BOX AT PLATFORM INSTALLATION - 220V AFSINT 107 KEYED GROUND WITH 4000W GENERATOR (CE & UK CA SPECS)



ART_1001194200

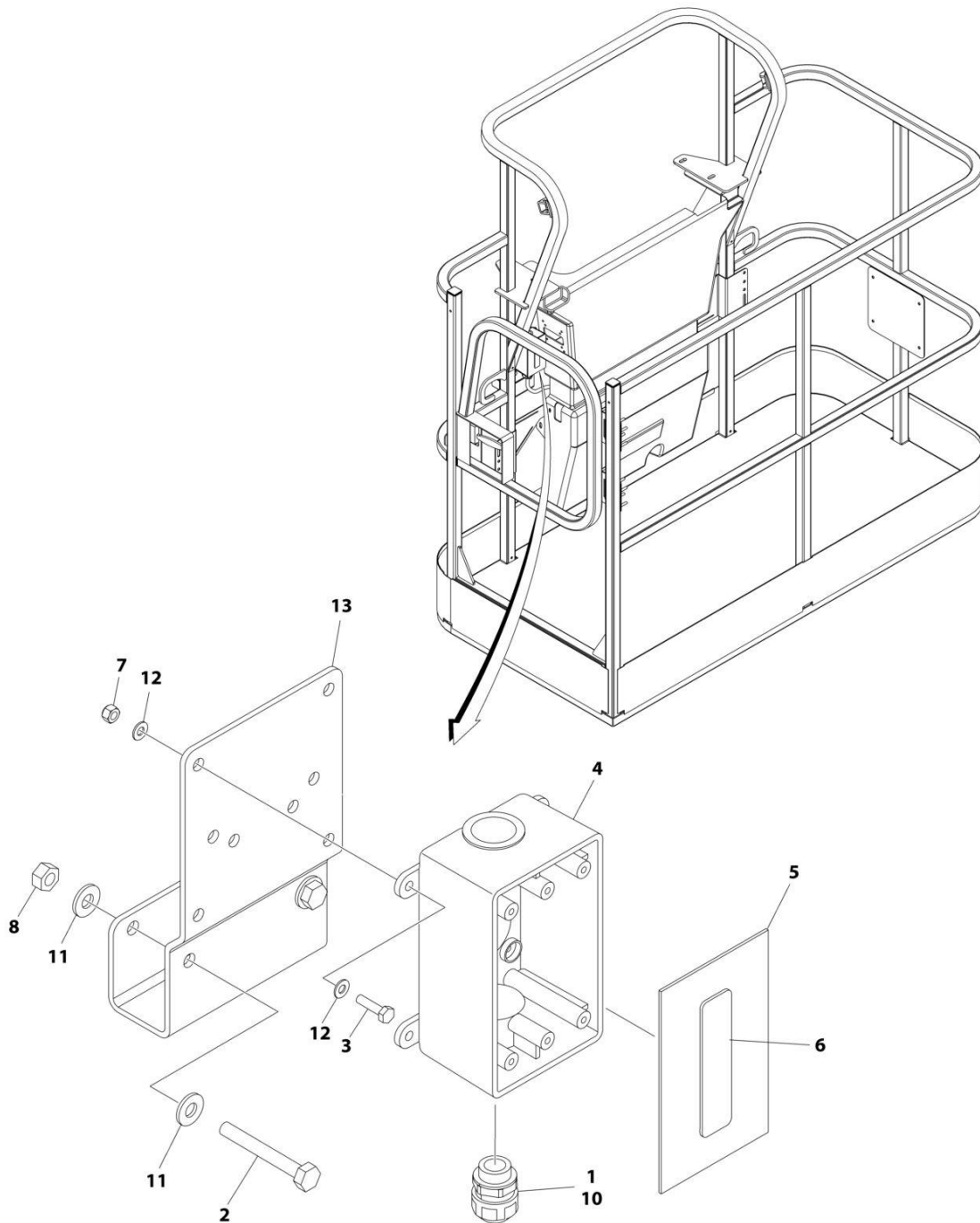
SECTION 8 - ELECTRICAL

FIGURE 8-11. AC BOX AT PLATFORM INSTALLATION - 220V AFSINT 107 KEYED GROUND WITH 4000W GENERATOR (CE & UK CA SPECS)

ITEM	PART NUMBER	QTY	DESCRIPTION	REV
	1001194200	Ref	AC BOX AT PLATFORM INSTALLATION	B
1	0100020	AR	Sealant, Pipe	
2	0641416	2	Bolt 1/4 x 2	
3	0700408	4	Bolt M4 x 16	
4	0861731	1	Box, Switch	
5	3251242	1	Decal - 240V/50Hz	
6	3290405	4	Nut M4	
7	3311405	2	Nut 1/4	
8	4460662	1	Connector, Strain Relief	
9	4461246	1	Receptacle	
10	4711400	4	Washer 1/4	
11	4811400	8	Washer M4	
12	1001193018	1	Bracket, AC Receptacle	
13	1001205958	1	Terminal (Not Shown)	

SECTION 8 - ELECTRICAL

FIGURE 8-12. AC BOX AT PLATFORM INSTALLATION - BOX WITH COVER WITH 4000W GENERATOR (ANSI EXPORT, AUSTRALIAN, CHINA, JAPANESE, CE & UK CA SPECS)



ART_1001194365

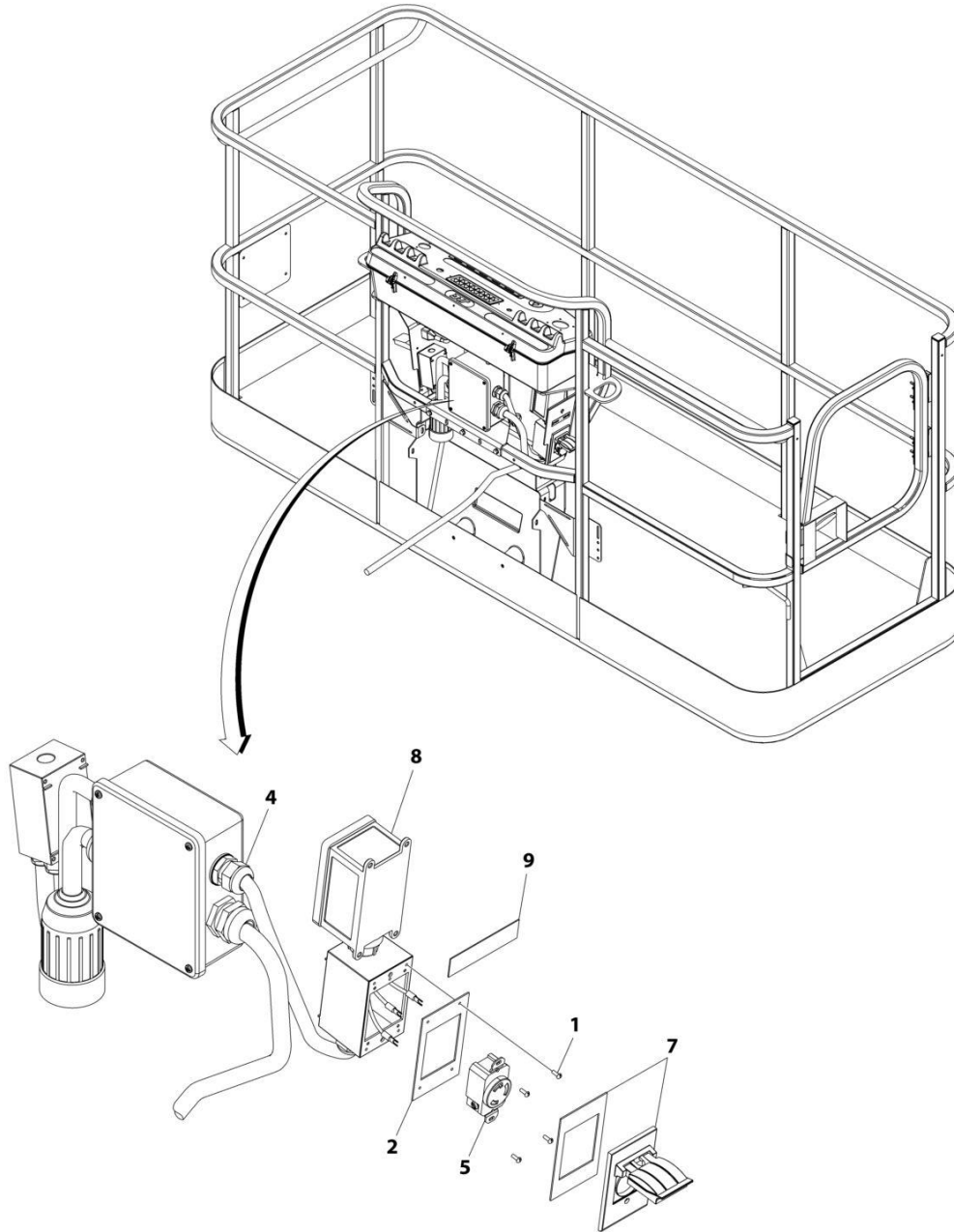
SECTION 8 - ELECTRICAL

FIGURE 8-12. AC BOX AT PLATFORM INSTALLATION - BOX WITH COVER WITH 4000W GENERATOR (ANSI EXPORT, AUSTRALIAN, CHINA, JAPANESE, CE & UK CA SPECS)

ITEM	PART NUMBER	QTY	DESCRIPTION	REV
	1001194365	Ref	AC BOX AT PLATFORM INSTALLATION - BOX WITH COVER (2X4 BOX)	A
1	0100020	AR	Sealant	
2	0641416	2	Bolt 1/4 x 2	
3	0700408	4	Bolt M4 x 16	
4	0861731	1	Box, Switch	
5	1670603	1	Cover	
6	3251242	1	Decal - 240V/50Hz	
7	3290405	4	Nut M4	
8	3311405	2	Nut 1/4	
9	4460384	3	Terminal (Not Shown)	
10	4460662	1	Connector, Strain Relief	
11	4711400	4	Washer 1/4	
12	4811400	8	Washer M4	
13	1001193018	1	Bracket, AC Receptacle	

SECTION 8 - ELECTRICAL

FIGURE 8-13. AC BOX AT PLATFORM INSTALLATION - 240V (WITH 7500W SKYPOWER GENERATOR) (ANSI & CSA SPECS)



ART_1001159121

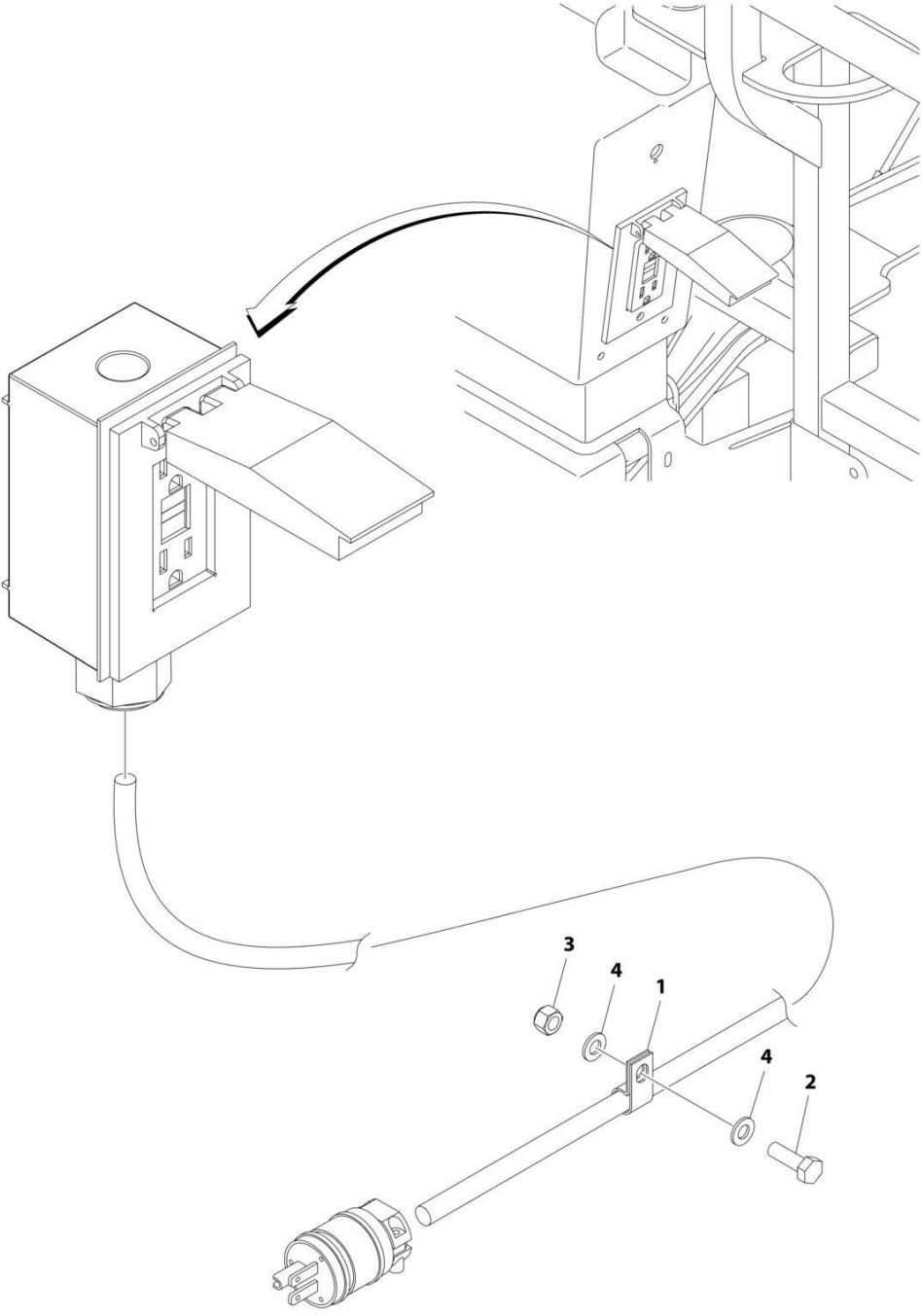
SECTION 8 - ELECTRICAL

FIGURE 8-13. AC BOX AT PLATFORM INSTALLATION - 240V (WITH 7500W SKYPOWER GENERATOR) (ANSI & CSA SPECS)

ITEM	PART NUMBER	QTY	DESCRIPTION	REV
	1001159121	Ref	AC BOX AT PLATFORM INSTALLATION - 240V RECEPTACLE	B
1	3910606	4	Screw 6 x 3/8	
2	3960422	1	Gasket	
3	4240018	AR	Tie-Strap (Not Shown)	
4	4460425	1	Connector, Strain Relief	
5	4460958	1	Receptacle	
7	1001110872	1	Cover, Receptacle	
8	1001159120	1	Receptacle/Breaker Box Assembly	
8	1001148675	1	Box, Receptacle	
8	1001159118	1	Breaker Box Assembly	
8	4460612	1	Connector, Strain Relief	
8	1001159119	1	Connector (Between Boxes)	
9	1705374	1	Decal - 240V/60Hz	

SECTION 8 - ELECTRICAL

FIGURE 8-14. AC LEAD INSTALLATION (ANSI EXPORT, AUSTRALIAN, CHINA, CE & UK CA SPECS)



ART_1001197332

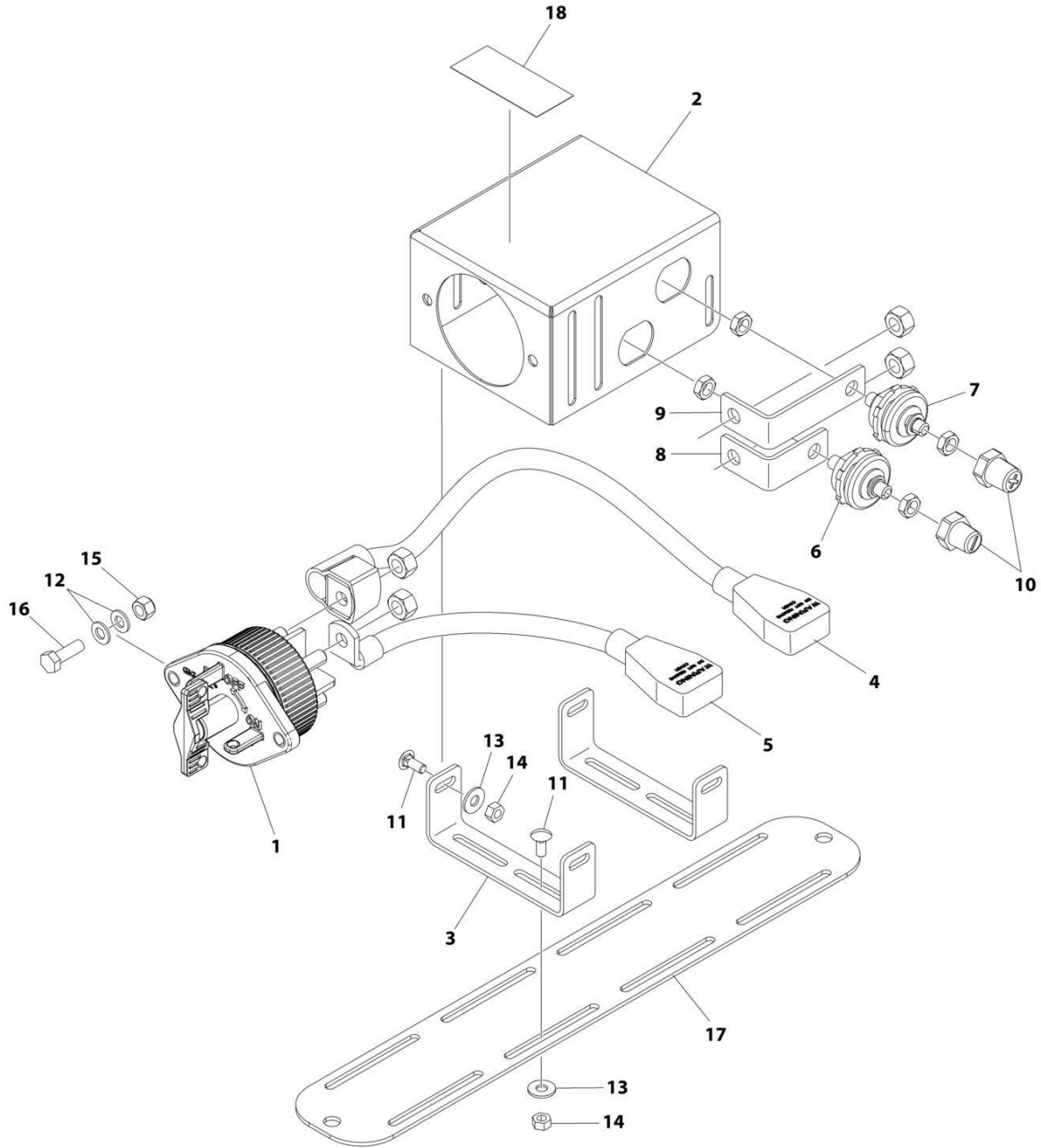
SECTION 8 - ELECTRICAL

FIGURE 8-14. AC LEAD INSTALLATION (ANSI EXPORT, AUSTRALIAN, CHINA, CE & UK CA SPECS)

ITEM	PART NUMBER	QTY	DESCRIPTION	REV
	1001197332	Ref	AC LEAD INSTALLATION	A
1	8406109	1	Clamp	
2	0760812001	1	Bolt M8 x 25	
3	3290805001	1	Nut M8	
4	4811900001	2	Washer M8	

SECTION 8 - ELECTRICAL

FIGURE 8-15. BATTERY DISCONNECT INSTALLATION



ART_1001239874

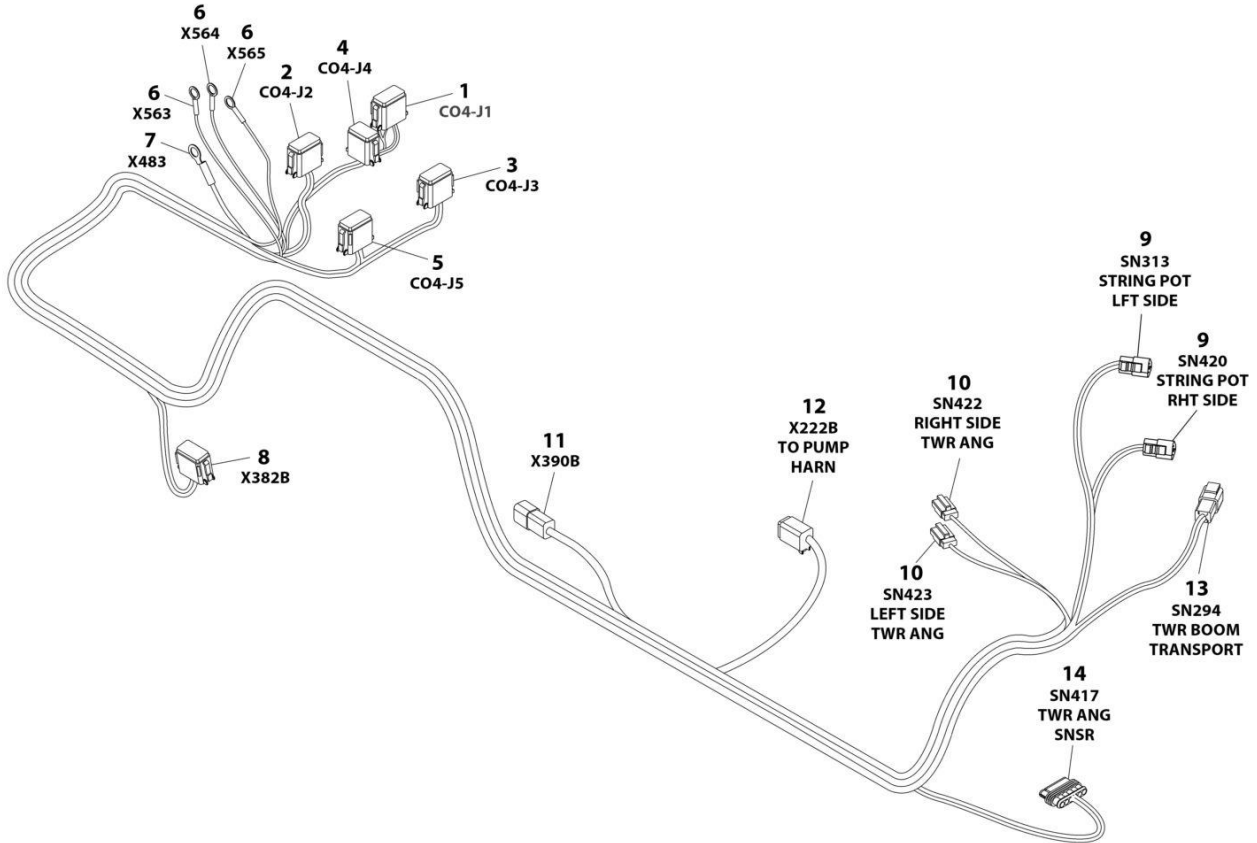
SECTION 8 - ELECTRICAL

FIGURE 8-15. BATTERY DISCONNECT INSTALLATION

ITEM	PART NUMBER	QTY	DESCRIPTION	REV
	1001239874	Ref	BATTERY DISCONNECT INSTALLATION	A
1	1001225346	1	Switch, Disconnect	
2	1001226531	1	Mount	
3	1001239805	2	Mount	
4	1001236504	1	Cable (Positive)	
5	1001236505	1	Cable (Negative)	
6	1001214571	1	Connector (Black)	
7	1001214570	1	Connector (Red)	
8	1001209474	1	Buss bar	
9	1001209432	1	Buss bar	
10	1001206476	1	Connector	
11	88411013	8	Bolt 1/4 x 3/4	
12	4811900	4	Washer M8	
13	4751400	8	Washer 1/4	
14	3311405	8	Nut 1/4	
15	3290805	2	Nut M8	
16	0760812	2	Bolt M8 x 25	
17	1001241586	1	Plate	
18	1001239957	1	Decal - Battery Disconnect	

SECTION 8 - ELECTRICAL

FIGURE 8-16. BLAM HARNESS



ART_1001258191

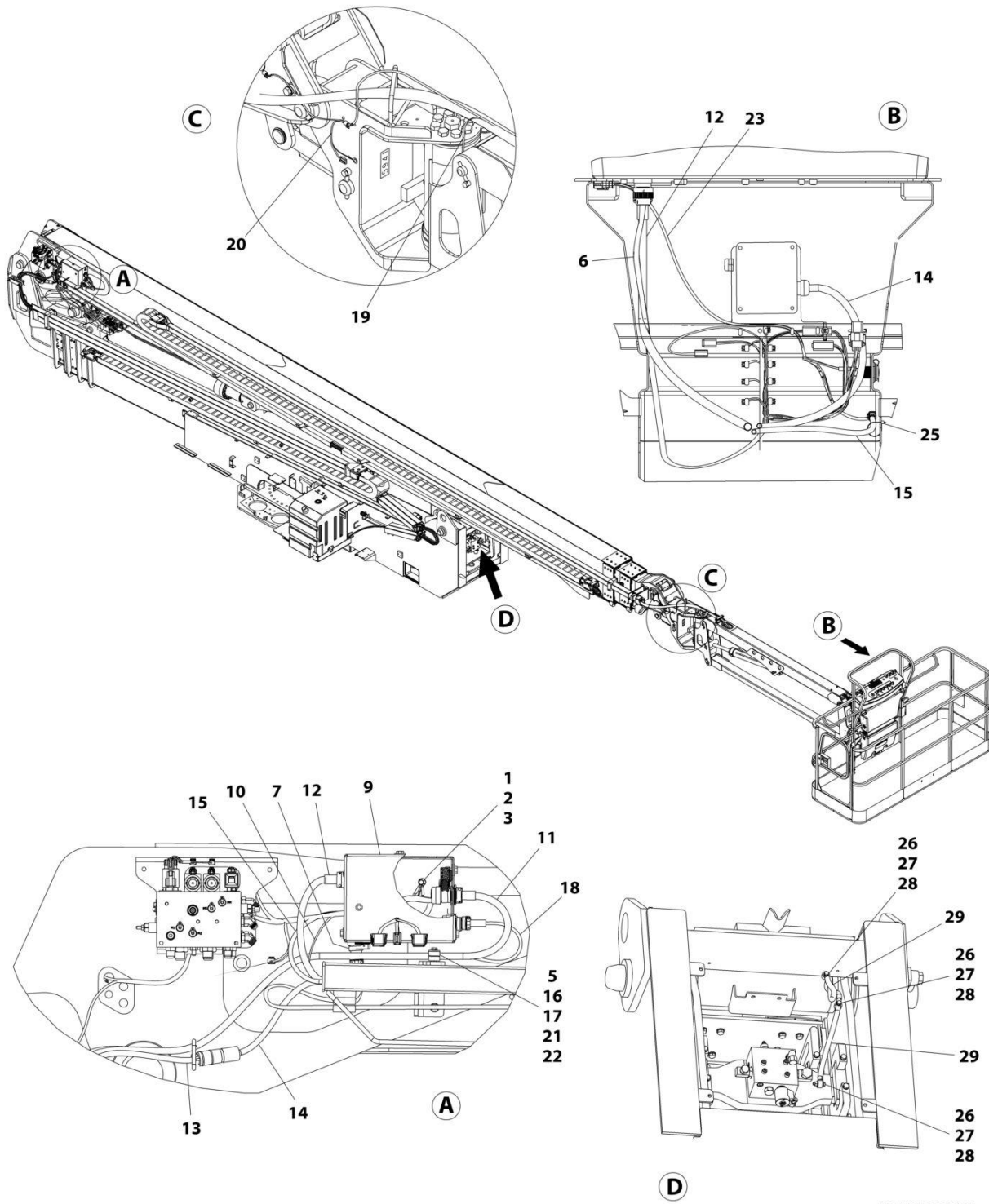
SECTION 8 - ELECTRICAL

FIGURE 8-16. BLAM HARNESS

ITEM	PART NUMBER	QTY	DESCRIPTION	REV
	1001258191	Ref	BLAM HARNESS	B
1	1001270339	1	Plug, Male - 12 Position	
1	1001116692	6	Socket, Female	
1	4460944	2	Socket, Female	
1	4460466	4	Plug, Terminal	
2	1001270340	1	Plug, Male - 12 Position	
2	1001116692	10	Socket, Female	
2	4460466	2	Plug, Terminal	
3	1001239344	1	Plug, Male - 12 Position	
3	1001116692	8	Socket, Female	
3	4460466	4	Plug, Terminal	
4	4460930	1	Plug, Male - 8 Position	
4	1001116692	3	Socket, Female	
4	4460466	5	Plug, Terminal	
5	1001239345	1	Plug, Male - 12 Position	
5	1001116692	4	Socket, Female	
5	4460466	8	Plug, Terminal	
6	4460256	3	Terminal, Ring	
7	1001117110	1	Terminal, Ring	
8	4460933	1	Plug, Male - 12 Position	
8	1001116692	10	Socket, Female	
8	4460944	2	Socket, Female	
9	4460539	2	Plug, Male - 3 Position	
9	4460465	6	Socket, Female	
10	4460911	2	Plug, Male - 3 Position	
10	4460912	2	Wedge Lock	
10	1001116694	6	Socket, Female	
11	4460932	1	Receptacle, Female - 4 Position	
11	4460464	4	Pin, Male	
12	4460894	1	Plug, Male - 6 Position	
12	1001116692	5	Socket, Female	
12	4460466	1	Plug, Terminal	
13	1001097051	1	Receptacle, Female - 4 Position	
13	1001116695	4	Terminal	
14	4461117	1	Plug, Male - 6 Position	
14	1001107854	6	Terminal	
14	1001104498	6	Seal	

SECTION 8 - ELECTRICAL

FIGURE 8-17. BOOM CABLES INSTALLATION - WITHOUT GENERATOR (ALL SPEC EXCEPT AUSTRALIAN, CHINA, CE & UK CA SPECS)



ART_1001197326

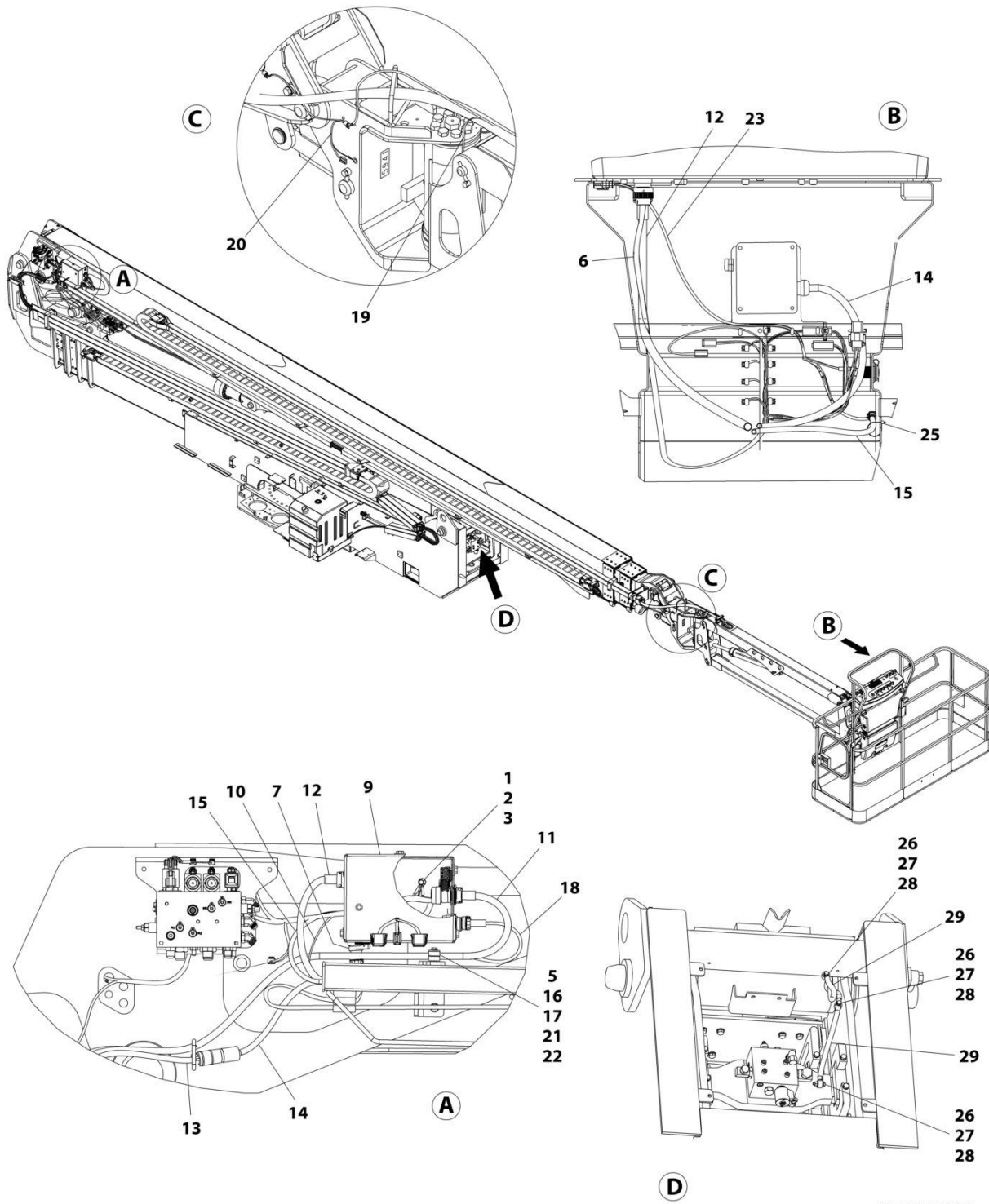
SECTION 8 - ELECTRICAL

FIGURE 8-17. BOOM CABLES INSTALLATION - WITHOUT GENERATOR (ALL SPEC EXCEPT AUSTRALIAN, CHINA, CE & UK CA SPECS)

ITEM	PART NUMBER	QTY	DESCRIPTION	REV
	1001197326	Ref	BOOM CABLES INSTALLATION - WITHOUT GENERATOR	F
1	0100011	AR	Compound, Locking	
2	0761010	3	Bolt M10 x 20	
3	4812000	3	Washer M10	
5	0760818001	2	Bolt M8 x 50	
6	1001196682	1	Valve Harness - Platform (See Separate Breakdown in this Section)	
7	1001216806	1	Valve Harness - Boom (See Separate Breakdown in this Section)	
9	1001200199	1	Boom Control Box Assembly (See Separate Breakdown in this Section)	
10	1001201062	1	Sensor Harness - Boom (See Separate Breakdown in this Section)	
11	1001202259	1	Boom Cable (Tower Boom) (See Separate Breakdown in this Section)	
12	1001202260	1	Boom Cable (Main Boom) (See Separate Breakdown in this Section)	
13	1001202261	1	AC Power to Platform Cable (Tower Boom)	
13	4460134	1	Receptacle, Female	
14	1001202262	1	AC Power to Platform Cable (Main Boom)	
14	4460205	1	Plug, Male	
15	1001202269	1	Main Boom 12/4 Harness	
15	4460932	1	Receptacle, Female - 4 Position	
15	1001157891	7	Pin, Male	
16	1001202742	1	Clamp	
17	1001202743	1	Cover, Clamp	
18	1001202785	1	Secondary Control Harness (See Separate Breakdown in this Section)	
19	1001204027	1	Jib Limit Switch Harness	
19	4460894	1	Plug, Male - 6 Position	
19	4460465	5	Socket, Female	
19	4460466	1	Plug, Terminal	
20	1001204028	1	Sensor Harness - Platform Level (See Separate Breakdown in this Section)	
21	3290805001	2	Nut M8	
22	4811900001	2	Washer M8	
23	1001206506	1	Platform Outlet Harness (See Separate Breakdown in this Section)	
24	1001146588	2	Tie-Strap (Not Shown)	
25	1001008559	3	Tie-Strap	
26	0700815	3	Bolt M8 x 35	
27	3290805	3	Nut M8	
28	4811900	6	Washer M8	
29	1001217007	2	Cable, Stainless Braided Ground	

SECTION 8 - ELECTRICAL

FIGURE 8-18. BOOM CABLES INSTALLATION - WITHOUT GENERATOR (AUSTRALIAN, CHINA, CE & UK CA SPECS)



ART_1001197327

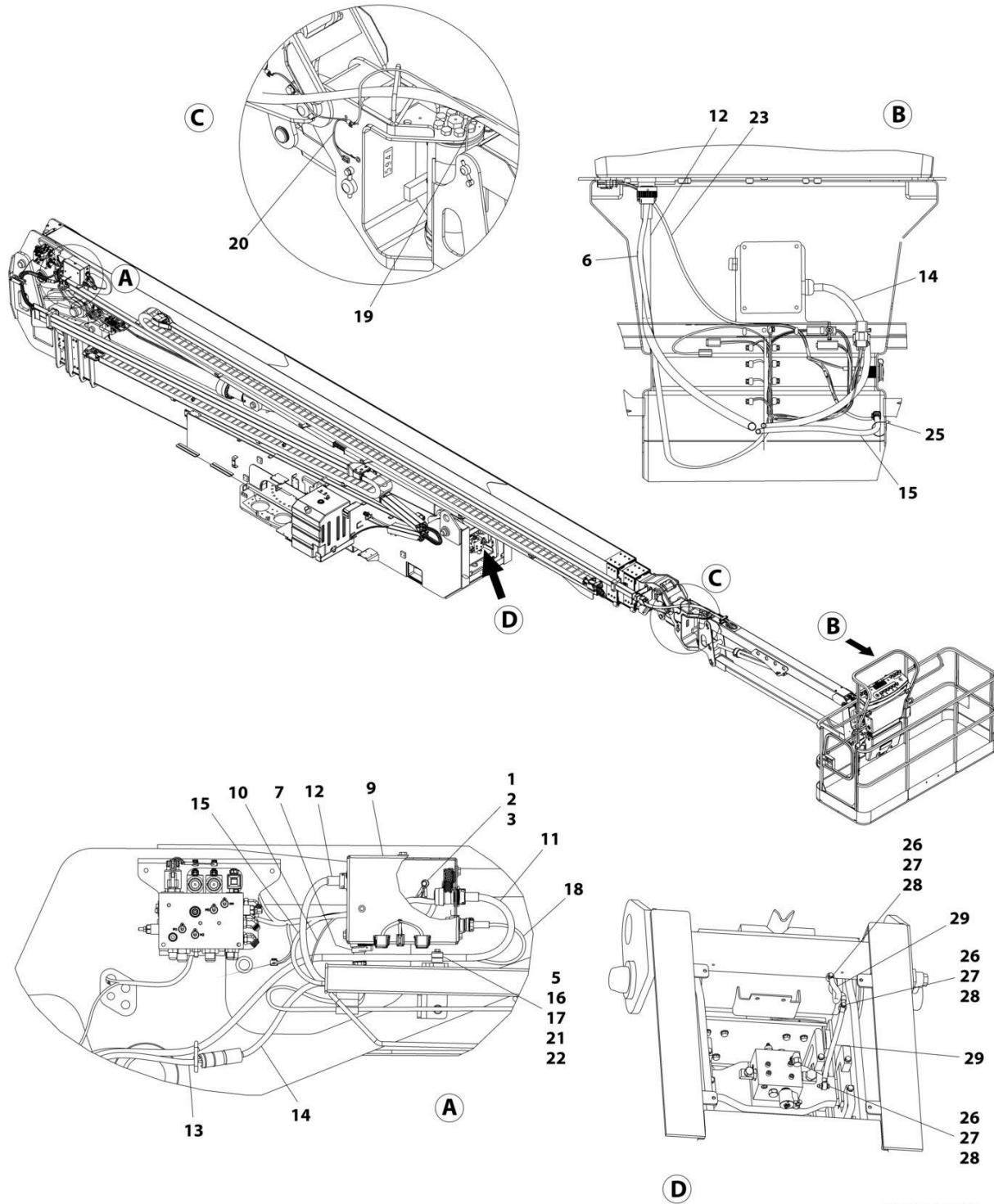
SECTION 8 - ELECTRICAL

FIGURE 8-18. BOOM CABLES INSTALLATION - WITHOUT GENERATOR (AUSTRALIAN, CHINA, CE & UK CA SPECS)

ITEM	PART NUMBER	QTY	DESCRIPTION	REV
	1001197327	Ref	BOOM CABLES INSTALLATION - WITHOUT GENERATOR	F
1	0100011	AR	Compound, Locking	
2	0761010	3	Bolt M10 x 20	
3	4812000	3	Washer M10	
5	0760818001	2	Bolt M8 x 50	
6	1001196682	1	Valve Harness - Platform (See Separate Breakdown in this Section)	
7	1001216806	1	Valve Harness - Boom (See Separate Breakdown in this Section))	
9	1001200199	1	Boom Control Box Assembly (See Separate Breakdown in this Section)	
10	1001201062	1	Sensor Harness - Boom (See Separate Breakdown in this Section)	
11	1001202259	1	Boom Cable (Tower Boom) (See Separate Breakdown in this Section)	
12	1001202260	1	Boom Cable (Main Boom) (See Separate Breakdown in this Section)	
13	1001202263	1	AC Power to Platform Cable (Tower Boom)	
13	4460134	1	Receptacle, Female	
14	1001202264	1	AC Power to Platform Cable (Main Boom)	
14	4460205	1	Plug, Male	
15	1001202269	1	Main Boom 12/4 Harness	
15	4460932	1	Receptacle, Female - 4 Position	
15	1001157891	7	Pin, Male	
16	1001202742	1	Clamp	
17	1001202743	1	Cover, Clamp	
18	1001202785	1	Secondary Control Harness (See Separate Breakdown in this Section)	
19	1001204027	1	Jib Limit Switch Harness	
19	4460894	1	Plug, Male - 6 Position	
19	4460465	5	Socket, Female	
19	4460466	1	Plug, Terminal	
20	1001204028	1	Sensor Harness - Platform Level (See Separate Breakdown in this Section)	
21	3290805001	2	Nut M8	
22	4811900001	2	Washer M8	
23	1001206506	1	Platform - Outlet Harness (See Separate Breakdown in this Section)	
24	1001146588	2	Tie-Strap (Not Shown)	
25	1001008559	3	Tie-Strap	
26	0700815	3	Bolt M8 x 35	
27	3290805	3	Nut M8	
28	4811900	6	Washer M8	
29	1001217007	2	Cable, Stainless Braided Ground	

SECTION 8 - ELECTRICAL

FIGURE 8-19. BOOM CABLES INSTALLATION - WITH 4000W GENERATOR (ALL SPECS)



ART_1001201710

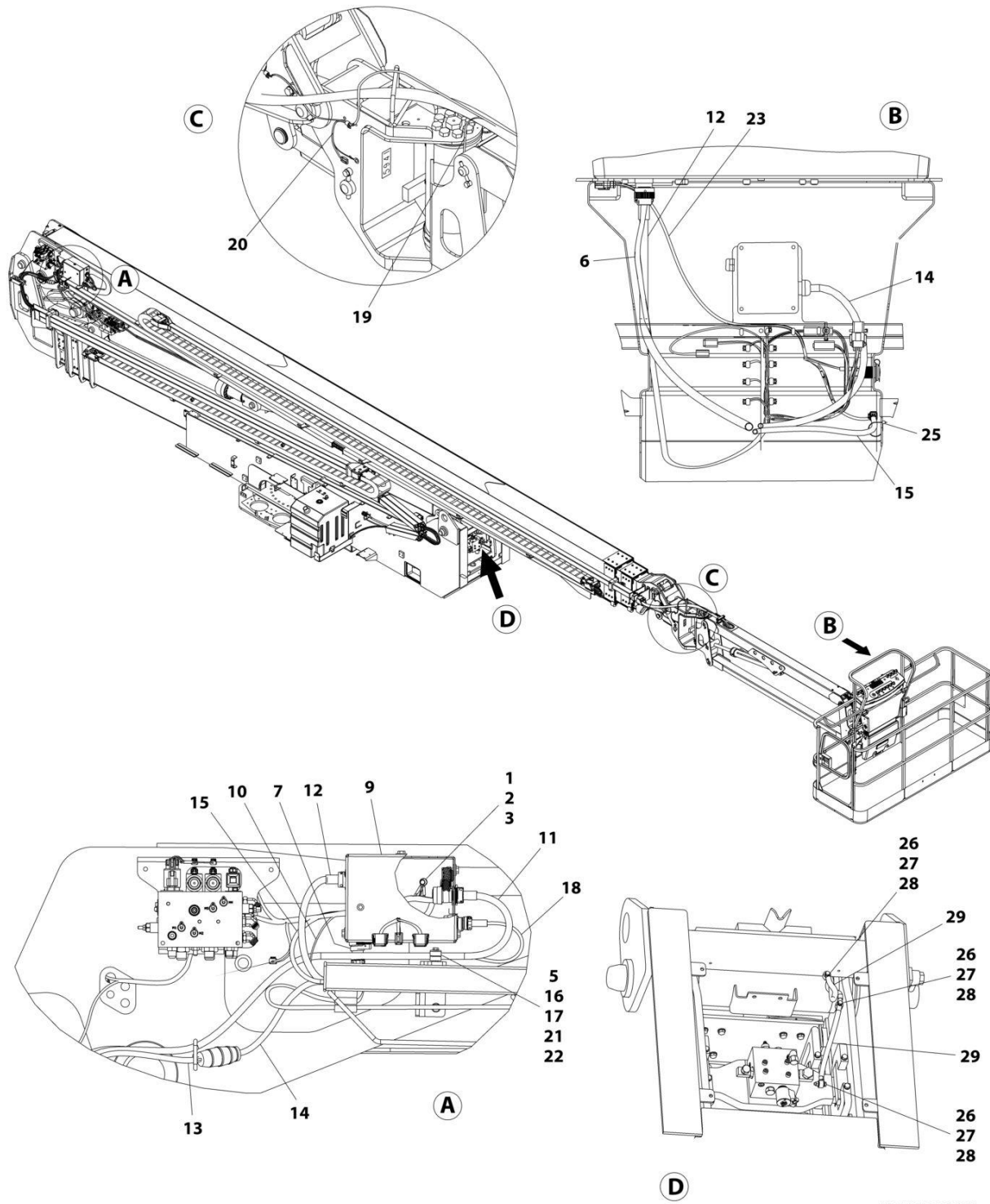
SECTION 8 - ELECTRICAL

FIGURE 8-19. BOOM CABLES INSTALLATION - WITH 4000W GENERATOR (ALL SPECS)

ITEM	PART NUMBER	QTY	DESCRIPTION	REV
	1001201710	Ref	BOOM CABLES INSTALLATION - WITH 4000W GENERATOR	F
1	0100011	AR	Compound, Locking	
2	0761010	3	Bolt M10 x 20	
3	4812000	3	Washer M10	
5	0760818001	2	Bolt M8 x 50	
6	1001196682	1	Valve Harness - Platform (See Separate Breakdown in this Section)	
7	1001216806	1	Valve Harness - Boom (See Separate Breakdown in this Section)	
9	1001200199	1	Boom Control Box Assembly (See Separate Breakdown in this Section)	
10	1001201062	1	Sensor Harness - Boom (See Separate Breakdown in this Section)	
11	1001202259	1	Boom Cable (Tower Boom) (See Separate Breakdown in this Section)	
12	1001202260	1	Boom Cable (Main Boom) (See Separate Breakdown in this Section)	
13	1001202267	1	AC Power to Platform Cable (Tower Boom)	
13	4460963	1	Receptacle, Female	
13	1671093	1	Cover	
14	1001202268	1	AC Power to Platform Cable (Main Boom)	
14	4460962	1	Plug, Male	
14	1671092	1	Cover	
15	1001202269	1	Main Boom 12/4 Harness	
15	4460932	1	Receptacle, Female - 4 Position	
15	1001157891	7	Pin, Male	
16	1001202742	1	Clamp	
17	1001202743	1	Cover, Clamp	
18	1001202785	1	Secondary Control Harness (See Separate Breakdown in this Section)	
19	1001204027	1	Jib Limit Switch Harness	
19	4460894	1	Plug, Male - 6 Position	
19	4460465	5	Socket, Female	
19	4460466	1	Plug, Terminal	
20	1001204028	1	Sensor Harness - Platform Level (See Separate Breakdown in this Section)	
21	3290805001	2	Nut M8	
22	4811900001	2	Washer M8	
23	1001206506	1	Platform Outlet Harness (See Separate Breakdown in this Section)	
24	1001146588	2	Tie-Strap (Not Shown)	
25	1001008559	3	Tie-Strap	
26	0700815	3	Bolt M8 x 35	
27	3290805	3	Nut M8	
28	4811900	6	Washer M8	
29	1001217007	2	Cable, Stainless Braided Ground	

SECTION 8 - ELECTRICAL

FIGURE 8-20. BOOM CABLES INSTALLATION - WITH SKYPOWER 7500W GENERATOR (ALL SPECS EXCEPT CE & UK CA SPECS)



ART_1001197328

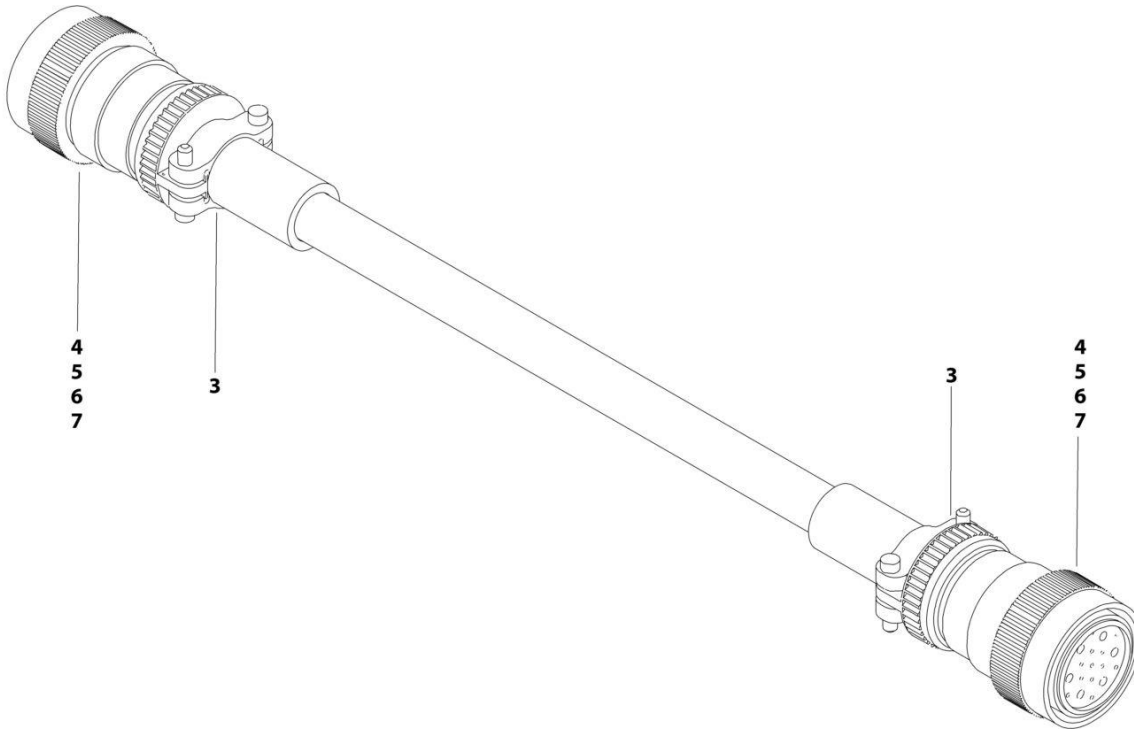
SECTION 8 - ELECTRICAL

FIGURE 8-20. BOOM CABLES INSTALLATION - WITH SKYPOWER 7500W GENERATOR (ALL SPECS EXCEPT CE & UK CA SPECS)

ITEM	PART NUMBER	QTY	DESCRIPTION	REV
	1001197328	Ref	BOOM CABLES INSTALLATION - WITH SKYPOWER 7500W GENERATOR	G
1	0100011	AR	Compound, Locking	
2	0761010	3	Bolt M10 x 20	
3	4812000	3	Washer M10	
5	0760818001	2	Bolt M8 x 50	
6	1001196682	1	Valve Harness - Platform (See Separate Breakdown in this Section)	
7	1001216806	1	Valve Harness - Boom (See Separate Breakdown in this Section)	
9	1001200199	1	Boom Control Box Assembly (See Separate Breakdown in this Section)	
10	1001201062	1	Sensor Harness - Boom (See Separate Breakdown in this Section)	
11	1001202259	1	Boom Cable (Tower Boom) (See Separate Breakdown in this Section)	
12	1001202260	1	Boom Cable (Main Boom) (See Separate Breakdown in this Section)	
13	1001226291	1	AC Power to Platform Cable (Tower Boom)	
13	1060945	1	Cable	
13	1001218623	1	Socket, 30Amp	
14	1001226292	1	AC Power to Platform Cable (Main Boom)	
14	1060945	1	Cable	
14	1001218622	1	Plug, 30Amp	
15	1001202269	1	Main Boom 12/4 Harness	
15	4460932	1	Receptacle, Female - 4 Position	
15	1001157891	7	Pin, Male	
16	1001202742	1	Clamp	
17	1001202743	1	Cover, Clamp	
18	1001202785	1	Secondary Control Harness (See Separate Breakdown in this Section)	
19	1001204027	1	Jib Limit Switch Harness	
19	4460894	1	Plug, Male - 6 Position	
19	4460465	5	Socket, Female	
19	4460466	1	Plug, Terminal	
20	1001204028	1	Sensor Harness - Platform Level (See Separate Breakdown in this Section)	
21	3290805001	2	Nut M8	
22	4811900001	2	Washer M8	
23	1001206506	1	Platform Outlet Harness (See Separate Breakdown in this Section)	
24	1001146588	2	Tie-Strap (Not Shown)	
25	1001008559	3	Tie-Strap	
26	0700815	3	Bolt M8 x 35	
27	3290805	3	Nut M8	
28	4811900	6	Washer M8	
29	1001217007	2	Cable, Stainless Braided Ground	

SECTION 8 - ELECTRICAL

FIGURE 8-21. BOOM CABLE (MAIN BOOM)



ART_1001202260

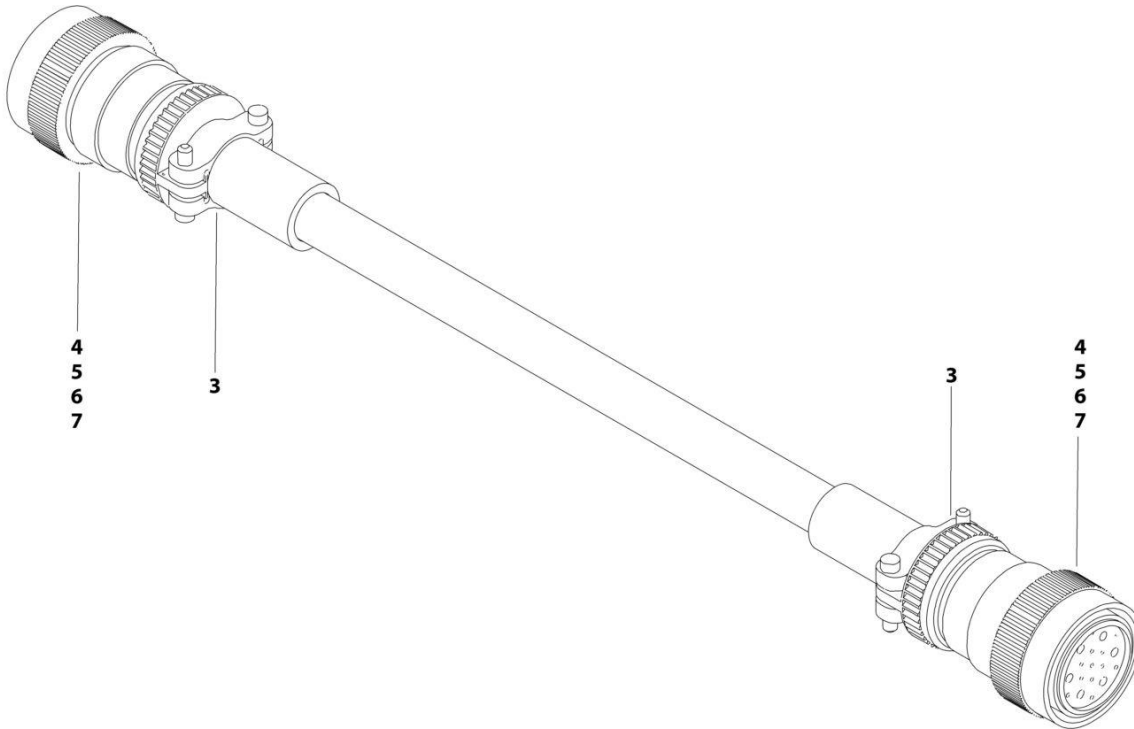
SECTION 8 - ELECTRICAL

FIGURE 8-21. BOOM CABLE (MAIN BOOM)

ITEM	PART NUMBER	QTY	DESCRIPTION	REV
	1001202260	Ref	BOOM CABLE (MAIN BOOM)	B
3	4460473	2	Clamp	
4	4460509	8	Socket, Female	
5	4460865	2	Connector - 19 Position	
6	4460465	20	Socket, Female	
7	4460466	10	Plug, Socket	

SECTION 8 - ELECTRICAL

FIGURE 8-22. BOOM CABLE (TOWER BOOM)



ART_1001202259

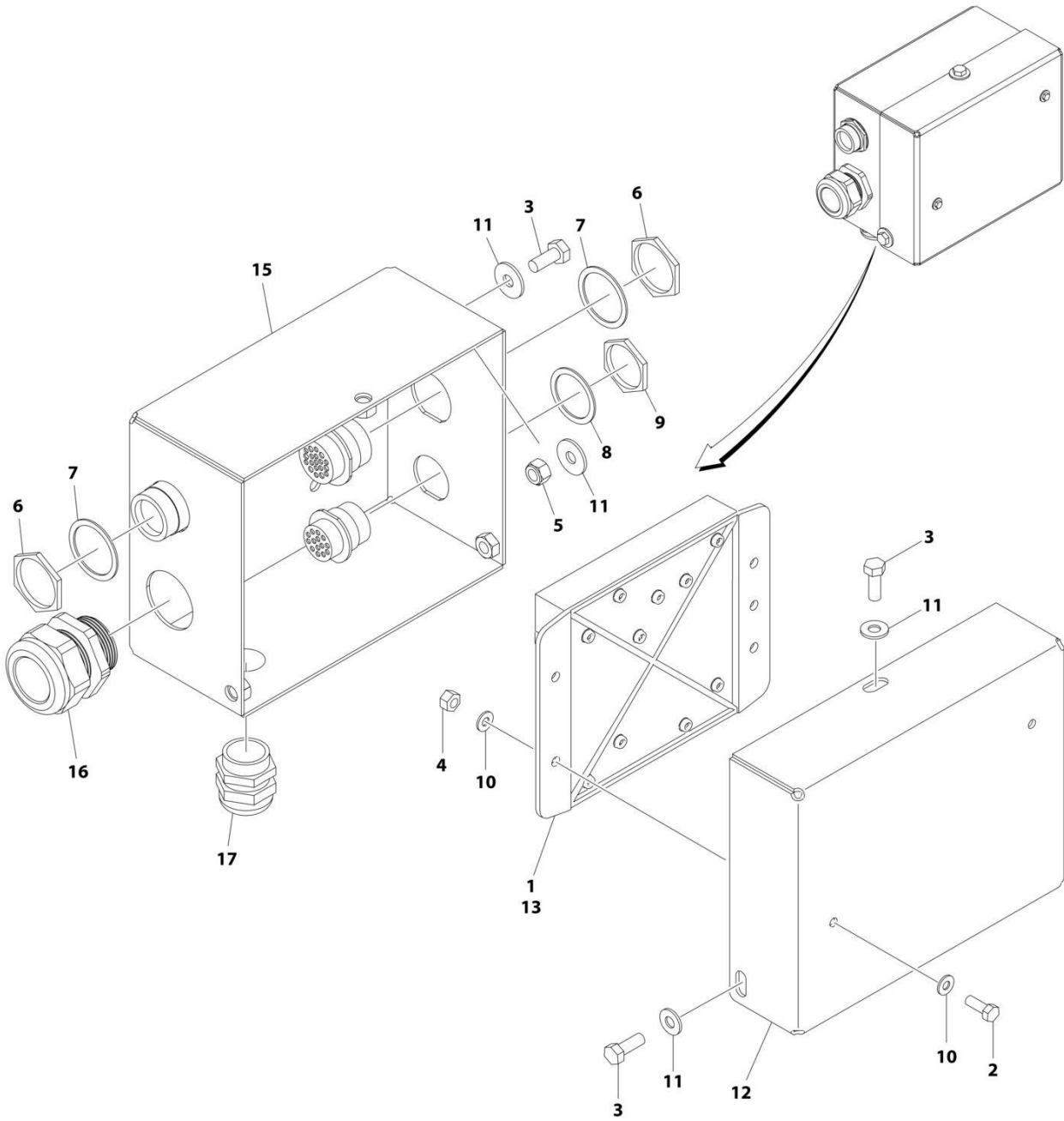
SECTION 8 - ELECTRICAL

FIGURE 8-22. BOOM CABLE (TOWER BOOM)

ITEM	PART NUMBER	QTY	DESCRIPTION	REV
	1001202259	Ref	BOOM CABLE (TOWER BOOM)	B
3	4460473	2	Clamp	
4	4460509	8	Socket, Female	
5	4460865	2	Connector - 19 Position	
6	4460465	20	Socket, Female	
7	4460466	10	Plug, Socket	

SECTION 8 - ELECTRICAL

FIGURE 8-23. BOOM CONTROL BOX ASSEMBLY



ART_1001200199_F

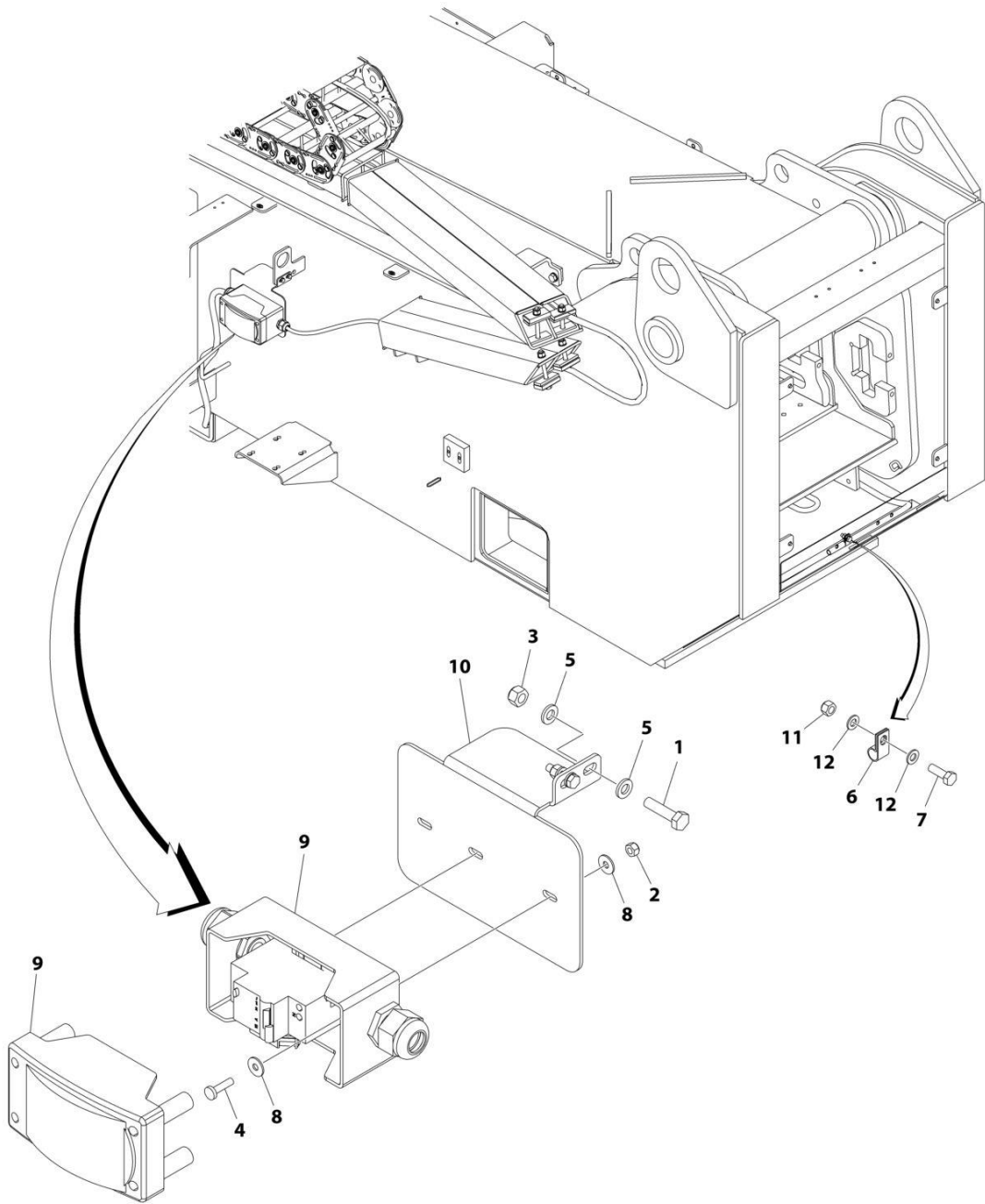
SECTION 8 - ELECTRICAL

FIGURE 8-23. BOOM CONTROL BOX ASSEMBLY

ITEM	PART NUMBER	QTY	DESCRIPTION	REV
	1001200199	Ref	BOOM CONTROL BOX ASSEMBLY	F
1	0100048	AR	Grease, Dielectric	
2	0760610	2	Bolt M6 x 20	
3	0761012	4	Bolt M10 x 25	
4	3290605	2	Nut M6	
5	3291005	1	Nut M10	
6	4460470	2	Nut, Terminal	
7	4460471	2	Washer, Terminal	
8	4460496	2	Washer, Terminal	
9	4460497	2	Nut, Terminal	
10	4811702	4	Washer M6	
11	4812002	5	Washer M10	
12	1001119215	1	Cover	
13	1001277209	1	Module, Control - Boom (Note: Re-calibration Required when Replaced)	
14	1001216638	1	Main Boom Control Box Harness (Not Shown - See Separate Breakdown in this Section)	
15	1001200203	1	Box	
16	1001215836	1	Connector, Strain Relief	
17	4460426	1	Connector, Strain Relief	

SECTION 8 - ELECTRICAL

FIGURE 8-24. BREAKER BOX INSTALLATION - WITH 2 BREAKERS (CE & UK CA SPECS)



ART_1001197335

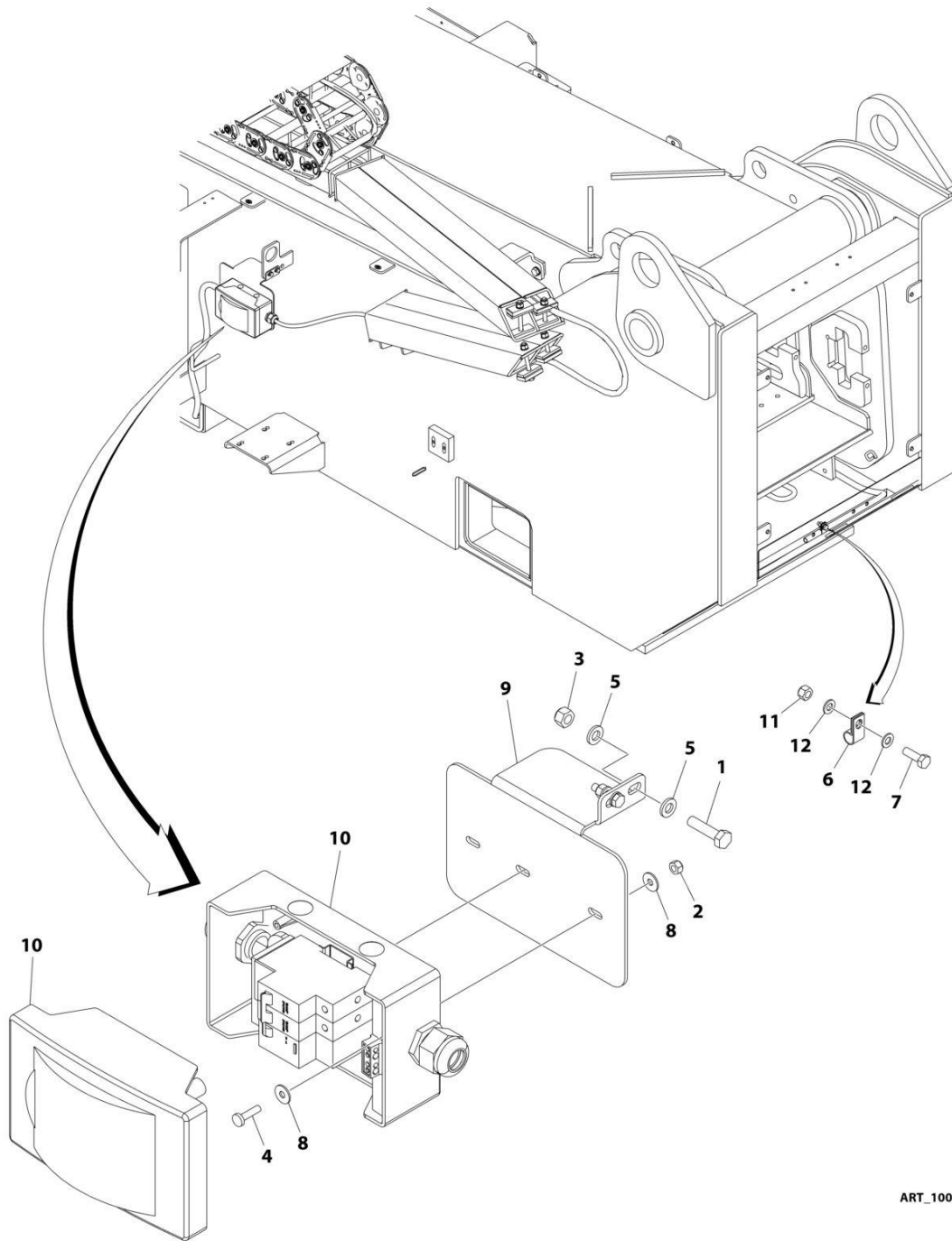
SECTION 8 - ELECTRICAL

FIGURE 8-24. BREAKER BOX INSTALLATION - WITH 2 BREAKERS (CE & UK CA SPECS)

ITEM	PART NUMBER	QTY	DESCRIPTION	REV
	1001197335	Ref	BREAKER BOX INSTALLATION - WITH 2 BREAKERS	D
1	0700612	2	Bolt M6 x 25	
2	3290405	2	Nut M4	
3	3290605	2	Nut M6	
4	4010408	2	Screw M4 x 16	
5	4811700	4	Washer M6	
6	8406109	1	Clamp	
7	0760812001	1	Bolt M8 x 25	
8	1001091102	4	Washer M4	
9	1001109654	1	Breaker Box Kit - With 2 Breakers (See Separate Breakdown in this Section)	
10	1001205660	1	Bracket	
11	3290805001	1	Nut M8	
12	4811900001	2	Washer M8	

SECTION 8 - ELECTRICAL

FIGURE 8-25. BREAKER BOX INSTALLATION - WITH 3 BREAKERS (CE & UK CA SPECS)



ART_1001205682

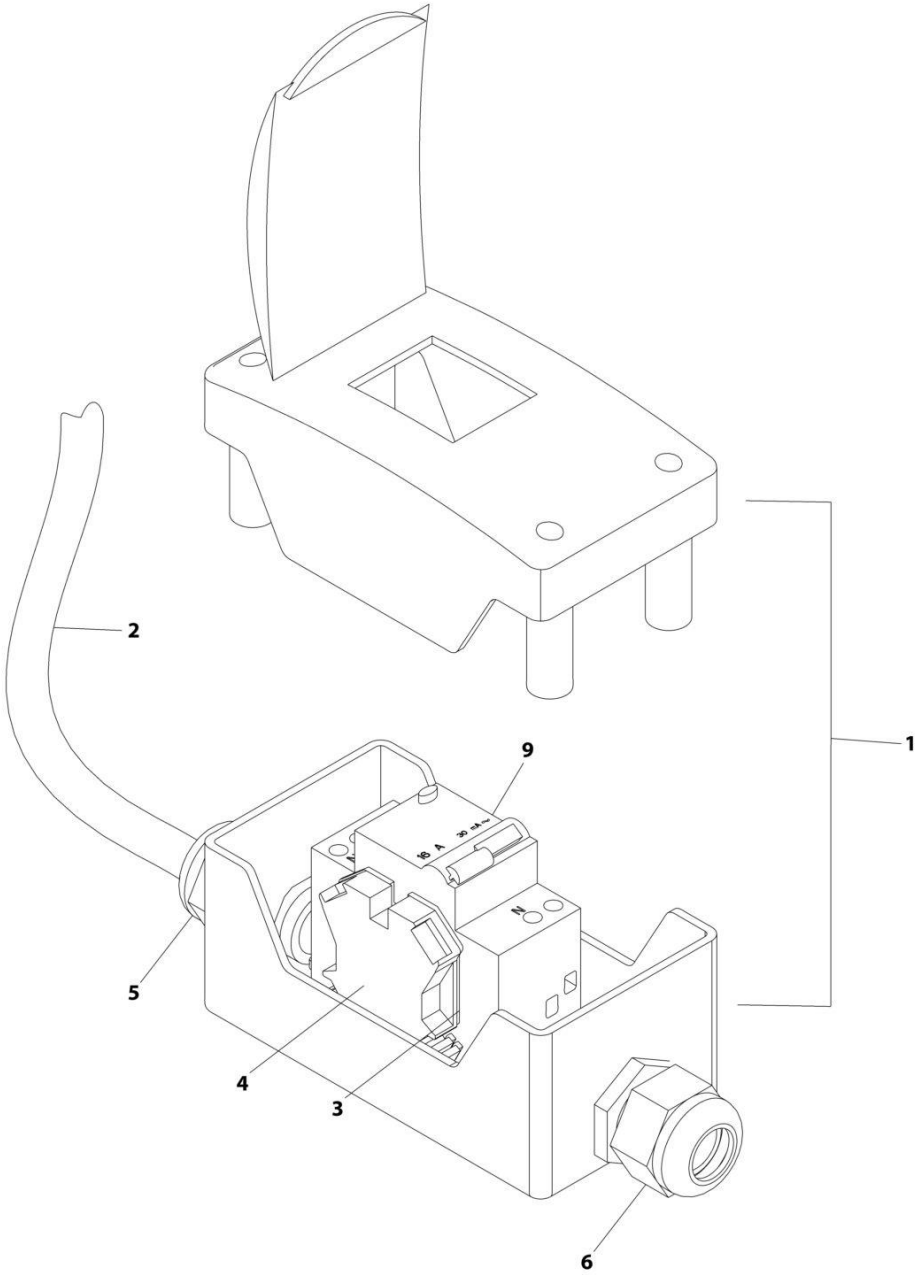
SECTION 8 - ELECTRICAL

FIGURE 8-25. BREAKER BOX INSTALLATION - WITH 3 BREAKERS (CE & UK CA SPECS)

ITEM	PART NUMBER	QTY	DESCRIPTION	REV
	1001205682	Ref	BREAKER BOX INSTALLATION - WITH 3 BREAKERS	B
1	0700612	2	Bolt M6 x 25	
2	3290405	2	Nut M4	
3	3290605	2	Nut M6	
4	4010408	2	Screw M4 x 16	
5	4811700	4	Washer M6	
6	8406109	1	Clamp	
7	0760812001	1	Bolt M8 x 25	
8	1001091102	4	Washer M4	
9	1001205660	1	Bracket	
10	1001205690	1	Breaker Box Kit - With 3 Breakers (See Separate Breakdown in this Section)	
11	3290805001	1	Nut M8	
12	4811900001	2	Washer M8	

SECTION 8 - ELECTRICAL

FIGURE 8-26. BREAKER BOX KIT - WITH 2 BREAKERS (CE & UK CA SPECS)



ART_1001109654

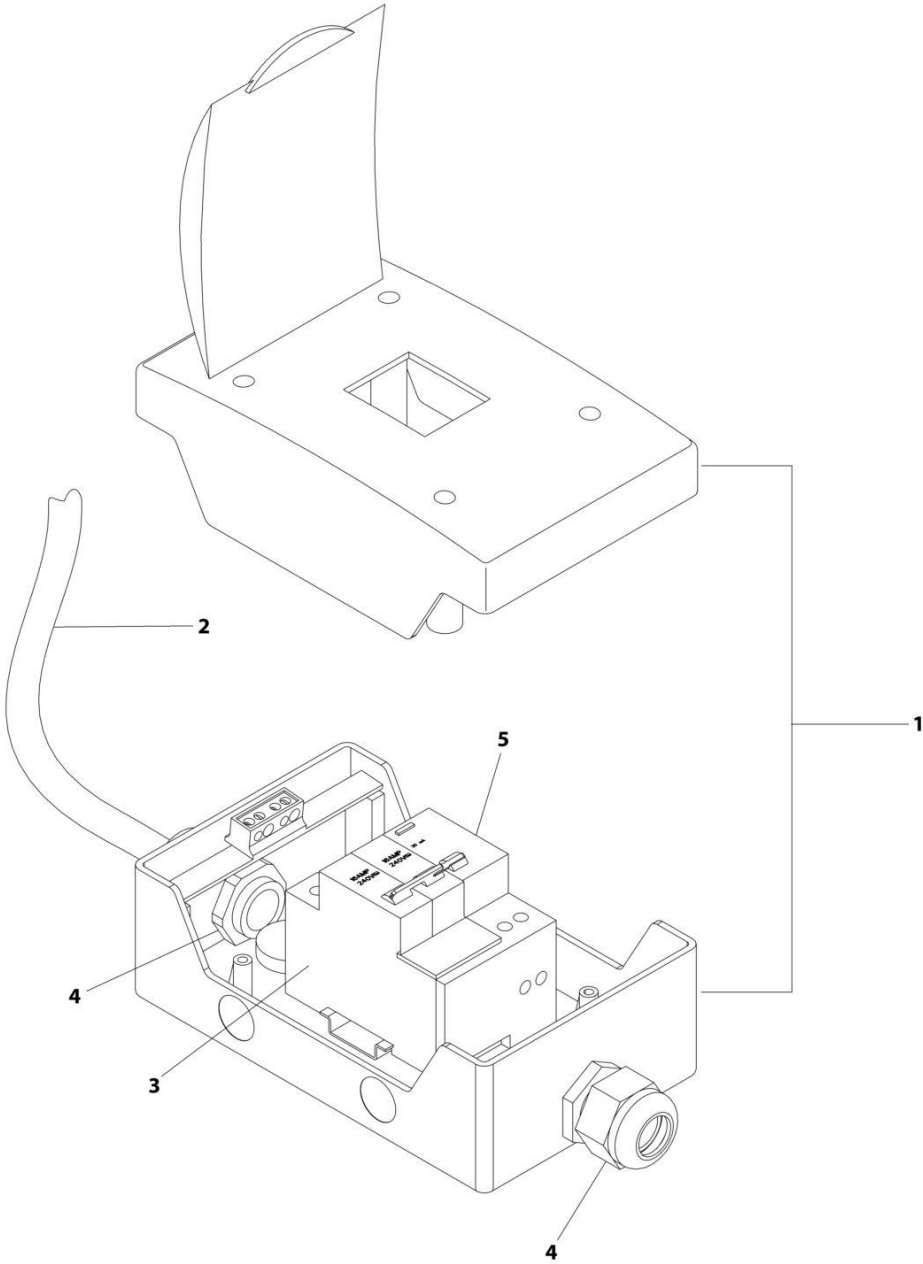
SECTION 8 - ELECTRICAL

FIGURE 8-26. BREAKER BOX KIT - WITH 2 BREAKERS (CE & UK CA SPECS)

ITEM	PART NUMBER	QTY	DESCRIPTION	REV
	1001109654	Ref	BREAKER BOX KIT	C
1	0861880	1	Box, Breaker	
2	1060908	12 ft/ 3.6m	Cable 12/3	
3	4460956	1	Barrier, Terminal Block End	
4	4460957	1	Block, Terminal	
5	1001097150	1	Connector, Strain Relief	
6	1001101191	1	Connector, Strain Relief	
9	1001181045	1	Breaker - 30mA/16Amp	
10	1001100231	3	Terminal (Not Shown)	

SECTION 8 - ELECTRICAL

FIGURE 8-27. BREAKER BOX KIT - WITH 3 BREAKERS (CE & UK CA SPECS)



ART_1001205690

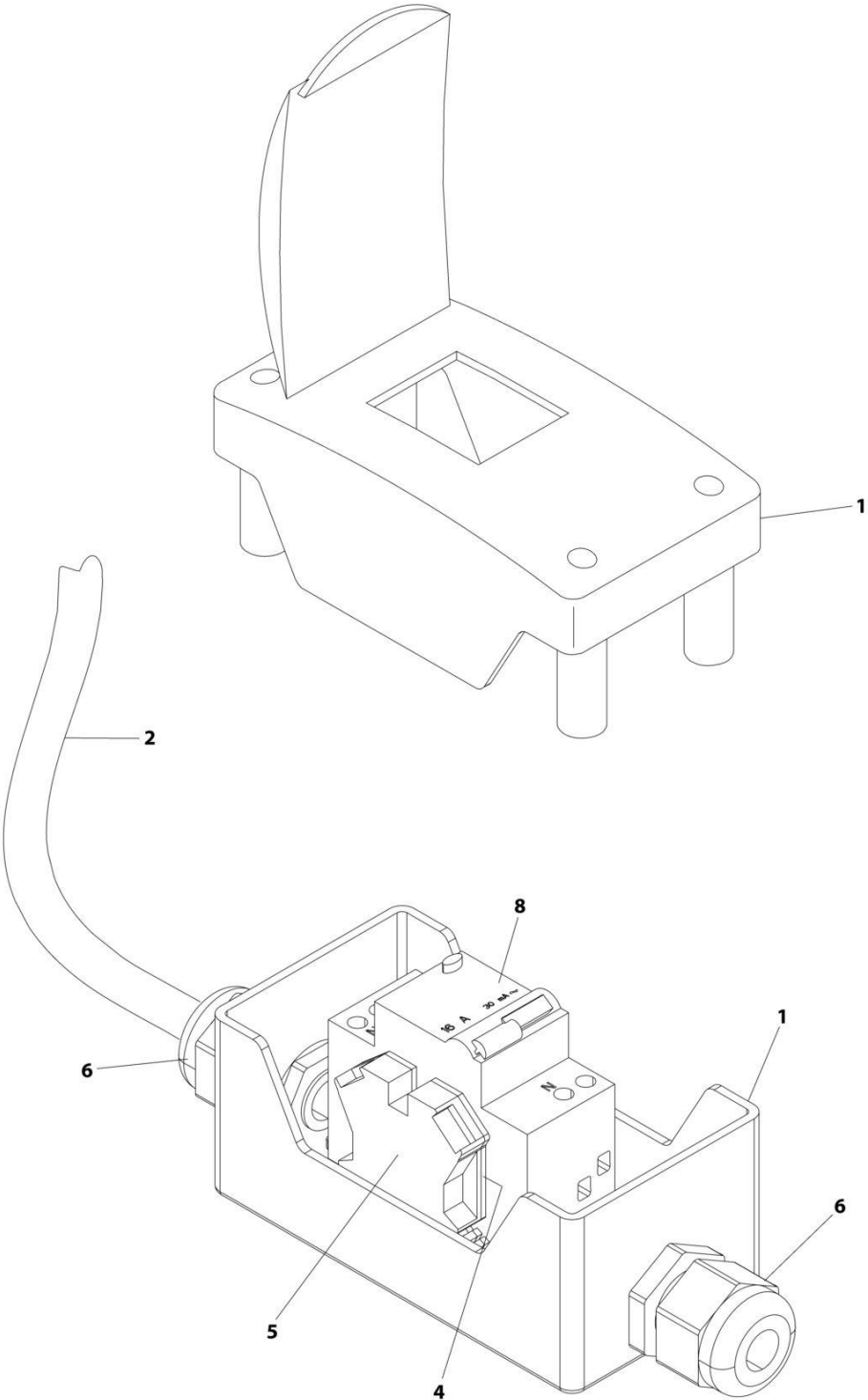
SECTION 8 - ELECTRICAL

FIGURE 8-27. BREAKER BOX KIT - WITH 3 BREAKERS (CE & UK CA SPECS)

ITEM	PART NUMBER	QTY	DESCRIPTION	REV
	1001205690	Ref	BREAKER BOX KIT	B
1	1001152483	1	Box, Breaker	
2	1060545	12 ft / 3.6m	Cable, Electrical 10/3	
3	1001189172	1	Breaker 16Amp Double	
4	1001101191	2	Connector, Strain Relief	
5	1001189171	1	Breaker 30mA	

SECTION 8 - ELECTRICAL

FIGURE 8-28. BREAKER BOX KIT - 4000W 50HZ GENERATOR



ART_1001096612

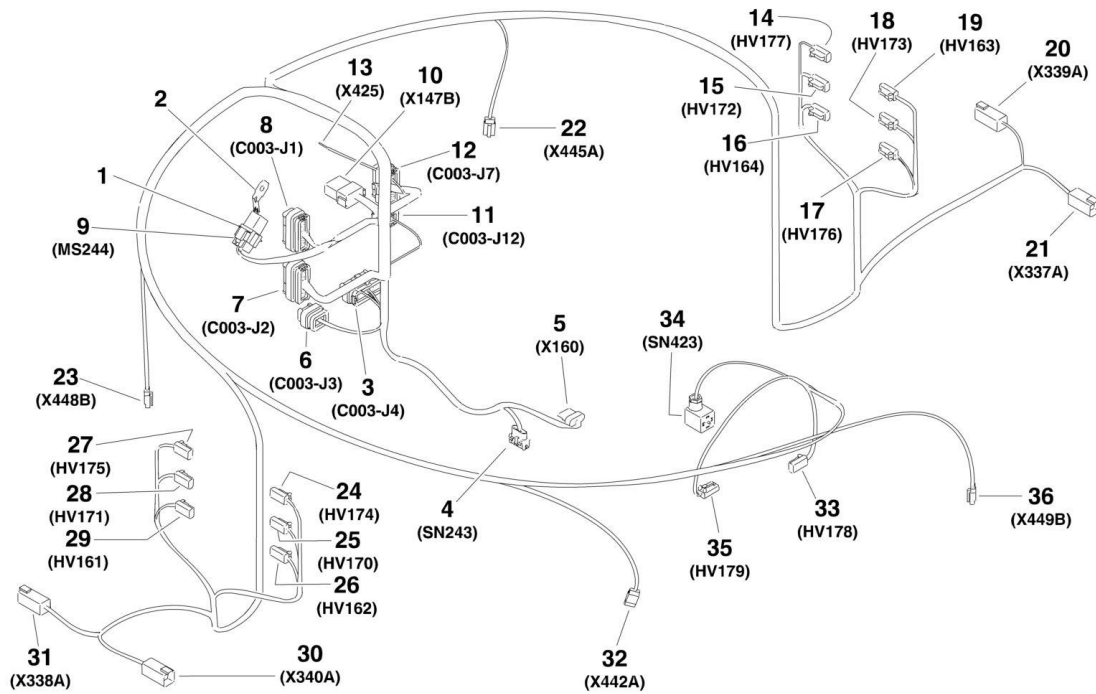
SECTION 8 - ELECTRICAL

FIGURE 8-28. BREAKER BOX KIT - 4000W 50HZ GENERATOR

ITEM	PART NUMBER	QTY	DESCRIPTION	REV
	1001096612	Ref	BREAKER BOX ASSEMBLY	C
1	0861880	1	Box	
2	1060908	4.5 ft /1.4m	Cable, 12/3	
4	4460956	1	Barrier, Terminal	
5	4460957	1	Block, Terminal	
6	1001097150	2	Connector, Strain Relief	
8	1001181045	1	Breaker, Double 30mAmp/16Amp	

SECTION 8 - ELECTRICAL

FIGURE 8-29. CHASSIS HARNESS



1001149975

SECTION 8 - ELECTRICAL

FIGURE 8-29. CHASSIS HARNESS

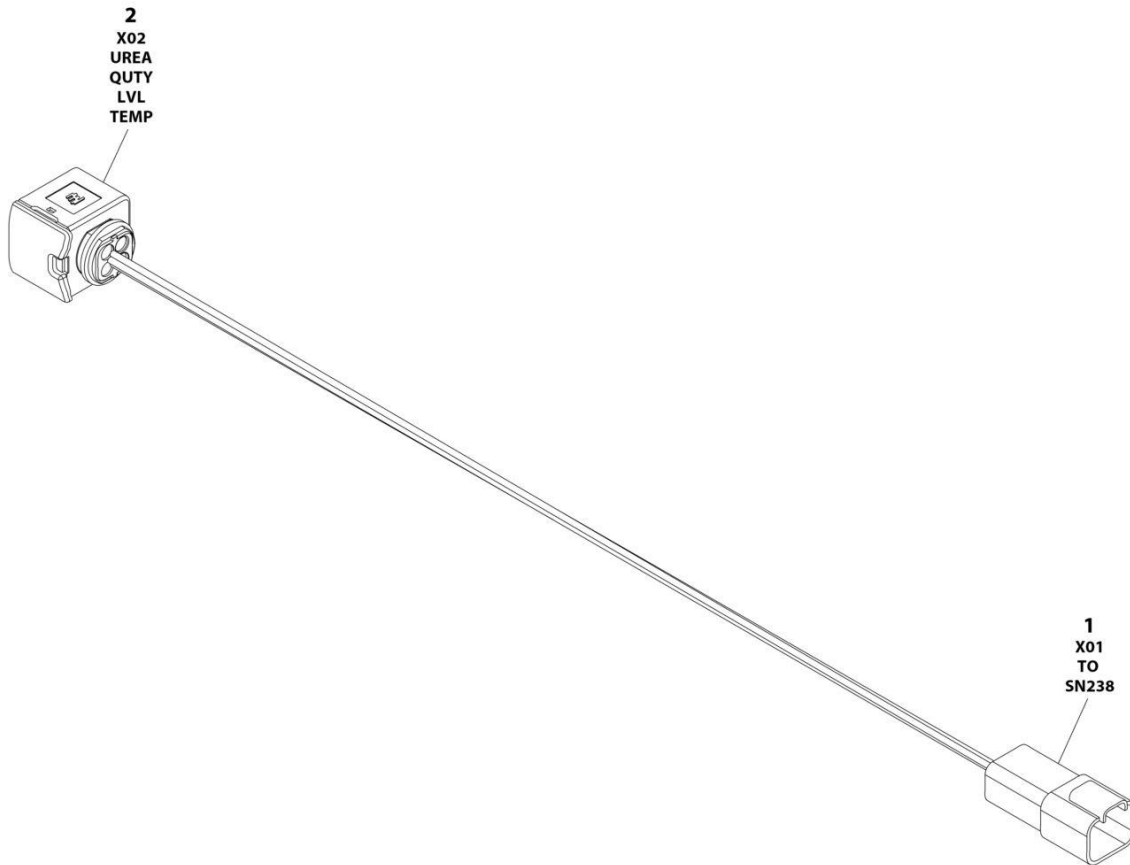
ITEM	PART NUMBER	QTY	DESCRIPTION	REV
	1001149975	Ref	CHASSIS HARNESS	I
1	4460852	1	Connector - 8 Position	
2	1001155743	1	Holder	
3	4460876	1	Connector - 35 Position	
3	4460871	4	Socket, Female	
3	4460905	31	Seal, Plug	
4	1001230931	1	Connector - 6 Position	
4	1001116748	6	Terminal	
5	4460761	1	Connector - 4 Position	
5	4460227	4	Pin, Male	
6	4460872	1	Connector - 14 Position	
6	4460871	5	Socket, Female	
6	4460905	9	Seal, Plug	
7	4460875	1	Connector - 35 Position	
7	4460871	21	Socket, Female	
7	4460905	14	Seal, Plug	
8	4460874	1	Connector - 35 Position	
8	4460871	10	Socket, Female	
8	4460905	25	Seal, Plug	
9	4460851	1	Connector - 8 Position	
9	4460465	7	Socket, Female	
9	4460466	1	Seal, Plug	
10	4460950	1	Connector - 12 Position	
10	4460943	3	Pin, Male (Gold)	
10	4460464	3	Pin, Male	
10	4460466	6	Seal, Plug	
11	1001113961	1	Connector - 8 Position	
11	4460871	1	Socket, Female	
11	4460905	7	Seal, Plug	
12	4460873	1	Connector - 35 Position	
12	4460871	22	Socket, Female	
12	4460905	13	Seal, Plug	
13	4461271	1	Connector - 1 Position	
14	4460891	1	Connector - 2 Position	
14	4460465	2	Socket, Female	
15	4460891	1	Connector - 2 Position	
15	4460465	2	Socket, Female	
16	4460891	1	Connector - 2 Position	
16	4460465	2	Socket, Female	
17	4460891	1	Connector - 2 Position	
17	4460465	2	Socket, Female	
18	4460891	1	Connector - 2 Position	
18	4460465	2	Socket, Female	
19	4460891	1	Connector - 2 Position	
19	4460465	2	Socket, Female	
20	4460899	1	Connector - 6 Position	
20	4460464	4	Pin, Male	
20	4460466	2	Plug, Seal	
21	4460899	1	Connector - 6 Position	
21	4460464	4	Pin, Male	

SECTION 8 - ELECTRICAL

ITEM	PART NUMBER	QTY	DESCRIPTION	REV
21	4460466	2	Plug, Seal	
22	4460911	1	Connector - 3 Position	
23	4460911	1	Connector - 3 Position	
24	4460891	1	Connector - 2 Position	
24	4460465	2	Socket, Female	
25	4460891	1	Connector - 2 Position	
25	4460465	2	Socket, Female	
26	4460891	1	Connector - 2 Position	
26	4460465	2	Socket, Female	
27	4460891	1	Connector - 2 Position	
27	4460465	2	Socket, Female	
28	4460891	1	Connector - 2 Position	
28	4460465	2	Socket, Female	
29	4460891	1	Connector - 2 Position	
29	4460465	2	Socket, Female	
30	4460899	1	Connector - 6 Position	
30	4460464	4	Pin, Male	
30	4460466	2	Plug, Seal	
31	4460899	1	Connector - 6 Position	
31	4460464	4	Pin, Male	
31	4460466	2	Plug, Seal	
32	4460911	1	Connector - 3 Position	
33	4460891	1	Connector - 2 Position	
33	4460465	2	Socket, Female	
34	1001263923	1	Connector - 3 Position	
35	4460891	1	Connector - 2 Position	
35	4460465	2	Socket, Female	
36	4460911	1	Connector - 3 Position	

SECTION 8 - ELECTRICAL

FIGURE 8-30. DEF TANK EXTENSION HARNESS



ART_1001238483

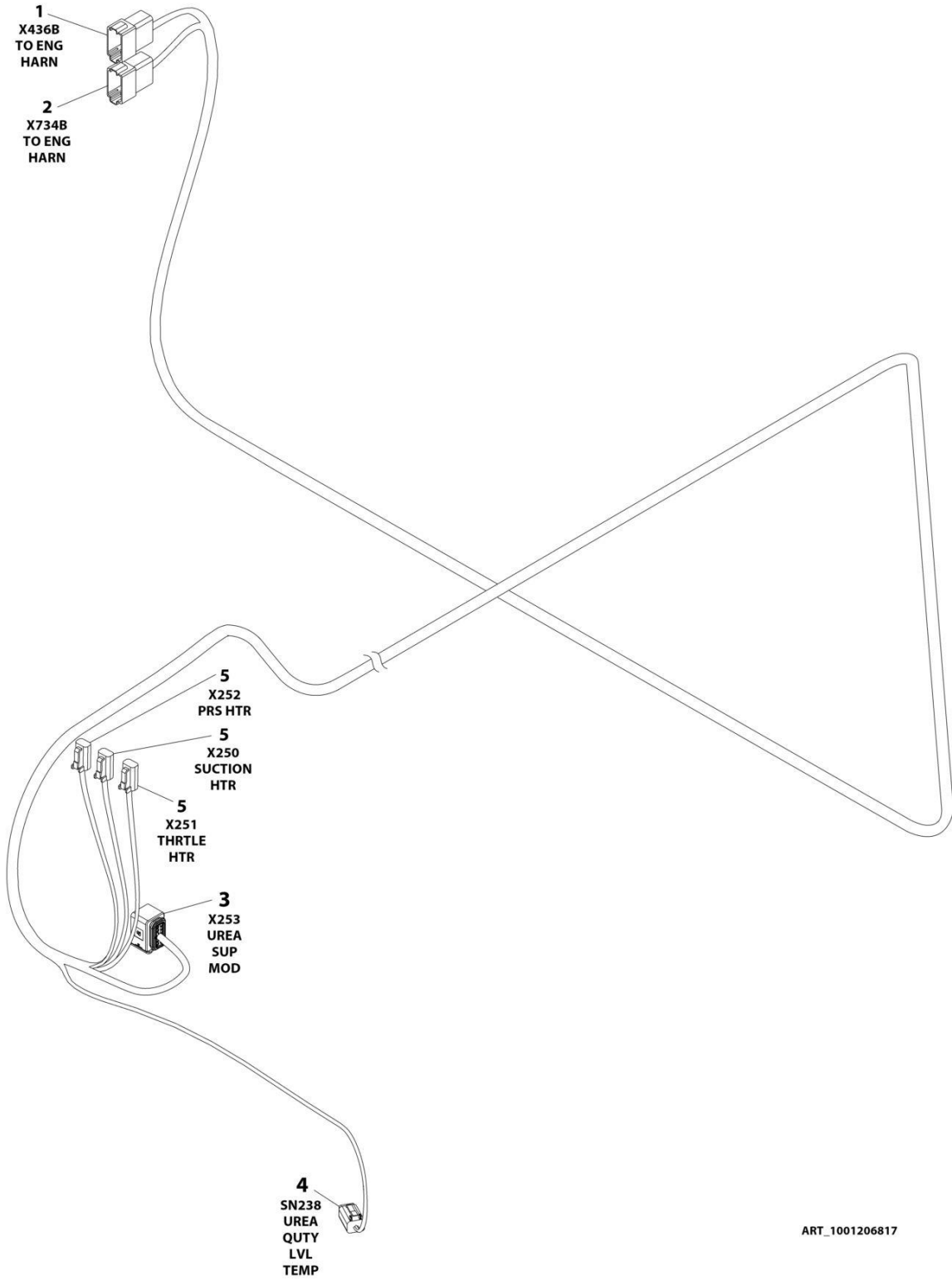
SECTION 8 - ELECTRICAL

FIGURE 8-30. DEF TANK EXTENSION HARNESS

ITEM	PART NUMBER	QTY	DESCRIPTION	REV
	1001238483	Ref	DEF TANK EXTENSION HARNESS	A
1	4460932	1	Receptacle, Female - 4 Position	
1	4460464	2	Pin, Male	
1	4460943	2	Pin, Male	
2	1001167528	1	Connector - 4 Position	
2	1001167632	2	Terminal	
2	1001166704	2	Terminal	
2	1001137578	4	Seal	

SECTION 8 - ELECTRICAL

FIGURE 8-31. DIESEL EXHAUST FLUID TANK HARNESS



ART_1001206817

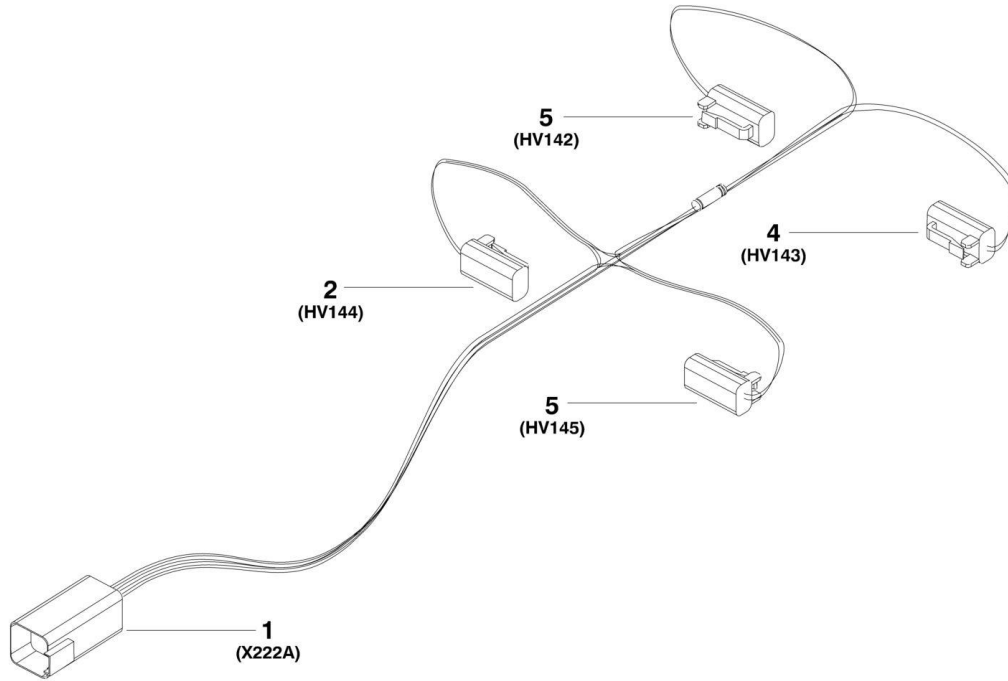
SECTION 8 - ELECTRICAL

FIGURE 8-31. DIESEL EXHAUST FLUID TANK HARNESS

ITEM	PART NUMBER	QTY	DESCRIPTION	REV
	1001206817	Ref	DIESEL EXHAUST FLUID TANK HARNESS	B
1	4460982	1	Receptacle, Female - 12 Position	
1	1001157891	6	Pin, Male	
1	4460464	2	Pin, Male	
1	4460943	2	Pin, Male	
1	4460466	2	Plug, Terminal	
2	1001152742	1	Receptacle, Female - 12 Position	
2	4460941	2	Pin, Male	
2	4460464	8	Pin, Male	
2	4460466	2	Plug, Terminal	
3	1001165194	1	Plug, Male - 12 Position	
3	1001166556	8	Socket, Female	
3	1001166774	2	Socket, Female	
3	1001126391	2	Plug, Terminal	
4	4460884	1	Plug, Male - 4 Position	
4	4460944	2	Socket, Female	
4	4460465	2	Socket, Female	
5	4460891	3	Plug, Male - 2 Position	
5	4460942	6	Socket, Female	

SECTION 8 - ELECTRICAL

FIGURE 8-32. DRIVE PUMP HARNESS



1001149970

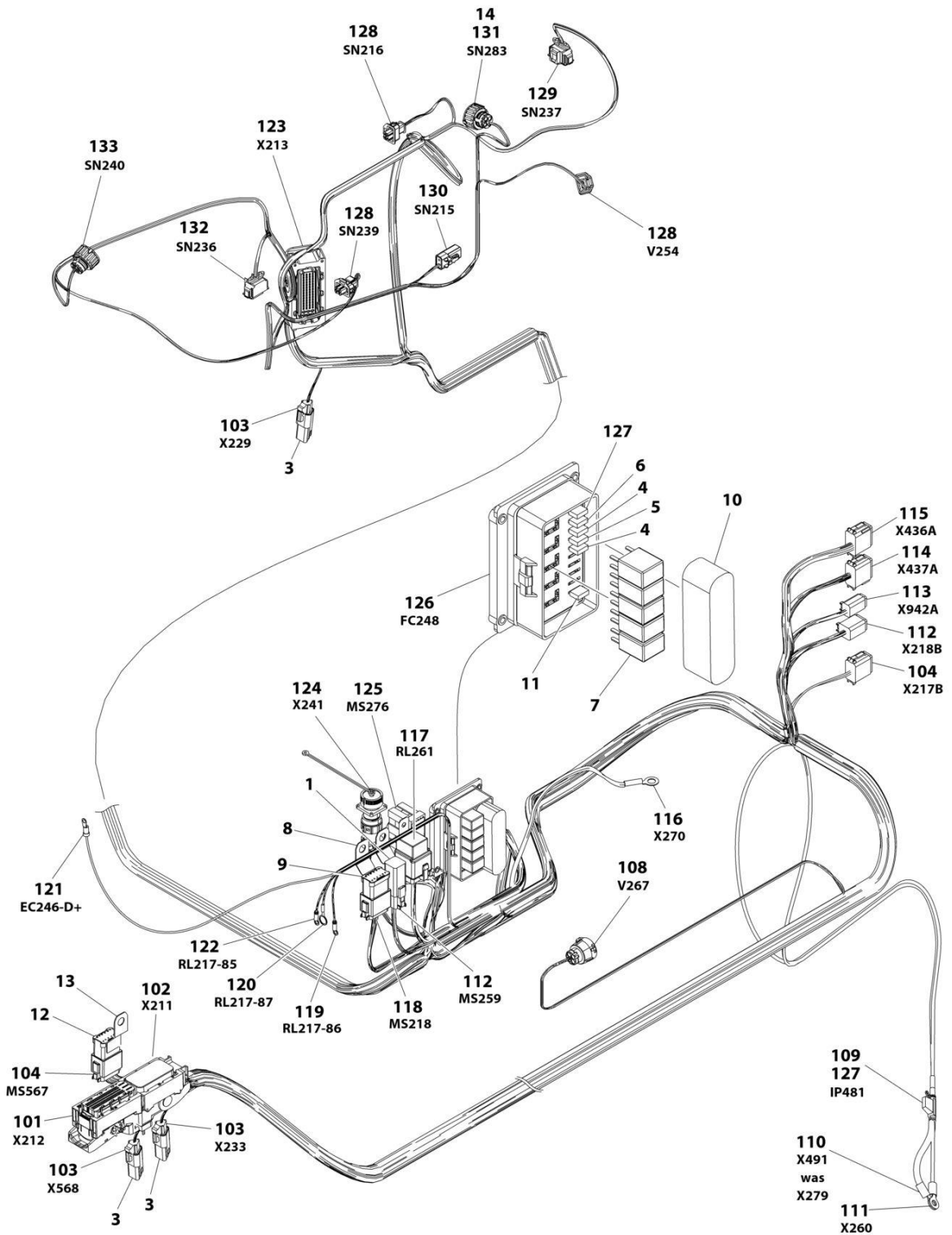
SECTION 8 - ELECTRICAL

FIGURE 8-32. DRIVE PUMP HARNESS

ITEM	PART NUMBER	QTY	DESCRIPTION	REV
	1001149970	Ref	DRIVE PUMP HARNESS	B
1	4460899	1	Connector - 6 Position	
1	4460464	5	Pin, Male	
1	4460466	1	Plug, Seal	
2	4460891	1	Connector - 2 Position	
2	4460465	2	Socket, Female	
3	4460891	1	Connector - 2 Position	
3	4460465	2	Socket, Female	
4	4460891	1	Connector - 2 Position	
4	4460465	2	Socket, Female	
5	4460891	1	Connector - 2 Position	
5	4460465	2	Socket, Female	

SECTION 8 - ELECTRICAL

FIGURE 8-33. ENGINE HARNESS (HRC)



ART_1001188922

SECTION 8 - ELECTRICAL

FIGURE 8-33. ENGINE HARNESS (HRC)

ITEM	PART NUMBER	QTY	DESCRIPTION	REV
	1001188922	Ref	ENGINE HARNESS	K
1	4460892	1	Buss Bar - 6 Position	
3	4461070	3	Connector, Terminating - 3 Position	
4	8229242	2	Fuse, 5 Amp	
5	8229244	1	Fuse, 15 Amp	
6	8229247	1	Fuse, 25 Amp	
7	1001095704	5	Relay	
8	1001120328	2	Mount	
9	1001125677	1	Connector, Bussbar	
10	1001190921	1	Seal	
11	1001197719	1	Resistor 620ohm	
12	4460984	1	Receptacle, Female - 8 Position	
13	1001155743	1	Mount	
14	1001216318	1	Cover	
101	1001167615	1	Connector - 91 Position	
101	1001166551	6	Terminal	
101	1001167621	20	Terminal	
101	1001167622	65	Plug, Terminal	
101	1001126353	6	Seal	
102	1001167625	1	Connector - 105 Position	
102	1001166555	13	Terminal	
102	1001167621	50	Terminal	
102	1001167622	36	Plug, Terminal	
102	1001167623	6	Seal	
103	4461095	3	Connector - 3 Position	
103	4460944	4	Socket, Female	
103	4460465	2	Socket, Female	
103	4460466	3	Plug, Terminal	
104	4460930	2	Connector - 8 Position	
104	4460465	10	Socket, Female	
104	4460466	6	Plug, Terminal	
108	1001167620	1	Connector - 4 Position	
108	1001176004	2	Socket, Female	
108	1001167624	2	Plug, Terminal	
108	1001176002	2	Seal	
109	2400066	1	Fuseholder with Leads	
110	1001117107	1	Terminal, Ring	
111	8220045	1	Terminal, Ring	
112	4460894	2	Plug, Male - 6 Position	
112	4460465	7	Socket, Female	
112	4460944	2	Socket, Female	
112	4460942	1	Socket, Female	
112	4460466	2	Plug, Socket	
113	4460884	1	Plug, Male - 4 Position	
113	4460465	2	Socket, Female	
113	4460942	2	Socket, Female	
114	4460934	1	Plug, Male - 12 Position	
114	4460942	2	Socket, Female	
114	4460465	8	Socket, Female	
114	4460466	2	Plug, Socket	

SECTION 8 - ELECTRICAL

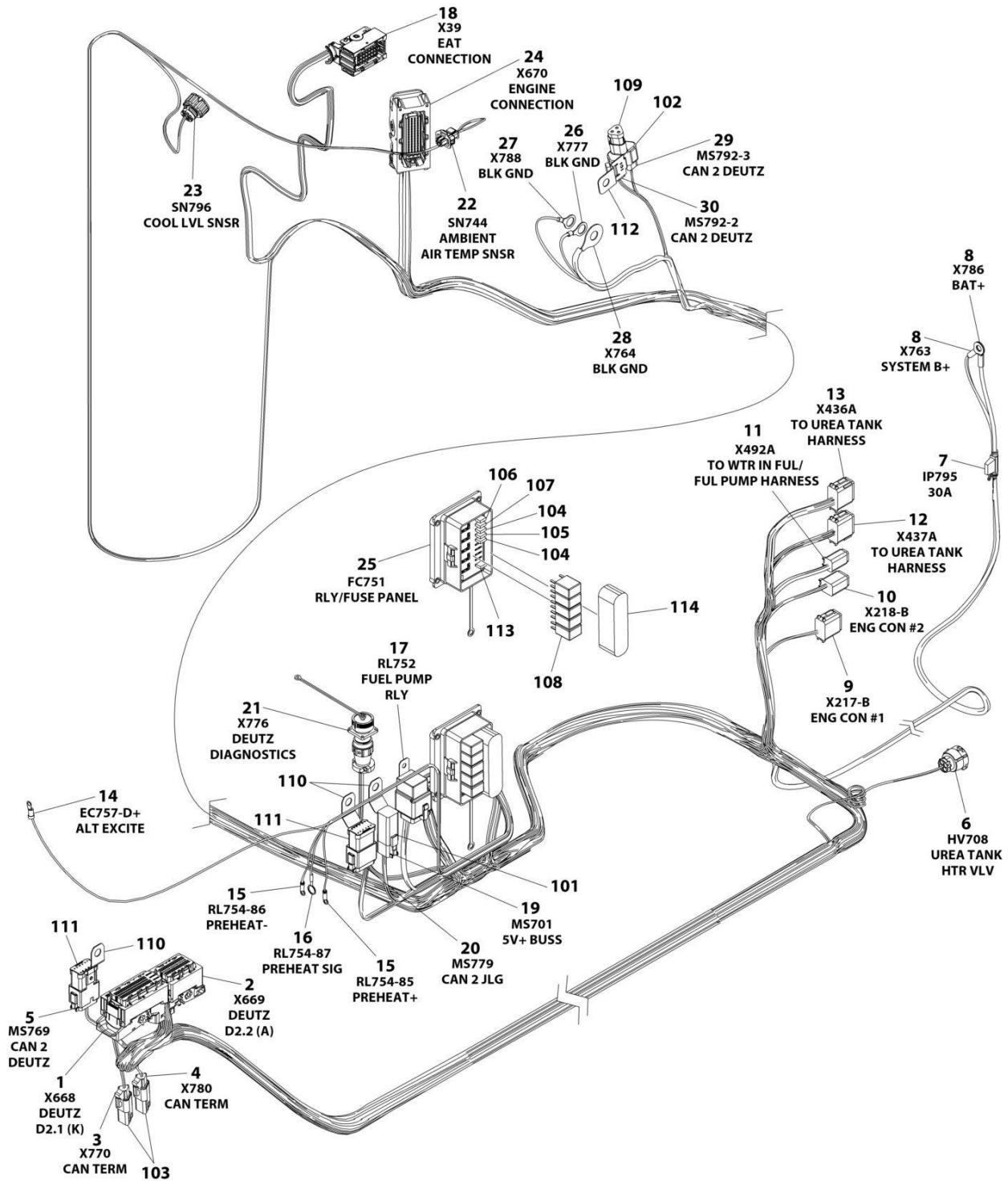
ITEM	PART NUMBER	QTY	DESCRIPTION	REV
115	4460935	1	Plug, Male - 12 Position	
115	1001157890	6	Socket, Female	
115	4460465	2	Socket, Female	
115	4460944	2	Socket, Female	
115	4460466	2	Plug, Socket	
116	1001117108	1	Ring, Terminal	
117	1001118282	1	Connector - 5 Position	
117	1001116734	2	Terminal	
117	1001116733	2	Terminal	
117	1001128128	1	Plug, Socket	
118	4460933	1	Plug, Male - 12 Position	
118	4460944	12	Socket, Female	
119	4460247	1	Terminal, Ring	
120	4460703	1	Terminal, Ring	
121	4460042	1	Terminal, Ring	
122	4460247	1	Terminal, Ring	
123	1001126362	1	Connector - 62 Position	
123	1001166556	30	Socket, Female	
123	1001166774	10	Socket, Female	
123	1001166541	2	Socket, Female	
123	1001166543	2	Socket, Female	
123	1001126391	16	Plug, Terminal	
123	4461008	2	Plug, Terminal	
123	1001166701	30	Seal, Terminal	
123	1001126393	10	Seal, Terminal	
123	4461006	2	Seal, Terminal (Blue)	
123	4461054	2	Seal, Terminal (White)	
124	2902443	1	Kit, Receptacle	
124	4461071	8	Socket, Female	
124	4461072	1	Connector	
124	4461043	1	Cap, Dust	
124	4461074	1	Shell, Back	
125	1001184846	1	Plug, Male - 10 Position	
125	4460509	10	Socket, Female	
126	1001167616	1	Main Fuse Box Assembly	
126	1001116725	6	Socket, Female	
126	8220097	19	Terminal	
126	8220098	7	Terminal	
126	4460748	13	Plug, Terminal	
126	80963067	6	Seal (Blue)	
126	1001175265	12	Seal, Terminal	
126	4460458	14	Seal, Terminal	
127	8229245	2	Fuse, 30 Amp	
128	1001126487	3	Connector - 2 Position	
128	1001167634	4	Socket, Female	
128	1001167635	2	Socket, Female	
128	1001126485	3	Seal, Terminal	
129	1001167629	1	Connector - 4 Position	
129	1001167630	4	Socket, Female	
129	1001126485	4	Seal, Terminal	
130	1001126245	1	Plug, Male - 2 Position	

SECTION 8 - ELECTRICAL

ITEM	PART NUMBER	QTY	DESCRIPTION	REV
130	1001126008	2	Socket, Female	
131	1001167633	1	Connector - 3 Position	
131	1001133715	3	Socket, Female	
131	1001135650	3	Seal, Terminal	
132	1001167631	1	Connector - 4 Position	
132	1001167630	4	Socket, Female	
132	1001126485	4	Seal, Terminal	
133	1001133714	1	Connector - 4 Position	
133	1001133715	3	Socket, Female	
133	1001135650	3	Seal, Terminal	

SECTION 8 - ELECTRICAL

FIGURE 8-34. ENGINE HARNESS STAGE V (HRC)



ART_1001262056

SECTION 8 - ELECTRICAL

FIGURE 8-34. ENGINE HARNESS STAGE V (HRC)

ITEM	PART NUMBER	QTY	DESCRIPTION	REV
	1001262056	Ref	ENGINE HARNESS	E
1	1001133956	1	Connector - 94 Position	
1	1001182361	6	Terminal	
1	1001126351	3	Terminal	
1	1001230934	42	Terminal	
1	1001230935	43	Plug	
1	1001182365	6	Seal	
2	1001133957	1	Connector - 60 Position	
2	1001230936	10	Plug	
2	1001126351	14	Terminal	
2	1001230935	7	Plug	
2	1001230934	27	Terminal	
3	4461095	1	Connector - 3 Position	
3	4460465	2	Socket, Female	
3	4460466	1	Plug, Socket	
4	4461095	1	Connector - 3 Position	
4	4460465	2	Socket, Female	
4	4460466	1	Plug, Socket	
5	4460933	1	Connector - 12 Position	
5	4460465	10	Socket, Female	
5	4460466	2	Plug, Socket	
6	1001167620	1	Connector - 4 Position	
6	1001176004	2	Socket, Female	
6	1001167624	2	Plug, Terminal	
6	1001176002	2	Seal	
7	2400066	1	Fuseholder with Leads	
8	8220045	2	Terminal, Ring	
9	4460930	1	Connector - 8 Position	
9	4460465	1	Socket, Female	
9	4460466	6	Plug, Terminal	
9	4460942	1	Socket, Female	
10	4460894	1	Plug, Male - 6 Position	
10	4460942	1	Socket, Female	
10	4460465	2	Socket, Female	
10	4460944	2	Socket, Female	
10	4460466	1	Plug, Terminal	
11	4460884	1	Plug, Male - 4 Position	
11	4460465	2	Socket, Female	
11	1001157890	2	Socket, Female	
12	4460934	1	Plug, Male - 12 Position	
12	4460465	8	Socket, Female	
12	4460942	2	Terminal	
12	4460466	2	Plug, Terminal	
13	4460935	1	Plug, Male - 12 Position	
13	1001157890	6	Socket, Female	
13	4460465	2	Socket, Female	
13	4460944	2	Socket, Female	
13	4460466	2	Plug, Socket	
14	4460042	1	Terminal, Ring	
15	4460247	2	Terminal, Ring	

SECTION 8 - ELECTRICAL

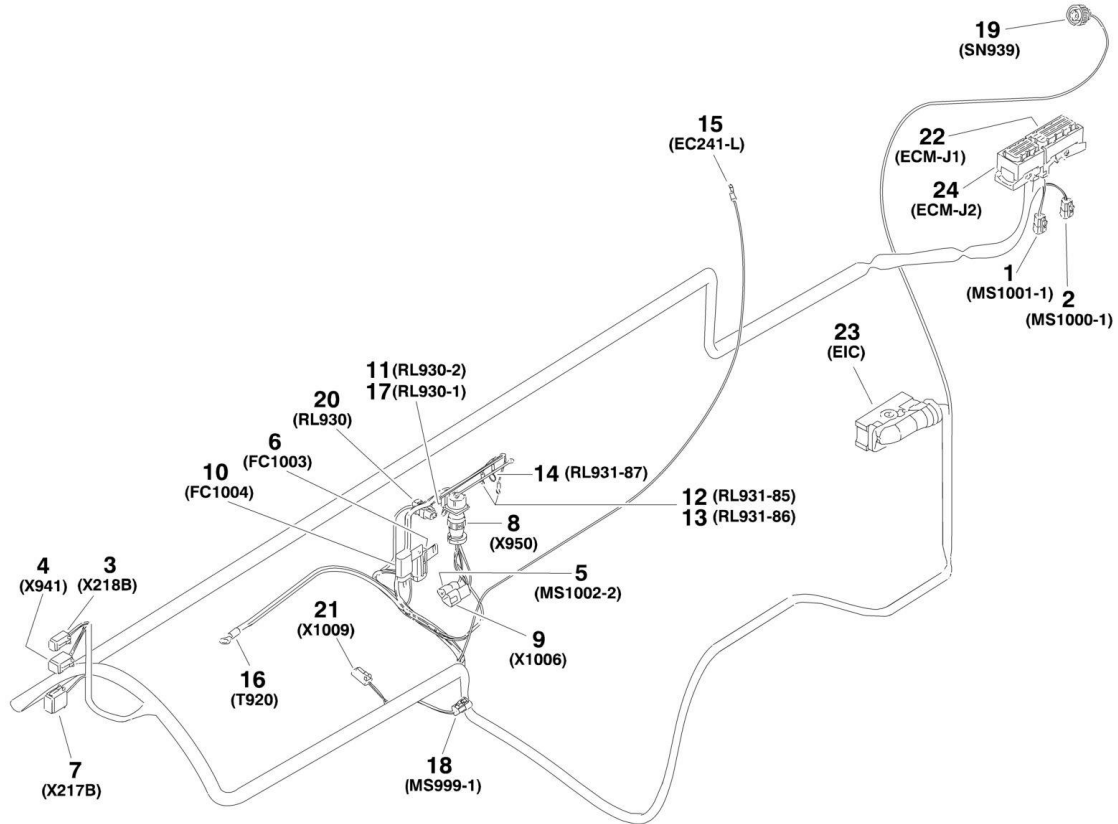
ITEM	PART NUMBER	QTY	DESCRIPTION	REV
16	4460703	1	Terminal, Ring	
17	1001118282	1	Connector - 5 Position	
17	1001116734	2	Terminal	
17	1001116733	2	Terminal	
17	1001128128	1	Plug, Socket	
18	1001268946	1	Connector - 21 Position	
18	1001167632	15	Terminal	
18	4461008	6	Plug	
18	4461054	15	Seal	
19	4460894	1	Plug, Male - 6 Position	
19	4460465	6	Socket, Female	
20	4460933	1	Plug, Male - 12 Position	
20	4460465	8	Socket, Female	
20	4460466	4	Plug, Socket	
21	2902443	1	Kit, Receptacle	
21	4461071	6	Socket, Female	
22	1001126487	1	Connector - 2 Position	
22	1001167634	2	Socket, Female	
22	1001126485	2	Seal, Terminal	
23	1001133714	1	Connector - 4 Position	
23	1001133715	3	Socket, Female	
23	1001135650	3	Seal, Terminal	
24	1001126362	1	Connector - 62 Position	
24	1001126363	36	Terminal	
24	1001126391	8	Plug, Socket	
24	1001126392	12	Terminal	
24	1001126365	2	Terminal	
24	4461008	4	Plug, Socket	
25	1001167616	1	Main Fuse Box Assembly	
25	1001116725	6	Socket, Female	
25	8220097	19	Terminal	
25	4460748	13	Plug, Terminal	
25	8220098	7	Terminal	
26	1001275151	1	Terminal, Ring	
27	1001275153	1	Terminal, Ring	
28	1001275152	1	Terminal, Ring	
29	1001116812	1	Connector - 3 Position	
29	4460465	2	Socket, Female	
29	4460466	1	Plug, Socket	
30	4460539	1	Connector - 3 Position	
30	4460465	2	Socket, Female	
30	4460466	1	Plug, Socket	
101	4460892	1	Receptacle, Female Buss Bar - 6 Position	
102	4460945	1	Receptacle, Female Bussbar - 6 Position	
103	4461070	2	Connector, Terminating - 3 Position	
104	8229242	2	Connector - 3 Position	
105	8229244	1	Fuse 15Amp	
106	8229245	1	Fuse, 30 Amp	
107	8229247	1	Fuse, 25 Amp	
108	1001095704	5	Relay	
109	1001116815	1	Connector - 3 Position	

SECTION 8 - ELECTRICAL

ITEM	PART NUMBER	QTY	DESCRIPTION	REV
110	1001120328	3	Mount	
111	1001125677	2	Connector, Bussbar	
112	1001155967	1	Mount	

SECTION 8 - ELECTRICAL

FIGURE 8-35. ENGINE HARNESS (LRC)



1001149971

SECTION 8 - ELECTRICAL

FIGURE 8-35. ENGINE HARNESS (LRC)

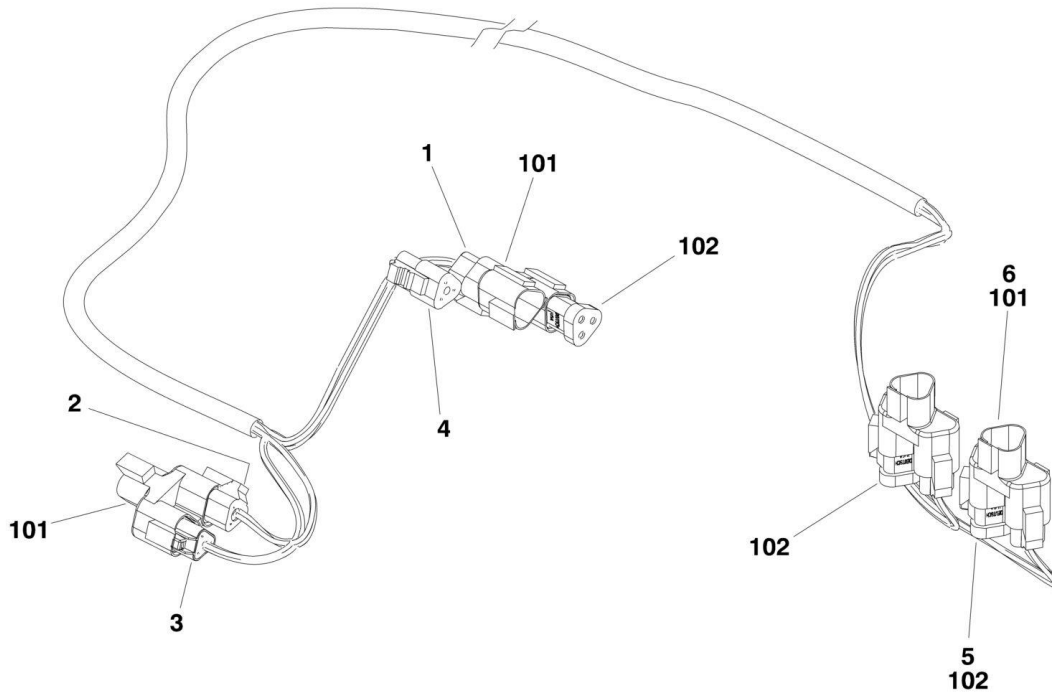
ITEM	PART NUMBER	QTY	DESCRIPTION	REV
	1001149971	Ref	ENGINE HARNESS	F
1	1001116812	1	Connector - 3 Position	
1	4460944	2	Socket, Female	
1	4460466	1	Plug, Socket	
2	1001116812	1	Connector - 3 Position	
2	4460944	2	Socket, Female	
2	4460466	1	Plug, Socket	
3	4460894	1	Connector - 6 Position	
3	4460944	3	Socket, Female	
3	4460466	3	Plug, Socket	
4	1001220379	1	Connector - 4 Position	
4	4460942	2	Socket, Female	
4	4460465	2	Socket, Female	
4	4460466	4	Plug, Socket	
5	4460539	1	Connector - 3 Position	
5	4460944	2	Socket, Female	
5	4460466	1	Plug, Socket	
6	1001119412	1	Fuseholder	
6	See Note	NSS	Fuse 5A (Note: Purchase Locally)	
6	1001116732	1	Terminal	
6	1001128128	1	Plug, Socket	
7	4460930	1	Connector, Female - 8 Position	
7	4460944	1	Socket, Female	
7	4460466	7	Plug, Seal	
8	2902443	1	Kit, Receptacle	
8	4461071	8	Socket, Female	
8	4461072	1	Connector	
8	4461043	1	Cap, Dust	
8	4461074	1	Shell, Back	
9	4460536	1	Connector - 3 Position	
9	4460943	2	Pin, Male	
9	4460466	1	Plug, Socket	
10	1001117023	1	Fuseholder	
10	See Note	NSS	Fuse 10A (Note: Purchase Locally)	
10	1001116732	1	Terminal	
10	1001128128	1	Plug, Socket	
11	1001117106	1	Ring, Terminal	
12	4460247	1	Ring, Terminal	
13	4460247	1	Ring, Terminal	
14	4460703	1	Ring, Terminal	
15	4460042	1	Ring, Terminal	
16	8220115	1	Ring, Terminal	
17	4460043	1	Ring, Terminal	
18	1001116812	1	Connector - 3 Position	
18	4460944	3	Socket, Female	
19	1001133714	1	Connector - 4 Position	
19	1001133715	3	Socket, Female	
20	1001116952	1	Connector - 2 Position	
20	4460465	1	Socket, Female	
20	4460466	1	Seal, Plug	

SECTION 8 - ELECTRICAL

ITEM	PART NUMBER	QTY	DESCRIPTION	REV
21	4460891	1	Connector, Male - 2 Position	
21	4460465	2	Socket, Female	
21	4460897	1	Connector, Female - 2 Position	
21	4460464	2	Pin, Male	
21	See Note	NSS	Resistor 1.5ohm (Note: Not Available for Purchase)	
21	1001156692	AR	Heat Shrink	
22	1001133956	1	Connector - 94 Position	
22	1001126352	6	Terminal 13-17Ga	
22	1001126384	21	Terminal 18-20Ga	
22	1001126351	2	Terminal 15-18Ga	
22	1001126357	2	Plug, Socket	
22	1001126356	63	Plug, Socket	
23	1001126362	1	Connector - 62 Position	
23	1001126365	2	Terminal 17-20Ga	
23	1001126363	35	Terminal 17-20Ga (Gold)	
23	1001126391	21	Plug, Socket	
23	4461008	4	Plug, Socket	
24	1001133957	1	Connector - 60 Position	
24	1001126351	13	Terminal 15-18Ga	
24	1001126384	17	Terminal 18-20Ga	
24	1001126357	11	Plug, Socket	
24	1001126356	19	Plug, Socket	

SECTION 8 - ELECTRICAL

FIGURE 8-36. ENGINE CAN HARNESS



1001156001

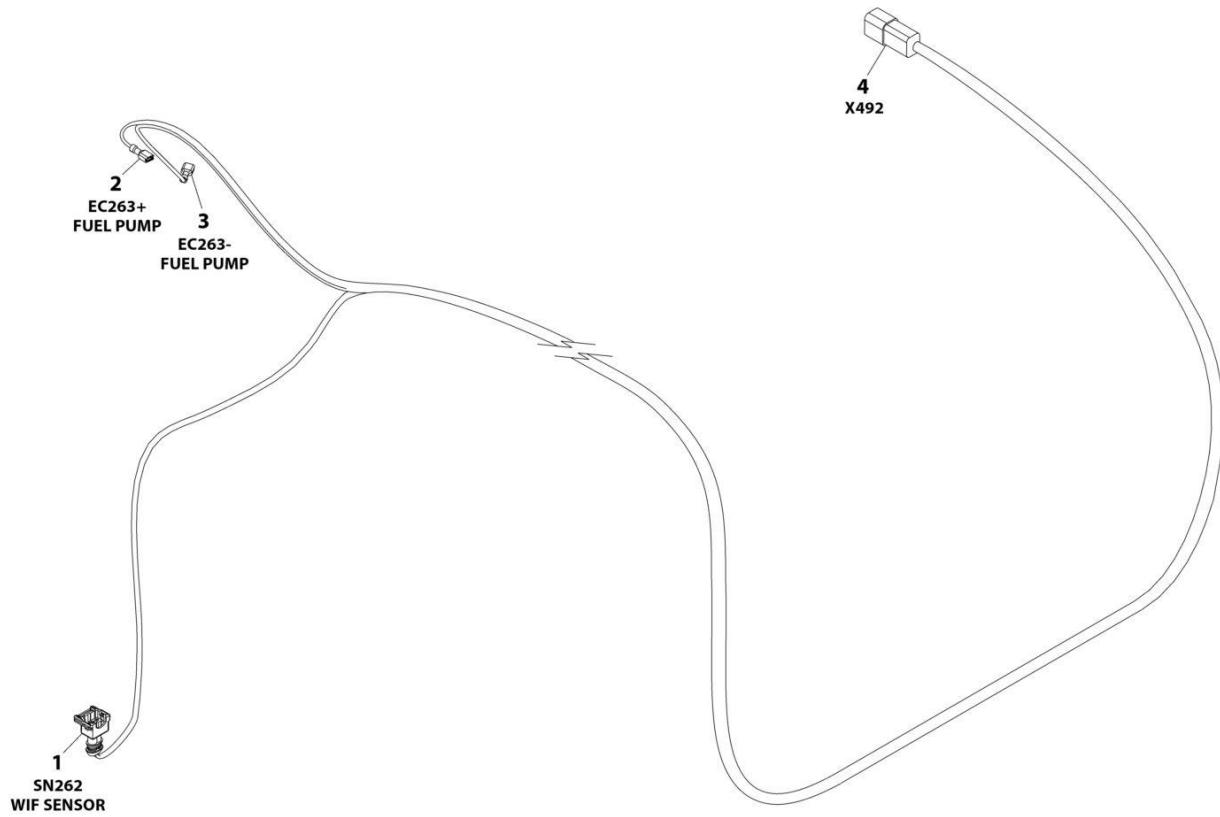
SECTION 8 - ELECTRICAL

FIGURE 8-36. ENGINE CAN HARNESS

ITEM	PART NUMBER	QTY	DESCRIPTION	REV
	1001156001	Ref	ENGINE CAN HARNESS	B
1	1001116812	1	Connector - 3 Position	
1	4460944	3	Socket, Female	
2	4460539	1	Connector - 3 Position	
2	4460944	3	Socket, Female	
3	1001116812	1	Connector - 3 Position	
3	4460944	3	Socket, Female	
4	4460539	1	Connector - 3 Position	
4	4460944	3	Socket, Female	
5	4460539	1	Connector - 3 Position	
5	4460944	3	Socket, Female	
6	4460539	1	Connector - 3 Position	
6	4460944	3	Socket, Female	
101	4460945	4	Connector, Tee	
102	1001116815	3	Connector - 3 Position	

SECTION 8 - ELECTRICAL

FIGURE 8-37. FUEL PUMP AND WIF HARNESS



ART_1001211885

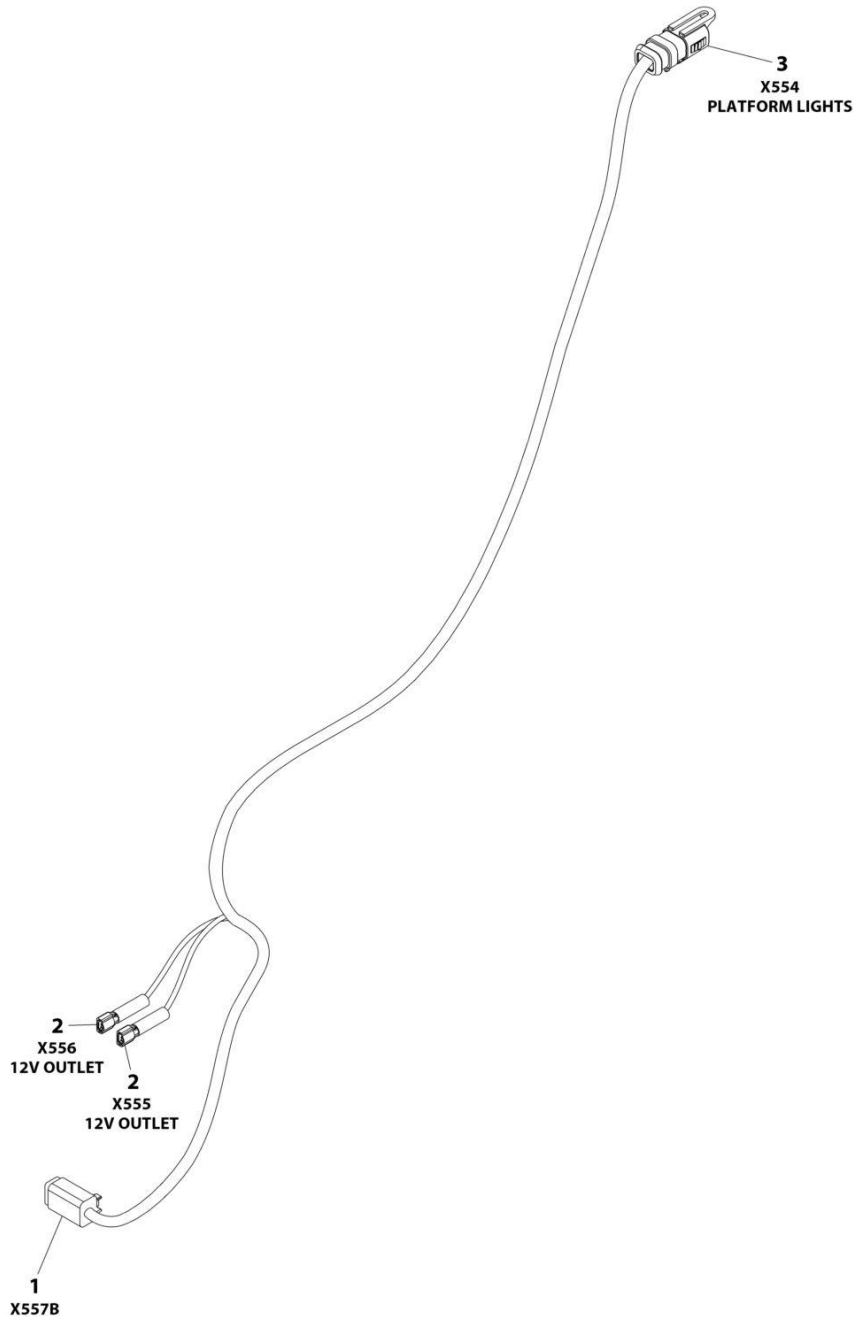
SECTION 8 - ELECTRICAL

FIGURE 8-37. FUEL PUMP AND WIF HARNESS

ITEM	PART NUMBER	QTY	DESCRIPTION	REV
	1001211885	Ref	FUEL PUMP AND WIF HARNESS	B
1	1001116983	1	Connector - 2 Position	
1	4461060	2	Pin, Male	
2	8220051	1	Terminal, Ring	
3	8220051	1	Terminal, Ring	
4	4460932	1	Connector - 4 Position	
4	4460464	2	Pin, Male	
4	4460941	2	Pin, Male	

SECTION 8 - ELECTRICAL

FIGURE 8-38. PLATFORM OUTLET HARNESS



ART_1001206506

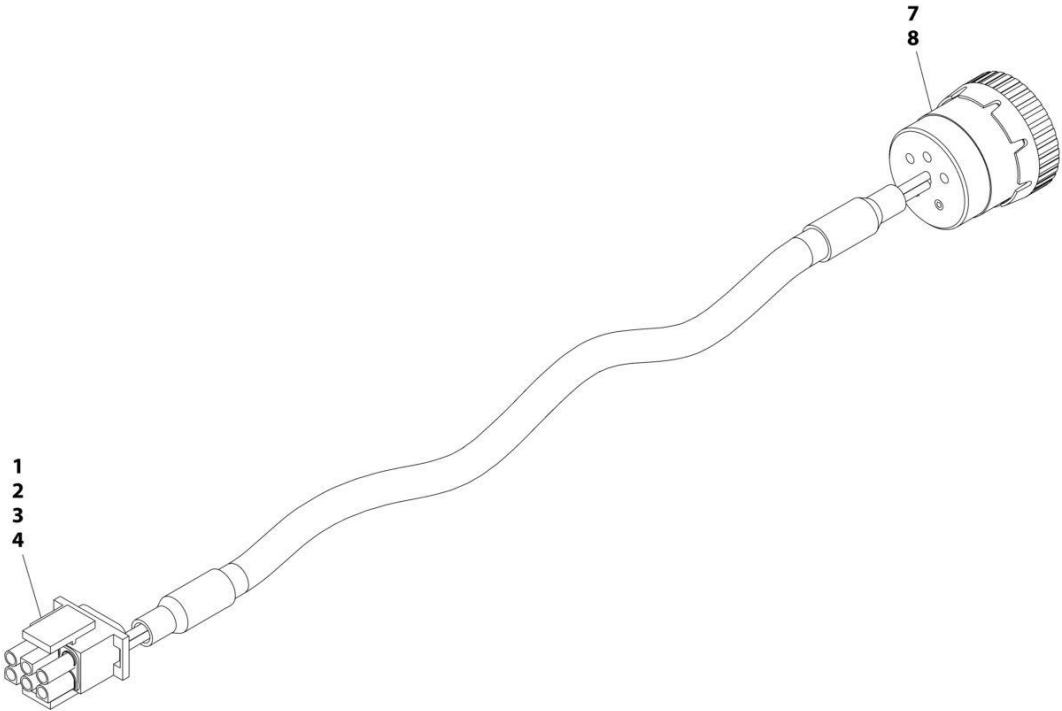
SECTION 8 - ELECTRICAL

FIGURE 8-38. PLATFORM OUTLET HARNESS

ITEM	PART NUMBER	QTY	DESCRIPTION	REV
	1001206506	Ref	PLATFORM OUTLET HARNESS	C
1	4460884	1	Plug, Male - 4 Position	
1	4460465	4	Socket, Female	
2	1001206509	2	Terminal	
3	1001210079	1	Plug, Male - 4 Position	
3	4460465	4	Socket, Female	
3	1001192401	1	Cap, Dust	

SECTION 8 - ELECTRICAL

FIGURE 8-39. GENERATOR TO CONTROL BOX HARNESS (4000W GENERATOR)



ART_1001152532

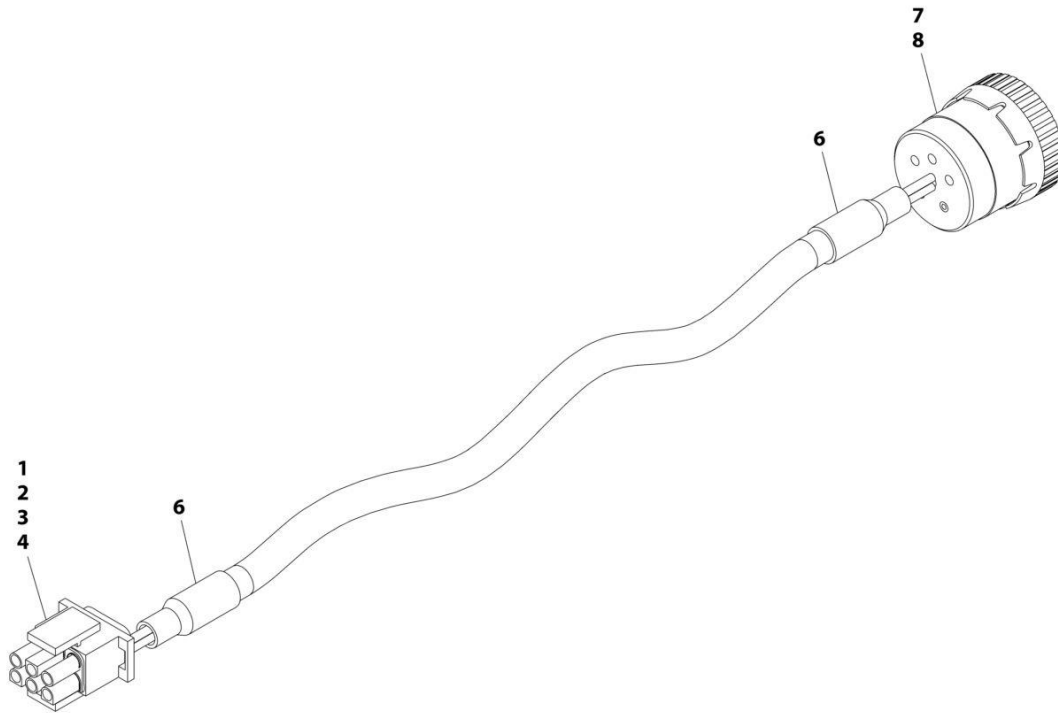
SECTION 8 - ELECTRICAL

FIGURE 8-39. GENERATOR TO CONTROL BOX HARNESS (4000W GENERATOR)

ITEM	PART NUMBER	QTY	DESCRIPTION	REV
	1001152532	Ref	GENERATOR HARNESS	A
1	4460225	1	Connector - 6 Position	
2	4460268	2	Socket, Female	
3	4460807	1	Seal	
4	4460808	1	Seal	
7	4460465	2	Socket, Female	
8	77363233	1	Connector - 6 Position	

SECTION 8 - ELECTRICAL

FIGURE 8-40. GENERATOR TO CONTROL BOX HARNESS (7500W GENERATOR)



ART_4922925

SECTION 8 - ELECTRICAL

FIGURE 8-40. GENERATOR TO CONTROL BOX HARNESS (7500W GENERATOR)

ITEM	PART NUMBER	QTY	DESCRIPTION	REV
	4922925	Ref	GENERATOR TO CONTROL BOX HARNESS (7500W GENERATOR)	C
1	4460225	1	Plug, Male - 2 Position	
2	4460268	6	Socket, Female	
3	4460807	1	Seal	
4	4460808	1	Seal	
6	2820019	AR	Heat Shrink	
7	4460465	6	Socket, Female	
8	77363233	1	Connector - 6 Position	

SECTION 8 - ELECTRICAL

FIGURE 8-41. GENERATOR TO PLATFORM HARNESS (4000W-60HZ GENERATOR)



ART_1001153259

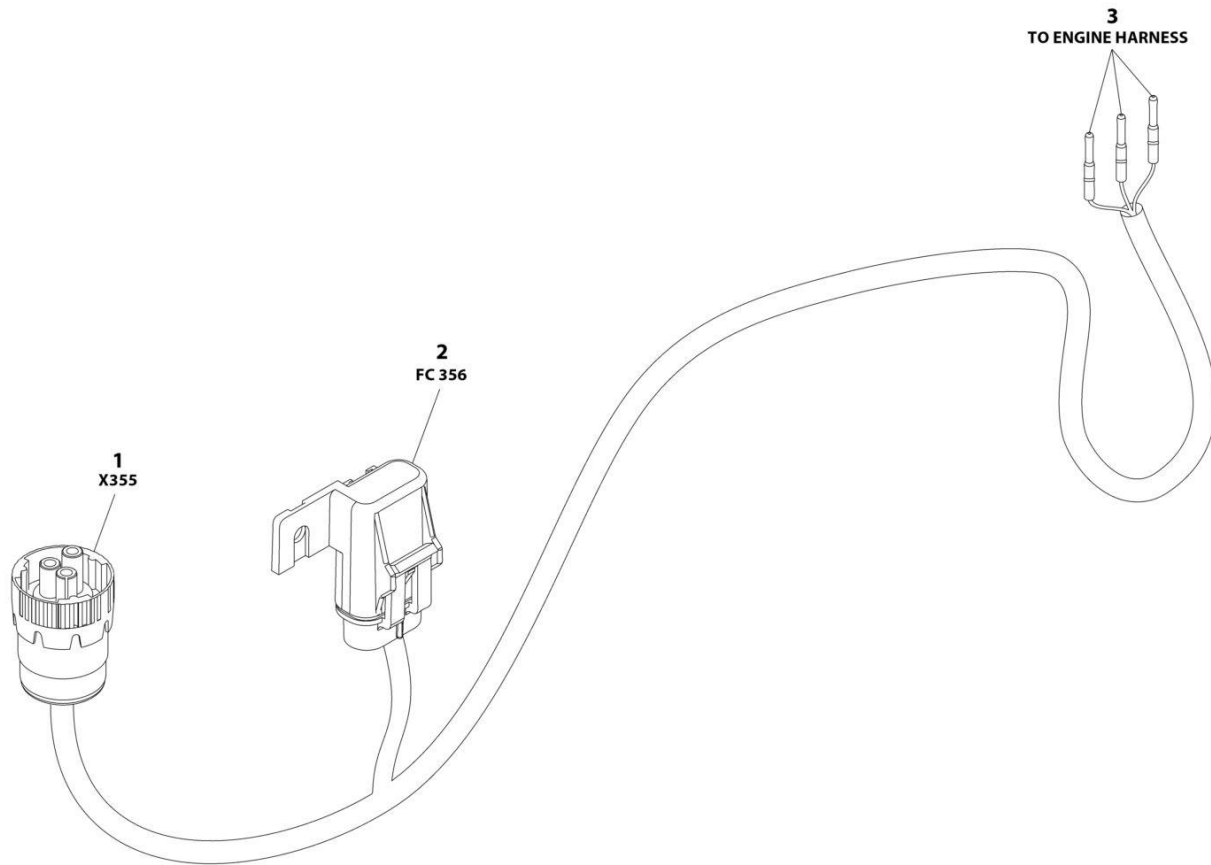
SECTION 8 - ELECTRICAL

FIGURE 8-41. GENERATOR TO PLATFORM HARNESS (4000W-60HZ GENERATOR)

ITEM	PART NUMBER	QTY	DESCRIPTION	REV
	1001153259	Ref	GENERATOR TO PLATFORM HARNESS (4000W-60HZ GENERATOR)	B
1	4460967	1	Connector - 3 Position	
1	4460465	2	Socket, Female	
2	4460465	2	Socket, Female	

SECTION 8 - ELECTRICAL

FIGURE 8-42. GENERATOR TO PLATFORM HARNESS (4000W-50HZ & 7500W GENERATOR)



ART_1001156030

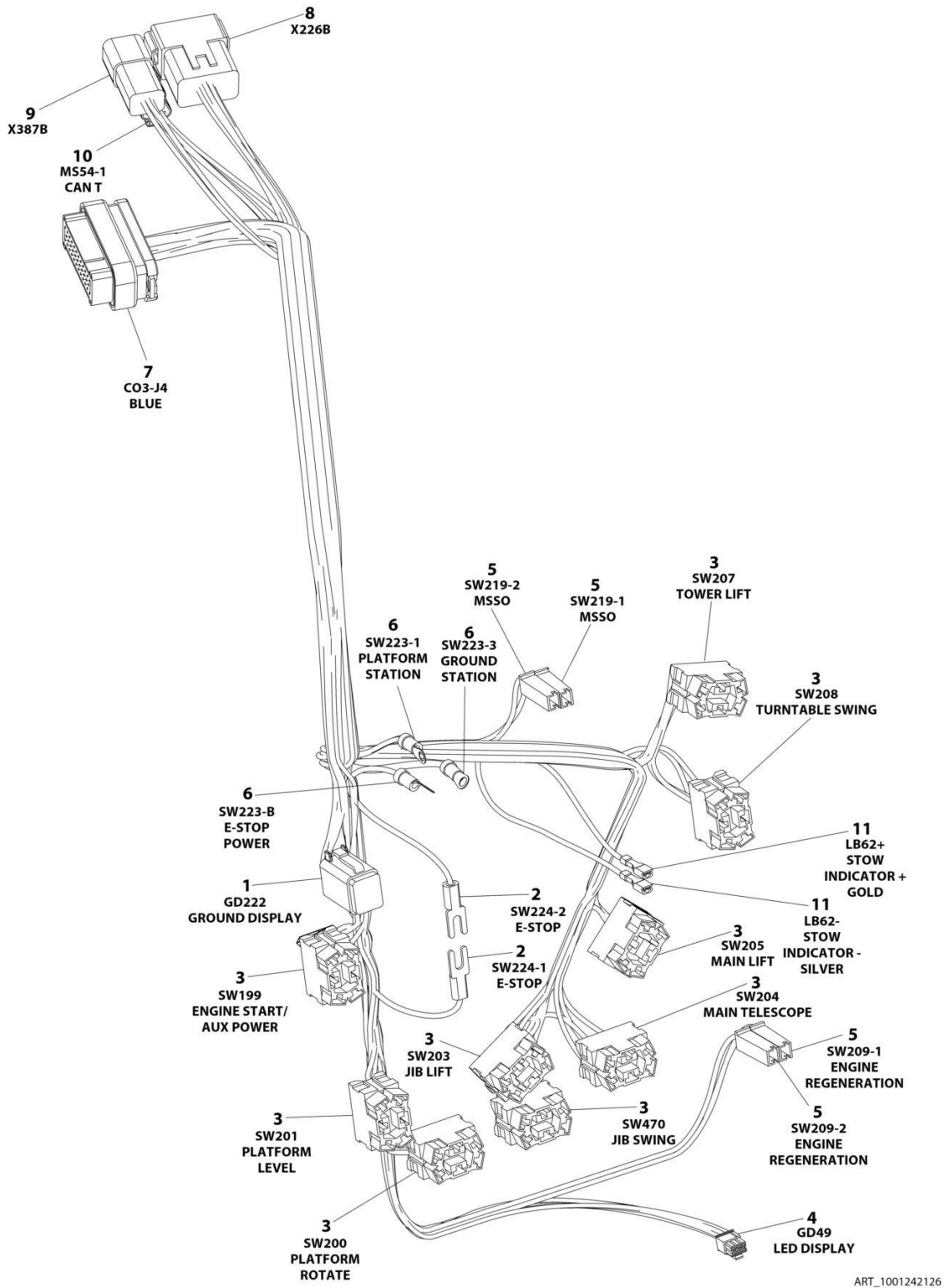
SECTION 8 - ELECTRICAL

FIGURE 8-42. GENERATOR TO PLATFORM HARNESS (4000W-50HZ & 7500W GENERATOR)

ITEM	PART NUMBER	QTY	DESCRIPTION	REV
	1001156030	Ref	GENERATOR ENABLE HARNESS - 7500W GENERATOR	B
1	4460967	1	Connector - 3 Position	
1	4460465	3	Socket, Female	
2	1001119412	1	Connector, Metri-Pack with 5Amp Fuse	
2	1001116733	2	Terminal	
3	4460465	3	Socket, Female	

SECTION 8 - ELECTRICAL

FIGURE 8-43. GROUND CONTROL HARNESS



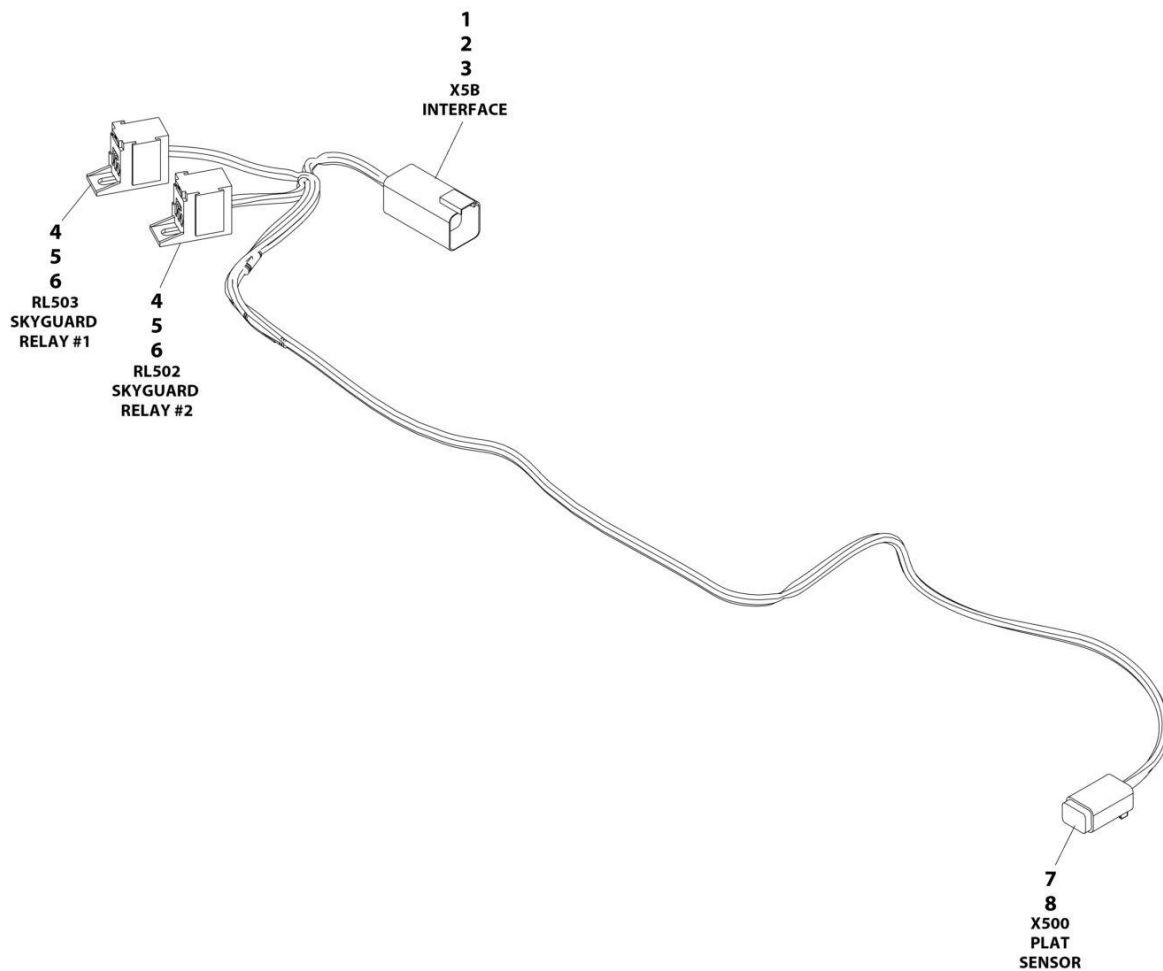
SECTION 8 - ELECTRICAL

FIGURE 8-43. GROUND CONTROL HARNESS

ITEM	PART NUMBER	QTY	DESCRIPTION	REV
	1001242126	Ref	GROUND CONTROL HARNESS	C
1	4460894	1	Plug, Male - 6 Position	
1	4460465	2	Socket, Female	
1	4460944	2	Socket, Female	
1	4460466	2	Plug, Terminal	
2	4460144	2	Terminal, Fork	
3	4460418	9	Connector - 6 Position	
3	4460419	16	Terminal	
3	1001159186	19	Terminal	
4	1001237667	1	Plug Male - 6 Position	
4	1001237668	5	Terminal	
5	4460260	4	Cover, Terminal	
5	4460259	4	Terminal	
6	4460042	3	Terminal, Ring	
7	4460876	1	Connector - 35 Position	
7	4460871	22	Socket, Female	
7	4460905	13	Plug, Terminal	
8	4460970	1	Receptacle, Female - 12 Position	
8	4460464	9	Pin, Male	
8	4460943	2	Pin, Male	
8	4460466	1	Plug, Terminal	
9	4460932	1	Receptacle, Female - 4 Position	
9	4460464	4	Pin, Male	
10	1001116812	1	Plug, Male - 3 Position	
10	4460944	2	Socket, Female	
10	4460466	1	Plug, Terminal	
11	1001201885	2	Terminal	

SECTION 8 - ELECTRICAL

FIGURE 8-44. INTERFACE HARNESS - WITH 1 CELL LSS



ART_1001225580

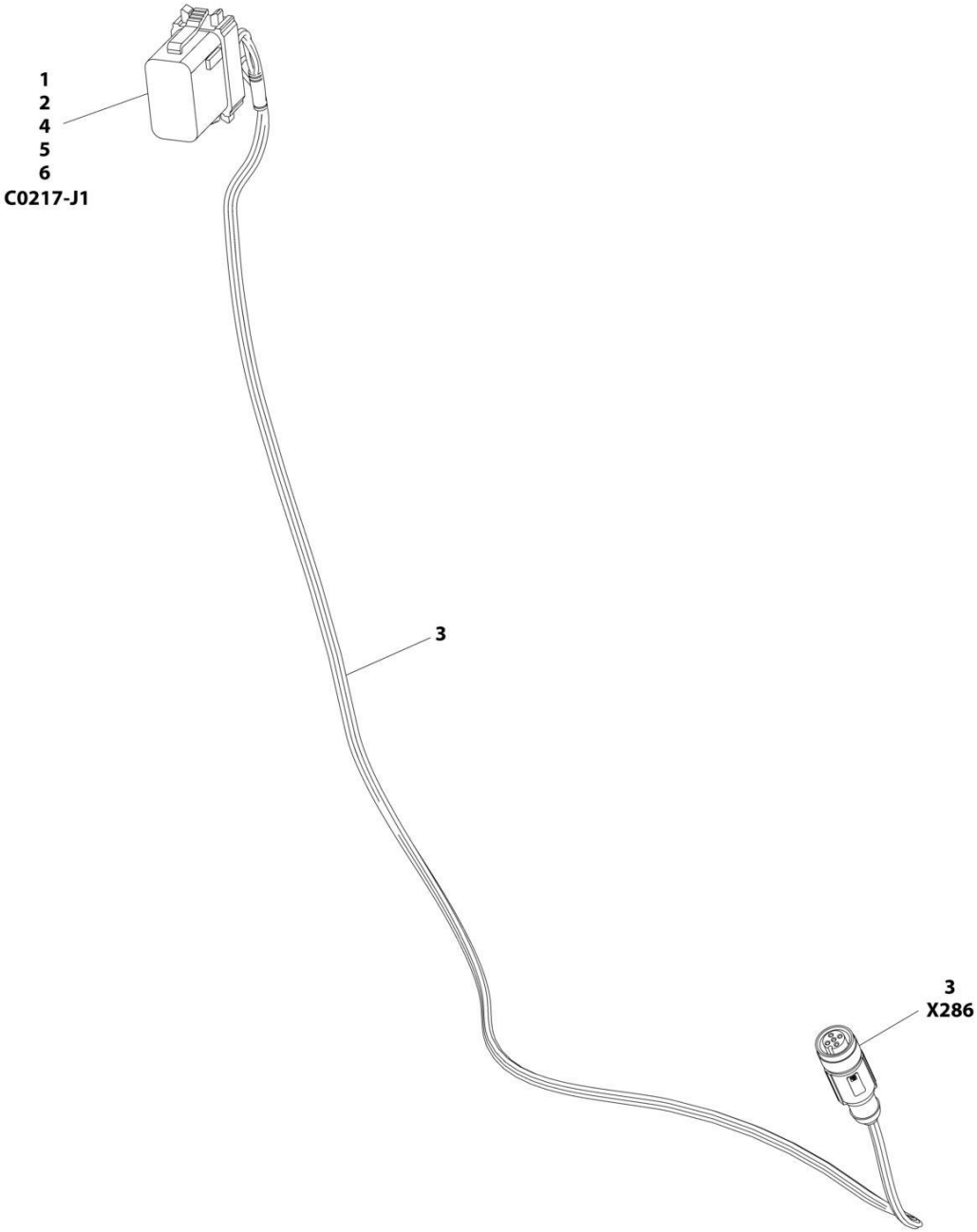
SECTION 8 - ELECTRICAL

FIGURE 8-44. INTERFACE HARNESS - WITH 1 CELL LSS

ITEM	PART NUMBER	QTY	DESCRIPTION	REV
	1001225580	Ref	INTERFACE HARNESS - WITH 1 CELL LSS	D
1	4460899	1	Connector	
2	4460464	4	Terminal	
3	4460466	2	Plug	
4	1001186432	2	Connector	
5	1001116720	4	Terminal	
6	1001118388	4	Terminal	
7	4460884	1	Connector	
8	4460465	4	Terminal	

SECTION 8 - ELECTRICAL

FIGURE 8-45. LCD DISPLAY HARNESS



ART_1001220482

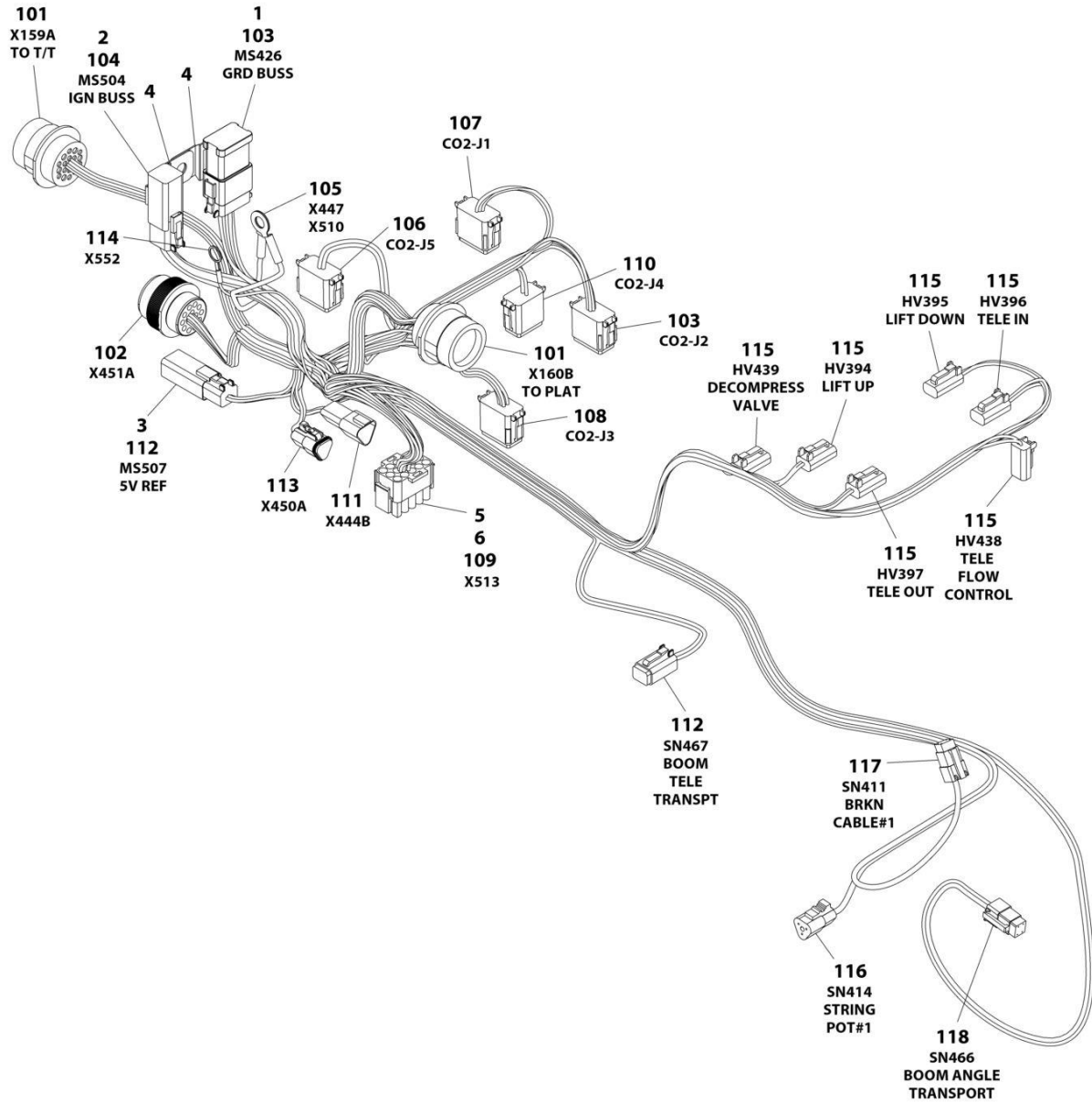
SECTION 8 - ELECTRICAL

FIGURE 8-45. LCD DISPLAY HARNESS

ITEM	PART NUMBER	QTY	DESCRIPTION	REV
	1001220482	Ref	LCD DISPLAY HARNESS	A
1	4460465	3	Socket, Female	
2	4460944	2	Socket, Female (Gold)	
3	1001125295	1	Connector with Cable	
4	1001176333	1	Connector - 12 Position	
5	4460466	13	Plug, Seal	
6	2820171	3	Tube, Heat Shrink	

SECTION 8 - ELECTRICAL

FIGURE 8-46. MAIN BOOM CONTROL BOX HARNESS



ART_1001216638

SECTION 8 - ELECTRICAL

FIGURE 8-46. MAIN BOOM CONTROL BOX HARNESS

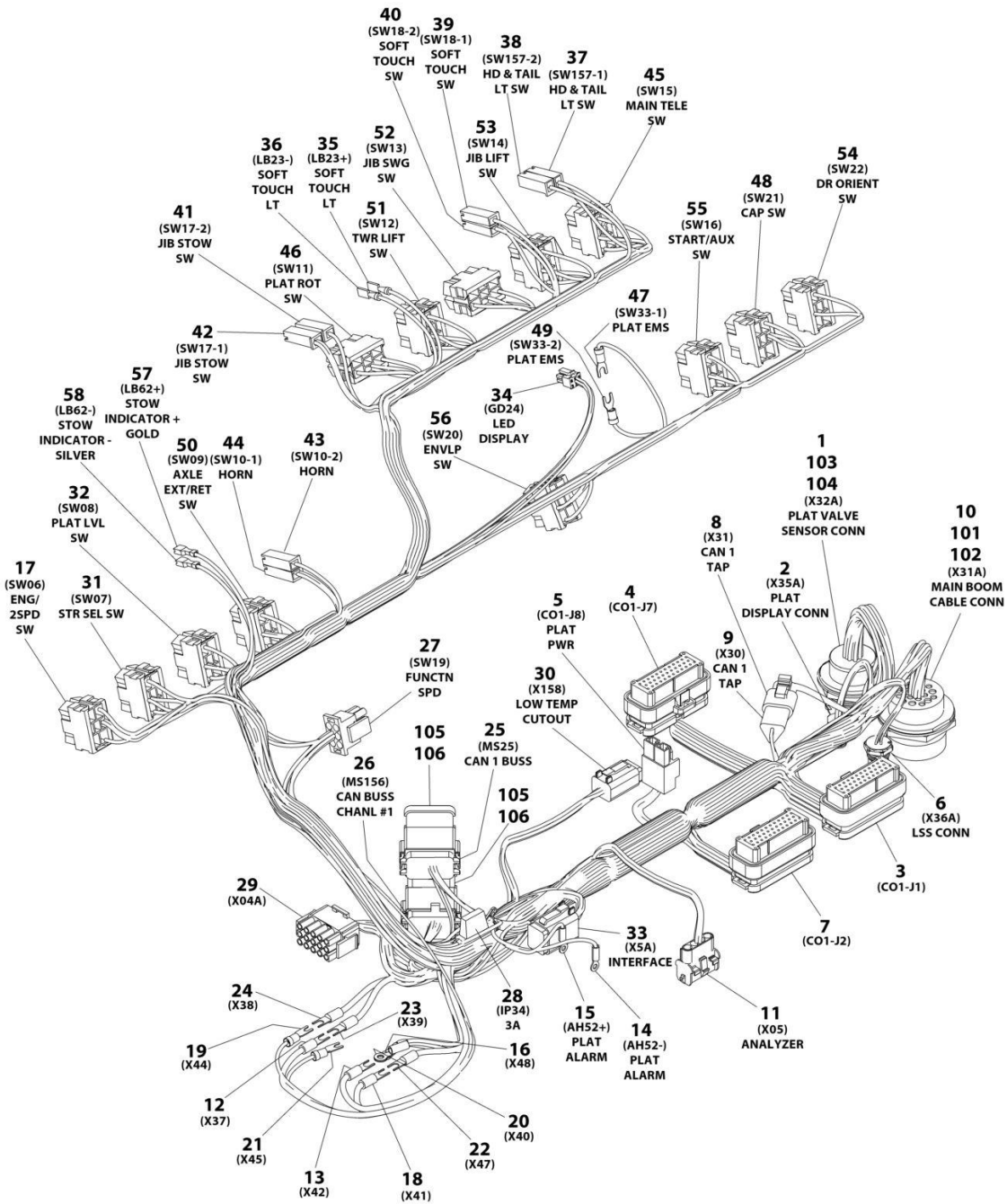
ITEM	PART NUMBER	QTY	DESCRIPTION	REV
	1001216638	Ref	MAIN BOOM CONTROL BOX HARNESS	B
1	4460837	1	Receptacle, Female Termination - 12 Position	
2	4460892	1	Receptacle, Female Buss Bar - 6 Position	
3	4460893	1	Receptacle, Female Buss Bar - 4 Position	
4	1001155967	2	Mount	
5	1001216625	1	Seal	
6	1001216626	1	Seal	
101	4460866	2	Connector - 19 Position	
101	4460943	4	Pin, Male	
101	4460464	16	Pin, Male	
101	4460508	8	Pin, Male	
101	4460466	10	Plug, Terminal	
102	4461016	1	Connector - 12 Position	
102	4460464	9	Pin, Male	
102	4460466	5	Plug, Terminal	
103	4460836	2	Plug, Male - 12 Position	
103	1001157890	4	Socket, Female	
103	4460465	12	Socket, Female	
103	4460466	8	Plug, Terminal	
104	4460894	1	Plug, Male - 6 Position	
104	1001157890	4	Socket, Female	
104	4460465	2	Socket, Female	
105	1001117110	2	Terminal, Ring	
106	4460935	1	Plug, Male - 12 Position	
106	4460465	8	Socket, Female	
106	4460466	4	Plug, Terminal	
107	4460933	1	Plug, Male - 12 Position	
107	4460465	3	Socket, Female	
107	4460944	2	Socket, Female	
107	4460466	7	Plug, Terminal	
108	4460934	1	Plug, Male - 12 Position	
108	4460465	11	Socket, Female	
108	4460466	1	Plug, Terminal	
109	4460434	1	Plug, Male - 15 Position	
109	4460268	13	Socket, Female	
109	4460906	2	Socket, Female	
110	4460930	1	Plug, Male - 8 Position	
110	4460465	2	Socket, Female	
110	4460944	2	Socket, Female	
110	4460466	4	Plug, Terminal	
111	4460536	1	Receptacle, Female - 3 Position	
111	4460464	3	Pin, Male	
112	4460884	2	Plug, Male - 4 Position	
112	4460465	8	Socket, Female	
113	1001116812	1	Plug, Male - 3 Position	
113	4460465	3	Socket, Female	
114	4460722	1	Terminal, Ring	
115	4460891	6	Plug, Male - 2 Position	
115	4460465	12	Socket, Female	
116	4460539	1	Plug, Male - 3 Position	

SECTION 8 - ELECTRICAL

ITEM	PART NUMBER	QTY	DESCRIPTION	REV
116	4460465	2	Socket, Female	
117	4461077	1	Plug, Male - 4 Position	
117	4460928	3	Socket, Female	
117	4460518	1	Plug, Terminal	
118	4461077	1	Plug, Male - 4 Position	
118	1001126008	4	Socket, Female	

SECTION 8 - ELECTRICAL

FIGURE 8-47. PLATFORM CONSOLE HARNESS - WITH SKYGUARD



ART_1001242124

SECTION 8 - ELECTRICAL

FIGURE 8-47. PLATFORM CONSOLE HARNESS - WITH SKYGUARD

ITEM	PART NUMBER	QTY	DESCRIPTION	REV
	1001242124	Ref	PLATFORM CONSOLE HARNESS - WITH SKYGUARD	E
1	4460925	1	Connector - 21 Position	
1	1001126011	20	Pin, Male	
1	4460518	1	Plug, Socket	
2	1001120055	1	Connector - 5 Position with Cable	
3	4460874	1	Connector - 35 Position	
3	4460871	35	Socket, Female	
4	4460873	1	Connector - 35 Position	
4	4460871	28	Socket, Female	
4	4460905	7	Plug, Terminal	
5	4460879	1	Connector - 2 Position	
5	4460887	2	Terminal	
6	1001213447	1	Connector - 5 Position with Cable	
7	4460876	1	Connector - 35 Position	
7	4460871	14	Socket, Female	
7	4460905	21	Plug, Terminal	
8	4460539	1	Connector - 3 Position	
8	4460944	2	Socket, Female	
8	4460466	1	Plug, Socket	
9	4460536	1	Connector - 3 Position	
9	4460943	2	Pin, Male	
9	4460466	1	Plug, Socket	
10	4460866	1	Connector - 19 Position	
10	4460943	2	Pin, Male	
10	4460508	4	Pin, Male	
10	4460464	7	Pin, Male	
10	4460466	5	Plug, Terminal	
11	4460761	1	Receptacle, Female - 4 Position	
11	4460227	4	Pin, Male	
12	4460314	1	Terminal, Fork	
13	4460315	1	Terminal, Fork	
14	1001098122	1	Terminal, Ring	
15	1001098122	1	Terminal, Ring	
16	8220007	1	Terminal, Ring	
17	4460418	1	Connector - 6 Position	
17	1001159186	2	Terminal	
17	4460419	2	Terminal	
18	4460315	1	Terminal, Fork	
19	4460315	1	Terminal, Fork	
20	4460315	1	Terminal, Fork	
21	4460314	1	Terminal, Fork	
22	4460315	1	Terminal, Fork	
23	4460315	1	Terminal, Fork	
24	4460315	1	Terminal, Fork	
25	4460933	1	Connector - 12 Position	
25	4460944	6	Socket, Female	
25	4460466	6	Plug, Terminal	
26	4460933	1	Connector - 12 Position	
26	4460944	12	Socket, Female	
27	4460225	5	Plug, Male - 6 Position	

SECTION 8 - ELECTRICAL

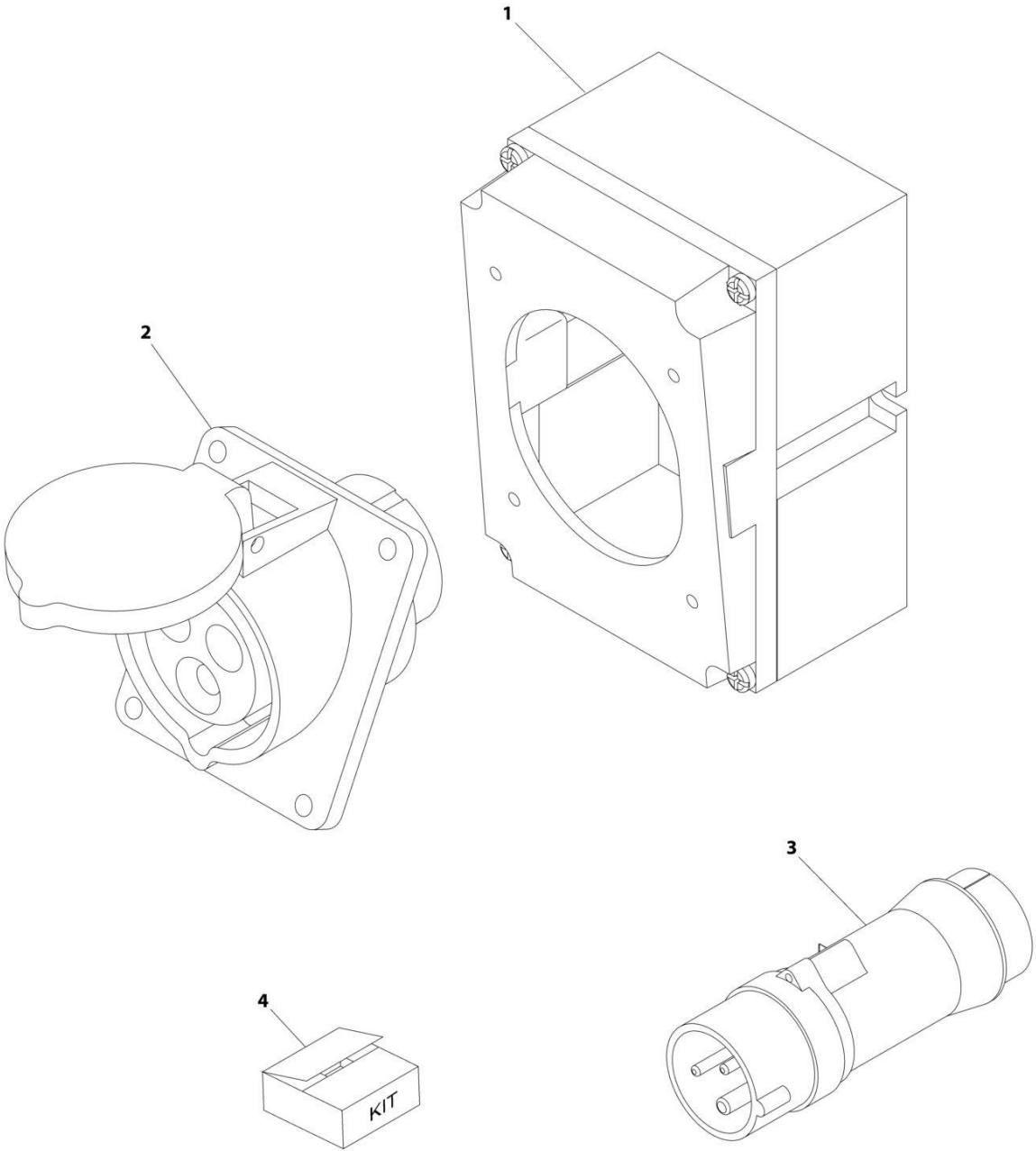
ITEM	PART NUMBER	QTY	DESCRIPTION	REV
27	4460227	4	Pin, Male	
27	4460267	2	Pin, Male	
28	2400060	1	Fuseholder with Cover	
28	2400030	1	Fuse 3 Amp	
29	4460434	1	Plug, Male - 15 Position	
29	4460227	10	Pin, Male	
29	4460267	2	Pin, Male	
30	4460884	1	Plug, Male - 4 Position	
30	4460465	2	Socket, Female	
30	4460944	2	Socket, Female	
31	4460418	1	Connector - 6 Position	
31	1001159186	2	Terminal	
31	4460419	2	Terminal	
32	4460418	1	Connector - 6 Position	
32	1001159186	2	Terminal	
32	4460419	2	Terminal	
33	4460894	1	Connector - 6 Position	
33	4460465	6	Socket, Female	
34	1001237667	1	Plug Male - 6 Position	
34	1001237668	1	Terminal	
35	4460016	1	Terminal	
36	4460016	1	Terminal	
37	4460260	1	Cover, Connector - 1 Position	
37	4460259	1	Terminal	
38	4460260	1	Cover, Connector - 1 Position	
38	4460259	1	Terminal	
39	4460260	1	Cover, Connector - 1 Position	
39	4460259	1	Terminal	
40	4460260	1	Cover, Connector - 1 Position	
40	4460259	1	Terminal	
41	4460260	1	Cover, Connector - 1 Position	
41	4460259	1	Terminal	
42	4460260	1	Cover, Connector - 1 Position	
42	4460259	1	Terminal	
43	4460260	1	Cover, Connector - 1 Position	
43	4460259	1	Terminal	
44	4460260	1	Cover, Connector - 1 Position	
44	4460259	1	Terminal	
45	4460418	1	Connector - 6 Position	
45	1001159186	2	Terminal	
45	4460419	2	Terminal	
46	4460418	1	Connector - 6 Position	
46	1001159186	2	Terminal	
46	4460419	2	Terminal	
47	4460183	1	Terminal, Fork	
48	4460418	1	Connector - 6 Position	
48	1001159186	2	Terminal	
48	4460419	2	Terminal	
49	4460183	1	Terminal, Fork	
50	4460418	1	Connector - 6 Position	
50	1001159186	2	Terminal	

SECTION 8 - ELECTRICAL

ITEM	PART NUMBER	QTY	DESCRIPTION	REV
50	4460419	2	Terminal	
51	4460418	1	Connector - 6 Position	
51	1001159186	2	Terminal	
51	4460419	2	Terminal	
52	4460418	1	Connector - 6 Position	
52	1001159186	2	Terminal	
52	4460419	2	Terminal	
53	4460418	1	Connector - 6 Position	
53	1001159186	2	Terminal	
53	4460419	2	Terminal	
54	4460418	1	Connector - 6 Position	
54	1001159186	2	Terminal	
55	4460418	1	Connector - 6 Position	
55	1001159186	2	Terminal	
55	4460419	2	Terminal	
56	4460418	1	Connector - 6 Position	
56	1001159186	1	Terminal	
56	4460419	2	Terminal	
57	1001201885	1	Terminal	
58	1001201885	1	Terminal	
101	4460470	1	Nut, Terminal	
102	4460471	1	Washer, Terminal	
103	4460496	1	Washer, Terminal	
104	4460497	1	Nut, Terminal	
105	1001120328	1	Mount	
106	1001125677	1	Bussbar, Female - 12 Position	

SECTION 8 - ELECTRICAL

FIGURE 8-48. RECEPTACLE BOX KIT - 110V IEC YELLOW (CE & UK CA SPEC)



ART_0275216

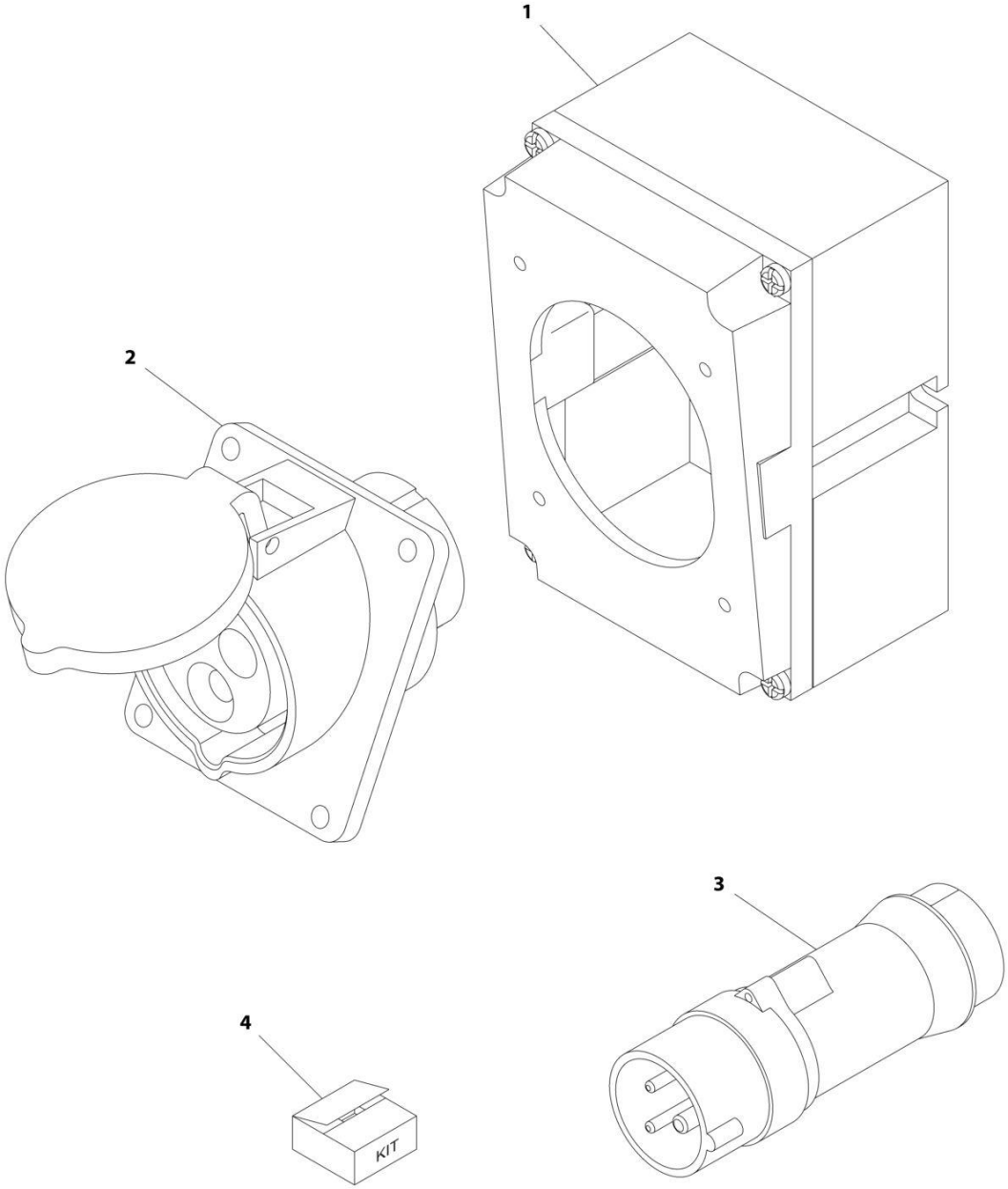
SECTION 8 - ELECTRICAL

FIGURE 8-48. RECEPTACLE BOX KIT - 110V IEC YELLOW (CE & UK CA SPEC)

ITEM	PART NUMBER	QTY	DESCRIPTION	REV
	0275216	Ref	RECEPTACLE BOX KIT - 110V IEC YELLOW	B
1	0861781	1	Box, Switch	
2	4461198	1	Receptacle	
3	4461196	1	Plug, Male	
4	1001100341	1	Plug and Socket Kit (Includes Items 1-3 and Female Plug p/n 4461197)	

SECTION 8 - ELECTRICAL

FIGURE 8-49. RECEPTACLE BOX KIT - 220V IEC BLUE (CE & UK CA SPEC)



ART_0275217

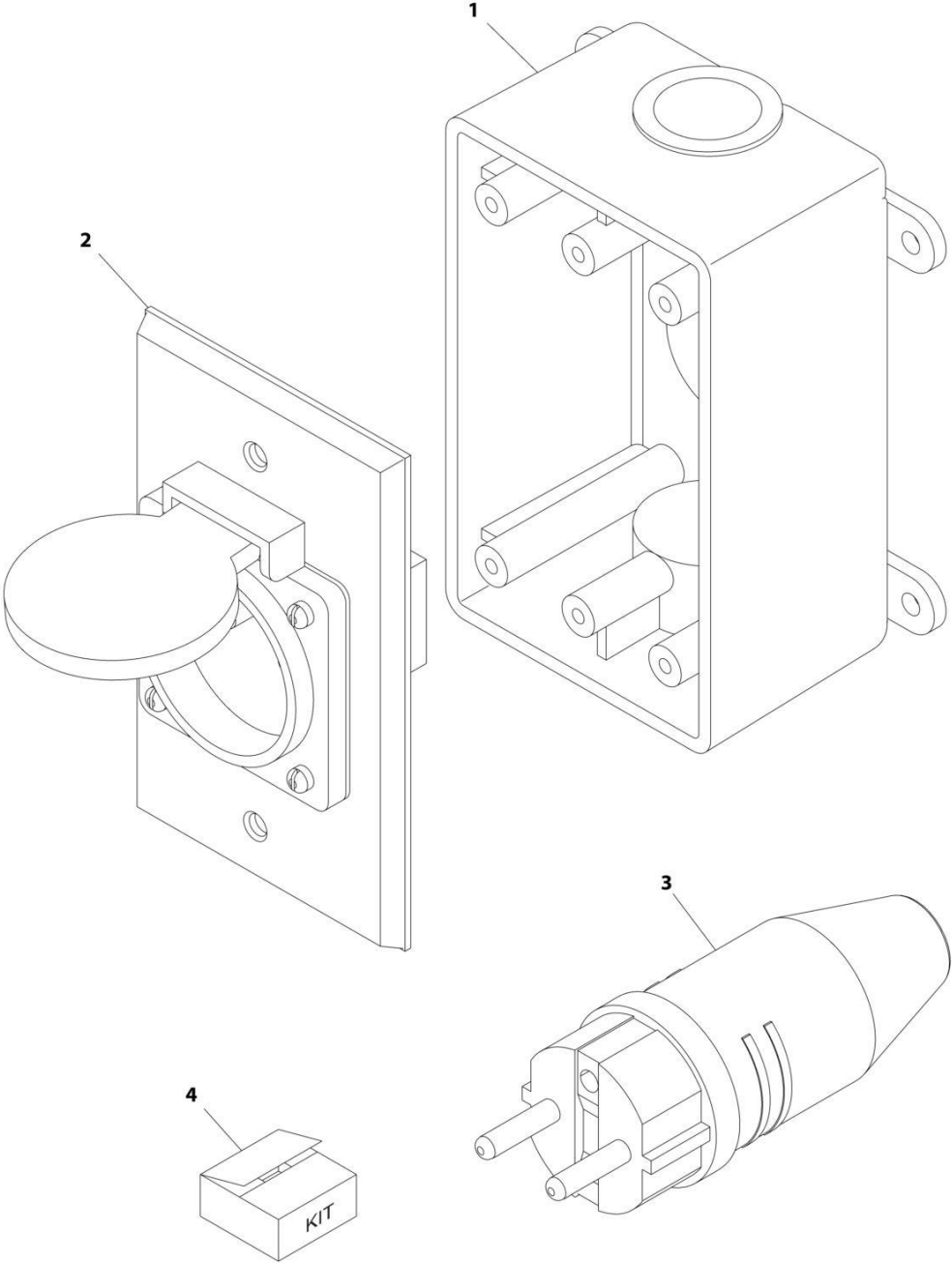
SECTION 8 - ELECTRICAL

FIGURE 8-49. RECEPTACLE BOX KIT - 220V IEC BLUE (CE & UK CA SPEC)

ITEM	PART NUMBER	QTY	DESCRIPTION	REV
	0275217	Ref	RECEPTACLE BOX KIT - 220V IEC BLUE	B
1	0861781	1	Box, Switch	
2	4461201	1	Receptacle	
3	4461199	1	Plug, Male	
4	1001100342	1	Plug and Socket Kit (Includes Items 1-3 and Female Plug p/n 4461200)	

SECTION 8 - ELECTRICAL

FIGURE 8-50. RECEPTACLE BOX KIT - 220V CEE7 POST GROUND (CE & UK CA SPEC)



ART_0275452-C

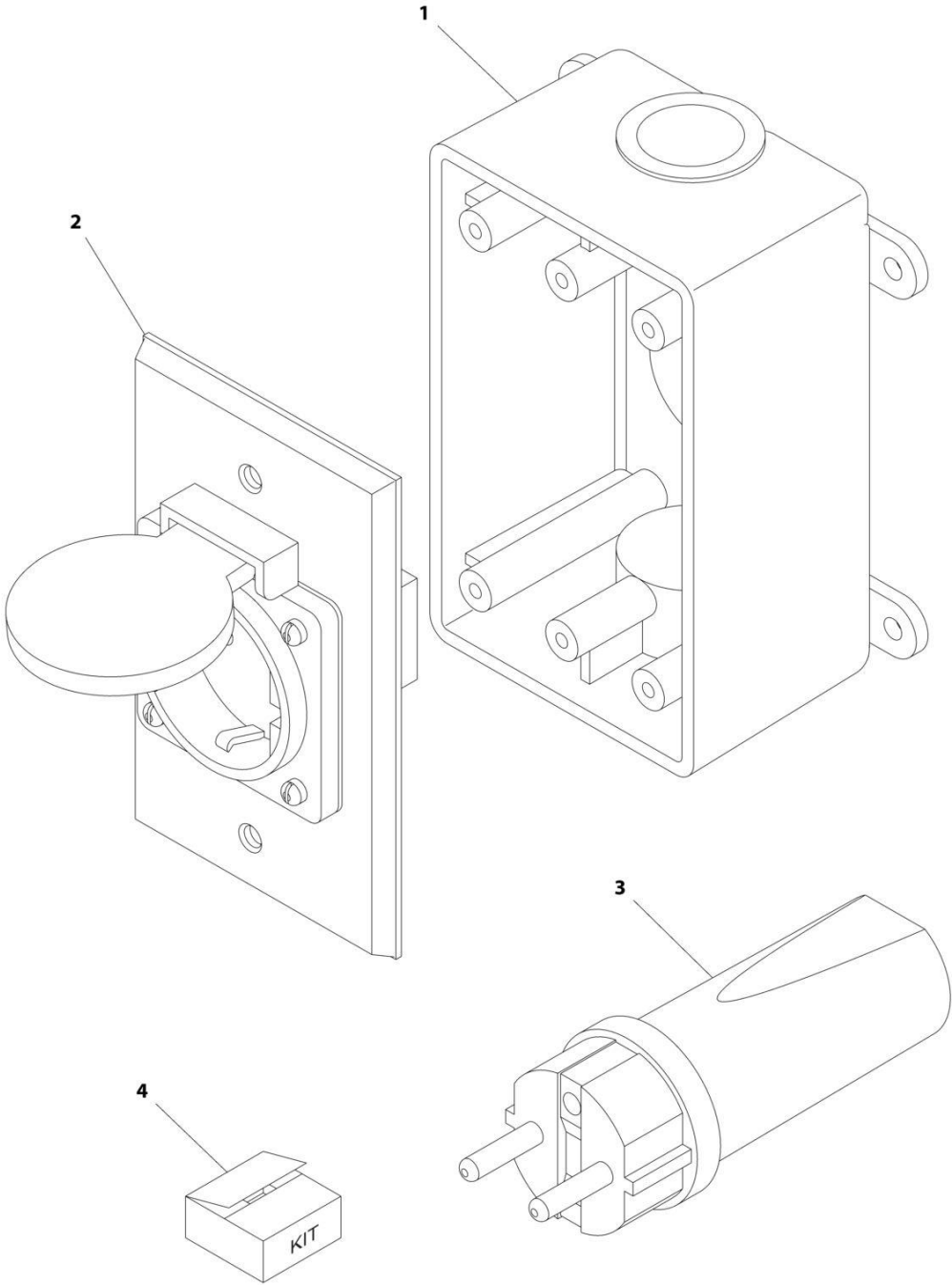
SECTION 8 - ELECTRICAL

FIGURE 8-50. RECEPTACLE BOX KIT - 220V CEE7 POST GROUND (CE & UK CA SPEC)

ITEM	PART NUMBER	QTY	DESCRIPTION	REV
	0275452	Ref	RECEPTACLE BOX KIT - 220V CEE7 POST GROUND 2IN X 4IN BOX	C
1	0861731	1	Box, Switch	
2	4461244	1	Receptacle	
3	4461205	1	Plug, Male	
4	1001100345	1	Plug and Socket Kit (Includes Items 1-3 and Female Plug p/n 4461203)	

SECTION 8 - ELECTRICAL

FIGURE 8-51. RECEPTACLE BOX KIT - 220V CEE7 SIDE GROUND (CE & UK CA SPEC)



ART_0275453

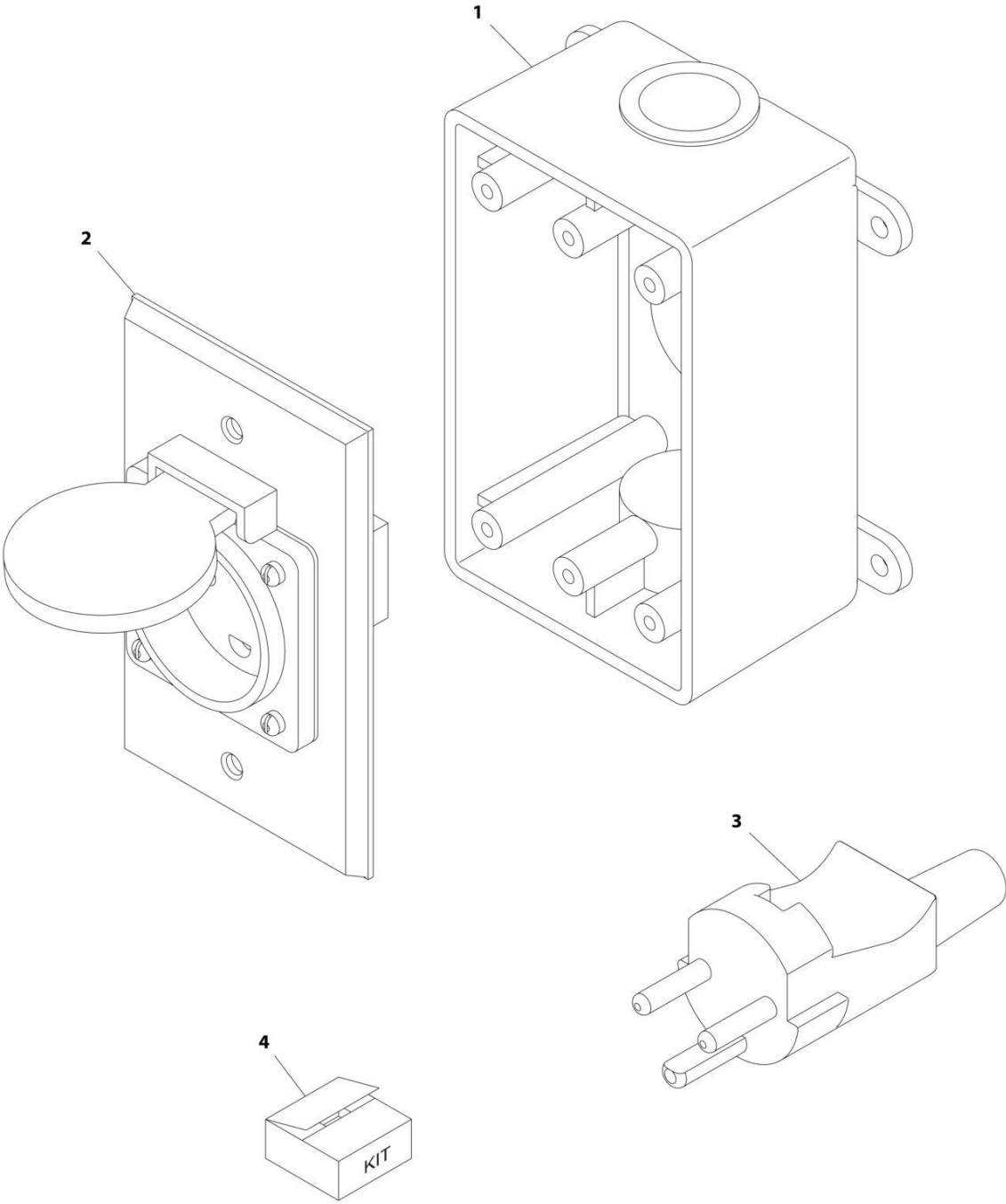
SECTION 8 - ELECTRICAL

FIGURE 8-51. RECEPTACLE BOX KIT - 220V CEE7 SIDE GROUND (CE & UK CA SPEC)

ITEM	PART NUMBER	QTY	DESCRIPTION	REV
	0275453	Ref	RECEPTACLE BOX KIT - 220V CEE7 SIDE GROUND	B
1	0861731	1	Box, Switch	
2	4461245	1	Receptacle	
3	4461205	1	Plug, Male	
4	1001100347	1	Plug and Socket Kit (Includes Items 1-3 and Female Plug p/n 4461206)	

SECTION 8 - ELECTRICAL

FIGURE 8-52. RECEPTACLE BOX KIT - 220V AFSINT 107 (CE & UK CA SPEC)



ART_0275454

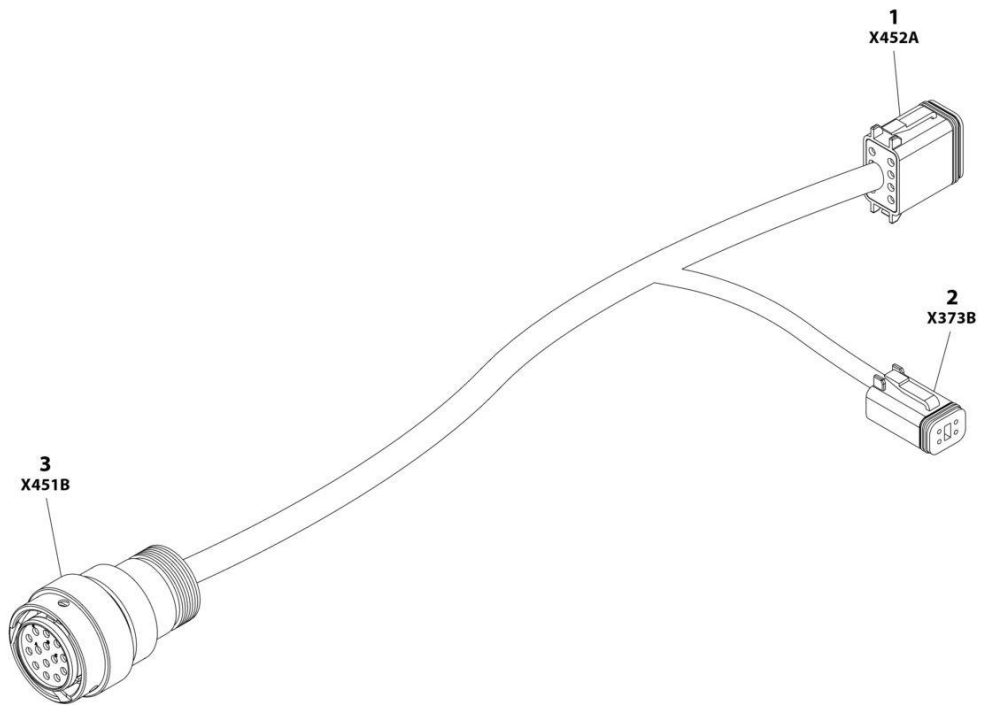
SECTION 8 - ELECTRICAL

FIGURE 8-52. RECEPTACLE BOX KIT - 220V AFSINT 107 (CE & UK CA SPEC)

ITEM	PART NUMBER	QTY	DESCRIPTION	REV
	0275454	Ref	RECEPTACLE BOX KIT - 220V AFSINT 107	B
1	0861731	1	Box, Switch	
2	4461246	1	Receptacle	
3	4461249	1	Plug, Male	
4	1001100346	1	Plug and Socket Kit (Includes Items 1-3 and Female Plug p/n 4461250)	

SECTION 8 - ELECTRICAL

FIGURE 8-53. SECONDARY CONTROL HARNESS



ART_1001202785

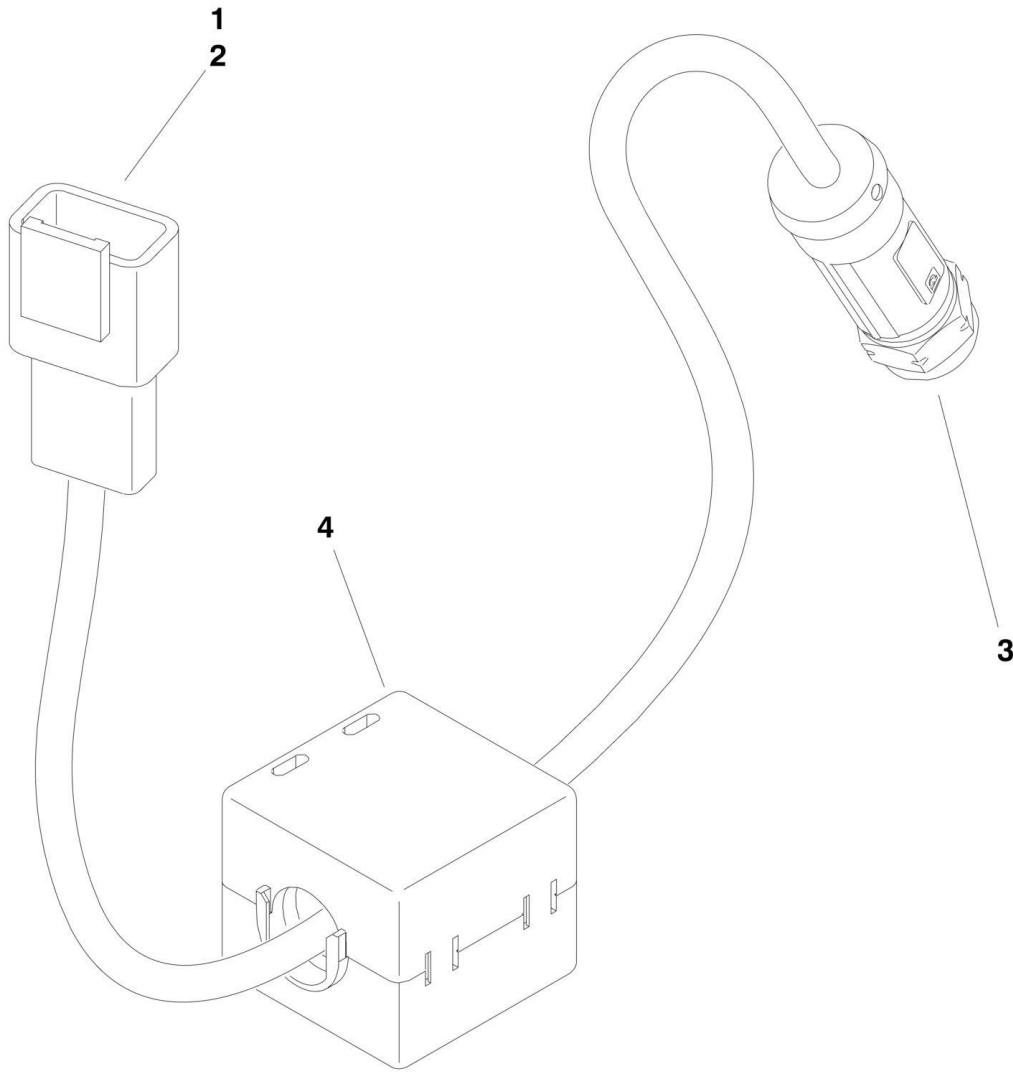
SECTION 8 - ELECTRICAL

FIGURE 8-53. SECONDARY CONTROL HARNESS

ITEM	PART NUMBER	QTY	DESCRIPTION	REV
	1001202785	Ref	SECONDARY CONTROL HARNESS	C
1	4460930	1	Plug, Male - 8 Position	
1	4460465	8	Socket, Female	
2	4460884	1	Plug, Male - 4 Position	
2	1001157890	4	Socket, Female	
3	1001212188	1	Connector - 14 Position	
3	4460465	8	Socket, Female	
3	1001157890	4	Socket, Female	
3	4460466	2	Plug, Terminal	

SECTION 8 - ELECTRICAL

FIGURE 8-54. SENSOR HARNESS - AXLE



1001163631

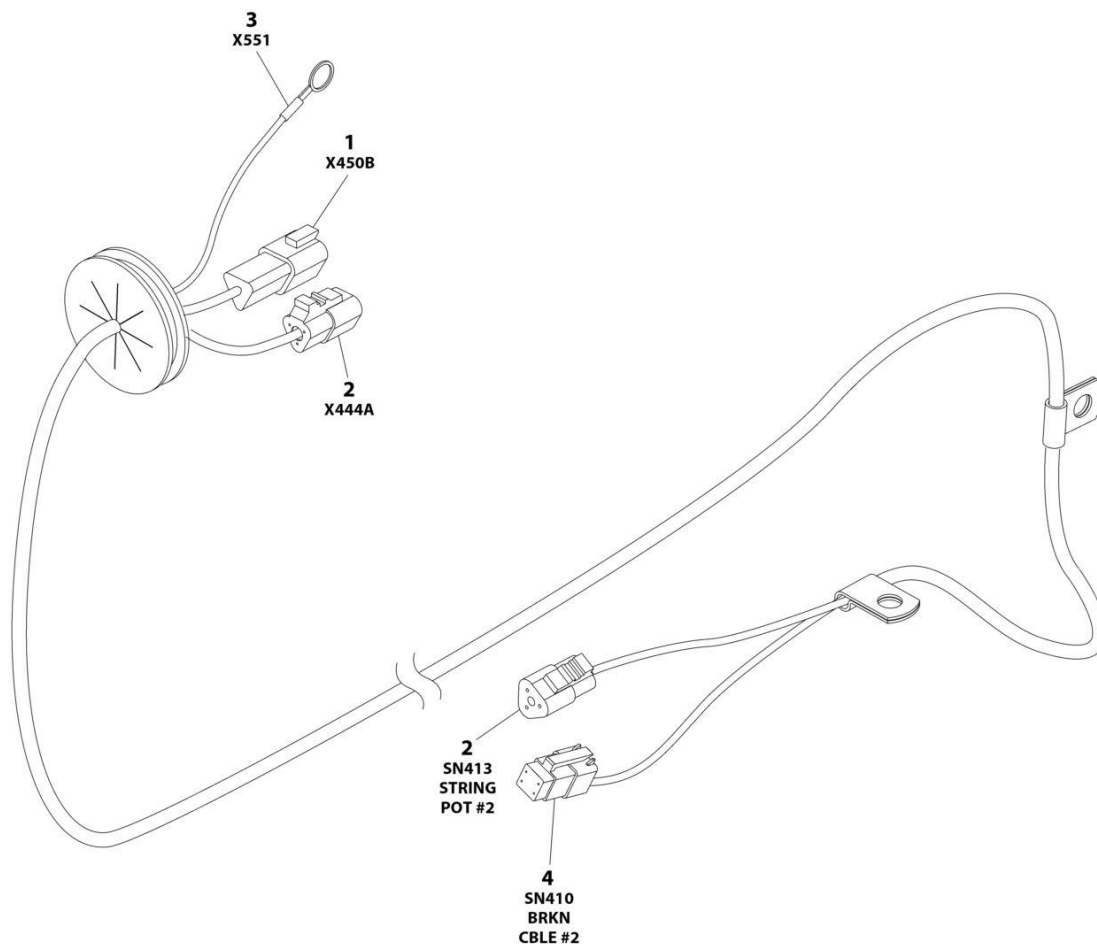
SECTION 8 - ELECTRICAL

FIGURE 8-54. SENSOR HARNESS - AXLE

ITEM	PART NUMBER	QTY	DESCRIPTION	REV
	1001163631	Ref	MTS CONNECTION CABLE	B
1	4460910	1	Connector - 3 Position	
2	4460929	3	Pin, Male	
3	See Note	NSS	Sensor with Cable (Note: Purchase p/n 1001163631)	
4	1001102594	1	Ferrite, LMI	

SECTION 8 - ELECTRICAL

FIGURE 8-55. SENSOR HARNESS - BOOM



ART_1001201062

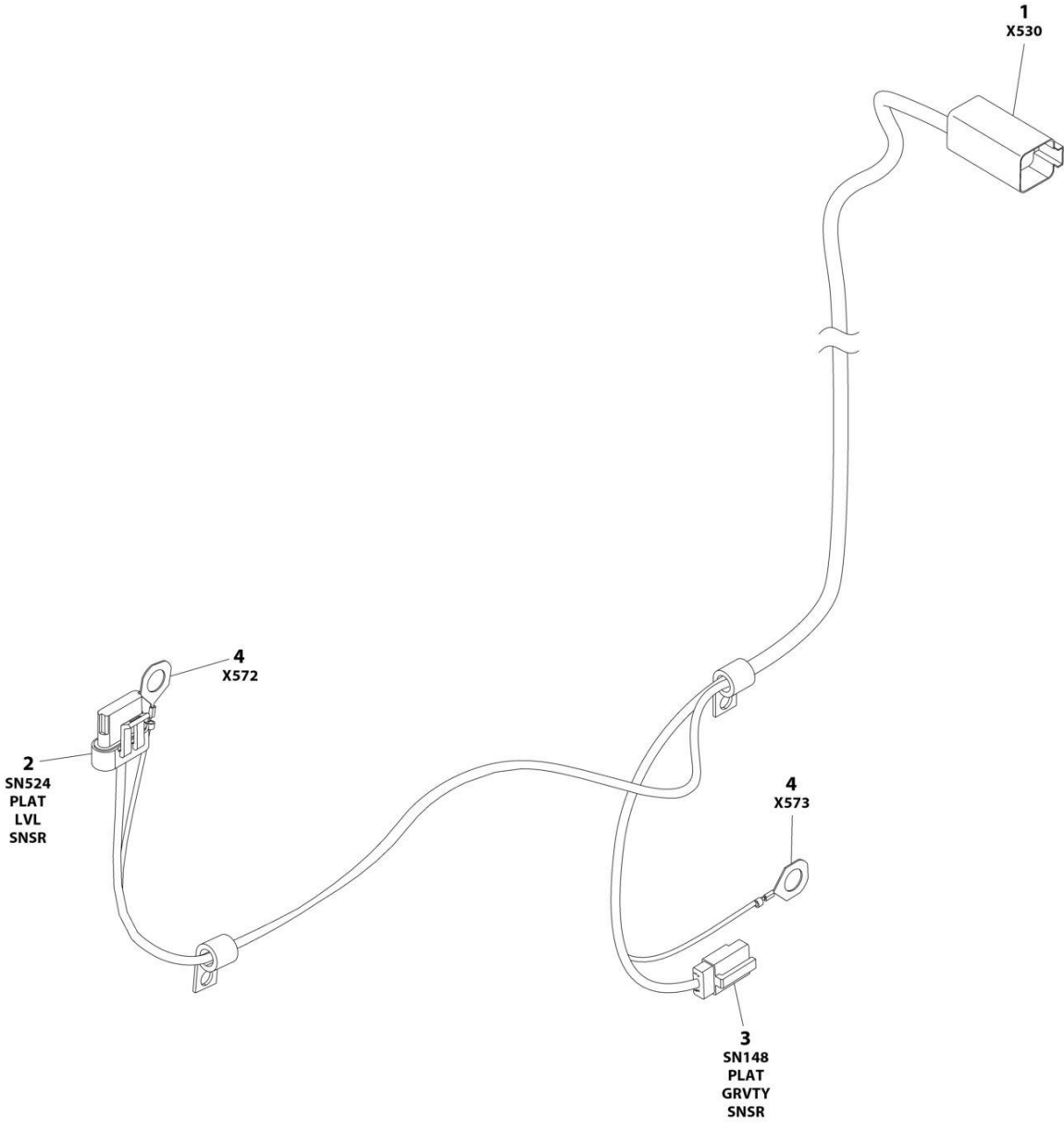
SECTION 8 - ELECTRICAL

FIGURE 8-55. SENSOR HARNESS - BOOM

ITEM	PART NUMBER	QTY	DESCRIPTION	REV
	1001201062	Ref	SENSOR HARNESS - BOOM	C
1	1001144147	1	Receptacle, Female - 3 Position	
1	4460464	3	Pin, Male	
2	4460539	2	Plug, Male - 3 Position	
2	4460465	6	Socket, Female	
3	4460722	1	Terminal, Ring	
4	4461077	1	Plug, Male - 4 Position	
4	4460928	3	Socket, Female	
4	4460518	1	Plug, Terminal	

SECTION 8 - ELECTRICAL

FIGURE 8-56. SENSOR HARNESS - PLATFORM LEVEL



ART_1001204028

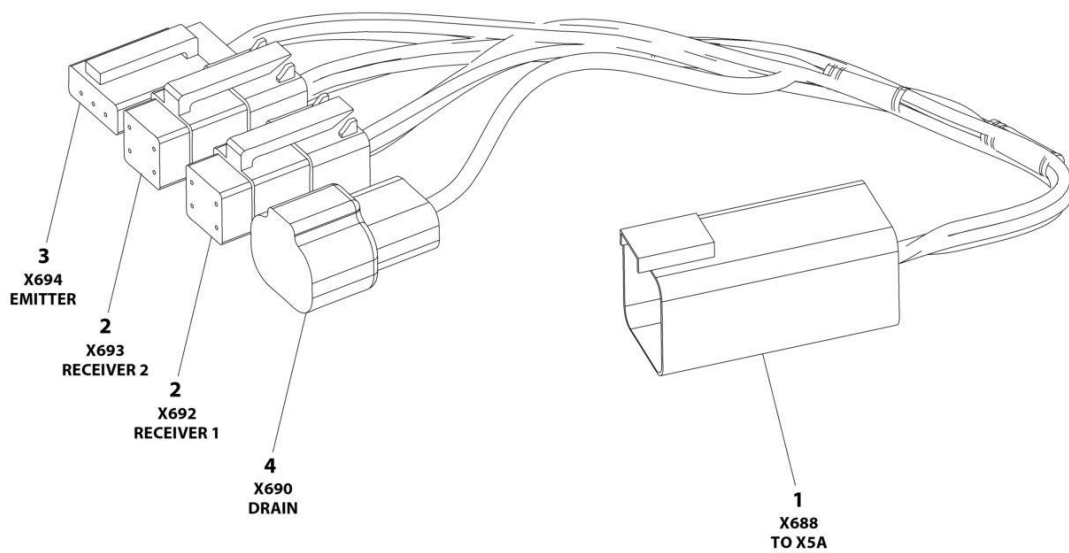
SECTION 8 - ELECTRICAL

FIGURE 8-56. SENSOR HARNESS - PLATFORM LEVEL

ITEM	PART NUMBER	QTY	DESCRIPTION	REV
	1001204028	Ref	SENSOR HARNESS - PLATFORM LEVEL	C
1	4460899	1	Receptacle, Female - 6 Position	
1	4460464	6	Pin, Male	
2	1001230931	1	Plug, Male - 6 Position	
2	1001116748	3	Terminal	
2	1001116751	3	Plug, Terminal	
3	4460911	1	Plug, Male - 3 Position	
3	4460918	3	Socket, Female	
4	1001187077	2	Terminal, Ring	

SECTION 8 - ELECTRICAL

FIGURE 8-57. SKYEYE INTERMEDIATE HARNESS



ART_1001237865

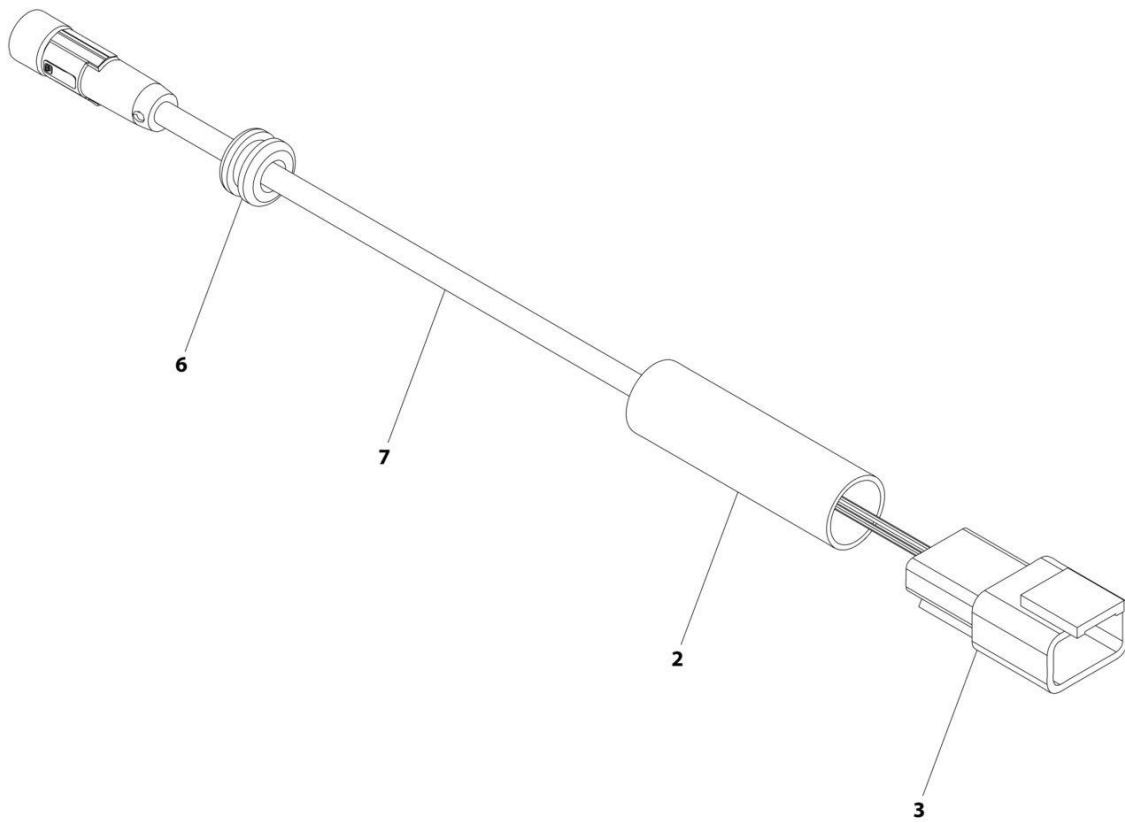
SECTION 8 - ELECTRICAL

FIGURE 8-57. SKYEYE INTERMEDIATE HARNESS

ITEM	PART NUMBER	QTY	DESCRIPTION	REV
	1001237865	Ref	SKYEYE INTERMEDIATE HARNESS	A
1	4460899	1	Connector - 6 Position	
1	4460943	4	Pin, Male	
1	4460466	2	Plug, Terminal	
2	4461077	2	Connector - 4 Position	
2	1001119619	8	Socket, Female	
3	4460911	1	Connector - 3 Position	
3	1001119619	3	Socket, Female	
4	1001187681	1	Connector - 2 Position	
4	4460941	1	Pin, Male	
4	4460466	1	Plug, Terminal	

SECTION 8 - ELECTRICAL

FIGURE 8-58. SKYEYE EMITTER HARNESS



ART_1001237864

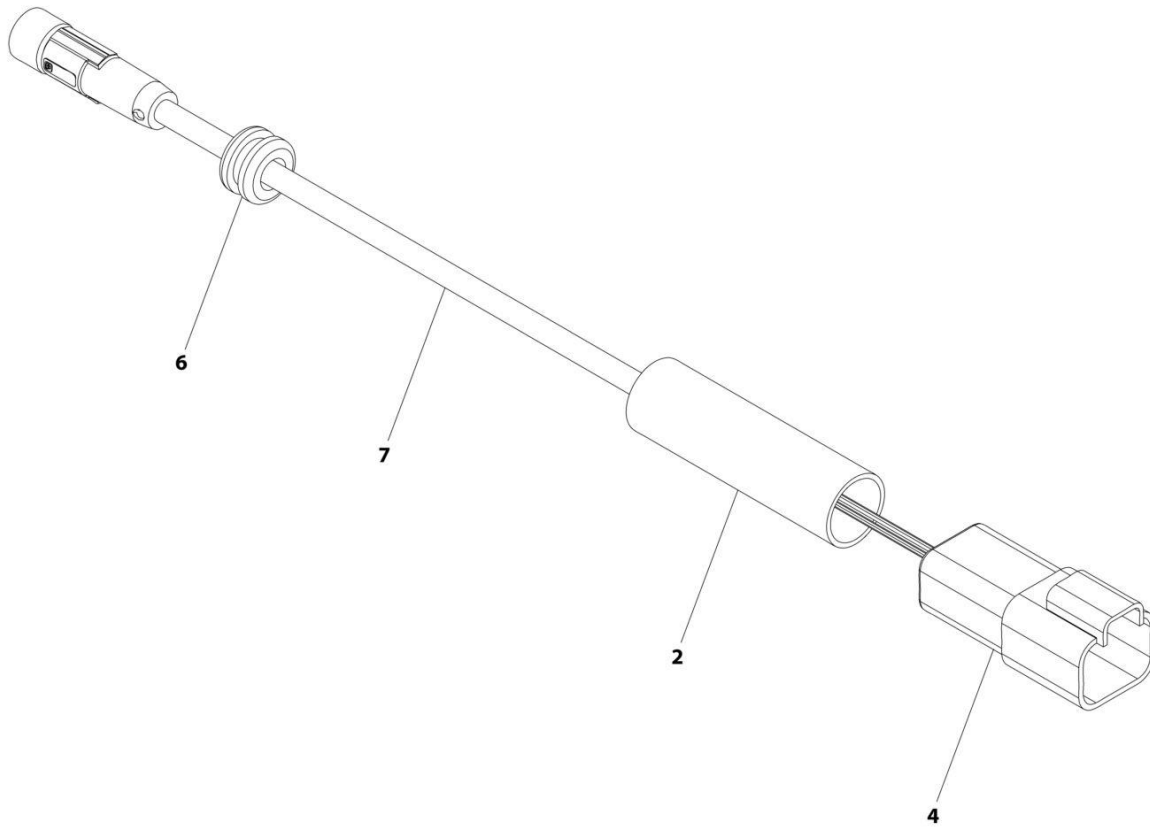
SECTION 8 - ELECTRICAL

FIGURE 8-58. SKYEYE EMITTER HARNESS

ITEM	PART NUMBER	QTY	DESCRIPTION	REV
	1001237864	Ref	SKYEYE EMITTER HARNESS	A
2	2820247	AR	Tubing, Heat Shrink	
3	4460910	1	Connector - 3 Position	
3	1001119620	3	Pin, Male	
6	1001227996	1	Grommet	
7	1001237862	1	Cable, M8 Female Cordset	

SECTION 8 - ELECTRICAL

FIGURE 8-59. SKYEYE RECEIVER HARNESS



ART_1001237863

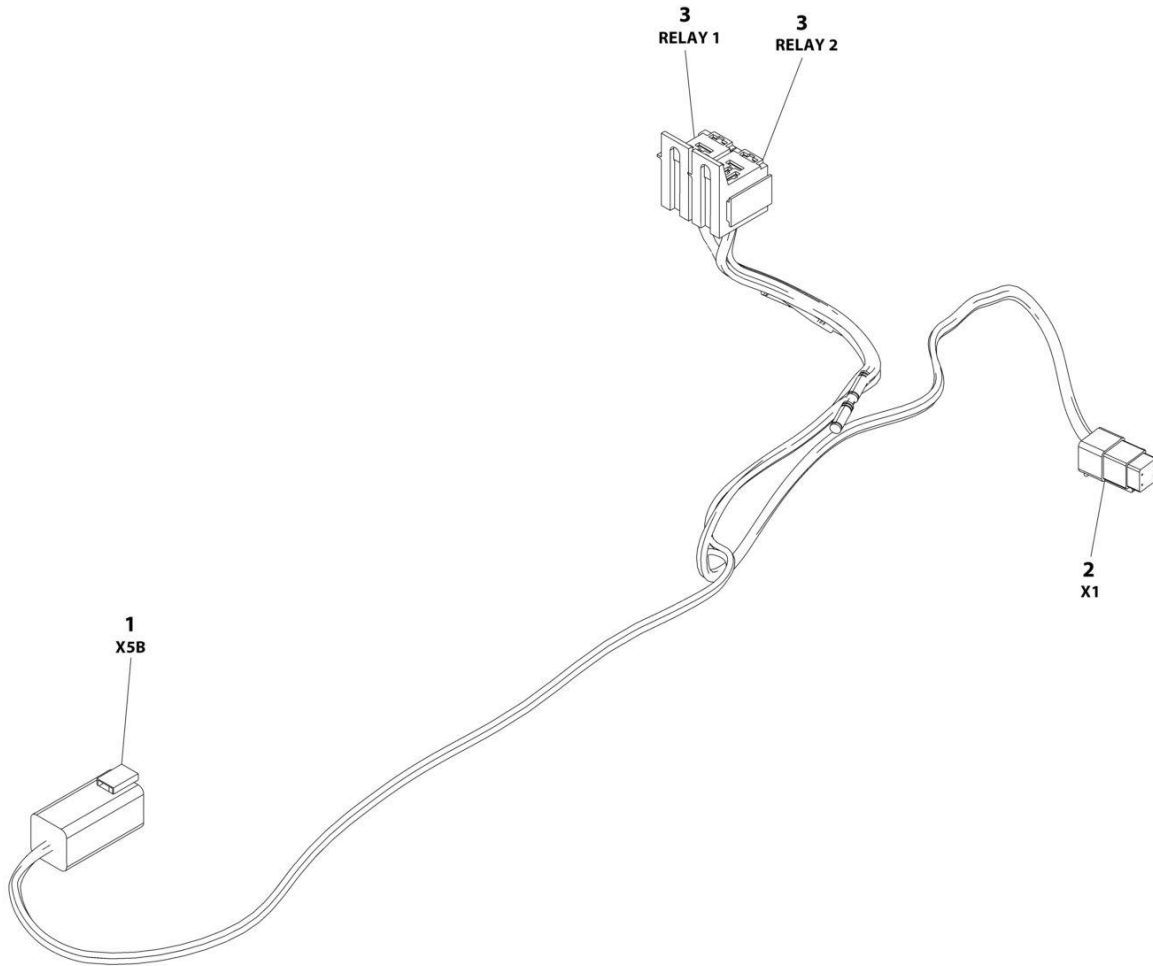
SECTION 8 - ELECTRICAL

FIGURE 8-59. SKYEYE RECEIVER HARNESS

ITEM	PART NUMBER	QTY	DESCRIPTION	REV
	1001237863	Ref	SKYEYE RECEIVER HARNESS	A
2	2820247	AR	Tubing, Heat Shrink	
4	1001097051	1	Connector - 4 Position	
4	1001119620	4	Pin, Male	
6	1001227996	1	Grommet	
7	1001237862	1	Cable, M8 Female Cordset	

SECTION 8 - ELECTRICAL

FIGURE 8-60. SKYLINE HARNESS



ART_1001238418

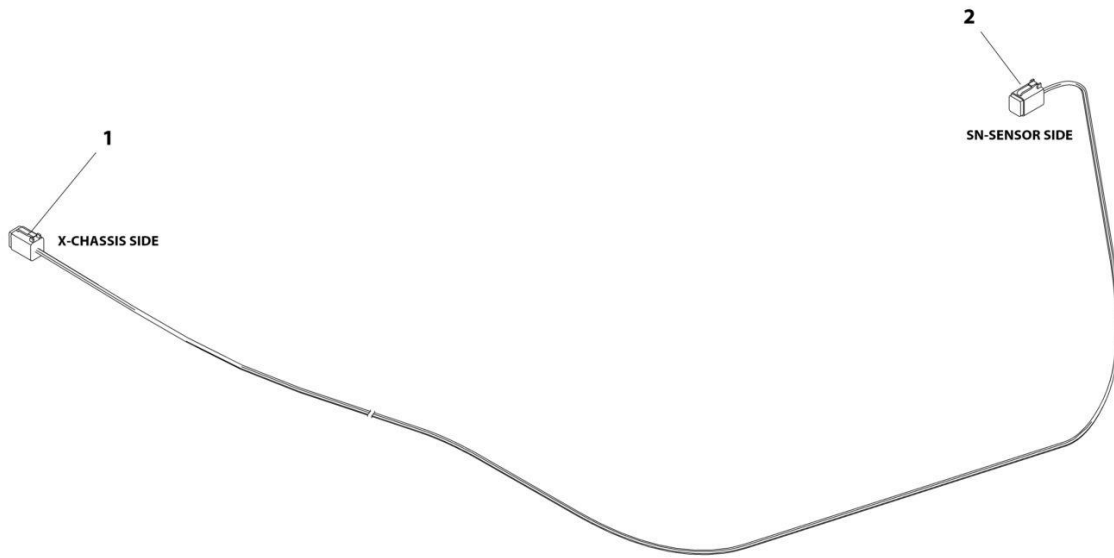
SECTION 8 - ELECTRICAL

FIGURE 8-60. SKYLINE HARNESS

ITEM	PART NUMBER	QTY	DESCRIPTION	REV
	1001238418	Ref	SKYLINE HARNESS	B
1	4460899	1	Connector - 6 Position	
1	4460464	4	Pin, Male	
1	4460466	2	Plug, Terminal	
2	4461077	1	Connector - 4 Position	
2	1001126009	4	Socket, Female	
3	1001186432	2	Plug, Relay	
3	1001118388	5	Terminal	
3	1001118384	3	Terminal	
3	3740086	2	Relay	

SECTION 8 - ELECTRICAL

FIGURE 8-61. STEER HARNESS



ART_1001155817

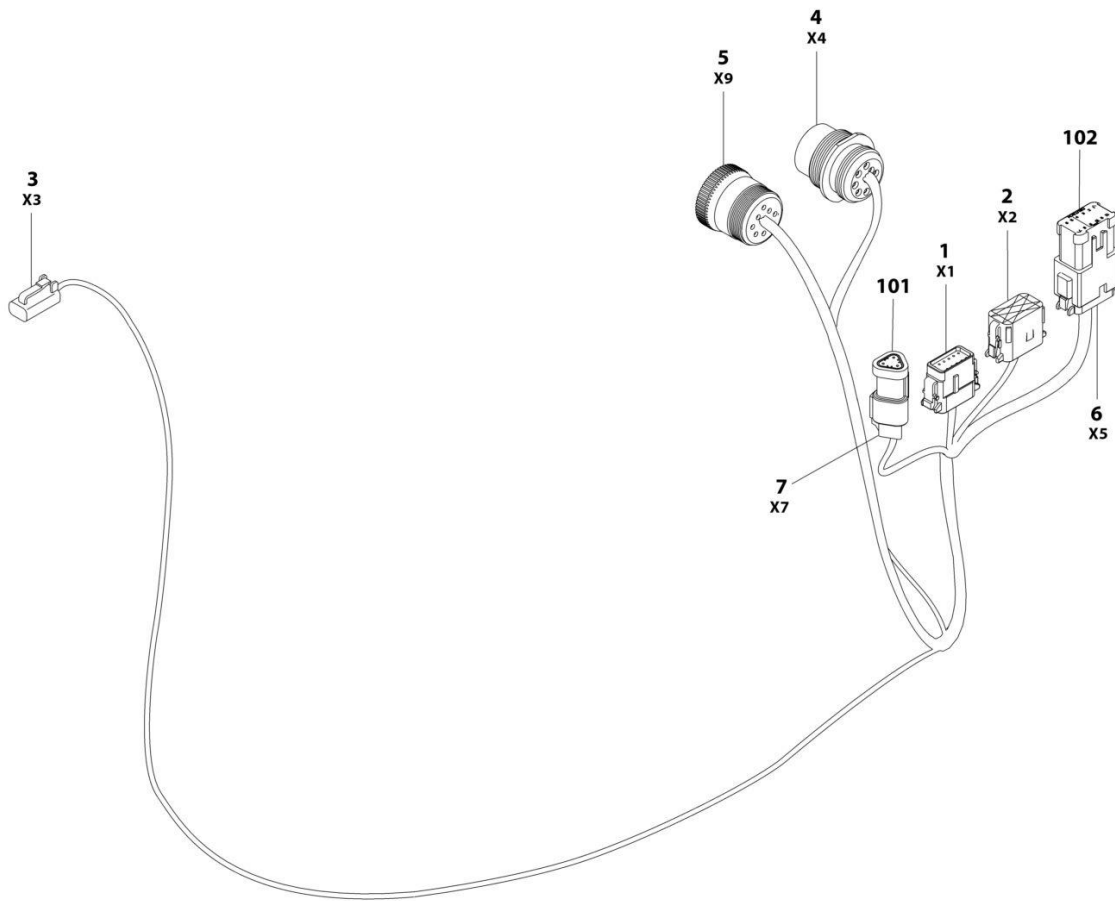
SECTION 8 - ELECTRICAL

FIGURE 8-61. STEER HARNESS

ITEM	PART NUMBER	QTY	DESCRIPTION	REV
	1001155817	Ref	STEER HARNESS	B
1	4460894	1	Connector - 6 Position	
1	4460465	4	Socket, Female	
1	4460466	2	Seal, Plug	
2	4460894	1	Connector - 6 Position	
2	4460465	3	Socket, Female	
2	4460466	3	Seal, Plug	

SECTION 8 - ELECTRICAL

FIGURE 8-62. STROBE LIGHT HARNESS



ART_1001210781

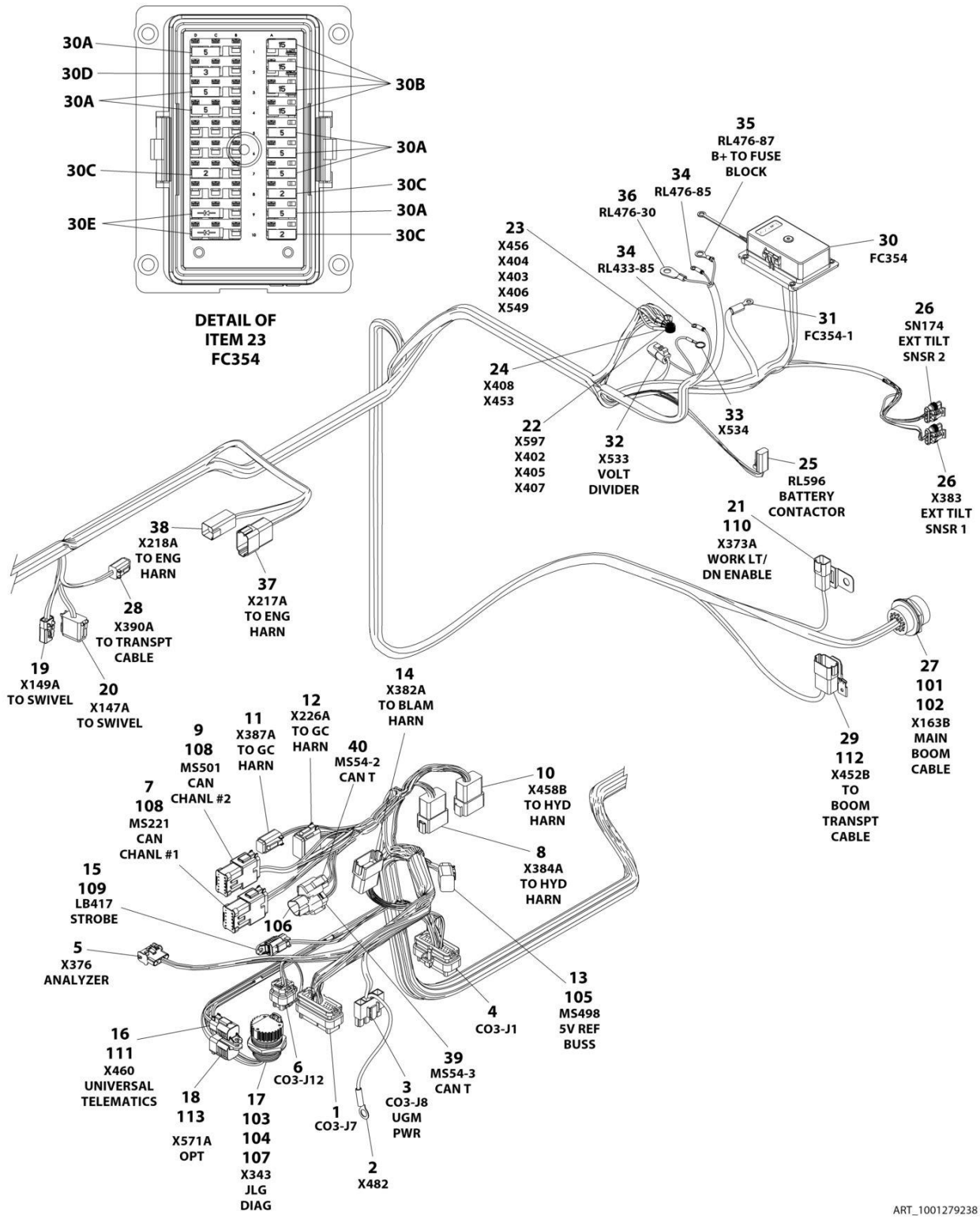
SECTION 8 - ELECTRICAL

FIGURE 8-62. STROBE LIGHT HARNESS

ITEM	PART NUMBER	QTY	DESCRIPTION	REV
	1001210781	Ref	STROBE LIGHT HARNESS	C
1	1001116808	1	Connector - 12 Position	
1	1001116694	3	Socket, Female	
1	4460518	9	Plug, Socket	
2	1001116774	1	Connector - 12 Position	
2	1001116694	3	Socket, Female	
2	4460518	9	Plug, Socket	
3	4460891	1	Connector - 2 Position	
3	4460465	2	Socket, Female	
4	1001249095	1	Connector - 9 Position	
4	4460464	6	Pin, Male	
4	4460466	3	Plug, Socket	
5	1001112796	1	Connector - 9 Position	
5	4460465	6	Socket, Female	
5	4460466	3	Plug, Socket	
6	4460933	1	Connector - 12 Position	
6	4460465	12	Socket, Female	
7	4461095	1	Connector - 3 Position	
7	4460465	3	Socket, Female	
101	4461070	1	Connector - 3 Position	
101	1001144296	1	Dust Cap	
102	1001119020	1	Connector, Female Bussbar - 12 Position	

SECTION 8 - ELECTRICAL

FIGURE 8-63. TURNTABLE HARNESS



ART_1001279238

SECTION 8 - ELECTRICAL

FIGURE 8-63. TURNTABLE HARNESS

ITEM	PART NUMBER	QTY	DESCRIPTION	REV
	1001279238	Ref	TURNTABLE HARNESS	A
1	4460873	1	Connector - 35 Position	
1	4460871	27	Socket, Female	
1	4460905	8	Plug, Terminal	
2	1001117110	1	Terminal, Ring	
3	4460878	1	Connector - 4 Position	
3	4460887	3	Terminal	
4	4460874	1	Connector - 35 Position	
4	4460871	26	Socket, Female	
4	4460905	9	Plug, Terminal	
5	4460761	1	Connector - 4 Position	
5	4460267	4	Pin, Male	
6	1001113961	1	Connector - 8 Position	
6	4460871	7	Socket, Female	
6	4460905	1	Plug, Terminal	
7	4460933	1	Plug, Male - 12 Position	
7	4460944	12	Socket, Female	
8	4460970	1	Receptacle, Female - 12 Position	
8	4460464	12	Pin, Male	
9	4460933	1	Plug, Male - 12 Position	
9	4460944	10	Socket, Female	
9	4460466	2	Plug, Terminal	
10	4460950	1	Receptacle, Female - 12 Position	
10	4460464	12	Pin, Male	
11	4460884	1	Plug, Male - 4 Position	
11	4460465	4	Socket, Female	
12	4460933	1	Plug, Male - 12 Position	
12	4460465	9	Socket, Female	
12	4460466	1	Plug, Terminal	
12	4460944	2	Socket, Female	
13	4460884	1	Plug, Male - 4 Position	
13	4460465	4	Socket, Female	
14	4460970	1	Receptacle, Female - 12 Position	
14	1001116693	10	Pin, Male	
14	4460943	2	Pin, Male	
15	4460891	1	Plug, Male - 2 Position	
15	4460465	2	Socket, Female	
16	4460884	1	Plug, Male - 4 Position	
16	4460465	4	Socket, Female	
17	1001112612	1	Connector - 9 Position	
17	4460464	3	Pin, Male	
17	4460943	2	Pin, Male	
17	4460466	4	Plug, Terminal	
18	4460894	1	Plug, Male - 6 Position	
18	4460465	4	Socket, Female	
18	4460944	2	Socket, Female	
19	4461018	1	Plug, Male - 2 Position	
19	1001150611	2	Socket, Female	
20	4460836	1	Plug, Male - 12 Position	
20	4460944	2	Socket, Female	

SECTION 8 - ELECTRICAL

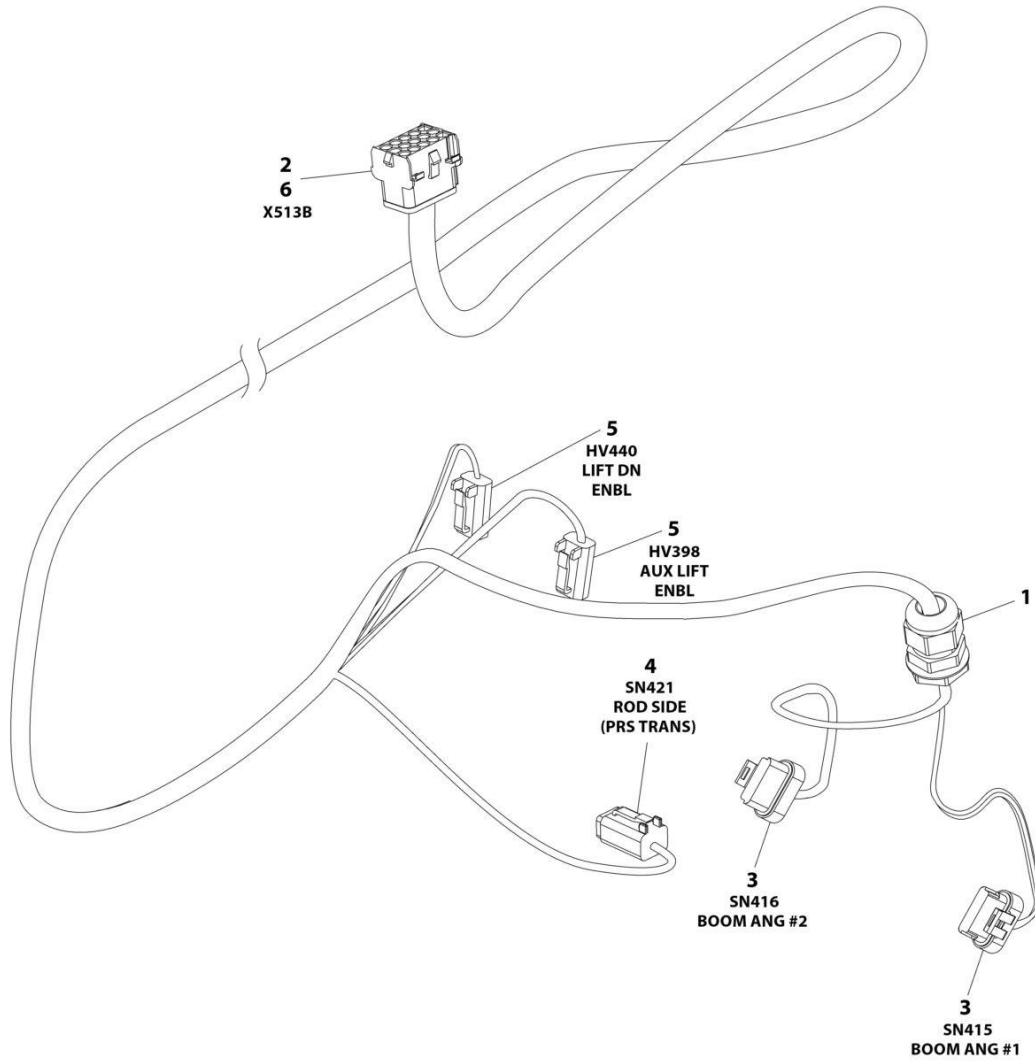
ITEM	PART NUMBER	QTY	DESCRIPTION	REV
20	4460465	1	Socket, Female	
20	4460466	9	Plug, Terminal	
21	4460932	1	Receptacle, Female - 4 Position	
21	1001157891	3	Pin, Male	
21	1001116693	1	Pin, Male	
22	4460722	4	Terminal, Ring	
23	4460019	5	Terminal, Ring	
24	4460256	2	Terminal, Ring	
25	4460891	1	Plug, Male - 2 Position	
25	4460465	2	Socket, Female	
26	1001103012	1	Plug, Male - 4 Position	
26	1001107854	4	Socket, Female	
26	1001104498	4	Seal, Terminal	
27	4460866	1	Connector - 19 Position	
27	4460943	2	Pin, Male	
27	4460464	8	Pin, Male	
27	4460508	4	Pin, Male	
27	4460466	5	Plug, Terminal	
28	4460884	1	Plug, Male - 4 Position	
28	4460465	4	Socket, Female	
29	4460931	1	Receptacle, Female - 8 Position	
29	4460464	8	Pin, Male	
30	1001196605	1	Fuse Box Assembly	
30	8220098	6	Terminal	
30	8220097	17	Terminal	
30	1001116725	1	Socket, Female	
30	4460748	11	Plug, Terminal	
30	4460458	23	Seal, Terminal	
30	80963067	1	Seal (Blue)	
31	8220116	1	Terminal, Ring	
32	4460539	1	Terminal, Ring	
33	4460703	1	Terminal, Ring	
34	4460247	1	Terminal, Ring	
35	4460670	1	Terminal, Ring	
36	4460443	1	Terminal, Ring	
37	4460931	1	Receptacle, Female - 8 Position	
37	1001116693	6	Pin, Male	
37	4460466	2	Plug, Terminal	
38	4460899	1	Receptacle, Female - 6 Position	
38	1001116693	3	Pin, Male	
38	4460943	2	Pin, Male	
38	4460466	1	Plug, Terminal	
39	1001116812	1	Plug, Male - 3 Position	
39	4460944	2	Socket, Female	
39	4460466	1	Plug, Terminal	
40	4460539	1	Plug, Male - 3 Position	
40	4460944	2	Socket, Female	
40	4460466	1	Plug, Terminal	
101	4460470	1	Nut, Terminal	
102	4460471	1	Washer, Terminal	
103	4460496	1	Washer, Terminal	

SECTION 8 - ELECTRICAL

ITEM	PART NUMBER	QTY	DESCRIPTION	REV
104	4460497	1	Nut, Terminal	
105	4460893	1	Receptacle, Female Buss Bar - 4 Position	
106	4460945	1	Connector, Tee	
107	1001106736	1	Cap, Dust	
108	1001125677	2	Connector, Bussbar	
109	1001144295	1	Cap	
110	1001155967	1	Mount	
111	1001192401	1	Cap, Dust	
112	1001202914	1	Mount	
113	1001213448	1	Cap, Dust	

SECTION 8 - ELECTRICAL

FIGURE 8-64. VALVE HARNESS - BOOM



ART_1001216806

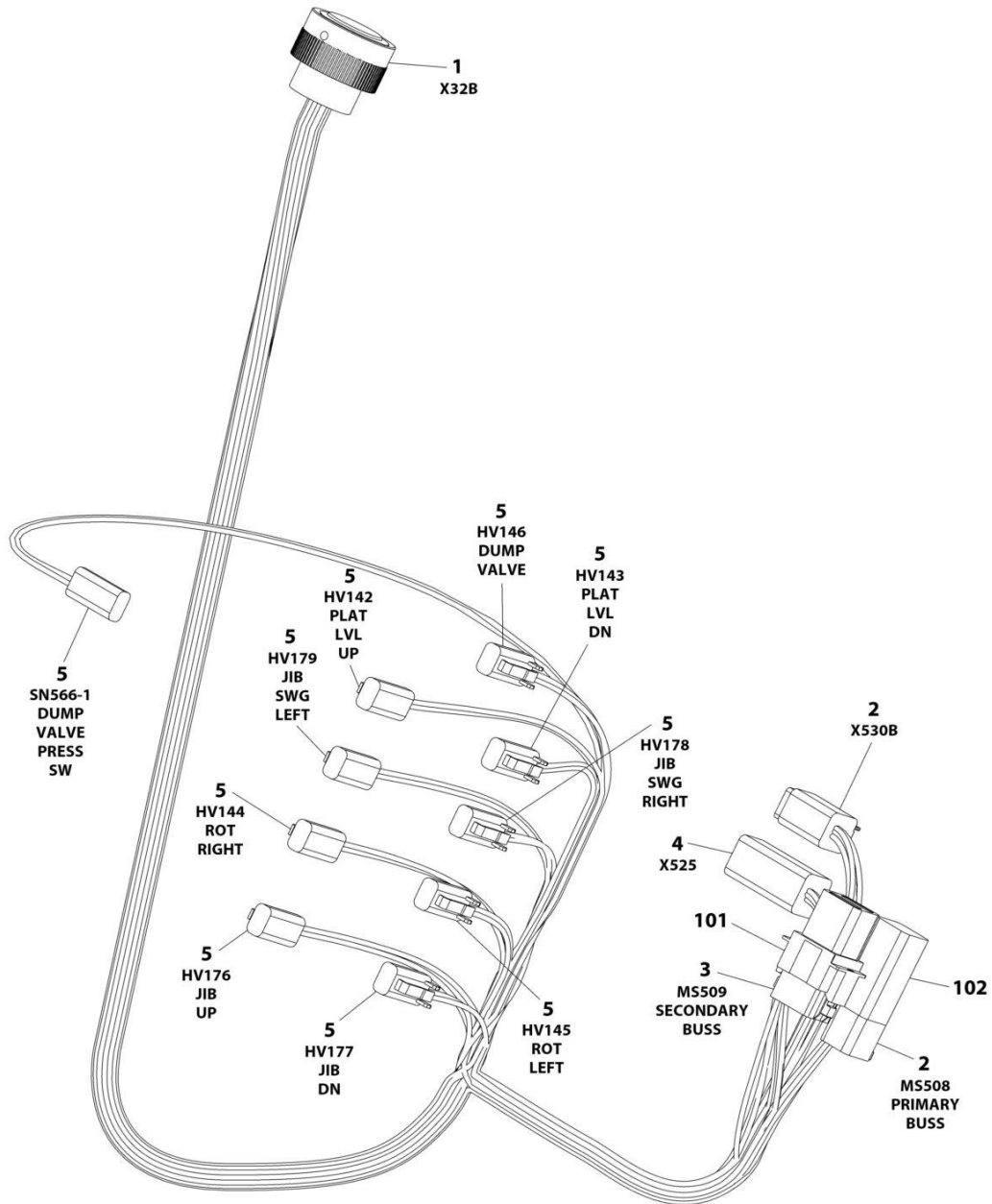
SECTION 8 - ELECTRICAL

FIGURE 8-64. VALVE HARNESS - BOOM

ITEM	PART NUMBER	QTY	DESCRIPTION	REV
	1001216806	Ref	VALVE HARNESS - BOOM	C
1	4460633	1	Connector, Strain Relief	
2	1001216626	1	Seal	
3	1001230931	3	Plug, Male - 6 Position	
3	1001116748	3	Terminal	
3	1001116751	3	Plug, Terminal	
4	4460884	1	Plug, Male - 4 Position	
4	4460465	4	Socket, Female	
5	4460891	2	Plug, Male - 2 Position	
5	4460465	4	Socket, Female	
6	4460708	1	Receptacle, Female - 15 Position	
6	4460267	15	Pin, Male	

SECTION 8 - ELECTRICAL

FIGURE 8-65. VALVE HARNESS - PLATFORM



ART_1001196682

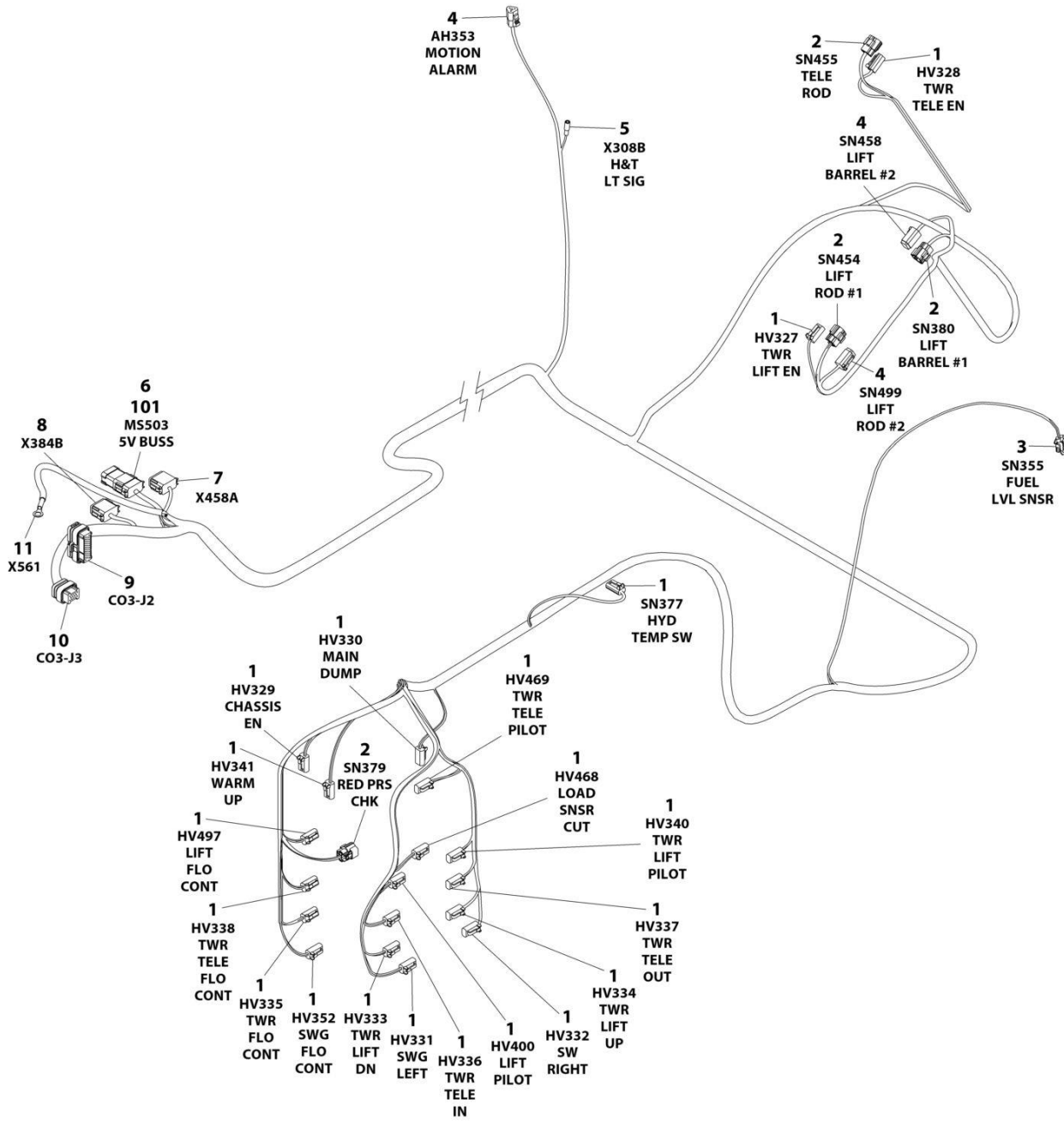
SECTION 8 - ELECTRICAL

FIGURE 8-65. VALVE HARNESS - PLATFORM

ITEM	PART NUMBER	QTY	DESCRIPTION	REV
	1001196682	Ref	VALVE HARNESS - PLATFORM	E
1	4460926	1	Connector - 21 Position	
1	1001126008	20	Socket, Female	
1	4460518	1	Plug, Terminal	
2	4460894	2	Plug, Male - 6 Position	
2	4460465	11	Socket, Female	
2	4460466	1	Plug, Terminal	
3	4460851	1	Plug, Male - 8 Position	
3	4460465	7	Socket, Female	
3	4460466	1	Plug, Terminal	
4	4460899	1	Receptacle, Female - 6 Position	
4	4460464	5	Pin, Male	
4	4460466	1	Plug, Terminal	
5	4460891	10	Plug, Male - 2 Position	
5	4460465	20	Socket, Female	
101	4460852	1	Receptacle, Female Termination - 8 Position	
102	4460892	1	Receptacle, Female Bussbar - 6 Position	

SECTION 8 - ELECTRICAL

FIGURE 8-66. VALVE HARNESS - TURNTABLE



ART_1001242123

SECTION 8 - ELECTRICAL

FIGURE 8-66. VALVE HARNESS - TURNTABLE

ITEM	PART NUMBER	QTY	DESCRIPTION	REV
	1001242123	Ref	VALVE HARNESS - TURNTABLE	B
1	4460891	20	Plug, Male - 2 Position	
1	4460465	40	Socket, Female	
2	4460884	4	Plug, Male - 4 Position	
2	4460465	12	Socket, Female	
2	4460466	4	Plug, Terminal	
3	4460843	1	Plug, Male - 2 Position	
3	91554014	NLA	Socket, Female (Use p/n 1001116748)	
4	4460539	3	Plug, Male - 3 Position	
4	4460465	9	Socket, Female	
5	8220068	1	Terminal, Ring	
6	4460930	1	Plug, Male - 8 Position	
6	4460465	6	Socket, Female	
6	4460466	2	Plug, Terminal	
7	4460836	1	Plug, Male - 12 Position	
7	4460465	12	Socket, Female	
8	4460933	1	Plug, Male - 12 Position	
8	4460465	12	Socket, Female	
9	4460875	1	Connector - 35 Position	
9	4460871	32	Socket, Female	
9	4460905	3	Plug, Terminal	
10	4460872	1	Connector - 14 Position	
10	4460871	12	Socket, Female	
10	4460905	2	Plug, Terminal	
11	1001128127	1	Terminal, Ring	
101	4460984	1	Receptacle, Female Bussbar - 8 Position	

SECTION 8 - ELECTRICAL

FIGURE 8-67. WHITE NOISE MOTION ALARM HARNESS



ART_1001231008

SECTION 8 - ELECTRICAL

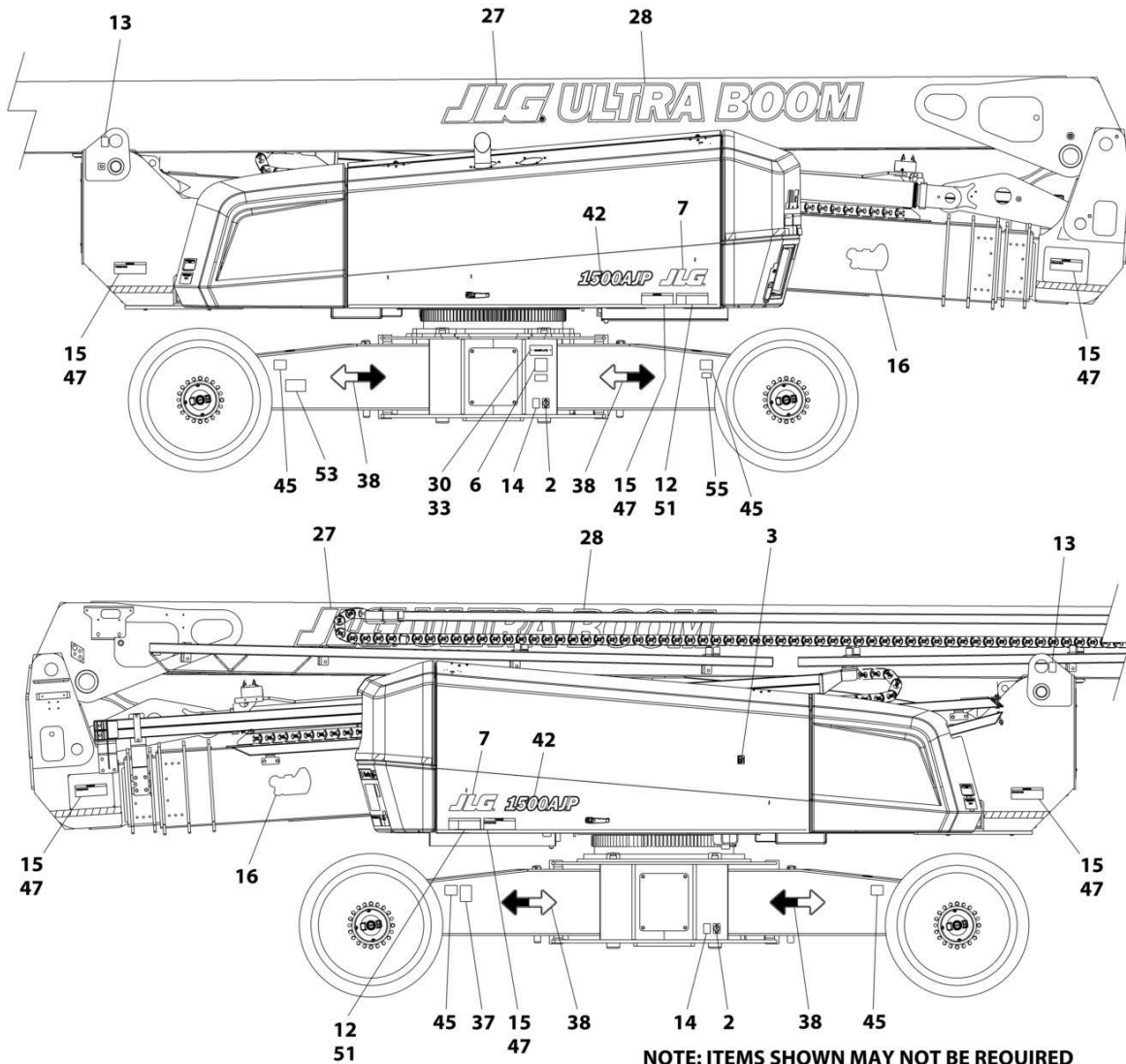
FIGURE 8-67. WHITE NOISE MOTION ALARM HARNESS

ITEM	PART NUMBER	QTY	DESCRIPTION	REV
	1001231008	Ref	WHITE NOISE MOTION ALARM HARNESS	B
1	4460871	1	Socket, Female	
2	4460891	1	Plug, Male - 2 Position	
2	4460465	2	Socket, Female	
3	4460536	1	Connector - 3 Position	
3	4460464	3	Pin, Male	

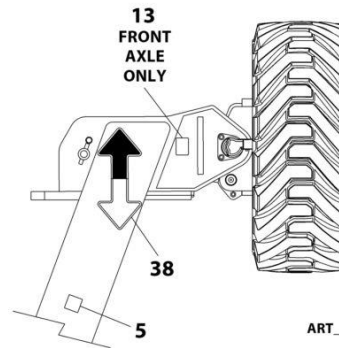
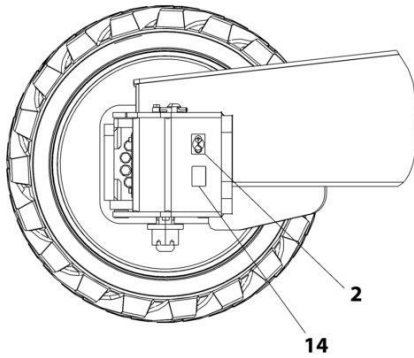
SECTION 9 - DECALS

SECTION 9 - DECALS

FIGURE 9-1. DECAL INSTALLATION - ANSI SPEC

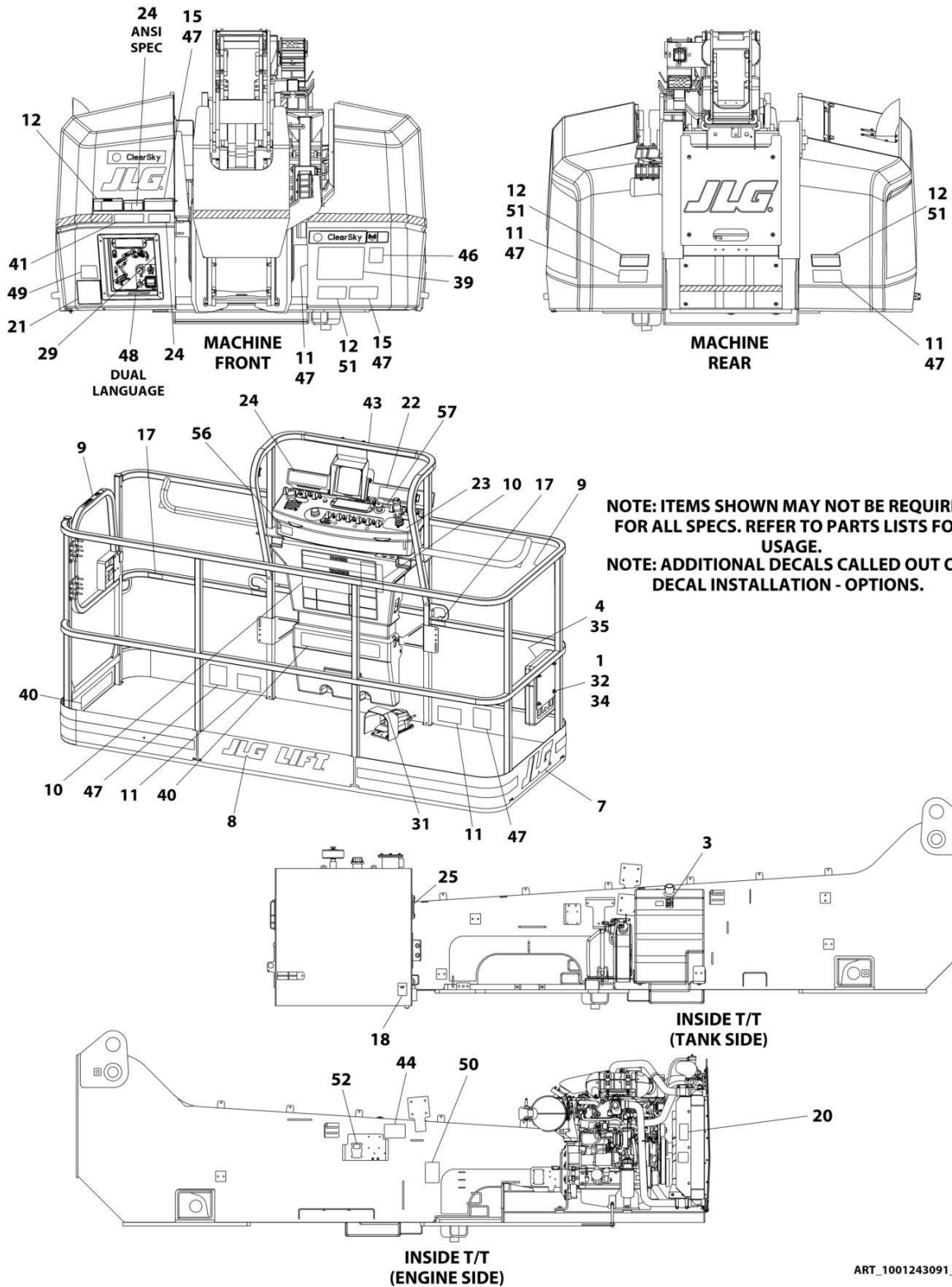


NOTE: ITEMS SHOWN MAY NOT BE REQUIRED FOR ALL SPECS. REFER TO PARTS LISTS FOR USAGE.
 NOTE: ADDITIONAL DECALS CALLED OUT ON DECAL INSTALLATION - OPTIONS.



ART_1001243091_10F2

SECTION 9 - DECALS



NOTE: ITEMS SHOWN MAY NOT BE REQUIRED FOR ALL SPECS. REFER TO PARTS LISTS FOR USAGE.
NOTE: ADDITIONAL DECALS CALLED OUT ON DECAL INSTALLATION - OPTIONS.

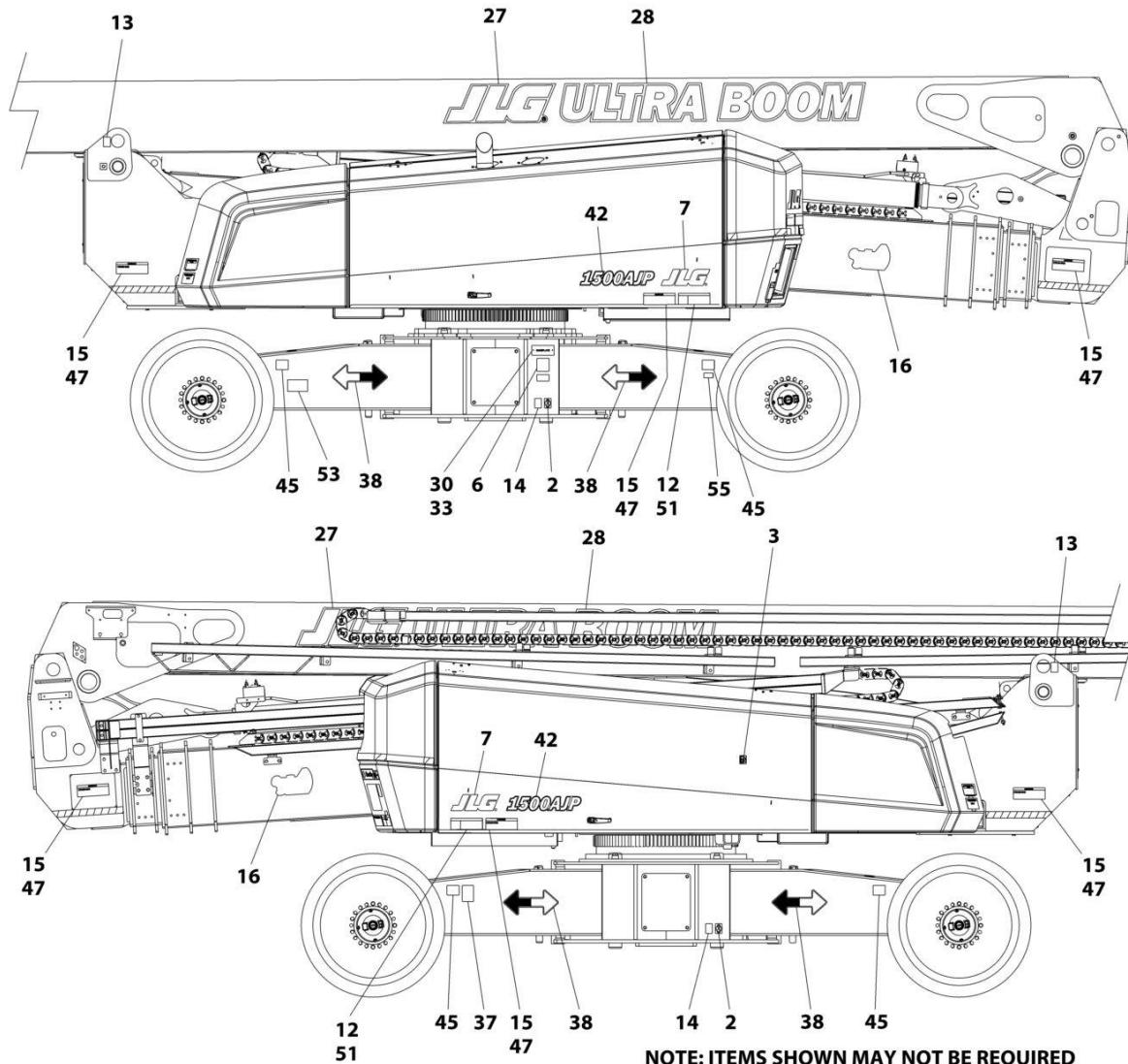
SECTION 9 - DECALS

FIGURE 9-1. DECAL INSTALLATION - ANSI SPEC

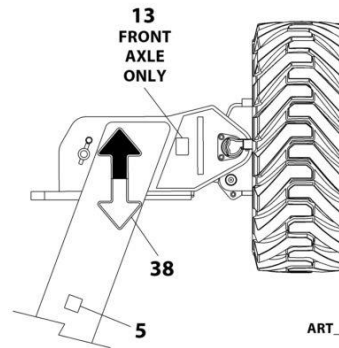
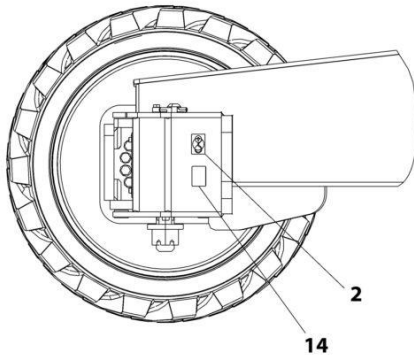
ITEM	PART NUMBER	QTY	DESCRIPTION	REV
	1001243091	Ref	DECAL INSTALLATION - ANSI SPEC	F
	1001197315	Ref	DECAL INSTALLATION - REFERENCE	N
1	0641406	4	Bolt 1/4 x 3/4	
2	1701499	6	Decal - No Tie Down/Lift	
3	1701505	2	Decal - Diesel Fuel	
4	1701509	1	Decal - Manual	
5	1701691	4	Decal - No Step	
6	See Note	NSS	Decal - Bar Code (Note: Not Available for Purchase)	
7	1702773	3	Decal - JLG	
8	1702774	1	Decal - JLG Lift	
9	1702868	2	Decal - No Hands	
10	1001231315	1	Decal - Danger/Warning	
11	1703804	6	Decal - Warning Crushing	
12	1703805	6	Decal - Electrocution	
13	1703811	4	Decal - Lifting Lug	
14	1703814	6	Decal - Tie Down	
15	1703953	8	Decal - Warning Crushing	
16	1703959	2	Decal - Quik Stik	
17	1704277	3	Decal - Lanyard Attach	
18	1704412	1	Decal - Hydraulic Oil	
20	1704972	1	Decal - Glow Plugs Warning	
21	1705336	1	Decal - Danger/Warning	
23	1705351	1	Decal - Drive/Steer Instructions	
24	1705492	1	Decal - Tip-Over	
25	1705511	1	Decal - Oil Level	
27	1705864	2	Decal - JLG	
28	1705865	2	Decal - Ultraboom (Prior to SN 0300281037)	
28	1001267315	2	Decal - Ultraboom (SN 0300281037 to Present)	
29	1001225220	1	Decal - Legend	
31	3252347	1	Nameplate - Footswitch	
32	3311405	4	Nut 1/4	
33	3820001	2	Rivet	
34	4751400	8	Washer 1/4	
35	91403230	1	Box, Manual Storage	
37	1001131269	1	Decal - Patent	
38	1001160445	8	Decal - Arrow	
39	1001284691	1	Decal - Lift Diagram	
40	1001254474	1	Decal - Warning Dual Capacity	
41	1001254475	1	Decal - Warning Dual Capacity	
42	1001200707	2	Decal - 1500AJP (Prior to SN 0300280111)	
42	1001268243	2	Decal - 1500AJP (SN 0300280111 to Present)	
43	1001204096	1	Decal - Legend	
44	1001234789	1	Decal - Jump Start/Dual Battery	
45	1001209896	4	Decal - Maximum Tire Load	
50	1001211904	1	Decal - Fuse Box	
52	1001224045	1	Decal - Fuse Box Cover	
53	1001223055	1	Decal - Decal Yearly Inspection	
55	1001223453	1	Decal - ICES	
57	1001195947	1	Decal - Stop and Auxiliary Power	

SECTION 9 - DECALS

FIGURE 9-2. DECAL INSTALLATION - AUSTRALIAN SPEC

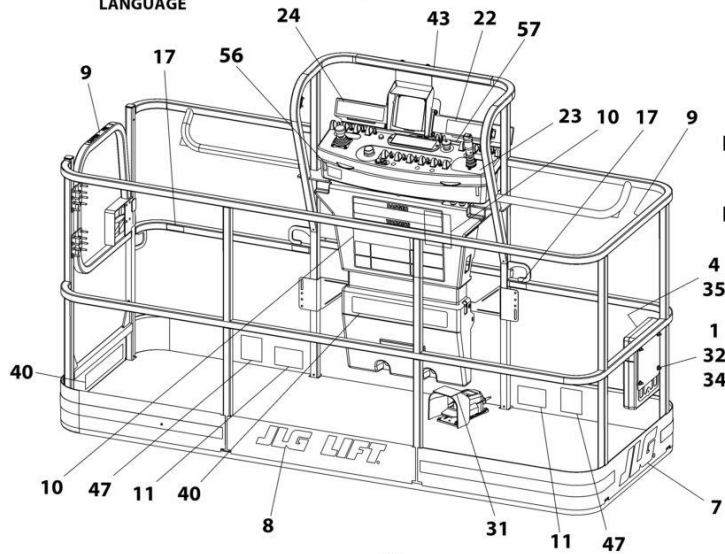
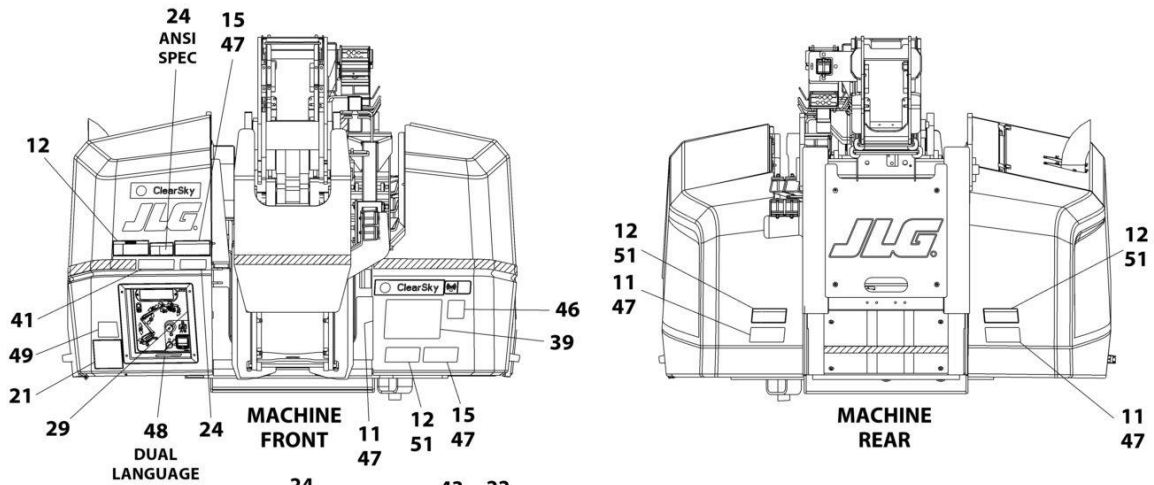


NOTE: ITEMS SHOWN MAY NOT BE REQUIRED FOR ALL SPECS. REFER TO PARTS LISTS FOR USAGE.
 NOTE: ADDITIONAL DECALS CALLED OUT ON DECAL INSTALLATION - OPTIONS.

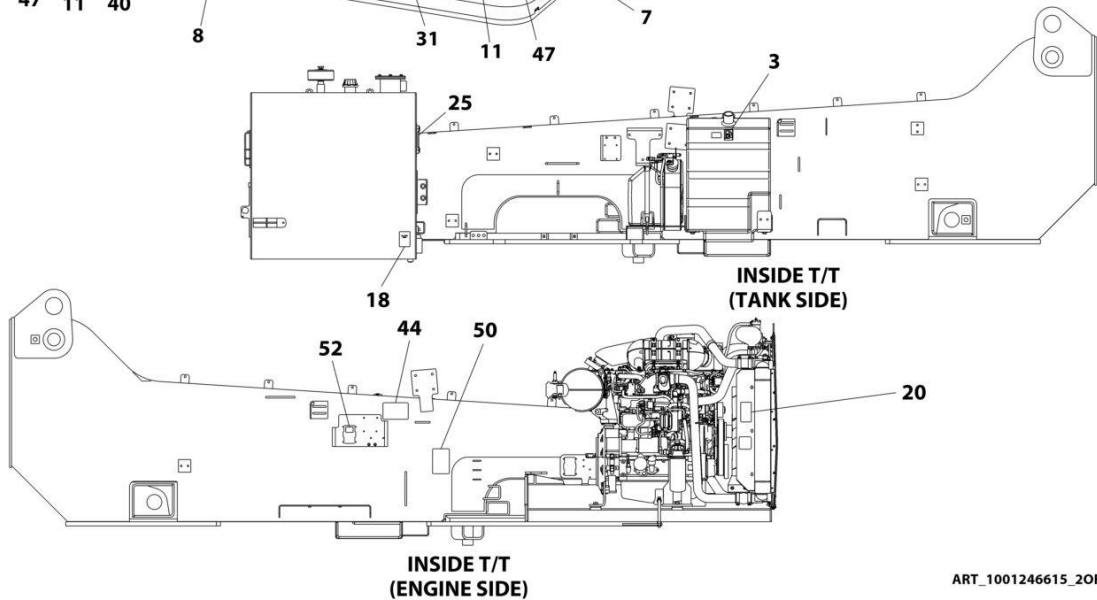


ART_1001246615_10F2

SECTION 9 - DECALS



NOTE: ITEMS SHOWN MAY NOT BE REQUIRED FOR ALL SPECS. REFER TO PARTS LISTS FOR USAGE.
NOTE: ADDITIONAL DECALS CALLED OUT ON DECAL INSTALLATION - OPTIONS.



ART_1001246615_20F2

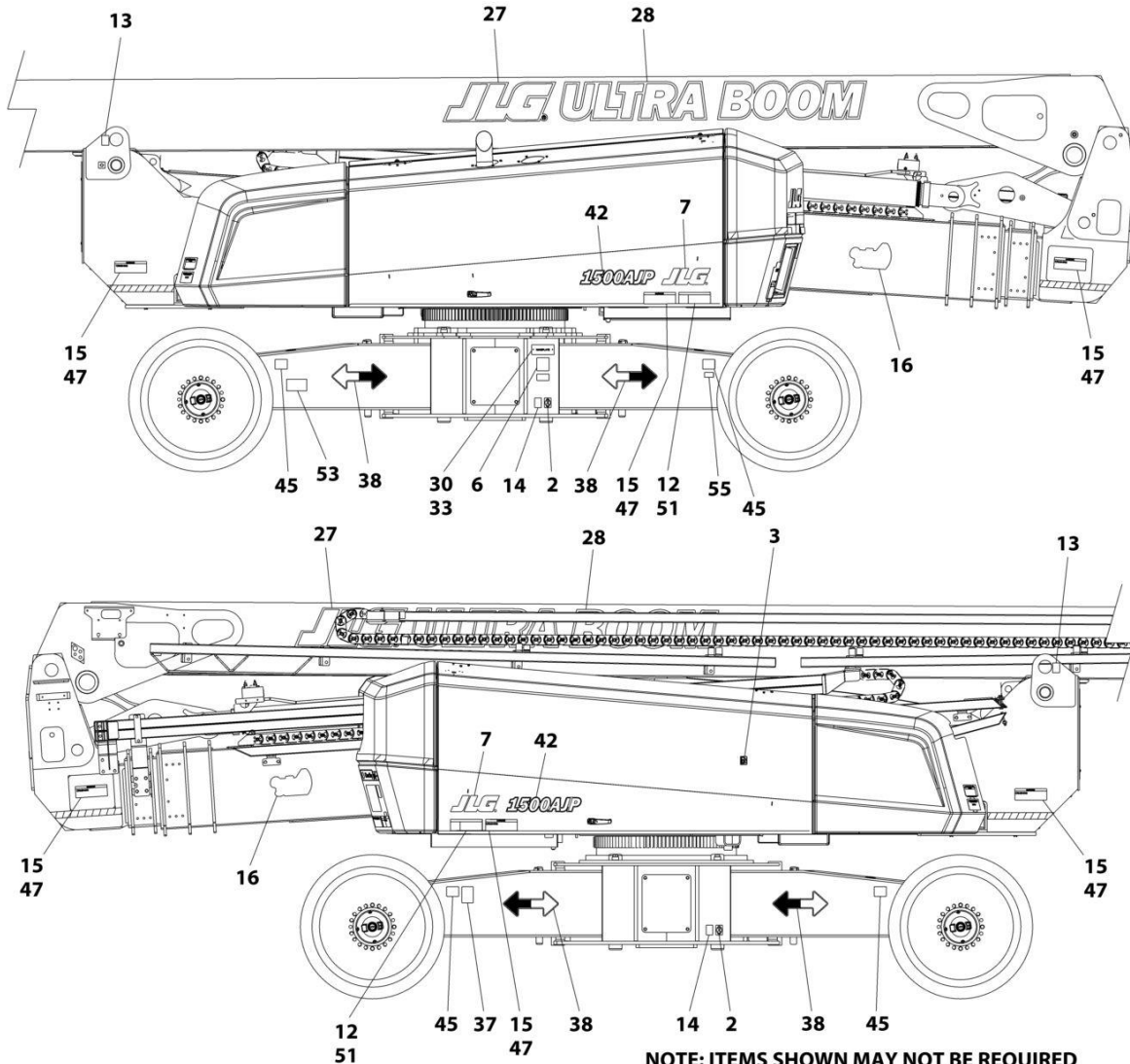
SECTION 9 - DECALS

FIGURE 9-2. DECAL INSTALLATION - AUSTRALIAN SPEC

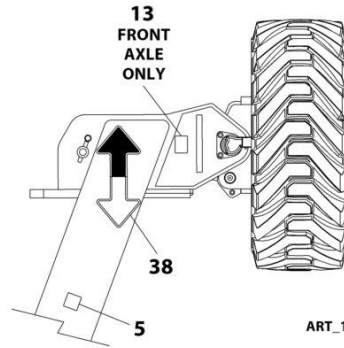
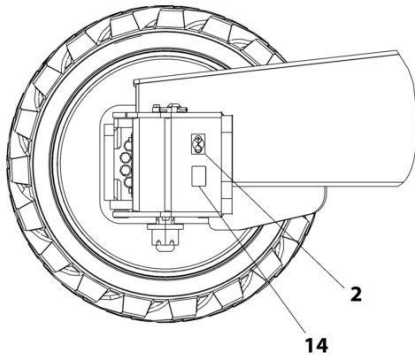
ITEM	PART NUMBER	QTY	DESCRIPTION	REV
	1001246615	Ref	DECAL INSTALLATION - AUSTRALIAN SPEC	F
	1001197315	Ref	DECAL INSTALLATION - REFERENCE	P
1	0641406	4	Bolt 1/4 x 3/4	
2	1701499	6	Decal - No Tie Down/Lift	
3	1701505	2	Decal - Diesel Fuel	
4	1701509	1	Decal - Manual	
5	1701691	4	Decal - No Step	
6	See Note	NSS	Decal - Bar Code (Note: Not Available for Purchase)	
7	1702773	3	Decal - JLG	
8	1702774	1	Decal - JLG Lift	
10	1705921	1	Decal - Tipping/Electrocution	
13	1703811	4	Decal - Lifting Lug	
14	1703814	6	Decal - Tie Down	
16	1703959	2	Decal - Quik Stik	
17	1704277	3	Decal - Lanyard Attach	
18	1704412	1	Decal - Hydraulic Oil	
20	1706098	1	Decal - Warning Ether Start	
21	1705822	1	Decal - Electrical/Safety Manual	
25	1705511	1	Decal - Oil Level	
27	1705864	2	Decal - JLG	
28	1705865	2	Decal - Ultraboom (Prior to SN 0300306809)	
28	1001267315	2	Decal - Ultraboom (SN 0300306809 to Present)	
30	See Note	NSS	Nameplate - Serial Number (Note: Not Available for Purchase)	
31	1705828	1	Nameplate - Footswitch	
32	3311405	4	Nut 1/4	
33	3820001	4	Rivet	
34	4751400	8	Washer 1/4	
35	91403230	1	Box, Manual Storage	
38	1001160445	8	Decal - Arrow	
39	1001284691	1	Decal - Lift Diagram	
40	1001200118	2	Decal - Warning Dual Capacity	
41	1001200117	1	Decal - Warning Dual Capacity	
42	1001200707	1	Decal - 1500AJP (Prior to SN 0300280111)	
42	1001268243	2	Decal - 1500AJP (SN 0300280111 to Present)	
44	1001234789	1	Decal - Jump Start/Dual Battery	
45	1001209896	4	Decal - Maximum Tire Load	
46	1705515	1	Decal - Sound Level	
47	1701518	14	Decal - Crushing	
49	1001112551	1	Decal - Emergency Controls	
50	1001211904	1	Decal - Fuse Box	
51	1705961	5	Decal - Electrocution	
52	1001224045	1	Decal - Fuse Box Cover	
54	1001229782	1	Decal - Wheel Assembly Mass	
57	1001184619	1	Decal - Stop	

SECTION 9 - DECALS

FIGURE 9-3. DECAL INSTALLATION - BRAZIL SPEC (ENGLISH/PORTUGUESE)

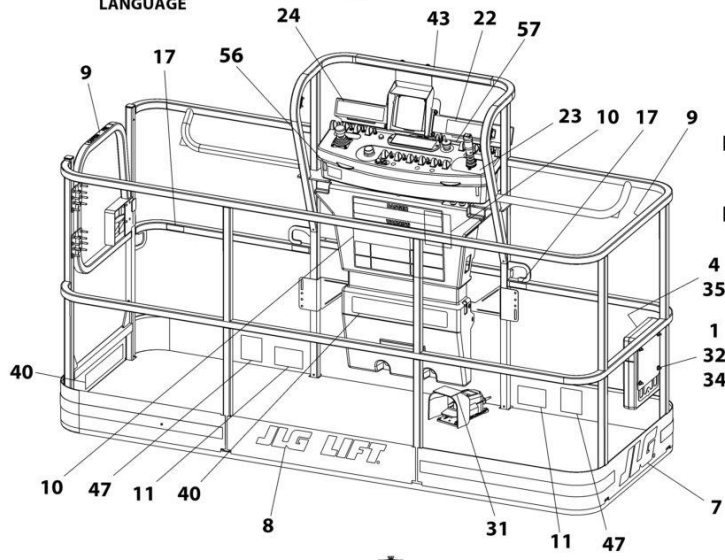
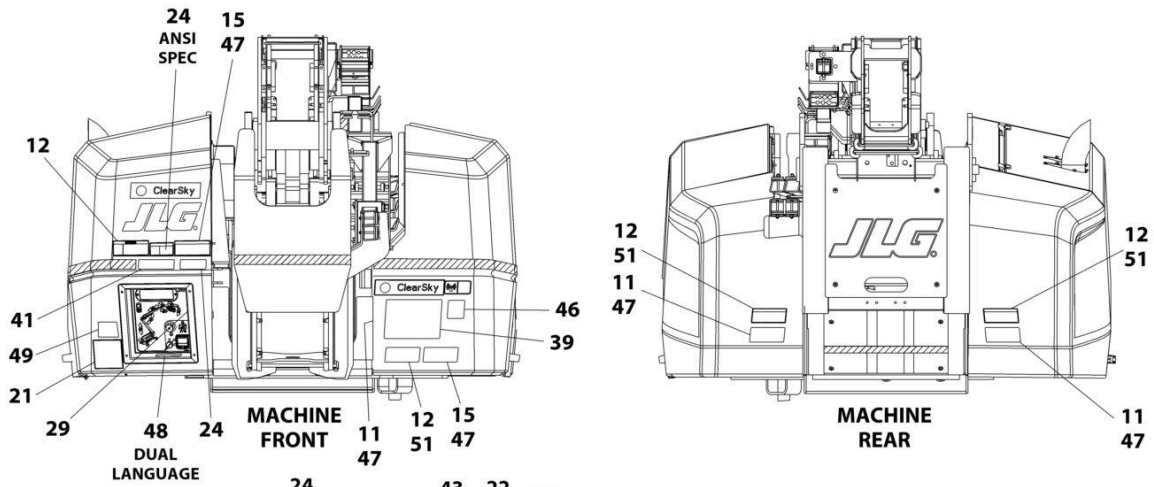


NOTE: ITEMS SHOWN MAY NOT BE REQUIRED FOR ALL SPECS. REFER TO PARTS LISTS FOR USAGE.
 NOTE: ADDITIONAL DECALS CALLED OUT ON DECAL INSTALLATION - OPTIONS.



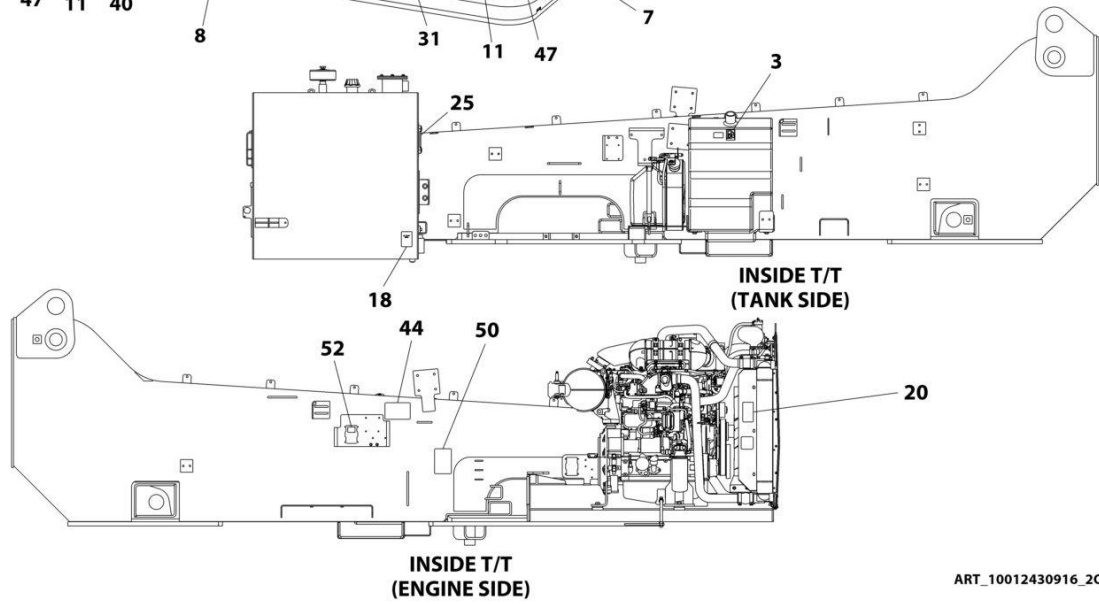
ART_1001243096_10F2

SECTION 9 - DECALS



NOTE: ITEMS SHOWN MAY NOT BE REQUIRED FOR ALL SPECS. REFER TO PARTS LISTS FOR USAGE.

NOTE: ADDITIONAL DECALS CALLED OUT ON DECAL INSTALLATION - OPTIONS.



ART_10012430916_20F2

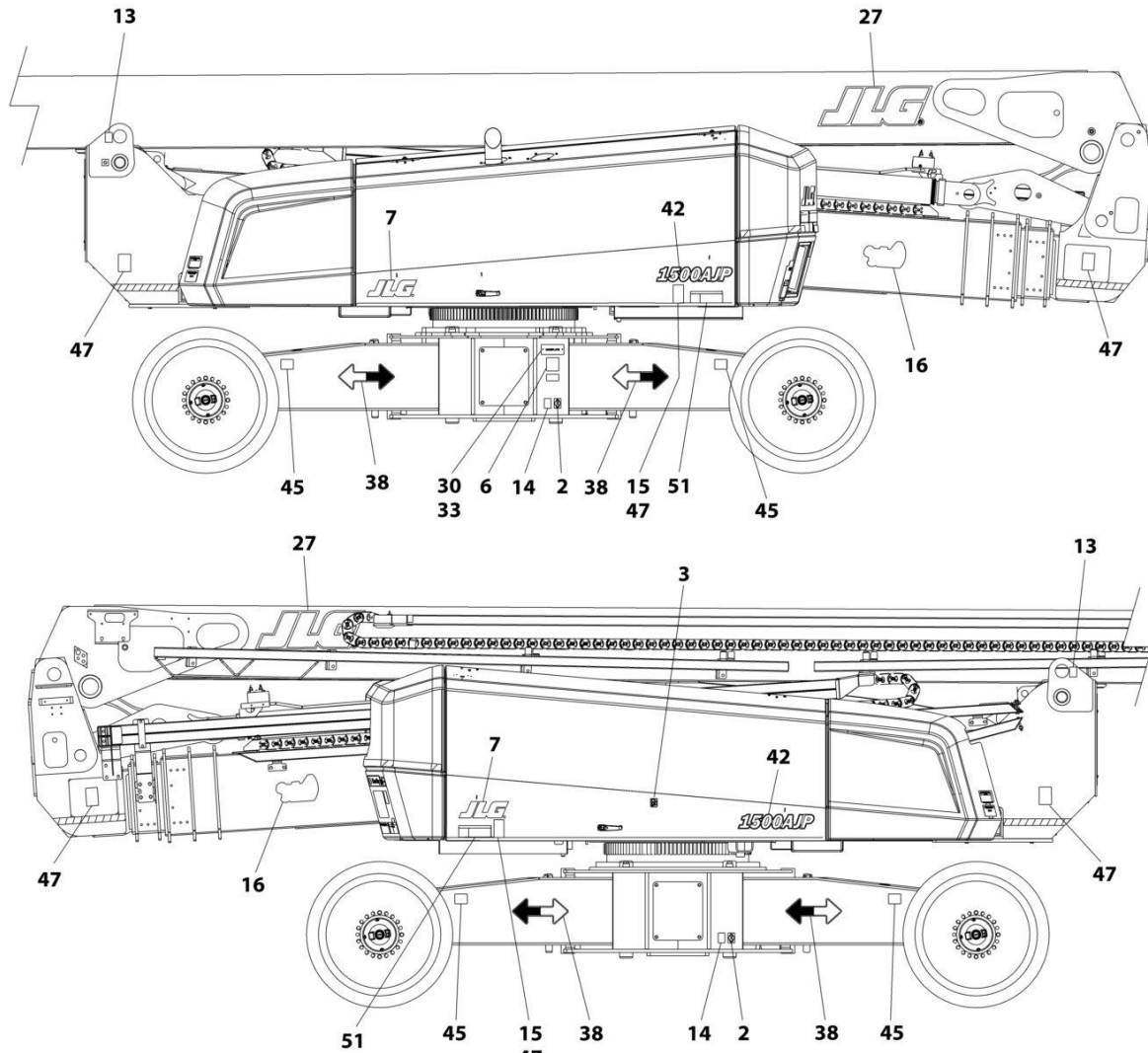
SECTION 9 - DECALS

FIGURE 9-3. DECAL INSTALLATION - BRAZIL SPEC (ENGLISH/PORTUGUESE)

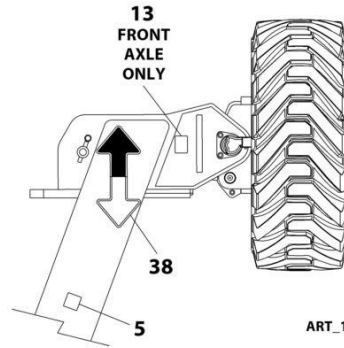
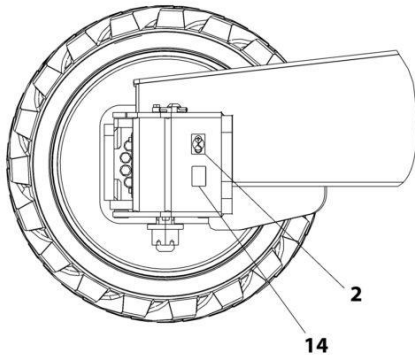
ITEM	PART NUMBER	QTY	DESCRIPTION	REV
	1001243096	Ref	DECAL INSTALLATION - BRAZIL SPEC (ENGLISH/PORTUGUESE)	F
	1001197315	Ref	DECAL INSTALLATION - REFERENCE	N
1	0641406	4	Bolt 1/4 x 3/4	
2	1701499	6	Decal - No Tie Down/Lift	
3	1701505	2	Decal - Diesel Fuel	
4	1701509	1	Decal - Manual	
5	1701691	4	Decal - No Step	
6	See Note	NSS	Decal - Bar Code (Note: Not Available for Purchase)	
7	1702773	3	Decal - JLG	
8	1702774	1	Decal - JLG Lift	
9	1705967	2	Decal - No Hands	
10	1001231319	1	Decal - Danger/Warning	
11	1705898	6	Decal - Crushing	
12	1705897	6	Decal - Danger Electrocution	
13	1703811	4	Decal - Lifting Lug	
14	1703814	6	Decal - Tie Down	
15	1705903	8	Decal - Warning Crushing	
16	1703959	2	Decal - Quik Stik	
17	1704277	3	Decal - Lanyard Attach	
18	1704412	1	Decal - Hydraulic Oil	
20	1706059	1	Decal - Warning Explosion	
21	1705896	1	Decal - Warning Inspection	
23	1705905	1	Decal - Drive/Steer Instruction	
24	1705906	1	Decal - Tip-Over Hazard	
25	1705511	1	Decal - Oil Level	
27	1705864	2	Decal - JLG	
28	1705865	2	Decal - Ultraboom (Prior to SN 0300281037)	
28	1001267315	2	Decal - Ultraboom (SN 0300281037 to Present)	
29	1001225220	1	Decal - Legend	
30	See Note	NSS	Nameplate - Serial Number (Note: Not Available for Purchase)	
31	1705902	1	Decal - Footswitch	
32	3311405	4	Nut 1/4	
33	3820001	2	Rivet	
34	4751400	8	Washer 1/4	
35	91403230	1	Box, Manual Storage	
38	1001160445	8	Decal - Arrow	
39	1001284691	1	Decal - Lift Diagram	
40	1001254482	1	Decal - Warning Dual Capacity	
41	1001254483	1	Decal - Warning Dual Capacity	
42	1001200707	2	Decal - 1500AJP (Prior to SN 0300280111)	
42	1001268243	2	Decal - 1500AJP (SN 0300280111 to Present)	
43	1001204096	1	Decal - Legend	
44	1001234789	1	Decal - Jump Start/Dual Battery	
45	1001209896	4	Decal - Maximum Tire Load	
50	1001211904	1	Decal - Fuse Box	
52	1001224045	1	Decal - Fuse Box Cover	
53	1001224052	1	Decal - Yearly Inspection	
57	1001195947	1	Decal - Stop and Auxiliary Power	

SECTION 9 - DECALS

FIGURE 9-4. DECAL INSTALLATION - CE & UK CA SPEC

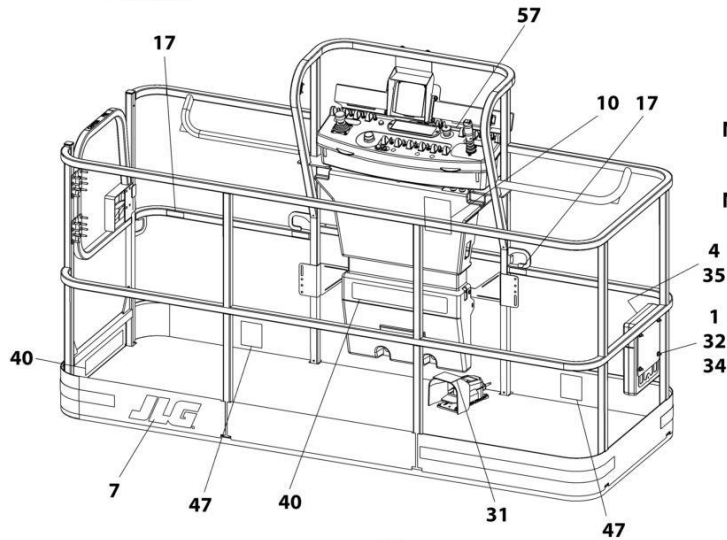
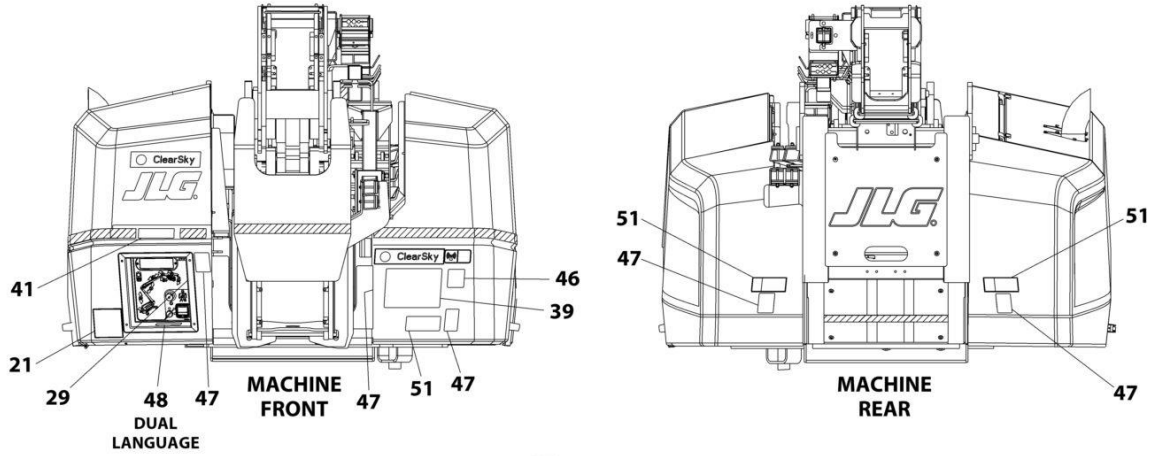


NOTE: ITEMS SHOWN MAY NOT BE REQUIRED FOR ALL SPECS. REFER TO PARTS LISTS FOR USAGE.
NOTE: ADDITIONAL DECALS CALLED OUT ON DECAL INSTALLATION - OPTIONS.

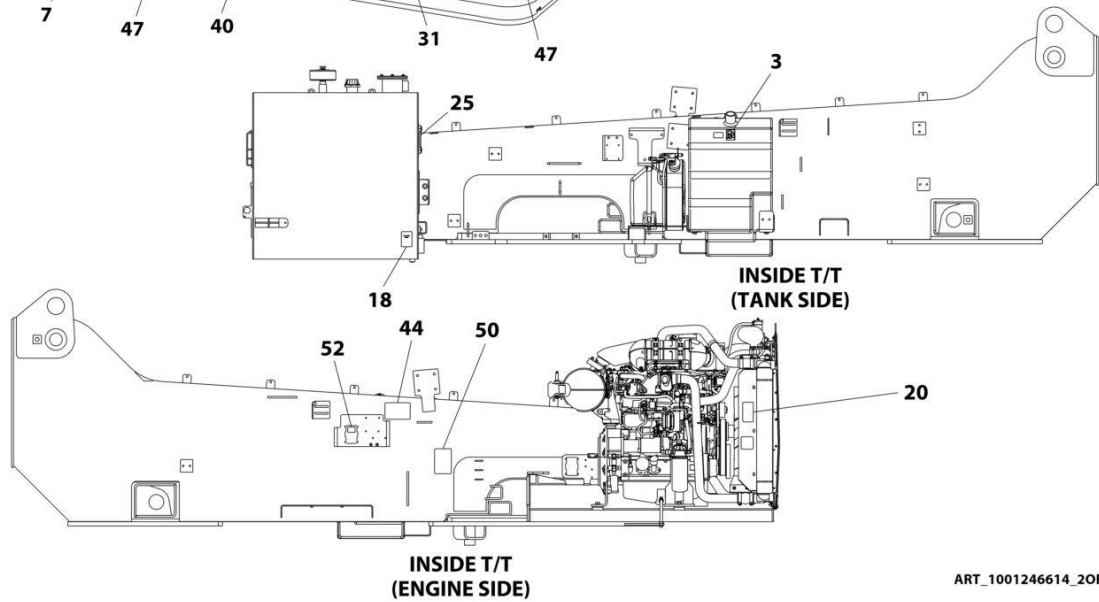


ART_1001246614_10F2

SECTION 9 - DECALS



NOTE: ITEMS SHOWN MAY NOT BE REQUIRED FOR ALL SPECS. REFER TO PARTS LISTS FOR USAGE.
NOTE: ADDITIONAL DECALS CALLED OUT ON DECAL INSTALLATION - OPTIONS.



ART_1001246614_20F2

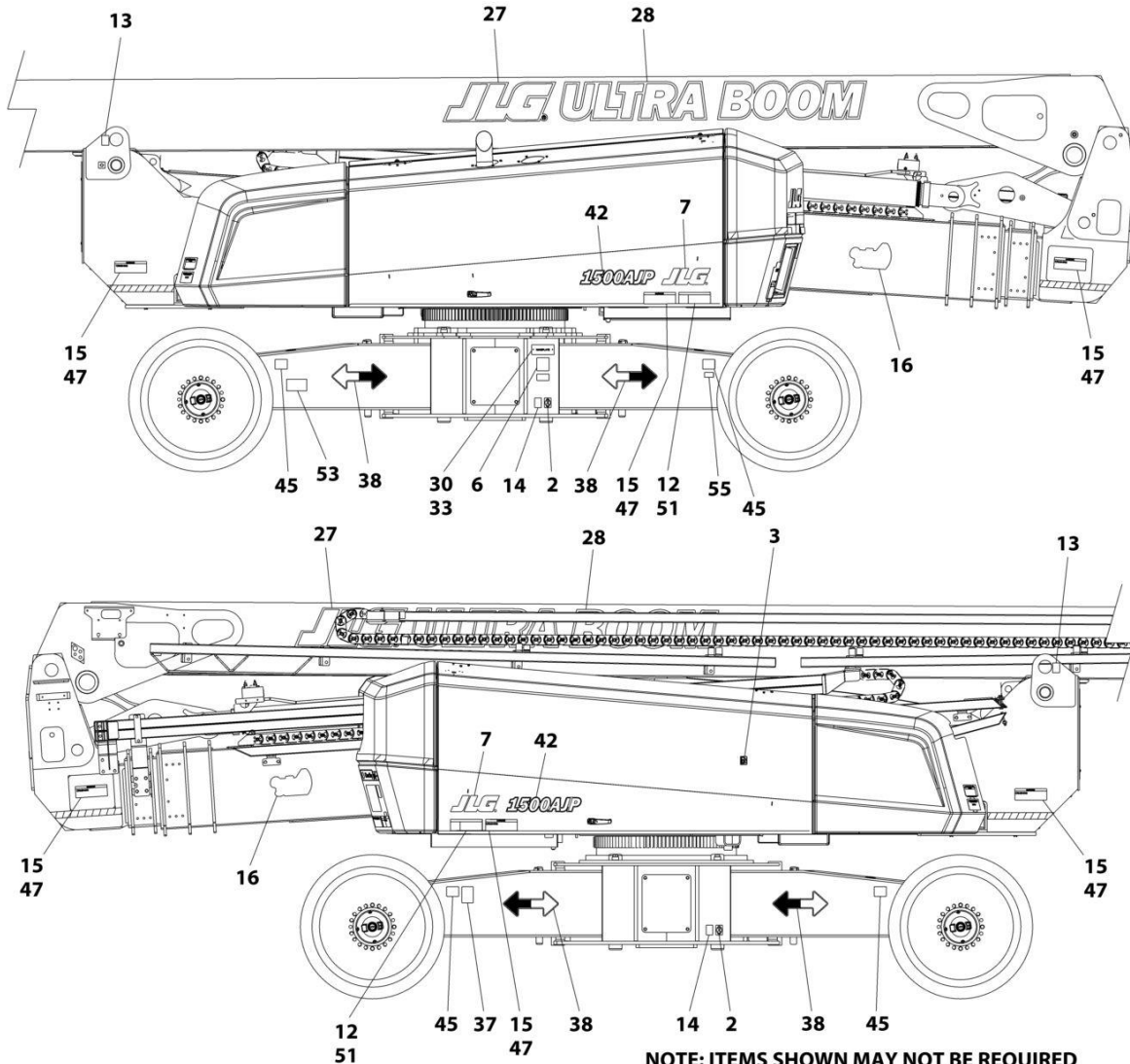
SECTION 9 - DECALS

FIGURE 9-4. DECAL INSTALLATION - CE & UK CA SPEC

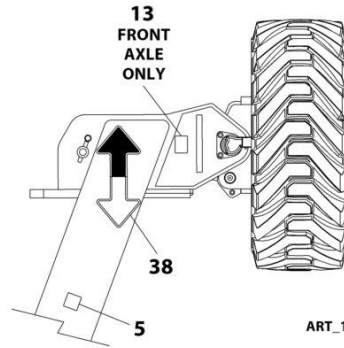
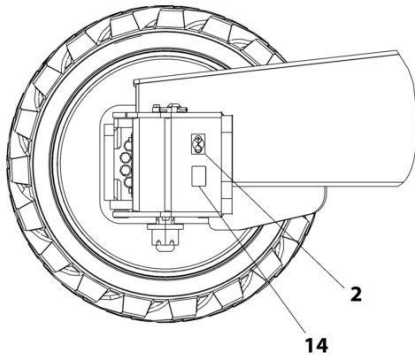
ITEM	PART NUMBER	QTY	DESCRIPTION	REV
	1001246614	Ref	DECAL INSTALLATION - CE & UK CA SPEC	E
	1001234408	Ref	DECAL INSTALLATION - REFERENCE	D
1	0641406	4	Bolt 1/4 x 3/4	
2	1701499	6	Decal - No Tie Down/Lift	
3	1701505	2	Decal - Diesel Fuel	
4	1701509	1	Decal - Manual	
5	1701691	4	Decal - No Step	
6	See Note	NSS	Decal - Bar Code (Note: Not Available for Purchase)	
7	1702773	3	Decal - JLG	
10	1705921	1	Decal - Tipping/Electrocution	
13	1703811	4	Decal - Lifting Lug	
14	1703814	6	Decal - Tie Down	
16	1703959	2	Decal - Quik Stik	
17	1704277	3	Decal - Lanyard Attach	
18	1704412	1	Decal - Hydraulic Oil	
20	1706098	1	Decal - Warning Ether Start	
21	1705822	1	Decal - Electrical/Safety Manual	
25	1705511	1	Decal - Oil Level	
27	1705864	2	Decal - JLG	
30	See Note	NSS	Decal - Serial Number (Note: Not Available for Purchase)	
31	1705828	1	Nameplate - Footswitch	
32	3311405	4	Nut 1/4	
33	3820001	4	Rivet	
34	4751400	8	Washer 1/4	
35	91403230	1	Box, Manual Storage	
38	1001160445	8	Decal - Arrow	
39	1001284691	1	Decal - Lift Diagram	
40	1001200118	1	Decal - Warning Dual Capacity	
41	1001200117	1	Decal - Warning Dual Capacity	
42	1001200707	1	Decal - 1500AJP (Prior to SN 0300280111)	
42	1001268243	2	Decal - 1500AJP (SN 0300280111 to Present)	
44	1001234789	1	Decal - Jump Start/Dual Battery	
45	1001209896	4	Decal - Maximum Tire Load	
46	1705515	1	Decal - Sound Level	
47	1701518	14	Decal - Crushing	
48	1001189882	1	Decal - MSSO Operation	
50	1001211904	1	Decal - Fuse Box	
51	1705961	5	Decal - Electrocution	
52	1001224045	1	Decal - Fuse Box Cover	
57	1001184619	1	Decal - Stop	

SECTION 9 - DECALS

FIGURE 9-5. DECAL INSTALLATION - CHINA SPEC (ENGLISH/CHINESE)

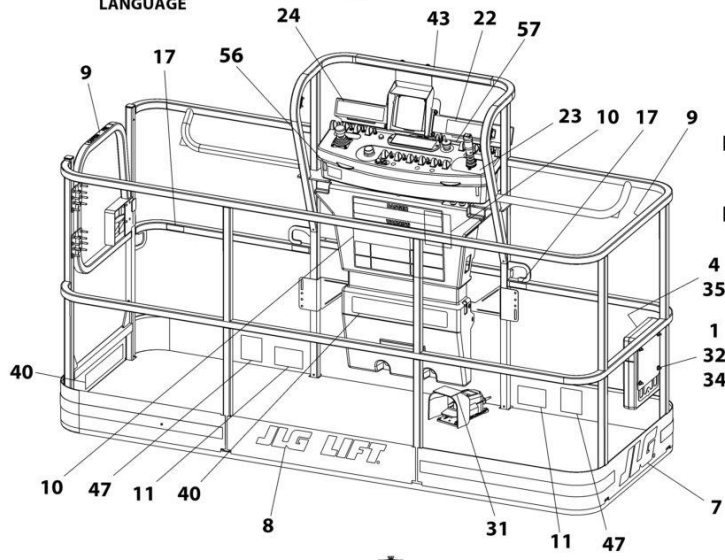
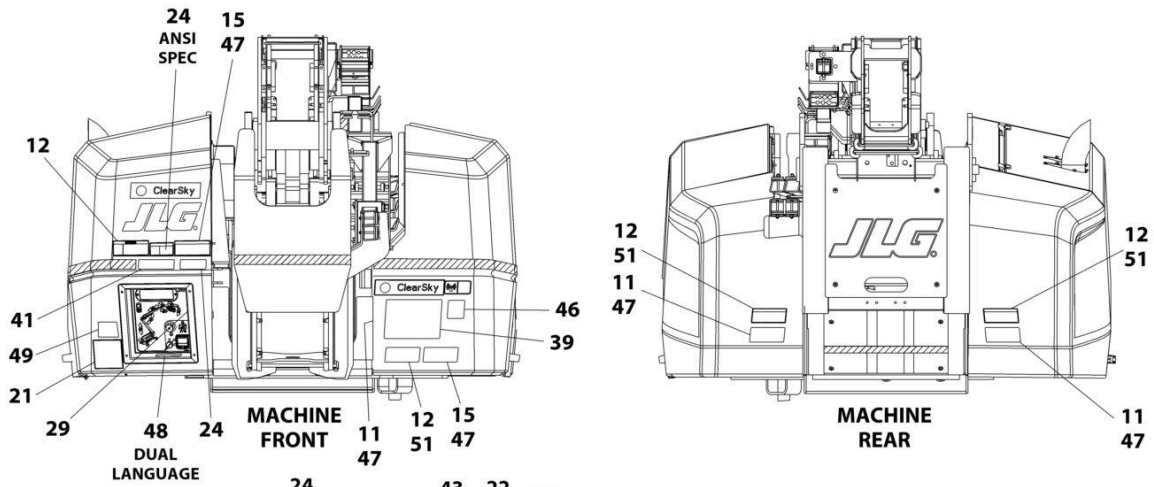


NOTE: ITEMS SHOWN MAY NOT BE REQUIRED FOR ALL SPECS. REFER TO PARTS LISTS FOR USAGE.
 NOTE: ADDITIONAL DECALS CALLED OUT ON DECAL INSTALLATION - OPTIONS.

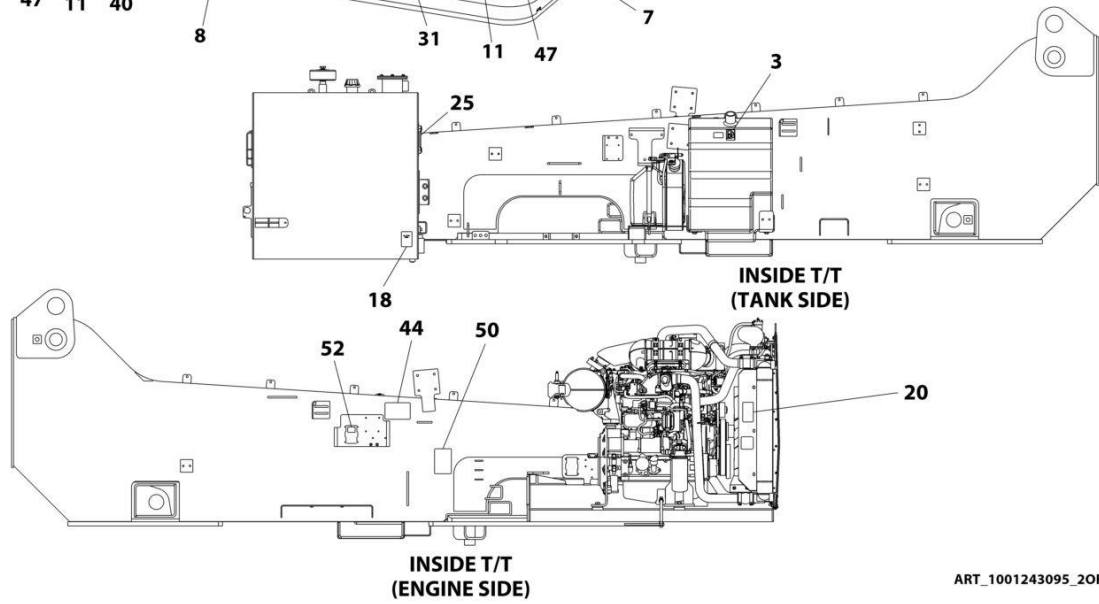


ART_1001243095_10F2

SECTION 9 - DECALS



NOTE: ITEMS SHOWN MAY NOT BE REQUIRED FOR ALL SPECS. REFER TO PARTS LISTS FOR USAGE.
NOTE: ADDITIONAL DECALS CALLED OUT ON DECAL INSTALLATION - OPTIONS.



ART_1001243095_20F2

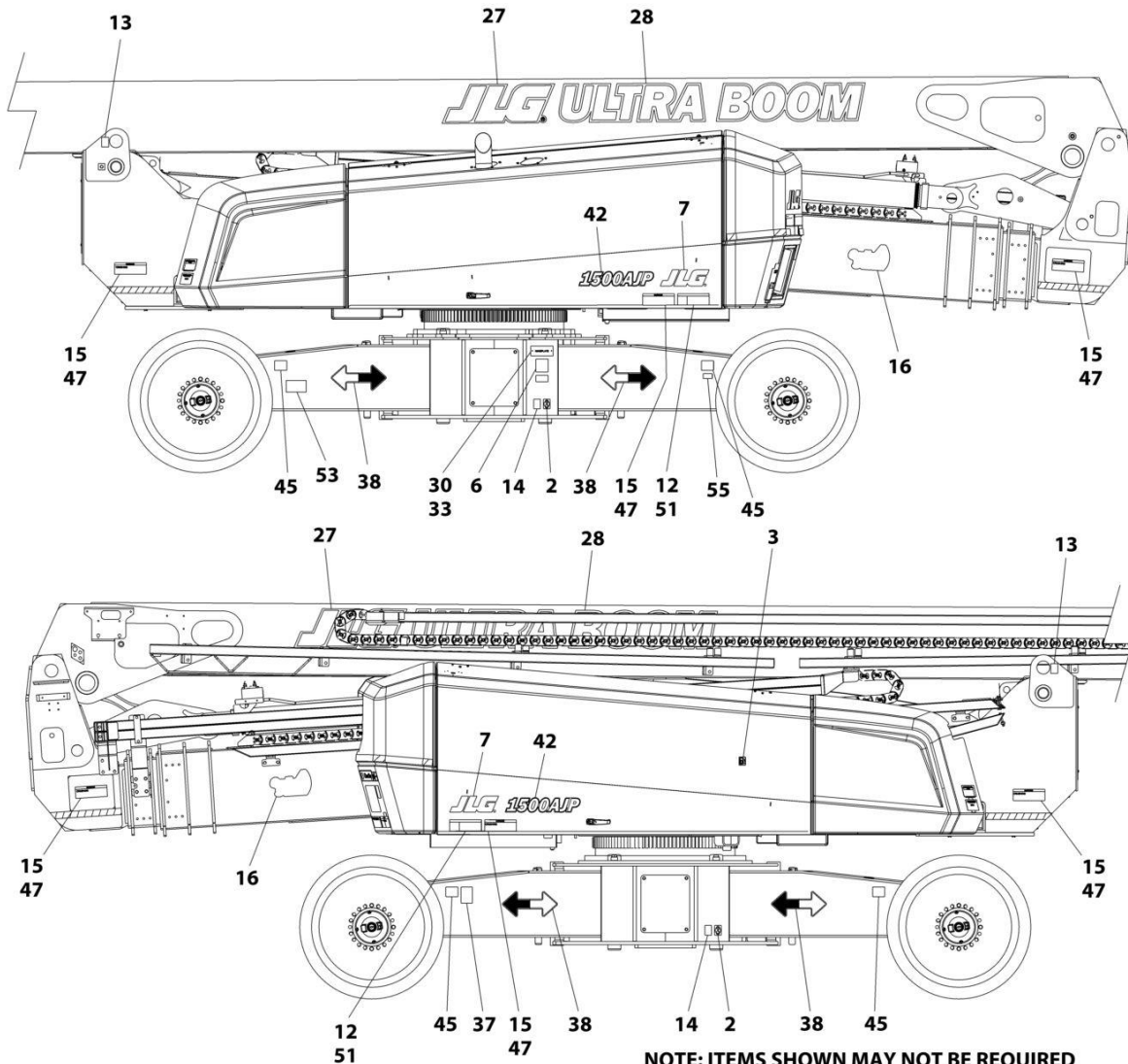
SECTION 9 - DECALS

FIGURE 9-5. DECAL INSTALLATION - CHINA SPEC (ENGLISH/CHINESE)

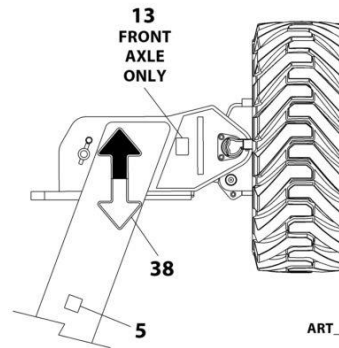
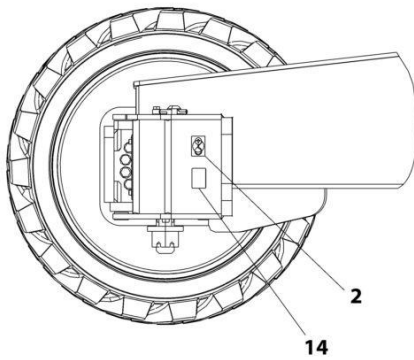
ITEM	PART NUMBER	QTY	DESCRIPTION	REV
	1001243095	Ref	DECAL INSTALLATION - CHINA SPEC (ENGLISH/CHINESE)	F
	1001197315	Ref	DECAL INSTALLATION - REFERENCE	N
1	0641406	4	Bolt 1/4 x 3/4	
2	1701499	6	Decal - No Tie Down/Lift	
3	1701505	2	Decal - Diesel Fuel	
4	1701509	1	Decal - Manual	
5	1701691	4	Decal - No Step	
6	See Note	NSS	Decal - Bar Code (Note: Not Available for Purchase)	
7	1702773	3	Decal - JLG	
8	1702774	1	Decal - JLG Lift	
9	1001116846	2	Decal - Caution No Hands	
10	1001231321	1	Decal - Warning/Danger	
11	1703949	6	Decal - Crushing	
12	1001116851	6	Decal - Electrocution	
13	1703811	4	Decal - Lifting Lug	
14	1703814	6	Decal - Tie Down	
15	1703943	8	Decal - Warning Crushing	
16	1703959	2	Decal - Quik Stik	
17	1704277	3	Decal - Lanyard Attach	
18	1704412	1	Decal - Hydraulic Oil	
20	1706060	1	Decal - Warning Fire Hazard	
21	1001116849	1	Decal - Warning Inspection	
23	1705430	1	Decal - Drive Steer	
24	1001117035	1	Decal - Tip-Over	
25	1705511	1	Decal - Oil Level	
27	1705864	2	Decal - JLG	
28	1705865	2	Decal - Ultraboom (Prior to SN 0300281037)	
28	1001267315	2	Decal - Ultraboom (SN 0300281037 to Present)	
31	1703982	1	Decal - Footswitch	
32	3311405	4	Nut 1/4	
33	3820001	2	Rivet	
34	4751400	8	Washer 1/4	
35	91403230	1	Box, Manual Storage	
38	1001160445	8	Decal - Arrow	
39	1001284691	1	Decal - Lift Diagram	
40	1001254480	1	Decal - Warning Dual Capacity	
41	1001254481	1	Decal - Warning Dual Capacity	
42	1001200707	2	Decal - 1500AJP (Prior to SN 0300280111)	
42	1001268243	2	Decal - 1500AJP (SN 0300280111 to Present)	
44	1001234789	1	Decal - Jump Start/Dual Battery	
45	1001209896	4	Decal - Maximum Tire Load	
50	1001211904	1	Decal - Fuse Box	
52	1001224045	1	Decal - Fuse Box Cover	
53	1001224050	1	Decal - Decal Yearly Inspection	
57	1001195947	1	Decal - Stop and Auxiliary Power	

SECTION 9 - DECALS

FIGURE 9-6. DECAL INSTALLATION - CSA SPEC (ENGLISH/FRENCH)

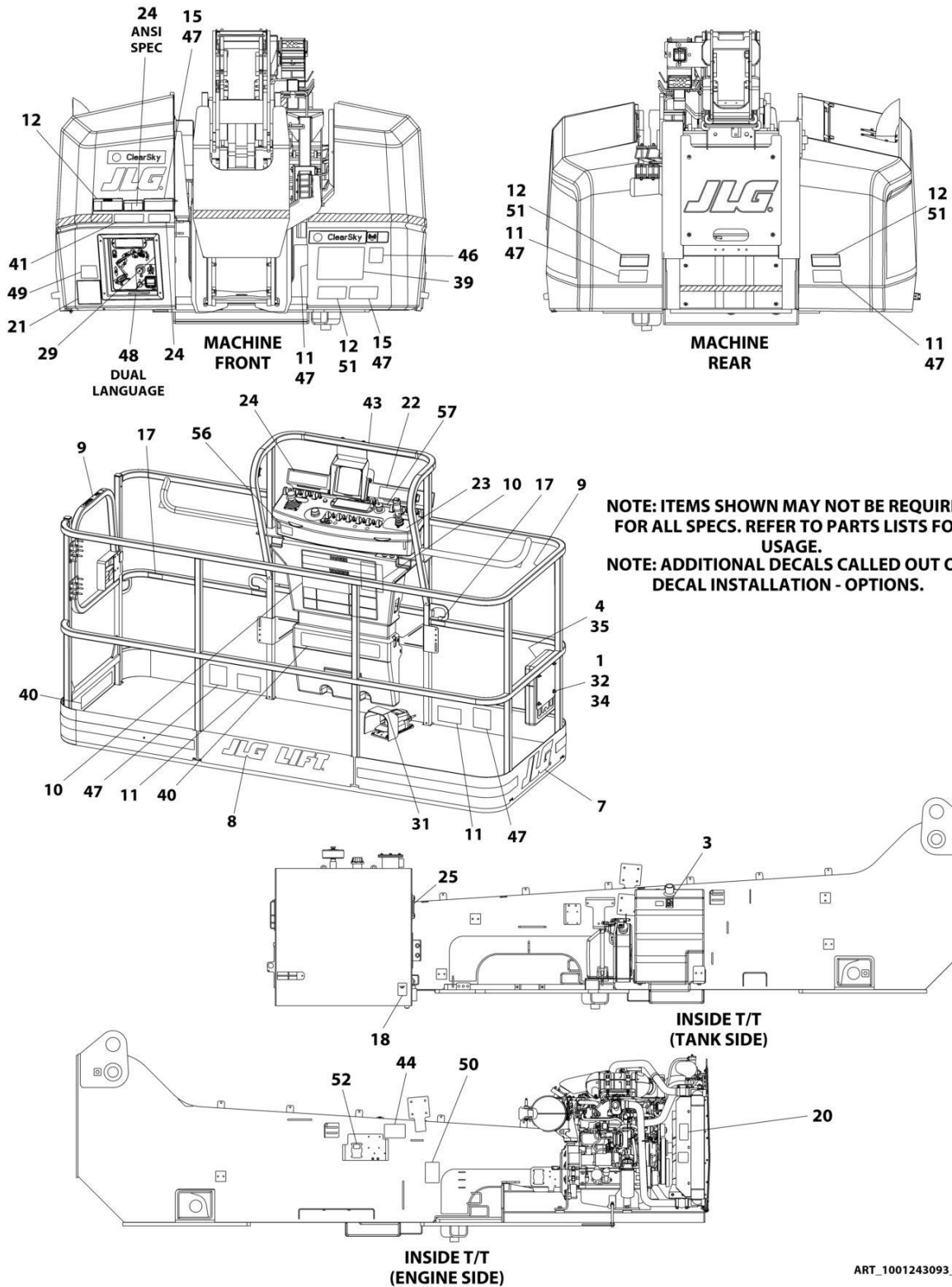


NOTE: ITEMS SHOWN MAY NOT BE REQUIRED FOR ALL SPECS. REFER TO PARTS LISTS FOR USAGE.
 NOTE: ADDITIONAL DECALS CALLED OUT ON DECAL INSTALLATION - OPTIONS.



ART_1001243093_10F2

SECTION 9 - DECALS



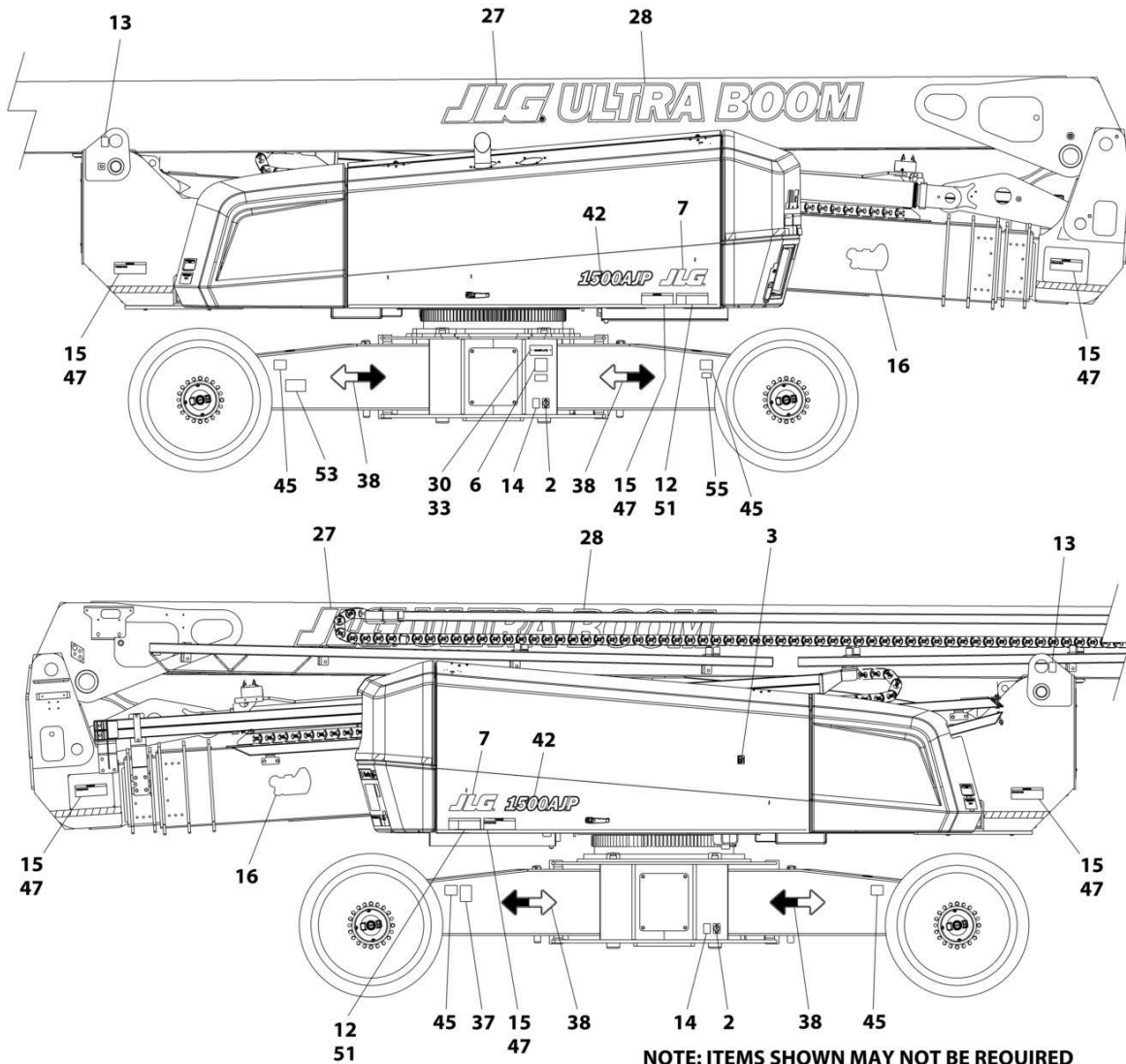
SECTION 9 - DECALS

FIGURE 9-6. DECAL INSTALLATION - CSA SPEC (ENGLISH/FRENCH)

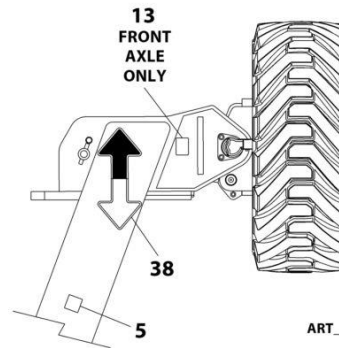
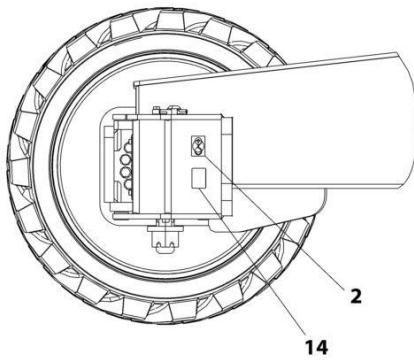
ITEM	PART NUMBER	QTY	DESCRIPTION	REV
	1001243093	Ref	DECAL INSTALLATION - CSA SPEC (ENGLISH/FRENCH)	G
	1001197315	Ref	DECAL INSTALLATION - REFERENCE	N
1	0641406	4	Bolt 1/4 x 3/4	
2	1701499	6	Decal - No Tie Down/Lift	
3	1701505	2	Decal - Diesel Fuel	
4	1701509	1	Decal - Manual	
5	1701691	4	Decal - No Step	
6	See Note	NSS	Decal - Bar Code (Note: Not Available for Purchase)	
7	1702773	3	Decal - JLG	
8	1702774	1	Decal - JLG Lift	
9	1704000	2	Decal - No Hands	
10	1001231316	1	Decal - Danger/Warning	
11	1703948	6	Decal - Warning Crushing	
12	1703936	6	Decal - Electrocution	
13	1703811	4	Decal - Lifting Lug	
14	1703814	6	Decal - Tie Down	
15	1703942	8	Decal - Crushing	
16	1703959	2	Decal - Quik Stik	
17	1704277	3	Decal - Lanyard Attach	
18	1704412	1	Decal - Hydraulic Oil	
20	1706064	1	Decal - Warning Fire Hazard	
21	1705347	1	Decal - Warning Inspection	
23	1705429	1	Decal - Drive/Steer Instructions	
24	1705505	1	Decal - Tip-Over	
25	1705511	1	Decal - Oil Level	
27	1705864	2	Decal - JLG	
28	1705865	2	Decal - Ultraboom (Prior to SN 0300281037)	
28	1001267315	2	Decal - Ultraboom (SN 0300281037 to Present)	
31	1703984	1	Decal - Footswitch	
32	3311405	4	Nut 1/4	
33	3820001	2	Rivet	
34	4751400	8	Washer 1/4	
35	91403230	1	Box, Manual Storage	
37	1001131269	1	Decal - Patent	
38	1001160445	8	Decal - Arrow	
39	1001284691	1	Decal - Lift Diagram	
40	1001254476	1	Decal - Warning Dual Capacity	
41	1001254477	1	Decal - Warning Dual Capacity	
42	1001200707	2	Decal - 1500AJP (Prior to SN 0300280111)	
42	1001268243	2	Decal - 1500AJP (SN 0300280111 to Present)	
43	1001204096	1	Decal - Legend	
44	1001234789	1	Decal - Jump Start/Dual Battery	
45	1001209896	4	Decal - Maximum Tire Load	
50	1001211904	1	Decal - Fuse Box	
52	1001224045	1	Decal - Fuse Box Cover	
53	1001223971	1	Decal - Decal Yearly Inspection	
55	1001223453	1	Decal - ICES	
57	1001184619	1	Decal - Stop	

SECTION 9 - DECALS

FIGURE 9-7. DECAL INSTALLATION - JAPAN SPEC (ENGLISH/JAPANESE)

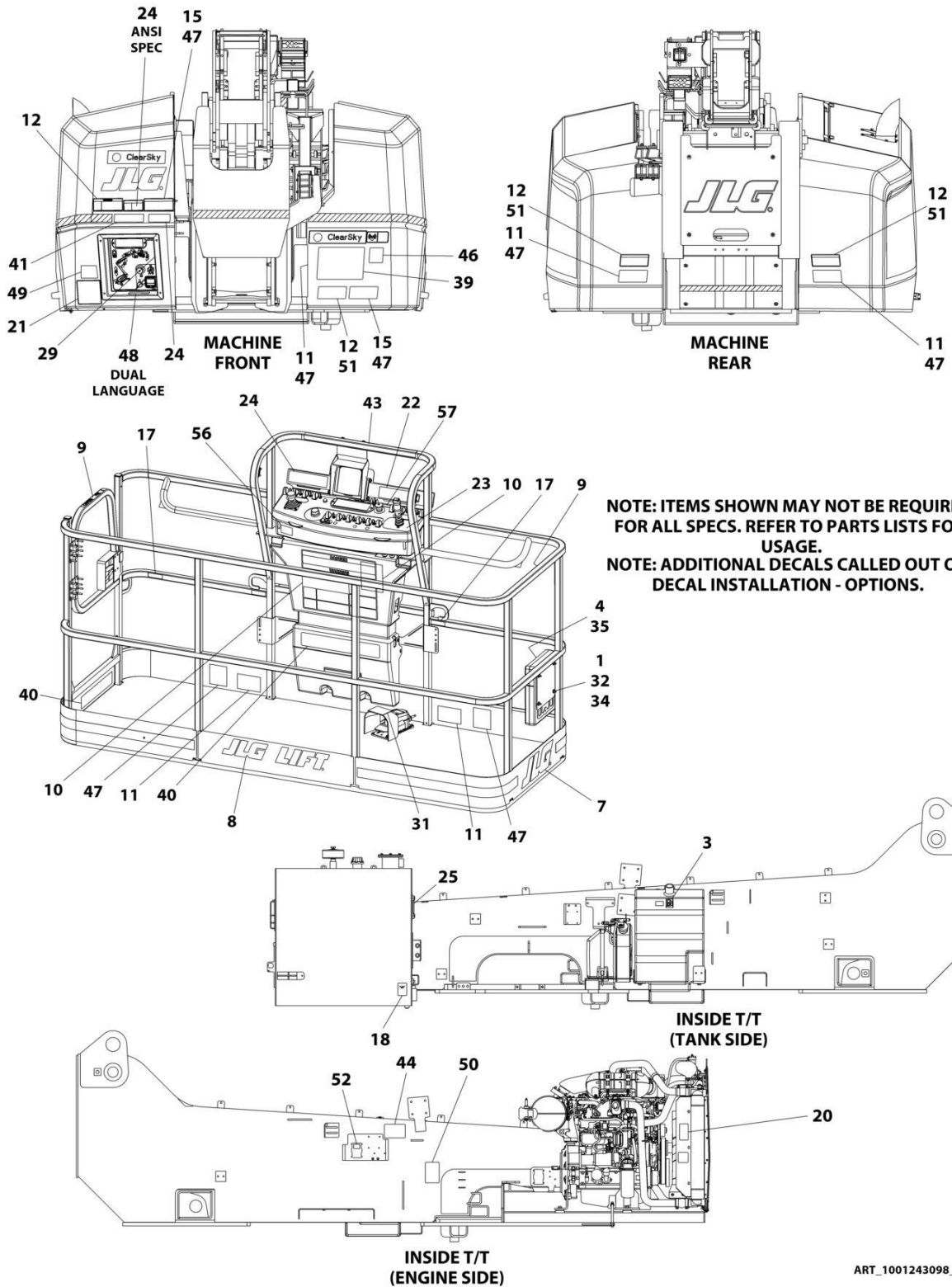


NOTE: ITEMS SHOWN MAY NOT BE REQUIRED FOR ALL SPECS. REFER TO PARTS LISTS FOR USAGE.
 NOTE: ADDITIONAL DECALS CALLED OUT ON DECAL INSTALLATION - OPTIONS.



ART_1001243098_10F2

SECTION 9 - DECALS



ART_1001243098_20F2

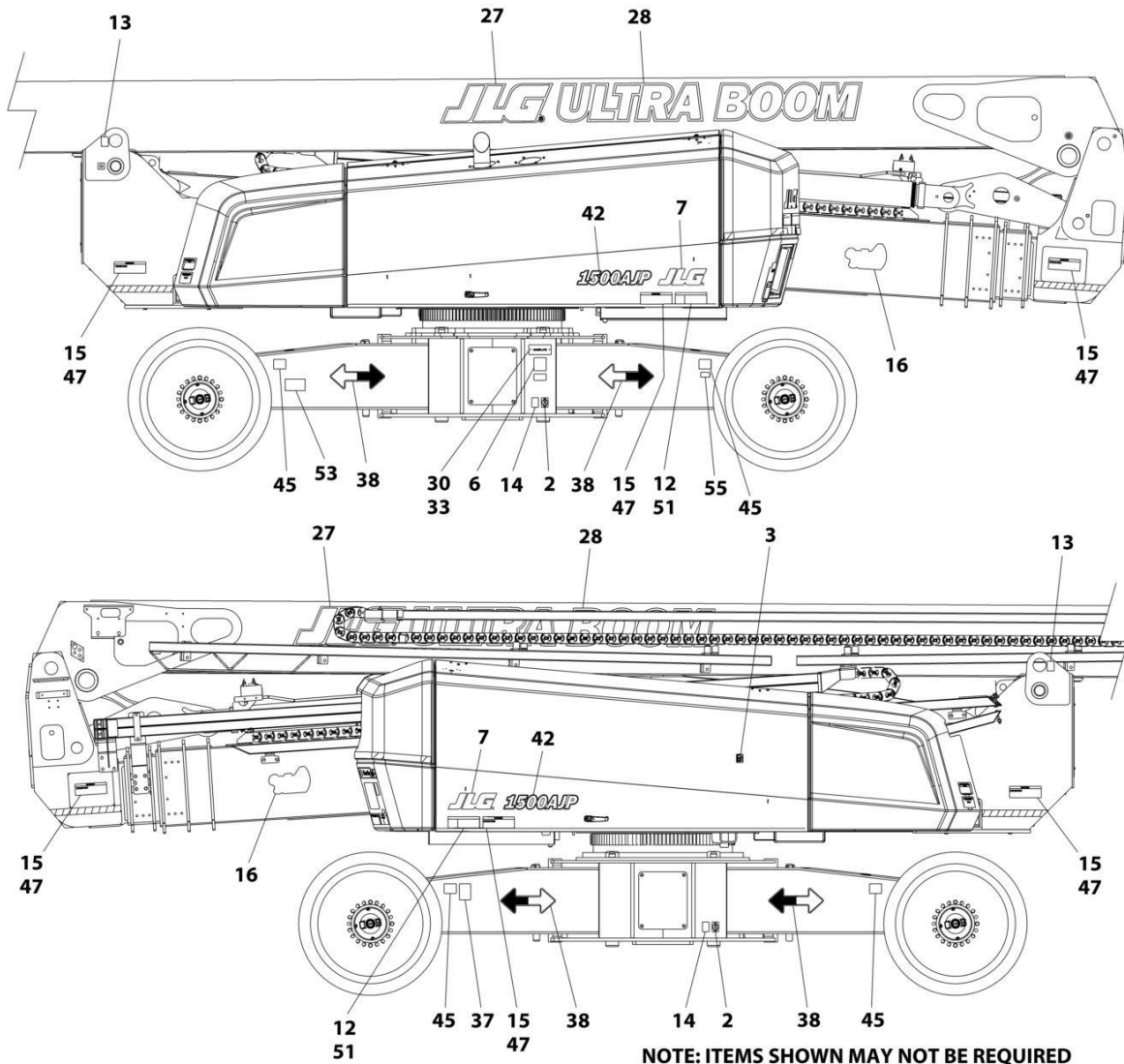
SECTION 9 - DECALS

FIGURE 9-7. DECAL INSTALLATION - JAPAN SPEC (ENGLISH/JAPANESE)

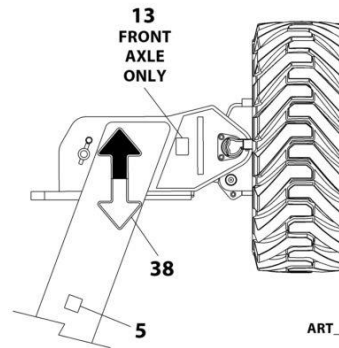
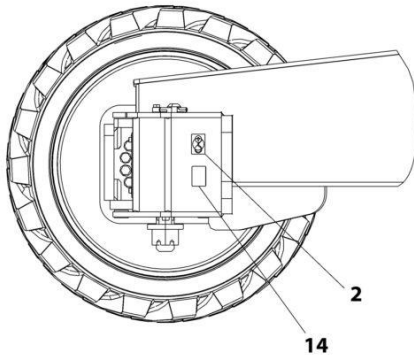
ITEM	PART NUMBER	QTY	DESCRIPTION	REV
	1001243098	Ref	DECAL INSTALLATION - JAPAN SPEC (ENGLISH/JAPANESE)	F
	1001197315	Ref	DECAL INSTALLATION - REFERENCE	N
1	0641406	4	Bolt 1/4 x 3/4	
2	1701499	6	Decal - No Tie Down/Lift	
3	1701505	2	Decal - Diesel Fuel	
4	1701509	1	Decal - Manual	
5	1701691	4	Decal - No Step	
6	See Note	NSS	Decal - Bar Code (Note: Not Available for Purchase)	
7	1702773	3	Decal - JLG	
8	1702774	1	Decal - JLG Lift	
10	1001231320	1	Decal - Danger/Warning	
11	1703950	6	Decal - Crushing	
12	1703938	6	Decal - Electrocution	
13	1703811	4	Decal - Lifting Lug	
14	1703814	6	Decal - Tie Down	
15	1703944	8	Decal - Warning Crushing	
16	1703959	2	Decal - Quik Stik	
17	1704277	3	Decal - Lanyard Attach	
18	1704412	1	Decal - Hydraulic Oil	
20	1704972	1	Decal - Glow Plugs Warning	
21	1705344	1	Decal - Warning Inspection	
23	1705426	1	Decal - Drive/Steer Instruction	
24	1705493	1	Decal - Warning Tip-Over	
25	1705511	1	Decal - Oil Level	
27	1705864	2	Decal - JLG	
28	1705865	2	Decal - Ultraboom (Prior to SN 0300281037)	
28	1001267315	2	Decal - Ultraboom (SN 0300281037 to Present)	
31	1703980	1	Decal - Footswitch	
32	3311405	4	Nut 1/4	
33	3820001	2	Rivet	
34	4751400	8	Washer 1/4	
35	91403230	1	Box, Manual Storage	
38	1001160445	8	Decal - Arrow	
39	1001284691	1	Decal - Lift Diagram	
40	1001254486	1	Decal - Warning Dual Capacity	
41	1001254487	1	Decal - Warning Dual Capacity	
42	1001200707	2	Decal - 1500AJP (Prior to SN 0300280111)	
42	1001268243	2	Decal - 1500AJP (SN 0300280111 to Present)	
44	1001234789	1	Decal - Jump Start/Dual Battery	
45	1001209896	4	Decal - Maximum Tire Load	
50	1001211904	1	Decal - Fuse Box	
52	1001224045	1	Decal - Fuse Box Cover	
53	1001224053	1	Decal - Decal Yearly Inspection	
57	1001195947	1	Decal - Stop and Auxiliary Power	

SECTION 9 - DECALS

FIGURE 9-8. DECAL INSTALLATION - KOREA SPEC (ENGLISH/KOREAN)

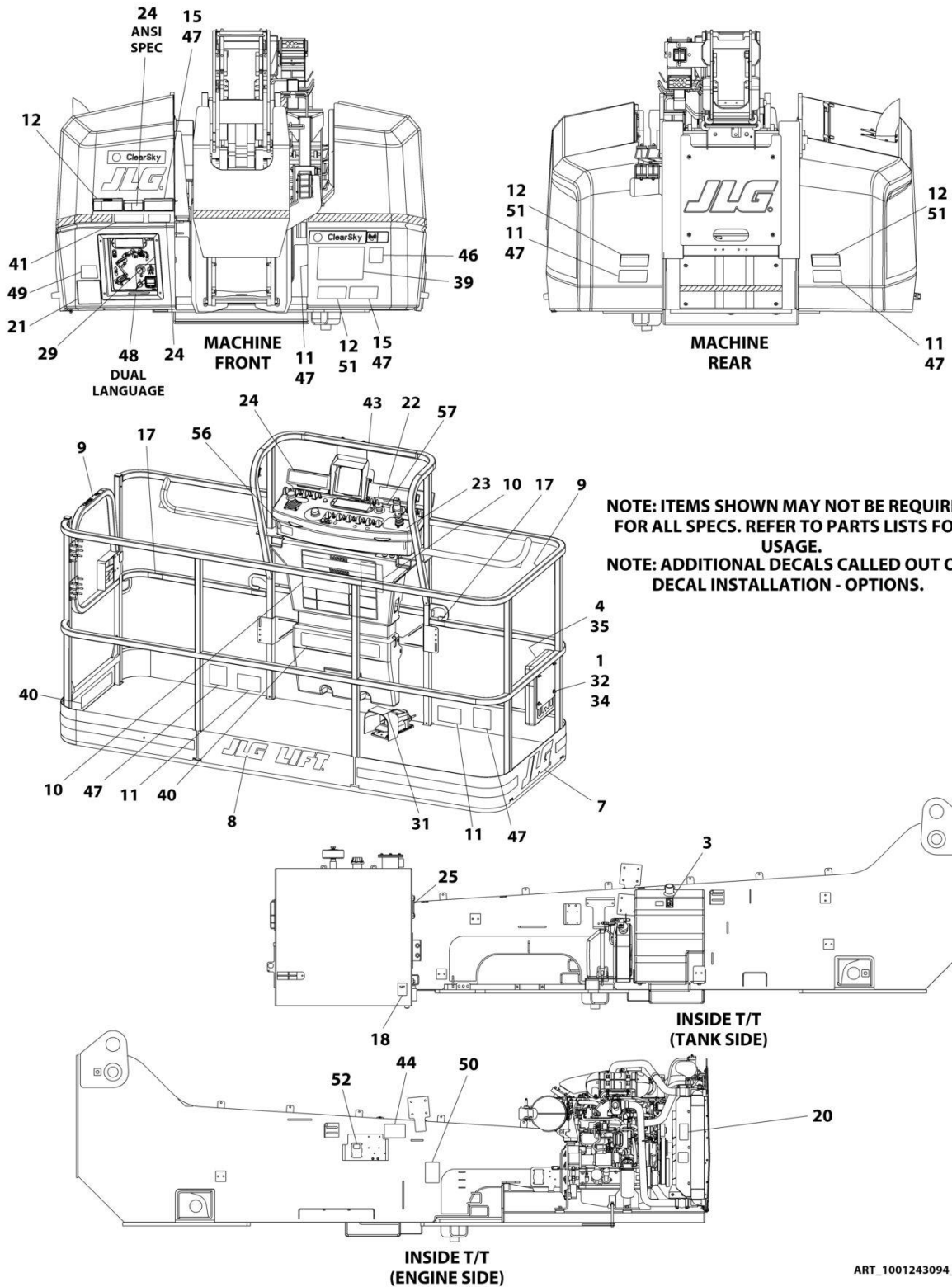


NOTE: ITEMS SHOWN MAY NOT BE REQUIRED FOR ALL SPECS. REFER TO PARTS LISTS FOR USAGE.
 NOTE: ADDITIONAL DECALS CALLED OUT ON DECAL INSTALLATION - OPTIONS.



ART_1001243094_10F2

SECTION 9 - DECALS



ART_1001243094_20F2

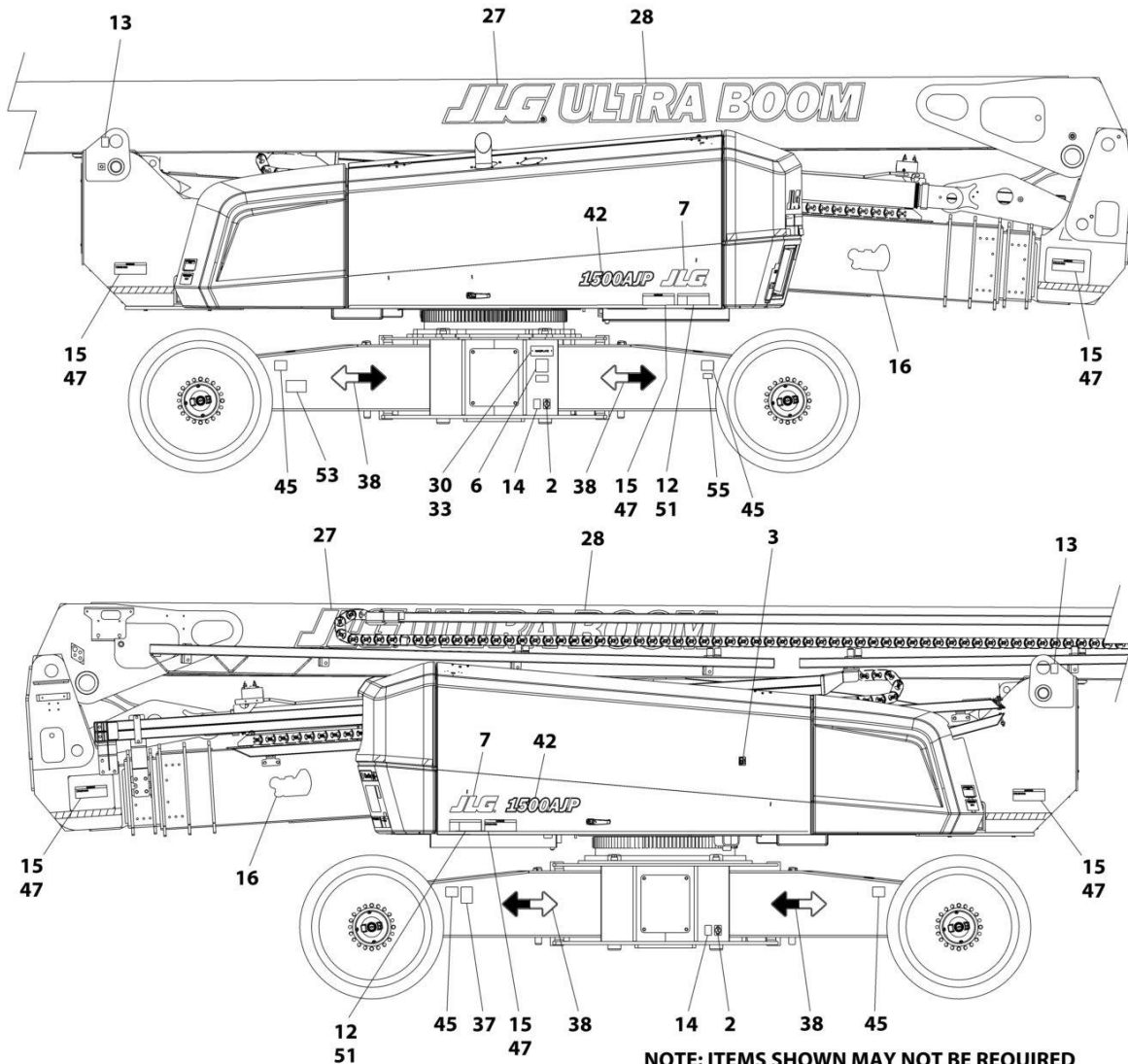
SECTION 9 - DECALS

FIGURE 9-8. DECAL INSTALLATION - KOREA SPEC (ENGLISH/KOREAN)

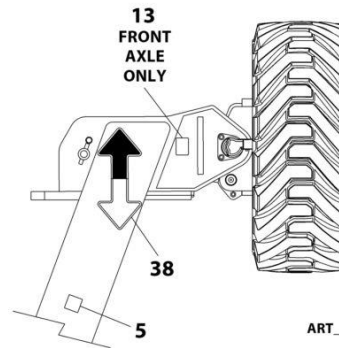
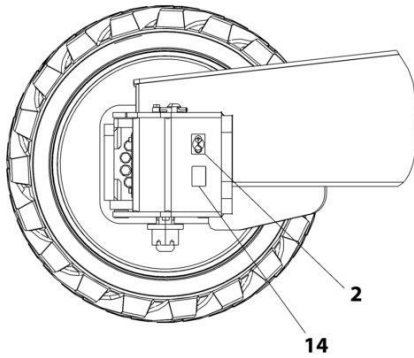
ITEM	PART NUMBER	QTY	DESCRIPTION	REV
	1001243094	Ref	DECAL INSTALLATION - KOREA SPEC (ENGLISH/KOREAN)	F
	1001197315	Ref	DECAL INSTALLATION - REFERENCE	N
1	0641406	4	Bolt 1/4 x 3/4	
2	1701499	6	Decal - No Tie Down/Lift	
3	1701505	2	Decal - Diesel Fuel	
4	1701509	1	Decal - Manual	
5	1701691	4	Decal - No Step	
6	See Note	NSS	Decal - Bar Code (Note: Not Available for Purchase)	
7	1702773	3	Decal - JLG	
8	1702774	1	Decal - JLG Lift	
9	1705969	2	Decal - No Hands	
10	1001231317	1	Decal - Danger/Warning	
11	1703951	6	Decal - Warning Crushing	
12	1703939	6	Decal - Danger Electrocution	
13	1703811	4	Decal - Lifting Lug	
14	1703814	6	Decal - Tie Down	
15	1703945	8	Decal - Warning Crushing	
16	1703959	2	Decal - Quik Stik	
17	1704277	3	Decal - Lanyard Attach	
18	1704412	1	Decal - Hydraulic Oil	
20	1706061	1	Decal - Warning Fire Hazard	
21	1705345	1	Decal - Warning Inspection	
23	1705427	1	Decal - Drive/Steer Instruction	
24	1705503	1	Decal - Warning Tip-Over	
25	1705511	1	Decal - Oil Level	
27	1705864	2	Decal - JLG	
28	1705865	2	Decal - Ultraboom (Prior to SN 0300281037)	
28	1001267315	1	Decal - Ultraboom (SN 0300281037 to Present)	
31	1703981	1	Decal - Footswitch	
32	3311405	4	Nut 1/4	
33	3820001	2	Rivet	
34	4751400	8	Washer 1/4	
35	91403230	1	Box, Manual Storage	
38	1001160445	8	Decal - Arrow	
39	1001284691	1	Decal - Lift Diagram	
40	1001254478	1	Decal - Warning Dual Capacity	
41	1001254479	1	Decal - Warning Dual Capacity	
42	1001200707	2	Decal - 1500AJP (Prior to SN 0300280111)	
42	1001268243	2	Decal - 1500AJP (SN 0300280111 to Present)	
44	1001234789	1	Decal - Jump Start/Dual Battery	
45	1001209896	4	Decal - Maximum Tire Load	
50	1001211904	1	Decal - Fuse Box	
52	1001224045	1	Decal - Fuse Box Cover	
53	1001224048	1	Decal - Decal Yearly Inspection	
57	1001195947	1	Decal - Stop and Auxiliary Power	

SECTION 9 - DECALS

FIGURE 9-9. DECAL INSTALLATION - CSA SPEC (ENGLISH/FRENCH)

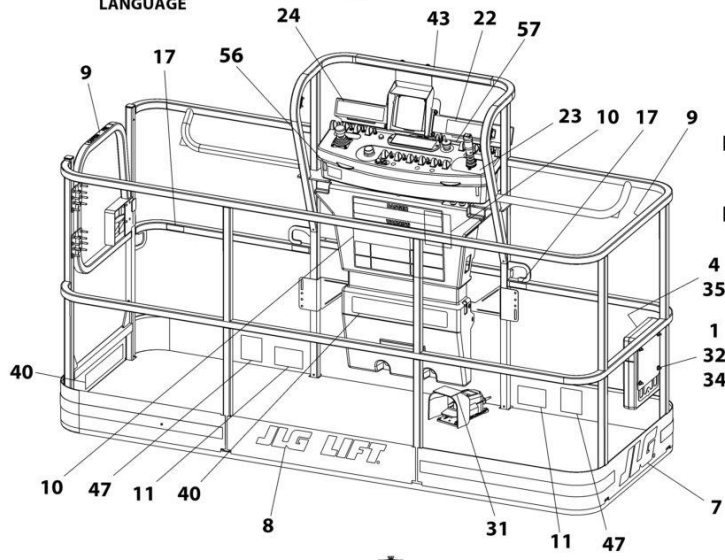
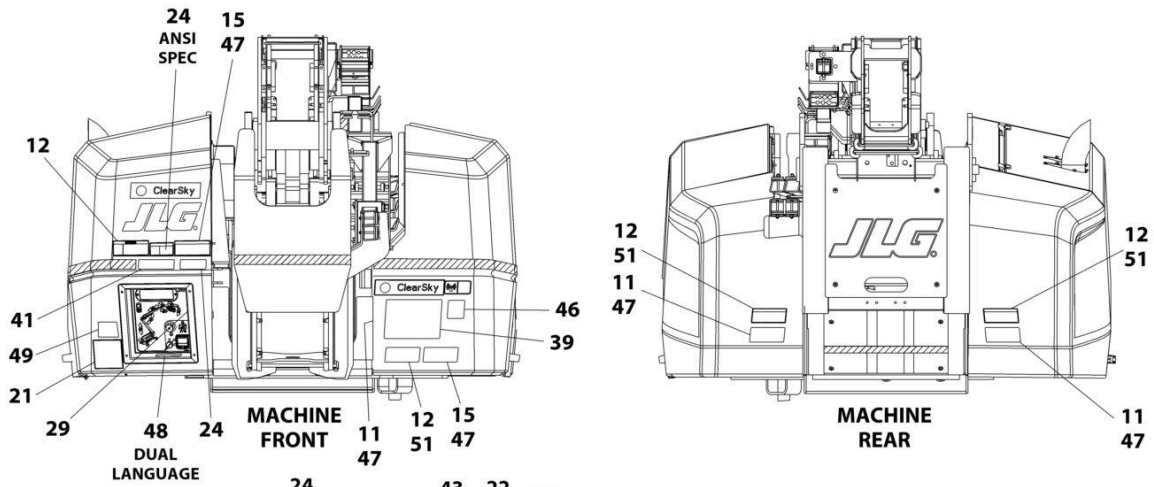


NOTE: ITEMS SHOWN MAY NOT BE REQUIRED FOR ALL SPECS. REFER TO PARTS LISTS FOR USAGE.
 NOTE: ADDITIONAL DECALS CALLED OUT ON DECAL INSTALLATION - OPTIONS.

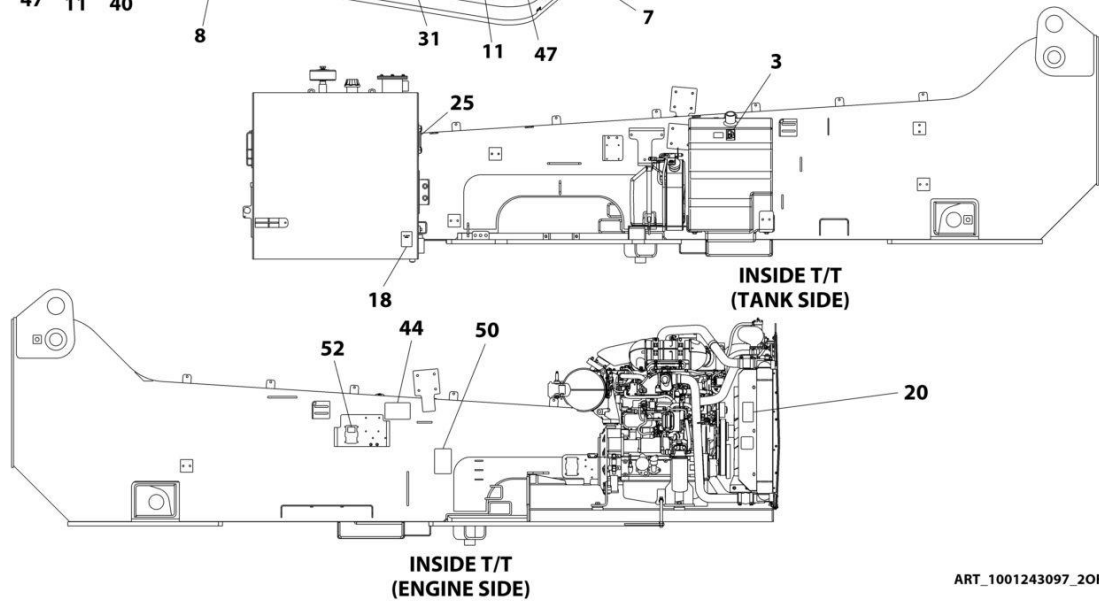


ART_1001243097_10F2

SECTION 9 - DECALS



NOTE: ITEMS SHOWN MAY NOT BE REQUIRED FOR ALL SPECS. REFER TO PARTS LISTS FOR USAGE.
NOTE: ADDITIONAL DECALS CALLED OUT ON DECAL INSTALLATION - OPTIONS.



ART_1001243097_20F2

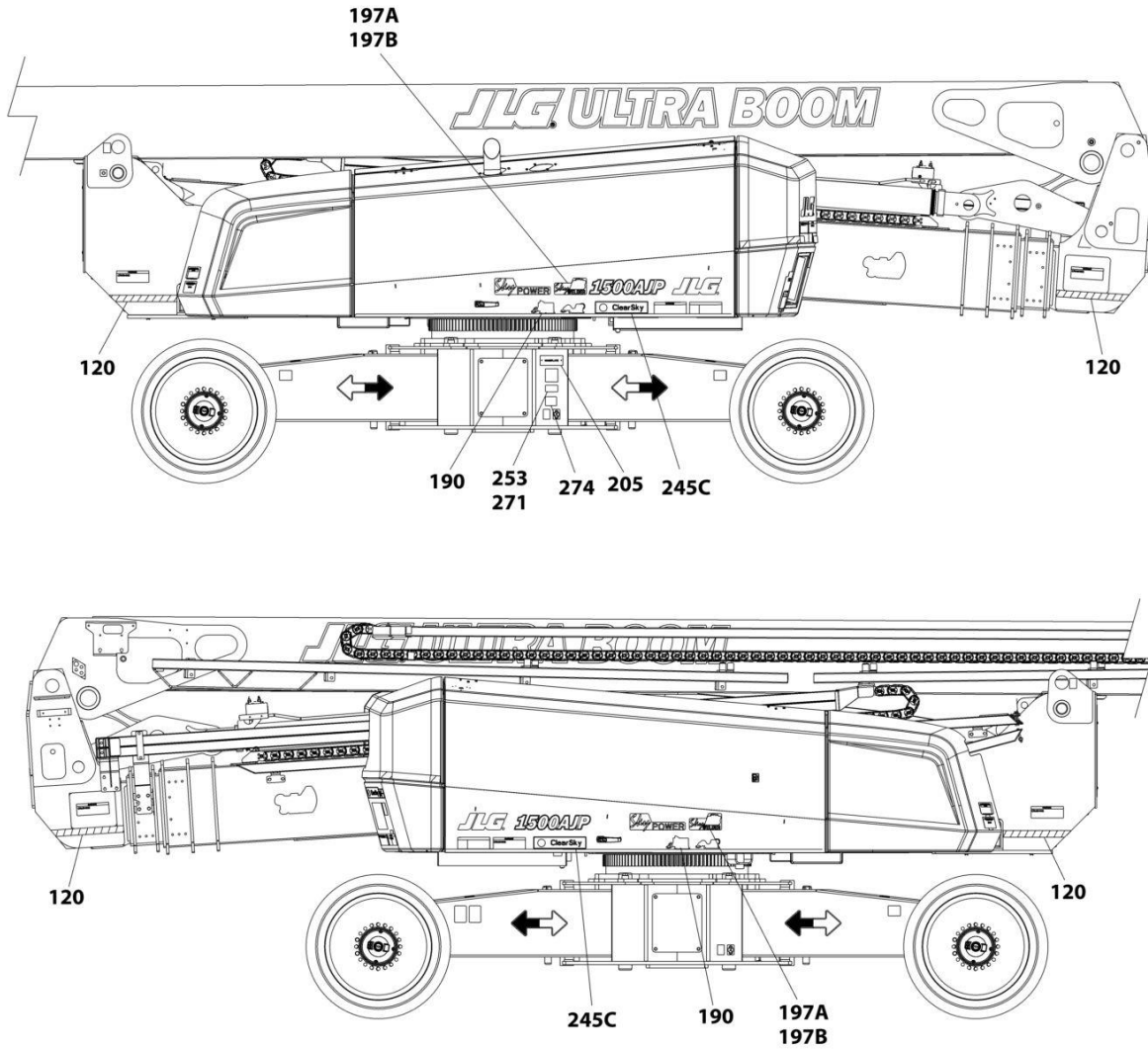
SECTION 9 - DECALS

FIGURE 9-9. DECAL INSTALLATION - CSA SPEC (ENGLISH/FRENCH)

ITEM	PART NUMBER	QTY	DESCRIPTION	REV
	1001243097	Ref	DECAL INSTALLATION - LATIN AMERICA SPEC (ENGLISH/SPANISH)	F
	1001197315	Ref	DECAL INSTALLATION - REFERENCE	N
1	0641406	4	Bolt 1/4 x 3/4	
2	1701499	6	Decal - No Tie Down/Lift	
3	1701505	2	Decal - Diesel Fuel	
4	1701509	1	Decal - Manual	
5	1701691	4	Decal - No Step	
6	See Note	NSS	Decal - Bar Code (Note: Not Available for Purchase)	
7	1702773	3	Decal - JLG	
8	1702774	1	Decal - JLG Lift	
9	1704001	2	Decal - No Hands	
10	1001231318	1	Decal - Danger/Warning	
11	1703947	6	Decal - Warning Crushing	
12	1703935	6	Decal - Electrocutation	
13	1703811	4	Decal - Lifting Lug	
14	1703814	6	Decal - Tie Down	
15	1703941	8	Decal - Warning Crushing	
16	1703959	2	Decal - Quik Stik	
17	1704277	3	Decal - Lanyard Attach	
18	1704412	1	Decal - Hydraulic Oil	
20	1706063	1	Decal - Warning Fire Hazard	
21	1705917	1	Decal - Warning Inspection	
23	1705910	1	Decal - Drive/Steer Instruction	
24	1705915	1	Decal - Tip-Over Hazard	
25	1705511	1	Decal - Oil Level	
27	1705864	2	Decal - JLG	
28	1705865	2	Decal - Ultraboom (Prior to SN 0300281037)	
28	1001267315	2	Decal - Ultraboom (SN 0300281037 to Present)	
31	1703983	1	Decal - Footswitch	
32	3311405	4	Nut 1/4	
33	3820001	2	Rivet	
34	4751400	8	Washer 1/4	
35	91403230	1	Box Manual Storage	
38	1001160445	8	Decal - Arrow	
39	1001284691	1	Decal - Lift Diagram	
40	1001254484	1	Decal - Warning Dual Capacity	
41	1001254485	1	Decal - Warning Dual Capacity	
42	1001200707	2	Decal - 1500AJP (Prior to SN 0300280111)	
42	1001268243	2	Decal - 1500AJP (SN 0300280111 to Present)	
44	1001234789	1	Decal - Jump Start/Dual Battery	
45	1001209896	4	Decal - Max Tire Load	
50	1001211904	1	Decal - Fuse Box	
52	1001224045	1	Decal - Fuse Box Cover	
53	1001224049	1	Decal - Decal Yearly Inspection	
57	1001195947	1	Decal - Stop and Auxiliary Power	

SECTION 9 - DECALS

FIGURE 9-10. DECAL INSTALLATION - OPTIONS

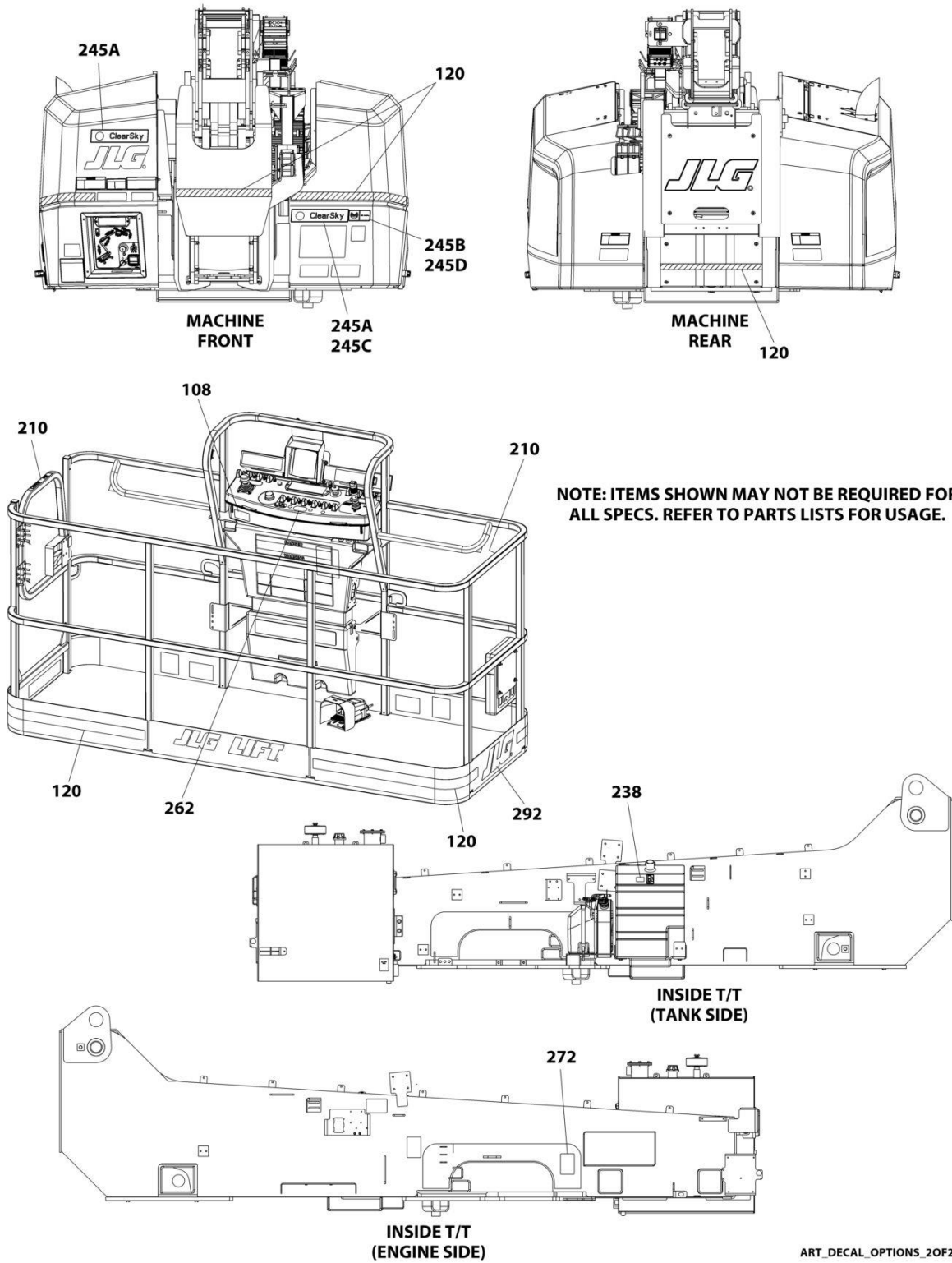


NOTE: ITEMS SHOWN MAY NOT BE REQUIRED FOR ALL SPECS. REFER TO PARTS LISTS FOR USAGE.

ART_DECAL_OPTIONS_10F2

SECTION 9 - DECALS

FIGURE 9-11. DECAL INSTALLATION - OPTIONS



ART_DECAL_OPTIONS_20F2

SECTION 9 - DECALS

FIGURE 9-11. DECAL INSTALLATION - OPTIONS

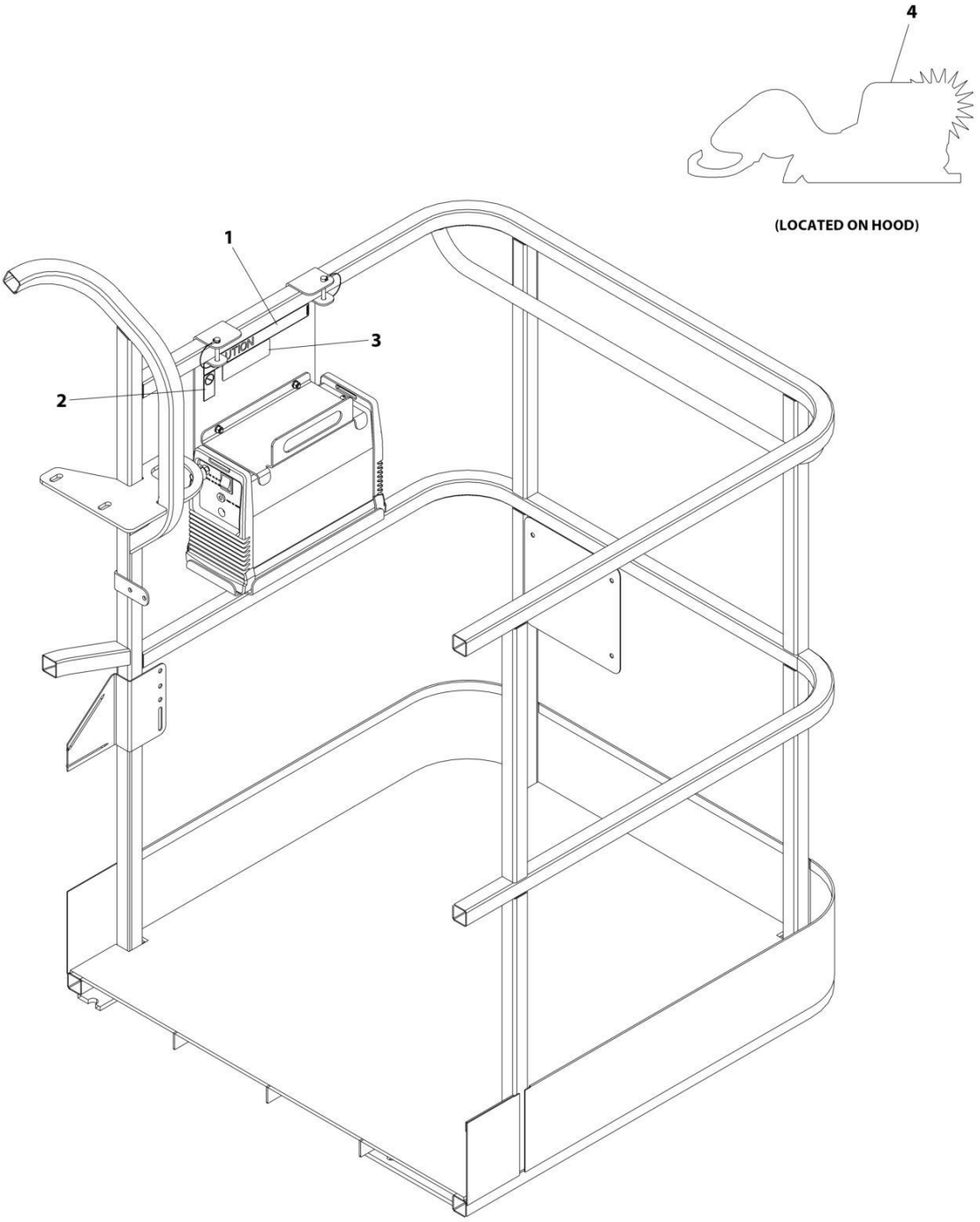
ITEM	PART NUMBER	QTY	DESCRIPTION	REV
		Ref	DECAL INSTALLATION - OPTIONS	
108	1001231801	1	Decal - Warning Prop 65 Diesel (ANSI Specs)	
120	4420051	29 ft /8.8m	Decal - Warning Stripes	
190	1001172570	1	Decal - SkyGlazier (English Language) (ANSI)	
190	1001172620	1	Decal - SkyGlazier (English Language) (Australian)	
190	1001172576	1	Decal - SkyGlazier (English Language) (UK)	
190	1001172573	1	Decal - SkyGlazier (French Language)	
190	1001172574	1	Decal - SkyGlazier (German Language)	
190	1001172575	1	Decal - SkyGlazier (Italian Language)	
190	1001172572	1	Decal - SkyGlazier (Portuguese Language) (Brazil)	
190	1001193136	1	Decal - SkyGlazier (Portuguese Language) (Europe)	
190	1001193135	1	Decal - SkyGlazier (Spanish Language) (Europe)	
190	1001172571	1	Decal - SkyGlazier (Spanish Language) (Latin American)	
197A	0272448	1	Decal - SkyGlazier 60Hz (ANSI, ANSI Export, and CSA Specs)	
197A	1705355	1	Decal - SkyWelder	
197A	1702868	1	Decal - No Hands (Not Shown)	
197A	1705305	1	Decal - Weld Lead (Not Shown)	
197A	1705375	1	Decal - 240V - 3 Phase - 60Hz (Not Shown)	
197A	1001228988	1	Decal - Weight (Not Shown)	
197B	0272588	1	Decal - SkyWelder 50Hz (Australian, Japanese and China Specs)	
197B	1705355	1	Decal - SkyWelder	
197B	1705305	1	Decal - Weld Lead (Not Shown)	
197B	1001228988	1	Decal - Weight (Not Shown)	
205	See Note	1	Nameplate, Serial Number (Note: Not Available for Purchase)	
210		Ref	Decal - No Hands (Required with Soft Touch Platform or Mesh to Top Rail Options Only)	
210	1702868	2	Decal - No Hands (ANSI and Australian Spec) (English)	
210	1705967	2	Decal - No Hands (Brazil Spec) (English/Portuguese)	
210	1001116846	2	Decal - No Hands (China Spec) (English/Chinese)	
210	1704000	2	Decal - No Hands (CSA Spec) (English/French)	
210	1705969	2	Decal - No Hands (Korean Spec) (English/Korean)	
210	1704001	2	Decal - No Hands (Latin American Spec) (English/Spanish)	
238	1001125387	1	Decal - Ultra Low Sulfur Fuel (ANSI, ANSI Export (HRC) and CSA Specs Only)	
238	1001139654	1	Decal - Ultra Low Sulfur Fuel (ANSI Export (LRC), Australian, China, Japanese, CE & UK CA Specs Only)	
245	1001216618	Ref	Decal - ClearSky Telematics	A
245C	1001116208	3	Decal - ClearSky	
245D	1001120989	1	Decal - Radio Frequency	
253	1001143852	1	Decal - Emissions Compliance (ANSI Export (LRC), Australian, China, CE & UK CA (LRC) Specs Only)	
262	1001141300	1	Decal - SkyGuard Override	
265	1001271930	1	Decal - Soft Touch (ANSI) (English) (Not Shown)	
265	1001271932	1	Decal - Soft Touch (China Spec) (English/Chinese) (Not Shown)	
265	1001271934	1	Decal - Soft Touch (Latin American Spec) (English/Spanish) (Not Shown)	
265	1001271936	1	Decal - Soft Touch (CSA Spec) (English/French) (Not Shown)	
265	1001271938	1	Decal - Soft Touch (Japanese Spec) (English/Japanese) (Not Shown)	
265	1001271939	1	Decal - Soft Touch (Korean Spec) (English/Korean) (Not Shown)	

SECTION 9 - DECALS

ITEM	PART NUMBER	QTY	DESCRIPTION	REV
265	1001271940	1	Decal - Soft Touch (Brazil Spec) (English/Portuguese) (Not Shown)	
265	1001271941	1	Decal - Soft Touch (Australian, CE & UK CA Spec) (Not Shown)	
274	1001214029	1	Decal - EAC (CE Russian Spec)	

SECTION 9 - DECALS

FIGURE 9-12. SKYCUTTER DECAL INSTALLATION (ANSI, ANSI EXPORT AND CSA SPECS)



ART_0272599

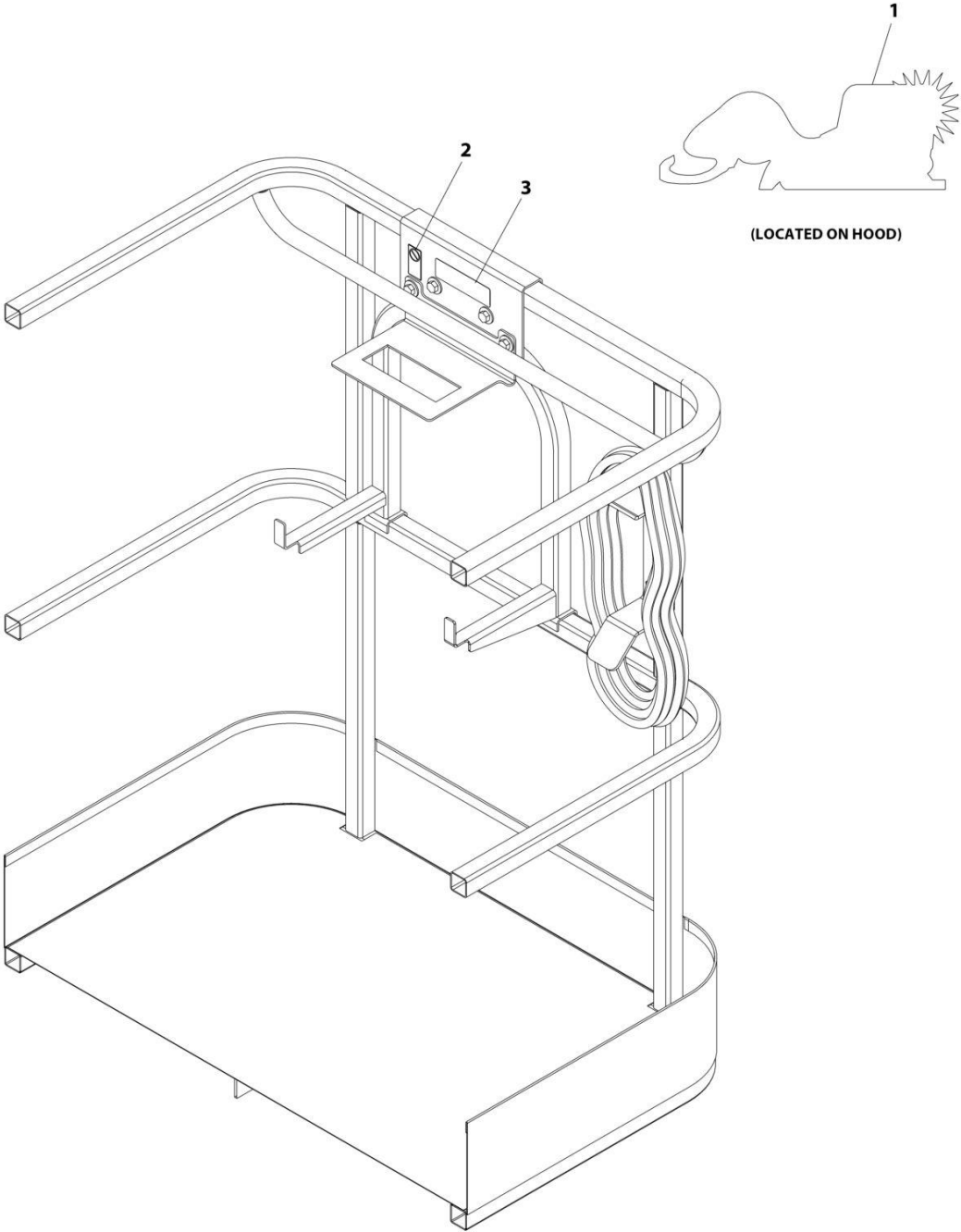
SECTION 9 - DECALS

FIGURE 9-12. SKYCUTTER DECAL INSTALLATION (ANSI, ANSI EXPORT AND CSA SPECS)

ITEM	PART NUMBER	QTY	DESCRIPTION	REV
	0272599	Ref	SKYCUTTER DECAL INSTALLATION	C
1	1702868	1	Decal - No Hands	
2	1705305	1	Decal - Weld Leads	
3	1001252627	1	Decal - Weight	
4	1705490	2	Decal - SkyCutter	

SECTION 9 - DECALS

FIGURE 9-13. SKYCUTTER DECAL INSTALLATION (JAPANESE SPECS)



ART_0272607_C

SECTION 9 - DECALS

FIGURE 9-13. SKYCUTTER DECAL INSTALLATION (JAPANESE SPECS)

ITEM	PART NUMBER	QTY	DESCRIPTION	REV
	0272607	1	SKYCUTTER DECAL INSTALLATION	C
1	1705490	2	Decal - SkyCutter	
2	1705305	1	Decal - Weld Lead	
3	1001252627	1	Decal - Weight	

SECTION 10 - RECOMMENDED SERVICE PARTS STOCK

SECTION 10 - RECOMMENDED SERVICE PARTS STOCK

SECTION 10 - RECOMMENDED SERVICE PARTS STOCK

FIGURE 10-1. RECOMMENDED SERVICE PARTS STOCK

ITEM	PART NUMBER	QTY	DESCRIPTION	REV
		Ref	Note: The following list will service one machine (built to current production per date on the front cover) with emergency repair parts which can be installed in the field. Parts from the list should be replaced when inventory is depleted to keep service parts stock supplied. For further information, contact your JLG dealer or the JLG Industries Parts Department.	
	7024485	1	Breaker, Circuit 30Amp (7500W Generators)	
	1001181045	1	Breaker - 30mA/16Amp (Breaker Box with 2 Breakers and 4000W 50Hz Breaker Box)	
	1001189171	1	Breaker 30mA (Breaker Box with 3 Breakers)	
	1001189172	1	Breaker 16Amp Double (Breaker Box with 3 Breakers)	
	70001431	1	Breaker, Circuit (Plasma Cutter)	
	4360070	1	Breaker, Circuit - 15Amp (4000W 60Hz and all 7500W Generators)	
	70002386	1	Coil (Traction Valve)	
	70004460	1	Coil (Steer/Axle Extend Valve, Main Valve & Boom Valve)	
	70004463	1	Coil (Steer/Axle Extend Valve)	
	70004588	1	Coil (Main Valve & Boom Valve)	
	70004595	1	Coil (Main Valve & Boom Valve)	
	70003788	1	Coil (Boom & Cylinders Installation)	
	70006004	1	Coil (Boom & Cylinders Installation)	
	70004653	1	Coil (Platform Valve)	
	7024885	1	Coil (Platform Valve)	
	1001138566	1	Control, Box (4000w Generator)	
	0861572	1	Control, Box (7500w 50Hz Generator)	
	0861538	1	Control, Box (7500w 60Hz Generator)	
	1001166538	1	Controller, Drive/Steer	
	1001166539	1	Controller, Lift/Swing	
	4360407	1	Controller, Speed (Potentiometer) (Platform Console Box)	
	70008358	12	Element, Hydraulic Filter (Donaldson) (Valves & Filters - Turntable)	
	70002231	12	Element, Hydraulic Filter (Parker) (Valves & Filters - Turntable)	
	1001161232	12	Element, Hydraulic High Pressure Filter (Valves & Filters - Turntable)	
	70002097	12	Element, Hydraulic Pressure (Valves & Filters - Boom)	
	70006405	12	Element, Fuel (LRC Engines)	
	70023809	12	Element, Primary Air (All Engines)	
	70023872	12	Element - Secondary Air (All Engines)	
	1001228872	12	Filter, Coolant Screen (HRC Engines)	
	1001196634	2	Fuse, 2A (Breather Heater)	
	8229249	2	Fuse, 3 Amp (USB Charger)	
	2400030	2	Fuse, 3A (Console Box Harness)	
	8229242	2	Fuse, 5A (Engine Harness HRC)	
	8229244	2	Fuse, 15A (Engine Harness HRC)	
	70023592	2	Fuse, 20A (LRC Engines)	
	8229247	2	Fuse, 25A (Engine Harness HRC)	
	70023593	2	Fuse, 30A (LRC Engines)	
	8229245	2	Fuse, 30A (Engine Harness HRC)	
	2860030	1	Key, Replacement	
	2940074	1	Latch (Platforms with Swing Gate)	
	1001247468	1	Loadcell (Platform Support)	
	1001142683	1	Module, Beacon Control	

SECTION 10 - RECOMMENDED SERVICE PARTS STOCK

ITEM	PART NUMBER	QTY	DESCRIPTION	REV
	1001150162	1	Module, Control (Frame)	
	1001281500	1	Module, Ground Control	
	1001277209	1	Module, Control (Boom)	
	1001199483	1	Module, Platform	
	1001138228	1	Module, Relay (LRC Engines)	
	3740067	1	Relay (Electrical Components - Turntable)	
	1001216021	1	Relay (Electrical Components - Turntable)	
	70006553	1	Relay (4000W Generators)	
	1001186431	1	Relay (SkyGuard)	
	1001095704	1	Relay (HRC Engines)	
	3740086	1	Relay (SkyLine)	
	1001117308	1	Relay, 200Amp (All Engines)	
	1001146963	1	Sensor, Angle (Steer)	
	1001200345	1	Sensor, Angle (Boom Sensors)	
	1001200848	1	Sensor, Angle (Boom Sensors)	
	1001201095	1	Sensor, Angle Gravity (Boom Sensors)	
	1001200764	1	Sensor, BEI Angle (Boom Sensors)	
	1001197960	1	Sensor, Boom Length (Boom Sensors)	
	1001197961	1	Sensor, Boom Length (Boom Sensors)	
	1001138827	1	Sensor (Engine Coolant Level)	
	1001219601	1	Sensor, Dual Axis	
	1001228225	1	Sensor, Emitter (SkyEye)	
	4360548	1	Sensor, Limit (Boom Sensors)	
	70005966	1	Sensor, Pressure (Platform Valve)	
	1001200550	1	Sensor, Pressure Transducer (Turntable Hydraulics)	
	4000008	1	Sensor, Proximity (Boom Sensors)	
	1001120104	1	Sensor, Proximity (Boom Sensors)	
	1001204043	1	Sensor, Proximity (Boom Sensors)	
	1001232667	1	Sensor, Proximity (SkyLine)	
	7026031	1	Sensor, Proximity (Coupling/Collector Ring)	
	1001196517	1	Sensor, Proximity (Boom Sensors)	
	1001228224	1	Sensor, Receiver (SkyEye)	
	1001237902	1	Sensor, SkySense	
	70004614	1	Sensor, Temp (Junction Valve)	
	1001225346	1	Switch, Disconnect (Battery Disconnect)	
	1001117174	1	Switch, Foot	
	4360469	1	Switch, Key	
	4360387	1	Switch, Pushbutton Yellow (Console Box & Ground control Box)	
	4360475	1	Switch, Push-Pull Emergency	
	70001432	1	Switch, Rocker (Plasma Cutter)	
	1001137673	1	Switch, SkyGuard	
	4360336	1	Switch, Toggle (Generators)	
	1001155045	1	Switch, Toggle (Platform Console Box)	
	1001159256	1	Switch, Toggle (Platform Console Box)	
	1001161709	1	Switch, Toggle (Platform Console Box)	
	1001161710	1	Switch, Toggle (Platform Console Box)	
	4360328	1	Switch, Toggle (Ground Control Assembly)	

SECTION 11 - SPECIAL OPTIONS/ACCESSORIES/KITS

SECTION 11 - SPECIAL OPTIONS/ACCESSORIES/KITS

SECTION 11 - SPECIAL OPTIONS/ACCESSORIES/KITS

FIGURE 11-1. SPECIAL OPTIONS/ACCESSORIES/KITS

ITEM	PART NUMBER	QTY	DESCRIPTION	REV
		Ref	Note: This list is to accommodate machines ordered with special equipment. Options may not be applicable to all models. For more specific parts information contact JLG Parts Department.	
	1001197342	Ref	Airline Installation - 1/2	
	1001202401	Ref	Air Intake Shut-off Valve (Deutz Engines - HRC) (ANSI and CSA Specs)	
	1001197329	Ref	Bellows Installation - Boom	
	1001158014	Ref	Bellows Installation - Chassis	
	1001197330	Ref	Boom Wipers Installation	
	1001242192	Ref	ClearSky Access Control Add-on Kit	
		Ref	ClearSky Telematics Installation (Factory Installed)	
	1001227457	Ref	ClearSky Telematics Installation - 4G Canbus Connection (Factory Installed) (All Specs Except China Specs)	
	1001246471	Ref	ClearSky Telematics Installation - 3G Canbus Connection (Factory Installed) (Australian Specs)	
	1001228959	Ref	ClearSky Telematics Installation - 3G Canbus Connection (Factory Installed) (ANSI Export, CE & UK CA Specs)	
	1001246472	Ref	ClearSky Telematics Installation - 4G Canbus Connection (Factory Installed) (China Specs)	
	1001276610	Ref	ClearSky Telematics Installation - 3 Wire Connection (All Specs Except China)	
		Ref	ClearSky Telematics Installation (Dealer Installed)	
	1001265378	Ref	ClearSky (Telematics) Add-on Kit (Dealer Installed) (ANSI, ANSI Export and CSA Specs)	
	1001246142	Ref	ClearSky (Telematics) Add-on Kit (Dealer Installed) (Australian Specs)	
	1001243184	Ref	ClearSky (Telematics) Add-on Kit (Dealer Installed) (CE & UK CA Specs)	
	1001276923	Ref	ClearSky (Telematics) Add-on Kit (Contact JLG for Approved Countries)	
	1001197336	Ref	Cold Weather Package (Machines without Arctic Package)	
	1001197336	Ref	Cold Weather Package (Machines with Arctic Package)	
	1001233047	Ref	Crankcase Breather Heater Kit	
	1001200137	Ref	Cribbing Switch Installation (ANSI Spec Only)	
		Ref	Decal Installations	
	1001220864	Ref	Decal - Boom Transport Decals Kit	
	1001241344	Ref	Decal - Platform Console Box Decal Kit	
	1001241335	Ref	Decal - Platform Decal Kit	
		Ref	Electrical Connector Kits	
	1001148902	Ref	Amp/Tyco Electrical Connector Kit	
	1001148903	Ref	Deutsch DT Electrical Connector Kit	
	1001148904	Ref	Deutsch HD Electrical Connector Kit	
	1001148905	Ref	Packard Electrical Connector Kit	
	1001148906	Ref	Various Electrical Connectors Kit	
	1001244863	Ref	DEF Tank Replacement Kit	
	1001235962	Ref	Engine Coolant Strainer Kit	
	1001237883	Ref	Fall Arrest Bolt On Kit (6FT x 1.83M) (ANSI, ANSI Export, China, CSA, and Japanese Specs) (Fits Platform p/ns 1001186384 & 1001228376)	
	1001237882	Ref	Fall Arrest Bolt On Kit (8FT x 2.44M) (ANSI, ANSI Export, China, CSA, and Japanese Specs) (Fits Platform p/ns 1001186383)	
	1001197775	Ref	Fan Guard Installation (HRC)	

SECTION 11 - SPECIAL OPTIONS/ACCESSORIES/KITS

ITEM	PART NUMBER	QTY	DESCRIPTION	REV
	1001155069	Ref	Fan Guard Installation (LRC)	
	1001225639	Ref	Combined Filter Kit (Deutz HRC & LRC Engines)	
	1001139099	Ref	Fire Extinguisher Installation	
	1001274833	Ref	Floor Mat Add-on Kit (30x48 Platform) (Dealer Installed)	
	1001274830	Ref	Floor Mat Add-on Kit (36x72 Platform) (Dealer Installed)	
	1001274829	Ref	Floor Mat Add-on Kit (36x96 Platform) (Dealer Installed)	
	1001117294	Ref	Foot Switch Shield	
	1001205812	Ref	Fuel Cap Installation - Lockable	
	1001197340	Ref	Headlight and Taillights Installation	
	1001237402	Ref	Hose/Cable Protection Installation (Boom)	
	1001239627	Ref	Hose Kit - Platform Valve	
	1001239625	Ref	Hose Kit - Upper Powertrack	
	1001241419	Ref	Hostile Environment Kit	
	1001197341	Ref	Illumination Lights Installation	
	1001236952	Ref	Low Temperature Cut Out Installation	
	1001236268	Ref	Main Control Valve Kit	
	1001253618	Ref	Module Box Assembly Kit (Service Kit for P/N 1001246867)	
	1001253619	Ref	Module Box Assembly Kit (Service Kit for P/N 1001246860)	
	1001155064	Ref	Oil Cooler Installation	
	1001272166	Ref	Pipe Rack Kit	
	1001197436	Ref	Platform Console Cover Installation	
	1580013	Ref	Platform Corner Storage Tray	
		Ref	Platform Entry Kits	
	1001142504	Ref	Drop Bar (Replacing Swing Gate with Drop Bar)	
	1001142505	Ref	Swing Gate (Replacing Drop Bar with Swing Gate)	
	1001202917	Ref	Platform Floodlights Installation	
		Ref	Platform Mesh to Top Rail Add-On Kits: (ANSI, ANSI Export, Australian and CSA Specs)	
	1001214552	Ref	30in x 4ft (76cm x 1.22m) with Gate	
	1001214561	Ref	36in x 6ft (91.5cm x 1.83m) with Gate	
	1001214562	Ref	36in x 8ft (91.5cm x 2.44m) with Gate	
		Ref	Platform Mesh to Top Rail Installations (ANSI, ANSI Export, Australian and CSA Specs)	
	1001272182	Ref	30in x 4ft (76cm x 1.22m)	
	1001271642	Ref	36in x 6ft (91.5cm x 1.83m)	
	1001269187	Ref	36in x 8ft (91.5cm x 2.44m)	
		Ref	Platform Plastic Mesh to Top Rail Installations (ANSI, ANSI Export, Australian and CSA Specs)	
	1001266807	Ref	30in x 4ft (76cm x 1.22m)	
	1001266489	Ref	36in x 6ft (91.5cm x 1.83m)	
	1001266056	Ref	36in x 8ft (91.5cm x 2.44m)	
		Ref	Platform Mesh to Mid Rail Add-On Kits: (ANSI, ANSI Export, Australian and CSA Specs)	
	1001214478	Ref	30in x 4ft (76cm x 1.22m) with Gate	
	1001214540	Ref	36in x 6ft (91.5cm x 1.83m) with Gate	
	1001214548	Ref	36in x 8ft (91.5cm x 2.44m) with Gate	
		Ref	Platform Mesh to Mid Rail Installation (ANSI, ANSI Export, Australian and CSA Specs)	
	1001272274	Ref	30in x 4ft (76cm x 1.22m)	
	1001271760	Ref	36in x 6ft (91.5cm x 1.83m)	
	1001269389	Ref	36in x 8ft (91.5cm x 2.44m)	
		Ref	Platform Plastic Mesh to Mid Rail Installation (ANSI, ANSI Export, Australian and CSA Specs)	

SECTION 11 - SPECIAL OPTIONS/ACCESSORIES/KITS

ITEM	PART NUMBER	QTY	DESCRIPTION	REV
	1001266969	Ref	30in x 4ft (76cm x 1.22m)	N
	1001266284	Ref	36in x 6ft (91.5cm x 1.83m)	
	1001266098	Ref	36in x 8ft (91.5cm x 2.44m)	
	0272725	Ref	Platform Rail Extension - 8ft Platform	
	2902217	Ref	Platform Weld Leads	
	1001202916	Ref	Platform Worklights Installation	
	1001233732	Ref	Service Tools & Kits	
	1001266828	Ref	Strobe Light Installation Kit - Blue	
	1001266826	Ref	Strobe Light Installation Kit - Red	
	1001247073	Ref	SkyEye Retrofit Kit	
	1001250035	Ref	SkyGuard Platform Sensor Kit	
	1001249052	Ref	SkyGuard Retrofit Kit	
	1001241547	Ref	SkyEye Housing Repair Kit (LH)	
	1001241548	Ref	SkyEye Housing Repair Kit (RH)	
	1001250595	Ref	SkyGuard 6-Pin Retrofit Installation Kit	
	1001262016	Ref	SkyLine Kit	
	1001252033	Ref	SkySense/Enhanced Detection System (EDS) Level 1 (2-Bar) Installation Kit (Dealer Installed)	
	1001252034	Ref	SkySense/Enhanced Detection System (EDS) Level 2 (3-Bar) Installation Kit (Dealer Installed)	
	1001250465	Ref	SkySense/Enhanced Detection System (EDS) Level 1 (2-Bar) Installation Kit (Factory Installed)	
	1001250466	Ref	SkySense/Enhanced Detection System (EDS) Level 2 (3-Bar) Installation Kit (Factory Installed)	
	4530028	Ref	SkyWelder (Welder Assembly only)	
	1001231235	Ref	SkyWelder Locking Bracket Installation	
		Ref	Tools For Service:	
	2901443	Ref	Analyzer Kit	
	1001249695	Ref	Analyzer, Machine System with Cable	
	1001249941	Ref	Analyzer, Machine System with Cable (Battery Powered)	
	1001197359	Ref	Boom Cable Adjustment Socket Installation	
	7002821	Ref	Crimper, Wire	
	7002823	Ref	Pin Extractor - Universal (For Electrical Connectors with Pins and Sockets)	
	4460467	Ref	Extractor - 16-18 Gauge (For Removal of Pin/Sockets from Deutsch Connectors)	
	4460510	Ref	Extractor - 12-14 Gauge (For Removal of Pin/Sockets from Deutsch Connectors)	
	7016654	Ref	Screwdriver, Magnetic	
	7002822	Ref	Screwdriver, Potentiometer	
	7004275	Ref	Seal Tool 1 in (For Cylinders)	
	7004276	Ref	Seal Tool 1-1/2 in (For Cylinders)	
	1001137005	Ref	Software Cable Kit (Service Kit)	
	7002828	Ref	Stripper, Wire	
	70004185	Ref	Torque Multiplier	
	7016655	Ref	Wire Rope Sheave Gauge	
	1001193630	Ref	Turntable Bearing Kit	
	1001241273	Ref	Tower Boom Wear Pad Kit	
	1001265328	Ref	Tower Stow Sensor Kit	
	1001278007	Ref	UCM Replacement Kit	
	1001277846	Ref	UGM Kit	
	1001274249	Ref	USB Charger Add-on Kit (Dealer Installed)	
	1001262959	Ref	Voltage Regulator Relocation Kit (ClearSky)	

SECTION 11 - SPECIAL OPTIONS/ACCESSORIES/KITS

ITEM	PART NUMBER	QTY	DESCRIPTION	REV
	1001277341	Ref	White Noise Alarm Kit	
	1001277285	Ref	White Noise Ambient Alarm Kit	
	1001241673	Ref	Wire Rope Kit	

SECTION 11 - SPECIAL OPTIONS/ACCESSORIES/KITS

PART NUMBER INDEX

SECTION 11 - SPECIAL OPTIONS/ACCESSORIES/KITS

0100009	377, 381	0641404.....	377, 381, 399	0701014001 ...	159, 163, 165	0760614..	87, 176, 188, 206, 217, 234, 250
0100011 ..	17, 19, 21, 23, 25, 35, 57, 61, 63, 81, 87, 91, 95, 99, 103, 107, 111, 115, 119, 123, 159, 160, 161, 170, 173, 176, 182, 185, 188, 198, 201, 204, 210, 213, 216, 224, 230, 234, 240, 246, 250, 275, 279, 283, 287, 295, 300, 305, 313, 321, 323, 325, 333, 337,341, 345, 349, 351, 353, 359, 361, 363, 397, 399, 408, 411, 413, 415, 435, 439, 441, 445, 447, 449, 505, 507, 509, 511	0641405.....	399	0701015	85, 87, 159, 176, 188, 204, 216, 234, 250	0760614001.....	334
0100019 ..	21, 23, 25, 71, 75, 275, 279, 283, 287, 295, 305, 313, 439, 468	0641406	369, 624, 628, 632, 636, 640, 644, 648, 652, 656	0701016	176, 188, 204, 216, 234, 250	0760807.....	230, 246
0100020	170, 176, 182, 188, 198, 204, 210, 216, 224, 234, 240, 250, 279, 287, 393, 408, 419, 475, 477, 479, 481, 483, 485, 487, 489, 491, 493, 495	0641406001	371	0701017	176, 188, 204, 216, 234, 250	0760807001	325
0100035	21, 23, 173, 185, 201, 213, 230, 246, 333, 385	0641408.....	160, 161, 401	0701018 ..	75, 275, 279, 283, 287, 305, 313	0760808001	21, 23, 325
0100038	335, 435, 439, 441, 445, 447, 449	0641414	377, 381, 397, 401, 403	0701019	176, 188, 204, 216, 234, 250	0760810....	95, 99, 103, 107, 111, 115, 119, 123, 159, 170, 176, 182, 188, 204, 216, 234, 250, 333
0100048	275, 279, 283, 287, 377, 381, 517	0641416	475, 477, 479, 481, 483, 485, 487, 489, 491, 493, 495	0701020	305, 313	0760810001	95, 99, 103, 107, 111, 115, 119, 123, 159
0100071	17, 19	0641418	341, 345, 349, 351, 353, 359, 361, 363	0701022	305, 313	0760812.....	35, 95, 99, 103, 107, 111, 115, 119, 123, 159, 170, 176, 182, 188, 198, 204, 210, 216, 234, 250, 501
0100081	176, 188, 206, 218, 234, 250, 321, 323, 377, 381, 405	0641504.....	39	0701024001	300, 321	0760812001..	159, 337, 473, 499, 519, 521
0140011	377, 381	0641506.....	83	0701025001	325	0760814..	87, 160, 170, 182, 333
0140043	145	0641508.....	83	0701026001	321	0760814001	160
0236768	91	0641510.....	459	0701027001	321, 323	0760815.....	160
0272254	413	0641511001	463	0701028001	468	0760815001.....	21, 23
0272435	288	0641606	176, 188, 204, 216, 408, 411, 413, 415	0701031	305, 313	0760818001..	505, 507, 509, 511
0272448	661	0641607.....	234, 250	0701032001	323	0760822001	468
0272521	411	0641608.....	201, 213, 271	0701034001	321	0761007001.....	159, 321
0272588	661	0641812	173, 185, 201, 213, 230, 246	0701220	85, 87	0761008.	176, 188, 204, 216
0272589	284	0642012.....	405	0701222	305, 313	0761009	170, 182, 199, 211, 224, 240
0272599	665	0642212.....	405	0701224	81	0761009001.....	333, 459
0272607	667	0642220	170, 182, 198, 210, 224, 240	0701420001	17, 19	0761010.	505, 507, 509, 511
0272725	676	0681607.....	455	0701422001	21, 23	0761010001	61, 63, 306, 314, 325
0273353	408	0681608.....	455	0701619001	33	0761011.....	160, 305, 313
0275216	475, 579	0681620.	423, 425, 427, 429	0701627	176, 188, 204, 216, 234, 250	0761011001	306, 314
0275217	479, 581	0681814.....	355, 365, 367	0702022001	295	0761012.....	35, 61, 63, 159, 176, 188, 204, 216, 234, 250, 305, 313, 325, 517
0275452	483, 583	0681822.....	355, 365, 367	0702426001	295	0761012001	63, 160, 161, 321, 333
0275453	487, 585	0682220.....	75	0711015	170, 182, 198, 210, 224, 240	0761013001	95, 99, 103, 107, 111, 115, 119, 123
0275454	491, 587	0682424.	423, 425, 427, 429	0711214	176, 188, 204, 216, 234, 250	0761014.....	159, 333
0400020	91	0700408	475, 477, 479, 481, 483, 485, 487, 489, 491, 493, 495	0711214001	300	0761014001..	300, 306, 314, 337
0440162	170, 182, 198, 210, 224, 240	0700412....	95, 99, 103, 107, 111, 115, 119, 123	0711215001	300	0761015....	95, 99, 103, 107, 111, 115, 119, 123, 160, 170, 173, 182, 185, 198, 201, 210, 213, 224, 230, 240, 246, 305, 313, 333, 373, 375
0440273	17, 19, 295	0700510.....	201, 213	0711217001	300	0761015001	17, 19, 468
0561380	295	0700610..	87, 147, 149, 170, 176, 182, 188, 224, 234, 240, 250	0711218	176, 188, 206, 218, 234, 250	0761016001	17, 19, 295, 323
0630518	143, 385, 408, 411, 413, 415, 419	0700612	145, 176, 188, 204, 216, 234, 250, 519, 521	0711419	234, 250	0761018.....	271
0630534	441	0700614	170, 182, 199, 211, 224, 240	0711626001	305, 313	0761210	173, 176, 185, 188, 201, 204, 213, 216, 230, 246
0630535.	435, 439, 453, 455	0700615.....	153, 155	0712435	71	0761212.	275, 279, 283, 287
0630536	445	0700616.....	160, 161	0712445001	337	0761212001.....	321
0630568	378, 382	0700620....	95, 99, 103, 107, 111, 115, 119, 123	0731007	85, 87	0761214.....	25, 159
0630615001.....	159	0700815	176, 188, 204, 216, 234, 250, 505, 507, 509, 511	0741607 .	275, 279, 283, 287	0761214001..	159, 306, 314, 323
		0700816.....	333	0760408	151, 170, 182, 198, 210, 224, 240	0761215.....	230, 246
		0700818	170, 182, 198, 210, 224, 240	0760508 .	173, 185, 230, 246		
		0700818001 ...	279, 283, 287	0760516	95, 99, 103, 107, 111, 115, 119, 123		
		0700819001	275	0760604 .	176, 188, 234, 250		
		0700820.	170, 182, 224, 240	0760606	170, 182, 275, 279, 283, 287		
		0700822.	170, 182, 224, 240	0760608	170, 176, 182, 188, 199, 211, 224, 240		
		0700823001	468	0760610	95, 99, 103, 107, 111, 115, 119, 123, 151, 173, 185, 201, 213, 230, 275, 279, 283, 287, 333, 373, 375, 517		
		0700827.	170, 182, 224, 240	0760612	161, 373, 375		
		0701013..	91, 176, 188, 204, 216, 234, 250	0760612001	333		
				0760613	95, 99, 103, 107, 111, 115, 119, 123		

SECTION 11 - SPECIAL OPTIONS/ACCESSORIES/KITS

0761216.. 81, 160, 173, 185, 201, 213, 230, 246	1001096612.....275, 527	1001116952.....547	1001128127617
0761216001337	1001096653..... 35	1001116983.....553	1001128128 ...540, 544, 547
0761217160	1001097051.....503, 601	1001117023.....547	1001128527415
0761218001 .. 35, 41, 43, 45, 47, 49, 51, 53, 55, 321	1001097150.....523, 527	1001117035.....640	1001128556415
0761614001306, 314	1001097244...373, 375, 431	1001117106.....547	1001131130160
0761616305, 313	1001097587..... 71	1001117107.....539	1001131269624, 644
0762014001295	1001097588...177, 189, 230, 235, 246, 251	1001117108.....540	1001133714 ...541, 544, 547
0762016001295	1001098012...408, 419, 421	1001117110... 503, 571, 609	1001133715 ...541, 544, 547
076201800125	1001098122.....393, 575	1001117172.....393	1001133927447
0762418001 17, 19, 295	1001098149..... 419	1001117174.. 377, 381, 393, 671	1001133956543, 548
0762422001295	1001099366..... 405	1001117244.. 177, 189, 235, 251	1001133957543, 548
0771010001306, 314	1001099367..... 405	1001117294..... 675	1001134314295
0771012001 ... 306, 314, 337	1001100231..... 523	1001117308.. 177, 189, 205, 217, 235, 251, 671	1001134488 ..177, 189, 205, 217, 235, 251
0771014001306, 314	1001100319.....236, 251	1001118274 35, 95, 99, 103, 107, 111, 115, 119, 123, 159	1001135196 ..171, 183, 198, 210, 225, 241
0771016001306, 314	1001100341..... 579	1001118282..... 540, 544	1001135497 ..171, 183, 198, 210, 225, 241
0771018001306, 314	1001100342..... 581	1001118287..... 306, 314	1001135650541, 544
0771212001300	1001100345..... 583	1001118288..... 306, 314	1001135943 ..177, 189, 205, 217, 235, 251
0771218001300	1001100346..... 587	1001118384..... 603	1001136583306, 314
0771415 176, 188, 204, 216, 234, 250	1001100347..... 585	1001118388.....567, 603	1001136834 ..177, 189, 205, 217, 235, 251
0771416 170, 182, 198, 210, 224, 240	1001101191...475, 479, 483, 487, 491, 523, 525	1001118878.. 41, 43, 45, 47, 49, 51, 53, 55	1001136975 ..171, 183, 199, 211, 225, 241
0771617001306, 314	1001101196.....475, 479	1001118972..... 159, 333	1001137005676
0772016001306, 314	1001101197...483, 487, 491	1001119020..... 607	1001137032300
0801550305, 313	1001101580...171, 183, 198, 210, 225, 241	1001119215..... 517	1001137263468
0860038 279, 287, 473	1001102594..... 591	1001119412..... 547, 563	1001137364 ..135, 137, 139, 141, 381
0861538287, 670	1001103012..... 610	1001119455..... 468	1001137578533
0861572283, 670	1001104497..... 334	1001119619..... 597	1001137673397, 671
0861731 485, 489, 493, 495, 583, 585, 587	1001104498.....503, 610	1001119620..... 599, 601	1001138173 ..177, 189, 205, 217, 235, 251
0861781 .477, 481, 579, 581	1001106736..... 611	1001119727 205, 217	1001138175 ..177, 189, 205, 217, 235, 251
0861880523, 527	1001107854.....503, 610	1001119899 306, 314	1001138228 ...205, 217, 671
0902888 .275, 279, 283, 287	1001108616...173, 185, 201, 213, 230, 246, 262	1001120000..... 17, 19	1001138248 ..177, 189, 205, 217, 235, 251
0940049 159	1001108617..... 61	1001120055..... 575	1001138253235, 251
0940102405	1001109048..... 85, 87	1001120104..... 333, 671	1001138494 ..345, 349, 351, 353, 359, 361, 363
0961845 341, 345, 349, 351, 353, 359, 361, 363	1001109654.....519, 523	1001120328.. 397, 399, 539, 545, 577	1001138514 ..345, 351, 353, 361, 363
0961893441	1001110604..... 468	1001120471 431	1001138559 ..177, 189, 205, 217, 235, 251
0961896435	1001110872..... 497	1001120477 431	1001138566 ...275, 279, 670
0961897 439, 455	1001110873...280, 288, 473	1001120484..... 431	1001138805441
0961898445	1001111116.....205, 217	1001120989..... 661	1001138827 ..177, 189, 205, 217, 235, 251, 671
0961903453	1001112551..... 628	1001125295..... 569	1001139099675
0961949439	1001112612..... 609	1001125387..... 661	1001139240 ..177, 189, 205, 217, 235, 251
0961950449, 451	1001112796..... 607	1001125677.. 539, 545, 577, 611	1001139654661
0961951 176, 188, 204, 216, 234, 250, 305, 313, 455	1001112927...173, 185, 201, 213, 230, 246, 269	1001126008... 541, 572, 615	1001140429 ..341, 345, 349, 351, 353, 359, 361, 363
0962051 170, 182, 198, 210, 224, 240	1001113961.....529, 609	1001126009..... 603	1001140564 ..177, 189, 205, 217, 235, 251
0962224 .305, 307, 313, 315	1001116208..... 661	1001126011..... 575	1001141300661
0962257441, 443	1001116692..... 503	1001126245..... 540	1001141304246
0962270 355, 365, 367	1001116693.....609, 610	1001126351 543, 548	1001141995 ..177, 189, 205, 217, 235, 251
0962423 21, 23	1001116694.....503, 607	1001126352..... 548	1001142501 ..171, 177, 183, 189, 199, 205, 211, 217, 225, 241
0962520 .275, 279, 283, 287	1001116695..... 503	1001126353..... 539	1001142504675
0962556305, 313	1001116720..... 567	1001126356..... 548	
0962561 435, 437, 439	1001116725...540, 544, 610	1001126357..... 548	
0962562447	1001116732..... 547	1001126362... 540, 544, 548	
1001008559.. 153, 155, 505, 507, 509, 511	1001116733...540, 544, 563	1001126363..... 544, 548	
1001091102... 151, 519, 521	1001116734.....540, 544	1001126365..... 544, 548	
1001091969475	1001116748...529, 595, 613	1001126384..... 548	
1001091970479	1001116751.....595, 613	1001126391.. 535, 540, 544, 548	
1001091973483	1001116774..... 607	1001126392..... 544	
1001091974487	1001116808..... 607	1001126393..... 540	
1001091975491	1001116812...544, 547, 551, 565, 571, 610	1001126485... 540, 541, 544	
1001095704 ... 539, 544, 671	1001116815.....544, 551	1001126487 540, 544	

SECTION 11 - SPECIAL OPTIONS/ACCESSORIES/KITS

1001142505..... 675	1001151503..... 447	1001155565 ..178, 190, 206, 218, 236, 252	1001157467..... 33
1001142683...153, 155, 670	1001151749..177, 189, 206, 218, 236, 252	1001155566 ..178, 190, 206, 218, 236, 252	1001157520..... 284, 288
1001143390...177, 189, 205, 217, 235, 251	1001151761..... 206, 218	1001155584161	1001157521..... 284, 288
1001143852..... 661	1001152112... 189, 218, 252	1001155591159	1001157525..... 284
1001144147..... 593	1001152457..... 279	1001155728 ..178, 190, 206, 218, 236, 252	1001157528..... 284, 288
1001144295..... 611	1001152458..... 275	1001155743529, 539	1001157592..... 288
1001144296..... 607	1001152483..... 525	100115581721, 23, 605	1001157670..... 57
1001144433..... 397	1001152489.. 177, 189, 206, 218, 236, 252	1001155823 ..171, 183, 199, 211, 225, 241	1001157849..... 25
1001144629...343, 347, 349, 357, 359	1001152525..... 284, 288	1001155832159	1001157850..... 25
1001145405..... 408, 419	1001152530..... 275, 279	100115583621, 23, 333	1001157862.. 178, 190, 206, 218, 236, 252
1001146588...230, 246, 505, 507, 509, 511	1001152532... 276, 280, 557	1001155939 ..171, 183, 199, 211, 225, 241	1001157872..... 306, 314
1001146940..... 295	1001152742..... 535	100115596795, 99, 103, 107, 111, 115, 119, 123, 333, 545, 571, 611	1001157878..... 306, 314
1001146963.....21, 23, 671	1001153259... 276, 280, 561	1001156001 ...201, 213, 551	1001157885..... 306, 314
1001147567...177, 189, 235, 251	1001153785..... 306, 314	1001156016435, 437	1001157887..... 295
1001147616..... 33	1001153827 306, 314	1001156030 ..284, 288, 563	1001157890.. 540, 543, 571, 589
1001147617..... 33	1001153981 75	1001156033 ..178, 190, 206, 218, 236, 252	1001157906..... 161
1001147618..... 33	1001153983 75	1001156035445	1001157907..... 161
1001147847...177, 189, 205, 217, 235, 251	1001153984 75, 77	1001156034 ..178, 190, 206, 218, 236, 252	1001157958..... 449
1001148012..... 307, 315	1001154035 91	1001156035 ..178, 190, 206, 218, 236, 252	1001158007..... 284, 288
1001148059..... 275, 284	1001154196..... 81	1001156062 ..178, 190, 206, 218, 236, 252	1001158008..... 284, 288
1001148641...177, 189, 205, 217, 235, 251	1001154247 306, 314	1001156091 ..178, 190, 206, 218, 236, 252	1001158014..... 674
1001148675..... 497	1001154262.. 171, 183, 225, 241	100115610795, 99, 103, 107, 111, 115, 119, 123, 173, 185, 201, 213, 230, 246, 333	1001158017..... 17, 19
1001148902..... 674	1001154377 75	1001156112206, 218	1001158262..... 206, 218
1001148903..... 674	1001154405.. 171, 178, 183, 190, 199, 206, 211, 218, 225, 236, 241, 252, 271	1001156347161	1001158263..... 273
1001148904..... 674	100115475925	100115660621, 23	1001158289..... 206, 218
1001148905..... 674	100115477225	1001156613306, 314	1001158363..... 275, 279
1001148906..... 674	1001155023.. 177, 189, 206, 218, 236, 252	1001156644 ..178, 190, 206, 218, 236, 252	1001158412..... 61, 63
1001149160.....95, 99, 103, 107, 111, 115, 119, 123, 159	1001155041 ..275, 279, 283, 287	1001156650295	1001158529..... 213, 216
1001149517...177, 189, 205, 217, 235, 251	1001155044 377, 381	100115667821, 23	1001158607..... 273
1001149711..... 33	1001155045... 377, 381, 671	100115667921, 23	1001159118..... 497
1001149746...177, 189, 205, 217, 235, 252	1001155064675	1001156692548	1001159119..... 497
1001149823..... 71	1001155069675	1001156718 ..173, 185, 201, 213, 230, 246	1001159120..... 497
1001149867..... 201, 204	1001155133..... 17, 19	1001156719241, 246	1001159121..... 497
1001149921..... 25, 29	1001155262..... 333	100115677821, 23, 333	1001159186.. 565, 575, 576, 577
1001149970.....95, 99, 103, 107, 111, 115, 119, 123, 537	1001155303..... 280, 288	100115678521, 23	1001159256... 377, 381, 671
1001149971...201, 213, 547	1001155338.. 275, 280, 283, 287	100115681521, 23	1001160169..... 447
1001149975...41, 43, 45, 47, 49, 51, 53, 55, 529	1001155348..... 283, 287	100115686757	1001160445.. 624, 628, 632, 636, 640, 644, 648, 652, 656
1001150162...41, 43, 45, 47, 49, 51, 53, 55, 671	1001155363..... 17, 19	1001156926377, 381	1001160505..... 161
1001150174..... 279, 287	1001155437..... 161	100115699121, 23	1001160518.. 178, 190, 206, 218, 236, 252
1001150498..... 205, 217	1001155438..... 159, 160	100115699621, 23	1001161232..... 61, 63, 670
1001150499..... 205, 217	1001155454..... 161	100115700717, 19, 306, 314	1001161269..... 463
1001150504...177, 205, 236	1001155456..... 159, 161	1001157073 ..173, 185, 201, 213, 231, 246	1001161270..... 463
1001150505..... 205, 217	1001155496.. 178, 190, 206, 218, 236, 252	1001157084435, 437	1001161271..... 463
1001150553...177, 189, 205, 217, 236, 252	1001155498.. 178, 190, 206, 218, 236, 252	100115708417, 19	1001161272..... 463
1001150611..... 609	1001155525.. 178, 190, 206, 218, 236, 252	100115720735, 39	1001161273..... 463
1001150725..... 75	1001155527 163	100115721633	1001161274..... 463
1001150942..... 447	1001155540.. 178, 190, 206, 218, 236, 252	1001157241463	1001161275..... 463
1001151393...127, 129, 131, 133, 135, 137, 139, 141	1001155544.. 178, 190, 206, 218, 236, 252	1001157292377, 381	1001161276..... 463
1001151432..... 205, 217	1001155557.. 178, 190, 206, 218, 236, 252	1001157300 ...190, 218, 252	1001161277..... 463
1001151491...177, 189, 205, 218, 236, 252	1001155561 57	1001157301 ...190, 218, 252	1001161278..... 463
	1001155563.. 178, 190, 206, 218, 236, 252	1001157454306, 314	1001161279..... 463
	1001155564.. 178, 190, 206, 218, 236, 252		1001161280..... 463
			1001161281..... 463
			1001161282..... 463
			1001161283..... 463
			1001161289..... 463
			1001161290..... 463
			1001161470..... 165
			1001161488..... 163

SECTION 11 - SPECIAL OPTIONS/ACCESSORIES/KITS

1001161647.....469	1001172575..... 661	1001188922... 173, 185, 539	1001197317 ..178, 190, 236, 252
1001161709 ...377, 382, 671	1001172576..... 661	1001189001337	1001197326505
1001161710...378, 382, 671	1001172577..... 405	1001189002..... 337	1001197327507
1001162212.. 171, 183, 225, 241	1001172578..... 405	1001189171..... 525, 670	1001197328511
1001162880.....91, 93	1001172620.....405, 661	1001189172..... 525, 670	1001197329674
1001163631..41, 43, 45, 47, 49, 51, 53, 55, 591	1001172760.....378, 382	1001189291..... 178, 190	1001197330674
1001164354..35, 41, 43, 45, 47, 49, 51, 53, 55	1001173609..... 371	1001189882..... 636	1001197331145
1001164700.....93	1001173662..... 300	1001190032..... 165	1001197332499
1001165035.. 171, 176, 183, 188, 199, 204, 211, 216, 225, 236, 241, 252	1001173763..... 323	1001190418.. 178, 190, 236, 252	1001197333473
1001165194.....535	1001173846..... 61	1001190475..... 171, 183	1001197335519
1001166393.. 178, 190, 205, 217, 236, 252	1001174345..... 21, 23	1001190921..... 539	1001197336674
1001166538..378, 382, 391, 670	1001175201..... 87	1001190927..... 163, 165	1001197340675
1001166539..378, 382, 387, 670	1001175265..... 540	1001190949..... 17, 19	1001197341675
1001166541..... 540	1001175568...178, 190, 236, 252	1001190950..... 17, 19	1001197342674
1001166543.....540	1001176002.....539, 543	1001190951..... 17, 19	100119734591
1001166551.....539	1001176004.....539, 543	1001190952..... 17, 19	1001197359676
1001166555.....539	1001176333..... 569	1001190953..... 17, 19	1001197361459
1001166556.....535, 540	1001176469...129, 133, 137, 141	1001190985..... 337	1001197436675
1001166701.....540	1001176582..... 371	1001191122.. 178, 190, 205, 217, 236, 252	1001197445173, 185
1001166704.....533	1001176636..... 371	1001191620.. 225, 231, 241, 247	100119762785
1001166774.....535, 540	1001177134.....205, 217	1001192138.. 178, 190, 205, 217, 236, 252	1001197719539
1001167497.....306, 314	1001177137.....205, 217	1001192401..... 555, 611	1001197760321
1001167528.....533	1001177635..... 371	1001193018.. 475, 477, 479, 481, 483, 485, 487, 489, 491, 493, 495	100119776171
1001167565.....337	1001178797..... 271	1001193135..... 661	1001197766321
1001167567.....337	1001179154..... 288	1001193136..... 661	1001197775674
1001167615.....539	1001180153..... 295	1001193599..... 178, 190	1001197899300
1001167616.....540, 544	1001180491..... 371	1001193630..... 71, 676	1001197901300
1001167620.....539, 543	1001180620..... 160	1001193980.. 171, 183, 225, 241	1001197902295, 300
1001167621.....539	1001181045...523, 527, 670	1001194197..... 485	1001197937159
1001167622.....539	1001181625...171, 183, 225, 241	1001194198..... 489	1001197960334, 671
1001167623.....539	1001181899...178, 190, 225, 231, 236, 241, 247, 252	1001194200..... 493	1001197961334, 671
1001167624.....539, 543	1001182361..... 543	1001194203..... 477	1001197969295
1001167625.....539	1001182365..... 543	1001194204..... 481	1001197973295
1001167629.....540	1001182806..... 149	1001194365..... 495	1001198376323
1001167630.....540, 541	1001182833.....236, 252	1001195588..... 81, 83	1001198377323
1001167631.....541	1001184619...628, 636, 644	1001195906..... 321	1001198382323
1001167632.....533, 544	1001184682..... 147	1001195924..... 306, 314	1001198383323
1001167633.....541	1001184846..... 540	1001195939... 306, 314, 317	1001198386323
1001167634.....540, 544	1001185281.....378, 382	1001195940... 306, 314, 319	1001198388323
1001167635.....540	1001186318..... 367	1001195941..... 306, 314	1001198389323
1001168402.....337	1001186333..... 355	1001195947.. 624, 632, 640, 648, 652, 656	1001198587455
1001168734..... 201, 213	1001186334..... 365	1001196517..... 333, 671	1001198594456
1001169085... 151, 153, 155	1001186342...171, 183, 199, 211, 225, 241	1001196562..... 159	1001198640300
1001169409..... 225, 241	1001186375..... 345	1001196605..... 610	1001198641300
1001170982.. 178, 190, 206, 218, 236, 252	1001186379..... 351	1001196634..... 291, 670	1001198642300
1001171324..... 335	1001186382..... 361	1001196682.. 505, 507, 509, 511, 615	1001198643300
1001171482.. 127, 129, 131, 133, 135, 137, 139, 141	1001186383..... 357	1001196733..... 295	1001198644300
1001172356.....33	1001186384..... 347	1001196734..... 295	1001198645300
1001172358 17, 19, 63, 159, 160, 161, 163, 165, 295, 300, 306, 314, 321, 323, 334, 337, 459, 468	1001186387..... 343	1001196806..... 87	1001198685159
1001172570.....405, 661	1001186389..... 367	1001196917... 295, 305, 313	1001198732300
1001172571..... 661	1001186431.....397, 671	1001197118..... 81	1001198749295
1001172572..... 661	1001186432.....567, 603	1001197142..... 73	1001198757295
1001172573..... 661	1001186517..... 397	1001197292..... 85, 87, 89	1001198758295
1001172574..... 661	1001187077..... 595	1001197307..... 198	1001198759295
	1001187518.....171, 183	1001197308..... 210	1001198760295
	1001187674..... 395	1001197311..... 333	1001198761295
	1001187681..... 597	1001197312..... 323	1001198762445
	1001187744.....95, 99, 103, 107, 111, 115, 119, 123	1001197315.. 624, 628, 632, 640, 644, 648, 652, 656	1001198864306, 314
	1001188491..... 85, 87		1001199035405
	1001188622..... 337		1001199036405
	1001188844..... 337		1001199043335
			1001199083306, 314
			1001199084306, 314
			1001199085306, 314
			1001199086306, 314
			1001199117306, 314

SECTION 11 - SPECIAL OPTIONS/ACCESSORIES/KITS

1001199297..... 453	1001200727 96, 100, 104, 108, 111, 115, 119, 123	1001202260 ..505, 507, 509, 511, 513	1001205095..... 469
1001199310..... 159	1001200732..... 307, 315	1001202261505	1001205096..... 469
1001199315..... 323	1001200733..... 307, 315	1001202262505	1001205098..... 469
1001199319..... 159	1001200734..... 334	1001202263507	1001205100..... 469
1001199320..... 306, 314	1001200736..... 307, 315	1001202264507	1001205102..... 469
1001199465..... 159	1001200739..... 307, 315	1001202267509	1001205103..... 469
1001199468..... 159	1001200741..... 307, 315	1001202268509	1001205104..... 469
1001199470...173, 185, 201, 213, 231, 247, 265	1001200764..... 334, 671	1001202269 ..505, 507, 509, 511	1001205105..... 469
1001199483....378, 382, 671	1001200779..... 283	1001202320469	1001205106..... 469
1001199583..... 199, 201	1001200780..... 287	1001202355 ..173, 185, 201, 213, 231, 247	1001205108..... 469
1001199587..... 211, 213	1001200834..... 334	1001202401674	1001205110..... 469
1001199610..... 306, 314	1001200836..... 334	1001202539445	1001205111..... 469
1001199641..... 306, 314	1001200837..... 334	1001202692325	1001205113..... 469
1001199670...171, 183, 225, 241	1001200839..... 307, 315	1001202705469	1001205114..... 469
1001199671..... 323	1001200848..... 334, 671	1001202706469	1001205115..... 469
1001199753..... 159	1001200849..... 334	1001202707469	1001205116..... 469
1001199754..... 159	1001200854 ..127, 129, 131, 133	1001202708469	1001205117..... 469
1001199755..... 159	1001200910..... 153	1001202709469	1001205124..... 469
1001199764..... 159	1001200977..... 469	1001202733160	1001205125..... 469
1001199778..... 159	1001200988..... 61, 63, 69	1001202734160	1001205660..... 519, 521
1001199780..... 159	1001201007..... 300	1001202742 ..505, 507, 509, 511	1001205682..... 521
1001199782..... 159	1001201062 ..505, 507, 509, 511, 593	1001202743 ..505, 507, 509, 511	1001205683..... 455
1001199804..... 295	1001201068..... 334	1001202785 ..505, 507, 509, 511, 589	1001205690..... 521, 525
1001199812..... 295	1001201069..... 334	1001202787151	1001205812..... 675
1001199990..... 306, 314	1001201095..... 334, 671	1001202793307, 315	1001205949..... 469
1001200091..... 306, 314	1001201103 96, 100, 104, 108, 112, 116, 120, 124	1001202914611	1001205958.. 483, 485, 487, 489, 491, 493
1001200092..... 307, 315	1001201130..... 459	1001202916676	1001206119..... 276
1001200093..... 307, 315	1001201131..... 459	1001202917675	1001206184..... 447
1001200094..... 307, 315	1001201132..... 459	1001202950334	1001206476..... 501
1001200117..... 628, 636	1001201133..... 459	1001203413151	1001206506.. 505, 507, 509, 511, 555
1001200118..... 628, 636	1001201134..... 459	1001203655355	1001206509..... 555
1001200137..... 674	1001201135..... 459	1001203656365, 367	1001206532..... 378, 382
1001200154..... 295	1001201136..... 459	1001203753307, 315	1001206747.. 171, 173, 183, 185, 199, 201, 211, 213, 225, 231
1001200199...505, 507, 509, 511, 517	1001201333..... 300	1001203754307, 315	1001206817.... 96, 100, 112, 116, 535
1001200203..... 517	1001201334..... 300	1001203755307, 315	1001207004..... 155
1001200345..... 334, 671	1001201335..... 300	1001203898334	1001207102..... 469
1001200491..... 337	1001201351..... 337	1001203899334	1001207279..... 469
1001200494..... 337	1001201485..... 307, 315	1001203900334	1001207388..... 337
1001200501..... 159	1001201503..... 325, 327	1001203904334	1001207937..... 295
1001200502..... 159	1001201710..... 509	1001204027 ..505, 507, 509, 511	1001207963.. 131, 133, 139, 141
1001200519..... 159	1001201772..... 453	1001204028 ..505, 507, 509, 511, 595	1001207969..... 325
1001200522..... 159	1001201846..... 307, 315	1001204041445	1001208297.. 178, 190, 206, 218, 236, 252
1001200532..... 159	1001201885..... 565, 577	1001204043334, 671	1001208298.. 178, 190, 206, 218, 236, 252
1001200550...334, 469, 671	1001201938..... 295, 300	1001204073337	1001208299.. 178, 190, 206, 218, 236, 252
1001200565..... 280	1001201986..... 325, 329	1001204096 ..624, 632, 644	1001208596..... 323
1001200574..... 295	1001201997..... 321	1001204650276	1001209368..... 300
1001200576..... 295	1001202000..... 321	1001204725337	1001209372..... 300
1001200587..... 334	1001202002..... 321	1001204911337	1001209373..... 300
1001200604.....95, 99, 103, 107, 111, 115, 119, 123	1001202005..... 321	1001204914300	1001209374..... 300
1001200605.....95, 99, 103, 107, 111, 115, 119, 123	1001202055..... 334	1001205083469	1001209375..... 300
1001200606.....95, 99, 103, 107, 111, 115, 119, 123	1001202136..... 468	1001205084469	1001209432..... 501
1001200686..... 323	1001202169..... 160	1001205087469	1001209474..... 501
1001200692..... 127, 131	1001202179..... 334	1001205088469	1001209626..... 160
1001200698..... 275	1001202181..... 160	1001205089469	1001209633..... 323
1001200699..... 279	1001202182..... 334	1001205090469	1001209664..... 397
1001200707...624, 628, 632, 636, 640, 644, 648, 652, 656	1001202201..... 445	1001205092469	1001209896.. 624, 628, 632, 636, 640, 644, 648, 652, 656
1001200726.....95, 99, 103, 107, 111, 115, 119, 123	1001202225..... 160	1001205093469	
	1001202236..... 445	1001205094469	
	1001202245..... 321		
	1001202259 ..505, 507, 509, 511, 515		

SECTION 11 - SPECIAL OPTIONS/ACCESSORIES/KITS

1001209935.....160	1001216021....96, 100, 104, 108, 112, 116, 120, 124, 671	1001225580.....397, 567	1001232034.....147
1001209961.....160	1001216238....96, 100, 104, 108, 112, 116, 120, 124	1001225639.....675	1001232035.....149
1001210079.....555	1001216258.....334	1001226102....96, 100, 104, 108, 112, 116, 120, 124	1001232164.....395
1001210116.....160	1001216318.....539	1001226291.....511	1001232165.....395
1001210259.....160	1001216579.....333	1001226292.....511	1001232201.....470
1001210283.....160	1001216618.....661	1001226531.....501	1001232642.....399
1001210294.....160	1001216625.....571	1001226872.....341	1001232667.....399, 671
1001210636...373, 375, 431	1001216626.....571, 613	1001226902.....459	1001232842.....291
1001210781...153, 155, 607	1001216630.....337	1001226923.....271	1001233047.....674
1001211885....96, 100, 104, 108, 112, 116, 120, 124, 553	1001216638.....517, 571	1001227457.....674	1001233732.....676
1001211904..624, 628, 632, 636, 640, 644, 648, 652, 656	1001216806...505, 507, 509, 511, 613	1001227633.....395	1001233763.....291
1001212056..171, 183, 225, 241	1001216976..35, 61, 63, 325	1001227634.....395	1001234247.....61, 63, 65
1001212188.....589	1001217007....96, 100, 104, 108, 112, 116, 120, 124, 505, 507, 509, 511	1001227710.....159	1001234408.....636
1001212199.....447	1001217086.....469	1001227912.....271	1001234789..624, 628, 632, 636, 640, 644, 648, 652, 656
1001212328.....469	1001217087.....469	1001227948.....271	1001234791..173, 185, 201, 213, 231, 247
1001212491.....469	1001218037.....295	1001227960....96, 100, 104, 108, 112, 116, 120, 124	1001235962.....674
1001212492.....469	1001218572.....160	1001227985.....395	1001236268.....675
1001212494.....469	1001218622.....511	1001227987.....395	1001236504.....501
1001212495.....469	1001218623.....511	1001227996.....599, 601	1001236505.....501
1001212502.....469	1001219110.....35, 37	1001228025.....305, 441	1001236552.....399
1001212503.....469	1001219583.....306, 314	1001228034...305, 313, 439	1001236746.....429
1001212504.....469	1001219590.....306, 314	1001228065.....21, 449	1001236747.....425
1001212505.....470	1001219599.....307, 315	1001228066.....17, 435	1001236891..423, 425, 427, 429
1001212507.....470	1001219600.....307, 315	1001228090.....295, 447	1001236895..423, 425, 427, 429
1001212509.....470	1001219601....96, 100, 104, 108, 112, 116, 120, 124, 671	1001228091.....300, 455	1001236952.....675
1001212512.....468	1001220379.....547	1001228093...306, 314, 453	1001237402.....675
1001212663.....335	1001220470.....334	1001228094.....295, 445	1001237667.....565, 576
1001212669.....300	1001220482.....371, 569	1001228215.....341	1001237668.....565, 576
1001212810.....178, 190	1001220486.....378, 382	1001228224.....395, 671	1001237862.....599, 601
1001212817..178, 190, 206, 218, 236, 252	1001220864.....674	1001228225.....395, 671	1001237863.....395, 601
1001212825.....171, 183	1001220955.....371	1001228243.....359	1001237864.....395, 599
1001212826.....178, 190	1001221425.....296	1001228364....96, 100, 104, 108, 112, 116, 120, 124	1001237865.....395, 597
1001213053.....335	1001221585....96, 100, 104, 108, 112, 116, 120, 124	1001228375.....363	1001237866.....395, 597
1001213292.....66	1001222385.....306, 314	1001228376.....349	1001237882.....674
1001213293.....66	1001222387.....306, 314	1001228377.....353	1001237883.....674
1001213294.....66	1001222402.....306, 314	1001228872..171, 183, 225, 241, 670	1001237888.....401, 403
1001213295.....66	1001222404.....306, 314	1001228959.....674	1001237891.....403
1001213296.....66	1001222817.....271	1001228976.....371	1001237898.....401, 403
1001213297.....66	1001222918.....201, 213	1001228988.....415, 661	1001237902...401, 403, 671
1001213298.....66	1001223055.....624	1001229341.....395	1001238158.....87
1001213392.....61, 63	1001223453.....624, 644	1001229485.....371	1001238236.....61
1001213447.....575	1001223971.....644	1001229782.....628	1001238262.....87
1001213448.....611	1001224045...624, 628, 632, 636, 640, 644, 648, 652, 656	1001229922.....371	1001238263..423, 425, 427, 429
1001213836.....335	1001224046..171, 183, 225, 241	1001230931...529, 595, 613	1001238319.....395
1001213882.....378, 382	1001224048.....652	1001230934.....543	1001238401..171, 183, 225, 241
1001214029.....662	1001224049.....656	1001230935.....543	1001238402..171, 183, 225, 241
1001214098.....335	1001224050.....640	1001230936.....543	1001238418.....399, 603
1001214478.....675	1001224052.....632	1001231008...147, 149, 619	1001238463.....427
1001214540.....675	1001224053.....648	1001231235.....676	1001238470..171, 183, 226, 242
1001214548.....675	1001225167....96, 100, 104, 108, 112, 116, 120, 124	1001231291.....470	1001238472.....399
1001214552.....675	1001225220.....624, 632	1001231315.....624	1001238483....96, 100, 112, 116, 533
1001214561.....675	1001225279....96, 100, 104, 108, 112, 116, 120, 124	1001231316.....644	1001238495.....397
1001214562.....675	1001225346.....501, 671	1001231317.....652	1001238559.....399
1001214570.....501		1001231318.....656	1001238732.....143
1001214571.....501		1001231319.....632	1001239344.....503
1001214756.....325		1001231320.....648	1001239345.....503
1001215375.....371		1001231321.....640	1001239625.....675
1001215379.....371		1001231711.....147, 149	1001239627.....675
1001215380.....371		1001231801.....661	
1001215836.....517		1001231949.....429	
		1001231950.....425, 427	
		1001232010...425, 427, 429	
		1001232011...425, 427, 429	

SECTION 11 - SPECIAL OPTIONS/ACCESSORIES/KITS

1001239805.....	501	1001246615.....	628	1001260307 ..	231, 236, 247, 252	1001274830.....	675
1001239874.....	501	1001246859	96, 100, 104, 108, 112, 116, 120, 124	1001260524	401	1001274833.....	675
1001239957.....	501	1001247073.....	676	1001260525	401, 403	1001274992.....	231, 247
1001241162.....	401	1001247252.....	401	1001260889	236, 252	1001275151.....	544
1001241273.....	676	1001247468.....	337, 670	1001260937	382	1001275152.....	544
1001241335.....	674	1001248140 ..	423, 425, 427, 429	1001261335	423	1001275153.....	544
1001241344.....	674	1001248141 ..	423, 425, 427, 429	1001261338	423	1001276610.....	674
1001241419.....	675	1001249052.....	676	1001262016	676	1001276923.....	674
1001241547.....	676	1001249095.....	607	1001262056 ...	231, 247, 543	1001277209.....	517, 671
1001241548.....	676	1001249695	676	1001262959	676	1001277285.....	677
1001241586.....	501	1001249941	676	1001263626	155	1001277296.....	240
1001241631.....	87	1001250035.....	676	1001263923	530	1001277297.....	242, 246
1001241673.....	677	1001250302.....	160	1001265163	431	1001277298.....	247, 250
1001241965.....	399	1001250303.....	160	1001265328	676	1001277341.....	677
1001242123....	96, 100, 104, 108, 112, 116, 120, 124, 617	1001250465.....	676	1001265342	431	1001277846.....	676
1001242124....	378, 382, 575	1001250466.....	676	1001265378	674	1001279238....	96, 100, 104, 108, 112, 116, 120, 124, 609
1001242126....	96, 100, 104, 108, 112, 116, 120, 124, 565	1001250595.....	676	1001265857	135, 139	1001281500.....	95, 99, 103, 107, 111, 115, 119, 123, 671
1001242192.....	674	1001251025.....	313, 443	1001265858	137, 141	1001281500.....	95, 99, 103, 107, 111, 115, 119, 123, 671
1001242378.....	173, 176	1001251065.....	23, 451	1001265870	112, 135	1001282106.....	385
1001242380.....	185, 188	1001251066.....	19, 437	1001265871	116, 137	1001284587.....	385
1001242382.....	171, 173	1001251857 ...	205, 217, 221	1001265872	120, 139	1001284588.....	385
1001242383.....	183, 185	1001251858 ...	178, 190, 193	1001265873	124, 141	1001284691 ..	624, 628, 632, 636, 640, 644, 648, 652, 656
1001242384.....	170	1001252033.....	676	1001265902	375	1001291543.....	236, 252
1001242386.....	182	1001252034.....	676	1001265904	375, 381	1001293066.....	193, 255
1001242390.....	87	1001252627.....	665, 667	1001265905	378, 382	1001293701.....	63
1001243047.....	41, 95	1001252629 ..	423, 425, 427, 429	1001266056	675	1001311034.....	399
1001243048.....	96, 127	1001253618.....	675	1001266098	676	1060343.....	288
1001243050.....	43, 99	1001253619.....	675	1001266284	676	1060545.....	525
1001243051.....	129, 133	1001254472.....	399	1001266489	675	1060908.....	523, 527
1001243052.....	100, 129	1001254473.....	399	1001266807	675	1060918.....	393
1001243053.....	45, 103	1001254474.....	624	1001266826	676	1060945.....	511
1001243054.....	104, 131	1001254475.....	624	1001266828	676	10702077.....	284, 288
1001243055.....	47, 107	1001254476.....	644	1001266969	676	10702082.....	284, 288
1001243056.....	108, 133	1001254477.....	644	1001267315 ..	624, 628, 632, 640, 644, 648, 652, 656	1120549.....	21, 23
1001243091.....	624	1001254478.....	652	1001267659	49, 111	1120555.....	405
1001243092.....	401	1001254479.....	652	1001267660	51, 115	1260017.....	73
1001243093.....	644	1001254480.....	640	1001267661	53, 119	1320022.....	87, 206, 218
1001243094.....	652	1001254481.....	640	1001267662	55, 123	1320041 ..	87, 173, 185, 201, 213, 230, 246
1001243095.....	640	1001254482.....	632	1001268243 ..	624, 628, 632, 636, 640, 644, 648, 652, 656	1320061.....	230, 246
1001243096.....	632	1001254483.....	632	1001268946	544	1320136 173, 185, 201, 213, 230, 246	230, 246
1001243097.....	656	1001254484.....	656	1001269187	675	1320159.....	459
1001243098.....	648	1001254485.....	656	1001269389	675	1320177.....	408, 419
1001243184.....	674	1001254486.....	648	1001270339	503	1320263.....	151, 459
1001243205.....	401	1001254487.....	648	1001270340	503	1320288.....	321, 323
1001243414.....	160	1001256823 ...	236, 252, 255	1001271642	675	1320296.....	459
1001243895.....	291	1001256862 ..	178, 190, 205, 217, 236, 252	1001271760	675	1320302.....	408, 411, 413, 415
1001244335.....	403	1001257271.....	423	1001271930	661	1320328.....	321
1001244336.....	401	1001257274.....	423	1001271932	661	1321385.....	459
1001244452.....	153	1001258191	95, 99, 103, 107, 112, 116, 120, 124, 503	1001271934	661	1321716 170, 176, 182, 188, 204, 216, 224, 230, 234, 240, 246, 250	170, 176, 182, 188, 204, 216, 224, 230, 234, 240, 246, 250
1001244671.....	403	1001258730	401, 403	1001271936	661	1380147 170, 182, 198, 210, 224, 240	170, 182, 198, 210, 224, 240
1001244709.....	403	1001259191	231, 234	1001271938	661	1580012.....	369
1001244710.....	403	1001259192.....	226, 230	1001272166	675	1580013.....	675
1001244732.....	403	1001259193.....	224	1001272182	675	1670603.....	495
1001244733.....	403	1001259203.....	236, 252	1001272274	675	1671039.....	333
1001244863.....	674	1001259204.....	226, 242	1001274249	676	1671040.....	21, 23
1001245160.....	143	1001259208.....	236, 252	1001274829	675	1671092.....	288, 509
1001245176.....	143, 385	1001259278	236, 252				
1001245206.....	143	1001259281	236, 252				
1001246142.....	674	1001260287.....	226, 242				
1001246389.....	401						
1001246471.....	674						
1001246472.....	674						
1001246614.....	636						

SECTION 11 - SPECIAL OPTIONS/ACCESSORIES/KITS

1671093	408, 413, 509	1705347	644	2111620	468	2230025	468
1671122	333	1705351	624	2120217	325	2230026	468
1701499	624, 628, 632, 636, 640, 644, 648, 652, 656	1705355	661	2131010	66, 83	2230031	468
1701505	624, 628, 632, 636, 640, 644, 648, 652, 656	1705358	405	2131012	25	2230035	468
1701509	405, 624, 628, 632, 636, 640, 644, 648, 652, 656	1705374	280, 497	2150606	66	2230036	468
1701518	628, 636	1705375	289, 415, 661	2150806	327	2360030	127, 129, 131, 133, 135, 137, 139, 141
1701691	624, 628, 632, 636, 640, 644, 648, 652, 656	1705387	280, 289	2150808	327	2400030	576, 670
1702565	377, 381	1705426	648	2150810	327	2400060	291, 431, 576
1702566	377, 381	1705427	652	2151010	83	2400066	539, 543
1702773	355, 365, 367, 624, 628, 632, 636, 640, 644, 648, 652, 656	1705429	644	2151616	66	2410014	355, 365, 367
1702774	624, 628, 632, 640, 644, 648, 652, 656	1705430	640	2160002	71	24861170	235, 251
1702868	415, 624, 661, 665	1705460	284, 288	2170204	468	2540044	459
1702942	216	1705461	284	2171310	468	2560136	377, 381
1703162	176, 188, 206, 218, 234, 250	1705489	275, 284	2180344	71	2560187	160, 161
1703804	624	1705490	665, 667	2180832	170, 182, 198, 210, 224, 240, 408, 419	2600281	343, 347, 349, 357, 359
1703805	624	1705492	624	2220235	463	2720015	176, 188, 204, 216, 234, 250
1703811	624, 628, 632, 636, 640, 644, 648, 652, 656	1705503	652	2220313	170, 182, 198, 210, 224, 240	2720160	408, 419
1703814	624, 628, 632, 636, 640, 644, 648, 652, 656	1705505	644	2220366	459, 468	2750528	71
1703935	656	1705511	624, 628, 632, 636, 640, 644, 648, 652, 656	2220371	39, 69	2750532	171, 183, 199, 211, 224, 240
1703936	644	1705515	628, 636	2220372	463	2751032	71
1703938	648	1705745	377, 381	2220373	327, 329, 468	2820019	559
1703939	652	1705822	628, 636	2220374	66, 468	2820031	275, 279, 283, 287
1703941	656	1705828	628, 636	2220375	468	2820035	291
1703942	644	1705864	624, 628, 632, 636, 640, 644, 648, 652, 656	2220380	69, 468	2820171	569
1703943	640	1705865	624, 628, 632, 640, 644, 648, 652, 656	2220415	25, 37, 329, 459, 468	2820247	599, 601
1703944	648	1705896	632	2220435	69, 327	2840016	170, 182, 198, 210, 224, 240
1703945	652	1705897	632	2220465	66	2860030	670
1703947	656	1705897	632	2220472	25, 66	2900770	441, 443, 447, 453, 455
1703948	644	1705898	632	2220473	463, 468	2901443	676
1703949	640	1705902	632	2220478	468	2902065	176, 188, 204, 216, 234, 250, 259
1703950	648	1705903	632	2220479	468	2902087	435
1703951	652	1705905	632	2220498	83, 468	2902212	405
1703953	624	1705906	632	2220499	327	2902217	408, 411, 413, 676
1703959	624, 628, 632, 636, 640, 644, 648, 652, 656	1705910	656	2220500	327, 468	2902285	439
1703980	648	1705915	656	2220502	459	2902443	540, 544, 547
1703981	652	1705917	656	2220504	463	2920161	151
1703982	640	1705921	628, 636	2220578	468	2940074	343, 347, 349, 357, 359, 670
1703983	656	1705961	628, 636	2220582	66, 327, 329	2940173	160, 161
1703984	644	1705967	632, 661	2220600	329	3010136	305, 313
1704000	644, 661	1705969	652, 661	2220602	468	3020037	230, 246
1704001	656, 661	1706059	632	2220618	468	3020039	17, 19, 305, 313
1704260	377, 381	1706060	640	2220816	271	3020042	300, 305, 313
1704277	624, 628, 632, 636, 640, 644, 648, 652, 656	1706061	652	2220861	37	3160339	25, 27
1704412	624, 628, 632, 636, 640, 644, 648, 652, 656	1706063	656	2220865	66, 69, 468	3251102	275, 279, 283, 287
1704972	624, 648	1706064	644	2220881	37, 435, 437	3251242	479, 481, 483, 485, 487, 489, 491, 493, 495
1705014	355, 365	1706098	628, 636	2220883	37, 435, 437, 439, 441, 443, 445, 447, 453, 455	3251243	280, 289, 473
1705132	377, 381	1706385	355, 365	2220885	37, 441, 451, 453, 455	3252347	624
1705171	377, 381	1706493	367	2220886	435, 437, 439, 445, 447	3271501	159
1705305	415, 661, 665, 667	1706501	367	2220887	445, 447	3271605	423, 425, 427, 429
1705325	475, 477	1706741	377, 381	2220888	447	3271805	355, 365, 367
1705336	624	2030010	408, 411, 413, 415, 419	2220906	66, 83	3272001	423, 425, 427, 429
1705344	648	2080040	343, 347, 349, 357, 359	2220940	459	3290301	170, 182, 198, 210, 224, 240
1705345	652	2080069	401, 403	2220947	83, 327	3290405	95, 99, 103, 107, 111, 115, 119, 123, 151, 170, 182, 198, 210, 224, 240, 373, 375, 431, 475, 477, 479, 481, 483, 485,
		2110406	66	2221034	468		
		2110604	468	2221050	468		
		2110808	25, 463, 468	2221077	468		
		2110810	37, 39, 468	222108637	39, 66, 327, 329		
		2110812	463	2221114	170, 182, 198, 210, 224, 240		
		2111010	83, 327, 468	2221155	69		
		2111012	25, 37				
		2111016	37, 468				

SECTION 11 - SPECIAL OPTIONS/ACCESSORIES/KITS

487, 489, 491, 493, 495, 519, 521	3300353.....377, 381	3538758.....323	4010408..... 275, 519, 521
3290405001..... 275	3300396..... 279, 284, 288	3573400 .408, 411, 413, 415	4010608..... 408, 419
329050795, 99, 103, 107, 111, 115, 119, 123, 201, 213	3300408..... 143	3573642 .408, 411, 413, 415	4010618 345, 351, 353, 361, 363
329060195, 99, 103, 107, 111, 115, 119, 123, 160, 161	3300430..... 397, 403	3576799408, 419	4031505..... 395
3290605 ..41, 43, 45, 47, 49, 51, 53, 55, 87, 95, 99, 103, 107, 111, 115, 119, 123, 145, 147, 149, 153, 155, 161, 170, 182, 198, 210, 224, 240, 373, 375, 408, 419, 517, 519, 521	3300464001 21, 23	3577121 .408, 411, 413, 415	4031509..... 333
3290605001..... 334, 371	3300492.....459	3580317 .275, 279, 283, 287	4031510..... 333
3290606 345, 351, 353, 361, 363	3310401 173, 185, 201, 213, 230, 246	3580318275, 283	4031512..... 21, 23, 333
3290607 ..35, 151, 173, 176, 185, 188, 201, 204, 213, 216, 230, 234, 250, 333	3311001 284, 288	374006795, 99, 103, 107, 111, 115, 119, 123, 671	4031516..... 399
3290801001..... 468	3311005 153, 155, 279, 283, 287, 377, 381, 408, 411, 413, 415, 419	3740086603, 671	4031707..... 21, 23, 333
329080595, 99, 103, 107, 111, 115, 119, 123, 159, 170, 176, 182, 188, 204, 216, 224, 234, 240, 250, 333, 501, 505, 507, 509, 511	3311005001275	3760133305, 313	4031708001..... 371
3290805001.21, 23, 96, 100, 104, 108, 112, 116, 120, 124, 160, 275, 279, 283, 287, 337, 473, 499, 505, 507, 509, 511, 519, 521	3311405 399, 475, 477, 479, 481, 483, 485, 487, 489, 491, 493, 495, 501, 624, 628, 632, 636, 640, 644, 648, 652, 656	376017073	4031710..... 87
3290807 170, 176, 182, 188, 198, 204, 210, 216, 224, 234, 240, 250	3311601 95, 99, 103, 107, 111, 115, 119, 123, 160, 378, 382, 399	3760217305, 313	4031912..... 204, 216
3290807001..... 325	3311605 271, 355, 365, 367, 408, 411, 413, 415	3760233305, 313	4032311001..... 21, 23
3291001001..... 337, 468	3312002 ..75, 423, 425, 427, 429	3760368441	4060802 .275, 279, 283, 287
3291005 ..75, 160, 176, 188, 204, 216, 234, 250, 305, 313, 333, 373, 375, 517	3312005405	376038321, 23, 333	4060807 176, 188, 206, 218, 234, 250
3291005001...160, 163, 165, 307, 315, 321, 323, 325, 337, 468	3312205405	3790012377, 381	4060865..... 151
3291007 ..85, 87, 91, 95, 99, 103, 107, 111, 115, 119, 123, 159, 170, 173, 176, 182, 185, 188, 198, 201, 204, 210, 213, 216, 224, 230, 234, 240, 246, 250	332220181	3790152 173, 185, 201, 213, 230, 246	4060906..... 377, 381
3291007001..... 160	3331411 170, 182, 198, 210, 224, 240	3790155 173, 185, 201, 213, 230, 246	4070863..... 305, 313
3291201 .275, 279, 283, 287	3331611001 307, 315	379015825	4070864..... 305, 313
3291201001..... 337	3332415001 337	3820001 624, 628, 632, 636, 640, 644, 648, 652, 656	4070897..... 305, 313
329120581, 85, 87	3340763.....455	3820020 343, 347, 349, 357, 359	4071044..... 305, 313
3291205001...35, 41, 43, 45, 47, 49, 51, 53, 55, 337	3340764.....323	3820032 176, 188, 204, 216, 234, 250	4071045..... 305, 313
3291207 230, 246	3340934.....459	3841143 170, 182, 198, 210, 224, 240, 305, 313, 337	4071073..... 305, 313
3291407 234, 250	3340941 321, 323	3841203305, 313	4071074..... 377, 381
3291407001....17, 19, 21, 23	3340956.....405	3841258 17, 19, 21, 23, 305, 313	4071076..... 321
3291601 176, 188, 204, 216, 234, 250	3380434 373, 375	384287295	4100063..... 459
3292201 305, 313	3421453408, 419	3841356 17, 19, 295	4100101..... 305, 313
3292401001..... 295	3421563 73	3900054355, 365, 367	4160197..... 305, 313
3300151 341, 345, 349, 351, 353, 359, 361, 363, 408, 411, 413, 415	3421565 73	3900260459	4220189..... 321
	3422178 305, 313	3900283325	4220190..... 321
	3422912 17, 19	3900349377, 381	4240018 275, 279, 283, 287, 459, 463, 468, 497
	3422937 305, 313	3900363160, 161, 333	4240033. 395, 397, 399, 459
	3422957 305, 313	390039001321	4240099... 95, 99, 103, 107, 111, 115, 119, 123, 170, 176, 182, 188, 198, 204, 210, 216, 224, 230, 240, 246, 291, 408, 411, 413
	3423190 305, 313	3910408 173, 185, 201, 213, 230, 246	4240149..... 405
	3430616 378, 382	3910606 .279, 287, 473, 497	4240155..... 470
	3430816 170, 182, 198, 210, 224, 240	3910612473	4360070. 129, 284, 288, 670
	3450404 170, 182, 198, 210, 224, 240	3910804 127, 129, 131, 133, 135, 137, 139, 141	4360328 127, 129, 131, 133, 135, 137, 139, 141, 671
	3451214 21, 23	3911010153, 155	4360336 275, 279, 283, 287, 671
	3460334405	3931012377, 381	4360387 127, 129, 133, 135, 137, 141, 377, 381, 671
	3470003 378, 382	3931016 .275, 279, 283, 287	4360407..... 377, 381, 670
	3520026 377, 381	3931408397	4360469 127, 129, 131, 133, 135, 137, 139, 141, 671
	3520032 160, 161	393151283	4360475 127, 129, 131, 133, 135, 137, 139, 141, 377, 381, 671
	3520071405	3931516441	4360476 127, 129, 131, 133, 135, 137, 139, 141
	3520072 341, 343, 345, 347, 349, 351, 353, 355, 357, 359, 361, 363, 365, 367	3931620 .173, 185, 230, 246	4360548..... 333, 671
	3520173 160, 161	3931824435, 439	4420014..... 405
	3520189284	3932264447	4420037. 408, 411, 413, 415
	3520192284	3932272445	4420038..... 91
	3520198 341, 343, 345, 347, 349, 351, 353, 357, 359, 361, 363	3951405449	4420051..... 661
		395202075	4420066..... 405
		3960389333	4460016..... 576
		3960422 .279, 287, 473, 497	4460019..... 610
		396052585, 87	4460042. 540, 543, 547, 565
		396055121, 23	
		398000691	
		4000008333, 671	
		4010308 170, 182, 198, 210, 224, 240	

SECTION 11 - SPECIAL OPTIONS/ACCESSORIES/KITS

4460043.....291, 547	4460497 377, 381, 517, 577, 611	4460917..... 17, 19, 333, 334	4461271529
4460051473	4460508 .395, 571, 575, 610	4460918.....334, 595	4530028 408, 411, 413, 417, 676
4460071 279, 287, 393	4460509513, 515, 540	4460925..... 575	4562516459
4460134..... 505, 507	4460510 676	4460926..... 615	4640452441, 443
4460144565	4460516 83	4460928..... 572, 593	4640746453
4460183576	4460518 572, 575, 593, 607, 615	4460929.....591	4640751 176, 188, 204, 216, 234, 250
4460205 473, 505, 507	4460536 145, 334, 403, 547, 571, 575, 619	4460930 503, 539, 543, 547, 571, 589, 617	4641114441, 443
4460224377, 381	4460539 334, 503, 544, 547, 551, 571, 575, 593, 610, 617	4460931401, 610	464115535
4460225557, 559, 575	4460612 497	4460932 333, 431, 503, 505, 507, 509, 511, 533, 553, 565, 610	4641260441, 443
4460226 377, 381, 388, 391, 393	4460633 613	4460933 503, 540, 543, 544, 571, 575, 607, 609, 617	4641386439
4460227 529, 575, 576	4460662 .485, 489, 493, 495	4460934..... 539, 543, 571	4641388439
4460234377, 381	4460670 610	4460935..... 540, 543, 571	4641393439
4460247 .540, 543, 547, 610	4460703 .540, 544, 547, 610	4460941..... 535, 553, 597	4711000 .153, 155, 284, 288
4460256503, 610	4460708 613	4460942 395, 535, 539, 543, 547	4711400 160, 161, 341, 345, 349, 351, 353, 359, 361, 363, 397, 399, 401, 475, 477, 479, 481, 483, 485, 487, 489, 491, 493, 495
4460259 431, 565, 576	4460722 .291, 571, 593, 610	4460943.. 83, 145, 334, 401, 403, 529, 533, 535, 547, 565, 571, 575, 597, 609, 610	4711500159
4460260 431, 565, 576	4460748540, 544, 610	4460944.. 83, 503, 535, 539, 540, 543, 547, 551, 565, 569, 571, 575, 576, 609, 610	4711600 .91, 176, 188, 204, 216, 271, 378, 382, 423, 425, 427, 429, 459
4460265388, 391	4460761529, 575, 609	4460945..... 544, 551, 611	471160000161, 63, 325
4460267 576, 609, 613	4460800557, 559	4460950..... 529, 609	4711700283, 287
4460268557, 559, 571	4460808557, 559	4460956..... 523, 527	471180021, 23, 170, 182, 198, 210, 224, 240, 355, 365, 367
4460314575	4460836 ...83, 571, 609, 617	4460957..... 523, 527	4712000 405, 423, 425, 427, 429
4460315 473, 575	446083783, 571	4460958.....497	4712200 170, 182, 198, 210, 224, 240, 405
4460346 279, 287, 473	4460843 617	4460962..... 408, 413, 509	474005775
4460384495	4460851529, 615	4460963..... 288, 509	4740171 173, 185, 201, 213, 230, 246
4460418 .565, 575, 576, 577	4460852529, 615	4460967..... 561, 563	474022917, 19, 21, 23
4460419 .565, 575, 576, 577	4460865513, 515	4460968..... 333, 477, 481	4740362373, 375
4460425 275, 279, 284, 288, 497	4460866571, 575, 610	4460970..... 565, 609	4740397377, 381
4460426 275, 279, 284, 288, 517	4460871 529, 565, 575, 609, 617, 619	4460971..... 408, 419	474050521, 23
4460428377, 381	4460872529, 617	4460982..... 535	4750400 173, 185, 201, 213, 230, 246
4460434571, 576	4460873529, 575, 609	4460984..... 539, 617	475100085, 87, 279, 283, 287, 377, 381, 408, 411, 413, 415, 419
4460443 610	4460874529, 575, 609	4461006..... 540	4751000001275
4460458540, 610	4460875529, 617	4461008..... 540, 544, 548	4751400 369, 377, 381, 403, 408, 411, 413, 415, 501, 624, 628, 632, 636, 640, 644, 648, 652, 656
4460464 21, 23, 83, 151, 153, 155, 333, 393, 431, 503, 529, 530, 533, 535, 537, 548, 553, 565, 567, 571, 575, 593, 595, 603, 607, 609, 610, 615, 619	4460876529, 565, 575	4461016..... 571	4751400001371
4460465 .. 83, 151, 431, 503, 505, 507, 509, 511, 513, 515, 529, 530, 535, 537, 539, 540, 543, 544, 547, 548, 555, 557, 559, 561, 563, 565, 567, 569, 571, 572, 576, 589, 593, 605, 607, 609, 610, 613, 615, 617, 619	446087883, 609	4461017..... 83	475160095, 99, 103, 107, 111, 115, 119, 123, 408, 411, 413, 415
4460466 .. 83, 334, 395, 401, 431, 503, 505, 507, 509, 511, 513, 515, 529, 530, 535, 537, 539, 540, 543, 544, 547, 565, 567, 569, 571, 575, 589, 597, 603, 605, 607, 609, 610, 615, 617	4460879431, 575	4461018..... 609	4751800355, 365, 367
4460467 676	4460884 431, 535, 539, 543, 555, 567, 571, 576, 589, 609, 610, 613, 617	4461043..... 540, 547	475500000121, 23
4460470 377, 381, 517, 577, 610	4460887 ...83, 431, 575, 609	4461054..... 540, 544	4760600473
4460471 377, 381, 517, 577, 610	4460891 151, 529, 530, 535, 537, 548, 571, 607, 609, 610, 613, 615, 617, 619	4461060..... 553	4761400369
4460473513, 515	4460892 .539, 544, 571, 615	4461070..... 539, 544, 607	476160095, 99, 103, 107, 111, 115, 119, 123
4460488 153, 155	4460893571, 611	4461071..... 540, 544, 547	479140095, 99, 103, 107, 111, 115, 119, 123
4460496 377, 381, 517, 577, 610	4460894 503, 505, 507, 509, 511, 539, 543, 544, 547, 565, 571, 576, 605, 609, 615	4461072..... 540, 547	481140095, 99, 103, 107, 111, 115, 119, 123, 170, 182, 198, 210, 224, 240, 333, 373, 375, 431, 475,
	4460897 .151, 153, 155, 548	4461074..... 540, 547	
	446089921, 23, 529, 530, 537, 567, 595, 597, 603, 610, 615	4461076..... 333	
	4460905 377, 381, 529, 565, 575, 609, 617	4461077 334, 572, 593, 597, 603	
	4460906 571	4461095..... 539, 543, 607	
	446091017, 19, 334, 591, 599	4461117..... 503	
	4460911 .503, 530, 595, 597	4461196..... 579	
	4460912 503	4461198..... 477, 579	
	4460913 334	4461199..... 581	
	4460914 21, 23	4461201..... 481, 581	
		4461205..... 583, 585	
		4461228..... 334	
		4461244..... 485, 583	
		4461245..... 489, 585	
		4461246..... 493, 587	
		4461249..... 587	

SECTION 11 - SPECIAL OPTIONS/ACCESSORIES/KITS

477, 479, 481, 483, 485, 487, 489, 491, 493, 495	4812102..... 81, 85, 87	70000793259	70002159..... 262
4811400001..... 275	4812200 171, 177, 183, 189, 198, 204, 210, 216, 224, 234, 240, 250	70000796319	70002160..... 262
481160095, 99, 103, 107, 111, 115, 119, 123, 173, 176, 185, 188, 201, 204, 213, 216, 230, 234, 246, 250	4812200001 ... 17, 19, 21, 23	7000080337	70002161..... 262
4811700 ...35, 41, 43, 45, 47, 49, 51, 53, 55, 87, 95, 99, 103, 107, 111, 115, 119, 123, 145, 147, 149, 153, 155, 161, 170, 173, 176, 182, 185, 188, 198, 201, 204, 210, 213, 216, 224, 230, 234, 240, 246, 250, 275, 279, 345, 351, 353, 361, 363, 408, 419, 519, 521	4812700001 295	7000080437	70002162..... 262
4811700001.....334, 371, 459	4846482..... 305, 313	7000080537	70002163..... 262
481170287, 95, 99, 103, 107, 111, 115, 119, 123, 151, 170, 176, 182, 188, 204, 216, 224, 234, 240, 250, 373, 375, 517	4846627. 408, 411, 413, 415	7000085227	70002164..... 262
4811702001..... 371	4871200 171, 183, 198, 210, 224, 240	7000085327	70002165..... 262
481190095, 99, 103, 107, 111, 115, 119, 123, 160, 161, 170, 176, 182, 188, 198, 204, 210, 216, 224, 230, 234, 240, 246, 250, 333, 501, 505, 507, 509, 511	4871700.... 95, 99, 103, 107, 111, 115, 119, 123, 275, 279, 283, 287	7000085427	70002168..... 263
4811900001...21, 23, 35, 96, 100, 104, 108, 112, 116, 120, 124, 160, 275, 279, 283, 287, 325, 337, 468, 473, 499, 505, 507, 509, 511, 519, 521	4891600 160, 173, 185, 201, 213, 230, 246	7000085527	70002174..... 263
481190287, 95, 99, 103, 107, 111, 115, 119, 123, 159, 171, 176, 183, 188, 204, 216, 224, 234, 240, 250, 333	4891800 171, 173, 183, 185, 198, 201, 210, 213, 225, 230, 241, 246	7000085627	70002175..... 263
4811902001.....96, 100, 104, 108, 112, 116, 120, 124, 160	4922641. 276, 280, 284, 289	7000085727	70002177..... 263
4812000 ...35, 61, 63, 75, 91, 95, 99, 103, 107, 111, 115, 119, 123, 159, 171, 173, 176, 183, 185, 188, 198, 201, 204, 210, 213, 216, 224, 230, 234, 240, 246, 250, 275, 279, 283, 287, 305, 313, 325, 505, 507, 509, 511	4922925 284, 288, 559	7000085827	70002178..... 263
481200285, 87, 159, 176, 188, 204, 216, 234, 250, 305, 313, 373, 375, 517	5241000 171, 177, 183, 189, 198, 204, 210, 216, 225, 241	7000085927	70002179..... 263
4812002001..... 160	5241000001 ... 307, 315, 337	7000086027	70002231..... 61, 670
4812100 ...81, 159, 173, 177, 185, 189, 201, 204, 213, 216, 230, 234, 246, 250, 333	5241200.. 25, 275, 279, 283, 287, 305, 313	7000086127	70002297..... 283, 288
4812100001...35, 41, 43, 45, 47, 49, 51, 53, 55, 160, 321, 323, 337	5241200001 25	7000086227	70002373..... 443
	5242400 71	70000863283, 288	70002386..... 37, 670
	5242400001 337	70001100283, 287	70002410..... 451
	5250608. 225, 234, 241, 250	70001384283, 287	70002460..... 284, 288
	5250611. 230, 235, 246, 251	70001424421	70002576..... 269
	5250806001 334	70001425421	70002578..... 266
	5250808 225, 241	70001427421	70002580..... 265
	5250810 225, 230, 235, 241, 246, 251	70001428421	70002582..... 265
	5250810001 334	70001429421	70002583..... 265
	5250812 225, 230, 235, 241, 246, 251	70001430421	70002585..... 266
	5250816 235, 251	70001431421, 670	70002586..... 265
	5251008001 335, 337	70001432421, 671	70002588..... 265
	5251010 235, 251	70001639317	70002589..... 265
	5251010001 ... 307, 315, 334	70001640319	70002590..... 265
	5251012001 334	70001696284, 288	70002592..... 265
	5251016 235, 251	70001697317	70002593..... 265
	5251016001 334, 337	70001870256	70002595..... 266
	5251022 177, 189, 204, 216, 235, 251	70001955265	70002599..... 266
	5251210 235, 251	70001956265	70002600..... 262
	5251210001 57	70001958263	70002601..... 262
	5251215. 225, 230, 241, 246	70001966276, 280, 284, 288	70002602..... 262
	5260600 225, 230, 235, 241, 246, 251	70001973276, 280, 284, 288	70002604..... 263
	5260800 225, 230, 235, 241, 246, 251	70001974284, 288	70002605..... 263
	5261000 235, 251	7000202829	70002606..... 263
	5261018 333	7000203129	70002607..... 263
	5261200. 225, 230, 241, 246	7000203229	70002608..... 263
	5271614 204, 216	7000203629	70002609..... 263
	5272024 445	7000205229	70002610..... 263
	5272025 447	7000205729, 77	70002612..... 263
	70000342 317	70002097325, 670	70002616..... 263
	70000619 283, 287	70002132262	70002617..... 263
	70000778 445	70002133262, 265	70002618..... 262
	70000781 66	70002134262	70002619..... 262
		70002135262	70002620..... 262
		70002136262	70002621..... 263
		70002137262	70002622..... 263
		70002138262	70002623..... 263
		70002139262	70002758..... 66, 327
		70002140262	70002759..... 66, 327
		70002141262	70002838..... 89
		70002142262	70002859..... 319
		70002145262	70002902..... 393
		70002148262	70002903..... 393
		70002150262	70002904..... 393
		70002151262	70002905..... 393
		70002152262	70002962..... 66
		70002153262	70003019..... 329
		70002154262	70003020..... 329
		70002155262	70003021..... 329
		70002156262	70003023..... 329
		70002157262	70003027..... 329
		70002158262	70003408..... 37

SECTION 11 - SPECIAL OPTIONS/ACCESSORIES/KITS

70003484.....	83	70004447.....	29	70004597.....	65, 66, 327	70005513.....	193
70003628.....	27	70004448.....	29	70004600.....	65	70005516.....	194, 256
70003631.....	283, 288	70004449.....	30	70004601.....	66, 327	70005517.....	193, 255
70003708276, 280, 284, 288		70004450.....	30	70004602.....	66, 327	70005522.....	193
70003709276, 280, 284, 288		70004451.....	30	70004603.....	66	70005523.....	193
70003784.....	377, 381	70004452.....	30	70004609.....	65	70005524.....	193
70003788.....	295, 670	70004453.....	30	70004610.....	66	70005544.....	193
70003919.....	321	70004456.....	327	70004613.....	66	70005548.....	194, 255
70003920.....	321	70004457.....	66, 329	70004614.....	69, 671	70005549.....	194
70003948.....	317	70004459.....	39, 65, 327	70004615.....	69	70005556.....	193
70004005.....	93	70004460.....	39, 65, 327, 670	70004617.....	66, 327, 329	70005559.....	193, 255
70004006.....	93	70004461.....	39	70004618.....	66	70005564.....	221
70004007.....	93	70004462.....	39	70004619.....	66	70005565.....	85, 87
70004017.....	37	70004463.....	39, 670	70004653.....	329, 670	70005598.....	445, 447
70004050.....	66, 329	70004464.....	39	70004676.....	276, 280	70005599.....	455
70004051.....	327, 329	70004465.....	39	70004678.....	276, 280	70005600.....	455
70004052.....	65, 66, 327, 329	70004466.....	77	70004679.....	276, 280	70005601.....	455
70004055.....	39, 65	70004467.....	77	70004680.....	276, 280	70005602.....	455
70004071.....	323	70004468.....	77	70004681.....	276	70005603.....	455
70004092276, 280, 284, 288		70004469.....	77	70004682.....	276	70005615.....	93
70004093.....	288	70004470.....	77	70004683.....	276, 280	70005616.....	93
70004094.....	284, 288	70004471.....	77	70004685.....	280	70005617.....	93
70004095.....	288	70004472.....	77	70004738.....	391	70005618.....	93
70004096.....	284, 288	70004473.....	77	70004739.....	391	70005619.....	93
70004097.....	284, 288	70004474.....	77	70004740.....	391	70005620.....	319
70004098276, 280, 284, 288		70004475.....	77	70004741.....	391	70005621.....	319
70004099.....	288	70004476.....	77	70004742.....	391	70005622.....	319
70004150.....	89	70004477.....	77	70004743.....	391	70005624.....	276, 280
70004164.....	39	70004478.....	77	70004744.....	391	70005625.....	280
70004171.....	276, 280, 283	70004479.....	77	70004745.....	391	70005633.....	447
70004185.....	676	70004480.....	77	70004746.....	391	70005651.....	283
70004363.....	29	70004481.....	77	70004747.....	391	70005652.....	284
70004383.....	37	70004482.....	77	70004748.....	391	70005654.....	447, 453
70004384.....	37	70004483.....	77	70004749.....	391	70005655.....	447
70004386.....	37	70004484.....	77	70004750.....	391	70005656.....	447
70004406.....	445, 453	70004485.....	77	70004751.....	391	70005657.....	295
70004407.....	453	70004486.....	77	70004752.....	387	70005658.....	445
70004411.....	89	70004487.....	77	70004753.....	387	70005659.....	445
70004412.....	89	70004488.....	78	70004754.....	387	70005666.....	323
70004416.....	265	70004489.....	78	70004755.....	387	70005678.....	83
70004417.....	265	70004490.....	78	70004756.....	387	70005679.....	83
70004418.....	265	70004491.....	77	70004757.....	387	70005804.....	455
70004419.....	265	70004492.....	78	70004758.....	387	70005878.....	449
70004420.....	265	70004493.....	78	70004759.....	387	70005943.....	65
70004421.....	265	70004494.....	78	70004760.....	387	70005944.....	65
70004422.....	265	70004508.....	255	70004761.....	387	70005945.....	65
70004423.....	266	70004511.....	255	70004762.....	387	70005946.....	65
70004425.....	266	70004512.....	193, 221, 255	70004763.....	387	70005947.....	65, 66
70004426.....	266	70004515.....	193, 221, 255	70004764.....	387	70005948.....	65
70004429.....	29	70004517.....	221	70004765.....	387	70005950.....	66
70004430.....	29	70004518.....	221	70004766.....	387	70005951.....	66
70004431.....	29	70004519.....	221	70004767.....	387	70005952.....	66
70004432.....	29	70004520.....	193, 221, 255	70004768.....	387	70005953.....	66
70004433.....	29	70004583.....	65	70004769.....	387	70005954.....	327
70004434.....	29	70004584.....	65	70004770.....	387	70005955.....	327
70004435.....	29	70004585.....	65, 327, 329	70004771.....	387	70005958.....	66, 69, 327
70004436.....	29	70004586.....	65	70004772.....	387	70005959.....	69
70004437.....	29	70004587.....	65	70004773.....	387	70005961.....	69
70004438.....	29	70004588.....	65, 66, 327, 670	70004774.....	388	70005962.....	327
70004439.....	29	70004589.....	65	70004775.....	388	70005963.....	327
70004440.....	29	70004590.....	65	70005143.....	443	70005964.....	327
70004441.....	29	70004591.....	65	70005199.....	69	70005965.....	327
70004442.....	29	70004592.....	65	70005433.....	453, 455	70005966.....	329, 671
70004443.....	29	70004593.....	65, 327	70005492.....	193	70005967.....	329
70004444.....	29	70004594.....	65, 66, 327	70005498.....	194, 256	70005999.....	453
70004445.....	29	70004595.....	65, 66, 327, 670	70005504.....	193	70006003.....	295
70004446.....	29	70004596.....	65, 66, 327	70005511.....	193, 255	70006004.....	296, 670

SECTION 11 - SPECIAL OPTIONS/ACCESSORIES/KITS

70006005.....	295	70007998.....	443	70026210.....	193, 221, 255	7017402.....	329	
70006006.....	296	70008012.....	451	70026446.....	295	7017493.....	37	
70006137.....	61, 63	70008013.....	451	70027405.....	193	7018942.....	66, 327	
70006144.....	193, 221, 255	70008014.....	437	70027420.....	193	7020175 127, 129, 131, 133,	135, 137, 139, 141, 377,	
70006344.....	455	70008015.....	437	70027425.....	255	381		
70006403.....	271	70008016.....	437	70027460.....	193	7020176 127, 129, 131, 133,	135, 137, 139, 141, 377,	
70006404.....	271	70008017.....	437	70027463.....	193, 255	381		
70006405.....	271, 670	70008018.....	437	70027464.....	193, 255	7020404.....	194, 221, 256	
70006406.....	271	70008019.....	437	70027467.....	193, 255	7020465.....	194, 221, 256	
70006407.....	271	70008358.....	63, 670	70027495.....	193, 255	7021249.....	27	
70006408.....	271	70008368.....	63	70027569.....	221	7021256.....	263	
70006409.....	271	70008369.....	63	70027702.....	453	7021265.....	263	
70006410.....	271	70008612.....	193, 255	7002821.....	676	7021275.....	27, 262, 265	
70006470.....	449	70008613.....	193, 255	7002822.....	676	7021293.....	263	
70006471.....	449	70022286.....	265	7002823.....	676	7021375.....	39, 65, 327	
70006472.....	435	70022287.....	265	7002828.....	676	7021625.....	37	
70006473.....	435	70022564.....	437, 443, 451	70028540.....	193, 221	7022300.....	263	
70006474.....	435	70023351.....	265	70029401.....	193, 221, 255	7022301.....	262	
70006475.....	435	70023352.....	265	70029407.....	255	7022311.....	27	
70006494.....	439	70023353.....	265	70029468.....	437	7022314.....	27	
70006495.....	439	70023354.....	265	7004237.....	451	7022321.....	27	
70006496.....	439	70023355.....	265	7004275.....	676	7022340.....	265	
70006510.....	447	70023357.....	265	7004276.....	676	7022368.....	27	
70006511.....	447	70023358.....	265	70052577.....	437	7022371.....	27	
70006512.....	447	70023359.....	265	7007207.....	262, 265	7022390.....	329	
70006523.....	441	70023361.....	265	7007415.....	263, 265, 266	7022399.....	37	
70006524.....	441	70023362.....	265	7007418.....	262	7022523.....	327	
70006525.....	441	70023363.....	265	7007419.....	262	7023377.....	265	
70006526.....	441	70023368.....	453	7007420.....	27	7023922.....	329	
70006545.....	445	70023592.....	205, 217, 670	7007437.....	27	7023962.....	265	
70006546.....	445	70023593.....	205, 217, 670	7007438.....	27	7023964.....	265, 266	
70006552.....	275, 279	70023809.....	177, 189, 205,	7007439.....	27, 263	7024441.....	89	
70006553.....	275, 279, 671	217, 235, 251, 670	70023859.....	65	7007446.....	27, 262, 265	7024462.....	417
70006596.....	443, 451	70023860.....	65, 66	7007489.....	269	7024463.....	417	
70006653.....	193, 221, 255	70023862.....	65	7008010.....	451	7024467.....	417	
70006707.....	65	70023866.....	69	7008011.....	451	7024469.....	417	
70006708.....	65	70023867.....	69	7010543.....	37	7024470.....	417	
70006731.....	453, 456	70023872.....	177, 189, 205,	7011346.....	447, 455	7024471.....	417, 421	
70006732.....	455	217, 235, 251, 670	70024039.....	265	7011351.....	445, 453, 455	7024472.....	417
70006853.....	455	70024040.....	265	7011361.....	447, 455	7024473.....	417	
70006854.....	455	70024072.....	447	7011368.....	455	7024474.....	417	
70006856.....	455	7002412.....	437	7011371.....	455	7024475.....	417	
70006857.....	455	70024328.....	177, 189, 205,	7011376 435, 437, 439, 445,	447	7024478.....	417	
70006858.....	455	217, 235, 251	70024329.....	177, 189, 205,	7011381.....	284, 288, 670	7024485.....	283, 287
70006859.....	455	217, 235, 251	217, 235, 251	70024472.....	221	7024488.....	283, 287	
70006860.....	455	70024474.....	193, 221, 255	70024477.....	193, 221, 255	7024489.....	283, 287	
70006861.....	455	70024480.....	193, 255	70024481.....	194, 221	7024530.....	421	
70006862.....	455	70024481.....	194, 221	70024485.....	193, 221, 255	7024531.....	421	
70006863.....	456	70024487.....	193, 221	70024488.....	193, 221, 255	7024532.....	421	
70006864.....	456	70024494.....	194, 221, 256	70024489.....	193, 221, 255	7024533.....	421	
70006865.....	456	70024495.....	256	70024497.....	193, 221, 255	7024534.....	421	
70006866.....	453	70024504.....	193, 221, 255	70024507.....	193, 221, 255	7024535.....	421	
70006867.....	453, 455	70024507.....	193, 221, 255	70024513.....	255	7024536.....	421	
70006868.....	453	70024513.....	255	70024514.....	255	7024537.....	421	
70006869.....	453	70024961.....	255	70025088.....	194, 221, 256	7024574.....	445	
70006870.....	453	70025088.....	194, 221, 256	70025153.....	193, 221, 255	7024598 170, 182, 198, 210,	224, 240	
70006871.....	453	70025153.....	193, 221, 255	70025707.....	194, 256	7024800.....	263	
70006872.....	453	70025707.....	194, 256	70025745.....	194, 221, 256	7024865.....	27	
70007049.....	439	70025780.....	193, 221, 255	70025789.....	194, 221	7024867.....	27	
70007083.....	193, 255	70025789.....	194, 221	70025979.....	266	7024868.....	27	
70007085.....	193	70025979.....	266			7024885.....	329, 670	
70007093.....	193					7024899.....	329	
70007993.....	443					7026004.....	445	
70007994.....	443					7026030.....	83	
70007995.....	443							
70007996.....	443							
70007997.....	443							

SECTION 11 - SPECIAL OPTIONS/ACCESSORIES/KITS

7026031.....83, 671	8220097540, 544, 610	8310686..... 95, 99, 103, 107, 111, 115, 119, 123, 333	8410012 177, 189, 206, 218, 235, 251
7026032.....83	8220098540, 544, 610	8405006.....271	8410013 171, 177, 183, 189, 205, 217, 225, 235, 241, 251
7026597284, 288	8220115547	8405007 177, 189, 205, 217, 235, 251	8750014 171, 183, 198, 210, 225, 241
7026626.....284, 288	8220116610	8405009. 177, 189, 235, 251	8750031 171, 183, 198, 210, 225, 241
7027740.....27	8229242539, 544, 670	8405104 177, 189, 205, 217, 235, 251	8760554468
7027773417	8229244539, 544, 670	8405211. 177, 189, 235, 251	8769122463
7027774417	8229245540, 544, 670	8406003.....333	8769123 171, 183, 198, 210, 225, 241
7027775417	8229247539, 544, 670	8406101..... 87, 95, 99, 103, 107, 111, 115, 119, 123, 171, 183, 198, 210, 225, 241	8769127 . 171, 183, 225, 241
7027776417	8229249431, 670	8406102. 171, 183, 225, 241	8769128463
7027777417	8278020 177, 189, 204, 217, 235, 251	8406105 171, 183, 199, 211, 225, 241	8826112861, 63
7027778417	8305401 177, 189, 205, 217, 235, 251	8406109 177, 189, 205, 217, 235, 251, 473, 499, 519, 521	88411013501
7027780417	8305919 171, 183, 199, 211, 226, 242, 275, 279, 283, 287	8406110. 177, 189, 206, 218	88521214423, 425, 427, 429
7027799284, 288	8307109 177, 189, 205, 217, 235, 251	8406201. 171, 183, 225, 241	88662013468
7300435 177, 189, 204, 216, 235, 251	8310067 171, 183, 198, 210, 225, 241	8406303. 205, 217, 225, 241	91043147230, 246
77133089468	8310129405	8410009. 171, 183, 225, 241	91203039337
77133137171, 183, 225, 241	8310548 177, 189, 205, 217, 235, 251	8410011 177, 189, 205, 217, 235, 251	91403230624, 628, 632, 636, 640, 644, 648, 652, 656
77363232275, 279, 283, 287	8310614335		91554014617
77363233557, 559	8310643001.....96, 100, 104, 108, 112, 116, 120, 124, 160, 325		91563070 177, 189, 205, 217, 235, 251
7894000042335			
80963067540, 610			
82033995171, 183, 225, 241			
8220007575			
8220045539, 543			
8220051553			
8220068617			



**Corporate Office
JLG Industries, Inc.
1 JLG Drive
McConnellsburg, PA 17233-9533 USA
☎ (717) 485-5161 (Corporate)
☎ (877) 554-5438 (Customer Support)
📠 (717) 485-6417**

**Visit our website for JLG Worldwide Locations.
www.jlg.com**



OSHKOSH™