



Illustrated Parts Manual

***Model
1250AJP***

**PVC
2101**

**P/N
31219032
May 31, 2021 - Rev B**

ANSI

CE



AS/NZS



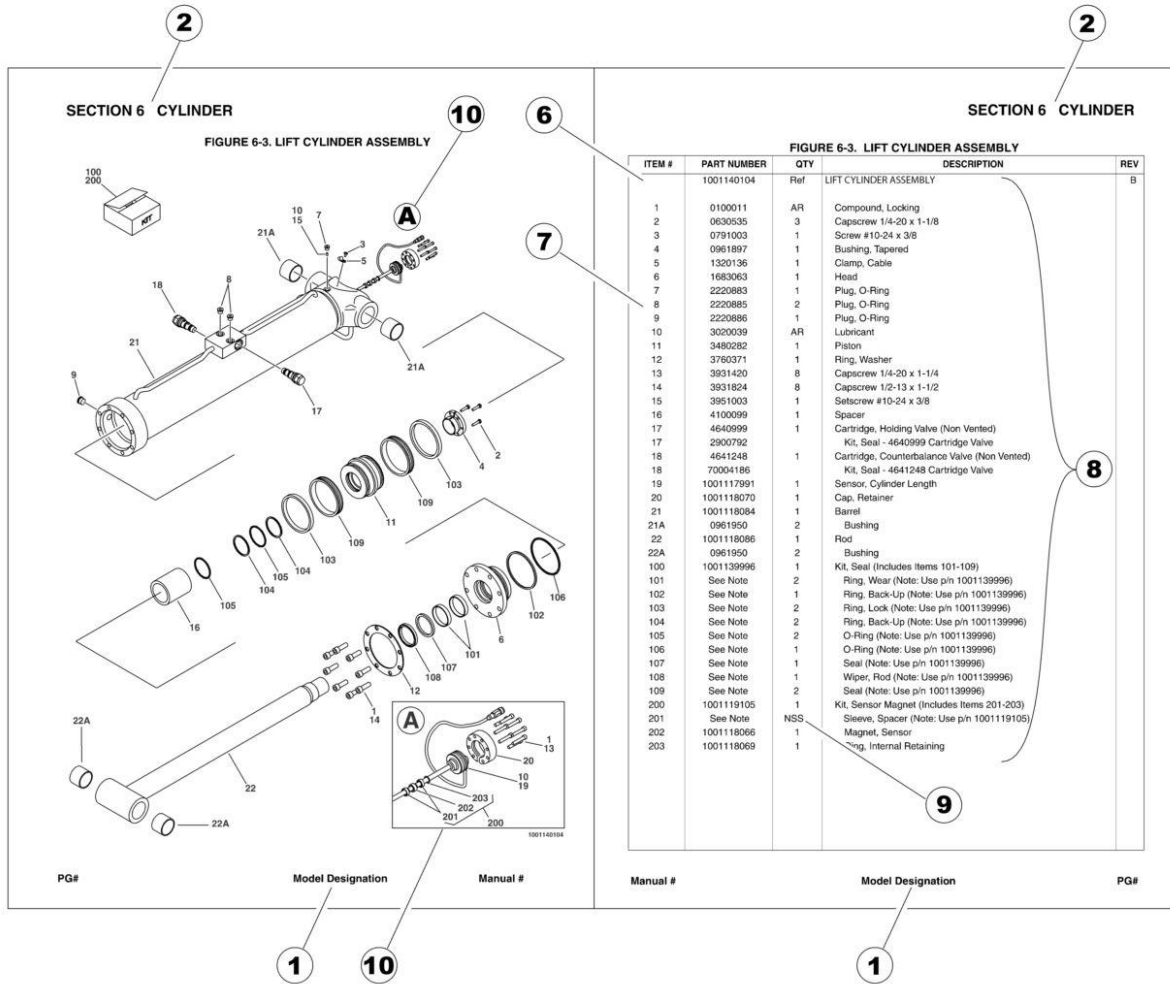
An Oshkosh Corporation Company

REVISION LOG

December 1, 2020 - A - Original Issue of Manual (Edited to B/M 1001261250 Revision K)

May 31, 2021 - B - Revised Manual (Edited to B/M 1001261250 Revision N)

GENERAL INFORMATION



1) MACHINE IDENTIFICATION

Machines are identified by model and in some cases a combination of models, serial number (SN) or regional standard (i.e ANSI, CE, CSA). Components may also be identified by SN or manufacturer. Common components that may be identified by these characteristics are engines and hydraulic components.

2) PARTS MANUAL ORGANIZATION

Product information in this manual is organized under section titles. Frame, Cylinder, Hydraulic and Electrical are a few examples. Each section is organized by figure and page number. The information within the Figure is then organized by item number, part number, description and corresponding illustration (s).

3) TABLE OF CONTENTS (NOT SHOWN)

A table of contents is found toward the beginning of the manual. Figure number, description and page number are provided for quick reference to the page containing the related information.

4) RECOMMENDED SPARE PARTS (NOT SHOWN)

The Recommended Spare Parts List, located near the end of the manual, reference most frequently used maintenance parts.

5) PART NUMBER INDEX (NOT SHOWN)

A numerical index listing all part numbers and the corresponding page number(s) appears at the back of the manual.

GENERAL INFORMATION

6) NON-SERVICED PARTS

In some instances, it is necessary to display non-serviced parts, assemblies or installations. In the case of assemblies and installations there will be a Ref in the Qty. column. In case of parts that are not available for service within assemblies or components, there will be a NSS (Not Sold Separately) or NLA (No Longer Available) listed in the Qty. column of the manual.

7) PARTS LIST ITEM NUMBERS

Numbers shown in the item# column correspond to numbers used in the associated illustration (s). Item numbers which are missing from the sequence in the parts list are not used on that page.

8) INDENTED PARTS DESCRIPTION

An indented part description is included in the item under which it is indented.

9) ABBREVIATION AND SYMBOLS

AC.....	Alternating Current	L.....	Liter
ADE.....	Advanced Design Electronics	LB(LBS).....	Pounds
AG.....	Agricultural	LCD.....	Liquid Crystal Display
ANSI.....	American National Standards Institute	LED.....	Light Emitting Diodes
AR.....	As Required	LH.....	Left Hand
ASSY.....	Assembly	LRC.....	Low Rated Countries
AUS.....	Australia	LSS.....	Load Sensing System
AUX.....	Auxiliary	M(m).....	Metric/Meter
AWG.....	American Wire Gauge	MM(mm).....	Milimeter
B/M.....	Bill of Material	mA.....	Miliamps
CAC.....	Charge Air Cooler	NLA.....	No Longer Available
CE.....	European Conformity	NPT.....	National Pipe Threads
CCW.....	Counter Clockwise	NSS.....	Not Sold Separately
CM.....	Centimeter	OD.....	Outside Diameter
CW.....	Clockwise	ORB.....	O-Ring Boss
CSA.....	Canadian Standards Association	ORFS.....	O-Ring Face Seal
CYL.....	Cylinder	OZ (oz).....	Ounces
DIA.....	Diameter	PG.....	Page
DC.....	Direct Current	PN.....	Part Number
DEF.....	Diesel Exhaust Fluid	QT(qt.).....	Quarts
EMS.....	Emergency Stop	QTY.....	Quantity
ENG.....	Engine	REF.....	Reference
FT(ft).....	Feet	REV.....	Revision Level
GA(Ga).....	Gauge	RH.....	Right Hand
HRC.....	High Rated Countries	SAE.....	Society of Automotive Engineers
HVAC.....	Heating, Ventilating, and Air Conditioning	SN.....	Serial Number
HYD.....	Hydraulic	SPEC(S).....	Specifications
Hz.....	Hertz	T/T.....	Turntable
ID.....	Inside Diameter	UGM.....	Universal Ground Module
IN.....	inches	V.....	Volts
ISO.....	International Organization for Standards	W.....	Watts
JIC.....	Joint Industry Council	#.....	Number
KG.....	Kilogram		

10) ILLUSTRATION REFERENCE LETTERS

When necessary, illustrations may contain reference letters that are intended to track information (i. e. hoses, harnesses) from one point to another or to track visual enlargement of components to show details that may be located in another area on the illustration.

Note: Due to continuous product improvements, JLG Industries, Inc. reserves the right to make specification changes without prior notification. Contact JLG Industries, Inc. for updated information.

TABLE OF CONTENTS

SECTION 1 - FRAME.....	17
FIGURE 1-1. AXLE INSTALLATION - FIXED.....	18
FIGURE 1-2. AXLE INSTALLATION - OSCILLATING.....	22
FIGURE 1-3. AXLE STOP BLOCKS INSTALLATION.....	26
FIGURE 1-4. STEER INSTALLATION.....	28
FIGURE 1-5. WHEEL DRIVE INSTALLATION - REGGIANA RIDUTTORI.....	30
FIGURE 1-6. DRIVE HUB AND MOTOR ASSEMBLY - REGGIANA RIDUTTORI.....	32
FIGURE 1-7. DRIVE HUB ASSEMBLY - REGGIANA RIDUTTORI.....	34
FIGURE 1-8. DRIVE MOTOR ASSEMBLY.....	38
FIGURE 1-9. TIRE AND WHEEL INSTALLATION - FOAM - FILLED.....	40
FIGURE 1-10. TIRE AND WHEEL INSTALLATION - SOLID.....	42
FIGURE 1-11. FRAME VALVES INSTALLATION.....	44
FIGURE 1-12. STEER VALVE ASSEMBLY.....	46
FIGURE 1-13. TRACTION VALVE ASSEMBLY.....	48
FIGURE 1-14. FRAME COVERS INSTALLATION.....	50
SECTION 2 - TURNTABLE.....	53
FIGURE 2-1. TURNTABLE VALVES INSTALLATION.....	54
FIGURE 2-2. MAIN VALVE ASSEMBLY.....	56
FIGURE 2-3. BATTERY AND AUXILIARY PUMP INSTALLATION - WITHOUT COLD WEATHER PLUS PACKAGE.....	60
FIGURE 2-4. BATTERY AND AUXILIARY PUMP INSTALLATION - WITH COLD WEATHER PLUS PACKAGE.....	62
FIGURE 2-5. AUXILIARY PUMP ASSEMBLY (WITHOUT COLD WEATHER PLUS PACKAGE).....	64
FIGURE 2-6. AUXILIARY PUMP ASSEMBLY (WITH COLD WEATHER PLUS PACKAGE).....	66
FIGURE 2-7. SWING DRIVE INSTALLATION.....	68
FIGURE 2-8. TURNTABLE BEARING AND LUBE INSTALLATION.....	70
FIGURE 2-9. TURNTABLE LOCK INSTALLATION.....	72
FIGURE 2-10. PINION SHIELD INSTALLATION.....	74
FIGURE 2-11. SWING MOTOR/HUB ASSEMBLY.....	76
FIGURE 2-12. ROTARY COUPLING AND COLLECTOR RING INSTALLATION.....	80
FIGURE 2-13. TANK INSTALLATION.....	82
FIGURE 2-14. HYDRAULIC OIL COOLER INSTALLATION - DEUTZ TD2011 ENGINES WITH REXROTH PUMP (OPTIONAL).....	84
FIGURE 2-15. HYDRAULIC OIL COOLER INSTALLATION - DEUTZ TD2011 ENGINES WITH SAUER PUMP (OPTIONAL).....	86
FIGURE 2-16. HYDRAULIC OIL COOLER INSTALLATION - DEUTZ TCD2.9L4 ENGINES AND DEUTZ TCD2.9L4 (STAGE V) ENGINES REXROTH PUMP (OPTIONAL).....	88
FIGURE 2-17. HYDRAULIC OIL COOLER INSTALLATION - DEUTZ TCD2.9L4 ENGINES AND DEUTZ TCD2.9L4 (STAGE V) ENGINES WITH SAUER PUMP (OPTIONAL).....	90
FIGURE 2-18. GROUND CONTROL BOX INSTALLATION - DEUTZ TD2011 ENGINES WITH REXROTH PUMP (WITHOUT TOWER STOW) (ANSI EXPORT & AUSTRALIAN SPECS).....	92
FIGURE 2-19. GROUND CONTROL BOX INSTALLATION - DEUTZ TD2011 ENGINES WITH REXROTH PUMP (WITH TOWER STOW) (ANSI EXPORT & AUSTRALIAN SPECS).....	94
FIGURE 2-20. GROUND CONTROL BOX INSTALLATION - DEUTZ TD2011 ENGINES WITH SAUER PUMP (WITHOUT TOWER STOW) (ANSI EXPORT & AUSTRALIAN SPECS).....	96
FIGURE 2-21. GROUND CONTROL BOX INSTALLATION - DEUTZ TD2011 ENGINES WITH SAUER PUMP (WITH TOWER STOW) (CE SPECS) (LRC).....	98
FIGURE 2-22. GROUND CONTROL BOX INSTALLATION - DEUTZ TD2011 ENGINES WITH REXROTH PUMPS (WITHOUT TOWER STOW) (CE SPECS) (LRC).....	100

TABLE OF CONTENTS

FIGURE 2-23. GROUND CONTROL BOX INSTALLATION - DEUTZ TD2011 ENGINES WITH REXROTH PUMP (WITH TOWER STOW) (ANSI EXPORT & AUSTRALIAN SPECS).....	102
FIGURE 2-24. GROUND CONTROL BOX INSTALLATION - DEUTZ TD2011 ENGINES WITH SAUER PUMPS (WITHOUT TOWER STOW) (CE SPECS) (LRC).....	104
FIGURE 2-25. GROUND CONTROL BOX INSTALLATION - DEUTZ TD2011 ENGINES WITH SAUER PUMP (WITH TOWER STOW) (CE SPECS) (LRC).....	106
FIGURE 2-26. GROUND CONTROL BOX INSTALLATION - DEUTZ TCD2.9L4 ENGINES (WITHOUT TOWER STOW) (ALL SPECS EXCEPT AUSTRALIAN & CE SPECS).....	108
FIGURE 2-27. GROUND CONTROL BOX INSTALLATION - DEUTZ TCD2.9L4 ENGINES (WITH TOWER STOW) (ALL SPECS EXCEPT AUSTRALIAN & CE SPECS).....	110
FIGURE 2-28. GROUND CONTROL BOX INSTALLATION - DEUTZ TCD2.9L4 (STAGE V) ENGINES (WITHOUT TOWER STOW)(CE SPECS).....	112
FIGURE 2-29. GROUND CONTROL BOX INSTALLATION - DEUTZ TCD2.9L4 (STAGE V) ENGINES (WITH TOWER STOW)(CE SPECS).....	114
FIGURE 2-30. GROUND CONTROL ASSEMBLY - DEUTZ TD2011 AND DEUTZ TCD2.9L4 ENGINES (WITHOUT TOWER STOW) (ALL SPECS EXCEPT CE SPECS).....	116
FIGURE 2-31. GROUND CONTROL ASSEMBLY - DEUTZ TD2011 AND DEUTZ TCD2.9L4 ENGINES (WITH TOWER STOW) (ALL SPECS EXCEPT CE SPECS).....	120
FIGURE 2-32. GROUND CONTROL ASSEMBLY - DEUTZ TD2011 ENGINES (WITHOUT TOWER STOW) (CE SPECS).....	124
FIGURE 2-33. GROUND CONTROL ASSEMBLY - DEUTZ TD2011 ENGINES (WITH TOWER STOW) (CE SPECS).....	128
FIGURE 2-34. GROUND CONTROL ASSEMBLY - DEUTZ TCD2.9L4 (STAGE V) (WITHOUT TOWER STOW) (CE SPECS).....	132
FIGURE 2-35. GROUND CONTROL ASSEMBLY - DEUTZ TCD2.9L4 (STAGE V) (WITH TOWER STOW) (CE SPECS).....	136
FIGURE 2-36. KEYSWITCH INSTALLATION.....	140
FIGURE 2-37. LIGHT PANEL INSTALLATION.....	142
FIGURE 2-38. ALARMS INSTALLATION.....	144
FIGURE 2-39. BACKUP ALARM (WHITE NOISE) INSTALLATION.....	146
FIGURE 2-40. BACKUP ALARM AMBIENT (WHITE NOISE) INSTALLATION.....	148
FIGURE 2-41. STROBE LIGHT INSTALLATION (AMBER).....	150
FIGURE 2-42. STROBE LIGHT INSTALLATION (BLUE).....	152
FIGURE 2-43. STROBE LIGHT INSTALLATION (RED).....	154
FIGURE 2-44. ENGINE TRAY JACK INSTALLATION - DEUTZ TD2011 ENGINES.....	156
FIGURE 2-45. ENGINE TRAY JACK INSTALLATION - DEUTZ TCD2.9L4 ENGINES AND DEUTZ TCD2.9L4 (STAGE V) ENGINES.....	158
FIGURE 2-46. HOODS INSTALLATION - DEUTZ TD2011 ENGINES.....	160
FIGURE 2-47. HOODS INSTALLATION - DEUTZ TCD2.9L4 ENGINES.....	164
FIGURE 2-48. HOODS INSTALLATION - DEUTZ TCD2.9L4 (STAGE V) ENGINES.....	168
SECTION 3 - ENGINE.....	173
FIGURE 3-1. DEUTZ TD2011 ENGINE INSTALLATION - WITH REXROTH PUMP (WITHOUT GENERATOR AND WITHOUT COLD WEATHER PLUS PACKAGE).....	174
FIGURE 3-2. DEUTZ TD2011 ENGINE ASSEMBLY - WITH REXROTH PUMP (WITHOUT GENERATOR AND WITHOUT COLD WEATHER PLUS PACKAGE).....	178
FIGURE 3-3. DEUTZ TD2011 ENGINE INSTALLATION - WITH REXROTH PUMP (WITH GENERATOR AND WITHOUT COLD WEATHER PLUS PACKAGE).....	182
FIGURE 3-4. DEUTZ TD2011 ENGINE ASSEMBLY - WITH REXROTH PUMP (WITH GENERATOR AND WITHOUT COLD WEATHER PLUS PACKAGE).....	186
FIGURE 3-5. DEUTZ TD2011 ENGINE INSTALLATION - WITH REXROTH PUMP (WITH GENERATOR AND WITH COLD WEATHER PLUS PACKAGE).....	190
FIGURE 3-6. DEUTZ TD2011 ENGINE ASSEMBLY - WITH REXROTH PUMP (WITH GENERATOR AND WITH COLD WEATHER PLUS PACKAGE).....	194

TABLE OF CONTENTS

FIGURE 3-7. DEUTZ TD2011 ENGINE INSTALLATION - WITH SAUER PUMP (WITHOUT GENERATOR AND WITHOUT COLD WEATHER PLUS PACKAGE).....	198
FIGURE 3-8. DEUTZ TD2011 ENGINE ASSEMBLY - WITH SAUER PUMP (WITHOUT GENERATOR AND WITHOUT COLD WEATHER PLUS PACKAGE).....	202
FIGURE 3-9. DEUTZ TD2011 ENGINE INSTALLATION - WITH SAUER PUMP (WITH GENERATOR AND WITHOUT COLD WEATHER PLUS PACKAGE).....	206
FIGURE 3-10. DEUTZ TD2011 ENGINE ASSEMBLY - WITH SAUER PUMP (WITH GENERATOR AND WITHOUT COLD WEATHER PLUS PACKAGE).....	210
FIGURE 3-11. DEUTZ TD2011 ENGINE INSTALLATION - WITH SAUER PUMP (WITH GENERATOR AND WITH COLD WEATHER PLUS PACKAGE).....	214
FIGURE 3-12. DEUTZ TD2011 ENGINE ASSEMBLY - WITH SAUER PUMP (WITH GENERATOR AND WITH COLD WEATHER PLUS PACKAGE).....	218
FIGURE 3-13. DEUTZ TD2011 ENGINE COMPONENTS	222
FIGURE 3-14. DEUTZ TCD2.9L4 ENGINE INSTALLATION - WITH REXROTH PUMP (WITHOUT COLD WEATHER PLUS PACKAGE)	226
FIGURE 3-15. DEUTZ TCD2.9L4 ENGINE SUB-ASSEMBLY - WITH REXROTH PUMP (WITHOUT COLD WEATHER PLUS PACKAGE)	230
FIGURE 3-16. DEUTZ TCD2.9L4 ENGINE ASSEMBLY - WITH REXROTH PUMP (WITHOUT COLD WEATHER PLUS PACKAGE)	232
FIGURE 3-17. DEUTZ TCD2.9L4 ENGINE INSTALLATION - WITH REXROTH PUMP (WITH COLD WEATHER PLUS PACKAGE)	238
FIGURE 3-18. DEUTZ TCD2.9L4 ENGINE SUB-ASSEMBLY - WITH REXROTH PUMP (WITH COLD WEATHER PLUS PACKAGE)	242
FIGURE 3-19. DEUTZ TCD2.9L4 ENGINE ASSEMBLY - WITH REXROTH PUMP (WITH COLD WEATHER PLUS PACKAGE)	244
FIGURE 3-20. DEUTZ TCD2.9L4 ENGINE INSTALLATION - WITH SAUER PUMPS (WITHOUT COLD WEATHER PLUS PACKAGE)	250
FIGURE 3-21. DEUTZ TCD2.9L4 ENGINE SUB-ASSEMBLY - WITH SAUER PUMP (WITHOUT COLD WEATHER PLUS PACKAGE)	254
FIGURE 3-22. DEUTZ TCD2.9L4 ENGINE ASSEMBLY - WITH SAUER PUMP (WITHOUT COLD WEATHER PLUS PACKAGE)	256
FIGURE 3-23. DEUTZ TCD2.9L4 ENGINE INSTALLATION - WITH SAUER PUMPS (WITH COLD WEATHER PLUS PACKAGE)	262
FIGURE 3-24. DEUTZ TCD2.9L4 ENGINE SUB-ASSEMBLY - WITH SAUER PUMPS (WITH COLD WEATHER PLUS PACKAGE)	266
FIGURE 3-25. DEUTZ TCD2.9L4 ENGINE ASSEMBLY - WITH SAUER PUMPS (WITH COLD WEATHER PLUS PACKAGE)	268
FIGURE 3-26. DEUTZ TCD2.9L4 ENGINE COMPONENTS	274
FIGURE 3-27. DEUTZ TCD2.9L4 (STAGE V) ENGINE INSTALLATION - WITH REXROTH PUMP (WITHOUT COLD WEATHER PLUS PACKAGE).....	278
FIGURE 3-28. DEUTZ TCD2.9L4 (STAGE V) ENGINE SUB-ASSEMBLY - WITH REXROTH PUMP AND ABS HOODS (WITHOUT COLD WEATHER PLUS PACKAGE)	282
FIGURE 3-29. DEUTZ TCD2.9L4 (STAGE V) ENGINE INSTALLATION - WITH SAUER PUMP (WITHOUT COLD WEATHER PLUS PACKAGE).....	284
FIGURE 3-30. DEUTZ TCD2.9L4 (STAGE V) ENGINE SUB-ASSEMBLY - WITH SAUER PUMP AND ABS HOODS (WITHOUT COLD WEATHER PLUS PACKAGE)	288
FIGURE 3-31. DEUTZ TCD2.9L4 (STAGE V) ENGINE ASSEMBLY (WITHOUT COLD WEATHER PLUS PACKAGE).....	290
FIGURE 3-32. DEUTZ TCD2.9L4 (STAGE V) ENGINE COMPONENTS.....	296
FIGURE 3-33. PUMP ASSEMBLY (REXROTH) (DEUTZ TD2011 ENGINES)	300
FIGURE 3-34. PUMP ASSEMBLY (REXROTH) (DEUTZ TCD2.9L4 ENGINES AND DEUTZ TCD2.9L4 (STAGE V) ENGINES)	306
FIGURE 3-35. PUMP ASSEMBLY (SAUER TANDEM).....	312
FIGURE 3-36. PUMP ASSEMBLY (SAUER PISTON)	316

TABLE OF CONTENTS

FIGURE 3-37. PUMP ASSEMBLY (SAUER GEAR)	320
FIGURE 3-38. PUMP COUPLING KIT	322
FIGURE 3-39. FUEL PUMP/FILTER BRACKET ASSEMBLY - DEUTZ TCD2.9L4 ENGINE AND DEUTZ TCD2.9L4 (STAGE V) ENGINE	324
FIGURE 3-40. BREATHER HEATER INST (DEUTZ TD2.9L4 ENGINES AND DEUTZ TCD2.9L4 (STAGE V) ENGINES).....	326
FIGURE 3-41. WATER/FUEL SEPARATOR INSTALLATION - DEUTZ TD2011 ENGINE.....	328
FIGURE 3-42. SPARK ARRESTING CATALYTIC MUFFLER - DEUTZ TD2011 ENGINES (OPTIONAL).....	330
FIGURE 3-43. 2500W GENERATOR INSTALLATION - DEUTZ TD2011 ENGINES (OPTIONAL).....	332
FIGURE 3-44. 4000W GENERATOR INSTALLATION - 60HZ SPEC (DEUTZ TD2011 ENGINES)	336
FIGURE 3-45. 4000W GENERATOR INSTALLATION - 50HZ SPEC (DEUTZ TD2011 ENGINES)	340
FIGURE 3-46. 4000W GENERATOR INSTALLATION - 60HZ SPEC (DEUTZ TCD2.9L4 ENGINES).....	342
FIGURE 3-47. 4000W GENERATOR INSTALLATION - 50HZ SPEC (DEUTZ TCD2.9L4 ENGINES AND DEUTZ TCD2.9L4 (STAGE V) ENGINES).....	346
FIGURE 3-48. 7500W SKYPOWER GENERATOR INSTALLATION - 60HZ SPEC (DEUTZ TD2011 ENGINES) (OPTIONAL)	350
FIGURE 3-49. 7500W SKYPOWER GENERATOR INSTALLATION - 50HZ SPEC (DEUTZ TD2011 ENGINES) (OPTIONAL)	354
FIGURE 3-50. 7500W SKYPOWER GENERATOR INSTALLATION - 60HZ SPEC (DEUTZ TCD2.9L4 ENGINES) (OPTIONAL)	358
FIGURE 3-51. 7500W SKYPOWER GENERATOR INSTALLATION - 50HZ SPEC (DEUTZ TCD2.9L4 ENGINES AND DEUTZ TCD2.9L4 (STAGE V) ENGINES) (OPTIONAL)	362
SECTION 4 - BOOM.....	365
FIGURE 4-1. BOOM AND CYLINDER INSTALLATION - WITHOUT COLD WEATHER PLUS PACKAGE	366
FIGURE 4-2. BOOM AND CYLINDER INSTALLATION - WITH COLD WEATHER PLUS PACKAGE	370
FIGURE 4-3. TOWER BOOM ASSEMBLY	374
FIGURE 4-4. MAIN BOOM ASSEMBLY - WITHOUT COLD WEATHER PLUS PACKAGE	378
FIGURE 4-5. MAIN BOOM ASSEMBLY - WITH COLD WEATHER PLUS PACKAGE	382
FIGURE 4-6. PLATFORM ROTATE ASSEMBLY	386
FIGURE 4-7. JIB ROTATE ASSEMBLY.....	388
FIGURE 4-8. POWER TRACK AND BOOM CLAMPS INSTALLATION (TOWER BOOM).....	390
FIGURE 4-9. POWER TRACK AND BOOM CLAMPS INSTALLATION (MAIN BOOM AND JIB)	392
FIGURE 4-10. BOOM SENSORS AND SWITCHES INSTALLATION	396
FIGURE 4-11. PLATFORM SUPPORT INSTALLATION	400
FIGURE 4-12. CONTROL VALVE INSTALLATION - PLATFORM	402
FIGURE 4-13. PLATFORM VALVE ASSEMBLY	404
SECTION 5 - PLATFORM.....	407
FIGURE 5-1. PLATFORM ASSEMBLY - 36IN X 6FT (91.5CM X 1.83M) WITH SWING GATE	408
FIGURE 5-2. PLATFORM ASSEMBLY - 36IN X 8FT (91.5CM X 2.44M) WITH SWING GATE	410
FIGURE 5-3. PLATFORM ASSEMBLY - 30IN X 3FT (76CM X .91M) - WITH DROP BAR	412
FIGURE 5-4. PLATFORM ASSEMBLY - 36IN X 6FT (91.5CM X 1.83M) WITH DROP BAR	414
FIGURE 5-5. PLATFORM ASSEMBLY - 36IN X 8FT (91.5CM X 2.44M) WITH DROP BAR	416
FIGURE 5-6. PLATFORM ASSEMBLY - 36IN X 6FT (91.5CM X 1.83M) WITH FALL ARREST (ANSI AND ANSI EXPORT SPECS).....	418
FIGURE 5-7. PLATFORM ASSEMBLY - 36IN X 8FT (91.5CM X 2.44M) WITH FALL ARREST (ANSI AND CSA SPECS)	420
FIGURE 5-8. PLATFORM ASSEMBLY - 36IN X 6FT (91.5CM X 1.83M) TRI-ENTRY WITH SWING GATE	422
FIGURE 5-9. PLATFORM ASSEMBLY - 36IN X 6FT (91.5CM X 1.83M) TRI-ENTRY WITH DROP BAR	424
FIGURE 5-10. PLATFORM ASSEMBLY - 36IN X 8FT (91.5CM X 2.44M) TRI-ENTRY WITH DROPBAR	426
FIGURE 5-11. PLATFORM ASSEMBLY - 36IN X 8FT (91.5CM X 2.44M) TRI-ENTRY WITH DROPGATE	428

TABLE OF CONTENTS

FIGURE 5-12. TRAY INSTALLATION	430
FIGURE 5-13. PLATFORM CONTROLS INSTALLATION (WITHOUT TOWER STOW)	432
FIGURE 5-14. PLATFORM CONTROLS INSTALLATION (WITH TOWER STOW).....	434
FIGURE 5-15. PLATFORM CONSOLE ASSEMBLY (WITHOUT TOWER STOW).....	436
FIGURE 5-16. PLATFORM CONSOLE ASSEMBLY (WITH TOWER STOW)	440
FIGURE 5-17. LIGHT PANEL INSTALLATION	444
FIGURE 5-18. CONTROLLER ASSEMBLY (LIFT AND SWING).....	446
FIGURE 5-19. CONTROLLER ASSEMBLY (DRIVE AND STEER).....	450
FIGURE 5-20. TOWER LIFT SWITCH INSTALLATION.....	452
FIGURE 5-21. FOOTSWITCH ASSEMBLY.....	454
FIGURE 5-22. SKYEYE INSTALLATION	456
FIGURE 5-23. SKYGUARD BAR INSTALLATION	458
FIGURE 5-24. SKYLINE INSTALLATION	460
FIGURE 5-25. USB CHARGER INSTALLATION	462
FIGURE 5-26. SOFT TOUCH SYSTEM INSTALLATION - 6FT/1.8M PLATFORMS (OPTIONAL).....	464
FIGURE 5-27. SOFT TOUCH SYSTEM INSTALLATION - 6FT/1.83M FALL ARREST PLATFORM.....	466
FIGURE 5-28. SOFT TOUCH SYSTEM INSTALLATION - 8FT/2.4M PLATFORMS (OPTIONAL).....	468
FIGURE 5-29. SKYGLAZIER INSTALLATION (ANSI, AUSTRALIAN AND CSA SPECS).....	470
FIGURE 5-30. SKYGLAZIER INSTALLATION (BRAZIL SPECS)	472
FIGURE 5-31. SKYGLAZIER INSTALLATION (DANISH SPECS)	474
FIGURE 5-32. SKYGLAZIER INSTALLATION (FRENCH SPECS).....	476
FIGURE 5-33. SKYGLAZIER INSTALLATION (GERMAN SPECS).....	478
FIGURE 5-34. SKYGLAZIER INSTALLATION (ITALIAN SPECS).....	480
FIGURE 5-35. SKYGLAZIER INSTALLATION (LATIN AMERICAN SPECS).....	482
FIGURE 5-36. SKYGLAZIER INSTALLATION (PORTUGUESE SPECS).....	484
FIGURE 5-37. SKYGLAZIER INSTALLATION (SPANISH SPECS).....	486
FIGURE 5-38. SKYGLAZIER INSTALLATION (SWEDISH SPECS).....	488
FIGURE 5-39. SKYGLAZIER INSTALLATION (UK SPECS).....	490
FIGURE 5-40. SKYCUTTER INSTALLATION.....	492
FIGURE 5-41. SKYWELDER/SKYCUTTER COMBO INSTALLATION (60HZ).....	494
FIGURE 5-42. PLASMA CUTTER ASSEMBLY	498
FIGURE 5-43. SKYWELDER INSTALLATION (50HZ).....	500
FIGURE 5-44. SKYWELDER INSTALLATION (60HZ).....	502
FIGURE 5-45. SKYWELDER PREP PACKAGE (60HZ)	504
FIGURE 5-46. WELDER ASSEMBLY	506
FIGURE 5-47. PIPE RACK INSTALLATION (ANSI SPEC).....	508
FIGURE 5-48. PIPE RACK INSTALLATION (AUSTRALIAN AND CE SPEC)	510
FIGURE 5-49. FALL ARREST INSTALLATION (BOLT - ON EXTERNAL) 6FT/1.82M PLATFORM.....	512
FIGURE 5-50. FALL ARREST INSTALLATION (BOLT - ON EXTERNAL) 6FT/1.82M PLATFORM.....	514
FIGURE 5-51. FALL ARREST INSTALLATION (BOLT - ON EXTERNAL) 8FT/2.4M PLATFORM.....	516
SECTION 6 - CYLINDER.....	519
FIGURE 6-1. AXLE EXTENSION CYLINDER ASSEMBLY.....	520
FIGURE 6-2. AXLE LOCKOUT CYLINDER ASSEMBLY	522
FIGURE 6-3. PLATFORM LEVEL CYLINDER ASSEMBLY - WITHOUT COLD WEATHER PLUS PACKAGE	524
FIGURE 6-4. LIFT CYLINDER ASSEMBLY - MAIN BOOM	526

TABLE OF CONTENTS

FIGURE 6-5. LIFT CYLINDER ASSEMBLY - TOWER BOOM	528
FIGURE 6-6. JIB CYLINDER ASSEMBLY	530
FIGURE 6-7. STEER CYLINDER ASSEMBLY	532
FIGURE 6-8. TELESCOPE CYLINDER ASSEMBLY - MAIN BOOM.....	534
FIGURE 6-9. TELESCOPE CYLINDER ASSEMBLY - TOWER BOOM	536
SECTION 7 - HYDRAULIC	539
FIGURE 7-1. HYDRAULIC DIAGRAM - BOOM (WITH REXROTH PUMPS)	540
FIGURE 7-2. HYDRAULIC DIAGRAM - BOOM (WITH SAUER PUMPS).....	544
FIGURE 7-3. HYDRAULIC DIAGRAM - DRIVE (WITH REXROTH PUMPS)	548
FIGURE 7-4. HYDRAULIC DIAGRAM - DRIVE (WITH SAUER PUMPS).....	552
FIGURE 7-5. HYDRAULIC DIAGRAM - OSCILLATING AXLE (WITH REXROTH PUMPS).....	556
FIGURE 7-6. HYDRAULIC DIAGRAM - OSCILLATING AXLE (WITH SAUER PUMPS).....	558
FIGURE 7-7. HYDRAULIC DIAGRAM - STEER (WITH REXROTH PUMPS)	560
FIGURE 7-8. HYDRAULIC DIAGRAM - STEER (WITH SAUER PUMPS).....	562
FIGURE 7-9. HYDRAULIC DIAGRAM - TURNTABLE (DEUTZ TD2011 ENGINES WITH REXROTH PUMPS)	564
FIGURE 7-10. HYDRAULIC DIAGRAM - TURNTABLE (DEUTZ TCD2.9L4 ENGINES AND DEUTZ TCD2.9L4 (STAGE V) ENGINES WITH REXROTH PUMPS).....	568
FIGURE 7-11. HYDRAULIC DIAGRAM - TURNTABLE (WITH SAUER PUMPS)	572
FIGURE 7-12. HYDRAULIC DIAGRAM - AUXILIARY POWER MOTOR.....	576
SECTION 8 - ELECTRICAL.....	579
FIGURE 8-1. AC BOX AT PLATFORM - 110V GFI RECEPTACLE (ANSI SPECS)	580
FIGURE 8-2. AC BOX AT PLATFORM - 220V GFI RECEPTACLE (ANSI SPECS)	582
FIGURE 8-3. AC BOX AT PLATFORM INSTALLATION - BOX WITH COVER (2X4 BOX) WITH 4000W GENERATOR (ANSI EXPORT, AUSTRALIAN, CE AND JAPANESE SPECS).....	584
FIGURE 8-4. AC BOX AT PLATFORM INSTALLATION - 110V IEC 60309 YELLOW WITHOUT 2500W GENERATOR (CE SPECS).....	586
FIGURE 8-5. AC BOX AT PLATFORM INSTALLATION - 110V IEC 60309 YELLOW WITH 2500W GENERATOR (CE SPECS)	588
FIGURE 8-6. AC BOX AT PLATFORM INSTALLATION - 110V IEC 60309 YELLOW WITH 4000W GENERATOR (CE SPECS)	590
FIGURE 8-7. AC BOX AT PLATFORM INSTALLATION - 220V IEC 60309 BLUE WITHOUT 2500W GENERATOR (CE SPECS)	592
FIGURE 8-8. AC BOX AT PLATFORM INSTALLATION - 220V IEC 60309 BLUE WITH 2500W GENERATOR (CE SPECS) ...	594
FIGURE 8-9. AC BOX AT PLATFORM INSTALLATION - 220V IEC 60309 BLUE WITH 4000W GENERATOR (CE SPECS) ...	596
FIGURE 8-10. AC BOX AT PLATFORM INSTALLATION - 220V CEE7 POST GROUND (2X4 BOX) WITHOUT 2500W GENERATOR (CE SPECS)	598
FIGURE 8-11. AC BOX AT PLATFORM INSTALLATION - 220V CEE7 POST GROUND (2X4 BOX) WITH 2500W GENERATOR (CE SPECS).....	600
FIGURE 8-12. AC BOX AT PLATFORM INSTALLATION - 220V CEE7 POST GROUND (2X4 BOX) WITH 4000W GENERATOR (CE SPECS).....	602
FIGURE 8-13. AC BOX AT PLATFORM INSTALLATION - 220V CEE7 SIDE GROUND (2X4 BOX) WITHOUT 2500W GENERATOR (CE SPECS)	604
FIGURE 8-14. AC BOX AT PLATFORM INSTALLATION - 220V CEE7 SIDE GROUND (2X4 BOX) WITH 2500W GENERATOR (CE SPECS).....	606
FIGURE 8-15. AC BOX AT PLATFORM INSTALLATION - 220V CEE7 SIDE GROUND (2X4 BOX) WITH 4000W GENERATOR (CE SPECS).....	608
FIGURE 8-16. AC BOX AT PLATFORM INSTALLATION - 220V AFSINT 107 KEYED GROUND (2X4 BOX) WITHOUT 2500W GENERATOR (CE SPECS)	610

TABLE OF CONTENTS

FIGURE 8-17. AC BOX AT PLATFORM INSTALLATION - 220V AFSINT 107 KEYED GROUND (2X4 BOX) WITH 2500W GENERATOR (CE SPECS)	612
FIGURE 8-18. AC BOX AT PLATFORM INSTALLATION - 220V AFSINT 107 KEYED GROUND (2X4 BOX) WITH 4000W GENERATOR (CE SPECS)	614
FIGURE 8-19. AC BOX AT PLATFORM INSTALLATION - 240V (WITH 4000W GENERATOR) (ALL SPECS EXCEPT AUSTRALIAN & CE SPECS)	616
FIGURE 8-20. AC BOX AT PLATFORM INSTALLATION - 240V (WITH 7500W SKYPOWER GENERATOR) (ALL SPECS EXCEPT AUSTRALIAN & CE SPECS)	618
FIGURE 8-21. AC LEAD INSTALLATION (ANSI EXPORT, AUSTRALIAN AND CE SPECS).....	620
FIGURE 8-22. AC 10 AMP BREAKER BOX INSTALLATION (CE SPECS).....	622
FIGURE 8-23. AC 16 AMP BREAKER BOX INSTALLATION (CE SPECS).....	624
FIGURE 8-24. ANALYZER CALBE HARNESS	626
FIGURE 8-25. AXLE POWER TRACK HARNESS ASSEMBLY.....	628
FIGURE 8-26. BATTERY DISCONNECT INSTALLATION	630
FIGURE 8-27. BEACON LIGHT HARNESS	632
FIGURE 8-28. B.L.A.M. HARNESS	634
FIGURE 8-29. BOOM CABLE INSTALLATION (ANSI, ANSI EXPORT AND JAPANESE SPECS).....	636
FIGURE 8-30. BOOM CABLE INSTALLATION (AUSTRALIAN AND CE SPECS).....	638
FIGURE 8-31. BOOM CABLE INSTALLATION - 4000W 60HZ GENERATOR	640
FIGURE 8-32. BOOM CABLE INSTALLATION - 4000W 50HZ GENERATOR	642
FIGURE 8-33. BOOM CABLE INSTALLATION - 7500W GENERATOR.....	644
FIGURE 8-34. BREAKER BOX KIT - 10 AMP (2500W GENERATOR).....	646
FIGURE 8-35. BREAKER BOX KIT - 16 AMP (2500W GENERATOR).....	648
FIGURE 8-36. BREAKER BOX KIT - 16 AMP (4000W GENERATOR).....	650
FIGURE 8-37. BREAKER BOX KIT - 30MA/16 AMP (WITHOUT GENERATOR)	652
FIGURE 8-38. CHASSIS POWER DISTRIBUTION HARNESS	654
FIGURE 8-39. CHASSIS HARNESS ASSEMBLY.....	656
FIGURE 8-40. CLEARSKY READY HARNESS (DEUTZ TD2011, DEUTZ TCD2.9L4 & DEUTZ TCD2.9L4 (STAGE V PRE-BUY) ENGINES)	658
FIGURE 8-41. (CLEARSKY READY HARNESS (DEUTZ TCD2.9L4 (STAGE V) ENGINES)).....	660
FIGURE 8-42. DUAL CAPACITY JIB POSITION SWITCH HARNESS	662
FIGURE 8-43. ENGINE HARNESS - DEUTZ TD2011 ENGINES	664
FIGURE 8-44. ENGINE HARNESS - DEUTZ TCD2.9L4 ENGINES AND DEUTZ TCD2.9L4 (STAGE V PRE-BUY) ENGINES .	666
FIGURE 8-45. ENGINE HARNESS - DEUTZ TCD2.9L4 ENGINES AND DEUTZ TCD2.9L4 (STAGE V) ENGINES.....	670
FIGURE 8-46. FUEL FILTER HARNESS - DEUTZ TCD2.9L4 ENGINES AND DEUTZ TCD2.9L4 (STAGE V) ENGINES	674
FIGURE 8-47. FUEL HARNESS - DEUTZ TCD2.9L4 ENGINES, DEUTZ TCD2.9L4 (STAGE V PRE-BUY) ENGINES AND DEUTZ TCD2.9L4 (STAGE V) ENGINES	676
FIGURE 8-48. GENERATOR HARNESS - 4000W GENERATOR.....	678
FIGURE 8-49. GENERATOR CABLE HARNESS - 7500W GENERATOR	680
FIGURE 8-50. GROUND CONTROL BOX HARNESS.....	682
FIGURE 8-51. GROUND CONTROLS TO ENGINE HARNESS	686
FIGURE 8-52. JIB STOW SWITCH HARNESS.....	688
FIGURE 8-53. LOAD SENSING PIN HARNESS.....	690
FIGURE 8-54. LOCKOUT VALVE HARNESS.....	692
FIGURE 8-55. MAIN BOOM CONTROL CABLE HARNESS.....	694
FIGURE 8-56. MAIN BOOM DUAL CAPACITY SWITCH HARNESS	696
FIGURE 8-57. MAIN BOOM TRANSPORT SWITCH HARNESS.....	698

TABLE OF CONTENTS

FIGURE 8-58. MAIN VALVE HARNESS.....	700
FIGURE 8-59. PLATFORM CONSOLE BOX HARNESS - WITH SKYGUARD	702
FIGURE 8-60. SKYGUARD INERFACE HARNESS	706
FIGURE 8-61. PLATFORM VALVE HARNESS	708
FIGURE 8-62. PRESSURE TRANSDUCER HARNESS.....	710
FIGURE 8-63. PRESSURE TRANSDUCER HARNESS.....	712
FIGURE 8-64. PUMP ADAPTER HARNESS - SAUER PUMPS.....	714
FIGURE 8-65. RECEPTACLE BOX KIT - 110V IEC YELLOW WITHOUT 2500W GENERATOR (CE SPECS)	716
FIGURE 8-66. RECEPTACLE BOX KIT - 110V IEC YELLOW WITH 2500W GENERATOR (CE SPECS).....	718
FIGURE 8-67. RECEPTACLE BOX KIT - 220V IEC BLUE WITHOUT 2500W GENERATOR (CE SPECS).....	720
FIGURE 8-68. RECEPTACLE BOX KIT - 220V IEC BLUE WITH 2500W GENERATOR (CE SPECS)	722
FIGURE 8-69. RECEPTACLE BOX KIT - 220V CEE7 POST GROUND WITHOUT 2500W GENERSTOR (2X4 BOX) (CE SPECS).....	724
FIGURE 8-70. RECEPTACLE BOX KIT - 220V CEE7 POST GROUND WITH 2500W GENERSTOR (2X4 BOX) (CE SPECS)	726
FIGURE 8-71. RECEPTACLE BOX KIT - 220V CEE7 SIDE GROUND WITHOUT 2500W GENERATOR (2X4 BOX) (CE SPECS)	728
FIGURE 8-72. RECEPTACLE BOX KIT - 220V CEE7 SIDE GROUND WITH 2500W GENERATOR (2X4 BOX) (CE SPECS)	730
FIGURE 8-73. RECEPTACLE BOX KIT - 220V AFSINT 107 KEYED GROUND WITHOUT 2500W GENERATOR (2X4 BOX) (CE SPECS).....	732
FIGURE 8-74. RECEPTACLE BOX KIT - 220V AFSINT 107 KEYED GROUND WITH 2500W GENERATOR (2X4 BOX) (CE SPECS).....	734
FIGURE 8-75. RELAY HARNESS.....	736
FIGURE 8-76. STROBE LIGHT HARNESS (AMBER)	738
FIGURE 8-77. TILT SENSOR HARNESS (LEFT).....	740
FIGURE 8-78. TILT SENSOR HARNESS (RIGHT)	742
FIGURE 8-79. TOWER BOOM ANGLE SENSOR HARNESS (LEFT).....	744
FIGURE 8-80. TOWER BOOM ANGLE SENSOR HARNESS (RIGHT)	746
FIGURE 8-81. TOWER BOOM CONTROL CABLE HARNESS	748
FIGURE 8-82. TOWER BOOM FLY TO GROUND CONTROL BOX HARNESS.....	750
FIGURE 8-83. TOWER BOOM FLY TO MAIN BOOM BASE HARNESS	752
FIGURE 8-84. TOWER BOOM LENGTH SENSORS HARNESS	754
FIGURE 8-85. TOWER BOOM TRANSPORT LENGTH SWITCH HARNESS	756
FIGURE 8-86. SKYEYE INTERMEDIATE HARNESS	758
FIGURE 8-87. SKYEYE RECEIVER HARNESS.....	760
FIGURE 8-88. SKYEYE EMITTER HARNESS	762
FIGURE 8-89. SKYLINE HARNESS	764
SECTION 9 - DECALS	767
FIGURE 9-1. DECAL INSTALLATION - ANSI SPEC	768
FIGURE 9-2. DECAL INSTALLATION - AUSTRALIAN SPEC	770
FIGURE 9-3. DECAL INSTALLATION - BRAZIL SPEC (PORTGUESE/ENGLISH)	772
FIGURE 9-4. DECAL INSTALLATION - CE SPEC	774
FIGURE 9-5. DECAL INSTALLATION - CHINESE SPEC (CHINESE/ENGLISH)	776
FIGURE 9-6. DECAL INSTALLATION - CSA SPEC (ENGLISH/FRENCH)	778
FIGURE 9-7. DECAL INSTALLATION - JAPANESE SPEC (JAPANESE/ENGLISH).....	780
FIGURE 9-8. DECAL INSTALLATION - KOREAN SPEC (KOREAN/ENGLISH)	782
FIGURE 9-9. DECAL INSTALLATION - LATIN AMERICAN SPEC (SPANISH/ENGLISH).....	784

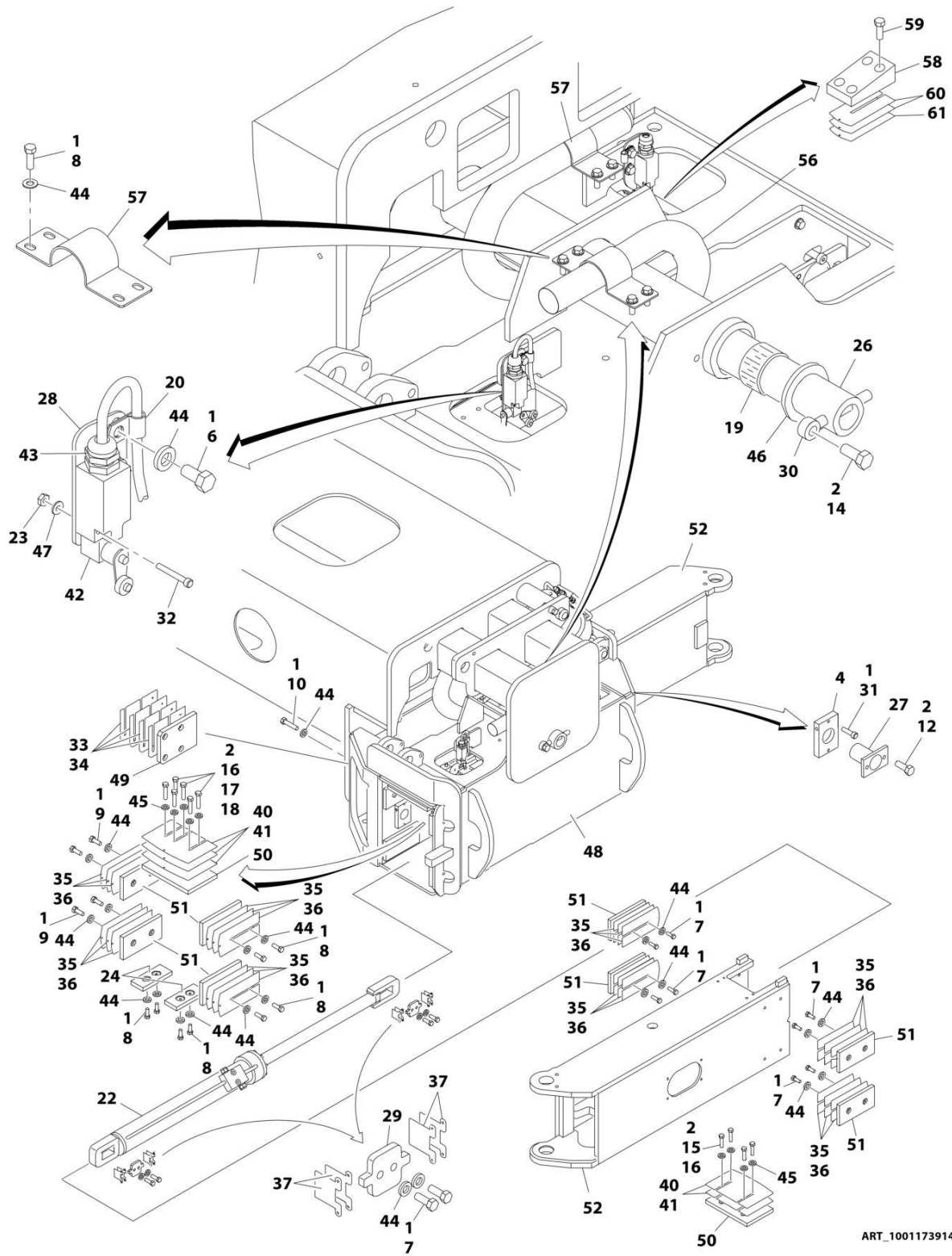
TABLE OF CONTENTS

FIGURE 9-10. DECAL INSTALLATION - OPTIONS	786
FIGURE 9-11. SKYWELDER DECAL INSTALLATION - 50HZ	790
FIGURE 9-12. SKYWELDER DECAL INSTALLATION - 60HZ (PVC 2001).....	792
FIGURE 9-13. SKYWELDER DECAL INSTALLATION - 60HZ (PVC 2007).....	794
SECTION 10 - RECOMMENDED SERVICE PARTS STOCK	797
FIGURE 10-1. RECOMMENDED SERVICE PARTS.....	798
SECTION 11 - SPECIAL OPTIONS.....	801
FIGURE 11-1. SPECIAL OPTIONS.....	802
PART NUMBER INDEX	807

SECTION 1 - FRAME

SECTION 1 - FRAME

FIGURE 1-1. AXLE INSTALLATION - FIXED



ART_1001173914_J

SECTION 1 - FRAME

FIGURE 1-1. AXLE INSTALLATION - FIXED

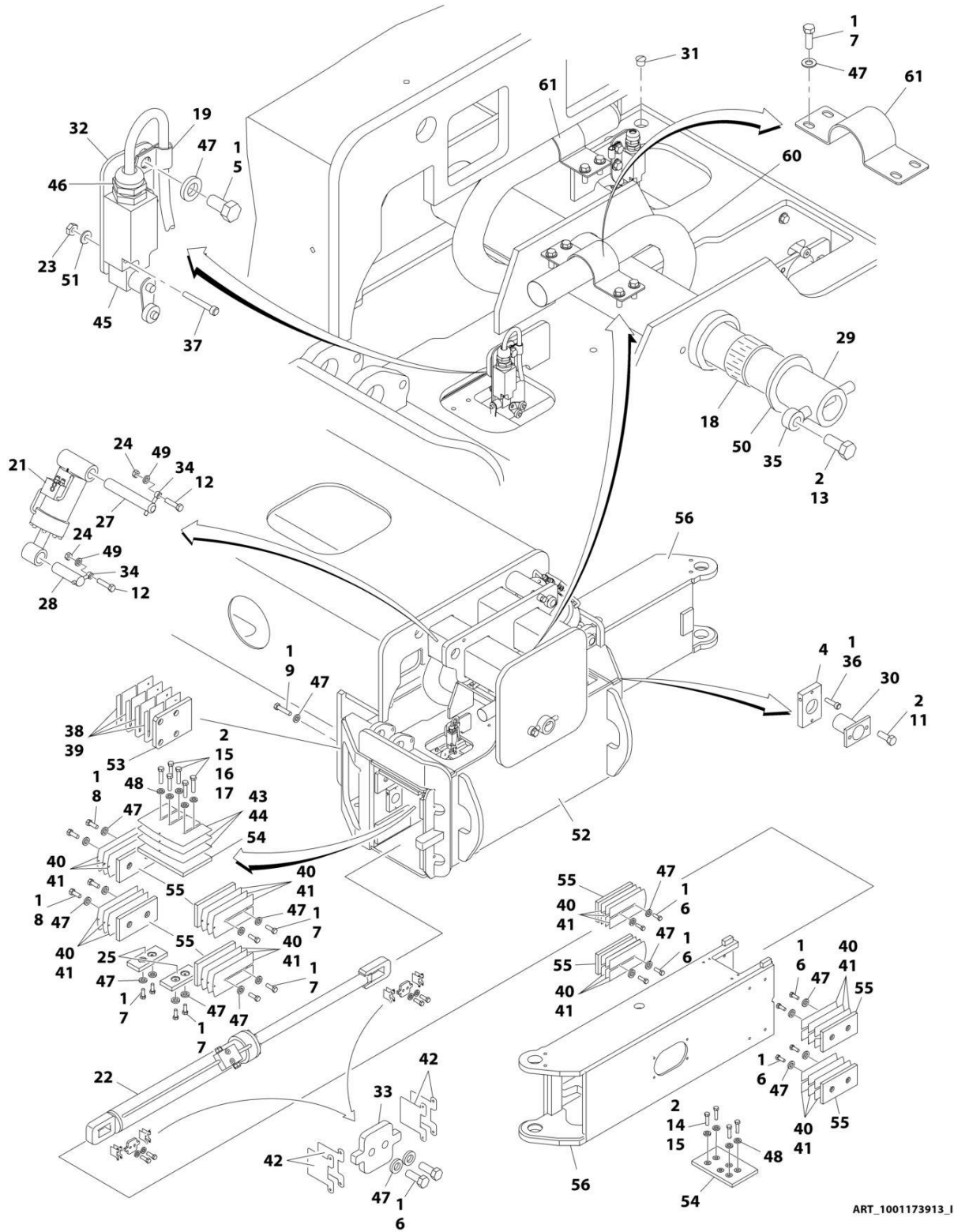
ITEM	PART NUMBER	QTY	DESCRIPTION	REV
	1001173914	Ref	AXLE INSTALLATION - FIXED	J
1	0100011	AR	Compound, Locking	
2	0100019	AR	Compound, Locking	
4	0363037	4	Bar, Stop	
6	0641606	8	Bolt 3/8 x 3/4	
7	0641608	48	Bolt 3/8 x 1	
8	0641609	64	Bolt 3/8 x 1-1/8	
9	0641611	16	Bolt 3/8 x 1-3/8	
10	0641613	8	Bolt 3/8 x 1-5/8	
12	0641808	8	Bolt 1/2 x 1	
14	0642214	1	Bolt 3/4 x 1-3/4	
15	0681813	12	Bolt 1/2 x 1-5/8 Grade 8	
16	0681814	18	Bolt 1/2 x 1-3/4 Grade 8	
17	0681815	12	Bolt 1/2 x 1-7/8 Grade 8	
18	0681816	6	Bolt 1/2 x 2 Grade 8	
19	0962033	2	Bushing	
20	1320263	4	Clamp, Cable	
22	1001251020	4	Axle Extension Cylinder Assembly (See Separate Breakdown in CYLINDER SECTION)	
23	3310805	8	Nut #8	
24	3340881	8	Pad, Wear	
26	3422918	1	Pin	
27	3422960	4	Pin	
28	3573294	4	Plate	
29	3573335	8	Plate	
30	3841287	1	Keeper, Pin	
31	3900270	4	Bolt 1/2 x 1-1/2	
32	3930820	8	Capscrew #8 x 1-1/4	
33	4071035	2	Shim #18 Gauge	
34	4071036	4	Shim #11 Gauge	
35	4071039	10	Shim #18 Gauge	
36	4071040	36	Shim #11 Gauge	
37	4071042	24	Shim #16 Gauge	
40	4071054	8	Shim #18 Gauge	
41	4071055	12	Shim #11 Gauge	
42	4360578	4	Switch, Limit	
43	4460968	4	Connector, Strain Relief	
44	4711600	144	Washer 3/8	
45	4711800	48	Washer 1/2	
46	4740461	1	Thrustwasher	
47	4750800	8	Washer #8	
48	4846383	1	Box, Axle Pivot	
49	1001161401	2	Pad, Axle	
50	1001161402	8	Pad, Wear	
51	1001161403	32	Pad, Wear	
52	4846637	4	Extension, Axle	
55	4240155	6	Strap (Not Shown)	
56	1001193674	4	Sleeve, Nylon	
57	1001191541	8	Bracket, Hose Mount	
58	0363076	2	Bar	

SECTION 1 - FRAME

ITEM	PART NUMBER	QTY	DESCRIPTION	REV
59	0641814	4	Bolt 1/2 x 1-3/4	
60	4071049	4	Shim #11 Gauge	
61	4071050	2	Shim #16 Gauge	
62	2220235	1	Plug (Not Shown - Located on Junction Manifold)	

SECTION 1 - FRAME

FIGURE 1-2. AXLE INSTALLATION - OSCILLATING



ART_1001173913_I

SECTION 1 - FRAME

FIGURE 1-2. AXLE INSTALLATION - OSCILLATING

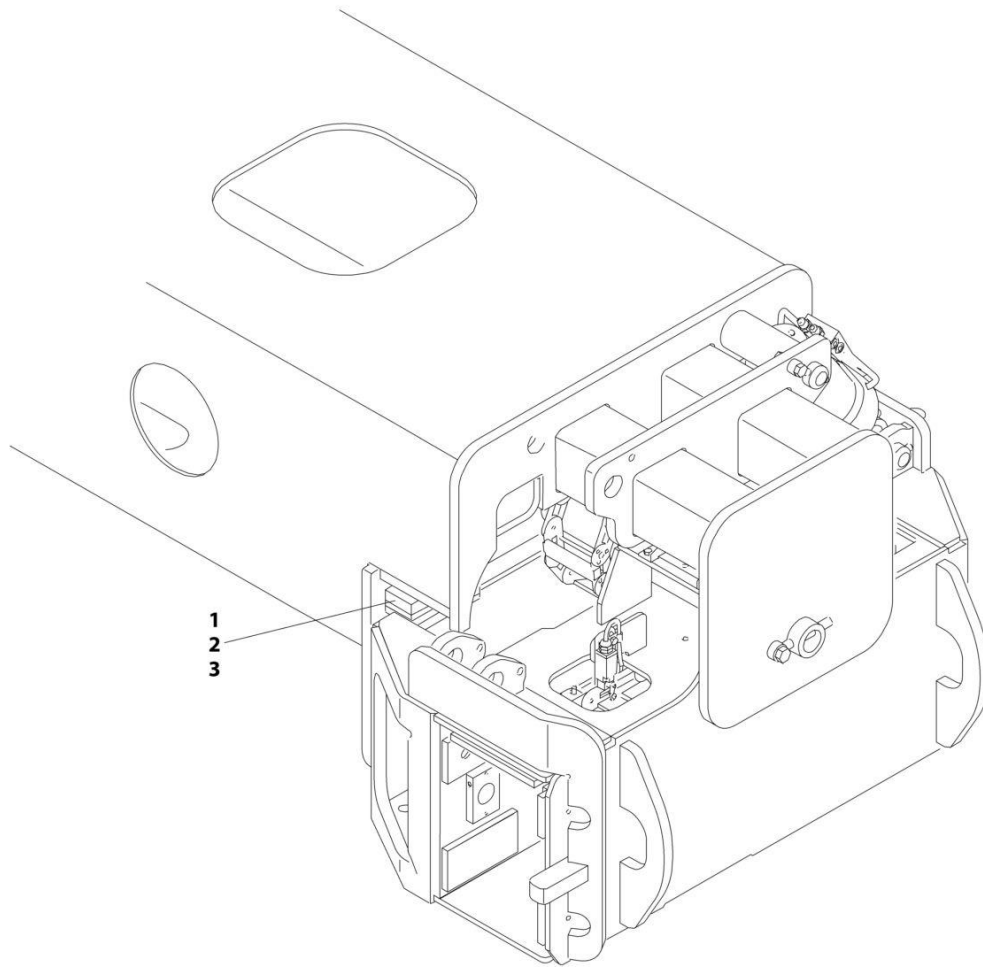
ITEM	PART NUMBER	QTY	DESCRIPTION	REV
	1001173913	Ref	AXLE INSTALLATION - OSCILLATING	I
1	0100011	AR	Compound, Locking	
2	0100019	AR	Compound, Locking	
4	0363037	4	Bar, Stop	
5	0641606	8	Bolt 3/8 x 3/4	
6	0641608	48	Bolt 3/8 x 1	
7	0641609	64	Bolt 3/6 x 1-1/8	
8	0641611	16	Bolt 3/8 x 1-3/8	
9	0641613	8	Bolt 3/8 x 1-5/8	
11	0641808	8	Bolt 1/2 x 1	
12	0642020	4	Bolt 5/8 x 2-1/2	
13	0642214	1	Bolt 3/4 x 1-3/4	
14	0681813	12	Bolt 1/2 x 1-5/8 Grade 8	
15	0681814	18	Bolt 1/2 x 1-3/4 Grade 8	
16	0681815	12	Bolt 1/2 x 1-7/8 Grade 8	
17	0681816	6	Bolt 1/2 x 2 Grade 8	
18	0962033	2	Bushing	
19	1320263	4	Clamp, Cable	
21	1001228019	2	Oscillating Axle Cylinder Assembly (See Separate Breakdown in CYLINDER SECTION)	
22	1001251020	4	Axle Extension Cylinder Assembly (See Separate Breakdown in CYLINDER SECTION)	
23	3310805	8	Nut #8	
24	3312005	4	Nut 5/8	
25	3340881	8	Pad, Wear	
27	3422833	2	Pin	
28	3422915	2	Pin	
29	3422918	1	Pin	
30	3422960	4	Pin	
31	3520054	4	Plug	
32	3573294	4	Plate	
33	3573335	8	Plate	
34	3841258	4	Keeper, Pin	
35	3841287	1	Keeper, Pin	
36	3900270	4	Bolt 1/2 x 1-1/2	
37	3930820	8	Capscrew #8 x 1-1/4	
38	4071035	2	Shim #18 Gauge	
39	4071036	4	Shim #11 Gauge	
40	4071039	10	Shim #18 Gauge	
41	4071040	36	Shim #11 Gauge	
42	4071042	24	Shim #16 Gauge	
43	4071054	8	Shim #18 Gauge	
44	4071055	12	Shim #11 Gauge	
45	4360578	4	Switch, Limit	
46	4460968	4	Connector, Strain Relief	
47	4711600	144	Washer 3/8	
48	4711800	48	Washer 1/2	
49	4712000	4	Washer 5/8	
50	4740461	1	Thrustwasher	
51	4750800	8	Washer #8	

SECTION 1 - FRAME

ITEM	PART NUMBER	QTY	DESCRIPTION	REV
52	4846383	1	Box, Axle Pivot	
53	1001161401	2	Pad, Axle	
54	1001161402	8	Pad, Wear	
55	1001161403	32	Pad, Wear	
56	4846637	4	Extension, Axle	
59	4240155	6	Strap (Not Shown)	
60	1001193674	4	Sleeve, Nylon	
61	1001191541	8	Bracket, Hose Mount	

SECTION 1 - FRAME

FIGURE 1-3. AXLE STOP BLOCKS INSTALLATION



ART_0274106

SECTION 1 - FRAME

FIGURE 1-3. AXLE STOP BLOCKS INSTALLATION

ITEM	PART NUMBER	QTY	DESCRIPTION	REV
	0274106	Ref	AXLE STOP BLOCKS INSTALLATION	A
1	0100019	AR	Compound, Locking	
2	3931816	4	Capscrew 1/2 x 1	
3	4220235	2	Block, Stop	

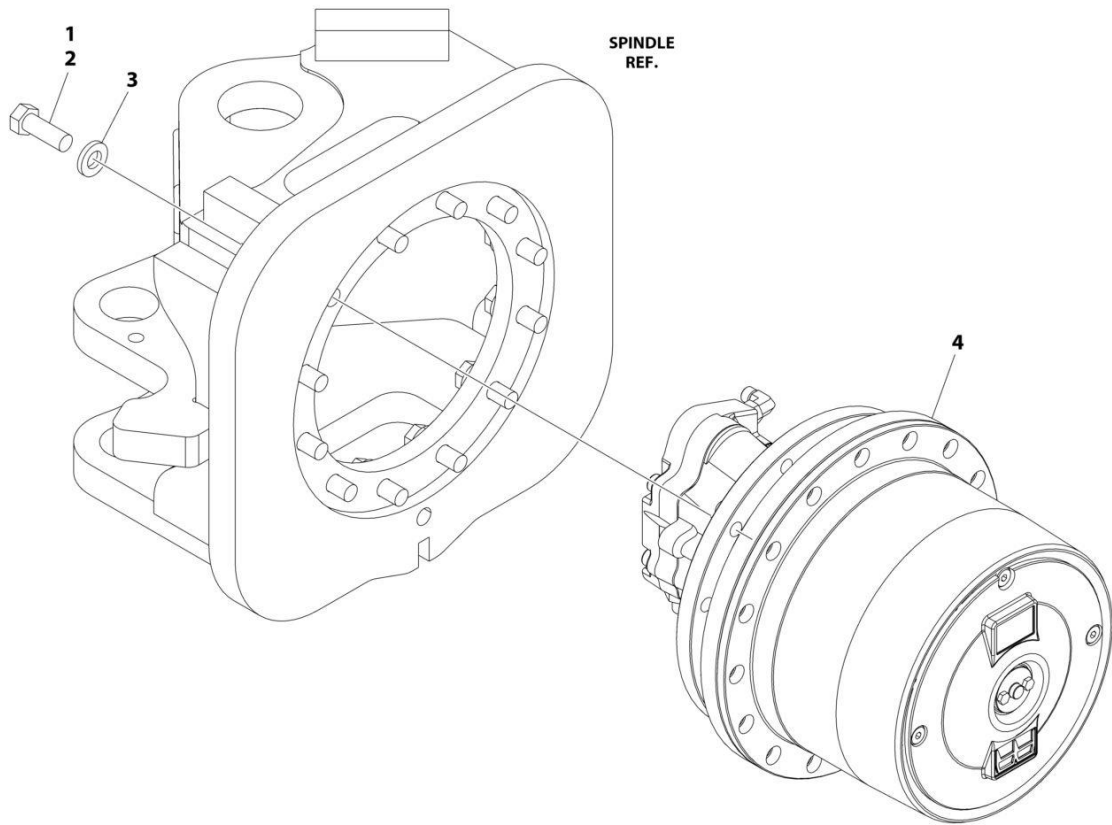
SECTION 1 - FRAME

FIGURE 1-4. STEER INSTALLATION

ITEM	PART NUMBER	QTY	DESCRIPTION	REV
	0271520	Ref	STEER INSTALLATION	L
1	0100011	AR	Compound, Locking	
2	0100019	AR	Compound, Locking	
3	0100035	AR	Compound, Locking	
5	0630464	4	Screw #10 x 1/2	
6	0641505	4	Bolt 5/16 x 5/8	
7	0641511	4	Bolt 5/16 x 1-3/8	
9	0641634	4	Bolt 3/8 x 4-1/4	
10	0642016	4	Bolt 5/8 x 2	
11	0962423	8	Bushing	
12	1671040	4	Cover, Sensor	
13	1001228031	4	Steer Cylinder Assembly (See Separate Breakdown in CYLINDER Section)	
14	3311505	4	Nut 5/16	
15	3300464	4	Nut, Slotted	
17	3422917	4	Kingpin	
18	3422940	4	Pin, Steer Cylinder (Outer)	
19	3422941	4	Pin, Steer Cylinder (Inner)	
20	3423256	4	Pin, Sensor	
21	3451214	4	Pin, Cotter 3/8 x 3-1/2	
22	3760383	4	Ring, Retaining	
23	3841258	4	Keeper, Pin	
25	3931020	8	Capscrew #10 x 1-1/4	
26	3931412	16	Capscrew 1/4 x 3/4	
27	3932024	8	Capscrew 5/8 x 1-1/2	
28	1001099632	4	Spindle	
29	4360505	4	Switch, Rotary Angle Sensor (Steer)	
30	4460914	4	Terminal	
31	4711500	12	Washer 5/16	
32	4711800	4	Washer 1/2	
33	4740181	4	Thrustwasher	
34	4740229	4	Thrustwasher	
35	4740505	8	Thrustwasher	
36	4751600	4	Washer 3/8	
37	4755000	4	Washer 2-1/2	
38	0200833	4	Arm, Steer	
39	0741606	8	Screw 3/8 x 3/4	
40	1120549	4	Cap, Seal (Outer)	
41	1120550	4	Cap, Seal (Inner)	
42	3960551	4	Seal (Outer)	
43	3960552	4	Seal (Inner)	
44	0080277	4	Adapter, Angle Sensor Pilot	
45	4811600	8	Washer M5	

SECTION 1 - FRAME

FIGURE 1-5. WHEEL DRIVE INSTALLATION - REGGIANA RIDUTTORI



ART_1001104324

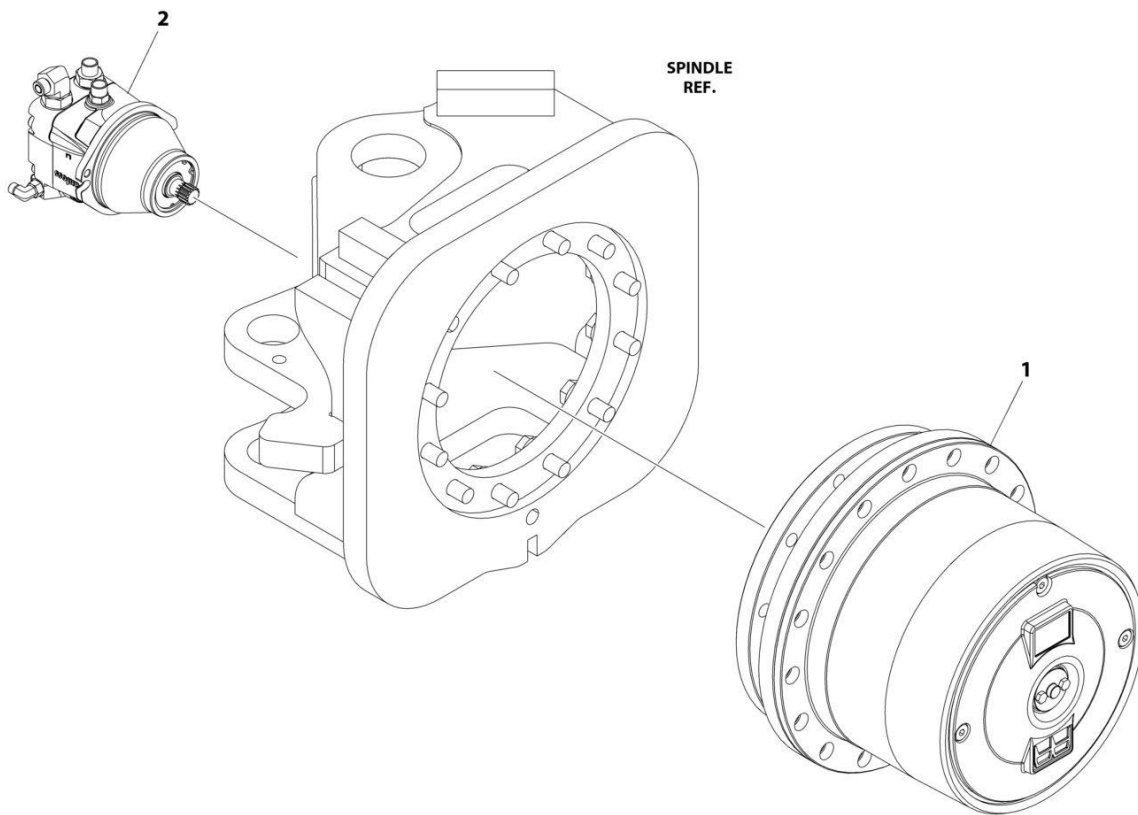
SECTION 1 - FRAME

FIGURE 1-5. WHEEL DRIVE INSTALLATION - REGGIANA RIDUTTORI

ITEM	PART NUMBER	QTY	DESCRIPTION	REV
	1001104324	Ref	WHEEL DRIVE INSTALLATION - REGGIANA RIDUTTORI	B
1	0100019	AR	Compound, Locking	
2	0701617	48	Bolt M16 x 45 (12 Per Wheel)	
3	4892000	48	Washer 5/8 (12 Per Wheel)	
4	1001104315	4	Drive Hub and Motor Assembly - Reggiana Riduttori (See Separate Breakdown in this Section)	

SECTION 1 - FRAME

FIGURE 1-6. DRIVE HUB AND MOTOR ASSEMBLY - REGGIANA RIDUTTORI



ART_1001104315

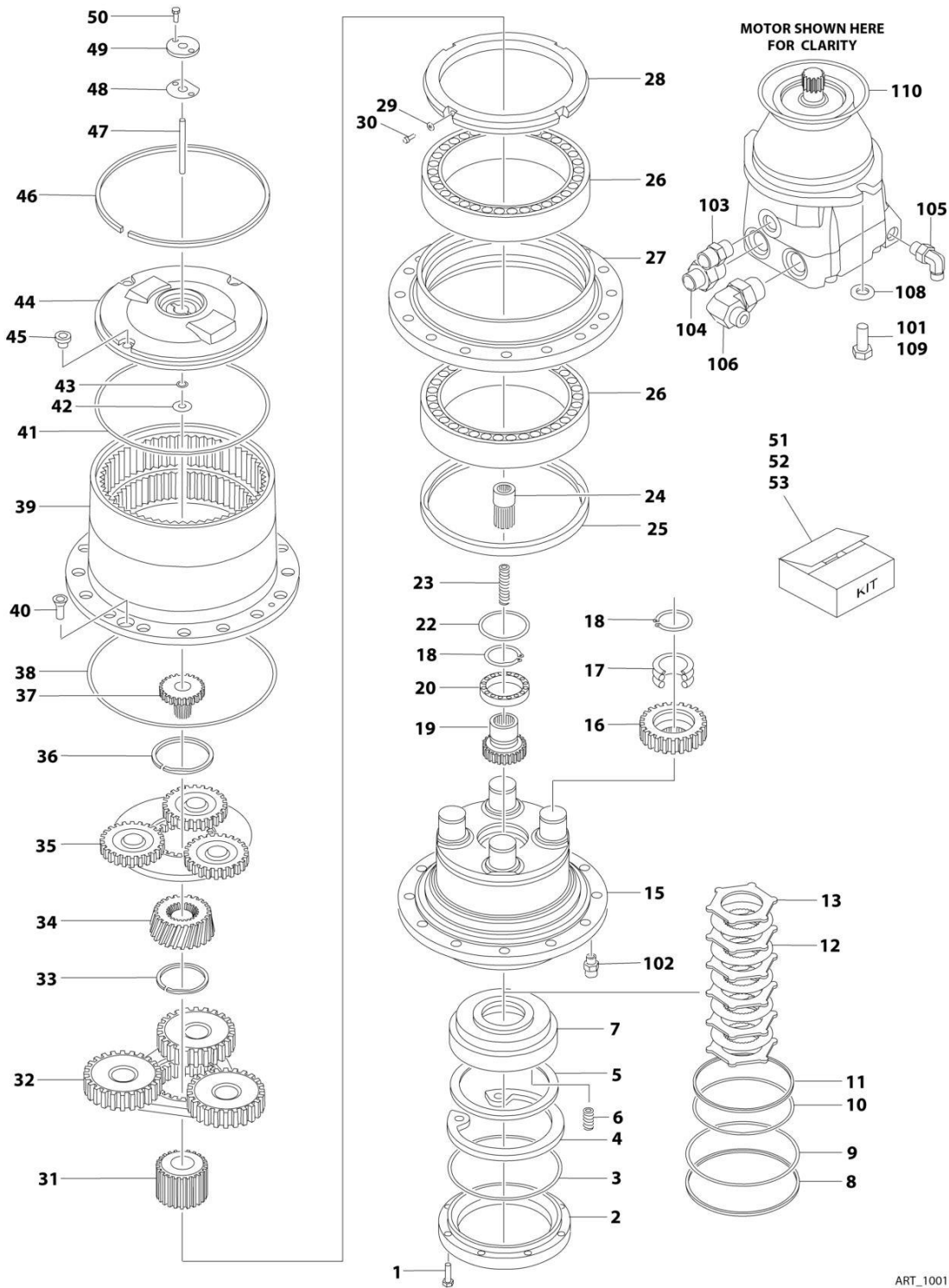
SECTION 1 - FRAME

FIGURE 1-6. DRIVE HUB AND MOTOR ASSEMBLY - REGGIANA RIDUTTORI

ITEM	PART NUMBER	QTY	DESCRIPTION	REV
	1001104315	Ref	DRIVE HUB AND MOTOR ASSEMBLY - REGGIANA RIDUTTORI Note: Various brands used on Machines. When replacing complete hub, note that all 4 hubs must be the same brand. Note: Various brands used on Machines. Identify brand before ordering replacement parts.	B
		Ref		
		Ref		
1	1001104325	4	Drive Hub Assembly - Reggiana Riduttori (See Separate Breakdown in this Section)	
2	3160339	4	Drive Motor Assembly (See Separate Breakdown in this Section)	

SECTION 1 - FRAME

FIGURE 1-7. DRIVE HUB ASSEMBLY - REGGIANA RIDUTTORI



ART_1001104325

SECTION 1 - FRAME

FIGURE 1-7. DRIVE HUB ASSEMBLY - REGGIANA RIDUTTORI

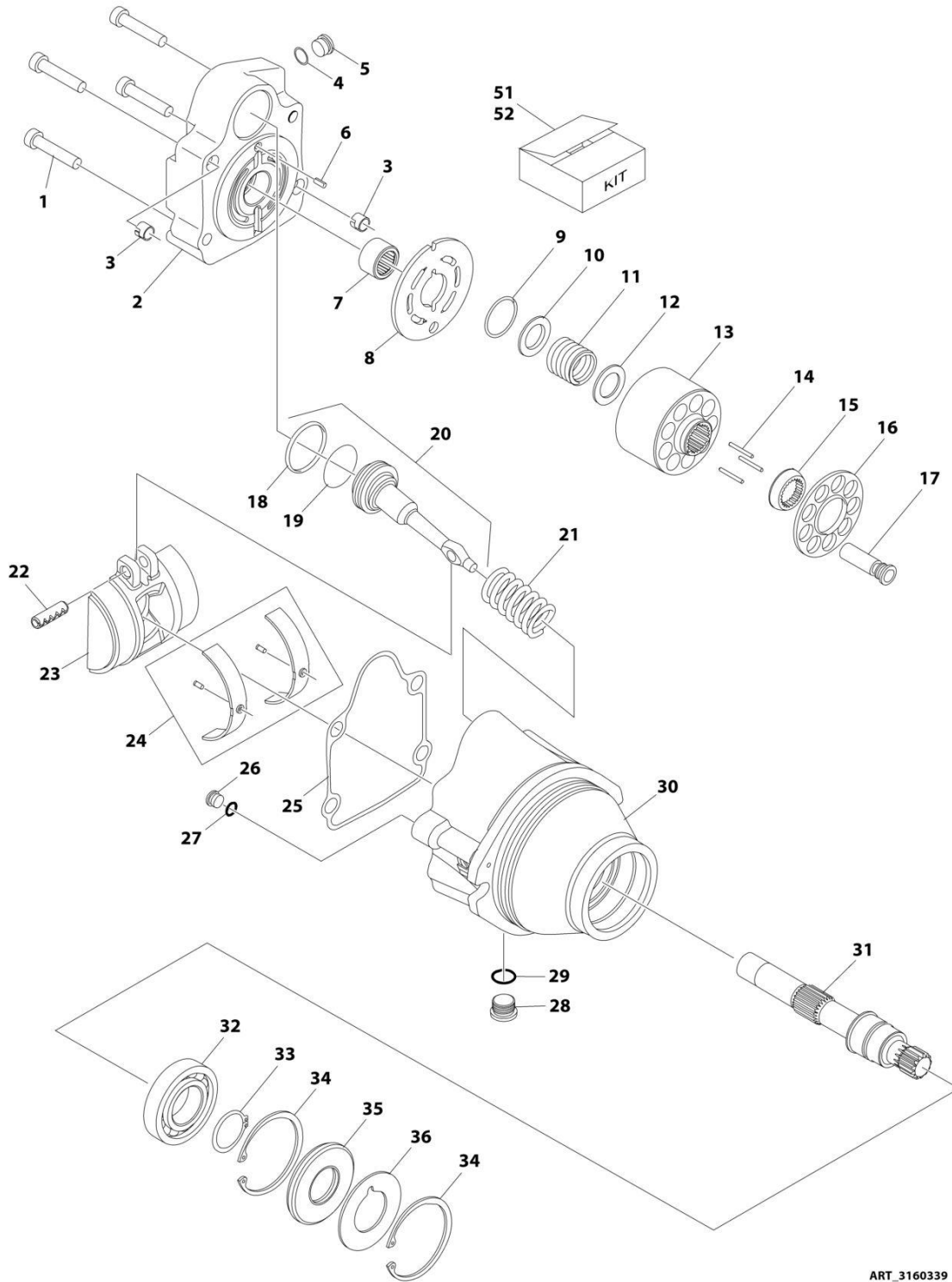
ITEM	PART NUMBER	QTY	DESCRIPTION	REV
	1001104325	Ref	DRIVE HUB ASSEMBLY - REGGIANA RIDUTTORI	G
		Ref	Note: Various brands used on Machines. Identify brand before ordering replacement parts.	
	1001101550	1	Hub, Torque	C
1	70002015	8	Bolt M8 x 25	
2	70002016	1	Ring, Motor Support	
3	See Note	NSS	O-Ring (Note: Use Item 51)	
4	70002018	1	Snap Ring	
5	70002019	1	Retainer, Spring	
6	70002020	9	Spring	
7	70002021	1	Piston	
8	See Note	NSS	Ring, Back-up (Note: Use Item 51 or 53)	
9	See Note	NSS	O-Ring (Note: Use Item 51 or 53)	
10	See Note	NSS	O-Ring (Note: Use Item 51 or 53)	
11	See Note	NSS	Ring, Back-up (Note: Use Item 51 or 53)	
12	70002026	5	Disc, Friction	
13	70002027	6	Disc, Steel	
15	70002029	1	Spindle	
16	70002030	4	Gear, Planetary	
17	70002031	4	Bearing	
18	70002032	5	Snap Ring	
19	70002033	1	Gear, Brake/Input	
20	70002034	1	Bearing	
22	70002035	1	Ring, Wear	
23	70002036	1	Spring	
24	70002037	1	Shaft, Engagement	
25	See Note	NSS	Seal (Note: Use Item 51)	
26	70002039	2	Bearing Assembly	
27	70002040	1	Support, Hub	
28	70002041	1	Nut, Retaining	
29	70002674	4	Washer	
30	70002674	4	Screw	
31	70002044	1	Gear, Planetary Sun	
32	70002045	1	Reduction Assembly, Secondary	
33	70002046	1	Snap Ring	
34	70002047	1	Gear, Secondary Input Sun	
35	70002048	1	Reduction Assembly, Primary	
36	70002049	1	Snap Ring	
37	70002050	1	Gear, Primary Input Sun	
38	See Note	NSS	O-Ring (Note: Use Item 51)	
39	See Note	NSS	Housing, Hub (Note: Not Available - Purchase Complete Assembly)	
40	70002052	2	Screw, Countersunk	
41	See Note	NSS	O-Ring (Note: Use Item 51 or 52)	
42	See Note	NSS	Thrustwasher (Note: Use Item 52)	
43	See Note	NSS	O-Ring (Note: Use Item 51 or 52)	
44	See Note	NSS	Cover, Hub (Note: Use Item 52)	
45	70002057	3	Plug	
46	See Note	NSS	Snap Ring (Note: Use Item 52)	
47	See Note	NSS	Pin, Engagement (Note: Use Item 52)	

SECTION 1 - FRAME

ITEM	PART NUMBER	QTY	DESCRIPTION	REV
48	See Note	NSS	Gasket (Note: Use Item 51 or 52)	
49	See Note	NSS	Cover, Engagement (Note: Use Item 52)	
50	See Note	NSS	Screw (Note: Use Item 52)	
51	70002248	1	Seal Kit (Includes Items 3, 8-11, 25, 38, 41, 43 & 48)	
52	70002247	1	Cover Kit (Includes Items 41-50)	
53	70002249	1	Brake Kit (Includes Items 4-13)	
101	0761214	2	Bolt M12 x 30	
102	2110404	1	Fitting, Adapter	
103	2110808	1	Fitting, Adapter	
104	2110812	1	Fitting, Adapter	
105	2130406	1	Fitting, 90 Adapter	
106	2130812	1	Fitting, 90 Adapter	
108	5241200	2	Washer M12	
109	0100011	AR	Compound, Locking	
110	3790158	1	O-Ring	

SECTION 1 - FRAME

FIGURE 1-8. DRIVE MOTOR ASSEMBLY



ART_3160339

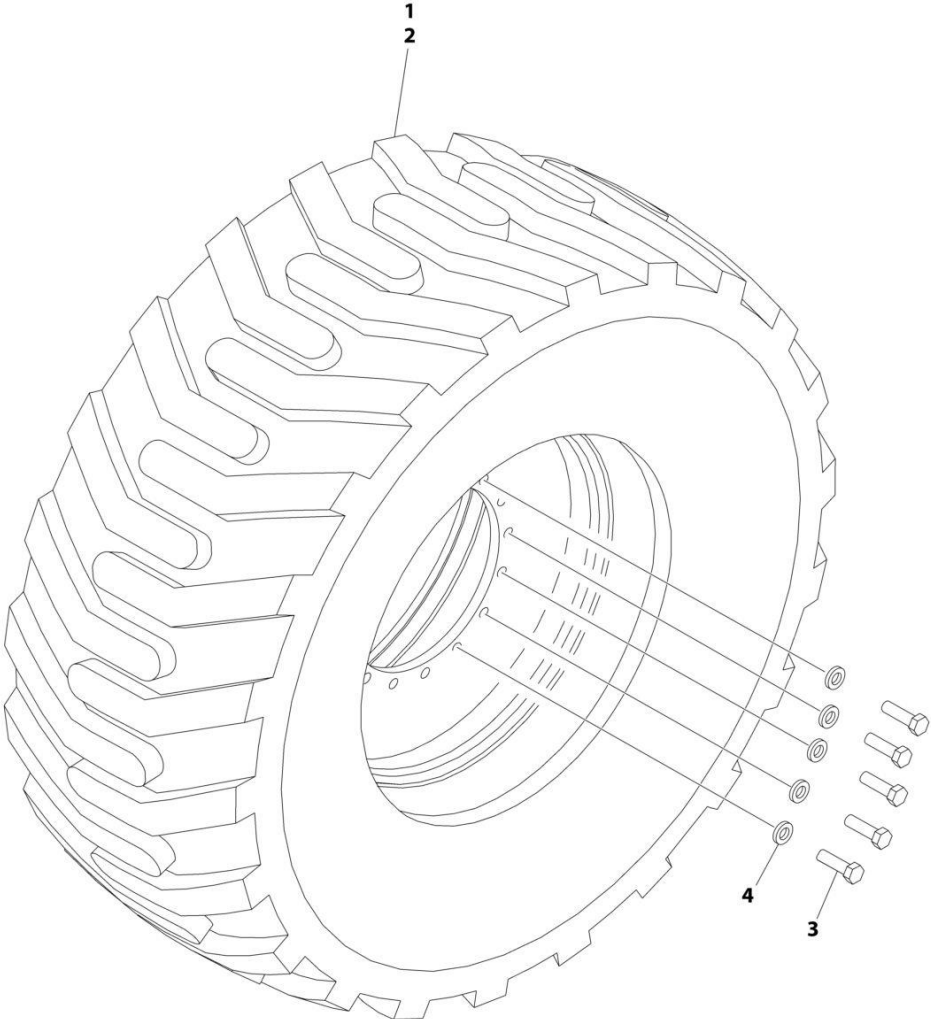
SECTION 1 - FRAME

FIGURE 1-8. DRIVE MOTOR ASSEMBLY

ITEM	PART NUMBER	QTY	DESCRIPTION	REV
	3160339	Ref	DRIVE MOTOR ASSEMBLY	D
1	7022368	4	Bolt	
2	70000859	1	End Cap, Motor	
3	70003628	2	Locating Pin	
4	See Note	NSS	O-Ring (Note: Use Item 51)	
5	7007420	1	Plug (Includes Item 4)	
6	7007446	1	Pin, Dowel	
7	7021249	1	Bearing, Needle	
8	70000854	1	Plate, Valve	
9	7022311	1	Snap Ring	
10	7022314	1	Retainer, Spring	
11	7024867	1	Spring	
12	7024868	1	Washer	
13	70000855	1	Block, Cylinder	
14	7021275	3	Pin, Slipper	
15	70000856	1	Guide	
16	70000857	1	Retainer, Slipper	
17	7024865	9	Piston, Cylinder	
18	See Note	NSS	Ring, Piston (Note: Use Item 51)	
19	See Note	NSS	O-Ring (Note: Use Item 51)	
20	70000860	1	Piston, Servo (Includes Items 18 & 19)	
21	70000861	1	Spring	
22	See Note	NSS	Pin (Note: Not Available for Purchase)	
23	70000853	1	Swash Plate	
24	70000852	1	Bearing Kit	
25	See Note	NSS	Gasket (Note: Use Item 51)	
26	See Note	NSS	Plug (Note: Not Available for Purchase)	
27	See Note	NSS	O-Ring (Note: Use Item 51)	
28	7022321	1	Plug (Includes Item 29)	
29	See Note	NSS	O-Ring (Note: Use Item 51)	
30	See Note	NSS	Housing (Note: Not Available - Purchase Complete Motor)	
31	70000858	1	Shaft	
32	7007437	1	Bearing	
33	7007439	1	Snap Ring	
34	7007438	2	Snap Ring	
35	See Note	NSS	Seal (Note: Use Item 51)	
36	7022371	1	Washer, Seal Support	
51	70000862	1	Kit 1 - Motor Seal Kit (Includes Items 4, 18, 19, 25, 27, 29 & 35)	
52	7027740	1	Kit 2 - Cylinder Block Kit (Includes Items 9-17)	

SECTION 1 - FRAME

FIGURE 1-9. TIRE AND WHEEL INSTALLATION - FOAM - FILLED



ART_0271852

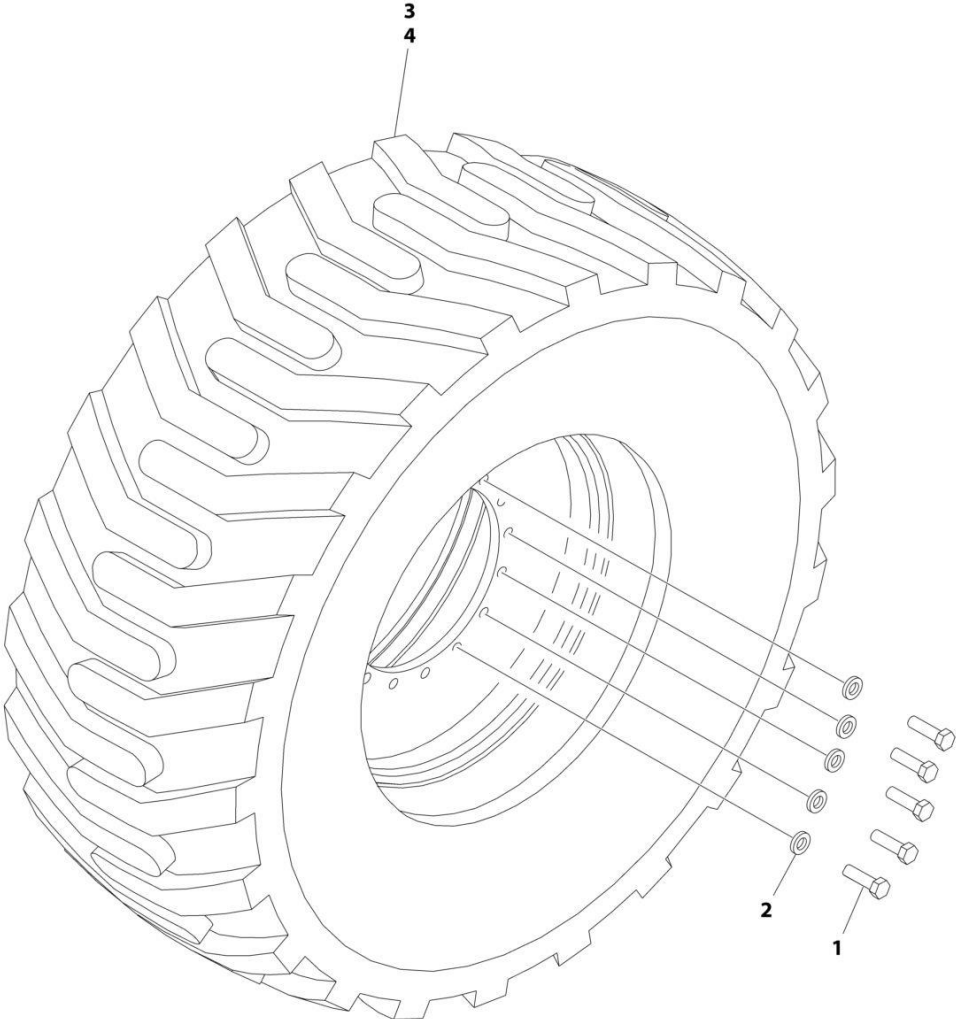
SECTION 1 - FRAME

FIGURE 1-9. TIRE AND WHEEL INSTALLATION - FOAM - FILLED

ITEM	PART NUMBER	QTY	DESCRIPTION	REV
	0271852	Ref	TIRE AND WHEEL INSTALLATION - FOAM - FILLED	B
		Ref	Note: Assemblies may require ballast/foam filling to manufacturer's specifications prior to installing on a machine. Refer to Operation and Safety or Service and Maintenance Manuals. Purchase individual tire and/or rim only if able to foam fill tire and wheel assembly, otherwise, purchase complete assembly.	
1	0272055	2	Right Side Tire and Wheel Assembly - Foam - Filled	
2	0272056	2	Left Side Tire and Wheel Assembly - Foam - Filled	
3	0701619	64	Bolt M16 x 55 (16 Per Wheel)	
4	4892000	64	Washer 5/8 (16 Per Wheel)	

SECTION 1 - FRAME

FIGURE 1-10. TIRE AND WHEEL INSTALLATION - SOLID



ART_1001115961

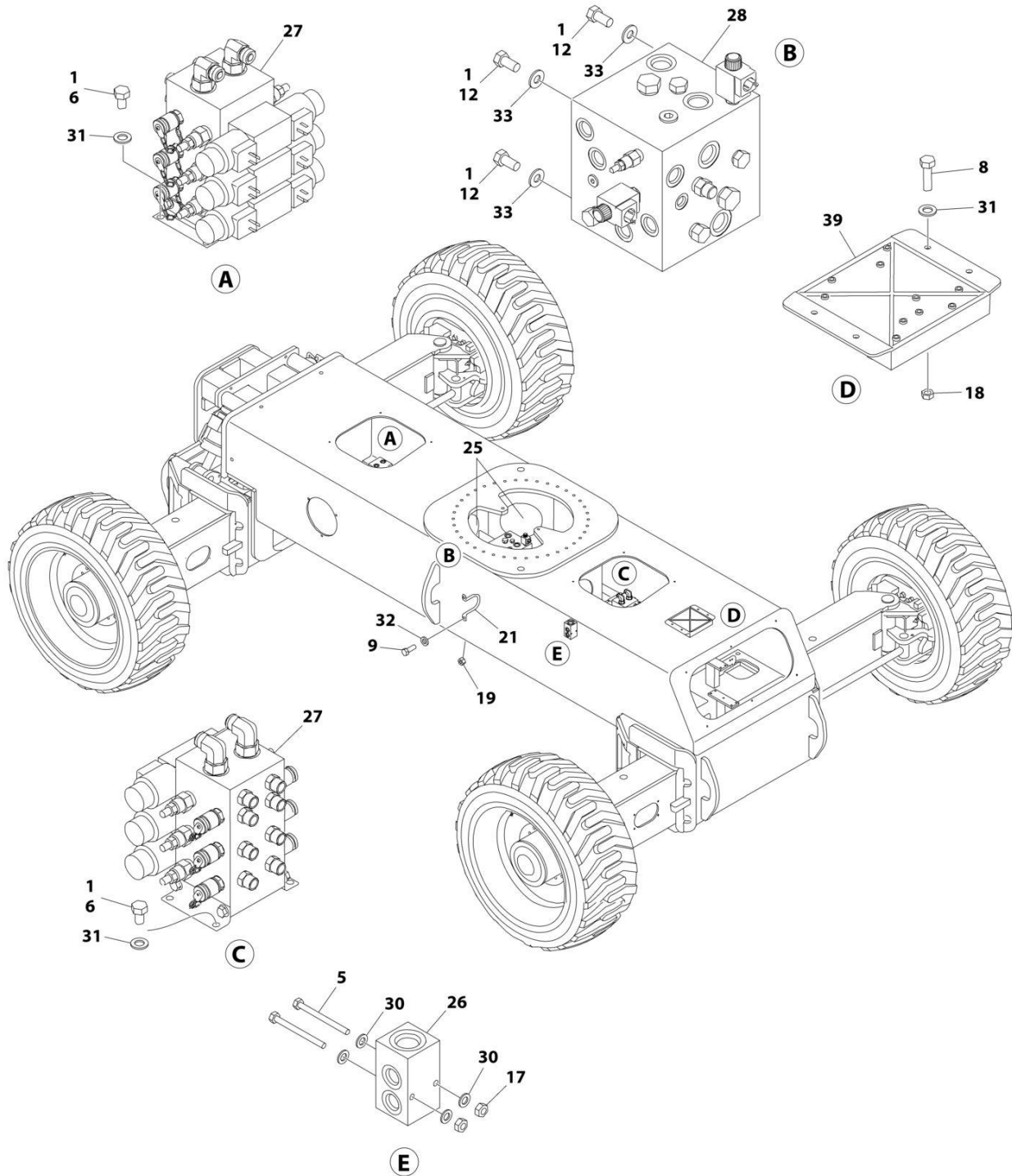
SECTION 1 - FRAME

FIGURE 1-10. TIRE AND WHEEL INSTALLATION - SOLID

ITEM	PART NUMBER	QTY	DESCRIPTION	REV
	1001115961	Ref	TIRE AND WHEEL INSTALLATION - SOLID	A
1	0701619	64	Bolt M16 x 55 (16 Per Wheel)	
2	4892000	64	Washer 5/8 (16 Per Wheel)	
3	1001112716	2	Right Side Tire and Wheel Assembly - Solid	
4	1001112669	2	Left Side Tire and Wheel Assembly - Solid	

SECTION 1 - FRAME

FIGURE 1-11. FRAME VALVES INSTALLATION



ART_1001219989_E_10F3

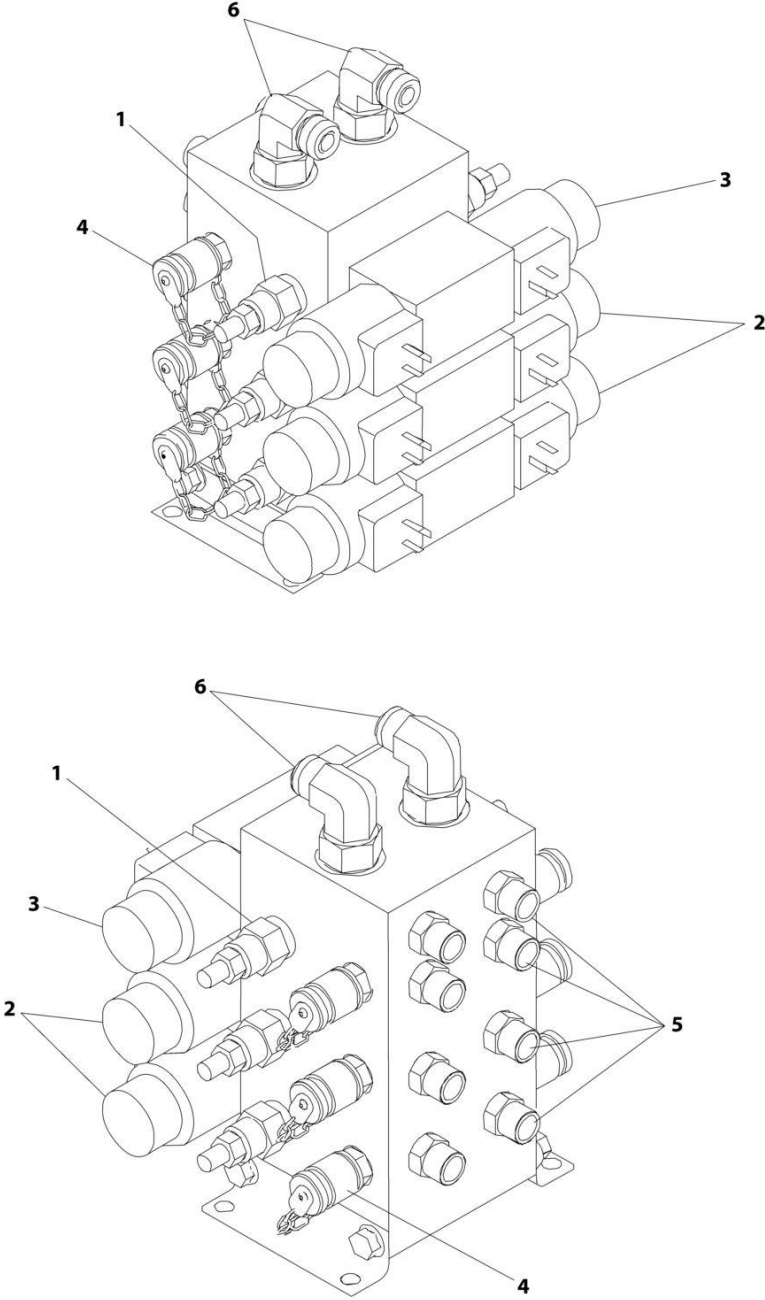
SECTION 1 - FRAME

FIGURE 1-11. FRAME VALVES INSTALLATION

ITEM	PART NUMBER	QTY	DESCRIPTION	REV
	1001219989	Ref	FRAME VALVES INSTALLATION - WITH 1 CELL LSS	E
1	0100011	AR	Compound, Locking	
5	0641424	2	Bolt 1/4 x 3	
6	0641504	8	Bolt 5/16 x 1/2	
8	0641509	4	Bolt 5/16 x 1-1/8	
9	0641608	4	Bolt 3/8 x 1	
12	0641808	4	Bolt 1/2 x 1	
17	3311405	2	Nut 1/4	
18	3311505	4	Nut 5/16	
19	3311605	4	Nut 3/8	
21	3841340	2	Loop, Hose	
25	4060808	124 in/ 3.2m	Flex-Trim	
26	4641155	1	Manifold, Junction	
27	4641268	2	Valve Assembly - Steer (See Separate Breakdown in this Section)	
28	4641454	1	Traction Valve Assembly (See Separate Breakdown in this Section)	
30	4711400	4	Washer 1/4	
31	4711500	12	Washer 5/16	
32	4711600	4	Washer 3/8	
33	4711800	4	Washer 1/2	
39	1001112758	1	Module (Chassis) (Note: Re-calibration required when Replaced)	
39	2915024	1	Update Kit (Includes Cables, Programming Instructions and CD Software)	

SECTION 1 - FRAME

FIGURE 1-12. STEER VALVE ASSEMBLY



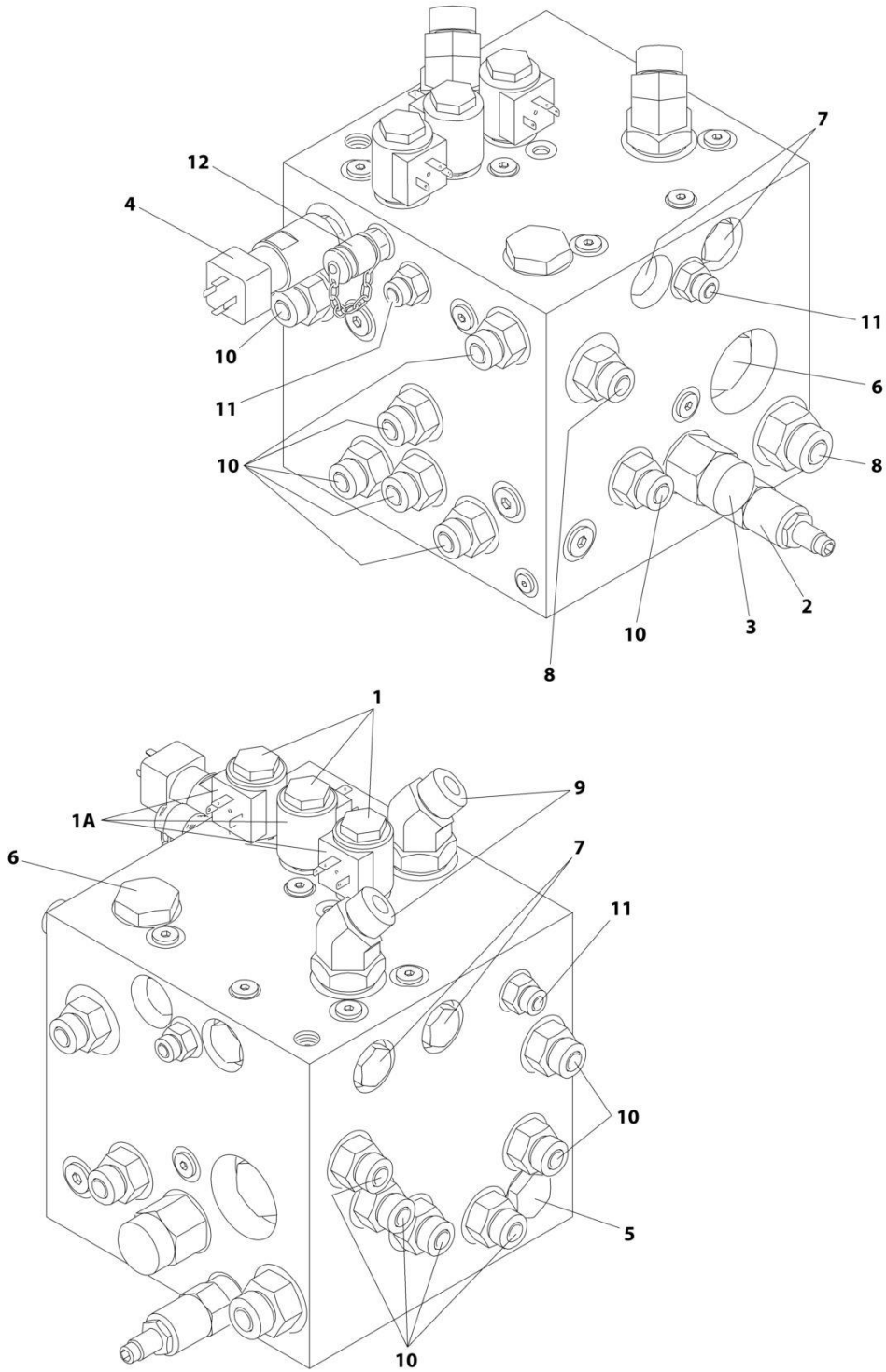
ART_4641268

FIGURE 1-12. STEER VALVE ASSEMBLY

ITEM	PART NUMBER	QTY	DESCRIPTION	REV
	4641268	Ref	STEER VALVE ASSEMBLY	C
1	7026028	12	Cartridge (6 Per Valve)	
1	7011346	12	Seal Kit - Cartridge (1 Per Cartridge)	
2	7024927	4	Valve (2 Per Valve)	
2	7012773	4	Seal Kit - Cartridge (1 Per Cartridge)	
2	7018991	8	Coil (2 Per Valve)	
3	70001976	2	Valve (1 Per Valve)	
3	7012773	2	Seal Kit - Cartridge (1 Per Cartridge)	
3	7018991	4	Coil (2 Per Valve)	
3	70001939	2	Orifice	
4	2221086	6	Check, Pressure	
5	2110606	8	Fitting, Straight	
6	2130810	2	Fitting, 90	

SECTION 1 - FRAME

FIGURE 1-13. TRACTION VALVE ASSEMBLY



ART_4641454

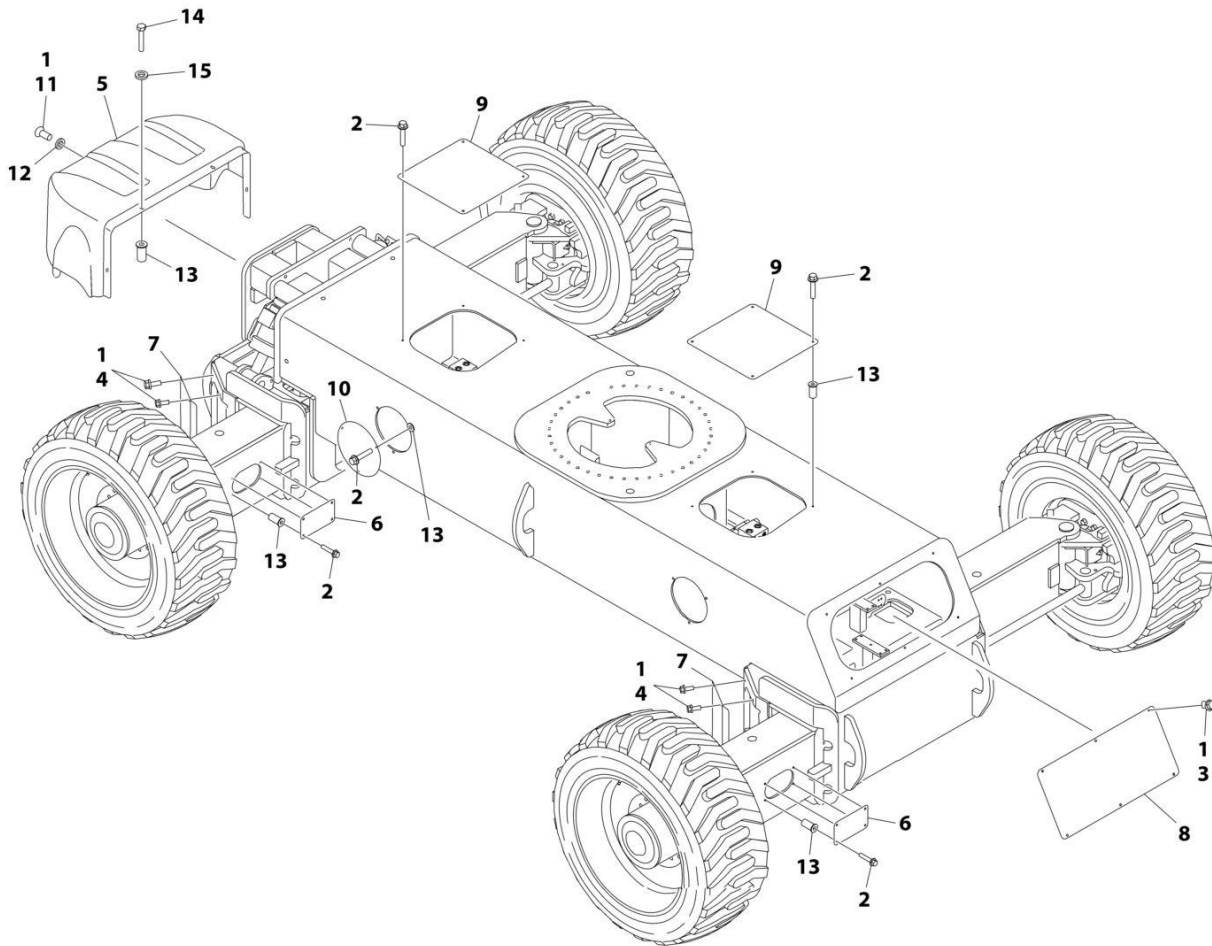
SECTION 1 - FRAME

FIGURE 1-13. TRACTION VALVE ASSEMBLY

ITEM	PART NUMBER	QTY	DESCRIPTION	REV
	4641454	Ref	TRACTION VALVE ASSEMBLY	E
1	7012941	3	Cartridge, Valve (Steer, Brake and Axle Lockout)	
1	7010543	3	Seal Kit - 7012941 Cartridge	
1A	7012944	2	Coil	
2	70000801	1	Cartridge, Valve (Relief)	
2	7012998	1	Seal Kit - 70000801 Cartridge	
3	70000802	1	Cartridge, Valve (Pilot)	
3	7012942	1	Seal Kit - 70000802 Cartridge	
4	70000803	1	Pressure Switch	
5	70000804	1	Cartridge, Valve (Shuttle)	
5	70000805	1	Seal Kit - 70000804 Cartridge	
6	70000806	2	Cartridge, Valve (Flow Divider)	
6	7017405	2	Seal Kit - 70000806 Cartridge	
7	7012955	4	Cartridge, Valve (Check)	
7	7012967	4	Seal Kit - 7012955 Cartridge	
8	2111012	2	Fitting, Straight	
9	2151012	2	Fitting, 45	
10	2110810	13	Fitting, Straight	
11	2110406	3	Fitting, Straight	
12	2221086	1	Check, Pressure	
13	2220883	1	Plug, #4 (Not Shown)	

SECTION 1 - FRAME

FIGURE 1-14. FRAME COVERS INSTALLATION



ART_1001176346

SECTION 1 - FRAME

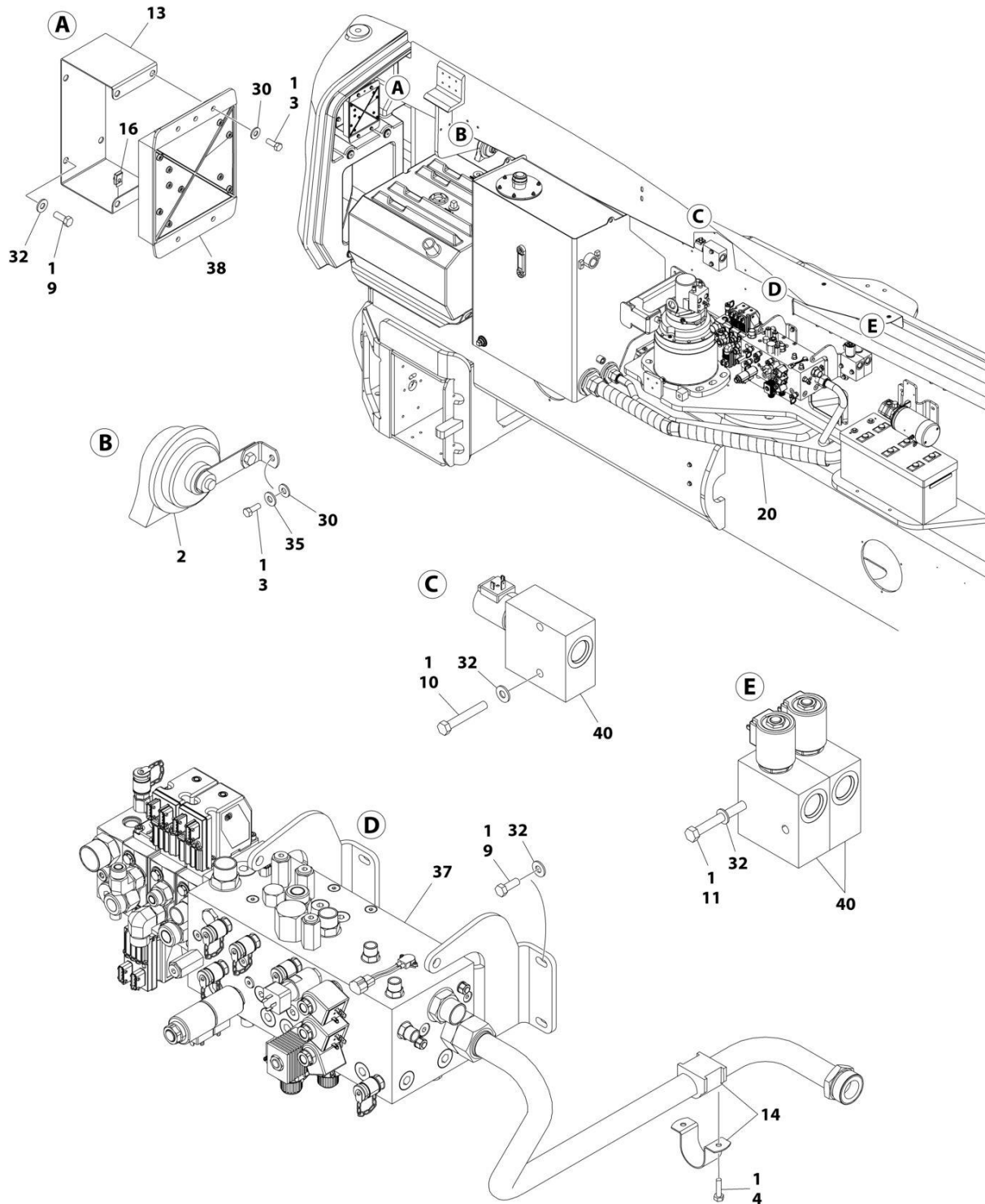
FIGURE 1-14. FRAME COVERS INSTALLATION

ITEM	PART NUMBER	QTY	DESCRIPTION	REV
	1001176346	Ref	FRAME COVERS INSTALLATION - ABS	C
1	0100011	AR	Compound, Locking	
2	0791410	36	Screw 1/4 x 1-1/4	
3	0791604	6	Screw 3/8 x 1/2	
4	0791607	16	Screw 3/8 x 7/8	
5	1670996	1	Cover, Front	
6	1671045	4	Plate, Cover (Axle Side)	
7	1671046	4	Plate, Cover (Axle Corner)	
8	1671047	1	Plate, Cover (Rear)	
9	1671048	2	Plate, Cover (Frame Top)	
10	1671049	4	Plate, Cover (Frame Side)	
11	3900283	3	Screw 3/8 x 3/4	
12	4751600	3	Washer 3/8	
13	8580420	40	Nut, Well	
14	0641412	4	Bolt 1/4 x 1-1/2	
15	4740430	4	Washer, Fender	

SECTION 2 - TURNTABLE

SECTION 2 - TURNTABLE

FIGURE 2-1. TURNTABLE VALVES INSTALLATION



ART_1001219989_E_20F3

SECTION 2 - TURNTABLE

FIGURE 2-1. TURNTABLE VALVES INSTALLATION

ITEM	PART NUMBER	QTY	DESCRIPTION	REV
	1001219989	Ref	TURNTABLE VALVES INSTALLATION	E
1	0100011	AR	Compound, Locking	
2	0140001	1	Horn	
3	0641406	5	Bolt 1/4 x 3/4	
4	0641408	2	Bolt 1/4 x 1	
9	0641608	8	Bolt 3/8 x 1	
10	0641620	2	Bolt 3/8 x 2-1/2	
11	0641636	2	Bolt 3/8 x 4-1/2	
13	0902800	1	Bracket, Module Mounting	
14	1320322	1	Clamp	
16	3300454	4	Nut, Special	
20	3380523	1	Shield, Tube	
30	4711400	5	Washer 1/4	
32	4711600	12	Washer 3/8	
35	4791400	1	Starwasher 1/4	
37	1001246762	1	Main Valve Assembly (See Separate Breakdown in this Section)	
38	1001227960	1	Module, B.L.A.M (Note: Control System must be Re-calibrated when Module is Replaced)	
40	1001112850	3	Enable Valve Assembly	
40	7024890	3	Coil	

SECTION 2 - TURNTABLE

FIGURE 2-2. MAIN VALVE ASSEMBLY

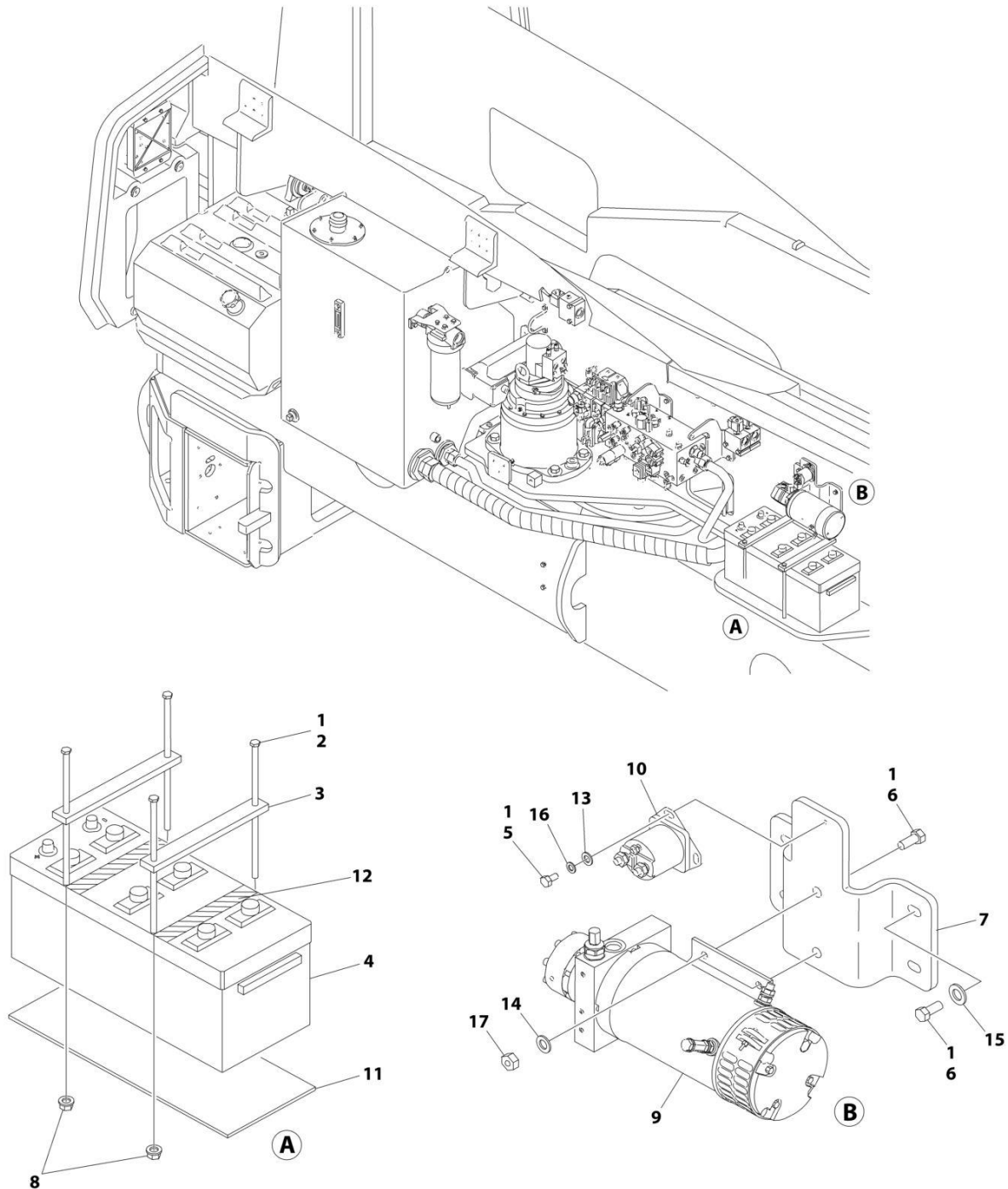
ITEM	PART NUMBER	QTY	DESCRIPTION	REV
	1001246762	Ref	MAIN VALVE ASSEMBLY	C
		Ref	MAIN VALVE BODY COMPONENTS	
1	7026684	4	Cartridge, Check Valve	
1	7026685	4	Seal Kit - Valve	
2	7026686	2	Cartridge, Relief Valve	
2	7026687	2	Seal Kit - Valve	
3	7026688	1	Cartridge, Check Valve	
3	7026689	1	Seal Kit - Valve	
4	70007229	3	Cartridge, Solenoid Valve Less Coil	
4	70007230	3	Seal Kit - Valve	
4	70007231	3	Coil	
5	7026692	2	Cartridge, Solenoid Valve Less Coil	
5	7026693	2	Seal Kit - Valve	
5	7027207	2	Coil	
6	7026694	1	Cartridge, Differential Sensing Valve	
6	7026695	1	Seal Kit - Valve	
7	7026696	1	Cartridge, Differential Sensing Valve	
7	7026697	1	Seal Kit - Valve	
8	70007226	1	Cartridge, Solenoid Valve Less Coil	
8	70007227	1	Seal Kit - Valve	
8	70007228	2	Coil	
9	7027882	1	Valve Assembly, Solenoid	
9	7026693	1	Seal Kit - Valve	
9	7027208	1	Coil	
10	7027200	2	Cartridge, Solenoid Valve	
10	7010697	2	Seal Kit - Valve	
10	7012943	2	Coil	
12	7027201	1	Cartridge, Check Valve	
12	7027202	1	Seal Kit - Valve	
13	7027203	1	Cartridge, Check Valve	
13	7026687	1	Seal Kit - Valve	
30	7027738	1	Switch, Thermostatic	
31	70006315	2	Screw #6 x 1/2	
32	7027204	2	Cartridge, Relief Valve	
32	7026687	2	Seal Kit - Valve	
33	70000781	2	Lock Plate, Cartridge	
33	3941404	2	Screw, Self-Tapping	
		Ref	MAIN VALVE BODY FITTINGS	
101	2111210	1	Fitting, Straight	
102	2111010	2	Fitting, Straight	
103	2110606	5	Fitting, Straight	
104	2110406	2	Fitting, Straight	
105	2110404	2	Fitting, Straight	
106	2221086	5	Check, Pressure	
107	2112016	1	Fitting, Straight	
108	2111216	1	Fitting, Straight	
109	2111212	1	Fitting, Straight	
110	2220887	1	Plug	
		Ref	PROPORTIONAL VALVE SECTION AND ADDITIONAL COMPONENTS	

SECTION 2 - TURNTABLE

ITEM	PART NUMBER	QTY	DESCRIPTION	REV
201	7026671	2	Bracket	
203	See Note	NSS	Spool Assembly (Tower Telescope) (Note: Use Item 212)	
204	See Note	NSS	Spool Assembly (Tower/Main Lift) (Note: Use Item 212)	
205	7026672	1	Switch, Pressure	
206	See Note	NSS	Valve, Shock	
207	See Note	NSS	Valve, Shock	
208	See Note	NSS	Cover	
208	8007894	AR	Seal Kit, Cover Mounting (1 per cover)	
209	70001873	3	Actuator, Electrical	
209	8007954	AR	Seal Kit, Actuator Mounting (1 per actuator)	
210	70001421	1	Module, Pump Side	
210	8007939	1	Seal Kit, Pump Side Module (Internal Seals for Pump Side Module)	
211	7026678	1	Plug with Check Valve	
212	70002742	1	Module, Tower Lift (Includes Items 204, 207, 208, 210 Seal Kit and p/n 8007935 Seal Kit)	
212	70002743	1	Module, Tower Telescope (Includes Items 203, 206, 208, 210 Seal Kit and p/n 8007935 Seal Kit)	
212	70003043	1	Module, Main Lift (Includes Items 204, 207, 208, 210 Seal Kit and p/n 8007935 Seal Kit)	
212	8007935	AR	Seal Kit, Module Mounting (Includes seals for one side of Module - requires four for complete valve)	
213	7026680	1	Tie-Rod Kit (Includes Hardware and Seals)	
214	See Note	1	Fitting, Adapter (Note: Not Available for Purchase)	
		Ref	PROPORTIONAL VALVE SECTION FITTINGS	
301	2111210	1	Fitting, Straight	
302	2111010	1	Fitting, Straight	
303	2131010	1	Fitting, 90	
304	2110810	1	Fitting, Straight	
305	2130810	1	Fitting, 90	
306	2111210	1	Fitting, Straight	
307	7026683	2	Fitting, Straight	
308	2221086	1	Check, Pressure	
309	2110404	1	Fitting, Straight	
310	2220888	1	Plug	

SECTION 2 - TURNTABLE

FIGURE 2-3. BATTERY AND AUXILIARY PUMP INSTALLATION - WITHOUT COLD WEATHER PLUS PACKAGE



ART_1001145323

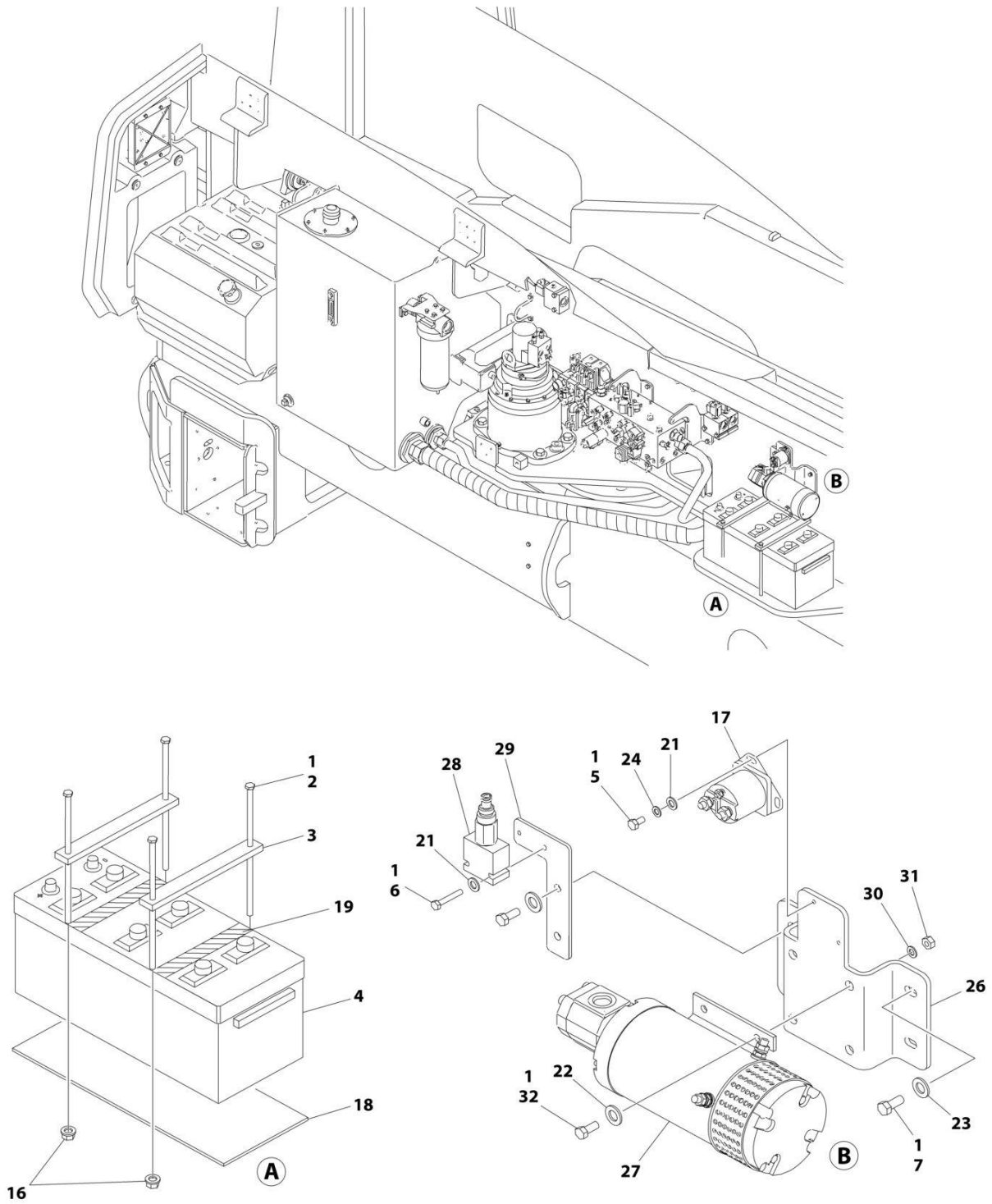
SECTION 2 - TURNTABLE

FIGURE 2-3. BATTERY AND AUXILIARY PUMP INSTALLATION - WITHOUT COLD WEATHER PLUS PACKAGE

ITEM	PART NUMBER	QTY	DESCRIPTION	REV
	1001145323	Ref	BATTERY AND AUXILIARY PUMP INSTALLATION - WITHOUT COLD WEATHER PLUS PACKAGE	B
1	0100011	AR	Compound, Locking	
2	0236768	4	Rod, Hold-down	
3	0363062	2	Bar, Battery	
4	0400020	1	Battery	
5	0641408	2	Bolt 1/4 x 1	
6	0641607	8	Bolt 3/8 x 7/8	
7	0903696	1	Bracket	
8	3311608	4	Nut 3/8	
9	1001162880	1	Auxiliary Pump Assembly (See Separate Breakdown in this Section)	
10	3740067	1	Relay	
11	3980006	1	Seat, Battery	
12	4420037	17 in /43cm	Tape, Insulation	
13	4711400	2	Washer 1/4	
14	4711600	4	Washer 3/8	
15	4751600	4	Washer 3/8	
16	4791400	2	Starwasher 1/4	
17	3311605	4	Nut 3/8	

SECTION 2 - TURNTABLE

FIGURE 2-4. BATTERY AND AUXILIARY PUMP INSTALLATION - WITH COLD WEATHER PLUS PACKAGE



ART_1001139520_10F2

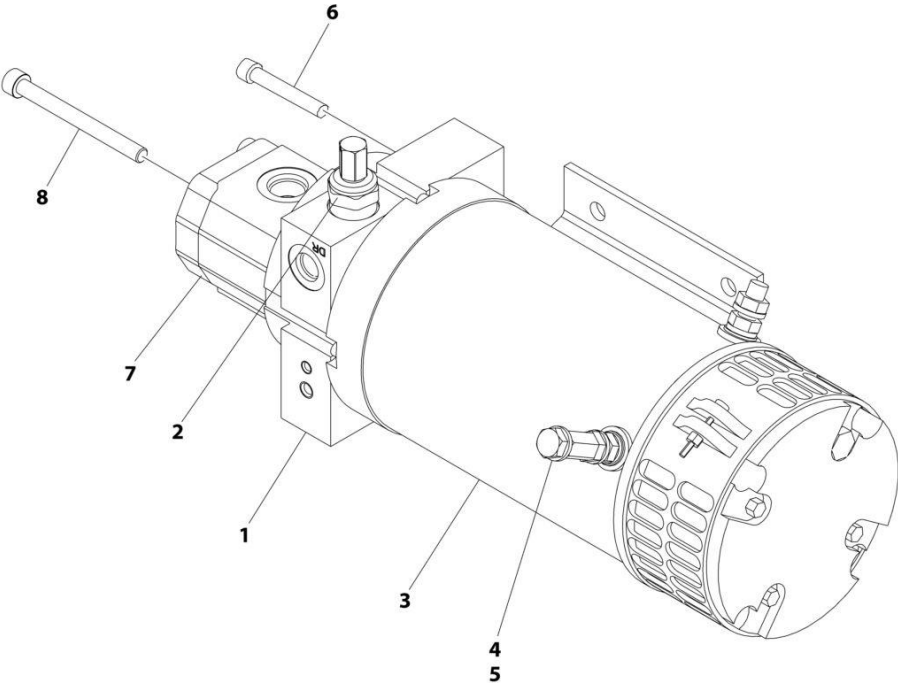
SECTION 2 - TURNTABLE

FIGURE 2-4. BATTERY AND AUXILIARY PUMP INSTALLATION - WITH COLD WEATHER PLUS PACKAGE

ITEM	PART NUMBER	QTY	DESCRIPTION	REV
	1001139520	Ref	BATTERY AND AUXILIARY PUMP INSTALLATION - WITH COLD WEATHER PLUS PACKAGE	A
1	0100011	AR	Compound, Locking	
2	0236768	4	Rod, Hold-down	
3	0363062	2	Bar, Battery	
4	0400020	1	Battery	
5	0641404	2	Bolt 1/4 x 1/2	
6	0641413	2	Bolt 1/4 x 1-5/8	
7	0641607	4	Bolt 3/8 x 7/8	
16	3311608	4	Nut 3/8	
17	3740067	1	Relay	
18	3980006	1	Seat, Battery	
19	4420037	17 in /43cm	Tape, Insulation	
21	4711400	4	Washer 1/4	
22	4711600	4	Washer 3/8	
23	4751600	4	Washer 3/8	
24	4791400	2	Starwasher 1/4	
26	0903696	1	Bracket	
27	1001138838	1	Auxiliary Pump Assembly (See Separate Breakdown in this Section)	
28	1001133163	1	Valve, Relief	
28	7023936	1	Seal Kit	
29	1001133593	1	Bracket	
30	4761600	4	Washer 3/8	
31	3311601	4	Nut 3/8	
32	0641608	4	Bolt 3/8 x 1	

SECTION 2 - TURNTABLE

FIGURE 2-5. AUXILIARY PUMP ASSEMBLY (WITHOUT COLD WEATHER PLUS PACKAGE)



ART_1001162880

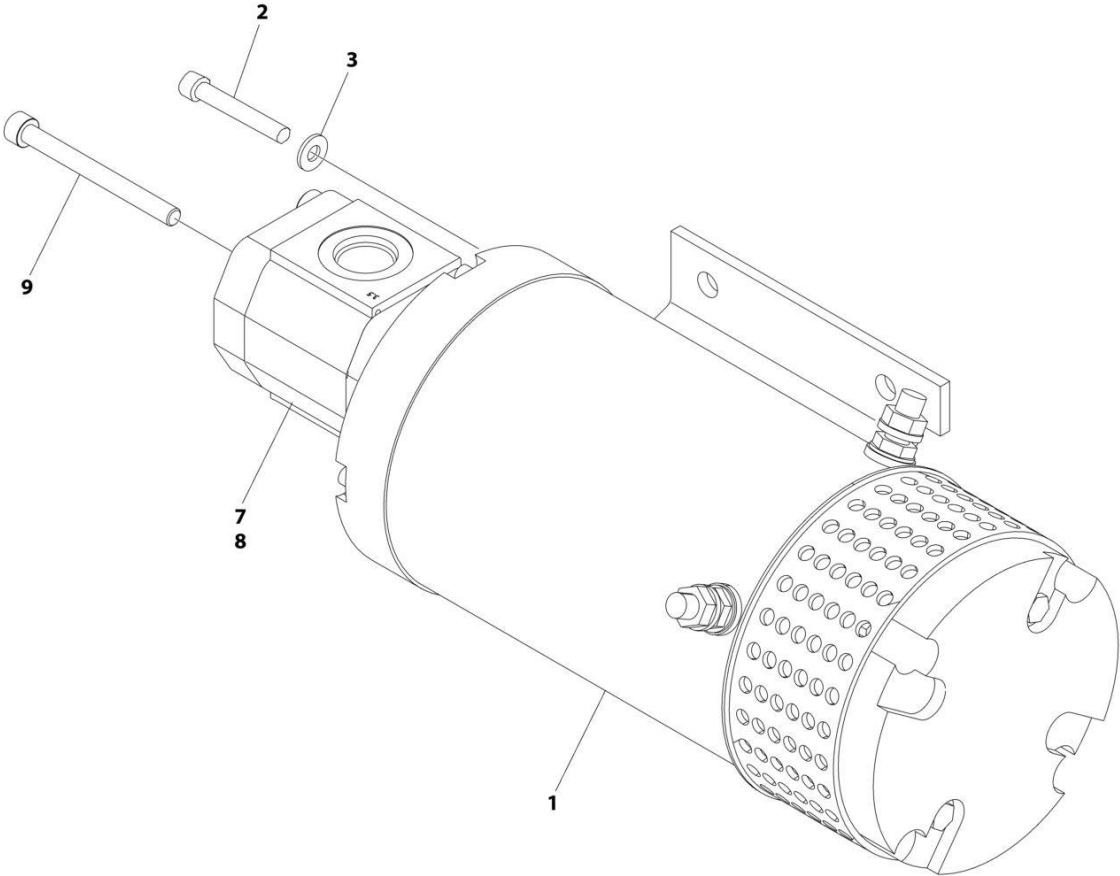
SECTION 2 - TURNTABLE

FIGURE 2-5. AUXILIARY PUMP ASSEMBLY (WITHOUT COLD WEATHER PLUS PACKAGE)

ITEM	PART NUMBER	QTY	DESCRIPTION	REV
	1001162880	Ref	AUXILIARY PUMP ASSEMBLY (WITHOUT COLD WEATHER PLUS PACKAGE)	A
1	1001164700	1	Base Assembly	
1	70005618	1	Plug	
1	70005617	1	Spring	
1	70005616	1	Poppet, Check	
2	1001164700	1	Valve, Relief	
3	See Note	1	Motor (Note: Not Available for Purchase)	
4	70004006	1	Nut 3/8	
5	70004007	1	Bolt 3/8x3/4	
6	70004005	4	Capscrew 1/4x3	
6	See Note	1	Sleeve (Note: Not Available for Purchase)	
7	See Note	1	Pump Assembly (Note: Not Available for Purchase)	
7	70005615	1	Seal, Shaft	
7	70005619	1	Bearing	
8	See Note	4	Screw M8 x 85 (Note: Not Available for Purchase)	

SECTION 2 - TURNTABLE

FIGURE 2-6. AUXILIARY PUMP ASSEMBLY (WITH COLD WEATHER PLUS PACKAGE)



ART_1001138838

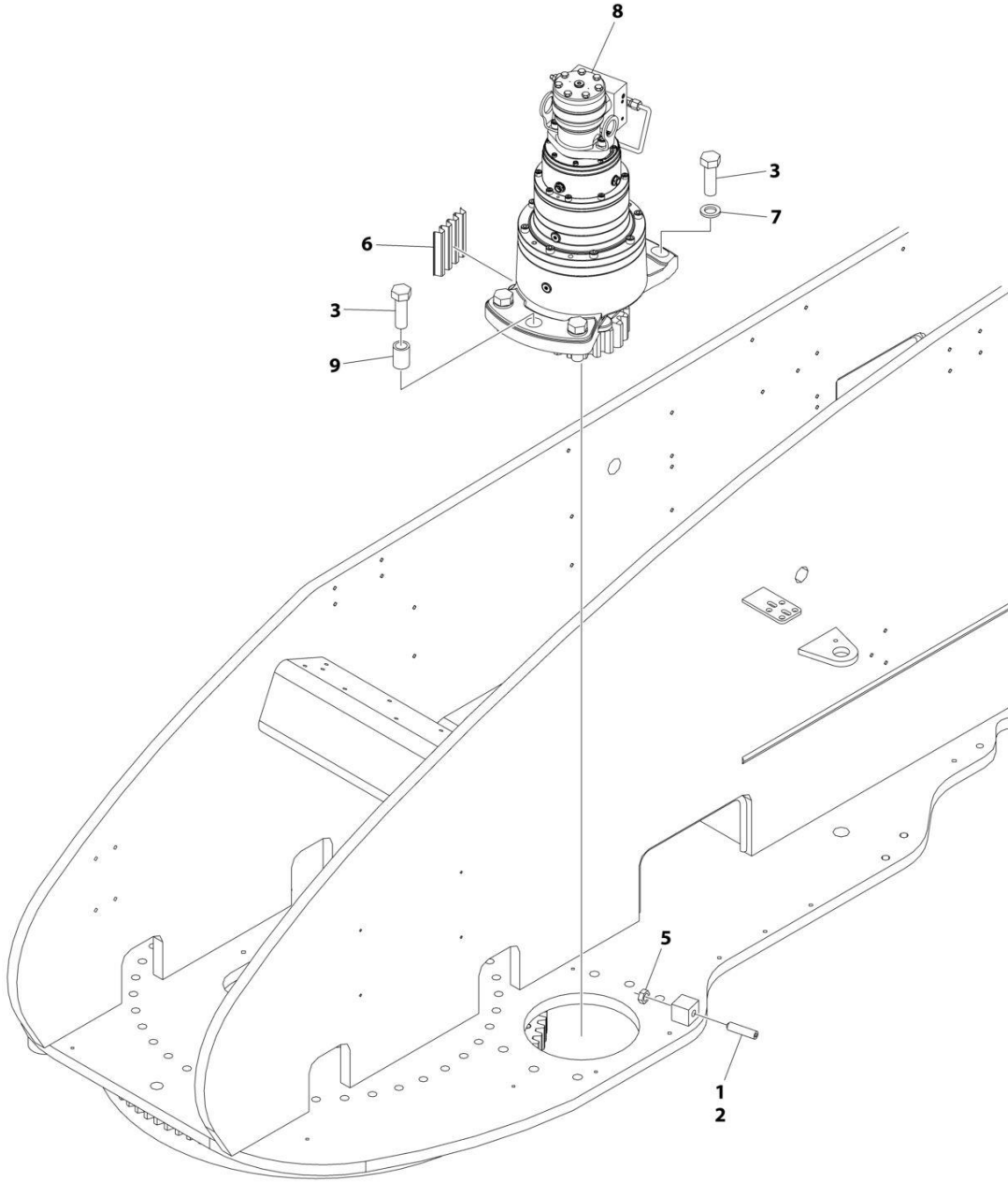
SECTION 2 - TURNTABLE

FIGURE 2-6. AUXILIARY PUMP ASSEMBLY (WITH COLD WEATHER PLUS PACKAGE)

ITEM	PART NUMBER	QTY	DESCRIPTION	REV
	1001138838	Ref	AUXILIARY PUMP ASSEMBLY (WITH COLD WEATHER PLUS PACKAGE)	A
1	70003800	1	Motor	
1	See Note	NSS	Shaft (Note: Not Available for Purchase)	
2	70003801	4	Capscrew 5/16 x 3/4 (Pump Mounting)	
3	70003802	4	Washer 5/16	
4	See Note	NSS	Adapter (Not Shown) (Note: Not Available for Purchase)	
5	See Note	NSS	Pin, Dowel (Not Shown) (Note: Not Available for Purchase)	
6	See Note	NSS	O-Ring (Not Shown) (Note: Not Available for Purchase)	
7	70003803	1	Pump Assembly	
7	See Note	NSS	Seal, Shaft (Note: Not Available for Purchase)	
8	See Note	NSS	Cover, Rear (Note: Not Available for Purchase)	
9	See Note	NSS	Screw M8 x 80 (Note: Not Available for Purchase)	

SECTION 2 - TURNTABLE

FIGURE 2-7. SWING DRIVE INSTALLATION



ART_1001228617

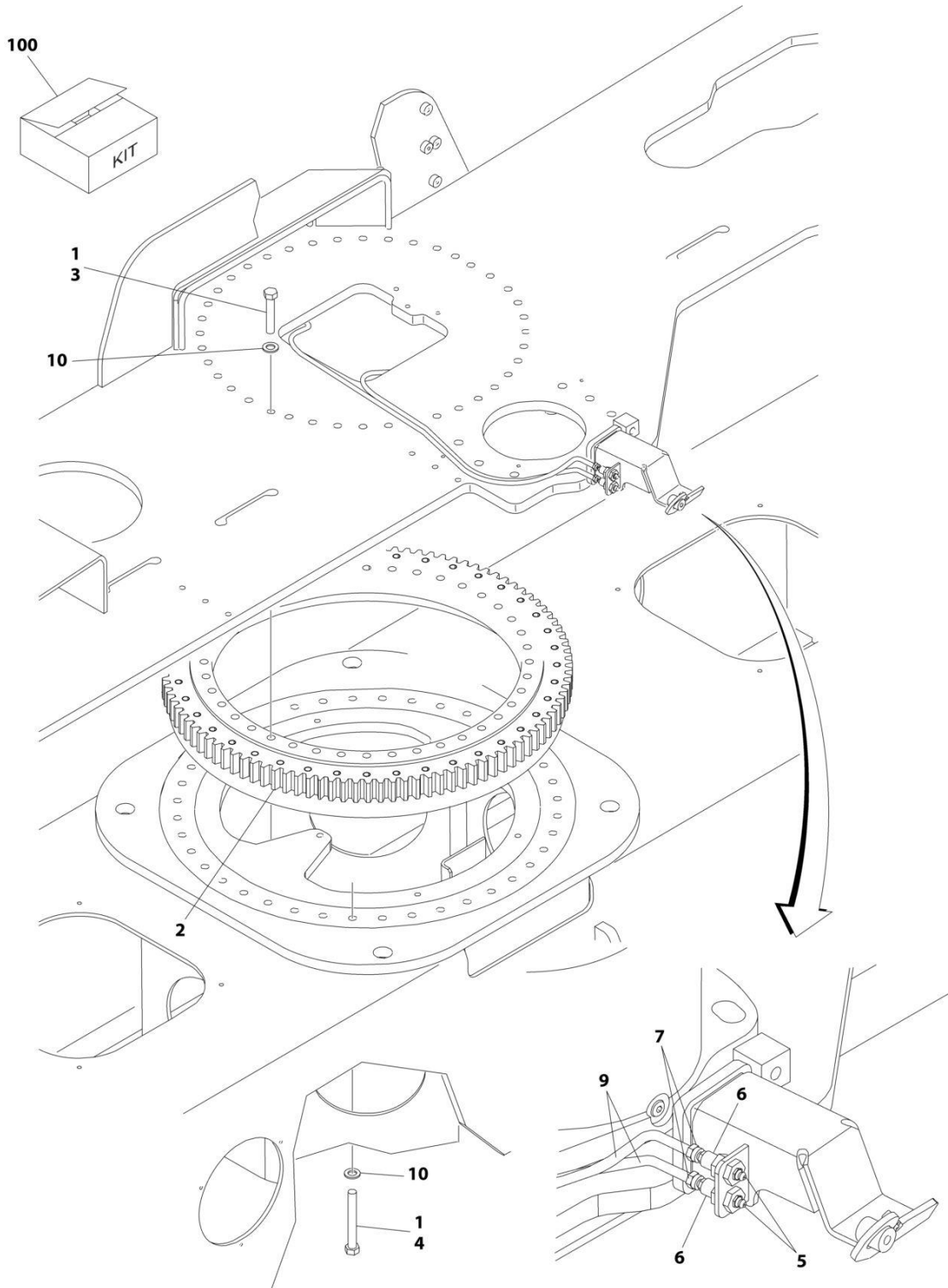
SECTION 2 - TURNTABLE

FIGURE 2-7. SWING DRIVE INSTALLATION

ITEM	PART NUMBER	QTY	DESCRIPTION	REV
	1001228617	Ref	SWING DRIVE INSTALLATION	E
1	0100019	AR	Compound, Locking	
2	3952020	1	Setscrew 5/8 x 2-1/2	
3	0682422	6	Bolt 7/8 x 2-3/4 Grade 8	
5	3312002	1	Nut 5/8	
6	4071041	1	Shim	
7	4892400	5	Washer 7/8	
8	1001228488	1	Swing Motor/Hub Assembly (See Separate Breakdown in this Section)	
9	1001229058	1	Sleeve	

SECTION 2 - TURNTABLE

FIGURE 2-8. TURNTABLE BEARING AND LUBE INSTALLATION



ART_0273451

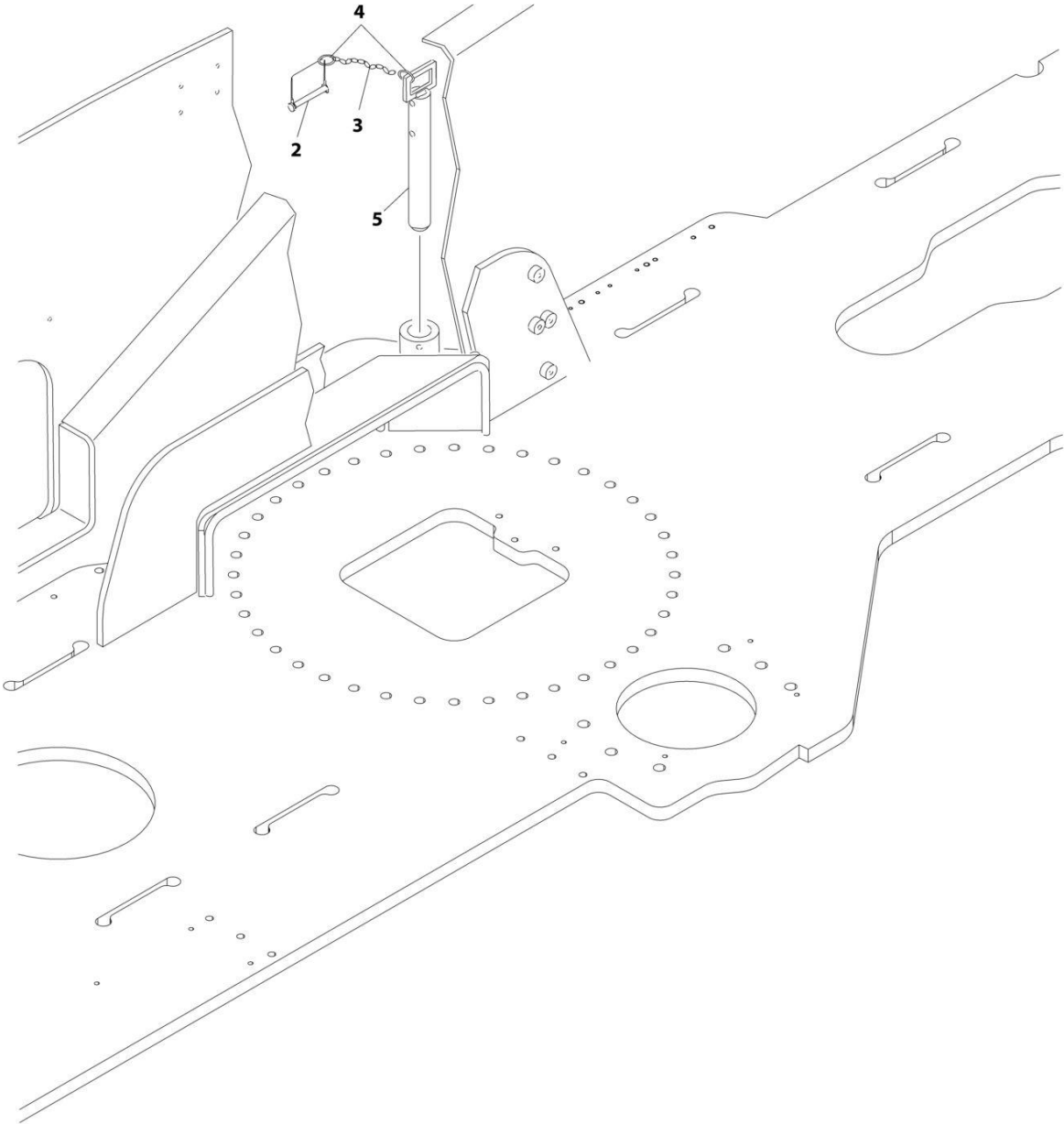
SECTION 2 - TURNTABLE

FIGURE 2-8. TURNTABLE BEARING AND LUBE INSTALLATION

ITEM	PART NUMBER	QTY	DESCRIPTION	REV
	0273451	Ref	TURNTABLE BEARING AND LUBE INSTALLATION	B
1	0100019	AR	Compound, Locking	
2	0440251	1	Bearing, Turntable	
3	0682026	40	Bolt 5/8 x 3-1/4 Grade 8	
4	0682040	40	Bolt 5/8 x 5 Grade 8	
5	2160002	2	Fitting, Grease	
6	2180344	2	Fitting, Bulkhead	
7	2220001	2	Fitting, Straight Swivel	
9	2750528	2	Hose	
10	4892000	80	Washer 5/8	
100	2915072	1	TURNTABLE BEARING KIT	

SECTION 2 - TURNTABLE

FIGURE 2-9. TURNTABLE LOCK INSTALLATION



ART_0239842

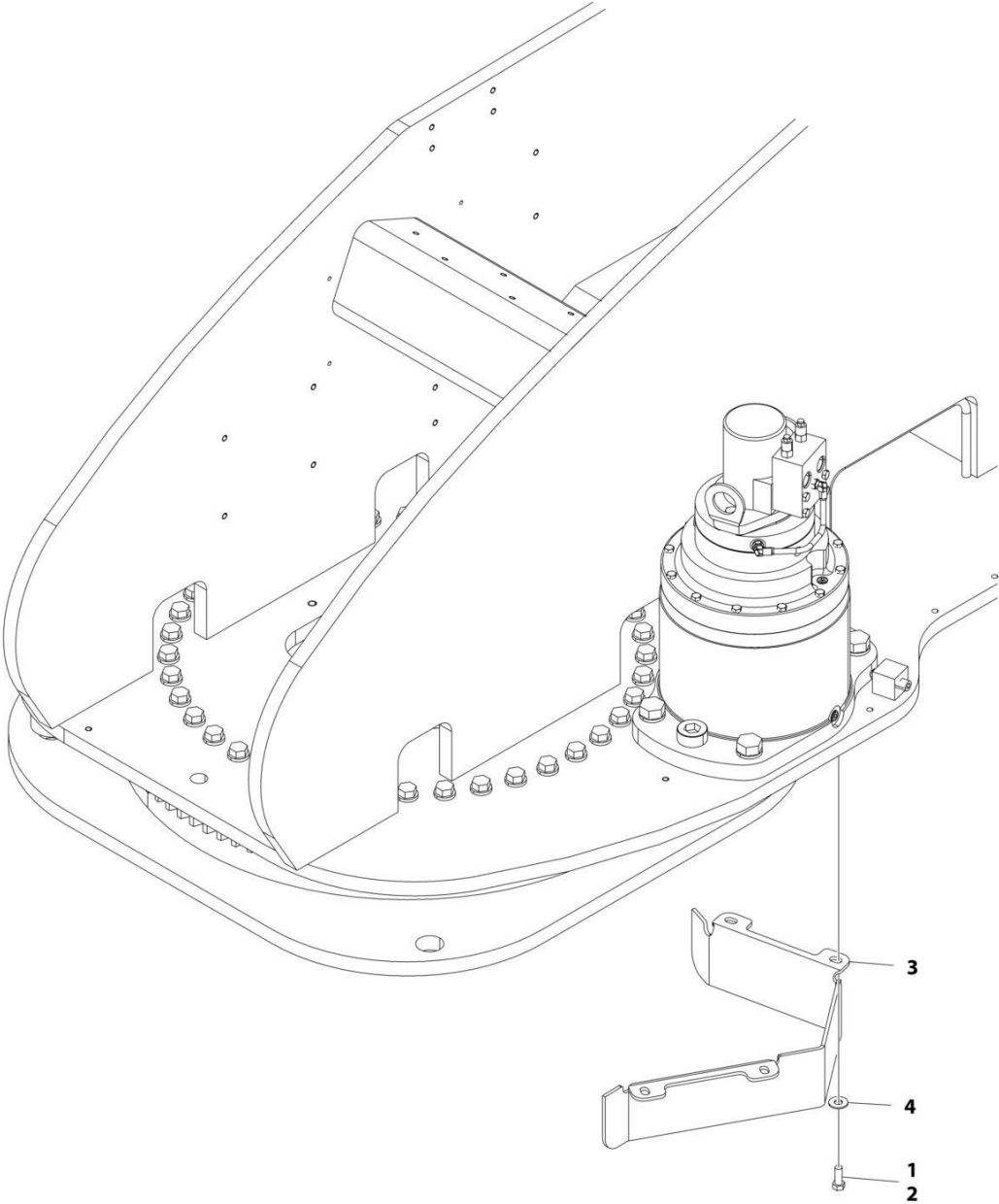
SECTION 2 - TURNTABLE

FIGURE 2-9. TURNTABLE LOCK INSTALLATION

ITEM	PART NUMBER	QTY	DESCRIPTION	REV
	0239842	Ref	TURNTABLE LOCK INSTALLATION	B
2	3421565	1	Pin, Snap	
3	1260017	9 in/23cm	Chain - #3	
4	3760170	2	Ring, Quick Release	
5	3421563	1	Pin, Turntable Lock	

SECTION 2 - TURNTABLE

FIGURE 2-10. PINION SHIELD INSTALLATION



ART_0271874

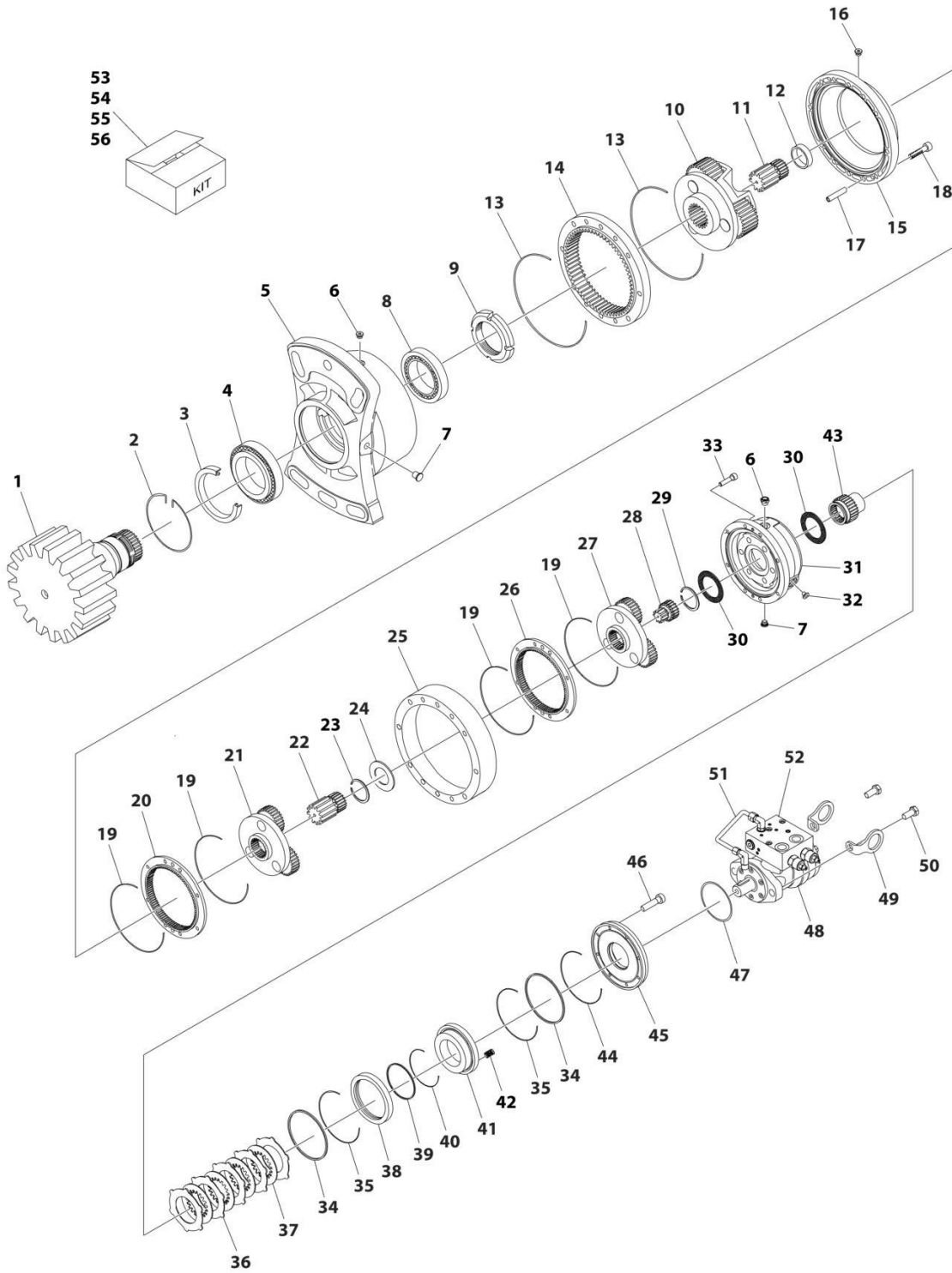
SECTION 2 - TURNTABLE

FIGURE 2-10. PINION SHIELD INSTALLATION

ITEM	PART NUMBER	QTY	DESCRIPTION	REV
	0271874	Ref	PINION SHIELD INSTALLATION	A
1	0100011	AR	Compound, Locking	
2	0641608	4	Bolt 3/8 x 1	
3	3573355	1	Plate, Pinion	
4	4751600	4	Washer 3/8	

SECTION 2 - TURNTABLE

FIGURE 2-11. SWING MOTOR/HUB ASSEMBLY



ART_1001228488

SECTION 2 - TURNTABLE

FIGURE 2-11. SWING MOTOR/HUB ASSEMBLY

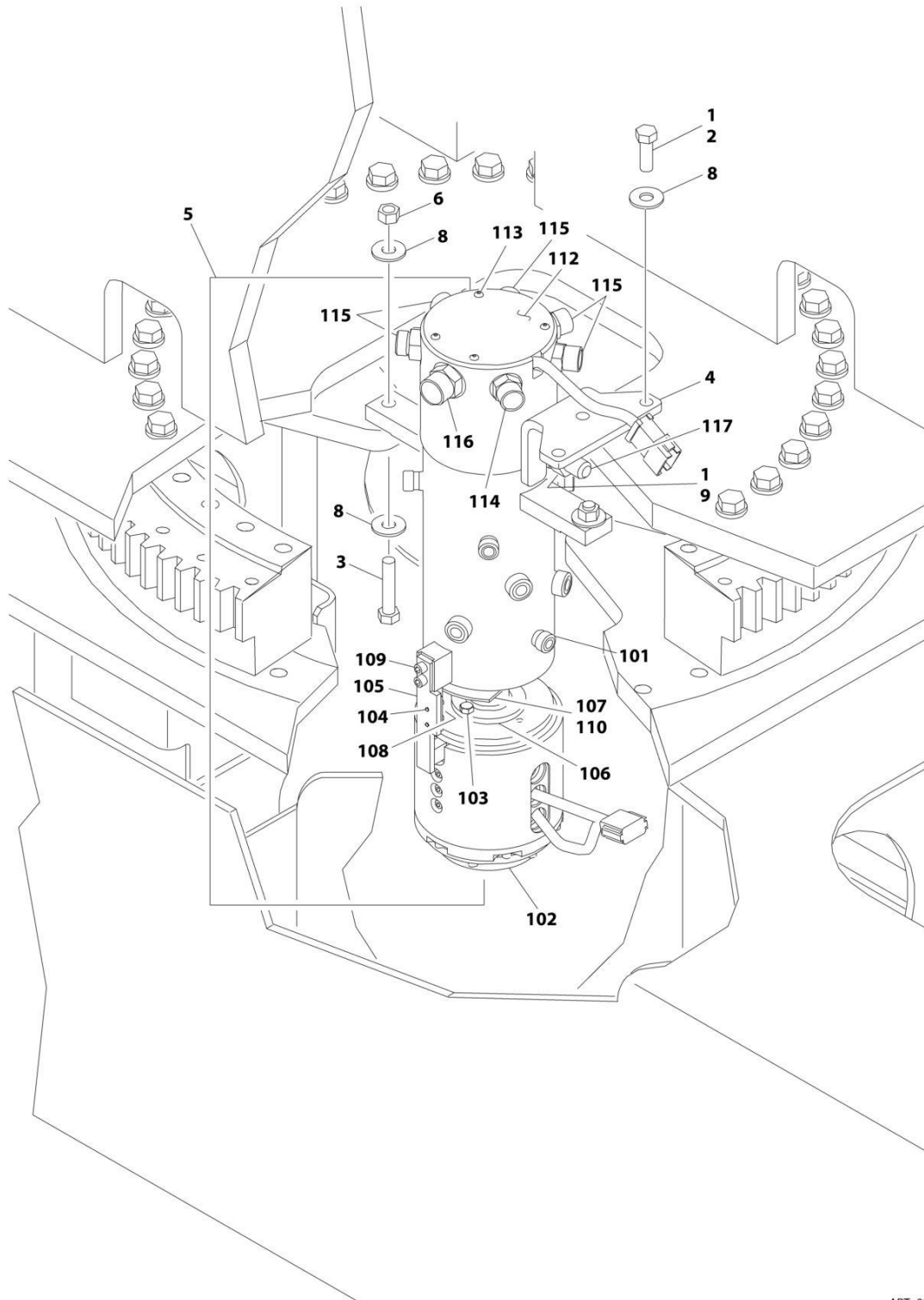
ITEM	PART NUMBER	QTY	DESCRIPTION	REV
	1001228488	Ref	SWING MOTOR/HUB ASSEMBLY	B
1	See Note	NSS	Shaft (Note: Use Item 56)	
2	70004467	1	Ring	
3	See Note	NSS	Seal, Oil (Note: Use Item 53)	
4	See Note	NSS	Bearing (Note: Use Item 55)	
5	See Note	NSS	Support, Output (Note: Not Available for Purchase)	
6	70002057	5	Plug with O-Ring	
7	70004469	2	Plug with O-Ring	
8	See Note	NSS	Bearing (Note: Use Item 55)	
9	See Note	NSS	Nut, Ring (Note: Use Item 56)	
10	70006986	1	Reduction, Gear - Complete	
11	70006987	1	Pinion	
12	70004477	1	Spacer	
13	See Note	NSS	O-Ring (Note: Use Item 53)	
14	70004474	1	Ring, Planetary	
15	70006988	1	Spacer	
16	70002057	2	Plug with O-Ring	
17	70006989	4	Pin, Spring	
18	70004480	8	Capscrew M10 x 55	
19	See Note	NSS	O-Ring (Note: Use Item 53)	
20	70006990	1	Ring, Planetary	
21	70006991	1	Reduction, Gear - Complete	
22	70006992	1	Pinion	
23	70002032	1	Ring	
24	70006993	1	Spacer	
25	70006994	1	Spacer	
26	70004481	1	Ring, Planetary	
27	70006995	1	Reduction, Gear - Complete	
28	70006996	1	Pinion	
29	70006997	1	Ring	
30	70006998	2	Washer	
31	See Note	NSS	Housing, Brake (Note: Not Available for Purchase)	
32	70006999	1	Plug	
33	70007000	8	Capscrew M8 x 90	
34	See Note	NSS	Seal (Note: Use Item 53 or 54)	
35	See Note	NSS	O-Ring (Note: Use Item 53 or 54)	
36	See Note	NSS	Disc, Steel (Note: Use Item 54)	
37	See Note	NSS	Disc (Note: Use Item 54)	
38	70005317	1	Spacer	
39	See Note	NSS	Seal (Note: Use Item 53 or 54)	
40	See Note	NSS	O-Ring (Note: Use Item 53 or 54)	
41	70005318	1	Piston, Brake	
42	See Note	NSS	Spring, Brake (Note: Use Item 54)	
43	70007001	1	Shaft, Input	
44	See Note	NSS	O-Ring (Note: Use Item 53 or 54)	
45	70007002	1	Cover	
46	70007003	8	Screw M6 x 25	
47	See Note	NSS	O-Ring (Note: Use Item 53)	
48	70007009	1	Motor	
48	70007011	1	Seal Kit	

SECTION 2 - TURNTABLE

ITEM	PART NUMBER	QTY	DESCRIPTION	REV
49	See Note	NSS	Lug, Lifting (Note: Not Available for Purchase)	
50	70004494	2	Capscrew M12 x 35	
51	70007004	1	Brake, Valve Adapter	
52	70007010	1	Valve	
52	70007012	1	Seal Kit	
52	70007013	1	Hardware Kit	
53	70007005	1	Seal Kit – Brake and Hub (Includes Items 3, 13, 19, 34, 35, 39, 40, 44 & 47)	
54	70007006	1	Seal Kit – Brake (Includes Items 34-37, 39, 40, 42 & 44)	
55	70007007	1	Bearing Kit (Includes Items 4 & 8)	
56	70007008	1	Output Shaft Kit (Includes Items 1 & 9)	

SECTION 2 - TURNTABLE

FIGURE 2-12. ROTARY COUPLING AND COLLECTOR RING INSTALLATION



ART_0273349

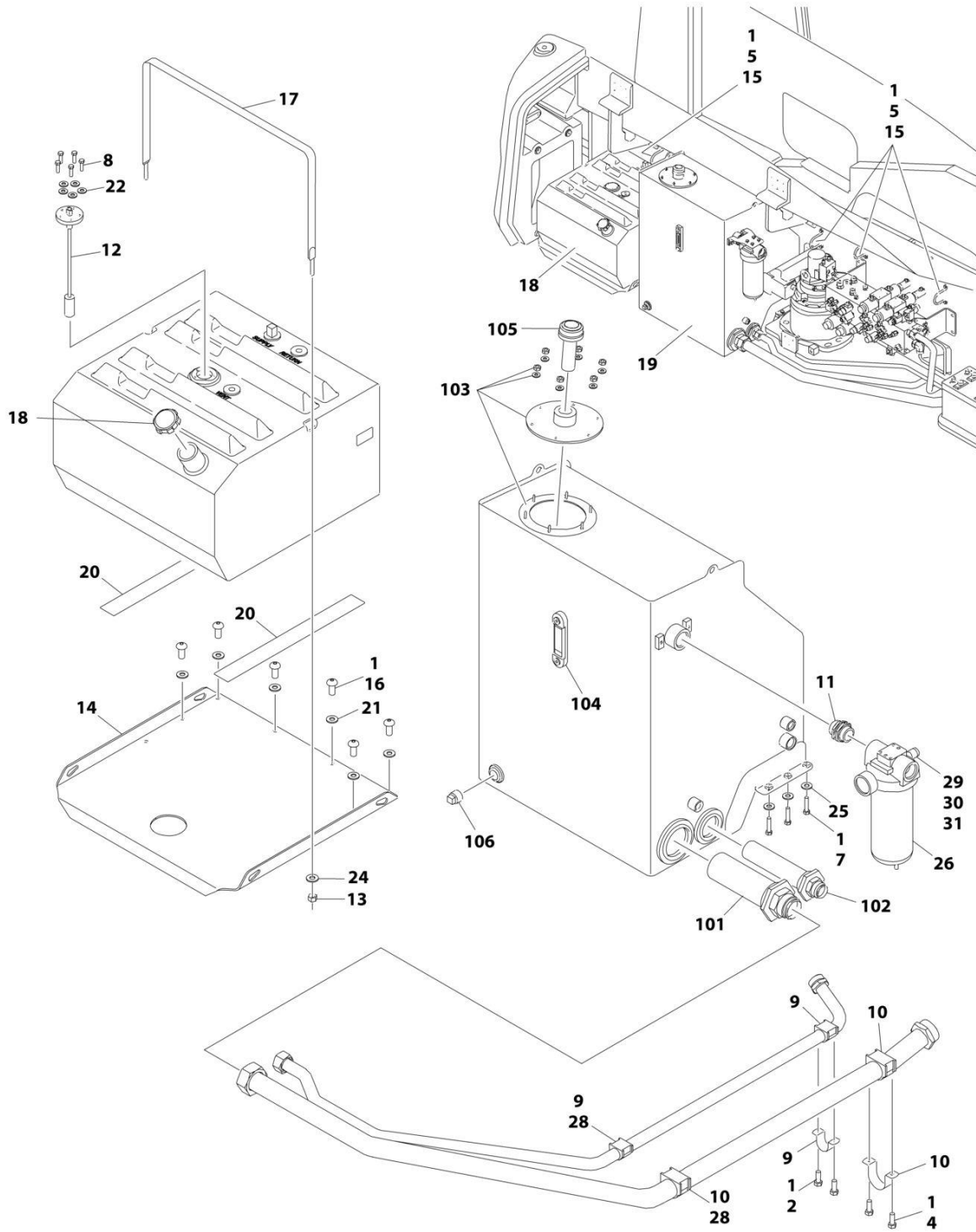
SECTION 2 - TURNTABLE

FIGURE 2-12. ROTARY COUPLING AND COLLECTOR RING INSTALLATION

ITEM	PART NUMBER	QTY	DESCRIPTION	REV
	0273349	Ref	ROTARY COUPLING AND COLLECTOR RING INSTALLATION	A
1	0100011	AR	Compound, Locking	
2	0641812	3	Bolt 1/2 x 1-1/2	
3	0641820	2	Bolt 1/2 x 2-1/2	
4	0902915	1	Bracket, Swivel	
5	1660256	1	Rotary Coupling and Collector Ring Assembly (See Items 101-117 for Breakdown)	
6	3311805	2	Nut 1/2	
8	4751800	7	Washer 1/2	
9	3322201	2	Nut 3/4	
	1660256	Ref	ROTARY COUPLING AND COLLECTOR RING ASSEMBLY	E
101	7026665	1	Coupling, Rotary	
101	70001123	1	Seal Kit - Coupling	
102	7026029	1	Contacto with Harness, Rotary Circuit (Purchase Pins and Connector Separately)	
103	0641506	4	Bolt 5/16 x 3/4	
104	3931512	2	Capscrew 5/16 x 3/4	
105	70000780	1	Arm, Torque	
106	80334251	1	Adapter	
107	7026030	1	Plate, Cam	
108	7026031	1	Sensor, Proximity	
109	3931008	2	Capscrew #10 x 1/2	
110	7026032	1	Pin, Dowel	
112	1660256	1	Cover	
113	See Note	4	Screw #10 x 3/8 (Note: Not Available - Purchase Locally)	
114	2111212	1	Fitting, Straight	
115	2111010	5	Fitting, Straight	
116	2111012	1	Fitting, Straight	
117	70005456	1	Torque Arm	

SECTION 2 - TURNTABLE

FIGURE 2-13. TANK INSTALLATION



ART_0273401

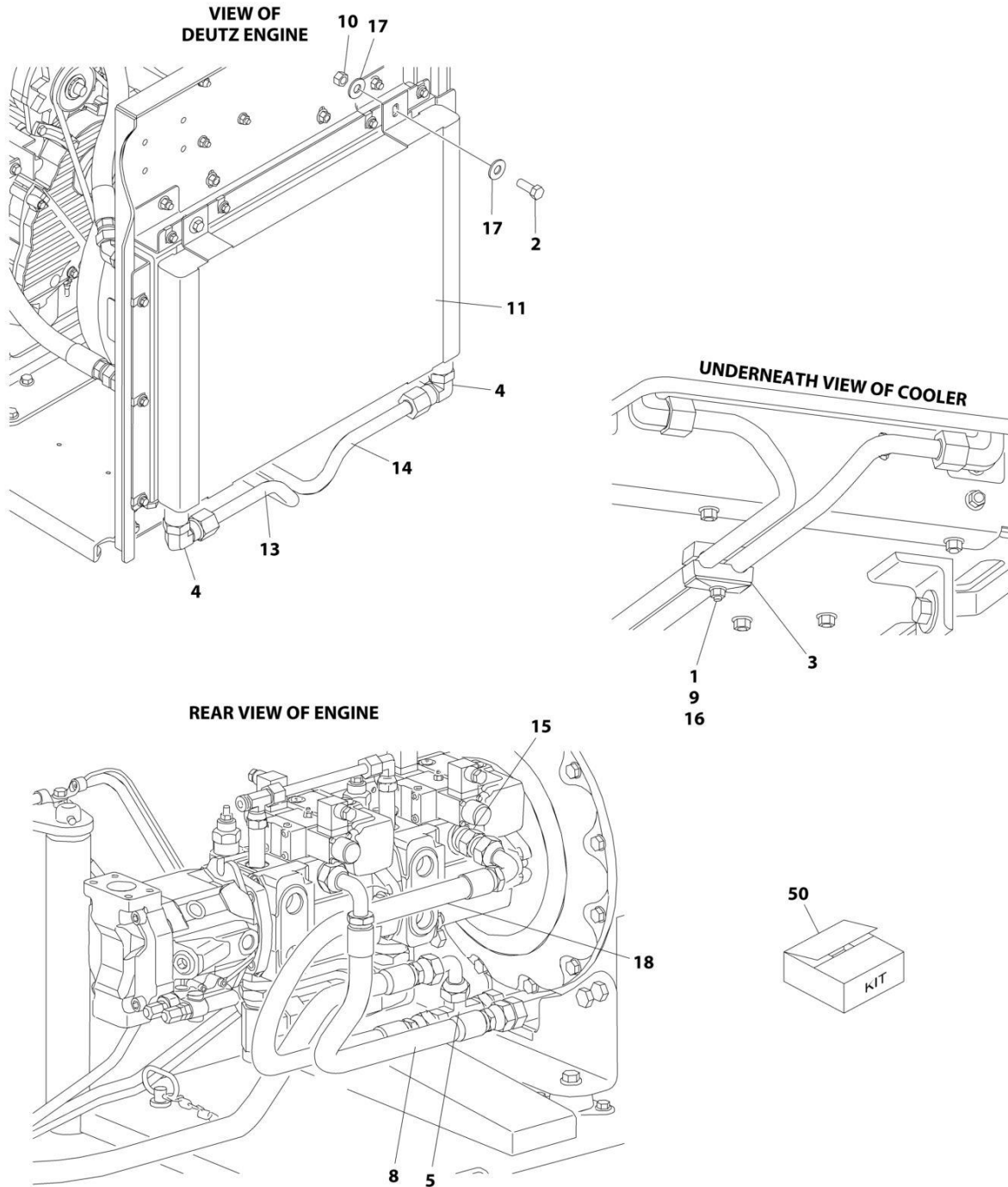
SECTION 2 - TURNTABLE

FIGURE 2-13. TANK INSTALLATION

ITEM	PART NUMBER	QTY	DESCRIPTION	REV
	0273401	Ref	TANK INSTALLATION	G
1	0100011	AR	Compound, Locking	
2	0641408	2	Bolt 1/4 x 1	
4	0641508	2	Bolt 5/16 x 1	
5	0641604	12	Bolt 3/8 x 1/2	
7	0641615	6	Bolt 3/8 x 1-7/8	
8	0731007	5	Screw, Machine #10 x 7/8	
9	1320322	2	Clamp	
10	1320323	2	Clamp	
11	2220893	1	Fitting, Adapter	
12	2420191	1	Gauge, Fuel	
12	3960525	1	Gasket	
13	3311601	2	Nut 3/8	
14	3574494	1	Tray	
15	3841340	8	Loop, Hose	
16	3900232	6	Screw 3/8 x 1-1/4	
17	4240139	1	Strap, Tank	
18	1001160567	1	Tank, Fuel	
18	70004414	1	Cap	
18	7020043	1	Tube, Pick up	
19	4400462	1	Tank, Hydraulic Oil (See Items 101-106 for Breakdown)	
20	4420038	40 in/1m	Tape	
21	4711600	6	Washer 3/8	
22	4751000	5	Washer #10	
24	4751600	2	Washer 3/8	
25	4891600	6	Washer 3/8	
26	2120167	1	Filter, Return	
26	2120168	1	Element, Filter	
26	7020021	1	Gauge, Pressure	
28	0100081	AR	Loctite #454	
29	0100079	AR	Sealant, Thread	
30	1001119455	1	Fitting, Diagnostic	
31	1001119119	1	Fitting, Adapter	
	4400462	Ref	HYDRAULIC OIL TANK ASSEMBLY	E
101	7026599	1	Strainer, Suction	
102	7026600	1	Strainer, Suction	
103	7024439	1	Cover	
103	7024440	1	Gasket, Cover	
104	7024441	1	Gauge, Sight	
105	7024444	1	Cap, Breather	
105	7024443	1	Neck Assembly	
105	7024445	1	Strainer	
106	7024446	2	Plug, Magnetic	

SECTION 2 - TURNTABLE

FIGURE 2-14. HYDRAULIC OIL COOLER INSTALLATION - DEUTZ TD2011 ENGINES WITH REXROTH PUMP (OPTIONAL)



ART_0272080

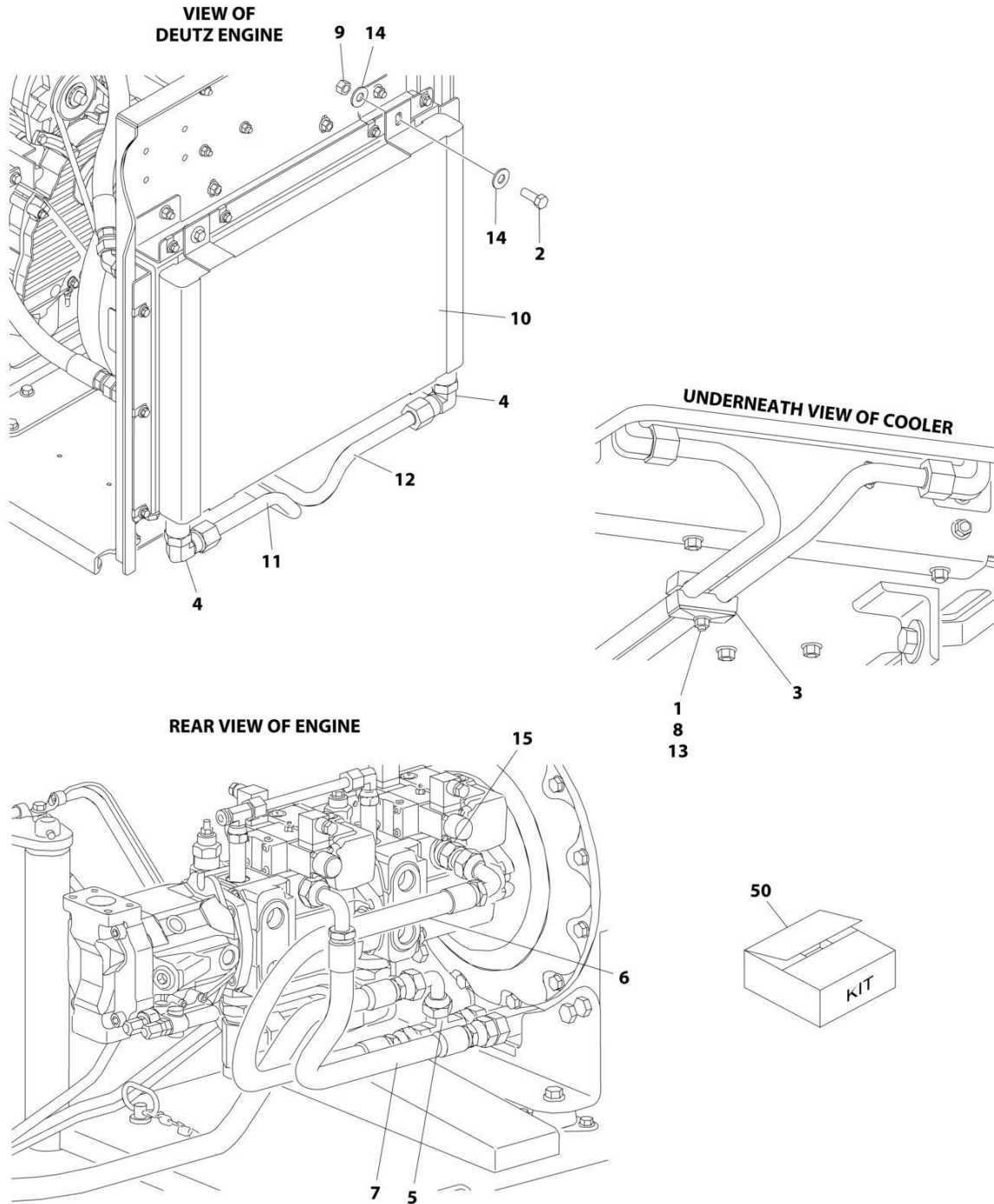
SECTION 2 - TURNTABLE

FIGURE 2-14. HYDRAULIC OIL COOLER INSTALLATION - DEUTZ TD2011 ENGINES WITH REXROTH PUMP (OPTIONAL)

ITEM	PART NUMBER	QTY	DESCRIPTION	REV
	0272080	Ref	HYDRAULIC OIL COOLER INSTALLATION - DEUTZ TD2011 ENGINES WITH REXROTH PUMPS (OPTIONAL)	B
		Ref	Note: See Engine Installation for Engine Oil Cooler.	
1	0641520	2	Bolt 5/16 x 2-1/2	
2	0641608	4	Bolt 3/8 x 1	
3	1320162	2	Clamp, Hose	
4	2131212	2	Fitting, Elbow	
5	2170712	1	Fitting, Tee	
8	2753778	1	Hose	
9	3311505	2	Nut 5/16	
10	3311605	4	Nut 3/8	
11	3620034	1	Cooler, Hydraulic Oil	
13	4568426	1	Tube	
14	4568427	1	Tube	
15	4641247	1	Valve, Check	
16	4711500	4	Washer 5/16	
17	4751600	8	Washer 3/8	
18	2753843	1	Hose	
50	1001120564	1	Oil Cooler Add-on Kit (Includes Items 1-18)	

SECTION 2 - TURNTABLE

FIGURE 2-15. HYDRAULIC OIL COOLER INSTALLATION - DEUTZ TD2011 ENGINES WITH SAUER PUMP (OPTIONAL)



ART_1001118957

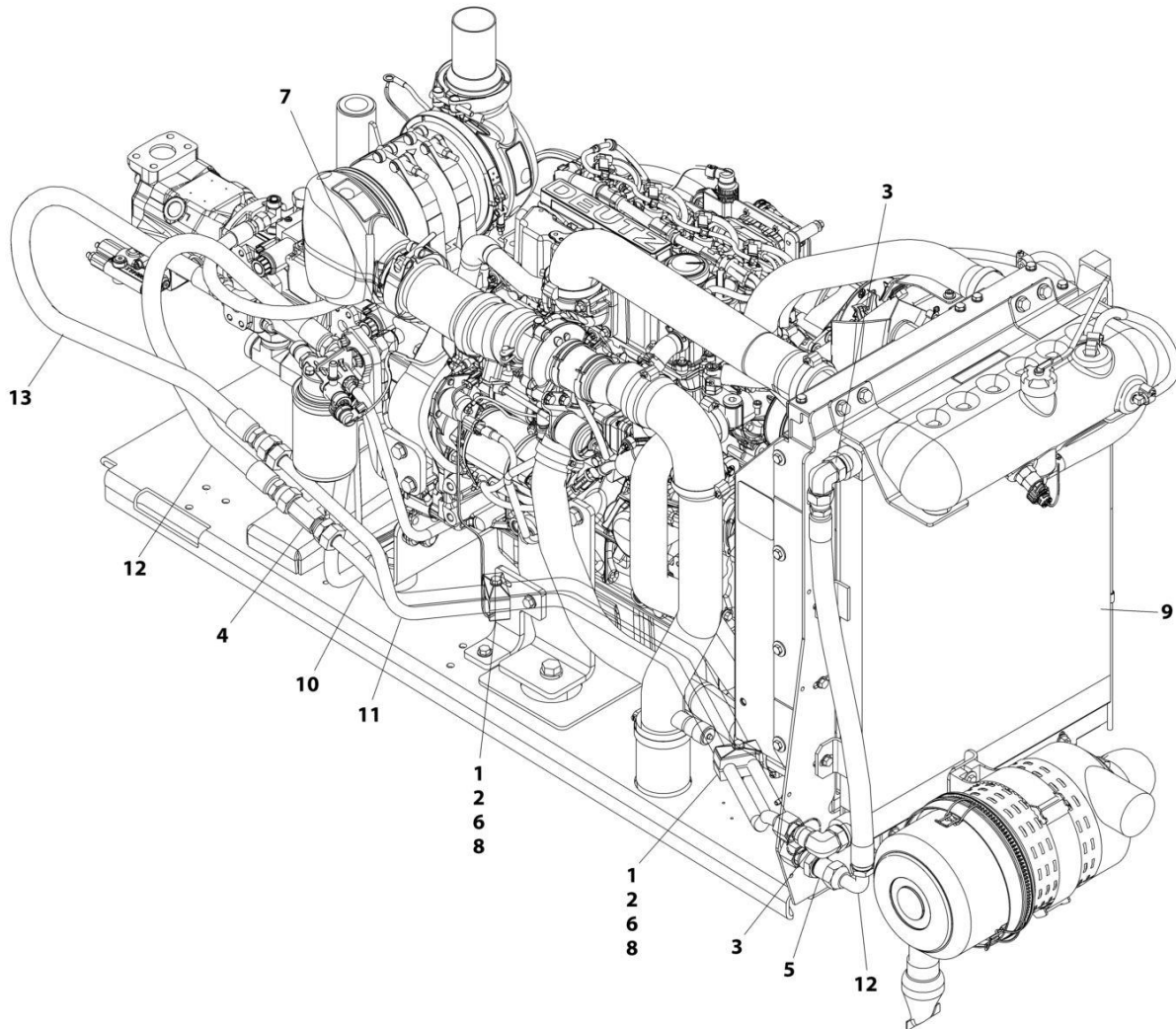
SECTION 2 - TURNTABLE

FIGURE 2-15. HYDRAULIC OIL COOLER INSTALLATION - DEUTZ TD2011 ENGINES WITH SAUER PUMP (OPTIONAL)

ITEM	PART NUMBER	QTY	DESCRIPTION	REV
	1001118957	Ref	HYDRAULIC OIL COOLER INSTALLATION - DEUTZ TD2011 ENGINES WITH SAUER PUMPS (OPTIONAL)	B
		Ref	Note: See Engine Installation for Engine Oil Cooler.	
1	0641520	2	Bolt 5/16 x 2-1/2	
2	0641608	4	Bolt 3/8 x 1	
3	1320162	2	Clamp, Hose	
4	2131212	2	Fitting, Elbow	
5	2170712	1	Fitting, Tee	
6	2753778	1	Hose	
7	2753999	1	Hose	
8	3311505	2	Nut 5/16	
9	3311605	4	Nut 3/8	
10	3620034	1	Cooler, Hydraulic Oil	
11	4568426	1	Tube	
12	4568427	1	Tube	
13	4711500	4	Washer 5/16	
14	4751600	8	Washer 3/8	
15	1001109677	1	Valve, Check	
50	1001120564	1	Oil Cooler Add-on Kit Options (Includes Items 1-15):	

SECTION 2 - TURNTABLE

FIGURE 2-16. HYDRAULIC OIL COOLER INSTALLATION - DEUTZ TCD2.9L4 ENGINES AND DEUTZ TCD2.9L4 (STAGE V) ENGINES REXROTH PUMP (OPTIONAL)



ART_1001139494_F

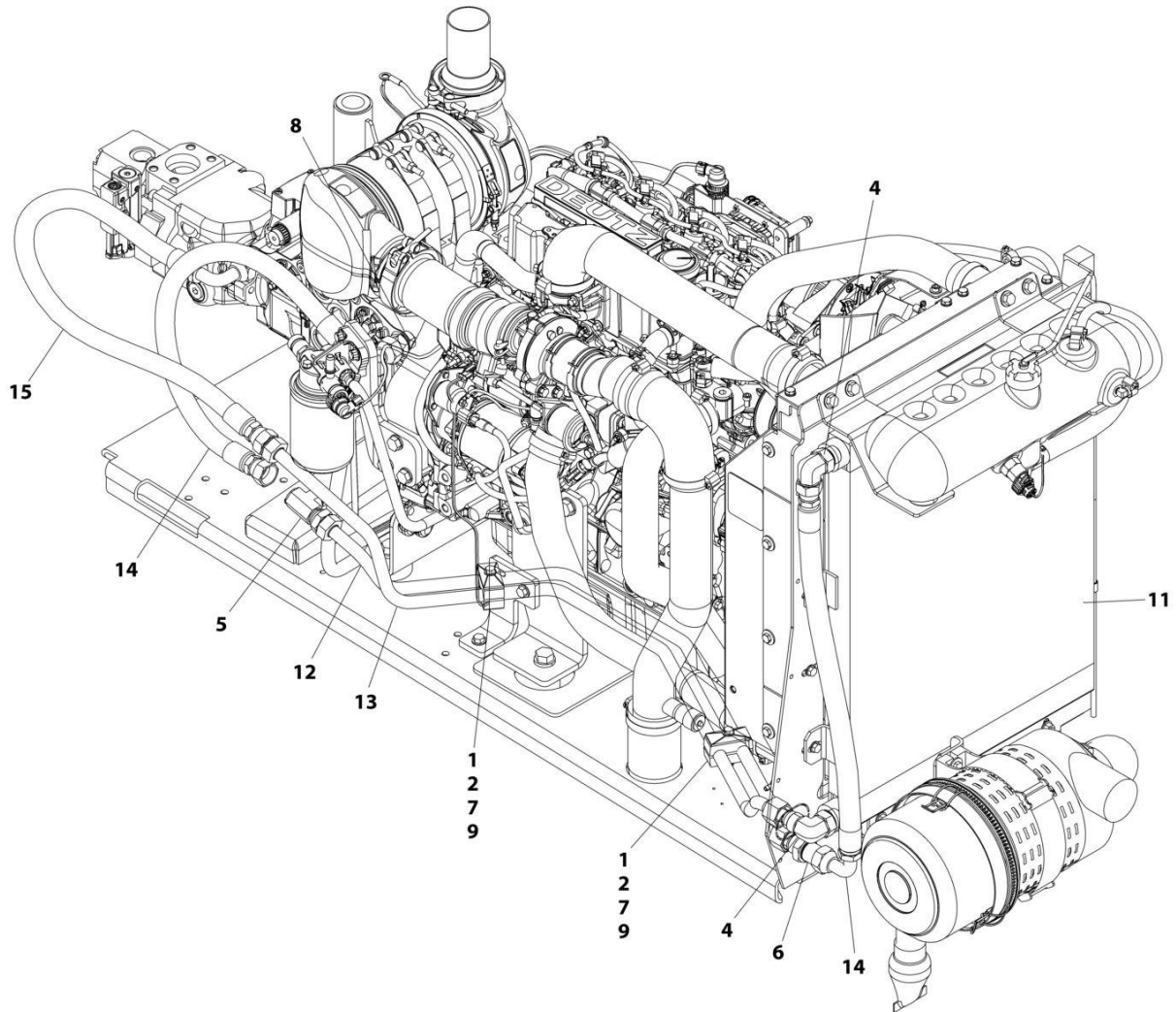
SECTION 2 - TURNTABLE

FIGURE 2-16. HYDRAULIC OIL COOLER INSTALLATION - DEUTZ TCD2.9L4 ENGINES AND DEUTZ TCD2.9L4 (STAGE V) ENGINES REXROTH PUMP (OPTIONAL)

ITEM	PART NUMBER	QTY	DESCRIPTION	REV
	1001139494	Ref	HYDRAULIC OIL COOLER INSTALLATION - DEUTZ TCD2.9L4 ENGINES WITH REXROTH PUMPS (OPTIONAL)	F
		Ref	Note: See Engine Installation for Engine Oil Cooler.	
1	0641520	2	Bolt 5/16 x 2-1/2	
2	1320162	2	Clamp, Hose	
3	2131212	2	Fitting, 90	
4	2170712	1	Fitting, Tee	
5	2171112	1	Fitting, Straight	
6	3311505	2	Nut 5/16	
7	4641247	1	Valve	
8	4711500	4	Washer 5/16	
9	1001256859	1	Cooler, Hydraulic Oil	
10	1001139665	1	Tube	
11	1001139666	1	Tube	
12	1001143087	2	Hose	
13	1001143123	1	Hose	

SECTION 2 - TURNTABLE

FIGURE 2-17. HYDRAULIC OIL COOLER INSTALLATION - DEUTZ TCD2.9L4 ENGINES AND DEUTZ TCD2.9L4 (STAGE V) ENGINES WITH SAUER PUMP (OPTIONAL)



ART_1001139492_F

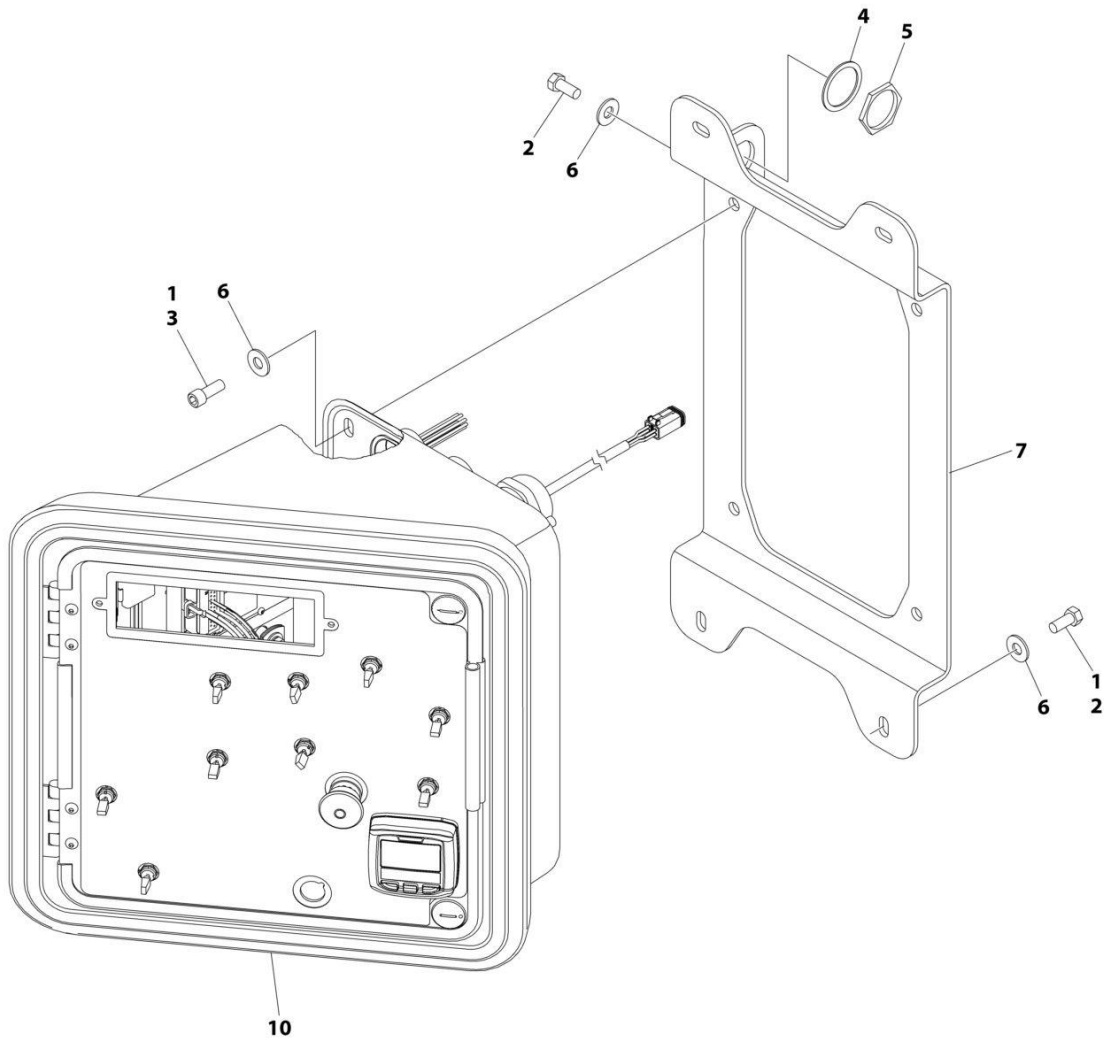
SECTION 2 - TURNTABLE

FIGURE 2-17. HYDRAULIC OIL COOLER INSTALLATION - DEUTZ TCD2.9L4 ENGINES AND DEUTZ TCD2.9L4 (STAGE V) ENGINES WITH SAUER PUMP (OPTIONAL)

ITEM	PART NUMBER	QTY	DESCRIPTION	REV
	1001139492	Ref	HYDRAULIC OIL COOLER INSTALLATION - DEUTZ TCD2.9L4 ENGINES WITH SAUER PUMPS (OPTIONAL)	F
		Ref	Note: See Engine Installation for Engine Oil Cooler	
1	0641520	2	Bolt 5/16 x 2-1/2	
2	1320162	2	Clamp, Hose	
4	2131212	2	Fitting, 90	
5	2170712	1	Fitting, Tee	
6	2171112	1	Fitting, Straight	
7	3311505	2	Nut 5/16	
8	1001109677	1	Valve	
9	4711500	4	Washer 5/16	
11	1001256859	1	Cooler, Hydraulic Oil	
12	1001139665	1	Tube	
13	1001139666	1	Tube	
14	1001143087	2	Hose	
15	1001143123	1	Hose	

SECTION 2 - TURNTABLE

FIGURE 2-18. GROUND CONTROL BOX INSTALLATION - DEUTZ TD2011 ENGINES WITH REXROTH PUMP (WITHOUT TOWER STOW) (ANSI EXPORT & AUSTRALIAN SPECS)



ART_1001243544_B

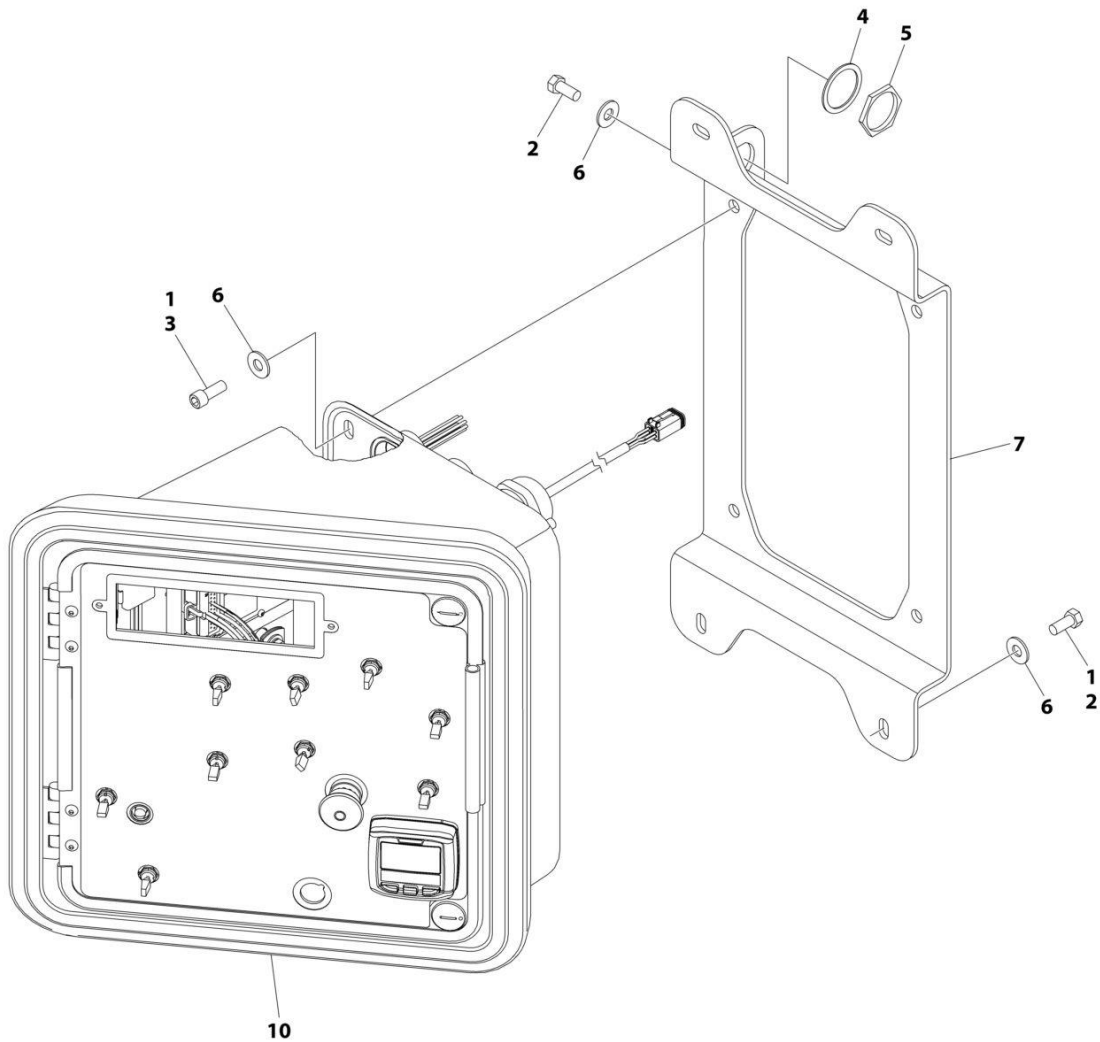
SECTION 2 - TURNTABLE

FIGURE 2-18. GROUND CONTROL BOX INSTALLATION - DEUTZ TD2011 ENGINES WITH REXROTH PUMP (WITHOUT TOWER STOW) (ANSI EXPORT & AUSTRALIAN SPECS)

ITEM	PART NUMBER	QTY	DESCRIPTION	REV
	1001243544	Ref	GROUND CONTROL BOX INSTALLATION WITH REXROTH PUMPS - DEUTZ TD2011 ENGINES WITH REXROTH PUMP	B
1	0100011	AR	Compound, Locking	
2	0641607	5	Bolt 3/8 x 7/8	
3	3931616	4	Capscrew 3/8 x 1	
4	4460496	1	Terminal, Washer	
5	4460497	1	Terminal, Nut	
6	4751600	9	Washer 3/8	
7	1001114487	1	Bracket, Mounting	
8	1001119456	2	Harness, Pump Adapter (Not Shown) (See Separate Breakdown in ELECTRICAL Section)	
9	1001119470	1	Harness, Engine (Not Shown) (See Separate Breakdown in ELECTRICAL Section)	
10	1001266935	1	Ground Controls Assembly (See Separate Breakdown in this Section)	

SECTION 2 - TURNTABLE

FIGURE 2-19. GROUND CONTROL BOX INSTALLATION - DEUTZ TD2011 ENGINES WITH REXROTH PUMP (WITH TOWER STOW) (ANSI EXPORT & AUSTRALIAN SPECS)



ART_1001267654

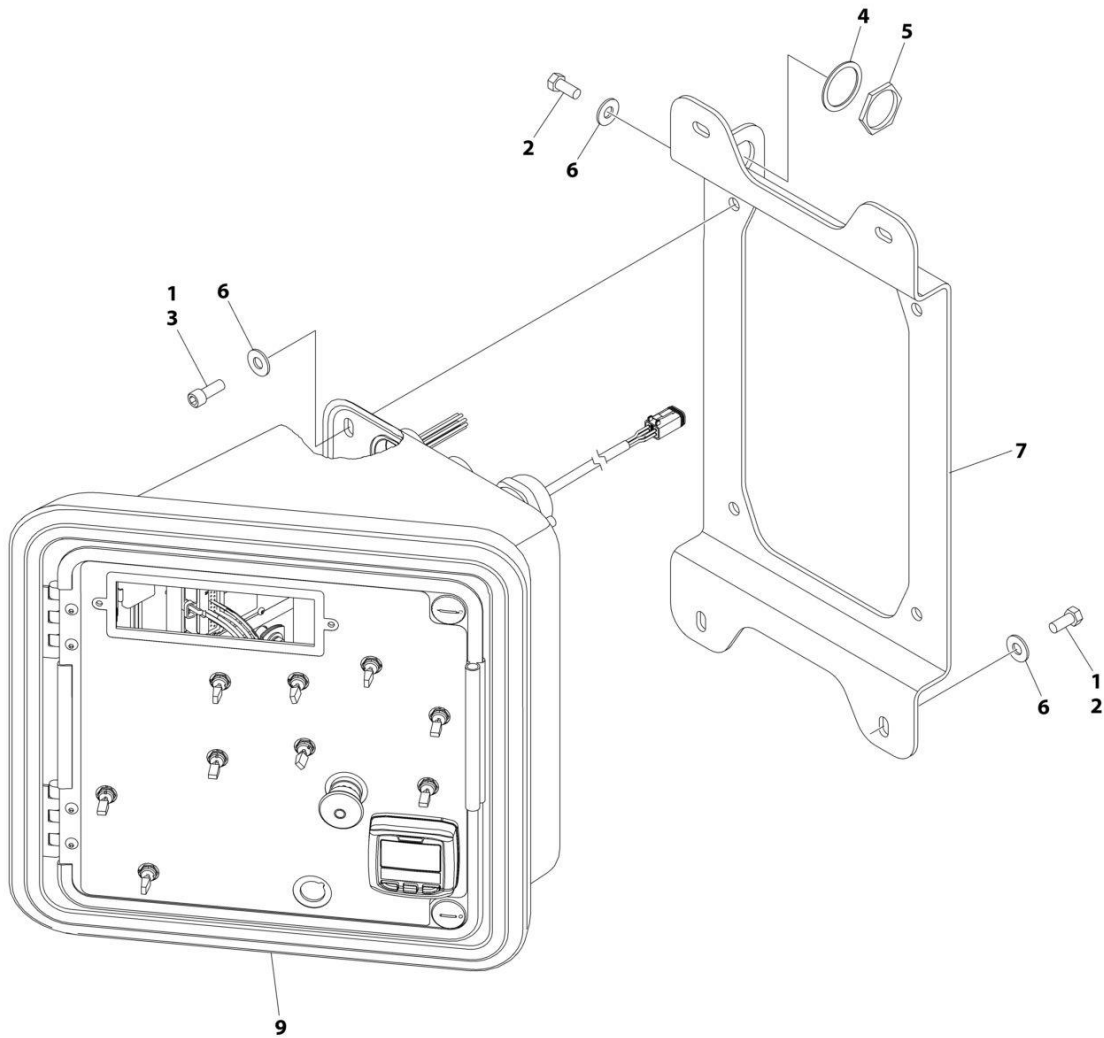
SECTION 2 - TURNTABLE

FIGURE 2-19. GROUND CONTROL BOX INSTALLATION - DEUTZ TD2011 ENGINES WITH REXROTH PUMP (WITH TOWER STOW) (ANSI EXPORT & AUSTRALIAN SPECS)

ITEM	PART NUMBER	QTY	DESCRIPTION	REV
	1001267654	Ref	GROUND CONTROL BOX INSTALLATION - DEUTZ TD2011 ENGINES WITH REXROTH PUMP (WITH TOWER STOW)	A
1	0100011	AR	Compound, Locking	
2	0641607	5	Bolt 3/8 x 7/8	
3	3931616	4	Capscrew 3/8 x 1	
4	4460496	1	Terminal, Washer	
5	4460497	1	Terminal, Nut	
6	4751600	9	Washer 3/8	
7	1001114487	1	Bracket, Mounting	
8	1001119456	2	Harness, Pump Adapter (Not Shown) (See Separate Breakdown in ELECTRICAL Section)	
9	1001119470	1	Harness, Engine (Not Shown) (See Separate Breakdown in ELECTRICAL Section)	
10	1001265867	1	Ground Controls Assembly (See Separate Breakdown in this Section)	

SECTION 2 - TURNTABLE

FIGURE 2-20. GROUND CONTROL BOX INSTALLATION - DEUTZ TD2011 ENGINES WITH SAUER PUMP (WITHOUT TOWER STOW) (ANSI EXPORT & AUSTRALIAN SPECS)



ART_1001243583_B

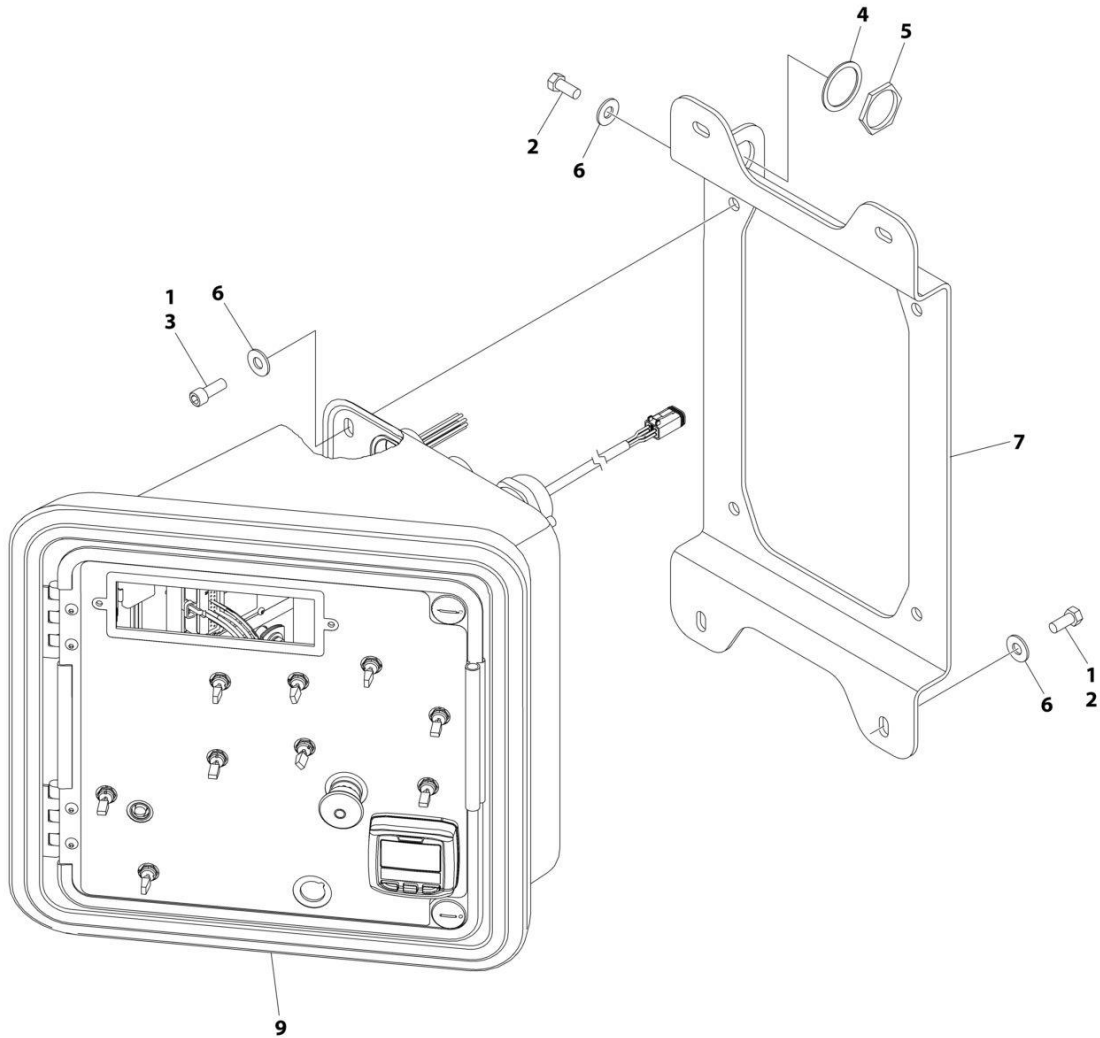
SECTION 2 - TURNTABLE

FIGURE 2-20. GROUND CONTROL BOX INSTALLATION - DEUTZ TD2011 ENGINES WITH SAUER PUMP (WITHOUT TOWER STOW) (ANSI EXPORT & AUSTRALIAN SPECS)

ITEM	PART NUMBER	QTY	DESCRIPTION	REV
	1001243583	Ref	GROUND CONTROL BOX INSTALLATION WITH SAUER PUMPS - DEUTZ TD2011 ENGINES WITH SAUER PUMP	B
1	0100011	AR	Compound, Locking	
2	0641607	5	Bolt 3/8 x 7/8	
3	3931616	4	Capscrew 3/8 x 1	
4	4460496	1	Terminal, Washer	
5	4460497	1	Terminal, Nut	
6	4751600	9	Washer 3/8	
7	1001114487	1	Bracket, Mounting	
8	1001119470	1	Harness, Engine (Not Shown) (See Separate Breakdown in this Section)	
9	1001266935	1	Ground Controls Assembly (See Separate Breakdown in this Section)	

SECTION 2 - TURNTABLE

FIGURE 2-21. GROUND CONTROL BOX INSTALLATION - DEUTZ TD2011 ENGINES WITH SAUER PUMP (WITH TOWER STOW) (CE SPECS) (LRC)



ART_1001267655

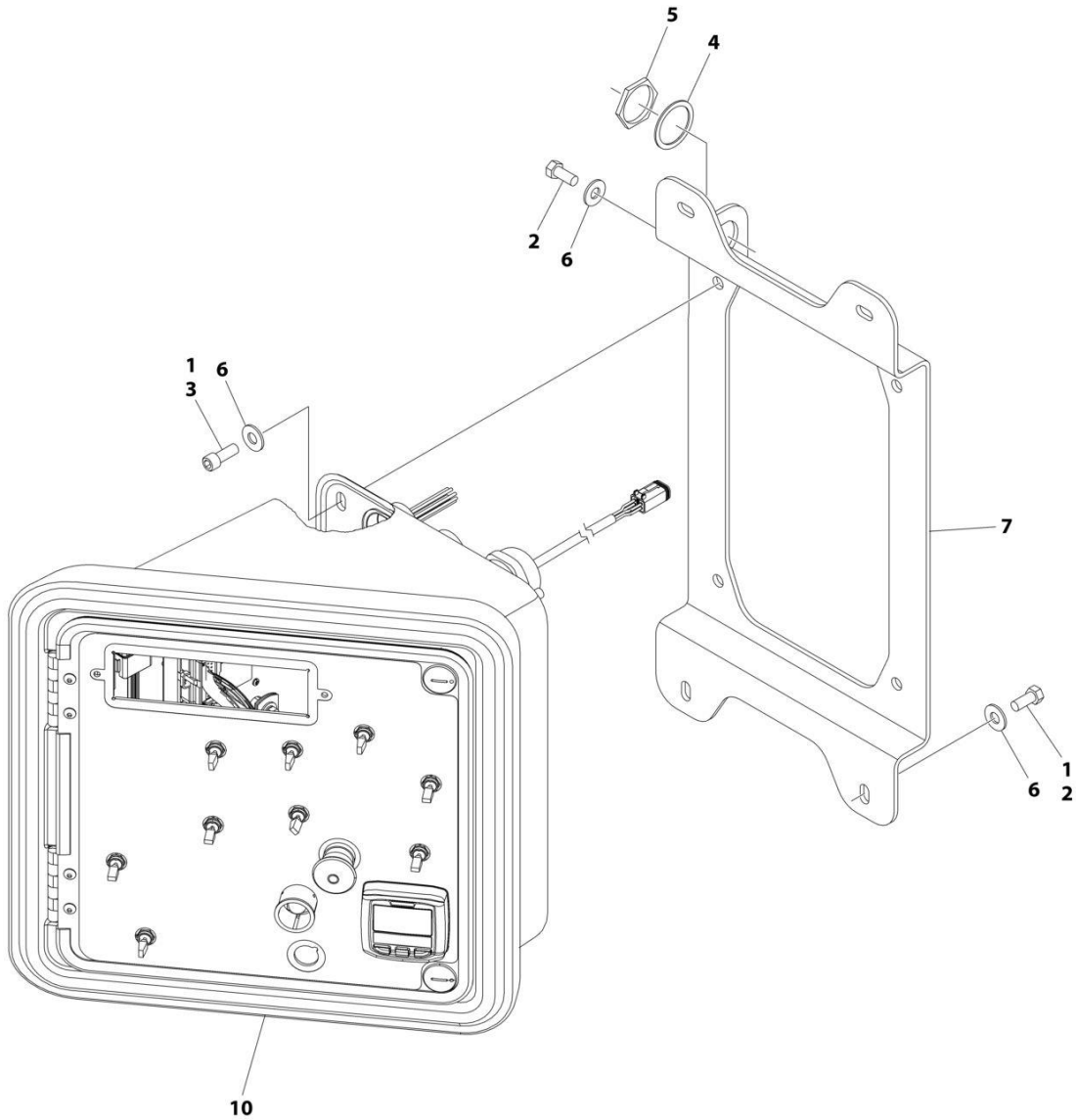
SECTION 2 - TURNTABLE

FIGURE 2-21. GROUND CONTROL BOX INSTALLATION - DEUTZ TD2011 ENGINES WITH SAUER PUMP (WITH TOWER STOW) (CE SPECS) (LRC)

ITEM	PART NUMBER	QTY	DESCRIPTION	REV
	1001267655	Ref	GROUND CONTROL BOX INSTALLATION - DEUTZ TD2011 ENGINES WITH SAUER PUMP (WITH TOWER STOW)	A
1	0100011	AR	Compound, Locking	
2	0641607	5	Bolt 3/8 x 7/8	
3	3931616	4	Capscrew 3/8 x 1	
4	4460496	1	Terminal, Washer	
5	4460497	1	Terminal, Nut	
6	4751600	9	Washer 3/8	
7	1001114487	1	Bracket, Mounting	
8	1001119470	1	Harness, Engine (Not Shown) (See Separate Breakdown in ELECTRICAL Section)	
9	1001265867	1	Ground Controls Assembly (See Separate Breakdown in this Section)	

SECTION 2 - TURNTABLE

FIGURE 2-22. GROUND CONTROL BOX INSTALLATION - DEUTZ TD2011 ENGINES WITH REXROTH PUMPS (WITHOUT TOWER STOW) (CE SPECS) (LRC)



ART_1001243592_B

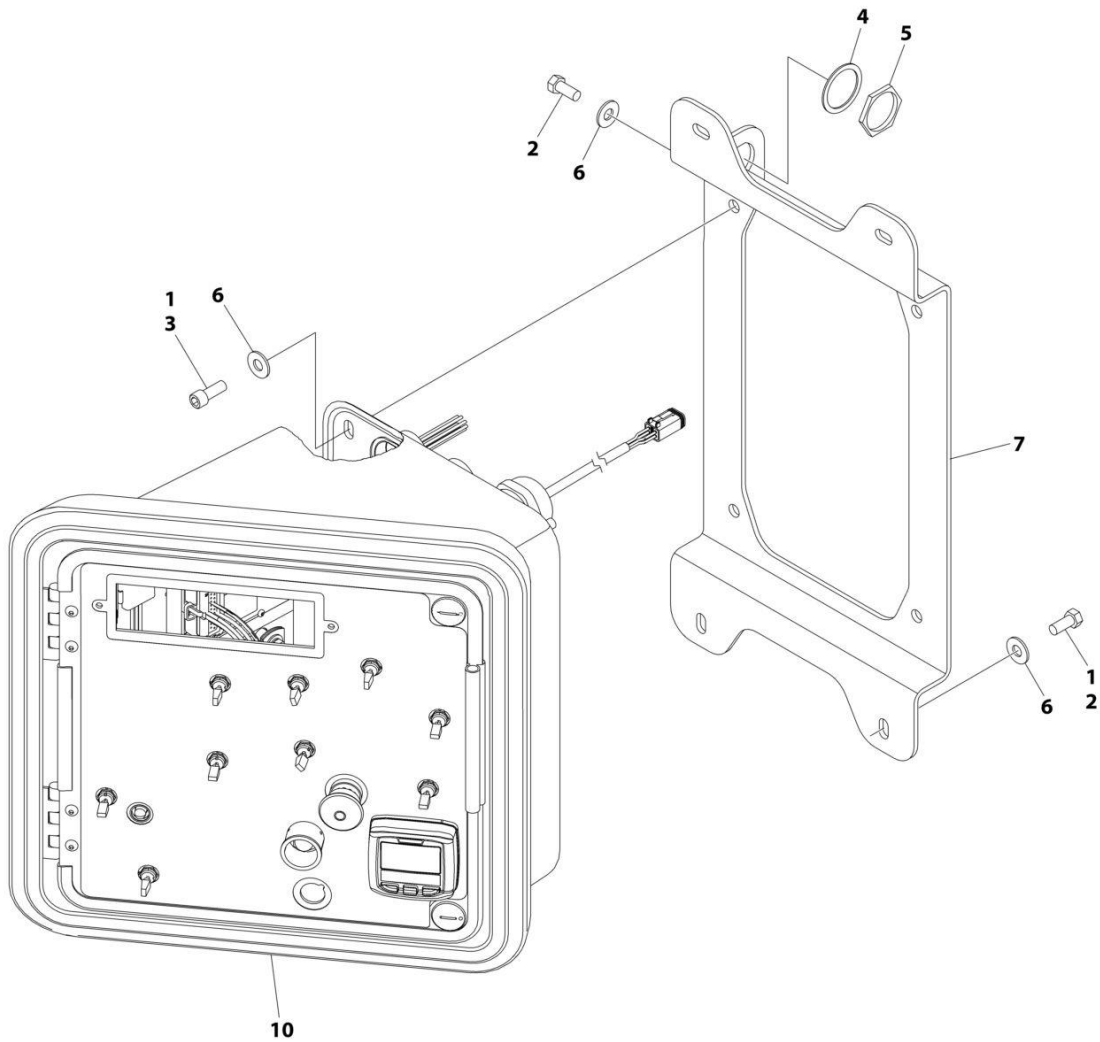
SECTION 2 - TURNTABLE

FIGURE 2-22. GROUND CONTROL BOX INSTALLATION - DEUTZ TD2011 ENGINES WITH REXROTH PUMPS (WITHOUT TOWER STOW) (CE SPECS) (LRC)

ITEM	PART NUMBER	QTY	DESCRIPTION	REV
	1001243592	Ref	GROUND CONTROL BOX INSTALLATION WITH REXROTH PUMPS - DEUTZ TD2011 ENGINES (CE & UK CA SPECS) (LRC)	B
1	0100011	AR	Compound, Locking	
2	0641607	5	Bolt 3/8 x 7/8	
3	3931616	4	Capscrew 3/8 x 1	
4	4460496	1	Terminal, Washer	
5	4460497	1	Terminal, Nut	
6	4751600	9	Washer 3/8	
7	1001114487	1	Bracket, Mounting	
8	1001119456	2	Harness, Pump Adapter (Not Shown) (See Separate Breakdown in ELECTRICAL Section)	
9	1001119470	1	Harness, Engine (Not Shown) (See Separate Breakdown in this Section)	
10	1001266936	1	Ground Controls Assembly (See Separate Breakdown in this Section)	

SECTION 2 - TURNTABLE

FIGURE 2-23. GROUND CONTROL BOX INSTALLATION - DEUTZ TD2011 ENGINES WITH REXROTH PUMP (WITH TOWER STOW) (ANSI EXPORT & AUSTRALIAN SPECS)



ART_1001267656

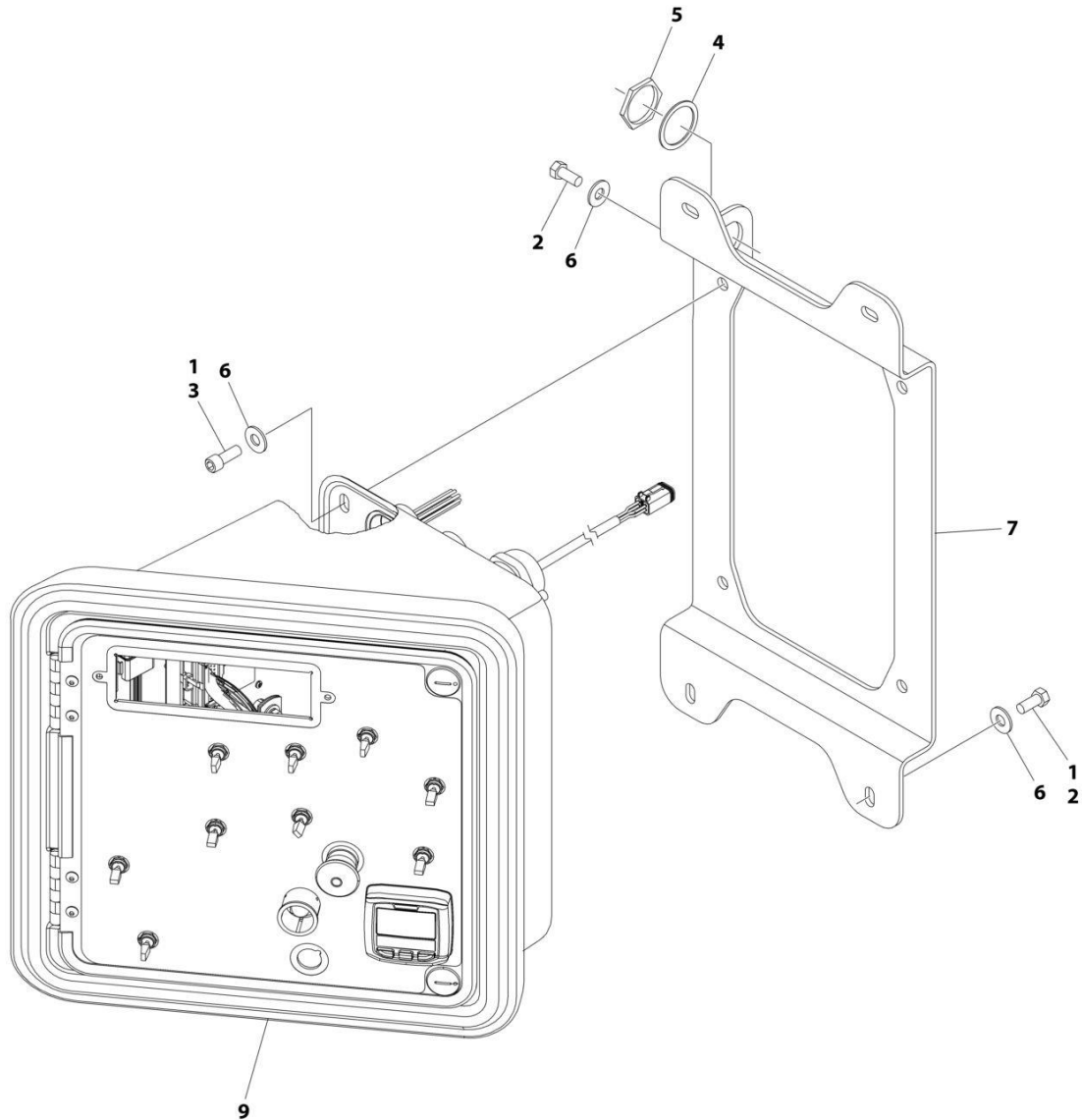
SECTION 2 - TURNTABLE

FIGURE 2-23. GROUND CONTROL BOX INSTALLATION - DEUTZ TD2011 ENGINES WITH REXROTH PUMP (WITH TOWER STOW) (ANSI EXPORT & AUSTRALIAN SPECS)

ITEM	PART NUMBER	QTY	DESCRIPTION	REV
	1001267656	Ref	GROUND CONTROL BOX INSTALLATION - DEUTZ TD2011 ENGINES WITH REXROTH PUMP (WITH TOWER STOW)	A
1	0100011	AR	Compound, Locking	
2	0641607	5	Bolt 3/8 x 7/8	
3	3931616	4	Capscrew 3/8 x 1	
4	4460496	1	Terminal, Washer	
5	4460497	1	Terminal, Nut	
6	4751600	9	Washer 3/8	
7	1001114487	1	Bracket, Mounting	
8	1001119456	2	Harness, Pump Adapter (Not Shown) (See Separate Breakdown in ELECTRICAL Section)	
9	1001119470	1	Harness, Engine (Not Shown) (See Separate Breakdown in this Section)	
10	1001265868	1	Ground Controls Assembly (See Separate Breakdown in this Section)	

SECTION 2 - TURNTABLE

FIGURE 2-24. GROUND CONTROL BOX INSTALLATION - DEUTZ TD2011 ENGINES WITH SAUER PUMPS (WITHOUT TOWER STOW) (CE SPECS) (LRC)



ART_1001243593_B

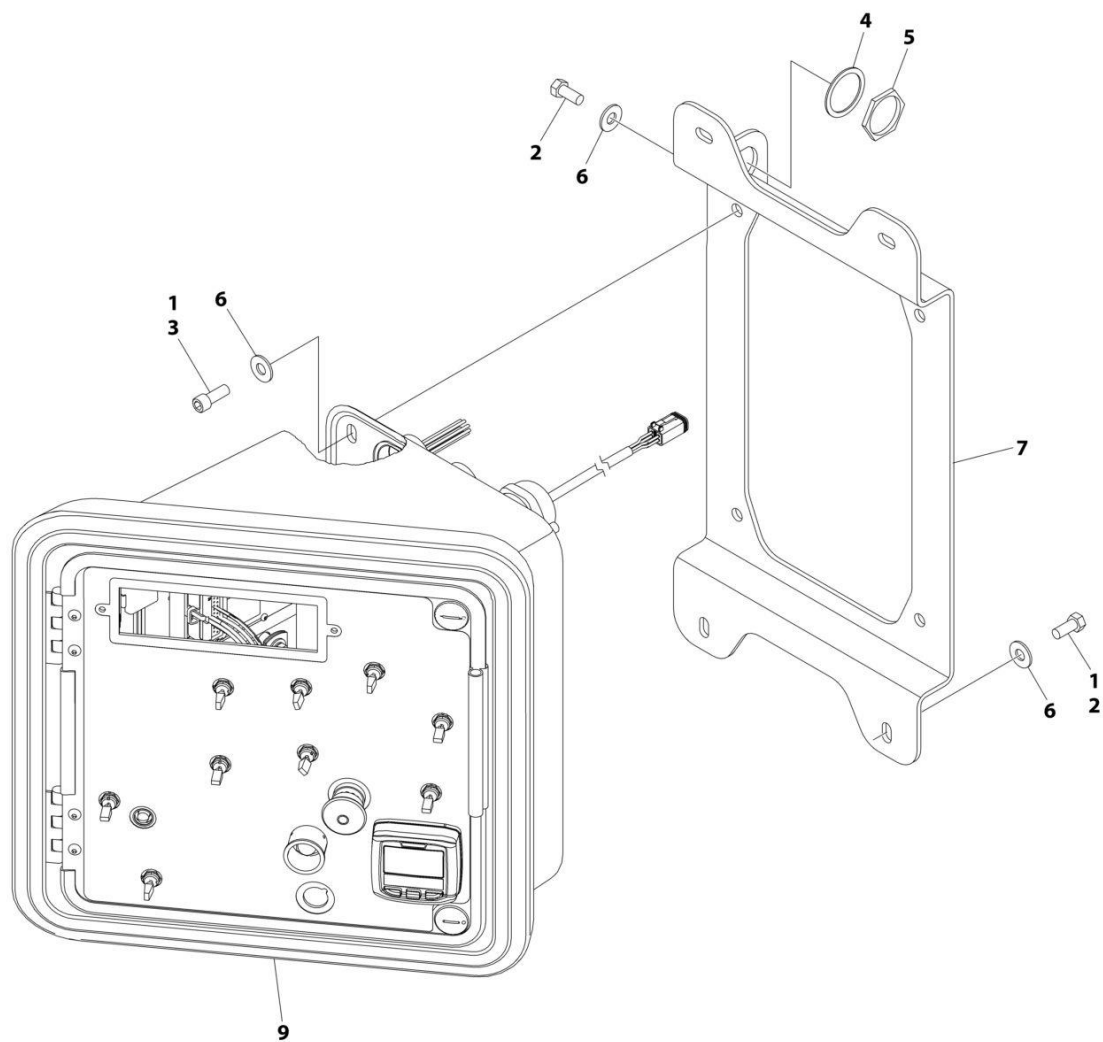
SECTION 2 - TURNTABLE

FIGURE 2-24. GROUND CONTROL BOX INSTALLATION - DEUTZ TD2011 ENGINES WITH SAUER PUMPS (WITHOUT TOWER STOW) (CE SPECS) (LRC)

ITEM	PART NUMBER	QTY	DESCRIPTION	REV
	1001243593	Ref	GROUND CONTROL BOX INSTALLATION WITH SAUER PUMPS - DEUTZ TD2011 ENGINES	B
1	0100011	AR	Compound, Locking	
2	0641607	5	Bolt 3/8 x 7/8	
3	3931616	4	Capscrew 3/8 x 1	
4	4460496	1	Terminal, Washer	
5	4460497	1	Terminal, Nut	
6	4751600	9	Washer 3/8	
7	1001114487	1	Bracket, Mounting	
8	1001119470	1	Harness, Engine (Not Shown) (See Separate Breakdown in this Section)	
9	1001266936	1	Ground Controls Assembly (See Separate Breakdown in this Section)	

SECTION 2 - TURNTABLE

FIGURE 2-25. GROUND CONTROL BOX INSTALLATION - DEUTZ TD2011 ENGINES WITH SAUER PUMP (WITH TOWER STOW) (CE SPECS) (LRC)



ART_1001267657

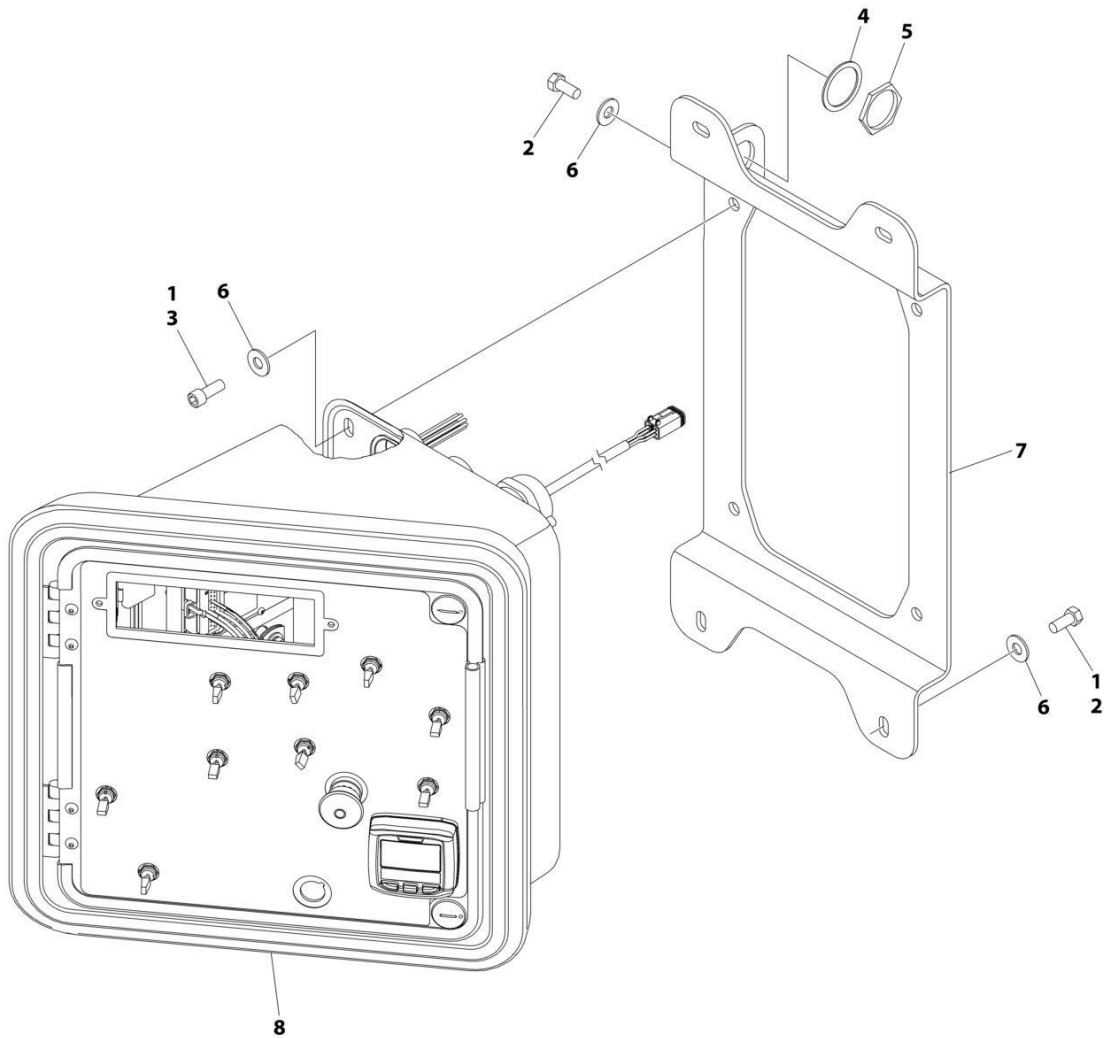
SECTION 2 - TURNTABLE

FIGURE 2-25. GROUND CONTROL BOX INSTALLATION - DEUTZ TD2011 ENGINES WITH SAUER PUMP (WITH TOWER STOW) (CE SPECS) (LRC)

ITEM	PART NUMBER	QTY	DESCRIPTION	REV
	1001267657	Ref	GROUND CONTROL BOX INSTALLATION - DEUTZ TD2011 ENGINES WITH SAUER PUMP (WITH TOWER STOW)	A
1	0100011	AR	Compound, Locking	
2	0641607	5	Bolt 3/8 x 7/8	
3	3931616	4	Capscrew 3/8 x 1	
4	4460496	1	Terminal, Washer	
5	4460497	1	Terminal, Nut	
6	4751600	9	Washer 3/8	
7	1001114487	1	Bracket, Mounting	
8	1001119470	1	Harness, Engine (Not Shown) (See Separate Breakdown in this Section)	
9	1001265868	1	Ground Controls Assembly (See Separate Breakdown in this Section)	

SECTION 2 - TURNTABLE

FIGURE 2-26. GROUND CONTROL BOX INSTALLATION - DEUTZ TCD2.9L4 ENGINES (WITHOUT TOWER STOW) (ALL SPECS EXCEPT AUSTRALIAN & CE SPECS)



ART_1001243543_B

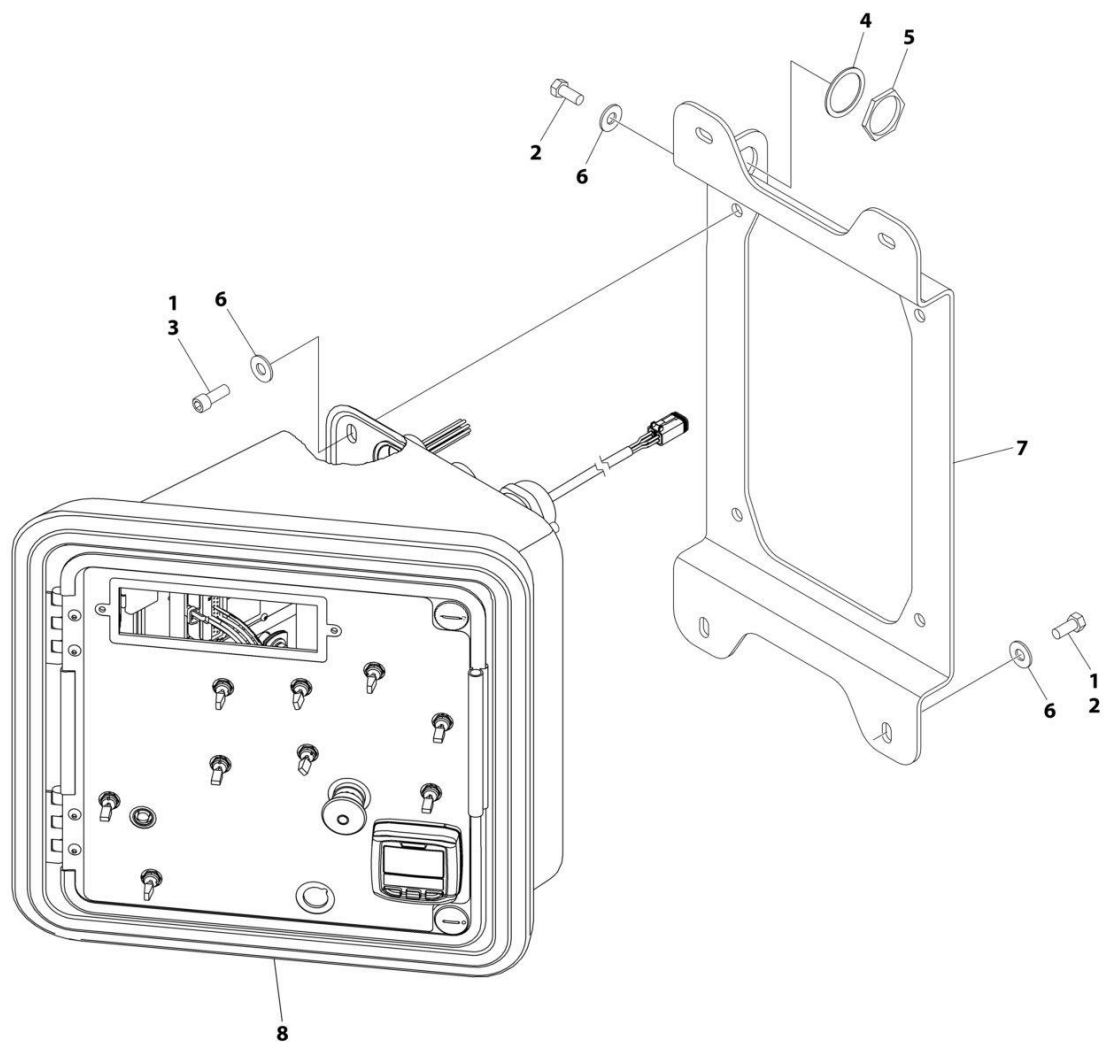
SECTION 2 - TURNTABLE

FIGURE 2-26. GROUND CONTROL BOX INSTALLATION - DEUTZ TCD2.9L4 ENGINES (WITHOUT TOWER STOW) (ALL SPECS EXCEPT AUSTRALIAN & CE SPECS)

ITEM	PART NUMBER	QTY	DESCRIPTION	REV
	1001243543	Ref	GROUND CONTROL BOX INSTALLATION - DEUTZ TCD2.9L4 ENGINES	B
1	0100011	AR	Compound, Locking	
2	0641607	5	Bolt 3/8 x 7/8	
3	3931616	4	Capscrew 3/8 x 1	
4	4460496	1	Terminal, Washer	
5	4460497	1	Terminal, Nut	
6	4751600	9	Washer 3/8	
7	1001114487	1	Bracket, Mounting	
8	1001266935	1	Ground Controls Assembly (See Separate Breakdown in this Section)	

SECTION 2 - TURNTABLE

FIGURE 2-27. GROUND CONTROL BOX INSTALLATION - DEUTZ TCD2.9L4 ENGINES (WITH TOWER STOW) (ALL SPECS EXCEPT AUSTRALIAN & CE SPECS).



ART_1001267653

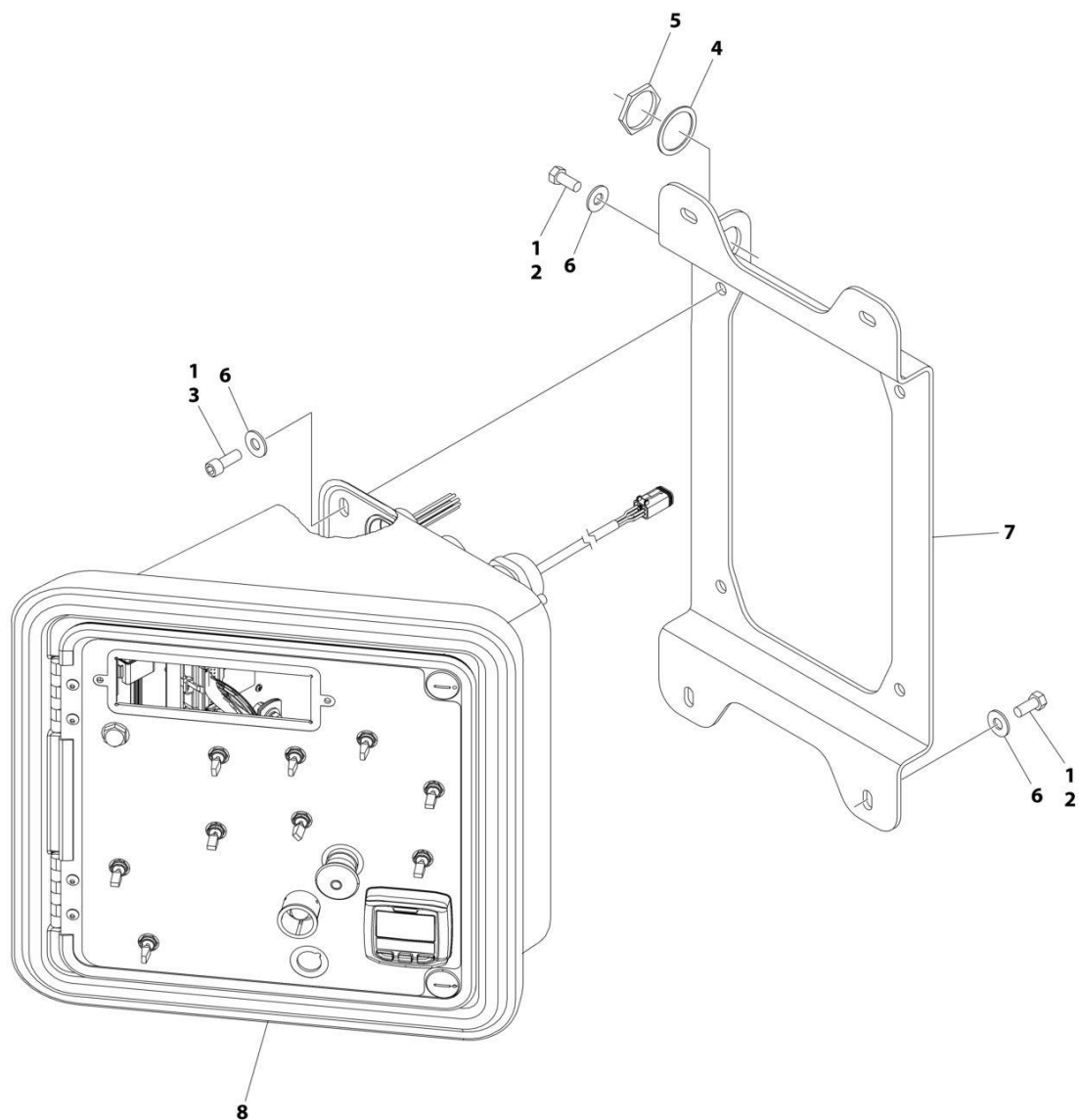
SECTION 2 - TURNTABLE

FIGURE 2-27. GROUND CONTROL BOX INSTALLATION - DEUTZ TCD2.9L4 ENGINES (WITH TOWER STOW) (ALL SPECS EXCEPT AUSTRALIAN & CE SPECS).

ITEM	PART NUMBER	QTY	DESCRIPTION	REV
	1001267653	Ref	GROUND CONTROL BOX INSTALLATION - DEUTZ TCD2.9L4 ENGINES	A
1	0100011	AR	Compound, Locking	
2	0641607	5	Bolt 3/8 x 7/8	
3	3931616	4	Capscrew 3/8 x 1	
4	4460496	1	Terminal, Washer	
5	4460497	1	Terminal, Nut	
6	4751600	9	Washer 3/8	
7	1001114487	1	Bracket, Mounting	
8	1001265867	1	Ground Controls Assembly (See Separate Breakdown in this Section)	

SECTION 2 - TURNTABLE

FIGURE 2-28. GROUND CONTROL BOX INSTALLATION - DEUTZ TCD2.9L4 (STAGE V) ENGINES
(WITHOUT TOWER STOW)(CE SPECS)



ART_1001236753_C

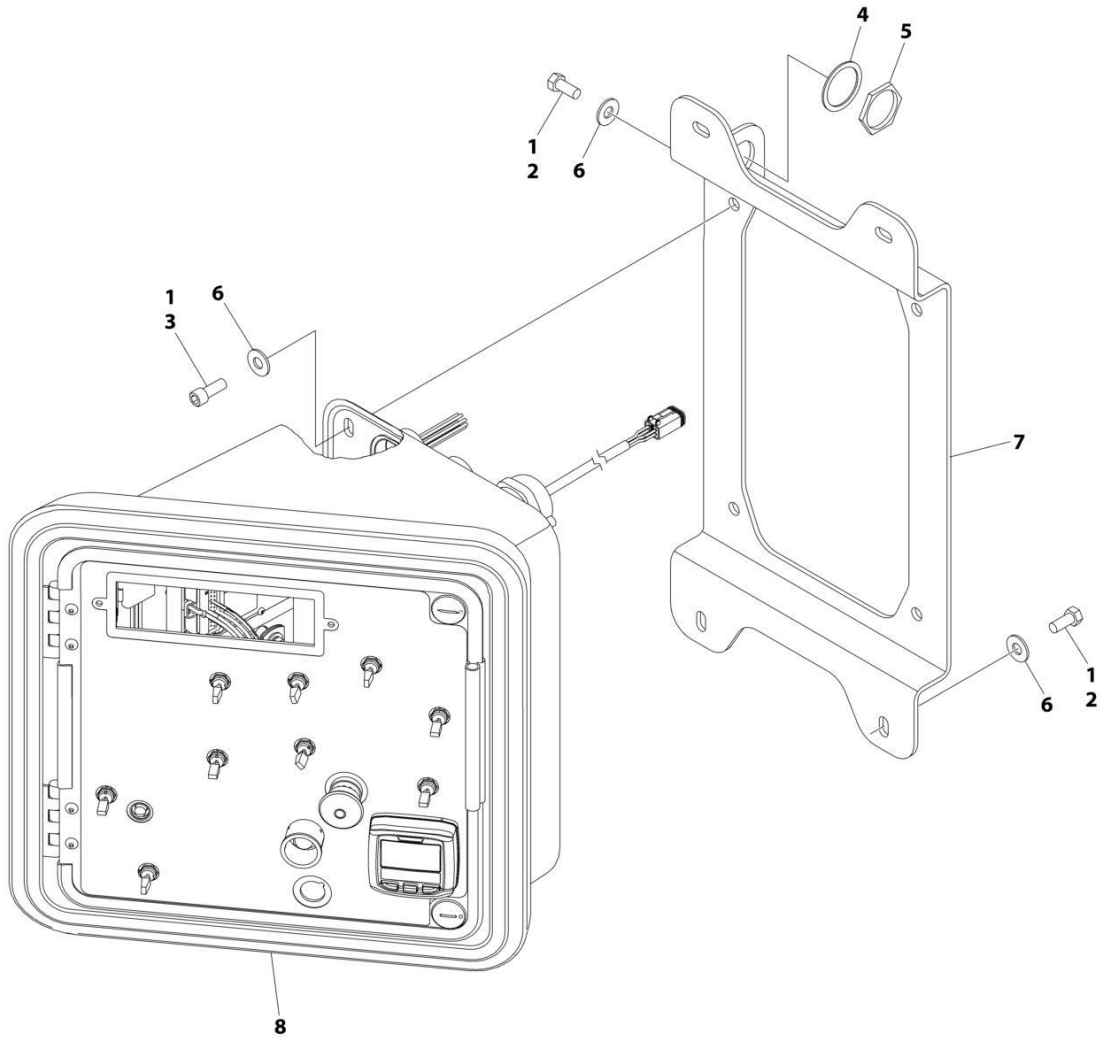
SECTION 2 - TURNTABLE

**FIGURE 2-28. GROUND CONTROL BOX INSTALLATION - DEUTZ TCD2.9L4 (STAGE V) ENGINES
(WITHOUT TOWER STOW)(CE SPECS)**

ITEM	PART NUMBER	QTY	DESCRIPTION	REV
	1001236753	Ref	GROUND CONTROL BOX INSTALLATION - DEUTZ TCD2.9L4 ENGINES	C
1	0100011	AR	Compound, Locking	
2	0641607	5	Bolt 3/8 x 7/8	
3	3931616	4	Capscrew 3/8 x 1	
4	4460496	1	Terminal, Washer	
5	4460497	1	Terminal, Nut	
6	4751600	9	Washer 3/8	
7	1001114487	1	Bracket, Mounting	
8	1001266937	1	Ground Controls Assembly (See Separate Breakdown in this Section)	

SECTION 2 - TURNTABLE

FIGURE 2-29. GROUND CONTROL BOX INSTALLATION - DEUTZ TCD2.9L4 (STAGE V) ENGINES
(WITH TOWER STOW)(CE SPECS)



ART_1001267658

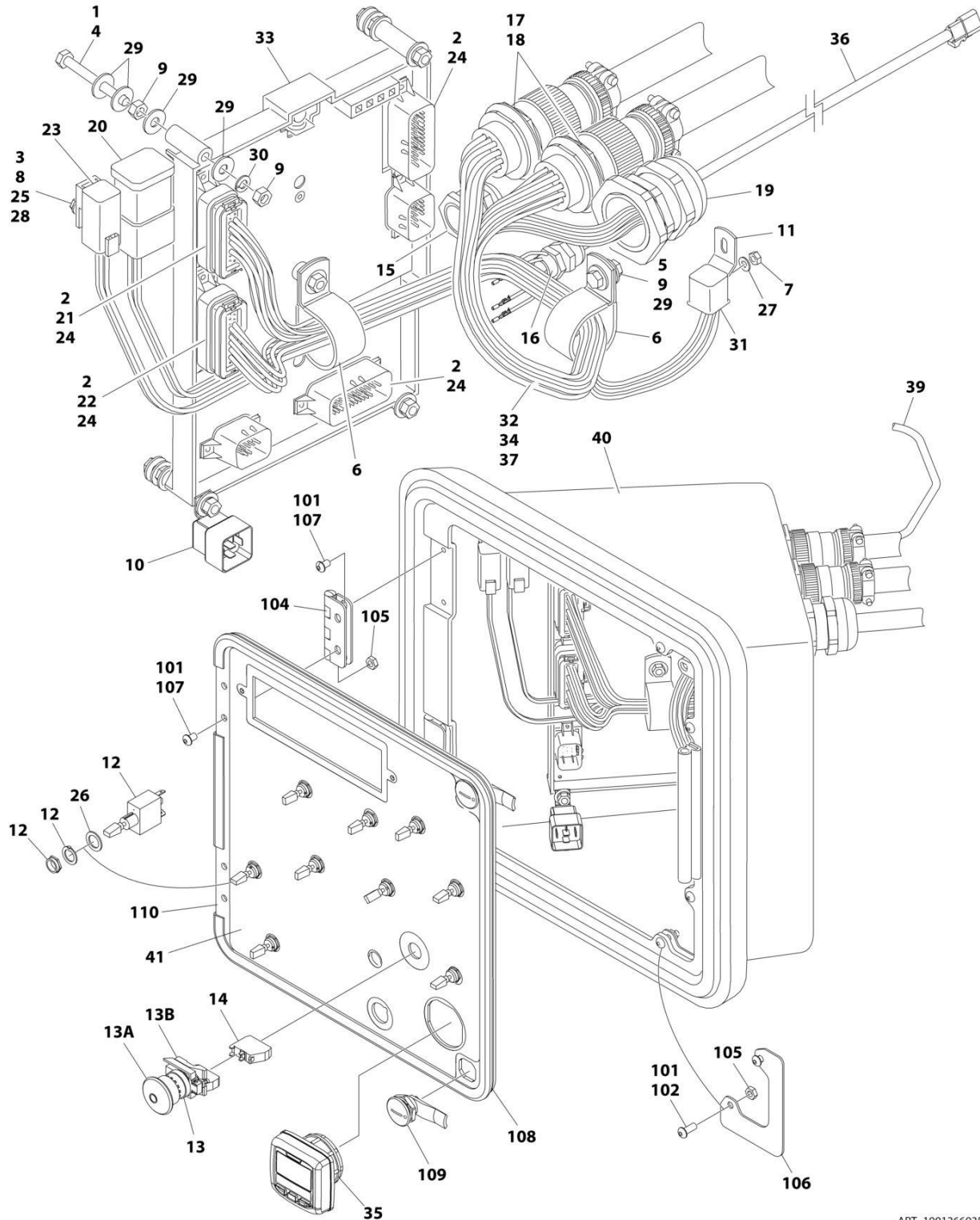
SECTION 2 - TURNTABLE

**FIGURE 2-29. GROUND CONTROL BOX INSTALLATION - DEUTZ TCD2.9L4 (STAGE V) ENGINES
(WITH TOWER STOW)(CE SPECS)**

ITEM	PART NUMBER	QTY	DESCRIPTION	REV
	1001267658	Ref	GROUND CONTROL BOX INSTALLATION - DEUTZ TCD2.9L4 (STAGE V) ENGINES	A
1	0100011	AR	Compound, Locking	
2	0641607	5	Bolt 3/8 x 7/8	
3	3931616	4	Capscrew 3/8 x 1	
4	4460496	1	Terminal, Washer	
5	4460497	1	Terminal, Nut	
6	4751600	9	Washer 3/8	
7	1001114487	1	Bracket, Mounting	
8	1001265869	1	Ground Controls Assembly (See Separate Breakdown in this Section)	

SECTION 2 - TURNTABLE

FIGURE 2-30. GROUND CONTROL ASSEMBLY - DEUTZ TD2011 AND DEUTZ TCD2.9L4 ENGINES
(WITHOUT TOWER STOW) (ALL SPECS EXCEPT CE SPECS)



ART_1001266935

SECTION 2 - TURNTABLE

**FIGURE 2-30. GROUND CONTROL ASSEMBLY - DEUTZ TD2011 AND DEUTZ TCD2.9L4 ENGINES
(WITHOUT TOWER STOW) (ALL SPECS EXCEPT CE SPECS)**

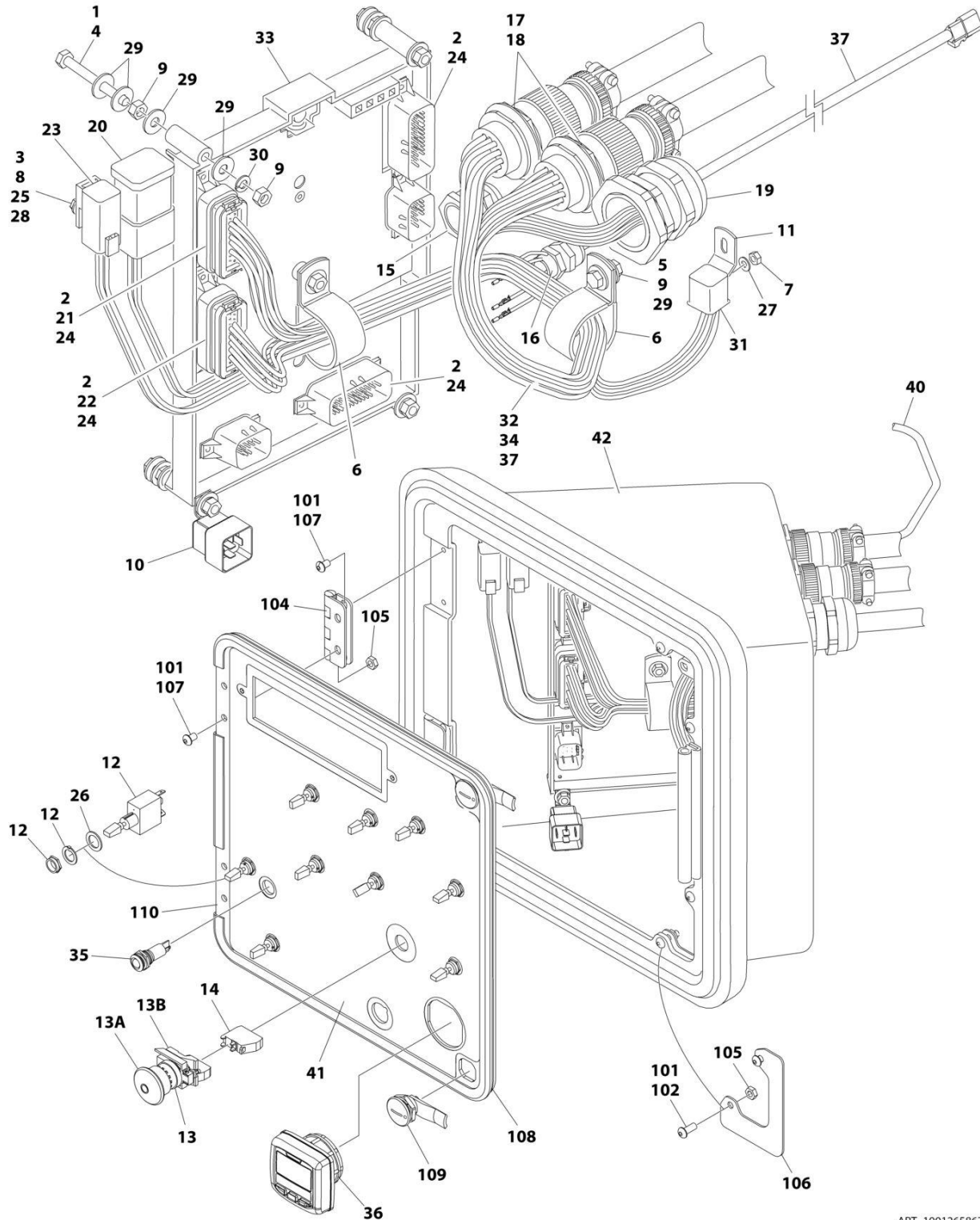
ITEM	PART NUMBER	QTY	DESCRIPTION	REV
	1001266935	Ref	GROUND CONTROL ASSEMBLY	A
1	0100035	AR	Compound, Locking	
2	0100048	AR	Grease, Dielectric	
3	0630464	2	Screw #10 x 1/2	
4	0630548	5	Screw, Self Tapping	
5	0641406	1	Bolt 1/4 x 3/4	
6	1320095	2	Clamp	
7	3310601	1	Nut #6	
8	3311001	2	Nut #10	
9	3311401	11	Nut 1/4	
10	3740049	1	Relay	
11	4340832	1	Mount, Relay	
12	4360328	9	Switch, Toggle	
13	4360475	1	Switch, Push-Pull Emergency	
13A	7020175	1	Cap	
13B	7020176	1	Block, Contact	
14	4360476	1	Block, Contact	
15	4460425	1	Connector, Strain Relief	
16	4460428	1	Connector, Strain Relief	
17	4460470	2	Nut, Terminal	
18	4460471	2	Washer, Terminal	
19	4460526	1	Connector, Strain Relief	
20	4460837	1	Connector - 12 Pin	
21	4460874	1	Connector, White	
22	4460875	1	Connector, Gray	
23	4460892	1	Connector, Buss Bar - 6 Position	
24	4460905	4	Connector, Plug	
25	4460914	2	Base, Terminal	
26	4740444	9	Washer	
27	4750600	1	Washer #6	
28	4751000	2	Washer #10	
29	4751400	22	Washer 1/4	
30	4761400	5	Washer 1/4	
31	4923036	1	Harness, Relay (See Separate Breakdown in ELECTRICAL Section)	
32	4923397	1	Harness, Valve (See Separate Breakdown in ELECTRICAL Section)	
33	1001119508	1	Module, Ground Control (Note: Re-calibration Required when Replaced)	
34	1001119529	1	Harness, Engine (See Separate Breakdown in ELECTRICAL Section)	
35	1001171482	1	Gauge, Display	
36	1001228497	1	Harness, Pressure Transducer (See Separate Breakdown in ELECTRICAL Section)	
37	1001242324	1	Harness, Ground Control Box (See Separate Breakdown in ELECTRICAL Section)	
38	1001248011	1	Wiring Diagram (Not Shown)	
39	1001254068	1	Harness, ClearSky Ready (See Separate Breakdown in ELECTRICAL Section)	
40	1001265864	1	Box Assembly (See Items 101-110 for Breakdown)	

SECTION 2 - TURNTABLE

ITEM	PART NUMBER	QTY	DESCRIPTION	REV
41	1001266941	1	Decal - MTB	A
	1001265864	Ref	BOX ASSEMBLY	
101	0100011	AR	Compound, Locking	
102	0630407	4	Screw 1/4 x 5/8	
104	2600279	2	Hinge	
105	3311402	8	Nut 1/4	
106	3573144	2	Plate, Latch	
107	3900251	8	Screw 1/4 x 3/8	
108	3960418	53 in/ 1.4m	Seal	
109	1001242373	2	Latch	
110	1001265859	1	Panel, MTB	

SECTION 2 - TURNTABLE

FIGURE 2-31. GROUND CONTROL ASSEMBLY - DEUTZ TD2011 AND DEUTZ TCD2.9L4 ENGINES
(WITH TOWER STOW) (ALL SPECS EXCEPT CE SPECS)



ART_1001265867

SECTION 2 - TURNTABLE

**FIGURE 2-31. GROUND CONTROL ASSEMBLY - DEUTZ TD2011 AND DEUTZ TCD2.9L4 ENGINES
(WITH TOWER STOW) (ALL SPECS EXCEPT CE SPECS)**

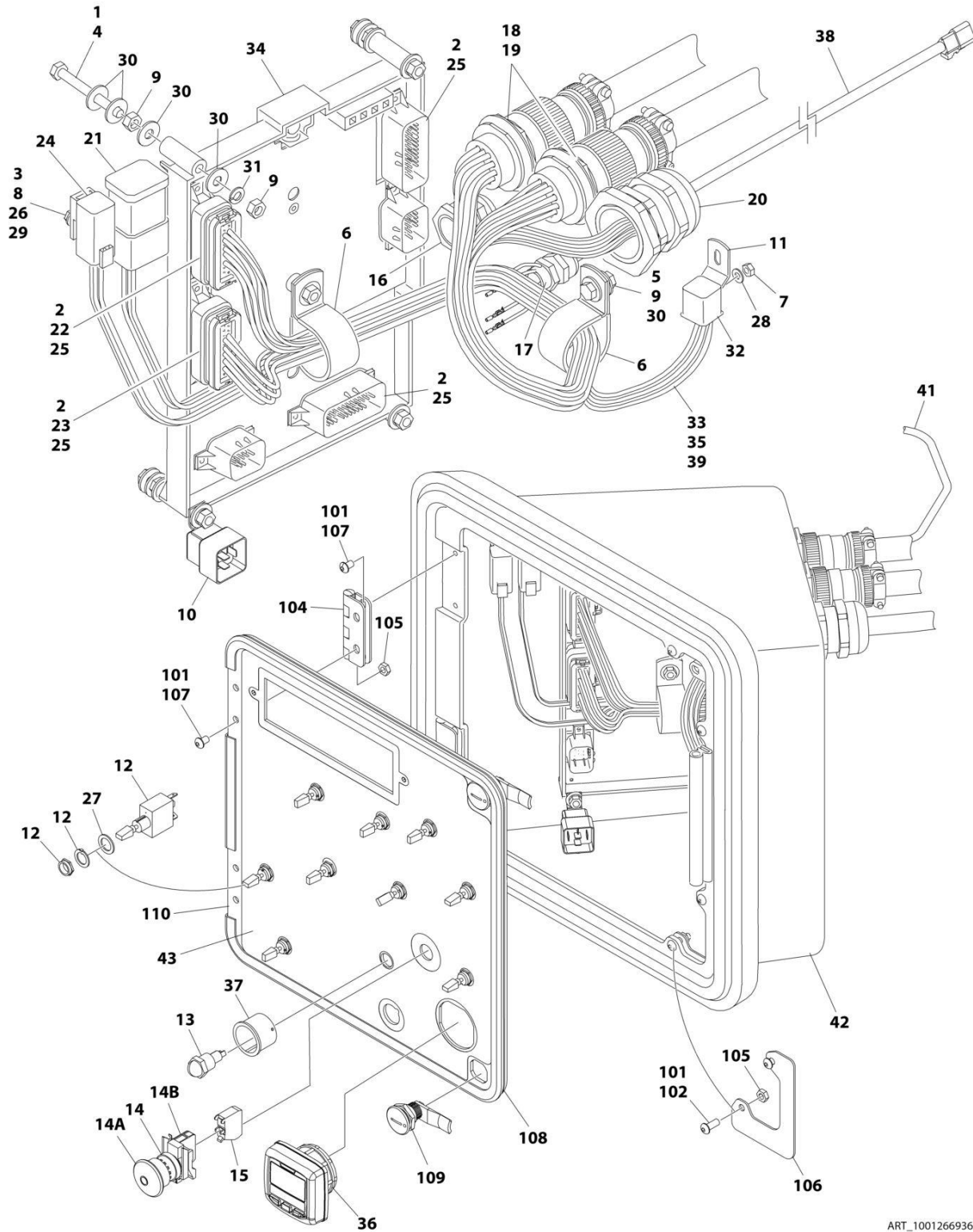
ITEM	PART NUMBER	QTY	DESCRIPTION	REV
	1001265867	Ref	GROUND CONTROL ASSEMBLY	A
1	0100035	AR	Compound, Locking	
2	0100048	AR	Grease, Dielectric	
3	0630464	2	Screw #10 x 1/2	
4	0630548	5	Screw, Self Tapping	
5	0641406	1	Bolt 1/4 x 3/4	
6	1320095	2	Clamp	
7	3310601	1	Nut #6	
8	3311001	2	Nut #10	
9	3311401	11	Nut 1/4	
10	3740049	1	Relay	
11	4340832	1	Mount, Relay	
12	4360328	9	Switch, Toggle	
13	4360475	1	Switch, Push-Pull Emergency	
13A	7020175	1	Cap	
13B	7020176	1	Block, Contact	
14	4360476	1	Block, Contact	
15	4460425	1	Connector, Strain Relief	
16	4460428	1	Connector, Strain Relief	
17	4460470	2	Nut, Terminal	
18	4460471	2	Washer, Terminal	
19	4460526	1	Connector, Strain Relief	
20	4460837	1	Connector - 12 Pin	
21	4460874	1	Connector, White	
22	4460875	1	Connector, Gray	
23	4460892	1	Connector, Buss Bar - 6 Position	
24	4460905	4	Connector, Plug	
25	4460914	2	Base, Terminal	
26	4740444	9	Washer	
27	4750600	1	Washer #6	
28	4751000	2	Washer #10	
29	4751400	22	Washer 1/4	
30	4761400	5	Washer 1/4	
31	4923036	1	Harness, Relay (See Separate Breakdown in ELECTRICAL Section)	
32	4923397	1	Harness, Valve (See Separate Breakdown in ELECTRICAL Section)	
33	1001119508	1	Module, Ground Control (Note: Re-calibration Required when Replaced)	
34	1001119529	1	Harness, Engine (See Separate Breakdown in ELECTRICAL Section)	
35	1001137364	1	Lamp, LED Indicator Green	
36	1001171482	1	Gauge, Display	
37	1001228497	1	Harness, Pressure Transducer (See Separate Breakdown in ELECTRICAL Section)	
38	1001242324	1	Harness, Ground Control Box (See Separate Breakdown in ELECTRICAL Section)	
39	1001248011	1	Wiring Diagram (Not Shown)	
40	1001254068	1	Harness, ClearSky Ready (See Separate Breakdown in ELECTRICAL Section)	

SECTION 2 - TURNTABLE

ITEM	PART NUMBER	QTY	DESCRIPTION	REV
41	1001265854	1	Decal - MTB	
42	1001265864	1	Box Assembly	
101	0100011	AR	Compound, Locking	
102	0630407	4	Screw 1/4 x 5/8	
104	2600279	2	Hinge	
105	3311402	8	Nut 1/4	
106	3573144	2	Plate, Latch	
107	3900251	8	Screw 1/4 x 3/8	
108	3960418	53 in/ 1.4m	Seal	
109	1001242373	2	Latch	
110	1001265859	1	Panel, MTB	

SECTION 2 - TURNTABLE

FIGURE 2-32. GROUND CONTROL ASSEMBLY - DEUTZ TD2011 ENGINES (WITHOUT TOWER STOW) (CE SPECS)



ART_1001266936

SECTION 2 - TURNTABLE

FIGURE 2-32. GROUND CONTROL ASSEMBLY - DEUTZ TD2011 ENGINES (WITHOUT TOWER STOW) (CE SPECS)

ITEM	PART NUMBER	QTY	DESCRIPTION	REV
	1001266936	Ref	GROUND CONTROL ASSEMBLY	A
1	0100035	AR	Compound, Locking	
2	0100048	AR	Grease, Dielectric	
3	0630464	2	Screw #10 x 1/2	
4	0630548	5	Screw, Self Tapping	
5	0641406	1	Bolt 1/4 x 3/4	
6	1320095	2	Clamp	
7	3310601	1	Nut #6	
8	3311001	2	Nut #10	
9	3311401	11	Nut 1/4	
10	3740049	1	Relay	
11	4340832	1	Mount, Relay	
12	4360328	9	Switch, Toggle	
13	4360387	1	Switch, Yellow Push Button	
14	4360475	1	Switch, Push-Pull Emergency	
14A	7020175	1	Cap	
14B	7020176	1	Block, Contact	
15	4360476	1	Block, Contact	
16	4460425	1	Connector, Strain Relief	
17	4460428	1	Connector, Strain Relief	
18	4460470	2	Nut, Terminal	
19	4460471	2	Washer, Terminal	
20	4460526	1	Connector, Strain Relief	
21	4460837	1	Connector - 12 Pin	
22	4460874	1	Connector, White	
23	4460875	1	Connector, Gray	
24	4460892	1	Connector, Buss Bar - 6 Position	
25	4460905	4	Connector, Plug	
26	4460914	2	Base, Terminal	
27	4740444	9	Washer	
28	4750600	1	Washer #6	
29	4751000	2	Washer #10	
30	4751400	22	Washer 1/4	
31	4761400	5	Washer 1/4	
32	4923036	1	Harness, Relay (See Separate Breakdown in ELECTRICAL Section)	
33	4923397	1	Harness, Valve (See Separate Breakdown in ELECTRICAL Section)	
34	1001119508	1	Module, Ground Control (Note: Re-calibration Required when Replaced)	
35	1001119529	1	Harness, Engine (See Separate Breakdown in ELECTRICAL Section)	
36	1001171482	1	Gauge, Display	
37	1001176469	1	Shroud, Push Button Switch	
38	1001228497	1	Harness, Pressure Transducer (See Separate Breakdown in ELECTRICAL Section)	
39	1001242324	1	Harness, Ground Control Box (See Separate Breakdown in ELECTRICAL Section)	
40	1001248011	1	Wiring Diagram (Not Shown)	

SECTION 2 - TURNTABLE

ITEM	PART NUMBER	QTY	DESCRIPTION	REV
41	1001254068	1	Harness, ClearSky Ready (See Separate Breakdown in ELECTRICAL Section)	A
42	1001265865	1	Box Assembly (See Items 101-110 for Breakdown)	
43	1001266942	1	Decal - MTB	
	1001265865	Ref	BOX ASSEMBLY	
101	0100011	AR	Compound, Locking	
102	0630407	4	Screw 1/4 x 5/8	
104	2600279	2	Hinge	
105	3311402	8	Nut 1/4	
106	3573144	2	Plate, Latch	
107	3900251	8	Screw 1/4 x 3/8	
108	3960418	53 in/ 1.4m	Seal	
109	1001242373	2	Latch	
110	1001265860	1	Panel, MTB	

SECTION 2 - TURNTABLE

**FIGURE 2-33. GROUND CONTROL ASSEMBLY - DEUTZ TD2011 ENGINES (WITH TOWER STOW)
(CE SPECS)**

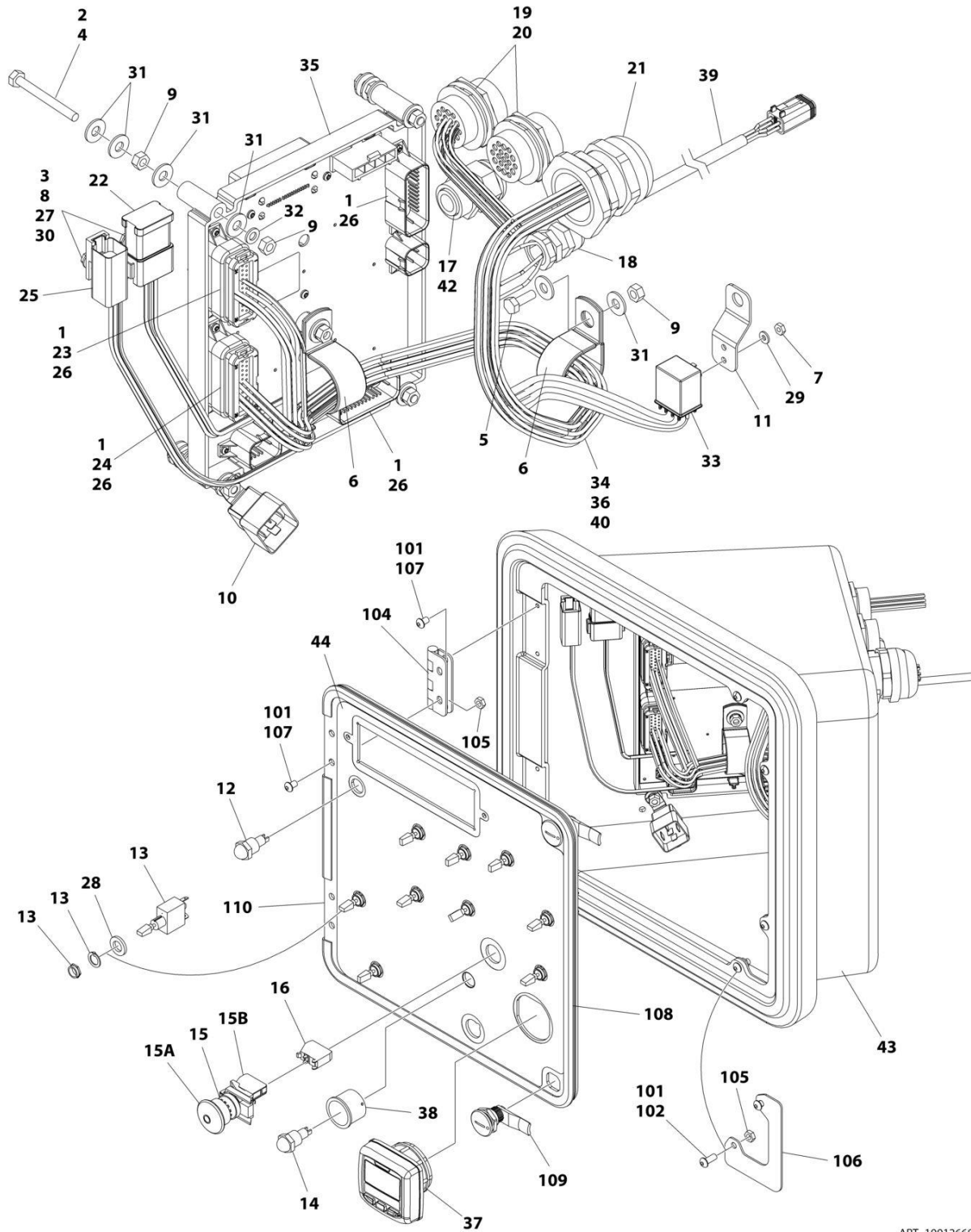
ITEM	PART NUMBER	QTY	DESCRIPTION	REV
	1001265868	Ref	GROUND CONTROL ASSEMBLY	A
1	0100035	AR	Compound, Locking	
2	0100048	AR	Grease, Dielectric	
3	0630464	2	Screw #10 x 1/2	
4	0630548	5	Screw, Self Tapping	
5	0641406	1	Bolt 1/4 x 3/4	
6	1320095	2	Clamp	
7	3310601	1	Nut #6	
8	3311001	2	Nut #10	
9	3311401	11	Nut 1/4	
10	3740049	1	Relay	
11	4340832	1	Mount, Relay	
12	4360328	9	Switch, Toggle	
13	4360387	1	Switch, Yellow Push Button	
14	4360475	1	Switch, Push-Pull Emergency	
14A	7020175	1	Cap	
14B	7020176	1	Block, Contact	
15	4360476	1	Block, Contact	
16	4460425	1	Connector, Strain Relief	
17	4460428	1	Connector, Strain Relief	
18	4460470	2	Nut, Terminal	
19	4460471	2	Washer, Terminal	
20	4460526	1	Connector, Strain Relief	
21	4460837	1	Connector - 12 Pin	
22	4460874	1	Connector, White	
23	4460875	1	Connector, Gray	
24	4460892	1	Connector, Buss Bar - 6 Position	
25	4460905	4	Connector, Plug	
26	4460914	2	Base, Terminal	
27	4740444	9	Washer	
28	4750600	1	Washer #6	
29	4751000	2	Washer #10	
30	4751400	22	Washer 1/4	
31	4761400	5	Washer 1/4	
32	4923036	1	Harness, Relay (See Separate Breakdown in ELECTRICAL Section)	
33	4923397	1	Harness, Valve (See Separate Breakdown in ELECTRICAL Section)	
34	1001119508	1	Module, Ground Control (Note: Re-calibration Required when Replaced)	
35	1001119529	1	Harness, Engine (See Separate Breakdown in ELECTRICAL Section)	
36	1001137364	1	Lamp, LED Indicator Green	
37	1001171482	1	Gauge, Display	
38	1001176469	1	Shroud, Push Button Switch	
39	1001228497	1	Harness, Pressure Transducer (See Separate Breakdown in ELECTRICAL Section)	
40	1001242324	1	Harness, Ground Control Box (See Separate Breakdown in ELECTRICAL Section)	
41	1001248011	1	Wiring Diagram (Not Shown)	

SECTION 2 - TURNTABLE

ITEM	PART NUMBER	QTY	DESCRIPTION	REV
42	1001254068	1	Harness, ClearSky Ready (See Separate Breakdown in ELECTRICAL Section)	
43	1001265855	1	Decal, MTB	
44	1001265865	1	Box Assembly	
101	0100011	AR	Compound, Locking	
102	0630407	4	Screw 1/4 x 5/8	
104	2600279	2	Hinge	
105	3311402	8	Nut 1/4	
106	3573144	2	Plate, Latch	
107	3900251	8	Screw 1/4 x 3/8	
108	3960418	53 in/ 1.4m	Seal	
109	1001242373	2	Latch	
110	1001265860	1	Panel, MTB	

SECTION 2 - TURNTABLE

FIGURE 2-34. GROUND CONTROL ASSEMBLY - DEUTZ TCD2.9L4 (STAGE V) (WITHOUT TOWER STOW) (CE SPECS)



ART_1001266937

SECTION 2 - TURNTABLE

FIGURE 2-34. GROUND CONTROL ASSEMBLY - DEUTZ TCD2.9L4 (STAGE V) (WITHOUT TOWER STOW) (CE SPECS)

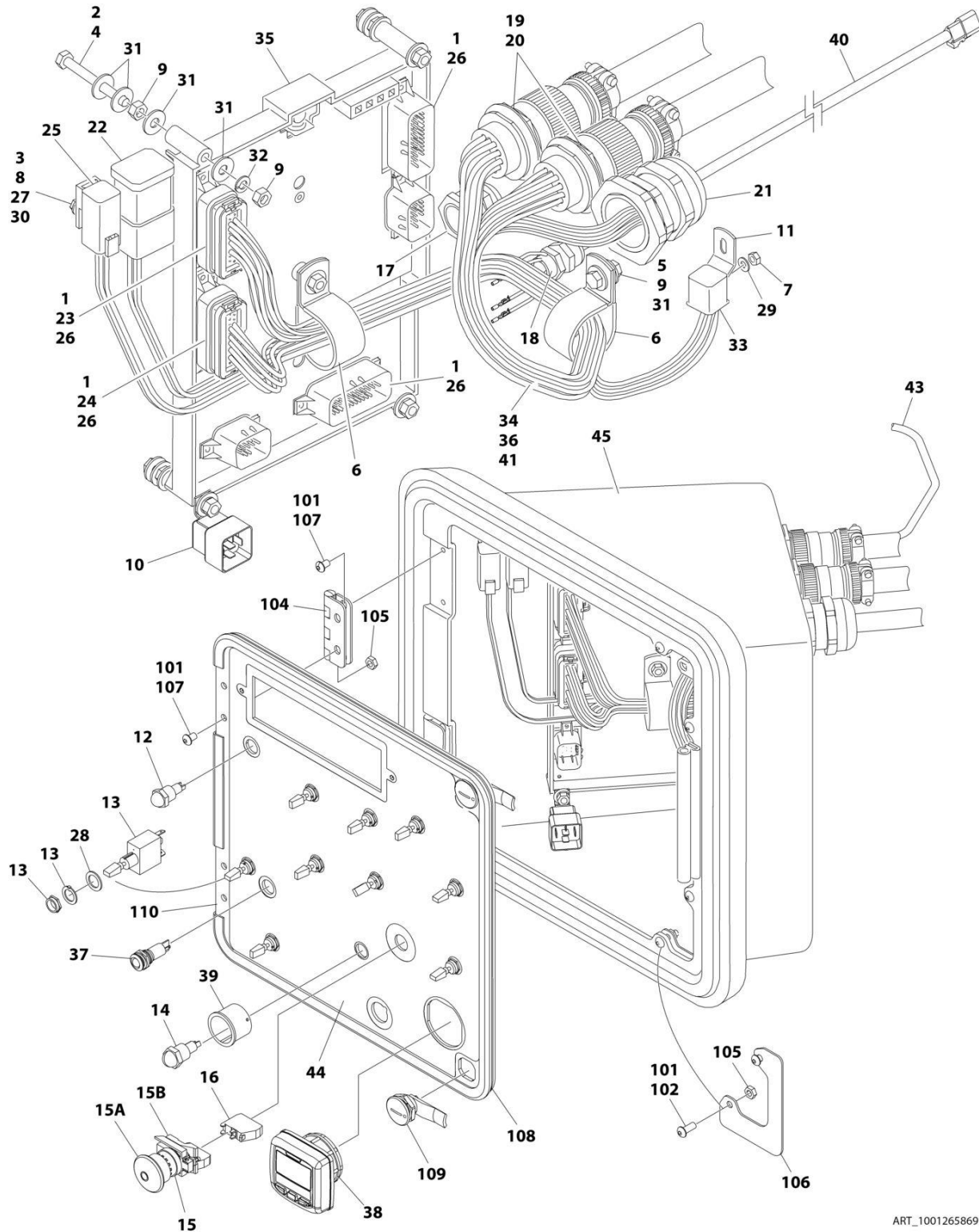
ITEM	PART NUMBER	QTY	DESCRIPTION	REV
	1001266937	Ref	GROUND CONTROL ASSEMBLY	A
1	0100048	AR	Grease, Dielectric	
2	0100081	AR	Compound, Locking	
3	0630464	2	Screw #10 x 1/2	
4	0630548	5	Screw, Self Tapping	
5	0641406	1	Bolt 1/4 x 3/4	
6	1320095	2	Clamp	
7	3310601	1	Nut #6	
8	3311001	2	Nut #10	
9	3311401	11	Nut 1/4	
10	3740049	1	Relay	
11	4340832	1	Mount, Relay	
12	4360274	1	Switch, Gray Push Button	
13	4360328	9	Switch, Toggle	
14	4360387	1	Switch, Yellow Push Button	
15	4360475	1	Switch, Push-Pull Emergency	
15A	7020175	1	Cap	
15B	7020176	1	Block, Contact	
16	4360476	1	Block, Contact	
17	4460425	1	Connector, Strain Relief	
18	4460428	1	Connector, Strain Relief	
19	4460470	2	Nut, Terminal	
20	4460471	2	Washer, Terminal	
21	4460526	1	Connector, Strain Relief	
22	4460837	1	Connector - 12 Pin	
23	4460874	1	Connector, White	
24	4460875	1	Connector, Gray	
25	4460892	1	Connector, Buss Bar - 6 Position	
26	4460905	4	Connector, Plug	
27	4460914	2	Base, Terminal	
28	4740397	9	Spacer, Washer	
29	4750600	1	Washer #6	
30	4751000	2	Washer #10	
31	4751400	22	Washer 1/4	
32	4761400	5	Washer 1/4	
33	4923036	1	Harness, Relay (See Separate Breakdown in ELECTRICAL Section)	
34	4923397	1	Harness, Valve (See Separate Breakdown in ELECTRICAL Section)	
35	1001119508	1	Module, Ground Control (Note: Re-calibration Required when Replaced)	
36	1001119529	1	Harness, Engine (See Separate Breakdown in ELECTRICAL Section)	
37	1001171482	1	Gauge, Display	
38	1001176469	1	Shroud, Push Button Switch	
39	1001228497	1	Harness, Pressure Transducer (See Separate Breakdown in ELECTRICAL Section)	
40	1001242324	1	Harness, Ground Control Box (See Separate Breakdown in ELECTRICAL Section)	
41	1001248011	1	Wiring Diagram (Not Shown)	

SECTION 2 - TURNTABLE

ITEM	PART NUMBER	QTY	DESCRIPTION	REV
42	1001254068	1	Harness, ClearSky Ready (See Separate Breakdown in ELECTRICAL Section)	A
43	1001265865	1	Box Assembly (See Items 101-110 for Breakdown)	
44	1001266943	1	Decal - MTB	
	1001265865	Ref	BOX ASSEMBLY	
101	0100011	AR	Compound, Locking	
102	0630407	4	Screw 1/4 x 5/8	
104	2600279	2	Hinge	
105	3311402	8	Nut 1/4	
106	3573144	2	Plate, Latch	
107	3900251	8	Screw 1/4 x 3/8	
108	3960418	53 in/ 1.4m	Seal	
109	1001242373	2	Latch	
110	1001265860	1	Panel, MTB	

SECTION 2 - TURNTABLE

FIGURE 2-35. GROUND CONTROL ASSEMBLY - DEUTZ TCD2.9L4 (STAGE V) (WITH TOWER STOW) (CE SPECS)



ART_1001265869

SECTION 2 - TURNTABLE

**FIGURE 2-35. GROUND CONTROL ASSEMBLY - DEUTZ TCD2.9L4 (STAGE V) (WITH TOWER STOW)
(CE SPECS)**

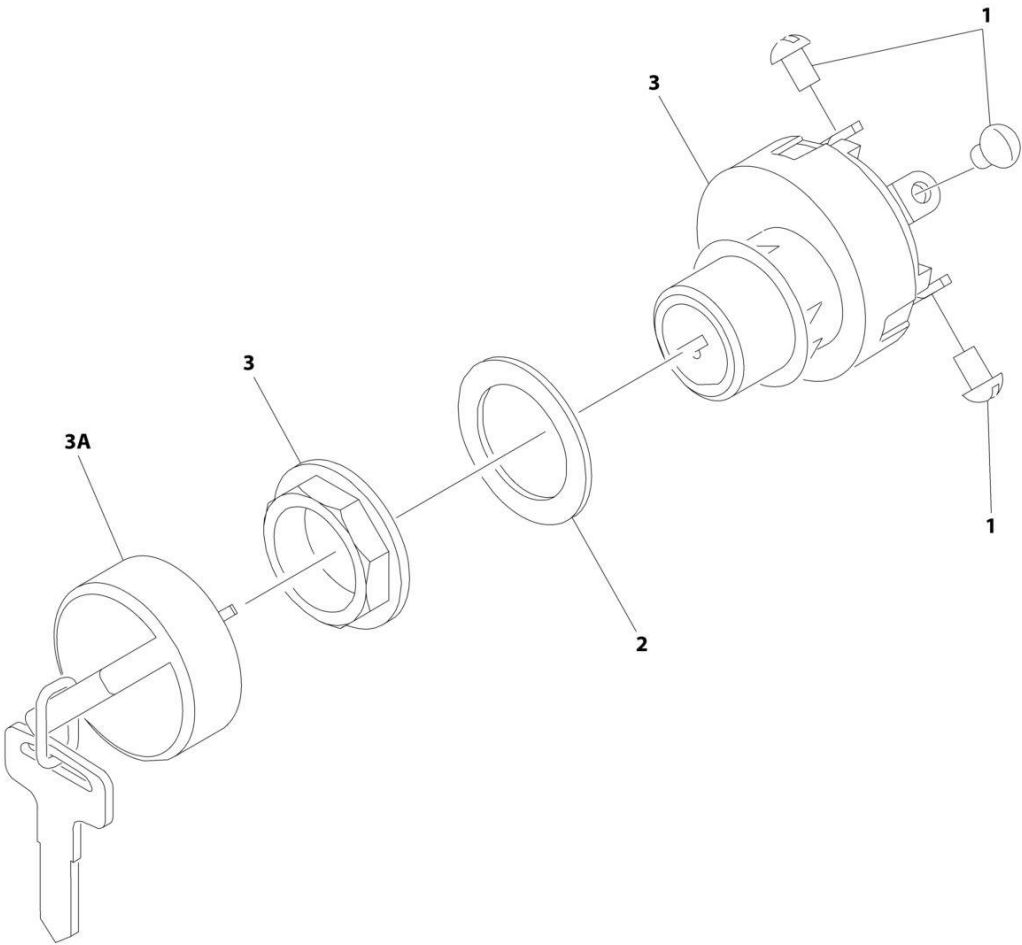
ITEM	PART NUMBER	QTY	DESCRIPTION	REV
	1001265869	Ref	GROUND CONTROL ASSEMBLY	A
1	0100048	AR	Grease, Dielectric	
2	0100081	AR	Compound, Locking	
3	0630464	2	Screw #10 x 1/2	
4	0630548	5	Screw, Self Tapping	
5	0641406	1	Bolt 1/4 x 3/4	
6	1320095	2	Clamp	
7	3310601	1	Nut #6	
8	3311001	2	Nut #10	
9	3311401	11	Nut 1/4	
10	3740049	1	Relay	
11	4340832	1	Mount, Relay	
12	4360274	1	Switch, Gray Push Button	
13	4360328	9	Switch, Toggle	
14	4360387	1	Switch, Yellow Push Button	
15	4360475	1	Switch, Push-Pull Emergency	
15A	7020175	1	Cap	
15B	7020176	1	Block, Contact	
16	4360476	1	Block, Contact	
17	4460425	1	Connector, Strain Relief	
18	4460428	1	Connector, Strain Relief	
19	4460470	2	Nut, Terminal	
20	4460471	2	Washer, Terminal	
21	4460526	1	Connector, Strain Relief	
22	4460837	1	Connector - 12 Pin	
23	4460874	1	Connector, White	
24	4460875	1	Connector, Gray	
25	4460892	1	Connector, Buss Bar - 6 Position	
26	4460905	4	Connector, Plug	
27	4460914	2	Base, Terminal	
28	4740397	9	Spacer, Washer	
29	4750600	1	Washer #6	
30	4751000	2	Washer #10	
31	4751400	22	Washer 1/4	
32	4761400	5	Washer 1/4	
33	4923036	1	Harness, Relay (See Separate Breakdown in ELECTRICAL Section)	
34	4923397	1	Harness, Valve (See Separate Breakdown in ELECTRICAL Section)	
35	1001119508	1	Module, Ground Control (Note: Re-calibration Required when Replaced)	
36	1001119529	1	Harness, Engine (See Separate Breakdown in ELECTRICAL Section)	
37	1001137364	1	Lamp, LED Indicator Green	
38	1001171482	1	Gauge, Display	
39	1001176469	1	Shroud, Push Button Switch	
40	1001228497	1	Harness, Pressure Transducer (See Separate Breakdown in ELECTRICAL Section)	
41	1001242324	1	Harness, Ground Control Box (See Separate Breakdown in ELECTRICAL Section)	

SECTION 2 - TURNTABLE

ITEM	PART NUMBER	QTY	DESCRIPTION	REV
42	1001248011	1	Wiring Diagram (Not Shown)	
43	1001254068	1	Harness, ClearSky Ready (See Separate Breakdown in ELECTRICAL Section)	
44	1001265856	1	Decal - MTB	
45	1001265865	1	Box Assembly (See Items 101-110 for Breakdown)	
101	0100011	AR	Compound, Locking	
102	0630407	4	Screw 1/4 x 5/8	
104	2600279	2	Hinge	
105	3311402	8	Nut 1/4	
106	3573144	2	Plate, Latch	
107	3900251	8	Screw 1/4 x 3/8	
108	3960418	53 in/ 1.4m	Seal	
109	1001242373	2	Latch	
110	1001265860	1	Panel, MTB	

SECTION 2 - TURNTABLE

FIGURE 2-36. KEYSWITCH INSTALLATION



ART_0259666

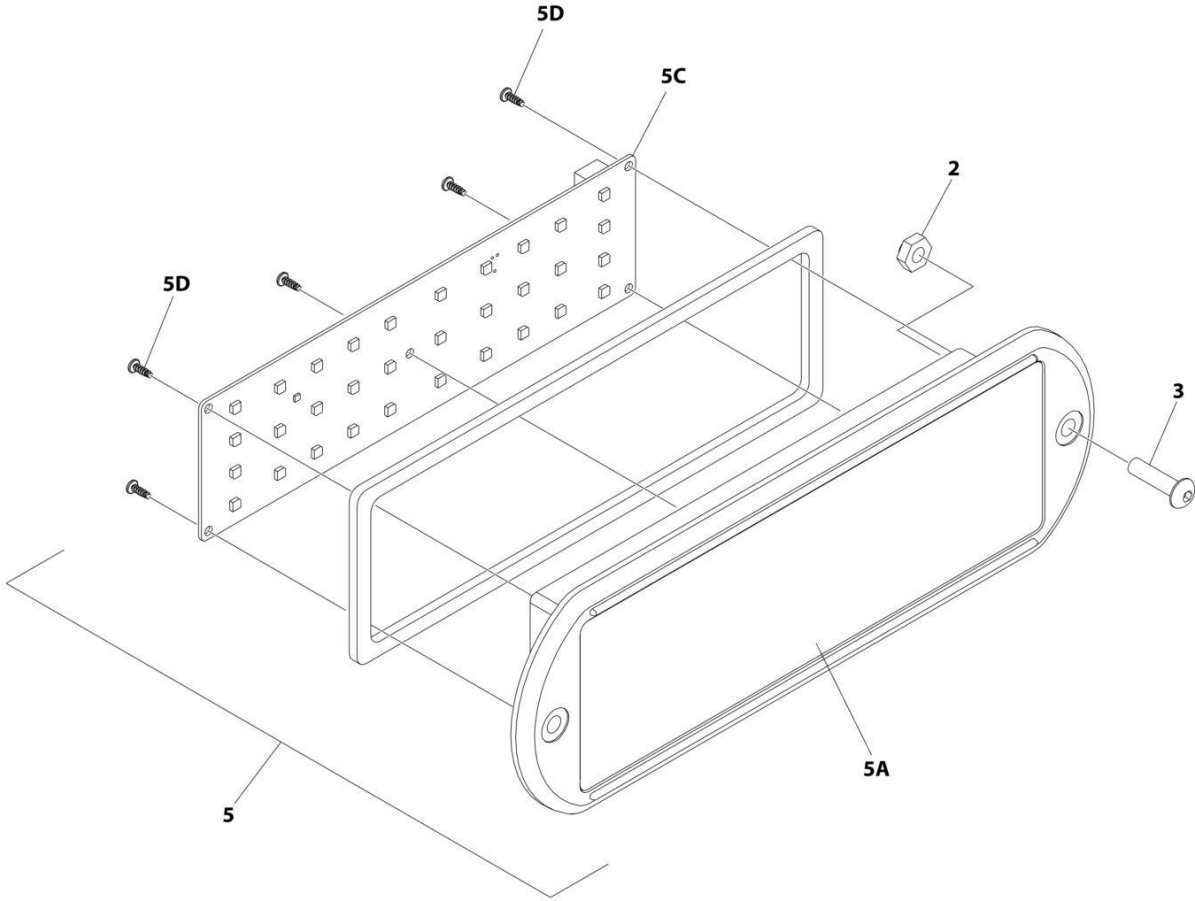
SECTION 2 - TURNTABLE

FIGURE 2-36. KEYSWITCH INSTALLATION

ITEM	PART NUMBER	QTY	DESCRIPTION	REV
	0259666	Ref	KEYSWITCH INSTALLATION	B
1	3910804	6	Screw #8 x 1/8	
2	1001151393	1	Shim .063	
3	4360469	1	Keyswitch	
3A	2860030	1	Key, Replacement	

SECTION 2 - TURNTABLE

FIGURE 2-37. LIGHT PANEL INSTALLATION



ART_1001233959_C_10F2

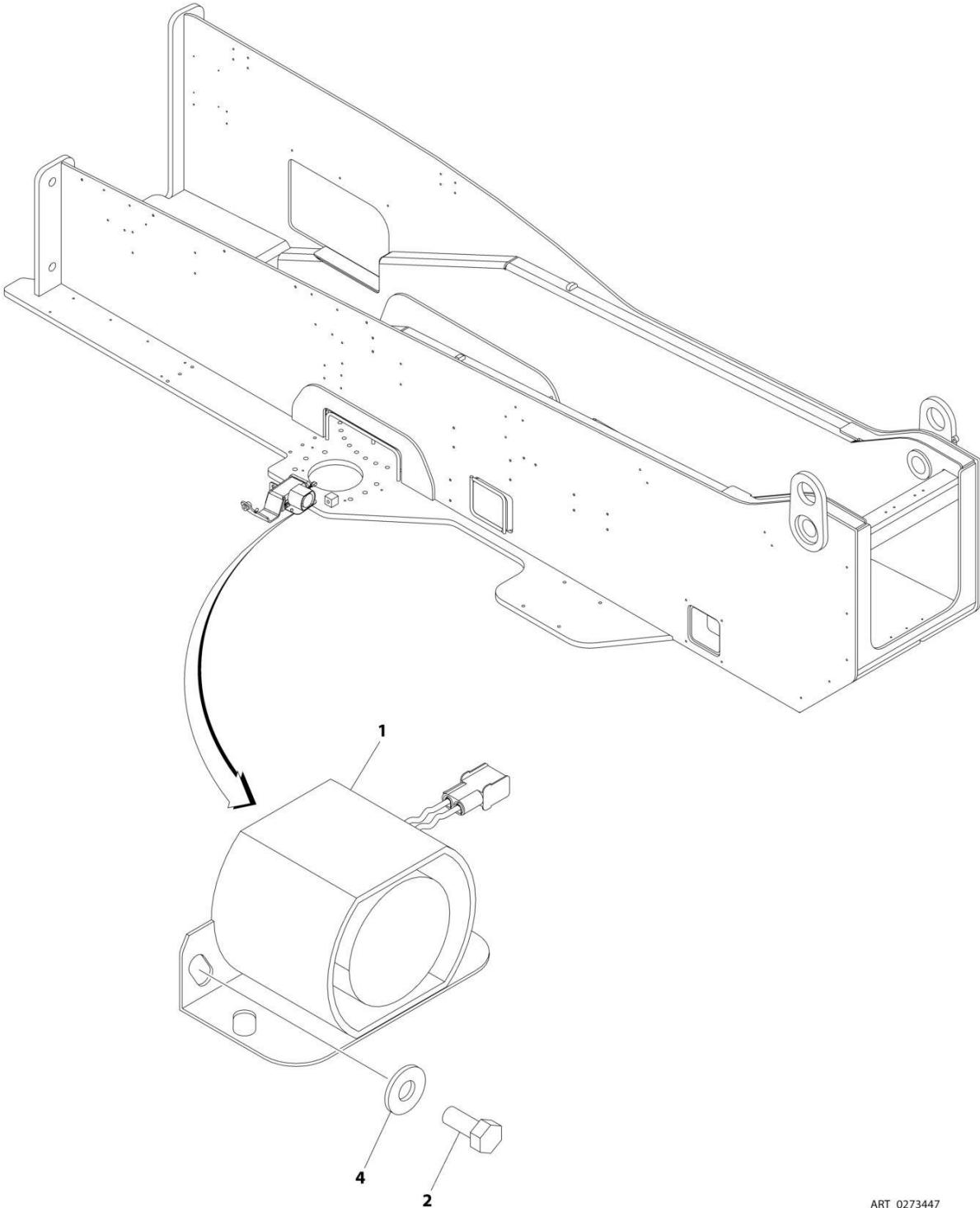
SECTION 2 - TURNTABLE

FIGURE 2-37. LIGHT PANEL INSTALLATION

ITEM	PART NUMBER	QTY	DESCRIPTION	REV
	1001233959	Ref	LIGHT PANEL INSTALLATION	C
2	3300408	2	Nut, Nylon Insert	
3	0630518	2	Screw #10 x 3/4	
5	1001237546	1	Light Panel Assembly	H
5A	1001236091	1	Lens, I-Con	
5C	1001187807	1	Panel, LED Light	
5D		Ref	Screw	

SECTION 2 - TURNTABLE

FIGURE 2-38. ALARMS INSTALLATION



ART_0273447

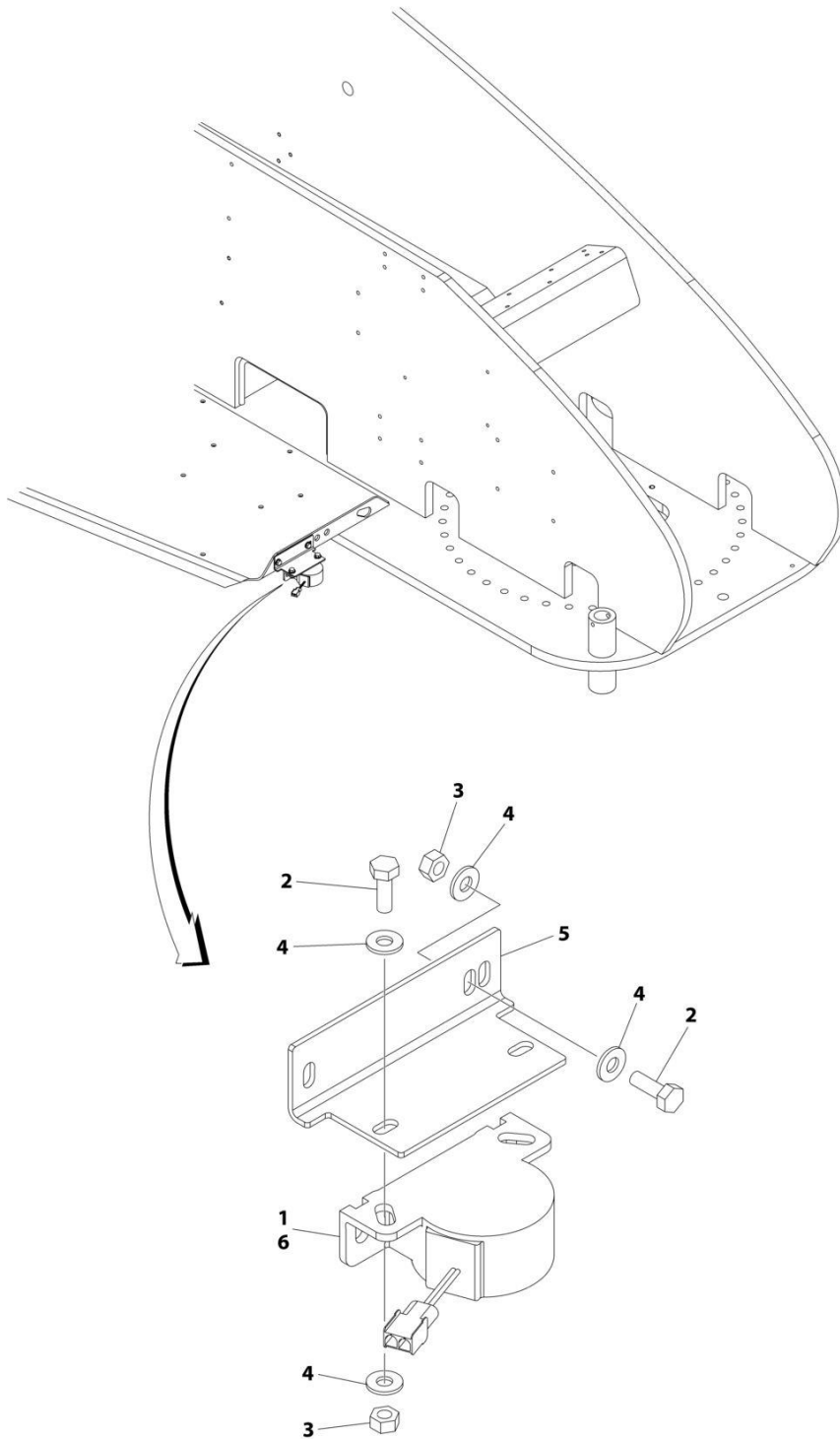
SECTION 2 - TURNTABLE

FIGURE 2-38. ALARMS INSTALLATION

ITEM	PART NUMBER	QTY	DESCRIPTION	REV
	0273447	Ref	ALARMS INSTALLATION	B
1	0257887	1	Alarm	
1	0140032	1	Alarm	
1	2820035	6 in/15cm	Loom	
1	4460424	1	Plug	
1	4460268	2	Socket, Female	
2	0641506	2	Bolt 6/16 x 3/4	
4	4751500	AR	Washer 5/16	

SECTION 2 - TURNTABLE

FIGURE 2-39. BACKUP ALARM (WHITE NOISE) INSTALLATION



ART_1001239281

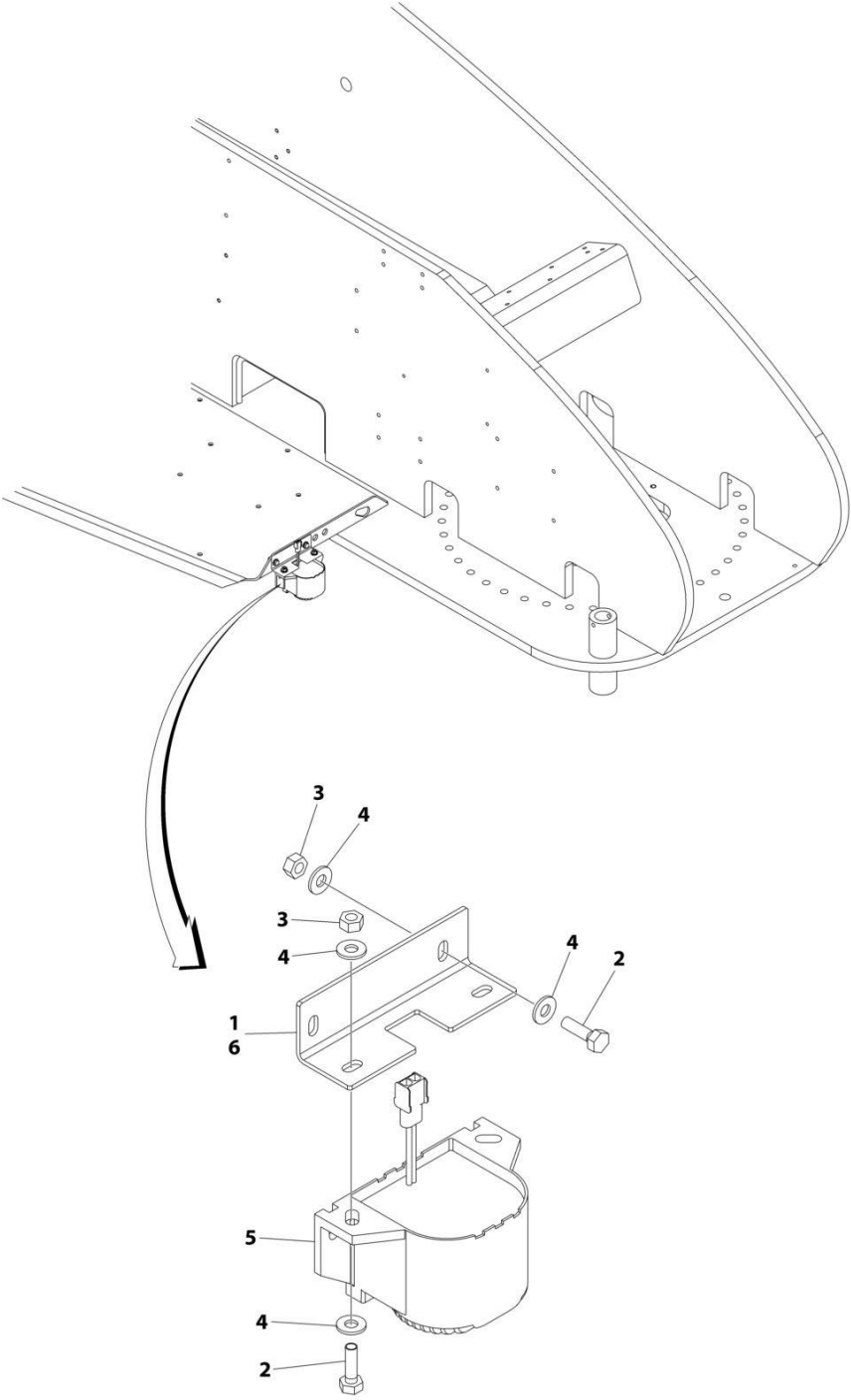
SECTION 2 - TURNTABLE

FIGURE 2-39. BACKUP ALARM (WHITE NOISE) INSTALLATION

ITEM	PART NUMBER	QTY	DESCRIPTION	REV
	1001239281	Ref	BACKUP ALARM (WHITE NOISE) INSTALLATION	A
1	0100048	AR	Grease, Dielectric	
2	0641406	4	Bolt 1/4 x 3/4	
3	3311405	4	Nut 1/4	
4	4711400	8	Washer 1/4	
5	1001231886	1	Plate	
6	1001243734	1	Alarm	
6	1001184682	1	Alarm	
6	4460424	1	Plug	
6	4460268	2	Socket, Female	

SECTION 2 - TURNTABLE

FIGURE 2-40. BACKUP ALARM AMBIENT (WHITE NOISE) INSTALLATION



ART_1001241383

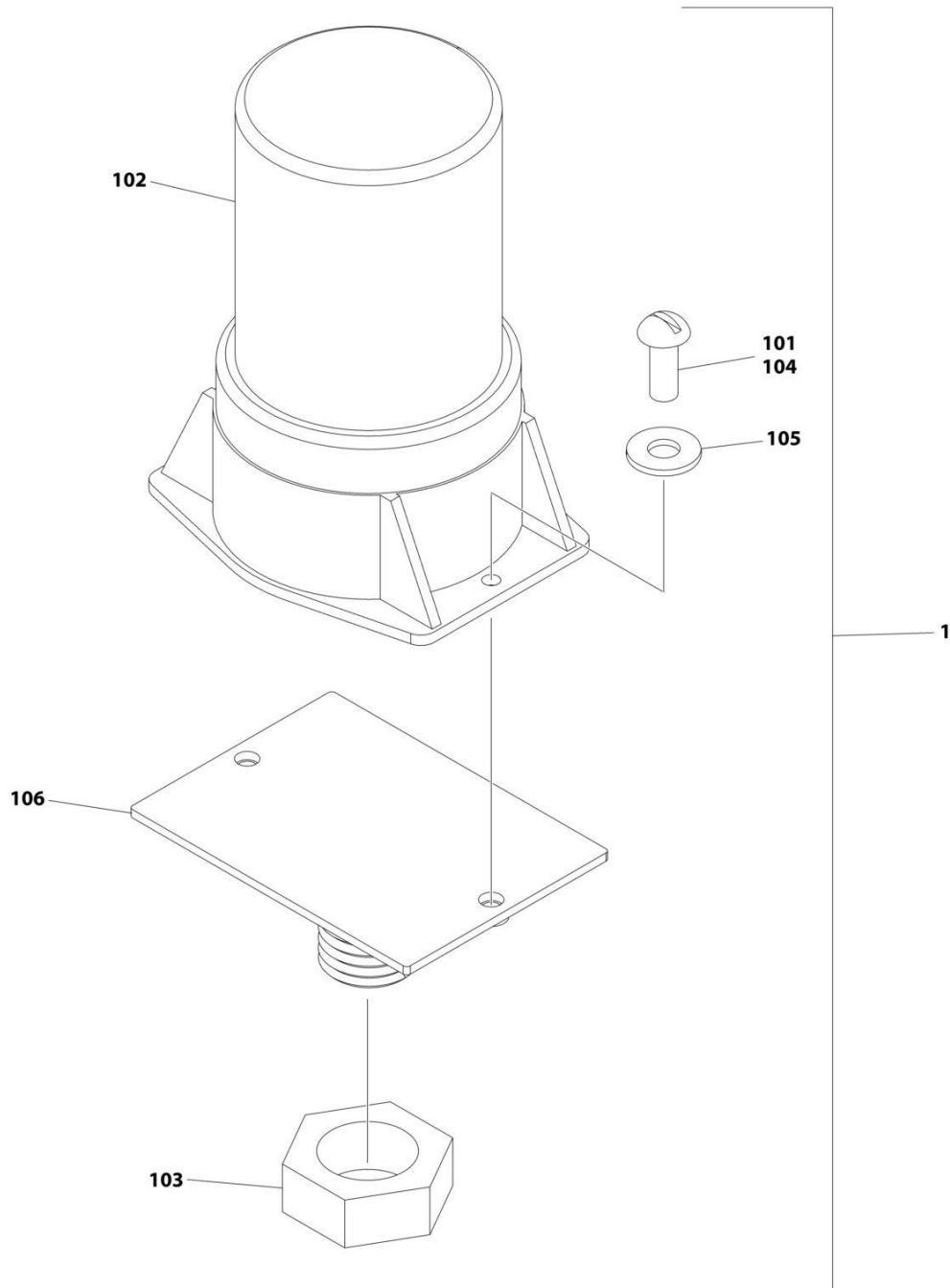
SECTION 2 - TURNTABLE

FIGURE 2-40. BACKUP ALARM AMBIENT (WHITE NOISE) INSTALLATION

ITEM	PART NUMBER	QTY	DESCRIPTION	REV
	1001241383	Ref	ALARM AMBIENT (WHITE NOISE) INSTALLATION	A
1	0100048	AR	Grease, Dielectric	
2	0641407	4	Bolt 1/4 x 7/8	
3	3311405	4	Nut 1/4	
4	4711400	8	Washer 1/4	
5	1001243731	1	Alarm	
5	1001182806	1	Alarm	
5	4460424	1	Plug	
5	4460268	2	Socket, Female	
6	1001243849	1	Plate	

SECTION 2 - TURNTABLE

FIGURE 2-41. STROBE LIGHT INSTALLATION (AMBER)



ART_1001149955

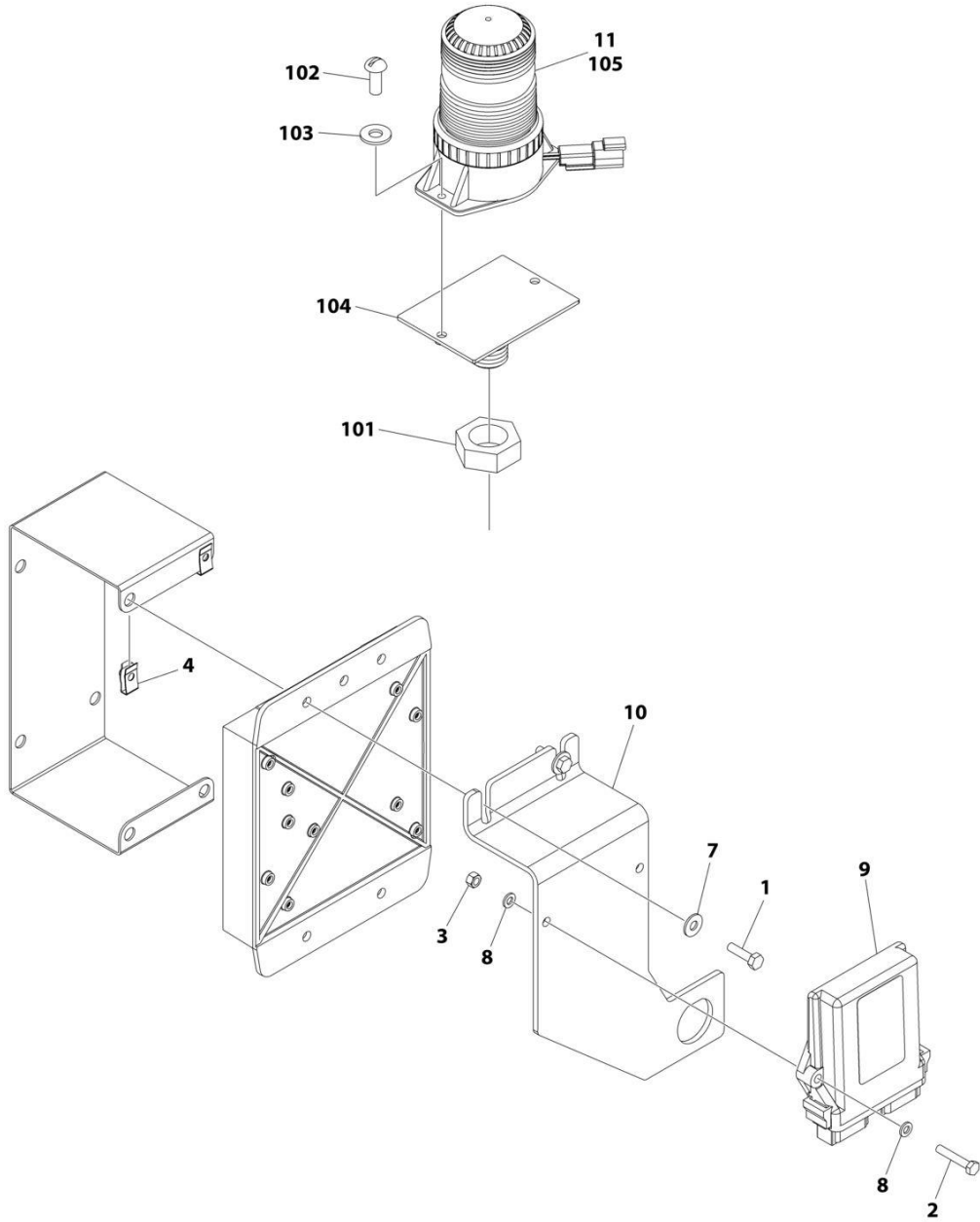
SECTION 2 - TURNTABLE

FIGURE 2-41. STROBE LIGHT INSTALLATION (AMBER)

ITEM	PART NUMBER	QTY	DESCRIPTION	REV
	1001149955	Ref	STROBE LIGHT INSTALLATION (AMBER)	B
1	1001150406	1	Strobe Light Assembly (Includes Items 101-106)	D
2	1001149818	1	Harness, Strobe Light (Not Shown - See Separate Breakdown in ELECTRICAL SECTION)	
101	0100035	AR	Compound, Locking	
102	2920161	1	Strobe Light/Harness Assembly	
102	7016319	1	Bulb	
102	7016372	1	Lens	
103	3312602	1	Nut 1	
104	3900085	2	Screw #10 x 1/2	
105	4751000	2	Washer 1/4	
106	1001149994	1	Mount Strobe	

SECTION 2 - TURNTABLE

FIGURE 2-42. STROBE LIGHT INSTALLATION (BLUE)



ART_1001244026-A

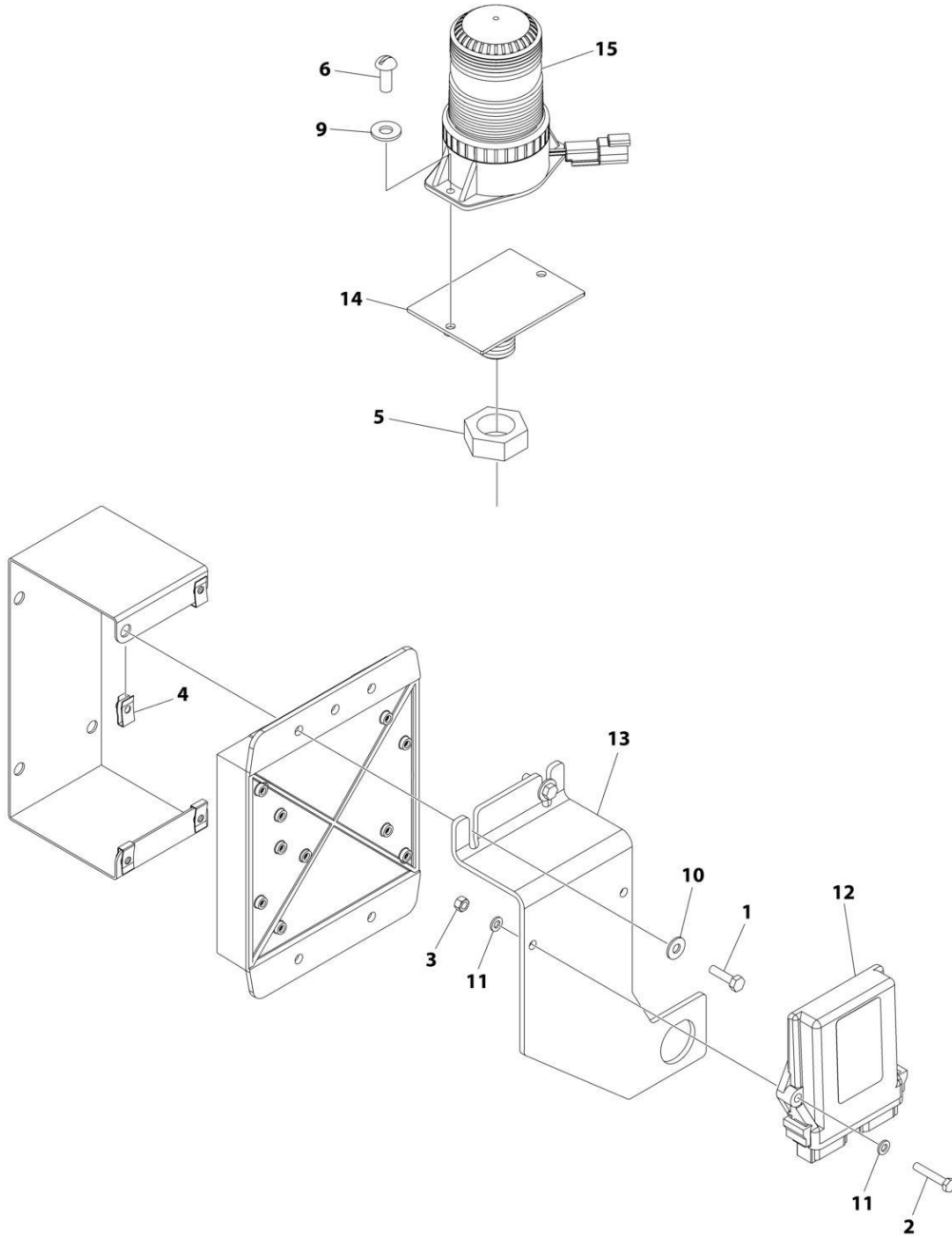
SECTION 2 - TURNTABLE

FIGURE 2-42. STROBE LIGHT INSTALLATION (BLUE)

ITEM	PART NUMBER	QTY	DESCRIPTION	REV
	1001244026	Ref	STROBE LIGHT INSTALLATION (BLUE)	A
1	0641408	2	Bolt 1/4 x 1	
2	0700615	2	Bolt M6 x 35	
3	3290607	2	Nut M6 x 1	
4	3300454	2	Nut 1/4	
5	4240032	AR	Tie-Strap (Not Shown)	
6	4460488	AR	Mounting Base (Not Shown)	
7	4751400	2	Washer 1/4	
8	4811700	4	Washer M6	
9	1001142683	1	Module, Control Beacon	
10	1001142719	1	Bracket	
11	1001217005	1	Blue Beacon Light Kit (See Items 101-105 for Breakdown)	
12	1001142736	1	Harness, Beacon Control (Not Shown - See Separate Breakdown in ELECTRICAL SECTION)	
101	3312602	1	Nut 1/4	
102	3900085	2	Screw 10 x 1/2	
103	4751000	2	Washer #10	
104	1001149994	1	Mount, Beacon	
105	1001200910	1	Light, Strobe	
105	7028909	1	Connector - 2 Position	
105	4460943	2	Pin, Male	

SECTION 2 - TURNTABLE

FIGURE 2-43. STROBE LIGHT INSTALLATION (RED)



ART_1001244027

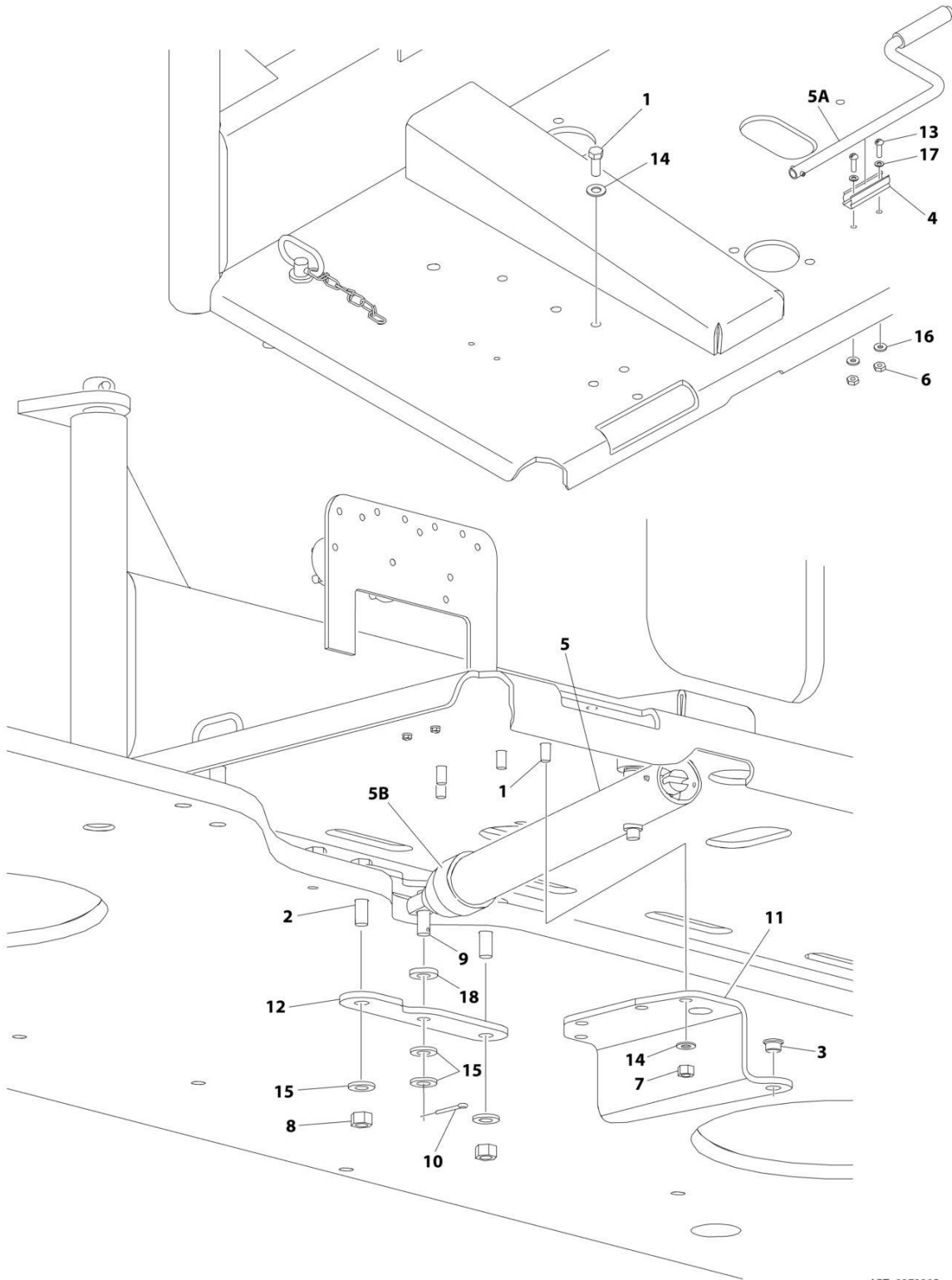
SECTION 2 - TURNTABLE

FIGURE 2-43. STROBE LIGHT INSTALLATION (RED)

ITEM	PART NUMBER	QTY	DESCRIPTION	REV
	1001244027	Ref	STROBE LIGHT INSTALLATION (RED)	A
1	0641408	2	Bolt 1/4 x 1	
2	0700615	2	Bolt M6 x 35	
3	3290607	2	Nut M6 x 1	
4	3300454	2	Nut	
5	3312602	1	Nut 1	
6	3900085	2	Screw 10 x 1/2	
7	4240032	AR	Tie-Strap (Not Shown)	
8	4460488	AR	Mounting Base (Not Shown)	
9	4751000	2	Washer #10	
10	4751400	2	Washer 1/4	
11	4811700	4	Washer M6	
12	1001142683	1	Module, Control Beacon	
13	1001142719	1	Bracket	
14	1001149994	1	Mount, Beacon	
15	1001207004	1	Light, Strobe	
15	7028909	1	Connector - 2 Position	
15	4460943	2	Pin, Male	
16	1001142736	1	Harness, Beacon Control (Not Shown - See Separate Breakdown in ELECTRICAL SECTION)	

SECTION 2 - TURNTABLE

FIGURE 2-44. ENGINE TRAY JACK INSTALLATION - DEUTZ TD2011 ENGINES



ART_0273395

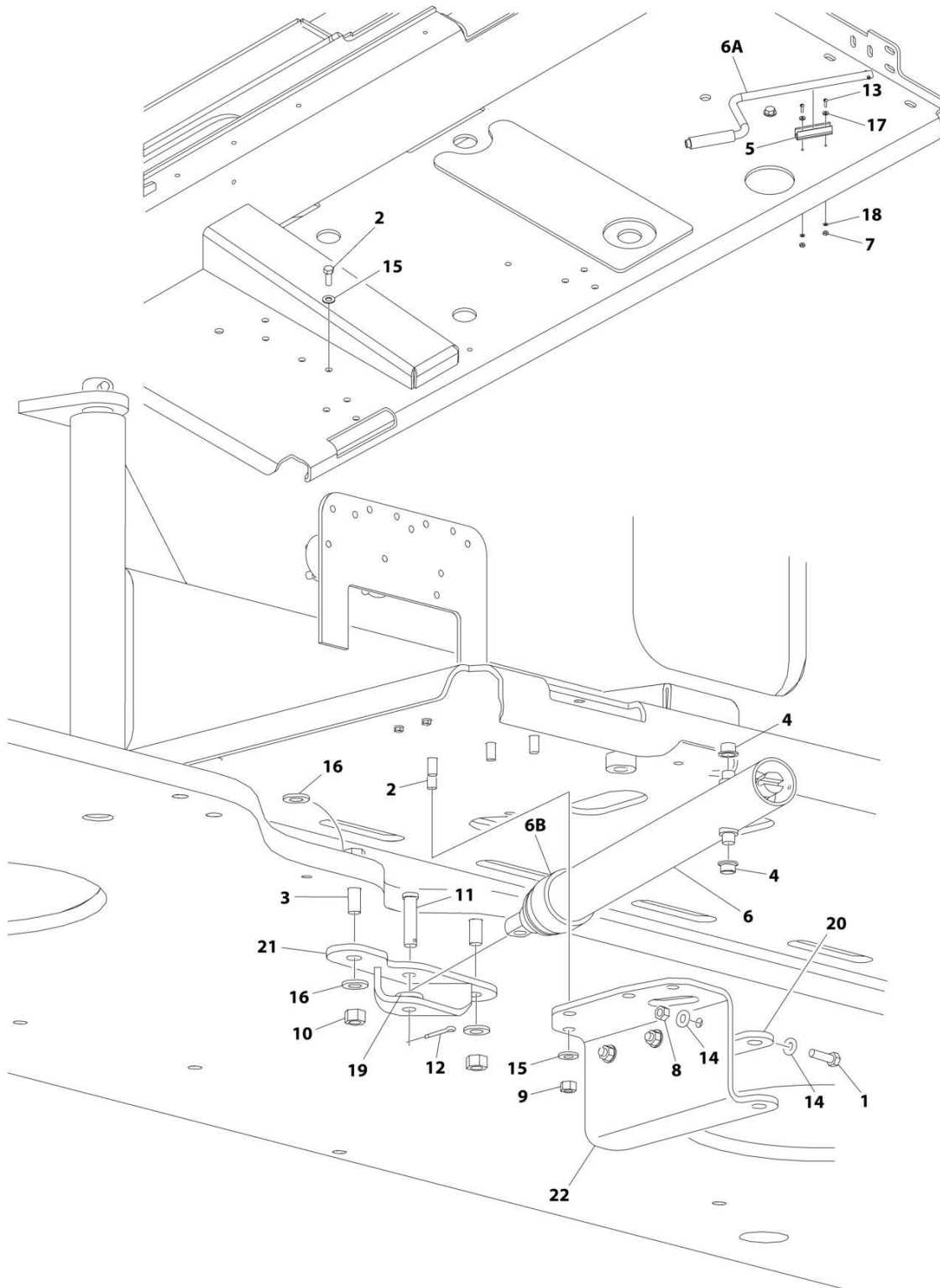
SECTION 2 - TURNTABLE

FIGURE 2-44. ENGINE TRAY JACK INSTALLATION - DEUTZ TD2011 ENGINES

ITEM	PART NUMBER	QTY	DESCRIPTION	REV
	0273395	Ref	ENGINE TRAY JACK INSTALLATION - DEUTZ TD2011 ENGINES	B
1	0641608	4	Bolt 3/8 x 1	
2	0641818	2	Bolt 1/2 x 2-1/4	
3	0962051	2	Bearing, Flanged	
4	1380147	1	Clip, Spring	
5	2840016	1	Jack and Handle Assembly	
5A		Ref	Handle Options:	
5A	7016374	1	Burr Manufacturing Brand	
5A	7024598	1	Hammerblow Corp Brand	
5B	7016322	1	Wiper (Burr Manufacturing Brand Only)	
6	3310601	2	Nut #6	
7	3311605	4	Nut 3/8	
8	3311805	2	Nut 1/2	
9	3430816	1	Pin, Clevis	
10	3450404	1	Pin, Cotter 1/8 x 1	
11	3537445	1	Bracket	
12	3574492	2	Plate	
13	3910608	2	Screw #6 x 1/2	
14	4711600	8	Washer 3/8	
15	4711800	4	Washer 1/2	
16	4750600	2	Washer #6	
17	4770600	2	Starwasher #6	
18	4891800	1	Washer 1/2	

SECTION 2 - TURNTABLE

FIGURE 2-45. ENGINE TRAY JACK INSTALLATION - DEUTZ TCD2.9L4 ENGINES AND DEUTZ TCD2.9L4 (STAGE V) ENGINES



ART_1001146050

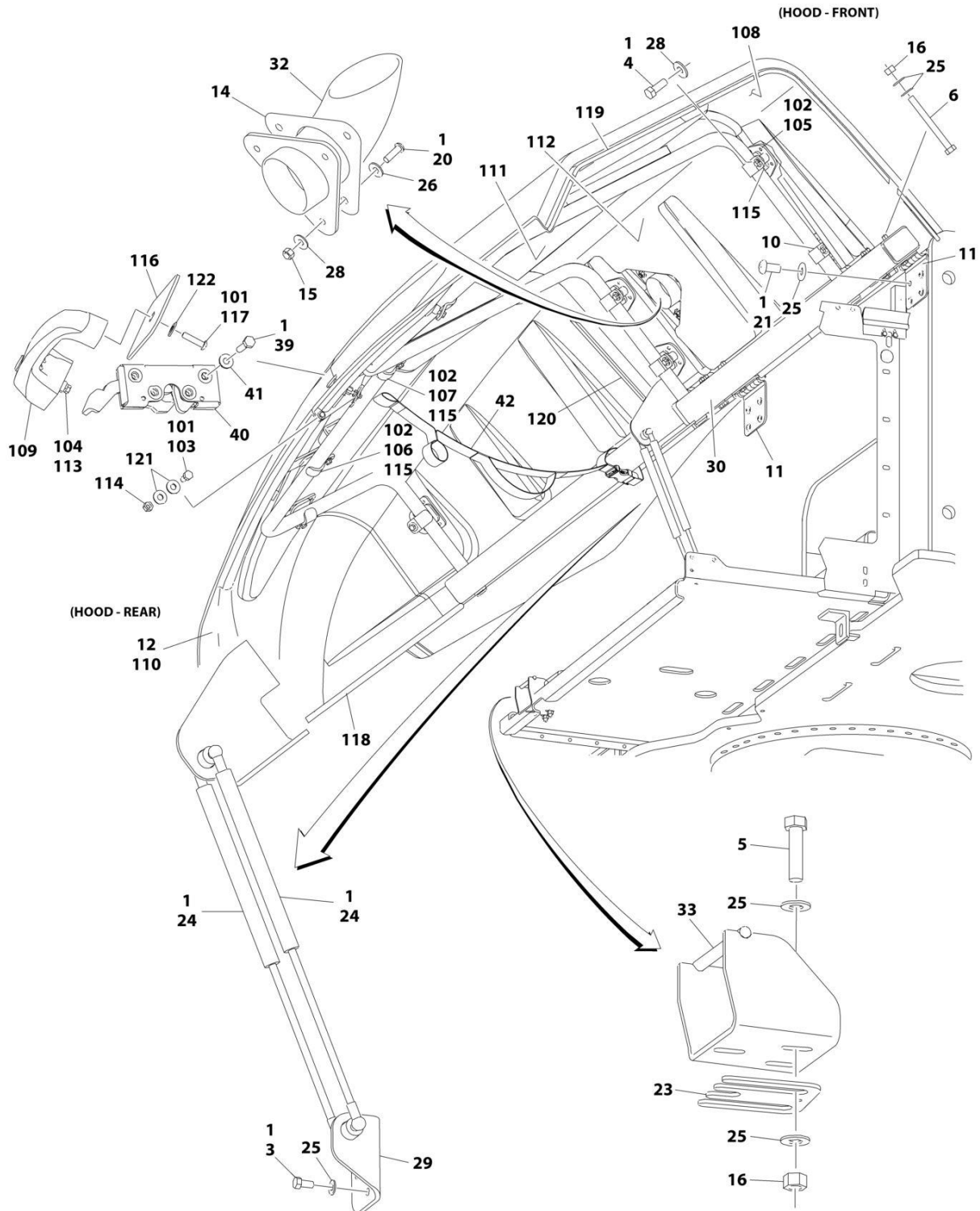
SECTION 2 - TURNTABLE

FIGURE 2-45. ENGINE TRAY JACK INSTALLATION - DEUTZ TCD2.9L4 ENGINES AND DEUTZ TCD2.9L4 (STAGE V) ENGINES

ITEM	PART NUMBER	QTY	DESCRIPTION	REV
	1001146050	Ref	ENGINE TRAY JACK INSTALLATION - DEUTZ TCD2.9L4 ENGINES	B
1	0641509	3	Bolt 5/16 x 1-1/8	
2	0641608	4	Bolt 3/8 x 1	
3	0641816	2	Bolt 1/2 x 2	
4	0962051	2	Bearing, Flanged	
5	1380147	1	Clip, Spring	
6	2840016	1	Jack and Handle Assembly	
6A		Ref	Handle Options:	
6A	7016374	1	Burr Manufacturing Brand (Identified by 4in handle offset)	
6A	7024598	1	Hammerblow Corp Brand (Identified by 4-1/2in handle offset)	
6B	7016322	1	Wiper (Burr Manufacturing Brand Only)	
7	3310601	2	Nut #6	
8	3311505	3	Nut 5/16	
9	3311605	4	Nut 3/8	
10	3311805	2	Nut 1/2	
11	3430816	1	Pin, Clevis	
12	3450404	1	Pin, Cotter 1/8 x 1	
13	3910608	2	Screw #6 x 1/2	
14	4711500	6	Washer 5/16	
15	4711600	8	Washer 3/8	
16	4711800	4	Washer 1/2	
17	4750600	2	Washer #6	
18	4770600	2	Starwasher #6	
19	4891800	1	Washer 1/2	
20	1001131482	1	Plate, Jack Bracket	
21	1001135497	1	Support, Engine Tray Jack	
22	1001143298	1	Plate, Jack Bracket	

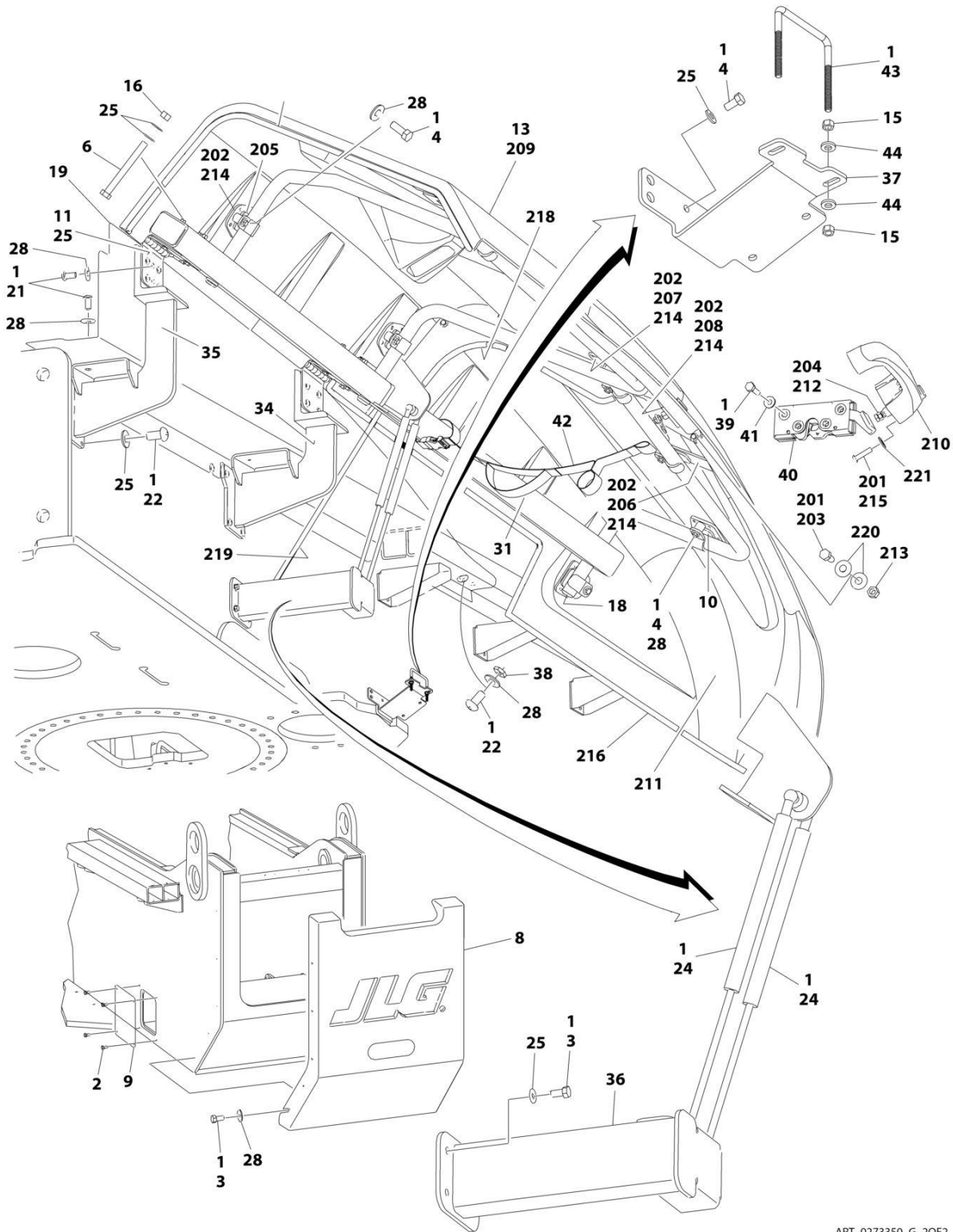
SECTION 2 - TURNTABLE

FIGURE 2-46. HOODS INSTALLATION - DEUTZ TD2011 ENGINES



ART_0273350_G_10F2

SECTION 2 - TURNTABLE



ART_0273350_G_20F2

SECTION 2 - TURNTABLE

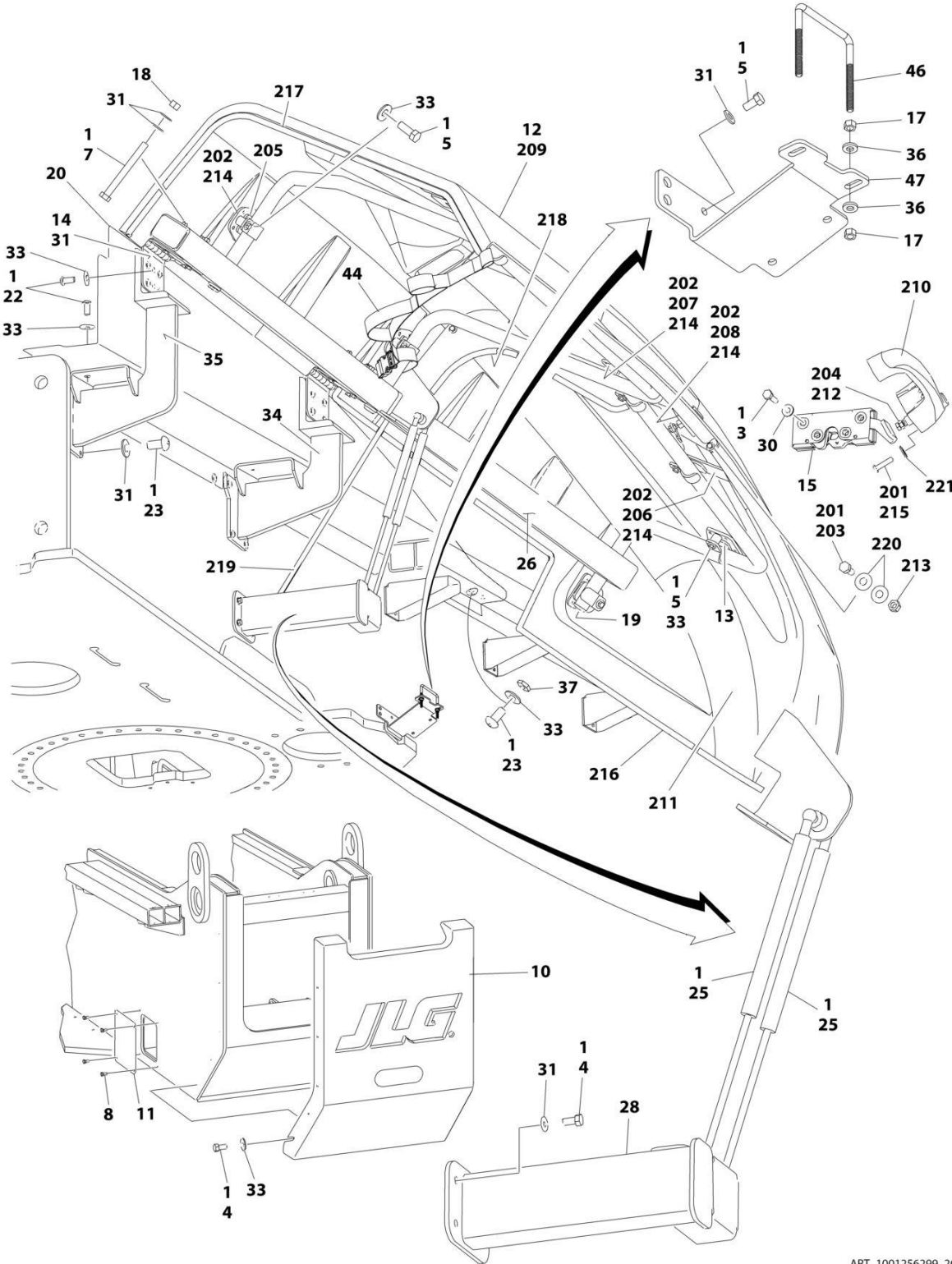
FIGURE 2-46. HOODS INSTALLATION - DEUTZ TD2011 ENGINES

ITEM	PART NUMBER	QTY	DESCRIPTION	REV
	0273350	Ref	HOODS INSTALLATION - DEUTZ TD2011 ENGINES	G
1	0100011	AR	Compound, Locking	
2	0791605	8	Screw 3/8 x 3/4	
3	0641606	17	Bolt 3/8 x 3/4	
4	0641608	19	Bolt 3/8 x 1	
5	0641610	3	Bolt 3/8 x 1-1/4	
6	0641630	12	Bolt 3/8 x 3-3/4	
8	1671109	1	Cover, Turntable	
9	1671118	2	Cover, Pin Access	
10	2080051	16	Clamp	
11	2600280	4	Hinge	
12	1671192	1	Hood, Engine Side (See Items 101-122 for Breakdown)	
		Ref	Note: Replacement Decals Must Be Ordered Separately - See DECAL SECTION.	
13	1671194	1	Hood, Tank Side (See Items 201-221 for Breakdown)	
		Ref	Note: Replacement Decals Must Be Ordered Separately - See DECAL SECTION.	
14	2820141	1	Shield, Heat	
15	3311601	7	Nut 3/8	
16	3311605	15	Nut 3/8	
18	3520186	6	Plug	
19	3574533	1	Trough, Powertrack	
20	3900232	3	Screw 3/8 x 1-1/4	
21	3900283	29	Screw 3/8 x 3/4	
22	3900316	10	Screw 3/8 x 1	
23	4071048	3	Shim	
24	4160194	4	Spring, Gas	
25	4711600	64	Washer 1/4	
26	4740500	3	Washer, Nylon	
28	4751600	47	Washer 3/8	
29	4341001	1	Mount, Gas Spring	
30	4340996	1	Support, Engine Side Hood	
31	4340995	1	Support, Tank Side Hood	
32	4846503	1	Stack, Exhaust	
33	0903154	1	Bracket, Latch	
34	4846871	1	Support, Front Hood	
35	4846872	1	Support, Rear Hood	
36	4341000	1	Mount, Gas Spring	
37	1001250301	1	Bracket, Tank Side Striker	
38	88662523	2	Nut, Tinnerman Only	
39	0641408	8	Bolt 1/4 x 1	
40	2940173	2	Latch, Rotary	
41	4711400	AR	Washer 1/4	
42	1001160505	2	Strap	
43	1001243414	1	U - Bolt	
44	4891600	4	Washer 3/8	
	1671192	Ref	ENGINE SIDE HOOD ASSEMBLY	B
101	0100011	AR	Compound, Locking	
102	0100081	AR	Adhesive	
103	0641506	10	Bolt 5/16 x 3/4	

SECTION 2 - TURNTABLE

ITEM	PART NUMBER	QTY	DESCRIPTION	REV
104	0760608	1	Bolt M6 x 16	
105	0902746	7	Bracket	
106	0902761	1	Bracket	
107	0903161	1	Bracket	
108	1671191	1	Hood, Engine Side Front	
109	2560187	1	Handle	
110	2680496	1	Hood, Engine Side Rear	
111	2820145	1	Insulation, Sound Absorbing	
112	2820146	1	Insulation, Noise Absorbing	
113	3290601	1	Nut M6 x 1	
114	3311501	10	Nut 5/16	
115	3340877	9	Pad	
116	3575782	1	Plate	
117	3900363	2	Screw M6 x 25	
118	3960464	12.1 ft /3.7m	Seal	
119	4060804	5.1 ft /1.6m	Shield, Flex Trim	
120	4060806	4.1 ft /1.2m	Shield, Flex Trim	
121	4751500	20	Washer 5/16	
122	4811900	2	Washer M8	
	1671194	Ref	TANK SIDE HOOD ASSEMBLY	A
201	0100011	AR	Compound, Locking	
202	0100081	AR	Adhesive	
203	0641506	9	Bolt 5/16 x 3/4	
204	0760608	1	Bolt M6 x 16	
205	0902746	4	Bracket	
206	0902762	1	Bracket	
207	0902763	1	Bracket	
208	0903162	1	Bracket	
209	1671193	1	Hood, Tank Side Front	
210	2560187	1	Handle	
211	2680498	1	Hood, Tank Side Rear	
212	3290601	1	Nut M6 x 1	
213	3311501	9	Nut 5/16	
214	3340877	7	Pad	
215	3900363	2	Screw M6 x 25	
216	3960464	12.4 ft /3.8m	Seal	
217	4060804	4.4 ft /1.3m	Shield, Flex Trim	
218	4060806	3.3 ft/1m	Shield, Flex Trim	
219	4240150	1	Strap	
220	4751500	18	Washer 5/16	
221	4811900	2	Washer M8	

SECTION 2 - TURNTABLE



ART_1001256299_20F2

SECTION 2 - TURNTABLE

FIGURE 2-47. HOODS INSTALLATION - DEUTZ TCD2.9L4 ENGINES

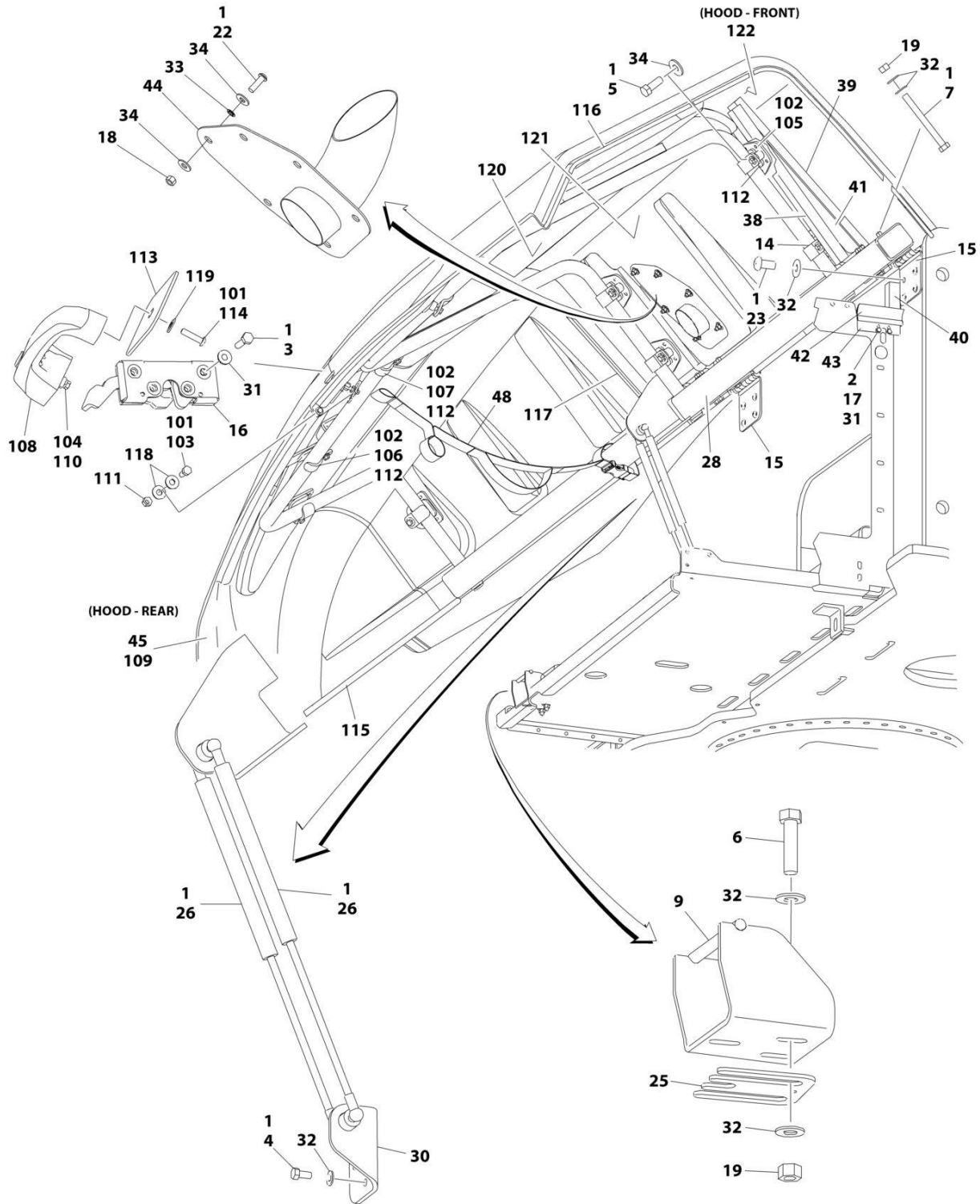
ITEM	PART NUMBER	QTY	DESCRIPTION	REV
	1001256299	Ref	HOODS INSTALLATION - DEUTZ TCD2.9L4 ENGINES AND DEUTZ TCD2.9L4 (STAGE V PRE-BUY) ENGINES	A
1	0100011	AR	Compound, Locking	
2	0641406	2	Bolt 1/4 x 3/4	
3	0641408	8	Bolt 1/4 x 1	
4	0641606	17	Bolt 3/8 x 3/4	
5	0641608	19	Bolt 3/8 x 1	
6	0641610	3	Bolt 3/8 x 1-1/4	
7	0641630	12	Bolt 3/8 x 3-3/4	
8	0791605	8	Screw 3/8 x 5/8	
9	0903154	1	Bracket, Engine Side Striker	
10	1671109	1	Cover, Turntable	
11	1671118	2	Cover, Pin Access	
12	1671194	1	Hood, Tank Side (See Items 201-221 for Breakdown)	
13	2080051	16	Clamp	
14	2600280	4	Hinge	
15	2940173	2	Latch, Rotary	
16	3311405	2	Nut 1/4	
17	3311601	10	Nut 3/8	
18	3311605	15	Nut 3/8	
19	3520186	6	Plug	
20	3574533	1	Trough, Powertrack	
21	3900232	6	Screw 3/8 x 1-1/4	
22	3900283	29	Screw 3/8 x 3/4	
23	3900316	10	Screw 3/8 x 1	
24	4071048	3	Shim	
25	4160194	4	Spring, Gas	
26	4340995	1	Support, Tank Side Hood	
27	4340996	1	Support, Engine Side Hood	
28	4341000	1	Mount, Tank Side Gas Spring	
29	4341001	1	Weldment, Gas Spring Mount	
30	4711400	12	Washer 1/4	
31	4711600	64	Washer 1/4	
32	4740500	6	Washer, Nylon	
33	4751600	53	Washer 3/8	
34	4846871	1	Weldment, Rear Hood Support	
35	4846872	1	Weldment, Front Hood Support	
36	4891600	4	Washer 3/8	
37	88662523	2	Nut, Tinnerman	
38	1001140485	1	Seal, Foam Gasket	
39	1001142144	1	Bracket, Hood Baffle	
40	1001146132	1	Seal, Foam Gasket	
41	1001146142	1	Seal, Foam Gasket	
42	1001146178	1	Seal, Hood Frame	
43	1001146183	1	Plate, Hood Frame Baffle	
44	1001160505	2	Strap	
45	1001237125	1	Hood, Engine Side (See Items 101-121 for Breakdown)	
46	1001243414	1	U - Bolt	
47	1001250301	1	Bracket, Tank Side Striker	
48	1001256298	1	Weldment, Exhaust Stack	

SECTION 2 - TURNTABLE

ITEM	PART NUMBER	QTY	DESCRIPTION	REV
	1001237125	Ref	ENGINE SIDE HOOD ASSEMBLY	A
101	0100011	AR	Compound, Locking	
102	0100081	AR	Adhesive	
103	0641510	10	Bolt 5/16 x 1-1/4	
104	0760608	1	Bolt M6 x 16	
105	0902746	7	Bracket	
106	0902761	1	Bracket	
107	0903161	1	Bracket	
108	2560187	1	Handle	
109	2680496	1	Hood, Engine Side Rear	
110	3290601	1	Nut M6 x 1	
111	3311501	10	Nut 5/16	
112	3340877	9	Pad	
113	3575782	1	Plate	
114	3900363	2	Screw M6 x 25	
115	3960464	12.1 ft /3.7m	Seal	
116	4060804	5.1 ft /1.6m	Shield, Flex Trim	
117	4060806	4.1 ft /1.2m	Shield, Flex Trim	
118	4751500	20	Washer 5/16	
119	4811900	2	Washer M8	
120	1001117140	AR	Tape, Aluminized Polyester	
121	1001152566	AR	Insulate	
	1671194	Ref	TANK SIDE HOOD ASSEMBLY	A
201	0100011	AR	Compound, Locking	
202	0100081	AR	Adhesive	
203	0641506	9	Bolt 5/16 x 3/4	
204	0760608	1	Bolt M6 x 16	
205	0902746	4	Bracket	
206	0902762	1	Bracket	
207	0902763	1	Bracket	
208	0903162	1	Bracket	
209	1671193	1	Hood, Tank Side Front	
210	2560187	1	Handle	
211	2680498	1	Hood, Tank Side Rear	
212	3290601	1	Nut M6 x 1	
213	3311501	9	Nut 5/16	
214	3340877	7	Pad	
215	3900363	2	Screw M6 x 25	
216	3960464	12.4 ft /3.8m	Seal	
217	4060804	4.4 ft /1.3m	Shield, Flex Trim	
218	4060806	3.3 ft /1m	Shield, Flex Trim	
219	4240150	1	Strap	
220	4751500	18	Washer 5/16	
221	4811900	2	Washer M8	

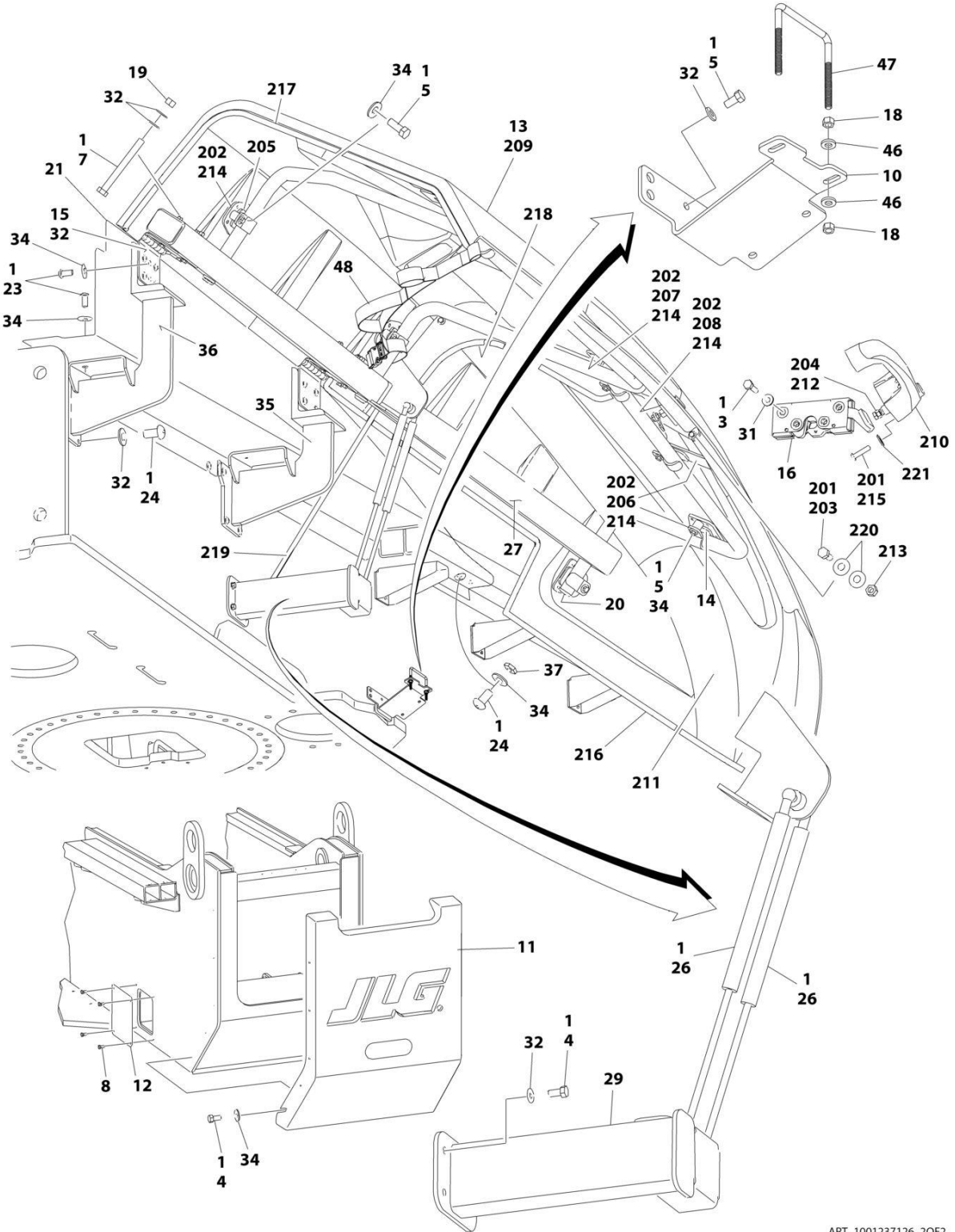
SECTION 2 - TURNTABLE

FIGURE 2-48. HOODS INSTALLATION - DEUTZ TCD2.9L4 (STAGE V) ENGINES



ART_1001237126_10F2

SECTION 2 - TURNTABLE



ART_1001237126_20F2

SECTION 2 - TURNTABLE

FIGURE 2-48. HOODS INSTALLATION - DEUTZ TCD2.9L4 (STAGE V) ENGINES

ITEM	PART NUMBER	QTY	DESCRIPTION	REV
	1001237126	Ref	HOODS INSTALLATION - DEUTZ TCD2.9L4 (STAGE V) ENGINES	B
1	0100011	AR	Compound, Locking	
2	0641406	2	Bolt 1/4 x 3/4	
3	0641408	8	Bolt 1/4 x 1	
4	0641606	17	Bolt 3/8 x 3/4	
5	0641608	19	Bolt 3/8 x 1	
6	0641610	3	Bolt 3/8 x 1-1/4	
7	0641630	12	Bolt 3/8 x 3-3/4	
8	0791605	8	Screw 3/8 x 5/8	
9	0903154	1	Bracket, Engine Side Striker	
10	1001250301	1	Bracket, Tank Side Striker	
11	1671109	1	Cover, Turntable	
12	1671118	2	Cover, Pin Access	
13	1671194	1	Hood, Tank Side (See Items 201-221 for Breakdown)	
14	2080051	16	Clamp	
15	2600280	4	Hinge	
16	2940173	2	Latch, Rotary	
17	3311405	2	Nut 1/4	
18	3311601	10	Nut 3/8	
19	3311605	15	Nut 3/8	
20	3520186	6	Plug	
21	3574533	1	Trough, Powertrack	
22	3900232	6	Screw 3/8 x 1-1/4	
23	3900283	29	Screw 3/8 x 3/4	
24	3900316	10	Screw 3/8 x 1	
25	4071048	3	Shim	
26	4160194	4	Spring, Gas	
27	4340995	1	Support, Tank Side Hood	
28	4340996	1	Support, Engine Side Hood	
29	4341000	1	Mount, Tank Side Gas Spring	
30	4341001	1	Weldment, Gas Spring Mount	
31	4711400	12	Washer 1/4	
32	4711600	64	Washer 1/4	
33	4740500	6	Washer, Nylon	
34	4751600	53	Washer 3/8	
35	4846871	1	Weldment, Rear Hood Support	
36	4846872	1	Weldment, Front Hood Support	
37	88662523	2	Nut, Tinnerman	
38	1001140485	1	Seal, Foam Gasket	
39	1001142144	1	Bracket, Hood Baffle	
40	1001146132	1	Seal, Foam Gasket	
41	1001146142	1	Seal, Foam Gasket	
42	1001146178	1	Seal, Hood Frame	
43	1001146183	1	Plate, Hood Frame Baffle	
44	1001236408	1	Weldment, Exhaust Stack	
45	1001237125	1	Hood, Engine Side (See Items 101-121 for Breakdown)	
46	4891600	4	Washer 3/8	
47	1001243414	1	U - Bolt	
48	1001160505	2	Strap	
	1001237125	Ref	ENGINE SIDE HOOD ASSEMBLY	A

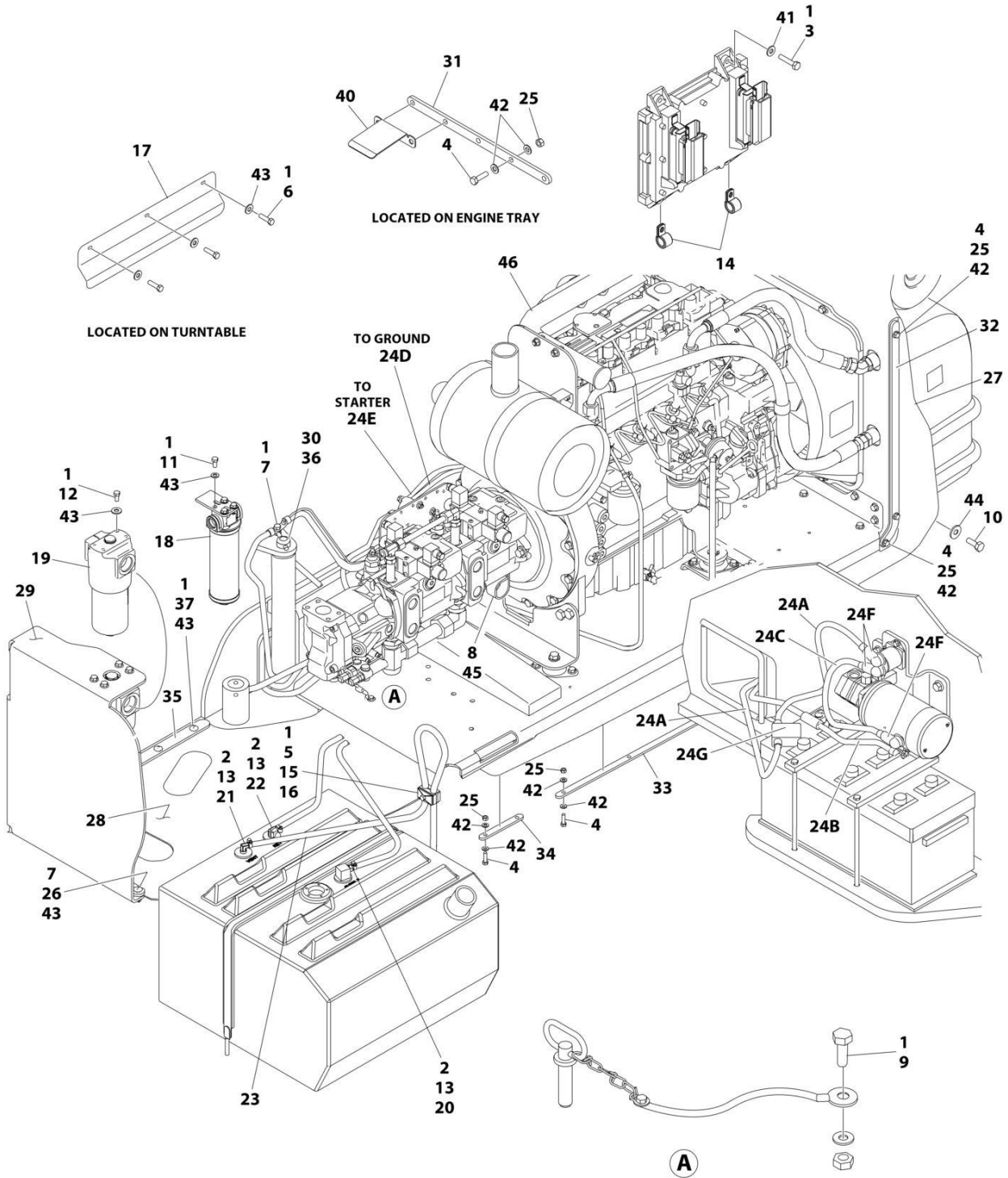
SECTION 2 - TURNTABLE

ITEM	PART NUMBER	QTY	DESCRIPTION	REV
101	0100011	AR	Compound, Locking	
102	0100081	AR	Adhesive	
103	0641510	10	Bolt 5/16 x 1-1/4	
104	0760608	1	Bolt M6 x 16	
105	0902746	7	Bracket	
106	0902761	1	Bracket	
107	0903161	1	Bracket	
108	2560187	1	Handle	
109	2680496	1	Hood, Engine Side Rear	
110	3290601	1	Nut M6 x 1	
111	3311501	10	Nut 5/16	
112	3340877	9	Pad	
113	3575782	1	Plate	
114	3900363	2	Screw M6 x 25	
115	3960464	12.1 ft /3.7m	Seal	
116	4060804	5.1 ft /1.6m	Shield, Flex Trim	
117	4060806	4.1 ft /1.2m	Shield, Flex Trim	
118	4751500	20	Washer 5/16	
119	4811900	2	Washer M8	
120	1001117140	AR	Tape, Aluminized Polyester	
121	1001152566	AR	Insulate	
	1671194	Ref	TANK SIDE HOOD ASSEMBLY	A
201	0100011	AR	Compound, Locking	
202	0100081	AR	Adhesive	
203	0641506	9	Bolt 5/16 x 3/4	
204	0760608	1	Bolt M6 x 16	
205	0902746	4	Bracket	
206	0902762	1	Bracket	
207	0902763	1	Bracket	
208	0903162	1	Bracket	
209	1671193	1	Hood, Tank Side Front	
210	2560187	1	Handle	
211	2680498	1	Hood, Tank Side Rear	
212	3290601	1	Nut M6 x 1	
213	3311501	9	Nut 5/16	
214	3340877	7	Pad	
215	3900363	2	Screw M6 x 25	
216	3960464	12.4 ft /3.8m	Seal	
217	4060804	4.4 ft /1.3m	Shield, Flex Trim	
218	4060806	3.3 ft /1m	Shield, Flex Trim	
219	4240150	1	Strap	
220	4751500	18	Washer 5/16	
221	4811900	2	Washer M8	

SECTION 3 - ENGINE

SECTION 3 - ENGINE

FIGURE 3-1. DEUTZ TD2011 ENGINE INSTALLATION - WITH REXROTH PUMP (WITHOUT GENERATOR AND WITHOUT COLD WEATHER PLUS PACKAGE)



ART_1001098519

SECTION 3 - ENGINE

FIGURE 3-1. DEUTZ TD2011 ENGINE INSTALLATION - WITH REXROTH PUMP (WITHOUT GENERATOR AND WITHOUT COLD WEATHER PLUS PACKAGE)

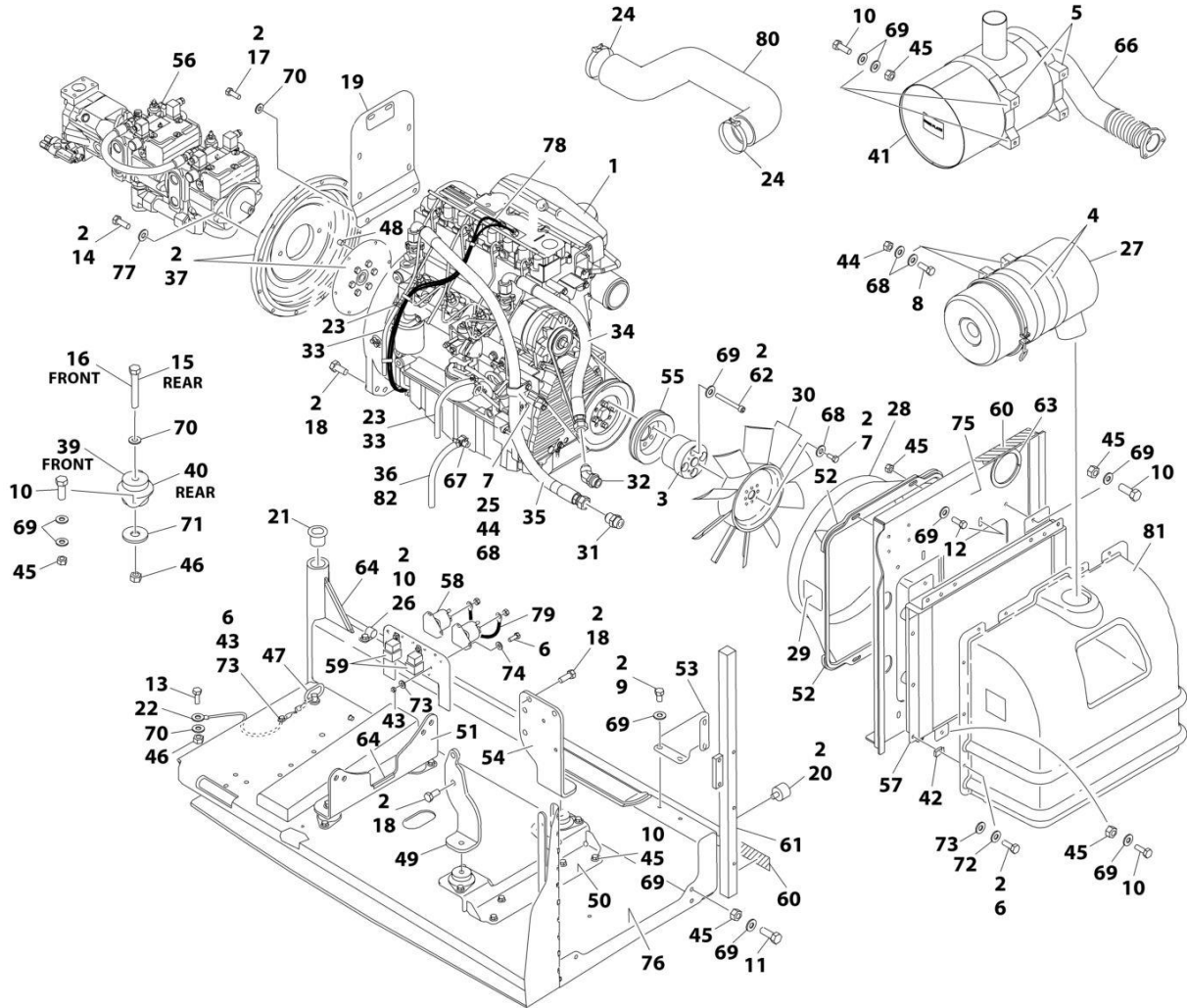
ITEM	PART NUMBER	QTY	DESCRIPTION	REV
	1001098519	Ref	DEUTZ TD2011 ENGINE INSTALLATION - WITH REXROTH PUMP (WITHOUT GENERATOR AND WITHOUT COLD WEATHER PLUS PACKAGE)	G
1	0100011	AR	Compound, Locking	
2	0100079	AR	Sealant, Pipe	
3	0641410	4	Bolt 1/4 x 1-1/4	
4	0641509	15	Bolt 5/16 x 1-1/8	
5	0641511	1	Bolt 5/16 x 1-3/8	
6	0641605	3	Bolt 3/8 x 5/8	
7	0641610	5	Bolt 3/8 x 1-1/4	
8	0641806	1	Bolt 1/2 x 3/4	
9	0641808	1	Bolt 1/2 x 1	
10	0642010	1	Bolt 5/8 x 1-1/4	
11	0641606	4	Bolt 3/8 x 3/4	
12	0651606	4	Bolt 3/8 x 3/4	
13	1320022	3	Clamp	
14	1320041	2	Clamp	
15	1320187	1	Clamp	
16	1320190	1	Clamp	
17	1671121	1	Cover, Generator	
18	1001108617	1	Filter, Pressure	
18	70002231	1	Element, Filter	
19	2120218	1	Filter, High Pressure	
19	2120219	1	Element	
19	70001344	1	O-Ring, Bowl	
19	70006137	1	Seal Kit - Includes O-Ring (Element), O-Ring (Bowl), Back-up Ring (Bowl), Seal Ring (Indicator) and O-Ring (Indicator)	
20	2180348	1	Fitting, Barbed	
21	2220313	1	Fitting, 90 Barbed	
22	2221176	1	Fitting, 90 Elbow	
23	2750532	5 ft/ 1.5m	Hose	
24	2902292	1	Battery Cable Kit	
24A	7027008	1	Cable, Red (To Aux Pump Relay, Battery Positive Terminal and Start Relay)	
24B	7027009	1	Cable, Black (To Aux Pump, Battery Negative Terminal and Ground at Tray Pivot)	
24C	7027010	1	Cable, Red (Aux Pump Relay to Aux Pump)	
24D	7027011	1	Cable, Black (Tray Pivot to Engine Mount)	
24E	7024584	1	Cable, Red (Start Relay to Starter)	
24F	See Note	NSS	Boot, Terminal (Red) (Note: Not Available for Purchase)	
24G	See Note	NSS	Boot, Square Terminal (Red) (Note: Not Available for Purchase)	
25	3311505	15	Nut 5/16	
26	3311605	4	Nut 3/8	
27	3380473	1	Panel, Rubber	
28	3380498	1	Panel	
29	3380723	1	Panel	
30	3422446	1	Pin	
31	3573644	1	Plate, Tray Clamp	
32	3573669	1	Plate, Clamp	
33	3573727	1	Plate, Tray Clamp	

SECTION 3 - ENGINE

ITEM	PART NUMBER	QTY	DESCRIPTION	REV
34	3573728	1	Plate, Tray Clamp	
35	3574633	1	Plate	
36	3841143	1	Keeper	
37	3900316	10	Screw 3/8 x 1	
38	4240018	2	Strap, Cable Tie (Not Shown)	
39	4240033	AR	Tie, Wire (Not Shown)	
40	4341110	1	Support	
41	4711400	4	Washer 1/4	
42	4711500	30	Washer 5/16	
43	4711600	29	Washer 3/8	
44	4752000	1	Washer 5/8	
45	90028660	1	Clamp	
46	1001098513	1	Engine and Pump Assembly (See Separate Breakdown in this Section)	

SECTION 3 - ENGINE

FIGURE 3-2. DEUTZ TD2011 ENGINE ASSEMBLY - WITH REXROTH PUMP (WITHOUT GENERATOR AND WITHOUT COLD WEATHER PLUS PACKAGE)



ART_1001098513_M

SECTION 3 - ENGINE

FIGURE 3-2. DEUTZ TD2011 ENGINE ASSEMBLY - WITH REXROTH PUMP (WITHOUT GENERATOR AND WITHOUT COLD WEATHER PLUS PACKAGE)

ITEM	PART NUMBER	QTY	DESCRIPTION	REV
	1001098513	Ref	DEUTZ TD2011 ENGINE ASSEMBLY - WITH REXROTH PUMPS	M
1	1001098601	1	Engine, Deutz TD2011 Components (See Separate Breakdown in this Section)	
2	0100011	AR	Compound, Locking	
3	0080237	1	Spacer, Fan	
4	0340003	2	Band, Air Cleaner	
5	0340051	2	Band, Muffler	
6	0641406	15	Bolt 1/4 x 3/4	
7	0641506	5	Bolt 5/16 x 3/4	
8	0641507	4	Bolt 5/16 x 7/8	
9	0641605	4	Bolt 3/8 x 5/8	
10	0641608	25	Bolt 3/8 x 1	
11	0641609	2	Bolt 3/8 x 1-1/8	
12	0641610	4	Bolt 3/8 x 1-1/4	
13	0641808	1	Bolt 1/2 x 1	
14	0641812	2	Bolt 1/2 x 1-1/2	
15	0641818	2	Bolt 1/2 x 2-1/4	
16	0641826	2	Bolt 1/2 x 3-1/4	
17	0711214	2	Bolt M12 x 30	
18	0771414	10	Bolt M14 x 30	
19	1001112766	1	Bracket, Muffler	
20	0940070	1	Bumper	
21	0961986	2	Bushing, Flanged	
22	1001131542	1	Lanyard	
23	1320022	3	Clamp	
24	1320058	2	Clamp	
25	1320060	1	Clamp	
26	1320223	1	J-Clip	
27	1340065	1	Air Cleaner Assembly	
27	7003655	1	Element, Air Cleaner	
27	7015013	1	Baffle, Rubber	
27	7015014	1	Clamp, Cap	
27	7015015	1	Cup	
27	7015003	1	Wingnut	
28	1671023	1	Shroud, Fan	
29	1703162	2	Decal - Fan Blade	
30	2060025	1	Fan	
31	2220451	1	Fitting, Straight	
32	2220498	1	Fitting, Elbow	
33	2720058	34 ft/ 10.3m	Hose	
34	2720500	1	Hose, Oil Cooler (Top)	
35	2720501	1	Hose, Oil Cooler (Bottom)	
36	2750532	0.75 ft /0.2m	Hose	
37	2902065	1	Pump Coupling Kit (See Separate Breakdown in this Section)	
39	3200362	2	Mount, Motor (Front)	
40	3200401	2	Mount, Motor (Rear)	
41	1001257277	1	Muffler, Spark Arresting	

SECTION 3 - ENGINE

ITEM	PART NUMBER	QTY	DESCRIPTION	REV
42	3300454	10	Nut 1/4	
43	3311405	5	Nut 1/4	
44	3311505	5	Nut 5/16	
45	3311605	30	Nut 3/8	
46	3311805	5	Nut 1/2	
47	3422532	1	Pin, Hitch	
48	3520054	2	Plug	
49	3537416	1	Plate, Mounting (Front Right)	
50	3539971	1	Bracket, Engine Mounting (Front)	
51	3573142	1	Bracket, Engine Mounting (Rear)	
52	3573411	2	Plate, Clamp	
53	3573412	1	Gusset	
54	3573529	1	Plate, Mounting (Front Left)	
55	3580158	1	Pulley	
56	3600339	1	Pump Assembly - Rexroth (See Separate Breakdown in this Section)	
57	1001145382	1	Cooler, Engine Oil	
58	3740067	2	Relay, Start	
59	3740080	2	Relay	
60	3960543	1	Seal	
61	3960544	1	Seal	
62	4032022	4	Capscrew M10 x 90	
63	4060804	0.98 ft /0.3m	Flex-Trim	
64	4060805	0.67 ft /0.2m	Flex-Trim	
65	4240099	AR	Tie, Wire (Not Shown)	
66	4568293	1	Pipe, Exhaust	
67	4640751	1	Valve, Oil Drain	
68	4711500	13	Washer 5/16	
69	4711600	68	Washer 3/8	
70	4711800	7	Washer 1/2	
71	4740274	4	Washer, Snubbing	
72	4740518	10	Washer, Nylon	
73	4751400	20	Washer 1/4	
74	4791400	4	Washer 1/4	
75	4846552	1	Plate, Oil Cooler Mounting	
76	4846946	1	Tray	
77	4891800	2	Washer 1/2 Hardened	
78	4923468	1	Harness, Glow Plugs	
79	4923592	1	Cable, Jumper	
80	1001225118	1	Hose, Air Intake	
81	0272060	1	Box, Air Intake	
82	8410013	1	Clamp, Gear	

SECTION 3 - ENGINE

FIGURE 3-3. DEUTZ TD2011 ENGINE INSTALLATION - WITH REXROTH PUMP (WITH GENERATOR AND WITHOUT COLD WEATHER PLUS PACKAGE)

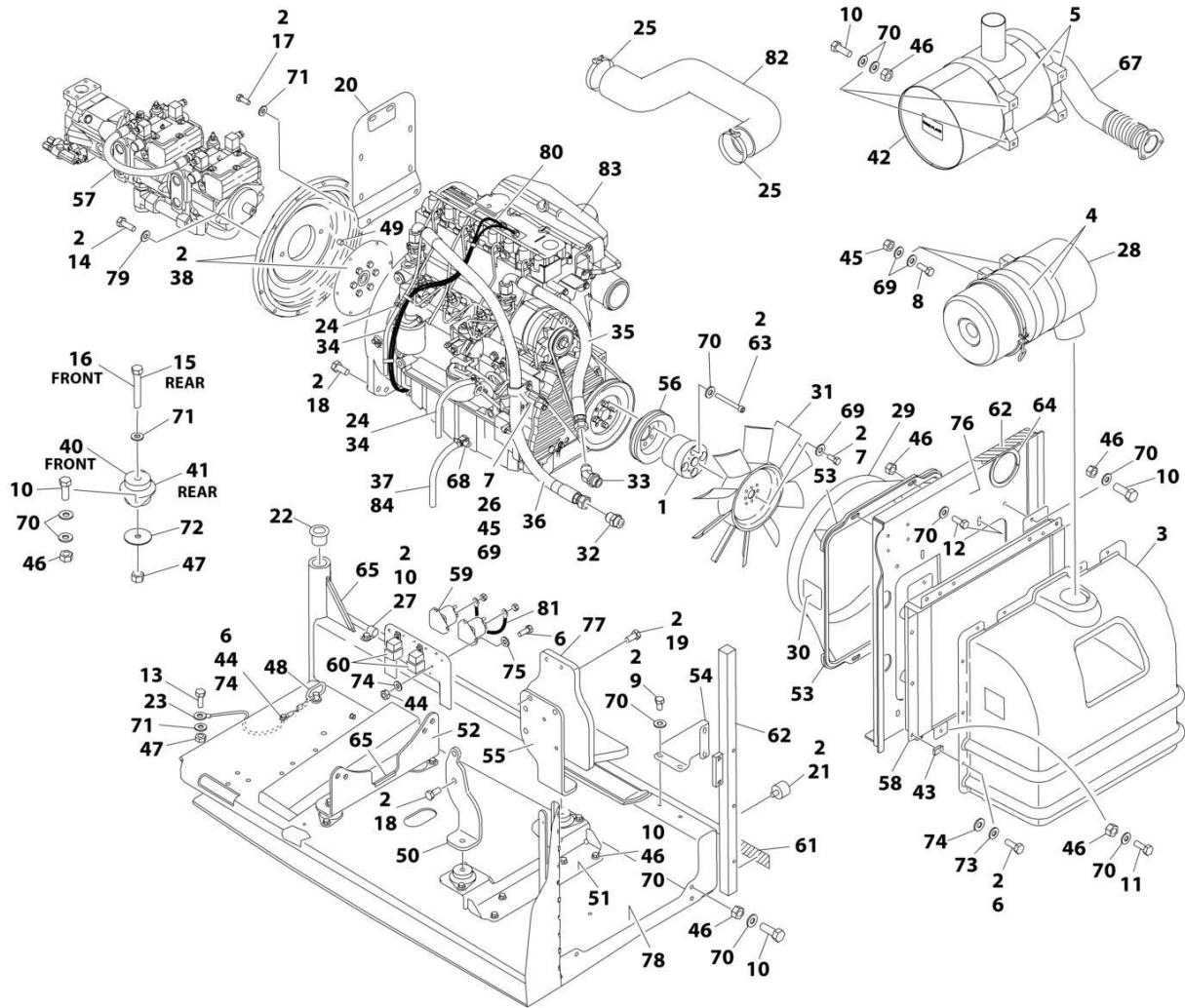
ITEM	PART NUMBER	QTY	DESCRIPTION	REV
	1001098518	Ref	DEUTZ TD2011 ENGINE INSTALLATION - WITH REXROTH PUMP (WITH GENERATOR AND WITHOUT COLD WEATHER PLUS PACKAGE)	G
1	0100011	AR	Compound, Locking	
2	0100079	AR	Sealant, Pipe	
3	0641410	4	Bolt 1/4 x 1-1/4	
4	0641509	15	Bolt 5/16 x 1-1/8	
5	0641511	1	Bolt 5/16 x 1-3/8	
6	0641605	3	Bolt 3/8 x 5/8	
7	0641610	5	Bolt 3/8 x 1-1/4	
8	0641806	1	Bolt 1/2 x 3/4	
9	0641808	1	Bolt 1/2 x 1	
10	0642010	1	Bolt 5/8 x 1-1/4	
11	0641606	4	Bolt 3/8 x 3/4	
12	0651606	4	Bolt 3/8 x 3/4	
13	1320022	3	Clamp	
14	1320041	2	Clamp	
15	1320187	1	Clamp, Twin	
16	1320190	1	Cover, Clamp	
17	1671121	1	Cover, Generator	
18	1001108617	1	Filter, Pressure	
18	70002231	1	Element, Filter	
19	2120218	1	Filter, High Pressure	
19	2120219	1	Element	
19	70001344	1	O-Ring, Bowl	
19	70006137	1	Seal Kit - Includes O-Ring (Element), O-Ring (Bowl), Back-up Ring (Bowl), Seal Ring (Indicator) and O-Ring (Indicator)	
20	2180348	1	Fitting, Barbed	
21	2220313	1	Fitting, 90 Barbed	
22	2221176	1	Fitting, 90 Elbow	
23	2750532	5 ft/ 1.5m	Hose	
24	2902292	1	Battery Cable Kit	
24A	7027008	1	Cable, Red (To Aux Pump Relay, Battery Positive Terminal and Start Relay)	
24B	7027009	1	Cable, Black (To Aux Pump, Battery Negative Terminal and Ground at Tray Pivot)	
24C	7027010	1	Cable, Red (Aux Pump Relay to Aux Pump)	
24D	7027011	1	Cable, Black (Tray Pivot to Engine Mount)	
24E	7024584	1	Cable, Red (Start Relay to Starter)	
24F	See Note	NSS	Boot, Terminal (Red) (Note: Not Available for Purchase)	
24G	See Note	NSS	Boot, Square Terminal (Red) (Note: Not Available for Purchase)	
25	3311505	15	Nut 5/16	
26	3311605	4	Nut 3/8	
27	3380473	1	Panel, Rubber	
28	3380498	1	Panel	
29	3380723	1	Panel	
30	3422446	1	Pin	
31	3573644	1	Plate, Tray Clamp	
32	3573669	1	Plate, Clamp	
33	3573727	1	Plate, Tray Clamp	

SECTION 3 - ENGINE

ITEM	PART NUMBER	QTY	DESCRIPTION	REV
34	3573728	1	Plate, Tray Clamp	
35	3574633	1	Plate	
36	3841143	1	Keeper	
37	3900316	10	Screw 3/8 x 1	
38	4240018	2	Strap, Cable Tie (Not Shown)	
39	4240033	AR	Tie, Wire (Not Shown)	
40	4341110	1	Support	
41	4711400	4	Washer 1/4	
42	4711500	30	Washer 5/16	
43	4711600	29	Washer 3/8	
44	4752000	1	Washer 5/8	
45	90028660	1	Clamp	
46	1001098530	1	Engine and Pump Assembly (See Separate Breakdown in this Section)	

SECTION 3 - ENGINE

FIGURE 3-4. DEUTZ TD2011 ENGINE ASSEMBLY - WITH REXROTH PUMP (WITH GENERATOR AND WITHOUT COLD WEATHER PLUS PACKAGE)



ART_1001098530_N

SECTION 3 - ENGINE

FIGURE 3-4. DEUTZ TD2011 ENGINE ASSEMBLY - WITH REXROTH PUMP (WITH GENERATOR AND WITHOUT COLD WEATHER PLUS PACKAGE)

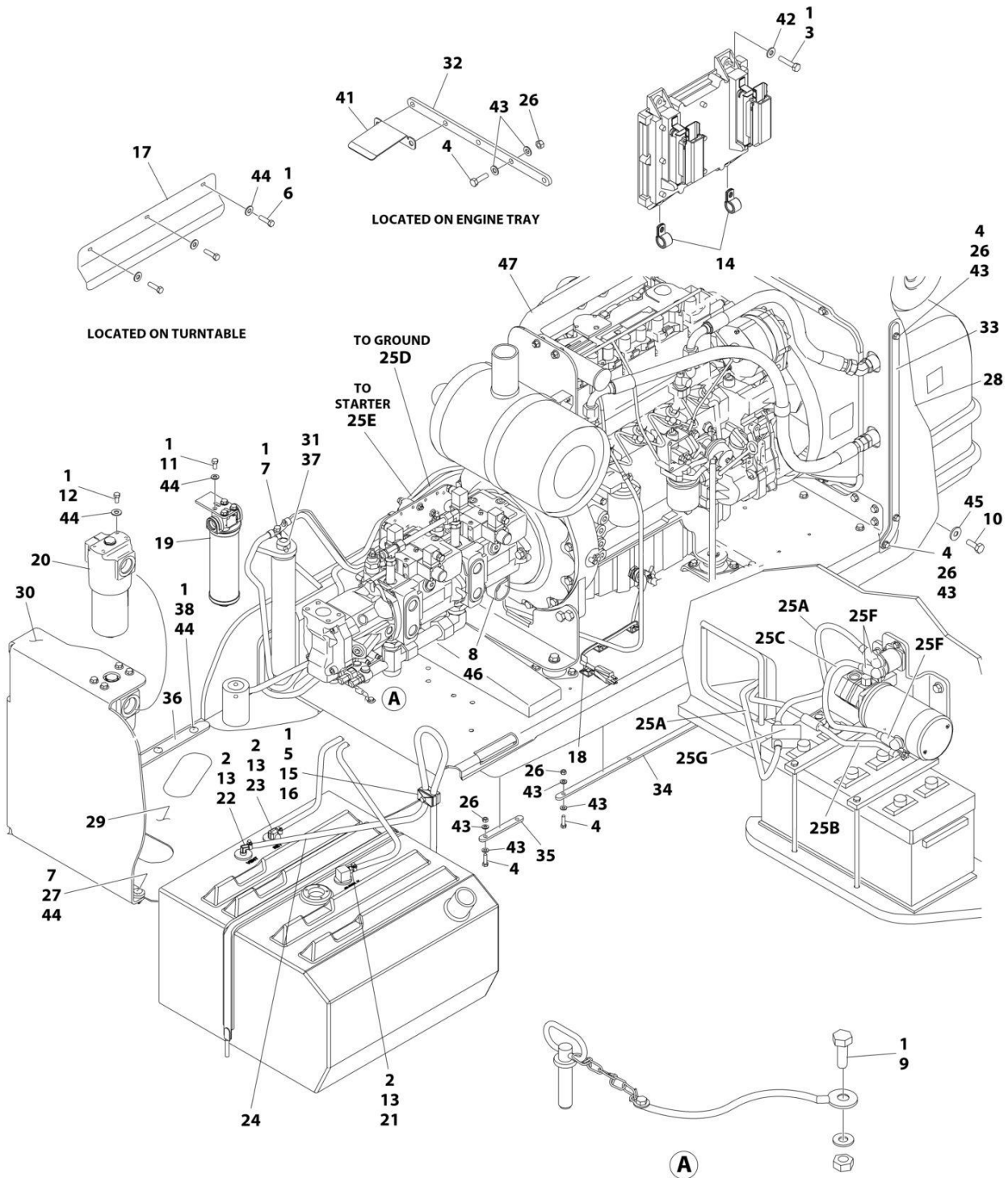
ITEM	PART NUMBER	QTY	DESCRIPTION	REV
	1001098530	Ref	DEUTZ TD2011 ENGINE ASSEMBLY - WITH REXROTH PUMPS (WITH SKYPOWER AND WITHOUT COLD WEATHER PLUS PACKAGE)	N
1	0080244	1	Spacer, Fan	
2	0100011	AR	Compound, Locking	
3	0272060	1	Box, Air Intake	
4	0340003	2	Band, Air Cleaner	
5	0340051	2	Band, Muffler	
6	0641406	15	Bolt 1/4 x 3/4	
7	0641506	5	Bolt 5/16 x 3/4	
8	0641507	4	Bolt 5/16 x 7/8	
9	0641605	4	Bolt 3/8 x 5/8	
10	0641608	25	Bolt 3/8 x 1	
11	0641609	2	Bolt 3/8 x 1-1/8	
12	0641610	4	Bolt 3/8 x 1-1/4	
13	0641808	1	Bolt 1/2 x 1	
14	0641812	2	Bolt 1/2 x 1-1/2	
15	0641818	2	Bolt 1/2 x 2-1/4	
16	0641826	2	Bolt 1/2 x 3-1/4	
17	0711214	2	Bolt M12 x 30	
18	0771414	6	Bolt M14 x 30	
19	0711417	4	Bolt M14 x 45	
20	1001112766	1	Bracket, Muffler	
21	0940070	1	Bumper	
22	0961986	2	Bushing, Flanged	
23	1001131542	1	Lanyard	
24	1320022	2	Clamp	
25	1320058	2	Clamp	
26	1320060	1	Clamp	
27	1320223	1	J-Clip	
28	1340065	1	Air Cleaner Assembly	
28	7003655	1	Element, Air Cleaner	
28	7015013	1	Baffle, Rubber	
28	7015014	1	Clamp, Cap	
28	7015015	1	Cup	
28	7015003	1	Wingnut	
29	1671023	1	Shroud, Fan	
30	1703162	2	Decal - Fan Blade	
31	2060025	1	Fan	
32	2220451	1	Fitting, Straight	
33	2220498	1	Fitting, Elbow	
34	2720058	34 ft/ 10.3m	Hose	
35	2720500	1	Hose, Oil Cooler (Top)	
36	2720501	1	Hose, Oil Cooler (Bottom)	
37	2750532	0.75 ft /0.2m	Hose	
38	2902065	1	Pump Coupling Kit (See Separate Breakdown in this Section)	
40	3200362	2	Mount, Motor (Front)	
41	3200401	2	Mount, Motor (Rear)	

SECTION 3 - ENGINE

ITEM	PART NUMBER	QTY	DESCRIPTION	REV
42	1001257277	1	Muffler	
43	3300454	10	Nut	
44	3311405	5	Nut 1/4	
45	3311505	5	Nut 5/16	
46	3311605	30	Nut 3/8	
47	3311805	5	Nut 1/2	
48	3422532	1	Pin, Hitch	
49	3520054	2	Plug	
50	3537416	1	Plate, Mounting (Front Right)	
51	3539971	1	Bracket, Engine Mounting (Front)	
52	3573142	1	Bracket, Engine Mounting (Rear)	
53	3573411	2	Plate, Clamp	
54	3573412	1	Gusset	
55	3573529	1	Plate, Mounting (Front Left)	
56	3580320	1	Pulley	
57	3600339	1	Pump Assembly - Rexroth (See Separate Breakdown in this Section)	
58	1001145382	1	Cooler, Engine Oil	
59	3740067	2	Relay, Start	
60	3740080	2	Relay	
61	3960543	1	Seal	
62	3960544	1	Seal	
63	4032022	4	Capscrew M10 x 90	
64	4060804	0.98 ft /0.3m	Flex-Trim	
65	4060805	0.67 ft /0.2m	Flex-Trim	
66	4240099	AR	Tie, Wire (Not Shown)	
67	4568293	1	Pipe, Exhaust	
68	4640751	1	Valve, Oil Drain	
69	4711500	13	Washer 5/16	
70	4711600	68	Washer 3/8	
71	4711800	7	Washer 1/2	
72	4740274	4	Washer, Snubbing	
73	4740518	10	Washer, Nylon	
74	4751400	20	Washer 1/4	
75	4791400	4	Washer 1/4	
76	4846552	1	Plate, Oil Cooler Mounting	
77	4846945	1	Mount, Generator	
78	4846946	1	Tray	
79	4891800	2	Washer 1/2	
80	4923468	1	Harness, Glow Plugs	
81	4923592	1	Cable, Jumper	
82	1001225118	1	Hose, Air Intake	
83	1001098601	1	Engine, Deutz TD2011 Components (See Separate Breakdown in this Section)	
84	8410013	1	Clamp, Gear	

SECTION 3 - ENGINE

FIGURE 3-5. DEUTZ TD2011 ENGINE INSTALLATION - WITH REXROTH PUMP (WITH GENERATOR AND WITH COLD WEATHER PLUS PACKAGE)



ART_1001098520

SECTION 3 - ENGINE

FIGURE 3-5. DEUTZ TD2011 ENGINE INSTALLATION - WITH REXROTH PUMP (WITH GENERATOR AND WITH COLD WEATHER PLUS PACKAGE)

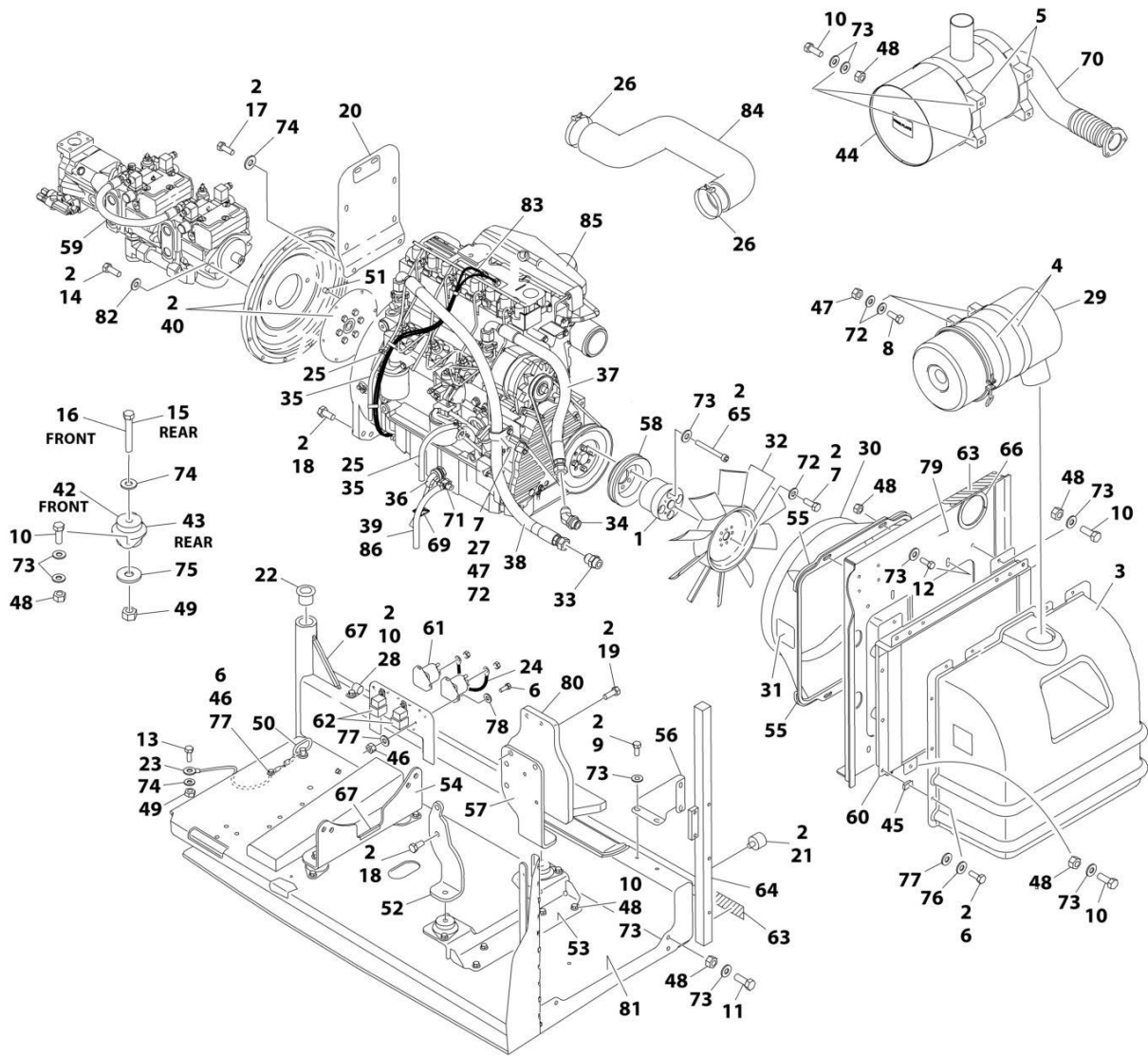
ITEM	PART NUMBER	QTY	DESCRIPTION	REV
	1001098520	Ref	DEUTZ TD2011 ENGINE INSTALLATION - WITH REXROTH PUMP (WITH GENERATOR AND WITH COLD WEATHER PLUS PACKAGE)	G
1	0100011	AR	Compound, Locking	
2	0100079	AR	Sealant, Pipe	
3	0641410	4	Bolt 1/4 x 1-1/4	
4	0641509	15	Bolt 5/16 x 1-1/8	
5	0641511	1	Bolt 5/16 x 1-3/8	
6	0641605	3	Bolt 3/8 x 5/8	
7	0641610	5	Bolt 3/8 x 1-1/4	
8	0641806	1	Bolt 1/2 x 3/4	
9	0641808	1	Bolt 1/2 x 1	
10	0642010	1	Bolt 5/8 x 1-1/4	
11	0641606	4	Bolt 3/8 x 3/4	
12	0651606	4	Bolt 3/8 x 3/4	
13	1320022	3	Clamp	
14	1320041	2	Clamp	
15	1320187	1	Clamp, Twin	
16	1320190	1	Cover, Clamp	
17	1671121	1	Cover, Generator	
18	1702942	1	Decal - Engine Block Heater	
19	1001108617	1	Filter, Pressure	
19	70002231	1	Element, Filter	
20	2120218	1	Filter, High Pressure	
20	2120219	1	Element	
20	70001344	1	O-Ring, Bowl	
20	70006137	1	Seal Kit - Includes O-Ring (Element), O-Ring (Bowl), Back-up Ring (Bowl), Seal Ring (Indicator) and O-Ring (Indicator)	
21	2180348	1	Fitting, Barbed	
22	2220313	1	Fitting, 90 Barbed	
23	2221176	1	Fitting, 90 Elbow	
24	2750532	5 ft/ 1.5m	Hose	
25	2902292	1	Battery Cable Kit	
25A	7027008	1	Cable, Red (To Aux Pump Relay, Battery Positive Terminal and Start Relay)	
25B	7027009	1	Cable, Black (To Aux Pump, Battery Negative Terminal and Ground at Tray Pivot)	
25C	7027010	1	Cable, Red (Aux Pump Relay to Aux Pump)	
25D	7027011	1	Cable, Black (Tray Pivot to Engine Mount)	
25E	7024584	1	Cable, Red (Start Relay to Starter)	
25F	See Note	NSS	Boot, Terminal (Red) (Note: Not Available for Purchase)	
25G	See Note	NSS	Boot, Square Terminal (Red) (Note: Not Available for Purchase)	
26	3311505	15	Nut 5/16	
27	3311605	4	Nut 3/8	
28	3380473	1	Panel, Rubber	
29	3380498	1	Panel	
30	3380723	1	Panel	
31	3422446	1	Pin	
32	3573644	1	Plate, Tray Clamp	
33	3573669	1	Plate, Clamp	

SECTION 3 - ENGINE

ITEM	PART NUMBER	QTY	DESCRIPTION	REV
34	3573727	1	Plate, Tray Clamp	
35	3573728	1	Plate, Tray Clamp	
36	3574633	1	Plate	
37	3841143	1	Keeper	
38	3900316	10	Screw 3/8 x 1	
39	4240018	2	Strap, Cable Tie (Not Shown)	
40	4240033	AR	Tie, Wire (Not Shown)	
41	4341110	1	Support	
42	4711400	4	Washer 1/4	
43	4711500	30	Washer 5/16	
44	4711600	29	Washer 3/8	
45	4752000	1	Washer 5/8	
46	90028660	1	Clamp	
47	1001098531	1	Engine and Pump Assembly (See Separate Breakdown in this Section)	

SECTION 3 - ENGINE

FIGURE 3-6. DEUTZ TD2011 ENGINE ASSEMBLY - WITH REXROTH PUMP (WITH GENERATOR AND WITH COLD WEATHER PLUS PACKAGE)



ART_1001098531_N

SECTION 3 - ENGINE

FIGURE 3-6. DEUTZ TD2011 ENGINE ASSEMBLY - WITH REXROTH PUMP (WITH GENERATOR AND WITH COLD WEATHER PLUS PACKAGE)

ITEM	PART NUMBER	QTY	DESCRIPTION	REV
	1001098531	Ref	DEUTZ TD2011 ENGINE ASSEMBLY - WITH REXROTH PUMPS (WITH SKYPOWER AND WITH COLD WEATHER PLUS PACKAGE)	N
1	0080244	1	Spacer, Fan	
2	0100011	AR	Compound, Locking	
3	0272060	1	Box, Air Intake	
4	0340003	2	Band, Air Cleaner	
5	0340051	2	Band, Muffler	
6	0641406	15	Bolt 1/4 x 3/4	
7	0641506	5	Bolt 5/16 x 3/4	
8	0641507	4	Bolt 5/16 x 7/8	
9	0641605	4	Bolt 3/8 x 5/8	
10	0641608	25	Bolt 3/8 x 1	
11	0641609	2	Bolt 3/8 x 1-1/8	
12	0641610	4	Bolt 3/8 x 1-1/4	
13	0641808	1	Bolt 1/2 x 1	
14	0641812	2	Bolt 1/2 x 1-1/2	
15	0641818	2	Bolt 1/2 x 2-1/4	
16	0641826	2	Bolt 1/2 x 3-1/4	
17	0711214	2	Bolt M12 x 30	
18	0771414	6	Bolt M14 x 30	
19	0711417	4	Bolt M14 x 45	
20	1001112766	1	Bracket, Muffler	
21	0940070	1	Bumper	
22	0961986	2	Bushing, Flanged	
23	1001131542	1	Lanyard	
24	1060904	1	Cable, Jumper	
25	1320022	2	Clamp	
26	1320058	2	Clamp	
27	1320060	1	Clamp	
28	1320223	1	J-Clip	
29	1340065	1	Air Cleaner Assembly	
29	7003655	1	Element, Air Cleaner	
29	7015013	1	Baffle, Rubber	
29	7015014	1	Clamp, Cap	
29	7015015	1	Cup	
29	7015003	1	Wingnut	
30	1671023	1	Shroud, Fan	
31	1703162	2	Decal - Fan Blade	
32	2060025	1	Fan	
33	2220451	1	Fitting, Straight	
34	2220498	1	Fitting, Elbow	
35	2720058	34 ft/ 10.3m	Hose	
36	2580062	1	Heater, Engine Block	
37	2720500	1	Hose, Oil Cooler (Top)	
38	2720501	1	Hose, Oil Cooler (Bottom)	
39	2750532	0.75 ft /0.2m	Hose	
40	2902065	1	Pump Coupling Kit (See Separate Breakdown in this Section)	

SECTION 3 - ENGINE

ITEM	PART NUMBER	QTY	DESCRIPTION	REV
42	3200362	2	Mount, Motor (Front)	
43	3200401	2	Mount, Motor (Rear)	
44	1001257277	1	Muffler	
45	3300454	10	Nut 1/4	
46	3311405	5	Nut 1/4	
47	3311505	5	Nut 5/16	
48	3311605	30	Nut 3/8	
49	3311805	5	Nut 1/2	
50	3422532	1	Pin, Hitch	
51	3520054	2	Plug	
52	3537416	1	Plate, Mounting (Front Right)	
53	3539971	1	Bracket, Engine Mounting (Front)	
54	3573142	1	Bracket, Engine Mounting (Rear)	
55	3573411	2	Plate, Clamp	
56	3573412	1	Gusset	
57	3573529	1	Plate, Mounting (Front Left)	
58	3580320	1	Pulley	
59	3600339	1	Pump Assembly - Rexroth (See Separate Breakdown in this Section)	
60	1001145382	1	Cooler, Engine Oil	
61	3740067	2	Relay, Start	
62	3740080	2	Relay	
63	3960543	1	Seal	
64	3960544	1	Seal	
65	4032022	4	Capscrew M10 x 90	
66	4060804	0.98 ft /0.3m	Flex-Trim	
67	4060805	0.67 ft /0.2m	Flex-Trim	
68	4240099	AR	Tie, Wire (Not Shown)	
69	4460234	3	Mount, Wire Tie	
70	4568293	1	Pipe, Exhaust	
71	4640751	1	Valve, Oil Drain	
72	4711500	13	Washer 5/16	
73	4711600	68	Washer 3/8	
74	4711800	7	Washer 1/2	
75	4740274	4	Washer, Snubbing	
76	4740518	10	Washer, Nylon	
77	4751400	20	Washer 1/4	
78	4791400	4	Washer 1/4	
79	4846552	1	Plate, Oil Cooler Mounting	
80	4846945	1	Mount, Generator	
81	4846946	1	Tray	
82	4891800	2	Washer 1/2 Hardened	
83	4923468	1	Harness, Glow Plugs	
84	1001225118	1	Hose, Air Intake	
85	1001098601	1	Engine, Deutz TD2011 Components (See Separate Breakdown in this Section)	
86	8410013	1	Clamp, Gear	

SECTION 3 - ENGINE

FIGURE 3-7. DEUTZ TD2011 ENGINE INSTALLATION - WITH SAUER PUMP (WITHOUT GENERATOR AND WITHOUT COLD WEATHER PLUS PACKAGE)

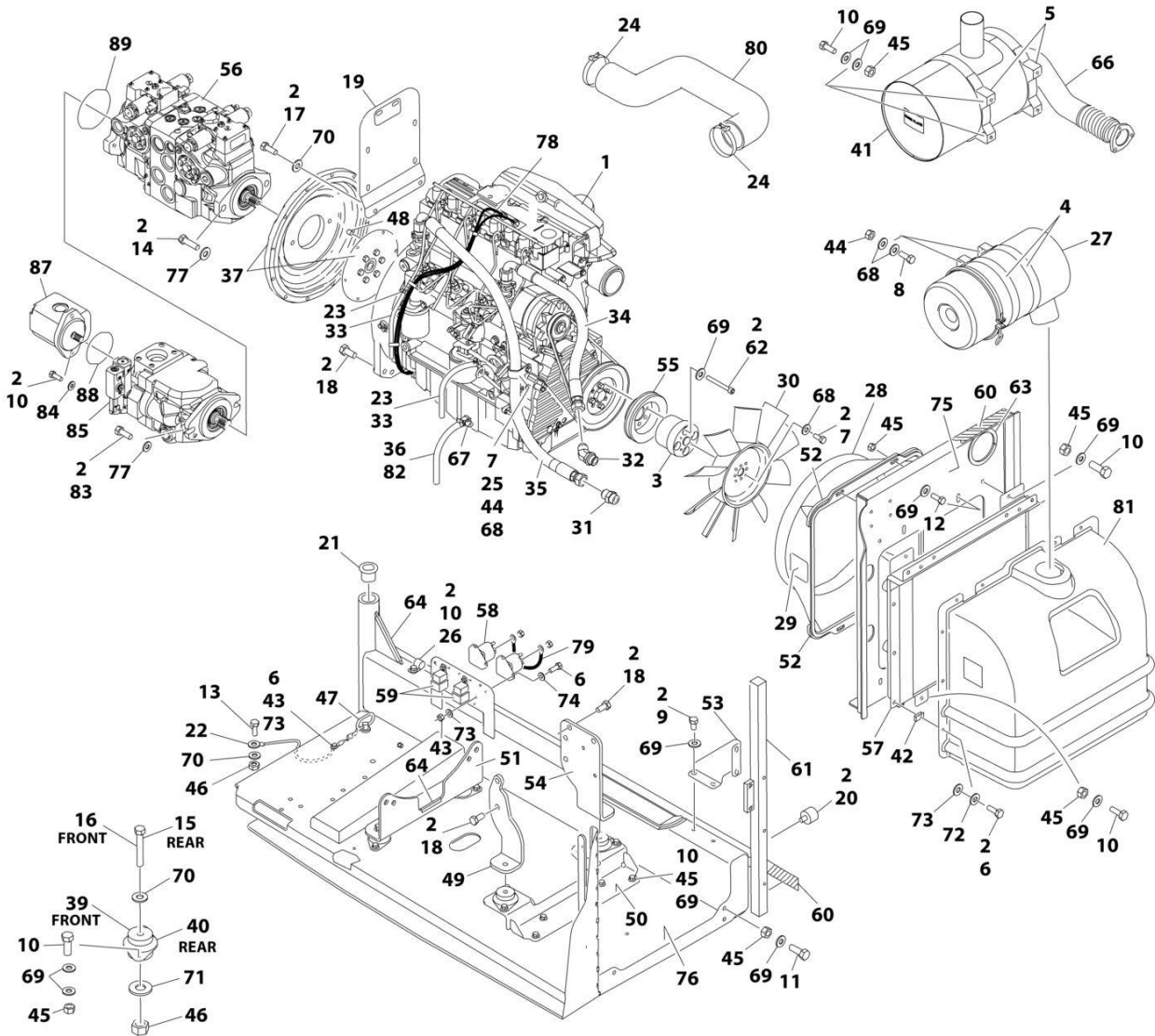
ITEM	PART NUMBER	QTY	DESCRIPTION	REV
	1001107972	Ref	DEUTZ TD2011 ENGINE INSTALLATION - WITH SAUER PUMP (WITHOUT GENERATOR AND WITHOUT COLD WEATHER PLUS PACKAGE)	E
1	0100011	AR	Compound, Locking	
2	0100079	AR	Sealant, Pipe	
3	0641410	4	Bolt 1/4 x 1-1/4	
4	0641509	15	Bolt 5/16 x 1-1/8	
5	0641511	1	Bolt 5/16 x 1-3/8	
6	0641605	3	Bolt 3/8 x 5/8	
7	0641610	5	Bolt 3/8 x 1-1/4	
8	0641806	1	Bolt 1/2 x 3/4	
9	0641808	1	Bolt 1/2 x 1	
10	0642010	1	Bolt 5/8 x 1-1/4	
12	0651606	4	Bolt 3/8 x 3/4	
13	1320022	3	Clamp	
14	1320041	2	Clamp	
15	1320187	1	Clamp, Twin	
16	1320190	1	Cover, Clamp	
17	1671121	1	Cover, Generator	
18	1001108617	1	Filter, Pressure	
18	70002231	1	Element, Filter	
19	2120218	1	Filter, High Pressure	
19	2120219	1	Element	
19	70001344	1	O-Ring, Bowl	
19	70006137	1	Seal Kit - Includes O-Ring (Element), O-Ring (Bowl), Back-up Ring (Bowl), Seal Ring (Indicator) and O-Ring (Indicator)	
20	2180348	1	Fitting, Barbed	
21	2220313	1	Fitting, 90 Barbed	
22	2221176	1	Fitting, 90 Elbow	
23	2750532	5 ft/ 1.5m	Hose	
24	2902292	1	Battery Cable Kit	
24A	7027008	1	Cable, Red (To Aux Pump Relay, Battery Positive Terminal and Start Relay)	
24B	7027009	1	Cable, Black (To Aux Pump, Battery Negative Terminal and Ground at Tray Pivot)	
24C	7027010	1	Cable, Red (Aux Pump Relay to Aux Pump)	
24D	7027011	1	Cable, Black (Tray Pivot to Engine Mount)	
24E	7024584	1	Cable, Red (Start Relay to Starter)	
24F	See Note	NSS	Boot, Terminal (Red) (Note: Not Available for Purchase)	
24G	See Note	NSS	Boot, Square Terminal (Red) (Note: Not Available for Purchase)	
25	3311505	15	Nut 5/16	
26	3311605	4	Nut 3/8	
27	3380473	1	Panel, Rubber	
28	3380498	1	Panel	
29	3380723	1	Panel	
30	3422446	1	Pin	
31	3573644	1	Plate, Tray Clamp	
32	3573669	1	Plate, Clamp	
33	3573727	1	Plate, Tray Clamp	
34	3573728	1	Plate, Tray Clamp	

SECTION 3 - ENGINE

ITEM	PART NUMBER	QTY	DESCRIPTION	REV
35	3574633	1	Plate	
36	3841143	1	Keeper	
37	3900316	10	Screw 3/8 x 1	
38	4240018	2	Strap, Cable Tie (Not Shown)	
39	4240033	AR	Tie, Wire (Not Shown)	
40	4341110	1	Support	
41	4711400	4	Washer 1/4	
42	4711500	30	Washer 5/16	
43	4711600	29	Washer 3/8	
44	4752000	1	Washer 5/8	
45	90028660	1	Clamp	
46	1001107971	1	Engine and Pump Assembly (See Separate Breakdown in this Section)	
48	0641606	4	Bolt 3/8 x 3/4	

SECTION 3 - ENGINE

FIGURE 3-8. DEUTZ TD2011 ENGINE ASSEMBLY - WITH SAUER PUMP (WITHOUT GENERATOR AND WITHOUT COLD WEATHER PLUS PACKAGE)



ART_1001107971_M

SECTION 3 - ENGINE

FIGURE 3-8. DEUTZ TD2011 ENGINE ASSEMBLY - WITH SAUER PUMP (WITHOUT GENERATOR AND WITHOUT COLD WEATHER PLUS PACKAGE)

ITEM	PART NUMBER	QTY	DESCRIPTION	REV
	1001107971	Ref	DEUTZ TD2011 ENGINE ASSEMBLY - WITH SAUER PUMPS (WITHOUT SKYPOWER AND WITHOUT COLD WEATHER PLUS PACKAGE)	M
1	1001098601	1	Engine, Deutz TD2011 Components (See Separate Breakdown in this Section)	
2	0100011	AR	Compound, Locking	
3	0080237	1	Spacer, Fan	
4	0340003	2	Band, Air Cleaner	
5	0340051	2	Band, Muffler	
6	0641406	15	Bolt 1/4 x 3/4	
7	0641506	5	Bolt 5/16 x 3/4	
8	0641507	4	Bolt 5/16 x 7/8	
9	0641605	4	Bolt 3/8 x 5/8	
10	0641608	27	Bolt 3/8 x 1	
11	0641609	2	Bolt 3/8 x 1-1/8	
12	0641610	4	Bolt 3/8 x 1-1/4	
13	0641808	1	Bolt 1/2 x 1	
14	0641814	2	Bolt 1/2 x 1-3/4	
15	0641818	2	Bolt 1/2 x 2-1/4	
16	0641826	2	Bolt 1/2 x 3-1/4	
17	0711214	2	Bolt M12 x 30	
18	0771414	10	Bolt M14 x 30	
19	1001112766	1	Bracket, Muffler	
20	0940070	1	Bumper	
21	0961986	2	Bushing, Flanged	
22	1001131542	1	Lanyard	
23	1320022	3	Clamp	
24	1320058	2	Clamp	
25	1320060	1	Clamp	
26	1320223	1	J-Clip	
27	1340065	1	Air Cleaner Assembly	
27	7003655	1	Element, Air Cleaner	
27	7015013	1	Baffle, Rubber	
27	7015014	1	Clamp, Cap	
27	7015015	1	Cup	
27	7015003	1	Wingnut	
28	1671023	1	Shroud, Fan	
29	1703162	2	Decal - Fan Blade	
30	2060025	1	Fan	
31	2220451	1	Fitting, Straight	
32	2220498	1	Fitting, Elbow	
33	2720058	34 ft /10.3m	Hose	
34	2720500	1	Hose, Oil Cooler (Top)	
35	2720501	1	Hose, Oil Cooler (Bottom)	
36	2750532	0.75 ft /0.2m	Hose	
37	2902065	1	Pump Coupling Kit (See Separate Breakdown in this Section)	
39	3200362	2	Mount, Motor (Front)	
40	3200401	2	Mount, Motor (Rear)	

SECTION 3 - ENGINE

ITEM	PART NUMBER	QTY	DESCRIPTION	REV
41	1001257277	1	Muffler	
42	3300454	10	Nut 1/4	
43	3311405	5	Nut 1/4	
44	3311505	5	Nut 5/16	
45	3311605	30	Nut 3/8	
46	3311805	5	Nut 1/2	
47	3422532	1	Pin, Hitch	
48	3520054	2	Plug	
49	3537416	1	Plate, Mounting (Front Right)	
50	3539971	1	Bracket, Engine Mounting (Front)	
51	3573142	1	Bracket, Engine Mounting (Rear)	
52	3573411	2	Plate, Clamp	
53	3573412	1	Gusset	
54	3573529	1	Plate, Mounting (Front Left)	
55	3580158	1	Pulley	
56	1001108616	1	Pump Assembly - Sauer (See Separate Breakdown in this Section)	
57	1001145382	1	Cooler, Engine Oil	
58	3740067	2	Relay, Start	
59	3740080	2	Relay	
60	3960543	1	Seal	
61	3960544	1	Seal	
62	4032022	4	Capscrew M10 x 90	
63	4060804	0.98 ft /0.3m	Flex-Trim	
64	4060805	0.67 ft /0.2m	Flex-Trim	
65	4240099	AR	Tie, Wire (Not Shown)	
66	4568293	1	Pipe, Exhaust	
67	4640751	1	Valve, Oil Drain	
68	4711500	13	Washer 5/16	
69	4711600	68	Washer 3/8	
70	4711800	7	Washer 1/2	
71	4740274	4	Washer, Snubbing	
72	4740518	10	Washer, Nylon	
73	4751400	20	Washer 1/4	
74	4791400	4	Washer 1/4	
75	4846552	1	Plate, Oil Cooler Mounting	
76	4846946	1	Tray	
77	4891800	4	Washer 1/2	
78	4923468	1	Harness, Glow Plugs	
79	4923592	1	Cable, Jumper	
80	1001225118	1	Hose, Air Intake	
81	0272060	1	Box, Air Intake	
82	8410013	1	Clamp, Gear	
83	0761215	2	Bolt M12 x 35mm	
84	4891600	2	Washer 3/8	
85	1001171095	1	Pump Assembly - Sauer Piston (See Separate Breakdown in this Section)	
87	1001112927	1	Pump Assembly - Sauer Gear (See Separate Breakdown in this Section)	
88	3790152	1	O-Ring	
89	3790155	1	O-Ring	

SECTION 3 - ENGINE

FIGURE 3-9. DEUTZ TD2011 ENGINE INSTALLATION - WITH SAUER PUMP (WITH GENERATOR AND WITHOUT COLD WEATHER PLUS PACKAGE)

ITEM	PART NUMBER	QTY	DESCRIPTION	REV
	1001107974	Ref	DEUTZ TD2011 ENGINE INSTALLATION - WITH SAUER PUMP (WITH GENERATOR AND WITHOUT COLD WEATHER PLUS PACKAGE)	E
1	0100011	AR	Compound, Locking	
2	0100079	AR	Sealant, Pipe	
3	0641410	4	Bolt 1/4 x 1-1/4	
4	0641509	15	Bolt 5/16 x 1-1/8	
5	0641511	1	Bolt 5/16 x 1-3/8	
6	0641605	3	Bolt 3/8 x 5/8	
7	0641610	5	Bolt 3/8 x 1-1/4	
8	0641806	1	Bolt 1/2 x 3/4	
9	0641808	1	Bolt 1/2 x 1	
10	0642010	1	Bolt 5/8 x 1-1/4	
12	0651606	4	Bolt 3/8 x 3/4	
13	1320022	3	Clamp	
14	1320041	2	Clamp	
15	1320187	1	Clamp, Twin	
16	1320190	1	Cover, Clamp	
17	1671121	1	Cover, Generator	
18	1001108617	1	Filter, Pressure	
18	70002231	1	Element, Filter	
19	2120218	1	Filter, High Pressure	
19	2120219	1	Element	
19	70001344	1	O-Ring, Bowl	
19	70006137	1	Seal Kit - Includes O-Ring (Element), O-Ring (Bowl), Back-up Ring (Bowl), Seal Ring (Indicator) and O-Ring (Indicator)	
20	2180348	1	Fitting, Barbed	
21	2220313	1	Fitting, 90 Barbed	
22	2221176	1	Fitting, 90 Elbow	
23	2750532	5 ft/ 1.5m	Hose	
24	2902292	1	Battery Cable Kit	
24A	7027008	1	Cable, Red (To Aux Pump Relay, Battery Positive Terminal and Start Relay)	
24B	7027009	1	Cable, Black (To Aux Pump, Battery Negative Terminal and Ground at Tray Pivot)	
24C	7027010	1	Cable, Red (Aux Pump Relay to Aux Pump)	
24D	7027011	1	Cable, Black (Tray Pivot to Engine Mount)	
24E	7024584	1	Cable, Red (Start Relay to Starter)	
24F	See Note	NSS	Boot, Terminal (Red) (Note: Not Available for Purchase)	
24G	See Note	NSS	Boot, Square Terminal (Red) (Note: Not Available for Purchase)	
25	3311505	15	Nut 5/16	
26	3311605	4	Nut 3/8	
27	3380473	1	Panel, Rubber	
28	3380498	1	Panel	
29	3380723	1	Panel	
30	3422446	1	Pin	
31	3573644	1	Plate, Tray Clamp	
32	3573669	1	Plate, Clamp	
33	3573727	1	Plate, Tray Clamp	
34	3573728	1	Plate, Tray Clamp	

SECTION 3 - ENGINE

ITEM	PART NUMBER	QTY	DESCRIPTION	REV
35	3574633	1	Plate	
36	3841143	1	Keeper	
37	3900316	10	Screw 3/8 x 1	
38	4240018	2	Strap, Cable Tie (Not Shown)	
39	4240033	AR	Tie, Wire (Not Shown)	
40	4341110	1	Support	
41	4711400	4	Washer 1/4	
42	4711500	30	Washer 5/16	
43	4711600	29	Washer 3/8	
44	4752000	1	Washer 5/8	
45	90028660	1	Clamp	
46	1001107973	1	Engine and Pump Assembly (See Separate Breakdown in this Section)	
48	0641606	4	Bolt 3/8 x 3/4	

SECTION 3 - ENGINE

FIGURE 3-10. DEUTZ TD2011 ENGINE ASSEMBLY - WITH SAUER PUMP (WITH GENERATOR AND WITHOUT COLD WEATHER PLUS PACKAGE)

ITEM	PART NUMBER	QTY	DESCRIPTION	REV
	1001107973	Ref	DEUTZ TD2011 ENGINE ASSEMBLY - WITH SAUER PUMPS (WITH SKYPOWER AND WITHOUT COLD WEATHER PLUS PACKAGE)	N
1	0080244	1	Spacer, Fan	
2	0100011	AR	Compound, Locking	
3	0272060	1	Box, Air Intake	
4	0340003	2	Band, Air Cleaner	
5	0340051	2	Band, Muffler	
6	0641406	15	Bolt 1/4 x 3/4	
7	0641506	5	Bolt 5/16 x 3/4	
8	0641507	4	Bolt 5/16 x 7/8	
9	0641605	4	Bolt 3/8 x 5/8	
10	0641608	27	Bolt 3/8 x 1	
11	0641609	2	Bolt 3/8 x 1-1/8	
12	0641610	4	Bolt 3/8 x 1-1/4	
13	0641808	1	Bolt 1/2 x 1	
14	0641814	2	Bolt 1/2 x 1-3/4	
15	0641818	2	Bolt 1/2 x 2-1/4	
16	0641826	2	Bolt 1/2 x 3-1/4	
17	0711214	2	Bolt M12 x 30	
18	0771414	6	Bolt M14 x 30	
19	0711417	4	Bolt M14 x 45	
20	1001112766	1	Bracket, Muffler	
21	0940070	1	Bumper	
22	0961986	2	Bushing, Flanged	
23	1001131542	1	Lanyard	
24	1320022	2	Clamp	
25	1320058	2	Clamp	
26	1320060	1	Clamp	
27	1320223	1	J-Clip	
28	1340065	1	Air Cleaner Assembly	
28	7003655	1	Element, Air Cleaner	
28	7015013	1	Baffle, Rubber	
28	7015014	1	Clamp, Cap	
28	7015015	1	Cup	
28	7015003	1	Wingnut	
29	1671023	1	Shroud, Fan	
30	1703162	2	Decal - Fan Blade	
31	2060025	1	Fan	
32	2220451	1	Fitting, Straight	
33	2220498	1	Fitting, Elbow	
34	2720058	34 ft/ 10.3m	Hose	
35	2720500	1	Hose, Oil Cooler (Top)	
36	2720501	1	Hose, Oil Cooler (Bottom)	
37	0761215	2	Bolt M12 x 35mm	
38	2902065	1	Pump Coupling Kit (See Separate Breakdown in this Section)	
40	3200362	2	Mount, Motor (Front)	
41	3200401	2	Mount, Motor (Rear)	

SECTION 3 - ENGINE

ITEM	PART NUMBER	QTY	DESCRIPTION	REV
42	1001257277	1	Muffler	
43	3300454	10	Nut	
44	3311405	5	Nut 1/4	
45	3311505	5	Nut 5/16	
46	3311605	30	Nut 3/8	
47	3311805	5	Nut 1/2	
48	3422532	1	Pin, Hitch	
49	3520054	2	Plug	
50	3537416	1	Plate, Mounting (Front Right)	
51	3539971	1	Bracket, Engine Mounting (Front)	
52	3573142	1	Bracket, Engine Mounting (Rear)	
53	3573411	2	Plate, Clamp	
54	3573412	1	Gusset	
55	3573529	1	Plate, Mounting (Front Left)	
56	3580320	1	Pulley	
58	1001145382	1	Cooler, Engine Oil	
59	3740067	2	Relay, Start	
60	3740080	2	Relay	
61	3960543	1	Seal	
62	3960544	1	Seal	
63	4032022	4	Capscrew M10 x 90	
64	4060804	0.98 ft /0.3m	Flex-Trim	
65	4060805	0.67 ft /0.2m	Flex-Trim	
66	4240099	AR	Tie, Wire (Not Shown)	
67	4568293	1	Pipe, Exhaust	
68	4640751	1	Valve, Oil Drain	
69	4711500	13	Washer 5/16	
70	4711600	68	Washer 3/8	
71	4711800	7	Washer 1/2	
72	4740274	4	Washer, Snubbing	
73	4740518	10	Washer, Nylon	
74	4751400	20	Washer 1/4	
75	4791400	4	Washer 1/4	
76	4846552	1	Plate, Oil Cooler Mounting	
77	4846945	1	Mount, Generator	
78	4846946	1	Tray	
79	4891800	4	Washer 1/2	
80	4923468	1	Harness, Glow Plugs	
81	4923592	1	Cable, Jumper	
82	1001225118	1	Hose, Air Intake	
83	1001098601	1	Engine, Deutz TD2011 Components (See Separate Breakdown in this Section)	
84	8410013	1	Clamp, Gear	
85	1001112927	1	Pump Assembly - Sauer Gear (See Separate Breakdown in this Section)	
86	4891600	2	Washer 3/8	
87	1001108616	1	Pump Assembly - Sauer (See Separate Breakdown in this Section)	
88	1001171095	1	Pump Assembly - Sauer Piston (See Separate Breakdown in this Section)	
89	3790152	1	O-Ring	

SECTION 3 - ENGINE

ITEM	PART NUMBER	QTY	DESCRIPTION	REV
90	3790155	1	O-Ring	
91	2750532	0.8 ft/ 0.2m	Hose	

SECTION 3 - ENGINE

FIGURE 3-11. DEUTZ TD2011 ENGINE INSTALLATION - WITH SAUER PUMP (WITH GENERATOR AND WITH COLD WEATHER PLUS PACKAGE)

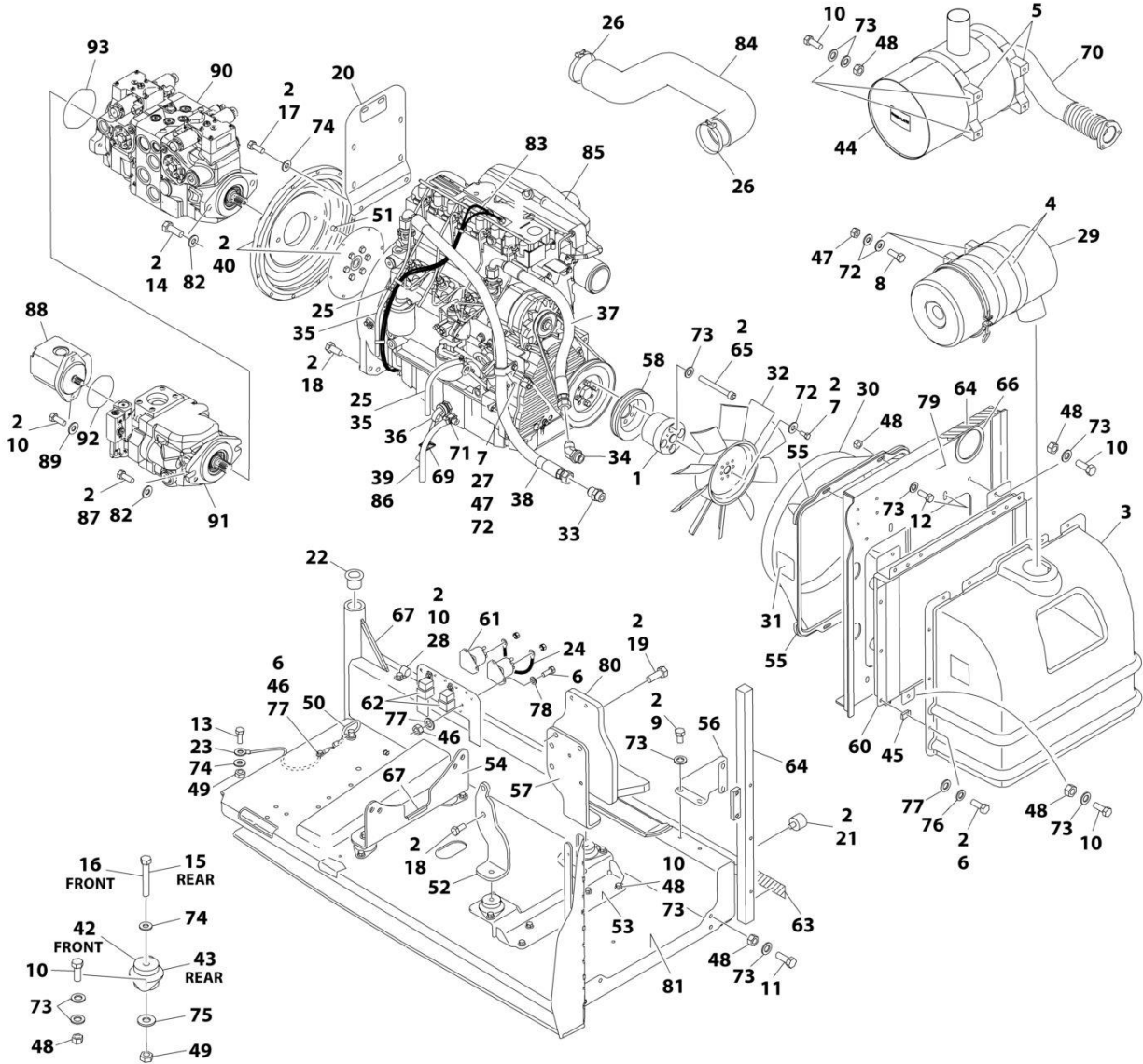
ITEM	PART NUMBER	QTY	DESCRIPTION	REV
	1001107976	Ref	DEUTZ TD2011 ENGINE INSTALLATION - WITH SAUER PUMP (WITH GENERATOR AND WITH COLD WEATHER PLUS PACKAGE)	E
1	0100011	AR	Compound, Locking	
2	0100079	AR	Sealant, Pipe	
3	0641410	4	Bolt 1/4 x 1-1/4	
4	0641509	15	Bolt 5/16 x 1-1/8	
5	0641511	1	Bolt 5/16 x 1-3/8	
6	0641605	3	Bolt 3/8 x 5/8	
7	0641610	5	Bolt 3/8 X 1-1/4	
8	0641806	1	Bolt 1/2 x 3/4	
9	0641808	1	Bolt 1/2 x 1	
10	0642010	1	Bolt 5/8 x 1-1/4	
12	0651606	4	Bolt 3/8 x 3/4	
13	1320022	3	Clamp	
14	1320041	2	Clamp	
15	1320187	1	Clamp, Twin	
16	1320190	1	Cover, Clamp	
17	1671121	1	Cover, Generator	
18	1702942	1	Decal - Engine Block Heater	
19	1001108617	1	Filter, Pressure	
19	70002231	1	Element, Filter	
20	2120218	1	Filter, High Pressure	
20	2120219	1	Element	
20	70001344	1	O-Ring, Bowl	
20	70006137	1	Seal Kit - Includes O-Ring (Element), O-Ring (Bowl), Back-up Ring (Bowl), Seal Ring (Indicator) and O-Ring (Indicator)	
21	2180348	1	Fitting, Barbed	
22	2220313	1	Fitting, 90 Barbed	
23	2221176	1	Fitting, 90	
24	2750532	5 ft/ 1.5m	Hose	
25	2902292	1	Battery Cable Kit	
25A	7027008	1	Cable, Red (To Aux Pump Relay, Battery Positive Terminal and Start Relay)	
25B	7027009	1	Cable, Black (To Aux Pump, Battery Negative Terminal and Ground at Tray Pivot)	
25C	7027010	1	Cable, Red (Aux Pump Relay to Aux Pump)	
25D	7027011	1	Cable, Black (Tray Pivot to Engine Mount)	
25E	7024584	1	Cable, Red (Start Relay to Starter)	
25F	See Note	NSS	Boot, Terminal (Red) (Note: Not Available for Purchase)	
25G	See Note	NSS	Boot, Square Terminal (Red) (Note: Not Available for Purchase)	
26	3311505	15	Nut 5/16	
27	3311605	4	Nut 3/8	
28	3380473	1	Panel, Rubber	
29	3380498	1	Panel	
30	3380723	1	Panel	
31	3422446	1	Pin	
32	3573644	1	Plate, Tray Clamp	
33	3573669	1	Plate, Clamp	
34	3573727	1	Plate, Tray Clamp	

SECTION 3 - ENGINE

ITEM	PART NUMBER	QTY	DESCRIPTION	REV
35	3573728	1	Plate, Tray Clamp	
36	3574633	1	Plate	
37	3841143	1	Keeper, Pin	
38	3900316	10	Screw 3/8 x 1	
39	4240018	2	Strap, Cable Tie (Not Shown)	
40	4240033	AR	Tie, Wire (Not Shown)	
41	4341110	1	Support	
42	4711400	4	Washer 1/4	
43	4711500	30	Washer 5/16	
44	4711600	29	Washer 3/8	
45	4752000	1	Washer 5/8	
46	90028660	1	Clamp	
47	1001107975	1	Engine and Pump Assembly (See Separate Breakdown in this Section)	
49	0641606	4	Bolt 3/8 x 3/4	

SECTION 3 - ENGINE

FIGURE 3-12. DEUTZ TD2011 ENGINE ASSEMBLY - WITH SAUER PUMP (WITH GENERATOR AND WITH COLD WEATHER PLUS PACKAGE)



ART_1001107975_M

SECTION 3 - ENGINE

FIGURE 3-12. DEUTZ TD2011 ENGINE ASSEMBLY - WITH SAUER PUMP (WITH GENERATOR AND WITH COLD WEATHER PLUS PACKAGE)

ITEM	PART NUMBER	QTY	DESCRIPTION	REV
	1001107975	Ref	DEUTZ TD2011 ENGINE ASSEMBLY - WITH SAUER PUMPS (WITH SKYPOWER AND WITH COLD WEATHER PLUS PACKAGE)	M
1	0080244	1	Spacer, Fan	
2	0100011	AR	Compound, Locking	
3	0272060	1	Box, Air Intake	
4	0340003	2	Band, Air Cleaner	
5	0340051	2	Band, Muffler	
6	0641406	15	Bolt 1/4 x 3/4	
7	0641506	5	Bolt 5/16 x 3/4	
8	0641507	4	Bolt 5/16 x 7/8	
9	0641605	4	Bolt 3/8 x 5/8	
10	0641608	27	Bolt 3/8 x 1	
11	0641609	2	Bolt 3/8 x 1-1/8	
12	0641610	4	Bolt 3/8 x 1-1/4	
13	0641808	1	Bolt 1/2 x 1	
14	0641814	2	Bolt 1/2 x 1-3/4	
15	0641818	2	Bolt 1/2 x 2-1/4	
16	0641826	2	Bolt 1/2 x 3-1/4	
17	0711214	2	Bolt M12 x 30	
18	0771414	6	Bolt M14 x 30	
19	0711417	4	Bolt M14 x 45	
20	1001112766	1	Bracket, Muffler	
21	0940070	1	Bumper	
22	0961986	2	Bushing, Flanged	
23	1001131542	1	Lanyard	
24	1060904	1	Cable, Jumper	
25	1320022	2	Clamp	
26	1320058	2	Clamp	
27	1320060	1	Clamp	
28	1320223	1	J-Clip	
29	1340065	1	Air Cleaner Assembly	
29	7003655	1	Element, Air Cleaner	
29	7015013	1	Baffle, Rubber	
29	7015014	1	Clamp, Cap	
29	7015015	1	Cup	
29	7015003	1	Wingnut	
30	1671023	1	Shroud, Fan	
31	1703162	2	Decal - Fan Blade	
32	2060025	1	Fan	
33	2220451	1	Fitting, Straight	
34	2220498	1	Fitting, Elbow	
35	2720058	34 ft/ 10.3m	Hose	
36	2580062	1	Heater, Engine Block	
37	2720500	1	Hose, Oil Cooler (Top)	
38	2720501	1	Hose, Oil Cooler (Bottom)	
39	2750532	0.75 ft /0.2m	Hose	
40	2902065	1	Pump Coupling Kit (See Separate Breakdown in this Section))	

SECTION 3 - ENGINE

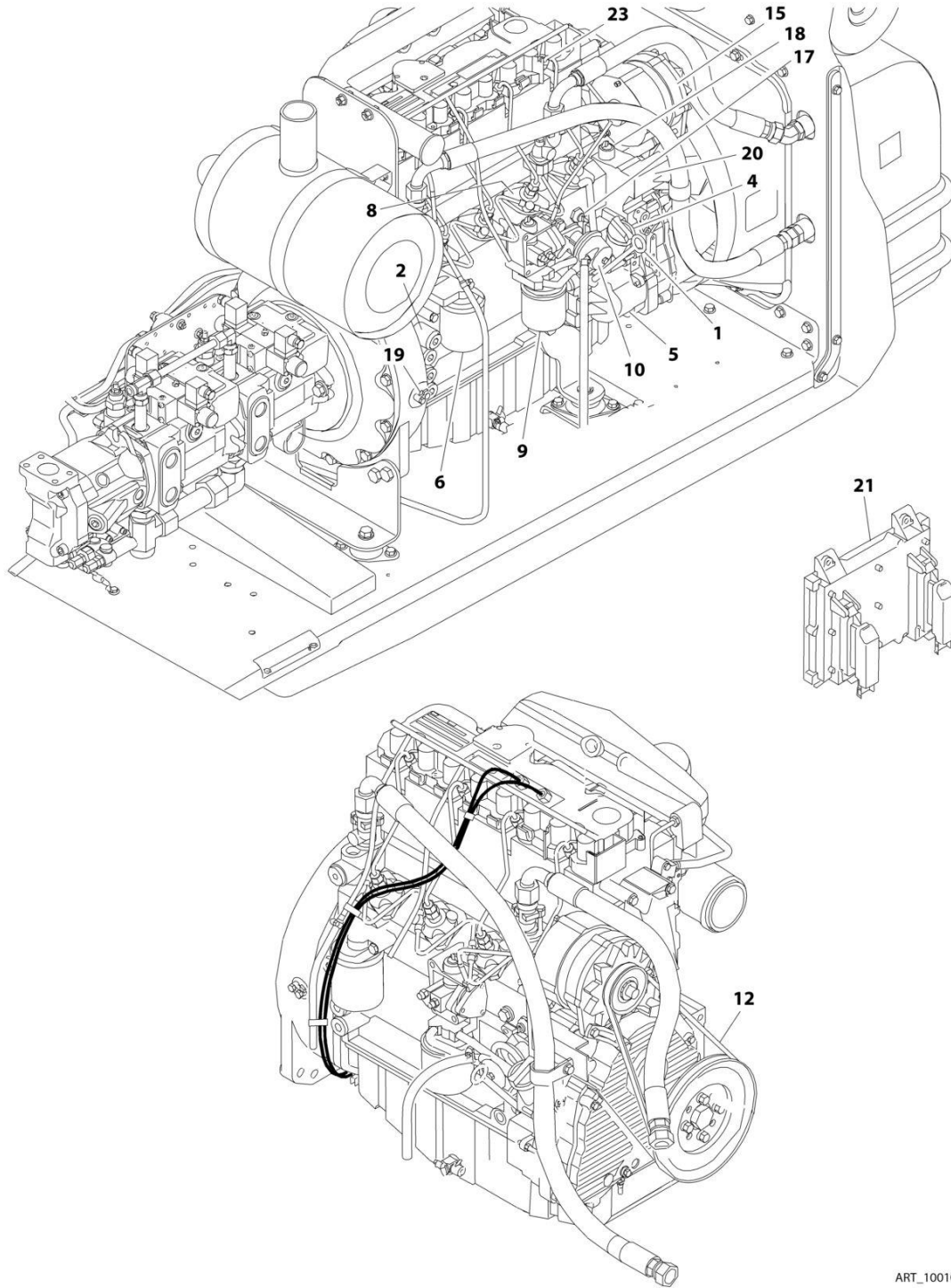
ITEM	PART NUMBER	QTY	DESCRIPTION	REV
42	3200362	2	Mount, Motor (Front)	
43	3200401	2	Mount, Motor (Rear)	
44	1001257277	1	Muffler	
45	3300454	10	Nut	
46	3311405	5	Nut 1/4	
47	3311505	5	Nut 5/16	
48	3311605	30	Nut 3/8	
49	3311805	5	Nut 1/2	
50	3422532	1	Pin, Hitch	
51	3520054	2	Plug	
52	3537416	1	Plate, Mounting (Front Right)	
53	3539971	1	Bracket, Engine Mounting (Front)	
54	3573142	1	Bracket, Engine Mounting (Rear)	
55	3573411	2	Plate, Clamp	
56	3573412	1	Gusset	
57	3573529	1	Plate, Mounting (Front Left)	
58	3580320	1	Pulley	
60	1001145382	1	Cooler, Engine Oil	
61	3740067	2	Relay, Start	
62	3740080	2	Relay	
63	3960543	1	Seal	
64	3960544	1	Seal	
65	4032022	4	Capscrew M10 x 90	
66	4060804	0.98 ft /0.3m	Flex-Trim	
67	4060805	0.67 ft /0.2m	Flex-Trim	
68	4240099	AR	Tie, Wire (Not Shown)	
69	4460234	3	Mount, Wire Tie	
70	4568293	1	Pipe, Exhaust	
71	4640751	1	Valve, Oil Drain	
72	4711500	13	Washer 5/16	
73	4711600	68	Washer 3/8	
74	4711800	7	Washer 1/2	
75	4740274	4	Washer, Snubbing	
76	4740518	10	Washer, Nylon	
77	4751400	20	Washer 1/4	
78	4791400	4	Washer 1/4	
79	4846552	1	Plate, Oil Cooler Mounting	
80	4846945	1	Mount, Generator	
81	4846946	1	Tray	
82	4891800	4	Washer 1/2	
83	4923468	1	Harness, Glow Plugs	
84	1001225118	1	Hose, Air Intake	
85	1001098601	1	Engine, Deutz TD2011 Components (See Separate Breakdown in this Section)	
86	8410013	1	Clamp, Gear	
87	0761215	2	Bolt M12 x 35	
88	1001112927	1	Pump Assembly - Sauer Gear (See Separate Breakdown in this Section)	
89	4891600	2	Washer 3/8	

SECTION 3 - ENGINE

ITEM	PART NUMBER	QTY	DESCRIPTION	REV
90	1001108616	1	Pump Assembly - Sauer Tandem (See Separate Breakdown in this Section)	
91	1001171095	1	Pump Assembly - Sauer Piston (See Separate Breakdown in this Section)	
92	3790152	1	O-Ring	
93	3790155	1	O-Ring	

SECTION 3 - ENGINE

FIGURE 3-13. DEUTZ TD2011 ENGINE COMPONENTS



ART_1001098601

SECTION 3 - ENGINE

FIGURE 3-13. DEUTZ TD2011 ENGINE COMPONENTS

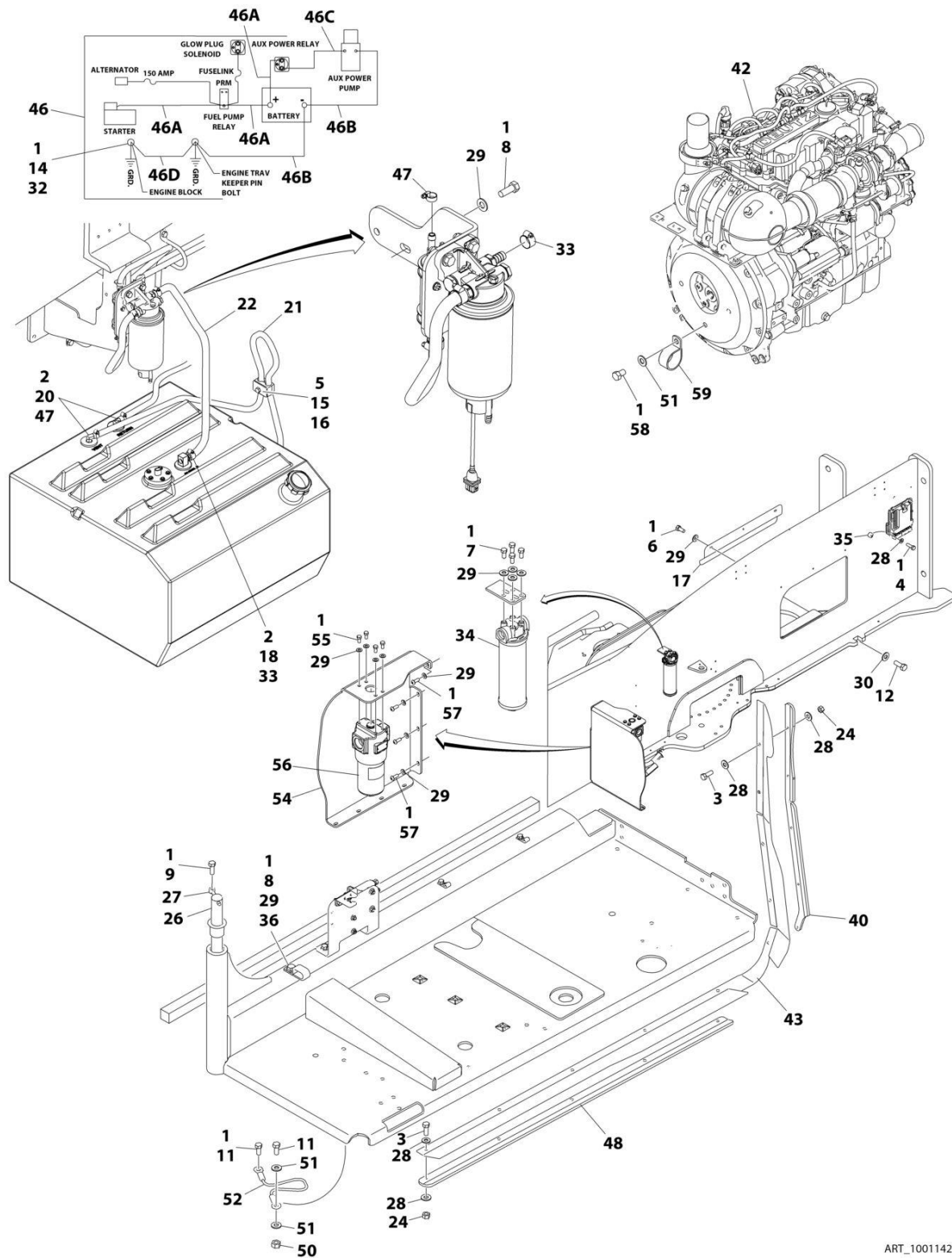
ITEM	PART NUMBER	QTY	DESCRIPTION	REV
	1001098601	Ref	DEUTZ TD2011 ENGINE COMPONENTS	C
1	7027235	1	Dipstick	
1	70000044	1	O-Ring	
2	70003475	1	Thermostat	
2	7020460	1	Compression Spring	
3	70001870	1	Flywheel (Not Shown)	
3	7024579	1	Gear, Ring (Not Shown)	
4	7020465	1	Cap, Filler	
5	70001850	1	Pump, Oil	
5	7020468	1	Seal Between Oil Pump and Engine Block (Not Shown)	
6	7016331	1	Filter, Oil	
6	7027236	1	Sender, Temperature (Located near Oil Filter)	
8		Ref	Injector Pump	
8	70001128	AR	"A" Series	
8	70001129	AR	"B" Series	
8	70001130	AR	"C" Series	
8	70001131	AR	"D" Series	
8	7020447	AR	Gasket (1 per Injector)	
9	7016328	1	Filter, Fuel	
10	70000916	1	Pump Fuel Supply	
10	70001435	1	Repair Kit	
10	70000917	1	O-Seal Between Fuel Pump and Engine Block (Not Shown)	
10	70000918	1	Sealing Ring (Not Shown)	
10	70000919	1	Pump, Hand (Not Shown)	
11	7027239	1	Solenoid, Start (Not Shown - Located near Throttle)	
12	7020414	1	V-Belt	
13	7020471	4	Gasket, Exhaust Manifold to Engine Block (Not Shown)	
13	7020486	1	Gasket, Exhaust Manifold to Exhaust Pipe (Not Shown)	
14	7027240	1	Turbocharger (Not Shown)	
14	70001857	1	Flange, Turbocharger (Not Shown)	
14	70001135	1	Gasket (Not Shown)	
15	70001867	1	Alternator	
15	70001868	1	Regulator, Voltage (Not Shown)	
16	7020479	1	Starter (Not Shown - Located on Right Side of Engine)	
16	7026608	1	Relay, Start (Not Shown)	
17	7027790	1	Sensor, Oil Pressure	
18	7027791	1	Sensor, Temperature (Not Shown)	
19	7024565	1	Sensor, Speed	
20	7027792	1	Actuator Throttle	
20	7027276	2	Spring	
21	1600443	1	Module, EMR2 Controller	
22	70002718	1	Seal, Rear Main (Not Shown)	
23	70003135	4	Injector, Fuel	
23	70003136	1	Ring, Sealing	
24	70001847	1	Valve, Breather (Located - Front Cover) (Not Shown)	
24	70001126	1	O-Ring (Not Shown)	
25	70001125	1	Cap, Breather (Located In Cylinder Head Cover) (Not Shown)	
25	70001126	1	O-Ring (Not Shown)	
26	70001871	4	Gasket, Air Intake Manifold (Not Shown)	
27	70000345	4	Plug, Glow (Not Shown)	

SECTION 3 - ENGINE

ITEM	PART NUMBER	QTY	DESCRIPTION	REV
28	70007353	1	Gasket Kit (Not Shown)	

SECTION 3 - ENGINE

FIGURE 3-14. DEUTZ TCD2.9L4 ENGINE INSTALLATION - WITH REXROTH PUMP (WITHOUT COLD WEATHER PLUS PACKAGE)



ART_1001142375

SECTION 3 - ENGINE

FIGURE 3-14. DEUTZ TCD2.9L4 ENGINE INSTALLATION - WITH REXROTH PUMP (WITHOUT COLD WEATHER PLUS PACKAGE)

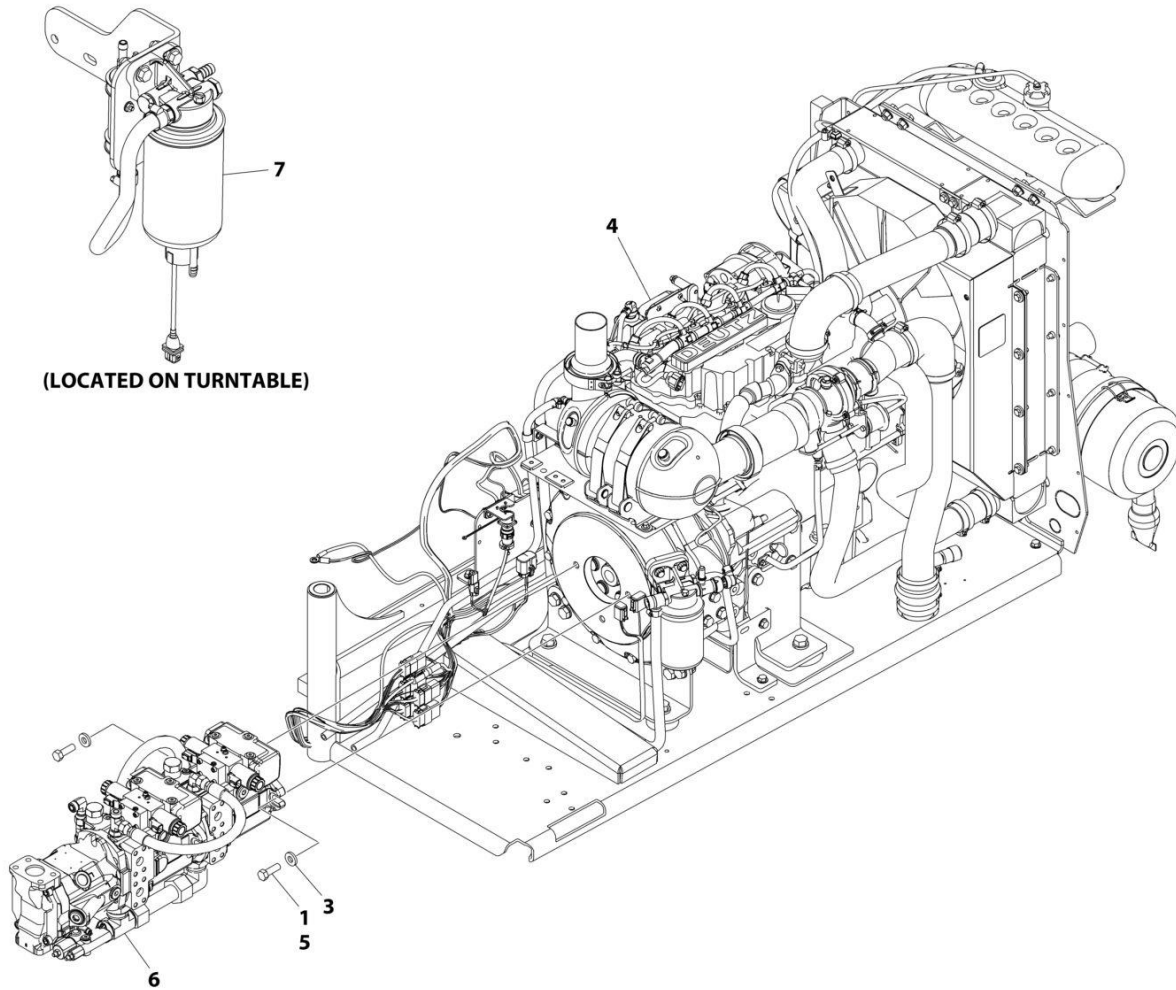
ITEM	PART NUMBER	QTY	DESCRIPTION	REV
	1001142375	Ref	DEUTZ TCD2.9L4 ENGINE INSTALLATION - WITH REXROTH PUMP (WITHOUT COLD WEATHER PLUS PACKAGE)	K
1	0100011	AR	Compound, Locking	
2	0100079	AR	Sealant, Pipe	
3	0641408	10	Bolt 1/4 x 1	
4	0641410	4	Bolt 1/4 x 1-1/4	
5	0641511	1	Bolt 5/16 x 1-3/8	
6	0641605	3	Bolt 3/8 x 5/8	
7	0641606	4	Bolt 3/8 x 3/4	
8	0641608	3	Bolt 3/8 x 1	
9	0641610	1	Bolt 3/8 x 1-1/4	
11	0641808	2	Bolt 1/2 x 1	
12	0642010	1	Bolt 5/8 x 1-1/4	
14	0761210	1	Bolt M12 x 20	
15	1320187	1	Clamp	
16	1320190	1	Cover, Clamp	
17	1671121	1	Cover	
18	2180832	1	Fitting, Barbed	
20	2220313	2	Fitting, 90 Barbed	
21	2750532	5 ft/ 1.5m	Hose	
22	1001154405	1.9 ft/ 0.6m	Hose	
24	3311405	10	Nut 1/4	
26	3422446	1	Pin, Pivot	
27	3841143	1	Pin, Keeper	
28	4711400	24	Washer 1/4	
29	4711600	19	Washer 3/8	
30	4752000	1	Washer 5/8	
32	4812100	1	Washer M12	
33	8405006	2	Clamp	
34	1001108617	1	Hydraulic Pressure Filter Assembly	
34	70002231	1	Element, Filter	
35	1001110425	4	Spacer	
36	1001116792	1	Clamp	
38	1001138491	NLA	Harness, Fuel (Use p/n 1001222665) (Not Shown - See Separate Breakdown in ELECTRICAL SECTION)	
40	1001145089	1	Clamp	
42	1001141812	1	Engine Sub-Assembly (See Separate Breakdown in this Section)	
43	1001145560	1	Panel, Rubber	
46	1001142610	1	Battery Cable Kit	
46A	7027046	1	Cable, Battery (Red) (Battery + to Relays and Starter)	
46A	See Note	NSS	Boot, Ring Terminal (Red) (Note: Not Available - Purchase Locally)	
46B	7027047	1	Cable, Battery (Black) (Battery - to Tray Pivot Grd) and Aux Pump	
46B	See Note	NSS	Boot, Ring Terminal (Black) (Note: Not Available - Purchase Locally)	
46C	7027048	1	Cable (Red) (Aux Relay to Aux Pump)	
46C	See Note	NSS	Boot, Ring Terminal (Red) (Note: Not Available - Purchase Locally)	

SECTION 3 - ENGINE

ITEM	PART NUMBER	QTY	DESCRIPTION	REV
46D	7027049	1	Cable, Battery (Black) (Engine to Tray Pivot Grd)	
47	1320022	3	Clamp	
48	1001145842	1	Plate, Clamping	
50	3311805	1	Nut 1/2	
51	4711800	3	Washer 1/2	
52	1001131542	1	Lanyard	
54	3380723	1	Panel, Noise Reduction	
55	0651606	4	Bolt 3/8 x 3/4	
56	2120218	1	Filter, High Pressure	
56	2120219	1	Element, Filter	
56	70001344	1	O-Ring, Bowl	
56	70006137	1	Seal Kit - Includes O-Ring (Element), O-Ring (Bowl), Back-up Ring (Bowl), Seal Ring (Indicator) and O-Ring (Indicator)	
57	3900316	5	Screw 3/8 x 1	
58	0641806	1	Bolt 1/2 x 3/4	
59	90028660	1	Clamp	

SECTION 3 - ENGINE

FIGURE 3-15. DEUTZ TCD2.9L4 ENGINE SUB-ASSEMBLY - WITH REXROTH PUMP (WITHOUT COLD WEATHER PLUS PACKAGE)



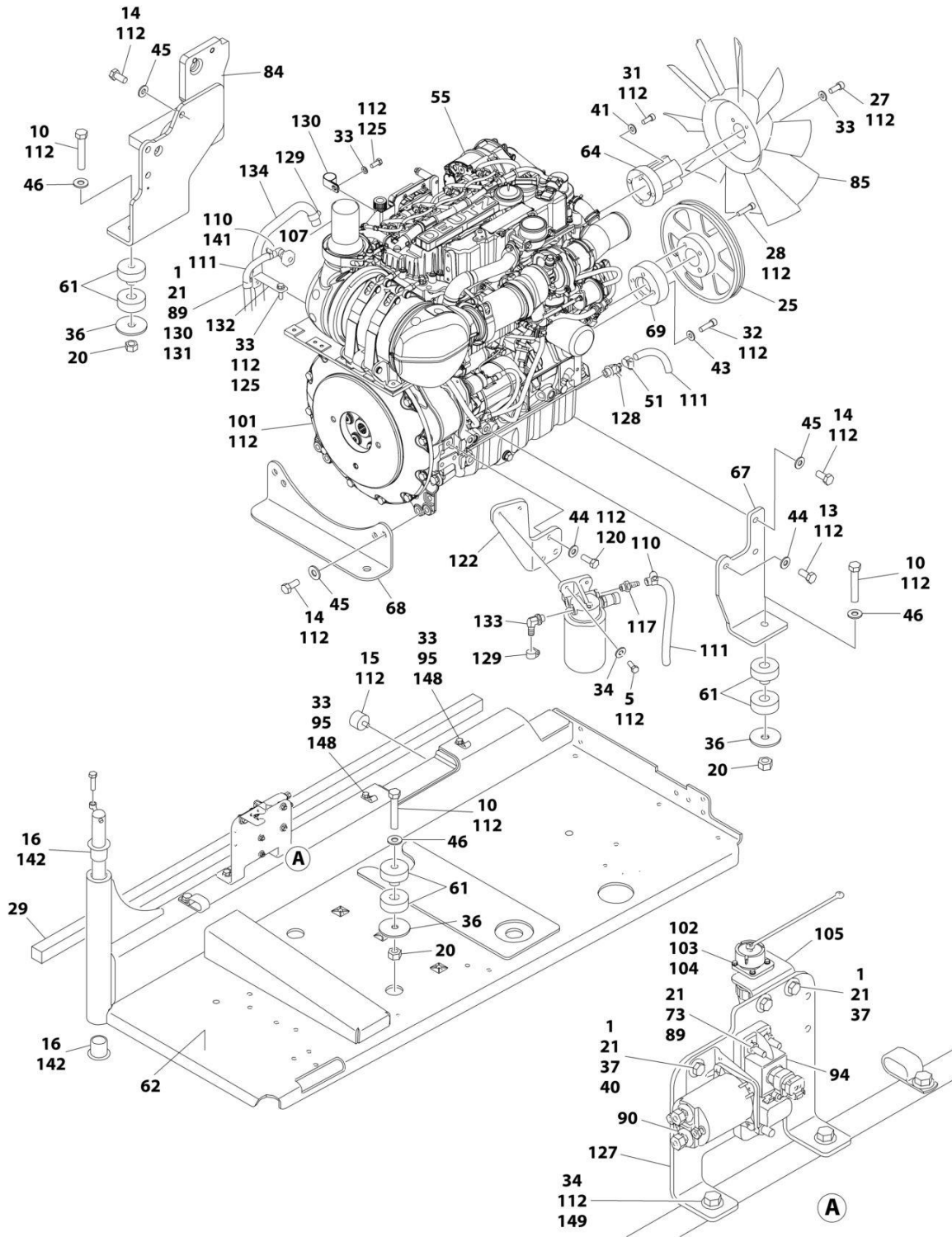
ART_1001141812

SECTION 3 - ENGINE

FIGURE 3-15. DEUTZ TCD2.9L4 ENGINE SUB-ASSEMBLY - WITH REXROTH PUMP (WITHOUT COLD WEATHER PLUS PACKAGE)

ITEM	PART NUMBER	QTY	DESCRIPTION	REV
	1001141812	Ref	DEUTZ TCD2.9L4 ENGINE SUB-ASSEMBLY	AO
1	0641812	2	Bolt 1/2 x 1-1/2	
1	0641814	2	Bolt 1/2 x 1-3/4	
3	4891800	2	Washer 1/2	
4	1001134392	1	Engine Assembly (See Separate Breakdown in this Section)	
5	0100011	AR	Compound, Locking	
6	1001152963	1	Pump Assembly - Rexroth (See Separate Breakdown in this Section)	
7	1001165101	1	Bracket, Fuel Pump Filter Assembly (See Separate Breakdown in this Section)	

SECTION 3 - ENGINE



ART_1001134392_AU_20F2

SECTION 3 - ENGINE

FIGURE 3-16. DEUTZ TCD2.9L4 ENGINE ASSEMBLY - WITH REXROTH PUMP (WITHOUT COLD WEATHER PLUS PACKAGE)

ITEM	PART NUMBER	QTY	DESCRIPTION	REV
	1001134392	Ref	DEUTZ TCD2.9L4 ENGINE ASSEMBLY	AU
1	0641406	5	Bolt 1/4 x 3/4	
3	0641508	8	Bolt 5/16 x 1	
4	0641606	2	Bolt 3/8 x 3/4	
5	0641608	9	Bolt 3/8 x 1	
6	0641610	2	Bolt 3/8 x 1-1/4	
7	0641708	6	Bolt 7/16 x 1	
8	0700815	2	Bolt M8 x 35	
10	0682028	4	Bolt 5/8 x 3-1/2 Grade 8	
12	1001140564	1	Fitting, 90 Barbed	
13	0771212	1	Bolt M12 x 25 Grade 10.9	
14	0771414	9	Bolt M14 x 30 Grade 10.9	
15	0940070	1	Bumper	
16	0961986	2	Bushing, Flanged	
17	0641706	2	Bolt 7/16 x 3/4	
18	1001134488	1	Fitting, 90 Barbed	
19	3290801	3	Nut M8	
20	3272001	4	Nut 5/8 Grade 8	
21	3311405	6	Nut 1/4	
23	3311605	9	Nut 3/8	
24	3311705	5	Nut 7/16	
25	3580320	1	Pulley	
26	1001141719	1	Fitting, 90 Barbed	
27	3931512	4	Capscrew 5/16 x 3/4	
28	3931628	4	Capscrew 3/8 x 1-3/4	
29	3960543	1	Seal	
30	3960544	1	Seal	
31	4031914	4	Bolt M8 x 50	
32	4032014	4	Bolt M10 x 50	
33	4711500	19	Washer 5/16	
34	4711600	24	Washer 3/8	
35	4711700	10	Washer 7/16	
36	1001146219	4	Washer Special	
37	4751400	8	Washer 1/4	
38	8406302	2	Clamp	
39	4751700	2	Washer 7/16	
40	4791400	2	Starwasher 1/4	
41	4811900	5	Washer M8	
42	4811902	2	Washer M8	
43	4812000	4	Washer M10	
44	4812100	4	Washer M12	
45	4812200	9	Washer M14	
46	4892000	4	Washer 5/8	
47	4831900	2	Washer M8	
48	8405201	8	Clamp	
49	8405204	5	Clamp	
51	8410013	5	Clamp	
52	91563070	1	Coupling, Rubber	

SECTION 3 - ENGINE

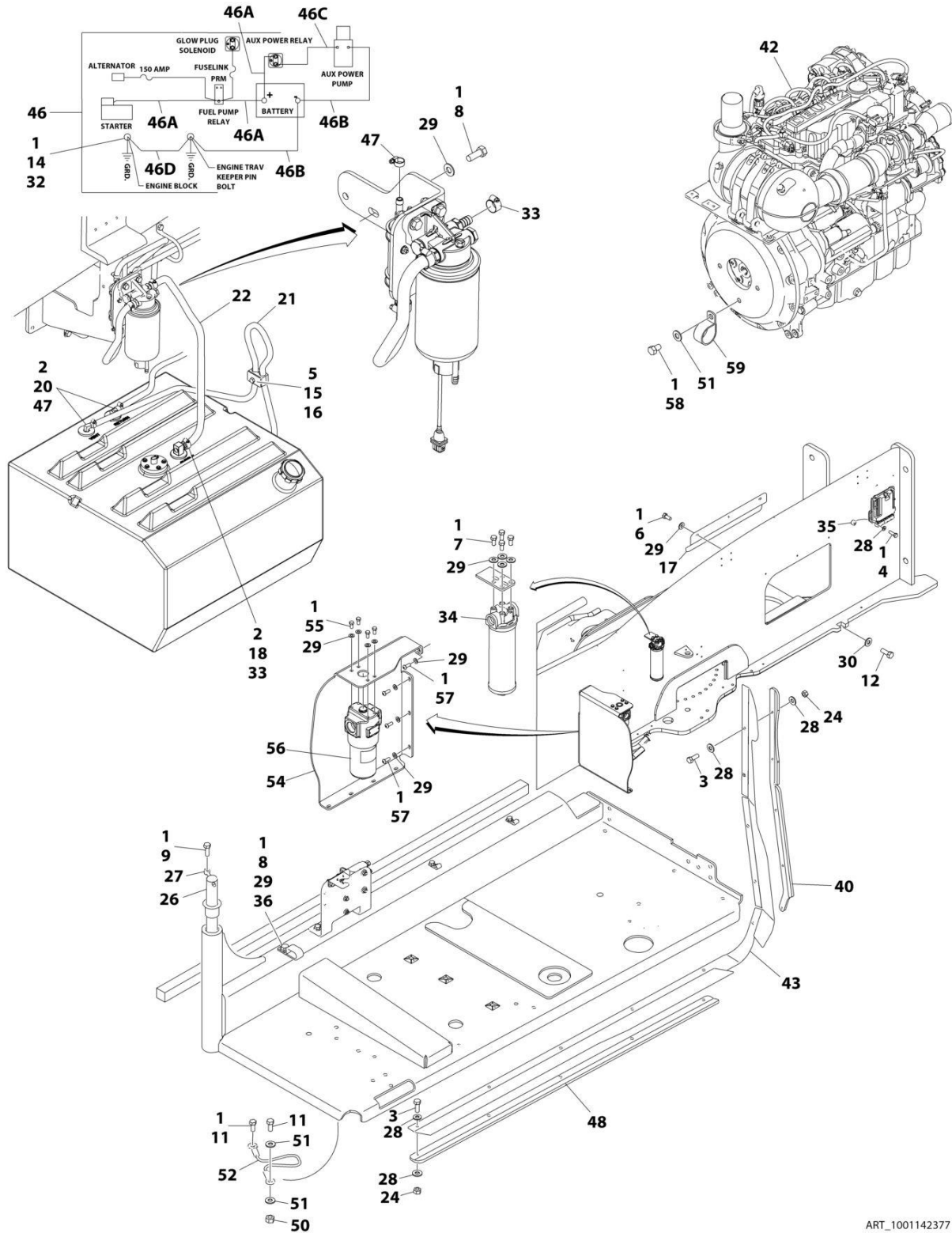
ITEM	PART NUMBER	QTY	DESCRIPTION	REV
55	1001249964	1	Engine, Deutz TCD2.9L4 (See Separate Breakdown in this Section)	
58	1001133633	1	Air Cleaner Assembly	
58	70024190	1	Element, Air Filter	
59	1001133634	1	Clamp	
60	1001166393	1	Tank, Surge	
61	1001155575	4	Mount, Motor	
62	1001191272	1	Tray	
63	1001256864	1	Radiator	
64	1001135138	1	Spacer, Fan	
67	1001135560	1	Support, Engine	
68	1001135562	1	Support, Engine - Rear	
69	1001135679	1	Spacer, Pulley	
70	1001135680	1	Support, Radiator	
71	1001135901	1	Pipe, Air Intake	
72	1001264917	1	Pipe, Air Intake	
73	3931432	1	Capscrew 1/4 x 2	
74	1001264982	1	Pipe, Air Cleaner to Intake	
75	1001135924	1	Hose, Radiator (Upper)	
76	1001135926	1	Hose, Radiator (Lower)	
78	1001135943	1	Coupling, Rubber	
81	1001136626	2	Bracket	
82	1001136665	1	Bracket	
83	1001136834	1	Cap, Tank	
84	1001283008	1	Support, Engine	
85	1001137276	1	Fan	
87	8405007	2	Clamp	
89	4711400	3	Washer 1/4	
90	1001117308	1	Relay	
92	1001135913	1	Pipe, Turbo to Air Cleaner	
93	1001138827	1	Sensor, Coolant Level	
94	1001138228	1	Module, Power	
94	70023592	1	Fuse 20Amp (Switched Output)	
94	70023593	1	Fuse 30Amp (Battery Output)	
95	1001138253	5	Clamp	
96	1001138346	1	Harness, Engine (Not Shown - See Separate Breakdown in ELECTRICAL Section)	
97	1001138524	1	Hose	
98	1001138559	1	Fitting, 90	
99	2720015	4.5 ft/ 1.4m	Hose	
101	2902065	1	Pump Coupling Kit (See Separate Breakdown in this Section)	
102	3310401	3	Nut #4	
103	3910408	3	Screw #4 x 1/2	
104	4710400	3	Washer #4	
105	1001139240	1	Bracket	
106	1001138248	4 ft/ 1.2m	Tubing	
107	1001153024	1	Pipe, Exhaust	
110	1320022	2	Clamp	
111	1001165035	30.5 ft/ 9.3m	Hose	
112	0100011	AR	Compound, Locking	

SECTION 3 - ENGINE

ITEM	PART NUMBER	QTY	DESCRIPTION	REV
113	0100020	AR	Sealant	
114	1001141304	1	Wire, Glow Plug (Not Shown)	
115	1001135779	1	Cable, Alternator Positive (Not Shown)	
117	1001141717	1	Fitting, Straight	
120	0761214	3	Bolt M12 x 30	
122	1001142685	1	Bracket	
123	1001165820	1	Pipe, Elbow	
124	1001143390	1	Indicator, Air Filter Service	
125	0760810	2	Bolt M8 x 20	
126	1001144089	1	Grommet	
127	1001145154	1	Plate, Mounting	
128	4640751	1	Valve, Oil Drain	
129	8405006	2	Clamp	
130	8406102	AR	Clip	
131	8406112	1	Clip	
132	1001138717	1	Bracket	
133	1001142501	1	Fitting, 90 Barbed	
134	1001154405	5 ft/ 1.5m	Hose	
135	1001148843	1	Harness, Fuel Filter (Not Shown - See Separate Breakdown in ELECTRICAL Section)	
137	1703162	2	Decal - Fan	
138	0641503	1	Bolt 5/16 x 3/8	
139	1001153387	1	Plate	
140	3931508	2	Capscrew 5/16 x 1/2	
141	1001155823	1	Coupling	
142	0100062	AR	Adhesive, Loctite #680	
143	4240099	AR	Tie-Strap (Not Shown)	
144	8410011	1	Clamp	
145	0700812	1	Bolt M8 x 25	
146	1321289	1	Clamp	
147	3290806	1	Nut M8	
148	0641510	2	Bolt 5/16 x 1-1/4	
149	0641612	2	Bolt 3/8 x 1-1/2	

SECTION 3 - ENGINE

FIGURE 3-17. DEUTZ TCD2.9L4 ENGINE INSTALLATION - WITH REXROTH PUMP (WITH COLD WEATHER PLUS PACKAGE)



ART_1001142377

SECTION 3 - ENGINE

FIGURE 3-17. DEUTZ TCD2.9L4 ENGINE INSTALLATION - WITH REXROTH PUMP (WITH COLD WEATHER PLUS PACKAGE)

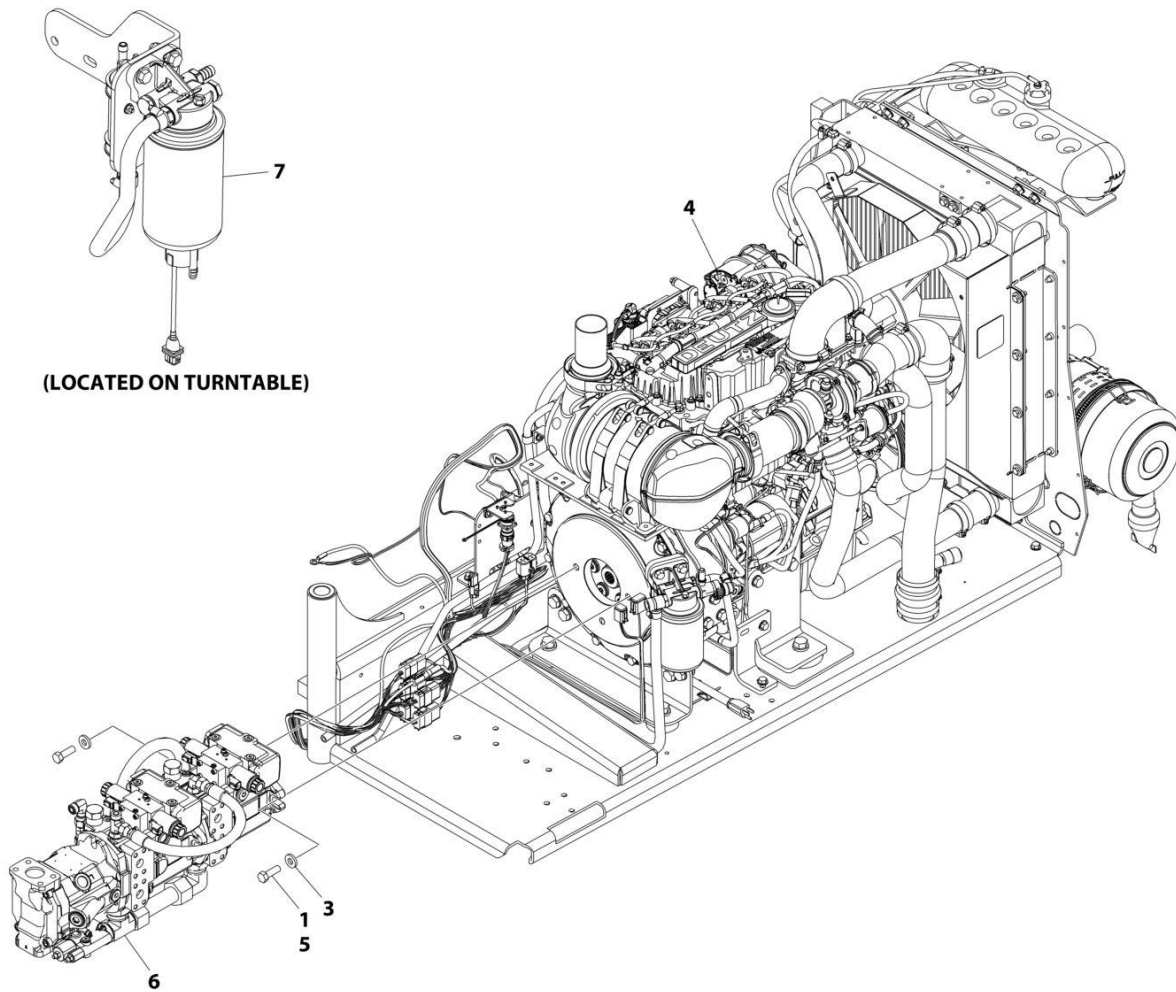
ITEM	PART NUMBER	QTY	DESCRIPTION	REV
	1001142377	Ref	DEUTZ TCD2.9L4 ENGINE INSTALLATION - WITH REXROTH PUMP (WITH COLD WEATHER PLUS PACKAGE)	M
1	0100011	AR	Compound, Locking	
2	0100079	AR	Sealant, Pipe	
3	0641408	10	Bolt 1/4 x 1	
4	0641410	4	Bolt 1/4 x 1-1/4	
5	0641511	1	Bolt 5/16 x 1-3/8	
6	0641605	3	Bolt 3/8 x 5/8	
7	0641606	4	Bolt 3/8 x 3/4	
8	0641608	3	Bolt 3/8 x 1	
9	0641610	1	Bolt 3/8 x 1-1/4	
11	0641808	AR	Bolt 1/2 x 1	
12	0642010	1	Bolt 5/8 x 1-1/4	
14	0761210	1	Bolt M12 x 20	
15	1320187	1	Clamp	
16	1320190	1	Cover, Clamp	
17	1671121	1	Cover	
18	2180832	1	Fitting, Barbed	
20	2220313	2	Fitting, 90 Barbed	
21	2750532	5 ft/ 1.5m	Hose	
22	1001154405	1.9 ft /0.6m	Hose	
24	3311405	10	Nut 1/4	
26	3422446	1	Pin, Pivot	
27	3841143	1	Pin, Keeper	
28	4711400	24	Washer 1/4	
29	4711600	19	Washer 3/8	
30	4752000	1	Washer 5/8	
32	4812100	1	Washer M12	
33	8405006	2	Clamp	
34	1001108617	1	Hydraulic Pressure Filter Assembly	
34	70002231	1	Element, Filter	
35	1001110425	4	Spacer	
36	1001116792	1	Clamp	
38	1001138491	NLA	Harness, Fuel (Use p/n 1001222665) (Not Shown - See Separate Breakdown in ELECTRICAL SECTION)	
40	1001145089	1	Clamp	
42	1001141813	1	Engine Sub-Assembly (See Separate Breakdown in this Section)	
43	1001145560	1	Panel, Rubber	
46	1001142610	1	Battery Cable Kit	C
46A	7027046	1	Cable, Battery (Red) (Battery + to Relays and Starter)	
46A	See Note	NSS	Boot, Ring Terminal (Red) (Note: Not Available - Purchase Locally)	
46B	7027047	1	Cable, Battery (Black) (Battery - to Tray Pivot Grd) and Aux Pump	
46B	See Note	NSS	Boot, Ring Terminal (Black) (Note: Not Available - Purchase Locally)	
46C	7027048	1	Cable (Red) (Aux Relay to Aux Pump)	
46C	See Note	NSS	Boot, Ring Terminal (Red) (Note: Not Available - Purchase Locally)	

SECTION 3 - ENGINE

ITEM	PART NUMBER	QTY	DESCRIPTION	REV
46D	7027049	1	Cable, Battery (Black) (Engine to Tray Pivot Grd)	
47	1320022	3	Clamp	
48	1001145842	1	Plate, Clamping	
50	3311805	1	Nut 1/2	
51	4711800	3	Washer 1/2	
52	1001131542	1	Lanyard	
54	3380723	1	Panel, Noise Reduction	
55	0651606	4	Bolt 3/8 x 3/4	
56	2120218	1	Filter, High Pressure	
56	2120219	1	Element, Filter	
56	70001344	1	O-Ring, Bowl	
56	70006137	1	Seal Kit - Includes O-Ring (Element), O-Ring (Bowl), Back-up Ring (Bowl), Seal Ring (Indicator) and O-Ring (Indicator)	
57	3900316	5	Screw 3/8 x 1	
58	0641806	1	Bolt 1/2 x 3/4	
59	90028660	1	Clamp	

SECTION 3 - ENGINE

FIGURE 3-18. DEUTZ TCD2.9L4 ENGINE SUB-ASSEMBLY - WITH REXROTH PUMP (WITH COLD WEATHER PLUS PACKAGE)



ART_1001141813

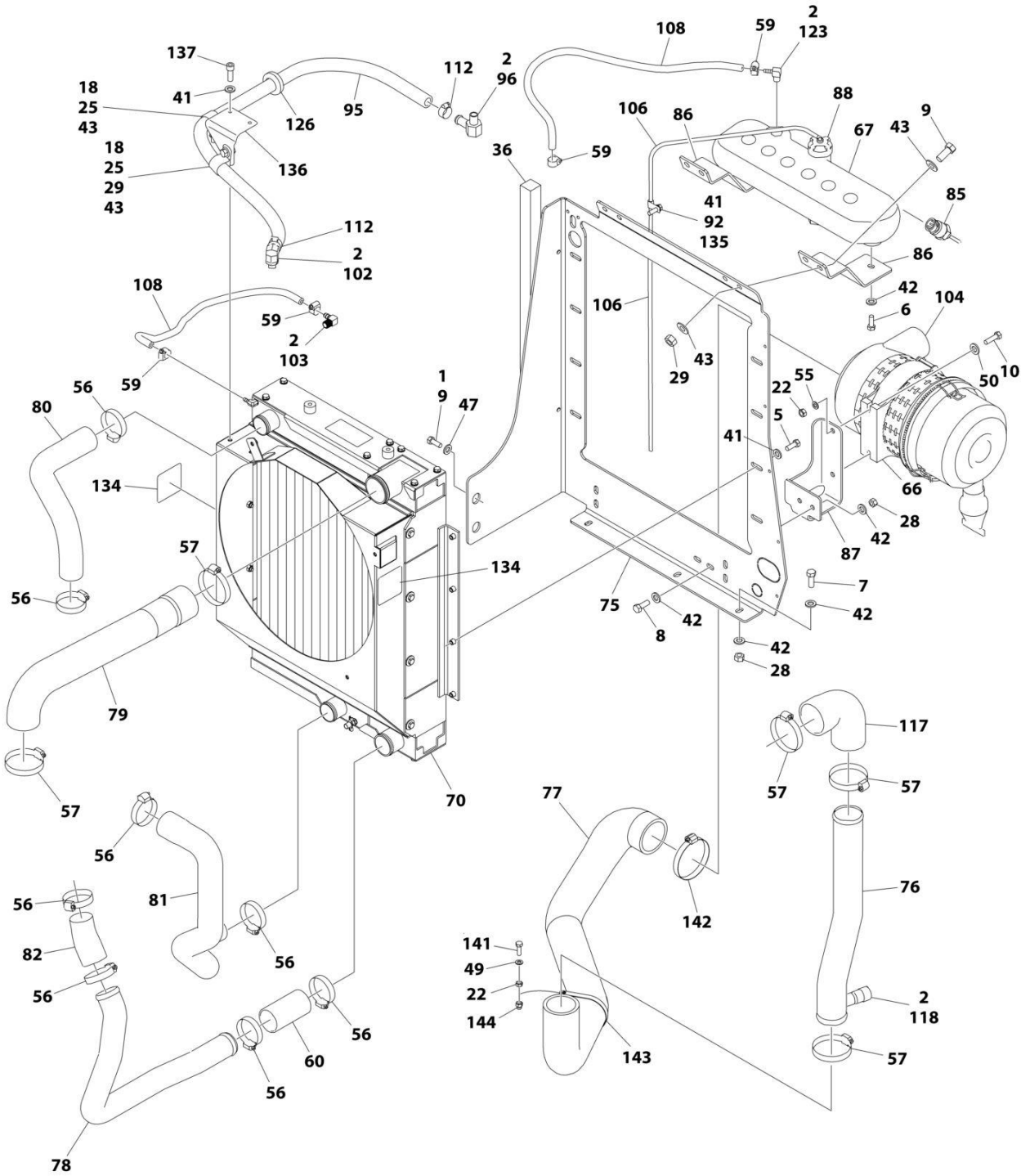
SECTION 3 - ENGINE

FIGURE 3-18. DEUTZ TCD2.9L4 ENGINE SUB-ASSEMBLY - WITH REXROTH PUMP (WITH COLD WEATHER PLUS PACKAGE)

ITEM	PART NUMBER	QTY	DESCRIPTION	REV
	1001141813	Ref	DEUTZ TCD2.9L4 ENGINE SUB-ASSEMBLY	AP
1	0641812	2	Bolt 1/2 x 1-1/2	
1	0641814	2	Bolt 1/2 x 1-1/2	
3	4740171	2	Washer 1/2	
4	1001141746	1	Engine Assembly (See Separate Breakdown in this Section)	
5	0100011	AR	Compound, Locking	
6	1001152963	1	Pump Assembly - Rexroth (See Separate Breakdown in this Section)	
7	1001165101	1	Bracket, Fuel Pump Filter Assembly (See Separate Breakdown in this Section)	

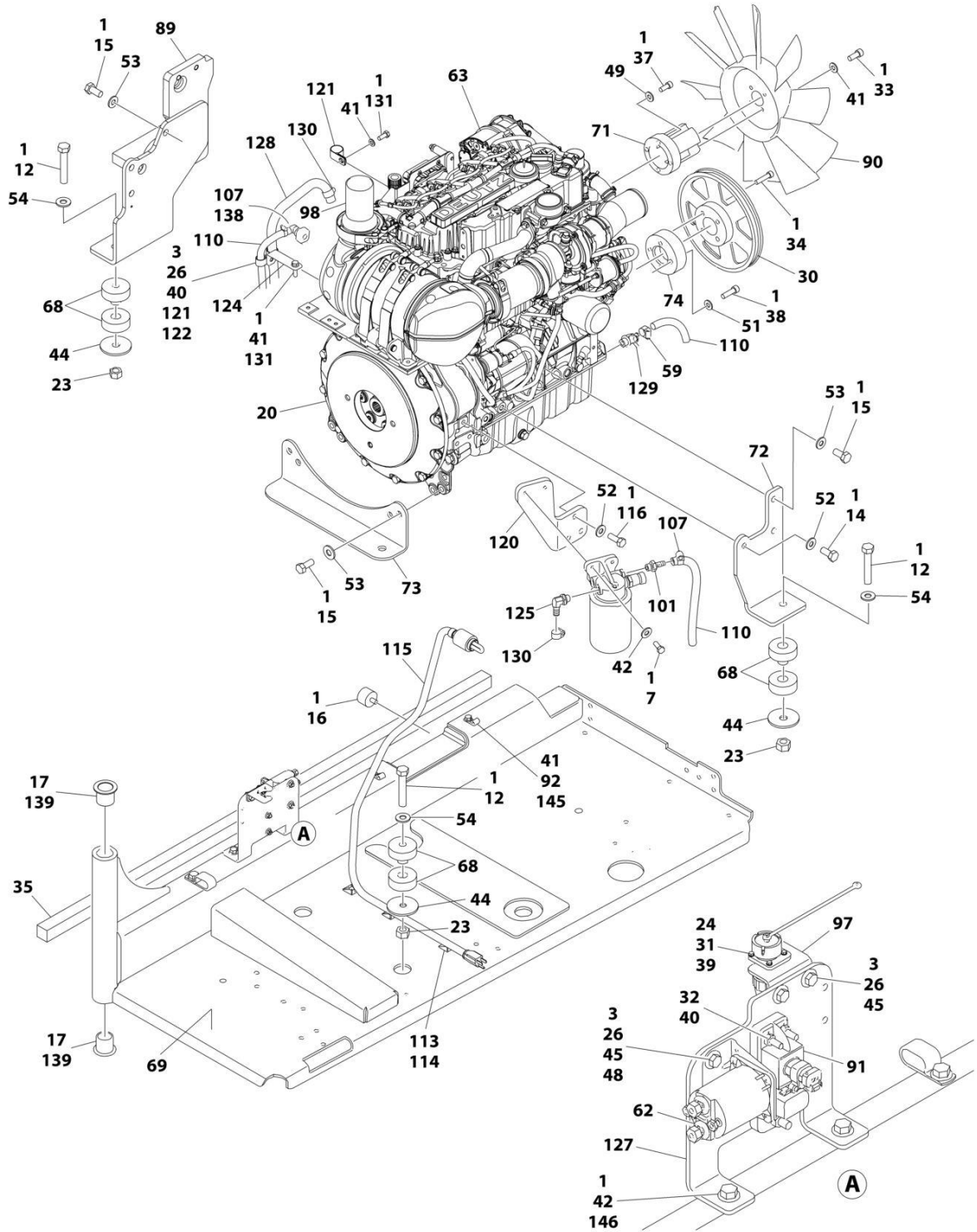
SECTION 3 - ENGINE

FIGURE 3-19. DEUTZ TCD2.9L4 ENGINE ASSEMBLY - WITH REXROTH PUMP (WITH COLD WEATHER PLUS PACKAGE)



ART_1001141746_AS_10F2

SECTION 3 - ENGINE



ART_1001141746_AS_20F2

SECTION 3 - ENGINE

FIGURE 3-19. DEUTZ TCD2.9L4 ENGINE ASSEMBLY - WITH REXROTH PUMP (WITH COLD WEATHER PLUS PACKAGE)

ITEM	PART NUMBER	QTY	DESCRIPTION	REV
	1001141746	Ref	DEUTZ TCD2.9L4 ENGINE ASSEMBLY	AS
1	0100011	AR	Compound, Locking	
2	0100020	AR	Sealant	
3	0641406	5	Bolt 1/4 x 3/4	
5	0641508	8	Bolt 5/16 x 1	
6	0641606	2	Bolt 3/8 x 3/4	
7	0641608	9	Bolt 3/8 x 1	
8	0641610	2	Bolt 3/8 x 1-1/4	
9	0641708	6	Bolt 7/16 x 1	
10	0700815	2	Bolt M8 x 35	
12	0682028	4	Bolt 5/8 x 3-1/2 Grade 8	
14	0771212	1	Bolt M12 x 25 Grade 10.9	
15	0771414	9	Bolt M14 x 30 Grade 10.9	
16	0940070	1	Bumper	
17	0961986	2	Bushing, Flanged	
18	0641706	2	Bolt 7/16 x 3/4	
20	2902065	1	Pump Coupling Kit (See Separate Breakdown in this Section)	
22	3290801	3	Nut M8	
23	3272001	4	Nut 5/8 Grade 8	
24	3310401	3	Nut #4	
25	8406302	2	Clamp	
26	3311405	6	Nut 1/4	
28	3311605	9	Nut 3/8	
29	3311705	5	Nut 7/16	
30	3580320	1	Pulley	
31	3910408	3	Screw #4 x 1/2	
32	3931432	1	Capscrew 1/4 x 2	
33	3931512	4	Capscrew 5/16 x 3/4	
34	3931628	4	Capscrew 3/8 x 1-3/4	
35	3960543	1	Seal	
36	3960544	1	Seal	
37	4031914	4	Bolt M8 x 50	
38	4032014	4	Bolt M10 x 50	
39	4710400	3	Washer #4	
40	4711400	3	Washer 1/4	
41	4711500	19	Washer 5/16	
42	4711600	24	Washer 3/8	
43	4711700	10	Washer 7/16	
44	1001146219	4	Washer Special	
45	4751400	8	Washer 1/4	
47	4751700	2	Washer 7/16	
48	4791400	2	Starwasher 1/4	
49	4811900	5	Washer M8	
50	4811902	2	Washer M8	
51	4812000	4	Washer M10	
52	4812100	4	Washer M12	
53	4812200	9	Washer M14	
54	4892000	4	Washer 5/8	
55	4831900	2	Washer M8	

SECTION 3 - ENGINE

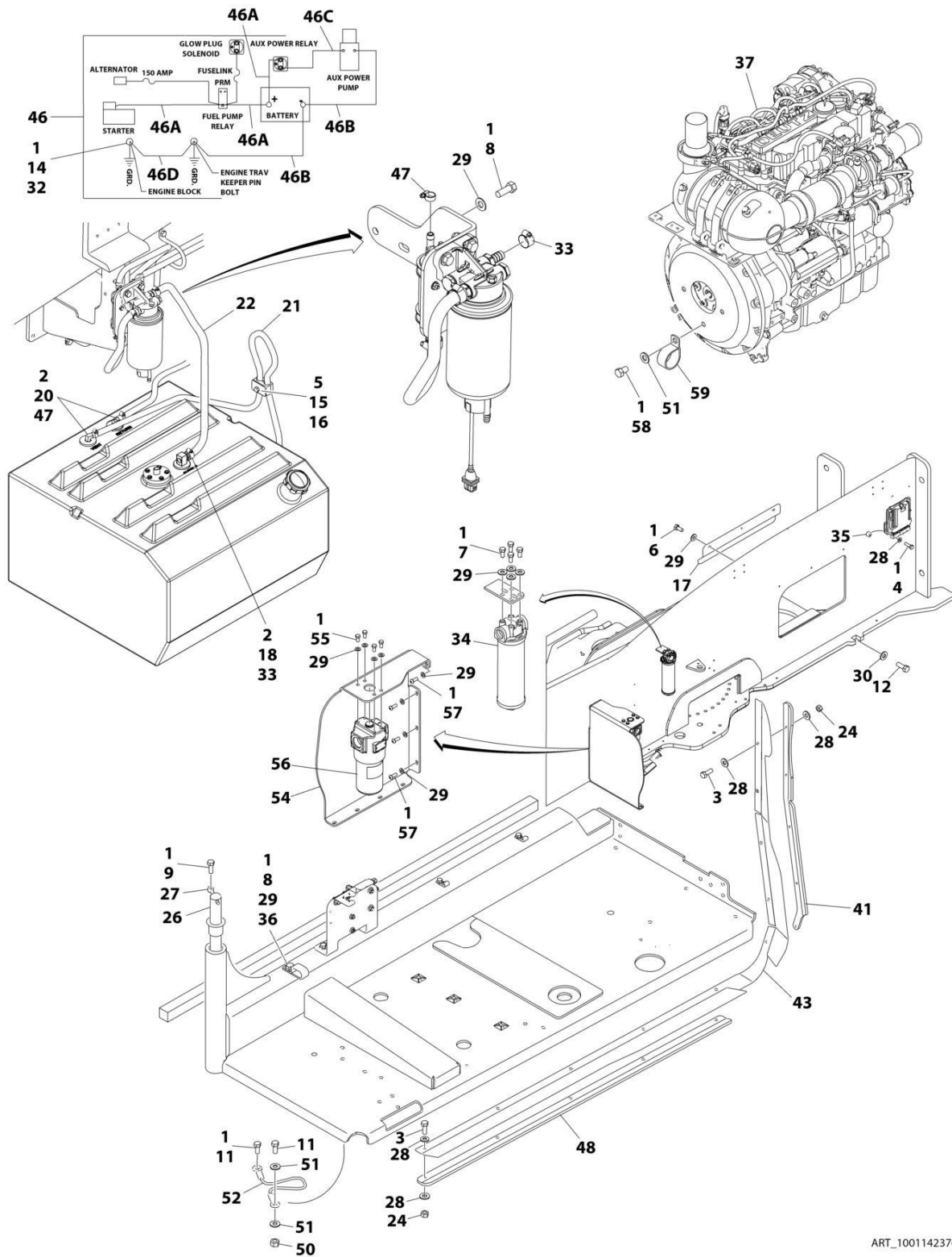
ITEM	PART NUMBER	QTY	DESCRIPTION	REV
56	8405201	8	Clamp	
57	8405204	5	Clamp	
59	8410013	5	Clamp	
60	91563070	1	Coupling, Rubber	
62	1001117308	1	Relay	
63	1001249964	1	Engine, Deutz TCD2.9L4 (See Separate Breakdown in this Section)	
66	1001133634	1	Clamp	
67	1001166393	1	Tank, Surge	
68	1001155575	4	Mount, Motor	
69	1001191272	1	Tray	
70	1001256864	1	Radiator	
71	1001135138	1	Spacer, Fan	
72	1001135560	1	Support, Engine	
73	1001135562	1	Support, Engine - Rear	
74	1001135679	1	Spacer, Pulley	
75	1001135680	1	Support, Radiator	
76	1001135901	1	Pipe, Air Intake	
77	1001264917	1	Hose, Air Intake	
78	1001135913	1	Pipe, Turbo to Air Cleaner	
79	1001264982	1	Hose, Air Cleaner to Intake	
80	1001135924	1	Hose, Radiator (Upper)	
81	1001135926	1	Hose, Radiator (Lower)	
82	1001135943	1	Coupling, Rubber	
85	1001138827	1	Sensor, Coolant Level	
86	1001136626	2	Bracket	
87	1001136665	1	Bracket	
88	1001136834	1	Cap, Tank	
89	1001283008	1	Support, Engine	
90	1001137276	1	Fan	
91	1001138228	1	Module, Power	
91	70023592	1	Fuse 20Amp (Switched Output)	
91	70023593	1	Fuse 30Amp (Battery Output)	
92	1001138253	5	Clamp	
94	1001138346	1	Harness, Engine (Not Shown - See Separate Breakdown in ELECTRICAL Section)	
95	1001138524	1	Hose	
96	1001138559	1	Fitting, 90	
97	1001139240	1	Bracket	
98	1001153024	1	Pipe, Exhaust	
100	1001141304	1	Wire, Glow Plug (Not Shown)	
101	1001141717	1	Fitting, Straight	
102	1001141719	1	Fitting, 90 Barbed	
103	1001140564	1	Fitting, 90 Barbed	
104	1001133633	1	Air Cleaner Assembly	
104	70024190	1	Element, Air Filter	
105	1001135779	1	Cable, Alternator Positive (Not Shown)	
106	1001138248	4 ft/ 1.2m	Tubing	
107	1320022	2	Clamp	
108	2720015	4.5 ft/ 1.4m	Hose	

SECTION 3 - ENGINE

ITEM	PART NUMBER	QTY	DESCRIPTION	REV
110	1001165035	30.5 ft/ 9.3m	Hose	
112	8405007	2	Clamp	
113	4240099	AR	Tie-Strap (Used to Secure Block Heater Cord)	
114	4460234	3	Mount, Wire Tie (Used to Secure Block Heater Cord)	
115	1001140312	1	Heater, Block	
116	0761214	3	Bolt M12 x 30	
117	1001165820	1	Pipe, Elbow	
118	1001143390	1	Indicator, Air Filter Service	
120	1001142685	1	Bracket	
121	8406102	AR	Clip	
122	8406112	1	Clip	
123	1001134488	1	Fitting, 90 Barbed	
124	1001138717	1	Bracket	
125	1001142501	1	Fitting, 90 Barbed	
126	1001144089	1	Grommet	
127	1001145154	1	Plate, Mounting	
128	1001154405	5 ft/ 1.5m	Hose	
129	4640751	1	Valve, Oil Drain	
130	8405006	2	Clamp	
131	0760810	AR	Bolt M8 x 20	
132	1001148843	1	Harness, Fuel Filter (Not Shown - See Separate Breakdown in ELECTRICAL Section)	
134	1703162	2	Decal - Fan	
135	0641503	1	Bolt 5/16 x 3/8	
136	1001153387	1	Plate	
137	3931508	2	Capscrew 5/16 x 1/2	
138	1001155823	1	Coupling	
139	0100062	AR	Adhesive, Loctite #680	
140	1001181895	AR	Adhesive, Loctite #640 (Not Shown - Apply to Block Heater)	
141	0700812	1	Bolt M8 x 25	
142	8410011	1	Clamp	
143	1321289	1	Clamp	
144	3290806	1	Nut M8	
145	0641510	2	Bolt 5/16 x 1-1/4	
146	0641612	2	Bolt 3/8 x 1-1/2	

SECTION 3 - ENGINE

FIGURE 3-20. DEUTZ TCD2.9L4 ENGINE INSTALLATION - WITH SAUER PUMPS (WITHOUT COLD WEATHER PLUS PACKAGE)



ART_1001142376

SECTION 3 - ENGINE

FIGURE 3-20. DEUTZ TCD2.9L4 ENGINE INSTALLATION - WITH SAUER PUMPS (WITHOUT COLD WEATHER PLUS PACKAGE)

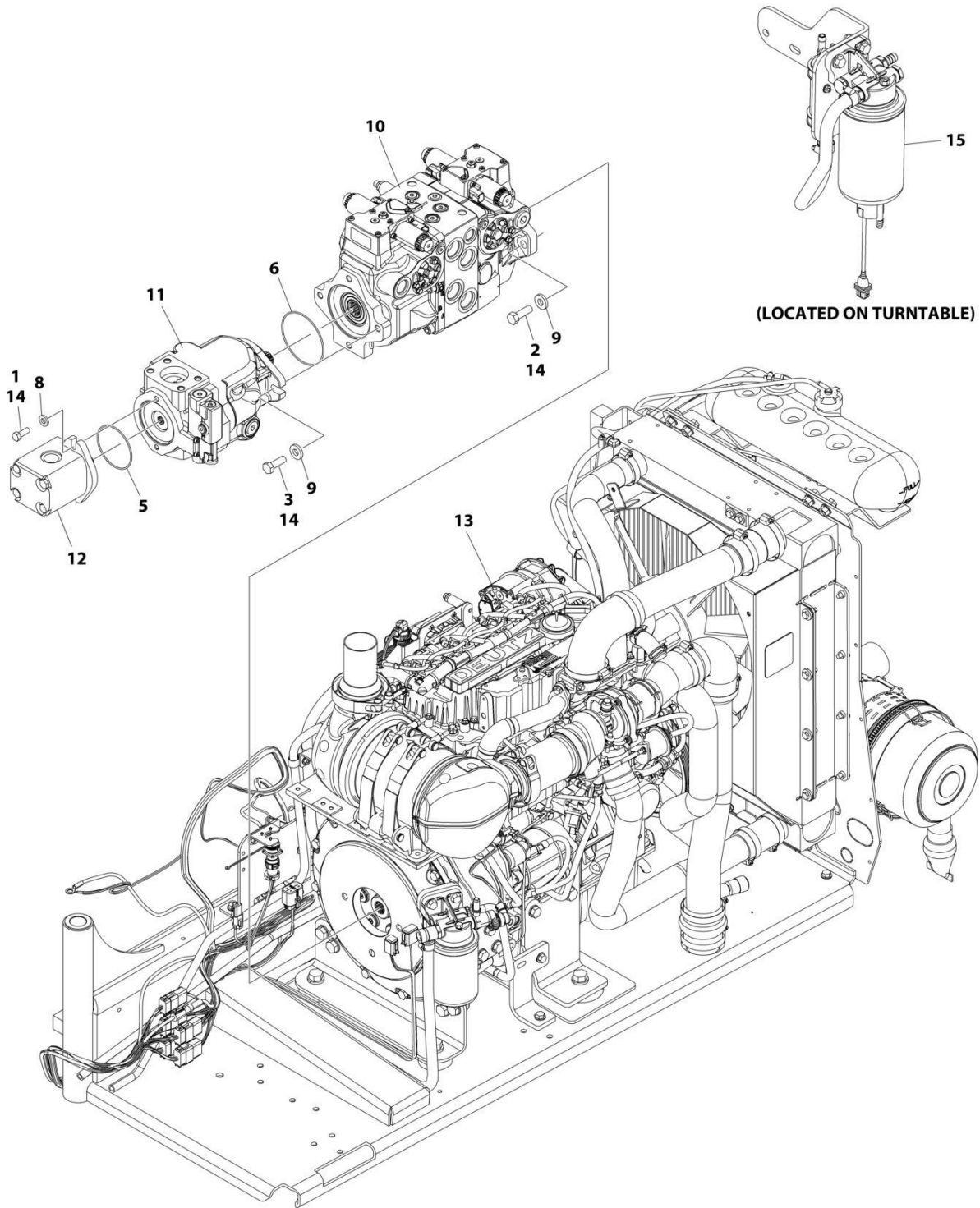
ITEM	PART NUMBER	QTY	DESCRIPTION	REV
	1001142376	Ref	DEUTZ TCD2.9L4 ENGINE INSTALLATION - WITH SAUER PUMPS (WITHOUT COLD WEATHER PLUS PACKAGE)	K
1	0100011	AR	Compound, Locking	
2	0100079	AR	Sealant, Pipe	
3	0641408	10	Bolt 1/4 x 1	
4	0641410	4	Bolt 1/4 x 1-1/4	
5	0641511	1	Bolt 5/16 x 1-3/8	
6	0641605	3	Bolt 3/8 x 5/8	
7	0641606	4	Bolt 3/8 x 3/4	
8	0641608	3	Bolt 3/8 x 1	
9	0641610	1	Bolt 3/8 x 1-1/4	
10	0641611	2	Bolt 3/8 x 1-1/4	
11	0641808	2	Bolt 1/2 x 1	
12	0642010	1	Bolt 5/8 x 1-1/4	
14	0761210	1	Bolt M12 x 20	
15	1320187	1	Clamp	
16	1320190	1	Cover, Clamp	
17	1671121	1	Cover	
18	2180832	1	Fitting, Barbed	
20	2220313	2	Fitting, 90 Barbed	
21	2750532	5 ft/ 1.5m	Hose	
22	1001154405	1.9 ft/ 0.6m	Hose	
24	3311405	10	Nut 1/4	
26	3422446	1	Pin, Pivot	
27	3841143	1	Pin, Keeper	
28	4711400	24	Washer 1/4	
29	4711600	19	Washer 3/8	
30	4752000	1	Washer 5/8	
32	4812100	1	Washer M12	
33	8405006	2	Clamp	
34	1001108617	1	Hydraulic Pressure Filter Assembly	
34	70002231	1	Element, Filter	
35	1001110425	4	Spacer	
36	1001116792	1	Clamp	
37	1001134390	1	Engine Sub-Assembly (See Separate Breakdown in this Section)	
39	1001138491	NLA	Harness, Fuel (Use p/n 1001222665) (Not Shown - See Separate Breakdown in ELECTRICAL SECTION)	
41	1001145089	1	Clamp	
43	1001145560	1	Panel, Rubber	
46	1001142610	1	Battery Cable Kit	C
46A	7027046	1	Cable, Battery (Red) (Battery + to Relays and Starter)	
46A	See Note	NSS	Boot, Ring Terminal (Red) (Note: Not Available - Purchase Locally)	
46B	7027047	1	Cable, Battery (Black) (Battery - to Tray Pivot Grd) and Aux Pump	
46B	See Note	NSS	Boot, Ring Terminal (Black) (Note: Not Available - Purchase Locally)	
46C	7027048	1	Cable (Red) (Aux Relay to Aux Pump)	

SECTION 3 - ENGINE

ITEM	PART NUMBER	QTY	DESCRIPTION	REV
46C	See Note	NSS	Boot, Ring Terminal (Red) (Note: Not Available - Purchase Locally)	
46D	7027049	1	Cable, Battery (Black) (Engine to Tray Pivot Grd)	
47	1320022	3	Clamp	
48	1001145842	1	Plate, Clamping	
50	3311805	1	Nut 1/2	
51	4711800	3	Washer 1/2	
52	1001131542	1	Lanyard	
54	3380723	1	Panel, Noise Reduction	
55	0651606	4	Bolt 3/8 x 3/4	
56	2120218	1	Filter, High Pressure	
56	2120219	1	Element, Filter	
56	70001344	1	O-Ring, Bowl	
56	70006137	1	Seal Kit - Includes O-Ring (Element), O-Ring (Bowl), Back-up Ring (Bowl), Seal Ring (Indicator) and O-Ring (Indicator)	
57	3900316	5	Screw 3/8 x 1	
58	0641806	1	Bolt 1/2 x 3/4	
59	90028660	1	Clamp	

SECTION 3 - ENGINE

FIGURE 3-21. DEUTZ TCD2.9L4 ENGINE SUB-ASSEMBLY - WITH SAUER PUMP (WITHOUT COLD WEATHER PLUS PACKAGE)



ART_1001134390

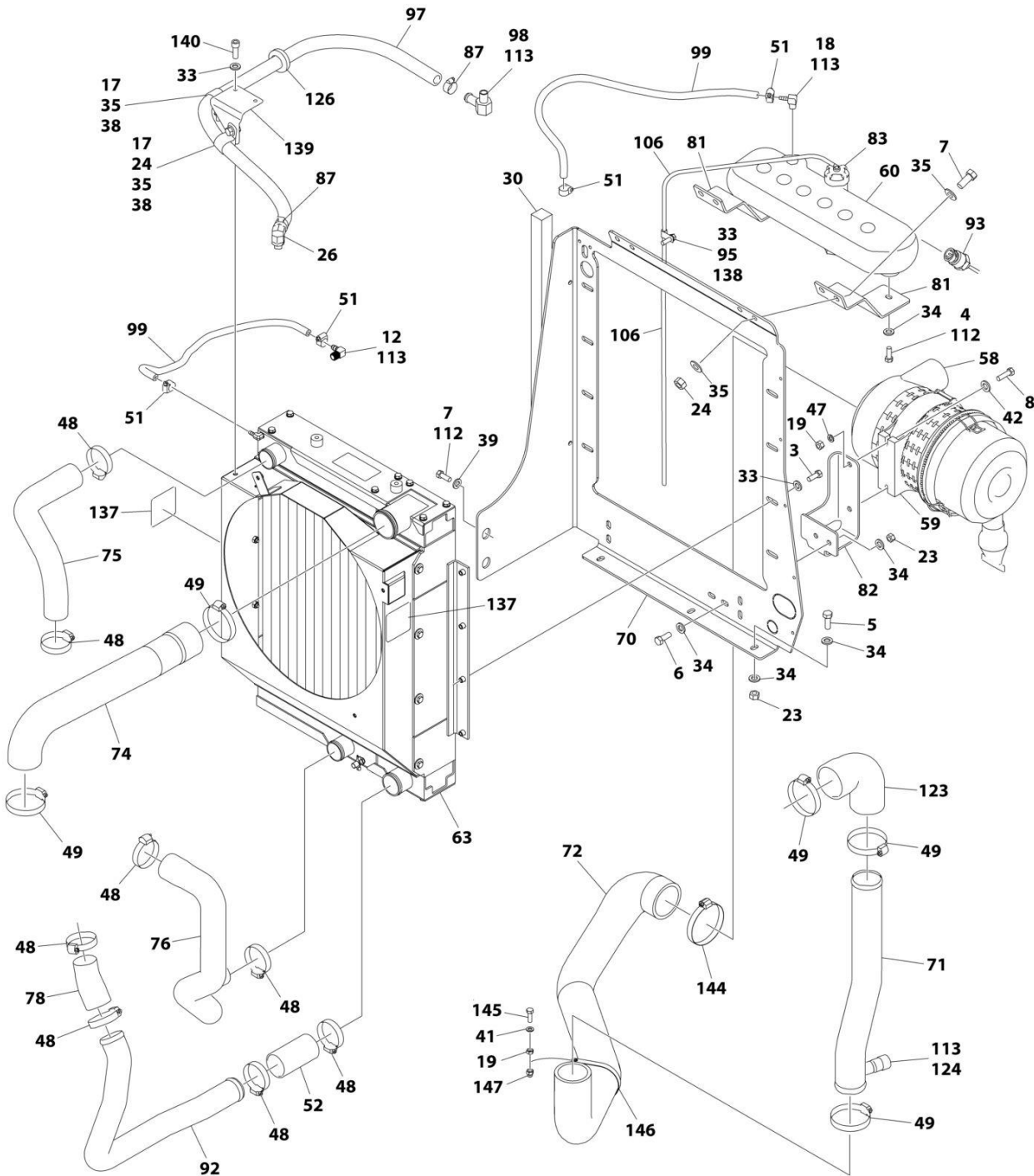
SECTION 3 - ENGINE

FIGURE 3-21. DEUTZ TCD2.9L4 ENGINE SUB-ASSEMBLY - WITH SAUER PUMP (WITHOUT COLD WEATHER PLUS PACKAGE)

ITEM	PART NUMBER	QTY	DESCRIPTION	REV
	1001134390	Ref	DEUTZ TCD2.9L4 ENGINE SUB-ASSEMBLY	AM
1	0641608	2	Bolt 3/8 x 1	
2	0641812	2	Bolt 1/2 x 1-1/2	
2	0641814	2	Bolt 1/2 x 1-3/4	
3	0761215	2	Bolt M12 x 35	
5	3790152	1	O-Ring	
6	3790155	1	O-Ring	
8	4891600	2	Washer 3/8	
9	4891800	4	Washer 1/2	
10	1001108616	1	Pump Assembly - Sauer Tandem (See Separate Breakdown in this Section)	
11	1001171095	1	Pump Assembly - Sauer Piston (See Separate Breakdown in this Section)	
12	1001112927	1	Pump Assembly - Sauer Gear (See Separate Breakdown in this Section)	
13	1001134392	1	Engine Assembly (See Separate Breakdown in this Section)	
14	0100011	AR	Compound, Locking	
15	1001165101	1	Bracket, Fuel Pump Filter Assembly (See Separate Breakdown in this Section)	

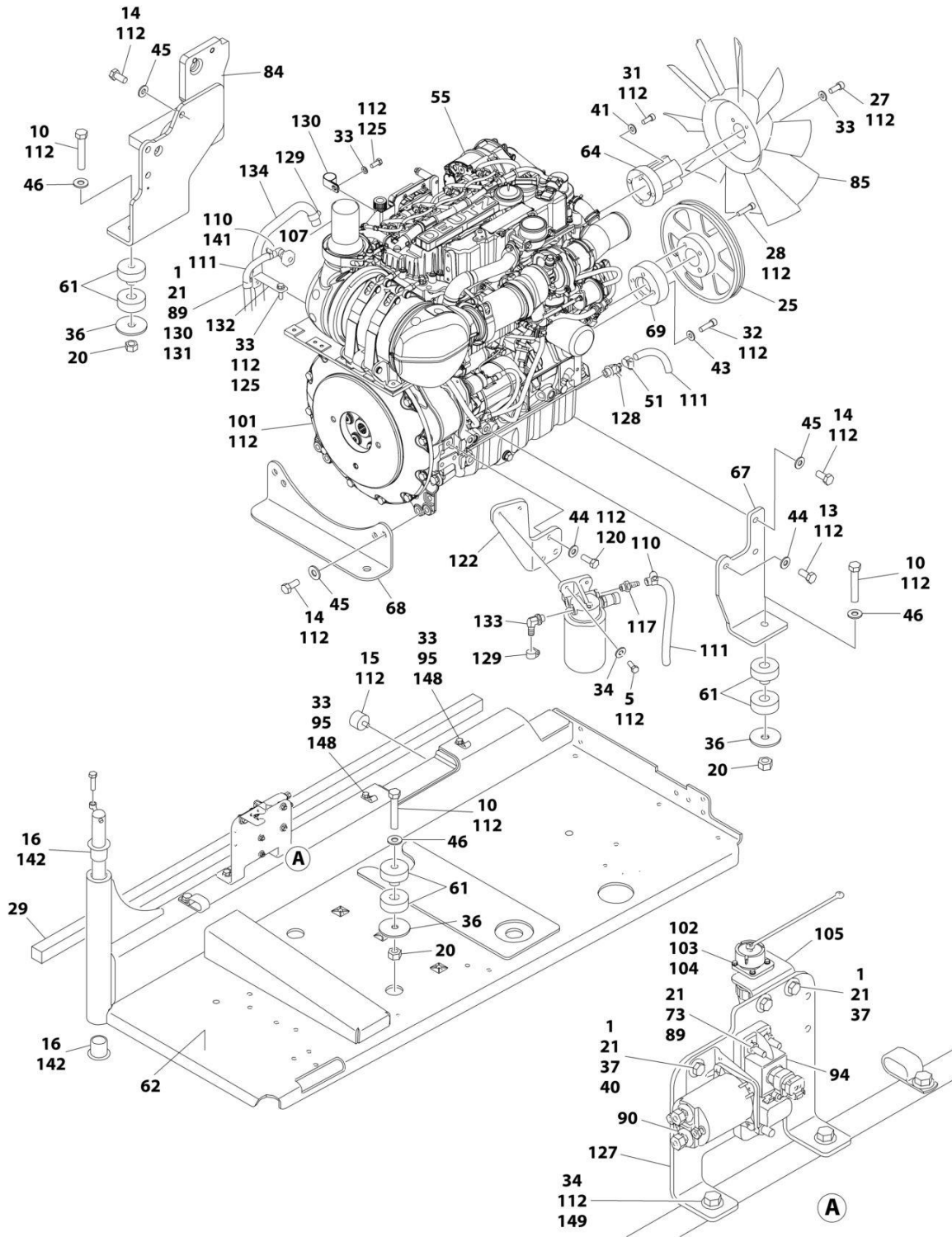
SECTION 3 - ENGINE

FIGURE 3-22. DEUTZ TCD2.9L4 ENGINE ASSEMBLY - WITH SAUER PUMP (WITHOUT COLD WEATHER PLUS PACKAGE)



ART_1001134392_AU_10F2

SECTION 3 - ENGINE



ART_1001134392_AU_20F2

SECTION 3 - ENGINE

FIGURE 3-22. DEUTZ TCD2.9L4 ENGINE ASSEMBLY - WITH SAUER PUMP (WITHOUT COLD WEATHER PLUS PACKAGE)

ITEM	PART NUMBER	QTY	DESCRIPTION	REV
	1001134392	Ref	DEUTZ TCD2.9L4 ENGINE ASSEMBLY	AU
1	0641406	5	Bolt 1/4 x 3/4	
3	0641508	8	Bolt 5/16 x 1	
4	0641606	2	Bolt 3/8 x 3/4	
5	0641608	9	Bolt 3/8 x 1	
6	0641610	2	Bolt 3/8 x 1-1/4	
7	0641708	6	Bolt 7/16 x 1	
8	0700815	2	Bolt M8 x 35	
10	0682028	4	Bolt 5/8 x 3-1/2 Grade 8	
12	1001140564	1	Fitting, 90 Barbed	
13	0771212	1	Bolt M12 x 25 Grade 10.9	
14	0771414	9	Bolt M14 x 30 Grade 10.9	
15	0940070	1	Bumper	
16	0961986	2	Bushing, Flanged	
17	0641706	2	Bolt 7/16 x 3/4	
18	1001134488	1	Fitting, 90 Barbed	
19	3290801	3	Nut M8	
20	3272001	4	Nut 5/8 Grade 8	
21	3311405	6	Nut 1/4	
23	3311605	9	Nut 3/8	
24	3311705	5	Nut 7/16	
25	3580320	1	Pulley	
26	1001141719	1	Fitting, 90 Barbed	
27	3931512	4	Capscrew 5/16 x 3/4	
28	3931628	4	Capscrew 3/8 x 1-3/4	
29	3960543	1	Seal	
30	3960544	1	Seal	
31	4031914	4	Bolt M8 x 50	
32	4032014	4	Bolt M10 x 50	
33	4711500	19	Washer 5/16	
34	4711600	24	Washer 3/8	
35	4711700	10	Washer 7/16	
36	1001146219	4	Washer Special	
37	4751400	8	Washer 1/4	
38	8406302	2	Clamp	
39	4751700	2	Washer 7/16	
40	4791400	2	Starwasher 1/4	
41	4811900	5	Washer M8	
42	4811902	2	Washer M8	
43	4812000	4	Washer M10	
44	4812100	4	Washer M12	
45	4812200	9	Washer M14	
46	4892000	4	Washer 5/8	
47	4831900	2	Washer M8	
48	8405201	8	Clamp	
49	8405204	5	Clamp	
51	8410013	5	Clamp	
52	91563070	1	Coupling, Rubber	

SECTION 3 - ENGINE

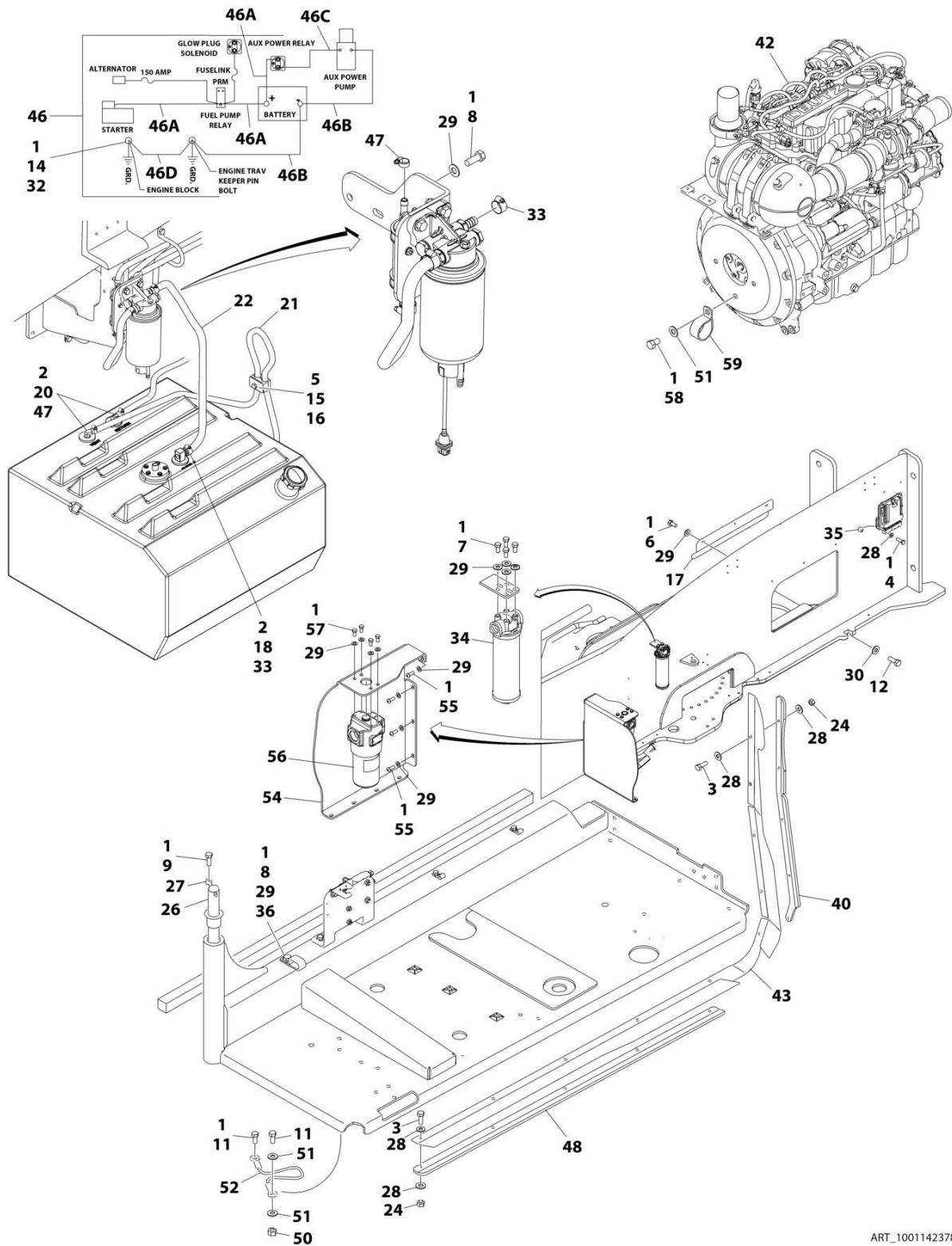
ITEM	PART NUMBER	QTY	DESCRIPTION	REV
55	1001249964	1	Engine, Deutz TCD2.9L4 (See Separate Breakdown in this Section)	
58	1001133633	1	Air Cleaner Assembly	
58	70024190	1	Element, Air Filter	
59	1001133634	1	Clamp	
60	1001166393	1	Tank, Surge	
61	1001155575	4	Mount, Motor	
62	1001191272	1	Tray	
63	1001256864	1	Radiator	
64	1001135138	1	Spacer, Fan	
67	1001135560	1	Support, Engine	
68	1001135562	1	Support, Engine - Rear	
69	1001135679	1	Spacer, Pulley	
70	1001135680	1	Support, Radiator	
71	1001135901	1	Pipe, Air Intake	
72	1001264917	1	Pipe, Air Intake	
73	3931432	1	Capscrew 1/4 x 2	
74	1001264982	1	Pipe, Air Cleaner to Intake	
75	1001135924	1	Hose, Radiator (Upper)	
76	1001135926	1	Hose, Radiator (Lower)	
78	1001135943	1	Coupling, Rubber	
81	1001136626	2	Bracket	
82	1001136665	1	Bracket	
83	1001136834	1	Cap, Tank	
84	1001283008	1	Support, Engine	
85	1001137276	1	Fan	
87	8405007	2	Clamp	
89	4711400	3	Washer 1/4	
90	1001117308	1	Relay	
92	1001135913	1	Pipe, Turbo to Air Cleaner	
93	1001138827	1	Sensor, Coolant Level	
94	1001138228	1	Module, Power	
94	70023592	1	Fuse 20Amp (Switched Output)	
94	70023593	1	Fuse 30Amp (Battery Output)	
95	1001138253	5	Clamp	
96	1001138346	1	Harness, Engine (Not Shown - See Separate Breakdown in ELECTRICAL Section)	
97	1001138524	1	Hose	
98	1001138559	1	Fitting, 90	
99	2720015	4.5 ft/ 1.4m	Hose	
101	2902065	1	Pump Coupling Kit (See Separate Breakdown in this Section)	
102	3310401	3	Nut #4	
103	3910408	3	Screw #4 x 1/2	
104	4710400	3	Washer #4	
105	1001139240	1	Bracket	
106	1001138248	4 ft/ 1.2m	Tubing	
107	1001153024	1	Pipe, Exhaust	
110	1320022	2	Clamp	
111	1001165035	30.5 ft/ 9.3m	Hose	
112	0100011	AR	Compound, Locking	

SECTION 3 - ENGINE

ITEM	PART NUMBER	QTY	DESCRIPTION	REV
113	0100020	AR	Sealant	
114	1001141304	1	Wire, Glow Plug (Not Shown)	
115	1001135779	1	Cable, Alternator Positive (Not Shown)	
117	1001141717	1	Fitting, Straight	
120	0761214	3	Bolt M12 x 30	
122	1001142685	1	Bracket	
123	1001165820	1	Pipe, Elbow	
124	1001143390	1	Indicator, Air Filter Service	
125	0760810	2	Bolt M8 x 20	
126	1001144089	1	Grommet	
127	1001145154	1	Plate, Mounting	
128	4640751	1	Valve, Oil Drain	
129	8405006	2	Clamp	
130	8406102	AR	Clip	
131	8406112	1	Clip	
132	1001138717	1	Bracket	
133	1001142501	1	Fitting, 90 Barbed	
134	1001154405	5 ft/ 1.5m	Hose	
135	1001148843	1	Harness, Fuel Filter (Not Shown - See Separate Breakdown in ELECTRICAL Section)	
137	1703162	2	Decal - Fan	
138	0641503	1	Bolt 5/16 x 3/8	
139	1001153387	1	Plate	
140	3931508	2	Capscrew 5/16 x 1/2	
141	1001155823	1	Coupling	
142	0100062	AR	Adhesive, Loctite #680	
143	4240099	AR	Tie-Strap (Not Shown)	
144	8410011	1	Clamp	
145	0700812	1	Bolt M8 x 25	
146	1321289	1	Clamp	
147	3290806	1	Nut M8	
148	0641510	2	Bolt 5/16 x 1-1/4	
149	0641612	2	Bolt 3/8 x 1-1/2	

SECTION 3 - ENGINE

FIGURE 3-23. DEUTZ TCD2.9L4 ENGINE INSTALLATION - WITH SAUER PUMPS (WITH COLD WEATHER PLUS PACKAGE)



ART_1001142378

SECTION 3 - ENGINE

FIGURE 3-23. DEUTZ TCD2.9L4 ENGINE INSTALLATION - WITH SAUER PUMPS (WITH COLD WEATHER PLUS PACKAGE)

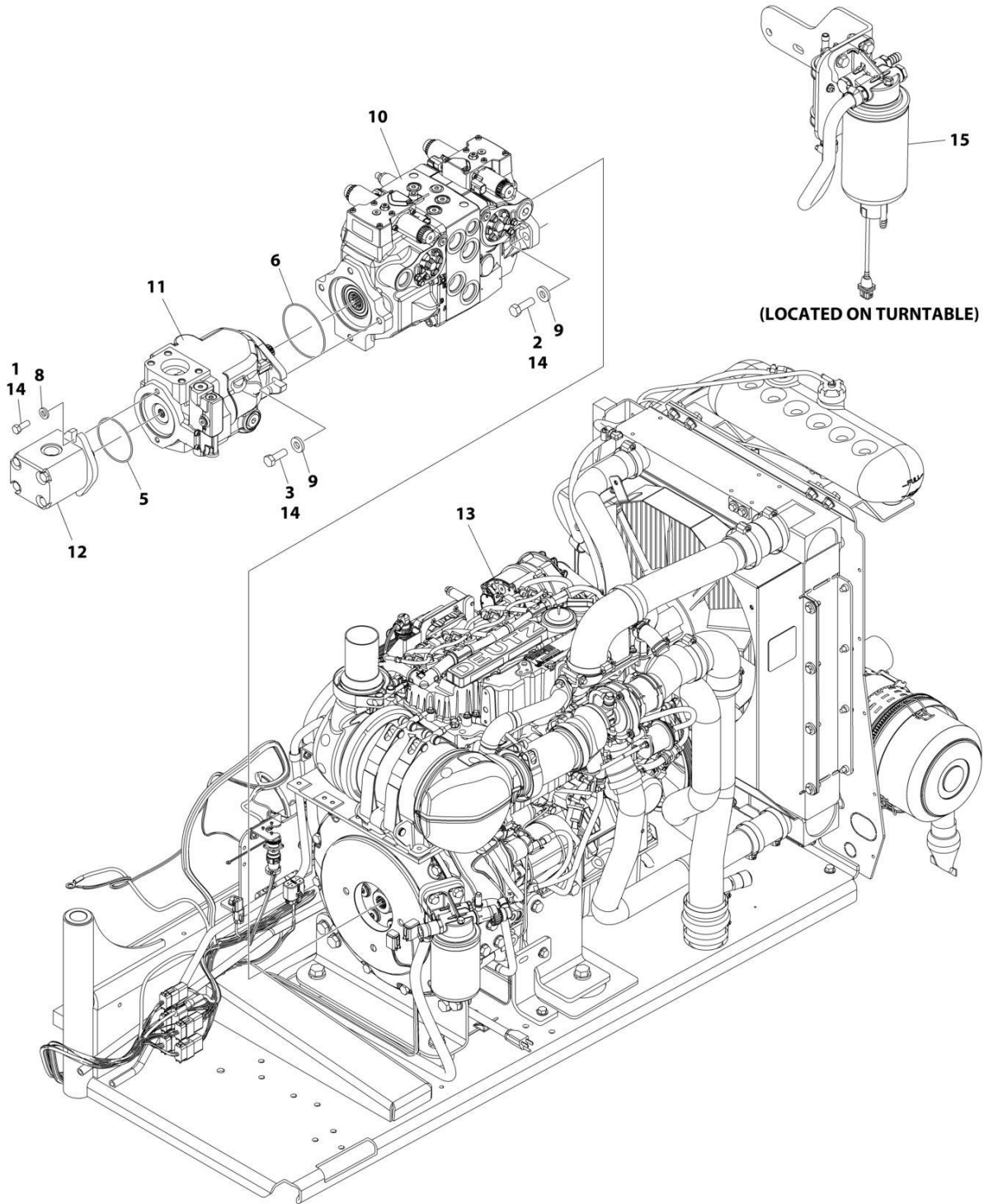
ITEM	PART NUMBER	QTY	DESCRIPTION	REV
	1001142378	Ref	DEUTZ TCD2.9L4 ENGINE INSTALLATION - WITH SAUER PUMPS (WITH COLD WEATHER PLUS PACKAGE)	M
1	0100011	AR	Compound, Locking	
2	0100079	AR	Sealant, Pipe	
3	0641408	10	Bolt 1/4 x 1	
4	0641410	4	Bolt 1/4 x 1-1/4	
5	0641511	1	Bolt 5/16 x 1-3/8	
6	0641605	3	Bolt 3/8 x 5/8	
7	0641606	4	Bolt 3/8 x 3/4	
8	0641608	3	Bolt 3/8 x 1	
9	0641610	1	Bolt 3/8 x 1-1/4	
11	0641808	AR	Bolt 1/2 x 1	
12	0642010	1	Bolt 5/8 x 1-1/4	
14	0761210	1	Bolt M12 x 20	
15	1320187	1	Clamp	
16	1320190	1	Cover, Clamp	
17	1671121	1	Cover	
18	2180832	1	Fitting, Barbed	
20	2220313	2	Fitting, 90 Barbed	
21	2750532	5 ft/ 1.5m	Hose	
22	1001154405	1.9 ft/ 0.6m	Hose	
24	3311405	10	Nut 1/4	
26	3422446	1	Pin, Pivot	
27	3841143	1	Pin, Keeper	
28	4711400	24	Washer 1/4	
29	4711600	19	Washer 3/8	
30	4752000	1	Washer 5/8	
32	4812100	1	Washer M12	
33	8405006	2	Clamp	
34	1001108617	1	Hydraulic Pressure Filter Assembly	
34	70002231	1	Element, Filter	
35	1001110425	4	Spacer	
36	1001116792	1	Clamp	
38	1001138491	NLA	Harness, Fuel (Use p/n 1001222665) (Not Shown - See Separate Breakdown in ELECTRICAL SECTION)	
40	1001145089	1	Clamp	
42	1001141745	1	Engine Sub-Assembly (See Separate Breakdown in this Section)	
43	1001145560	1	Panel, Rubber	
46	1001142610	1	Battery Cable Kit	C
46A	7027046	1	Cable, Battery (Red) (Battery + to Relays and Starter)	
46A	See Note	NSS	Boot, Ring Terminal (Red) (Note: Not Available - Purchase Locally)	
46B	7027047	1	Cable, Battery (Black) (Battery - to Tray Pivot Grd) and Aux Pump	
46B	See Note	NSS	Boot, Ring Terminal (Black) (Note: Not Available - Purchase Locally)	
46C	7027048	1	Cable (Red) (Aux Relay to Aux Pump)	
46C	See Note	NSS	Boot, Ring Terminal (Red) (Note: Not Available - Purchase Locally)	

SECTION 3 - ENGINE

ITEM	PART NUMBER	QTY	DESCRIPTION	REV
46D	7027049	1	Cable, Battery (Black) (Engine to Tray Pivot Grd)	
47	1320022	3	Clamp	
48	1001145842	1	Plate, Clamping	
50	3311805	1	Nut 1/2	
51	4711800	3	Washer 1/2	
52	1001131542	1	Lanyard	
54	3380723	1	Panel, Noise Reduction	
55	3900316	5	Screw 3/8 x 1	
56	2120218	1	Filter, High Pressure	
56	2120219	1	Element, Filter	
56	70001344	1	O-Ring, Bowl	
56	70006137	1	Seal Kit - Includes O-Ring (Element), O-Ring (Bowl), Back-up Ring (Bowl), Seal Ring (Indicator) and O-Ring (Indicator)	
57	0651606	4	Bolt 3/8 x 3/4	
58	0641806	1	Bolt 1/2 x 3/4	
59	90028660	1	Clamp	

SECTION 3 - ENGINE

FIGURE 3-24. DEUTZ TCD2.9L4 ENGINE SUB-ASSEMBLY - WITH SAUER PUMPS (WITH COLD WEATHER PLUS PACKAGE)



ART_1001141745

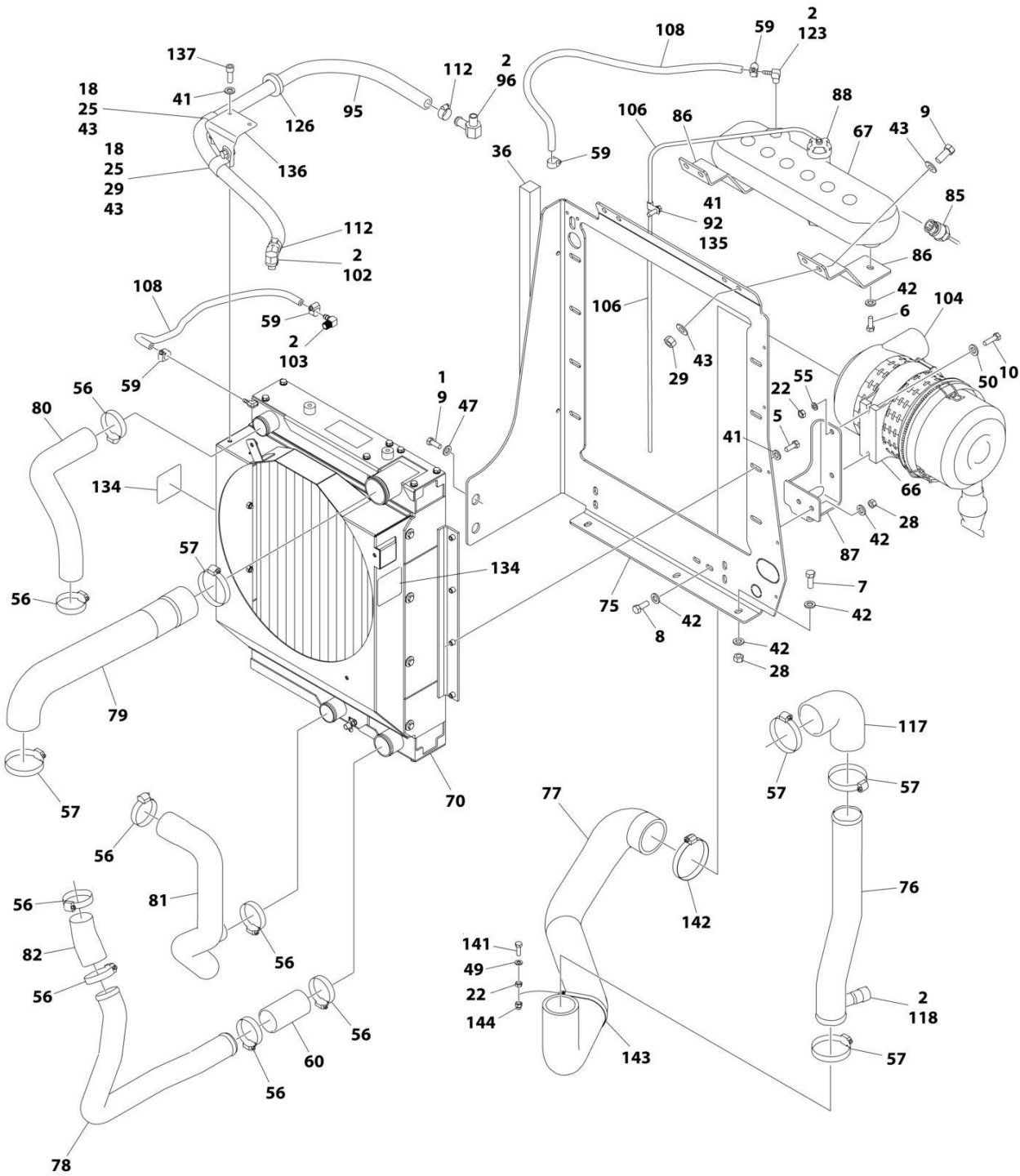
SECTION 3 - ENGINE

FIGURE 3-24. DEUTZ TCD2.9L4 ENGINE SUB-ASSEMBLY - WITH SAUER PUMPS (WITH COLD WEATHER PLUS PACKAGE)

ITEM	PART NUMBER	QTY	DESCRIPTION	REV
	1001141745	Ref	DEUTZ TCD2.9L4 ENGINE SUB-ASSEMBLY	AL
1	0641608	2	Bolt 3/8 x 1	
2	0641812	2	Bolt 1/2 x 1-1/2	
2	0641814	2	Bolt 1/2 x 1-3/4	
3	0761215	2	Bolt M12 x 35	
5	3790152	1	O-Ring	
6	3790155	1	O-Ring	
8	4891600	2	Washer 3/8	
9	4891800	4	Washer 1/2	
10	1001108616	1	Pump Assembly - Sauer Tandem (See Separate Breakdown in this Section)	
11	1001171095	1	Pump Assembly - Sauer Piston (See Separate Breakdown in this Section)	
12	1001112927	1	Pump Assembly - Sauer Gear (See Separate Breakdown in this Section)	
13	1001141746	1	Engine Assembly (See Separate Breakdown in this Section)	
14	0100011	AR	Compound, Locking	
15	1001165101	1	Bracket, Fuel Pump Filter Assembly (See Separate Breakdown in this Section)	

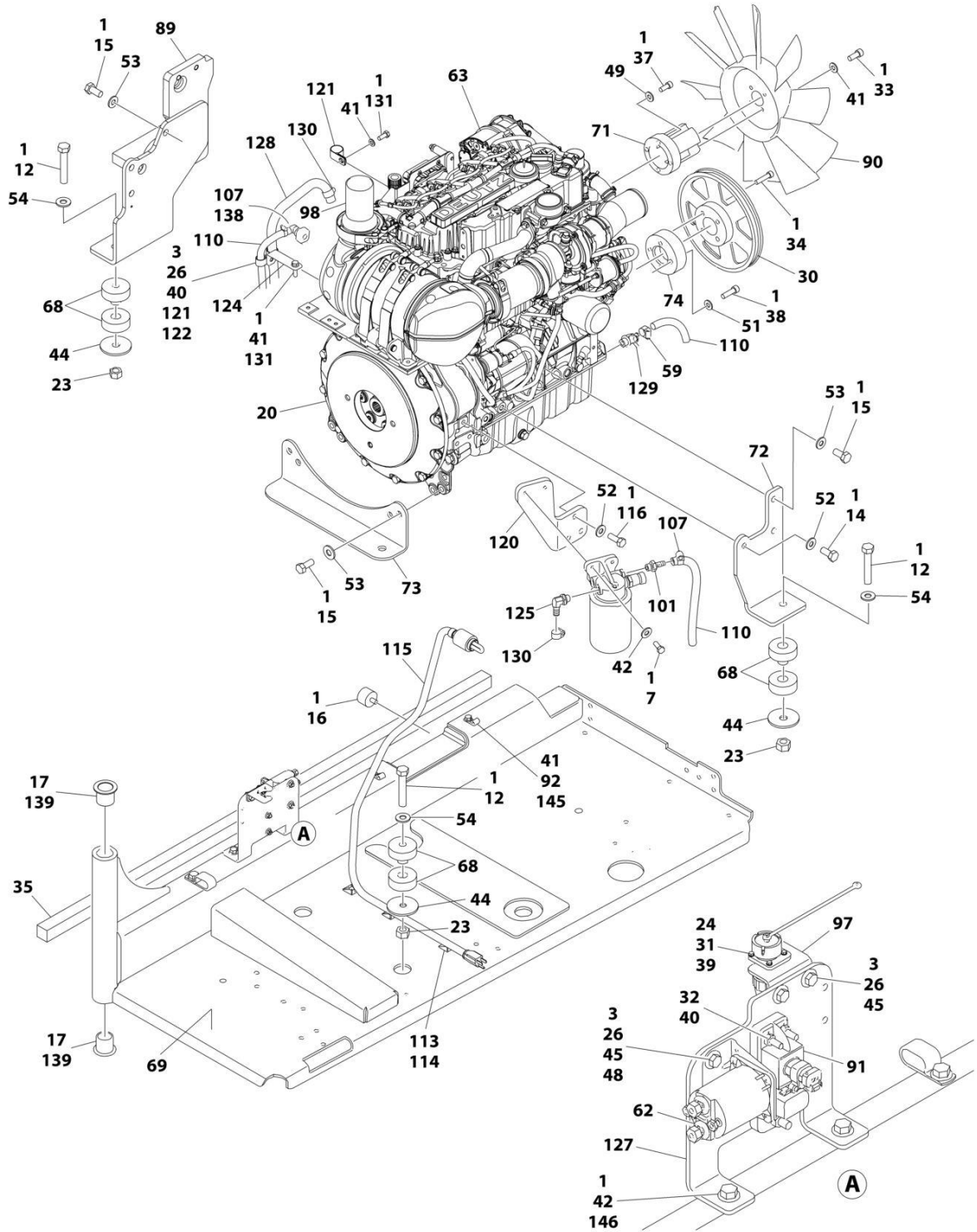
SECTION 3 - ENGINE

FIGURE 3-25. DEUTZ TCD2.9L4 ENGINE ASSEMBLY - WITH SAUER PUMPS (WITH COLD WEATHER PLUS PACKAGE)



ART_1001141746_AS_10F2

SECTION 3 - ENGINE



ART_1001141746_AS_20F2

SECTION 3 - ENGINE

FIGURE 3-25. DEUTZ TCD2.9L4 ENGINE ASSEMBLY - WITH SAUER PUMPS (WITH COLD WEATHER PLUS PACKAGE)

ITEM	PART NUMBER	QTY	DESCRIPTION	REV
	1001141746	Ref	DEUTZ TCD2.9L4 ENGINE ASSEMBLY	AS
1	0100011	AR	Compound, Locking	
2	0100020	AR	Sealant	
3	0641406	5	Bolt 1/4 x 3/4	
5	0641508	8	Bolt 5/16 x 1	
6	0641606	2	Bolt 3/8 x 3/4	
7	0641608	9	Bolt 3/8 x 1	
8	0641610	2	Bolt 3/8 x 1-1/4	
9	0641708	6	Bolt 7/16 x 1	
10	0700815	2	Bolt M8 x 35	
12	0682028	4	Bolt 5/8 x 3-1/2 Grade 8	
14	0771212	1	Bolt M12 x 25 Grade 10.9	
15	0771414	9	Bolt M14 x 30 Grade 10.9	
16	0940070	1	Bumper	
17	0961986	2	Bushing, Flanged	
18	0641706	2	Bolt 7/16 x 3/4	
20	2902065	1	Pump Coupling Kit (See Separate Breakdown in this Section)	
22	3290801	3	Nut M8	
23	3272001	4	Nut 5/8 Grade 8	
24	3310401	3	Nut #4	
25	8406302	2	Clamp	
26	3311405	6	Nut 1/4	
28	3311605	9	Nut 3/8	
29	3311705	5	Nut 7/16	
30	3580320	1	Pulley	
31	3910408	3	Screw #4 x 1/2	
32	3931432	1	Capscrew 1/4 x 2	
33	3931512	4	Capscrew 5/16 x 3/4	
34	3931628	4	Capscrew 3/8 x 1-3/4	
35	3960543	1	Seal	
36	3960544	1	Seal	
37	4031914	4	Bolt M8 x 50	
38	4032014	4	Bolt M10 x 50	
39	4710400	3	Washer #4	
40	4711400	3	Washer 1/4	
41	4711500	19	Washer 5/16	
42	4711600	24	Washer 3/8	
43	4711700	10	Washer 7/16	
44	1001146219	4	Washer Special	
45	4751400	8	Washer 1/4	
47	4751700	2	Washer 7/16	
48	4791400	2	Starwasher 1/4	
49	4811900	5	Washer M8	
50	4811902	2	Washer M8	
51	4812000	4	Washer M10	
52	4812100	4	Washer M12	
53	4812200	9	Washer M14	
54	4892000	4	Washer 5/8	
55	4831900	2	Washer M8	

SECTION 3 - ENGINE

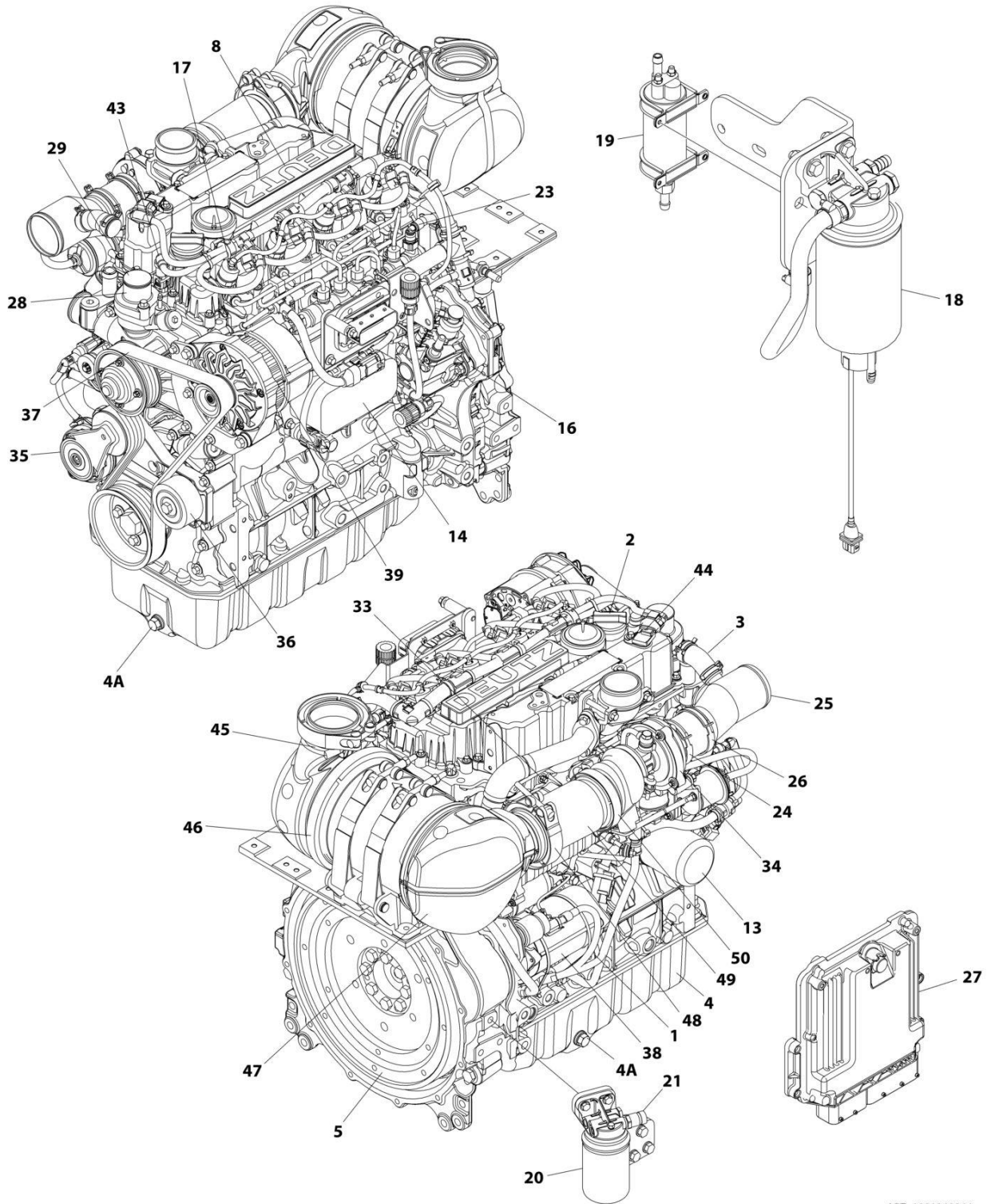
ITEM	PART NUMBER	QTY	DESCRIPTION	REV
56	8405201	8	Clamp	
57	8405204	5	Clamp	
59	8410013	5	Clamp	
60	91563070	1	Coupling, Rubber	
62	1001117308	1	Relay	
63	1001249964	1	Engine, Deutz TCD2.9L4 (See Separate Breakdown in this Section)	
66	1001133634	1	Clamp	
67	1001166393	1	Tank, Surge	
68	1001155575	4	Mount, Motor	
69	1001191272	1	Tray	
70	1001256864	1	Radiator	
71	1001135138	1	Spacer, Fan	
72	1001135560	1	Support, Engine	
73	1001135562	1	Support, Engine - Rear	
74	1001135679	1	Spacer, Pulley	
75	1001135680	1	Support, Radiator	
76	1001135901	1	Pipe, Air Intake	
77	1001264917	1	Hose, Air Intake	
78	1001135913	1	Pipe, Turbo to Air Cleaner	
79	1001264982	1	Hose, Air Cleaner to Intake	
80	1001135924	1	Hose, Radiator (Upper)	
81	1001135926	1	Hose, Radiator (Lower)	
82	1001135943	1	Coupling, Rubber	
85	1001138827	1	Sensor, Coolant Level	
86	1001136626	2	Bracket	
87	1001136665	1	Bracket	
88	1001136834	1	Cap, Tank	
89	1001283008	1	Support, Engine	
90	1001137276	1	Fan	
91	1001138228	1	Module, Power	
91	70023592	1	Fuse 20Amp (Switched Output)	
91	70023593	1	Fuse 30Amp (Battery Output)	
92	1001138253	5	Clamp	
94	1001138346	1	Harness, Engine (Not Shown - See Separate Breakdown in ELECTRICAL Section)	
95	1001138524	1	Hose	
96	1001138559	1	Fitting, 90	
97	1001139240	1	Bracket	
98	1001153024	1	Pipe, Exhaust	
100	1001141304	1	Wire, Glow Plug (Not Shown)	
101	1001141717	1	Fitting, Straight	
102	1001141719	1	Fitting, 90 Barbed	
103	1001140564	1	Fitting, 90 Barbed	
104	1001133633	1	Air Cleaner Assembly	
104	70024190	1	Element, Air Filter	
105	1001135779	1	Cable, Alternator Positive (Not Shown)	
106	1001138248	4 ft/ 1.2m	Tubing	
107	1320022	2	Clamp	
108	2720015	4.5 ft/ 1.4m	Hose	

SECTION 3 - ENGINE

ITEM	PART NUMBER	QTY	DESCRIPTION	REV
110	1001165035	30.5 ft/ 9.3m	Hose	
112	8405007	2	Clamp	
113	4240099	AR	Tie-Strap (Used to Secure Block Heater Cord)	
114	4460234	3	Mount, Wire Tie (Used to Secure Block Heater Cord)	
115	1001140312	1	Heater, Block	
116	0761214	3	Bolt M12 x 30	
117	1001165820	1	Pipe, Elbow	
118	1001143390	1	Indicator, Air Filter Service	
120	1001142685	1	Bracket	
121	8406102	AR	Clip	
122	8406112	1	Clip	
123	1001134488	1	Fitting, 90 Barbed	
124	1001138717	1	Bracket	
125	1001142501	1	Fitting, 90 Barbed	
126	1001144089	1	Grommet	
127	1001145154	1	Plate, Mounting	
128	1001154405	5 ft/ 1.5m	Hose	
129	4640751	1	Valve, Oil Drain	
130	8405006	2	Clamp	
131	0760810	AR	Bolt M8 x 20	
132	1001148843	1	Harness, Fuel Filter (Not Shown - See Separate Breakdown in ELECTRICAL Section)	
134	1703162	2	Decal - Fan	
135	0641503	1	Bolt 5/16 x 3/8	
136	1001153387	1	Plate	
137	3931508	2	Capscrew 5/16 x 1/2	
138	1001155823	1	Coupling	
139	0100062	AR	Adhesive, Loctite #680	
140	1001181895	AR	Adhesive, Loctite #640 (Not Shown - Apply to Block Heater)	
141	0700812	1	Bolt M8 x 25	
142	8410011	1	Clamp	
143	1321289	1	Clamp	
144	3290806	1	Nut M8	
145	0641510	2	Bolt 5/16 x 1-1/4	
146	0641612	2	Bolt 3/8 x 1-1/2	

SECTION 3 - ENGINE

FIGURE 3-26. DEUTZ TCD2.9L4 ENGINE COMPONENTS



ART_1001249964

SECTION 3 - ENGINE

FIGURE 3-26. DEUTZ TCD2.9L4 ENGINE COMPONENTS

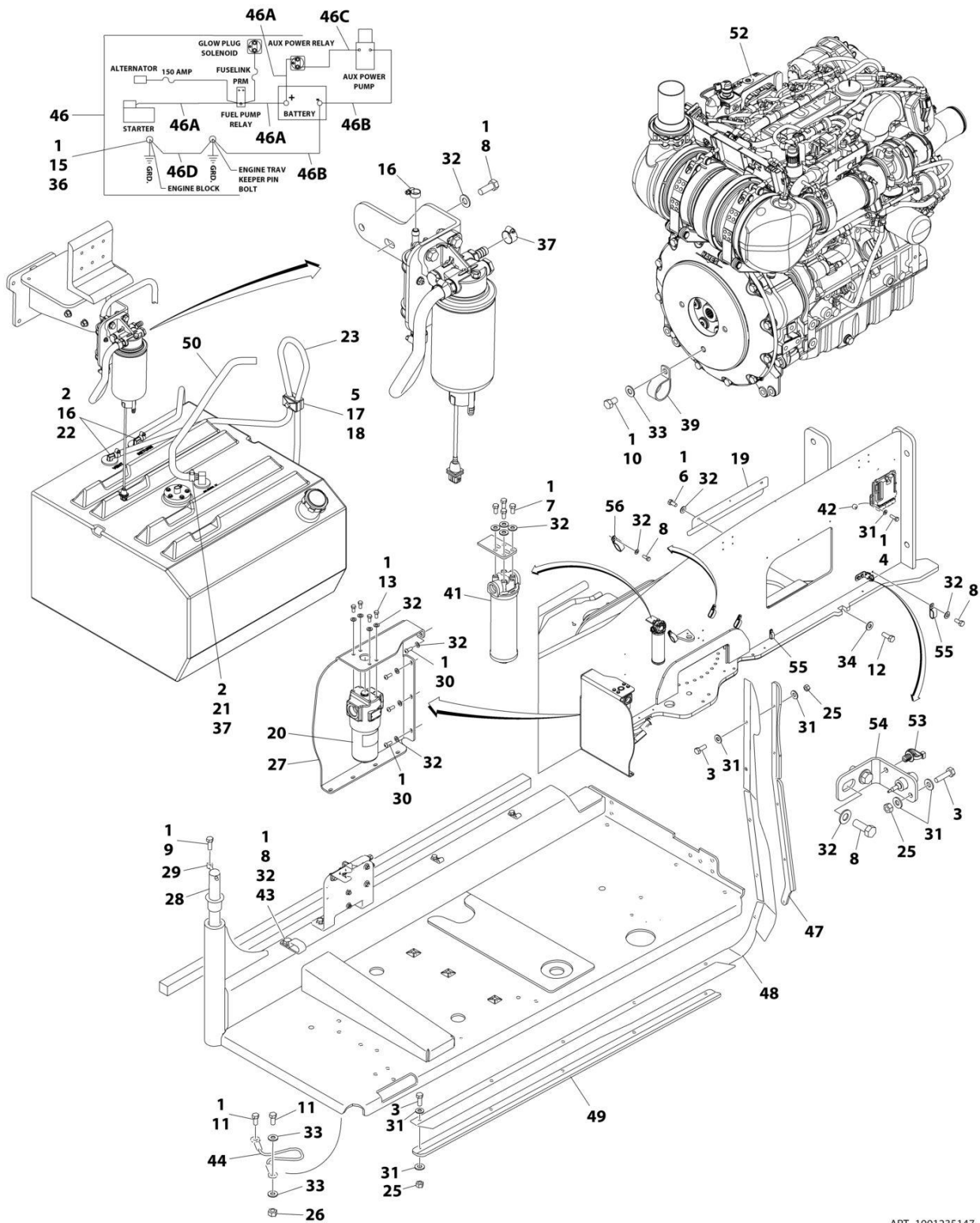
ITEM	PART NUMBER	QTY	DESCRIPTION	REV
	1001249964	Ref	DEUTZ TCD2.9L4 ENGINE COMPONENTS	A
1	70024904	1	Dipstick	
1	70024905	1	O-Ring	
2	7020465	2	Cap, Filler	
3	7002511	2	Clamp	
4		Ref	Pan, Oil	
4A	70005941	2	Plug	
4A	70005942	2	Washer, Sealing	
5	70001870	1	Flywheel	
5	7024579	1	Gear, Ring	
6	70024906	1	Gasket, Head (Not Shown)	
8	70005921	1	Cover, Valve	
8	70005171	1	Gasket	
8	70025205	1	Gasket, Small Valve Cover	
10	70004280	1	Seal, Shaft - Front (Not Shown)	
11	70002718	1	Seal, Shaft - Rear (Not Shown)	
12	70005172	1	Pump, Oil Lube (Not Shown)	
12	70025135	1	O-Ring	
12	70025136	1	Gasket	
13	7016331	1	Filter, Oil	
13	70025137	1	Bushing	
14	70024494	1	Cooler, Engine Oil	
14	70024925	1	Gasket	
16	70024924	1	Pump, Fuel	
16	70025152	1	O-Ring	
16	70004505	1	Valve, Overflow	
16	70004506	1	O-Ring	
16	70004507	1	O-Ring	
16	70004508	1	Valve Volume Control	
16	70004509	1	O-Ring	
16	70004510	1	Gasket	
17	70025181	4	Injector, Fuel	
17	70025140	4	Washer, Sealing	
17	70025146	4	Clamp (Top of Injector)	
17	70025145	4	O-Ring	
17	70025154	4	Shoe, Clamping	
17	70000345	1	Plug, Glow (Not Shown)	
18	70024961	1	Fuel Filter Assembly	
18	1001225430	1	Filter, Fuel	
18	70024513	1	Cable, Sensor	
18	70025239	1	Ring, Sealing	
19	70006144	1	Pump, Fuel	
19	70025144	2	Clamp	
20	70029451	1	Filter with Head	
20	1001225431	1	Filter, Fuel	
21	70024919	1	Sensor, Pressure	
21	70024920	1	O-Ring	
22	70025151	1	Rail, Fuel (Not Shown)	
22	70025235	1	Repair Kit (Not Shown)	
23	70025182	1	Fuel Line - High Pressure (Cylinder 1 & 2)	

SECTION 3 - ENGINE

ITEM	PART NUMBER	QTY	DESCRIPTION	REV
23	70025183	1	Fuel Line - High Pressure (Cylinder 3 & 4)	
23	70025184	1	Fuel Line - High Pressure (Supply)	
24	70004501	1	Sleeve, Rubber	
25	70004502	1	Pipe, Intake	
25	70005926	1	Pipe, Elbow	
26	70025112	2	Clamp	
27	70025210	1	ECU (Engine Control Unit)	
28	70029797	1	Pump, Water	
28	70025200	1	Ring, Sealing	
28	70007325	1	Gasket	
28	7020492	2	Ring, Sealing (Plug)	
29	70005929	1	Thermostat	
29	70025184	1	O-Ring (Thermostat to Cover)	
29	70005931	1	Gasket (Thermostat to Pump)	
29	70025142	1	Cover, Thermostat	
31	70007326	1	Valve, Shuttle (EGR) (Not Shown)	
31	70007327	1	Gasket	
33	70004282	1	Manifold, Exhaust	
33	70025164	1	Gasket, Exhaust Manifold to Head	
33	70029557	1	Gasket, Exhaust Manifold to Pipe	
34	70007328	1	Turbocharger	
34	70024912	1	Gasket, Exhaust Manifold	
35	70028699	1	Tensioner, Belt	
36		Ref	Idler Roller	
37	70004277	1	Belt, Drive	
38	70024915	1	Starter	
38	70005647	1	Switch, Solenoid	
38	70005648	1	Relay	
39	70029401	1	Generator	
39	70006653	1	Regulator, Voltage	
40	70007329	1	Harness, Engine (Not Shown)	
41	70024504	1	Sensor, Pressure (Not Shown - Located Top Rear)	
41	70024920	1	O-Ring	
42	70026210	2	Sensor, Speed (Not Shown - Located Left Side Front and Flywheel Housing)	
42	70024917	2	O-Ring	
43	70028540	1	Sender, Temperature	
44	70024507	1	Sensor, Pressure	
44	70025120	1	O-Ring	
45	70007331	1	Outlet, Muffler	
46	70029517	1	Clip	
46	70029520	1	Gasket	
47	70007330	1	Inlet	
48	70025877	1	Clip	
48	70025788	1	Nut	
48	70025242	1	Gasket	
49	70004504	1	Compensator	
50	70005527	1	Clip	
50	70029433	1	Clip	
50	70025242	1	Gasket	

SECTION 3 - ENGINE

FIGURE 3-27. DEUTZ TCD2.9L4 (STAGE V) ENGINE INSTALLATION - WITH REXROTH PUMP (WITHOUT COLD WEATHER PLUS PACKAGE)



ART_1001235147

SECTION 3 - ENGINE

**FIGURE 3-27. DEUTZ TCD2.9L4 (STAGE V) ENGINE INSTALLATION - WITH REXROTH PUMP
(WITHOUT COLD WEATHER PLUS PACKAGE)**

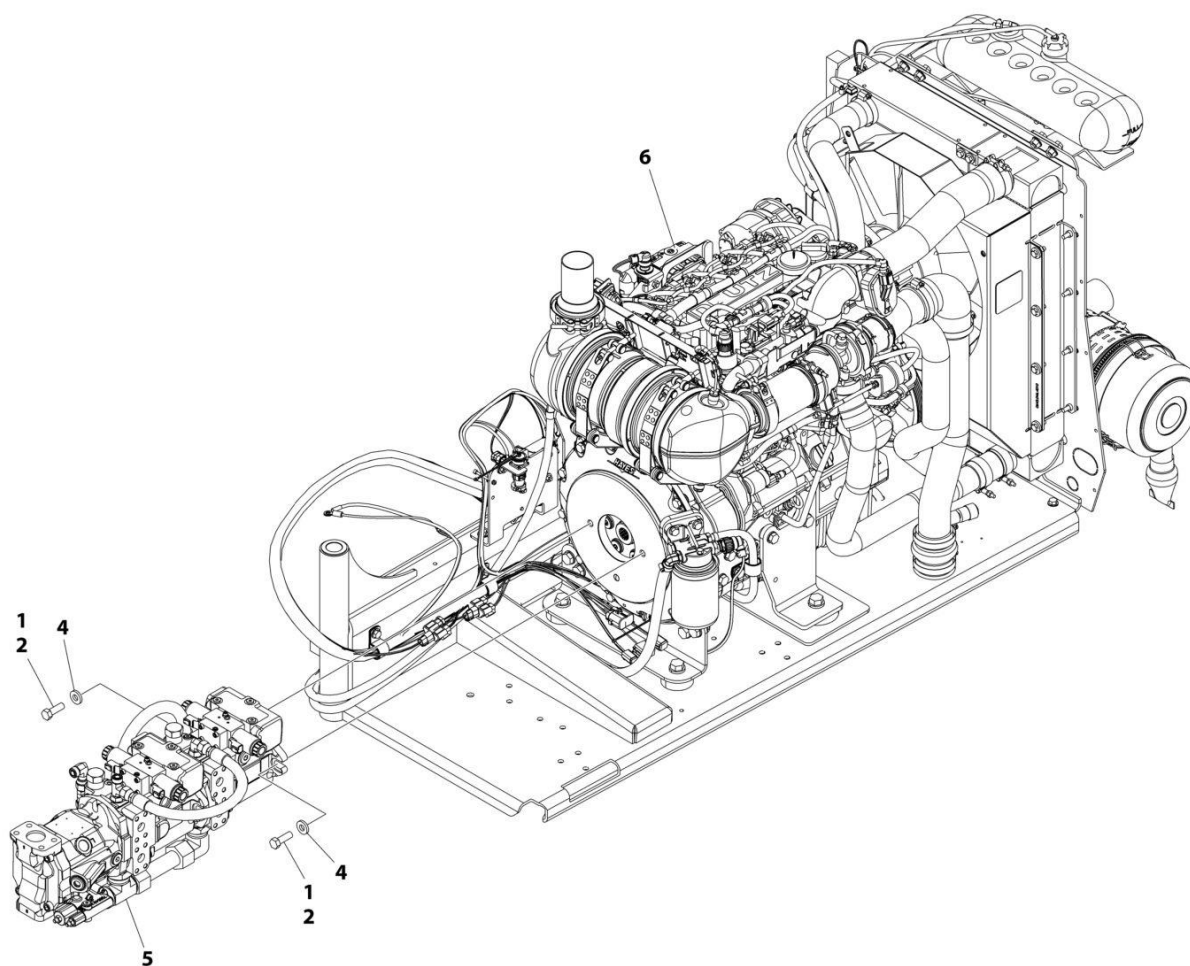
ITEM	PART NUMBER	QTY	DESCRIPTION	REV
	1001235147	Ref	DEUTZ TCD2.9L4 (STAGE V) ENGINE INSTALLATION - WITH REXROTH PUMP (WITHOUT COLD WEATHER PLUS PACKAGE)	F
1	0100011	AR	Compound, Locking	
2	0100079	AR	Sealant, Pipe	
3	0641408	11	Bolt 1/4 x 1	
4	0641410	4	Bolt 1/4 x 1-1/4	
5	0641511	1	Bolt 5/16 x 1-3/8	
6	0641605	3	Bolt 3/8 x 5/8	
7	0641606	4	Bolt 3/8 x 3/4	
8	0641608	10	Bolt 3/8 x 1	
9	0641610	1	Bolt 3/8 x 1-1/4	
10	0641806	1	Bolt 1/2 x 3/4	
11	0641808	2	Bolt 1/2 x 1	
12	0642010	1	Bolt 5/8 x 1-1/4	
13	0651606	4	Bolt 3/8 x 3/4	
15	0761210	1	Bolt M12 x 20	
16	1320022	3	Clamp	
17	1320187	1	Clamp	
18	1320190	1	Cover, Clamp	
19	1671121	1	Cover	
20	2120218	1	Filter, High Pressure	
20	2120219	1	Element, Filter	
20	70001344	1	O-Ring, Bowl	
20	70006137	1	Seal Kit - Includes O-Ring (Element), O-Ring (Bowl), Back-up Ring (Bowl), Seal Ring (Indicator) and O-Ring (Indicator)	
21	2180832	1	Fitting, Barbed	
22	2220313	2	Fitting, 90 Barbed	
23	2750532	5 ft/1.5m	Hose	
25	3311405	11	Nut 1/4	
26	3311805	1	Nut 1/2	
27	3380723	1	Panel, Noise Reduction	
28	3422446	1	Pin, Pivot	
29	3841143	1	Pin, Keeper	
30	3900316	5	Screw 3/8 x 1	
31	4711400	26	Washer 1/4	
32	4711600	26	Washer 3/8	
33	4711800	3	Washer 1/2	
34	4752000	1	Washer 5/8	
36	4812100	1	Washer M12	
37	8405006	2	Clamp	
39	90028660	1	Clamp	
41	1001108617	1	Hydraulic Pressure Filter Assembly	
41	70002231	1	Element, Filter	
42	1001110425	4	Spacer	
43	1001116792	1	Clamp	
44	1001131542	1	Lanyard	
45	1001138491	NLA	Harness, Fuel (Use p/n 1001222665) (Not Shown - See Separate Breakdown in ELECTRICAL Section)	
46	1001142610	1	Battery Cable Kit	

SECTION 3 - ENGINE

ITEM	PART NUMBER	QTY	DESCRIPTION	REV
46A	7027046	1	Cable, Battery (Red) (Battery + to Relays and Starter)	
46A	See Note	NSS	Boot, Ring Terminal (Red) (Note: Not Available - Purchase Locally)	
46B	7027047	1	Cable, Battery (Black) (Battery - to Tray Pivot Grd) and Aux Pump	
46B	See Note	NSS	Boot, Ring Terminal (Black) (Note: Not Available - Purchase Locally)	
46C	7027048	1	Cable (Red) (Aux Relay to Aux Pump)	
46C	See Note	NSS	Boot, Ring Terminal (Red) (Note: Not Available - Purchase Locally)	
46D	7027049	1	Cable, Battery (Black) (Engine to Tray Pivot Grd)	
47	1001145089	1	Clamp	
48	1001145560	1	Panel, Rubber	
49	1001145842	1	Plate, Clamping	
50	1001154405	1.9 ft /0.6m	Hose	
52	1001235149	1	Engine Sub-Assembly (See Separate Breakdown in this Section)	
53	1001146588	1	Strap	
54	1001256879	1	Bracket	
55	1321283	2	Clamp	
56	1321716	3	Clamp	
57	4240099	AR	Tie-Strap (Not Shown)	

SECTION 3 - ENGINE

FIGURE 3-28. DEUTZ TCD2.9L4 (STAGE V) ENGINE SUB-ASSEMBLY - WITH REXROTH PUMP AND ABS HOODS (WITHOUT COLD WEATHER PLUS PACKAGE)



ART_1001235149

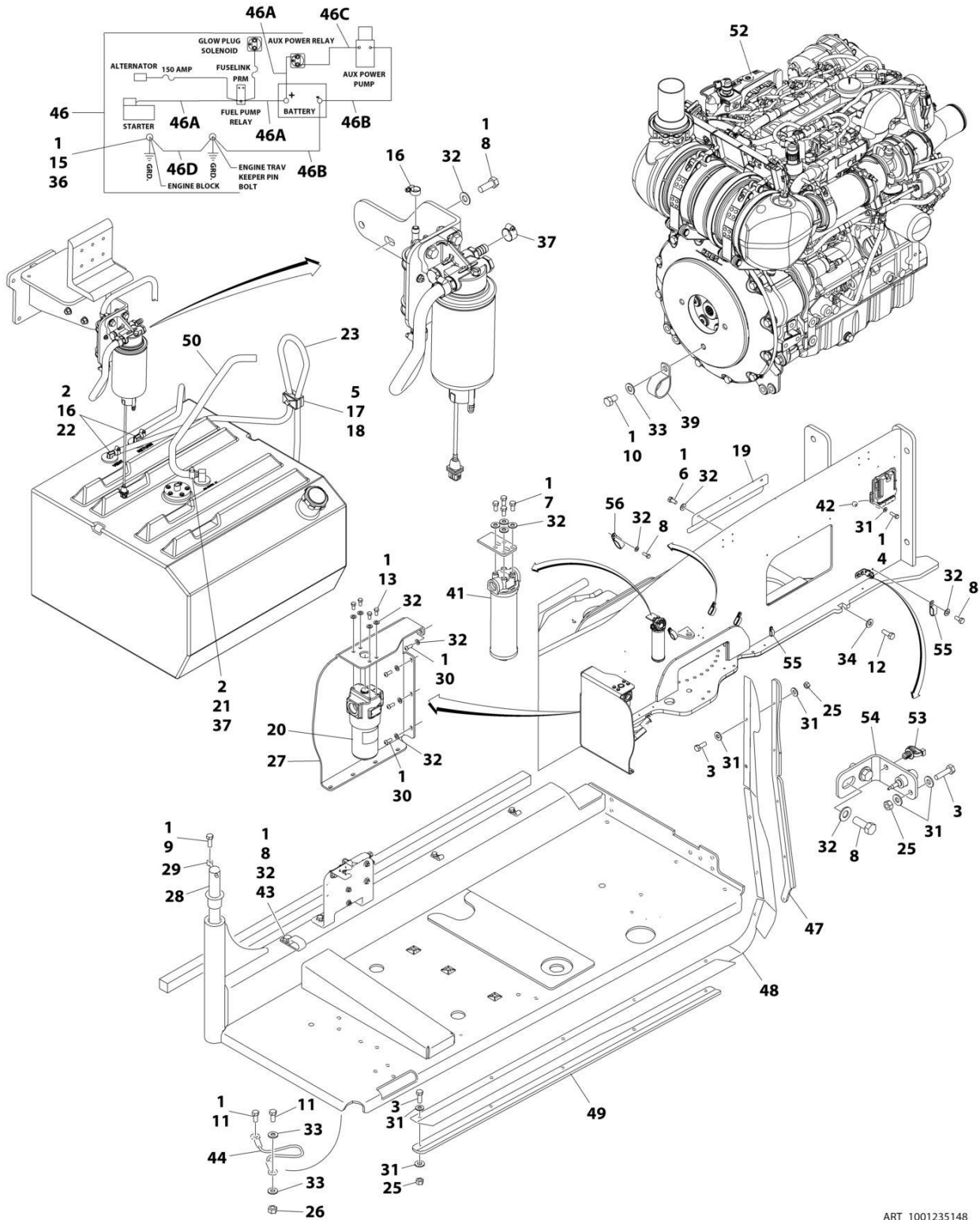
SECTION 3 - ENGINE

FIGURE 3-28. DEUTZ TCD2.9L4 (STAGE V) ENGINE SUB-ASSEMBLY - WITH REXROTH PUMP AND ABS HOODS (WITHOUT COLD WEATHER PLUS PACKAGE)

ITEM	PART NUMBER	QTY	DESCRIPTION	REV
	1001235149	Ref	DEUTZ TCD2.9L4 (STAGE V) ENGINE SUB-ASSEMBLY	Q
1	0100011	AR	Compound, Locking	
2	0641812	2	Bolt 1/2 x 1-1/2	
2	0641814	2	Bolt 1/2 x 1-3/4	
4	4891800	2	Washer 1/2	
5	1001152963	1	Pump Assembly - Rexroth (See Separate Breakdown in this Section)	
6	1001235151	1	Engine Assembly (See Separate Breakdown in this Section)	

SECTION 3 - ENGINE

FIGURE 3-29. DEUTZ TCD2.9L4 (STAGE V) ENGINE INSTALLATION - WITH SAUER PUMP (WITHOUT COLD WEATHER PLUS PACKAGE)



ART_1001235148

SECTION 3 - ENGINE

FIGURE 3-29. DEUTZ TCD2.9L4 (STAGE V) ENGINE INSTALLATION - WITH SAUER PUMP (WITHOUT COLD WEATHER PLUS PACKAGE)

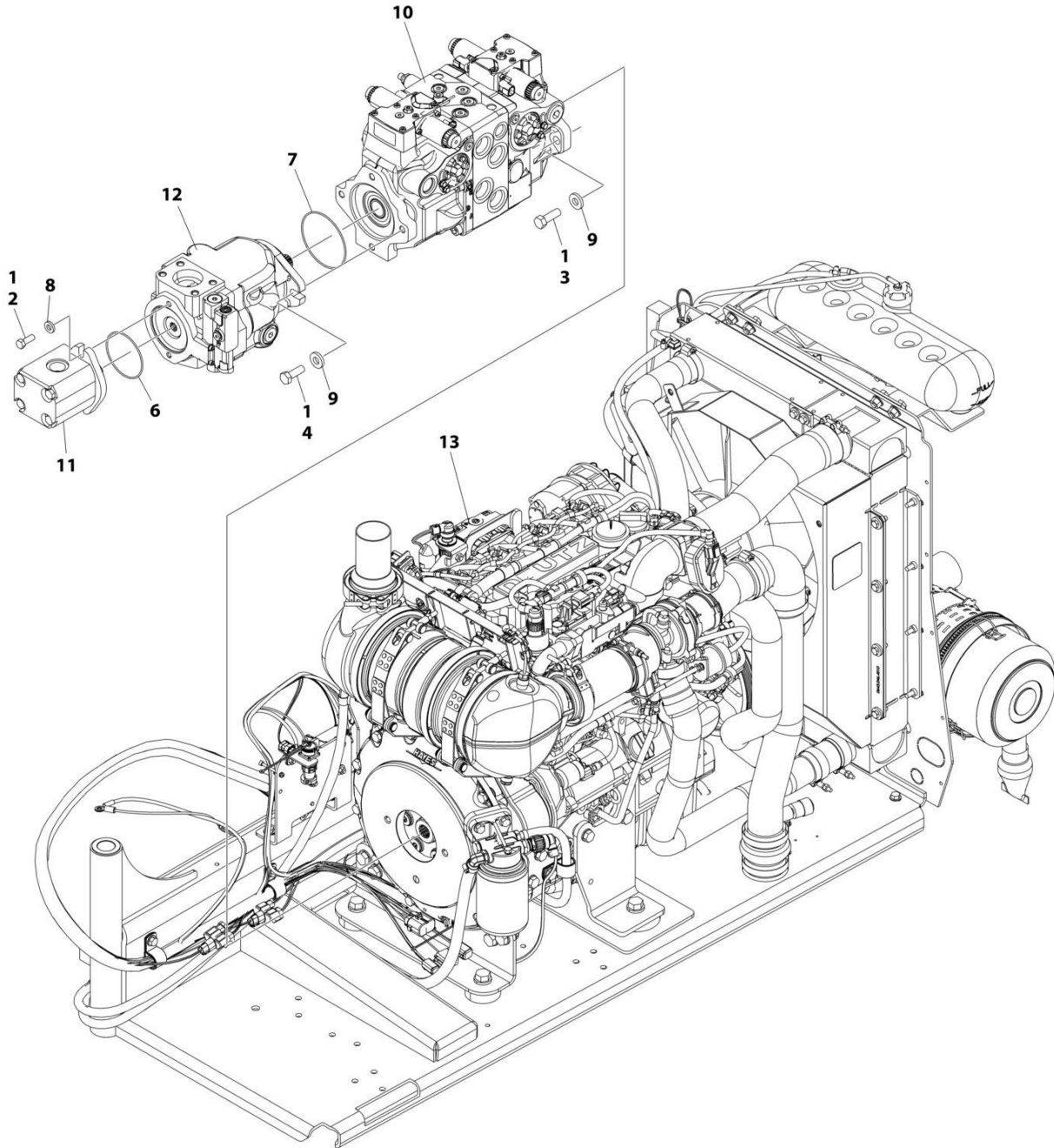
ITEM	PART NUMBER	QTY	DESCRIPTION	REV
	1001235148	Ref	DEUTZ TCD2.9L4 (STAGE V) ENGINE INSTALLATION - WITH SAUER PUMP (WITHOUT COLD WEATHER PLUS PACKAGE)	F
1	0100011	AR	Compound, Locking	
2	0100079	AR	Sealant, Pipe	
3	0641408	11	Bolt 1/4 x 1	
4	0641410	4	Bolt 1/4 x 1-1/4	
5	0641511	1	Bolt 5/16 x 1-3/8	
6	0641605	3	Bolt 3/8 x 5/8	
7	0641606	4	Bolt 3/8 x 3/4	
8	0641608	10	Bolt 3/8 x 1	
9	0641610	1	Bolt 3/8 x 1-1/4	
10	0641806	1	Bolt 1/2 x 3/4	
11	0641808	2	Bolt 1/2 x 1	
12	0642010	1	Bolt 5/8 x 1-1/4	
13	0651606	4	Bolt 3/8 x 3/4	
15	0761210	1	Bolt M12 x 20	
16	1320022	3	Clamp	
17	1320187	1	Clamp	
18	1320190	1	Cover, Clamp	
19	1671121	1	Cover	
20	2120218	1	Filter, High Pressure	
20	2120219	1	Element, Filter	
20	70001344	1	O-Ring, Bowl	
20	70006137	1	Seal Kit - Includes O-Ring (Element), O-Ring (Bowl), Back-up Ring (Bowl), Seal Ring (Indicator) and O-Ring (Indicator)	
21	2180832	1	Fitting, Barbed	
22	2220313	2	Fitting, 90 Barbed	
23	2750532	5 ft /1.5m	Hose	
25	3311405	11	Nut 1/4	
26	3311805	1	Nut 1/2	
27	3380723	1	Panel, Noise Reduction	
28	3422446	1	Pin, Pivot	
29	3841143	1	Pin, Keeper	
30	3900316	5	Screw 3/8 x 1	
31	4711400	26	Washer 1/4	
32	4711600	26	Washer 3/8	
33	4711800	3	Washer 1/2	
34	4752000	1	Washer 5/8	
36	4812100	1	Washer M12	
37	8405006	2	Clamp	
39	90028660	1	Clamp	
41	1001108617	1	Hydraulic Pressure Filter Assembly	
41	70002231	1	Element, Filter	
42	1001110425	4	Spacer	
43	1001116792	1	Clamp	
44	1001131542	1	Lanyard	
45	1001138491	NLA	Harness, Fuel (Use p/n 1001222665) (Not Shown - See Separate Breakdown in ELECTRICAL SECTION)	
46	1001142610	1	Battery Cable Kit	

SECTION 3 - ENGINE

ITEM	PART NUMBER	QTY	DESCRIPTION	REV
46A	7027046	1	Cable, Battery (Red) (Battery + to Relays and Starter)	
46A	See Note	NSS	Boot, Ring Terminal (Red) (Note: Not Available - Purchase Locally)	
46B	7027047	1	Cable, Battery (Black) (Battery - to Tray Pivot Grd) and Aux Pump	
46B	See Note	NSS	Boot, Ring Terminal (Black) (Note: Not Available - Purchase Locally)	
46C	7027048	1	Cable (Red) (Aux Relay to Aux Pump)	
46C	See Note	NSS	Boot, Ring Terminal (Red) (Note: Not Available - Purchase Locally)	
46D	7027049	1	Cable, Battery (Black) (Engine to Tray Pivot Grd)	
47	1001145089	1	Clamp	
48	1001145560	1	Panel, Rubber	
49	1001145842	1	Plate, Clamping	
50	1001154405	1.9 ft /0.6m	Hose	
52	1001235150	1	Engine Sub-Assembly (See Separate Breakdown in this Section)	
53	1001146588	1	Strap	
54	1001256879	1	Bracket	
55	1321283	2	Clamp	
56	1321716	3	Clamp	
57	4240099	AR	Tie-Strap (Not Shown)	

SECTION 3 - ENGINE

FIGURE 3-30. DEUTZ TCD2.9L4 (STAGE V) ENGINE SUB-ASSEMBLY - WITH SAUER PUMP AND ABS HOODS (WITHOUT COLD WEATHER PLUS PACKAGE)



ART_1001235150

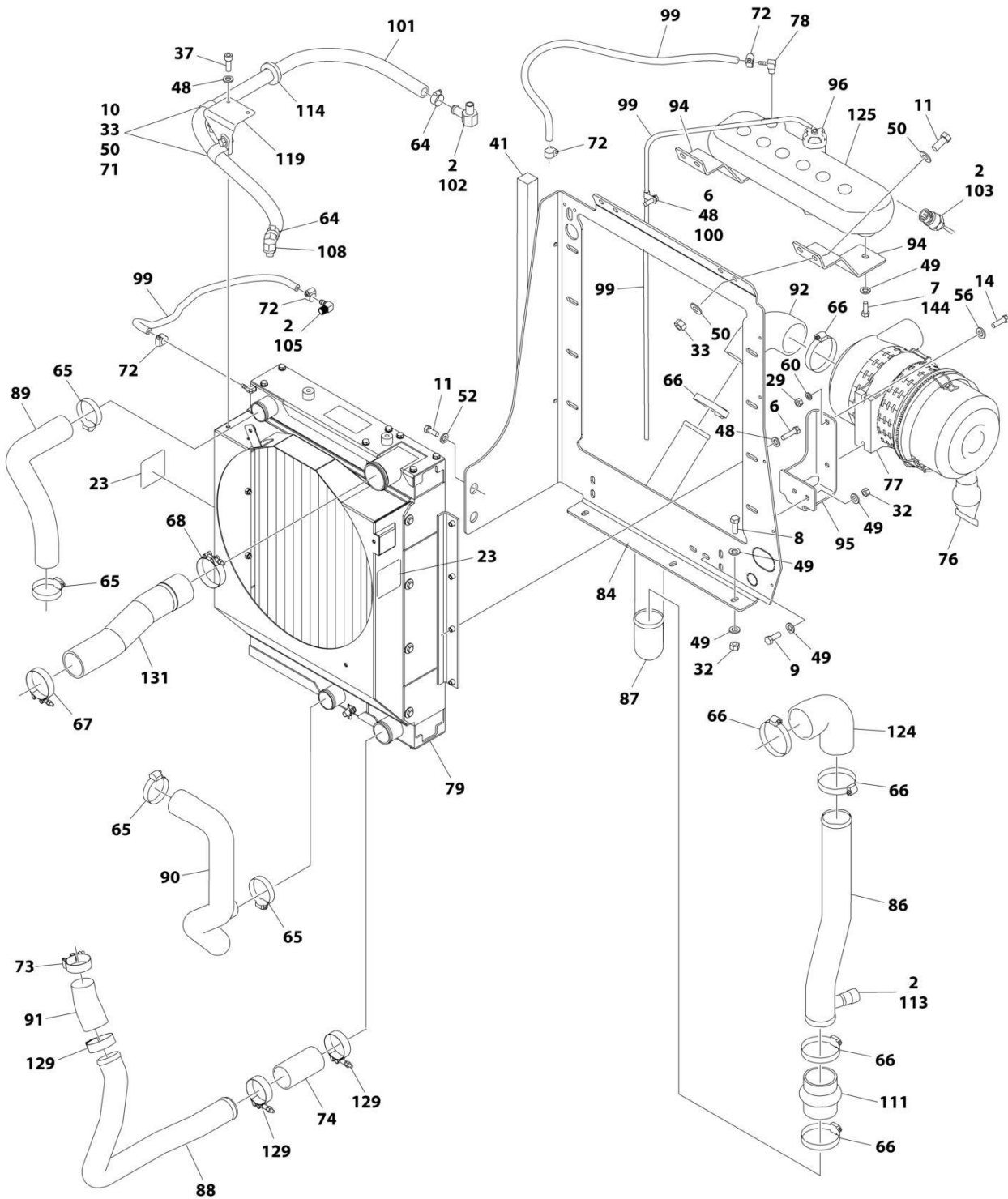
SECTION 3 - ENGINE

FIGURE 3-30. DEUTZ TCD2.9L4 (STAGE V) ENGINE SUB-ASSEMBLY - WITH SAUER PUMP AND ABS HOODS (WITHOUT COLD WEATHER PLUS PACKAGE)

ITEM	PART NUMBER	QTY	DESCRIPTION	REV
	1001235150	Ref	DEUTZ TCD2.9L4 (STAGE V) ENGINE SUB-ASSEMBLY	Q
1	0100011	AR	Compound, Locking	
2	0641608	2	Bolt 3/8 x 1	
3	0641812	2	Bolt 1/2 x 1-1/2	
3	0641814	2	Bolt 1/2 x 1-3/4	
4	0761215	2	Bolt M12 x 35	
6	3790152	1	O-Ring	
7	3790155	1	O-Ring	
8	4891600	2	Washer 3/8	
9	4891800	4	Washer 1/2	
10	1001108616	1	Pump Assembly - Sauer Tandem (See Separate Breakdown in this Section)	
11	1001112927	1	Pump Assembly - Sauer Gear (See Separate Breakdown in this Section)	
12	1001171095	1	Pump Assembly - Sauer Piston (See Separate Breakdown in this Section)	
13	1001235151	1	Engine Assembly (See Separate Breakdown in this Section)	

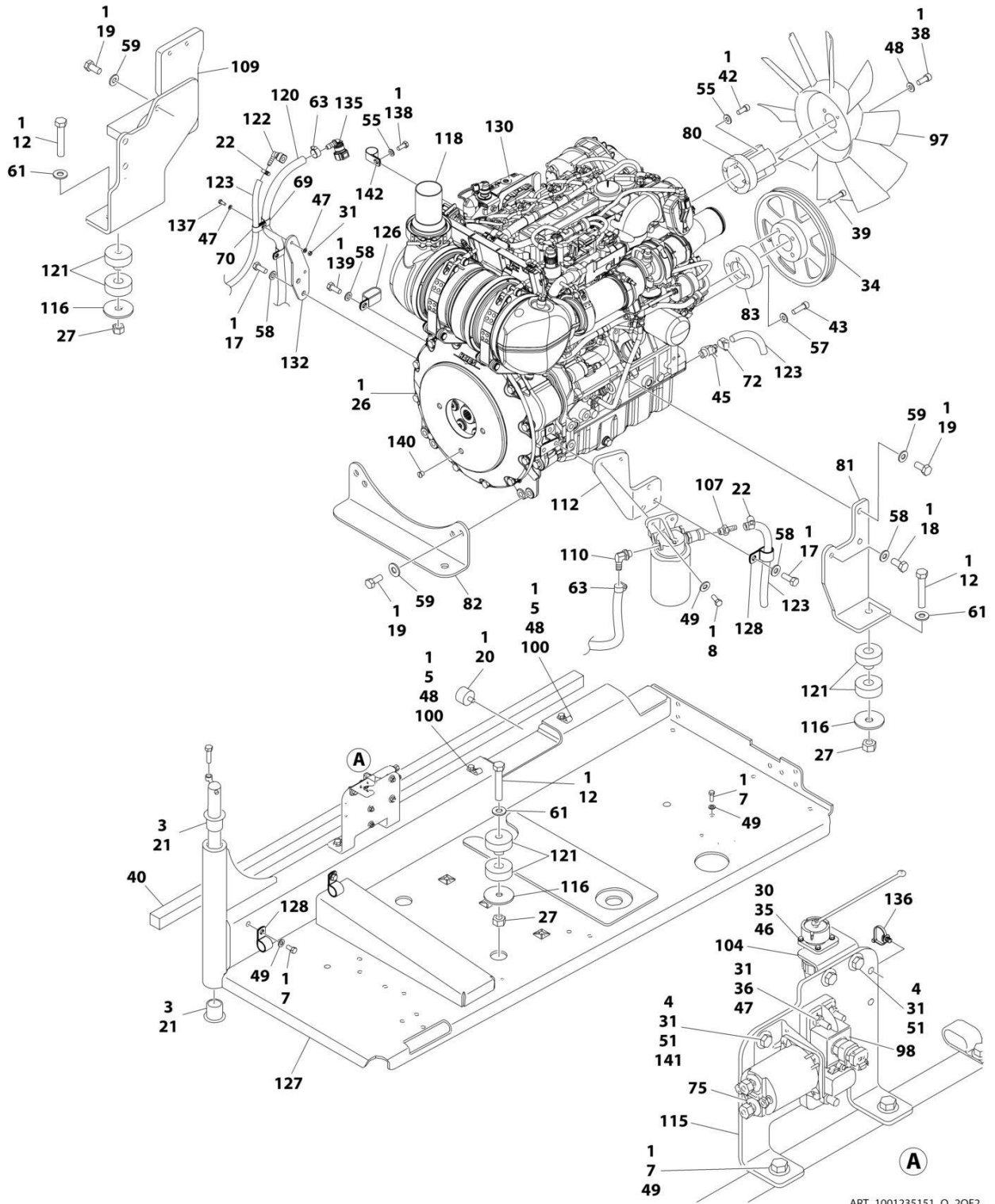
SECTION 3 - ENGINE

FIGURE 3-31. DEUTZ TCD2.9L4 (STAGE V) ENGINE ASSEMBLY (WITHOUT COLD WEATHER PLUS PACKAGE)



ART_1001235151_O_10F2

SECTION 3 - ENGINE



ART_1001235151_O_20F2

SECTION 3 - ENGINE

FIGURE 3-31. DEUTZ TCD2.9L4 (STAGE V) ENGINE ASSEMBLY (WITHOUT COLD WEATHER PLUS PACKAGE)

ITEM	PART NUMBER	QTY	DESCRIPTION	REV
	1001235151	Ref	DEUTZ TCD2.9L4 (STAGE V) ENGINE ASSEMBLY	O
1	0100011	AR	Compound, Locking	
2	0100020	AR	Sealant	
3	0100062	AR	Adhesive, Loctite #680	
4	0641406	4	Bolt 1/4 x 3/4	
5	0641503	3	Bolt 5/16 x 3/8	
6	0641508	8	Bolt 5/16 x 1-1/4	
7	0641606	7	Bolt 3/8 x 3/4	
8	0641608	9	Bolt 3/8 x 1	
9	0641610	2	Bolt 3/8 x 1-1/4	
10	0641706	2	Bolt 7/16 x 3/4	
11	0641708	6	Bolt 7/16 x 1	
12	0682028	4	Bolt 5/8 x 3-1/2 Grade 8	
14	0700815	2	Bolt M8 x 35	
17	0761214	5	Bolt M12 x 30	
18	0771212	1	Bolt M12 x 25 Grade 10.9	
19	0771414	9	Bolt M14 x 30 Grade 10.9	
20	0940070	1	Bumper	
21	0961986	2	Bushing, Flanged	
22	1320022	2	Clamp	
23	1703162	2	Decal - Fan	
26	2902065	1	Pump Coupling Kit (See Separate Breakdown in this Section)	
27	3272001	4	Nut 5/8 Grade 8	
29	3290801	2	Nut M8	
30	3310401	3	Nut #4	
31	3311405	7	Nut 1/4	
32	3311605	9	Nut 3/8	
33	3311705	5	Nut 7/16	
34	1001260432	1	Pulley	
35	3910408	3	Screw #4 x 1/2	
36	3931432	1	Capscrew 1/4 x 2	
37	3931508	2	Capscrew 5/16 x 1/2	
38	3931512	4	Capscrew 5/16 x 3/4	
39	1001261085	4	Screw M10	
40	3960543	1	Seal	
41	3960544	1	Seal	
42	4031914	4	Bolt M8 x 50	
43	1001261045	4	Screw M10	
44	4240099	AR	Tie-Strap (Not Shown)	
45	4640751	1	Valve, Oil Drain	
46	4710400	3	Washer #4	
47	4711400	5	Washer 1/4	
48	4711500	17	Washer 5/16	
49	4711600	27	Washer 3/8	
50	4711700	10	Washer 7/16	
51	4751400	8	Washer 1/4	
52	4751700	2	Washer 7/16	
54	4811700	4	Washer M6	
55	4811900	5	Washer M8	

SECTION 3 - ENGINE

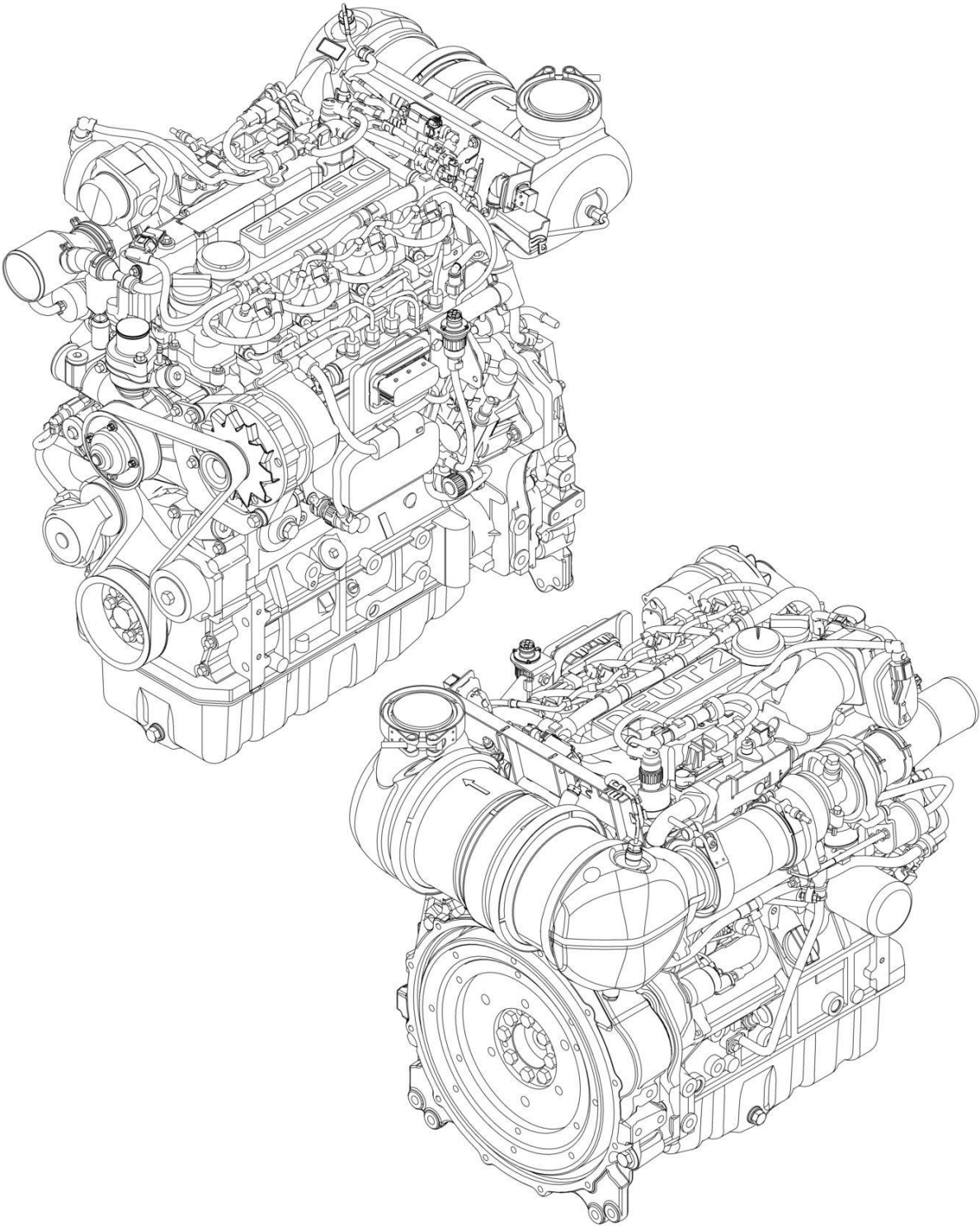
ITEM	PART NUMBER	QTY	DESCRIPTION	REV
56	4811902	2	Washer M8	
57	4812000	4	Washer M10	
58	4812100	7	Washer M12	
59	4812200	9	Washer M14	
60	4831900	2	Washer M8	
61	4892000	4	Washer 5/8	
63	8405006	2	Clamp	
64	8405007	2	Clamp	
65	8405201	4	Clamp	
66	8405204	6	Clamp	
67	8405212	1	Clamp	
68	8405213	1	Clamp	
69	8406102	2	Clip	
70	8406112	1	Clip	
71	8406302	2	Clamp	
72	8405009	5	Clamp	
73	8410014	1	Clamp	
74	91563070	1	Coupling, Rubber	
75	1001117308	1	Relay	
76	1001133633	1	Air Cleaner Assembly	
76	70024190	1	Element, Air Filter	
77	1001133634	1	Clamp	
78	1001134488	1	Fitting, 90 Barbed	
79	1001256864	1	Radiator	
80	1001135138	1	Spacer, Fan	
81	1001135560	1	Support, Engine	
82	1001135562	1	Support, Engine - Rear	
83	1001258800	1	Spacer, Pulley	
84	1001135680	1	Support, Radiator	
85	1001135779	1	Cable, Alternator Positive (Not Shown)	
86	1001135901	1	Pipe, Air Intake	
87	1001135903	1	Pipe, Air Intake	
88	1001135913	1	Pipe, Turbo to Air Cleaner	
89	1001135924	1	Hose, Radiator (Upper)	
90	1001135926	1	Pipe, Radiator (Lower)	
91	1001135943	1	Coupling, Rubber	
92	1001135946	1	Elbow, Rubber	
94	1001136626	2	Bracket	
95	1001136665	1	Bracket	
96	1001136834	1	Cap, Tank	
97	1001137276	1	Fan	
98	1001138228	1	Module, Power	
98	70023592	1	Fuse 20Amp (Switched Output)	
98	70023593	1	Fuse 30Amp (Battery Output)	
99	1001138248	8.6 ft/ 2.59m	Tubing	
100	1001138253	5	Clamp	
101	1001138524	1	Hose	
102	1001138559	1	Fitting, 90	
103	1001138827	1	Sensor, Coolant Level	
104	1001139240	1	Bracket	
105	1001140564	1	Fitting, 90 Barbed	

SECTION 3 - ENGINE

ITEM	PART NUMBER	QTY	DESCRIPTION	REV
106	1001141304	1	Wire, Glow Plug (Not Shown)	
107	1001141717	1	Fitting, Straight	
108	1001141719	1	Fitting, 90 Barbed	
109	1001142398	1	Support, Engine	
110	1001142501	1	Fitting, 90 Barbed	
111	1001142637	1	Hose, Hump	
112	1001142685	1	Bracket	
113	1001143390	1	Indicator, Air Filter Service	
114	1001144089	1	Grommet	
115	1001145154	1	Plate, Mounting	
116	1001146219	4	Washer Special	
117	1001148843	1	Harness, Fuel Filter (Not Shown - See Separate Breakdown in ELECTRICAL Section)	
118	1001153024	1	Pipe, Exhaust	
119	1001153387	1	Plate	
120	1001154405	4.7 ft/ 1.44m	Hose	
121	1001155575	4	Mount, Motor	
122	1001155823	1	Coupling	
123	1001165035	30.5 ft/ 9.3m	Hose	
124	1001165820	1	Pipe, Elbow	
125	1001166393	1	Tank, Surge	
126	1001181899	1	Clamp	
127	1001191272	1	Tray	
128	1001191620	3	Clamp	
129	1001208299	3	Clamp	
130	1001232546	1	Engine, Deutz TCD2.9L4 (Stage V) Engine Components (See Separate Breakdown in this Section)	
131	1001233492	1	Hose	
132	1001235952	1	Bracket	
133	1001237285	1	Harness, Engine (Not Shown - See Separate Breakdown in ELECTRICAL Section)	
135	1001170982	1	Adapter	
136	1001146588	1	Strap	
137	0641407	2	Bolt 1/4 x 7/8	
138	0760808	1	Bolt M8 x 16	
139	0761212	1	Bolt M12 x 25	
140	3520054	1	Plug, Hole	
141	4791400	2	Starwasher 1/4	
142	8406201	1	Clip	
143	1001165101	1	Fuel Pump/Bracket Assembly (Not Shown - See Separate breakdown in this Section)	
144	1001180620	AR	Adhesive	

SECTION 3 - ENGINE

FIGURE 3-32. DEUTZ TCD2.9L4 (STAGE V) ENGINE COMPONENTS



ART_1001232546

SECTION 3 - ENGINE

FIGURE 3-32. DEUTZ TCD2.9L4 (STAGE V) ENGINE COMPONENTS

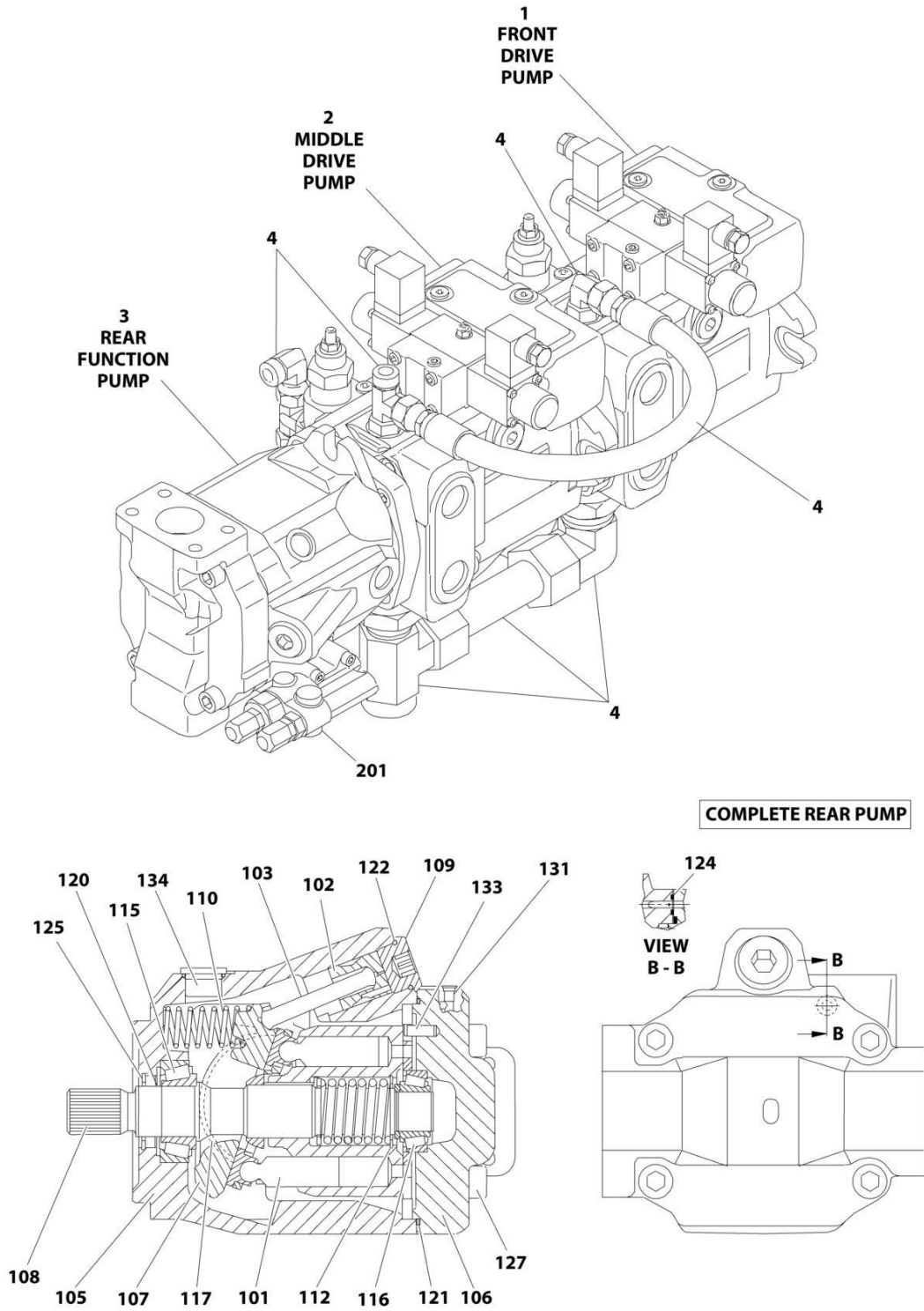
ITEM	PART NUMBER	QTY	DESCRIPTION	REV
	1001232546	Ref	DEUTZ ENGINE COMPONENTS	H
		Ref	Note: For complete list of parts, contact JLG Parts Department	
		Ref	Air Intake System Components	
	70004503	1	Turbocharger	
		Ref	Cooling System Components	
	70029581	1	Pump, Coolant (Includes Gasket & Seals)	
	70007603	1	Thermostat	
	70005184	1	O-Ring	
	70005931	1	Gasket	
	70025142	1	Cover	
		Ref	Electrical System Components	
		Ref	Module, ECU/ECM	
	70029401	1	Generator (Includes Controller, Fan & Hardware)	
	70024915	1	Starter (Includes Solenoid & Relay)	
	70026210	1	Sender, Tacho-Generator (Speed) (On Rear of Block) (Includes Seal)	
	70024916	1	Sender, Tacho-Generator (Speed) (On Cover) (Includes Seal)	
	70024918	1	Sender, Temperature (Includes Seal) (On Air Intake Manifold)	
	70024507	1	Sensor, Pressure (Includes Seal) (On Air Intake Manifold)	
	70024504	1	Sensor, Pressure (Includes Seal) (On Fuel Filter & Side of Block)	
		Ref	Sensor, Pressure (Includes Seal) (On Exhaust Manifold)	
		Ref	Sensor, Temperature (Includes Seal) (On Exhaust Manifold)	
	70000345	4	Plug, Glow	
		Ref	Exhaust System Components	
		Ref	Valve, EGR	
	70025130	8	Bolt, Exhaust Manifold	
	70025164	1	Gasket, Exhaust Manifold	
		Ref	Outlet, Muffler	
		Ref	Muffler	
		Ref	Bracket, Muffler Mounting	
	70004504	1	Compensator, Exhaust	
		Ref	Fuel System Components	
	70024924	1	Pump, High Pressure	
		Ref	Injector (Includes Sealing washer, Clamp & O-Ring)	
	70006144	1	Pump, Fuel Supply (Includes Clamps)	
	70024961	1	Filter, Fuel (Pre-Filter Assembly) (Includes Head, Spin on filter, Sensor Cable & Seal)	
	70025153	1	Filter, Fuel Spin On	
	70024513	1	Sensor Cable (Includes Seal)	
	70025160	1	Filter, Fuel (Assembly) (Includes Head & Spin on Filter)	
		Ref	Filter, Fuel Spin On	
	70004508	1	Vol. Control Valve (Includes O-Ring & Gasket)	
		Ref	Lubricating System Components	
	7020465	2	Cap, Oil Fill	
	70005941	2	Plug, Oil Drain	
	70005942	2	Seal, Oil Drain Plug	
	70005172	1	Pump, Oil (Includes Seal & Gasket)	
	7016331	1	Filter, Oil	
	70024494	1	Cooler, Oil	
	70024925	1	Gasket, Oil Cooler	

SECTION 3 - ENGINE

ITEM	PART NUMBER	QTY	DESCRIPTION	REV
	70024904	1	Dipstick (Includes Seal)	
		Ref	Mechanical Components	
	70001870	1	Flywheel (includes Gear)	
	70004277	1	V-Belt	
	70005938	1	Gasket Set - Complete	

SECTION 3 - ENGINE

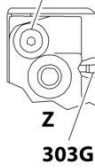
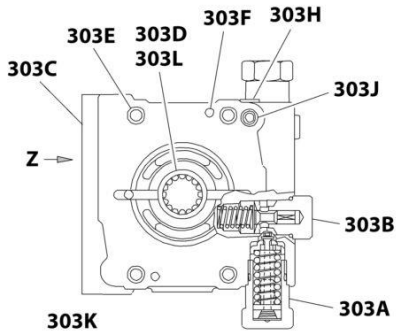
FIGURE 3-33. PUMP ASSEMBLY (REXROTH) (DEUTZ TD2011 ENGINES)



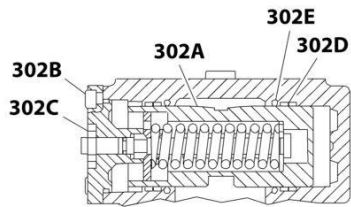
ART_3600339_10F2

SECTION 3 - ENGINE

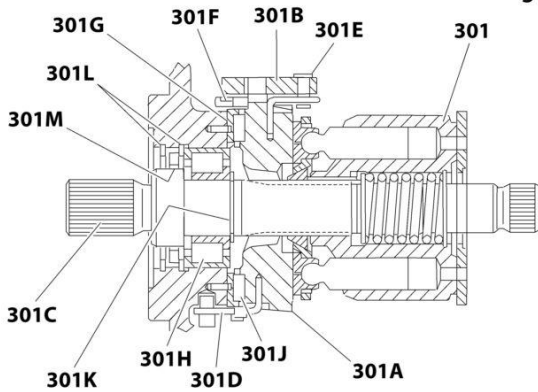
COMPLETE FRONT AND PUMPS



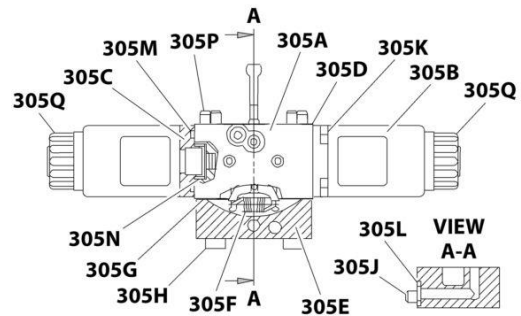
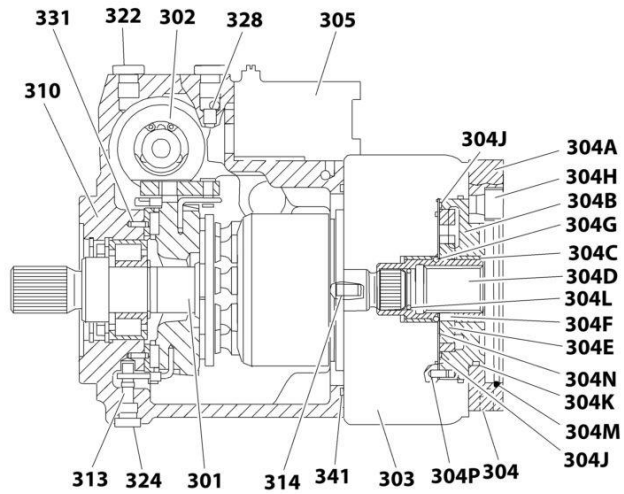
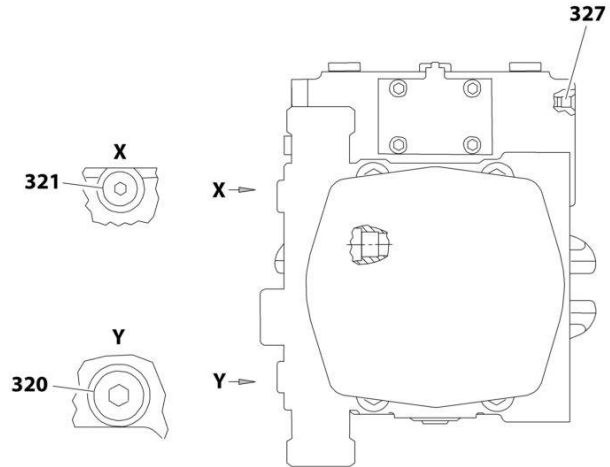
PORT PLATE SECTION FRONT AND MID PUMPS (DETAIL OF ITEM 303)



HYD. CONTROL FRONT AND MID PUMPS (DETAIL OF ITEM 302)



ROTARY GROUP FRONT AND MID PUMPS (DETAIL OF ITEM 301)



CONTROL MODULE FRONT AND MID PUMPS (DETAIL OF ITEM 305)

ART_3600339_20F2

SECTION 3 - ENGINE

FIGURE 3-33. PUMP ASSEMBLY (REXROTH) (DEUTZ TD2011 ENGINES)

ITEM	PART NUMBER	QTY	DESCRIPTION	REV
	3600339	Ref	PUMP ASSEMBLY (REXROTH) (DEUTZ TD2011 ENGINES)	D
1	7024042	1	Front Drive Pump Assembly (Includes Items 301-341)	
2	7024043	1	Middle Drive Pump Assembly (Includes Items 301-341)	
3	7024044	1	Rear Function Pump Assembly (Includes Items 101-201)	
4	70001952	1	Hydraulic Kit (Includes all Rexroth Supplied Hydraulic Fittings, Hoses and Tubes)	
	7024044	Ref	REAR FUNCTION PUMP ASSEMBLY	
101	7024914	1	Rotary Section	
102	See Note	1	Piston, Control (Note: Not Available - Purchase Complete Assembly)	
103	See Note	1	Rod, Piston (Note: Not Available - Purchase Complete Assembly)	
105	See Note	1	Housing, Pump (Note: Not Available - Purchase Complete Assembly)	
106	See Note	1	Plate, Port (Note: Not Available - Purchase Complete Assembly)	
107	7024915	1	Plate, Swash	
108	7024916	1	Driveshaft	
109	See Note	1	Plug (Note: Not Available for Purchase)	
110	See Note	1	Spring (Note: Not Available for Purchase)	
112	7012709	1	Shim	
115	7024038	1	Bearing, Roller	
116	7012706	1	Bearing, Roller	
117	7024917	2	Shell, Cradle	
120	7024918	1	Seal, Shaft	
121	7024919	1	O-Ring	
122	7024920	1	O-Ring	
124	7024921	1	Seal	
125	7012715	1	V-Ring	
127	See Note	4	Capscrew M12 x 45 Grade 10.9 (Note: Not Available for Purchase)	
131	See Note	1	Plug (Note: Not Available for Purchase)	
133	See Note	1	Pin, Dowel (Note: Not Available for Purchase)	
134	See Note	1	Plug (Note: Not Available for Purchase)	
201	7024913	Ref	Pilot Valve Assembly	
		Ref	Note: Two mounting designs of p/n 7024913 pilot valve exist. Early design uses qty. 3 O-rings. Late design uses qty 1 sealing plate. Seal designs cannot be interchanged. Verify seal design before ordering.	
201	7024922	3	O-Ring (Seals between Pilot Valve and Rear Pump)	
201	70021867	1	Plate, Sealing (Seals between Pilot Valve and Rear Pump)	
		Ref	FRONT DRIVE PUMP ASSEMBLIES	
	7024042	Ref	Front Drive Pump Assembly	
	7024043	Ref	Middle Drive Pump Assembly	
301	7024064	1	Rotary Group	
301A	See Note	NSS	Cradle (Note: Use Item 301)	
301B	See Note	NSS	Ring, Slide (Note: Use Item 301)	
301C	See Note	NSS	Driveshaft (Note: Use Item 301)	
301D	See Note	NSS	Wire (Note: Use Item 301)	
301E	See Note	NSS	Pin, Joint (Note: Use Item 301)	
301F	See Note	NSS	Wire (Note: Use Item 301)	
301G	See Note	NSS	Liner, Bearing (Note: Use Item 301)	
301H	See Note	NSS	Bearing, Roller (Note: Use Item 301)	
301J	See Note	NSS	Cradle Bearing Assembly (Note: Use Item 301)	

SECTION 3 - ENGINE

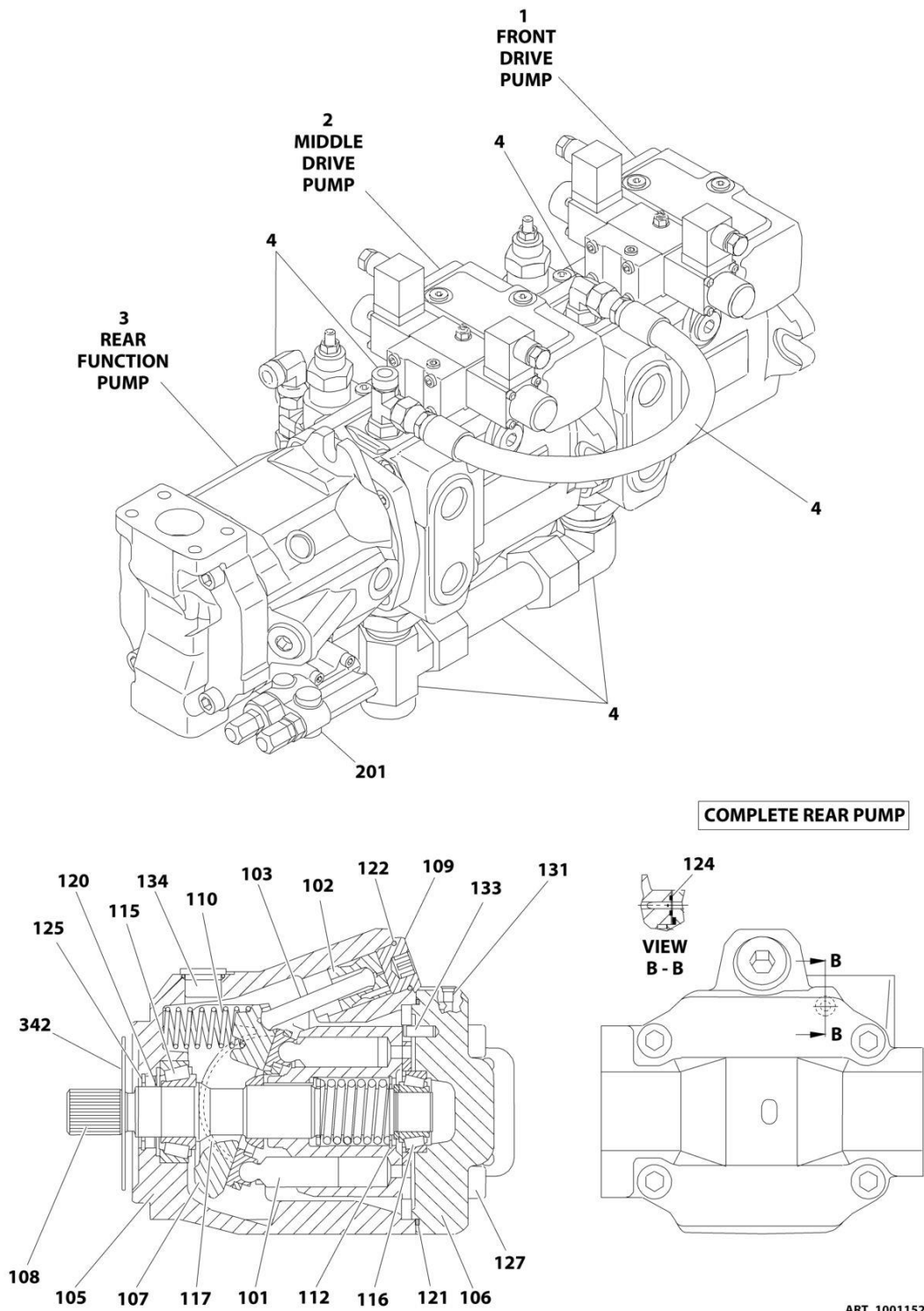
ITEM	PART NUMBER	QTY	DESCRIPTION	REV
301K	See Note	NSS	Ring, Retaining (Note: Use Item 301)	
301L	70001968	2	Ring, Retaining	
301M	7024070	1	Seal, Shaft Ring	
302	7024065	1	Control Group - Hydraulic	
302A	See Note	NSS	Piston, Positioning - Complete (Note: Use Item 302)	
302A	7024071	1	O-Ring, Outer Seal	
302A	7024072	1	O-Ring, Stem	
302B	See Note	4	Capscrew M6 x 12 (Note: Not Available - Purchase Locally)	
302C	See Note	NSS	Nut (Note: Use Item 302)	
302D	See Note	NSS	Ring, Guide (Note: Use Item 302)	
302E	See Note	NSS	Seal, O-Ring (Note: Use Item 302)	
303	7024911	1	Port Plate Group	
303A	7024073	2	Cartridge, Relief Valve (High Pressure)	
303A	7024075	1	O-Ring	
303A	7024076	1	Ring, Back-up	
303B		Ref	Cartridge Options:	
303B	7024097	1	Front Pump Cartridge (Lock Valve with Orifice) Note: Sold as an Assembly except Outer Seal.	
303B	7024075	1	O-Ring	
303B	7023881	1	Middle Pump Cartridge (Pressure Relief Valve) Note: Sold as an Assembly except Outer Seal.	
303B	7024077	1	O-Ring	
303C	See Note	NSS	Plate, Port (Note: Use Item 303)	
303D	See Note	NSS	Bushing, Bearing (Note: Use Item 303)	
303E	See Note	4	Capscrew M12 x 70 Grade10.9 (Note: Not Available - Purchase Locally)	
303F	See Note	NSS	Pin, Dowel (Note: Use Item 303)	
303G	See Note	NSS	Pin, Break-Off (Note: Use Item 303)	
303H	See Note	1	Screw, Locking M10 x 1 (Note: Not Available - Purchase Locally)	
303J	7024908	2	O-Ring	
303K	See Note	2	Screw, Locking 7/16 (Note: Not Available - Purchase Locally)	
303L	See Note	NSS	Bearing, Roller (Note: Use Item 303)	
304	7024906	1	Internal Gear Pump	
304A	See Note	NSS	Flange, Intermediate (Note: Use Item 304)	
304B	See Note	NSS	IZP-Housing (Note: Use Item 304)	
304C	See Note	NSS	Bushing, Bearing (Note: Use Item 304)	
304D	See Note	NSS	Coupling, Driveshaft Through (Note: Use Item 304)	
304E	See Note	NSS	Gear Set (Note: Use Item 304)	
304F	See Note	NSS	Key, Driveshaft (Note: Use Item 304)	
304G	See Note	NSS	Ring, Retaining (Note: Use Item 304)	
304H	See Note	4	Capscrew M10 x 20 (Note: Not Available - Purchase Locally)	
304J	7024080	2	Seal	
304K	7024081	1	O-Ring	
304L	See Note	NSS	Ring, Retaining (Note: Use Item 304)	
304M	See Note	NSS	O-Ring (Note: Use Item 304)	
304N	7024005	1	Plate, Wear	
304P	See Note	NSS	Pin, Cylinder (Note: Use Item 304)	
305	7024068	1	Control Module	
305A	7024084	1	Valve Body, Lever and Internal Components	
305B	7024083	2	Coil, Solenoid	
305C	See Note	NSS	Spacer, Coil (Note: Use Item 305)	

SECTION 3 - ENGINE

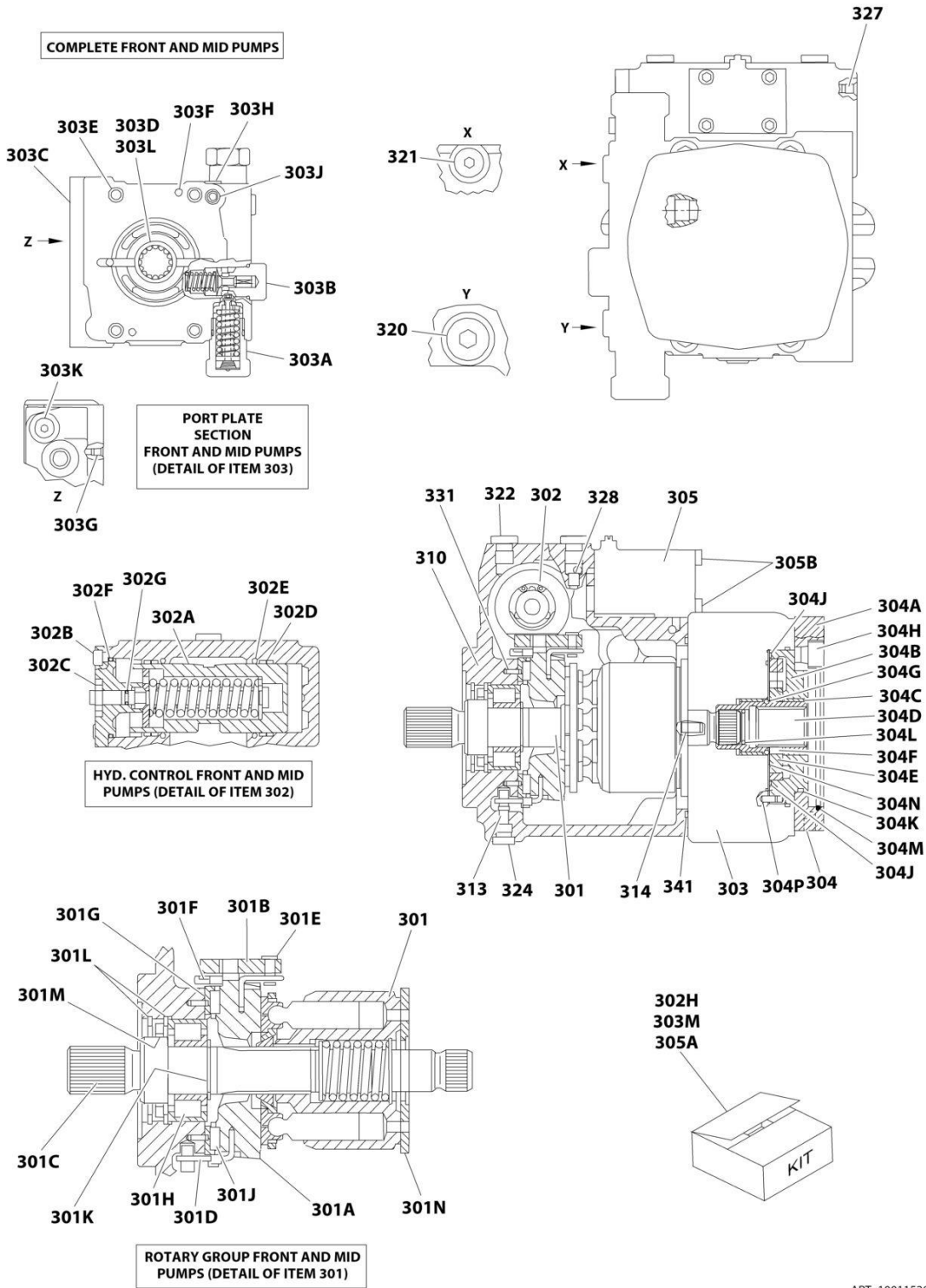
ITEM	PART NUMBER	QTY	DESCRIPTION	REV
305D	7024085	1	Gasket	
305E	See Note	NSS	Cover (Note: Use Item 305)	
305F	See Note	NSS	Spring, Draw (Note: Use Item 305)	
305G	See Note	NSS	Gasket (Note: Use Item 305)	
305H	See Note	4	Capscrew M6 x 65 (Note: Not Available - Purchase Locally)	
305J	See Note	1	Capscrew M6 x 45 (Note: Not Available - Purchase Locally)	
305K	See Note	8	Capscrew M5 x 10 (Note: Not Available - Purchase Locally)	
305L	7024087	1	O-Ring	
305M	7024088	2	O-Ring	
305N	7024089	2	Cup, Spring	
305P	See Note	NSS	Pin, Cylinder (Note: Use Item 305)	
305Q	70002569	2	Nut, Coil	
310	See Note	1	Housing (Note: Not Available for Purchase)	
313	See Note	2	Pin, Dowel (Note: Not Available for Purchase)	
314	See Note	1	Pin, Cylinder (Note: Not Available for Purchase)	
320	See Note	1	Screw 7/8 (Front Drive Pump Only) (Note: Not Available - Purchase Locally)	
321	See Note	1	Screw 9/16 (Note: Not Available - Purchase Locally)	
322	See Note	1	Screw 7/16 (Note: Not Available - Purchase Locally)	
324	See Note	1	Screw M10 x 1 (Note: Not Available - Purchase Locally)	
327	See Note	1	Pin, Double Break-Off (Note: Not Available for Purchase)	
328	7018936	2	Orifice	
331	See Note	2	Pin, Clamping (Note: Not Available for Purchase)	
341	7024069	1	O-Ring	

SECTION 3 - ENGINE

FIGURE 3-34. PUMP ASSEMBLY (REXROTH) (DEUTZ TCD2.9L4 ENGINES AND DEUTZ TCD2.9L4 (STAGE V) ENGINES)



SECTION 3 - ENGINE



ART_1001152963_20F2

SECTION 3 - ENGINE

FIGURE 3-34. PUMP ASSEMBLY (REXROTH) (DEUTZ TCD2.9L4 ENGINES AND DEUTZ TCD2.9L4 (STAGE V) ENGINES)

ITEM	PART NUMBER	QTY	DESCRIPTION	REV
	1001152963	Ref	PUMP ASSEMBLY (REXROTH) (DEUTZ TCD2.9L4 ENGINES)	C
1	70005480	1	Front Drive Pump Assembly Options (Includes Items 301-341)	
2	70005481	1	Middle Drive Pump Assembly (Includes Items 301-341)	
3	7024044	1	Rear Function Pump Assembly (Includes Items 101-201)	
4	See Note	NSS	Hydraulic Kit (Includes all Rexroth Supplied Hydraulic Fittings, Hoses and Tubes) (Note: Not Available for Purchase)	
	7024044	Ref	REAR FUNCTION PUMP ASSEMBLY	
101	70003173	1	Rotary Section	
102	See Note	1	Piston Control (Note: Not Available - Purchase Complete Assembly)	
103	See Note	1	Rod, Piston (Note: Not Available - Purchase Complete Assembly)	
105	See Note	1	Housing, Pump (Note: Not Available - Purchase Complete Assembly)	
106	See Note	1	Plate, Port (Note: Not Available - Purchase Complete Assembly)	
107	70003174	1	Plate, Swash	
108	70003175	1	Driveshaft	
109	See Note	1	Plug (Note: Not Available for Purchase)	
110	See Note	1	Spring (Note: Not Available for Purchase)	
112		Ref	Shim	
115	7024038	1	Bearing, Roller	
116	7012706	1	Bearing, Roller	
117	7024917	2	Shell, Cradle	
120	7024918	1	Seal, Shaft	
121	7024919	1	O-Ring	
122	7024920	1	O-Ring	
124	7024921	1	Seal	
125	70003177	1	V-Ring	
127	See Note	4	Capscrew M12 x 45 Grade 10.9 (Note: Not Available for Purchase)	
131	See Note	1	Plug (Note: Not Available for Purchase)	
133	See Note	1	Pin, Dowel (Note: Not Available for Purchase)	
134	See Note	1	Plug (Note: Not Available for Purchase)	
201	7024913	Ref	Pilot Valve Assembly	
		Ref	Note: Two mounting designs of p/n 7024913 pilot valve exist. Early design uses qty. 3 o-rings. Late design uses qty. 1 sealing plate. Seal designs cannot be interchanged. Verify seal design before ordering.	
201	7024922	3	O-Ring (Seals between Pilot Valve and Rear Pump)	
201	70021867	1	Plate, Sealing (Seals between Pilot Valve and Rear Pump)	
		Ref	FRONT DRIVE PUMP ASSEMBLIES	
	70005480	Ref	Front Drive Pump Assembly	
	70005481	Ref	Middle Drive Pump Assembly	
		Ref	Note: Service Parts not available at time of printing, call-out number on illustration for ref only.	
301	7024064	1	Rotary Group	
301A	See Note	NSS	Cradle (Note: Use Item 301)	
301B	See Note	NSS	Ring, Slide (Note: Use Item 301)	
301C	7023887	1	Driveshaft	
301D	See Note	NSS	Wire (Note: Use Item 301)	
301E	See Note	NSS	Pin, Joint (Note: Use Item 301)	
301F	See Note	NSS	Wire (Note: Use Item 301)	

SECTION 3 - ENGINE

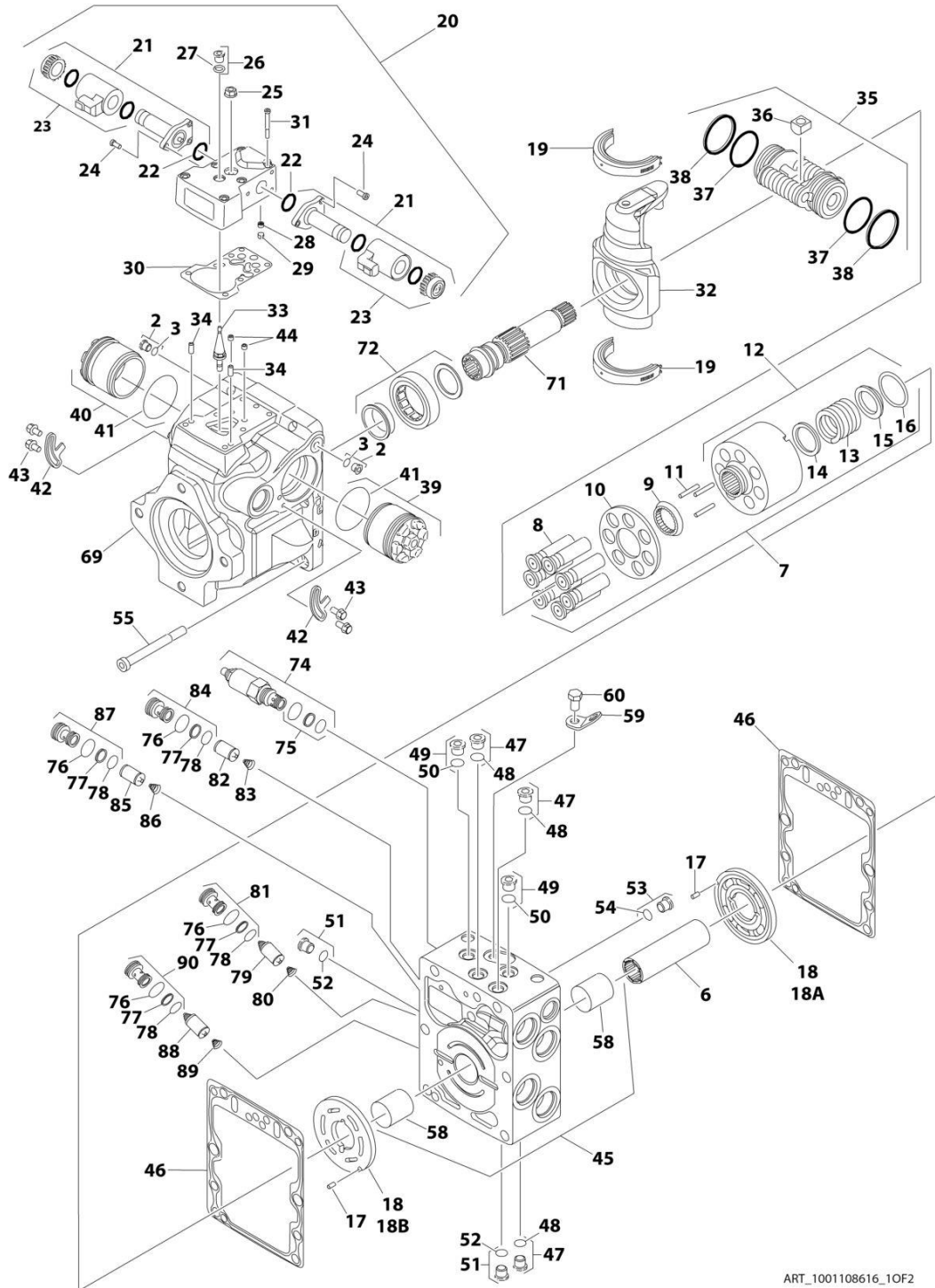
ITEM	PART NUMBER	QTY	DESCRIPTION	REV
301G	See Note	NSS	Liner, Bearing (Note: Use Item 301)	
301H	See Note	NSS	Bearing, Roller (Note: Use Item 301)	
301J	See Note	NSS	Cradle Bearing Assembly (Note: Use Item 301)	
301K	70001968	1	Ring, Retaining	
301L	See Note	NSS	Ring, Retaining (Note: Not Available for Purchase)	
301M	70003167	1	Seal, Shaft Ring	
301N	70000950	1	Plate	
302	7024065	1	Control Group - Hydraulic	
302A	See Note	NSS	Piston, Positioning - Complete (Note: Use Item 302)	
302A	See Note	NSS	O-Ring, Outer Seal (Note: Not Available for Purchase)	
302A	See Note	NSS	O-Ring, Stem (Note: Not Available for Purchase)	
302B	See Note	4	Capscrew M6 x 12 (Note: Not Available - Purchase Locally)	
302C	See Note	NSS	Nut (Note: Use Item 302)	
302D	See Note	NSS	Ring, Guide (Note: Use Item 302)	
302E	See Note	NSS	Seal, O-Ring (Note: Use Item 302)	
302F	7024071	1	O-Ring	
302G	7024072	1	O-Ring	
302H	7024006	1	Seal Kit - Control Section	
303	7024905	1	Port Plate Group (Front)	
303	7024911	1	Port Plate Group (Mid)	
303A	7024073	1	Cartridge, Relief Valve (High Pressure)	
303A	7024075	1	O-Ring	
303A	7024076	1	Ring, Back-up	
303B		Ref	Cartridge Options:	
303B	7024907	1	Front Pump Cartridge (Lock Valve With Orifice)	
303B	7024909	1	Screw, Locking	
303B	7024075	1	O-Ring	
303B	70020329	1	Middle Pump Cartridge (Pressure Relief Valve)	
303B	7024909	1	Screw, Locking	
303B	7024077	1	O-Ring	
303C	See Note	NSS	Plate, Port (Note: Use Item 303)	
303D	See Note	NSS	Bushing, Bearing (Note: Use Item 303)	
303E	See Note	4	Capscrew M12 x 70 Grade 10.9 (Note: Not Available - Purchase Locally)	
303F	See Note	NSS	Pin, Dowel (Note: Use Item 303)	
303G	70003340	1	Pin, Break-Off	
303H	See Note	1	Screw, Locking M10 x 1 (Note: Not Available - Purchase Locally)	
303J	7024908	1	O-Ring	
303K	See Note	2	Screw, Locking 7/16 (Note: Not Available - Purchase Locally)	
303L	See Note	NSS	Bearing, Roller (Note: Use Item 303)	
303M	7024006	1	Seal Kit - Port Plate Group	
304	7024906	1	Internal Gear Pump	
304A	See Note	NSS	Flange, Intermediate (Note: Use Item 304)	
304B	See Note	NSS	IZP-Housing (Note: Use Item 304)	
304C	See Note	NSS	Bushing, Bearing (Note: Use Item 304)	
304D	See Note	NSS	Coupling, Driveshaft Through (Note: Use Item 304)	
304E	7024078	1	Gear Set	
304F	7024079	1	Key, Driveshaft	
304G	80934174	1	Ring, Retaining	
304H	See Note	4	Capscrew M10 x 20 (Note: Not Available - Purchase Locally)	
304J	See Note	NSS	Seal (Note: Not Available for Purchase)	

SECTION 3 - ENGINE

ITEM	PART NUMBER	QTY	DESCRIPTION	REV
304K	7024081	1	O-Ring	
304L	See Note	NSS	Ring, Retaining (Note: Use Item 304)	
304M	See Note	NSS	O-Ring (Note: Use Item 304)	
304N	See Note	NSS	Plate, Wear (Note: Not Available for Purchase)	
304P	See Note	NSS	Pin, Cylinder (Note: Use Item 304)	
305	70003165	1	Control Module	
305	70003170	1	Coil, Solenoid	
305A	70020336	1	Seal Kit - Control Module	
305B	80934644	4	Capscrew	
310	See Note	1	Housing (Note: Not Available for Purchase)	
313	See Note	2	Pin, Dowel (Note: Not Available for Purchase)	
314	See Note	1	Pin, Cylinder (Note: Not Available for Purchase)	
320	7026980	1	Screw 7/8 (Front Drive Pump Only)	
321	80334079	1	Screw 9/16	
322	See Note	1	Screw 7/16 (Note: Not Available - Purchase Locally)	
324	See Note	1	Screw M10 x 1 (Note: Not Available - Purchase Locally)	
327	70003340	1	Pin, Double Break-Off	
328	7018936	1	Orifice	
331	7024096	2	Pin, Clamping	
341	7024069	1	O-Ring	
342	70007178	1	O-Ring	

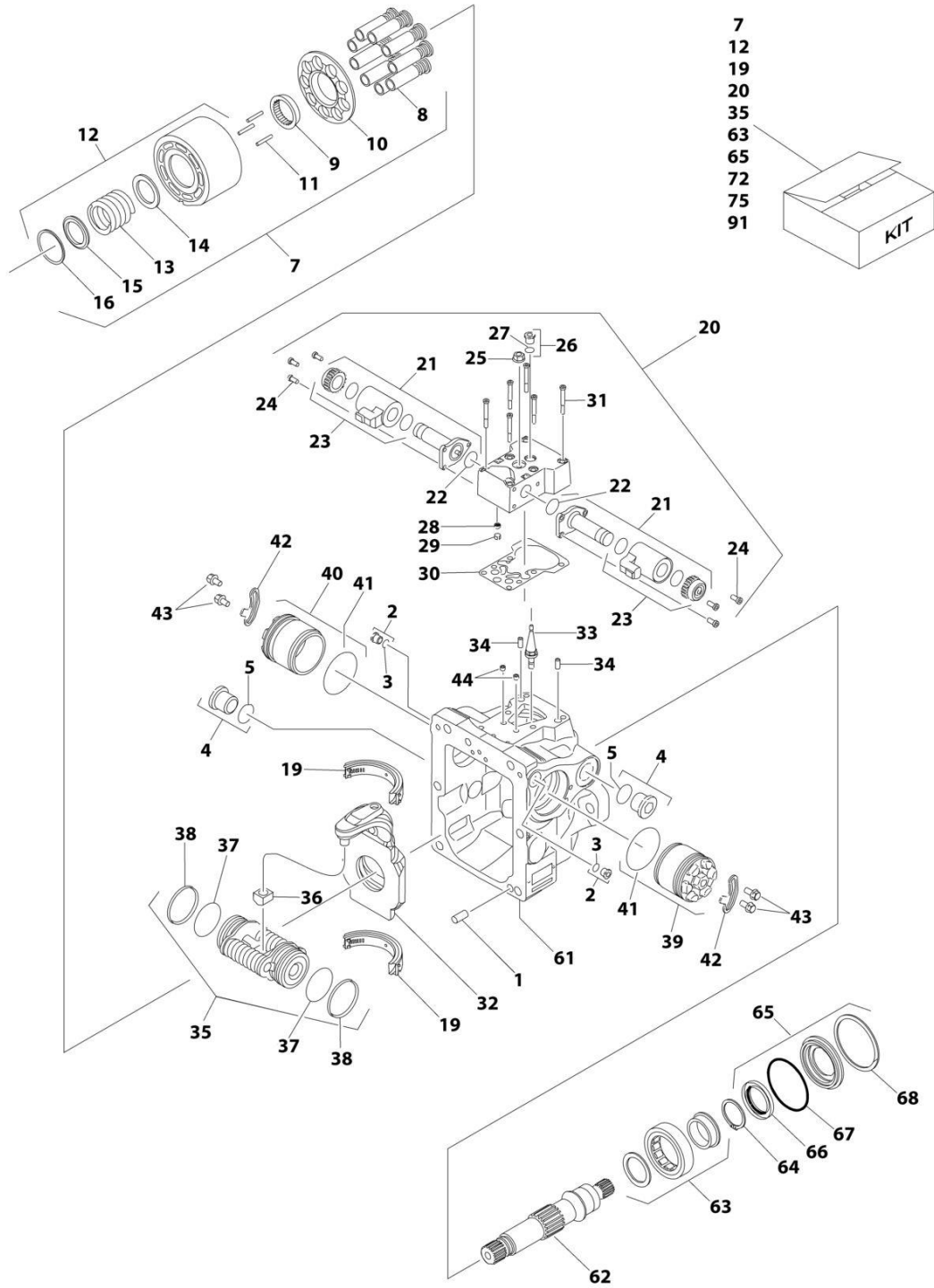
SECTION 3 - ENGINE

FIGURE 3-35. PUMP ASSEMBLY (SAUER TANDEM)



ART_1001108616_10F2

SECTION 3 - ENGINE



ART_1001108616_2OF2

SECTION 3 - ENGINE

FIGURE 3-35. PUMP ASSEMBLY (SAUER TANDEM)

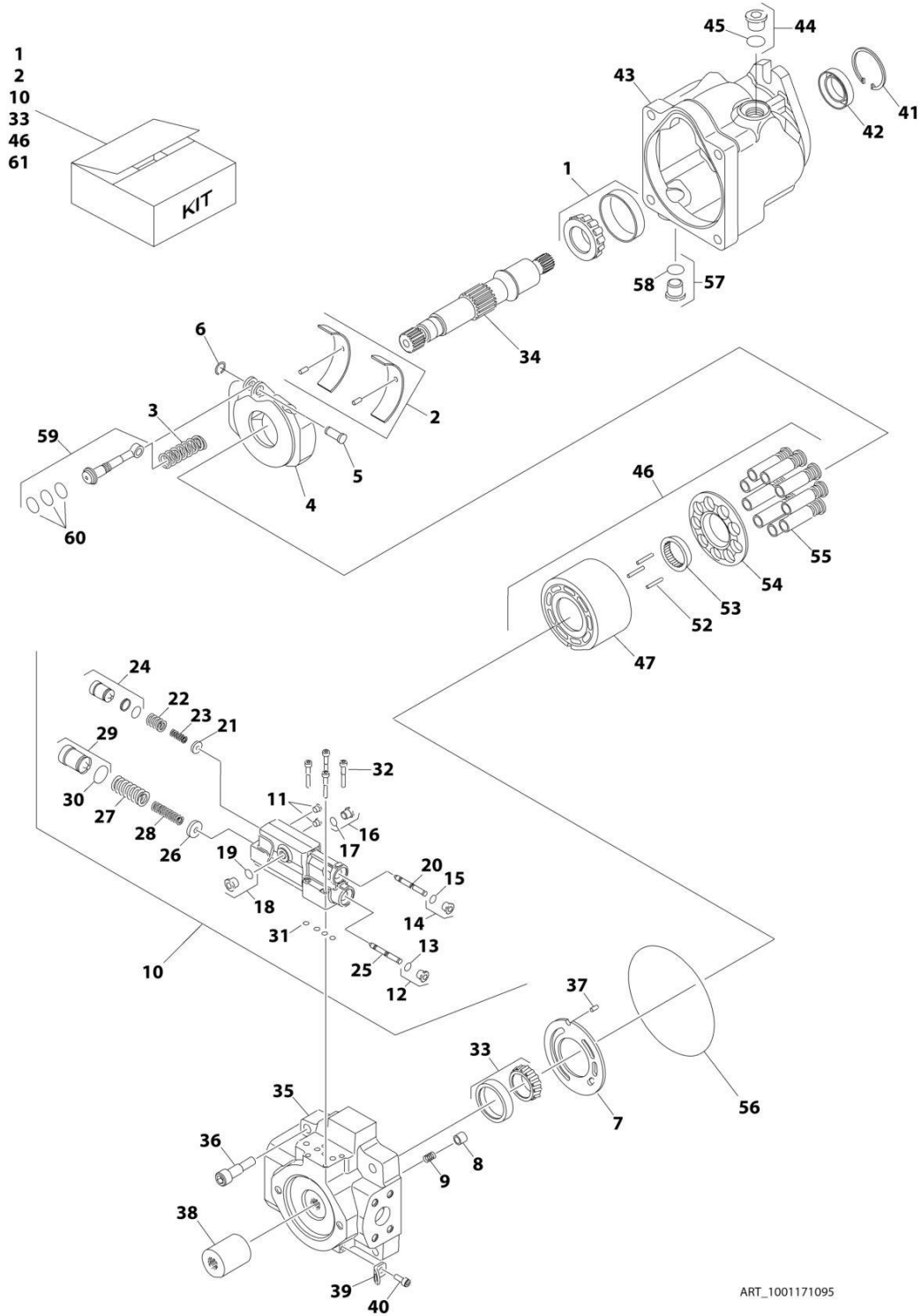
ITEM	PART NUMBER	QTY	DESCRIPTION	REV
	1001108616	Ref	PUMP ASSEMBLY (SAUER TANDEM)	D
1	70002132	4	Pin	
2	70002133	4	Plug Assembly (Includes Item 3)	
3	7007207	4	O-Ring (Part of Item 2)	
4	7007419	2	Plug Assembly (Includes Item 5)	
5	7007418	2	O-Ring (Part of Item 4)	
6	70002600	1	Coupling	
7	70002135	2	Cylinder Block Kit (Each Kit Includes Qty 1 of Items 8-10 & 12-16 & Qty 3 of Item 11)	
8	70002136	2	Piston Assembly Kit (Includes Qty 9 Piston Assemblies) (Part of Item 7)	
9	70002137	2	Guide, Slipper Retainer (Part of Item 7)	
10	70002138	2	Retainer, Slipper (Part of Item 7)	
11	7021275	6	Pin, Slipper Retainer Holddown (Part of Item 7)	
12	70002135	2	Cylinder Block Assembly (Includes Qty 1 of Item 13-16) (Part of Item 7)	
13	70002139	2	Spring (Part of Item 12)	
14	70002140	2	Washer (Part of Item 12)	
15	70002141	2	Washer (Part of Item 12)	
16	70002142	2	Ring, Retaining (Part of Item 12)	
17	7007446	2	Pin	
18		Ref	Plate, Valve Options:	
18A	70002601	1	Plate, CW Valve	
18B	70002602	1	Plate, CCW Valve	
19	70002145	2	Swash Plate Bearing Kit (Includes Qty 2 Bearings)	
20	70002618	2	EDC Kit (Includes Items 21-31)	
21	70002619	4	Solenoid Valve Assembly (Includes Items 22 & 23) (Part of Item 20)	
22	70002148	4	O-Ring (2 Per EDC Assembly) (Part of Item 21)	
23	70002620	4	Coil, Nut and Seals Kit (2 Per EDC Assembly) (Part of Item 21)	
24	70002150	12	Screw (Part of Item 20)	
25	7022301	2	Nut, Seal (Part of Item 20)	
26	70002151	2	Plug Assembly (Part of Item 20) (Includes Item 27)	
27	7007207	2	O-Ring (Part of Item 26)	
28	70002134	2	Screen (Part of Item 20)	
29	70002153	2	Ring, Locking (Part of Item 20)	
30	70002154	2	Gasket, Control (Part of Item 20)	
31	70002156	12	Capscrew (Part of Item 20)	
32	70002152	2	Swash Plate	
33	70002155	2	Link, Swash Plate	
34	70002157	4	Pin, Dowel	
35	70002158	2	Servo Piston Assembly (Includes Items 36-38)	
36	70002159	2	Block, Slider (Part of Item 35)	
37	70002160	2	O-Ring (Part of Item 35)	
38	70002161	2	Ring, Piston (Part of Item 35)	
39	70002162	2	Cylinder, Servo	
40	70002162	2	Cylinder, Servo	
41	70002163	4	O-Ring	
42	70002164	4	Plate, Locking	
43	70002165	8	Screw	

SECTION 3 - ENGINE

ITEM	PART NUMBER	QTY	DESCRIPTION	REV
44	70002604	4	Orifice	
45	70002605	1	Center Section Assembly (Includes Item 58)	
46	70002168	2	Gasket, End Cap	
47	70001958	2	Plug Assembly (Includes Item 48)	
48	7021256	2	O-Ring (Part of Item 47)	
49	70001958	2	Plug Assembly (Includes Item 50)	
50	7021256	2	O-Ring (Part of Item 49)	
51	70001958	2	Plug Assembly (Includes Item 52)	
52	7021256	2	O-Ring (Part of Item 51)	
53	70001958	2	Plug Assembly (Includes Item 54)	
54	7021256	2	O-Ring (Part of Item 53)	
55	70002606	4	Capscrew	
58	70002607	2	Bearing, Journal (Part of Item 45)	
59	70002608	1	Bracket, Lifting	
60	70002609	1	Screw	
61	See Note	1	Housing (Note: Not Available for Purchase)	
62	70002175	1	Shaft	
63	70002610	1	Ball Bearing Kit	
	7007439	1	Ring, Retaining	
65	70002174	1	Shaft Seal Kit (Includes Items 66-68) (Note: This is a universal kit and will contain extra pieces that are not used on this pump assembly)	
66	70002177	1	Seal, Lip	
67	70002178	1	O-Ring	
68	70002179	1	Ring, Retaining	
69	See Note	1	Housing (Note: Not Available for Purchase)	
71	70002612	1	Shaft	
72	70002610	1	Ball Bearing Kit	
74	70002621	1	High Pressure Relief Valve Cartridge Assembly (Includes Item 75)	
75	70002622	1	Seal Kit - 70002621 Valve (Part of Item 74)	
76	7007415	1	O-Ring (Part of Items 81, 84, 87 & 90)	
77	7021293	1	Ring, Back-up (Part of Items 81, 84, 87 & 90)	
78	7022300	1	O-Ring (Part of Items 81, 84, 87 & 90)	
79	70002616	1	SCR Valve Assembly	
80	7024800	1	Spring	
81	7021265	1	Plug Assembly (Includes Qty 1 of Items 76-78)	
82	70002616	1	SCR Valve Assembly	
83	7024800	1	Spring	
84	7021265	1	Plug Assembly (Includes Qty 1 of Item 76-78)	
85	70002616	1	SCR Valve Assembly	
86	7024800	1	Spring	
87	70002617	1	Plug Assembly (Includes Qty 1 of Item 76-78)	
88	70002616	1	SCR Valve Assembly	
89	7024800	1	Spring	
90	7021265	1	Plug Assembly (Includes Qty 1 of Items 76-78)	
91	70002623	1	Overhaul Seal Kit (Includes Items 3, 5, 22, 27, 30, 37, 38, 41, 46, 48, 50, 52, 54, 66, 67, 75, 76, 77 & 78)	

SECTION 3 - ENGINE

FIGURE 3-36. PUMP ASSEMBLY (SAUER PISTON)



ART_1001171095

SECTION 3 - ENGINE

FIGURE 3-36. PUMP ASSEMBLY (SAUER PISTON)

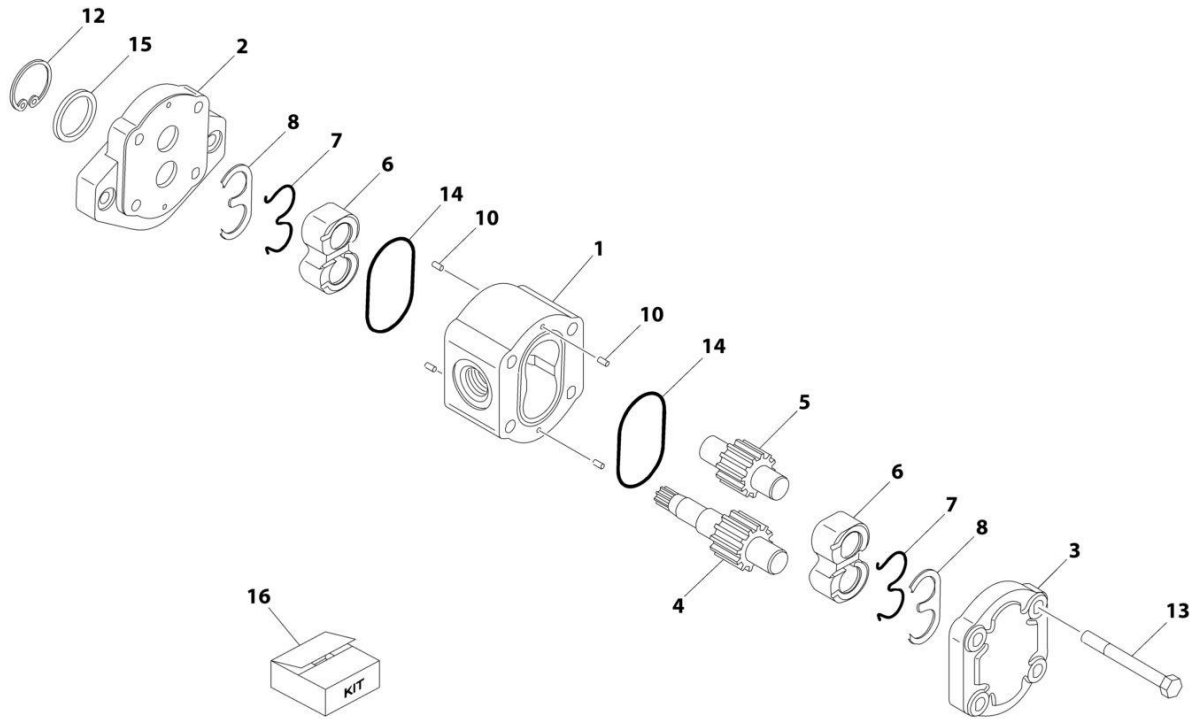
ITEM	PART NUMBER	QTY	DESCRIPTION	REV
	1001171095	Ref	PUMP ASSEMBLY (SAUER PISTON)	B
1	70002578	1	Bearing Kit - Front (Includes Cup and Cone)	
2	70004426	1	Swash Plate Bearing Kit (Includes Qty 2 Bearings and Retainer Pins)	
3	70002580	1	Spring, Bias	
4	70004416	1	Swash Plate Assembly	
5	70002582	1	Shaft	
6	70002583	1	Ring, Retaining	
7	70004417	1	Plate, Valve	
8	70001956	1	Poppet, Check Valve	
9	70001955	1	Spring	
10	70022286	1	Control Kit (Includes Items 11-32)	
11	See Note	NSS	Setscrew (Note: Use Item 10)	
12	70002133	1	Plug Assembly (Includes Item 13)	
13	7007207	1	O-Ring (Part of Item 12)	
14	70002133	1	Plug Assembly (Part of Item 15)	
15	7007207	1	O-Ring (Part of Item 14)	
16	70002133	1	Plug Assembly (Includes Item 17)	
17	7007207	1	O-Ring (Part of Item 16)	
18	70002133	1	Plug Assembly (Includes Item 19)	
19	7007207	1	O-Ring (Part of Item 18)	
20	See Note	NSS	Spool (Note: Use Item 10)	
21	See Note	NSS	Guide, Spring LS (Note: Use Item 10)	
22	See Note	NSS	Spring, Outer LS (Note: Use Item 10)	
23	See Note	NSS	Spring, Inner LS (Note: Use Item 10)	
24	See Note	NSS	Plug, Adjusting LS (Note: Use Item 10 or 61)	
25	See Note	NSS	Spool, Control (Note: Use Item 10)	
26	See Note	NSS	Guide, Spring PC (Note: Use Item 10)	
27	See Note	NSS	Spring, Outer PC (Note: Use Item 10)	
28	See Note	NSS	Spring, Inner PC (Note: Use Item 10)	
29	See Note	NSS	Plug, Adjusting PC (Note: Use Item 10)	
30	See Note	NSS	O-Ring (Note: Use Item 10 or 61)	
31	See Note	NSS	Ring, Seal (Note: Use Item 10 or 61)	
32	See Note	NSS	Capscrew (Note: Use Item 10)	
33	70002585	1	Bearing Kit - Rear (Includes Cup and Cone)	
34	70002586	1	Shaft	
35	70004420	1	Cap, End	
36	70002588	4	Capscrew	
37	7007446	1	Pin, Slotted	
38	70002589	1	Coupling	
39	7022340	1	Bracket, Lifting	
40	70002590	1	Capscrew	
41	7023962	1	Ring, Retaining	
42	See Note	NSS	Seal, Lip (Note: Use Item 61)	
43	See Note	NSS	Housing (Note: Not Available for Purchase)	
44	7023964	1	Plug Assembly (Includes Item 45)	
45	7007415	1	O-Ring (Part of Item 44)	
46	70004423	1	Cylinder Block Kit (Includes Items 47-55)	
47	70004421	1	Cylinder	
52	7021275	3	Pin, Hold-down	

SECTION 3 - ENGINE

ITEM	PART NUMBER	QTY	DESCRIPTION	REV
53	70002592	1	Guide, Slipper Retainer	
54	70002593	1	Retainer, Slipper	
55	70004422	1	Piston Assembly	
56	See Note	NSS	Seal, End Cap (Note: Use Item 61)	
57	7023964	1	Plug, O-Ring (Includes Item 58)	
58	7007415	1	O-Ring (Part of Item 57)	
59	70005418	1	Servo Piston Assembly (Includes Item 60)	
60	See Note	NSS	Ring, Piston (Part of Item 59) (Note: Use Item 61)	
61	70002599	1	Complete Seal Kit (Includes Items 13, 15, 17, 19, 24, 30, 31, 42, 45, 56, 58 & 60)	

SECTION 3 - ENGINE

FIGURE 3-37. PUMP ASSEMBLY (SAUER GEAR)



ART_1001112927

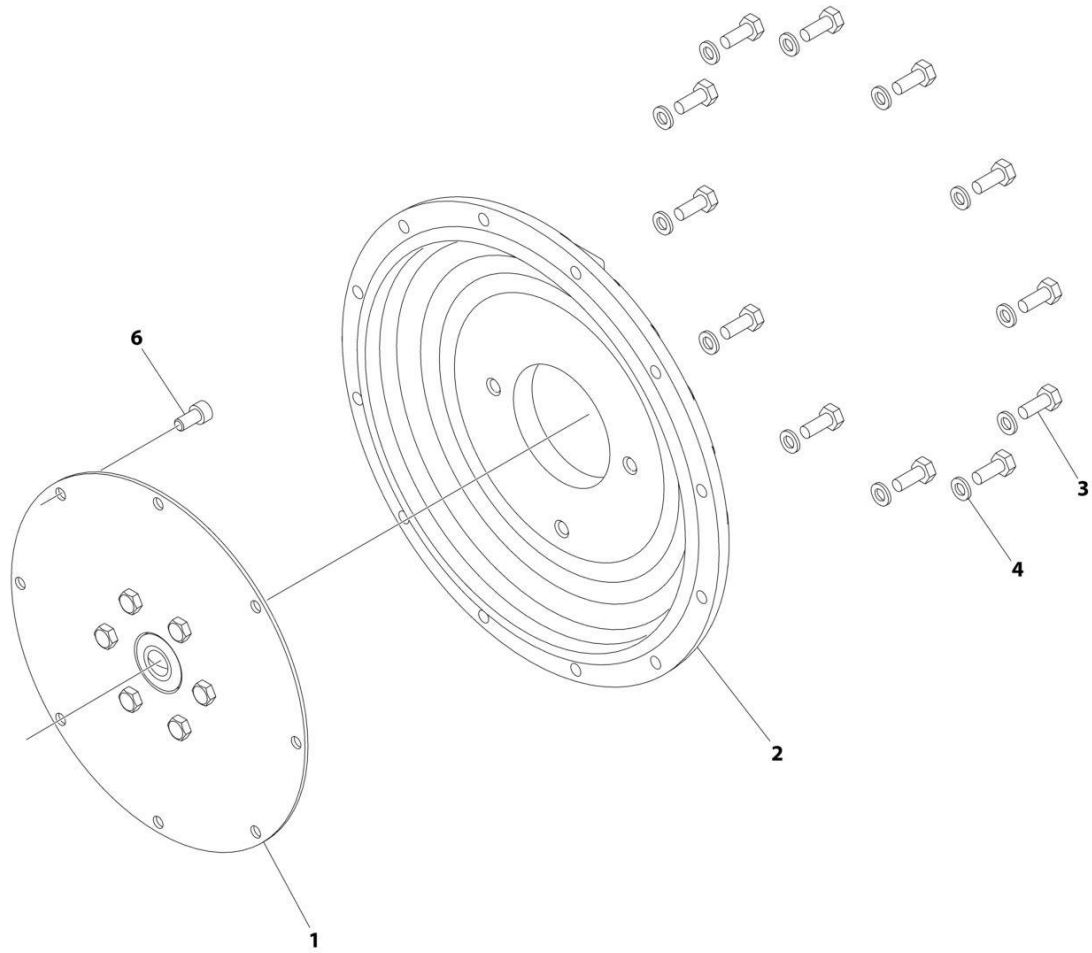
SECTION 3 - ENGINE

FIGURE 3-37. PUMP ASSEMBLY (SAUER GEAR)

ITEM	PART NUMBER	QTY	DESCRIPTION	REV
	1001112927	Ref	PUMP ASSEMBLY (SAUER GEAR)	A
1	See Note	NSS	Body (Note: Use p/n 1001112927)	
2	See Note	NSS	Cover, Front (Note: Use p/n 1001112927)	
3	See Note	NSS	Cover, Rear (Note: Use p/n 1001112927)	
4	See Note	NSS	Shaft, Gear (Note: Use p/n 1001112927)	
5	See Note	NSS	Gear, Idler (Note: Use p/n 1001112927)	
6	See Note	NSS	Block, Bearing (Note: Use p/n 1001112927)	
7	7007489	2	Ring, Anti-Extrusion	
8	7007489	2	Ring, Seal	
10	See Note	NSS	Pin, Dowel (Note: Use p/n 1001112927)	
12	70002576	1	Ring, Retaining	
13	See Note	NSS	Capscrew (Note: Use p/n 1001112927)	
14	7007489	2	O-Ring	
15	7007489	1	Seal, Lip	
16	7007489	1	Seal Kit - 1001112927 Pump (Includes Items 7, 8, 14 & 15)	

SECTION 3 - ENGINE

FIGURE 3-38. PUMP COUPLING KIT



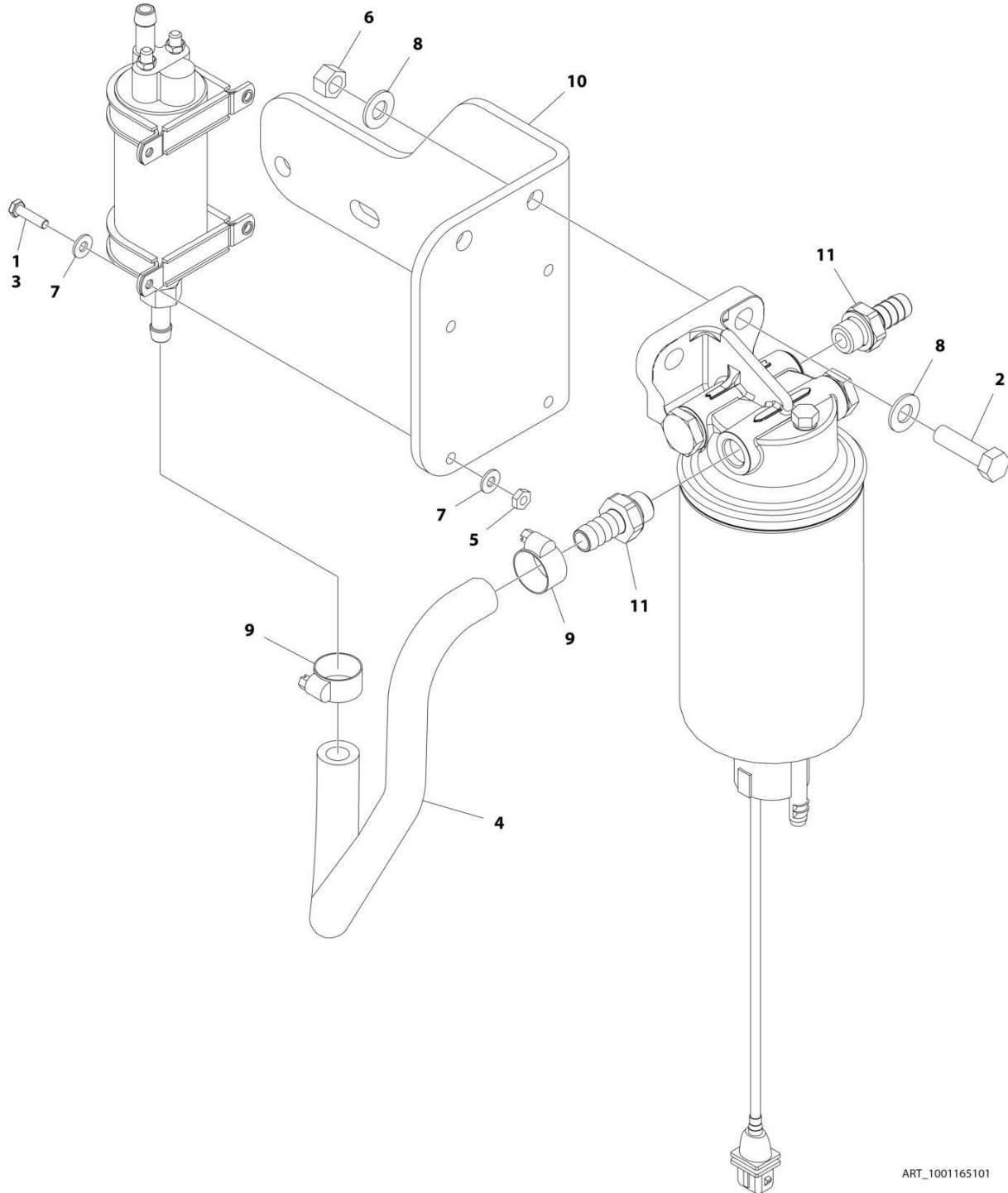
ART_2902065

FIGURE 3-38. PUMP COUPLING KIT

ITEM	PART NUMBER	QTY	DESCRIPTION	REV
	2902065	Ref	PUMP COUPLING KIT	L
1	70000793	1	Coupling, Hayes	
2	See Note	NSS	Plate, Pump Adapter (Note: Use p/n 2902065)	
3	See Note	NSS	Bolt M10 x 30 Grade 10.9 (Note: Use p/n 2902065)	
4	See Note	NSS	Washer M10 (Note: Use p/n 2902065)	
6	See Note	NSS	Bolt M10 x 20 Grade 10.9 (Note: Use p/n 2902065)	

SECTION 3 - ENGINE

FIGURE 3-39. FUEL PUMP/FILTER BRACKET ASSEMBLY - DEUTZ TCD2.9L4 ENGINE AND DEUTZ TCD2.9L4 (STAGE V) ENGINE



ART_1001165101

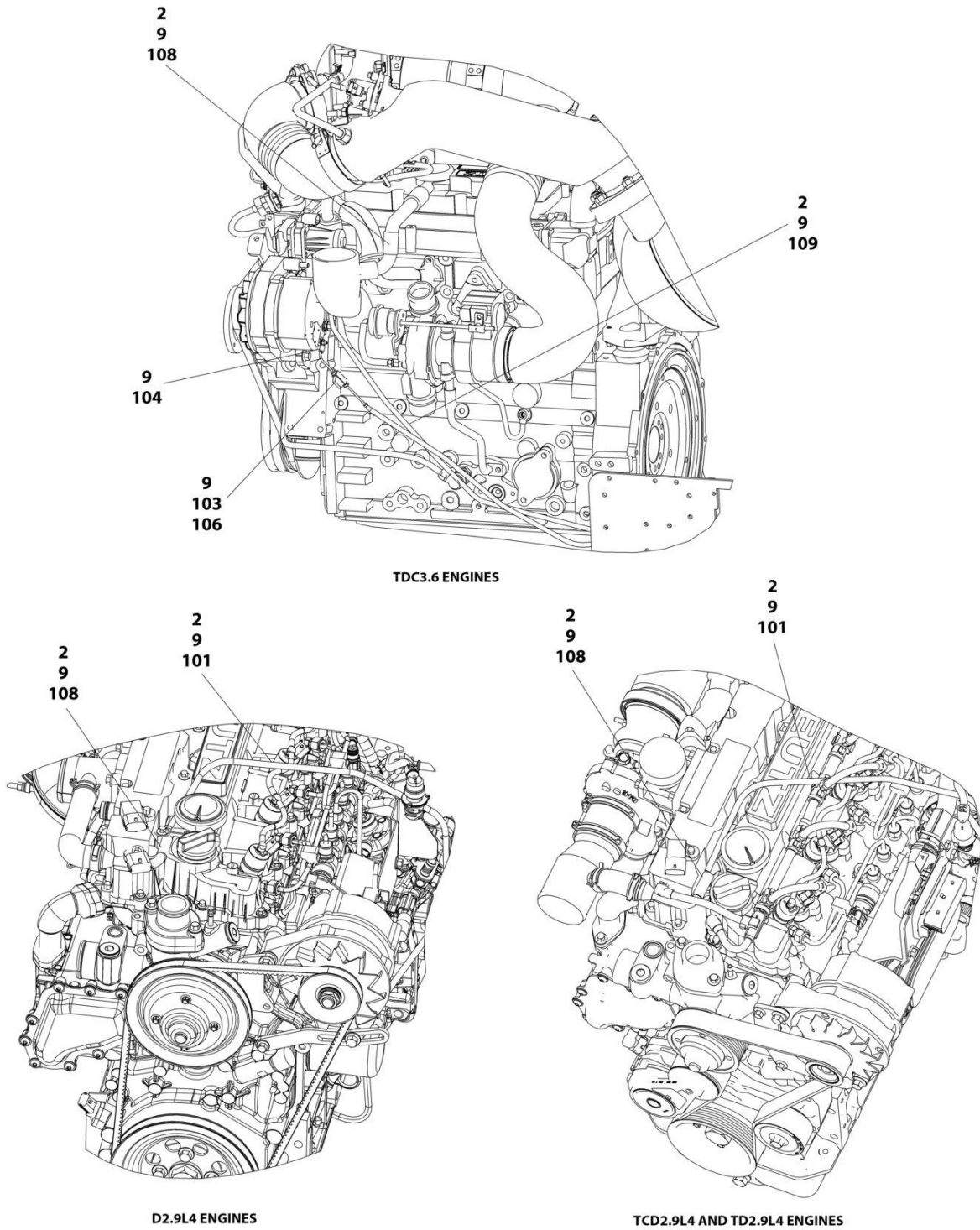
SECTION 3 - ENGINE

FIGURE 3-39. FUEL PUMP/FILTER BRACKET ASSEMBLY - DEUTZ TCD2.9L4 ENGINE AND DEUTZ TCD2.9L4 (STAGE V) ENGINE

ITEM	PART NUMBER	QTY	DESCRIPTION	REV
	1001165101	Ref	FUEL PUMP/FILTER BRACKET ASSEMBLY - DEUTZ TCD2.9L4 ENGINE AND DEUTZ TCD2.9L4 (STAGE V PRE-BUY) ENGINE	C
1	0100011	AR	Compound, Locking	
2	0641611	2	Bolt 3/8 x 1-3/8	
3	0721006	4	Bolt #10 x 3/4	
4	1001154405	1.5 ft /0.4m	Hose	
5	3311001	4	Nut #10	
6	3311605	2	Nut 3/8	
7	4711000	8	Washer #10	
8	4711600	4	Washer 3/8	
9	8405006	2	Clamp	
10	1001140222	1	Bracket, Fuel Pump Mounting	
11	1001141718	1	Fitting, Barbed	

SECTION 3 - ENGINE

FIGURE 3-40. BREATHER HEATER INST (DEUTZ TD2.9L4 ENGINES AND DEUTZ TCD2.9L4 (STAGE V) ENGINES)



ART_1001233763

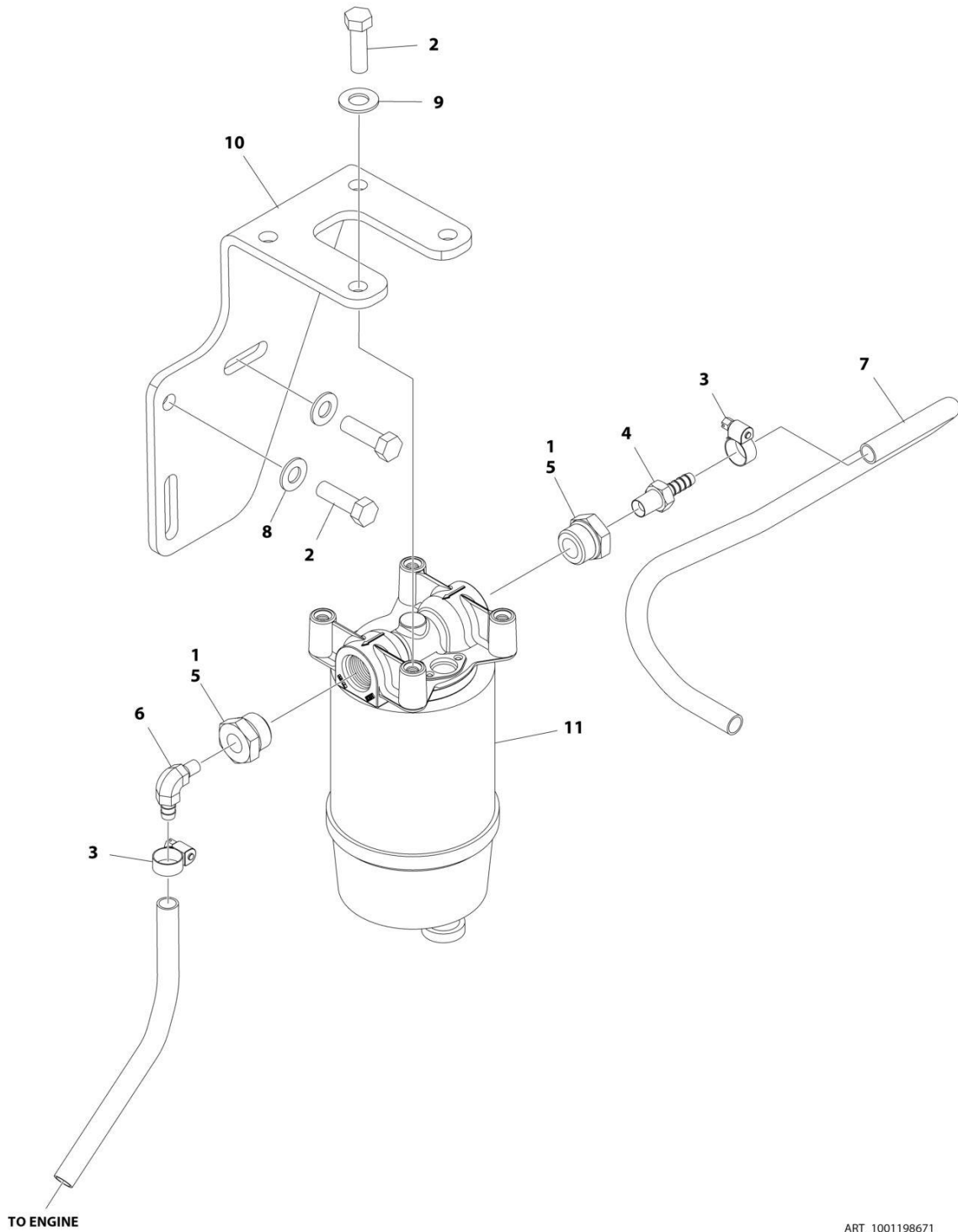
SECTION 3 - ENGINE

FIGURE 3-40. BREATHER HEATER INST (DEUTZ TD2.9L4 ENGINES AND DEUTZ TCD2.9L4 (STAGE V) ENGINES)

ITEM	PART NUMBER	QTY	DESCRIPTION	REV
	1001233763	Ref	BREATHER HEATER INSTALLATION - DEUTZ ENGINES	D
2	4240099	AR	Tie-Strap	
9	1001243895	1	Breather Heater Harness	C
101	2820035	AR	Insulation	
103	2400060	1	Fuseholder with Cover	
104	4460043	1	Terminal, Ring	
105	4460722	1	Terminal, Ring (Not Shown)	
106	1001196634	1	Fuse - 2 Amp	
108	1001232842	1	Breather Heater Kit	

SECTION 3 - ENGINE

FIGURE 3-41. WATER/FUEL SEPARATOR INSTALLATION - DEUTZ TD2011 ENGINE



ART_1001198671

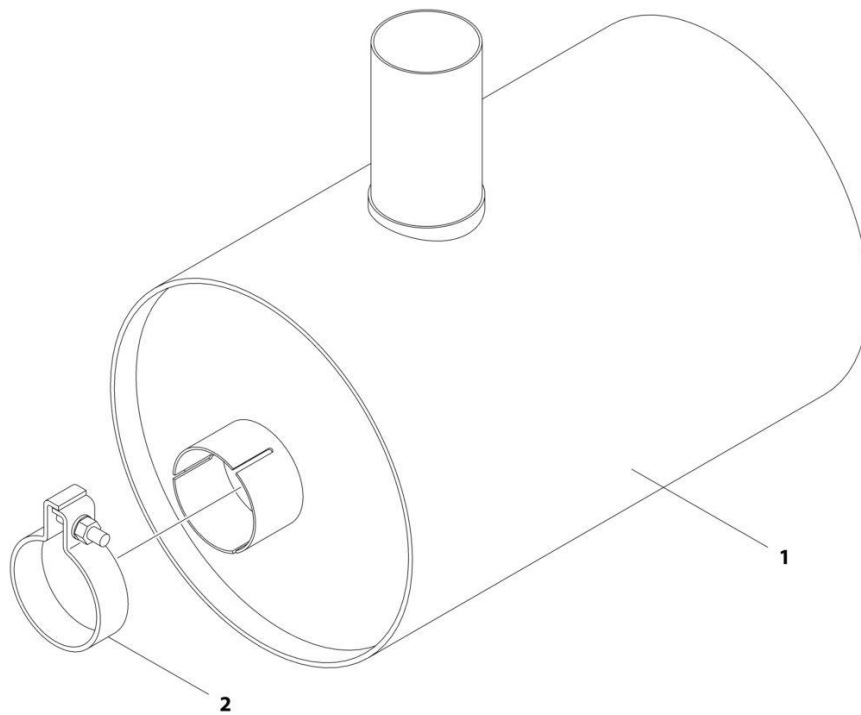
SECTION 3 - ENGINE

FIGURE 3-41. WATER/FUEL SEPARATOR INSTALLATION - DEUTZ TD2011 ENGINE

ITEM	PART NUMBER	QTY	DESCRIPTION	REV
	1001198671	Ref	WATER/FUEL SEPARATOR INSTALLATION - DEUTZ TD2011 ENGINE	A
1	0100079	AR	Sealant, Pipe	
2	0641610	6	Bolt 3/8 x 1-1/4	
3	1320022	2	Clamp	
4	2180348	1	Fitting, Barbed	
5	2220816	2	Fitting, Adapter FNPTF/ORB	
6	2221046	1	Fitting, 90 Elbow	
7	2720058	4.5 ft /1.37m	Hose	
8	4711600	2	Washer 3/8	
9	4711700	4	Washer 7/16	
10	1001188885	1	Bracket, Water/Fuel	
11	1001188887	1	Filter Water/Fuel	
11	1001202280	1	Filter, Head	
11	1001202281	1	Filter, Element	

SECTION 3 - ENGINE

FIGURE 3-42. SPARK ARRESTING CATALYTIC MUFFLER - DEUTZ TD2011 ENGINES (OPTIONAL)



ART_3220130

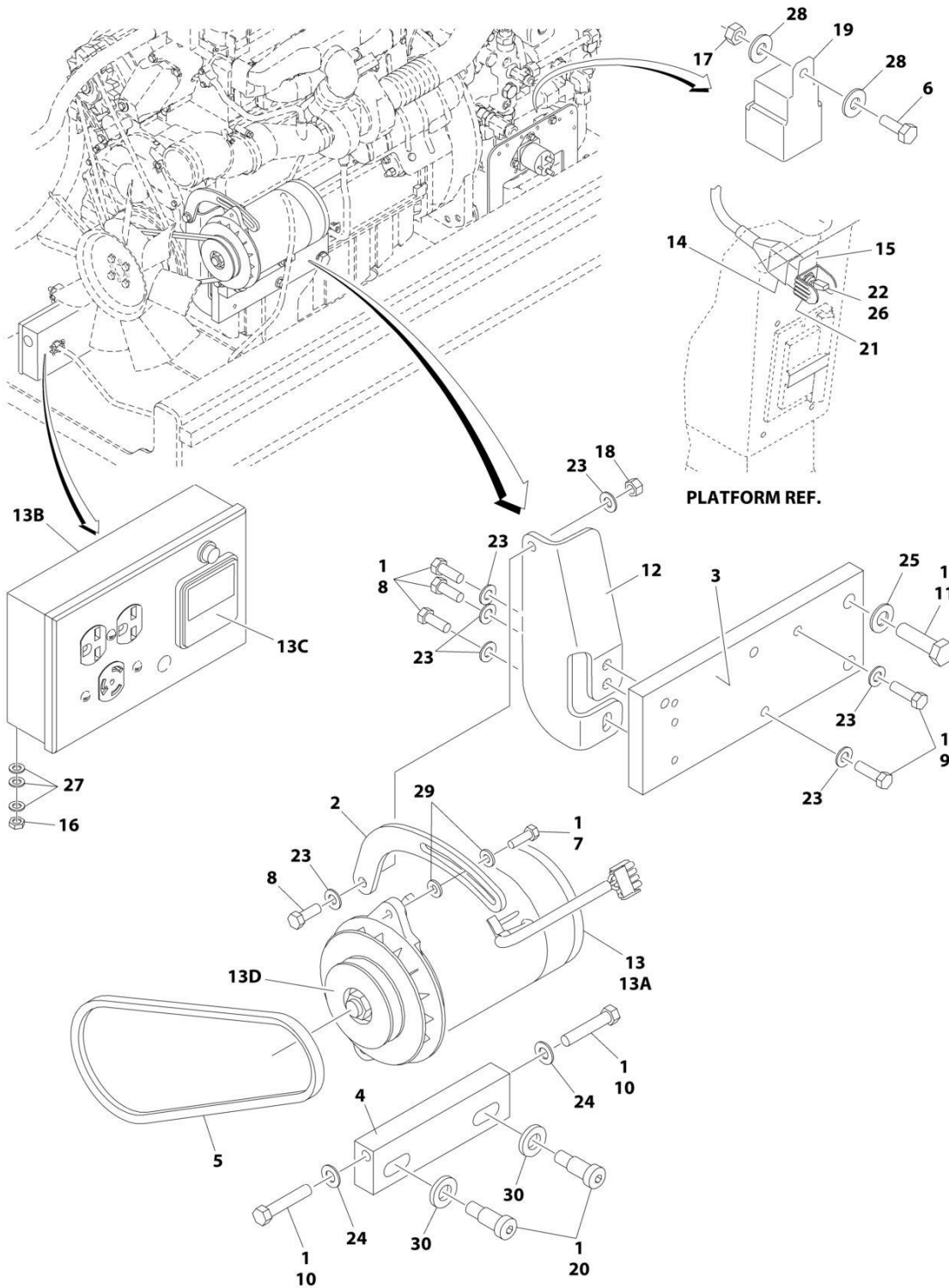
SECTION 3 - ENGINE

FIGURE 3-42. SPARK ARRESTING CATALYTIC MUFFLER - DEUTZ TD2011 ENGINES (OPTIONAL)

ITEM	PART NUMBER	QTY	DESCRIPTION	REV
	3220130	Ref	SPARK ARRESTING CATALYTIC MUFFLER - DEUTZ TD2011 ENGINES	A
1	See Note	NSS	Muffler (Note: Use p/n 3220130)	
2	70001017	1	Clamp	

SECTION 3 - ENGINE

FIGURE 3-43. 2500W GENERATOR INSTALLATION - DEUTZ TD2011 ENGINES (OPTIONAL)



ART_1001125425

SECTION 3 - ENGINE

FIGURE 3-43. 2500W GENERATOR INSTALLATION - DEUTZ TD2011 ENGINES (OPTIONAL)

ITEM	PART NUMBER	QTY	DESCRIPTION	REV
	1001125425	Ref	2500W GENERATOR INSTALLATION - 60HZ SPEC (DEUTZ TD2011 ENGINES)	A
1	0100011	AR	Compound, Locking	
2	0200742	1	Arm, Adjusting	
3	0363081	1	Bar, Mounting	
4	0363082	1	Bar, Adjusting	
5	0480127	1	Belt	
6	0641406	1	Bolt 1/4 x 3/4	
7	0641508	1	Bolt 5/16 x 1	
8	0641608	4	Bolt 3/8 x 1	
9	0641610	2	Bolt 3/8 x 1-1/4	
10	0641718	2	Bolt 7/16 x 2-1/14	
11	0701418	2	Bolt M14 x 50	
12	0902813	1	Bracket, Arm Mounting	
13	2460055	1	Generator, 110V/60Hz	
13A	7012558	1	Generator 110V/60Hz	
		Ref	Note: Replacement generators come standard with p/n 3580134 pulley. This pulley may not be correct for all applications. Refer to pulley options below for correct pulley.	
13A	7012513	4	Cap, Brush Holder	
13A	7020108	4	Brush	
13A	7020109	4	Holder, Brush	
13A	7012514	1	Fan	
13A	7020190	2	Bearing	
13A	7020110	1	End Bell, Front	
13A	7020111	1	End Bell, Rear	
13B	7019680	1	Box Control	
13B	4360542	1	Breaker, Circuit	
13B	4460190	AR	Receptacle, Double (110V)	
13B	4460027	AR	Receptacle, Double Twist Lock (110V)	
13B	70000124	1	Receptacle, Double (220V)	
13B	70000125	1	Receptacle, Single Twist Lock (220V)	
13C	2420203	1	Voltmeter	
13D	3580276	1	Pulley	
13D	7027887	1	Key, Woodruff	
14	2820031	AR	Heat Shrink	
15	3251102	1	Nameplate - Generator	
16	3311005	2	Nut #10	
17	3311405	1	Nut 1/4	
18	3311605	1	Nut 3/8	
19	3740080	1	Relay	
20	3900322	2	Screw, Socket Head Shoulder	
21	4060802	1	Guard, Switch	
22	4360336	1	Switch, Toggle	
23	4711600	7	Washer 3/8	
24	4711700	2	Washer 7/16	
25	4711900	2	Washer 9/16	
26	4740397	1	Spacer	
27	4751000	6	Washer #10	
28	4751400	2	Washer 1/4	

SECTION 3 - ENGINE

ITEM	PART NUMBER	QTY	DESCRIPTION	REV
29	4891500	2	Washer 5/16	
30	4892000	2	Washer 5/8	

SECTION 3 - ENGINE

FIGURE 3-44. 4000W GENERATOR INSTALLATION - 60HZ SPEC (DEUTZ TD2011 ENGINES)

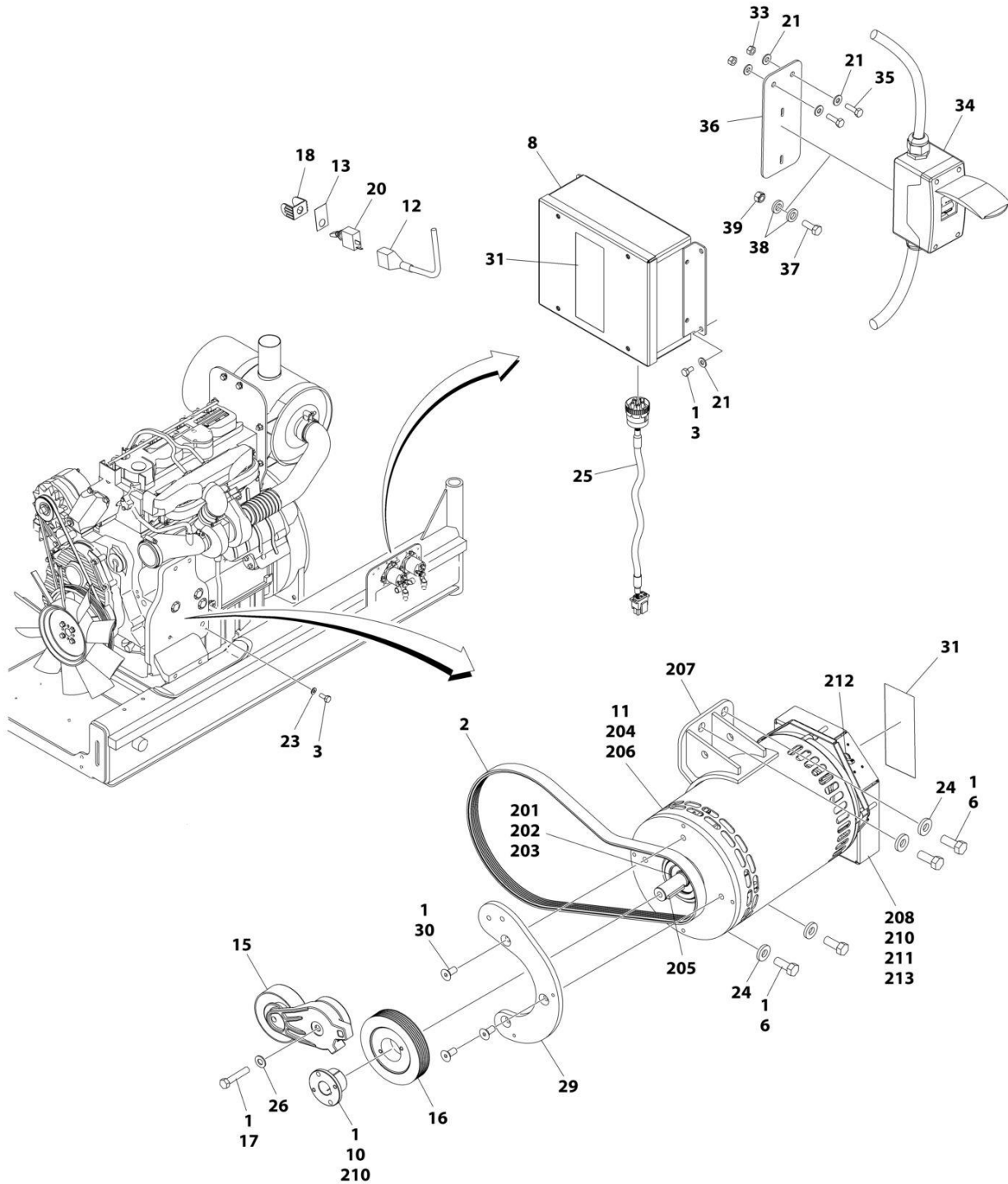
ITEM	PART NUMBER	QTY	DESCRIPTION	REV
	1001139958	Ref	4000W GENERATOR INSTALLATION - 60HZ SPEC (DEUTZ TD2011 ENGINES)	B
		Ref	Note: See ELECTRICAL SECTION for Boom Cable Installation.	
1	0100011	AR	Compound, Locking	
2	0480128	1	Belt, Generator	
3	0641404	5	Bolt 1/4 x 1/2	
4	3931016	4	Screw 1/4 x 1	
5	0641516	3	Bolt 5/16 x 2	
6	0641810	4	Bolt 1/2 x 1-1/4	
7	0860038	1	Box, Switch-Weatherhead	
8	1001138566	1	Box, Generator Control	
8	70006552	1	Capacitor	
8	70006553	1	Relay	
9	1001152457	1	Box, Junction Assembly (See Items 101-118 for Breakdown)	
10	0902888	1	Bracket, Generator Junction Box	
11	0962520	1	Bushing, Taper	
12	1001129858	1	Generator, 4000W Assembly (See Items 200-213 for Breakdown)	
13	2820031	AR	Insulator, Heat Shrink	
14	3251102	1	Nameplate, Generator	
15	3311508	3	Nut 5/16	
16	3580317	1	Pulley, Belt Tensioner	
17	3580318	1	Pulley, Generator	
18	3910606	4	Screw 6 x 3/8	
19	0641616	AR	Bolt 3/8 x 2	
20	3960422	1	Gasket, AC Receptacle	
21	1001110873	1	Cover, Gang Vertical Receptacle GFCI	
22	4060802	1	Guard, Switch	
23	4240018	AR	Strap, Tie (Not Shown)	
24	4360336	1	Switch, Toggle	
25	4460346	1	Terminal, Receptacle	
26	4711400	4	Washer 1/4	
27	4751500	3	Washer 5/16	
28	4791400	2	Starwasher 1/4	
29	4891800	4	Washer 1/2	
30	1001152533	1	Harness, Generator Cable (See Separate Breakdown in ELECTRICAL SECTION)	
31	1001153257	1	Diagram, Generator Wiring (Not Shown)	
32	4711600	1	Washer 3/8	
33	0100020	AR	Sealant, Pipe	
34	4460071	1	Connector, Strain Relief	
35	4751000	4	Washer #10	
36	3311005	4	Nut #10	
37	1001139357	1	Mount, Generator Tensioner	
38	0741607	3	Screw 3/8 x 0.88	
39	1705387	3	Decal - Hazardous Voltage	
40	3251243	1	Decal - 120V-60Hz	
41	1705374	1	Decal - 240V-60Hz	
52	0100048	AR	Grease, Dielectric	
	1001152457	Ref	JUNCTION BOX ASSEMBLY	B

SECTION 3 - ENGINE

ITEM	PART NUMBER	QTY	DESCRIPTION	REV
101	1001179154	2.5 ft/ 0.8m	Cable, 12/3	
102	3300396	1	Cover, Fuse	
103	3311001	4	Nut #10 Grade 2	
104	3900300	2	Screw, Spec, Cap	
105	4360070	1	Circuit Breaker, 15Amp	
106	4460068	3	Terminal, Ring	
107	4460425	1	Terminal, Strain Relief	
108	4460426	1	Connector, Strain Relief	
109	4460483	2	Terminal	
110	4711000	8	Washer #10	
112	1001152456	1	Box, Junction	
113	1001152525	1	Plug, Hole Pluggit	
114	1001152530	1	Terminal, Block, 4 Pole	
115	1001153260	1	Decal - Wiring 4000W Generator	
116	3900267	2	Screw, Spec, Cap	
117	1001158008	2	Stand-Off, Female, Threaded	
118	1001158363	1	Plate, Cover, PVC	
	1001129858	Ref	4000W GENERATOR ASSEMBLY	
201	70003709	1	Ring, Retaining	
202	70003708	1	Ring, Retaining	
203	70001966	1	Bearing, Ball	
204	70004092	1	Endbell	
205	70004171	1	Key	
206	70004676	1	Rotor Assembly	
207	70004684	1	Stator, Generator 4000W	
208	70004678	1	Endbell	
210	70004680	1	Enclosure	
211	70004685	1	Cover, Enclosure	
212	70004682	1	Protector, Supplementary, Manual Reset	
213	70004098	1	Bushing, Strain Relief	

SECTION 3 - ENGINE

FIGURE 3-45. 4000W GENERATOR INSTALLATION - 50HZ SPEC (DEUTZ TD2011 ENGINES)



ART_1001180019

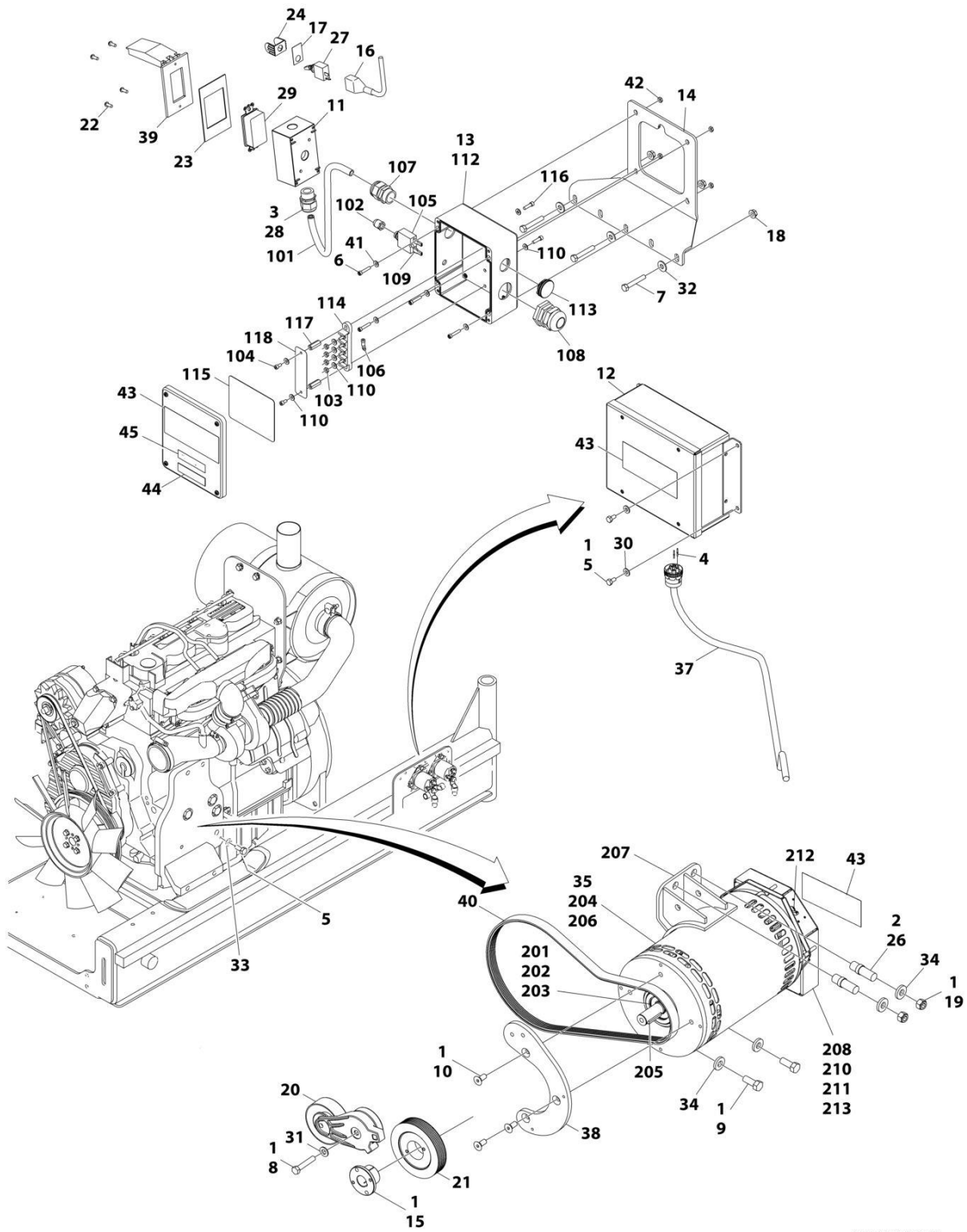
SECTION 3 - ENGINE

FIGURE 3-45. 4000W GENERATOR INSTALLATION - 50HZ SPEC (DEUTZ TD2011 ENGINES)

ITEM	PART NUMBER	QTY	DESCRIPTION	REV
	1001180019	Ref	4000W GENERATOR INSTALLATION - 50HZ SPEC (DEUTZ TD2011 ENGINES)	C
		Ref	Note: See ELECTRICAL SECTION for Boom Cable Installation.	
1	0100011	AR	Compound, Locking	
2	1001136356	1	Belt, Generator	
3	0641404	5	Bolt 1/4 x 1/2	
6	0641810	4	Bolt 1/2 x 1-1/4	
8	1001138566	1	Box, Generator Control	
8	70006552	1	Capacitor	
8	70006553	1	Relay	
10	0962520	1	Bushing, Taper	
11	1001138565	1	Generator, 4000W Assembly (See Items 200-213 for Breakdown)	
12	2820031	AR	Insulator, Heat Shrink	
13	3251102	1	Nameplate, Generator	
15	3580317	1	Pulley, Belt Tensioner	
16	3580319	1	Pulley, Generator	
17	0641616	AR	Bolt 3/8 x 2	
18	4060802	1	Guard, Switch	
19	4240018	AR	Strap, Tie (Not Shown)	
20	4360336	1	Switch, Toggle	
21	4711400	8	Washer 1/4	
23	4791400	2	Starwasher 1/4	
24	4891800	4	Washer 1/2	
25	1001152533	1	Harness, Generator Cable (See Separate Breakdown in ELECTRICAL SECTION)	
26	4711600	1	Washer 3/8	
29	1001139357	1	Mount, Generator Tensioner	
30	0741607	3	Screw 3/8 x 0.88	
31	1705489	AR	Decal - Hazardous Voltage	
33	3311405	2	Nut 1/4 Grade 2	
34	1001165368	1	Kit, Box and Breaker (See Separate Breakdown in ELECTRICAL SECTION)	
35	0641407	2	Bolt 1/4 x 7/8	
36	1001096172	1	Bracket	
37	4010408	2	Screw M4 x 16	
38	1001091102	4	Washer M4	
39	3290405	2	Nut M4	
	1001138565	Ref	4000W GENERATOR ASSEMBLY	
201	70003709	1	Ring, Retaining	
202	70003708	1	Ring, Retaining	
203	70001966	1	Bearing, Ball	
204	70004092	1	Endbell	
205	70004171	1	Key	
206	70004676	1	Rotor Assembly	
207	70004677	1	Stator, Generator 4000W	
208	70004678	1	Endbell	
210	70004680	1	Enclosure	
211	70004681	1	Cover, Enclosure	
212	70004682	1	Protector, Supplementary, Manual Reset	
213	70004683	1	Bushing, Strain Relief	

SECTION 3 - ENGINE

FIGURE 3-46. 4000W GENERATOR INSTALLATION - 60HZ SPEC (DEUTZ TCD2.9L4 ENGINES)



ART_1001171130

SECTION 3 - ENGINE

FIGURE 3-46. 4000W GENERATOR INSTALLATION - 60HZ SPEC (DEUTZ TCD2.9L4 ENGINES)

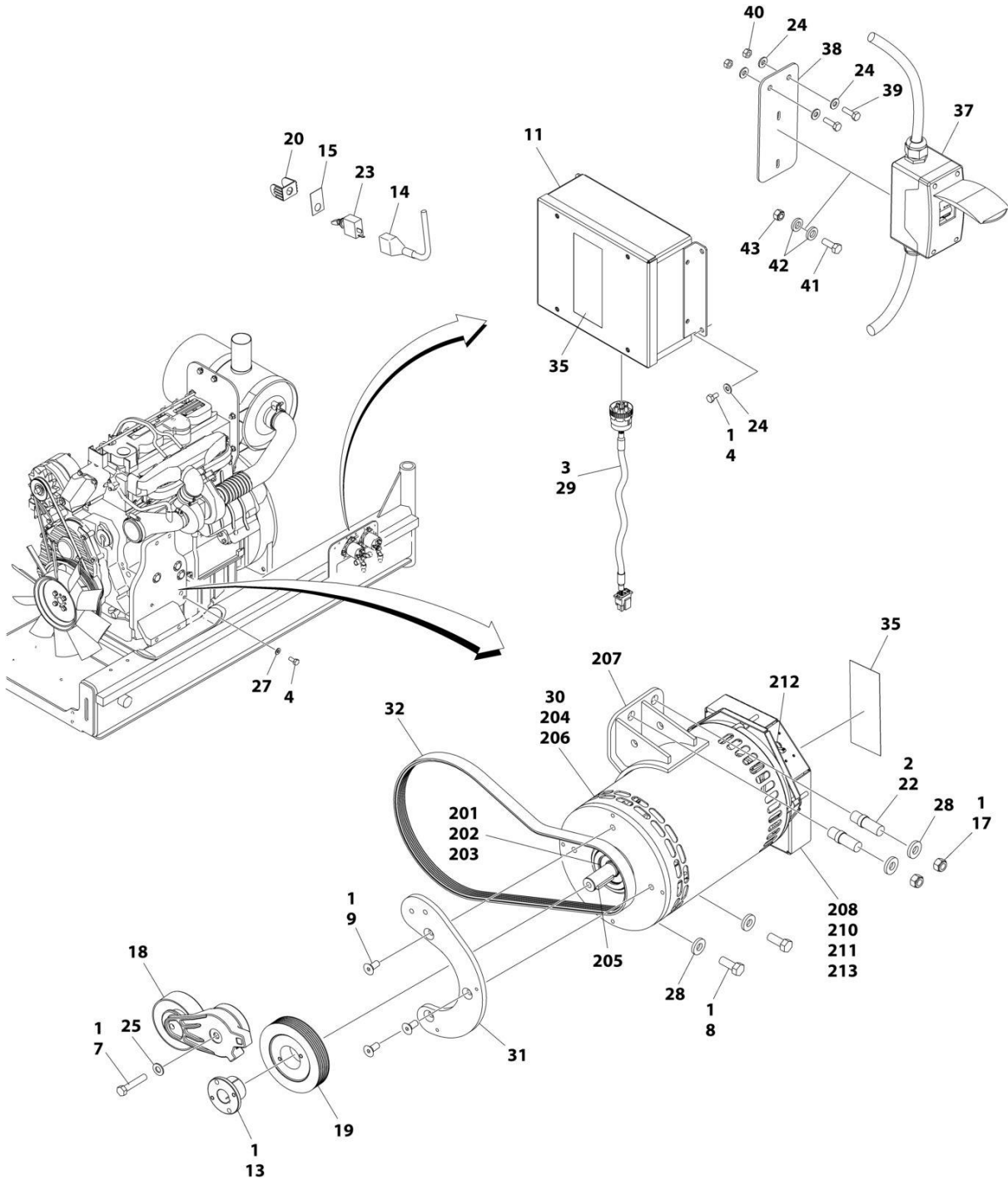
ITEM	PART NUMBER	QTY	DESCRIPTION	REV
	1001171130	Ref	4000W GENERATOR INSTALLATION - 60HZ SPEC (DEUTZ TCD2.9L4 ENGINES)	B
		Ref	Note: See ELECTRICAL SECTION for Boom Cable Installation.	
1	0100011	AR	Compound, Locking	
2	0100019	AR	Compound, Locking	
3	0100020	AR	Sealant, Pipe	
4	0100048	AR	Grease, Dielectric	
5	0641404	5	Bolt 1/4 x 1/2	
6	3931016	4	Screw 1/4 x 1	
7	0641516	3	Bolt 5/16 x 2	
8	0641618	1	Bolt 3/8 x 2-1/4	
9	0641810	2	Bolt 1/2 x 1-1/4	
10	0741607	3	Screw 3/8 x 0.88	
11	0860038	1	Box, Switch-Weatherhead	
12	1001138566	1	Box, Generator Control	
12	70006552	1	Capacitor	
12	70006553	1	Relay	
13	1001152457	1	Box, Junction Assembly (See Items 101-118 for Breakdown)	
14	0902888	1	Bracket, Generator Junction Box	
15	0962520	1	Bushing, Taper	
16	2820031	AR	Insulator, Heat Shrink	
17	3251102	1	Nameplate, Generator	
18	3311508	3	Nut 5/16	
19	3311801	2	Nut 1/2	
20	3580317	1	Pulley, Belt Tensioner	
21	3580318	1	Pulley, Generator	
22	3910606	4	Screw 6 x 3/8	
23	3960422	1	Gasket, AC Receptacle	
24	4060802	1	Guard, Switch	
25	4240018	AR	Strap, Tie (Not Shown)	
26	4300157	2	Stud	
27	4360336	1	Switch, Toggle	
28	4460071	1	Connector, Strain Relief	
29	4460346	1	Terminal, Receptacle	
30	4711400	4	Washer 1/4	
31	4711600	1	Washer 3/8	
32	4751500	3	Washer 5/16	
33	4791400	2	Starwasher 1/4	
34	4891800	4	Washer 1/2	
35	1001140344	1	Generator, 4000W Assembly (See Items 200-213 for Breakdown)	
36	1001153257	1	Diagram, Generator Wiring (Not Shown)	
37	1001152533	1	Harness, Generator Cable (See Separate Breakdown in ELECTRICAL SECTION)	
38	1001138011	1	Mount, Generator Tensioner	
39	1001110873	1	Cover, Gang Vertical Receptacle GFCI	
40	1001142645	1	Belt, Generator	
41	4751000	4	Washer #10	
42	3311005	4	Nut 10	
43	1705387	3	Decal - Hazardous Voltage	
44	1705374	1	Decal - 240V-60Hz	

SECTION 3 - ENGINE

ITEM	PART NUMBER	QTY	DESCRIPTION	REV
45	3251243	1	Decal - 120V-60Hz	B
	1001152457	Ref	JUNCTION BOX ASSEMBLY	
101	1001179154	2.5 ft/ 0.8m	Cable, Electrical 12/3	
102	3300396	1	Cover, Fuse	
103	3311001	4	Nut 10 Grade 2	
104	3900300	2	Screw, Spec, Cap	
105	4360070	1	Circuit Breaker, 15Amp	
106	4460068	3	Terminal, Ring	
107	4460425	1	Terminal, Strain Relief	
108	4460426	1	Connector, Strain Relief	
109	4460483	2	Terminal	
110	4711000	AR	Washer #10	
112	1001152456	1	Box, Junction	
113	1001152525	1	Plug, Hole Pluggit	
114	1001152530	1	Terminal, Block, 4 Pole	
115	1001153260	1	Decal - Wiring 4000W Generator	
116	3900267	2	Screw, Spec, Cap	
117	1001158008	2	Stand-Off, Female, Threaded	
118	1001158363	1	Plate, Cover, PVC	
	1001140346	Ref	4000W GENERATOR ASSEMBLY	
201	70003709	1	Ring, Retaining	
202	70003708	1	Ring, Retaining	
203	70001966	1	Bearing, Ball	
204	70004092	1	Endbell	
205	70004099	1	Key	
206	70004676	1	Rotor Assembly	
207	70004687	1	Stator, Generator 4000W	
208	70004678	1	Endbell	
210	70004680	1	Enclosure	
211	70004685	1	Cover, Enclosure	
212	70004682	1	Protector, Supplementary, Manual Reset	
213	70004098	1	Bushing, Strain Relief	

SECTION 3 - ENGINE

FIGURE 3-47. 4000W GENERATOR INSTALLATION - 50HZ SPEC (DEUTZ TCD2.9L4 ENGINES AND DEUTZ TCD2.9L4 (STAGE V) ENGINES)



ART_1001180219

SECTION 3 - ENGINE

FIGURE 3-47. 4000W GENERATOR INSTALLATION - 50HZ SPEC (DEUTZ TCD2.9L4 ENGINES AND DEUTZ TCD2.9L4 (STAGE V) ENGINES)

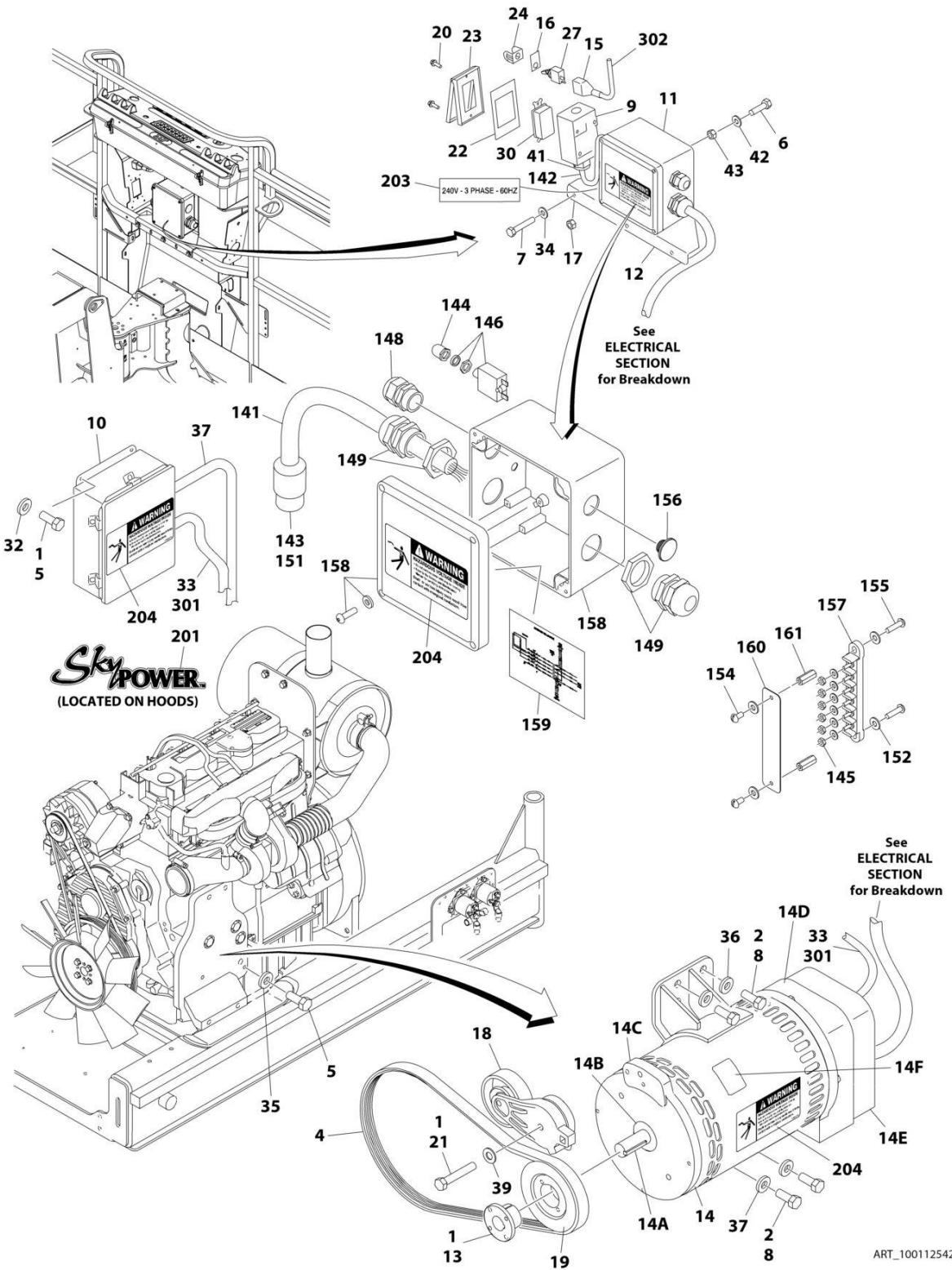
ITEM	PART NUMBER	QTY	DESCRIPTION	REV
	1001180219	Ref	4000W GENERATOR INSTALLATION - 50HZ SPEC (DEUTZ TCD2.9L4 ENGINES)	C
		Ref	Note: See ELECTRICAL SECTION for Boom Cable Installation.	
1	0100011	AR	Compound, Locking	
2	0100019	AR	Compound, Locking	
3	0100048	AR	Grease, Dielectric	
4	0641404	5	Bolt 1/4 x 1/2	
7	0641618	1	Bolt 3/8 x 2-1/4	
8	0641810	2	Bolt 1/2 x 1-1/4	
9	0741607	3	Screw 3/8 x 0.88	
11	1001138566	1	Box, Generator Control	
11	70006552	1	Capacitor	
11	70006553	1	Relay	
13	0962520	1	Bushing, Taper	
14	2820031	AR	Insulator, Heat Shrink	
15	3251102	1	Nameplate, Generator	
17	3311801	2	Nut 1/2	
18	3580317	1	Pulley, Belt Tensioner	
19	3580319	1	Pulley, Generator	
20	4060802	1	Guard, Switch	
21	4240018	AR	Strap, Tie (Not Shown)	
22	4300157	2	Stud	
23	4360336	1	Switch, Toggle	
24	4711400	8	Washer 1/4	
25	4711600	1	Washer 3/8	
27	4791400	2	Starwasher 1/4	
28	4891800	4	Washer 1/2	
29	1001152533	1	Harness, Generator Cable (See Separate Breakdown in ELECTRICAL Section)	
30	1001140397	1	Generator, 4000W Assembly (See Items 200-213 for Breakdown)	
31	1001138011	1	Mount, Generator Tensioner	
32	1001136357	1	Belt, Generator	
35	1705489	AR	Decal - Hazardous Voltage	
37	1001165368	1	Kit, Box and Breaker (See Separate Breakdown in ELECTRICAL Section)	
38	1001096172	1	Bracket	
39	0641406	2	Bolt 1/4 x 3/4	
40	3311405	2	Nut 1/4 Grade 2	
41	4010408	2	Screw M4 x 16	
42	1001091102	4	Washer M4	
43	3290405	2	Nut M4	
	1001140347	Ref	4000W GENERATOR ASSEMBLY	
201	70003709	1	Ring, Retaining	
202	70003708	1	Ring, Retaining	
203	70001966	1	Bearing, Ball	
204	70004092	1	Endbell	
205	70004099	1	Key	
206	70004676	1	Rotor Assembly	
207	70004686	1	Stator, Generator 4000W	

SECTION 3 - ENGINE

ITEM	PART NUMBER	QTY	DESCRIPTION	REV
208	70004678	1	Endbell	
210	70004680	1	Enclosure	
211	70004681	1	Cover, Enclosure	
212	70004682	1	Protector, Supplementary, Manual Reset	
213	70004683	1	Bushing, Strain Relief	
214	4460224	1	Connector - 6 Position (50Hz) (Not Shown - Located on Enclosure Cover)	
214	4460294	2	Pin, Male (50Hz) (Not Shown - Located on Enclosure Cover)	

SECTION 3 - ENGINE

FIGURE 3-48. 7500W SKYPOWER GENERATOR INSTALLATION - 60HZ SPEC (DEUTZ TD2011 ENGINES) (OPTIONAL)



SECTION 3 - ENGINE

FIGURE 3-48. 7500W SKYPOWER GENERATOR INSTALLATION - 60HZ SPEC (DEUTZ TD2011 ENGINES) (OPTIONAL)

ITEM	PART NUMBER	QTY	DESCRIPTION	REV
	1001125427	Ref	7500W SKYPOWER GENERATOR INSTALLATION - 60HZ SPEC (DEUTZ TD2011 ENGINES)	D
		Ref	Note: See ELECTRICAL SECTION for Boom Cable Installation.	
1	0100011	AR	Compound, Locking	
2	0100019	AR	Compound, Locking	
4	0480128	1	Belt, Generator	
5	0641404	6	Bolt 1/4 x 1/2	
6	3931016	AR	Bolt 10 x 1	
7	0641516	3	Bolt 5/16 x 2	
8	0641810	4	Bolt 1/2 x 1-1/4	
9	0860038	1	Box, Switch	
10	0861538	1	Box, Generator Control	
10	7024488	1	Card, Circuit - Generator Power (Not Shown)	
10	See Note	1	Fuse (Note: Not Available - Purchase Locally)	
10	7024489	1	Card, Circuit - Control (Not Shown)	
		Ref	Note: When replacing card, rocker switch on card must be set for required application.	
10	70000619	1	Harness, Circuit Card	
11	1001157592	1	Junction Box Assembly Options (See Items 141-161 for Breakdown)	
12	0902888	1	Bracket, Generator Junction Box	
13	0962520	1	Bushing, Taper	
14	2460048	1	Generator, 7500W	
14	70001100	1	Rotor (Includes p/n 70001384 & 70000863) (Not Shown)	
14	70001384	1	Bearing, Shaft (Rear) (Not Shown)	
14	70000863	1	Fan, Generator (Not Shown)	
14	70002088	1	Stator (Not Shown)	
14	70002297	2	Stud 1/4 x 12-7/8 (Not Shown)	
14	70003631	1	Brushholder Assembly (Not Shown) (was p/n 7024484)	
14A	70004171	1	Key	
14B	70001966	1	Bearing, Ball Radial (Located in Belt Tensioner Endbell)	
14B	70003709	1	Ring, Retaining (Small)	
14B	70003708	1	Ring, Retaining (Large)	
14C	70001953	1	Endbell, Belt Tensioner	
14D	70004169	1	Kit, Endbell (Includes Endbell, Brush Block and Shroud Assembly)	
14E	7027799	1	Block, Connector 6 Position (Not Shown)	
14E	70002460	6	Nut, Brass (Attaches p/n 7027799 to Cover) (Not Shown)	
14E	7024485	1	Breaker, Circuit 30Amp (Not Shown)	
14E	70001696	1	Boot, Breaker (Not Shown)	
14E	7026597	1	Connector with Leads (Not Shown)	
14E	7026626	1	Connector with Pins (Not Shown)	
14E	7026188	1	Clamp, Cable (Not Shown)	
14E	70002255	1	Plate, End Panel (Not Shown)	
14E	See Note	NSS	Insulator, End Panel (Note: Not Available for Purchase)	
14E	70001974	1	Decal - Terminal Connections (Not Shown)	
14F	70001973	1	Decal - Warning Moving Parts	
15	2820031	AR	Insulator, Heat Shrink	
16	3251102	1	Nameplate, Generator	
17	3311508	3	Nut 5/16	

SECTION 3 - ENGINE

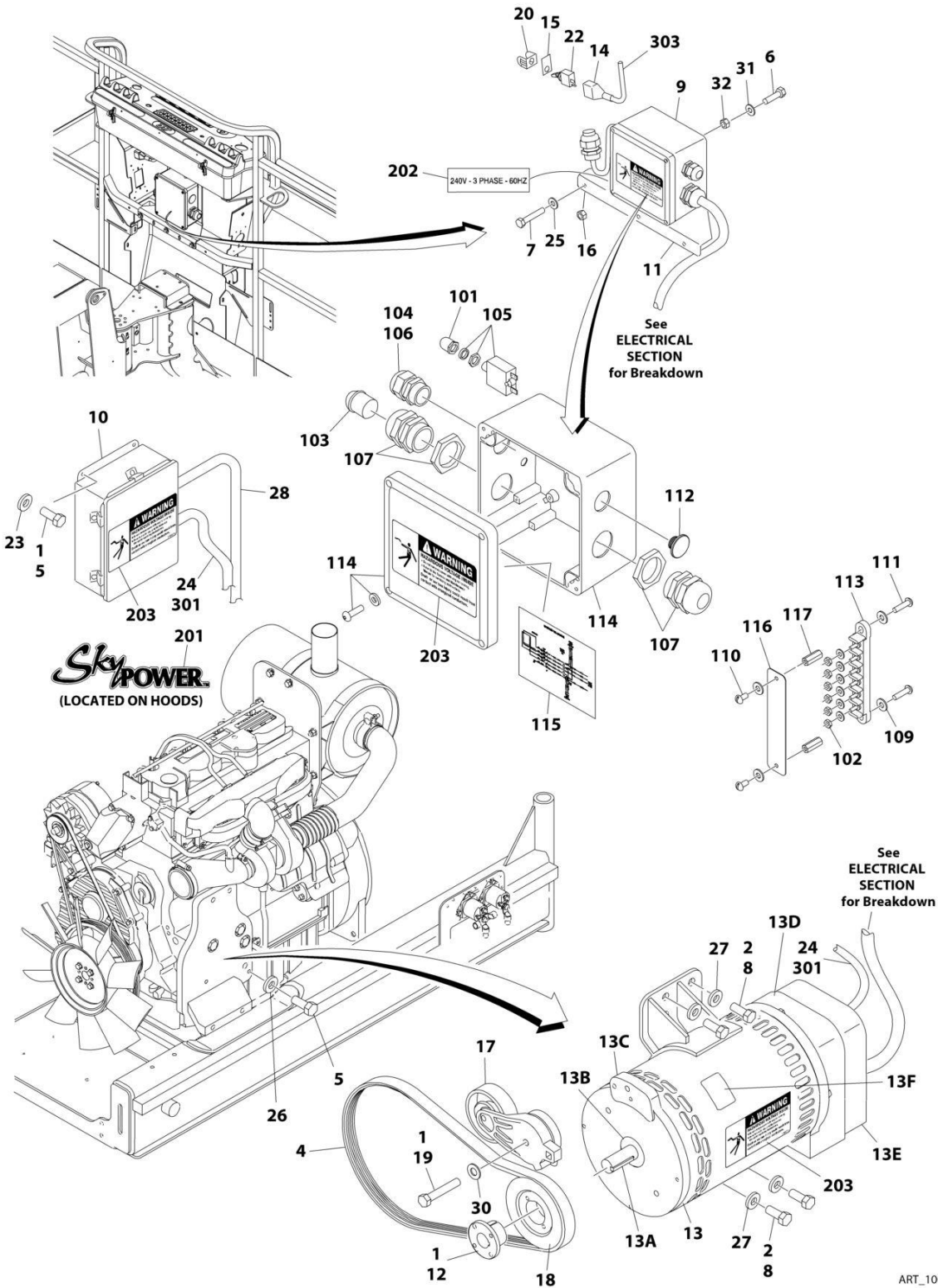
ITEM	PART NUMBER	QTY	DESCRIPTION	REV
18	3580317	1	Pulley, Belt Tensioner	
19	3580318	1	Pulley, Generator	
20	3910606	4	Screw #6 x 3/8	
21	0641618	1	Bolt 3/8 x 2	
22	3960422	1	Gasket, AC Receptacle	
23	1001110873	1	Shield, Receptacle Cover	
24	4060802	1	Guard, Switch	
26	4240018	AR	Strap, Tie (Not Shown)	
27	4360336	1	Switch, Toggle	
30	4460346	1	Terminal, Receptacle	
32	4711400	4	Washer 1/4	
33	0100048	AR	Grease, Dielectric	
34	4751500	3	Washer 5/16	
35	4791400	2	Starwasher 1/4	
36	4891800	4	Washer 1/2	
37	4922972	1	Harness, Generator Cable (See Separate Breakdown in ELECTRICAL SECTION)	
39	4711600	1	Washer 3/8	
40	0100020	AR	Sealant, Pipe (Not Shown)	
41	4460071	1	Connector, Strain Relief	
42	4751000	4	Washer #10	
43	3311005	4	Nut #10	
	1001157592	Ref	JUNCTION BOX ASSEMBLY	C
141	1060343	1.5 ft/ 0.5m	Cable, Electrical 10/4	
142	1001179154	2.5 ft/ 0.8m	Cable, 12/3	
143	1671092	1	Cover	
144	3300396	1	Cover, Fuse	
145	3311001	6	Nut #10	
146	4360070	1	Circuit Breaker - 15Amp	
148	4460425	1	Strain Relief, Terminal	
149	4460426	2	Connector, Strain Relief	
151	4460963	1	Connector	
152	4711000	10	Washer #10	
154	10702077	2	Screw #10 x 3/8	
155	10702082	2	Screw #10 x 3/4	
156	1001152525	1	Plug	
157	1001157520	1	Block, Terminal	
158	1001157521	1	Box, Junction	
159	1001157528	1	Decal - Wiring Schematic	
160	1001158007	1	Decal - PVC	
161	1001158008	2	Stand-Off	
	0272435	Ref	DECAL INSTALLATION	D
201	1705460	2	Decal - SkyPower	
202	3251243	1	Decal - 120V - 60Hz (Located at Platform Receptacle)	
203	1705375	1	Decal - 240V - 3 Phase	
204	1705387	3	Decal - Hazardous Voltage	
	1001122528	Ref	ELECTRICAL DIAGRAM COMPONENTS	B
301	1001119968	1	Generator Harness	B
301A	4460967	1	Plug, Male - 3 Position (Not Shown)	
301A	4460465	6	Socket, Female	

SECTION 3 - ENGINE

ITEM	PART NUMBER	QTY	DESCRIPTION	REV
301B	1001117078	1	Fuseholder with Fuse (Not Shown)	
302	4922641	1	Switch, Harness	

SECTION 3 - ENGINE

FIGURE 3-49. 7500W SKYPOWER GENERATOR INSTALLATION - 50HZ SPEC (DEUTZ TD2011 ENGINES) (OPTIONAL)



ART_1001125428

SECTION 3 - ENGINE

FIGURE 3-49. 7500W SKYPOWER GENERATOR INSTALLATION - 50HZ SPEC (DEUTZ TD2011 ENGINES) (OPTIONAL)

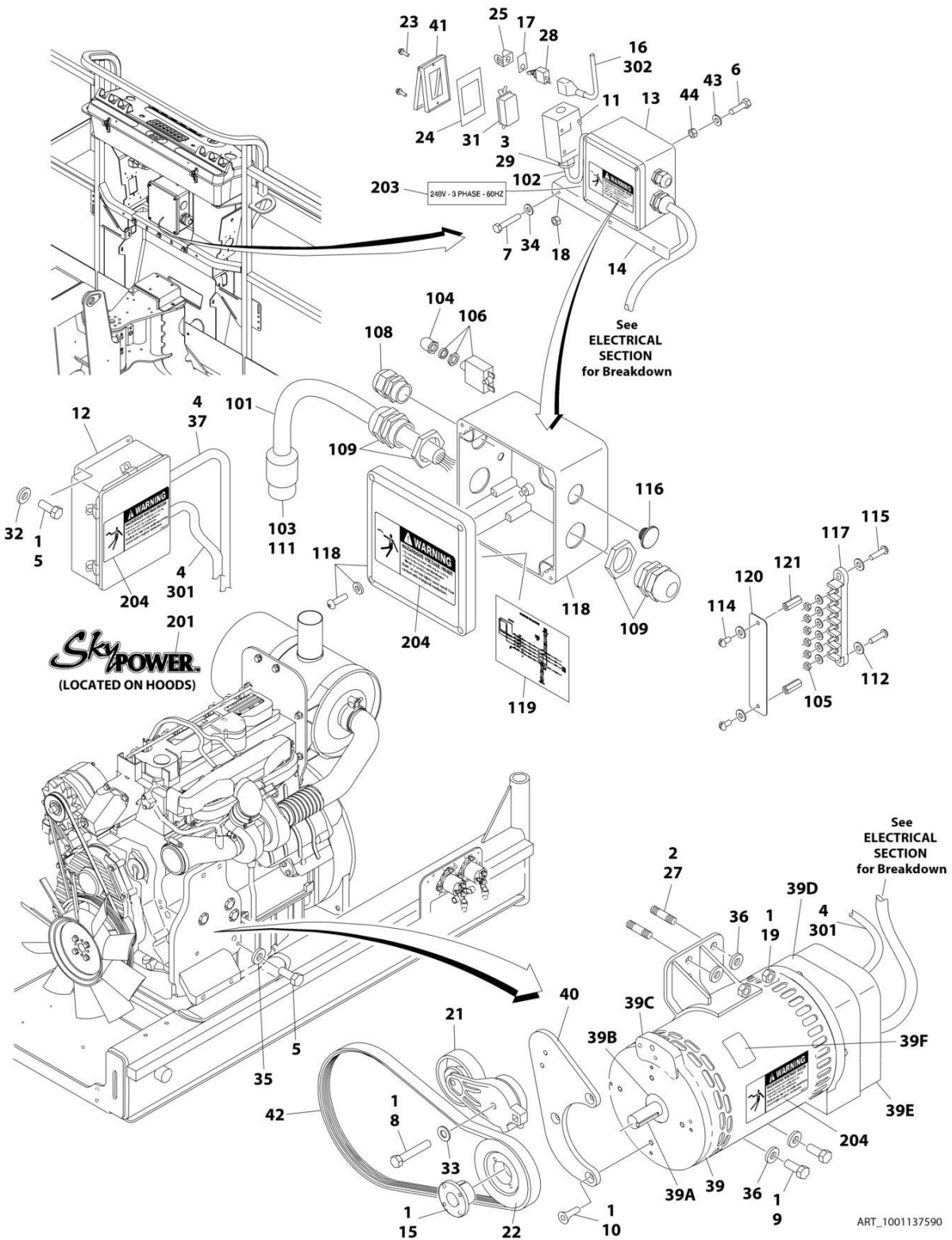
ITEM	PART NUMBER	QTY	DESCRIPTION	REV
	1001125428	Ref	7500W SKYPOWER GENERATOR INSTALLATION - 50HZ SPEC (DEUTZ TD2011 ENGINES)	C
		Ref	Note: See ELECTRICAL SECTION for Boom Cable Installation.	
1	0100011	AR	Compound, Locking	
2	0100019	AR	Compound, Locking	
4	0480129	1	Belt, Generator	
5	0641404	5	Bolt 1/4 x 1/2	
6	3931016	4	Bolt 10 x 1	
7	0641516	3	Bolt 5/16 x 2	
8	0641810	4	Bolt 1/2 x 1-1/4	
9	1001157525	1	Junction Box Assembly (See Items 101-117 for Breakdown)	
10	0861572	1	Box, Generator Control	
10	7024488	1	Card, Circuit - Generator Power (Not Shown)	
10	See Note	1	Fuse (Note: Not Available - Purchase Locally)	
10	7024489	1	Card, Circuit - Control (Not Shown)	
		Ref	Note: When replacing card, rocker switch on card must be set for required application.	
10	70000619	1	Harness, Circuit Card	
11	0902888	1	Bracket, Generator Junction Box	
12	0962520	1	Bushing, Taper	
13	2460048	1	Generator, 7500W	
13	70001100	1	Rotor (Includes p/n 70001384 & 70000863) (Not Shown)	
13	70001384	1	Bearing, Shaft (Rear) (Not Shown)	
13	70000863	1	Fan, Generator (Not Shown)	
13	70002088	1	Stator (Not Shown)	
13	70002297	2	Stud 1/4 x 12-7/8	
13	70003631	1	Brushholder Assembly (Not Shown)	
13A	70004171	1	Key	
13B	70001966	1	Bearing, Ball Radial (Located in Belt Tensioner Endbell)	
13B	70003709	1	Ring, Retaining (Small)	
13B	70003708	1	Ring, Retaining (Large)	
13C	70001953	1	Endbell, Belt Tensioner	
13D	70004169	1	Kit, Endbell (Includes Endbell, Brush Block and Shroud Assembly)	
13E	7027799	1	Block, Connector 6 Position (Not Shown)	
13E	70002460	6	Nut, Brass (Attaches p/n 7027799 to Cover) (Not Shown)	
13E	7024485	1	Breaker, Circuit 30Amp (Not Shown)	
13E	70001696	1	Boot, Breaker (Not Shown)	
13E	7026597	1	Connector with Lead (Not Shown)	
13E	7026626	1	Connector with Pins (Not Shown)	
13E	7026188	1	Clamp, Cable (Not Shown)	
13E	70002255	1	Plate, End Panel (Not Shown)	
13E	See Note	1	Insulator, End Panel (Not Shown) (Note: Not Available for Purchase)	
13E	70001974	1	Decal - Terminal Connections (Not Shown)	
13F	70001973	1	Decal - Warning Moving Parts	
14	2820031	AR	Insulator, Heat Shrink	
15	3251102	1	Nameplate, Generator	
16	3311508	3	Nut 5/16	
17	3580317	1	Pulley, Belt Tensioner	

SECTION 3 - ENGINE

ITEM	PART NUMBER	QTY	DESCRIPTION	REV
18	3580319	1	Pulley, Generator	
19	0641618	1	Bolt 3/8 x 2	
20	4060802	1	Guard, Switch	
21	4240018	AR	Strap, Tie (Not Shown)	
22	4360336	1	Switch, Toggle	
23	4711400	4	Washer 1/4	
24	0100048	AR	Grease, Dielectric	
25	4751500	3	Washer 5/16	
26	4791400	2	Starwasher 1/4	
27	4891800	4	Washer 1/2	
28	4922972	1	Harness, Generator Cable (See Separate Breakdown in ELECTRICAL SECTION)	
30	4711600	1	Washer 3/8	
31	4751000	4	Washer #10	
32	3311005	4	Nut #10	
	1001157525	Ref	JUNCTION BOX ASSEMBLY	B
101	3300396	1	Cover, Fuse	
102	3311001	6	Nut #10	
103	3520189	1	Plug	
104	3520192	1	Plug	
105	4360070	1	Circuit Breaker - 15Amp	
106	4460425	1	Strain Relief, Terminal	
107	4460426	2	Connector, Strain Relief	
109	4711000	10	Washer #10	
110	10702077	2	Screw #10 x 3/8	
111	10702082	2	Screw #10 x 3/4	
112	1001152525	1	Plug	
113	1001157520	1	Block, Terminal	
114	1001157521	1	Box, Junction	
115	1001157528	1	Decal - Wiring Schematic	
116	1001158007	1	Cover, PVC	
117	1001158008	2	Stand-Off	
	0272589	Ref	DECAL INSTALLATION	A
201	1705460	2	Decal - SkyPower	
202	1705461	1	Decal - 240V - 3 Phase	
203	1705489	3	Decal - Hazardous Voltage	
	1001122528	Ref	ELECTRICAL DIAGRAM COMPONENTS	B
301	1001119968	1	Generator Harness	B
301A	4460967	1	Plug, Male - 3 Position (Not Shown)	
301A	4460465	6	Socket, Female	
301B	1001117078	1	Fuseholder with Fuse (Not Shown)	
303	4922641	1	Switch Harness	

SECTION 3 - ENGINE

FIGURE 3-50. 7500W SKYPOWER GENERATOR INSTALLATION - 60HZ SPEC (DEUTZ TCD2.9L4 ENGINES) (OPTIONAL)



SECTION 3 - ENGINE

FIGURE 3-50. 7500W SKYPOWER GENERATOR INSTALLATION - 60HZ SPEC (DEUTZ TCD2.9L4 ENGINES) (OPTIONAL)

ITEM	PART NUMBER	QTY	DESCRIPTION	REV
	1001137590	Ref	7500W SKYPOWER GENERATOR INSTALLATION - 60HZ SPEC (DEUTZ TCD2.9L4 ENGINES)	G
		Ref	Note: See ELECTRICAL SECTION for Boom Cable Installation.	
1	0100011	AR	Compound, Locking	
2	0100019	AR	Compound, Locking	
3	0100020	AR	Sealant, Pipe	
4	0100048	AR	Grease, Dielectric	
5	0641404	5	Bolt 1/4 x 1/2	
6	3931016	4	Bolt 10 x 1	
7	0641516	3	Bolt 5/16 x 2	
8	0641618	1	Bolt 3/8 x 2	
9	0641810	2	Bolt 1/2 x 1-1/4	
10	0741607	3	Screw 3/8 x 7/8	
11	0860038	1	Box, Switch	
12	0861538	1	Box, Generator Control	
12	7024488	1	Card, Circuit - Generator Power (Not Shown)	
12	See Note	1	Fuse (Note: Not Available Purchase Locally)	
12	7024489	1	Card, Circuit - Control (Not Shown)	
		Ref	Note: When replacing card, rocker switch on card must be set for required application.	
12	70000619	1	Harness, Circuit Card	
13	1001157592	1	Junction Box Assembly (See Items 101-121 for Breakdown)	
14	0902888	1	Bracket, Generator Junction Box	
15	0962520	1	Bushing, Taper	
16	2820031	AR	Insulator, Heat Shrink	
17	3251102	1	Nameplate, Generator	
18	3311508	3	Nut 5/16	
19	3311801	2	Nut 1/2	
21	3580317	1	Pulley, Belt Tensioner	
22	3580318	1	Pulley, Generator	
23	3910606	AR	Screw #6 x 3/8	
24	3960422	1	Gasket, AC Receptacle	
25	4060802	1	Guard, Switch	
26	4240018	AR	Strap, Tie (Not Shown)	
27	4300157	2	Stud 1/2	
28	4360336	1	Switch, Toggle	
29	4460071	1	Connector, Strain Relief	
30	4460315	3	Terminal, Spade (Not Shown)	
31	4460346	1	Terminal, Receptacle	
32	4711400	4	Washer 1/4	
33	4711600	1	Washer 3/8	
34	4751500	3	Washer 5/16	
35	4791400	2	Starwasher 1/4	
36	4891800	4	Washer 1/2	
37	4922972	1	Harness, Generator Cable (See Separate Breakdown in ELECTRICAL SECTION)	
39	1001212223	1	Generator, 7500W	
39	70001100	1	Rotor (Includes p/n 70001384 & 70000863)	
39	70001384	1	Bearing, Shaft (Rear)	

SECTION 3 - ENGINE

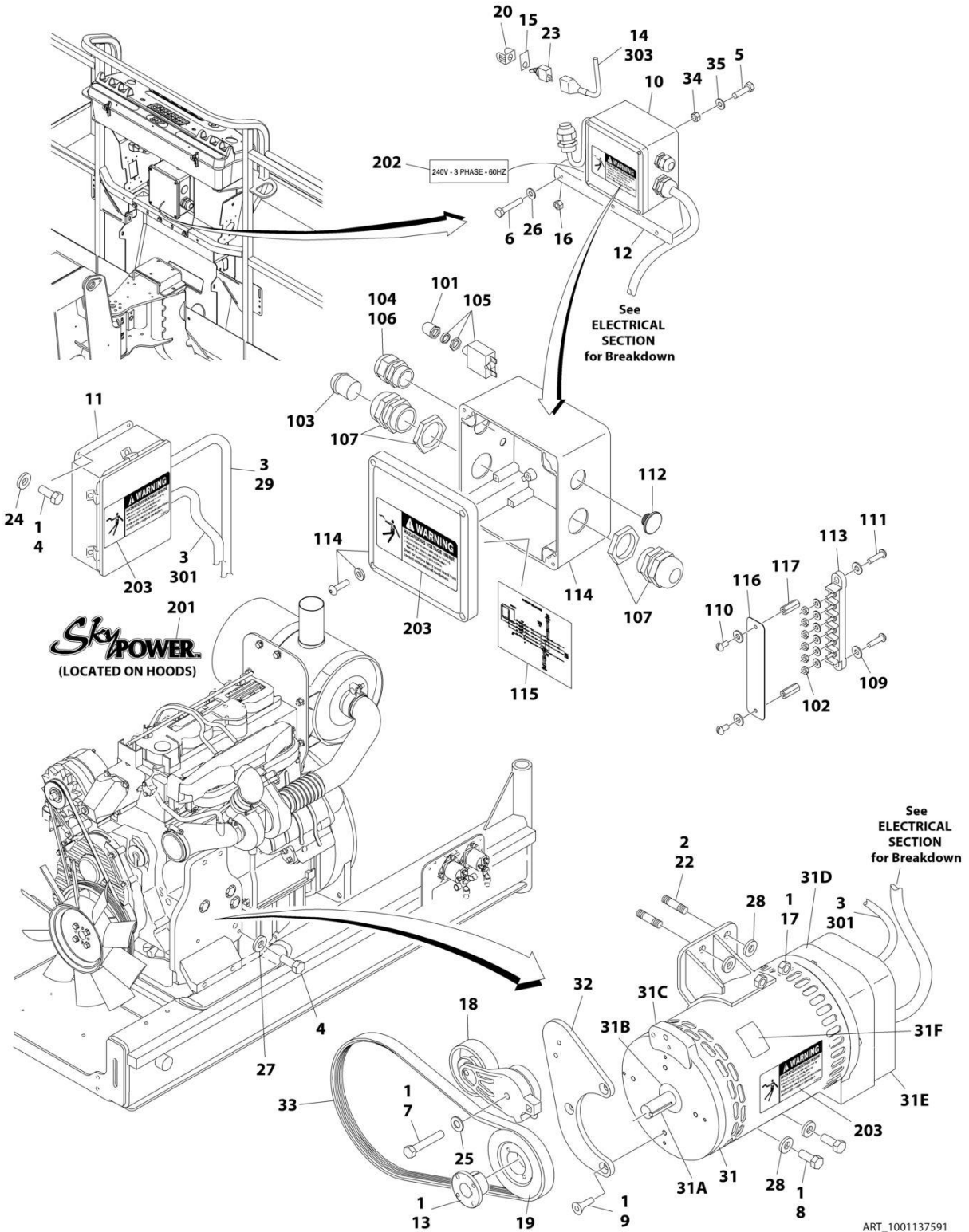
ITEM	PART NUMBER	QTY	DESCRIPTION	REV
39	7000863	1	Fan, Generator	
39	70006093	1	Stater	
39	70003631	1	Brush-holder Assembly (was p/n 7024484)	
39A	70004099	NLA	Key (Use p/n 70004171)	
39B	70001966	1	Bearing, Ball Radial (Located in Belt Tensioner Endbell)	
39B	70003709	1	Ring, Retaining (Small)	
39B	70003708	1	Ring, Retaining (Large)	
39C	70004092	1	Endbell, Belt Tensioner	
39D	70004094	1	Endbell, Brush Block	
39E	70006094	1	Shroud Assembly	
39E	7027799	1	Block, Connector - 6 Position (Not Shown)	
39E	70002460	6	Nut, Brass (Attaches p/n 7027799 to Cover) (Not Shown)	
39E	70006095	1	Breaker, Circuit 30Amp (Not Shown)	
39E	70006096	1	Boot, Breaker (Not Shown)	
39E	7026597	1	Connector with Leads (Not Shown)	
39E	7026626	1	Connector with Pins (Not Shown)	
39E	70004098	1	Clamp, Cable (Not Shown)	
39E	70006097	1	Plate, End Panel (Not Shown)	
39E	70002291	1	Insulator, End Panel Generator (Not Shown)	
39E	70001974	1	Decal - Terminal Connections (Not Shown)	
39F	70001973	1	Decal - Warning Moving Parts	
40	1001138011	1	Bracket	
41	1001110873	1	Shield, Receptacle Cover	
42	1001142645	1	Belt, Generator	
43	4751000	4	Washer #10	
44	3311005	4	Nut #10	
	1001157592	Ref	JUNCTION BOX ASSEMBLY	C
101	1060343	1.5 ft/ 0.5m	Cable, Electrical 10/4	
102	1001179154	2.5 ft/ 0.8m	Cable, Electrical 12/3	
103	1671092	1	Cover	
104	3300396	1	Cover, Fuse	
105	3311001	6	Nut #10	
106	4360070	1	Circuit Breaker - 15Amp	
108	4460425	1	Strain Relief, Terminal	
109	4460426	2	Connector, Strain Relief	
111	4460963	1	Connector	
112	4711000	10	Washer #10	
114	10702077	2	Screw #10 x 3/8	
115	10702082	2	Screw #10 x 3/4	
116	1001152525	1	Plug	
117	1001157520	1	Block, Terminal	
118	1001157521	1	Box, Junction	
119	1001157528	1	Decal - Wiring Schematic	
120	1001158007	1	Cover, PVC	
121	1001158008	2	Stand-Off	
	0272435	Ref	DECAL INSTALLATION	D
201	1705460	2	Decal - SkyPower	
202	3251243	1	Decal - 120V - 60Hz (Not Shown - Located at Platform Receptacle)	
203	1705375	1	Decal - 240V - 3 Phase	

SECTION 3 - ENGINE

ITEM	PART NUMBER	QTY	DESCRIPTION	REV
204	1705387	3	Decal - Hazardous Voltage	
	1001122528	Ref	ELECTRICAL DIAGRAM COMPONENTS	B
301	1001119968	1	Generator Harness	B
301A	4460967	1	Plug, Male - 3 Position (Not Shown)	
301A	4460465	6	Socket, Female	
301B	1001117078	1	Fuseholder with Fuse (Not Shown)	
302	4922641	1	Switch Harness	

SECTION 3 - ENGINE

FIGURE 3-51. 7500W SKYPOWER GENERATOR INSTALLATION - 50HZ SPEC (DEUTZ TCD2.9L4 ENGINES AND DEUTZ TCD2.9L4 (STAGE V) ENGINES) (OPTIONAL)



ART_1001137591

SECTION 3 - ENGINE

FIGURE 3-51. 7500W SKYPOWER GENERATOR INSTALLATION - 50HZ SPEC (DEUTZ TCD2.9L4 ENGINES AND DEUTZ TCD2.9L4 (STAGE V) ENGINES) (OPTIONAL)

ITEM	PART NUMBER	QTY	DESCRIPTION	REV
	1001137591	Ref	7500W SKYPOWER GENERATOR INSTALLATION - 50HZ SPEC (DEUTZ TCD2.9L4 ENGINES)	D
		Ref	Note: See ELECTRICAL SECTION for Boom Cable Installation.	
1	0100011	AR	Compound, Locking	
2	0100019	AR	Compound, Locking	
3	0100048	AR	Grease, Dielectric	
4	0641404	5	Bolt 1/4 x 1/2	
5	3931016	4	Bolt 10 x 1	
6	0641516	3	Bolt 5/16 x 2	
7	0641618	1	Bolt 3/8 x 2	
8	0641810	2	Bolt 1/2 x 1-1/4	
9	0741607	3	Screw 3/8 x 7/8	
10	1001157525	1	Junction Box Assembly (See Items 101-117 for Breakdown)	
11	0861572	1	Box, Generator Control	
11	7024488	1	Card, Circuit - Generator Power (Not Shown)	
11	See Note	1	Fuse (Note: Not Available - Purchase Locally)	
11	7024489	1	Card, Circuit - Control (Not Shown)	
		Ref	Note: When replacing card, rocker switch on card must be set for required application.	
11	70000619	1	Harness, Circuit Card	
12	0902888	1	Bracket, Generator Junction Box	
13	0962520	1	Bushing, Taper	
14	2820031	AR	Insulator, Heat Shrink	
15	3251102	1	Nameplate, Generator	
16	3311508	3	Nut 5/16	
17	3311801	2	Nut 1/2	
18	3580317	1	Pulley, Belt Tensioner	
19	3580319	1	Pulley, Generator	
20	4060802	1	Guard, Switch	
21	4240018	AR	Strap, Tie (Not Shown)	
22	4300157	2	Stud 1/2	
23	4360336	1	Switch, Toggle	
24	4711400	4	Washer 1/4	
25	4711600	1	Washer 3/8	
26	4751500	3	Washer 5/16	
27	4791400	2	Starwasher 1/4	
28	4891800	4	Washer 1/2	
29	4922972	1	Harness, Generator Cable (See Separate Breakdown in ELECTRICAL Section)	
31	1001212223	1	Generator, 7500W	
31	70001100	1	Rotor (Includes p/n 70001384 & 70000863) (Not Shown)	
31	70001384	1	Bearing, Shaft (Rear) (Not Shown)	
31	70000863	1	Fan, Generator (Not Shown)	
31	70006093	1	Stator (Not Shown)	
31	70003631	1	Brush-holder Assembly (Not Shown)	
31A	70004099	NLA	Key (Use p/n 70004171)	
31B	70001966	1	Bearing, Ball Radial (Located in Belt Tensioner Endbell)	
31B	70003709	1	Ring, Retaining (Small)	
31B	70003708	1	Ring, Retaining (Large)	

SECTION 3 - ENGINE

ITEM	PART NUMBER	QTY	DESCRIPTION	REV
31C	70004092	1	Endbell, Belt Tensioner	
31D	70004094	1	Endbell, Brush Block	
31E	70006094	1	Shroud Assembly	
31E	7027799	1	Block, Connector - 6 Position (Not Shown)	
31E	70002460	6	Nut, Brass (Attaches p/n 7027799 to Cover) (Not Shown)	
31E	70006095	1	Breaker, Circuit 30Amp (Not Shown)	
31E	70006096	1	Boot, Breaker (Not Shown)	
31E	7026597	1	Connector with Leads (Not Shown)	
31E	7026626	1	Connector with Pins (Not Shown)	
31E	70004098	1	Clamp, Cable (Not Shown)	
31E	70006097	1	Plate, End Panel (Not Shown)	
31E	70002291	1	Insulator, End Panel (Not Shown)	
31E	70001974	1	Decal - Terminal Connections (Not Shown)	
31F	70001973	1	Decal - Warning Moving Parts	
32	1001138011	1	Bracket	
33	1001136357	1	Belt, Generator	
34	3311005	4	Nut #10	
35	4751000	4	Washer #10	
	1001157525	Ref	JUNCTION BOX ASSEMBLY	B
101	3300396	1	Cover, Fuse	
102	3311001	6	Nut #10	
103	3520189	1	Plug (50Hz Spec Only)	
104	3520192	1	Plug	
105	4360070	1	Circuit Breaker - 15Amp	
106	4460425	1	Strain Relief, Terminal	
107	4460426	2	Connector, Strain Relief	
109	4711000	10	Washer #10	
110	10702077	2	Screw #10 x 3/8	
111	10702082	2	Screw #10 x 3/4	
112	1001152525	1	Plug	
113	1001157520	1	Block, Terminal	
114	1001157521	1	Box, Junction	
115	1001157528	1	Decal - Wiring Schematic	
116	1001158007	1	Cover, PVC	
117	1001158008	2	Stand-Off	
	0272589	Ref	DECAL INSTALLATION	A
201	1705460	2	Decal - SkyPower	
202	1705461	1	Decal - 240V - 3 Phase	
203	1705489	3	Decal - Hazardous Voltage	
	1001122528	Ref	ELECTRICAL DIAGRAM COMPONENTS	B
301	1001119968	1	Generator Harness (With UGM)	B
301A	4460967	1	Plug, Male - 3 Position (Not Shown)	
301A	4460465	6	Socket, Female	
301B	1001117078	1	Fuseholder with Fuse (Not Shown)	
303	4922641	1	Switch Harness	

SECTION 4 - BOOM

SECTION 4 - BOOM

FIGURE 4-1. BOOM AND CYLINDER INSTALLATION - WITHOUT COLD WEATHER PLUS PACKAGE

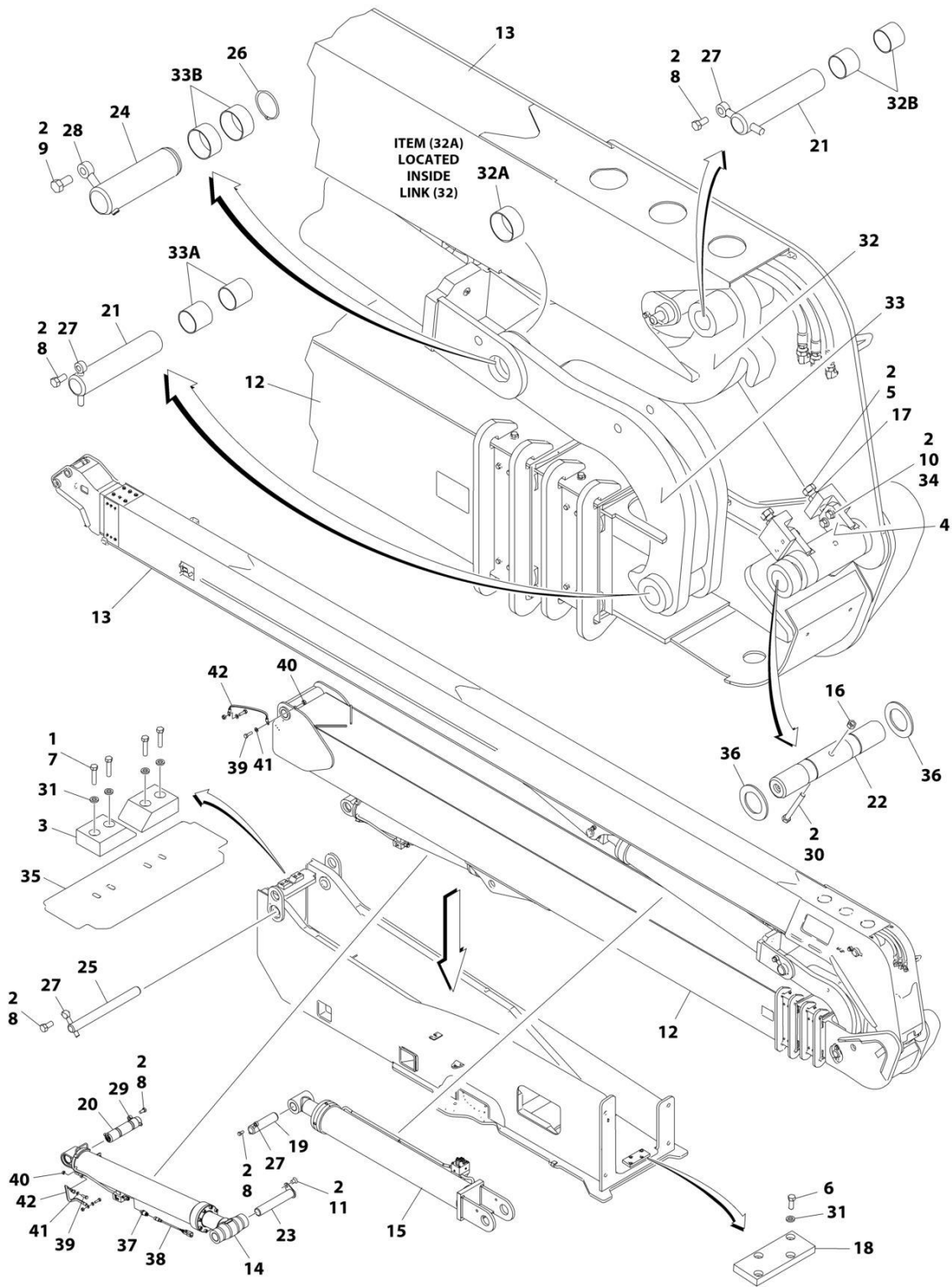
ITEM	PART NUMBER	QTY	DESCRIPTION	REV
	1001120653	Ref	BOOM AND CYLINDER INSTALLATION - WITHOUT COLD WEATHER PLUS PACKAGE	J
1	0100011	AR	Compound, Locking	
2	0100019	AR	Compound, Locking	
4	0561380	2	Rest, Boom	
5	0561547	2	Block, Clamping	
6	0642624	2	Bolt 1 x 3	
7	0641608	4	Bolt 3/8 x 1	
8	0641613	4	Bolt 3/8 x 1-5/8	
9	0642212	5	Bolt 3/4 x 1-1/2	
10	0642616	1	Bolt 1 x 2	
11	0682016	4	Bolt 5/8 x 2 Grade 8	
12	0742210	1	Screw 3/4 x 1-1/4	
13	0801370	1	Tower Boom Assembly (See Separate Breakdown in this Section)	
14	0801371	1	Main Boom Assembly (See Separate Breakdown in this Section)	
18	1001228077	1	Tower Lift Cylinder Assembly (See Separate Breakdown in CYLINDER Section)	
19	1001251078	1	Main Lift Cylinder Assembly (See Separate Breakdown in CYLINDER Section)	
20	3272001	1	Nut 5/8 Grade 8	
21	3312602	2	Nut 1	
22	3340927	1	Pad	
23	3422920	1	Pin	
24	3423209	1	Pin, Load Sensing	
25	3423061	2	Pin	
26	3423062	1	Pin	
27	3423063	1	Pin	
28	3423064	1	Pin	
29	3423065	1	Pin	
30	3760475	1	Ring, Retaining	
31	3841287	4	Keeper, Pin	
32	3841356	1	Keeper, Pin	
33	3841581	1	Keeper, Pin	
34	0682048	1	Bolt 5/8 x 6 Grade 8	
35	4711600	8	Washer 3/8	
36	3010133	1	Link, Upper	
36A	0440273	1	Bearing	
36B	0962297	2	Bushing	
37	3010134	1	Link, Lower	
37A	0962033	2	Bushing	
37B	0962122	2	Bushing	
38	4892000	4	Washer 5/8	
39	3380547	1	Deflector	
40	4740492	1	Thrustwasher	
41	1001253593	1	Switch, Pressure Transducer	
42	1001228498	1	Harness, Pressure Transducer (See Separate Breakdown in ELECTRICAL Section)	
43	0761015	4	Bolt M10 x 35	
44	3291007	4	Nut M10	
45	4812000	4	Washer M10	

SECTION 4 - BOOM

ITEM	PART NUMBER	QTY	DESCRIPTION	REV
46	1001212243	2	Cable	

SECTION 4 - BOOM

FIGURE 4-2. BOOM AND CYLINDER INSTALLATION - WITH COLD WEATHER PLUS PACKAGE



ART_1001138811_I

SECTION 4 - BOOM

FIGURE 4-2. BOOM AND CYLINDER INSTALLATION - WITH COLD WEATHER PLUS PACKAGE

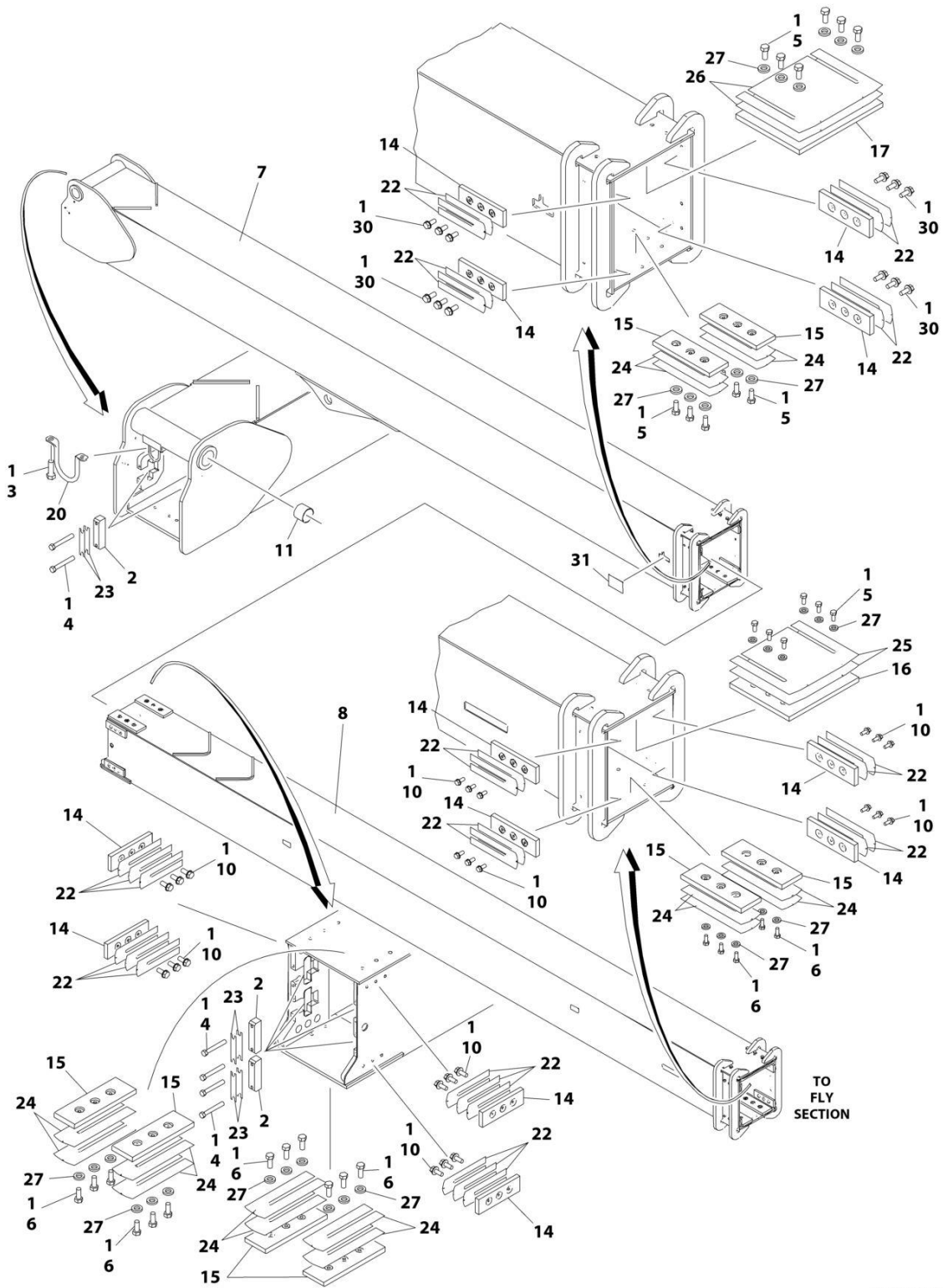
ITEM	PART NUMBER	QTY	DESCRIPTION	REV
	1001138811	Ref	BOOM AND CYLINDER INSTALLATION - WITH COLD WEATHER PLUS PACKAGE	I
1	0100011	AR	Compound, Locking	
2	0100019	AR	Compound, Locking	
3	0561380	2	Rest, Boom	
4	0561547	2	Block, Clamping	
5	0642624	2	Bolt 1 x 3	
6	0641608	4	Bolt 3/8 x 1	
7	0641613	4	Bolt 3/8 x 1-5/8	
8	0642212	5	Bolt 3/4 x 1-1/2	
9	0642616	1	Bolt 1 x 2	
10	0682016	4	Bolt 5/8 x 2 Grade 8	
11	0742210	1	Screw 3/4 x 1-1/4	
12	0801370	1	Tower Boom Assembly (See Separate Breakdown in this Section)	
13	1001138812	1	Main Boom Assembly (See Separate Breakdown in this Section)	
14	1001228077	1	Tower Lift Cylinder Assembly (See Separate Breakdown in CYLINDER Section)	
15	1001251078	1	Main Lift Cylinder Assembly (See Separate Breakdown in CYLINDER Section)	
16	3272001	1	Nut 5/8 Grade 8	
17	3312602	1	Nut 1	
18	3340927	1	Pad	
19	3422920	1	Pin	
20	3423209	1	Pin, Load Sensing	
21	3423061	2	Pin	
22	3423062	1	Pin	
23	3423063	1	Pin	
24	3423064	1	Pin	
25	3423065	1	Pin	
26	3760475	1	Ring, Retaining	
27	3841287	4	Keeper, Pin	
28	3841356	1	Keeper, Pin	
29	3841581	1	Keeper, Pin	
30	0682048	1	Bolt 5/8 x 6 Grade 8	
31	4711600	8	Washer 3/8	
32	3010133	1	Link, Upper	
32A	0440273	1	Bearing	
32B	0962297	2	Bushing	
33	3010134	1	Link, Lower	
33A	0962033	2	Bushing	
33B	0962122	2	Bushing	
34	4892000	4	Washer 5/8	
35	3380547	1	Deflector	
36	4740492	2	Thrustwasher	
37	1001253593	1	Switch, Pressure Transducer	
38	1001228498	1	Harness, Pressure Transducer (Not Shown - See Separate Breakdown in ELECTRICAL Section)	
39	0761015	4	Bolt M10 x 35	
40	3291007	4	Nut M10	
41	4812000	4	Washer M10	

SECTION 4 - BOOM

ITEM	PART NUMBER	QTY	DESCRIPTION	REV
42	1001212243	2	Cable	

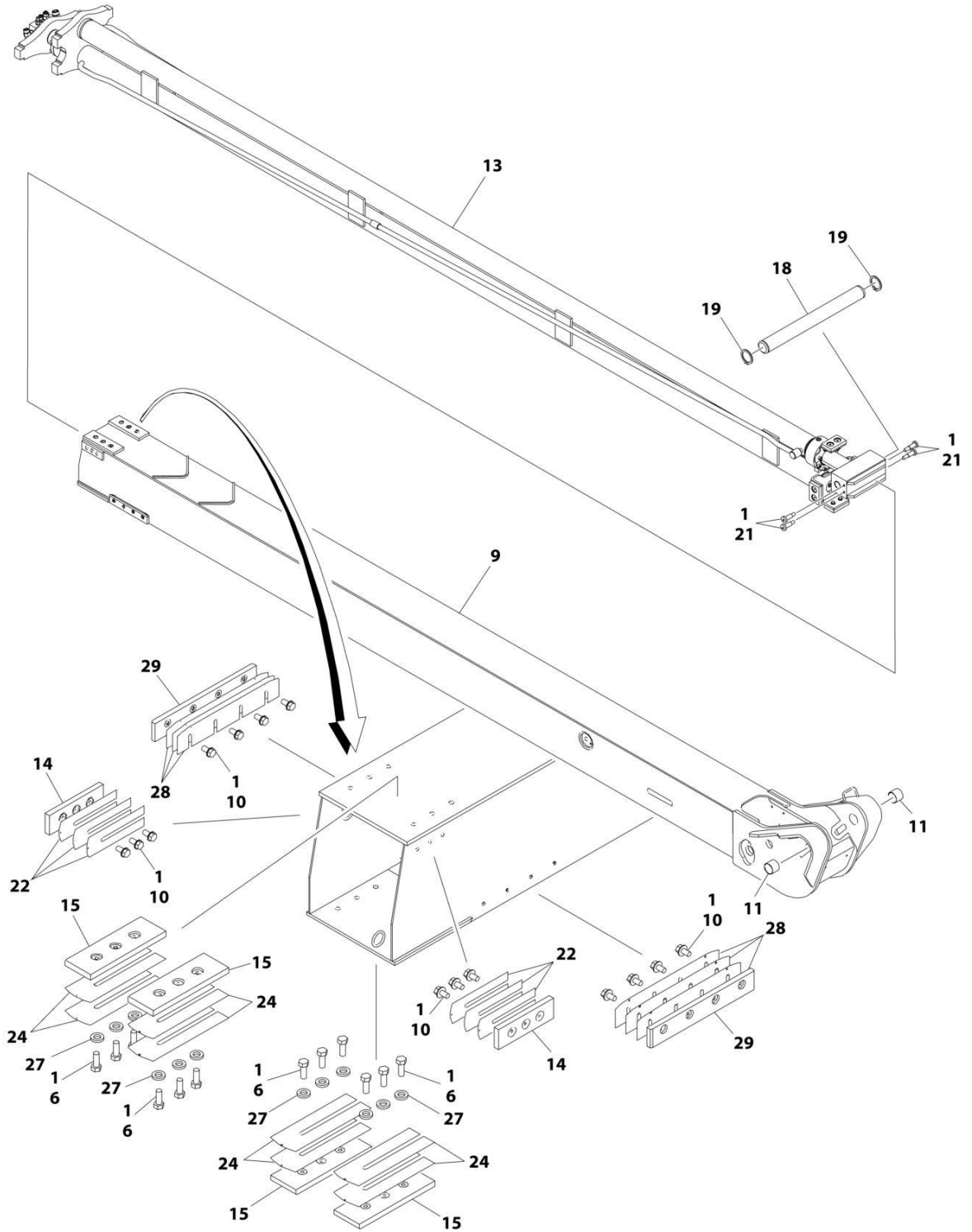
SECTION 4 - BOOM

FIGURE 4-3. TOWER BOOM ASSEMBLY



ART_0801370_10F2

SECTION 4 - BOOM



ART_0801370_20F2

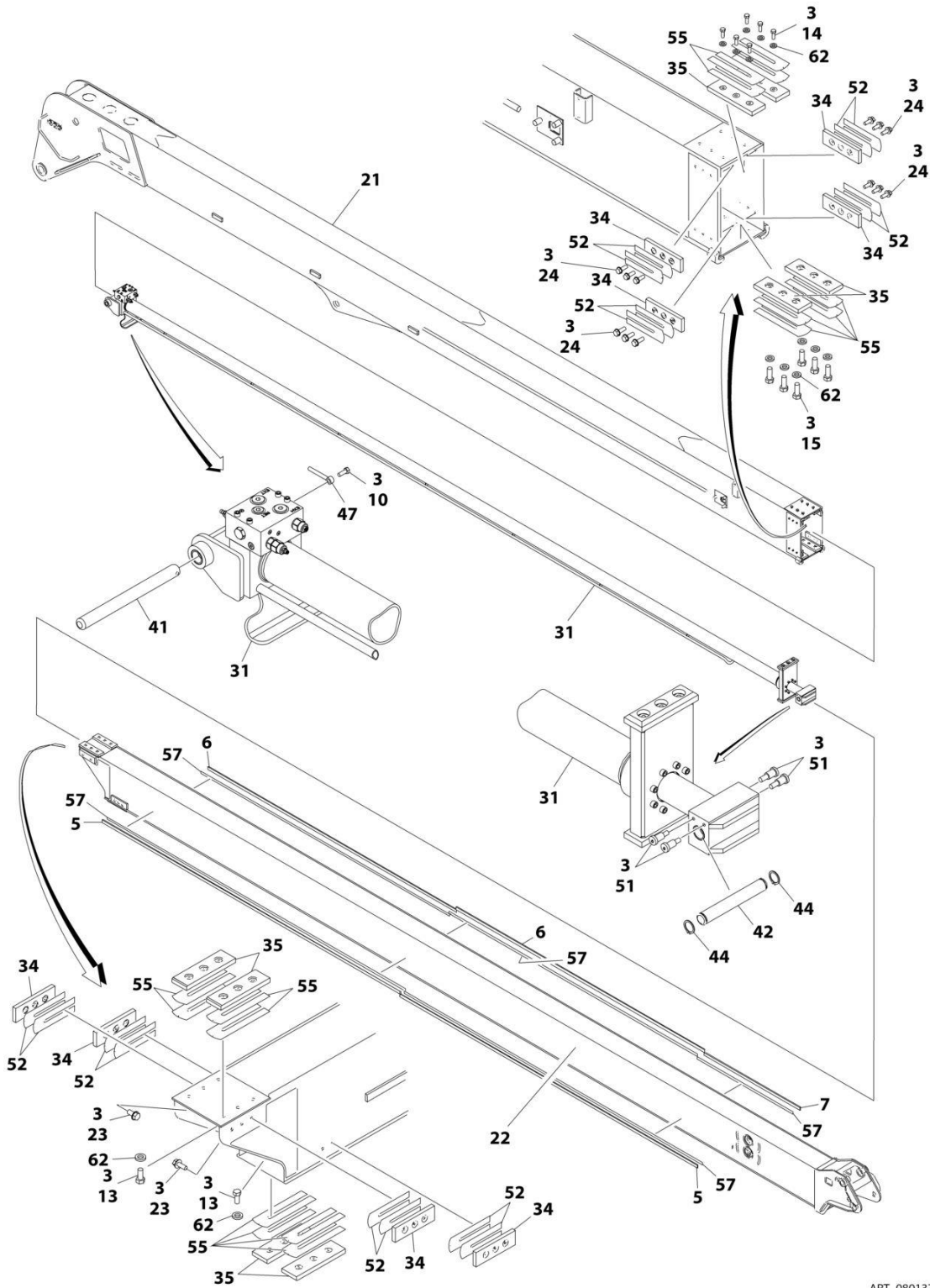
SECTION 4 - BOOM

FIGURE 4-3. TOWER BOOM ASSEMBLY

ITEM	PART NUMBER	QTY	DESCRIPTION	REV
	0801370	Ref	TOWER BOOM ASSEMBLY	F
1	0100011	AR	Compound, Locking	
2	0561533	6	Block, Trunnion Keeper	
3	0641604	2	Bolt 3/8 x 1/2	
4	0641622	12	Bolt 3/8 x 2-3/4	
5	0641809	18	Bolt 1/2 x 1-1/8	
6	0641810	30	Bolt 1/2 x 1-1/4	
7	0801365	1	Base, Boom	
8	0801366	1	Mid, Boom	
9	0801367	1	Fly, Boom	
10	0811606	38	Screw 3/8 x 3/4	
11	0962297	4	Bushing	
13	1001228032	1	Tower Telescope Cylinder Assembly (See Separate Breakdown in CYLINDER SECTION)	
14	3340878	14	Pad, Wear	
15	3340978	12	Pad, Wear	
16	3340979	1	Pad, Wear	
17	3340980	1	Pad, Wear	
18	3423066	1	Pin	
19	3760133	2	Ring, Retaining	
20	3811340	1	Loop, Hose	
21	3900269	4	Bolt 1/2 x 1	
22	4070864	34	Shim #16 Gauge	
23	4071031	12	Shim, Trunnion Keeper	
24	4071067	24	Shim #18 Gauge	
25	4071069	2	Shim #18 Gauge	
26	4071071	2	Shim #18 Gauge	
27	4891800	48	Washer 1/2	
28	4071081	6	Shim #18 Gauge	
29	4700014	2	Pad, Wear	
30	0811607	12	Screw 3/8 x 7/8	
31	1671013	1	Cover	
32	3020042	AR	Grease (Not Shown)	

SECTION 4 - BOOM

FIGURE 4-4. MAIN BOOM ASSEMBLY - WITHOUT COLD WEATHER PLUS PACKAGE



ART_0801371_1OF2

SECTION 4 - BOOM

FIGURE 4-4. MAIN BOOM ASSEMBLY - WITHOUT COLD WEATHER PLUS PACKAGE

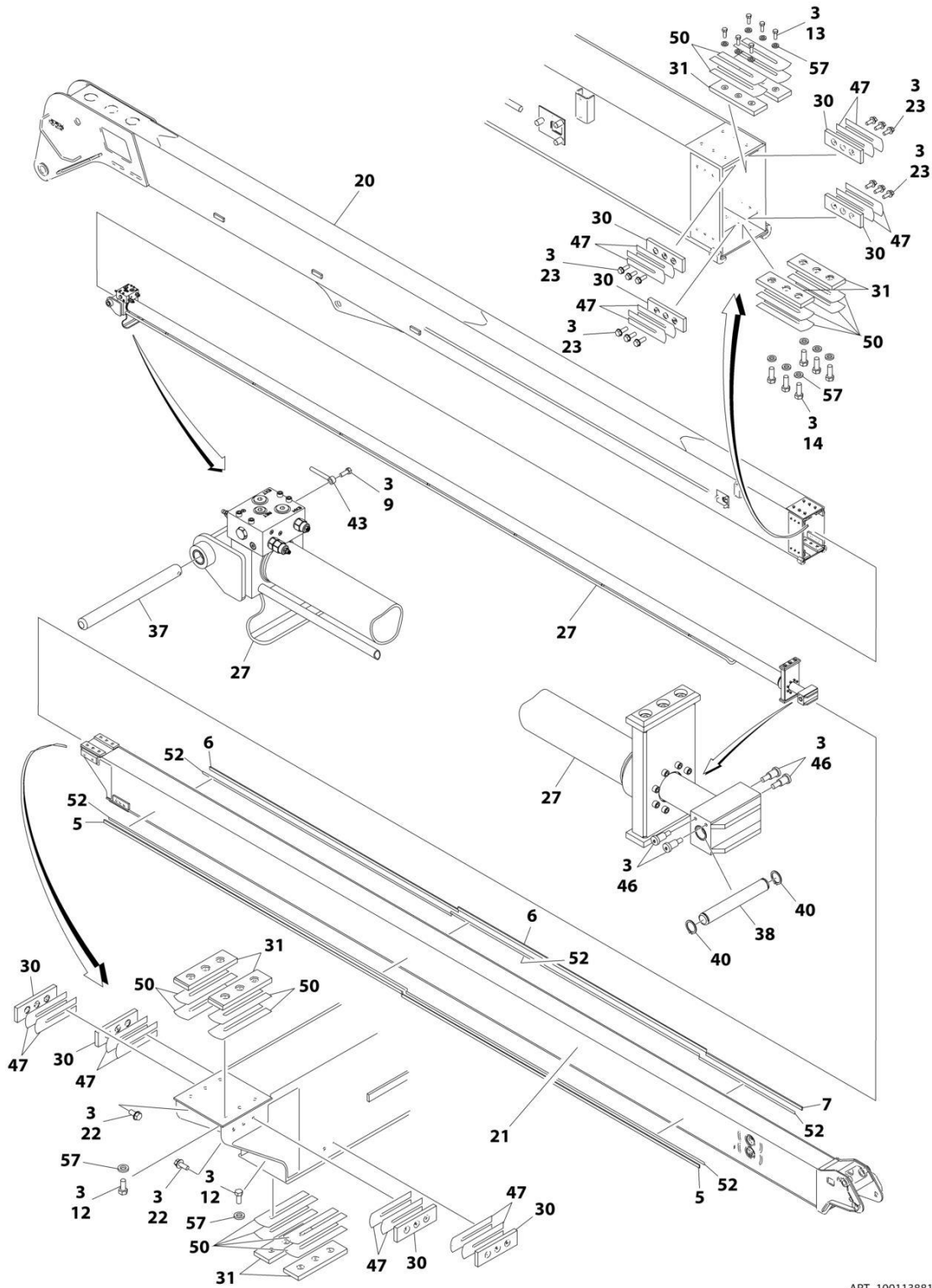
ITEM	PART NUMBER	QTY	DESCRIPTION	REV
	0801371	Ref	MAIN BOOM ASSEMBLY - WITHOUT COLD WEATHER PLUS PACKAGE	V
1	1001178247	1	Actuator Assembly (Platform Rotate) (See Separate Breakdown in this Section)	
2	1001178248	1	Actuator Assembly (Jib Rotate) (See Separate Breakdown in this Section)	
3	0100011	AR	Compound, Locking	
4	0100019	AR	Compound, Locking	
5	1001106483	2	Bar, Fiberglass	
6	1001106475	2	Bar, Fiberglass	
7	1001106476	1	Bar, Fiberglass	
8	0630558	1	Bolt, Special	
10	0641607	6	Bolt 3/8 x 7/8	
11	0641610	1	Bolt 3/8 x 1-1/4	
12	0641808	1	Bolt 1/2 x 1-1/8	
13	0641809	12	Bolt 1/2 x 1	
14	0641810	6	Bolt 1/2 x 1-1/4	
15	0641813	6	Bolt 1/2 x 1-5/8	
16	0642010	2	Bolt 5/8 x 1-1/4	
17	0682028	8	Bolt 5/8 x 3-1/2 Grade 8	
18	0682212	8	Bolt 3/4 x 1-1/2 Grade 8	
19	0741806	1	Screw 1/2 x 3/4	
20	0791606	2	Screw 3/8 x 3/4	
21	0801497	1	Base, Boom	
22	0801369	1	Fly, Boom	
23	0811606	12	Screw 3/8 x 3/4	
24	0811607	12	Screw 3/8 x 7/8	
25	0961951	8	Bushing (Part of Items 56 & 61)	
28	1100141	1	Cam	
30	1001228025	1	Jib Cylinder Assembly (See Separate Breakdown in CYLINDER SECTION)	
31	1001228080	1	Telescope Cylinder Assembly (See Separate Breakdown in CYLINDER SECTION)	
32	1001228034	1	Platform Level Cylinder Assembly (See Separate Breakdown in CYLINDER SECTION)	
33	3311605	1	Nut 3/8	
34	3340878	8	Pad, Wear	
35	3340974	8	Pad, Wear	
36	3422178	1	Pin	
37	3422937	1	Pin	
38	1001119899	2	Pin	
39	3422957	5	Pin	
40	3422958	1	Pin	
41	3423058	1	Pin	
42	3423059	1	Pin	
43	3423190	1	Pin	
44	3760133	7	Ring, Retaining	
45	3760217	1	Ring, Retaining	
46	3760233	1	Ring, Retaining	
47	3841143	7	Keeper, Pin	
48	3841203	1	Keeper, Pin	

SECTION 4 - BOOM

ITEM	PART NUMBER	QTY	DESCRIPTION	REV
49	3841258	2	Keeper, Pin	
51	3900259	4	Bolt, Shoulder	
52	4070864	16	Shim #18 Gauge	
53	4071044	1	Shim #18 Gauge	
54	4071045	1	Shim #11 Gauge	
55	4071073	16	Shim #18 Gauge	
56	4846482	1	Link, Jib (Upper) (Includes Item 25)	
57	4420060	52 ft/16m	Tape, Double-Sided	
58	0801550	1	Link, Jib (Lower)	
59	4630006	1	Pivot	
59A	0962224	2	Bearing	
60	1001200839	1	Link (Upper)	
60A	0962224	2	Bearing	
61	3010136	1	Link (Lower) (Includes Item 25)	
61A	0962224	2	Bearing	
61B	0962556	2	Bearing	
62	4891800	24	Washer 1/2	
63	3272001	1	Nut 5/8	
64	4100101	1	Sleeve, Pin Retainer	
65	0682014	1	Bolt 5/8 x 1-3/4	
66	3020042	AR	Lube, Super (Not Shown)	

SECTION 4 - BOOM

FIGURE 4-5. MAIN BOOM ASSEMBLY - WITH COLD WEATHER PLUS PACKAGE



ART_1001138812_10F2

SECTION 4 - BOOM

FIGURE 4-5. MAIN BOOM ASSEMBLY - WITH COLD WEATHER PLUS PACKAGE

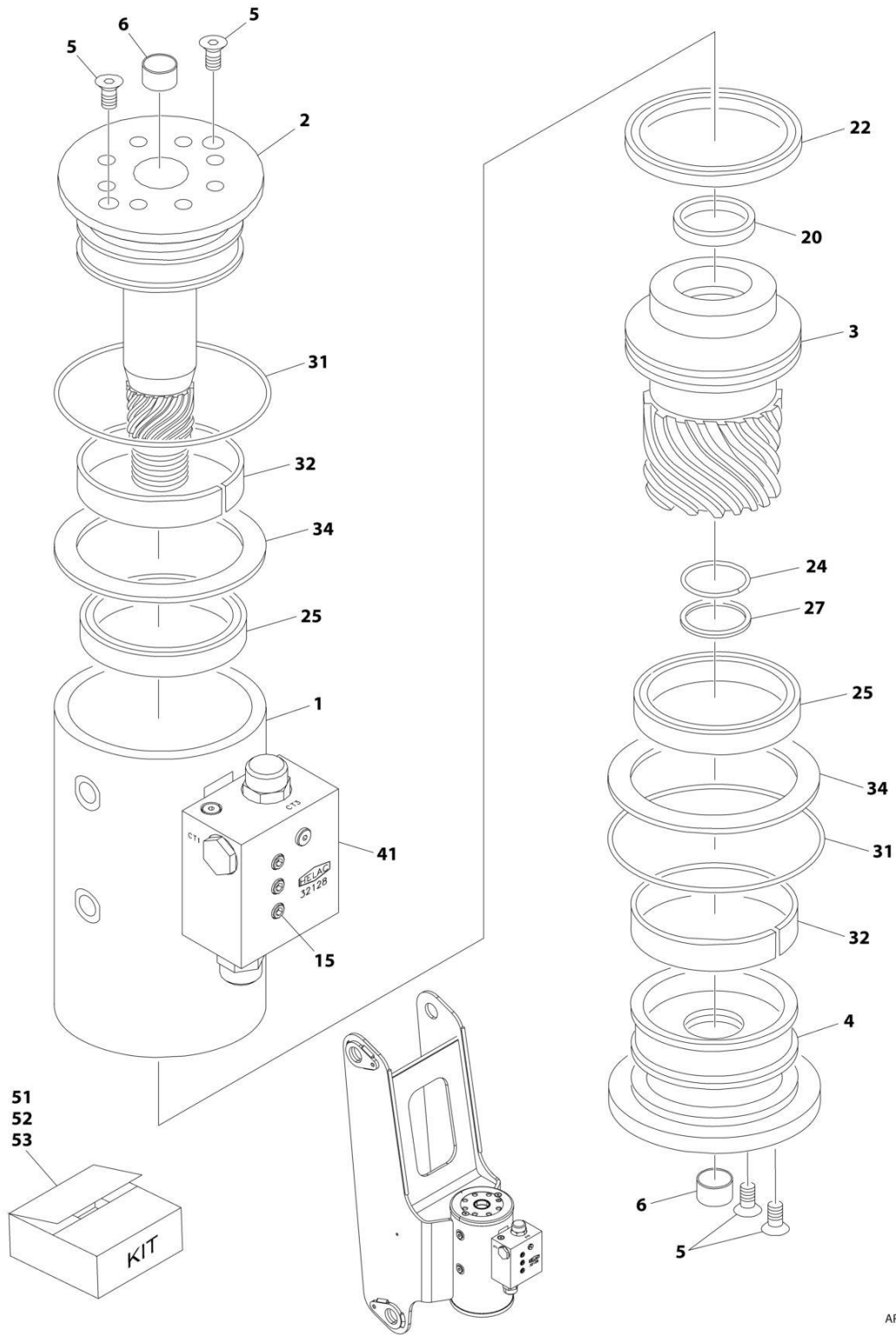
ITEM	PART NUMBER	QTY	DESCRIPTION	REV
	1001138812	Ref	MAIN BOOM ASSEMBLY - WITH COLD WEATHER PLUS PACKAGE	H
1	1001178247	1	Actuator Assembly (Platform Rotate) (See Separate Breakdown in this Section)	
2	1001178248	1	Actuator Assembly (Jib Rotate) (See Separate Breakdown in this Section)	
3	0100011	AR	Compound, Locking	
4	0100019	AR	Compound, Locking	
5	1001106483	2	Bar, Fiberglass	
6	1001106475	2	Bar, Fiberglass	
7	1001106476	1	Bar, Fiberglass	
8	0630558	1	Bolt, Special	
9	0641607	6	Bolt 3/8 x 7/8	
10	0641610	1	Bolt 3/8 x 1-1/4	
11	0641808	1	Bolt 1/2 x 1-1/8	
12	0641809	12	Bolt 1/2 x 1	
13	0641810	6	Bolt 1/2 x 1-1/4	
14	0641813	6	Bolt 1/2 x 1-5/8	
15	0642010	2	Bolt 5/8 x 1-1/4	
16	0682028	8	Bolt 5/8 x 3-1/2 Grade 8	
17	0682212	8	Bolt 3/4 x 1-1/2 Grade 8	
18	0741806	1	Screw 1/2 x 3/4	
19	0791606	2	Screw 3/8 x 3/4	
20	0801497	1	Base, Boom	
21	0801369	1	Fly, Boom	
22	0811606	12	Screw 3/8 x 3/4	
23	0811607	12	Screw 3/8 x 7/8	
24	0961951	8	Bushing (Part of Items 51 & 53)	
25	1100141	1	Cam	
26	1001228025	1	Jib Cylinder Assembly (See Separate Breakdown in CYLINDER SECTION)	
27	1001228080	1	Telescope Cylinder Assembly (See Separate Breakdown in CYLINDER SECTION)	
28	1001228034	1	Platform Level Cylinder Assembly (See Separate Breakdown in CYLINDER SECTION)	
29	3311605	1	Nut 3/8	
30	3340878	8	Pad, Wear	
31	3340974	8	Pad, Wear	
32	3422178	1	Pin	
33	3422937	1	Pin	
34	1001119899	2	Pin	
35	3422957	5	Pin	
36	3422958	1	Pin	
37	3423058	1	Pin	
38	3423059	1	Pin	
39	3423190	1	Pin	
40	3760133	7	Ring, Retaining	
41	3760217	1	Ring, Retaining	
42	3760233	1	Ring, Retaining	
43	3841143	7	Keeper, Pin	
44	3841203	1	Keeper, Pin	

SECTION 4 - BOOM

ITEM	PART NUMBER	QTY	DESCRIPTION	REV
45	3841258	2	Keeper, Pin	
46	3900259	4	Bolt, Shoulder	
47	4070864	16	Shim #18 Gauge	
48	4071044	1	Shim #18 Gauge	
49	4071045	1	Shim #11 Gauge	
50	4071073	16	Shim #18 Gauge	
51	4846482	1	Link, Jib (Upper) (Includes Item 24)	
52	4420060	52 ft/16m	Tape, Double-Sided	
53	0801550	1	Link, Jib (Lower) (Includes Item 24)	
54	4630006	1	Pivot	
54A	0962224	2	Bearing	
55	1001200839	1	Link (Upper)	
55A	0962224	2	Bearing	
56	3010136	1	Link (Lower)	
56A	0962224	2	Bearing	
56B	0962556	2	Bearing	
57	4891800	24	Washer 1/2	
58	3272001	1	Nut 5/8	
59	4100101	1	Sleeve, Pin Retainer	
60	0682014	1	Bolt 5/8 x 1-3/4	
61	3020042	AR	Lube, Super (Not Shown)	

SECTION 4 - BOOM

FIGURE 4-6. PLATFORM ROTATE ASSEMBLY



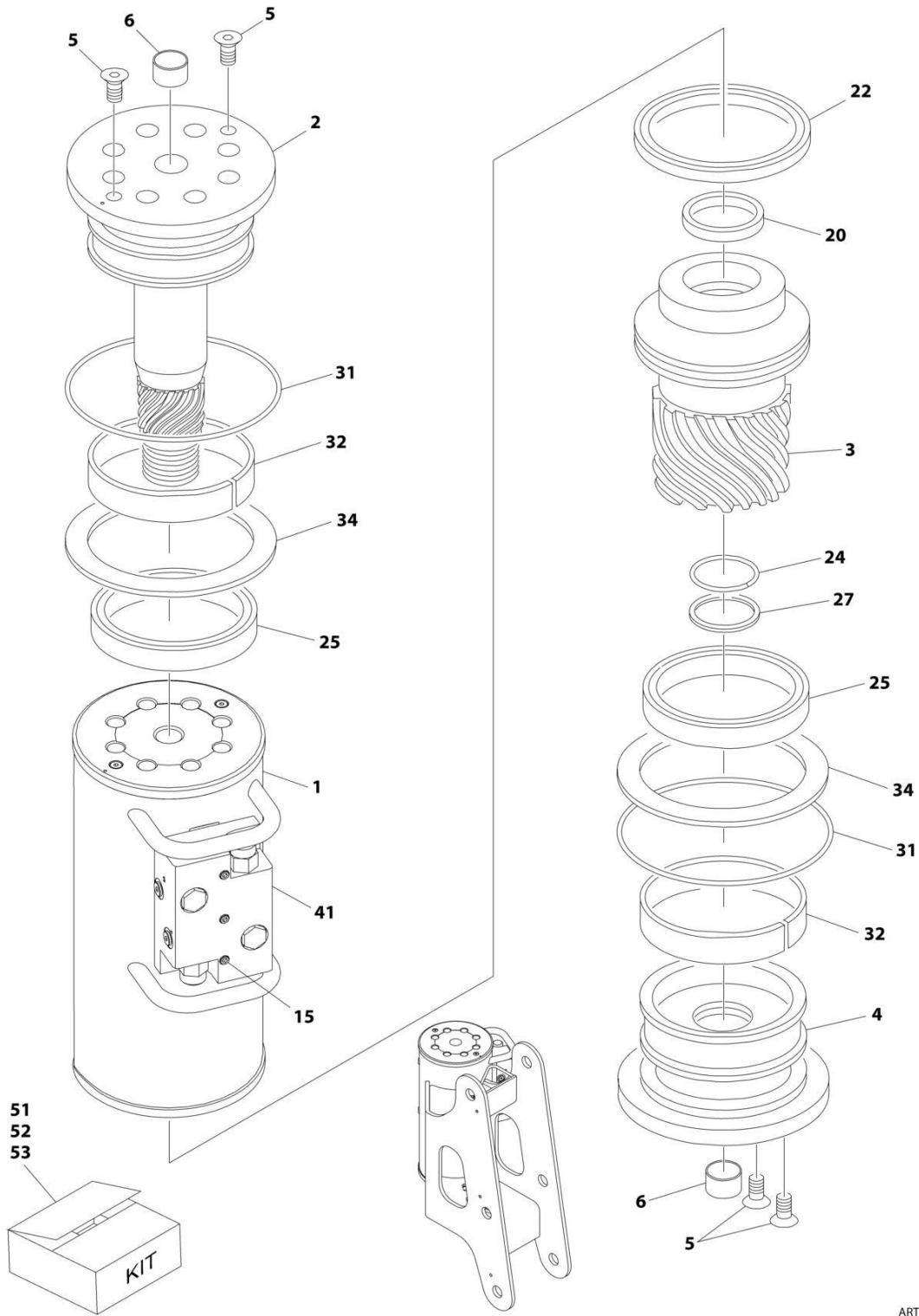
ART_1001178247

FIGURE 4-6. PLATFORM ROTATE ASSEMBLY

ITEM	PART NUMBER	QTY	DESCRIPTION	REV
	1001178247	Ref	PLATFORM ROTATE ASSEMBLY	A
1	See Note	NSS	Case/Bracket Weldment (Note: Not Available - Purchase Complete Assembly)	
2	7017162	1	Shaft	
3	7017163	1	Sleeve, Piston	
4	7017164	1	Cap, End	
5	See Note	AR	Screw (Note: See Item 53 for Replacement)	
5	See Note	AR	Dowel Pin (Note: See Item 53 for Replacement)	
6	7017195	2	Bushing	
15	See Note	NSS	Capscrew 1/4 x 1-1/2 Grade 8 (Note: Not Available for Purchase)	
20	See Note	1	Seal, Rod (Note: See Item 51 for Replacement Options)	
22	See Note	1	Seal, Piston (Note: See Item 51 for Replacement Options)	
24	See Note	1	Seal, Cap (Note: See Item 51 for Replacement Options)	
25	See Note	2	Packing, Bearing (Note: See Item 51 for Replacement Options)	
27	See Note	1	Ring, Cap Back-up (Note: See Item 51 for Replacement Options)	
31	See Note	2	Seal (Note: See Item 51 for Replacement Options)	
32	See Note	2	Bearing, Shaft (Note: See Item 52 for Replacement)	
34	See Note	2	Thrustwasher (Note: See Item 52 for Replacement)	
41	70001639	1	Motion Control Valve Assembly (Cartridges not serviced separately)	
51	70000342	1	Seal Kit (Includes Items 20, 22, 24, 25, 27 & 31)	
52	7017159	1	Bearing Kit (Includes Items 32 & 34)	
53	7017142	1	Hardware Kit (Includes Item 5 and Plugs)	

SECTION 4 - BOOM

FIGURE 4-7. JIB ROTATE ASSEMBLY



ART_1001178248

FIGURE 4-7. JIB ROTATE ASSEMBLY

ITEM	PART NUMBER	QTY	DESCRIPTION	REV
	1001178248	Ref	JIB ROTATE ASSEMBLY	A
1	See Note	NSS	Case/Bracket Weldment (Note: Not Available - Purchase Complete Assembly)	
2	7017162	1	Shaft	
3	7017163	1	Sleeve, Piston	
4	7017164	1	Cap, End	
5	See Note	AR	Screw (Note: See Item 53 for Replacement)	
5	See Note	AR	Dowel Pin (Note: See Item 53 for Replacement)	
6	7017195	2	Bushing	
15	See Note	NSS	Capscrew 1/4 x 1-1/2 Grade 8 (Note: Not Available for Purchase)	
20	See Note	1	Seal, Rod (Note: See Item 51 for Replacement Options)	
22	See Note	1	Seal, Piston (Note: See Item 51 for Replacement Options)	
24	See Note	1	Seal, Cap (Note: See Item 51 for Replacement Options)	
25	See Note	2	Packing, Bearing (Note: See Item 51 for Replacement Options)	
27	See Note	1	Ring, Cap Back-up (Note: See Item 51 for Replacement Options)	
31	See Note	2	Seal (Note: See Item 51 for Replacement Options)	
32	See Note	2	Bearing, Shaft (Note: See Item 52 for Replacement)	
34	See Note	2	Thrustwasher (Note: See Item 52 for Replacement)	
41	70002859	1	Motion Control Valve Assembly (Cartridges not serviced separately)	
51	70000796	1	Seal Kit (Includes Items 20, 22, 24, 25, 27 & 31)	
52	7017185	1	Bearing Kit (Includes Items 32 & 34)	
53	70001640	1	Hardware Kit (Includes Item 5 and Plugs)	

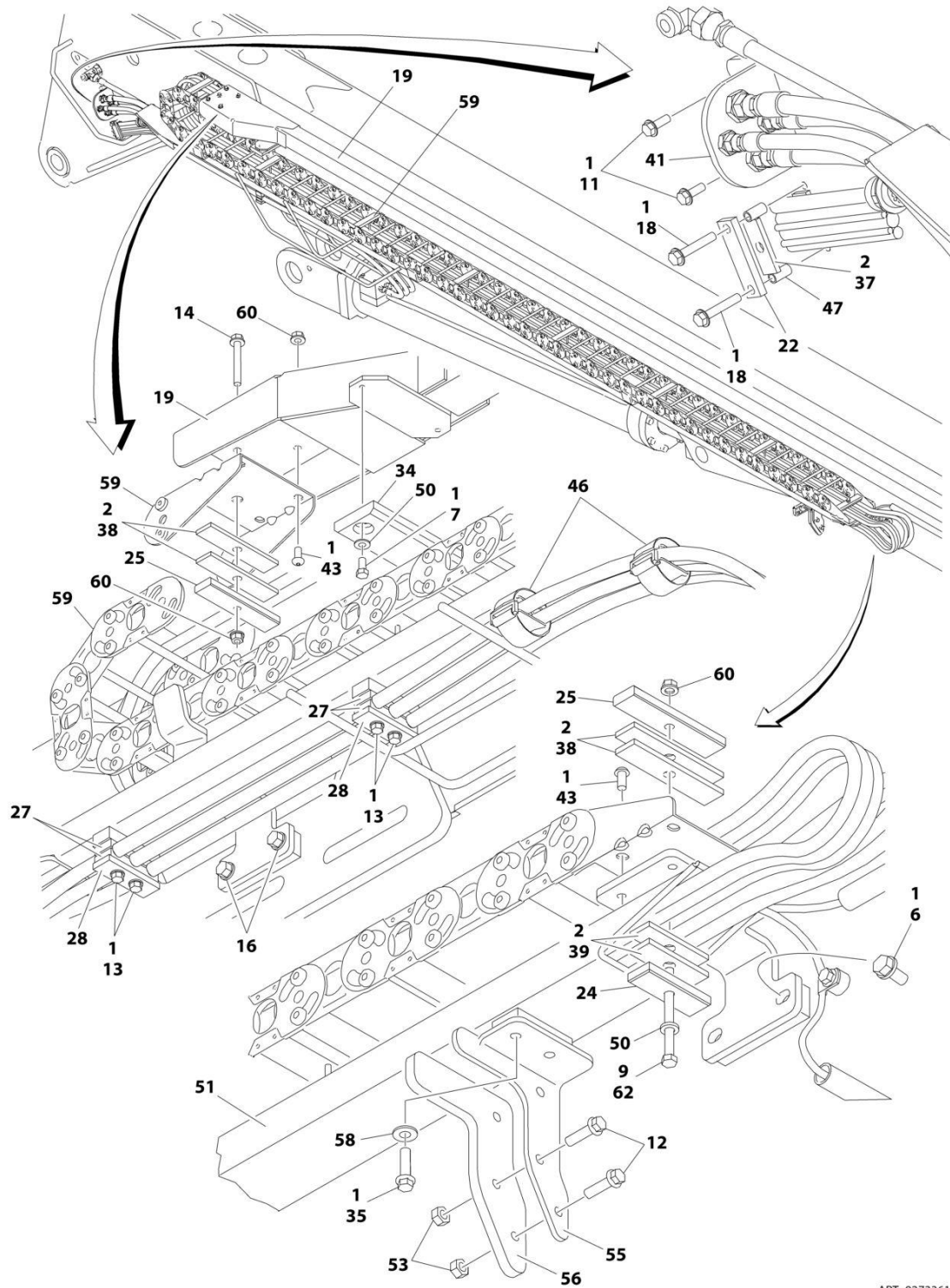
SECTION 4 - BOOM

FIGURE 4-8. POWER TRACK AND BOOM CLAMPS INSTALLATION (TOWER BOOM)

ITEM	PART NUMBER	QTY	DESCRIPTION	REV
	0273360	Ref	POWER TRACK AND BOOM CLAMPS INSTALLATION (TOWER BOOM)	F
1	0100011	AR	Compound, Locking	
2	0100081	AR	Adhesive #454	
3	0641606	6	Bolt 3/8 x 3/4	
4	0641628	6	Bolt 3/8 x 3-1/2	
5	0630539	2	Bolt 3/8 x 3-1/2	
6	0641652	2	Bolt 3/8 x 6-1/2	
7	0641809	8	Bolt 1/2 x 1-1/8	
8	0791808	12	Screw 1/2 x 1	
9	1001131730	1	Power Track, Tower Hose	
9	70003919	AR	Repair Section Kit (Includes Inner and Outer Links, Joining Bars and Rollers, and Assembling Hardware)	
9	70003920	1	Mounting Bracket Kit (Includes Mounting Brackets for Both Ends, 1 Roller Assembly and Assembling Hardware)	
10	1180387	1	Tube, Push (Upper Tower Boom)	
11	1180388	1	Tube, Carrier (Lower Tower Boom)	
12	1180389	1	Tube, Carrier (T/T to Tower Boom)	
13	1180390	1	Tube, Carrier (Turntable)	
14	1320288	6	Clamp, Bar	
15	1320328	2	Clamp, Bar	
16	3311608	6	Nut 3/8	
17	3574644	1	Plate, Support	
18	3900283	8	Screw 3/8 x 3/4	
19	4071076	3	Shim	
20	4220189	2	Block, Support	
21	4220190	4	Pad, Rubber	
22	4711600	12	Washer 3/8	
23	4891600	6	Washer 3/8	
24	4891800	8	Washer 1/2	
25	3311602	2	Nut 3/8	
26	3340941	8	Pad, Rubber	
27	4562516	3 in/7.6cm	Tubing, Poly	
28	0630593	2	Bolt 3/8 x 3-1/4	
29	4240155	AR	Strap (Not Shown)	
30	3300492	10	Nut, Lock Nylon Insert	

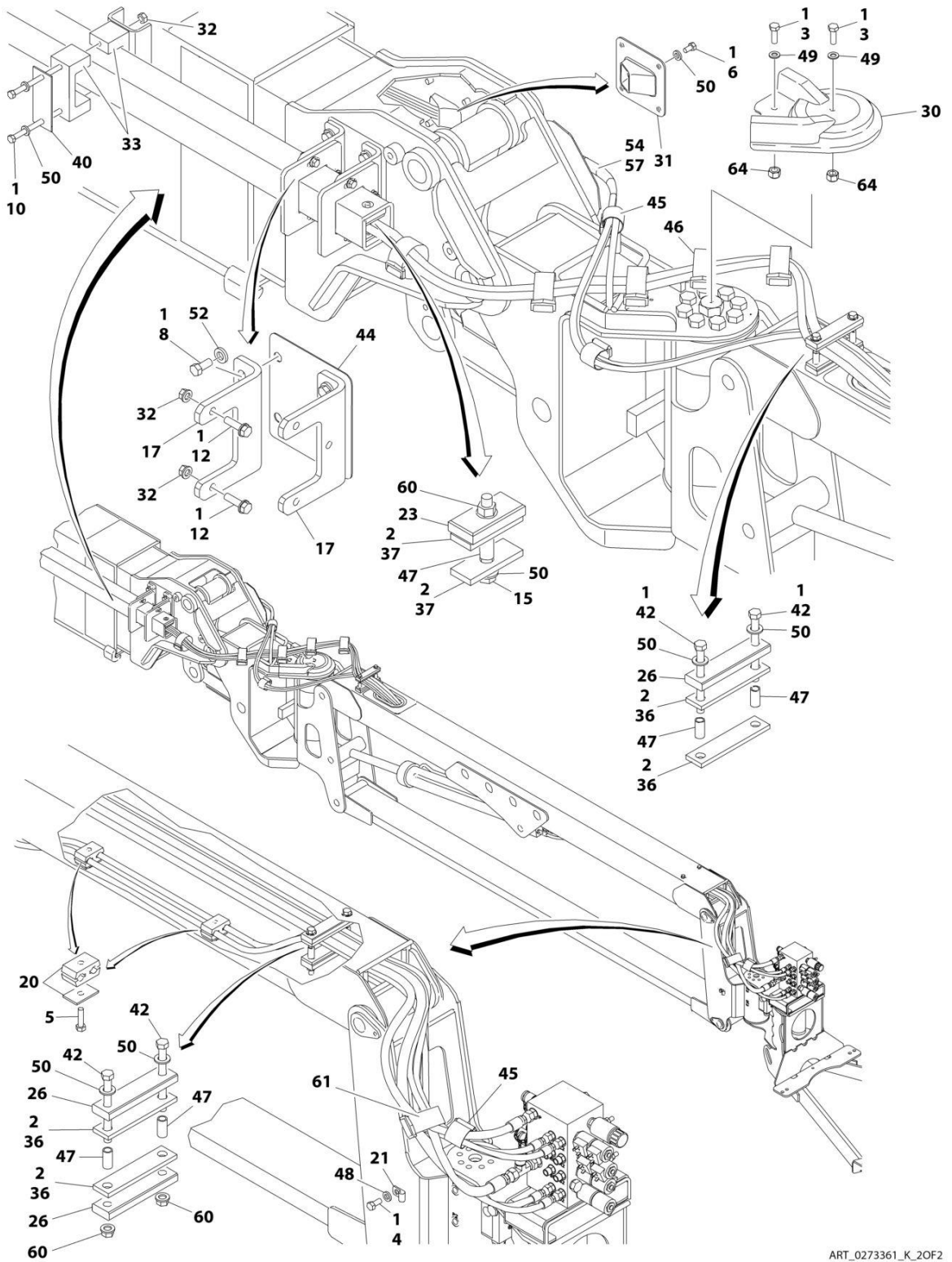
SECTION 4 - BOOM

FIGURE 4-9. POWER TRACK AND BOOM CLAMPS INSTALLATION (MAIN BOOM AND JIB)



ART_0273361_K_1OF2

SECTION 4 - BOOM



ART_0273361_K_20F2

SECTION 4 - BOOM

FIGURE 4-9. POWER TRACK AND BOOM CLAMPS INSTALLATION (MAIN BOOM AND JIB)

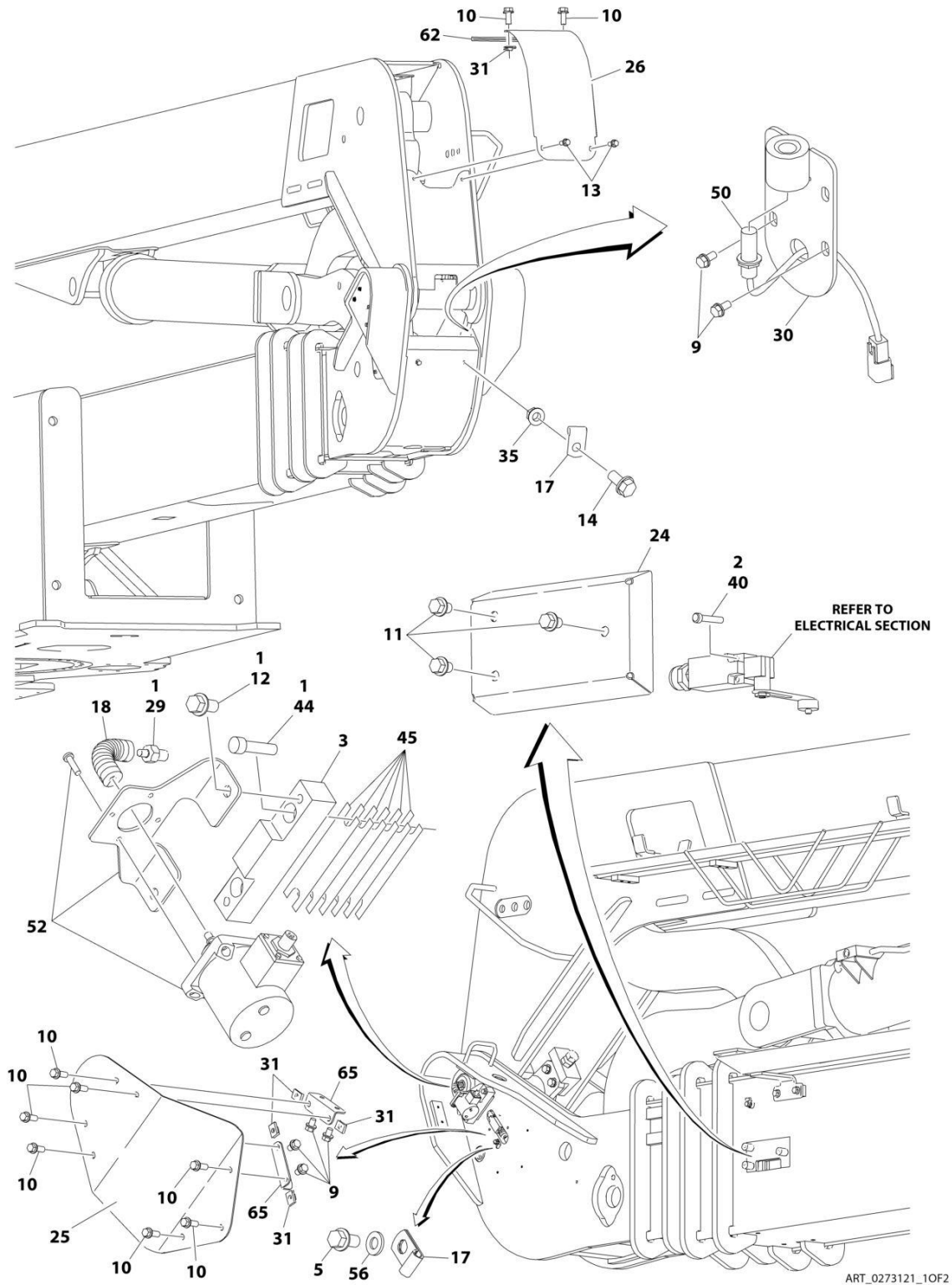
ITEM	PART NUMBER	QTY	DESCRIPTION	REV
	0273361	Ref	POWER TRACK AND BOOM CLAMPS INSTALLATION (MAIN BOOM AND JIB)	K
1	0100011	AR	Compound, Locking	
2	0100081	AR	Adhesive #454	
3	0760812	3	Screw M8 x 25	
4	0641406	1	Bolt 1/4 x 3/4	
5	0791510	2	Screw 5/16 x 1-1/4	
6	0641605	4	Bolt 3/8 x 5/8	
7	0641606	2	Bolt 3/8 x 3/4	
8	0641809	4	Bolt 1/2 x 1-1/8	
9	0641638	1	Bolt 3/8 x 4-3/4	
10	0641644	2	Bolt 3/8 x 5-1/2	
11	0791608	2	Screw 3/8 x 1	
12	0791610	10	Screw 3/8 x 1-1/4	
13	0791616	4	Screw 3/8 x 2	
14	0791622	1	Screw 3/8 x 2-3/4	
15	0641626	1	Bolt 3/8 x 3-1/4	
16	0791808	8	Screw 1/2 x 1	
17	0902932	2	Bracket, Mounting	
18	0791618	2	Screw 3/8 x 2-1/4	
19	1180386	1	Tube, Push (Upper Main Boom)	
20	1320159	2	Clamp, Hose	
21	1320263	2	Clamp, Hose	
22	1320277	1	Clamp, Hose	
23	1320288	1	Clamp, Hose	
24	1320289	1	Clamp, Hose	
25	1320294	2	Clamp, Bar	
26	1320296	3	Clamp, Bar	
27	1320325	2	Clamp, Block	
28	1320327	2	Clamp, Cover Plate	
30	1671122	1	Cover, Jib Pivot	
31	2540044	1	Guide, Hose	
32	3311608	12	Nut 3/8	
33	3340764	2	Pad, Push Tube	
34	3340787	NLA	Pad, Wear (Use p/n 1001136469)	
35	0811606	2	Screw 3/8 x 3/4	
36	3340934	4	Pad, Clamp	
37	3340941	4	Pad, Rubber	
38	3340942	4	Pad, Rubber	
39	3340943	2	Pad, Rubber	
40	3538758	1	Plate, Backing	
41	3574606	1	Plate, Bulkhead Mounting	
42	3900260	4	Capscrew 3/8 x 4	
43	3900283	8	Screw 3/8 x 3/4	
44	4071072	1	Shim, Adjusting 16Ga	
45	4240153	AR	Tie-Strap	
46	4240155	AR	Tie-Strap	
47	4562516	7 in/18 cm	Tubing, Poly	
48	4711400	1	Washer 1/4	
49	4811900	6	Washer M8	

SECTION 4 - BOOM

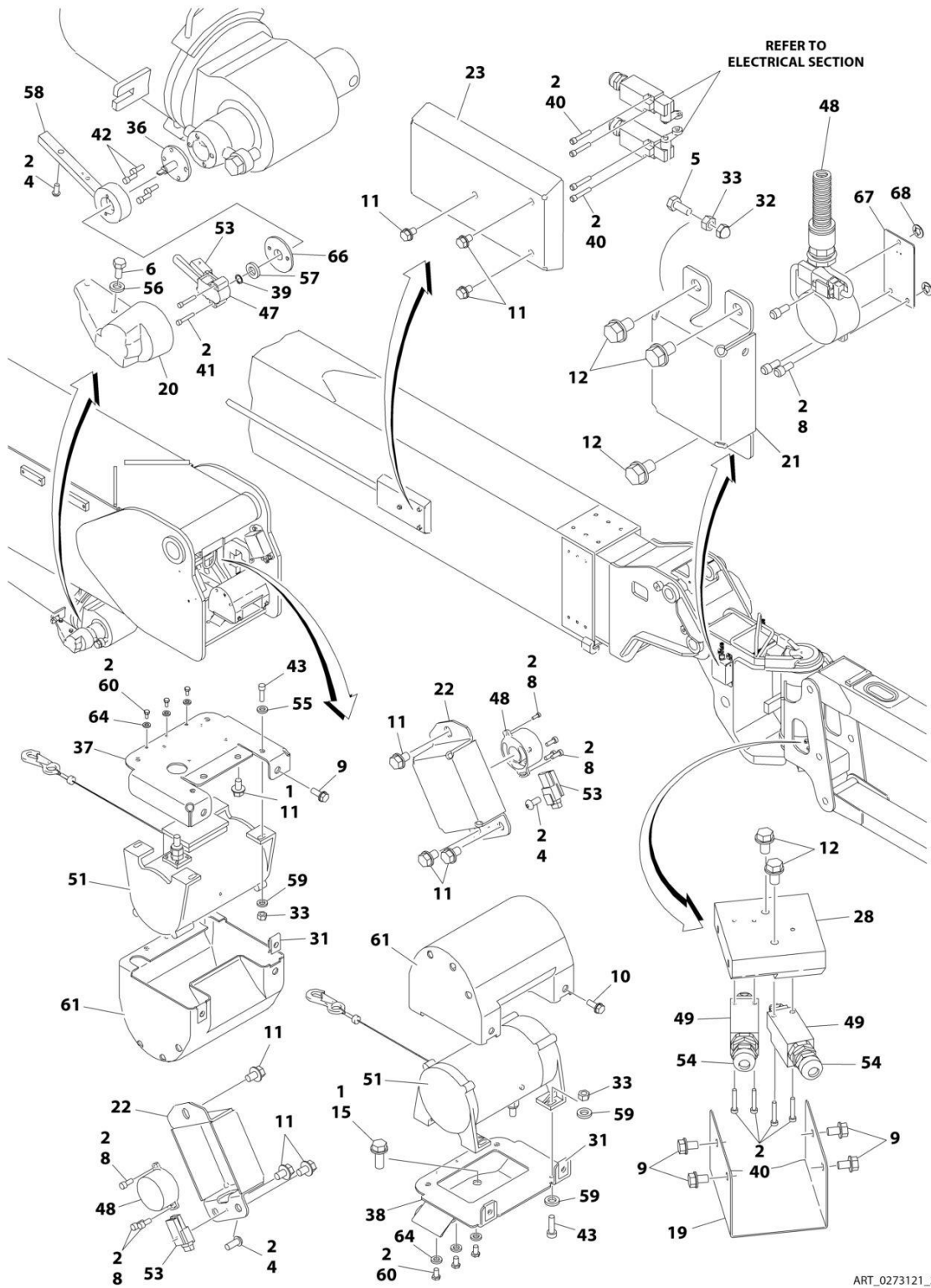
ITEM	PART NUMBER	QTY	DESCRIPTION	REV
50	4711600	18	Washer 3/8	
51	4846920	1	Tube, Carrier (Lower Main Boom)	
52	4891800	4	Washer 1/2	
53	3311605	4	Nut 3/8	
54	4240033	AR	Tie-Strap	
55	0902965	1	Bracket, Push Tube Guide	
56	4220197	1	Pad, Guide Tube	
57	4100063	1	Sleeve	
58	4891600	2	Washer 3/8	
59	1001131732	1	Power Track, Main Cable	
59	70003913	AR	Repair Section Kit (Includes Inner and Outer Links, Joining Bars and Rollers, and Assembling Hardware)	
59	70003914	1	Roller Link Section Kit (Includes 1 Roller Assembly and Assembling Hardware)	
59	70003916	1	Mounting Bracket Kit (Includes Mounting Brackets for Both Ends and Assembling Hardware)	
60	3300492	5	Nut, Lock Nylon Insert	
61	4240156	1	Tie-Strap	
62	0641636	1	Bolt 3/8 x 4-1/2	
63	1321385	1	Clamp, Hose Retaining (Located at Platform Rotator - Not Shown)	
64	3290805	3	Nut M8	

SECTION 4 - BOOM

FIGURE 4-10. BOOM SENSORS AND SWITCHES INSTALLATION



SECTION 4 - BOOM



ART_0273121_20F2

SECTION 4 - BOOM

FIGURE 4-10. BOOM SENSORS AND SWITCHES INSTALLATION

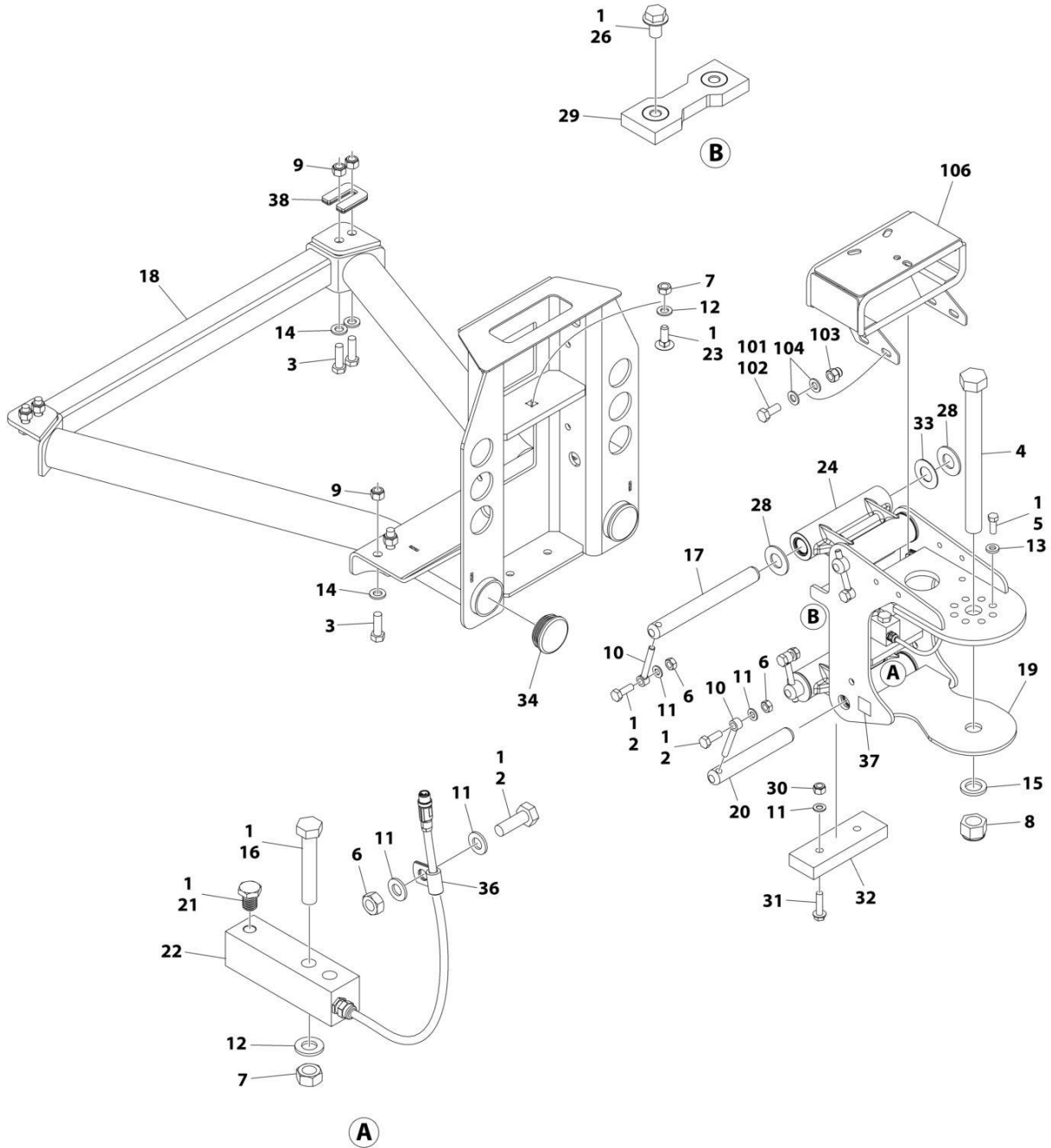
ITEM	PART NUMBER	QTY	DESCRIPTION	REV
	0273121	Ref	BOOM SENSORS AND SWITCHES INSTALLATION	P
1	0100011	AR	Compound, Locking	
2	0100035	AR	Compound, Locking	
3	0363224	2	Bar, Sensor Mounting	
4	0630464	3	Screw #10 x 1/2	
5	0641405	2	Bolt 1/4 x 5/8	
6	0641505	1	Bolt 5/16 x 5/8	
8	3930606	12	Capscrew #6 x 3/8	
9	0791504	17	Screw 5/16 x 1/2	
10	0791506	20	Screw 5/16 x 3/4	
11	0791604	20	Screw 3/8 x 1/2	
12	0791605	12	Screw 3/8 x 5/8	
13	0791606	2	Screw 3/8 x 3/4	
14	0791608	2	Screw 3/8 x 1	
15	0791810	2	Screw 1/2 x 1-1/4	
16	4240018	AR	Tie-Strap (Not Shown)	
17	1320301	7	Clamp, Hose	
18	1660261	2	Coupling, Rotary Sensor	
19	1671039	1	Cover, Jib Switch	
20	1671040	1	Cover, Sensor	
21	1671044	2	Cover, Level Sensor	
22	1671112	2	Cover, Angle Sensor	
23	1671113	2	Cover, Limit Switch	
24	1671117	1	Cover, Limit Switch	
25	3380528	2	Cover, Rotary Sensor	
26	1671123	1	Cover, Main Base Hose	
28	3200433	1	Mount, Jib Switch	
29	3200458	2	Mount, Coupling	
30	4340959	1	Mount, Sensor	
31	3300364	14	Nut, Tinnerman 5/16	
32	3300430	2	Nut 1/4	
33	3311405	10	Nut 1/4	
35	3311608	2	Nut 3/8	
36	3423256	1	Pin, Sensor (Note: Control System must be re-calibrated when Switch is replaced)	
37	4340810	1	Mount, Sensor (Upper)	
38	4340811	1	Mount, Sensor (Lower)	
39	3760383	1	Ring	
40	3930816	14	Capscrew #8 x 1	
41	3931020	2	Capscrew #10 x 1-1/4	
42	3931412	4	Capscrew 1/4 x 3/4	
43	3931414	8	Capscrew 1/4 x 7/8	
44	3931624	4	Capscrew 3/8 x 1-1/2	
45	4071031	12	Shim, Trunnion Keeper	
46	4240033	AR	Tie-Strap (Not Shown)	
47	4360505	1	Switch, Rotary Angle Sensor (Note: Control System must be re-calibrated when Switch is replaced)	
48	1001147479	4	Switch, Digital Angle Sensor (Note: Control System must be re-calibrated when Switch is replaced)	
49	4360548	2	Switch, Plunger	

SECTION 4 - BOOM

ITEM	PART NUMBER	QTY	DESCRIPTION	REV
50	4000008	1	Sensor, Proximity Assembly	
51	4360552	2	Switch, Boom Length (Note: Control System must be re-calibrated when Switch is replaced)	
52	4360622	2	Switch, Rotary Transducer (Note: Control System must be re-calibrated when Switch is replaced)	
53	4460914	3	Terminal, Base	
54	4460968	3	Connector, Strain Relief	
55	4711400	8	Washer 1/4	
56	4711500	2	Washer 5/16	
57	4711800	1	Washer 1/2	
58	0200833	1	Arm	
59	4891400	8	Washer 1/4	
60	0721003	6	Screw #10 x 3/8	
61	1671142	2	Cover, Length Sensor	
62	3960389	11 in /28cm	Seal	
63	3960571	1	Seal, Gasket (Not Shown)	
64	4751000	6	Washer #10	
65	4340861	4	Plate, Mounting	
66	0080277	1	Adapter, Angle Sensor Pilot	
67	4341158	2	Mount, Sensor	
68	8310070	6	Pushnut 3/8	

SECTION 4 - BOOM

FIGURE 4-11. PLATFORM SUPPORT INSTALLATION



ART_1001167596_N

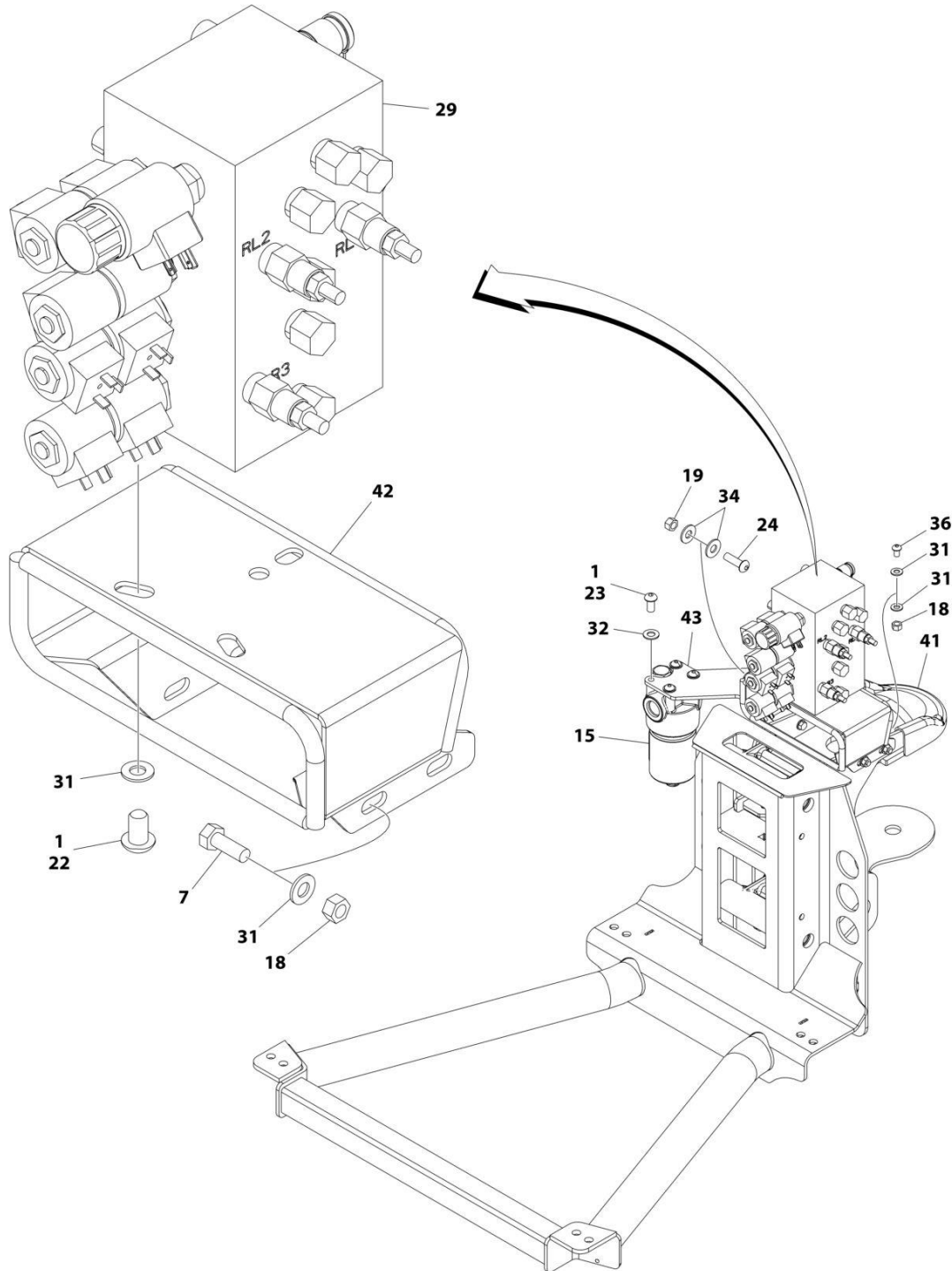
SECTION 4 - BOOM

FIGURE 4-11. PLATFORM SUPPORT INSTALLATION

ITEM	PART NUMBER	QTY	DESCRIPTION	REV
	1001167596	Ref	PLATFORM SUPPORT INSTALLATION	N
1	0100011	AR	Compound, Locking	
2	0761014	5	Bolt M10 x 30	
3	0761216	8	Bolt M12 x 40	
4	1001255133	1	Bolt 1 x 11 GRD8	
5	0681608	8	Bolt 3/8 x 1 GRD8	
6	3291001	5	Nut M10	
7	3291201	3	Nut M12	
8	1001174040	1	Nut 1	
9	3291205	8	Nut M12	
10	3841143	4	Keeper, Pin	
11	4812000	8	Washer M10	
12	4812100	3	Washer M12	
13	4891600	8	Washer 3/8	
14	5241200	8	Washer M12	
15	4892600001	1	Washer 1	
16	1001098828	2	Bolt M12 x 70 CL10.9	
17	1001167565	2	Pin	
18	1001200494	1	Support, Platform	
19	1001167567	1	Support, Rotator	
20	1001168402	2	Pin	
21	1001188622	1	Screw	
22	1001247468	1	Loadcell	
23	1001188844	1	Bolt M12 x 35	
24	1001201351	2	Link	
24	1001187382	4	Bearing	
24	1001187383	4	Seal	
26	5251008	2	Bolt M10 x 16 CL10.9	
28	1001189002	8	Bearing	
29	1001190985	1	Pad, Wear	
30	3291005	2	Nut M10	
31	5251016	2	Bolt M10 x 40 CL10.9	
32	1001200491	1	Pad, Wear	
33	1001189001	4	Bearing	
34	1001204725	2	Plug	
36	91203039	1	Clamp	
37	1001216630	2	Decal - Tie Down/No Lift	
38	1001238421	Ref	Kit, Platform Leveling (Not Shown)	
	1001202687	Ref	VALVE MOUNT INSTALLATION	B
101	0100011	AR	Compound, Locking	
102	0760810	4	Bolt M8 x 20	
103	3290806	4	Nut M8	
104	4811900	8	Washer M8	
106	1001208994	1	Mount, Valve	

SECTION 4 - BOOM

FIGURE 4-12. CONTROL VALVE INSTALLATION - PLATFORM



ART_1001219989_E_30F3

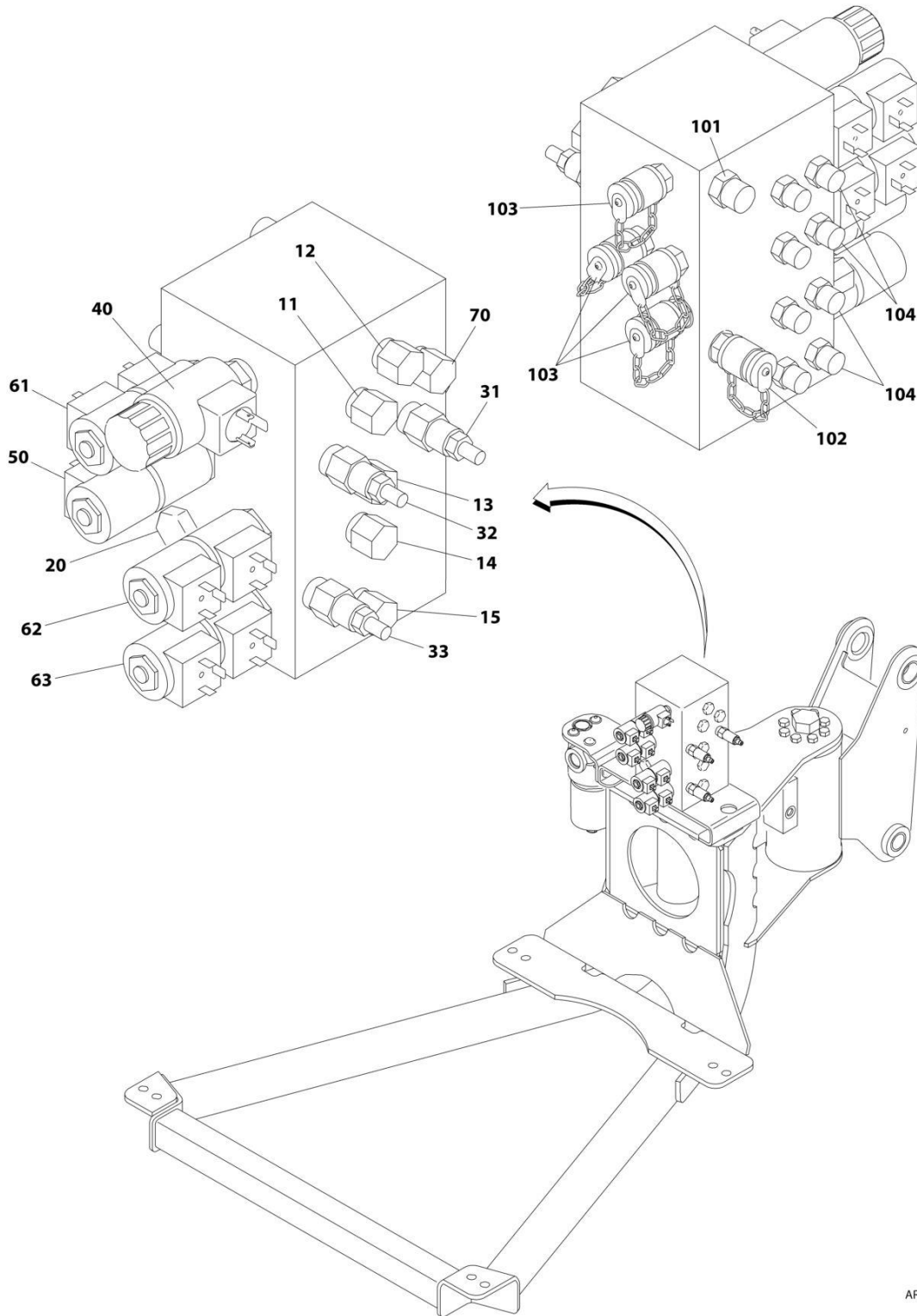
SECTION 4 - BOOM

FIGURE 4-12. CONTROL VALVE INSTALLATION - PLATFORM

ITEM	PART NUMBER	QTY	DESCRIPTION	REV
	1001219989	Ref	CONTROL VALVE INSTALLATION - WITH 1 CELL LSS	E
1	0100011	AR	Compound, Locking	
7	0641507	4	Bolt 5/16 x 7/8	
15	2120217	1	Filter, Pressure	
15	70002097	1	Element	
15	70004328	1	Plug, Indicator	
18	3311505	6	Nut 5/16	
19	3311605	2	Nut 3/8	
22	3900210	3	Screw 5/16 x 3/4	
23	3900283	4	Screw 3/8 x 3/4	
24	3900316	2	Screw 3/8 x 1	
29	4641460	1	Platform Valve (See Separate Breakdown in this Section)	
31	4711500	12	Washer 5/16	
32	4711600	4	Washer 3/8	
34	4751600	4	Washer 3/8	
36	88261024	2	Bolt 5/16 x 1	
41	1001207969	1	Cover, Support/Rotator	
42	1001208994	1	Plate, Valve Mounting	
43	1001222314	1	Bracket, Filter Mounting	

SECTION 4 - BOOM

FIGURE 4-13. PLATFORM VALVE ASSEMBLY



ART_4641460

SECTION 4 - BOOM

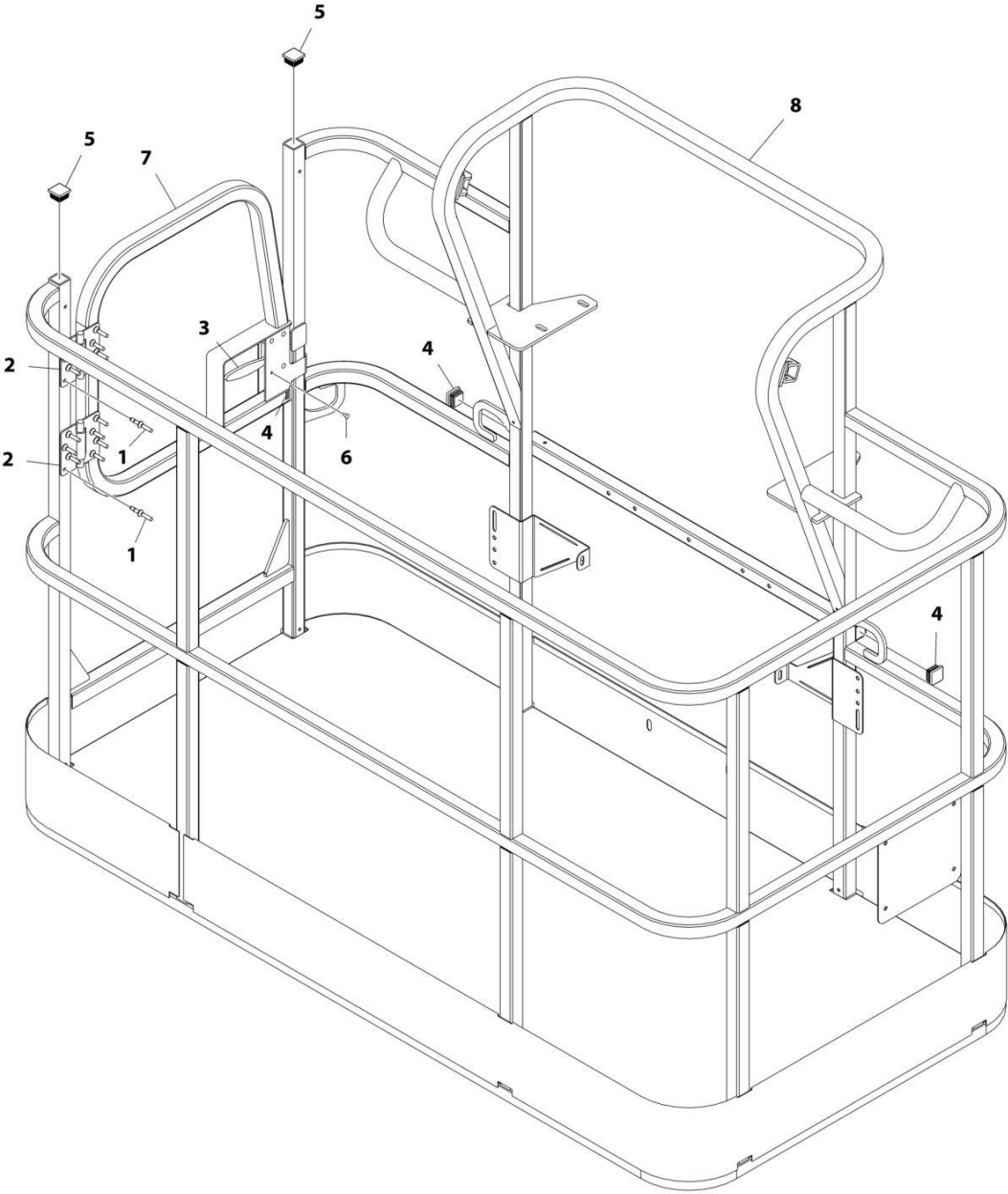
FIGURE 4-13. PLATFORM VALVE ASSEMBLY

ITEM	PART NUMBER	QTY	DESCRIPTION	REV
	4641460	Ref	PLATFORM VALVE ASSEMBLY	C
11	7026018	1	Valve, Cartridge	
11	7011346	1	Seal Kit - Valve	
12	7026019	1	Valve, Cartridge (Flow Control)	
12	7011346	1	Seal Kit - Valve	
13	7026020	1	Valve, Cartridge (Rotate)	
13	7011346	1	Seal Kit - Valve	
14	7026021	1	Valve, Cartridge (Jib Swing)	
14	7011346	1	Seal Kit - Valve	
15	7026019	1	Valve, Cartridge (Jib Lift)	
15	7011346	1	Seal Kit - Valve	
20	7011355	1	Valve, Cartridge (Jib)	
20	2900770	1	Seal Kit - Valve	
31	7024572	1	Valve, Relief Cartridge (Platform Level Up)	
31	7011346	1	Seal Kit - Valve	
32	7024572	1	Valve, Relief Cartridge (Platform Level Down)	
32	7011346	1	Seal Kit - Valve	
33	7024572	1	Valve, Relief Cartridge (Jib Up/Down)	
33	7011346	1	Seal Kit - Valve	
40	7026022	1	Valve, Cartridge (Dump)	
40	2900770	1	Seal Kit - Valve	
40	7024571	1	Coil	
50	7023922	1	Valve, Cartridge (Platform Rotate)	
50	7017402	1	Seal Kit - Valve	
50	7012944	2	Coil	
61	7023922	1	Valve, Cartridge (Platform Level)	
61	7017402	1	Seal Kit - Valve	
61	7012944	2	Coil	
62	7023922	1	Valve, Cartridge (Jib Swing)	
62	7017402	1	Seal Kit - Valve	
62	7012944	2	Coil	
63	7023922	1	Valve, Cartridge (Jib Lift)	
63	7017402	1	Seal Kit - Valve	
63	7012944	2	Coil	
70	7026023	1	Valve, Cartridge (Check)	
70	7011346	1	Seal Kit - Valve	
	4641460	Ref	Platform Valve Assembly (Fitting Information)	C
101	2110606	1	Fitting, Straight	
102	4641255	1	Fitting (Check Valve)	
103	2221086	4	Check, Pressure	
104	2110404	8	Fitting, Straight	

SECTION 5 - PLATFORM

SECTION 5 - PLATFORM

FIGURE 5-1. PLATFORM ASSEMBLY - 36IN X 6FT (91.5CM X 1.83M) WITH SWING GATE



ART_1001186384

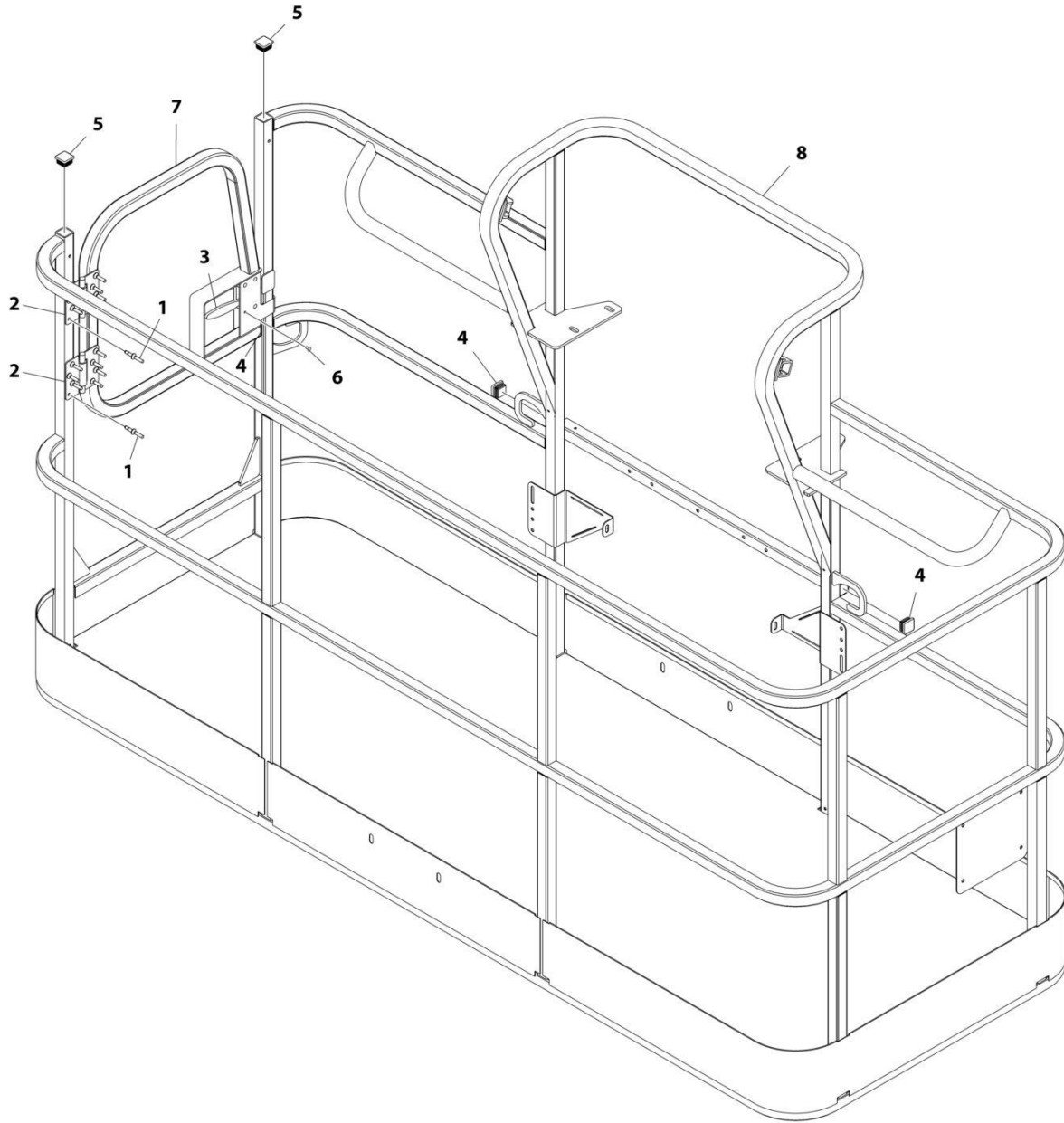
SECTION 5 - PLATFORM

FIGURE 5-1. PLATFORM ASSEMBLY - 36IN X 6FT (91.5CM X 1.83M) WITH SWING GATE

ITEM	PART NUMBER	QTY	DESCRIPTION	REV
	1001186384	Ref	PLATFORM ASSEMBLY - 36IN X 6FT (91.5CM X 1.83M) WITH SWING GATE	C
	See Note	Ref	Note: Platform and Mesh must be ordered separately for Platforms with Mesh. See SPECIAL OPTIONS SECTION for Mesh Installations.	
	See Note	Ref	Note: Replacement Decals Must be Ordered Separately - See DECALS SECTION.	
1	2080040	16	Fastener, Huck	
2	2600281	2	Hinge	
3	2940074	1	Latch	
4	3520072	3	Plug	
5	3520198	2	Plug	
6	3820020	4	Rivet	
7	1001144629	1	Gate	
8	See Note	NSS	Platform (Note: Not Available - Purchase Platform Assembly)	

SECTION 5 - PLATFORM

FIGURE 5-2. PLATFORM ASSEMBLY - 36IN X 8FT (91.5CM X 2.44M) WITH SWING GATE



ART_1001186383

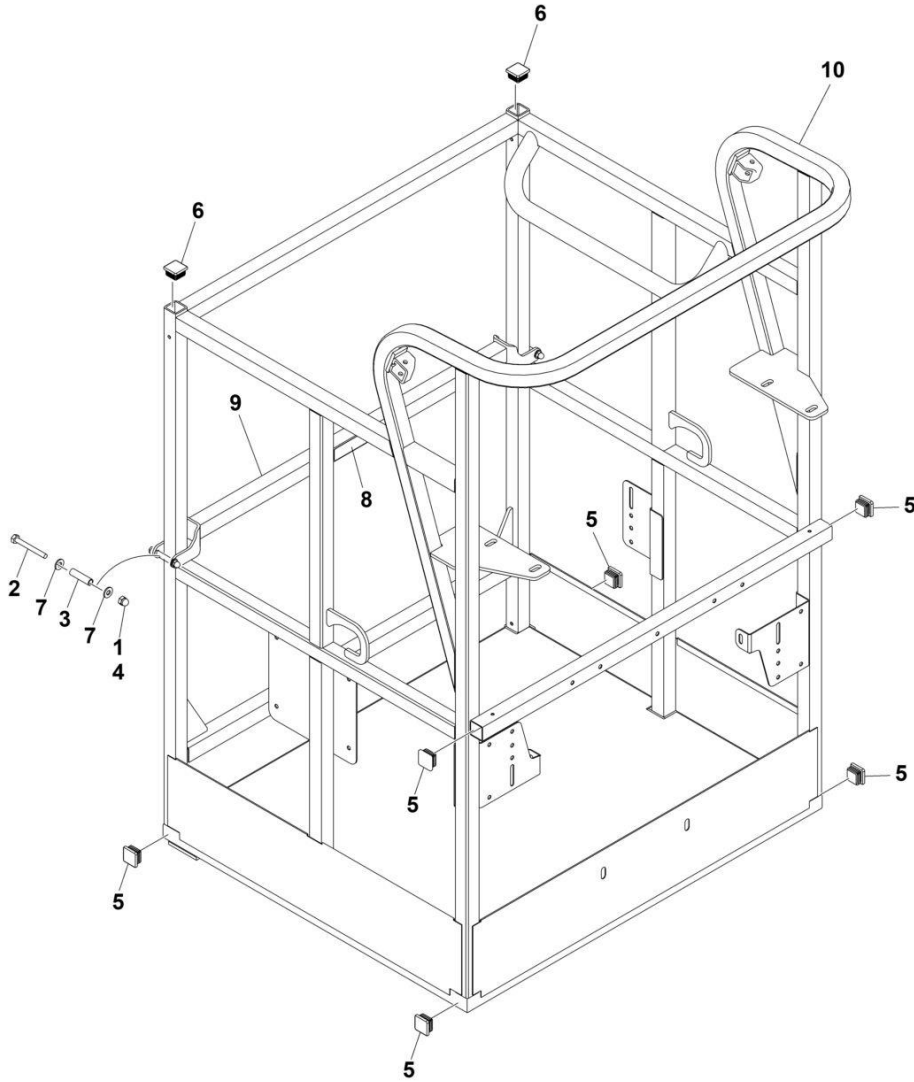
SECTION 5 - PLATFORM

FIGURE 5-2. PLATFORM ASSEMBLY - 36IN X 8FT (91.5CM X 2.44M) WITH SWING GATE

ITEM	PART NUMBER	QTY	DESCRIPTION	REV
	1001186383	Ref	PLATFORM ASSEMBLY - 36IN X 8FT (91.5CM X 2.44M) WITH SWING GATE	D
		Ref	Note: Platform and Mesh must be ordered separately for Platforms with Mesh. See SPECIAL OPTIONS SECTION for Mesh Installations.	
		Ref	Note: Replacement Decals Must be Ordered Separately - See DECALS SECTION.	
1	2080040	16	Fastener, Huck	
2	2600281	2	Hinge	
3	2940074	1	Latch	
4	3520072	3	Plug	
5	3520198	2	Plug	
6	3820020	4	Rivet	
7	1001144629	1	Gate	
8	See Note	NSS	Platform (Note: Not Available - Purchase Platform Assembly)	

SECTION 5 - PLATFORM

FIGURE 5-3. PLATFORM ASSEMBLY - 30IN X 3FT (76CM X .91M) - WITH DROP BAR



ART_1001228215

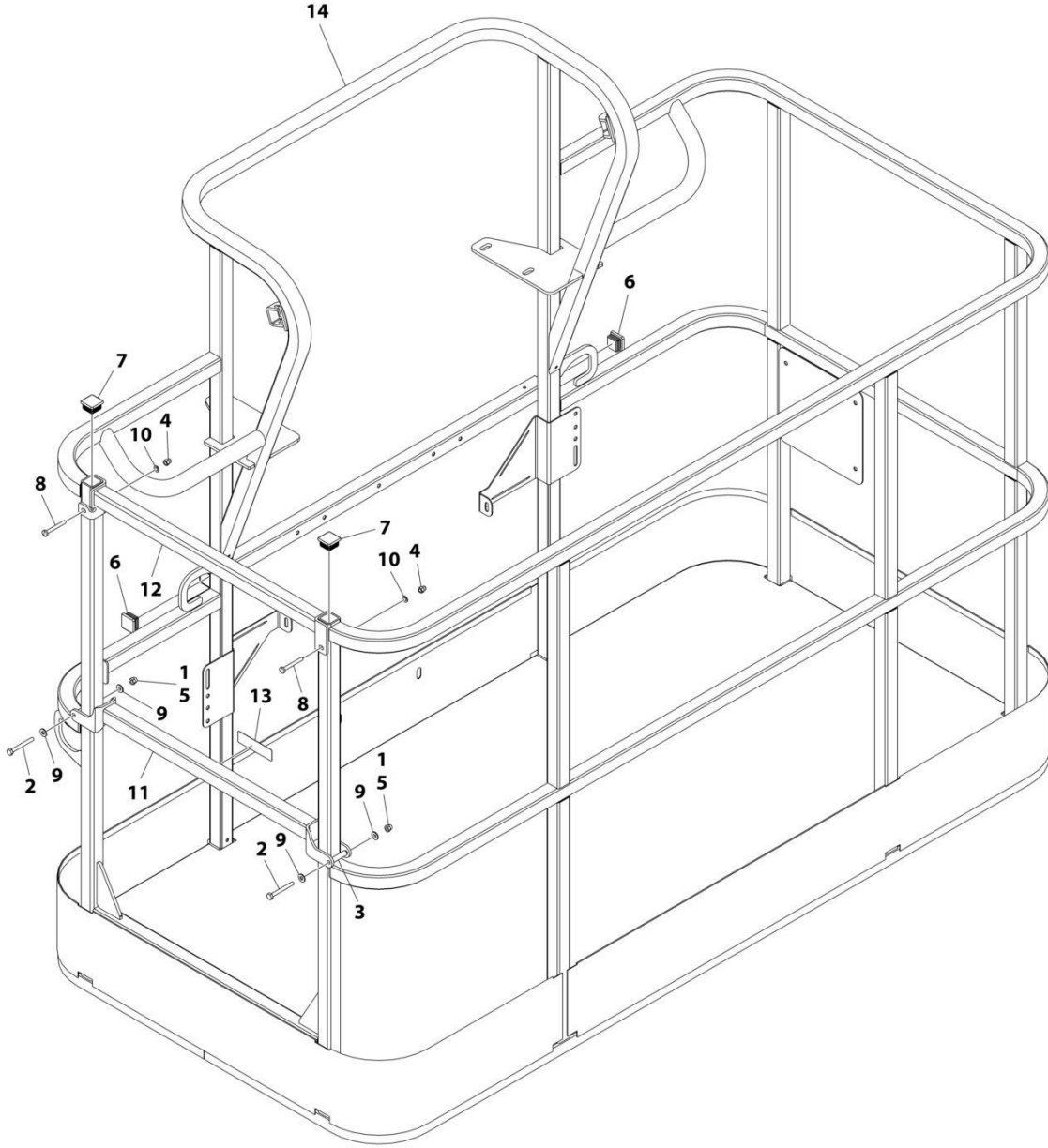
SECTION 5 - PLATFORM

FIGURE 5-3. PLATFORM ASSEMBLY - 30IN X 3FT (76CM X .91M) - WITH DROP BAR

ITEM	PART NUMBER	QTY	DESCRIPTION	REV
	1001228215	Ref	PLATFORM ASSEMBLY	A
	See Note	Ref	Note: Platform and Mesh must be ordered separately for Platforms with Mesh. See SPECIAL OPTIONS SECTION for Mesh Installations.	
	See Note	Ref	Note: Replacement Decals Must be Ordered Separately - See DECAL SECTION.	
1	0100011	AR	Compound, Locking	
2	0641418	2	Bolt 1/4 x 2-1/4	
3	0961845	2	Bushing	
4	3300151	2	Nut 1/4	
5	3520072	6	Cap, Plug	
6	3520198	2	Cap, Plug	
7	4711400	4	Washer 1/4	
8	1001140429	1	Decal - Drop Bar	
9	1001226872	1	Bar, Drop	
10	See Note	NSS	Platform (Note: Not Available - Purchase Platform Assembly)	

SECTION 5 - PLATFORM

FIGURE 5-4. PLATFORM ASSEMBLY - 36IN X 6FT (91.5CM X 1.83M) WITH DROP BAR



ART_1001186379

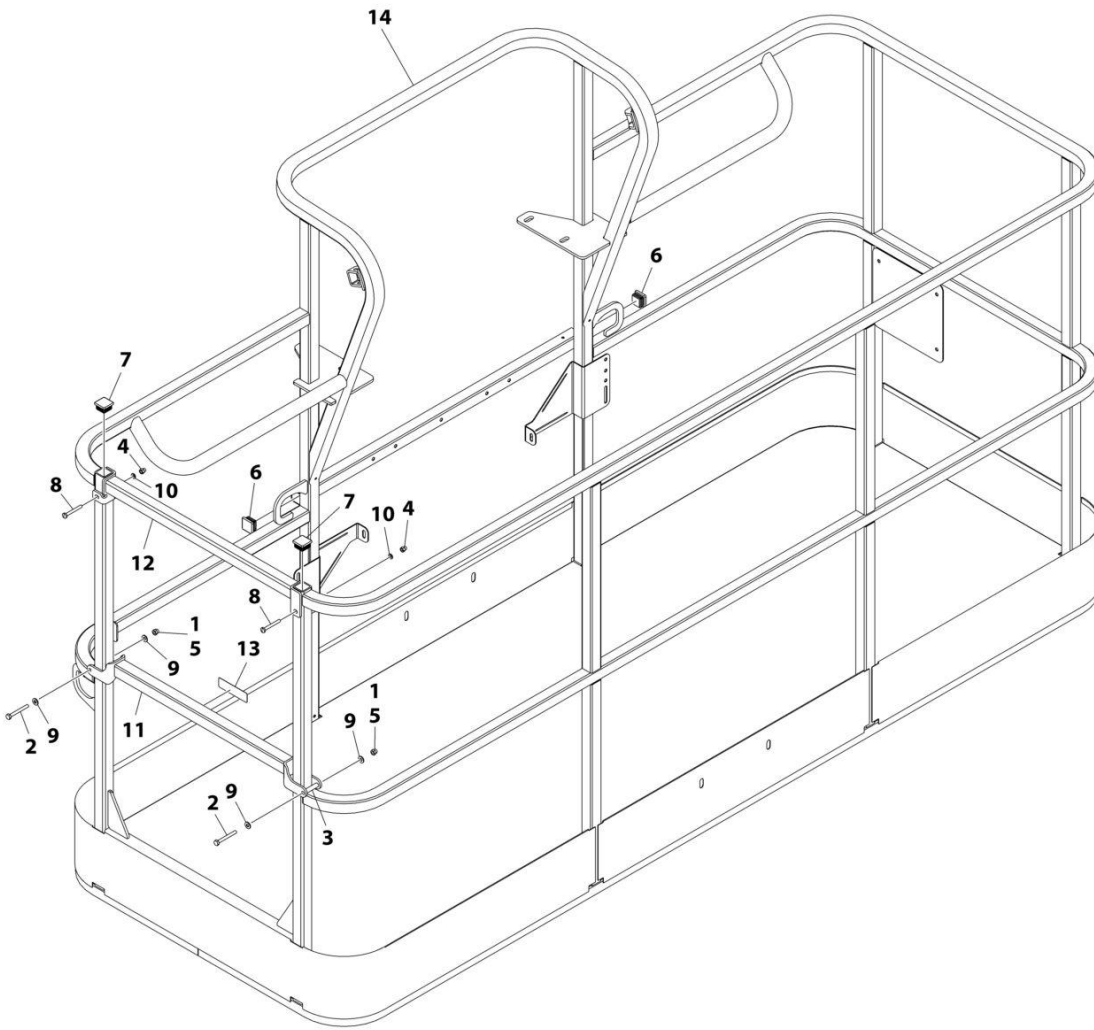
SECTION 5 - PLATFORM

FIGURE 5-4. PLATFORM ASSEMBLY - 36IN X 6FT (91.5CM X 1.83M) WITH DROP BAR

ITEM	PART NUMBER	QTY	DESCRIPTION	REV
	1001186379	Ref	PLATFORM ASSEMBLY - 36IN X 6FT (91.5CM X 1.83M) WITH DROP BAR	B
		Ref	Note: Platform and Mesh must be ordered separately for Platforms with Mesh. See SPECIAL OPTIONS SECTION for Mesh Installations.	
		Ref	Note: Replacement Decals Must be Ordered Separately - See DECALS SECTION.	
1	0100011	AR	Compound, Locking	
2	0641418	2	Bolt 1/4 x 2-1/4	
3	0961845	2	Bushing	
4	3290606	2	Nut M6	
5	3300151	2	Nut 1/4	
6	3520072	2	Plug	
7	3520198	2	Plug	
8	4010618	2	Screw M6 x 50	
9	4711400	4	Washer 1/4	
10	4811700	2	Washer M6	
11	1001138494	1	Bar, Drop	
12	1001138514	1	Rail (Top)	
13	1001140429	1	Decal - Drop Bar	
14	See Note	NSS	Platform (Note: Not Available - Purchase Platform Assembly)	

SECTION 5 - PLATFORM

FIGURE 5-5. PLATFORM ASSEMBLY - 36IN X 8FT (91.5CM X 2.44M) WITH DROP BAR



ART_1001186382

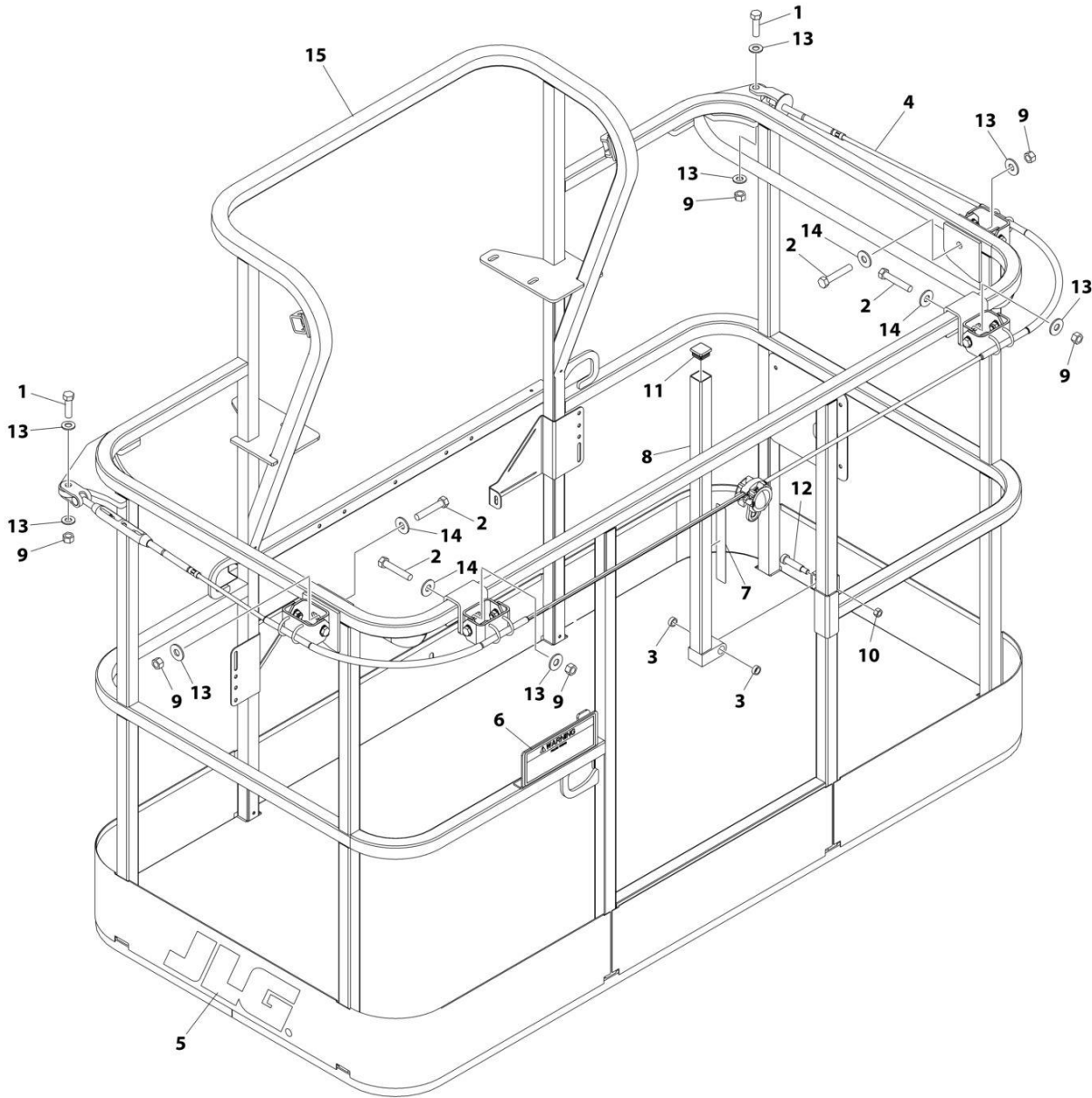
SECTION 5 - PLATFORM

FIGURE 5-5. PLATFORM ASSEMBLY - 36IN X 8FT (91.5CM X 2.44M) WITH DROP BAR

ITEM	PART NUMBER	QTY	DESCRIPTION	REV
	1001186382	Ref	PLATFORM ASSEMBLY - 36IN X 8FT (91.5CM X 2.44M) WITH DROP BAR	C
		Ref	Note: Platform and Mesh must be ordered separately for Platforms with Mesh. See SPECIAL OPTIONS SECTION for Mesh Installations.	
		Ref	Note: Replacement Decals Must be Ordered Separately - See DECALS SECTION.	
1	0100011	AR	Compound, Locking	
2	0641418	2	Bolt 1/4 x 2-1/4	
3	0961845	2	Bushing	
4	3290606	2	Nut M6	
5	3300151	2	Nut 1/4	
6	3520072	2	Plug	
7	3520198	2	Plug	
8	4010618	2	Screw M6 x 50	
9	4711400	4	Washer 1/4	
10	4811700	2	Washer M6	
11	1001138494	1	Bar, Drop	
12	1001138514	1	Rail (Top)	
13	1001140429	1	Decal - Drop Bar	
14	See Note	NSS	Platform (Note: Not Available - Purchase Platform Assembly)	

SECTION 5 - PLATFORM

FIGURE 5-6. PLATFORM ASSEMBLY - 36IN X 6FT (91.5CM X 1.83M) WITH FALL ARREST (ANSI AND ANSI EXPORT SPECS)



ART_1001186333

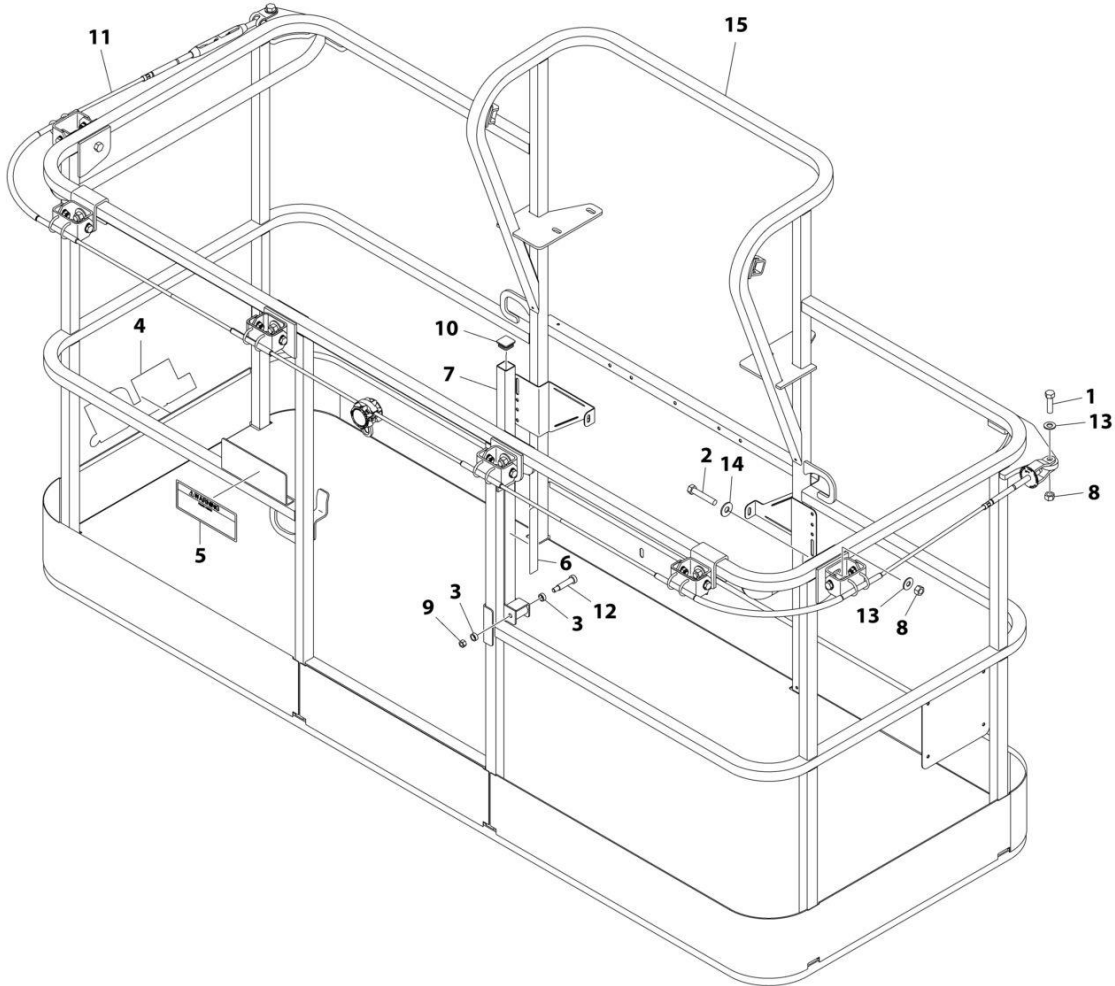
SECTION 5 - PLATFORM

FIGURE 5-6. PLATFORM ASSEMBLY - 36IN X 6FT (91.5CM X 1.83M) WITH FALL ARREST (ANSI AND ANSI EXPORT SPECS)

ITEM	PART NUMBER	QTY	DESCRIPTION	REV
	1001186333	Ref	PLATFORM ASSEMBLY	C
		Ref	Note: Replacement Decals Must be Ordered Separately - See DECALS SECTION.	
1	0681814	2	Bolt 1/2 x 1-3/4 Grade 8	
2	0681822	4	Bolt 1/2 x 2-3/4 Grade 8	
3	0962270	2	Bearing	
4	1001203655	1	Cable	
5	1702773	1	Decal - JLG	
6	1705014	1	Decal - Safety	
7	1706385	1	Decal - Drop Bar	
8	2410014	1	Bar, Drop	
9	3271805	6	Nut 1/2 Grade 8	
10	3311605	1	Nut 3/8	
11	3520072	1	Plug	
12	3900054	1	Bolt 1/2 x 1-3/4	
13	4711800	8	Washer 1/2	
14	4751800	4	Washer 1/2	
15	See Note	NSS	Platform (Note: Not Available - Purchase Platform Assembly)	

SECTION 5 - PLATFORM

FIGURE 5-7. PLATFORM ASSEMBLY - 36IN X 8FT (91.5CM X 2.44M) WITH FALL ARREST (ANSI AND CSA SPECS)



ART_1001186334

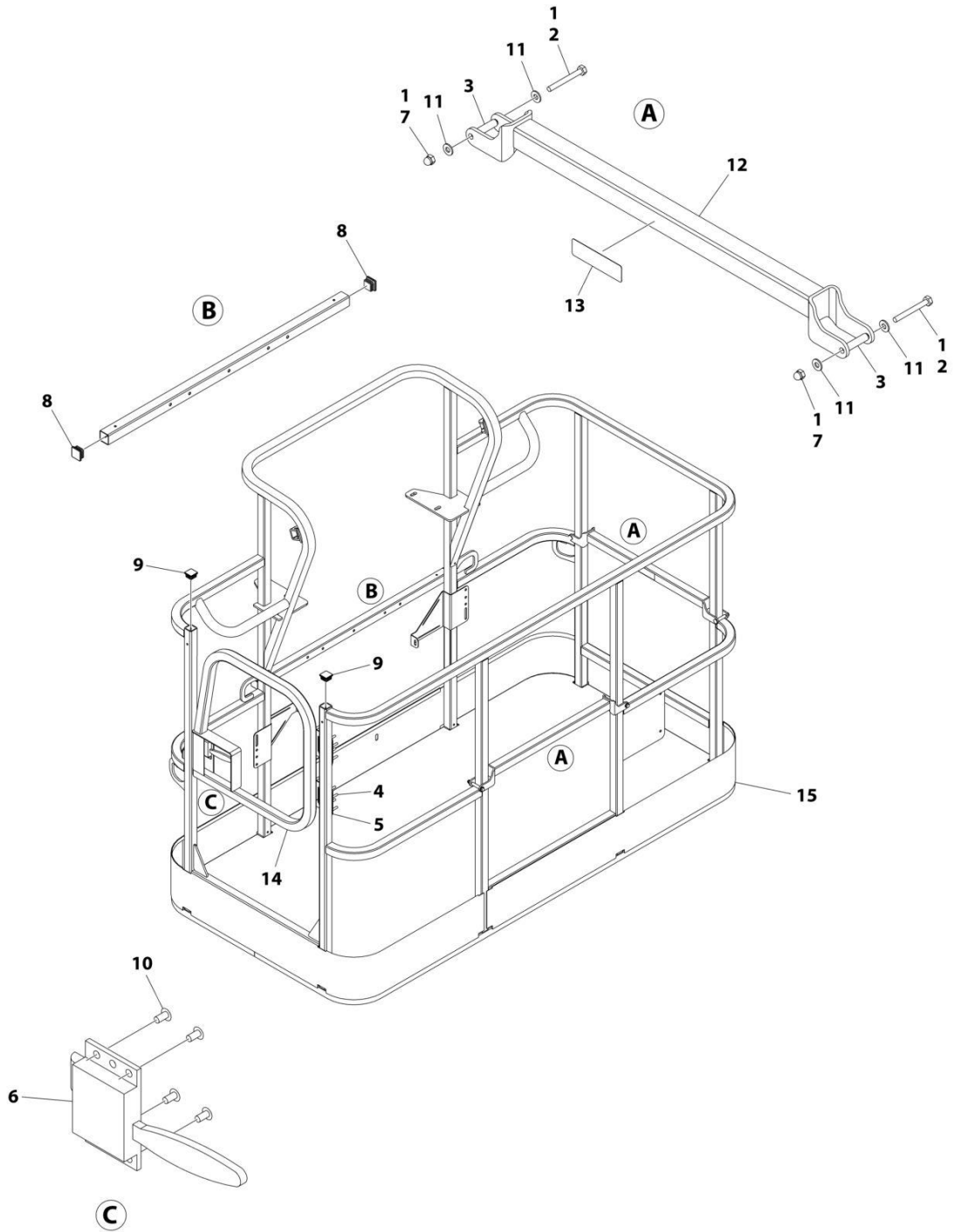
SECTION 5 - PLATFORM

FIGURE 5-7. PLATFORM ASSEMBLY - 36IN X 8FT (91.5CM X 2.44M) WITH FALL ARREST (ANSI AND CSA SPECS)

ITEM	PART NUMBER	QTY	DESCRIPTION	REV
	1001186334	Ref	PLATFORM ASSEMBLY	D
		Ref	Note: Replacement Decals Must be Ordered Separately - See DECALS SECTION.	
1	0681814	2	Bolt 1/2 x 1-3/4 Grade 8	
2	0681822	6	Bolt 1/2 x 2-3/4 Grade 8	
3	0962270	2	Bearing	
4	1702773	1	Decal - JLG	
5	1705014	1	Decal - Safety	
6	1706385	1	Decal - Drop Bar	
7	2410014	1	Bar, Drop	
8	3271805	8	Nut 1/2 Grade 8	
9	3311605	1	Nut 3/8	
10	3520072	1	Plug	
11	1001203656	1	Cable	
12	3900054	1	Bolt 1/2 x 1-3/4	
13	4711800	2	Washer 1/2	
14	4751800	6	Washer 1/2	
15	See Note	NSS	Platform (Note: Purchase Platform Assembly)	

SECTION 5 - PLATFORM

FIGURE 5-8. PLATFORM ASSEMBLY - 36IN X 6FT (91.5CM X 1.83M) TRI-ENTRY WITH SWING GATE



ART_1001228376

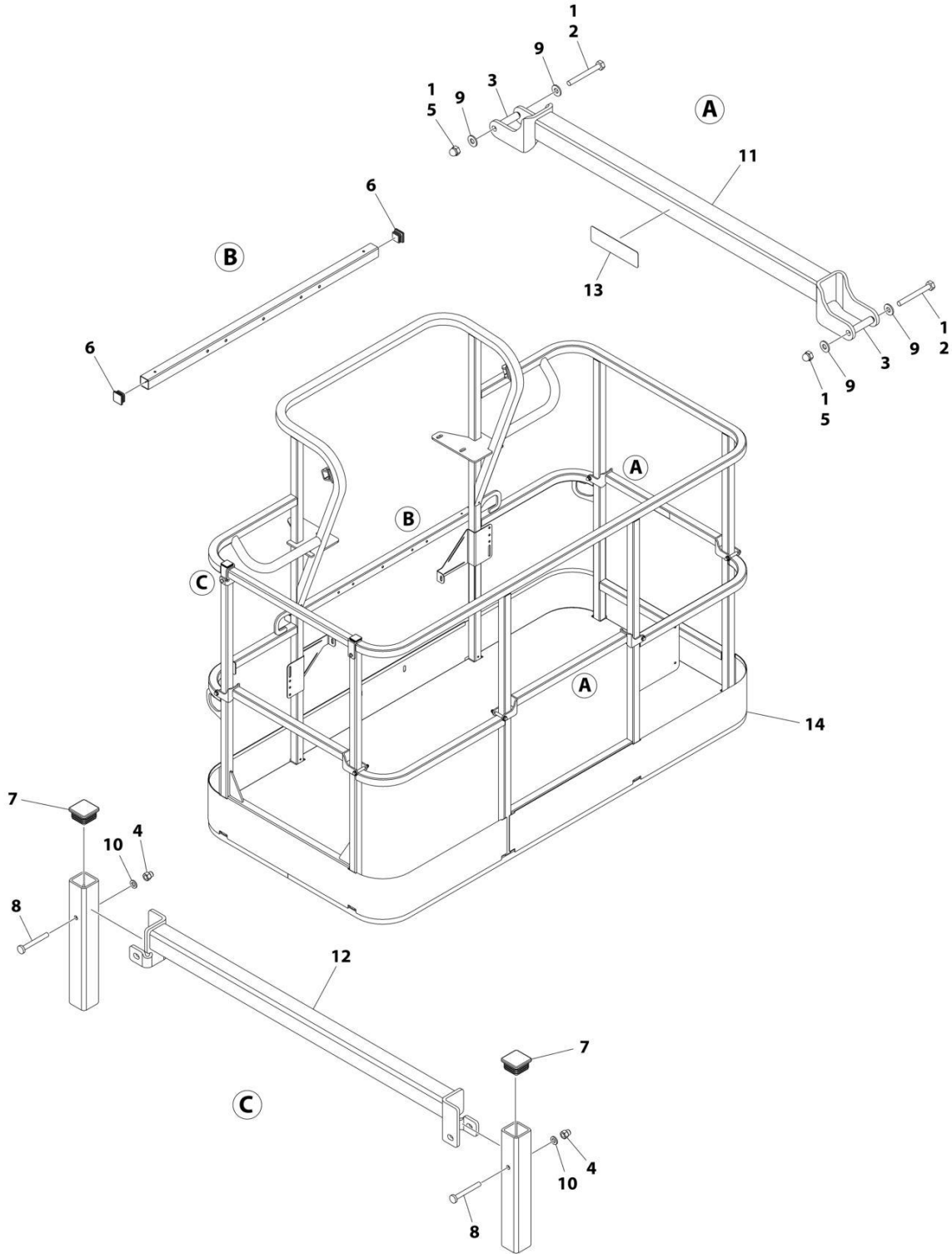
SECTION 5 - PLATFORM

FIGURE 5-8. PLATFORM ASSEMBLY - 36IN X 6FT (91.5CM X 1.83M) TRI-ENTRY WITH SWING GATE

ITEM	PART NUMBER	QTY	DESCRIPTION	REV
	1001228376	Ref	PLATFORM ASSEMBLY - 36IN x 6FT (91.5CM x 1.83M)	B
		Ref	Note: Platform and Mesh must be ordered separately for Platforms with Mesh. See SPECIAL OPTIONS SECTION for Mesh Installations.	
		Ref	Note: Replacement Decals Must be Ordered Separately - See DECAL SECTION.	
1	0100011	AR	Compound, Locking	
2	0641418	4	Bolt 1/4 x 2-1/4	
3	0961845	4	Bushing	
4	2080040	16	Fastener	
5	2600281	2	Hinge	
6	2940074	1	Latch	
7	3300151	4	Nut 1/4	
8	3520072	3	Plug	
9	3520198	2	Plug	
10	3820020	4	Rivet	
11	4711400	8	Washer 1/4	
12	1001138494	2	Bar, Drop	
13	1001140429	2	Decal - Drop Bar	
14	1001144629	1	Gate	
15	See Note	NSS	Platform (Note: Not Available - Purchase Platform Assembly)	

SECTION 5 - PLATFORM

FIGURE 5-9. PLATFORM ASSEMBLY - 36IN X 6FT (91.5CM X 1.83M) TRI-ENTRY WITH DROP BAR



ART_1001228377

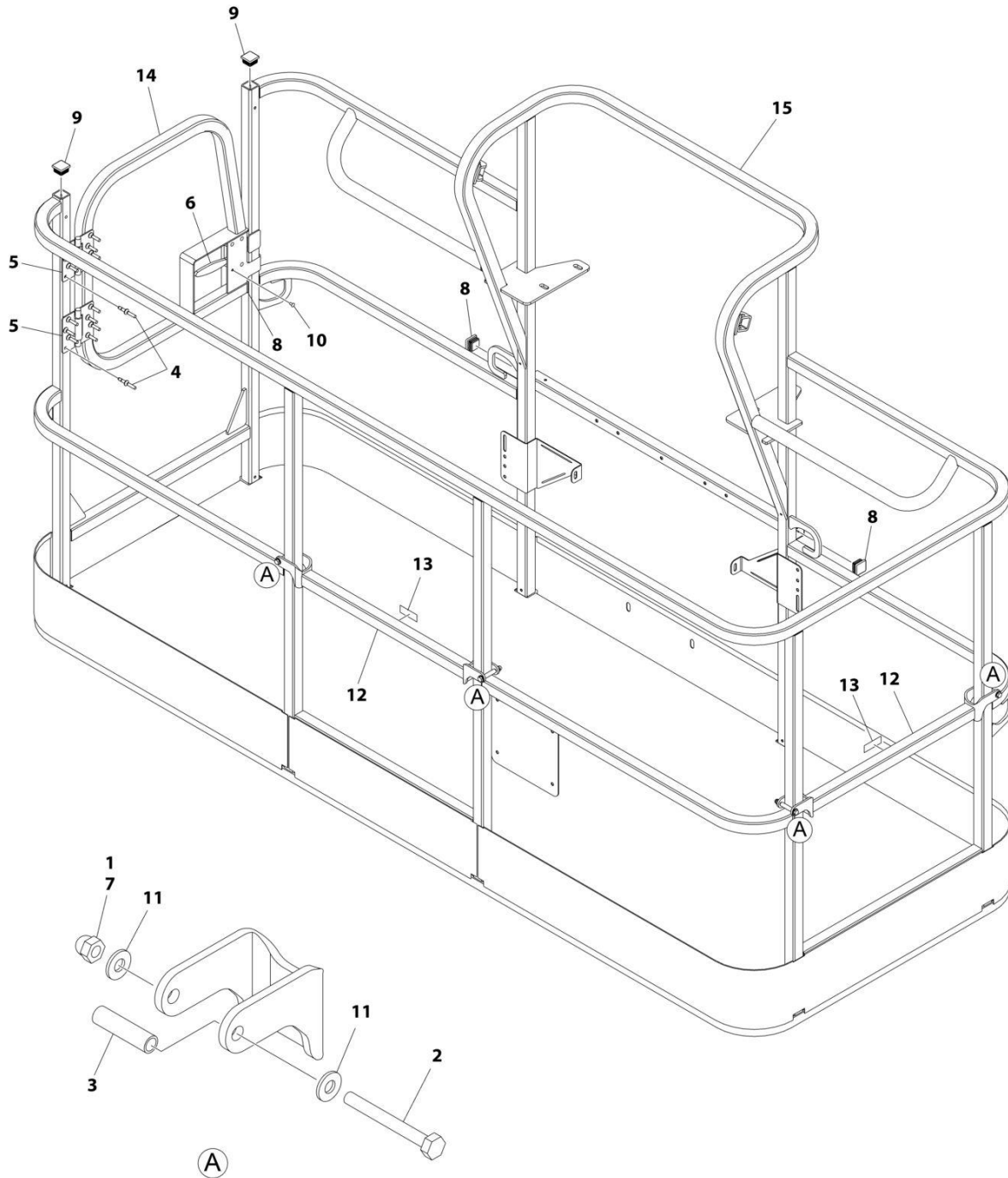
SECTION 5 - PLATFORM

FIGURE 5-9. PLATFORM ASSEMBLY - 36IN X 6FT (91.5CM X 1.83M) TRI-ENTRY WITH DROP BAR

ITEM	PART NUMBER	QTY	DESCRIPTION	REV
	1001228377	Ref	PLATFORM ASSEMBLY - 36IN x 6FT (91.5CM x 1.83M)	B
		Ref	Note: Platform and Mesh must be ordered separately for Platforms with Mesh. See SPECIAL OPTIONS SECTION for Mesh Installations.	
		Ref	Note: Replacement Decals Must be Ordered Separately - See DECAL SECTION.	
1	0100011	1	Compound, Locking	
2	0641418	6	Bolt 1/4 x 2-1/4	
3	0961845	6	Bushing	
4	3290606	2	Nut M6	
5	3300151	6	Nut 1/4	
6	3520072	2	Plug	
7	3520198	2	Plug	
8	4010618	2	Screw M6 x 50	
9	4711400	12	Washer 1/4	
10	4811700	2	Washer M6	
11	1001138494	3	Bar, Drop	
12	1001138514	1	Rail (Top)	
13	1001140429	3	Decal - Drop Bar	
14	See Note	NSS	Platform, Weldment (Note: Not Available - Purchase Platform Assembly)	

SECTION 5 - PLATFORM

FIGURE 5-10. PLATFORM ASSEMBLY - 36IN X 8FT (91.5CM X 2.44M) TRI-ENTRY WITH DROPBAR



ART_1001228243

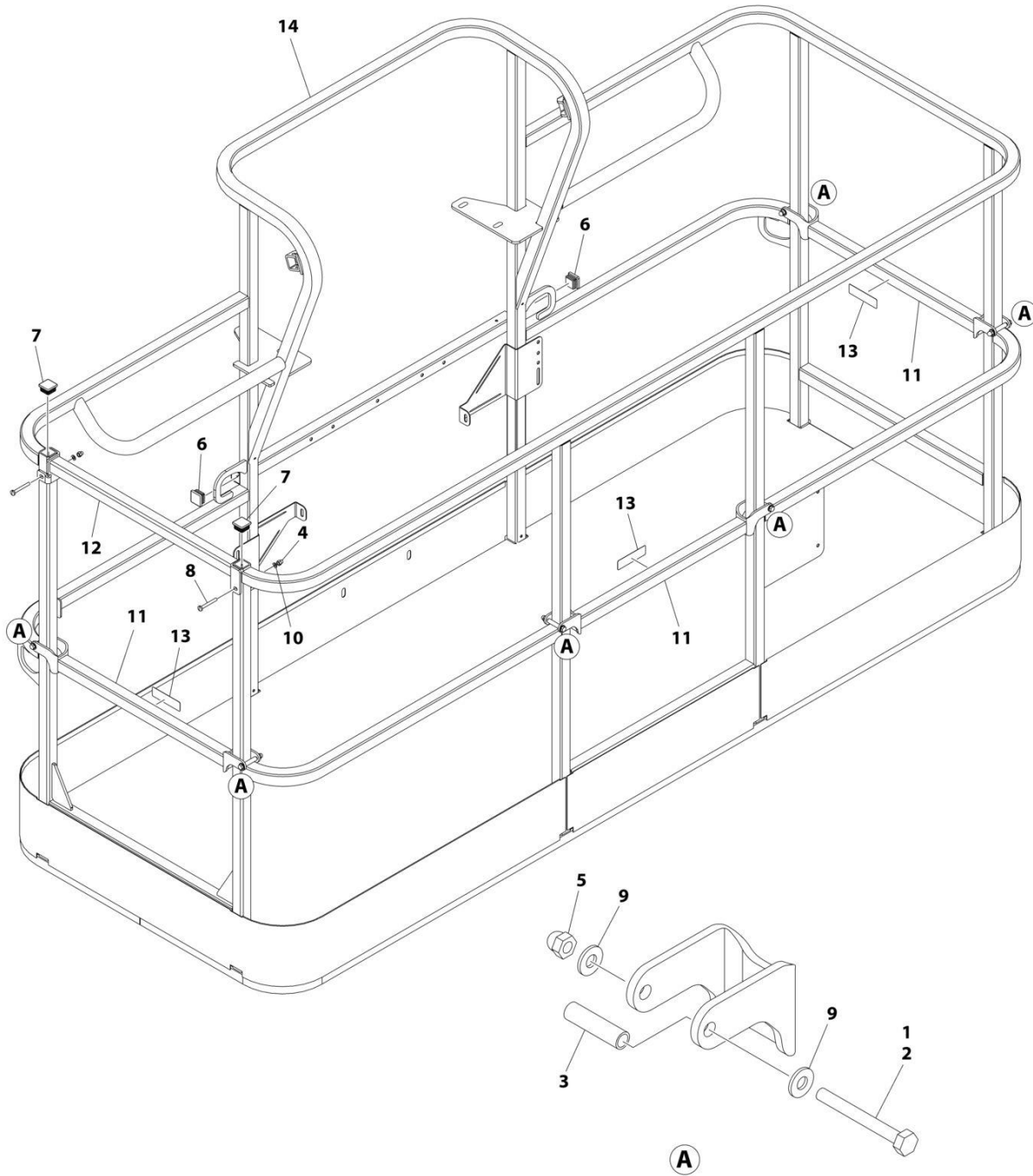
SECTION 5 - PLATFORM

FIGURE 5-10. PLATFORM ASSEMBLY - 36IN X 8FT (91.5CM X 2.44M) TRI-ENTRY WITH DROPBAR

ITEM	PART NUMBER	QTY	DESCRIPTION	REV
	1001228243	Ref	PLATFORM ASSEMBLY - 36IN X 8FT (91.5CM X 2.44M) WITH TRI-ENTRY	A
		Ref	Note: Platform and Mesh must be ordered separately for Platforms with Mesh. See SPECIAL OPTIONS SECTION for Mesh Installations.	
1	0100011	AR	Compound, Locking	
2	0641418	4	Bolt 1/4 x 2-1/4	
3	0961845	4	Bushing	
4	2080040	16	Fastener, Huck	
5	2600281	2	Hinge, Self-Closing	
6	2940074	1	Latch	
7	3300151	4	Nut 1/4	
8	3520072	3	Cap, Plug	
9	3520198	2	Cap, Plug	
10	3820020	4	Rivet	
11	4711400	8	Washer 1/4	
12	1001138494	2	Bar, Drop	
13	1001140429	2	Decal - Drop Bar	
14	1001144629	1	Gate, Weldment	
15	See Note	1	Platform (Note: Not Available - Purchase Platform Assembly)	

SECTION 5 - PLATFORM

FIGURE 5-11. PLATFORM ASSEMBLY - 36IN X 8FT (91.5CM X 2.44M) TRI-ENTRY WITH DROPGATE



ART_1001228375

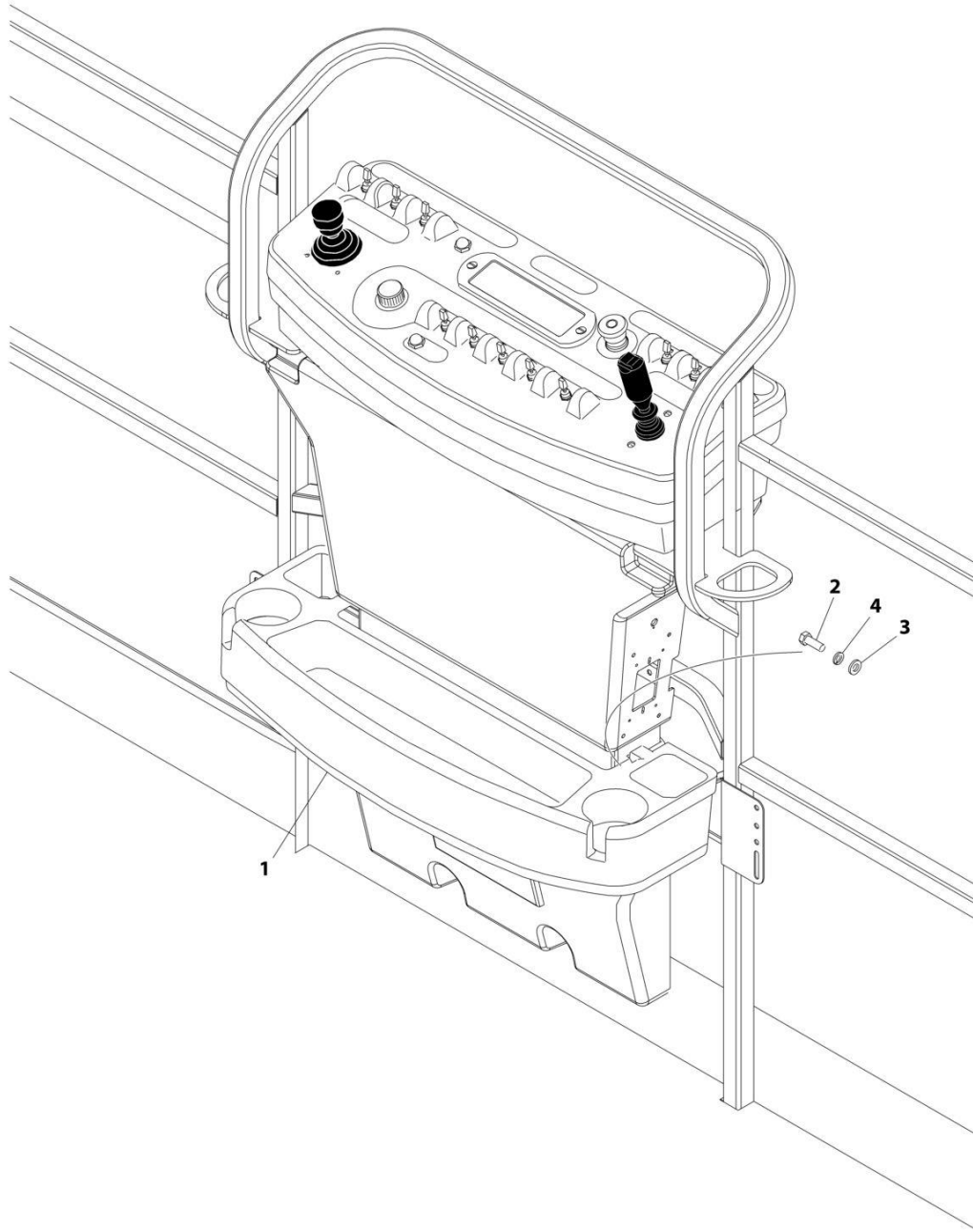
SECTION 5 - PLATFORM

FIGURE 5-11. PLATFORM ASSEMBLY - 36IN X 8FT (91.5CM X 2.44M) TRI-ENTRY WITH DROPGATE

ITEM	PART NUMBER	QTY	DESCRIPTION	REV
	1001228375	Ref	PLATFORM ASSEMBLY - 36IN X 8FT (91.5CM X 2.44M) WITH TRI-ENTRY	A
		Ref	Note: Platform and Mesh must be ordered separately for Platforms with Mesh. See SPECIAL OPTIONS SECTION for Mesh Installations.	
		Ref	Note: Replacement Decals Must be Ordered Separately - See DECAL SECTION.	
1	0100011	AR	Compound, Locking	
2	0641418	6	Bolt 1/4 x 2-1/4	
3	0961845	6	Bushing	
4	3290606	2	Nut M6 x 1	
5	3300151	6	Nut 1/4	
6	3520072	2	Cap, Plug	
7	3520198	2	Cap, Plug	
8	4010618	2	Screw M6 x 50	
9	4711400	12	Washer 1/4	
10	4811700	2	Washer M6	
11	1001138494	3	Bar, Drop	
12	1001138514	1	Rail (Top)	
13	1001140429	3	Decal - Drop Bar	
14	See Note	1	Platform (Note: Not Available - Purchase Platform Assembly)	

SECTION 5 - PLATFORM

FIGURE 5-12. TRAY INSTALLATION



ART_1580012

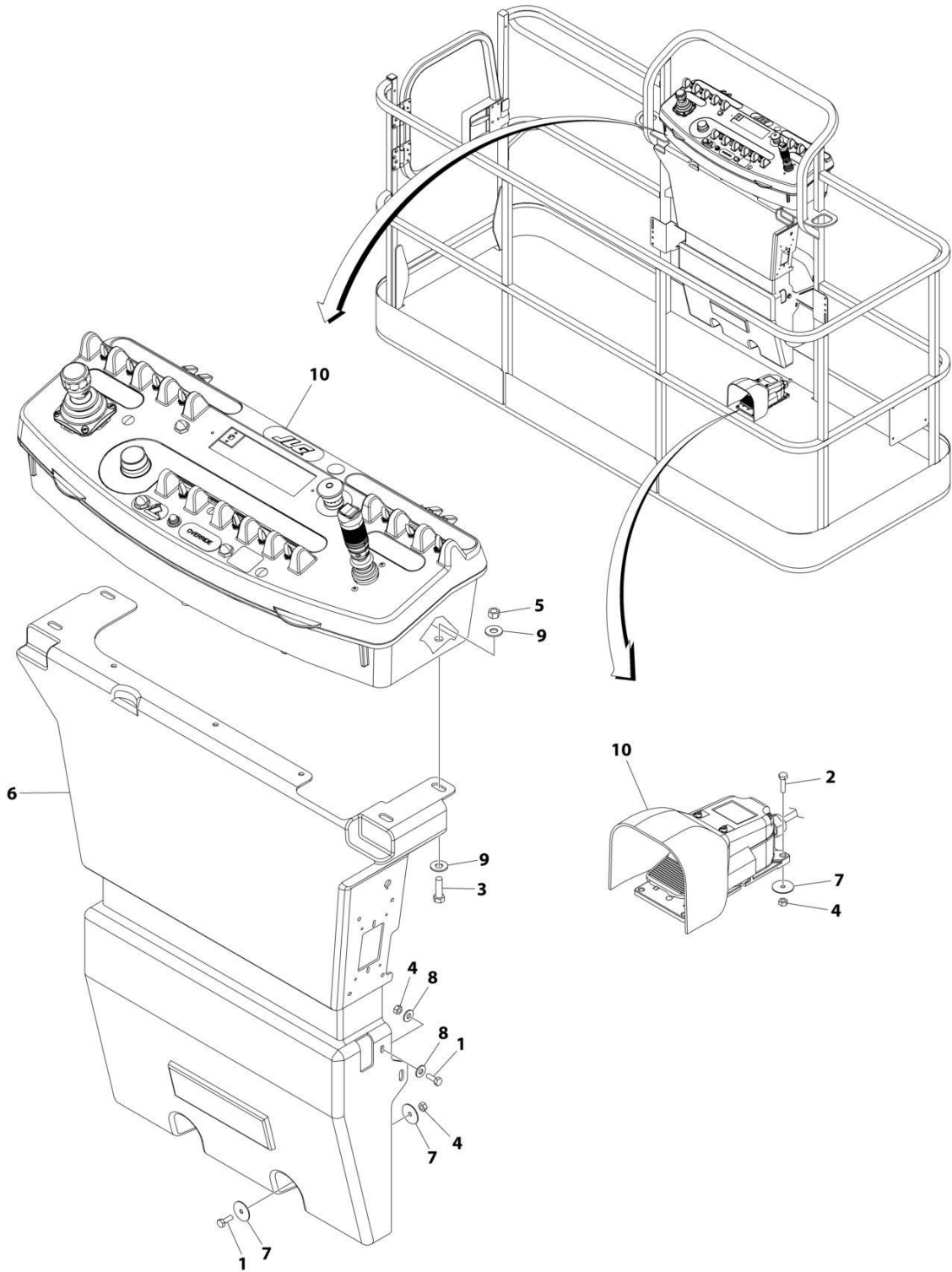
SECTION 5 - PLATFORM

FIGURE 5-12. TRAY INSTALLATION

ITEM	PART NUMBER	QTY	DESCRIPTION	REV
	1580012	Ref	TRAY ASSEMBLY	C
1	See Note	NSS	Tray, Storage (Center) (Note: Purchase p/n 1580012)	
2	0641406	2	Bolt 1/4 x 3/4	
3	4751400	2	Washer 1/4	
4	4761400	2	Washer 1/4	

SECTION 5 - PLATFORM

FIGURE 5-13. PLATFORM CONTROLS INSTALLATION (WITHOUT TOWER STOW)



ART_1001267387

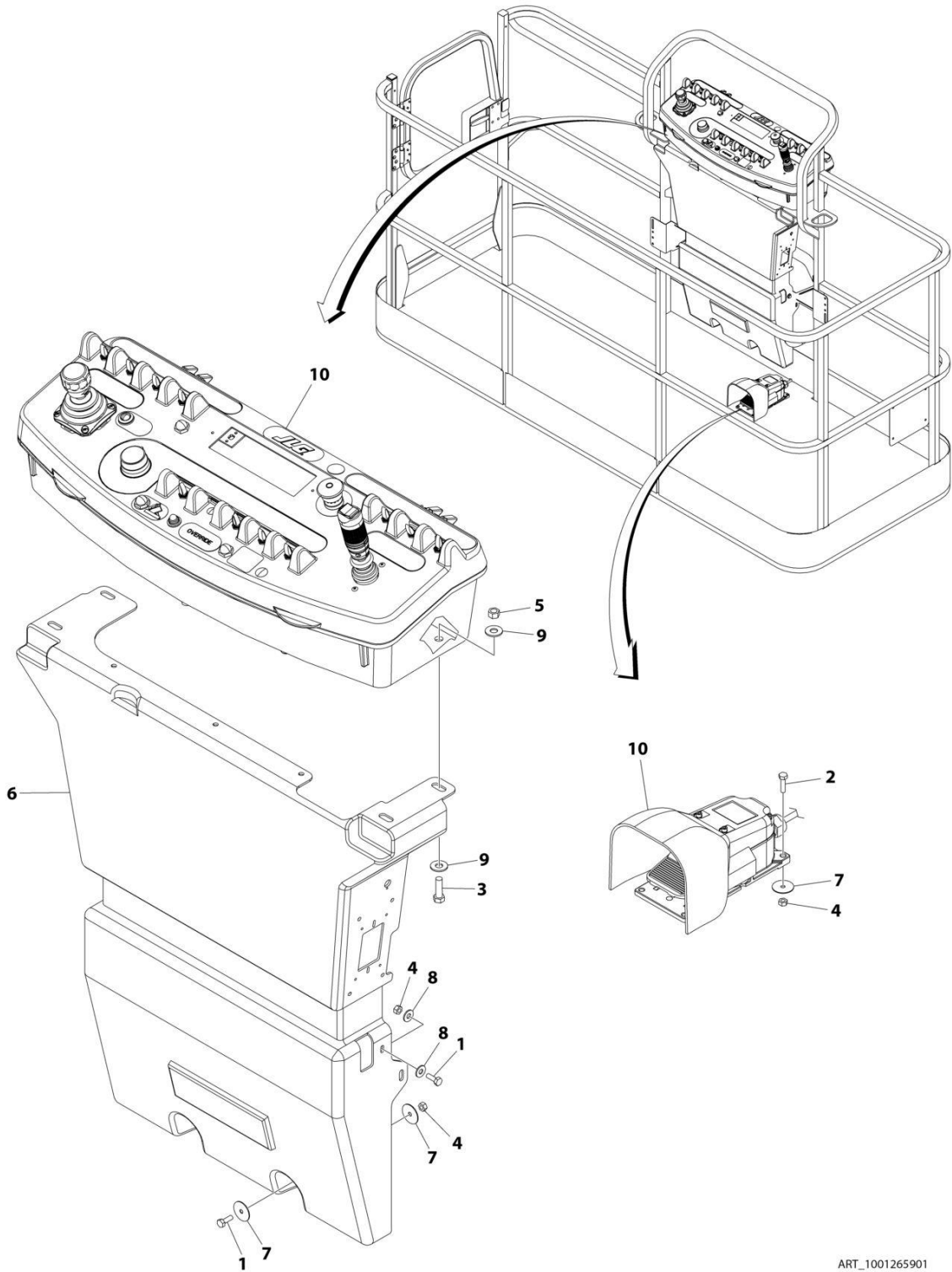
SECTION 5 - PLATFORM

FIGURE 5-13. PLATFORM CONTROLS INSTALLATION (WITHOUT TOWER STOW)

ITEM	PART NUMBER	QTY	DESCRIPTION	REV
	1001267387	Ref	PLATFORM CONTROLS INSTALLATION	A
1	0641406	4	Bolt 1/4 x 3/4	
2	0641408	3	Bolt 1/4 x 1	
3	0641610	4	Bolt 3/8 x 1-1/4	
4	3311405	7	Nut 1/4	
5	3311605	4	Nut 3/8	
6	3380434	1	Panel, Molded	
7	4740362	7	Washer, Fender	
8	4751400	4	Washer 1/4	
9	4751600	8	Washer 3/8	
10	1001267389	1	Platform Console Box Assembly (See Separate Breakdown in this Section)	

SECTION 5 - PLATFORM

FIGURE 5-14. PLATFORM CONTROLS INSTALLATION (WITH TOWER STOW)



ART_1001265901

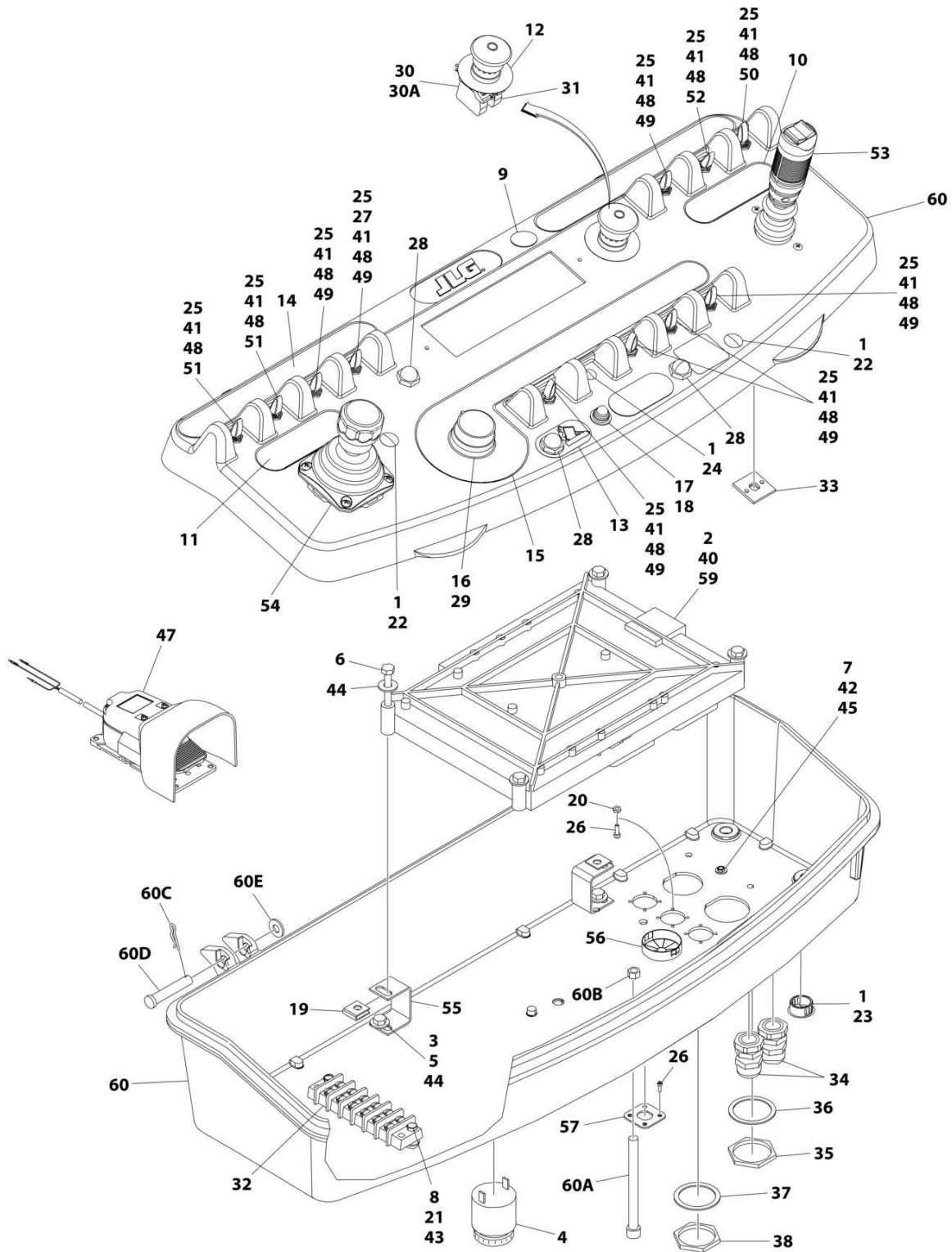
SECTION 5 - PLATFORM

FIGURE 5-14. PLATFORM CONTROLS INSTALLATION (WITH TOWER STOW)

ITEM	PART NUMBER	QTY	DESCRIPTION	REV
	1001265901	Ref	PLATFORM CONTROLS INSTALLATION	A
1	0641406	4	Bolt 1/4 x 3/4	
2	0641408	3	Bolt 1/4 x 1	
3	0641610	4	Bolt 3/8 x 1-1/4	
4	3311405	7	Nut 1/4	
5	3311605	4	Nut 3/8	
6	3380434	1	Panel, Molded	
7	4740362	7	Washer, Fender	
8	4751400	4	Washer 1/4	
9	4751600	8	Washer 3/8	
10	1001265903	1	Platform Console Box Assembly (See Separate Breakdown in this Section)	

SECTION 5 - PLATFORM

FIGURE 5-15. PLATFORM CONSOLE ASSEMBLY (WITHOUT TOWER STOW)



ART_1001267389

SECTION 5 - PLATFORM

FIGURE 5-15. PLATFORM CONSOLE ASSEMBLY (WITHOUT TOWER STOW)

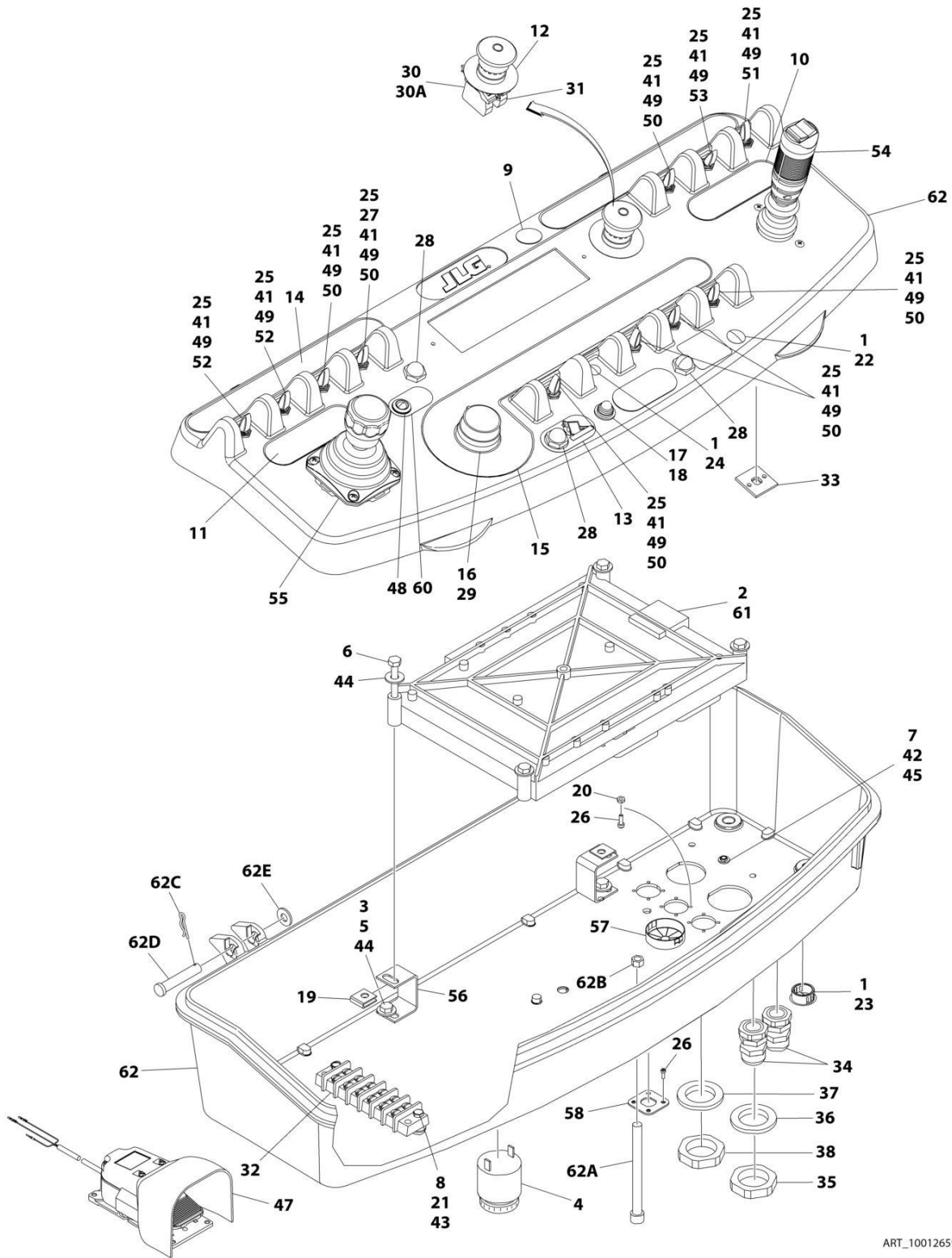
ITEM	PART NUMBER	QTY	DESCRIPTION	REV
	1001267389	Ref	PLATFORM CONSOLE ASSEMBLY	B
1	0100009	AR	Sealant	
2	0100035	AR	Compound, Locking	
3	0100048	AR	Grease, Dielectric	
4	0140011	1	Alarm	
5	0641404	4	Bolt 1/4 x 1/2	
6	0641414	4	Bolt 1/4 x 1-3/4	
7	0720804	1	Screw #8 x 1/2	
8	0721006	2	Bolt #10 x 3/4	
9	1671314	1	Cover, Hole	
10	1702565	1	Decal - Drive and Steer	
11	1702566	1	Decal - Lift and Swing	
12	1704260	1	Decal - EMS	
13	1705171	1	Decal - Jib Stow	
14	1705744	1	Decal - Horn	
15	1705745	1	Decal - Function Speed	
16	2560136	1	Handle, Knob	
17	2920028	1	Light, Indicator	
18	2920029	1	Bulb	
19	3300353	4	Nut, Tinnerman	
20	3300482	2	Nut M2.5	
21	3311005	2	Nut #10	
22	3520026	2	Plug, Hole	
23	3520030	1	Plug, Hole	
24	3520054	1	Plug, Hole	
25	3790012	11	O-Ring	
26	3900349	12	Capscrew M2.5	
27	4071074	1	Shim	
28	4360387	3	Switch, Pushbutton	
29	4360407	1	Controller, Speed	
29	See Note	NSS	Gasket "Top Hat" (Included with Switch) (Note: Not Available - Purchase Complete Controller)	
30	4360475	1	Switch, Emergency Stop	
30	7020175	1	Cap	
30A	7020176	1	Block, Contact	
31	4360476	1	Block, Contact	
32	4460007	1	Bar, Buss	
33	4460234	3	Tie-Strap	
34	4460428	2	Connector, Strain Relief	
35	4460470	1	Nut, Terminal	
36	4460471	1	Washer, Terminal	
37	4460496	1	Nut, Terminal	
38	4460497	1	Washer, Terminal	
39	4460708	2	Connector (Not Shown)	
40	4460905	AR	Plug, Seal (Not Shown)	
41	4740397	11	Spacer	
42	4750800	1	Washer #8	
43	4751000	2	Washer #10	
44	4751400	8	Washer 1/4	
45	4760800	1	Washer	

SECTION 5 - PLATFORM

ITEM	PART NUMBER	QTY	DESCRIPTION	REV
46	4922666	1	Harness, Analyzer Cable (Not Shown - See Separate Breakdown in ELECTRICAL Section)	
47	1001117174	1	Footswitch Assembly (See Separate Breakdown in this Section)	
48	1001155044	11	Nut 15/32-32	
49	1001155045	7	Switch, Toggle	
50	1001159256	1	Switch, Toggle	
51	1001161709	2	Switch, Toggle	
52	1001161710	1	Switch, Toggle	
53	1001166538	NLA	Controller Assembly (Drive and Steer) (Use p/n 1001212415) (See Separate Breakdown in this Section)	
54	1001166539	NLA	Controller Assembly (Lift and Swing) (Use p/n 1001129555) (See Separate Breakdown in this Section)	
55	1001172760	4	Bracket, Support	
56	1001185281	1	Plug	
57	1001220929	1	Mount, Connector	
58	1001241891	1	Harness, Console Box (Not Shown - See Separate Breakdown in ELECTRICAL Section)	
59	1600343	1	Control, Platform	
60	1001265905	1	Box, Console	B
60A	0630568	1	Screw 3/8 x 4-1/2	
60B	3311601	1	Nut 3/8	
60C	3430616	2	Clevis	
60D	3470003	2	Pin	
60E	4711600	2	Washer 3/8	

SECTION 5 - PLATFORM

FIGURE 5-16. PLATFORM CONSOLE ASSEMBLY (WITH TOWER STOW)



ART_1001265903

SECTION 5 - PLATFORM

FIGURE 5-16. PLATFORM CONSOLE ASSEMBLY (WITH TOWER STOW)

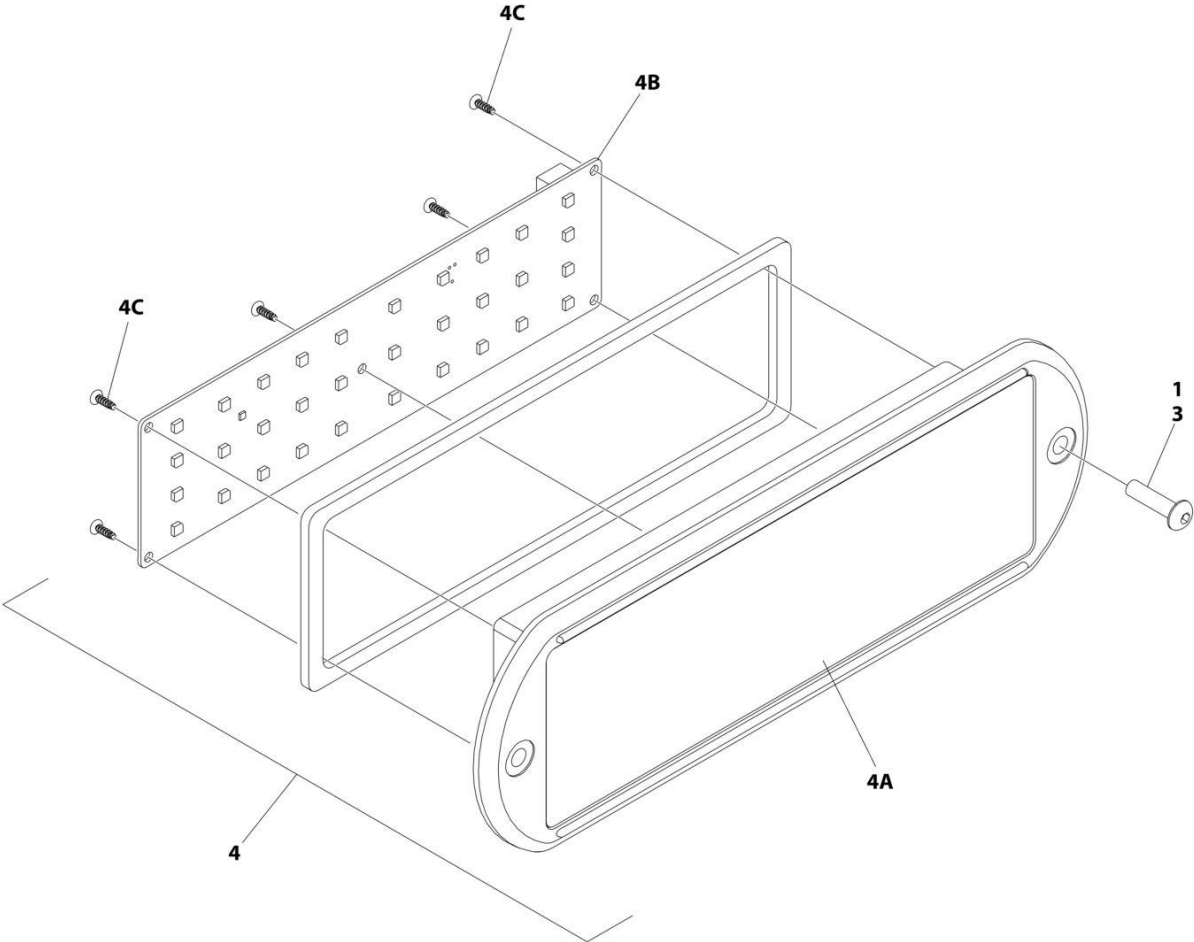
ITEM	PART NUMBER	QTY	DESCRIPTION	REV
	1001265903	Ref	PLATFORM CONSOLE ASSEMBLY	B
1	0100009	AR	Sealant	
2	0100035	AR	Compound, Locking	
3	0100048	AR	Grease, Dielectric	
4	0140011	1	Alarm	
5	0641404	4	Bolt 1/4 x 1/2	
6	0641414	4	Bolt 1/4 x 1-3/4	
7	0720804	1	Screw #8 x 1/2	
8	0721006	2	Bolt #10 x 3/4	
9	1671314	1	Cover, Hole	
10	1702565	1	Decal - Drive and Steer	
11	1702566	1	Decal - Lift and Swing	
12	1704260	1	Decal - EMS	
13	1705171	1	Decal - Jib Stow	
14	1705744	1	Decal - Horn	
15	1705745	1	Decal - Function Speed	
16	2560136	1	Handle, Knob	
17	2920028	1	Light, Indicator	
18	2920029	1	Bulb	
19	3300353	4	Nut, Tinnerman	
20	3300482	2	Nut M2.5	
21	3311005	2	Nut #10	
22	3520026	1	Plug, Hole	
23	3520030	1	Plug, Hole	
24	3520054	1	Plug, Hole	
25	3790012	11	O-Ring	
26	3900349	12	Capscrew M2.5	
27	4071074	1	Shim	
28	4360387	3	Switch, Pushbutton	
29	4360407	1	Controller, Speed	
	See Note	NSS	Gasket "Top Hat" (Included with Switch) (Note: Not Available - Purchase Complete Controller)	
30	4360475	1	Switch, Emergency Stop	
30	7020175	1	Cap	
30A	7020176	1	Block, Contact	
31	4360476	1	Block, Contact	
32	4460007	1	Bar, Buss	
33	4460234	3	Tie-Strap	
34	4460428	2	Connector, Strain Relief	
35	4460470	1	Nut, Terminal	
36	4460471	1	Washer, Terminal	
37	4460496	1	Nut, Terminal	
38	4460497	1	Washer, Terminal	
39	4460708	2	Connector, Female - 15 Position (Not Shown)	
40	4460905	AR	Plug, Seal (Not Shown)	
41	4740397	11	Spacer	
42	4750800	1	Washer #8	
43	4751000	2	Washer #10	
44	4751400	8	Washer 1/4	
45	4760800	1	Washer	

SECTION 5 - PLATFORM

ITEM	PART NUMBER	QTY	DESCRIPTION	REV
46	4922666	1	Harness, Analyzer Cable (Not Shown - See Separate Breakdown in ELECTRICAL Section)	
47	1001117174	1	Footswitch Assembly (See Separate Breakdown in this Section)	
48	1001137364	1	Light, Indicator	
49	1001155044	11	Nut 15/32-32	
50	1001155045	7	Switch, Toggle	
51	1001159256	1	Switch, Toggle	
52	1001161709	2	Switch, Toggle	
53	1001161710	1	Switch, Toggle	
54	1001166538	NLA	Controller Assembly - Drive and Steer (Use p/n 1001212415) (See Separate Breakdown in this Section)	
55	1001166539	NLA	Controller Assembly - Lift and Swing (Use p/n 1001129555) (See Separate Breakdown in this Section)	
56	1001172760	4	Bracket, Support	
57	1001185281	1	Plug	
58	1001220929	1	Mount, Connector	
59	1001241891	1	Harness, Console Box (Not Shown - See Separate Breakdown in ELECTRICAL SECTION)	
60	1001260937	1	Decal	
61	1600343	1	Module, Platform Control (Note: Re-calibration Required when Replaced)	
62	1001265905	1	Box, Console	A
62A	0630568	1	Screw 3/8 x 4-1/2	
62B	3311601	1	Nut 3/8	
62C	3430616	2	Clevis	
62D	3470003	2	Pin	
62E	4711600	2	Washer 3/8	

SECTION 5 - PLATFORM

FIGURE 5-17. LIGHT PANEL INSTALLATION



ART_1001233959_C_20F2

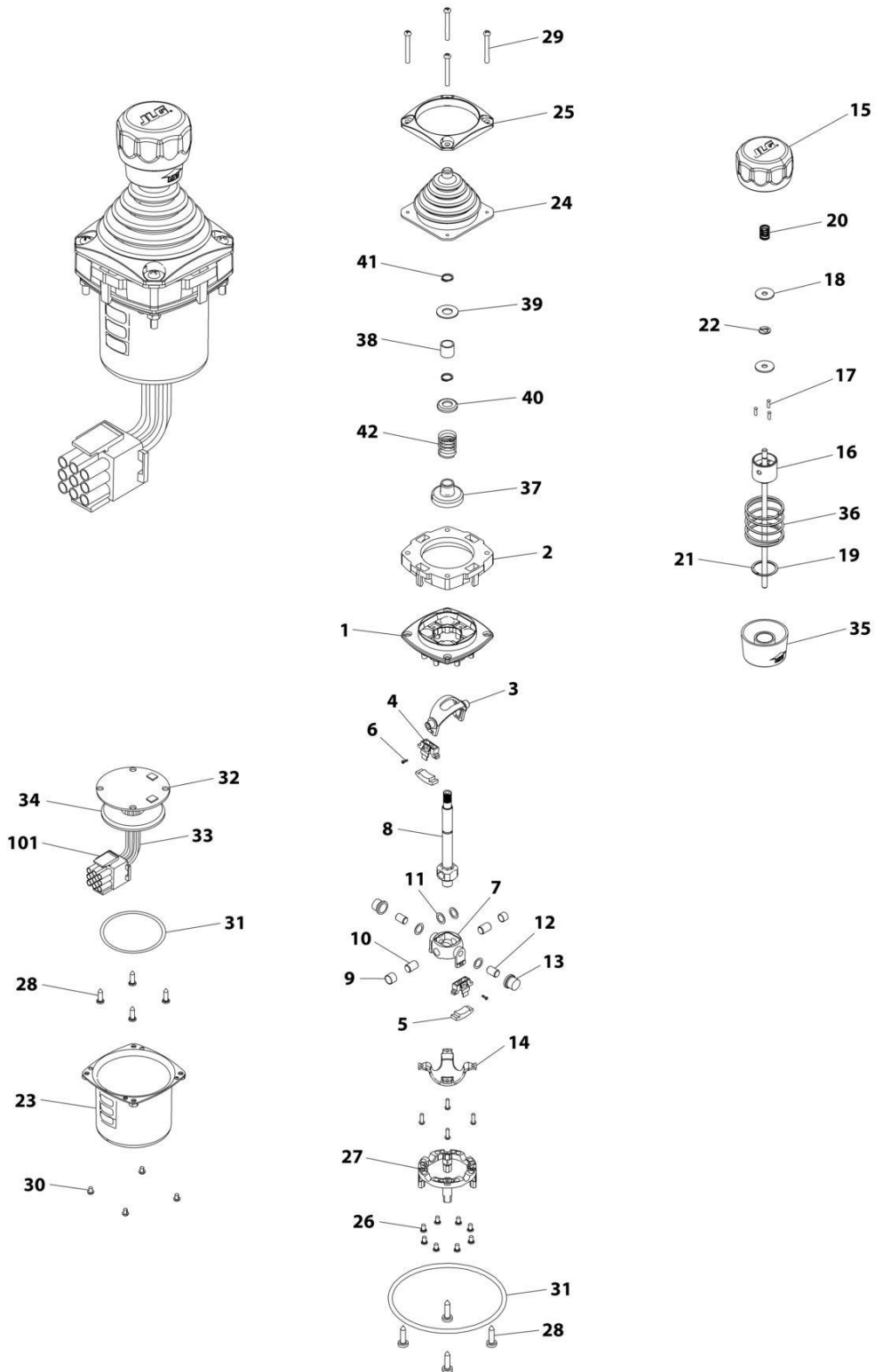
SECTION 5 - PLATFORM

FIGURE 5-17. LIGHT PANEL INSTALLATION

ITEM	PART NUMBER	QTY	DESCRIPTION	REV
	1001233959	Ref	LIGHT PANEL INSTALLATION - PLATFORM CONSOLE	C
1	0100035	AR	Compound, Locking	
3	0630518	2	Screw #10 x 3/4	
4	1001237544	1	Light Panel Assembly	H
4A	1001236087	1	Lens, I-Con	
4B	1001187807	1	Panel, LED Light	
4C		Ref	Screw	

SECTION 5 - PLATFORM

FIGURE 5-18. CONTROLLER ASSEMBLY (LIFT AND SWING)



ART_1001166539

SECTION 5 - PLATFORM

FIGURE 5-18. CONTROLLER ASSEMBLY (LIFT AND SWING)

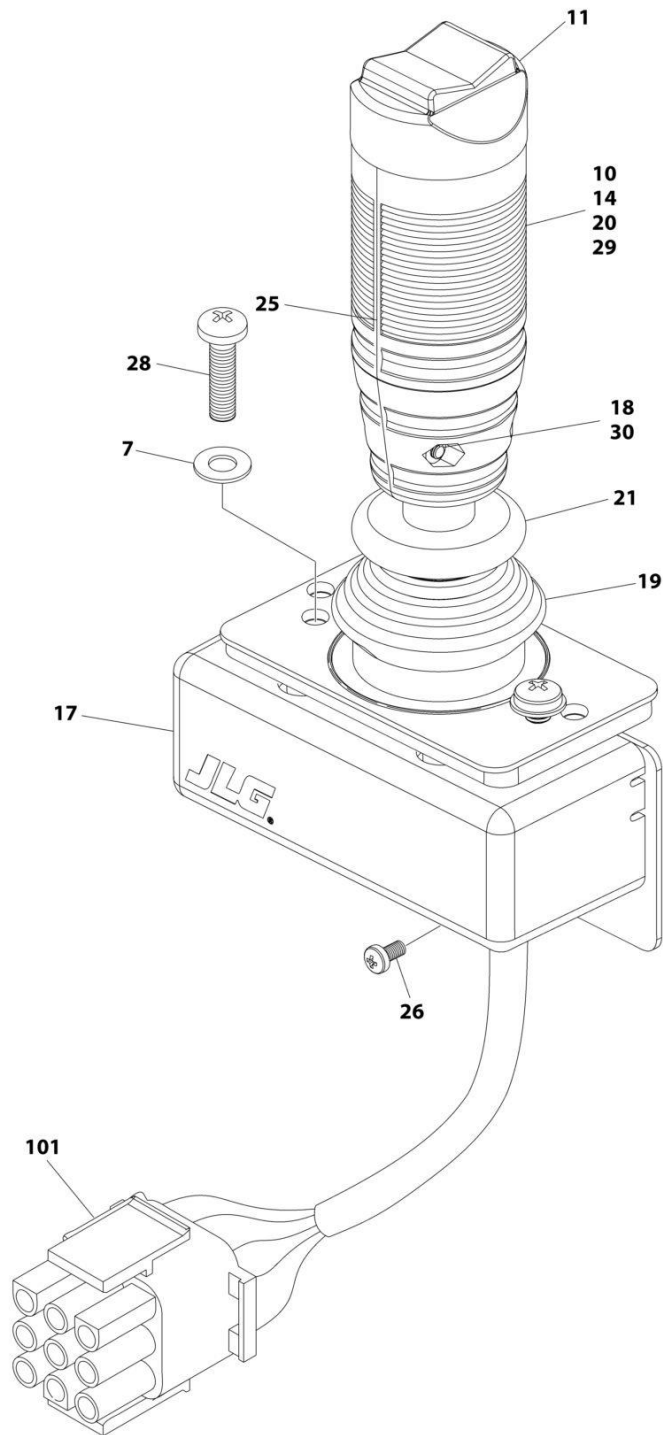
ITEM	PART NUMBER	QTY	DESCRIPTION	REV
	1001166539	Ref	CONTROLLER ASSEMBLY	E
		Ref	Note: Original Equipment Controller May Have Been Replaced with Service Replacement Controller. Visually Identify Controller Before Ordering Parts.	
		Ref	Note: For Replacement, Use p/n 1001129555	
1	See Note	NSS	Main Cast Body (Note: Not Available - Purchase Complete Assembly)	
2	70004752	1	Adapter	
3	See Note	NSS	Pivot Arm, Plastic (Note: Not Available - Purchase Complete Assembly)	
4	See Note	NSS	Holder, Magnet (Note: Not Available - Purchase Complete Assembly)	
5	See Note	NSS	Arc, Magnet (Note: Not Available - Purchase Complete Assembly)	
6	See Note	NSS	Screw (Note: Not Available for Purchase)	
7	See Note	NSS	Pivot Arm, Cast (Note: Not Available - Purchase Complete Assembly)	
8	See Note	NSS	Shaft, Main (Note: Not Available - Purchase Complete Assembly)	
9	See Note	NSS	Bearing (Note: Not Available - Purchase Complete Assembly)	
10	See Note	NSS	Pin (Note: Not Available - Purchase Complete Assembly)	
11	See Note	NSS	Shim (Note: Not Available - Purchase Complete Assembly)	
12	See Note	NSS	Pin (Note: Not Available - Purchase Complete Assembly)	
13	See Note	NSS	Bearing (Note: Not Available - Purchase Complete Assembly)	
14	See Note	NSS	Dome, Centering (Note: Not Available - Purchase Complete Assembly)	
15	70004753	1	Cap	
16	70004754	1	Insert, Cap	
17	70004755	3	Pin	
18	70004756	2	Washer	
19	70004757	1	Pin, Centering	
20	70004758	1	Spring	
21	70004759	1	Ring, Retaining	
22	70004760	1	E-Ring	
23	70004761	1	Can, Enclosure	
24	70004762	1	Boot	
25	70004763	1	Bezel	
26	See Note	NSS	Screw (Note: Not Available for Purchase)	
27	See Note	NSS	Base Mounting (Note: Not Available - Purchase Complete Assembly)	
28	See Note	NSS	Screw (Note: Not Available for Purchase)	
29	70004764	4	Screw	
30	70004765	4	Screw	
31	70004766	1	O-Ring	
32	See Note	NSS	Plate (Note: Not Available - Purchase Complete Assembly)	
33	See Note	NSS	Harness (Note: Not Available - Purchase Complete Assembly)	
34	70004767	1	Grommet, Rubber	
35	70004768	1	Housing	
36	70004769	1	Spring	
37	70004770	1	Stopper	
38	70004771	1	Spacer	
39	70004772	1	Washer	
40	70004773	1	Disc	

SECTION 5 - PLATFORM

ITEM	PART NUMBER	QTY	DESCRIPTION	REV
41	70004774	2	Ring, Retaining	
42	70004775	1	Spring	
101	4460265	1	Connector - 9 Position	
101	4460226	6	Socket, Female	

SECTION 5 - PLATFORM

FIGURE 5-19. CONTROLLER ASSEMBLY (DRIVE AND STEER)



ART_1001166538

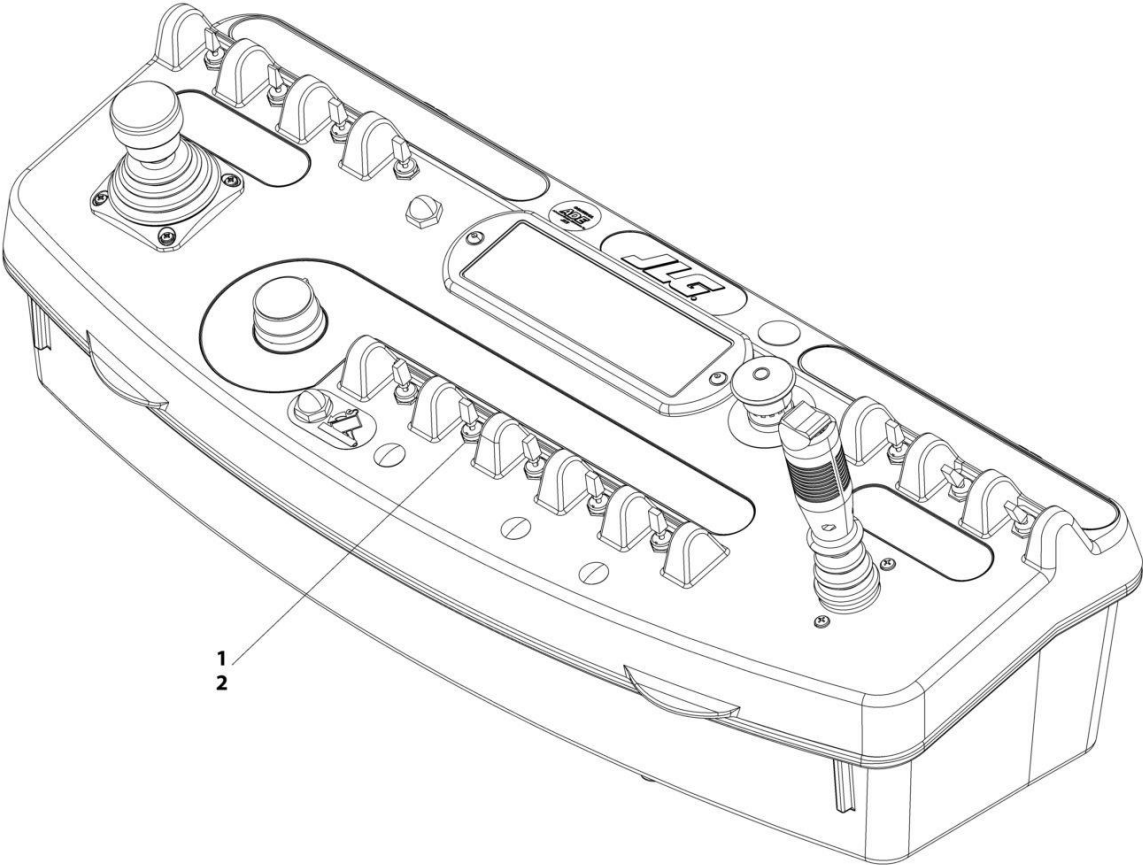
SECTION 5 - PLATFORM

FIGURE 5-19. CONTROLLER ASSEMBLY (DRIVE AND STEER)

ITEM	PART NUMBER	QTY	DESCRIPTION	REV
	1001166538	Ref	CONTROLLER ASSEMBLY - DRIVE AND STEER	G
		Ref	Note: For Replacement, Use p/n 1001212415.	
7	70004738	2	Washer	
10	70004739	1	Roller	
11	70004740	1	Boot, Switch	
14	70004741	2	Half, Handle	
17	70004742	1	Enclosure	
18	70004743	4	Nut	
19	70004744	NLA	Boot, Controller (Use p/n 70005230 Boot/Base Assembly)	
20	70004745	NLA	Tube, Locking (Use p/n 70005230 Boot/Base Assembly)	
21	70004746	NLA	Disc, Locking (Use p/n 70005230 Boot/Base Assembly)	
25	70004747	2	Seal, Rope	
26	70004748	1	Screw M3 x 6	
28	70004749	2	Screw M5 x 20	
29	70004750	1	Pin, Dowel	
30	70004751	4	Screw M3 x 16	
101	4460265	1	Connector - 9 Position	
101	4460226	7	Socket, Female	

SECTION 5 - PLATFORM

FIGURE 5-20. TOWER LIFT SWITCH INSTALLATION



ART_0273446

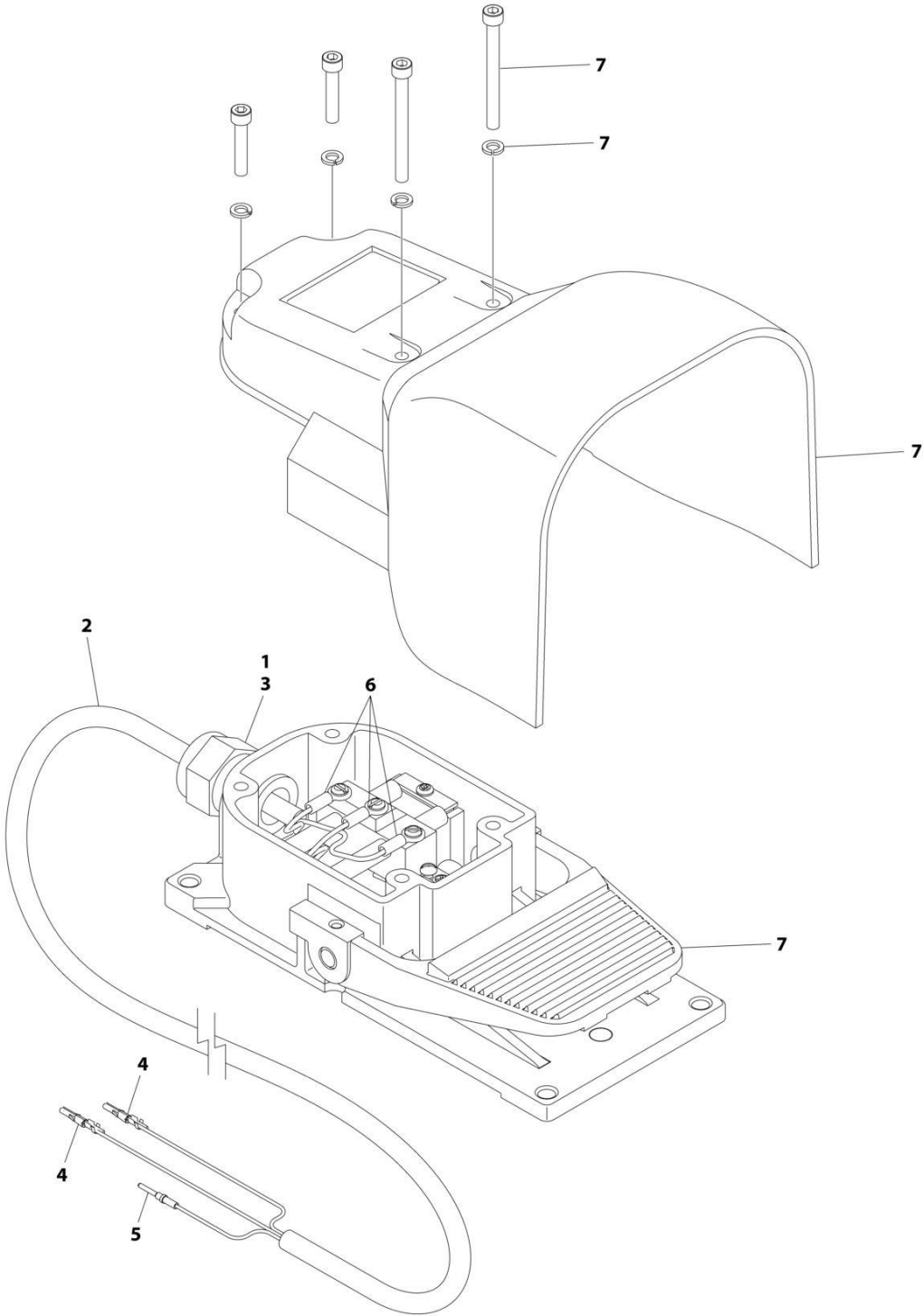
SECTION 5 - PLATFORM

FIGURE 5-20. TOWER LIFT SWITCH INSTALLATION

ITEM	PART NUMBER	QTY	DESCRIPTION	REV
	0273446	Ref	TOWER LIFT SWITCH INSTALLATION	A
1	3790012	1	O-Ring	
2	4360328	1	Switch, Toggle	

SECTION 5 - PLATFORM

FIGURE 5-21. FOOTSWITCH ASSEMBLY



ART_100117174

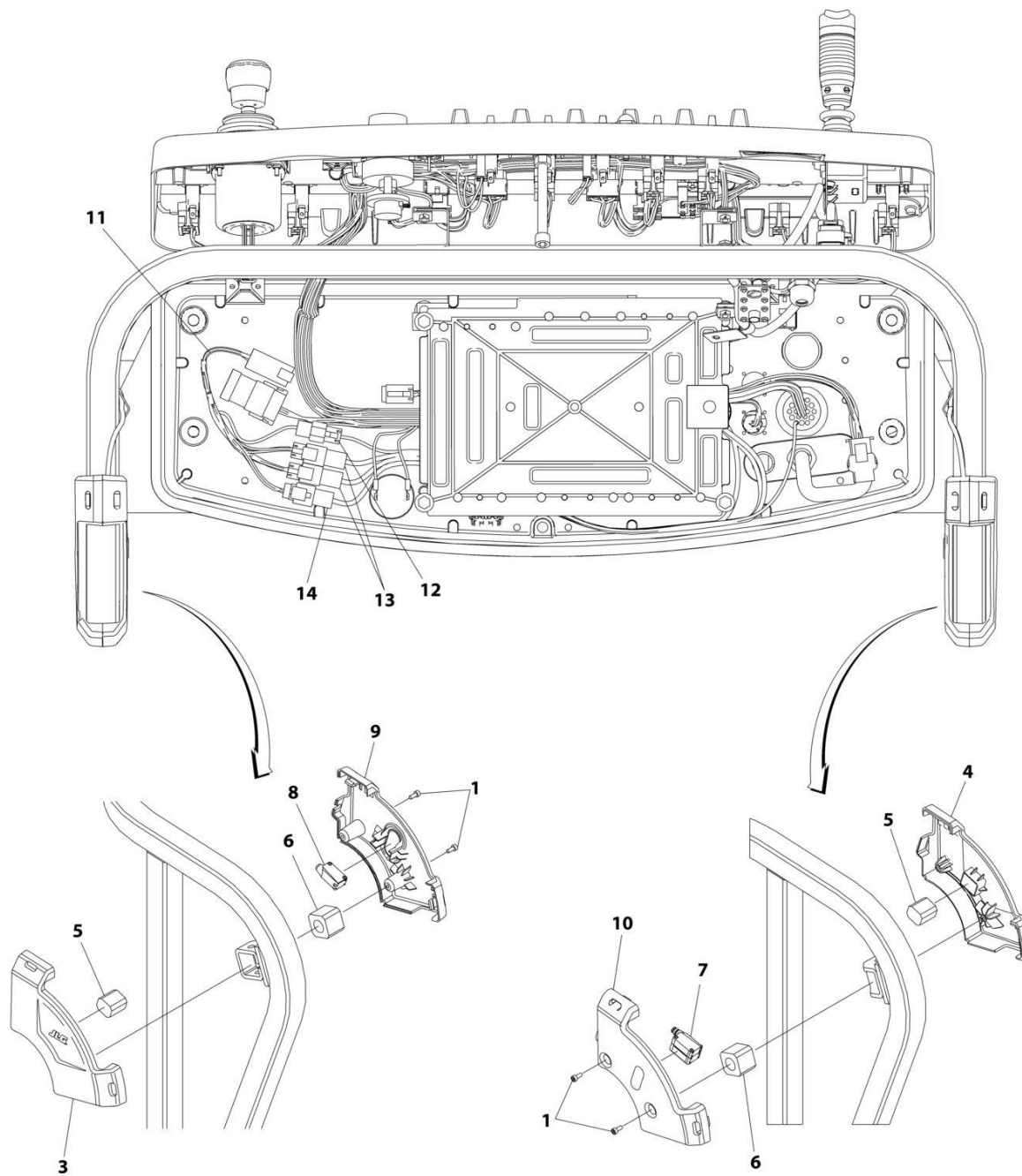
SECTION 5 - PLATFORM

FIGURE 5-21. FOOTSWITCH ASSEMBLY

ITEM	PART NUMBER	QTY	DESCRIPTION	REV
	1001117174	Ref	FOOTSWITCH ASSEMBLY	C
1	0100020	AR	Sealant	
2	1060918	7.5 ft/ 2.3m	Cable, Electrical - 18/3	
3	4460071	1	Connector, Strain Relief	
4	4460226	2	Socket, Female	
5	4460464	1	Pin, Male	
6	1001098122	3	Terminal	
7	1001117172	1	Footswitch	
7	70002902	1	Switch, 20Amp	
7	70002903	1	Gasket	
7	70002905	1	Cover	
7	70002904	1	Kit, Replacement Bolt	

SECTION 5 - PLATFORM

FIGURE 5-22. SKYEYE INSTALLATION



ART_1001229341

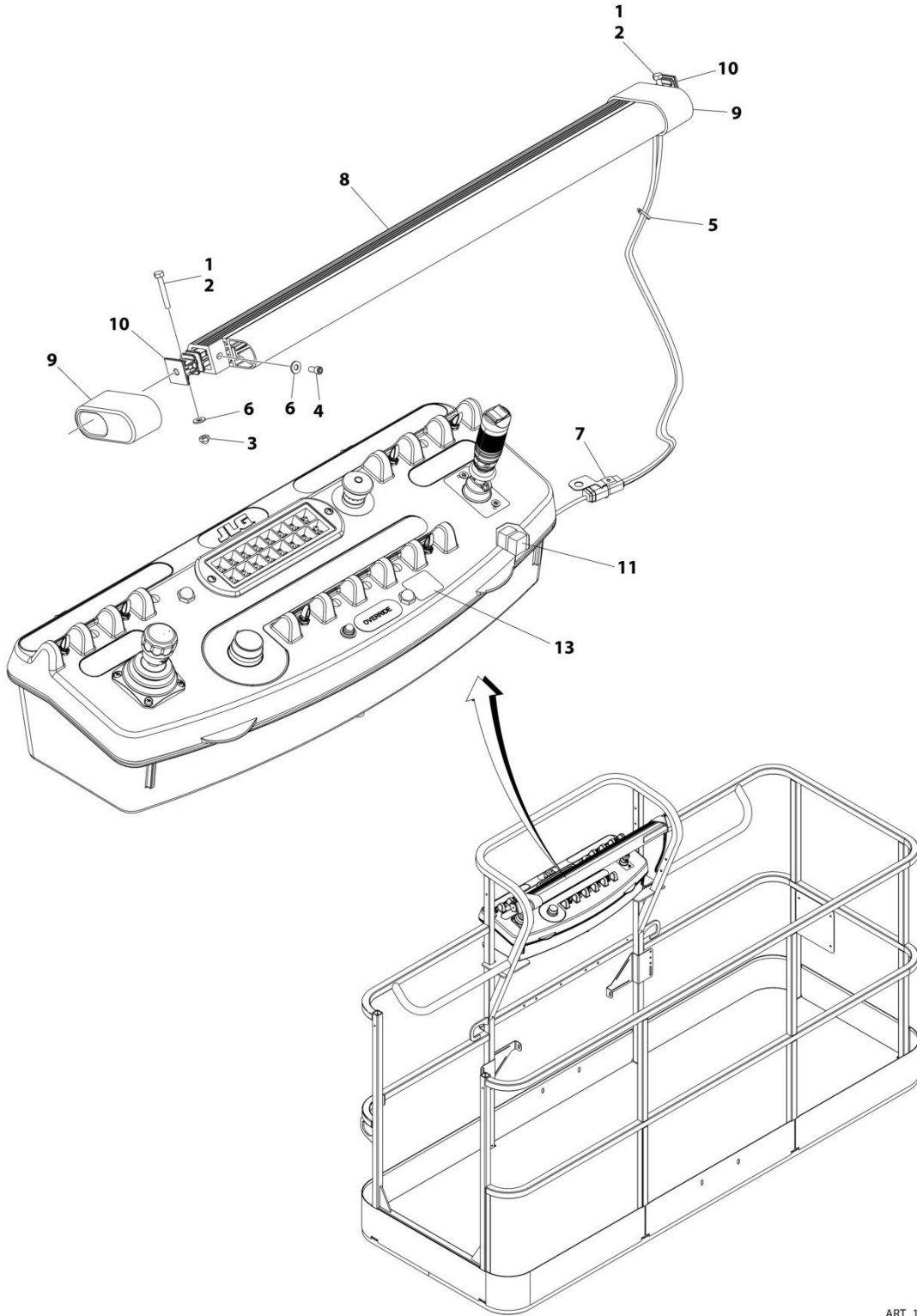
SECTION 5 - PLATFORM

FIGURE 5-22. SKYEYE INSTALLATION

ITEM	PART NUMBER	QTY	DESCRIPTION	REV
	1001229341	Ref	SKYEYE INSTALLATION	B
1	4031505	4	Bolt M4 x 10	
2	4240033	AR	Tie-Strap (Not Shown)	
3	1001227633	1	Housing, LH Outer	
4	1001227634	1	Housing, RH Outer	
5	1001227985	2	Shim	
6	1001227987	2	Shim	
7	1001228224	2	Sensor, Receiver	
8	1001228225	1	Sensor, Emitter	
9	1001232164	1	Housing, LH Inner	
10	1001232165	1	Housing, RH Inner	
11	1001237865	1	Harness, Skyeeye Intermediate (See Separate Breakdown in ELECTRICAL Section)	
12	1001238319	NLA	Harness, Skyeeye Drain Jumper	
12	1001187674	1	Plug, Male - 2 Position	
12	4460942	1	Terminal	
12	4460466	1	Plug, Terminal	
12	4460508	1	Pin, Male	
13	1001237863	2	Harness, Skyeeye Receiver (See Separate Breakdown in ELECTRICAL Section)	
14	1001237864	1	Harness, Skyeeye Emitter (See Separate Breakdown in ELECTRICAL Section)	

SECTION 5 - PLATFORM

FIGURE 5-23. SKYGUARD BAR INSTALLATION



ART_1001238495

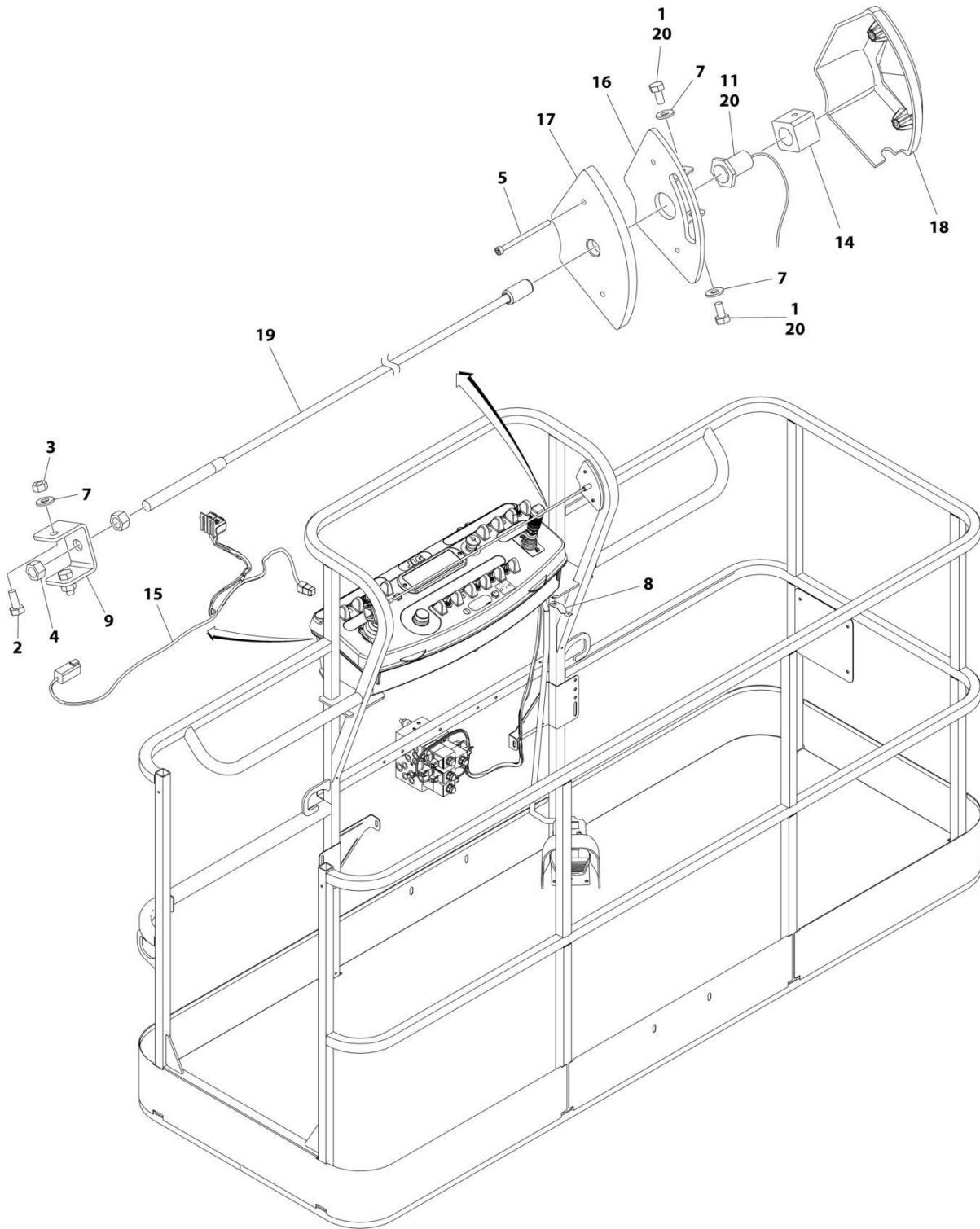
SECTION 5 - PLATFORM

FIGURE 5-23. SKYGUARD BAR INSTALLATION

ITEM	PART NUMBER	QTY	DESCRIPTION	REV
	1001238495	Ref	SKYGUARD BAR INSTALLATION	A
1	0100011	AR	Compound, Locking	
2	0641414	2	Bolt 1/4 x 1-3/4	
3	3300430	2	Nut 1/4	
4	3931408	2	Capscrew 1/4 x 1/2	
5	4240033	8	Tie-Strap	
6	4711400	6	Washer 1/4	
7	1001120328	1	Mount	
8	1001137673	1	SkyGuard Switch Assembly	
9	1001186517	2	Cover, Platform Sensor	
10	1001209664	2	Support, Block	
11	1001186431	2	Relay	
12	1001225580	1	Interface Harness Assembly (Not Shown - Located Inside Console Box) (See Separate Breakdown in ELECTRICAL Section)	
13	1001144433	1	Decal - No Weight SkyGuard	

SECTION 5 - PLATFORM

FIGURE 5-24. SKYLINE INSTALLATION



ART_1001238559_D

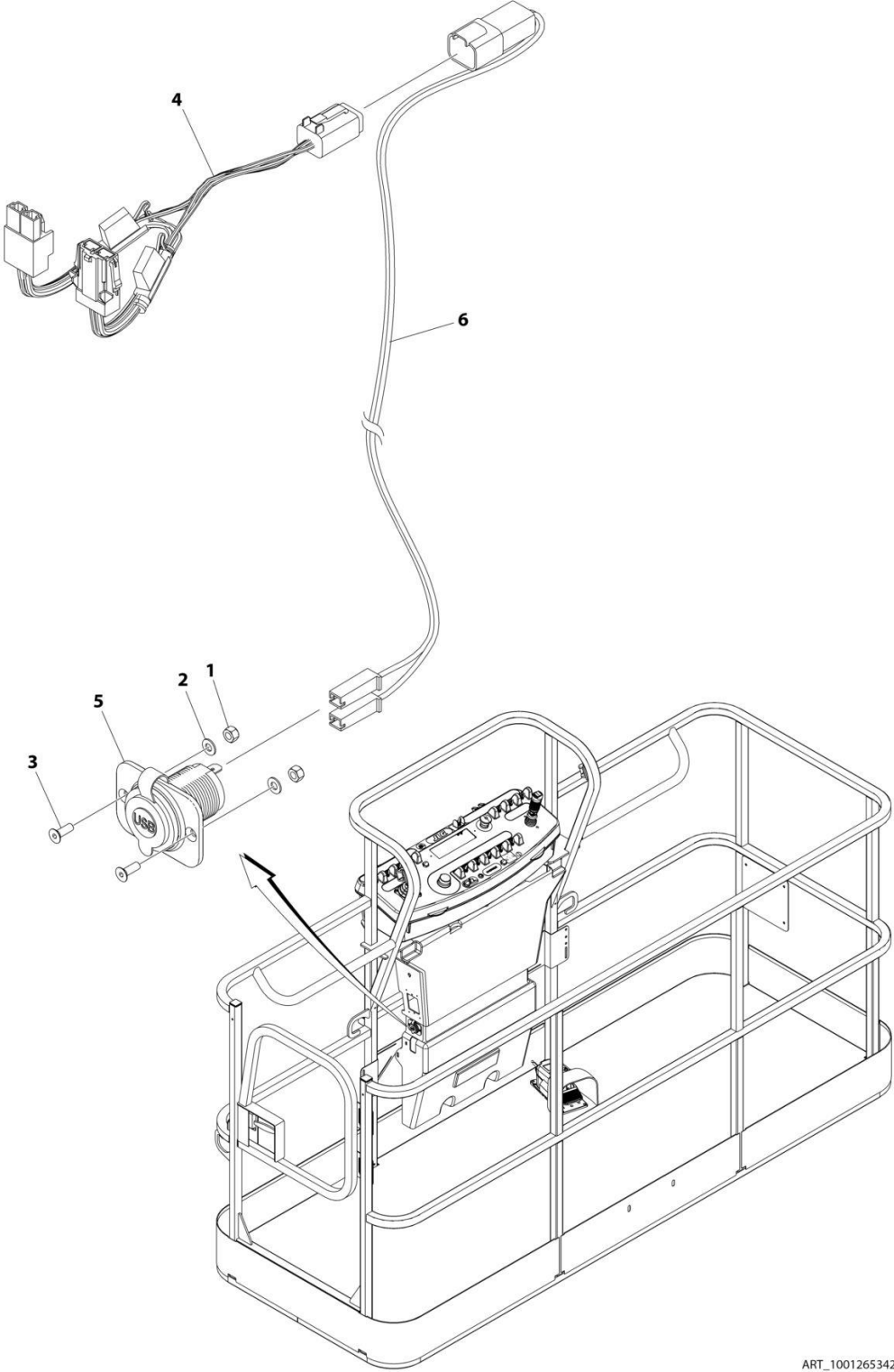
SECTION 5 - PLATFORM

FIGURE 5-24. SKYLINE INSTALLATION

ITEM	PART NUMBER	QTY	DESCRIPTION	REV
	1001238559	Ref	SKYLINE INSTALLATION	D
1	0641404	2	Bolt 1/4 x 1/2	
2	0641405	2	Bolt 1/4 x 5/8	
3	3311405	2	Nut 1/4	
4	3311601	2	Nut 3/8	
5	4031516	2	Capscrew M4 x 60	
6	4240033	AR	Tie-Strap (Not Shown)	
7	4711400	4	Washer 1/4	
8	1001120328	1	Mount	
9	1001232642	1	Bracket	
11	1001232667	1	Sensor, Proximity	
11	1001311034	1	Sensor, Proximity	
14	1001236552	1	Block	
15	1001238418	1	Harness, Skyline (See Separate Breakdown in ELECTRICAL Section)	
16	1001238472	1	Mount	
17	1001254473	1	Housing, LH	
18	1001241965	1	Housing, RH	
19	1001254472	1	Rod	
20	0100011	AR	Compound, Locking	

SECTION 5 - PLATFORM

FIGURE 5-25. USB CHARGER INSTALLATION



ART_1001265342

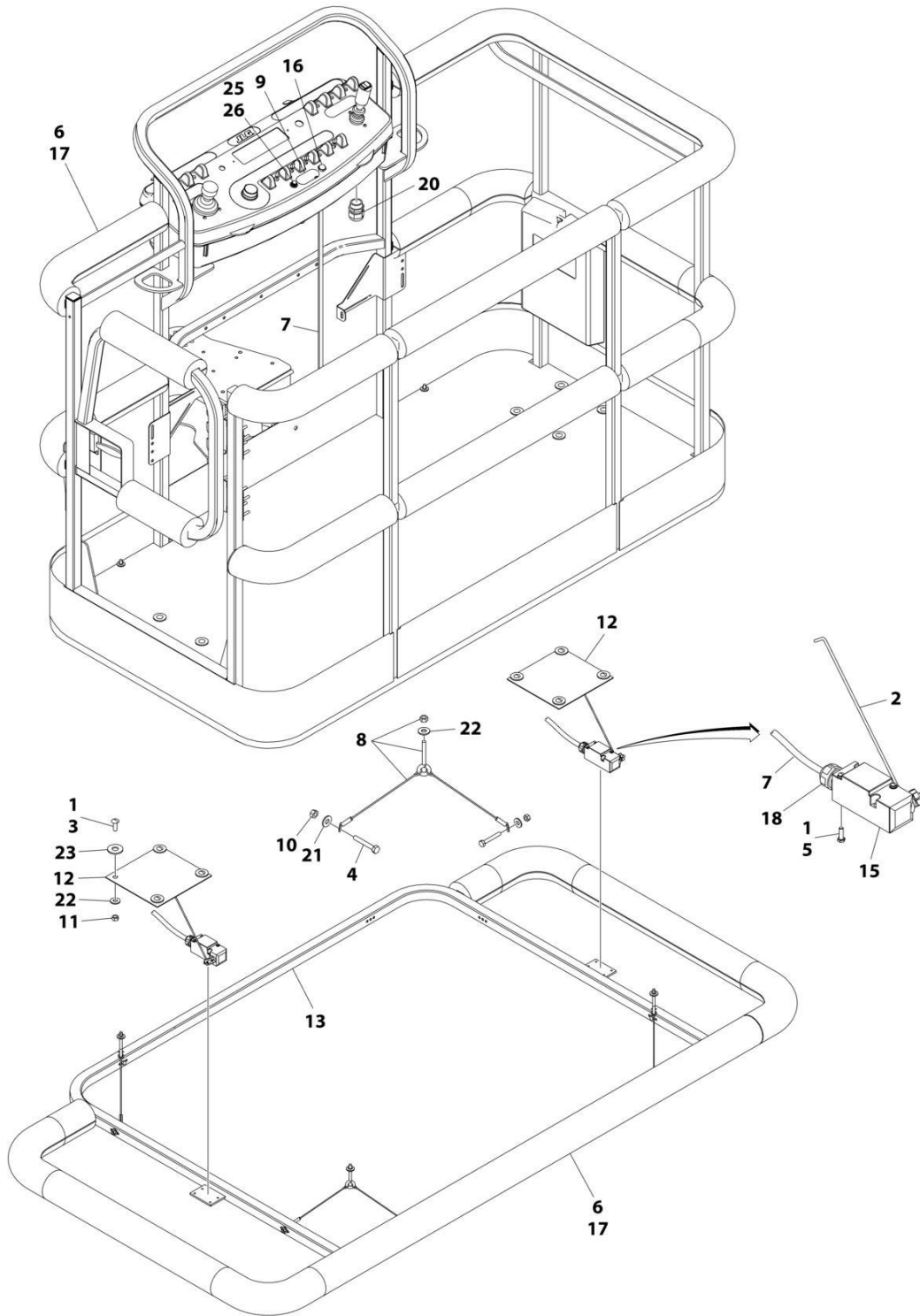
SECTION 5 - PLATFORM

FIGURE 5-25. USB CHARGER INSTALLATION

ITEM	PART NUMBER	QTY	DESCRIPTION	REV
	1001265342	Ref	USB CHARGER INSTALLATION	A
1	3290405	2	Nut M4	
2	4811400	2	Washer M4	
3	1001097244	2	Screw M4 x 12	
4	1001120484	1	Harness, Work Lights	
4	4460879	1	Plug, Male - 2 Position	
4	4460887	2	Terminal	
4	2400060	2	Fuseholder Includes Cover	
4	8229249	2	Fuse, 3 Amp	
4	4460884	1	Connector - 4 Position	
4	4460465	4	Socket, Female	
4	1001120471	1	Connector - 2 Position	
4	1001120477	2	Terminal	
5	1001210636	1	Receptacle, USB	
6	1001265163	1	Harness, USB	A
6	4460260	2	Cover, Terminal	
6	4460259	2	Terminal	
6	4460932	1	Receptacle, Bussbar - 4 Position	
6	4460464	2	Pin, Male	
6	4460466	2	Plug, Terminal	

SECTION 5 - PLATFORM

FIGURE 5-26. SOFT TOUCH SYSTEM INSTALLATION - 6FT/1.8M PLATFORMS (OPTIONAL)



ART_0273824

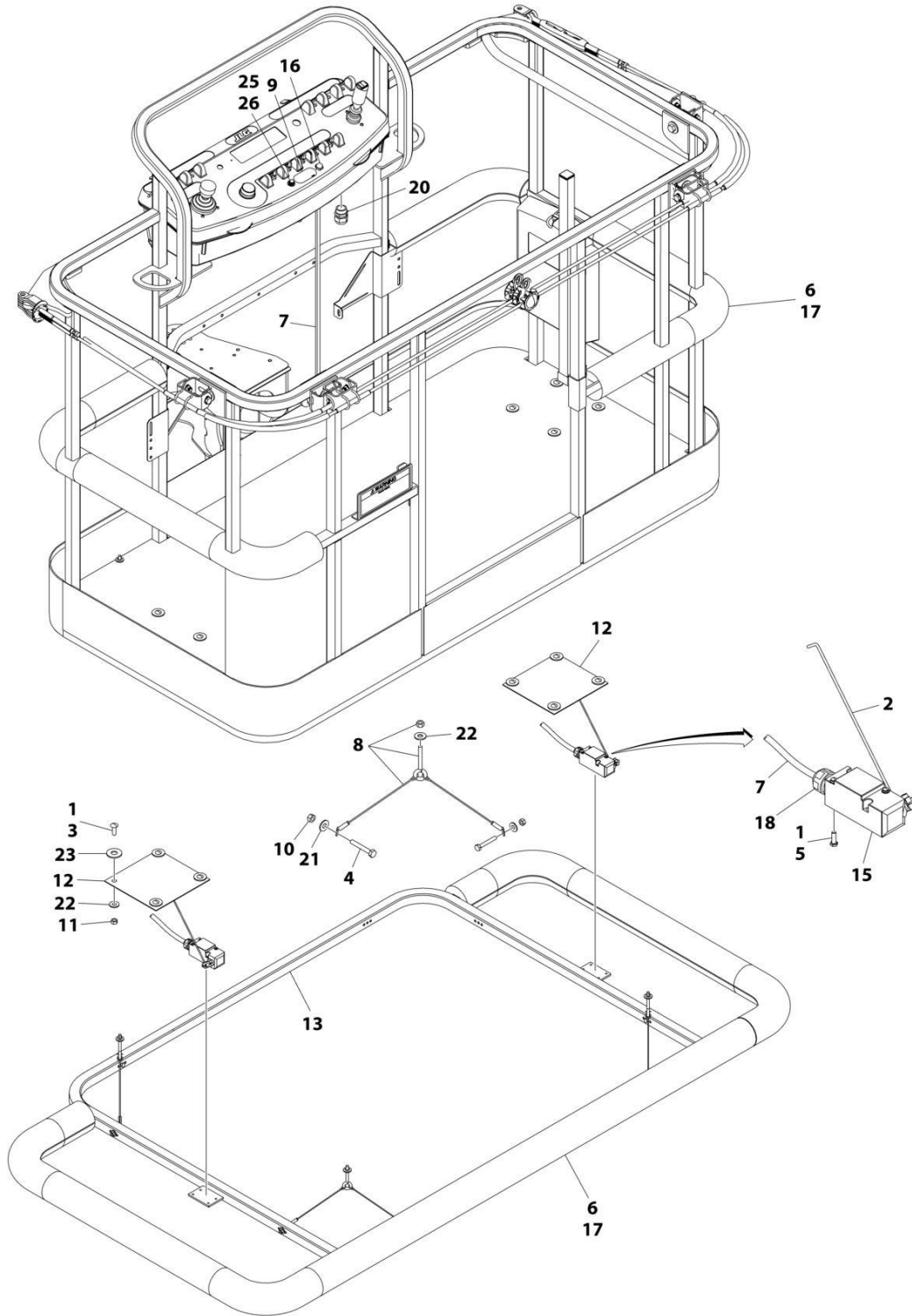
SECTION 5 - PLATFORM

FIGURE 5-26. SOFT TOUCH SYSTEM INSTALLATION - 6FT/1.8M PLATFORMS (OPTIONAL)

ITEM	PART NUMBER	QTY	DESCRIPTION	REV
	0273824	Ref	SOFT TOUCH SYSTEM INSTALLATION	D
1	0100011	AR	Compound, Locking	
2	0200048	2	Arm, Switch	
3	0630462	8	Bolt	
4	0641414	8	Bolt 1/4 x 1-3/4	
5	0731005	4	Bolt #10 x 5/8	
6	0940134	1	Bumper Kit (Includes Corners and Enough Straight Material for One Platform)	
6	0940092	AR	Bumper (Corner)	
6	0940094	AR	Bumper (12ft Length)	
7	1060341	23 ft/7m	Cable, Soft Touch - 16/2	
8	1060903	4	Wire Rope and Eyebolt Assembly	
9	1702938	1	Decal - Soft Touch Override	
10	3311401	8	Nut 1/4	
11	3311501	8	Nut 5/16	
12	3575359	2	Plate, Switch Strike	
13	3641569	1	Rail, Soft Touch	
14	4240099	7	Tie-Strap (Not Shown)	
15	4360057	2	Switch, Limit	
16	4360387	1	Switch, Push Button	
17	4420068	AR	Tape, Adhesive	
17	1001197017	AR	Tie-Strap	
18	4460049	2	Connector, Strain Relief	
19	4460234	7	Tie-Strap (Not Shown)	
20	4460425	1	Connector, Strain Relief	
21	4751400	8	Washer 1/4	
22	4751500	12	Washer 5/16	
23	4751800	8	Washer 1/2	
24	4933218	1	Wiring Diagram (Not Shown - Reference Only)	
25	2920028	1	Light, Indicator	
26	2920029	1	Bulb, Light	

SECTION 5 - PLATFORM

FIGURE 5-27. SOFT TOUCH SYSTEM INSTALLATION - 6FT/1.83M FALL ARREST PLATFORM



ART_1001108256

SECTION 5 - PLATFORM

FIGURE 5-27. SOFT TOUCH SYSTEM INSTALLATION - 6FT/1.83M FALL ARREST PLATFORM

ITEM	PART NUMBER	QTY	DESCRIPTION	REV
	1001108256	Ref	SOFT TOUCH INSTALLATION	C
1	0100011	AR	Compound, Locking	
2	0200048	2	Arm, Switch	
3	0630462	8	Bolt	
4	0641414	8	Bolt 1/4 x 1-3/4	
5	0731005	4	Bolt #10 x 5/8	
6	0940177	1	Bumper Kit (Includes Corners and Enough Straight Material for One Platform)	
6	0940092	8	Bumper (Corner)	
6	0940094	AR	Bumper (12ft Length)	
7	1060341	23 ft/7m	Cable, Soft Touch - 16/2	
8	1060903	4	Wire Rope and Eyebolt Assembly	
9	1702938	1	Decal - Soft Touch Override	
10	3311401	8	Nut 1/4	
11	3311501	8	Nut 5/16	
12	3575359	2	Plate, Switch Strike	
13	3641569	1	Rail, Soft Touch	
14	4240099	7	Tie-Strap (Not Shown)	
15	4360057	2	Switch, Limit	
16	4360387	1	Switch, Push Button	
17	4420068	AR	Tape, Adhesive	
17	1001197017	AR	Tie-Strap	
18	4460049	2	Connector, Strain Relief	
19	4460234	7	Tie-Strap (Not Shown)	
20	4460425	1	Connector, Strain Relief	
21	4751400	8	Washer 1/4	
22	4751500	9	Washer 5/16	
23	4751800	8	Washer 1/2	
25	2920028	1	Light, Indicator	
26	2920029	1	Bulb, Light	

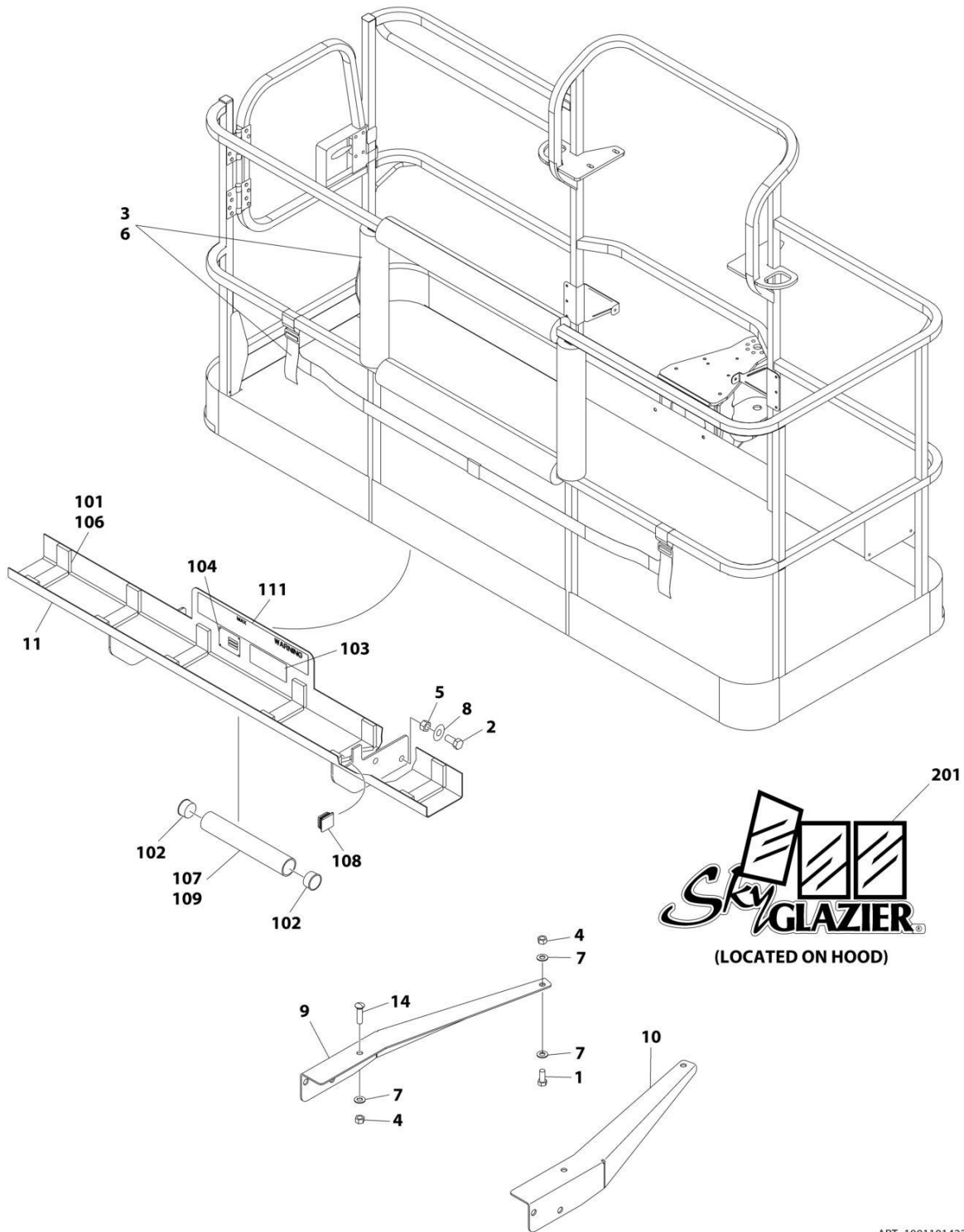
SECTION 5 - PLATFORM

FIGURE 5-28. SOFT TOUCH SYSTEM INSTALLATION - 8FT/2.4M PLATFORMS (OPTIONAL)

ITEM	PART NUMBER	QTY	DESCRIPTION	REV
	0272427	Ref	SOFT TOUCH INSTALLATION - 36IN X 8FT (91.5CM X 2.44M) PLATFORM (OPTIONAL)	G
1	0100011	AR	Compound, Locking	
2	0200048	2	Arm, Switch	
3	0630462	8	Bolt	
4	0641414	8	Bolt 1/4 x 1-3/4	
5	0721005	4	Bolt #10 x 5/8	
6	0940103	1	Bumper Kit (Includes Corners and Enough Straight Material for One Platform)	
6	0940092	12	Bumper (Corner)	
6	0940094	AR	Bumper (12ft Length)	
7	1060341	23 ft/7m	Cable, Soft Touch - 16/2	
8	1060903	4	Wire Rope and Eyebolt Assembly	
9	1702938	1	Decal - Soft Touch Override	
10	3311401	8	Nut 1/4	
11	3311501	8	Nut 5/16	
12	3574091	2	Plate, Switch Strike	
13	4240099	7	Tie-Strap (Not Shown)	
14	4360057	2	Switch, Limit	
15	4360387	1	Switch, Push Button	
16	4420068	AR	Tape, Adhesive	
16	1001197017	AR	Tie-Strap	
17	4460049	2	Connector, Strain Relief	
18	4460234	7	Tie-Strap (Not Shown)	
19	4460425	1	Connector, Strain Relief	
20	4751400	8	Washer 1/4	
21	4751500	12	Washer 5/16	
22	4751800	8	Washer 1/2	
23	4846673	1	Rail, Soft Touch	
24	4933218	1	Soft Touch Wiring Diagram (Not Shown - Reference Only)	
25	2920028	1	Light, Indicator	
26	2920029	1	Bulb, Light	

SECTION 5 - PLATFORM

FIGURE 5-29. SKYGLAZIER INSTALLATION (ANSI, AUSTRALIAN AND CSA SPECS)



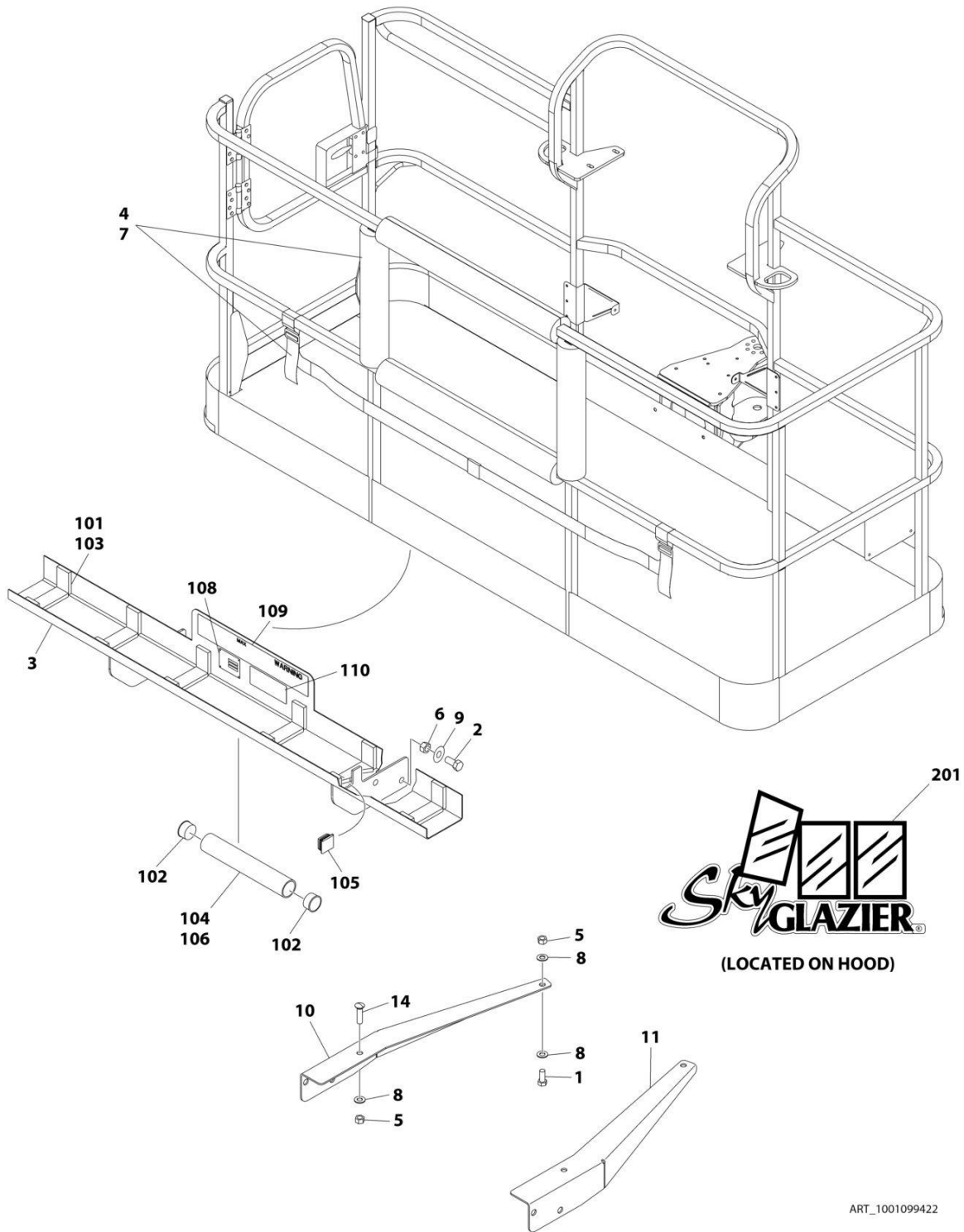
SECTION 5 - PLATFORM

FIGURE 5-29. SKYGLAZIER INSTALLATION (ANSI, AUSTRALIAN AND CSA SPECS)

ITEM	PART NUMBER	QTY	DESCRIPTION	REV
	1001101422	Ref	SKYGLAZIER INSTALLATION	C
1	0642012	2	Bolt 5/8 x 1-1/2	
2	0642212	4	Bolt 3/4 x 1-1/2	
3	2902212	1	Bumpers and Strap Kit	
3	0940102	1	Bumper Only	
3	4240149	1	Strap Only	
4	3312005	4	Nut 5/8	
5	3312205	4	Nut 3/4	
6	4420014	AR	Tape	
7	4712000	6	Washer 5/8	
8	4712200	8	Washer 3/4	
9	1001099366	1	Support	
10	1001099367	1	Support	
11	1001101421	1	Tray Assembly (See Items 101-111 for Breakdown)	
14	8310129	2	Bolt 3/4 x 2-1/2	
	1001101421	Ref	TRAY ASSEMBLY	F
101	0100081	AR	Adhesive	
102	1120555	2	Cap, Tube	
103	1701509	1	Decal - Manual	
104	See Note	NSS	Nameplate - Serial Number (Note: Not Available for Purchase)	
106	3340956	1	Pad Kit	
107	3460334	1	Tube	
108	3520071	2	Plug	
109	4420066	AR	Tape, Double Sided	
111	1001163131	2	Decal - Glazier Capacity	
	0272418	Ref	SKYGLAZIER DECAL INSTALLATION	4
201	1705358	2	Decal - SkyGlazier	

SECTION 5 - PLATFORM

FIGURE 5-30. SKYGLAZIER INSTALLATION (BRAZIL SPECS)



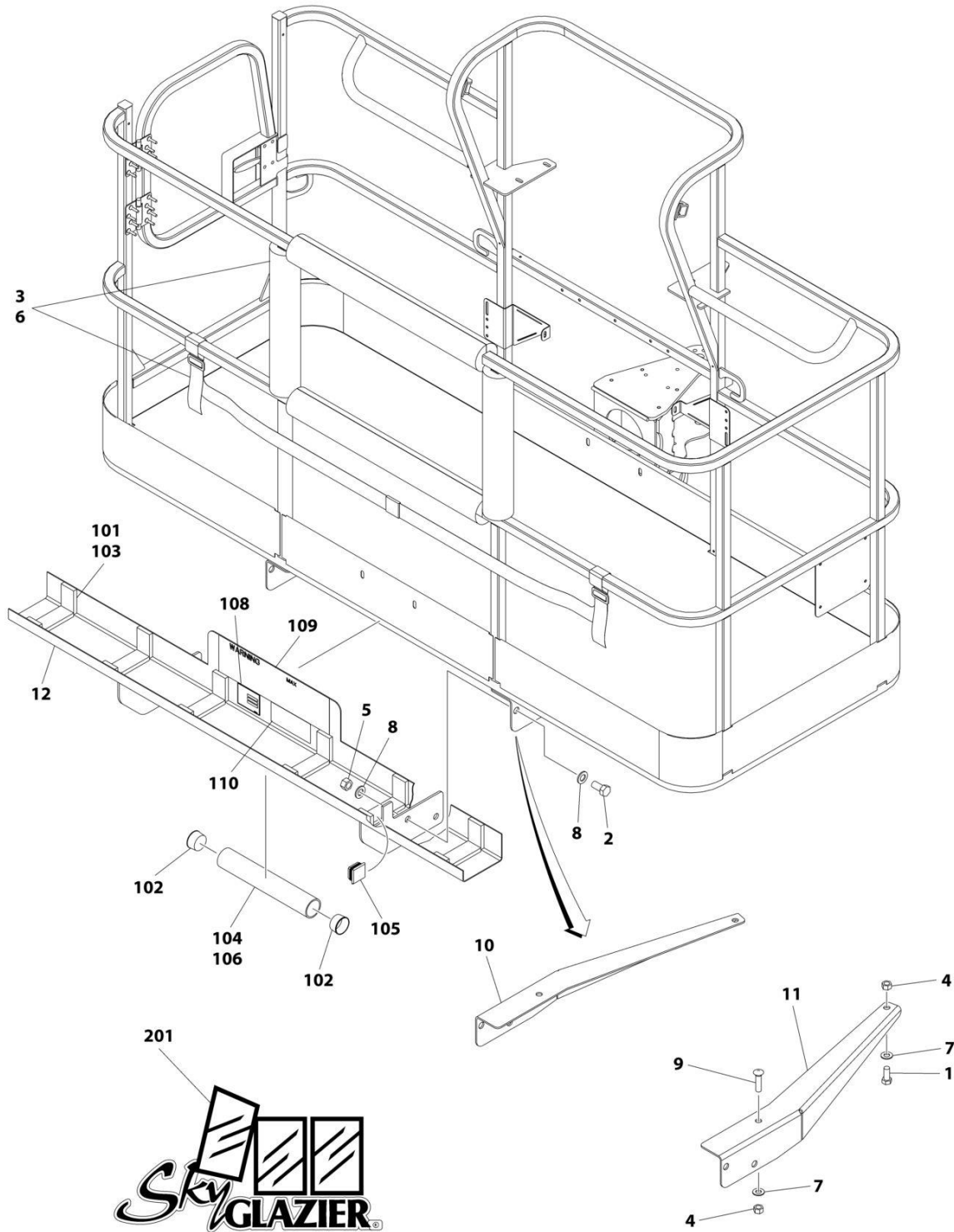
SECTION 5 - PLATFORM

FIGURE 5-30. SKYGLAZIER INSTALLATION (BRAZIL SPECS)

ITEM	PART NUMBER	QTY	DESCRIPTION	REV
	1001099422	Ref	SKYGLAZIER INSTALLATION	C
1	0642012	2	Bolt 5/8 x 1-1/2	
2	0642212	4	Bolt 3/4 x 1-1/2	
3	0272951	1	Tray Assembly (See Items 101-110 for Breakdown)	
4	2902212	1	Bumpers and Strap Kit	
4	0940102	1	Bumper Only	
4	4240149	1	Strap Only	
5	3312005	4	Nut 5/8	
6	3312205	4	Nut 3/4	
7	4420014	AR	Tape	
8	4712000	6	Washer 5/8	
9	4712200	8	Washer 3/4	
10	1001099366	1	Support	
11	1001099367	1	Support	
14	8310129	2	Bolt 3/4 x 2-1/2	
	0272951	Ref	TRAY ASSEMBLY	F
101	0100081	AR	Adhesive	
102	1120555	2	Cap, Tube	
103	3340956	1	Pad Kit	
104	3460334	1	Tube	
105	3520071	2	Plug	
106	4420066	AR	Tape, Double Sided	
108	See Note	NSS	Nameplate - Serial Number (Note: Not Available for Purchase)	
109	1001163297	2	Decal - Glazier Capacity	
110	1701509	1	Decal - Manual	
	0272418	Ref	SKYGLAZIER DECAL INSTALLATION	4
201	1705358	2	Decal - SkyGlazier	

SECTION 5 - PLATFORM

FIGURE 5-31. SKYGLAZIER INSTALLATION (DANISH SPECS)



ART_1001238462

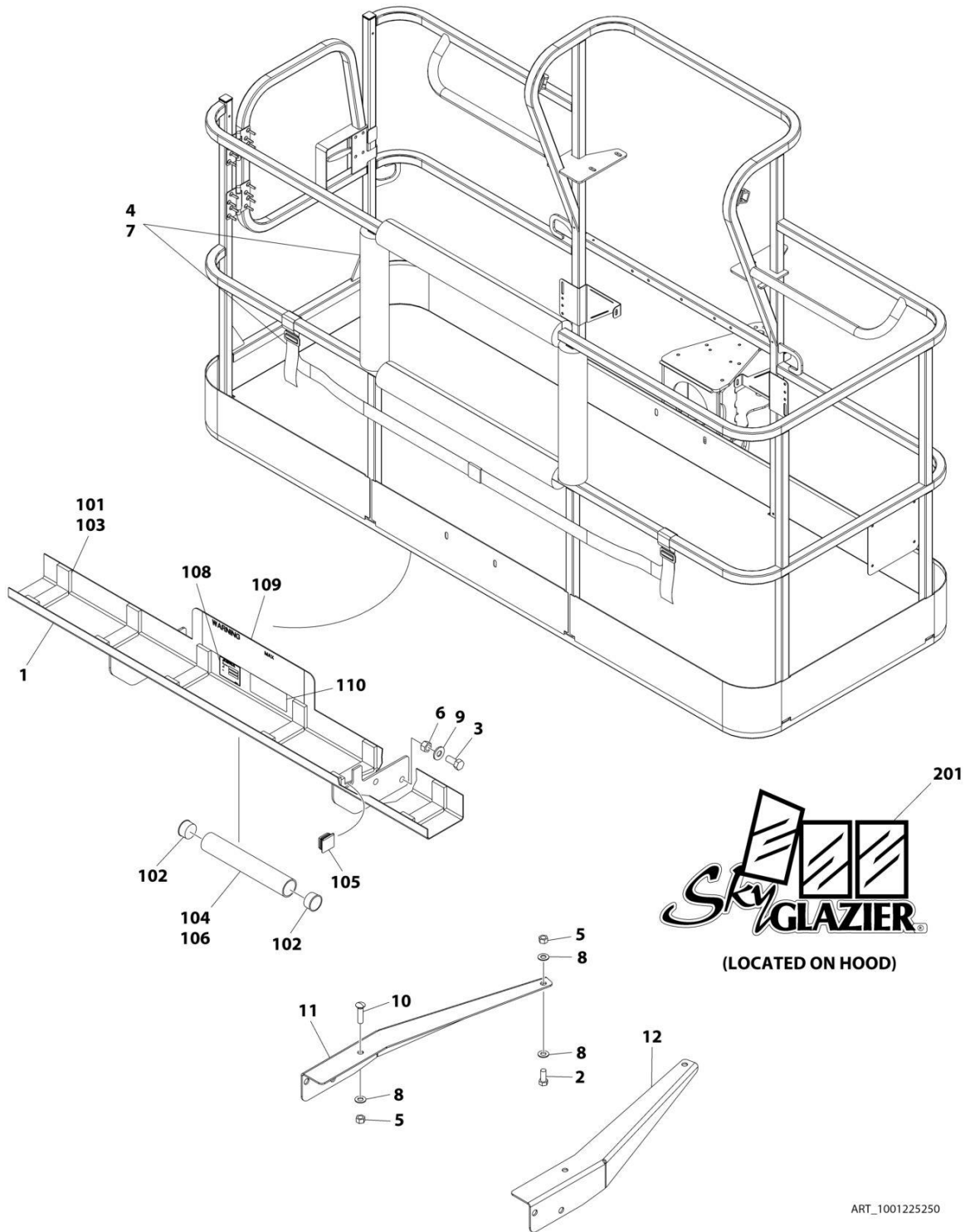
SECTION 5 - PLATFORM

FIGURE 5-31. SKYGLAZIER INSTALLATION (DANISH SPECS)

ITEM	PART NUMBER	QTY	DESCRIPTION	REV
	1001238462	Ref	SKYGLAZIER INSTALLATION	A
1	0642012	2	Bolt 5/8 x 1-1/2	
2	0642212	4	Bolt 3/4 x 1-1/2	
3	2902212	1	Bumpers and Strap Kit	
3	0940102	1	Bumper Only	
3	4240149	1	Strap Only	
4	3312005	4	Nut 5/8	
5	3312205	4	Nut 3/4	
6	4420014	AR	Tape	
7	4712000	4	Washer 5/8	
8	4712200	8	Washer 3/4	
9	8310129	2	Bolt 5/8 x 2-1/2	
10	1001099366	1	Support	
11	1001099367	1	Support	
12	1001238423	1	Tray Assembly (See Items 101-110 for Breakdown)	
	1001238423	Ref	TRAY ASSEMBLY	B
101	0100081	AR	Adhesive	
102	1120555	2	Cap, Tube	
103	3340956	1	Pad Kit	
104	3460334	1	Tube	
105	3520071	2	Plug	
106	4420066	AR	Tape, Double Sided	
108	See Note	NSS	Nameplate - Serial Number (Note: Not Available for Purchase)	
109	1001237705	2	Decal - Glazier Capacity	
110	1701509	1	Decal - Manual	
	0272418	Ref	SKYGLAZIER DECAL INSTALLATION	4
201	1705358	2	Decal - SkyGlazier	

SECTION 5 - PLATFORM

FIGURE 5-32. SKYGLAZIER INSTALLATION (FRENCH SPECS)



ART_1001225250

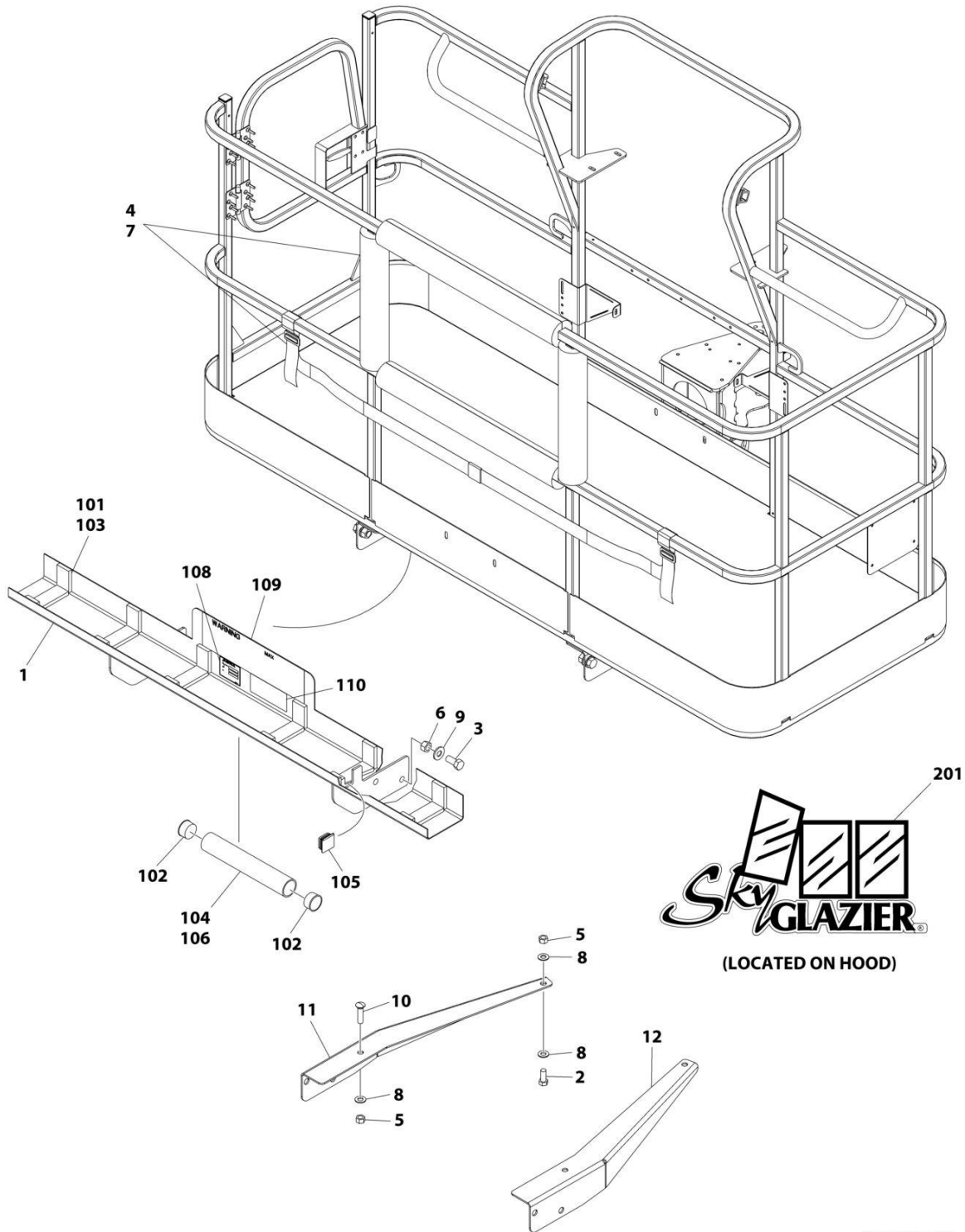
SECTION 5 - PLATFORM

FIGURE 5-32. SKYGLAZIER INSTALLATION (FRENCH SPECS)

ITEM	PART NUMBER	QTY	DESCRIPTION	REV
	1001225250	Ref	SKYGLAZIER INSTALLATION	A
1	0272949	1	Tray Assembly (See Items 101-110 for Breakdown)	
2	0642012	2	Bolt 5/8 x 1-1/2	
3	0642212	4	Bolt 3/4 x 1-1/2	
4	2902212	1	Bumpers and Strap Kit	
4	0940102	1	Bumper Only	
4	4240149	1	Strap Only	
5	3312005	4	Nut 5/8	
6	3312205	4	Nut 3/4	
7	4420014	AR	Tape	
8	4712000	6	Washer 5/8	
9	4712200	8	Washer 3/4	
10	8310129	2	Bolt 5/8 x 2-1/2	
11	1001099366	1	Support	
12	1001099367	1	Support	
	0272949	Ref	TRAY ASSEMBLY	E
101	0100081	AR	Adhesive	
102	1120555	2	Cap, Tube	
103	3340956	1	Pad Kit	
104	3460334	1	Tube	
105	3520071	2	Plug	
106	4420066	AR	Tape, Double Sided	
108	See Note	NSS	Nameplate - Serial Number (Note: Not Available for Purchase)	
109	1001163293	2	Decal - Glazier Capacity	
110	1701509	1	Decal - Manual	
	0272418	Ref	SKYGLAZIER DECAL INSTALLATION	4
201	1705358	2	Decal - SkyGlazier	

SECTION 5 - PLATFORM

FIGURE 5-33. SKYGLAZIER INSTALLATION (GERMAN SPECS)



ART_1001225249

SECTION 5 - PLATFORM

FIGURE 5-33. SKYGLAZIER INSTALLATION (GERMAN SPECS)

ITEM	PART NUMBER	QTY	DESCRIPTION	REV
	1001225249	Ref	SKYGLAZIER INSTALLATION	A
1	0272950	1	Tray Assembly (See Items 101-110 for Breakdown)	
2	0642012	2	Bolt 5/8 x 1-1/2	
3	0642212	4	Bolt 3/4 x 1-1/2	
4	2902212	1	Bumpers and Strap Kit	
4	0940102	1	Bumper Only	
4	4240149	1	Strap Only	
5	3312005	4	Nut 5/8	
6	3312205	4	Nut 3/4	
7	4420014	AR	Tape	
8	4712000	6	Washer 5/8	
9	4712200	8	Washer 3/4	
10	8310129	2	Bolt 5/8 x 2-1/2	
11	1001099366	1	Support	
12	1001099367	1	Support	
	0272950	Ref	TRAY ASSEMBLY	E
101	0100081	AR	Adhesive	
102	1120555	2	Cap, Tube	
103	3340956	1	Pad Kit	
104	3460334	1	Tube	
105	3520071	2	Plug	
106	4420066	AR	Tape, Double Sided	
108	See Note	NSS	Nameplate - Serial Number (Note: Not Available for Purchase)	
109	1001163298	2	Decal - Glazier Capacity	
110	1701509	1	Decal - Manual	
	0272418	Ref	SKYGLAZIER DECAL INSTALLATION	4
201	1705358	2	Decal - SkyGlazier	

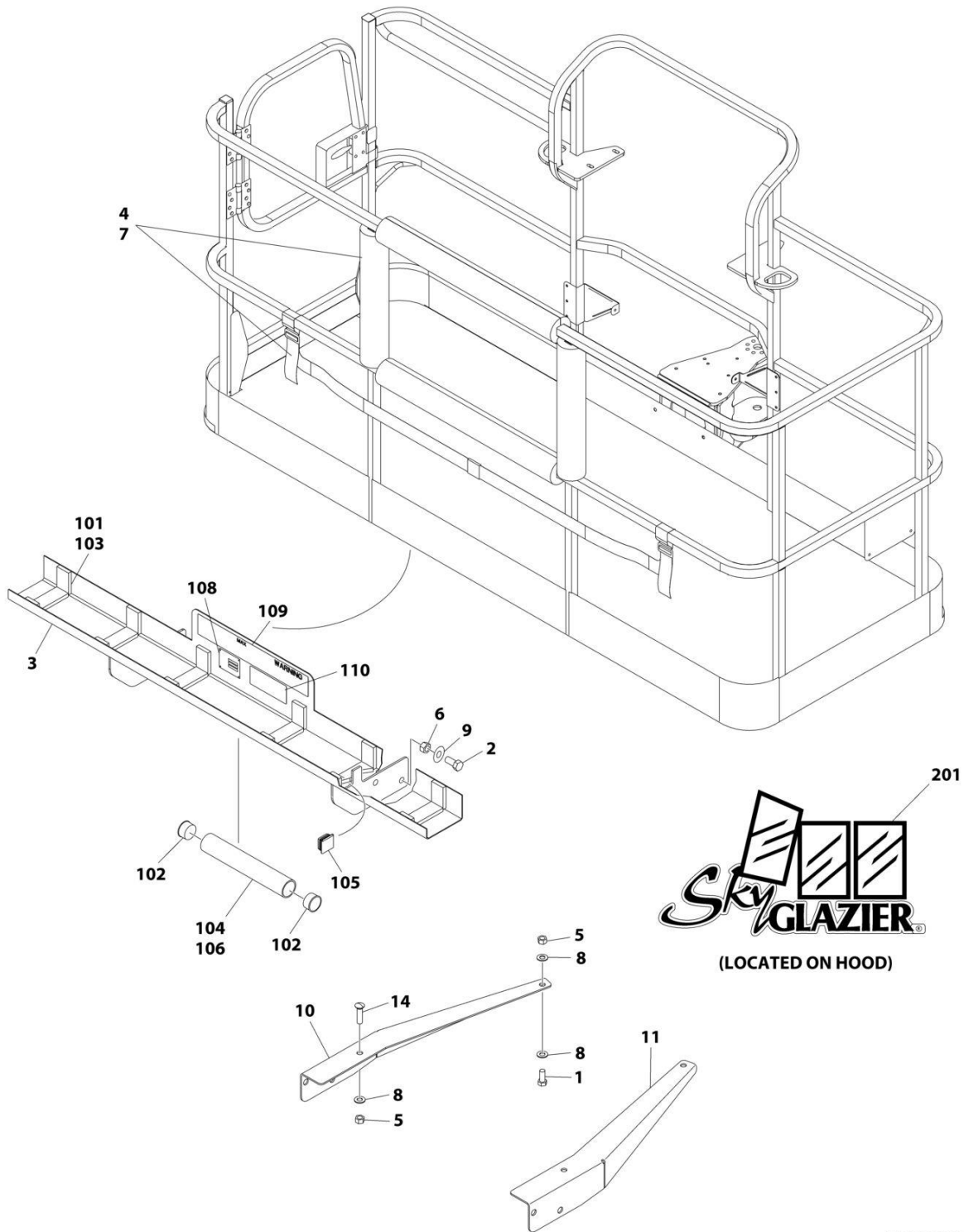
SECTION 5 - PLATFORM

FIGURE 5-34. SKYGLAZIER INSTALLATION (ITALIAN SPECS)

ITEM	PART NUMBER	QTY	DESCRIPTION	REV
	1001225247	Ref	SKYGLAZIER INSTALLATION	A
1	0272952	1	Tray Assembly (See Items 101-110 for Breakdown)	
2	0642012	2	Bolt 5/8 x 1-1/2	
3	0642212	4	Bolt 3/4 x 1-1/2	
4	2902212	1	Bumpers and Strap Kit	
4	0940102	1	Bumper Only	
4	4240149	1	Strap Only	
5	3312005	4	Nut 5/8	
6	3312205	4	Nut 3/4	
7	4420014	AR	Tape	
8	4712000	6	Washer 5/8	
9	4712200	8	Washer 3/4	
10	8310129	2	Bolt 5/8 x 2-1/2	
11	1001099366	1	Support	
12	1001099367	1	Support	
	0272952	Ref	TRAY ASSEMBLY	E
101	0100081	AR	Adhesive	
102	1120555	2	Cap, Tube	
103	3340956	1	Pad Kit	
104	3460334	1	Tube	
105	3520071	2	Plug	
106	4420066	AR	Tape, Double Sided	
108	See Note	NSS	Nameplate - Serial Number (Note: Not Available for Purchase)	
109	1001163287	2	Decal - Glazier Capacity	
110	1701509	1	Decal - Manual	
	0272418	Ref	SKYGLAZIER DECAL INSTALLATION	4
201	1705358	2	Decal - SkyGlazier	

SECTION 5 - PLATFORM

FIGURE 5-35. SKYGLAZIER INSTALLATION (LATIN AMERICAN SPECS)



ART_1001099421

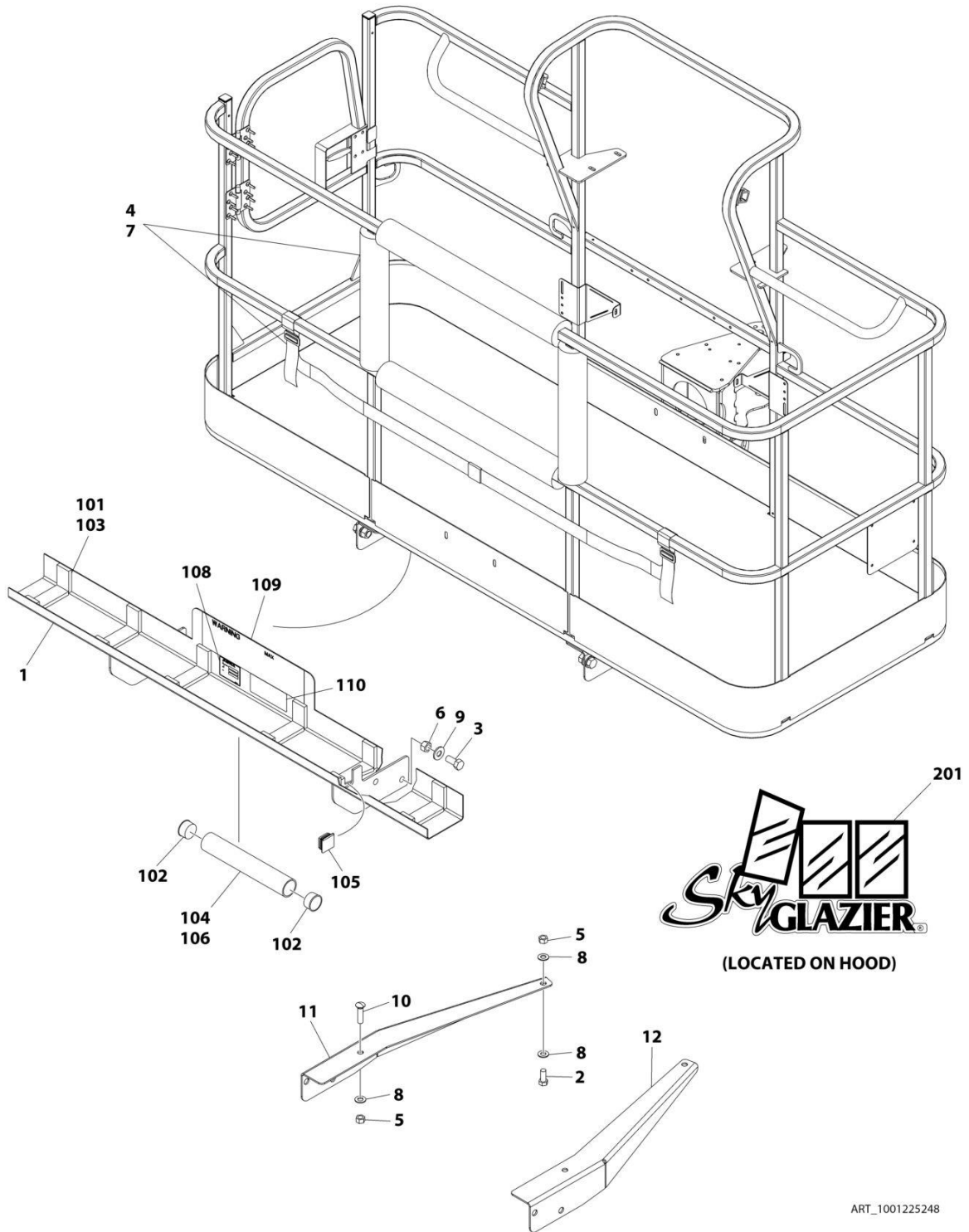
SECTION 5 - PLATFORM

FIGURE 5-35. SKYGLAZIER INSTALLATION (LATIN AMERICAN SPECS)

ITEM	PART NUMBER	QTY	DESCRIPTION	REV
	1001099421	Ref	SKYGLAZIER INSTALLATION	C
1	0642012	2	Bolt 5/8 x 1-1/2	
2	0642212	4	Bolt 3/4 x 1-1/2	
3	0272948	1	Tray Assembly (See Items 101-110 for Breakdown)	
4	2902212	1	Bumpers and Strap Kit	
4	0940102	1	Bumper Only	
4	4240149	1	Strap Only	
5	3312005	4	Nut 5/8	
6	3312205	4	Nut 3/4	
7	4420014	AR	Tape	
8	4712000	6	Washer 5/8	
9	4712200	8	Washer 3/4	
10	1001099366	1	Support	
11	1001099367	1	Support	
14	8310129	2	Bolt 3/4 x 2-1/2	
	0272948	Ref	TRAY ASSEMBLY	F
101	0100081	AR	Adhesive	
102	1120555	2	Cap, Tube	
103	3340956	1	Pad Kit	
104	3460334	1	Tube	
105	3520071	2	Plug	
106	4420066	AR	Tape, Double Sided	
108	See Note	NSS	Nameplate - Serial Number (Note: Not Available for Purchase)	
109	1001163296	2	Decal - Glazier Capacity	
110	1701509	1	Decal - Manual	
	0272418	Ref	SKYGLAZIER DECAL INSTALLATION	4
201	1705358	2	Decal - SkyGlazier	

SECTION 5 - PLATFORM

FIGURE 5-36. SKYGLAZIER INSTALLATION (PORTUGUESE SPECS)



ART_1001225248

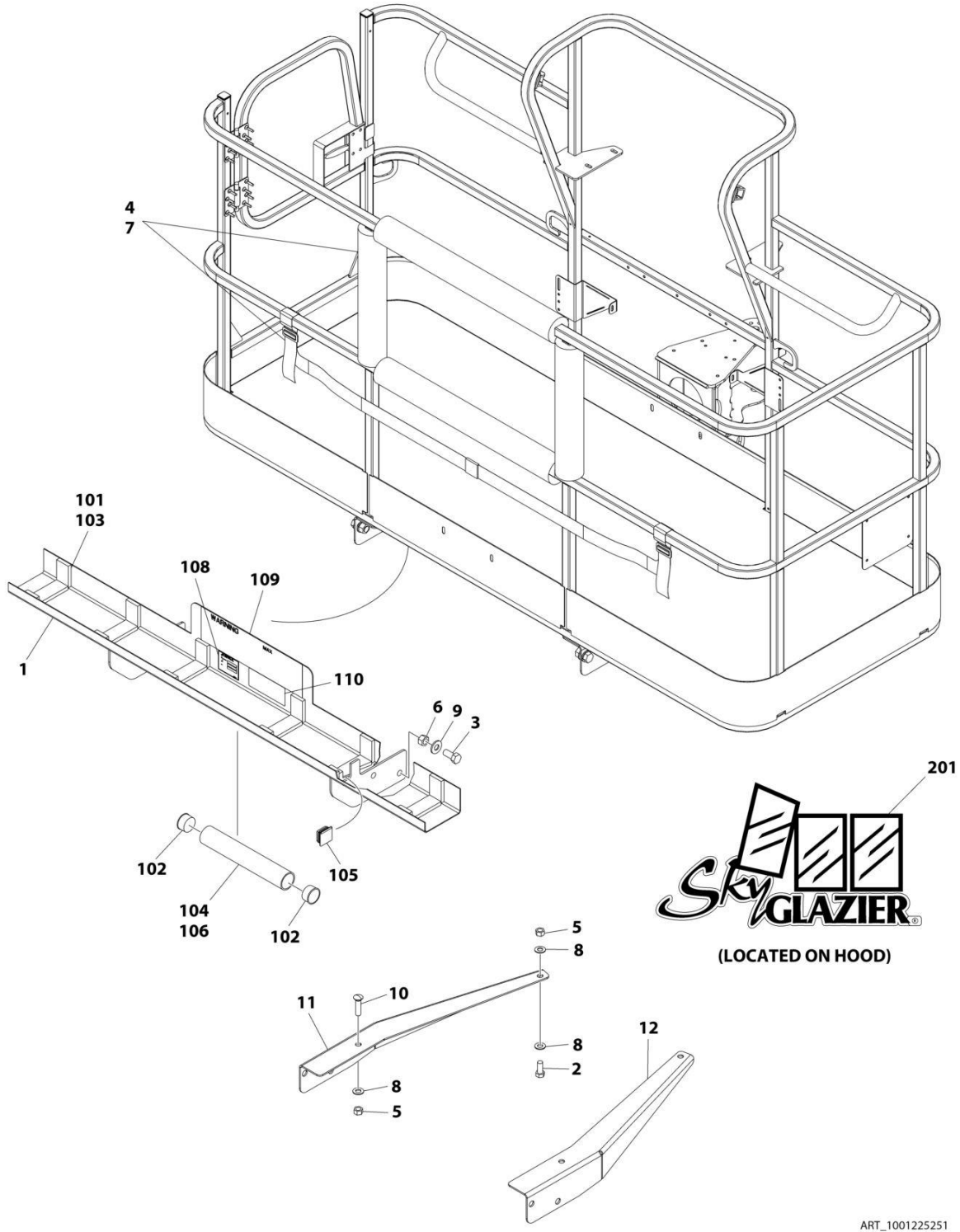
SECTION 5 - PLATFORM

FIGURE 5-36. SKYGLAZIER INSTALLATION (PORTUGUESE SPECS)

ITEM	PART NUMBER	QTY	DESCRIPTION	REV
	1001225248	Ref	SKYGLAZIER INSTALLATION	A
1	0273406	1	Tray Assembly (See Items 101-110 for Breakdown)	
2	0642012	2	Bolt 5/8 x 1-1/2	
3	0642212	4	Bolt 3/4 x 1-1/2	
4	2902212	1	Bumpers and Strap Kit	
4	0940102	1	Bumper Only	
4	4240149	1	Strap Only	
5	3312005	4	Nut 5/8	
6	3312205	4	Nut 3/4	
7	4420014	AR	Tape	
8	4712000	6	Washer 5/8	
9	4712200	8	Washer 3/4	
10	8310129	2	Bolt 5/8 x 2-1/2	
11	1001099366	1	Support	
12	1001099367	1	Support	
	0273406	Ref	TRAY ASSEMBLY	E
101	0100081	AR	Adhesive	
102	1120555	2	Cap, Tube	
103	3340956	1	Pad Kit	
104	3460334	1	Tube	
105	3520071	2	Plug	
106	4420066	AR	Tape, Double Sided	
108	See Note	NSS	Nameplate - Serial Number (Note: Not Available for Purchase)	
109	1001163289	2	Decal - Glazier Capacity	
110	1701509	1	Decal - Manual	
	0272418	Ref	SKYGLAZIER DECAL INSTALLATION	4
201	1705358	2	Decal - SkyGlazier	

SECTION 5 - PLATFORM

FIGURE 5-37. SKYGLAZIER INSTALLATION (SPANISH SPECS)



ART_1001225251

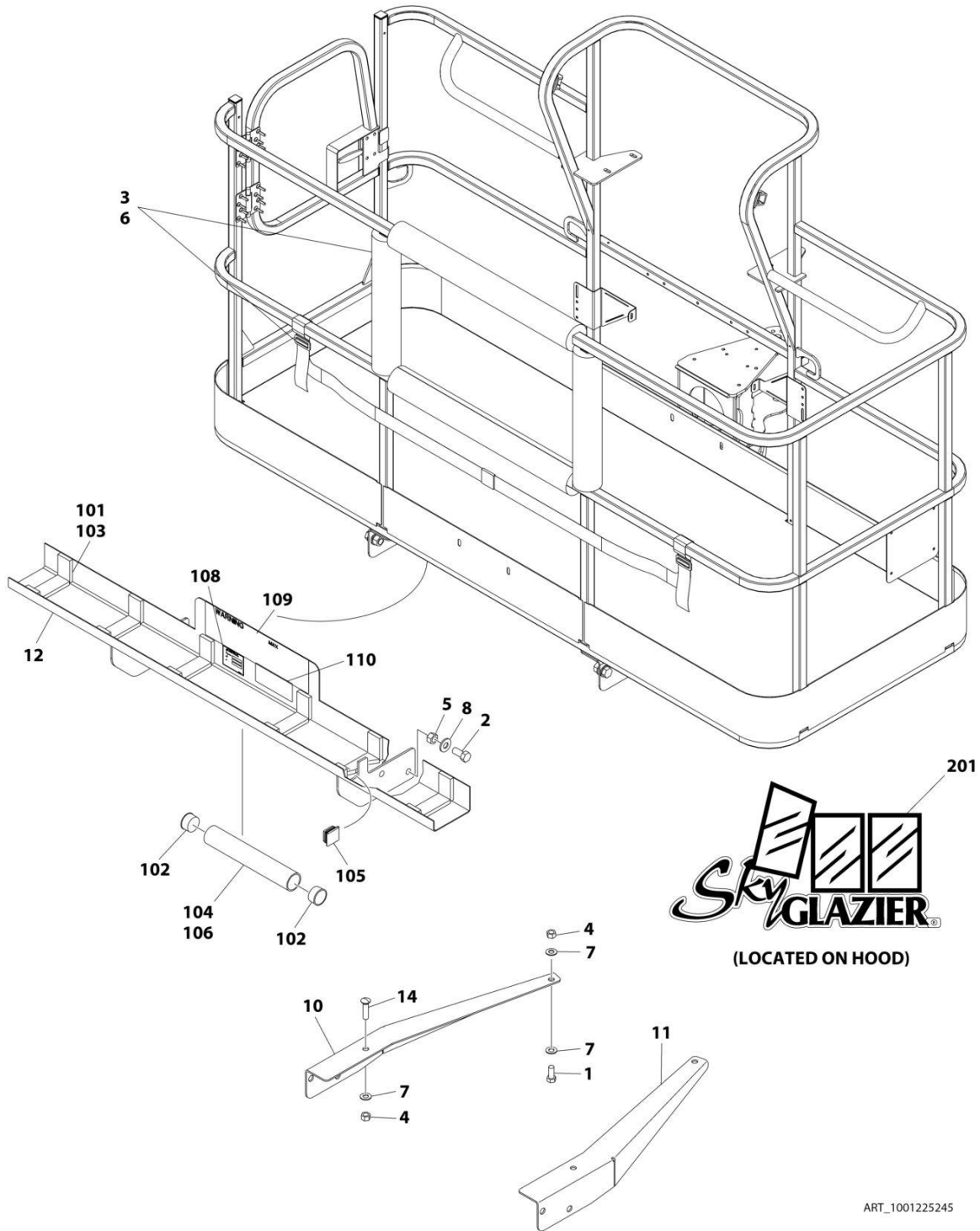
SECTION 5 - PLATFORM

FIGURE 5-37. SKYGLAZIER INSTALLATION (SPANISH SPECS)

ITEM	PART NUMBER	QTY	DESCRIPTION	REV
	1001225251	Ref	SKYGLAZIER INSTALLATION	A
1	0273405	1	Tray Assembly (See Items 101-110 for Breakdown)	
2	0642012	2	Bolt 5/8 x 1-1/2	
3	0642212	4	Bolt 3/4 x 1-1/2	
4	2902212	1	Bumpers and Strap Kit	
4	0940102	1	Bumper Only	
4	4240149	1	Strap Only	
5	3312005	4	Nut 5/8	
6	3312205	4	Nut 3/4	
7	4420014	AR	Tape	
8	4712000	6	Washer 5/8	
9	4712200	8	Washer 3/4	
10	8310129	2	Bolt 5/8 x 2-1/2	
11	1001099366	1	Support	
12	1001099367	1	Support	
	0273405	Ref	TRAY ASSEMBLY	E
101	0100081	AR	Adhesive	
102	1120555	2	Cap, Tube	
103	3340956	1	Pad Kit	
104	3460334	1	Tube	
105	3520071	2	Plug	
106	4420066	AR	Tape, Double Sided	
108	See Note	NSS	Nameplate - Serial Number (Note: Not Available for Purchase)	
109	1001163288	2	Decal - Glazier Capacity	
110	1701509	1	Decal - Manual	
	0272418	Ref	SKYGLAZIER DECAL INSTALLATION	4
201	1705358	2	Decal - SkyGlazier	

SECTION 5 - PLATFORM

FIGURE 5-38. SKYGLAZIER INSTALLATION (SWEDISH SPECS)



ART_1001225245

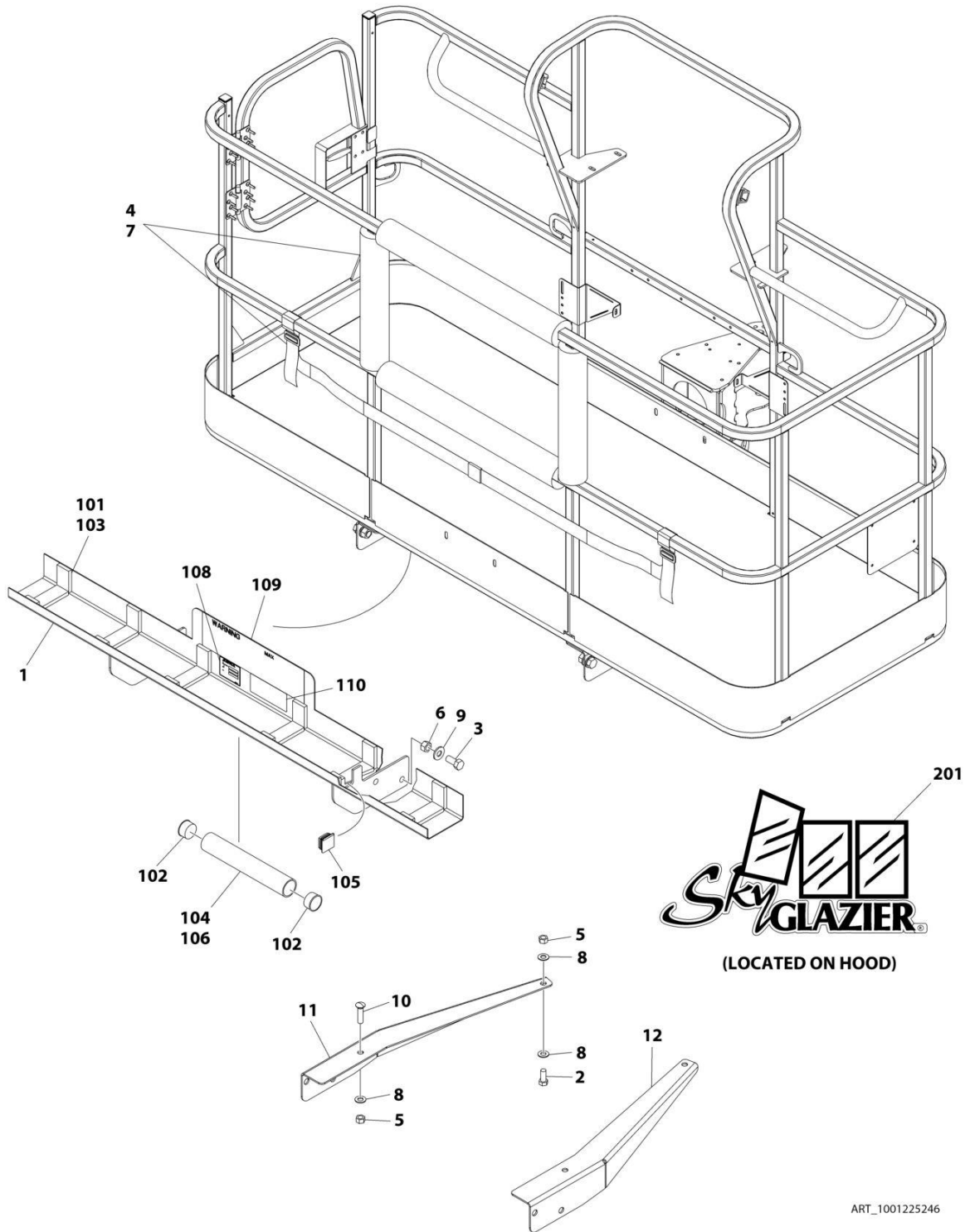
SECTION 5 - PLATFORM

FIGURE 5-38. SKYGLAZIER INSTALLATION (SWEDISH SPECS)

ITEM	PART NUMBER	QTY	DESCRIPTION	REV
	1001225245	Ref	SKYGLAZIER INSTALLATION	B
1	0642012	2	Bolt 5/8 x 1-1/2	
2	0642212	4	Bolt 3/4 x 1-1/2	
3	2902212	1	Bumpers and Strap Kit	
3	0940102	1	Bumper Only	
3	4240149	1	Strap Only	
4	3312005	4	Nut 5/8	
5	3312205	4	Nut 3/4	
6	4420014	AR	Tape	
7	4712000	6	Washer 5/8	
8	4712200	8	Washer 3/4	
9	8310129	2	Bolt 5/8 x 2-1/2	
10	1001099366	1	Support	
11	1001099367	1	Support	
12	1001115603	1	Tray Assembly (See Items 101-110 for Breakdown)	
	1001115603	Ref	TRAY ASSEMBLY	D
101	0100081	AR	Adhesive	
102	1120555	2	Cap, Tube	
103	3340956	1	Pad Kit	
104	3460334	1	Tube	
105	3520071	2	Plug	
106	4420066	AR	Tape, Double Sided	
108	See Note	NSS	Nameplate - Serial Number (Note: Not Available for Purchase)	
109	1001163292	2	Decal - Glazier Capacity	
110	1701509	1	Decal - Manual	
	0272418	Ref	SKYGLAZIER DECAL INSTALLATION	4
201	1705358	2	Decal - SkyGlazier	

SECTION 5 - PLATFORM

FIGURE 5-39. SKYGLAZIER INSTALLATION (UK SPECS)



ART_1001225246

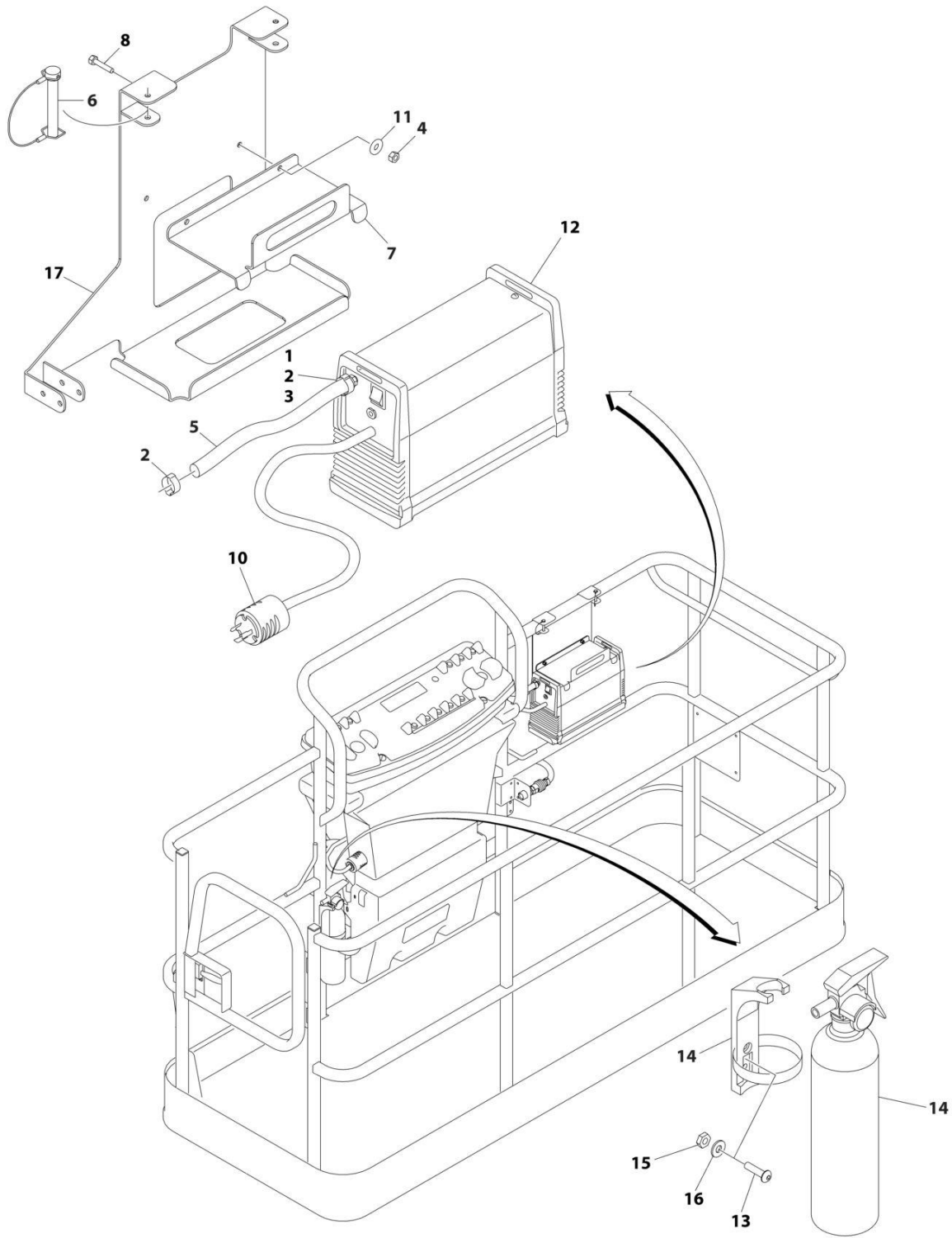
SECTION 5 - PLATFORM

FIGURE 5-39. SKYGLAZIER INSTALLATION (UK SPECS)

ITEM	PART NUMBER	QTY	DESCRIPTION	REV
	1001225246	Ref	SKYGLAZIER INSTALLATION	A
1	0273404	1	Tray Assembly (See Items 101-110 for Breakdown)	
2	0642012	2	Bolt 5/8 x 1-1/2	
3	0642212	4	Bolt 3/4 x 1-1/2	
4	2902212	1	Bumpers and Strap Kit	
4	0940102	1	Bumper Only	
4	4240149	1	Strap Only	
5	3312005	4	Nut 3/4	
6	3312205	4	Nut 3/4	
7	4420014	AR	Tape	
8	4712000	6	Washer 5/8	
9	4712200	8	Washer 3/4	
10	8310129	2	Bolt 5/8 x 2-1/2	
11	1001099366	1	Support	
12	1001099367	1	Support	
	0273404	Ref	TRAY ASSEMBLY	F
101	0100081	AR	Adhesive	
102	1120555	2	Cap, Tube	
103	3340956	1	Pad Kit	
104	3460334	1	Tube	
105	3520071	2	Plug	
106	4420066	AR	Tape, Double Sided	
108	See Note	NSS	Nameplate - Serial Number (Note: Not Available for Purchase)	
109	1001163295	2	Decal - Glazier Capacity	
110	1701509	1	Decal - Manual	
	0272418	Ref	SKYGLAZIER DECAL INSTALLATION	4
201	1705358	2	Decal - SkyGlazier	

SECTION 5 - PLATFORM

FIGURE 5-40. SKYCUTTER INSTALLATION



ART_1001098149_D

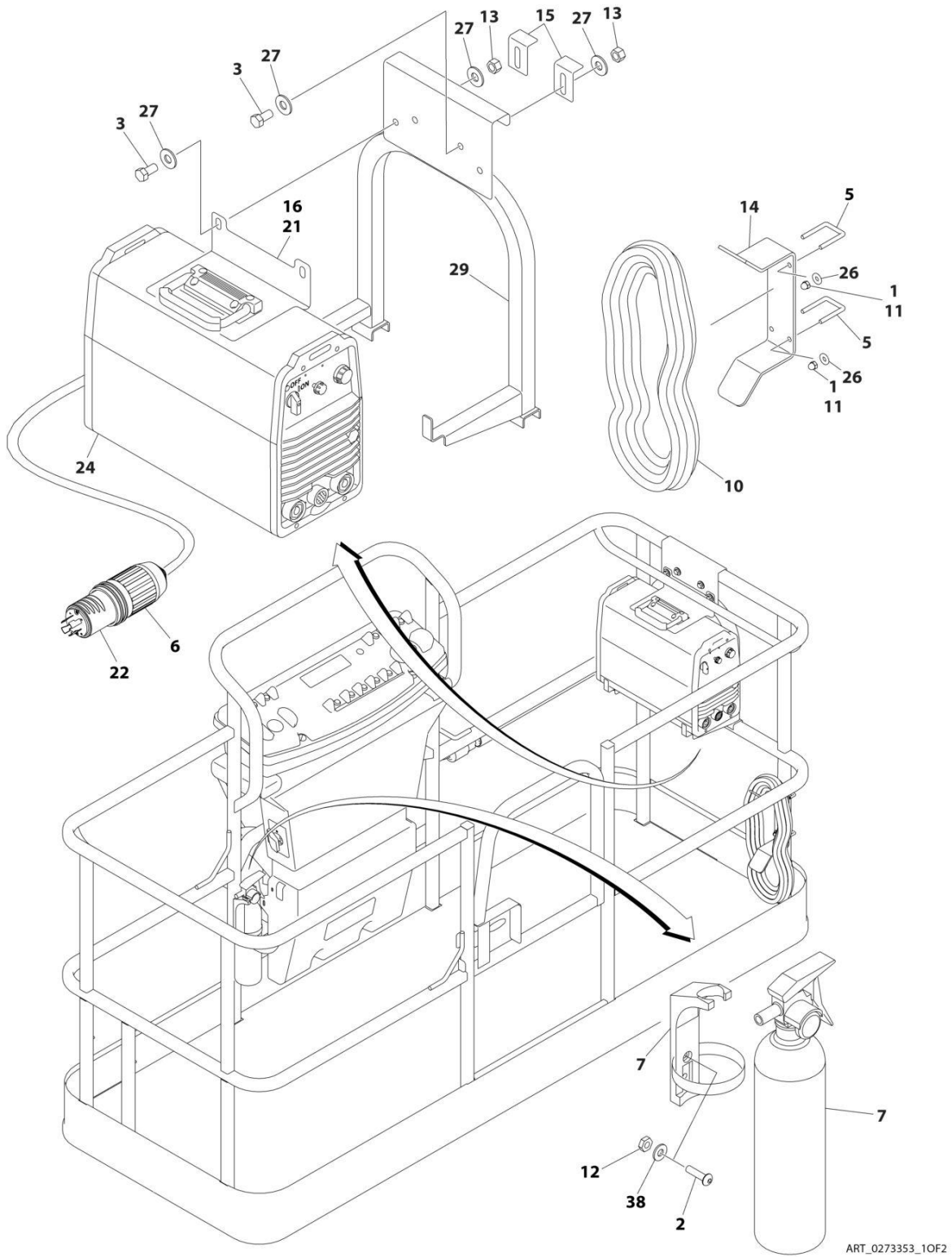
SECTION 5 - PLATFORM

FIGURE 5-40. SKYCUTTER INSTALLATION

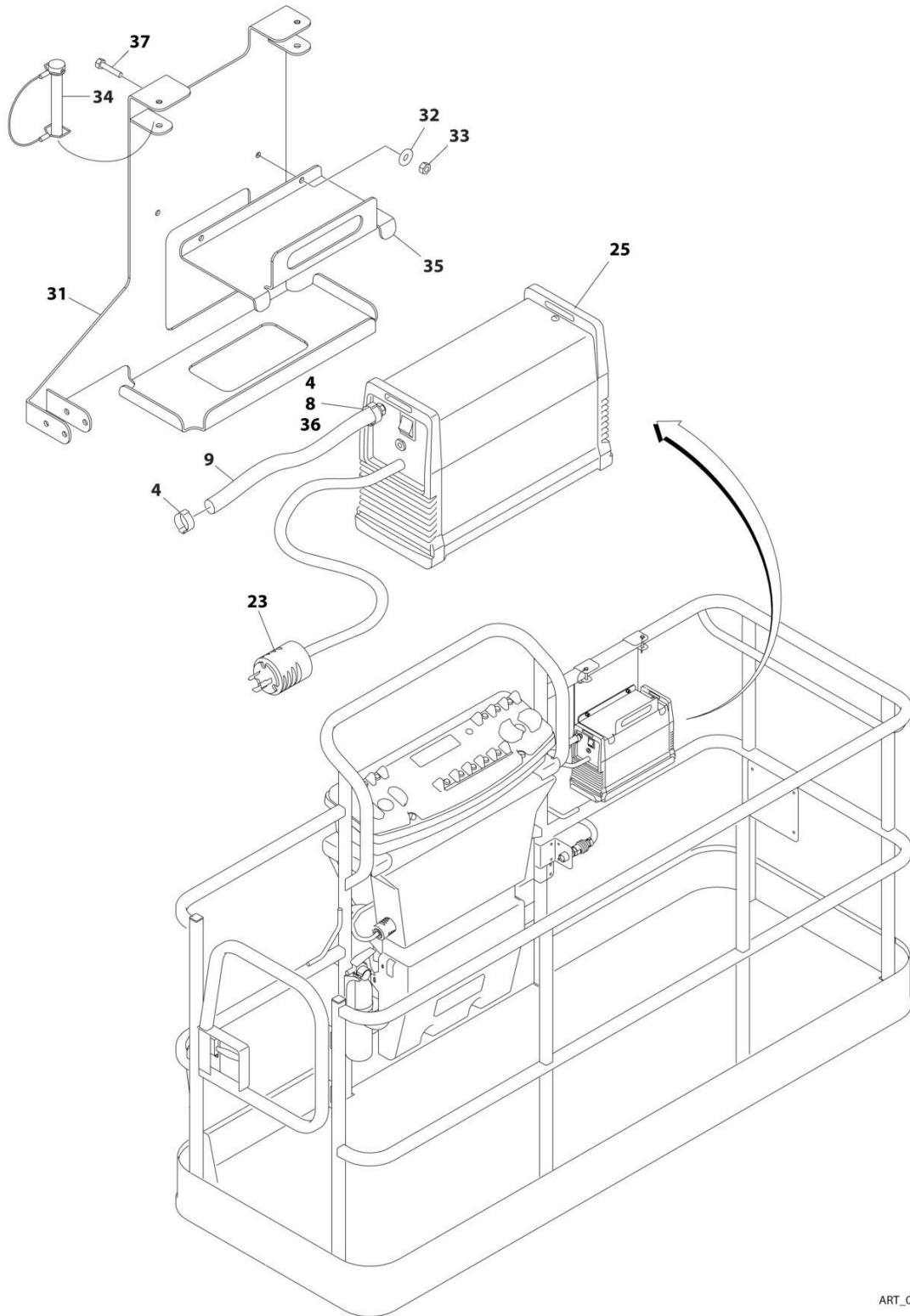
ITEM	PART NUMBER	QTY	DESCRIPTION	REV
	1001098149	Ref	SKYCUTTER INSTALLATION	D
		Ref	Note: When replacing platform on machines with SkyCutter option, new bracket p/n 1001145405 must be purchased to accommodate SkyCutter components.	
1	0100020	AR	Sealant	
2	1320177	2	Clamp, Hose	
3	2180832	1	Fitting, NPT/Barbed	
4	3290605	2	Nut M6	
5	2720160	3 ft /.9m	Hose	
6	3421453	3	Pin	
7	3576799	1	Plate, Hold-Down	
8	4010608	2	Screw M6 x 16	
10	4460971	1	Plug, Twistlock	
11	4811700	2	Washer M6	
12	1001098012	1	Plasma Cutter Assembly (See Separate Breakdown in this Section)	
13	0630518	2	Screw #10 x 3/4	
14	2030010	1	Extinguisher, Fire	
15	3311005	2	Nut #10	
16	4751000	2	Washer #10	
17	1001145405	1	Support	

SECTION 5 - PLATFORM

FIGURE 5-41. SKYWELDER/SKYCUTTER COMBO INSTALLATION (60HZ)



SECTION 5 - PLATFORM



ART_0273353_20F2

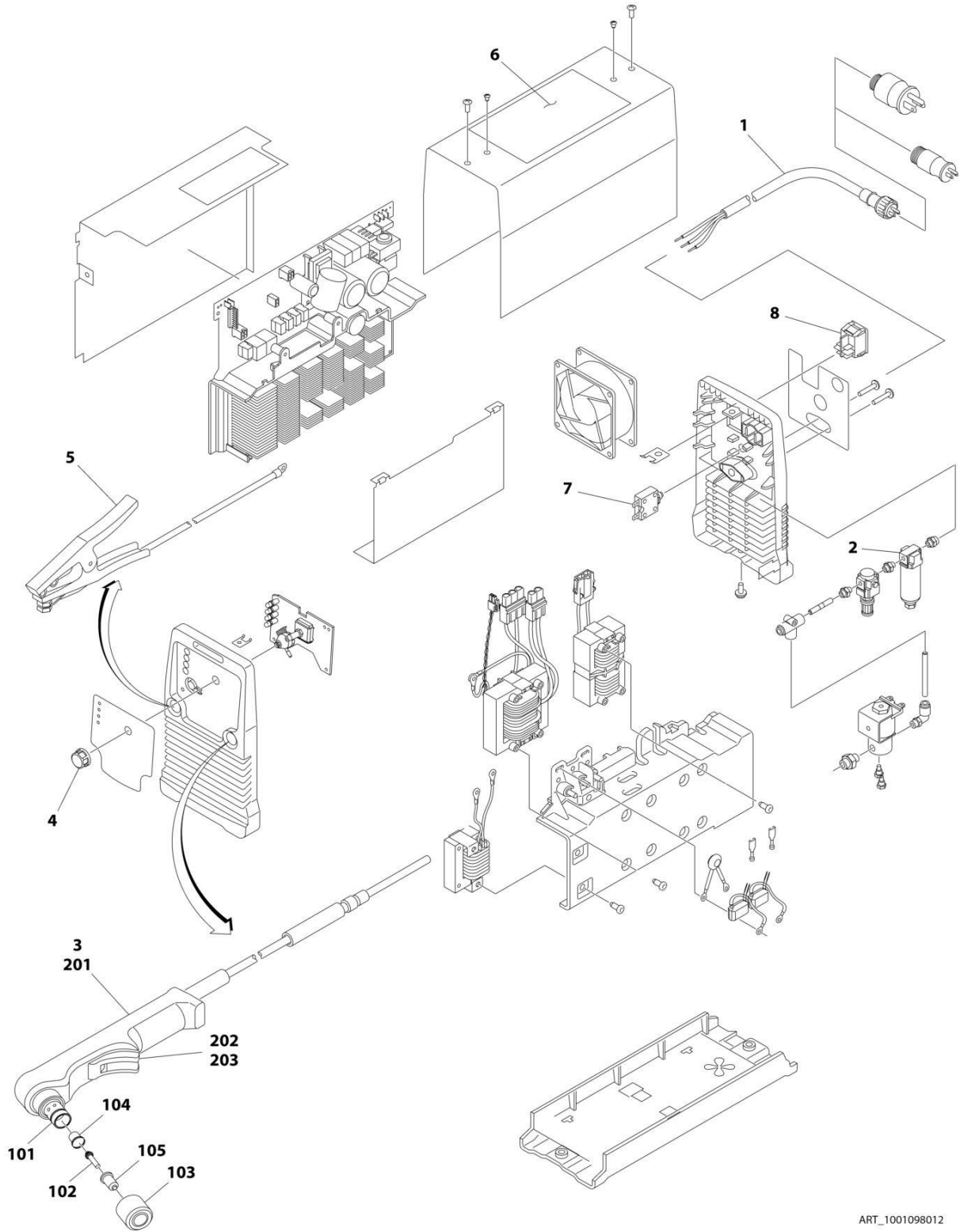
SECTION 5 - PLATFORM

FIGURE 5-41. SKYWELDER/SKYCUTTER COMBO INSTALLATION (60HZ)

ITEM	PART NUMBER	QTY	DESCRIPTION	REV
	0273353	Ref	SKYWELDER/SKYCUTTER COMBO INSTALLATION (60HZ)	G
1	0100011	AR	Compound, Locking	
2	0630518	2	Screw #10 x 3/4	
3	0641606	4	Bolt 3/8 x 3/4	
4	1320177	2	Clamp	
5	1320302	2	Clamp	
6	1671093	1	Cover, Plug	
7	2030010	1	Extinguisher, Fire	
8	2180832	1	Fitting, Barbed/NPT	
9	2720160	4.5 ft /1.37m	Hose	
10	2902217	1	Weld Leads Kit	
11	3300151	4	Nut 1/4	
12	3311005	2	Nut #10	
13	3311605	4	Nut 3/8	
14	3573400	1	Bracket	
15	3577121	2	Angle	
16	3573642	1	Plate	
20	4240099	AR	Tie-Strap (Not Shown)	
21	4420037	2.36 ft /.71m	Tape	
22	4460962	1	Plug, Twist Lock	
23	4460971	1	Plug, Twist Lock	
24	4530028	1	Welder Assembly (See Separate Breakdown in this section)	
25	1001098012	1	Plasma Cutter Assembly (See Separate Breakdown in this Section)	
26	4751400	4	Washer 1/4	
27	4751600	8	Washer 3/8	
29	4846627	1	Support	
31	1001145405	1	Bracket	
32	4811700	2	Washer M6	
33	3290605	2	Nut M6	
34	3421453	3	Pin	
35	3576799	1	Plate, Hold-Down	
36	0100020	1	Sealant	
37	4010608	2	Screw M6 x 16	
38	4751000	2	Washer #10	

SECTION 5 - PLATFORM

FIGURE 5-42. PLASMA CUTTER ASSEMBLY



ART_1001098012

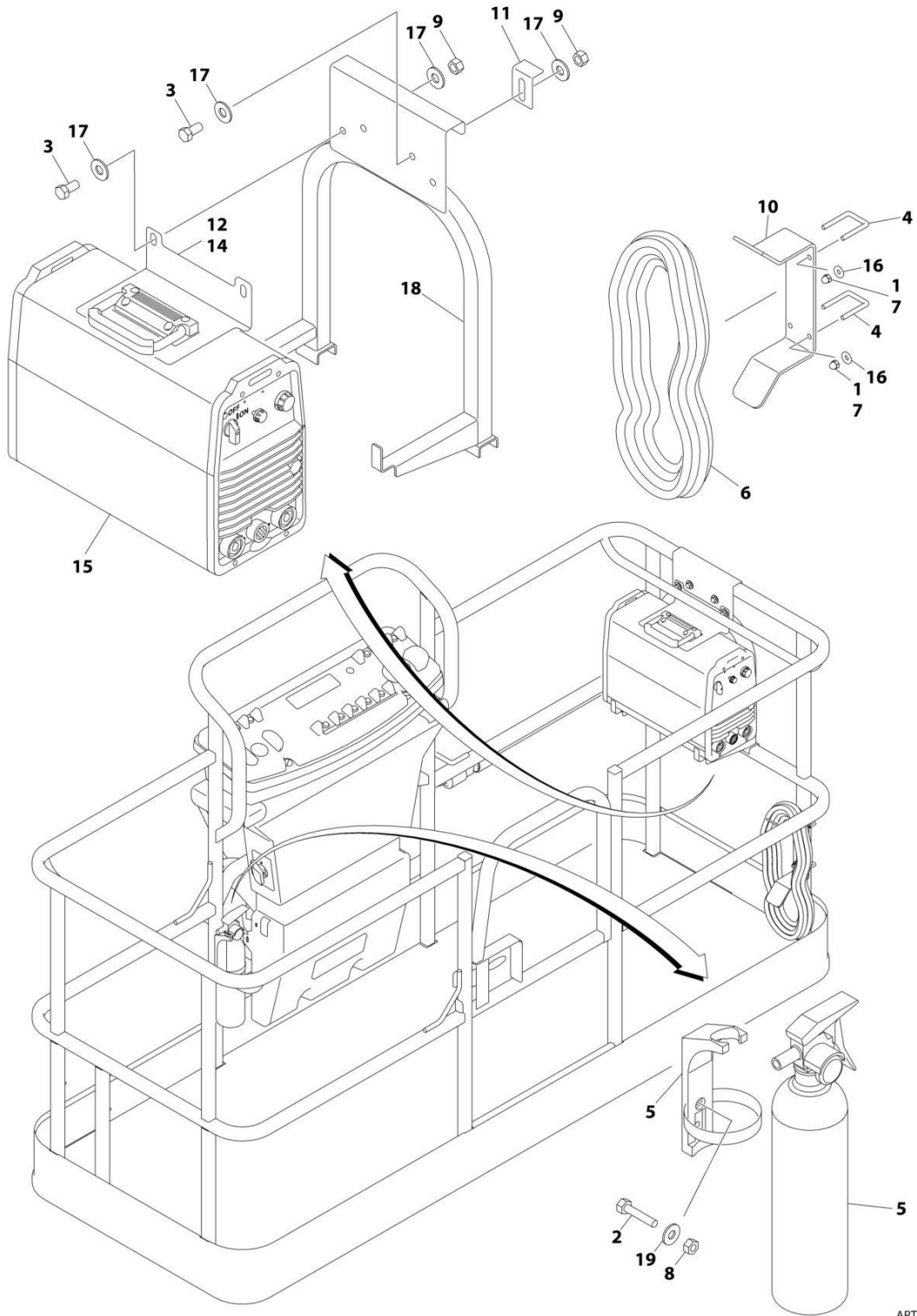
SECTION 5 - PLATFORM

FIGURE 5-42. PLASMA CUTTER ASSEMBLY

ITEM	PART NUMBER	QTY	DESCRIPTION	REV
	1001098012	Ref	PLASMA CUTTER ASSEMBLY	A
		Ref	Note: For Other Components, contact your Miller Welder Dealer.	
1	70001424	1	Cable, Power	
1	70001425	1	Decal - Voltage Warning	
2	70001427	1	Filter, Regulator	
3	70001428	1	Torch Assembly (See Items 101-203 for Breakdown)	
4	7024471	1	Knob	
5	70001429	1	Clamp with Cable	
6	70001430	1	Decal - Caution	
7	70001431	1	Breaker, Circuit	
8	70001432	1	Switch, Rocker	
	70001428	Ref	TORCH ASSEMBLY	
101	7024530	1	O-Ring	
102	7024531	1	Electrode	
103	7024532	1	Cup, Retaining	
104	7024533	1	Swirl Ring	
105	7024534	1	Tip	
201	7024535	1	Handle, Torch	
202	7024536	1	Switch	
203	7024537	1	Trigger	

SECTION 5 - PLATFORM

FIGURE 5-43. SKYWELDER INSTALLATION (50HZ)



ART_0272521_F

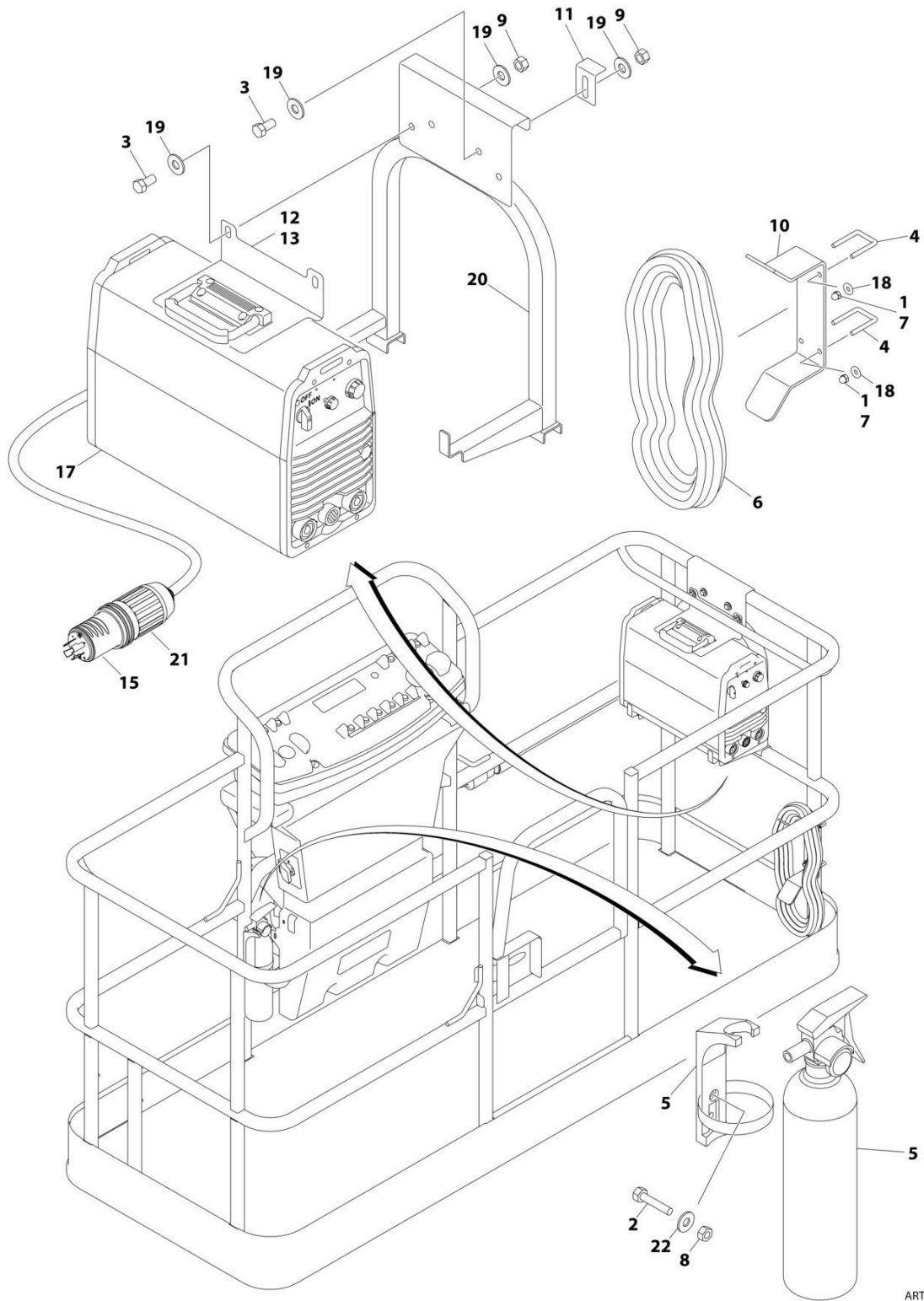
SECTION 5 - PLATFORM

FIGURE 5-43. SKYWELDER INSTALLATION (50HZ)

ITEM	PART NUMBER	QTY	DESCRIPTION	REV
	0272521	Ref	SKYWELDER INSTALLATION	F
1	0100011	AR	Compound, Locking	
2	0630518	2	Screw #10 x 3/4	
3	0641606	4	Bolt 3/8 x 3/4	
4	1320302	2	U-Clamp	
5	2030010	1	Extinguisher, Fire	
6	2902217	1	Weld Leads Kit	
7	3300151	4	Nut 1/4	
8	3311005	2	Nut #10	
9	3311605	4	Nut 3/8	
10	3573400	1	Bracket	
11	3577121	2	Angle	
12	3573642	1	Plate	
13	4240099	AR	Tie-Strap (Not Shown)	
14	4420037	AR	Tape	
15	4530028	1	Welder Assembly (See Separate Breakdown in this Section)	
16	4751400	4	Washer 1/4	
17	4751600	8	Washer 3/8	
18	4846627	1	Support	
19	4751000	2	Washer #10	

SECTION 5 - PLATFORM

FIGURE 5-44. SKYWELDER INSTALLATION (60HZ)



ART_0272254_I

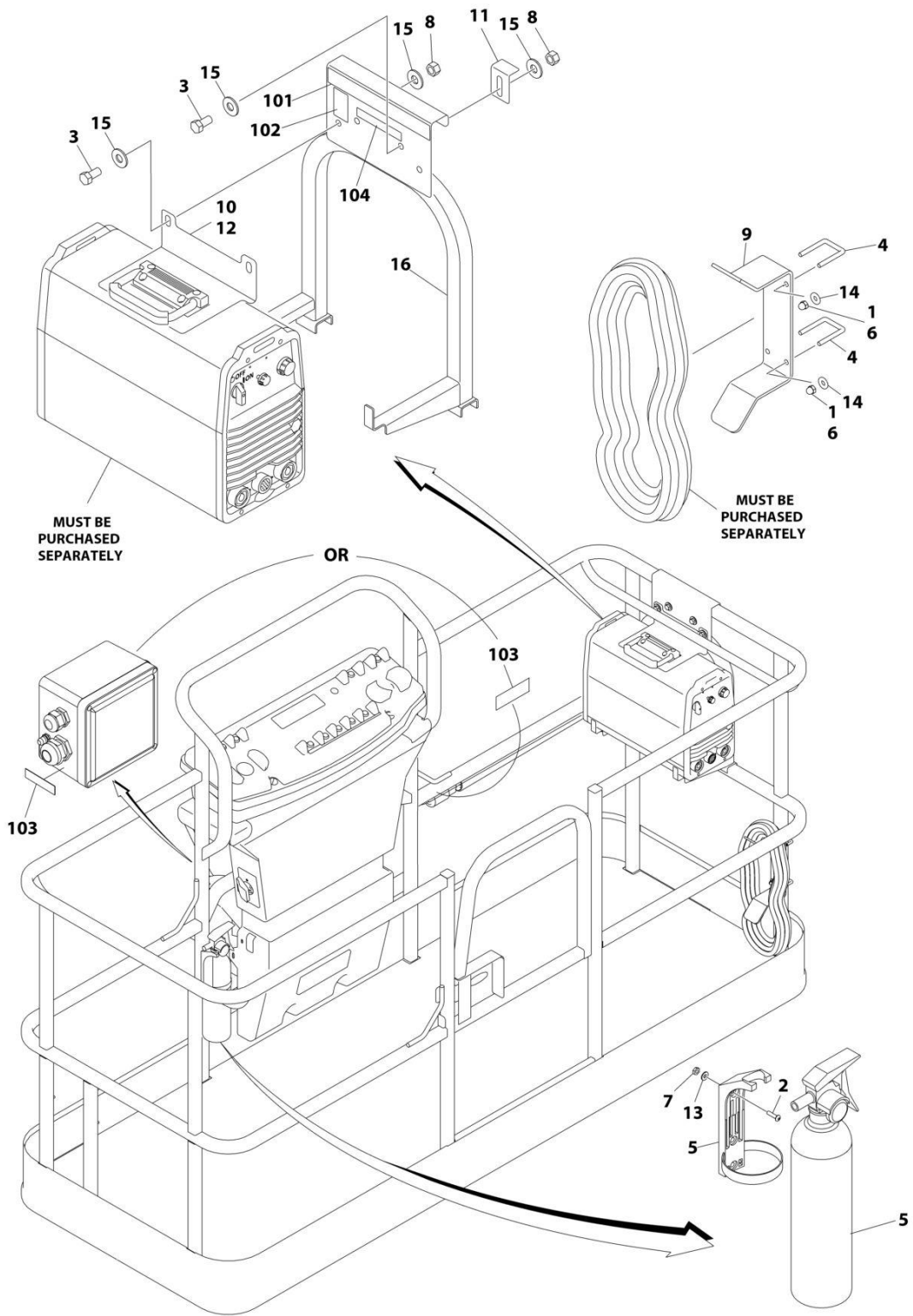
SECTION 5 - PLATFORM

FIGURE 5-44. SKYWELDER INSTALLATION (60HZ)

ITEM	PART NUMBER	QTY	DESCRIPTION	REV
	0272254	Ref	SKYWELDER INSTALLATION	1
1	0100011	AR	Compound, Locking	
2	0630518	2	Screw #10 x 3/4	
3	0641606	4	Bolt 3/8 x 3/4	
4	1320302	2	U-Clamp	
5	2030010	1	Extinguisher, Fire	
6	2902217	1	Weld Leads Kit	
7	3300151	4	Nut 1/4	
8	3311005	2	Nut #10	
9	3311605	4	Nut 3/8	
10	3573400	1	Bracket	
11	3577121	2	Angle	
12	3573642	1	Plate	
13	4420037	AR	Tape	
14	4240099	AR	Tie-Strap (Not Shown)	
15	4460962	1	Plug, Male Twistlock	
17	4530028	1	Welder Assembly (See Separate Breakdown in this Section)	
18	4751400	4	Washer 1/4	
19	4751600	8	Washer 3/8	
20	4846627	1	Support	
21	1671093	1	Cover, Plug	
22	4751000	2	Washer #10	

SECTION 5 - PLATFORM

FIGURE 5-45. SKYWELDER PREP PACKAGE (60HZ)



ART_1001128527_B

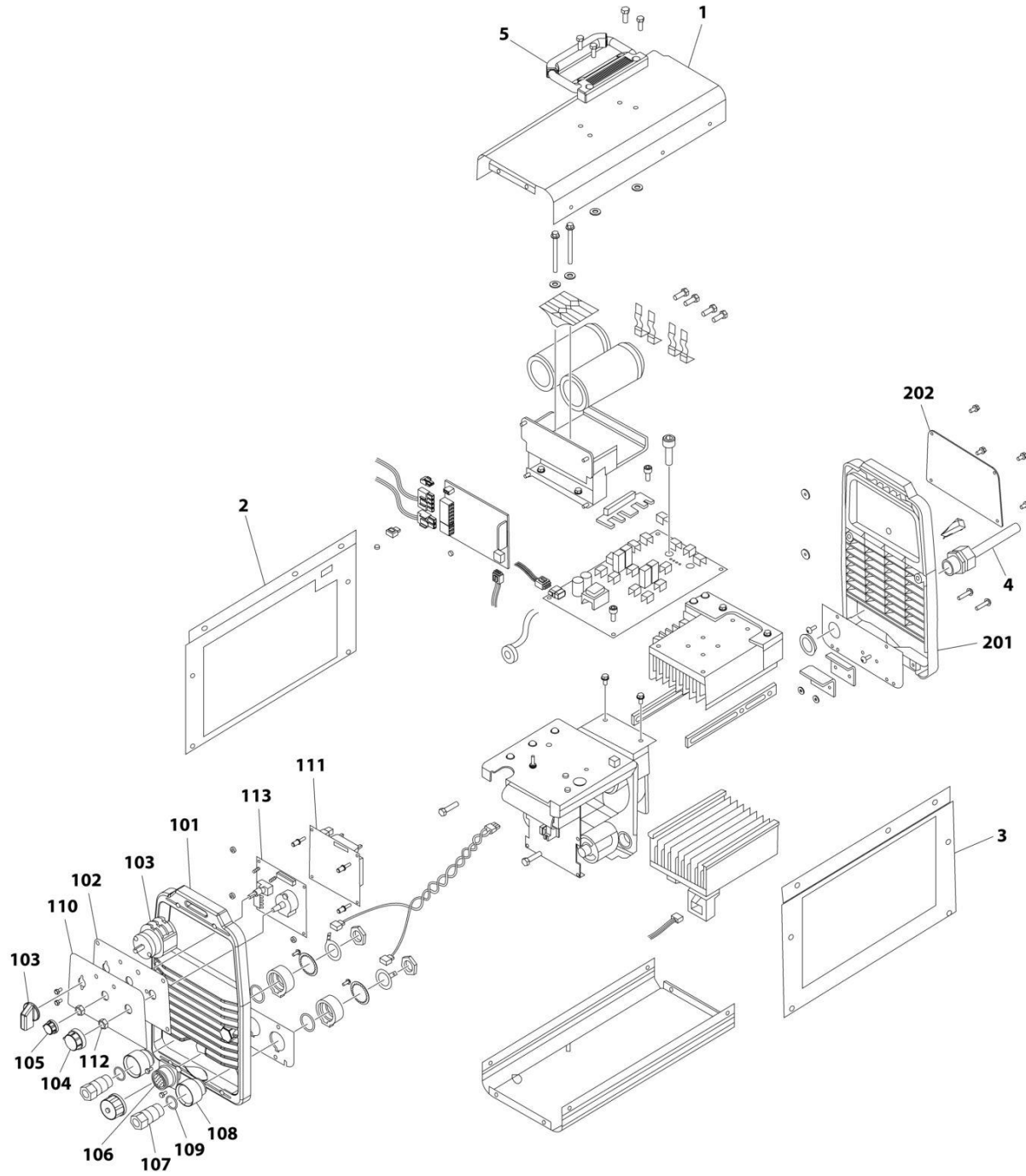
SECTION 5 - PLATFORM

FIGURE 5-45. SKYWELDER PREP PACKAGE (60HZ)

ITEM	PART NUMBER	QTY	DESCRIPTION	REV
	1001128527	Ref	SKYWELDER PREP PACKAGE	B
1	0100011	AR	Compound, Locking	
2	0630518	2	Screw #10 x 3/4	
3	0641606	4	Bolt 3/8 x 3/4	
4	1320302	2	U-Clamp	
5	2030010	1	Extinguisher, Fire	
6	3300151	4	Nut 1/4	
7	3311005	2	Nut #10	
8	3311605	4	Nut 3/8	
9	3573400	1	Bracket	
10	3573642	1	Plate	
11	3577121	2	Angle	
12	4420037	AR	Tape	
13	4751000	2	Washer #10	
14	4751400	4	Washer 1/4	
15	4751600	8	Washer 3/8	
16	4846627	1	Support	
	1001128556	Ref	SKYWELDER DECAL INSTALLATION	C
101	1702868	1	Decal - No Hands	
102	1705305	1	Decal - Weld Lead	
103	1705375	1	Decal - 240V - 3 Phase - 60Hz	
104	1001228988	1	Decal - Weight	

SECTION 5 - PLATFORM

FIGURE 5-46. WELDER ASSEMBLY



ART_4530028

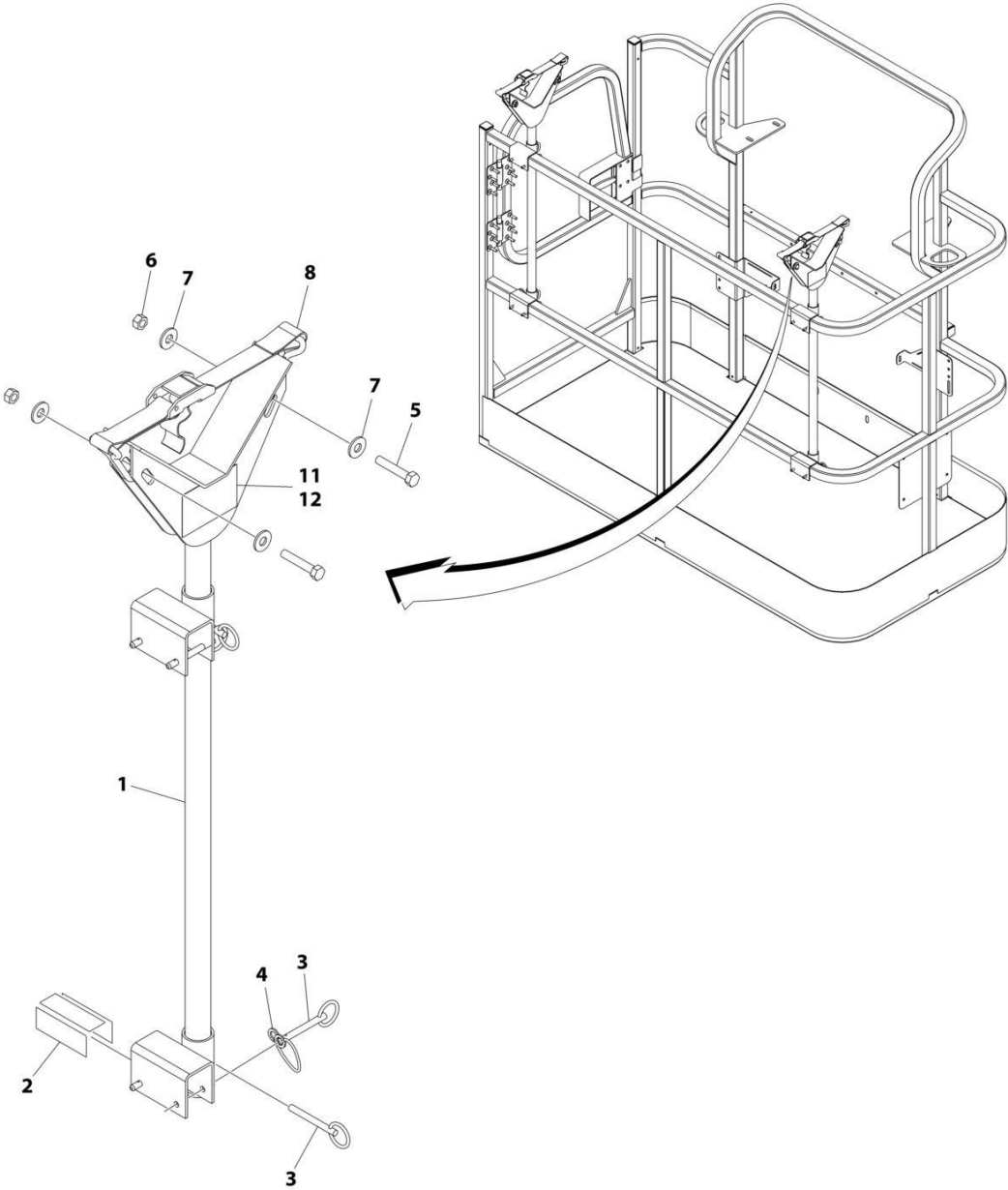
SECTION 5 - PLATFORM

FIGURE 5-46. WELDER ASSEMBLY

ITEM	PART NUMBER	QTY	DESCRIPTION	REV
	4530028	Ref	WELDER ASSEMBLY	B
		Ref	Note: For Other Components, contact your Miller Welder Dealer.	
1	7027773	1	Cover, Top	
1	7027774	1	Decal - Static Precautionary Warning	
2	See Note	NSS	Panel, LH Side (Note: Part of Item 1. Purchase Item 1)	
3	See Note	NSS	Panel, RH Side (Note: Part of Item 1. Purchase Item 1)	
4	7024467	1	Cable, Power	
4	7027775	1	Decal - Electrical Shock Warning (Not Shown)	
5	7027776	1	Handle, Carrying	
101	7024462	1	Panel, Front	
102	7024463	1	Panel, Console	
103	7024469	1	Switch with Lead	
104	7024470	1	Knob	
105	7024471	1	Knob	
106	7024472	1	Receptacle with Leads and Plugs	
107	7024473	2	Receptacle, Twistlock Female	
108	7024474	2	Insulator	
109	7024475	2	O-Ring	
110	7027777	1	Nameplate	
111	7027779	1	Circuit Card Assembly (Process Control)	
112	7024478	2	Nut	
113	7027778	1	Circuit Card Assembly (Operator Interface)	
201	7024462	1	Panel, Rear	
202	7027780	1	Panel, Cover	

SECTION 5 - PLATFORM

FIGURE 5-47. PIPE RACK INSTALLATION (ANSI SPEC)



ART_0257728_E

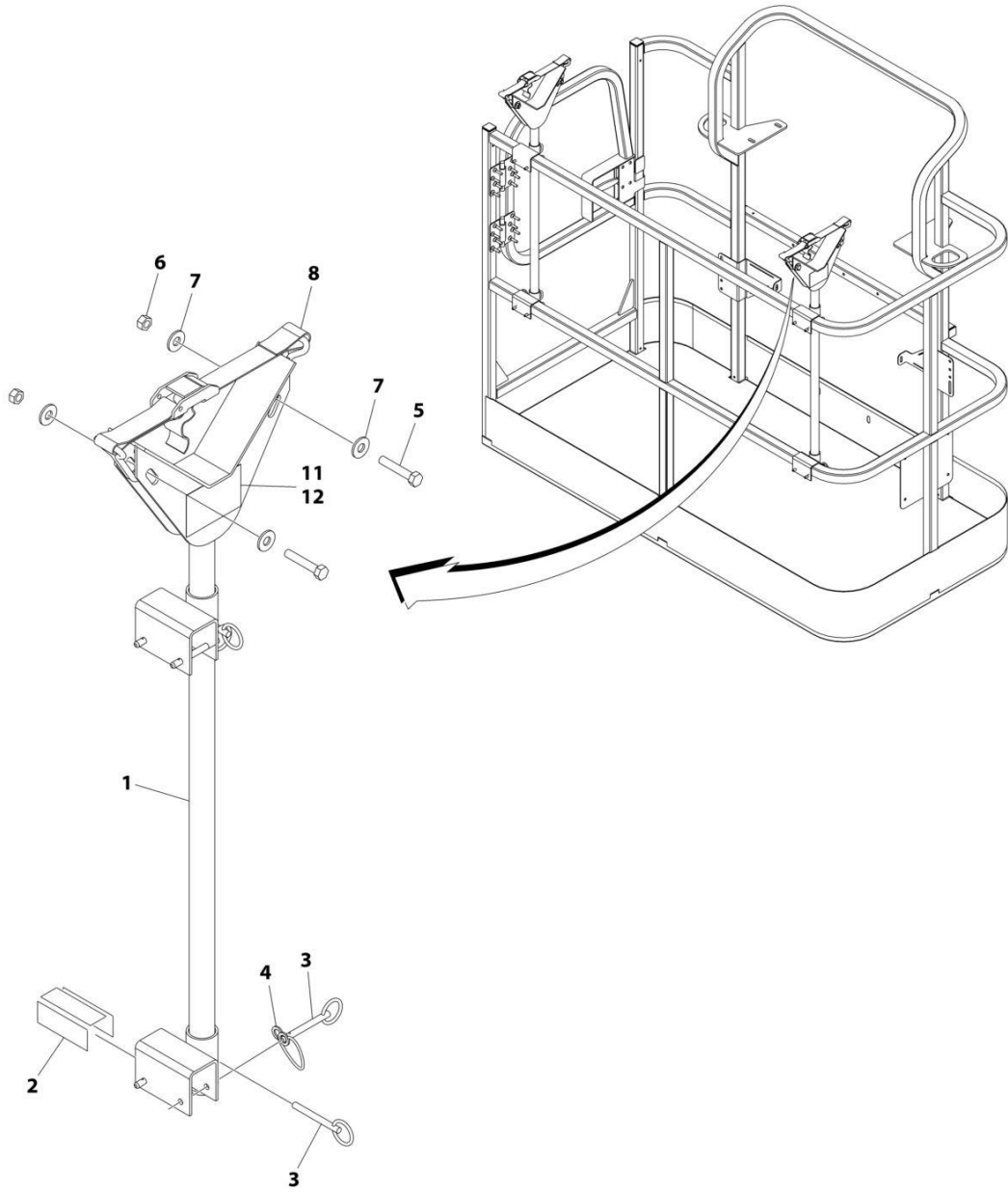
SECTION 5 - PLATFORM

FIGURE 5-47. PIPE RACK INSTALLATION (ANSI SPEC)

ITEM	PART NUMBER	QTY	DESCRIPTION	REV
	0257728	Ref	PIPE RACK INSTALLATION	E
1	4845582	2	Rack, Pipe	
2	4420062	AR	Tape	
3	3422661	10	Pin	
4	1060379	4	Lanyard	
5	0641514	4	Bolt 5/16 x 1-3/4	
6	3311505	4	Nut 5/16	
7	4751500	8	Washer 5/16	
8	0480100	2	Tie-Down	
11	1001252946	2	Decal - Capacity (500-600LBS/2227-272KG Zones)	
12	1001252947	2	Decal - Capacity (660-1000LBS/299-454KG Zones)	

SECTION 5 - PLATFORM

FIGURE 5-48. PIPE RACK INSTALLATION (AUSTRALIAN AND CE SPEC)



ART_0274661_C

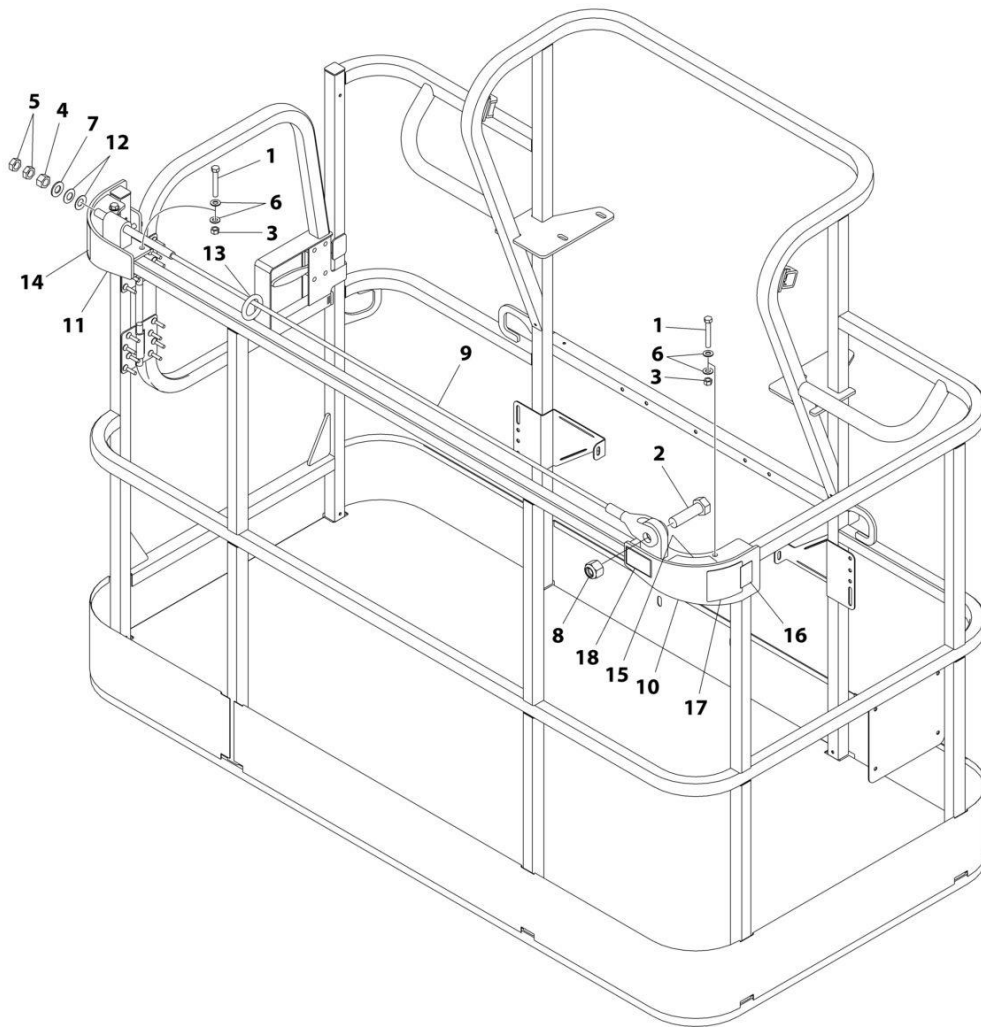
SECTION 5 - PLATFORM

FIGURE 5-48. PIPE RACK INSTALLATION (AUSTRALIAN AND CE SPEC)

ITEM	PART NUMBER	QTY	DESCRIPTION	REV
	0274661	Ref	PIPE RACK INSTALLATION	C
1	4845582	2	Rack, Pipe	
2	4420062	AR	Tape	
3	3422661	10	Pin	
4	1060379	4	Lanyard	
5	0641514	4	Bolt 5/16 x 1-3/4	
6	3311505	4	Nut 5/16	
7	4751500	8	Washer 5/16	
8	0480100	2	Tie-Down	
11	1001252946	2	Decal - Capacity (1) (500-600LBSS/227-272KG Zones) (1200SJP,1250AJP,1350SJP,1500SJ,400S,450A,450AJ,460SJ,520AJ,800S,860SJ)	
12	1001252947	2	Decal - Capacity (2) (660-1000LBSS/299-454KG Zones)	

SECTION 5 - PLATFORM

FIGURE 5-49. FALL ARREST INSTALLATION (BOLT - ON EXTERNAL) 6FT/1.82M PLATFORM



ART_1001236747

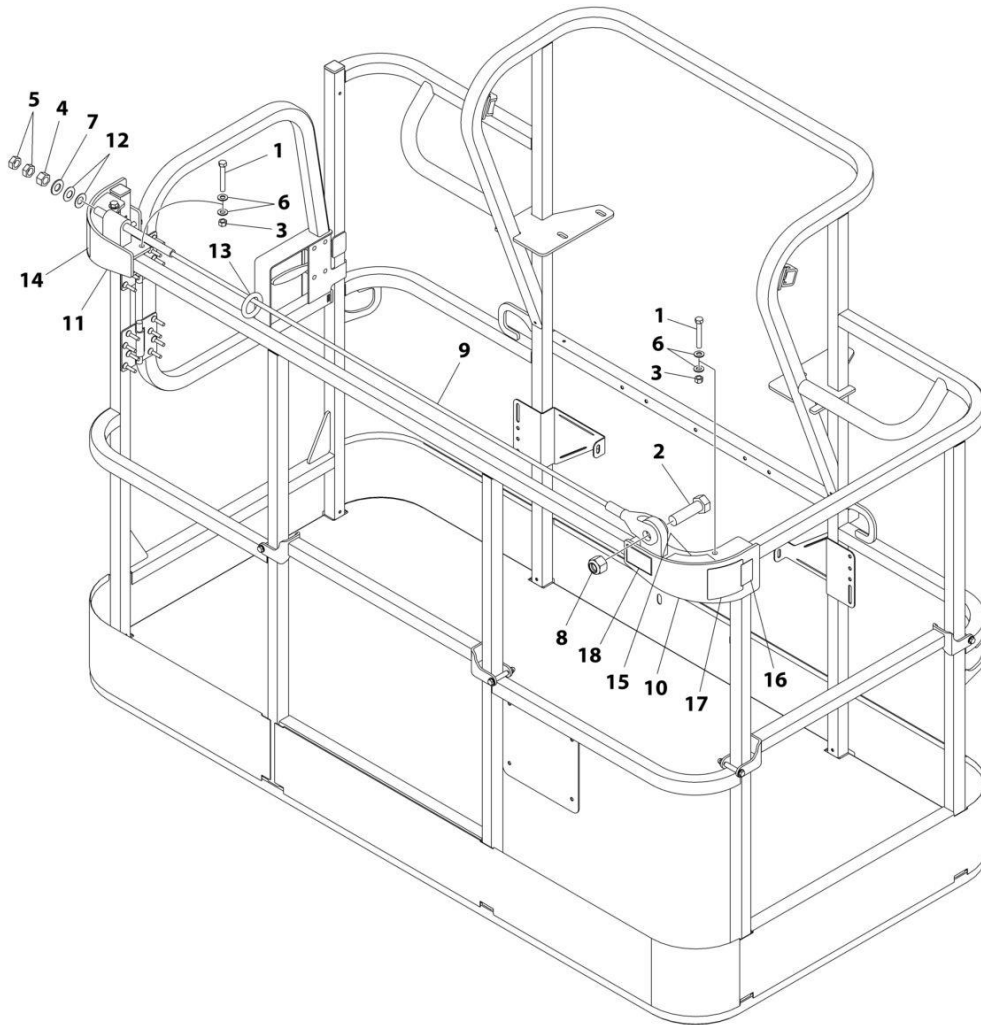
SECTION 5 - PLATFORM

FIGURE 5-49. FALL ARREST INSTALLATION (BOLT - ON EXTERNAL) 6FT/1.82M PLATFORM

ITEM	PART NUMBER	QTY	DESCRIPTION	REV
	1001236747	Ref	FALL ARREST INSTALLATION (BOLT - ON) 6FT/1.82M PLATFORM	C
1	0681620	6	Bolt 3/8 x 2-1/2	
2	0682424	1	Bolt 7/8 x 3	
3	3271605	6	Nut 3/8	
4	3272001	1	Nut 5/8	
5	3312002	2	Nut 5/8	
6	4711600	12	Washer 3/8	
7	4712000	1	Washer 5/8	
8	88521214	1	Nut 7/8	
9	1001231950	1	Rope	
10	1001232010	1	Bracket (RH)	
11	1001232011	1	Bracket (LH)	
12	1001236891	2	Washer	
13	1001236895	1	Ring	
14	1001238263	1	Decal - Warning Falling Hazard	
15	1001252629	1	Decal - Weight	
16	1001248140	1	Decal - Bolt Fall Arrest Re-Cert	
17	1001248141	1	Decal - Inscription	

SECTION 5 - PLATFORM

FIGURE 5-50. FALL ARREST INSTALLATION (BOLT - ON EXTERNAL) 6FT/1.82M PLATFORM



ART_1001238463

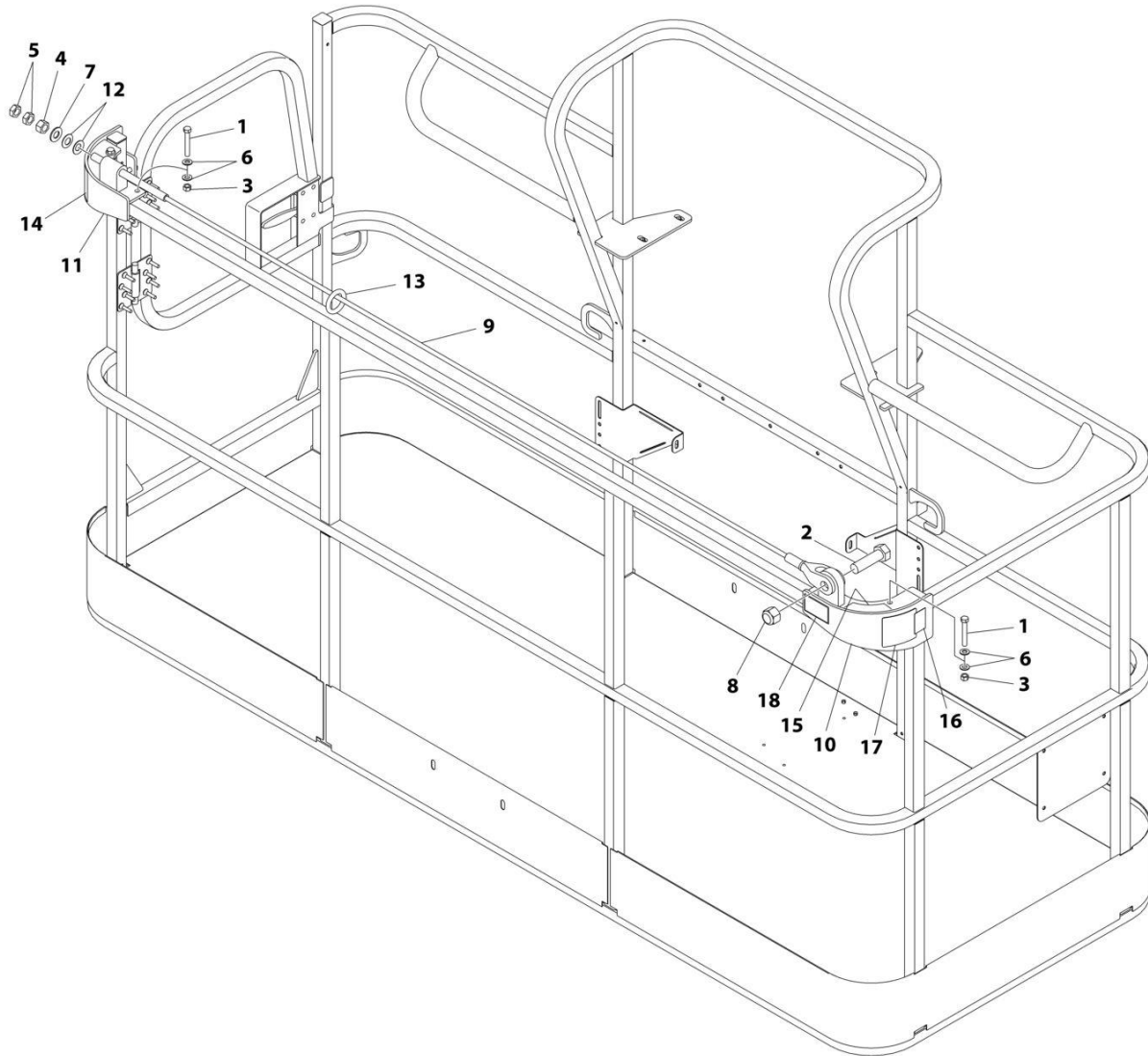
SECTION 5 - PLATFORM

FIGURE 5-50. FALL ARREST INSTALLATION (BOLT - ON EXTERNAL) 6FT/1.82M PLATFORM

ITEM	PART NUMBER	QTY	DESCRIPTION	REV
	1001238463	Ref	FALL ARREST INSTALLATION (BOLT - ON) 6FT/1.82M PLATFORM	C
1	0681620	6	Bolt 3/8 x 2-1/2	
2	0682424	1	Bolt 7/8 x 3	
3	3271605	6	Nut 3/8	
4	3272001	1	Nut 5/8	
5	3312002	2	Nut 5/8	
6	4711600	12	Washer 3/8	
7	4712000	1	Washer 5/8	
8	88521214	1	Nut 7/8	
9	1001231950	1	Rope	
10	1001232010	1	Bracket (RH)	
11	1001232011	1	Bracket (LH)	
12	1001236891	2	Washer	
13	1001236895	1	Ring	
14	1001238263	1	Decal - Warning Falling Hazard	
15	1001252629	1	Decal - Weight	
16	1001248140	1	Decal - Bolt Fall Arrest Re-Cert	
17	1001248141	1	Decal - Inscription	

SECTION 5 - PLATFORM

FIGURE 5-51. FALL ARREST INSTALLATION (BOLT - ON EXTERNAL) 8FT/2.4M PLATFORM



ART_1001236746

SECTION 5 - PLATFORM

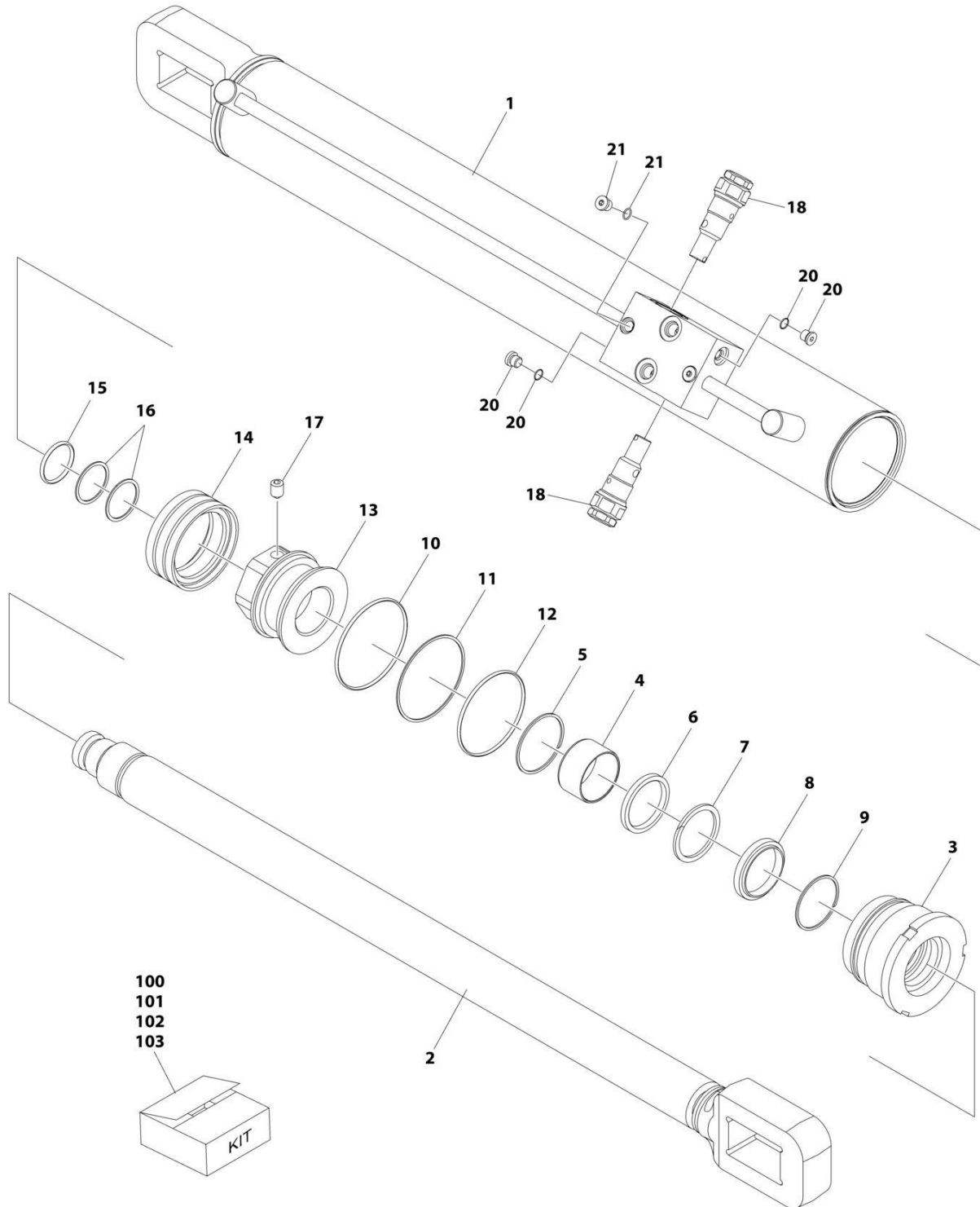
FIGURE 5-51. FALL ARREST INSTALLATION (BOLT - ON EXTERNAL) 8FT/2.4M PLATFORM

ITEM	PART NUMBER	QTY	DESCRIPTION	REV
	1001236746	Ref	FALL ARREST INSTALLATION (BOLT - ON) 8FT/2.4M PLATFORM	C
1	0681620	6	Bolt 3/8 x 2-1/2	
2	0682424	1	Bolt 7/8 x 3	
3	3271605	6	Nut 3/8	
4	3272001	1	Nut 5/8	
5	3312002	2	Nut 5/8	
6	4711600	12	Washer 3/8	
7	4712000	1	Washer 5/8	
8	88521214	1	Nut 7/8	
9	1001231949	1	Rope	
10	1001232010	1	Bracket (RH)	
11	1001232011	1	Bracket (LH)	
12	1001236891	2	Washer	
13	1001236895	1	Ring	
14	1001238263	1	Decal - Warning Falling Hazard	
15	1001252629	1	Decal - Weight 23LBS/10.4KG	
16	1001248140	1	Decal - Bolt Fall Arrest Re-Cert	
17	1001248141	1	Decal - Inscription	

SECTION 6 - CYLINDER

SECTION 6 - CYLINDER

FIGURE 6-1. AXLE EXTENSION CYLINDER ASSEMBLY



ART_1001251020

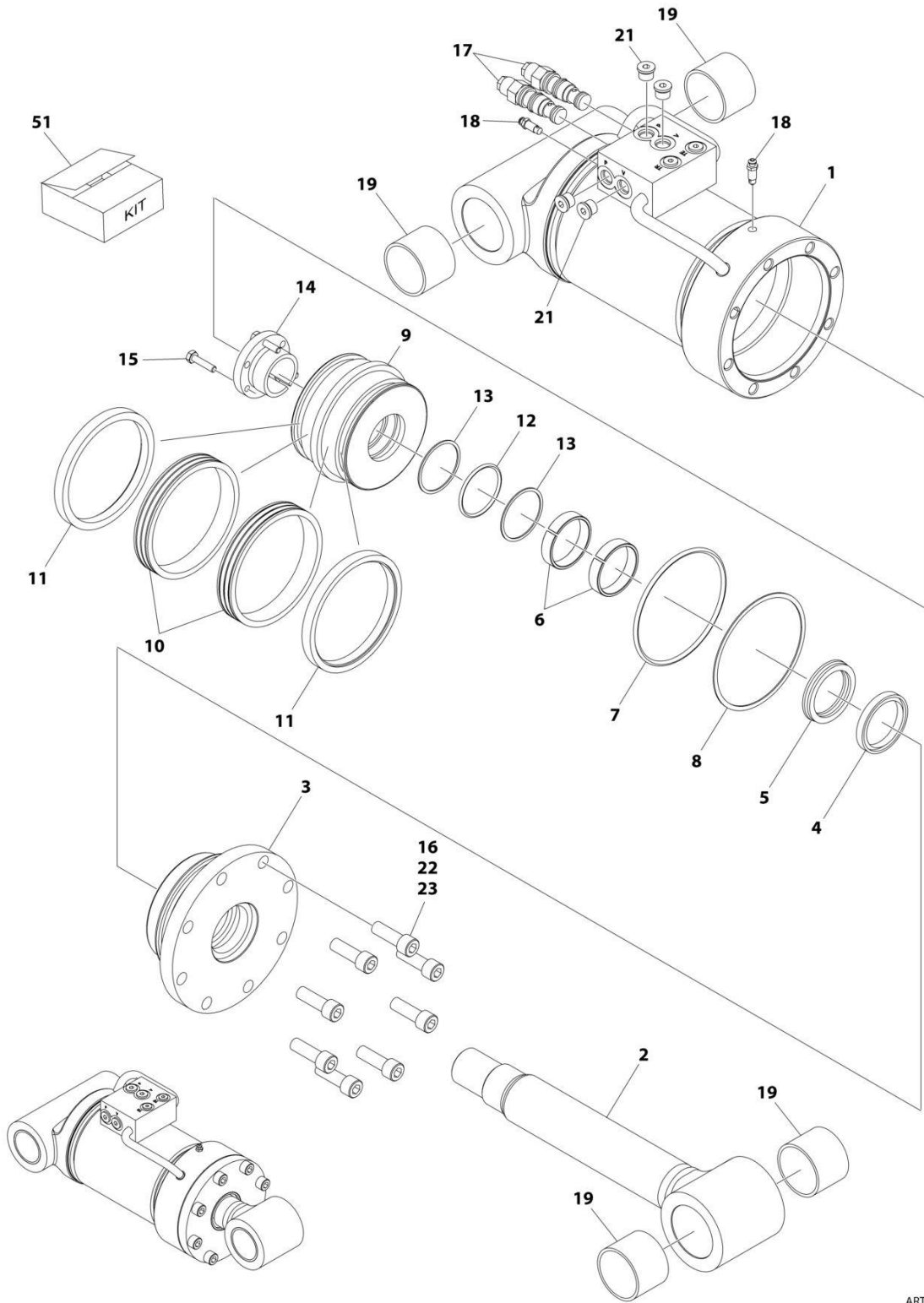
SECTION 6 - CYLINDER

FIGURE 6-1. AXLE EXTENSION CYLINDER ASSEMBLY

ITEM	PART NUMBER	QTY	DESCRIPTION	REV
	1001251020	Ref	AXLE EXTENSION CYLINDER ASSEMBLY	A
		Ref	Note: Original Cylinder May Have Been Replaced with Service Replacement. Identify PN Stamped on Cylinder Before Ordering Parts.	
1	See Note	NSS	Barrel (Note: Use p/n 1001251020)	
2	70007382	1	Rod	
3	See Note	NSS	Head (Use Item 100)	
5	See Note	NSS	Ring (Note: Use Item 100)	
6	See Note	NSS	Seal (Note: Use Item 101)	
7	See Note	NSS	Ring, Back-up (Note: Use Item 101)	
8	See Note	NSS	Wiper, Rod (Note: Use Item 101)	
9	See Note	NSS	Ring, Retaining (Note: Use Item 101)	
10	See Note	NSS	O-Ring (Note: Use Item 101)	
11	See Note	NSS	Ring, Back-up (Note: Use Item 101)	
12	See Note	NSS	O-Ring (Note: Use Item 101)	
13	See Note	NSS	Piston (Note: Use Item 102)	
14	See Note	NSS	Seal (Note: Use Item 101)	
15	See Note	NSS	O-Ring (Note: Use Item 101)	
16	See Note	NSS	Ring, Back-up (Note: Use Item 101)	
17	See Note	NSS	Setscrew (Note: Use Item 102)	
18	4640509	2	Cartridge, Holding Valve	
18	2900792	2	Seal Kit - 4640509 Cartridge Valve (1 Per Assembly)	
20	See Note	NSS	Plug (Note: Use Item 103)	
21	See Note	NSS	Plug (Note: Use Item 103)	
100	70007383	1	Rod Cover Kit (Includes Items 3-5)	
101	70007384	1	Seal Kit (Includes Items 6-12 & 14-16)	
102	70007385	1	Piston Kit (Includes Items 13 & 17)	
103	70007386	1	Plug Kit (Includes Items 20 & 21)	

SECTION 6 - CYLINDER

FIGURE 6-2. AXLE LOCKOUT CYLINDER ASSEMBLY



ART_1001228019

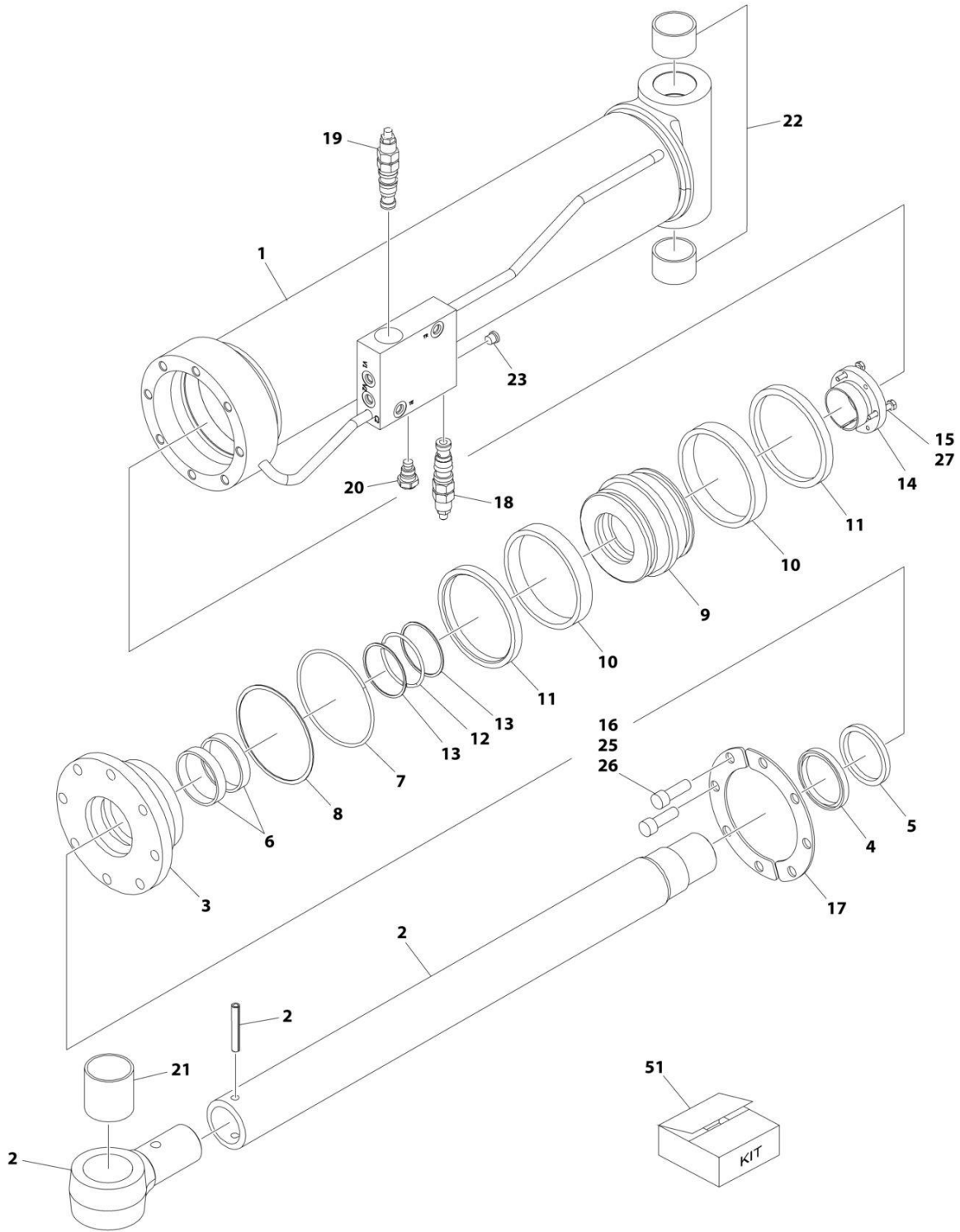
SECTION 6 - CYLINDER

FIGURE 6-2. AXLE LOCKOUT CYLINDER ASSEMBLY

ITEM	PART NUMBER	QTY	DESCRIPTION	REV
	1001228019	Ref	AXLE LOCKOUT CYLINDER ASSEMBLY	D
		Ref	Note: Original Cylinder May Have Been Replaced with Service Replacement. Identify PN Stamped on Cylinder Before Ordering Parts.	
1	See Note	NSS	Barrel (Note: Not Available for Purchase)	
2	70006520	1	Rod	
3	70006474	1	Head	
4	See Note	NSS	Wiper (Note: Use Item 51)	
5	See Note	NSS	Seal, Rod (Note: Use Item 51)	
6	See Note	NSS	Ring, Wear (Note: Use Item 51)	
7	See Note	NSS	O-Ring (Note: Use Item 51)	
8	See Note	NSS	Ring, Back-up (Note: Use Item 51)	
9	70006473	1	Piston	
10	See Note	NSS	Seal (Note: Use Item 51)	
11	See Note	NSS	Ring, Lock (Note: Use Item 51)	
12	See Note	NSS	O-Ring (Note: Use Item 51)	
13	See Note	NSS	Ring, Back-up (Note: Use Item 51)	
14	0961896	1	Bushing	
15	0630535	3	Bolt 1/4 x 1-1/8	
16	3931824	8	Bolt 1/2 x 1-1/2	
17	4641276	2	Cartridge, Valve Options: (Counterbalance)	
17	2900770	2	Seal Kit - 4641276 Valve (1 Per Assembly)	
18	4640858	2	Valve, Bleeder	
19	0961950	4	Bearing	
21	2220885	4	Plug, O-Ring	
22	0100011	AR	Compound, Locking	
23	0100038	AR	Primer, Locking	
51	2902087	1	Seal Kit (Includes Items 4-8 & 10-13)	

SECTION 6 - CYLINDER

FIGURE 6-3. PLATFORM LEVEL CYLINDER ASSEMBLY - WITHOUT COLD WEATHER PLUS PACKAGE



ART_1001228034

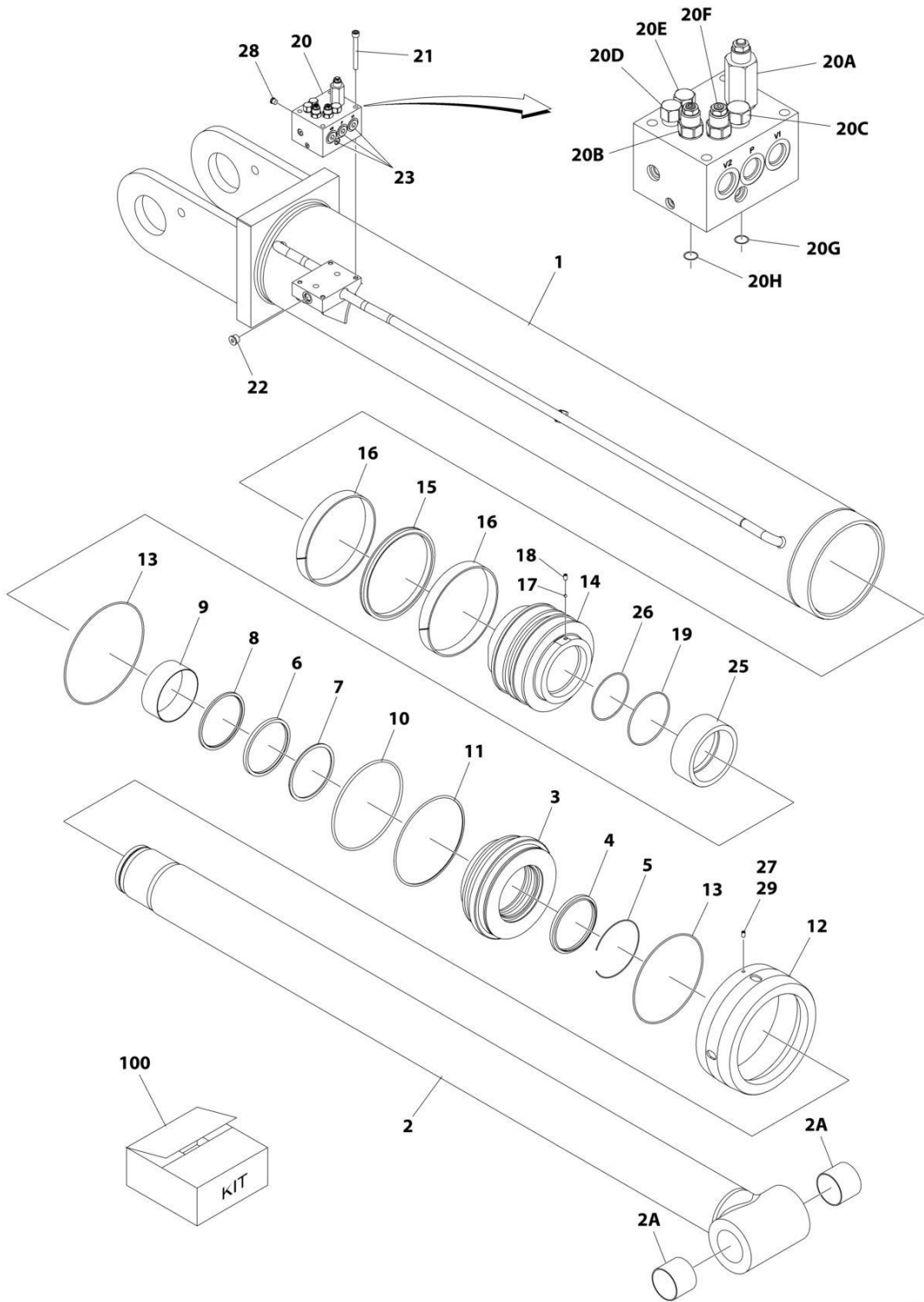
SECTION 6 - CYLINDER

FIGURE 6-3. PLATFORM LEVEL CYLINDER ASSEMBLY - WITHOUT COLD WEATHER PLUS PACKAGE

ITEM	PART NUMBER	QTY	DESCRIPTION	REV
	1001228034	Ref	PLATFORM LEVEL CYLINDER ASSEMBLY	E
		Ref	Note: Original Cylinder May Have Been Replaced with Service Replacement. Identify PN Stamped on Cylinder Before Ordering Parts.	
1	See Note	NSS	Barrel (Note: Not Available for Purchase)	
2	70006496	1	Rod	
3	70006495	1	Head	
4	See Note	NSS	Wiper, Rod (Note: Use Item 51)	
5	See Note	NSS	Seal, Rod (Note: Use Item 51)	
6	See Note	NSS	Ring, Wear (Note: Use Item 51)	
7	See Note	NSS	O-Ring (Note: Use Item 51)	
8	See Note	NSS	Ring, Back-up (Note: Use Item 51)	
9	70006494	1	Piston	
10	See Note	NSS	Ring, Guide (Note: Use Item 51)	
11	See Note	NSS	Ring, Lock (Note: Use Item 51)	
12	See Note	NSS	O-Ring (Note: Use Item 51)	
13	See Note	NSS	Ring, Back-up (Note: Use Item 51)	
14	0961897	1	Bushing, Tapered	
15	0630535	3	Capscrew 1/4 x 1-1/8	
16	3931824	8	Capscrew 1/2 x 1-1/2	
17	70007049	1	Ring, Washer	
18	4641386	1	Cartridge, Holding Valve (Vented)	
18	7011376	1	Seal Kit - 4641386 Cartridge (1 Per Cartridge)	
19	4641393	1	Cartridge, Holding Valve (Vented)	
19	7011376	1	Seal Kit - 4641393 Cartridge (1 Per Cartridge)	
20	4641388	1	Cartridge, Holding Valve	
20	7011353	1	Seal Kit - 4641388 Cartridge (1 Per Cartridge)	
21	0962561	1	Bushing	
22	0961949	2	Bushing	
23	2220883	5	Plug, O-Ring	
24	2220886	AR	Plug, O-Ring	
25	0100011	AR	Compound, Locking	
26	0100038	AR	Primer, Locking	
27	0100019	AR	Compound, Locking	
51	2902285	1	Seal Kit (Includes Items 4-8 & 10-13)	

SECTION 6 - CYLINDER

FIGURE 6-4. LIFT CYLINDER ASSEMBLY - MAIN BOOM



ART_1001251078

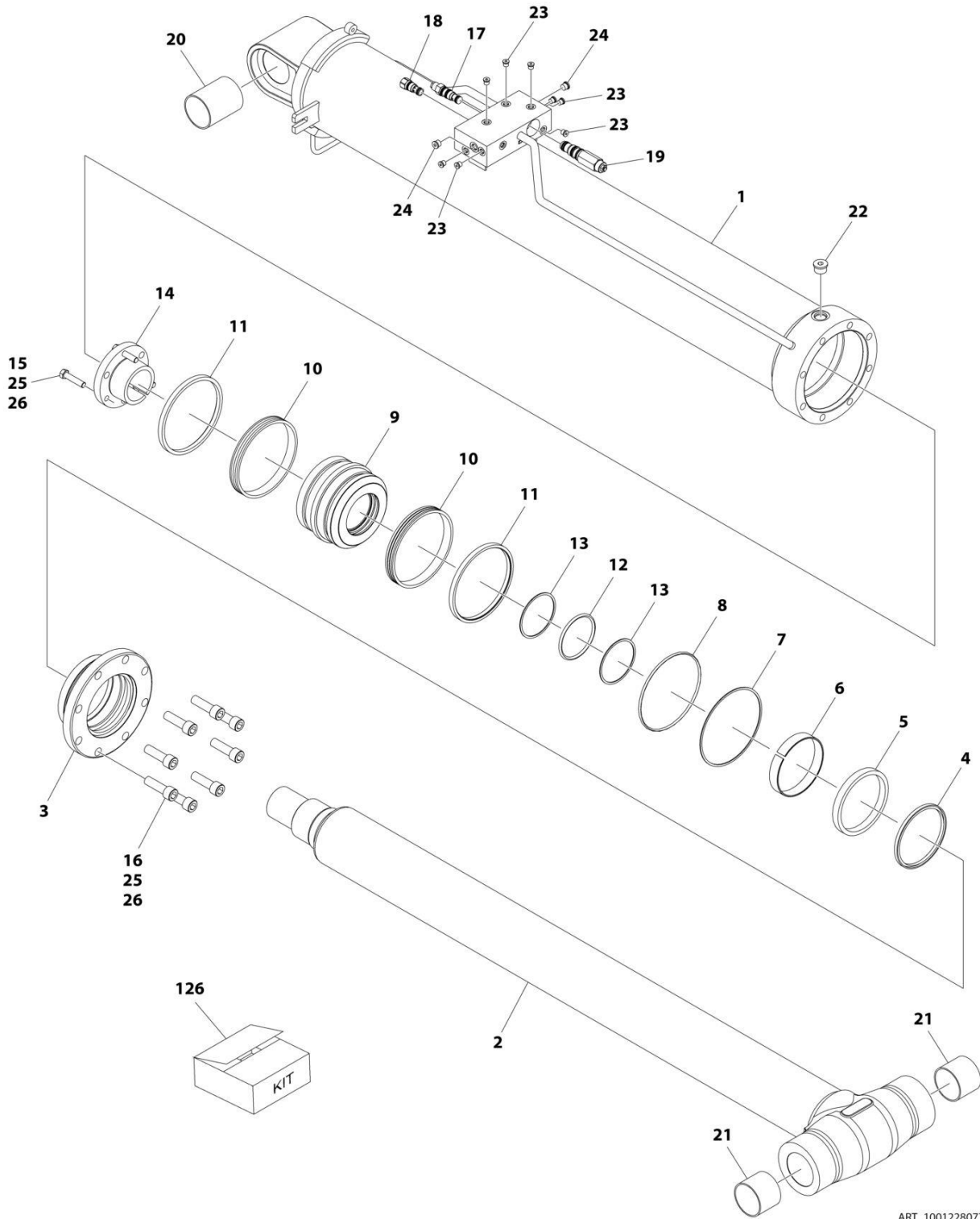
SECTION 6 - CYLINDER

FIGURE 6-4. LIFT CYLINDER ASSEMBLY - MAIN BOOM

ITEM	PART NUMBER	QTY	DESCRIPTION	REV
	1001251078	Ref	LIFT CYLINDER ASSEMBLY - MAIN BOOM	B
		Ref	Note: Original Cylinder May Have Been Replaced with Service Replacement. Identify PN Stamped on Cylinder Before Ordering Parts.	
1	See Note	NSS	Barrel (Note: Not Available for Purchase)	
2	70007431	1	Rod	
2A	0962297	2	Bushing	
3	70007432	1	Head	
4	See Note	NSS	Ring, Wiper (Note: Use Item 100)	
5	70007433	1	Ring, Retaining	
6	See Note	NSS	Seal, Rod (Note: Use Item 100)	
7	See Note	NSS	Ring, Back-up (Note: Use Item 100)	
8	See Note	NSS	O-Ring (Note: Use Item 100)	
9	70007434	1	Ring, Wear	
10	See Note	NSS	O-Ring (Note: Use Item 100)	
11	See Note	NSS	Ring, Back-up (Note: Use Item 100)	
12	70007435	1	Cap, Cylinder	
13	See Note	NSS	O-Ring (Note: Use Item 100)	
14	70007436	1	Piston	
15	See Note	NSS	Seal, Piston (Note: Use Item 100)	
16	See Note	NSS	Ring, Wear (Note: Use Item 100)	
17	70022564	1	Ball, Steel	
18	70029468	1	Setscrew	
19	See Note	NSS	O-Ring (Note: Use Item 100)	
20	4641370	1	Valve Block Assembly	A
20A	4641340	NLA	Cartridge, Valve (Use p/n 1001251329)	
20A	7011367	1	Seal Kit - 4641340 Cartridge Valve	
20B	4640938	1	Cartridge, Valve	
20B	2900770	1	Seal Kit - 4640938 Cartridge Valve	
20C	7011362	1	Cartridge, Valve	
20C	7011311	1	Seal Kit - 7011362 Cartridge Valve	
20D	7011365	1	Cartridge, Valve	
20D	7011346	1	Seal Kit - 7011365 Cartridge Valve	
20E	7011364	1	Cartridge, Valve	
20E	7011346	1	Seal Kit - 7011364 Cartridge Valve	
20F	7011375	1	Cartridge, Valve	
20F	2900770	1	Seal Kit - 7011375 Cartridge Valve	
20G	70000777	1	O-Ring	
20H	70000778	1	O-Ring	
21	70006927	4	Capscrew M8	
22	2220886	1	Plug, O-Ring	
23	70005433	3	Plug, O-Ring	
25	70007437	1	Spacer	
26	See Note	NSS	O-Ring (Note: Use Item 100)	
27	70007282	1	Insert, Locking	
28	2220883	1	Plug, O-Ring	
29	70007438	1	Setscrew	
100	70007439	1	Seal Kit (Includes Items 101-110)	

SECTION 6 - CYLINDER

FIGURE 6-5. LIFT CYLINDER ASSEMBLY - TOWER BOOM



ART_1001228077

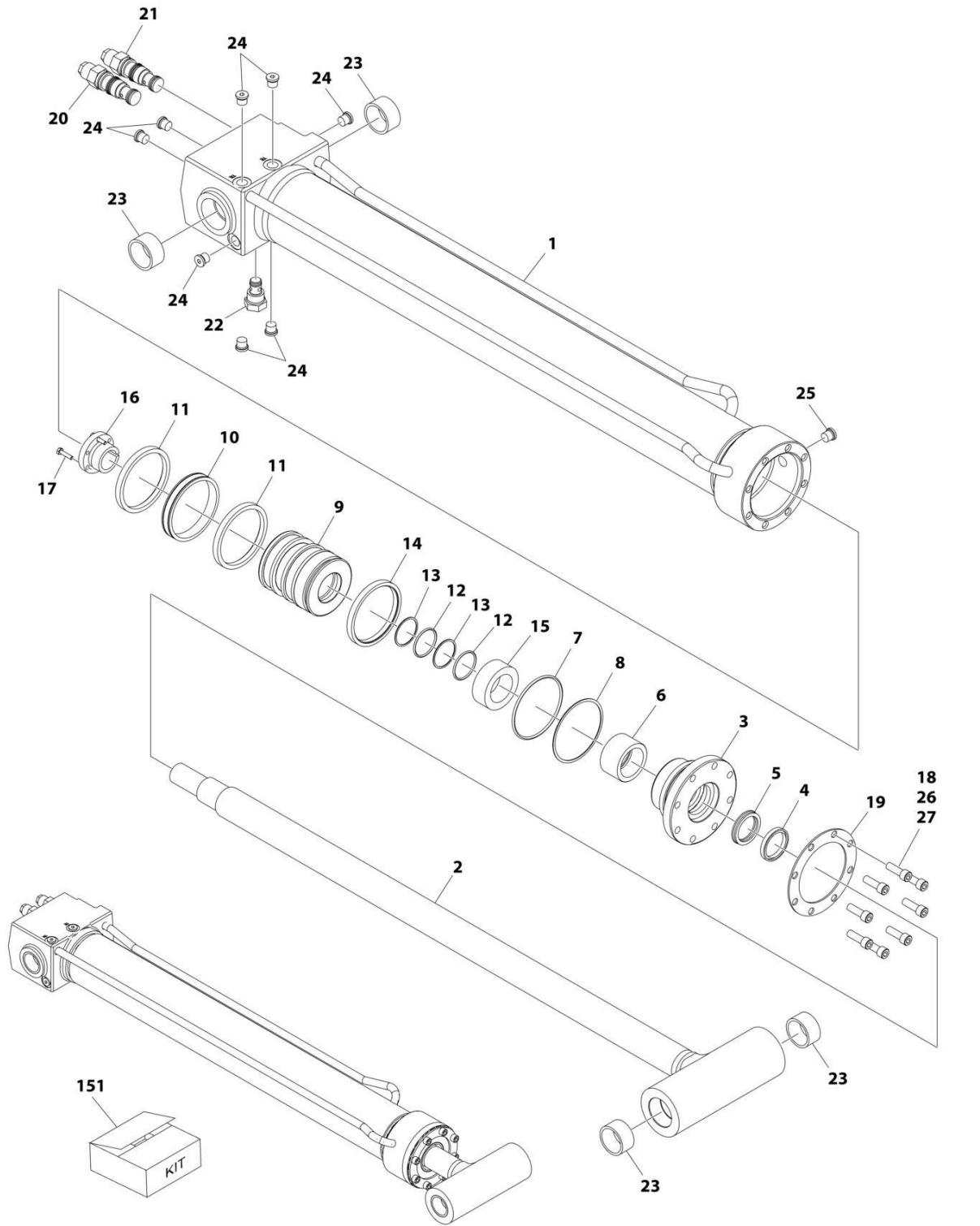
SECTION 6 - CYLINDER

FIGURE 6-5. LIFT CYLINDER ASSEMBLY - TOWER BOOM

ITEM	PART NUMBER	QTY	DESCRIPTION	REV
	1001228077	Ref	LIFT CYLINDER ASSEMBLY - TOWER BOOM	C
		Ref	Note: Original Cylinder May Have Been Replaced with Service Replacement. Identify PN Stamped on Cylinder Before Ordering Parts.	
1	See Note	NSS	Barrel (Note: Not Available for Purchase)	
2	70006509	1	Rod	
3	70006508	1	Head	
4	See Note	NSS	Ring, Wiper (Note: Use Item 126)	
5	See Note	NSS	Seal, Rod (Note: Use Item 126)	
6	See Note	NSS	Ring, Wear (Note: Use Item 126)	
7	See Note	NSS	O-Ring (Note: Use Item 126)	
8	See Note	NSS	Ring, Back-up (Note: Use Item 126)	
9	70006507	1	Piston	
10	See Note	NSS	Ring, Hydrolock (Note: Use Item 126)	
11	See Note	NSS	Ring, Lock (Note: Use Item 126)	
12	See Note	NSS	O-Ring (Note: Use Item 126)	
13	See Note	NSS	Ring, Back-up (Note: Use Item 126)	
14	0961901	1	Bushing, Tapered	
15	0630537	3	Capscrew	
16	3932240	8	Capscrew 3/4 x 2-1/2	
17	1001120140	1	Cartridge, Valve	
17	2900770	1	Seal Kit - 1001120140 Cartridge Valve	
18	4641285	1	Cartridge, Valve	
18	7011311	1	Seal Kit - 4641285 Cartridge Valve	
19	1001120141	1	Cartridge, Valve	
19	7011367	1	Seal Kit - 1001120141 Cartridge Valve	
20	0962552	1	Bushing	
21	0962297	2	Bushing	
22	2220888	1	Plug, O-Ring	
23	2220883	9	Plug, O-Ring	
24	2220885	2	Plug, O-Ring	
25	0100011	AR	Compound, Locking	
26	0100038	AR	Primer, Locking	
126	1001118762	1	Seal Kit (Includes Items 4-8 & 10-13)	

SECTION 6 - CYLINDER

FIGURE 6-6. JIB CYLINDER ASSEMBLY



ART_1001228025

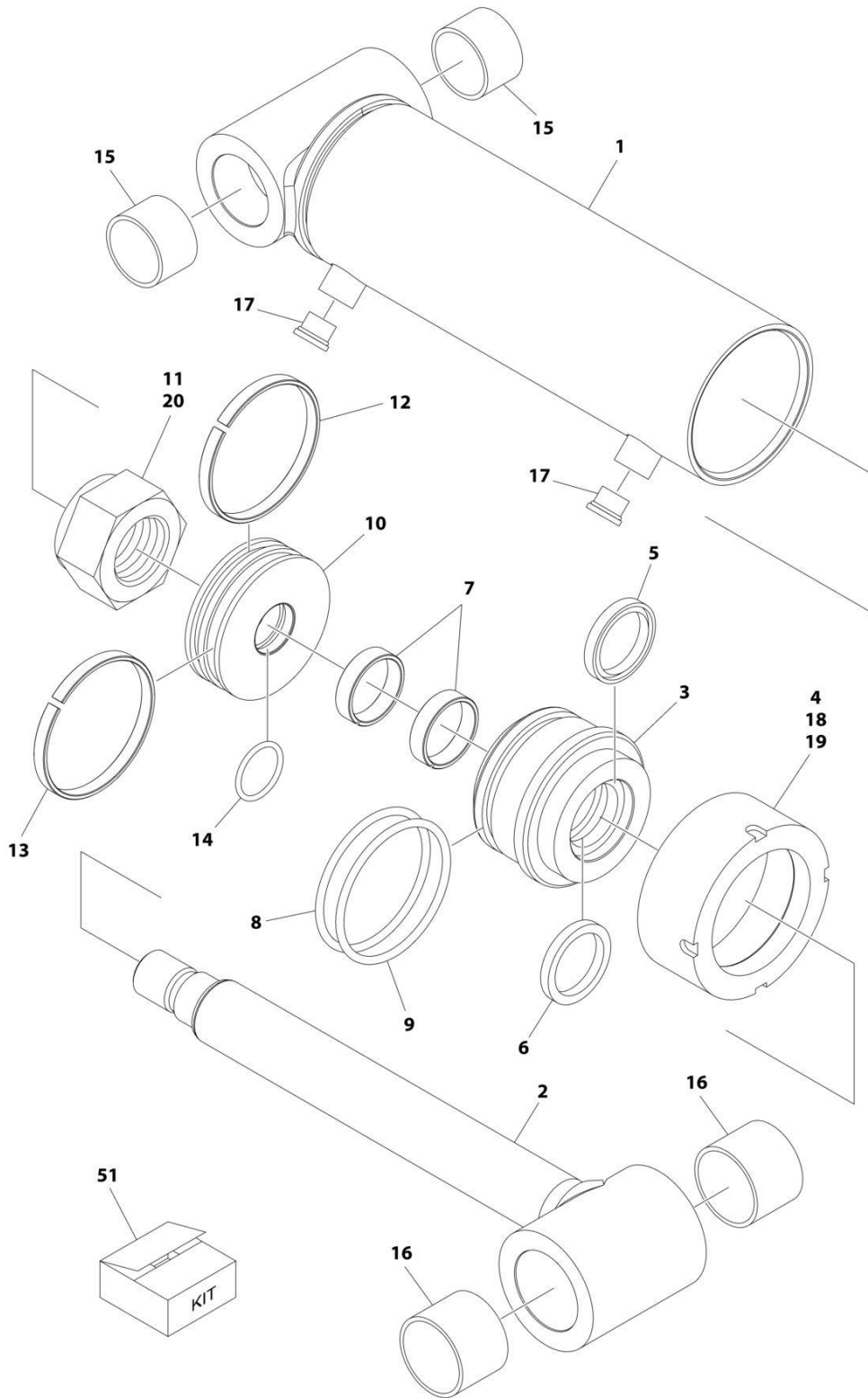
SECTION 6 - CYLINDER

FIGURE 6-6. JIB CYLINDER ASSEMBLY

ITEM	PART NUMBER	QTY	DESCRIPTION	REV
	1001228025	Ref	JIB CYLINDER ASSEMBLY	G
		Ref	Note: Original Cylinder May Have Been Replaced with Service Replacement. Identify PN Stamped on Cylinder Before Ordering Parts.	
1	See Note	NSS	Barrel (Note: Not Available for Purchase)	
2	70006526	1	Rod	
3	70006525	1	Head	
4	See Note	NSS	Wiper, Rod (Note: Use Item 151)	
5	See Note	NSS	Seal (Note: Use Item 151)	
6	See Note	NSS	Ring, Wear (Note: Use Item 151)	
7	See Note	NSS	O-Ring (Note: Use Item 151)	
8	See Note	NSS	Ring, Back-up (Note: Use Item 151)	
9	70006524	1	Piston	
10	See Note	NSS	Seal (Note: Use Item 151)	
11	See Note	NSS	Ring, Wear (Note: Use Item 151)	
12	See Note	NSS	O-Ring (Note: Use Item 151)	
13	See Note	NSS	Ring, Back-up (Note: Use Item 151)	
14	See Note	NSS	Seal (Note: Use Item 151)	
15	70006523	1	Spacer	
16	0961893	1	Bushing, Tapered	
17	0630534	3	Capscrew #10 x 1	
18	3931516	8	Capscrew 5/16 x 1	
19	3760368	1	Ring, Washer	
20	4641260	1	Cartridge, Counterbalance (Port above V1)	
20	2900770	1	Seal Kit - 4641260 Cartridge Valve (1 Per Valve)	
21	4640452	1	Cartridge, Counterbalance (Port above V2)	
21	2900770	1	Seal Kit - 4640452 Cartridge Valve (1 Per Valve)	
22	4641114	1	Cartridge, Restricted/Check	
22	7012967	1	Seal Kit - 4641114 Cartridge Valve (1 Per Valve)	
23	0962257	4	Bushing	
24	2220883	8	Plug, O-Ring	
25	2220885	AR	Plug, O-Ring	
26	0100011	AR	Compound, Locking	
27	0100038	AR	Primer, Locking	
151	1001138805	1	Seal Kit (Includes Items 4-8 & 10-14)	

SECTION 6 - CYLINDER

FIGURE 6-7. STEER CYLINDER ASSEMBLY



ART_1001228031

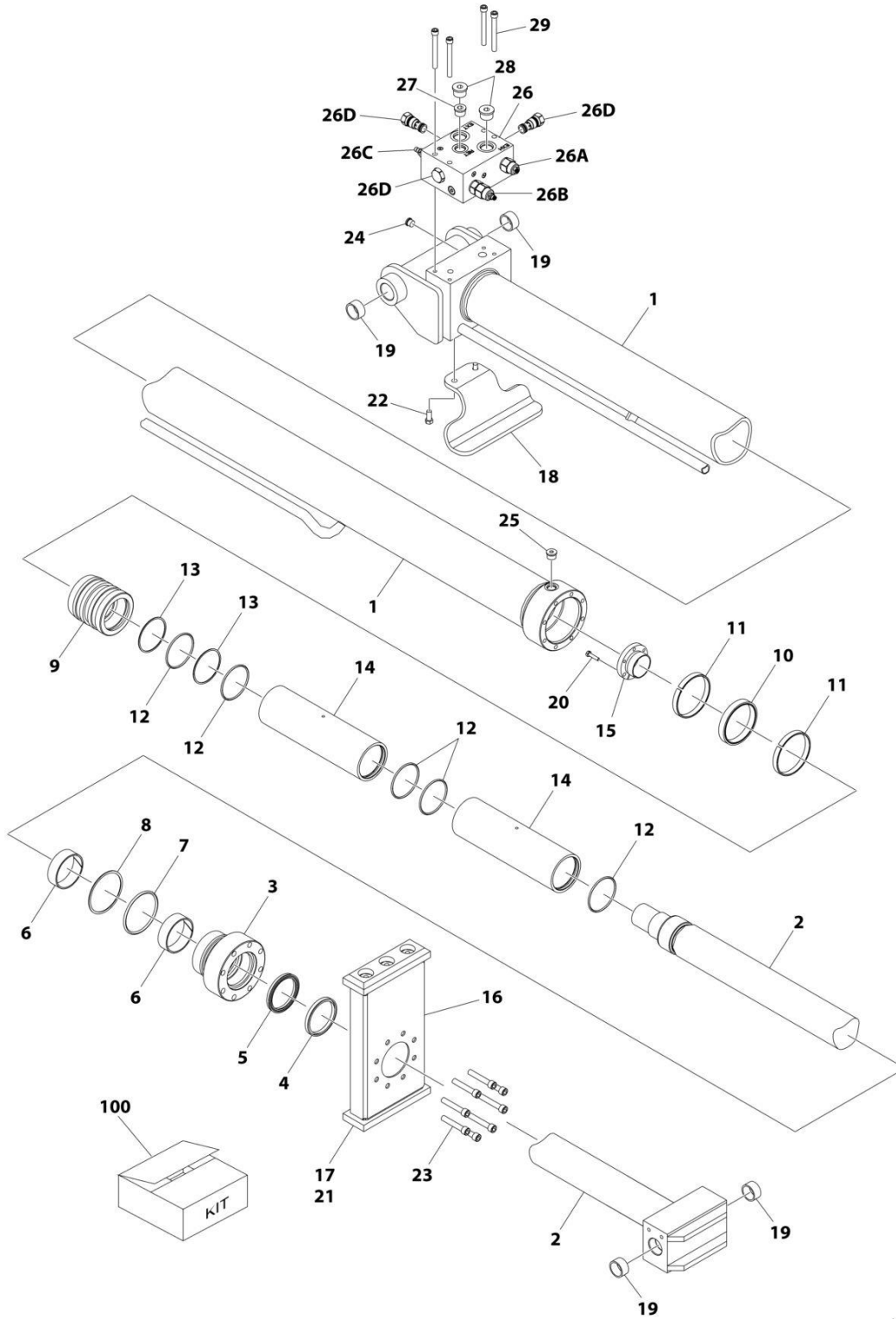
SECTION 6 - CYLINDER

FIGURE 6-7. STEER CYLINDER ASSEMBLY

ITEM	PART NUMBER	QTY	DESCRIPTION	REV
	1001228031	Ref	STEER CYLINDER ASSEMBLY	C
		Ref	Note: Original Cylinder May Have Been Replaced with Service Replacement. Identify PN Stamped on Cylinder Before Ordering Parts.	
1	See Note	NSS	Barrel (Note: Not Available for Purchase)	
2	70006493	1	Rod	
3	70006492	1	Head	
4	70006491	1	Cap, Cylinder	
5	See Note	NSS	Wiper (Note: Use Item 51)	
6	See Note	NSS	Seal, Piston (Note: Use Item 51)	
7	See Note	NSS	Ring, Wear (Note: Use Item 51)	
8	See Note	NSS	O-Ring (Note: Use Item 51)	
9	See Note	NSS	Ring, Back-up (Note: Use Item 51)	
10	70006490	1	Piston	
11	3300465	1	Nut	
12	See Note	1	Seal (Note: Use Item 51)	
13	See Note	1	Ring, Wear (Note: Use Item 51)	
14	See Note	1	O-Ring (Note: Use Item 51)	
15	0961949	2	Bushing	
16	0961950	2	Bushing	
17	2220885	2	Plug (With O-Ring)	
18	0100011	AR	Compound, Locking	
19	0100038	AR	Primer, Locking	
20	0100019	AR	Compound, Locking	
51	2902257	1	Seal Kit (Includes Items 5-9 & 12-14)	

SECTION 6 - CYLINDER

FIGURE 6-8. TELESCOPE CYLINDER ASSEMBLY - MAIN BOOM



ART_1001228080

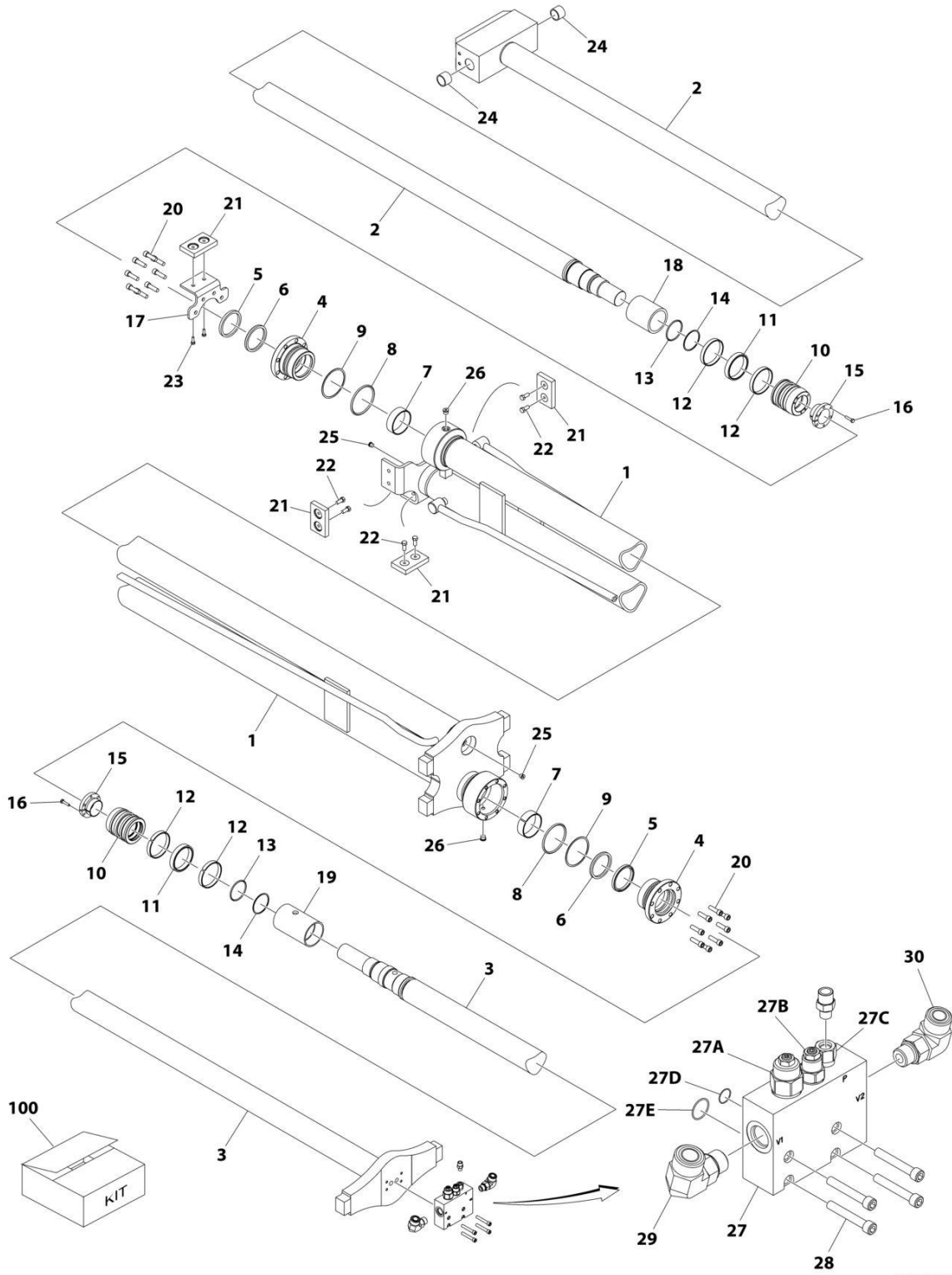
SECTION 6 - CYLINDER

FIGURE 6-8. TELESCOPE CYLINDER ASSEMBLY - MAIN BOOM

ITEM	PART NUMBER	QTY	DESCRIPTION	REV
	1001228080	Ref	TELESCOPE CYLINDER ASSEMBLY - MAIN BOOM	D
		Ref	Note: Original Cylinder May Have Been Replaced with Service Replacement. Identify PN Stamped on Cylinder Before Ordering Parts.	
1	See Note	NSS	Barrel (Note: Not Available for Purchase)	
2	70006693	1	Rod	
3	70006694	1	Head	
4	See Note	NSS	Wiper (Note: Use Item 100)	
5	See Note	NSS	Seal, Rod (Note: Use Item 100)	
6	See Note	NSS	Ring, Wear (Note: Use Item 100)	
7	See Note	NSS	O-Ring (Note: Use Item 100)	
8	See Note	NSS	Ring, Back-up (Note: Use Item 100)	
9	70006695	1	Piston	
10	See Note	NSS	Seal (Note: Use Item 100)	
11	See Note	NSS	Ring, Wear (Note: Use Item 100)	
12	See Note	NSS	O-Ring (Note: Use Item 100)	
13	See Note	NSS	Ring, Back-up (Note: Use Item 100)	
14	70006696	1	Spacer	
15	0961897	1	Bushing, Tapered	
16	3574580	1	Plate, Wear Pad Mount	
17	3340982	2	Pad, Wear	
18	3574586	1	Plate, Tele Foot	
19	0962257	4	Bushing	
20	0630535	3	Capscrew 1/4 x 1-1/8	
21	0641606	6	Bolt 3/8 x 3/4	
22	0641607	2	Bolt 3/8 x 7/8	
23	3931740	8	Capscrew 7/16 x 2-1/2	
24	2220885	1	Plug, O-Ring	
25	2220886	1	Plug, O-Ring	
26	4641288	1	Valve Assembly	
26A	7011372	1	Cartridge	
26A	2900789	1	Seal Kit - 7011372 Cartridge Valve	
26B	7011370	1	Cartridge	
26B	7011371	1	Seal Kit - 7011370 Cartridge Valve	
26C	7011369	1	Cartridge	
26C	7011311	1	Seal Kit - 7011369 Cartridge Valve	
26D	7011368	3	Cartridge	
26D	7011351	3	Seal Kit - 7011368 Cartridge Valve (1 Per Cartridge)	
27	2111010	1	Fitting, Straight ORFS/ORB	
28	2111212	2	Fitting, Straight ORFS/ORB	
29	3931656	4	Capscrew 3/8 x 3-1/2	
100	1001175887	1	Seal Kit (Includes Items 4-8 & 10-13)	

SECTION 6 - CYLINDER

FIGURE 6-9. TELESCOPE CYLINDER ASSEMBLY - TOWER BOOM



ART_1001228032

SECTION 6 - CYLINDER

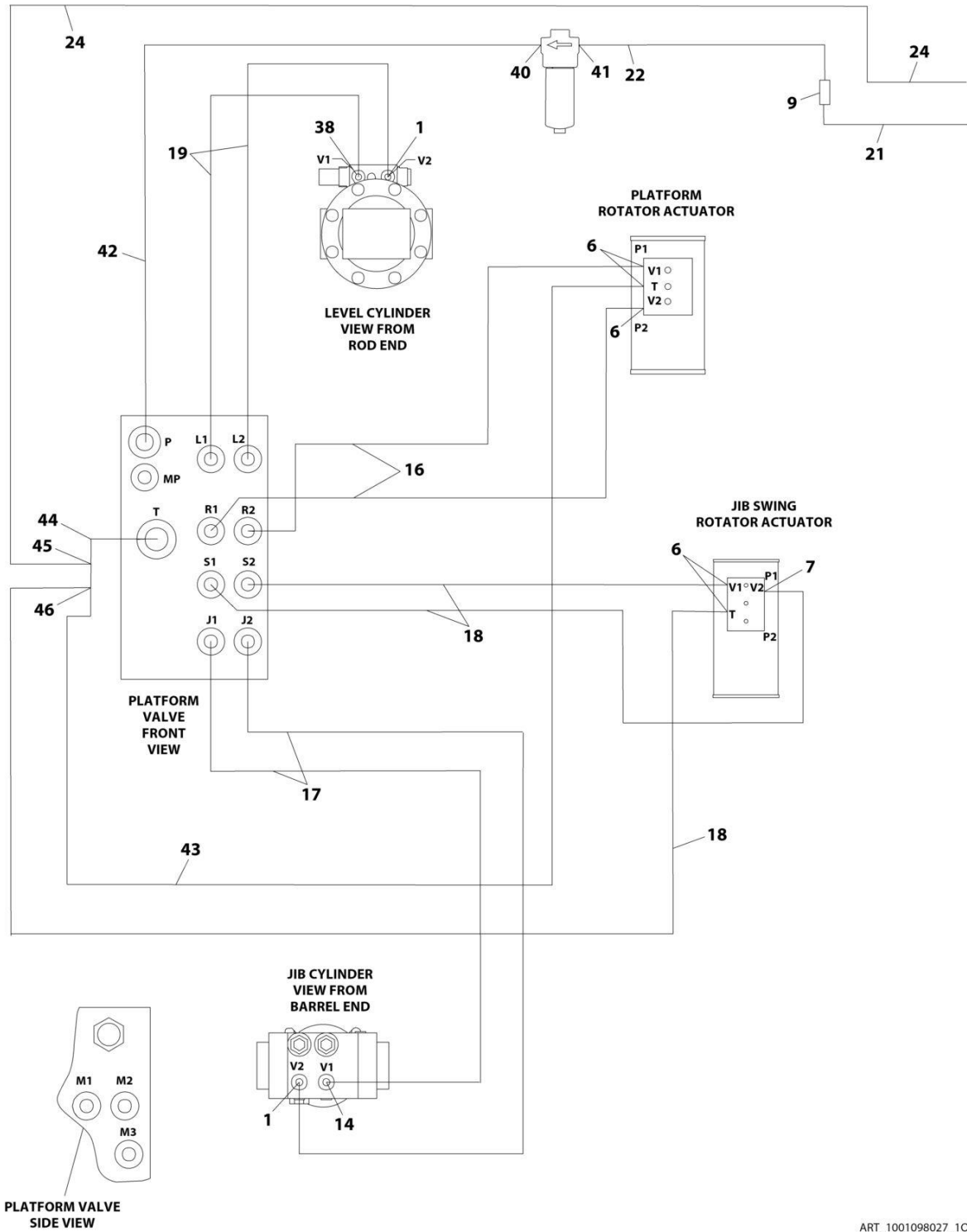
FIGURE 6-9. TELESCOPE CYLINDER ASSEMBLY - TOWER BOOM

ITEM	PART NUMBER	QTY	DESCRIPTION	REV
	1001228032	Ref	TELESCOPE CYLINDER ASSEMBLY - TOWER BOOM	C
		Ref	Note: Original Cylinder May Have Been Replaced with Service Replacement. Identify PN Stamped on Cylinder Before Ordering Parts.	
1	See Note	NSS	Barrel (Note: Not Available for Purchase)	
2	70006713	1	Rod	
3	70006714	1	Rod	
4	70006715	2	Head	
5	See Note	NSS	Wiper (Note: Use Item 100)	
6	See Note	NSS	Seal, Rod (Note: Use Item 100)	
7	See Note	NSS	Ring, Wear (Note: Use Item 100)	
8	See Note	NSS	O-Ring (Note: Use Item 100)	
9	See Note	NSS	Ring, Back-up (Note: Use Item 100)	
10	70006716	2	Piston	
11	See Note	NSS	Seal (Note: Use Item 100)	
12	See Note	NSS	Ring, Wear (Note: Use Item 100)	
13	See Note	NSS	O-Ring (Note: Use Item 100)	
14	See Note	NSS	Ring, Back-up (Note: Use Item 100)	
15	0961897	2	Bushing, Tapered	
16	0630535	6	Capscrew 1/4 x 1-1/8	
17	3574630	1	Bracket, Wear Pad Mounting	
18	70006717	1	Spacer	
19	70006718	1	Spacer	
20	3931724	16	Capscrew 7/16 x 1-1/2	
21	3340763	4	Pad, Wear	
22	0641607	6	Bolt 3/8 x 7/8	
23	0641606	2	Bolt 3/8 x 3/4	
24	0961951	2	Bushing	
25	2220883	2	Plug, O-Ring	
26	2220885	2	Plug, O-Ring	
27	4641298	1	Valve Assembly	
27A	7011359	1	Cartridge, Valve	
27A	2900789	1	Seal Kit - 7011359 Valve	
27B	4641162	1	Cartridge, Valve (was p/n 7011360)	
27B	2900770	1	Seal Kit - 7011360 & 4641162 Valve	
27C	7011361	1	Cartridge, Flow-Through Valve	
27C	7011346	1	Seal Kit - 7011361 Valve	
27D	70000778	1	O-Ring	
27E	70000777	1	O-Ring	
28	3931532	4	Capscrew 5/16 x 2	
29	2131210	1	Fitting, 90 ORFS/ORB	
30	2131008	1	Fitting, 90 ORFS/ORB	
100	2902291	2	Seal Kit (Includes Items 5-9 & 11-14)	
		Ref	Note: Two kits required to rebuild this double barreled cylinder - One kit required for each barrel of the cylinder.	

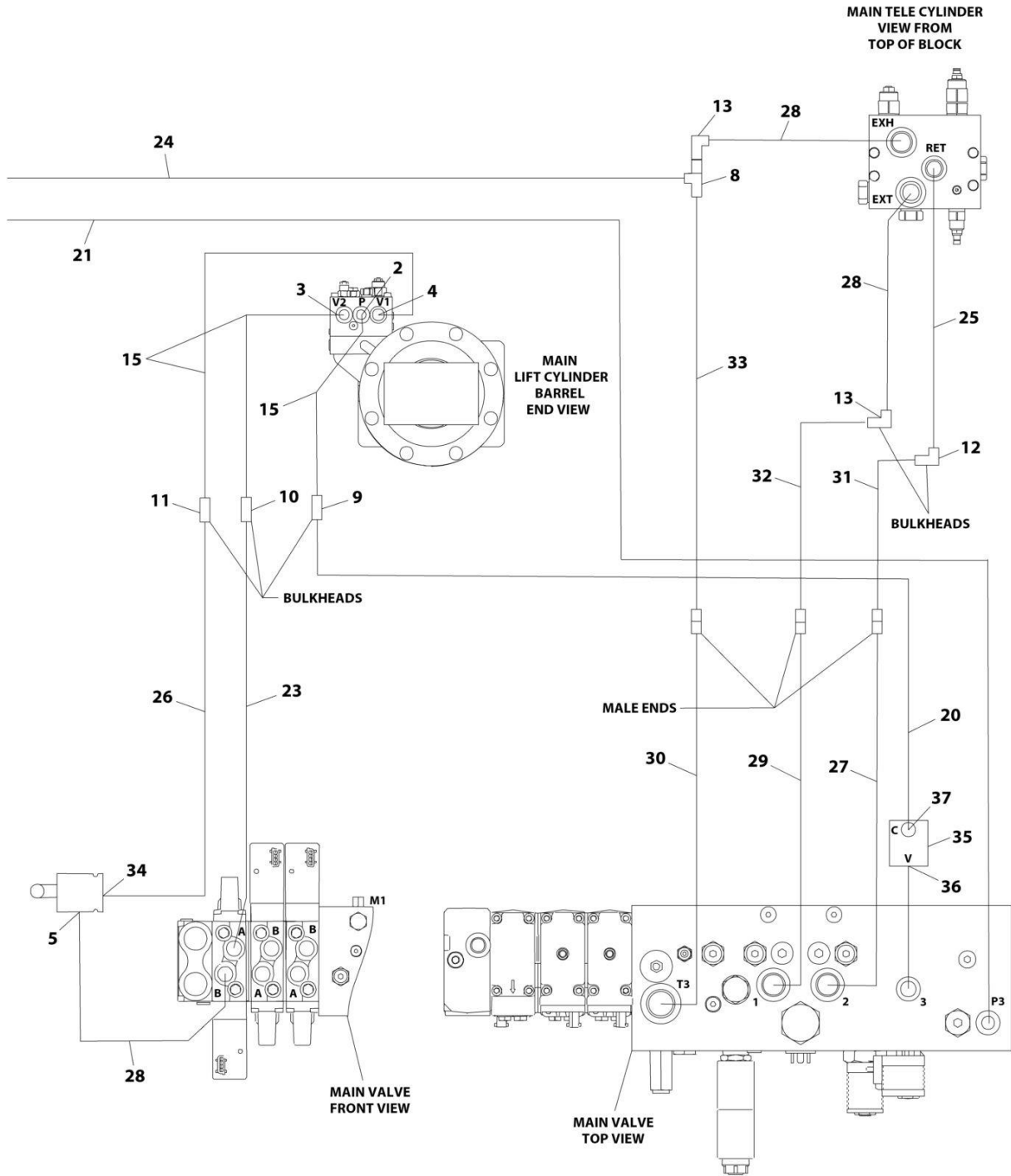
SECTION 7 - HYDRAULIC

SECTION 7 - HYDRAULIC

FIGURE 7-1. HYDRAULIC DIAGRAM - BOOM (WITH REXROTH PUMPS)



SECTION 7 - HYDRAULIC



ART_1001098027_20F2

SECTION 7 - HYDRAULIC

FIGURE 7-1. HYDRAULIC DIAGRAM - BOOM (WITH REXROTH PUMPS)

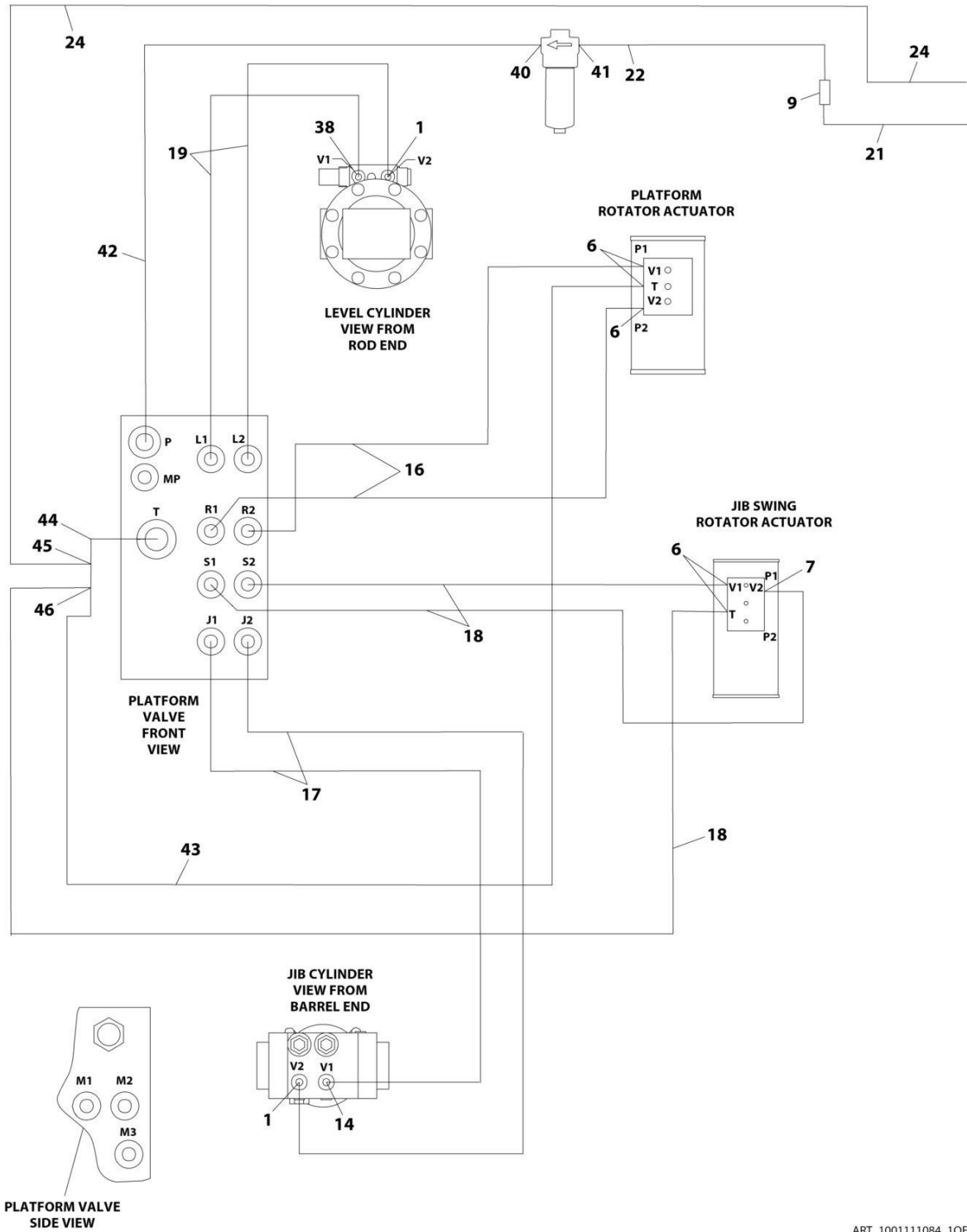
ITEM	PART NUMBER	QTY	DESCRIPTION	REV
	1283457	Ref	HYDRAULIC DIAGRAM - BOOM (WITH REXROTH PUMPS)	L
	1001098027	Ref	Hydraulic Diagram - Tower/Upper Boom	B
1	2110404	2	Fitting, Straight ORFS/ORB	
2	2110610	1	Fitting, Straight ORFS/ORB	
3	2110810	1	Fitting, Straight ORFS/ORB	
4	2111010	1	Fitting, Straight ORFS/ORB	
5	2111212	1	Fitting, Straight ORFS/ORB	
6	2150404	5	Fitting, 45 ORFS/ORB	
7	2170204	1	Fitting, 90 ORFS/ORB	
8	2170712	1	Fitting, Tee ORFS/FSORFS/ORFS	
9	2171306	2	Fitting, 45 ORFS/ORB	
10	2171308	1	Fitting, 45 ORFS/ORB	
11	2171310	1	Fitting, 45 ORFS/ORB	
12	2171210	1	Fitting, 90 ORFS/ORB	
13	2171212	2	Fitting, 90 ORFS/ORB	
14	2180830	1	Fitting, Straight ORFS/ORB	
15	2720516	1	Hose	
16	2753545	2	Hose	
17	2753717	2	Hose	
18	2753716	3	Hose	
19	2753897	2	Hose	
20	2753978	1	Hose	
21	2754123	1	Hose	
22	2754124	1	Hose	
23	2753985	1	Hose	
24	2753986	1	Hose	
25	2753987	1	Hose	
26	2753994	1	Hose	
27	2753993	1	Hose	
28	2753998	3	Hose	
29	2754002	1	Hose	
30	2754003	1	Hose	
31	2754010	1	Hose	
32	2754011	1	Hose	
33	2753999	1	Hose	
34	2111012	1	Fitting, Straight ORFS/ORB	
35	4641372	1	Valve, Double Check	
35	7027284	1	Cartridge	
35	7011346	1	Seal Kit - 7027284 Cartridge	
35	7027285	1	Cartridge	
35	7011311	1	Seal Kit - 7027285 Cartridge	
36	2221123	1	Fitting, Straight S FSORFS/ORB	
37	2130606	1	Fitting, 90 ORFS/ORB	
38	2180830	1	Fitting, Straight ORFS/ORB	
40	2110612	1	Fitting, Straight ORFS/ORB	
41	2130612	1	Fitting, 90 ORFS/ORB	
42	2717059	1	Hose	
43	2754288	1	Hose	
44	2170708	1	Fitting, Swivel Nut Run Tee ORFS/FSORFS/ORFS	
45	1001097820	1	Fitting, Adapter ORFS/FSORFS	

SECTION 7 - HYDRAULIC

ITEM	PART NUMBER	QTY	DESCRIPTION	REV
46	2170704	1	Fitting, Swivel Nut Run Tee ORFS/FSORFS/ORFS	

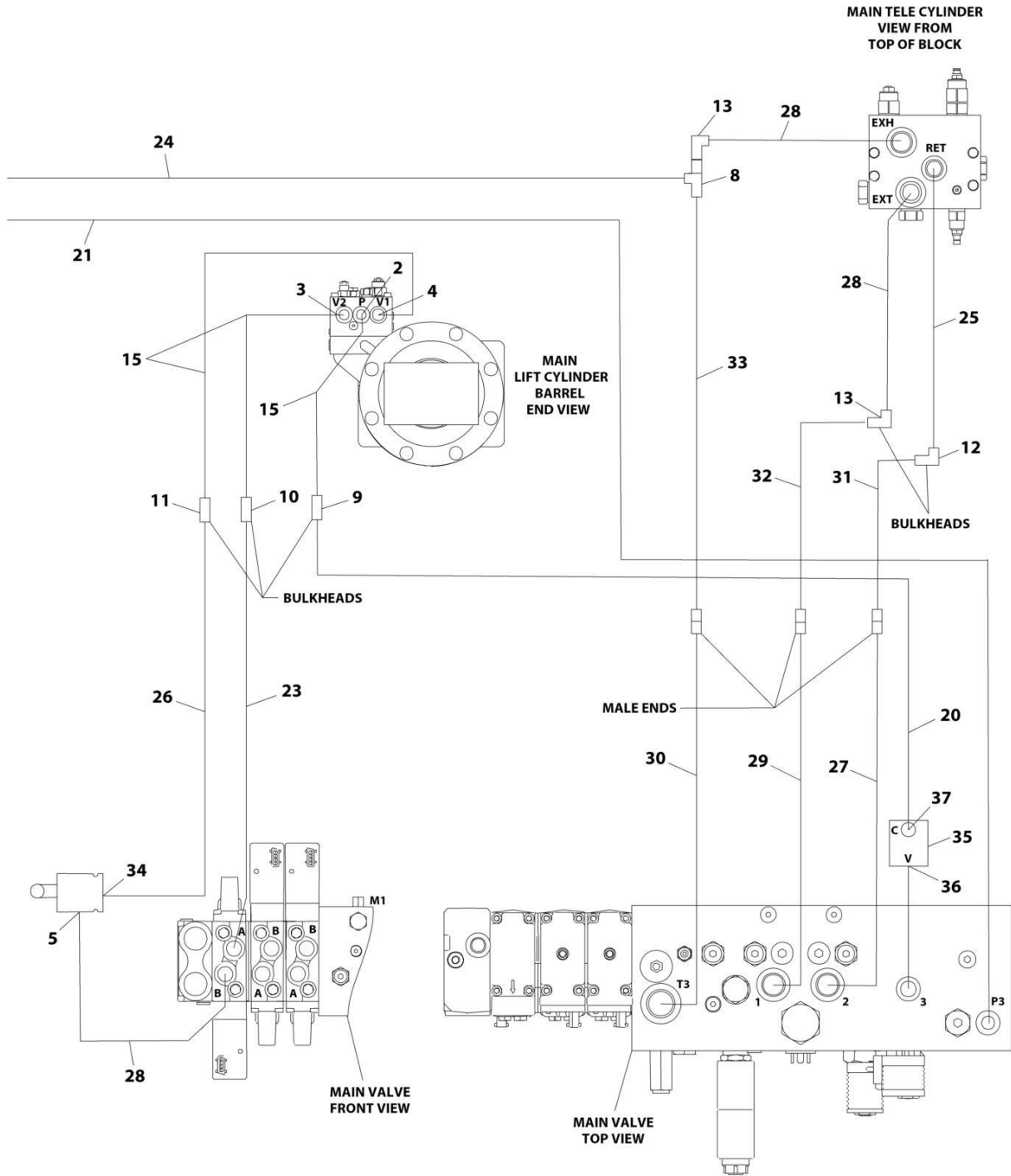
SECTION 7 - HYDRAULIC

FIGURE 7-2. HYDRAULIC DIAGRAM - BOOM (WITH SAUER PUMPS)



ART_1001111084_10F2

SECTION 7 - HYDRAULIC



ART_1001111084_20F2

SECTION 7 - HYDRAULIC

FIGURE 7-2. HYDRAULIC DIAGRAM - BOOM (WITH SAUER PUMPS)

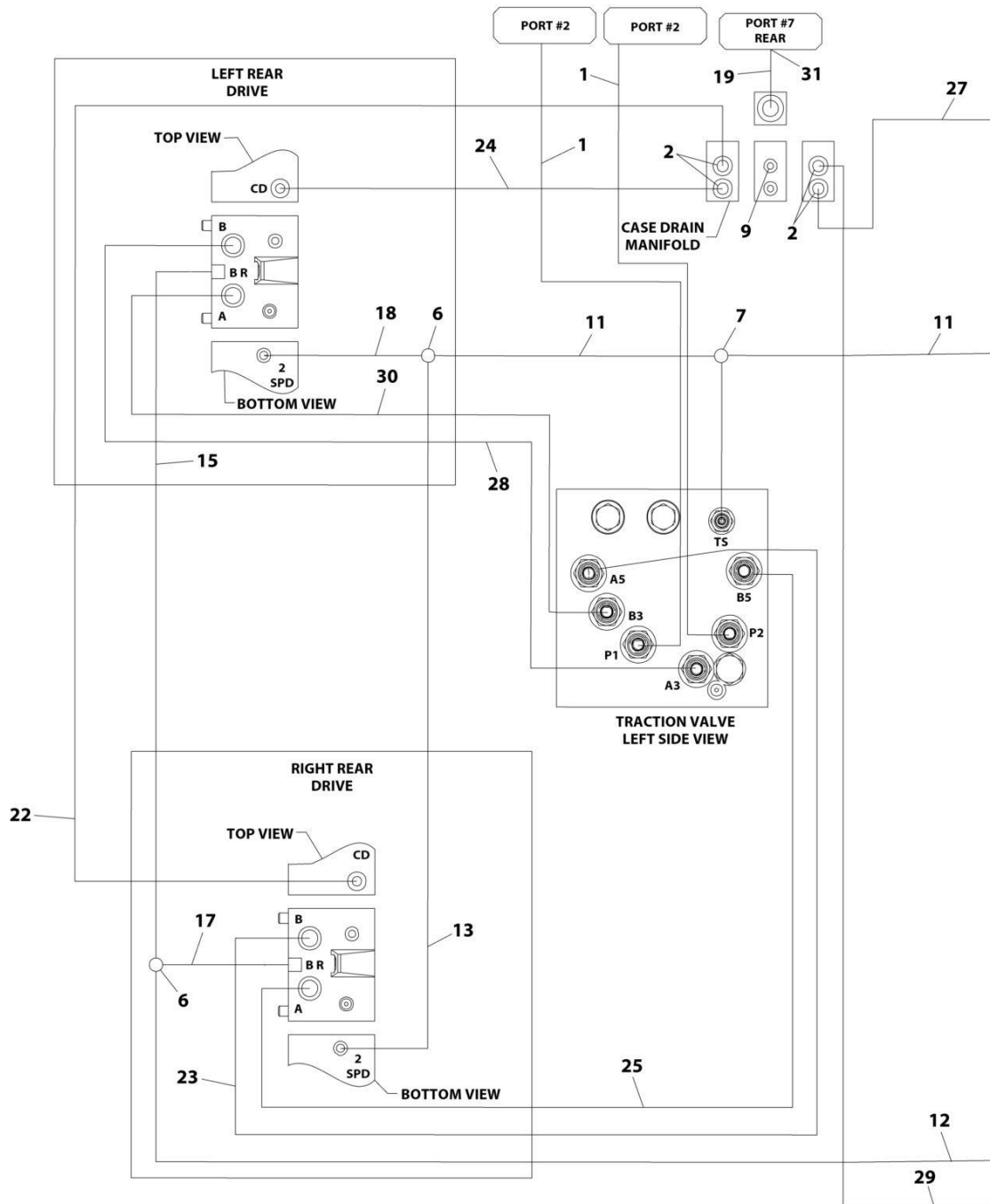
ITEM	PART NUMBER	QTY	DESCRIPTION	REV
	1001110252	Ref	HYDRAULIC DIAGRAM - BOOM (WITH SAUER PUMPS)	L
	1001111084	Ref	Hydraulic Diagram - Tower/Upper Boom	B
1	2110404	2	Fitting, Straight ORFS/ORB	
2	2110610	1	Fitting, Straight ORFS/ORB	
3	2110810	1	Fitting, Straight ORFS/ORB	
4	2111010	1	Fitting, Straight ORFS/ORB	
5	2111212	1	Fitting, Straight ORFS/ORB	
6	2150404	5	Fitting, 45 ORFS/ORB	
7	2170204	1	Fitting, 90 ORFS/ORB	
8	2170712	1	Fitting, Tee ORFS/FSORFS/ORFS	
9	2171306	2	Fitting, 45 ORFS/ORB	
10	2171308	1	Fitting, 45 ORFS/ORB	
11	2171310	1	Fitting, 45 ORFS/ORB	
12	2171210	1	Fitting, 90 ORFS/ORB	
13	2171212	2	Fitting, 90 ORFS/ORB	
14	2180830	1	Fitting, Straight ORFS/ORB	
15	2720516	1	Hose	
16	2753545	2	Hose	
17	2753717	2	Hose	
18	2753716	3	Hose	
19	2753897	2	Hose	
20	2753978	1	Hose	
21	2754123	1	Hose	
22	2754124	1	Hose	
23	2753985	1	Hose	
24	2753986	1	Hose	
25	2753987	1	Hose	
26	2753994	1	Hose	
27	2753993	1	Hose	
28	2753998	3	Hose	
29	2754002	1	Hose	
30	2754003	1	Hose	
31	2754010	1	Hose	
32	2754011	1	Hose	
33	2753999	1	Hose	
34	2111012	1	Fitting, Straight ORFS/ORB	
35	4641372	1	Valve, Double Check	
35	7027284	1	Cartridge	
35	7011346	1	Seal Kit - 7027284 Cartridge	
35	7027285	1	Cartridge	
35	7011311	1	Seal Kit - 7027285 Cartridge	
36	2221123	1	Fitting, Straight S FSORFS/ORB	
37	2130606	1	Fitting, 90 ORFS/ORB	
38	2180830	1	Fitting, Straight ORFS/ORB	
40	2110612	1	Fitting, Straight ORFS/ORB	
41	2130612	1	Fitting, 90 ORFS/ORB	
42	2717059	1	Hose	
43	2754288	1	Hose	
44	2170708	1	Fitting, Swivel Nut Run Tee ORFS/FSORFS/ORFS	
45	1001097820	1	Fitting, Adapter ORFS/FSORFS	

SECTION 7 - HYDRAULIC

ITEM	PART NUMBER	QTY	DESCRIPTION	REV
46	2170704	1	Fitting, Swivel Nut Run Tee ORFS/FSORFS/ORFS	

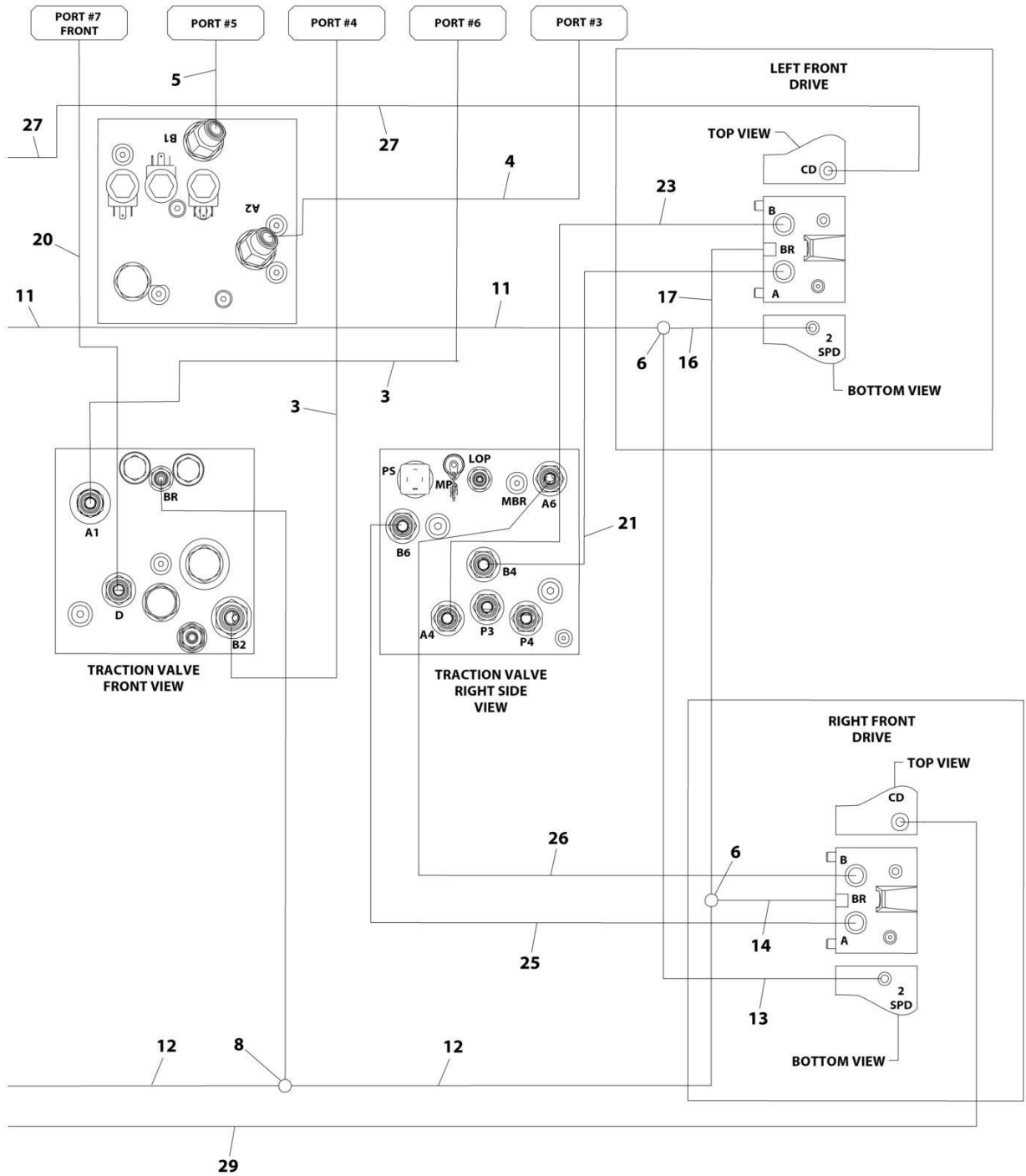
SECTION 7 - HYDRAULIC

FIGURE 7-3. HYDRAULIC DIAGRAM - DRIVE (WITH REXROTH PUMPS)



ART_2792772_10F2

SECTION 7 - HYDRAULIC



ART_2792772_2OF2

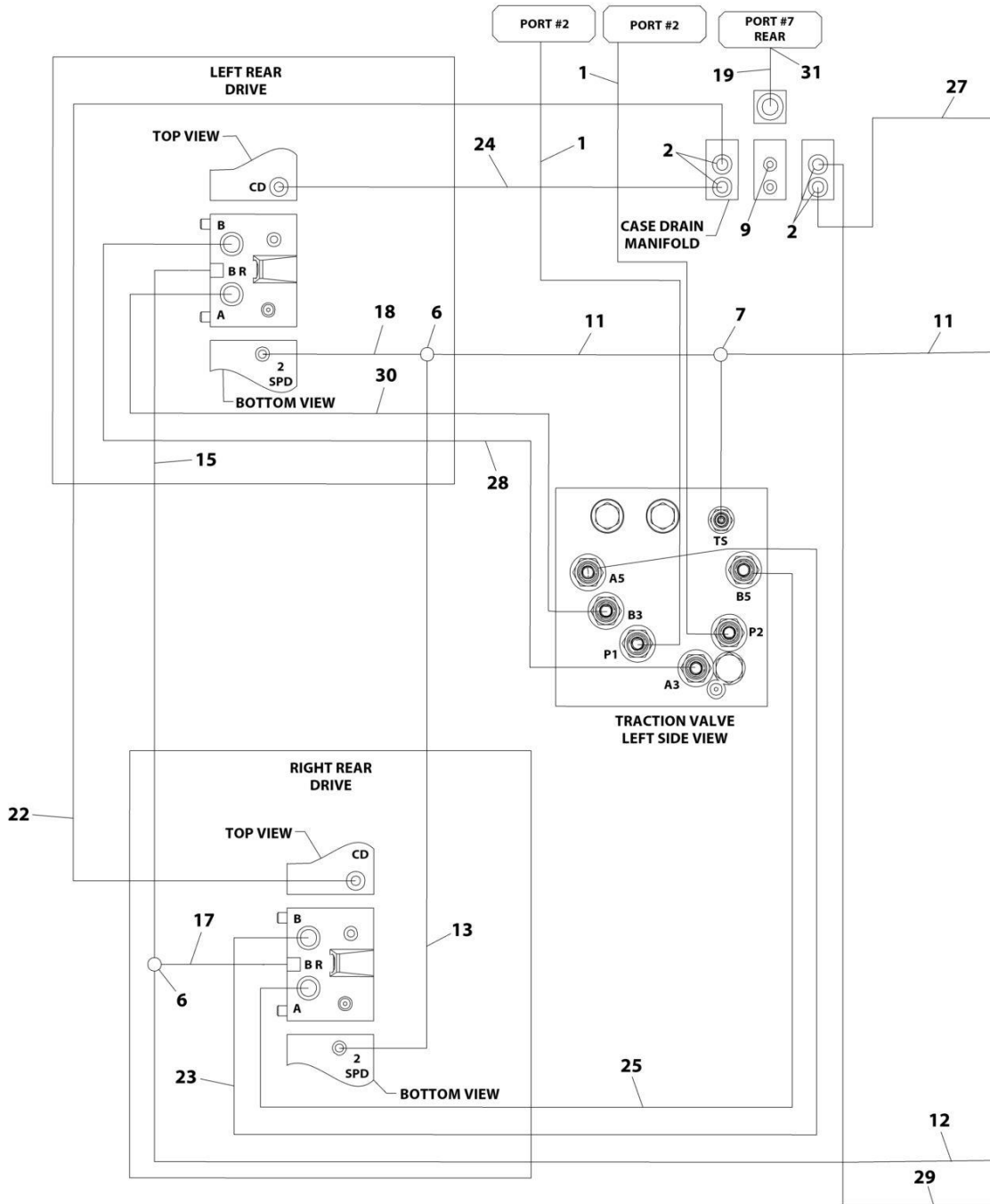
SECTION 7 - HYDRAULIC

FIGURE 7-3. HYDRAULIC DIAGRAM - DRIVE (WITH REXROTH PUMPS)

ITEM	PART NUMBER	QTY	DESCRIPTION	REV
	1283457	Ref	HYDRAULIC DIAGRAM - DRIVE	L
	2792772	Ref	Hydraulic Diagram - Drive Circuit	F
1	2753685	2	Hose	
2	2110808	4	Fitting, Straight ORFS/ORB	
3	2753703	2	Hose	
4	2753764	1	Hose	
5	2753768	1	Hose	
6	2170504	4	Fitting, Tee ORFS	
7	2170704	1	Fitting, Tee ORFS/ORB/ORFS	
8	2170804	1	Fitting, Tee ORFS/ORB/ORFS	
9	2220235	1	Plug	
11	2753541	2	Hose	
12	2753545	2	Hose	
13	2753677	2	Hose	
14	2753714	1	Hose	
15	2753713	1	Hose	
16	2753716	1	Hose	
17	2753715	2	Hose	
18	2753552	1	Hose	
19	2753752	1	Hose	
20	2753582	1	Hose	
21	2753756	1	Hose	
22	2753747	1	Hose	
23	2753757	2	Hose	
24	2753748	1	Hose	
25	2753759	2	Hose	
26	2753760	1	Hose	
27	2753749	1	Hose	
28	2753761	1	Hose	
29	2753750	1	Hose	
30	2753762	1	Hose	
31	2110812	1	Fitting, Straight ORFS/ORB	

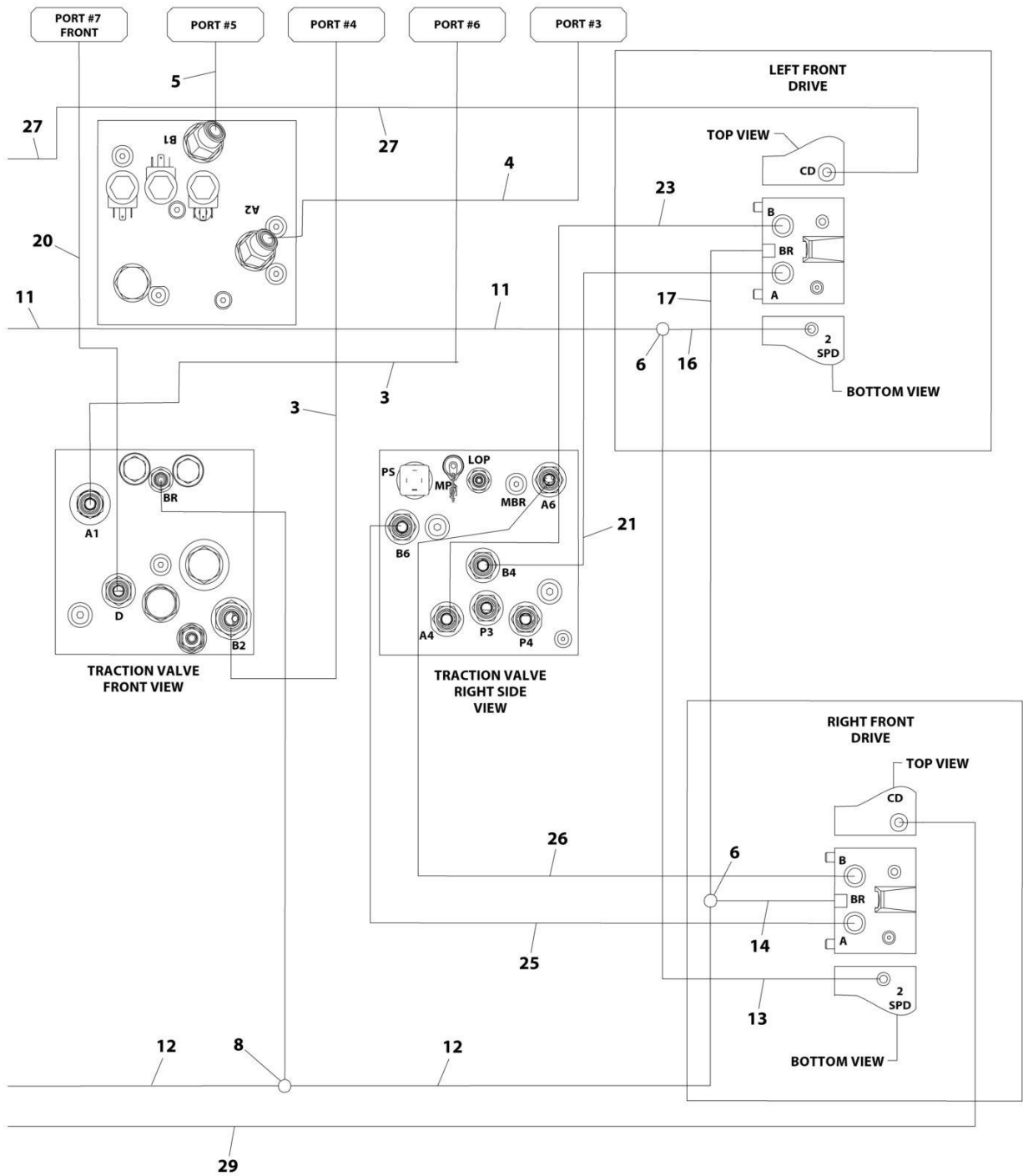
SECTION 7 - HYDRAULIC

FIGURE 7-4. HYDRAULIC DIAGRAM - DRIVE (WITH SAUER PUMPS)



ART_1001111082_1OF2

SECTION 7 - HYDRAULIC



ART_1001111082_2OF2

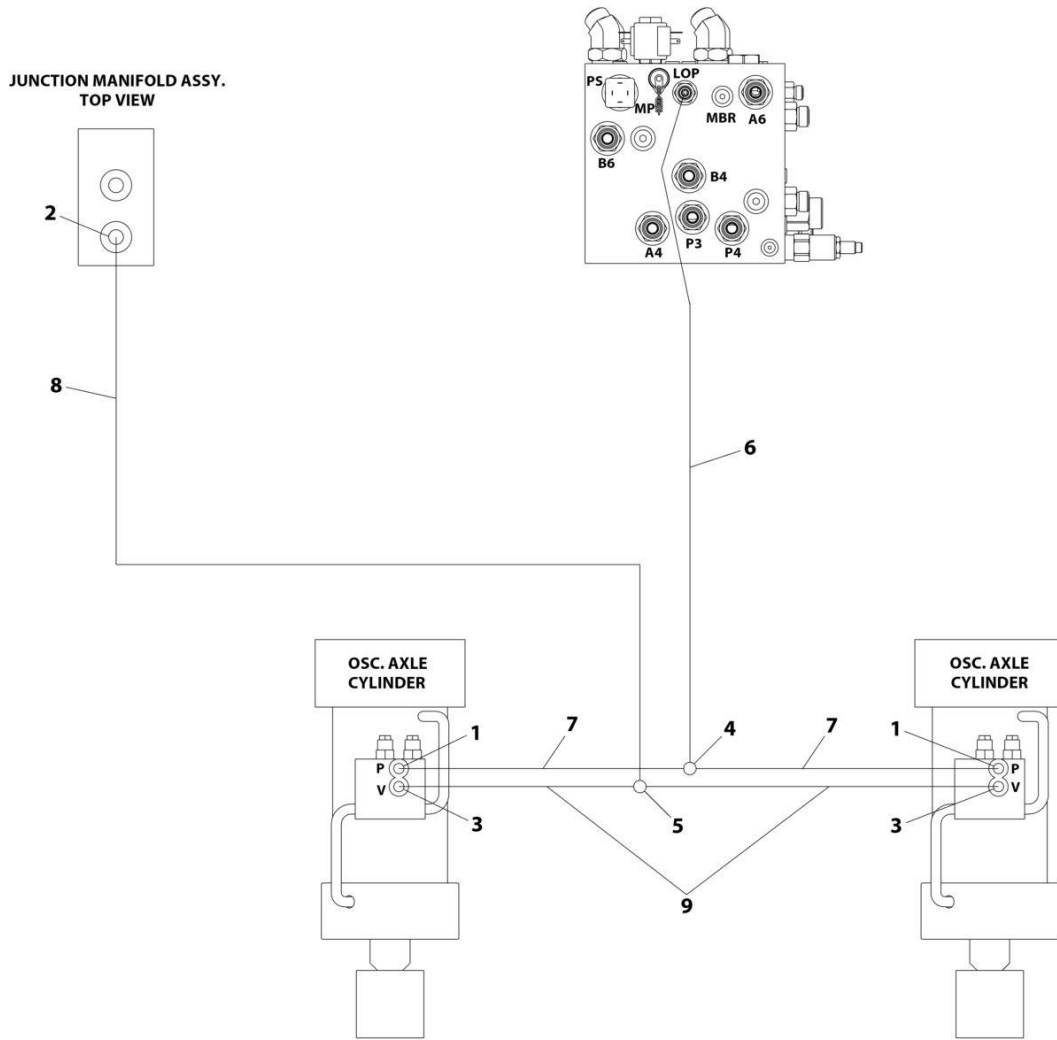
SECTION 7 - HYDRAULIC

FIGURE 7-4. HYDRAULIC DIAGRAM - DRIVE (WITH SAUER PUMPS)

ITEM	PART NUMBER	QTY	DESCRIPTION	REV
	1001110252	Ref	HYDRAULIC DIAGRAM - DRIVE (WITH SAUER PUMPS)	L
	1001111082	Ref	Hydraulic Diagram - Drive Circuit	C
1	2753685	2	Hose	
2	2110808	4	Fitting, Straight ORFS/ORB	
3	2753703	2	Hose	
4	2753764	1	Hose	
5	2753768	1	Hose	
6	2170504	4	Fitting, Tee ORFS	
7	2170704	1	Fitting, Tee ORFS/ORB/ORFS	
8	2170804	1	Fitting, Tee ORFS/ORB/ORFS	
9	2220235	1	Plug	
11	2753541	2	Hose	
12	2753545	2	Hose	
13	2753677	2	Hose	
14	2753714	1	Hose	
15	2753713	1	Hose	
16	2753716	1	Hose	
17	2753715	2	Hose	
18	2753552	1	Hose	
19	2753752	1	Hose	
20	2753582	1	Hose	
21	2753756	1	Hose	
22	2753747	1	Hose	
23	2753757	2	Hose	
24	2753748	1	Hose	
25	2753759	2	Hose	
26	2753760	1	Hose	
27	2753749	1	Hose	
28	2753761	1	Hose	
29	2753750	1	Hose	
30	2753762	1	Hose	
31	2110812	1	Fitting, Straight ORFS/ORB	

SECTION 7 - HYDRAULIC

FIGURE 7-5. HYDRAULIC DIAGRAM - OSCILLATING AXLE (WITH REXROTH PUMPS)



ART_2792647

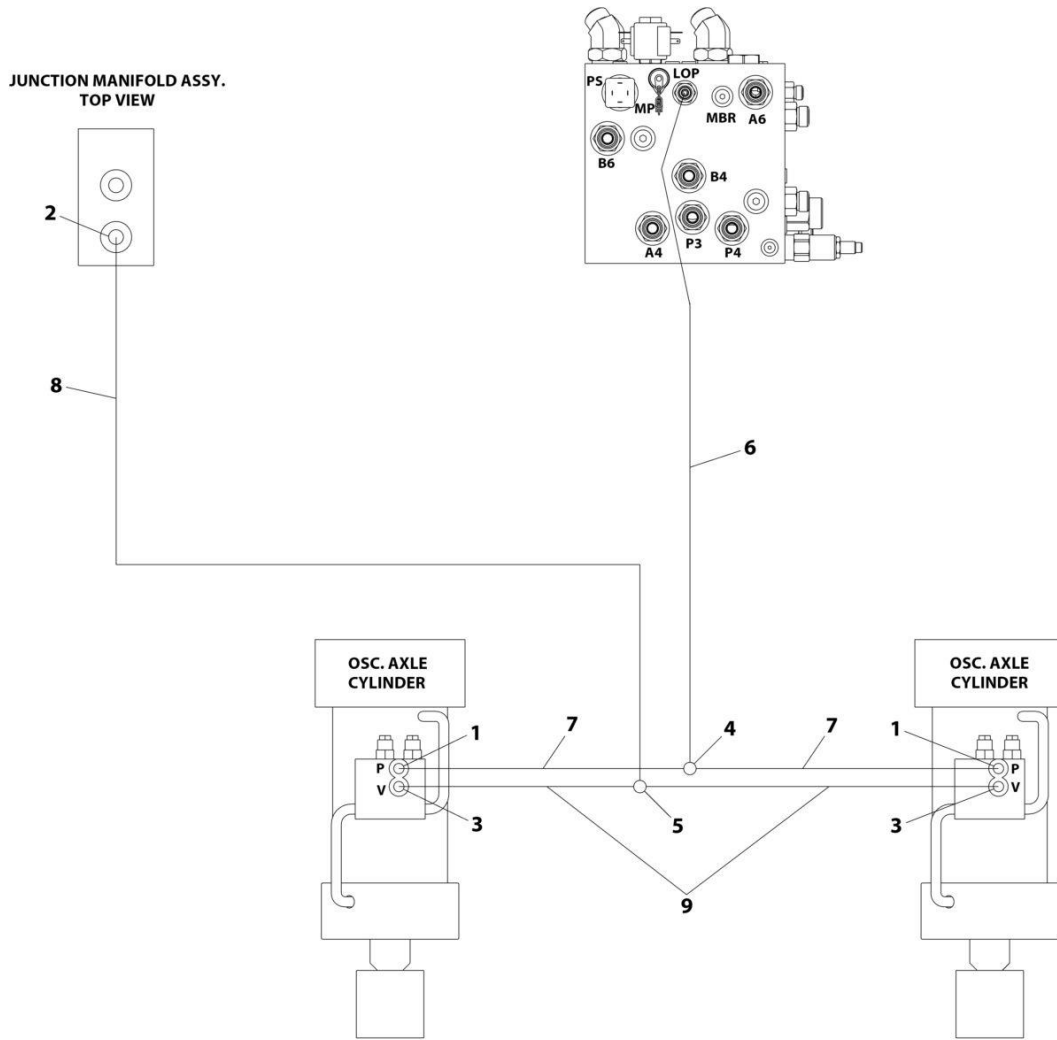
SECTION 7 - HYDRAULIC

FIGURE 7-5. HYDRAULIC DIAGRAM - OSCILLATING AXLE (WITH REXROTH PUMPS)

ITEM	PART NUMBER	QTY	DESCRIPTION	REV
	1283457	Ref	HYDRAULIC DIAGRAM - OSCILLATING AXLE	L
	2792647	Ref	Hydraulic Diagram - Oscillating Axle	4
1	2110406	2	Fitting, Straight ORFS/ORB	
2	2110604	1	Fitting, Straight ORFS/ORB	
3	2110606	2	Fitting, Straight ORFS/ORB	
4	2170504	1	Fitting, Tee ORFS	
5	2170506	1	Fitting, Tee ORFS	
6	2753726	1	Hose	
7	2753719	2	Hose	
8	2753727	1	Hose	
9	2753729	2	Hose	

SECTION 7 - HYDRAULIC

FIGURE 7-6. HYDRAULIC DIAGRAM - OSCILLATING AXLE (WITH SAUER PUMPS)



ART_1001111081

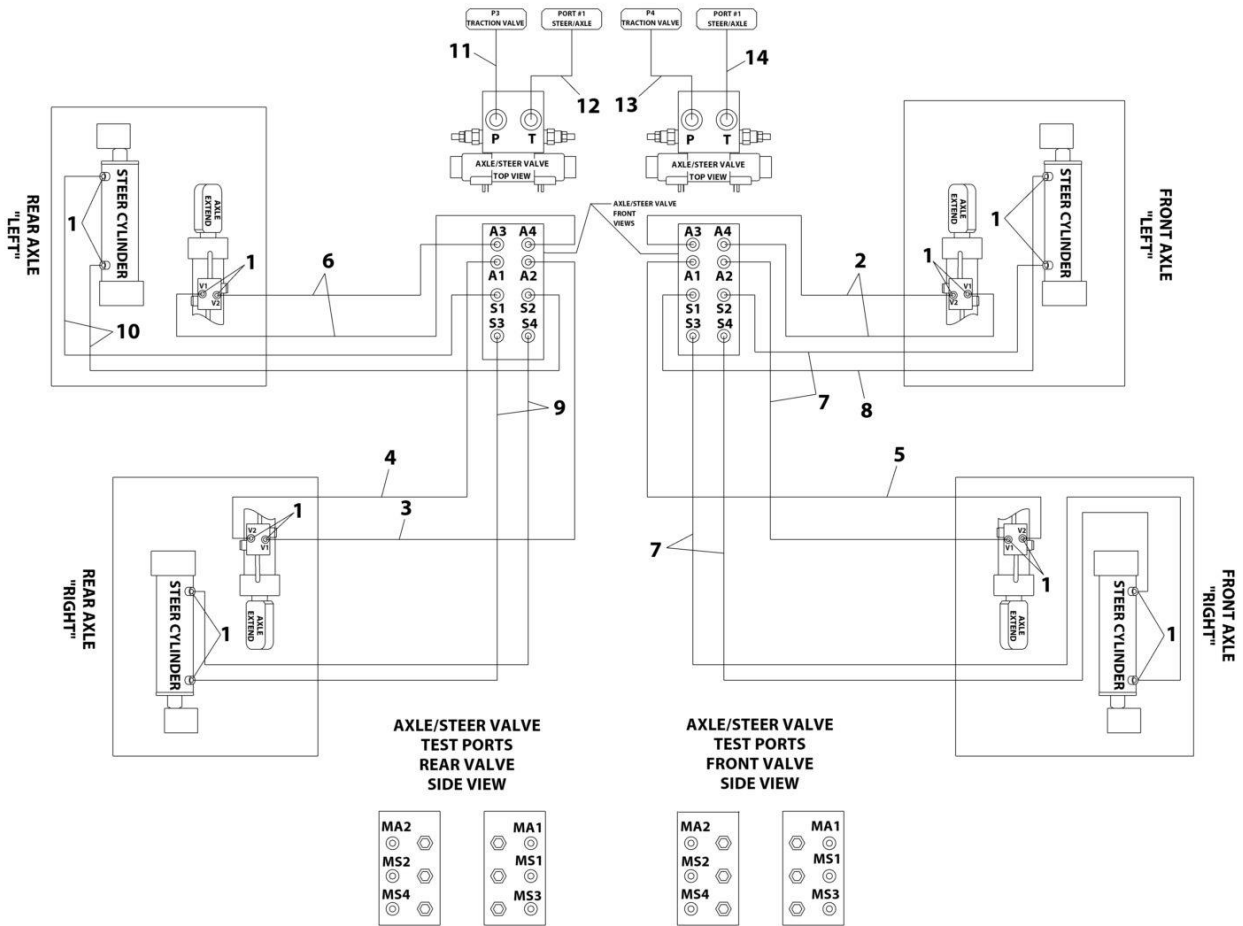
SECTION 7 - HYDRAULIC

FIGURE 7-6. HYDRAULIC DIAGRAM - OSCILLATING AXLE (WITH SAUER PUMPS)

ITEM	PART NUMBER	QTY	DESCRIPTION	REV
	1001110252	Ref	HYDRAULIC DIAGRAM - OSCILLATING AXLE (WITH SAUER PUMPS)	L
	1001111081	Ref	Hydraulic Diagram - Oscillating Axle	1
1	2110406	2	Fitting, Straight ORFS/ORB	
2	2110604	1	Fitting, Straight ORFS/ORB	
3	2110606	2	Fitting, Straight ORFS/ORB	
4	2170504	1	Fitting, Tee ORFS	
5	2170506	1	Fitting, Tee ORFS	
6	2753726	1	Hose	
7	2753719	2	Hose	
8	2753727	1	Hose	
9	2753729	2	Hose	

SECTION 7 - HYDRAULIC

FIGURE 7-7. HYDRAULIC DIAGRAM - STEER (WITH REXROTH PUMPS)



ART_2792773

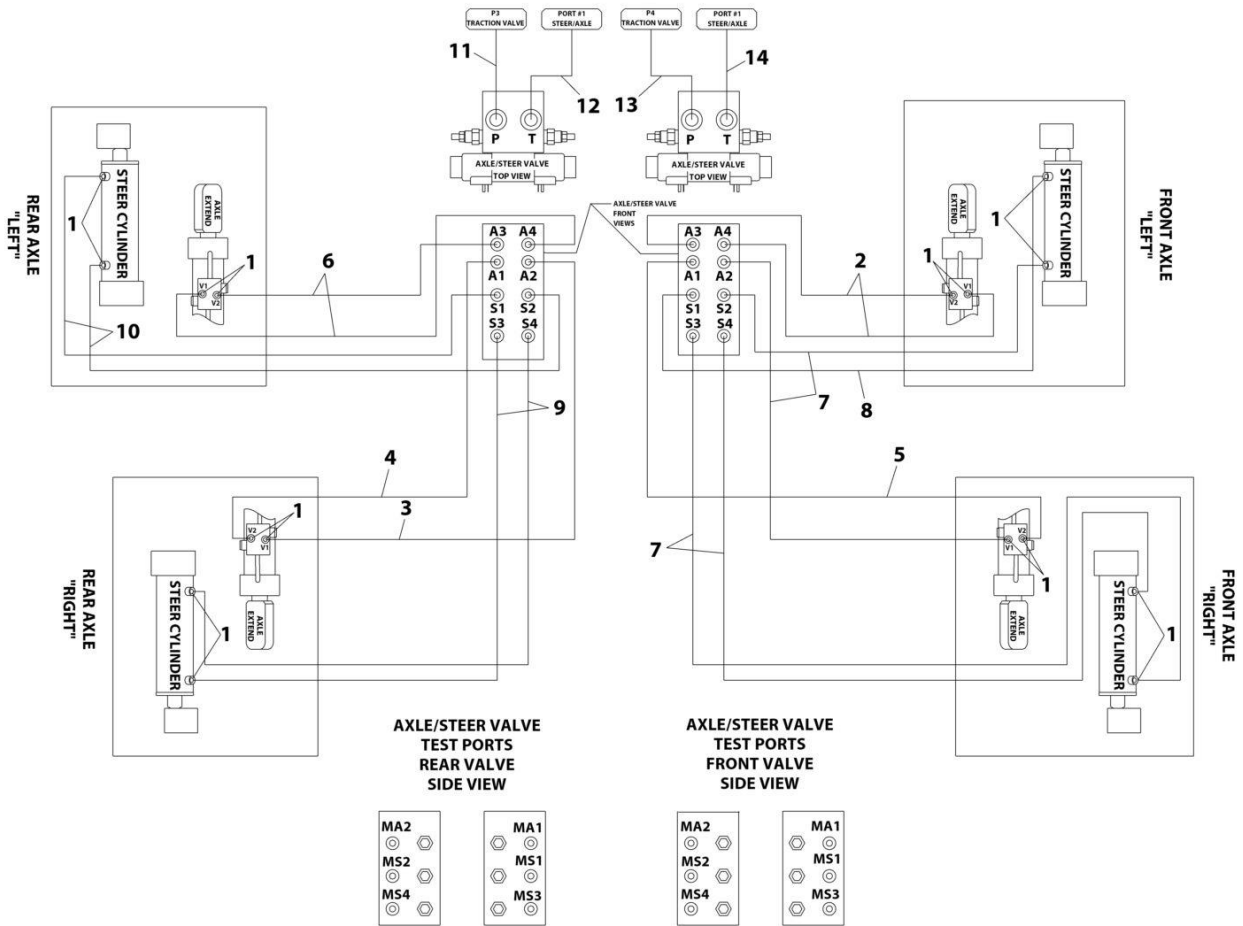
SECTION 7 - HYDRAULIC

FIGURE 7-7. HYDRAULIC DIAGRAM - STEER (WITH REXROTH PUMPS)

ITEM	PART NUMBER	QTY	DESCRIPTION	REV
	1283457	Ref	HYDRAULIC DIAGRAM - STEER	L
	2792773	Ref	Hydraulic Diagram - Steer	2
1	2130606	16	Fitting, 90 ORFS/ORB	
2	2753732	2	Hose	
3	2753733	1	Hose	
4	2753728	1	Hose	
5	2753734	1	Hose	
6	2753735	2	Hose	
7	2753736	4	Hose	
8	2753737	1	Hose	
9	2753738	2	Hose	
10	2753739	2	Hose	
11	2753753	1	Hose	
12	2753742	1	Hose	
13	2753754	1	Hose	
14	2753743	1	Hose	

SECTION 7 - HYDRAULIC

FIGURE 7-8. HYDRAULIC DIAGRAM - STEER (WITH SAUER PUMPS)



ART_1001111083

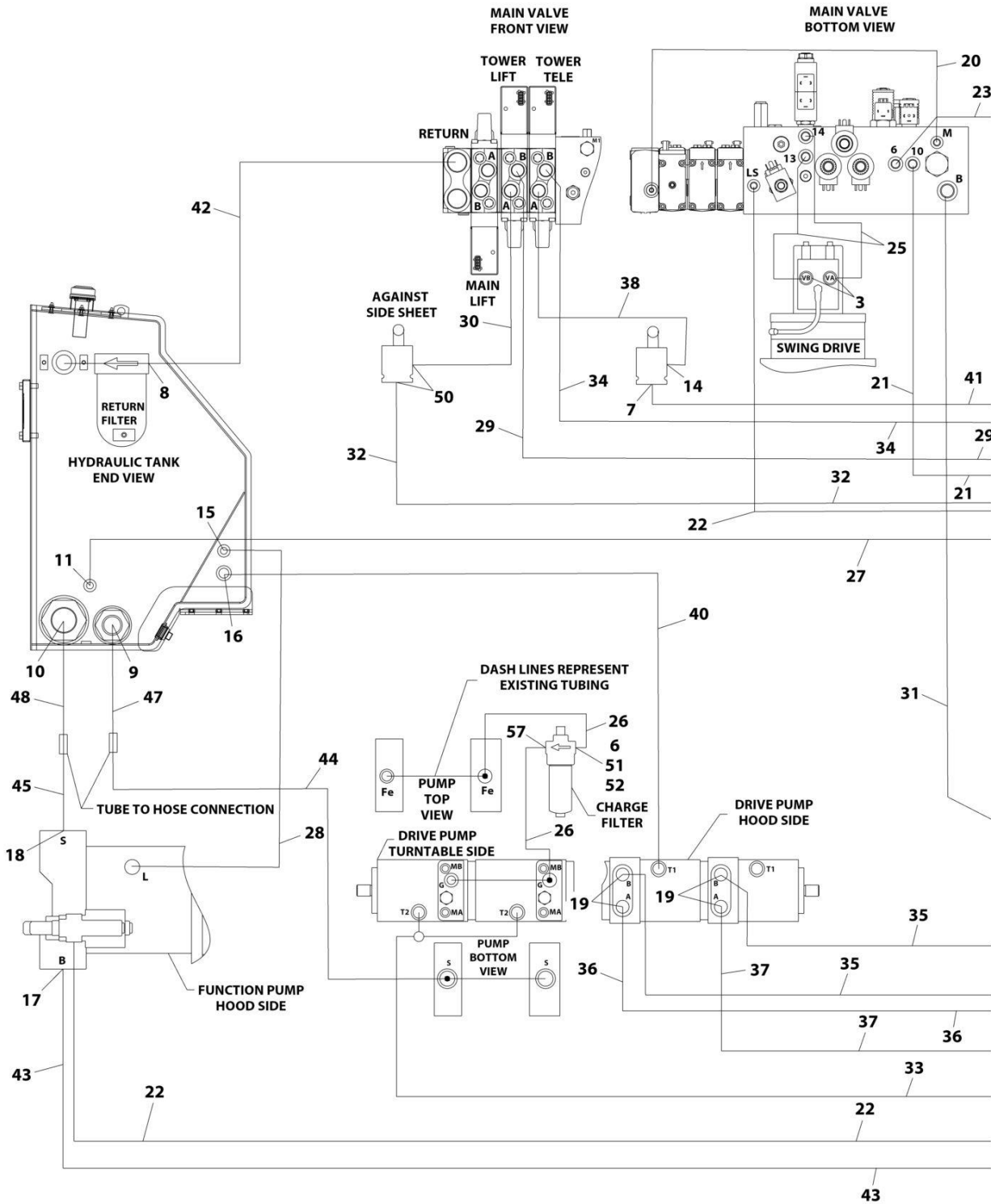
SECTION 7 - HYDRAULIC

FIGURE 7-8. HYDRAULIC DIAGRAM - STEER (WITH SAUER PUMPS)

ITEM	PART NUMBER	QTY	DESCRIPTION	REV
	1001110252	Ref	HYDRAULIC DIAGRAM - STEER (WITH SAUER PUMPS)	L
	1001111083	Ref	Hydraulic Diagram - Steer	1
1	2130606	16	Fitting, 90 ORFS/ORB	
2	2753732	2	Hose	
3	2753733	1	Hose	
4	2753728	1	Hose	
5	2753734	1	Hose	
6	2753735	2	Hose	
7	2753736	4	Hose	
8	2753737	1	Hose	
9	2753738	2	Hose	
10	2753739	2	Hose	
11	2753753	1	Hose	
12	2753742	1	Hose	
13	2753754	1	Hose	
14	2753743	1	Hose	

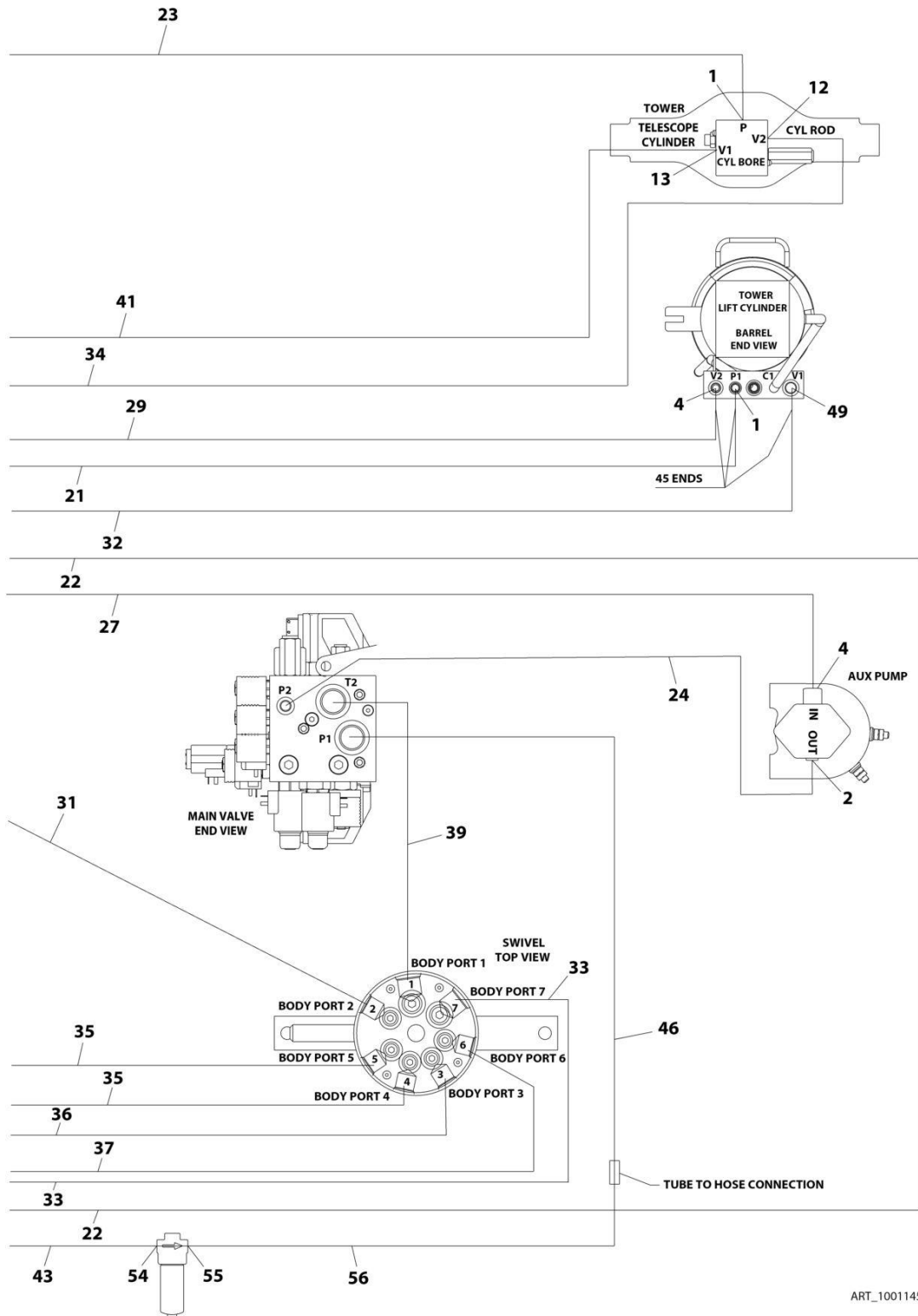
SECTION 7 - HYDRAULIC

FIGURE 7-9. HYDRAULIC DIAGRAM - TURNTABLE (DEUTZ TD2011 ENGINES WITH REXROTH PUMPS)



ART_1001145321_TOF2

SECTION 7 - HYDRAULIC



ART_1001145321_2OF2

SECTION 7 - HYDRAULIC

FIGURE 7-9. HYDRAULIC DIAGRAM - TURNTABLE (DEUTZ TD2011 ENGINES WITH REXROTH PUMPS)

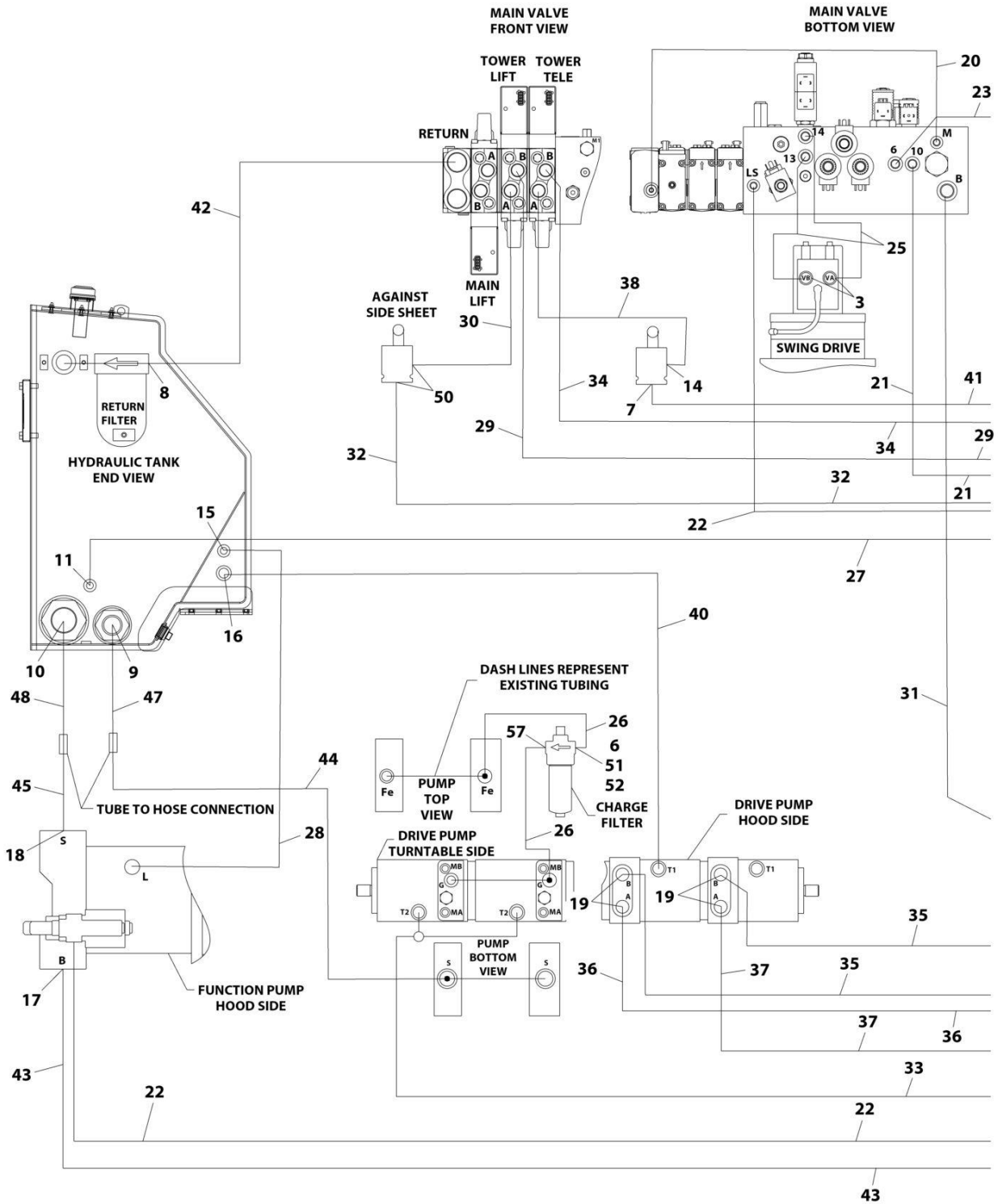
ITEM	PART NUMBER	QTY	DESCRIPTION	REV
	1283457	Ref	HYDRAULIC DIAGRAM - TURNTABLE (DEUTZ TD2011 ENGINES WITH REXROTH PUMPS)	L
	1001145321	Ref	Hydraulic Diagram - Turntable	B
1	2110404	1	Fitting, Straight ORFS/ORB	
2	2110608	1	Fitting, Straight ORFS/ORB	
3	2110610	2	Fitting, Straight ORFS/ORB	
4	2110808	2	Fitting, Straight ORFS/ORB	
6	2220811	1	Fitting, Reducer ORB/ORB	
7	2111212	1	Fitting, Straight ORFS/ORB	
8	2111620	1	Fitting, Straight ORFS/ORB	
9	2112020	1	Fitting, Straight ORFS/ORB	
10	2113232	1	Fitting, Straight ORFS/ORB	
11	2130808	1	Fitting, 90 ORFS/ORB	
12	2131008	1	Fitting, 90 ORFS/ORB	
13	2131210	1	Fitting, 90 ORFS/ORB	
14	2131212	1	Fitting, 90 ORFS/ORB	
15	2150808	1	Fitting, 45 ORFS/ORB	
16	2151212	1	Fitting, 45 ORFS/ORB	
17	2220478	1	Flange Kit	
18	2220737	1	Flange Kit	
19	2221117	4	Flange Kit	
20	2753546	1	Hose	
21	2753975	1	Hose	
22	2753976	1	Hose	
23	2753977	1	Hose	
24	2753673	1	Hose	
25	2753979	2	Hose	
26	2753746	2	Hose	
27	2753590	1	Hose	
28	2753741	1	Hose	
29	2753984	1	Hose	
30	2753988	1	Hose	
31	2753989	1	Hose	
32	2753990	1	Hose	
33	2753991	1	Hose	
34	2753992	1	Hose	
35	2753995	2	Hose	
36	2753996	1	Hose	
37	2753997	1	Hose	
38	2753843	1	Hose	
39	2753999	1	Hose	
40	2754000	1	Hose	
41	2754001	1	Hose	
42	2754004	1	Hose	
43	2754870	1	Hose	
44	2754006	1	Hose	
45	2754007	1	Hose	
46	1001173889	1	Tube	
47	4568849	1	Tube	

SECTION 7 - HYDRAULIC

ITEM	PART NUMBER	QTY	DESCRIPTION	REV
48	4568815	1	Tube	
49	2111010	1	Fitting, Straight ORFS/ORB	
50	2111012	AR	Fitting, Straight ORFS/ORB	
51	2170308	1	Fitting, Tee ORFS/ORFS/ORB	
52	2170908	1	Fitting, Cap ORFS	
54	2131620	1	Fitting, 90 ORFS/ORB	
55	2132020	1	Fitting, 90 ORFS/ORB	
56	1001173890	1	Hose	
57	2130812	1	Fitting, 90 ORFS/ORB	

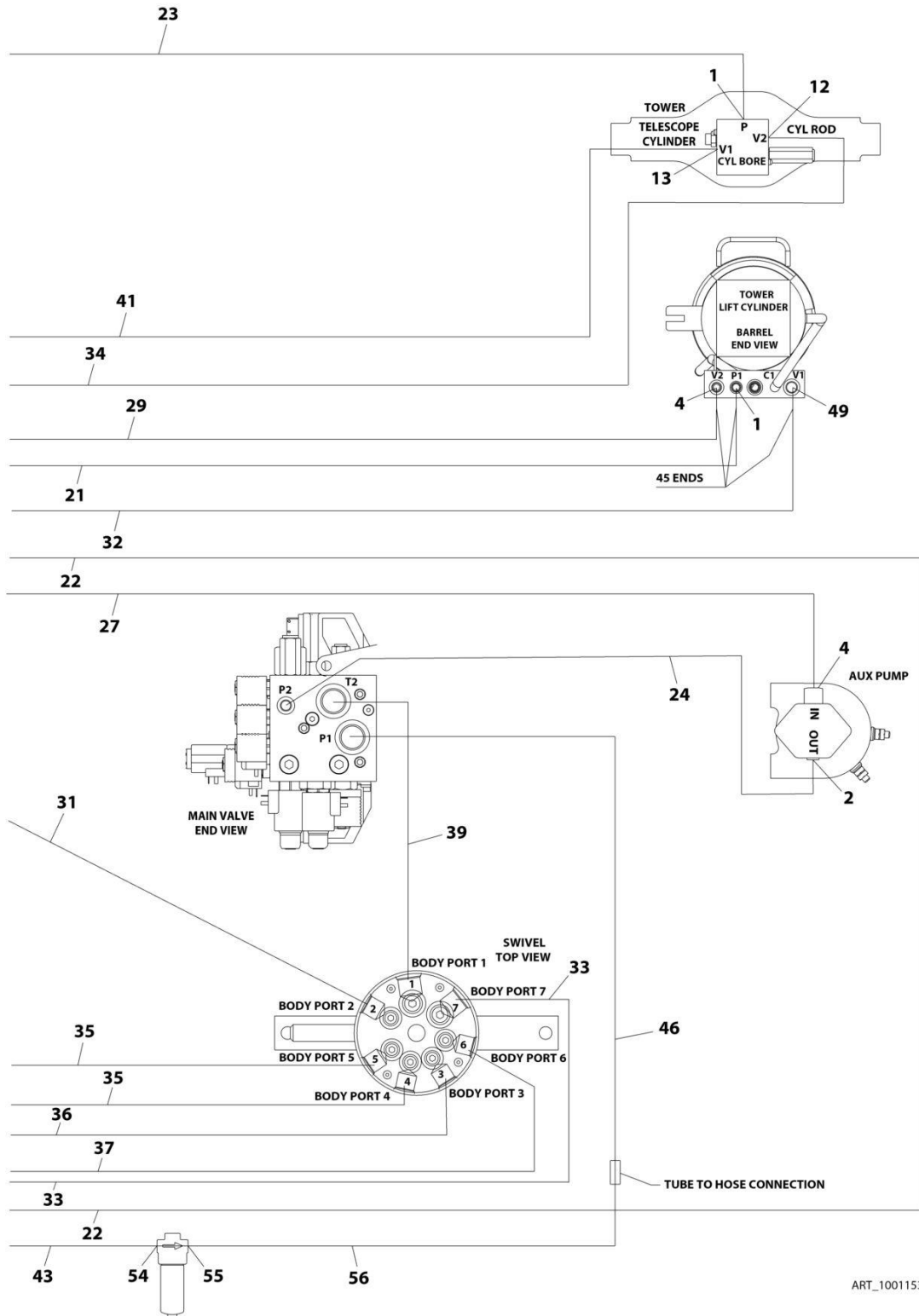
SECTION 7 - HYDRAULIC

FIGURE 7-10. HYDRAULIC DIAGRAM - TURNTABLE (DEUTZ TCD2.9L4 ENGINES AND DEUTZ TCD2.9L4 (STAGE V) ENGINES WITH REXROTH PUMPS)



ART_1001153188_10F2

SECTION 7 - HYDRAULIC



ART_1001153188_2OF2

SECTION 7 - HYDRAULIC

FIGURE 7-10. HYDRAULIC DIAGRAM - TURNTABLE (DEUTZ TCD2.9L4 ENGINES AND DEUTZ TCD2.9L4 (STAGE V) ENGINES WITH REXROTH PUMPS)

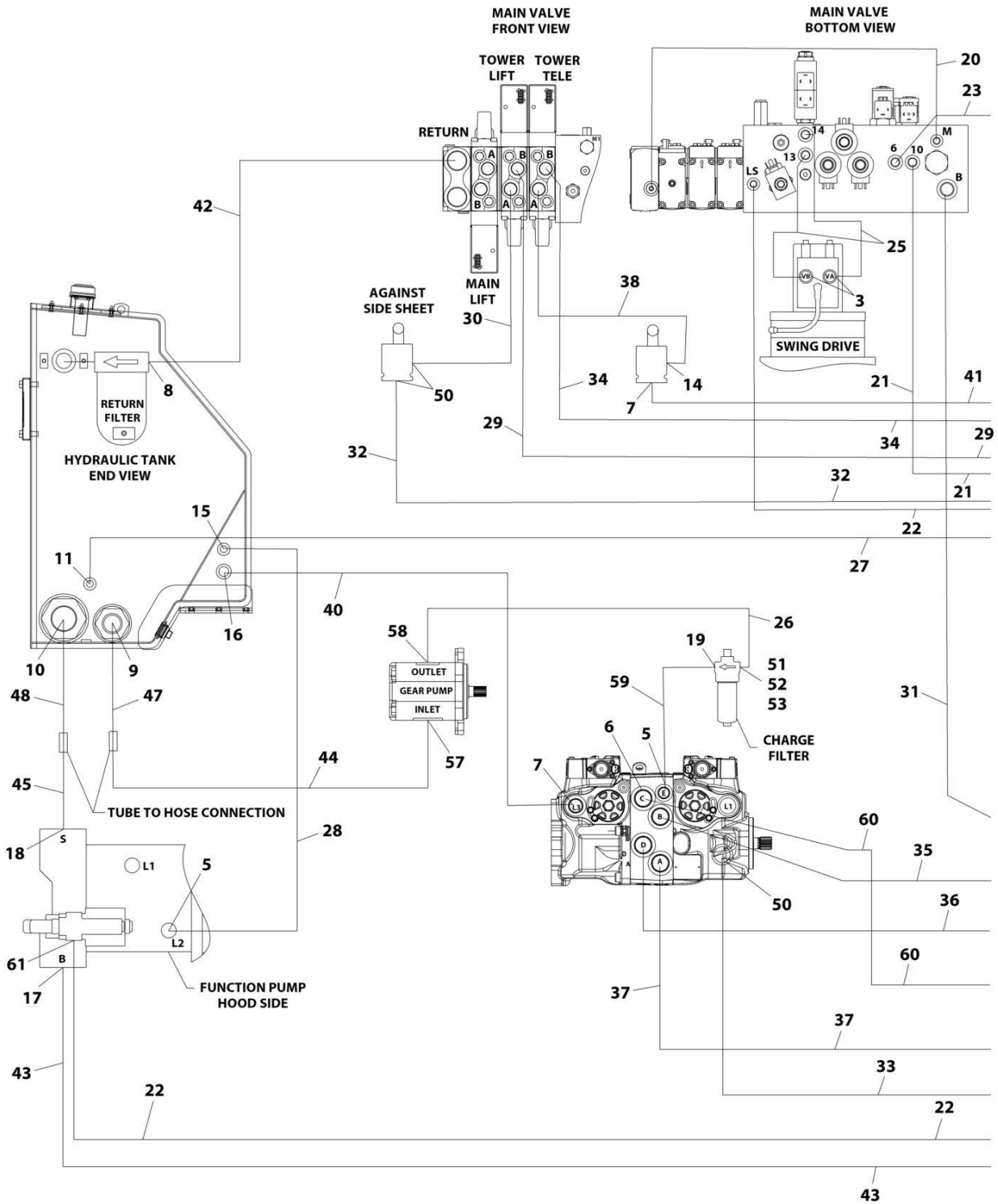
ITEM	PART NUMBER	QTY	DESCRIPTION	REV
	1001152971	Ref	HYDRAULIC DIAGRAM - TURNTABLE (DEUTZ TCD2.9L4 ENGINES AND DEUTZ TCD2.9L4 (STAGE V) ENGINES WITH REXROTH PUMPS)	C
	1001153188	Ref	Hydraulic Diagram - Turntable	B
1	2110404	1	Fitting, Straight ORFS/ORB	
2	2110608	1	Fitting, Straight ORFS/ORB	
3	2110610	2	Fitting, Straight ORFS/ORB	
4	2110808	2	Fitting, Straight ORFS/ORB	
6	2220811	1	Fitting, Reducer ORB/ORB	
7	2111212	1	Fitting, Straight ORFS/ORB	
8	2111620	1	Fitting, Straight ORFS/ORB	
9	2112020	1	Fitting, Straight ORFS/ORB	
10	2113232	1	Fitting, Straight ORFS/ORB	
11	2130808	1	Fitting, 90 ORFS/ORB	
12	2131008	1	Fitting, 90 ORFS/ORB	
13	2131210	1	Fitting, 90 ORFS/ORB	
14	2131212	1	Fitting, 90 ORFS/ORB	
15	2150808	1	Fitting, 45 ORFS/ORB	
16	2151212	1	Fitting, 45 ORFS/ORB	
17	2220478	1	Flange Kit	
18	2220737	1	Flange Kit	
19	2221117	4	Flange Kit	
20	2753546	1	Hose	
21	2753975	1	Hose	
22	2753976	1	Hose	
23	2753977	1	Hose	
24	2753673	1	Hose	
25	2753979	2	Hose	
26	2753746	2	Hose	
27	2753590	1	Hose	
28	2753741	1	Hose	
29	2753984	1	Hose	
30	2753988	1	Hose	
31	2753989	1	Hose	
32	2753990	1	Hose	
33	2753991	1	Hose	
34	2753992	1	Hose	
35	2753995	2	Hose	
36	2753996	1	Hose	
37	2753997	1	Hose	
38	2753843	1	Hose	
39	2753999	1	Hose	
40	2754000	1	Hose	
41	2754001	1	Hose	
42	2754004	1	Hose	
43	2754870	1	Hose	
44	1001153186	1	Hose	
45	2754007	1	Hose	
46	1001173889	1	Tube	

SECTION 7 - HYDRAULIC

ITEM	PART NUMBER	QTY	DESCRIPTION	REV
47	4568849	1	Tube	
48	4568815	1	Tube	
49	2111010	1	Fitting, Straight ORFS/ORB	
50	2111012	AR	Fitting, Straight ORFS/ORB	
51	2170308	1	Fitting, Tee ORFS/ORFS/ORB	
52	2170908	1	Fitting, Cap ORFS	
54	2131620	1	Fitting, 90 ORFS/ORB	
55	2132020	1	Fitting, 90 ORFS/ORB	
56	1001173890	1	Hose	
57	2130812	1	Fitting, 90 ORFS/ORB	

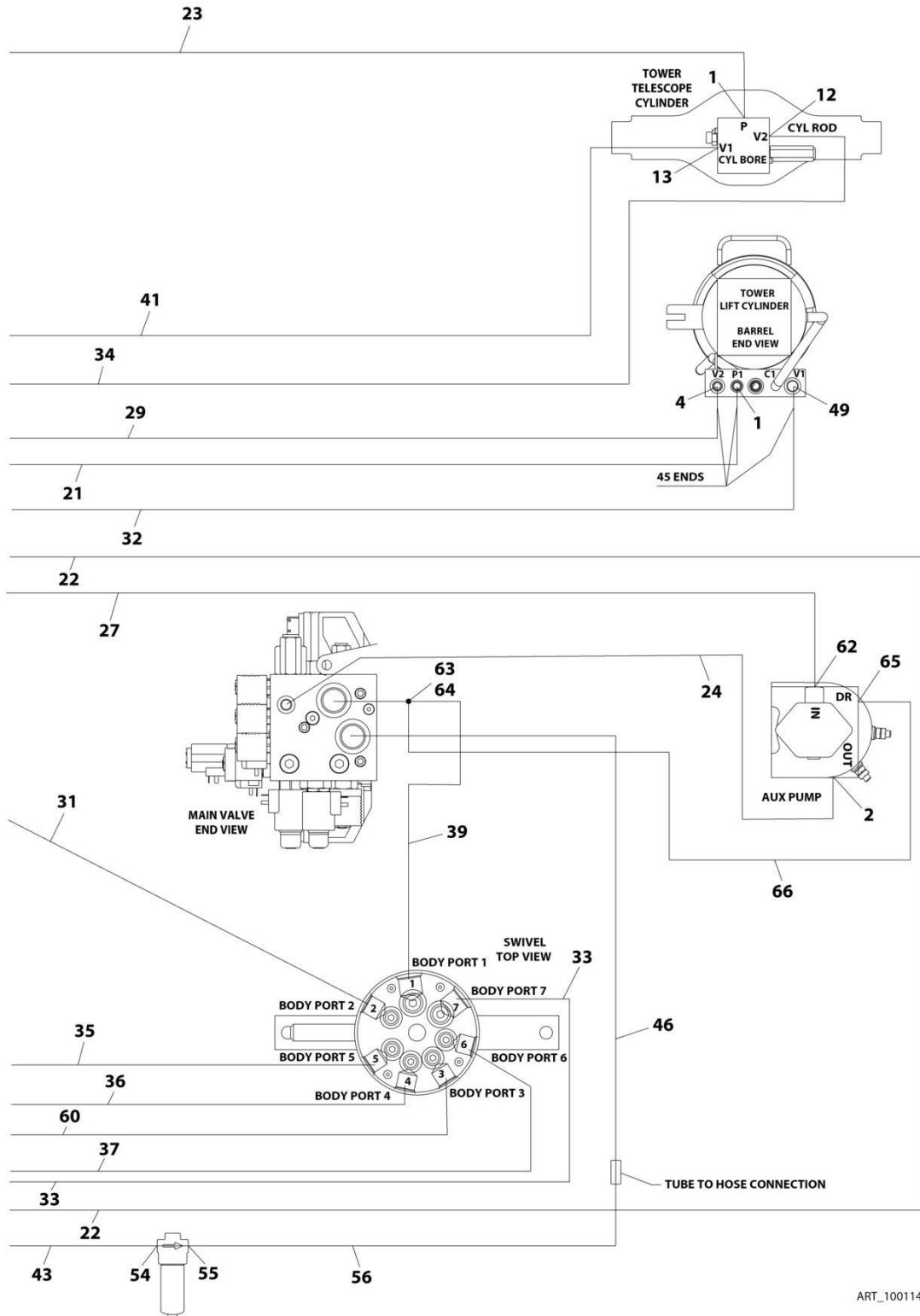
SECTION 7 - HYDRAULIC

FIGURE 7-11. HYDRAULIC DIAGRAM - TURNTABLE (WITH SAUER PUMPS)



ART_1001145322_10F2

SECTION 7 - HYDRAULIC



ART_1001145322_20F2

SECTION 7 - HYDRAULIC

FIGURE 7-11. HYDRAULIC DIAGRAM - TURNTABLE (WITH SAUER PUMPS)

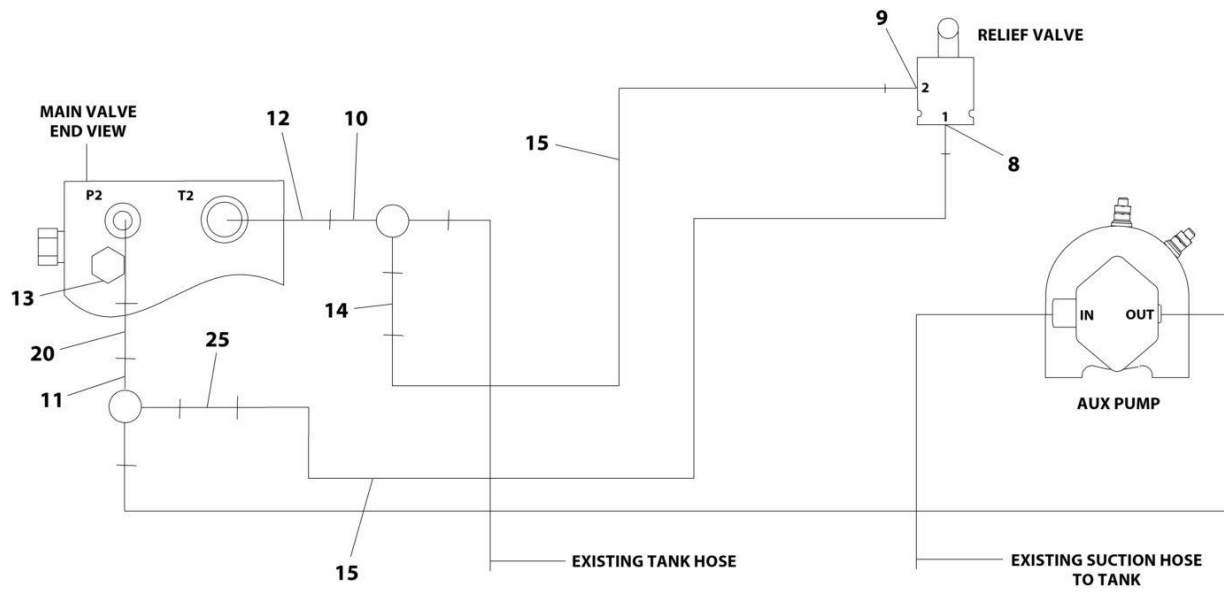
ITEM	PART NUMBER	QTY	DESCRIPTION	REV
	1001110252	Ref	HYDRAULIC DIAGRAM - TURNTABLE (WITH SAUER PUMPS)	L
	1001145322	Ref	Hydraulic Diagram - Turntable	E
1	2110404	1	Fitting, Straight ORFS/ORB	
2	2110608	1	Fitting, Straight ORFS/ORB	
3	2110610	2	Fitting, Straight ORFS/ORB	
4	2110808	1	Fitting, Straight ORFS/ORB	
5	2110810	2	Fitting, Straight ORFS/ORB	
6	2111016	4	Fitting, Straight ORFS/ORB	
7	2111212	2	Fitting, Straight ORFS/ORB	
8	2111620	1	Fitting, Straight ORFS/ORB	
9	2112020	1	Fitting, Straight ORFS/ORB	
10	2113232	1	Fitting, Straight ORFS/ORB	
11	2130808	1	Fitting, 90 ORFS/ORB	
12	2131008	1	Fitting, 90 ORFS/ORB	
13	2131210	1	Fitting, 90 ORFS/ORB	
14	2131212	1	Fitting, 90 ORFS/ORB	
15	2150808	1	Fitting, 45 ORFS/ORB	
16	2151212	1	Fitting, 45 ORFS/ORB	
17	2220478	1	Flange Kit	
18	1001110604	1	Flange Kit	
19	2130812	1	Fitting, 90 ORFS/ORB	
20	2753546	1	Hose	
21	2753975	1	Hose	
22	2753976	1	Hose	
23	2753977	1	Hose	
24	2753673	1	Hose	
25	2753979	2	Hose	
26	2753746	1	Hose	
27	2753590	1	Hose	
28	1001109439	1	Hose	
29	2753984	1	Hose	
30	2753988	1	Hose	
31	2753989	1	Hose	
32	2753990	1	Hose	
33	2753991	1	Hose	
34	2753992	1	Hose	
35	1001109468	1	Hose	
36	1001109470	1	Hose	
37	1001109471	1	Hose	
38	2753843	1	Hose	
39	2753999	1	Hose	
40	1001176982	1	Hose	
41	2754001	1	Hose	
42	2754004	1	Hose	
43	2754870	1	Hose	
44	1001109438	1	Hose	
45	1001109465	1	Hose	
46	1001173889	1	Tube	
47	4568849	1	Tube	
48	4568815	1	Tube	

SECTION 7 - HYDRAULIC

ITEM	PART NUMBER	QTY	DESCRIPTION	REV
49	2111010	1	Fitting, Straight ORFS/ORB	
50	2111012	3	Fitting, Straight ORFS/ORB	
51	2170308	1	Fitting, Tee ORFS/ORFS/ORB	
52	2170908	1	Fitting, Cap ORFS	
53	2220811	1	Fitting, Reducer ORB/ORB	
54	2131620	1	Fitting, 90 ORFS/ORB	
55	2132020	1	Fitting, 90 ORFS/ORB	
56	1001173890	1	Hose	
57	2111616	1	Fitting, Straight ORFS/ORB	
58	2110812	1	Fitting, Straight ORFS/ORB	
59	1001104577	1	Hose	
60	1001119296	1	Hose	
61	2130404	1	Fitting, 90 ORFS/ORB	
62	2110808	1	Fitting, Straight ORFS/ORB	
63	2170712	1	Fitting, Tee ORFS/FSORFS/ORFS	
64	2221221	1	Fitting, Straight ORFS/FSORFS	
65	2110406	1	Fitting, Straight ORFS/ORB	
66	1001103977	1 in/ 2.54cm	Hose	

SECTION 7 - HYDRAULIC

FIGURE 7-12. HYDRAULIC DIAGRAM - AUXILIARY POWER MOTOR



ART_1001139520_20F2

SECTION 7 - HYDRAULIC

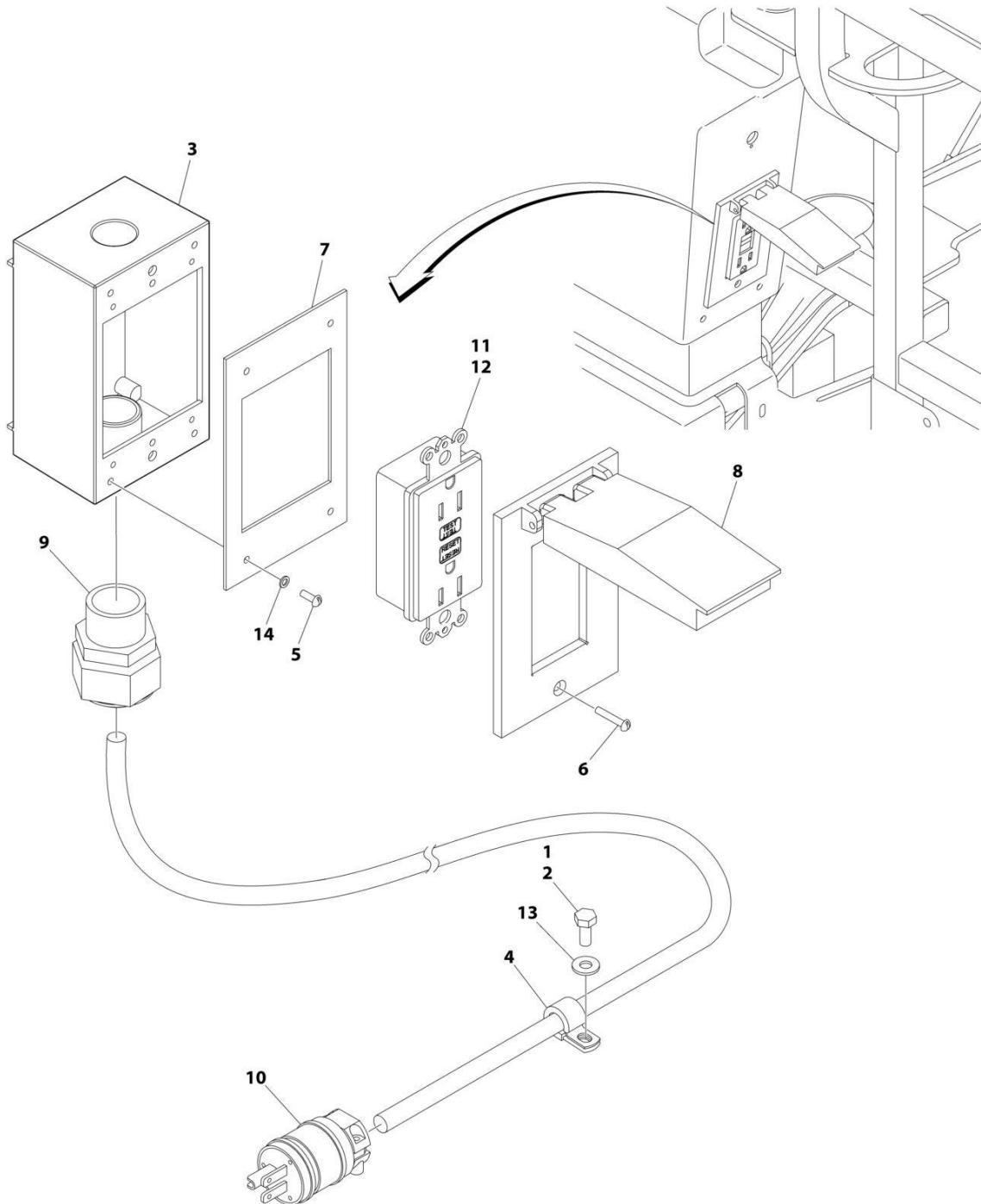
FIGURE 7-12. HYDRAULIC DIAGRAM - AUXILIARY POWER MOTOR

ITEM	PART NUMBER	QTY	DESCRIPTION	REV
	1001139520	Ref	HYDRAULIC DIAGRAM - AUXILIARY POWER MOTOR	A
8	2110406	1	Fitting, Straight ORFS/ORB	
9	2130406	1	Fitting, 90 ORFS/ORB	
10	2170312	1	Fitting, Tee ORFS	
11	2170506	1	Fitting, Tee ORFS/ORFS/ORFS	
12	2220550	1	Fitting, Straight SFORB/ORB	
13	2221123	1	Fitting, Straight S FSORFS/ORB	
14	2221221	1	Fitting, Straight ORFS/FSORFS	
15	2753781	2	Hose	
20	4641316	1	Valve, Check	
25	1001092764	1	Fitting, Tube End Reducer	

SECTION 8 - ELECTRICAL

SECTION 8 - ELECTRICAL

FIGURE 8-1. AC BOX AT PLATFORM - 110V GFI RECEPTACLE (ANSI SPECS)



ART_0273462

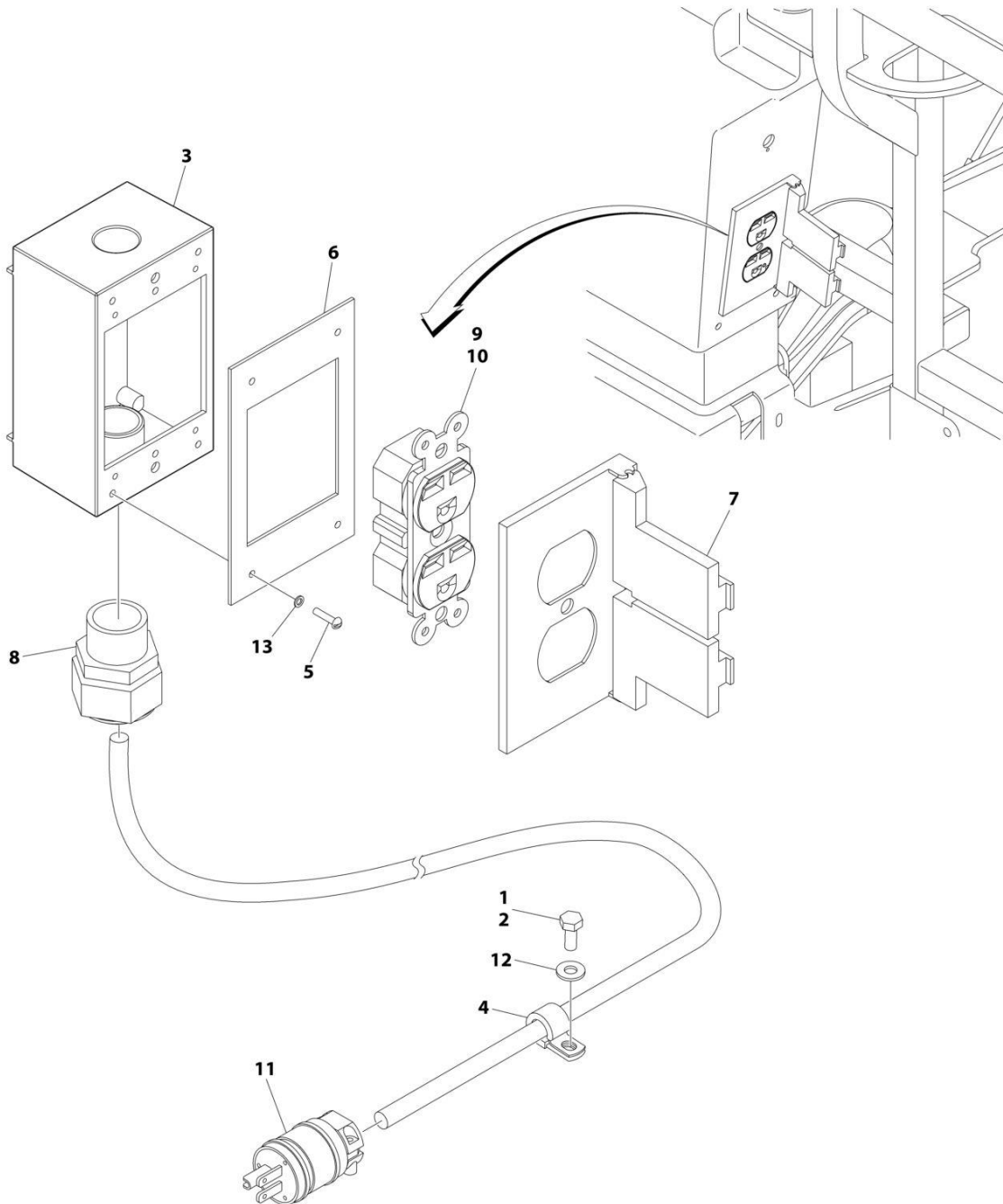
SECTION 8 - ELECTRICAL

FIGURE 8-1. AC BOX AT PLATFORM - 110V GFI RECEPTACLE (ANSI SPECS)

ITEM	PART NUMBER	QTY	DESCRIPTION	REV
	0273462	Ref	AC BOX AT PLATFORM - 110V GFI RECEPTACLE	B
1	0100011	AR	Compound, Locking	
2	0641405	1	Bolt 1/4 x 5/8	
3	0860038	1	Box, Switch	
4	1320041	1	Clamp	
5	3910606	4	Screw #6 x 3/8	
6	3910612	2	Screw #6 x 3/4	
7	3960422	1	Gasket, AC Receptacle	
8	1001110873	1	Shield, Receptacle Cover	
9	4460051	1	Connector, Strain Relief	
10	4460205	1	Plug, Male	
11	4460315	1	Terminal, Spade	
12	4460346	1	Terminal, Receptacle	
13	4711400	1	Washer 1/4	
14	4760600	4	Washer #6	

SECTION 8 - ELECTRICAL

FIGURE 8-2. AC BOX AT PLATFORM - 220V GFI RECEPTACLE (ANSI SPECS)



ART_0273463

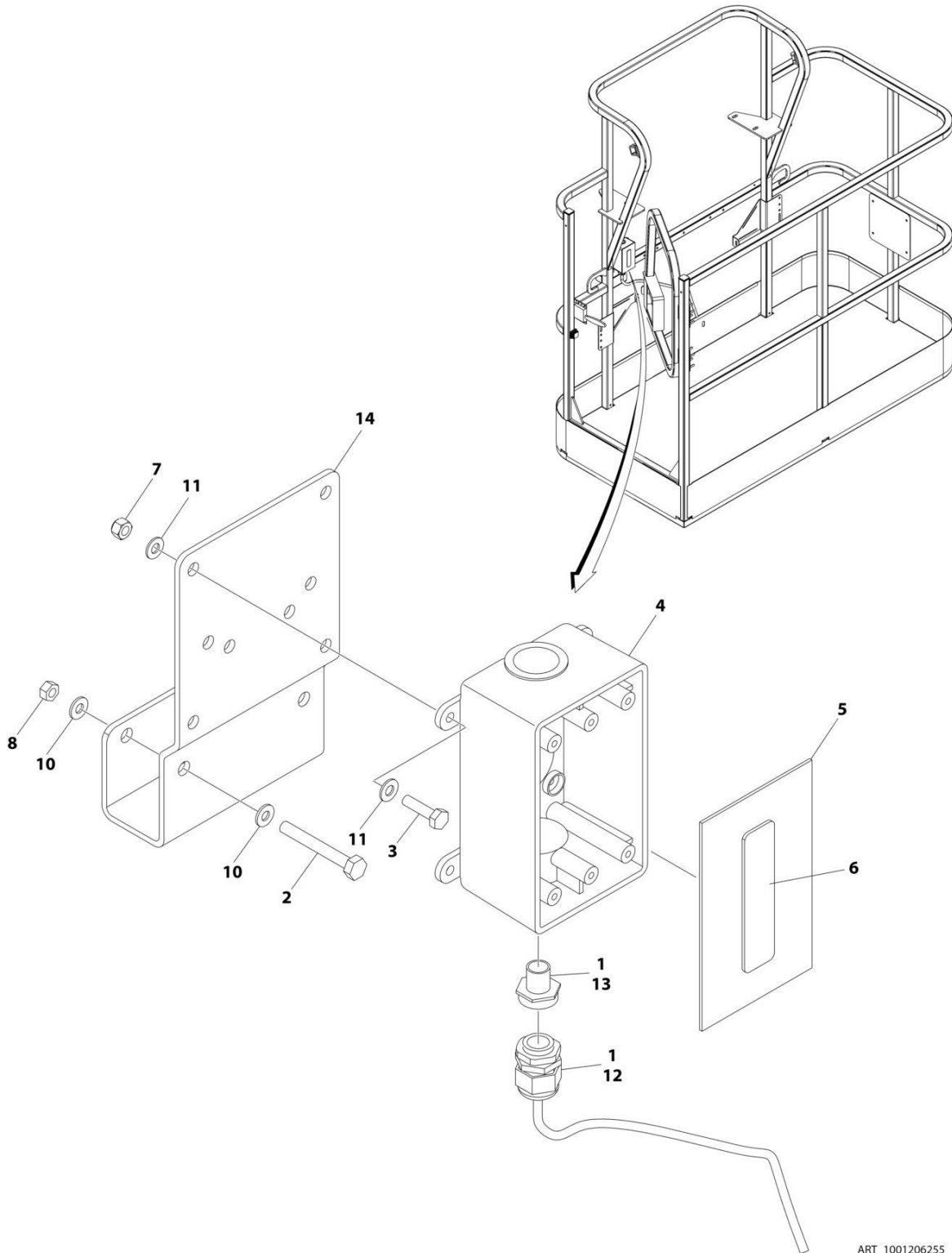
SECTION 8 - ELECTRICAL

FIGURE 8-2. AC BOX AT PLATFORM - 220V GFI RECEPTACLE (ANSI SPECS)

ITEM	PART NUMBER	QTY	DESCRIPTION	REV
	0273463	Ref	AC BOX AT PLATFORM - 220V GFI RECEPTACLE	A
1	0100011	AR	Compound, Locking	
2	0641405	1	Bolt 1/4 x 5/8	
3	0860038	1	Box, Switch	
4	1320041	1	Clamp	
5	3910606	4	Screw #6 x 3/8	
6	3960422	1	Gasket, AC Receptacle	
7	4060092	1	Shield, Receptacle Cover	
8	4460051	1	Connector, Strain Relief	
9	4460125	1	Terminal, Receptacle	
10	4460315	1	Terminal, Spade	
11	4460709	1	Plug, Male	
12	4711400	1	Washer 1/4	
13	4760600	4	Washer #6	

SECTION 8 - ELECTRICAL

FIGURE 8-3. AC BOX AT PLATFORM INSTALLATION - BOX WITH COVER (2X4 BOX) WITH 4000W GENERATOR (ANSI EXPORT, AUSTRALIAN, CE AND JAPANESE SPECS)



ART_1001206255

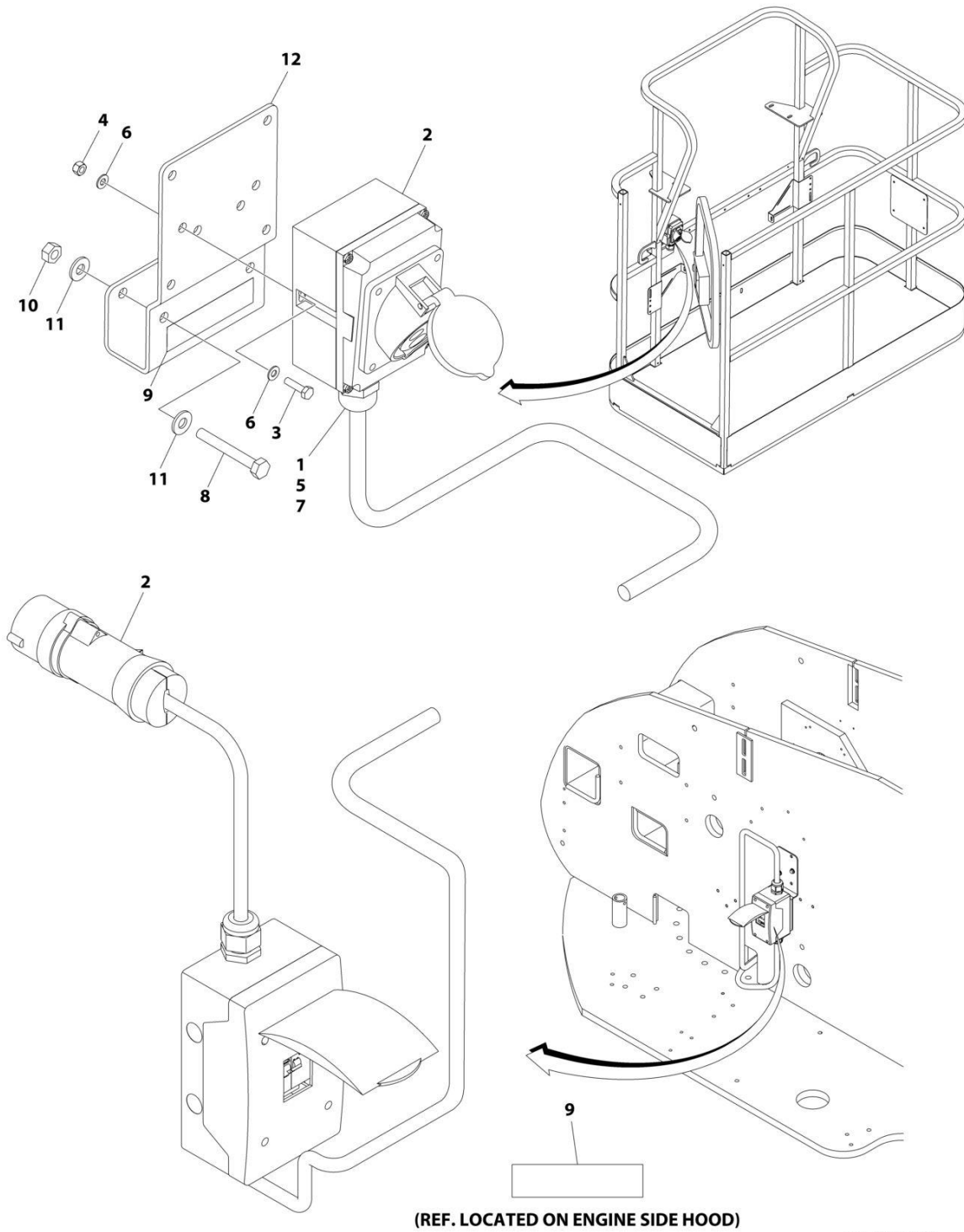
SECTION 8 - ELECTRICAL

FIGURE 8-3. AC BOX AT PLATFORM INSTALLATION - BOX WITH COVER (2X4 BOX) WITH 4000W GENERATOR (ANSI EXPORT, AUSTRALIAN, CE AND JAPANESE SPECS)

ITEM	PART NUMBER	QTY	DESCRIPTION	REV
	1001206255	Ref	AC BOX AT PLATFORM INSTALLATION - BOX WITH COVER (2X4 BOX) WITH 4000W GENERATOR	A
1	0100020	AR	Sealant, Pipe	
2	0641416	2	Bolt 1/4 x 2	
3	0700408	4	Bolt M4 x 16	
4	0861731	1	Box, Switch	
5	1670603	1	Cover	
6	3251242	1	Decal - 240V-50Hz	
7	3290405	4	Nut M4	
8	3311405	2	Nut 1/4	
10	4711400	4	Washer 1/4	
11	4811400	8	Washer M4	
12	1001101191	1	Connector, Strain Relief	
13	1001101197	1	Adapter	
14	1001193018	1	Bracket, AC Receptacle	

SECTION 8 - ELECTRICAL

FIGURE 8-4. AC BOX AT PLATFORM INSTALLATION - 110V IEC 60309 YELLOW WITHOUT 2500W GENERATOR (CE SPECS)



ART_1001091969

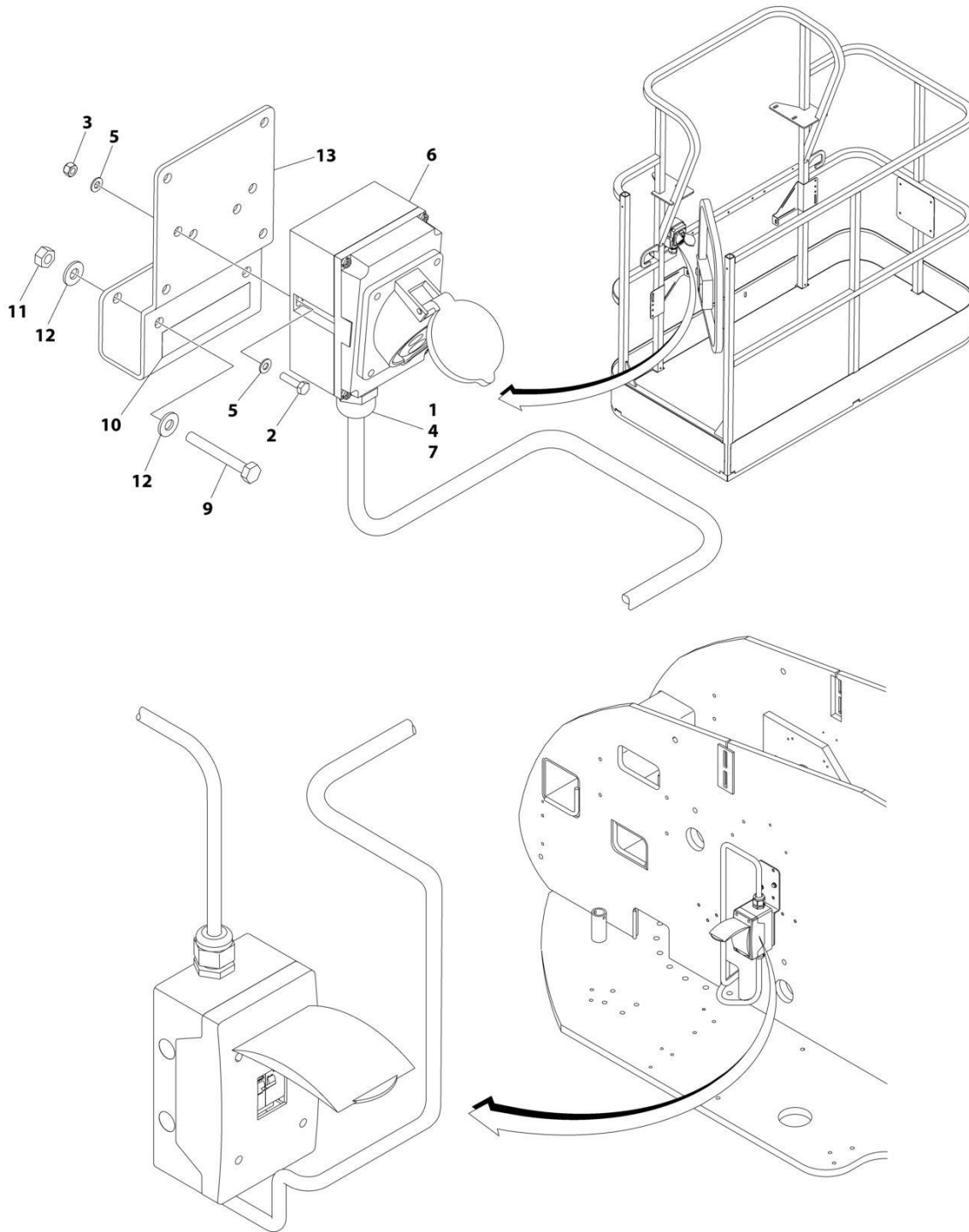
SECTION 8 - ELECTRICAL

FIGURE 8-4. AC BOX AT PLATFORM INSTALLATION - 110V IEC 60309 YELLOW WITHOUT 2500W GENERATOR (CE SPECS)

ITEM	PART NUMBER	QTY	DESCRIPTION	REV
	1001091969	Ref	AC BOX AT PLATFORM INSTALLATION - 110V IEC YELLOW	D
1	0100020	AR	Sealant, Pipe	
2	0275216	1	Receptacle Box Kit (See Separate Breakdown in this Section)	
3	0700408	2	Bolt M4 x 16	
4	3290405	2	Nut M4	
5	1001101196	1	Adapter	
6	4811400	4	Washer M4	
7	1001101191	1	Connector, Strain Relief	
8	0641416	2	Bolt 1/4 x 2	
9	1705325	2	Decal - 110V	
10	3311405	2	Nut 1/4	
11	4711400	4	Washer 1/4	
12	1001193018	1	Bracket	

SECTION 8 - ELECTRICAL

FIGURE 8-5. AC BOX AT PLATFORM INSTALLATION - 110V IEC 60309 YELLOW WITH 2500W GENERATOR (CE SPECS)



ART_1001100326

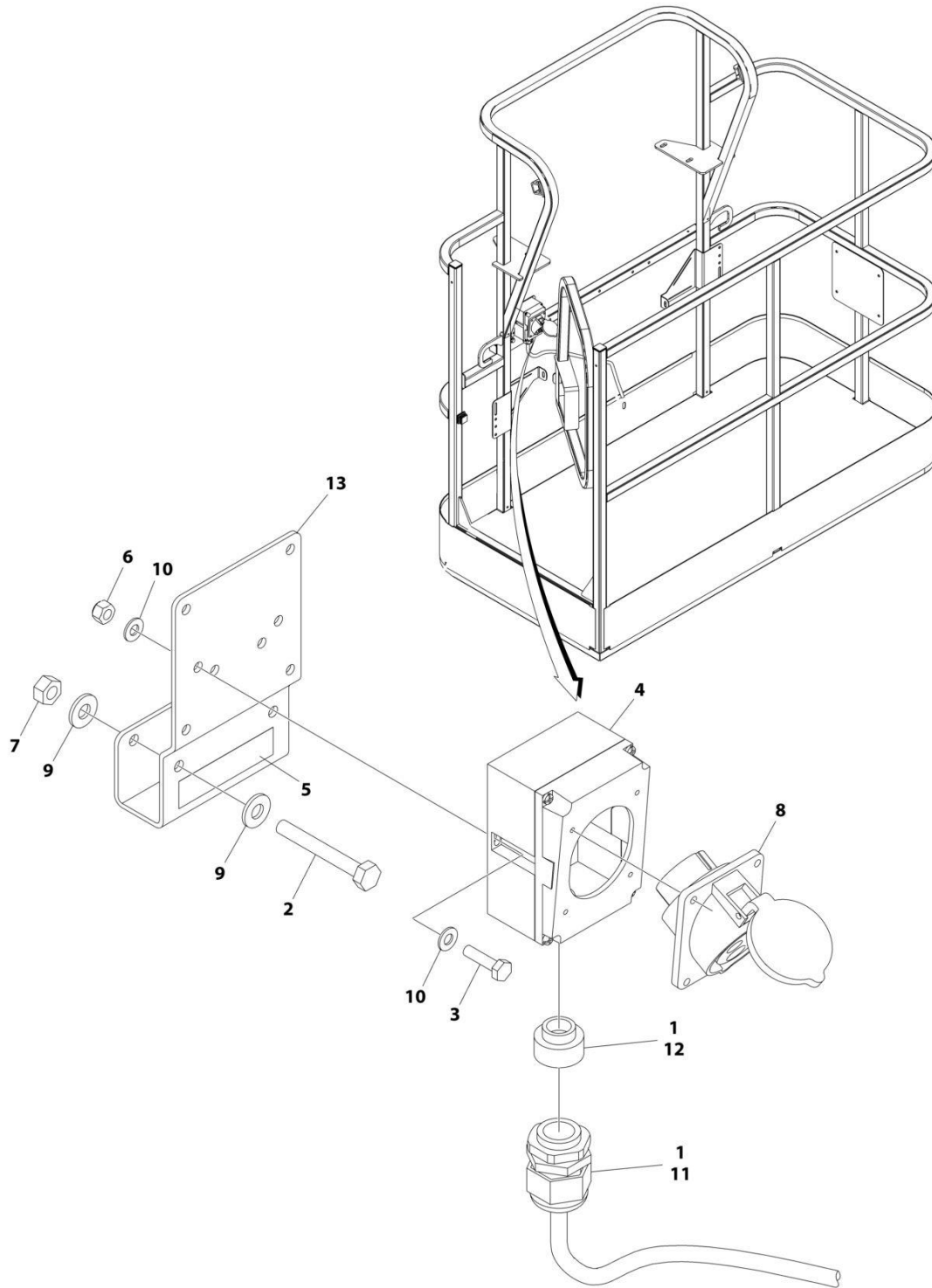
SECTION 8 - ELECTRICAL

FIGURE 8-5. AC BOX AT PLATFORM INSTALLATION - 110V IEC 60309 YELLOW WITH 2500W GENERATOR (CE SPECS)

ITEM	PART NUMBER	QTY	DESCRIPTION	REV
	1001100326	Ref	AC BOX AT PLATFORM INSTALLATION - 110V IEC 60309 YELLOW	D
1	0100020	AR	Sealant, Pipe	
2	0700408	2	Bolt M4 x 16	
3	3290405	2	Nut M4	
4	1001101196	1	Adapter	
5	4811400	4	Washer M4	
6	1001100341	1	Receptacle Box Kit (See Separate Breakdown in this Section)	
7	1001101191	1	Connector, Strain Relief	
8	1060908	10 ft /3.05m	Cable, Electrical 12/3 (Not Shown)	
9	0641416	2	Bolt 1/4 x 2	
10	1705325	1	Decal - 110V	
11	3311405	2	Nut 1/4	
12	4711400	4	Washer 1/4	
13	1001193018	1	Bracket	

SECTION 8 - ELECTRICAL

FIGURE 8-6. AC BOX AT PLATFORM INSTALLATION - 110V IEC 60309 YELLOW WITH 4000W GENERATOR (CE SPECS)



ART_1001206253

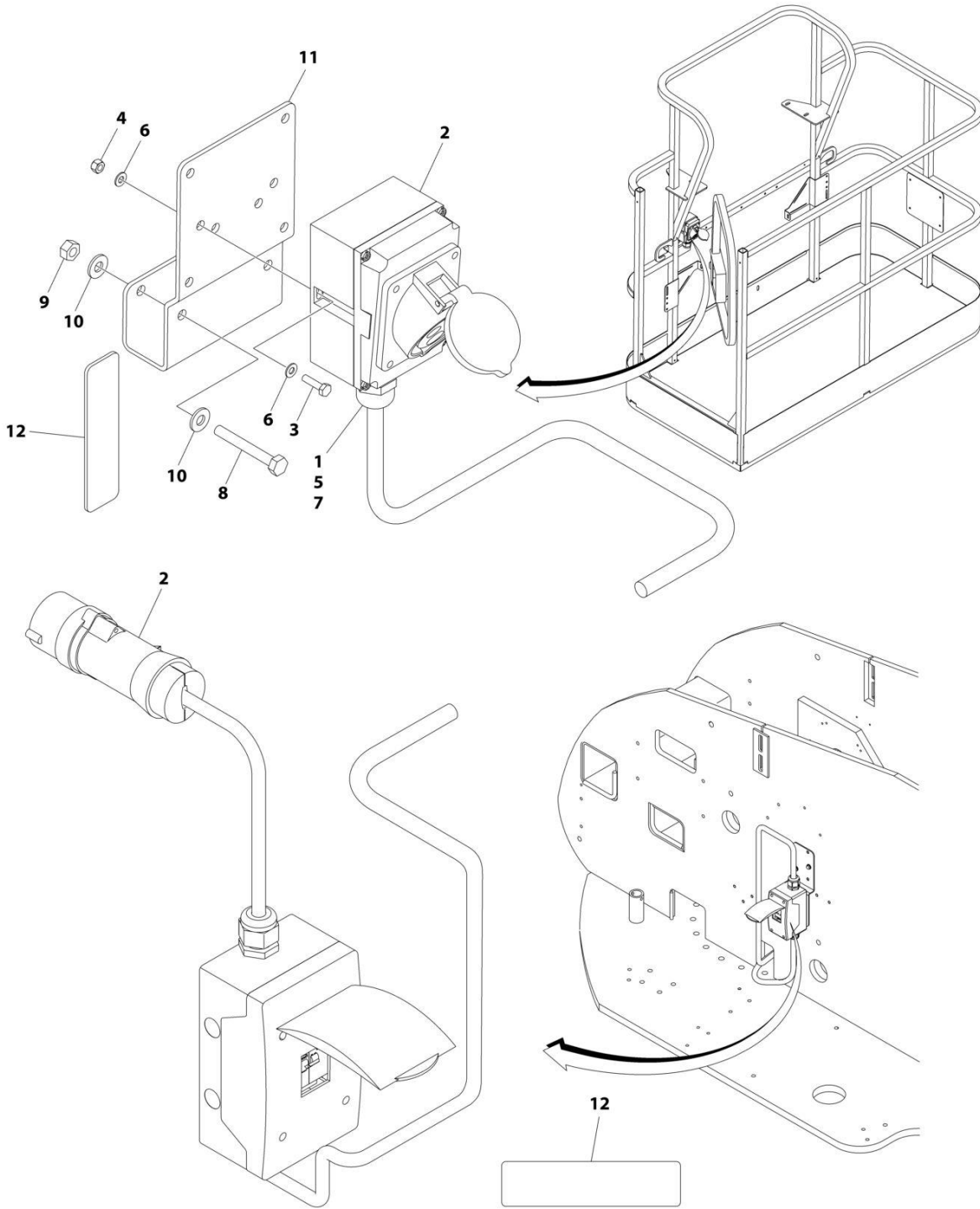
SECTION 8 - ELECTRICAL

FIGURE 8-6. AC BOX AT PLATFORM INSTALLATION - 110V IEC 60309 YELLOW WITH 4000W GENERATOR (CE SPECS)

ITEM	PART NUMBER	QTY	DESCRIPTION	REV
	1001206253	Ref	AC BOX AT PLATFORM INSTALLATION - 110V IEC 60309 YELLOW WITHOUT 4000W GENERATOR	A
1	0100020	AR	Sealant, Pipe	
2	0641416	2	Bolt 1/4 x 2	
3	0700408	2	Bolt M4 x 16	
4	0861781	1	Box, Switch	
5	1705325	1	Decal - 110V	
6	3290405	2	Nut M4	
7	3311405	2	Nut 1/4	
8	4461198	1	Receptacle	
9	4711400	4	Washer 1/4	
10	4811400	4	Washer M4	
11	1001101191	1	Connector, Strain Relief	
12	1001101196	1	Adapter	
13	1001193018	1	Bracket, AC Receptacle	

SECTION 8 - ELECTRICAL

FIGURE 8-7. AC BOX AT PLATFORM INSTALLATION - 220V IEC 60309 BLUE WITHOUT 2500W GENERATOR (CE SPECS)



(REF. LOCATED ON ENGINE SIDE HOOD)

ART_1001091970

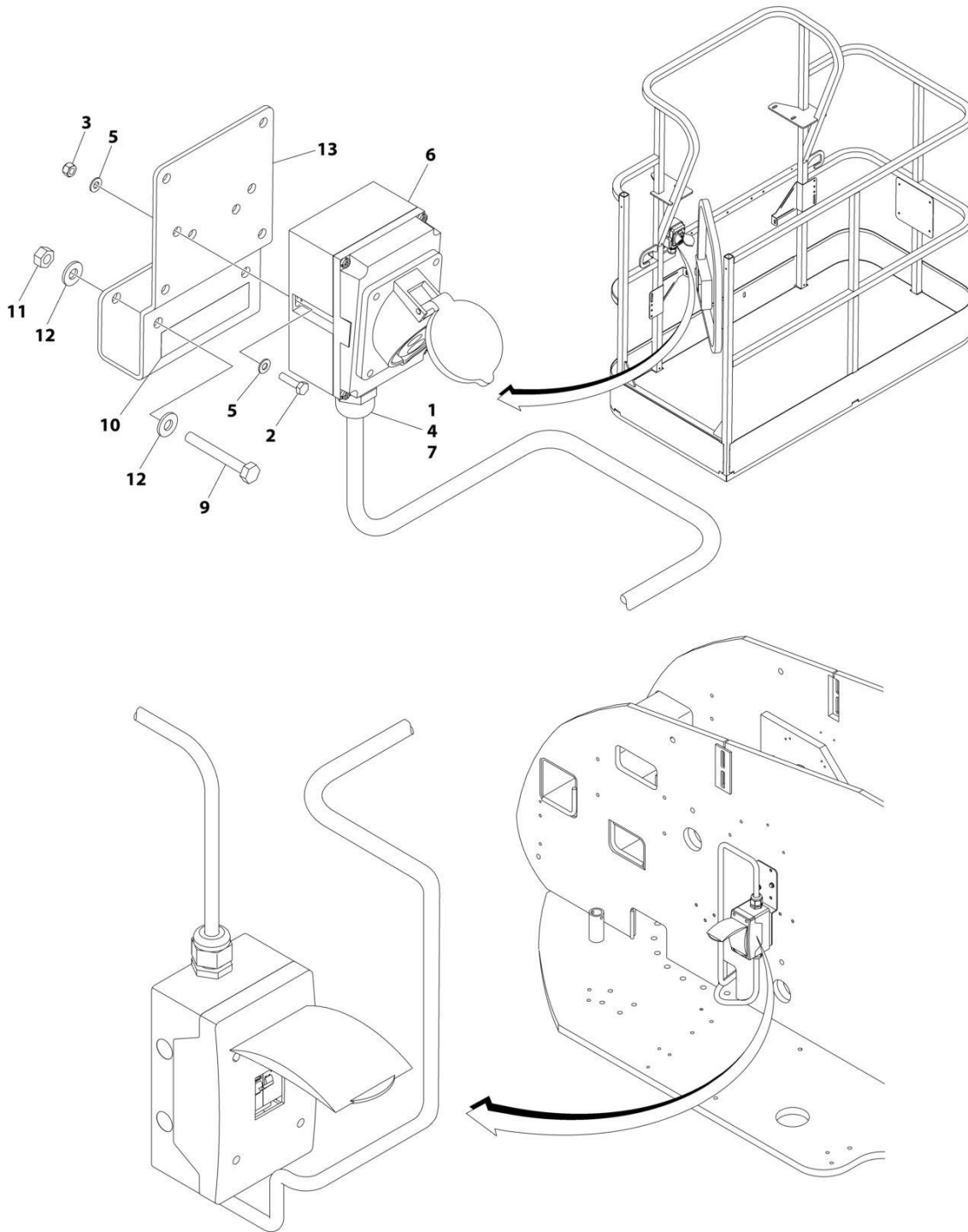
SECTION 8 - ELECTRICAL

FIGURE 8-7. AC BOX AT PLATFORM INSTALLATION - 220V IEC 60309 BLUE WITHOUT 2500W GENERATOR (CE SPECS)

ITEM	PART NUMBER	QTY	DESCRIPTION	REV
	1001091970	Ref	AC BOX AT PLATFORM INSTALLATION - 220V IEC BLUE	D
1	0100020	AR	Sealant, Pipe	
2	0275217	1	Receptacle Box Kit (See Separate Breakdown in this Section)	
3	0700408	2	Bolt M4 x 16	
4	3290405	2	Nut M4	
5	1001101196	1	Adapter	
6	4811400	4	Washer M4	
7	1001101191	1	Connector, Strain Relief	
8	0641416	2	Bolt 1/4 x 2	
9	3311405	2	Nut 1/4	
10	4711400	4	Washer 1/4	
11	1001193018	1	Bracket	
12	3251242	2	Decal - 240V/50Hz	

SECTION 8 - ELECTRICAL

FIGURE 8-8. AC BOX AT PLATFORM INSTALLATION - 220V IEC 60309 BLUE WITH 2500W GENERATOR (CE SPECS)



ART_1001100327

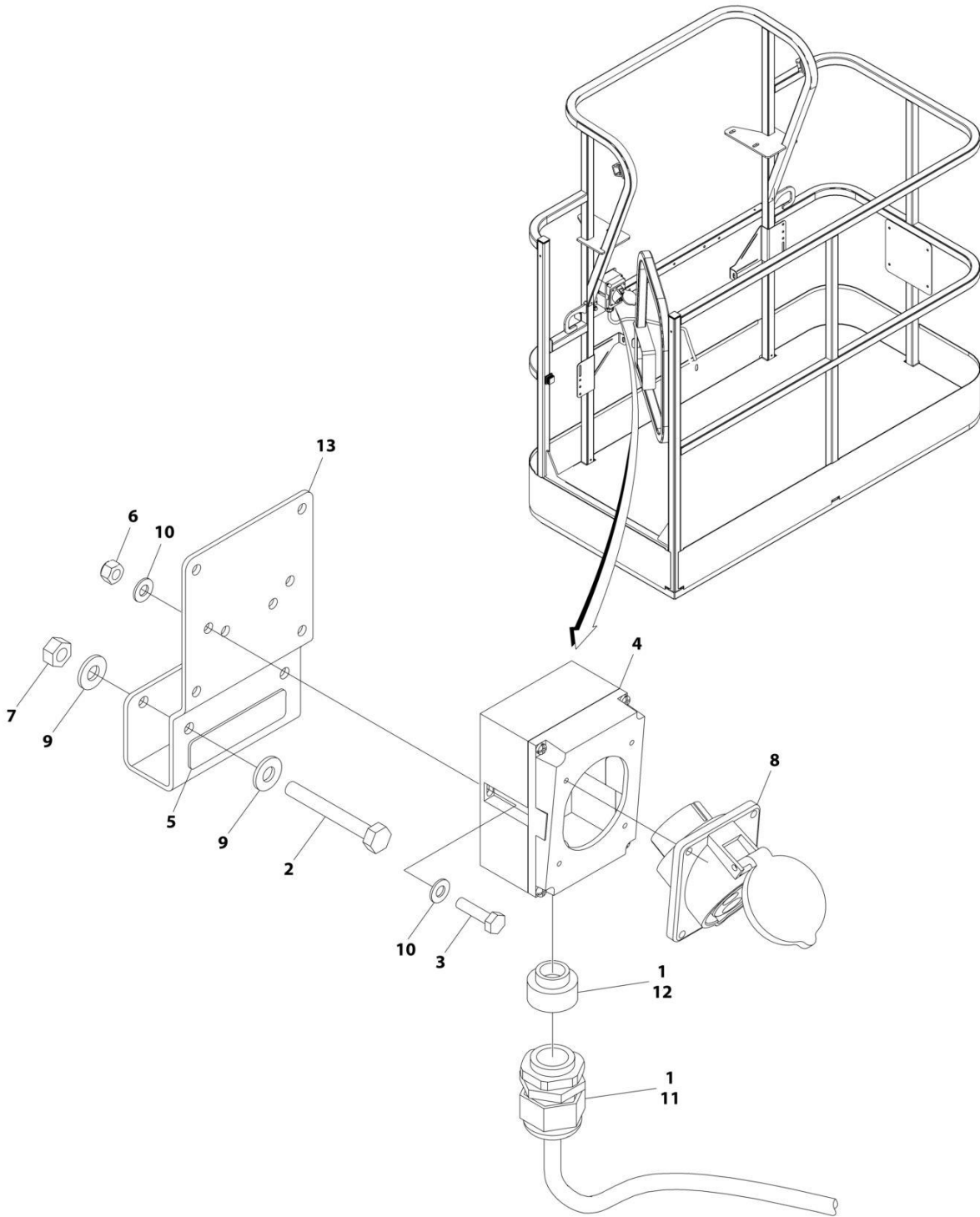
SECTION 8 - ELECTRICAL

FIGURE 8-8. AC BOX AT PLATFORM INSTALLATION - 220V IEC 60309 BLUE WITH 2500W GENERATOR (CE SPECS)

ITEM	PART NUMBER	QTY	DESCRIPTION	REV
	1001100327	Ref	AC BOX AT PLATFORM INSTALLATION - 220V IEC 60309 BLUE	D
1	0100020	AR	Sealant, Pipe	
2	0700408	2	Bolt M4 x 16	
3	3290405	2	Nut M4	
4	1001101196	1	Adapter	
5	4811400	4	Washer M4	
6	1001100342	1	Receptacle Box Kit (See Separate Breakdown in this Section)	
7	1001101191	1	Connector, Strain Relief	
8	1060908	10 ft /3.05m	Cable, Electrical 12/3 (Not Shown)	
9	0641416	2	Bolt 1/4 x 2	
10	3252507	1	Decal - 220V	
11	3311405	2	Nut 1/4	
12	4711400	4	Washer 1/4	
13	1001193018	1	Bracket	

SECTION 8 - ELECTRICAL

FIGURE 8-9. AC BOX AT PLATFORM INSTALLATION - 220V IEC 60309 BLUE WITH 4000W GENERATOR (CE SPECS)



ART_1001206254

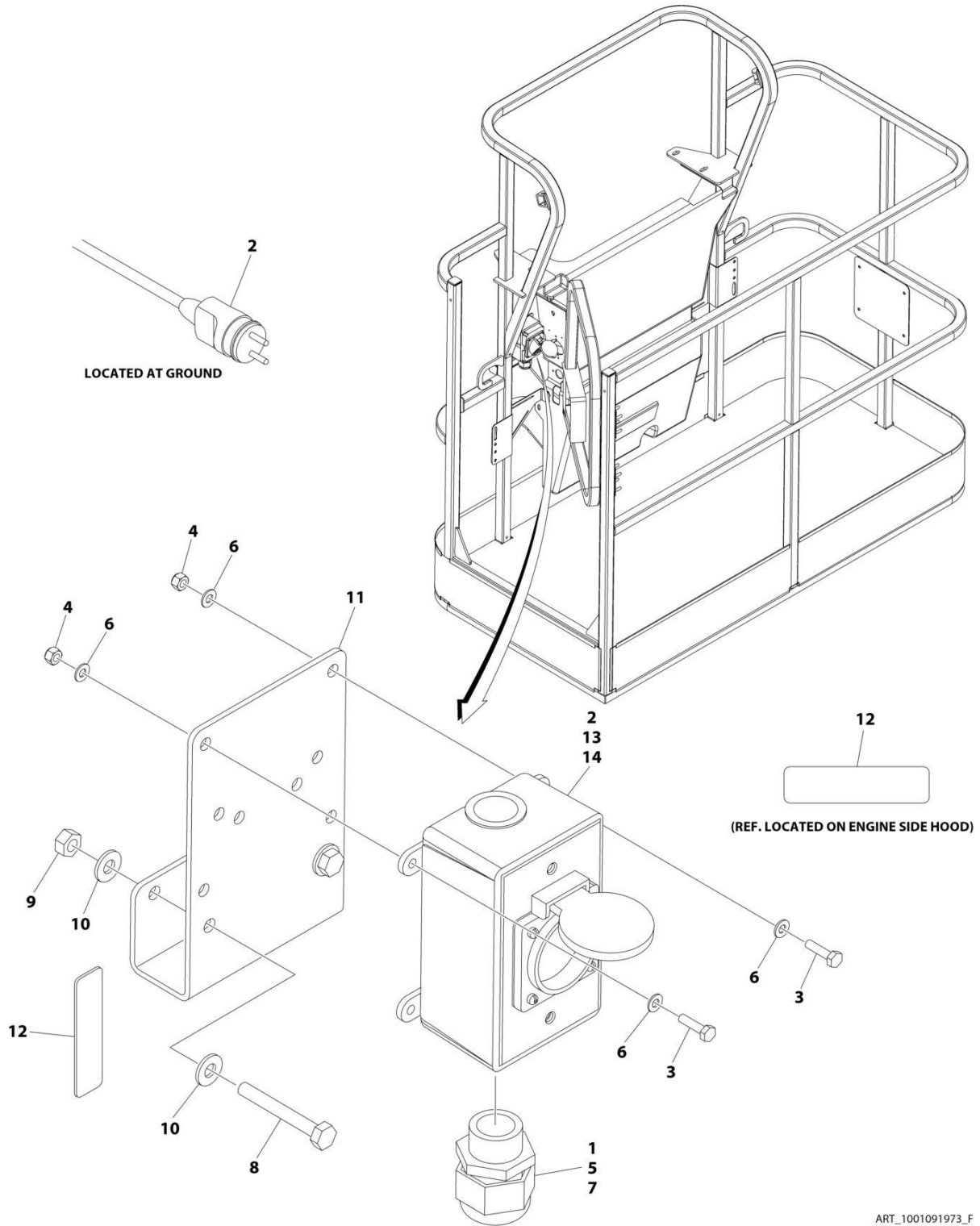
SECTION 8 - ELECTRICAL

FIGURE 8-9. AC BOX AT PLATFORM INSTALLATION - 220V IEC 60309 BLUE WITH 4000W GENERATOR (CE SPECS)

ITEM	PART NUMBER	QTY	DESCRIPTION	REV
	1001206254	Ref	AC BOX AT PLATFORM INSTALLATION - 220V IEC BLUE	A
1	0100020	AR	Sealant, Pipe	
2	0641416	2	Bolt 1/4 x 2	
3	0700408	2	Bolt M4 x 16	
4	0861781	1	Box, Switch	
5	3251242	1	Decal - 240V/50Hz	
6	3290405	2	Nut M4	
7	3311405	2	Nut 1/4	
8	4461201	1	Receptacle	
9	4711400	4	Washer 1/4	
10	4811400	4	Washer M4	
11	1001101191	1	Connector, Strain Relief	
12	1001101196	1	Adapter	
13	1001193018	1	Bracket, AC Receptacle	

SECTION 8 - ELECTRICAL

FIGURE 8-10. AC BOX AT PLATFORM INSTALLATION - 220V CEE7 POST GROUND (2X4 BOX) WITHOUT 2500W GENERATOR (CE SPECS)



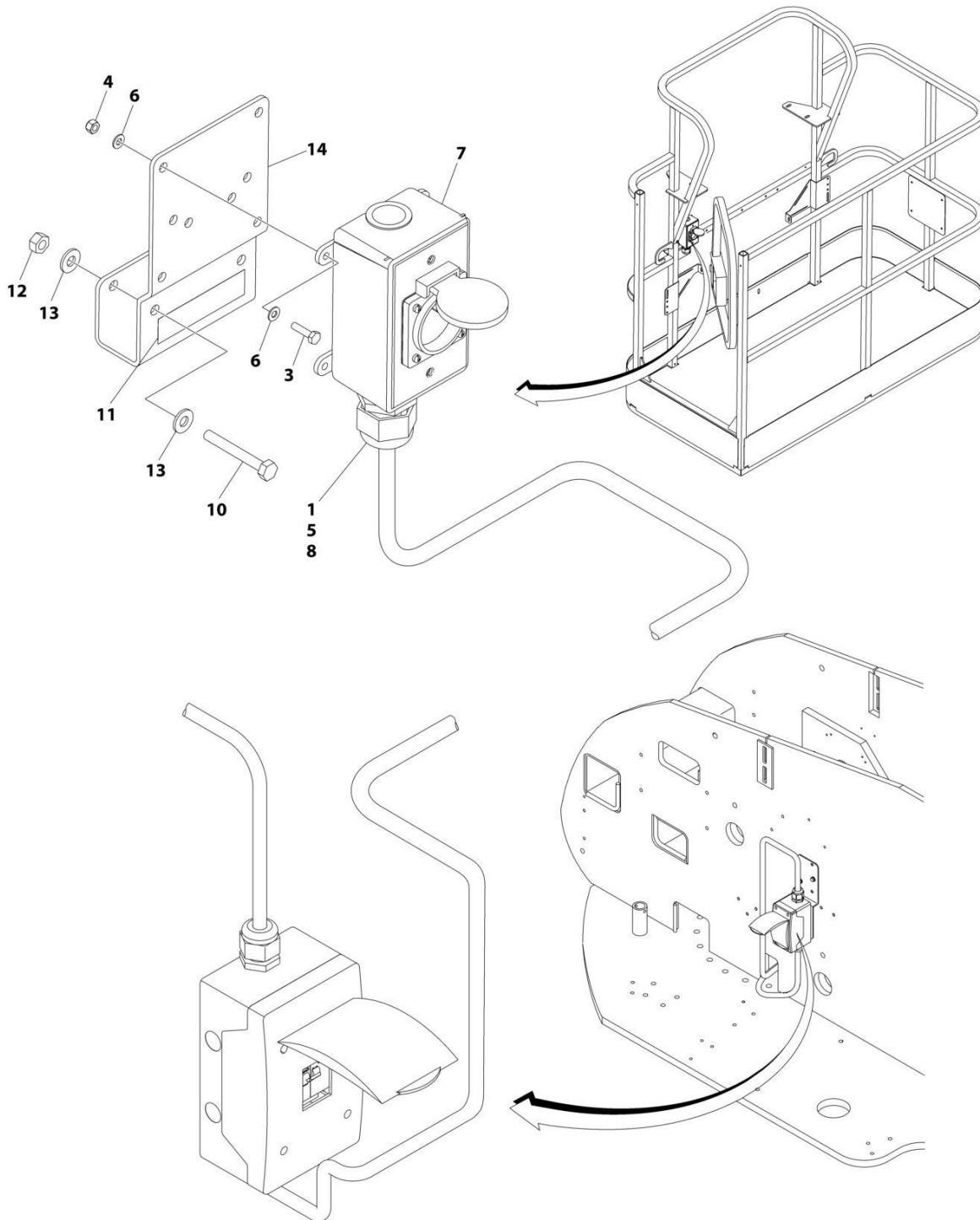
SECTION 8 - ELECTRICAL

**FIGURE 8-10. AC BOX AT PLATFORM INSTALLATION - 220V CEE7 POST GROUND (2X4 BOX)
WITHOUT 2500W GENERATOR (CE SPECS)**

ITEM	PART NUMBER	QTY	DESCRIPTION	REV
	1001091973	Ref	AC BOX AT PLATFORM INSTALLATION - 220V CEE7 2X4 BOX POST GROUND	F
1	0100020	AR	Sealant, Pipe	
2	0275452	1	Receptacle Box Kit (See Separate Breakdown in this Section)	
3	0700408	4	Bolt M4 x 16	
4	3290405	4	Nut M4	
5	1001101197	1	Adapter	
6	4811400	8	Washer M4	
7	1001101191	1	Connector, Strain Relief	
8	0641416	2	Bolt 1/4 x 2	
9	3311405	2	Nut 1/4	
10	4711400	4	Washer 1/4	
11	1001193018	1	Bracket	
12	3251242	2	Decal - 240V/50Hz	
13	4460806	2	Terminal, Fork (Not Shown)	
14	1001205958	1	Terminal (Not Shown)	

SECTION 8 - ELECTRICAL

FIGURE 8-11. AC BOX AT PLATFORM INSTALLATION - 220V CEE7 POST GROUND (2X4 BOX) WITH 2500W GENERATOR (CE SPECS)



ART_1001100331

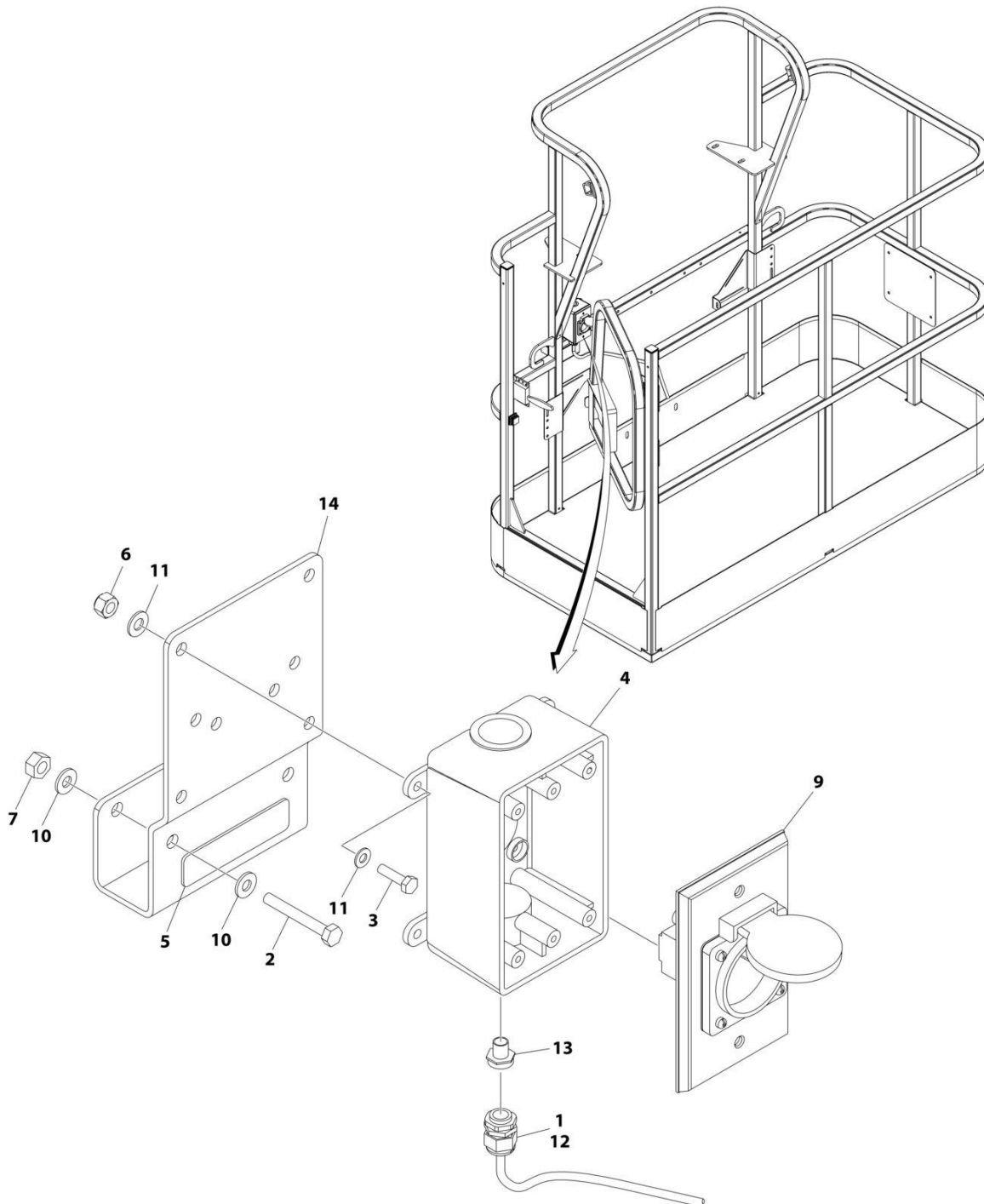
SECTION 8 - ELECTRICAL

FIGURE 8-11. AC BOX AT PLATFORM INSTALLATION - 220V CEE7 POST GROUND (2X4 BOX) WITH 2500W GENERATOR (CE SPECS)

ITEM	PART NUMBER	QTY	DESCRIPTION	REV
	1001100331	Ref	AC BOX AT PLATFORM INSTALLATION - 220V CEE7 POST GROUND (2X4 BOX)	E
1	0100020	AR	Sealant, Pipe	
3	0700408	4	Bolt M4 x 16	
4	3290405	4	Nut M4	
5	1001101197	1	Adapter	
6	4811400	8	Washer M4	
7	1001100345	1	Receptacle Box Kit (See Separate Breakdown in this Section)	
8	1001101191	1	Connector, Strain Relief	
9	1060908	10 ft /3.05m	Cable, Electrical 12/3 (Not Shown)	
10	0641416	2	Bolt 1/4 x 2	
11	3252507	1	Decal - 220V	
12	3311405	2	Nut 1/4	
13	4711400	4	Washer 1/4	
14	1001193018	1	Bracket	
15	4460806	2	Terminal, Fork (Not Shown)	
16	1001205958	1	Terminal (Not Shown)	

SECTION 8 - ELECTRICAL

FIGURE 8-12. AC BOX AT PLATFORM INSTALLATION - 220V CEE7 POST GROUND (2X4 BOX) WITH 4000W GENERATOR (CE SPECS)



ART_1001206250

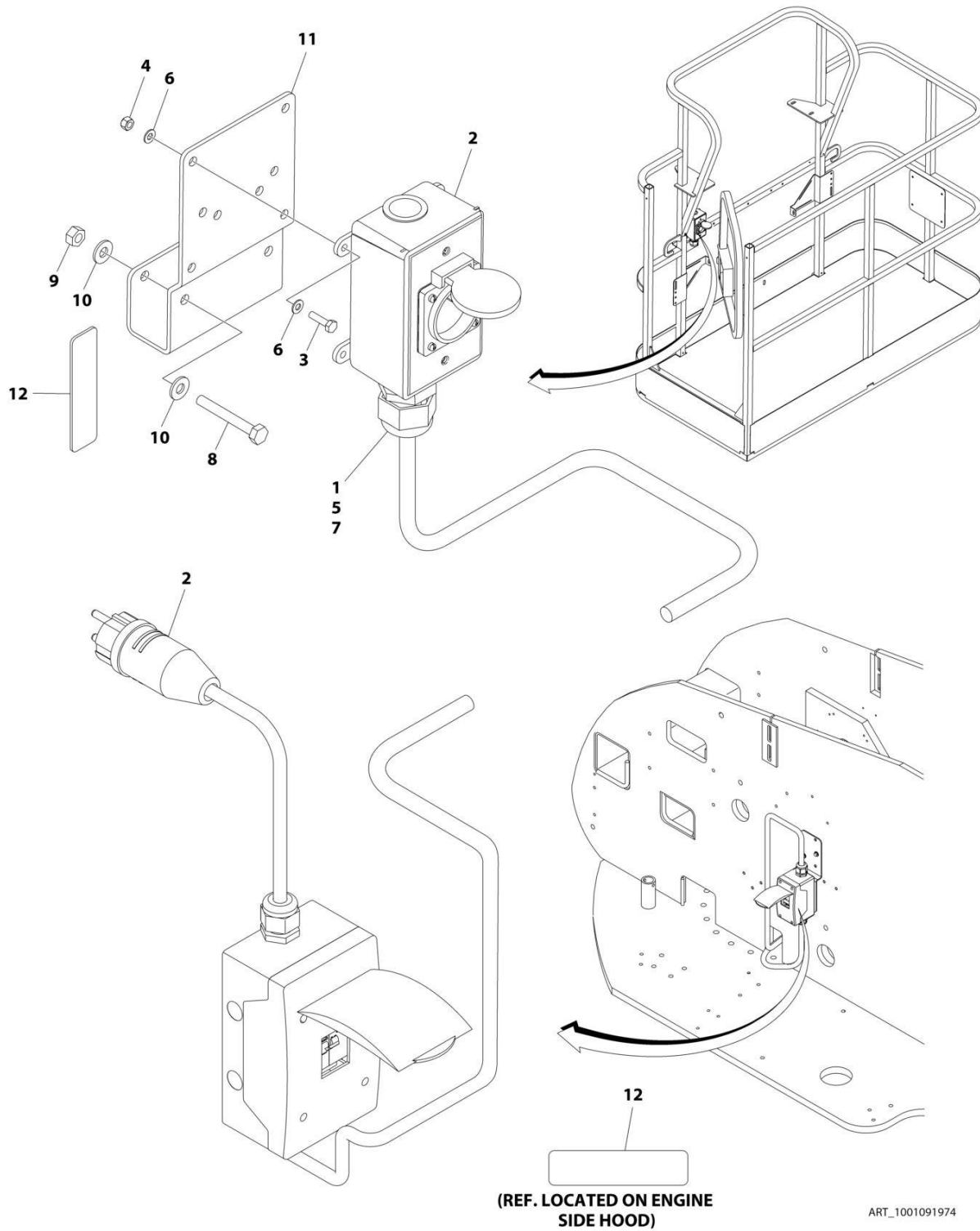
SECTION 8 - ELECTRICAL

FIGURE 8-12. AC BOX AT PLATFORM INSTALLATION - 220V CEE7 POST GROUND (2X4 BOX) WITH 4000W GENERATOR (CE SPECS)

ITEM	PART NUMBER	QTY	DESCRIPTION	REV
	1001206250	Ref	AC BOX AT PLATFORM INSTALLATION - 220V CEE7 2X4 BOX POST GROUND	A
1	0100020	AR	Sealant, Pipe	
2	0641416	2	Bolt 1/4 x 2	
3	0700408	4	Bolt M4 x 16	
4	0861731	1	Box, Switch	
5	3251242	1	Decal - 240V/50Hz	
6	3290405	4	Nut M4	
7	3311405	2	Nut 1/4	
8	4460806	2	Terminal, Fork (Not Shown)	
9	4461244	1	Receptacle	
10	4711400	4	Washer 1/4	
11	4811400	8	Washer M4	
12	1001101191	1	Connector, Strain Relief	
13	1001101197	1	Adapter	
14	1001193018	1	Bracket, AC Receptacle	
15	1001205958	1	Terminal (Not Shown)	

SECTION 8 - ELECTRICAL

FIGURE 8-13. AC BOX AT PLATFORM INSTALLATION - 220V CEE7 SIDE GROUND (2X4 BOX) WITHOUT 2500W GENERATOR (CE SPECS)



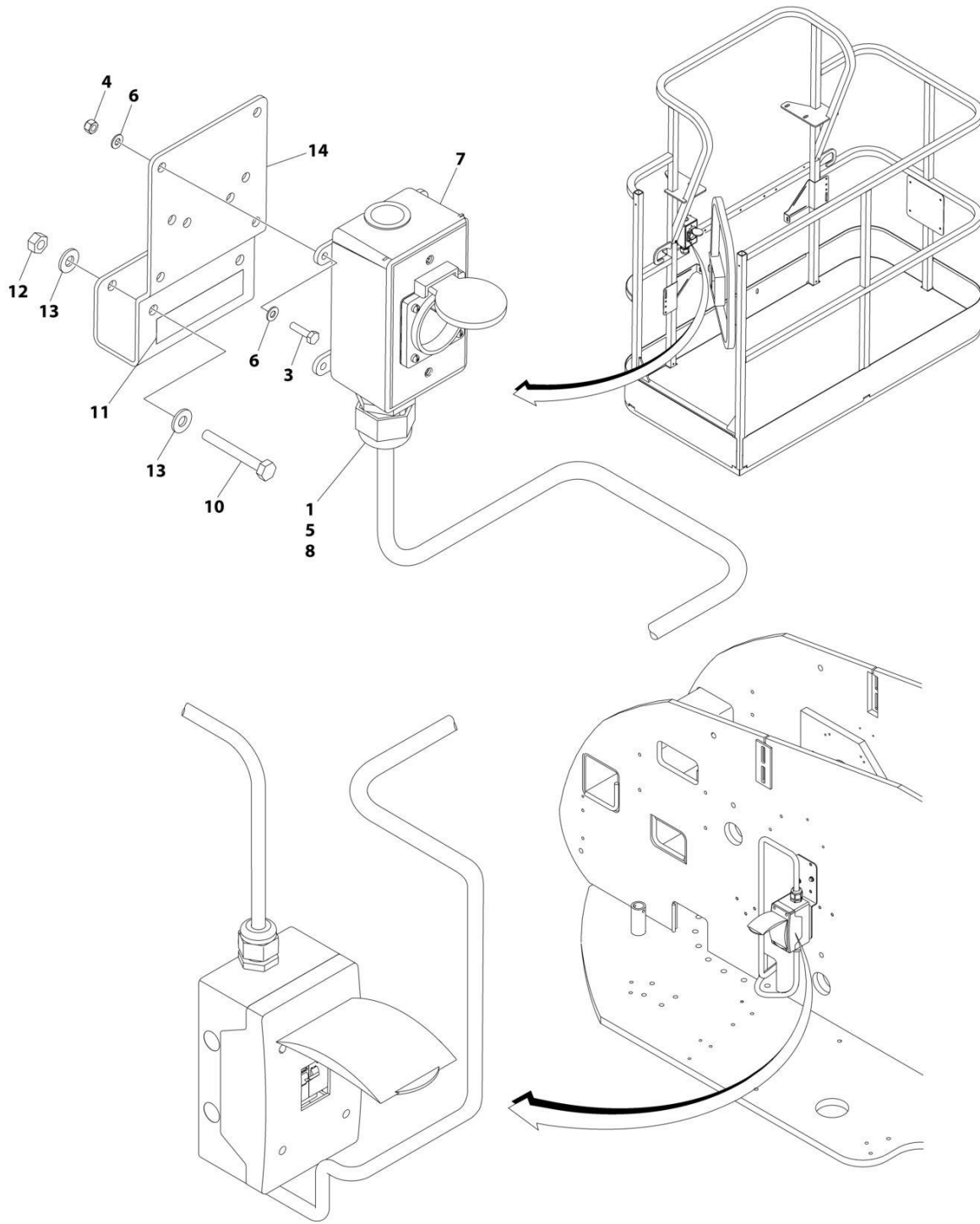
SECTION 8 - ELECTRICAL

**FIGURE 8-13. AC BOX AT PLATFORM INSTALLATION - 220V CEE7 SIDE GROUND (2X4 BOX)
WITHOUT 2500W GENERATOR (CE SPECS)**

ITEM	PART NUMBER	QTY	DESCRIPTION	REV
	1001091974	Ref	AC BOX AT PLATFORM INSTALLATION - 220V CEE7 2X4 BOX SIDE GROUND	F
1	0100020	AR	Sealant, Pipe	
2	0275453	1	Receptacle Box Kit (See Separate Breakdown in this Section)	
3	0700408	4	Bolt M4 x 16	
4	3290405	4	Nut M4	
5	1001101197	1	Adapter	
6	4811400	8	Washer M4	
7	1001101191	1	Connector, Strain Relief	
8	0641416	2	Bolt 1/4 x 2	
9	3311405	2	Nut 1/4	
10	4711400	4	Washer 1/4	
11	1001193018	1	Bracket	
12	3251242	2	Decal - 240V/50Hz	
13	4460806	2	Terminal, Fork (Not Shown)	
14	1001205958	1	Terminal (Not Shown)	

SECTION 8 - ELECTRICAL

FIGURE 8-14. AC BOX AT PLATFORM INSTALLATION - 220V CEE7 SIDE GROUND (2X4 BOX) WITH 2500W GENERATOR (CE SPECS)



ART_1001100333

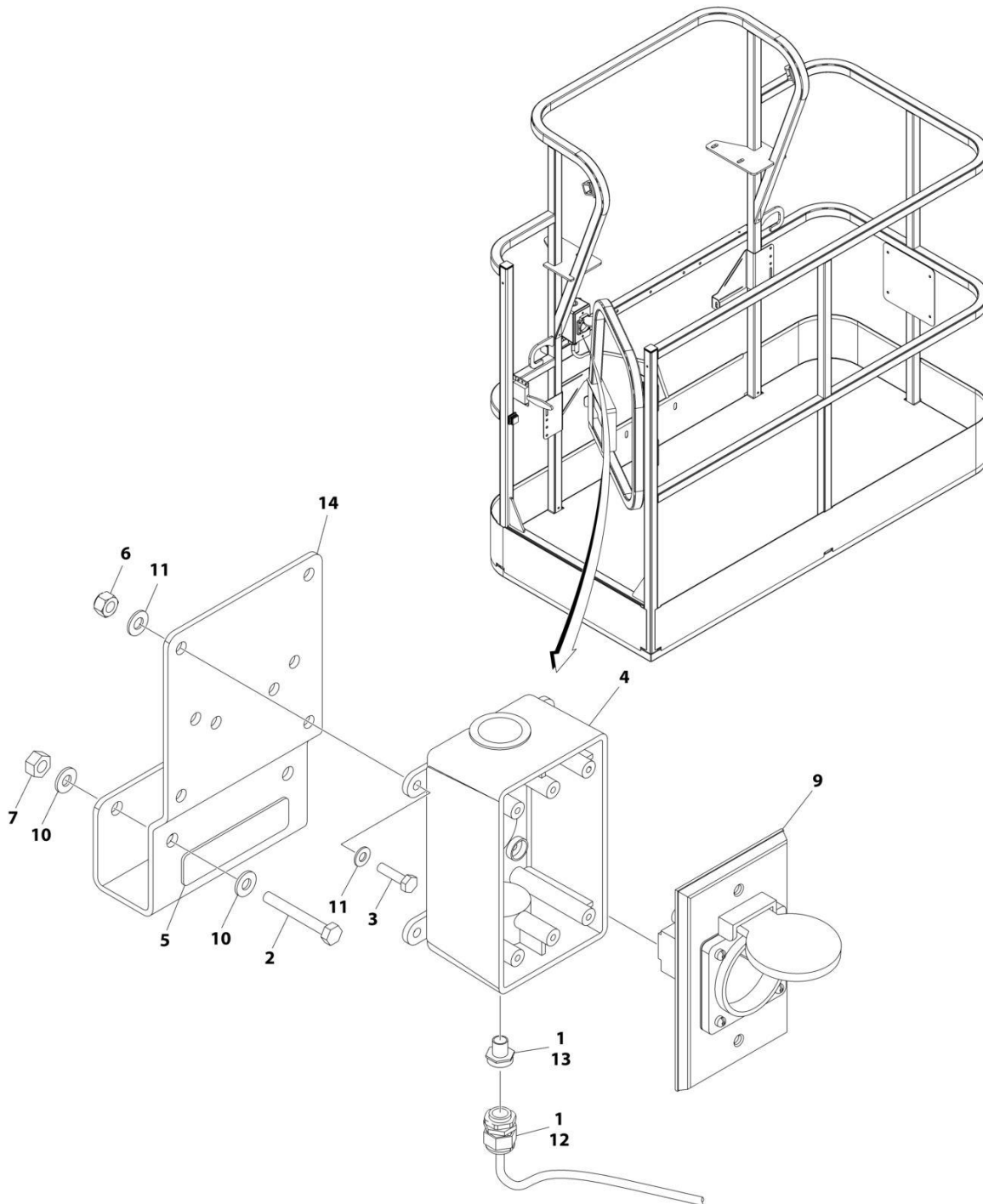
SECTION 8 - ELECTRICAL

FIGURE 8-14. AC BOX AT PLATFORM INSTALLATION - 220V CEE7 SIDE GROUND (2X4 BOX) WITH 2500W GENERATOR (CE SPECS)

ITEM	PART NUMBER	QTY	DESCRIPTION	REV
	1001100333	Ref	AC BOX AT PLATFORM INSTALLATION - 220V CEE7 SIDE GROUND (2X4 BOX)	E
1	0100020	AR	Sealant, Pipe	
3	0700408	4	Bolt M4 x 16	
4	3290405	4	Nut M4	
5	1001101197	1	Adapter	
6	4811400	8	Washer M4	
7	1001100347	1	Receptacle Box Kit (See Separate Breakdown in this Section)	
8	1001101191	1	Connector, Strain Relief	
9	1060908	10 ft /3.05m	Cable, Electrical 12/3 (Not Shown)	
10	0641416	2	Bolt 1/4 x 2	
11	3252507	1	Decal - 220V	
12	3311405	2	Nut 1/4	
13	4711400	4	Washer 1/4	
14	1001193018	1	Bracket	
15	4460806	2	Terminal, Fork (Not Shown)	
16	1001205958	1	Terminal (Not Shown)	

SECTION 8 - ELECTRICAL

FIGURE 8-15. AC BOX AT PLATFORM INSTALLATION - 220V CEE7 SIDE GROUND (2X4 BOX) WITH 4000W GENERATOR (CE SPECS)



ART_1001206251

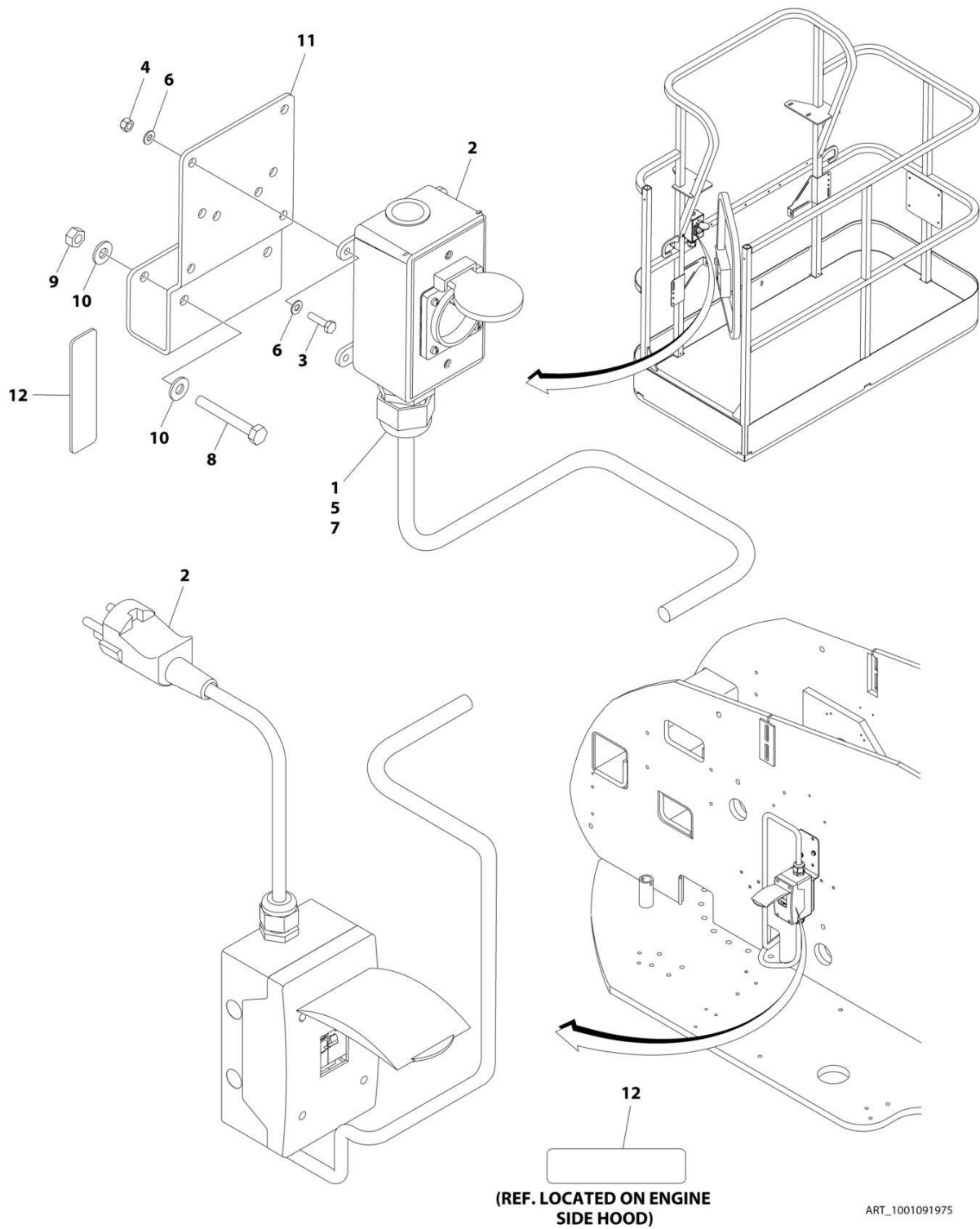
SECTION 8 - ELECTRICAL

FIGURE 8-15. AC BOX AT PLATFORM INSTALLATION - 220V CEE7 SIDE GROUND (2X4 BOX) WITH 4000W GENERATOR (CE SPECS)

ITEM	PART NUMBER	QTY	DESCRIPTION	REV
	1001206251	Ref	AC BOX AT PLATFORM INSTALLATION - 220V CEE7 2X4 BOX SIDE GROUND	A
1	0100020	AR	Sealant, Pipe	
2	0641416	2	Bolt 1/4 x 2	
3	0700408	4	Bolt M4 x 16	
4	0861731	1	Box, Switch	
5	3251242	1	Decal - 240V/50Hz	
6	3290405	4	Nut M4	
7	3311405	2	Nut 1/4	
8	4460806	2	Terminal, Fork (Not Shown)	
9	4461245	1	Receptacle	
10	4711400	4	Washer 1/4	
11	4811400	8	Washer M4	
12	1001101191	1	Connector, Strain Relief	
13	1001101197	1	Adapter	
14	1001193018	1	Bracket, AC Receptacle	
15	1001205958	1	Terminal (Not Shown)	

SECTION 8 - ELECTRICAL

FIGURE 8-16. AC BOX AT PLATFORM INSTALLATION - 220V AFSINT 107 KEYED GROUND (2X4 BOX) WITHOUT 2500W GENERATOR (CE SPECS)



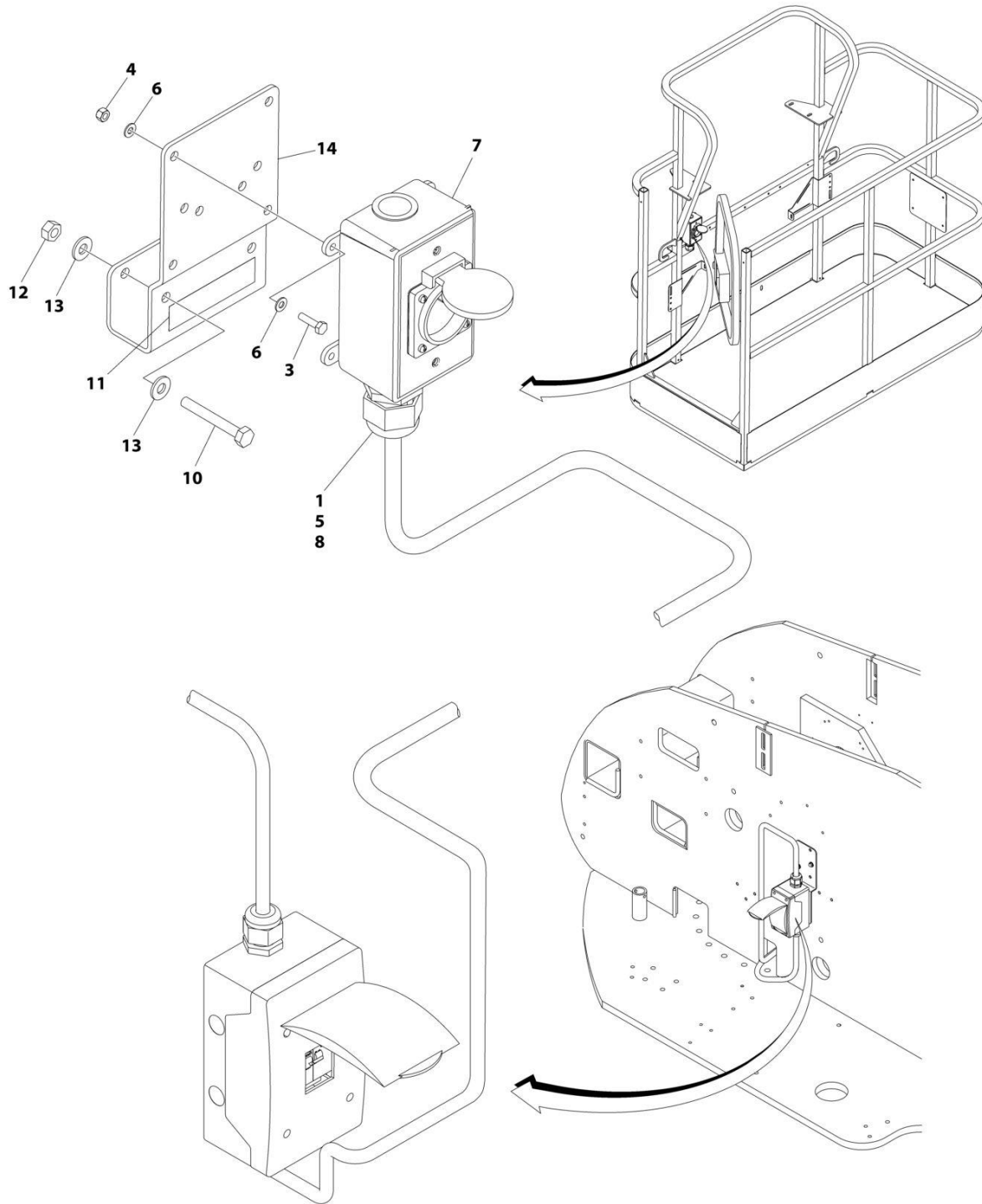
SECTION 8 - ELECTRICAL

FIGURE 8-16. AC BOX AT PLATFORM INSTALLATION - 220V AFSINT 107 KEYED GROUND (2X4 BOX) WITHOUT 2500W GENERATOR (CE SPECS)

ITEM	PART NUMBER	QTY	DESCRIPTION	REV
	1001091975	Ref	AC BOX AT PLATFORM INSTALLATION - 220V AFSINT 107 2X4 BOX KEYED GROUND	F
1	0100020	AR	Sealant, Pipe	
2	0275454	1	Receptacle Box Kit (See Separate Breakdown in this Section)	
3	0700408	4	Bolt M4 x 16	
4	3290405	4	Nut M4	
5	1001101197	1	Adapter	
6	4811400	8	Washer M4	
7	1001101191	1	Connector, Strain Relief	
8	0641416	2	Bolt 1/4 x 2	
9	3311405	2	Nut 1/4	
10	4711400	4	Washer 1/4	
11	1001193018	1	Bracket	
12	3251242	2	Decal - 240V/50Hz	
13	1001205958	3	Terminal (Not Shown)	

SECTION 8 - ELECTRICAL

FIGURE 8-17. AC BOX AT PLATFORM INSTALLATION - 220V AFSINT 107 KEYED GROUND (2X4 BOX) WITH 2500W GENERATOR (CE SPECS)



ART_1001100337

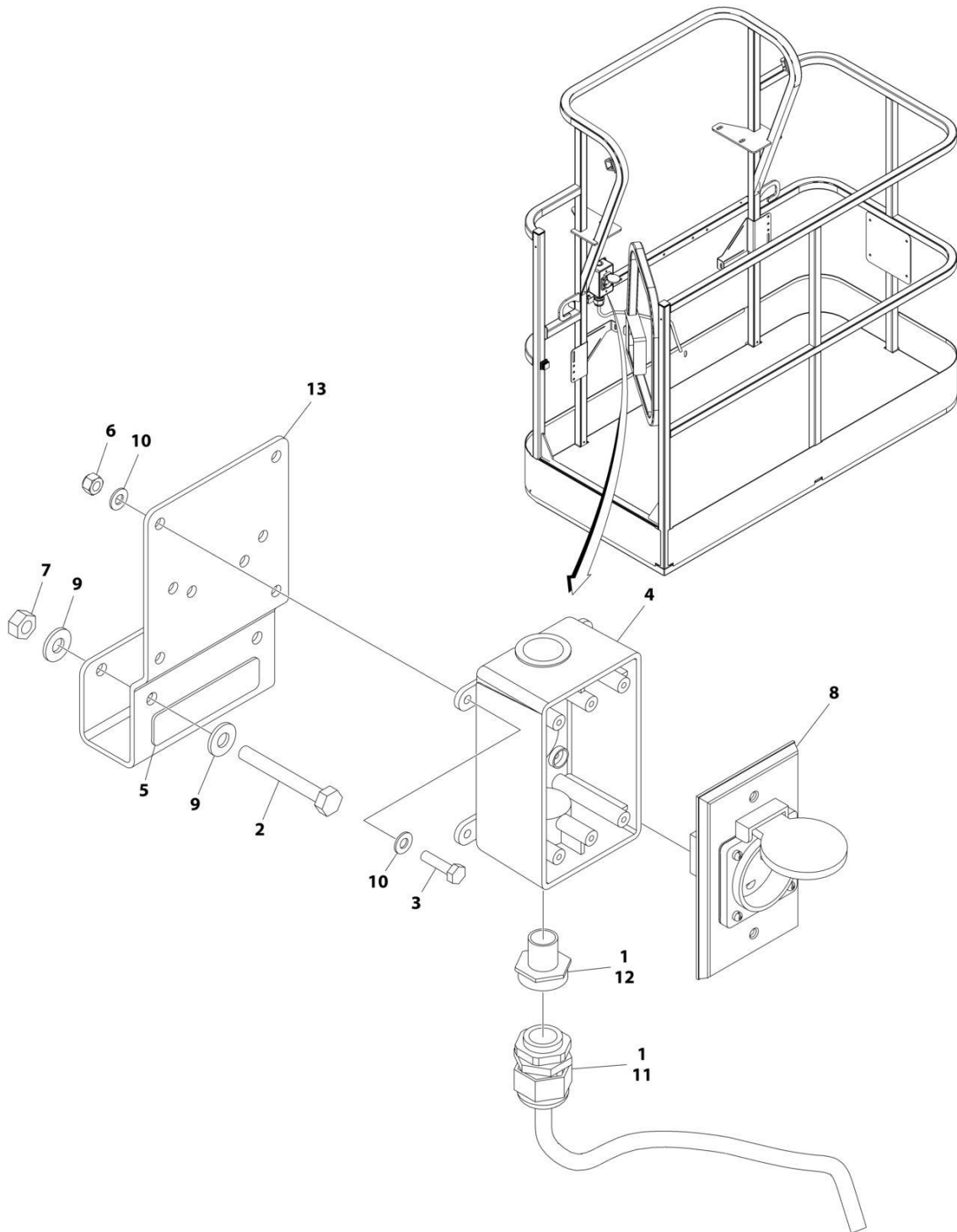
SECTION 8 - ELECTRICAL

FIGURE 8-17. AC BOX AT PLATFORM INSTALLATION - 220V AFSINT 107 KEYED GROUND (2X4 BOX) WITH 2500W GENERATOR (CE SPECS)

ITEM	PART NUMBER	QTY	DESCRIPTION	REV
	1001100337	Ref	AC BOX AT PLATFORM INSTALLATION - 220V AFSINT 107 2X4 BOX KEYED GROUND (2X4 BOX)	E
1	0100020	AR	Sealant, Pipe	
3	0700408	4	Bolt M4 x 16	
4	3290405	4	Nut M4	
5	1001101197	1	Adapter	
6	4811400	8	Washer M4	
7	1001100346	1	Receptacle Box Kit (See Separate Breakdown in this Section)	
8	1001101191	1	Connector, Strain Relief	
9	1060908	10 ft /3.05m	Cable, Electrical 12/3 (Not Shown)	
10	0641416	2	Bolt 1/4 x 2	
11	3252507	1	Decal - 220V	
12	3311405	2	Nut 1/4	
13	4711400	4	Washer 1/4	
14	1001193018	1	Bracket	
15	1001205958	3	Terminal (Not Shown)	

SECTION 8 - ELECTRICAL

FIGURE 8-18. AC BOX AT PLATFORM INSTALLATION - 220V AFSINT 107 KEYED GROUND (2X4 BOX) WITH 4000W GENERATOR (CE SPECS)



ART_1001206252

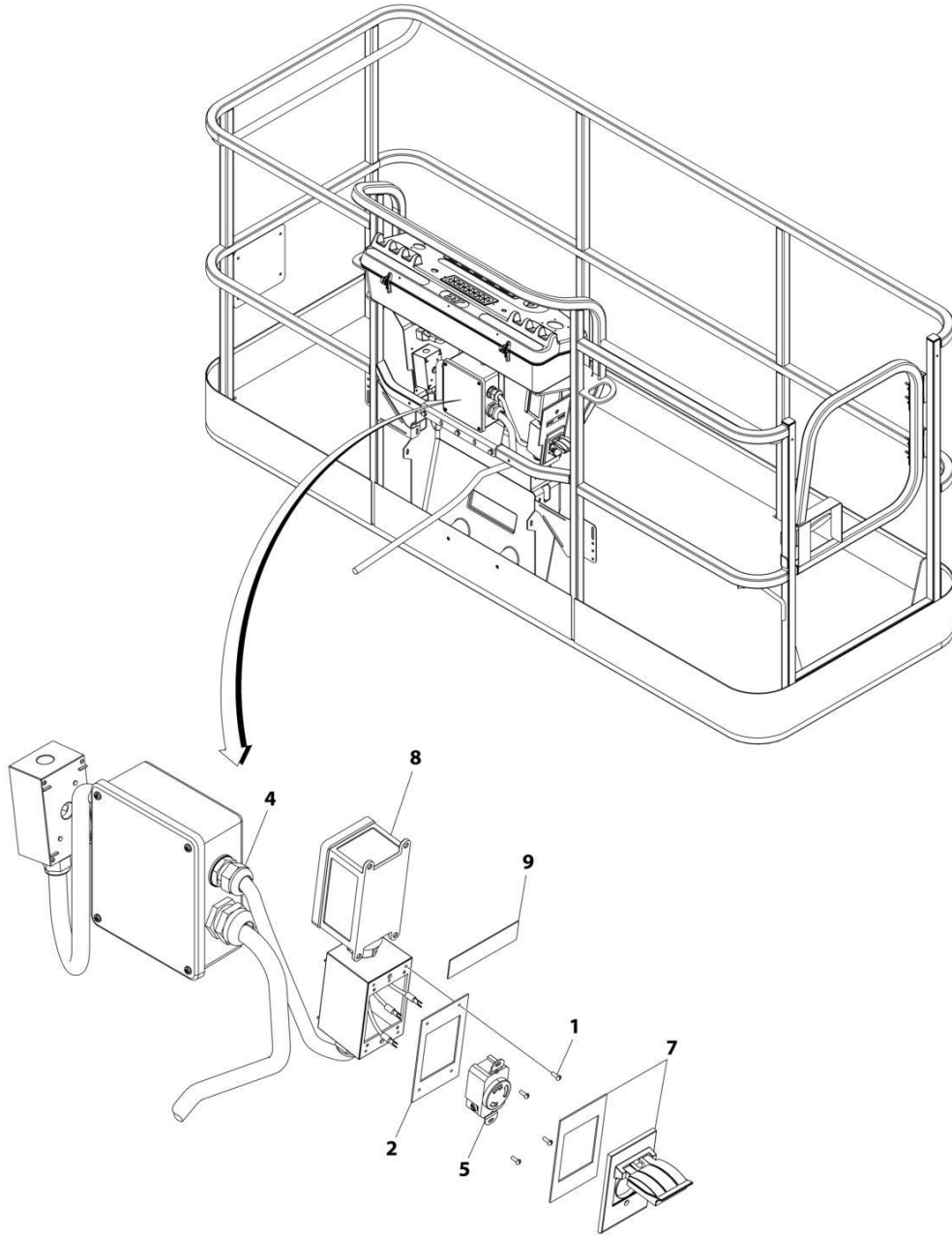
SECTION 8 - ELECTRICAL

FIGURE 8-18. AC BOX AT PLATFORM INSTALLATION - 220V AFSINT 107 KEYED GROUND (2X4 BOX) WITH 4000W GENERATOR (CE SPECS)

ITEM	PART NUMBER	QTY	DESCRIPTION	REV
	1001206252	Ref	AC BOX AT PLATFORM INSTALLATION - 220V AFSINT 107 2x4 BOX KEYED GROUND	A
1	0100020	AR	Sealant, Pipe	
2	0641416	2	Bolt 1/4 x 2	
3	0700408	4	Bolt M4 x 16	
4	0861731	1	Box, Switch	
5	3251242	1	Decal - 240V/50Hz	
6	3290405	4	Nut M4	
7	3311405	2	Nut 1/4	
8	4461246	1	Receptacle	
9	4711400	4	Washer 1/4	
10	4811400	8	Washer M4	
11	1001101191	1	Connector, Strain Relief	
12	1001101197	1	Adapter	
13	1001193018	1	Bracket, AC Receptacle	
14	1001205958	3	Terminal (Not Shown)	

SECTION 8 - ELECTRICAL

FIGURE 8-19. AC BOX AT PLATFORM INSTALLATION - 240V (WITH 4000W GENERATOR) (ALL SPECS EXCEPT AUSTRALIAN & CE SPECS)



ART_1001171131

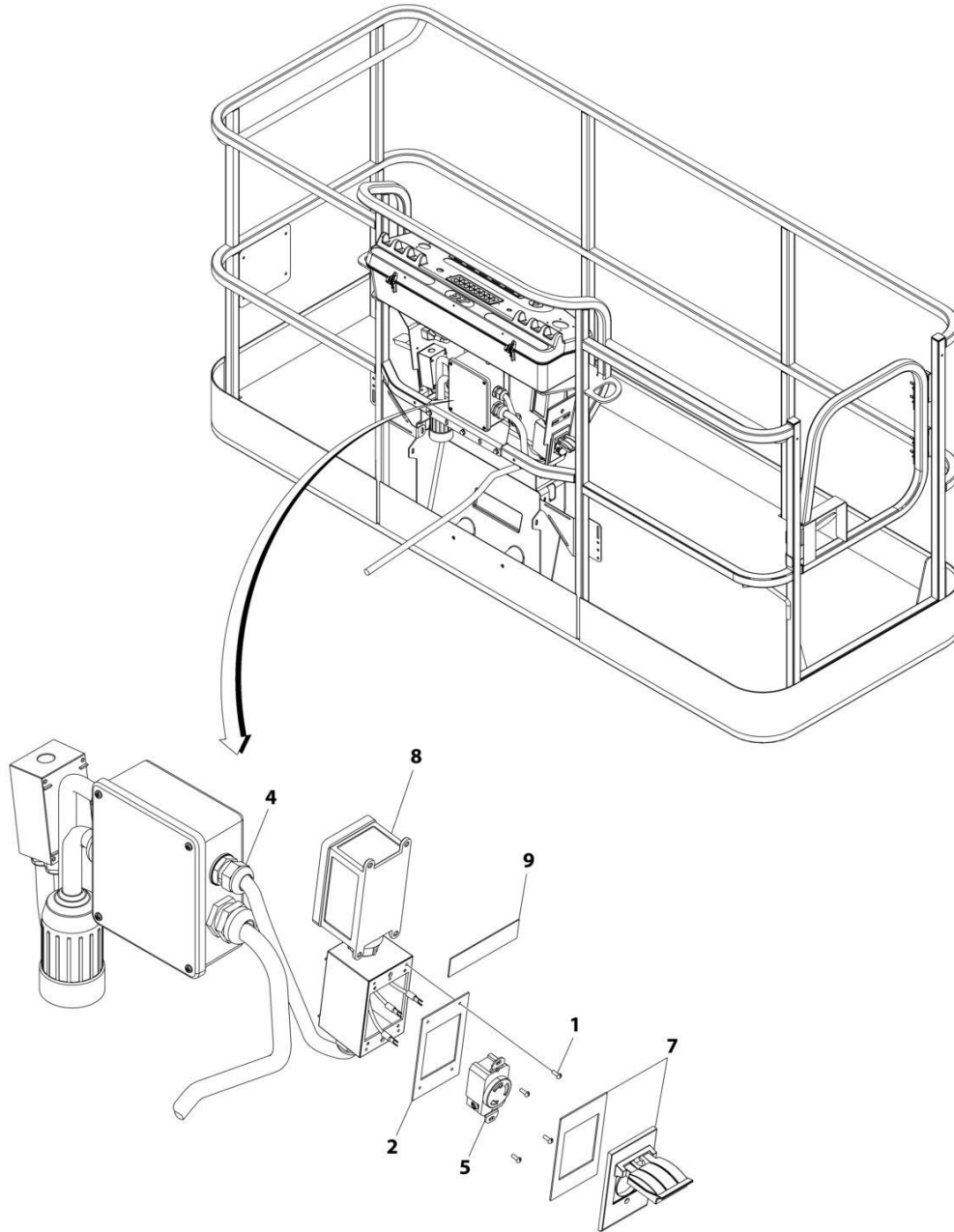
SECTION 8 - ELECTRICAL

FIGURE 8-19. AC BOX AT PLATFORM INSTALLATION - 240V (WITH 4000W GENERATOR) (ALL SPECS EXCEPT AUSTRALIAN & CE SPECS)

ITEM	PART NUMBER	QTY	DESCRIPTION	REV
	1001171131	Ref	AC BOX AT PLATFORM INSTALLATION - 240V RECEPTACLE	B
1	3910606	4	Screw 6 x 3/8	
2	3960422	1	Gasket	
3	4240018	AR	Tie-Strap (Not Shown)	
4	4460425	1	Connector, Strain Relief	
5	1001176862	1	Receptacle	
7	1001110872	1	Cover, Receptacle	
8	1001159120	1	Receptacle/Breaker Box Assembly	
8	1001148675	1	Box, Receptacle	
8	1001159118	1	Breaker GFCI 30Amp 240VAC	
8	4460612	1	Connector, Strain Relief	
8	1001159119	1	Connector (Between Boxes)	
9	1705374	1	Decal - 240V/60Hz	

SECTION 8 - ELECTRICAL

FIGURE 8-20. AC BOX AT PLATFORM INSTALLATION - 240V (WITH 7500W SKYPOWER GENERATOR) (ALL SPECS EXCEPT AUSTRALIAN & CE SPECS)



ART_1001159121

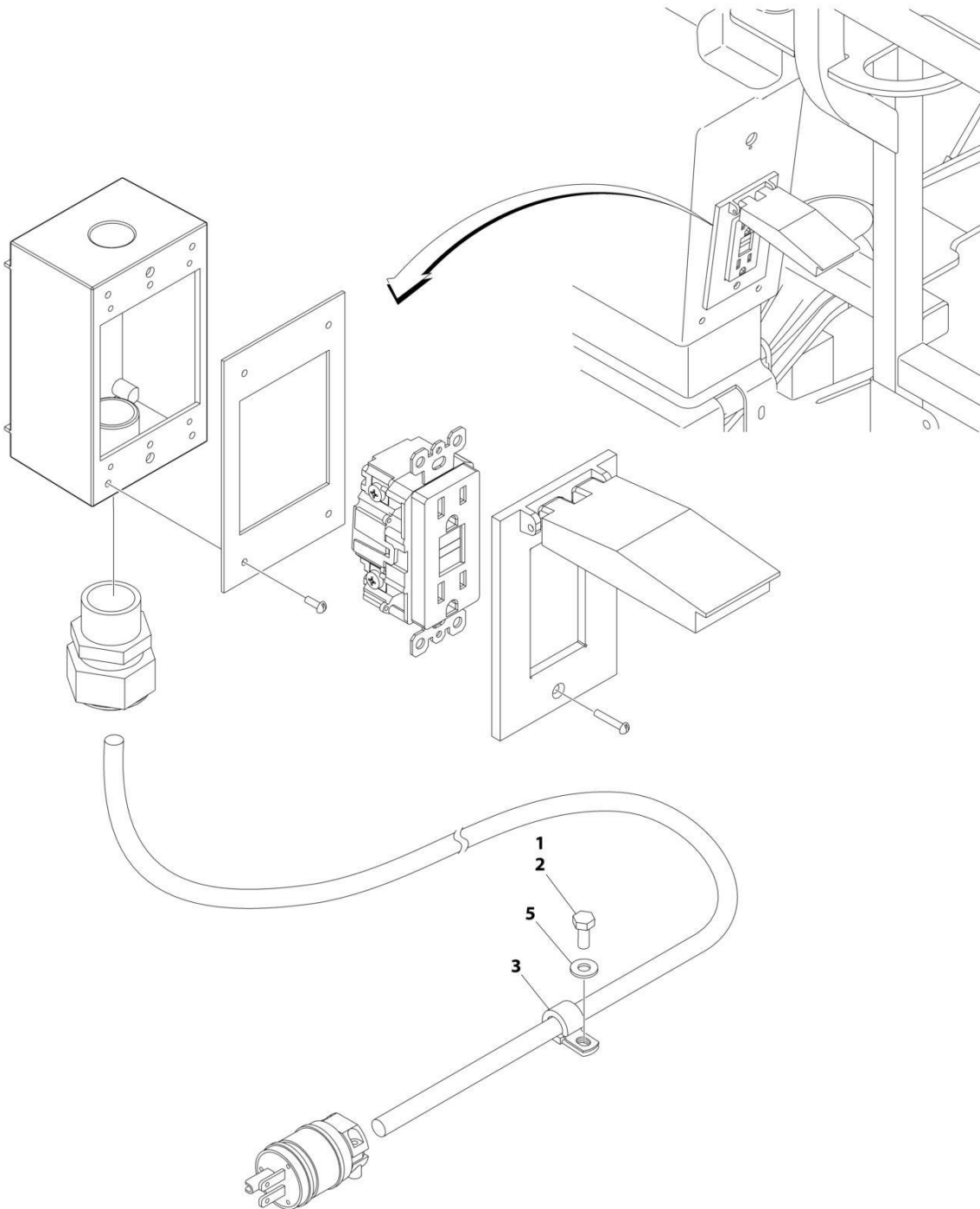
SECTION 8 - ELECTRICAL

FIGURE 8-20. AC BOX AT PLATFORM INSTALLATION - 240V (WITH 7500W SKYPOWER GENERATOR) (ALL SPECS EXCEPT AUSTRALIAN & CE SPECS)

ITEM	PART NUMBER	QTY	DESCRIPTION	REV
	1001159121	Ref	AC BOX AT PLATFORM INSTALLATION - 240V RECEPTACLE	B
1	3910606	4	Screw 6 x 3/8	
2	3960422	1	Gasket	
3	4240018	AR	Tie-Strap (Not Shown)	
4	4460425	1	Connector, Strain Relief	
5	4460958	1	Receptacle	
7	1001110872	1	Cover, Receptacle	
8	1001159120	1	Receptacle/Breaker Box Assembly	
8	1001148675	1	Box, Receptacle	
8	1001159118	1	Breaker Box Assembly	
8	4460612	1	Connector, Strain Relief	
8	1001159119	1	Connector (Between Boxes)	
9	1705374	1	Decal - 240V/60Hz	

SECTION 8 - ELECTRICAL

FIGURE 8-21. AC LEAD INSTALLATION (ANSI EXPORT, AUSTRALIAN AND CE SPECS)



ART_0273461

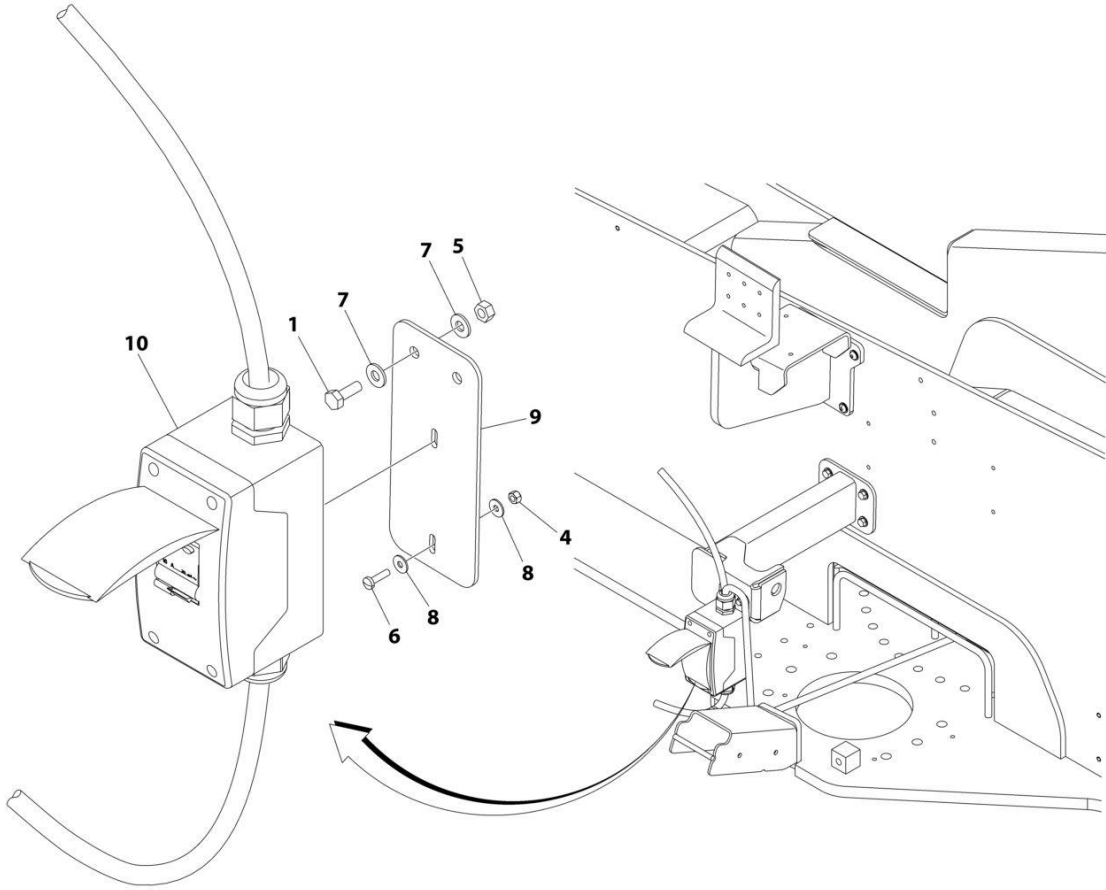
SECTION 8 - ELECTRICAL

FIGURE 8-21. AC LEAD INSTALLATION (ANSI EXPORT, AUSTRALIAN AND CE SPECS)

ITEM	PART NUMBER	QTY	DESCRIPTION	REV
	0273461	Ref	AC LEAD INSTALLATION (CE & UK CA SPECS)	B
1	0100011	AR	Compound, Locking	
2	0641405	1	Bolt 1/4 x 5/8	
3	1320041	1	Clamp	
5	4711400	1	Washer 1/4	

SECTION 8 - ELECTRICAL

FIGURE 8-22. AC 10 AMP BREAKER BOX INSTALLATION (CE SPECS)



ART_1001109557

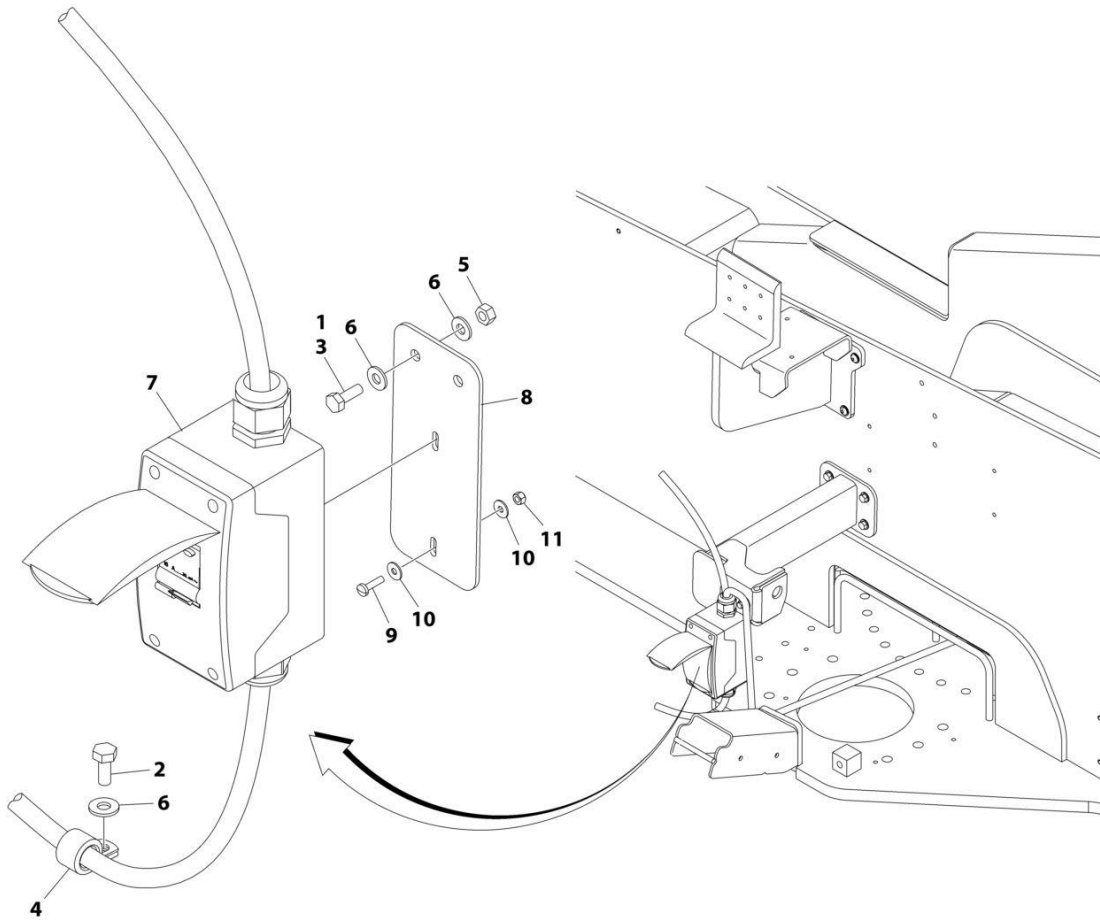
SECTION 8 - ELECTRICAL

FIGURE 8-22. AC 10 AMP BREAKER BOX INSTALLATION (CE SPECS)

ITEM	PART NUMBER	QTY	DESCRIPTION	REV
	1001109557	Ref	AC 10 AMP BREAKER BOX INSTALLATION	B
1	0641406	2	Bolt 1/4 x 3/4	
4	3290405	2	Nut M4	
5	0641405	2	Bolt 1/4 x 5/8	
6	4010408	2	Screw M4 x 16	
7	4711400	4	Washer 1/4	
8	1001091102	4	Washer M4	
9	1001096172	1	Bracket	
10	1001109648	1	Breaker Box Kit - 10 Amp (See Separate Breakdown in this Section)	

SECTION 8 - ELECTRICAL

FIGURE 8-23. AC 16 AMP BREAKER BOX INSTALLATION (CE SPECS)



ART_1001096163

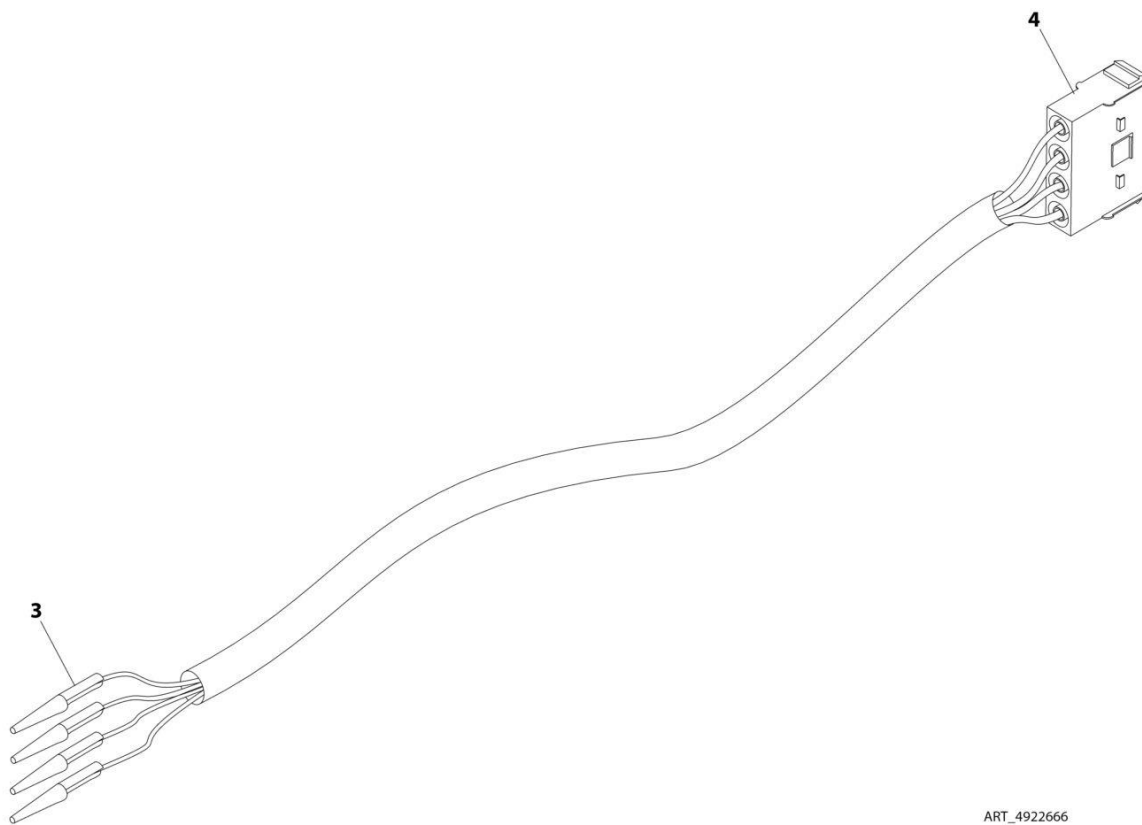
SECTION 8 - ELECTRICAL

FIGURE 8-23. AC 16 AMP BREAKER BOX INSTALLATION (CE SPECS)

ITEM	PART NUMBER	QTY	DESCRIPTION	REV
	1001096163	Ref	AC 16 AMP BREAKER BOX INSTALLATION (CE & UK CA SPECS)	E
1	0100011	AR	Compound, Locking	
2	0641405	1	Bolt 1/4 x 5/8	
3	0641406	2	Bolt 1/4 x 3/4	
4	1320041	1	Clamp	
5	3311405	2	Nut 1/4	
6	4711400	5	Washer 1/4	
7	1001109654	1	Breaker Box Kit - 16 Amp (See Separate Breakdown in this Section)	
8	1001096172	1	Bracket	
9	4010408	2	Screw M4 x 16	
10	1001091102	4	Washer M4	
11	3290405	2	Nut M4	

SECTION 8 - ELECTRICAL

FIGURE 8-24. ANALYZER CALBE HARNESS



ART_4922666

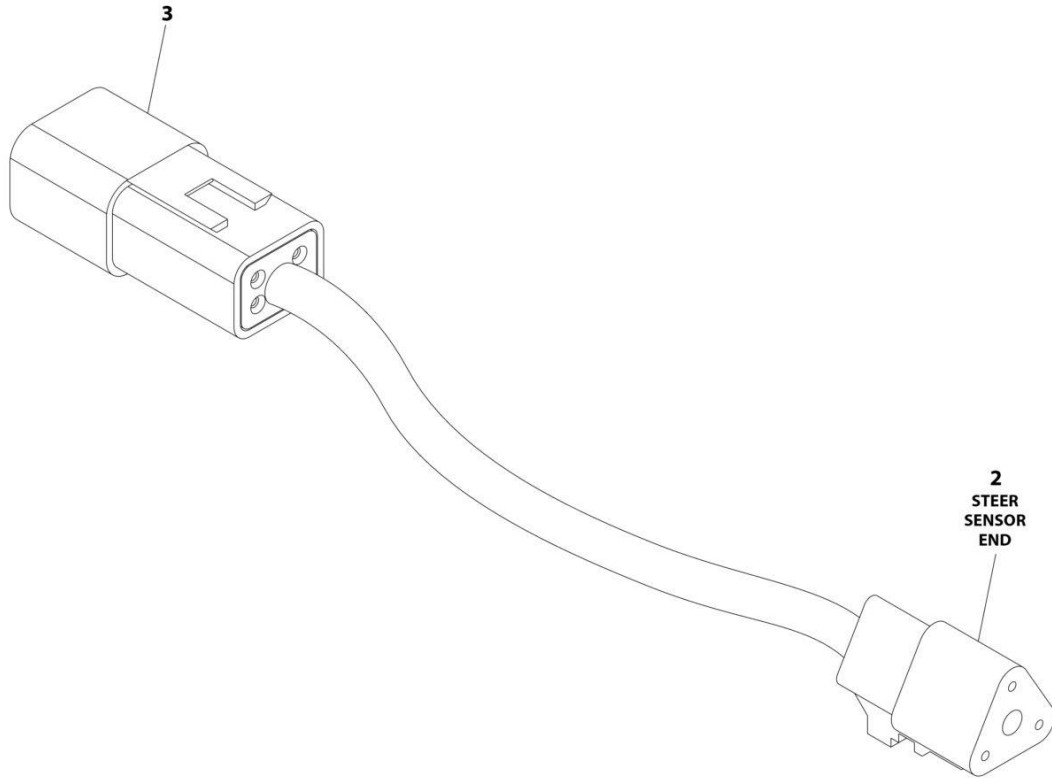
SECTION 8 - ELECTRICAL

FIGURE 8-24. ANALYZER CALBE HARNESS

ITEM	PART NUMBER	QTY	DESCRIPTION	REV
	4922666	Ref	ANALYZER CABLE HARNESS	C
3	4460226	4	Socket, Female	
4	4460761	1	Connector - 4 Position	
4	4460227	4	Pin, Male	

SECTION 8 - ELECTRICAL

FIGURE 8-25. AXLE POWER TRACK HARNESS ASSEMBLY



ART_4922718

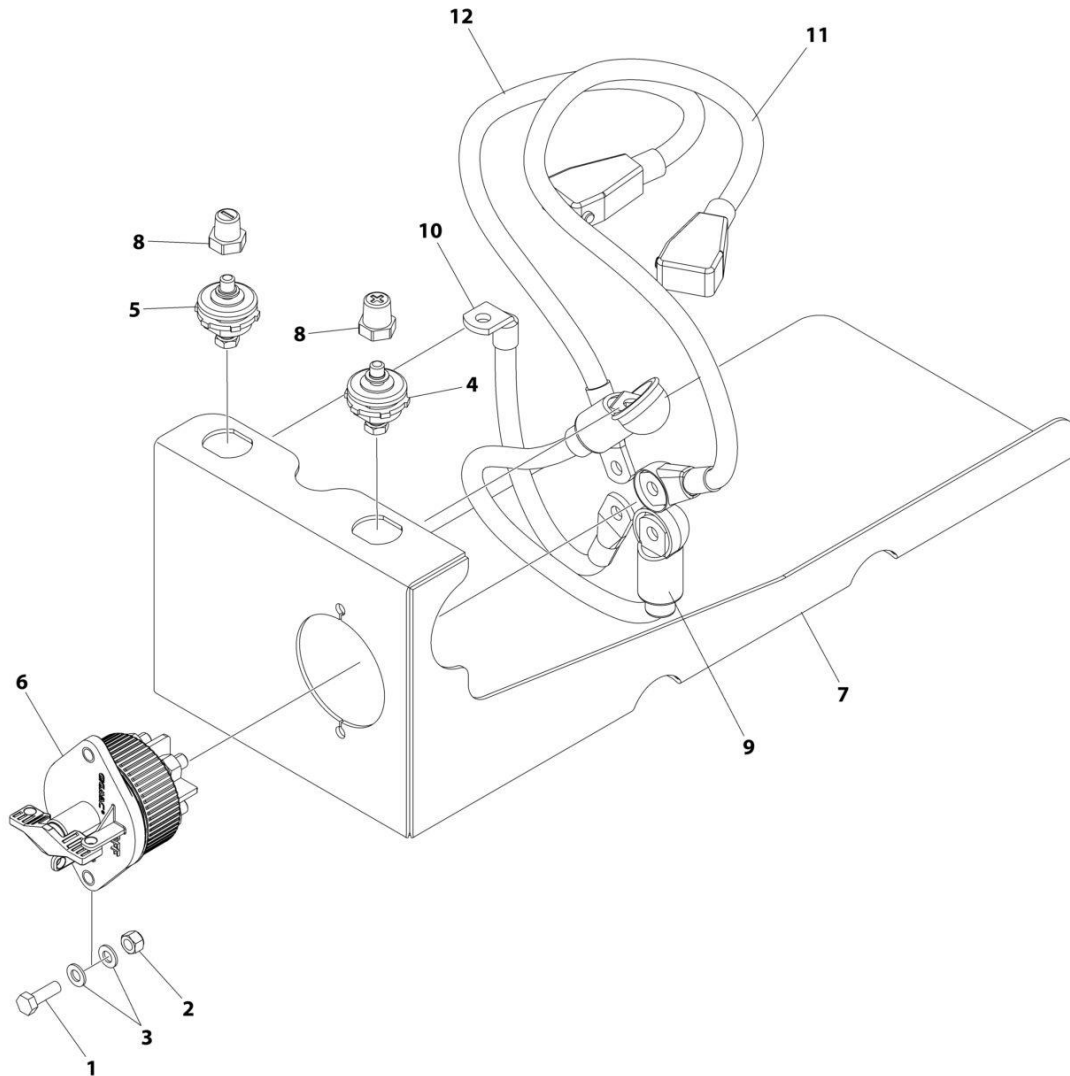
SECTION 8 - ELECTRICAL

FIGURE 8-25. AXLE POWER TRACK HARNESS ASSEMBLY

ITEM	PART NUMBER	QTY	DESCRIPTION	REV
	4922718	Ref	AXLE POWER TRACK HARNESS ASSEMBLY	E
2	4460539	1	Connector - 3 Position	
2	4460944	3	Socket, Female	
3	4460932	1	Connector - 4 Position	
3	4460943	4	Pin, Male	

SECTION 8 - ELECTRICAL

FIGURE 8-26. BATTERY DISCONNECT INSTALLATION



ART_1001242825

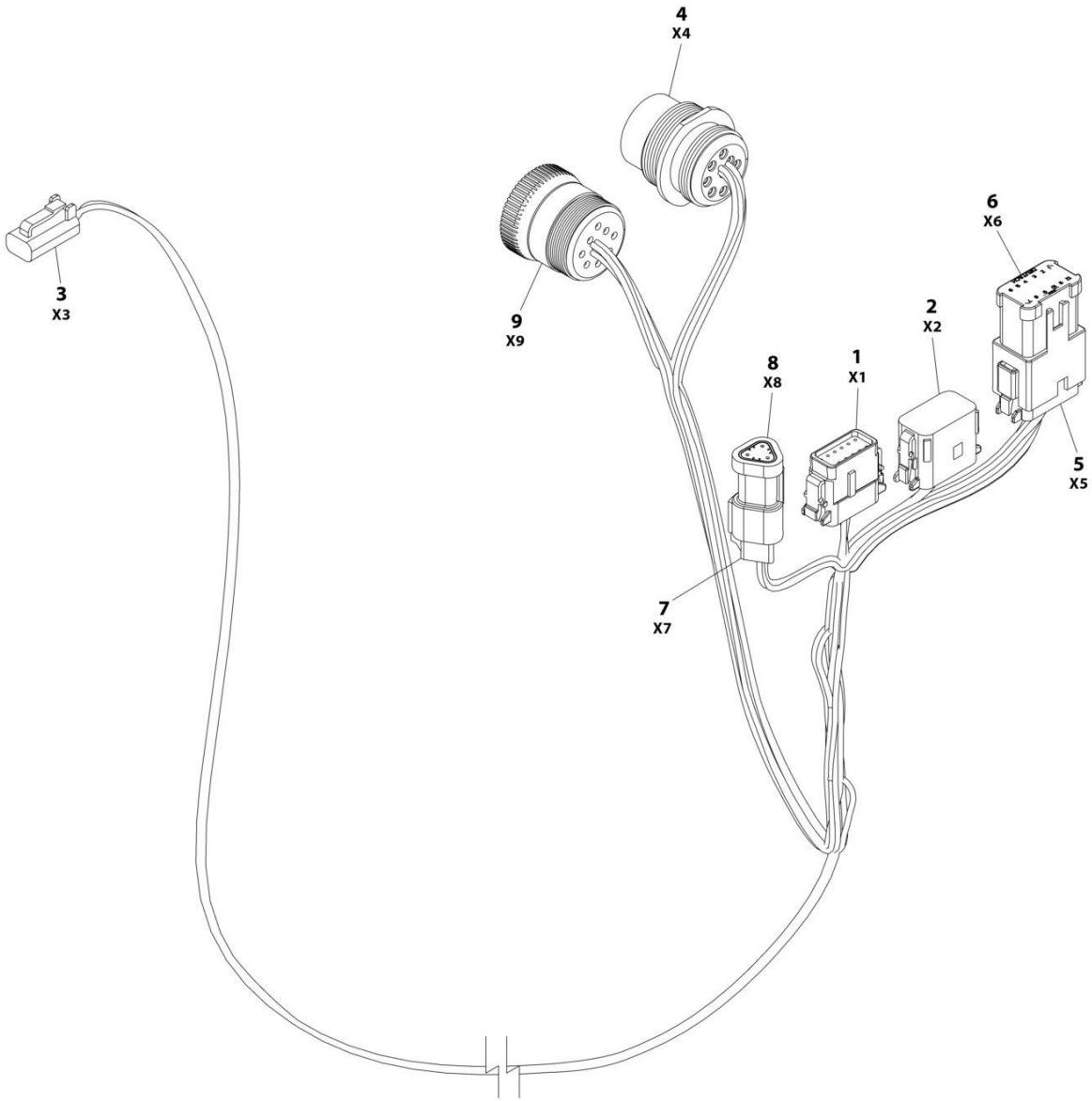
SECTION 8 - ELECTRICAL

FIGURE 8-26. BATTERY DISCONNECT INSTALLATION

ITEM	PART NUMBER	QTY	DESCRIPTION	REV
	1001242825	Ref	BATTERY DISCONNECT INSTALLATION	B
1	0760812	2	Bolt M8 x 25	
2	3290805	2	Nut M8	
3	4811900	4	Washer M8	
4	1001214570	1	Connector (Red)	
5	1001214571	1	Connector (Black)	
6	1001225346	1	Switch, Disconnect	
7	1001242824	1	Mount	
8	1001206476	1	Connector	
9	1001236375	1	Cable (Positive)	
10	1001236376	1	Cable (Negative)	
11	1001236377	1	Cable (Positive)	
12	1001236378	1	Cable (Negative)	

SECTION 8 - ELECTRICAL

FIGURE 8-27. BEACON LIGHT HARNESS



ART_1001142736

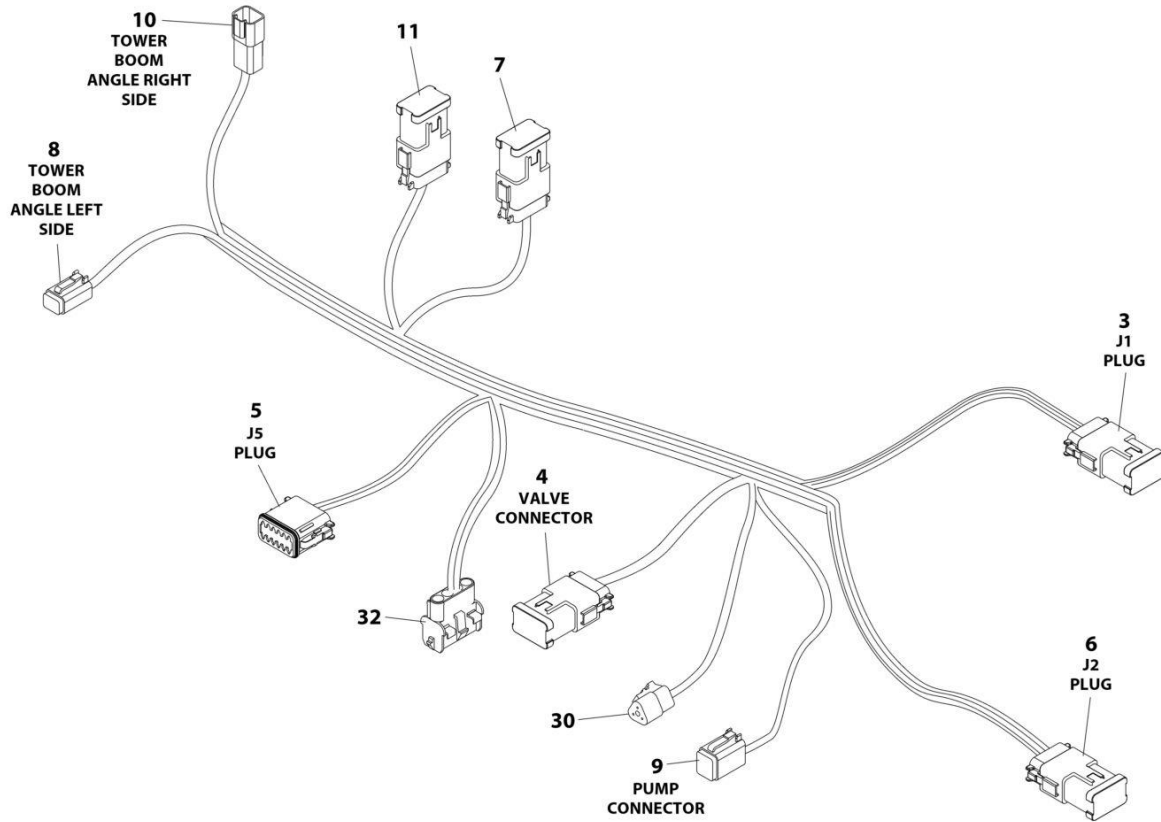
SECTION 8 - ELECTRICAL

FIGURE 8-27. BEACON LIGHT HARNESS

ITEM	PART NUMBER	QTY	DESCRIPTION	REV
	1001142736	Ref	STROBE LIGHT HARNESS	F
1	1001116808	1	Plug, Male - 12 Position	
1	4460928	3	Socket, Female	
1	4460518	9	Plug, Terminal	
2	1001116774	1	Plug, Male - 12 Position	
2	4460928	3	Socket, Female	
2	4460518	9	Plug, Terminal	
3	4460891	1	Plug, Male - 2 Position	
3	4460465	2	Socket, Female	
4	1001112612	1	Connector - 9 Position	
4	4460464	6	Pin, Male	
4	4460466	3	Plug, Terminal	
5	4460933	1	Plug, Male - 12 Position	
5	4460465	12	Socket, Female	
6	1001119020	1	Bussbar - 12 Position	
7	4461095	1	Plug, Male - 3 Position	
7	4460465	3	Socket, Female	
8	4461070	1	Bussbar - 3 Position	
9	1001112796	1	Connector - 9 Position	
9	4460465	6	Socket, Female	
9	4460466	3	Plug, Terminal	

SECTION 8 - ELECTRICAL

FIGURE 8-28. B.L.A.M. HARNESS



ART_1001242756

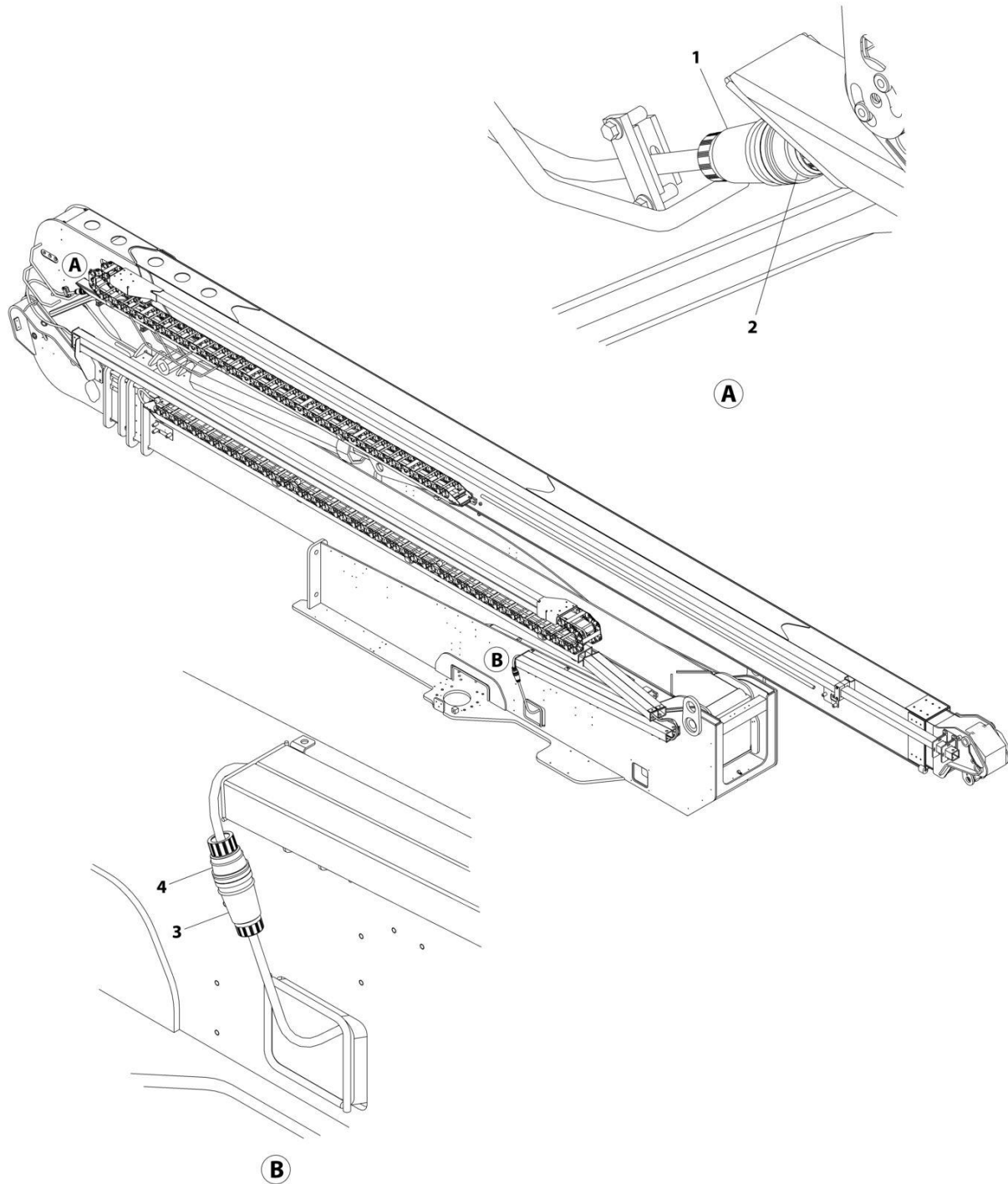
SECTION 8 - ELECTRICAL

FIGURE 8-28. B.L.A.M. HARNESS

ITEM	PART NUMBER	QTY	DESCRIPTION	REV
	1001242756	Ref	B.L.A.M. HARNESS	D
3	1001270339	1	Connector - 12 Position (Gray)	
3	4460466	7	Plug, Seal	
3	4460944	3	Socket, Female	
3	4460942	1	Socket, Female	
4	4460970	1	Connector - 12 Position	
4	4460943	3	Pin, Male (Gold)	
4	4460464	6	Pin, Male	
4	4460941	3	Pin, Male	
5	1001239345	1	Connector - 12 Position (Brown)	
5	4460466	5	Plug, Seal	
5	4460465	2	Socket, Female	
5	4460944	4	Socket, Female	
6	1001270340	1	Connector - 12 Position (Black)	
6	4460466	8	Plug, Seal	
6	4460944	2	Socket, Female	
6	4460465	2	Socket, Female	
7	4460836	1	Connector - 12 Position (Black)	
7	4460466	8	Plug, Seal	
7	4460465	4	Socket, Female	
7	4460942	2	Socket, Female	
7	1001249244	1	Connector - 12 Position Buss Bar	
8	4460884	1	Connector - 4 Position (Gray)	
8	4460944	4	Socket, Female	
9	4460894	1	Connector - 6 Position (Gray)	
9	4460465	5	Socket, Female	
9	4460466	2	Plug, Seal	
10	4460932	1	Connector - 4 Position (Gray)	
10	4460943	4	Pin, Male	
11	4460836	1	Plug, Male - 12 Position (Black)	
11	4460466	6	Plug, Seal	
11	4460465	5	Socket, Female	
11	1001249244	1	Connector - 12 Position Buss Bar	
18	4240033	7	Tie-Strap (Not Shown)	
30	4460539	1	Connector - 3 Position	
30	4460944	3	Socket, Female	
30	4460121	1	Wire Cap	
32	4460761	1	Connector - 4 Position	
32	4460227	4	Pin, Male	

SECTION 8 - ELECTRICAL

FIGURE 8-29. BOOM CABLE INSTALLATION (ANSI, ANSI EXPORT AND JAPANESE SPECS)



ART_0273474

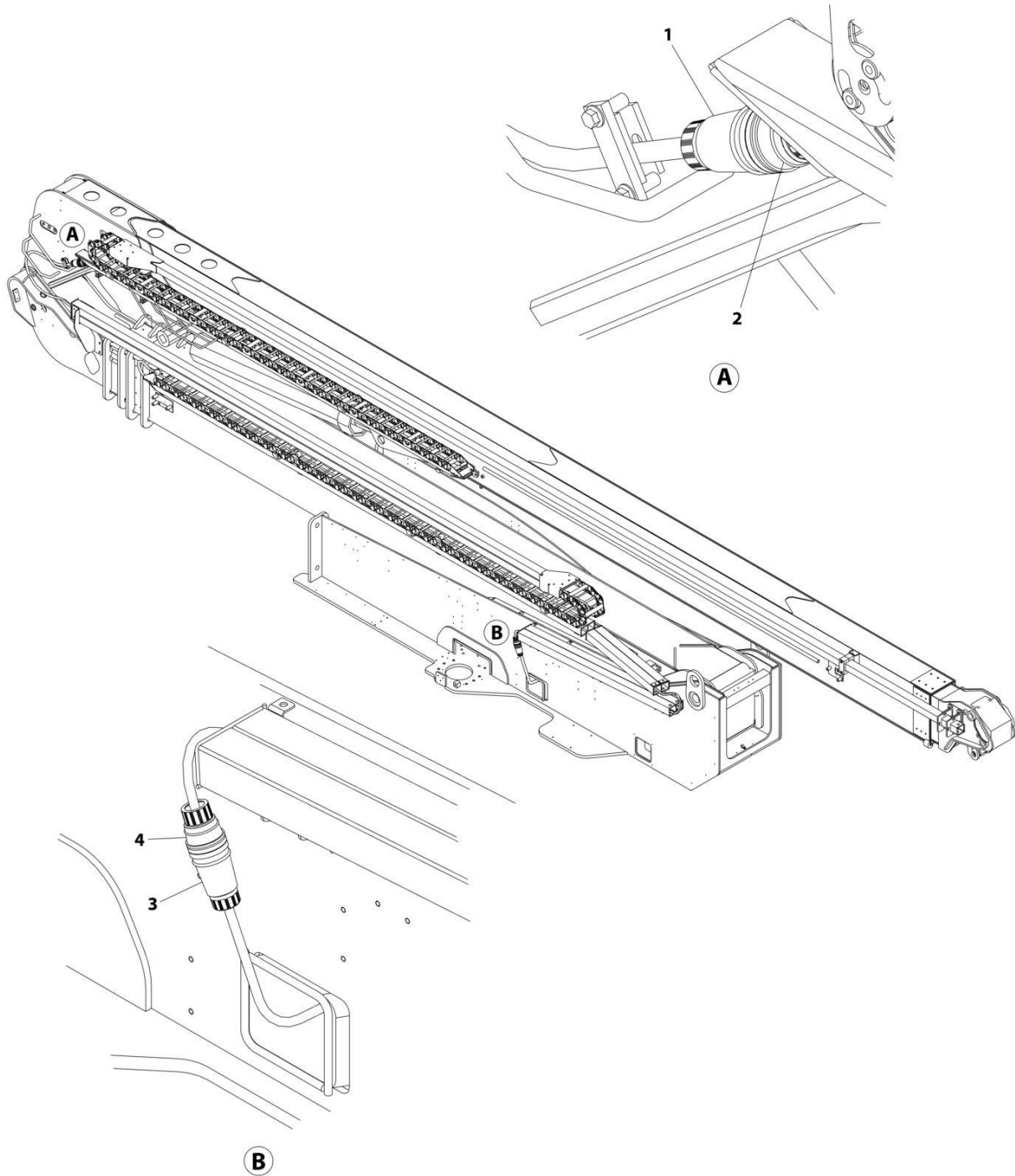
SECTION 8 - ELECTRICAL

FIGURE 8-29. BOOM CABLE INSTALLATION (ANSI, ANSI EXPORT AND JAPANESE SPECS)

ITEM	PART NUMBER	QTY	DESCRIPTION	REV
	0273474	Ref	BOOM CABLE INSTALLATION	C
1	1001227932	1	Tower Boom AC Cable Harness	
1	1001213585	1	Receptacle, Female	
2	1001227933	1	Main Boom AC Cable Harness	
2	1001213584	1	Plug, Male	
3	1001227934	1	Turntable AC Cable Harness	
3	1001213585	1	Receptacle, Female	
4	1001213584	1	Plug, Male	

SECTION 8 - ELECTRICAL

FIGURE 8-30. BOOM CABLE INSTALLATION (AUSTRALIAN AND CE SPECS)



ART_0273475

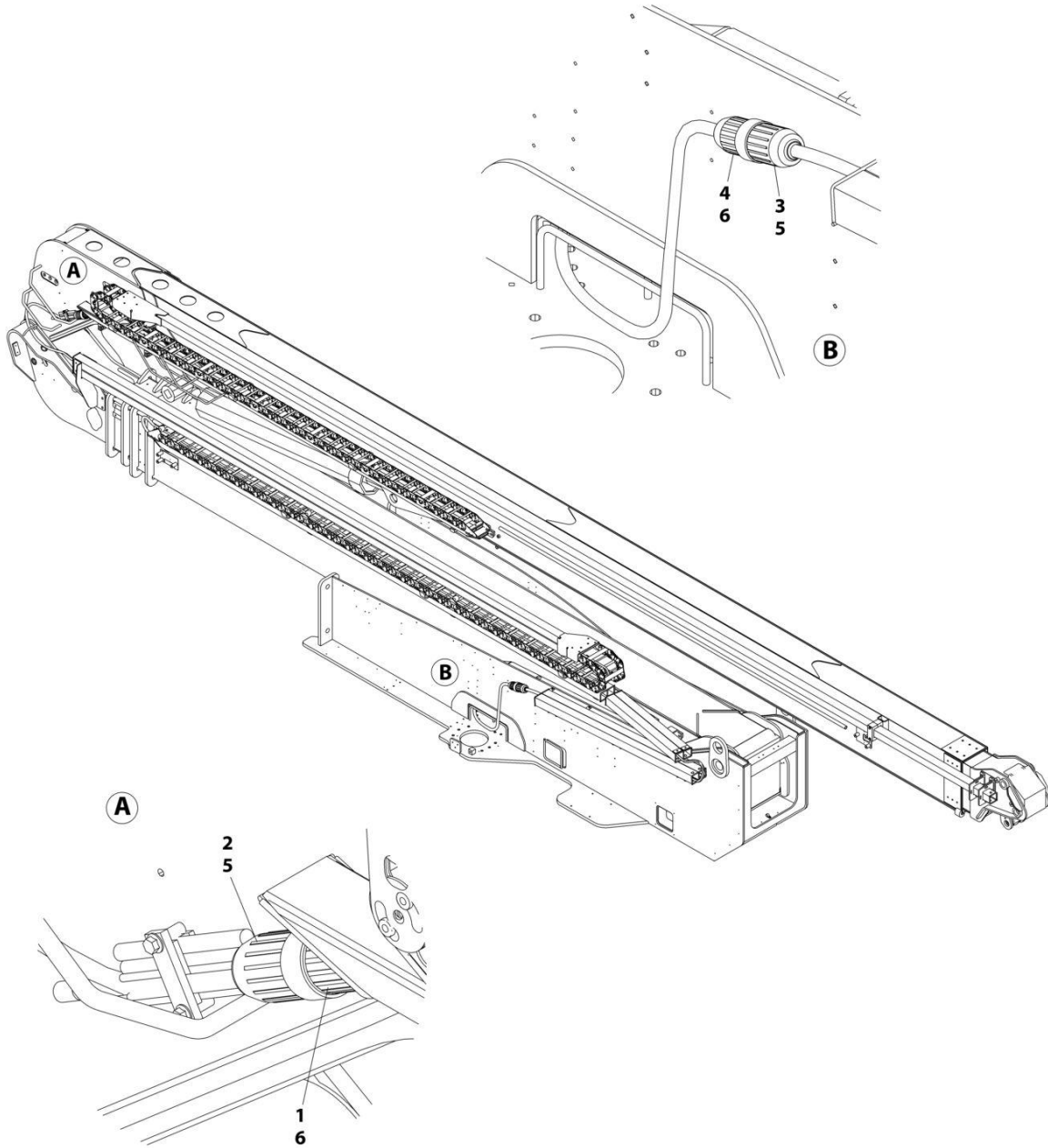
SECTION 8 - ELECTRICAL

FIGURE 8-30. BOOM CABLE INSTALLATION (AUSTRALIAN AND CE SPECS)

ITEM	PART NUMBER	QTY	DESCRIPTION	REV
	0273475	Ref	BOOM CABLE INSTALLATION	E
1	1001227935	1	Tower Boom AC Cable Harness	
1	1001213585	1	Receptacle, Female	
2	1001227936	1	Main Boom AC Cable Harness	
2	1001213584	1	Plug, Male	
3	1001227937	1	Turntable AC Cable Harness	
3	1001213585	1	Receptacle, Female	
4	1001213584	1	Plug, Male	

SECTION 8 - ELECTRICAL

FIGURE 8-31. BOOM CABLE INSTALLATION - 4000W 60HZ GENERATOR



ART_1001161049

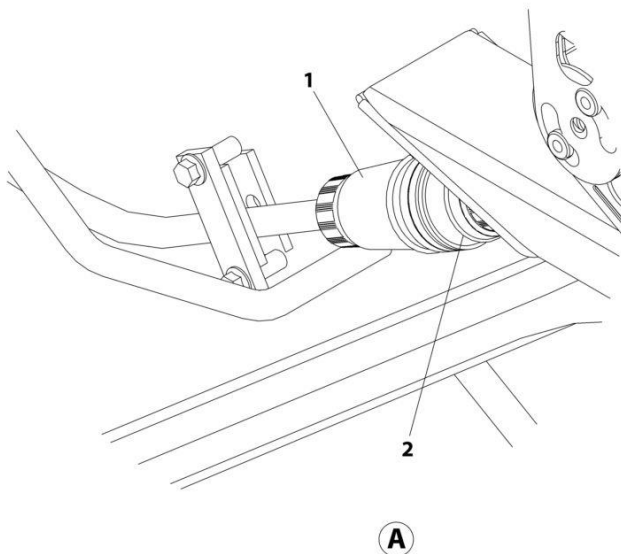
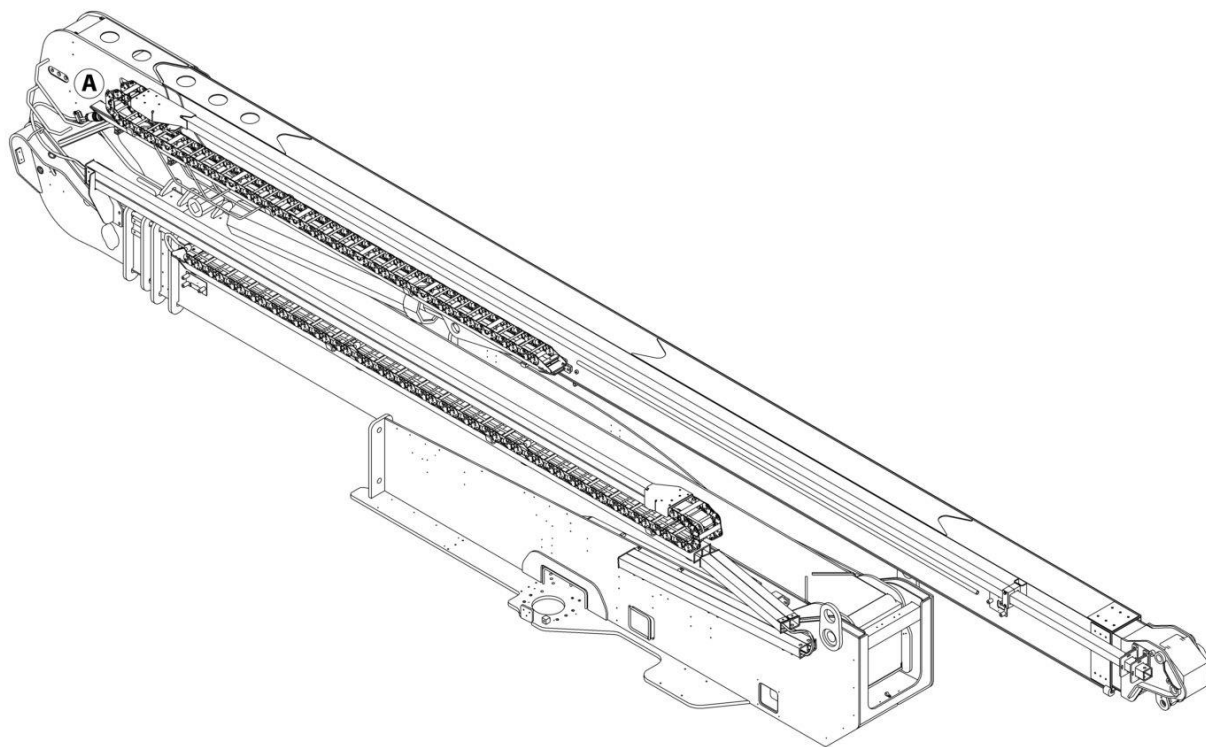
SECTION 8 - ELECTRICAL

FIGURE 8-31. BOOM CABLE INSTALLATION - 4000W 60HZ GENERATOR

ITEM	PART NUMBER	QTY	DESCRIPTION	REV
	1001161049	Ref	BOOM CABLE INSTALLATION - 4000W 60HZ GENERATOR	A
1	1001161042	1	Main Boom 4000W Generator Cable Harness	
1	1001131969	85 ft /25.9m	Cable, Electrical 8/4	
1	4460962	1	Plug, Male	
2	1001161043	1	Tower Boom 4000W Generator Cable Harness	
2	1001131969	71 ft /21.6m	Cable, Electrical 8/4	
2	4460963	1	Plug, Female	
3	4460962	1	Plug, Male	
4	1001161045	1	Turntable 4000W Generator Cable Harness	
4	1001131969	14 ft /4.27m	Cable, Electrical 8/4	
4	4460963	1	Plug, Female	
5	1671092	1	Cover, Male Connector	
6	1671093	1	Cover, Female Connector	

SECTION 8 - ELECTRICAL

FIGURE 8-32. BOOM CABLE INSTALLATION - 4000W 50HZ GENERATOR



ART_1001180951

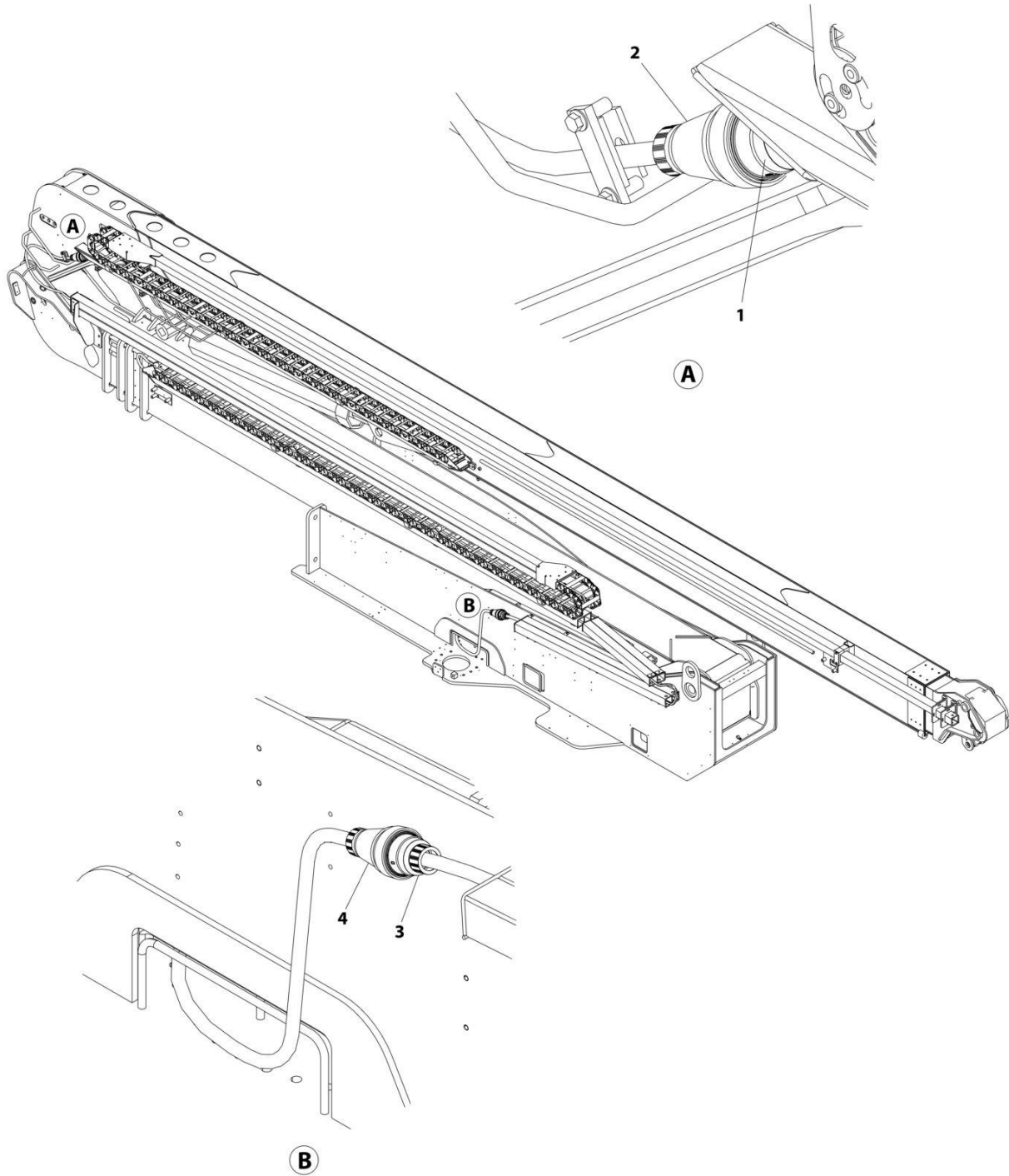
SECTION 8 - ELECTRICAL

FIGURE 8-32. BOOM CABLE INSTALLATION - 4000W 50HZ GENERATOR

ITEM	PART NUMBER	QTY	DESCRIPTION	REV
	1001180951	Ref	BOOM CABLE INSTALLATION - 4000W 50HZ GENERATOR	B
1	1001227935	1	Tower Boom AC Cable Harness	
1	1001213585	1	Receptacle, Female	
2	1001227936	1	Main Boom AC Cable Harness	
2	1001213584	1	Plug, Male	

SECTION 8 - ELECTRICAL

FIGURE 8-33. BOOM CABLE INSTALLATION - 7500W GENERATOR



ART_0273476

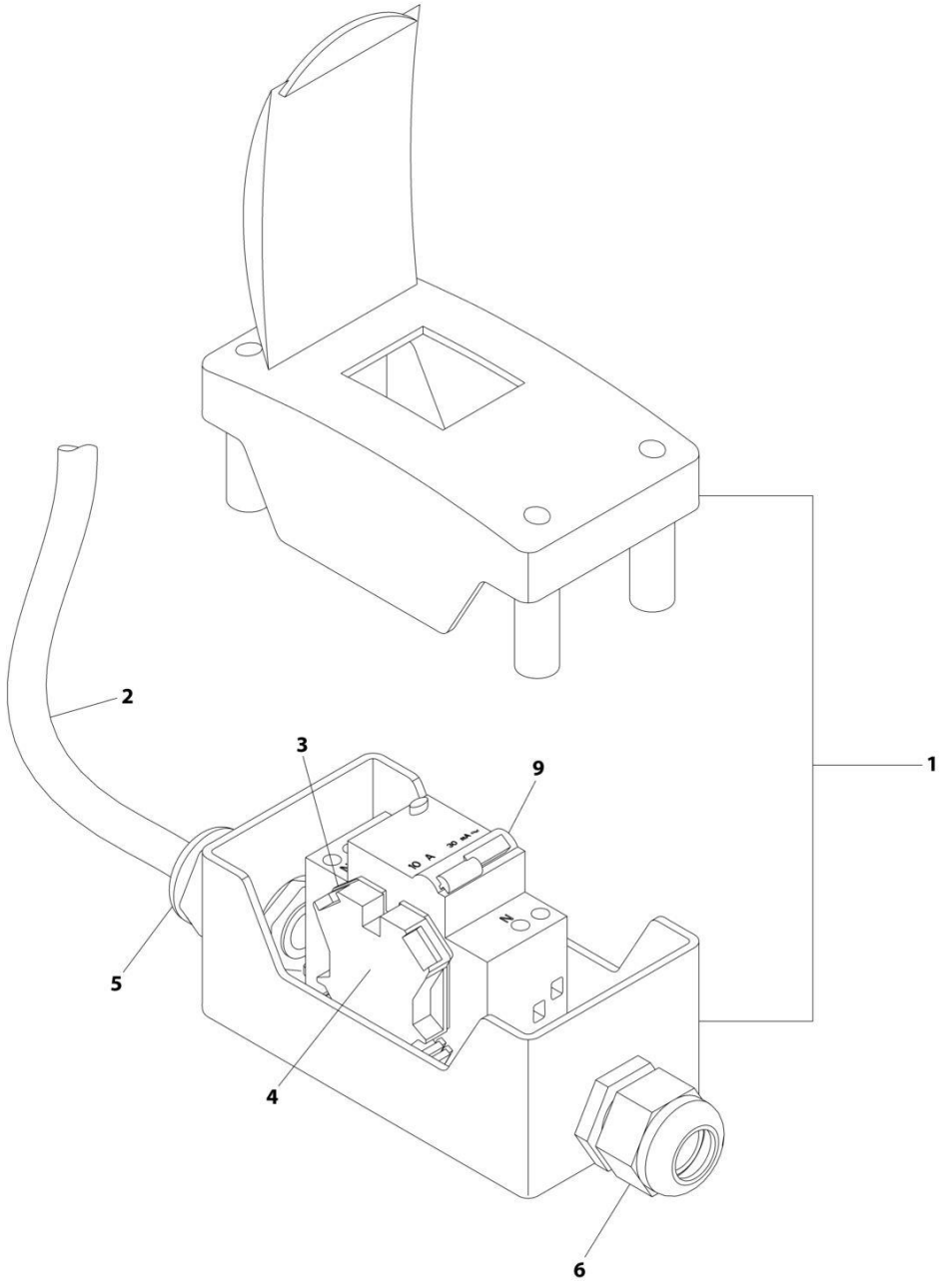
SECTION 8 - ELECTRICAL

FIGURE 8-33. BOOM CABLE INSTALLATION - 7500W GENERATOR

ITEM	PART NUMBER	QTY	DESCRIPTION	REV
	0273476	Ref	BOOM CABLE INSTALLATION - 7500W GENERATOR	D
1	1001226294	1	Main Boom SkyPower Cable Harness	
1	1001218622	1	Plug, Male	
2	1001226293	1	Tower Boom SkyPower Cable Harness	
2	1001218623	1	Plug, Female	
3	1001218622	1	Plug, Male	
4	1001226306	1	Turntable SkyPower Cable Harness	
4	1001218623	1	Plug, Female	

SECTION 8 - ELECTRICAL

FIGURE 8-34. BREAKER BOX KIT - 10 AMP (2500W GENERATOR)



ART_1001109648

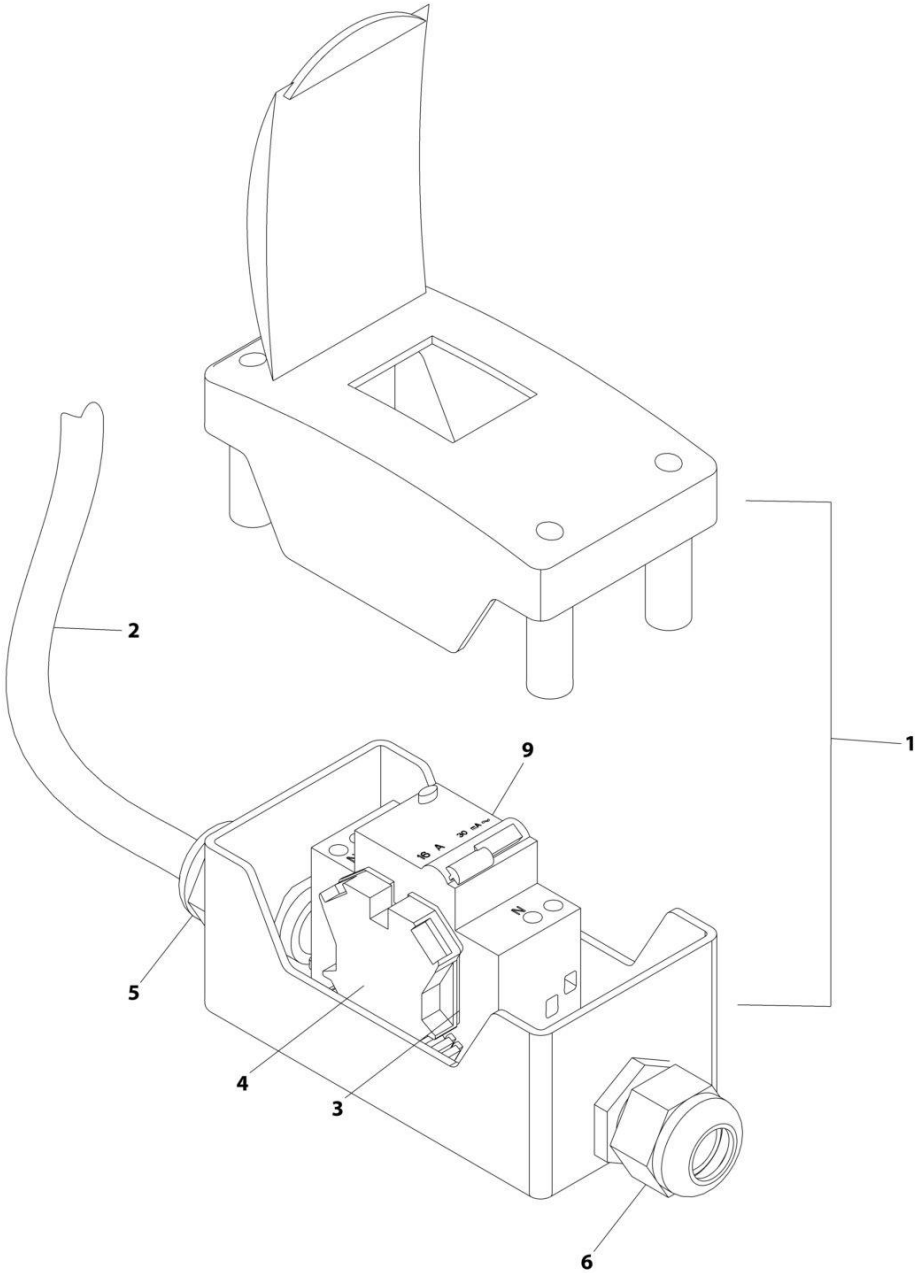
SECTION 8 - ELECTRICAL

FIGURE 8-34. BREAKER BOX KIT - 10 AMP (2500W GENERATOR)

ITEM	PART NUMBER	QTY	DESCRIPTION	REV
	1001109648	Ref	BREAKER BOX KIT - 10 AMP (2500W GENERATOR)	B
1	0861880	1	Box, Breaker	
2	1060908	12 ft /3.6m	Cable, Electrical 12/3	
3	4460956	1	Barrier, Terminal Block End	
4	4460957	1	Block, Terminal	
5	1001097150	1	Connector, Strain Relief	
6	1001101191	1	Connector, Strain Relief	
9	1001181046	1	Breaker 30mA/16Amp	

SECTION 8 - ELECTRICAL

FIGURE 8-35. BREAKER BOX KIT - 16 AMP (2500W GENERATOR)



ART_1001109654

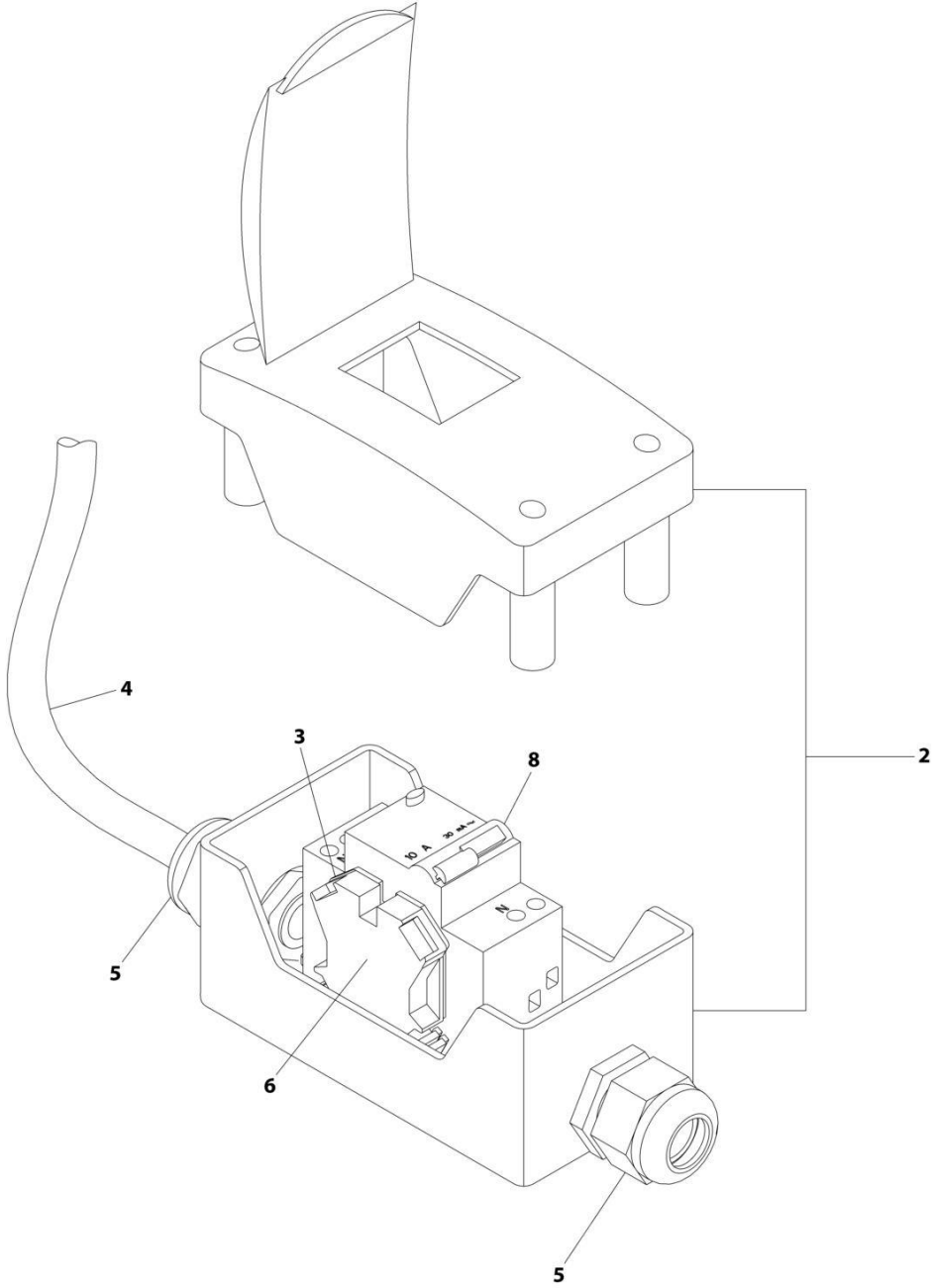
SECTION 8 - ELECTRICAL

FIGURE 8-35. BREAKER BOX KIT - 16 AMP (2500W GENERATOR)

ITEM	PART NUMBER	QTY	DESCRIPTION	REV
	1001109654	Ref	BREAKER BOX KIT	C
1	0861880	1	Box, Breaker	
2	1060908	12 ft/ 3.6m	Cable 12/3	
3	4460956	1	Barrier, Terminal Block End	
4	4460957	1	Block, Terminal	
5	1001097150	1	Connector, Strain Relief	
6	1001101191	1	Connector, Strain Relief	
9	1001181045	1	Breaker - 30mA/16Amp	
10	1001100231	3	Terminal (Not Shown)	

SECTION 8 - ELECTRICAL

FIGURE 8-36. BREAKER BOX KIT - 16 AMP (4000W GENERATOR)



ART_1001165368

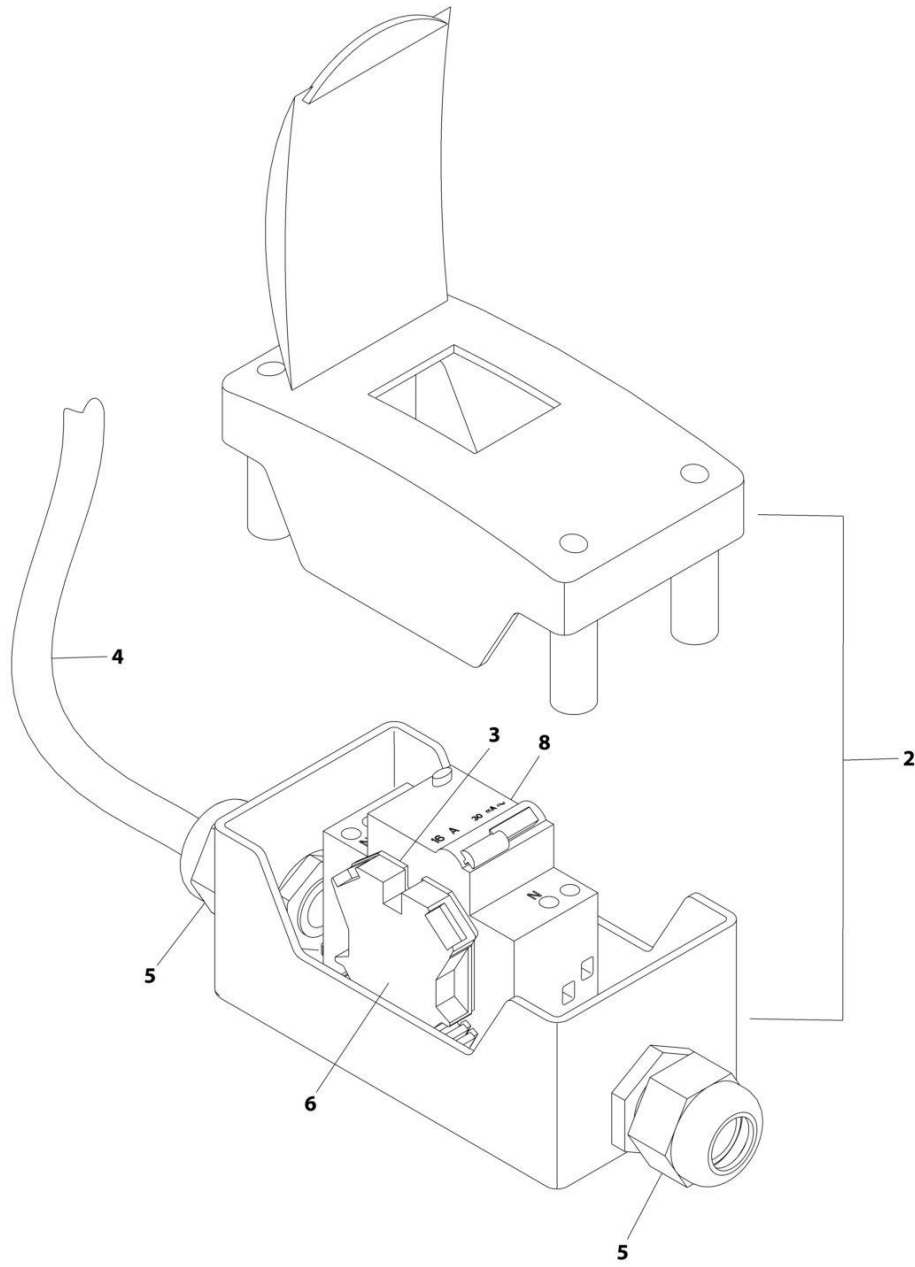
SECTION 8 - ELECTRICAL

FIGURE 8-36. BREAKER BOX KIT - 16 AMP (4000W GENERATOR)

ITEM	PART NUMBER	QTY	DESCRIPTION	REV
	1001165368	Ref	BREAKER BOX KIT	B
2	0861880	1	Box, Circuit Breaker	
3	4460956	1	Barrier, Terminal Block End	
4	1060545	12 ft/ 3.6m	Cable, Electrical 10/3	
5	1001101191	2	Connector, Strain Relief	
6	4460957	1	Block, Terminal	
8	1001181045	1	Breaker 30mA/16Amp	

SECTION 8 - ELECTRICAL

FIGURE 8-37. BREAKER BOX KIT - 30MA/16 AMP (WITHOUT GENERATOR)



ART_1001096070

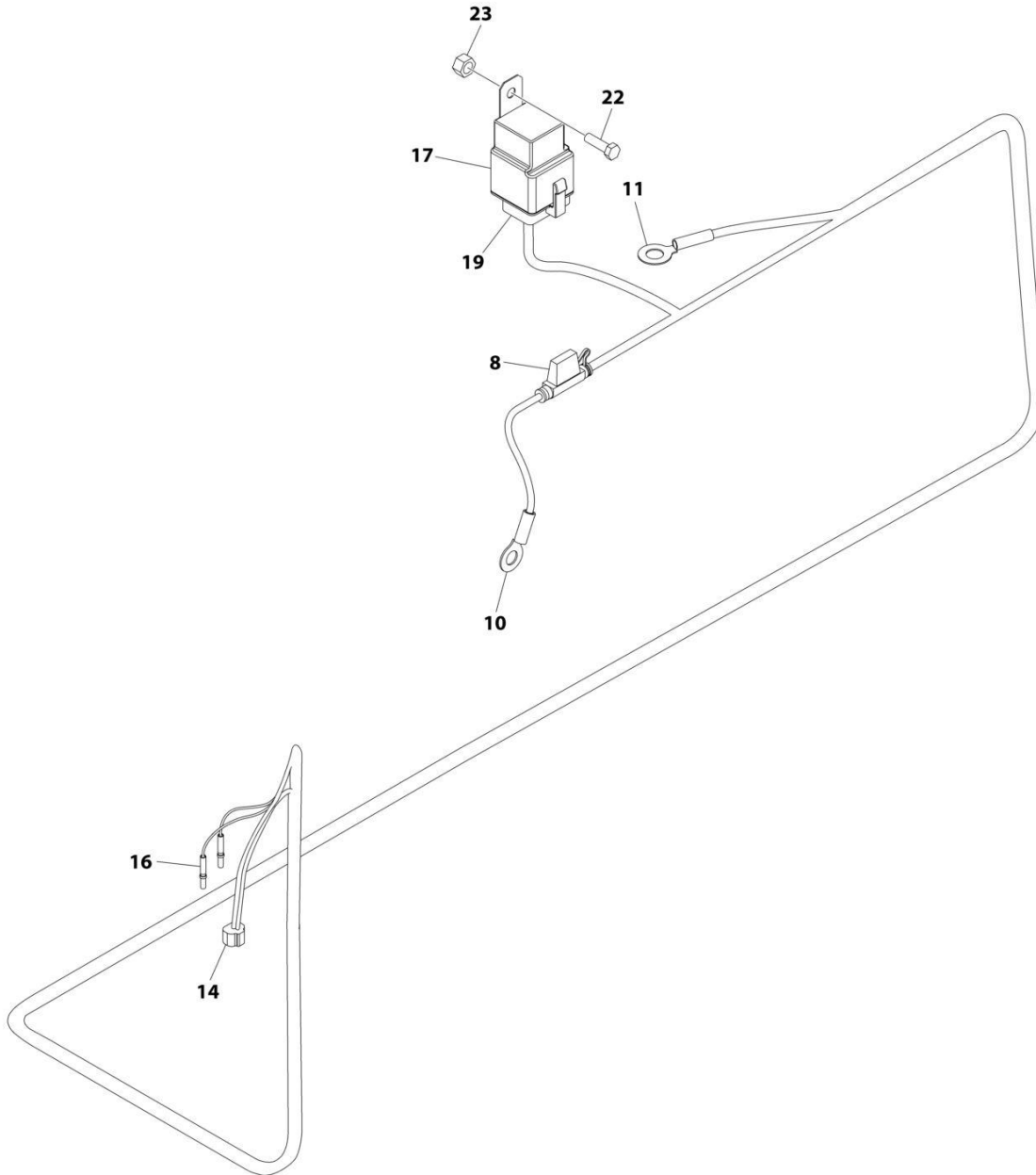
SECTION 8 - ELECTRICAL

FIGURE 8-37. BREAKER BOX KIT - 30MA/16 AMP (WITHOUT GENERATOR)

ITEM	PART NUMBER	QTY	DESCRIPTION	REV
	1001096070	Ref	BREAKER BOX KIT	E
2	0861880	1	Box	
3	4460956	1	Barrier, Terminal Block End	
4	1060908	12 ft/ 3.6m	Cable, 12/3	
5	1001097150	2	Connector, Strain Relief	
6	4460957	1	Block, Terminal	
8	1001181045	1	Breaker, 16Amp	

SECTION 8 - ELECTRICAL

FIGURE 8-38. CHASSIS POWER DISTRIBUTION HARNESS



ART_4923382

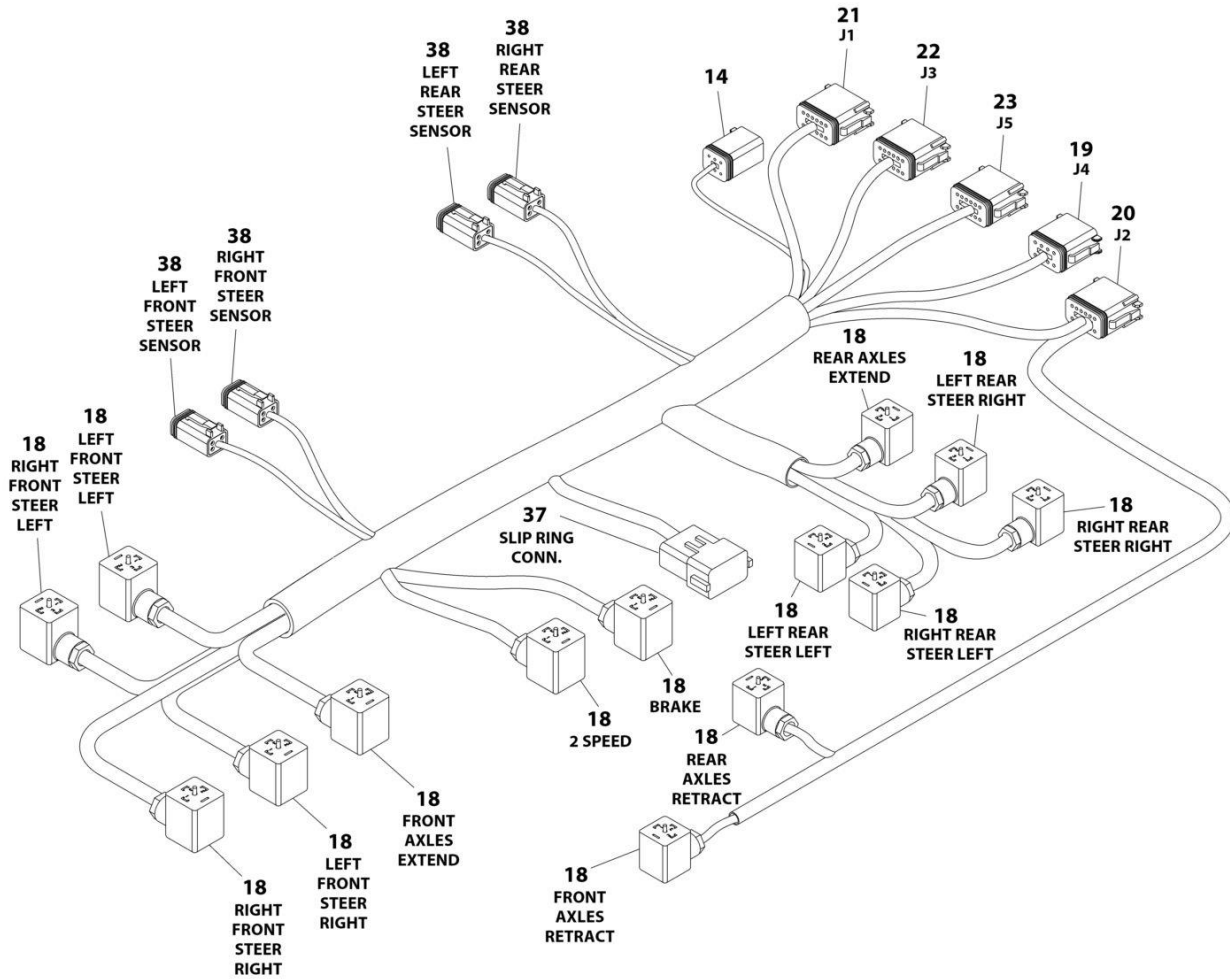
SECTION 8 - ELECTRICAL

FIGURE 8-38. CHASSIS POWER DISTRIBUTION HARNESS

ITEM	PART NUMBER	QTY	DESCRIPTION	REV
	4923382	Ref	CHASSIS POWER DISTRIBUTION HARNESS	E
8	2400066	1	Fuseholder	
8	2400065	1	Fuse 30 Amp	
9	4240032	3	Tie-Strap (Not Shown)	
10	4460019	1	Terminal, Eyelet	
11	4460256	1	Terminal, Eyelet	
14	4460897	1	Connector - 2 Position	
14	4460464	2	Pin, Male	
16	4460942	2	Socket, Female	
17	3740080	1	Relay	
19	4460374	1	Plug, Sealed	
19	4460375	5	Terminal	
19	0100048	AR	Lubricant, Silicone	
22	0641408	1	Bolt 1/4 x 1	
23	3311405	1	Nut 1/4	

SECTION 8 - ELECTRICAL

FIGURE 8-39. CHASSIS HARNESS ASSEMBLY



ART_4922696

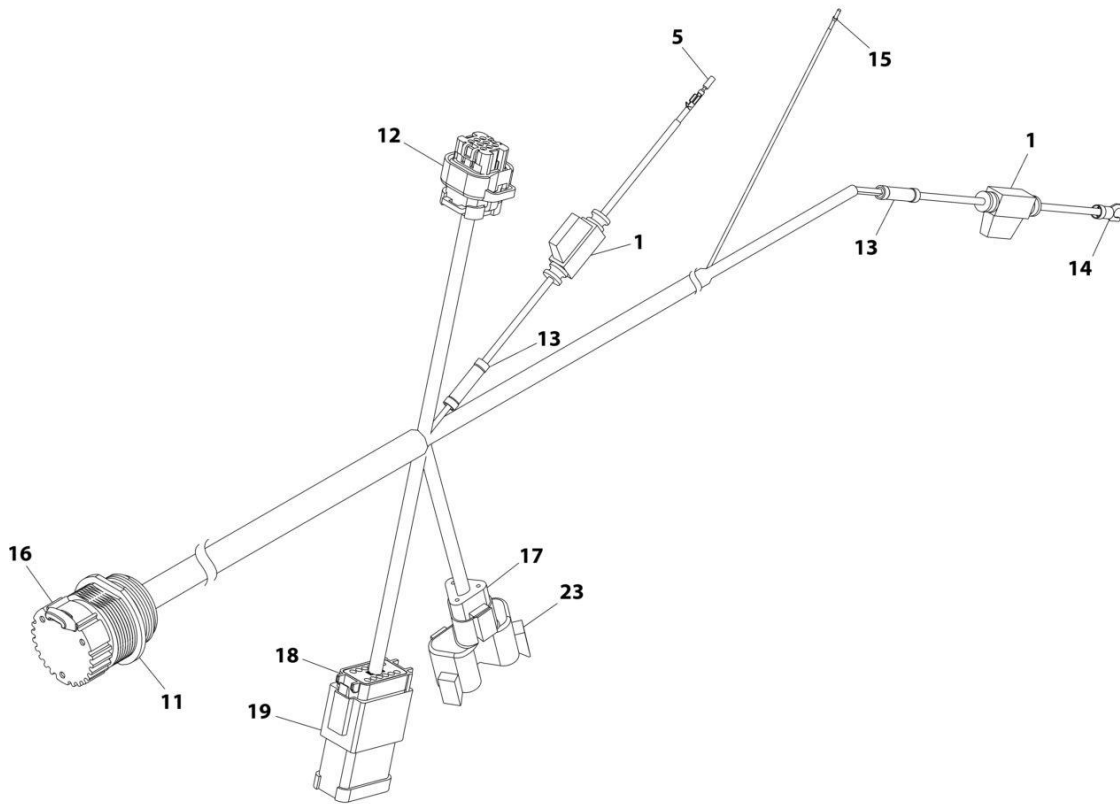
SECTION 8 - ELECTRICAL

FIGURE 8-39. CHASSIS HARNESS ASSEMBLY

ITEM	PART NUMBER	QTY	DESCRIPTION	REV
	4922696	Ref	CHASSIS HARNESS ASSEMBLY	D
14	4460894	1	Connector - 6 Position	
14	4460465	6	Socket, Female	
14	4460892	1	Connector - 6 Position Buss Bar	
17	4460894	1	Connector - 6 Position (Not Shown)	
17	4460465	6	Socket, Female	
17	4460892	1	Connector - 6 Position Buss Bar	
18	4460880	14	DIN Connector	
19	4460930	1	Connector - 8 Position (Gray)	
19	4460465	1	Socket, Female	
19	4460466	7	Plug, Terminal	
20	4460836	1	Connector - 12 Position (Black)	
20	4460465	6	Socket, Female	
20	4460466	6	Plug, Terminal	
21	4460933	1	Connector - 12 Position (Gray)	
21	4460465	8	Socket, Female	
21	4460466	4	Plug, Terminal	
22	4460934	1	Connector - 12 Position (Green)	
22	4460944	12	Socket, Female	
23	4460935	1	Connector - 12 Position (Brown)	
23	4460465	8	Socket, Female	
25	4240032	10	Tie-Strap (Not Shown)	
26	4240033	15	Tie-Strap (Not Shown)	
37	4460950	1	Connector - 12 Position	
37	4460464	6	Pin, Male	
37	4460943	3	Pin, Male	
37	4460941	2	Pin, Male	
38	4460884	4	Connector - 4 Position (Gray)	
38	4460944	16	Socket, Female	

SECTION 8 - ELECTRICAL

FIGURE 8-40. CLEARSKY READY HARNESS (DEUTZ TD2011, DEUTZ TCD2.9L4 & DEUTZ TCD2.9L4 (STAGE V PRE-BUY) ENGINES)



ART_1001254068

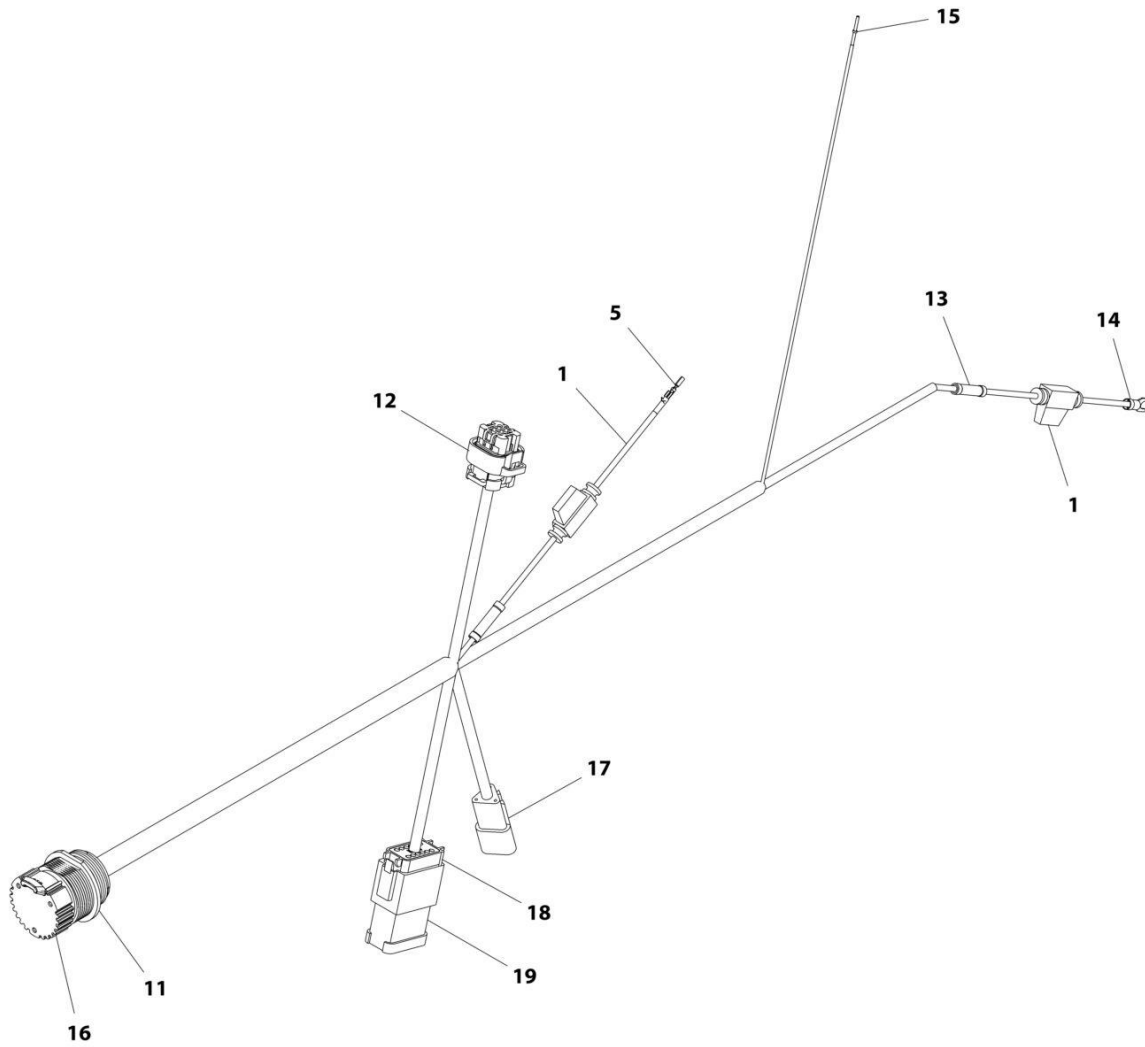
SECTION 8 - ELECTRICAL

**FIGURE 8-40. CLEARSKY READY HARNESS (DEUTZ TD2011, DEUTZ TCD2.9L4 & DEUTZ TCD2.9L4
(STAGE V PRE-BUY) ENGINES**

ITEM	PART NUMBER	QTY	DESCRIPTION	REV
	1001254068	Ref	CLEARSKY READY HARNESS	B
1	2400060	2	Fuseholder with Cover	
1	2400064	2	Fuse 5Amp	
5	4460871	1	Socket, Female	
11	1001112612	1	Connector - 9 Position	
11	4460464	6	Pin, Male	
11	4460466	3	Plug, Sealing	
12	1001113961	1	Connector - 8 Position	
12	4460871	5	Socket, Female	
12	4460905	5	Plug, Sealing	
13	4460035	2	Terminal, Connector	
14	4460183	1	Terminal, Eyelet	
15	4460465	1	Socket, Female	
16	1001106736	1	Cap, Dust	
17	1001116812	1	Connector - 3 Position	
17	4460944	3	Pin, Male	
18	4460933	1	Connector - 12 Position	
18	4460465	9	Socket, Female	
18	4460466	3	Plug, Sealing	
19	4460898	1	Connector Bussbar - 9 Position	
23	4460945	1	Connector, Female - 3 Way	

SECTION 8 - ELECTRICAL

FIGURE 8-41. (CLEARSKY READY HARNESS (DEUTZ TCD2.9L4 (STAGE V) ENGINES)



ART_1001114438

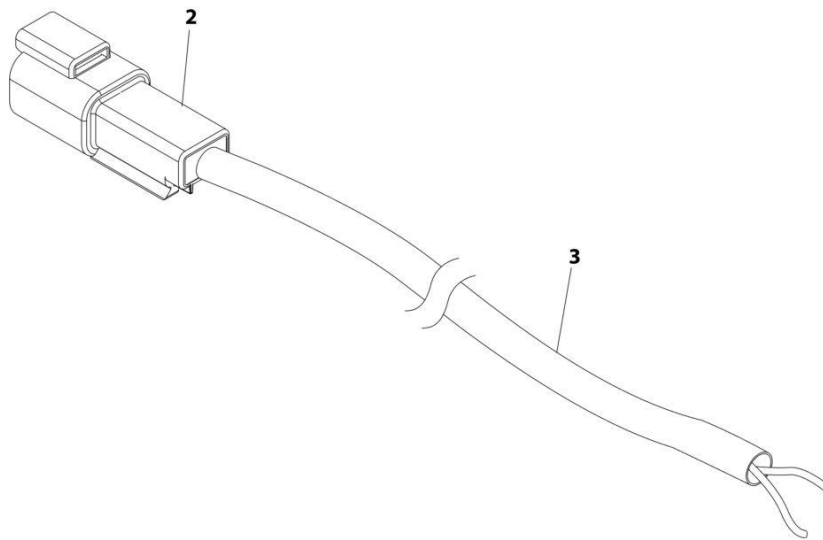
SECTION 8 - ELECTRICAL

FIGURE 8-41. (CLEARSKY READY HARNESS (DEUTZ TCD2.9L4 (STAGE V) ENGINES)

ITEM	PART NUMBER	QTY	DESCRIPTION	REV
	1001114438	Ref	CLEARSKY READY HARNESS	A
1	2400060	2	Fuseholder with Cover	
1	2400064	2	Fuse 5Amp	
5	4460871	1	Socket, Female	
11	1001112612	1	Connector - 9 Position	
11	4460464	6	Pin, Male	
11	4460466	3	Plug, Sealing	
12	1001113961	1	Connector - 8 Position	
12	4460871	5	Socket, Female	
12	4460905	5	Plug, Sealing	
13	4460035	2	Terminal, Connector	
14	4460183	1	Terminal, Eyelet	
15	4460465	1	Socket, Female	
16	1001106736	1	Cap, Dust	
17	4460536	1	Connector - 3 Position	
17	4460464	3	Pin, Male	
18	4460933	1	Connector - 12 Position	
18	4460465	9	Socket, Female	
18	4460466	3	Plug, Sealing	
19	4460898	1	Connector Bussbar - 9 Position	

SECTION 8 - ELECTRICAL

FIGURE 8-42. DUAL CAPACITY JIB POSITION SWITCH HARNESS



ART_4922785

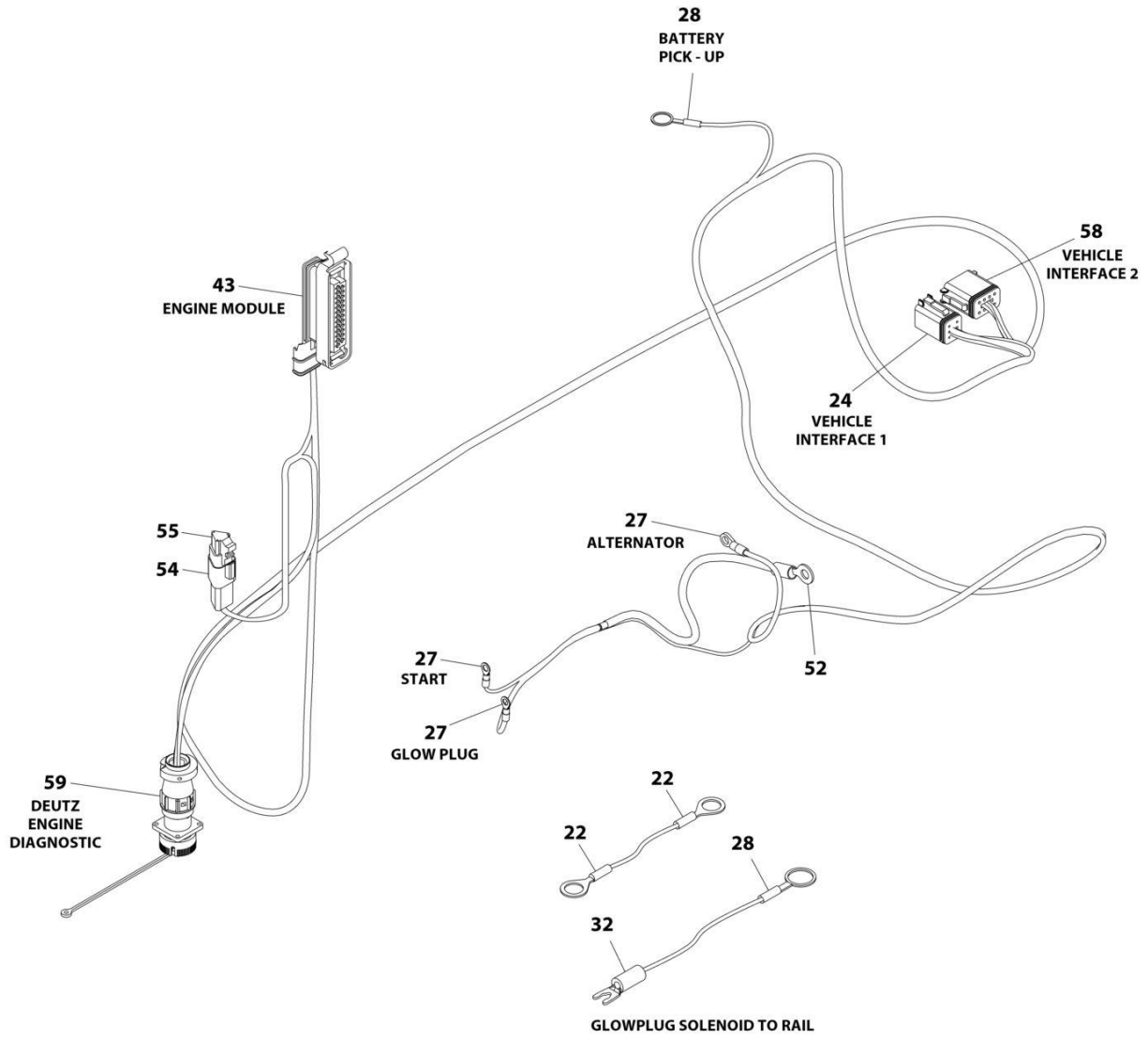
SECTION 8 - ELECTRICAL

FIGURE 8-42. DUAL CAPACITY JIB POSITION SWITCH HARNESS

ITEM	PART NUMBER	QTY	DESCRIPTION	REV
	4922785	Ref	DUAL CAPACITY JIB POSITION SWITCH HARNESS	C
2	4460897	1	Connector - 2 Position	
2	4460464	2	Pin, Male	
3	1060902	15 ft/ 4.5m	Cable, Electrical 18/2	

SECTION 8 - ELECTRICAL

FIGURE 8-43. ENGINE HARNESS - DEUTZ TD2011 ENGINES



ART_1001119470

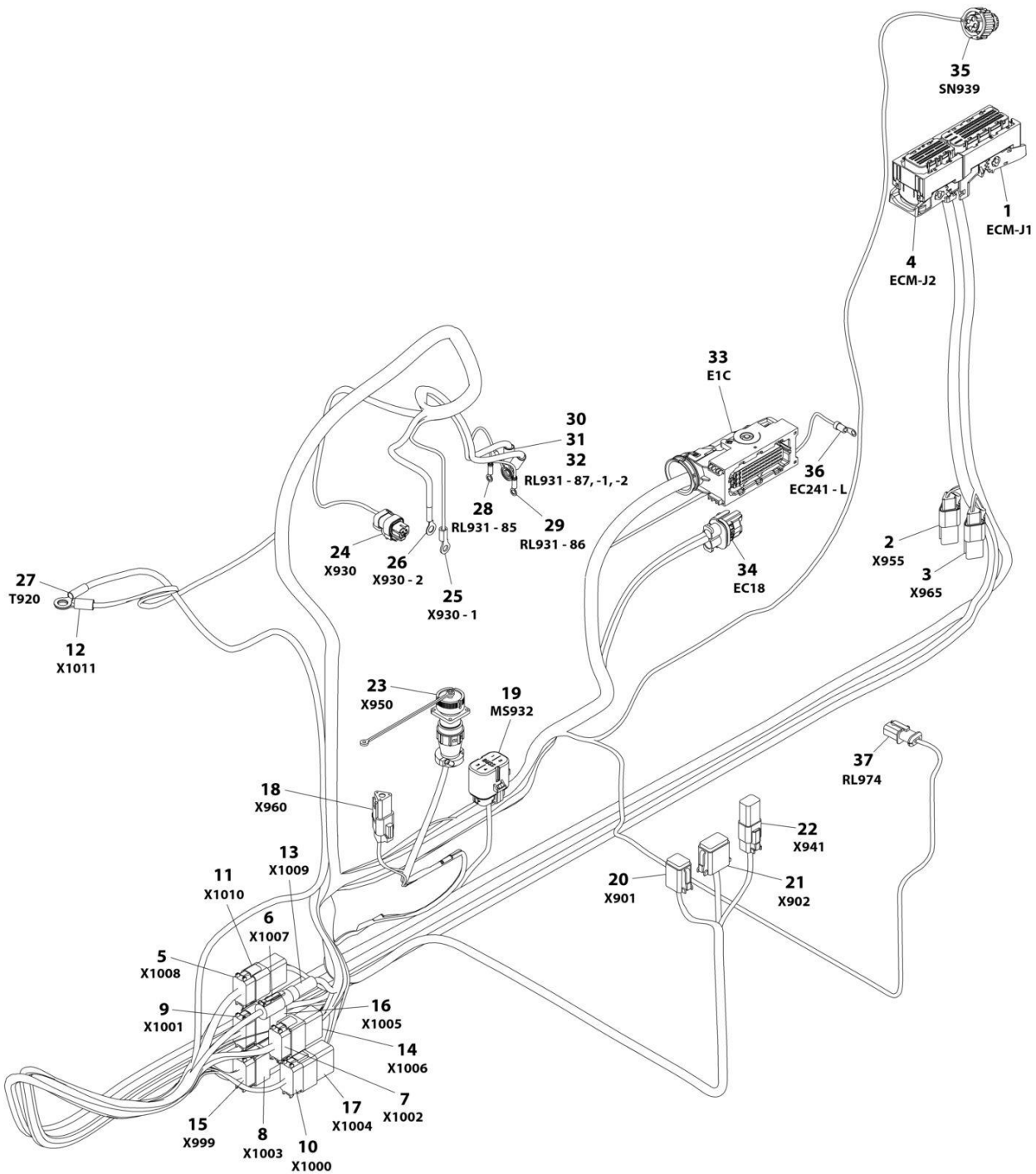
SECTION 8 - ELECTRICAL

FIGURE 8-43. ENGINE HARNESS - DEUTZ TD2011 ENGINES

ITEM	PART NUMBER	QTY	DESCRIPTION	REV
	1001119470	Ref	ENGINE HARNESS - DEUTZ TD2011 ENGINES	B
22	4460702	2	Terminal, Eyelet	
24	4460894	1	Connector - 6 Position	
24	4460465	2	Socket, Female	
24	4460466	1	Plug, Terminal	
24	4460944	3	Socket, Female	
27	4460313	3	Terminal, Eyelet	
28	4460019	2	Terminal, Eyelet	
32	4460315	1	Terminal, Fork	
43	4461052	1	Connector - 25 Position	
43	4461005	5	Terminal	
43	4461006	5	Seal	
43	4461060	2	Terminal (Tin)	
43	4461054	2	Seal, Terminal	
43	4461008	18	Plug, Hole	
43	4461053	1	Cover, Plug	
50	4240032	AR	Tie-Strap (Not Shown)	
51	4240033	AR	Tie-Strap (Not Shown)	
52	4461097	1	Terminal, Eyelet	
54	4461095	1	Connector - 3 Position	
54	4460944	3	Socket, Female	
55	4461070	1	Connector with Resistor (3 Position)	
58	4460930	1	Connector - 8 Position	
58	4460465	2	Socket, Female	
58	4460466	6	Seal, Plug	
59	2902443	1	Kit, Receptacle	
59	4461071	8	Terminal, Female (Gold)	
59	4461072	1	Connector, Flange Mount	
59	4461073	1	Connector, Dust Cap	
59	4461074	1	Connector, Shell	

SECTION 8 - ELECTRICAL

FIGURE 8-44. ENGINE HARNESS - DEUTZ TCD2.9L4 ENGINES AND DEUTZ TCD2.9L4 (STAGE V PRE-BUY) ENGINES



ART_1001138346

SECTION 8 - ELECTRICAL

FIGURE 8-44. ENGINE HARNESS - DEUTZ TCD2.9L4 ENGINES AND DEUTZ TCD2.9L4 (STAGE V PRE-BUY) ENGINES

ITEM	PART NUMBER	QTY	DESCRIPTION	REV
	1001138346	Ref	ENGINE HARNESS - DEUTZ TCD2.9L4 ENGINES AND DEUTZ TCD2.9L4 (STAGE V PRE-BUY) ENGINES	H
1	1001133956	1	Connector (Includes Cover, Locks and Retention Plate)	
1	1001182361	6	Terminal	
1	1001230934	15	Terminal	
1	1001126351	1	Terminal	
1	1001256507	4	Terminal	
1	1001230936	3	Plug, Terminal	
1	1001230935	62	Plug, Terminal	
1	1001126352	6	Terminal	
1	1001126384	19	Terminal	
1	1001126357	3	Plug, Seal	
1	1001126356	65	Plug, Seal	
2	4461070	1	Connector with Resistor (3 Position)	
2	4461095	1	Connector - 3 Position	
2	4460944	2	Socket, Female	
2	4460466	1	Seal, Plug	
3	4461070	1	Connector with Resistor (3 Position)	
3	4461095	1	Connector - 3 Position	
3	4460944	2	Socket, Female	
3	4460466	1	Seal, Plug	
4	1001133957	1	Connector (Includes Cover, Locks and Retention Plate)	
4	1001126351	13	Terminal	
4	1001230934	11	Terminal	
4	1001252527	4	Terminal	
4	1001256507	2	Terminal	
4	1001230935	19	Plug, Terminal	
4	1001230936	11	Plug, Terminal	
5	4460930	1	Connector - 8 Position	
5	4460944	5	Socket, Female (Gold)	
5	4460465	2	Socket, Female	
5	4460466	1	Seal, Plug	
6	1001116707	1	Connector - 1 Position	
6	91143340	1	Terminal	
7	4460935	1	Plug, Brown - 12 Position	
7	4460465	12	Socket, Female	
8	4460970	1	Connector - 12 Position	
8	4460941	12	Pin, Male	
9	4460934	1	Connector, Green - 12 Position	
9	4460465	10	Socket, Female	
9	4460466	2	Seal, Plug	
10	4460836	1	Connector, Black - 12 Position	
10	4460465	8	Socket, Female	
10	4460466	4	Seal, Plug	
11	4460931	1	Connector - 8 Position (Gray)	
11	4460943	5	Pin, Male (Gold)	
11	4460466	3	Plug, Socket	
12	8220164	1	Terminal, Eyelet	
13	1001116967	1	Connector - 1 Position	

SECTION 8 - ELECTRICAL

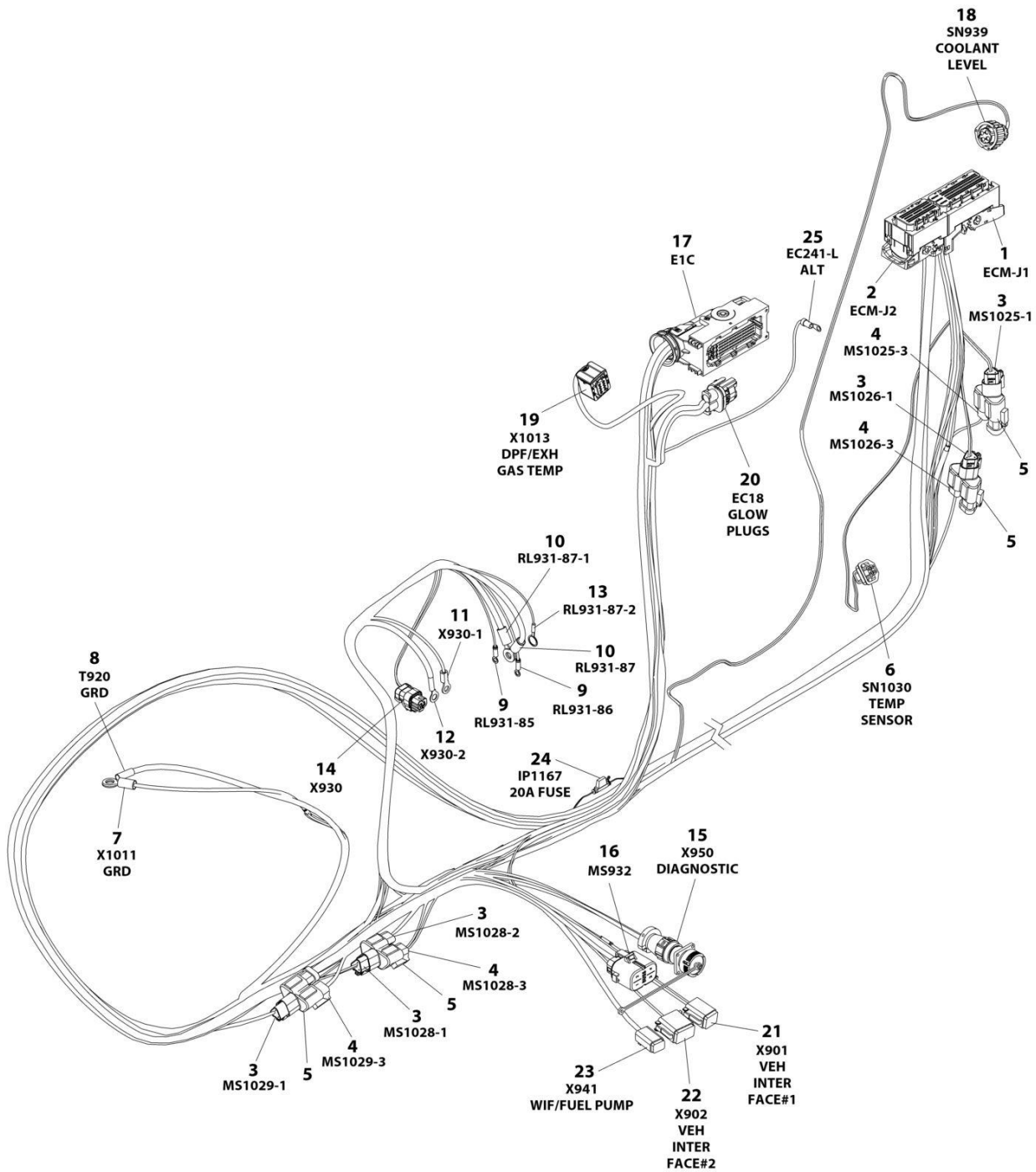
ITEM	PART NUMBER	QTY	DESCRIPTION	REV
13	91143339	1	Terminal	
14	4460982	1	Connector - 12 Position	
14	4460464	12	Pin, Male	
15	4460933	1	Connector, Gray - 12 Position	
15	4460942	12	Socket, Female	
16	1001152742	1	Connector - 12 Position	
16	4460464	10	Pin, Male	
16	4460466	2	Seal, Plug	
17	4460950	1	Connector - 12 Position	
17	4460464	8	Pin, Male	
17	4460466	4	Plug, Seal	
18	4461070	1	Connector with Resistor (3 Position)	
18	4461095	1	Connector - 3 Position	
18	4460944	2	Socket, Female	
18	4460466	1	Seal, Plug	
19	80484084	1	Connector - 8 Position	
19	8229242	1	Fuse - 5A	
19	80983191	1	Fuse - 10A	
19	1001147264	1	Cap	
19	1001116728	4	Plug	
19	4460458	4	Seal	
20	4460894	1	Connector - 6 Position	
20	4460465	3	Socket, Female	
20	4460944	2	Socket, Female	
20	4460466	1	Seal, Plug	
21	4460930	1	Connector - 8 Position	
21	4460465	1	Socket, Female	
21	4460466	7	Plug, Seal	
22	1001220379	1	Connector - 4 Position	
22	4460465	2	Socket, Female	
22	4460942	2	Socket, Female	
22	4460932	1	Connector - 4 Position	
22	4460466	4	Seal, Plug	
23	2902443	1	Kit, Receptacle	
23	4461071	8	Terminal, Female (Gold)	
23	4461072	1	Connector, Flange Mount	
23	4461073	1	Connector, Dust Cap	
23	4461074	1	Connector, Shell	
24	1001116952	1	Connector - 2 Position	
24	4460465	2	Socket, Female	
25	4460043	1	Terminal, Eyelet	
26	1001117106	1	Terminal, Eyelet	
27	4460019	1	Terminal, Eyelet	
28	4460247	1	Terminal, Eyelet	
29	4460247	1	Terminal, Eyelet	
30	1001117107	1	Terminal, Eyelet	
31	1001117107	1	Terminal, Eyelet	
32	4460703	1	Terminal, Eyelet	
33	1001126362	1	Connector - 62 Position	
33	1001126363	23	Terminal	
33	1001256506	2	Seal	

SECTION 8 - ELECTRICAL

ITEM	PART NUMBER	QTY	DESCRIPTION	REV
33	1001126364	21	Seal	
33	1001126392	10	Terminal	
33	1001223459	10	Seal	
33	1001126365	2	Terminal	
33	4461054	2	Seal	
33	1001126391	22	Plug, Terminal	
33	4461008	4	Plug, Cavity	
34	1001142938	1	Connector - 2 Position	
34	1001142940	2	Terminal, Female	
34	1001142941	2	Seal	
35	1001133714	1	Connector - 4 Position	
35	1001133715	3	Terminal, Female	
35	1001135650	1	Seal	
35	1001135651	1	Plug, Cavity	
36	4460042	1	Terminal, Eyelet	
37	1001138110	1	Connector - 2 Position	
37	1001138111	2	Socket, Female	
37	1001138113	2	Seal	

SECTION 8 - ELECTRICAL

FIGURE 8-45. ENGINE HARNESS - DEUTZ TCD2.9L4 ENGINES AND DEUTZ TCD2.9L4 (STAGE V) ENGINES



ART_1001237285

SECTION 8 - ELECTRICAL

FIGURE 8-45. ENGINE HARNESS - DEUTZ TCD2.9L4 ENGINES AND DEUTZ TCD2.9L4 (STAGE V) ENGINES

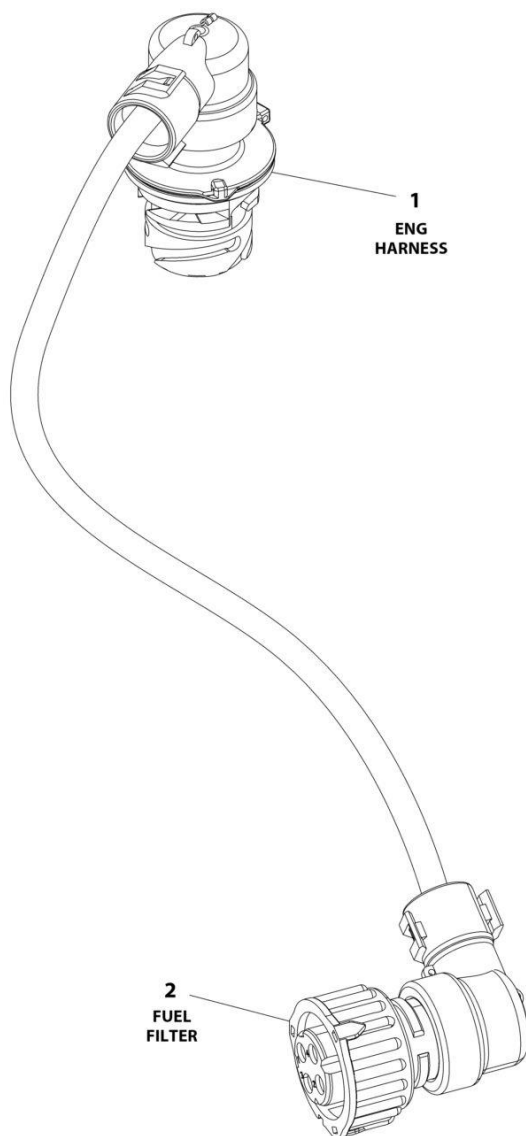
ITEM	PART NUMBER	QTY	DESCRIPTION	REV
	1001237285	Ref	ENGINE HARNESS	G
1	1001133956	1	Connector (Includes Cover, Locks and Retention Plate)	
1	1001182361	6	Terminal	
1	1001230934	25	Terminal	
1	1001126351	3	Terminal	
1	1001252527	4	Terminal	
1	1001230935	55	Plug, Terminal	
1	1001230936	1	Plug, Terminal	
2	1001133957	1	Connector (Includes Cover, Locks and Retention Plate)	
2	1001126351	13	Terminal	
2	1001230934	26	Terminal	
2	1001230935	9	Terminal	
2	1001230936	11	Plug, Terminal	
3	1001116812	5	Plug, Male - 3 Position	
3	4460944	10	Socket, Female	
3	4460466	5	Plug, Terminal	
4	4460539	4	Plug, Male - 3 Position	
4	4460944	8	Socket, Female	
4	4460466	4	Plug, Terminal	
5	4460945	4	Connector - 3 Way	
6	1001126487	1	Connector - 3 Position	
6	1001167635	2	Terminal	
6	1001126485	2	Seal	
7	8220164	1	Terminal, Eyelet	
8	4460019	1	Terminal, Eyelet	
9	4460247	2	Terminal, Eyelet	
10	1001117107	2	Terminal, Eyelet	
11	4460043	1	Terminal, Eyelet	
12	1001117106	1	Terminal, Eyelet	
13	4460703	1	Terminal, Eyelet	
14	1001116952	1	Connector - 2 Position	
14	4460465	2	Socket, Female	
15	2902443	1	Kit, Receptacle	
15	4461071	8	Terminal, Female (Gold)	
15	4461072	1	Connector, Flange Mount	
15	4461073	1	Connector, Dust Cap	
15	4461074	1	Connector, Shell	
16	80484084	1	Connector - 8 Position	
16	4460748	4	Plug, Terminal	
16	4460746	3	Terminal	
16	1001234800	1	Terminal	
16	4460458	4	Seal	
17	1001126362	1	Connector - 62 Position	
17	1001126363	36	Terminal	
17	1001126364	36	Seal	
17	1001126391	7	Plug, Terminal	
17	4461008	4	Plug, Cavity	
17	1001126392	12	Terminal	
17	1001223459	12	Seal	

SECTION 8 - ELECTRICAL

ITEM	PART NUMBER	QTY	DESCRIPTION	REV
17	1001167632	2	Terminal	
17	4461054	2	Seal	
18	1001133714	1	Connector - 4 Position	
18	1001133715	3	Terminal, Female	
18	1001135650	1	Seal	
18	1001135651	1	Plug, Cavity	
19	1001239202	1	Connector - 8 Position	
19	1001126363	7	Terminal	
19	1001126364	7	Seal	
19	1001135651	1	Plug, Terminal	
20	1001142938	1	Connector - 2 Position	
20	1001142940	2	Terminal, Female	
20	1001142941	2	Seal	
21	4460894	1	Connector - 6 Position	
21	4460465	2	Socket, Female	
21	4460944	2	Socket, Female	
21	4460466	2	Seal, Plug	
22	4460930	1	Connector - 8 Position	
22	4460465	1	Socket, Female	
22	4460466	7	Seal, Plug	
23	4460884	1	Connector - 4 Position	
23	4460465	2	Socket, Female	
23	4460942	2	Socket, Female	
24	1001170764	1	Fuseholder with Cover and 20AMP Fuse	
24	1001197719	1	Resistor 620ohm/5 watt	
25	4460042	1	Terminal, Eyelet	

SECTION 8 - ELECTRICAL

FIGURE 8-46. FUEL FILTER HARNESS - DEUTZ TCD2.9L4 ENGINES AND DEUTZ TCD2.9L4 (STAGE V) ENGINES



ART_1001148843

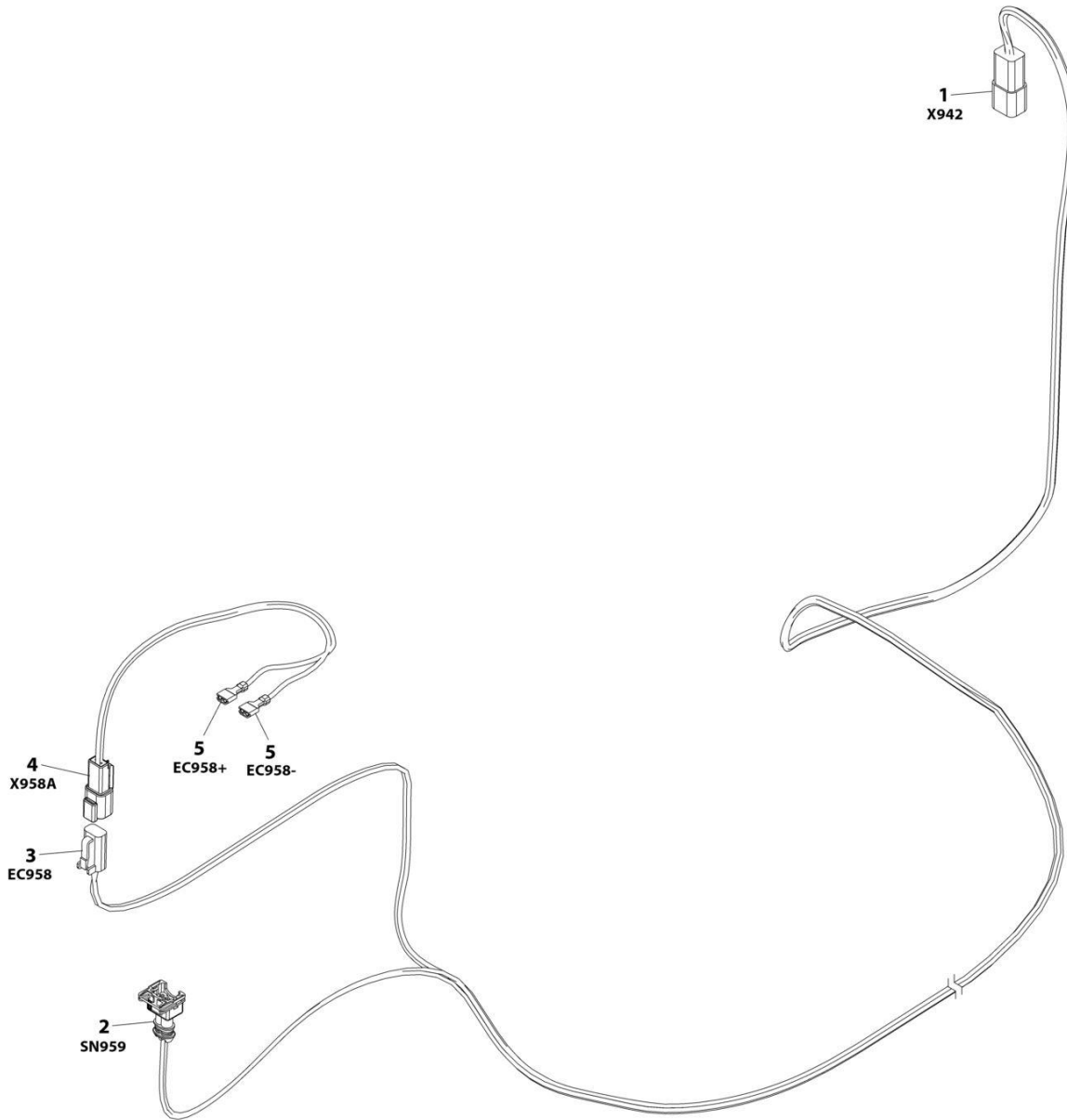
SECTION 8 - ELECTRICAL

FIGURE 8-46. FUEL FILTER HARNESS - DEUTZ TCD2.9L4 ENGINES AND DEUTZ TCD2.9L4 (STAGE V) ENGINES

ITEM	PART NUMBER	QTY	DESCRIPTION	REV
	1001148843	Ref	FUEL FILTER HARNESS - DEUTZ TCD2.9L4 ENGINES	A
1	1001148842	1	Connector - 4 Position	
1	1001148841	4	Pin, Male	
1	1001135650	4	Seal	
2	1001133714	1	Plug, Male - 4 Position	
2	1001133715	4	Socket, Female	
2	1001135650	4	Seal	

SECTION 8 - ELECTRICAL

FIGURE 8-47. FUEL HARNESS - DEUTZ TCD2.9L4 ENGINES, DEUTZ TCD2.9L4 (STAGE V PRE-BUY) ENGINES AND DEUTZ TCD2.9L4 (STAGE V) ENGINES



ART_1001138491

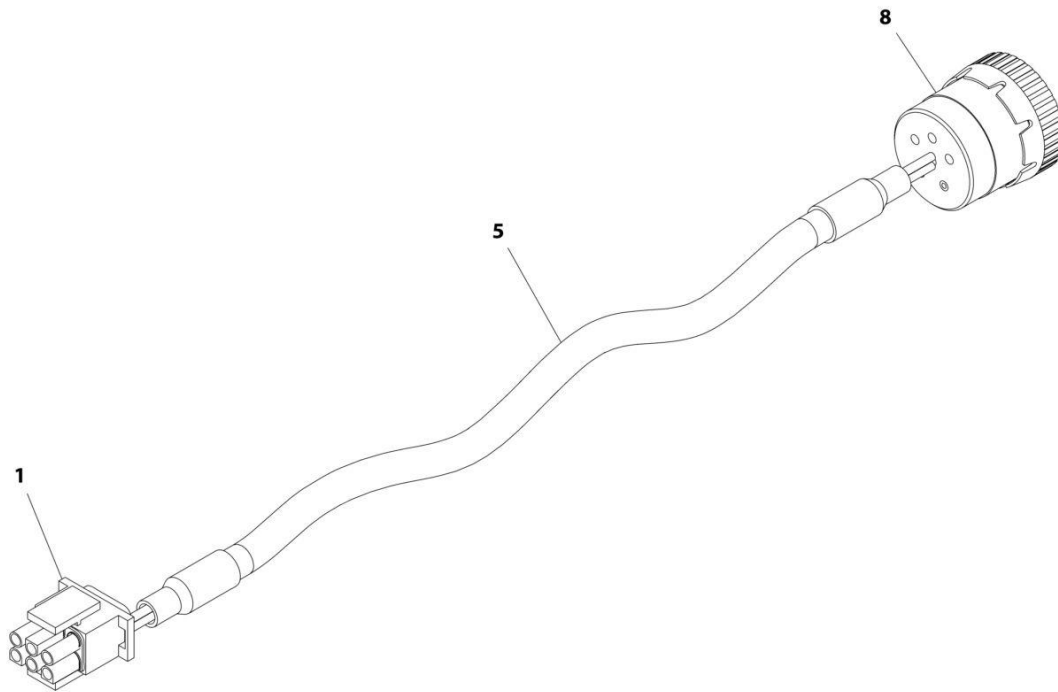
SECTION 8 - ELECTRICAL

FIGURE 8-47. FUEL HARNESS - DEUTZ TCD2.9L4 ENGINES, DEUTZ TCD2.9L4 (STAGE V PRE-BUY) ENGINES AND DEUTZ TCD2.9L4 (STAGE V) ENGINES

ITEM	PART NUMBER	QTY	DESCRIPTION	REV
	1001138491	Ref	FUEL PUMP HARNESS	D
1	4460932	1	Receptacle, Female - 4 Position	
1	4460941	2	Pin, Male	
1	4460464	2	Pin, Male	
2	1001116983	1	Plug, Male - 2 Position	
2	1001116710	2	Socket, Female	
2	4461054	2	Seal	
3	4460891	1	Plug, Male - 2 Position	
3	4460942	2	Socket, Female	
4	4460897	1	Connector - 2 Position	
4	4460941	2	Pin, Male	
5	8220051	2	Terminal, Ring	

SECTION 8 - ELECTRICAL

FIGURE 8-48. GENERATOR HARNESS - 4000W GENERATOR



ART_1001152533

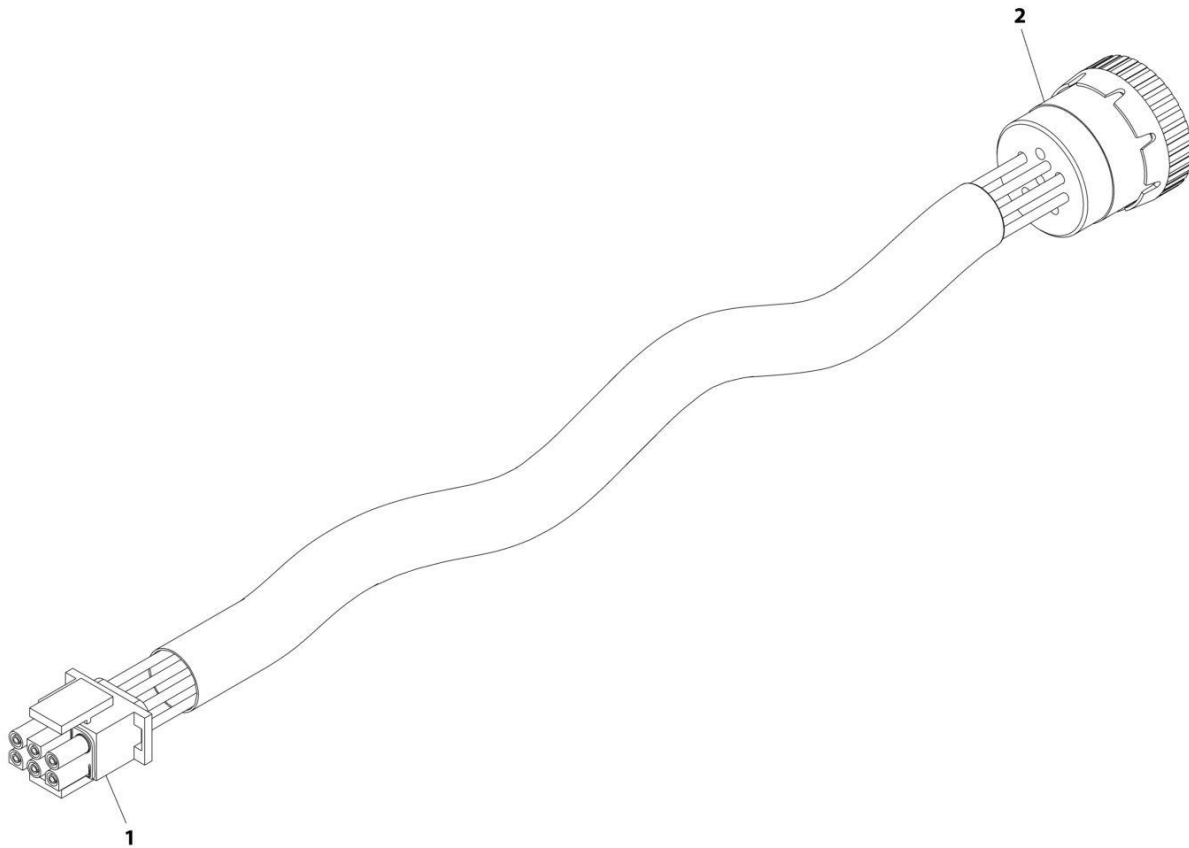
SECTION 8 - ELECTRICAL

FIGURE 8-48. GENERATOR HARNESS - 4000W GENERATOR

ITEM	PART NUMBER	QTY	DESCRIPTION	REV
	1001152533	Ref	GENERATOR HARNESS - 4000W GENERATOR	A
1	4460225	1	Connector - 6 Position	
1	4460268	2	Socket, Female	
1	4460807	1	Seal, Plug	
1	4460808	1	Seal, Plug	
5	1060341	8 ft /2.4m	Cable, 16/2	
8	77363233	1	Connector - 6 Position	
8	4460465	2	Socket, Female	

SECTION 8 - ELECTRICAL

FIGURE 8-49. GENERATOR CABLE HARNESS - 7500W GENERATOR



ART_4922972

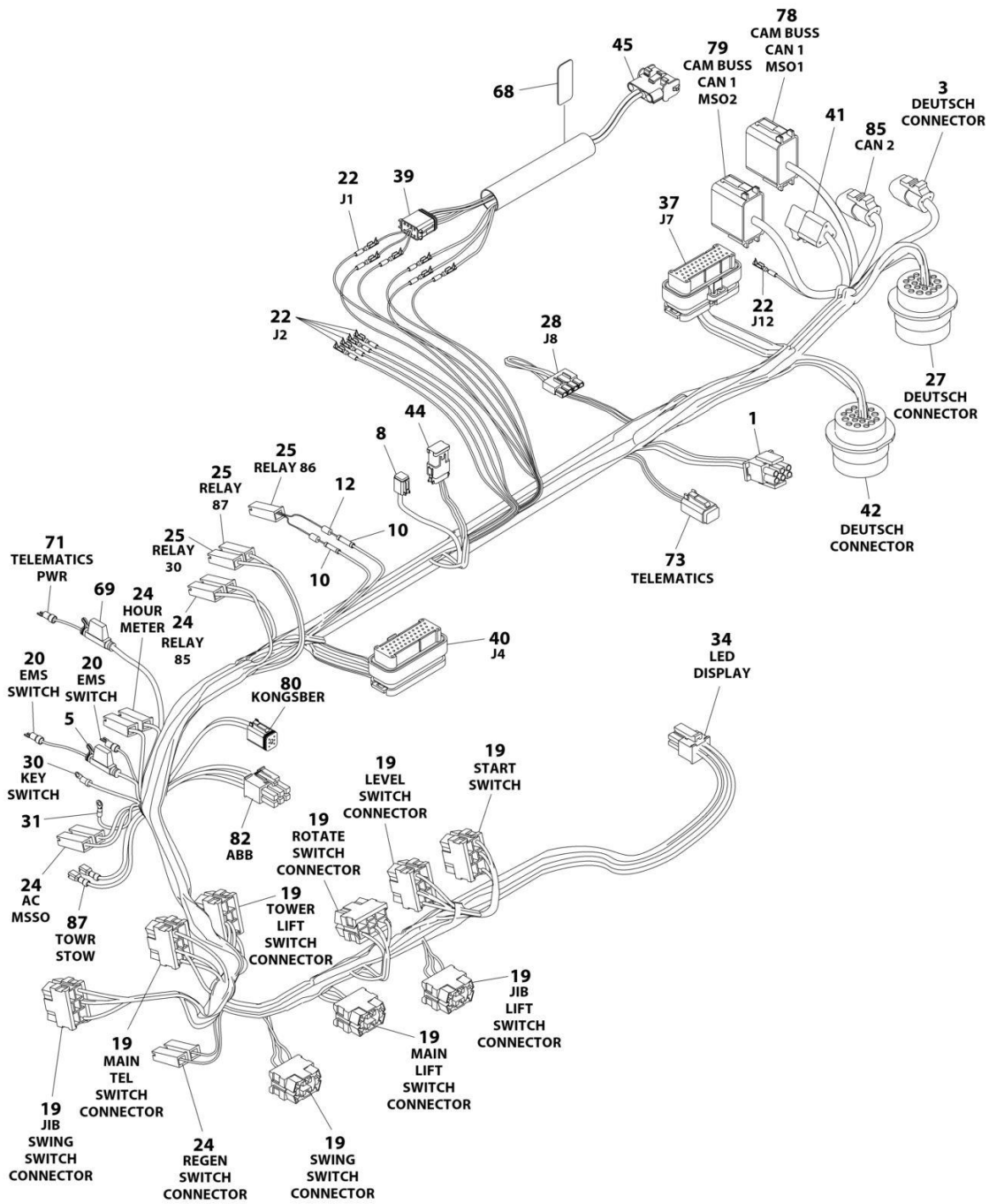
SECTION 8 - ELECTRICAL

FIGURE 8-49. GENERATOR CABLE HARNESS - 7500W GENERATOR

ITEM	PART NUMBER	QTY	DESCRIPTION	REV
	4922972	Ref	GENERATOR HARNESS - 7500W GENERATOR	C
1	4460225	1	Connector - 6 Position	
1	4460268	6	Socket, Female	
1	4460807	1	Seal, Plug	
1	4460808	1	Seal, Plug	
2	77363233	1	Connector - 6 Position	
2	4460465	6	Socket, Female	

SECTION 8 - ELECTRICAL

FIGURE 8-50. GROUND CONTROL BOX HARNESS



ART_1001242324_F

SECTION 8 - ELECTRICAL

FIGURE 8-50. GROUND CONTROL BOX HARNESS

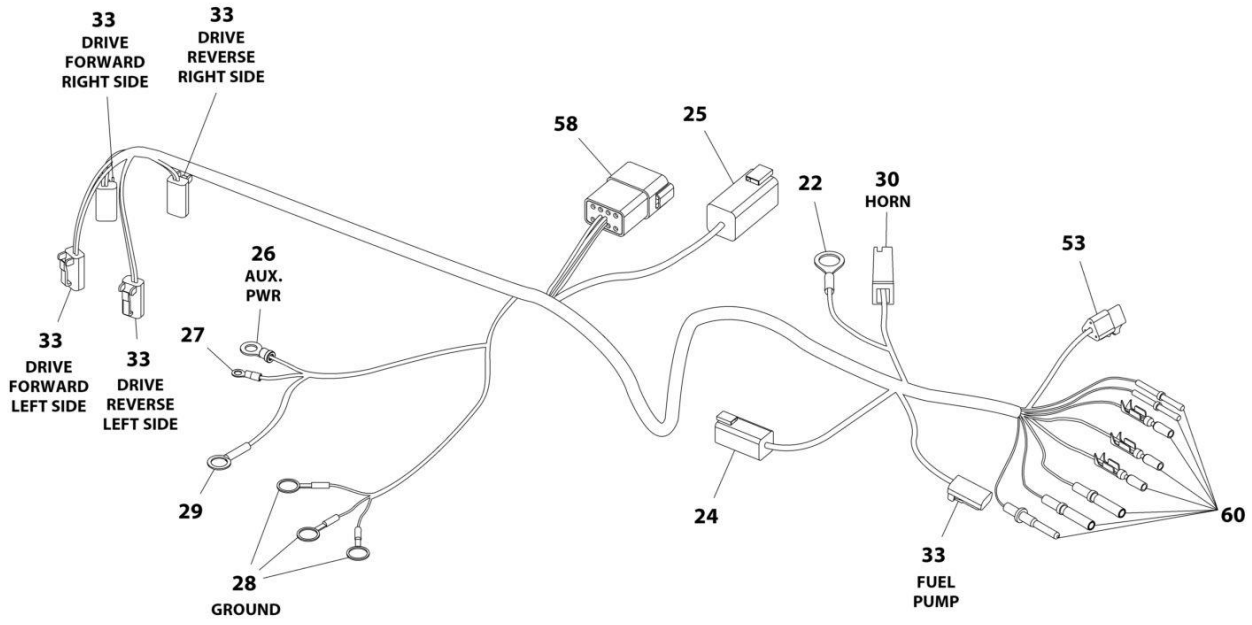
ITEM	PART NUMBER	QTY	DESCRIPTION	REV
	1001242324	Ref	GROUND CONTROL BOX HARNESS	F
1	4460225	1	Connector - 6 Position	
1	4460227	5	Pin, Male	
3	4460965	1	Connector - 3 Position (Blue Lock)	
3	4460944	3	Socket, Female	
3	4922099	AR	Cable, Can-Buss	
5	2400066	1	Fuseholder with Cover	
5	2400065	1	Fuse	
8	4460894	1	Connector - 6 Position	
8	4460465	1	Socket, Female 16-18GA	
8	4460942	1	Socket, Female 14-16 GA	
10	4460474	2	Terminal, Connector	
12	3990001	2	Diode - 3 Amp	
19	4460418	9	Connector, Female - 6 Position	
19	4460419	9	Socket, Female	
19	1001159186	16	Socket, Female	
20	4460806	6	Terminal, Fork	
22	4460871	20	Socket, Female	
24	4460260	7	Terminal, Housing	
24	4460259	7	Terminal	
25	4460260	3	Terminal, Housing	
25	4460297	3	Terminal	
27	4460866	1	Connector - 19 Pin	
27	4460464	10	Pin, Male	
27	4460508	3	Pin, Male	
28	4460878	1	Connector - 4 Position	
28	4460887	3	Terminal	
30	4460142	3	Terminal, Eyelet	
31	4460313	3	Terminal, Eyelet	
34	1001237667	1	Connector - 6 Position	
34	1001237668	5	Terminal	
37	4460873	1	Connector, Black - 35 Position	
37	4460871	17	Socket, Female	
39	4460930	1	Connector - 8 Position	
39	4460944	6	Socket, Female	
40	4460876	1	Connector, Blue - 35 Position	
40	4460871	24	Socket, Female	
41	4460951	1	Connector - 3 Position	
41	4460944	1	Socket, Female	
41	4922099	AR	Cable, Can-Buss	
41	1001003498	1	Lock, Plug	
42	4460613	1	Connector - 21 Pin	
42	4460464	8	Pin, Male Deutsch 16 Ga	
42	4460941	2	Pin, Male Deutsch 14 Ga	
44	4460836	1	Connector - 12 Position	
44	4460465	3	Socket, Female 16-18GA	
44	4460942	2	Socket, Female 14-16 GA	
45	4460761	1	Connector - 4 Position	
45	4460227	4	Pin, Male	
68	1001096076	1	Decal - Troubleshooting	

SECTION 8 - ELECTRICAL

ITEM	PART NUMBER	QTY	DESCRIPTION	REV
69	2400060	1	Fuse, Holder	
69	8229242	1	Fuse, 5Amp	
71	4460888	1	Terminal, Fork	
73	4460884	1	Connector - 4 Position	
73	4460465	4	Socket, Female	
73	1001192401	1	Connector, Dust Cap	
78	4460933	1	Connector - 12 Position (Gray)	
78	4460944	11	Socket, Female	
78	4460466	1	Plug, Terminal	
78	1001119020	1	Bussbar - 12 Position	
79	4460933	1	Connector - 12 Position (Gray)	
79	4460944	5	Socket, Female	
79	4460466	7	Plug, Terminal	
79	1001119020	1	Bussbar - 12 Position	
80	4460894	1	Connector - 6 Position	
80	4460465	4	Socket, Female	
80	4460466	2	Plug, Terminal	
82	4460868	1	Connector - 6 Position	
82	4460877	4	Terminal	
85	1001116812	1	Connector - 3 Position	
85	4460944	3	Socket, Female	
87	1001201885	2	Terminal	

SECTION 8 - ELECTRICAL

FIGURE 8-51. GROUND CONTROLS TO ENGINE HARNESS



ART_1001119529

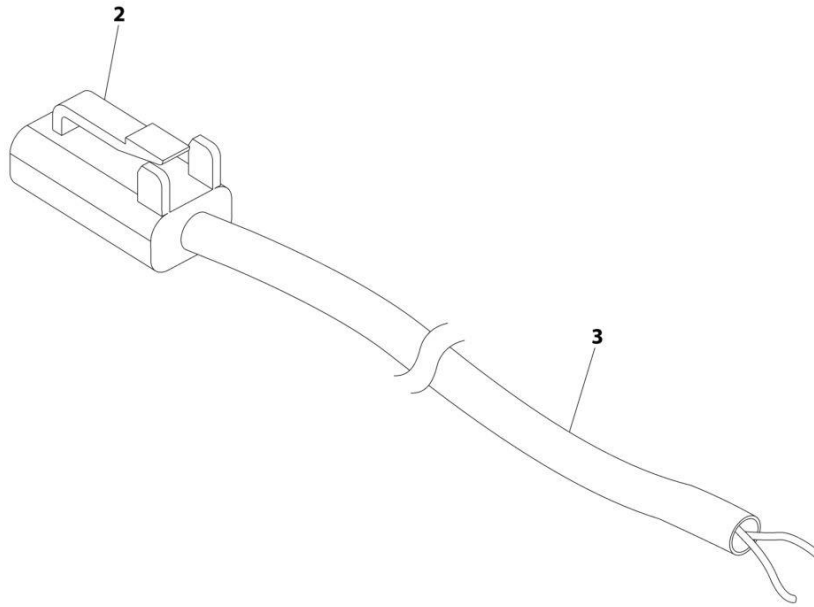
SECTION 8 - ELECTRICAL

FIGURE 8-51. GROUND CONTROLS TO ENGINE HARNESS

ITEM	PART NUMBER	QTY	DESCRIPTION	REV
	1001119529	Ref	GROUND CONTROLS TO ENGINE HARNESS	D
22	4460702	1	Terminal, Eyelet	
24	4460899	1	Connector - 6 Position	
24	4460464	5	Pin, Male	
24	4460466	1	Plug, Terminal	
25	4460899	1	Connector - 6 Position	
25	4460464	4	Pin, Male	
25	4460943	2	Pin, Male (Gold)	
26	4460312	1	Terminal, Eyelet	
27	4460313	1	Terminal, Eyelet	
28	4460019	3	Terminal, Eyelet	
29	4460256	1	Terminal, Eyelet	
30	4460260	1	Terminal, Housing	
30	4460259	1	Terminal	
33	4460891	5	Connector - 2 Position	
33	4460465	10	Socket, Female	
53	4460539	1	Connector - 3 Position	
53	4460944	3	Socket, Female	
58	4460931	1	Connector - 8 Position	
58	4460464	8	Pin, Male	
60	4460465	2	Socket, Female	
60	4460887	1	Terminal (12 Gauge)	
60	4460871	12	Socket, Female	
60	4460508	1	Pin, Male	

SECTION 8 - ELECTRICAL

FIGURE 8-52. JIB STOW SWITCH HARNESS



ART_4922784

SECTION 8 - ELECTRICAL

FIGURE 8-52. JIB STOW SWITCH HARNESS

ITEM	PART NUMBER	QTY	DESCRIPTION	REV
	4922784	Ref	JIB STOW SWITCH HARNESS	C
2	4460891	1	Connector - 2 Position	
2	4460465	2	Socket, Female	
3	1060902	15 ft/ 4.6m	Cable, Electrical 18/2	

SECTION 8 - ELECTRICAL

FIGURE 8-53. LOAD SENSING PIN HARNESS



ART_4923256

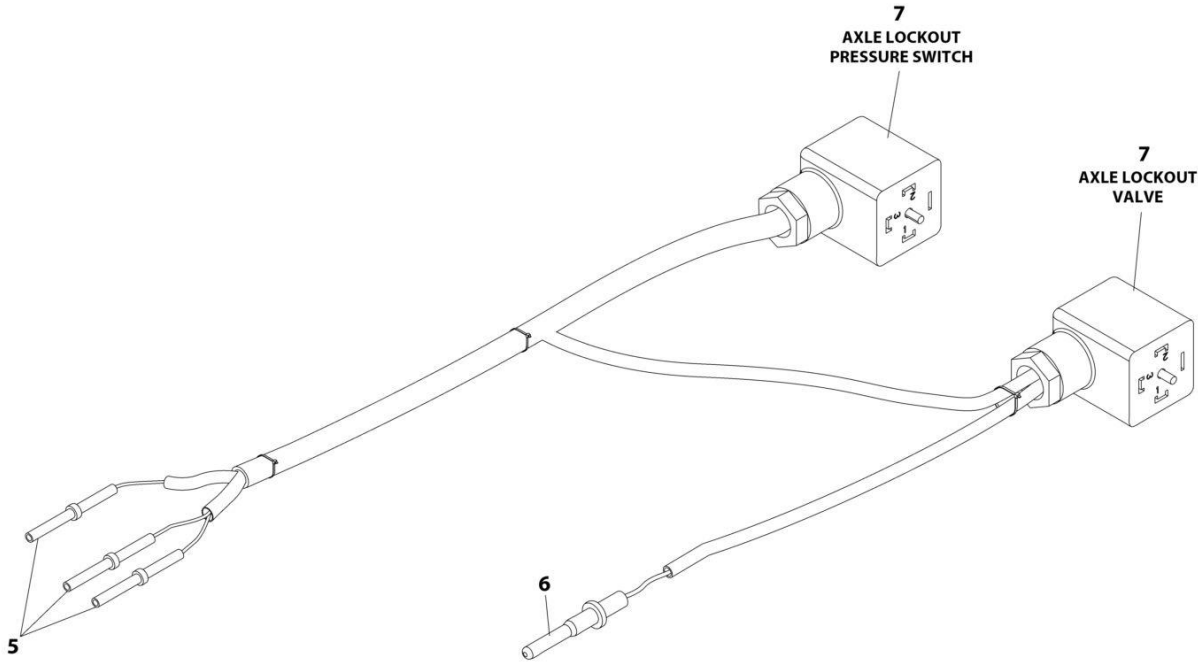
SECTION 8 - ELECTRICAL

FIGURE 8-53. LOAD SENSING PIN HARNESS

ITEM	PART NUMBER	QTY	DESCRIPTION	REV
	4923256	Ref	LOAD SENSING PIN HARNESS	C
1	4460930	1	Connector - 8 Position (Gray)	
1	4460465	4	Socket, Female	
1	4460466	3	Plug, Sealing	
2	See Note	NSS	Connector - 4 Position (Note: Not Available for Purchase)	
2	See Note	NSS	Terminal (Note: Not Available for Purchase)	

SECTION 8 - ELECTRICAL

FIGURE 8-54. LOCKOUT VALVE HARNESS



ART_4922767_D

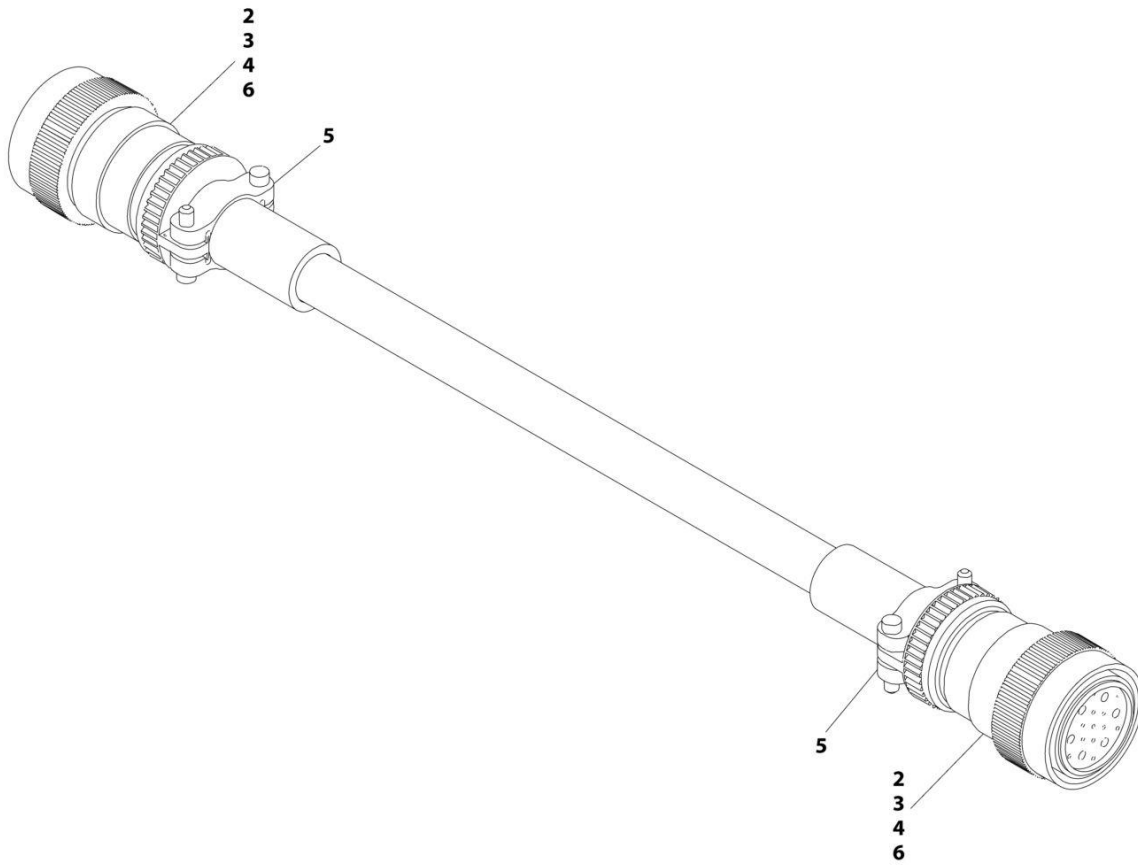
SECTION 8 - ELECTRICAL

FIGURE 8-54. LOCKOUT VALVE HARNESS

ITEM	PART NUMBER	QTY	DESCRIPTION	REV
	4922767	Ref	LOCKOUT VALVE HARNESS	D
5	4460465	3	Socket, Female	
6	4460464	1	Pin, Male	
7	1001263923	2	Connector, Din	
8	4240033	6	Tie-Strap (Not Shown)	

SECTION 8 - ELECTRICAL

FIGURE 8-55. MAIN BOOM CONTROL CABLE HARNESS



ART_4922955

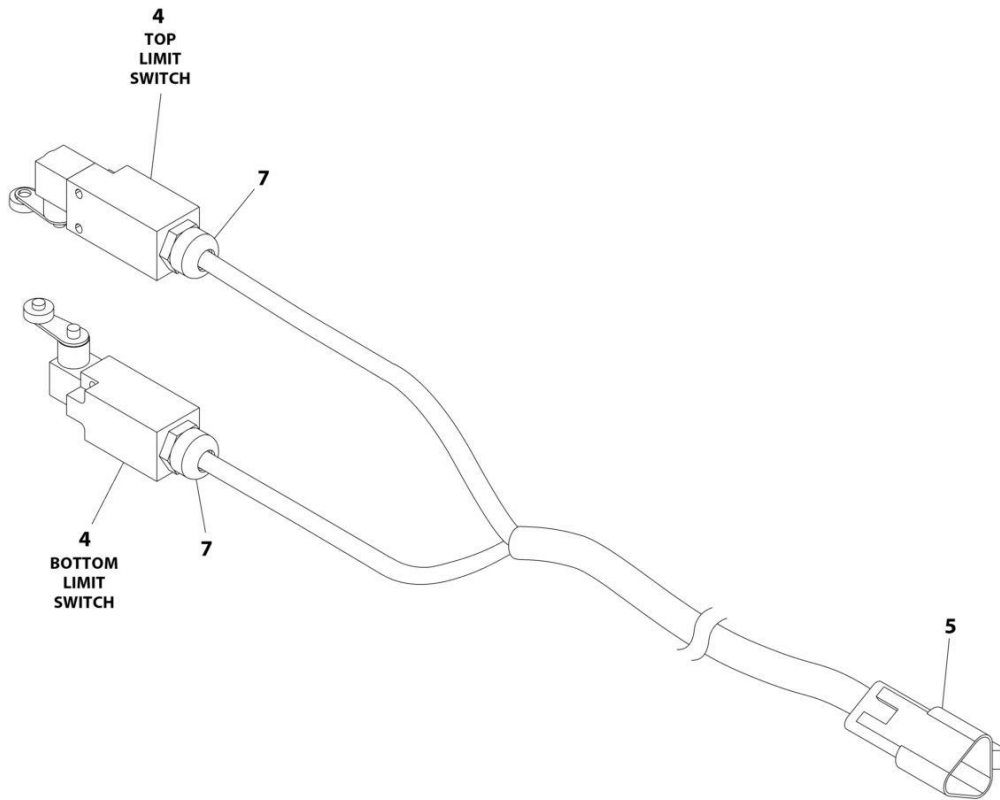
SECTION 8 - ELECTRICAL

FIGURE 8-55. MAIN BOOM CONTROL CABLE HARNESS

ITEM	PART NUMBER	QTY	DESCRIPTION	REV
	4922955	Ref	MAIN BOOM CONTROL CABLE HARNESS	D
2	4460465	22	Socket, Female	
3	4460865	2	Connector - 19 Position	
4	4460509	8	Socket, Female	
5	4460473	2	Clamp	
6	4460466	8	Plug, Socket	

SECTION 8 - ELECTRICAL

FIGURE 8-56. MAIN BOOM DUAL CAPACITY SWITCH HARNESS



ART_4923170

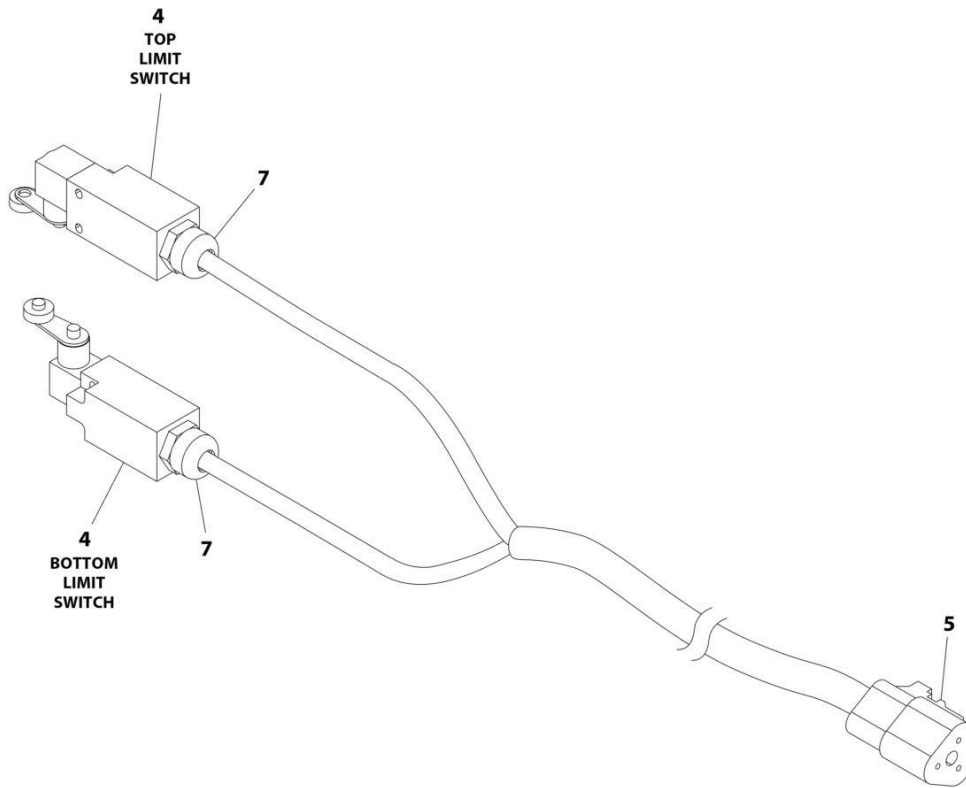
SECTION 8 - ELECTRICAL

FIGURE 8-56. MAIN BOOM DUAL CAPACITY SWITCH HARNESS

ITEM	PART NUMBER	QTY	DESCRIPTION	REV
	4923170	Ref	MAIN BOOM DUAL CAPACITY SWITCH HARNESS	C
4	4360578	2	Switch, Limit	
5	4460536	1	Connector - 3 Position	
5	4460943	3	Pin, Male (Gold)	
7	4460968	2	Connector, Strain Relief	

SECTION 8 - ELECTRICAL

FIGURE 8-57. MAIN BOOM TRANSPORT SWITCH HARNESS



ART_4923171

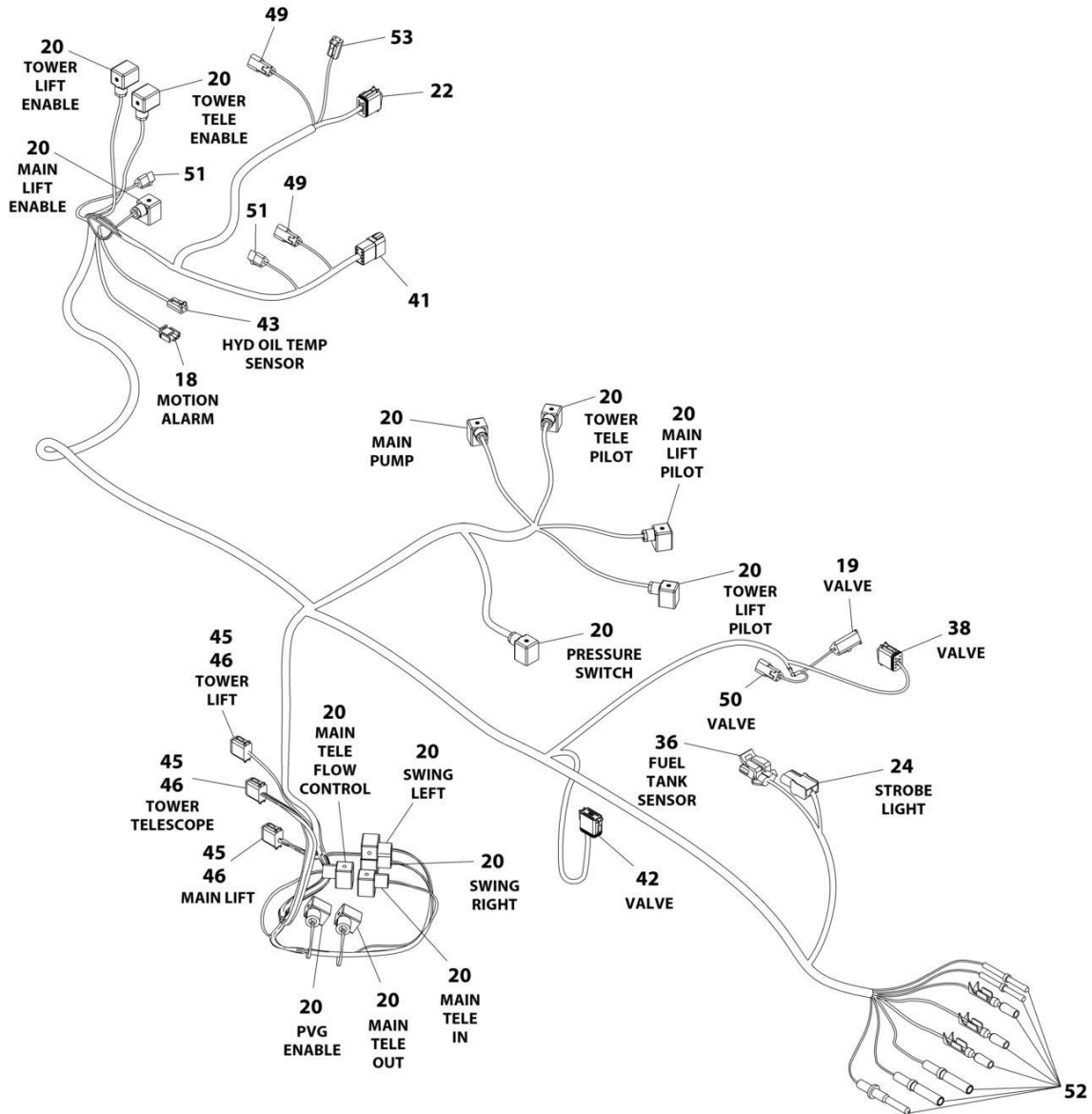
SECTION 8 - ELECTRICAL

FIGURE 8-57. MAIN BOOM TRANSPORT SWITCH HARNESS

ITEM	PART NUMBER	QTY	DESCRIPTION	REV
	4923171	Ref	MAIN BOOM TRANSPORT SWITCH HARNESS	C
4	4360578	2	Switch, Limit	
5	4460539	1	Connector - 3 Position	
5	4460944	3	Socket, Female (Gold)	
7	4460968	2	Connector, Strain Relief	

SECTION 8 - ELECTRICAL

FIGURE 8-58. MAIN VALVE HARNESS



ART_4923397

SECTION 8 - ELECTRICAL

FIGURE 8-58. MAIN VALVE HARNESS

ITEM	PART NUMBER	QTY	DESCRIPTION	REV
	4923397	Ref	MAIN VALVE HARNESS	E
18	4460320	1	Connector - 2 Position	
18	4460267	2	Pin, Male	
19	4460965	1	Connector - 3 Position	
19	4460944	3	Socket, Female	
20	4460880	14	DIN Connector (with Diode)	
	1001263923	1	DIN COnnector (without Diode)	
22	4460836	1	Connector - 12 Position (Black)	
22	4460465	3	Socket, Female	
22	4460466	4	Plug, Socket	
22	4460944	3	Socket, Female 16-18 GA (Gold)	
22	4460942	2	Socket, Female 14-16 GA	
24	4460424	1	Connector - 2 Position	
24	4460268	2	Socket, Female	
36	4460843	1	Connector - 2 Position	
36	4460842	2	Socket, Female	
38	4460930	1	Connector - 8 Position	
38	4460944	5	Socket, Female (Gold)	
38	4460466	3	Plug, Socket	
38	0840062	1	Boot, Deutsch	
41	4460931	1	Connector - 8 Position (Gray)	
41	4460943	5	Pin, Male (Gold)	
41	4460466	3	Plug, Socket	
42	4460933	1	Connector - 12 Position (Gray)	
42	4460465	7	Socket, Female	
42	4460942	5	Socket, Female 14-16 GA	
43	4460891	1	Connector - 2 Position	
43	4460465	2	Socket, Female	
45	4461004	3	Connector - 4 Position (Black)	
45	4461005	12	Terminal	
45	4461006	12	Seal	
46	4461007	3	Connector - 4 Position (Gray)	
46	4461008	12	Plug, Hole	
49	4460536	2	Connector - 3 Position	
49	4460943	6	Pin, Male (Gold)	
50	4460536	1	Connector - 3 Position	
50	4460943	3	Pin, Male (Gold)	
50	1060698	AR	Cable 18/4	
51	4460539	AR	Connector - 3 Position	
51	4460944	6	Socket, Female (Gold)	
52	4460465	3	Socket, Female	
52	4460944	2	Socket, Female (Gold)	
52	4460871	29	Socket, Female	
52	4460464	1	Pin, Male	
52	4460942	3	Socket, Female	
52	4460419	2	Socket, Female	
53	4460891	1	Connector - 2 Position	
53	4460942	2	Socket, Female	

SECTION 8 - ELECTRICAL

FIGURE 8-59. PLATFORM CONSOLE BOX HARNESS - WITH SKYGUARD

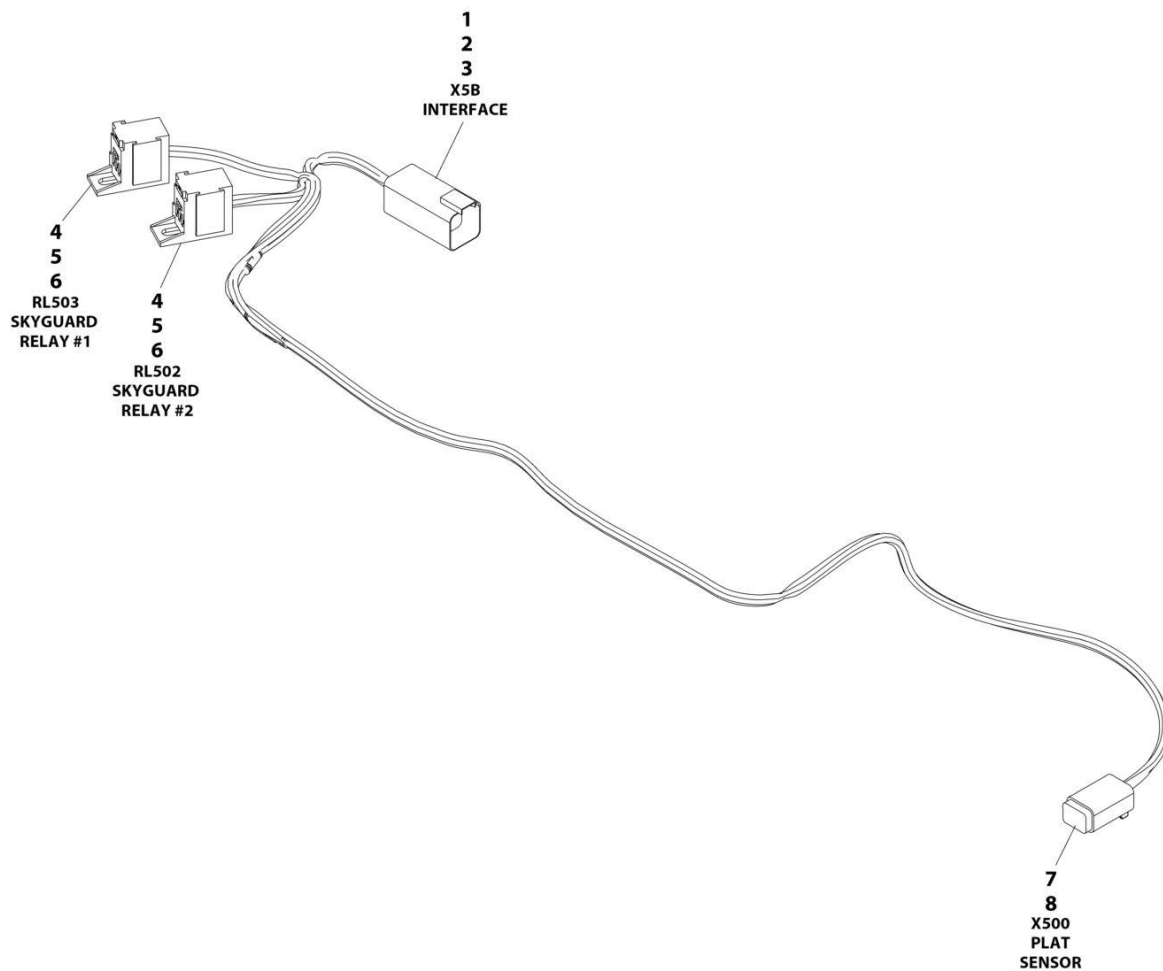
ITEM	PART NUMBER	QTY	DESCRIPTION	REV
	1001241891	Ref	PLATFORM CONSOLE BOX HARNESS	J
2	4460866	1	Connector - 19 Pin	
2	4460464	7	Pin, Male Deutsch 16 Ga	
2	4460508	4	Pin, Male Deutsch 12 Ga	
2	4460943	3	Pin, Male 16 Ga (Gold)	
2	4460466	5	Plug	
3	4460874	1	Connector - 35 Position (Natural)	
3	4460871	33	Socket, Female	
3	4460905	2	Plug	
4	4460876	1	Connector - 35 Position (Blue)	
4	4460871	20	Socket, Female	
4	4460905	20	Plug	
5	4460873	1	Connector - 35 Position (Black)	
5	4460871	26	Socket, Female	
5	4460905	8	Plug	
8	4460879	1	Connector - 2 Position	
8	4460887	2	Terminal	
10	4460213	4	Terminal Eyelet	
11	4460260	10	Terminal, Housing	
11	4460259	10	Terminal	
13	4460418	12	Connector, Female - 6 Position	
13	4460419	12	Socket, Female	
13	1001159186	22	Terminal	
18	4460888	3	Terminal, Fork	
19	4460225	1	Connector - 6 Position	
19	4460227	5	Terminal (16 Gauge)	
25	4460806	1	Terminal, Fork	
26	4460434	2	Connector - 15 Position	
26	4460227	16	Pin, Male	
26	4460267	1	Pin, Male	
27	4460183	11	Terminal, Fork	
28	4460925	1	Connector - 21 Pin	
28	1001126011	13	Pin, Male Deutsch 16 Ga	
28	4460466	8	Plug	
30	1001121616	2	Connector - 6 Position	
30	1001121615	2	Base, Mounting	
33	4460142	1	Terminal, Eyelet	
36	4460016	2	Terminal (16 - 14AWG)	
36	1001271497	2	Terminal (22 - 18AWG)	
37	4460894	1	Connector - 6 Position	
37	4460465	5	Socket, Female	
37	4460466	1	Plug	
43	4460539	1	Plug, Male - 3 Position	
43	4460944	3	Socket, Female (Gold)	
44	4460536	1	Connector - 3 Position	
44	4460943	3	Pin, Male (Gold)	
47	4460933	1	Connector, Gray - 12 Position	
47	4460944	10	Socket, Female (Gold)	
47	4460466	2	Plug	
47	1001119020	1	Bussbar - 12 Position	

SECTION 8 - ELECTRICAL

ITEM	PART NUMBER	QTY	DESCRIPTION	REV
50	1001213447	1	Connector - 5 Position	
70	1001237667	1	Connector - 6 Position	
70	1001237668	4	Socket, Female (Gold)	
71	2400060	1	Holder, Fuse	
71	8229249	1	Fuse	
75	4460042	1	Terminal, Ring	
83	4460708	2	Plug, Male - 15 Position	
83	4460226	2	Socket, Female	

SECTION 8 - ELECTRICAL

FIGURE 8-60. SKYGUARD INERFACE HARNESS



ART_1001225580_E

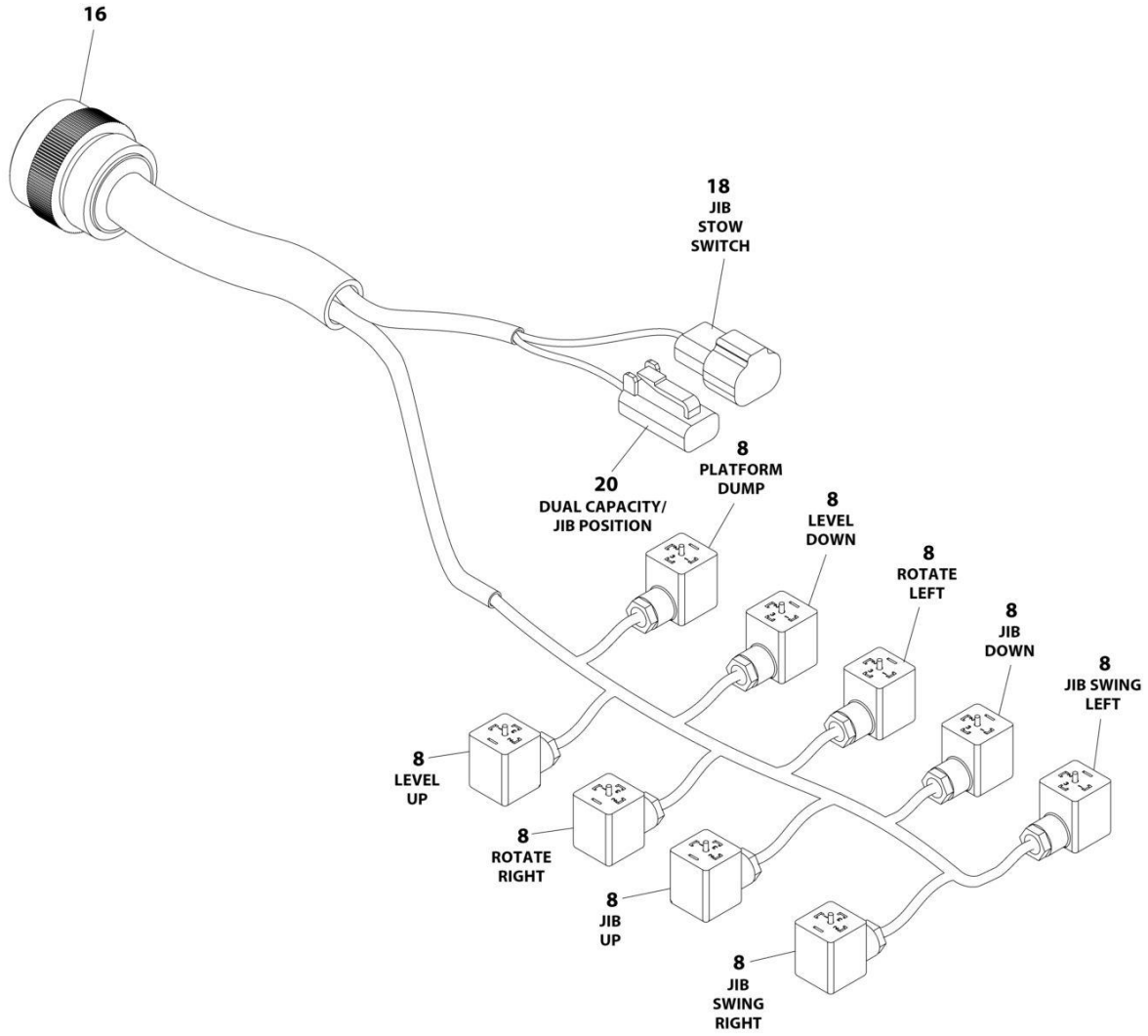
SECTION 8 - ELECTRICAL

FIGURE 8-60. SKYGUARD INERFACE HARNESS

ITEM	PART NUMBER	QTY	DESCRIPTION	REV
	1001225580	Ref	PLATFORM INTERFACE HARNESS - WITH 1 CELL LSS	E
1	4460899	1	Connector	
2	4460464	4	Terminal	
3	4460466	2	Plug	
4	1001186432	2	Connector	
5	1001253375	4	Terminal	
6	1001104519	4	Terminal	
7	4460884	1	Connector	
8	4460465	4	Terminal	

SECTION 8 - ELECTRICAL

FIGURE 8-61. PLATFORM VALVE HARNESS



ART_4922777_E

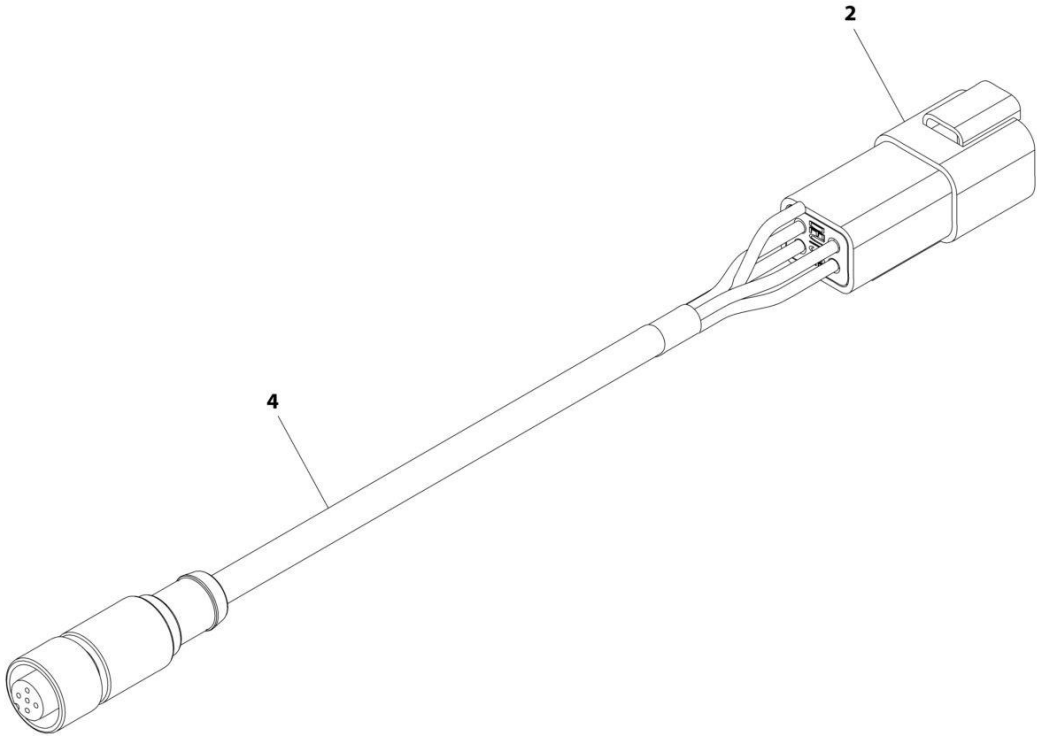
SECTION 8 - ELECTRICAL

FIGURE 8-61. PLATFORM VALVE HARNESS

ITEM	PART NUMBER	QTY	DESCRIPTION	REV
	4922777	Ref	PLATFORM VALVE HARNESS	E
7	4240033	10	Tie-Strap (Not Shown)	
8	1001263923	9	DIN Connector	
16	4460926	1	Connector - 21 Position	
16	4460928	13	Socket, Female	
16	4460466	8	Plug, Hole	
18	4460897	1	Connector - 2 Position	
18	4460464	2	Pin, Male	
20	4460891	1	Plug, Male - 2 Position	
20	4460465	2	Socket, Female	

SECTION 8 - ELECTRICAL

FIGURE 8-62. PRESSURE TRANSDUCER HARNESS



ART_1001228498

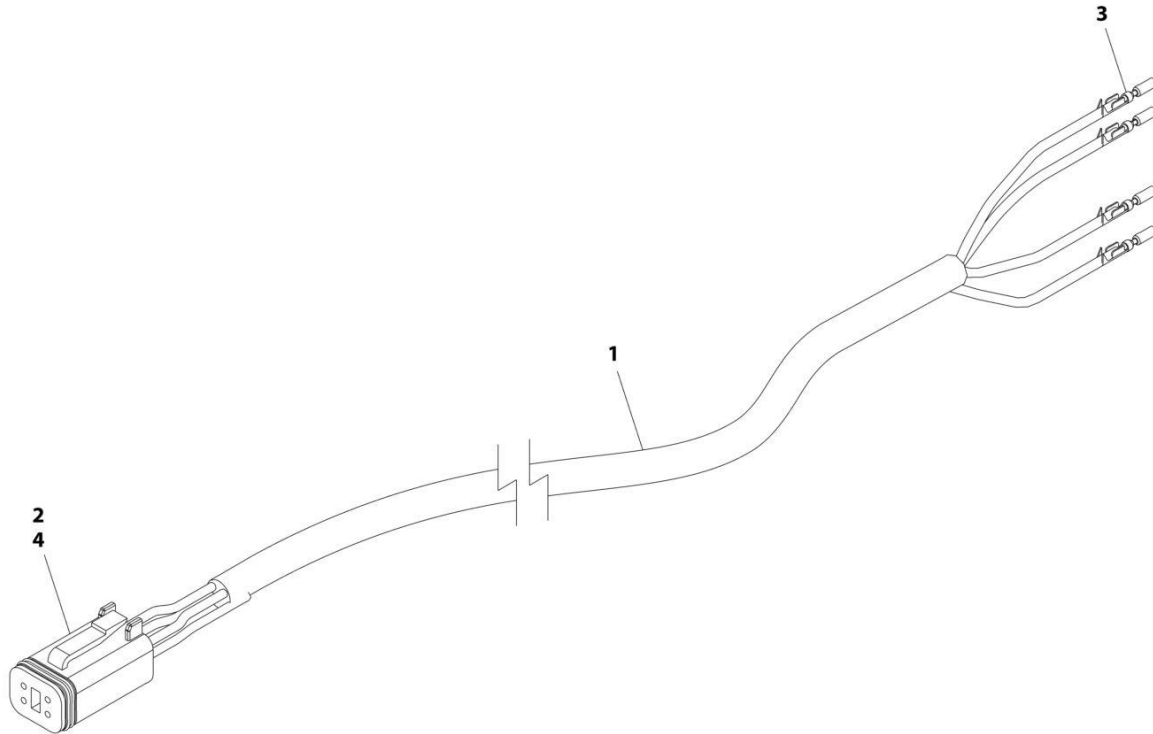
SECTION 8 - ELECTRICAL

FIGURE 8-62. PRESSURE TRANSDUCER HARNESS

ITEM	PART NUMBER	QTY	DESCRIPTION	REV
	1001228498	Ref	PRESSURE TRANSDUCER HARNESS	A
2	4460932	1	Connector - 3 Position	
2	4460464	4	Pin, Male	
4	1001120634	1	Cable, Shielded M12	

SECTION 8 - ELECTRICAL

FIGURE 8-63. PRESSURE TRANSDUCER HARNESS



ART_1001228497

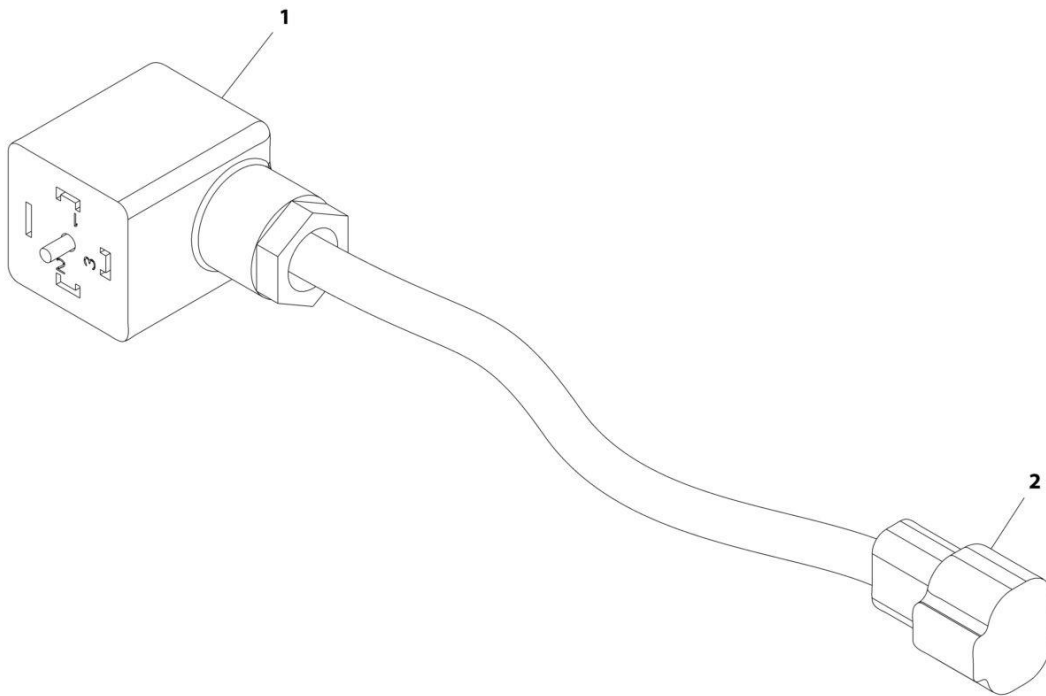
SECTION 8 - ELECTRICAL

FIGURE 8-63. PRESSURE TRANSDUCER HARNESS

ITEM	PART NUMBER	QTY	DESCRIPTION	REV
	1001228497	Ref	PRESSURE TRANSDUCER HARNESS	A
1	1060981	11 ft/ 3.35m	Cable, Electrical 18/3	
2	4460465	4	Socket, Female	
3	4460871	4	Socket, Female	
4	4460884	1	Connector - 4 Position	

SECTION 8 - ELECTRICAL

FIGURE 8-64. PUMP ADAPTER HARNESS - SAUER PUMPS



ART_1001119456

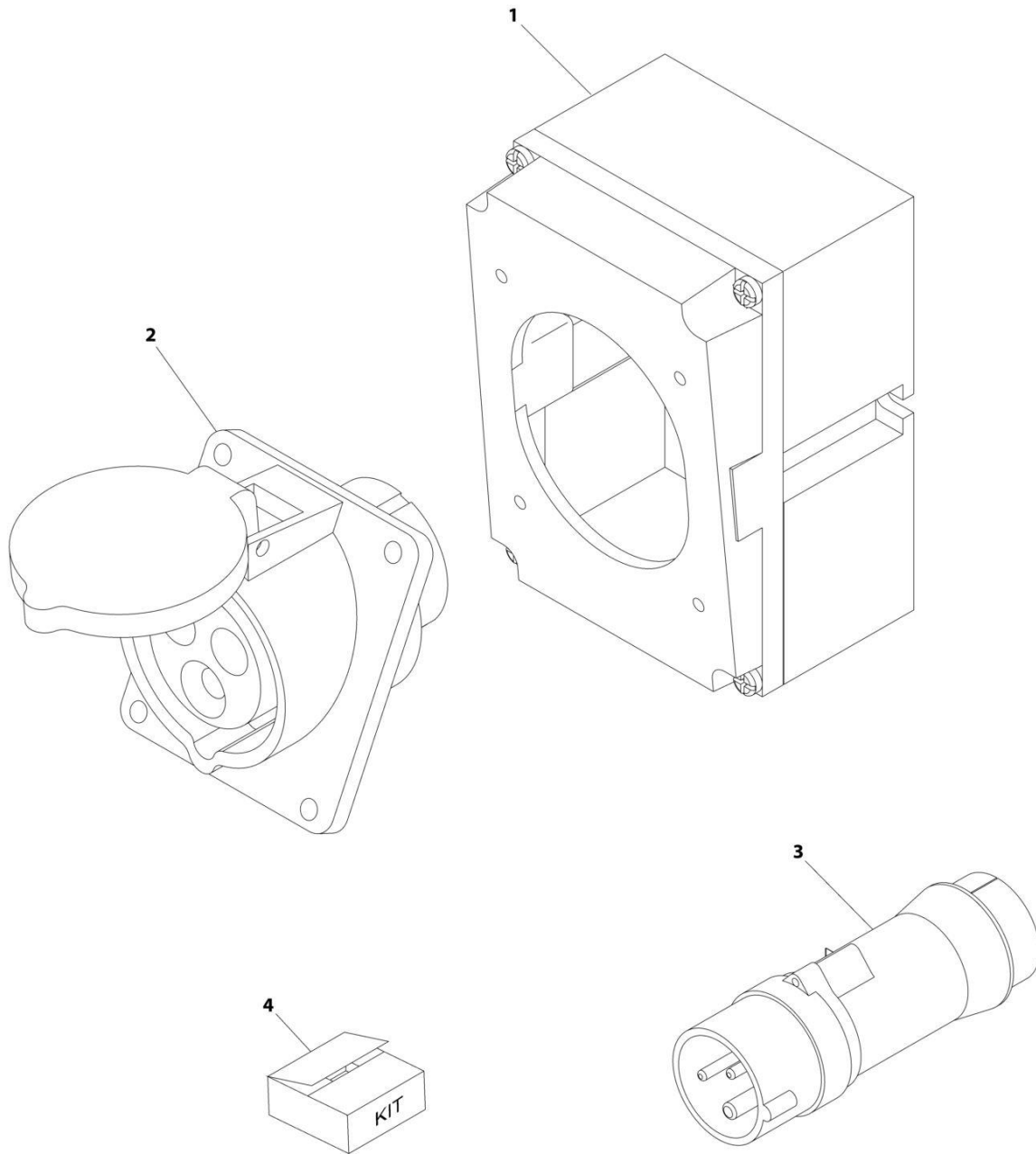
SECTION 8 - ELECTRICAL

FIGURE 8-64. PUMP ADAPTER HARNESS - SAUER PUMPS

ITEM	PART NUMBER	QTY	DESCRIPTION	REV
	1001119456	Ref	PUMP ADAPTER HARNESS - SAUER PUMPS	C
1	4460880	2	DIN Connector	
2	4460897	2	Connector - 2 Position	
2	4460464	4	Pin, Male	

SECTION 8 - ELECTRICAL

FIGURE 8-65. RECEPTACLE BOX KIT - 110V IEC YELLOW WITHOUT 2500W GENERATOR (CE SPECS)



ART_0275216

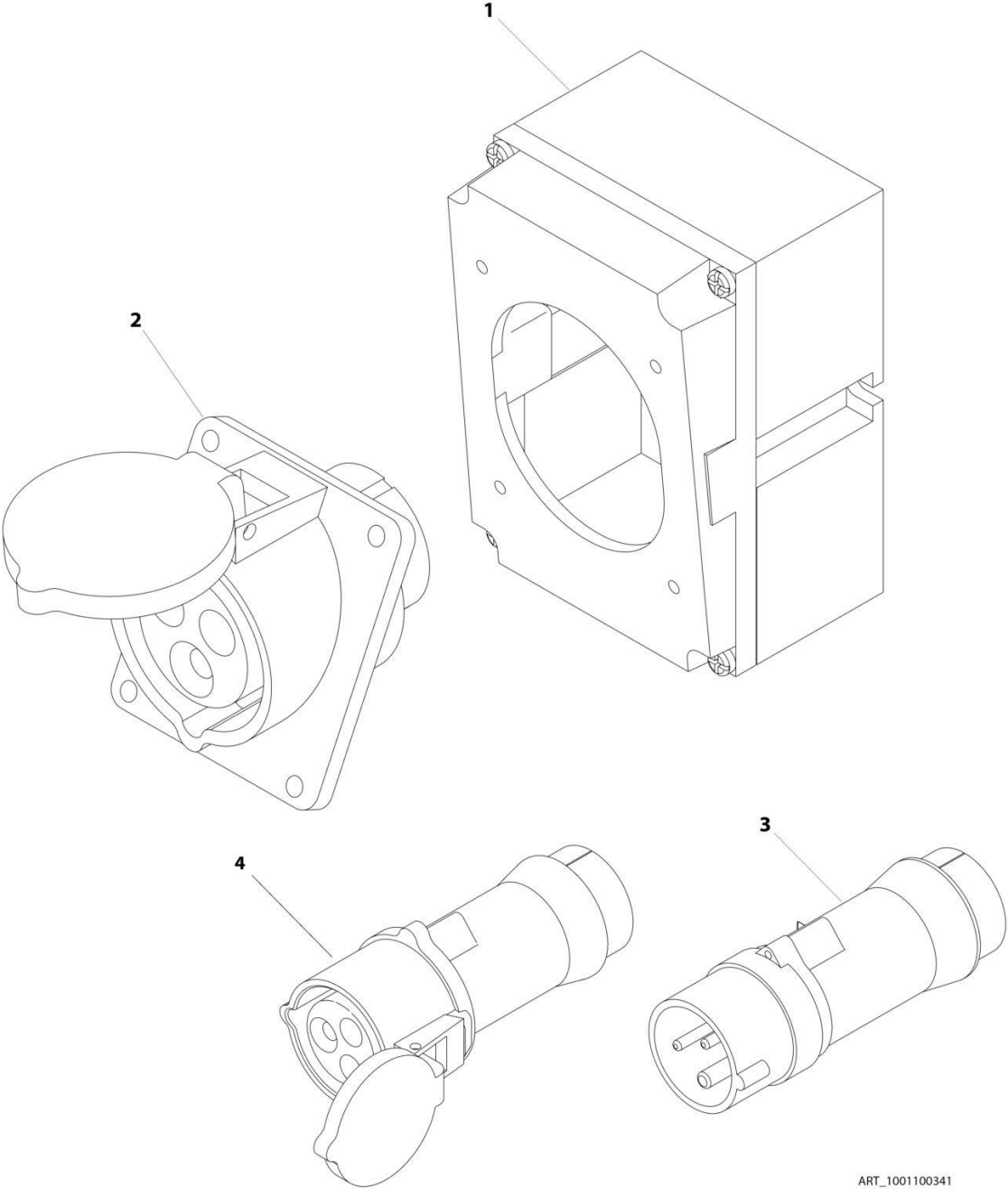
SECTION 8 - ELECTRICAL

FIGURE 8-65. RECEPTACLE BOX KIT - 110V IEC YELLOW WITHOUT 2500W GENERATOR (CE SPECS)

ITEM	PART NUMBER	QTY	DESCRIPTION	REV
	0275216	Ref	RECEPTACLE BOX KIT - 110V IEC YELLOW	B
1	0861781	1	Box, Switch	
2	4461198	1	Receptacle	
3	4461196	1	Plug, Male	
4	1001100341	1	Plug and Socket Kit (Includes Items 1-3 and Female Plug p/n 4461197)	

SECTION 8 - ELECTRICAL

FIGURE 8-66. RECEPTACLE BOX KIT - 110V IEC YELLOW WITH 2500W GENERATOR (CE SPECS)



ART_1001100341

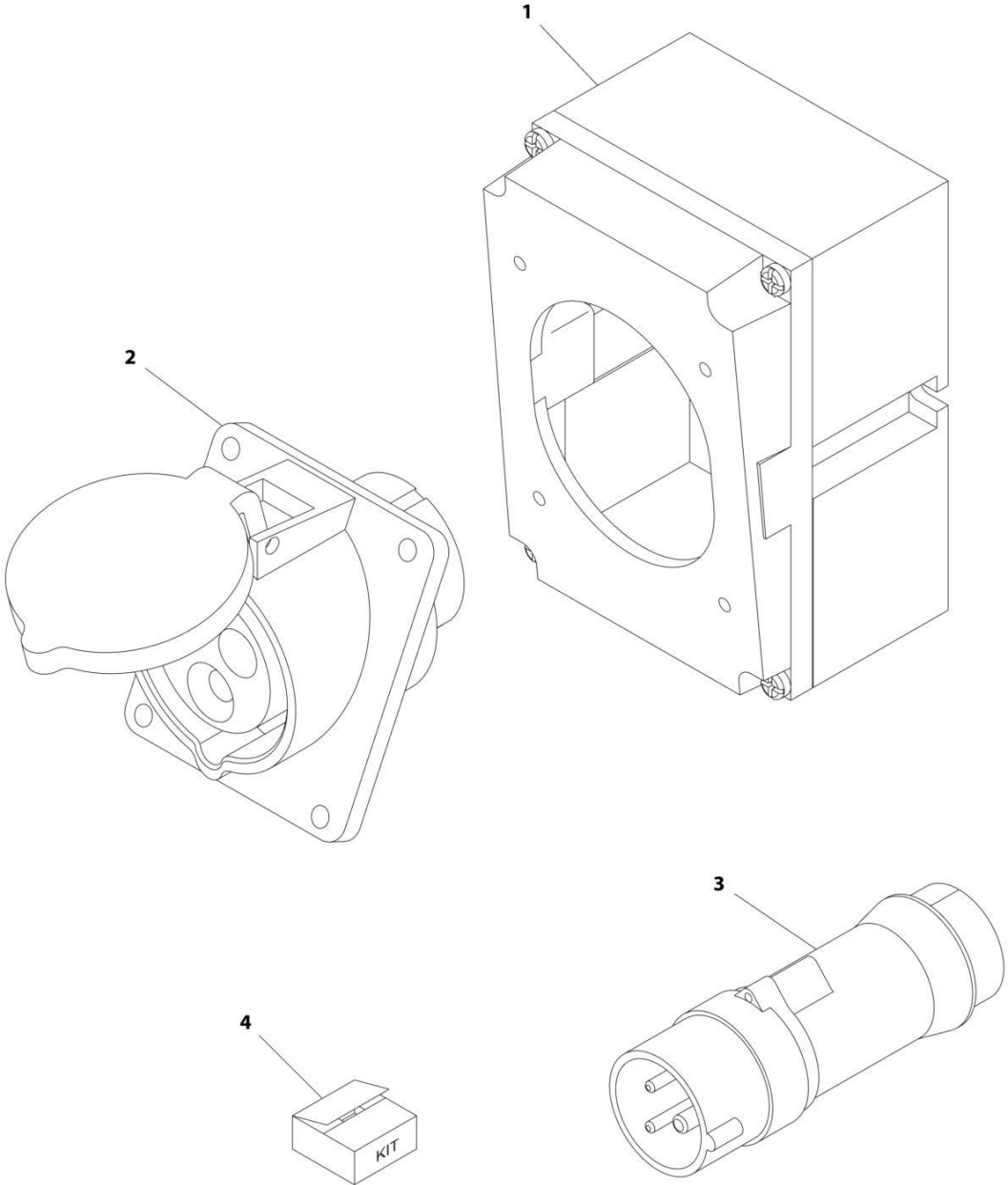
SECTION 8 - ELECTRICAL

FIGURE 8-66. RECEPTACLE BOX KIT - 110V IEC YELLOW WITH 2500W GENERATOR (CE SPECS)

ITEM	PART NUMBER	QTY	DESCRIPTION	REV
	1001100341	Ref	RECEPTACLE BOX KIT - 110V IEC YELLOW	2
1	0861781	1	Box, Switch	
2	4461198	1	Receptacle	
3	4461196	1	Plug, Male	
4	4461197	1	Plug, Female	

SECTION 8 - ELECTRICAL

FIGURE 8-67. RECEPTACLE BOX KIT - 220V IEC BLUE WITHOUT 2500W GENERATOR (CE SPECS)



ART_0275217

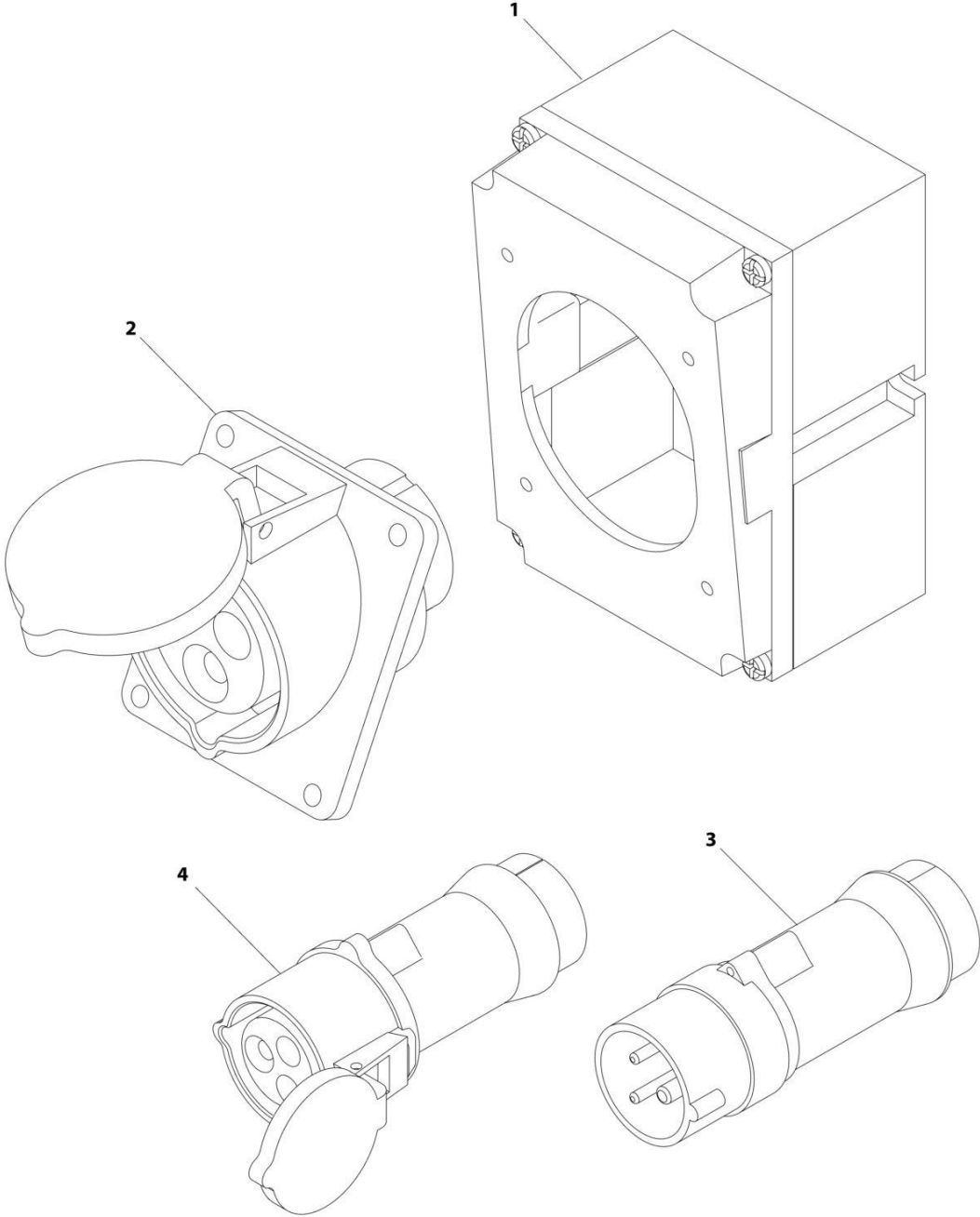
SECTION 8 - ELECTRICAL

FIGURE 8-67. RECEPTACLE BOX KIT - 220V IEC BLUE WITHOUT 2500W GENERATOR (CE SPECS)

ITEM	PART NUMBER	QTY	DESCRIPTION	REV
	0275217	Ref	RECEPTACLE BOX KIT - 220V IEC BLUE	B
1	0861781	1	Box, Switch	
2	4461201	1	Receptacle	
3	4461199	1	Plug, Male	
4	1001100342	1	Plug and Socket Kit (Includes Items 1-3 and Female Plug p/n 4461200)	

SECTION 8 - ELECTRICAL

FIGURE 8-68. RECEPTACLE BOX KIT - 220V IEC BLUE WITH 2500W GENERATOR (CE SPECS)



ART_1001100342

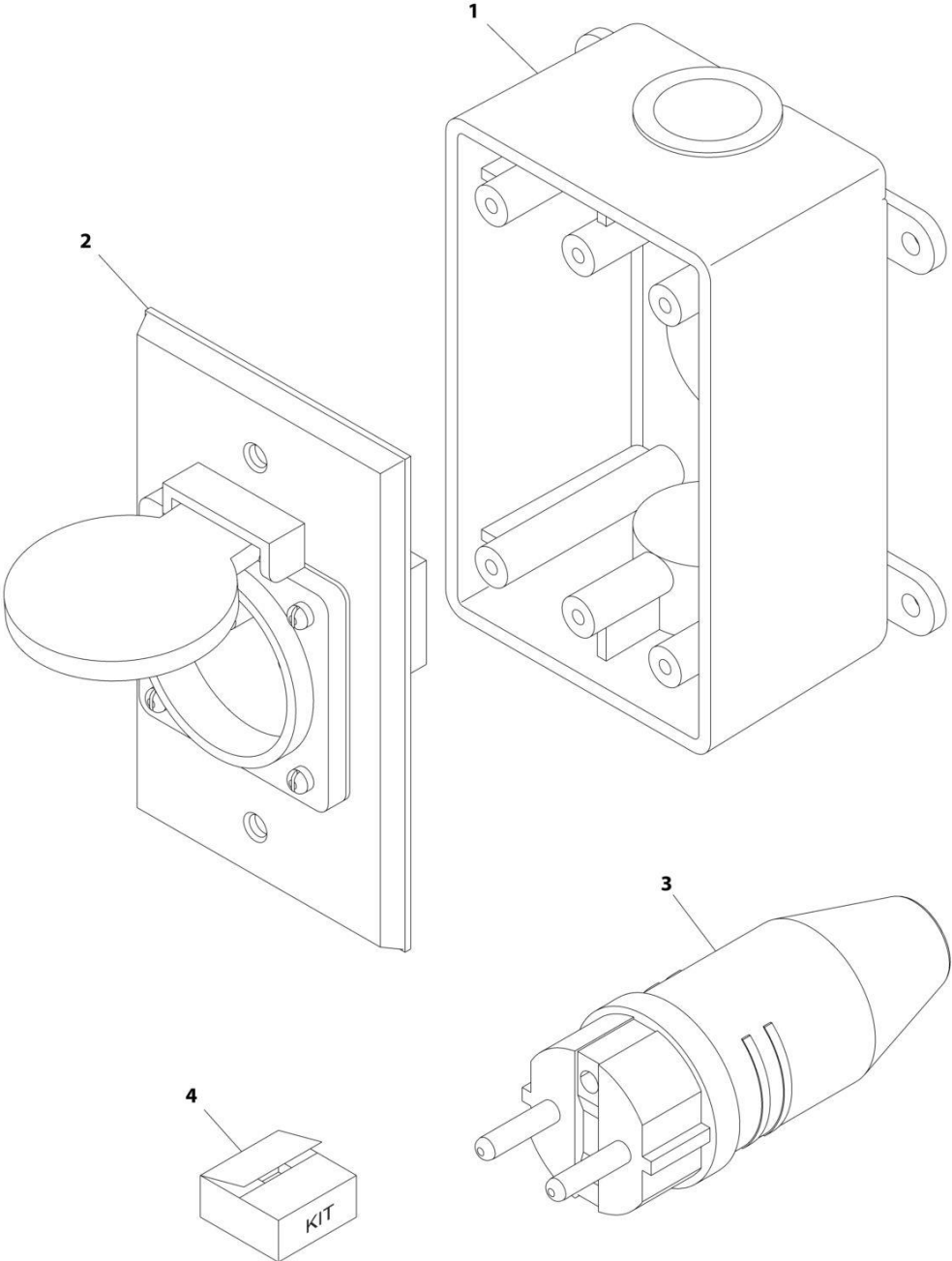
SECTION 8 - ELECTRICAL

FIGURE 8-68. RECEPTACLE BOX KIT - 220V IEC BLUE WITH 2500W GENERATOR (CE SPECS)

ITEM	PART NUMBER	QTY	DESCRIPTION	REV
	1001100342	Ref	RECEPTACLE BOX KIT - 220V IEC BLUE WITH 2500W GENERATOR (CE & UK CA SPECS)	2
1	0861781	1	Box, Switch	
2	4461201	1	Receptacle	
3	4461199	1	Plug, Male	
4	4461200	1	Plug, Female	

SECTION 8 - ELECTRICAL

FIGURE 8-69. RECEPTACLE BOX KIT - 220V CEE7 POST GROUND WITHOUT 2500W GENERATOR (2X4 BOX) (CE SPECS)



ART_0275452-C

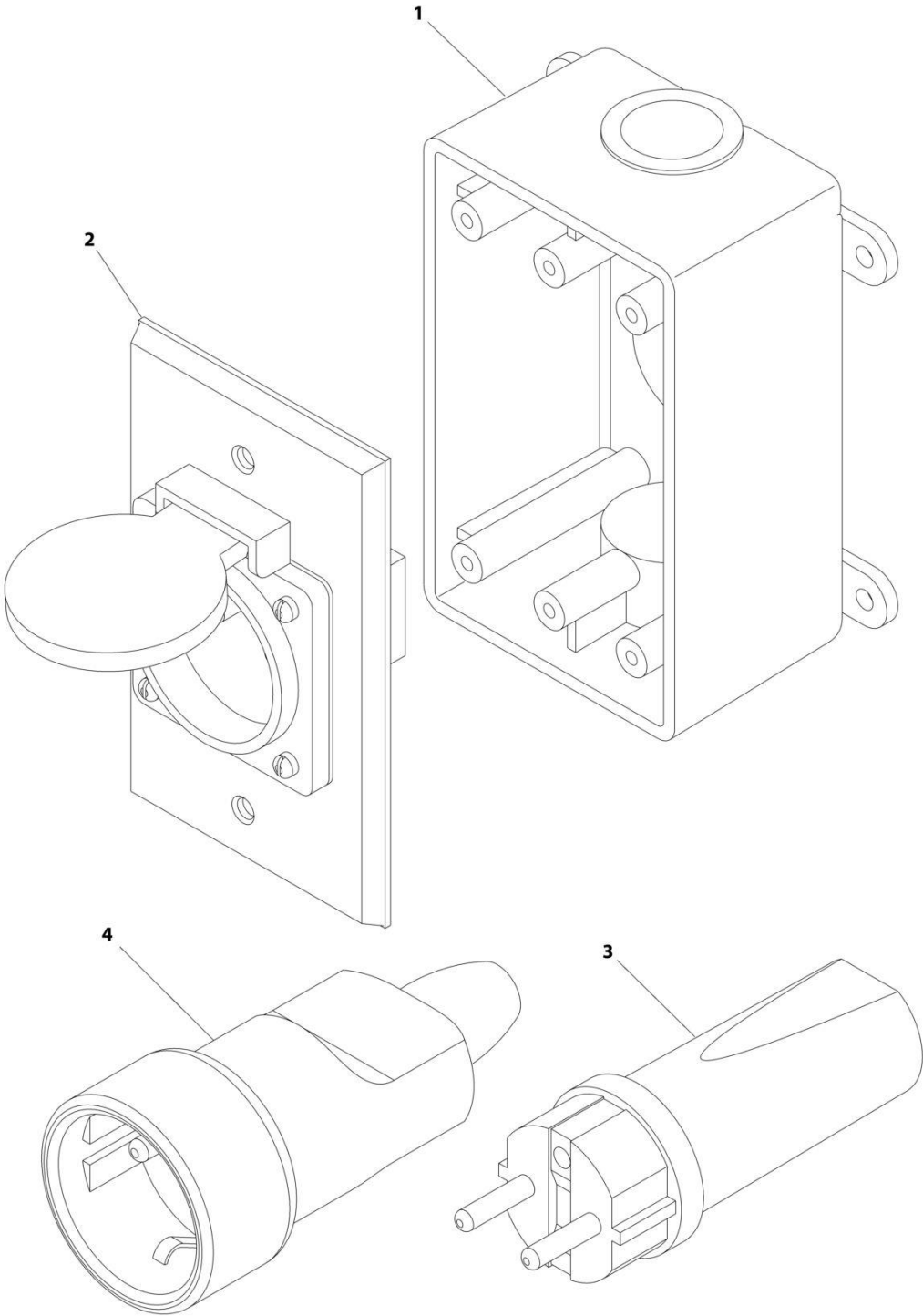
SECTION 8 - ELECTRICAL

FIGURE 8-69. RECEPTACLE BOX KIT - 220V CEE7 POST GROUND WITHOUT 2500W GENERATOR (2X4 BOX) (CE SPECS)

ITEM	PART NUMBER	QTY	DESCRIPTION	REV
	0275452	Ref	RECEPTACLE BOX KIT - 220V CEE7 POST GROUND 2IN X 4IN BOX	C
1	0861731	1	Box, Switch	
2	4461244	1	Receptacle	
3	4461205	1	Plug, Male	
4	1001100345	1	Plug and Socket Kit (Includes Items 1-3 and Female Plug p/n 4461203)	

SECTION 8 - ELECTRICAL

FIGURE 8-70. RECEPTACLE BOX KIT - 220V CEE7 POST GROUND WITH 2500W GENERSTOR (2X4 BOX) (CE SPECS)



ART_1001100345

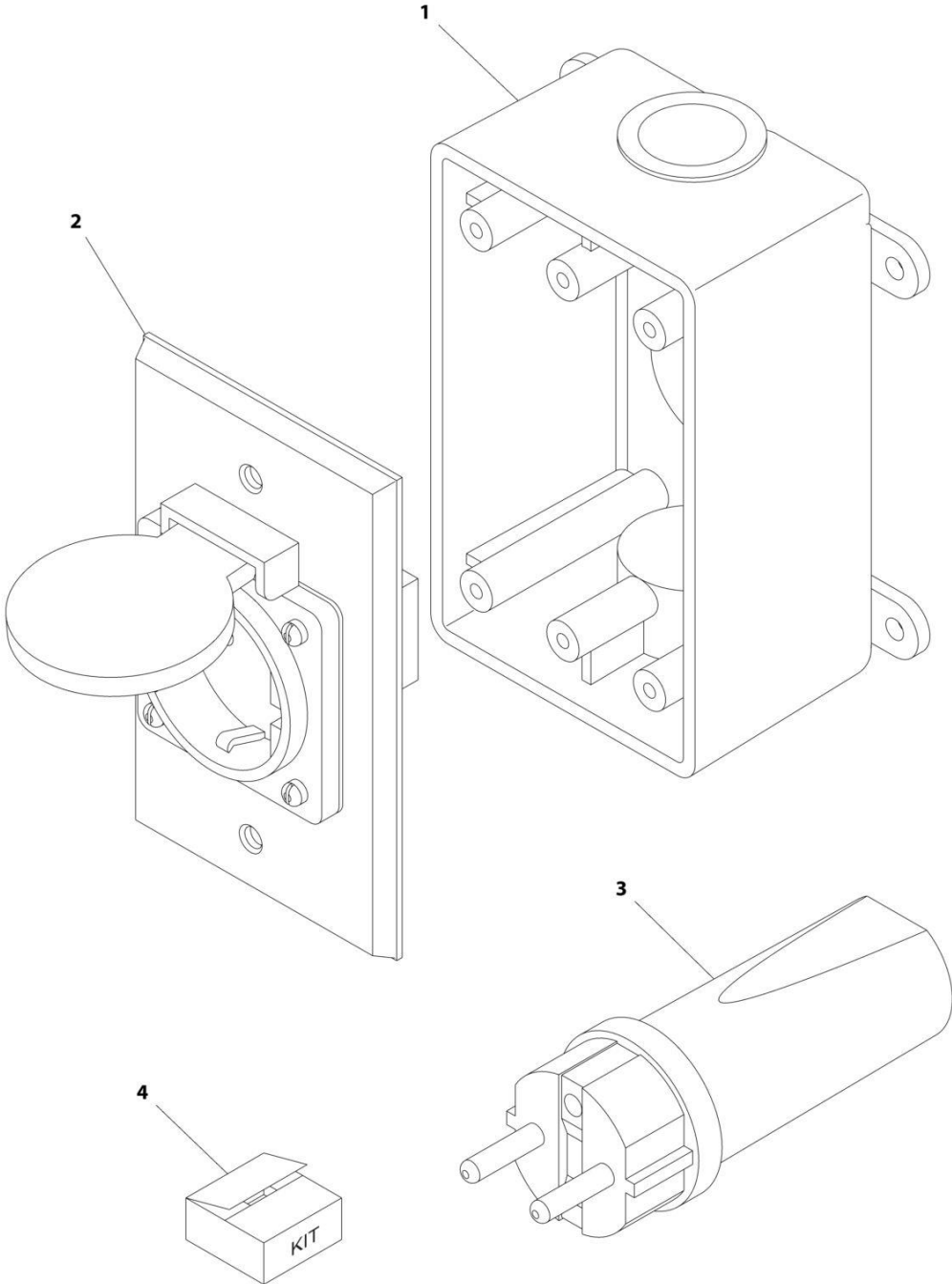
SECTION 8 - ELECTRICAL

FIGURE 8-70. RECEPTACLE BOX KIT - 220V CEE7 POST GROUND WITH 2500W GENERSTOR (2X4 BOX) (CE SPECS)

ITEM	PART NUMBER	QTY	DESCRIPTION	REV
	1001100345	Ref	RECEPTACLE BOX KIT - 220V CEE7 POST GROUND	C
1	0861731	1	Box, Switch	
2	4461244	1	Receptacle	
3	4461205	1	Plug, Male	
4	4461203	1	Plug, Female	

SECTION 8 - ELECTRICAL

FIGURE 8-71. RECEPTACLE BOX KIT - 220V CEE7 SIDE GROUND WITHOUT 2500W GENERATOR (2X4 BOX) (CE SPECS)



ART_0275453

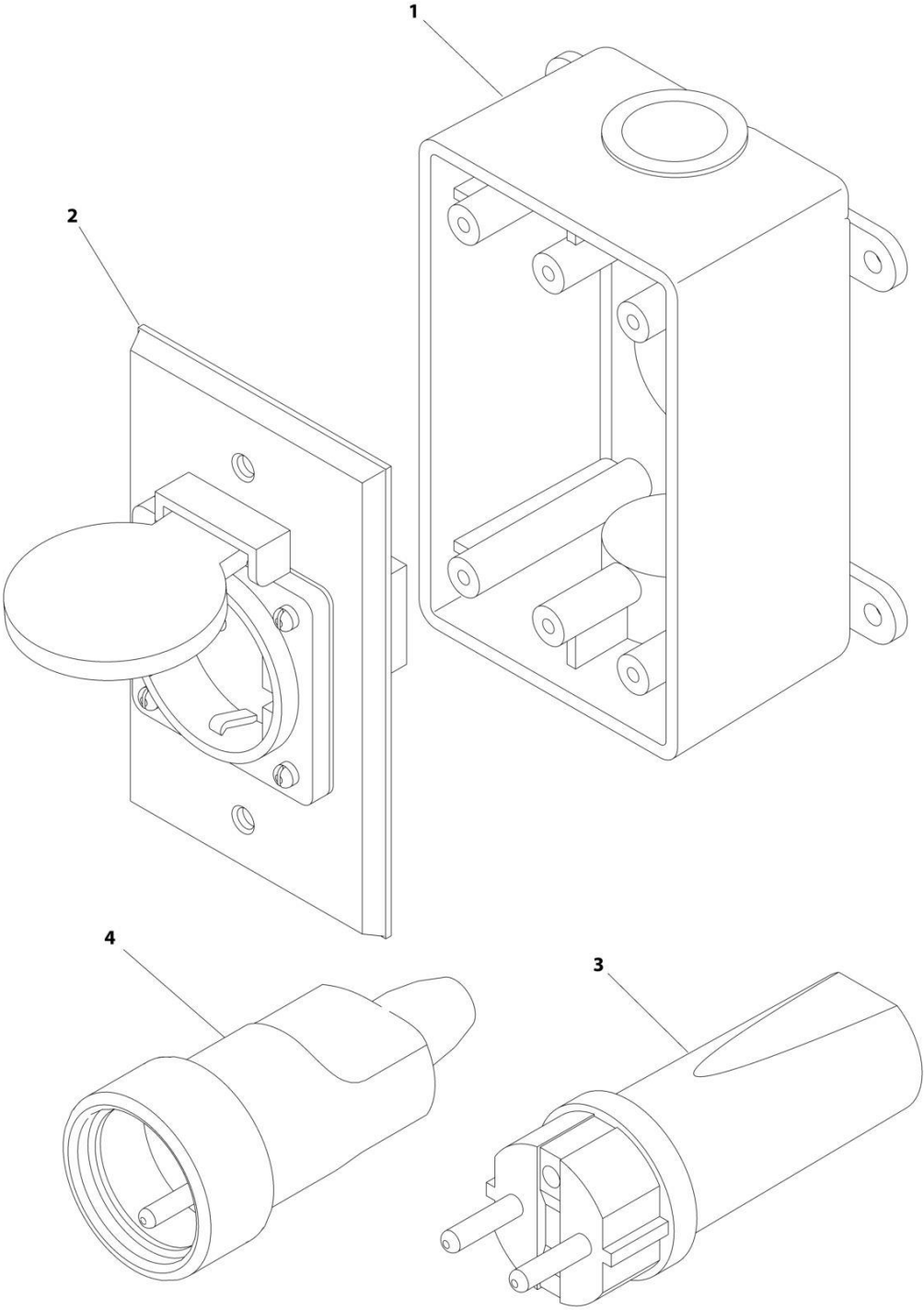
SECTION 8 - ELECTRICAL

**FIGURE 8-71. RECEPTACLE BOX KIT - 220V CEE7 SIDE GROUND WITHOUT 2500W GENERATOR
(2X4 BOX) (CE SPECS)**

ITEM	PART NUMBER	QTY	DESCRIPTION	REV
	0275453	Ref	RECEPTACLE BOX KIT - 220V CEE7 SIDE GROUND	B
1	0861731	1	Box, Switch	
2	4461245	1	Receptacle	
3	4461205	1	Plug, Male	
4	1001100347	1	Plug and Socket Kit (Includes Items 1-3 and Female Plug p/n 4461206)	

SECTION 8 - ELECTRICAL

FIGURE 8-72. RECEPTACLE BOX KIT - 220V CEE7 SIDE GROUND WITH 2500W GENERATOR (2X4 BOX) (CE SPECS)



ART_1001100347

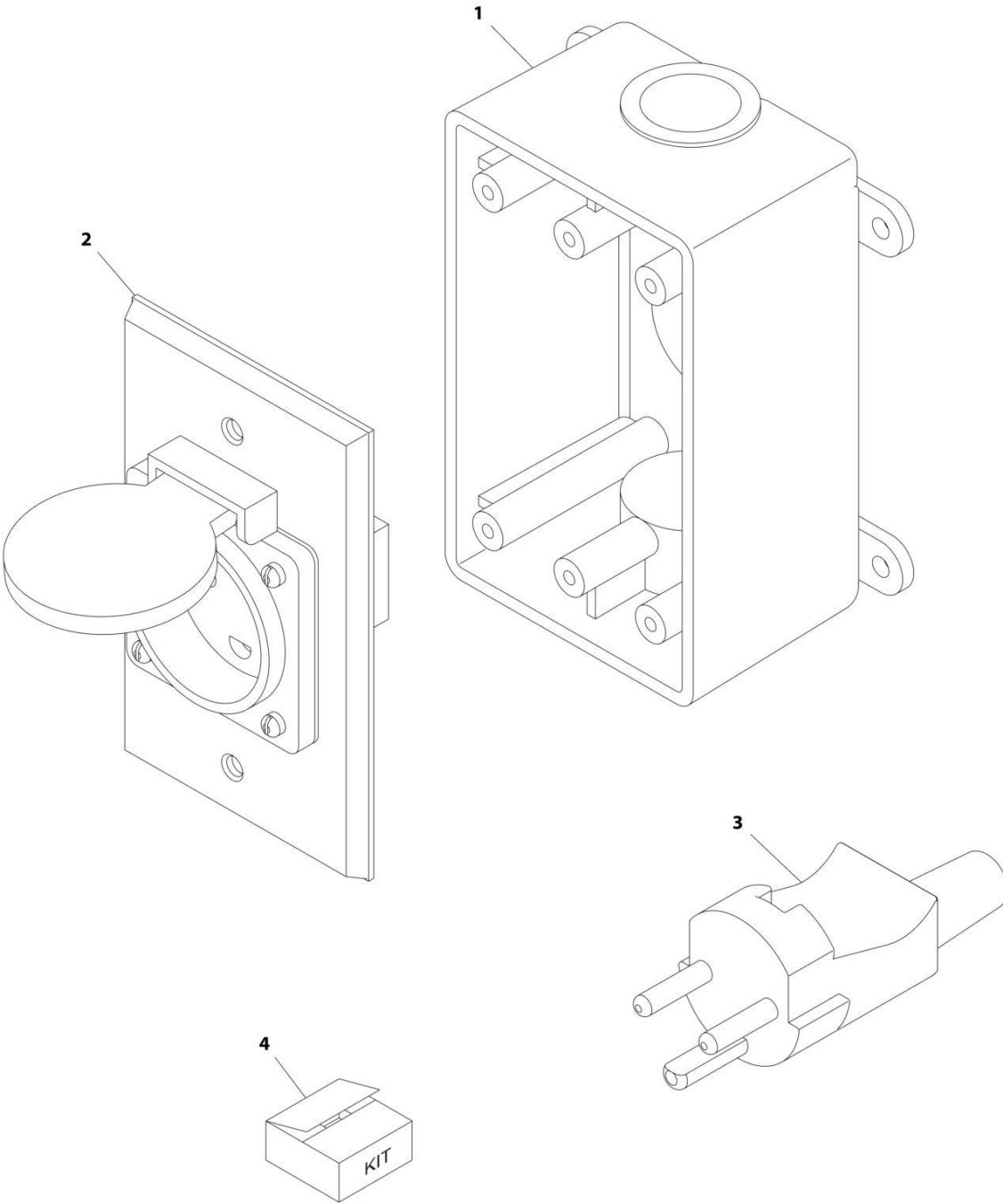
SECTION 8 - ELECTRICAL

FIGURE 8-72. RECEPTACLE BOX KIT - 220V CEE7 SIDE GROUND WITH 2500W GENERATOR (2X4 BOX) (CE SPECS)

ITEM	PART NUMBER	QTY	DESCRIPTION	REV
	1001100347	Ref	RECEPTACLE BOX KIT - 220V CEE7 SIDE GROUND	3
1	0861731	1	Box, Switch	
2	4461245	1	Receptacle	
3	4461205	1	Plug, Male	
4	4461206	1	Plug, Female	

SECTION 8 - ELECTRICAL

FIGURE 8-73. RECEPTACLE BOX KIT - 220V AFSINT 107 KEYED GROUND WITHOUT 2500W GENERATOR (2X4 BOX) (CE SPECS)



ART_0275454

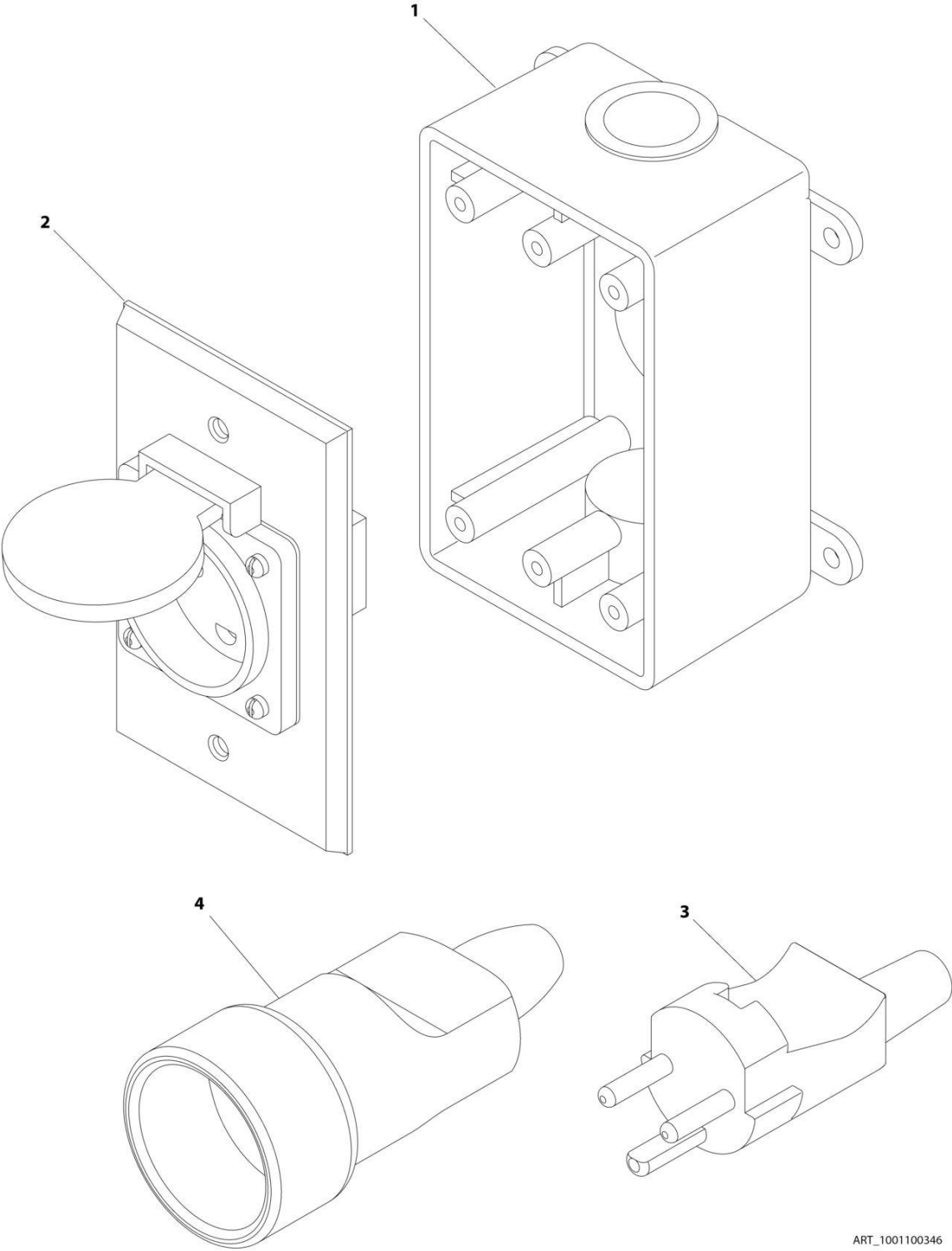
SECTION 8 - ELECTRICAL

FIGURE 8-73. RECEPTACLE BOX KIT - 220V AFSINT 107 KEYED GROUND WITHOUT 2500W GENERATOR (2X4 BOX) (CE SPECS)

ITEM	PART NUMBER	QTY	DESCRIPTION	REV
	0275454	Ref	RECEPTACLE BOX KIT - 220V AFSINT 107	B
1	0861731	1	Box, Switch	
2	4461246	1	Receptacle	
3	4461249	1	Plug, Male	
4	1001100346	1	Plug and Socket Kit (Includes Items 1-3 and Female Plug p/n 4461250)	

SECTION 8 - ELECTRICAL

FIGURE 8-74. RECEPTACLE BOX KIT - 220V AFSINT 107 KEYED GROUND WITH 2500W GENERATOR (2X4 BOX) (CE SPECS)



ART_1001100346

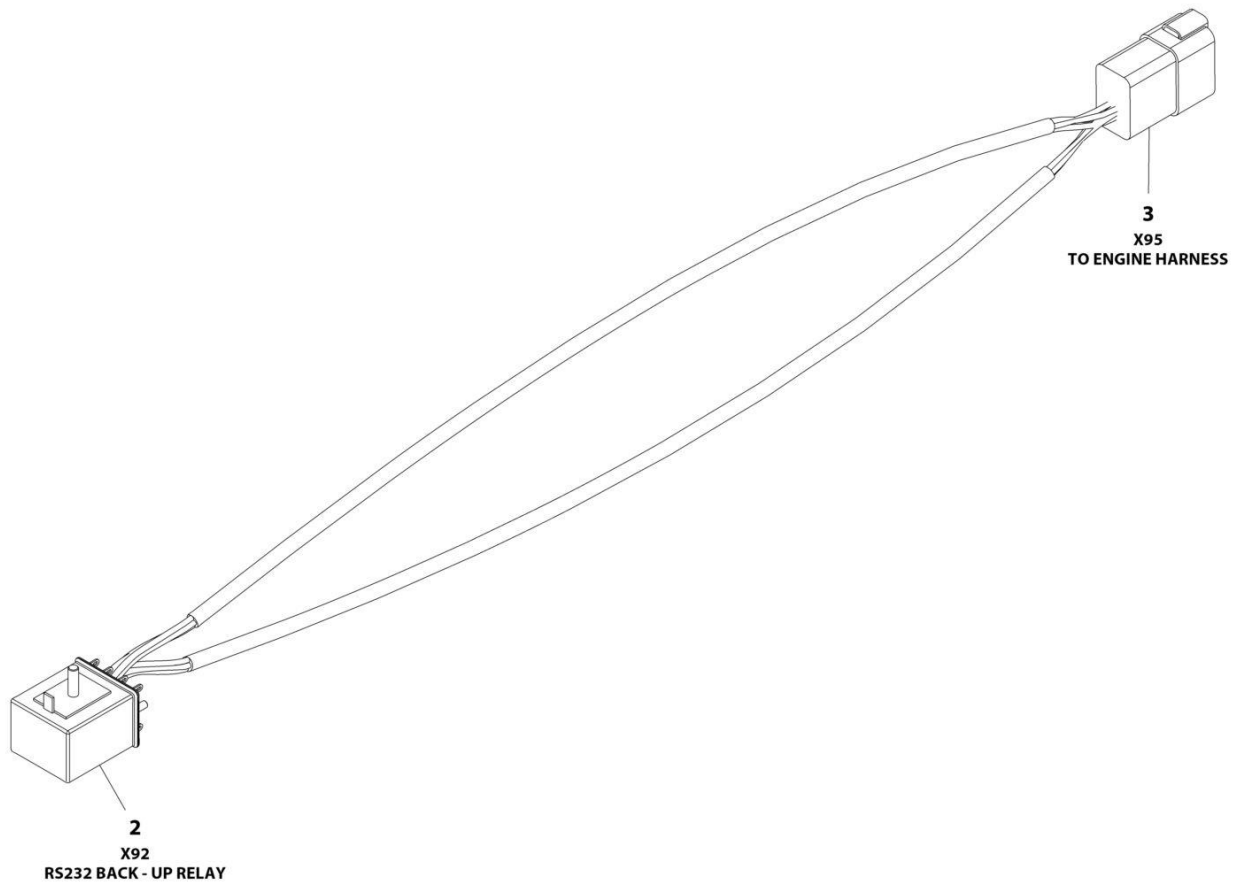
SECTION 8 - ELECTRICAL

FIGURE 8-74. RECEPTACLE BOX KIT - 220V AFSINT 107 KEYED GROUND WITH 2500W GENERATOR (2X4 BOX) (CE SPECS)

ITEM	PART NUMBER	QTY	DESCRIPTION	REV
	1001100346	Ref	RECEPTACLE BOX KIT - 220V AFSINT 107 KEYED GROUND WITH 2500W GENERATOR (2X4 BOX) (CE & UK CA SPECS)	2
1	0861731	1	Box, Switch	
2	4461246	1	Receptacle	
3	4461249	1	Plug, Male	
4	4461250	1	Plug, Female	

SECTION 8 - ELECTRICAL

FIGURE 8-75. RELAY HARNESS



ART_4923036

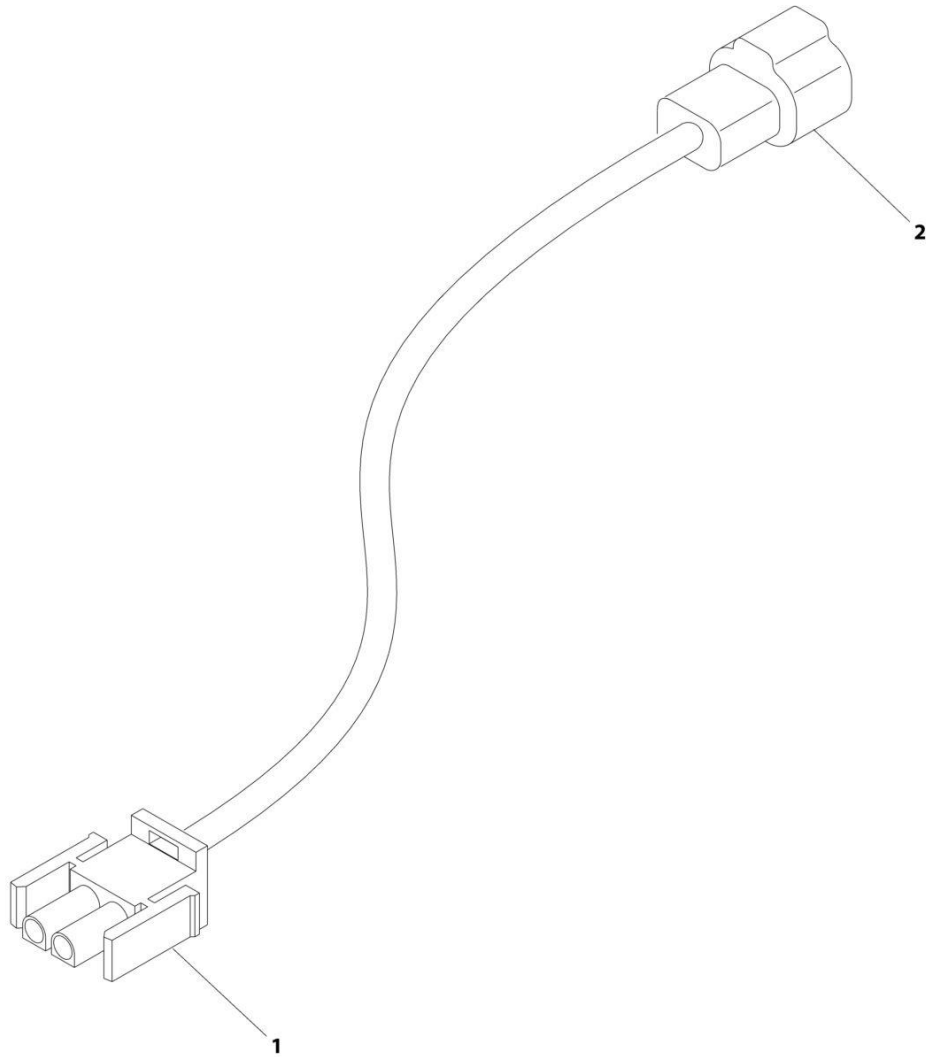
SECTION 8 - ELECTRICAL

FIGURE 8-75. RELAY HARNESS

ITEM	PART NUMBER	QTY	DESCRIPTION	REV
	4923036	Ref	RELAY HARNESS	E
2	3740143	1	Relay	
3	4460931	1	Connector - 8 Position	
3	4460943	8	Pin, Male	

SECTION 8 - ELECTRICAL

FIGURE 8-76. STROBE LIGHT HARNESS (AMBER)



ART_1001149818

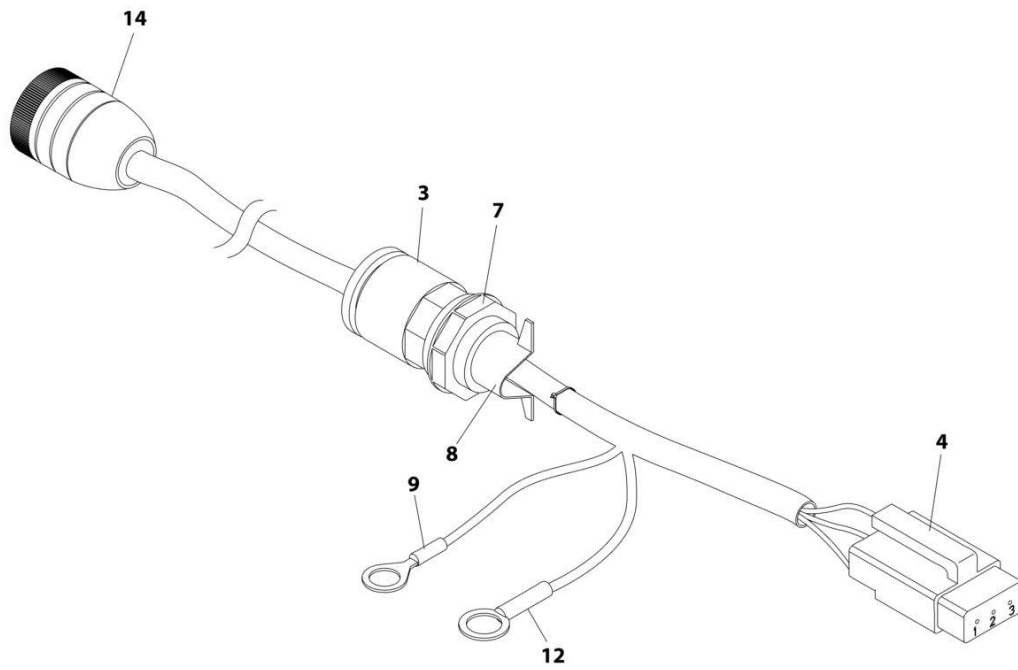
SECTION 8 - ELECTRICAL

FIGURE 8-76. STROBE LIGHT HARNESS (AMBER)

ITEM	PART NUMBER	QTY	DESCRIPTION	REV
	1001149818	Ref	STROBE LIGHT HARNESS (AMBER)	D
1	4460320	1	Plug, Male - 2 Position	
1	4460267	2	Pin, Male	
2	4460897	1	Connector - 2 Position	
2	4460464	2	Pin, Male	

SECTION 8 - ELECTRICAL

FIGURE 8-77. TILT SENSOR HARNESS (LEFT)



ART_4922948

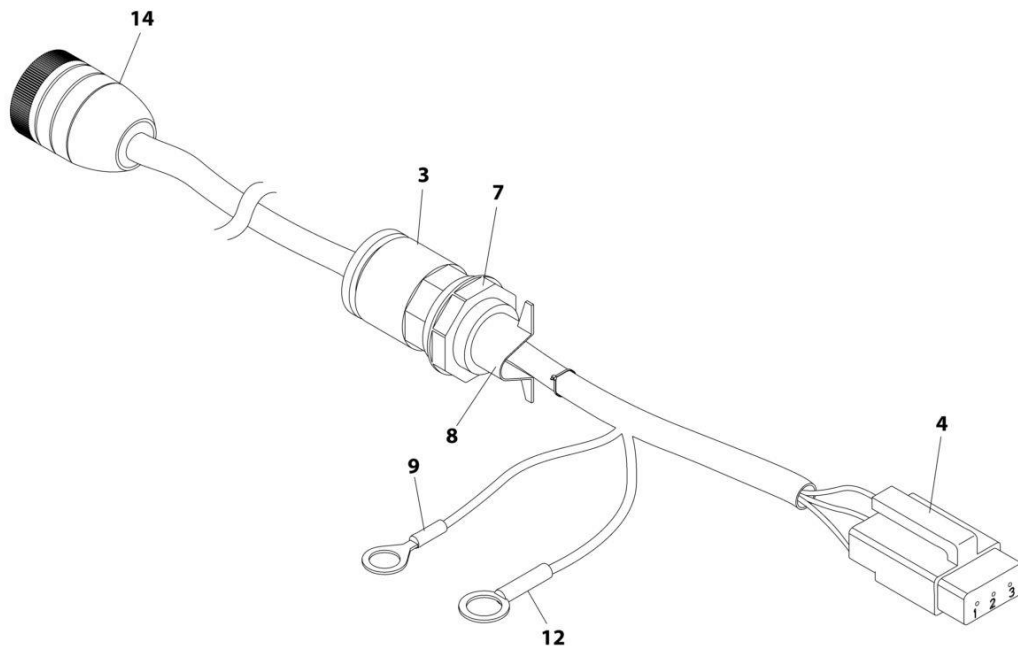
SECTION 8 - ELECTRICAL

FIGURE 8-77. TILT SENSOR HARNESS (LEFT)

ITEM	PART NUMBER	QTY	DESCRIPTION	REV
	4922948	Ref	TILT SENSOR HARNESS (LEFT)	E
3	1560011	1	Connector, Conduit	
4	4460911	1	Connector - 3 Position	
4	4460912	1	Lock, Wedge	
4	4460918	3	Pin, Male	
7	1560012	1	Nut, Conduit	
8	1320309	1	Clamp, Cable	
9	4460702	1	Terminal, Eyelet	
10	4240032	2	Tie-Strap (Not Shown)	
12	4460256	1	Terminal, Eyelet	
14	4461013	1	Connector - 6 Position	

SECTION 8 - ELECTRICAL

FIGURE 8-78. TILT SENSOR HARNESS (RIGHT)



ART_4922947

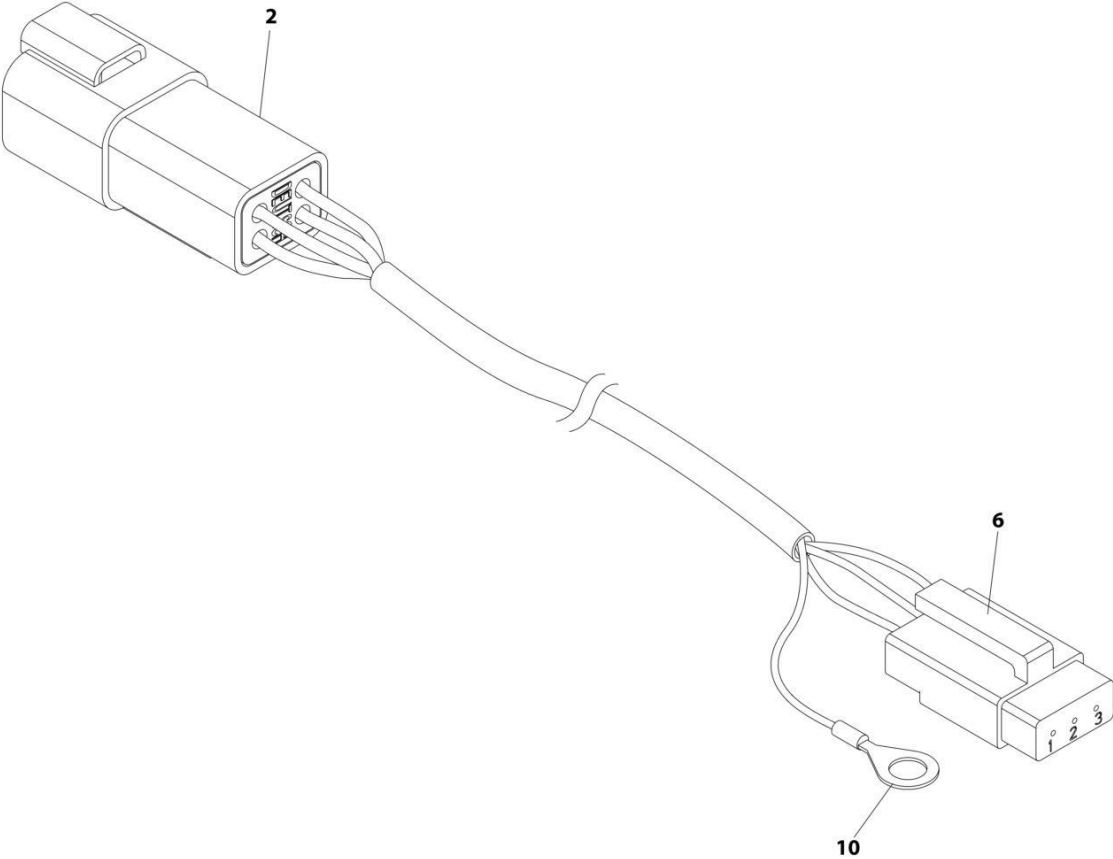
SECTION 8 - ELECTRICAL

FIGURE 8-78. TILT SENSOR HARNESS (RIGHT)

ITEM	PART NUMBER	QTY	DESCRIPTION	REV
	4922947	Ref	TILT SENSOR HARNESS (RIGHT)	E
3	1560011	1	Connector, Conduit	
4	4460911	1	Connector - 3 Position	
4	4460912	1	Lock, Wedge	
4	4460918	3	Pin, Male	
7	1560012	1	Nut, Conduit	
8	1320309	1	Clamp, Cable	
9	4460702	1	Terminal, Eyelet	
10	4240032	2	Tie-Strap (Not Shown)	
12	4460256	1	Terminal, Eyelet	
14	4461013	1	Connector - 6 Position	

SECTION 8 - ELECTRICAL

FIGURE 8-79. TOWER BOOM ANGLE SENSOR HARNESS (LEFT)



ART_4922951

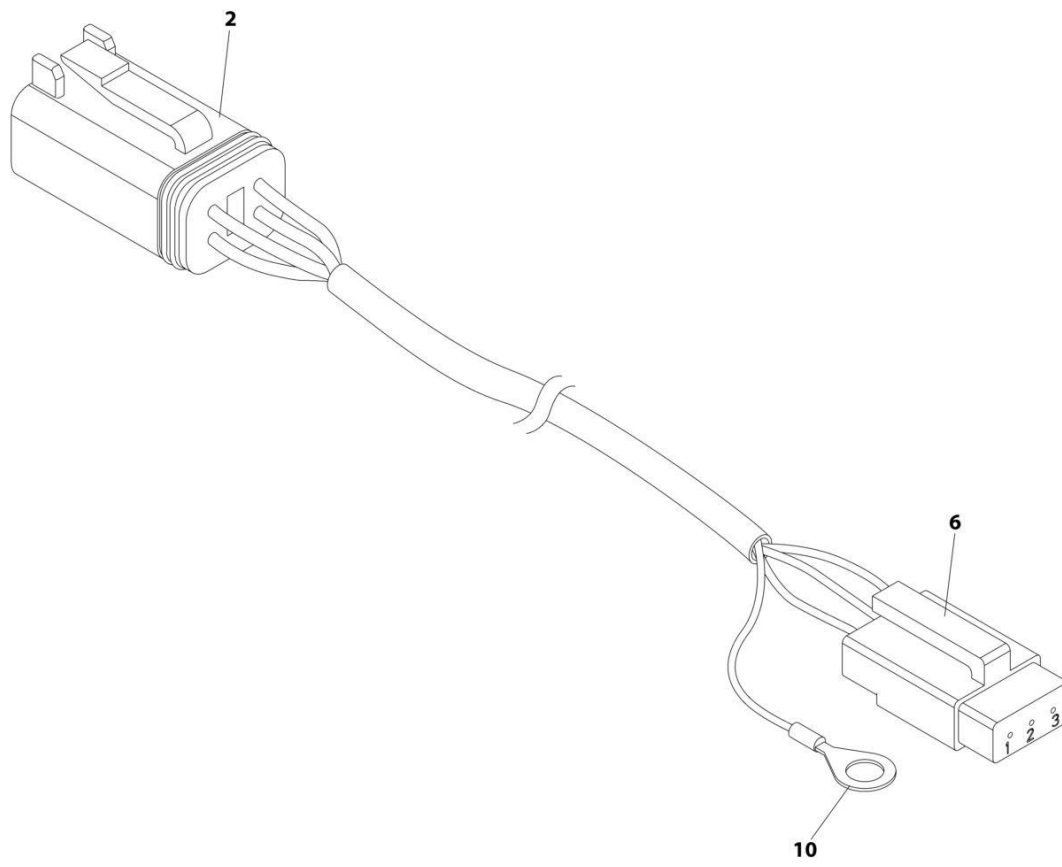
SECTION 8 - ELECTRICAL

FIGURE 8-79. TOWER BOOM ANGLE SENSOR HARNESS (LEFT)

ITEM	PART NUMBER	QTY	DESCRIPTION	REV
	4922951	Ref	TOWER BOOM ANGLE SENSOR HARNESS (LEFT)	E
2	4460932	1	Connector - 4 Position	
2	4460943	4	Pin, Male (Gold)	
6	4460911	1	Connector - 3 Position	
6	4460918	3	Socket, Female	
6	4460912	1	Lock, Wedge - Position	
10	4460722	1	Terminal, Eyelet	

SECTION 8 - ELECTRICAL

FIGURE 8-80. TOWER BOOM ANGLE SENSOR HARNESS (RIGHT)



ART_4922950

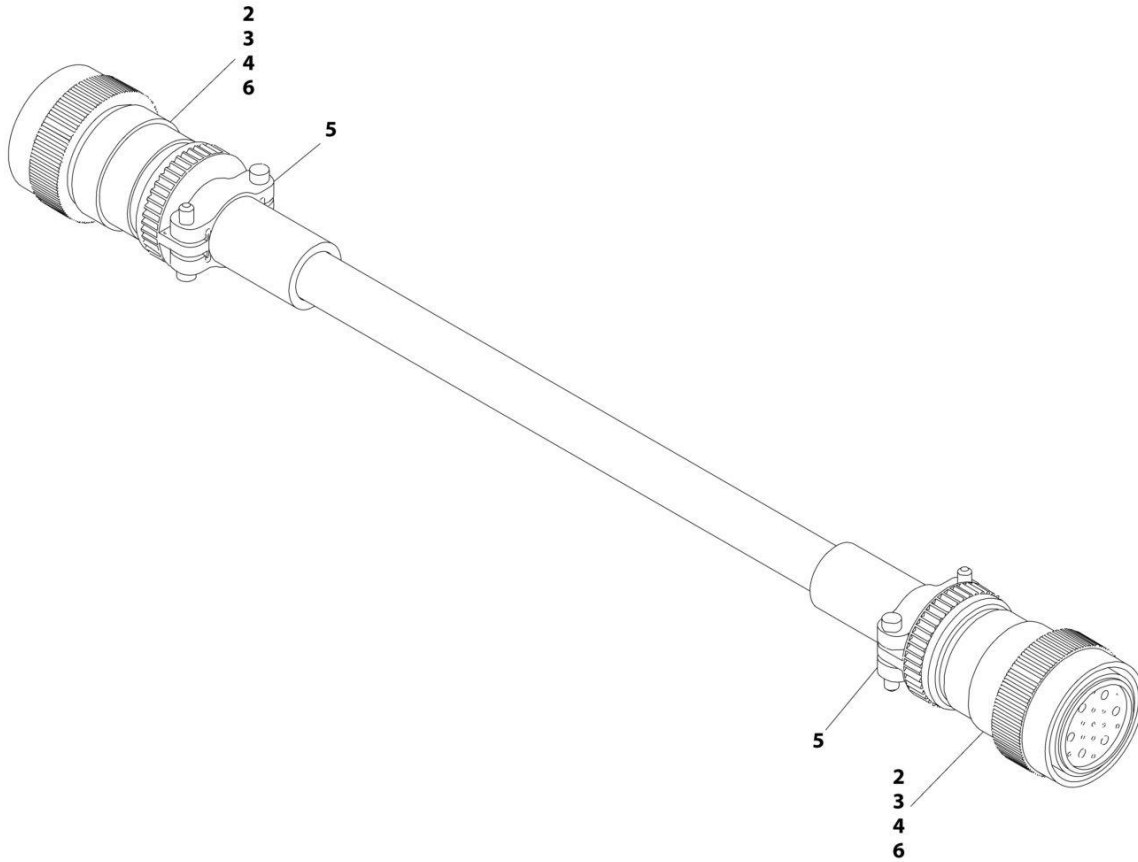
SECTION 8 - ELECTRICAL

FIGURE 8-80. TOWER BOOM ANGLE SENSOR HARNESS (RIGHT)

ITEM	PART NUMBER	QTY	DESCRIPTION	REV
	4922950	Ref	TOWER BOOM ANGLE SENSOR HARNESS (RIGHT)	D
2	4460884	1	Connector - 4 Position	
2	4460944	4	Socket, Female (Gold)	
6	4460911	1	Connector - 3 Position	
6	4460918	3	Socket, Female	
6	4460912	1	Lock, Wedge - Position	
10	4460722	1	Terminal, Eyelet	

SECTION 8 - ELECTRICAL

FIGURE 8-81. TOWER BOOM CONTROL CABLE HARNESS



ART_4922956

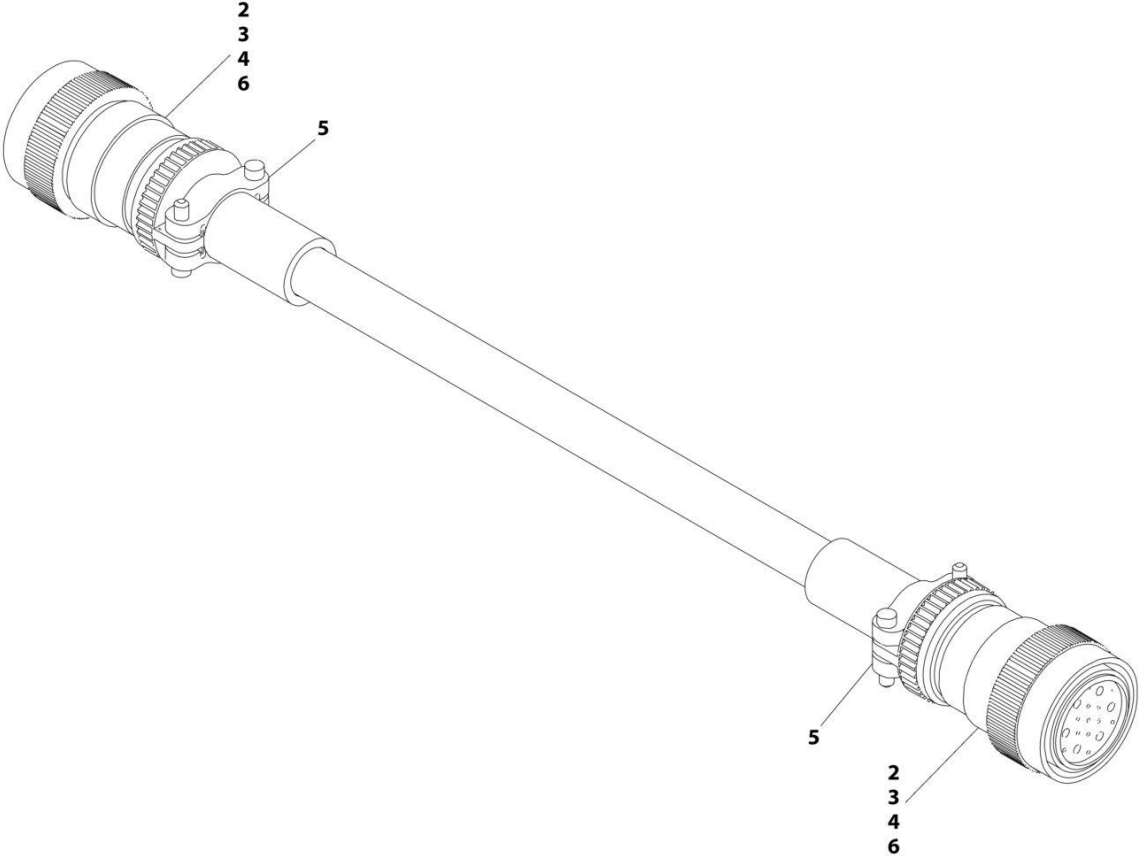
SECTION 8 - ELECTRICAL

FIGURE 8-81. TOWER BOOM CONTROL CABLE HARNESS

ITEM	PART NUMBER	QTY	DESCRIPTION	REV
	4922956	Ref	TOWER BOOM CONTROL CABLE HARNESS	E
2	4460465	11	Socket, Female	
3	4460865	2	Connector - 19 Position	
4	4460509	4	Socket, Female	
5	4460473	2	Clamp	
6	4460466	4	Plug, Socket	

SECTION 8 - ELECTRICAL

FIGURE 8-82. TOWER BOOM FLY TO GROUND CONTROL BOX HARNESS



ART_4922958

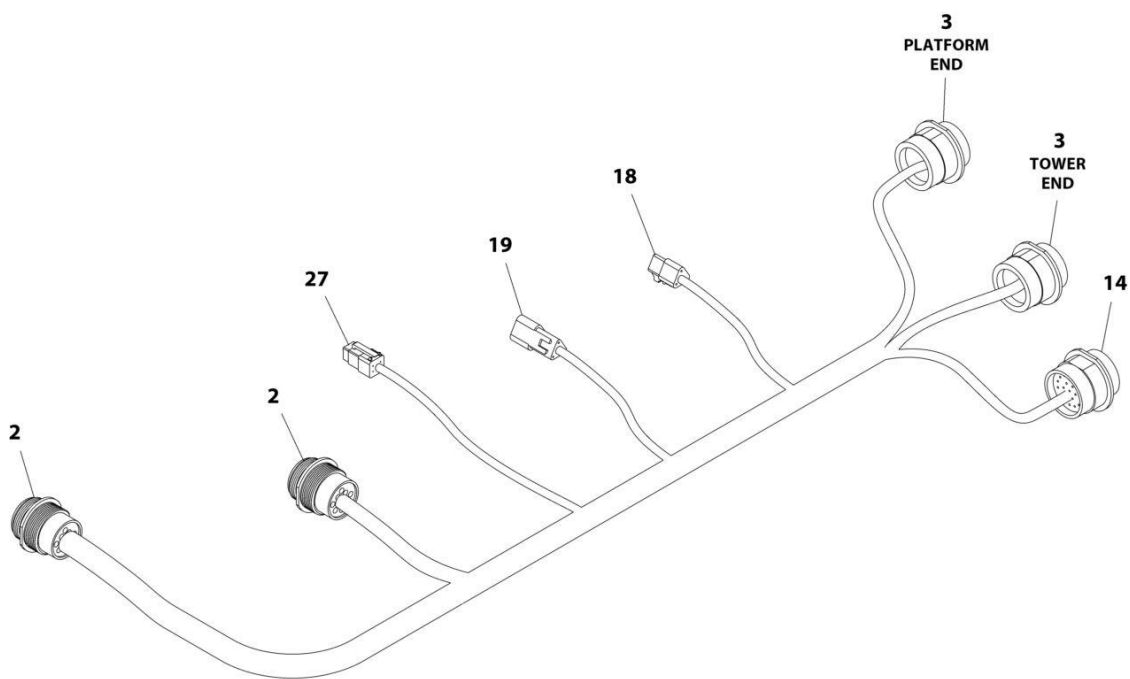
SECTION 8 - ELECTRICAL

FIGURE 8-82. TOWER BOOM FLY TO GROUND CONTROL BOX HARNESS

ITEM	PART NUMBER	QTY	DESCRIPTION	REV
	4922958	Ref	TOWER BOOM FLY TO GROUND CONTROL BOX HARNESS	D
2	4460465	22	Socket, Female	
3	4461003	2	Connector - 21 Position	
4	4460509	8	Socket, Female	
5	4460473	2	Clamp, Cable	
6	4460466	12	Seal, Plug	

SECTION 8 - ELECTRICAL

FIGURE 8-83. TOWER BOOM FLY TO MAIN BOOM BASE HARNESS



ART_4923373_C

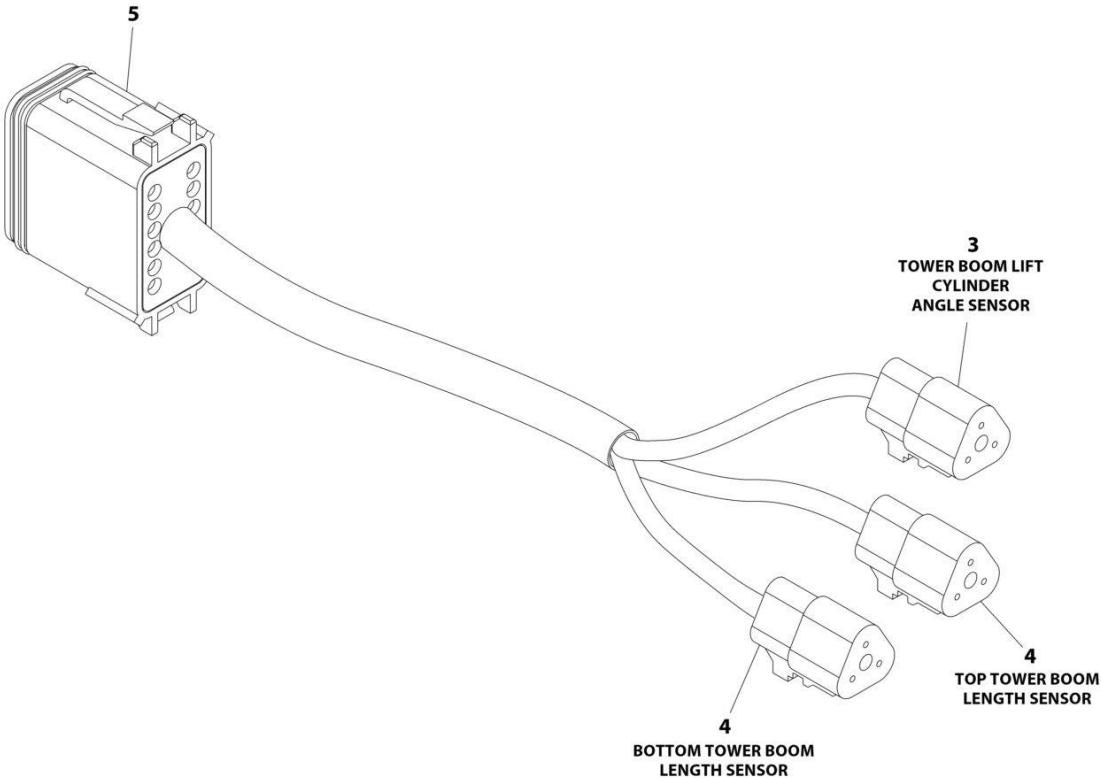
SECTION 8 - ELECTRICAL

FIGURE 8-83. TOWER BOOM FLY TO MAIN BOOM BASE HARNESS

ITEM	PART NUMBER	QTY	DESCRIPTION	REV
	4923373	Ref	TOWER BOOM FLY TO MAIN BOOM BASE HARNESS	C
2	4461009	2	Connector - 5 Position	
3	4460866	2	Connector - 19 Position	
3	4460464	3	Pin, Male	
3	4460508	4	Pin, Male	
3	4460943	3	Pin, Male (Gold)	
3	4460466	4	Seal, Plug	
14	4460613	1	Connector - 21 Position	
14	4460464	8	Pin, Male	
14	4460508	5	Pin, Male	
18	4460539	1	Connector - 3 Position	
18	4460944	3	Socket, Female (Gold)	
19	4460536	1	Connector - 3 Position	
19	4460943	3	Pin, Male (Gold)	
27	4461077	1	Plug, Male	
27	4460918	4	Socket, Female (Gold)	

SECTION 8 - ELECTRICAL

FIGURE 8-84. TOWER BOOM LENGTH SENSORS HARNESS



ART_4922949

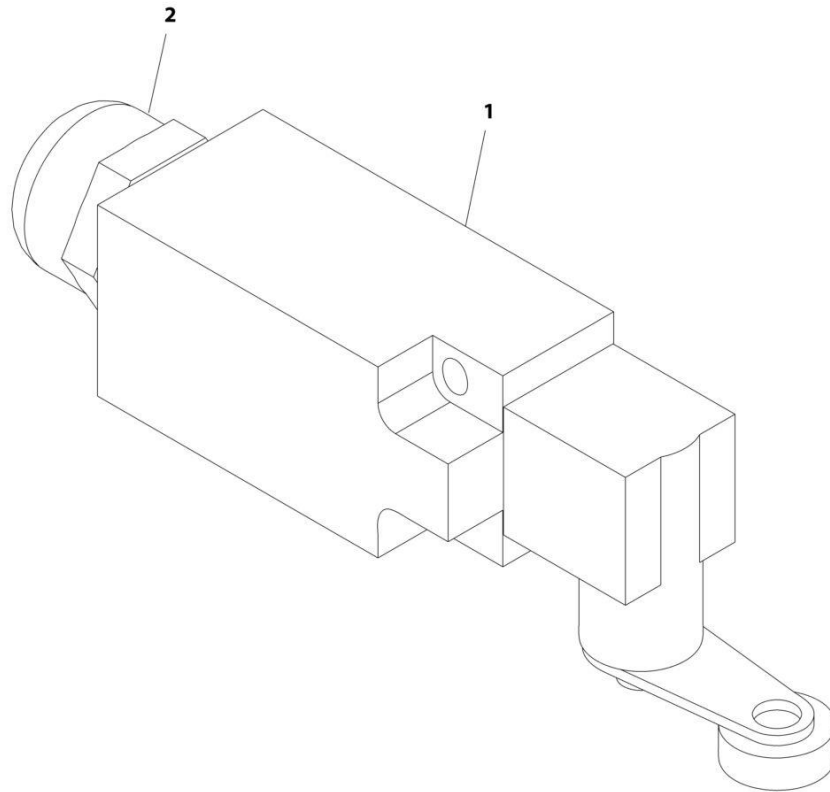
SECTION 8 - ELECTRICAL

FIGURE 8-84. TOWER BOOM LENGTH SENSORS HARNESS

ITEM	PART NUMBER	QTY	DESCRIPTION	REV
	4922949	Ref	TOWER BOOM LENGTH SENSORS HARNESS	B
3	4460539	1	Connector - 3 Position	
3	4460943	3	Pin, Male (Gold)	
4	4460539	2	Connector - 3 Position	
4	4460944	6	Socket, Female (Gold)	
5	4460934	1	Connector - 12 Position	
5	4460944	11	Socket, Female (Gold)	
5	4460466	1	Plug	

SECTION 8 - ELECTRICAL

FIGURE 8-85. TOWER BOOM TRANSPORT LENGTH SWITCH HARNESS



ART_4923169

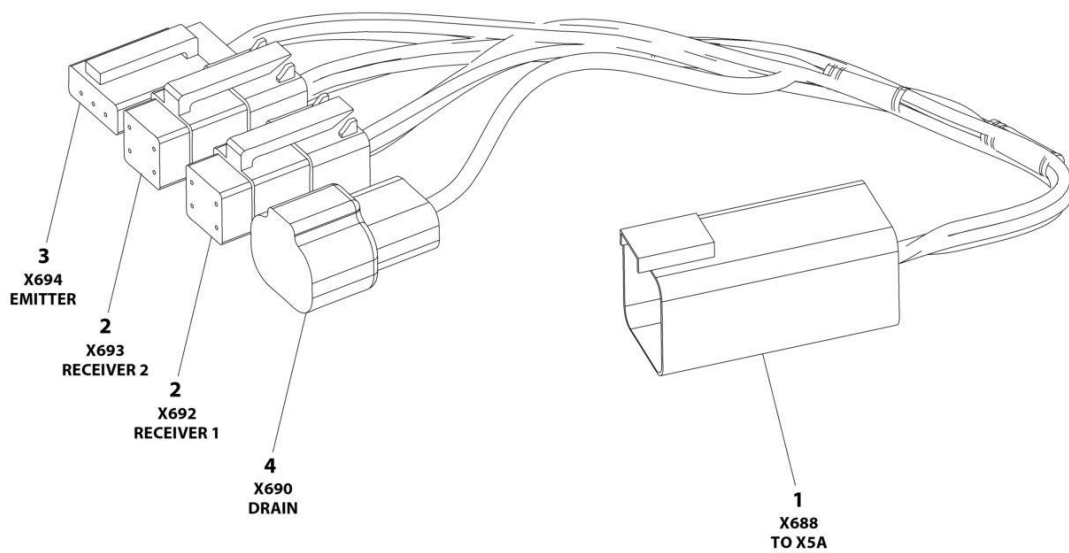
SECTION 8 - ELECTRICAL

FIGURE 8-85. TOWER BOOM TRANSPORT LENGTH SWITCH HARNESS

ITEM	PART NUMBER	QTY	DESCRIPTION	REV
	4923169	Ref	TOWER BOOM TRANSPORT LENGTH SWITCH HARNESS	A
1	4360579	1	Switch, Limit	
2	4460968	1	Connector, Strain Relief	

SECTION 8 - ELECTRICAL

FIGURE 8-86. SKYEYE INTERMEDIATE HARNESS



ART_1001237865

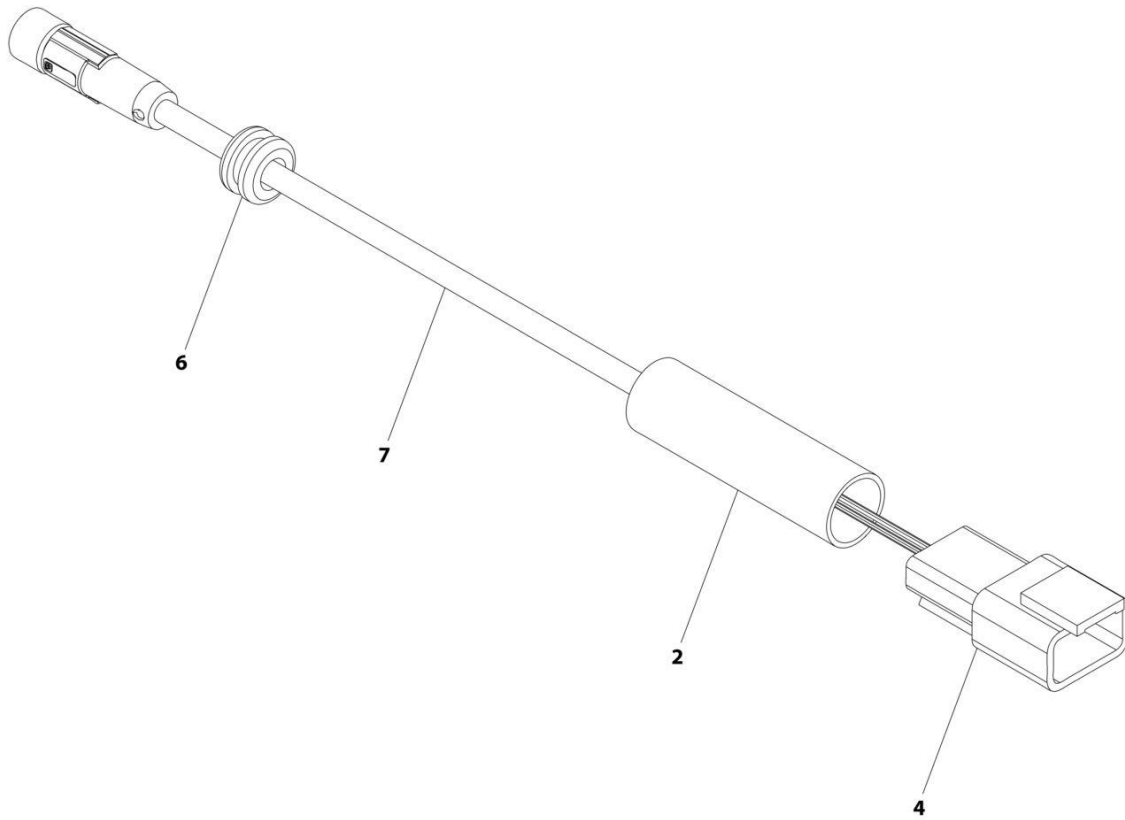
SECTION 8 - ELECTRICAL

FIGURE 8-86. SKYEYE INTERMEDIATE HARNESS

ITEM	PART NUMBER	QTY	DESCRIPTION	REV
	1001237865	Ref	SKYEYE INTERMEDIATE HARNESS	A
1	4460899	1	Connector - 6 Position	
1	4460943	4	Pin, Male	
1	4460466	2	Plug, Terminal	
2	4461077	2	Connector - 4 Position	
2	1001119619	8	Socket, Female	
3	4460911	1	Connector - 3 Position	
3	1001119619	3	Socket, Female	
4	1001187681	1	Connector - 2 Position	
4	4460941	1	Pin, Male	
4	4460466	1	Plug, Terminal	

SECTION 8 - ELECTRICAL

FIGURE 8-87. SKYEYE RECEIVER HARNESS



ART_1001237863_B

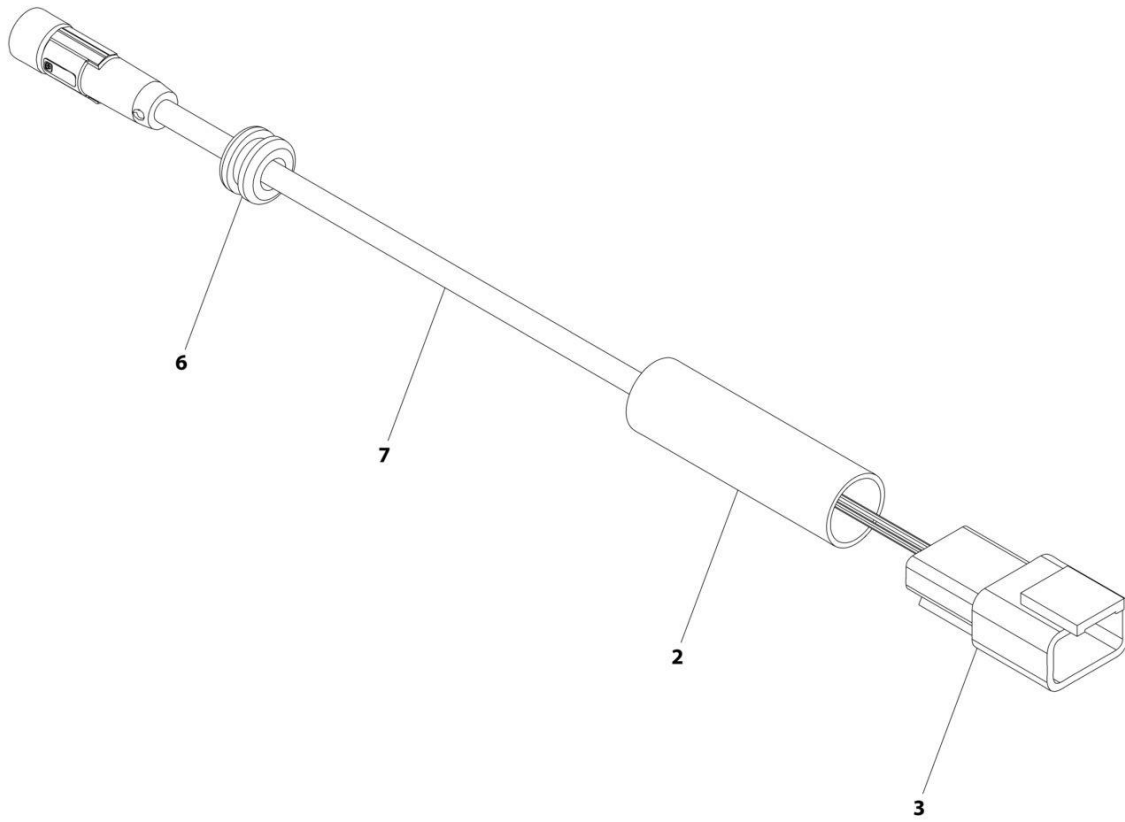
SECTION 8 - ELECTRICAL

FIGURE 8-87. SKYEYE RECEIVER HARNESS

ITEM	PART NUMBER	QTY	DESCRIPTION	REV
	1001237863	Ref	SKYEYE RECEIVER HARNESS	B
2	2820247	AR	Tubing, Heat Shrink	
4	1001097051	1	Connector - 4 Position	
4	1001119620	4	Pin, Male	
6	1001227996	1	Grommet	
7	1001258495	1	Cable, M8 Female Cordset	

SECTION 8 - ELECTRICAL

FIGURE 8-88. SKYEYE EMITTER HARNESS



ART_1001237864_B

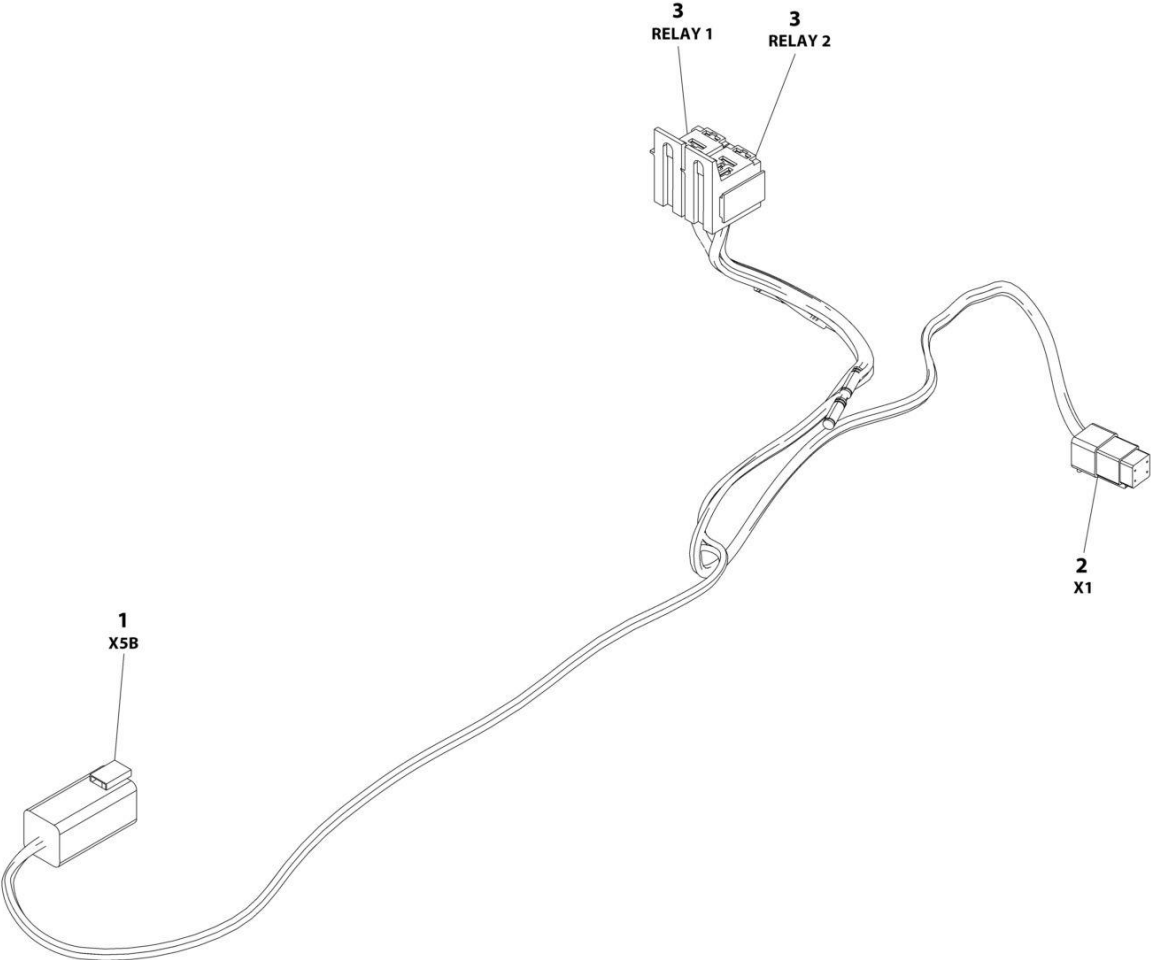
SECTION 8 - ELECTRICAL

FIGURE 8-88. SKYEYE EMITTER HARNESS

ITEM	PART NUMBER	QTY	DESCRIPTION	REV
	1001237864	Ref	SKYEYE EMITTER HARNESS	B
2	2820247	AR	Tubing, Heat Shrink	
3	4460910	1	Connector - 3 Position	
3	1001119620	3	Pin, Male	
6	1001227996	1	Grommet	
7	1001258495	1	Cable, M8 Female Cordset	

SECTION 8 - ELECTRICAL

FIGURE 8-89. SKYLINE HARNESS



ART_1001238418

SECTION 8 - ELECTRICAL

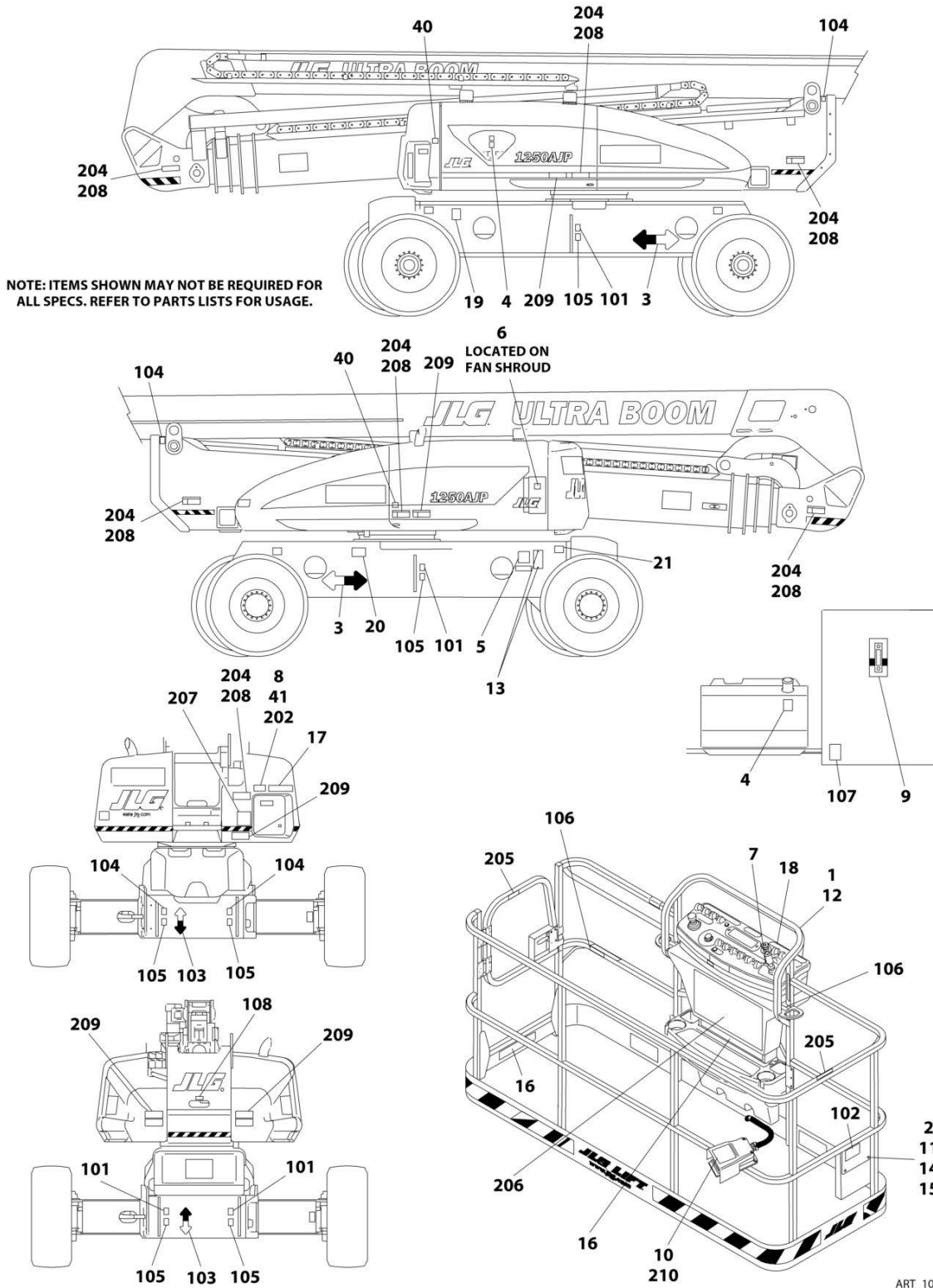
FIGURE 8-89. SKYLINE HARNESS

ITEM	PART NUMBER	QTY	DESCRIPTION	REV
	1001238418	Ref	SKYLINE HARNESS	B
1	4460899	1	Connector - 6 Position	
1	4460464	4	Pin, Male	
1	4460466	2	Plug, Terminal	
2	4461077	1	Connector - 4 Position	
2	1001126009	4	Socket, Female	
3	1001186432	2	Plug, Relay	
3	1001118388	5	Terminal	
3	1001118384	3	Terminal	
3	3740086	2	Relay	

SECTION 9 - DECALS

SECTION 9 - DECALS

FIGURE 9-1. DECAL INSTALLATION - ANSI SPEC



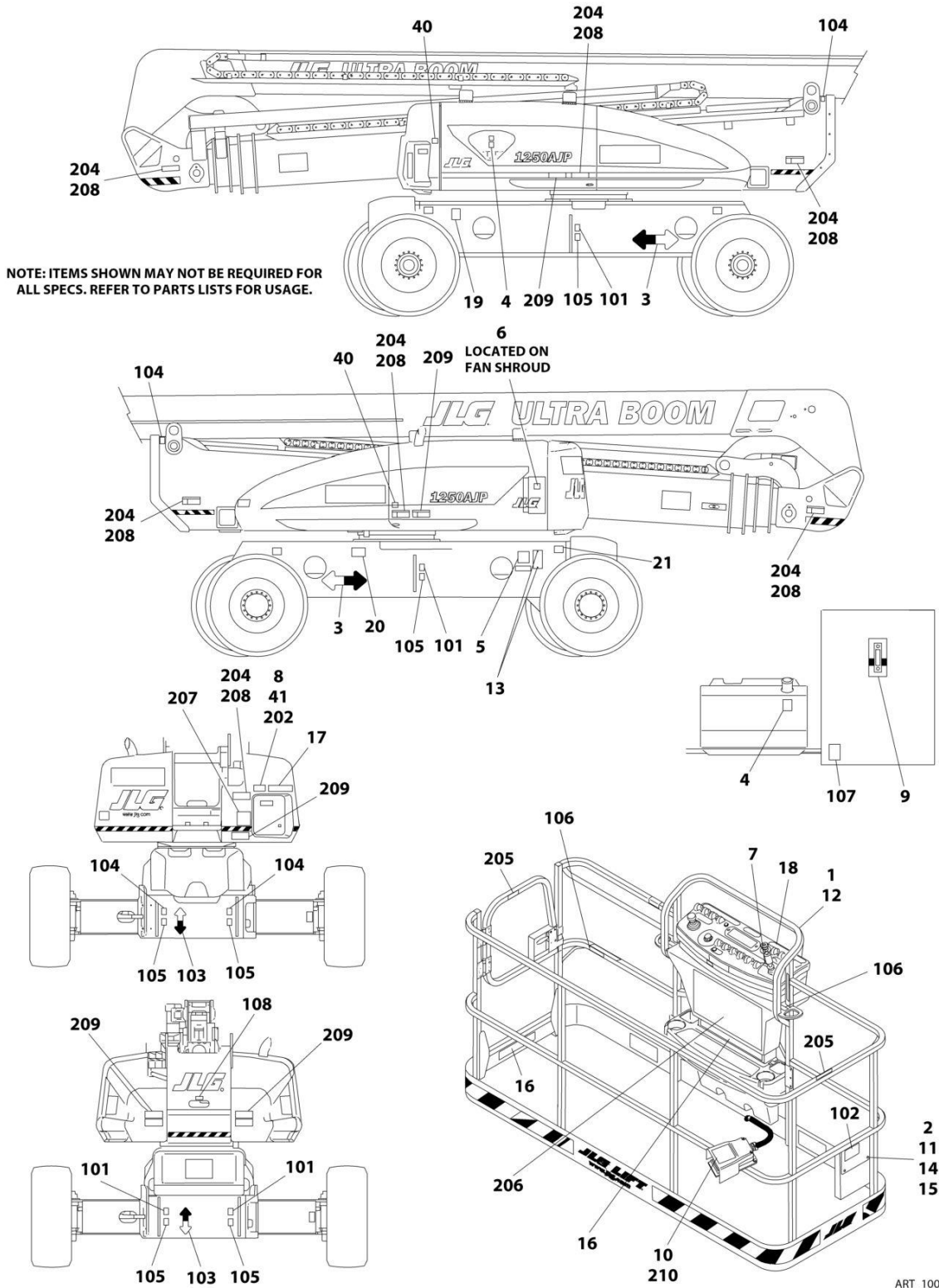
SECTION 9 - DECALS

FIGURE 9-1. DECAL INSTALLATION - ANSI SPEC

ITEM	PART NUMBER	QTY	DESCRIPTION	REV
	1001251267	Ref	DECAL INSTALLATION - REFERENCE CHART	C
	1001243965	Ref	DECAL INSTALLATION - ANSI SPEC	B
1	0100048	AR	Grease, Dielectric	
2	0641406	4	Bolt 1/4 x 3/4	
3	1701501	4	Decal - Arrow	
4	1701505	2	Decal - Fuel	
5	See Note	1	Decal - Bar Code (Note: Not Available For Purchase)	
6	1704972	1	Decal - Warning Explosion/Fire (Not Shown - Located on Engine Air Filter Housing)	
7	1705351	1	Decal - Drive/Steer Instructions	
8	1705492	1	Decal - Tip Over Hazard	
9	1705511	1	Decal - Oil Level	
10	3252347	1	Decal - Footswitch	
11	3311405	4	Nut 1/4	
12	3520174	3	Plug	
13	3820001	2	Rivet	
14	4751400	4	Washer 1/4	
15	91403230	1	Box, Manual Storage	
16	1001253048	1	Decal - Capacity (Platform)	
17	1001253049	1	Decal - Capacity (Ground Control)	
18	1001122611	1	Decal - Stop	
19	1001131269	1	Decal - Patent	
20	1001223055	1	Decal - Yearly Inspection	
21	1001223453	1	Decal - Ices	
100	1001248539	1	Decal Master Kit (Not Shown - Includes Items 101-108)	
101	1701499	4	Decal - No Lift	
102	1701509	1	Decal - Manual	
103	1701529	2	Decal - Arrow	
104	1703811	8	Decal - Tie Down/Lift	
105	1703814	6	Decal - Tie Down	
106	1704277	4	Decal - Attach Lanyard Here	
107	1704412	1	Decal - Hydraulic Oil Chart	
108	3251243	1	Nameplate - 120V-60Hz	
200	1001248547	1	Decal Kit (Not Shown - Includes Items 204-209)	
204	1703953	7	Decal - Warning/Crushing	
205	1702868	2	Decal - No Hands	
206	1001231315	1	Decal - Danger/Warning (Platform)	
207	1705336	1	Decal - Danger/Warning (Ground Control)	
208	1703804	5	Decal - Warning Crushing	
209	1703805	5	Decal - Danger/Electrocution	

SECTION 9 - DECALS

FIGURE 9-2. DECAL INSTALLATION - AUSTRALIAN SPEC



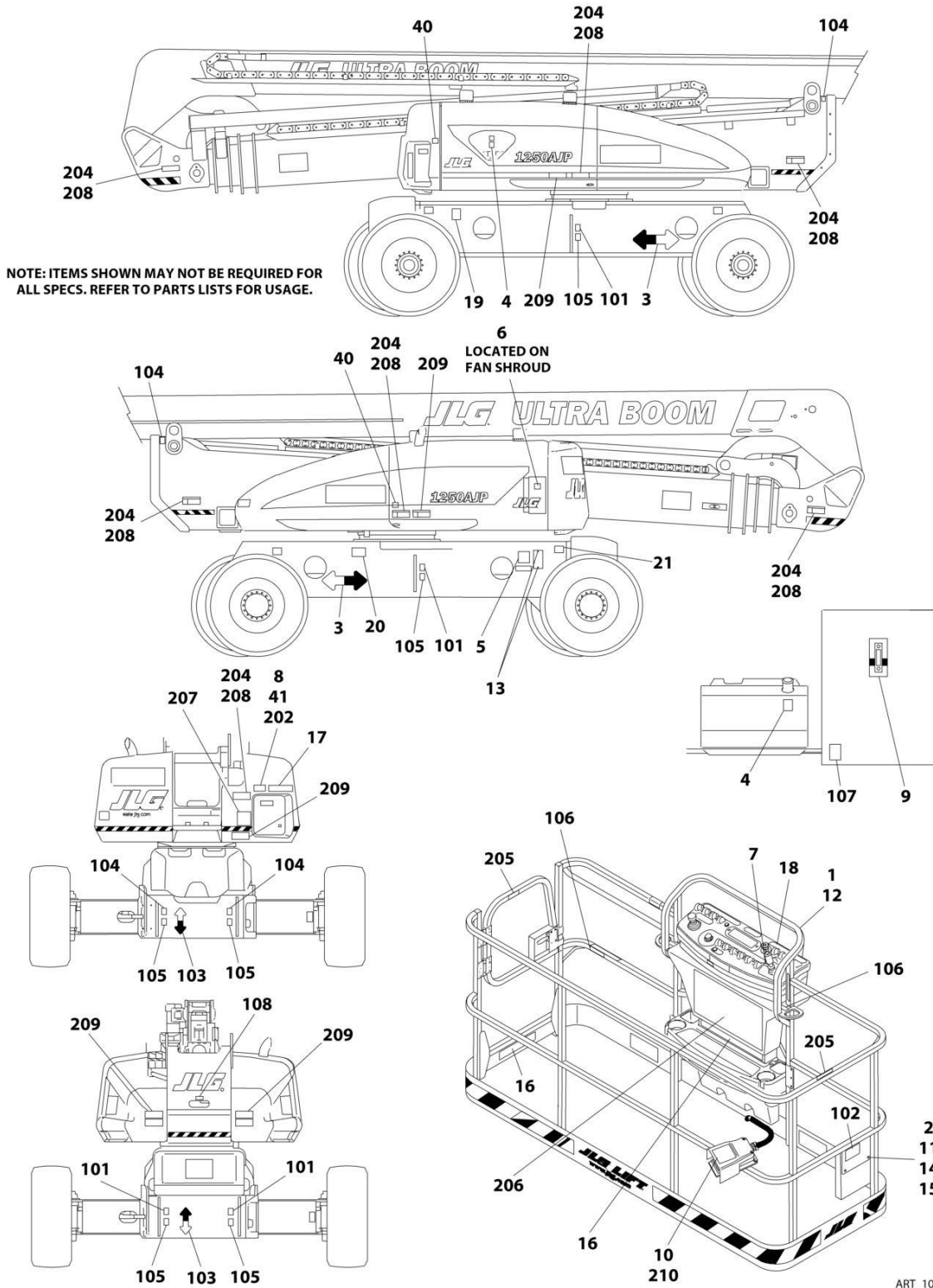
SECTION 9 - DECALS

FIGURE 9-2. DECAL INSTALLATION - AUSTRALIAN SPEC

ITEM	PART NUMBER	QTY	DESCRIPTION	REV
	1001251267	Ref	DECAL INSTALLATION - REFERENCE CHART	C
	1001246611	Ref	DECAL INSTALLATION - AUSTRALIAN SPEC	A
1	0100048	AR	Grease, Dielectric	
2	0641406	4	Bolt 1/4 x 3/4	
3	1701501	4	Decal - Arrow	
4	1701505	2	Decal - Fuel	
5	See Note	1	Decal - Bar Code (Note: Not Available For Purchase)	
6	1706098	1	Decal - Warning Explosion/Fire (Not Shown - Located on Engine Air Filter Housing)	
9	1705511	1	Decal - Oil Level	
10	1705828	1	Decal - Footswitch	
11	3311405	4	Nut 1/4	
12	3520174	3	Plug	
13	3820001	6	Rivet	
14	4751400	4	Washer 1/4	
15	91403230	1	Box, Manual Storage	
16	1706770	1	Decal - Capacity (Platform)	
17	1705468	1	Decal - Capacity (Ground Control)	
18	1705174	1	Decal - Stop	
41	1001112551	1	Decal - Emergency Controls (Australian Spec)	
100	1001248540	1	Decal Master Kit (Not Shown - Includes Items 101-107)	
101	1701499	4	Decal - No Lift	
102	1701509	1	Decal - Manual	
103	1701529	2	Decal - Arrow	
104	1703811	4	Decal - Tie Down/Lift	
105	1703814	6	Decal - Tie Down	
106	1704277	4	Decal - Attach Lanyard Here	
107	1704412	1	Decal - Hydraulic Oil Chart	
200	1001248546	1	Decal Kit (Not Shown - Includes Items 206-209)	
206	1705921	1	Decal - Tipping/Electrical (Platform)	
207	1705822	1	Decal - Electrical/Safety (Ground Control)	
208	1701518	10	Decal - Warning Crushing	
209	1705961	5	Decal - Danger Electrocution	

SECTION 9 - DECALS

FIGURE 9-3. DECAL INSTALLATION - BRAZIL SPEC (PORTGUESE/ENGLISH)



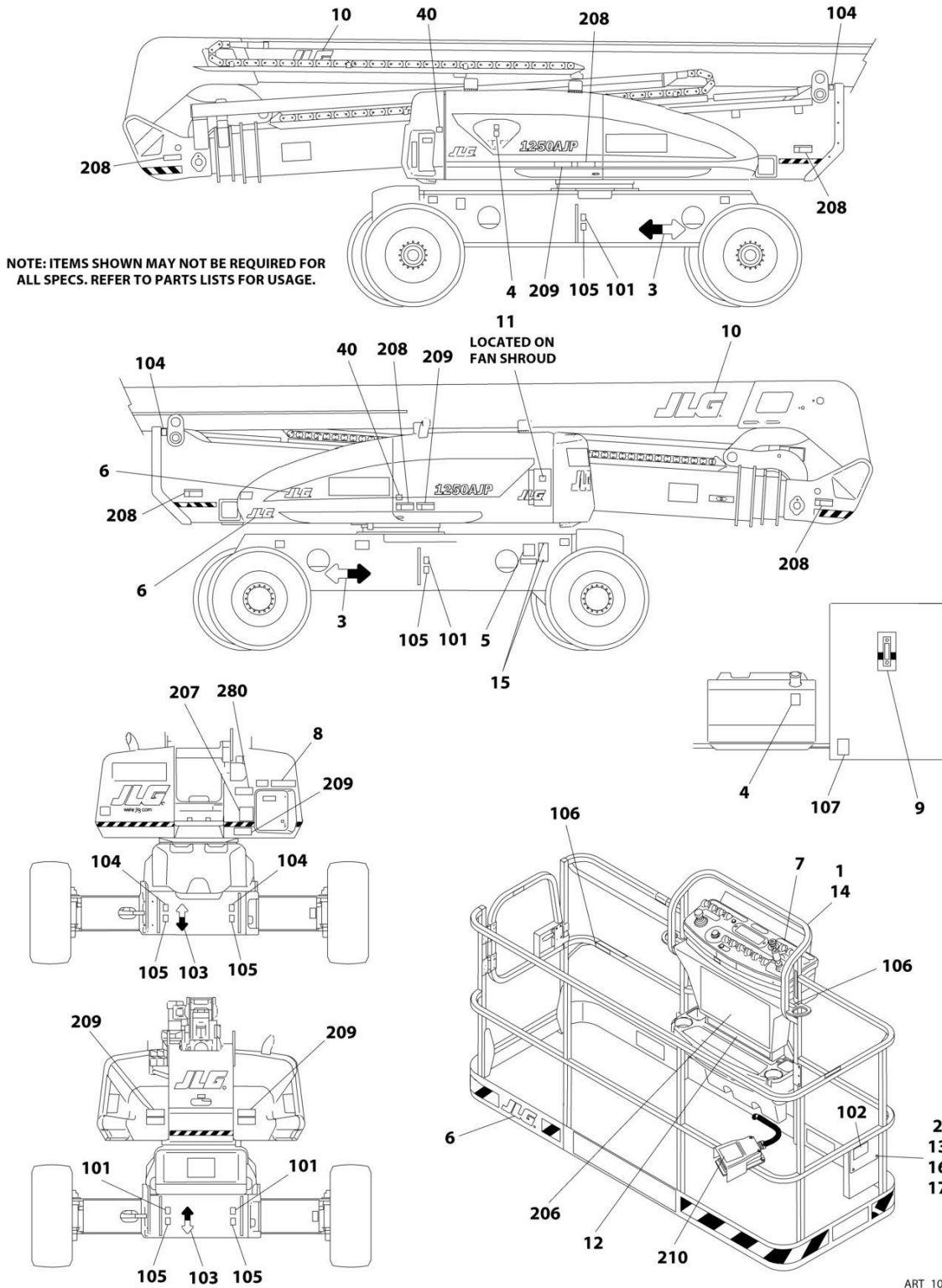
SECTION 9 - DECALS

FIGURE 9-3. DECAL INSTALLATION - BRAZIL SPEC (PORTGUESE/ENGLISH)

ITEM	PART NUMBER	QTY	DESCRIPTION	REV
	1001251267	Ref	DECAL INSTALLATION - REFERENCE CHART	C
	1001244207	Ref	DECAL INSTALLATION - BRAZIL SPEC (PORTGUESE/ENGLISH)	B
2	0641406	4	Bolt 1/4 x 3/4	
3	1701501	4	Decal - Arrow	
4	1701505	2	Decal - Fuel	
5	See Note	1	Decal - Bar Code (Note: Not Available For Purchase)	
6	1706059	1	Decal - Warning Explosion/Fire (Not Shown - Located on Engine Air Filter Housing)	
7	1705905	1	Decal - Drive/Steer Instructions	
9	1705511	1	Decal - Oil Level	
11	3311405	4	Nut 1/4	
13	3820001	2	Rivet	
14	4751400	4	Washer 1/4	
15	91403230	1	Box, Manual Storage	
16	1001253057	1	Decal - Capacity (Platform)	
17	1001253058	1	Decal - Capacity (Ground Control)	
18	1001122611	1	Decal - Stop	
20	1001224052	1	Decal - Yearly Inspection	
100	1001248539	1	Decal Master Kit (Not Shown - Includes Items 101-108)	
101	1701499	4	Decal - No Lift	
102	1701509	1	Decal - Manual	
103	1701529	2	Decal - Arrow	
104	1703811	8	Decal - Tie Down/Lift	
105	1703814	6	Decal - Tie Down	
106	1704277	4	Decal - Attach Lanyard Here	
107	1704412	1	Decal - Hydraulic Oil Chart	
108	3251243	1	Nameplate - 120V-60Hz	
200	1001248551	1	Decal Kit (Not Shown - Includes Items 202-210)	
202	1705906	1	Decal - Tip Over Hazard	
203	1705901	1	Decal - Inspection (Not Shown)	
204	1705903	7	Decal - Warning/Crushing	
205	1705967	2	Decal - No Hands	
206	1001231319	1	Decal - Danger/Warning (Platform)	
207	1705896	1	Decal - Danger/Warning (Ground Control)	
208	1705898	5	Decal - Warning Crushing	
209	1705897	5	Decal - Danger/Electrocution	
210	1705902	1	Decal - Footswitch	

SECTION 9 - DECALS

FIGURE 9-4. DECAL INSTALLATION - CE SPEC



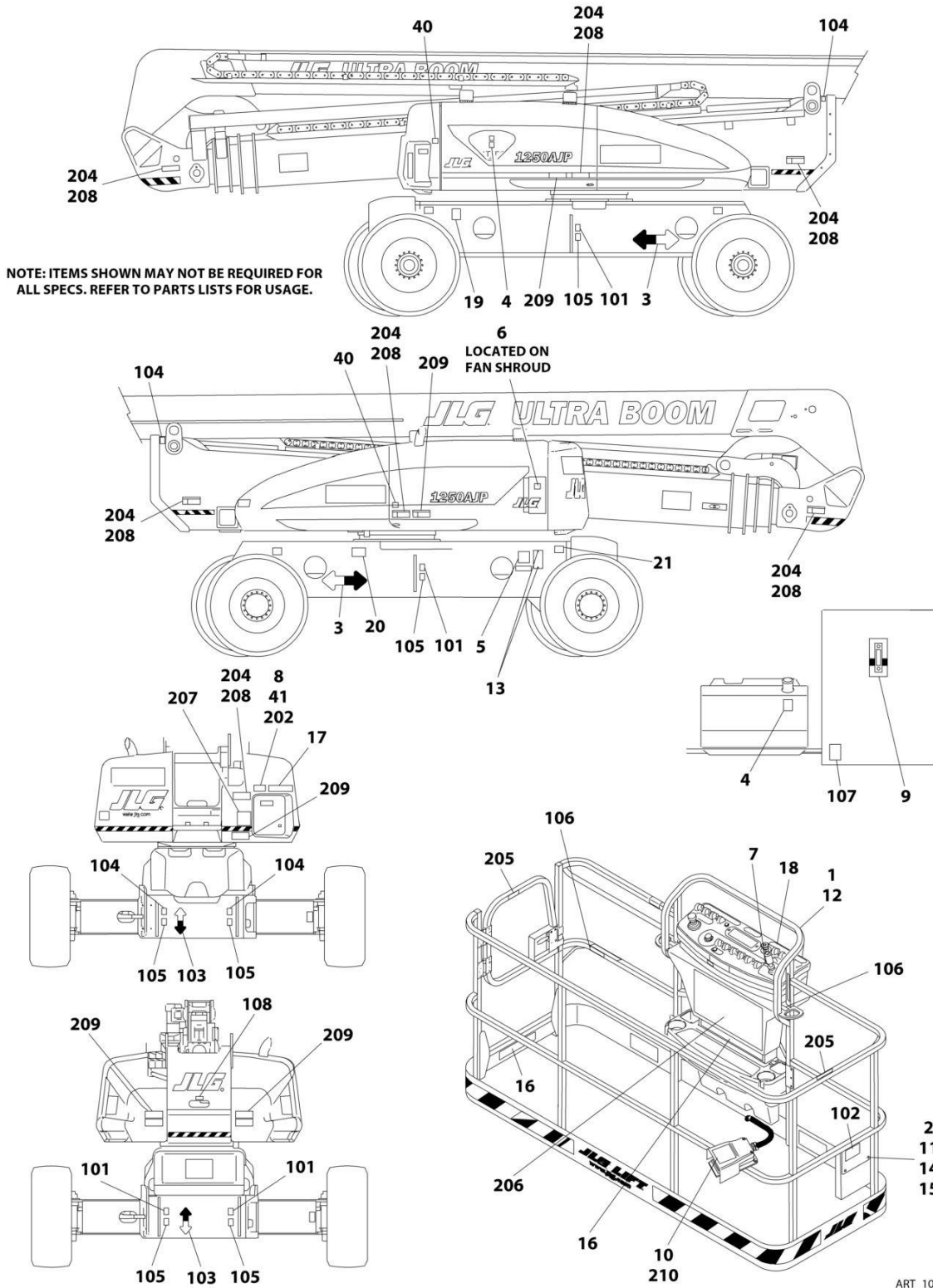
SECTION 9 - DECALS

FIGURE 9-4. DECAL INSTALLATION - CE SPEC

ITEM	PART NUMBER	QTY	DESCRIPTION	REV
	1001251268	Ref	DECAL INSTALLATION - REFERENCE CHART	C
	1001246610	Ref	DECAL INSTALLATION - CE & UK CA SPEC	A
1	0100048	AR	Grease, Dielectric	
2	0641406	7	Bolt 1/4 x 3/4	
3	1701501	4	Decal - Arrow	
4	1701505	2	Decal - Fuel	
5	See Note	1	Decal - Bar Code (Note: Not Available For Purchase)	
6	1702773	3	Decal - JLG	
7	1705174	1	Decal - Stop	
8	1705468	1	Decal - Capacity (Ground Control)	
9	1705511	1	Decal - Oil Level	
10	1705864	2	Decal - JLG	
11	1706098	1	Decal - Warning Explosion/Fire (Not Shown - Located on Engine Air Filter Housing)	
12	1706770	1	Decal - Capacity (Platform)	
13	3311405	4	Nut 1/4	
14	3520174	3	Plug	
15	3820001	6	Rivet	
16	4751400	7	Washer 1/4	
17	91403230	1	Box, Manual Storage	
100	1001248540	1	Decal Master Kit (Not Shown - Includes Items 101-107)	
101	1701499	4	Decal - No Lift	
102	1701509	1	Decal - Manual	
103	1701529	2	Decal - Arrow	
104	1703811	4	Decal - Tie Down/Lift	
105	1703814	6	Decal - Tie Down	
106	1704277	4	Decal - Attach Lanyard Here	
107	1704412	1	Decal - Hydraulic Oil Chart	
200	1001248546	1	Decal Kit (Not Shown - Includes Items 206-210)	
206	1705921	1	Decal - Tipping/Electrical (Platform)	
207	1705822	1	Decal - Electrical/Safety (Ground Control)	
208	1701518	10	Decal - Warning Crushing	
209	1705961	5	Decal - Danger Electrocution	
210	1705828	1	Decal - Footswitch	

SECTION 9 - DECALS

FIGURE 9-5. DECAL INSTALLATION - CHINESE SPEC (CHINESE/ENGLISH)



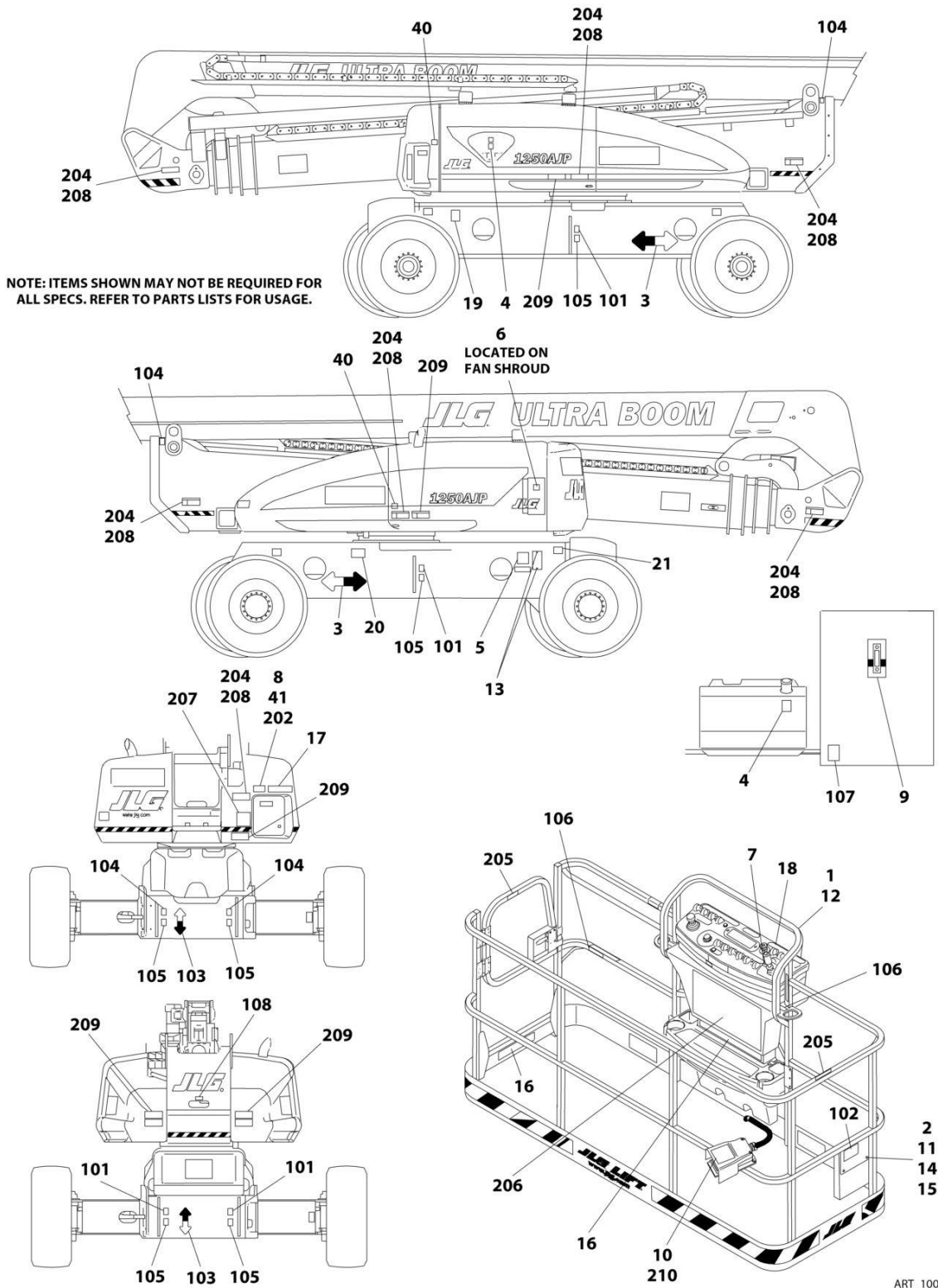
SECTION 9 - DECALS

FIGURE 9-5. DECAL INSTALLATION - CHINESE SPEC (CHINESE/ENGLISH)

ITEM	PART NUMBER	QTY	DESCRIPTION	REV
	1001251267	Ref	DECAL INSTALLATION - REFERENCE CHART	C
	1001244206	Ref	DECAL INSTALLATION - CHINESE SPEC (CHINESE/ENGLISH)	B
2	0641406	4	Bolt 1/4 x 3/4	
3	1701501	4	Decal - Arrow	
4	1701505	2	Decal - Fuel	
5	See Note	1	Decal - Bar Code (Note: Not Available For Purchase)	
6	1706060	1	Decal - Warning Explosion/Fire (Not Shown - Located on Engine Air Filter Housing)	
7	1705430	1	Decal - Drive/Steer Instructions	
9	1705511	1	Decal - Oil Level	
11	3311405	4	Nut 1/4	
13	3820001	2	Rivet	
14	4751400	4	Washer 1/4	
15	91403230	1	Box, Manual Storage	
16	1001253054	2	Decal - Capacity (Platform)	
17	1001253056	1	Decal - Capacity (Ground Control)	
18	1001122611	1	Decal - Stop	
20	1001224050	1	Decal - Yearly Inspection	
40	1001244298	2	Decal - Wechat QR Code	
100	1001248539	1	Decal Master Kit (Not Shown - Includes Items 101-108)	
101	1701499	4	Decal - No Lift	
102	1701509	1	Decal - Manual	
103	1701529	2	Decal - Arrow	
104	1703811	8	Decal - Tie Down/Lift	
105	1703814	6	Decal - Tie Down	
106	1704277	4	Decal - Attach Lanyard Here	
107	1704412	1	Decal - Hydraulic Oil Chart	
108	3251243	1	Nameplate - 120V-60Hz	
200	1001248553	1	Decal Kit (Not Shown - Includes Items 202-210)	
202	1001117035	1	Decal - Tip Over Hazard	
204	1703943	7	Decal - Warning/Crushing	
205	1001116846	2	Decal - No Hands	
206	1001231321	1	Decal - Danger/Warning (Platform)	
207	1001116849	2	Decal - Danger/Warning (Ground Control)	
208	1703949	5	Decal - Warning Crushing	
209	1001116851	5	Decal - Danger/Electrocution	
210	1703982	1	Decal - Footswitch	

SECTION 9 - DECALS

FIGURE 9-6. DECAL INSTALLATION - CSA SPEC (ENGLISH/FRENCH)



ART_1001243994

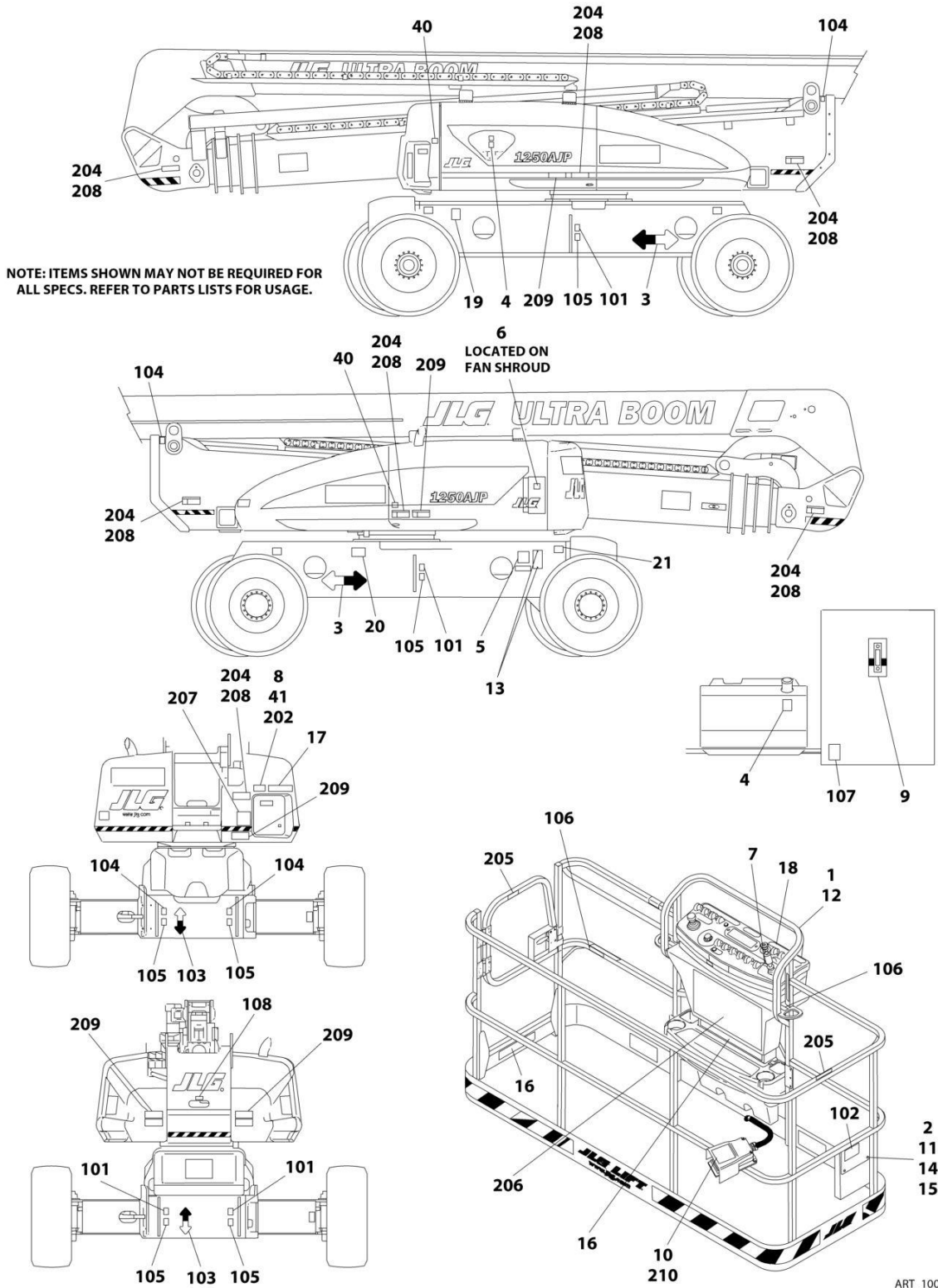
SECTION 9 - DECALS

FIGURE 9-6. DECAL INSTALLATION - CSA SPEC (ENGLISH/FRENCH)

ITEM	PART NUMBER	QTY	DESCRIPTION	REV
	1001251267	Ref	DECAL INSTALLATION - REFERENCE CHART	C
	1001243994	Ref	DECAL INSTALLATION - CSA SPEC (ENGLISH/FRENCH)	B
2	0641406	4	Bolt 1/4 x 3/4	
3	1701501	4	Decal - Arrow	
4	1701505	2	Decal - Fuel	
5	See Note	1	Decal - Bar Code (Note: Not Available For Purchase)	
6	1706064	1	Decal - Warning Explosion/Fire (Not Shown - Located on Engine Air Filter Housing)	
7	1705429	1	Decal - Drive/Steer Instructions	
9	1705511	1	Decal - Oil Level	
11	3311405	4	Nut 1/4	
13	3820001	2	Rivet	
14	4751400	4	Washer 1/4	
15	91403230	1	Box, Manual Storage	
16	1001253050	1	Decal - Capacity (Platform)	
17	1001253051	1	Decal - Capacity (Ground Control)	
18	1705174	1	Decal - Stop	
19	1001131269	1	Decal - Patent	
20	1001223971	1	Decal - Yearly Inspection	
21	1001223453	1	Decal - Ices	
100	1001248539	1	Decal Master Kit (Not Shown - Includes Items 101-108)	
101	1701499	4	Decal - No Lift	
102	1701509	1	Decal - Manual	
103	1701529	2	Decal - Arrow	
104	1703811	8	Decal - Tie Down/Lift	
105	1703814	6	Decal - Tie Down	
106	1704277	4	Decal - Attach Lanyard Here	
107	1704412	1	Decal - Hydraulic Oil Chart	
108	3251243	1	Nameplate - 120V-60Hz	
200	1001248548	1	Decal Kit (Not Shown - Includes Items 202-210)	
202	1705505	1	Decal - Tip Over Hazard	
204	1703942	7	Decal - Warning/Crushing	
205	1704000	2	Decal - No Hands	
206	1001231316	1	Decal - Danger/Warning (Platform)	
207	1705347	1	Decal - Danger/Warning (Ground Control)	
208	1703948	5	Decal - Warning Crushing	
209	1703936	5	Decal - Danger/Electrocution	
210	1703984	1	Decal - Footswitch	

SECTION 9 - DECALS

FIGURE 9-7. DECAL INSTALLATION - JAPANESE SPEC (JAPANESE/ENGLISH)



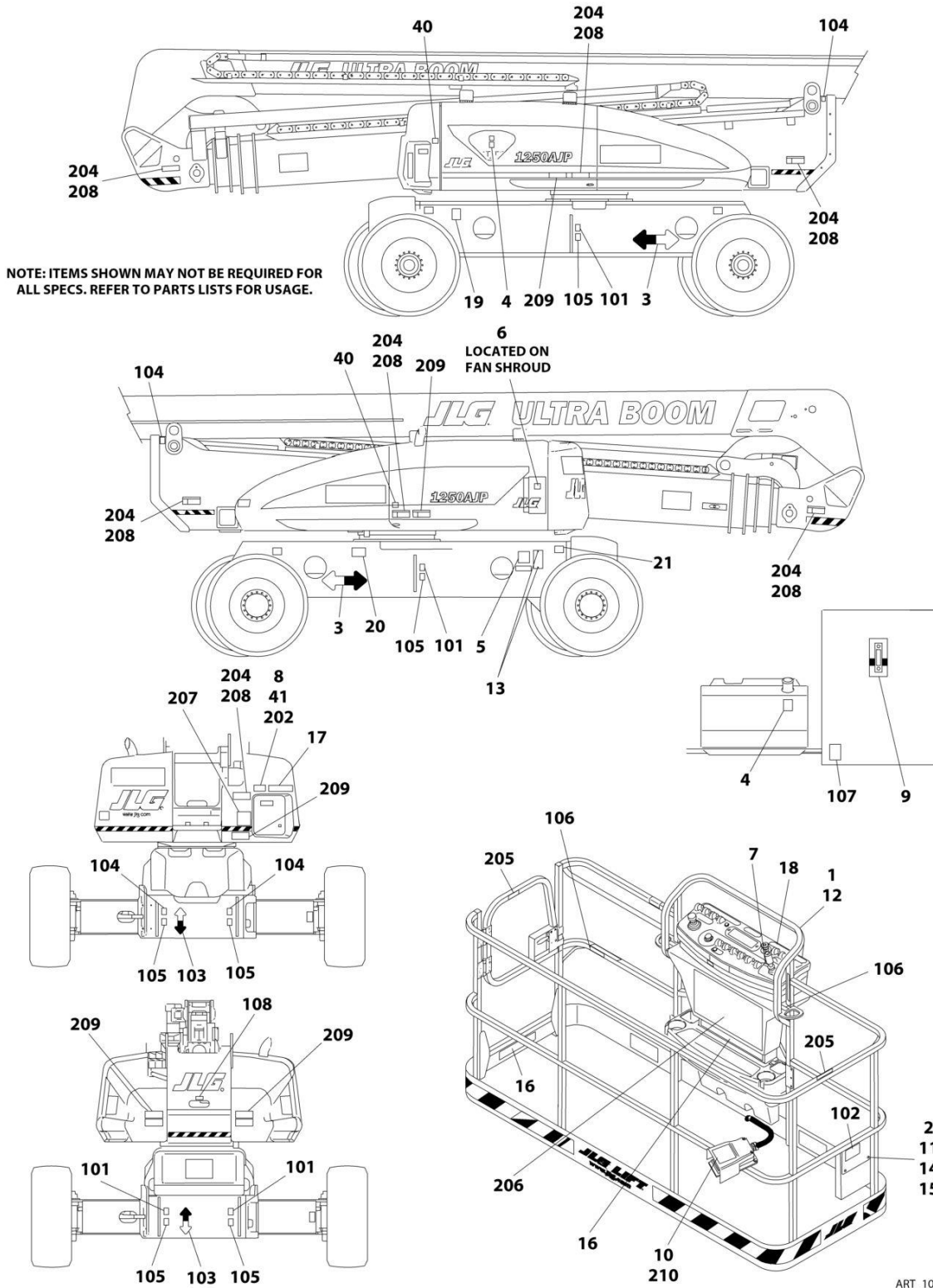
SECTION 9 - DECALS

FIGURE 9-7. DECAL INSTALLATION - JAPANESE SPEC (JAPANESE/ENGLISH)

ITEM	PART NUMBER	QTY	DESCRIPTION	REV
	1001251267	Ref	DECAL INSTALLATION - REFERENCE CHART	C
	1001244209	Ref	DECAL INSTALLATION - JAPANESE SPEC (JAPANESE/ENGLISH)	B
2	0641406	4	Bolt 1/4 x 3/4	
3	1701501	4	Decal - Arrow	
4	1701505	2	Decal - Fuel	
5	See Note	1	Decal - Bar Code (Note: Not Available For Purchase)	
6	1706062	1	Decal - Warning Explosion/Fire (Not Shown - Located on Engine Air Filter Housing)	
7	1705426	1	Decal - Drive/Steer Instructions	
9	1705511	1	Decal - Oil Level	
11	3311405	4	Nut 1/4	
13	3820001	2	Rivet	
14	4751400	4	Washer 1/4	
15	91403230	1	Box, Manual Storage	
16	1001253061	1	Decal - Capacity (Platform)	
17	1001253062	1	Decal - Capacity (Ground Control)	
18	1001122611	1	Decal - Stop	
20	1001224053	1	Decal - Yearly Inspection	
100	1001248539	1	Decal Master Kit (Not Shown - Includes Items 101-108)	
101	1701499	4	Decal - No Lift	
102	1701509	1	Decal - Manual	
103	1701529	2	Decal - Arrow	
104	1703811	8	Decal - Tie Down/Lift	
105	1703814	6	Decal - Tie Down	
106	1704277	4	Decal - Attach Lanyard Here	
107	1704412	1	Decal - Hydraulic Oil Chart	
108	3251243	1	Nameplate - 120V-60Hz	
200	1001248552	1	Decal Kit (Not Shown - Includes Items 202-210)	
202	1705493	1	Decal - Tip Over Hazard	
204	1703944	7	Decal - Warning/Crushing	
206	1001231320	1	Decal - Danger/Warning (Platform)	
207	1705344	1	Decal - Danger/Warning (Ground Control)	
208	1703950	5	Decal - Warning Crushing	
209	1703938	5	Decal - Danger/Electrocution	
210	1703980	1	Decal - Footswitch	

SECTION 9 - DECALS

FIGURE 9-8. DECAL INSTALLATION - KOREAN SPEC (KOREAN/ENGLISH)



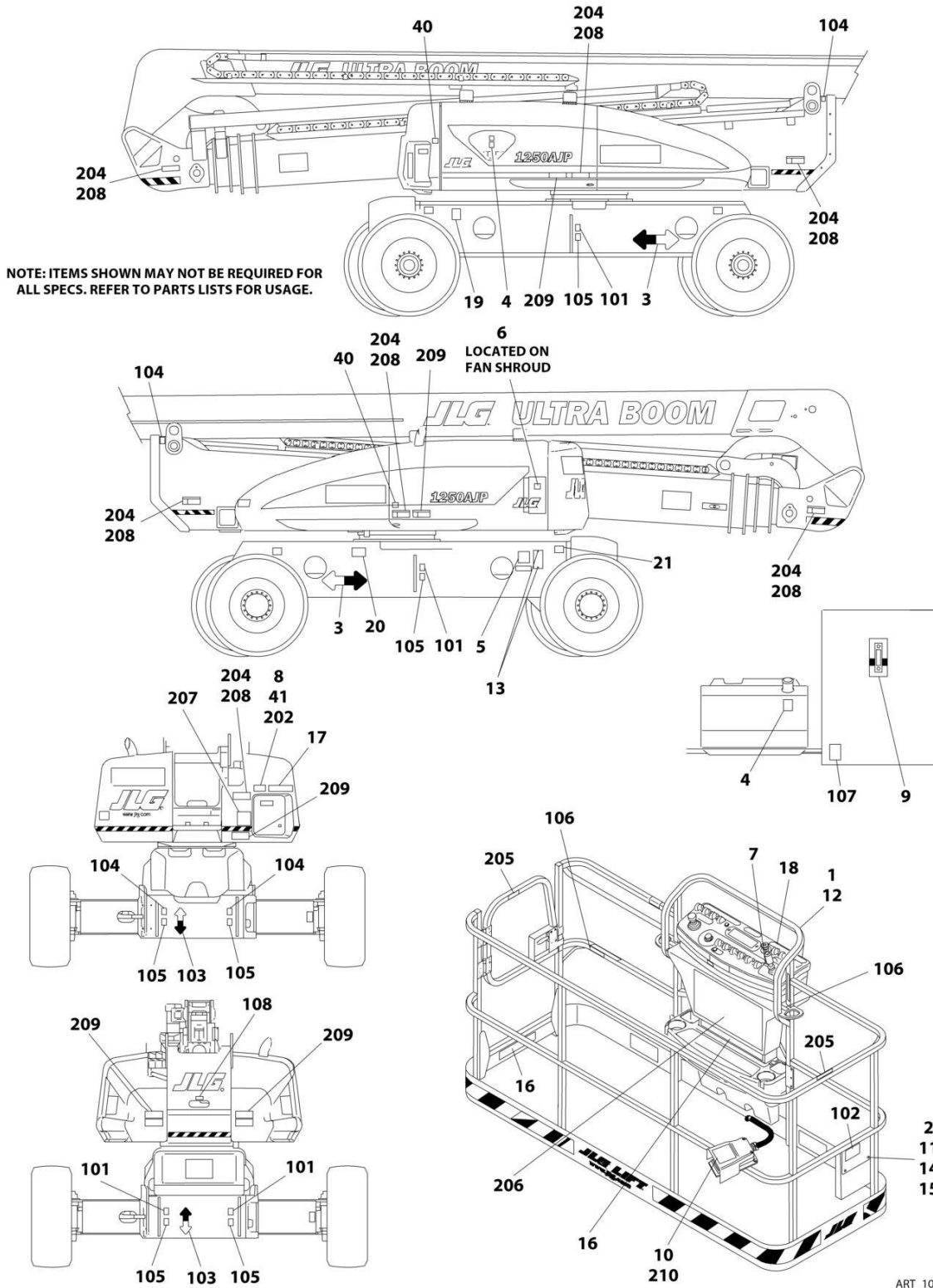
SECTION 9 - DECALS

FIGURE 9-8. DECAL INSTALLATION - KOREAN SPEC (KOREAN/ENGLISH)

ITEM	PART NUMBER	QTY	DESCRIPTION	REV
	1001251267	Ref	DECAL INSTALLATION - REFERENCE CHART	C
	1001244205	Ref	DECAL INSTALLATION - KOREAN SPEC (KOREAN/ENGLISH)	B
2	0641406	4	Bolt 1/4 x 3/4	
3	1701501	4	Decal - Arrow	
4	1701505	2	Decal - Fuel	
5	See Note	1	Decal - Bar Code (Note: Not Available For Purchase)	
6	1706061	1	Decal - Warning Explosion/Fire (Not Shown - Located on Engine Air Filter Housing)	
7	1705427	1	Decal - Drive/Steer Instructions	
9	1705511	1	Decal - Oil Level	
11	3311405	4	Nut 1/4	
13	3820001	2	Rivet	
14	4751400	4	Washer 1/4	
15	91403230	1	Box, Manual Storage	
16	1001253052	1	Decal - Capacity (Platform)	
17	1001253053	1	Decal - Capacity (Ground Control)	
18	1001122611	1	Decal - Stop	
20	1001224048	1	Decal - Yearly Inspection	
100	1001248539	1	Decal Master Kit (Not Shown - Includes Items 101-108)	
101	1701499	4	Decal - No Lift	
102	1701509	1	Decal - Manual	
103	1701529	2	Decal - Arrow	
104	1703811	8	Decal - Tie Down/Lift	
105	1703814	6	Decal - Tie Down	
106	1704277	4	Decal - Attach Lanyard Here	
107	1704412	1	Decal - Hydraulic Oil Chart	
108	3251243	1	Nameplate - 120V-60Hz	
200	1001248549	1	Decal Kit (Not Shown - Includes Items 202-210)	
202	1705503	AR	Decal - Tip Over Hazard	
204	1703945	7	Decal - Warning/Crushing	
205	1705969	2	Decal - No Hands	
206	1001231317	1	Decal - Danger/Warning (Platform)	
207	1705345	1	Decal - Danger/Warning (Ground Control)	
208	1703951	5	Decal - Warning Crushing	
209	1703939	5	Decal - Danger/Electrocution	
210	1703981	1	Decal - Footswitch	

SECTION 9 - DECALS

FIGURE 9-9. DECAL INSTALLATION - LATIN AMERICAN SPEC (SPANISH/ENGLISH)



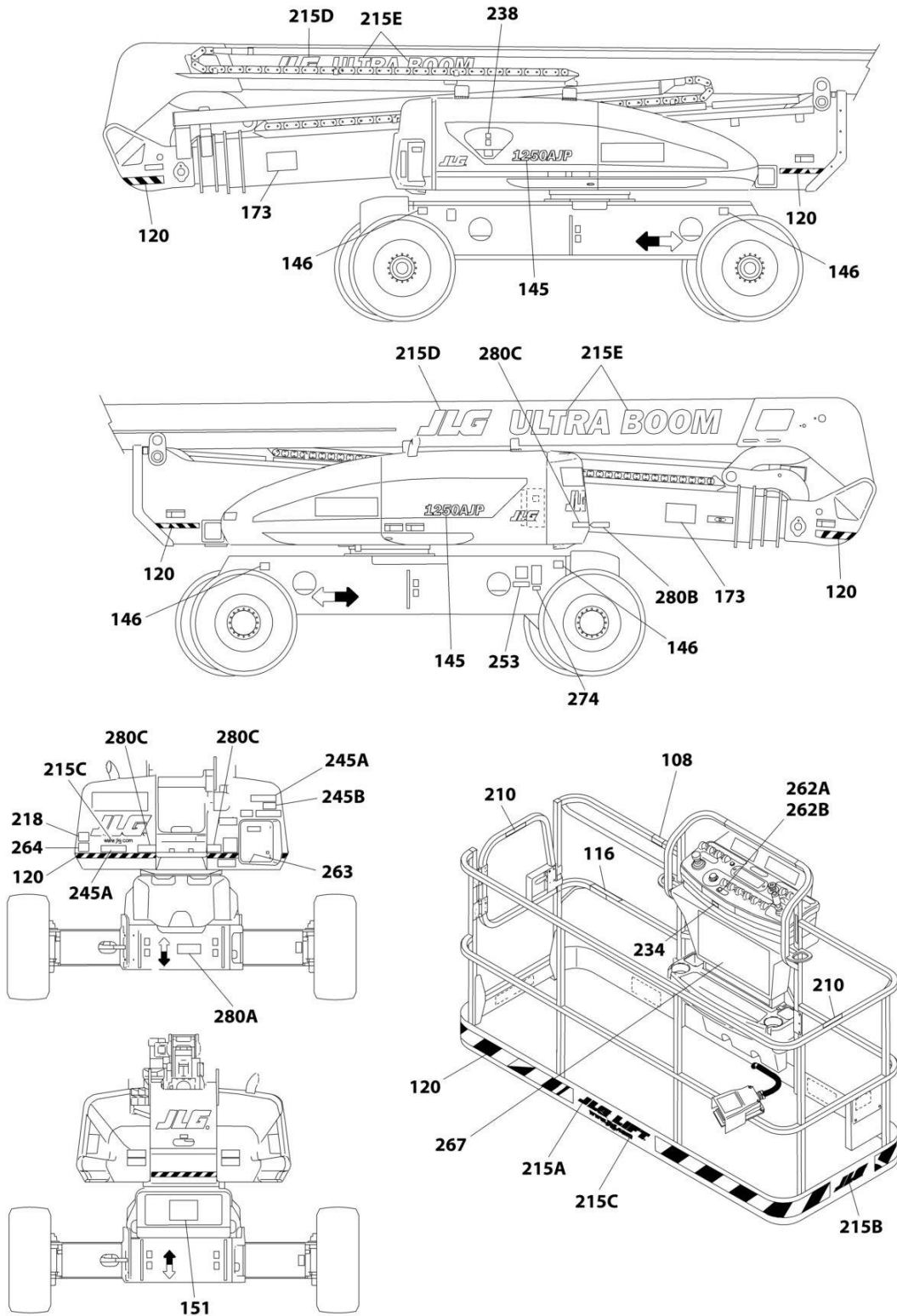
SECTION 9 - DECALS

FIGURE 9-9. DECAL INSTALLATION - LATIN AMERICAN SPEC (SPANISH/ENGLISH)

ITEM	PART NUMBER	QTY	DESCRIPTION	REV
	1001251267	Ref	DECAL INSTALLATION - REFERENCE CHART	C
	1001244208	Ref	DECAL INSTALLATION - LATIN AMERICAN SPEC (SPANISH/ENGLISH)	B
2	0641406	4	Bolt 1/4 x 3/4	
3	1701501	4	Decal - Arrow	
4	1701505	2	Decal - Fuel	
5	See Note	1	Decal - Bar Code (Note: Not Available For Purchase)	
6	1706061	1	Decal - Warning Explosion/Fire (Not Shown - Located on Engine Air Filter Housing)	
7	1705910	1	Decal - Drive/Steer Instructions	
9	1705511	1	Decal - Oil Level	
11	3311405	4	Nut 1/4	
13	3820001	2	Rivet	
14	4751400	4	Washer 1/4	
15	91403230	1	Box, Manual Storage	
16	1001253059	1	Decal - Capacity (Platform)	
17	1001253060	1	Decal - Capacity (Ground Control)	
18	1001122611	1	Decal - Stop	
20	1001224049	1	Decal - Yearly Inspection	
100	1001248539	1	Decal Master Kit (Not Shown - Includes Items 101-108)	
101	1701499	4	Decal - No Lift	
102	1701509	1	Decal - Manual	
103	1701529	2	Decal - Arrow	
104	1703811	8	Decal - Tie Down/Lift	
105	1703814	6	Decal - Tie Down	
106	1704277	4	Decal - Attach Lanyard Here	
107	1704412	1	Decal - Hydraulic Oil Chart	
108	3251243	1	Nameplate - 120V-60Hz	
200	1001248550	1	Decal Kit (Not Shown - Includes Items 202-210)	
202	1705915	AR	Decal - Tip Over Hazard	
204	1703941	7	Decal - Warning/Crushing	
205	1704001	2	Decal - No Hands	
206	1001231318	1	Decal - Danger/Warning (Platform)	
207	1705917	1	Decal - Danger/Warning (Ground Control)	
208	1703947	5	Decal - Warning Crushing	
209	1703935	5	Decal - Danger/Electrocution	
210	1703983	1	Decal - Footswitch	

SECTION 9 - DECALS

FIGURE 9-10. DECAL INSTALLATION - OPTIONS



ART_DECAL_OPTIONS

SECTION 9 - DECALS

FIGURE 9-10. DECAL INSTALLATION - OPTIONS

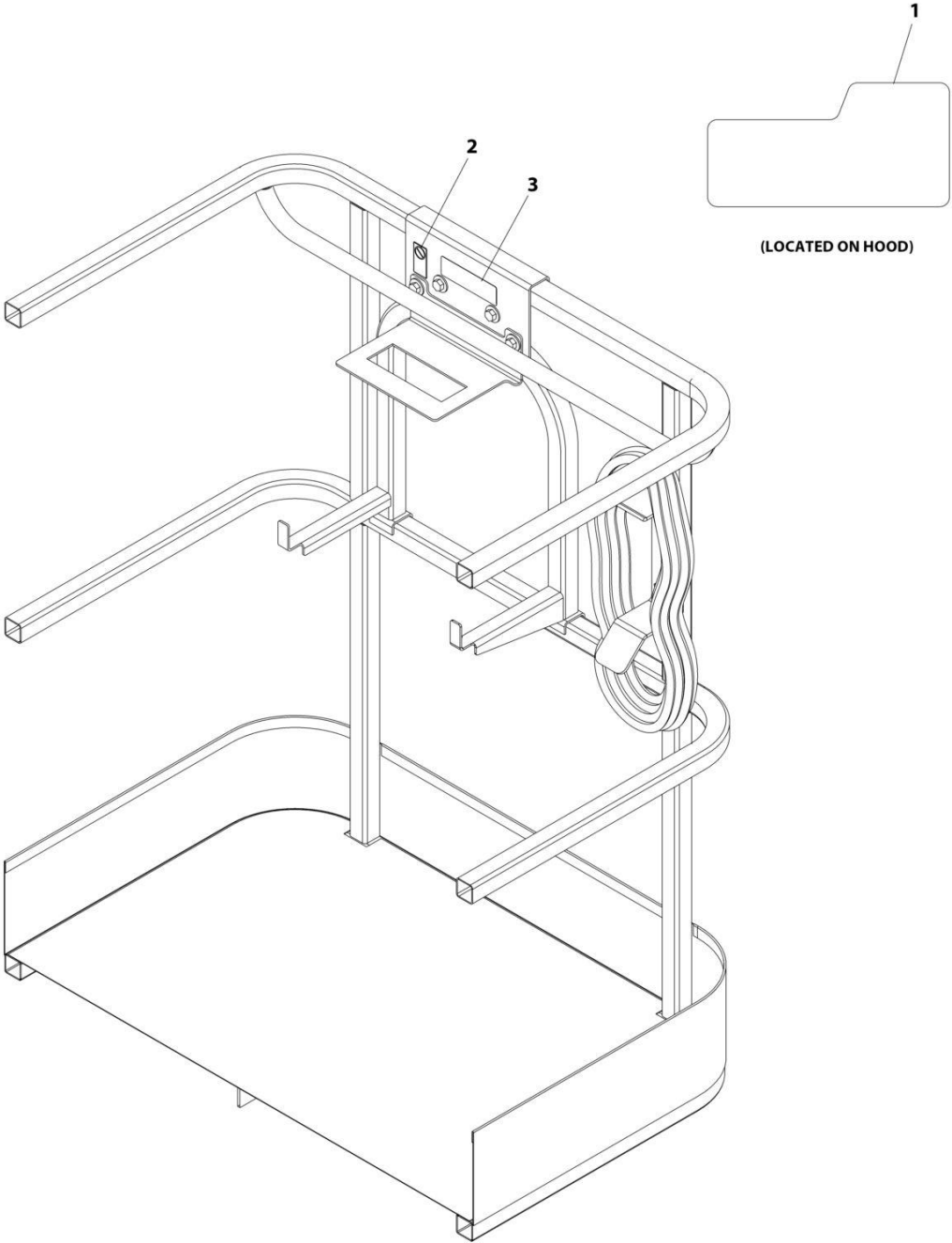
ITEM	PART NUMBER	QTY	DESCRIPTION	REV
	1001251267	Ref	DECAL INSTALLATION – REFERENCE CHART (ALL SPECS EXCEPT CE SPECS)	C
	1001251268	Ref	DECAL INSTALLATION – REFERENCE CHART (CE SPECS)	C
	1001261250	Ref	DECAL INSTALLATION - OPTIONS	B
108	1001231801	1	Decal - Warning (Proposition 65) (ANSI Spec Only)	
116	1703175	2	Decal - Lanyard Attach (GM Spec Only)	
120	4420051	29 ft /8.8m	Decal - Warning Stripes	
145	1705840	2	Decal - Model 1250AJP (Prior to SN 0300280585)	
145	1001268241	2	Decal - Model 1250AJP (SN 0300280585 to Present)	
146	1703483	4	Decal - Tire Load	
151	1705838	1	Decal - Lift Diagram	
173	1703959	2	Decal - Quikstik	
210	1702868	2	Decal - No Hands (ANSI and ANSI Export Specs)	
210	1704000	2	Decal - No Hands (CSA Specs) (French/English)	
210	1704001	2	Decal - No Hands (ANSI Export Specs) (Spanish/English)	
210	1705969	2	Decal - No Hands (ANSI Export Specs) (Korean/English)	
210	1705967	2	Decal - No Hands (ANSI Export Specs) (English/Portuguese)	
215	0274730	Ref	Decal - JLG Logo	
215A	1702774	1	Decal - JLG Lift	
215B	1702773	1	Decal - JLG	
215C	1704885	1	Decal - www.jlg.com	
215D	1705864	2	Decal - JLG	
215E	1705865	2	Decal - Ultra Boom (Prior to SN 0300280585)	
215E	1001267315	1	Decal - Ultra Boom (SN 0300280585 to Present)	
218	3251813	1	Decal - USA (ANSI, ANSI Export and CSA Specs)	
234	1001094055	1	Decal - Troubleshooting	
238	1001125387	1	Decal - Fuel Specification (Machines with Deutz TCD2.9L4 Engine Only) (ANSI and CSA Specs)	
238	1001139654	1	Decal - Fuel Specification (Machines with Deutz TCD2.9L4 Engine, Deutz TCD2.9L4 (Stage V Pre-Buy) Engine and Deutz TCD2.9L4 (Stage V) Engine Only) (ANSI Export, CE and Japanese Specs)	
245	1001120995	Ref	Decal - ClearSky Telematics Installation	
245A	1001116208	2	Decal - ClearSky	
245B	1001120989	1	Decal - Radio Frequency Device	
253	1001143852	1	Decal - Emissions Compliance (ANSI Export, CE (LRC) and Australian Specs)	
262A	1001141300	1	Decal - SkyGuard Override	
262B	1001141302	1	Decal - SkyGuard/Soft Touch Override	
263	1001197408	1	Decal - MSSO	
264	8007508	1	Decal - Sound Power Level (104dB) (Deutz TD2011 Engines)	
264	1705515	1	Decal - Sound Power Level (109dB) (Deutz TD2011 Engines)	
264	1001191526	1	Decal - Sound Power Level (110dB) (Deutz TCD2.9L4 Engines, Deutz TCD2.9L4 (Stage V Pre-Buy) Engines and Deutz TCD2.9L4 (Stage V) Engines)	
267	1001197511	Ref	Decal - Quick Reference (Dutch) (Lomax Rentals)	
267	1001197513	Ref	Decal - Quick Reference (Danish) (Lomax Rentals)	
267	1001180696	Ref	Decal - Quick Reference (English) (Lomax Rentals)	
267	1001197510	Ref	Decal - Quick Reference (French) (Lomax Rentals)	
267	1001197512	Ref	Decal - Quick Reference (German) (Lomax Rentals)	
267	1001197519	Ref	Decal - Quick Reference (Norwegian) (Lomax Rentals)	

SECTION 9 - DECALS

ITEM	PART NUMBER	QTY	DESCRIPTION	REV
267	1001197515	Ref	Decal - Quick Reference (Spanish) (Lomax Rentals)	
267	1001197514	Ref	Decal - Quick Reference (Swedish) (Lomax Rentals)	
274	1001214029	1	Decal Installation - EAC (Russian/CIS Specs)	
274	1001173703	1	Decal - EAC (Russian/CIS Specs)	
280	1001221278	Ref	Decal Installation – Boom Transport Position	
280A	1001220512	1	Decal – Lower Boom	
280B	1001220510	2	Decal – Warning Arrow	
280C	1001220511	2	Decal – Warning Stripe	

SECTION 9 - DECALS

FIGURE 9-11. SKYWELDER DECAL INSTALLATION - 50HZ



ART_0272588

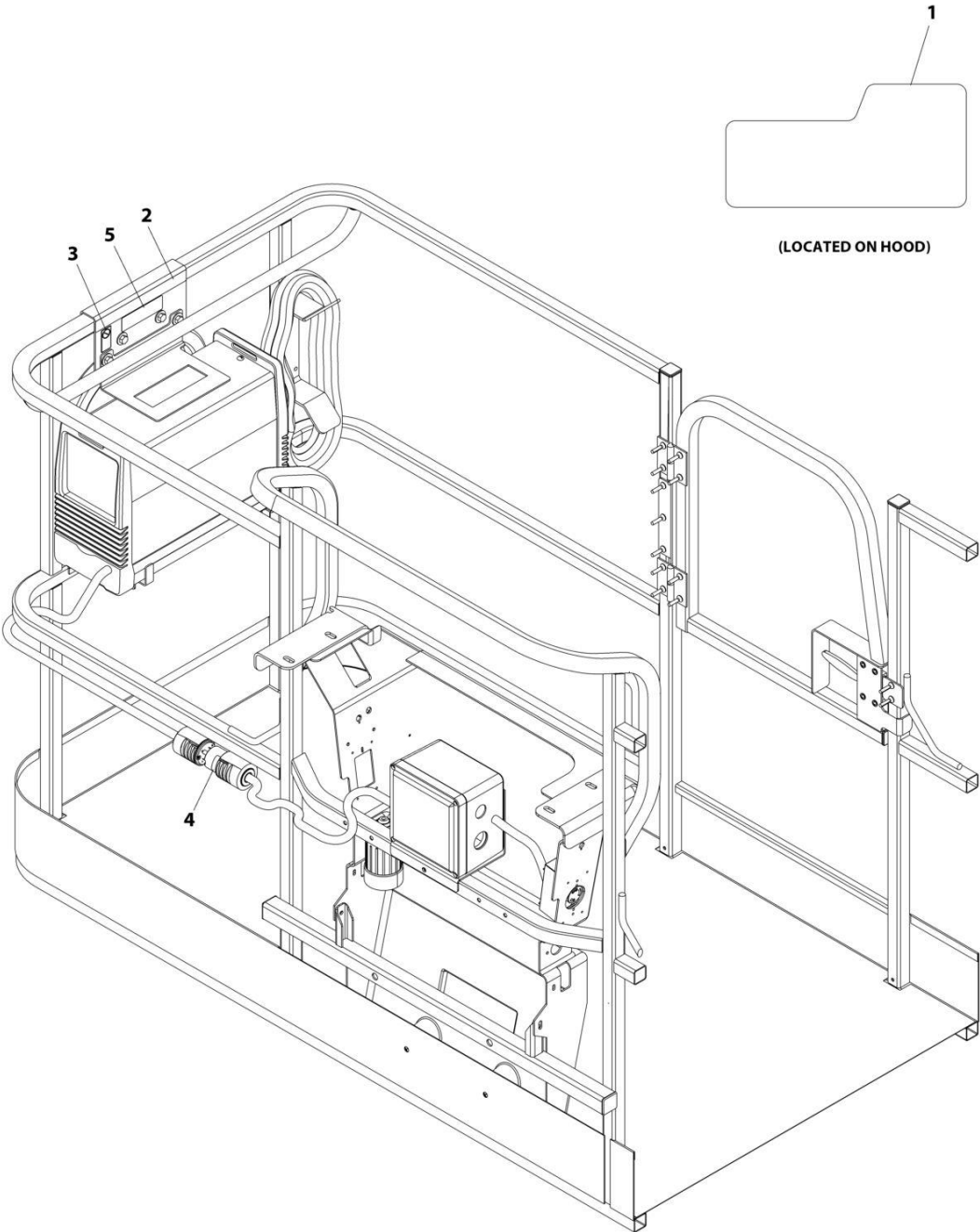
SECTION 9 - DECALS

FIGURE 9-11. SKYWELDER DECAL INSTALLATION - 50HZ

ITEM	PART NUMBER	QTY	DESCRIPTION	REV
	0272588	Ref	SKYWELDER DECAL INSTALLATION - 50Hz	B
1	1705355	2	Decal - SkyWelder	
2	1705305	1	Decal - Weld Lead	
3	1001228988	1	Decal - Weight	

SECTION 9 - DECALS

FIGURE 9-12. SKYWELDER DECAL INSTALLATION - 60HZ (PVC 2001)



ART_0272448

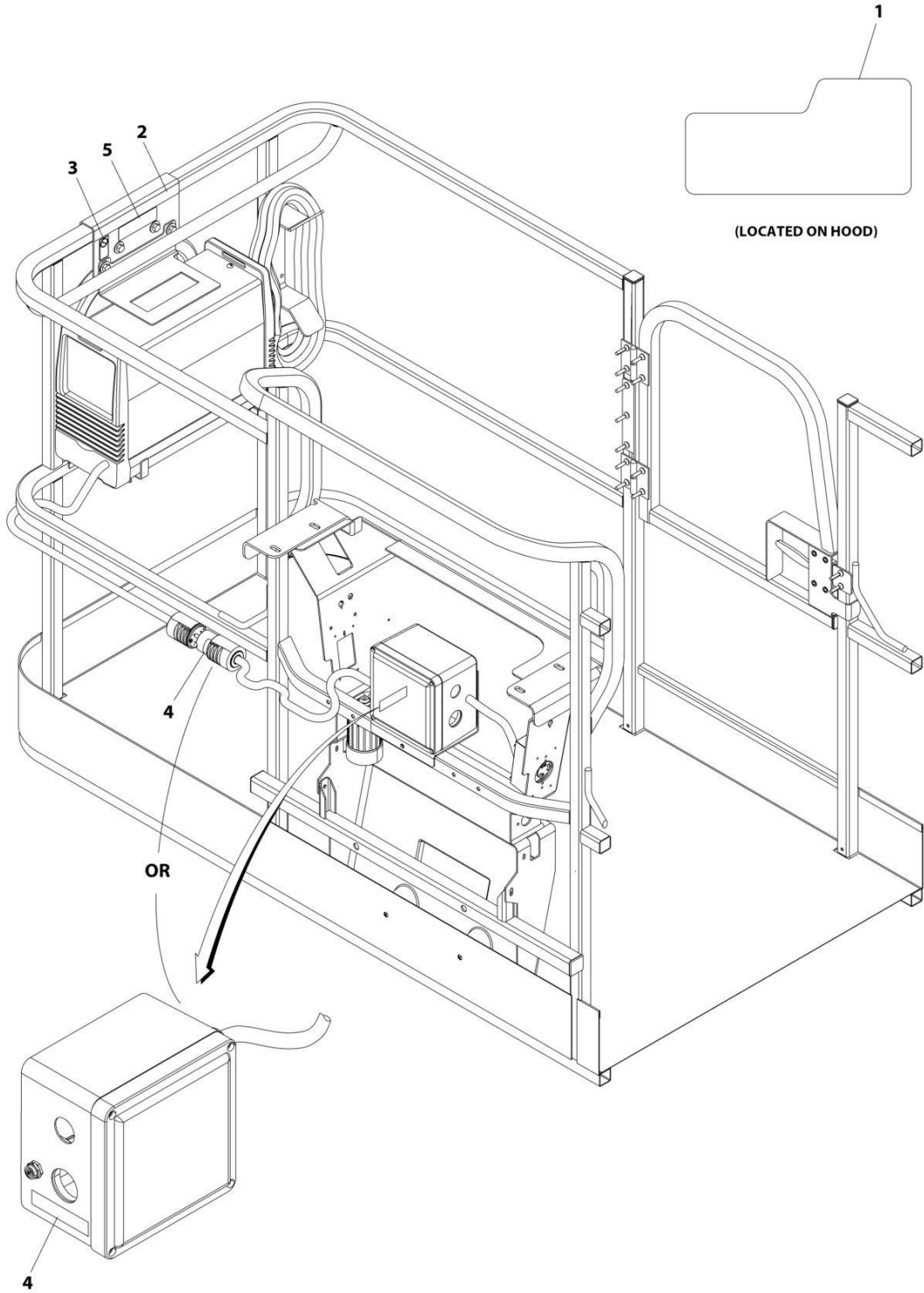
SECTION 9 - DECALS

FIGURE 9-12. SKYWELDER DECAL INSTALLATION - 60HZ (PVC 2001)

ITEM	PART NUMBER	QTY	DESCRIPTION	REV
	0272448	Ref	SKYWELDER DECAL INSTALLATION - 60Hz	B
1	1705355	2	Decal - SkyWelder	
2	1702868	1	Decal - No Hands	
3	1705305	1	Decal - Weld Lead	
4	1705375	1	Decal - 240V - 3 Phase - 60Hz	
5	1001228988	1	Decal - Weight	

SECTION 9 - DECALS

FIGURE 9-13. SKYWELDER DECAL INSTALLATION - 60HZ (PVC 2007)



ART_0272448_C

SECTION 9 - DECALS

FIGURE 9-13. SKYWELDER DECAL INSTALLATION - 60HZ (PVC 2007)

ITEM	PART NUMBER	QTY	DESCRIPTION	REV
	0272448	Ref	SKYWELDER DECAL INSTALLATION - 60Hz	C
1	1705355	2	Decal - SkyWelder	
2	1702868	1	Decal - No Hands	
3	1705305	1	Decal - Weld Lead	
4	1705375	1	Decal - 240V - 3 Phase - 60Hz	
5	1001228988	1	Decal - Weight	

SECTION 10 - RECOMMENDED SERVICE PARTS STOCK

SECTION 10 - RECOMMENDED SERVICE PARTS STOCK

SECTION 10 - RECOMMENDED SERVICE PARTS STOCK

FIGURE 10-1. RECOMMENDED SERVICE PARTS

ITEM	PART NUMBER	QTY	DESCRIPTION	REV
		Ref	Note: The following list will service one machine (built to current production per date on the front cover) with emergency repair parts which can be installed in the fields. Parts from the list should be replaced when inventory is depleted to keep service parts stock supplied. For further information, contact your JLG dealer or the JLG Industries Parts Department.	
		Ref	STANDARD PARTS	
	7018991	1	Coil	
	7012944	1	Coil	
	7024890	1	Coil	
	7012943	1	Coil	
	7027207	1	Coil	
	7027208	1	Coil	
	70007231	1	Coil	
	70007228	1	Coil	
	3740049	1	Relay	
	3740067	1	Relay	
	3740080	1	Relay	
	2120219	12	Element, High Pressure Filter	
	70002231	12	Element, Pressure Filter	
	2120168	12	Element, Hydraulic Oil Filter	
	7024444	12	Breather, Hydraulic Oil Tank	
	4360328	1	Switch, Toggle	
	4360475	1	Switch, Mushroom	
	4360476	1	Contact, Switch Block	
	2860030	1	Key, Replacement	
	70003919	1	Boom Powertrack Repair Kit	
	70003913	1	Boom Powertrack Repair Kit	
	7024571	1	Coil	
	70002097	12	Element, Pressure Filter	
	2940074	1	Latch, Platform	
	1001155045	1	Switch, Toggle	
	1001159256	1	Switch, Toggle	
	1001161709	1	Switch, Toggle	
	1001161710	1	Switch, Toggle	
	4360387	1	Switch, Push Button	
	4360407	1	Controller, Speed	
	1001129555	1	Controller, Lift and Swing	
	1001212415	1	Controller, Drive and Steer	
	3990001	2	Diode - 3 Amp	
	3740143	1	Relay	
	2400065	2	Fuse - 30 Amp	
	8229242	2	Fuse - 5Amp	
		Ref	VARIABLE PARTS	
	4360578	1	Switch, Limit	
	4360505	1	Switch, Rotary Angle Sensor	
	1001112758	1	Module, Chassis	
	1001227960	1	Module, B.L.A.M.	
	1001117308	1	Relay	

SECTION 10 - RECOMMENDED SERVICE PARTS STOCK

ITEM	PART NUMBER	QTY	DESCRIPTION	REV
	3740086	1	Relay (SkyLine Options)	
	1001186431	1	Relay (SkyGuard Bar Options)	
	7003655	12	Element, Deutz TD2011 Air Filter	
	70024190	12	Element, Deutz TCD2.9L4, Deutz TCD2.9L4 (Stage V Pre-Buy) and Deutz TCD 2.9L4 (Stage V) Air Filter	
	7016331	12	Element, Deutz Engine Oil Filter	
	8320270	12	Element, Deutz TD2011 Engines Fuel	
	7016328	12	Element, Deutz TD2011 Engines Fuel	
	1001225430	12	Element, Deutz TCD2.9L4 and Deutz TCD2.9L4 (Stage V Pre-Buy) Engines Fuel	
	1001202281	1	Element, Deutz TCD2.9L4 Engines Water/Fuel	
	1001119508	1	Module, Ground Control	
	4360469	1	Switch, Key	
	3740080	1	Relay (110V/220V Generator Options)	
	4360336	1	Switch, Toggle (Generator Options)	
	4000008	1	Sensor, Proximity	
	1001147479	1	Switch, Digital Angle Sensor	
	4360548	1	Switch, Plunger	
	4360552	1	Switch, Boom Length	
	4360622	1	Switch, Rotary Transducer	
	1001117174	1	Footswitch	
	1600343	1	Module, Platform Control	
	4360057	1	Switch, Limit	
	4360579	1	Switch, Limit	
	1001181045	1	Breaker, Circuit - 30mA/16Amp (Brazil & CE Specs)	
	2400064	1	Fuse (7500W SkyPower Generator/ClearSky Telematics Options)	
	80983191	2	Fuse - 10Amp (Deutz TCD2.9L4 and Deutz TCD2.9L4 (Stage V Pre-Buy) Engines)	
	70023592	2	Fuse 20Amp (Deutz TCD2.9L4, Deutz TCD2.9L4 (Stage V Pre-Buy) and Deutz TCD 2.9L4 (Stage V) Engines)	
	70023593	2	Fuse 30Amp (Deutz TCD2.9L4, Deutz TCD2.9L4 (Stage V Pre-Buy) and Deutz TCD 2.9L4 (Stage V) Engines)	

SECTION 11 - SPECIAL OPTIONS

SECTION 11 - SPECIAL OPTIONS

FIGURE 11-1. SPECIAL OPTIONS

ITEM	PART NUMBER	QTY	DESCRIPTION	REV
		Ref	MISCELLANEOUS SPECIAL OPTIONS	
		Ref	Note: This is to accommodate machines ordered with special equipment. Options may not be applicable to all models. For more specific parts information contact JLG Parts Department.	
	1001108504	Ref	Additional Transport Tie Down (ANSI Specs)	
	1340067	Ref	Air Cleaner Pre-Cleaner	
	0273464	Ref	Airline Installation, 1/2 in	
	1001202697	Ref	Air Intake Shut-off Valve (Deutz TCD2.9L4 Engines)	
	1001241275	Ref	Axle Wear Pad Kit	
	0271803	Ref	Bellows, Cylinder (Fixed Axle)	
	0271804	Ref	Bellows, Cylinder (Oscillating Axle)	
	0273471	Ref	Bellows, Cylinder (Boom)	
	1001306146	Ref	Boom Angle Sensor Kit	
	0273513	Ref	Boom Wipers Installation	
	1001233047	Ref	Breather Heater (Deutz TCD2'9L4 Engines)	
		Ref	ClearSky (Telematics) Installations (Dealer Installed)	
	1001242192	Ref	ClearSky (Telematics) Access Control Installation Kit (Dealer Installed) (ANSI, ANSI Export and CSA Specs)	
	1001243183	Ref	ClearSky (Telematics) Added-on Kit (Dealer Installed) (ANSI, ANSI Export and CSA Specs)	
	1001243184	Ref	ClearSky (Telematics) Added-on Kit (Dealer Installed) (CE Specs)	
		Ref	ClearSky (Telematics) Installations (Dealer Installed)	
	1001119938	Ref	ClearSky Telematics (Dealer Installed) (ANSI Spec)	
	1001246142	Ref	ClearSky Telematics (Dealer Installed) (Australian Spec)	
	1001119946	Ref	ClearSky Telematics (Dealer Installed) (CSA Spec)	
		Ref	ClearSky Telematics (Factory Installed)	
	1001227449	Ref	Canbus Connection (ANSI and CSA Specs)	
	1001228953	Ref	Canbus Connection (ANSI Export and CE Specs)	
	1001246138	Ref	Canbus Connection (Australian Specs)	
	1001229107	Ref	3 Wire Connection (ANSI and CSA Specs)	
	1001233237	Ref	3 Wire Connection (ANSI Export and CE Specs)	
	0273862	Ref	Cold Weather Package (110V)	
	1001235617	Ref	Cold Weather Package (Deutz TCD2.9L4 Engines, Deutz TCD2.9L4 (Stage V Pre-Buy) Engines and Deutz TCD2.9L4 (Stage V) Engines)	
	0274885	Ref	Cold Weather Transformer Installation	
	0272621	Ref	Control System Analyzer Installation	
	1001251329	Ref	Counterbalance Valve Replacement Kit	
	1001213183	Ref	Cribbing Enable Installation (ANSI Spec Only)	
		Ref	Decals Installations	
	0257195	Ref	Decal - Government Warranty Decal	
	1001109181	Ref	Decal Kit - Platform Console Box	
	1001108708	Ref	Decal Kit - Platform	
	2902356	Ref	Decal Kit - Tire Load	
		Ref	Electrical Connector Kits	
	1001148902	Ref	Amp/Tyco Electrical Connector Kit	
	1001148903	Ref	Deutsch DT Electrical Connector Kit	
	1001148904	Ref	Deutsch HD Electrical Connector Kit	
	1001148905	Ref	Packard Electrical Connector Kit	

SECTION 11 - SPECIAL OPTIONS

ITEM	PART NUMBER	QTY	DESCRIPTION	REV
	1001148906	Ref	Various Electrical Connectors Kit	
	1001246867	Ref	Enhanced Detection System (EDS) Level 1 (2-Bar) Installation Kit	
	1001246860	Ref	Enhanced Detection System (EDS) Level 2 (3-Bar) Installation Kit	
	1001109621	Ref	Exhaust Raincap Installation	
	1120423	1	Raincap	
	1001109619	1	Tube, Exhaust Stack	
	1001237883	Ref	Fall Arrest Bolt on Kit (6FT x 1.83M) (ANSI, ANSI Export, China, CSA, and Japanese Specs) (Fits Platform p/ns 1001186384 & 1001228376)	
	1001237882	Ref	Fall Arrest Bolt on Kit (8FT x 2.44M) (ANSI, ANSI Export, China, CSA, and Japanese Specs) (Fits Platform p/ns 1001186383)	
	1001206794	Ref	Fan and Belt Grille Add-on Kit (Deutz D2011 Engines Only)	
	1001206796	Ref	Fan and Belt Grille Add-on Kit (Deutz TCD2.9L4 Engines Only)	
	1001202076	Ref	Fan and Belt Guard (Deutz TD2011 Engines)	
	1001202221	Ref	Fan and Belt Guard (Deutz TCD2.9L4 Engines, Deutz TCD2.9L4 (Stage V Pre-Buy) Engines and Deutz TCD2.9L4 (Stage V) Engines)	
	1001145708	Ref	Fan Guard Installation (Deutz TCD 2.9L4 Engines, Deutz TCD2.9L4 (Stage V Pre-Buy) Engines and Deutz TCD2.9L4 (Stage V) Engines Only)	
		Ref	Filter Kits	
		Ref	Deutz TD 2011 Engines	
	1001137028	1	Filter Kit (Service), Combined, Filter B-C45	
	1001137023	1	Kit (Service), Boom Hydraulic/Air Filter B-HA30	
		Ref	Deutz TCD 2.9L4 Engines	
	1001225648	1	Filter Kit (Service), Combined, Filter B-C	
	1001204046	1	Engine - Water/Fuel Filter	
	1001182242	1	Engine - Fuel/Engine Oil Filter C-FE1	
	1001139099	Ref	Fire Extinguisher Installation	
	1001237831	Ref	Fire Protection	
	1001117294	Ref	Foot Switch Shield (With Cold Weather Plus Package)	
	1001191395	Ref	Fuel Cap Cover, Lockable (Green)	
	1001202749	Ref	Fuel Cap Cover, Lockable (Black)	
	1001103286	Ref	Generator Hourmeter Installation	
	0273502	Ref	Headlight and Taillights Installation	
		Ref	Hose Kits	
	1001193806	Ref	Hose Kit - Boom Only	
	1001204898	Ref	Hose Kit - Platform Valve	
	1001241418	Ref	Hostile Environment Kit	
	0273503	Ref	Illumination Lights Installation	
	1001148971	Ref	Lanyard (Bolt-on) Installation Kit	
	1001236951	Ref	Low Temperature Cutout Installation (Russian Specs)	
	1001195304	1	Platform Console Cover Kit (Clear Polycarbonate)	
	1580013	Ref	Platform Corner Storage Tray	
		Ref	Platform Entry Kits	
	1001142504	Ref	Drop Bar (Replacing Swing Gate with Drop Bar)	
	1001142505	Ref	Swing Gate (Replacing Drop Bar with Swing Gate)	
	0273466	Ref	Platform Floodlights Installation	
	1001172045	Ref	Platform Ladder Carrier Installation (30in and 36 in Platform)	
	2910351	Ref	Platform Level Cylinder Replacement Kit	
		Ref	Platform Mesh (Steel) to Mid Rail Installations (ANSI, ANSI Export, Australian and CSA Specs)	

SECTION 11 - SPECIAL OPTIONS

ITEM	PART NUMBER	QTY	DESCRIPTION	REV
	1001138772	Ref	Platform Mesh (Steel) to Mid Rail Installation (Side Entry Platform) - 36in x 6ft (91.5cm x 1.83m) Platforms	
	1001266284	Ref	Platform Mesh (Nylon) to Mid Rail Installation (Side Entry Platform) - 36in x 6ft (91.5cm x 1.83m) Platforms	
	1001138773	Ref	Platform Mesh (Steel) to Mid Rail Installation (Side Entry Platform) - 36in x 8ft (91.5cm x 2.44m) Platforms	
	1001266098	Ref	Platform Mesh (Nylon) to Mid Rail Installation (Side Entry Platform) - 36in x 8ft (91.5cm x 2.44m) Platforms	
	1001214540	Ref	Platform Mesh (Steel) to Top Rail Add-On Kit - 36in x 8ft (91.5cm x 2.44m) with Gate	
	1001214548	Ref	Platform Mesh (Steel) to Top Rail Add-On Kit - 36in x 6ft (91.5cm x 1.83m) with Gate	
		Ref	Platform Mesh (Steel) to Top Rail (ANSI, ANSI Export and CSA Specs)	
	0273149	Ref	Platform Mesh (Steel) to Top Rail Installation (Side Entry Platform) - 36in x 6ft (91.5cm x 1.83m) Platforms	
	1001266489	Ref	Platform Mesh (Nylon) to Top Rail Installation (Side Entry Platform) - 36in x 6ft (91.5cm x 1.83m) Platforms	
	0273145	Ref	Platform Mesh (Steel) to Top Rail Installation (Side Entry Platform) - 36in x 8ft (91.5cm x 2.44m) Platforms	
	1001266056	Ref	Platform Mesh (Nylon) to Top Rail Installation (Side Entry Platform) - 36in x 8ft (91.5cm x 2.44m) Platforms	
	1001214561	Ref	Platform Mesh (Steel) to Top Rail Add-On Kit - 36in x 8ft (91.5cm x 2.44m) with Gate	
	1001214562	Ref	Platform Mesh (Steel) to Top Rail Add-On Kit - 36in x 6ft (91.5cm x 1.83m) with Gate	
	1001149730	Ref	Platform Mid Rail Repair Kit	
		Ref	Platform Rail Extensions	
	0272733	Ref	Platform Rail Extensions - 6ft Platform	
	0272725	Ref	Platform Rail Extensions - 8ft Platform	
	0273465	Ref	Platform Worklights Installation	
	1001209059	Ref	Platform Work Surface Installation	
	1001190892	1	Service Tools & Kits	P
	1001247073	Ref	Skyeye Retrofit Kit	
	1001241547	Ref	SkyEye Housing Repair Kit (LH)	
	1001241548	Ref	SkyEye Housing Repair Kit (RH)	
		Ref	SkyGuard Component Options:	
	1001209481	Ref	SkyGuard Complete Add-On Kit (Blue Beacon)	
	1001210029	Ref	SkyGuard Complete Add-On Kit (Red Beacon)	
	1001250035	Ref	SkyGuard Platform Sensor Kit	
	1001186431	2	Sensor Relay	
	1001249052	Ref	SkyGuard Retrofit Kit	
	1001206544	Ref	SkyGuard Strobe Light Kit (Blue Beacon)	
	1001250595	Ref	SkyGuard 6-Pin Retrofit Installation Kit	
	1001262016	Ref	SkyLine Kit (Dealer Installed)	
	1001250465	Ref	SkySense/Enhanced Detection System (EDS) Level 1 (2-Bar) Installation (Factory Installed)	
	1001252033	1	SkySense/Enhanced Detection System (EDS) Level 1 (2-Bar) Add-on Kit (Dealer Installed)	
	1001250466	Ref	SkySense/Enhanced Detection System (EDS) Level 2 (3-Bar) Add-on Kit (Dealer Installed) SkySense/Enhanced Detection System (EDS) Level 2 (3-Bar) Installation (Factory Installed)	
	1001252034	1	SkySense/Enhanced Detection System (EDS) Level 2 (3-Bar) Add-on Kit (Dealer Installed) SkySense/Enhanced Detection System (EDS) Level 2 (3-Bar) Add-on Kit (Dealer Installed)	

SECTION 11 - SPECIAL OPTIONS

ITEM	PART NUMBER	QTY	DESCRIPTION	REV
	1001231235	Ref	SkyWelder Locking Bracket	
		Ref	Tools For Service:	
	2901443	1	Analyzer Kit	
	1001249695	1	Analyzer, Machine System with Cable	
	1001249941	1	Analyzer, Machine System with Cable (Battery Powered)	
	3128444	1	CD, Troubleshooting	
	7002821	Ref	Crimper, Wire	
	7002823	Ref	Pin Extractor - Universal (For Electrical Connectors with Pins and Sockets)	
	4460467	1	Extractor - 16-18 Gauge (For Removal of Pin/Sockets from Deutsch Connectors)	
	4460510	1	Extractor - 12-14 Gauge (For Removal of Pin/Sockets from Deutsch Connectors)	
	7016654	Ref	Screwdriver, Magnetic	
	7002822	Ref	Screwdriver, Pontimeter	
	7004275	Ref	Seal Tool 1 in (For Cylinders)	
	7004276	Ref	Seal Tool 1-1/2 in (For Cylinders)	
	7002828	Ref	Stripper, Wire	
	7016655	1	Wire Rope Sheave Gauge	
	1001106846	1	Sleeve, Cylinder Head Installation (Tower Lift Cylinder)	
	1001106847	1	Sleeve, Cylinder Piston Installation (Tower Lift Cylinder)	
	1001106848	1	Gauge, Go - No Go (Tower Lift Cylinder)	
	1001107000	1	Sleeve, Cylinder Head Installation (Main Lift Cylinder)	
	1001107001	1	Sleeve, Cylinder Piston Installation (Main Lift Cylinder)	
	1001107002	1	Gauge, Go - No Go (Main Lift Cylinder)	
	1001107143	1	Sleeve, Cylinder Head Installation (Tower Telescope Cylinder)	
	1001107145	1	Sleeve, Cylinder Piston Installation (Tower Telescope Cylinder)	
	1001107146	1	Gauge, Go - No Go (Tower Telescope Cylinder)	
	1001107147	1	Gauge, Go - No Go (Tower Telescope Cylinder)	
	1001137005	1	Software Cable Kit (Service Kit)	
	70004185	1	Torque Multiplier	
	70004646	1	Puller	
	70004647	1	Seal Tool for Lifetime Seal Assembly	
	70004648	1	Puller for Brade Disassembly	
	1001265327	Ref	Tower Stow Sensor/Indicator Add-on Kit (Dealer Installed)	
	2915072	Ref	Turntable Bearing Kit	
	1001262959	Ref	Voltage Regulator Relocatio Kit (ClearSky)	
	1001119136	Ref	Wear Pad Kit (Includes Wear Pads, Shims and Hardware)	
	0273467	Ref	Weld Leads at Platform Installation	

PART NUMBER INDEX

SECTION 11 - SPECIAL OPTIONS

0080237	179, 203	0259666.....	141	0275452	599, 725	603, 605, 607, 609, 611,	
0080244	187, 195, 211, 219	0271520.....	29	0275453	605, 729	613, 615	
0080277	29, 399	0271803.....	802	0275454	611, 733	0641418 413, 415, 417, 423,	
0100009	437, 441	0271804.....	802	0340003 179, 187, 195, 203,		425, 427, 429	
0100011	19, 23, 29, 36, 45,	0271852.....	41	211, 219		0641424.....	45
51, 55, 61, 63, 75, 81, 83,		0271874.....	75	0340051 179, 187, 195, 203,		0641503 236, 248, 260, 272,	
93, 95, 97, 99, 101, 103,		0272055.....	41	211, 219		292	
105, 107, 109, 111, 113,		0272056.....	41	0363037	19, 23	0641504.....	45
115, 118, 122, 126, 130,		0272060 180, 187, 195, 204,		0363062	61, 63	0641505.....	29, 398
134, 138, 162, 163, 166,		211, 219		0363076	19	0641506.. 81, 145, 162, 163,	
167, 170, 171, 175, 179,		0272080.....	85	0363081	333	167, 171, 179, 187, 195,	
183, 187, 191, 195, 199,		0272254.....	503	0363082	333	203, 211, 219	
203, 207, 211, 215, 219,		0272418 471, 473, 475, 477,		0363224	398	0641507 179, 187, 195, 203,	
227, 231, 235, 239, 243,		479, 481, 483, 485, 487,		0400020	61, 63	211, 219, 403	
246, 251, 255, 259, 263,		489, 491		0440251	71	0641508.. 83, 234, 246, 258,	
267, 270, 279, 283, 285,		0272427.....	469	0440273	367, 371	270, 292, 333	
289, 292, 325, 333, 337,		0272435.....	352, 360	0480100	509, 511	0641509.. 45, 159, 175, 183,	
341, 343, 347, 351, 355,		0272448.....	793, 795	0480127	333	191, 199, 207, 215	
359, 363, 367, 371, 376,		0272521.....	501	0480128	337, 351	0641510 167, 171, 236, 248,	
380, 384, 391, 394, 398,		0272588.....	791	0480129	355	260, 272	
401, 403, 413, 415, 417,		0272589.....	356, 364	0561380	367, 371	0641511.. 29, 175, 183, 191,	
423, 425, 427, 429, 459,		0272621.....	802	0561533	376	199, 207, 215, 227, 239,	
461, 465, 467, 469, 496,		0272725.....	804	0561547	367, 371	251, 263, 279, 285	
501, 503, 505, 523, 525,		0272733.....	804	0630407 118, 122, 126, 130,		0641514.....	509, 511
529, 531, 533, 581, 583,		0272948.....	483	134, 138		0641516 337, 343, 351, 355,	
621, 625		0272949.....	477	0630462	465, 467, 469	359, 363	
0100019	19, 23, 27, 29, 31,	0272950.....	479	0630464	29, 117, 121, 125,	0641520.....	85, 87, 89, 91
69, 71, 343, 347, 351,		0272951.....	473	129, 133, 137, 398		0641604.....	83, 376
355, 359, 363, 367, 371,		0272952.....	481	0630518 143, 445, 493, 496,		0641605 175, 179, 183, 187,	
380, 384, 525, 533		0273121.....	398	501, 503, 505		191, 195, 199, 203, 207,	
0100020 236, 246, 260, 270,		0273145.....	804	0630534	531	211, 215, 219, 227, 239,	
292, 337, 343, 352, 359,		0273149.....	804	0630535	523, 525, 535, 537	251, 263, 279, 285, 394	
455, 493, 496, 585, 587,		0273349.....	81	0630537	529	0641606.... 19, 23, 162, 166,	
589, 591, 593, 595, 597,		0273350.....	162	0630539	391	170, 175, 183, 191, 200,	
599, 601, 603, 605, 607,		0273353.....	496	0630548 117, 121, 125, 129,		208, 216, 227, 234, 239,	
609, 611, 613, 615		0273360.....	391	133, 137		246, 251, 258, 263, 270,	
0100035	29, 117, 121, 125,	0273361.....	394	0630558	380, 384	279, 285, 292, 391, 394,	
129, 151, 398, 437, 441,		0273395.....	157	0630568	438, 442	496, 501, 503, 505, 535,	
445		0273401.....	83	0630593	391	537	
0100038 523, 525, 529, 531,		0273404.....	491	0641404	63, 337, 341, 343,	0641607.. 61, 63, 93, 95, 97,	
533		0273405.....	487	347, 351, 355, 359, 363,		99, 101, 103, 105, 107,	
0100048 117, 121, 125, 129,		0273406.....	485	437, 441, 461		109, 111, 113, 115, 380,	
133, 137, 147, 149, 337,		0273446.....	453	0641405 398, 461, 581, 583,		384, 535, 537	
343, 347, 352, 356, 359,		0273447.....	145	621, 623, 625		0641608.. 19, 23, 45, 55, 63,	
363, 437, 441, 655, 769,		0273451.....	71	0641406	55, 117, 121, 125,	75, 85, 87, 157, 159, 162,	
771, 775		0273461.....	621	129, 133, 137, 147, 166,		166, 170, 179, 187, 195,	
0100062 236, 248, 260, 272,		0273462.....	581	170, 179, 187, 195, 203,		203, 211, 219, 227, 234,	
292		0273463.....	583	211, 219, 234, 246, 258,		239, 246, 251, 255, 258,	
0100079	83, 175, 183, 191,	0273464.....	802	270, 292, 333, 347, 394,		263, 267, 270, 279, 285,	
199, 207, 215, 227, 239,		0273465.....	804	431, 433, 435, 623, 625,		289, 292, 333, 367, 371	
251, 263, 279, 285, 329		0273466.....	803	769, 771, 773, 775, 777,		0641609.... 19, 23, 179, 187,	
0100081	83, 133, 137, 162,	0273467.....	805	779, 781, 783, 785		195, 203, 211, 219	
163, 167, 171, 391, 394,		0273471.....	802	0641407	149, 294, 341	0641610 162, 166, 170, 175,	
471, 473, 475, 477, 479,		0273474.....	637	0641408	55, 61, 83, 153,	179, 183, 187, 191, 195,	
481, 483, 485, 487, 489,		0273475.....	639	155, 162, 166, 170, 227,		199, 203, 207, 211, 215,	
491		0273476.....	645	239, 251, 263, 279, 285,		219, 227, 234, 239, 246,	
0140001	55	0273502.....	803	433, 435, 655		251, 258, 263, 270, 279,	
0140011	437, 441	0273503.....	803	0641410 175, 183, 191, 199,		285, 292, 329, 333, 380,	
0140032	145	0273513.....	802	207, 215, 227, 239, 251,		384, 433, 435	
0200048	465, 467, 469	0273824.....	465	263, 279, 285		0641611.... 19, 23, 251, 325	
0200742	333	0273862.....	802	0641412	51	0641612 236, 248, 260, 272	
0200833	29, 399	0274106.....	27	0641413	63	0641613.... 19, 23, 367, 371	
0236768	61, 63	0274661.....	511	0641414 437, 441, 459, 465,		0641615.....	83
0239842	73	0274730.....	787	467, 469		0641616.....	337, 341
0257195	802	0274885.....	802	0641416 585, 587, 589, 591,		0641618 343, 347, 352, 356,	
0257728	509	0275216.....	587, 717	593, 595, 597, 599, 601,		359, 363	
0257887	145	0275217.....	593, 721			0641620.....	55

SECTION 11 - SPECIAL OPTIONS

0641622.....376	0682028 234, 246, 258, 270, 292, 380, 384	0801365.....376	0962423.....29
0641626.....394	0682040.....71	0801366.....376	0962520 337, 341, 343, 347, 351, 355, 359, 363
0641628.....391	0682048.....367, 371	0801367.....376	0962552.....529
0641630.....162, 166, 170	0682212.....380, 384	0801369.....380, 384	0962556.....381, 385
0641634.....29	0682422.....69	0801370.....367, 371, 376	0962561.....525
0641636.....55, 395	0682424.....513, 515, 517	0801371.....367, 380	1001003498.....683
0641638.....394	0700408 585, 587, 589, 591, 593, 595, 597, 599, 601, 603, 605, 607, 609, 611, 613, 615	0801497.....380, 384	1001091102 ..341, 347, 623, 625
0641644.....394	0700615.....153, 155	0801550.....381, 385	1001091969.....587
0641652.....391	0700812 .236, 248, 260, 272	0811606 .376, 380, 384, 394	1001091970.....593
0641706 234, 246, 258, 270, 292	0700815 234, 246, 258, 270, 292	0811607.....376, 380, 384	1001091973.....599
0641708 234, 246, 258, 270, 292	0701418.....333	0840062.....701	1001091974.....605
0641718.....333	0701617.....31	0860038 337, 343, 351, 359, 581, 583	1001091975.....611
0641806 175, 183, 191, 199, 207, 215, 228, 240, 252, 264, 279, 285	0701619.....41, 43	0861538.....351, 359	1001092764.....577
0641808.....19, 23, 45, 175, 179, 183, 187, 191, 195, 199, 203, 207, 211, 215, 219, 227, 239, 251, 263, 279, 285, 380, 384	0711214 179, 187, 195, 203, 211, 219	0861572.....355, 363	1001094055.....787
0641809 376, 380, 384, 391, 394	0721003.....399	0861731 585, 603, 609, 615, 725, 727, 729, 731, 733, 735	1001096070.....653
0641810 337, 341, 343, 347, 351, 355, 359, 363, 376, 380, 384	0721005.....469	0861781 591, 597, 717, 719, 721, 723	1001096076.....683
0641812 ..81, 179, 187, 195, 231, 243, 255, 267, 283, 289	0721006.....325, 437, 441	0861880 .647, 649, 651, 653	1001096163.....625
0641813.....380, 384	0731005.....465, 467	0902746.....163, 167, 171	1001096172 ..341, 347, 623, 625
0641814 ..20, 203, 211, 219, 231, 243, 255, 267, 283, 289	0731007.....83	0902761.....163, 167, 171	1001097051.....761
0641816.....159	0741606.....29	0902762.....163, 167, 171	1001097150 ...647, 649, 653
0641818 157, 179, 187, 195, 203, 211, 219	0741607 337, 341, 343, 347, 359, 363	0902763.....163, 167, 171	1001097244.....463
0641820.....81	0741806.....380, 384	0902800.....55	1001097820.....542, 546
0641826 179, 187, 195, 203, 211, 219	0742210.....367, 371	0902813.....333	1001098012 ...493, 496, 499
0642010 175, 183, 191, 199, 207, 215, 227, 239, 251, 263, 279, 285, 380, 384	0760608.....163, 167, 171	0902888 337, 343, 351, 355, 359, 363	1001098027.....542
0642012 471, 473, 475, 477, 479, 481, 483, 485, 487, 489, 491	0760808.....294	0902915.....81	1001098122.....455
0642016.....29	0760810 236, 248, 260, 272, 401	0902932.....394	1001098149.....493
0642020.....23	0760812.....394, 631	0902965.....395	1001098513.....176, 179
0642212 367, 371, 471, 473, 475, 477, 479, 481, 483, 485, 487, 489, 491	0761014.....401	0903154.....162, 166, 170	1001098518.....183
0642214.....19, 23	0761015.....367, 371	0903161.....163, 167, 171	1001098519.....175
0642616.....367, 371	0761210 227, 239, 251, 263, 279, 285	0903162.....163, 167, 171	1001098520.....191
0642624.....367, 371	0761212.....294	0903696.....61, 63	1001098530.....184, 187
0651606 175, 183, 191, 199, 207, 215, 228, 240, 252, 264, 279, 285	0761214 ..36, 236, 248, 260, 272, 292	0940070 179, 187, 195, 203, 211, 219, 234, 246, 258, 270, 292	1001098531.....192, 195
0681608.....401	0761215 204, 211, 220, 255, 267, 289	0940092.....465, 467, 469	1001098601 ..179, 188, 196, 203, 212, 220, 223
0681620.....513, 515, 517	0761216.....401	0940094.....465, 467, 469	1001098828.....401
0681813.....19, 23	0771212 234, 246, 258, 270, 292	0940102 471, 473, 475, 477, 479, 481, 483, 485, 487, 489, 491	1001099366 ..471, 473, 475, 477, 479, 481, 483, 485, 487, 489, 491
0681814.....19, 23, 419, 421	0771414 179, 187, 195, 203, 211, 219, 234, 246, 258, 270, 292	0940103.....469	1001099367 ..471, 473, 475, 477, 479, 481, 483, 485, 487, 489, 491
0681815.....19, 23	0791410.....51	0940134.....465	1001099421.....483
0681816.....19, 23	0791504.....398	0940177.....467	1001099422.....473
0681822.....419, 421	0791506.....398	0961845 413, 415, 417, 423, 425, 427, 429	1001099632.....29
0682014.....381, 385	0791510.....394	0961893.....531	1001100231.....649
0682016.....367, 371	0791604.....51, 398	0961896.....523	1001100326.....589
0682026.....71	0791605 .162, 166, 170, 398	0961897.....525, 535, 537	1001100327.....595
	0791606.....380, 384, 398	0961901.....529	1001100331.....601
	0791607.....51	0961949.....525, 533	1001100333.....607
	0791608.....394, 398	0961950.....523, 533	1001100337.....613
	0791610.....394	0961951.....380, 384, 537	1001100341 ...589, 717, 719
	0791616.....394	0961986 179, 187, 195, 203, 211, 219, 234, 246, 258, 270, 292	1001100342 ...595, 721, 723
	0791618.....394	0962033.....19, 23, 367, 371	1001100345 ...601, 725, 727
	0791622.....394	0962051.....157, 159	1001100346 ...613, 733, 735
	0791808.....391, 394	0962122.....367, 371	1001100347 ...607, 729, 731
	0791810.....398	0962224.....381, 385	1001101191 ..585, 587, 589, 591, 593, 595, 597, 599, 601, 603, 605, 607, 609, 611, 613, 615, 647, 649, 651
		0962257.....531, 535	1001101196 ..587, 589, 591, 593, 595, 597
		0962270.....419, 421	
		0962297 367, 371, 376, 527, 529	

SECTION 11 - SPECIAL OPTIONS

1001101197...585, 599, 601, 603, 605, 607, 609, 611, 613, 615	1001112612... 633, 659, 661	1001119968 ..352, 356, 361, 364	1001135497..... 159
1001101421..... 471	1001112669 43	1001120140529	1001135560.. 235, 247, 259, 271, 293
1001101422..... 471	1001112716..... 43	1001120141529	1001135562.. 235, 247, 259, 271, 293
1001101550..... 35	1001112758..... 45, 798	1001120328459, 461	1001135650... 669, 672, 675
1001103286..... 803	1001112766.. 179, 187, 195, 203, 211, 219	1001120471463	1001135651..... 669, 672
1001103977..... 575	1001112796..... 633	1001120477463	1001135679.. 235, 247, 259, 271
1001104315..... 31, 33	1001112850..... 55	1001120484463	1001135680.. 235, 247, 259, 271, 293
1001104324..... 31	1001112927 .. 204, 212, 220, 255, 267, 289, 321	100112056485, 87	1001135779.. 236, 247, 260, 271, 293
1001104325..... 33, 35	1001113961 659, 661	1001120634711	1001135901.. 235, 247, 259, 271, 293
1001104519..... 707	1001114438..... 661	1001120653367	1001135903..... 293
1001104577..... 575	1001114487 .. 93, 95, 97, 99, 101, 103, 105, 107, 109, 111, 113, 115	1001120989787	1001135913.. 235, 247, 259, 271, 293
1001106475..... 380, 384	1001115603 489	1001120995787	1001135924.. 235, 247, 259, 271, 293
1001106476..... 380, 384	1001115961 43	1001121615703	1001135926.. 235, 247, 259, 271, 293
1001106483..... 380, 384	1001116208..... 787	1001121616703	1001135943.. 235, 247, 259, 271, 293
1001106736..... 659, 661	1001116707..... 667	1001122528 ..352, 356, 361, 364	1001135946..... 293
1001106846..... 805	1001116710..... 677	1001122611 ..769, 773, 777, 781, 783, 785	1001136356..... 341
1001106847..... 805	1001116728..... 668	1001125387787	1001136357..... 347, 364
1001106848..... 805	1001116774..... 633	1001125425333	1001136626.. 235, 247, 259, 271, 293
1001107000..... 805	1001116774..... 633	1001125427351	1001136665.. 235, 247, 259, 271, 293
1001107001..... 805	1001116792 .. 227, 239, 251, 263, 279, 285	1001125428355	1001136834.. 235, 247, 259, 271, 293
1001107002..... 805	1001116808..... 633	1001126009765	1001137005..... 805
1001107143..... 805	1001116812... 659, 671, 684	1001126011703	1001137023..... 803
1001107145..... 805	1001116846..... 777	1001126351667, 671	1001137028..... 803
1001107146..... 805	1001116846..... 777	1001126352667	1001137276.. 235, 247, 259, 271, 293
1001107147..... 805	1001116849..... 777	1001126356667	1001137364.. 121, 129, 137, 442
1001107971..... 200, 203	1001116851..... 777	1001126357667	1001137590..... 359
1001107972..... 199	1001116952..... 668, 671	1001126362668, 671	1001137591..... 363
1001107973..... 208, 211	1001116967..... 667	1001126363 ..668, 671, 672	1001137673..... 459
1001107974..... 207	1001116983..... 677	1001126364 ..669, 671, 672	1001138011.. 343, 347, 360, 364
1001107975..... 216, 219	1001117035..... 777	1001126365669	1001138110..... 669
1001107976..... 215	1001117078 .. 353, 356, 361, 364	1001126384667	1001138111..... 669
1001108256..... 467	1001117106..... 668, 671	1001126391669, 671	1001138113..... 669
1001108504..... 802	1001117107..... 668, 671	1001126392669, 671	1001138228.. 235, 247, 259, 271, 293
1001108616...204, 212, 221, 255, 267, 289, 314	1001117140..... 167, 171	1001126485671	1001138248.. 235, 247, 259, 271, 293
1001108617...175, 183, 191, 199, 207, 215, 227, 239, 251, 263, 279, 285	1001117172..... 455	1001126487671	1001138253.. 235, 247, 259, 271, 293
1001108708..... 802	1001117174 .. 438, 442, 455, 799	1001128527505	1001138346.. 235, 247, 259, 271, 667
1001109181..... 802	1001117294 803	1001128556505	1001138491.. 227, 239, 251, 263, 279, 285, 677
1001109438..... 574	1001117308 .. 235, 247, 259, 271, 293, 798	1001129555798	1001138494.. 415, 417, 423, 425, 427, 429
1001109439..... 574	1001118384..... 765	1001129858337, 338	1001138514.. 415, 417, 425, 429
1001109465..... 574	1001118388..... 765	1001131269769, 779	1001138524.. 235, 247, 259, 271, 293
1001109468..... 574	1001118762..... 529	1001131482159	1001138559.. 235, 247, 259, 271, 293
1001109470..... 574	1001118957..... 87	1001131542 ..179, 187, 195, 203, 211, 219, 228, 240, 252, 264, 279, 285	1001138565..... 341
1001109471..... 574	1001119020... 633, 684, 703	1001131730391	
1001109557..... 623	1001118762..... 529	1001131732395	
1001109619..... 803	1001118957..... 87	1001131969641	
1001109621..... 803	1001119020... 633, 684, 703	100113316363	
1001109648..... 623, 647	1001119119..... 83	100113359363	
1001109654..... 625, 649	1001119136..... 805	1001133633 ..235, 247, 259, 271, 293	
1001109677..... 87, 91	1001119296..... 575	1001133634 ..235, 247, 259, 271, 293	
1001110252...546, 554, 559, 563, 574	1001119455..... 83	1001133714 ...669, 672, 675	
1001110425...227, 239, 251, 263, 279, 285	1001119456..... 93, 95, 101, 103, 715	1001133715 ...669, 672, 675	
1001110604..... 574	1001119470 .. 93, 95, 97, 99, 101, 103, 105, 107, 665	1001133956667, 671	
1001110872..... 617, 619	1001119508 .. 117, 121, 125, 129, 133, 137, 799	1001133957667, 671	
1001110873...337, 343, 352, 360, 581	1001119529 .. 117, 121, 125, 129, 133, 137, 687	1001134390251, 255	
1001111081..... 559	1001119619..... 759	1001134392 ..231, 234, 255, 258	
1001111082..... 554	1001119620..... 761, 763	1001134488 ..234, 248, 258, 272, 293	
1001111083..... 563	1001119899 380, 384	1001135138 ..235, 247, 259, 271, 293	
1001111084..... 546	1001119938..... 802		
1001112551..... 771	1001119946..... 802		

SECTION 11 - SPECIAL OPTIONS

1001138566..337, 341, 343, 347	1001142938.....669, 672	1001152971.....570	1001165820 ..236, 248, 260, 272, 294
1001138717 ..236, 248, 260, 272	1001142940.....669, 672	1001153024 ..235, 247, 259, 271, 294	1001166393 ..235, 247, 259, 271, 294
1001138772804	1001142941.....669, 672	1001153186.....570	1001166538 ...438, 442, 451
1001138773804	1001143087.....89, 91	1001153188.....570	1001166539 ...438, 442, 447
1001138805531	1001143123.....89, 91	1001153257337, 343	1001167565401
1001138811371	1001143298.....159	1001153260338, 344	1001167567401
1001138812371, 384	1001143390...236, 248, 260, 272, 294	1001153387 ..236, 248, 260, 272, 294	1001167596401
1001138827 ..235, 247, 259, 271, 293	1001143852.....787	1001154405 ..227, 236, 239, 248, 251, 260, 263, 272, 280, 286, 294, 325	1001167632672
100113883863, 67	1001144089...236, 248, 260, 272, 294	1001155044438, 442	1001167635671
1001139099803	1001144433.....459	1001155045 ...438, 442, 798	1001168402401
1001139240 ..235, 247, 259, 271, 293	1001144629...409, 411, 423, 427	1001155575 ..235, 247, 259, 271, 294	1001170764672
1001139357337, 341	1001145089...227, 239, 251, 263, 280, 286	1001155823 ..236, 248, 260, 272, 294	1001170982294
100113949291	1001145154...236, 248, 260, 272, 294	1001157520 ..352, 356, 360, 364	1001171095 ..204, 212, 221, 255, 267, 289, 317
100113949489	1001145321.....566	1001157521 ..352, 356, 360, 364	1001171130343
100113952063, 577	1001145322.....574	1001157525 ..355, 356, 363, 364	1001171131617
1001139654787	1001145323.....61	1001157528 ..352, 356, 360, 364	1001171482 ..117, 121, 125, 129, 133, 137
100113966589, 91	1001145382...180, 188, 196, 204, 212, 220	1001158007 ..352, 356, 360, 364	1001172045803
100113966689, 91	1001145405.....493, 496	1001158008 ..338, 344, 352, 356, 360, 364	1001172760438, 442
1001139958337	1001145560...227, 239, 251, 263, 280, 286	1001158363338, 344	1001173703788
1001140222325	1001145708.....803	1001159118617, 619	1001173889 ...566, 570, 574
1001140312248, 272	1001145842...228, 240, 252, 264, 280, 286	1001159119617, 619	1001173890 ...567, 571, 575
1001140344343	1001146050.....159	1001159120619	100117391323
1001140346344	1001146132.....166, 170	1001159121619	100117391419
1001140347347	1001146142.....166, 170	1001159186683, 703	1001174040401
1001140397347	1001146178.....166, 170	1001159256 ...438, 442, 798	1001175887535
1001140429 ..413, 415, 417, 423, 425, 427, 429	1001146183.....166, 170	1001160505 ...162, 166, 170	100117634651
1001140485166, 170	1001146219...234, 246, 258, 270, 294	100116056783	1001176469 ..125, 129, 133, 137
1001140564 ..234, 247, 258, 271, 293	1001146588...280, 286, 294	1001161042641	1001176862617
1001141300787	1001147264.....668	1001161043641	1001176982574
1001141302787	1001147479.....398, 799	1001161045641	1001178247 ...380, 384, 387
1001141304 ..236, 247, 260, 271, 294	1001148675.....617, 619	100116140119, 24	1001178248 ...380, 384, 389
1001141717 ..236, 247, 260, 271, 294	1001148841.....675	100116140219, 24	1001179154 ..338, 344, 352, 360
1001141718325	1001148842.....675	1001161709 ...438, 442, 798	1001180019341
1001141719 ..234, 247, 258, 271, 294	1001148843...236, 248, 260, 272, 294, 675	100116288061, 65	1001180219347
1001141745263, 267	1001148902.....802	1001163131471	1001180620294
1001141746 ..243, 246, 267, 270	1001148903.....802	1001163287481	1001180696787
1001141812227, 231	1001148904.....802	1001163288487	1001180951643
1001141813239, 243	1001148905.....802	1001163289485	1001181045 ..649, 651, 653, 799
1001142144166, 170	1001148906.....803	1001163292489	1001181046647
1001142375227	1001148971.....803	1001163293477	1001181895248, 272
1001142376251	1001149730.....804	1001163295491	1001181899294
1001142377239	1001149818.....151, 739	1001163296483	1001182242803
1001142378263	1001149955.....151	1001163297473	1001182361667, 671
1001142398294	1001149994...151, 153, 155	1001163298479	1001182806149
1001142501 ..236, 248, 260, 272, 294	1001150406.....151	100116470065	1001184682147
1001142504803	1001151393.....141	1001165035 ..235, 248, 259, 272, 294	1001185281438, 442
1001142505803	1001152456.....338, 344	1001165101 ..231, 243, 255, 267, 294, 325	1001186333419
1001142610 ..227, 239, 251, 263, 279, 285	1001152457...337, 343, 344	1001165368 ...341, 347, 651	1001186334421
1001142637294	1001152525...338, 344, 352, 356, 360, 364		1001186379415
1001142645343, 360	1001152530.....338, 344		1001186382417
1001142683153, 155	1001152533...337, 341, 343, 347, 679		1001186383411
1001142685 ..236, 248, 260, 272, 294	1001152566.....167, 171		1001186384409
1001142719153, 155	1001152742.....668		1001186431 ...459, 799, 804
1001142736 ...153, 155, 633	1001152963...231, 243, 283, 308		1001186432707, 765

SECTION 11 - SPECIAL OPTIONS

1001188622.....	401	1001208299.....	294	1001227936.....	639, 643	1001236087.....	445
1001188844.....	401	1001208994.....	401, 403	1001227937.....	639	1001236091.....	143
1001188885.....	329	1001209059.....	804	1001227960.....	55, 798	1001236375.....	631
1001188887.....	329	1001209481.....	804	1001227985.....	457	1001236376.....	631
1001189001.....	401	1001209664.....	459	1001227987.....	457	1001236377.....	631
1001189002.....	401	1001210029.....	804	1001227996.....	761, 763	1001236378.....	631
1001190892.....	804	1001210636.....	463	1001228019.....	23, 523	1001236408.....	170
1001190985.....	401	1001212223.....	359, 363	1001228025.....	380, 384, 531	1001236552.....	461
1001191272.....	235, 247, 259, 271, 294	1001212243.....	368, 372	1001228031.....	29, 533	1001236746.....	517
1001191395.....	803	1001212415.....	798	1001228032.....	376, 537	1001236747.....	513
1001191526.....	787	1001213183.....	802	1001228034.....	380, 384, 525	1001236753.....	113
1001191541.....	19, 24	1001213447.....	704	1001228077.....	367, 371, 529	1001236891.....	513, 515, 517
1001191620.....	294	1001213584.....	637, 639, 643	1001228080.....	380, 384, 535	1001236895.....	513, 515, 517
1001192401.....	684	1001213585.....	637, 639, 643	1001228215.....	413	1001236951.....	803
1001193018.....	585, 587, 589, 591, 593, 595, 597, 599, 601, 603, 605, 607, 609, 611, 613, 615	1001214029.....	788	1001228224.....	457	1001237125.....	166, 167, 170
1001193674.....	19, 24	1001214540.....	804	1001228225.....	457	1001237126.....	170
1001193806.....	803	1001214548.....	804	1001228243.....	427	1001237285.....	294, 671
1001195304.....	803	1001214561.....	804	1001228375.....	429	1001237544.....	445
1001196634.....	327	1001214562.....	804	1001228376.....	423	1001237546.....	143
1001197017.....	465, 467, 469	1001214570.....	631	1001228377.....	425	1001237667.....	683, 704
1001197408.....	787	1001214571.....	631	1001228488.....	69, 77	1001237668.....	683, 704
1001197510.....	787	1001216630.....	401	1001228497.....	117, 121, 125, 129, 133, 137, 713	1001237705.....	475
1001197511.....	787	1001217005.....	153	1001228498.....	367, 371, 711	1001237831.....	803
1001197512.....	787	1001218622.....	645	1001228617.....	69	1001237863.....	457, 761
1001197513.....	787	1001218623.....	645	1001228953.....	802	1001237864.....	457, 763
1001197514.....	788	1001219989.....	45, 55, 403	1001228955.....	802	1001237865.....	457, 759
1001197515.....	788	1001220379.....	668	1001228988.....	505, 791, 793, 795	1001237882.....	803
1001197519.....	787	1001220510.....	788	1001229058.....	69	1001237883.....	803
1001197719.....	672	1001220511.....	788	1001229107.....	802	1001238263.....	513, 515, 517
1001198671.....	329	1001220512.....	788	1001229341.....	457	1001238319.....	457
1001200491.....	401	1001220929.....	438, 442	1001230934.....	667, 671	1001238418.....	461, 765
1001200494.....	401	1001221278.....	788	1001230935.....	667, 671	1001238421.....	401
1001200839.....	381, 385	1001222314.....	403	1001230936.....	667, 671	1001238423.....	475
1001200910.....	153	1001223055.....	769	1001231235.....	805	1001238462.....	475
1001201351.....	401	1001223453.....	769, 779	1001231315.....	769	1001238463.....	515
1001201885.....	684	1001223459.....	669, 671	1001231316.....	779	1001238472.....	461
1001202076.....	803	1001223971.....	779	1001231317.....	783	1001238495.....	459
1001202221.....	803	1001224048.....	783	1001231318.....	785	1001238559.....	461
1001202280.....	329	1001224049.....	785	1001231319.....	773	1001239202.....	672
1001202281.....	329, 799	1001224050.....	777	1001231320.....	781	1001239281.....	147
1001202687.....	401	1001224052.....	773	1001231321.....	777	1001239345.....	635
1001202697.....	802	1001224053.....	781	1001231801.....	787	1001241275.....	802
1001202749.....	803	1001225118.....	180, 188, 196, 204, 212, 220	1001231886.....	147	1001241383.....	149
1001203655.....	419	1001225245.....	489	1001231949.....	517	1001241418.....	803
1001203656.....	421	1001225246.....	491	1001231950.....	513, 515	1001241547.....	804
1001204046.....	803	1001225247.....	481	1001232010.....	513, 515, 517	1001241548.....	804
1001204725.....	401	1001225248.....	485	1001232011.....	513, 515, 517	1001241891.....	438, 442, 703
1001204898.....	803	1001225249.....	479	1001232164.....	457	1001241965.....	461
1001205958.....	599, 601, 603, 605, 607, 609, 611, 613, 615	1001225250.....	477	1001232165.....	457	1001242192.....	802
1001206250.....	603	1001225251.....	487	1001232546.....	294, 297	1001242324.....	117, 121, 125, 129, 133, 137, 683
1001206251.....	609	1001225346.....	631	1001232642.....	461	1001242373.....	118, 122, 126, 130, 134, 138
1001206252.....	615	1001225430.....	275, 799	1001232667.....	461	1001242756.....	635
1001206253.....	591	1001225431.....	275	1001232842.....	327	1001242824.....	631
1001206254.....	597	1001225580.....	459, 707	1001233047.....	802	1001242825.....	631
1001206255.....	585	1001225648.....	803	1001233237.....	802	1001243183.....	802
1001206476.....	631	1001226293.....	645	1001233492.....	294	1001243184.....	802
1001206544.....	804	1001226294.....	645	1001233763.....	327	1001243414.....	162, 166, 170
1001206794.....	803	1001226306.....	645	1001233959.....	143, 445	1001243543.....	109
1001206796.....	803	1001226872.....	413	1001234800.....	671	1001243544.....	93
1001207004.....	155	1001227449.....	802	1001235147.....	279	1001243583.....	97
1001207969.....	403	1001227633.....	457	1001235148.....	285	1001243592.....	101
		1001227634.....	457	1001235149.....	280, 283	1001243593.....	105
		1001227932.....	637	1001235150.....	286, 289	1001243731.....	149
		1001227933.....	637	1001235151.....	283, 289, 292	1001243734.....	147
		1001227934.....	637	1001235617.....	802	1001243849.....	149
		1001227935.....	639, 643	1001235952.....	294		

SECTION 11 - SPECIAL OPTIONS

1001243895.....327	1001253057..... 773	1001267389..... 433, 437	1320223 179, 187, 195, 203, 211, 219
1001243965..... 769	1001253058..... 773	1001267653..... 111	1320263 19, 23, 394
1001243994..... 779	1001253059..... 785	1001267654..... 95	1320277 394
1001244026..... 153	1001253060..... 785	1001267655..... 99	1320288 391, 394
1001244027..... 155	1001253061..... 781	1001267656..... 103	1320289 394
1001244205..... 783	1001253062..... 781	1001267657..... 107	1320294 394
1001244206..... 777	1001253375..... 707	1001267658..... 115	1320296 394
1001244207..... 773	1001253593..... 367, 371	1001268241..... 787	1320301 398
1001244208..... 785	1001254068... 117, 121, 126, 130, 134, 138, 659	1001270339..... 635	1320302. 496, 501, 503, 505
1001244209..... 781	1001254472..... 461	1001271497..... 703	1320309 741, 743
1001244298..... 777	1001254473..... 461	1001283008.. 235, 247, 259, 271	1320322 55, 83
1001246138..... 802	1001255133..... 401	1001306146..... 802	1320323 83
1001246142..... 802	1001256298..... 166	1001311034..... 461	1320325 394
1001246610..... 775	1001256299..... 166	1060341. 465, 467, 469, 679	1320327 394
1001246611..... 771	1001256506..... 668	1060343..... 352, 360	1320328 391
1001246762..... 55, 57	1001256507..... 667	1060379..... 509, 511	1321283 280, 286
1001246860..... 803	1001256859..... 89, 91	1060545..... 651	1321289. 236, 248, 260, 272
1001246867..... 803	1001256864... 235, 247, 259, 271, 293	1060698..... 701	1321385 395
1001247073..... 804	1001256879..... 280, 286	1060902..... 663, 689	1321716 280, 286
1001247468..... 401	1001257277... 179, 188, 196, 204, 212, 220	1060903..... 465, 467, 469	1340065 179, 187, 195, 203, 211, 219
1001248011.. 117, 121, 125, 129, 133, 138	1001258495..... 761, 763	1060904..... 195, 219	1340067 802
1001248140... 513, 515, 517	1001258800..... 293	1060908 589, 595, 601, 607, 613, 647, 649, 653	1380147 157, 159
1001248141... 513, 515, 517	1001260432..... 292	1060918..... 455	1560011 741, 743
1001248539.. 769, 773, 777, 779, 781, 783, 785	1001260937..... 442	1060981..... 713	1560012 741, 743
1001248540..... 771, 775	1001261045..... 292	10702077352, 356, 360, 364	1580012 431
1001248546..... 771, 775	1001261085..... 292	10702082352, 356, 360, 364	1580013 803
1001248547..... 769	1001261250..... 787	1100141..... 380, 384	1600343 438, 442, 799
1001248548..... 779	1001262016..... 804	1120423..... 803	1600443 223
1001248549..... 783	1001262959..... 805	1120549..... 29	1660256 81
1001248550..... 785	1001263923... 693, 701, 709	1120550..... 29	1660261 398
1001248551..... 773	1001264917... 235, 247, 259, 271	1120555 471, 473, 475, 477, 479, 481, 483, 485, 487, 489, 491	1670603 585
1001248552..... 781	1001264982... 235, 247, 259, 271	1180386..... 394	1670996 51
1001248553..... 777	1001265163..... 463	1180387..... 391	1671013 376
1001249052..... 804	1001265327..... 805	1180388..... 391	1671023 179, 187, 195, 203, 211, 219
1001249244..... 635	1001265342..... 463	1180389..... 391	1671039 398
1001249695..... 805	1001265854..... 122	1180390..... 391	1671040 29, 398
1001249941..... 805	1001265855..... 130	1260017 73	1671044 398
1001249964.. 235, 247, 259, 271, 275	1001265856..... 138	1283457 542, 550, 557, 561, 566	1671045 51
1001250035..... 804	1001265859..... 118, 122	1320022 175, 179, 183, 187, 191, 195, 199, 203, 207, 211, 215, 219, 228, 235, 240, 247, 252, 259, 264, 271, 279, 285, 292, 329	1671046 51
1001250301... 162, 166, 170	1001265860... 126, 130, 134, 138	1320041 175, 183, 191, 199, 207, 215, 581, 583, 621, 625	1671047 51
1001250465..... 804	1001265864... 117, 118, 122	1320058 179, 187, 195, 203, 211, 219	1671048 51
1001250466..... 804	1001265865... 126, 130, 134, 138	1320060 179, 187, 195, 203, 211, 219	1671049 51
1001250595..... 804	10012658795, 99, 111, 121	1320095 117, 121, 125, 129, 133, 137	1671092 352, 360, 641
1001251020..... 19, 23, 521	1001265868... 103, 107, 129	1320159..... 394	1671093 496, 503, 641
1001251078... 367, 371, 527	1001265869..... 115, 137	1320162..... 85, 87, 89, 91	1671109 162, 166, 170
1001251267.. 769, 771, 773, 777, 779, 781, 783, 785, 787	1001265901..... 435	1320177..... 493, 496	1671112 398
1001251268..... 775, 787	1001265903..... 435, 441	1320187 175, 183, 191, 199, 207, 215, 227, 239, 251, 263, 279, 285	1671113 398
1001251329..... 802	1001265905..... 438, 442	1320190 175, 183, 191, 199, 207, 215, 227, 239, 251, 263, 279, 285	1671117 398
1001252033..... 804	1001266056..... 804	1320223 179, 187, 195, 203, 211, 219	1671118 162, 166, 170
1001252034..... 804	1001266098..... 804	1320260 179, 187, 195, 203, 211, 219	1671121 175, 183, 191, 199, 207, 215, 227, 239, 251, 263, 279, 285
1001252527..... 667, 671	1001266284..... 804	1320277 394	1671122 394
1001252629... 513, 515, 517	1001266489..... 804	1320288 391, 394	1671123 398
1001252946..... 509, 511	100126693593, 97, 109, 117	1320289 394	1671142 399
1001252947..... 509, 511	1001266936... 101, 105, 125	1320294 394	1671191 163
1001253048..... 769	1001266937..... 113, 133	1320296 394	1671192 162
1001253049..... 769	1001266941..... 118	1320301 398	1671193 163, 167, 171
1001253050..... 779	1001266942..... 126	1320302. 496, 501, 503, 505	1671194 162, 163, 166, 167, 170, 171
1001253051..... 779	1001266943..... 134	1320309 741, 743	1671314 437, 441
1001253052..... 783	1001267315..... 787	1320322 55, 83	1701499 769, 771, 773, 775, 777, 779, 781, 783, 785
1001253053..... 783	1001267387..... 433	1320323 83	
1001253054..... 777		1320325 394	
1001253056..... 777		1320327 394	

SECTION 11 - SPECIAL OPTIONS

1701501 769, 771, 773, 775, 777, 779, 781, 783, 785	1705344..... 781	211040649, 57, 557, 559, 575, 577	2171112..... 89, 91
1701505 769, 771, 773, 775, 777, 779, 781, 783, 785	1705345..... 783	2110604557, 559	2171210..... 542, 546
1701509 471, 473, 475, 477, 479, 481, 483, 485, 487, 489, 491, 769, 771, 773, 775, 777, 779, 781, 783, 785	1705347..... 779	211060647, 57, 405, 557, 559	2171212..... 542, 546
1701518 771, 775	1705351..... 769	2110608566, 570, 574	2171306..... 542, 546
1701529 769, 771, 773, 775, 777, 779, 781, 783, 785	1705355..... 791, 793, 795	2110610 542, 546, 566, 570, 574	2171308..... 542, 546
1702565 437, 441	1705358 471, 473, 475, 477, 479, 481, 483, 485, 487, 489, 491	2110612542, 546	2171310..... 542, 546
1702566 437, 441	1705374. 337, 343, 617, 619	2110808 ...36, 550, 554, 566, 570, 574, 575	2180344..... 71
1702773 .419, 421, 775, 787	1705375 352, 360, 505, 793, 795	211081049, 58, 542, 546, 574	2180348 175, 183, 191, 199, 207, 215, 329
1702774 787	1705387. 337, 343, 352, 361	2110812 ...36, 550, 554, 575	2180830..... 542, 546
1702868 505, 769, 787, 793, 795	1705426..... 781	211101057, 58, 81, 535, 542, 546, 567, 571, 575	2180832 227, 239, 251, 263, 279, 285, 493, 496
1702938465, 467, 469	1705427..... 783	211101249, 81, 542, 546, 567, 571, 575	2220001..... 71
1702942 191, 215	1705429..... 779	2111016574	2220235..... 20, 550, 554
1703162 179, 187, 195, 203, 211, 219, 236, 248, 260, 272, 292	1705430..... 777	211121057, 58	2220313 175, 183, 191, 199, 207, 215, 227, 239, 251, 263, 279, 285
1703175 787	1705460. 352, 356, 360, 364	211121257, 81, 535, 542, 546, 566, 570, 574	2220451 179, 187, 195, 203, 211, 219
1703483 787	1705461..... 356, 364	211121657	2220478..... 566, 570, 574
1703804 769	1705468..... 771, 775	2111616575	2220498 179, 187, 195, 203, 211, 219
1703805 769	1705489. 341, 347, 356, 364	2111620566, 570, 574	2220550..... 577
1703811 769, 771, 773, 775, 777, 779, 781, 783, 785	1705492..... 769	2112020566, 570, 574	2220737..... 566, 570
1703814 769, 771, 773, 775, 777, 779, 781, 783, 785	1705493..... 781	2113232566, 570, 574	2220811..... 566, 570, 575
1703935 785	1705503..... 783	212016783	2220816..... 329
1703936 779	1705505..... 779	212016883, 798	2220883.. 49, 525, 527, 529, 531, 537
1703938 781	1705511 769, 771, 773, 775, 777, 779, 781, 783, 785	2120217403	2220885 523, 529, 531, 533, 535, 537
1703939 783	1705515..... 787	2120218 175, 183, 191, 199, 207, 215, 228, 240, 252, 264, 279, 285	2220886..... 525, 527, 535
1703941 785	1705744..... 437, 441	2120219 175, 183, 191, 199, 207, 215, 228, 240, 252, 264, 279, 285, 798	2220887..... 57
1703942 779	1705745..... 437, 441	2130404575	2220888..... 58, 529
1703943 777	1705822..... 771, 775	213040636, 577	2220893..... 83
1703944 781	1705828..... 771, 775	2130606 .542, 546, 561, 563	2221046..... 329
1703945 783	1705838..... 787	2130612542, 546	2221086. 47, 49, 57, 58, 405
1703947 785	1705840..... 787	2130808566, 570, 574	2221117..... 566, 570
1703948 779	1705864..... 775, 787	213081047, 58	2221123..... 542, 546, 577
1703949 777	1705865..... 787	2130812 ...36, 567, 571, 574	2221176 175, 183, 191, 199, 207, 215
1703950 781	1705896..... 773	2131008 .537, 566, 570, 574	2221221..... 575, 577
1703951 783	1705897..... 773	213101058	2400060 327, 463, 659, 661, 684, 704
1703953 769	1705898..... 773	2131210 .537, 566, 570, 574	2400064..... 659, 661, 799
1703959 787	1705901..... 773	2131212 85, 87, 89, 91, 566, 570, 574	2400065..... 655, 683, 798
1703980 781	1705902..... 773	2131620567, 571, 575	2400066..... 655, 683
1703981 783	1705903..... 773	2132020567, 571, 575	2410014..... 419, 421
1703982 777	1705905..... 773	2150404542, 546	2420191..... 83
1703983 785	1705906..... 773	2150808566, 570, 574	2420203..... 333
1703984 779	1705910..... 785	215101249	2460048..... 351, 355
1704000 779, 787	1705915..... 785	2151212566, 570, 574	2460055..... 333
1704001 785, 787	1705917..... 785	216000271	2540044..... 394
1704260 437, 441	1705921..... 771, 775	2170204542, 546	2560136..... 437, 441
1704277 769, 771, 773, 775, 777, 779, 781, 783, 785	1705961..... 771, 775	2170308567, 571, 575	2560187..... 163, 167, 171
1704412 769, 771, 773, 775, 777, 779, 781, 783, 785	1705967..... 773, 787	2170312577	2580062..... 195, 219
1704885 787	1705969..... 783, 787	2170504 .550, 554, 557, 559	2600279 118, 122, 126, 130, 134, 138
1704972 769	1706059..... 773	2170506557, 559, 577	2600280..... 162, 166, 170
1705014 419, 421	1706060..... 777	2170704 .543, 547, 550, 554	2600281. 409, 411, 423, 427
1705171 437, 441	1706061..... 783, 785	2170708542, 546	2680496..... 163, 167, 171
1705174771, 775, 779	1706062..... 781	2170712 85, 87, 89, 91, 542, 546, 575	2717059..... 542, 546
1705305 .505, 791, 793, 795	1706064..... 779	2170804550, 554	2720015. 235, 247, 259, 271
1705325587, 589, 591	1706098..... 771, 775	2170908567, 571, 575	2720058 179, 187, 195, 203, 211, 219, 329
1705336 769	1706385..... 419, 421		2720160..... 493, 496
	1706770..... 771, 775		
	2030010 493, 496, 501, 503, 505		
	2060025 179, 187, 195, 203, 211, 219		
	2080040. 409, 411, 423, 427		
	2080051..... 162, 166, 170		
	2110404..... 36, 57, 58, 405, 542, 546, 566, 570, 574		

SECTION 11 - SPECIAL OPTIONS

2720500 179, 187, 195, 203, 211, 219	2753985542, 546	2920029 437, 441, 465, 467, 469	3300492391, 395
2720501 179, 187, 195, 203, 211, 219	2753986542, 546	2920161 151	3310401 235, 246, 259, 270, 292
2720516542, 546	2753987542, 546	2940074 409, 411, 423, 427, 798	3310601 117, 121, 125, 129, 133, 137, 157, 159
275052871	2753988566, 570, 574	2940173 162, 166, 170	331080519, 23
2750532 175, 179, 183, 187, 191, 195, 199, 203, 207, 213, 215, 219, 227, 239, 251, 263, 279, 285	2753989566, 570, 574	3010133 367, 371	3311001 117, 121, 125, 129, 133, 137, 325, 338, 344, 352, 356, 360, 364
2753541 550, 554	2753990566, 570, 574	3010134 367, 371	3311005 333, 337, 343, 352, 356, 360, 364, 437, 441, 493, 496, 501, 503, 505
2753545 .542, 546, 550, 554	2753991566, 570, 574	3010136 381, 385	3311401 117, 121, 125, 129, 133, 137, 465, 467, 469
2753546 566, 570, 574	2753992566, 570, 574	3020042 376, 381, 385	3311402 118, 122, 126, 130, 134, 138
2753552 550, 554	2753993542, 546	3128444 805	3311405 .45, 147, 149, 166, 170, 180, 188, 196, 204, 212, 220, 227, 234, 239, 246, 251, 258, 263, 270, 279, 285, 292, 333, 341, 347, 398, 433, 435, 461, 585, 587, 589, 591, 593, 595, 597, 599, 601, 603, 605, 607, 609, 611, 613, 615, 625, 655, 769, 771, 773, 775, 777, 779, 781, 783, 785
2753582 550, 554	2753994542, 546	3160339 33, 39	3311501 163, 167, 171, 465, 467, 469
2753590 566, 570, 574	2753995566, 570	3200362 179, 187, 196, 203, 211, 220	3311505 .29, 45, 85, 87, 89, 91, 159, 175, 180, 183, 188, 191, 196, 199, 204, 207, 212, 215, 220, 403, 509, 511
2753673 566, 570, 574	2753996566, 570	3200401 179, 187, 196, 203, 211, 220	3311508 337, 343, 351, 355, 359, 363
2753677 550, 554	2754000566, 570	3200433 398	3311601 63, 83, 162, 166, 170, 438, 442, 461
2753685 550, 554	2754001566, 570, 574	3200458 398	3311602391
2753703 550, 554	2754002542, 546	3220130 331	3311605 45, 61, 85, 87, 157, 159, 162, 166, 170, 175, 180, 183, 188, 191, 196, 199, 204, 207, 212, 215, 220, 234, 246, 258, 270, 292, 325, 333, 380, 384, 395, 403, 419, 421, 433, 435, 496, 501, 503, 505
2753713 550, 554	2754003542, 546	3251102 333, 337, 341, 343, 347, 351, 355, 359, 363	3311608 61, 63, 391, 394, 398
2753714 550, 554	2754004566, 570, 574	3251242 585, 593, 597, 599, 603, 605, 609, 611, 615	3311705 234, 246, 258, 270, 292
2753715 550, 554	2754006 566	3251243 337, 344, 352, 360, 769, 773, 777, 779, 781, 783, 785	3311801 .343, 347, 359, 363
2753716 .542, 546, 550, 554	2754007566, 570	3251813 787	3311805 .81, 157, 159, 180, 188, 196, 204, 212, 220, 228, 240, 252, 264, 279, 285
2753717 542, 546	2754010542, 546	3252347 769	3312002 ...69, 513, 515, 517
2753719 557, 559	2754011542, 546	3252507. 595, 601, 607, 613	3312005 ..23, 471, 473, 475, 477, 479, 481, 483, 485,
2753726 557, 559	2754123542, 546	3271605 513, 515, 517	487, 489, 491
2753727 557, 559	2754124542, 546	3271805 419, 421	3312205 471, 473, 475, 477, 479, 481, 483, 485, 487, 489, 491
2753728 561, 563	2754288542, 546	3272001 234, 246, 258, 270, 292, 367, 371, 381, 385, 513, 515, 517	3312602 151, 153, 155, 367, 371
2753729 557, 559	2754870566, 570, 574	3290405 341, 347, 463, 585, 587, 589, 591, 593, 595, 597, 599, 601, 603, 605, 607, 609, 611, 613, 615, 623, 625	332220181
2753732 561, 563	2792647 557	3290601 163, 167, 171	
2753733 561, 563	2792772 550	3290605 493, 496	
2753734 561, 563	2792773 561	3290606. 415, 417, 425, 429	
2753735 561, 563	2820031 333, 337, 341, 343, 347, 351, 355, 359, 363	3290607 153, 155	
2753736 561, 563	2820035145, 327	3290801 234, 246, 258, 270, 292	
2753737 561, 563	2820141 162	3290805 395, 631	
2753738 561, 563	2820145 163	3290806 236, 248, 260, 272, 401	
2753739 561, 563	2820146 163	3291001 401	
2753741 566, 570	2820247761, 763	3291005 401	
2753742 561, 563	2840016157, 159	3291007 367, 371	
2753743 561, 563	2860030141, 798	3291201 401	
2753746 566, 570, 574	2900770 405, 523, 527, 529, 531, 537	3291205 401	
2753747 550, 554	2900789535, 537	3300151 413, 415, 417, 423, 425, 427, 429, 496, 501, 503, 505	
2753748 550, 554	2900792 521	3300353 437, 441	
2753749 550, 554	2901443 805	3300364 398	
2753750 550, 554	2902065 179, 187, 195, 203, 211, 219, 235, 246, 259, 270, 292, 323	3300396 338, 344, 352, 356, 360, 364	
2753752 550, 554	2902087 523	3300408 143	
2753753 561, 563	2902212 471, 473, 475, 477, 479, 481, 483, 485, 487, 489, 491	3300430 398, 459	
2753754 561, 563	2902217496, 501, 503	3300454.. 55, 153, 155, 180, 188, 196, 204, 212, 220	
2753756 550, 554	2902257 533	3300464 29	
2753757 550, 554	2902285 525	3300465 533	
2753759 550, 554	2902291 537	3300482 437, 441	
2753760 550, 554	2902292 175, 183, 191, 199, 207, 215		
2753761 550, 554	2902356 802		
2753762 550, 554	2902443665, 668, 671		
2753764 550, 554	2910351 803		
2753768 550, 554	2915024 45		
2753778 85, 87	291507271, 805		
2753781 577	2920028 437, 441, 465, 467, 469		
2753843 ... 85, 566, 570, 574			
2753897 542, 546			
2753975 566, 570, 574			
2753976 566, 570, 574			
2753977 566, 570, 574			
2753978 542, 546			
2753979 566, 570, 574			
2753984 566, 570, 574			

SECTION 11 - SPECIAL OPTIONS

3340763	537	3460334 471, 473, 475, 477,	3580317 337, 341, 343, 347,	3910408 235, 246, 259, 270,
3340764	394	479, 481, 483, 485, 487,	352, 355, 359, 363	292
3340787	394	489, 491	3580318 337, 343, 352, 359	3910606 337, 343, 352, 359,
3340877163, 167, 171		3470003..... 438, 442	3580319 341, 347, 356, 363	581, 583, 617, 619
3340878376, 380, 384		3520026..... 437, 441	3580320 188, 196, 212, 220,	3910608..... 157, 159
3340881 19, 23		3520030..... 437, 441	234, 246, 258, 270	3910612..... 581
3340927 367, 371		3520054.. 23, 180, 188, 196,	3600339 180, 188, 196, 302	3910804..... 141
3340934 394		204, 212, 220, 294, 437,	362003485, 87	3930606..... 398
3340941 391, 394		441	3641569465, 467	3930816..... 398
3340942 394		3520071 471, 473, 475, 477,	3740049 117, 121, 125, 129,	3930820..... 19, 23
3340943 394		479, 481, 483, 485, 487,	133, 137, 798	3931008..... 81
3340956 471, 473, 475, 477,		489, 491	374006761, 63, 180, 188,	3931016 337, 343, 351, 355,
479, 481, 483, 485, 487,		3520072 409, 411, 413, 415,	196, 204, 212, 220, 798	359, 363
489, 491		417, 419, 421, 423, 425,	3740080 180, 188, 196, 204,	3931020..... 29, 398
3340974 380, 384		427, 429	212, 220, 333, 655, 798,	3931408..... 459
3340978 376		3520174..... 769, 771, 775	799	3931412..... 29, 398
3340979 376		3520186..... 162, 166, 170	3740086765, 799	3931414..... 398
3340980 376		3520189..... 356, 364	3740143737, 798	3931432 235, 246, 259, 270,
3340982 535		3520192..... 356, 364	3760133376, 380, 384	292
3380434 433, 435		3520198 409, 411, 413, 415,	376017073	3931508 236, 248, 260, 272,
3380473 175, 183, 191, 199,		417, 423, 425, 427, 429	3760217380, 384	292
207, 215		3537416 180, 188, 196, 204,	3760233380, 384	3931512.. 81, 234, 246, 258,
3380498 175, 183, 191, 199,		212, 220	3760368531	270, 292
207, 215		3537445 157	376038329, 398	3931516..... 531
3380523 55		3538758..... 394	3760475367, 371	3931532..... 537
3380528 398		3539971 180, 188, 196, 204,	3790012437, 441, 453	3931616 93, 95, 97, 99, 101,
3380547 367, 371		212, 220	3790152 204, 212, 221, 255,	103, 105, 107, 109, 111,
3380723 175, 183, 191, 199,		3573142 180, 188, 196, 204,	267, 289	113, 115
207, 215, 228, 240, 252,		212, 220	3790155 204, 213, 221, 255,	3931624..... 398
264, 279, 285		3573144 118, 122, 126, 130,	267, 289	3931628 234, 246, 258, 270
3421453 493, 496		134, 138	379015836	3931656..... 535
3421563 73		3573294..... 19, 23	3811340376	3931724..... 537
3421565 73		3573335..... 19, 23	3820001 769, 771, 773, 775,	3931740..... 535
3422178 380, 384		3573355..... 75	777, 779, 781, 783, 785	3931816..... 27
3422446 175, 183, 191, 199,		3573400 496, 501, 503, 505	3820020 409, 411, 423, 427	3931824..... 523, 525
207, 215, 227, 239, 251,		3573411 180, 188, 196, 204,	3841143 176, 184, 192, 200,	3932024..... 29
263, 279, 285		212, 220	208, 216, 227, 239, 251,	3932240..... 529
3422532 180, 188, 196, 204,		3573412 180, 188, 196, 204,	263, 279, 285, 380, 384,	3941404..... 57
212, 220		212, 220	401	3952020..... 69
3422661 509, 511		3573529 180, 188, 196, 204,	3841203380, 384	3960389..... 399
3422833 23		212, 220	384125823, 29, 381, 385	3960418 118, 122, 126, 130,
3422915 23		3573642 496, 501, 503, 505	384128719, 23, 367, 371	134, 138
3422917 29		3573644 175, 183, 191, 199,	384134045, 83	3960422 337, 343, 352, 359,
3422918 19, 23		207, 215	3841356367, 371	581, 583, 617, 619
3422920 367, 371		3573669 175, 183, 191, 199,	3841581367, 371	3960464..... 163, 167, 171
3422937 380, 384		207, 215	3900054419, 421	3960525..... 83
3422940 29		3573727 175, 183, 192, 199,	3900085151, 153, 155	3960543 180, 188, 196, 204,
3422941 29		207, 215	3900210403	212, 220, 234, 246, 258,
3422957 380, 384		3573728 176, 184, 192, 199,	3900232 ...83, 162, 166, 170	270, 292
3422958 380, 384		207, 216	3900251 118, 122, 126, 130,	3960544 180, 188, 196, 204,
3422960 19, 23		3574091469	134, 138	212, 220, 234, 246, 258,
3423058 380, 384		3574492 157	3900259381, 385	270, 292
3423059 380, 384		3574494 83	3900260394	3960551..... 29
3423061 367, 371		3574533..... 162, 166, 170	3900267338, 344	3960552..... 29
3423062 367, 371		3574580 535	3900269376	3960571..... 399
3423063 367, 371		3574586 535	390027019, 23	3980006..... 61, 63
3423064 367, 371		3574606..... 394	3900283 ..51, 162, 166, 170,	3990001..... 683, 798
3423065 367, 371		3574630..... 537	391, 394, 403	4000008..... 399, 799
3423066 376		3574633 176, 184, 192, 200,	3900300338, 344	4010408 341, 347, 623, 625
3423190 380, 384		208, 216	3900316 162, 166, 170, 176,	4010618 415, 417, 425, 429
3423209 367, 371		3574644..... 391	184, 192, 200, 208, 216,	4031505..... 457
3423256 29, 398		3575359..... 465, 467	228, 240, 252, 264, 279,	4031516..... 461
3430616 438, 442		3575782..... 163, 167, 171	285, 403	4031914 234, 246, 258, 270,
3430816 157, 159		3576799..... 493, 496	3900322333	292
3450404 157, 159		3577121 496, 501, 503, 505	3900349437, 441	4032014 234, 246, 258, 270
3451214 29		3580158..... 180, 204	3900363163, 167, 171	
		3580276..... 333		

SECTION 11 - SPECIAL OPTIONS

4032022 180, 188, 196, 204, 212, 220	4340832 117, 121, 125, 129, 133, 137	4460183..... 659, 661, 703	4460483338, 344
4060092 583	4340861 399	4460190..... 333	4460488153, 155
4060802 333, 337, 341, 343, 347, 352, 356, 359, 363	4340959 398	4460205..... 581	4460496 93, 95, 97, 99, 101, 103, 105, 107, 109, 111, 113, 115, 437, 441
4060804 163, 167, 171, 180, 188, 196, 204, 212, 220	4340995162, 166, 170	4460213..... 703	4460497 93, 95, 97, 99, 101, 103, 105, 107, 109, 111, 113, 115, 437, 441
4060805 180, 188, 196, 204, 212, 220	4340996162, 166, 170	4460224..... 348	4460508 457, 683, 687, 703, 753
4060806 163, 167, 171	4341000162, 166, 170	4460225. 679, 681, 683, 703	4460509695, 749, 751
4060808 45	4341001162, 166, 170	4460226 448, 451, 455, 627, 704	4460510805
4070864 376, 381, 385	4341110 176, 184, 192, 200, 208, 216	4460227. 627, 635, 683, 703	4460518633
4071031 376, 398	4341158 399	4460234 196, 220, 248, 272, 437, 441, 465, 467, 469	4460526 117, 121, 125, 129, 133, 137
4071035 19, 23	4360057 .465, 467, 469, 799	4460247 668, 671	4460536 661, 697, 701, 703, 753
4071036 19, 23	4360070 338, 344, 352, 356, 360, 364	4460256. 655, 687, 741, 743	4460539 629, 635, 671, 687, 699, 701, 703, 753, 755
4071039 19, 23	4360274133, 137	4460259. 463, 683, 687, 703	4460612617, 619
4071040 19, 23	4360328 117, 121, 125, 129, 133, 137, 453, 798	4460260. 463, 683, 687, 703	4460613683, 753
4071041 69	4360336 333, 337, 341, 343, 347, 352, 356, 359, 363, 799	4460265 448, 451	4460702 .665, 687, 741, 743
4071042 19, 23	4360387 125, 129, 133, 137, 437, 441, 465, 467, 469, 798	4460267 701, 703, 739	4460703668, 671
4071044 381, 385	4360407437, 441, 798	4460268 145, 147, 149, 679, 681, 701	4460708437, 441, 704
4071045 381, 385	4360469141, 799	4460294 348	4460709583
4071048 162, 166, 170	4360475 117, 121, 125, 129, 133, 137, 437, 441, 798	4460297 683	4460722 327, 745, 747
4071049 20	4360476 117, 121, 125, 129, 133, 137, 437, 441, 798	4460312 687	4460746671
4071050 20	436050529, 398, 798	4460313 665, 683, 687	4460748671
4071054 19, 23	4360542 333	4460315. 359, 581, 583, 665	4460761627, 635, 683
4071055 19, 23	4360548398, 799	4460320 701, 739	4460806 599, 601, 603, 605, 607, 609, 683, 703
4071067 376	4360552399, 799	4460346 337, 343, 352, 359, 581	4460807679, 681
4071069 376	436057819, 23, 697, 699, 798	4460374 655	4460808679, 681
4071071 376	4360579757, 799	4460375 655	4460836 635, 657, 667, 683, 701
4071072 394	4360622399, 799	4460418 683, 703	4460837 117, 121, 125, 129, 133, 137
4071073 381, 385	4400462 83	4460419 683, 701, 703	4460842701
4071074 437, 441	4420014 471, 473, 475, 477, 479, 481, 483, 485, 487, 489, 491	4460424. 145, 147, 149, 701	4460843701
4071076 391	442003761, 63, 496, 501, 503, 505	4460425 117, 121, 125, 129, 133, 137, 338, 344, 352, 356, 360, 364, 465, 467, 469, 617, 619	4460865695, 749
4071081 376	4420038 83	4460426 338, 344, 352, 356, 360, 364	4460866 683, 703, 753
4100063 395	4420051 787	4460428 117, 121, 125, 129, 133, 137, 437, 441	4460868684
4100101 381, 385	4420060381, 385	4460434 703	4460871 659, 661, 683, 687, 701, 703, 713
4160194 162, 166, 170	4420062509, 511	4460458 668, 671	4460873683, 703
4220189 391	4420066 471, 473, 475, 477, 479, 481, 483, 485, 487, 489, 491	4460464 455, 463, 633, 635, 655, 657, 659, 661, 663, 668, 677, 683, 687, 693, 701, 703, 707, 709, 711, 715, 739, 753, 765	4460874 117, 121, 125, 129, 133, 137, 703
4220190 391	4420068465, 467, 469	4460465 352, 356, 361, 364, 463, 633, 635, 657, 659, 661, 665, 667, 668, 671, 672, 679, 681, 683, 684, 687, 689, 691, 693, 695, 701, 703, 707, 709, 713, 749, 751	4460875 117, 121, 125, 129, 133, 137
4220197 395	4460007437, 441	4460466 457, 463, 633, 635, 657, 659, 661, 665, 667, 668, 671, 672, 684, 687, 691, 695, 701, 703, 707, 709, 749, 751, 753, 755, 759, 765	4460876683, 703
4220235 27	4460016 703	4460467 805	4460877684
4240018 176, 184, 192, 200, 208, 216, 337, 341, 343, 347, 352, 356, 359, 363, 398, 617, 619	4460019 655, 665, 668, 671, 687	4460470 117, 121, 125, 129, 133, 137, 437, 441	4460878683
4240032 153, 155, 655, 657, 665, 741, 743	4460027 333	4460471 117, 121, 125, 129, 133, 137, 437, 441	4460879463, 703
4240033 176, 184, 192, 200, 208, 216, 395, 398, 457, 459, 461, 635, 657, 665, 693, 709	4460035659, 661	4460473 695, 749, 751	4460880657, 701, 715
4240099 180, 188, 196, 204, 212, 220, 236, 248, 260, 272, 280, 286, 292, 327, 465, 467, 469, 496, 501, 503	4460042669, 672, 704	4460474 683	4460884 463, 635, 657, 672, 684, 707, 713, 747
4240139 83	4460043327, 668, 671		4460887 463, 683, 687, 703
4240149 471, 473, 475, 477, 479, 481, 483, 485, 487, 489, 491	4460049465, 467, 469		4460888684, 703
4240150 163, 167, 171	4460051581, 583		4460891 633, 677, 687, 689, 701, 709
4240153 394	4460068338, 344		4460892 117, 121, 125, 129, 133, 137, 657
4240155 19, 24, 391, 394	4460071 337, 343, 352, 359, 455		4460894 635, 657, 665, 668, 672, 683, 684, 703
4240156 395	4460121 635		4460897 655, 663, 677, 709, 715, 739
4300157 .343, 347, 359, 363	4460125 583		4460898659, 661
4340810 398	4460142683, 703		
4340811 398			

SECTION 11 - SPECIAL OPTIONS

4460899 .687, 707, 759, 765	4461074..... 665, 668, 671	425, 427, 429, 459, 461,	234, 246, 258, 270, 292,
4460905 117, 121, 125, 129, 133, 137, 437, 441, 659, 661, 703	4461077..... 753, 759, 765	581, 583, 585, 587, 589,	333, 431, 433, 435, 437,
4460910 763	4461095 .633, 665, 667, 668	591, 593, 595, 597, 599,	441, 465, 467, 469, 496,
4460911 741, 743, 745, 747, 759	4461097..... 665	601, 603, 605, 607, 609,	501, 503, 505, 769, 771,
4460912 .741, 743, 745, 747	4461196..... 717, 719	611, 613, 615, 621, 623, 625	773, 775, 777, 779, 781, 783, 785
4460914 ..29, 117, 121, 125, 129, 133, 137, 399	4461197..... 719	4711500 ..29, 45, 85, 87, 89, 91, 159, 176, 180, 184, 188, 192, 196, 200, 204, 208, 212, 216, 220, 234, 246, 258, 270, 292, 399, 403	4751500 145, 163, 167, 171, 337, 343, 352, 356, 359, 363, 465, 467, 469, 509, 511
4460918 741, 743, 745, 747, 753	4461198..... 591, 717, 719	4711600 ..19, 23, 45, 55, 61, 63, 83, 157, 159, 162, 166, 170, 176, 180, 184, 188, 192, 196, 200, 204, 208, 212, 216, 220, 227, 234, 239, 246, 251, 258, 263, 270, 279, 285, 292, 325, 329, 333, 337, 341, 343, 347, 352, 356, 359, 363, 367, 371, 391, 395, 403, 438, 442, 513, 515, 517	4751600.. 29, 51, 61, 63, 75, 83, 85, 87, 93, 95, 97, 99, 101, 103, 105, 107, 109, 111, 113, 115, 162, 166, 170, 403, 433, 435, 496, 501, 503, 505
4460925 703	4461200..... 721, 723	4711700 234, 246, 258, 270, 292, 329, 333	4751700 234, 246, 258, 270, 292
4460926 709	4461201..... 597, 721, 723	4711800 19, 23, 29, 45, 157, 159, 180, 188, 196, 204, 212, 220, 228, 240, 252, 264, 279, 285, 399, 419, 421	4751800.. 81, 419, 421, 465, 467, 469
4460928 633, 709	4461203..... 727	4711900333	4752000 176, 184, 192, 200, 208, 216, 227, 239, 251, 263, 279, 285
4460930 657, 665, 667, 668, 672, 683, 691, 701	4461205 .725, 727, 729, 731	4712000 ..23, 471, 473, 475, 477, 479, 481, 483, 485, 487, 489, 491, 513, 515, 517	4755000..... 29
4460931 .667, 687, 701, 737	4461206..... 731	4740171243	4760600..... 581, 583
4460932 463, 629, 635, 668, 677, 711, 745	4461244..... 603, 725, 727	474018129	4760800..... 437, 441
4460933 633, 657, 659, 661, 668, 684, 701, 703	4461245..... 609, 729, 731	474022929	4761400 117, 121, 125, 129, 133, 137, 431
4460934657, 667, 755	4461246..... 615, 733, 735	4740274 180, 188, 196, 204, 212, 220	4761600..... 63
4460935 657, 667	4461249..... 733, 735	4740362433, 435	4770600..... 157, 159
4460941 635, 657, 667, 677, 683, 759	4461250..... 735	4740397 133, 137, 333, 437, 441	4791400..... 55, 61, 63, 180, 188, 196, 204, 212, 220, 234, 246, 258, 270, 294, 337, 341, 343, 347, 352, 356, 359, 363
4460942 457, 635, 655, 668, 672, 677, 683, 701	4530028 .496, 501, 503, 507	474043051	4811400 463, 585, 587, 589, 591, 593, 595, 597, 599, 601, 603, 605, 607, 609, 611, 613, 615
4460943 153, 155, 629, 635, 657, 667, 687, 697, 701, 703, 737, 745, 753, 755, 759	4562516..... 391, 394	4740444 .117, 121, 125, 129	4811600..... 29
4460944 629, 635, 657, 659, 665, 667, 668, 671, 672, 683, 684, 687, 699, 701, 703, 747, 753, 755	4568293 180, 188, 196, 204, 212, 220	474046119, 23	4811700 153, 155, 292, 415, 417, 425, 429, 493, 496
4460945 659, 671	4568426..... 85, 87	4740492367, 371	4811900 163, 167, 171, 234, 246, 258, 270, 292, 394, 401, 631
4460950 657, 668	4568427..... 85, 87	4740500162, 166, 170	4811902 234, 246, 258, 270, 293
4460951 683	4568815..... 567, 571, 574	474050529	4812000 234, 246, 258, 270, 293, 367, 371, 401
4460956 .647, 649, 651, 653	4568849..... 566, 571, 574	4740518 180, 188, 196, 204, 212, 220	4812100 227, 234, 239, 246, 251, 258, 263, 270, 279, 285, 293, 401
4460957 .647, 649, 651, 653	4630006..... 381, 385	4750600 117, 121, 125, 129, 133, 137, 157, 159	4812200 234, 246, 258, 270, 293
4460958 619	4640452..... 531	475080019, 23, 437, 441	4831900 234, 246, 258, 270, 293
4460962496, 503, 641	4640509..... 521	4751000 ..83, 117, 121, 125, 129, 133, 137, 151, 153, 155, 333, 337, 343, 352, 356, 360, 364, 399, 437, 441, 493, 496, 501, 503, 505	4845582..... 509, 511
4460963352, 360, 641	4640751 180, 188, 196, 204, 212, 220, 236, 248, 260, 272, 292	4751000 ..19, 23, 437, 441	4846383..... 19, 24
4460965 683, 701	4640858..... 523	4751100 ..83, 117, 121, 125, 129, 133, 137, 151, 153, 155, 333, 337, 343, 352, 356, 360, 364, 399, 437, 441, 493, 496, 501, 503, 505	4846482..... 381, 385
4460967 .352, 356, 361, 364	4640938..... 527	4751400 45, 55, 61, 63, 147, 149, 162, 166, 170, 176, 184, 192, 200, 208, 216, 227, 235, 239, 246, 251, 259, 263, 270, 279, 285, 292, 337, 341, 343, 347, 352, 356, 359, 363, 394, 399, 413, 415, 417, 423,	4846503..... 162
446096819, 23, 399, 697, 699, 757	4641114..... 531	4751500 117, 121, 125, 129, 133, 137, 157, 159	4846552 180, 188, 196, 204, 212, 220
4460970 635, 667	4641155..... 45	4751600 117, 121, 125, 129, 133, 137, 153, 155, 180, 188, 196, 204, 212, 220,	4846627 .496, 501, 503, 505
4460971 493, 496	4641162..... 537	4751800 117, 121, 125, 129, 133, 137, 153, 155, 180, 188, 196, 204, 212, 220,	4846637..... 19, 24
4460982 668	4641247..... 85, 89	4751900 117, 121, 125, 129, 133, 137, 157, 159	4846673..... 469
4461003 751	4641255..... 405	4752000 117, 121, 125, 129, 133, 137, 153, 155, 180, 188, 196, 204, 212, 220,	4846871..... 162, 166, 170
4461004 701	4641260..... 531	4752000 117, 121, 125, 129, 133, 137, 153, 155, 180, 188, 196, 204, 212, 220,	4846872..... 162, 166, 170
4461005 665, 701	4641268..... 45, 47		
4461006 665, 701	4641276..... 523		
4461007 701	4641285..... 529		
4461008 .665, 669, 671, 701	4641288..... 535		
4461009 753	4641298..... 537		
4461013 741, 743	4641316..... 577		
4461052 665	4641340..... 527		
4461053 665	4641370..... 527		
4461054 .665, 669, 672, 677	4641372..... 542, 546		
4461060 665	4641386..... 525		
4461070 .633, 665, 667, 668	4641388..... 525		
4461071665, 668, 671	4641393..... 525		
4461072665, 668, 671	4641454..... 45, 49		
4461073665, 668, 671	4641460..... 403, 405		
	4700014..... 376		
	4710400 235, 246, 259, 270, 292		
	4711000 325, 338, 344, 352, 356, 360, 364		
	4711400 45, 55, 61, 63, 147, 149, 162, 166, 170, 176, 184, 192, 200, 208, 216, 227, 235, 239, 246, 251, 259, 263, 270, 279, 285, 292, 337, 341, 343, 347, 352, 356, 359, 363, 394, 399, 413, 415, 417, 423,		

SECTION 11 - SPECIAL OPTIONS

4846920.....	395	70000796.....	389	70001968.....	303, 309	70002177.....	315
4846945 .188, 196, 212, 220		70000801.....	49	70001973351, 355, 360, 364		70002178.....	315
4846946 180, 188, 196, 204,		70000802.....	49	70001974351, 355, 360, 364		70002179.....	315
212, 220		70000803.....	49	70001976.....	47	70002231.....	175, 183, 191,
4891400.....	399	70000804.....	49	70002015.....	35	199, 207, 215, 227, 239,	
4891500.....	334	70000805.....	49	70002016.....	35	251, 263, 279, 285, 798	
4891600.. 83, 162, 166, 170,		70000806.....	49	70002018.....	35	70002247.....	36
204, 212, 220, 255, 267,		70000852.....	39	70002019.....	35	70002248.....	36
289, 391, 395, 401		70000853.....	39	70002020.....	35	70002249.....	36
4891800 157, 159, 180, 188,		70000854.....	39	70002021.....	35	70002255.....	351, 355
196, 204, 212, 220, 231,		70000855.....	39	70002026.....	35	70002291.....	360, 364
255, 267, 283, 289, 337,		70000856.....	39	70002027.....	35	70002297.....	351, 355
341, 343, 347, 352, 356,		70000857.....	39	70002029.....	35	70002460351, 355, 360, 364	
359, 363, 376, 381, 385,		70000858.....	39	70002030.....	35	70002569.....	304
391, 395		70000859.....	39	70002031.....	35	70002576.....	321
4892000 31, 41, 43, 71, 234,		70000860.....	39	70002032.....	35, 77	70002578.....	317
246, 258, 270, 293, 334,		70000861.....	39	70002033.....	35	70002580.....	317
367, 371		70000862.....	39	70002034.....	35	70002582.....	317
4892400.....	69	70000863351, 355, 360, 363		70002035.....	35	70002583.....	317
4892600001.....	401	70000916.....	223	70002036.....	35	70002585.....	317
4922099.....	683	70000917.....	223	70002037.....	35	70002586.....	317
4922641 .353, 356, 361, 364		70000918.....	223	70002039.....	35	70002588.....	317
4922666.....	438, 442, 627	70000919.....	223	70002040.....	35	70002589.....	317
4922696.....	657	70000950.....	309	70002041.....	35	70002590.....	317
4922718.....	629	70001017.....	331	70002044.....	35	70002592.....	318
4922767.....	693	70001100351, 355, 359, 363		70002045.....	35	70002593.....	318
4922777.....	709	70001123.....	81	70002046.....	35	70002599.....	318
4922784.....	689	70001125.....	223	70002047.....	35	70002600.....	314
4922785.....	663	70001126.....	223	70002048.....	35	70002601.....	314
4922947.....	743	70001128.....	223	70002049.....	35	70002602.....	314
4922948.....	741	70001129.....	223	70002050.....	35	70002604.....	315
4922949.....	755	70001130.....	223	70002052.....	35	70002605.....	315
4922950.....	747	70001131.....	223	70002057.....	35, 77	70002606.....	315
4922951.....	745	70001135.....	223	70002088.....	351, 355	70002607.....	315
4922955.....	695	70001344.....	175, 183, 191,	70002097.....	403, 798	70002608.....	315
4922956.....	749	199, 207, 215, 228, 240,		70002132.....	314	70002609.....	315
4922958.....	751	252, 264, 279, 285		70002133.....	314, 317	70002610.....	315
4922972 352, 356, 359, 363,		70001384351, 355, 359, 363		70002134.....	314	70002612.....	315
681		70001421.....	58	70002135.....	314	70002616.....	315
4923036 117, 121, 125, 129,		70001424.....	499	70002136.....	314	70002617.....	315
133, 137, 737		70001425.....	499	70002137.....	314	70002618.....	314
4923169.....	757	70001427.....	499	70002138.....	314	70002619.....	314
4923170.....	697	70001428.....	499	70002139.....	314	70002620.....	314
4923171.....	699	70001429.....	499	70002140.....	314	70002621.....	315
4923256.....	691	70001430.....	499	70002141.....	314	70002622.....	315
4923373.....	753	70001431.....	499	70002142.....	314	70002623.....	315
4923382.....	655	70001432.....	499	70002145.....	314	70002674.....	35
4923397 117, 121, 125, 129,		70001435.....	223	70002148.....	314	70002718.....	223, 275
133, 137, 701		70001639.....	387	70002150.....	314	70002742.....	58
4923468 180, 188, 196, 204,		70001640.....	389	70002151.....	314	70002743.....	58
212, 220		70001696.....	351, 355	70002152.....	314	70002859.....	389
4923592 .180, 188, 204, 212		70001847.....	223	70002153.....	314	70002902.....	455
4933218.....	465, 469	70001850.....	223	70002154.....	314	70002903.....	455
5241200.....	36, 401	70001857.....	223	70002155.....	314	70002904.....	455
5251008.....	401	70001867.....	223	70002156.....	314	70002905.....	455
5251016.....	401	70001868.....	223	70002157.....	314	70003043.....	58
70000044.....	223	70001870.....	223, 275, 298	70002158.....	314	70003135.....	223
70000124.....	333	70001871.....	223	70002159.....	314	70003136.....	223
70000125.....	333	70001873.....	58	70002160.....	314	70003165.....	310
70000342.....	387	70001939.....	47	70002161.....	314	70003167.....	309
70000345.....	223, 275, 297	70001952.....	302	70002162.....	314	70003170.....	310
70000619351, 355, 359, 363		70001953.....	351, 355	70002163.....	314	70003173.....	308
70000777.....	527, 537	70001955.....	317	70002164.....	314	70003174.....	308
70000778.....	527, 537	70001956.....	317	70002165.....	314	70003175.....	308
70000780.....	81	70001958.....	315	70002168.....	315	70003177.....	308
70000781.....	57	70001966.....	338, 341, 344,	70002174.....	315	70003340.....	309, 310
70000793.....	323	347, 351, 355, 360, 363		70002175.....	315	70003475.....	223

SECTION 11 - SPECIAL OPTIONS

70003628.....	39	70004686.....	347	70006095.....	360, 364	70007049.....	525
70003631351, 355, 360, 363		70004687.....	344	70006096.....	360, 364	70007178.....	310
70003708.....338, 341, 344, 347, 351, 355, 360, 363		70004738.....	451	70006097.....	360, 364	70007226.....	57
70003709.....338, 341, 344, 347, 351, 355, 360, 363		70004739.....	451	70006137.....	175, 183, 191, 199, 207, 215, 228, 240, 252, 264, 279, 285	70007227.....	57
70003800.....	67	70004740.....	451	70006144.....	275, 297	70007228.....	57, 798
70003801.....	67	70004741.....	451	70006315.....	57	70007229.....	57
70003802.....	67	70004742.....	451	70006473.....	523	70007230.....	57
70003803.....	67	70004743.....	451	70006474.....	523	70007231.....	57, 798
70003913.....	395, 798	70004744.....	451	70006490.....	533	70007282.....	527
70003914.....	395	70004745.....	451	70006491.....	533	70007325.....	276
70003916.....	395	70004746.....	451	70006492.....	533	70007326.....	276
70003919.....	391, 798	70004747.....	451	70006499.....	533	70007327.....	276
70003920.....	391	70004748.....	451	70006492.....	533	70007328.....	276
70004005.....	65	70004749.....	451	70006493.....	533	70007329.....	276
70004006.....	65	70004750.....	451	70006494.....	525	70007330.....	276
70004007.....	65	70004751.....	447	70006495.....	525	70007331.....	276
70004092.....338, 341, 344, 347, 360, 364		70004752.....	447	70006496.....	525	70007353.....	224
70004094.....	360, 364	70004753.....	447	70006507.....	529	70007382.....	521
70004098338, 344, 360, 364		70004754.....	447	70006508.....	529	70007383.....	521
70004099344, 347, 360, 363		70004755.....	447	70006509.....	529	70007384.....	521
70004169.....	351, 355	70004756.....	447	70006520.....	523	70007385.....	521
70004171338, 341, 351, 355		70004757.....	447	70006523.....	531	70007386.....	521
70004185.....	805	70004758.....	447	70006524.....	531	70007431.....	527
70004277.....	276, 298	70004759.....	447	70006525.....	531	70007432.....	527
70004280.....	275	70004760.....	447	70006526.....	531	70007433.....	527
70004282.....	276	70004761.....	447	70006552337, 341, 343, 347		70007434.....	527
70004328.....	403	70004762.....	447	70006553337, 341, 343, 347		70007435.....	527
70004414.....	83	70004763.....	447	70006653.....	276	70007436.....	527
70004416.....	317	70004764.....	447	70006693.....	535	70007437.....	527
70004417.....	317	70004765.....	447	70006694.....	535	70007438.....	527
70004420.....	317	70004766.....	447	70006695.....	535	70007439.....	527
70004421.....	317	70004767.....	447	70006696.....	535	70007603.....	297
70004422.....	318	70004768.....	447	70006713.....	537	70020329.....	309
70004423.....	317	70004769.....	447	70006714.....	537	70020336.....	310
70004426.....	317	70004770.....	447	70006715.....	537	70021867.....	302, 308
70004467.....	77	70004771.....	447	70006716.....	537	70022286.....	317
70004469.....	77	70004772.....	447	70006717.....	537	70022564.....	527
70004474.....	77	70004773.....	447	70006718.....	537	70023592.....	235, 247, 259, 271, 293, 799
70004477.....	77	70004774.....	448	70006927.....	527	70023593.....	235, 247, 259, 271, 293, 799
70004480.....	77	70004775.....	448	70006986.....	77	70024190.....	235, 247, 259, 271, 293, 799
70004481.....	77	70005171.....	275	70006987.....	77	70024494.....	275, 297
70004494.....	78	70005172.....	275, 297	70006988.....	77	70024504.....	276, 297
70004501.....	276	70005184.....	297	70006989.....	77	70024507.....	276, 297
70004502.....	276	70005317.....	77	70006990.....	77	70024513.....	275, 297
70004503.....	297	70005318.....	77	70006991.....	77	70024904.....	275, 298
70004504.....	276, 297	70005418.....	318	70006992.....	77	70024905.....	275
70004505.....	275	70005433.....	527	70006993.....	77	70024906.....	275
70004506.....	275	70005456.....	81	70006994.....	77	70024912.....	276
70004507.....	275	70005456.....	81	70006995.....	77	70024915.....	276, 297
70004508.....	275, 297	70005480.....	308	70006996.....	77	70024916.....	297
70004509.....	275	70005481.....	308	70006997.....	77	70024917.....	276
70004510.....	275	70005527.....	276	70006998.....	77	70024918.....	297
70004646.....	805	70005615.....	65	70006999.....	77	70024919.....	275
70004647.....	805	70005616.....	65	70007000.....	77	70024920.....	275, 276
70004648.....	805	70005617.....	65	70007001.....	77	70024924.....	275, 297
70004676338, 341, 344, 347		70005618.....	65	70007002.....	77	70024925.....	275, 297
70004677.....	341	70005619.....	65	70007003.....	77	70024961.....	275, 297
70004678338, 341, 344, 348		70005647.....	276	70007004.....	78	70025111.....	275
70004680338, 341, 344, 348		70005648.....	276	70007005.....	78	70025112.....	276
70004681.....	341, 348	70005921.....	275	70007006.....	78	70025120.....	276
70004682338, 341, 344, 348		70005926.....	276	70007007.....	78	70025130.....	297
70004683.....	341, 348	70005929.....	276	70007008.....	78	70025135.....	275
70004684.....	338	70005931.....	276, 297	70007009.....	77	70025136.....	275
70004685.....	338, 344	70005938.....	298	70007010.....	78	70025137.....	275
		70005941.....	275, 297	70007011.....	77		
		70005942.....	275, 297	70007012.....	78		
		70006093.....	360, 363	70007013.....	78		
		70006094.....	360, 364				

SECTION 11 - SPECIAL OPTIONS

70025140.....	275	7011367.....	527, 529	7020479.....	223	7024475.....	507
70025142.....	276, 297	7011368.....	535	7020486.....	223	7024478.....	507
70025144.....	275	7011369.....	535	7020492.....	276	7024485.....	351, 355
70025145.....	275	7011370.....	535	7021249.....	39	7024488.....	351, 355, 359, 363
70025146.....	275	7011371.....	535	7021256.....	315	7024489.....	351, 355, 359, 363
70025151.....	275	7011372.....	535	7021265.....	315	7024530.....	499
70025152.....	275	7011375.....	527	7021275.....	39, 314, 317	7024531.....	499
70025153.....	297	7011376.....	525	7021293.....	315	7024532.....	499
70025154.....	275	7012513.....	333	7022300.....	315	7024533.....	499
70025160.....	297	7012514.....	333	7022301.....	314	7024534.....	499
70025164.....	276, 297	7012558.....	333	7022311.....	39	7024535.....	499
70025181.....	275	7012706.....	302, 308	7022314.....	39	7024536.....	499
70025182.....	275	7012709.....	302	7022321.....	39	7024537.....	499
70025183.....	276	7012715.....	302	7022340.....	317	7024565.....	223
70025184.....	276	7012773.....	47	7022368.....	39	7024571.....	405, 798
70025200.....	276	7012941.....	49	7022371.....	39	7024572.....	405
70025205.....	275	7012942.....	49	7023881.....	303	7024579.....	223, 275
70025210.....	276	7012943.....	57, 798	7023887.....	308	7024584.....	175, 183, 191, 199, 207, 215
70025235.....	275	7012944.....	49, 405, 798	7023922.....	405	7024598.....	157, 159
70025239.....	275	7012955.....	49	7023936.....	63	7024800.....	315
70025242.....	276	7012967.....	49, 531	7023962.....	317	7024865.....	39
70025788.....	276	7012998.....	49	7023964.....	317, 318	7024867.....	39
70025877.....	276	7015003.....	179, 187, 195, 203, 211, 219	7024005.....	303	7024868.....	39
70026210.....	276, 297	7015013.....	179, 187, 195, 203, 211, 219	7024006.....	309	7024890.....	55, 798
7002821.....	805	7015014.....	179, 187, 195, 203, 211, 219	7024038.....	302, 308	7024905.....	309
7002822.....	805	7015015.....	179, 187, 195, 203, 211, 219	7024042.....	302	7024906.....	303, 309
7002823.....	805	7016319.....	151	7024043.....	302	7024907.....	309
7002828.....	805	7016322.....	157, 159	7024044.....	302, 308	7024908.....	303, 309
70028540.....	276	7016328.....	223, 799	7024064.....	302, 308	7024909.....	309
70028699.....	276	7016331.....	223, 275, 297, 799	7024065.....	303, 309	7024911.....	303, 309
70029401.....	276, 297	7016372.....	151	7024068.....	303	7024913.....	302, 308
70029433.....	276	7016374.....	157, 159	7024069.....	304, 310	7024914.....	302
70029451.....	275	7016654.....	805	7024070.....	303	7024915.....	302
70029468.....	527	7016655.....	805	7024071.....	303, 309	7024916.....	302
70029517.....	276	7017142.....	387	7024072.....	303, 309	7024917.....	302, 308
70029520.....	276	7017159.....	387	7024073.....	303, 309	7024918.....	302, 308
70029557.....	276	7017162.....	387, 389	7024075.....	303, 309	7024919.....	302, 308
70029581.....	297	7017163.....	387, 389	7024076.....	303, 309	7024920.....	302, 308
70029797.....	276	7017164.....	387, 389	7024077.....	303, 309	7024921.....	302, 308
7003655.....	179, 187, 195, 203, 211, 219, 799	7017185.....	389	7024078.....	309	7024922.....	302, 308
7004275.....	805	7017195.....	387, 389	7024079.....	309	7024927.....	47
7004276.....	805	7017402.....	405	7024080.....	303	7026018.....	405
7007207.....	314, 317	7017405.....	49	7024081.....	303, 310	7026019.....	405
7007415.....	315, 317, 318	7018936.....	304, 310	7024083.....	303	7026020.....	405
7007418.....	314	7018991.....	47, 798	7024084.....	303	7026021.....	405
7007419.....	314	7019680.....	333	7024085.....	304	7026022.....	405
7007420.....	39	7020021.....	83	7024087.....	304	7026023.....	405
7007437.....	39	7020043.....	83	7024088.....	304	7026028.....	47
7007438.....	39	7020108.....	333	7024089.....	304	7026029.....	81
7007439.....	39, 315	7020109.....	333	7024096.....	310	7026030.....	81
7007446.....	39, 314, 317	7020110.....	333	7024097.....	303	7026031.....	81
7007489.....	321	7020111.....	333	7024439.....	83	7026032.....	81
7010543.....	49	7020175.....	117, 121, 125, 129, 133, 137, 437, 441	7024440.....	83	7026188.....	351, 355
7010697.....	57	7020176.....	117, 121, 125, 129, 133, 137, 437, 441	7024441.....	83	7026597.....	351, 355, 360, 364
7011311.....	527, 529, 535, 542, 546	7020190.....	333	7024443.....	83	7026599.....	83
7011346.....	47, 405, 527, 537, 542, 546	7020414.....	223	7024444.....	83, 798	7026600.....	83
7011351.....	535	7020447.....	223	7024445.....	83	7026608.....	223
7011353.....	525	7020460.....	223	7024446.....	83	7026626.....	351, 355, 360, 364
7011355.....	405	7020465.....	223, 275, 297	7024462.....	507	7026665.....	81
7011359.....	537	7020468.....	223	7024463.....	507	7026671.....	58
7011361.....	537	7020471.....	223	7024467.....	507	7026672.....	58
7011362.....	527	7020472.....	507	7024469.....	507	7026678.....	58
7011364.....	527	7024473.....	507	7024470.....	507	7026680.....	58
7011365.....	527	7024474.....	507	7024471.....	499, 507	7026683.....	58
				7024472.....	507	7026684.....	57
				7024473.....	507	7026685.....	57
				7024474.....	507		

SECTION 11 - SPECIAL OPTIONS

7026686	57	7027203	57	8007894	58	8405213	293
7026687	57	7027204	57	8007935	58	8406102 236, 248, 260, 272,	293
7026688	57	7027207	57, 798	8007939	58	8406112 236, 248, 260, 272,	293
7026689	57	7027208	57, 798	8007954	58	8406201	294
7026692	57	7027235	223	80334079	310	8406302 234, 246, 258, 270,	293
7026693	57	7027236	223	80334251	81	8410011. 236, 248, 260, 272	
7026694	57	7027239	223	80484084	668, 671	8410013 180, 188, 196, 204,	212, 220, 234, 247, 258,
7026695	57	7027240	223	80934174	309	271	
7026696	57	7027276	223	80934644	310	8410014	293
7026697	57	7027284	542, 546	80983191	668, 799	8580420	51
7026980	310	7027285	542, 546	8220051	677	88261024	403
7027008 175, 183, 191, 199,		7027738	57	8220164	667, 671	88521214	513, 515, 517
207, 215		7027740	39	8229242	668, 684, 798	88662523	162, 166, 170
7027009 175, 183, 191, 199,		7027773	507	8229249	463, 704	90028660	176, 184, 192,
207, 215		7027774	507	8310070	399	200, 208, 216, 228, 240,	252, 264, 279, 285
7027010 175, 183, 191, 199,		7027775	507	8310129 471, 473, 475, 477,		91143339	668
207, 215		7027776	507	479, 481, 483, 485, 487,		91143340	667
7027011 175, 183, 191, 199,		7027777	507	489, 491		91203039	401
207, 215		7027778	507	8320270	799	91403230	769, 771, 773,
7027046 227, 239, 251, 263,		7027779	507	8405006 227, 236, 239, 248,		775, 777, 779, 781, 783,	785
280, 286		7027780	507	251, 260, 263, 272, 279,		91563070	234, 247, 258,
7027047 227, 239, 251, 263,		7027790	223	285, 293, 325		271, 293	
280, 286		7027791	223	8405007 235, 248, 259, 272,			
7027048 227, 239, 251, 263,		7027792	223	293			
280, 286		7027799. 351, 355, 360, 364		8405009	293		
7027049 228, 240, 252, 264,		7027882	57	8405201 234, 247, 258, 271,			
280, 286		7027887	333	293			
7027200	57	7028909	153, 155	8405204 234, 247, 258, 271,			
7027201	57	77363233	679, 681	293			
7027202	57	8007508	787	8405212	293		



**Corporate Office
JLG Industries, Inc.
1 JLG Drive
McConnellsburg, PA 17233-9533 USA**
☎ **(717) 485-5161 (Corporate)**
☎ **(877) 554-5438 (Customer Support)**
📠 **(717) 485-6417**

**Visit our website for JLG Worldwide Locations.
www.jlg.com**



OSHKOSH™