



Illustrated Parts Manual

Model **1250AJP**

PVC
2107

P/N
31219087

November 15, 2022 - Rev B

ANSI

CE



**UK
CA**

AS/NZS



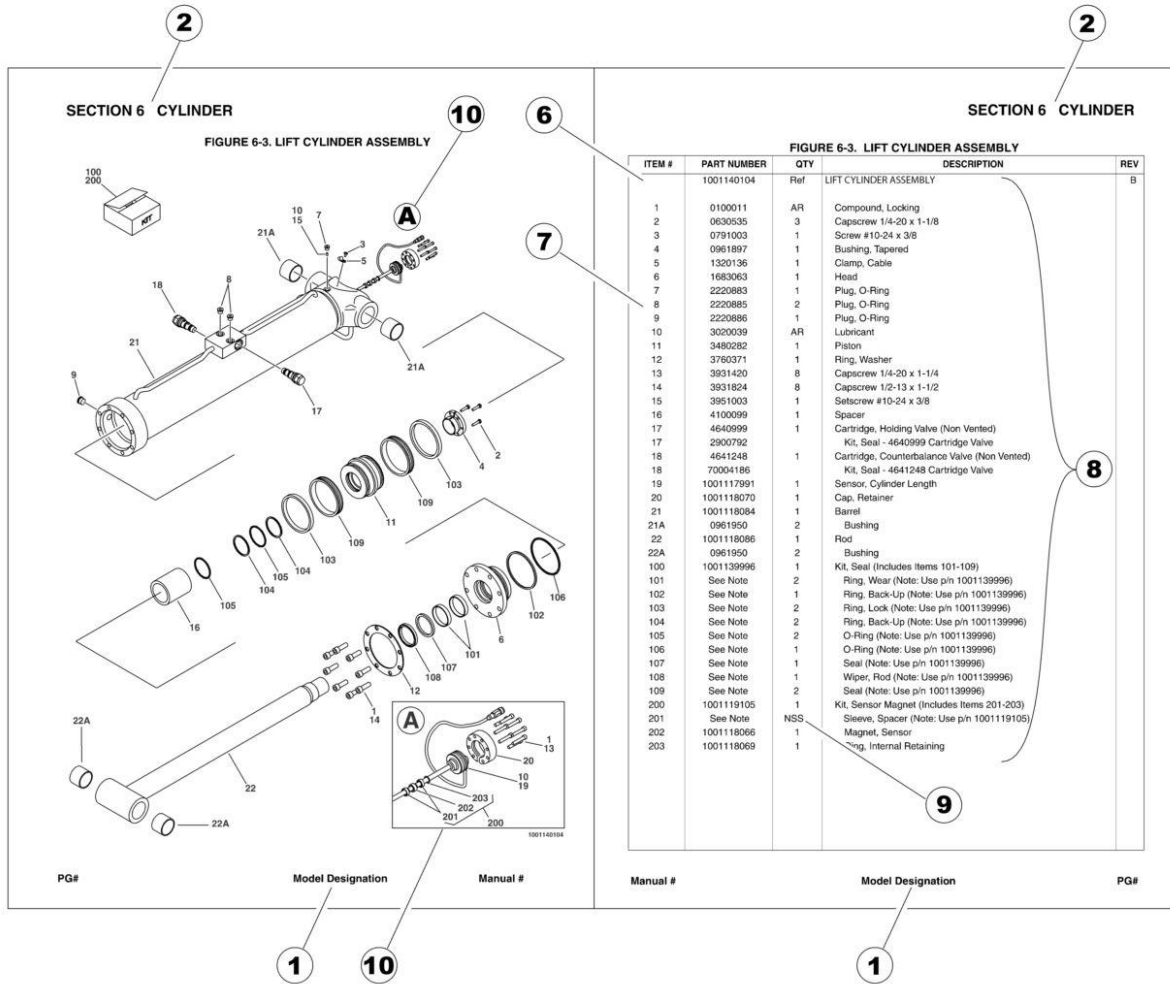
An Oshkosh Corporation Company

REVISION LOG

July 1, 2021 - A - Original Issue of Manual (Edited to B/M 1001261250 Revision O)

November 15, 2022 - B - Revised Manual (Edited to B/M 1001261250 Revision O)

GENERAL INFORMATION



1) MACHINE IDENTIFICATION

Machines are identified by model and in some cases a combination of models, serial number (SN) or regional standard (i.e ANSI, CE, CSA). Components may also be identified by SN or manufacturer. Common components that may be identified by these characteristics are engines and hydraulic components.

2) PARTS MANUAL ORGANIZATION

Product information in this manual is organized under section titles. Frame, Cylinder, Hydraulic and Electrical are a few examples. Each section is organized by figure and page number. The information within the Figure is then organized by item number, part number, description and corresponding illustration (s).

3) TABLE OF CONTENTS (NOT SHOWN)

A table of contents is found toward the beginning of the manual. Figure number, description and page number are provided for quick reference to the page containing the related information.

4) RECOMMENDED SPARE PARTS (NOT SHOWN)

The Recommended Spare Parts List, located near the end of the manual, reference most frequently used maintenance parts.

5) PART NUMBER INDEX (NOT SHOWN)

A numerical index listing all part numbers and the corresponding page number(s) appears at the back of the manual.

GENERAL INFORMATION

6) NON-SERVICED PARTS

In some instances, it is necessary to display non-serviced parts, assemblies or installations. In the case of assemblies and installations there will be a Ref in the Qty. column. In case of parts that are not available for service within assemblies or components, there will be a NSS (Not Sold Separately) or NLA (No Longer Available) listed in the Qty. column of the manual.

7) PARTS LIST ITEM NUMBERS

Numbers shown in the item# column correspond to numbers used in the associated illustration (s). Item numbers which are missing from the sequence in the parts list are not used on that page.

8) INDENTED PARTS DESCRIPTION

An indented part description is included in the item under which it is indented.

9) ABBREVIATION AND SYMBOLS

AC.....	Alternating Current	L.....	Liter
ADE.....	Advanced Design Electronics	LB(LBS).....	Pounds
AG.....	Agricultural	LCD.....	Liquid Crystal Display
ANSI.....	American National Standards Institute	LED.....	Light Emitting Diodes
AR.....	As Required	LH.....	Left Hand
ASSY.....	Assembly	LRC.....	Low Rated Countries
AUS.....	Australia	LSS.....	Load Sensing System
AUX.....	Auxiliary	M(m).....	Metric/Meter
AWG.....	American Wire Gauge	MM(mm).....	Milimeter
B/M.....	Bill of Material	mA.....	Miliamps
CAC.....	Charge Air Cooler	NLA.....	No Longer Available
CE.....	European Conformity	NPT.....	National Pipe Threads
CCW.....	Counter Clockwise	NSS.....	Not Sold Separately
CM.....	Centimeter	OD.....	Outside Diameter
CW.....	Clockwise	ORB.....	O-Ring Boss
CSA.....	Canadian Standards Association	ORFS.....	O-Ring Face Seal
CYL.....	Cylinder	OZ (oz).....	Ounces
DIA.....	Diameter	PG.....	Page
DC.....	Direct Current	PN.....	Part Number
DEF.....	Diesel Exhaust Fluid	QT(qt.).....	Quarts
EMS.....	Emergency Stop	QTY.....	Quantity
ENG.....	Engine	REF.....	Reference
FT(ft).....	Feet	REV.....	Revision Level
GA(Ga).....	Gauge	RH.....	Right Hand
HRC.....	High Rated Countries	SAE.....	Society of Automotive Engineers
HVAC.....	Heating, Ventilating, and Air Conditioning	SN.....	Serial Number
HYD.....	Hydraulic	SPEC(S).....	Specifications
Hz.....	Hertz	T/T.....	Turntable
ID.....	Inside Diameter	UGM.....	Universal Ground Module
IN.....	inches	V.....	Volts
ISO.....	International Organization for Standards	W.....	Watts
JIC.....	Joint Industry Council	#.....	Number
KG.....	Kilogram		

10) ILLUSTRATION REFERENCE LETTERS

When necessary, illustrations may contain reference letters that are intended to track information (i. e. hoses, harnesses) from one point to another or to track visual enlargement of components to show details that may be located in another area on the illustration.

Note: Due to continuous product improvements, JLG Industries, Inc. reserves the right to make specification changes without prior notification. Contact JLG Industries, Inc. for updated information.

TABLE OF CONTENTS

SECTION 1 - FRAME.....	17
FIGURE 1-1. AXLE INSTALLATION - FIXED.....	18
FIGURE 1-2. AXLE INSTALLATION - OSCILLATING.....	22
FIGURE 1-3. AXLE STOP BLOCKS INSTALLATION.....	26
FIGURE 1-4. STEER INSTALLATION.....	28
FIGURE 1-5. WHEEL DRIVE INSTALLATION - REGGIANA RIDUTTORI.....	30
FIGURE 1-6. DRIVE HUB AND MOTOR ASSEMBLY - REGGIANA RIDUTTORI.....	32
FIGURE 1-7. DRIVE HUB ASSEMBLY - REGGIANA RIDUTTORI.....	34
FIGURE 1-8. DRIVE MOTOR ASSEMBLY.....	38
FIGURE 1-9. TIRE AND WHEEL INSTALLATION - FOAM - FILLED.....	40
FIGURE 1-10. TIRE AND WHEEL INSTALLATION - SOLID.....	42
FIGURE 1-11. FRAME VALVES INSTALLATION.....	44
FIGURE 1-12. STEER VALVE ASSEMBLY.....	46
FIGURE 1-13. TRACTION VALVE ASSEMBLY.....	48
FIGURE 1-14. FRAME COVERS INSTALLATION.....	50
SECTION 2 - TURNTABLE.....	53
FIGURE 2-1. TURNTABLE VALVES INSTALLATION.....	54
FIGURE 2-2. MAIN VALVE ASSEMBLY.....	56
FIGURE 2-3. BATTERY AND AUXILIARY PUMP INSTALLATION - WITHOUT COLD WEATHER PLUS PACKAGE.....	60
FIGURE 2-4. BATTERY AND AUXILIARY PUMP INSTALLATION - WITH COLD WEATHER PLUS PACKAGE.....	62
FIGURE 2-5. AUXILIARY PUMP ASSEMBLY (WITHOUT COLD WEATHER PLUS PACKAGE).....	64
FIGURE 2-6. AUXILIARY PUMP ASSEMBLY (WITH COLD WEATHER PLUS PACKAGE).....	66
FIGURE 2-7. SWING DRIVE INSTALLATION.....	68
FIGURE 2-8. TURNTABLE BEARING AND LUBE INSTALLATION.....	70
FIGURE 2-9. TURNTABLE LOCK INSTALLATION.....	72
FIGURE 2-10. PINION SHIELD INSTALLATION.....	74
FIGURE 2-11. SWING MOTOR/HUB ASSEMBLY.....	76
FIGURE 2-12. ROTARY COUPLING AND COLLECTOR RING INSTALLATION.....	80
FIGURE 2-13. TANK INSTALLATION.....	82
FIGURE 2-14. HYDRAULIC OIL COOLER INSTALLATION - DEUTZ TD2011 ENGINES WITH REXROTH PUMP (OPTIONAL).....	84
FIGURE 2-15. HYDRAULIC OIL COOLER INSTALLATION - DEUTZ TD2011 ENGINES WITH SAUER PUMP (OPTIONAL).....	86
FIGURE 2-16. HYDRAULIC OIL COOLER INSTALLATION - DEUTZ TCD2.9L4 ENGINES AND DEUTZ TCD2.9L4 (STAGE V) ENGINES REXROTH PUMP (OPTIONAL).....	88
FIGURE 2-17. HYDRAULIC OIL COOLER INSTALLATION - DEUTZ TCD2.9L4 ENGINES AND DEUTZ TCD2.9L4 (STAGE V) ENGINES WITH SAUER PUMP (OPTIONAL).....	90
FIGURE 2-18. GROUND CONTROL BOX INSTALLATION - DEUTZ TD2011 ENGINES WITH REXROTH PUMP (WITHOUT TOWER STOW) (ANSI EXPORT & AUSTRALIAN SPECS).....	92
FIGURE 2-19. GROUND CONTROL BOX INSTALLATION - DEUTZ TD2011 ENGINES WITH REXROTH PUMP (WITH TOWER STOW) (ANSI EXPORT & AUSTRALIAN SPECS).....	94
FIGURE 2-20. GROUND CONTROL BOX INSTALLATION - DEUTZ TD2011 ENGINES WITH SAUER PUMP (WITHOUT TOWER STOW) (ANSI EXPORT & AUSTRALIAN SPECS).....	96
FIGURE 2-21. GROUND CONTROL BOX INSTALLATION - DEUTZ TD2011 ENGINES WITH SAUER PUMP (WITH TOWER STOW) (CE & UK CA SPECS) (LRC).....	98
FIGURE 2-22. GROUND CONTROL BOX INSTALLATION - DEUTZ TD2011 ENGINES WITH REXROTH PUMPS (WITHOUT TOWER STOW) (CE & UK CA SPECS) (LRC).....	100

TABLE OF CONTENTS

FIGURE 2-23. GROUND CONTROL BOX INSTALLATION - DEUTZ TD2011 ENGINES WITH REXROTH PUMP (WITH TOWER STOW) (ANSI EXPORT & AUSTRALIAN SPECS).....	102
FIGURE 2-24. GROUND CONTROL BOX INSTALLATION - DEUTZ TD2011 ENGINES WITH SAUER PUMPS (WITHOUT TOWER STOW) (CE & UK CA SPECS) (LRC).....	104
FIGURE 2-25. GROUND CONTROL BOX INSTALLATION - DEUTZ TD2011 ENGINES WITH SAUER PUMP (WITH TOWER STOW) (CE & UK CA SPECS) (LRC).....	106
FIGURE 2-26. GROUND CONTROL BOX INSTALLATION - DEUTZ TCD2.9L4 ENGINES (WITHOUT TOWER STOW) (ALL SPECS EXCEPT AUSTRALIAN, CE & UK CA SPECS).....	108
FIGURE 2-27. GROUND CONTROL BOX INSTALLATION - DEUTZ TCD2.9L4 ENGINES (WITH TOWER STOW) (ALL SPECS EXCEPT AUSTRALIAN, CE & UK CA SPECS).....	110
FIGURE 2-28. GROUND CONTROL BOX INSTALLATION - DEUTZ TCD2.9L4 (STAGE V) ENGINES (WITHOUT TOWER STOW)(CE & UK CA SPECS)	112
FIGURE 2-29. GROUND CONTROL BOX INSTALLATION - DEUTZ TCD2.9L4 (STAGE V) ENGINES (WITH TOWER STOW)(CE & UK CA SPECS)	114
FIGURE 2-30. GROUND CONTROL ASSEMBLY - WITH DEUTZ TD2011 AND DEUTZ TCD2.9L4 ENGINES - WITH DIGITAL DISPLAY (WITHOUT TOWER STOW) (ALL SPECS EXCEPT CE & UK CA SPECS).....	116
FIGURE 2-31. GROUND CONTROL ASSEMBLY - WITH DEUTZ TD2011 AND DEUTZ TCD2.9L4 ENGINES - WITH MECHANICAL HOUR METER (WITHOUT TOWER STOW) (ALL SPECS EXCEPT CE & UK CA SPECS)	120
FIGURE 2-32. GROUND CONTROL ASSEMBLY - WITH DEUTZ TD2011 AND DEUTZ TCD2.9L4 ENGINES - WITH DIGITAL DISPLAY (WITH TOWER STOW) (ALL SPECS EXCEPT CE & UK CA SPECS)	124
FIGURE 2-33. GROUND CONTROL ASSEMBLY - WITH DEUTZ TD2011 AND DEUTZ TCD2.9L4 ENGINES - WITH MECHANICAL HOUR METER (WITH TOWER STOW) (ALL SPECS EXCEPT CE & UK CA SPECS).....	128
FIGURE 2-34. GROUND CONTROL ASSEMBLY - DEUTZ TD2011 ENGINES (WITHOUT TOWER STOW) (CE & UK CA SPECS).....	132
FIGURE 2-35. GROUND CONTROL ASSEMBLY - DEUTZ TD2011 ENGINES (WITH TOWER STOW) (CE & UK CA SPECS)	136
FIGURE 2-36. GROUND CONTROL ASSEMBLY - DEUTZ TCD2.9L4 (STAGE V) (WITHOUT TOWER STOW) (CE & UK CA SPECS).....	140
FIGURE 2-37. GROUND CONTROL ASSEMBLY - DEUTZ TCD2.9L4 (STAGE V) (WITH TOWER STOW) (CE & UK CA SPECS).....	144
FIGURE 2-38. KEYSWITCH INSTALLATION.....	148
FIGURE 2-39. LIGHT PANEL INSTALLATION.....	150
FIGURE 2-40. ALARMS INSTALLATION	152
FIGURE 2-41. BACKUP ALARM (WHITE NOISE) INSTALLATION	154
FIGURE 2-42. BACKUP ALARM AMBIENT (WHITE NOISE) INSTALLATION	156
FIGURE 2-43. STROBE LIGHT INSTALLATION (AMBER).....	158
FIGURE 2-44. STROBE LIGHT INSTALLATION (BLUE)	160
FIGURE 2-45. STROBE LIGHT INSTALLATION (RED).....	162
FIGURE 2-46. ENGINE TRAY JACK INSTALLATION - DEUTZ TD2011 ENGINES.....	164
FIGURE 2-47. ENGINE TRAY JACK INSTALLATION - DEUTZ TCD2.9L4 ENGINES AND DEUTZ TCD2.9L4 (STAGE V) ENGINES	166
FIGURE 2-48. HOODS INSTALLATION - DEUTZ TD2011 ENGINES	168
FIGURE 2-49. HOODS INSTALLATION - DEUTZ TCD2.9L4 ENGINES.....	172
FIGURE 2-50. HOODS INSTALLATION - DEUTZ TCD2.9L4 (STAGE V) ENGINES.....	176
SECTION 3 - ENGINE.....	181
FIGURE 3-1. DEUTZ TD2011 ENGINE INSTALLATION - WITH REXROTH PUMP (WITHOUT GENERATOR AND WITHOUT COLD WEATHER PLUS PACKAGE).....	182
FIGURE 3-2. DEUTZ TD2011 ENGINE ASSEMBLY - WITH REXROTH PUMP (WITHOUT GENERATOR AND WITHOUT COLD WEATHER PLUS PACKAGE)	186
FIGURE 3-3. DEUTZ TD2011 ENGINE INSTALLATION - WITH REXROTH PUMP (WITH GENERATOR AND WITHOUT COLD WEATHER PLUS PACKAGE)	190

TABLE OF CONTENTS

FIGURE 3-4. DEUTZ TD2011 ENGINE ASSEMBLY - WITH REXROTH PUMP (WITH GENERATOR AND WITHOUT COLD WEATHER PLUS PACKAGE).....	194
FIGURE 3-5. DEUTZ TD2011 ENGINE INSTALLATION - WITH REXROTH PUMP (WITH GENERATOR AND WITH COLD WEATHER PLUS PACKAGE).....	198
FIGURE 3-6. DEUTZ TD2011 ENGINE ASSEMBLY - WITH REXROTH PUMP (WITH GENERATOR AND WITH COLD WEATHER PLUS PACKAGE).....	202
FIGURE 3-7. DEUTZ TD2011 ENGINE INSTALLATION - WITH SAUER PUMP (WITHOUT GENERATOR AND WITHOUT COLD WEATHER PLUS PACKAGE).....	206
FIGURE 3-8. DEUTZ TD2011 ENGINE ASSEMBLY - WITH SAUER PUMP (WITHOUT GENERATOR AND WITHOUT COLD WEATHER PLUS PACKAGE).....	210
FIGURE 3-9. DEUTZ TD2011 ENGINE INSTALLATION - WITH SAUER PUMP (WITH GENERATOR AND WITHOUT COLD WEATHER PLUS PACKAGE).....	214
FIGURE 3-10. DEUTZ TD2011 ENGINE ASSEMBLY - WITH SAUER PUMP (WITH GENERATOR AND WITHOUT COLD WEATHER PLUS PACKAGE).....	218
FIGURE 3-11. DEUTZ TD2011 ENGINE INSTALLATION - WITH SAUER PUMP (WITH GENERATOR AND WITH COLD WEATHER PLUS PACKAGE).....	222
FIGURE 3-12. DEUTZ TD2011 ENGINE ASSEMBLY - WITH SAUER PUMP (WITH GENERATOR AND WITH COLD WEATHER PLUS PACKAGE).....	226
FIGURE 3-13. DEUTZ TD2011 ENGINE COMPONENTS.....	230
FIGURE 3-14. DEUTZ TCD2.9L4 ENGINE INSTALLATION - WITH REXROTH PUMP (WITHOUT COLD WEATHER PLUS PACKAGE).....	234
FIGURE 3-15. DEUTZ TCD2.9L4 ENGINE SUB-ASSEMBLY - WITH REXROTH PUMP (WITHOUT COLD WEATHER PLUS PACKAGE).....	238
FIGURE 3-16. DEUTZ TCD2.9L4 ENGINE ASSEMBLY - WITH REXROTH PUMP (WITHOUT COLD WEATHER PLUS PACKAGE).....	240
FIGURE 3-17. DEUTZ TCD2.9L4 ENGINE INSTALLATION - WITH REXROTH PUMP (WITH COLD WEATHER PLUS PACKAGE).....	246
FIGURE 3-18. DEUTZ TCD2.9L4 ENGINE SUB-ASSEMBLY - WITH REXROTH PUMP (WITH COLD WEATHER PLUS PACKAGE).....	250
FIGURE 3-19. DEUTZ TCD2.9L4 ENGINE ASSEMBLY - WITH REXROTH PUMP (WITH COLD WEATHER PLUS PACKAGE).....	252
FIGURE 3-20. DEUTZ TCD2.9L4 ENGINE INSTALLATION - WITH SAUER PUMPS (WITHOUT COLD WEATHER PLUS PACKAGE).....	258
FIGURE 3-21. DEUTZ TCD2.9L4 ENGINE SUB-ASSEMBLY - WITH SAUER PUMP (WITHOUT COLD WEATHER PLUS PACKAGE).....	262
FIGURE 3-22. DEUTZ TCD2.9L4 ENGINE ASSEMBLY - WITH SAUER PUMP (WITHOUT COLD WEATHER PLUS PACKAGE).....	264
FIGURE 3-23. DEUTZ TCD2.9L4 ENGINE INSTALLATION - WITH SAUER PUMPS (WITH COLD WEATHER PLUS PACKAGE).....	270
FIGURE 3-24. DEUTZ TCD2.9L4 ENGINE SUB-ASSEMBLY - WITH SAUER PUMPS (WITH COLD WEATHER PLUS PACKAGE).....	274
FIGURE 3-25. DEUTZ TCD2.9L4 ENGINE ASSEMBLY - WITH SAUER PUMPS (WITH COLD WEATHER PLUS PACKAGE).....	276
FIGURE 3-26. DEUTZ TCD2.9L4 ENGINE COMPONENTS.....	282
FIGURE 3-27. DEUTZ TCD2.9L4 (STAGE V) ENGINE INSTALLATION - WITH REXROTH PUMP (WITHOUT COLD WEATHER PLUS PACKAGE).....	286
FIGURE 3-28. DEUTZ TCD2.9L4 (STAGE V) ENGINE SUB-ASSEMBLY - WITH REXROTH PUMP AND ABS HOODS (WITHOUT COLD WEATHER PLUS PACKAGE).....	290
FIGURE 3-29. DEUTZ TCD2.9L4 (STAGE V) ENGINE INSTALLATION - WITH SAUER PUMP (WITHOUT COLD WEATHER PLUS PACKAGE).....	292
FIGURE 3-30. DEUTZ TCD2.9L4 (STAGE V) ENGINE SUB-ASSEMBLY - WITH SAUER PUMP AND ABS HOODS (WITHOUT COLD WEATHER PLUS PACKAGE).....	296
FIGURE 3-31. DEUTZ TCD2.9L4 (STAGE V) ENGINE ASSEMBLY (WITHOUT COLD WEATHER PLUS PACKAGE).....	298
FIGURE 3-32. DEUTZ TCD2.9L4 (STAGE V) ENGINE COMPONENTS.....	304

TABLE OF CONTENTS

FIGURE 3-33. PUMP ASSEMBLY (REXROTH) (DEUTZ TD2011 ENGINES)	308
FIGURE 3-34. PUMP ASSEMBLY (REXROTH) (DEUTZ TCD2.9L4 ENGINES AND DEUTZ TCD2.9L4 (STAGE V) ENGINES)	314
FIGURE 3-35. PUMP ASSEMBLY (SAUER TANDEM)	320
FIGURE 3-36. PUMP ASSEMBLY (SAUER PISTON)	324
FIGURE 3-37. PUMP ASSEMBLY (SAUER GEAR)	328
FIGURE 3-38. PUMP COUPLING KIT	330
FIGURE 3-39. FUEL PUMP/FILTER BRACKET ASSEMBLY - DEUTZ TCD2.9L4 ENGINE AND DEUTZ TCD2.9L4 (STAGE V) ENGINE	332
FIGURE 3-40. BREATHER HEATER INST (DEUTZ TD2.9L4 ENGINES AND DEUTZ TCD2.9L4 (STAGE V) ENGINES).....	334
FIGURE 3-41. WATER/FUEL SEPARATOR INSTALLATION - DEUTZ TD2011 ENGINE.....	336
FIGURE 3-42. SPARK ARRESTING CATALYTIC MUFFLER - DEUTZ TD2011 ENGINES (OPTIONAL).....	338
FIGURE 3-43. 2500W GENERATOR INSTALLATION - DEUTZ TD2011 ENGINES (OPTIONAL).....	340
FIGURE 3-44. 4000W GENERATOR INSTALLATION - 60HZ SPEC (DEUTZ TD2011 ENGINES)	344
FIGURE 3-45. 4000W GENERATOR INSTALLATION - 50HZ SPEC (DEUTZ TD2011 ENGINES)	348
FIGURE 3-46. 4000W GENERATOR INSTALLATION - 60HZ SPEC (DEUTZ TCD2.9L4 ENGINES).....	350
FIGURE 3-47. 4000W GENERATOR INSTALLATION - 50HZ SPEC (DEUTZ TCD2.9L4 ENGINES AND DEUTZ TCD2.9L4 (STAGE V) ENGINES).....	354
FIGURE 3-48. 7500W SKYPOWER GENERATOR INSTALLATION - 60HZ SPEC (DEUTZ TD2011 ENGINES) (OPTIONAL)	358
FIGURE 3-49. 7500W SKYPOWER GENERATOR INSTALLATION - 50HZ SPEC (DEUTZ TD2011 ENGINES) (OPTIONAL)	362
FIGURE 3-50. 7500W SKYPOWER GENERATOR INSTALLATION - 60HZ SPEC (DEUTZ TCD2.9L4 ENGINES) (OPTIONAL)	366
FIGURE 3-51. 7500W SKYPOWER GENERATOR INSTALLATION - 50HZ SPEC (DEUTZ TCD2.9L4 ENGINES AND DEUTZ TCD2.9L4 (STAGE V) ENGINES) (OPTIONAL)	370
SECTION 4 - BOOM.....	373
FIGURE 4-1. BOOM AND CYLINDER INSTALLATION - WITHOUT COLD WEATHER PLUS PACKAGE	374
FIGURE 4-2. BOOM AND CYLINDER INSTALLATION - WITH COLD WEATHER PLUS PACKAGE	378
FIGURE 4-3. TOWER BOOM ASSEMBLY	382
FIGURE 4-4. MAIN BOOM ASSEMBLY - WITHOUT COLD WEATHER PLUS PACKAGE	386
FIGURE 4-5. MAIN BOOM ASSEMBLY - WITH COLD WEATHER PLUS PACKAGE	390
FIGURE 4-6. PLATFORM ROTATE ASSEMBLY	394
FIGURE 4-7. JIB ROTATE ASSEMBLY.....	396
FIGURE 4-8. POWER TRACK AND BOOM CLAMPS INSTALLATION (TOWER BOOM).....	398
FIGURE 4-9. POWER TRACK AND BOOM CLAMPS INSTALLATION (MAIN BOOM AND JIB)	400
FIGURE 4-10. BOOM SENSORS AND SWITCHES INSTALLATION	404
FIGURE 4-11. PLATFORM SUPPORT INSTALLATION	408
FIGURE 4-12. CONTROL VALVE INSTALLATION - PLATFORM	410
FIGURE 4-13. PLATFORM VALVE ASSEMBLY	412
SECTION 5 - PLATFORM.....	415
FIGURE 5-1. PLATFORM ASSEMBLY - 36IN X 6FT (91.5CM X 1.83M) WITH SWING GATE	416
FIGURE 5-2. PLATFORM ASSEMBLY - 36IN X 8FT (91.5CM X 2.44M) WITH SWING GATE	418
FIGURE 5-3. PLATFORM ASSEMBLY - 30IN X 3FT (76CM X .91M) - WITH DROP BAR	420
FIGURE 5-4. PLATFORM ASSEMBLY - 36IN X 6FT (91.5CM X 1.83M) WITH DROP BAR	422
FIGURE 5-5. PLATFORM ASSEMBLY - 36IN X 8FT (91.5CM X 2.44M) WITH DROP BAR	424
FIGURE 5-6. PLATFORM ASSEMBLY - 36IN X 6FT (91.5CM X 1.83M) WITH FALL ARREST (ANSI AND ANSI EXPORT SPECS).....	426

TABLE OF CONTENTS

FIGURE 5-7. PLATFORM ASSEMBLY - 36IN X 8FT (91.5CM X 2.44M) WITH FALL ARREST (ANSI AND CSA SPECS)	428
FIGURE 5-8. PLATFORM ASSEMBLY - 36IN X 6FT (91.5CM X 1.83M) TRI-ENTRY WITH SWING GATE.....	430
FIGURE 5-9. PLATFORM ASSEMBLY - 36IN X 6FT (91.5CM X 1.83M) TRI-ENTRY WITH DROP BAR.....	432
FIGURE 5-10. PLATFORM ASSEMBLY - 36IN X 8FT (91.5CM X 2.44M) TRI-ENTRY WITH DROPBAR.....	434
FIGURE 5-11. PLATFORM ASSEMBLY - 36IN X 8FT (91.5CM X 2.44M) TRI-ENTRY WITH DROPGATE	436
FIGURE 5-12. TRAY INSTALLATION	438
FIGURE 5-13. PLATFORM CONTROLS INSTALLATION (WITHOUT TOWER STOW)	440
FIGURE 5-14. PLATFORM CONTROLS INSTALLATION (WITH TOWER STOW).....	442
FIGURE 5-15. PLATFORM CONSOLE ASSEMBLY (WITHOUT TOWER STOW).....	444
FIGURE 5-16. PLATFORM CONSOLE ASSEMBLY (WITH TOWER STOW)	448
FIGURE 5-17. LIGHT PANEL INSTALLATION	452
FIGURE 5-18. CONTROLLER ASSEMBLY (LIFT AND SWING).....	454
FIGURE 5-19. CONTROLLER ASSEMBLY (DRIVE AND STEER).....	458
FIGURE 5-20. TOWER LIFT SWITCH INSTALLATION.....	460
FIGURE 5-21. FOOTSWITCH ASSEMBLY.....	462
FIGURE 5-22. SKYEYE INSTALLATION	464
FIGURE 5-23. SKYGUARD BAR INSTALLATION	466
FIGURE 5-24. SKYLINE INSTALLATION	468
FIGURE 5-25. USB CHARGER INSTALLATION	470
FIGURE 5-26. SOFT TOUCH SYSTEM INSTALLATION - 6FT/1.8M PLATFORMS (OPTIONAL).....	472
FIGURE 5-27. SOFT TOUCH SYSTEM INSTALLATION - 6FT/1.83M FALL ARREST PLATFORM.....	474
FIGURE 5-28. SOFT TOUCH SYSTEM INSTALLATION - 8FT/2.4M PLATFORMS (OPTIONAL).....	476
FIGURE 5-29. SKYGLAZIER INSTALLATION (ANSI, AUSTRALIAN AND CSA SPECS).....	478
FIGURE 5-30. SKYGLAZIER INSTALLATION (BRAZIL SPECS)	480
FIGURE 5-31. SKYGLAZIER INSTALLATION (DANISH SPECS)	482
FIGURE 5-32. SKYGLAZIER INSTALLATION (FRENCH SPECS).....	484
FIGURE 5-33. SKYGLAZIER INSTALLATION (GERMAN SPECS).....	486
FIGURE 5-34. SKYGLAZIER INSTALLATION (ITALIAN SPECS)	488
FIGURE 5-35. SKYGLAZIER INSTALLATION (LATIN AMERICAN SPECS).....	490
FIGURE 5-36. SKYGLAZIER INSTALLATION (PORTUGUESE SPECS).....	492
FIGURE 5-37. SKYGLAZIER INSTALLATION (SPANISH SPECS)	494
FIGURE 5-38. SKYGLAZIER INSTALLATION (SWEDISH SPECS).....	496
FIGURE 5-39. SKYGLAZIER INSTALLATION (UK SPECS).....	498
FIGURE 5-40. SKYCUTTER INSTALLATION.....	500
FIGURE 5-41. SKYWELDER/SKYCUTTER COMBO INSTALLATION (60HZ).....	502
FIGURE 5-42. PLASMA CUTTER ASSEMBLY.....	506
FIGURE 5-43. SKYWELDER INSTALLATION (50HZ).....	508
FIGURE 5-44. SKYWELDER INSTALLATION (60HZ)	510
FIGURE 5-45. SKYWELDER PREP PACKAGE (60HZ)	512
FIGURE 5-46. WELDER ASSEMBLY	514
FIGURE 5-47. PIPE RACK INSTALLATION (ANSI SPEC)	516
FIGURE 5-48. PIPE RACK INSTALLATION (AUSTRALIAN, CE & UK CA SPEC).....	518
FIGURE 5-49. FALL ARREST INSTALLATION (BOLT - ON EXTERNAL) 6FT/1.82M PLATFORM.....	520
FIGURE 5-50. FALL ARREST INSTALLATION (BOLT - ON EXTERNAL) 6FT/1.82M PLATFORM.....	522
FIGURE 5-51. FALL ARREST INSTALLATION (BOLT - ON EXTERNAL) 8FT/2.4M PLATFORM.....	524

TABLE OF CONTENTS

SECTION 6 - CYLINDER.....	527
FIGURE 6-1. AXLE EXTENSION CYLINDER ASSEMBLY	528
FIGURE 6-2. AXLE LOCKOUT CYLINDER ASSEMBLY.....	530
FIGURE 6-3. PLATFORM LEVEL CYLINDER ASSEMBLY - WITHOUT COLD WEATHER PLUS PACKAGE	532
FIGURE 6-4. LIFT CYLINDER ASSEMBLY - MAIN BOOM.....	534
FIGURE 6-5. LIFT CYLINDER ASSEMBLY - TOWER BOOM	536
FIGURE 6-6. JIB CYLINDER ASSEMBLY	538
FIGURE 6-7. STEER CYLINDER ASSEMBLY	540
FIGURE 6-8. TELESCOPE CYLINDER ASSEMBLY - MAIN BOOM.....	542
FIGURE 6-9. TELESCOPE CYLINDER ASSEMBLY - TOWER BOOM	544
SECTION 7 - HYDRAULIC.....	547
FIGURE 7-1. HYDRAULIC DIAGRAM - BOOM (WITH REXROTH PUMPS)	548
FIGURE 7-2. HYDRAULIC DIAGRAM - BOOM (WITH SAUER PUMPS).....	552
FIGURE 7-3. HYDRAULIC DIAGRAM - DRIVE (WITH REXROTH PUMPS)	556
FIGURE 7-4. HYDRAULIC DIAGRAM - DRIVE (WITH SAUER PUMPS).....	560
FIGURE 7-5. HYDRAULIC DIAGRAM - OSCILLATING AXLE (WITH REXROTH PUMPS).....	564
FIGURE 7-6. HYDRAULIC DIAGRAM - OSCILLATING AXLE (WITH SAUER PUMPS).....	566
FIGURE 7-7. HYDRAULIC DIAGRAM - STEER (WITH REXROTH PUMPS)	568
FIGURE 7-8. HYDRAULIC DIAGRAM - STEER (WITH SAUER PUMPS).....	570
FIGURE 7-9. HYDRAULIC DIAGRAM - TURNTABLE (DEUTZ TD2011 ENGINES WITH REXROTH PUMPS)	572
FIGURE 7-10. HYDRAULIC DIAGRAM - TURNTABLE (DEUTZ TCD2.9L4 ENGINES AND DEUTZ TCD2.9L4 (STAGE V) ENGINES WITH REXROTH PUMPS).....	576
FIGURE 7-11. HYDRAULIC DIAGRAM - TURNTABLE (WITH SAUER PUMPS)	580
FIGURE 7-12. HYDRAULIC DIAGRAM - AUXILIARY POWER MOTOR.....	584
SECTION 8 - ELECTRICAL.....	587
FIGURE 8-1. AC BOX AT PLATFORM - 110V GFI RECEPTACLE (ANSI SPECS).....	588
FIGURE 8-2. AC BOX AT PLATFORM - 220V GFI RECEPTACLE (ANSI SPECS).....	590
FIGURE 8-3. AC BOX AT PLATFORM INSTALLATION - BOX WITH COVER (2X4 BOX) WITH 4000W GENERATOR (ANSI EXPORT, AUSTRALIAN, JAPANESE, CE & UK CA SPECS).....	592
FIGURE 8-4. AC BOX AT PLATFORM INSTALLATION - 110V IEC 60309 YELLOW WITHOUT 2500W GENERATOR (CE & UK CA SPECS).....	594
FIGURE 8-5. AC BOX AT PLATFORM INSTALLATION - 110V IEC 60309 YELLOW WITH 2500W GENERATOR (CE & UK CA SPECS).....	596
FIGURE 8-6. AC BOX AT PLATFORM INSTALLATION - 110V IEC 60309 YELLOW WITH 4000W GENERATOR (CE & UK CA SPECS).....	598
FIGURE 8-7. AC BOX AT PLATFORM INSTALLATION - 220V IEC 60309 BLUE WITHOUT 2500W GENERATOR (CE & UK CA SPECS).....	600
FIGURE 8-8. AC BOX AT PLATFORM INSTALLATION - 220V IEC 60309 BLUE WITH 2500W GENERATOR (CE & UK CA SPECS).....	602
FIGURE 8-9. AC BOX AT PLATFORM INSTALLATION - 220V IEC 60309 BLUE WITH 4000W GENERATOR (CE & UK CA SPECS).....	604
FIGURE 8-10. AC BOX AT PLATFORM INSTALLATION - 220V CEE7 POST GROUND (2X4 BOX) WITHOUT 2500W GENERATOR (CE & UK CA SPECS).....	606
FIGURE 8-11. AC BOX AT PLATFORM INSTALLATION - 220V CEE7 POST GROUND (2X4 BOX) WITH 2500W GENERATOR (CE & UK CA SPECS)	608
FIGURE 8-12. AC BOX AT PLATFORM INSTALLATION - 220V CEE7 POST GROUND (2X4 BOX) WITH 4000W GENERATOR (CE & UK CA SPECS)	610

TABLE OF CONTENTS

FIGURE 8-13. AC BOX AT PLATFORM INSTALLATION - 220V CEE7 SIDE GROUND (2X4 BOX) WITHOUT 2500W GENERATOR (CE & UK CA SPECS)	612
FIGURE 8-14. AC BOX AT PLATFORM INSTALLATION - 220V CEE7 SIDE GROUND (2X4 BOX) WITH 2500W GENERATOR (CE & UK CA SPECS).....	614
FIGURE 8-15. AC BOX AT PLATFORM INSTALLATION - 220V CEE7 SIDE GROUND (2X4 BOX) WITH 4000W GENERATOR (CE & UK CA SPECS).....	616
FIGURE 8-16. AC BOX AT PLATFORM INSTALLATION - 220V AFSINT 107 KEYED GROUND (2X4 BOX) WITHOUT 2500W GENERATOR (CE & UK CA SPECS)	618
FIGURE 8-17. AC BOX AT PLATFORM INSTALLATION - 220V AFSINT 107 KEYED GROUND (2X4 BOX) WITH 2500W GENERATOR (CE & UK CA SPECS).....	620
FIGURE 8-18. AC BOX AT PLATFORM INSTALLATION - 220V AFSINT 107 KEYED GROUND (2X4 BOX) WITH 4000W GENERATOR (CE & UK CA SPECS)	622
FIGURE 8-19. AC BOX AT PLATFORM INSTALLATION - 240V (WITH 4000W GENERATOR) (ALL SPECS EXCEPT AUSTRALIAN & CE & UK CA SPECS)	624
FIGURE 8-20. AC BOX AT PLATFORM INSTALLATION - 240V (WITH 7500W SKYPOWER GENERATOR) (ALL SPECS EXCEPT AUSTRALIAN, CE & UK CA SPECS)	626
FIGURE 8-21. AC LEAD INSTALLATION (ANSI EXPORT, AUSTRALIAN, CE & UK CA SPECS)	628
FIGURE 8-22. AC 10 AMP BREAKER BOX INSTALLATION (CE & UK CA SPECS).....	630
FIGURE 8-23. AC 16 AMP BREAKER BOX INSTALLATION (CE & UK CA SPECS).....	632
FIGURE 8-24. ANALYZER CALBE HARNESS	634
FIGURE 8-25. AXLE POWER TRACK HARNESS ASSEMBLY.....	636
FIGURE 8-26. BATTERY DISCONNECT INSTALLATION	638
FIGURE 8-27. BEACON LIGHT HARNESS	640
FIGURE 8-28. B.L.A.M. HARNESS	642
FIGURE 8-29. BOOM CABLE INSTALLATION (ANSI, ANSI EXPORT AND JAPANESE SPECS).....	644
FIGURE 8-30. BOOM CABLE INSTALLATION (AUSTRALIAN, CE & UK CA SPECS).....	646
FIGURE 8-31. BOOM CABLE INSTALLATION - 4000W 60HZ GENERATOR	648
FIGURE 8-32. BOOM CABLE INSTALLATION - 4000W 50HZ GENERATOR	650
FIGURE 8-33. BOOM CABLE INSTALLATION - 7500W GENERATOR.....	652
FIGURE 8-34. BREAKER BOX KIT - 10 AMP (2500W GENERATOR).....	654
FIGURE 8-35. BREAKER BOX KIT - 16 AMP (2500W GENERATOR).....	656
FIGURE 8-36. BREAKER BOX KIT - 16 AMP (4000W GENERATOR).....	658
FIGURE 8-37. BREAKER BOX KIT - 30MA/16 AMP (WITHOUT GENERATOR).....	660
FIGURE 8-38. CHASSIS POWER DISTRIBUTION HARNESS	662
FIGURE 8-39. CHASSIS HARNESS ASSEMBLY.....	664
FIGURE 8-40. CLEARSKY READY HARNESS (DEUTZ TD2011, DEUTZ TCD2.9L4 & DEUTZ TCD2.9L4 (STAGE V PRE-BUY) ENGINES	666
FIGURE 8-41. (CLEARSKY READY HARNESS (DEUTZ TCD2.9L4 (STAGE V) ENGINES)	668
FIGURE 8-42. DUAL CAPACITY JIB POSITION SWITCH HARNESS	670
FIGURE 8-43. ENGINE HARNESS - DEUTZ TD2011 ENGINES	672
FIGURE 8-44. ENGINE HARNESS - DEUTZ TCD2.9L4 ENGINES AND DEUTZ TCD2.9L4 (STAGE V PRE-BUY) ENGINES	674
FIGURE 8-45. ENGINE HARNESS - DEUTZ TCD2.9L4 ENGINES AND DEUTZ TCD2.9L4 (STAGE V) ENGINES.....	678
FIGURE 8-46. FUEL FILTER HARNESS - DEUTZ TCD2.9L4 ENGINES AND DEUTZ TCD2.9L4 (STAGE V) ENGINES	682
FIGURE 8-47. FUEL HARNESS - DEUTZ TCD2.9L4 ENGINES, DEUTZ TCD2.9L4 (STAGE V PRE-BUY) ENGINES AND DEUTZ TCD2.9L4 (STAGE V) ENGINES	684
FIGURE 8-48. GENERATOR HARNESS - 4000W GENERATOR.....	686
FIGURE 8-49. GENERATOR CABLE HARNESS - 7500W GENERATOR	688
FIGURE 8-50. GROUND CONTROL BOX HARNESS.....	690
FIGURE 8-51. GROUND CONTROLS TO ENGINE HARNESS	694

TABLE OF CONTENTS

FIGURE 8-52. JIB STOW SWITCH HARNESS	696
FIGURE 8-53. LOAD SENSING PIN HARNESS	698
FIGURE 8-54. LOCKOUT VALVE HARNESS	700
FIGURE 8-55. MAIN BOOM CONTROL CABLE HARNESS	702
FIGURE 8-56. MAIN BOOM DUAL CAPACITY SWITCH HARNESS.....	704
FIGURE 8-57. MAIN BOOM TRANSPORT SWITCH HARNESS	706
FIGURE 8-58. MAIN VALVE HARNESS.....	708
FIGURE 8-59. PLATFORM CONSOLE BOX HARNESS - WITH SKYGUARD	710
FIGURE 8-60. SKYGUARD INERFACE HARNESS	714
FIGURE 8-61. PLATFORM VALVE HARNESS	716
FIGURE 8-62. PRESSURE TRANSDUCER HARNESS.....	718
FIGURE 8-63. PRESSURE TRANSDUCER HARNESS.....	720
FIGURE 8-64. PUMP ADAPTER HARNESS - SAUER PUMPS.....	722
FIGURE 8-65. RECEPTACLE BOX KIT - 110V IEC YELLOW WITHOUT 2500W GENERATOR (CE & UK CA SPECS).....	724
FIGURE 8-66. RECEPTACLE BOX KIT - 110V IEC YELLOW WITH 2500W GENERATOR (CE & UK CA SPECS)	726
FIGURE 8-67. RECEPTACLE BOX KIT - 220V IEC BLUE WITHOUT 2500W GENERATOR (CE & UK CA SPECS)	728
FIGURE 8-68. RECEPTACLE BOX KIT - 220V IEC BLUE WITH 2500W GENERATOR (CE & UK CA SPECS)	730
FIGURE 8-69. RECEPTACLE BOX KIT - 220V CEE7 POST GROUND WITHOUT 2500W GENERSTOR (2X4 BOX) (CE & UK CA SPECS).....	732
FIGURE 8-70. RECEPTACLE BOX KIT - 220V CEE7 POST GROUND WITH 2500W GENERSTOR (2X4 BOX) (CE & UK CA SPECS).....	734
FIGURE 8-71. RECEPTACLE BOX KIT - 220V CEE7 SIDE GROUND WITHOUT 2500W GENERATOR (2X4 BOX) (CE & UK CA SPECS).....	736
FIGURE 8-72. RECEPTACLE BOX KIT - 220V CEE7 SIDE GROUND WITH 2500W GENERATOR (2X4 BOX) (CE & UK CA SPECS).....	738
FIGURE 8-73. RECEPTACLE BOX KIT - 220V AFSINT 107 KEYED GROUND WITHOUT 2500W GENERATOR (2X4 BOX) (CE & UK CA SPECS).....	740
FIGURE 8-74. RECEPTACLE BOX KIT - 220V AFSINT 107 KEYED GROUND WITH 2500W GENERATOR (2X4 BOX) (CE & UK CA SPECS).....	742
FIGURE 8-75. RELAY HARNESS.....	744
FIGURE 8-76. STROBE LIGHT HARNESS (AMBER).....	746
FIGURE 8-77. TILT SENSOR HARNESS (LEFT).....	748
FIGURE 8-78. TILT SENSOR HARNESS (RIGHT)	750
FIGURE 8-79. TOWER BOOM ANGLE SENSOR HARNESS (LEFT).....	752
FIGURE 8-80. TOWER BOOM ANGLE SENSOR HARNESS (RIGHT)	754
FIGURE 8-81. TOWER BOOM CONTROL CABLE HARNESS.....	756
FIGURE 8-82. TOWER BOOM FLY TO GROUND CONTROL BOX HARNESS.....	758
FIGURE 8-83. TOWER BOOM FLY TO MAIN BOOM BASE HARNESS	760
FIGURE 8-84. TOWER BOOM LENGTH SENSORS HARNESS	762
FIGURE 8-85. TOWER BOOM TRANSPORT LENGTH SWITCH HARNESS	764
FIGURE 8-86. SKYEYE INTERMEDIATE HARNESS	766
FIGURE 8-87. SKYEYE RECEIVER HARNESS.....	768
FIGURE 8-88. SKYEYE EMITTER HARNESS	770
FIGURE 8-89. SKYLINE HARNESS	772
SECTION 9 - DECALS	775
FIGURE 9-1. DECAL INSTALLATION - ANSI SPEC.....	776
FIGURE 9-2. DECAL INSTALLATION - AUSTRALIAN SPEC.....	778

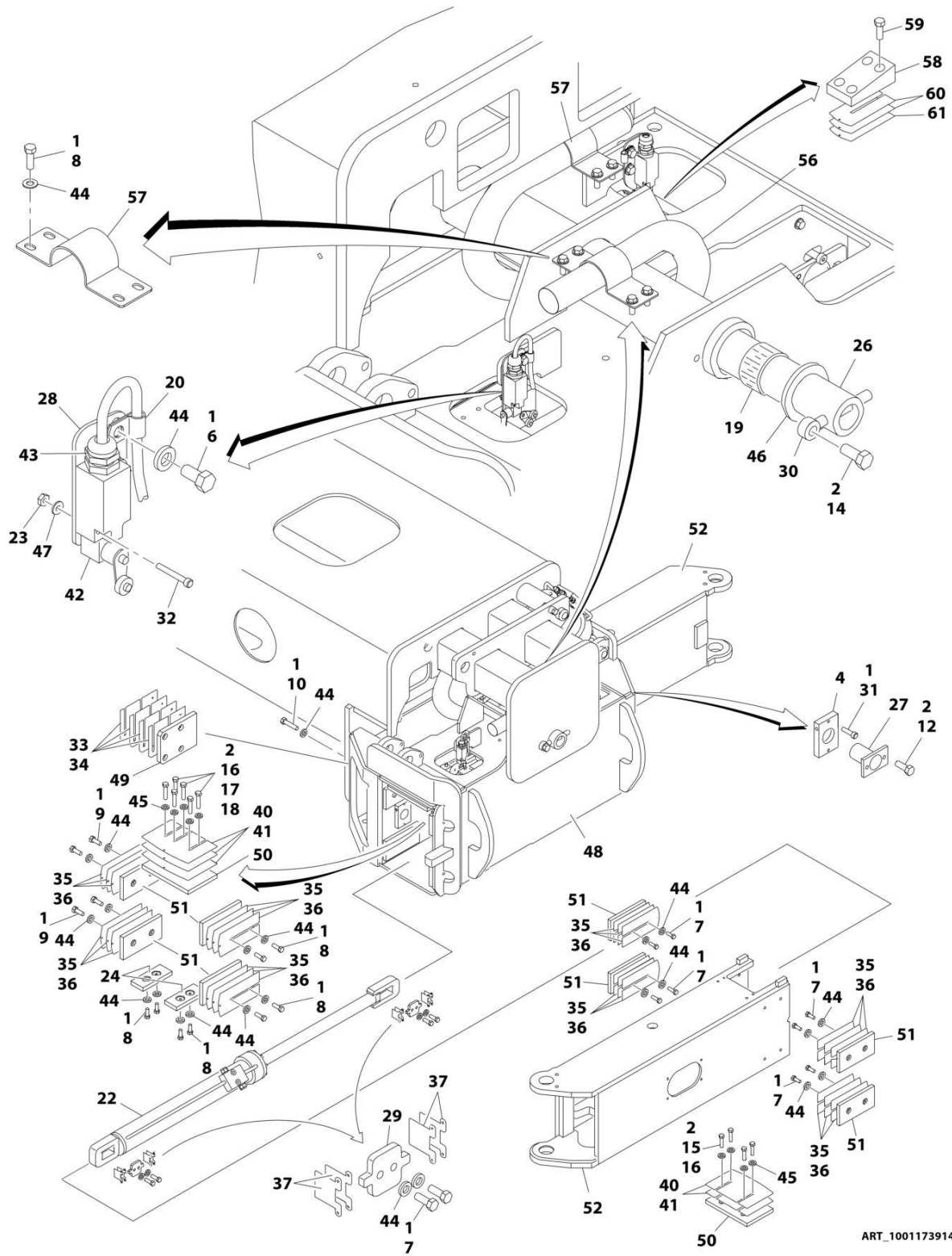
TABLE OF CONTENTS

FIGURE 9-3. DECAL INSTALLATION - BRAZIL SPEC (PORTGUESE/ENGLISH).....	780
FIGURE 9-4. DECAL INSTALLATION - CE & UK CA SPEC	782
FIGURE 9-5. DECAL INSTALLATION - CHINESE SPEC (CHINESE/ENGLISH).....	784
FIGURE 9-6. DECAL INSTALLATION - CSA SPEC (ENGLISH/FRENCH)	786
FIGURE 9-7. DECAL INSTALLATION - JAPANESE SPEC (JAPANESE/ENGLISH)	788
FIGURE 9-8. DECAL INSTALLATION - KOREAN SPEC (KOREAN/ENGLISH)	790
FIGURE 9-9. DECAL INSTALLATION - LATIN AMERICAN SPEC (SPANISH/ENGLISH).....	792
FIGURE 9-10. DECAL INSTALLATION - OPTIONS	794
FIGURE 9-11. SKYWELDER DECAL INSTALLATION - 50HZ	798
FIGURE 9-12. SKYWELDER DECAL INSTALLATION - 60HZ (PVC 2001).....	800
FIGURE 9-13. SKYWELDER DECAL INSTALLATION - 60HZ (PVC 2007).....	802
SECTION 10 - RECOMMENDED SERVICE PARTS STOCK	805
FIGURE 10-1. RECOMMENDED SERVICE PARTS.....	806
SECTION 11 - SPECIAL OPTIONS.....	809
FIGURE 11-1. SPECIAL OPTIONS/ACCESSORIES/KITS	810
PART NUMBER INDEX.....	815

SECTION 1 - FRAME

SECTION 1 - FRAME

FIGURE 1-1. AXLE INSTALLATION - FIXED



ART_1001173914_J

SECTION 1 - FRAME

FIGURE 1-1. AXLE INSTALLATION - FIXED

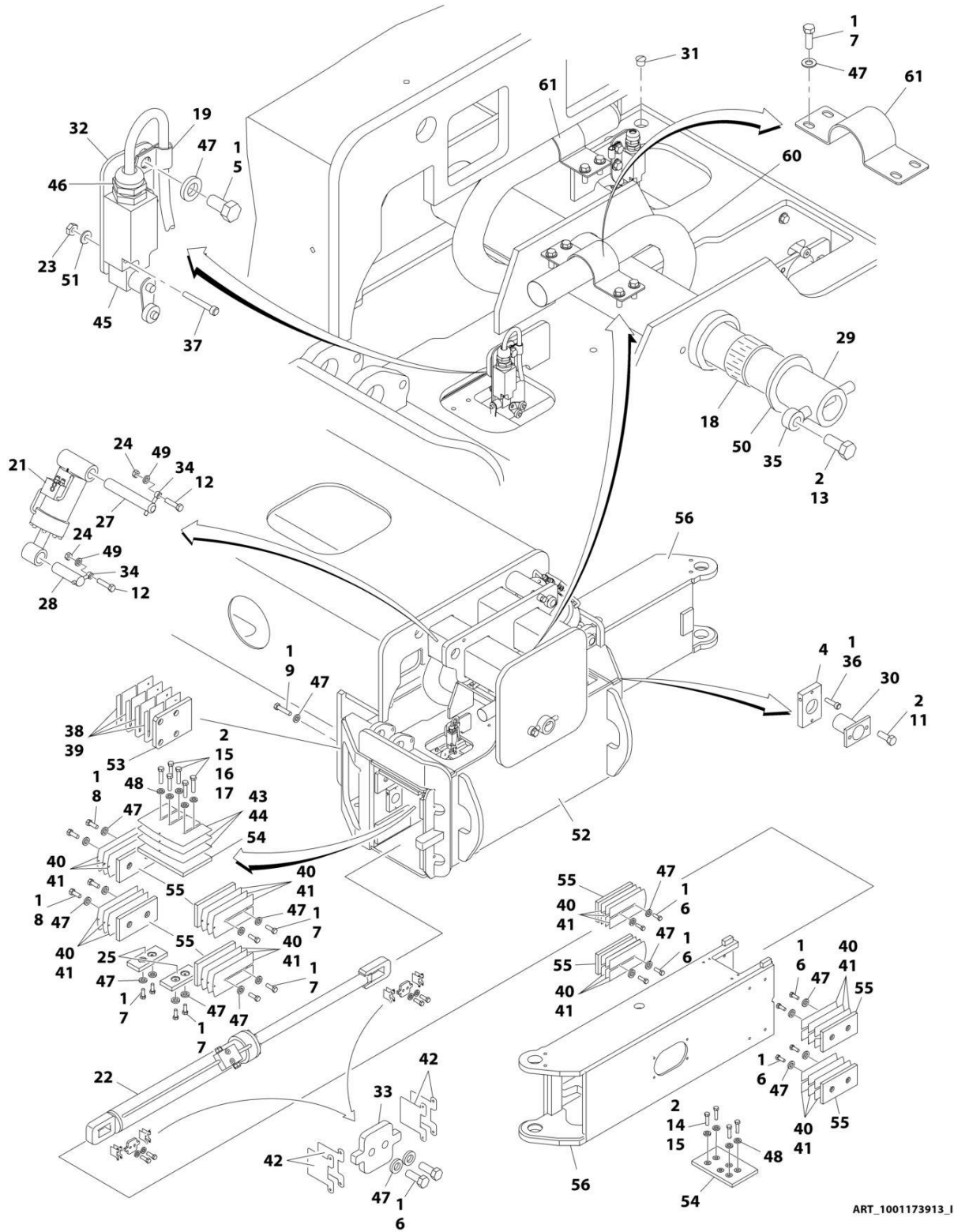
ITEM	PART NUMBER	QTY	DESCRIPTION	REV
	1001173914	Ref	AXLE INSTALLATION - FIXED	J
1	0100011	AR	Compound, Locking	
2	0100019	AR	Compound, Locking	
4	0363037	4	Bar, Stop	
6	0641606	8	Bolt 3/8 x 3/4	
7	0641608	48	Bolt 3/8 x 1	
8	0641609	64	Bolt 3/8 x 1-1/8	
9	0641611	16	Bolt 3/8 x 1-3/8	
10	0641613	8	Bolt 3/8 x 1-5/8	
12	0641808	8	Bolt 1/2 x 1	
14	0642214	1	Bolt 3/4 x 1-3/4	
15	0681813	12	Bolt 1/2 x 1-5/8 Grade 8	
16	0681814	18	Bolt 1/2 x 1-3/4 Grade 8	
17	0681815	12	Bolt 1/2 x 1-7/8 Grade 8	
18	0681816	6	Bolt 1/2 x 2 Grade 8	
19	0962033	2	Bushing	
20	1320263	4	Clamp, Cable	
22	1001251020	4	Axle Extension Cylinder Assembly (See Separate Breakdown in CYLINDER SECTION)	
23	3310805	8	Nut #8	
24	3340881	8	Pad, Wear	
26	3422918	1	Pin	
27	3422960	4	Pin	
28	3573294	4	Plate	
29	3573335	8	Plate	
30	3841287	1	Keeper, Pin	
31	3900270	4	Bolt 1/2 x 1-1/2	
32	3930820	8	Capscrew #8 x 1-1/4	
33	4071035	2	Shim #18 Gauge	
34	4071036	4	Shim #11 Gauge	
35	4071039	10	Shim #18 Gauge	
36	4071040	36	Shim #11 Gauge	
37	4071042	24	Shim #16 Gauge	
40	4071054	8	Shim #18 Gauge	
41	4071055	12	Shim #11 Gauge	
42	4360578	4	Switch, Limit	
43	4460968	4	Connector, Strain Relief	
44	4711600	144	Washer 3/8	
45	4711800	48	Washer 1/2	
46	4740461	1	Thrustwasher	
47	4750800	8	Washer #8	
48	4846383	1	Box, Axle Pivot	
49	1001161401	2	Pad, Axle	
50	1001161402	8	Pad, Wear	
51	1001161403	32	Pad, Wear	
52	4846637	4	Extension, Axle	
55	4240155	6	Strap (Not Shown)	
56	1001193674	4	Sleeve, Nylon	
57	1001191541	8	Bracket, Hose Mount	
58	0363076	2	Bar	

SECTION 1 - FRAME

ITEM	PART NUMBER	QTY	DESCRIPTION	REV
59	0641814	4	Bolt 1/2 x 1-3/4	
60	4071049	4	Shim #11 Gauge	
61	4071050	2	Shim #16 Gauge	
62	2220235	1	Plug (Not Shown - Located on Junction Manifold)	

SECTION 1 - FRAME

FIGURE 1-2. AXLE INSTALLATION - OSCILLATING



ART_1001173913_I

SECTION 1 - FRAME

FIGURE 1-2. AXLE INSTALLATION - OSCILLATING

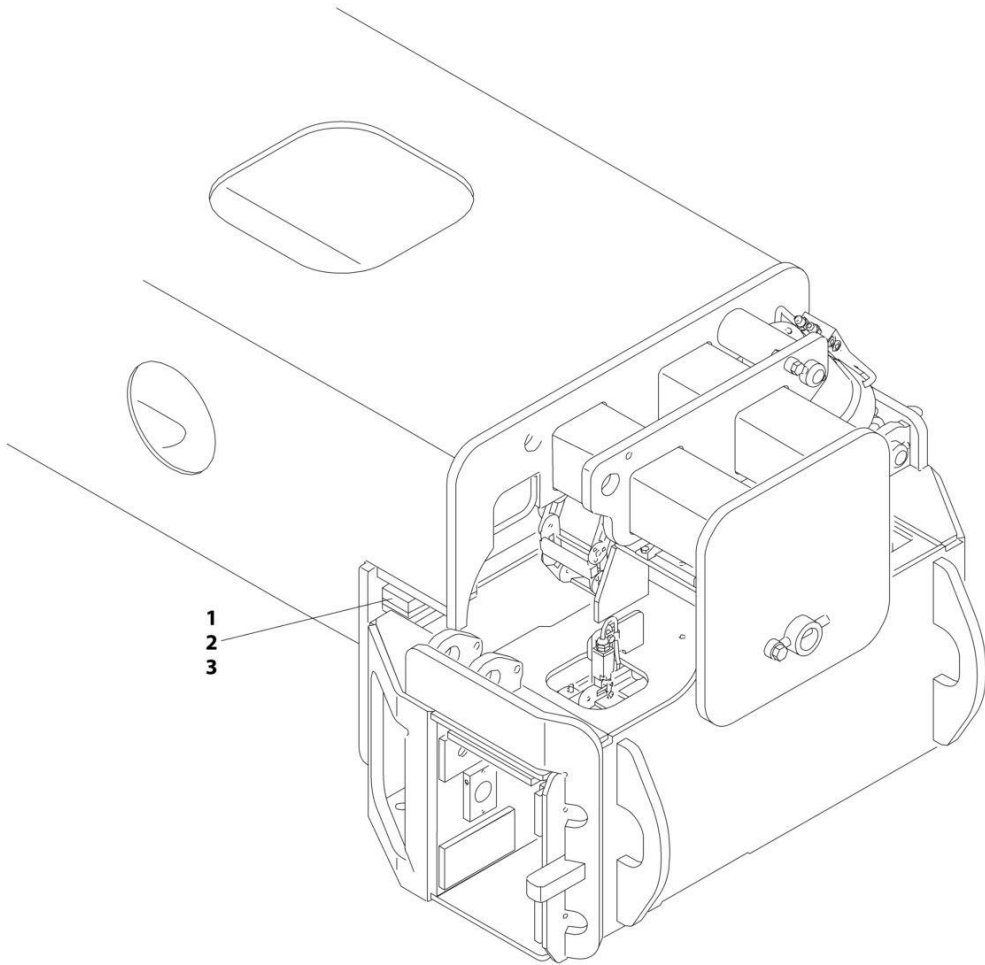
ITEM	PART NUMBER	QTY	DESCRIPTION	REV
	1001173913	Ref	AXLE INSTALLATION - OSCILLATING	I
1	0100011	AR	Compound, Locking	
2	0100019	AR	Compound, Locking	
4	0363037	4	Bar, Stop	
5	0641606	8	Bolt 3/8 x 3/4	
6	0641608	48	Bolt 3/8 x 1	
7	0641609	64	Bolt 3/6 x 1-1/8	
8	0641611	16	Bolt 3/8 x 1-3/8	
9	0641613	8	Bolt 3/8 x 1-5/8	
11	0641808	8	Bolt 1/2 x 1	
12	0642020	4	Bolt 5/8 x 2-1/2	
13	0642214	1	Bolt 3/4 x 1-3/4	
14	0681813	12	Bolt 1/2 x 1-5/8 Grade 8	
15	0681814	18	Bolt 1/2 x 1-3/4 Grade 8	
16	0681815	12	Bolt 1/2 x 1-7/8 Grade 8	
17	0681816	6	Bolt 1/2 x 2 Grade 8	
18	0962033	2	Bushing	
19	1320263	4	Clamp, Cable	
21	1001228019	2	Oscillating Axle Cylinder Assembly (See Separate Breakdown in CYLINDER SECTION)	
22	1001251020	4	Axle Extension Cylinder Assembly (See Separate Breakdown in CYLINDER SECTION)	
23	3310805	8	Nut #8	
24	3312005	4	Nut 5/8	
25	3340881	8	Pad, Wear	
27	3422833	2	Pin	
28	3422915	2	Pin	
29	3422918	1	Pin	
30	3422960	4	Pin	
31	3520054	4	Plug	
32	3573294	4	Plate	
33	3573335	8	Plate	
34	3841258	4	Keeper, Pin	
35	3841287	1	Keeper, Pin	
36	3900270	4	Bolt 1/2 x 1-1/2	
37	3930820	8	Capscrew #8 x 1-1/4	
38	4071035	2	Shim #18 Gauge	
39	4071036	4	Shim #11 Gauge	
40	4071039	10	Shim #18 Gauge	
41	4071040	36	Shim #11 Gauge	
42	4071042	24	Shim #16 Gauge	
43	4071054	8	Shim #18 Gauge	
44	4071055	12	Shim #11 Gauge	
45	4360578	4	Switch, Limit	
46	4460968	4	Connector, Strain Relief	
47	4711600	144	Washer 3/8	
48	4711800	48	Washer 1/2	
49	4712000	4	Washer 5/8	
50	4740461	1	Thrustwasher	
51	4750800	8	Washer #8	

SECTION 1 - FRAME

ITEM	PART NUMBER	QTY	DESCRIPTION	REV
52	4846383	1	Box, Axle Pivot	
53	1001161401	2	Pad, Axle	
54	1001161402	8	Pad, Wear	
55	1001161403	32	Pad, Wear	
56	4846637	4	Extension, Axle	
59	4240155	6	Strap (Not Shown)	
60	1001193674	4	Sleeve, Nylon	
61	1001191541	8	Bracket, Hose Mount	

SECTION 1 - FRAME

FIGURE 1-3. AXLE STOP BLOCKS INSTALLATION



ART_0274106

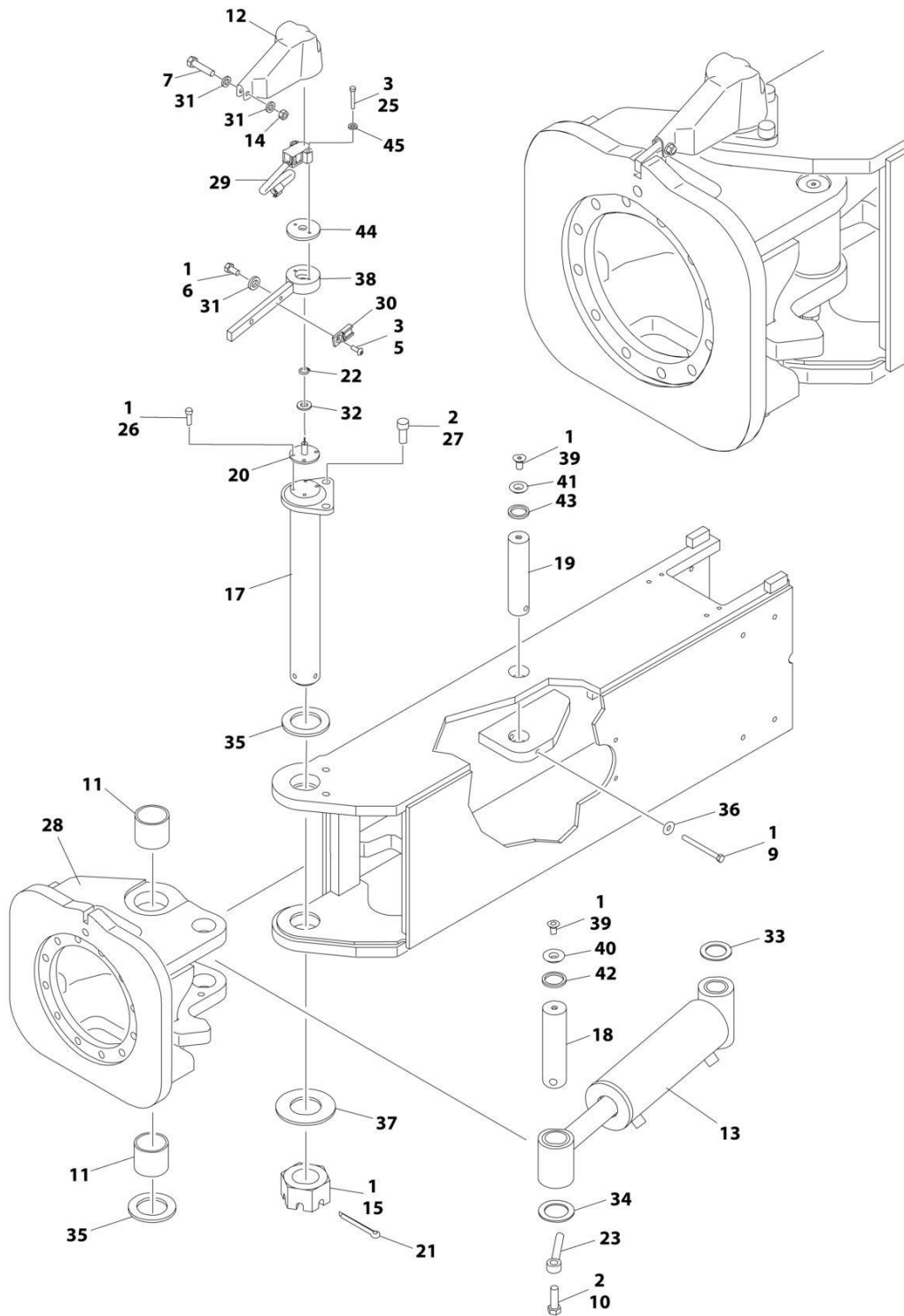
SECTION 1 - FRAME

FIGURE 1-3. AXLE STOP BLOCKS INSTALLATION

ITEM	PART NUMBER	QTY	DESCRIPTION	REV
	0274106	Ref	AXLE STOP BLOCKS INSTALLATION	A
1	0100019	AR	Compound, Locking	
2	3931816	4	Capscrew 1/2 x 1	
3	4220235	2	Block, Stop	

SECTION 1 - FRAME

FIGURE 1-4. STEER INSTALLATION



ART_0271520

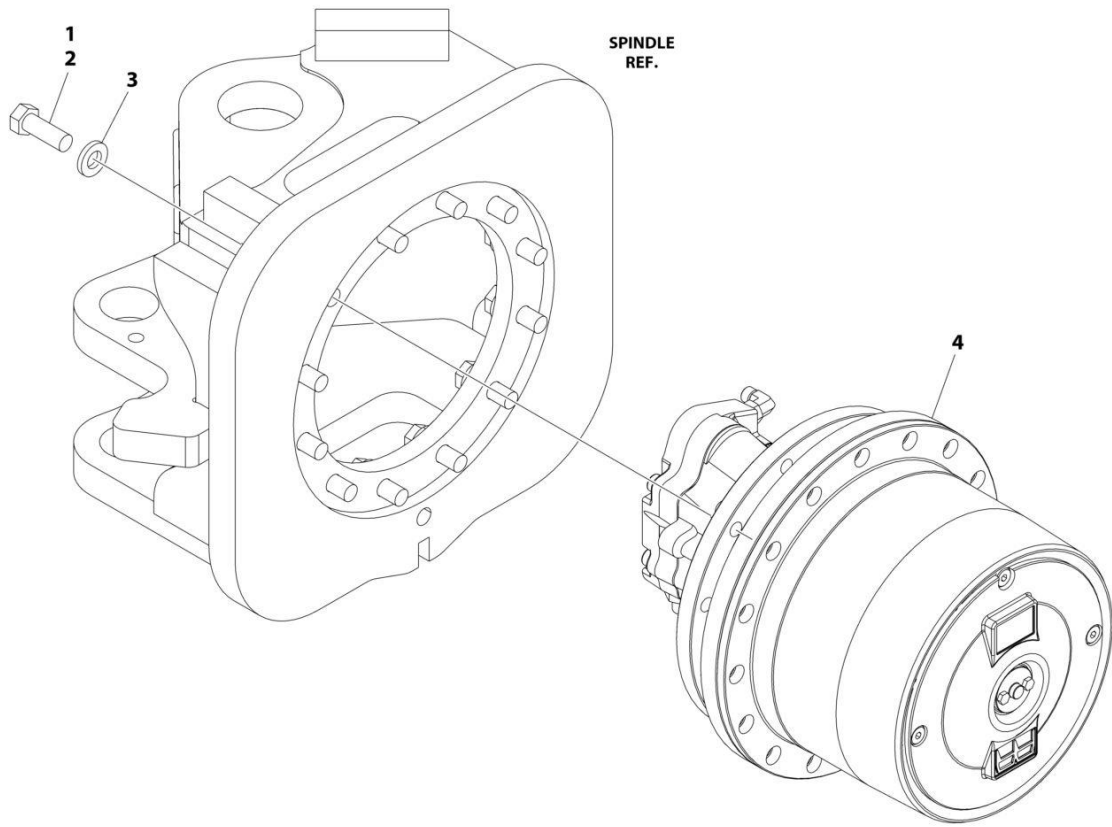
SECTION 1 - FRAME

FIGURE 1-4. STEER INSTALLATION

ITEM	PART NUMBER	QTY	DESCRIPTION	REV
	0271520	Ref	STEER INSTALLATION	L
1	0100011	AR	Compound, Locking	
2	0100019	AR	Compound, Locking	
3	0100035	AR	Compound, Locking	
5	0630464	4	Screw #10 x 1/2	
6	0641505	4	Bolt 5/16 x 5/8	
7	0641511	4	Bolt 5/16 x 1-3/8	
9	0641634	4	Bolt 3/8 x 4-1/4	
10	0642016	4	Bolt 5/8 x 2	
11	0962423	8	Bushing	
12	1671040	4	Cover, Sensor	
13	1001228031	4	Steer Cylinder Assembly (See Separate Breakdown in CYLINDER Section)	
14	3311505	4	Nut 5/16	
15	3300464	4	Nut, Slotted	
17	3422917	4	Kingpin	
18	3422940	4	Pin, Steer Cylinder (Outer)	
19	3422941	4	Pin, Steer Cylinder (Inner)	
20	3423256	4	Pin, Sensor	
21	3451214	4	Pin, Cotter 3/8 x 3-1/2	
22	3760383	4	Ring, Retaining	
23	3841258	4	Keeper, Pin	
25	3931020	8	Capscrew #10 x 1-1/4	
26	3931412	16	Capscrew 1/4 x 3/4	
27	3932024	8	Capscrew 5/8 x 1-1/2	
28	1001099632	4	Spindle	
29	4360505	4	Switch, Rotary Angle Sensor (Steer)	
30	4460914	4	Terminal	
31	4711500	12	Washer 5/16	
32	4711800	4	Washer 1/2	
33	4740181	4	Thrustwasher	
34	4740229	4	Thrustwasher	
35	4740505	8	Thrustwasher	
36	4751600	4	Washer 3/8	
37	4755000	4	Washer 2-1/2	
38	0200833	4	Arm, Steer	
39	0741606	8	Screw 3/8 x 3/4	
40	1120549	4	Cap, Seal (Outer)	
41	1120550	4	Cap, Seal (Inner)	
42	3960551	4	Seal (Outer)	
43	3960552	4	Seal (Inner)	
44	0080277	4	Adapter, Angle Sensor Pilot	
45	4811600	8	Washer M5	

SECTION 1 - FRAME

FIGURE 1-5. WHEEL DRIVE INSTALLATION - REGGIANA RIDUTTORI



ART_1001104324

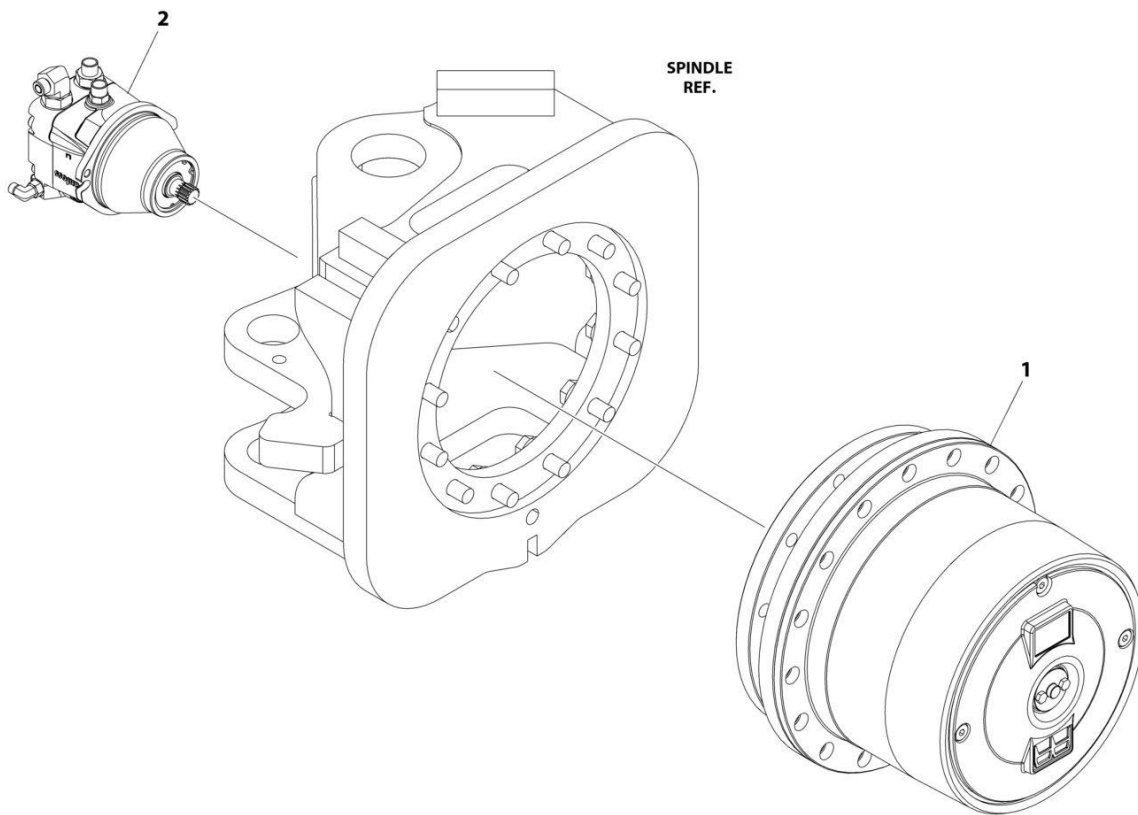
SECTION 1 - FRAME

FIGURE 1-5. WHEEL DRIVE INSTALLATION - REGGIANA RIDUTTORI

ITEM	PART NUMBER	QTY	DESCRIPTION	REV
	1001104324	Ref	WHEEL DRIVE INSTALLATION - REGGIANA RIDUTTORI	B
1	0100019	AR	Compound, Locking	
2	0701617	48	Bolt M16 x 45 (12 Per Wheel)	
3	4892000	48	Washer 5/8 (12 Per Wheel)	
4	1001104315	4	Drive Hub and Motor Assembly - Reggiana Riduttori (See Separate Breakdown in this Section)	

SECTION 1 - FRAME

FIGURE 1-6. DRIVE HUB AND MOTOR ASSEMBLY - REGGIANA RIDUTTORI



ART_1001104315

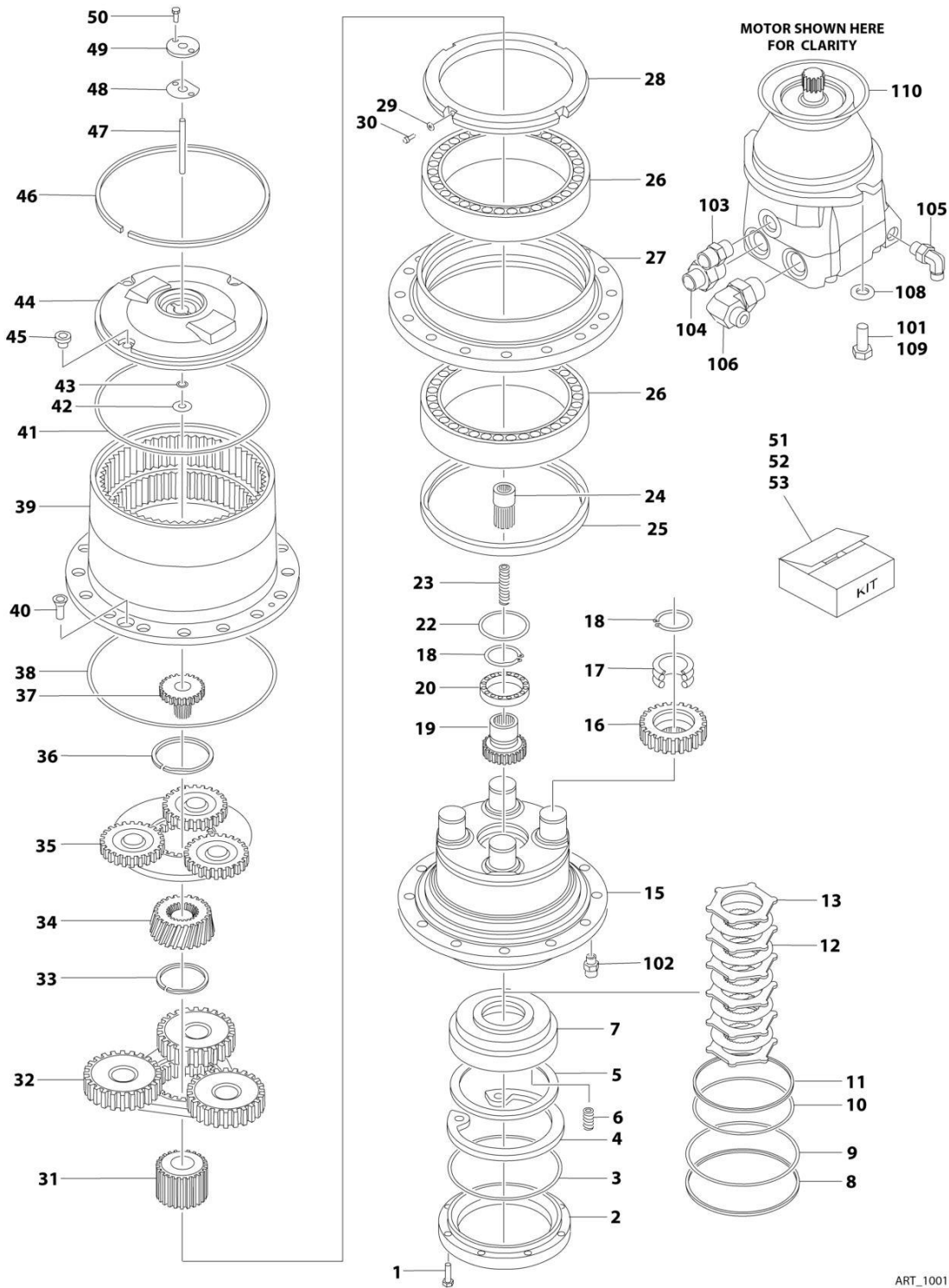
SECTION 1 - FRAME

FIGURE 1-6. DRIVE HUB AND MOTOR ASSEMBLY - REGGIANA RIDUTTORI

ITEM	PART NUMBER	QTY	DESCRIPTION	REV
	1001104315	Ref	DRIVE HUB AND MOTOR ASSEMBLY - REGGIANA RIDUTTORI	B
		Ref	Note: Various brands used on Machines. When replacing complete hub, note that all 4 hubs must be the same brand.	
		Ref	Note: Various brands used on Machines. Identify brand before ordering replacement parts.	
1	1001104325	4	Drive Hub Assembly - Reggiana Riduttori (See Separate Breakdown in this Section)	
2	3160339	4	Drive Motor Assembly (See Separate Breakdown in this Section)	

SECTION 1 - FRAME

FIGURE 1-7. DRIVE HUB ASSEMBLY - REGGIANA RIDUTTORI



ART_1001104325

SECTION 1 - FRAME

FIGURE 1-7. DRIVE HUB ASSEMBLY - REGGIANA RIDUTTORI

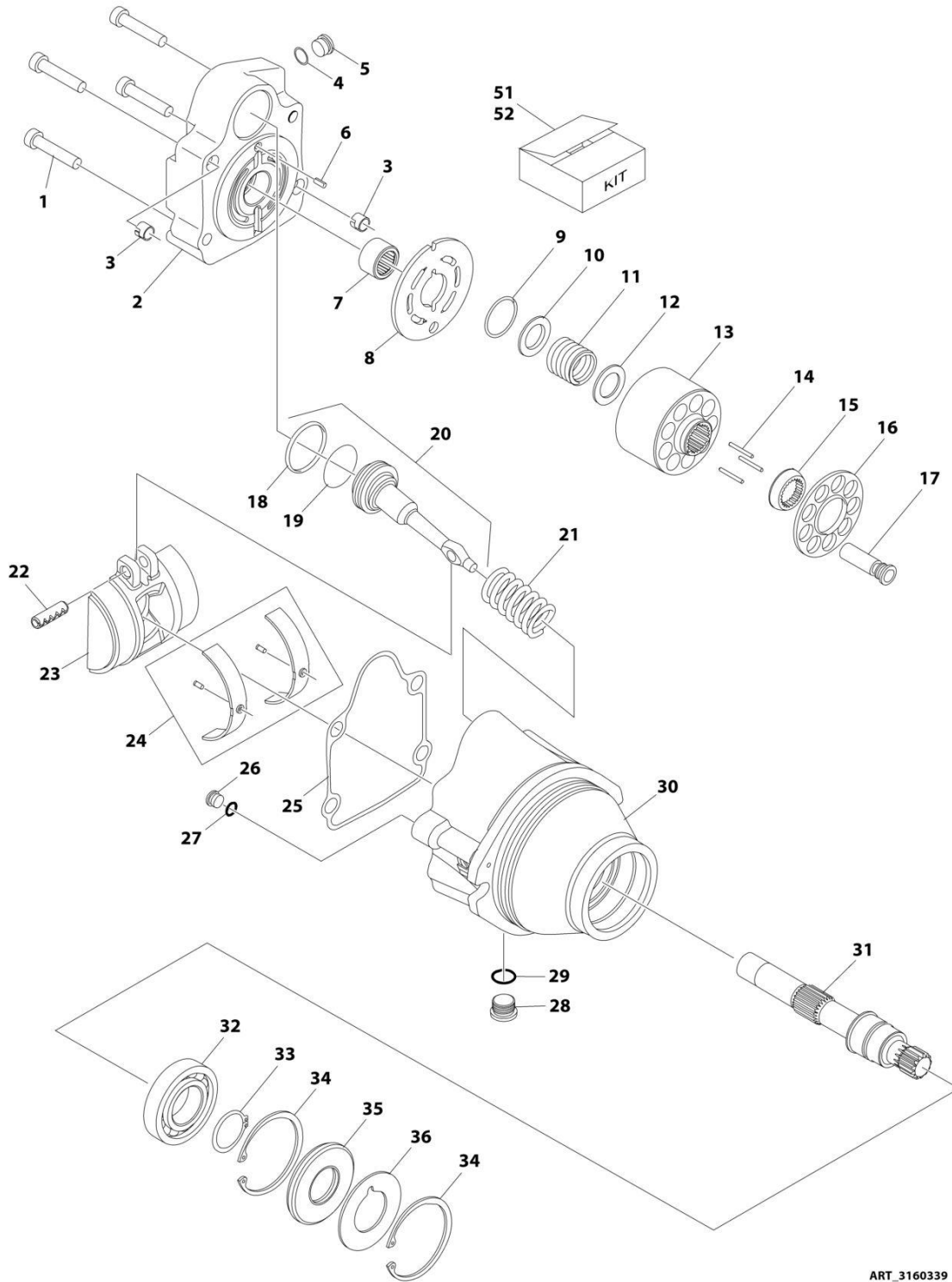
ITEM	PART NUMBER	QTY	DESCRIPTION	REV
	1001104325	Ref	DRIVE HUB ASSEMBLY - REGGIANA RIDUTTORI	G
		Ref	Note: Various brands used on Machines. Identify brand before ordering replacement parts.	
	1001101550	1	Hub, Torque	C
1	70002015	8	Bolt M8 x 25	
2	70002016	1	Ring, Motor Support	
3	See Note	NSS	O-Ring (Note: Use Item 51)	
4	70002018	1	Snap Ring	
5	70002019	1	Retainer, Spring	
6	70002020	9	Spring	
7	70002021	1	Piston	
8	See Note	NSS	Ring, Back-up (Note: Use Item 51 or 53)	
9	See Note	NSS	O-Ring (Note: Use Item 51 or 53)	
10	See Note	NSS	O-Ring (Note: Use Item 51 or 53)	
11	See Note	NSS	Ring, Back-up (Note: Use Item 51 or 53)	
12	70002026	5	Disc, Friction	
13	70002027	6	Disc, Steel	
15	70002029	1	Spindle	
16	70002030	4	Gear, Planetary	
17	70002031	4	Bearing	
18	70002032	5	Snap Ring	
19	70002033	1	Gear, Brake/Input	
20	70002034	1	Bearing	
22	70002035	1	Ring, Wear	
23	70002036	1	Spring	
24	70002037	1	Shaft, Engagement	
25	See Note	NSS	Seal (Note: Use Item 51)	
26	70002039	2	Bearing Assembly	
27	70002040	1	Support, Hub	
28	70002041	1	Nut, Retaining	
29	70002674	4	Washer	
30	70002674	4	Screw	
31	70002044	1	Gear, Planetary Sun	
32	70002045	1	Reduction Assembly, Secondary	
33	70002046	1	Snap Ring	
34	70002047	1	Gear, Secondary Input Sun	
35	70002048	1	Reduction Assembly, Primary	
36	70002049	1	Snap Ring	
37	70002050	1	Gear, Primary Input Sun	
38	See Note	NSS	O-Ring (Note: Use Item 51)	
39	See Note	NSS	Housing, Hub (Note: Not Available - Purchase Complete Assembly)	
40	70002052	2	Screw, Countersunk	
41	See Note	NSS	O-Ring (Note: Use Item 51 or 52)	
42	See Note	NSS	Thrustwasher (Note: Use Item 52)	
43	See Note	NSS	O-Ring (Note: Use Item 51 or 52)	
44	See Note	NSS	Cover, Hub (Note: Use Item 52)	
45	70002057	3	Plug	
46	See Note	NSS	Snap Ring (Note: Use Item 52)	
47	See Note	NSS	Pin, Engagement (Note: Use Item 52)	

SECTION 1 - FRAME

ITEM	PART NUMBER	QTY	DESCRIPTION	REV
48	See Note	NSS	Gasket (Note: Use Item 51 or 52)	
49	See Note	NSS	Cover, Engagement (Note: Use Item 52)	
50	See Note	NSS	Screw (Note: Use Item 52)	
51	70002248	1	Seal Kit (Includes Items 3, 8-11, 25, 38, 41, 43 & 48)	
52	70002247	1	Cover Kit (Includes Items 41-50)	
53	70002249	1	Brake Kit (Includes Items 4-13)	
101	0761214	2	Bolt M12 x 30	
102	2110404	1	Fitting, Adapter	
103	2110808	1	Fitting, Adapter	
104	2110812	1	Fitting, Adapter	
105	2130406	1	Fitting, 90 Adapter	
106	2130812	1	Fitting, 90 Adapter	
108	5241200	2	Washer M12	
109	0100011	AR	Compound, Locking	
110	3790158	1	O-Ring	

SECTION 1 - FRAME

FIGURE 1-8. DRIVE MOTOR ASSEMBLY



ART_3160339

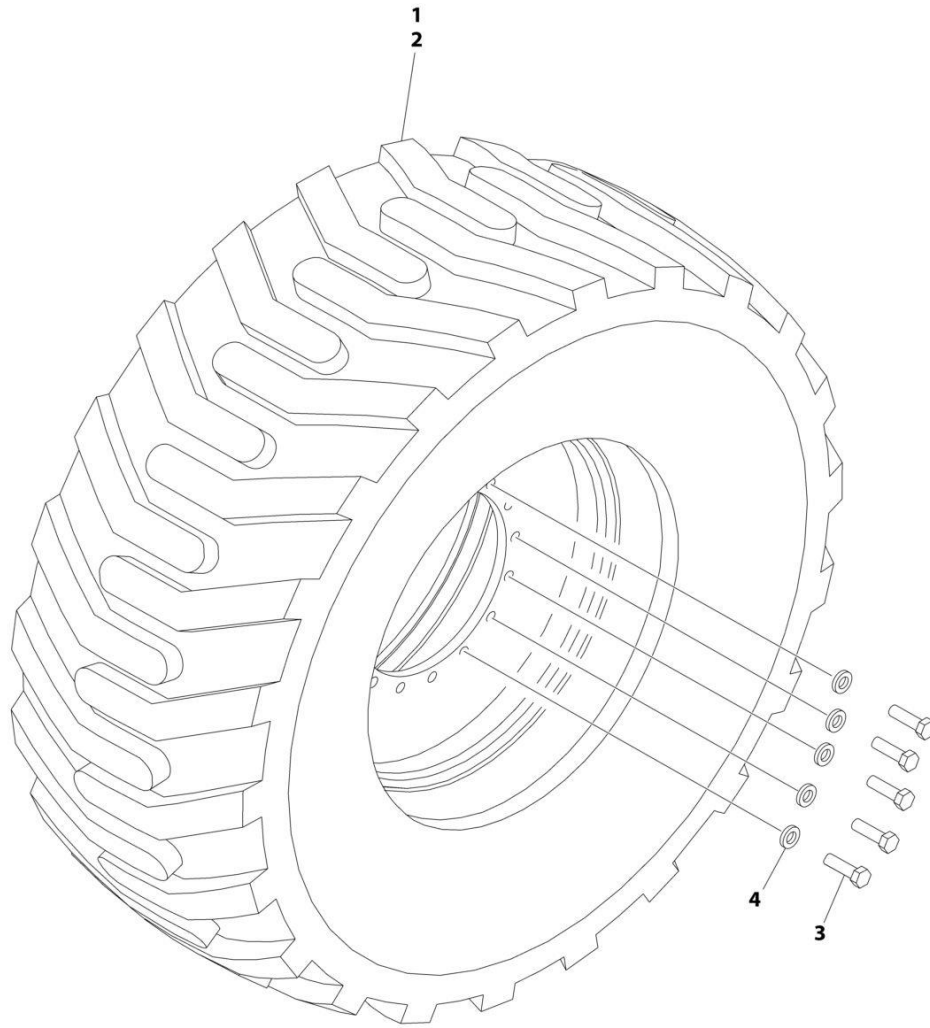
SECTION 1 - FRAME

FIGURE 1-8. DRIVE MOTOR ASSEMBLY

ITEM	PART NUMBER	QTY	DESCRIPTION	REV
	3160339	Ref	DRIVE MOTOR ASSEMBLY	D
1	7022368	4	Bolt	
2	70000859	1	End Cap, Motor	
3	70003628	2	Locating Pin	
4	See Note	NSS	O-Ring (Note: Use Item 51)	
5	7007420	1	Plug (Includes Item 4)	
6	7007446	1	Pin, Dowel	
7	7021249	1	Bearing, Needle	
8	70000854	1	Plate, Valve	
9	7022311	1	Snap Ring	
10	7022314	1	Retainer, Spring	
11	7024867	1	Spring	
12	7024868	1	Washer	
13	70000855	1	Block, Cylinder	
14	7021275	3	Pin, Slipper	
15	70000856	1	Guide	
16	70000857	1	Retainer, Slipper	
17	7024865	9	Piston, Cylinder	
18	See Note	NSS	Ring, Piston (Note: Use Item 51)	
19	See Note	NSS	O-Ring (Note: Use Item 51)	
20	70000860	1	Piston, Servo (Includes Items 18 & 19)	
21	70000861	1	Spring	
22	See Note	NSS	Pin (Note: Not Available for Purchase)	
23	70000853	1	Swash Plate	
24	70000852	1	Bearing Kit	
25	See Note	NSS	Gasket (Note: Use Item 51)	
26	See Note	NSS	Plug (Note: Not Available for Purchase)	
27	See Note	NSS	O-Ring (Note: Use Item 51)	
28	7022321	1	Plug (Includes Item 29)	
29	See Note	NSS	O-Ring (Note: Use Item 51)	
30	See Note	NSS	Housing (Note: Not Available - Purchase Complete Motor)	
31	70000858	1	Shaft	
32	7007437	1	Bearing	
33	7007439	1	Snap Ring	
34	7007438	2	Snap Ring	
35	See Note	NSS	Seal (Note: Use Item 51)	
36	7022371	1	Washer, Seal Support	
51	70000862	1	Kit 1 - Motor Seal Kit (Includes Items 4, 18, 19, 25, 27, 29 & 35)	
52	7027740	1	Kit 2 - Cylinder Block Kit (Includes Items 9-17)	

SECTION 1 - FRAME

FIGURE 1-9. TIRE AND WHEEL INSTALLATION - FOAM - FILLED



ART_0271852

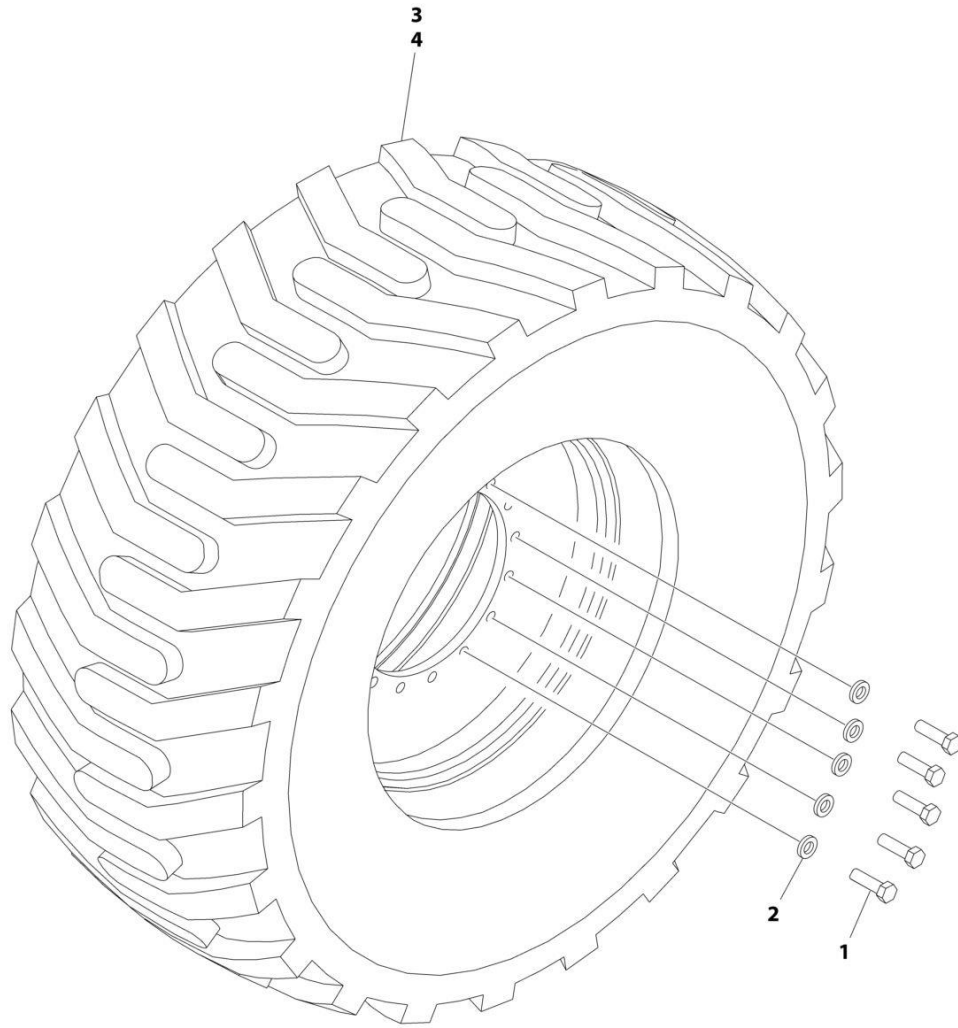
SECTION 1 - FRAME

FIGURE 1-9. TIRE AND WHEEL INSTALLATION - FOAM - FILLED

ITEM	PART NUMBER	QTY	DESCRIPTION	REV
	0271852	Ref	TIRE AND WHEEL INSTALLATION - FOAM - FILLED	B
		Ref	Note: Assemblies may require ballast/foam filling to manufacturer's specifications prior to installing on a machine. Refer to Operation and Safety or Service and Maintenance Manuals. Purchase individual tire and/or rim only if able to foam fill tire and wheel assembly, otherwise, purchase complete assembly.	
1	0272055	2	Right Side Tire and Wheel Assembly - Foam - Filled	
2	0272056	2	Left Side Tire and Wheel Assembly - Foam - Filled	
3	0701619	64	Bolt M16 x 55 (16 Per Wheel)	
4	4892000	64	Washer 5/8 (16 Per Wheel)	

SECTION 1 - FRAME

FIGURE 1-10. TIRE AND WHEEL INSTALLATION - SOLID



ART_1001115961

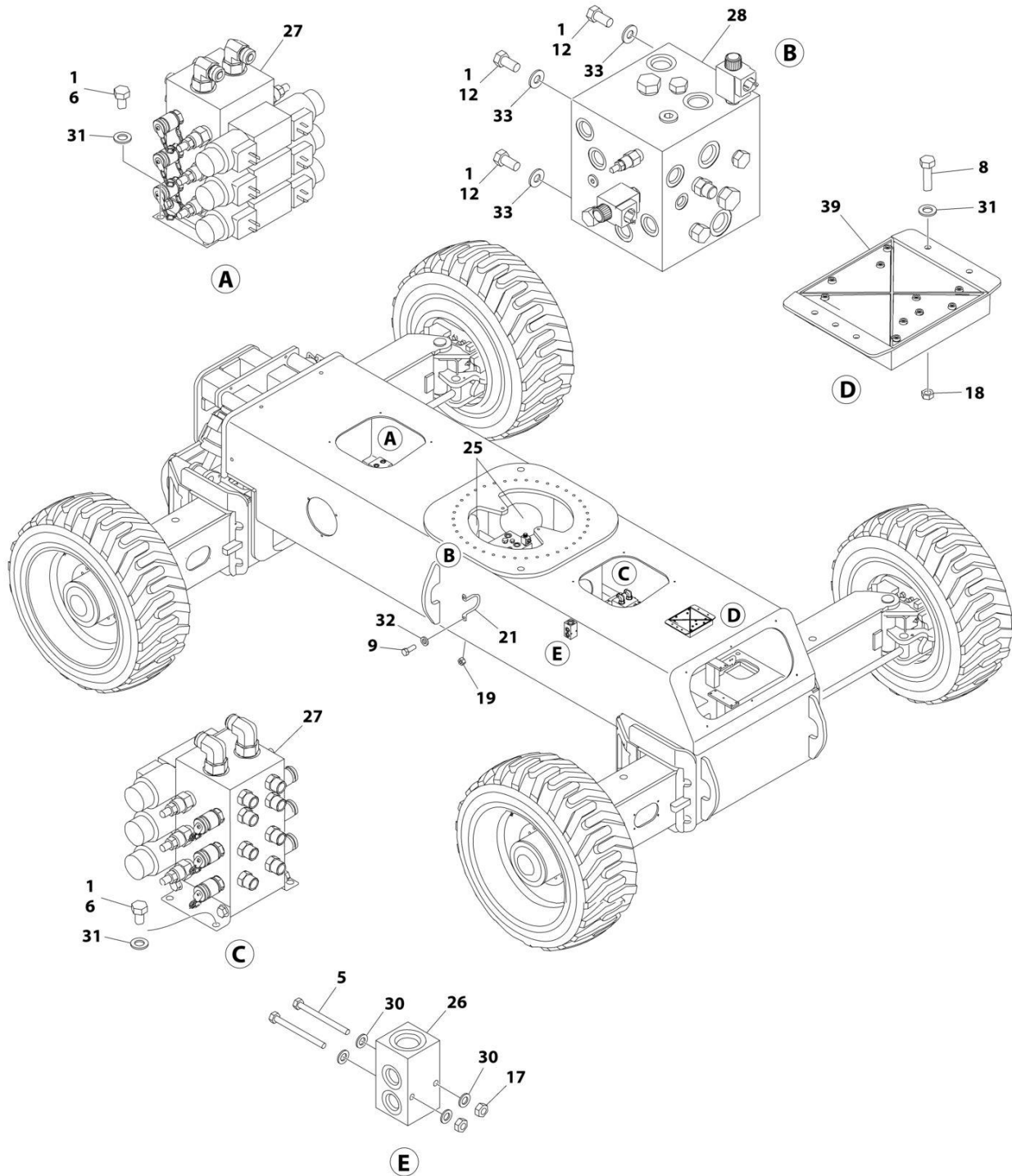
SECTION 1 - FRAME

FIGURE 1-10. TIRE AND WHEEL INSTALLATION - SOLID

ITEM	PART NUMBER	QTY	DESCRIPTION	REV
	1001115961	Ref	TIRE AND WHEEL INSTALLATION - SOLID	A
1	0701619	64	Bolt M16 x 55 (16 Per Wheel)	
2	4892000	64	Washer 5/8 (16 Per Wheel)	
3	1001112716	2	Right Side Tire and Wheel Assembly - Solid	
4	1001112669	2	Left Side Tire and Wheel Assembly - Solid	

SECTION 1 - FRAME

FIGURE 1-11. FRAME VALVES INSTALLATION



ART_1001219989_F_10F3

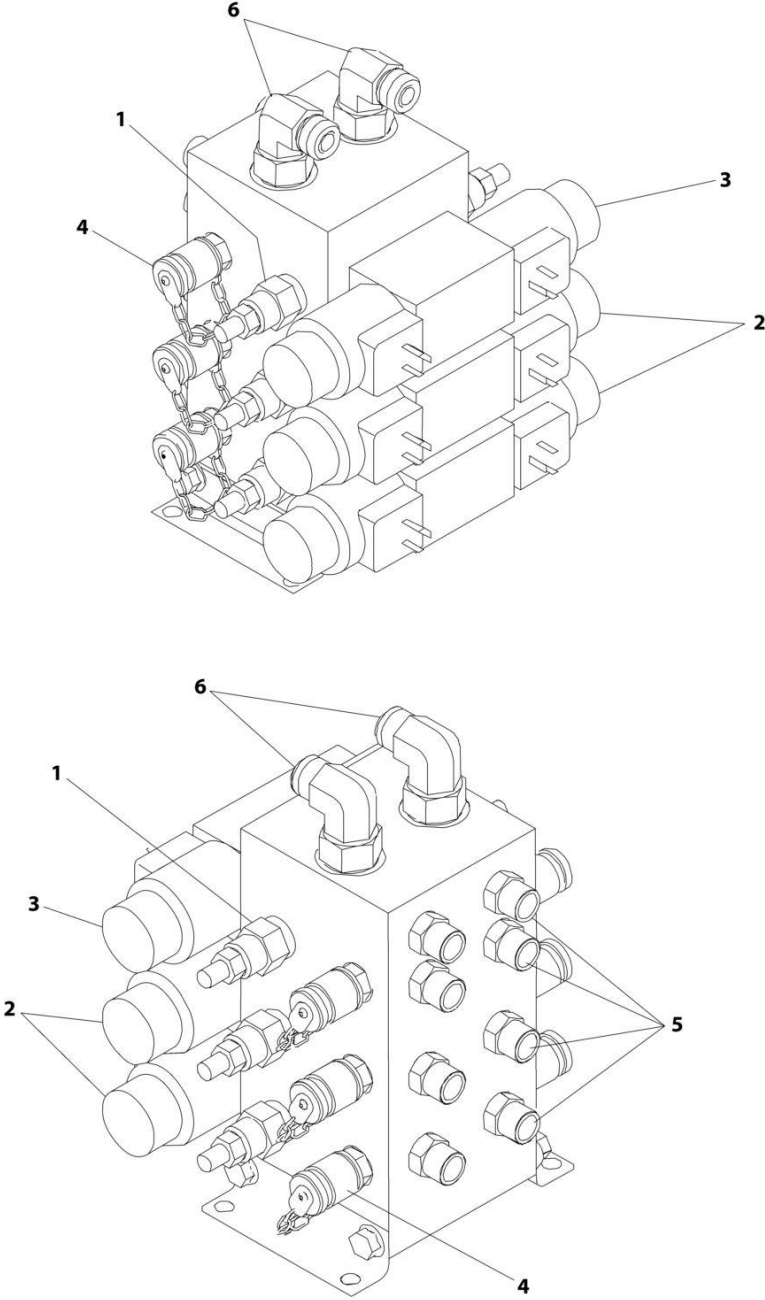
SECTION 1 - FRAME

FIGURE 1-11. FRAME VALVES INSTALLATION

ITEM	PART NUMBER	QTY	DESCRIPTION	REV
	1001219989	Ref	FRAME VALVES INSTALLATION - WITH 1 CELL LSS	F
1	0100011	AR	Compound, Locking	
5	0641424	2	Bolt 1/4 x 3	
6	0641504	8	Bolt 5/16 x 1/2	
8	0641509	4	Bolt 5/16 x 1-1/8	
9	0641608	4	Bolt 3/8 x 1	
12	0641808	4	Bolt 1/2 x 1	
17	3311405	2	Nut 1/4	
18	3311505	4	Nut 5/16	
19	3311605	4	Nut 3/8	
21	3841340	2	Loop, Hose	
25	4060808	124 in/ 3.2m	Flex-Trim	
26	4641155	1	Manifold, Junction	
27	4641268	2	Valve Assembly - Steer (See Separate Breakdown in this Section)	
28	4641454	1	Traction Valve Assembly (See Separate Breakdown in this Section)	
30	4711400	4	Washer 1/4	
31	4711500	12	Washer 5/16	
32	4711600	4	Washer 3/8	
33	4711800	4	Washer 1/2	
39	1001277210	1	Module (Chassis) (Note: Re-calibration required when Replaced)	
39	2915024	1	Update Kit (Includes Cables, Programming Instructions and CD Software)	

SECTION 1 - FRAME

FIGURE 1-12. STEER VALVE ASSEMBLY



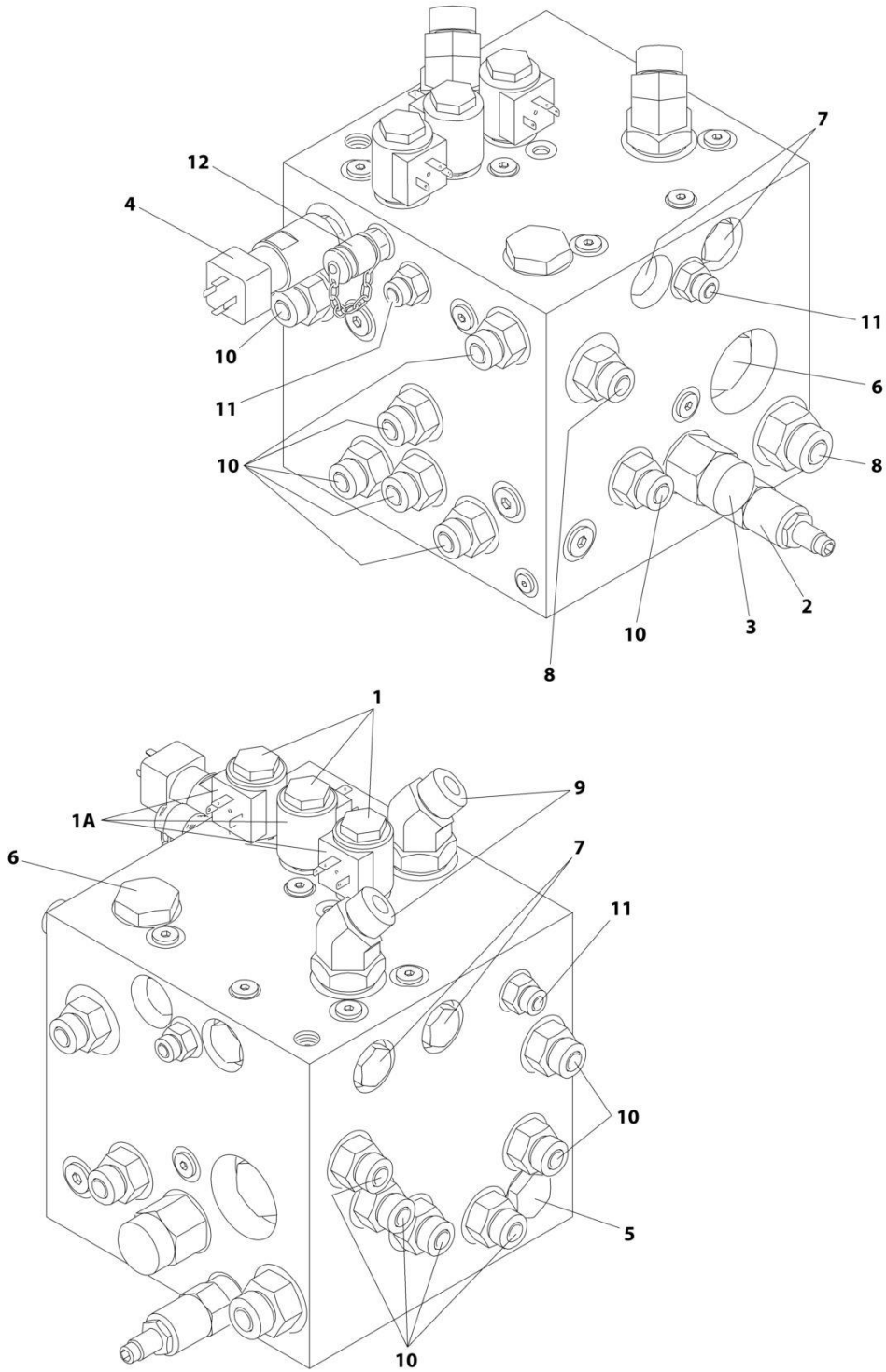
ART_4641268

FIGURE 1-12. STEER VALVE ASSEMBLY

ITEM	PART NUMBER	QTY	DESCRIPTION	REV
	4641268	Ref	STEER VALVE ASSEMBLY	C
1	7026028	12	Cartridge (6 Per Valve)	
1	7011346	12	Seal Kit - Cartridge (1 Per Cartridge)	
2	7024927	4	Valve (2 Per Valve)	
2	7012773	4	Seal Kit - Cartridge (1 Per Cartridge)	
2	7018991	8	Coil (2 Per Valve)	
3	70001976	2	Valve (1 Per Valve)	
3	7012773	2	Seal Kit - Cartridge (1 Per Cartridge)	
3	7018991	4	Coil (2 Per Valve)	
3	70001939	2	Orifice	
4	2221086	6	Check, Pressure	
5	2110606	8	Fitting, Straight	
6	2130810	2	Fitting, 90	

SECTION 1 - FRAME

FIGURE 1-13. TRACTION VALVE ASSEMBLY



ART_4641454

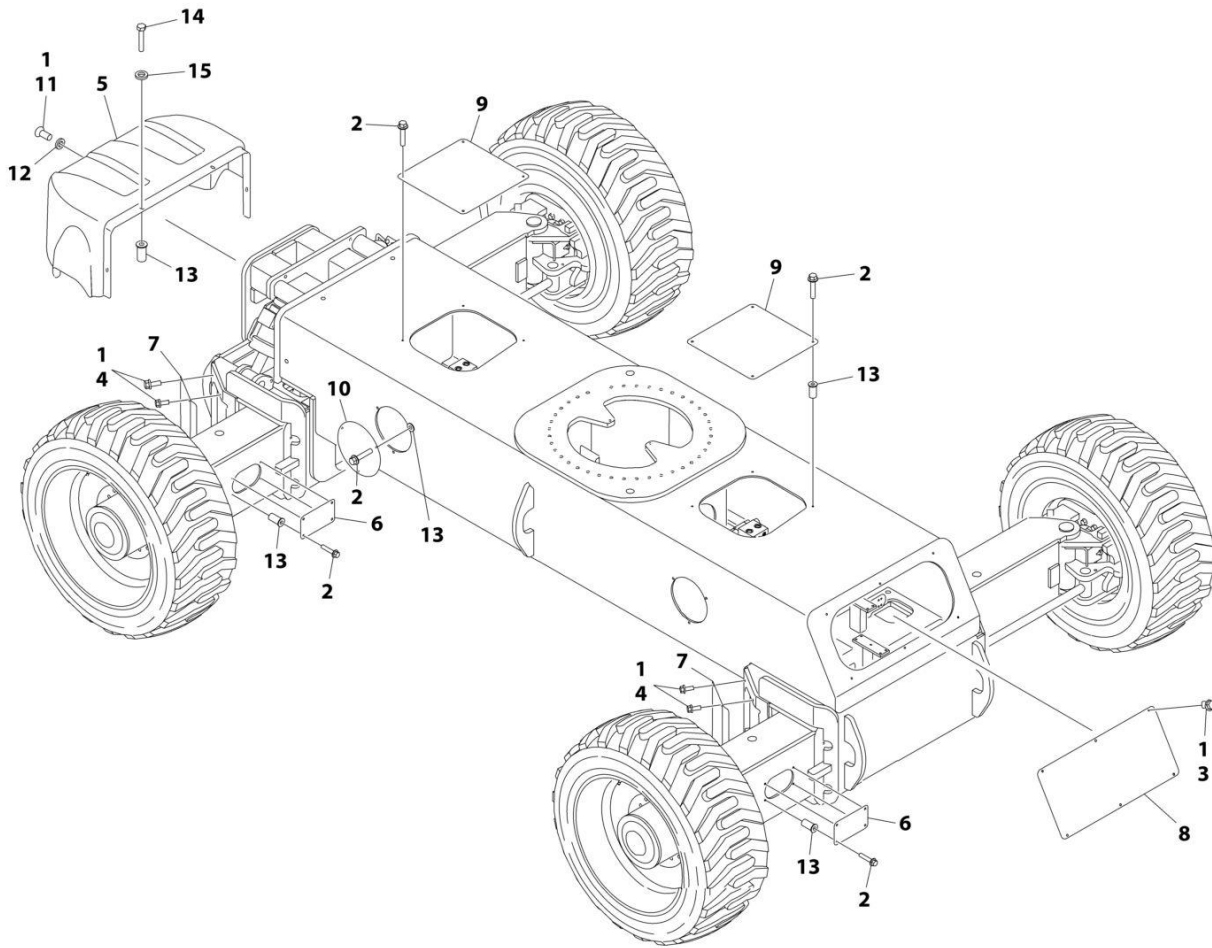
SECTION 1 - FRAME

FIGURE 1-13. TRACTION VALVE ASSEMBLY

ITEM	PART NUMBER	QTY	DESCRIPTION	REV
	4641454	Ref	TRACTION VALVE ASSEMBLY	E
1	7012941	3	Cartridge, Valve (Steer, Brake and Axle Lockout)	
1	7010543	3	Seal Kit - 7012941 Cartridge	
1A	7012944	2	Coil	
2	70000801	1	Cartridge, Valve (Relief)	
2	7012998	1	Seal Kit - 70000801 Cartridge	
3	70000802	1	Cartridge, Valve (Pilot)	
3	7012942	1	Seal Kit - 70000802 Cartridge	
4	70000803	1	Pressure Switch	
5	70000804	1	Cartridge, Valve (Shuttle)	
5	70000805	1	Seal Kit - 70000804 Cartridge	
6	70000806	2	Cartridge, Valve (Flow Divider)	
6	7017405	2	Seal Kit - 70000806 Cartridge	
7	7012955	4	Cartridge, Valve (Check)	
7	7012967	4	Seal Kit - 7012955 Cartridge	
8	2111012	2	Fitting, Straight	
9	2151012	2	Fitting, 45	
10	2110810	13	Fitting, Straight	
11	2110406	3	Fitting, Straight	
12	2221086	1	Check, Pressure	
13	2220883	1	Plug, #4 (Not Shown)	

SECTION 1 - FRAME

FIGURE 1-14. FRAME COVERS INSTALLATION



ART_1001176346

SECTION 1 - FRAME

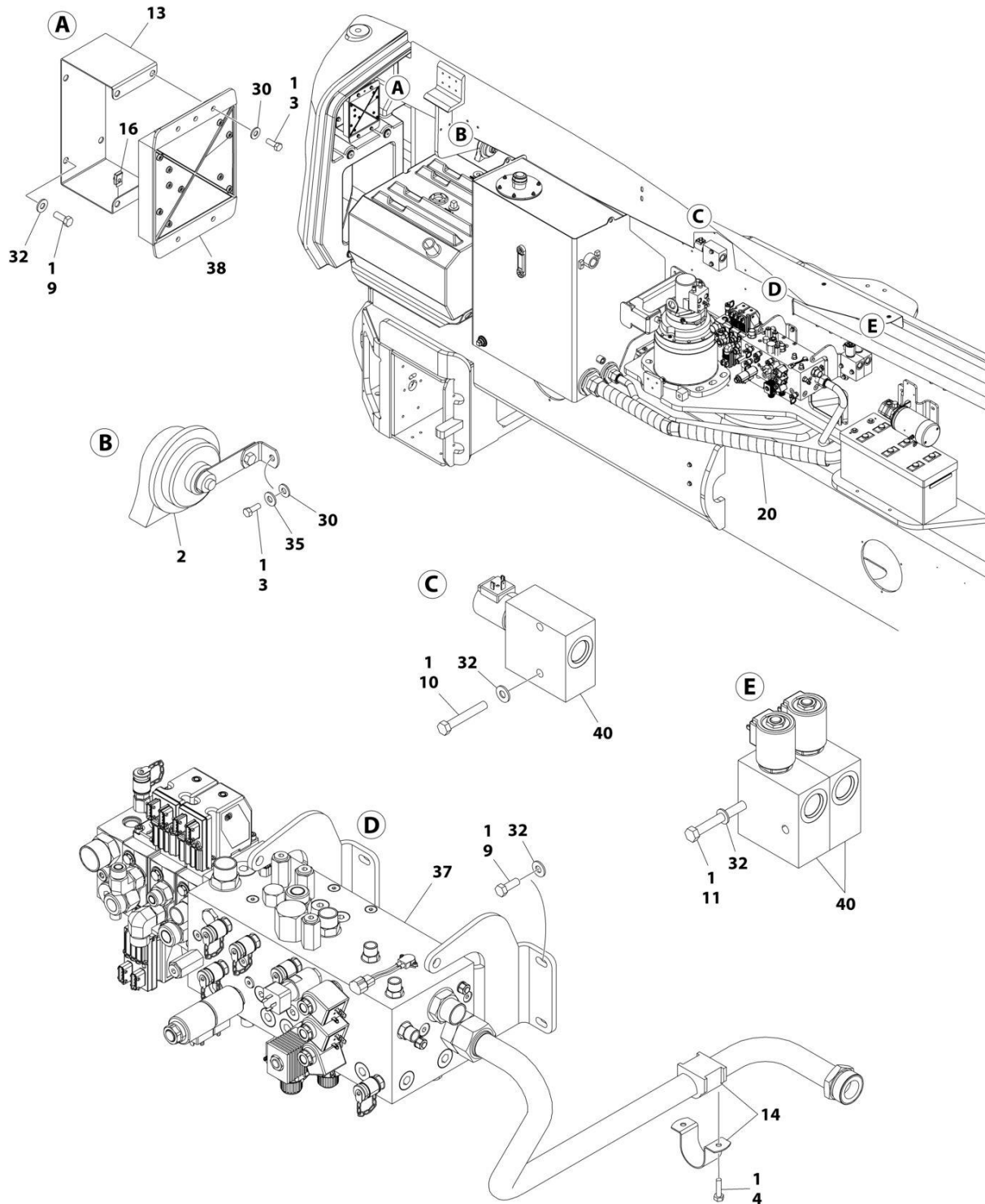
FIGURE 1-14. FRAME COVERS INSTALLATION

ITEM	PART NUMBER	QTY	DESCRIPTION	REV
	1001176346	Ref	FRAME COVERS INSTALLATION - ABS	C
1	0100011	AR	Compound, Locking	
2	0791410	36	Screw 1/4 x 1-1/4	
3	0791604	6	Screw 3/8 x 1/2	
4	0791607	16	Screw 3/8 x 7/8	
5	1670996	1	Cover, Front	
6	1671045	4	Plate, Cover (Axle Side)	
7	1671046	4	Plate, Cover (Axle Corner)	
8	1671047	1	Plate, Cover (Rear)	
9	1671048	2	Plate, Cover (Frame Top)	
10	1671049	4	Plate, Cover (Frame Side)	
11	3900283	3	Screw 3/8 x 3/4	
12	4751600	3	Washer 3/8	
13	8580420	40	Nut, Well	
14	0641412	4	Bolt 1/4 x 1-1/2	
15	4740430	4	Washer, Fender	

SECTION 2 - TURNTABLE

SECTION 2 - TURNTABLE

FIGURE 2-1. TURNTABLE VALVES INSTALLATION



ART_1001219989_F_20F3

SECTION 2 - TURNTABLE

FIGURE 2-1. TURNTABLE VALVES INSTALLATION

ITEM	PART NUMBER	QTY	DESCRIPTION	REV
	1001219989	Ref	TURNTABLE VALVES INSTALLATION	F
1	0100011	AR	Compound, Locking	
2	0140001	1	Horn	
3	0641406	5	Bolt 1/4 x 3/4	
4	0641408	2	Bolt 1/4 x 1	
9	0641608	8	Bolt 3/8 x 1	
10	0641620	2	Bolt 3/8 x 2-1/2	
11	0641636	2	Bolt 3/8 x 4-1/2	
13	0902800	1	Bracket, Module Mounting	
14	1320322	1	Clamp	
16	3300454	4	Nut, Special	
20	3380523	1	Shield, Tube	
30	4711400	5	Washer 1/4	
32	4711600	12	Washer 3/8	
35	4791400	1	Starwasher 1/4	
37	1001246762	1	Main Valve Assembly (See Separate Breakdown in this Section)	
38	1001227960	1	Module, B.L.A.M (Note: Control System must be Re-calibrated when Module is Replaced)	
40	1001112850	3	Enable Valve Assembly	
40	7024890	3	Coil	

SECTION 2 - TURNTABLE

FIGURE 2-2. MAIN VALVE ASSEMBLY

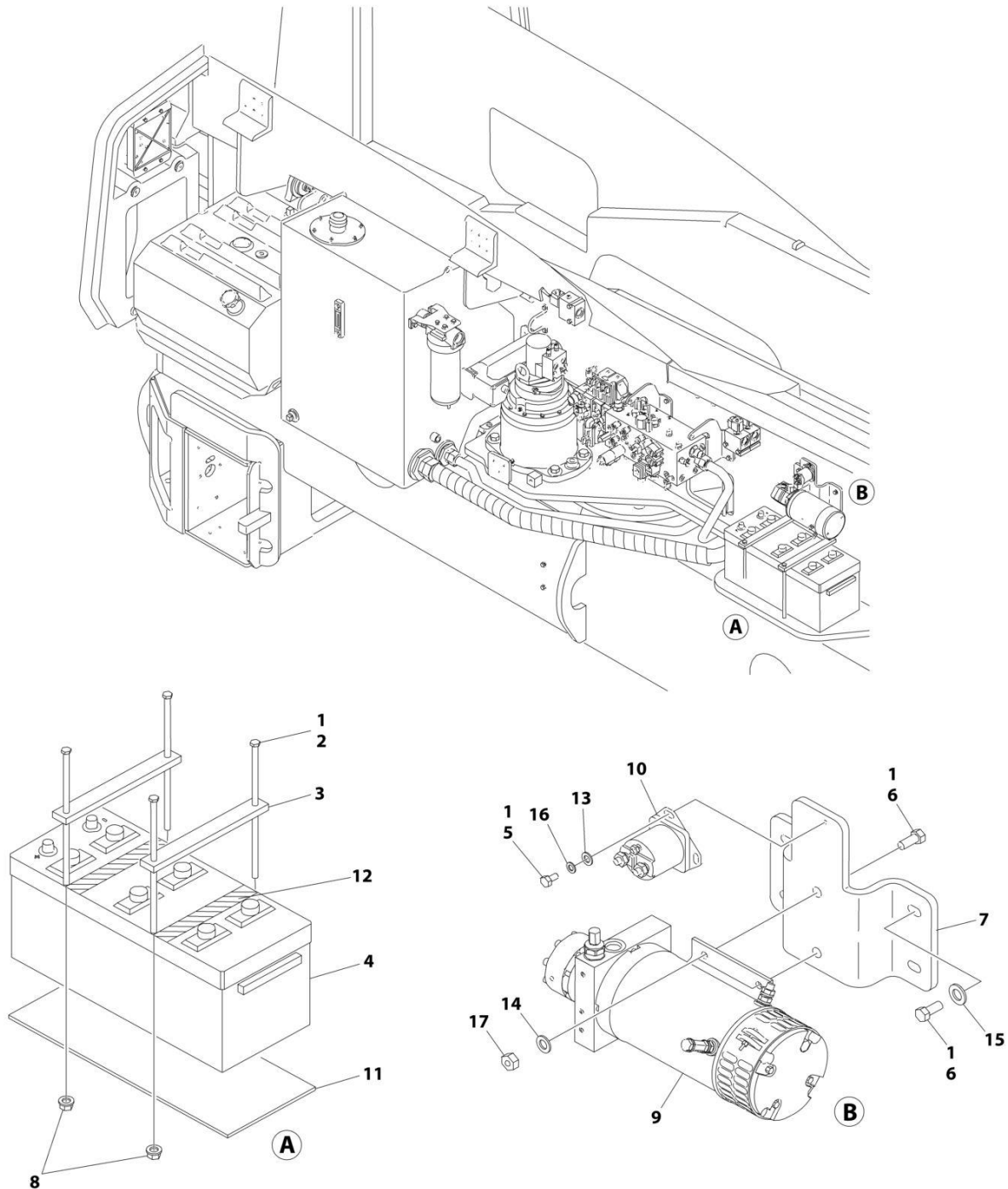
ITEM	PART NUMBER	QTY	DESCRIPTION	REV
	1001246762	Ref	MAIN VALVE ASSEMBLY	C
		Ref	MAIN VALVE BODY COMPONENTS	
1	7026684	4	Cartridge, Check Valve	
1	7026685	4	Seal Kit - Valve	
2	7026686	2	Cartridge, Relief Valve	
2	7026687	2	Seal Kit - Valve	
3	7026688	1	Cartridge, Check Valve	
3	7026689	1	Seal Kit - Valve	
4	70007229	3	Cartridge, Solenoid Valve Less Coil	
4	70007230	3	Seal Kit - Valve	
4	70007231	3	Coil	
5	7026692	2	Cartridge, Solenoid Valve Less Coil	
5	7026693	2	Seal Kit - Valve	
5	7027207	2	Coil	
6	7026694	1	Cartridge, Differential Sensing Valve	
6	7026695	1	Seal Kit - Valve	
7	7026696	1	Cartridge, Differential Sensing Valve	
7	7026697	1	Seal Kit - Valve	
8	70007226	1	Cartridge, Solenoid Valve Less Coil	
8	70007227	1	Seal Kit - Valve	
8	70007228	2	Coil	
9	7027882	1	Valve Assembly, Solenoid	
9	7026693	1	Seal Kit - Valve	
9	7027208	1	Coil	
10	7027200	2	Cartridge, Solenoid Valve	
10	7010697	2	Seal Kit - Valve	
10	7012943	2	Coil	
12	7027201	1	Cartridge, Check Valve	
12	7027202	1	Seal Kit - Valve	
13	7027203	1	Cartridge, Check Valve	
13	7026687	1	Seal Kit - Valve	
30	7027738	1	Switch, Thermostatic	
31	70006315	2	Screw #6 x 1/2	
32	7027204	2	Cartridge, Relief Valve	
32	7026687	2	Seal Kit - Valve	
33	70000781	2	Lock Plate, Cartridge	
33	3941404	2	Screw, Self-Tapping	
		Ref	MAIN VALVE BODY FITTINGS	
101	2111210	1	Fitting, Straight	
102	2111010	2	Fitting, Straight	
103	2110606	5	Fitting, Straight	
104	2110406	2	Fitting, Straight	
105	2110404	2	Fitting, Straight	
106	2221086	5	Check, Pressure	
107	2112016	1	Fitting, Straight	
108	2111216	1	Fitting, Straight	
109	2111212	1	Fitting, Straight	
110	2220887	1	Plug	
		Ref	PROPORTIONAL VALVE SECTION AND ADDITIONAL COMPONENTS	

SECTION 2 - TURNTABLE

ITEM	PART NUMBER	QTY	DESCRIPTION	REV
201	7026671	2	Bracket	
203	See Note	NSS	Spool Assembly (Tower Telescope) (Note: Use Item 212)	
204	See Note	NSS	Spool Assembly (Tower/Main Lift) (Note: Use Item 212)	
205	7026672	1	Switch, Pressure	
206	See Note	NSS	Valve, Shock	
207	See Note	NSS	Valve, Shock	
208	See Note	NSS	Cover	
208	8007894	AR	Seal Kit, Cover Mounting (1 per cover)	
209	70001873	3	Actuator, Electrical	
209	8007954	AR	Seal Kit, Actuator Mounting (1 per actuator)	
210	70001421	1	Module, Pump Side	
210	8007939	1	Seal Kit, Pump Side Module (Internal Seals for Pump Side Module)	
211	7026678	1	Plug with Check Valve	
212	70002742	1	Module, Tower Lift (Includes Items 204, 207, 208, 210 Seal Kit and p/n 8007935 Seal Kit)	
212	70002743	1	Module, Tower Telescope (Includes Items 203, 206, 208, 210 Seal Kit and p/n 8007935 Seal Kit)	
212	70003043	1	Module, Main Lift (Includes Items 204, 207, 208, 210 Seal Kit and p/n 8007935 Seal Kit)	
212	8007935	AR	Seal Kit, Module Mounting (Includes seals for one side of Module - requires four for complete valve)	
213	7026680	1	Tie-Rod Kit (Includes Hardware and Seals)	
214	See Note	1	Fitting, Adapter (Note: Not Available for Purchase)	
		Ref	PROPORTIONAL VALVE SECTION FITTINGS	
301	2111210	1	Fitting, Straight	
302	2111010	1	Fitting, Straight	
303	2131010	1	Fitting, 90	
304	2110810	1	Fitting, Straight	
305	2130810	1	Fitting, 90	
306	2111210	1	Fitting, Straight	
307	7026683	2	Fitting, Straight	
308	2221086	1	Check, Pressure	
309	2110404	1	Fitting, Straight	
310	2220888	1	Plug	

SECTION 2 - TURNTABLE

FIGURE 2-3. BATTERY AND AUXILIARY PUMP INSTALLATION - WITHOUT COLD WEATHER PLUS PACKAGE



ART_1001145323

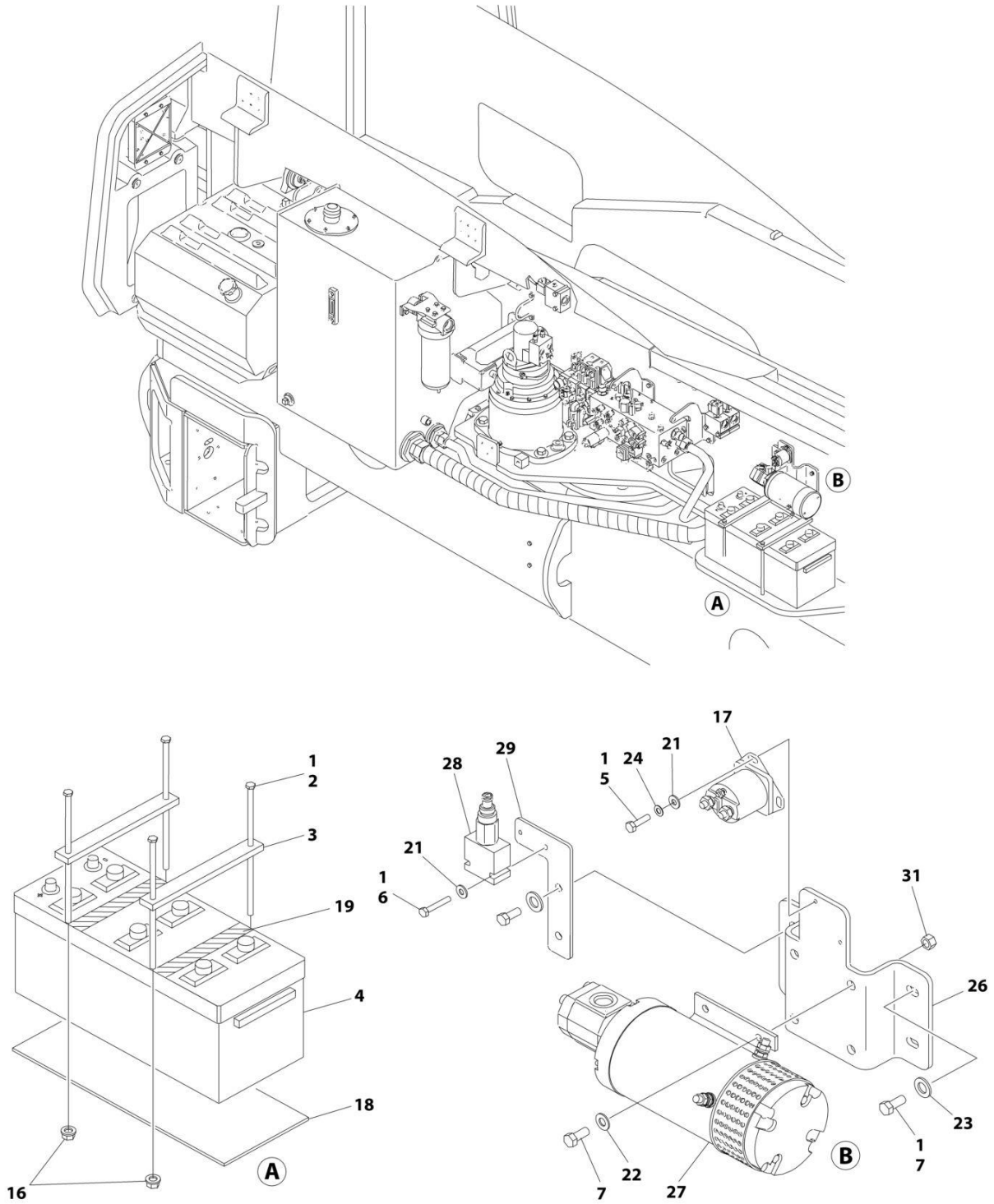
SECTION 2 - TURNTABLE

FIGURE 2-3. BATTERY AND AUXILIARY PUMP INSTALLATION - WITHOUT COLD WEATHER PLUS PACKAGE

ITEM	PART NUMBER	QTY	DESCRIPTION	REV
	1001145323	Ref	BATTERY AND AUXILIARY PUMP INSTALLATION - WITHOUT COLD WEATHER PLUS PACKAGE	B
1	0100011	AR	Compound, Locking	
2	0236768	4	Rod, Hold-down	
3	0363062	2	Bar, Battery	
4	0400020	1	Battery	
5	0641408	2	Bolt 1/4 x 1	
6	0641607	8	Bolt 3/8 x 7/8	
7	0903696	1	Bracket	
8	3311608	4	Nut 3/8	
9	1001162880	1	Auxiliary Pump Assembly (See Separate Breakdown in this Section)	
10	3740067	1	Relay	
11	3980006	1	Seat, Battery	
12	4420037	17 in /43cm	Tape, Insulation	
13	4711400	2	Washer 1/4	
14	4711600	4	Washer 3/8	
15	4751600	4	Washer 3/8	
16	4791400	2	Starwasher 1/4	
17	3311605	4	Nut 3/8	

SECTION 2 - TURNTABLE

FIGURE 2-4. BATTERY AND AUXILIARY PUMP INSTALLATION - WITH COLD WEATHER PLUS PACKAGE



ART_1001139520_B_10F2

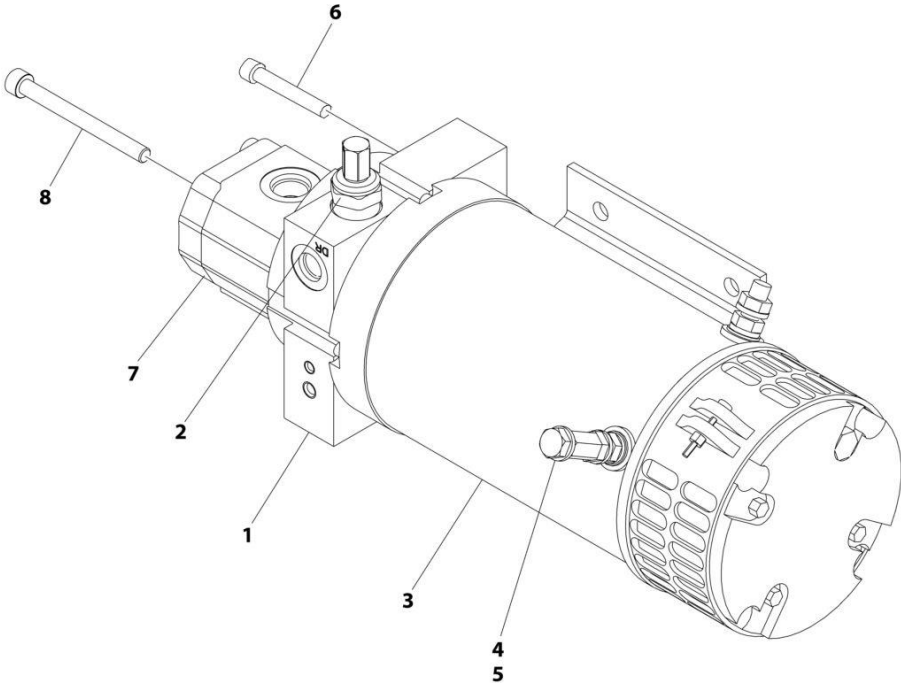
SECTION 2 - TURNTABLE

FIGURE 2-4. BATTERY AND AUXILIARY PUMP INSTALLATION - WITH COLD WEATHER PLUS PACKAGE

ITEM	PART NUMBER	QTY	DESCRIPTION	REV
	1001139520	Ref	BATTERY AND AUXILIARY PUMP INSTALLATION - WITH COLD WEATHER PLUS PACKAGE	B
1	0100011	AR	Compound, Locking	
2	0236768	4	Rod, Hold-down	
3	0363062	2	Bar, Battery	
4	0400020	1	Battery	
5	0641404	2	Bolt 1/4 x 1/2	
5	0641408	2	Bolt 1/4 x 1	
6	0641413	2	Bolt 1/4 x 1-5/8	
7	0641607	8	Bolt 3/8 x 7/8	
16	3311608	4	Nut 3/8	
17	3740067	1	Relay	
18	3980006	1	Seat, Battery	
19	4420037	17 in /43cm	Tape, Insulation	
21	4711400	4	Washer 1/4	
22	4711600	4	Washer 3/8	
23	4751600	4	Washer 3/8	
24	4791400	2	Starwasher 1/4	
26	0903696	1	Bracket	
27	1001138838	1	Auxiliary Pump Assembly (See Separate Breakdown in this Section)	
28	1001133163	1	Valve, Relief	
28	7023936	1	Seal Kit	
29	1001133593	1	Bracket	
31	3311605	4	Nut 3/8	

SECTION 2 - TURNTABLE

FIGURE 2-5. AUXILIARY PUMP ASSEMBLY (WITHOUT COLD WEATHER PLUS PACKAGE)



ART_1001162880

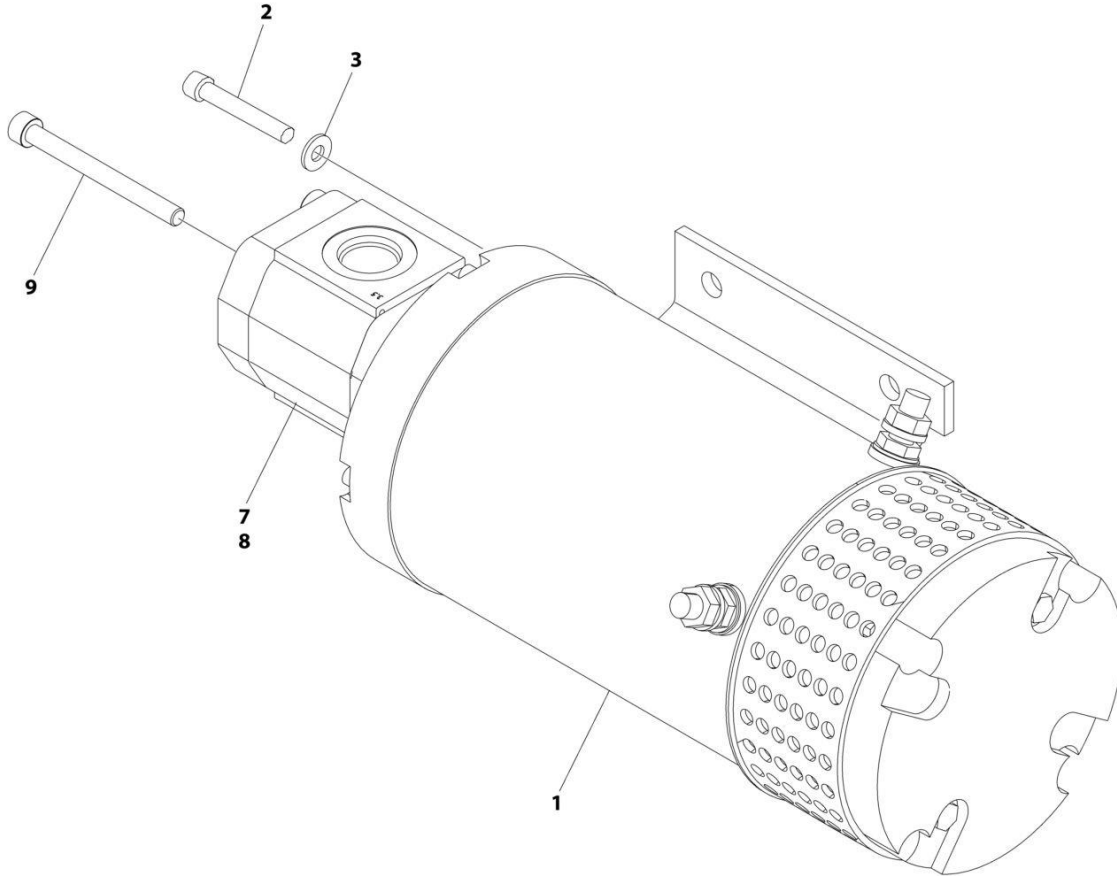
SECTION 2 - TURNTABLE

FIGURE 2-5. AUXILIARY PUMP ASSEMBLY (WITHOUT COLD WEATHER PLUS PACKAGE)

ITEM	PART NUMBER	QTY	DESCRIPTION	REV
	1001162880	Ref	AUXILIARY PUMP ASSEMBLY (WITHOUT COLD WEATHER PLUS PACKAGE)	A
1	1001164700	1	Base Assembly	
1	70005618	1	Plug	
1	70005617	1	Spring	
1	70005616	1	Poppet, Check	
2	1001164700	1	Valve, Relief	
3	See Note	1	Motor (Note: Not Available for Purchase)	
4	70004006	1	Nut 3/8	
5	70004007	1	Bolt 3/8x3/4	
6	70004005	4	Capscrew 1/4x3	
6	See Note	1	Sleeve (Note: Not Available for Purchase)	
7	See Note	1	Pump Assembly (Note: Not Available for Purchase)	
7	70005615	1	Seal, Shaft	
7	70005619	1	Bearing	
8	See Note	4	Screw M8 x 85 (Note: Not Available for Purchase)	

SECTION 2 - TURNTABLE

FIGURE 2-6. AUXILIARY PUMP ASSEMBLY (WITH COLD WEATHER PLUS PACKAGE)



ART_1001138838

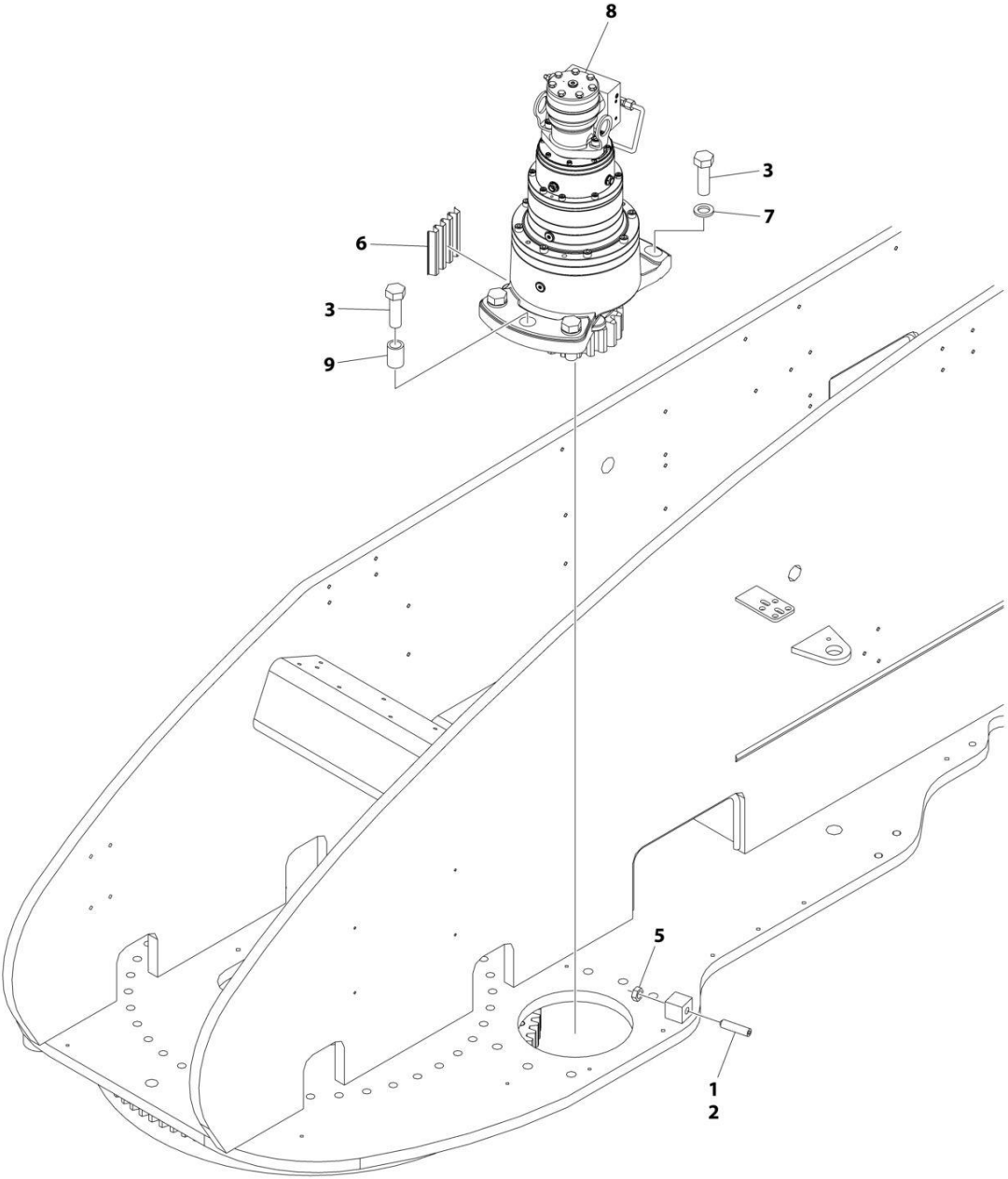
SECTION 2 - TURNTABLE

FIGURE 2-6. AUXILIARY PUMP ASSEMBLY (WITH COLD WEATHER PLUS PACKAGE)

ITEM	PART NUMBER	QTY	DESCRIPTION	REV
	1001138838	Ref	AUXILIARY PUMP ASSEMBLY (WITH COLD WEATHER PLUS PACKAGE)	A
1	70003800	1	Motor	
1	See Note	NSS	Shaft (Note: Not Available for Purchase)	
2	70003801	4	Capscrew 5/16 x 3/4 (Pump Mounting)	
3	70003802	4	Washer 5/16	
4	See Note	NSS	Adapter (Not Shown) (Note: Not Available for Purchase)	
5	See Note	NSS	Pin, Dowel (Not Shown) (Note: Not Available for Purchase)	
6	See Note	NSS	O-Ring (Not Shown) (Note: Not Available for Purchase)	
7	70003803	1	Pump Assembly	
7	See Note	NSS	Seal, Shaft (Note: Not Available for Purchase)	
8	See Note	NSS	Cover, Rear (Note: Not Available for Purchase)	
9	See Note	NSS	Screw M8 x 80 (Note: Not Available for Purchase)	

SECTION 2 - TURNTABLE

FIGURE 2-7. SWING DRIVE INSTALLATION



ART_1001228617

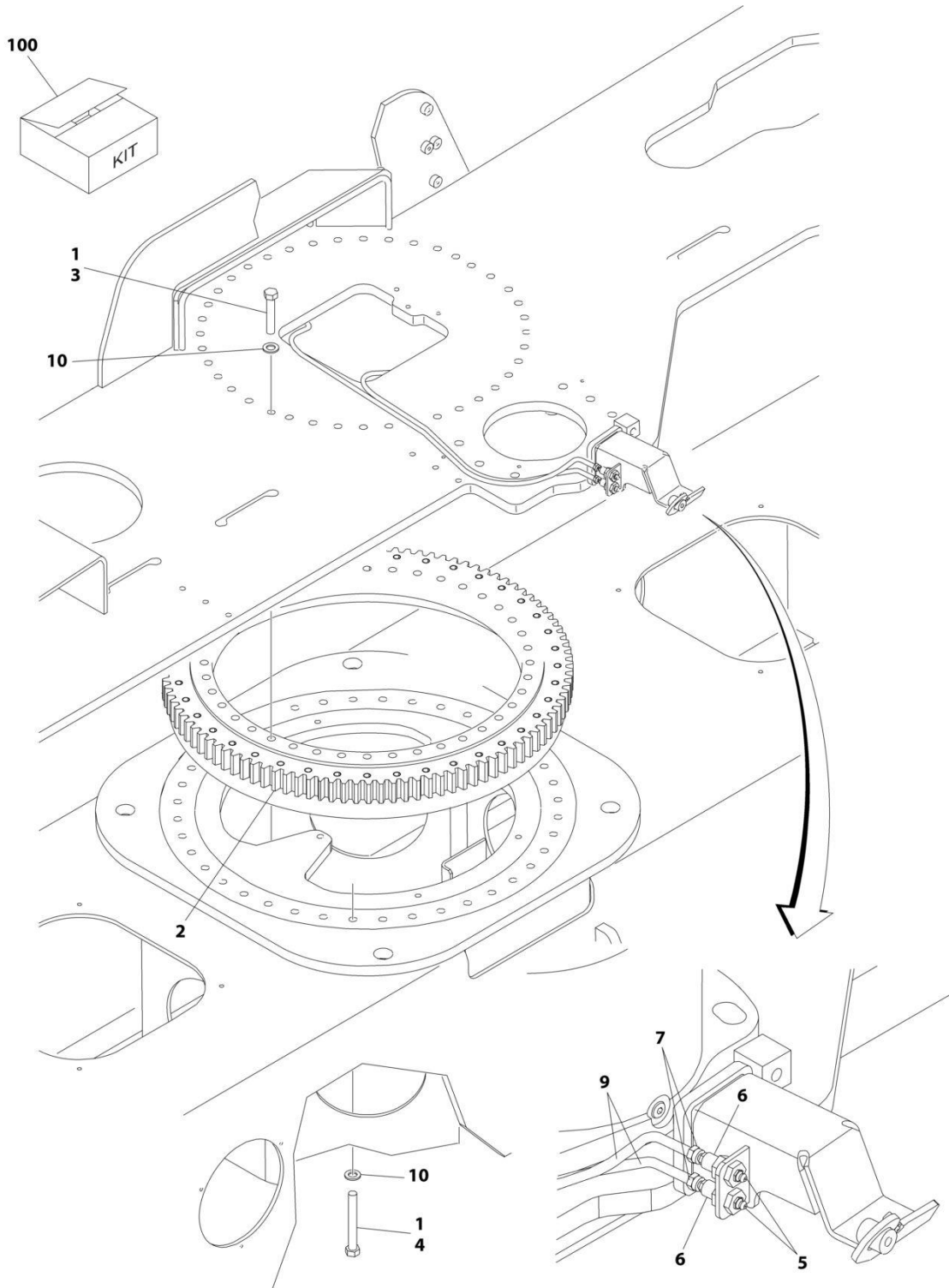
SECTION 2 - TURNTABLE

FIGURE 2-7. SWING DRIVE INSTALLATION

ITEM	PART NUMBER	QTY	DESCRIPTION	REV
	1001228617	Ref	SWING DRIVE INSTALLATION	E
1	0100019	AR	Compound, Locking	
2	3952020	1	Setscrew 5/8 x 2-1/2	
3	0682422	6	Bolt 7/8 x 2-3/4 Grade 8	
5	3312002	1	Nut 5/8	
6	4071041	1	Shim	
7	4892400	5	Washer 7/8	
8	1001228488	1	Swing Motor/Hub Assembly (See Separate Breakdown in this Section)	
9	1001229058	1	Sleeve	

SECTION 2 - TURNTABLE

FIGURE 2-8. TURNTABLE BEARING AND LUBE INSTALLATION



ART_0273451

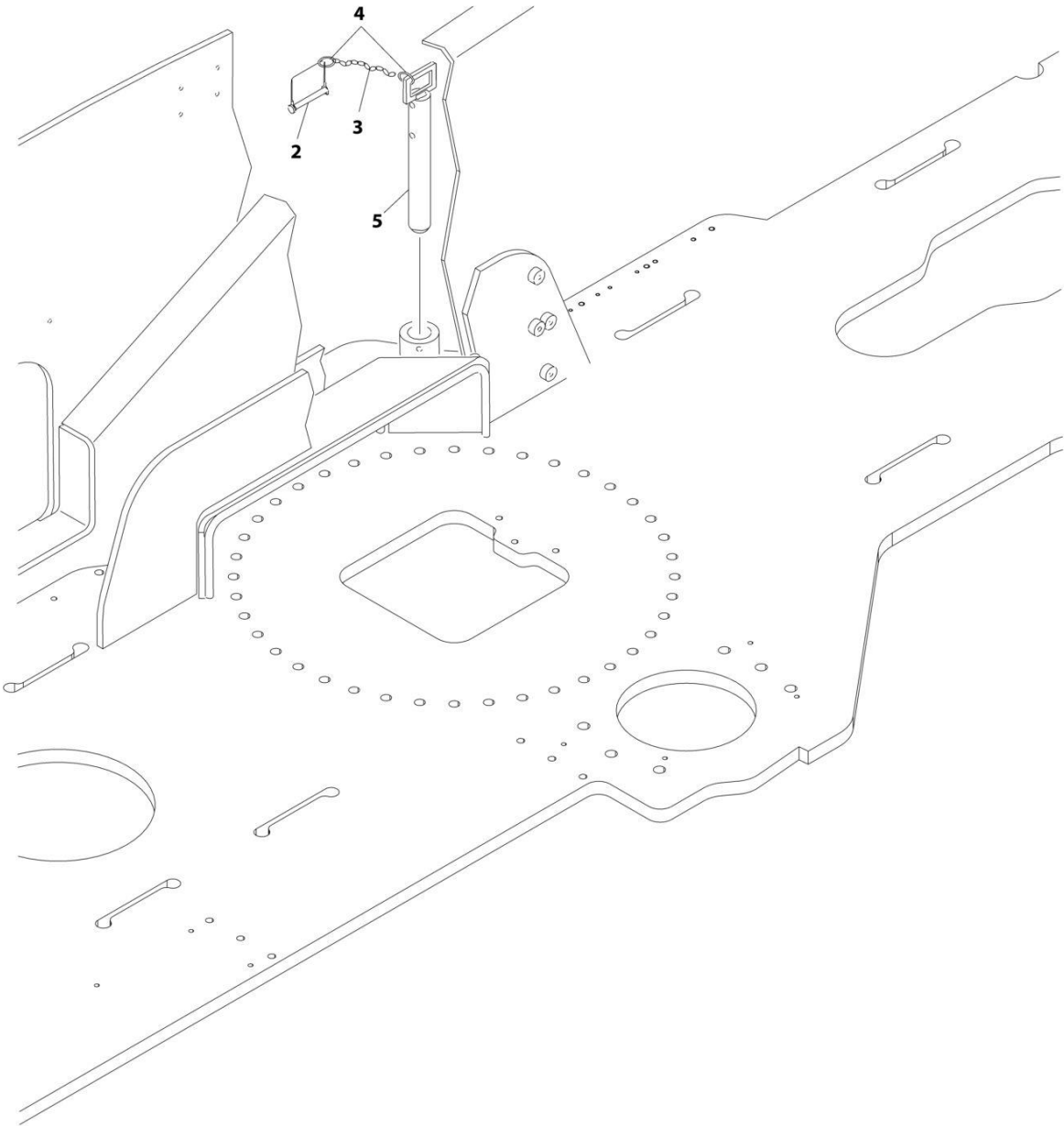
SECTION 2 - TURNTABLE

FIGURE 2-8. TURNTABLE BEARING AND LUBE INSTALLATION

ITEM	PART NUMBER	QTY	DESCRIPTION	REV
	0273451	Ref	TURNTABLE BEARING AND LUBE INSTALLATION	B
1	0100019	AR	Compound, Locking	
2	0440251	1	Bearing, Turntable	
3	0682026	40	Bolt 5/8 x 3-1/4 Grade 8	
4	0682040	40	Bolt 5/8 x 5 Grade 8	
5	2160002	2	Fitting, Grease	
6	2180344	2	Fitting, Bulkhead	
7	2220001	2	Fitting, Straight Swivel	
9	2750528	2	Hose	
10	4892000	80	Washer 5/8	
100	2915072	1	TURNTABLE BEARING KIT	

SECTION 2 - TURNTABLE

FIGURE 2-9. TURNTABLE LOCK INSTALLATION



ART_0239842

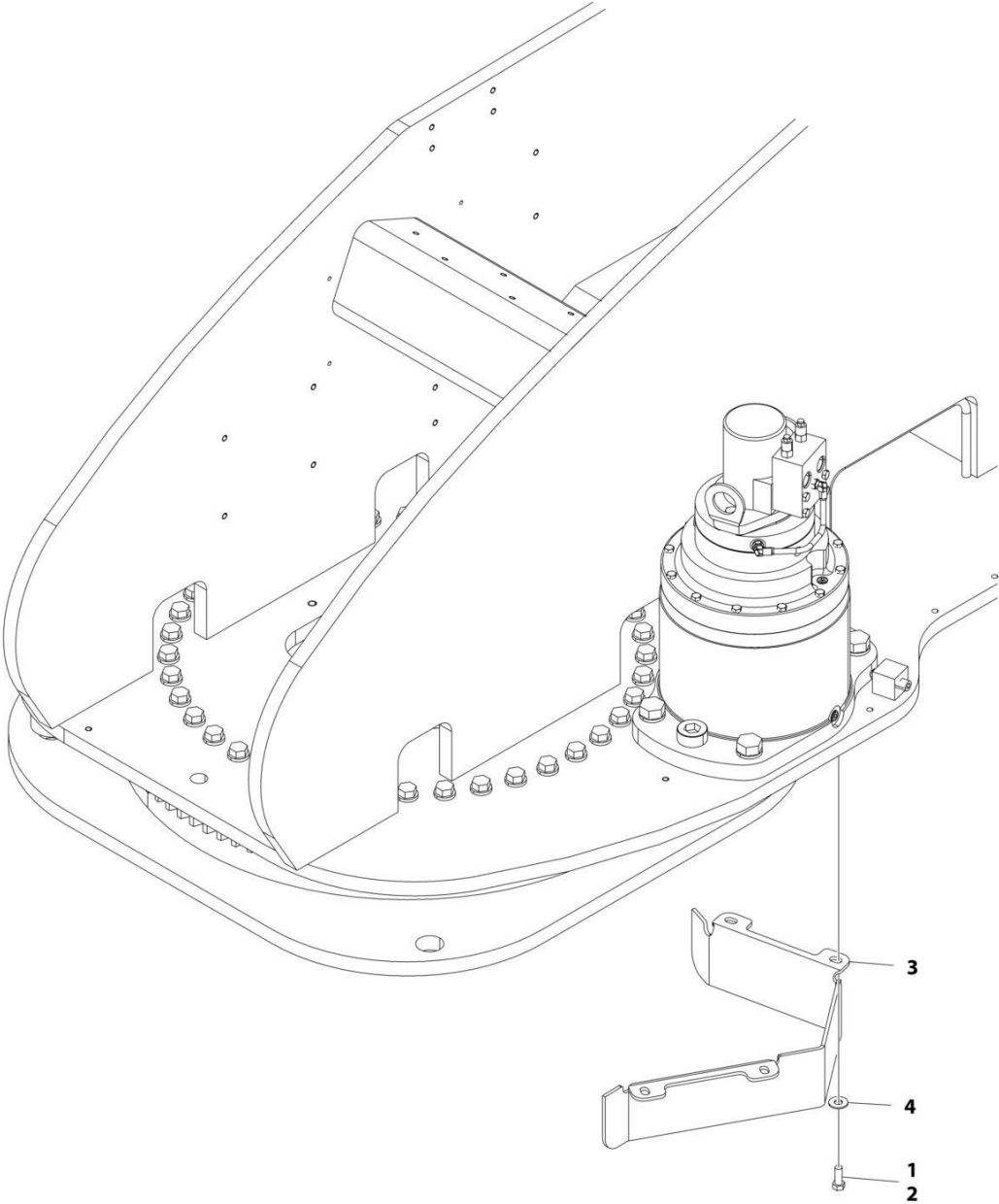
SECTION 2 - TURNTABLE

FIGURE 2-9. TURNTABLE LOCK INSTALLATION

ITEM	PART NUMBER	QTY	DESCRIPTION	REV
	0239842	Ref	TURNTABLE LOCK INSTALLATION	B
2	3421565	1	Pin, Snap	
3	1260017	9 in/23cm	Chain - #3	
4	3760170	2	Ring, Quick Release	
5	3421563	1	Pin, Turntable Lock	

SECTION 2 - TURNTABLE

FIGURE 2-10. PINION SHIELD INSTALLATION



ART_0271874

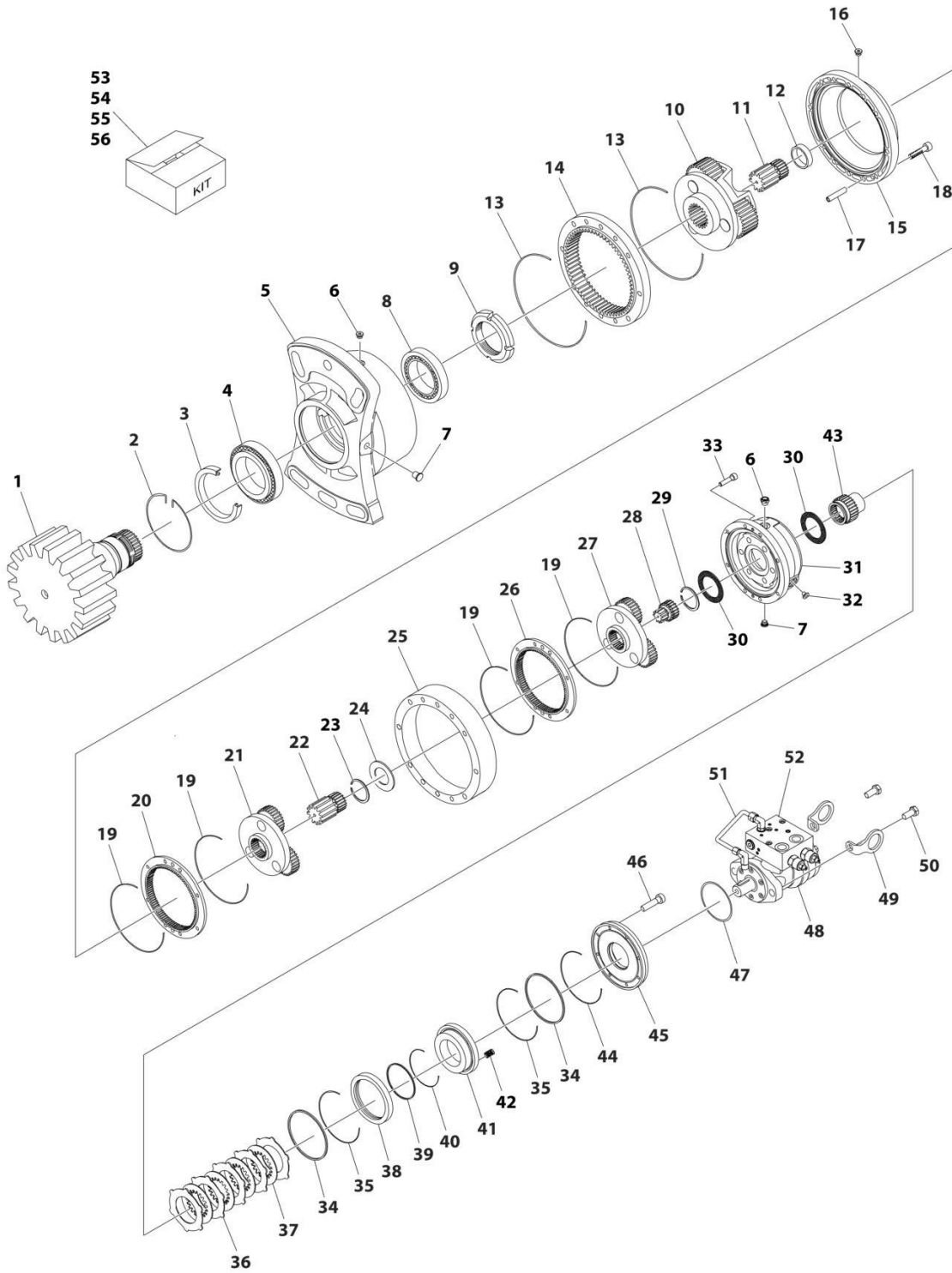
SECTION 2 - TURNTABLE

FIGURE 2-10. PINION SHIELD INSTALLATION

ITEM	PART NUMBER	QTY	DESCRIPTION	REV
	0271874	Ref	PINION SHIELD INSTALLATION	A
1	0100011	AR	Compound, Locking	
2	0641608	4	Bolt 3/8 x 1	
3	3573355	1	Plate, Pinion	
4	4751600	4	Washer 3/8	

SECTION 2 - TURNTABLE

FIGURE 2-11. SWING MOTOR/HUB ASSEMBLY



ART_1001228488

SECTION 2 - TURNTABLE

FIGURE 2-11. SWING MOTOR/HUB ASSEMBLY

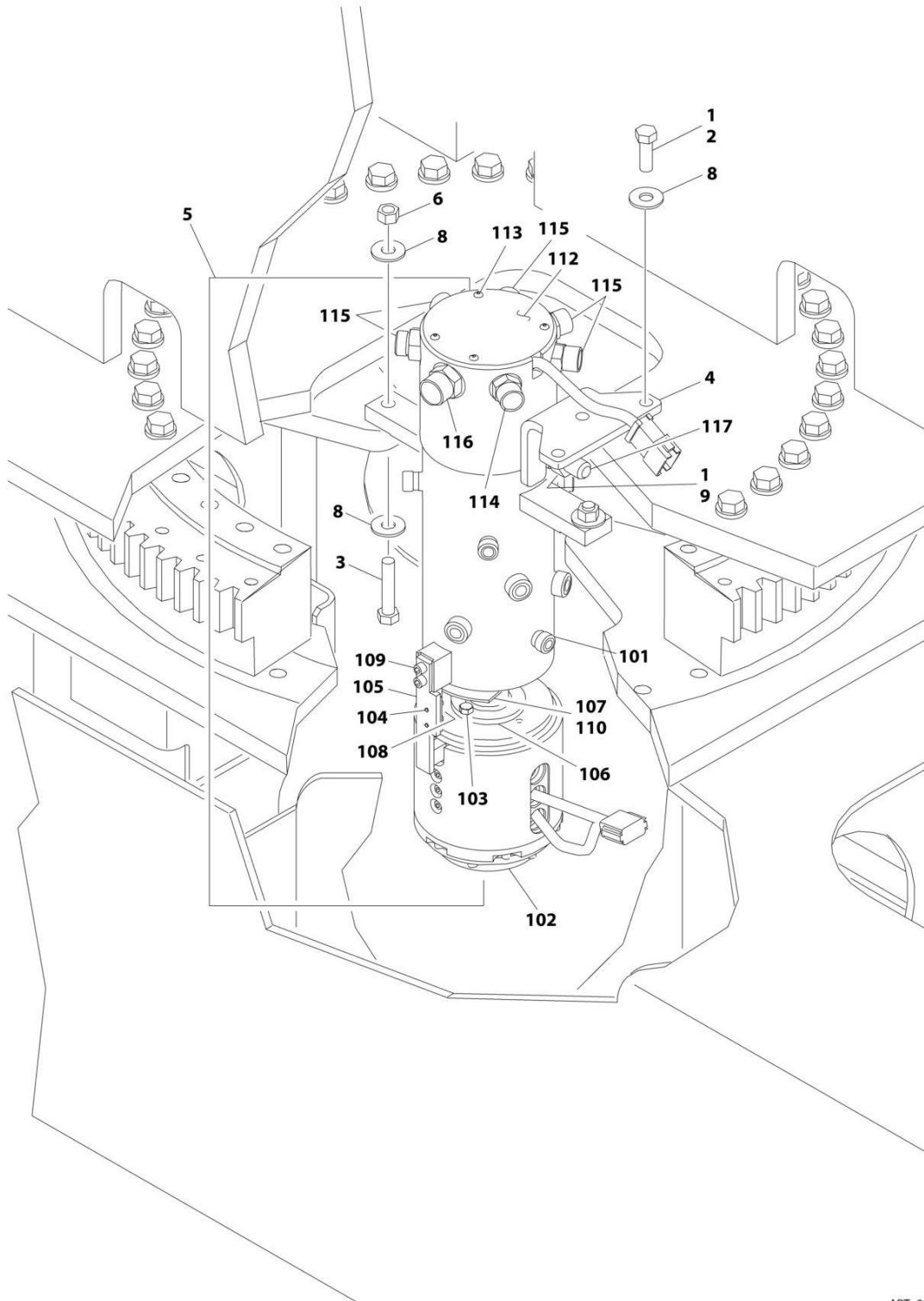
ITEM	PART NUMBER	QTY	DESCRIPTION	REV
	1001228488	Ref	SWING MOTOR/HUB ASSEMBLY	B
1	See Note	NSS	Shaft (Note: Use Item 56)	
2	70004467	1	Ring	
3	See Note	NSS	Seal, Oil (Note: Use Item 53)	
4	See Note	NSS	Bearing (Note: Use Item 55)	
5	See Note	NSS	Support, Output (Note: Not Available for Purchase)	
6	70002057	5	Plug with O-Ring	
7	70004469	2	Plug with O-Ring	
8	See Note	NSS	Bearing (Note: Use Item 55)	
9	See Note	NSS	Nut, Ring (Note: Use Item 56)	
10	70006986	1	Reduction, Gear - Complete	
11	70006987	1	Pinion	
12	70004477	1	Spacer	
13	See Note	NSS	O-Ring (Note: Use Item 53)	
14	70004474	1	Ring, Planetary	
15	70006988	1	Spacer	
16	70002057	2	Plug with O-Ring	
17	70006989	4	Pin, Spring	
18	70004480	8	Capscrew M10 x 55	
19	See Note	NSS	O-Ring (Note: Use Item 53)	
20	70006990	1	Ring, Planetary	
21	70006991	1	Reduction, Gear - Complete	
22	70006992	1	Pinion	
23	70002032	1	Ring	
24	70006993	1	Spacer	
25	70006994	1	Spacer	
26	70004481	1	Ring, Planetary	
27	70006995	1	Reduction, Gear - Complete	
28	70006996	1	Pinion	
29	70006997	1	Ring	
30	70006998	2	Washer	
31	See Note	NSS	Housing, Brake (Note: Not Available for Purchase)	
32	70006999	1	Plug	
33	70007000	8	Capscrew M8 x 90	
34	See Note	NSS	Seal (Note: Use Item 53 or 54)	
35	See Note	NSS	O-Ring (Note: Use Item 53 or 54)	
36	See Note	NSS	Disc, Steel (Note: Use Item 54)	
37	See Note	NSS	Disc (Note: Use Item 54)	
38	70005317	1	Spacer	
39	See Note	NSS	Seal (Note: Use Item 53 or 54)	
40	See Note	NSS	O-Ring (Note: Use Item 53 or 54)	
41	70005318	1	Piston, Brake	
42	See Note	NSS	Spring, Brake (Note: Use Item 54)	
43	70007001	1	Shaft, Input	
44	See Note	NSS	O-Ring (Note: Use Item 53 or 54)	
45	70007002	1	Cover	
46	70007003	8	Screw M6 x 25	
47	See Note	NSS	O-Ring (Note: Use Item 53)	
48	70007009	1	Motor	
48	70007011	1	Seal Kit	

SECTION 2 - TURNTABLE

ITEM	PART NUMBER	QTY	DESCRIPTION	REV
49	See Note	NSS	Lug, Lifting (Note: Not Available for Purchase)	
50	70004494	2	Capscrew M12 x 35	
51	70007004	1	Brake, Valve Adapter	
52	70007010	1	Valve	
52	70007012	1	Seal Kit	
52	70007013	1	Hardware Kit	
53	70007005	1	Seal Kit – Brake and Hub (Includes Items 3, 13, 19, 34, 35, 39, 40, 44 & 47)	
54	70007006	1	Seal Kit – Brake (Includes Items 34-37, 39, 40, 42 & 44)	
55	70007007	1	Bearing Kit (Includes Items 4 & 8)	
56	70007008	1	Output Shaft Kit (Includes Items 1 & 9)	

SECTION 2 - TURNTABLE

FIGURE 2-12. ROTARY COUPLING AND COLLECTOR RING INSTALLATION



ART_0273349

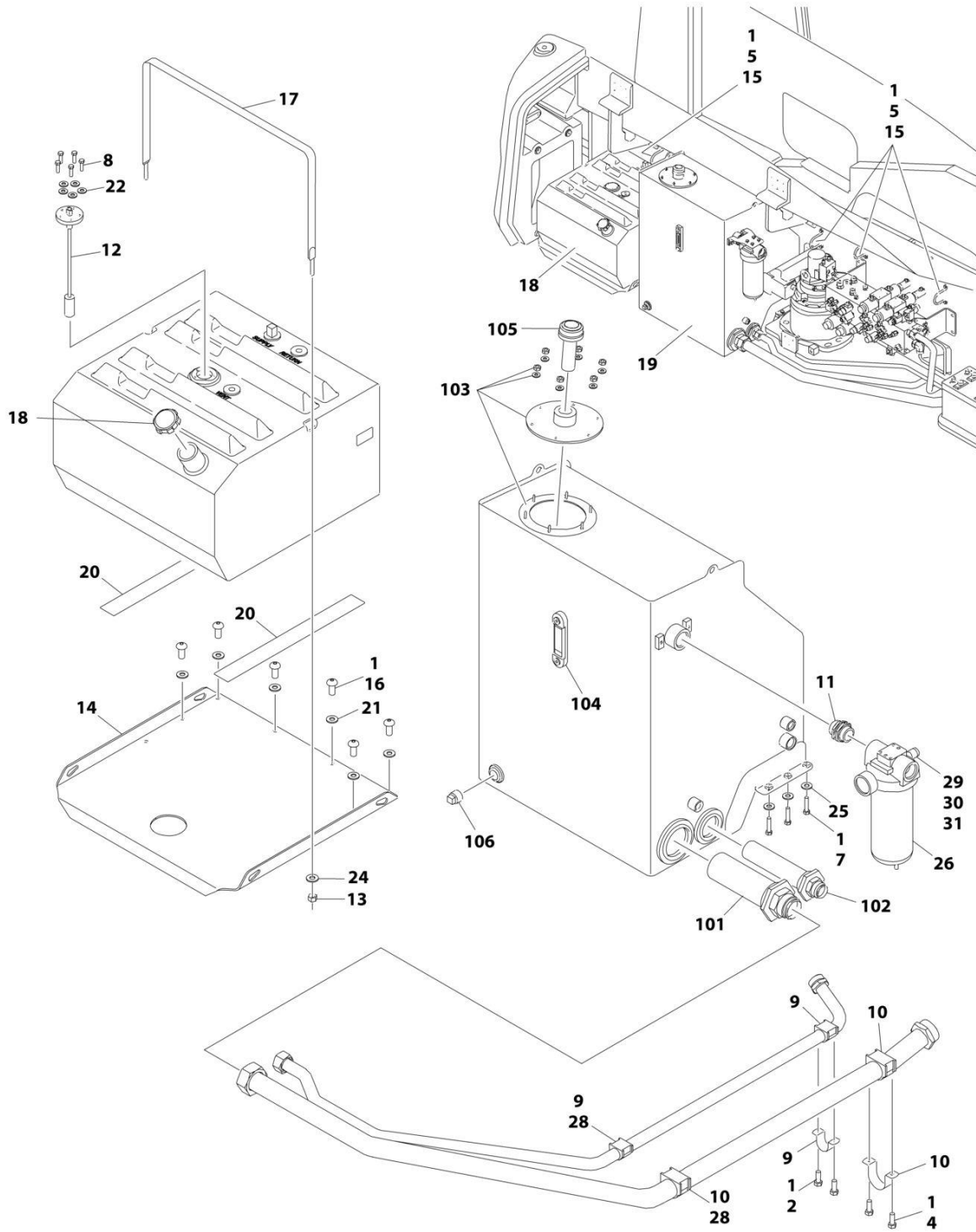
SECTION 2 - TURNTABLE

FIGURE 2-12. ROTARY COUPLING AND COLLECTOR RING INSTALLATION

ITEM	PART NUMBER	QTY	DESCRIPTION	REV
	0273349	Ref	ROTARY COUPLING AND COLLECTOR RING INSTALLATION	A
1	0100011	AR	Compound, Locking	
2	0641812	3	Bolt 1/2 x 1-1/2	
3	0641820	2	Bolt 1/2 x 2-1/2	
4	0902915	1	Bracket, Swivel	
5	1660256	1	Rotary Coupling and Collector Ring Assembly (See Items 101-117 for Breakdown)	
6	3311805	2	Nut 1/2	
8	4751800	7	Washer 1/2	
9	3322201	2	Nut 3/4	
	1660256	Ref	ROTARY COUPLING AND COLLECTOR RING ASSEMBLY	E
101	7026665	1	Coupling, Rotary	
101	70001123	1	Seal Kit - Coupling	
102	7026029	1	Contactoer with Harness, Rotary Circuit (Purchase Pins and Connector Separately)	
103	0641506	4	Bolt 5/16 x 3/4	
104	3931512	2	Capscrew 5/16 x 3/4	
105	70000780	1	Arm, Torque	
106	80334251	1	Adapter	
107	7026030	1	Plate, Cam	
108	7026031	1	Sensor, Proximity	
109	3931008	2	Capscrew #10 x 1/2	
110	7026032	1	Pin, Dowel	
112	1660256	1	Cover	
113	See Note	4	Screw #10 x 3/8 (Note: Not Available - Purchase Locally)	
114	2111212	1	Fitting, Straight	
115	2111010	5	Fitting, Straight	
116	2111012	1	Fitting, Straight	
117	70005456	1	Torque Arm	

SECTION 2 - TURNTABLE

FIGURE 2-13. TANK INSTALLATION



ART_0273401

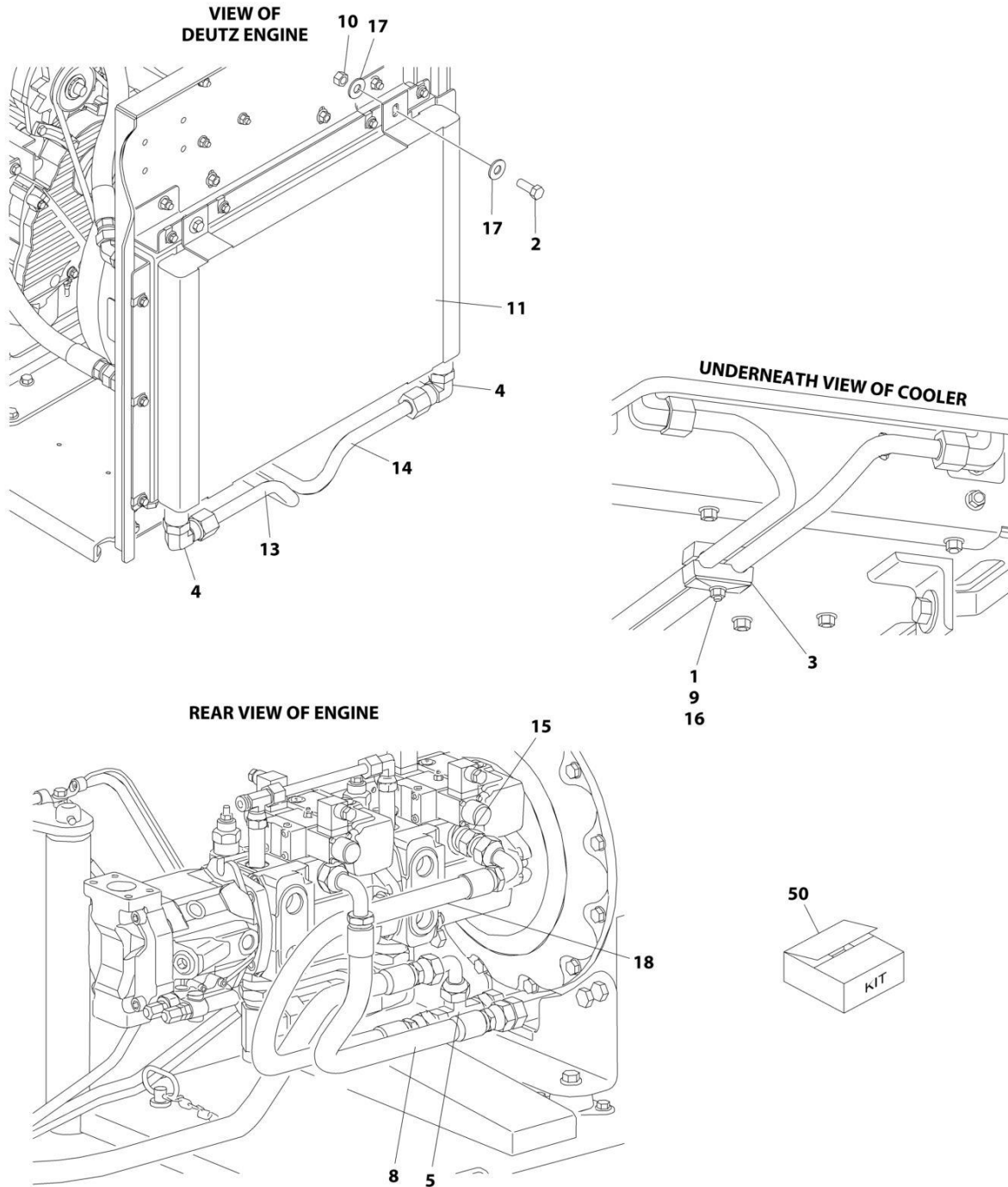
SECTION 2 - TURNTABLE

FIGURE 2-13. TANK INSTALLATION

ITEM	PART NUMBER	QTY	DESCRIPTION	REV
	0273401	Ref	TANK INSTALLATION	G
1	0100011	AR	Compound, Locking	
2	0641408	2	Bolt 1/4 x 1	
4	0641508	2	Bolt 5/16 x 1	
5	0641604	12	Bolt 3/8 x 1/2	
7	0641615	6	Bolt 3/8 x 1-7/8	
8	0731007	5	Screw, Machine #10 x 7/8	
9	1320322	2	Clamp	
10	1320323	2	Clamp	
11	2220893	1	Fitting, Adapter	
12	2420191	1	Gauge, Fuel	
12	3960525	1	Gasket	
13	3311601	2	Nut 3/8	
14	3574494	1	Tray	
15	3841340	8	Loop, Hose	
16	3900232	6	Screw 3/8 x 1-1/4	
17	4240139	1	Strap, Tank	
18	1001160567	1	Tank, Fuel	
18	70004414	1	Cap	
18	7020043	1	Tube, Pick up	
19	4400462	1	Tank, Hydraulic Oil (See Items 101-106 for Breakdown)	
20	4420038	40 in/1m	Tape	
21	4711600	6	Washer 3/8	
22	4751000	5	Washer #10	
24	4751600	2	Washer 3/8	
25	4891600	6	Washer 3/8	
26	2120167	1	Filter, Return	
26	2120168	1	Element, Filter	
26	7020021	1	Gauge, Pressure	
28	0100081	AR	Loctite #454	
29	0100079	AR	Sealant, Thread	
30	1001119455	1	Fitting, Diagnostic	
31	1001119119	1	Fitting, Adapter	
	4400462	Ref	HYDRAULIC OIL TANK ASSEMBLY	E
101	7026599	1	Strainer, Suction	
102	7026600	1	Strainer, Suction	
103	7024439	1	Cover	
103	7024440	1	Gasket, Cover	
104	7024441	1	Gauge, Sight	
105	7024444	1	Cap, Breather	
105	7024443	1	Neck Assembly	
105	7024445	1	Strainer	
106	7024446	2	Plug, Magnetic	

SECTION 2 - TURNTABLE

FIGURE 2-14. HYDRAULIC OIL COOLER INSTALLATION - DEUTZ TD2011 ENGINES WITH REXROTH PUMP (OPTIONAL)



ART_0272080

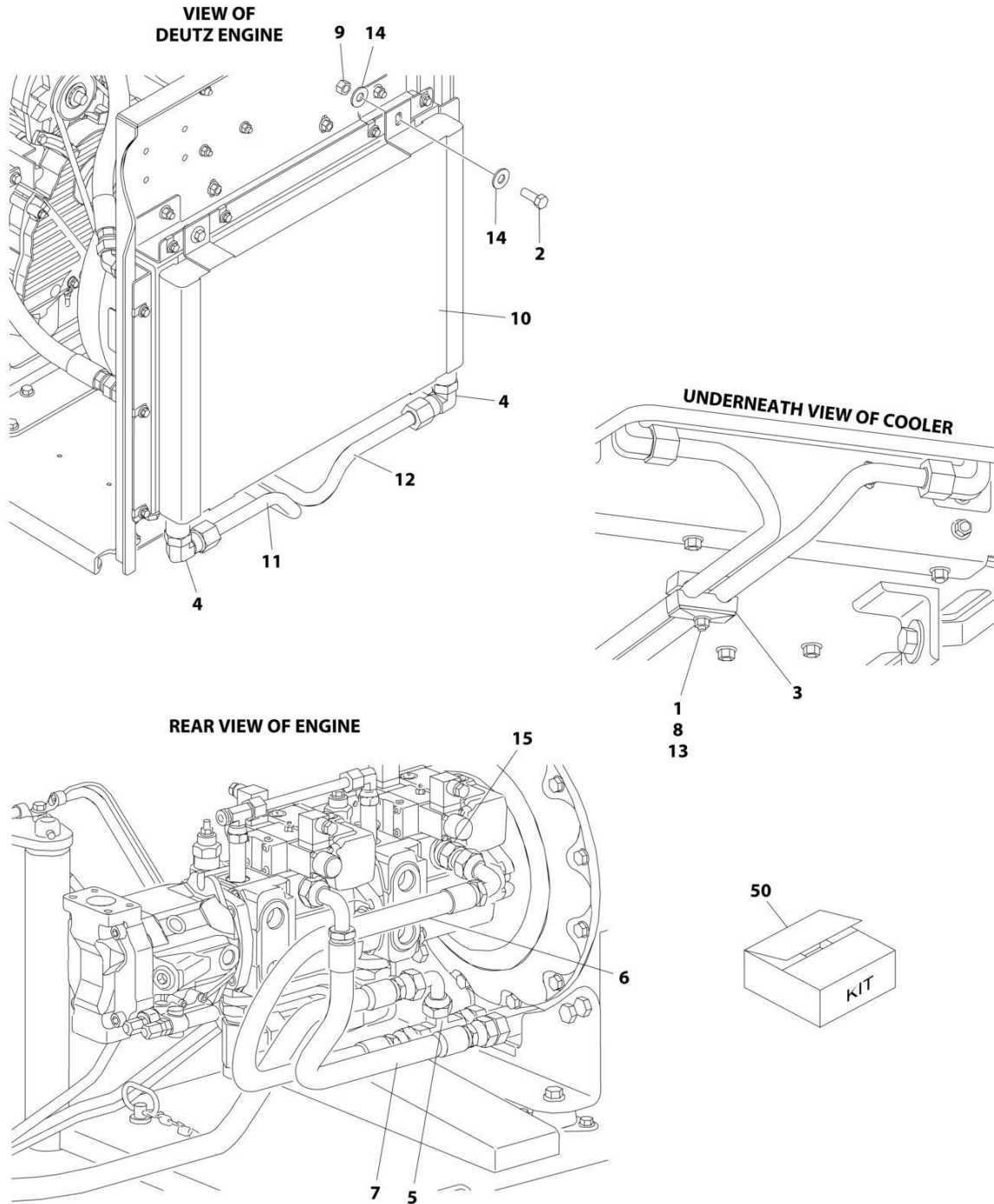
SECTION 2 - TURNTABLE

FIGURE 2-14. HYDRAULIC OIL COOLER INSTALLATION - DEUTZ TD2011 ENGINES WITH REXROTH PUMP (OPTIONAL)

ITEM	PART NUMBER	QTY	DESCRIPTION	REV
	0272080	Ref	HYDRAULIC OIL COOLER INSTALLATION - DEUTZ TD2011 ENGINES WITH REXROTH PUMPS (OPTIONAL)	B
		Ref	Note: See Engine Installation for Engine Oil Cooler.	
1	0641520	2	Bolt 5/16 x 2-1/2	
2	0641608	4	Bolt 3/8 x 1	
3	1320162	2	Clamp, Hose	
4	2131212	2	Fitting, Elbow	
5	2170712	1	Fitting, Tee	
8	2753778	1	Hose	
9	3311505	2	Nut 5/16	
10	3311605	4	Nut 3/8	
11	3620034	1	Cooler, Hydraulic Oil	
13	4568426	1	Tube	
14	4568427	1	Tube	
15	4641247	1	Valve, Check	
16	4711500	4	Washer 5/16	
17	4751600	8	Washer 3/8	
18	2753843	1	Hose	
50	1001120564	1	Oil Cooler Add-on Kit (Includes Items 1-18)	

SECTION 2 - TURNTABLE

FIGURE 2-15. HYDRAULIC OIL COOLER INSTALLATION - DEUTZ TD2011 ENGINES WITH SAUER PUMP (OPTIONAL)



ART_1001118957

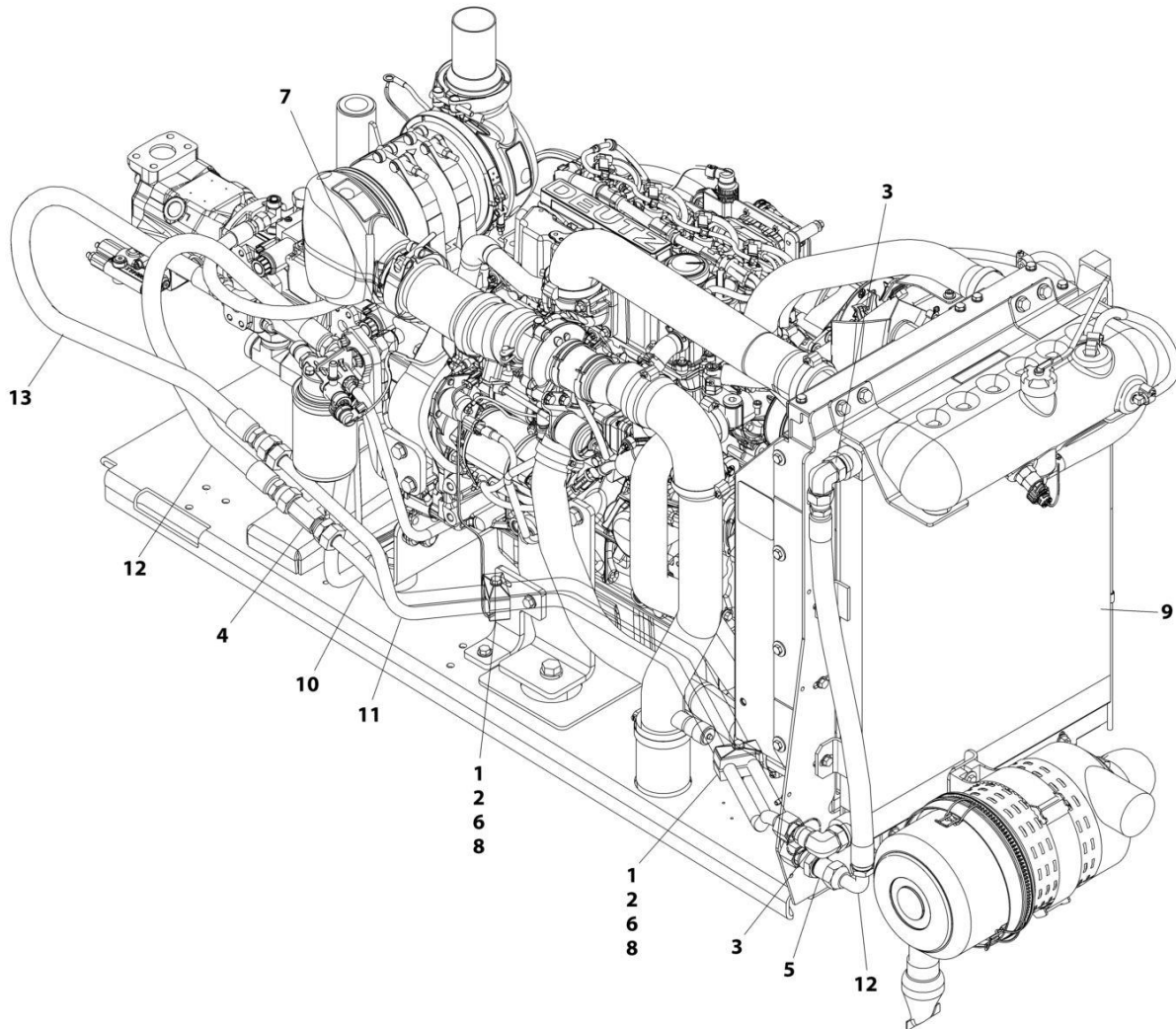
SECTION 2 - TURNTABLE

FIGURE 2-15. HYDRAULIC OIL COOLER INSTALLATION - DEUTZ TD2011 ENGINES WITH SAUER PUMP (OPTIONAL)

ITEM	PART NUMBER	QTY	DESCRIPTION	REV
	1001118957	Ref	HYDRAULIC OIL COOLER INSTALLATION - DEUTZ TD2011 ENGINES WITH SAUER PUMPS (OPTIONAL)	B
		Ref	Note: See Engine Installation for Engine Oil Cooler.	
1	0641520	2	Bolt 5/16 x 2-1/2	
2	0641608	4	Bolt 3/8 x 1	
3	1320162	2	Clamp, Hose	
4	2131212	2	Fitting, Elbow	
5	2170712	1	Fitting, Tee	
6	2753778	1	Hose	
7	2753999	1	Hose	
8	3311505	2	Nut 5/16	
9	3311605	4	Nut 3/8	
10	3620034	1	Cooler, Hydraulic Oil	
11	4568426	1	Tube	
12	4568427	1	Tube	
13	4711500	4	Washer 5/16	
14	4751600	8	Washer 3/8	
15	1001109677	1	Valve, Check	
50	1001120564	1	Oil Cooler Add-on Kit Options (Includes Items 1-15):	

SECTION 2 - TURNTABLE

FIGURE 2-16. HYDRAULIC OIL COOLER INSTALLATION - DEUTZ TCD2.9L4 ENGINES AND DEUTZ TCD2.9L4 (STAGE V) ENGINES REXROTH PUMP (OPTIONAL)



ART_1001139494_F

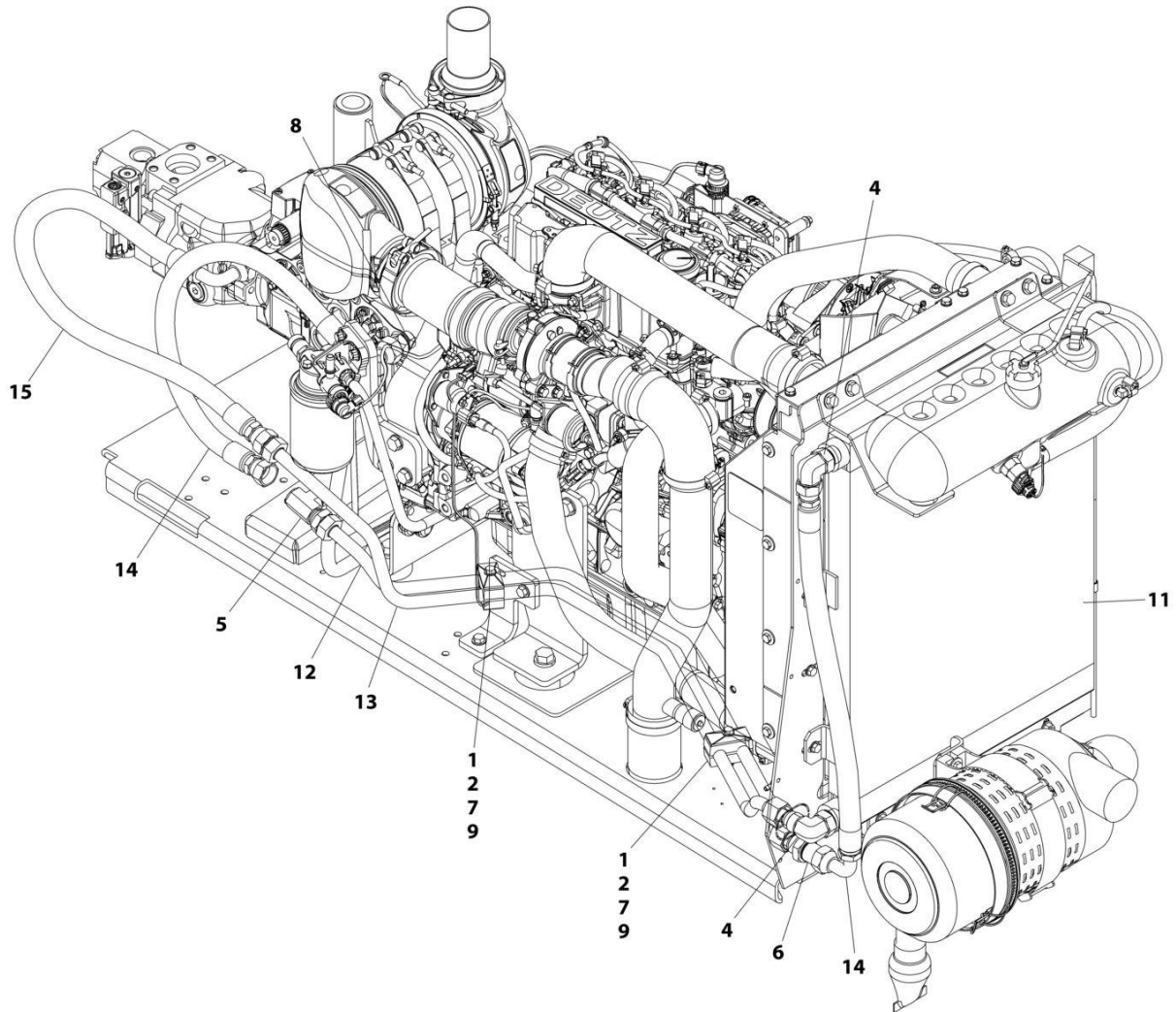
SECTION 2 - TURNTABLE

FIGURE 2-16. HYDRAULIC OIL COOLER INSTALLATION - DEUTZ TCD2.9L4 ENGINES AND DEUTZ TCD2.9L4 (STAGE V) ENGINES REXROTH PUMP (OPTIONAL)

ITEM	PART NUMBER	QTY	DESCRIPTION	REV
	1001139494	Ref	HYDRAULIC OIL COOLER INSTALLATION - DEUTZ TCD2.9L4 ENGINES WITH REXROTH PUMPS (OPTIONAL)	F
		Ref	Note: See Engine Installation for Engine Oil Cooler.	
1	0641520	2	Bolt 5/16 x 2-1/2	
2	1320162	2	Clamp, Hose	
3	2131212	2	Fitting, 90	
4	2170712	1	Fitting, Tee	
5	2171112	1	Fitting, Straight	
6	3311505	2	Nut 5/16	
7	4641247	1	Valve	
8	4711500	4	Washer 5/16	
9	1001256859	1	Cooler, Hydraulic Oil	
10	1001139665	1	Tube	
11	1001139666	1	Tube	
12	1001143087	2	Hose	
13	1001143123	1	Hose	

SECTION 2 - TURNTABLE

FIGURE 2-17. HYDRAULIC OIL COOLER INSTALLATION - DEUTZ TCD2.9L4 ENGINES AND DEUTZ TCD2.9L4 (STAGE V) ENGINES WITH SAUER PUMP (OPTIONAL)



ART_1001139492_F

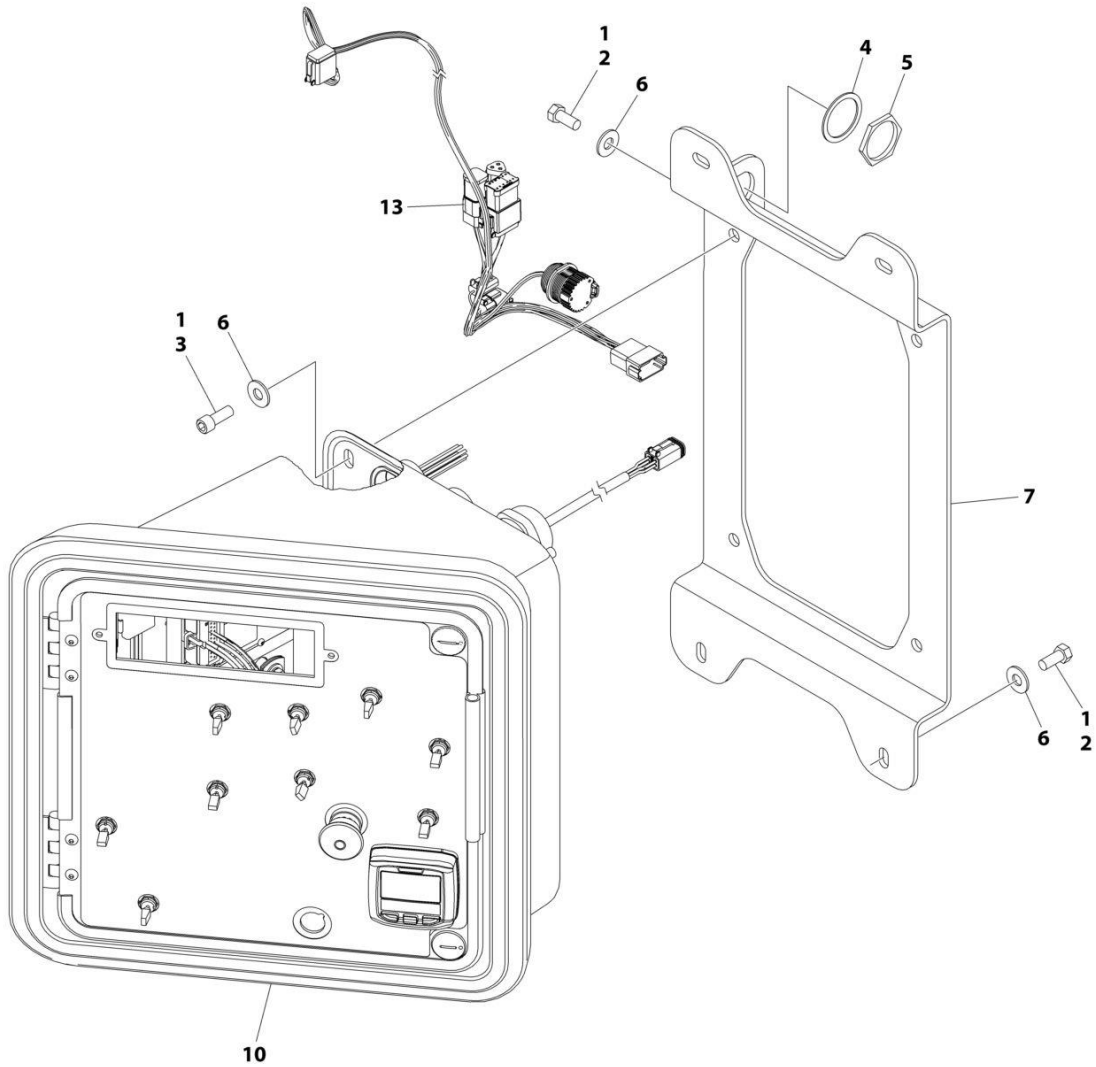
SECTION 2 - TURNTABLE

FIGURE 2-17. HYDRAULIC OIL COOLER INSTALLATION - DEUTZ TCD2.9L4 ENGINES AND DEUTZ TCD2.9L4 (STAGE V) ENGINES WITH SAUER PUMP (OPTIONAL)

ITEM	PART NUMBER	QTY	DESCRIPTION	REV
	1001139492	Ref	HYDRAULIC OIL COOLER INSTALLATION - DEUTZ TCD2.9L4 ENGINES WITH SAUER PUMPS (OPTIONAL)	F
		Ref	Note: See Engine Installation for Engine Oil Cooler	
1	0641520	2	Bolt 5/16 x 2-1/2	
2	1320162	2	Clamp, Hose	
4	2131212	2	Fitting, 90	
5	2170712	1	Fitting, Tee	
6	2171112	1	Fitting, Straight	
7	3311505	2	Nut 5/16	
8	1001109677	1	Valve	
9	4711500	4	Washer 5/16	
11	1001256859	1	Cooler, Hydraulic Oil	
12	1001139665	1	Tube	
13	1001139666	1	Tube	
14	1001143087	2	Hose	
15	1001143123	1	Hose	

SECTION 2 - TURNTABLE

FIGURE 2-18. GROUND CONTROL BOX INSTALLATION - DEUTZ TD2011 ENGINES WITH REXROTH PUMP (WITHOUT TOWER STOW) (ANSI EXPORT & AUSTRALIAN SPECS)



ART_1001243544_D

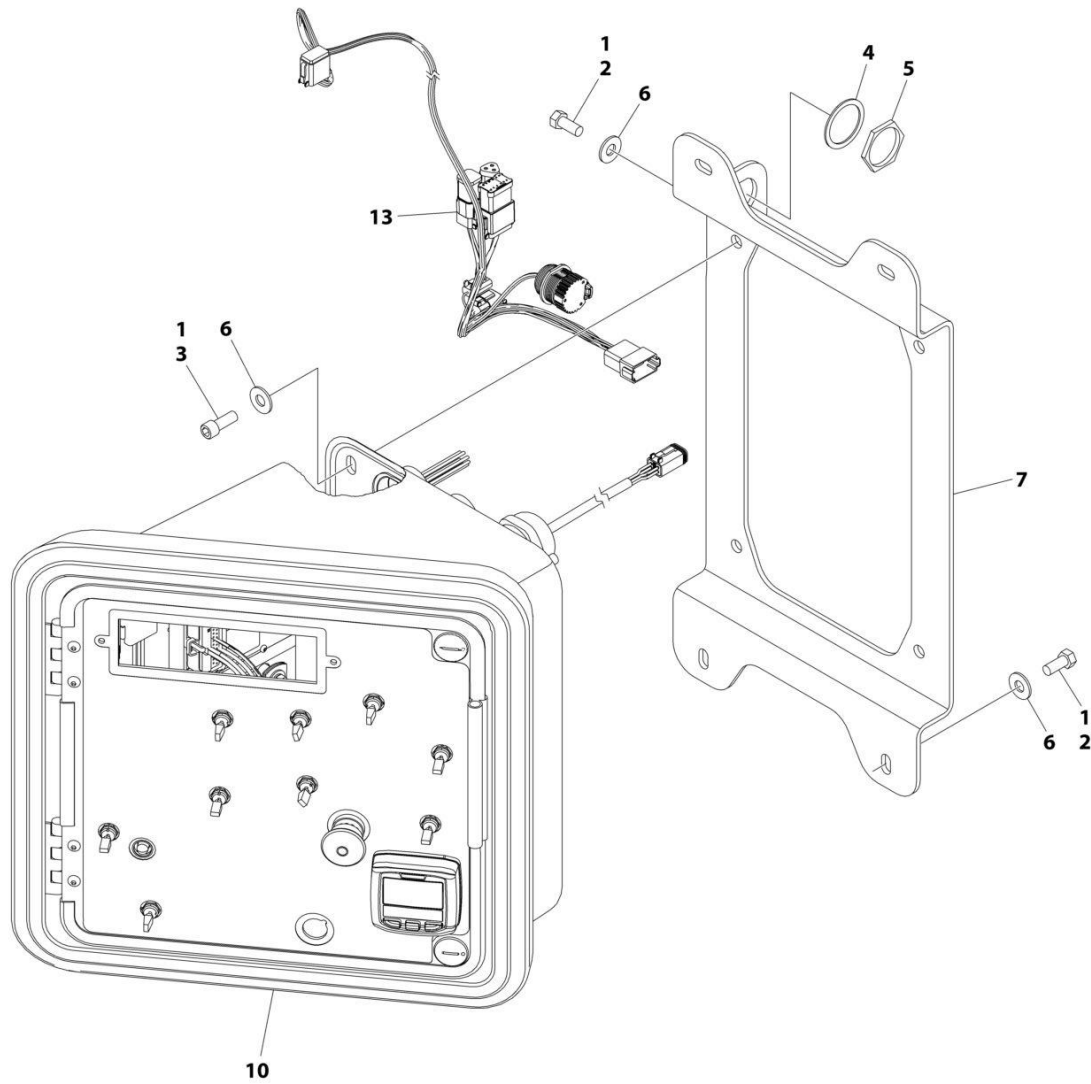
SECTION 2 - TURNTABLE

FIGURE 2-18. GROUND CONTROL BOX INSTALLATION - DEUTZ TD2011 ENGINES WITH REXROTH PUMP (WITHOUT TOWER STOW) (ANSI EXPORT & AUSTRALIAN SPECS)

ITEM	PART NUMBER	QTY	DESCRIPTION	REV
	1001243544	Ref	GROUND CONTROL BOX INSTALLATION	D
1	0100011	AR	Compound, Locking	
2	0641607	5	Bolt 3/8 x 7/8	
3	3931616	2	Capscrew 3/8 x 1	
4	4460496	1	Terminal, Washer	
5	4460497	1	Terminal, Nut	
6	4751600	7	Washer 3/8	
7	1001114487	1	Bracket, Mounting	
8	1001119456	2	Harness, Pump Adapter (Not Shown) (See Separate Breakdown in ELECTRICAL Section)	
9	1001119470	1	Harness, Engine (Not Shown) (See Separate Breakdown in ELECTRICAL Section)	
10	1001266935	1	Ground Controls Assembly (See Separate Breakdown in this Section)	
11	4240017	AR	Tie-Strap (Not Shown)	
12	4460234	AR	Mount, Tie-Strap (Not Shown)	
13	1001288110	1	Harness, Diagnostic (See Separate Breakdown in ELECTRICAL Section)	

SECTION 2 - TURNTABLE

FIGURE 2-19. GROUND CONTROL BOX INSTALLATION - DEUTZ TD2011 ENGINES WITH REXROTH PUMP (WITH TOWER STOW) (ANSI EXPORT & AUSTRALIAN SPECS)



ART_1001267654_C

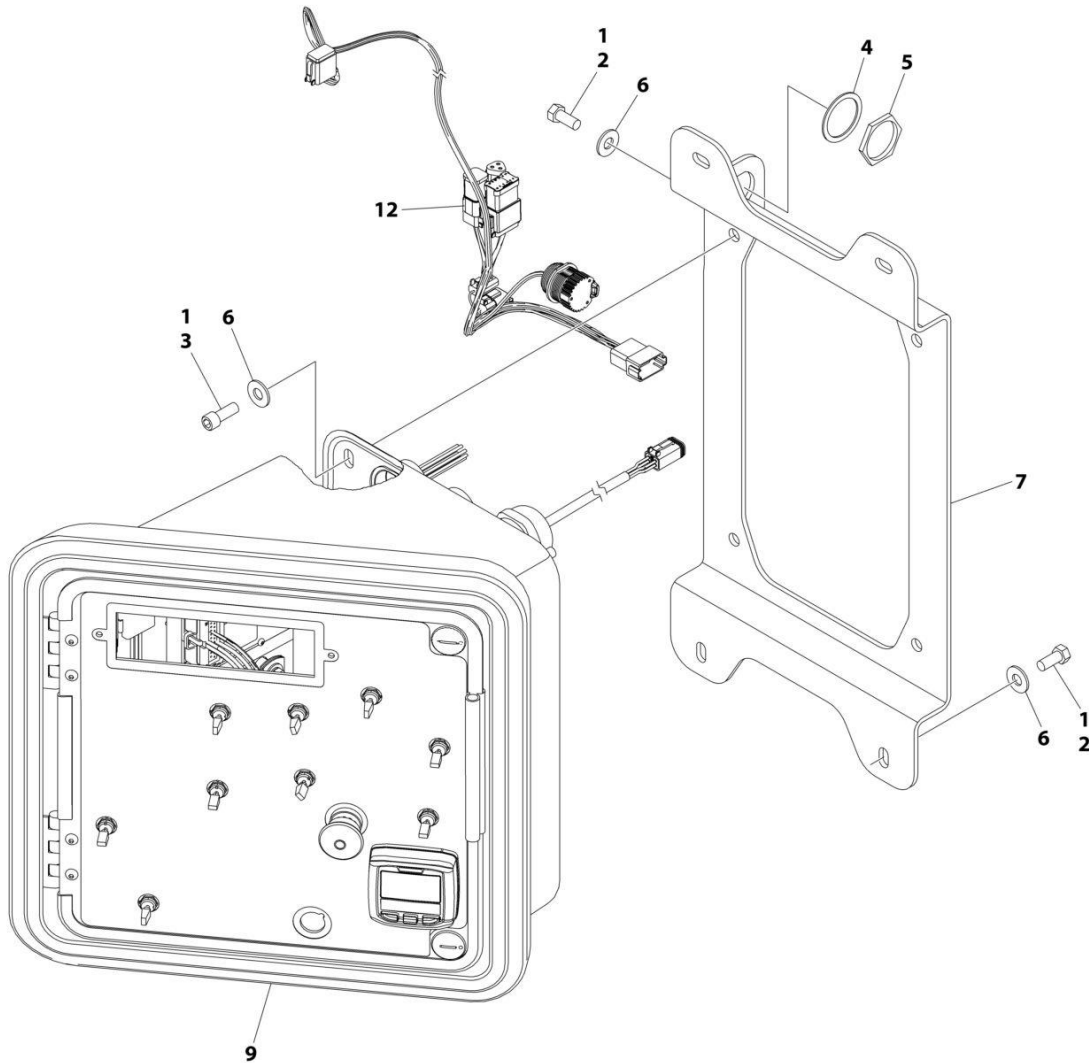
SECTION 2 - TURNTABLE

FIGURE 2-19. GROUND CONTROL BOX INSTALLATION - DEUTZ TD2011 ENGINES WITH REXROTH PUMP (WITH TOWER STOW) (ANSI EXPORT & AUSTRALIAN SPECS)

ITEM	PART NUMBER	QTY	DESCRIPTION	REV
	1001267654	Ref	GROUND CONTROL BOX INSTALLATION	C
1	0100011	AR	Compound, Locking	
2	0641607	5	Bolt 3/8 x 7/8	
3	3931616	2	Capscrew 3/8 x 1	
4	4460496	1	Terminal, Washer	
5	4460497	1	Terminal, Nut	
6	4751600	7	Washer 3/8	
7	1001114487	1	Bracket, Mounting	
8	1001119456	2	Harness, Pump Adapter (Not Shown) (See Separate Breakdown in ELECTRICAL Section)	
9	1001119470	1	Harness, Engine (Not Shown) (See Separate Breakdown in ELECTRICAL Section)	
10	1001265867	1	Ground Controls Assembly (See Separate Breakdown in this Section)	
11	4240017	AR	Tie-Strap (Not Shown)	
12	4460234	AR	Mount, Tie-Strap (Not Shown)	
13	1001288110	1	Harness, Diagnostic (See Separate Breakdown in ELECTRICAL Section)	

SECTION 2 - TURNTABLE

FIGURE 2-20. GROUND CONTROL BOX INSTALLATION - DEUTZ TD2011 ENGINES WITH SAUER PUMP (WITHOUT TOWER STOW) (ANSI EXPORT & AUSTRALIAN SPECS)



ART_1001243583_D

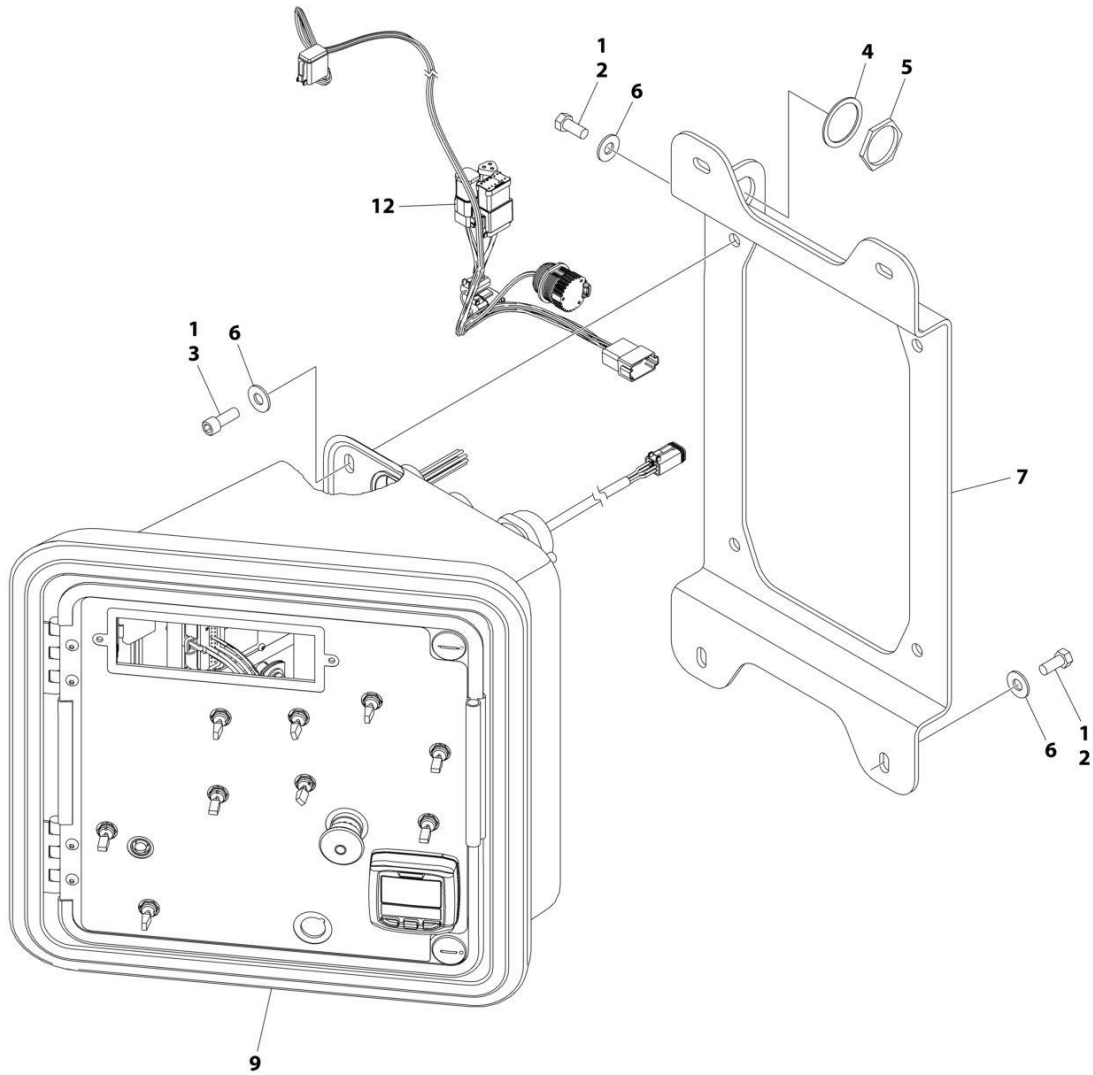
SECTION 2 - TURNTABLE

FIGURE 2-20. GROUND CONTROL BOX INSTALLATION - DEUTZ TD2011 ENGINES WITH SAUER PUMP (WITHOUT TOWER STOW) (ANSI EXPORT & AUSTRALIAN SPECS)

ITEM	PART NUMBER	QTY	DESCRIPTION	REV
	1001243583	Ref	GROUND CONTROL BOX INSTALLATION	D
1	0100011	AR	Compound, Locking	
2	0641607	5	Bolt 3/8 x 7/8	
3	3931616	2	Capscrew 3/8 x 1	
4	4460496	1	Terminal, Washer	
5	4460497	1	Terminal, Nut	
6	4751600	7	Washer 3/8	
7	1001114487	1	Bracket, Mounting	
8	1001119470	1	Harness, Engine (Not Shown) (See Separate Breakdown in this Section)	
9	1001266935	1	Ground Controls Assembly (See Separate Breakdown in this Section)	
10	4240017	AR	Tie-Strap (Not Shown)	
11	4460234	AR	Mount, Tie-Strap (Not Shown)	
12	1001288110	1	Harness, Diagnostic (See Separate Breakdown in ELECTRICAL Section)	

SECTION 2 - TURNTABLE

FIGURE 2-21. GROUND CONTROL BOX INSTALLATION - DEUTZ TD2011 ENGINES WITH SAUER PUMP (WITH TOWER STOW) (CE & UK CA SPECS) (LRC)



ART_1001267655_C

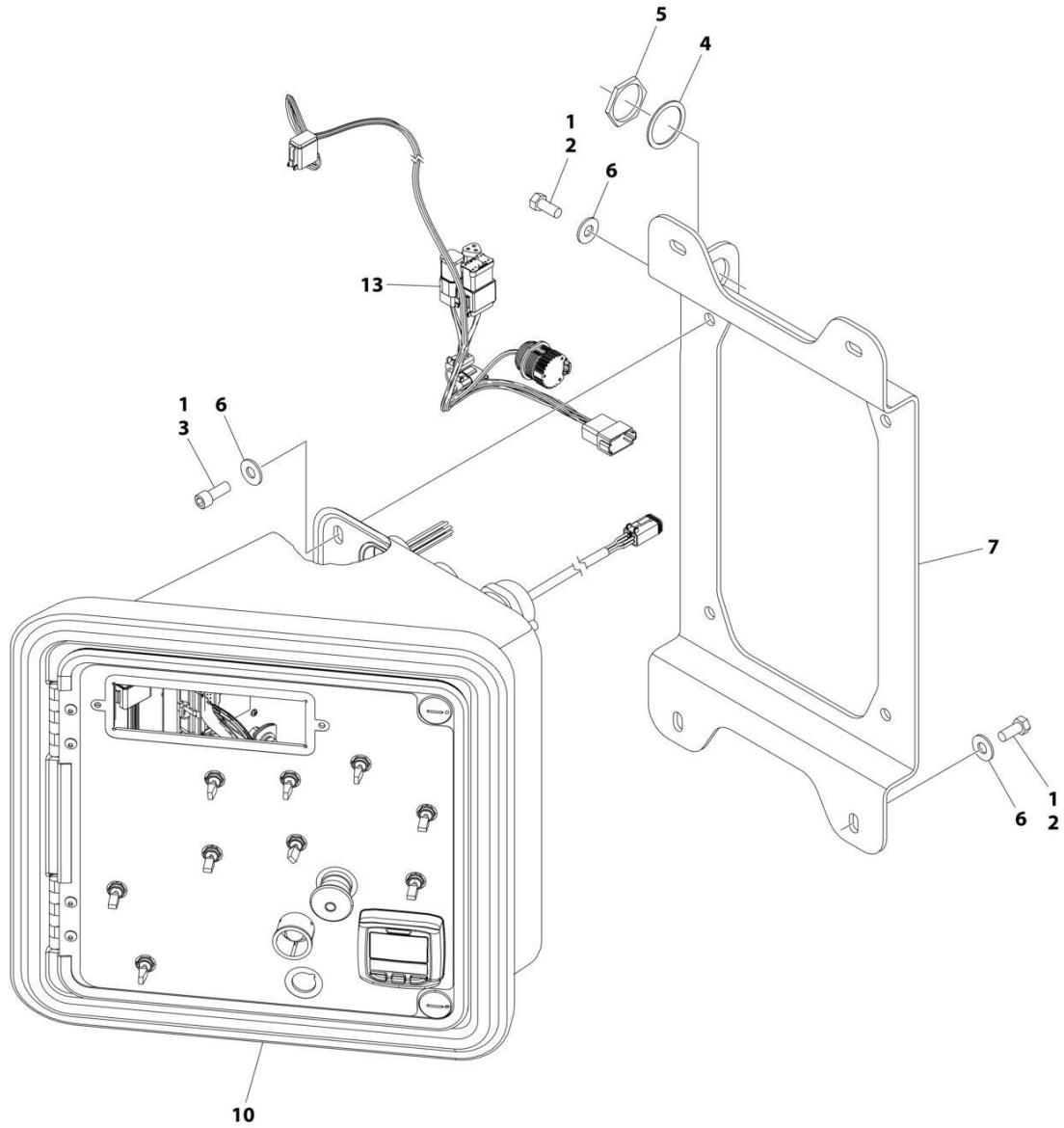
SECTION 2 - TURNTABLE

FIGURE 2-21. GROUND CONTROL BOX INSTALLATION - DEUTZ TD2011 ENGINES WITH SAUER PUMP (WITH TOWER STOW) (CE & UK CA SPECS) (LRC)

ITEM	PART NUMBER	QTY	DESCRIPTION	REV
	1001267655	Ref	GROUND CONTROL BOX INSTALLATION	C
1	0100011	AR	Compound, Locking	
2	0641607	5	Bolt 3/8 x 7/8	
3	3931616	2	Capscrew 3/8 x 1	
4	4460496	1	Terminal, Washer	
5	4460497	1	Terminal, Nut	
6	4751600	7	Washer 3/8	
7	1001114487	1	Bracket, Mounting	
8	1001119470	1	Harness, Engine (Not Shown) (See Separate Breakdown in ELECTRICAL Section)	
9	1001265867	1	Ground Controls Assembly (See Separate Breakdown in this Section)	
10	4240017	AR	Tie-Strap (Not Shown)	
11	4460234	AR	Mount, Tie-Strap (Not Shown)	
12	1001288110	1	Harness, Diagnostic (See Separate Breakdown in ELECTRICAL Section)	

SECTION 2 - TURNTABLE

FIGURE 2-22. GROUND CONTROL BOX INSTALLATION - DEUTZ TD2011 ENGINES WITH REXROTH PUMPS (WITHOUT TOWER STOW) (CE & UK CA SPECS) (LRC)



ART_1001243592_D

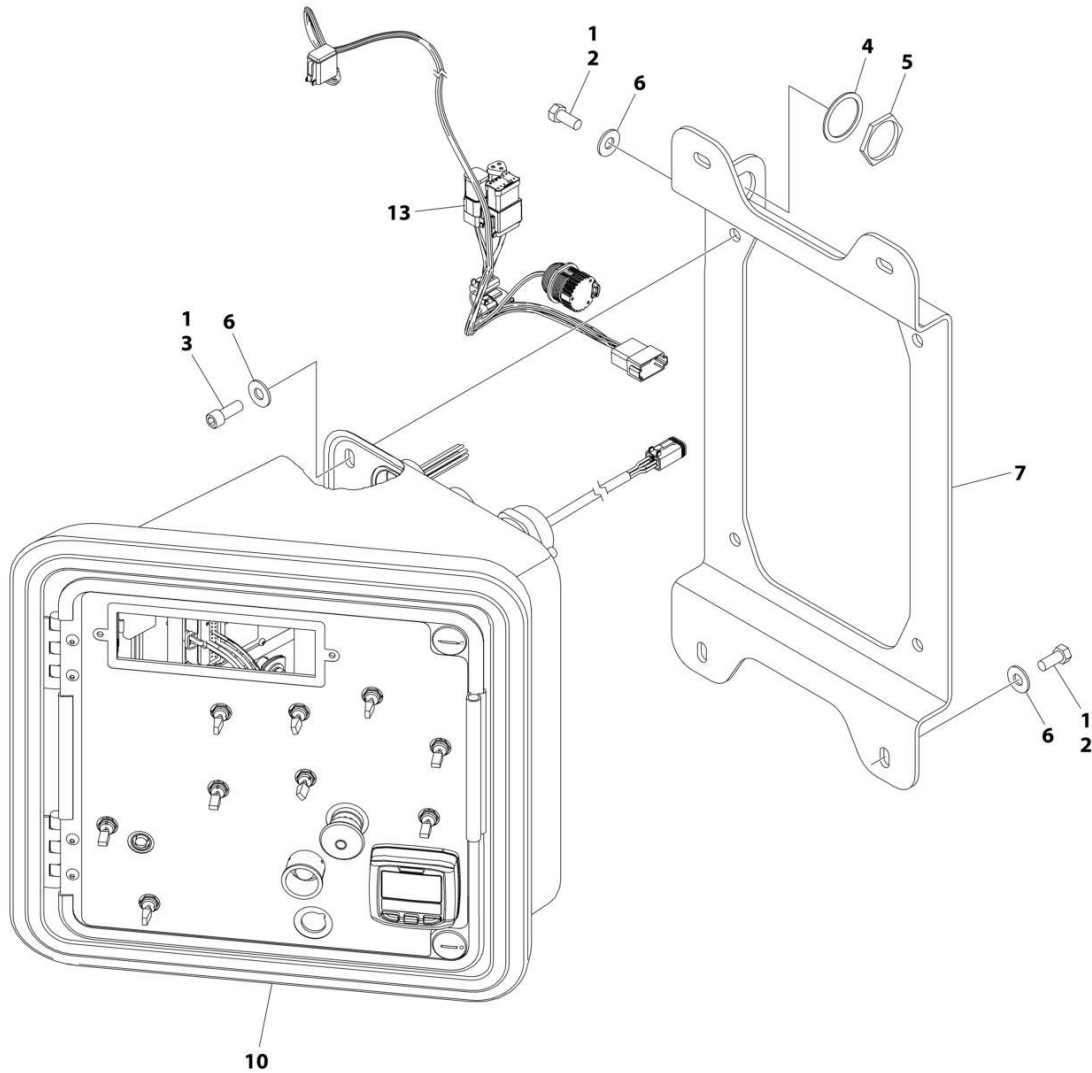
SECTION 2 - TURNTABLE

FIGURE 2-22. GROUND CONTROL BOX INSTALLATION - DEUTZ TD2011 ENGINES WITH REXROTH PUMPS (WITHOUT TOWER STOW) (CE & UK CA SPECS) (LRC)

ITEM	PART NUMBER	QTY	DESCRIPTION	REV
	1001243592	Ref	GROUND CONTROL BOX INSTALLATION	D
1	0100011	AR	Compound, Locking	
2	0641607	5	Bolt 3/8 x 7/8	
3	3931616	2	Capscrew 3/8 x 1	
4	4460496	1	Terminal, Washer	
5	4460497	1	Terminal, Nut	
6	4751600	7	Washer 3/8	
7	1001114487	1	Bracket, Mounting	
8	1001119456	2	Harness, Pump Adapter (Not Shown) (See Separate Breakdown in ELECTRICAL Section)	
9	1001119470	1	Harness, Engine (Not Shown) (See Separate Breakdown in this Section)	
10	1001266936	1	Ground Controls Assembly (See Separate Breakdown in this Section)	
11	4240017	AR	Tie-Strap (Not Shown)	
12	4460234	AR	Mount, Tie-Strap (Not Shown)	
13	1001288110	1	Harness, Diagnostic (See Separate Breakdown in ELECTRICAL Section)	

SECTION 2 - TURNTABLE

FIGURE 2-23. GROUND CONTROL BOX INSTALLATION - DEUTZ TD2011 ENGINES WITH REXROTH PUMP (WITH TOWER STOW) (ANSI EXPORT & AUSTRALIAN SPECS)



ART_1001267656_C

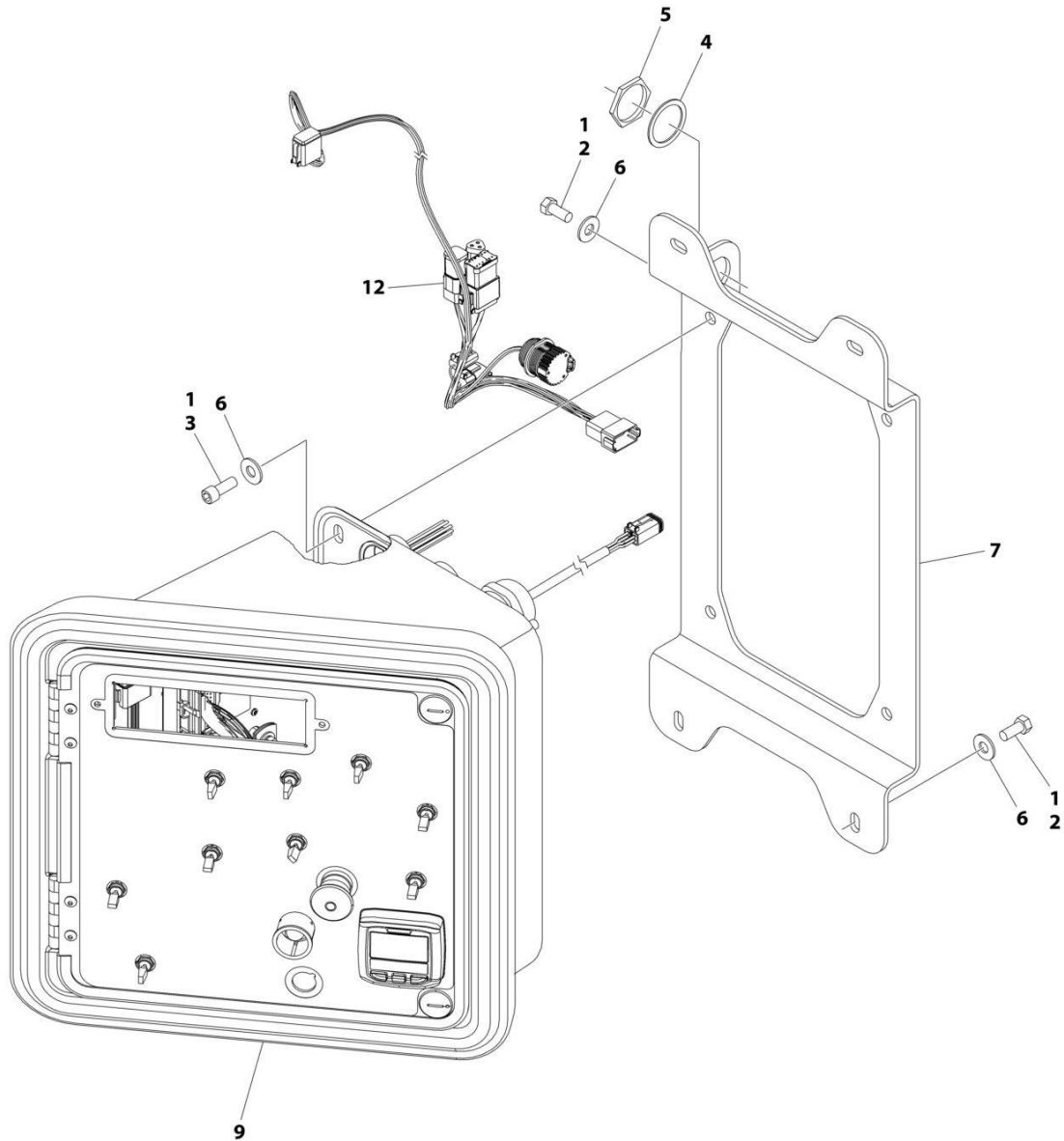
SECTION 2 - TURNTABLE

FIGURE 2-23. GROUND CONTROL BOX INSTALLATION - DEUTZ TD2011 ENGINES WITH REXROTH PUMP (WITH TOWER STOW) (ANSI EXPORT & AUSTRALIAN SPECS)

ITEM	PART NUMBER	QTY	DESCRIPTION	REV
	1001267656	Ref	GROUND CONTROL BOX INSTALLATION	C
1	0100011	AR	Compound, Locking	
2	0641607	5	Bolt 3/8 x 7/8	
3	3931616	2	Capscrew 3/8 x 1	
4	4460496	1	Terminal, Washer	
5	4460497	1	Terminal, Nut	
6	4751600	7	Washer 3/8	
7	1001114487	1	Bracket, Mounting	
8	1001119456	2	Harness, Pump Adapter (Not Shown) (See Separate Breakdown in ELECTRICAL Section)	
9	1001119470	1	Harness, Engine (Not Shown) (See Separate Breakdown in this Section)	
10	1001265868	1	Ground Controls Assembly (See Separate Breakdown in this Section)	
11	4240017	AR	Tie-Strap (Not Shown)	
12	4460234	AR	Mount, Tie-Strap (Not Shown)	
13	1001288110	1	Harness, Diagnostic (See Separate Breakdown in ELECTRICAL Section)	

SECTION 2 - TURNTABLE

FIGURE 2-24. GROUND CONTROL BOX INSTALLATION - DEUTZ TD211 ENGINES WITH SAUER PUMPS (WITHOUT TOWER STOW) (CE & UK CA SPECS) (LRC)



ART_1001243593_D

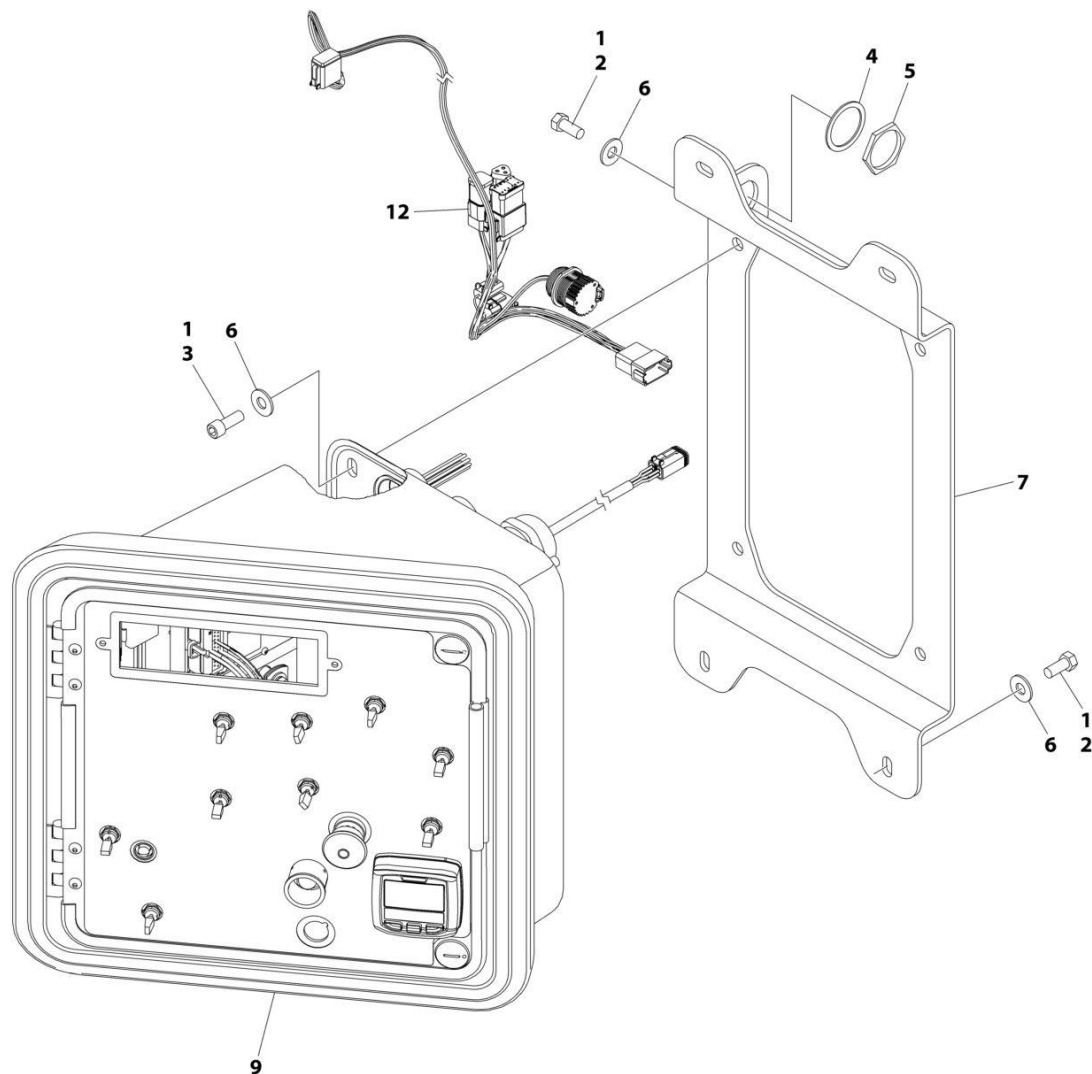
SECTION 2 - TURNTABLE

FIGURE 2-24. GROUND CONTROL BOX INSTALLATION - DEUTZ TD2011 ENGINES WITH SAUER PUMPS (WITHOUT TOWER STOW) (CE & UK CA SPECS) (LRC)

ITEM	PART NUMBER	QTY	DESCRIPTION	REV
	1001243593	Ref	GROUND CONTROL BOX INSTALLATION	D
1	0100011	AR	Compound, Locking	
2	0641607	5	Bolt 3/8 x 7/8	
3	3931616	2	Capscrew 3/8 x 1	
4	4460496	1	Terminal, Washer	
5	4460497	1	Terminal, Nut	
6	4751600	7	Washer 3/8	
7	1001114487	1	Bracket, Mounting	
8	1001119470	1	Harness, Engine (Not Shown) (See Separate Breakdown in this Section)	
9	1001266936	1	Ground Controls Assembly (See Separate Breakdown in this Section)	
10	4240017	AR	Tie-Strap (Not Shown)	
11	4460234	AR	Mount, Tie-Strap (Not Shown)	
12	1001288110	1	Harness, Diagnostic (See Separate Breakdown in ELECTRICAL Section)	

SECTION 2 - TURNTABLE

FIGURE 2-25. GROUND CONTROL BOX INSTALLATION - DEUTZ TD2011 ENGINES WITH SAUER PUMP (WITH TOWER STOW) (CE & UK CA SPECS) (LRC)



ART_1001267657_C

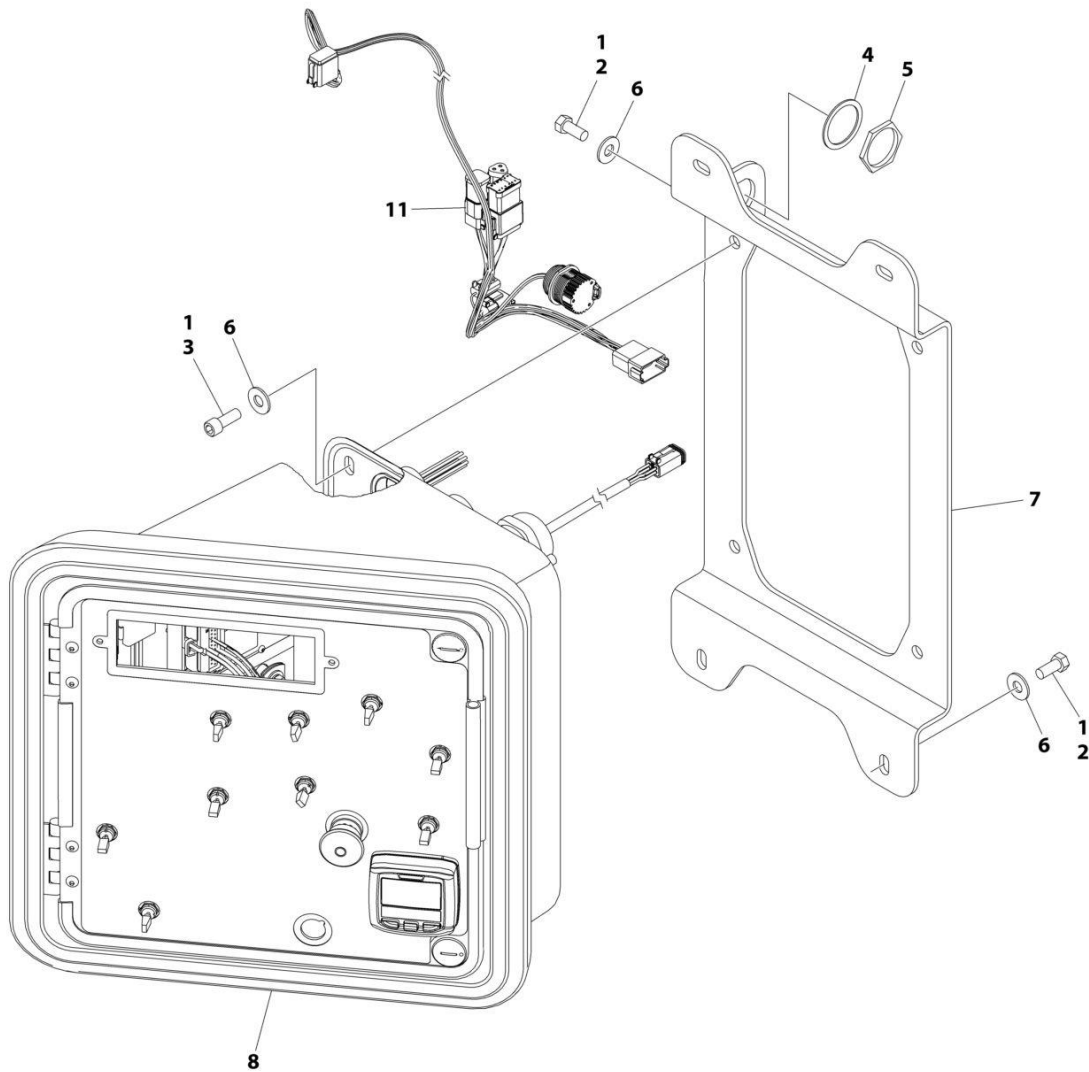
SECTION 2 - TURNTABLE

FIGURE 2-25. GROUND CONTROL BOX INSTALLATION - DEUTZ TD2011 ENGINES WITH SAUER PUMP (WITH TOWER STOW) (CE & UK CA SPECS) (LRC)

ITEM	PART NUMBER	QTY	DESCRIPTION	REV
	1001267657	Ref	GROUND CONTROL BOX INSTALLATION	C
1	0100011	AR	Compound, Locking	
2	0641607	5	Bolt 3/8 x 7/8	
3	3931616	2	Capscrew 3/8 x 1	
4	4460496	1	Terminal, Washer	
5	4460497	1	Terminal, Nut	
6	4751600	7	Washer 3/8	
7	1001114487	1	Bracket, Mounting	
8	1001119470	1	Harness, Engine (Not Shown) (See Separate Breakdown in this Section)	
9	1001265868	1	Ground Controls Assembly (See Separate Breakdown in this Section)	
10	4240017	AR	Tie-Strap (Not Shown)	
11	4460234	AR	Mount, Tie-Strap (Not Shown)	
12	1001288110	1	Harness, Diagnostic (See Separate Breakdown in ELECTRICAL Section)	

SECTION 2 - TURNTABLE

FIGURE 2-26. GROUND CONTROL BOX INSTALLATION - DEUTZ TCD2.9L4 ENGINES (WITHOUT TOWER STOW) (ALL SPECS EXCEPT AUSTRALIAN, CE & UK CA SPECS)



ART_1001243543_D

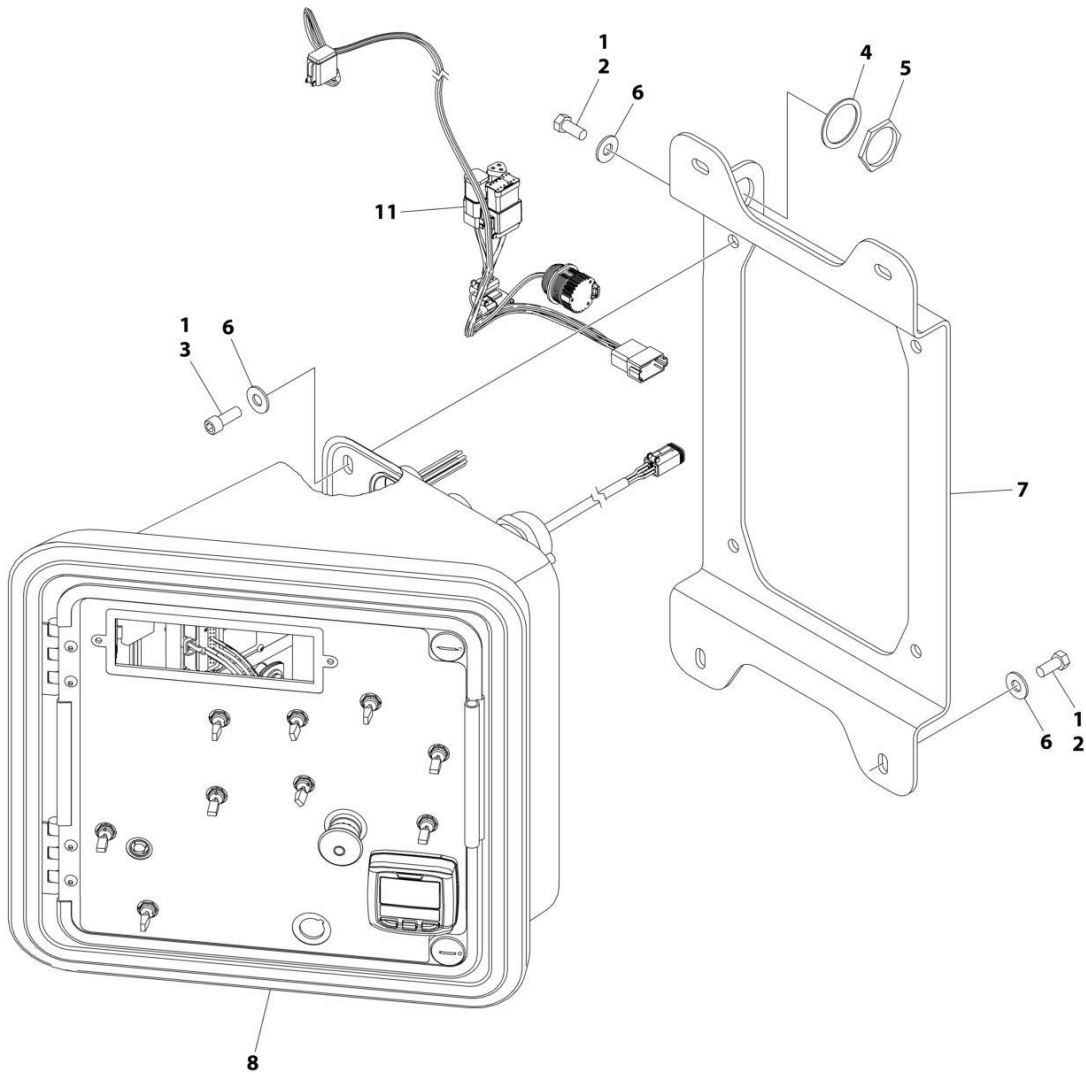
SECTION 2 - TURNTABLE

FIGURE 2-26. GROUND CONTROL BOX INSTALLATION - DEUTZ TCD2.9L4 ENGINES (WITHOUT TOWER STOW) (ALL SPECS EXCEPT AUSTRALIAN, CE & UK CA SPECS)

ITEM	PART NUMBER	QTY	DESCRIPTION	REV
	1001243543	Ref	GROUND CONTROL BOX INSTALLATION	D
1	0100011	AR	Compound, Locking	
2	0641607	5	Bolt 3/8 x 7/8	
3	3931616	2	Capscrew 3/8 x 1	
4	4460496	1	Terminal, Washer	
5	4460497	1	Terminal, Nut	
6	4751600	7	Washer 3/8	
7	1001114487	1	Bracket, Mounting	
8	1001266935	1	Ground Controls Assembly (See Separate Breakdown in this Section)	
9	4240017	AR	Tie-Strap (Not Shown)	
10	4460234	AR	Mount, Tie-Strap (Not Shown)	
11	1001288110	1	Harness, Diagnostic (See Separate Breakdown in ELECTRICAL Section)	

SECTION 2 - TURNTABLE

FIGURE 2-27. GROUND CONTROL BOX INSTALLATION - DEUTZ TCD2.9L4 ENGINES (WITH TOWER STOW) (ALL SPECS EXCEPT AUSTRALIAN, CE & UK CA SPECS).



ART_1001267653_C

SECTION 2 - TURNTABLE

FIGURE 2-27. GROUND CONTROL BOX INSTALLATION - DEUTZ TCD2.9L4 ENGINES (WITH TOWER STOW) (ALL SPECS EXCEPT AUSTRALIAN, CE & UK CA SPECS).

ITEM	PART NUMBER	QTY	DESCRIPTION	REV
	1001267653	Ref	GROUND CONTROL BOX INSTALLATION	C
1	0100011	AR	Compound, Locking	
2	0641607	5	Bolt 3/8 x 7/8	
3	3931616	2	Capscrew 3/8 x 1	
4	4460496	1	Terminal, Washer	
5	4460497	1	Terminal, Nut	
6	4751600	7	Washer 3/8	
7	1001114487	1	Bracket, Mounting	
8	1001265867	1	Ground Controls Assembly (See Separate Breakdown in this Section)	
9	4240017	AR	Tie-Strap (Not Shown)	
10	4460234	AR	Mount, Tie-Strap (Not Shown)	
11	1001288110	1	Harness, Diagnostic (See Separate Breakdown in ELECTRICAL Section)	

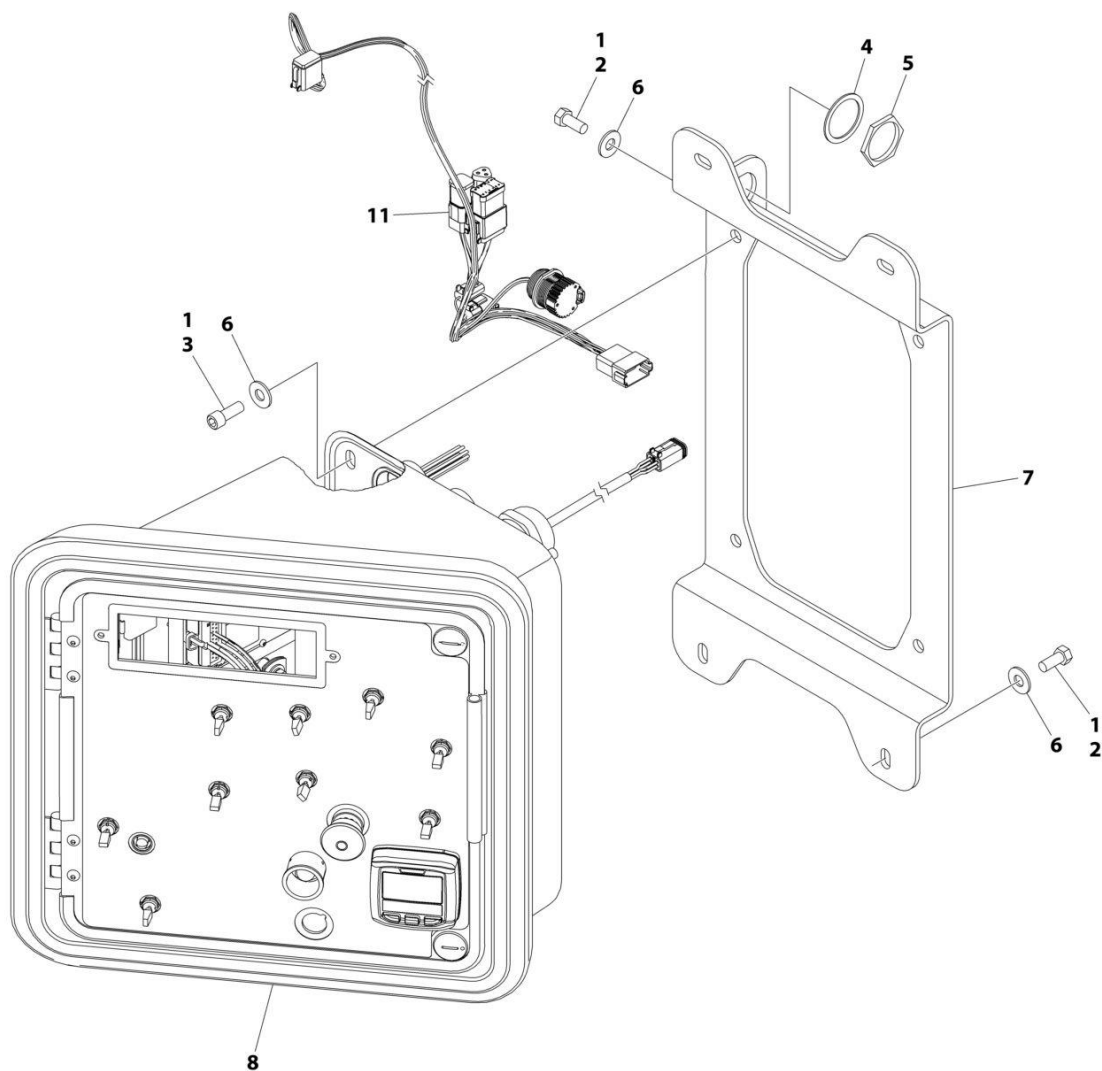
SECTION 2 - TURNTABLE

**FIGURE 2-28. GROUND CONTROL BOX INSTALLATION - DEUTZ TCD2.9L4 (STAGE V) ENGINES
(WITHOUT TOWER STOW)(CE & UK CA SPECS)**

ITEM	PART NUMBER	QTY	DESCRIPTION	REV
	1001236753	Ref	GROUND CONTROL BOX INSTALLATION	E
1	0100011	AR	Compound, Locking	
2	0641607	5	Bolt 3/8 x 7/8	
3	3931616	2	Capscrew 3/8 x 1	
4	4460496	1	Terminal, Washer	
5	4460497	1	Terminal, Nut	
6	4751600	7	Washer 3/8	
7	1001114487	1	Bracket, Mounting	
8	1001266937	1	Ground Controls Assembly (See Separate Breakdown in this Section)	
9	4240017	AR	Tie-Strap (Not Shown)	
10	4460234	AR	Mount, Tie-Strap (Not Shown)	
11	1001288110	1	Harness, Diagnostic (See Separate Breakdown in ELECTRICAL Section)	

SECTION 2 - TURNTABLE

FIGURE 2-29. GROUND CONTROL BOX INSTALLATION - DEUTZ TCD2.9L4 (STAGE V) ENGINES
(WITH TOWER STOW)(CE & UK CA SPECS)



ART_1001267658_C

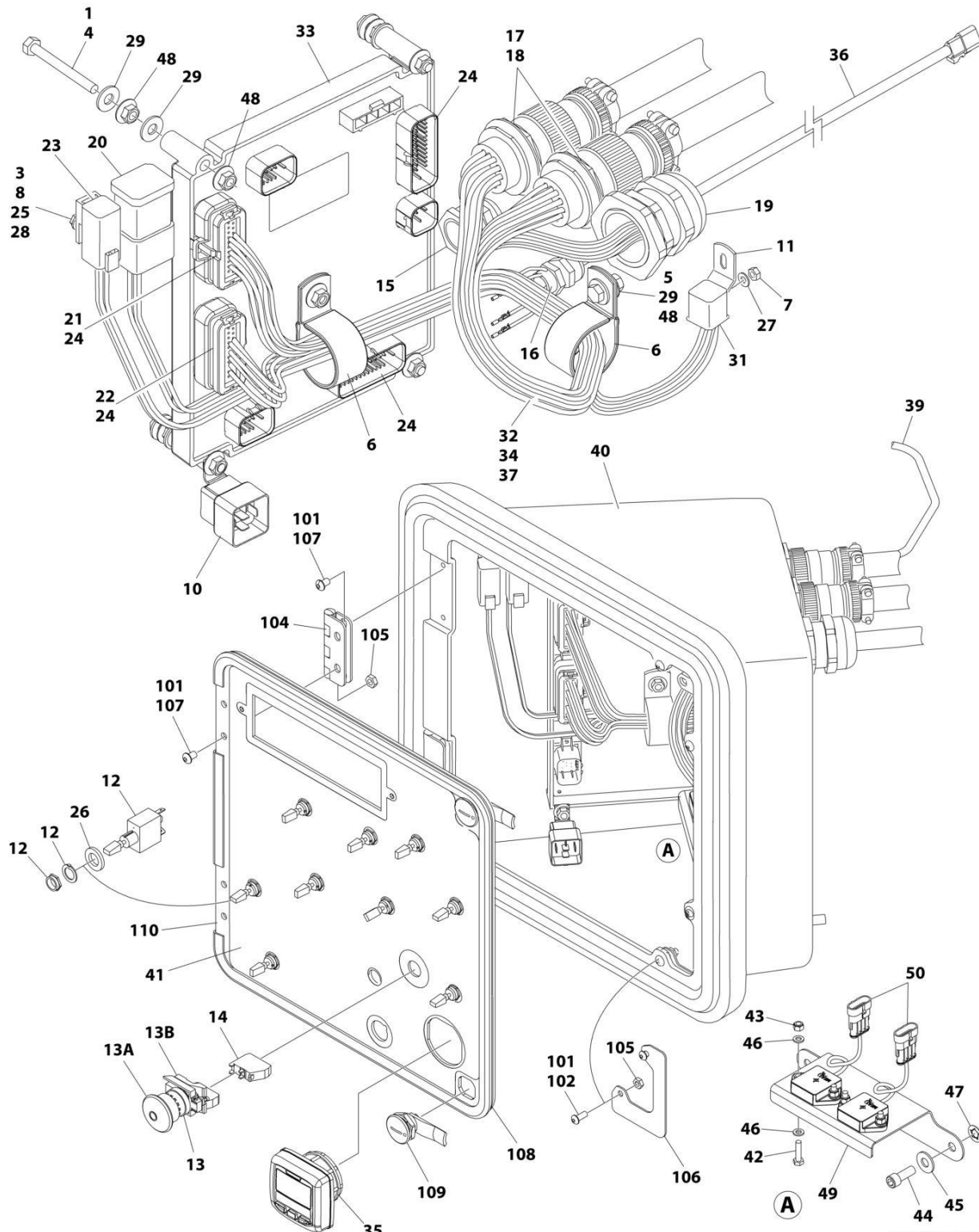
SECTION 2 - TURNTABLE

**FIGURE 2-29. GROUND CONTROL BOX INSTALLATION - DEUTZ TCD2.9L4 (STAGE V) ENGINES
(WITH TOWER STOW)(CE & UK CA SPECS)**

ITEM	PART NUMBER	QTY	DESCRIPTION	REV
	1001267658	Ref	GROUND CONTROL BOX INSTALLATION	C
1	0100011	AR	Compound, Locking	
2	0641607	5	Bolt 3/8 x 7/8	
3	3931616	2	Capscrew 3/8 x 1	
4	4460496	1	Terminal, Washer	
5	4460497	1	Terminal, Nut	
6	4751600	7	Washer 3/8	
7	1001114487	1	Bracket, Mounting	
8	1001265869	1	Ground Controls Assembly (See Separate Breakdown in this Section)	
9	4240017	AR	Tie-Strap (Not Shown)	
10	4460234	AR	Mount, Tie-Strap (Not Shown)	
11	1001288110	1	Harness, Diagnostic (See Separate Breakdown in ELECTRICAL Section)	

SECTION 2 - TURNTABLE

FIGURE 2-30. GROUND CONTROL ASSEMBLY - WITH DEUTZ TD2011 AND DEUTZ TCD2.9L4 ENGINES - WITH DIGITAL DISPLAY (WITHOUT TOWER STOW) (ALL SPECS EXCEPT CE & UK CA SPECS)



ART_1001266935_B

SECTION 2 - TURNTABLE

FIGURE 2-30. GROUND CONTROL ASSEMBLY - WITH DEUTZ TD2011 AND DEUTZ TCD2.9L4 ENGINES - WITH DIGITAL DISPLAY (WITHOUT TOWER STOW) (ALL SPECS EXCEPT CE & UK CA SPECS)

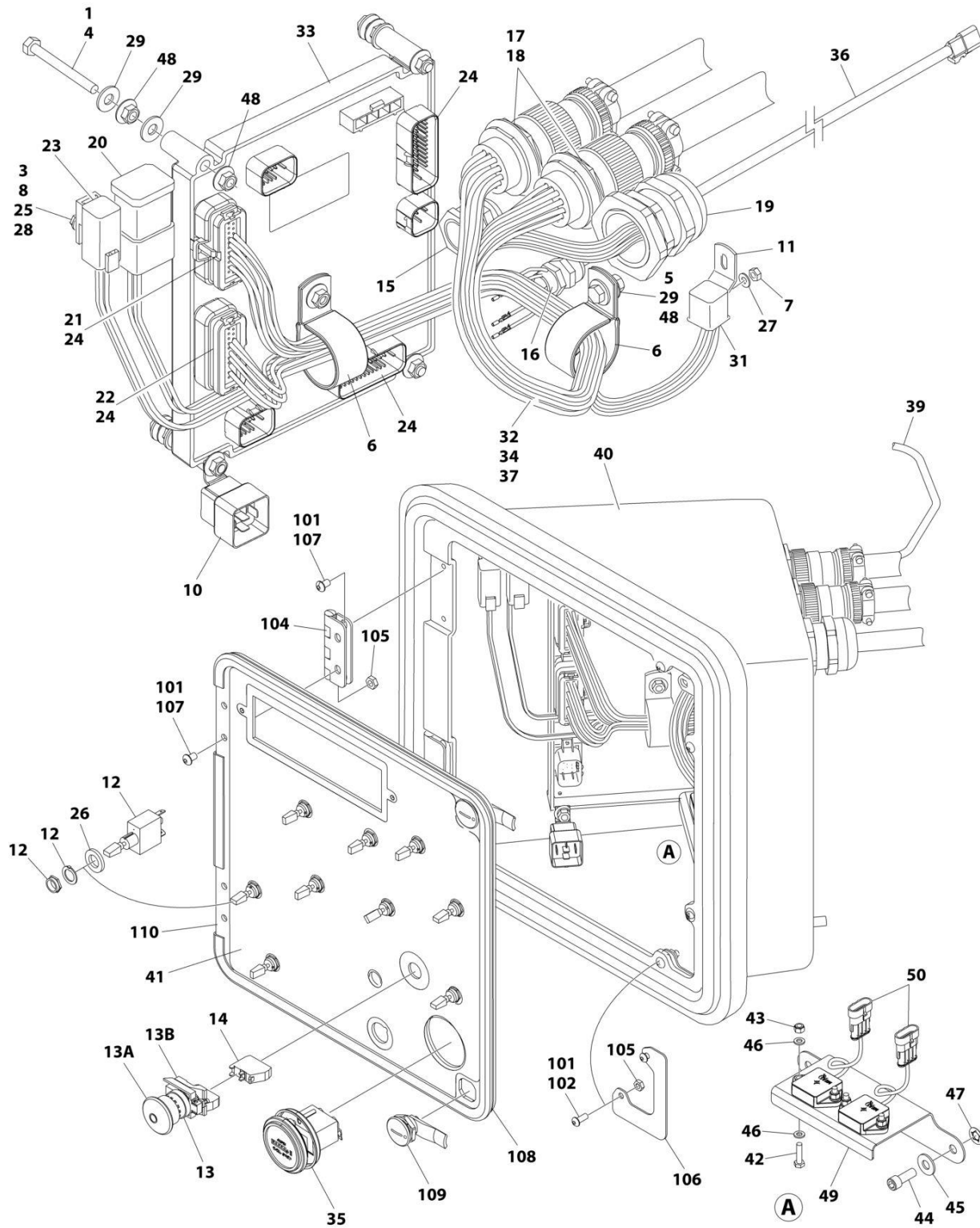
ITEM	PART NUMBER	QTY	DESCRIPTION	REV
	1001266935	Ref	GROUND CONTROL ASSEMBLY	B
1	0100011	AR	Compound, Locking	
3	0630464	2	Screw #10 x 1/2	
4	0630548	5	Screw, Self Tapping	
5	0641406	1	Bolt 1/4 x 3/4	
6	1320095	2	Clamp	
7	3310601	1	Nut #6	
8	3311001	2	Nut #10	
10	3740049	1	Relay	
11	4340832	1	Mount, Relay	
12	4360328	9	Switch, Toggle	
13	4360475	1	Switch, Push-Pull Emergency	
13A	7020175	1	Cap	
13B	7020176	1	Block, Contact	
14	4360476	1	Block, Contact	
15	4460425	1	Connector, Strain Relief	
16	4460428	1	Connector, Strain Relief	
17	4460470	2	Nut, Terminal	
18	4460471	2	Washer, Terminal	
19	4460526	1	Connector, Strain Relief	
20	4460837	1	Connector - 12 Pin	
21	4460874	1	Connector, White	
22	4460875	1	Connector, Gray	
23	4460892	1	Connector, Buss Bar - 6 Position	
24	4460905	4	Connector, Plug	
25	4460914	2	Base, Terminal	
26	4740397	9	Washer	
27	4750600	1	Washer #6	
28	4751000	2	Washer #10	
29	4751400	11	Washer 1/4	
31	4923036	1	Harness, Relay (See Separate Breakdown in ELECTRICAL Section)	
32	4923397	1	Harness, Valve (See Separate Breakdown in ELECTRICAL Section)	
33	1001281100	1	Module, Ground Control (Note: Re-calibration Required when Replaced)	
34	1001119529	1	Harness, Engine (See Separate Breakdown in ELECTRICAL Section)	
35	1001171482	1	Gauge, Display	
36	1001228497	1	Harness, Pressure Transducer (See Separate Breakdown in ELECTRICAL Section)	
37	1001242324	1	Harness, Ground Control Box (See Separate Breakdown in ELECTRICAL Section)	
38	1001248011	1	Wiring Diagram (Not Shown)	
39	1001279488	1	Harness, ClearSky Ready (See Separate Breakdown in ELECTRICAL Section)	
40	1001265864	1	Box Assembly (See Items 101-110 for Breakdown)	
41	1001266941	1	Decal - MTB	
42	0760612	4	Bolt M6 x 25	

SECTION 2 - TURNTABLE

ITEM	PART NUMBER	QTY	DESCRIPTION	REV
43	3290605	4	Nut, Lock M6	A
44	3931616	2	Bolt 3/8 x 1	
45	4751600	2	Washer 3/8	
46	4811700	8	Washer M6	
47	8310070	2	Pushnut 3/8	
48	77143013	11	Nut 1/4	
49	1001278483	1	Bracket, Tilt Sensor	
50	1001219601	2	Sensor, Tilt Dual Axis CAN	
	1001265864	Ref	BOX ASSEMBLY	
101	0100011	AR	Compound, Locking	
102	0630407	4	Screw 1/4 x 5/8	
104	2600279	2	Hinge	
105	3311402	8	Nut 1/4	
106	3573144	2	Plate, Latch	
107	3900251	8	Screw 1/4 x 3/8	
108	3960418	53 in/ 1.4m	Seal	
109	1001242373	2	Latch	
110	1001265859	1	Panel, MTB	

SECTION 2 - TURNTABLE

FIGURE 2-31. GROUND CONTROL ASSEMBLY - WITH DEUTZ TD2011 AND DEUTZ TCD2.9L4 ENGINES - WITH MECHANICAL HOUR METER (WITHOUT TOWER STOW) (ALL SPECS EXCEPT CE & UK CA SPECS)



ART_1001266935_C

SECTION 2 - TURNTABLE

FIGURE 2-31. GROUND CONTROL ASSEMBLY - WITH DEUTZ TD2011 AND DEUTZ TCD2.9L4 ENGINES - WITH MECHANICAL HOUR METER (WITHOUT TOWER STOW) (ALL SPECS EXCEPT CE & UK CA SPECS)

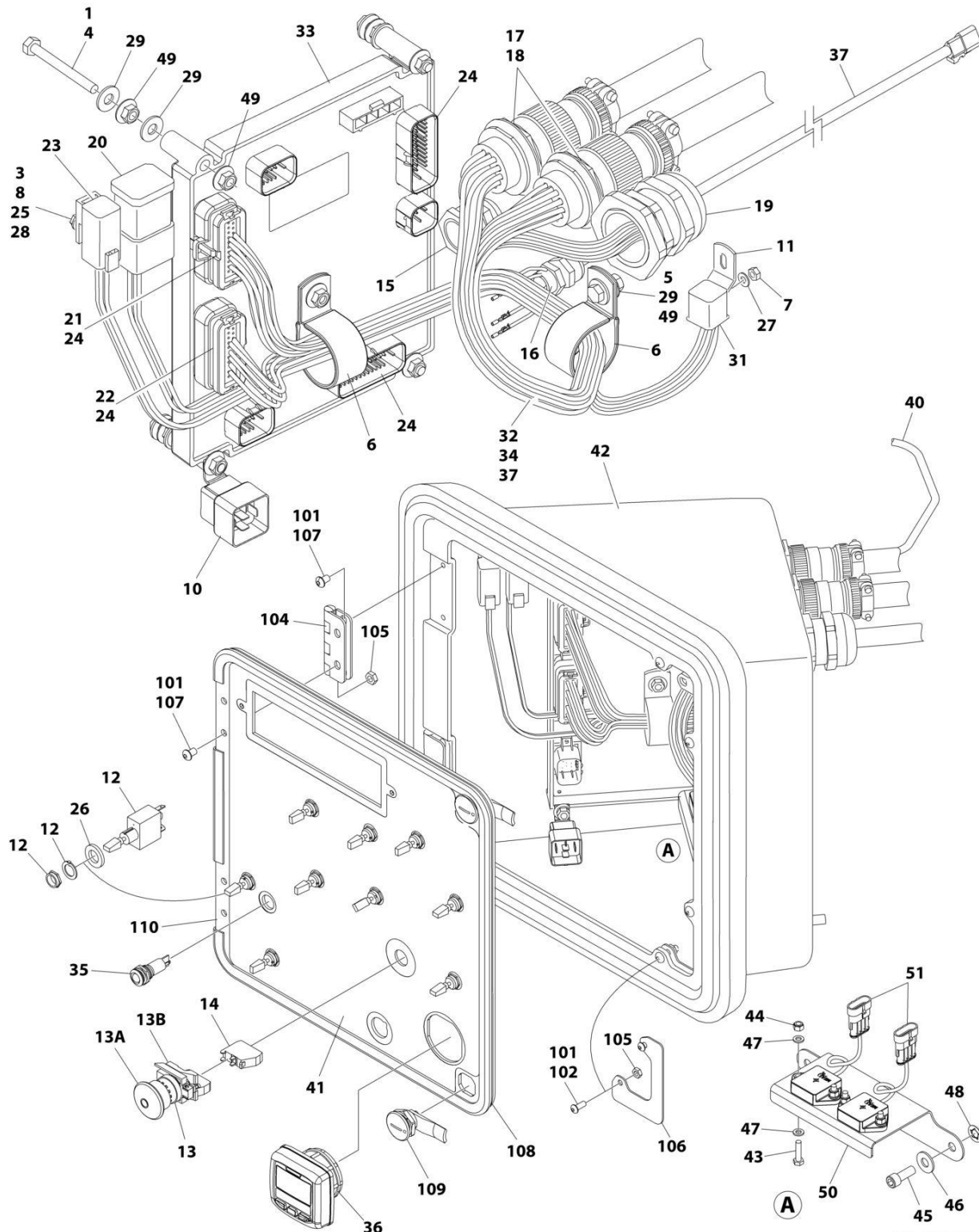
ITEM	PART NUMBER	QTY	DESCRIPTION	REV
	1001266935	Ref	GROUND CONTROL ASSEMBLY	C
1	0100011	AR	Compound, Locking	
3	0630464	2	Screw #10 x 1/2	
4	0630548	5	Screw, Self Tapping	
5	0641406	1	Bolt 1/4 x 3/4	
6	1320095	2	Clamp	
7	3310601	1	Nut #6	
8	3311001	2	Nut #10	
10	3740049	1	Relay	
11	4340832	1	Mount, Relay	
12	4360328	9	Switch, Toggle	
13	4360475	1	Switch, Push-Pull Emergency	
13A	7020175	1	Cap	
13B	7020176	1	Block, Contact	
14	4360476	1	Block, Contact	
15	4460425	1	Connector, Strain Relief	
16	4460428	1	Connector, Strain Relief	
17	4460470	2	Nut, Terminal	
18	4460471	2	Washer, Terminal	
19	4460526	1	Connector, Strain Relief	
20	4460837	1	Connector - 12 Pin	
21	4460874	1	Connector, White	
22	4460875	1	Connector, Gray	
23	4460892	1	Connector, Buss Bar - 6 Position	
24	4460905	4	Connector, Plug	
25	4460914	2	Base, Terminal	
26	4740397	9	Washer	
27	4750600	1	Washer #6	
28	4751000	2	Washer #10	
29	4751400	11	Washer 1/4	
31	4923036	1	Harness, Relay (See Separate Breakdown in ELECTRICAL Section)	
32	4923397	1	Harness, Valve (See Separate Breakdown in ELECTRICAL Section)	
33	1001281100	1	Module, Ground Control (Note: Re-calibration Required when Replaced)	
34	1001119529	1	Harness, Engine (See Separate Breakdown in ELECTRICAL Section)	
35	10836804	1	Hour Meter	
36	1001228497	1	Harness, Pressure Transducer (See Separate Breakdown in ELECTRICAL Section)	
37	1001242324	1	Harness, Ground Control Box (See Separate Breakdown in ELECTRICAL Section)	
38	1001248011	1	Wiring Diagram (Not Shown)	
39	1001279488	1	Harness, ClearSky Ready (See Separate Breakdown in ELECTRICAL Section)	
40	1001280410	1	Box Assembly (See Items 101-110 for Breakdown)	
41	1001266941	1	Decal - MTB	
42	0760612	4	Bolt M6 x 25	

SECTION 2 - TURNTABLE

ITEM	PART NUMBER	QTY	DESCRIPTION	REV
43	3290605	4	Nut, Lock M6	A
44	3931616	2	Bolt 3/8 x 1	
45	4751600	2	Washer 3/8	
46	4811700	8	Washer M6	
47	8310070	2	Pushnut 3/8	
48	77143013	11	Nut 1/4	
49	1001278483	1	Bracket, Tilt Sensor	
50	1001219601	2	Sensor, Tilt Dual Axis CAN	
	1001265864	Ref	BOX ASSEMBLY	
101	0100011	AR	Compound, Locking	
102	0630407	4	Screw 1/4 x 5/8	
104	2600279	2	Hinge	
105	3311402	8	Nut 1/4	
106	3573144	2	Plate, Latch	
107	3900251	8	Screw 1/4 x 3/8	
108	3960418	53 in/ 1.4m	Seal	
109	1001242373	2	Latch	
110	1001265859	1	Panel, MTB	

SECTION 2 - TURNTABLE

FIGURE 2-32. GROUND CONTROL ASSEMBLY - WITH DEUTZ TD2011 AND DEUTZ TCD2.9L4 ENGINES - WITH DIGITAL DISPLAY (WITH TOWER STOW) (ALL SPECS EXCEPT CE & UK CA SPECS)



ART_1001265867_B

SECTION 2 - TURNTABLE

FIGURE 2-32. GROUND CONTROL ASSEMBLY - WITH DEUTZ TD2011 AND DEUTZ TCD2.9L4 ENGINES - WITH DIGITAL DISPLAY (WITH TOWER STOW) (ALL SPECS EXCEPT CE & UK CA SPECS)

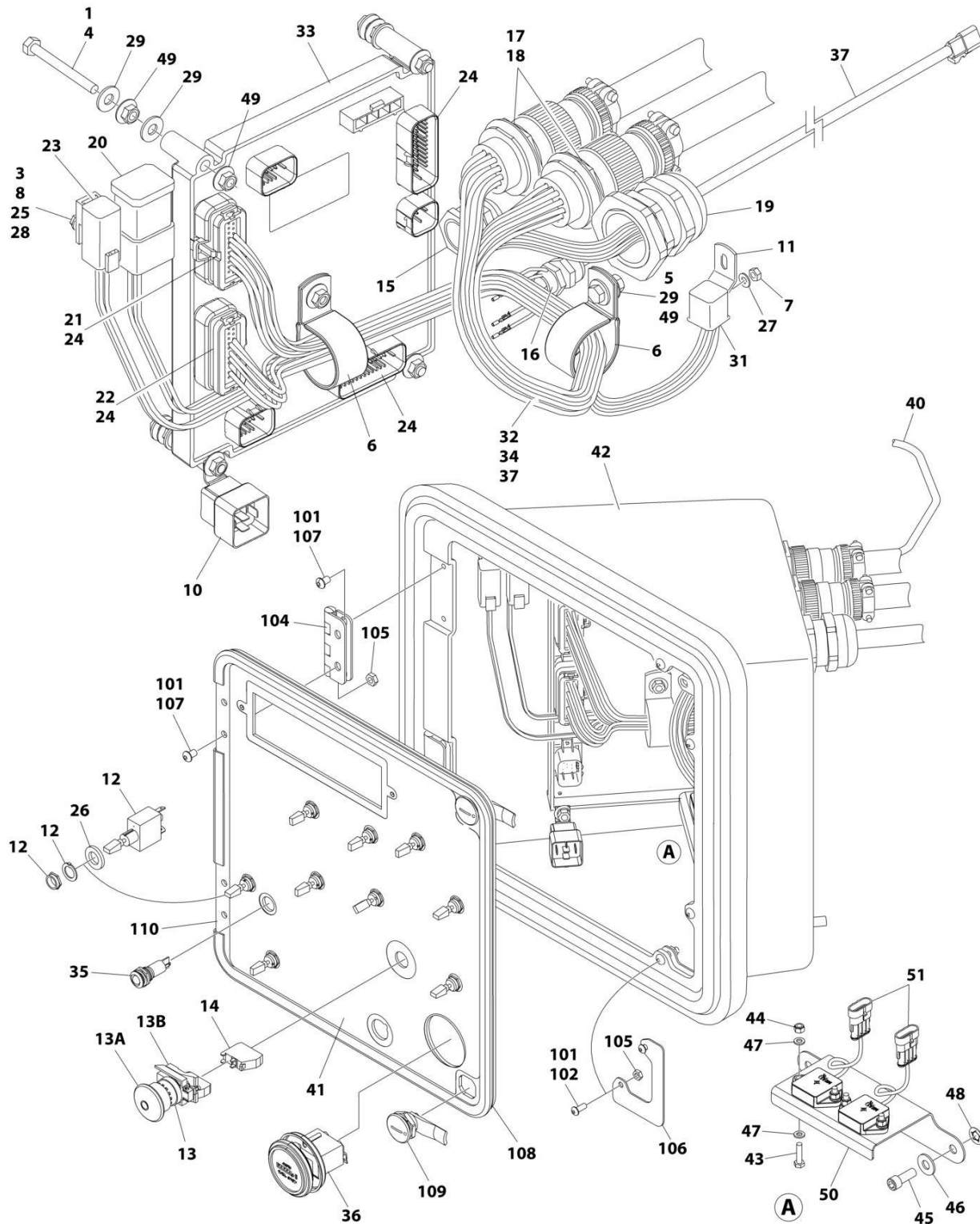
ITEM	PART NUMBER	QTY	DESCRIPTION	REV
	1001265867	Ref	GROUND CONTROL ASSEMBLY	B
1	0100011	AR	Compound, Locking	
3	0630464	2	Screw #10 x 1/2	
4	0630548	5	Screw, Self Tapping	
5	0641406	1	Bolt 1/4 x 3/4	
6	1320095	2	Clamp	
7	3310601	1	Nut #6	
8	3311001	2	Nut #10	
10	3740049	1	Relay	
11	4340832	1	Mount, Relay	
12	4360328	9	Switch, Toggle	
13	4360475	1	Switch, Push-Pull Emergency	
13A	7020175	1	Cap	
13B	7020176	1	Block, Contact	
14	4360476	1	Block, Contact	
15	4460425	1	Connector, Strain Relief	
16	4460428	1	Connector, Strain Relief	
17	4460470	2	Nut, Terminal	
18	4460471	2	Washer, Terminal	
19	4460526	1	Connector, Strain Relief	
20	4460837	1	Connector - 12 Pin	
21	4460874	1	Connector, White	
22	4460875	1	Connector, Gray	
23	4460892	1	Connector, Buss Bar - 6 Position	
24	4460905	4	Connector, Plug	
25	4460914	2	Base, Terminal	
26	4740397	9	Washer	
27	4750600	1	Washer #6	
28	4751000	2	Washer #10	
29	4751400	11	Washer 1/4	
31	4923036	1	Harness, Relay (See Separate Breakdown in ELECTRICAL Section)	
32	4923397	1	Harness, Valve (See Separate Breakdown in ELECTRICAL Section)	
33	1001281100	1	Module, Ground Control (Note: Re-calibration Required when Replaced)	
34	1001119529	1	Harness, Engine (See Separate Breakdown in ELECTRICAL Section)	
35	1001137364	1	Lamp, LED Indicator Green	
36	1001171482	1	Gauge, Display	
37	1001228497	1	Harness, Pressure Transducer (See Separate Breakdown in ELECTRICAL Section)	
38	1001242324	1	Harness, Ground Control Box (See Separate Breakdown in ELECTRICAL Section)	
39	1001248011	1	Wiring Diagram (Not Shown)	
40	1001279488	1	Harness, ClearSky Ready (See Separate Breakdown in ELECTRICAL Section)	
41	1001265854	1	Decal - MTB	
42	1001265864	1	Box Assembly	

SECTION 2 - TURNTABLE

ITEM	PART NUMBER	QTY	DESCRIPTION	REV
43	0760612	4	Bolt M6 x 25	
44	3290605	4	Nut, Lock M6	
45	3931616	2	Bolt 3/8 x 1	
46	4751600	2	Washer 3/8	
47	4811700	8	Washer M6	
48	8310070	2	Pushnut 3/8 x 13/16	
49	77143013	11	Nut 1/4	
50	1001278483	1	Bracket, Tilt Sensor	
51	1001219601	2	Sensor, Tilt Dual Axis CAN	
	1001265864	Ref	BOX ASSEMBLY	A
101	0100011	AR	Compound, Locking	
102	0630407	4	Screw 1/4 x 5/8	
104	2600279	2	Hinge	
105	3311402	8	Nut 1/4	
106	3573144	2	Plate, Latch	
107	3900251	8	Screw 1/4 x 3/8	
108	3960418	53 in/ 1.4m	Seal	
109	1001242373	2	Latch	
110	1001265859	1	Panel, MTB	

SECTION 2 - TURNTABLE

FIGURE 2-33. GROUND CONTROL ASSEMBLY - WITH DEUTZ TD2011 AND DEUTZ TCD2.9L4 ENGINES - WITH MECHANICAL HOUR METER (WITH TOWER STOW) (ALL SPECS EXCEPT CE & UK CA SPECS)



ART_1001265867_C

SECTION 2 - TURNTABLE

FIGURE 2-33. GROUND CONTROL ASSEMBLY - WITH DEUTZ TD2011 AND DEUTZ TCD2.9L4 ENGINES - WITH MECHANICAL HOUR METER (WITH TOWER STOW) (ALL SPECS EXCEPT CE & UK CA SPECS)

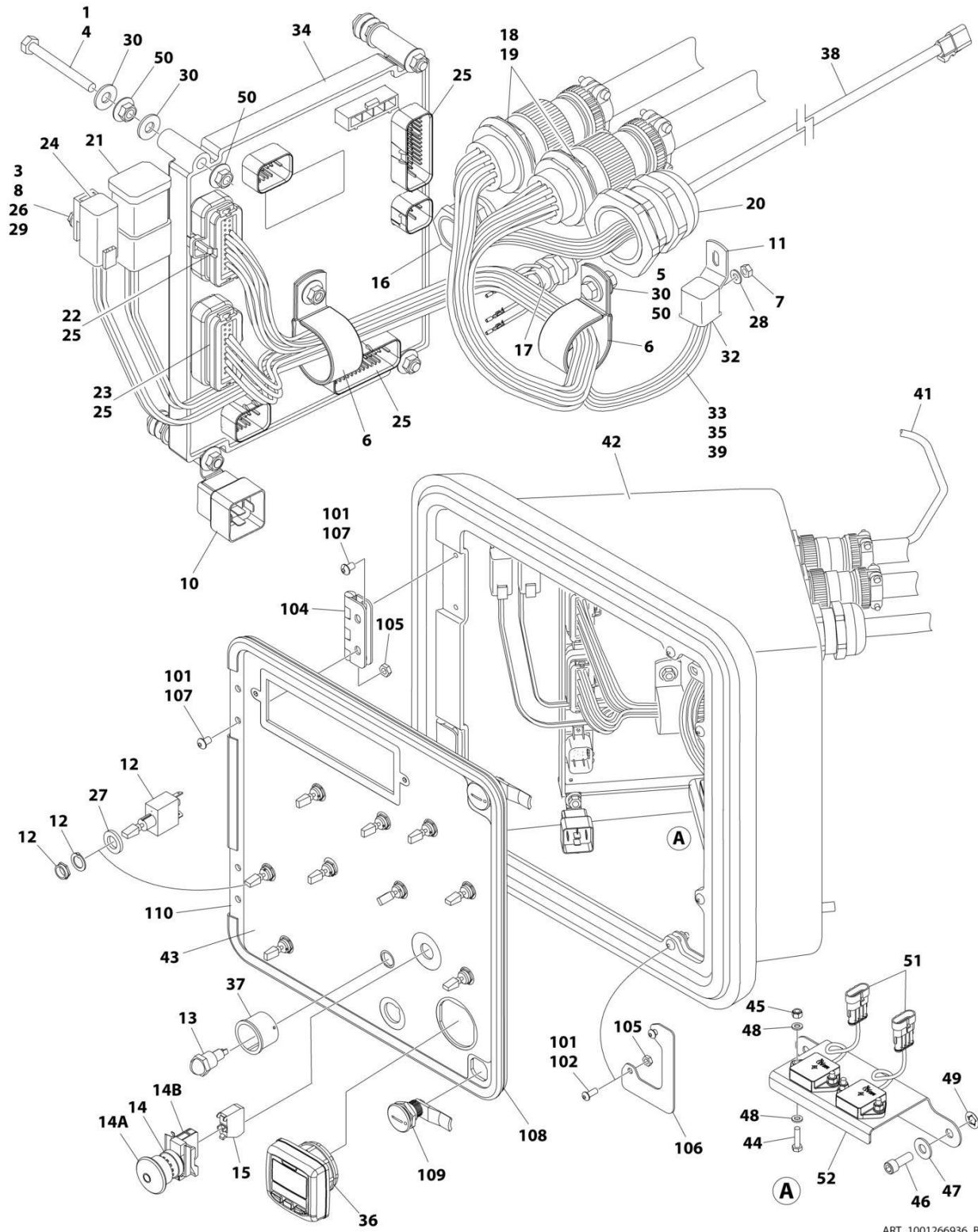
ITEM	PART NUMBER	QTY	DESCRIPTION	REV
	1001265867	Ref	GROUND CONTROL ASSEMBLY	C
1	0100011	AR	Compound, Locking	
3	0630464	2	Screw #10 x 1/2	
4	0630548	5	Screw, Self Tapping	
5	0641406	1	Bolt 1/4 x 3/4	
6	1320095	2	Clamp	
7	3310601	1	Nut #6	
8	3311001	2	Nut #10	
10	3740049	1	Relay	
11	4340832	1	Mount, Relay	
12	4360328	9	Switch, Toggle	
13	4360475	1	Switch, Push-Pull Emergency	
13A	7020175	1	Cap	
13B	7020176	1	Block, Contact	
14	4360476	1	Block, Contact	
15	4460425	1	Connector, Strain Relief	
16	4460428	1	Connector, Strain Relief	
17	4460470	2	Nut, Terminal	
18	4460471	2	Washer, Terminal	
19	4460526	1	Connector, Strain Relief	
20	4460837	1	Connector - 12 Pin	
21	4460874	1	Connector, White	
22	4460875	1	Connector, Gray	
23	4460892	1	Connector, Buss Bar - 6 Position	
24	4460905	4	Connector, Plug	
25	4460914	2	Base, Terminal	
26	4740397	9	Washer	
27	4750600	1	Washer #6	
28	4751000	2	Washer #10	
29	4751400	11	Washer 1/4	
31	4923036	1	Harness, Relay (See Separate Breakdown in ELECTRICAL Section)	
32	4923397	1	Harness, Valve (See Separate Breakdown in ELECTRICAL Section)	
33	1001281100	1	Module, Ground Control (Note: Re-calibration Required when Replaced)	
34	1001119529	1	Harness, Engine (See Separate Breakdown in ELECTRICAL Section)	
35	1001137364	1	Lamp, LED Indicator Green	
36	10836804	1	Hour Meter	
37	1001228497	1	Harness, Pressure Transducer (See Separate Breakdown in ELECTRICAL Section)	
38	1001242324	1	Harness, Ground Control Box (See Separate Breakdown in ELECTRICAL Section)	
39	1001248011	1	Wiring Diagram (Not Shown)	
40	1001279488	1	Harness, ClearSky Ready (See Separate Breakdown in ELECTRICAL Section)	
41	1001265854	1	Decal - MTB	
42	1001280410	1	Box Assembly	

SECTION 2 - TURNTABLE

ITEM	PART NUMBER	QTY	DESCRIPTION	REV
43	0760612	4	Bolt M6 x 25	
44	3290605	4	Nut, Lock M6	
45	3931616	2	Bolt 3/8 x 1	
46	4751600	2	Washer 3/8	
47	4811700	8	Washer M6	
48	8310070	2	Pushnut 3/8 x 13/16	
49	77143013	11	Nut 1/4	
50	1001278483	1	Bracket, Tilt Sensor	
51	1001219601	2	Sensor, Tilt Dual Axis CAN	
	1001265864	Ref	BOX ASSEMBLY	A
101	0100011	AR	Compound, Locking	
102	0630407	4	Screw 1/4 x 5/8	
104	2600279	2	Hinge	
105	3311402	8	Nut 1/4	
106	3573144	2	Plate, Latch	
107	3900251	8	Screw 1/4 x 3/8	
108	3960418	53 in/ 1.4m	Seal	
109	1001242373	2	Latch	
110	1001265859	1	Panel, MTB	

SECTION 2 - TURNTABLE

FIGURE 2-34. GROUND CONTROL ASSEMBLY - DEUTZ TD2011 ENGINES (WITHOUT TOWER STOW) (CE & UK CA SPECS)



ART_1001266936_B

SECTION 2 - TURNTABLE

FIGURE 2-34. GROUND CONTROL ASSEMBLY - DEUTZ TD2011 ENGINES (WITHOUT TOWER STOW) (CE & UK CA SPECS)

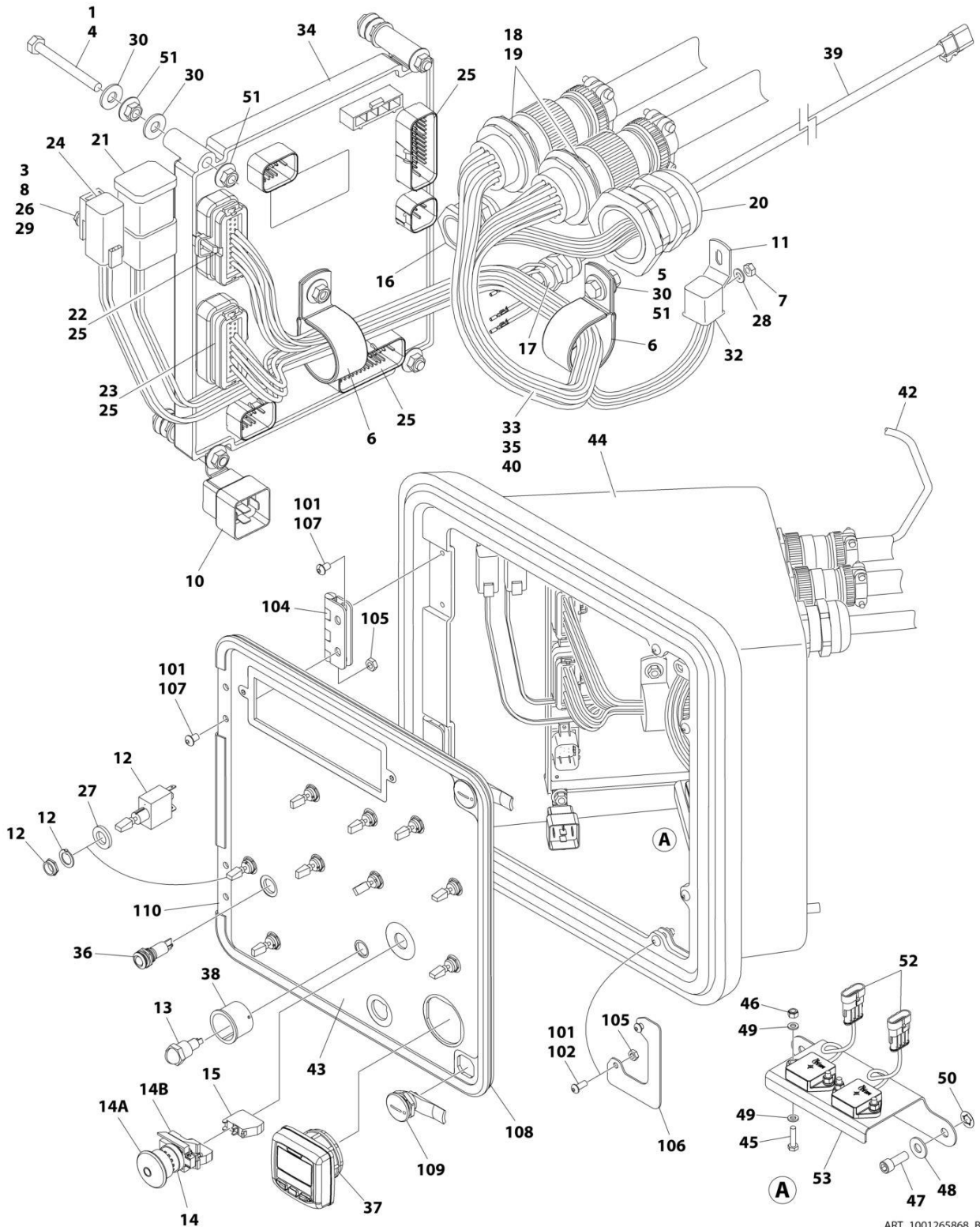
ITEM	PART NUMBER	QTY	DESCRIPTION	REV
	1001266936	Ref	GROUND CONTROL ASSEMBLY	B
1	0100011	AR	Compound, Locking	
3	0630464	2	Screw #10 x 1/2	
4	0630548	5	Screw, Self Tapping	
5	0641406	1	Bolt 1/4 x 3/4	
6	1320095	2	Clamp	
7	3310601	1	Nut #6	
8	3311001	2	Nut #10	
10	3740049	1	Relay	
11	4340832	1	Mount, Relay	
12	4360328	9	Switch, Toggle	
13	4360387	1	Switch, Yellow Push Button	
14	4360475	1	Switch, Push-Pull Emergency	
14A	7020175	1	Cap	
14B	7020176	1	Block, Contact	
15	4360476	1	Block, Contact	
16	4460425	1	Connector, Strain Relief	
17	4460428	1	Connector, Strain Relief	
18	4460470	2	Nut, Terminal	
19	4460471	2	Washer, Terminal	
20	4460526	1	Connector, Strain Relief	
21	4460837	1	Connector - 12 Pin	
22	4460874	1	Connector, White	
23	4460875	1	Connector, Gray	
24	4460892	1	Connector, Buss Bar - 6 Position	
25	4460905	4	Connector, Plug	
26	4460914	2	Base, Terminal	
27	4740397	9	Washer	
28	4750600	1	Washer #6	
29	4751000	2	Washer #10	
30	4751400	11	Washer 1/4	
32	4923036	1	Harness, Relay (See Separate Breakdown in ELECTRICAL Section)	
33	4923397	1	Harness, Valve (See Separate Breakdown in ELECTRICAL Section)	
34	1001281100	1	Module, Ground Control (Note: Re-calibration Required when Replaced)	
35	1001119529	1	Harness, Engine (See Separate Breakdown in ELECTRICAL Section)	
36	1001171482	1	Gauge, Display	
37	1001176469	1	Shroud, Push Button Switch	
38	1001228497	1	Harness, Pressure Transducer (See Separate Breakdown in ELECTRICAL Section)	
39	1001242324	1	Harness, Ground Control Box (See Separate Breakdown in ELECTRICAL Section)	
40	1001248011	1	Wiring Diagram (Not Shown)	
41	1001279488	1	Harness, ClearSky Ready (See Separate Breakdown in ELECTRICAL Section)	
42	1001265865	1	Box Assembly (See Items 101-110 for Breakdown)	
43	1001266942	1	Decal - MTB	

SECTION 2 - TURNTABLE

ITEM	PART NUMBER	QTY	DESCRIPTION	REV
44	0760612	4	Bolt M6 x 25	B
45	3290605	4	Nut, Lock M6	
46	3931616	2	Bolt 3/8 x 1	
47	4751600	2	Washer 3/8	
48	4811700	8	Washer M6	
49	8310070	2	Pushnut 3/8 x 13/16	
50	77143013	11	Nut 1/4	
51	1001219601	2	Sensor, Tilt Dual Axis CAN	
52	1001278483	1	Bracket, Tilt Sensor	
	1001265865	Ref	BOX ASSEMBLY	
101	0100011	AR	Compound, Locking	
102	0630407	4	Screw 1/4 x 5/8	
104	2600279	2	Hinge	
105	3311402	8	Nut 1/4	
106	3573144	2	Plate, Latch	
107	3900251	8	Screw 1/4 x 3/8	
108	3960418	53 in/ 1.4m	Seal	
109	1001242373	2	Latch	
110	1001265860	1	Panel, MTB	

SECTION 2 - TURNTABLE

FIGURE 2-35. GROUND CONTROL ASSEMBLY - DEUTZ TD2011 ENGINES (WITH TOWER STOW) (CE & UK CA SPECS)



ART_1001265868_B

SECTION 2 - TURNTABLE

**FIGURE 2-35. GROUND CONTROL ASSEMBLY - DEUTZ TD2011 ENGINES (WITH TOWER STOW)
(CE & UK CA SPECS)**

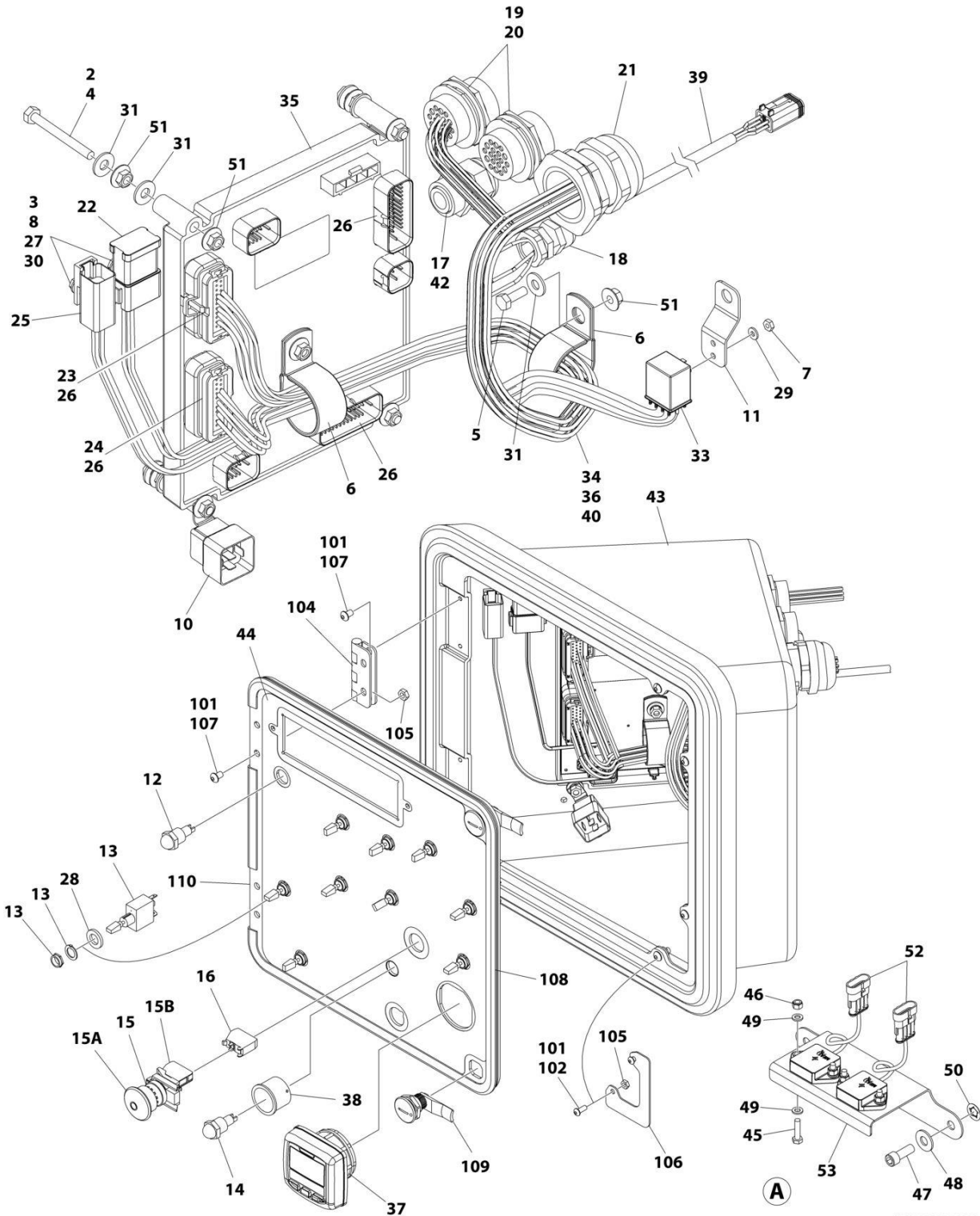
ITEM	PART NUMBER	QTY	DESCRIPTION	REV
	1001265868	Ref	GROUND CONTROL ASSEMBLY	B
1	0100011	AR	Compound, Locking	
3	0630464	2	Screw #10 x 1/2	
4	0630548	5	Screw, Self Tapping	
5	0641406	1	Bolt 1/4 x 3/4	
6	1320095	2	Clamp	
7	3310601	1	Nut #6	
8	3311001	2	Nut #10	
10	3740049	1	Relay	
11	4340832	1	Mount, Relay	
12	4360328	9	Switch, Toggle	
13	4360387	1	Switch, Yellow Push Button	
14	4360475	1	Switch, Push-Pull Emergency	
14A	7020175	1	Cap	
14B	7020176	1	Block, Contact	
15	4360476	1	Block, Contact	
16	4460425	1	Connector, Strain Relief	
17	4460428	1	Connector, Strain Relief	
18	4460470	2	Nut, Terminal	
19	4460471	2	Washer, Terminal	
20	4460526	1	Connector, Strain Relief	
21	4460837	1	Connector - 12 Pin	
22	4460874	1	Connector, White	
23	4460875	1	Connector, Gray	
24	4460892	1	Connector, Buss Bar - 6 Position	
25	4460905	4	Connector, Plug	
26	4460914	2	Base, Terminal	
27	4740397	9	Washer	
28	4750600	1	Washer #6	
29	4751000	2	Washer #10	
30	4751400	11	Washer 1/4	
32	4923036	1	Harness, Relay (See Separate Breakdown in ELECTRICAL Section)	
33	4923397	1	Harness, Valve (See Separate Breakdown in ELECTRICAL Section)	
34	1001281100	1	Module, Ground Control (Note: Re-calibration Required when Replaced)	
35	1001119529	1	Harness, Engine (See Separate Breakdown in ELECTRICAL Section)	
36	1001137364	1	Lamp, LED Indicator Green	
37	1001171482	1	Gauge, Display	
38	1001176469	1	Shroud, Push Button Switch	
39	1001228497	1	Harness, Pressure Transducer (See Separate Breakdown in ELECTRICAL Section)	
40	1001242324	1	Harness, Ground Control Box (See Separate Breakdown in ELECTRICAL Section)	
41	1001248011	1	Wiring Diagram (Not Shown)	
42	1001279488	1	Harness, ClearSky Ready (See Separate Breakdown in ELECTRICAL Section)	
43	1001265855	1	Decal, MTB	

SECTION 2 - TURNTABLE

ITEM	PART NUMBER	QTY	DESCRIPTION	REV
44	1001265865	1	Box Assembly	
45	0760612	4	Bolt M6 x 25	
46	3290605	4	Nut, Lock M6	
47	3931616	2	Bolt 3/8 x 1	
48	4751600	2	Washer 3/8	
49	4811700	8	Washer M6	
50	8310070	2	Pushnut 3/8	
51	77143013	11	Nut 1/4	
52	1001219601	2	Sensor, Tilt Dual Axis CAN	
53	1001278483	1	Bracket, Tilt Sensor	
	1001265865	Ref	BOX ASSEMBLY	B
101	0100011	AR	Compound, Locking	
102	0630407	4	Screw 1/4 x 5/8	
104	2600279	2	Hinge	
105	3311402	8	Nut 1/4	
106	3573144	2	Plate, Latch	
107	3900251	8	Screw 1/4 x 3/8	
108	3960418	53 in/ 1.4m	Seal	
109	1001242373	2	Latch	
110	1001265860	1	Panel, MTB	

SECTION 2 - TURNTABLE

FIGURE 2-36. GROUND CONTROL ASSEMBLY - DEUTZ TCD2.9L4 (STAGE V) (WITHOUT TOWER STOW) (CE & UK CA SPECS)



ART_1001266937_B

SECTION 2 - TURNTABLE

FIGURE 2-36. GROUND CONTROL ASSEMBLY - DEUTZ TCD2.9L4 (STAGE V) (WITHOUT TOWER STOW) (CE & UK CA SPECS)

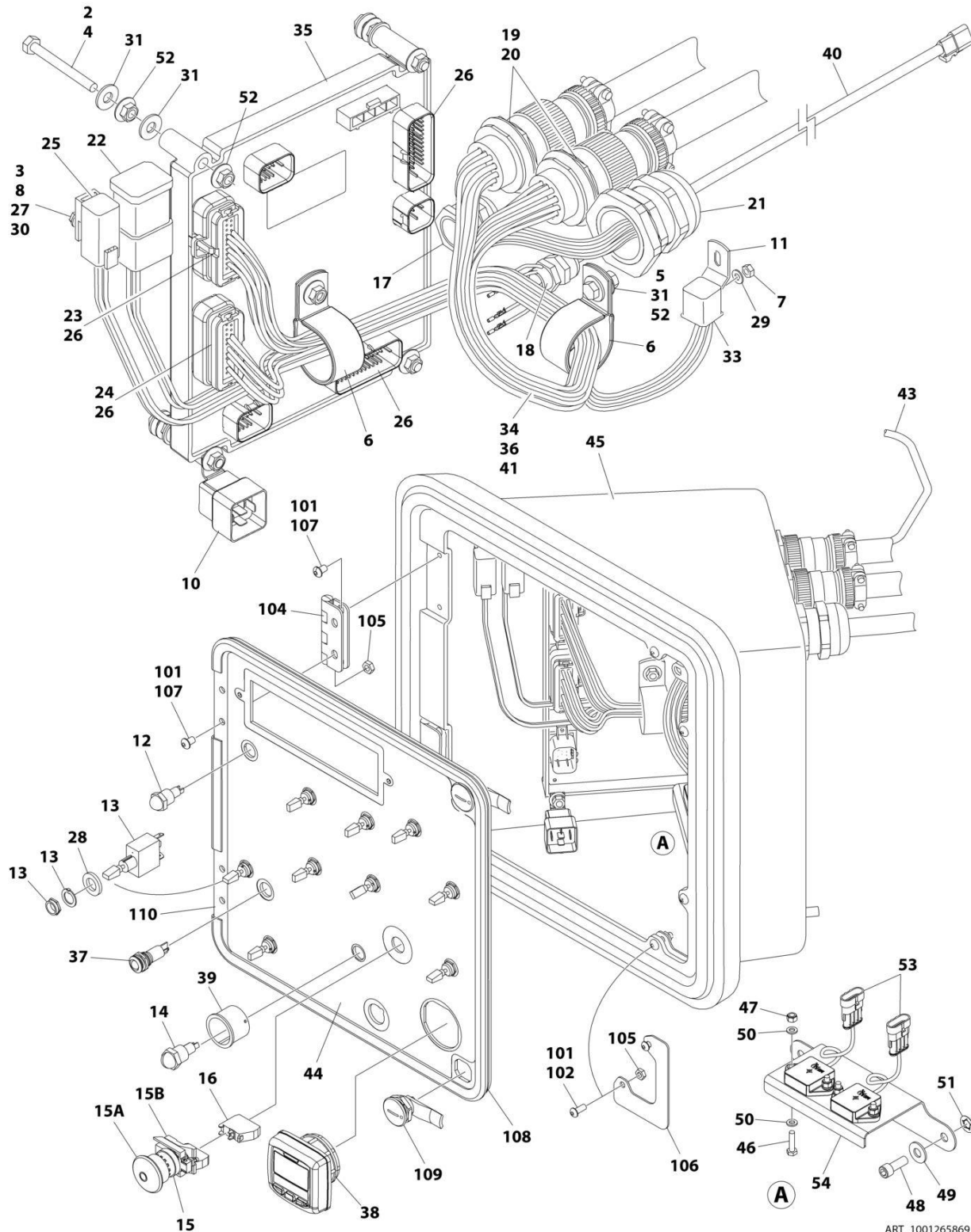
ITEM	PART NUMBER	QTY	DESCRIPTION	REV
	1001266937	Ref	GROUND CONTROL ASSEMBLY	B
2	0100011	AR	Compound, Locking	
3	0630464	2	Screw #10 x 1/2	
4	0630548	5	Screw, Self Tapping	
5	0641406	1	Bolt 1/4 x 3/4	
6	1320095	2	Clamp	
7	3310601	1	Nut #6	
8	3311001	2	Nut #10	
10	3740049	1	Relay	
11	4340832	1	Mount, Relay	
12	4360274	1	Switch, Gray Push Button	
13	4360328	9	Switch, Toggle	
14	4360387	1	Switch, Yellow Push Button	
15	4360475	1	Switch, Push-Pull Emergency	
15A	7020175	1	Cap	
15B	7020176	1	Block, Contact	
16	4360476	1	Block, Contact	
17	4460425	1	Connector, Strain Relief	
18	4460428	1	Connector, Strain Relief	
19	4460470	2	Nut, Terminal	
20	4460471	2	Washer, Terminal	
21	4460526	1	Connector, Strain Relief	
22	4460837	1	Connector - 12 Pin	
23	4460874	1	Connector, White	
24	4460875	1	Connector, Gray	
25	4460892	1	Connector, Buss Bar - 6 Position	
26	4460905	4	Connector, Plug	
27	4460914	2	Base, Terminal	
28	4740397	9	Spacer, Washer	
29	4750600	1	Washer #6	
30	4751000	2	Washer #10	
31	4751400	11	Washer 1/4	
33	4923036	1	Harness, Relay (See Separate Breakdown in ELECTRICAL Section)	
34	4923397	1	Harness, Valve (See Separate Breakdown in ELECTRICAL Section)	
35	1001281100	1	Module, Ground Control (Note: Re-calibration Required when Replaced)	
36	1001119529	1	Harness, Engine (See Separate Breakdown in ELECTRICAL Section)	
37	1001171482	1	Gauge, Display	
38	1001176469	1	Shroud, Push Button Switch	
39	1001228497	1	Harness, Pressure Transducer (See Separate Breakdown in ELECTRICAL Section)	
40	1001242324	1	Harness, Ground Control Box (See Separate Breakdown in ELECTRICAL Section)	
41	1001248011	1	Wiring Diagram (Not Shown)	
42	1001279488	1	Harness, ClearSky Ready (See Separate Breakdown in ELECTRICAL Section)	
43	1001265865	1	Box Assembly (See Items 101-110 for Breakdown)	

SECTION 2 - TURNTABLE

ITEM	PART NUMBER	QTY	DESCRIPTION	REV
44	1001266943	1	Decal - MTB	
45	0760612	4	Bolt M6 x 25	
46	3290605	4	Nut, Lock M6	
47	3931616	2	Bolt 3/8 x 1	
48	4751600	2	Washer 3/8	
49	4811700	8	Washer M6	
50	8310070	2	Pushnut 3/8 x 13/16	
51	77143013	11	Nut 1/4	
52	1001219601	2	Sensor, Tilt Dual Axis CAN	
53	1001278483	1	Bracket, Tilt Sensor	
	1001265865	Ref	BOX ASSEMBLY	B
101	0100011	AR	Compound, Locking	
102	0630407	4	Screw 1/4 x 5/8	
104	2600279	2	Hinge	
105	3311402	8	Nut 1/4	
106	3573144	2	Plate, Latch	
107	3900251	8	Screw 1/4 x 3/8	
108	3960418	53 in/ 1.4m	Seal	
109	1001242373	2	Latch	
110	1001265860	1	Panel, MTB	

SECTION 2 - TURNTABLE

FIGURE 2-37. GROUND CONTROL ASSEMBLY - DEUTZ TCD2.9L4 (STAGE V) (WITH TOWER STOW) (CE & UK CA SPECS)



ART_1001265869_B

SECTION 2 - TURNTABLE

**FIGURE 2-37. GROUND CONTROL ASSEMBLY - DEUTZ TCD2.9L4 (STAGE V) (WITH TOWER STOW)
(CE & UK CA SPECS)**

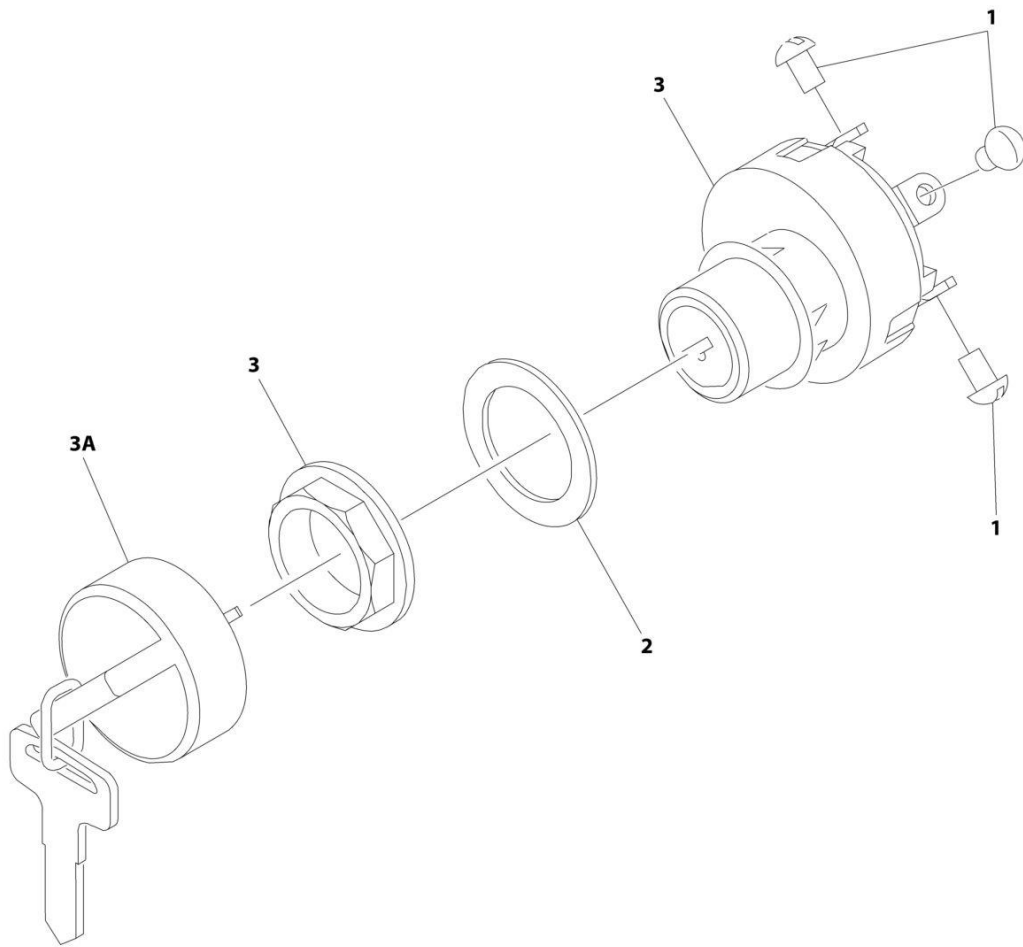
ITEM	PART NUMBER	QTY	DESCRIPTION	REV
	1001265869	Ref	GROUND CONTROL ASSEMBLY	B
2	0100011	AR	Compound, Locking	
3	0630464	2	Screw #10 x 1/2	
4	0630548	5	Screw, Self Tapping	
5	0641406	1	Bolt 1/4 x 3/4	
6	1320095	2	Clamp	
7	3310601	1	Nut #6	
8	3311001	2	Nut #10	
10	3740049	1	Relay	
11	4340832	1	Mount, Relay	
12	4360274	1	Switch, Gray Push Button	
13	4360328	9	Switch, Toggle	
14	4360387	1	Switch, Yellow Push Button	
15	4360475	1	Switch, Push-Pull Emergency	
15A	7020175	1	Cap	
15B	7020176	1	Block, Contact	
16	4360476	1	Block, Contact	
17	4460425	1	Connector, Strain Relief	
18	4460428	1	Connector, Strain Relief	
19	4460470	2	Nut, Terminal	
20	4460471	2	Washer, Terminal	
21	4460526	1	Connector, Strain Relief	
22	4460837	1	Connector - 12 Pin	
23	4460874	1	Connector, White	
24	4460875	1	Connector, Gray	
25	4460892	1	Connector, Buss Bar - 6 Position	
26	4460905	4	Connector, Plug	
27	4460914	2	Base, Terminal	
28	4740397	9	Spacer, Washer	
29	4750600	1	Washer #6	
30	4751000	2	Washer #10	
31	4751400	11	Washer 1/4	
33	4923036	1	Harness, Relay (See Separate Breakdown in ELECTRICAL Section)	
34	4923397	1	Harness, Valve (See Separate Breakdown in ELECTRICAL Section)	
35	1001281100	1	Module, Ground Control (Note: Re-calibration Required when Replaced)	
36	1001119529	1	Harness, Engine (See Separate Breakdown in ELECTRICAL Section)	
37	1001137364	1	Lamp, LED Indicator Green	
38	1001171482	1	Gauge, Display	
39	1001176469	1	Shroud, Push Button Switch	
40	1001228497	1	Harness, Pressure Transducer (See Separate Breakdown in ELECTRICAL Section)	
41	1001242324	1	Harness, Ground Control Box (See Separate Breakdown in ELECTRICAL Section)	
42	1001248011	1	Wiring Diagram (Not Shown)	
43	1001279488	1	Harness, ClearSky Ready (See Separate Breakdown in ELECTRICAL Section)	

SECTION 2 - TURNTABLE

ITEM	PART NUMBER	QTY	DESCRIPTION	REV
44	1001265856	1	Decal - MTB	
45	1001265865	1	Box Assembly (See Items 101-110 for Breakdown)	
46	0760612	4	Bolt M6 x 25	
47	3290605	4	Nut, Lock M6	
48	3931616	2	Bolt 3/8 x 1	
49	4751600	2	Washer 3/8	
50	4811700	8	Washer M6	
51	8310070	2	Pushnut 3/8	
52	77143013	11	Nut 1/4	
53	1001219601	2	Sensor, Tilt Dual Axis CAN	
54	1001278483	1	Bracket, Tilt Sensor	
	1001265865	Ref	BOX ASSEMBLY	B
101	0100011	AR	Compound, Locking	
102	0630407	4	Screw 1/4 x 5/8	
104	2600279	2	Hinge	
105	3311402	8	Nut 1/4	
106	3573144	2	Plate, Latch	
107	3900251	8	Screw 1/4 x 3/8	
108	3960418	53 in/ 1.4m	Seal	
109	1001242373	2	Latch	
110	1001265860	1	Panel, MTB	

SECTION 2 - TURNTABLE

FIGURE 2-38. KEYSWITCH INSTALLATION



ART_0259666

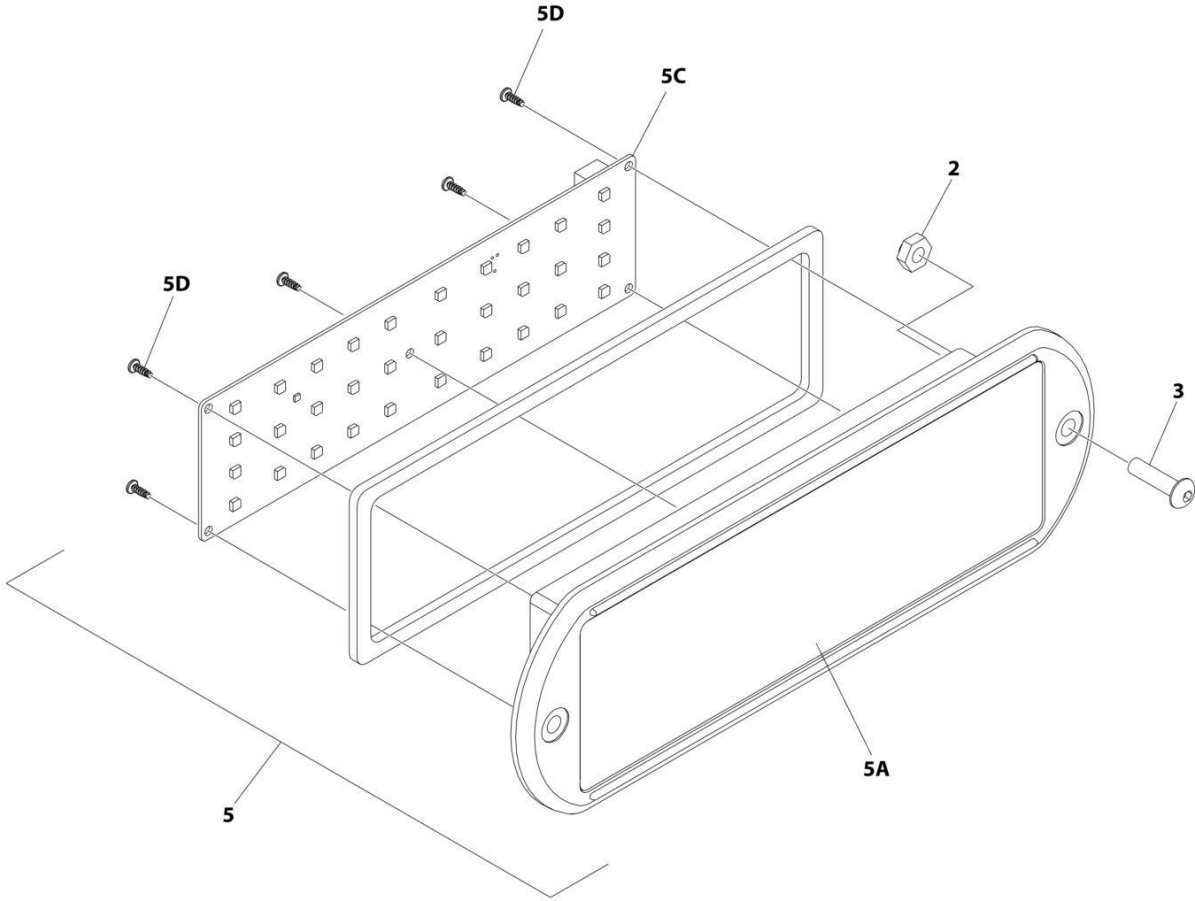
SECTION 2 - TURNTABLE

FIGURE 2-38. KEYSWITCH INSTALLATION

ITEM	PART NUMBER	QTY	DESCRIPTION	REV
	0259666	Ref	KEYSWITCH INSTALLATION	B
1	3910804	6	Screw #8 x 1/8	
2	1001151393	1	Shim .063	
3	4360469	1	Keyswitch	
3A	2860030	1	Key, Replacement	

SECTION 2 - TURNTABLE

FIGURE 2-39. LIGHT PANEL INSTALLATION



ART_1001233959_C_10F2

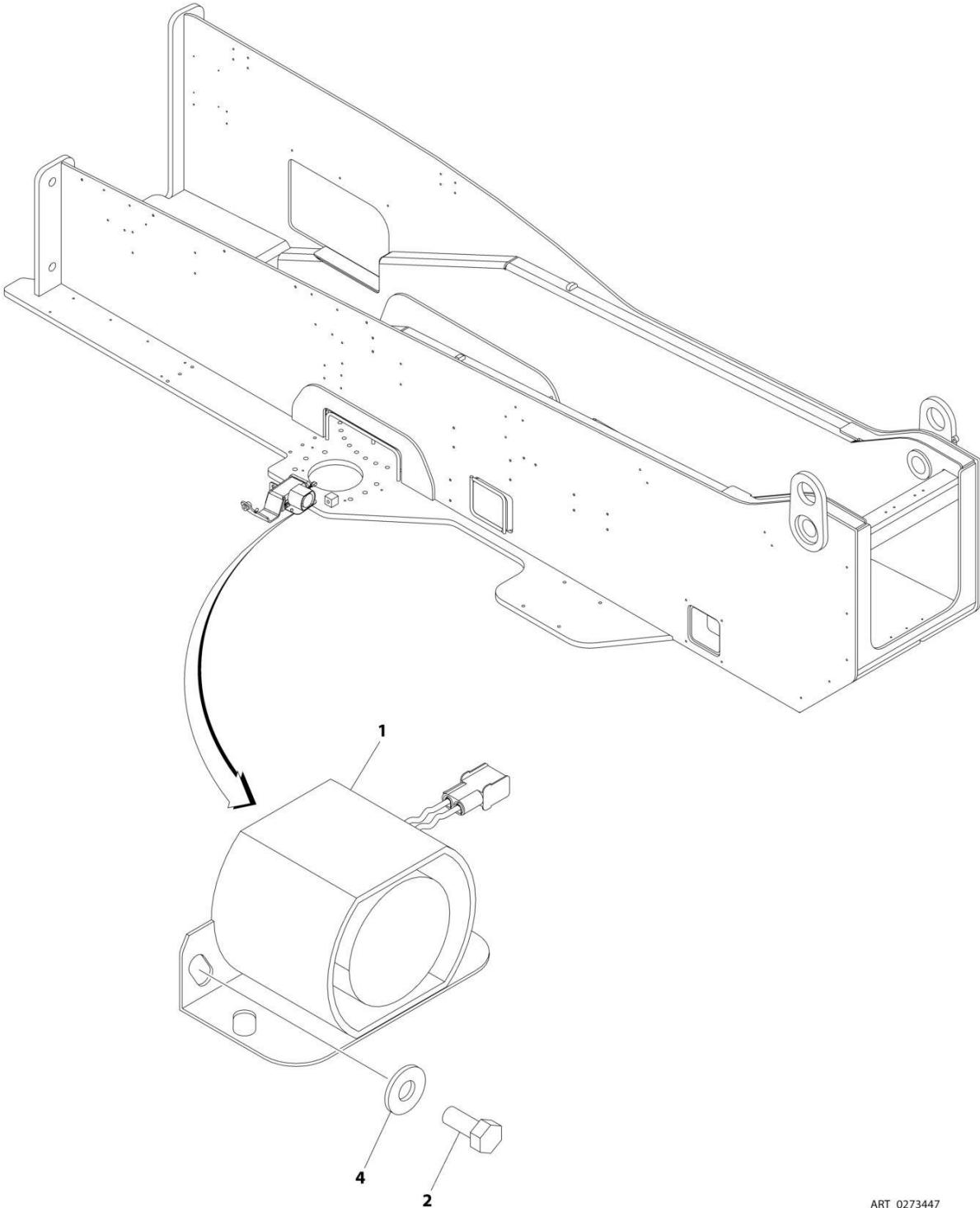
SECTION 2 - TURNTABLE

FIGURE 2-39. LIGHT PANEL INSTALLATION

ITEM	PART NUMBER	QTY	DESCRIPTION	REV
	1001233959	Ref	LIGHT PANEL INSTALLATION	C
2	3300408	2	Nut, Nylon Insert	
3	0630518	2	Screw #10 x 3/4	
5	1001237546	1	Light Panel Assembly	H
5A	1001236091	1	Lens, I-Con	
5C	1001187807	1	Panel, LED Light	
5D		Ref	Screw	

SECTION 2 - TURNTABLE

FIGURE 2-40. ALARMS INSTALLATION



ART_0273447

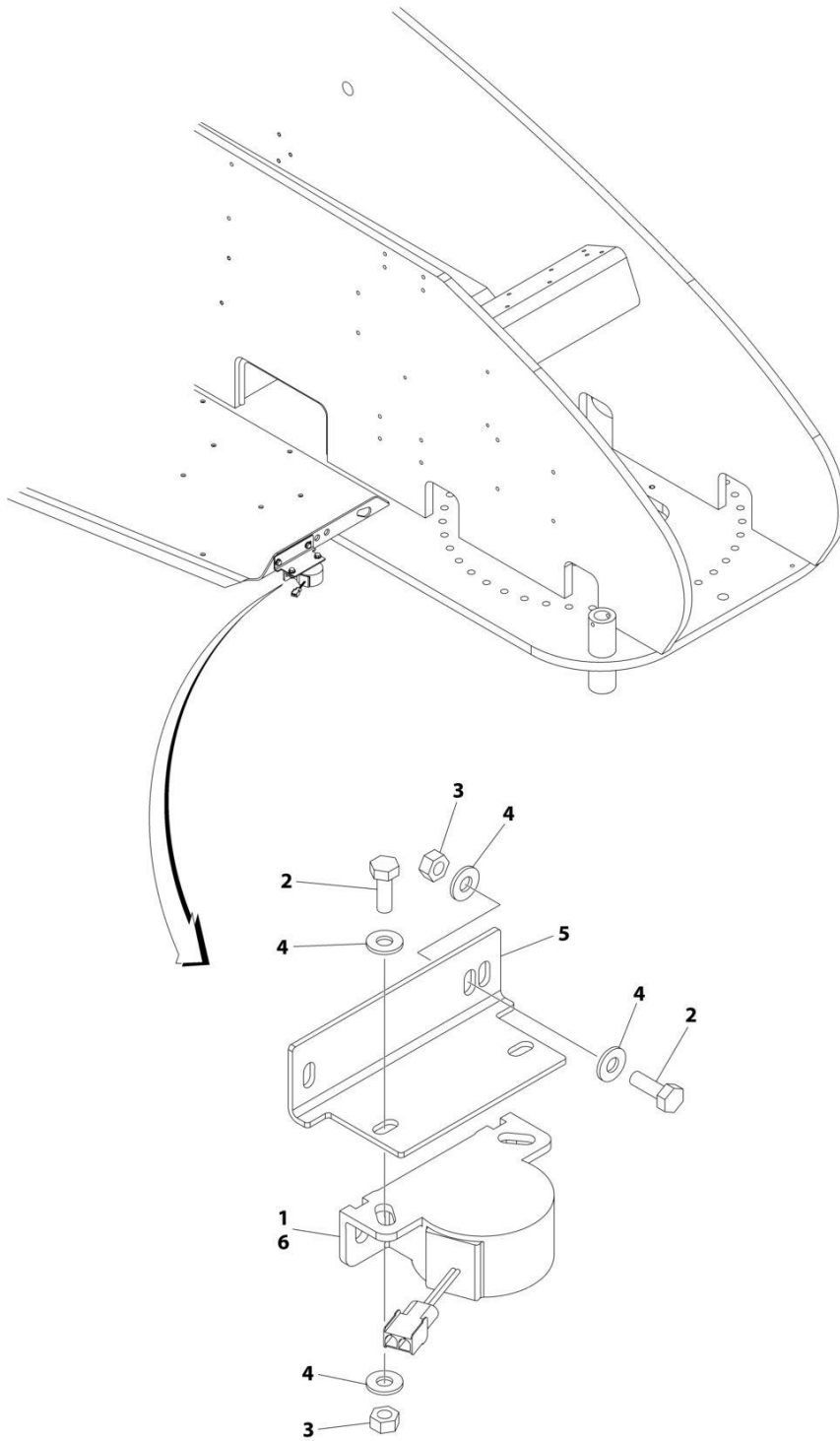
SECTION 2 - TURNTABLE

FIGURE 2-40. ALARMS INSTALLATION

ITEM	PART NUMBER	QTY	DESCRIPTION	REV
	0273447	Ref	ALARMS INSTALLATION	B
1	0257887	1	Alarm	
1	0140032	1	Alarm	
1	2820035	6 in/15cm	Loom	
1	4460424	1	Plug	
1	4460268	2	Socket, Female	
2	0641506	2	Bolt 6/16 x 3/4	
4	4751500	AR	Washer 5/16	

SECTION 2 - TURNTABLE

FIGURE 2-41. BACKUP ALARM (WHITE NOISE) INSTALLATION



ART_1001239281

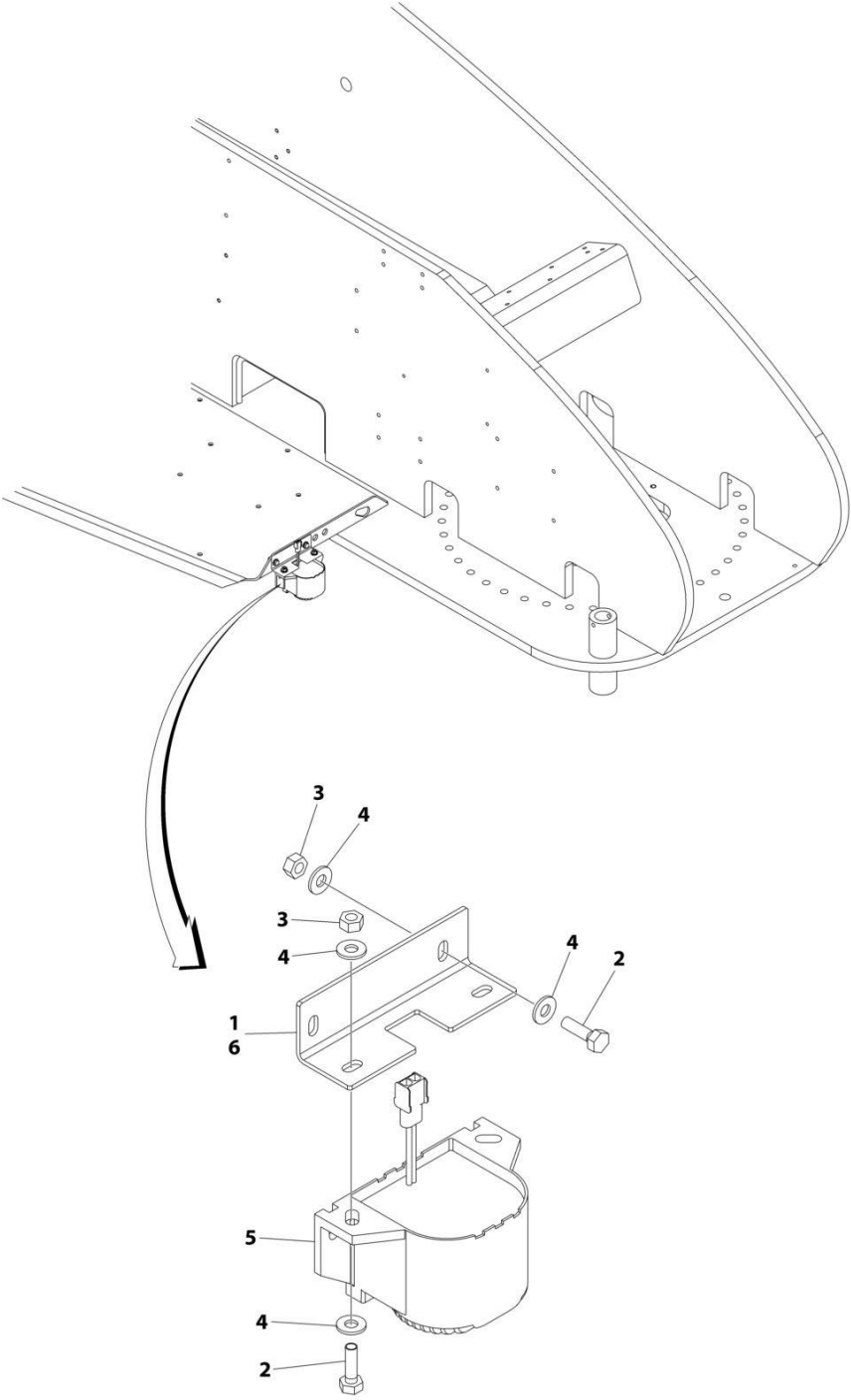
SECTION 2 - TURNTABLE

FIGURE 2-41. BACKUP ALARM (WHITE NOISE) INSTALLATION

ITEM	PART NUMBER	QTY	DESCRIPTION	REV
	1001239281	Ref	BACKUP ALARM (WHITE NOISE) INSTALLATION	A
1	0100048	AR	Grease, Dielectric	
2	0641406	4	Bolt 1/4 x 3/4	
3	3311405	4	Nut 1/4	
4	4711400	8	Washer 1/4	
5	1001231886	1	Plate	
6	1001243734	1	Alarm	
6	1001184682	1	Alarm	
6	4460424	1	Plug	
6	4460268	2	Socket, Female	

SECTION 2 - TURNTABLE

FIGURE 2-42. BACKUP ALARM AMBIENT (WHITE NOISE) INSTALLATION



ART_1001241383

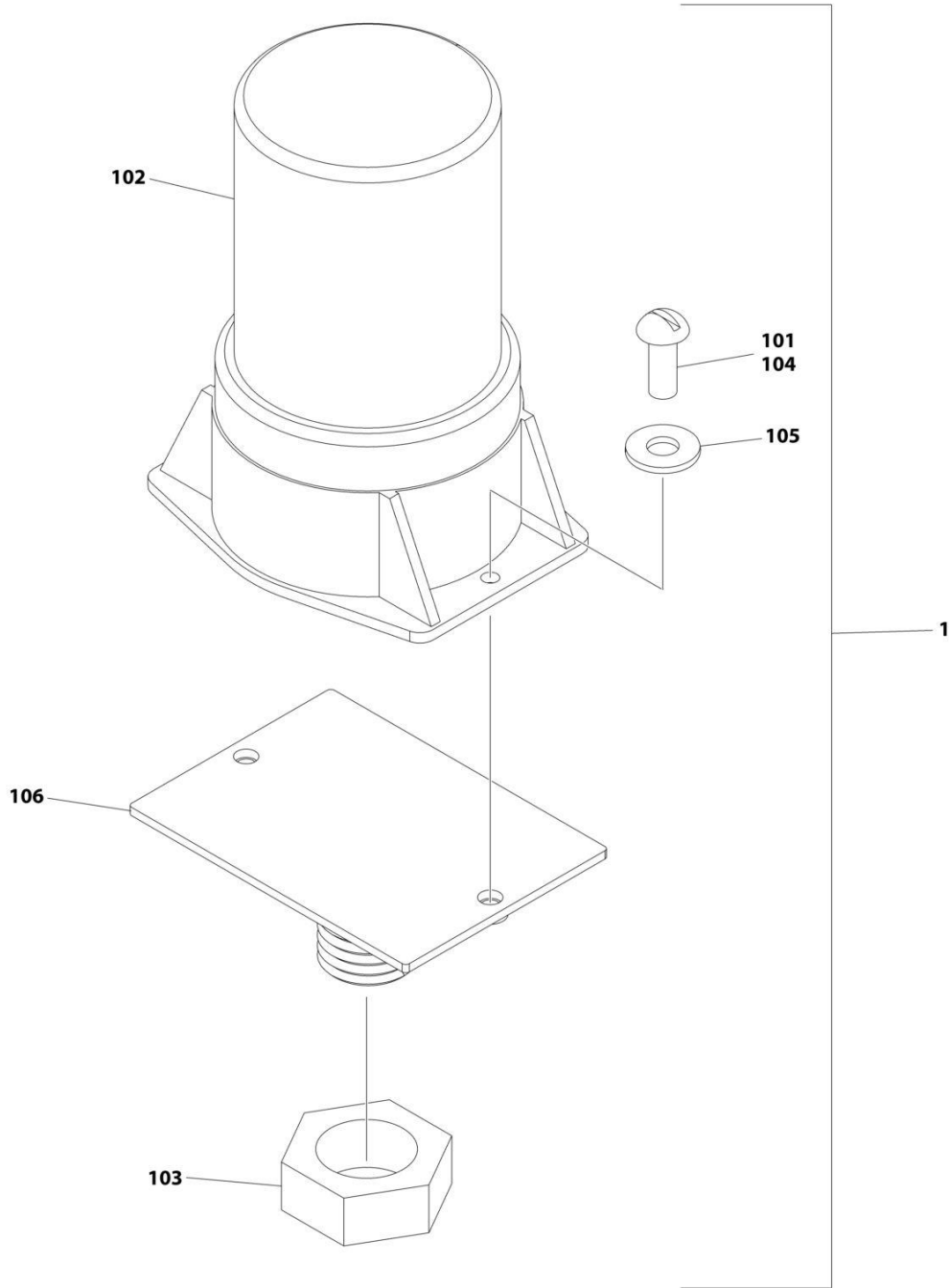
SECTION 2 - TURNTABLE

FIGURE 2-42. BACKUP ALARM AMBIENT (WHITE NOISE) INSTALLATION

ITEM	PART NUMBER	QTY	DESCRIPTION	REV
	1001241383	Ref	ALARM AMBIENT (WHITE NOISE) INSTALLATION	A
1	0100048	AR	Grease, Dielectric	
2	0641407	4	Bolt 1/4 x 7/8	
3	3311405	4	Nut 1/4	
4	4711400	8	Washer 1/4	
5	1001243731	1	Alarm	
5	1001182806	1	Alarm	
5	4460424	1	Plug	
5	4460268	2	Socket, Female	
6	1001243849	1	Plate	

SECTION 2 - TURNTABLE

FIGURE 2-43. STROBE LIGHT INSTALLATION (AMBER)



ART_1001149955

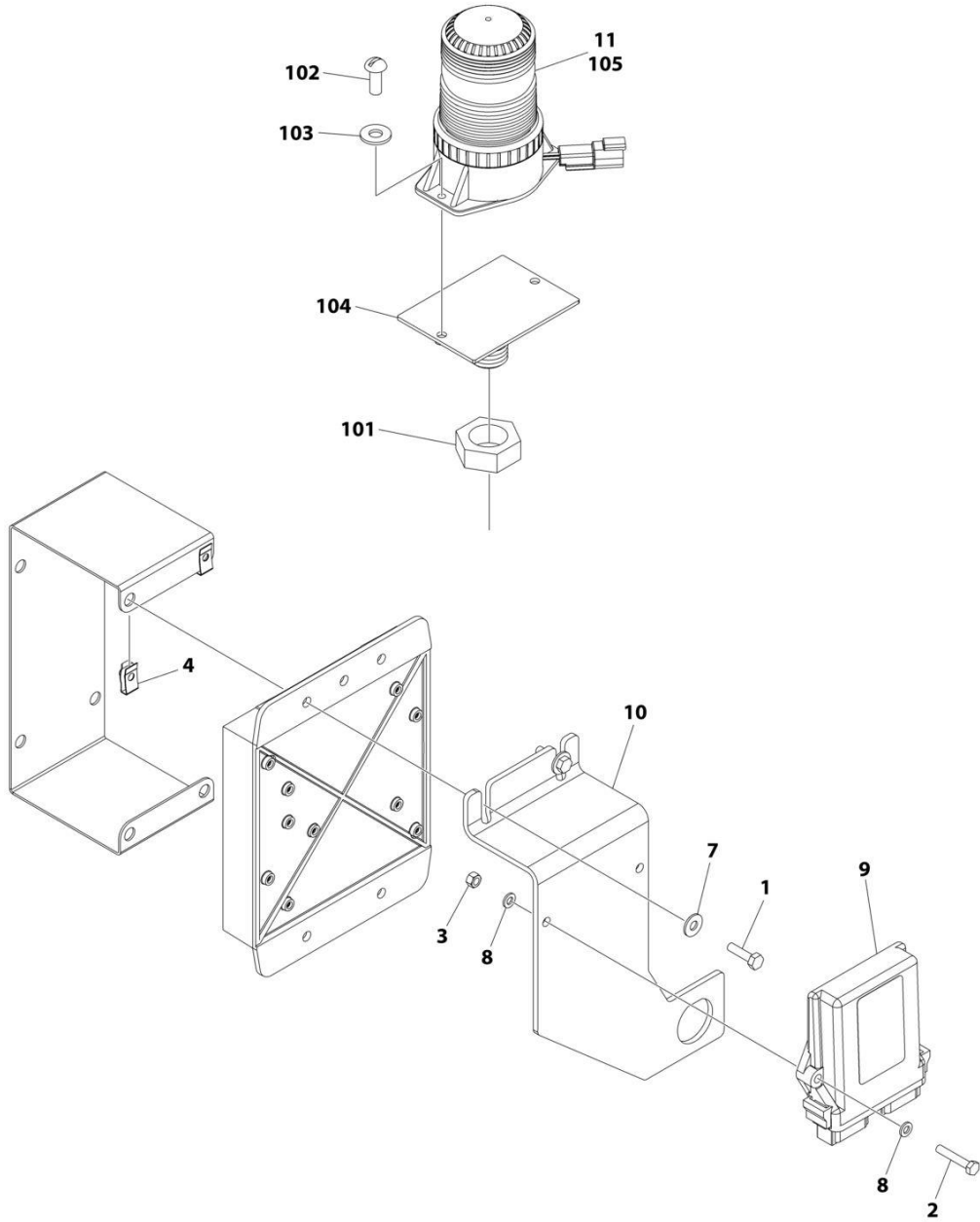
SECTION 2 - TURNTABLE

FIGURE 2-43. STROBE LIGHT INSTALLATION (AMBER)

ITEM	PART NUMBER	QTY	DESCRIPTION	REV
	1001149955	Ref	STROBE LIGHT INSTALLATION (AMBER)	B
1	1001150406	1	Strobe Light Assembly (Includes Items 101-106)	D
2	1001149818	1	Harness, Strobe Light (Not Shown - See Separate Breakdown in ELECTRICAL SECTION)	
101	0100035	AR	Compound, Locking	
102	2920161	1	Strobe Light/Harness Assembly	
102	7016319	1	Bulb	
102	7016372	1	Lens	
103	3312602	1	Nut 1	
104	3900085	2	Screw #10 x 1/2	
105	4751000	2	Washer 1/4	
106	1001149994	1	Mount Strobe	

SECTION 2 - TURNTABLE

FIGURE 2-44. STROBE LIGHT INSTALLATION (BLUE)



ART_1001244026-A

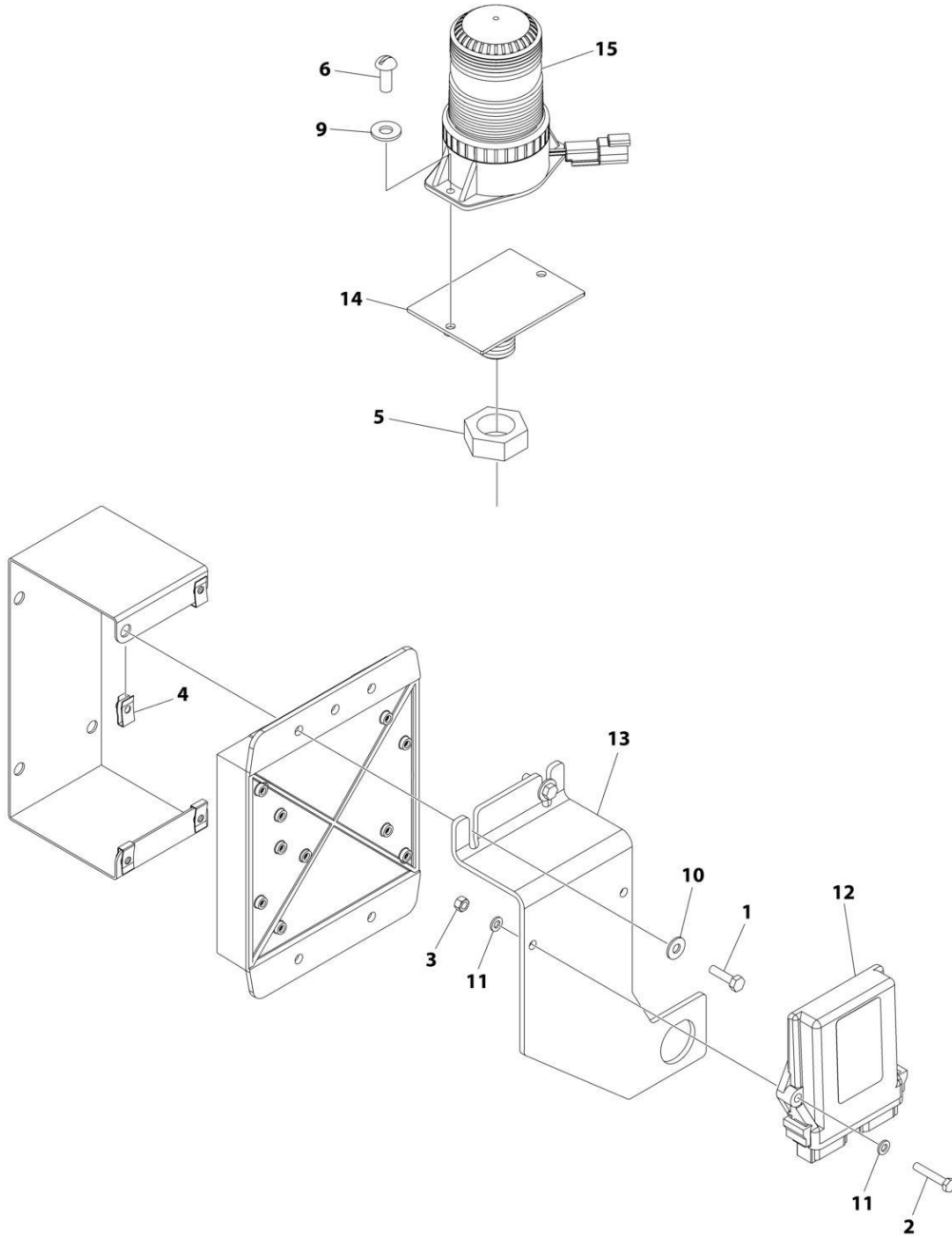
SECTION 2 - TURNTABLE

FIGURE 2-44. STROBE LIGHT INSTALLATION (BLUE)

ITEM	PART NUMBER	QTY	DESCRIPTION	REV
	1001244026	Ref	STROBE LIGHT INSTALLATION (BLUE)	A
1	0641408	2	Bolt 1/4 x 1	
2	0700615	2	Bolt M6 x 35	
3	3290607	2	Nut M6 x 1	
4	3300454	2	Nut 1/4	
5	4240032	AR	Tie-Strap (Not Shown)	
6	4460488	AR	Mounting Base (Not Shown)	
7	4751400	2	Washer 1/4	
8	4811700	4	Washer M6	
9	1001142683	1	Module, Control Beacon	
10	1001142719	1	Bracket	
11	1001217005	1	Blue Beacon Light Kit (See Items 101-105 for Breakdown)	
12	1001142736	1	Harness, Beacon Control (Not Shown - See Separate Breakdown in ELECTRICAL SECTION)	
101	3312602	1	Nut 1/4	
102	3900085	2	Screw 10 x 1/2	
103	4751000	2	Washer #10	
104	1001149994	1	Mount, Beacon	
105	1001200910	1	Light, Strobe	
105	7028909	1	Connector - 2 Position	
105	4460943	2	Pin, Male	

SECTION 2 - TURNTABLE

FIGURE 2-45. STROBE LIGHT INSTALLATION (RED)



ART_1001244027

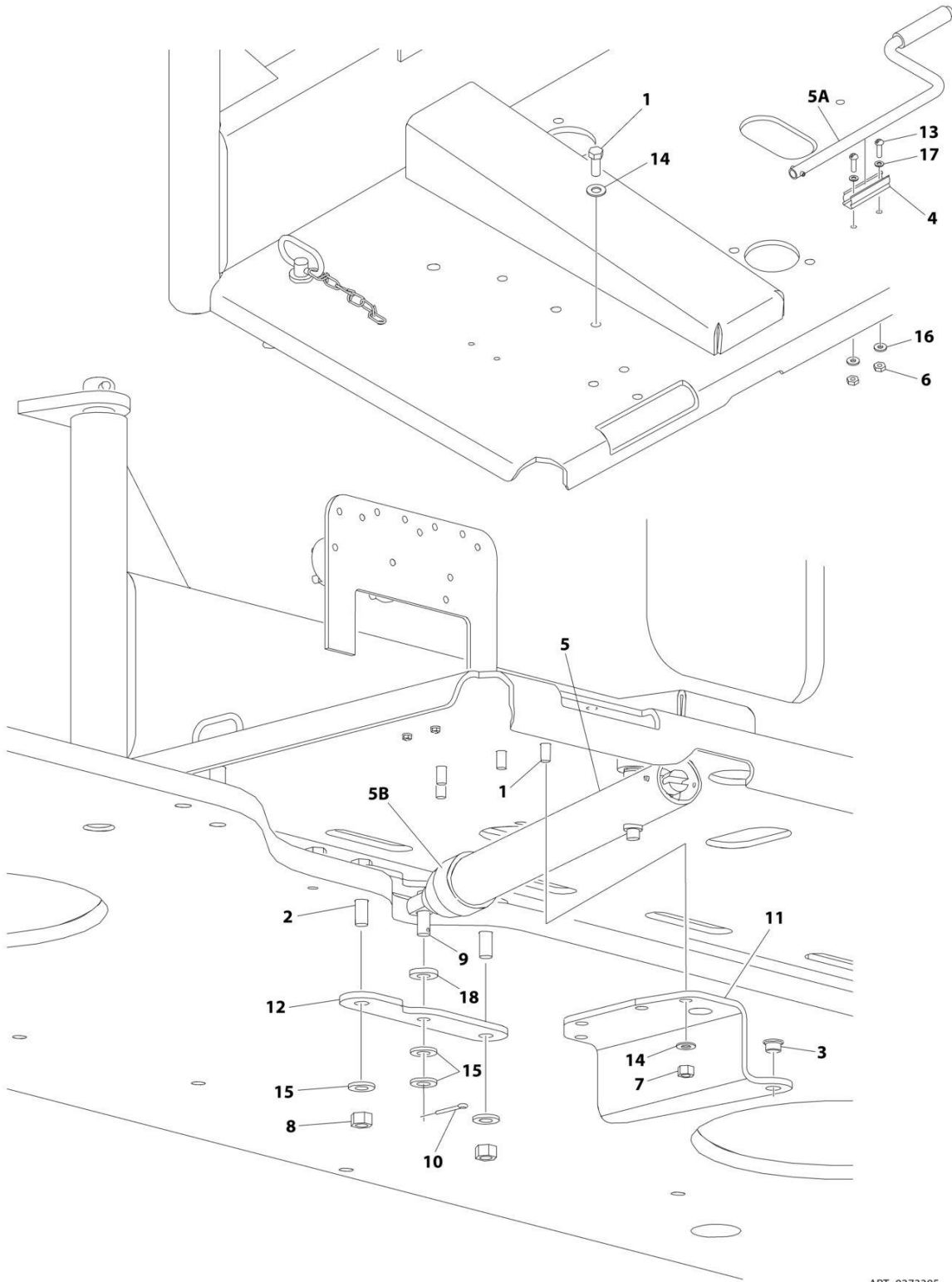
SECTION 2 - TURNTABLE

FIGURE 2-45. STROBE LIGHT INSTALLATION (RED)

ITEM	PART NUMBER	QTY	DESCRIPTION	REV
	1001244027	Ref	STROBE LIGHT INSTALLATION (RED)	A
1	0641408	2	Bolt 1/4 x 1	
2	0700615	2	Bolt M6 x 35	
3	3290607	2	Nut M6 x 1	
4	3300454	2	Nut	
5	3312602	1	Nut 1	
6	3900085	2	Screw 10 x 1/2	
7	4240032	AR	Tie-Strap (Not Shown)	
8	4460488	AR	Mounting Base (Not Shown)	
9	4751000	2	Washer #10	
10	4751400	2	Washer 1/4	
11	4811700	4	Washer M6	
12	1001142683	1	Module, Control Beacon	
13	1001142719	1	Bracket	
14	1001149994	1	Mount, Beacon	
15	1001207004	1	Light, Strobe	
15	7028909	1	Connector - 2 Position	
15	4460943	2	Pin, Male	
16	1001142736	1	Harness, Beacon Control (Not Shown - See Separate Breakdown in ELECTRICAL SECTION)	

SECTION 2 - TURNTABLE

FIGURE 2-46. ENGINE TRAY JACK INSTALLATION - DEUTZ TD2011 ENGINES



ART_0273395

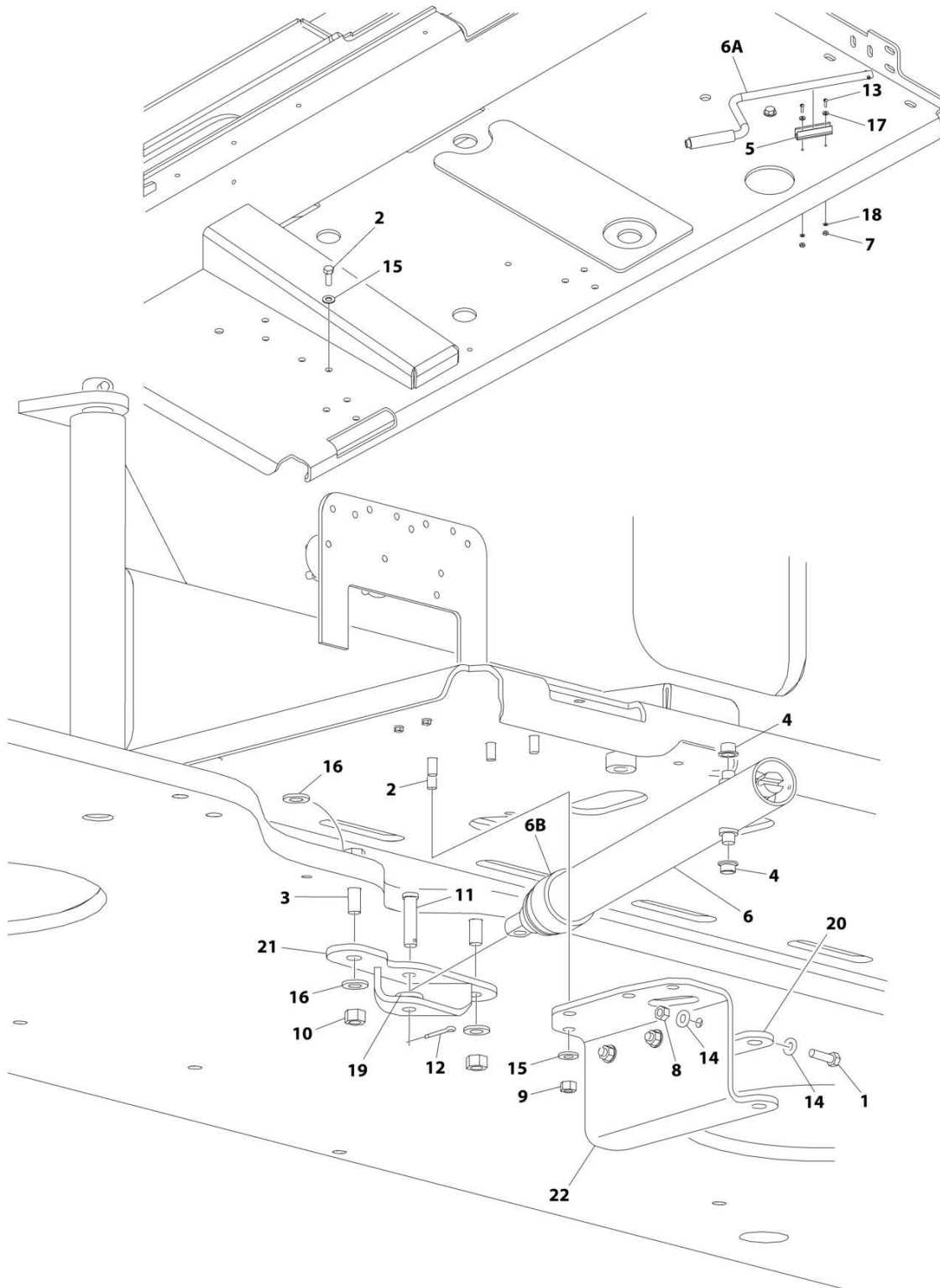
SECTION 2 - TURNTABLE

FIGURE 2-46. ENGINE TRAY JACK INSTALLATION - DEUTZ TD2011 ENGINES

ITEM	PART NUMBER	QTY	DESCRIPTION	REV
	0273395	Ref	ENGINE TRAY JACK INSTALLATION - DEUTZ TD2011 ENGINES	B
1	0641608	4	Bolt 3/8 x 1	
2	0641818	2	Bolt 1/2 x 2-1/4	
3	0962051	2	Bearing, Flanged	
4	1380147	1	Clip, Spring	
5	2840016	1	Jack and Handle Assembly	
5A		Ref	Handle Options:	
5A	7016374	1	Burr Manufacturing Brand	
5A	7024598	1	Hammerblow Corp Brand	
5B	7016322	1	Wiper (Burr Manufacturing Brand Only)	
6	3310601	2	Nut #6	
7	3311605	4	Nut 3/8	
8	3311805	2	Nut 1/2	
9	3430816	1	Pin, Clevis	
10	3450404	1	Pin, Cotter 1/8 x 1	
11	3537445	1	Bracket	
12	3574492	2	Plate	
13	3910608	2	Screw #6 x 1/2	
14	4711600	8	Washer 3/8	
15	4711800	4	Washer 1/2	
16	4750600	2	Washer #6	
17	4770600	2	Starwasher #6	
18	4891800	1	Washer 1/2	

SECTION 2 - TURNTABLE

FIGURE 2-47. ENGINE TRAY JACK INSTALLATION - DEUTZ TCD2.9L4 ENGINES AND DEUTZ TCD2.9L4 (STAGE V) ENGINES



ART_1001146050

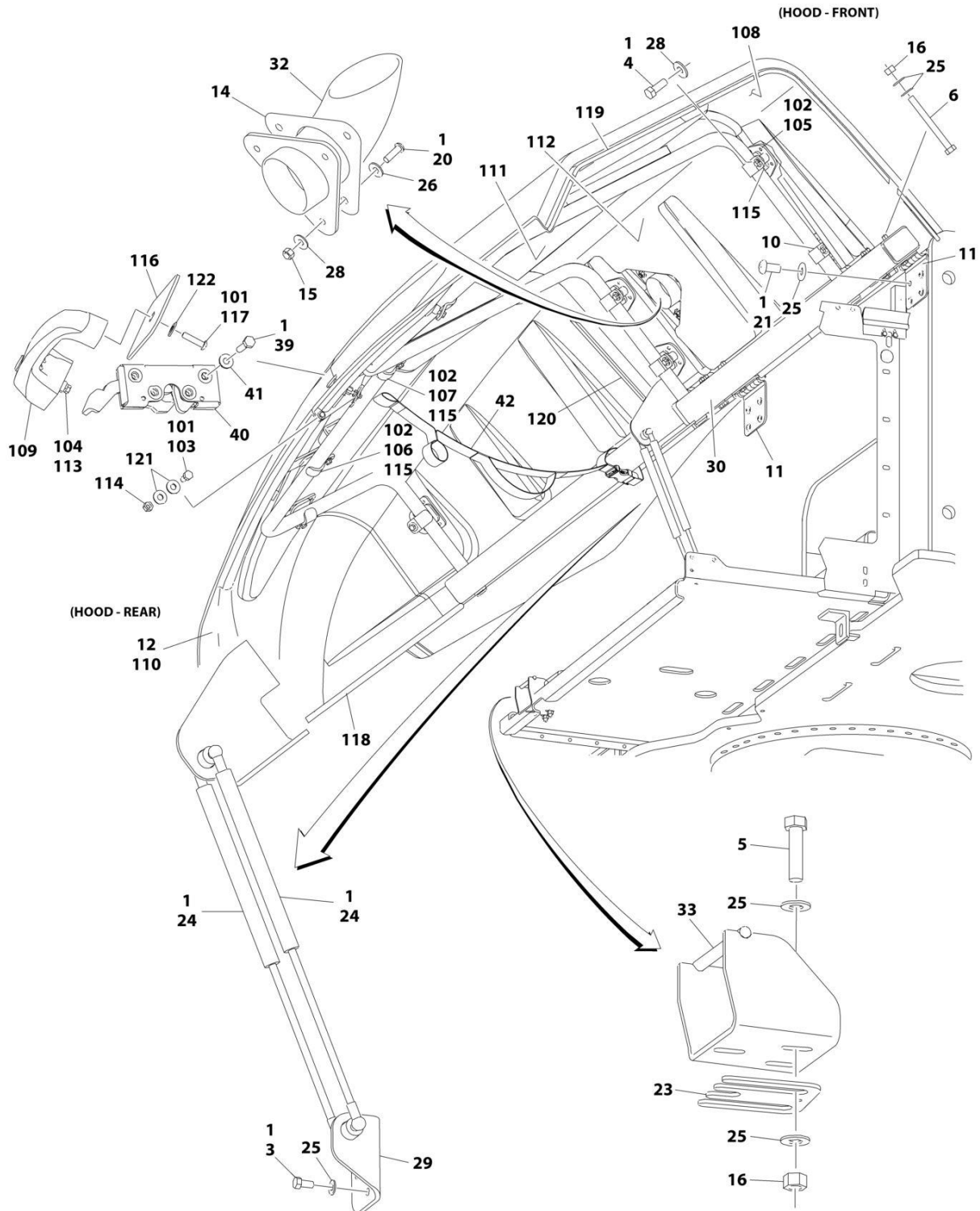
SECTION 2 - TURNTABLE

FIGURE 2-47. ENGINE TRAY JACK INSTALLATION - DEUTZ TCD2.9L4 ENGINES AND DEUTZ TCD2.9L4 (STAGE V) ENGINES

ITEM	PART NUMBER	QTY	DESCRIPTION	REV
	1001146050	Ref	ENGINE TRAY JACK INSTALLATION - DEUTZ TCD2.9L4 ENGINES	B
1	0641509	3	Bolt 5/16 x 1-1/8	
2	0641608	4	Bolt 3/8 x 1	
3	0641816	2	Bolt 1/2 x 2	
4	0962051	2	Bearing, Flanged	
5	1380147	1	Clip, Spring	
6	2840016	1	Jack and Handle Assembly	
6A		Ref	Handle Options:	
6A	7016374	1	Burr Manufacturing Brand (Identified by 4in handle offset)	
6A	7024598	1	Hammerblow Corp Brand (Identified by 4-1/2in handle offset)	
6B	7016322	1	Wiper (Burr Manufacturing Brand Only)	
7	3310601	2	Nut #6	
8	3311505	3	Nut 5/16	
9	3311605	4	Nut 3/8	
10	3311805	2	Nut 1/2	
11	3430816	1	Pin, Clevis	
12	3450404	1	Pin, Cotter 1/8 x 1	
13	3910608	2	Screw #6 x 1/2	
14	4711500	6	Washer 5/16	
15	4711600	8	Washer 3/8	
16	4711800	4	Washer 1/2	
17	4750600	2	Washer #6	
18	4770600	2	Starwasher #6	
19	4891800	1	Washer 1/2	
20	1001131482	1	Plate, Jack Bracket	
21	1001135497	1	Support, Engine Tray Jack	
22	1001143298	1	Plate, Jack Bracket	

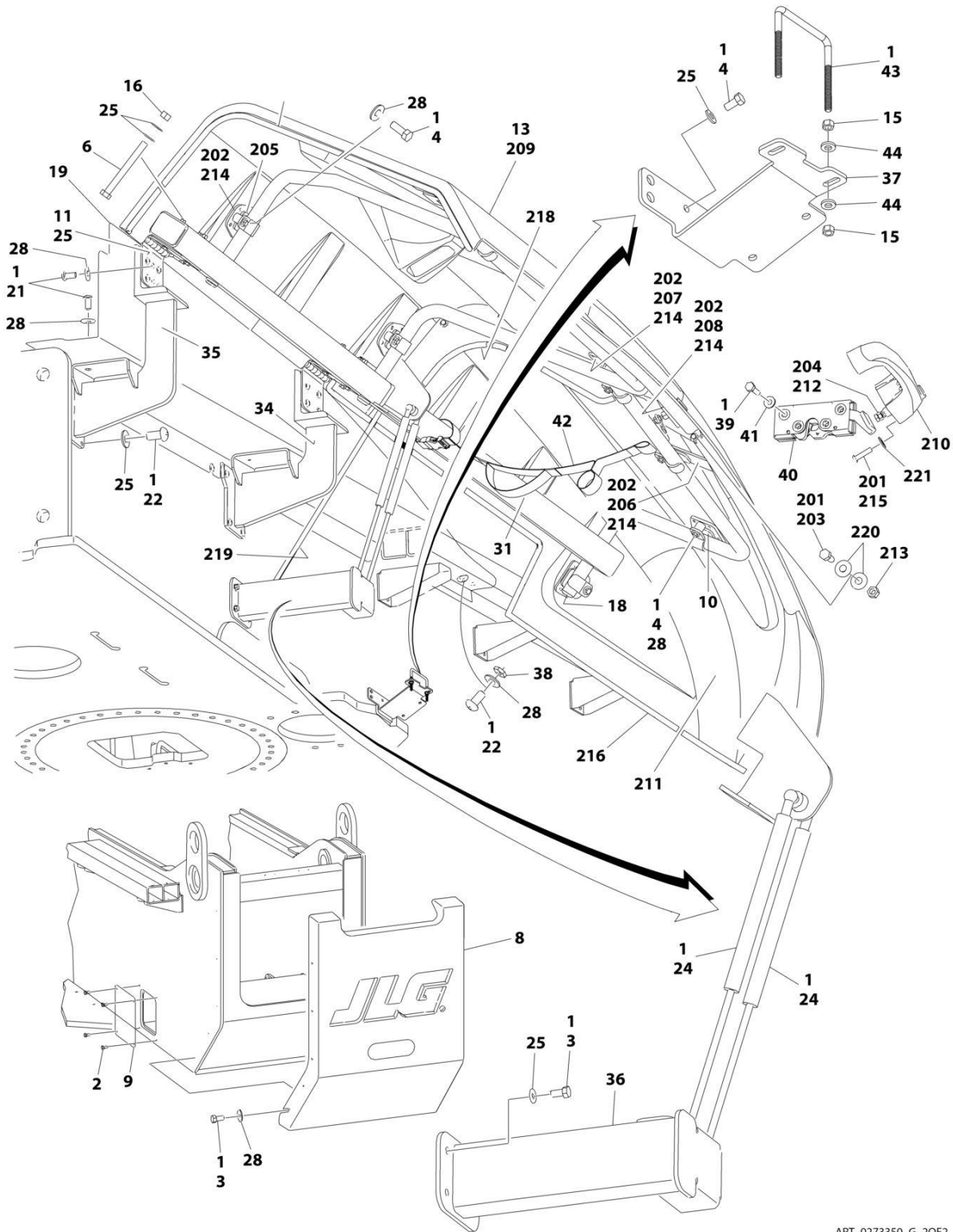
SECTION 2 - TURNTABLE

FIGURE 2-48. HOODS INSTALLATION - DEUTZ TD2011 ENGINES



ART_0273350_G_10F2

SECTION 2 - TURNTABLE



ART_0273350_G_20F2

SECTION 2 - TURNTABLE

FIGURE 2-48. HOODS INSTALLATION - DEUTZ TD2011 ENGINES

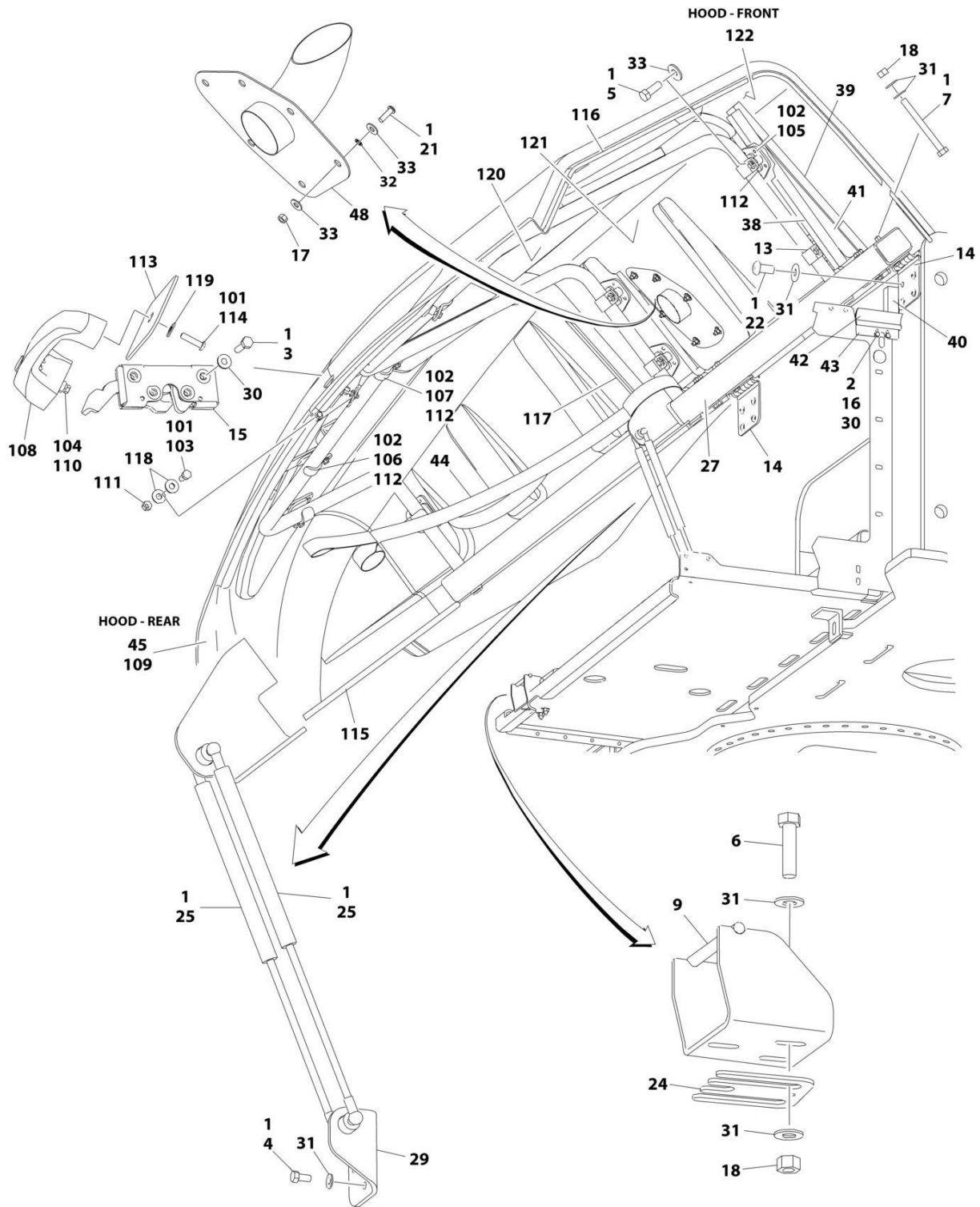
ITEM	PART NUMBER	QTY	DESCRIPTION	REV
	0273350	Ref	HOODS INSTALLATION - DEUTZ TD2011 ENGINES	G
1	0100011	AR	Compound, Locking	
2	0791605	8	Screw 3/8 x 3/4	
3	0641606	17	Bolt 3/8 x 3/4	
4	0641608	19	Bolt 3/8 x 1	
5	0641610	3	Bolt 3/8 x 1-1/4	
6	0641630	12	Bolt 3/8 x 3-3/4	
8	1671109	1	Cover, Turntable	
9	1671118	2	Cover, Pin Access	
10	2080051	16	Clamp	
11	2600280	4	Hinge	
12	1671192	1	Hood, Engine Side (See Items 101-122 for Breakdown)	
		Ref	Note: Replacement Decals Must Be Ordered Separately - See DECAL SECTION.	
13	1671194	1	Hood, Tank Side (See Items 201-221 for Breakdown)	
		Ref	Note: Replacement Decals Must Be Ordered Separately - See DECAL SECTION.	
14	2820141	1	Shield, Heat	
15	3311601	7	Nut 3/8	
16	3311605	15	Nut 3/8	
18	3520186	6	Plug	
19	3574533	1	Trough, Powertrack	
20	3900232	3	Screw 3/8 x 1-1/4	
21	3900283	29	Screw 3/8 x 3/4	
22	3900316	10	Screw 3/8 x 1	
23	4071048	3	Shim	
24	4160194	4	Spring, Gas	
25	4711600	64	Washer 1/4	
26	4740500	3	Washer, Nylon	
28	4751600	47	Washer 3/8	
29	4341001	1	Mount, Gas Spring	
30	4340996	1	Support, Engine Side Hood	
31	4340995	1	Support, Tank Side Hood	
32	4846503	1	Stack, Exhaust	
33	0903154	1	Bracket, Latch	
34	4846871	1	Support, Front Hood	
35	4846872	1	Support, Rear Hood	
36	4341000	1	Mount, Gas Spring	
37	1001250301	1	Bracket, Tank Side Striker	
38	88662523	2	Nut, Tinnerman Only	
39	0641408	8	Bolt 1/4 x 1	
40	2940173	2	Latch, Rotary	
41	4711400	AR	Washer 1/4	
42	1001160505	2	Strap	
43	1001243414	1	U - Bolt	
44	4891600	4	Washer 3/8	
	1671192	Ref	ENGINE SIDE HOOD ASSEMBLY	B
101	0100011	AR	Compound, Locking	
102	0100081	AR	Adhesive	
103	0641506	10	Bolt 5/16 x 3/4	

SECTION 2 - TURNTABLE

ITEM	PART NUMBER	QTY	DESCRIPTION	REV
104	0760608	1	Bolt M6 x 16	
105	0902746	7	Bracket	
106	0902761	1	Bracket	
107	0903161	1	Bracket	
108	1671191	1	Hood, Engine Side Front	
109	2560187	1	Handle	
110	2680496	1	Hood, Engine Side Rear	
111	2820145	1	Insulation, Sound Absorbing	
112	2820146	1	Insulation, Noise Absorbing	
113	3290601	1	Nut M6 x 1	
114	3311501	10	Nut 5/16	
115	3340877	9	Pad	
116	3575782	1	Plate	
117	3900363	2	Screw M6 x 25	
118	3960464	12.1 ft /3.7m	Seal	
119	4060804	5.1 ft /1.6m	Shield, Flex Trim	
120	4060806	4.1 ft /1.2m	Shield, Flex Trim	
121	4751500	20	Washer 5/16	
122	4811900	2	Washer M8	
	1671194	Ref	TANK SIDE HOOD ASSEMBLY	A
201	0100011	AR	Compound, Locking	
202	0100081	AR	Adhesive	
203	0641506	9	Bolt 5/16 x 3/4	
204	0760608	1	Bolt M6 x 16	
205	0902746	4	Bracket	
206	0902762	1	Bracket	
207	0902763	1	Bracket	
208	0903162	1	Bracket	
209	1671193	1	Hood, Tank Side Front	
210	2560187	1	Handle	
211	2680498	1	Hood, Tank Side Rear	
212	3290601	1	Nut M6 x 1	
213	3311501	9	Nut 5/16	
214	3340877	7	Pad	
215	3900363	2	Screw M6 x 25	
216	3960464	12.4 ft /3.8m	Seal	
217	4060804	4.4 ft /1.3m	Shield, Flex Trim	
218	4060806	3.3 ft/1m	Shield, Flex Trim	
219	4240150	1	Strap	
220	4751500	18	Washer 5/16	
221	4811900	2	Washer M8	

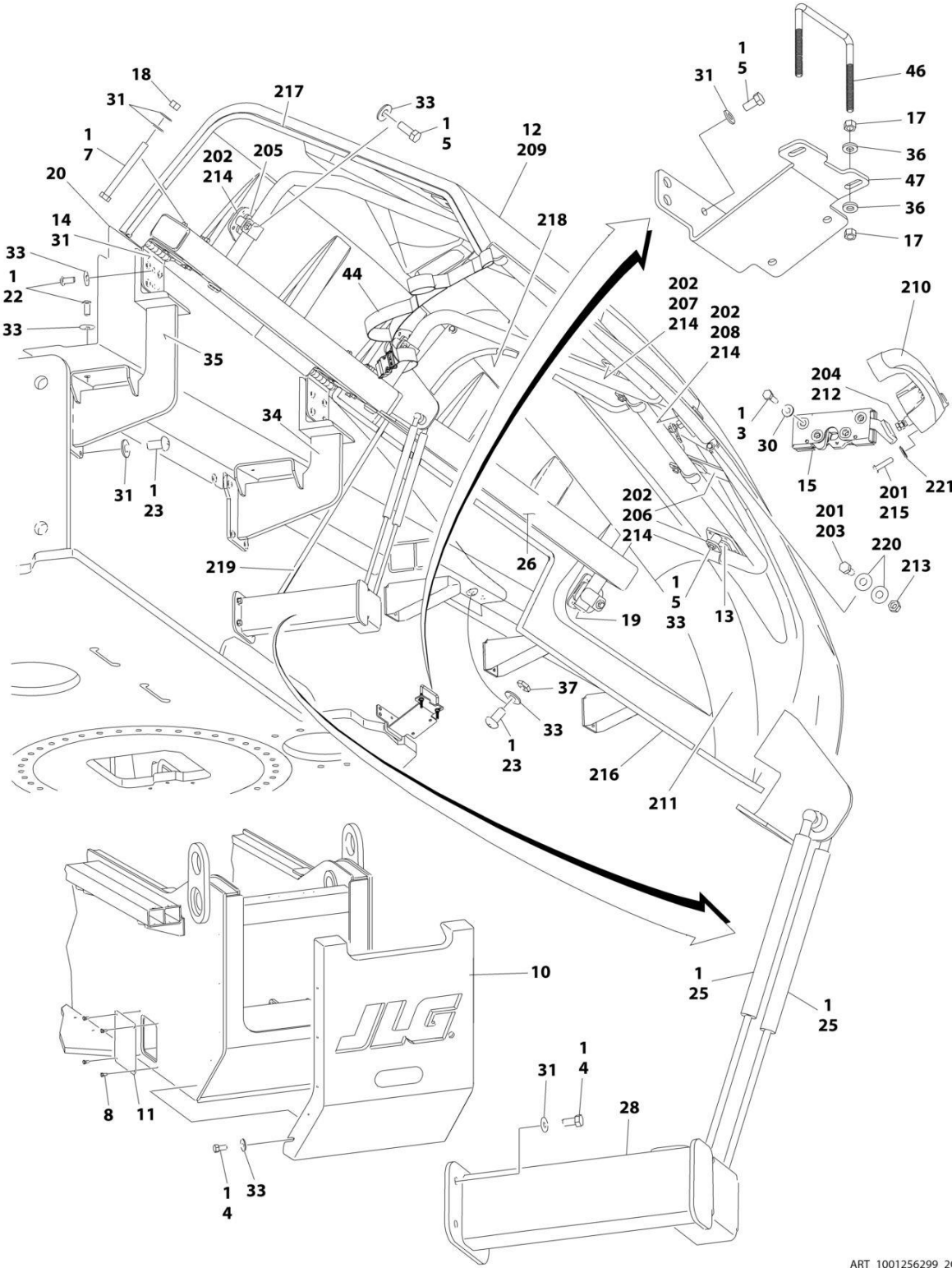
SECTION 2 - TURNTABLE

FIGURE 2-49. HOODS INSTALLATION - DEUTZ TCD2.9L4 ENGINES



ART_1001256299_10F2

SECTION 2 - TURNTABLE



ART_1001256299_20F2

SECTION 2 - TURNTABLE

FIGURE 2-49. HOODS INSTALLATION - DEUTZ TCD2.9L4 ENGINES

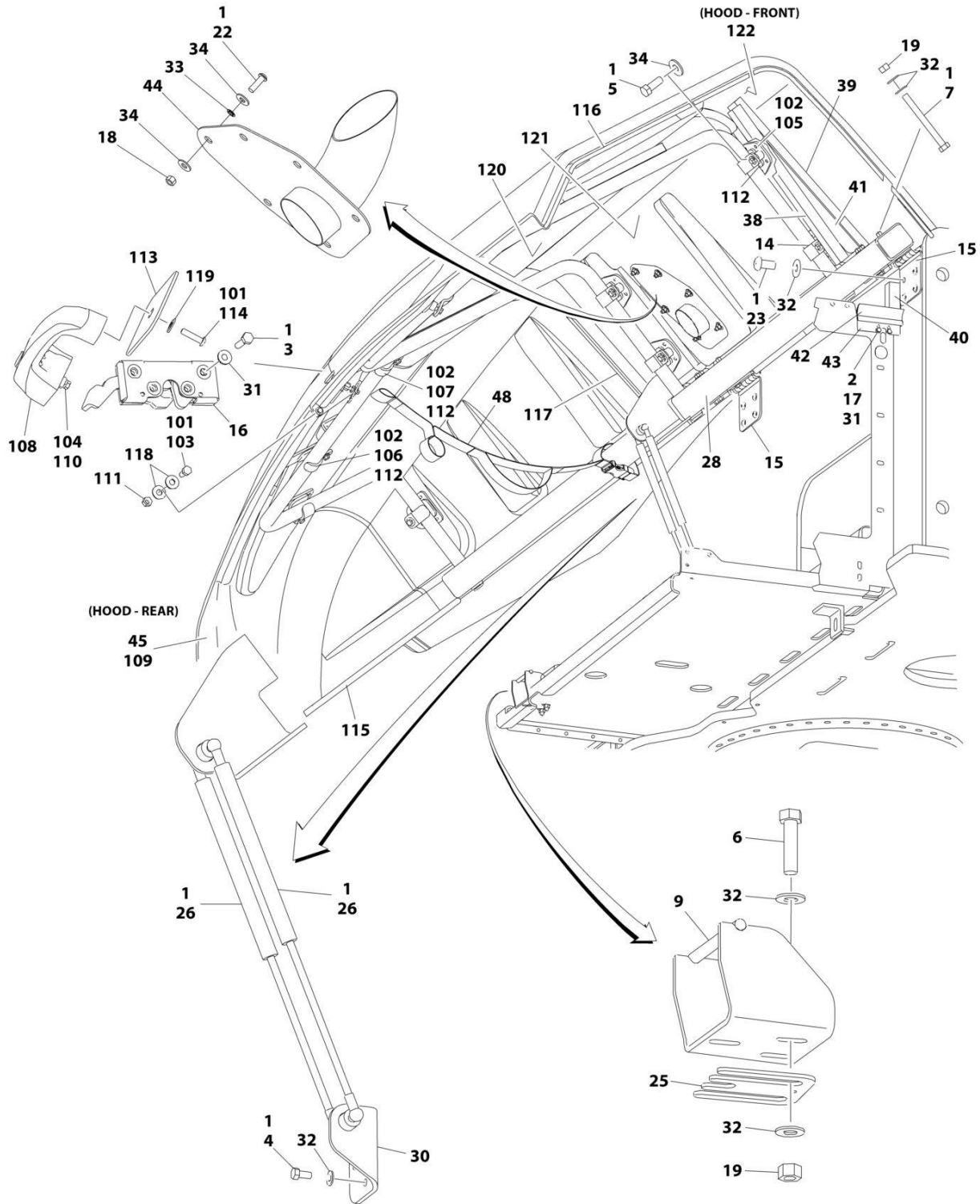
ITEM	PART NUMBER	QTY	DESCRIPTION	REV
	1001256299	Ref	HOODS INSTALLATION - DEUTZ TCD2.9L4 ENGINES AND DEUTZ TCD2.9L4 (STAGE V PRE-BUY) ENGINES	A
1	0100011	AR	Compound, Locking	
2	0641406	2	Bolt 1/4 x 3/4	
3	0641408	8	Bolt 1/4 x 1	
4	0641606	17	Bolt 3/8 x 3/4	
5	0641608	19	Bolt 3/8 x 1	
6	0641610	3	Bolt 3/8 x 1-1/4	
7	0641630	12	Bolt 3/8 x 3-3/4	
8	0791605	8	Screw 3/8 x 5/8	
9	0903154	1	Bracket, Engine Side Striker	
10	1671109	1	Cover, Turntable	
11	1671118	2	Cover, Pin Access	
12	1671194	1	Hood, Tank Side (See Items 201-221 for Breakdown)	
13	2080051	16	Clamp	
14	2600280	4	Hinge	
15	2940173	2	Latch, Rotary	
16	3311405	2	Nut 1/4	
17	3311601	10	Nut 3/8	
18	3311605	15	Nut 3/8	
19	3520186	6	Plug	
20	3574533	1	Trough, Powertrack	
21	3900232	6	Screw 3/8 x 1-1/4	
22	3900283	29	Screw 3/8 x 3/4	
23	3900316	10	Screw 3/8 x 1	
24	4071048	3	Shim	
25	4160194	4	Spring, Gas	
26	4340995	1	Support, Tank Side Hood	
27	4340996	1	Support, Engine Side Hood	
28	4341000	1	Mount, Tank Side Gas Spring	
29	4341001	1	Weldment, Gas Spring Mount	
30	4711400	12	Washer 1/4	
31	4711600	64	Washer 1/4	
32	4740500	6	Washer, Nylon	
33	4751600	53	Washer 3/8	
34	4846871	1	Weldment, Rear Hood Support	
35	4846872	1	Weldment, Front Hood Support	
36	4891600	4	Washer 3/8	
37	88662523	2	Nut, Tinnerman	
38	1001140485	1	Seal, Foam Gasket	
39	1001142144	1	Bracket, Hood Baffle	
40	1001146132	1	Seal, Foam Gasket	
41	1001146142	1	Seal, Foam Gasket	
42	1001146178	1	Seal, Hood Frame	
43	1001146183	1	Plate, Hood Frame Baffle	
44	1001160505	2	Strap	
45	1001237125	1	Hood, Engine Side (See Items 101-121 for Breakdown)	
46	1001243414	1	U - Bolt	
47	1001250301	1	Bracket, Tank Side Striker	
48	1001256298	1	Weldment, Exhaust Stack	

SECTION 2 - TURNTABLE

ITEM	PART NUMBER	QTY	DESCRIPTION	REV
	1001237125	Ref	ENGINE SIDE HOOD ASSEMBLY	A
101	0100011	AR	Compound, Locking	
102	0100081	AR	Adhesive	
103	0641510	10	Bolt 5/16 x 1-1/4	
104	0760608	1	Bolt M6 x 16	
105	0902746	7	Bracket	
106	0902761	1	Bracket	
107	0903161	1	Bracket	
108	2560187	1	Handle	
109	2680496	1	Hood, Engine Side Rear	
110	3290601	1	Nut M6 x 1	
111	3311501	10	Nut 5/16	
112	3340877	9	Pad	
113	3575782	1	Plate	
114	3900363	2	Screw M6 x 25	
115	3960464	12.1 ft /3.7m	Seal	
116	4060804	5.1 ft /1.6m	Shield, Flex Trim	
117	4060806	4.1 ft /1.2m	Shield, Flex Trim	
118	4751500	20	Washer 5/16	
119	4811900	2	Washer M8	
120	1001117140	AR	Tape, Aluminized Polyester	
121	1001152566	AR	Insulate	
	1671194	Ref	TANK SIDE HOOD ASSEMBLY	A
201	0100011	AR	Compound, Locking	
202	0100081	AR	Adhesive	
203	0641506	9	Bolt 5/16 x 3/4	
204	0760608	1	Bolt M6 x 16	
205	0902746	4	Bracket	
206	0902762	1	Bracket	
207	0902763	1	Bracket	
208	0903162	1	Bracket	
209	1671193	1	Hood, Tank Side Front	
210	2560187	1	Handle	
211	2680498	1	Hood, Tank Side Rear	
212	3290601	1	Nut M6 x 1	
213	3311501	9	Nut 5/16	
214	3340877	7	Pad	
215	3900363	2	Screw M6 x 25	
216	3960464	12.4 ft /3.8m	Seal	
217	4060804	4.4 ft /1.3m	Shield, Flex Trim	
218	4060806	3.3 ft /1m	Shield, Flex Trim	
219	4240150	1	Strap	
220	4751500	18	Washer 5/16	
221	4811900	2	Washer M8	

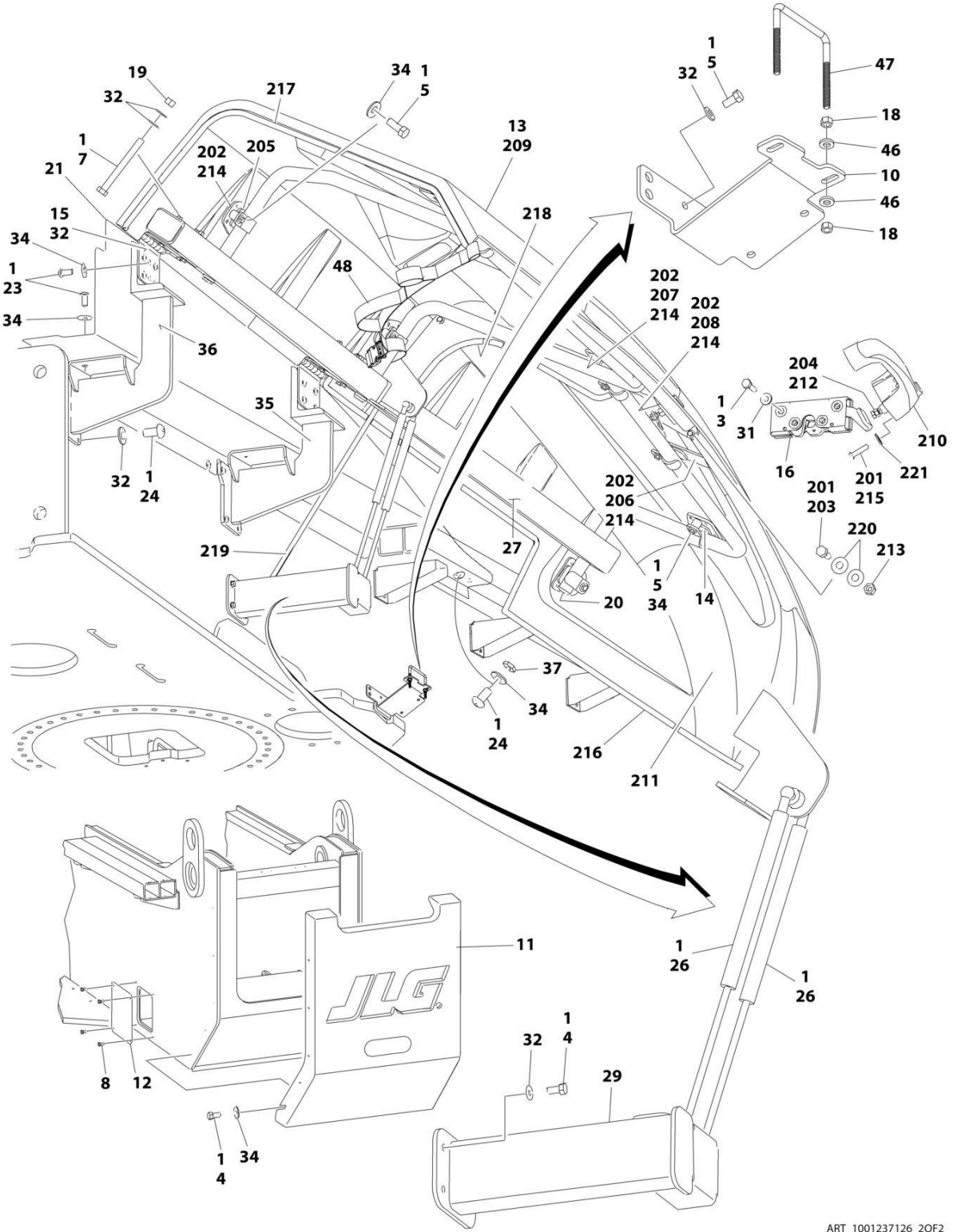
SECTION 2 - TURNTABLE

FIGURE 2-50. HOODS INSTALLATION - DEUTZ TCD2.9L4 (STAGE V) ENGINES



ART_1001237126_10F2

SECTION 2 - TURNTABLE



ART_1001237126_20F2

SECTION 2 - TURNTABLE

FIGURE 2-50. HOODS INSTALLATION - DEUTZ TCD2.9L4 (STAGE V) ENGINES

ITEM	PART NUMBER	QTY	DESCRIPTION	REV
	1001237126	Ref	HOODS INSTALLATION - DEUTZ TCD2.9L4 (STAGE V) ENGINES	B
1	0100011	AR	Compound, Locking	
2	0641406	2	Bolt 1/4 x 3/4	
3	0641408	8	Bolt 1/4 x 1	
4	0641606	17	Bolt 3/8 x 3/4	
5	0641608	19	Bolt 3/8 x 1	
6	0641610	3	Bolt 3/8 x 1-1/4	
7	0641630	12	Bolt 3/8 x 3-3/4	
8	0791605	8	Screw 3/8 x 5/8	
9	0903154	1	Bracket, Engine Side Striker	
10	1001250301	1	Bracket, Tank Side Striker	
11	1671109	1	Cover, Turntable	
12	1671118	2	Cover, Pin Access	
13	1671194	1	Hood, Tank Side (See Items 201-221 for Breakdown)	
14	2080051	16	Clamp	
15	2600280	4	Hinge	
16	2940173	2	Latch, Rotary	
17	3311405	2	Nut 1/4	
18	3311601	10	Nut 3/8	
19	3311605	15	Nut 3/8	
20	3520186	6	Plug	
21	3574533	1	Trough, Powertrack	
22	3900232	6	Screw 3/8 x 1-1/4	
23	3900283	29	Screw 3/8 x 3/4	
24	3900316	10	Screw 3/8 x 1	
25	4071048	3	Shim	
26	4160194	4	Spring, Gas	
27	4340995	1	Support, Tank Side Hood	
28	4340996	1	Support, Engine Side Hood	
29	4341000	1	Mount, Tank Side Gas Spring	
30	4341001	1	Weldment, Gas Spring Mount	
31	4711400	12	Washer 1/4	
32	4711600	64	Washer 1/4	
33	4740500	6	Washer, Nylon	
34	4751600	53	Washer 3/8	
35	4846871	1	Weldment, Rear Hood Support	
36	4846872	1	Weldment, Front Hood Support	
37	88662523	2	Nut, Tinnerman	
38	1001140485	1	Seal, Foam Gasket	
39	1001142144	1	Bracket, Hood Baffle	
40	1001146132	1	Seal, Foam Gasket	
41	1001146142	1	Seal, Foam Gasket	
42	1001146178	1	Seal, Hood Frame	
43	1001146183	1	Plate, Hood Frame Baffle	
44	1001236408	1	Weldment, Exhaust Stack	
45	1001237125	1	Hood, Engine Side (See Items 101-121 for Breakdown)	
46	4891600	4	Washer 3/8	
47	1001243414	1	U - Bolt	
48	1001160505	2	Strap	
	1001237125	Ref	ENGINE SIDE HOOD ASSEMBLY	A

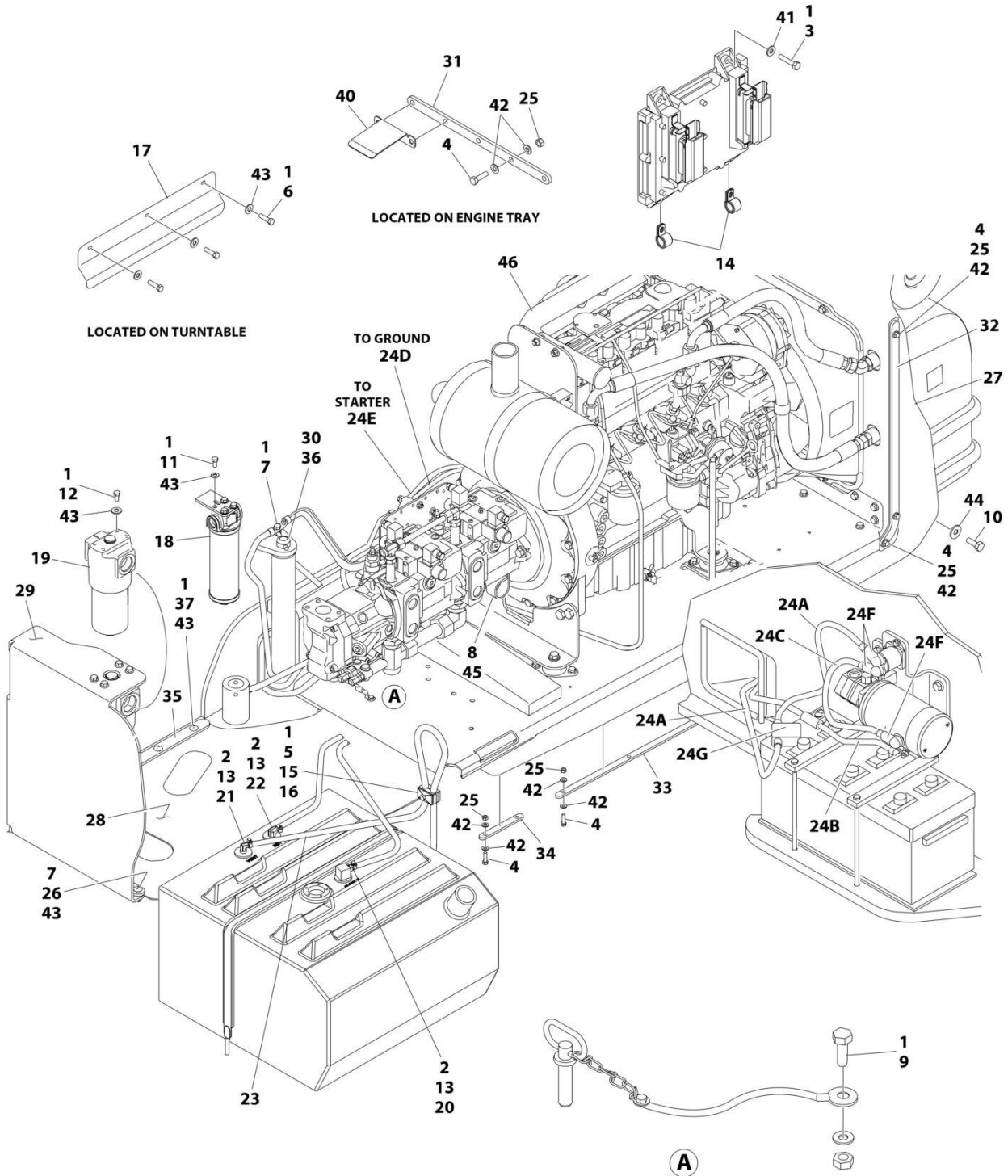
SECTION 2 - TURNTABLE

ITEM	PART NUMBER	QTY	DESCRIPTION	REV
101	0100011	AR	Compound, Locking	
102	0100081	AR	Adhesive	
103	0641510	10	Bolt 5/16 x 1-1/4	
104	0760608	1	Bolt M6 x 16	
105	0902746	7	Bracket	
106	0902761	1	Bracket	
107	0903161	1	Bracket	
108	2560187	1	Handle	
109	2680496	1	Hood, Engine Side Rear	
110	3290601	1	Nut M6 x 1	
111	3311501	10	Nut 5/16	
112	3340877	9	Pad	
113	3575782	1	Plate	
114	3900363	2	Screw M6 x 25	
115	3960464	12.1 ft /3.7m	Seal	
116	4060804	5.1 ft /1.6m	Shield, Flex Trim	
117	4060806	4.1 ft /1.2m	Shield, Flex Trim	
118	4751500	20	Washer 5/16	
119	4811900	2	Washer M8	
120	1001117140	AR	Tape, Aluminized Polyester	
121	1001152566	AR	Insulate	
	1671194	Ref	TANK SIDE HOOD ASSEMBLY	A
201	0100011	AR	Compound, Locking	
202	0100081	AR	Adhesive	
203	0641506	9	Bolt 5/16 x 3/4	
204	0760608	1	Bolt M6 x 16	
205	0902746	4	Bracket	
206	0902762	1	Bracket	
207	0902763	1	Bracket	
208	0903162	1	Bracket	
209	1671193	1	Hood, Tank Side Front	
210	2560187	1	Handle	
211	2680498	1	Hood, Tank Side Rear	
212	3290601	1	Nut M6 x 1	
213	3311501	9	Nut 5/16	
214	3340877	7	Pad	
215	3900363	2	Screw M6 x 25	
216	3960464	12.4 ft /3.8m	Seal	
217	4060804	4.4 ft /1.3m	Shield, Flex Trim	
218	4060806	3.3 ft /1m	Shield, Flex Trim	
219	4240150	1	Strap	
220	4751500	18	Washer 5/16	
221	4811900	2	Washer M8	

SECTION 3 - ENGINE

SECTION 3 - ENGINE

FIGURE 3-1. DEUTZ TD2011 ENGINE INSTALLATION - WITH REXROTH PUMP (WITHOUT GENERATOR AND WITHOUT COLD WEATHER PLUS PACKAGE)



ART_1001098519

SECTION 3 - ENGINE

FIGURE 3-1. DEUTZ TD2011 ENGINE INSTALLATION - WITH REXROTH PUMP (WITHOUT GENERATOR AND WITHOUT COLD WEATHER PLUS PACKAGE)

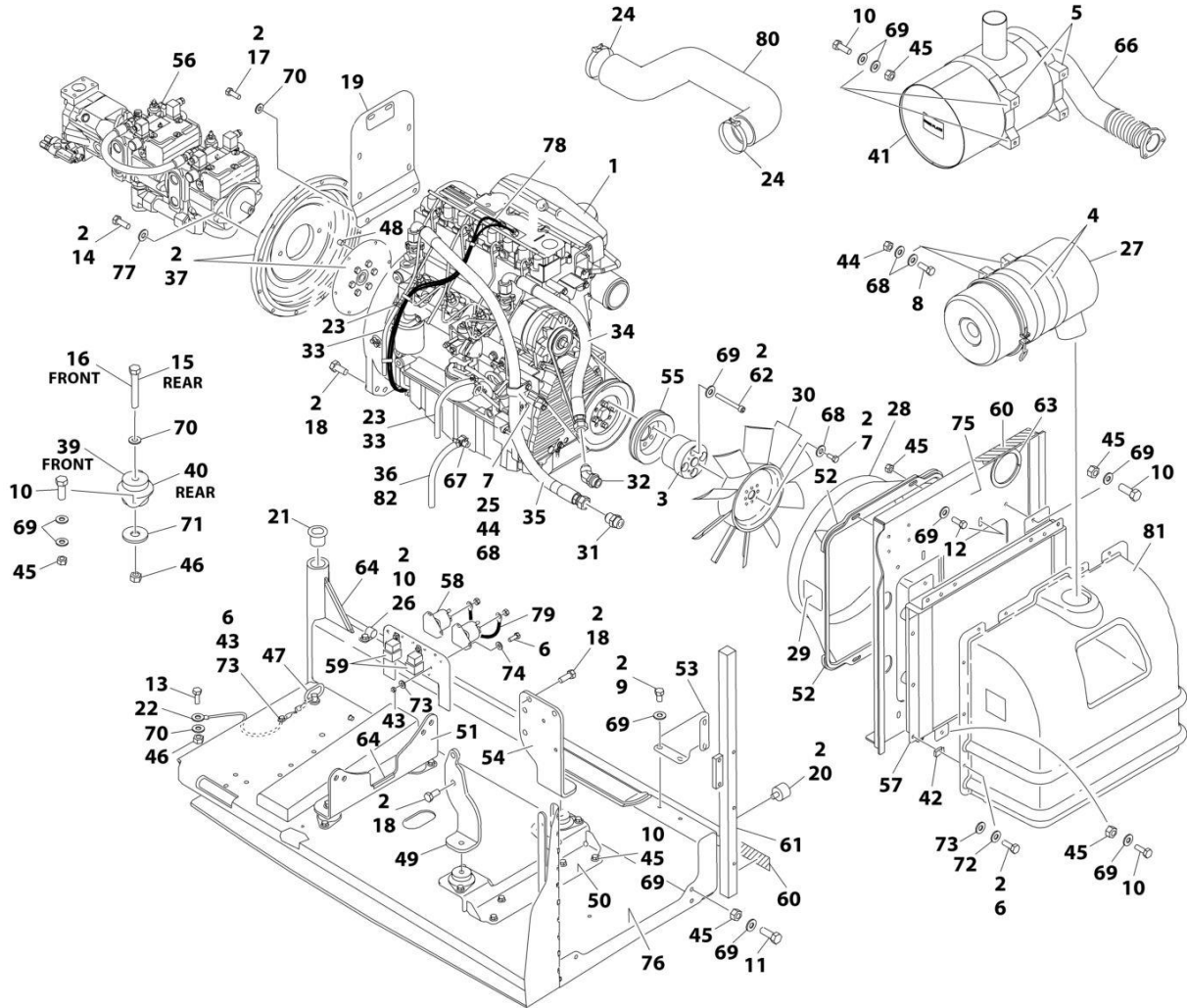
ITEM	PART NUMBER	QTY	DESCRIPTION	REV
	1001098519	Ref	DEUTZ TD2011 ENGINE INSTALLATION - WITH REXROTH PUMP (WITHOUT GENERATOR AND WITHOUT COLD WEATHER PLUS PACKAGE)	G
1	0100011	AR	Compound, Locking	
2	0100079	AR	Sealant, Pipe	
3	0641410	4	Bolt 1/4 x 1-1/4	
4	0641509	15	Bolt 5/16 x 1-1/8	
5	0641511	1	Bolt 5/16 x 1-3/8	
6	0641605	3	Bolt 3/8 x 5/8	
7	0641610	5	Bolt 3/8 x 1-1/4	
8	0641806	1	Bolt 1/2 x 3/4	
9	0641808	1	Bolt 1/2 x 1	
10	0642010	1	Bolt 5/8 x 1-1/4	
11	0641606	4	Bolt 3/8 x 3/4	
12	0651606	4	Bolt 3/8 x 3/4	
13	1320022	3	Clamp	
14	1320041	2	Clamp	
15	1320187	1	Clamp	
16	1320190	1	Clamp	
17	1671121	1	Cover, Generator	
18	1001108617	1	Filter, Pressure	
18	70002231	1	Element, Filter	
19	2120218	1	Filter, High Pressure	
19	2120219	1	Element	
19	70001344	1	O-Ring, Bowl	
19	70006137	1	Seal Kit - Includes O-Ring (Element), O-Ring (Bowl), Back-up Ring (Bowl), Seal Ring (Indicator) and O-Ring (Indicator)	
20	2180348	1	Fitting, Barbed	
21	2220313	1	Fitting, 90 Barbed	
22	2221176	1	Fitting, 90 Elbow	
23	2750532	5 ft/ 1.5m	Hose	
24	2902292	1	Battery Cable Kit	
24A	7027008	1	Cable, Red (To Aux Pump Relay, Battery Positive Terminal and Start Relay)	
24B	7027009	1	Cable, Black (To Aux Pump, Battery Negative Terminal and Ground at Tray Pivot)	
24C	7027010	1	Cable, Red (Aux Pump Relay to Aux Pump)	
24D	7027011	1	Cable, Black (Tray Pivot to Engine Mount)	
24E	7024584	1	Cable, Red (Start Relay to Starter)	
24F	See Note	NSS	Boot, Terminal (Red) (Note: Not Available for Purchase)	
24G	See Note	NSS	Boot, Square Terminal (Red) (Note: Not Available for Purchase)	
25	3311505	15	Nut 5/16	
26	3311605	4	Nut 3/8	
27	3380473	1	Panel, Rubber	
28	3380498	1	Panel	
29	3380723	1	Panel	
30	3422446	1	Pin	
31	3573644	1	Plate, Tray Clamp	
32	3573669	1	Plate, Clamp	
33	3573727	1	Plate, Tray Clamp	

SECTION 3 - ENGINE

ITEM	PART NUMBER	QTY	DESCRIPTION	REV
34	3573728	1	Plate, Tray Clamp	
35	3574633	1	Plate	
36	3841143	1	Keeper	
37	3900316	10	Screw 3/8 x 1	
38	4240018	2	Strap, Cable Tie (Not Shown)	
39	4240033	AR	Tie, Wire (Not Shown)	
40	4341110	1	Support	
41	4711400	4	Washer 1/4	
42	4711500	30	Washer 5/16	
43	4711600	29	Washer 3/8	
44	4752000	1	Washer 5/8	
45	90028660	1	Clamp	
46	1001098513	1	Engine and Pump Assembly (See Separate Breakdown in this Section)	

SECTION 3 - ENGINE

FIGURE 3-2. DEUTZ TD2011 ENGINE ASSEMBLY - WITH REXROTH PUMP (WITHOUT GENERATOR AND WITHOUT COLD WEATHER PLUS PACKAGE)



ART_1001098513_M

SECTION 3 - ENGINE

FIGURE 3-2. DEUTZ TD2011 ENGINE ASSEMBLY - WITH REXROTH PUMP (WITHOUT GENERATOR AND WITHOUT COLD WEATHER PLUS PACKAGE)

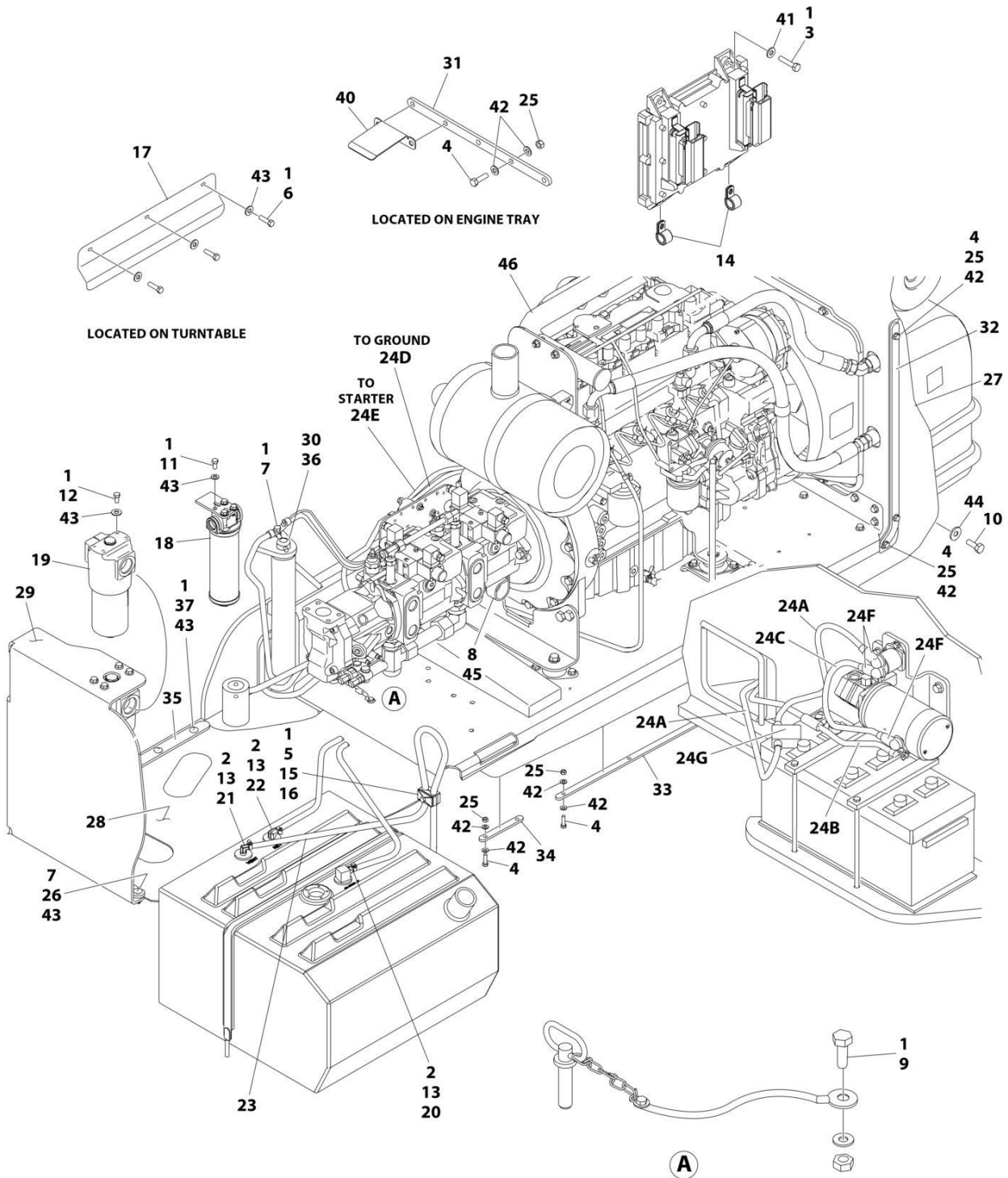
ITEM	PART NUMBER	QTY	DESCRIPTION	REV
	1001098513	Ref	DEUTZ TD2011 ENGINE ASSEMBLY - WITH REXROTH PUMPS	M
1	1001098601	1	Engine, Deutz TD2011 Components (See Separate Breakdown in this Section)	
2	0100011	AR	Compound, Locking	
3	0080237	1	Spacer, Fan	
4	0340003	2	Band, Air Cleaner	
5	0340051	2	Band, Muffler	
6	0641406	15	Bolt 1/4 x 3/4	
7	0641506	5	Bolt 5/16 x 3/4	
8	0641507	4	Bolt 5/16 x 7/8	
9	0641605	4	Bolt 3/8 x 5/8	
10	0641608	25	Bolt 3/8 x 1	
11	0641609	2	Bolt 3/8 x 1-1/8	
12	0641610	4	Bolt 3/8 x 1-1/4	
13	0641808	1	Bolt 1/2 x 1	
14	0641812	2	Bolt 1/2 x 1-1/2	
15	0641818	2	Bolt 1/2 x 2-1/4	
16	0641826	2	Bolt 1/2 x 3-1/4	
17	0711214	2	Bolt M12 x 30	
18	0771414	10	Bolt M14 x 30	
19	1001112766	1	Bracket, Muffler	
20	0940070	1	Bumper	
21	0961986	2	Bushing, Flanged	
22	1001131542	1	Lanyard	
23	1320022	3	Clamp	
24	1320058	2	Clamp	
25	1320060	1	Clamp	
26	1320223	1	J-Clip	
27	1340065	1	Air Cleaner Assembly	
27	7003655	1	Element, Air Cleaner	
27	7015013	1	Baffle, Rubber	
27	7015014	1	Clamp, Cap	
27	7015015	1	Cup	
27	7015003	1	Wingnut	
28	1671023	1	Shroud, Fan	
29	1703162	2	Decal - Fan Blade	
30	2060025	1	Fan	
31	2220451	1	Fitting, Straight	
32	2220498	1	Fitting, Elbow	
33	2720058	34 ft/ 10.3m	Hose	
34	2720500	1	Hose, Oil Cooler (Top)	
35	2720501	1	Hose, Oil Cooler (Bottom)	
36	2750532	0.75 ft /0.2m	Hose	
37	2902065	1	Pump Coupling Kit (See Separate Breakdown in this Section)	
39	3200362	2	Mount, Motor (Front)	
40	3200401	2	Mount, Motor (Rear)	
41	1001257277	1	Muffler, Spark Arresting	

SECTION 3 - ENGINE

ITEM	PART NUMBER	QTY	DESCRIPTION	REV
42	3300454	10	Nut 1/4	
43	3311405	5	Nut 1/4	
44	3311505	5	Nut 5/16	
45	3311605	30	Nut 3/8	
46	3311805	5	Nut 1/2	
47	3422532	1	Pin, Hitch	
48	3520054	2	Plug	
49	3537416	1	Plate, Mounting (Front Right)	
50	3539971	1	Bracket, Engine Mounting (Front)	
51	3573142	1	Bracket, Engine Mounting (Rear)	
52	3573411	2	Plate, Clamp	
53	3573412	1	Gusset	
54	3573529	1	Plate, Mounting (Front Left)	
55	3580158	1	Pulley	
56	3600339	1	Pump Assembly - Rexroth (See Separate Breakdown in this Section)	
57	1001145382	1	Cooler, Engine Oil	
58	3740067	2	Relay, Start	
59	3740080	2	Relay	
60	3960543	1	Seal	
61	3960544	1	Seal	
62	4032022	4	Capscrew M10 x 90	
63	4060804	0.98 ft /0.3m	Flex-Trim	
64	4060805	0.67 ft /0.2m	Flex-Trim	
65	4240099	AR	Tie, Wire (Not Shown)	
66	4568293	1	Pipe, Exhaust	
67	4640751	1	Valve, Oil Drain	
68	4711500	13	Washer 5/16	
69	4711600	68	Washer 3/8	
70	4711800	7	Washer 1/2	
71	4740274	4	Washer, Snubbing	
72	4740518	10	Washer, Nylon	
73	4751400	20	Washer 1/4	
74	4791400	4	Washer 1/4	
75	4846552	1	Plate, Oil Cooler Mounting	
76	4846946	1	Tray	
77	4891800	2	Washer 1/2 Hardened	
78	4923468	1	Harness, Glow Plugs	
79	4923592	1	Cable, Jumper	
80	1001225118	1	Hose, Air Intake	
81	0272060	1	Box, Air Intake	
82	8410013	1	Clamp, Gear	

SECTION 3 - ENGINE

FIGURE 3-3. DEUTZ TD2011 ENGINE INSTALLATION - WITH REXROTH PUMP (WITH GENERATOR AND WITHOUT COLD WEATHER PLUS PACKAGE)



ART_1001098518

SECTION 3 - ENGINE

FIGURE 3-3. DEUTZ TD2011 ENGINE INSTALLATION - WITH REXROTH PUMP (WITH GENERATOR AND WITHOUT COLD WEATHER PLUS PACKAGE)

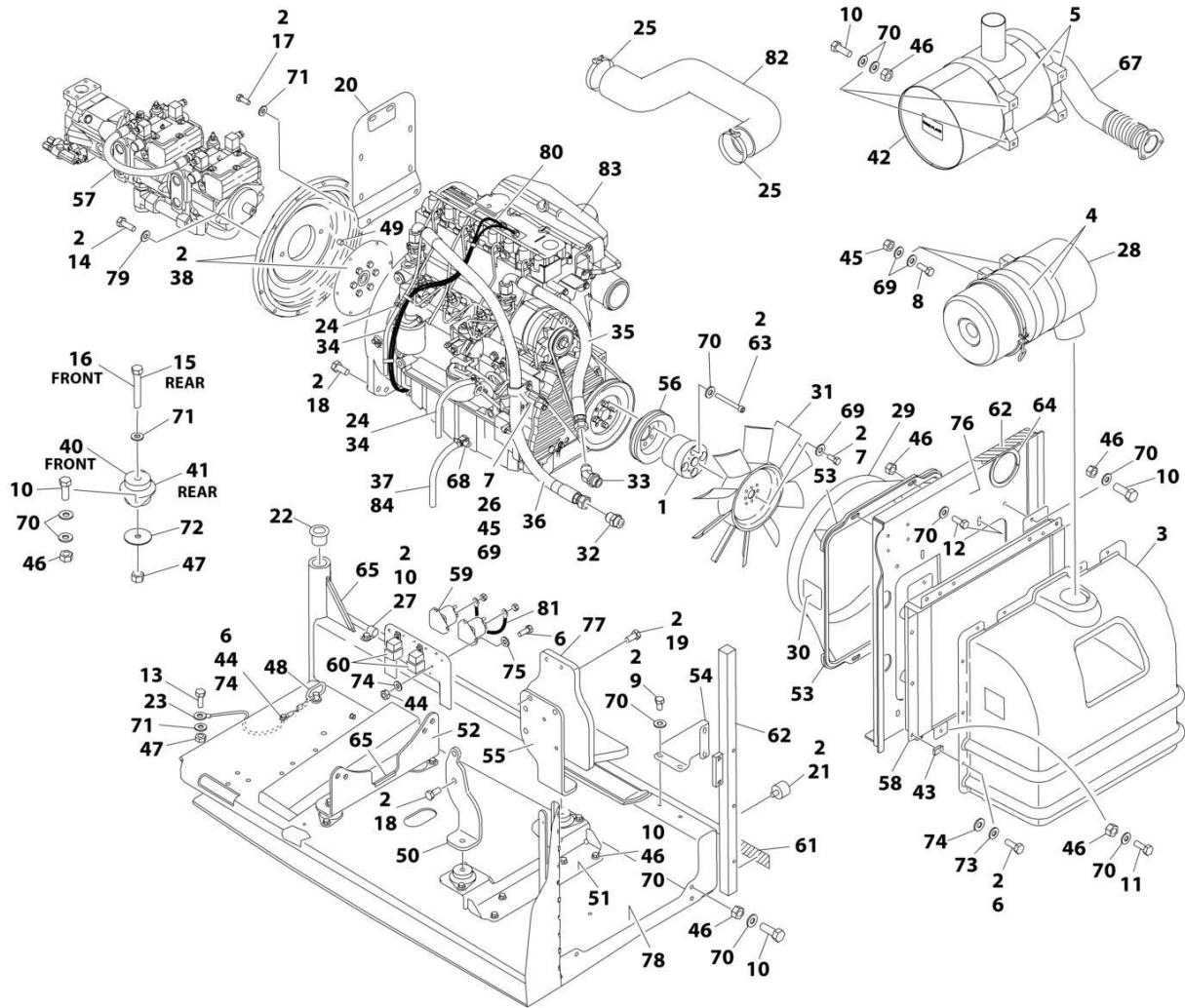
ITEM	PART NUMBER	QTY	DESCRIPTION	REV
	1001098518	Ref	DEUTZ TD2011 ENGINE INSTALLATION - WITH REXROTH PUMP (WITH GENERATOR AND WITHOUT COLD WEATHER PLUS PACKAGE)	G
1	0100011	AR	Compound, Locking	
2	0100079	AR	Sealant, Pipe	
3	0641410	4	Bolt 1/4 x 1-1/4	
4	0641509	15	Bolt 5/16 x 1-1/8	
5	0641511	1	Bolt 5/16 x 1-3/8	
6	0641605	3	Bolt 3/8 x 5/8	
7	0641610	5	Bolt 3/8 x 1-1/4	
8	0641806	1	Bolt 1/2 x 3/4	
9	0641808	1	Bolt 1/2 x 1	
10	0642010	1	Bolt 5/8 x 1-1/4	
11	0641606	4	Bolt 3/8 x 3/4	
12	0651606	4	Bolt 3/8 x 3/4	
13	1320022	3	Clamp	
14	1320041	2	Clamp	
15	1320187	1	Clamp, Twin	
16	1320190	1	Cover, Clamp	
17	1671121	1	Cover, Generator	
18	1001108617	1	Filter, Pressure	
18	70002231	1	Element, Filter	
19	2120218	1	Filter, High Pressure	
19	2120219	1	Element	
19	70001344	1	O-Ring, Bowl	
19	70006137	1	Seal Kit - Includes O-Ring (Element), O-Ring (Bowl), Back-up Ring (Bowl), Seal Ring (Indicator) and O-Ring (Indicator)	
20	2180348	1	Fitting, Barbed	
21	2220313	1	Fitting, 90 Barbed	
22	2221176	1	Fitting, 90 Elbow	
23	2750532	5 ft/ 1.5m	Hose	
24	2902292	1	Battery Cable Kit	
24A	7027008	1	Cable, Red (To Aux Pump Relay, Battery Positive Terminal and Start Relay)	
24B	7027009	1	Cable, Black (To Aux Pump, Battery Negative Terminal and Ground at Tray Pivot)	
24C	7027010	1	Cable, Red (Aux Pump Relay to Aux Pump)	
24D	7027011	1	Cable, Black (Tray Pivot to Engine Mount)	
24E	7024584	1	Cable, Red (Start Relay to Starter)	
24F	See Note	NSS	Boot, Terminal (Red) (Note: Not Available for Purchase)	
24G	See Note	NSS	Boot, Square Terminal (Red) (Note: Not Available for Purchase)	
25	3311505	15	Nut 5/16	
26	3311605	4	Nut 3/8	
27	3380473	1	Panel, Rubber	
28	3380498	1	Panel	
29	3380723	1	Panel	
30	3422446	1	Pin	
31	3573644	1	Plate, Tray Clamp	
32	3573669	1	Plate, Clamp	
33	3573727	1	Plate, Tray Clamp	

SECTION 3 - ENGINE

ITEM	PART NUMBER	QTY	DESCRIPTION	REV
34	3573728	1	Plate, Tray Clamp	
35	3574633	1	Plate	
36	3841143	1	Keeper	
37	3900316	10	Screw 3/8 x 1	
38	4240018	2	Strap, Cable Tie (Not Shown)	
39	4240033	AR	Tie, Wire (Not Shown)	
40	4341110	1	Support	
41	4711400	4	Washer 1/4	
42	4711500	30	Washer 5/16	
43	4711600	29	Washer 3/8	
44	4752000	1	Washer 5/8	
45	90028660	1	Clamp	
46	1001098530	1	Engine and Pump Assembly (See Separate Breakdown in this Section)	

SECTION 3 - ENGINE

FIGURE 3-4. DEUTZ TD2011 ENGINE ASSEMBLY - WITH REXROTH PUMP (WITH GENERATOR AND WITHOUT COLD WEATHER PLUS PACKAGE)



ART_1001098530_N

SECTION 3 - ENGINE

FIGURE 3-4. DEUTZ TD2011 ENGINE ASSEMBLY - WITH REXROTH PUMP (WITH GENERATOR AND WITHOUT COLD WEATHER PLUS PACKAGE)

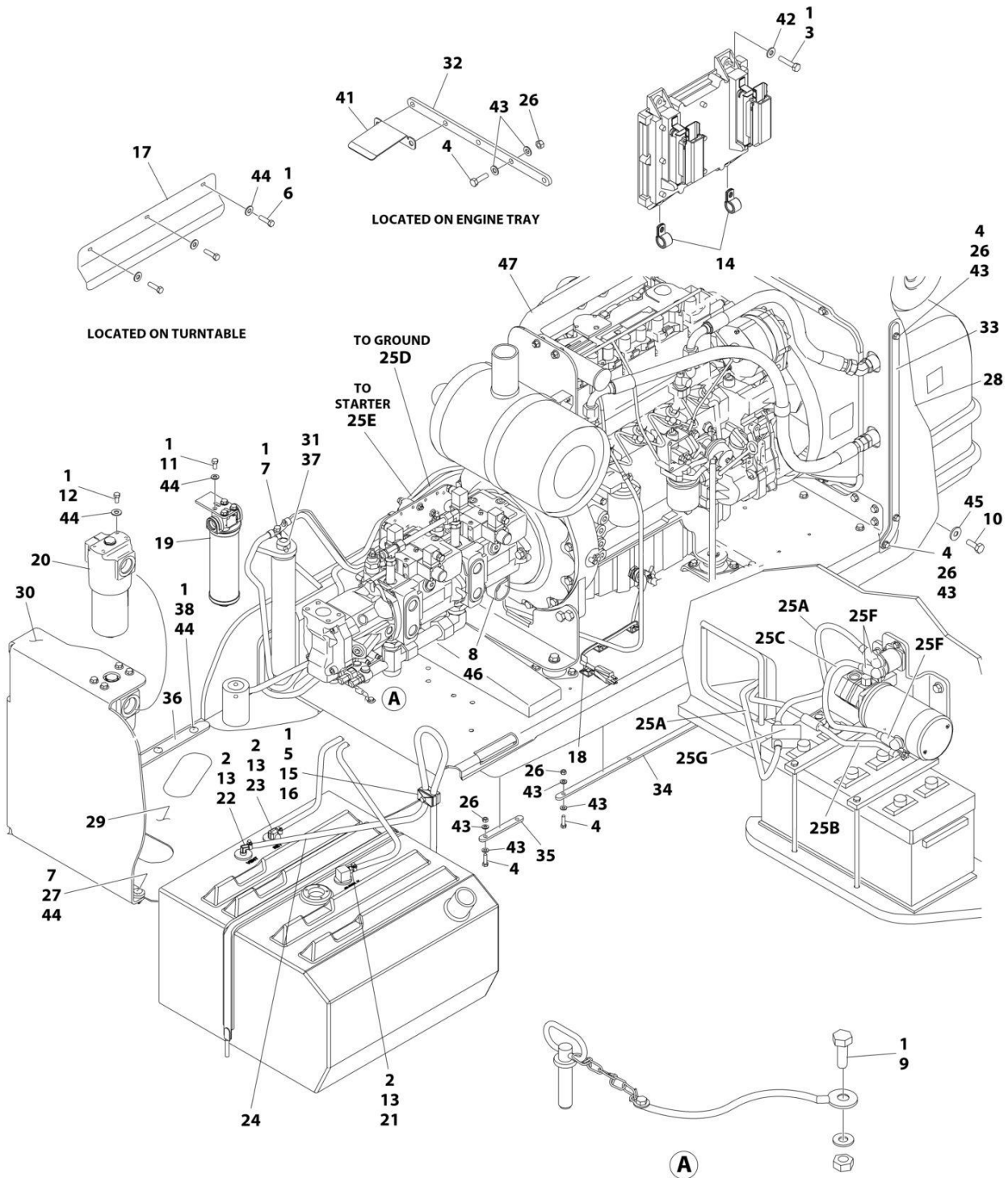
ITEM	PART NUMBER	QTY	DESCRIPTION	REV
	1001098530	Ref	DEUTZ TD2011 ENGINE ASSEMBLY - WITH REXROTH PUMPS (WITH SKYPOWER AND WITHOUT COLD WEATHER PLUS PACKAGE)	N
1	0080244	1	Spacer, Fan	
2	0100011	AR	Compound, Locking	
3	0272060	1	Box, Air Intake	
4	0340003	2	Band, Air Cleaner	
5	0340051	2	Band, Muffler	
6	0641406	15	Bolt 1/4 x 3/4	
7	0641506	5	Bolt 5/16 x 3/4	
8	0641507	4	Bolt 5/16 x 7/8	
9	0641605	4	Bolt 3/8 x 5/8	
10	0641608	25	Bolt 3/8 x 1	
11	0641609	2	Bolt 3/8 x 1-1/8	
12	0641610	4	Bolt 3/8 x 1-1/4	
13	0641808	1	Bolt 1/2 x 1	
14	0641812	2	Bolt 1/2 x 1-1/2	
15	0641818	2	Bolt 1/2 x 2-1/4	
16	0641826	2	Bolt 1/2 x 3-1/4	
17	0711214	2	Bolt M12 x 30	
18	0771414	6	Bolt M14 x 30	
19	0711417	4	Bolt M14 x 45	
20	1001112766	1	Bracket, Muffler	
21	0940070	1	Bumper	
22	0961986	2	Bushing, Flanged	
23	1001131542	1	Lanyard	
24	1320022	2	Clamp	
25	1320058	2	Clamp	
26	1320060	1	Clamp	
27	1320223	1	J-Clip	
28	1340065	1	Air Cleaner Assembly	
28	7003655	1	Element, Air Cleaner	
28	7015013	1	Baffle, Rubber	
28	7015014	1	Clamp, Cap	
28	7015015	1	Cup	
28	7015003	1	Wingnut	
29	1671023	1	Shroud, Fan	
30	1703162	2	Decal - Fan Blade	
31	2060025	1	Fan	
32	2220451	1	Fitting, Straight	
33	2220498	1	Fitting, Elbow	
34	2720058	34 ft/ 10.3m	Hose	
35	2720500	1	Hose, Oil Cooler (Top)	
36	2720501	1	Hose, Oil Cooler (Bottom)	
37	2750532	0.75 ft /0.2m	Hose	
38	2902065	1	Pump Coupling Kit (See Separate Breakdown in this Section)	
40	3200362	2	Mount, Motor (Front)	
41	3200401	2	Mount, Motor (Rear)	

SECTION 3 - ENGINE

ITEM	PART NUMBER	QTY	DESCRIPTION	REV
42	1001257277	1	Muffler	
43	3300454	10	Nut	
44	3311405	5	Nut 1/4	
45	3311505	5	Nut 5/16	
46	3311605	30	Nut 3/8	
47	3311805	5	Nut 1/2	
48	3422532	1	Pin, Hitch	
49	3520054	2	Plug	
50	3537416	1	Plate, Mounting (Front Right)	
51	3539971	1	Bracket, Engine Mounting (Front)	
52	3573142	1	Bracket, Engine Mounting (Rear)	
53	3573411	2	Plate, Clamp	
54	3573412	1	Gusset	
55	3573529	1	Plate, Mounting (Front Left)	
56	3580320	1	Pulley	
57	3600339	1	Pump Assembly - Rexroth (See Separate Breakdown in this Section)	
58	1001145382	1	Cooler, Engine Oil	
59	3740067	2	Relay, Start	
60	3740080	2	Relay	
61	3960543	1	Seal	
62	3960544	1	Seal	
63	4032022	4	Capscrew M10 x 90	
64	4060804	0.98 ft /0.3m	Flex-Trim	
65	4060805	0.67 ft /0.2m	Flex-Trim	
66	4240099	AR	Tie, Wire (Not Shown)	
67	4568293	1	Pipe, Exhaust	
68	4640751	1	Valve, Oil Drain	
69	4711500	13	Washer 5/16	
70	4711600	68	Washer 3/8	
71	4711800	7	Washer 1/2	
72	4740274	4	Washer, Snubbing	
73	4740518	10	Washer, Nylon	
74	4751400	20	Washer 1/4	
75	4791400	4	Washer 1/4	
76	4846552	1	Plate, Oil Cooler Mounting	
77	4846945	1	Mount, Generator	
78	4846946	1	Tray	
79	4891800	2	Washer 1/2	
80	4923468	1	Harness, Glow Plugs	
81	4923592	1	Cable, Jumper	
82	1001225118	1	Hose, Air Intake	
83	1001098601	1	Engine, Deutz TD2011 Components (See Separate Breakdown in this Section)	
84	8410013	1	Clamp, Gear	

SECTION 3 - ENGINE

FIGURE 3-5. DEUTZ TD2011 ENGINE INSTALLATION - WITH REXROTH PUMP (WITH GENERATOR AND WITH COLD WEATHER PLUS PACKAGE)



ART_1001098520

SECTION 3 - ENGINE

FIGURE 3-5. DEUTZ TD2011 ENGINE INSTALLATION - WITH REXROTH PUMP (WITH GENERATOR AND WITH COLD WEATHER PLUS PACKAGE)

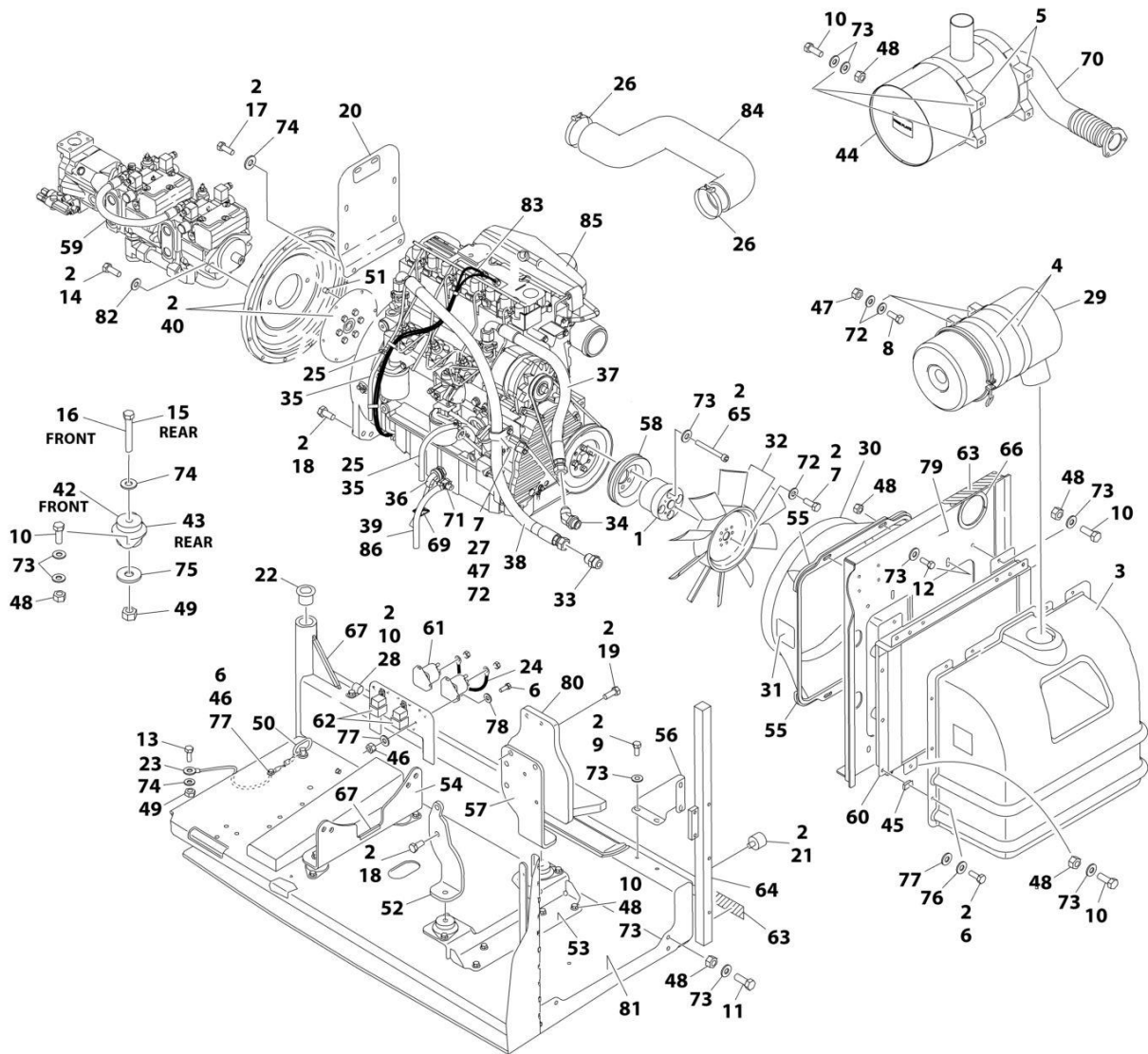
ITEM	PART NUMBER	QTY	DESCRIPTION	REV
	1001098520	Ref	DEUTZ TD2011 ENGINE INSTALLATION - WITH REXROTH PUMP (WITH GENERATOR AND WITH COLD WEATHER PLUS PACKAGE)	G
1	0100011	AR	Compound, Locking	
2	0100079	AR	Sealant, Pipe	
3	0641410	4	Bolt 1/4 x 1-1/4	
4	0641509	15	Bolt 5/16 x 1-1/8	
5	0641511	1	Bolt 5/16 x 1-3/8	
6	0641605	3	Bolt 3/8 x 5/8	
7	0641610	5	Bolt 3/8 x 1-1/4	
8	0641806	1	Bolt 1/2 x 3/4	
9	0641808	1	Bolt 1/2 x 1	
10	0642010	1	Bolt 5/8 x 1-1/4	
11	0641606	4	Bolt 3/8 x 3/4	
12	0651606	4	Bolt 3/8 x 3/4	
13	1320022	3	Clamp	
14	1320041	2	Clamp	
15	1320187	1	Clamp, Twin	
16	1320190	1	Cover, Clamp	
17	1671121	1	Cover, Generator	
18	1702942	1	Decal - Engine Block Heater	
19	1001108617	1	Filter, Pressure	
19	70002231	1	Element, Filter	
20	2120218	1	Filter, High Pressure	
20	2120219	1	Element	
20	70001344	1	O-Ring, Bowl	
20	70006137	1	Seal Kit - Includes O-Ring (Element), O-Ring (Bowl), Back-up Ring (Bowl), Seal Ring (Indicator) and O-Ring (Indicator)	
21	2180348	1	Fitting, Barbed	
22	2220313	1	Fitting, 90 Barbed	
23	2221176	1	Fitting, 90 Elbow	
24	2750532	5 ft/ 1.5m	Hose	
25	2902292	1	Battery Cable Kit	
25A	7027008	1	Cable, Red (To Aux Pump Relay, Battery Positive Terminal and Start Relay)	
25B	7027009	1	Cable, Black (To Aux Pump, Battery Negative Terminal and Ground at Tray Pivot)	
25C	7027010	1	Cable, Red (Aux Pump Relay to Aux Pump)	
25D	7027011	1	Cable, Black (Tray Pivot to Engine Mount)	
25E	7024584	1	Cable, Red (Start Relay to Starter)	
25F	See Note	NSS	Boot, Terminal (Red) (Note: Not Available for Purchase)	
25G	See Note	NSS	Boot, Square Terminal (Red) (Note: Not Available for Purchase)	
26	3311505	15	Nut 5/16	
27	3311605	4	Nut 3/8	
28	3380473	1	Panel, Rubber	
29	3380498	1	Panel	
30	3380723	1	Panel	
31	3422446	1	Pin	
32	3573644	1	Plate, Tray Clamp	
33	3573669	1	Plate, Clamp	

SECTION 3 - ENGINE

ITEM	PART NUMBER	QTY	DESCRIPTION	REV
34	3573727	1	Plate, Tray Clamp	
35	3573728	1	Plate, Tray Clamp	
36	3574633	1	Plate	
37	3841143	1	Keeper	
38	3900316	10	Screw 3/8 x 1	
39	4240018	2	Strap, Cable Tie (Not Shown)	
40	4240033	AR	Tie, Wire (Not Shown)	
41	4341110	1	Support	
42	4711400	4	Washer 1/4	
43	4711500	30	Washer 5/16	
44	4711600	29	Washer 3/8	
45	4752000	1	Washer 5/8	
46	90028660	1	Clamp	
47	1001098531	1	Engine and Pump Assembly (See Separate Breakdown in this Section)	

SECTION 3 - ENGINE

FIGURE 3-6. DEUTZ TD2011 ENGINE ASSEMBLY - WITH REXROTH PUMP (WITH GENERATOR AND WITH COLD WEATHER PLUS PACKAGE)



ART_1001098531_N

SECTION 3 - ENGINE

FIGURE 3-6. DEUTZ TD2011 ENGINE ASSEMBLY - WITH REXROTH PUMP (WITH GENERATOR AND WITH COLD WEATHER PLUS PACKAGE)

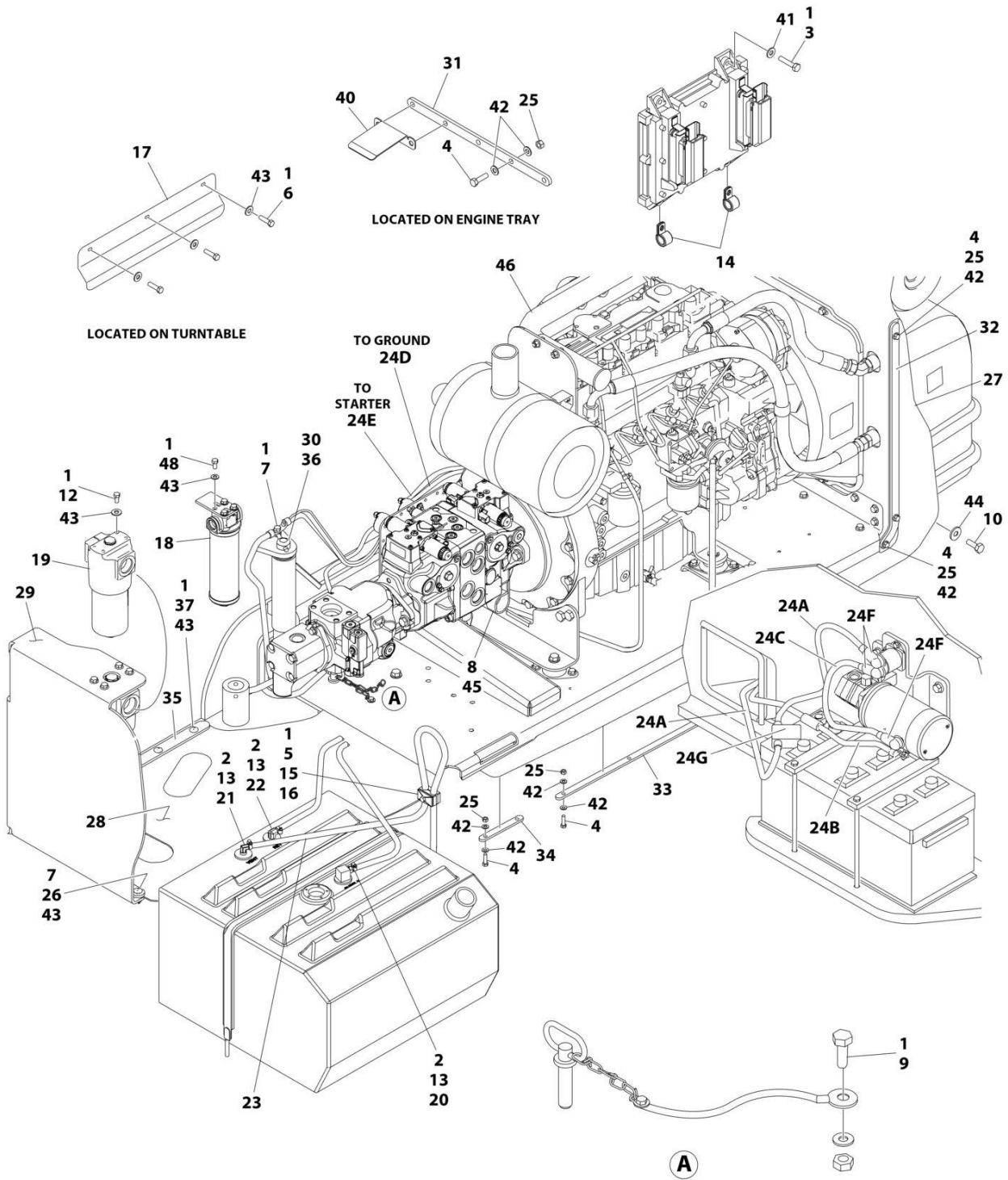
ITEM	PART NUMBER	QTY	DESCRIPTION	REV
	1001098531	Ref	DEUTZ TD2011 ENGINE ASSEMBLY - WITH REXROTH PUMPS (WITH SKYPOWER AND WITH COLD WEATHER PLUS PACKAGE)	N
1	0080244	1	Spacer, Fan	
2	0100011	AR	Compound, Locking	
3	0272060	1	Box, Air Intake	
4	0340003	2	Band, Air Cleaner	
5	0340051	2	Band, Muffler	
6	0641406	15	Bolt 1/4 x 3/4	
7	0641506	5	Bolt 5/16 x 3/4	
8	0641507	4	Bolt 5/16 x 7/8	
9	0641605	4	Bolt 3/8 x 5/8	
10	0641608	25	Bolt 3/8 x 1	
11	0641609	2	Bolt 3/8 x 1-1/8	
12	0641610	4	Bolt 3/8 x 1-1/4	
13	0641808	1	Bolt 1/2 x 1	
14	0641812	2	Bolt 1/2 x 1-1/2	
15	0641818	2	Bolt 1/2 x 2-1/4	
16	0641826	2	Bolt 1/2 x 3-1/4	
17	0711214	2	Bolt M12 x 30	
18	0771414	6	Bolt M14 x 30	
19	0711417	4	Bolt M14 x 45	
20	1001112766	1	Bracket, Muffler	
21	0940070	1	Bumper	
22	0961986	2	Bushing, Flanged	
23	1001131542	1	Lanyard	
24	1060904	1	Cable, Jumper	
25	1320022	2	Clamp	
26	1320058	2	Clamp	
27	1320060	1	Clamp	
28	1320223	1	J-Clip	
29	1340065	1	Air Cleaner Assembly	
29	7003655	1	Element, Air Cleaner	
29	7015013	1	Baffle, Rubber	
29	7015014	1	Clamp, Cap	
29	7015015	1	Cup	
29	7015003	1	Wingnut	
30	1671023	1	Shroud, Fan	
31	1703162	2	Decal - Fan Blade	
32	2060025	1	Fan	
33	2220451	1	Fitting, Straight	
34	2220498	1	Fitting, Elbow	
35	2720058	34 ft/ 10.3m	Hose	
36	2580062	1	Heater, Engine Block	
37	2720500	1	Hose, Oil Cooler (Top)	
38	2720501	1	Hose, Oil Cooler (Bottom)	
39	2750532	0.75 ft /0.2m	Hose	
40	2902065	1	Pump Coupling Kit (See Separate Breakdown in this Section)	

SECTION 3 - ENGINE

ITEM	PART NUMBER	QTY	DESCRIPTION	REV
42	3200362	2	Mount, Motor (Front)	
43	3200401	2	Mount, Motor (Rear)	
44	1001257277	1	Muffler	
45	3300454	10	Nut 1/4	
46	3311405	5	Nut 1/4	
47	3311505	5	Nut 5/16	
48	3311605	30	Nut 3/8	
49	3311805	5	Nut 1/2	
50	3422532	1	Pin, Hitch	
51	3520054	2	Plug	
52	3537416	1	Plate, Mounting (Front Right)	
53	3539971	1	Bracket, Engine Mounting (Front)	
54	3573142	1	Bracket, Engine Mounting (Rear)	
55	3573411	2	Plate, Clamp	
56	3573412	1	Gusset	
57	3573529	1	Plate, Mounting (Front Left)	
58	3580320	1	Pulley	
59	3600339	1	Pump Assembly - Rexroth (See Separate Breakdown in this Section)	
60	1001145382	1	Cooler, Engine Oil	
61	3740067	2	Relay, Start	
62	3740080	2	Relay	
63	3960543	1	Seal	
64	3960544	1	Seal	
65	4032022	4	Capscrew M10 x 90	
66	4060804	0.98 ft /0.3m	Flex-Trim	
67	4060805	0.67 ft /0.2m	Flex-Trim	
68	4240099	AR	Tie, Wire (Not Shown)	
69	4460234	3	Mount, Wire Tie	
70	4568293	1	Pipe, Exhaust	
71	4640751	1	Valve, Oil Drain	
72	4711500	13	Washer 5/16	
73	4711600	68	Washer 3/8	
74	4711800	7	Washer 1/2	
75	4740274	4	Washer, Snubbing	
76	4740518	10	Washer, Nylon	
77	4751400	20	Washer 1/4	
78	4791400	4	Washer 1/4	
79	4846552	1	Plate, Oil Cooler Mounting	
80	4846945	1	Mount, Generator	
81	4846946	1	Tray	
82	4891800	2	Washer 1/2 Hardened	
83	4923468	1	Harness, Glow Plugs	
84	1001225118	1	Hose, Air Intake	
85	1001098601	1	Engine, Deutz TD2011 Components (See Separate Breakdown in this Section)	
86	8410013	1	Clamp, Gear	

SECTION 3 - ENGINE

FIGURE 3-7. DEUTZ TD2011 ENGINE INSTALLATION - WITH SAUER PUMP (WITHOUT GENERATOR AND WITHOUT COLD WEATHER PLUS PACKAGE)



ART_1001107972

SECTION 3 - ENGINE

FIGURE 3-7. DEUTZ TD2011 ENGINE INSTALLATION - WITH SAUER PUMP (WITHOUT GENERATOR AND WITHOUT COLD WEATHER PLUS PACKAGE)

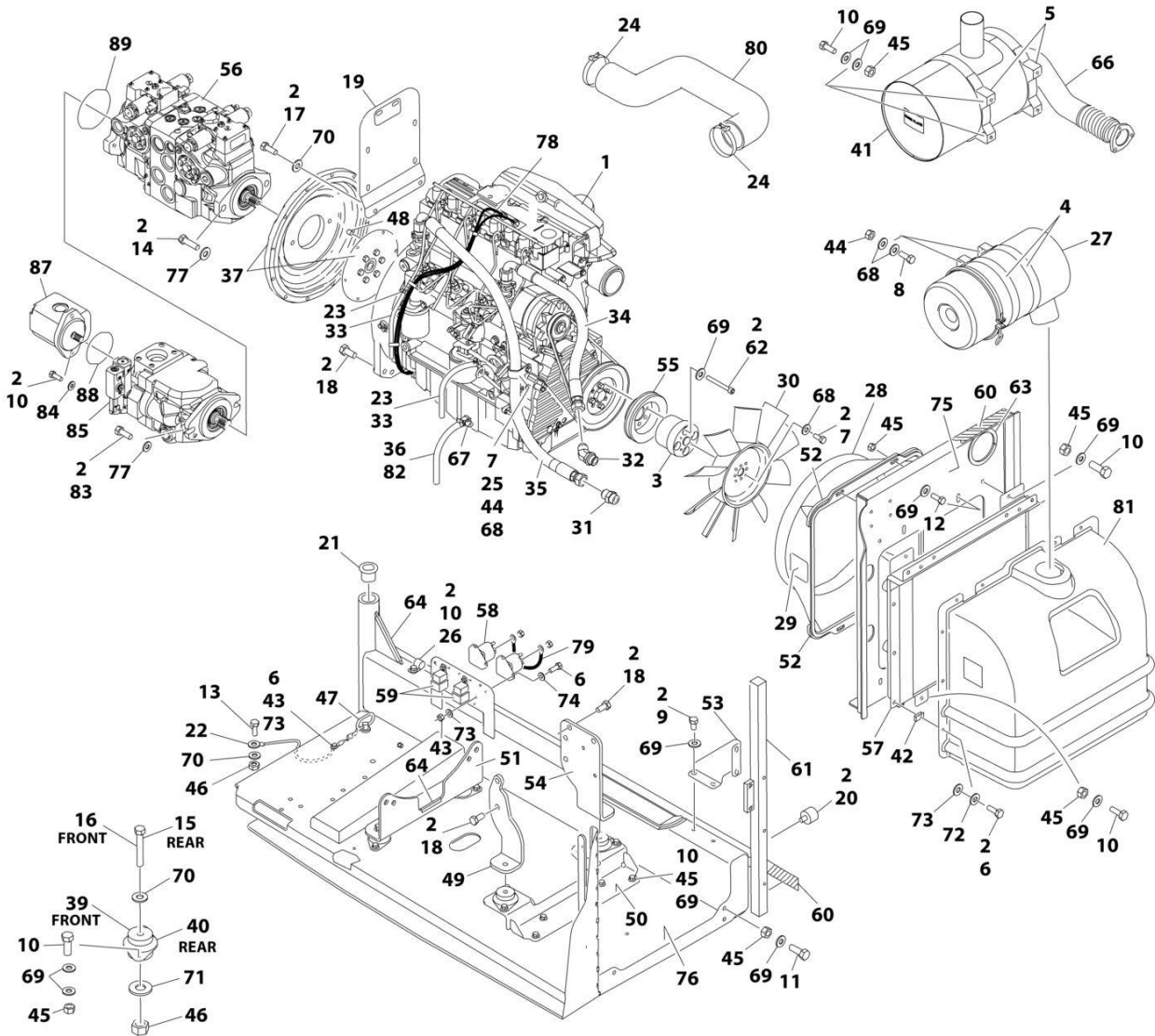
ITEM	PART NUMBER	QTY	DESCRIPTION	REV
	1001107972	Ref	DEUTZ TD2011 ENGINE INSTALLATION - WITH SAUER PUMP (WITHOUT GENERATOR AND WITHOUT COLD WEATHER PLUS PACKAGE)	E
1	0100011	AR	Compound, Locking	
2	0100079	AR	Sealant, Pipe	
3	0641410	4	Bolt 1/4 x 1-1/4	
4	0641509	15	Bolt 5/16 x 1-1/8	
5	0641511	1	Bolt 5/16 x 1-3/8	
6	0641605	3	Bolt 3/8 x 5/8	
7	0641610	5	Bolt 3/8 x 1-1/4	
8	0641806	1	Bolt 1/2 x 3/4	
9	0641808	1	Bolt 1/2 x 1	
10	0642010	1	Bolt 5/8 x 1-1/4	
12	0651606	4	Bolt 3/8 x 3/4	
13	1320022	3	Clamp	
14	1320041	2	Clamp	
15	1320187	1	Clamp, Twin	
16	1320190	1	Cover, Clamp	
17	1671121	1	Cover, Generator	
18	1001108617	1	Filter, Pressure	
18	70002231	1	Element, Filter	
19	2120218	1	Filter, High Pressure	
19	2120219	1	Element	
19	70001344	1	O-Ring, Bowl	
19	70006137	1	Seal Kit - Includes O-Ring (Element), O-Ring (Bowl), Back-up Ring (Bowl), Seal Ring (Indicator) and O-Ring (Indicator)	
20	2180348	1	Fitting, Barbed	
21	2220313	1	Fitting, 90 Barbed	
22	2221176	1	Fitting, 90 Elbow	
23	2750532	5 ft/ 1.5m	Hose	
24	2902292	1	Battery Cable Kit	
24A	7027008	1	Cable, Red (To Aux Pump Relay, Battery Positive Terminal and Start Relay)	
24B	7027009	1	Cable, Black (To Aux Pump, Battery Negative Terminal and Ground at Tray Pivot)	
24C	7027010	1	Cable, Red (Aux Pump Relay to Aux Pump)	
24D	7027011	1	Cable, Black (Tray Pivot to Engine Mount)	
24E	7024584	1	Cable, Red (Start Relay to Starter)	
24F	See Note	NSS	Boot, Terminal (Red) (Note: Not Available for Purchase)	
24G	See Note	NSS	Boot, Square Terminal (Red) (Note: Not Available for Purchase)	
25	3311505	15	Nut 5/16	
26	3311605	4	Nut 3/8	
27	3380473	1	Panel, Rubber	
28	3380498	1	Panel	
29	3380723	1	Panel	
30	3422446	1	Pin	
31	3573644	1	Plate, Tray Clamp	
32	3573669	1	Plate, Clamp	
33	3573727	1	Plate, Tray Clamp	
34	3573728	1	Plate, Tray Clamp	

SECTION 3 - ENGINE

ITEM	PART NUMBER	QTY	DESCRIPTION	REV
35	3574633	1	Plate	
36	3841143	1	Keeper	
37	3900316	10	Screw 3/8 x 1	
38	4240018	2	Strap, Cable Tie (Not Shown)	
39	4240033	AR	Tie, Wire (Not Shown)	
40	4341110	1	Support	
41	4711400	4	Washer 1/4	
42	4711500	30	Washer 5/16	
43	4711600	29	Washer 3/8	
44	4752000	1	Washer 5/8	
45	90028660	1	Clamp	
46	1001107971	1	Engine and Pump Assembly (See Separate Breakdown in this Section)	
48	0641606	4	Bolt 3/8 x 3/4	

SECTION 3 - ENGINE

FIGURE 3-8. DEUTZ TD2011 ENGINE ASSEMBLY - WITH SAUER PUMP (WITHOUT GENERATOR AND WITHOUT COLD WEATHER PLUS PACKAGE)



ART_1001107971_M

SECTION 3 - ENGINE

FIGURE 3-8. DEUTZ TD2011 ENGINE ASSEMBLY - WITH SAUER PUMP (WITHOUT GENERATOR AND WITHOUT COLD WEATHER PLUS PACKAGE)

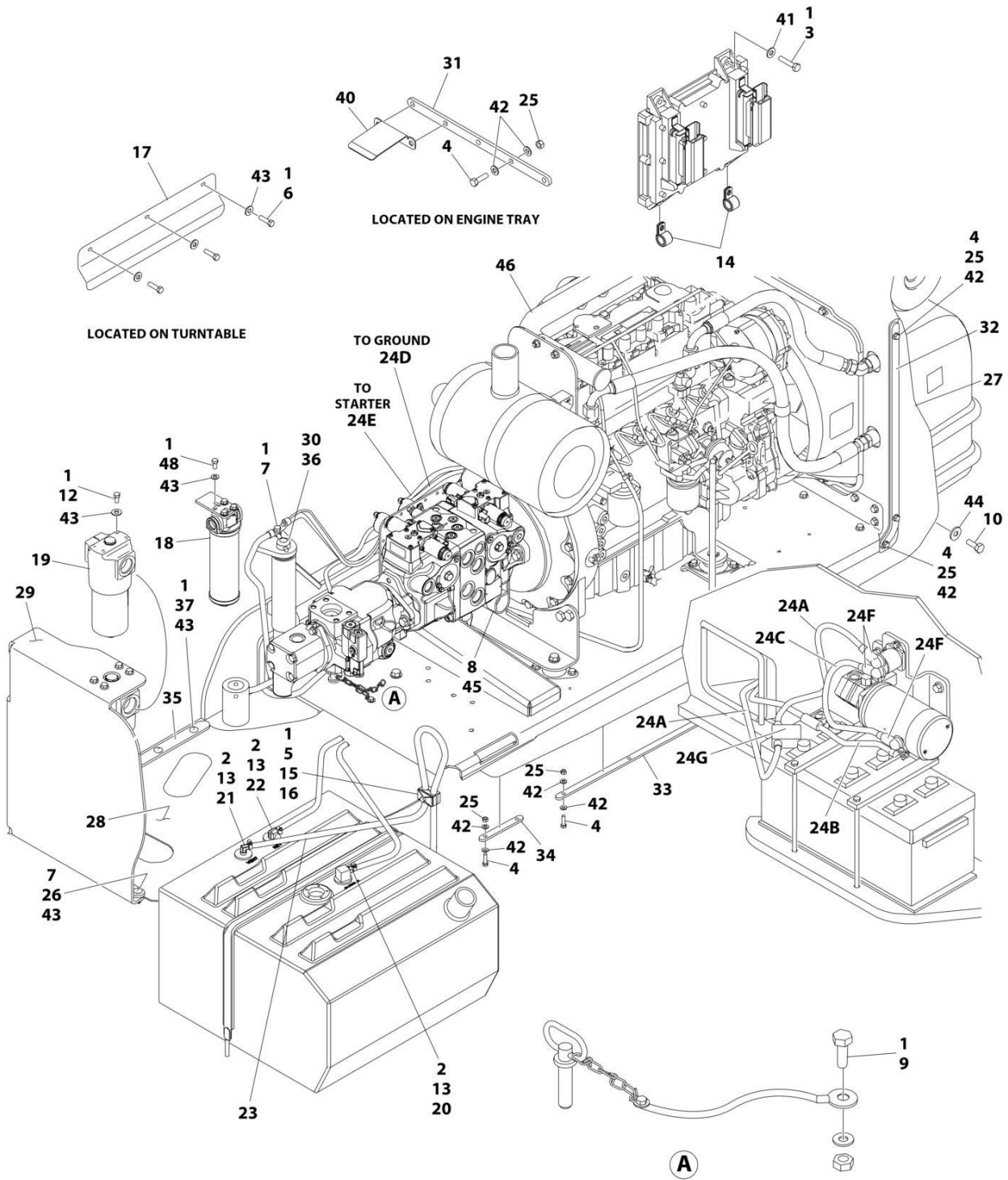
ITEM	PART NUMBER	QTY	DESCRIPTION	REV
	1001107971	Ref	DEUTZ TD2011 ENGINE ASSEMBLY - WITH SAUER PUMPS (WITHOUT SKYPOWER AND WITHOUT COLD WEATHER PLUS PACKAGE)	M
1	1001098601	1	Engine, Deutz TD2011 Components (See Separate Breakdown in this Section)	
2	0100011	AR	Compound, Locking	
3	0080237	1	Spacer, Fan	
4	0340003	2	Band, Air Cleaner	
5	0340051	2	Band, Muffler	
6	0641406	15	Bolt 1/4 x 3/4	
7	0641506	5	Bolt 5/16 x 3/4	
8	0641507	4	Bolt 5/16 x 7/8	
9	0641605	4	Bolt 3/8 x 5/8	
10	0641608	27	Bolt 3/8 x 1	
11	0641609	2	Bolt 3/8 x 1-1/8	
12	0641610	4	Bolt 3/8 x 1-1/4	
13	0641808	1	Bolt 1/2 x 1	
14	0641814	2	Bolt 1/2 x 1-3/4	
15	0641818	2	Bolt 1/2 x 2-1/4	
16	0641826	2	Bolt 1/2 x 3-1/4	
17	0711214	2	Bolt M12 x 30	
18	0771414	10	Bolt M14 x 30	
19	1001112766	1	Bracket, Muffler	
20	0940070	1	Bumper	
21	0961986	2	Bushing, Flanged	
22	1001131542	1	Lanyard	
23	1320022	3	Clamp	
24	1320058	2	Clamp	
25	1320060	1	Clamp	
26	1320223	1	J-Clip	
27	1340065	1	Air Cleaner Assembly	
27	7003655	1	Element, Air Cleaner	
27	7015013	1	Baffle, Rubber	
27	7015014	1	Clamp, Cap	
27	7015015	1	Cup	
27	7015003	1	Wingnut	
28	1671023	1	Shroud, Fan	
29	1703162	2	Decal - Fan Blade	
30	2060025	1	Fan	
31	2220451	1	Fitting, Straight	
32	2220498	1	Fitting, Elbow	
33	2720058	34 ft /10.3m	Hose	
34	2720500	1	Hose, Oil Cooler (Top)	
35	2720501	1	Hose, Oil Cooler (Bottom)	
36	2750532	0.75 ft /0.2m	Hose	
37	2902065	1	Pump Coupling Kit (See Separate Breakdown in this Section)	
39	3200362	2	Mount, Motor (Front)	
40	3200401	2	Mount, Motor (Rear)	

SECTION 3 - ENGINE

ITEM	PART NUMBER	QTY	DESCRIPTION	REV
41	1001257277	1	Muffler	
42	3300454	10	Nut 1/4	
43	3311405	5	Nut 1/4	
44	3311505	5	Nut 5/16	
45	3311605	30	Nut 3/8	
46	3311805	5	Nut 1/2	
47	3422532	1	Pin, Hitch	
48	3520054	2	Plug	
49	3537416	1	Plate, Mounting (Front Right)	
50	3539971	1	Bracket, Engine Mounting (Front)	
51	3573142	1	Bracket, Engine Mounting (Rear)	
52	3573411	2	Plate, Clamp	
53	3573412	1	Gusset	
54	3573529	1	Plate, Mounting (Front Left)	
55	3580158	1	Pulley	
56	1001108616	1	Pump Assembly - Sauer (See Separate Breakdown in this Section)	
57	1001145382	1	Cooler, Engine Oil	
58	3740067	2	Relay, Start	
59	3740080	2	Relay	
60	3960543	1	Seal	
61	3960544	1	Seal	
62	4032022	4	Capscrew M10 x 90	
63	4060804	0.98 ft /0.3m	Flex-Trim	
64	4060805	0.67 ft /0.2m	Flex-Trim	
65	4240099	AR	Tie, Wire (Not Shown)	
66	4568293	1	Pipe, Exhaust	
67	4640751	1	Valve, Oil Drain	
68	4711500	13	Washer 5/16	
69	4711600	68	Washer 3/8	
70	4711800	7	Washer 1/2	
71	4740274	4	Washer, Snubbing	
72	4740518	10	Washer, Nylon	
73	4751400	20	Washer 1/4	
74	4791400	4	Washer 1/4	
75	4846552	1	Plate, Oil Cooler Mounting	
76	4846946	1	Tray	
77	4891800	4	Washer 1/2	
78	4923468	1	Harness, Glow Plugs	
79	4923592	1	Cable, Jumper	
80	1001225118	1	Hose, Air Intake	
81	0272060	1	Box, Air Intake	
82	8410013	1	Clamp, Gear	
83	0761215	2	Bolt M12 x 35mm	
84	4891600	2	Washer 3/8	
85	1001171095	1	Pump Assembly - Sauer Piston (See Separate Breakdown in this Section)	
87	1001112927	1	Pump Assembly - Sauer Gear (See Separate Breakdown in this Section)	
88	3790152	1	O-Ring	
89	3790155	1	O-Ring	

SECTION 3 - ENGINE

FIGURE 3-9. DEUTZ TD2011 ENGINE INSTALLATION - WITH SAUER PUMP (WITH GENERATOR AND WITHOUT COLD WEATHER PLUS PACKAGE)



ART_1001107974

SECTION 3 - ENGINE

FIGURE 3-9. DEUTZ TD2011 ENGINE INSTALLATION - WITH SAUER PUMP (WITH GENERATOR AND WITHOUT COLD WEATHER PLUS PACKAGE)

ITEM	PART NUMBER	QTY	DESCRIPTION	REV
	1001107974	Ref	DEUTZ TD2011 ENGINE INSTALLATION - WITH SAUER PUMP (WITH GENERATOR AND WITHOUT COLD WEATHER PLUS PACKAGE)	E
1	0100011	AR	Compound, Locking	
2	0100079	AR	Sealant, Pipe	
3	0641410	4	Bolt 1/4 x 1-1/4	
4	0641509	15	Bolt 5/16 x 1-1/8	
5	0641511	1	Bolt 5/16 x 1-3/8	
6	0641605	3	Bolt 3/8 x 5/8	
7	0641610	5	Bolt 3/8 x 1-1/4	
8	0641806	1	Bolt 1/2 x 3/4	
9	0641808	1	Bolt 1/2 x 1	
10	0642010	1	Bolt 5/8 x 1-1/4	
12	0651606	4	Bolt 3/8 x 3/4	
13	1320022	3	Clamp	
14	1320041	2	Clamp	
15	1320187	1	Clamp, Twin	
16	1320190	1	Cover, Clamp	
17	1671121	1	Cover, Generator	
18	1001108617	1	Filter, Pressure	
18	70002231	1	Element, Filter	
19	2120218	1	Filter, High Pressure	
19	2120219	1	Element	
19	70001344	1	O-Ring, Bowl	
19	70006137	1	Seal Kit - Includes O-Ring (Element), O-Ring (Bowl), Back-up Ring (Bowl), Seal Ring (Indicator) and O-Ring (Indicator)	
20	2180348	1	Fitting, Barbed	
21	2220313	1	Fitting, 90 Barbed	
22	2221176	1	Fitting, 90 Elbow	
23	2750532	5 ft/ 1.5m	Hose	
24	2902292	1	Battery Cable Kit	
24A	7027008	1	Cable, Red (To Aux Pump Relay, Battery Positive Terminal and Start Relay)	
24B	7027009	1	Cable, Black (To Aux Pump, Battery Negative Terminal and Ground at Tray Pivot)	
24C	7027010	1	Cable, Red (Aux Pump Relay to Aux Pump)	
24D	7027011	1	Cable, Black (Tray Pivot to Engine Mount)	
24E	7024584	1	Cable, Red (Start Relay to Starter)	
24F	See Note	NSS	Boot, Terminal (Red) (Note: Not Available for Purchase)	
24G	See Note	NSS	Boot, Square Terminal (Red) (Note: Not Available for Purchase)	
25	3311505	15	Nut 5/16	
26	3311605	4	Nut 3/8	
27	3380473	1	Panel, Rubber	
28	3380498	1	Panel	
29	3380723	1	Panel	
30	3422446	1	Pin	
31	3573644	1	Plate, Tray Clamp	
32	3573669	1	Plate, Clamp	
33	3573727	1	Plate, Tray Clamp	
34	3573728	1	Plate, Tray Clamp	

SECTION 3 - ENGINE

ITEM	PART NUMBER	QTY	DESCRIPTION	REV
35	3574633	1	Plate	
36	3841143	1	Keeper	
37	3900316	10	Screw 3/8 x 1	
38	4240018	2	Strap, Cable Tie (Not Shown)	
39	4240033	AR	Tie, Wire (Not Shown)	
40	4341110	1	Support	
41	4711400	4	Washer 1/4	
42	4711500	30	Washer 5/16	
43	4711600	29	Washer 3/8	
44	4752000	1	Washer 5/8	
45	90028660	1	Clamp	
46	1001107973	1	Engine and Pump Assembly (See Separate Breakdown in this Section)	
48	0641606	4	Bolt 3/8 x 3/4	

SECTION 3 - ENGINE

FIGURE 3-10. DEUTZ TD2011 ENGINE ASSEMBLY - WITH SAUER PUMP (WITH GENERATOR AND WITHOUT COLD WEATHER PLUS PACKAGE)

ITEM	PART NUMBER	QTY	DESCRIPTION	REV
	1001107973	Ref	DEUTZ TD2011 ENGINE ASSEMBLY - WITH SAUER PUMPS (WITH SKYPOWER AND WITHOUT COLD WEATHER PLUS PACKAGE)	N
1	0080244	1	Spacer, Fan	
2	0100011	AR	Compound, Locking	
3	0272060	1	Box, Air Intake	
4	0340003	2	Band, Air Cleaner	
5	0340051	2	Band, Muffler	
6	0641406	15	Bolt 1/4 x 3/4	
7	0641506	5	Bolt 5/16 x 3/4	
8	0641507	4	Bolt 5/16 x 7/8	
9	0641605	4	Bolt 3/8 x 5/8	
10	0641608	27	Bolt 3/8 x 1	
11	0641609	2	Bolt 3/8 x 1-1/8	
12	0641610	4	Bolt 3/8 x 1-1/4	
13	0641808	1	Bolt 1/2 x 1	
14	0641814	2	Bolt 1/2 x 1-3/4	
15	0641818	2	Bolt 1/2 x 2-1/4	
16	0641826	2	Bolt 1/2 x 3-1/4	
17	0711214	2	Bolt M12 x 30	
18	0771414	6	Bolt M14 x 30	
19	0711417	4	Bolt M14 x 45	
20	1001112766	1	Bracket, Muffler	
21	0940070	1	Bumper	
22	0961986	2	Bushing, Flanged	
23	1001131542	1	Lanyard	
24	1320022	2	Clamp	
25	1320058	2	Clamp	
26	1320060	1	Clamp	
27	1320223	1	J-Clip	
28	1340065	1	Air Cleaner Assembly	
28	7003655	1	Element, Air Cleaner	
28	7015013	1	Baffle, Rubber	
28	7015014	1	Clamp, Cap	
28	7015015	1	Cup	
28	7015003	1	Wingnut	
29	1671023	1	Shroud, Fan	
30	1703162	2	Decal - Fan Blade	
31	2060025	1	Fan	
32	2220451	1	Fitting, Straight	
33	2220498	1	Fitting, Elbow	
34	2720058	34 ft/ 10.3m	Hose	
35	2720500	1	Hose, Oil Cooler (Top)	
36	2720501	1	Hose, Oil Cooler (Bottom)	
37	0761215	2	Bolt M12 x 35mm	
38	2902065	1	Pump Coupling Kit (See Separate Breakdown in this Section)	
40	3200362	2	Mount, Motor (Front)	
41	3200401	2	Mount, Motor (Rear)	

SECTION 3 - ENGINE

ITEM	PART NUMBER	QTY	DESCRIPTION	REV
42	1001257277	1	Muffler	
43	3300454	10	Nut	
44	3311405	5	Nut 1/4	
45	3311505	5	Nut 5/16	
46	3311605	30	Nut 3/8	
47	3311805	5	Nut 1/2	
48	3422532	1	Pin, Hitch	
49	3520054	2	Plug	
50	3537416	1	Plate, Mounting (Front Right)	
51	3539971	1	Bracket, Engine Mounting (Front)	
52	3573142	1	Bracket, Engine Mounting (Rear)	
53	3573411	2	Plate, Clamp	
54	3573412	1	Gusset	
55	3573529	1	Plate, Mounting (Front Left)	
56	3580320	1	Pulley	
58	1001145382	1	Cooler, Engine Oil	
59	3740067	2	Relay, Start	
60	3740080	2	Relay	
61	3960543	1	Seal	
62	3960544	1	Seal	
63	4032022	4	Capscrew M10 x 90	
64	4060804	0.98 ft /0.3m	Flex-Trim	
65	4060805	0.67 ft /0.2m	Flex-Trim	
66	4240099	AR	Tie, Wire (Not Shown)	
67	4568293	1	Pipe, Exhaust	
68	4640751	1	Valve, Oil Drain	
69	4711500	13	Washer 5/16	
70	4711600	68	Washer 3/8	
71	4711800	7	Washer 1/2	
72	4740274	4	Washer, Snubbing	
73	4740518	10	Washer, Nylon	
74	4751400	20	Washer 1/4	
75	4791400	4	Washer 1/4	
76	4846552	1	Plate, Oil Cooler Mounting	
77	4846945	1	Mount, Generator	
78	4846946	1	Tray	
79	4891800	4	Washer 1/2	
80	4923468	1	Harness, Glow Plugs	
81	4923592	1	Cable, Jumper	
82	1001225118	1	Hose, Air Intake	
83	1001098601	1	Engine, Deutz TD2011 Components (See Separate Breakdown in this Section)	
84	8410013	1	Clamp, Gear	
85	1001112927	1	Pump Assembly - Sauer Gear (See Separate Breakdown in this Section)	
86	4891600	2	Washer 3/8	
87	1001108616	1	Pump Assembly - Sauer (See Separate Breakdown in this Section)	
88	1001171095	1	Pump Assembly - Sauer Piston (See Separate Breakdown in this Section)	
89	3790152	1	O-Ring	

SECTION 3 - ENGINE

ITEM	PART NUMBER	QTY	DESCRIPTION	REV
90	3790155	1	O-Ring	
91	2750532	0.8 ft/ 0.2m	Hose	

SECTION 3 - ENGINE

FIGURE 3-11. DEUTZ TD2011 ENGINE INSTALLATION - WITH SAUER PUMP (WITH GENERATOR AND WITH COLD WEATHER PLUS PACKAGE)

ITEM	PART NUMBER	QTY	DESCRIPTION	REV
	1001107976	Ref	DEUTZ TD2011 ENGINE INSTALLATION - WITH SAUER PUMP (WITH GENERATOR AND WITH COLD WEATHER PLUS PACKAGE)	E
1	0100011	AR	Compound, Locking	
2	0100079	AR	Sealant, Pipe	
3	0641410	4	Bolt 1/4 x 1-1/4	
4	0641509	15	Bolt 5/16 x 1-1/8	
5	0641511	1	Bolt 5/16 x 1-3/8	
6	0641605	3	Bolt 3/8 x 5/8	
7	0641610	5	Bolt 3/8 X 1-1/4	
8	0641806	1	Bolt 1/2 x 3/4	
9	0641808	1	Bolt 1/2 x 1	
10	0642010	1	Bolt 5/8 x 1-1/4	
12	0651606	4	Bolt 3/8 x 3/4	
13	1320022	3	Clamp	
14	1320041	2	Clamp	
15	1320187	1	Clamp, Twin	
16	1320190	1	Cover, Clamp	
17	1671121	1	Cover, Generator	
18	1702942	1	Decal - Engine Block Heater	
19	1001108617	1	Filter, Pressure	
19	70002231	1	Element, Filter	
20	2120218	1	Filter, High Pressure	
20	2120219	1	Element	
20	70001344	1	O-Ring, Bowl	
20	70006137	1	Seal Kit - Includes O-Ring (Element), O-Ring (Bowl), Back-up Ring (Bowl), Seal Ring (Indicator) and O-Ring (Indicator)	
21	2180348	1	Fitting, Barbed	
22	2220313	1	Fitting, 90 Barbed	
23	2221176	1	Fitting, 90	
24	2750532	5 ft/ 1.5m	Hose	
25	2902292	1	Battery Cable Kit	
25A	7027008	1	Cable, Red (To Aux Pump Relay, Battery Positive Terminal and Start Relay)	
25B	7027009	1	Cable, Black (To Aux Pump, Battery Negative Terminal and Ground at Tray Pivot)	
25C	7027010	1	Cable, Red (Aux Pump Relay to Aux Pump)	
25D	7027011	1	Cable, Black (Tray Pivot to Engine Mount)	
25E	7024584	1	Cable, Red (Start Relay to Starter)	
25F	See Note	NSS	Boot, Terminal (Red) (Note: Not Available for Purchase)	
25G	See Note	NSS	Boot, Square Terminal (Red) (Note: Not Available for Purchase)	
26	3311505	15	Nut 5/16	
27	3311605	4	Nut 3/8	
28	3380473	1	Panel, Rubber	
29	3380498	1	Panel	
30	3380723	1	Panel	
31	3422446	1	Pin	
32	3573644	1	Plate, Tray Clamp	
33	3573669	1	Plate, Clamp	
34	3573727	1	Plate, Tray Clamp	

SECTION 3 - ENGINE

ITEM	PART NUMBER	QTY	DESCRIPTION	REV
35	3573728	1	Plate, Tray Clamp	
36	3574633	1	Plate	
37	3841143	1	Keeper, Pin	
38	3900316	10	Screw 3/8 x 1	
39	4240018	2	Strap, Cable Tie (Not Shown)	
40	4240033	AR	Tie, Wire (Not Shown)	
41	4341110	1	Support	
42	4711400	4	Washer 1/4	
43	4711500	30	Washer 5/16	
44	4711600	29	Washer 3/8	
45	4752000	1	Washer 5/8	
46	90028660	1	Clamp	
47	1001107975	1	Engine and Pump Assembly (See Separate Breakdown in this Section)	
49	0641606	4	Bolt 3/8 x 3/4	

SECTION 3 - ENGINE

FIGURE 3-12. DEUTZ TD2011 ENGINE ASSEMBLY - WITH SAUER PUMP (WITH GENERATOR AND WITH COLD WEATHER PLUS PACKAGE)

ITEM	PART NUMBER	QTY	DESCRIPTION	REV
	1001107975	Ref	DEUTZ TD2011 ENGINE ASSEMBLY - WITH SAUER PUMPS (WITH SKYPOWER AND WITH COLD WEATHER PLUS PACKAGE)	M
1	0080244	1	Spacer, Fan	
2	0100011	AR	Compound, Locking	
3	0272060	1	Box, Air Intake	
4	0340003	2	Band, Air Cleaner	
5	0340051	2	Band, Muffler	
6	0641406	15	Bolt 1/4 x 3/4	
7	0641506	5	Bolt 5/16 x 3/4	
8	0641507	4	Bolt 5/16 x 7/8	
9	0641605	4	Bolt 3/8 x 5/8	
10	0641608	27	Bolt 3/8 x 1	
11	0641609	2	Bolt 3/8 x 1-1/8	
12	0641610	4	Bolt 3/8 x 1-1/4	
13	0641808	1	Bolt 1/2 x 1	
14	0641814	2	Bolt 1/2 x 1-3/4	
15	0641818	2	Bolt 1/2 x 2-1/4	
16	0641826	2	Bolt 1/2 x 3-1/4	
17	0711214	2	Bolt M12 x 30	
18	0771414	6	Bolt M14 x 30	
19	0711417	4	Bolt M14 x 45	
20	1001112766	1	Bracket, Muffler	
21	0940070	1	Bumper	
22	0961986	2	Bushing, Flanged	
23	1001131542	1	Lanyard	
24	1060904	1	Cable, Jumper	
25	1320022	2	Clamp	
26	1320058	2	Clamp	
27	1320060	1	Clamp	
28	1320223	1	J-Clip	
29	1340065	1	Air Cleaner Assembly	
29	7003655	1	Element, Air Cleaner	
29	7015013	1	Baffle, Rubber	
29	7015014	1	Clamp, Cap	
29	7015015	1	Cup	
29	7015003	1	Wingnut	
30	1671023	1	Shroud, Fan	
31	1703162	2	Decal - Fan Blade	
32	2060025	1	Fan	
33	2220451	1	Fitting, Straight	
34	2220498	1	Fitting, Elbow	
35	2720058	34 ft/ 10.3m	Hose	
36	2580062	1	Heater, Engine Block	
37	2720500	1	Hose, Oil Cooler (Top)	
38	2720501	1	Hose, Oil Cooler (Bottom)	
39	2750532	0.75 ft /0.2m	Hose	
40	2902065	1	Pump Coupling Kit (See Separate Breakdown in this Section))	

SECTION 3 - ENGINE

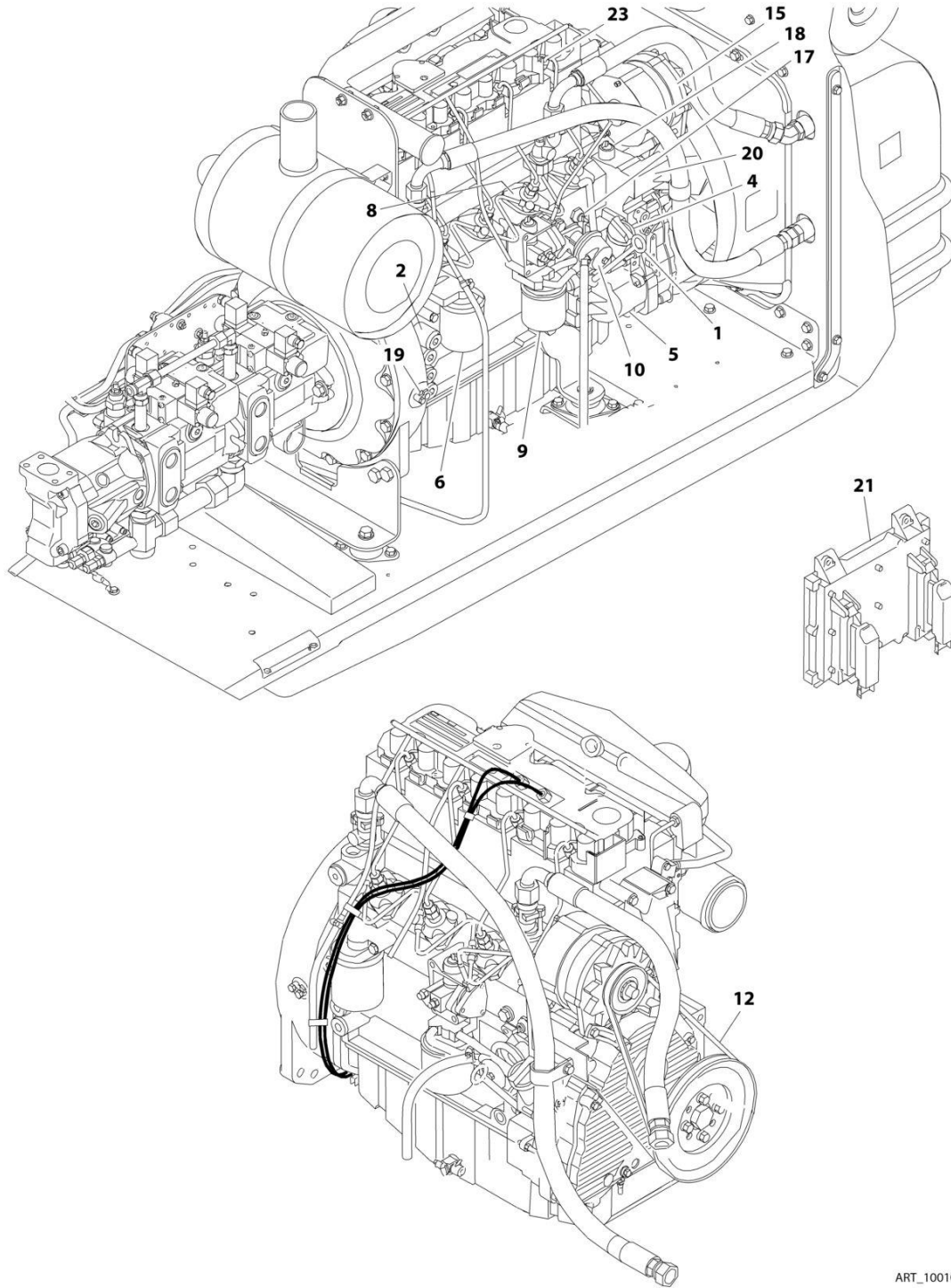
ITEM	PART NUMBER	QTY	DESCRIPTION	REV
42	3200362	2	Mount, Motor (Front)	
43	3200401	2	Mount, Motor (Rear)	
44	1001257277	1	Muffler	
45	3300454	10	Nut	
46	3311405	5	Nut 1/4	
47	3311505	5	Nut 5/16	
48	3311605	30	Nut 3/8	
49	3311805	5	Nut 1/2	
50	3422532	1	Pin, Hitch	
51	3520054	2	Plug	
52	3537416	1	Plate, Mounting (Front Right)	
53	3539971	1	Bracket, Engine Mounting (Front)	
54	3573142	1	Bracket, Engine Mounting (Rear)	
55	3573411	2	Plate, Clamp	
56	3573412	1	Gusset	
57	3573529	1	Plate, Mounting (Front Left)	
58	3580320	1	Pulley	
60	1001145382	1	Cooler, Engine Oil	
61	3740067	2	Relay, Start	
62	3740080	2	Relay	
63	3960543	1	Seal	
64	3960544	1	Seal	
65	4032022	4	Capscrew M10 x 90	
66	4060804	0.98 ft /0.3m	Flex-Trim	
67	4060805	0.67 ft /0.2m	Flex-Trim	
68	4240099	AR	Tie, Wire (Not Shown)	
69	4460234	3	Mount, Wire Tie	
70	4568293	1	Pipe, Exhaust	
71	4640751	1	Valve, Oil Drain	
72	4711500	13	Washer 5/16	
73	4711600	68	Washer 3/8	
74	4711800	7	Washer 1/2	
75	4740274	4	Washer, Snubbing	
76	4740518	10	Washer, Nylon	
77	4751400	20	Washer 1/4	
78	4791400	4	Washer 1/4	
79	4846552	1	Plate, Oil Cooler Mounting	
80	4846945	1	Mount, Generator	
81	4846946	1	Tray	
82	4891800	4	Washer 1/2	
83	4923468	1	Harness, Glow Plugs	
84	1001225118	1	Hose, Air Intake	
85	1001098601	1	Engine, Deutz TD2011 Components (See Separate Breakdown in this Section)	
86	8410013	1	Clamp, Gear	
87	0761215	2	Bolt M12 x 35	
88	1001112927	1	Pump Assembly - Sauer Gear (See Separate Breakdown in this Section)	
89	4891600	2	Washer 3/8	

SECTION 3 - ENGINE

ITEM	PART NUMBER	QTY	DESCRIPTION	REV
90	1001108616	1	Pump Assembly - Sauer Tandem (See Separate Breakdown in this Section)	
91	1001171095	1	Pump Assembly - Sauer Piston (See Separate Breakdown in this Section)	
92	3790152	1	O-Ring	
93	3790155	1	O-Ring	

SECTION 3 - ENGINE

FIGURE 3-13. DEUTZ TD2011 ENGINE COMPONENTS



ART_1001098601

SECTION 3 - ENGINE

FIGURE 3-13. DEUTZ TD2011 ENGINE COMPONENTS

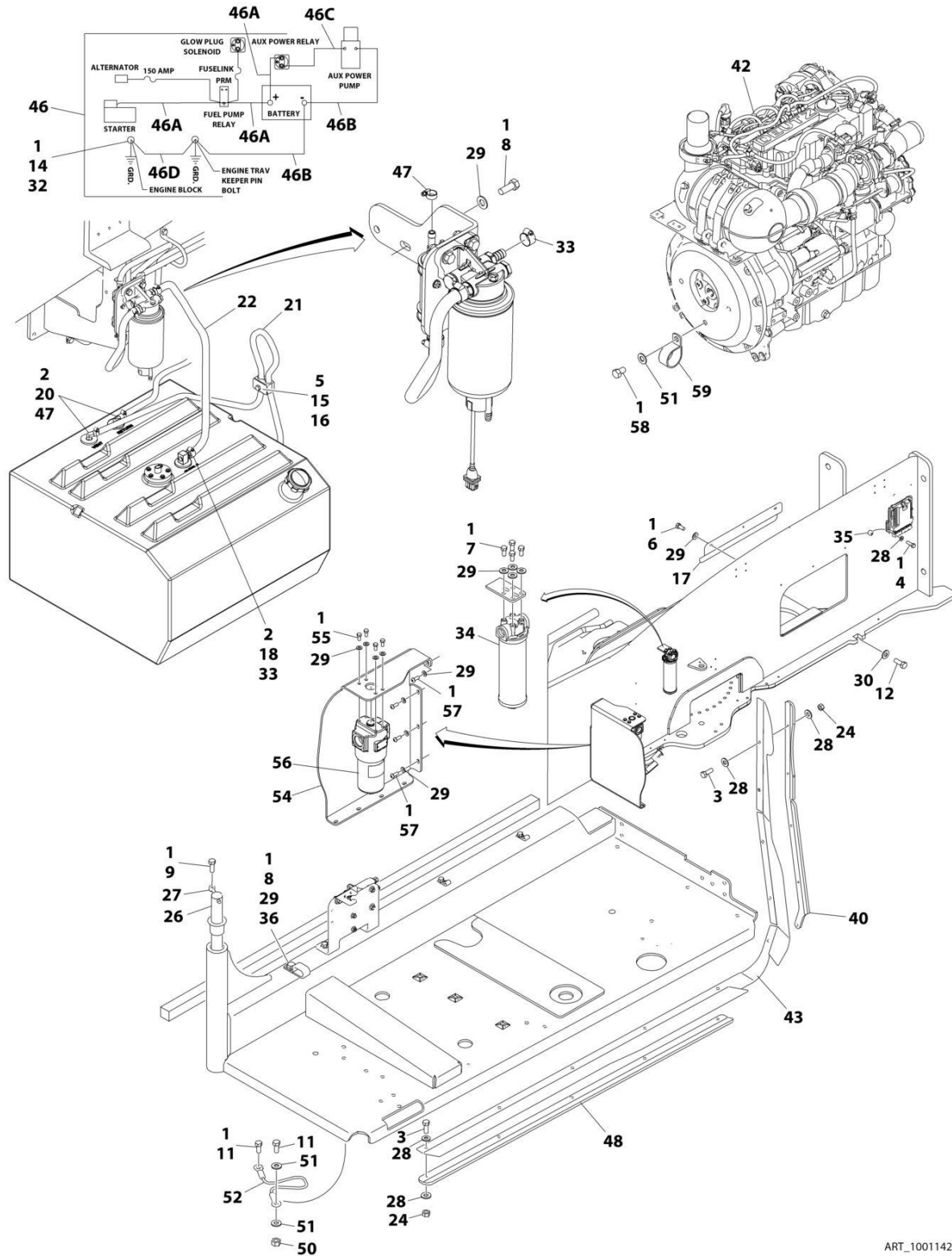
ITEM	PART NUMBER	QTY	DESCRIPTION	REV
	1001098601	Ref	DEUTZ TD2011 ENGINE COMPONENTS	C
1	7027235	1	Dipstick	
1	70000044	1	O-Ring	
2	70003475	1	Thermostat	
2	7020460	1	Compression Spring	
3	70001870	1	Flywheel (Not Shown)	
3	7024579	1	Gear, Ring (Not Shown)	
4	7020465	1	Cap, Filler	
5	70001850	1	Pump, Oil	
5	7020468	1	Seal Between Oil Pump and Engine Block (Not Shown)	
6	7016331	1	Filter, Oil	
6	7027236	1	Sender, Temperature (Located near Oil Filter)	
8		Ref	Injector Pump	
8	70001128	AR	"A" Series	
8	70001129	AR	"B" Series	
8	70001130	AR	"C" Series	
8	70001131	AR	"D" Series	
8	7020447	AR	Gasket (1 per Injector)	
9	7016328	1	Filter, Fuel	
10	70000916	1	Pump Fuel Supply	
10	70001435	1	Repair Kit	
10	70000917	1	O-Seal Between Fuel Pump and Engine Block (Not Shown)	
10	70000918	1	Sealing Ring (Not Shown)	
10	70000919	1	Pump, Hand (Not Shown)	
11	7027239	1	Solenoid, Start (Not Shown - Located near Throttle)	
12	7020414	1	V-Belt	
13	7020471	4	Gasket, Exhaust Manifold to Engine Block (Not Shown)	
13	7020486	1	Gasket, Exhaust Manifold to Exhaust Pipe (Not Shown)	
14	7027240	1	Turbocharger (Not Shown)	
14	70001857	1	Flange, Turbocharger (Not Shown)	
14	70001135	1	Gasket (Not Shown)	
15	70001867	1	Alternator	
15	70001868	1	Regulator, Voltage (Not Shown)	
16	7020479	1	Starter (Not Shown - Located on Right Side of Engine)	
16	7026608	1	Relay, Start (Not Shown)	
17	7027790	1	Sensor, Oil Pressure	
18	7027791	1	Sensor, Temperature (Not Shown)	
19	7024565	1	Sensor, Speed	
20	7027792	1	Actuator Throttle	
20	7027276	2	Spring	
21	1600443	1	Module, EMR2 Controller	
22	70002718	1	Seal, Rear Main (Not Shown)	
23	70003135	4	Injector, Fuel	
23	70003136	1	Ring, Sealing	
24	70001847	1	Valve, Breather (Located - Front Cover) (Not Shown)	
24	70001126	1	O-Ring (Not Shown)	
25	70001125	1	Cap, Breather (Located In Cylinder Head Cover) (Not Shown)	
25	70001126	1	O-Ring (Not Shown)	
26	70001871	4	Gasket, Air Intake Manifold (Not Shown)	
27	70000345	4	Plug, Glow (Not Shown)	

SECTION 3 - ENGINE

ITEM	PART NUMBER	QTY	DESCRIPTION	REV
28	70007353	1	Gasket Kit (Not Shown)	

SECTION 3 - ENGINE

FIGURE 3-14. DEUTZ TCD2.9L4 ENGINE INSTALLATION - WITH REXROTH PUMP (WITHOUT COLD WEATHER PLUS PACKAGE)



ART_1001142375

SECTION 3 - ENGINE

FIGURE 3-14. DEUTZ TCD2.9L4 ENGINE INSTALLATION - WITH REXROTH PUMP (WITHOUT COLD WEATHER PLUS PACKAGE)

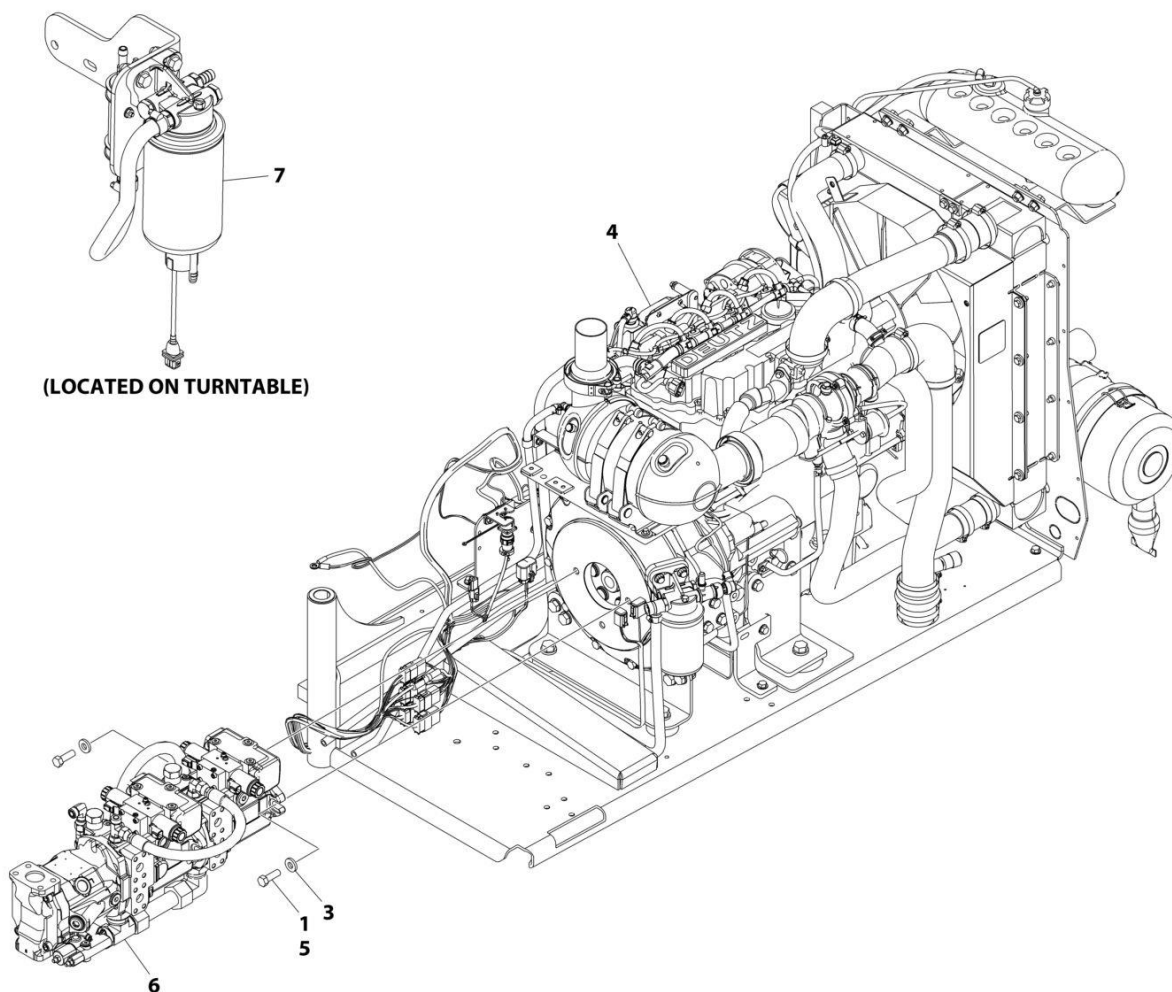
ITEM	PART NUMBER	QTY	DESCRIPTION	REV
	1001142375	Ref	DEUTZ TCD2.9L4 ENGINE INSTALLATION - WITH REXROTH PUMP (WITHOUT COLD WEATHER PLUS PACKAGE)	K
1	0100011	AR	Compound, Locking	
2	0100079	AR	Sealant, Pipe	
3	0641408	10	Bolt 1/4 x 1	
4	0641410	4	Bolt 1/4 x 1-1/4	
5	0641511	1	Bolt 5/16 x 1-3/8	
6	0641605	3	Bolt 3/8 x 5/8	
7	0641606	4	Bolt 3/8 x 3/4	
8	0641608	3	Bolt 3/8 x 1	
9	0641610	1	Bolt 3/8 x 1-1/4	
11	0641808	2	Bolt 1/2 x 1	
12	0642010	1	Bolt 5/8 x 1-1/4	
14	0761210	1	Bolt M12 x 20	
15	1320187	1	Clamp	
16	1320190	1	Cover, Clamp	
17	1671121	1	Cover	
18	2180832	1	Fitting, Barbed	
20	2220313	2	Fitting, 90 Barbed	
21	2750532	5 ft/ 1.5m	Hose	
22	1001154405	1.9 ft/ 0.6m	Hose	
24	3311405	10	Nut 1/4	
26	3422446	1	Pin, Pivot	
27	3841143	1	Pin, Keeper	
28	4711400	24	Washer 1/4	
29	4711600	19	Washer 3/8	
30	4752000	1	Washer 5/8	
32	4812100	1	Washer M12	
33	8405006	2	Clamp	
34	1001108617	1	Hydraulic Pressure Filter Assembly	
34	70002231	1	Element, Filter	
35	1001110425	4	Spacer	
36	1001116792	1	Clamp	
38	1001138491	NLA	Harness, Fuel (Use p/n 1001222665) (Not Shown - See Separate Breakdown in ELECTRICAL SECTION)	
40	1001145089	1	Clamp	
42	1001141812	1	Engine Sub-Assembly (See Separate Breakdown in this Section)	
43	1001145560	1	Panel, Rubber	
46	1001142610	1	Battery Cable Kit	
46A	7027046	1	Cable, Battery (Red) (Battery + to Relays and Starter)	
46A	See Note	NSS	Boot, Ring Terminal (Red) (Note: Not Available - Purchase Locally)	
46B	7027047	1	Cable, Battery (Black) (Battery - to Tray Pivot Grd) and Aux Pump	
46B	See Note	NSS	Boot, Ring Terminal (Black) (Note: Not Available - Purchase Locally)	
46C	7027048	1	Cable (Red) (Aux Relay to Aux Pump)	
46C	See Note	NSS	Boot, Ring Terminal (Red) (Note: Not Available - Purchase Locally)	

SECTION 3 - ENGINE

ITEM	PART NUMBER	QTY	DESCRIPTION	REV
46D	7027049	1	Cable, Battery (Black) (Engine to Tray Pivot Grd)	
47	1320022	3	Clamp	
48	1001145842	1	Plate, Clamping	
50	3311805	1	Nut 1/2	
51	4711800	3	Washer 1/2	
52	1001131542	1	Lanyard	
54	3380723	1	Panel, Noise Reduction	
55	0651606	4	Bolt 3/8 x 3/4	
56	2120218	1	Filter, High Pressure	
56	2120219	1	Element, Filter	
56	70001344	1	O-Ring, Bowl	
56	70006137	1	Seal Kit - Includes O-Ring (Element), O-Ring (Bowl), Back-up Ring (Bowl), Seal Ring (Indicator) and O-Ring (Indicator)	
57	3900316	5	Screw 3/8 x 1	
58	0641806	1	Bolt 1/2 x 3/4	
59	90028660	1	Clamp	

SECTION 3 - ENGINE

FIGURE 3-15. DEUTZ TCD2.9L4 ENGINE SUB-ASSEMBLY - WITH REXROTH PUMP (WITHOUT COLD WEATHER PLUS PACKAGE)



ART_1001141812

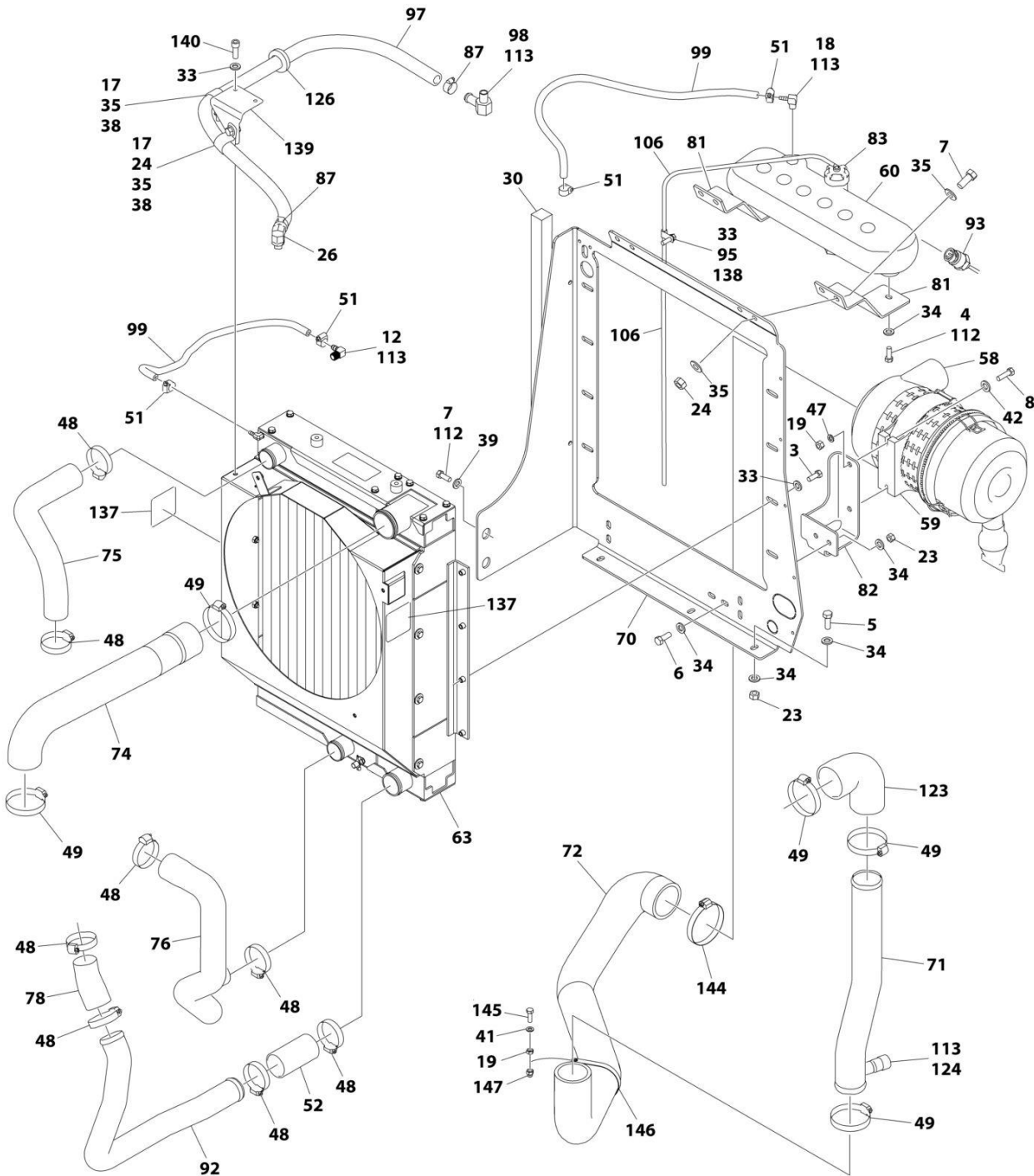
SECTION 3 - ENGINE

FIGURE 3-15. DEUTZ TCD2.9L4 ENGINE SUB-ASSEMBLY - WITH REXROTH PUMP (WITHOUT COLD WEATHER PLUS PACKAGE)

ITEM	PART NUMBER	QTY	DESCRIPTION	REV
	1001141812	Ref	DEUTZ TCD2.9L4 ENGINE SUB-ASSEMBLY	AO
1	0641812	2	Bolt 1/2 x 1-1/2	
1	0641814	2	Bolt 1/2 x 1-3/4	
3	4891800	2	Washer 1/2	
4	1001134392	1	Engine Assembly (See Separate Breakdown in this Section)	
5	0100011	AR	Compound, Locking	
6	1001152963	1	Pump Assembly - Rexroth (See Separate Breakdown in this Section)	
7	1001165101	1	Bracket, Fuel Pump Filter Assembly (See Separate Breakdown in this Section)	

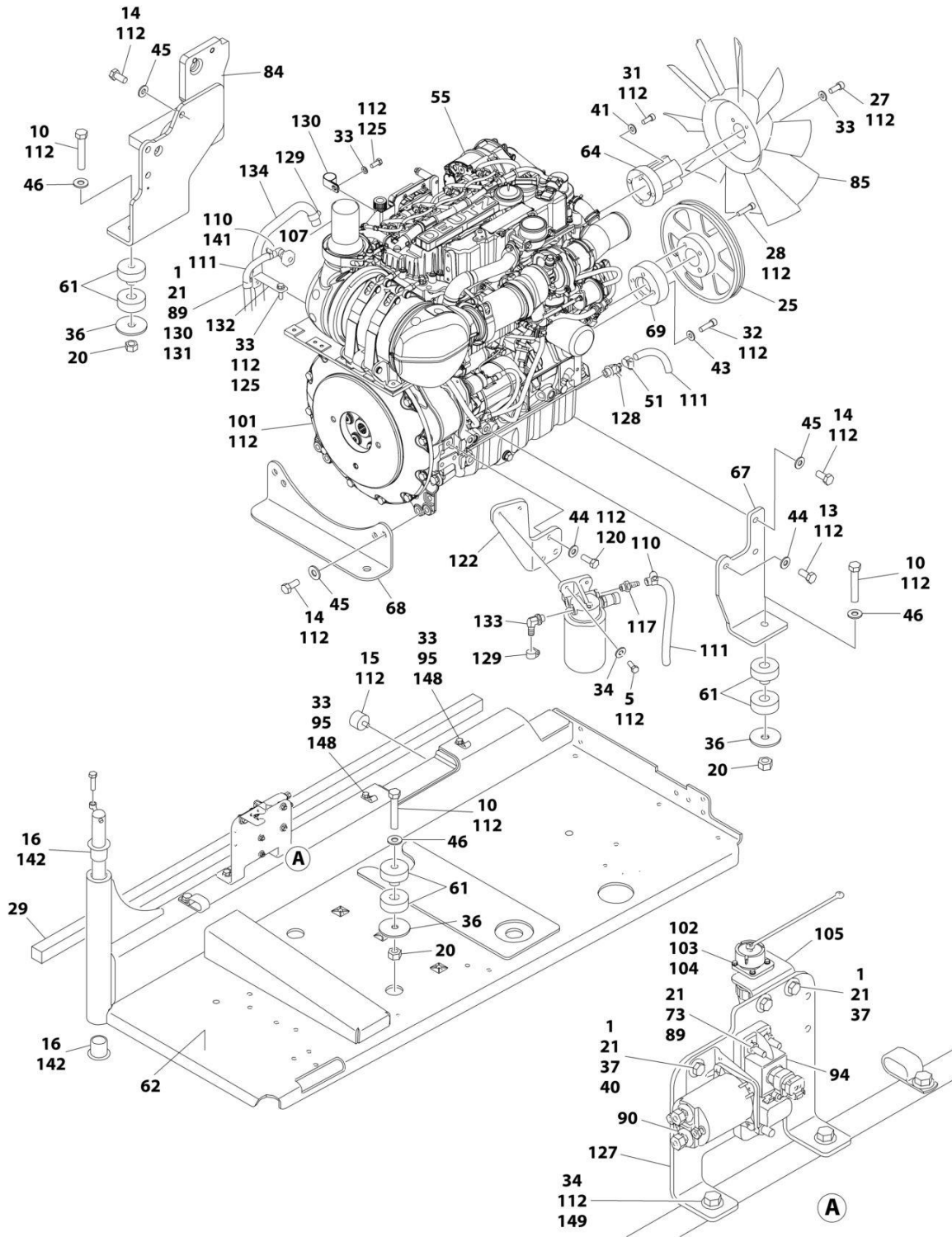
SECTION 3 - ENGINE

FIGURE 3-16. DEUTZ TCD2.9L4 ENGINE ASSEMBLY - WITH REXROTH PUMP (WITHOUT COLD WEATHER PLUS PACKAGE)



ART_1001134392_AU_10F2

SECTION 3 - ENGINE



ART_1001134392_AU_20F2

SECTION 3 - ENGINE

FIGURE 3-16. DEUTZ TCD2.9L4 ENGINE ASSEMBLY - WITH REXROTH PUMP (WITHOUT COLD WEATHER PLUS PACKAGE)

ITEM	PART NUMBER	QTY	DESCRIPTION	REV
	1001134392	Ref	DEUTZ TCD2.9L4 ENGINE ASSEMBLY	AU
1	0641406	5	Bolt 1/4 x 3/4	
3	0641508	8	Bolt 5/16 x 1	
4	0641606	2	Bolt 3/8 x 3/4	
5	0641608	9	Bolt 3/8 x 1	
6	0641610	2	Bolt 3/8 x 1-1/4	
7	0641708	6	Bolt 7/16 x 1	
8	0700815	2	Bolt M8 x 35	
10	0682028	4	Bolt 5/8 x 3-1/2 Grade 8	
12	1001140564	1	Fitting, 90 Barbed	
13	0771212	1	Bolt M12 x 25 Grade 10.9	
14	0771414	9	Bolt M14 x 30 Grade 10.9	
15	0940070	1	Bumper	
16	0961986	2	Bushing, Flanged	
17	0641706	2	Bolt 7/16 x 3/4	
18	1001134488	1	Fitting, 90 Barbed	
19	3290801	3	Nut M8	
20	3272001	4	Nut 5/8 Grade 8	
21	3311405	6	Nut 1/4	
23	3311605	9	Nut 3/8	
24	3311705	5	Nut 7/16	
25	3580320	1	Pulley	
26	1001141719	1	Fitting, 90 Barbed	
27	3931512	4	Capscrew 5/16 x 3/4	
28	3931628	4	Capscrew 3/8 x 1-3/4	
29	3960543	1	Seal	
30	3960544	1	Seal	
31	4031914	4	Bolt M8 x 50	
32	4032014	4	Bolt M10 x 50	
33	4711500	19	Washer 5/16	
34	4711600	24	Washer 3/8	
35	4711700	10	Washer 7/16	
36	1001146219	4	Washer Special	
37	4751400	8	Washer 1/4	
38	8406302	2	Clamp	
39	4751700	2	Washer 7/16	
40	4791400	2	Starwasher 1/4	
41	4811900	5	Washer M8	
42	4811902	2	Washer M8	
43	4812000	4	Washer M10	
44	4812100	4	Washer M12	
45	4812200	9	Washer M14	
46	4892000	4	Washer 5/8	
47	4831900	2	Washer M8	
48	8405201	8	Clamp	
49	8405204	5	Clamp	
51	8410013	5	Clamp	
52	91563070	1	Coupling, Rubber	

SECTION 3 - ENGINE

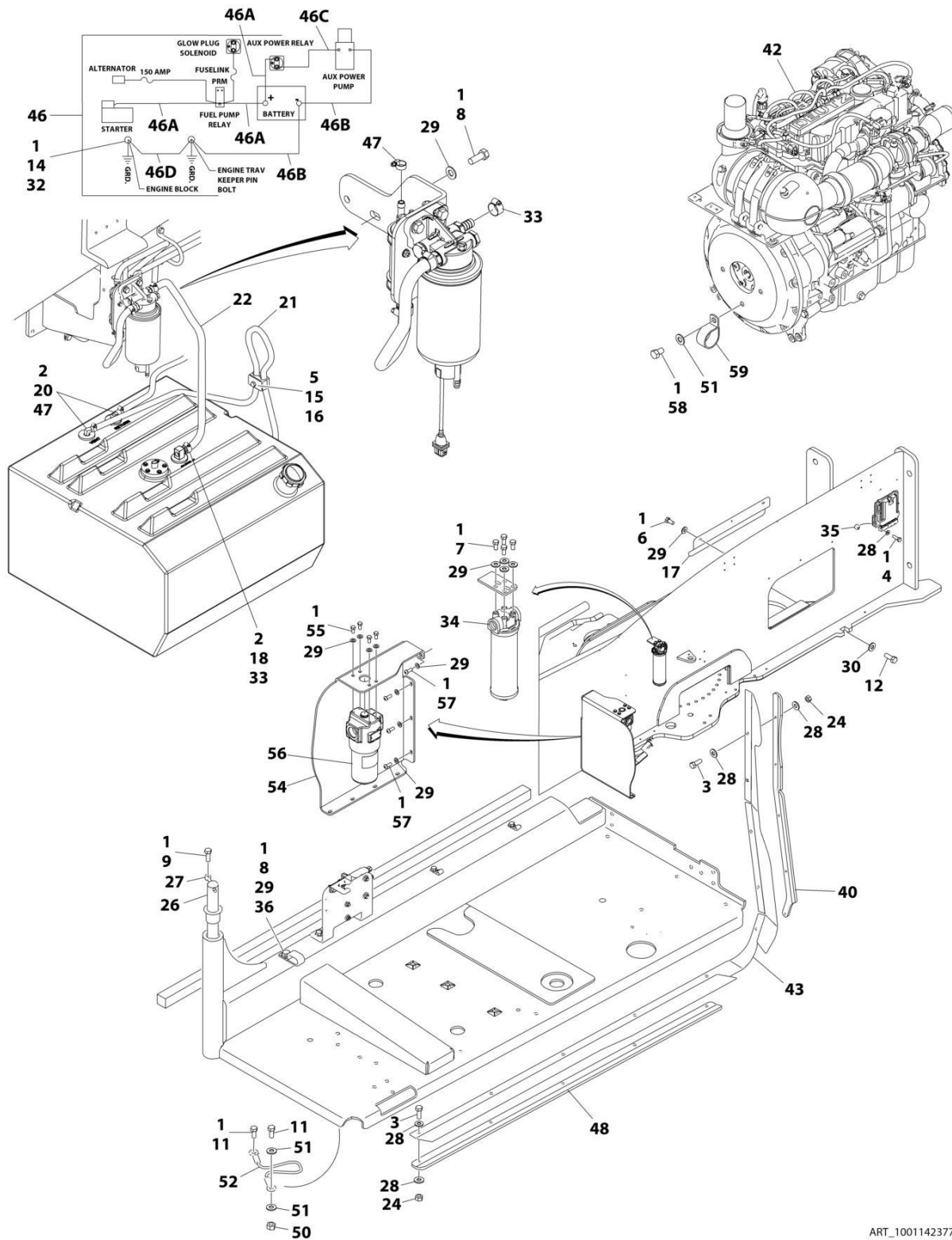
ITEM	PART NUMBER	QTY	DESCRIPTION	REV
55	1001249964	1	Engine, Deutz TCD2.9L4 (See Separate Breakdown in this Section)	
58	1001133633	1	Air Cleaner Assembly	
58	70024190	1	Element, Air Filter	
59	1001133634	1	Clamp	
60	1001166393	1	Tank, Surge	
61	1001155575	4	Mount, Motor	
62	1001191272	1	Tray	
63	1001256864	1	Radiator	
64	1001135138	1	Spacer, Fan	
67	1001135560	1	Support, Engine	
68	1001135562	1	Support, Engine - Rear	
69	1001135679	1	Spacer, Pulley	
70	1001135680	1	Support, Radiator	
71	1001135901	1	Pipe, Air Intake	
72	1001264917	1	Pipe, Air Intake	
73	3931432	1	Capscrew 1/4 x 2	
74	1001264982	1	Pipe, Air Cleaner to Intake	
75	1001135924	1	Hose, Radiator (Upper)	
76	1001135926	1	Hose, Radiator (Lower)	
78	1001135943	1	Coupling, Rubber	
81	1001136626	2	Bracket	
82	1001136665	1	Bracket	
83	1001136834	1	Cap, Tank	
84	1001283008	1	Support, Engine	
85	1001137276	1	Fan	
87	8405007	2	Clamp	
89	4711400	3	Washer 1/4	
90	1001117308	1	Relay	
92	1001135913	1	Pipe, Turbo to Air Cleaner	
93	1001138827	1	Sensor, Coolant Level	
94	1001138228	1	Module, Power	
94	70023592	1	Fuse 20Amp (Switched Output)	
94	70023593	1	Fuse 30Amp (Battery Output)	
95	1001138253	5	Clamp	
96	1001138346	1	Harness, Engine (Not Shown - See Separate Breakdown in ELECTRICAL Section)	
97	1001138524	1	Hose	
98	1001138559	1	Fitting, 90	
99	2720015	4.5 ft/ 1.4m	Hose	
101	2902065	1	Pump Coupling Kit (See Separate Breakdown in this Section)	
102	3310401	3	Nut #4	
103	3910408	3	Screw #4 x 1/2	
104	4710400	3	Washer #4	
105	1001139240	1	Bracket	
106	1001138248	4 ft/ 1.2m	Tubing	
107	1001153024	1	Pipe, Exhaust	
110	1320022	2	Clamp	
111	1001165035	30.5 ft/ 9.3m	Hose	
112	0100011	AR	Compound, Locking	

SECTION 3 - ENGINE

ITEM	PART NUMBER	QTY	DESCRIPTION	REV
113	0100020	AR	Sealant	
114	1001141304	1	Wire, Glow Plug (Not Shown)	
115	1001135779	1	Cable, Alternator Positive (Not Shown)	
117	1001141717	1	Fitting, Straight	
120	0761214	3	Bolt M12 x 30	
122	1001142685	1	Bracket	
123	1001165820	1	Pipe, Elbow	
124	1001143390	1	Indicator, Air Filter Service	
125	0760810	2	Bolt M8 x 20	
126	1001144089	1	Grommet	
127	1001145154	1	Plate, Mounting	
128	4640751	1	Valve, Oil Drain	
129	8405006	2	Clamp	
130	8406102	AR	Clip	
131	8406112	1	Clip	
132	1001138717	1	Bracket	
133	1001142501	1	Fitting, 90 Barbed	
134	1001154405	5 ft/ 1.5m	Hose	
135	1001148843	1	Harness, Fuel Filter (Not Shown - See Separate Breakdown in ELECTRICAL Section)	
137	1703162	2	Decal - Fan	
138	0641503	1	Bolt 5/16 x 3/8	
139	1001153387	1	Plate	
140	3931508	2	Capscrew 5/16 x 1/2	
141	1001155823	1	Coupling	
142	0100062	AR	Adhesive, Loctite #680	
143	4240099	AR	Tie-Strap (Not Shown)	
144	8410011	1	Clamp	
145	0700812	1	Bolt M8 x 25	
146	1321289	1	Clamp	
147	3290806	1	Nut M8	
148	0641510	2	Bolt 5/16 x 1-1/4	
149	0641612	2	Bolt 3/8 x 1-1/2	

SECTION 3 - ENGINE

FIGURE 3-17. DEUTZ TCD2.9L4 ENGINE INSTALLATION - WITH REXROTH PUMP (WITH COLD WEATHER PLUS PACKAGE)



ART_1001142377

SECTION 3 - ENGINE

FIGURE 3-17. DEUTZ TCD2.9L4 ENGINE INSTALLATION - WITH REXROTH PUMP (WITH COLD WEATHER PLUS PACKAGE)

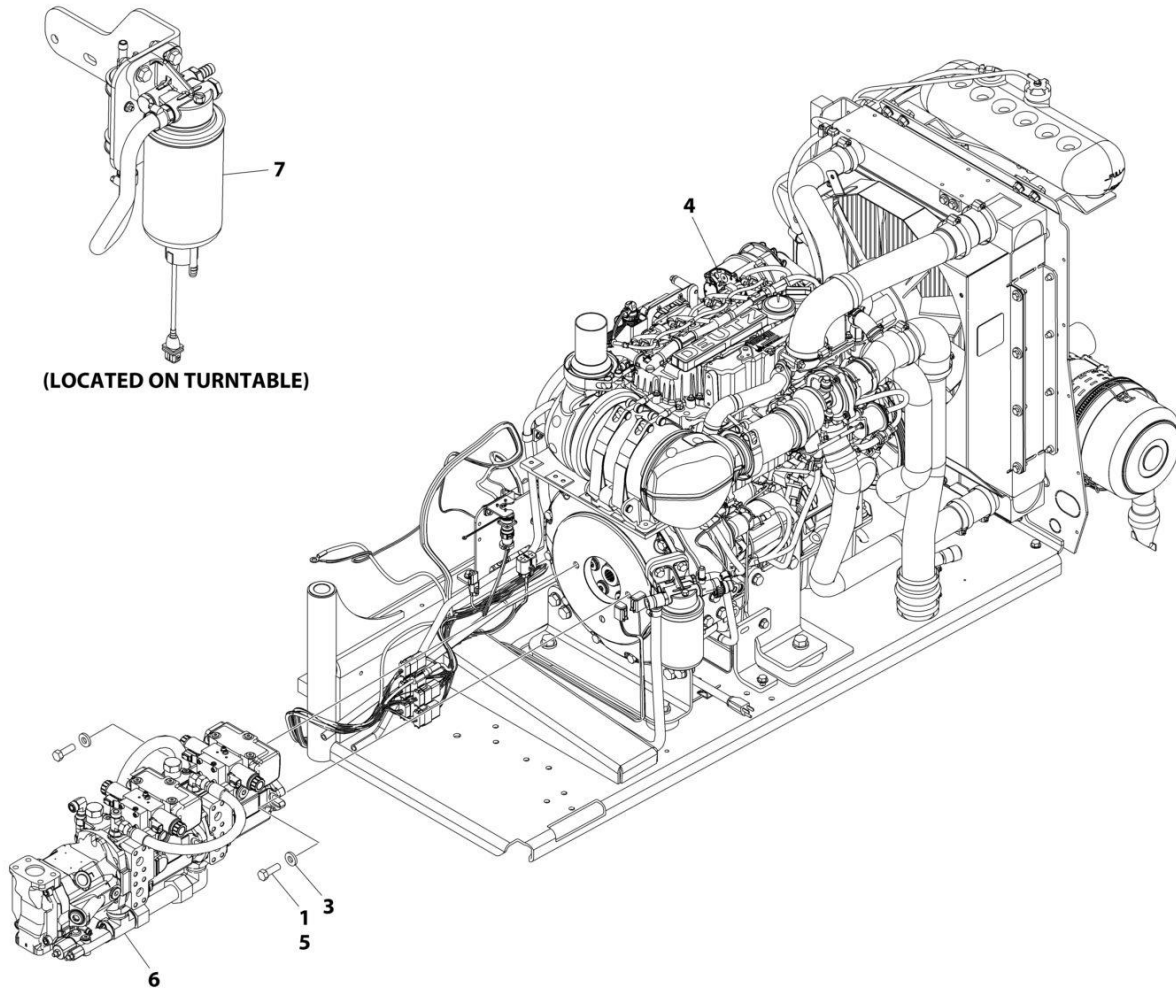
ITEM	PART NUMBER	QTY	DESCRIPTION	REV
	1001142377	Ref	DEUTZ TCD2.9L4 ENGINE INSTALLATION - WITH REXROTH PUMP (WITH COLD WEATHER PLUS PACKAGE)	M
1	0100011	AR	Compound, Locking	
2	0100079	AR	Sealant, Pipe	
3	0641408	10	Bolt 1/4 x 1	
4	0641410	4	Bolt 1/4 x 1-1/4	
5	0641511	1	Bolt 5/16 x 1-3/8	
6	0641605	3	Bolt 3/8 x 5/8	
7	0641606	4	Bolt 3/8 x 3/4	
8	0641608	3	Bolt 3/8 x 1	
9	0641610	1	Bolt 3/8 x 1-1/4	
11	0641808	AR	Bolt 1/2 x 1	
12	0642010	1	Bolt 5/8 x 1-1/4	
14	0761210	1	Bolt M12 x 20	
15	1320187	1	Clamp	
16	1320190	1	Cover, Clamp	
17	1671121	1	Cover	
18	2180832	1	Fitting, Barbed	
20	2220313	2	Fitting, 90 Barbed	
21	2750532	5 ft/ 1.5m	Hose	
22	1001154405	1.9 ft /0.6m	Hose	
24	3311405	10	Nut 1/4	
26	3422446	1	Pin, Pivot	
27	3841143	1	Pin, Keeper	
28	4711400	24	Washer 1/4	
29	4711600	19	Washer 3/8	
30	4752000	1	Washer 5/8	
32	4812100	1	Washer M12	
33	8405006	2	Clamp	
34	1001108617	1	Hydraulic Pressure Filter Assembly	
34	70002231	1	Element, Filter	
35	1001110425	4	Spacer	
36	1001116792	1	Clamp	
38	1001138491	NLA	Harness, Fuel (Use p/n 1001222665) (Not Shown - See Separate Breakdown in ELECTRICAL SECTION)	
40	1001145089	1	Clamp	
42	1001141813	1	Engine Sub-Assembly (See Separate Breakdown in this Section)	
43	1001145560	1	Panel, Rubber	
46	1001142610	1	Battery Cable Kit	C
46A	7027046	1	Cable, Battery (Red) (Battery + to Relays and Starter)	
46A	See Note	NSS	Boot, Ring Terminal (Red) (Note: Not Available - Purchase Locally)	
46B	7027047	1	Cable, Battery (Black) (Battery - to Tray Pivot Grd) and Aux Pump	
46B	See Note	NSS	Boot, Ring Terminal (Black) (Note: Not Available - Purchase Locally)	
46C	7027048	1	Cable (Red) (Aux Relay to Aux Pump)	
46C	See Note	NSS	Boot, Ring Terminal (Red) (Note: Not Available - Purchase Locally)	

SECTION 3 - ENGINE

ITEM	PART NUMBER	QTY	DESCRIPTION	REV
46D	7027049	1	Cable, Battery (Black) (Engine to Tray Pivot Grd)	
47	1320022	3	Clamp	
48	1001145842	1	Plate, Clamping	
50	3311805	1	Nut 1/2	
51	4711800	3	Washer 1/2	
52	1001131542	1	Lanyard	
54	3380723	1	Panel, Noise Reduction	
55	0651606	4	Bolt 3/8 x 3/4	
56	2120218	1	Filter, High Pressure	
56	2120219	1	Element, Filter	
56	70001344	1	O-Ring, Bowl	
56	70006137	1	Seal Kit - Includes O-Ring (Element), O-Ring (Bowl), Back-up Ring (Bowl), Seal Ring (Indicator) and O-Ring (Indicator)	
57	3900316	5	Screw 3/8 x 1	
58	0641806	1	Bolt 1/2 x 3/4	
59	90028660	1	Clamp	

SECTION 3 - ENGINE

FIGURE 3-18. DEUTZ TCD2.9L4 ENGINE SUB-ASSEMBLY - WITH REXROTH PUMP (WITH COLD WEATHER PLUS PACKAGE)



ART_1001141813

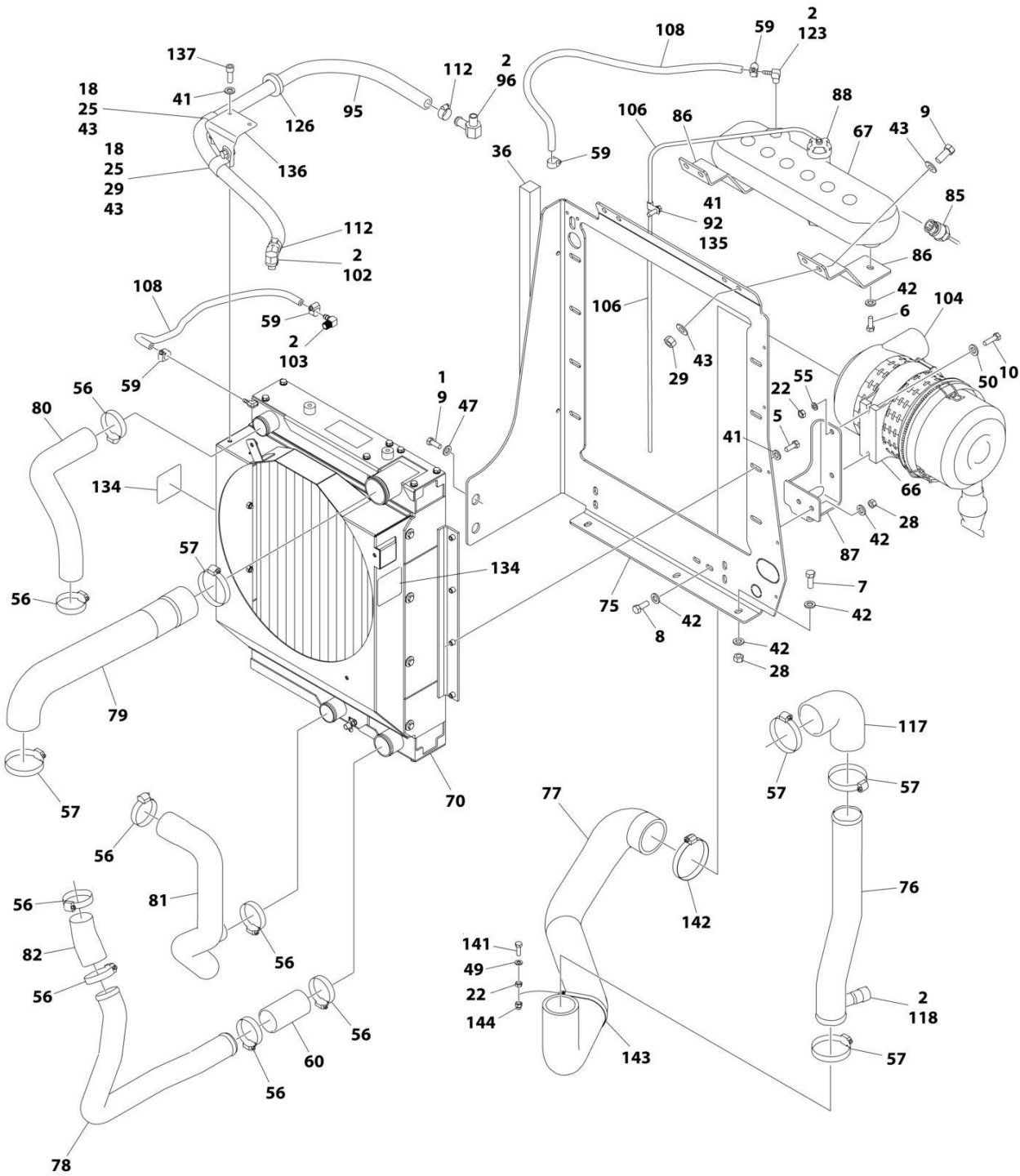
SECTION 3 - ENGINE

FIGURE 3-18. DEUTZ TCD2.9L4 ENGINE SUB-ASSEMBLY - WITH REXROTH PUMP (WITH COLD WEATHER PLUS PACKAGE)

ITEM	PART NUMBER	QTY	DESCRIPTION	REV
	1001141813	Ref	DEUTZ TCD2.9L4 ENGINE SUB-ASSEMBLY	AP
1	0641812	2	Bolt 1/2 x 1-1/2	
1	0641814	2	Bolt 1/2 x 1-1/2	
3	4740171	2	Washer 1/2	
4	1001141746	1	Engine Assembly (See Separate Breakdown in this Section)	
5	0100011	AR	Compound, Locking	
6	1001152963	1	Pump Assembly - Rexroth (See Separate Breakdown in this Section)	
7	1001165101	1	Bracket, Fuel Pump Filter Assembly (See Separate Breakdown in this Section)	

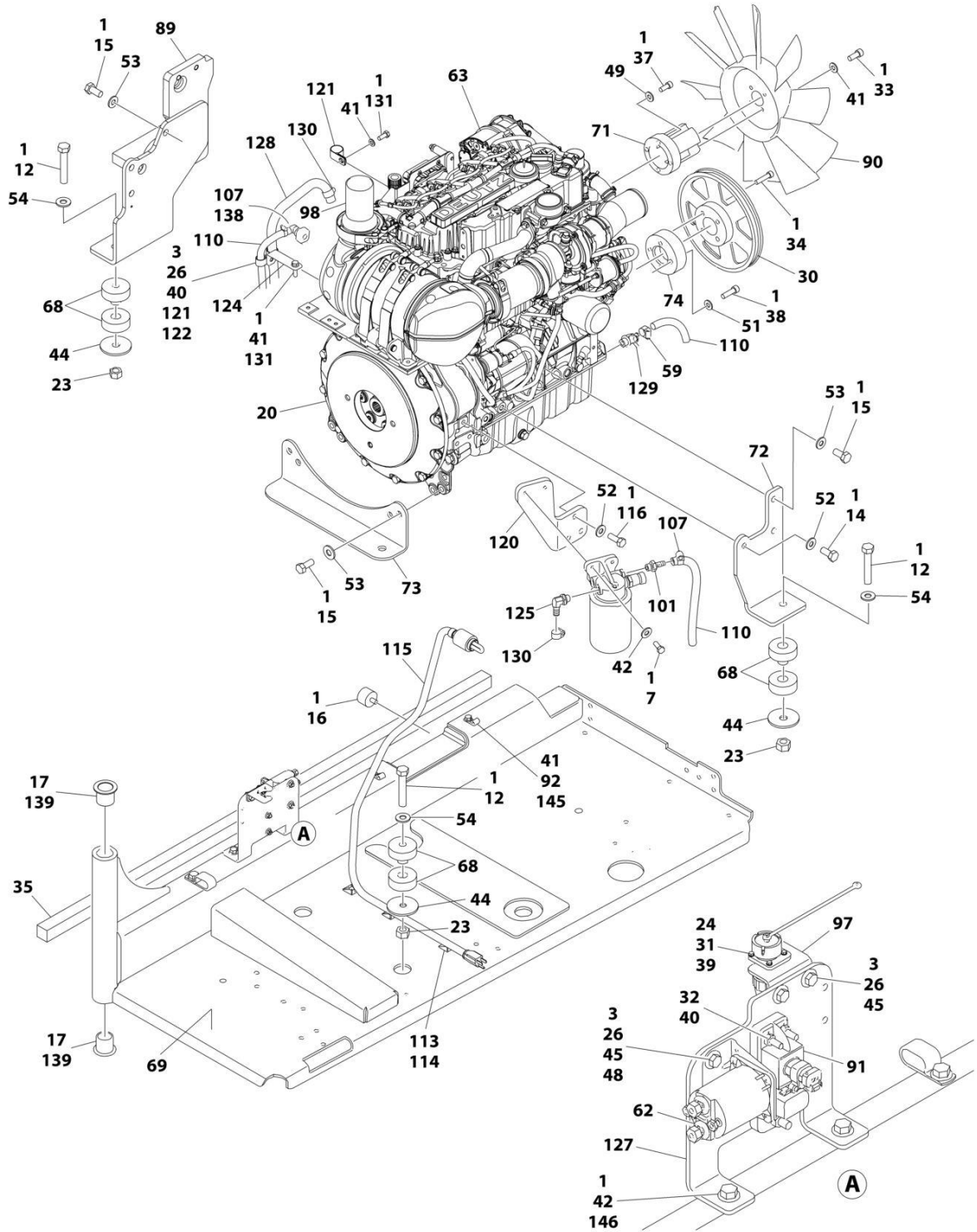
SECTION 3 - ENGINE

FIGURE 3-19. DEUTZ TCD2.9L4 ENGINE ASSEMBLY - WITH REXROTH PUMP (WITH COLD WEATHER PLUS PACKAGE)



ART_1001141746_AS_10F2

SECTION 3 - ENGINE



ART_1001141746_AS_20F2

SECTION 3 - ENGINE

FIGURE 3-19. DEUTZ TCD2.9L4 ENGINE ASSEMBLY - WITH REXROTH PUMP (WITH COLD WEATHER PLUS PACKAGE)

ITEM	PART NUMBER	QTY	DESCRIPTION	REV
	1001141746	Ref	DEUTZ TCD2.9L4 ENGINE ASSEMBLY	AS
1	0100011	AR	Compound, Locking	
2	0100020	AR	Sealant	
3	0641406	5	Bolt 1/4 x 3/4	
5	0641508	8	Bolt 5/16 x 1	
6	0641606	2	Bolt 3/8 x 3/4	
7	0641608	9	Bolt 3/8 x 1	
8	0641610	2	Bolt 3/8 x 1-1/4	
9	0641708	6	Bolt 7/16 x 1	
10	0700815	2	Bolt M8 x 35	
12	0682028	4	Bolt 5/8 x 3-1/2 Grade 8	
14	0771212	1	Bolt M12 x 25 Grade 10.9	
15	0771414	9	Bolt M14 x 30 Grade 10.9	
16	0940070	1	Bumper	
17	0961986	2	Bushing, Flanged	
18	0641706	2	Bolt 7/16 x 3/4	
20	2902065	1	Pump Coupling Kit (See Separate Breakdown in this Section)	
22	3290801	3	Nut M8	
23	3272001	4	Nut 5/8 Grade 8	
24	3310401	3	Nut #4	
25	8406302	2	Clamp	
26	3311405	6	Nut 1/4	
28	3311605	9	Nut 3/8	
29	3311705	5	Nut 7/16	
30	3580320	1	Pulley	
31	3910408	3	Screw #4 x 1/2	
32	3931432	1	Capscrew 1/4 x 2	
33	3931512	4	Capscrew 5/16 x 3/4	
34	3931628	4	Capscrew 3/8 x 1-3/4	
35	3960543	1	Seal	
36	3960544	1	Seal	
37	4031914	4	Bolt M8 x 50	
38	4032014	4	Bolt M10 x 50	
39	4710400	3	Washer #4	
40	4711400	3	Washer 1/4	
41	4711500	19	Washer 5/16	
42	4711600	24	Washer 3/8	
43	4711700	10	Washer 7/16	
44	1001146219	4	Washer Special	
45	4751400	8	Washer 1/4	
47	4751700	2	Washer 7/16	
48	4791400	2	Starwasher 1/4	
49	4811900	5	Washer M8	
50	4811902	2	Washer M8	
51	4812000	4	Washer M10	
52	4812100	4	Washer M12	
53	4812200	9	Washer M14	
54	4892000	4	Washer 5/8	
55	4831900	2	Washer M8	

SECTION 3 - ENGINE

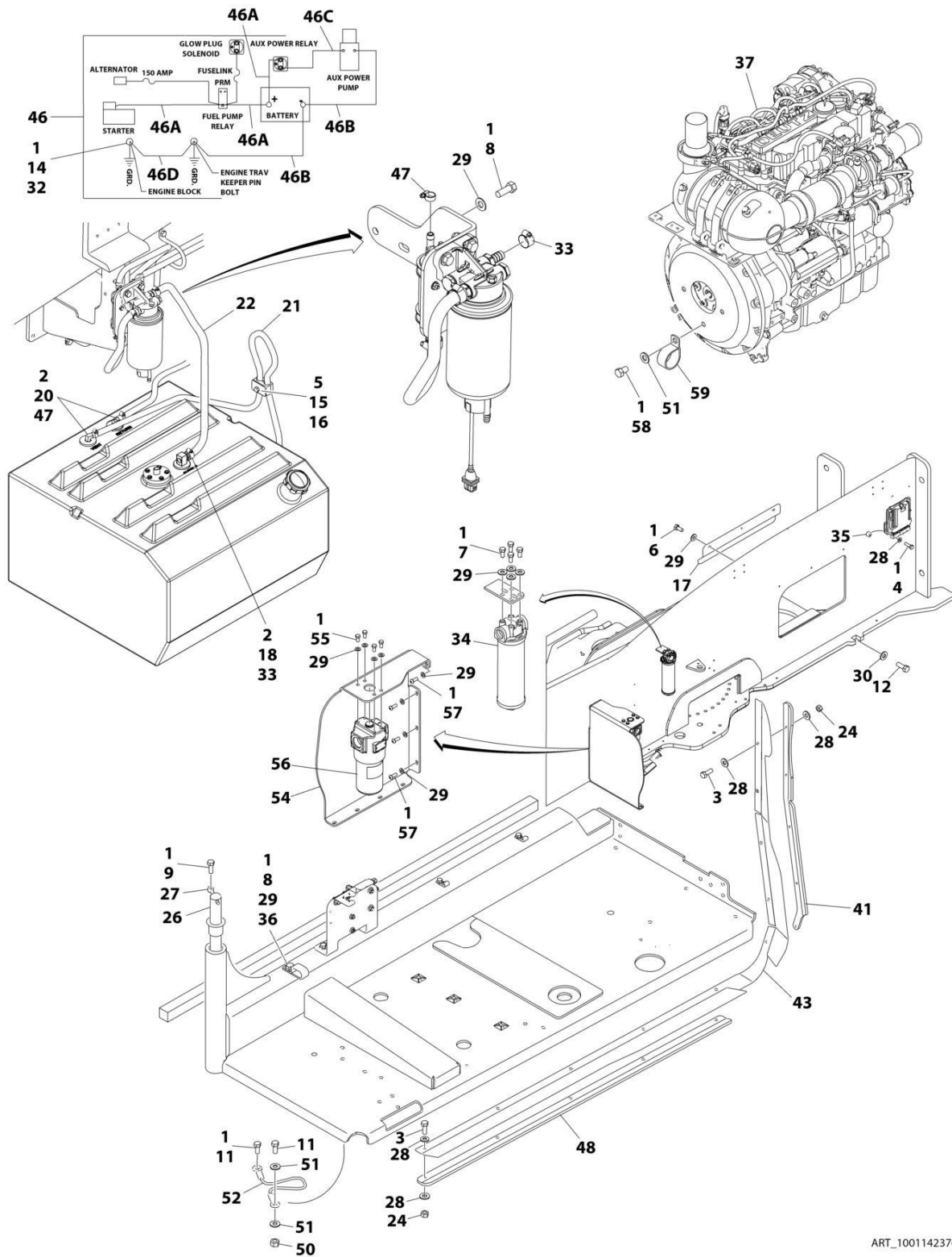
ITEM	PART NUMBER	QTY	DESCRIPTION	REV
56	8405201	8	Clamp	
57	8405204	5	Clamp	
59	8410013	5	Clamp	
60	91563070	1	Coupling, Rubber	
62	1001117308	1	Relay	
63	1001249964	1	Engine, Deutz TCD2.9L4 (See Separate Breakdown in this Section)	
66	1001133634	1	Clamp	
67	1001166393	1	Tank, Surge	
68	1001155575	4	Mount, Motor	
69	1001191272	1	Tray	
70	1001256864	1	Radiator	
71	1001135138	1	Spacer, Fan	
72	1001135560	1	Support, Engine	
73	1001135562	1	Support, Engine - Rear	
74	1001135679	1	Spacer, Pulley	
75	1001135680	1	Support, Radiator	
76	1001135901	1	Pipe, Air Intake	
77	1001264917	1	Hose, Air Intake	
78	1001135913	1	Pipe, Turbo to Air Cleaner	
79	1001264982	1	Hose, Air Cleaner to Intake	
80	1001135924	1	Hose, Radiator (Upper)	
81	1001135926	1	Hose, Radiator (Lower)	
82	1001135943	1	Coupling, Rubber	
85	1001138827	1	Sensor, Coolant Level	
86	1001136626	2	Bracket	
87	1001136665	1	Bracket	
88	1001136834	1	Cap, Tank	
89	1001283008	1	Support, Engine	
90	1001137276	1	Fan	
91	1001138228	1	Module, Power	
91	70023592	1	Fuse 20Amp (Switched Output)	
91	70023593	1	Fuse 30Amp (Battery Output)	
92	1001138253	5	Clamp	
94	1001138346	1	Harness, Engine (Not Shown - See Separate Breakdown in ELECTRICAL Section)	
95	1001138524	1	Hose	
96	1001138559	1	Fitting, 90	
97	1001139240	1	Bracket	
98	1001153024	1	Pipe, Exhaust	
100	1001141304	1	Wire, Glow Plug (Not Shown)	
101	1001141717	1	Fitting, Straight	
102	1001141719	1	Fitting, 90 Barbed	
103	1001140564	1	Fitting, 90 Barbed	
104	1001133633	1	Air Cleaner Assembly	
104	70024190	1	Element, Air Filter	
105	1001135779	1	Cable, Alternator Positive (Not Shown)	
106	1001138248	4 ft/ 1.2m	Tubing	
107	1320022	2	Clamp	
108	2720015	4.5 ft/ 1.4m	Hose	

SECTION 3 - ENGINE

ITEM	PART NUMBER	QTY	DESCRIPTION	REV
110	1001165035	30.5 ft/ 9.3m	Hose	
112	8405007	2	Clamp	
113	4240099	AR	Tie-Strap (Used to Secure Block Heater Cord)	
114	4460234	3	Mount, Wire Tie (Used to Secure Block Heater Cord)	
115	1001140312	1	Heater, Block	
116	0761214	3	Bolt M12 x 30	
117	1001165820	1	Pipe, Elbow	
118	1001143390	1	Indicator, Air Filter Service	
120	1001142685	1	Bracket	
121	8406102	AR	Clip	
122	8406112	1	Clip	
123	1001134488	1	Fitting, 90 Barbed	
124	1001138717	1	Bracket	
125	1001142501	1	Fitting, 90 Barbed	
126	1001144089	1	Grommet	
127	1001145154	1	Plate, Mounting	
128	1001154405	5 ft/ 1.5m	Hose	
129	4640751	1	Valve, Oil Drain	
130	8405006	2	Clamp	
131	0760810	AR	Bolt M8 x 20	
132	1001148843	1	Harness, Fuel Filter (Not Shown - See Separate Breakdown in ELECTRICAL Section)	
134	1703162	2	Decal - Fan	
135	0641503	1	Bolt 5/16 x 3/8	
136	1001153387	1	Plate	
137	3931508	2	Capscrew 5/16 x 1/2	
138	1001155823	1	Coupling	
139	0100062	AR	Adhesive, Loctite #680	
140	1001181895	AR	Adhesive, Loctite #640 (Not Shown - Apply to Block Heater)	
141	0700812	1	Bolt M8 x 25	
142	8410011	1	Clamp	
143	1321289	1	Clamp	
144	3290806	1	Nut M8	
145	0641510	2	Bolt 5/16 x 1-1/4	
146	0641612	2	Bolt 3/8 x 1-1/2	

SECTION 3 - ENGINE

FIGURE 3-20. DEUTZ TCD2.9L4 ENGINE INSTALLATION - WITH SAUER PUMPS (WITHOUT COLD WEATHER PLUS PACKAGE)



ART_1001142376

SECTION 3 - ENGINE

FIGURE 3-20. DEUTZ TCD2.9L4 ENGINE INSTALLATION - WITH SAUER PUMPS (WITHOUT COLD WEATHER PLUS PACKAGE)

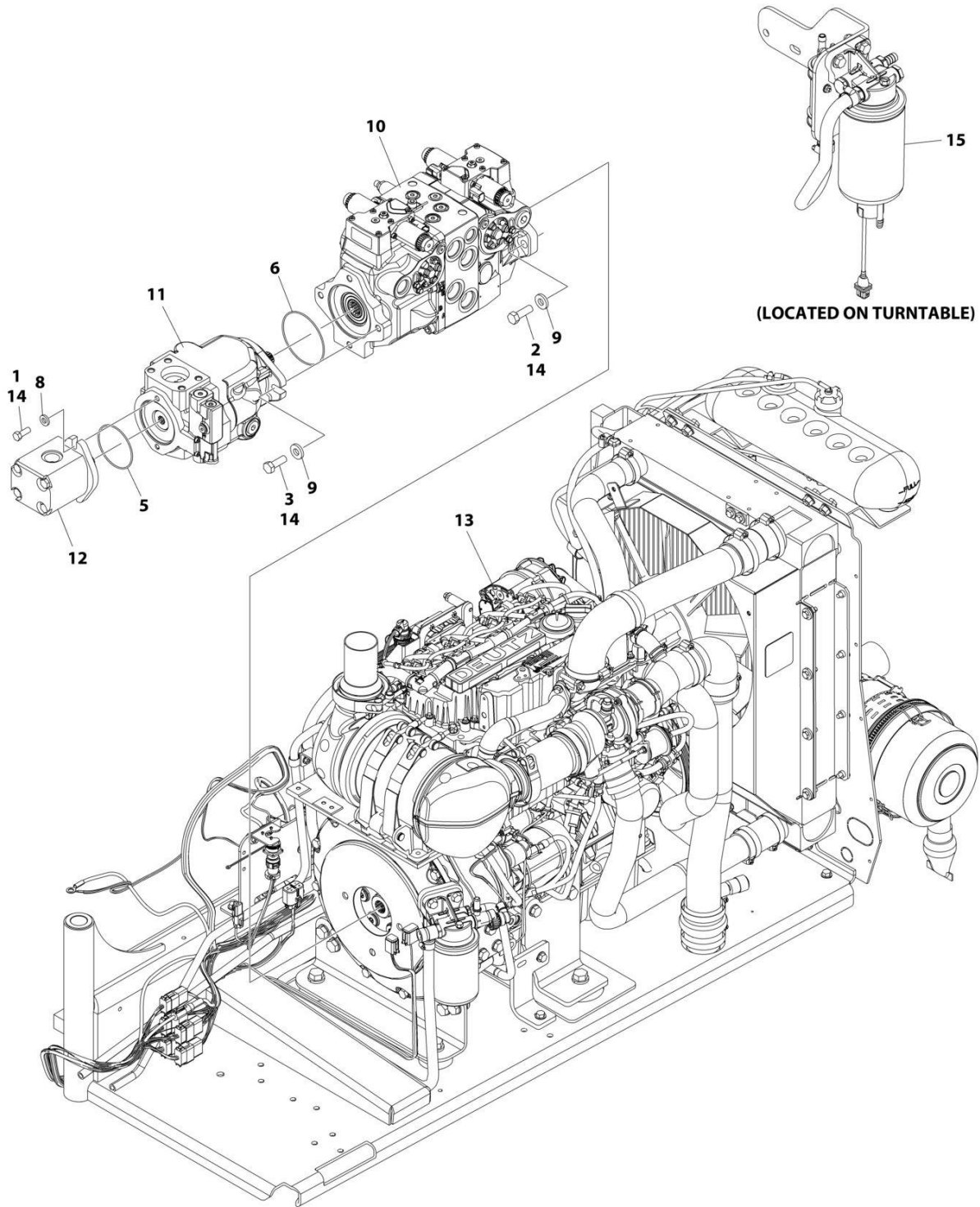
ITEM	PART NUMBER	QTY	DESCRIPTION	REV
	1001142376	Ref	DEUTZ TCD2.9L4 ENGINE INSTALLATION - WITH SAUER PUMPS (WITHOUT COLD WEATHER PLUS PACKAGE)	K
1	0100011	AR	Compound, Locking	
2	0100079	AR	Sealant, Pipe	
3	0641408	10	Bolt 1/4 x 1	
4	0641410	4	Bolt 1/4 x 1-1/4	
5	0641511	1	Bolt 5/16 x 1-3/8	
6	0641605	3	Bolt 3/8 x 5/8	
7	0641606	4	Bolt 3/8 x 3/4	
8	0641608	3	Bolt 3/8 x 1	
9	0641610	1	Bolt 3/8 x 1-1/4	
10	0641611	2	Bolt 3/8 x 1-1/4	
11	0641808	2	Bolt 1/2 x 1	
12	0642010	1	Bolt 5/8 x 1-1/4	
14	0761210	1	Bolt M12 x 20	
15	1320187	1	Clamp	
16	1320190	1	Cover, Clamp	
17	1671121	1	Cover	
18	2180832	1	Fitting, Barbed	
20	2220313	2	Fitting, 90 Barbed	
21	2750532	5 ft/ 1.5m	Hose	
22	1001154405	1.9 ft/ 0.6m	Hose	
24	3311405	10	Nut 1/4	
26	3422446	1	Pin, Pivot	
27	3841143	1	Pin, Keeper	
28	4711400	24	Washer 1/4	
29	4711600	19	Washer 3/8	
30	4752000	1	Washer 5/8	
32	4812100	1	Washer M12	
33	8405006	2	Clamp	
34	1001108617	1	Hydraulic Pressure Filter Assembly	
34	70002231	1	Element, Filter	
35	1001110425	4	Spacer	
36	1001116792	1	Clamp	
37	1001134390	1	Engine Sub-Assembly (See Separate Breakdown in this Section)	
39	1001138491	NLA	Harness, Fuel (Use p/n 1001222665) (Not Shown - See Separate Breakdown in ELECTRICAL SECTION)	
41	1001145089	1	Clamp	
43	1001145560	1	Panel, Rubber	
46	1001142610	1	Battery Cable Kit	C
46A	7027046	1	Cable, Battery (Red) (Battery + to Relays and Starter)	
46A	See Note	NSS	Boot, Ring Terminal (Red) (Note: Not Available - Purchase Locally)	
46B	7027047	1	Cable, Battery (Black) (Battery - to Tray Pivot Grd) and Aux Pump	
46B	See Note	NSS	Boot, Ring Terminal (Black) (Note: Not Available - Purchase Locally)	
46C	7027048	1	Cable (Red) (Aux Relay to Aux Pump)	

SECTION 3 - ENGINE

ITEM	PART NUMBER	QTY	DESCRIPTION	REV
46C	See Note	NSS	Boot, Ring Terminal (Red) (Note: Not Available - Purchase Locally)	
46D	7027049	1	Cable, Battery (Black) (Engine to Tray Pivot Grd)	
47	1320022	3	Clamp	
48	1001145842	1	Plate, Clamping	
50	3311805	1	Nut 1/2	
51	4711800	3	Washer 1/2	
52	1001131542	1	Lanyard	
54	3380723	1	Panel, Noise Reduction	
55	0651606	4	Bolt 3/8 x 3/4	
56	2120218	1	Filter, High Pressure	
56	2120219	1	Element, Filter	
56	70001344	1	O-Ring, Bowl	
56	70006137	1	Seal Kit - Includes O-Ring (Element), O-Ring (Bowl), Back-up Ring (Bowl), Seal Ring (Indicator) and O-Ring (Indicator)	
57	3900316	5	Screw 3/8 x 1	
58	0641806	1	Bolt 1/2 x 3/4	
59	90028660	1	Clamp	

SECTION 3 - ENGINE

FIGURE 3-21. DEUTZ TCD2.9L4 ENGINE SUB-ASSEMBLY - WITH SAUER PUMP (WITHOUT COLD WEATHER PLUS PACKAGE)



ART_1001134390

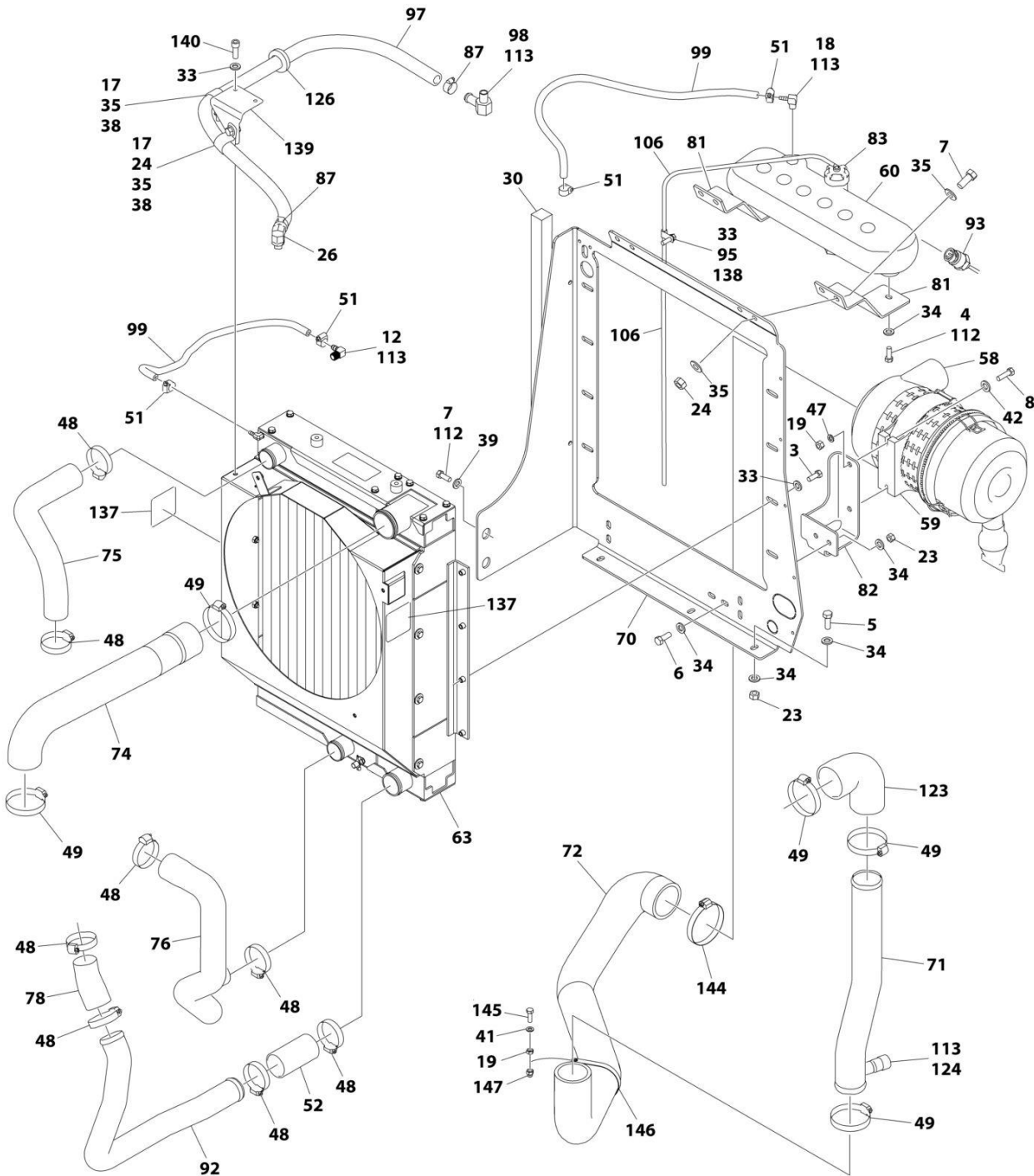
SECTION 3 - ENGINE

FIGURE 3-21. DEUTZ TCD2.9L4 ENGINE SUB-ASSEMBLY - WITH SAUER PUMP (WITHOUT COLD WEATHER PLUS PACKAGE)

ITEM	PART NUMBER	QTY	DESCRIPTION	REV
	1001134390	Ref	DEUTZ TCD2.9L4 ENGINE SUB-ASSEMBLY	AM
1	0641608	2	Bolt 3/8 x 1	
2	0641812	2	Bolt 1/2 x 1-1/2	
2	0641814	2	Bolt 1/2 x 1-3/4	
3	0761215	2	Bolt M12 x 35	
5	3790152	1	O-Ring	
6	3790155	1	O-Ring	
8	4891600	2	Washer 3/8	
9	4891800	4	Washer 1/2	
10	1001108616	1	Pump Assembly - Sauer Tandem (See Separate Breakdown in this Section)	
11	1001171095	1	Pump Assembly - Sauer Piston (See Separate Breakdown in this Section)	
12	1001112927	1	Pump Assembly - Sauer Gear (See Separate Breakdown in this Section)	
13	1001134392	1	Engine Assembly (See Separate Breakdown in this Section)	
14	0100011	AR	Compound, Locking	
15	1001165101	1	Bracket, Fuel Pump Filter Assembly (See Separate Breakdown in this Section)	

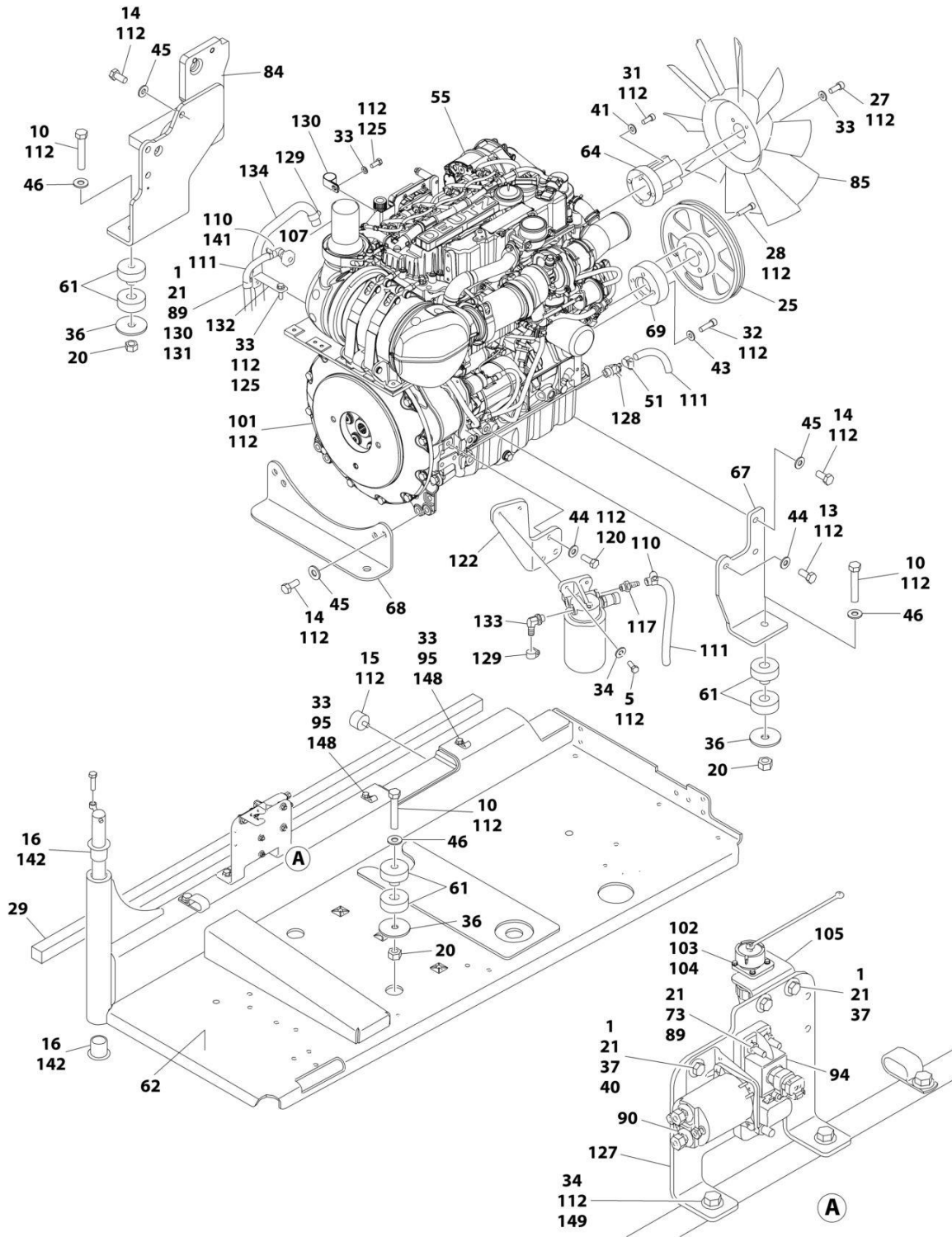
SECTION 3 - ENGINE

FIGURE 3-22. DEUTZ TCD2.9L4 ENGINE ASSEMBLY - WITH SAUER PUMP (WITHOUT COLD WEATHER PLUS PACKAGE)



ART_1001134392_AU_10F2

SECTION 3 - ENGINE



ART_1001134392_AU_20F2

SECTION 3 - ENGINE

FIGURE 3-22. DEUTZ TCD2.9L4 ENGINE ASSEMBLY - WITH SAUER PUMP (WITHOUT COLD WEATHER PLUS PACKAGE)

ITEM	PART NUMBER	QTY	DESCRIPTION	REV
	1001134392	Ref	DEUTZ TCD2.9L4 ENGINE ASSEMBLY	AU
1	0641406	5	Bolt 1/4 x 3/4	
3	0641508	8	Bolt 5/16 x 1	
4	0641606	2	Bolt 3/8 x 3/4	
5	0641608	9	Bolt 3/8 x 1	
6	0641610	2	Bolt 3/8 x 1-1/4	
7	0641708	6	Bolt 7/16 x 1	
8	0700815	2	Bolt M8 x 35	
10	0682028	4	Bolt 5/8 x 3-1/2 Grade 8	
12	1001140564	1	Fitting, 90 Barbed	
13	0771212	1	Bolt M12 x 25 Grade 10.9	
14	0771414	9	Bolt M14 x 30 Grade 10.9	
15	0940070	1	Bumper	
16	0961986	2	Bushing, Flanged	
17	0641706	2	Bolt 7/16 x 3/4	
18	1001134488	1	Fitting, 90 Barbed	
19	3290801	3	Nut M8	
20	3272001	4	Nut 5/8 Grade 8	
21	3311405	6	Nut 1/4	
23	3311605	9	Nut 3/8	
24	3311705	5	Nut 7/16	
25	3580320	1	Pulley	
26	1001141719	1	Fitting, 90 Barbed	
27	3931512	4	Capscrew 5/16 x 3/4	
28	3931628	4	Capscrew 3/8 x 1-3/4	
29	3960543	1	Seal	
30	3960544	1	Seal	
31	4031914	4	Bolt M8 x 50	
32	4032014	4	Bolt M10 x 50	
33	4711500	19	Washer 5/16	
34	4711600	24	Washer 3/8	
35	4711700	10	Washer 7/16	
36	1001146219	4	Washer Special	
37	4751400	8	Washer 1/4	
38	8406302	2	Clamp	
39	4751700	2	Washer 7/16	
40	4791400	2	Starwasher 1/4	
41	4811900	5	Washer M8	
42	4811902	2	Washer M8	
43	4812000	4	Washer M10	
44	4812100	4	Washer M12	
45	4812200	9	Washer M14	
46	4892000	4	Washer 5/8	
47	4831900	2	Washer M8	
48	8405201	8	Clamp	
49	8405204	5	Clamp	
51	8410013	5	Clamp	
52	91563070	1	Coupling, Rubber	

SECTION 3 - ENGINE

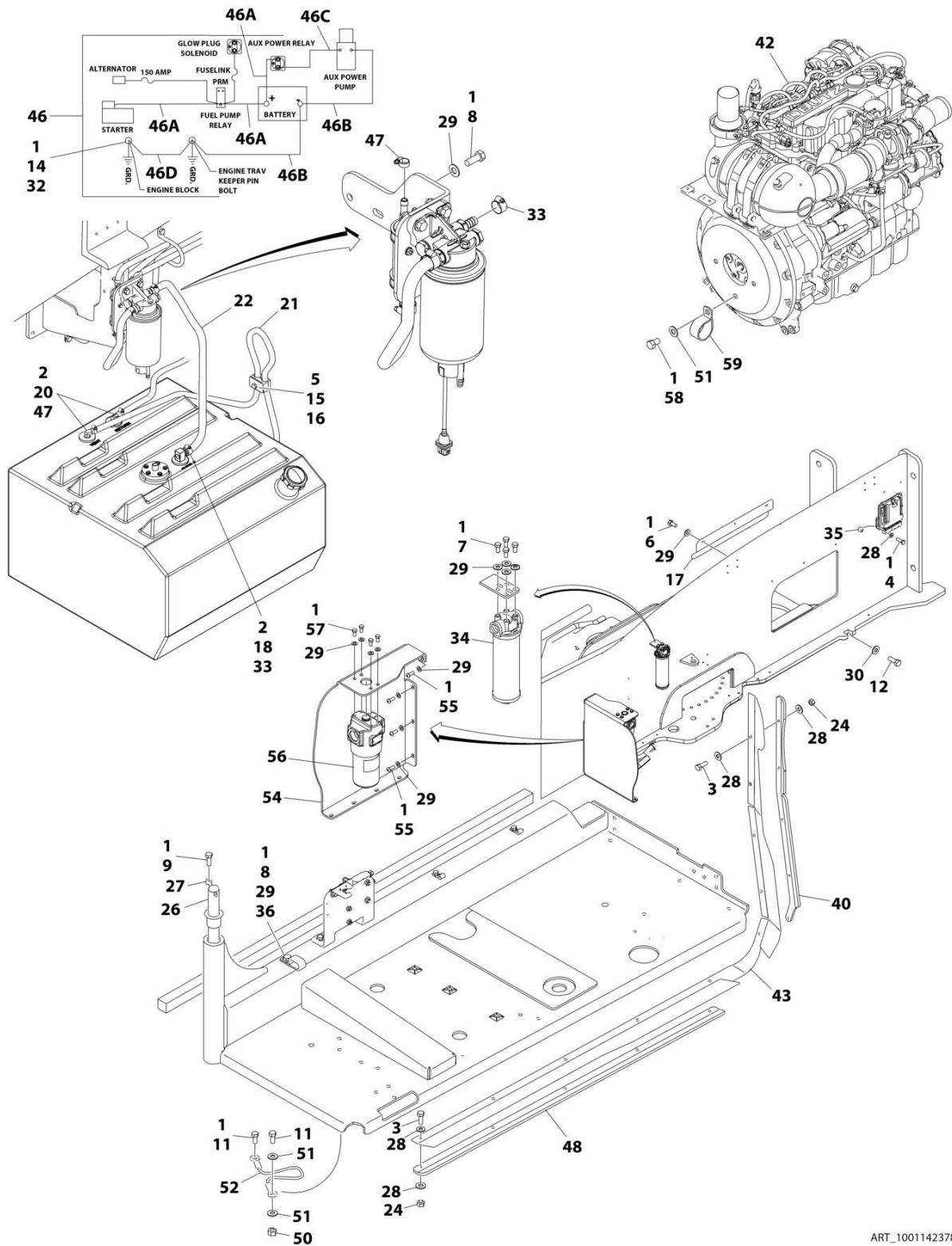
ITEM	PART NUMBER	QTY	DESCRIPTION	REV
55	1001249964	1	Engine, Deutz TCD2.9L4 (See Separate Breakdown in this Section)	
58	1001133633	1	Air Cleaner Assembly	
58	70024190	1	Element, Air Filter	
59	1001133634	1	Clamp	
60	1001166393	1	Tank, Surge	
61	1001155575	4	Mount, Motor	
62	1001191272	1	Tray	
63	1001256864	1	Radiator	
64	1001135138	1	Spacer, Fan	
67	1001135560	1	Support, Engine	
68	1001135562	1	Support, Engine - Rear	
69	1001135679	1	Spacer, Pulley	
70	1001135680	1	Support, Radiator	
71	1001135901	1	Pipe, Air Intake	
72	1001264917	1	Pipe, Air Intake	
73	3931432	1	Capscrew 1/4 x 2	
74	1001264982	1	Pipe, Air Cleaner to Intake	
75	1001135924	1	Hose, Radiator (Upper)	
76	1001135926	1	Hose, Radiator (Lower)	
78	1001135943	1	Coupling, Rubber	
81	1001136626	2	Bracket	
82	1001136665	1	Bracket	
83	1001136834	1	Cap, Tank	
84	1001283008	1	Support, Engine	
85	1001137276	1	Fan	
87	8405007	2	Clamp	
89	4711400	3	Washer 1/4	
90	1001117308	1	Relay	
92	1001135913	1	Pipe, Turbo to Air Cleaner	
93	1001138827	1	Sensor, Coolant Level	
94	1001138228	1	Module, Power	
94	70023592	1	Fuse 20Amp (Switched Output)	
94	70023593	1	Fuse 30Amp (Battery Output)	
95	1001138253	5	Clamp	
96	1001138346	1	Harness, Engine (Not Shown - See Separate Breakdown in ELECTRICAL Section)	
97	1001138524	1	Hose	
98	1001138559	1	Fitting, 90	
99	2720015	4.5 ft/ 1.4m	Hose	
101	2902065	1	Pump Coupling Kit (See Separate Breakdown in this Section)	
102	3310401	3	Nut #4	
103	3910408	3	Screw #4 x 1/2	
104	4710400	3	Washer #4	
105	1001139240	1	Bracket	
106	1001138248	4 ft/ 1.2m	Tubing	
107	1001153024	1	Pipe, Exhaust	
110	1320022	2	Clamp	
111	1001165035	30.5 ft/ 9.3m	Hose	
112	0100011	AR	Compound, Locking	

SECTION 3 - ENGINE

ITEM	PART NUMBER	QTY	DESCRIPTION	REV
113	0100020	AR	Sealant	
114	1001141304	1	Wire, Glow Plug (Not Shown)	
115	1001135779	1	Cable, Alternator Positive (Not Shown)	
117	1001141717	1	Fitting, Straight	
120	0761214	3	Bolt M12 x 30	
122	1001142685	1	Bracket	
123	1001165820	1	Pipe, Elbow	
124	1001143390	1	Indicator, Air Filter Service	
125	0760810	2	Bolt M8 x 20	
126	1001144089	1	Grommet	
127	1001145154	1	Plate, Mounting	
128	4640751	1	Valve, Oil Drain	
129	8405006	2	Clamp	
130	8406102	AR	Clip	
131	8406112	1	Clip	
132	1001138717	1	Bracket	
133	1001142501	1	Fitting, 90 Barbed	
134	1001154405	5 ft/ 1.5m	Hose	
135	1001148843	1	Harness, Fuel Filter (Not Shown - See Separate Breakdown in ELECTRICAL Section)	
137	1703162	2	Decal - Fan	
138	0641503	1	Bolt 5/16 x 3/8	
139	1001153387	1	Plate	
140	3931508	2	Capscrew 5/16 x 1/2	
141	1001155823	1	Coupling	
142	0100062	AR	Adhesive, Loctite #680	
143	4240099	AR	Tie-Strap (Not Shown)	
144	8410011	1	Clamp	
145	0700812	1	Bolt M8 x 25	
146	1321289	1	Clamp	
147	3290806	1	Nut M8	
148	0641510	2	Bolt 5/16 x 1-1/4	
149	0641612	2	Bolt 3/8 x 1-1/2	

SECTION 3 - ENGINE

FIGURE 3-23. DEUTZ TCD2.9L4 ENGINE INSTALLATION - WITH SAUER PUMPS (WITH COLD WEATHER PLUS PACKAGE)



ART_1001142378

SECTION 3 - ENGINE

FIGURE 3-23. DEUTZ TCD2.9L4 ENGINE INSTALLATION - WITH SAUER PUMPS (WITH COLD WEATHER PLUS PACKAGE)

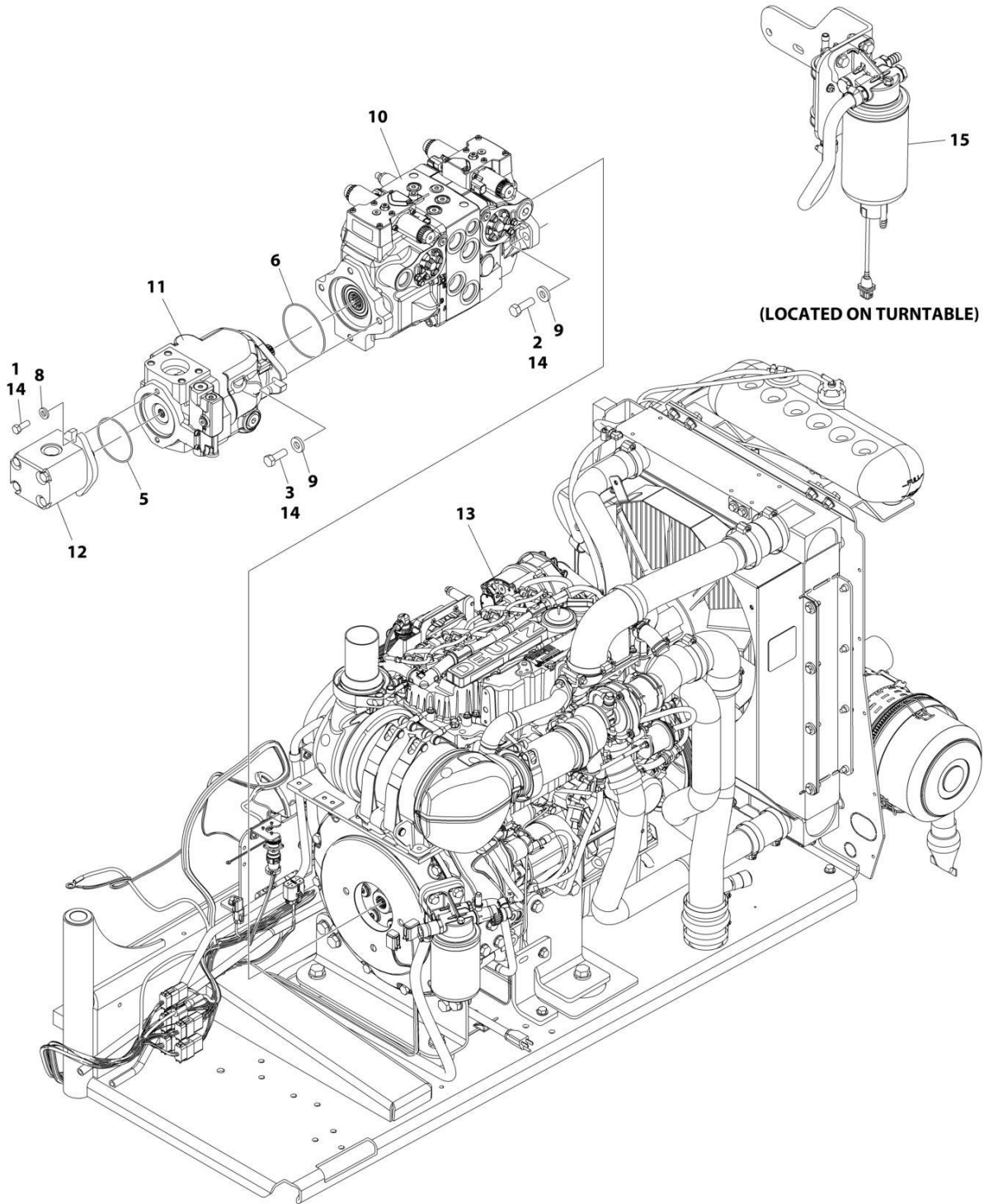
ITEM	PART NUMBER	QTY	DESCRIPTION	REV
	1001142378	Ref	DEUTZ TCD2.9L4 ENGINE INSTALLATION - WITH SAUER PUMPS (WITH COLD WEATHER PLUS PACKAGE)	M
1	0100011	AR	Compound, Locking	
2	0100079	AR	Sealant, Pipe	
3	0641408	10	Bolt 1/4 x 1	
4	0641410	4	Bolt 1/4 x 1-1/4	
5	0641511	1	Bolt 5/16 x 1-3/8	
6	0641605	3	Bolt 3/8 x 5/8	
7	0641606	4	Bolt 3/8 x 3/4	
8	0641608	3	Bolt 3/8 x 1	
9	0641610	1	Bolt 3/8 x 1-1/4	
11	0641808	AR	Bolt 1/2 x 1	
12	0642010	1	Bolt 5/8 x 1-1/4	
14	0761210	1	Bolt M12 x 20	
15	1320187	1	Clamp	
16	1320190	1	Cover, Clamp	
17	1671121	1	Cover	
18	2180832	1	Fitting, Barbed	
20	2220313	2	Fitting, 90 Barbed	
21	2750532	5 ft/ 1.5m	Hose	
22	1001154405	1.9 ft/ 0.6m	Hose	
24	3311405	10	Nut 1/4	
26	3422446	1	Pin, Pivot	
27	3841143	1	Pin, Keeper	
28	4711400	24	Washer 1/4	
29	4711600	19	Washer 3/8	
30	4752000	1	Washer 5/8	
32	4812100	1	Washer M12	
33	8405006	2	Clamp	
34	1001108617	1	Hydraulic Pressure Filter Assembly	
34	70002231	1	Element, Filter	
35	1001110425	4	Spacer	
36	1001116792	1	Clamp	
38	1001138491	NLA	Harness, Fuel (Use p/n 1001222665) (Not Shown - See Separate Breakdown in ELECTRICAL SECTION)	
40	1001145089	1	Clamp	
42	1001141745	1	Engine Sub-Assembly (See Separate Breakdown in this Section)	
43	1001145560	1	Panel, Rubber	
46	1001142610	1	Battery Cable Kit	C
46A	7027046	1	Cable, Battery (Red) (Battery + to Relays and Starter)	
46A	See Note	NSS	Boot, Ring Terminal (Red) (Note: Not Available - Purchase Locally)	
46B	7027047	1	Cable, Battery (Black) (Battery - to Tray Pivot Grd) and Aux Pump	
46B	See Note	NSS	Boot, Ring Terminal (Black) (Note: Not Available - Purchase Locally)	
46C	7027048	1	Cable (Red) (Aux Relay to Aux Pump)	
46C	See Note	NSS	Boot, Ring Terminal (Red) (Note: Not Available - Purchase Locally)	

SECTION 3 - ENGINE

ITEM	PART NUMBER	QTY	DESCRIPTION	REV
46D	7027049	1	Cable, Battery (Black) (Engine to Tray Pivot Grd)	
47	1320022	3	Clamp	
48	1001145842	1	Plate, Clamping	
50	3311805	1	Nut 1/2	
51	4711800	3	Washer 1/2	
52	1001131542	1	Lanyard	
54	3380723	1	Panel, Noise Reduction	
55	3900316	5	Screw 3/8 x 1	
56	2120218	1	Filter, High Pressure	
56	2120219	1	Element, Filter	
56	70001344	1	O-Ring, Bowl	
56	70006137	1	Seal Kit - Includes O-Ring (Element), O-Ring (Bowl), Back-up Ring (Bowl), Seal Ring (Indicator) and O-Ring (Indicator)	
57	0651606	4	Bolt 3/8 x 3/4	
58	0641806	1	Bolt 1/2 x 3/4	
59	90028660	1	Clamp	

SECTION 3 - ENGINE

FIGURE 3-24. DEUTZ TCD2.9L4 ENGINE SUB-ASSEMBLY - WITH SAUER PUMPS (WITH COLD WEATHER PLUS PACKAGE)



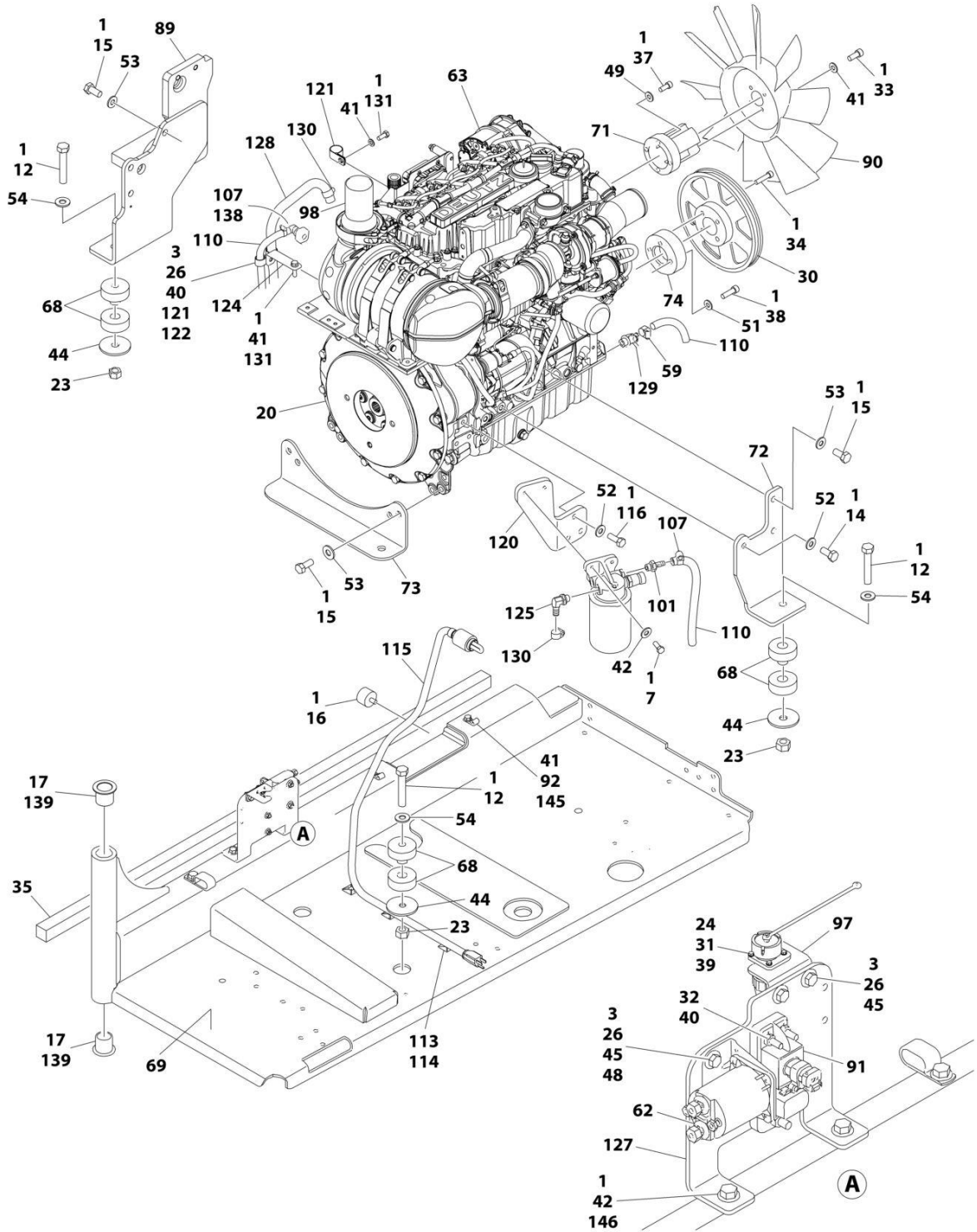
ART_1001141745

SECTION 3 - ENGINE

FIGURE 3-24. DEUTZ TCD2.9L4 ENGINE SUB-ASSEMBLY - WITH SAUER PUMPS (WITH COLD WEATHER PLUS PACKAGE)

ITEM	PART NUMBER	QTY	DESCRIPTION	REV
	1001141745	Ref	DEUTZ TCD2.9L4 ENGINE SUB-ASSEMBLY	AL
1	0641608	2	Bolt 3/8 x 1	
2	0641812	2	Bolt 1/2 x 1-1/2	
2	0641814	2	Bolt 1/2 x 1-3/4	
3	0761215	2	Bolt M12 x 35	
5	3790152	1	O-Ring	
6	3790155	1	O-Ring	
8	4891600	2	Washer 3/8	
9	4891800	4	Washer 1/2	
10	1001108616	1	Pump Assembly - Sauer Tandem (See Separate Breakdown in this Section)	
11	1001171095	1	Pump Assembly - Sauer Piston (See Separate Breakdown in this Section)	
12	1001112927	1	Pump Assembly - Sauer Gear (See Separate Breakdown in this Section)	
13	1001141746	1	Engine Assembly (See Separate Breakdown in this Section)	
14	0100011	AR	Compound, Locking	
15	1001165101	1	Bracket, Fuel Pump Filter Assembly (See Separate Breakdown in this Section)	

SECTION 3 - ENGINE



ART_1001141746_AS_20F2

SECTION 3 - ENGINE

FIGURE 3-25. DEUTZ TCD2.9L4 ENGINE ASSEMBLY - WITH SAUER PUMPS (WITH COLD WEATHER PLUS PACKAGE)

ITEM	PART NUMBER	QTY	DESCRIPTION	REV
	1001141746	Ref	DEUTZ TCD2.9L4 ENGINE ASSEMBLY	AS
1	0100011	AR	Compound, Locking	
2	0100020	AR	Sealant	
3	0641406	5	Bolt 1/4 x 3/4	
5	0641508	8	Bolt 5/16 x 1	
6	0641606	2	Bolt 3/8 x 3/4	
7	0641608	9	Bolt 3/8 x 1	
8	0641610	2	Bolt 3/8 x 1-1/4	
9	0641708	6	Bolt 7/16 x 1	
10	0700815	2	Bolt M8 x 35	
12	0682028	4	Bolt 5/8 x 3-1/2 Grade 8	
14	0771212	1	Bolt M12 x 25 Grade 10.9	
15	0771414	9	Bolt M14 x 30 Grade 10.9	
16	0940070	1	Bumper	
17	0961986	2	Bushing, Flanged	
18	0641706	2	Bolt 7/16 x 3/4	
20	2902065	1	Pump Coupling Kit (See Separate Breakdown in this Section)	
22	3290801	3	Nut M8	
23	3272001	4	Nut 5/8 Grade 8	
24	3310401	3	Nut #4	
25	8406302	2	Clamp	
26	3311405	6	Nut 1/4	
28	3311605	9	Nut 3/8	
29	3311705	5	Nut 7/16	
30	3580320	1	Pulley	
31	3910408	3	Screw #4 x 1/2	
32	3931432	1	Capscrew 1/4 x 2	
33	3931512	4	Capscrew 5/16 x 3/4	
34	3931628	4	Capscrew 3/8 x 1-3/4	
35	3960543	1	Seal	
36	3960544	1	Seal	
37	4031914	4	Bolt M8 x 50	
38	4032014	4	Bolt M10 x 50	
39	4710400	3	Washer #4	
40	4711400	3	Washer 1/4	
41	4711500	19	Washer 5/16	
42	4711600	24	Washer 3/8	
43	4711700	10	Washer 7/16	
44	1001146219	4	Washer Special	
45	4751400	8	Washer 1/4	
47	4751700	2	Washer 7/16	
48	4791400	2	Starwasher 1/4	
49	4811900	5	Washer M8	
50	4811902	2	Washer M8	
51	4812000	4	Washer M10	
52	4812100	4	Washer M12	
53	4812200	9	Washer M14	
54	4892000	4	Washer 5/8	
55	4831900	2	Washer M8	

SECTION 3 - ENGINE

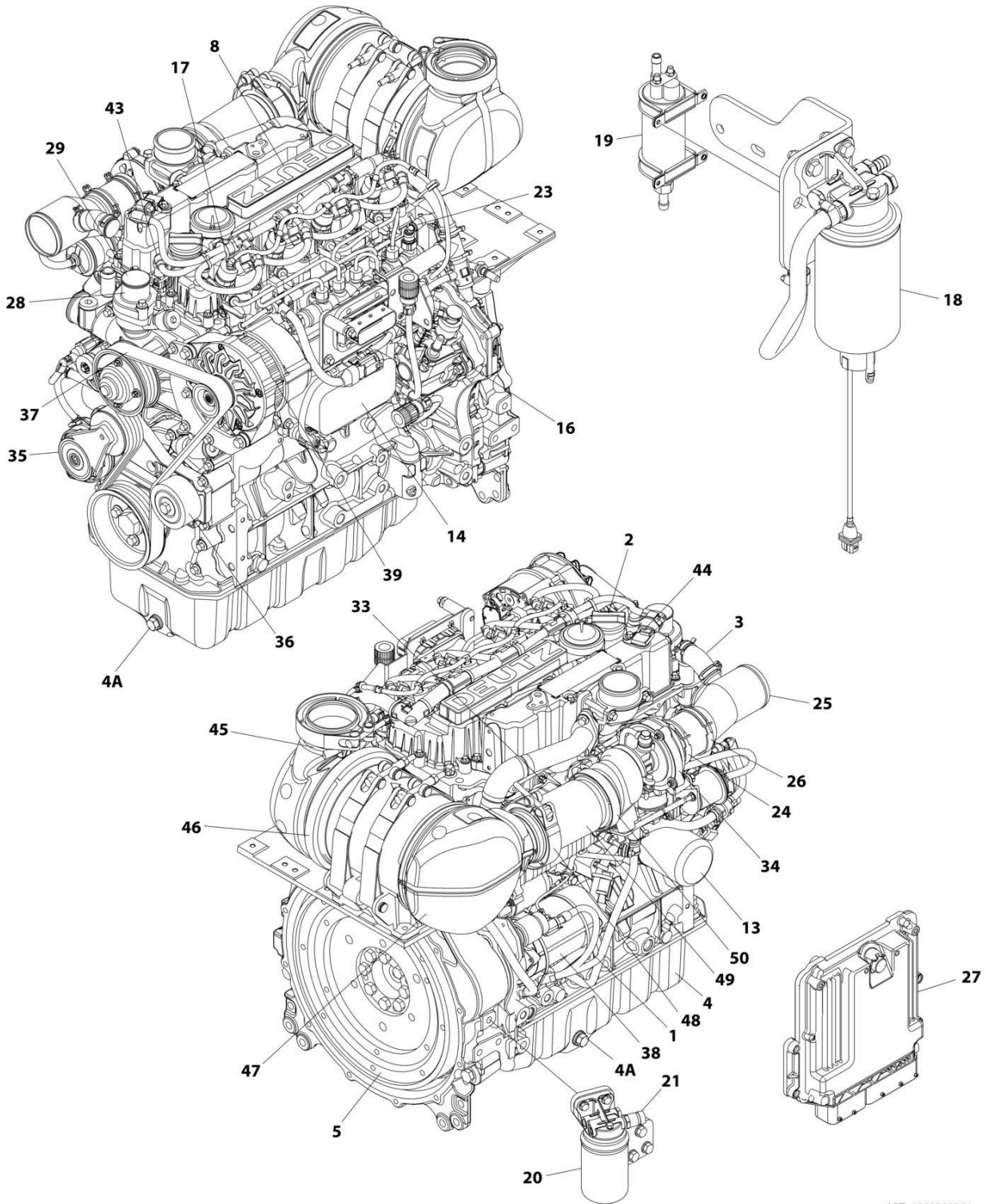
ITEM	PART NUMBER	QTY	DESCRIPTION	REV
56	8405201	8	Clamp	
57	8405204	5	Clamp	
59	8410013	5	Clamp	
60	91563070	1	Coupling, Rubber	
62	1001117308	1	Relay	
63	1001249964	1	Engine, Deutz TCD2.9L4 (See Separate Breakdown in this Section)	
66	1001133634	1	Clamp	
67	1001166393	1	Tank, Surge	
68	1001155575	4	Mount, Motor	
69	1001191272	1	Tray	
70	1001256864	1	Radiator	
71	1001135138	1	Spacer, Fan	
72	1001135560	1	Support, Engine	
73	1001135562	1	Support, Engine - Rear	
74	1001135679	1	Spacer, Pulley	
75	1001135680	1	Support, Radiator	
76	1001135901	1	Pipe, Air Intake	
77	1001264917	1	Hose, Air Intake	
78	1001135913	1	Pipe, Turbo to Air Cleaner	
79	1001264982	1	Hose, Air Cleaner to Intake	
80	1001135924	1	Hose, Radiator (Upper)	
81	1001135926	1	Hose, Radiator (Lower)	
82	1001135943	1	Coupling, Rubber	
85	1001138827	1	Sensor, Coolant Level	
86	1001136626	2	Bracket	
87	1001136665	1	Bracket	
88	1001136834	1	Cap, Tank	
89	1001283008	1	Support, Engine	
90	1001137276	1	Fan	
91	1001138228	1	Module, Power	
91	70023592	1	Fuse 20Amp (Switched Output)	
91	70023593	1	Fuse 30Amp (Battery Output)	
92	1001138253	5	Clamp	
94	1001138346	1	Harness, Engine (Not Shown - See Separate Breakdown in ELECTRICAL Section)	
95	1001138524	1	Hose	
96	1001138559	1	Fitting, 90	
97	1001139240	1	Bracket	
98	1001153024	1	Pipe, Exhaust	
100	1001141304	1	Wire, Glow Plug (Not Shown)	
101	1001141717	1	Fitting, Straight	
102	1001141719	1	Fitting, 90 Barbed	
103	1001140564	1	Fitting, 90 Barbed	
104	1001133633	1	Air Cleaner Assembly	
104	70024190	1	Element, Air Filter	
105	1001135779	1	Cable, Alternator Positive (Not Shown)	
106	1001138248	4 ft/ 1.2m	Tubing	
107	1320022	2	Clamp	
108	2720015	4.5 ft/ 1.4m	Hose	

SECTION 3 - ENGINE

ITEM	PART NUMBER	QTY	DESCRIPTION	REV
110	1001165035	30.5 ft/ 9.3m	Hose	
112	8405007	2	Clamp	
113	4240099	AR	Tie-Strap (Used to Secure Block Heater Cord)	
114	4460234	3	Mount, Wire Tie (Used to Secure Block Heater Cord)	
115	1001140312	1	Heater, Block	
116	0761214	3	Bolt M12 x 30	
117	1001165820	1	Pipe, Elbow	
118	1001143390	1	Indicator, Air Filter Service	
120	1001142685	1	Bracket	
121	8406102	AR	Clip	
122	8406112	1	Clip	
123	1001134488	1	Fitting, 90 Barbed	
124	1001138717	1	Bracket	
125	1001142501	1	Fitting, 90 Barbed	
126	1001144089	1	Grommet	
127	1001145154	1	Plate, Mounting	
128	1001154405	5 ft/ 1.5m	Hose	
129	4640751	1	Valve, Oil Drain	
130	8405006	2	Clamp	
131	0760810	AR	Bolt M8 x 20	
132	1001148843	1	Harness, Fuel Filter (Not Shown - See Separate Breakdown in ELECTRICAL Section)	
134	1703162	2	Decal - Fan	
135	0641503	1	Bolt 5/16 x 3/8	
136	1001153387	1	Plate	
137	3931508	2	Capscrew 5/16 x 1/2	
138	1001155823	1	Coupling	
139	0100062	AR	Adhesive, Loctite #680	
140	1001181895	AR	Adhesive, Loctite #640 (Not Shown - Apply to Block Heater)	
141	0700812	1	Bolt M8 x 25	
142	8410011	1	Clamp	
143	1321289	1	Clamp	
144	3290806	1	Nut M8	
145	0641510	2	Bolt 5/16 x 1-1/4	
146	0641612	2	Bolt 3/8 x 1-1/2	

SECTION 3 - ENGINE

FIGURE 3-26. DEUTZ TCD2.9L4 ENGINE COMPONENTS



ART_1001249964

SECTION 3 - ENGINE

FIGURE 3-26. DEUTZ TCD2.9L4 ENGINE COMPONENTS

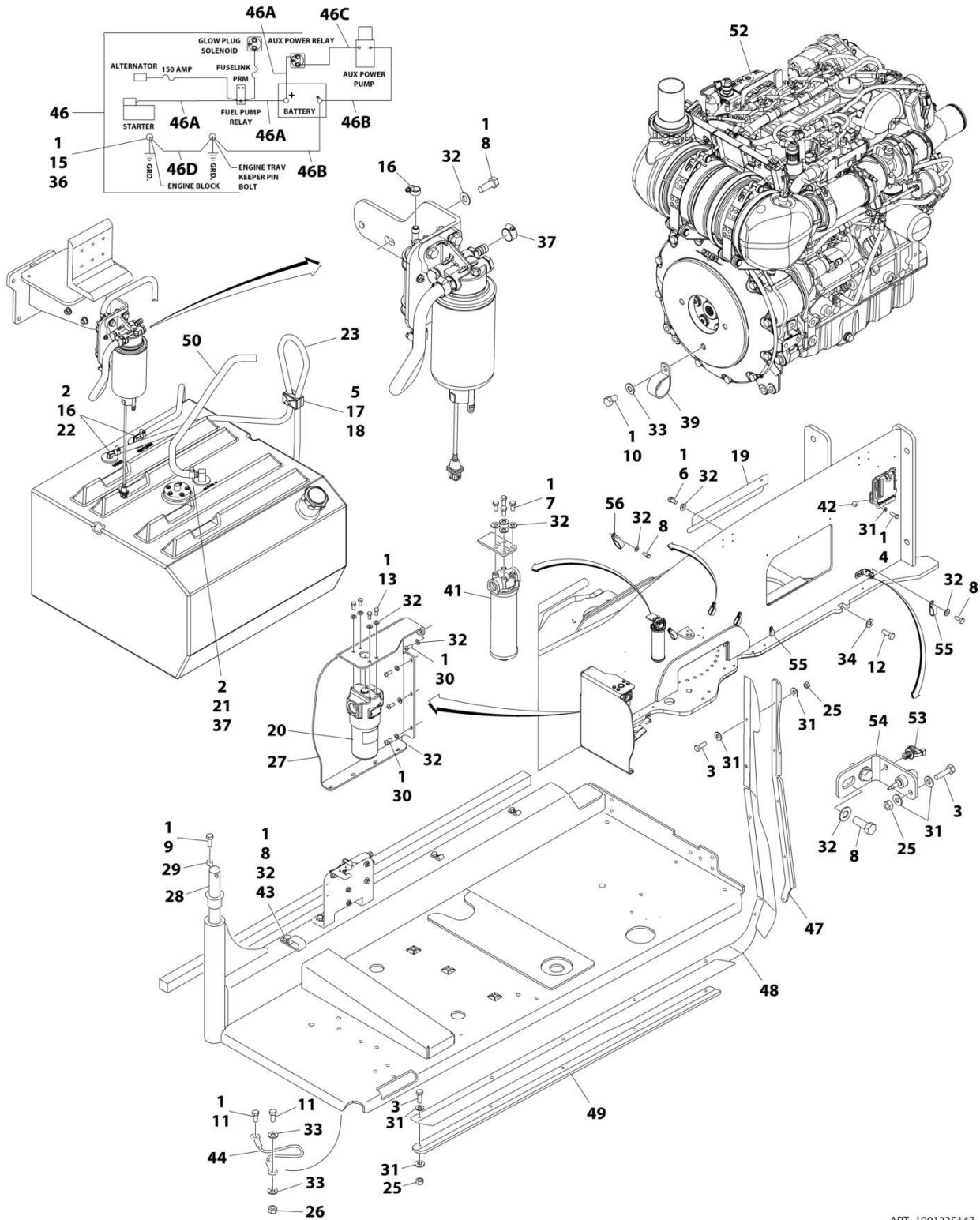
ITEM	PART NUMBER	QTY	DESCRIPTION	REV
	1001249964	Ref	DEUTZ TCD2.9L4 ENGINE COMPONENTS	A
1	70024904	1	Dipstick	
1	70024905	1	O-Ring	
2	7020465	2	Cap, Filler	
3	7002511	2	Clamp	
4		Ref	Pan, Oil	
4A	70005941	2	Plug	
4A	70005942	2	Washer, Sealing	
5	70001870	1	Flywheel	
5	7024579	1	Gear, Ring	
6	70024906	1	Gasket, Head (Not Shown)	
8	70005921	1	Cover, Valve	
8	70005171	1	Gasket	
8	70025205	1	Gasket, Small Valve Cover	
10	70004280	1	Seal, Shaft - Front (Not Shown)	
11	70002718	1	Seal, Shaft - Rear (Not Shown)	
12	70005172	1	Pump, Oil Lube (Not Shown)	
12	70025135	1	O-Ring	
12	70025136	1	Gasket	
13	7016331	1	Filter, Oil	
13	70025137	1	Bushing	
14	70024494	1	Cooler, Engine Oil	
14	70024925	1	Gasket	
16	70024924	1	Pump, Fuel	
16	70025152	1	O-Ring	
16	70004505	1	Valve, Overflow	
16	70004506	1	O-Ring	
16	70004507	1	O-Ring	
16	70004508	1	Valve Volume Control	
16	70004509	1	O-Ring	
16	70004510	1	Gasket	
17	70025181	4	Injector, Fuel	
17	70025140	4	Washer, Sealing	
17	70025146	4	Clamp (Top of Injector)	
17	70025145	4	O-Ring	
17	70025154	4	Shoe, Clamping	
17	70000345	1	Plug, Glow (Not Shown)	
18	70024961	1	Fuel Filter Assembly	
18	1001225430	1	Filter, Fuel	
18	70024513	1	Cable, Sensor	
18	70025239	1	Ring, Sealing	
19	70006144	1	Pump, Fuel	
19	70025144	2	Clamp	
20	70029451	1	Filter with Head	
20	1001225431	1	Filter, Fuel	
21	70024919	1	Sensor, Pressure	
21	70024920	1	O-Ring	
22	70025151	1	Rail, Fuel (Not Shown)	
22	70025235	1	Repair Kit (Not Shown)	
23	70025182	1	Fuel Line - High Pressure (Cylinder 1 & 2)	

SECTION 3 - ENGINE

ITEM	PART NUMBER	QTY	DESCRIPTION	REV
23	70025183	1	Fuel Line - High Pressure (Cylinder 3 & 4)	
23	70025184	1	Fuel Line - High Pressure (Supply)	
24	70004501	1	Sleeve, Rubber	
25	70004502	1	Pipe, Intake	
25	70005926	1	Pipe, Elbow	
26	70025112	2	Clamp	
27	70025210	1	ECU (Engine Control Unit)	
28	70029797	1	Pump, Water	
28	70025200	1	Ring, Sealing	
28	70007325	1	Gasket	
28	7020492	2	Ring, Sealing (Plug)	
29	70005929	1	Thermostat	
29	70025184	1	O-Ring (Thermostat to Cover)	
29	70005931	1	Gasket (Thermostat to Pump)	
29	70025142	1	Cover, Thermostat	
31	70007326	1	Valve, Shuttle (EGR) (Not Shown)	
31	70007327	1	Gasket	
33	70004282	1	Manifold, Exhaust	
33	70025164	1	Gasket, Exhaust Manifold to Head	
33	70029557	1	Gasket, Exhaust Manifold to Pipe	
34	70007328	1	Turbocharger	
34	70024912	1	Gasket, Exhaust Manifold	
35	70028699	1	Tensioner, Belt	
36		Ref	Idler Roller	
37	70004277	1	Belt, Drive	
38	70024915	1	Starter	
38	70005647	1	Switch, Solenoid	
38	70005648	1	Relay	
39	70029401	1	Generator	
39	70006653	1	Regulator, Voltage	
40	70007329	1	Harness, Engine (Not Shown)	
41	70024504	1	Sensor, Pressure (Not Shown - Located Top Rear)	
41	70024920	1	O-Ring	
42	70026210	2	Sensor, Speed (Not Shown - Located Left Side Front and Flywheel Housing)	
42	70024917	2	O-Ring	
43	70028540	1	Sender, Temperature	
44	70024507	1	Sensor, Pressure	
44	70025120	1	O-Ring	
45	70007331	1	Outlet, Muffler	
46	70029517	1	Clip	
46	70029520	1	Gasket	
47	70007330	1	Inlet	
48	70025877	1	Clip	
48	70025788	1	Nut	
48	70025242	1	Gasket	
49	70004504	1	Compensator	
50	70005527	1	Clip	
50	70029433	1	Clip	
50	70025242	1	Gasket	

SECTION 3 - ENGINE

FIGURE 3-27. DEUTZ TCD2.9L4 (STAGE V) ENGINE INSTALLATION - WITH REXROTH PUMP (WITHOUT COLD WEATHER PLUS PACKAGE)



ART_1001235147

SECTION 3 - ENGINE

**FIGURE 3-27. DEUTZ TCD2.9L4 (STAGE V) ENGINE INSTALLATION - WITH REXROTH PUMP
(WITHOUT COLD WEATHER PLUS PACKAGE)**

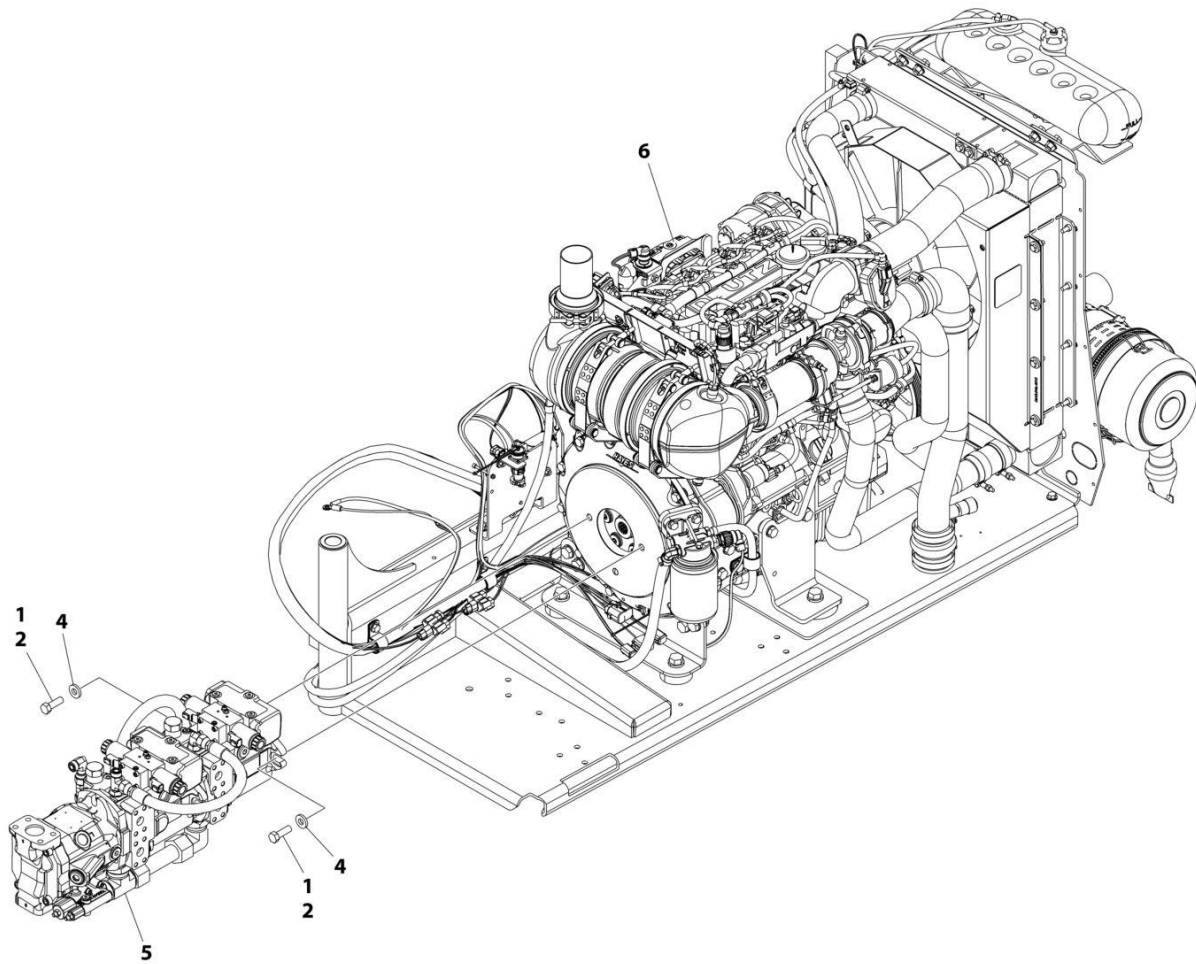
ITEM	PART NUMBER	QTY	DESCRIPTION	REV
	1001235147	Ref	DEUTZ TCD2.9L4 (STAGE V) ENGINE INSTALLATION - WITH REXROTH PUMP (WITHOUT COLD WEATHER PLUS PACKAGE)	F
1	0100011	AR	Compound, Locking	
2	0100079	AR	Sealant, Pipe	
3	0641408	11	Bolt 1/4 x 1	
4	0641410	4	Bolt 1/4 x 1-1/4	
5	0641511	1	Bolt 5/16 x 1-3/8	
6	0641605	3	Bolt 3/8 x 5/8	
7	0641606	4	Bolt 3/8 x 3/4	
8	0641608	10	Bolt 3/8 x 1	
9	0641610	1	Bolt 3/8 x 1-1/4	
10	0641806	1	Bolt 1/2 x 3/4	
11	0641808	2	Bolt 1/2 x 1	
12	0642010	1	Bolt 5/8 x 1-1/4	
13	0651606	4	Bolt 3/8 x 3/4	
15	0761210	1	Bolt M12 x 20	
16	1320022	3	Clamp	
17	1320187	1	Clamp	
18	1320190	1	Cover, Clamp	
19	1671121	1	Cover	
20	2120218	1	Filter, High Pressure	
20	2120219	1	Element, Filter	
20	70001344	1	O-Ring, Bowl	
20	70006137	1	Seal Kit - Includes O-Ring (Element), O-Ring (Bowl), Back-up Ring (Bowl), Seal Ring (Indicator) and O-Ring (Indicator)	
21	2180832	1	Fitting, Barbed	
22	2220313	2	Fitting, 90 Barbed	
23	2750532	5 ft/1.5m	Hose	
25	3311405	11	Nut 1/4	
26	3311805	1	Nut 1/2	
27	3380723	1	Panel, Noise Reduction	
28	3422446	1	Pin, Pivot	
29	3841143	1	Pin, Keeper	
30	3900316	5	Screw 3/8 x 1	
31	4711400	26	Washer 1/4	
32	4711600	26	Washer 3/8	
33	4711800	3	Washer 1/2	
34	4752000	1	Washer 5/8	
36	4812100	1	Washer M12	
37	8405006	2	Clamp	
39	90028660	1	Clamp	
41	1001108617	1	Hydraulic Pressure Filter Assembly	
41	70002231	1	Element, Filter	
42	1001110425	4	Spacer	
43	1001116792	1	Clamp	
44	1001131542	1	Lanyard	
45	1001138491	NLA	Harness, Fuel (Use p/n 1001222665) (Not Shown - See Separate Breakdown in ELECTRICAL Section)	
46	1001142610	1	Battery Cable Kit	

SECTION 3 - ENGINE

ITEM	PART NUMBER	QTY	DESCRIPTION	REV
46A	7027046	1	Cable, Battery (Red) (Battery + to Relays and Starter)	
46A	See Note	NSS	Boot, Ring Terminal (Red) (Note: Not Available - Purchase Locally)	
46B	7027047	1	Cable, Battery (Black) (Battery - to Tray Pivot Grd) and Aux Pump	
46B	See Note	NSS	Boot, Ring Terminal (Black) (Note: Not Available - Purchase Locally)	
46C	7027048	1	Cable (Red) (Aux Relay to Aux Pump)	
46C	See Note	NSS	Boot, Ring Terminal (Red) (Note: Not Available - Purchase Locally)	
46D	7027049	1	Cable, Battery (Black) (Engine to Tray Pivot Grd)	
47	1001145089	1	Clamp	
48	1001145560	1	Panel, Rubber	
49	1001145842	1	Plate, Clamping	
50	1001154405	1.9 ft /0.6m	Hose	
52	1001235149	1	Engine Sub-Assembly (See Separate Breakdown in this Section)	
53	1001146588	1	Strap	
54	1001256879	1	Bracket	
55	1321283	2	Clamp	
56	1321716	3	Clamp	
57	4240099	AR	Tie-Strap (Not Shown)	

SECTION 3 - ENGINE

FIGURE 3-28. DEUTZ TCD2.9L4 (STAGE V) ENGINE SUB-ASSEMBLY - WITH REXROTH PUMP AND ABS HOODS (WITHOUT COLD WEATHER PLUS PACKAGE)



ART_1001235149

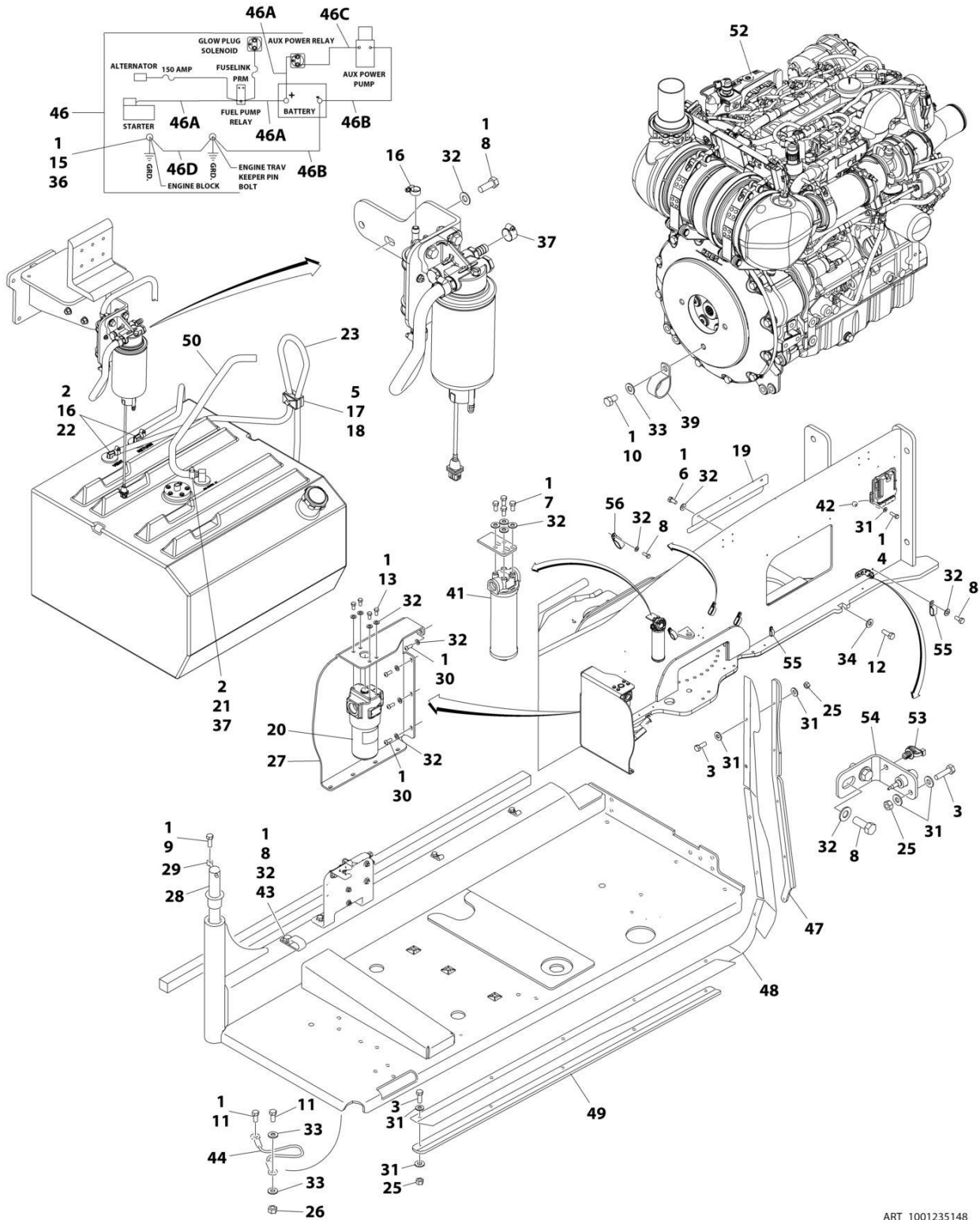
SECTION 3 - ENGINE

FIGURE 3-28. DEUTZ TCD2.9L4 (STAGE V) ENGINE SUB-ASSEMBLY - WITH REXROTH PUMP AND ABS HOODS (WITHOUT COLD WEATHER PLUS PACKAGE)

ITEM	PART NUMBER	QTY	DESCRIPTION	REV
	1001235149	Ref	DEUTZ TCD2.9L4 (STAGE V) ENGINE SUB-ASSEMBLY	Q
1	0100011	AR	Compound, Locking	
2	0641812	2	Bolt 1/2 x 1-1/2	
2	0641814	2	Bolt 1/2 x 1-3/4	
4	4891800	2	Washer 1/2	
5	1001152963	1	Pump Assembly - Rexroth (See Separate Breakdown in this Section)	
6	1001235151	1	Engine Assembly (See Separate Breakdown in this Section)	

SECTION 3 - ENGINE

FIGURE 3-29. DEUTZ TCD2.9L4 (STAGE V) ENGINE INSTALLATION - WITH SAUER PUMP (WITHOUT COLD WEATHER PLUS PACKAGE)



ART_1001235148

SECTION 3 - ENGINE

FIGURE 3-29. DEUTZ TCD2.9L4 (STAGE V) ENGINE INSTALLATION - WITH SAUER PUMP (WITHOUT COLD WEATHER PLUS PACKAGE)

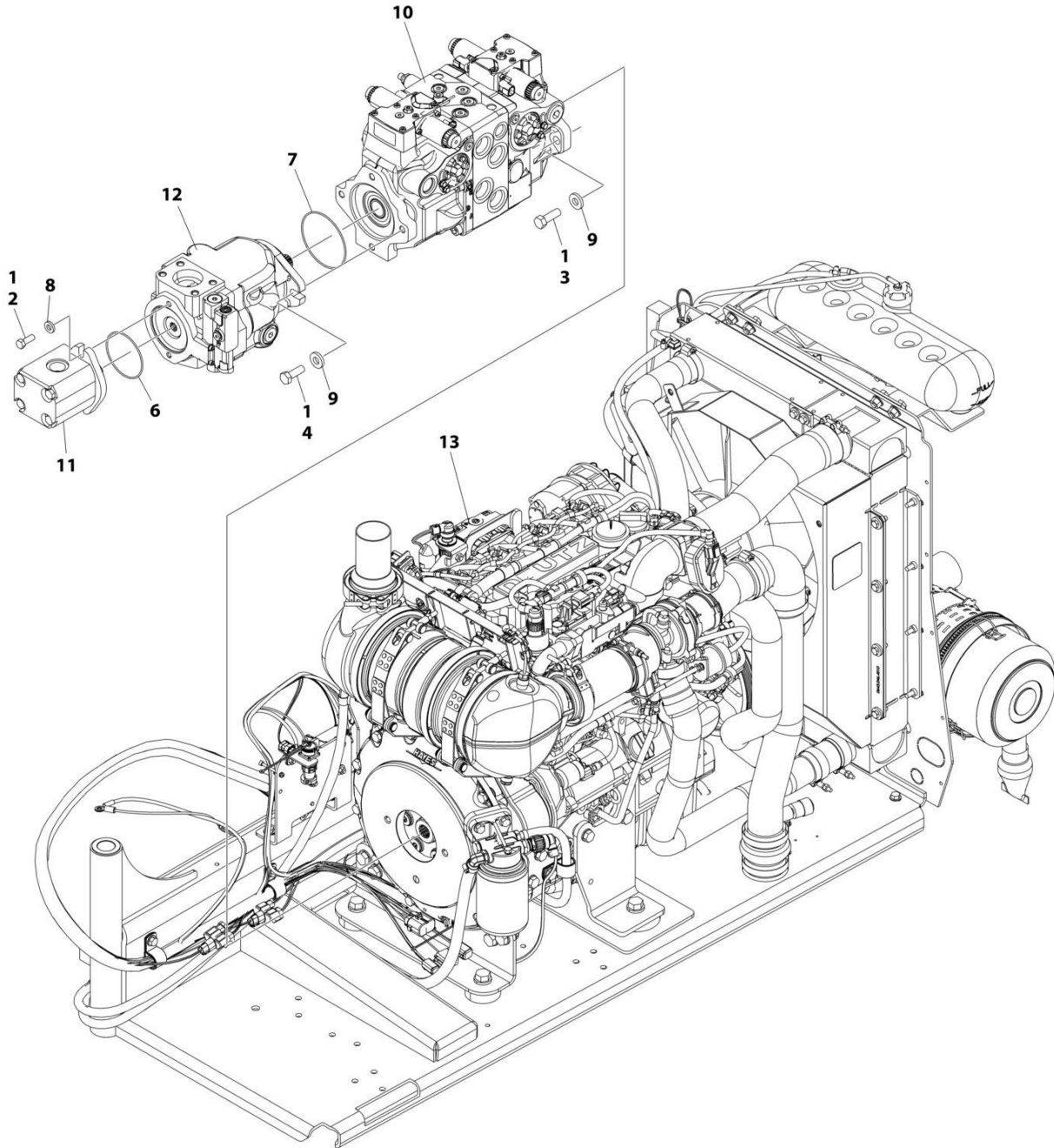
ITEM	PART NUMBER	QTY	DESCRIPTION	REV
	1001235148	Ref	DEUTZ TCD2.9L4 (STAGE V) ENGINE INSTALLATION - WITH SAUER PUMP (WITHOUT COLD WEATHER PLUS PACKAGE)	F
1	0100011	AR	Compound, Locking	
2	0100079	AR	Sealant, Pipe	
3	0641408	11	Bolt 1/4 x 1	
4	0641410	4	Bolt 1/4 x 1-1/4	
5	0641511	1	Bolt 5/16 x 1-3/8	
6	0641605	3	Bolt 3/8 x 5/8	
7	0641606	4	Bolt 3/8 x 3/4	
8	0641608	10	Bolt 3/8 x 1	
9	0641610	1	Bolt 3/8 x 1-1/4	
10	0641806	1	Bolt 1/2 x 3/4	
11	0641808	2	Bolt 1/2 x 1	
12	0642010	1	Bolt 5/8 x 1-1/4	
13	0651606	4	Bolt 3/8 x 3/4	
15	0761210	1	Bolt M12 x 20	
16	1320022	3	Clamp	
17	1320187	1	Clamp	
18	1320190	1	Cover, Clamp	
19	1671121	1	Cover	
20	2120218	1	Filter, High Pressure	
20	2120219	1	Element, Filter	
20	70001344	1	O-Ring, Bowl	
20	70006137	1	Seal Kit - Includes O-Ring (Element), O-Ring (Bowl), Back-up Ring (Bowl), Seal Ring (Indicator) and O-Ring (Indicator)	
21	2180832	1	Fitting, Barbed	
22	2220313	2	Fitting, 90 Barbed	
23	2750532	5 ft /1.5m	Hose	
25	3311405	11	Nut 1/4	
26	3311805	1	Nut 1/2	
27	3380723	1	Panel, Noise Reduction	
28	3422446	1	Pin, Pivot	
29	3841143	1	Pin, Keeper	
30	3900316	5	Screw 3/8 x 1	
31	4711400	26	Washer 1/4	
32	4711600	26	Washer 3/8	
33	4711800	3	Washer 1/2	
34	4752000	1	Washer 5/8	
36	4812100	1	Washer M12	
37	8405006	2	Clamp	
39	90028660	1	Clamp	
41	1001108617	1	Hydraulic Pressure Filter Assembly	
41	70002231	1	Element, Filter	
42	1001110425	4	Spacer	
43	1001116792	1	Clamp	
44	1001131542	1	Lanyard	
45	1001138491	NLA	Harness, Fuel (Use p/n 1001222665) (Not Shown - See Separate Breakdown in ELECTRICAL SECTION)	
46	1001142610	1	Battery Cable Kit	

SECTION 3 - ENGINE

ITEM	PART NUMBER	QTY	DESCRIPTION	REV
46A	7027046	1	Cable, Battery (Red) (Battery + to Relays and Starter)	
46A	See Note	NSS	Boot, Ring Terminal (Red) (Note: Not Available - Purchase Locally)	
46B	7027047	1	Cable, Battery (Black) (Battery - to Tray Pivot Grd) and Aux Pump	
46B	See Note	NSS	Boot, Ring Terminal (Black) (Note: Not Available - Purchase Locally)	
46C	7027048	1	Cable (Red) (Aux Relay to Aux Pump)	
46C	See Note	NSS	Boot, Ring Terminal (Red) (Note: Not Available - Purchase Locally)	
46D	7027049	1	Cable, Battery (Black) (Engine to Tray Pivot Grd)	
47	1001145089	1	Clamp	
48	1001145560	1	Panel, Rubber	
49	1001145842	1	Plate, Clamping	
50	1001154405	1.9 ft /0.6m	Hose	
52	1001235150	1	Engine Sub-Assembly (See Separate Breakdown in this Section)	
53	1001146588	1	Strap	
54	1001256879	1	Bracket	
55	1321283	2	Clamp	
56	1321716	3	Clamp	
57	4240099	AR	Tie-Strap (Not Shown)	

SECTION 3 - ENGINE

FIGURE 3-30. DEUTZ TCD2.9L4 (STAGE V) ENGINE SUB-ASSEMBLY - WITH SAUER PUMP AND ABS HOODS (WITHOUT COLD WEATHER PLUS PACKAGE)



ART_1001235150

SECTION 3 - ENGINE

FIGURE 3-30. DEUTZ TCD2.9L4 (STAGE V) ENGINE SUB-ASSEMBLY - WITH SAUER PUMP AND ABS HOODS (WITHOUT COLD WEATHER PLUS PACKAGE)

ITEM	PART NUMBER	QTY	DESCRIPTION	REV
	1001235150	Ref	DEUTZ TCD2.9L4 (STAGE V) ENGINE SUB-ASSEMBLY	Q
1	0100011	AR	Compound, Locking	
2	0641608	2	Bolt 3/8 x 1	
3	0641812	2	Bolt 1/2 x 1-1/2	
3	0641814	2	Bolt 1/2 x 1-3/4	
4	0761215	2	Bolt M12 x 35	
6	3790152	1	O-Ring	
7	3790155	1	O-Ring	
8	4891600	2	Washer 3/8	
9	4891800	4	Washer 1/2	
10	1001108616	1	Pump Assembly - Sauer Tandem (See Separate Breakdown in this Section)	
11	1001112927	1	Pump Assembly - Sauer Gear (See Separate Breakdown in this Section)	
12	1001171095	1	Pump Assembly - Sauer Piston (See Separate Breakdown in this Section)	
13	1001235151	1	Engine Assembly (See Separate Breakdown in this Section)	

SECTION 3 - ENGINE

FIGURE 3-31. DEUTZ TCD2.9L4 (STAGE V) ENGINE ASSEMBLY (WITHOUT COLD WEATHER PLUS PACKAGE)

ITEM	PART NUMBER	QTY	DESCRIPTION	REV
	1001235151	Ref	DEUTZ TCD2.9L4 (STAGE V) ENGINE ASSEMBLY	O
1	0100011	AR	Compound, Locking	
2	0100020	AR	Sealant	
3	0100062	AR	Adhesive, Loctite #680	
4	0641406	4	Bolt 1/4 x 3/4	
5	0641503	3	Bolt 5/16 x 3/8	
6	0641508	8	Bolt 5/16 x 1-1/4	
7	0641606	7	Bolt 3/8 x 3/4	
8	0641608	9	Bolt 3/8 x 1	
9	0641610	2	Bolt 3/8 x 1-1/4	
10	0641706	2	Bolt 7/16 x 3/4	
11	0641708	6	Bolt 7/16 x 1	
12	0682028	4	Bolt 5/8 x 3-1/2 Grade 8	
14	0700815	2	Bolt M8 x 35	
17	0761214	5	Bolt M12 x 30	
18	0771212	1	Bolt M12 x 25 Grade 10.9	
19	0771414	9	Bolt M14 x 30 Grade 10.9	
20	0940070	1	Bumper	
21	0961986	2	Bushing, Flanged	
22	1320022	2	Clamp	
23	1703162	2	Decal - Fan	
26	2902065	1	Pump Coupling Kit (See Separate Breakdown in this Section)	
27	3272001	4	Nut 5/8 Grade 8	
29	3290801	2	Nut M8	
30	3310401	3	Nut #4	
31	3311405	7	Nut 1/4	
32	3311605	9	Nut 3/8	
33	3311705	5	Nut 7/16	
34	1001260432	1	Pulley	
35	3910408	3	Screw #4 x 1/2	
36	3931432	1	Capscrew 1/4 x 2	
37	3931508	2	Capscrew 5/16 x 1/2	
38	3931512	4	Capscrew 5/16 x 3/4	
39	1001261085	4	Screw M10	
40	3960543	1	Seal	
41	3960544	1	Seal	
42	4031914	4	Bolt M8 x 50	
43	1001261045	4	Screw M10	
44	4240099	AR	Tie-Strap (Not Shown)	
45	4640751	1	Valve, Oil Drain	
46	4710400	3	Washer #4	
47	4711400	5	Washer 1/4	
48	4711500	17	Washer 5/16	
49	4711600	27	Washer 3/8	
50	4711700	10	Washer 7/16	
51	4751400	8	Washer 1/4	
52	4751700	2	Washer 7/16	
54	4811700	4	Washer M6	
55	4811900	5	Washer M8	

SECTION 3 - ENGINE

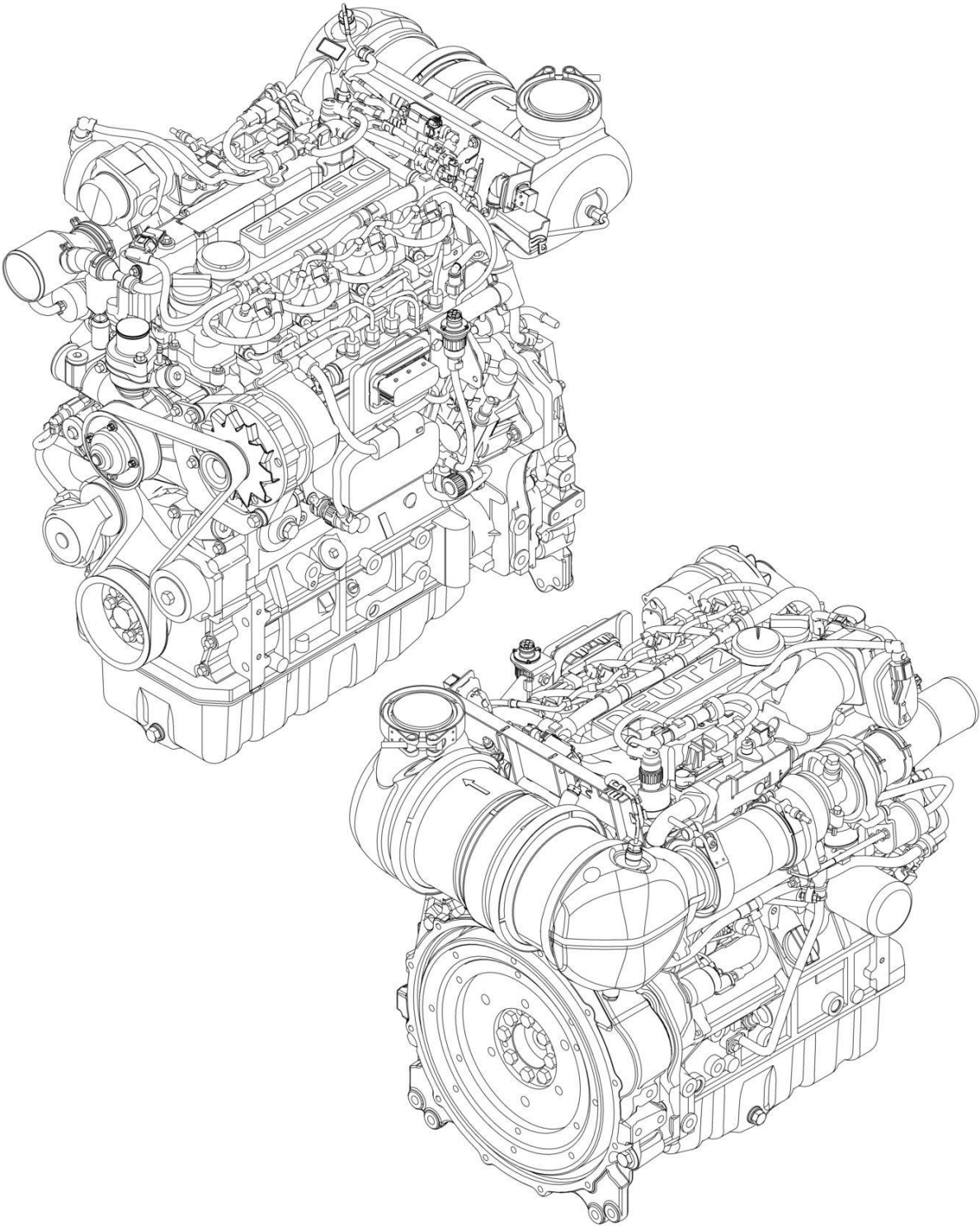
ITEM	PART NUMBER	QTY	DESCRIPTION	REV
56	4811902	2	Washer M8	
57	4812000	4	Washer M10	
58	4812100	7	Washer M12	
59	4812200	9	Washer M14	
60	4831900	2	Washer M8	
61	4892000	4	Washer 5/8	
63	8405006	2	Clamp	
64	8405007	2	Clamp	
65	8405201	4	Clamp	
66	8405204	6	Clamp	
67	8405212	1	Clamp	
68	8405213	1	Clamp	
69	8406102	2	Clip	
70	8406112	1	Clip	
71	8406302	2	Clamp	
72	8405009	5	Clamp	
73	8410014	1	Clamp	
74	91563070	1	Coupling, Rubber	
75	1001117308	1	Relay	
76	1001133633	1	Air Cleaner Assembly	
76	70024190	1	Element, Air Filter	
77	1001133634	1	Clamp	
78	1001134488	1	Fitting, 90 Barbed	
79	1001256864	1	Radiator	
80	1001135138	1	Spacer, Fan	
81	1001135560	1	Support, Engine	
82	1001135562	1	Support, Engine - Rear	
83	1001258800	1	Spacer, Pulley	
84	1001135680	1	Support, Radiator	
85	1001135779	1	Cable, Alternator Positive (Not Shown)	
86	1001135901	1	Pipe, Air Intake	
87	1001135903	1	Pipe, Air Intake	
88	1001135913	1	Pipe, Turbo to Air Cleaner	
89	1001135924	1	Hose, Radiator (Upper)	
90	1001135926	1	Pipe, Radiator (Lower)	
91	1001135943	1	Coupling, Rubber	
92	1001135946	1	Elbow, Rubber	
94	1001136626	2	Bracket	
95	1001136665	1	Bracket	
96	1001136834	1	Cap, Tank	
97	1001137276	1	Fan	
98	1001138228	1	Module, Power	
98	70023592	1	Fuse 20Amp (Switched Output)	
98	70023593	1	Fuse 30Amp (Battery Output)	
99	1001138248	8.6 ft/ 2.59m	Tubing	
100	1001138253	5	Clamp	
101	1001138524	1	Hose	
102	1001138559	1	Fitting, 90	
103	1001138827	1	Sensor, Coolant Level	
104	1001139240	1	Bracket	
105	1001140564	1	Fitting, 90 Barbed	

SECTION 3 - ENGINE

ITEM	PART NUMBER	QTY	DESCRIPTION	REV
106	1001141304	1	Wire, Glow Plug (Not Shown)	
107	1001141717	1	Fitting, Straight	
108	1001141719	1	Fitting, 90 Barbed	
109	1001142398	1	Support, Engine	
110	1001142501	1	Fitting, 90 Barbed	
111	1001142637	1	Hose, Hump	
112	1001142685	1	Bracket	
113	1001143390	1	Indicator, Air Filter Service	
114	1001144089	1	Grommet	
115	1001145154	1	Plate, Mounting	
116	1001146219	4	Washer Special	
117	1001148843	1	Harness, Fuel Filter (Not Shown - See Separate Breakdown in ELECTRICAL Section)	
118	1001153024	1	Pipe, Exhaust	
119	1001153387	1	Plate	
120	1001154405	4.7 ft/ 1.44m	Hose	
121	1001155575	4	Mount, Motor	
122	1001155823	1	Coupling	
123	1001165035	30.5 ft/ 9.3m	Hose	
124	1001165820	1	Pipe, Elbow	
125	1001166393	1	Tank, Surge	
126	1001181899	1	Clamp	
127	1001191272	1	Tray	
128	1001191620	3	Clamp	
129	1001208299	3	Clamp	
130	1001232546	1	Engine, Deutz TCD2.9L4 (Stage V) Engine Components (See Separate Breakdown in this Section)	
131	1001233492	1	Hose	
132	1001235952	1	Bracket	
133	1001237285	1	Harness, Engine (Not Shown - See Separate Breakdown in ELECTRICAL Section)	
135	1001170982	1	Adapter	
136	1001146588	1	Strap	
137	0641407	2	Bolt 1/4 x 7/8	
138	0760808	1	Bolt M8 x 16	
139	0761212	1	Bolt M12 x 25	
140	3520054	1	Plug, Hole	
141	4791400	2	Starwasher 1/4	
142	8406201	1	Clip	
143	1001165101	1	Fuel Pump/Bracket Assembly (Not Shown - See Separate breakdown in this Section)	
144	1001180620	AR	Adhesive	

SECTION 3 - ENGINE

FIGURE 3-32. DEUTZ TCD2.9L4 (STAGE V) ENGINE COMPONENTS



ART_1001232546

SECTION 3 - ENGINE

FIGURE 3-32. DEUTZ TCD2.9L4 (STAGE V) ENGINE COMPONENTS

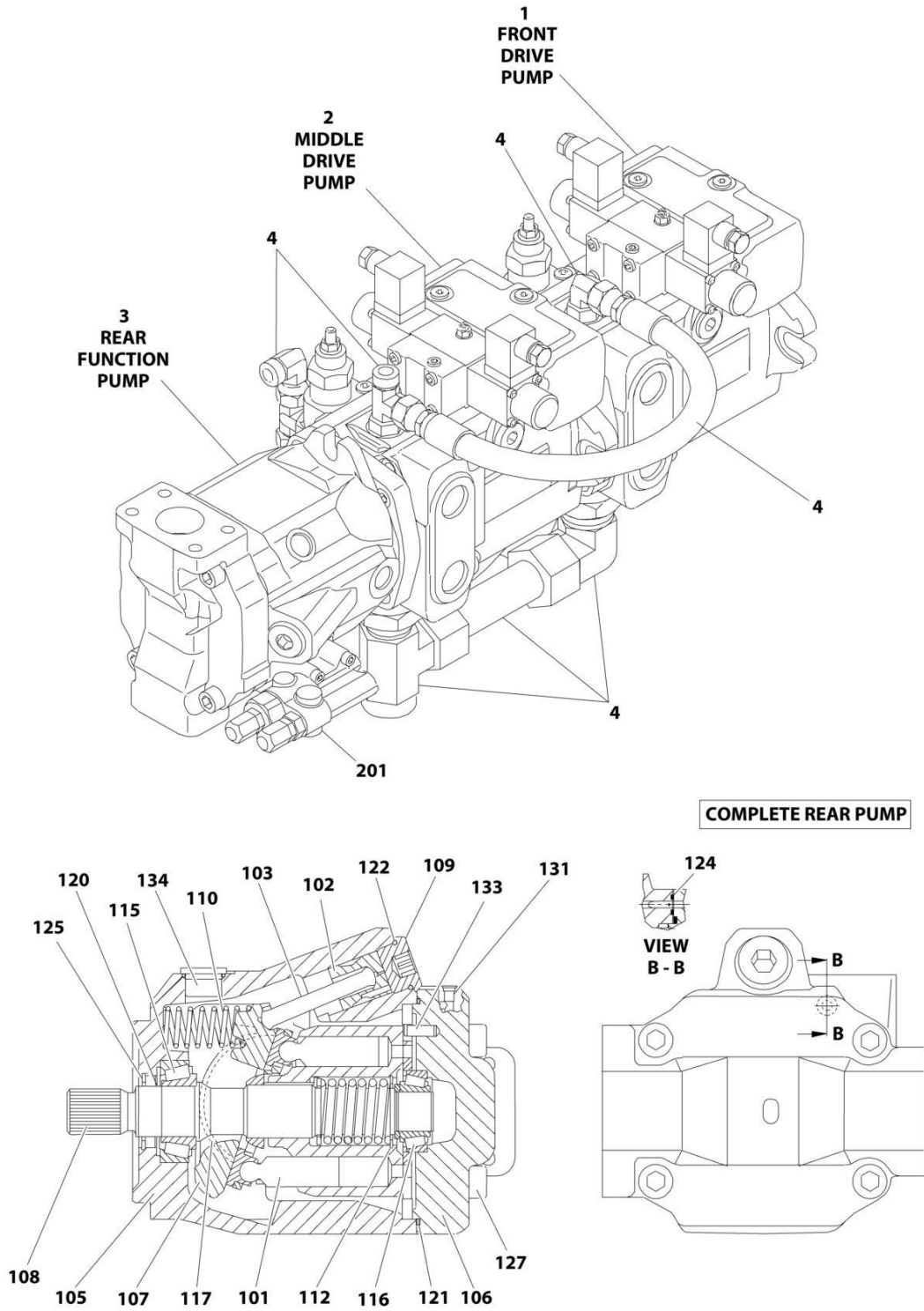
ITEM	PART NUMBER	QTY	DESCRIPTION	REV
	1001232546	Ref	DEUTZ ENGINE COMPONENTS	H
		Ref	Note: For complete list of parts, contact JLG Parts Department	
		Ref	Air Intake System Components	
	70004503	1	Turbocharger	
		Ref	Cooling System Components	
	70029581	1	Pump, Coolant (Includes Gasket & Seals)	
	70007603	1	Thermostat	
	70005184	1	O-Ring	
	70005931	1	Gasket	
	70025142	1	Cover	
		Ref	Electrical System Components	
		Ref	Module, ECU/ECM	
	70029401	1	Generator (Includes Controller, Fan & Hardware)	
	70024915	1	Starter (Includes Solenoid & Relay)	
	70026210	1	Sender, Tacho-Generator (Speed) (On Rear of Block) (Includes Seal)	
	70024916	1	Sender, Tacho-Generator (Speed) (On Cover) (Includes Seal)	
	70024918	1	Sender, Temperature (Includes Seal) (On Air Intake Manifold)	
	70024507	1	Sensor, Pressure (Includes Seal) (On Air Intake Manifold)	
	70024504	1	Sensor, Pressure (Includes Seal) (On Fuel Filter & Side of Block)	
		Ref	Sensor, Pressure (Includes Seal) (On Exhaust Manifold)	
		Ref	Sensor, Temperature (Includes Seal) (On Exhaust Manifold)	
	70000345	4	Plug, Glow	
		Ref	Exhaust System Components	
		Ref	Valve, EGR	
	70025130	8	Bolt, Exhaust Manifold	
	70025164	1	Gasket, Exhaust Manifold	
		Ref	Outlet, Muffler	
		Ref	Muffler	
		Ref	Bracket, Muffler Mounting	
	70004504	1	Compensator, Exhaust	
		Ref	Fuel System Components	
	70024924	1	Pump, High Pressure	
		Ref	Injector (Includes Sealing washer, Clamp & O-Ring)	
	70006144	1	Pump, Fuel Supply (Includes Clamps)	
	70024961	1	Filter, Fuel (Pre-Filter Assembly) (Includes Head, Spin on filter, Sensor Cable & Seal)	
	70025153	1	Filter, Fuel Spin On	
	70024513	1	Sensor Cable (Includes Seal)	
	70025160	1	Filter, Fuel (Assembly) (Includes Head & Spin on Filter)	
		Ref	Filter, Fuel Spin On	
	70004508	1	Vol. Control Valve (Includes O-Ring & Gasket)	
		Ref	Lubricating System Components	
	7020465	2	Cap, Oil Fill	
	70005941	2	Plug, Oil Drain	
	70005942	2	Seal, Oil Drain Plug	
	70005172	1	Pump, Oil (Includes Seal & Gasket)	
	7016331	1	Filter, Oil	
	70024494	1	Cooler, Oil	
	70024925	1	Gasket, Oil Cooler	

SECTION 3 - ENGINE

ITEM	PART NUMBER	QTY	DESCRIPTION	REV
	70024904	1	Dipstick (Includes Seal)	
		Ref	Mechanical Components	
	70001870	1	Flywheel (includes Gear)	
	70004277	1	V-Belt	
	70005938	1	Gasket Set - Complete	

SECTION 3 - ENGINE

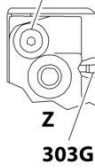
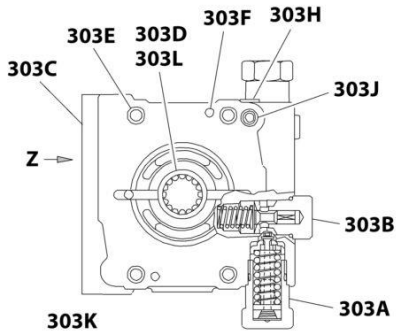
FIGURE 3-33. PUMP ASSEMBLY (REXROTH) (DEUTZ TD2011 ENGINES)



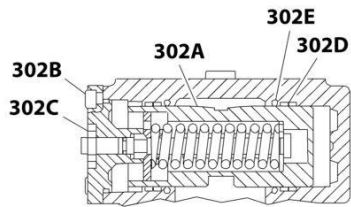
ART_3600339_10F2

SECTION 3 - ENGINE

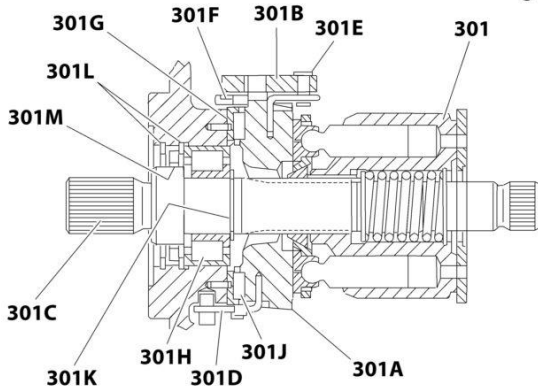
COMPLETE FRONT AND PUMPS



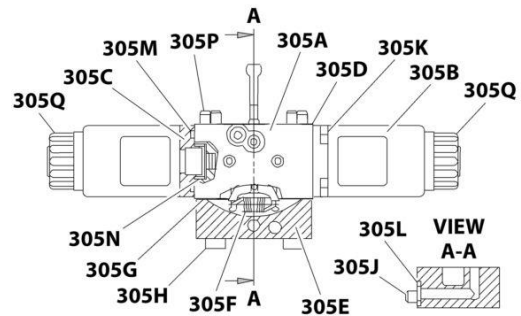
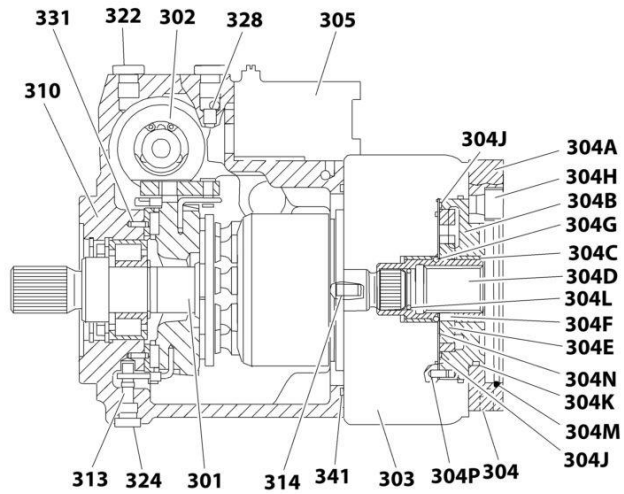
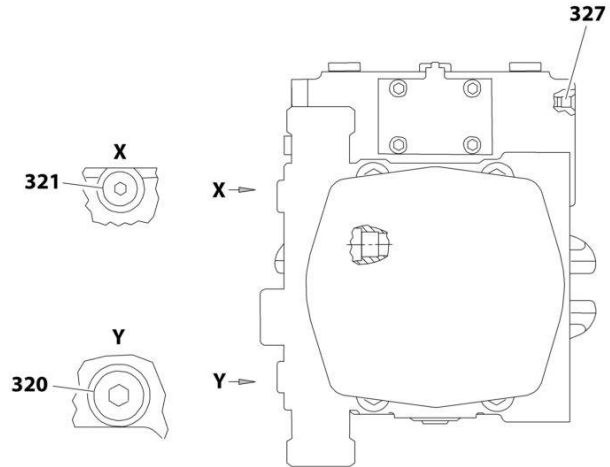
PORT PLATE SECTION FRONT AND MID PUMPS (DETAIL OF ITEM 303)



HYD. CONTROL FRONT AND MID PUMPS (DETAIL OF ITEM 302)



ROTARY GROUP FRONT AND MID PUMPS (DETAIL OF ITEM 301)



CONTROL MODULE FRONT AND MID PUMPS (DETAIL OF ITEM 305)

ART_3600339_20F2

SECTION 3 - ENGINE

FIGURE 3-33. PUMP ASSEMBLY (REXROTH) (DEUTZ TD2011 ENGINES)

ITEM	PART NUMBER	QTY	DESCRIPTION	REV
	3600339	Ref	PUMP ASSEMBLY (REXROTH) (DEUTZ TD2011 ENGINES)	D
1	7024042	1	Front Drive Pump Assembly (Includes Items 301-341)	
2	7024043	1	Middle Drive Pump Assembly (Includes Items 301-341)	
3	7024044	1	Rear Function Pump Assembly (Includes Items 101-201)	
4	70001952	1	Hydraulic Kit (Includes all Rexroth Supplied Hydraulic Fittings, Hoses and Tubes)	
	7024044	Ref	REAR FUNCTION PUMP ASSEMBLY	
101	7024914	1	Rotary Section	
102	See Note	1	Piston, Control (Note: Not Available - Purchase Complete Assembly)	
103	See Note	1	Rod, Piston (Note: Not Available - Purchase Complete Assembly)	
105	See Note	1	Housing, Pump (Note: Not Available - Purchase Complete Assembly)	
106	See Note	1	Plate, Port (Note: Not Available - Purchase Complete Assembly)	
107	7024915	1	Plate, Swash	
108	7024916	1	Driveshaft	
109	See Note	1	Plug (Note: Not Available for Purchase)	
110	See Note	1	Spring (Note: Not Available for Purchase)	
112	7012709	1	Shim	
115	7024038	1	Bearing, Roller	
116	7012706	1	Bearing, Roller	
117	7024917	2	Shell, Cradle	
120	7024918	1	Seal, Shaft	
121	7024919	1	O-Ring	
122	7024920	1	O-Ring	
124	7024921	1	Seal	
125	7012715	1	V-Ring	
127	See Note	4	Capscrew M12 x 45 Grade 10.9 (Note: Not Available for Purchase)	
131	See Note	1	Plug (Note: Not Available for Purchase)	
133	See Note	1	Pin, Dowel (Note: Not Available for Purchase)	
134	See Note	1	Plug (Note: Not Available for Purchase)	
201	7024913	Ref	Pilot Valve Assembly	
		Ref	Note: Two mounting designs of p/n 7024913 pilot valve exist. Early design uses qty. 3 O-rings. Late design uses qty 1 sealing plate. Seal designs cannot be interchanged. Verify seal design before ordering.	
201	7024922	3	O-Ring (Seals between Pilot Valve and Rear Pump)	
201	70021867	1	Plate, Sealing (Seals between Pilot Valve and Rear Pump)	
		Ref	FRONT DRIVE PUMP ASSEMBLIES	
	7024042	Ref	Front Drive Pump Assembly	
	7024043	Ref	Middle Drive Pump Assembly	
301	7024064	1	Rotary Group	
301A	See Note	NSS	Cradle (Note: Use Item 301)	
301B	See Note	NSS	Ring, Slide (Note: Use Item 301)	
301C	See Note	NSS	Driveshaft (Note: Use Item 301)	
301D	See Note	NSS	Wire (Note: Use Item 301)	
301E	See Note	NSS	Pin, Joint (Note: Use Item 301)	
301F	See Note	NSS	Wire (Note: Use Item 301)	
301G	See Note	NSS	Liner, Bearing (Note: Use Item 301)	
301H	See Note	NSS	Bearing, Roller (Note: Use Item 301)	
301J	See Note	NSS	Cradle Bearing Assembly (Note: Use Item 301)	

SECTION 3 - ENGINE

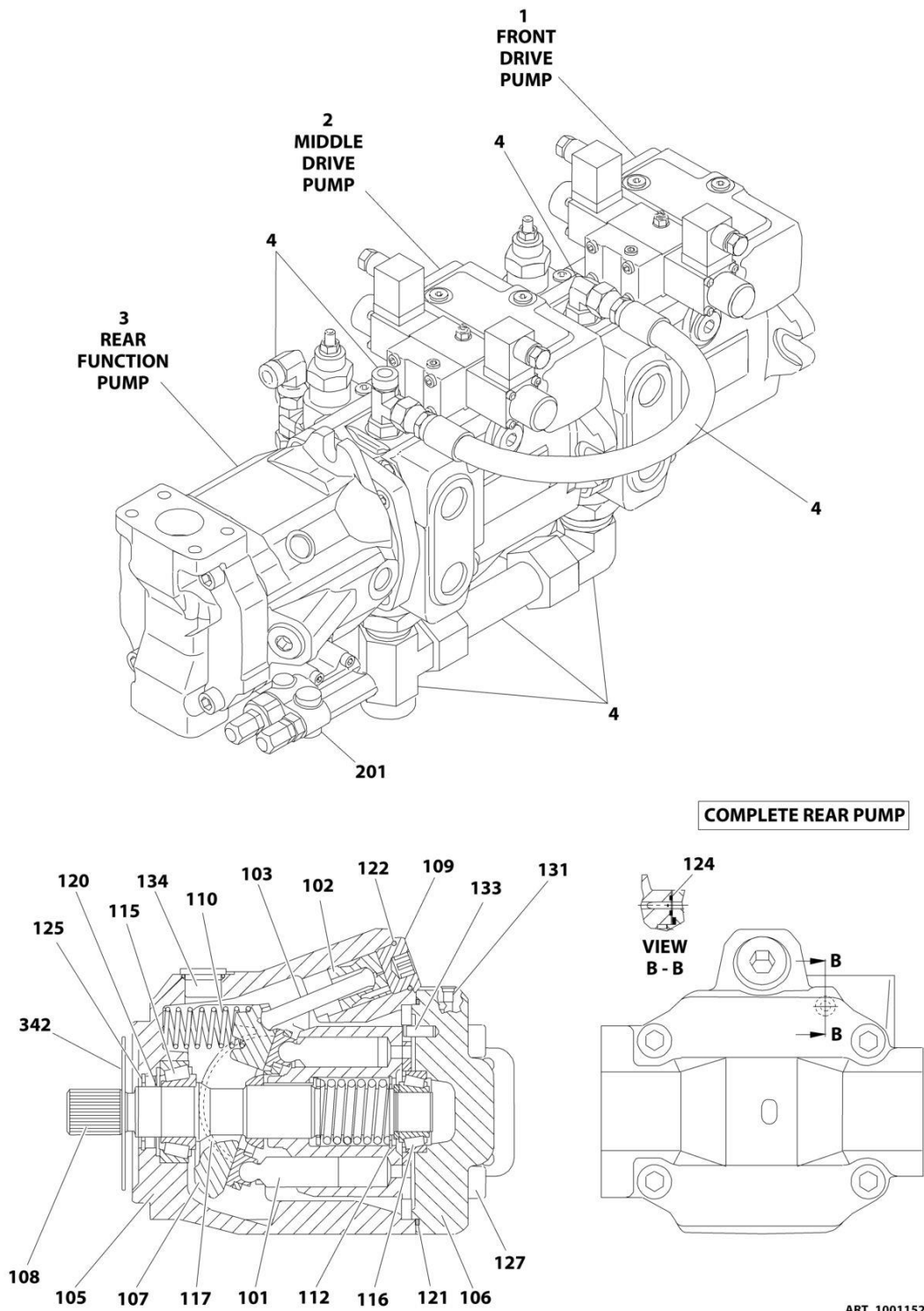
ITEM	PART NUMBER	QTY	DESCRIPTION	REV
301K	See Note	NSS	Ring, Retaining (Note: Use Item 301)	
301L	70001968	2	Ring, Retaining	
301M	7024070	1	Seal, Shaft Ring	
302	7024065	1	Control Group - Hydraulic	
302A	See Note	NSS	Piston, Positioning - Complete (Note: Use Item 302)	
302A	7024071	1	O-Ring, Outer Seal	
302A	7024072	1	O-Ring, Stem	
302B	See Note	4	Capscrew M6 x 12 (Note: Not Available - Purchase Locally)	
302C	See Note	NSS	Nut (Note: Use Item 302)	
302D	See Note	NSS	Ring, Guide (Note: Use Item 302)	
302E	See Note	NSS	Seal, O-Ring (Note: Use Item 302)	
303	7024911	1	Port Plate Group	
303A	7024073	2	Cartridge, Relief Valve (High Pressure)	
303A	7024075	1	O-Ring	
303A	7024076	1	Ring, Back-up	
303B		Ref	Cartridge Options:	
303B	7024097	1	Front Pump Cartridge (Lock Valve with Orifice) Note: Sold as an Assembly except Outer Seal.	
303B	7024075	1	O-Ring	
303B	7023881	1	Middle Pump Cartridge (Pressure Relief Valve) Note: Sold as an Assembly except Outer Seal.	
303B	7024077	1	O-Ring	
303C	See Note	NSS	Plate, Port (Note: Use Item 303)	
303D	See Note	NSS	Bushing, Bearing (Note: Use Item 303)	
303E	See Note	4	Capscrew M12 x 70 Grade10.9 (Note: Not Available - Purchase Locally)	
303F	See Note	NSS	Pin, Dowel (Note: Use Item 303)	
303G	See Note	NSS	Pin, Break-Off (Note: Use Item 303)	
303H	See Note	1	Screw, Locking M10 x 1 (Note: Not Available - Purchase Locally)	
303J	7024908	2	O-Ring	
303K	See Note	2	Screw, Locking 7/16 (Note: Not Available - Purchase Locally)	
303L	See Note	NSS	Bearing, Roller (Note: Use Item 303)	
304	7024906	1	Internal Gear Pump	
304A	See Note	NSS	Flange, Intermediate (Note: Use Item 304)	
304B	See Note	NSS	IZP-Housing (Note: Use Item 304)	
304C	See Note	NSS	Bushing, Bearing (Note: Use Item 304)	
304D	See Note	NSS	Coupling, Driveshaft Through (Note: Use Item 304)	
304E	See Note	NSS	Gear Set (Note: Use Item 304)	
304F	See Note	NSS	Key, Driveshaft (Note: Use Item 304)	
304G	See Note	NSS	Ring, Retaining (Note: Use Item 304)	
304H	See Note	4	Capscrew M10 x 20 (Note: Not Available - Purchase Locally)	
304J	7024080	2	Seal	
304K	7024081	1	O-Ring	
304L	See Note	NSS	Ring, Retaining (Note: Use Item 304)	
304M	See Note	NSS	O-Ring (Note: Use Item 304)	
304N	7024005	1	Plate, Wear	
304P	See Note	NSS	Pin, Cylinder (Note: Use Item 304)	
305	7024068	1	Control Module	
305A	7024084	1	Valve Body, Lever and Internal Components	
305B	7024083	2	Coil, Solenoid	
305C	See Note	NSS	Spacer, Coil (Note: Use Item 305)	

SECTION 3 - ENGINE

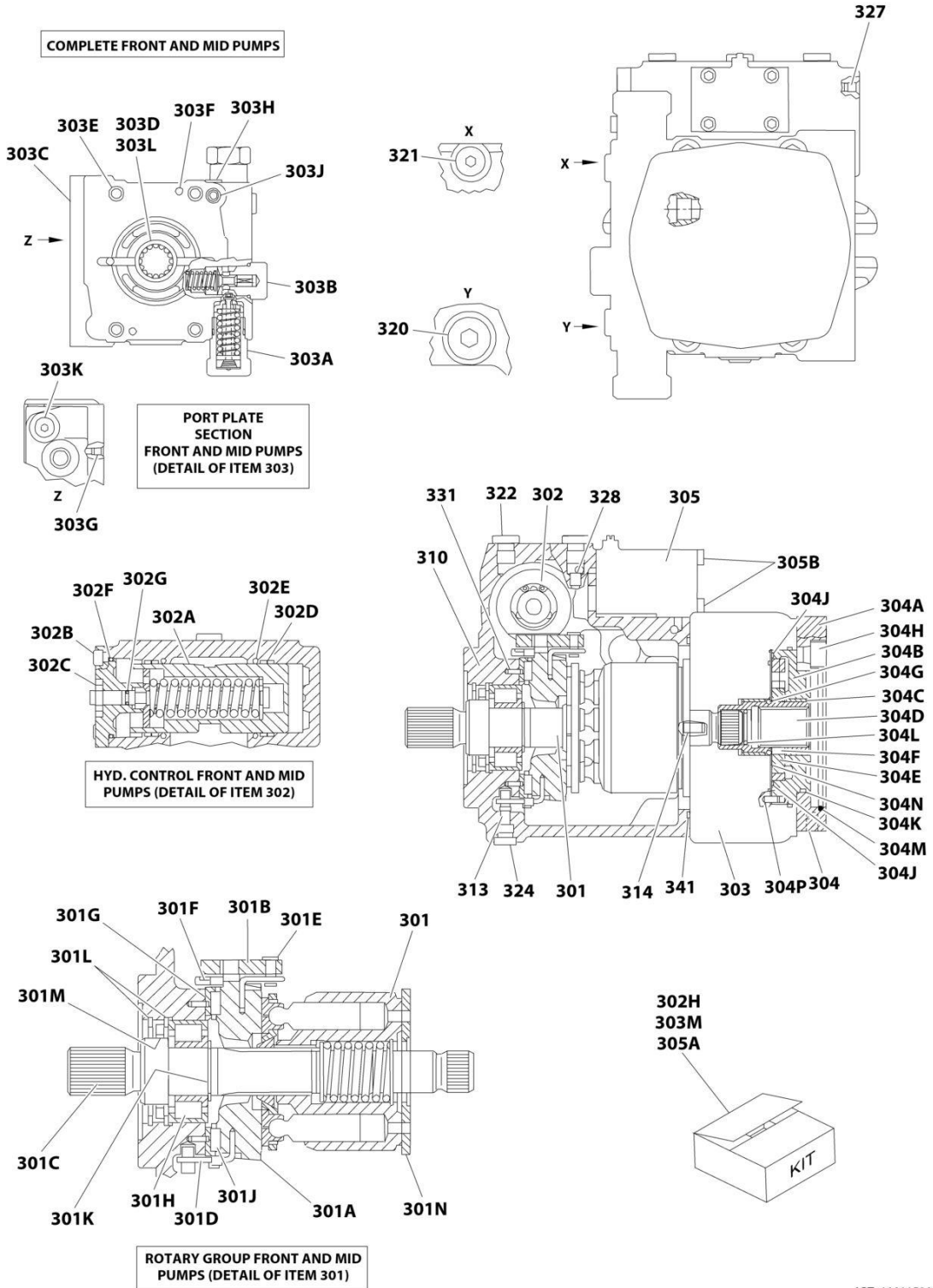
ITEM	PART NUMBER	QTY	DESCRIPTION	REV
305D	7024085	1	Gasket	
305E	See Note	NSS	Cover (Note: Use Item 305)	
305F	See Note	NSS	Spring, Draw (Note: Use Item 305)	
305G	See Note	NSS	Gasket (Note: Use Item 305)	
305H	See Note	4	Capscrew M6 x 65 (Note: Not Available - Purchase Locally)	
305J	See Note	1	Capscrew M6 x 45 (Note: Not Available - Purchase Locally)	
305K	See Note	8	Capscrew M5 x 10 (Note: Not Available - Purchase Locally)	
305L	7024087	1	O-Ring	
305M	7024088	2	O-Ring	
305N	7024089	2	Cup, Spring	
305P	See Note	NSS	Pin, Cylinder (Note: Use Item 305)	
305Q	70002569	2	Nut, Coil	
310	See Note	1	Housing (Note: Not Available for Purchase)	
313	See Note	2	Pin, Dowel (Note: Not Available for Purchase)	
314	See Note	1	Pin, Cylinder (Note: Not Available for Purchase)	
320	See Note	1	Screw 7/8 (Front Drive Pump Only) (Note: Not Available - Purchase Locally)	
321	See Note	1	Screw 9/16 (Note: Not Available - Purchase Locally)	
322	See Note	1	Screw 7/16 (Note: Not Available - Purchase Locally)	
324	See Note	1	Screw M10 x 1 (Note: Not Available - Purchase Locally)	
327	See Note	1	Pin, Double Break-Off (Note: Not Available for Purchase)	
328	7018936	2	Orifice	
331	See Note	2	Pin, Clamping (Note: Not Available for Purchase)	
341	7024069	1	O-Ring	

SECTION 3 - ENGINE

FIGURE 3-34. PUMP ASSEMBLY (REXROTH) (DEUTZ TCD2.9L4 ENGINES AND DEUTZ TCD2.9L4 (STAGE V) ENGINES)



SECTION 3 - ENGINE



ART_1001152963_20F2

SECTION 3 - ENGINE

FIGURE 3-34. PUMP ASSEMBLY (REXROTH) (DEUTZ TCD2.9L4 ENGINES AND DEUTZ TCD2.9L4 (STAGE V) ENGINES)

ITEM	PART NUMBER	QTY	DESCRIPTION	REV
	1001152963	Ref	PUMP ASSEMBLY (REXROTH) (DEUTZ TCD2.9L4 ENGINES)	C
1	70005480	1	Front Drive Pump Assembly Options (Includes Items 301-341)	
2	70005481	1	Middle Drive Pump Assembly (Includes Items 301-341)	
3	7024044	1	Rear Function Pump Assembly (Includes Items 101-201)	
4	See Note	NSS	Hydraulic Kit (Includes all Rexroth Supplied Hydraulic Fittings, Hoses and Tubes) (Note: Not Available for Purchase)	
	7024044	Ref	REAR FUNCTION PUMP ASSEMBLY	
101	70003173	1	Rotary Section	
102	See Note	1	Piston Control (Note: Not Available - Purchase Complete Assembly)	
103	See Note	1	Rod, Piston (Note: Not Available - Purchase Complete Assembly)	
105	See Note	1	Housing, Pump (Note: Not Available - Purchase Complete Assembly)	
106	See Note	1	Plate, Port (Note: Not Available - Purchase Complete Assembly)	
107	70003174	1	Plate, Swash	
108	70003175	1	Driveshaft	
109	See Note	1	Plug (Note: Not Available for Purchase)	
110	See Note	1	Spring (Note: Not Available for Purchase)	
112		Ref	Shim	
115	7024038	1	Bearing, Roller	
116	7012706	1	Bearing, Roller	
117	7024917	2	Shell, Cradle	
120	7024918	1	Seal, Shaft	
121	7024919	1	O-Ring	
122	7024920	1	O-Ring	
124	7024921	1	Seal	
125	70003177	1	V-Ring	
127	See Note	4	Capscrew M12 x 45 Grade 10.9 (Note: Not Available for Purchase)	
131	See Note	1	Plug (Note: Not Available for Purchase)	
133	See Note	1	Pin, Dowel (Note: Not Available for Purchase)	
134	See Note	1	Plug (Note: Not Available for Purchase)	
201	7024913	Ref	Pilot Valve Assembly	
		Ref	Note: Two mounting designs of p/n 7024913 pilot valve exist. Early design uses qty. 3 o-rings. Late design uses qty. 1 sealing plate. Seal designs cannot be interchanged. Verify seal design before ordering.	
201	7024922	3	O-Ring (Seals between Pilot Valve and Rear Pump)	
201	70021867	1	Plate, Sealing (Seals between Pilot Valve and Rear Pump)	
		Ref	FRONT DRIVE PUMP ASSEMBLIES	
	70005480	Ref	Front Drive Pump Assembly	
	70005481	Ref	Middle Drive Pump Assembly	
		Ref	Note: Service Parts not available at time of printing, call-out number on illustration for ref only.	
301	7024064	1	Rotary Group	
301A	See Note	NSS	Cradle (Note: Use Item 301)	
301B	See Note	NSS	Ring, Slide (Note: Use Item 301)	
301C	7023887	1	Driveshaft	
301D	See Note	NSS	Wire (Note: Use Item 301)	
301E	See Note	NSS	Pin, Joint (Note: Use Item 301)	
301F	See Note	NSS	Wire (Note: Use Item 301)	

SECTION 3 - ENGINE

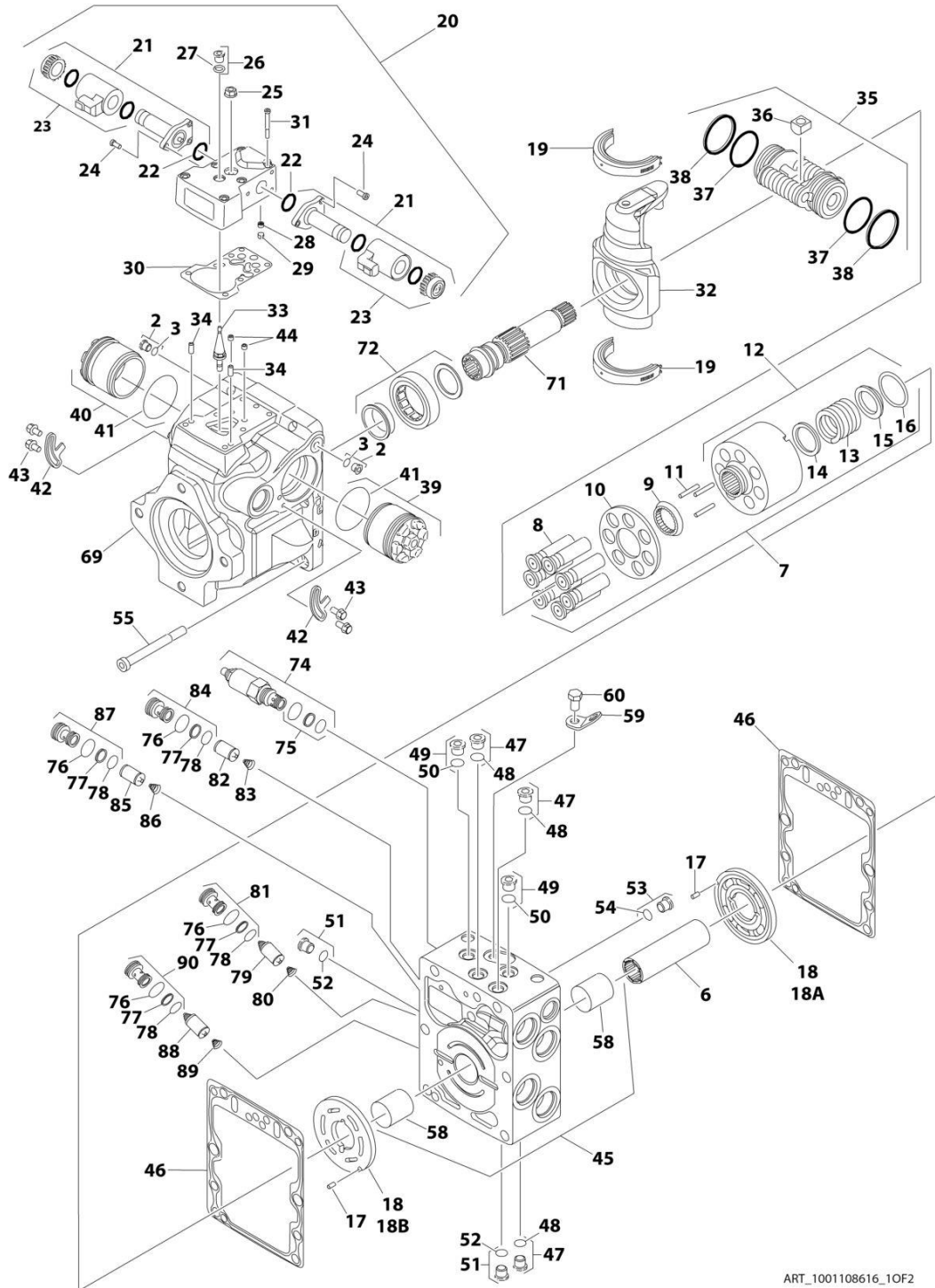
ITEM	PART NUMBER	QTY	DESCRIPTION	REV
301G	See Note	NSS	Liner, Bearing (Note: Use Item 301)	
301H	See Note	NSS	Bearing, Roller (Note: Use Item 301)	
301J	See Note	NSS	Cradle Bearing Assembly (Note: Use Item 301)	
301K	70001968	1	Ring, Retaining	
301L	See Note	NSS	Ring, Retaining (Note: Not Available for Purchase)	
301M	70003167	1	Seal, Shaft Ring	
301N	70000950	1	Plate	
302	7024065	1	Control Group - Hydraulic	
302A	See Note	NSS	Piston, Positioning - Complete (Note: Use Item 302)	
302A	See Note	NSS	O-Ring, Outer Seal (Note: Not Available for Purchase)	
302A	See Note	NSS	O-Ring, Stem (Note: Not Available for Purchase)	
302B	See Note	4	Capscrew M6 x 12 (Note: Not Available - Purchase Locally)	
302C	See Note	NSS	Nut (Note: Use Item 302)	
302D	See Note	NSS	Ring, Guide (Note: Use Item 302)	
302E	See Note	NSS	Seal, O-Ring (Note: Use Item 302)	
302F	7024071	1	O-Ring	
302G	7024072	1	O-Ring	
302H	7024006	1	Seal Kit - Control Section	
303	7024905	1	Port Plate Group (Front)	
303	7024911	1	Port Plate Group (Mid)	
303A	7024073	1	Cartridge, Relief Valve (High Pressure)	
303A	7024075	1	O-Ring	
303A	7024076	1	Ring, Back-up	
303B		Ref	Cartridge Options:	
303B	7024907	1	Front Pump Cartridge (Lock Valve With Orifice)	
303B	7024909	1	Screw, Locking	
303B	7024075	1	O-Ring	
303B	70020329	1	Middle Pump Cartridge (Pressure Relief Valve)	
303B	7024909	1	Screw, Locking	
303B	7024077	1	O-Ring	
303C	See Note	NSS	Plate, Port (Note: Use Item 303)	
303D	See Note	NSS	Bushing, Bearing (Note: Use Item 303)	
303E	See Note	4	Capscrew M12 x 70 Grade 10.9 (Note: Not Available - Purchase Locally)	
303F	See Note	NSS	Pin, Dowel (Note: Use Item 303)	
303G	70003340	1	Pin, Break-Off	
303H	See Note	1	Screw, Locking M10 x 1 (Note: Not Available - Purchase Locally)	
303J	7024908	1	O-Ring	
303K	See Note	2	Screw, Locking 7/16 (Note: Not Available - Purchase Locally)	
303L	See Note	NSS	Bearing, Roller (Note: Use Item 303)	
303M	7024006	1	Seal Kit - Port Plate Group	
304	7024906	1	Internal Gear Pump	
304A	See Note	NSS	Flange, Intermediate (Note: Use Item 304)	
304B	See Note	NSS	IZP-Housing (Note: Use Item 304)	
304C	See Note	NSS	Bushing, Bearing (Note: Use Item 304)	
304D	See Note	NSS	Coupling, Driveshaft Through (Note: Use Item 304)	
304E	7024078	1	Gear Set	
304F	7024079	1	Key, Driveshaft	
304G	80934174	1	Ring, Retaining	
304H	See Note	4	Capscrew M10 x 20 (Note: Not Available - Purchase Locally)	
304J	See Note	NSS	Seal (Note: Not Available for Purchase)	

SECTION 3 - ENGINE

ITEM	PART NUMBER	QTY	DESCRIPTION	REV
304K	7024081	1	O-Ring	
304L	See Note	NSS	Ring, Retaining (Note: Use Item 304)	
304M	See Note	NSS	O-Ring (Note: Use Item 304)	
304N	See Note	NSS	Plate, Wear (Note: Not Available for Purchase)	
304P	See Note	NSS	Pin, Cylinder (Note: Use Item 304)	
305	70003165	1	Control Module	
305	70003170	1	Coil, Solenoid	
305A	70020336	1	Seal Kit - Control Module	
305B	80934644	4	Capscrew	
310	See Note	1	Housing (Note: Not Available for Purchase)	
313	See Note	2	Pin, Dowel (Note: Not Available for Purchase)	
314	See Note	1	Pin, Cylinder (Note: Not Available for Purchase)	
320	7026980	1	Screw 7/8 (Front Drive Pump Only)	
321	80334079	1	Screw 9/16	
322	See Note	1	Screw 7/16 (Note: Not Available - Purchase Locally)	
324	See Note	1	Screw M10 x 1 (Note: Not Available - Purchase Locally)	
327	70003340	1	Pin, Double Break-Off	
328	7018936	1	Orifice	
331	7024096	2	Pin, Clamping	
341	7024069	1	O-Ring	
342	70007178	1	O-Ring	

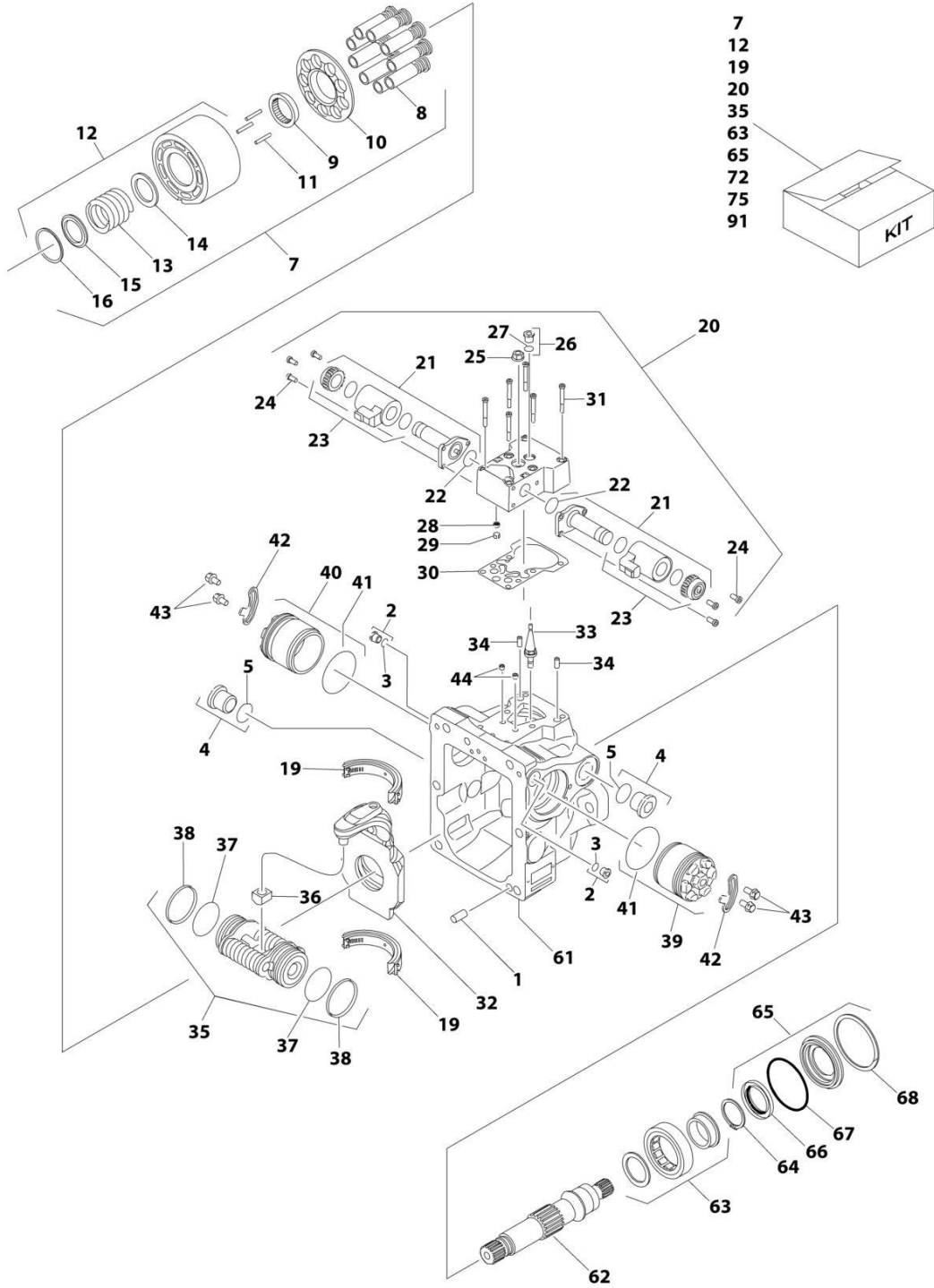
SECTION 3 - ENGINE

FIGURE 3-35. PUMP ASSEMBLY (SAUER TANDEM)



ART_1001108616_10F2

SECTION 3 - ENGINE



ART_1001108616_2OF2

SECTION 3 - ENGINE

FIGURE 3-35. PUMP ASSEMBLY (SAUER TANDEM)

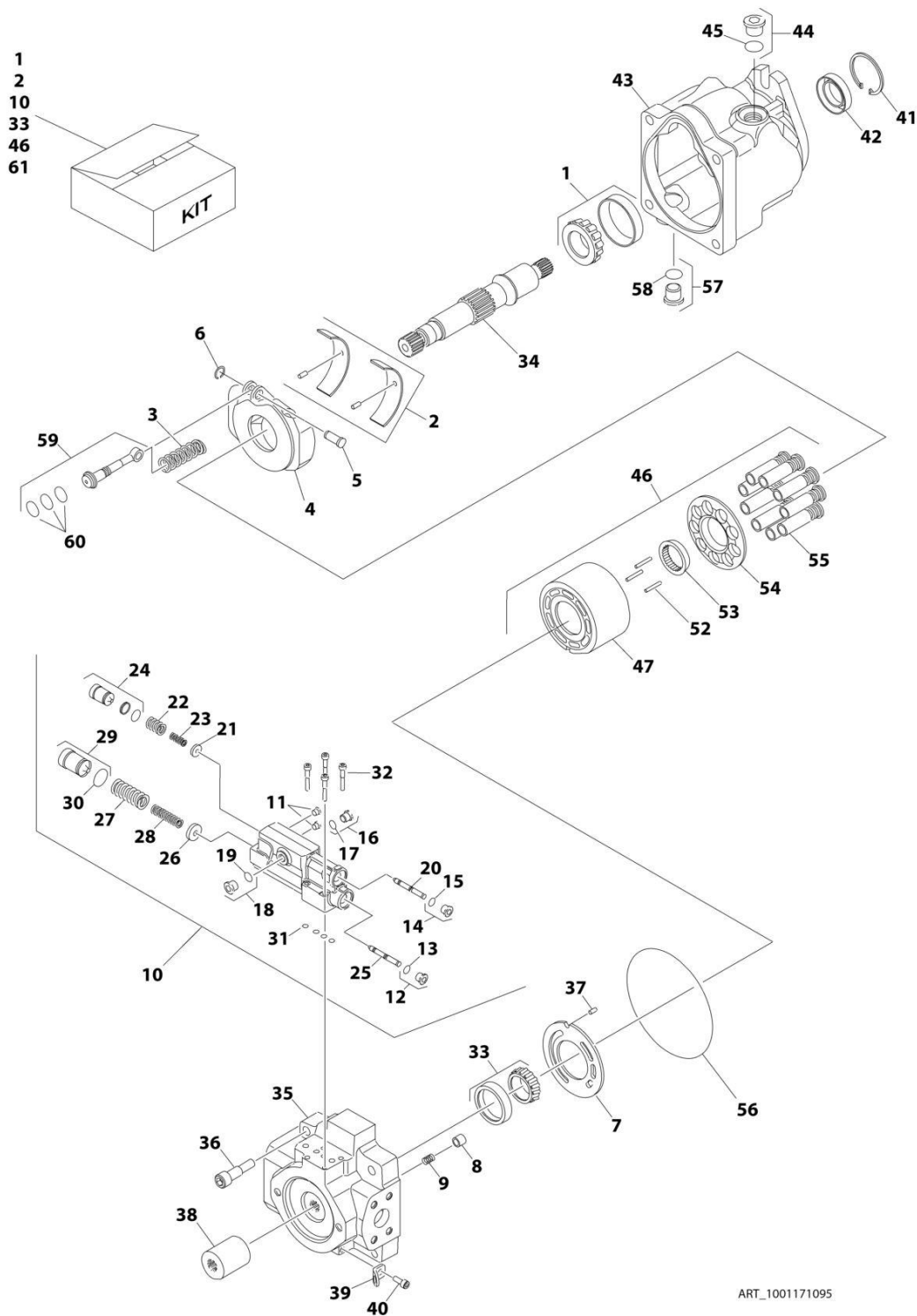
ITEM	PART NUMBER	QTY	DESCRIPTION	REV
	1001108616	Ref	PUMP ASSEMBLY (SAUER TANDEM)	D
1	70002132	4	Pin	
2	70002133	4	Plug Assembly (Includes Item 3)	
3	7007207	4	O-Ring (Part of Item 2)	
4	7007419	2	Plug Assembly (Includes Item 5)	
5	7007418	2	O-Ring (Part of Item 4)	
6	70002600	1	Coupling	
7	70002135	2	Cylinder Block Kit (Each Kit Includes Qty 1 of Items 8-10 & 12-16 & Qty 3 of Item 11)	
8	70002136	2	Piston Assembly Kit (Includes Qty 9 Piston Assemblies) (Part of Item 7)	
9	70002137	2	Guide, Slipper Retainer (Part of Item 7)	
10	70002138	2	Retainer, Slipper (Part of Item 7)	
11	7021275	6	Pin, Slipper Retainer Holddown (Part of Item 7)	
12	70002135	2	Cylinder Block Assembly (Includes Qty 1 of Item 13-16) (Part of Item 7)	
13	70002139	2	Spring (Part of Item 12)	
14	70002140	2	Washer (Part of Item 12)	
15	70002141	2	Washer (Part of Item 12)	
16	70002142	2	Ring, Retaining (Part of Item 12)	
17	7007446	2	Pin	
18		Ref	Plate, Valve Options:	
18A	70002601	1	Plate, CW Valve	
18B	70002602	1	Plate, CCW Valve	
19	70002145	2	Swash Plate Bearing Kit (Includes Qty 2 Bearings)	
20	70002618	2	EDC Kit (Includes Items 21-31)	
21	70002619	4	Solenoid Valve Assembly (Includes Items 22 & 23) (Part of Item 20)	
22	70002148	4	O-Ring (2 Per EDC Assembly) (Part of Item 21)	
23	70002620	4	Coil, Nut and Seals Kit (2 Per EDC Assembly) (Part of Item 21)	
24	70002150	12	Screw (Part of Item 20)	
25	7022301	2	Nut, Seal (Part of Item 20)	
26	70002151	2	Plug Assembly (Part of Item 20) (Includes Item 27)	
27	7007207	2	O-Ring (Part of Item 26)	
28	70002134	2	Screen (Part of Item 20)	
29	70002153	2	Ring, Locking (Part of Item 20)	
30	70002154	2	Gasket, Control (Part of Item 20)	
31	70002156	12	Capscrew (Part of Item 20)	
32	70002152	2	Swash Plate	
33	70002155	2	Link, Swash Plate	
34	70002157	4	Pin, Dowel	
35	70002158	2	Servo Piston Assembly (Includes Items 36-38)	
36	70002159	2	Block, Slider (Part of Item 35)	
37	70002160	2	O-Ring (Part of Item 35)	
38	70002161	2	Ring, Piston (Part of Item 35)	
39	70002162	2	Cylinder, Servo	
40	70002162	2	Cylinder, Servo	
41	70002163	4	O-Ring	
42	70002164	4	Plate, Locking	
43	70002165	8	Screw	

SECTION 3 - ENGINE

ITEM	PART NUMBER	QTY	DESCRIPTION	REV
44	70002604	4	Orifice	
45	70002605	1	Center Section Assembly (Includes Item 58)	
46	70002168	2	Gasket, End Cap	
47	70001958	2	Plug Assembly (Includes Item 48)	
48	7021256	2	O-Ring (Part of Item 47)	
49	70001958	2	Plug Assembly (Includes Item 50)	
50	7021256	2	O-Ring (Part of Item 49)	
51	70001958	2	Plug Assembly (Includes Item 52)	
52	7021256	2	O-Ring (Part of Item 51)	
53	70001958	2	Plug Assembly (Includes Item 54)	
54	7021256	2	O-Ring (Part of Item 53)	
55	70002606	4	Capscrew	
58	70002607	2	Bearing, Journal (Part of Item 45)	
59	70002608	1	Bracket, Lifting	
60	70002609	1	Screw	
61	See Note	1	Housing (Note: Not Available for Purchase)	
62	70002175	1	Shaft	
63	70002610	1	Ball Bearing Kit	
	7007439	1	Ring, Retaining	
65	70002174	1	Shaft Seal Kit (Includes Items 66-68) (Note: This is a universal kit and will contain extra pieces that are not used on this pump assembly)	
66	70002177	1	Seal, Lip	
67	70002178	1	O-Ring	
68	70002179	1	Ring, Retaining	
69	See Note	1	Housing (Note: Not Available for Purchase)	
71	70002612	1	Shaft	
72	70002610	1	Ball Bearing Kit	
74	70002621	1	High Pressure Relief Valve Cartridge Assembly (Includes Item 75)	
75	70002622	1	Seal Kit - 70002621 Valve (Part of Item 74)	
76	7007415	1	O-Ring (Part of Items 81, 84, 87 & 90)	
77	7021293	1	Ring, Back-up (Part of Items 81, 84, 87 & 90)	
78	7022300	1	O-Ring (Part of Items 81, 84, 87 & 90)	
79	70002616	1	SCR Valve Assembly	
80	7024800	1	Spring	
81	7021265	1	Plug Assembly (Includes Qty 1 of Items 76-78)	
82	70002616	1	SCR Valve Assembly	
83	7024800	1	Spring	
84	7021265	1	Plug Assembly (Includes Qty 1 of Item 76-78)	
85	70002616	1	SCR Valve Assembly	
86	7024800	1	Spring	
87	70002617	1	Plug Assembly (Includes Qty 1 of Item 76-78)	
88	70002616	1	SCR Valve Assembly	
89	7024800	1	Spring	
90	7021265	1	Plug Assembly (Includes Qty 1 of Items 76-78)	
91	70002623	1	Overhaul Seal Kit (Includes Items 3, 5, 22, 27, 30, 37, 38, 41, 46, 48, 50, 52, 54, 66, 67, 75, 76, 77 & 78)	

SECTION 3 - ENGINE

FIGURE 3-36. PUMP ASSEMBLY (SAUER PISTON)



ART_1001171095

SECTION 3 - ENGINE

FIGURE 3-36. PUMP ASSEMBLY (SAUER PISTON)

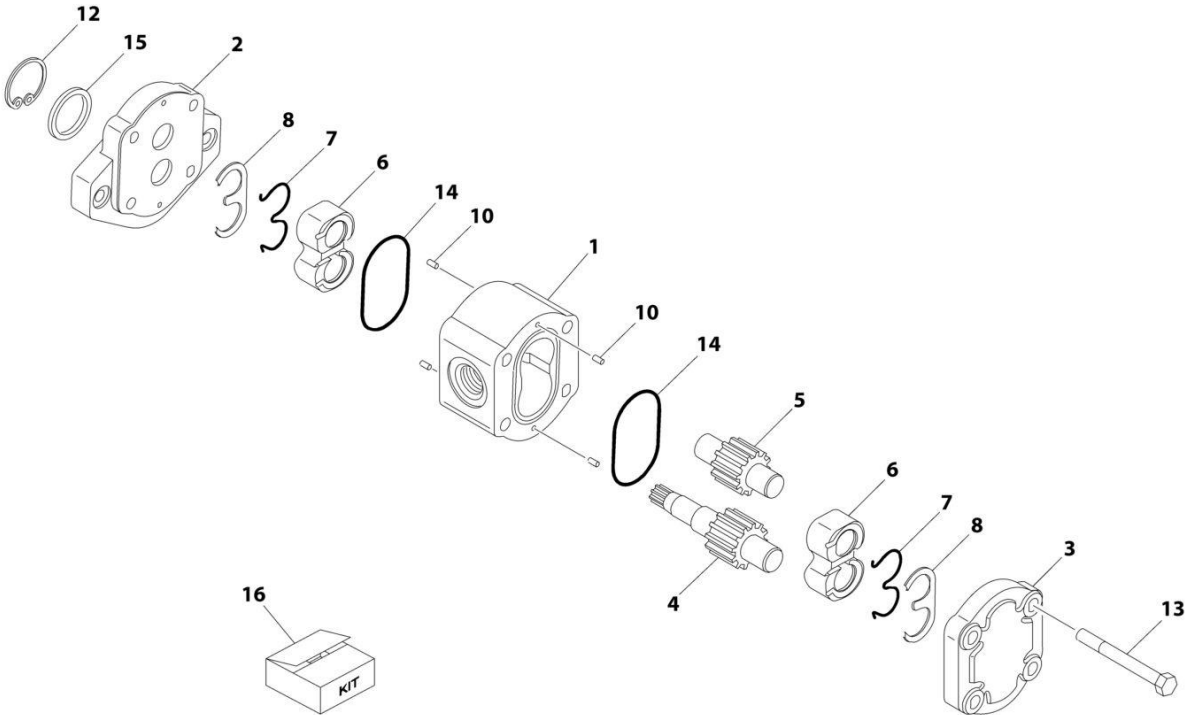
ITEM	PART NUMBER	QTY	DESCRIPTION	REV
	1001171095	Ref	PUMP ASSEMBLY (SAUER PISTON)	B
1	70002578	1	Bearing Kit - Front (Includes Cup and Cone)	
2	70004426	1	Swash Plate Bearing Kit (Includes Qty 2 Bearings and Retainer Pins)	
3	70002580	1	Spring, Bias	
4	70004416	1	Swash Plate Assembly	
5	70002582	1	Shaft	
6	70002583	1	Ring, Retaining	
7	70004417	1	Plate, Valve	
8	70001956	1	Poppet, Check Valve	
9	70001955	1	Spring	
10	70022286	1	Control Kit (Includes Items 11-32)	
11	See Note	NSS	Setscrew (Note: Use Item 10)	
12	70002133	1	Plug Assembly (Includes Item 13)	
13	7007207	1	O-Ring (Part of Item 12)	
14	70002133	1	Plug Assembly (Part of Item 15)	
15	7007207	1	O-Ring (Part of Item 14)	
16	70002133	1	Plug Assembly (Includes Item 17)	
17	7007207	1	O-Ring (Part of Item 16)	
18	70002133	1	Plug Assembly (Includes Item 19)	
19	7007207	1	O-Ring (Part of Item 18)	
20	See Note	NSS	Spool (Note: Use Item 10)	
21	See Note	NSS	Guide, Spring LS (Note: Use Item 10)	
22	See Note	NSS	Spring, Outer LS (Note: Use Item 10)	
23	See Note	NSS	Spring, Inner LS (Note: Use Item 10)	
24	See Note	NSS	Plug, Adjusting LS (Note: Use Item 10 or 61)	
25	See Note	NSS	Spool, Control (Note: Use Item 10)	
26	See Note	NSS	Guide, Spring PC (Note: Use Item 10)	
27	See Note	NSS	Spring, Outer PC (Note: Use Item 10)	
28	See Note	NSS	Spring, Inner PC (Note: Use Item 10)	
29	See Note	NSS	Plug, Adjusting PC (Note: Use Item 10)	
30	See Note	NSS	O-Ring (Note: Use Item 10 or 61)	
31	See Note	NSS	Ring, Seal (Note: Use Item 10 or 61)	
32	See Note	NSS	Capscrew (Note: Use Item 10)	
33	70002585	1	Bearing Kit - Rear (Includes Cup and Cone)	
34	70002586	1	Shaft	
35	70004420	1	Cap, End	
36	70002588	4	Capscrew	
37	7007446	1	Pin, Slotted	
38	70002589	1	Coupling	
39	7022340	1	Bracket, Lifting	
40	70002590	1	Capscrew	
41	7023962	1	Ring, Retaining	
42	See Note	NSS	Seal, Lip (Note: Use Item 61)	
43	See Note	NSS	Housing (Note: Not Available for Purchase)	
44	7023964	1	Plug Assembly (Includes Item 45)	
45	7007415	1	O-Ring (Part of Item 44)	
46	70004423	1	Cylinder Block Kit (Includes Items 47-55)	
47	70004421	1	Cylinder	
52	7021275	3	Pin, Hold-down	

SECTION 3 - ENGINE

ITEM	PART NUMBER	QTY	DESCRIPTION	REV
53	70002592	1	Guide, Slipper Retainer	
54	70002593	1	Retainer, Slipper	
55	70004422	1	Piston Assembly	
56	See Note	NSS	Seal, End Cap (Note: Use Item 61)	
57	7023964	1	Plug, O-Ring (Includes Item 58)	
58	7007415	1	O-Ring (Part of Item 57)	
59	70005418	1	Servo Piston Assembly (Includes Item 60)	
60	See Note	NSS	Ring, Piston (Part of Item 59) (Note: Use Item 61)	
61	70002599	1	Complete Seal Kit (Includes Items 13, 15, 17, 19, 24, 30, 31, 42, 45, 56, 58 & 60)	

SECTION 3 - ENGINE

FIGURE 3-37. PUMP ASSEMBLY (SAUER GEAR)



ART_1001112927

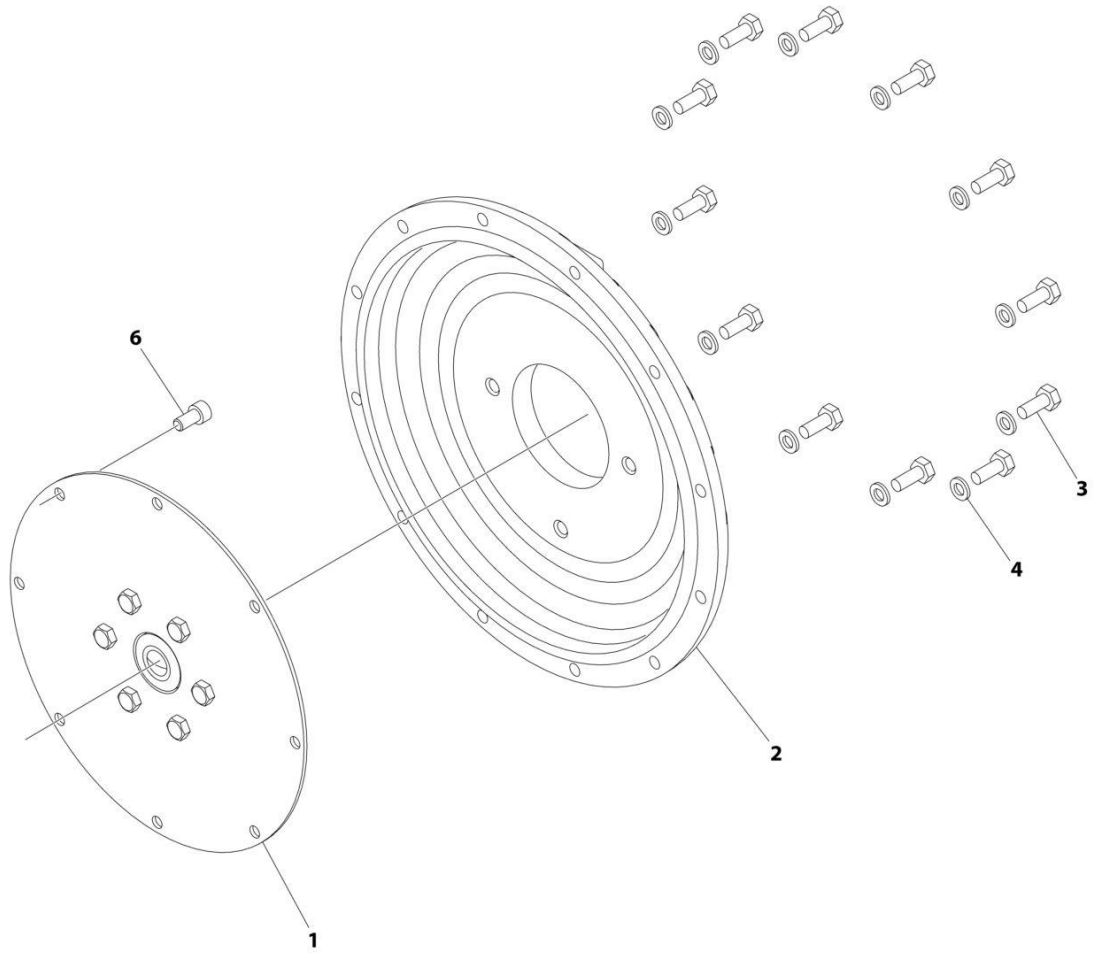
SECTION 3 - ENGINE

FIGURE 3-37. PUMP ASSEMBLY (SAUER GEAR)

ITEM	PART NUMBER	QTY	DESCRIPTION	REV
	1001112927	Ref	PUMP ASSEMBLY (SAUER GEAR)	A
1	See Note	NSS	Body (Note: Use p/n 1001112927)	
2	See Note	NSS	Cover, Front (Note: Use p/n 1001112927)	
3	See Note	NSS	Cover, Rear (Note: Use p/n 1001112927)	
4	See Note	NSS	Shaft, Gear (Note: Use p/n 1001112927)	
5	See Note	NSS	Gear, Idler (Note: Use p/n 1001112927)	
6	See Note	NSS	Block, Bearing (Note: Use p/n 1001112927)	
7	7007489	2	Ring, Anti-Extrusion	
8	7007489	2	Ring, Seal	
10	See Note	NSS	Pin, Dowel (Note: Use p/n 1001112927)	
12	70002576	1	Ring, Retaining	
13	See Note	NSS	Capscrew (Note: Use p/n 1001112927)	
14	7007489	2	O-Ring	
15	7007489	1	Seal, Lip	
16	7007489	1	Seal Kit - 1001112927 Pump (Includes Items 7, 8, 14 & 15)	

SECTION 3 - ENGINE

FIGURE 3-38. PUMP COUPLING KIT



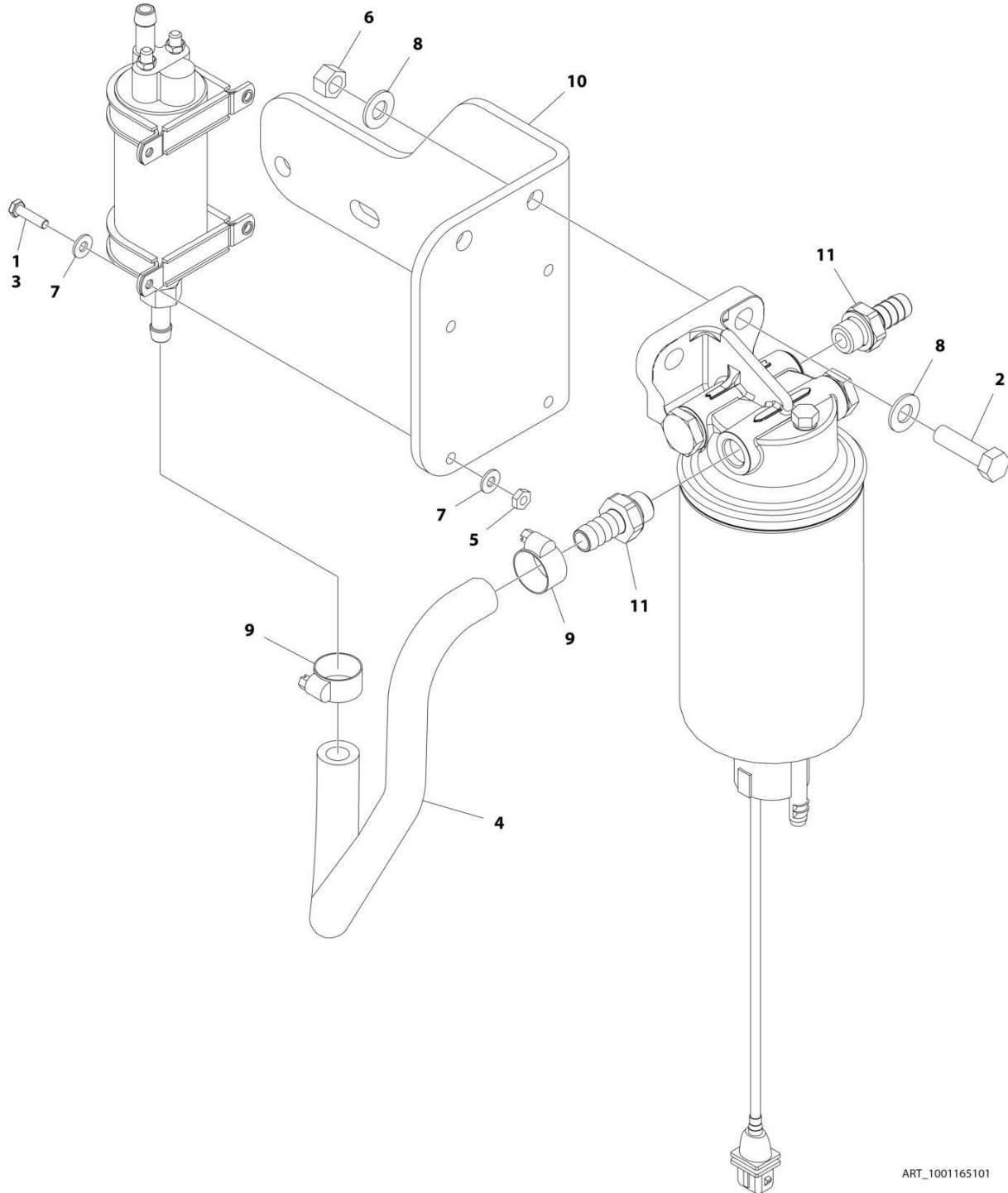
ART_2902065

FIGURE 3-38. PUMP COUPLING KIT

ITEM	PART NUMBER	QTY	DESCRIPTION	REV
	2902065	Ref	PUMP COUPLING KIT	L
1	70000793	1	Coupling, Hayes	
2	See Note	NSS	Plate, Pump Adapter (Note: Use p/n 2902065)	
3	See Note	NSS	Bolt M10 x 30 Grade 10.9 (Note: Use p/n 2902065)	
4	See Note	NSS	Washer M10 (Note: Use p/n 2902065)	
6	See Note	NSS	Bolt M10 x 20 Grade 10.9 (Note: Use p/n 2902065)	

SECTION 3 - ENGINE

FIGURE 3-39. FUEL PUMP/FILTER BRACKET ASSEMBLY - DEUTZ TCD2.9L4 ENGINE AND DEUTZ TCD2.9L4 (STAGE V) ENGINE



ART_1001165101

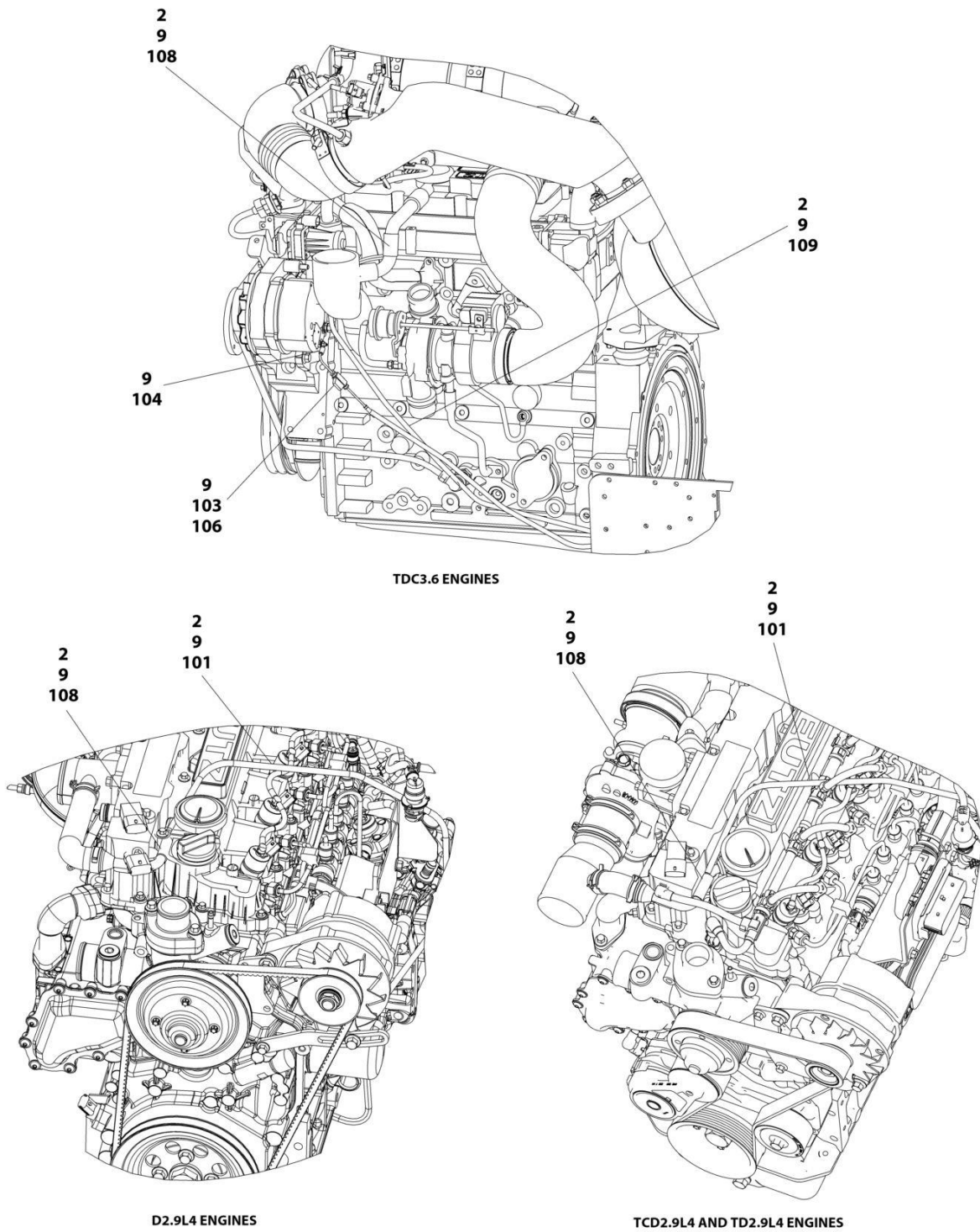
SECTION 3 - ENGINE

FIGURE 3-39. FUEL PUMP/FILTER BRACKET ASSEMBLY - DEUTZ TCD2.9L4 ENGINE AND DEUTZ TCD2.9L4 (STAGE V) ENGINE

ITEM	PART NUMBER	QTY	DESCRIPTION	REV
	1001165101	Ref	FUEL PUMP/FILTER BRACKET ASSEMBLY - DEUTZ TCD2.9L4 ENGINE AND DEUTZ TCD2.9L4 (STAGE V PRE-BUY) ENGINE	C
1	0100011	AR	Compound, Locking	
2	0641611	2	Bolt 3/8 x 1-3/8	
3	0721006	4	Bolt #10 x 3/4	
4	1001154405	1.5 ft /0.4m	Hose	
5	3311001	4	Nut #10	
6	3311605	2	Nut 3/8	
7	4711000	8	Washer #10	
8	4711600	4	Washer 3/8	
9	8405006	2	Clamp	
10	1001140222	1	Bracket, Fuel Pump Mounting	
11	1001141718	1	Fitting, Barbed	

SECTION 3 - ENGINE

FIGURE 3-40. BREATHER HEATER INST (DEUTZ TD2.9L4 ENGINES AND DEUTZ TCD2.9L4 (STAGE V) ENGINES)



ART_1001233763

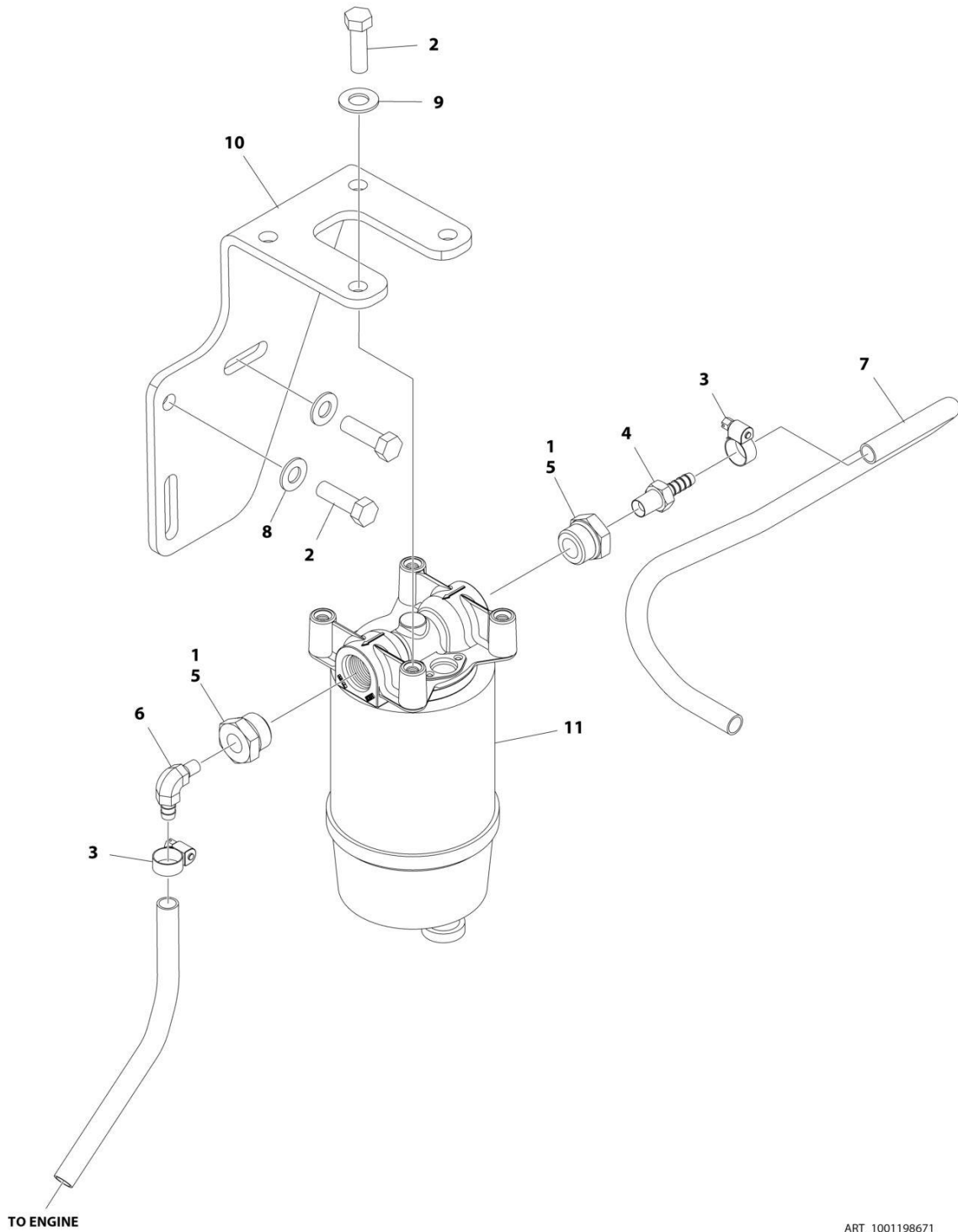
SECTION 3 - ENGINE

FIGURE 3-40. BREATHER HEATER INST (DEUTZ TD2.9L4 ENGINES AND DEUTZ TCD2.9L4 (STAGE V) ENGINES)

ITEM	PART NUMBER	QTY	DESCRIPTION	REV
	1001233763	Ref	BREATHER HEATER INSTALLATION - DEUTZ ENGINES	D
2	4240099	AR	Tie-Strap	
9	1001243895	1	Breather Heater Harness	C
101	2820035	AR	Insulation	
103	2400060	1	Fuseholder with Cover	
104	4460043	1	Terminal, Ring	
105	4460722	1	Terminal, Ring (Not Shown)	
106	1001196634	1	Fuse - 2 Amp	
108	1001232842	1	Breather Heater Kit	

SECTION 3 - ENGINE

FIGURE 3-41. WATER/FUEL SEPARATOR INSTALLATION - DEUTZ TD2011 ENGINE



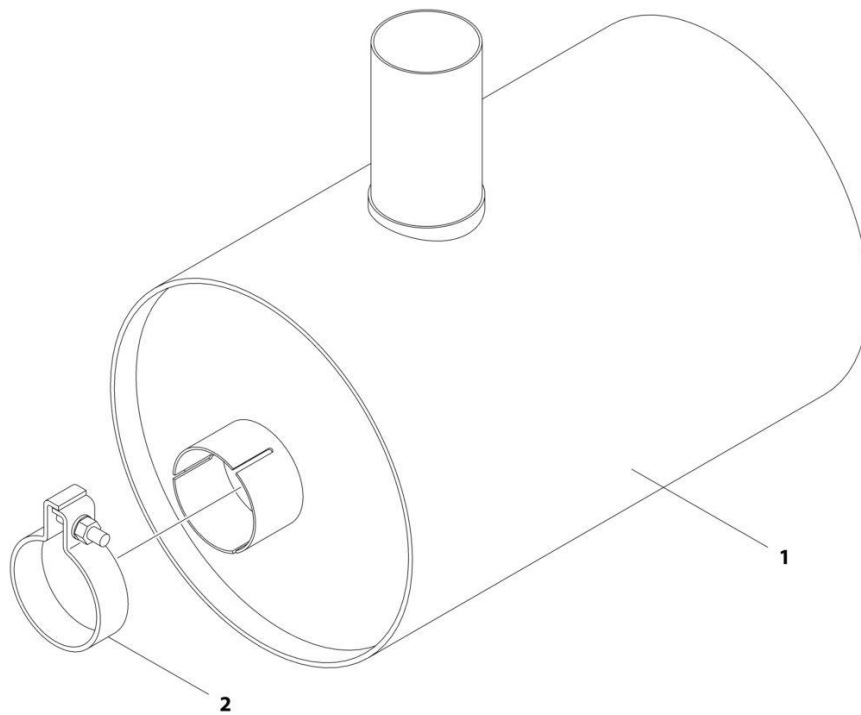
SECTION 3 - ENGINE

FIGURE 3-41. WATER/FUEL SEPARATOR INSTALLATION - DEUTZ TD2011 ENGINE

ITEM	PART NUMBER	QTY	DESCRIPTION	REV
	1001198671	Ref	WATER/FUEL SEPARATOR INSTALLATION - DEUTZ TD2011 ENGINE	A
1	0100079	AR	Sealant, Pipe	
2	0641610	6	Bolt 3/8 x 1-1/4	
3	1320022	2	Clamp	
4	2180348	1	Fitting, Barbed	
5	2220816	2	Fitting, Adapter FNPTF/ORB	
6	2221046	1	Fitting, 90 Elbow	
7	2720058	4.5 ft /1.37m	Hose	
8	4711600	2	Washer 3/8	
9	4711700	4	Washer 7/16	
10	1001188885	1	Bracket, Water/Fuel	
11	1001188887	1	Filter Water/Fuel	
11	1001202280	1	Filter, Head	
11	1001202281	1	Filter, Element	

SECTION 3 - ENGINE

FIGURE 3-42. SPARK ARRESTING CATALYTIC MUFFLER - DEUTZ TD2011 ENGINES (OPTIONAL)



ART_3220130

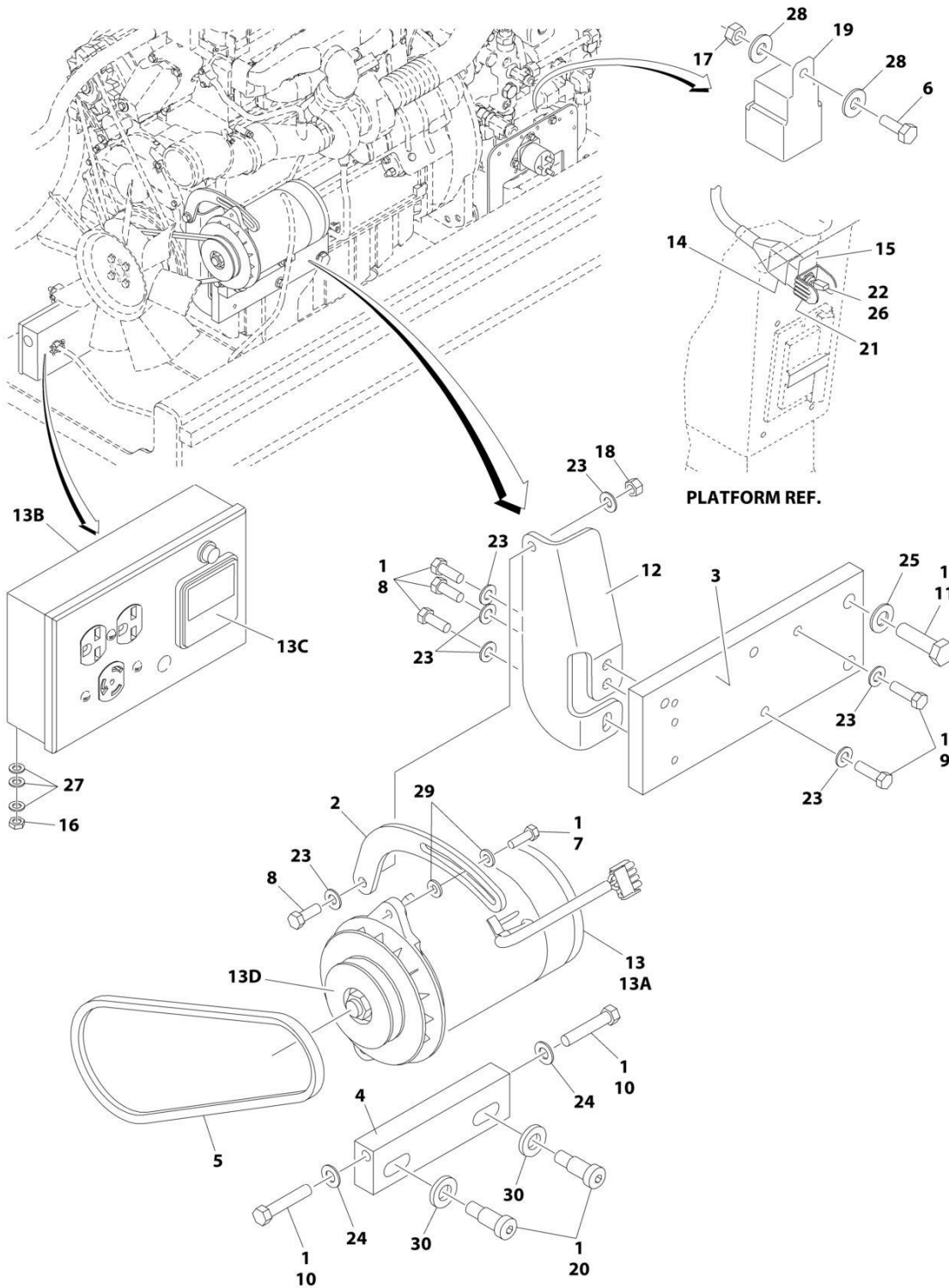
SECTION 3 - ENGINE

FIGURE 3-42. SPARK ARRESTING CATALYTIC MUFFLER - DEUTZ TD2011 ENGINES (OPTIONAL)

ITEM	PART NUMBER	QTY	DESCRIPTION	REV
	3220130	Ref	SPARK ARRESTING CATALYTIC MUFFLER - DEUTZ TD2011 ENGINES	A
1	See Note	NSS	Muffler (Note: Use p/n 3220130)	
2	70001017	1	Clamp	

SECTION 3 - ENGINE

FIGURE 3-43. 2500W GENERATOR INSTALLATION - DEUTZ TD2011 ENGINES (OPTIONAL)



ART_1001125425

SECTION 3 - ENGINE

FIGURE 3-43. 2500W GENERATOR INSTALLATION - DEUTZ TD2011 ENGINES (OPTIONAL)

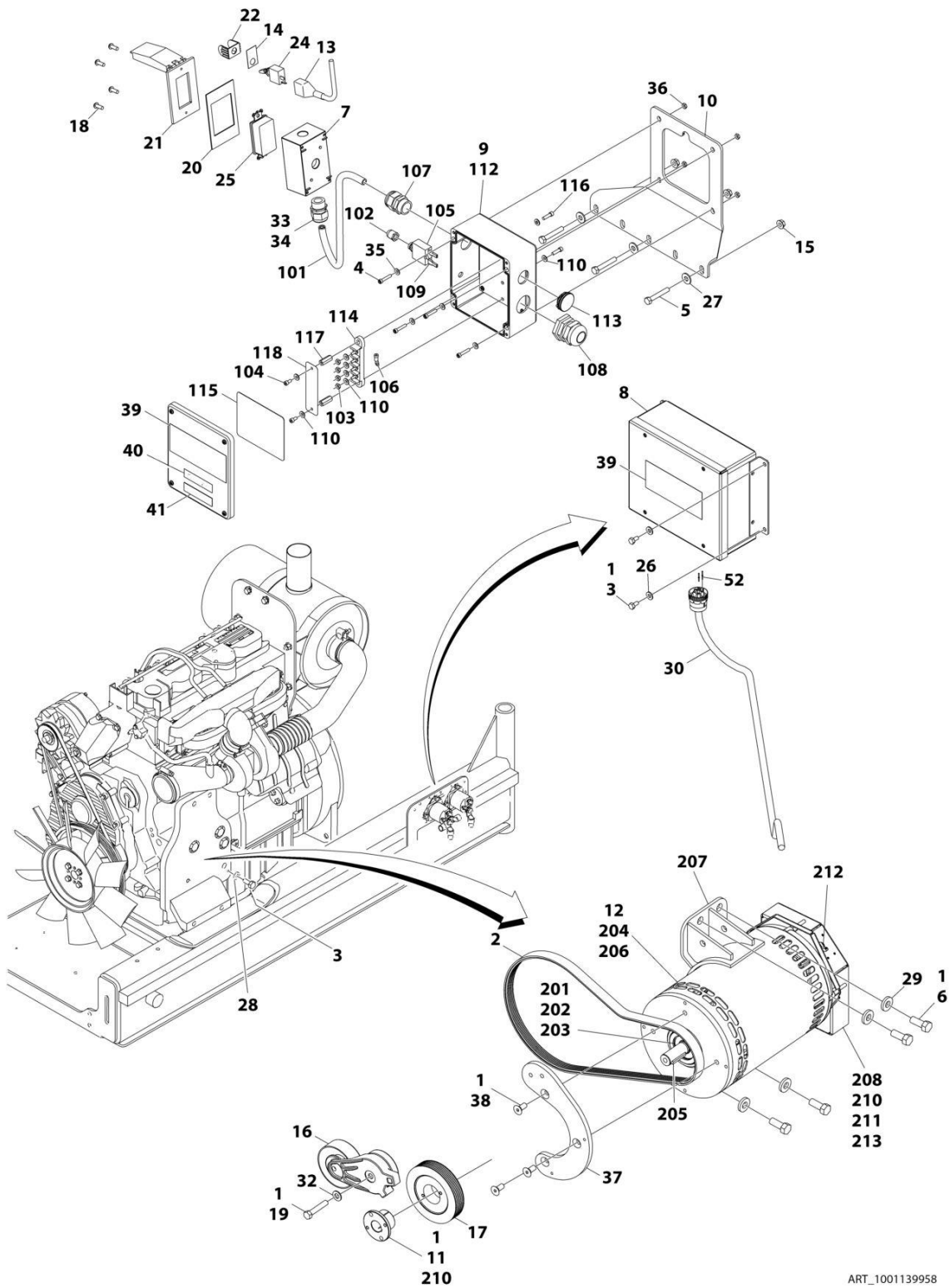
ITEM	PART NUMBER	QTY	DESCRIPTION	REV
	1001125425	Ref	2500W GENERATOR INSTALLATION - 60HZ SPEC (DEUTZ TD2011 ENGINES)	A
1	0100011	AR	Compound, Locking	
2	0200742	1	Arm, Adjusting	
3	0363081	1	Bar, Mounting	
4	0363082	1	Bar, Adjusting	
5	0480127	1	Belt	
6	0641406	1	Bolt 1/4 x 3/4	
7	0641508	1	Bolt 5/16 x 1	
8	0641608	4	Bolt 3/8 x 1	
9	0641610	2	Bolt 3/8 x 1-1/4	
10	0641718	2	Bolt 7/16 x 2-1/14	
11	0701418	2	Bolt M14 x 50	
12	0902813	1	Bracket, Arm Mounting	
13	2460055	1	Generator, 110V/60Hz	
13A	7012558	1	Generator 110V/60Hz	
		Ref	Note: Replacement generators come standard with p/n 3580134 pulley. This pulley may not be correct for all applications. Refer to pulley options below for correct pulley.	
13A	7012513	4	Cap, Brush Holder	
13A	7020108	4	Brush	
13A	7020109	4	Holder, Brush	
13A	7012514	1	Fan	
13A	7020190	2	Bearing	
13A	7020110	1	End Bell, Front	
13A	7020111	1	End Bell, Rear	
13B	7019680	1	Box Control	
13B	4360542	1	Breaker, Circuit	
13B	4460190	AR	Receptacle, Double (110V)	
13B	4460027	AR	Receptacle, Double Twist Lock (110V)	
13B	70000124	1	Receptacle, Double (220V)	
13B	70000125	1	Receptacle, Single Twist Lock (220V)	
13C	2420203	1	Voltmeter	
13D	3580276	1	Pulley	
13D	7027887	1	Key, Woodruff	
14	2820031	AR	Heat Shrink	
15	3251102	1	Nameplate - Generator	
16	3311005	2	Nut #10	
17	3311405	1	Nut 1/4	
18	3311605	1	Nut 3/8	
19	3740080	1	Relay	
20	3900322	2	Screw, Socket Head Shoulder	
21	4060802	1	Guard, Switch	
22	4360336	1	Switch, Toggle	
23	4711600	7	Washer 3/8	
24	4711700	2	Washer 7/16	
25	4711900	2	Washer 9/16	
26	4740397	1	Spacer	
27	4751000	6	Washer #10	
28	4751400	2	Washer 1/4	

SECTION 3 - ENGINE

ITEM	PART NUMBER	QTY	DESCRIPTION	REV
29	4891500	2	Washer 5/16	
30	4892000	2	Washer 5/8	

SECTION 3 - ENGINE

FIGURE 3-44. 4000W GENERATOR INSTALLATION - 60HZ SPEC (DEUTZ TD2011 ENGINES)



ART_1001139958

SECTION 3 - ENGINE

FIGURE 3-44. 4000W GENERATOR INSTALLATION - 60HZ SPEC (DEUTZ TD2011 ENGINES)

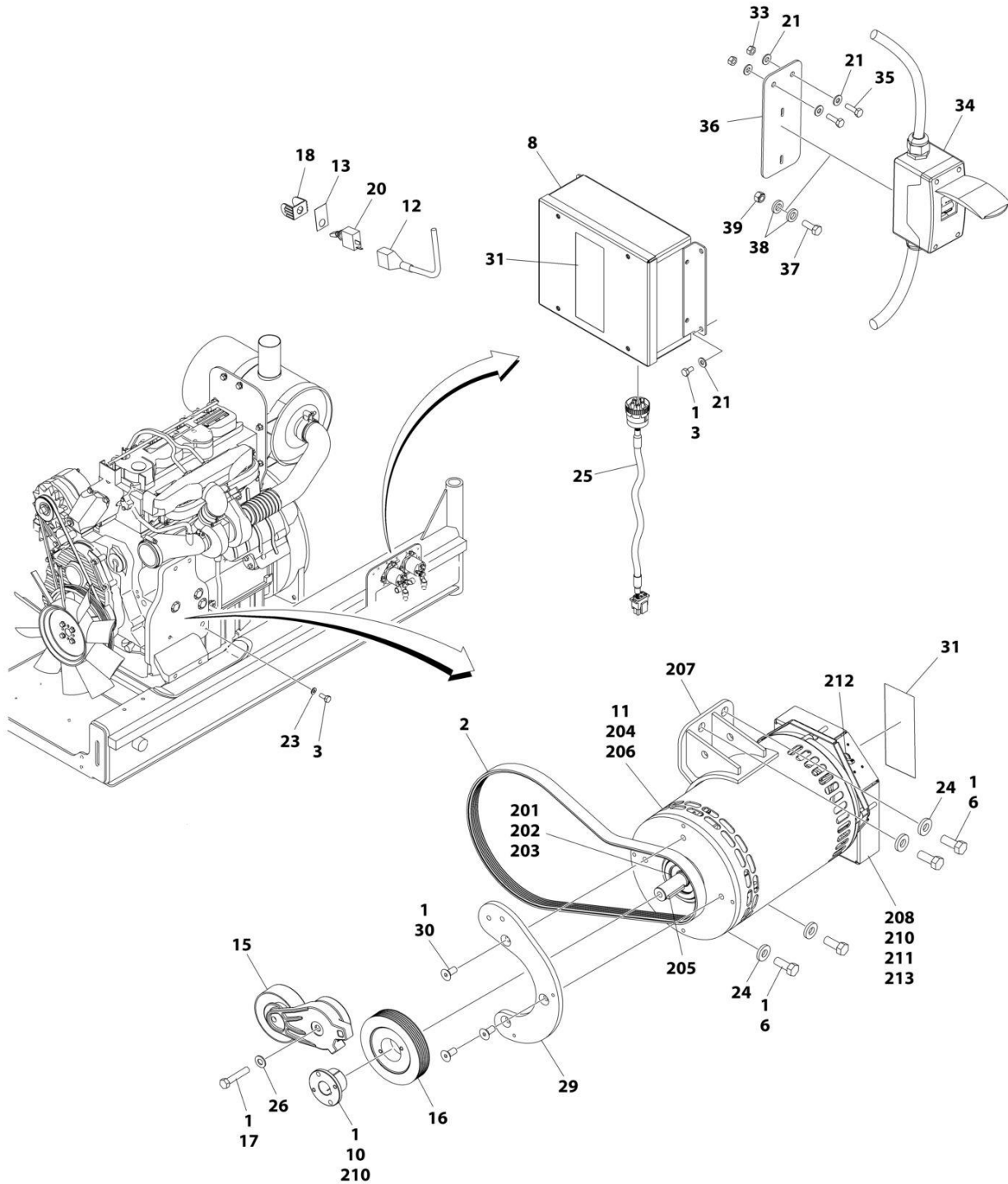
ITEM	PART NUMBER	QTY	DESCRIPTION	REV
	1001139958	Ref	4000W GENERATOR INSTALLATION - 60HZ SPEC (DEUTZ TD2011 ENGINES)	B
		Ref	Note: See ELECTRICAL SECTION for Boom Cable Installation.	
1	0100011	AR	Compound, Locking	
2	0480128	1	Belt, Generator	
3	0641404	5	Bolt 1/4 x 1/2	
4	3931016	4	Screw 1/4 x 1	
5	0641516	3	Bolt 5/16 x 2	
6	0641810	4	Bolt 1/2 x 1-1/4	
7	0860038	1	Box, Switch-Weatherhead	
8	1001138566	1	Box, Generator Control	
8	70006552	1	Capacitor	
8	70006553	1	Relay	
9	1001152457	1	Box, Junction Assembly (See Items 101-118 for Breakdown)	
10	0902888	1	Bracket, Generator Junction Box	
11	0962520	1	Bushing, Taper	
12	1001129858	1	Generator, 4000W Assembly (See Items 200-213 for Breakdown)	
13	2820031	AR	Insulator, Heat Shrink	
14	3251102	1	Nameplate, Generator	
15	3311508	3	Nut 5/16	
16	3580317	1	Pulley, Belt Tensioner	
17	3580318	1	Pulley, Generator	
18	3910606	4	Screw 6 x 3/8	
19	0641616	AR	Bolt 3/8 x 2	
20	3960422	1	Gasket, AC Receptacle	
21	1001110873	1	Cover, Gang Vertical Receptacle GFCI	
22	4060802	1	Guard, Switch	
23	4240018	AR	Strap, Tie (Not Shown)	
24	4360336	1	Switch, Toggle	
25	4460346	1	Terminal, Receptacle	
26	4711400	4	Washer 1/4	
27	4751500	3	Washer 5/16	
28	4791400	2	Starwasher 1/4	
29	4891800	4	Washer 1/2	
30	1001152533	1	Harness, Generator Cable (See Separate Breakdown in ELECTRICAL SECTION)	
31	1001153257	1	Diagram, Generator Wiring (Not Shown)	
32	4711600	1	Washer 3/8	
33	0100020	AR	Sealant, Pipe	
34	4460071	1	Connector, Strain Relief	
35	4751000	4	Washer #10	
36	3311005	4	Nut #10	
37	1001139357	1	Mount, Generator Tensioner	
38	0741607	3	Screw 3/8 x 0.88	
39	1705387	3	Decal - Hazardous Voltage	
40	3251243	1	Decal - 120V-60Hz	
41	1705374	1	Decal - 240V-60Hz	
52	0100048	AR	Grease, Dielectric	
	1001152457	Ref	JUNCTION BOX ASSEMBLY	B

SECTION 3 - ENGINE

ITEM	PART NUMBER	QTY	DESCRIPTION	REV
101	1001179154	2.5 ft/ 0.8m	Cable, 12/3	
102	3300396	1	Cover, Fuse	
103	3311001	4	Nut #10 Grade 2	
104	3900300	2	Screw, Spec, Cap	
105	4360070	1	Circuit Breaker, 15Amp	
106	4460068	3	Terminal, Ring	
107	4460425	1	Terminal, Strain Relief	
108	4460426	1	Connector, Strain Relief	
109	4460483	2	Terminal	
110	4711000	8	Washer #10	
112	1001152456	1	Box, Junction	
113	1001152525	1	Plug, Hole Pluggit	
114	1001152530	1	Terminal, Block, 4 Pole	
115	1001153260	1	Decal - Wiring 4000W Generator	
116	3900267	2	Screw, Spec, Cap	
117	1001158008	2	Stand-Off, Female, Threaded	
118	1001158363	1	Plate, Cover, PVC	
	1001129858	Ref	4000W GENERATOR ASSEMBLY	
201	70003709	1	Ring, Retaining	
202	70003708	1	Ring, Retaining	
203	70001966	1	Bearing, Ball	
204	70004092	1	Endbell	
205	70004171	1	Key	
206	70004676	1	Rotor Assembly	
207	70004684	1	Stator, Generator 4000W	
208	70004678	1	Endbell	
210	70004680	1	Enclosure	
211	70004685	1	Cover, Enclosure	
212	70004682	1	Protector, Supplementary, Manual Reset	
213	70004098	1	Bushing, Strain Relief	

SECTION 3 - ENGINE

FIGURE 3-45. 4000W GENERATOR INSTALLATION - 50HZ SPEC (DEUTZ TD2011 ENGINES)



ART_1001180019

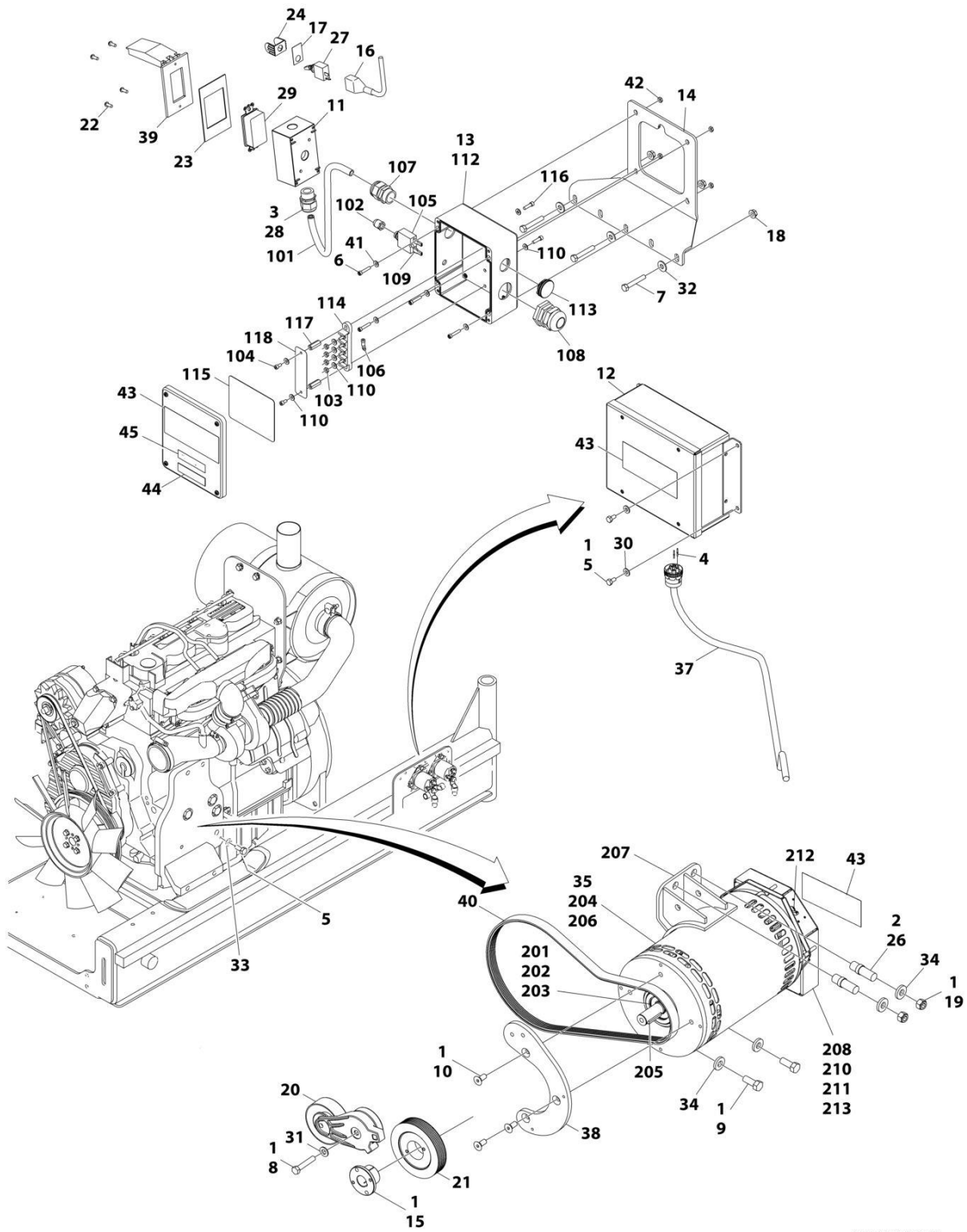
SECTION 3 - ENGINE

FIGURE 3-45. 4000W GENERATOR INSTALLATION - 50HZ SPEC (DEUTZ TD2011 ENGINES)

ITEM	PART NUMBER	QTY	DESCRIPTION	REV
	1001180019	Ref	4000W GENERATOR INSTALLATION - 50HZ SPEC (DEUTZ TD2011 ENGINES)	C
		Ref	Note: See ELECTRICAL SECTION for Boom Cable Installation.	
1	0100011	AR	Compound, Locking	
2	1001136356	1	Belt, Generator	
3	0641404	5	Bolt 1/4 x 1/2	
6	0641810	4	Bolt 1/2 x 1-1/4	
8	1001138566	1	Box, Generator Control	
8	70006552	1	Capacitor	
8	70006553	1	Relay	
10	0962520	1	Bushing, Taper	
11	1001138565	1	Generator, 4000W Assembly (See Items 200-213 for Breakdown)	
12	2820031	AR	Insulator, Heat Shrink	
13	3251102	1	Nameplate, Generator	
15	3580317	1	Pulley, Belt Tensioner	
16	3580319	1	Pulley, Generator	
17	0641616	AR	Bolt 3/8 x 2	
18	4060802	1	Guard, Switch	
19	4240018	AR	Strap, Tie (Not Shown)	
20	4360336	1	Switch, Toggle	
21	4711400	8	Washer 1/4	
23	4791400	2	Starwasher 1/4	
24	4891800	4	Washer 1/2	
25	1001152533	1	Harness, Generator Cable (See Separate Breakdown in ELECTRICAL SECTION)	
26	4711600	1	Washer 3/8	
29	1001139357	1	Mount, Generator Tensioner	
30	0741607	3	Screw 3/8 x 0.88	
31	1705489	AR	Decal - Hazardous Voltage	
33	3311405	2	Nut 1/4 Grade 2	
34	1001165368	1	Kit, Box and Breaker (See Separate Breakdown in ELECTRICAL SECTION)	
35	0641407	2	Bolt 1/4 x 7/8	
36	1001096172	1	Bracket	
37	4010408	2	Screw M4 x 16	
38	1001091102	4	Washer M4	
39	3290405	2	Nut M4	
	1001138565	Ref	4000W GENERATOR ASSEMBLY	
201	70003709	1	Ring, Retaining	
202	70003708	1	Ring, Retaining	
203	70001966	1	Bearing, Ball	
204	70004092	1	Endbell	
205	70004171	1	Key	
206	70004676	1	Rotor Assembly	
207	70004677	1	Stator, Generator 4000W	
208	70004678	1	Endbell	
210	70004680	1	Enclosure	
211	70004681	1	Cover, Enclosure	
212	70004682	1	Protector, Supplementary, Manual Reset	
213	70004683	1	Bushing, Strain Relief	

SECTION 3 - ENGINE

FIGURE 3-46. 4000W GENERATOR INSTALLATION - 60HZ SPEC (DEUTZ TCD2.9L4 ENGINES)



ART_1001171130

SECTION 3 - ENGINE

FIGURE 3-46. 4000W GENERATOR INSTALLATION - 60HZ SPEC (DEUTZ TCD2.9L4 ENGINES)

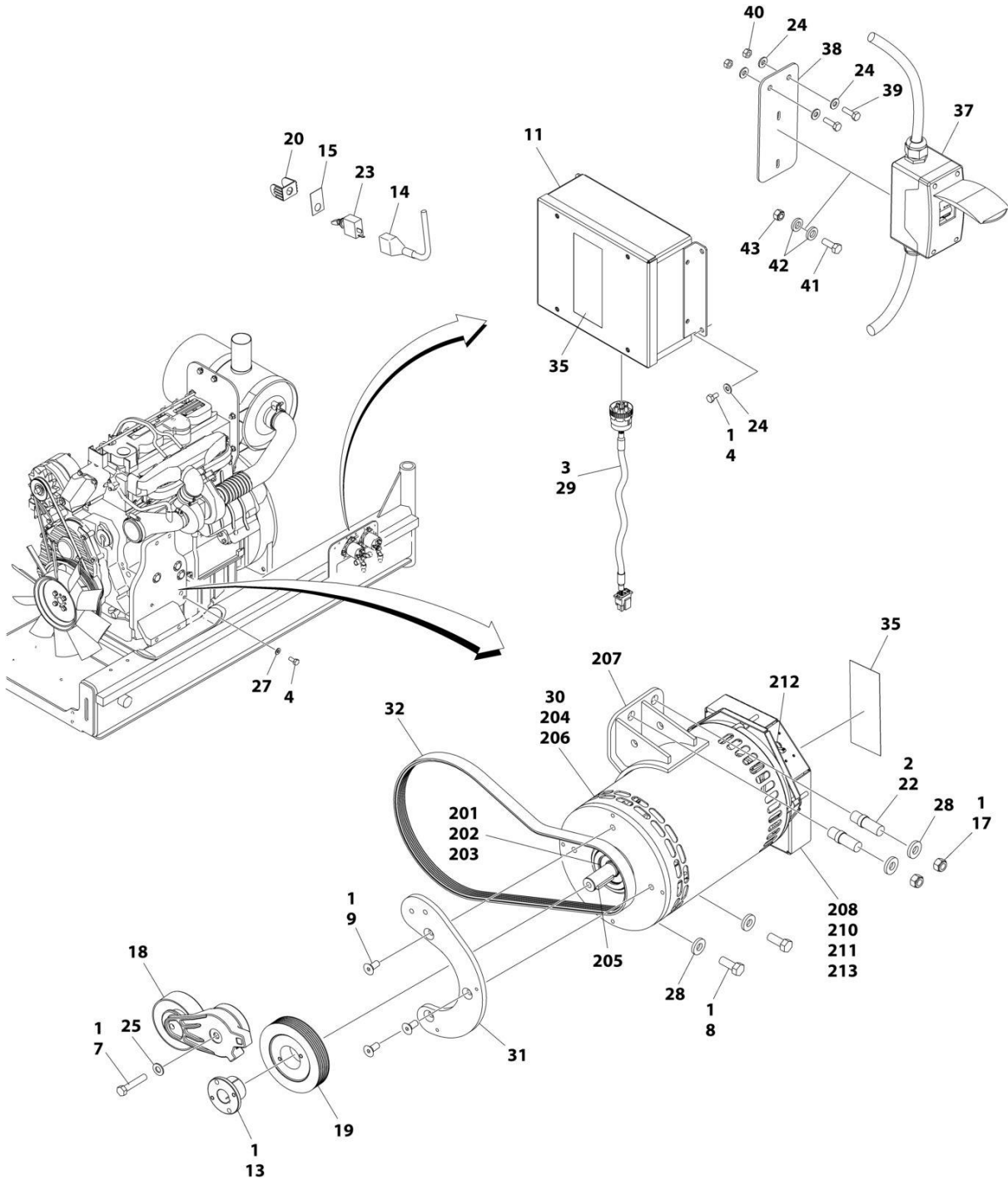
ITEM	PART NUMBER	QTY	DESCRIPTION	REV
	1001171130	Ref	4000W GENERATOR INSTALLATION - 60HZ SPEC (DEUTZ TCD2.9L4 ENGINES)	B
		Ref	Note: See ELECTRICAL SECTION for Boom Cable Installation.	
1	0100011	AR	Compound, Locking	
2	0100019	AR	Compound, Locking	
3	0100020	AR	Sealant, Pipe	
4	0100048	AR	Grease, Dielectric	
5	0641404	5	Bolt 1/4 x 1/2	
6	3931016	4	Screw 1/4 x 1	
7	0641516	3	Bolt 5/16 x 2	
8	0641618	1	Bolt 3/8 x 2-1/4	
9	0641810	2	Bolt 1/2 x 1-1/4	
10	0741607	3	Screw 3/8 x 0.88	
11	0860038	1	Box, Switch-Weatherhead	
12	1001138566	1	Box, Generator Control	
12	70006552	1	Capacitor	
12	70006553	1	Relay	
13	1001152457	1	Box, Junction Assembly (See Items 101-118 for Breakdown)	
14	0902888	1	Bracket, Generator Junction Box	
15	0962520	1	Bushing, Taper	
16	2820031	AR	Insulator, Heat Shrink	
17	3251102	1	Nameplate, Generator	
18	3311508	3	Nut 5/16	
19	3311801	2	Nut 1/2	
20	3580317	1	Pulley, Belt Tensioner	
21	3580318	1	Pulley, Generator	
22	3910606	4	Screw 6 x 3/8	
23	3960422	1	Gasket, AC Receptacle	
24	4060802	1	Guard, Switch	
25	4240018	AR	Strap, Tie (Not Shown)	
26	4300157	2	Stud	
27	4360336	1	Switch, Toggle	
28	4460071	1	Connector, Strain Relief	
29	4460346	1	Terminal, Receptacle	
30	4711400	4	Washer 1/4	
31	4711600	1	Washer 3/8	
32	4751500	3	Washer 5/16	
33	4791400	2	Starwasher 1/4	
34	4891800	4	Washer 1/2	
35	1001140344	1	Generator, 4000W Assembly (See Items 200-213 for Breakdown)	
36	1001153257	1	Diagram, Generator Wiring (Not Shown)	
37	1001152533	1	Harness, Generator Cable (See Separate Breakdown in ELECTRICAL SECTION)	
38	1001138011	1	Mount, Generator Tensioner	
39	1001110873	1	Cover, Gang Vertical Receptacle GFCI	
40	1001142645	1	Belt, Generator	
41	4751000	4	Washer #10	
42	3311005	4	Nut 10	
43	1705387	3	Decal - Hazardous Voltage	
44	1705374	1	Decal - 240V-60Hz	

SECTION 3 - ENGINE

ITEM	PART NUMBER	QTY	DESCRIPTION	REV
45	3251243	1	Decal - 120V-60Hz	B
	1001152457	Ref	JUNCTION BOX ASSEMBLY	
101	1001179154	2.5 ft/ 0.8m	Cable, Electrical 12/3	
102	3300396	1	Cover, Fuse	
103	3311001	4	Nut 10 Grade 2	
104	3900300	2	Screw, Spec, Cap	
105	4360070	1	Circuit Breaker, 15Amp	
106	4460068	3	Terminal, Ring	
107	4460425	1	Terminal, Strain Relief	
108	4460426	1	Connector, Strain Relief	
109	4460483	2	Terminal	
110	4711000	AR	Washer #10	
112	1001152456	1	Box, Junction	
113	1001152525	1	Plug, Hole Pluggit	
114	1001152530	1	Terminal, Block, 4 Pole	
115	1001153260	1	Decal - Wiring 4000W Generator	
116	3900267	2	Screw, Spec, Cap	
117	1001158008	2	Stand-Off, Female, Threaded	
118	1001158363	1	Plate, Cover, PVC	
	1001140346	Ref	4000W GENERATOR ASSEMBLY	
201	70003709	1	Ring, Retaining	
202	70003708	1	Ring, Retaining	
203	70001966	1	Bearing, Ball	
204	70004092	1	Endbell	
205	70004099	1	Key	
206	70004676	1	Rotor Assembly	
207	70004687	1	Stator, Generator 4000W	
208	70004678	1	Endbell	
210	70004680	1	Enclosure	
211	70004685	1	Cover, Enclosure	
212	70004682	1	Protector, Supplementary, Manual Reset	
213	70004098	1	Bushing, Strain Relief	

SECTION 3 - ENGINE

FIGURE 3-47. 4000W GENERATOR INSTALLATION - 50HZ SPEC (DEUTZ TCD2.9L4 ENGINES AND DEUTZ TCD2.9L4 (STAGE V) ENGINES)



ART_1001180219

SECTION 3 - ENGINE

FIGURE 3-47. 4000W GENERATOR INSTALLATION - 50HZ SPEC (DEUTZ TCD2.9L4 ENGINES AND DEUTZ TCD2.9L4 (STAGE V) ENGINES)

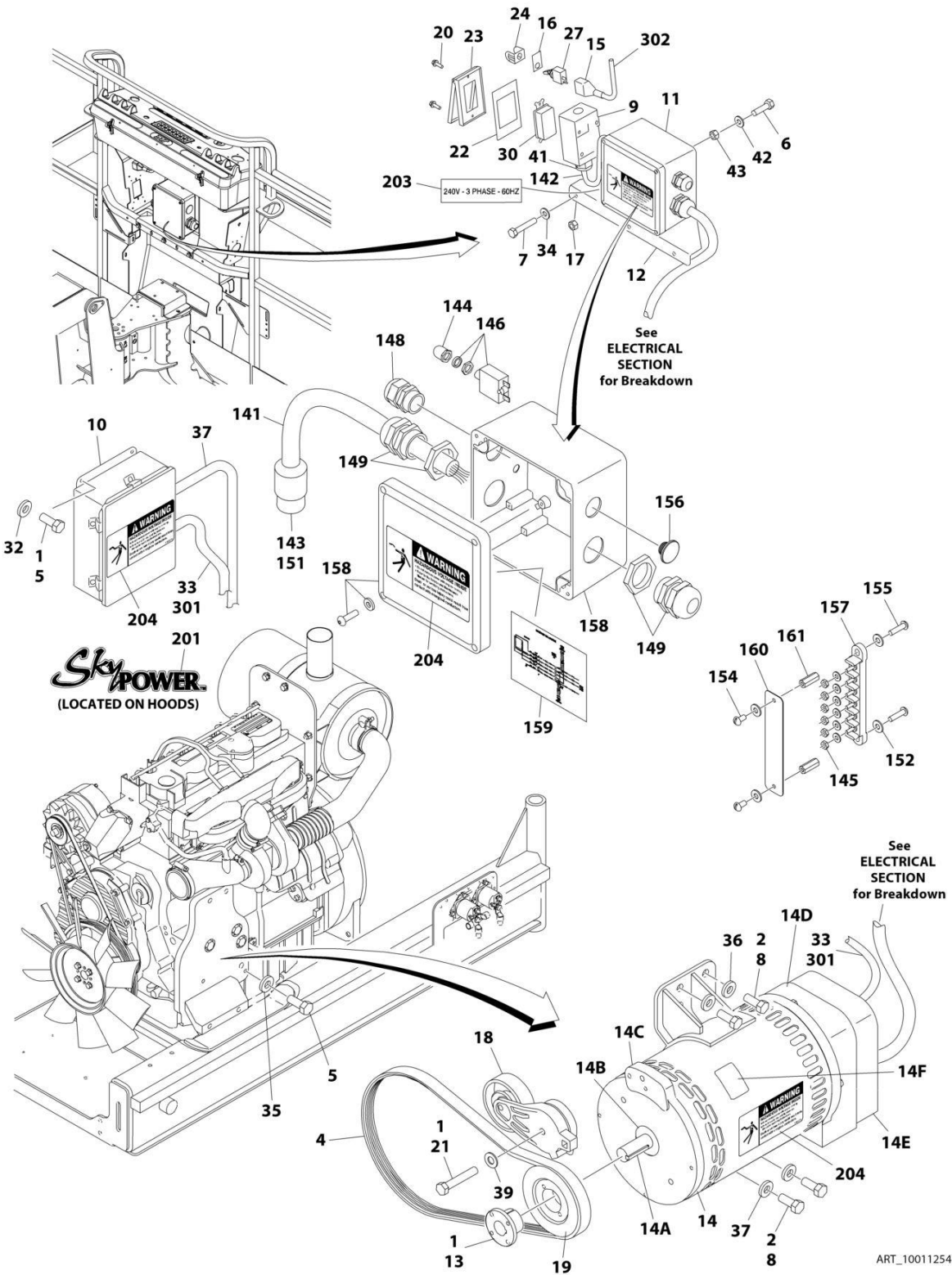
ITEM	PART NUMBER	QTY	DESCRIPTION	REV
	1001180219	Ref	4000W GENERATOR INSTALLATION - 50HZ SPEC (DEUTZ TCD2.9L4 ENGINES)	C
		Ref	Note: See ELECTRICAL SECTION for Boom Cable Installation.	
1	0100011	AR	Compound, Locking	
2	0100019	AR	Compound, Locking	
3	0100048	AR	Grease, Dielectric	
4	0641404	5	Bolt 1/4 x 1/2	
7	0641618	1	Bolt 3/8 x 2-1/4	
8	0641810	2	Bolt 1/2 x 1-1/4	
9	0741607	3	Screw 3/8 x 0.88	
11	1001138566	1	Box, Generator Control	
11	70006552	1	Capacitor	
11	70006553	1	Relay	
13	0962520	1	Bushing, Taper	
14	2820031	AR	Insulator, Heat Shrink	
15	3251102	1	Nameplate, Generator	
17	3311801	2	Nut 1/2	
18	3580317	1	Pulley, Belt Tensioner	
19	3580319	1	Pulley, Generator	
20	4060802	1	Guard, Switch	
21	4240018	AR	Strap, Tie (Not Shown)	
22	4300157	2	Stud	
23	4360336	1	Switch, Toggle	
24	4711400	8	Washer 1/4	
25	4711600	1	Washer 3/8	
27	4791400	2	Starwasher 1/4	
28	4891800	4	Washer 1/2	
29	1001152533	1	Harness, Generator Cable (See Separate Breakdown in ELECTRICAL Section)	
30	1001140397	1	Generator, 4000W Assembly (See Items 200-213 for Breakdown)	
31	1001138011	1	Mount, Generator Tensioner	
32	1001136357	1	Belt, Generator	
35	1705489	AR	Decal - Hazardous Voltage	
37	1001165368	1	Kit, Box and Breaker (See Separate Breakdown in ELECTRICAL Section)	
38	1001096172	1	Bracket	
39	0641406	2	Bolt 1/4 x 3/4	
40	3311405	2	Nut 1/4 Grade 2	
41	4010408	2	Screw M4 x 16	
42	1001091102	4	Washer M4	
43	3290405	2	Nut M4	
	1001140347	Ref	4000W GENERATOR ASSEMBLY	
201	70003709	1	Ring, Retaining	
202	70003708	1	Ring, Retaining	
203	70001966	1	Bearing, Ball	
204	70004092	1	Endbell	
205	70004099	1	Key	
206	70004676	1	Rotor Assembly	
207	70004686	1	Stator, Generator 4000W	

SECTION 3 - ENGINE

ITEM	PART NUMBER	QTY	DESCRIPTION	REV
208	70004678	1	Endbell	
210	70004680	1	Enclosure	
211	70004681	1	Cover, Enclosure	
212	70004682	1	Protector, Supplementary, Manual Reset	
213	70004683	1	Bushing, Strain Relief	
214	4460224	1	Connector - 6 Position (50Hz) (Not Shown - Located on Enclosure Cover)	
214	4460294	2	Pin, Male (50Hz) (Not Shown - Located on Enclosure Cover)	

SECTION 3 - ENGINE

FIGURE 3-48. 7500W SKYPOWER GENERATOR INSTALLATION - 60HZ SPEC (DEUTZ TD2011 ENGINES) (OPTIONAL)



SECTION 3 - ENGINE

FIGURE 3-48. 7500W SKYPOWER GENERATOR INSTALLATION - 60HZ SPEC (DEUTZ TD2011 ENGINES) (OPTIONAL)

ITEM	PART NUMBER	QTY	DESCRIPTION	REV
	1001125427	Ref	7500W SKYPOWER GENERATOR INSTALLATION - 60HZ SPEC (DEUTZ TD2011 ENGINES)	D
		Ref	Note: See ELECTRICAL SECTION for Boom Cable Installation.	
1	0100011	AR	Compound, Locking	
2	0100019	AR	Compound, Locking	
4	0480128	1	Belt, Generator	
5	0641404	6	Bolt 1/4 x 1/2	
6	3931016	AR	Bolt 10 x 1	
7	0641516	3	Bolt 5/16 x 2	
8	0641810	4	Bolt 1/2 x 1-1/4	
9	0860038	1	Box, Switch	
10	0861538	1	Box, Generator Control	
10	7024488	1	Card, Circuit - Generator Power (Not Shown)	
10	See Note	1	Fuse (Note: Not Available - Purchase Locally)	
10	7024489	1	Card, Circuit - Control (Not Shown)	
		Ref	Note: When replacing card, rocker switch on card must be set for required application.	
10	70000619	1	Harness, Circuit Card	
11	1001157592	1	Junction Box Assembly Options (See Items 141-161 for Breakdown)	
12	0902888	1	Bracket, Generator Junction Box	
13	0962520	1	Bushing, Taper	
14	2460048	1	Generator, 7500W	
14	70001100	1	Rotor (Includes p/n 70001384 & 70000863) (Not Shown)	
14	70001384	1	Bearing, Shaft (Rear) (Not Shown)	
14	70000863	1	Fan, Generator (Not Shown)	
14	70002088	1	Stator (Not Shown)	
14	70002297	2	Stud 1/4 x 12-7/8 (Not Shown)	
14	70003631	1	Brushholder Assembly (Not Shown) (was p/n 7024484)	
14A	70004171	1	Key	
14B	70001966	1	Bearing, Ball Radial (Located in Belt Tensioner Endbell)	
14B	70003709	1	Ring, Retaining (Small)	
14B	70003708	1	Ring, Retaining (Large)	
14C	70001953	1	Endbell, Belt Tensioner	
14D	70004169	1	Kit, Endbell (Includes Endbell, Brush Block and Shroud Assembly)	
14E	7027799	1	Block, Connector 6 Position (Not Shown)	
14E	70002460	6	Nut, Brass (Attaches p/n 7027799 to Cover) (Not Shown)	
14E	7024485	1	Breaker, Circuit 30Amp (Not Shown)	
14E	70001696	1	Boot, Breaker (Not Shown)	
14E	7026597	1	Connector with Leads (Not Shown)	
14E	7026626	1	Connector with Pins (Not Shown)	
14E	7026188	1	Clamp, Cable (Not Shown)	
14E	70002255	1	Plate, End Panel (Not Shown)	
14E	See Note	NSS	Insulator, End Panel (Note: Not Available for Purchase)	
14E	70001974	1	Decal - Terminal Connections (Not Shown)	
14F	70001973	1	Decal - Warning Moving Parts	
15	2820031	AR	Insulator, Heat Shrink	
16	3251102	1	Nameplate, Generator	
17	3311508	3	Nut 5/16	

SECTION 3 - ENGINE

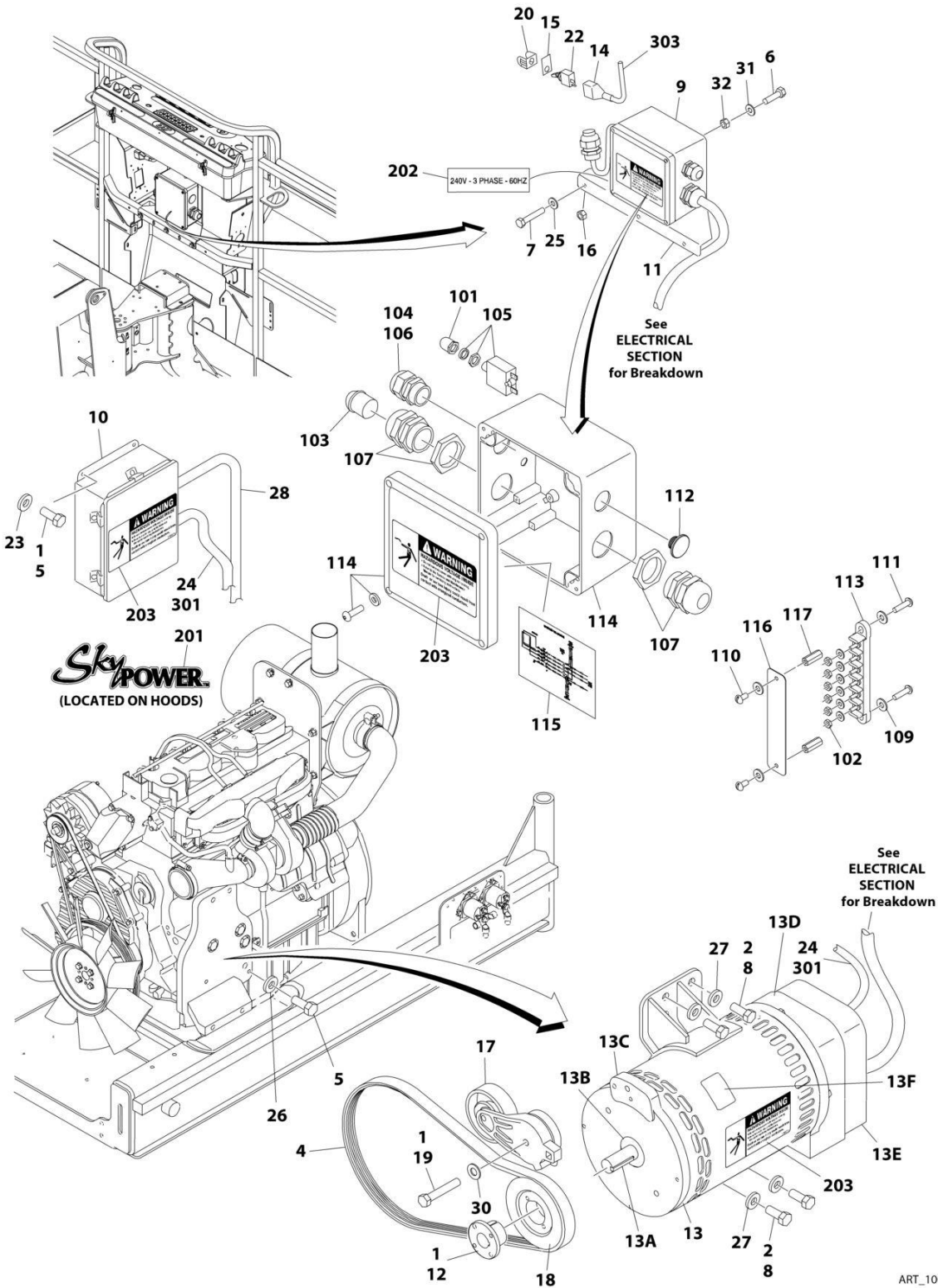
ITEM	PART NUMBER	QTY	DESCRIPTION	REV
18	3580317	1	Pulley, Belt Tensioner	
19	3580318	1	Pulley, Generator	
20	3910606	4	Screw #6 x 3/8	
21	0641618	1	Bolt 3/8 x 2	
22	3960422	1	Gasket, AC Receptacle	
23	1001110873	1	Shield, Receptacle Cover	
24	4060802	1	Guard, Switch	
26	4240018	AR	Strap, Tie (Not Shown)	
27	4360336	1	Switch, Toggle	
30	4460346	1	Terminal, Receptacle	
32	4711400	4	Washer 1/4	
33	0100048	AR	Grease, Dielectric	
34	4751500	3	Washer 5/16	
35	4791400	2	Starwasher 1/4	
36	4891800	4	Washer 1/2	
37	4922972	1	Harness, Generator Cable (See Separate Breakdown in ELECTRICAL SECTION)	
39	4711600	1	Washer 3/8	
40	0100020	AR	Sealant, Pipe (Not Shown)	
41	4460071	1	Connector, Strain Relief	
42	4751000	4	Washer #10	
43	3311005	4	Nut #10	
	1001157592	Ref	JUNCTION BOX ASSEMBLY	C
141	1060343	1.5 ft/ 0.5m	Cable, Electrical 10/4	
142	1001179154	2.5 ft/ 0.8m	Cable, 12/3	
143	1671092	1	Cover	
144	3300396	1	Cover, Fuse	
145	3311001	6	Nut #10	
146	4360070	1	Circuit Breaker - 15Amp	
148	4460425	1	Strain Relief, Terminal	
149	4460426	2	Connector, Strain Relief	
151	4460963	1	Connector	
152	4711000	10	Washer #10	
154	10702077	2	Screw #10 x 3/8	
155	10702082	2	Screw #10 x 3/4	
156	1001152525	1	Plug	
157	1001157520	1	Block, Terminal	
158	1001157521	1	Box, Junction	
159	1001157528	1	Decal - Wiring Schematic	
160	1001158007	1	Decal - PVC	
161	1001158008	2	Stand-Off	
	0272435	Ref	DECAL INSTALLATION	D
201	1705460	2	Decal - SkyPower	
202	3251243	1	Decal - 120V - 60Hz (Located at Platform Receptacle)	
203	1705375	1	Decal - 240V - 3 Phase	
204	1705387	3	Decal - Hazardous Voltage	
	1001122528	Ref	ELECTRICAL DIAGRAM COMPONENTS	B
301	1001119968	1	Generator Harness	B
301A	4460967	1	Plug, Male - 3 Position (Not Shown)	
301A	4460465	6	Socket, Female	

SECTION 3 - ENGINE

ITEM	PART NUMBER	QTY	DESCRIPTION	REV
301B	1001117078	1	Fuseholder with Fuse (Not Shown)	
302	4922641	1	Switch, Harness	

SECTION 3 - ENGINE

FIGURE 3-49. 7500W SKYPOWER GENERATOR INSTALLATION - 50HZ SPEC (DEUTZ TD2011 ENGINES) (OPTIONAL)



ART_1001125428

SECTION 3 - ENGINE

FIGURE 3-49. 7500W SKYPOWER GENERATOR INSTALLATION - 50HZ SPEC (DEUTZ TD2011 ENGINES) (OPTIONAL)

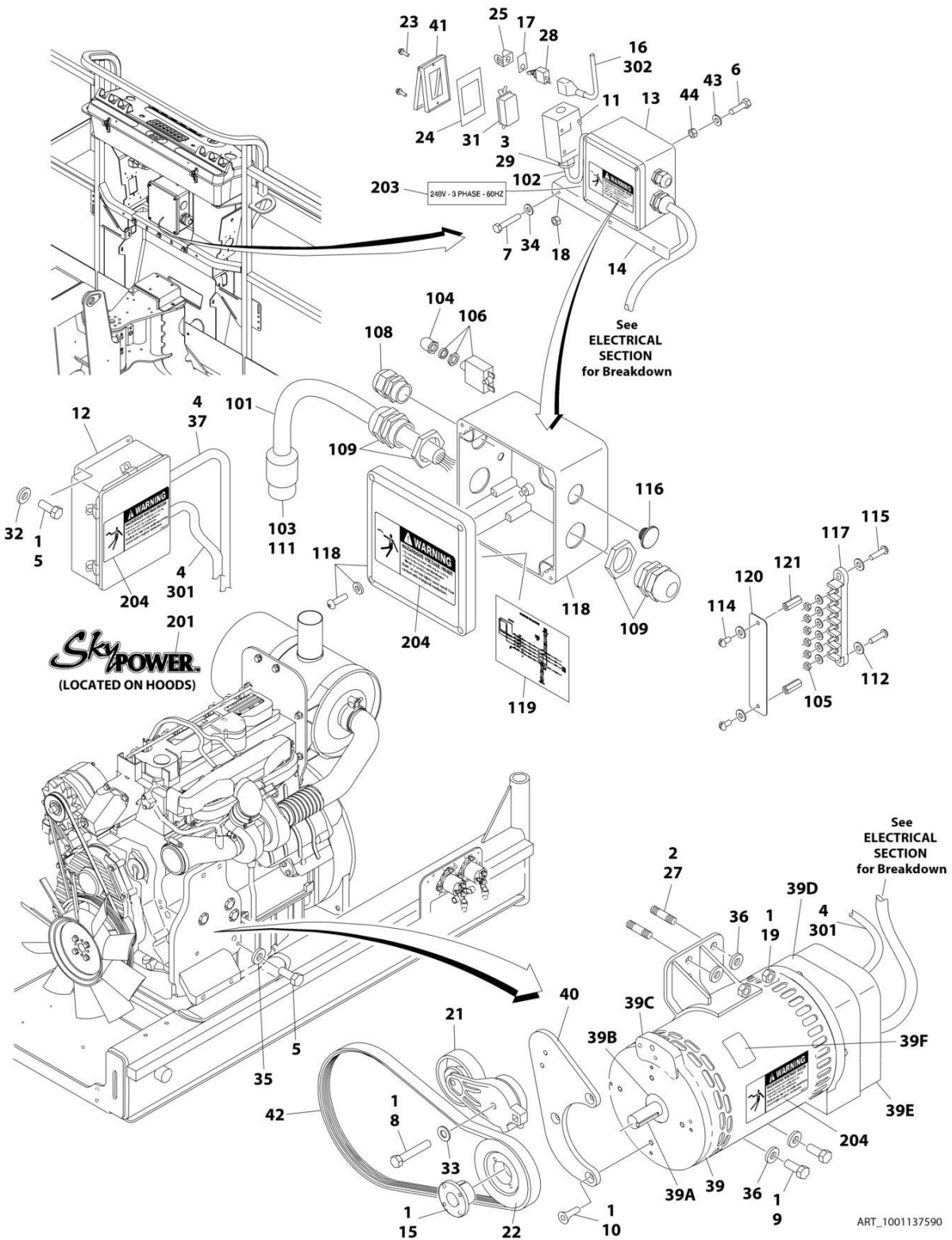
ITEM	PART NUMBER	QTY	DESCRIPTION	REV
	1001125428	Ref	7500W SKYPOWER GENERATOR INSTALLATION - 50HZ SPEC (DEUTZ TD2011 ENGINES)	C
		Ref	Note: See ELECTRICAL SECTION for Boom Cable Installation.	
1	0100011	AR	Compound, Locking	
2	0100019	AR	Compound, Locking	
4	0480129	1	Belt, Generator	
5	0641404	5	Bolt 1/4 x 1/2	
6	3931016	4	Bolt 10 x 1	
7	0641516	3	Bolt 5/16 x 2	
8	0641810	4	Bolt 1/2 x 1-1/4	
9	1001157525	1	Junction Box Assembly (See Items 101-117 for Breakdown)	
10	0861572	1	Box, Generator Control	
10	7024488	1	Card, Circuit - Generator Power (Not Shown)	
10	See Note	1	Fuse (Note: Not Available - Purchase Locally)	
10	7024489	1	Card, Circuit - Control (Not Shown)	
		Ref	Note: When replacing card, rocker switch on card must be set for required application.	
10	70000619	1	Harness, Circuit Card	
11	0902888	1	Bracket, Generator Junction Box	
12	0962520	1	Bushing, Taper	
13	2460048	1	Generator, 7500W	
13	70001100	1	Rotor (Includes p/n 70001384 & 70000863) (Not Shown)	
13	70001384	1	Bearing, Shaft (Rear) (Not Shown)	
13	70000863	1	Fan, Generator (Not Shown)	
13	70002088	1	Stator (Not Shown)	
13	70002297	2	Stud 1/4 x 12-7/8	
13	70003631	1	Brushholder Assembly (Not Shown)	
13A	70004171	1	Key	
13B	70001966	1	Bearing, Ball Radial (Located in Belt Tensioner Endbell)	
13B	70003709	1	Ring, Retaining (Small)	
13B	70003708	1	Ring, Retaining (Large)	
13C	70001953	1	Endbell, Belt Tensioner	
13D	70004169	1	Kit, Endbell (Includes Endbell, Brush Block and Shroud Assembly)	
13E	7027799	1	Block, Connector 6 Position (Not Shown)	
13E	70002460	6	Nut, Brass (Attaches p/n 7027799 to Cover) (Not Shown)	
13E	7024485	1	Breaker, Circuit 30Amp (Not Shown)	
13E	70001696	1	Boot, Breaker (Not Shown)	
13E	7026597	1	Connector with Lead (Not Shown)	
13E	7026626	1	Connector with Pins (Not Shown)	
13E	7026188	1	Clamp, Cable (Not Shown)	
13E	70002255	1	Plate, End Panel (Not Shown)	
13E	See Note	1	Insulator, End Panel (Not Shown) (Note: Not Available for Purchase)	
13E	70001974	1	Decal - Terminal Connections (Not Shown)	
13F	70001973	1	Decal - Warning Moving Parts	
14	2820031	AR	Insulator, Heat Shrink	
15	3251102	1	Nameplate, Generator	
16	3311508	3	Nut 5/16	
17	3580317	1	Pulley, Belt Tensioner	

SECTION 3 - ENGINE

ITEM	PART NUMBER	QTY	DESCRIPTION	REV
18	3580319	1	Pulley, Generator	
19	0641618	1	Bolt 3/8 x 2	
20	4060802	1	Guard, Switch	
21	4240018	AR	Strap, Tie (Not Shown)	
22	4360336	1	Switch, Toggle	
23	4711400	4	Washer 1/4	
24	0100048	AR	Grease, Dielectric	
25	4751500	3	Washer 5/16	
26	4791400	2	Starwasher 1/4	
27	4891800	4	Washer 1/2	
28	4922972	1	Harness, Generator Cable (See Separate Breakdown in ELECTRICAL SECTION)	
30	4711600	1	Washer 3/8	
31	4751000	4	Washer #10	
32	3311005	4	Nut #10	
	1001157525	Ref	JUNCTION BOX ASSEMBLY	B
101	3300396	1	Cover, Fuse	
102	3311001	6	Nut #10	
103	3520189	1	Plug	
104	3520192	1	Plug	
105	4360070	1	Circuit Breaker - 15Amp	
106	4460425	1	Strain Relief, Terminal	
107	4460426	2	Connector, Strain Relief	
109	4711000	10	Washer #10	
110	10702077	2	Screw #10 x 3/8	
111	10702082	2	Screw #10 x 3/4	
112	1001152525	1	Plug	
113	1001157520	1	Block, Terminal	
114	1001157521	1	Box, Junction	
115	1001157528	1	Decal - Wiring Schematic	
116	1001158007	1	Cover, PVC	
117	1001158008	2	Stand-Off	
	0272589	Ref	DECAL INSTALLATION	A
201	1705460	2	Decal - SkyPower	
202	1705461	1	Decal - 240V - 3 Phase	
203	1705489	3	Decal - Hazardous Voltage	
	1001122528	Ref	ELECTRICAL DIAGRAM COMPONENTS	B
301	1001119968	1	Generator Harness	B
301A	4460967	1	Plug, Male - 3 Position (Not Shown)	
301A	4460465	6	Socket, Female	
301B	1001117078	1	Fuseholder with Fuse (Not Shown)	
303	4922641	1	Switch Harness	

SECTION 3 - ENGINE

FIGURE 3-50. 7500W SKYPOWER GENERATOR INSTALLATION - 60HZ SPEC (DEUTZ TCD2.9L4 ENGINES) (OPTIONAL)



SECTION 3 - ENGINE

FIGURE 3-50. 7500W SKYPOWER GENERATOR INSTALLATION - 60HZ SPEC (DEUTZ TCD2.9L4 ENGINES) (OPTIONAL)

ITEM	PART NUMBER	QTY	DESCRIPTION	REV
	1001137590	Ref	7500W SKYPOWER GENERATOR INSTALLATION - 60HZ SPEC (DEUTZ TCD2.9L4 ENGINES)	G
		Ref	Note: See ELECTRICAL SECTION for Boom Cable Installation.	
1	0100011	AR	Compound, Locking	
2	0100019	AR	Compound, Locking	
3	0100020	AR	Sealant, Pipe	
4	0100048	AR	Grease, Dielectric	
5	0641404	5	Bolt 1/4 x 1/2	
6	3931016	4	Bolt 10 x 1	
7	0641516	3	Bolt 5/16 x 2	
8	0641618	1	Bolt 3/8 x 2	
9	0641810	2	Bolt 1/2 x 1-1/4	
10	0741607	3	Screw 3/8 x 7/8	
11	0860038	1	Box, Switch	
12	0861538	1	Box, Generator Control	
12	7024488	1	Card, Circuit - Generator Power (Not Shown)	
12	See Note	1	Fuse (Note: Not Available Purchase Locally)	
12	7024489	1	Card, Circuit - Control (Not Shown)	
		Ref	Note: When replacing card, rocker switch on card must be set for required application.	
12	70000619	1	Harness, Circuit Card	
13	1001157592	1	Junction Box Assembly (See Items 101-121 for Breakdown)	
14	0902888	1	Bracket, Generator Junction Box	
15	0962520	1	Bushing, Taper	
16	2820031	AR	Insulator, Heat Shrink	
17	3251102	1	Nameplate, Generator	
18	3311508	3	Nut 5/16	
19	3311801	2	Nut 1/2	
21	3580317	1	Pulley, Belt Tensioner	
22	3580318	1	Pulley, Generator	
23	3910606	AR	Screw #6 x 3/8	
24	3960422	1	Gasket, AC Receptacle	
25	4060802	1	Guard, Switch	
26	4240018	AR	Strap, Tie (Not Shown)	
27	4300157	2	Stud 1/2	
28	4360336	1	Switch, Toggle	
29	4460071	1	Connector, Strain Relief	
30	4460315	3	Terminal, Spade (Not Shown)	
31	4460346	1	Terminal, Receptacle	
32	4711400	4	Washer 1/4	
33	4711600	1	Washer 3/8	
34	4751500	3	Washer 5/16	
35	4791400	2	Starwasher 1/4	
36	4891800	4	Washer 1/2	
37	4922972	1	Harness, Generator Cable (See Separate Breakdown in ELECTRICAL SECTION)	
39	1001212223	1	Generator, 7500W	
39	70001100	1	Rotor (Includes p/n 70001384 & 70000863)	
39	70001384	1	Bearing, Shaft (Rear)	

SECTION 3 - ENGINE

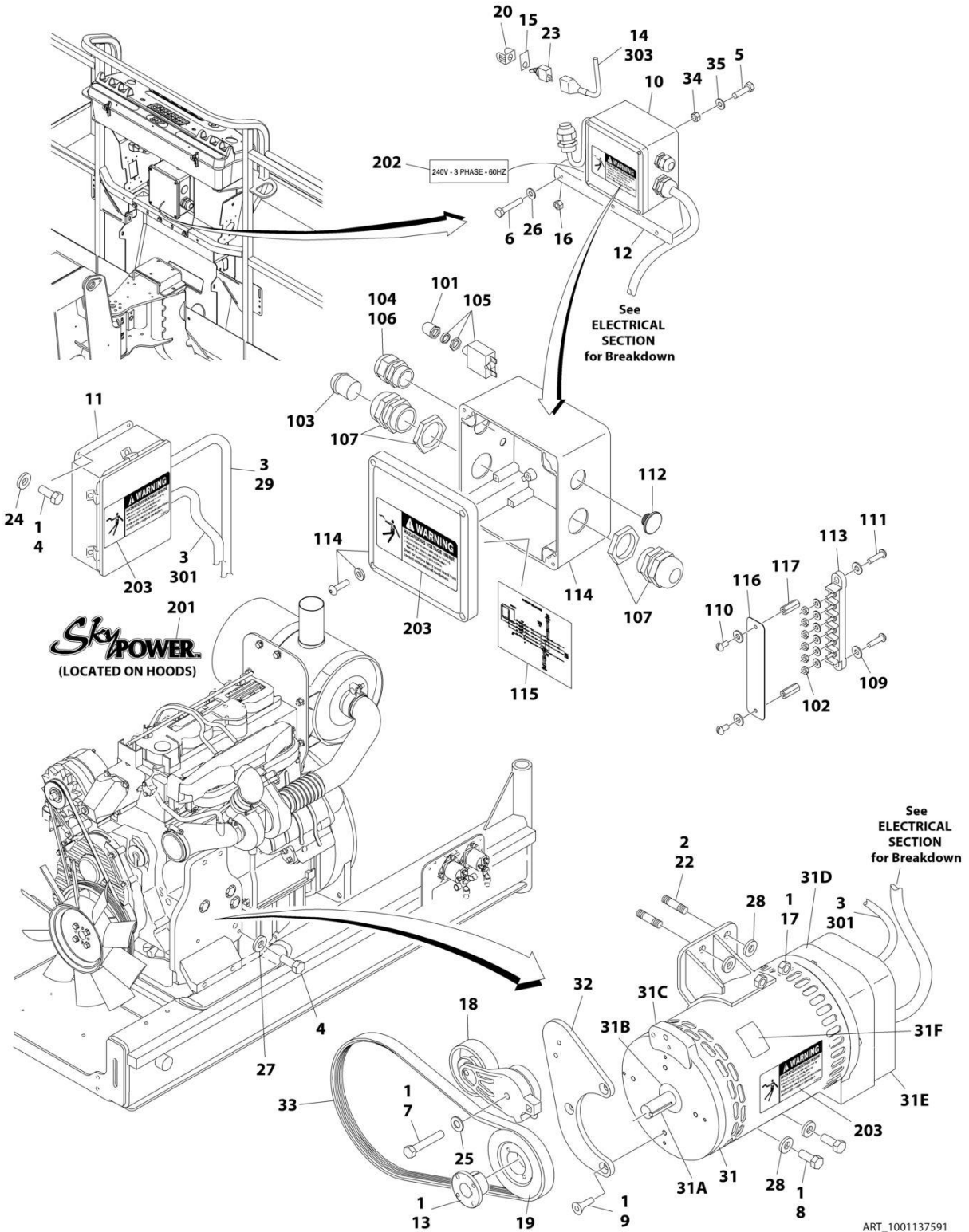
ITEM	PART NUMBER	QTY	DESCRIPTION	REV
39	7000863	1	Fan, Generator	
39	70006093	1	Stater	
39	70003631	1	Brush-holder Assembly (was p/n 7024484)	
39A	70004099	NLA	Key (Use p/n 70004171)	
39B	70001966	1	Bearing, Ball Radial (Located in Belt Tensioner Endbell)	
39B	70003709	1	Ring, Retaining (Small)	
39B	70003708	1	Ring, Retaining (Large)	
39C	70004092	1	Endbell, Belt Tensioner	
39D	70004094	1	Endbell, Brush Block	
39E	70006094	1	Shroud Assembly	
39E	7027799	1	Block, Connector - 6 Position (Not Shown)	
39E	70002460	6	Nut, Brass (Attaches p/n 7027799 to Cover) (Not Shown)	
39E	70006095	1	Breaker, Circuit 30Amp (Not Shown)	
39E	70006096	1	Boot, Breaker (Not Shown)	
39E	7026597	1	Connector with Leads (Not Shown)	
39E	7026626	1	Connector with Pins (Not Shown)	
39E	70004098	1	Clamp, Cable (Not Shown)	
39E	70006097	1	Plate, End Panel (Not Shown)	
39E	70002291	1	Insulator, End Panel Generator (Not Shown)	
39E	70001974	1	Decal - Terminal Connections (Not Shown)	
39F	70001973	1	Decal - Warning Moving Parts	
40	1001138011	1	Bracket	
41	1001110873	1	Shield, Receptacle Cover	
42	1001142645	1	Belt, Generator	
43	4751000	4	Washer #10	
44	3311005	4	Nut #10	
	1001157592	Ref	JUNCTION BOX ASSEMBLY	C
101	1060343	1.5 ft/ 0.5m	Cable, Electrical 10/4	
102	1001179154	2.5 ft/ 0.8m	Cable, Electrical 12/3	
103	1671092	1	Cover	
104	3300396	1	Cover, Fuse	
105	3311001	6	Nut #10	
106	4360070	1	Circuit Breaker - 15Amp	
108	4460425	1	Strain Relief, Terminal	
109	4460426	2	Connector, Strain Relief	
111	4460963	1	Connector	
112	4711000	10	Washer #10	
114	10702077	2	Screw #10 x 3/8	
115	10702082	2	Screw #10 x 3/4	
116	1001152525	1	Plug	
117	1001157520	1	Block, Terminal	
118	1001157521	1	Box, Junction	
119	1001157528	1	Decal - Wiring Schematic	
120	1001158007	1	Cover, PVC	
121	1001158008	2	Stand-Off	
	0272435	Ref	DECAL INSTALLATION	D
201	1705460	2	Decal - SkyPower	
202	3251243	1	Decal - 120V - 60Hz (Not Shown - Located at Platform Receptacle)	
203	1705375	1	Decal - 240V - 3 Phase	

SECTION 3 - ENGINE

ITEM	PART NUMBER	QTY	DESCRIPTION	REV
204	1705387	3	Decal - Hazardous Voltage	
	1001122528	Ref	ELECTRICAL DIAGRAM COMPONENTS	B
301	1001119968	1	Generator Harness	B
301A	4460967	1	Plug, Male - 3 Position (Not Shown)	
301A	4460465	6	Socket, Female	
301B	1001117078	1	Fuseholder with Fuse (Not Shown)	
302	4922641	1	Switch Harness	

SECTION 3 - ENGINE

FIGURE 3-51. 7500W SKYPOWER GENERATOR INSTALLATION - 50HZ SPEC (DEUTZ TCD2.9L4 ENGINES AND DEUTZ TCD2.9L4 (STAGE V) ENGINES) (OPTIONAL)



SECTION 3 - ENGINE

FIGURE 3-51. 7500W SKYPOWER GENERATOR INSTALLATION - 50HZ SPEC (DEUTZ TCD2.9L4 ENGINES AND DEUTZ TCD2.9L4 (STAGE V) ENGINES) (OPTIONAL)

ITEM	PART NUMBER	QTY	DESCRIPTION	REV
	1001137591	Ref	7500W SKYPOWER GENERATOR INSTALLATION - 50HZ SPEC (DEUTZ TCD2.9L4 ENGINES)	D
		Ref	Note: See ELECTRICAL SECTION for Boom Cable Installation.	
1	0100011	AR	Compound, Locking	
2	0100019	AR	Compound, Locking	
3	0100048	AR	Grease, Dielectric	
4	0641404	5	Bolt 1/4 x 1/2	
5	3931016	4	Bolt 10 x 1	
6	0641516	3	Bolt 5/16 x 2	
7	0641618	1	Bolt 3/8 x 2	
8	0641810	2	Bolt 1/2 x 1-1/4	
9	0741607	3	Screw 3/8 x 7/8	
10	1001157525	1	Junction Box Assembly (See Items 101-117 for Breakdown)	
11	0861572	1	Box, Generator Control	
11	7024488	1	Card, Circuit - Generator Power (Not Shown)	
11	See Note	1	Fuse (Note: Not Available - Purchase Locally)	
11	7024489	1	Card, Circuit - Control (Not Shown)	
		Ref	Note: When replacing card, rocker switch on card must be set for required application.	
11	70000619	1	Harness, Circuit Card	
12	0902888	1	Bracket, Generator Junction Box	
13	0962520	1	Bushing, Taper	
14	2820031	AR	Insulator, Heat Shrink	
15	3251102	1	Nameplate, Generator	
16	3311508	3	Nut 5/16	
17	3311801	2	Nut 1/2	
18	3580317	1	Pulley, Belt Tensioner	
19	3580319	1	Pulley, Generator	
20	4060802	1	Guard, Switch	
21	4240018	AR	Strap, Tie (Not Shown)	
22	4300157	2	Stud 1/2	
23	4360336	1	Switch, Toggle	
24	4711400	4	Washer 1/4	
25	4711600	1	Washer 3/8	
26	4751500	3	Washer 5/16	
27	4791400	2	Starwasher 1/4	
28	4891800	4	Washer 1/2	
29	4922972	1	Harness, Generator Cable (See Separate Breakdown in ELECTRICAL Section)	
31	1001212223	1	Generator, 7500W	
31	70001100	1	Rotor (Includes p/n 70001384 & 70000863) (Not Shown)	
31	70001384	1	Bearing, Shaft (Rear) (Not Shown)	
31	70000863	1	Fan, Generator (Not Shown)	
31	70006093	1	Stator (Not Shown)	
31	70003631	1	Brush-holder Assembly (Not Shown)	
31A	70004099	NLA	Key (Use p/n 70004171)	
31B	70001966	1	Bearing, Ball Radial (Located in Belt Tensioner Endbell)	
31B	70003709	1	Ring, Retaining (Small)	
31B	70003708	1	Ring, Retaining (Large)	

SECTION 3 - ENGINE

ITEM	PART NUMBER	QTY	DESCRIPTION	REV
31C	70004092	1	Endbell, Belt Tensioner	
31D	70004094	1	Endbell, Brush Block	
31E	70006094	1	Shroud Assembly	
31E	7027799	1	Block, Connector - 6 Position (Not Shown)	
31E	70002460	6	Nut, Brass (Attaches p/n 7027799 to Cover) (Not Shown)	
31E	70006095	1	Breaker, Circuit 30Amp (Not Shown)	
31E	70006096	1	Boot, Breaker (Not Shown)	
31E	7026597	1	Connector with Leads (Not Shown)	
31E	7026626	1	Connector with Pins (Not Shown)	
31E	70004098	1	Clamp, Cable (Not Shown)	
31E	70006097	1	Plate, End Panel (Not Shown)	
31E	70002291	1	Insulator, End Panel (Not Shown)	
31E	70001974	1	Decal - Terminal Connections (Not Shown)	
31F	70001973	1	Decal - Warning Moving Parts	
32	1001138011	1	Bracket	
33	1001136357	1	Belt, Generator	
34	3311005	4	Nut #10	
35	4751000	4	Washer #10	
	1001157525	Ref	JUNCTION BOX ASSEMBLY	B
101	3300396	1	Cover, Fuse	
102	3311001	6	Nut #10	
103	3520189	1	Plug (50Hz Spec Only)	
104	3520192	1	Plug	
105	4360070	1	Circuit Breaker - 15Amp	
106	4460425	1	Strain Relief, Terminal	
107	4460426	2	Connector, Strain Relief	
109	4711000	10	Washer #10	
110	10702077	2	Screw #10 x 3/8	
111	10702082	2	Screw #10 x 3/4	
112	1001152525	1	Plug	
113	1001157520	1	Block, Terminal	
114	1001157521	1	Box, Junction	
115	1001157528	1	Decal - Wiring Schematic	
116	1001158007	1	Cover, PVC	
117	1001158008	2	Stand-Off	
	0272589	Ref	DECAL INSTALLATION	A
201	1705460	2	Decal - SkyPower	
202	1705461	1	Decal - 240V - 3 Phase	
203	1705489	3	Decal - Hazardous Voltage	
	1001122528	Ref	ELECTRICAL DIAGRAM COMPONENTS	B
301	1001119968	1	Generator Harness (With UGM)	B
301A	4460967	1	Plug, Male - 3 Position (Not Shown)	
301A	4460465	6	Socket, Female	
301B	1001117078	1	Fuseholder with Fuse (Not Shown)	
303	4922641	1	Switch Harness	

SECTION 4 - BOOM

SECTION 4 - BOOM

FIGURE 4-1. BOOM AND CYLINDER INSTALLATION - WITHOUT COLD WEATHER PLUS PACKAGE

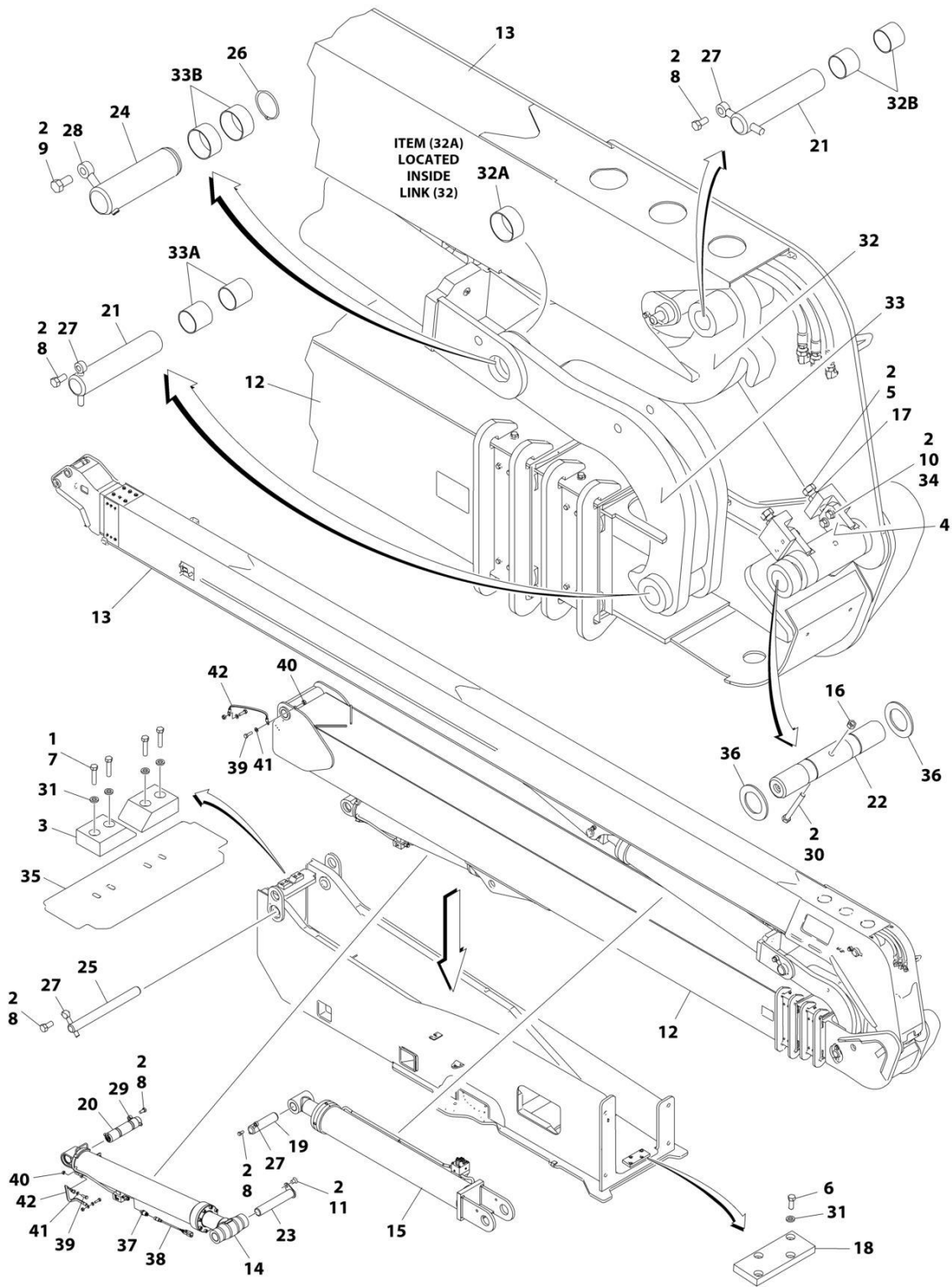
ITEM	PART NUMBER	QTY	DESCRIPTION	REV
	1001120653	Ref	BOOM AND CYLINDER INSTALLATION - WITHOUT COLD WEATHER PLUS PACKAGE	J
1	0100011	AR	Compound, Locking	
2	0100019	AR	Compound, Locking	
4	0561380	2	Rest, Boom	
5	0561547	2	Block, Clamping	
6	0642624	2	Bolt 1 x 3	
7	0641608	4	Bolt 3/8 x 1	
8	0641613	4	Bolt 3/8 x 1-5/8	
9	0642212	5	Bolt 3/4 x 1-1/2	
10	0642616	1	Bolt 1 x 2	
11	0682016	4	Bolt 5/8 x 2 Grade 8	
12	0742210	1	Screw 3/4 x 1-1/4	
13	0801370	1	Tower Boom Assembly (See Separate Breakdown in this Section)	
14	0801371	1	Main Boom Assembly (See Separate Breakdown in this Section)	
18	1001228077	1	Tower Lift Cylinder Assembly (See Separate Breakdown in CYLINDER Section)	
19	1001251078	1	Main Lift Cylinder Assembly (See Separate Breakdown in CYLINDER Section)	
20	3272001	1	Nut 5/8 Grade 8	
21	3312602	2	Nut 1	
22	3340927	1	Pad	
23	3422920	1	Pin	
24	3423209	1	Pin, Load Sensing	
25	3423061	2	Pin	
26	3423062	1	Pin	
27	3423063	1	Pin	
28	3423064	1	Pin	
29	3423065	1	Pin	
30	3760475	1	Ring, Retaining	
31	3841287	4	Keeper, Pin	
32	3841356	1	Keeper, Pin	
33	3841581	1	Keeper, Pin	
34	0682048	1	Bolt 5/8 x 6 Grade 8	
35	4711600	8	Washer 3/8	
36	3010133	1	Link, Upper	
36A	0440273	1	Bearing	
36B	0962297	2	Bushing	
37	3010134	1	Link, Lower	
37A	0962033	2	Bushing	
37B	0962122	2	Bushing	
38	4892000	4	Washer 5/8	
39	3380547	1	Deflector	
40	4740492	1	Thrustwasher	
41	1001253593	1	Switch, Pressure Transducer	
42	1001228498	1	Harness, Pressure Transducer (See Separate Breakdown in ELECTRICAL Section)	
43	0761015	4	Bolt M10 x 35	
44	3291007	4	Nut M10	
45	4812000	4	Washer M10	

SECTION 4 - BOOM

ITEM	PART NUMBER	QTY	DESCRIPTION	REV
46	1001212243	2	Cable	

SECTION 4 - BOOM

FIGURE 4-2. BOOM AND CYLINDER INSTALLATION - WITH COLD WEATHER PLUS PACKAGE



ART_1001138811_I

SECTION 4 - BOOM

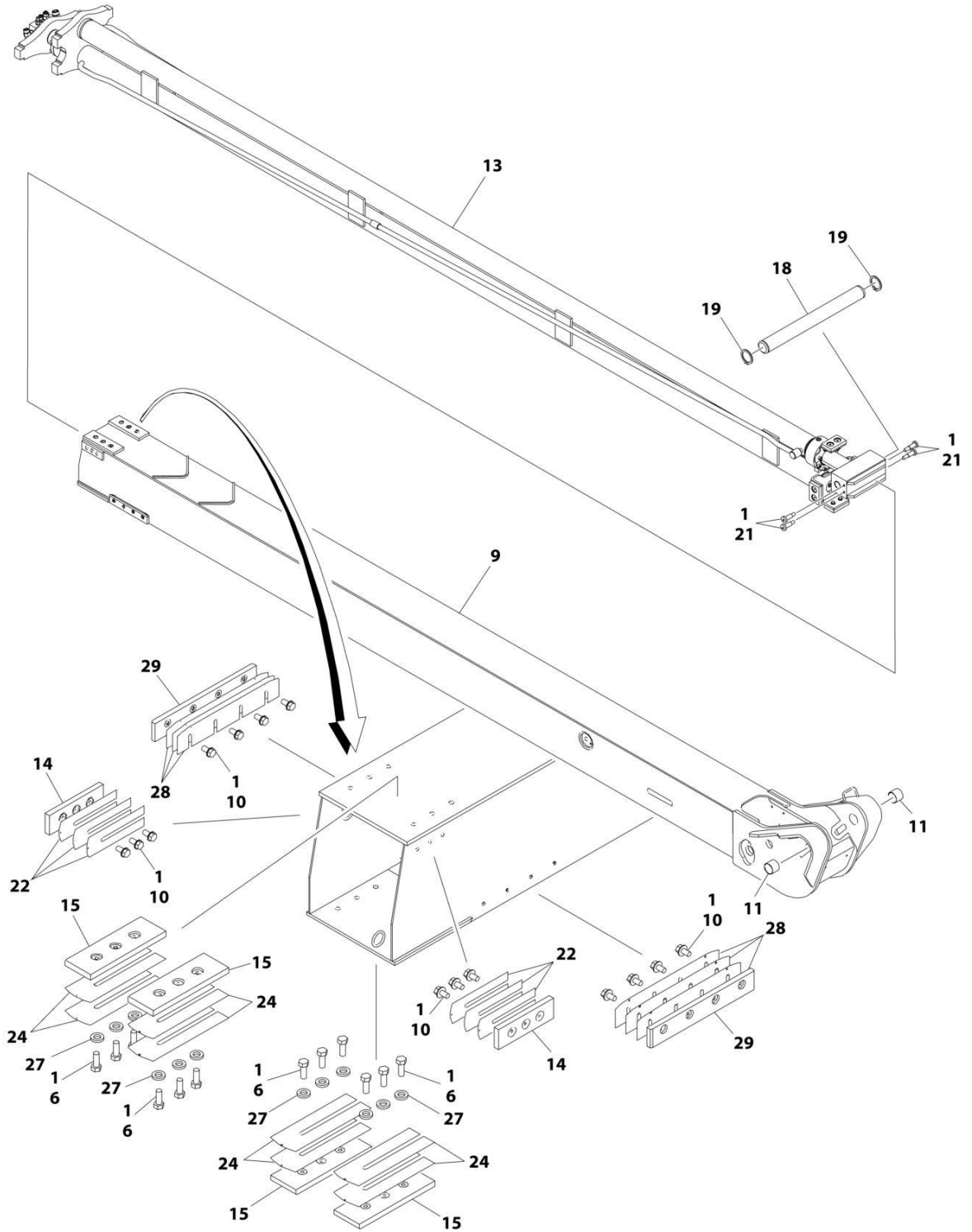
FIGURE 4-2. BOOM AND CYLINDER INSTALLATION - WITH COLD WEATHER PLUS PACKAGE

ITEM	PART NUMBER	QTY	DESCRIPTION	REV
	1001138811	Ref	BOOM AND CYLINDER INSTALLATION - WITH COLD WEATHER PLUS PACKAGE	I
1	0100011	AR	Compound, Locking	
2	0100019	AR	Compound, Locking	
3	0561380	2	Rest, Boom	
4	0561547	2	Block, Clamping	
5	0642624	2	Bolt 1 x 3	
6	0641608	4	Bolt 3/8 x 1	
7	0641613	4	Bolt 3/8 x 1-5/8	
8	0642212	5	Bolt 3/4 x 1-1/2	
9	0642616	1	Bolt 1 x 2	
10	0682016	4	Bolt 5/8 x 2 Grade 8	
11	0742210	1	Screw 3/4 x 1-1/4	
12	0801370	1	Tower Boom Assembly (See Separate Breakdown in this Section)	
13	1001138812	1	Main Boom Assembly (See Separate Breakdown in this Section)	
14	1001228077	1	Tower Lift Cylinder Assembly (See Separate Breakdown in CYLINDER Section)	
15	1001251078	1	Main Lift Cylinder Assembly (See Separate Breakdown in CYLINDER Section)	
16	3272001	1	Nut 5/8 Grade 8	
17	3312602	1	Nut 1	
18	3340927	1	Pad	
19	3422920	1	Pin	
20	3423209	1	Pin, Load Sensing	
21	3423061	2	Pin	
22	3423062	1	Pin	
23	3423063	1	Pin	
24	3423064	1	Pin	
25	3423065	1	Pin	
26	3760475	1	Ring, Retaining	
27	3841287	4	Keeper, Pin	
28	3841356	1	Keeper, Pin	
29	3841581	1	Keeper, Pin	
30	0682048	1	Bolt 5/8 x 6 Grade 8	
31	4711600	8	Washer 3/8	
32	3010133	1	Link, Upper	
32A	0440273	1	Bearing	
32B	0962297	2	Bushing	
33	3010134	1	Link, Lower	
33A	0962033	2	Bushing	
33B	0962122	2	Bushing	
34	4892000	4	Washer 5/8	
35	3380547	1	Deflector	
36	4740492	2	Thrustwasher	
37	1001253593	1	Switch, Pressure Transducer	
38	1001228498	1	Harness, Pressure Transducer (Not Shown - See Separate Breakdown in ELECTRICAL Section)	
39	0761015	4	Bolt M10 x 35	
40	3291007	4	Nut M10	
41	4812000	4	Washer M10	

SECTION 4 - BOOM

ITEM	PART NUMBER	QTY	DESCRIPTION	REV
42	1001212243	2	Cable	

SECTION 4 - BOOM



ART_0801370_20F2

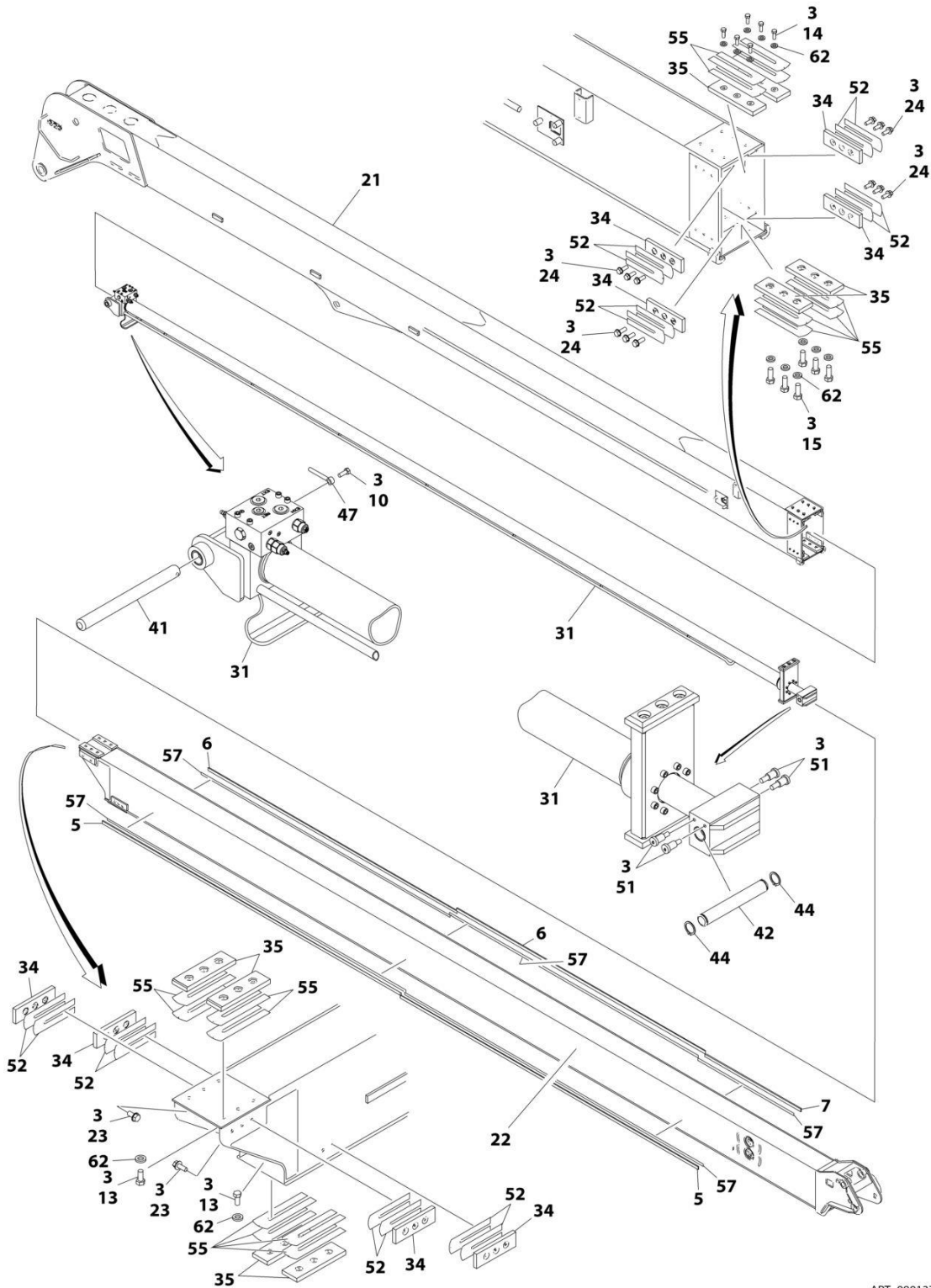
SECTION 4 - BOOM

FIGURE 4-3. TOWER BOOM ASSEMBLY

ITEM	PART NUMBER	QTY	DESCRIPTION	REV
	0801370	Ref	TOWER BOOM ASSEMBLY	F
1	0100011	AR	Compound, Locking	
2	0561533	6	Block, Trunnion Keeper	
3	0641604	2	Bolt 3/8 x 1/2	
4	0641622	12	Bolt 3/8 x 2-3/4	
5	0641809	18	Bolt 1/2 x 1-1/8	
6	0641810	30	Bolt 1/2 x 1-1/4	
7	0801365	1	Base, Boom	
8	0801366	1	Mid, Boom	
9	0801367	1	Fly, Boom	
10	0811606	38	Screw 3/8 x 3/4	
11	0962297	4	Bushing	
13	1001228032	1	Tower Telescope Cylinder Assembly (See Separate Breakdown in CYLINDER SECTION)	
14	3340878	14	Pad, Wear	
15	3340978	12	Pad, Wear	
16	3340979	1	Pad, Wear	
17	3340980	1	Pad, Wear	
18	3423066	1	Pin	
19	3760133	2	Ring, Retaining	
20	3811340	1	Loop, Hose	
21	3900269	4	Bolt 1/2 x 1	
22	4070864	34	Shim #16 Gauge	
23	4071031	12	Shim, Trunnion Keeper	
24	4071067	24	Shim #18 Gauge	
25	4071069	2	Shim #18 Gauge	
26	4071071	2	Shim #18 Gauge	
27	4891800	48	Washer 1/2	
28	4071081	6	Shim #18 Gauge	
29	4700014	2	Pad, Wear	
30	0811607	12	Screw 3/8 x 7/8	
31	1671013	1	Cover	
32	3020042	AR	Grease (Not Shown)	

SECTION 4 - BOOM

FIGURE 4-4. MAIN BOOM ASSEMBLY - WITHOUT COLD WEATHER PLUS PACKAGE



ART_0801371_1OF2

SECTION 4 - BOOM

FIGURE 4-4. MAIN BOOM ASSEMBLY - WITHOUT COLD WEATHER PLUS PACKAGE

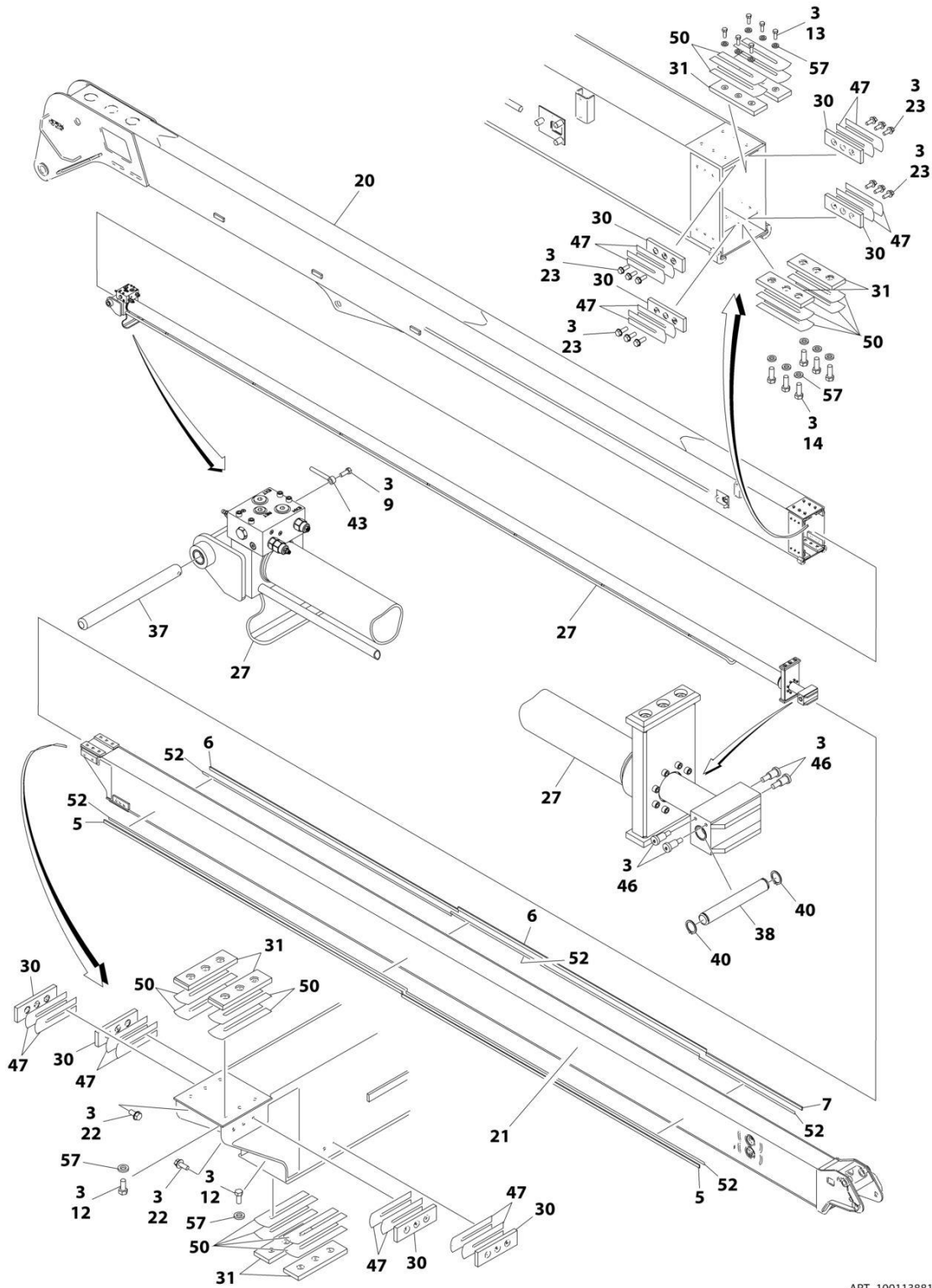
ITEM	PART NUMBER	QTY	DESCRIPTION	REV
	0801371	Ref	MAIN BOOM ASSEMBLY - WITHOUT COLD WEATHER PLUS PACKAGE	V
1	1001178247	1	Actuator Assembly (Platform Rotate) (See Separate Breakdown in this Section)	
2	1001178248	1	Actuator Assembly (Jib Rotate) (See Separate Breakdown in this Section)	
3	0100011	AR	Compound, Locking	
4	0100019	AR	Compound, Locking	
5	1001106483	2	Bar, Fiberglass	
6	1001106475	2	Bar, Fiberglass	
7	1001106476	1	Bar, Fiberglass	
8	0630558	1	Bolt, Special	
10	0641607	6	Bolt 3/8 x 7/8	
11	0641610	1	Bolt 3/8 x 1-1/4	
12	0641808	1	Bolt 1/2 x 1-1/8	
13	0641809	12	Bolt 1/2 x 1	
14	0641810	6	Bolt 1/2 x 1-1/4	
15	0641813	6	Bolt 1/2 x 1-5/8	
16	0642010	2	Bolt 5/8 x 1-1/4	
17	0682028	8	Bolt 5/8 x 3-1/2 Grade 8	
18	0682212	8	Bolt 3/4 x 1-1/2 Grade 8	
19	0741806	1	Screw 1/2 x 3/4	
20	0791606	2	Screw 3/8 x 3/4	
21	0801497	1	Base, Boom	
22	0801369	1	Fly, Boom	
23	0811606	12	Screw 3/8 x 3/4	
24	0811607	12	Screw 3/8 x 7/8	
25	0961951	8	Bushing (Part of Items 56 & 61)	
28	1100141	1	Cam	
30	1001228025	1	Jib Cylinder Assembly (See Separate Breakdown in CYLINDER SECTION)	
31	1001228080	1	Telescope Cylinder Assembly (See Separate Breakdown in CYLINDER SECTION)	
32	1001228034	1	Platform Level Cylinder Assembly (See Separate Breakdown in CYLINDER SECTION)	
33	3311605	1	Nut 3/8	
34	3340878	8	Pad, Wear	
35	3340974	8	Pad, Wear	
36	3422178	1	Pin	
37	3422937	1	Pin	
38	1001119899	2	Pin	
39	3422957	5	Pin	
40	3422958	1	Pin	
41	3423058	1	Pin	
42	3423059	1	Pin	
43	3423190	1	Pin	
44	3760133	7	Ring, Retaining	
45	3760217	1	Ring, Retaining	
46	3760233	1	Ring, Retaining	
47	3841143	7	Keeper, Pin	
48	3841203	1	Keeper, Pin	

SECTION 4 - BOOM

ITEM	PART NUMBER	QTY	DESCRIPTION	REV
49	3841258	2	Keeper, Pin	
51	3900259	4	Bolt, Shoulder	
52	4070864	16	Shim #18 Gauge	
53	4071044	1	Shim #18 Gauge	
54	4071045	1	Shim #11 Gauge	
55	4071073	16	Shim #18 Gauge	
56	4846482	1	Link, Jib (Upper) (Includes Item 25)	
57	4420060	52 ft/16m	Tape, Double-Sided	
58	0801550	1	Link, Jib (Lower)	
59	4630006	1	Pivot	
59A	0962224	2	Bearing	
60	1001200839	1	Link (Upper)	
60A	0962224	2	Bearing	
61	3010136	1	Link (Lower) (Includes Item 25)	
61A	0962224	2	Bearing	
61B	0962556	2	Bearing	
62	4891800	24	Washer 1/2	
63	3272001	1	Nut 5/8	
64	4100101	1	Sleeve, Pin Retainer	
65	0682014	1	Bolt 5/8 x 1-3/4	
66	3020042	AR	Lube, Super (Not Shown)	

SECTION 4 - BOOM

FIGURE 4-5. MAIN BOOM ASSEMBLY - WITH COLD WEATHER PLUS PACKAGE



ART_1001138812_10F2

SECTION 4 - BOOM

FIGURE 4-5. MAIN BOOM ASSEMBLY - WITH COLD WEATHER PLUS PACKAGE

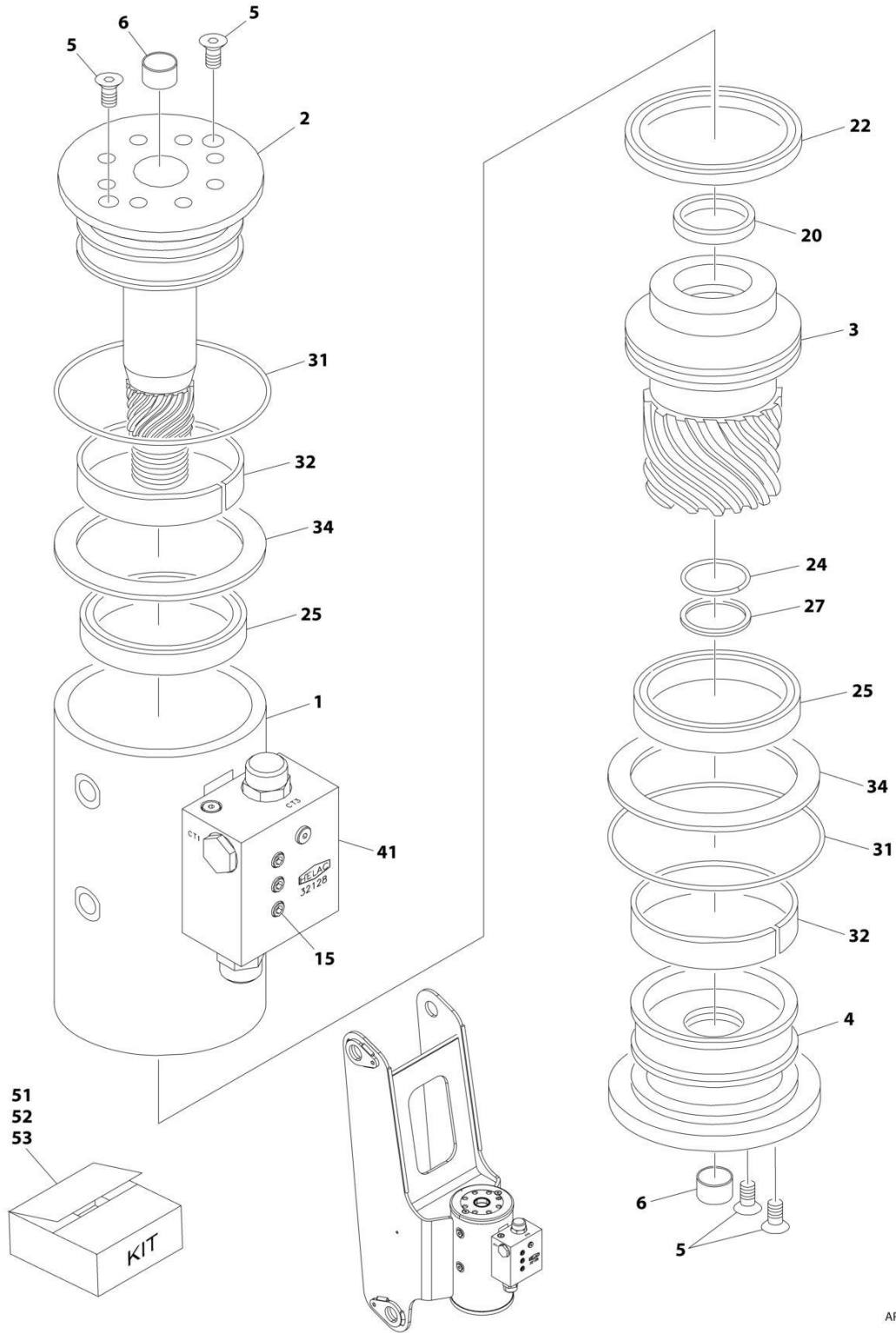
ITEM	PART NUMBER	QTY	DESCRIPTION	REV
	1001138812	Ref	MAIN BOOM ASSEMBLY - WITH COLD WEATHER PLUS PACKAGE	H
1	1001178247	1	Actuator Assembly (Platform Rotate) (See Separate Breakdown in this Section)	
2	1001178248	1	Actuator Assembly (Jib Rotate) (See Separate Breakdown in this Section)	
3	0100011	AR	Compound, Locking	
4	0100019	AR	Compound, Locking	
5	1001106483	2	Bar, Fiberglass	
6	1001106475	2	Bar, Fiberglass	
7	1001106476	1	Bar, Fiberglass	
8	0630558	1	Bolt, Special	
9	0641607	6	Bolt 3/8 x 7/8	
10	0641610	1	Bolt 3/8 x 1-1/4	
11	0641808	1	Bolt 1/2 x 1-1/8	
12	0641809	12	Bolt 1/2 x 1	
13	0641810	6	Bolt 1/2 x 1-1/4	
14	0641813	6	Bolt 1/2 x 1-5/8	
15	0642010	2	Bolt 5/8 x 1-1/4	
16	0682028	8	Bolt 5/8 x 3-1/2 Grade 8	
17	0682212	8	Bolt 3/4 x 1-1/2 Grade 8	
18	0741806	1	Screw 1/2 x 3/4	
19	0791606	2	Screw 3/8 x 3/4	
20	0801497	1	Base, Boom	
21	0801369	1	Fly, Boom	
22	0811606	12	Screw 3/8 x 3/4	
23	0811607	12	Screw 3/8 x 7/8	
24	0961951	8	Bushing (Part of Items 51 & 53)	
25	1100141	1	Cam	
26	1001228025	1	Jib Cylinder Assembly (See Separate Breakdown in CYLINDER SECTION)	
27	1001228080	1	Telescope Cylinder Assembly (See Separate Breakdown in CYLINDER SECTION)	
28	1001228034	1	Platform Level Cylinder Assembly (See Separate Breakdown in CYLINDER SECTION)	
29	3311605	1	Nut 3/8	
30	3340878	8	Pad, Wear	
31	3340974	8	Pad, Wear	
32	3422178	1	Pin	
33	3422937	1	Pin	
34	1001119899	2	Pin	
35	3422957	5	Pin	
36	3422958	1	Pin	
37	3423058	1	Pin	
38	3423059	1	Pin	
39	3423190	1	Pin	
40	3760133	7	Ring, Retaining	
41	3760217	1	Ring, Retaining	
42	3760233	1	Ring, Retaining	
43	3841143	7	Keeper, Pin	
44	3841203	1	Keeper, Pin	

SECTION 4 - BOOM

ITEM	PART NUMBER	QTY	DESCRIPTION	REV
45	3841258	2	Keeper, Pin	
46	3900259	4	Bolt, Shoulder	
47	4070864	16	Shim #18 Gauge	
48	4071044	1	Shim #18 Gauge	
49	4071045	1	Shim #11 Gauge	
50	4071073	16	Shim #18 Gauge	
51	4846482	1	Link, Jib (Upper) (Includes Item 24)	
52	4420060	52 ft/16m	Tape, Double-Sided	
53	0801550	1	Link, Jib (Lower) (Includes Item 24)	
54	4630006	1	Pivot	
54A	0962224	2	Bearing	
55	1001200839	1	Link (Upper)	
55A	0962224	2	Bearing	
56	3010136	1	Link (Lower)	
56A	0962224	2	Bearing	
56B	0962556	2	Bearing	
57	4891800	24	Washer 1/2	
58	3272001	1	Nut 5/8	
59	4100101	1	Sleeve, Pin Retainer	
60	0682014	1	Bolt 5/8 x 1-3/4	
61	3020042	AR	Lube, Super (Not Shown)	

SECTION 4 - BOOM

FIGURE 4-6. PLATFORM ROTATE ASSEMBLY



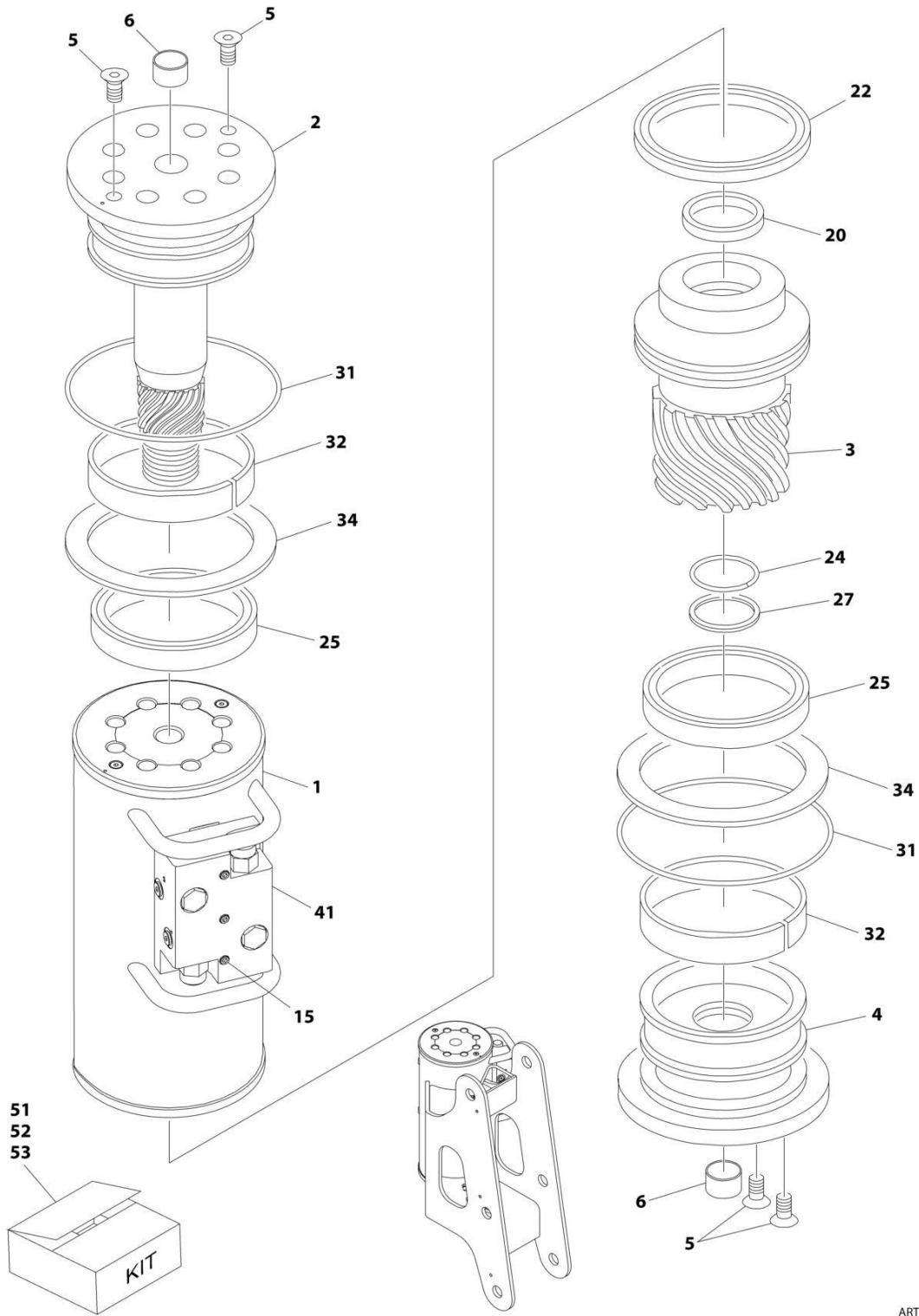
ART_1001178247

FIGURE 4-6. PLATFORM ROTATE ASSEMBLY

ITEM	PART NUMBER	QTY	DESCRIPTION	REV
	1001178247	Ref	PLATFORM ROTATE ASSEMBLY	A
1	See Note	NSS	Case/Bracket Weldment (Note: Not Available - Purchase Complete Assembly)	
2	7017162	1	Shaft	
3	7017163	1	Sleeve, Piston	
4	7017164	1	Cap, End	
5	See Note	AR	Screw (Note: See Item 53 for Replacement)	
5	See Note	AR	Dowel Pin (Note: See Item 53 for Replacement)	
6	7017195	2	Bushing	
15	See Note	NSS	Capscrew 1/4 x 1-1/2 Grade 8 (Note: Not Available for Purchase)	
20	See Note	1	Seal, Rod (Note: See Item 51 for Replacement Options)	
22	See Note	1	Seal, Piston (Note: See Item 51 for Replacement Options)	
24	See Note	1	Seal, Cap (Note: See Item 51 for Replacement Options)	
25	See Note	2	Packing, Bearing (Note: See Item 51 for Replacement Options)	
27	See Note	1	Ring, Cap Back-up (Note: See Item 51 for Replacement Options)	
31	See Note	2	Seal (Note: See Item 51 for Replacement Options)	
32	See Note	2	Bearing, Shaft (Note: See Item 52 for Replacement)	
34	See Note	2	Thrustwasher (Note: See Item 52 for Replacement)	
41	70001639	1	Motion Control Valve Assembly (Cartridges not serviced separately)	
51	70000342	1	Seal Kit (Includes Items 20, 22, 24, 25, 27 & 31)	
52	7017159	1	Bearing Kit (Includes Items 32 & 34)	
53	7017142	1	Hardware Kit (Includes Item 5 and Plugs)	

SECTION 4 - BOOM

FIGURE 4-7. JIB ROTATE ASSEMBLY



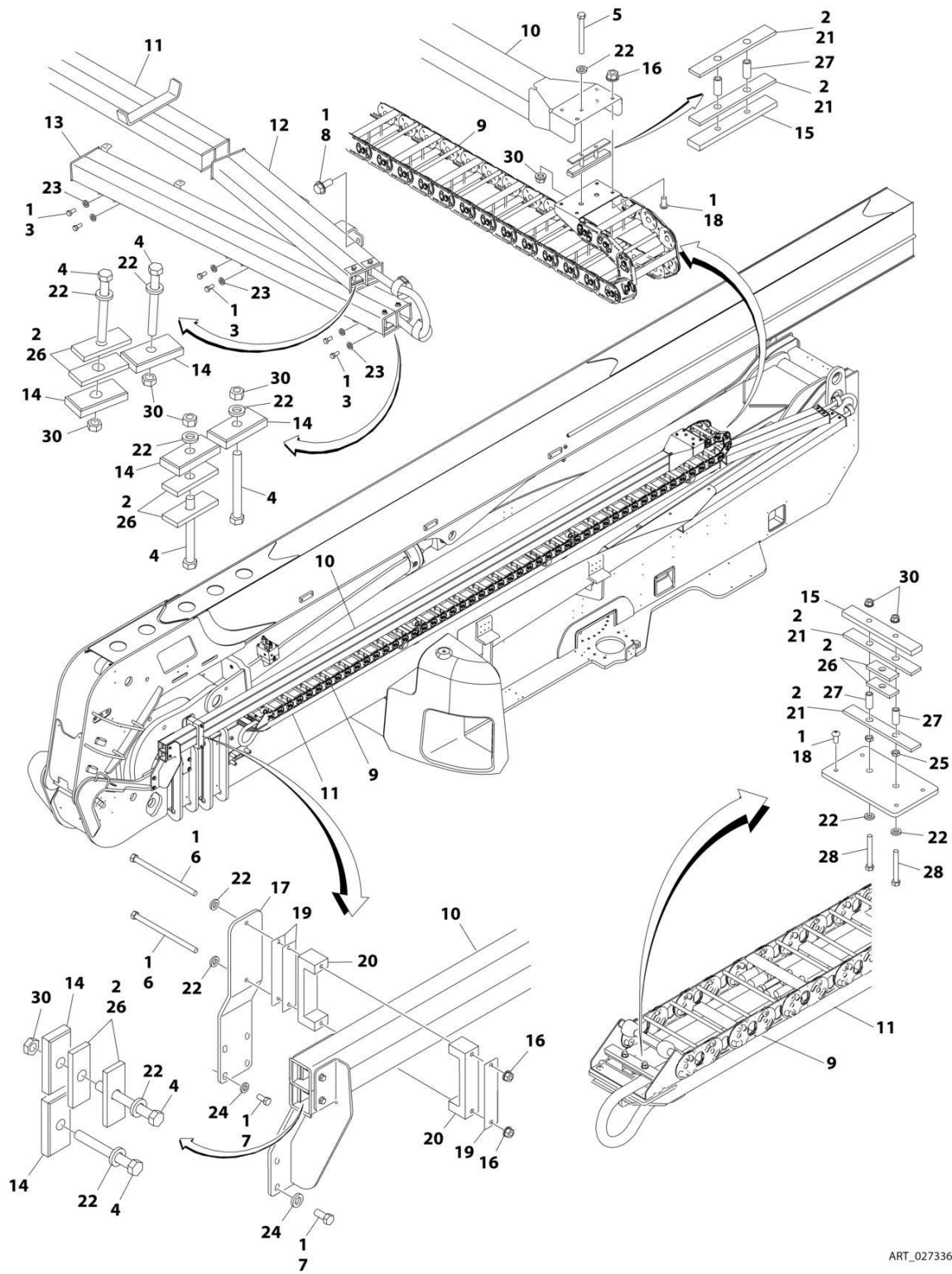
ART_1001178248

FIGURE 4-7. JIB ROTATE ASSEMBLY

ITEM	PART NUMBER	QTY	DESCRIPTION	REV
	1001178248	Ref	JIB ROTATE ASSEMBLY	A
1	See Note	NSS	Case/Bracket Weldment (Note: Not Available - Purchase Complete Assembly)	
2	7017162	1	Shaft	
3	7017163	1	Sleeve, Piston	
4	7017164	1	Cap, End	
5	See Note	AR	Screw (Note: See Item 53 for Replacement)	
5	See Note	AR	Dowel Pin (Note: See Item 53 for Replacement)	
6	7017195	2	Bushing	
15	See Note	NSS	Capscrew 1/4 x 1-1/2 Grade 8 (Note: Not Available for Purchase)	
20	See Note	1	Seal, Rod (Note: See Item 51 for Replacement Options)	
22	See Note	1	Seal, Piston (Note: See Item 51 for Replacement Options)	
24	See Note	1	Seal, Cap (Note: See Item 51 for Replacement Options)	
25	See Note	2	Packing, Bearing (Note: See Item 51 for Replacement Options)	
27	See Note	1	Ring, Cap Back-up (Note: See Item 51 for Replacement Options)	
31	See Note	2	Seal (Note: See Item 51 for Replacement Options)	
32	See Note	2	Bearing, Shaft (Note: See Item 52 for Replacement)	
34	See Note	2	Thrustwasher (Note: See Item 52 for Replacement)	
41	70002859	1	Motion Control Valve Assembly (Cartridges not serviced separately)	
51	70000796	1	Seal Kit (Includes Items 20, 22, 24, 25, 27 & 31)	
52	7017185	1	Bearing Kit (Includes Items 32 & 34)	
53	70001640	1	Hardware Kit (Includes Item 5 and Plugs)	

SECTION 4 - BOOM

FIGURE 4-8. POWER TRACK AND BOOM CLAMPS INSTALLATION (TOWER BOOM)



ART_0273360

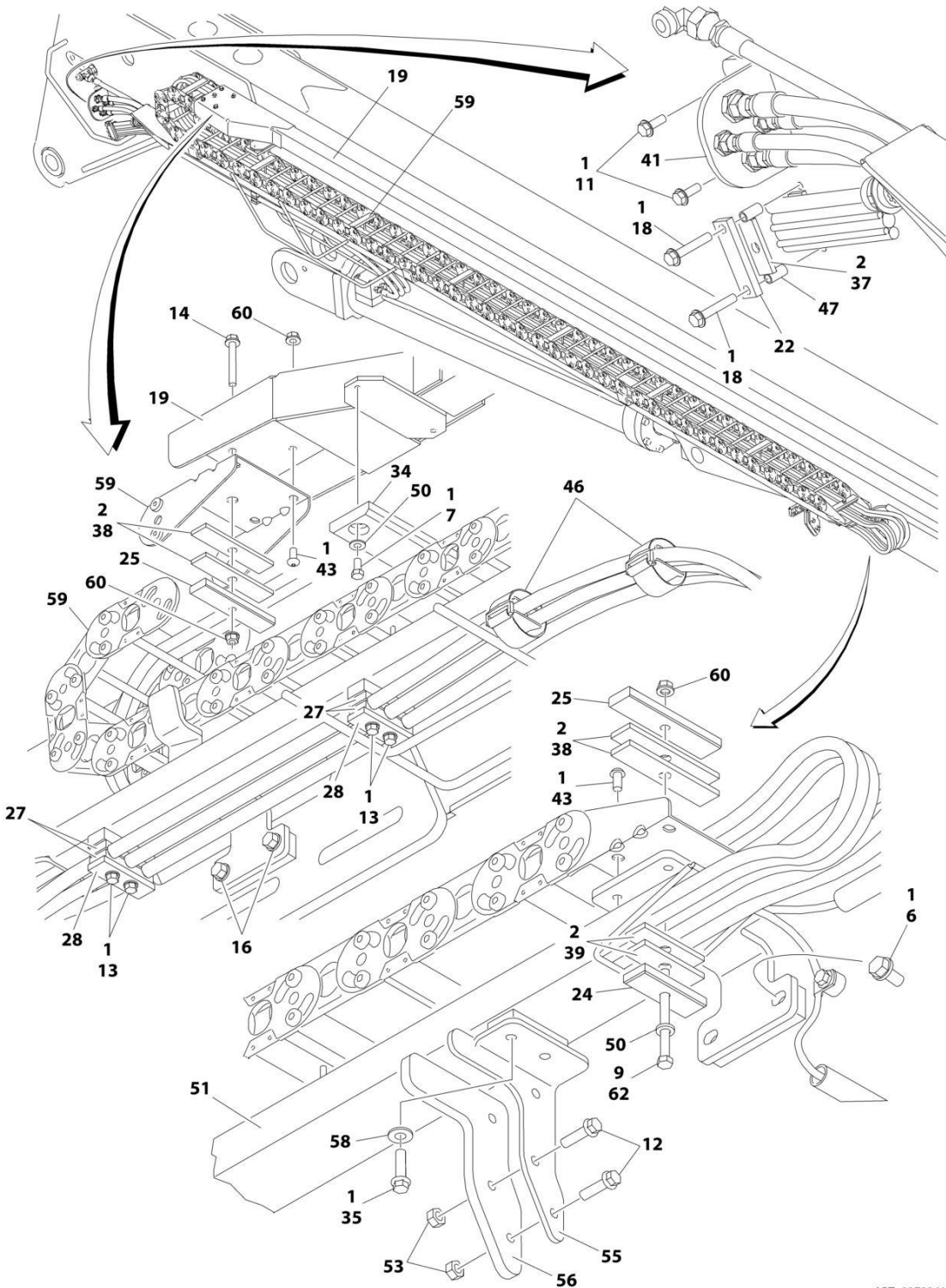
SECTION 4 - BOOM

FIGURE 4-8. POWER TRACK AND BOOM CLAMPS INSTALLATION (TOWER BOOM)

ITEM	PART NUMBER	QTY	DESCRIPTION	REV
	0273360	Ref	POWER TRACK AND BOOM CLAMPS INSTALLATION (TOWER BOOM)	F
1	0100011	AR	Compound, Locking	
2	0100081	AR	Adhesive #454	
3	0641606	6	Bolt 3/8 x 3/4	
4	0641628	6	Bolt 3/8 x 3-1/2	
5	0630539	2	Bolt 3/8 x 3-1/2	
6	0641652	2	Bolt 3/8 x 6-1/2	
7	0641809	8	Bolt 1/2 x 1-1/8	
8	0791808	12	Screw 1/2 x 1	
9	1001131730	1	Power Track, Tower Hose	
9	70003919	AR	Repair Section Kit (Includes Inner and Outer Links, Joining Bars and Rollers, and Assembling Hardware)	
9	70003920	1	Mounting Bracket Kit (Includes Mounting Brackets for Both Ends, 1 Roller Assembly and Assembling Hardware)	
10	1180387	1	Tube, Push (Upper Tower Boom)	
11	1180388	1	Tube, Carrier (Lower Tower Boom)	
12	1180389	1	Tube, Carrier (T/T to Tower Boom)	
13	1180390	1	Tube, Carrier (Turntable)	
14	1320288	6	Clamp, Bar	
15	1320328	2	Clamp, Bar	
16	3311608	6	Nut 3/8	
17	3574644	1	Plate, Support	
18	3900283	8	Screw 3/8 x 3/4	
19	4071076	3	Shim	
20	4220189	2	Block, Support	
21	4220190	4	Pad, Rubber	
22	4711600	12	Washer 3/8	
23	4891600	6	Washer 3/8	
24	4891800	8	Washer 1/2	
25	3311602	2	Nut 3/8	
26	3340941	8	Pad, Rubber	
27	4562516	3 in/7.6cm	Tubing, Poly	
28	0630593	2	Bolt 3/8 x 3-1/4	
29	4240155	AR	Strap (Not Shown)	
30	3300492	10	Nut, Lock Nylon Insert	

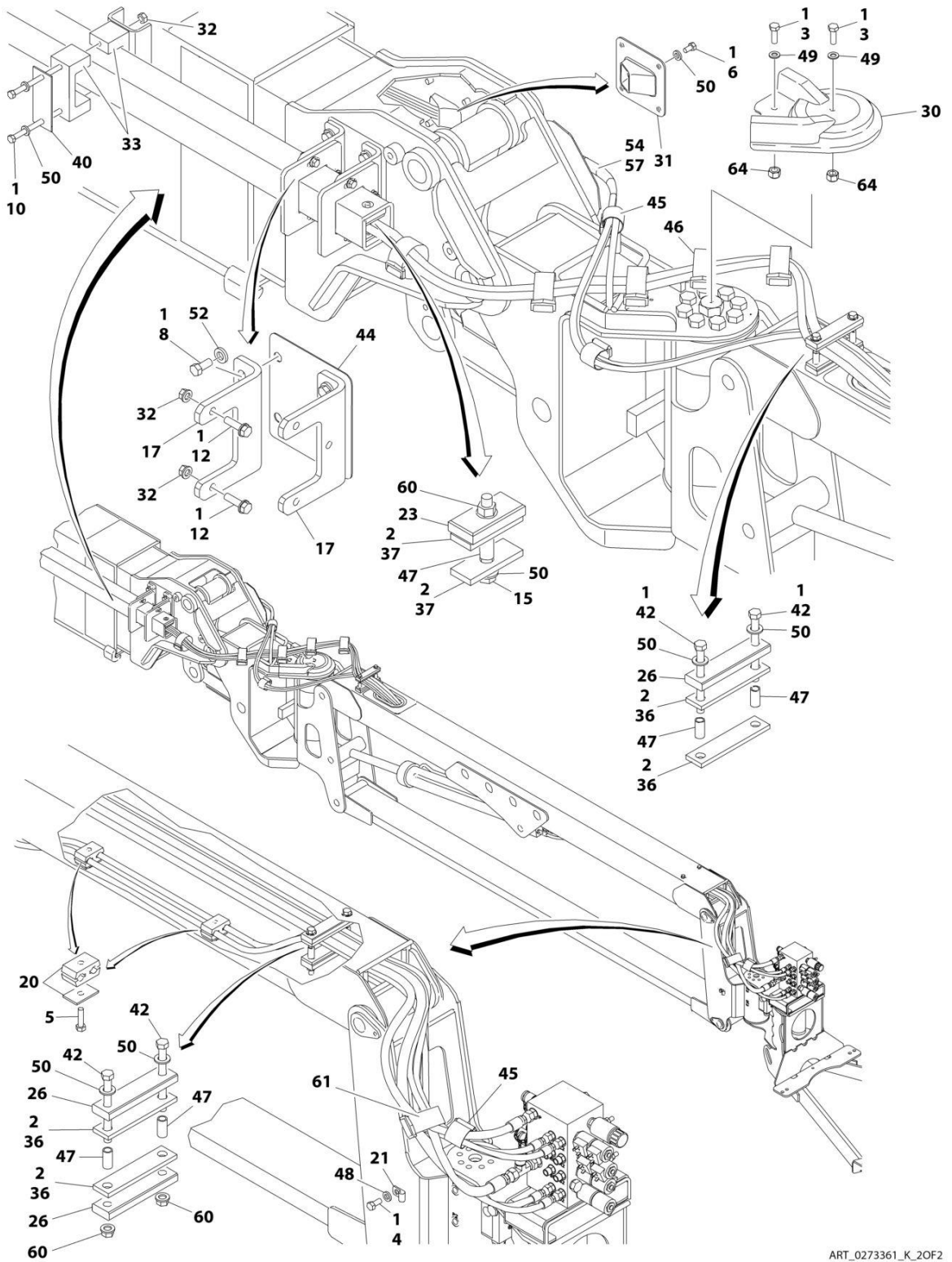
SECTION 4 - BOOM

FIGURE 4-9. POWER TRACK AND BOOM CLAMPS INSTALLATION (MAIN BOOM AND JIB)



ART_0273361_K_1OF2

SECTION 4 - BOOM



ART_0273361_K_20F2

SECTION 4 - BOOM

FIGURE 4-9. POWER TRACK AND BOOM CLAMPS INSTALLATION (MAIN BOOM AND JIB)

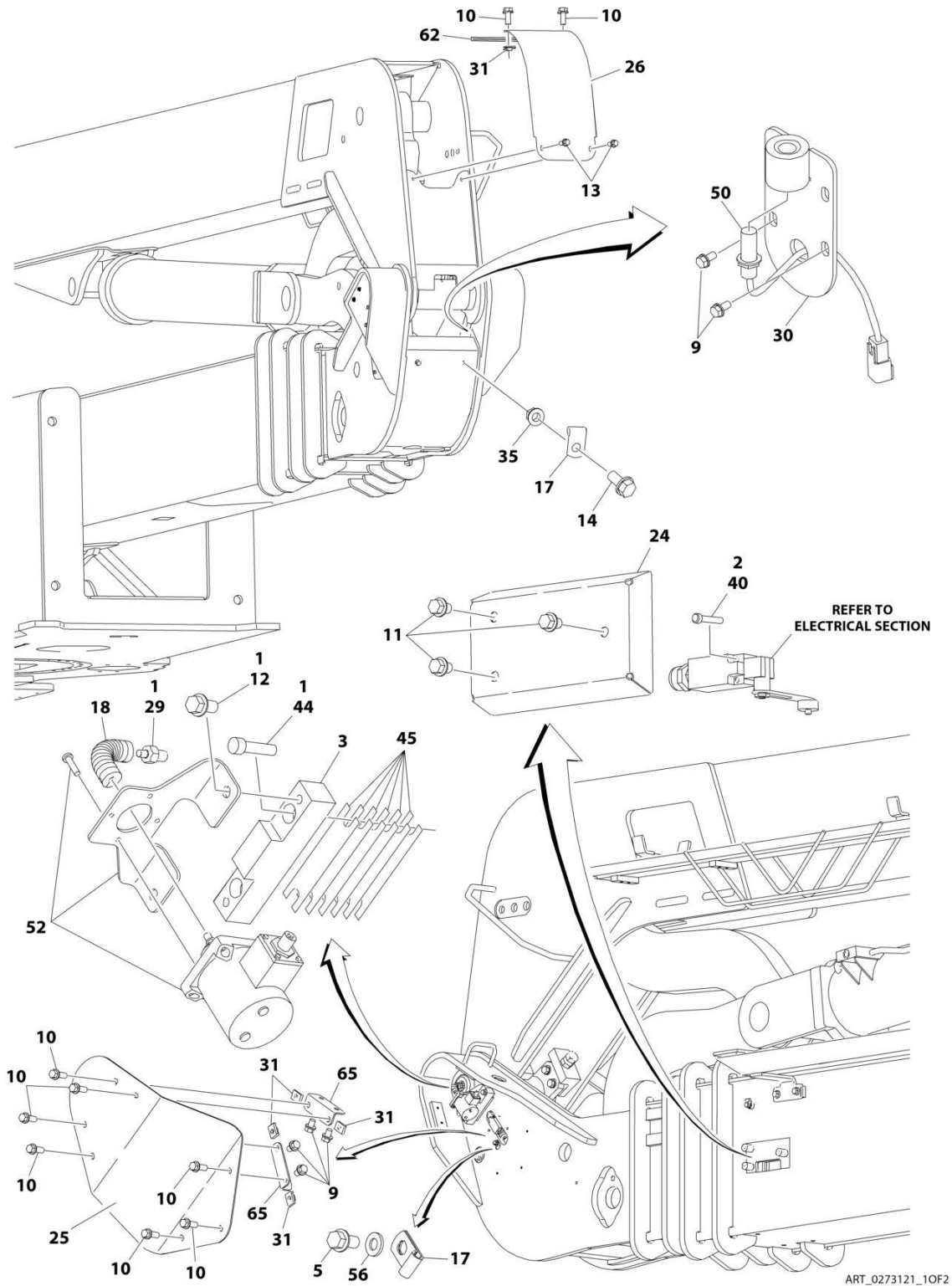
ITEM	PART NUMBER	QTY	DESCRIPTION	REV
	0273361	Ref	POWER TRACK AND BOOM CLAMPS INSTALLATION (MAIN BOOM AND JIB)	K
1	0100011	AR	Compound, Locking	
2	0100081	AR	Adhesive #454	
3	0760812	3	Screw M8 x 25	
4	0641406	1	Bolt 1/4 x 3/4	
5	0791510	2	Screw 5/16 x 1-1/4	
6	0641605	4	Bolt 3/8 x 5/8	
7	0641606	2	Bolt 3/8 x 3/4	
8	0641809	4	Bolt 1/2 x 1-1/8	
9	0641638	1	Bolt 3/8 x 4-3/4	
10	0641644	2	Bolt 3/8 x 5-1/2	
11	0791608	2	Screw 3/8 x 1	
12	0791610	10	Screw 3/8 x 1-1/4	
13	0791616	4	Screw 3/8 x 2	
14	0791622	1	Screw 3/8 x 2-3/4	
15	0641626	1	Bolt 3/8 x 3-1/4	
16	0791808	8	Screw 1/2 x 1	
17	0902932	2	Bracket, Mounting	
18	0791618	2	Screw 3/8 x 2-1/4	
19	1180386	1	Tube, Push (Upper Main Boom)	
20	1320159	2	Clamp, Hose	
21	1320263	2	Clamp, Hose	
22	1320277	1	Clamp, Hose	
23	1320288	1	Clamp, Hose	
24	1320289	1	Clamp, Hose	
25	1320294	2	Clamp, Bar	
26	1320296	3	Clamp, Bar	
27	1320325	2	Clamp, Block	
28	1320327	2	Clamp, Cover Plate	
30	1671122	1	Cover, Jib Pivot	
31	2540044	1	Guide, Hose	
32	3311608	12	Nut 3/8	
33	3340764	2	Pad, Push Tube	
34	3340787	NLA	Pad, Wear (Use p/n 1001136469)	
35	0811606	2	Screw 3/8 x 3/4	
36	3340934	4	Pad, Clamp	
37	3340941	4	Pad, Rubber	
38	3340942	4	Pad, Rubber	
39	3340943	2	Pad, Rubber	
40	3538758	1	Plate, Backing	
41	3574606	1	Plate, Bulkhead Mounting	
42	3900260	4	Capscrew 3/8 x 4	
43	3900283	8	Screw 3/8 x 3/4	
44	4071072	1	Shim, Adjusting 16Ga	
45	4240153	AR	Tie-Strap	
46	4240155	AR	Tie-Strap	
47	4562516	7 in/18 cm	Tubing, Poly	
48	4711400	1	Washer 1/4	
49	4811900	6	Washer M8	

SECTION 4 - BOOM

ITEM	PART NUMBER	QTY	DESCRIPTION	REV
50	4711600	18	Washer 3/8	
51	4846920	1	Tube, Carrier (Lower Main Boom)	
52	4891800	4	Washer 1/2	
53	3311605	4	Nut 3/8	
54	4240033	AR	Tie-Strap	
55	0902965	1	Bracket, Push Tube Guide	
56	4220197	1	Pad, Guide Tube	
57	4100063	1	Sleeve	
58	4891600	2	Washer 3/8	
59	1001131732	1	Power Track, Main Cable	
59	70003913	AR	Repair Section Kit (Includes Inner and Outer Links, Joining Bars and Rollers, and Assembling Hardware)	
59	70003914	1	Roller Link Section Kit (Includes 1 Roller Assembly and Assembling Hardware)	
59	70003916	1	Mounting Bracket Kit (Includes Mounting Brackets for Both Ends and Assembling Hardware)	
60	3300492	5	Nut, Lock Nylon Insert	
61	4240156	1	Tie-Strap	
62	0641636	1	Bolt 3/8 x 4-1/2	
63	1321385	1	Clamp, Hose Retaining (Located at Platform Rotator - Not Shown)	
64	3290805	3	Nut M8	

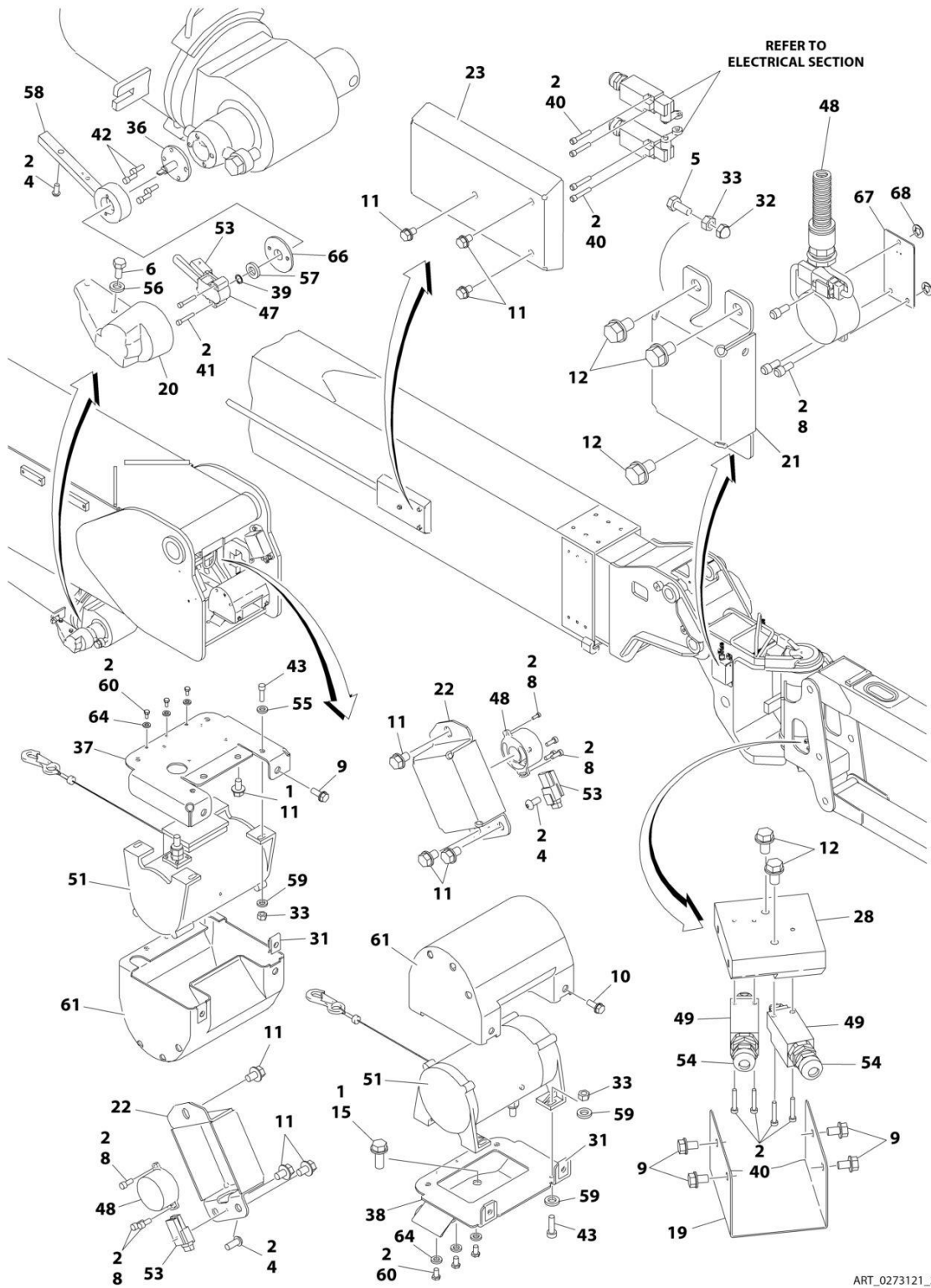
SECTION 4 - BOOM

FIGURE 4-10. BOOM SENSORS AND SWITCHES INSTALLATION



ART_0273121_10F2

SECTION 4 - BOOM



ART_0273121_20F2

SECTION 4 - BOOM

FIGURE 4-10. BOOM SENSORS AND SWITCHES INSTALLATION

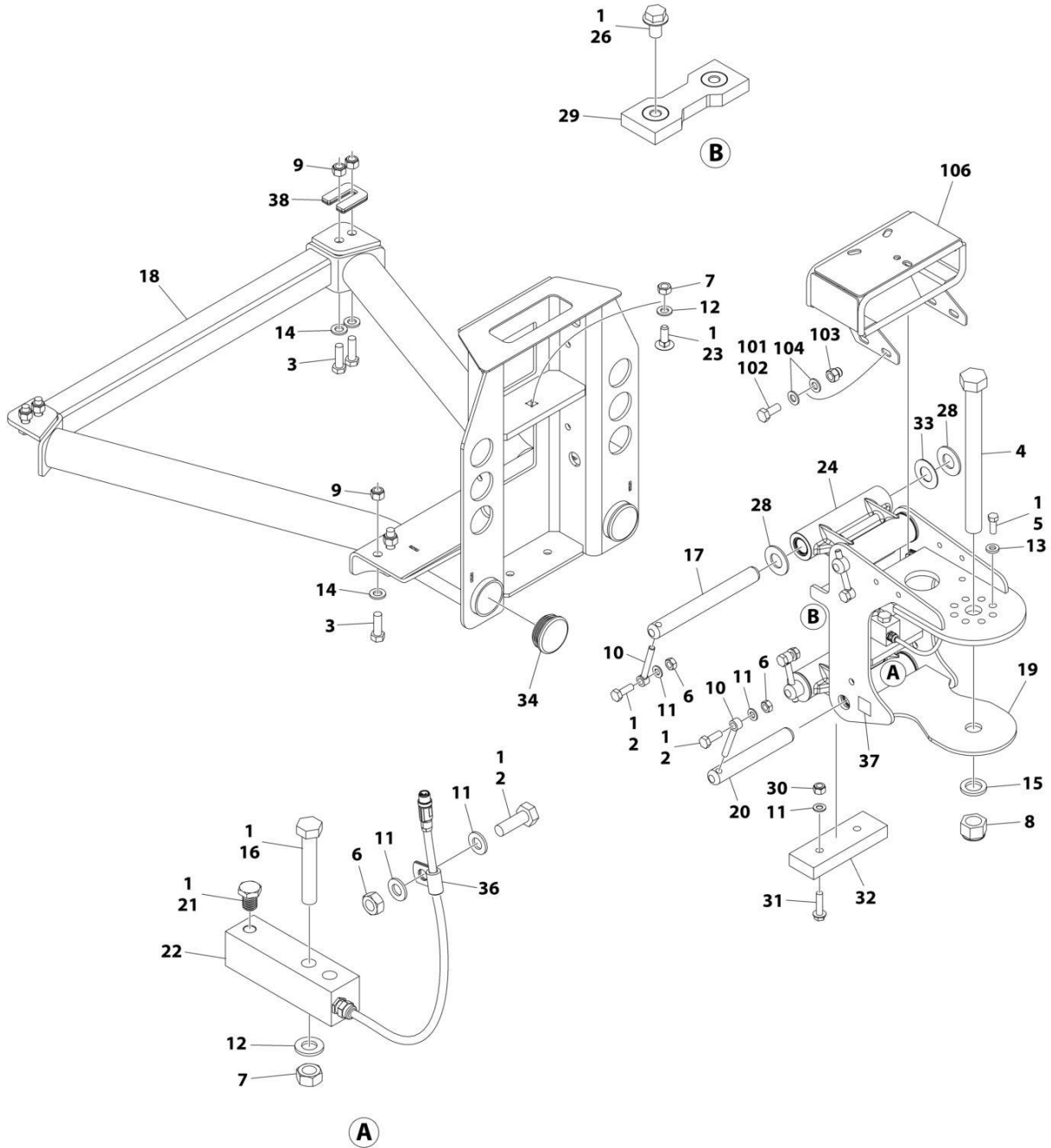
ITEM	PART NUMBER	QTY	DESCRIPTION	REV
	0273121	Ref	BOOM SENSORS AND SWITCHES INSTALLATION	P
1	0100011	AR	Compound, Locking	
2	0100035	AR	Compound, Locking	
3	0363224	2	Bar, Sensor Mounting	
4	0630464	3	Screw #10 x 1/2	
5	0641405	2	Bolt 1/4 x 5/8	
6	0641505	1	Bolt 5/16 x 5/8	
8	3930606	12	Capscrew #6 x 3/8	
9	0791504	17	Screw 5/16 x 1/2	
10	0791506	20	Screw 5/16 x 3/4	
11	0791604	20	Screw 3/8 x 1/2	
12	0791605	12	Screw 3/8 x 5/8	
13	0791606	2	Screw 3/8 x 3/4	
14	0791608	2	Screw 3/8 x 1	
15	0791810	2	Screw 1/2 x 1-1/4	
16	4240018	AR	Tie-Strap (Not Shown)	
17	1320301	7	Clamp, Hose	
18	1660261	2	Coupling, Rotary Sensor	
19	1671039	1	Cover, Jib Switch	
20	1671040	1	Cover, Sensor	
21	1671044	2	Cover, Level Sensor	
22	1671112	2	Cover, Angle Sensor	
23	1671113	2	Cover, Limit Switch	
24	1671117	1	Cover, Limit Switch	
25	3380528	2	Cover, Rotary Sensor	
26	1671123	1	Cover, Main Base Hose	
28	3200433	1	Mount, Jib Switch	
29	3200458	2	Mount, Coupling	
30	4340959	1	Mount, Sensor	
31	3300364	14	Nut, Tinnerman 5/16	
32	3300430	2	Nut 1/4	
33	3311405	10	Nut 1/4	
35	3311608	2	Nut 3/8	
36	3423256	1	Pin, Sensor (Note: Control System must be re-calibrated when Switch is replaced)	
37	4340810	1	Mount, Sensor (Upper)	
38	4340811	1	Mount, Sensor (Lower)	
39	3760383	1	Ring	
40	3930816	14	Capscrew #8 x 1	
41	3931020	2	Capscrew #10 x 1-1/4	
42	3931412	4	Capscrew 1/4 x 3/4	
43	3931414	8	Capscrew 1/4 x 7/8	
44	3931624	4	Capscrew 3/8 x 1-1/2	
45	4071031	12	Shim, Trunnion Keeper	
46	4240033	AR	Tie-Strap (Not Shown)	
47	4360505	1	Switch, Rotary Angle Sensor (Note: Control System must be re-calibrated when Switch is replaced)	
48	1001147479	4	Switch, Digital Angle Sensor (Note: Control System must be re-calibrated when Switch is replaced)	
49	4360548	2	Switch, Plunger	

SECTION 4 - BOOM

ITEM	PART NUMBER	QTY	DESCRIPTION	REV
50	4000008	1	Sensor, Proximity Assembly	
51	4360552	2	Switch, Boom Length (Note: Control System must be re-calibrated when Switch is replaced)	
52	4360622	2	Switch, Rotary Transducer (Note: Control System must be re-calibrated when Switch is replaced)	
53	4460914	3	Terminal, Base	
54	4460968	3	Connector, Strain Relief	
55	4711400	8	Washer 1/4	
56	4711500	2	Washer 5/16	
57	4711800	1	Washer 1/2	
58	0200833	1	Arm	
59	4891400	8	Washer 1/4	
60	0721003	6	Screw #10 x 3/8	
61	1671142	2	Cover, Length Sensor	
62	3960389	11 in /28cm	Seal	
63	3960571	1	Seal, Gasket (Not Shown)	
64	4751000	6	Washer #10	
65	4340861	4	Plate, Mounting	
66	0080277	1	Adapter, Angle Sensor Pilot	
67	4341158	2	Mount, Sensor	
68	8310070	6	Pushnut 3/8	

SECTION 4 - BOOM

FIGURE 4-11. PLATFORM SUPPORT INSTALLATION



ART_1001167596_N

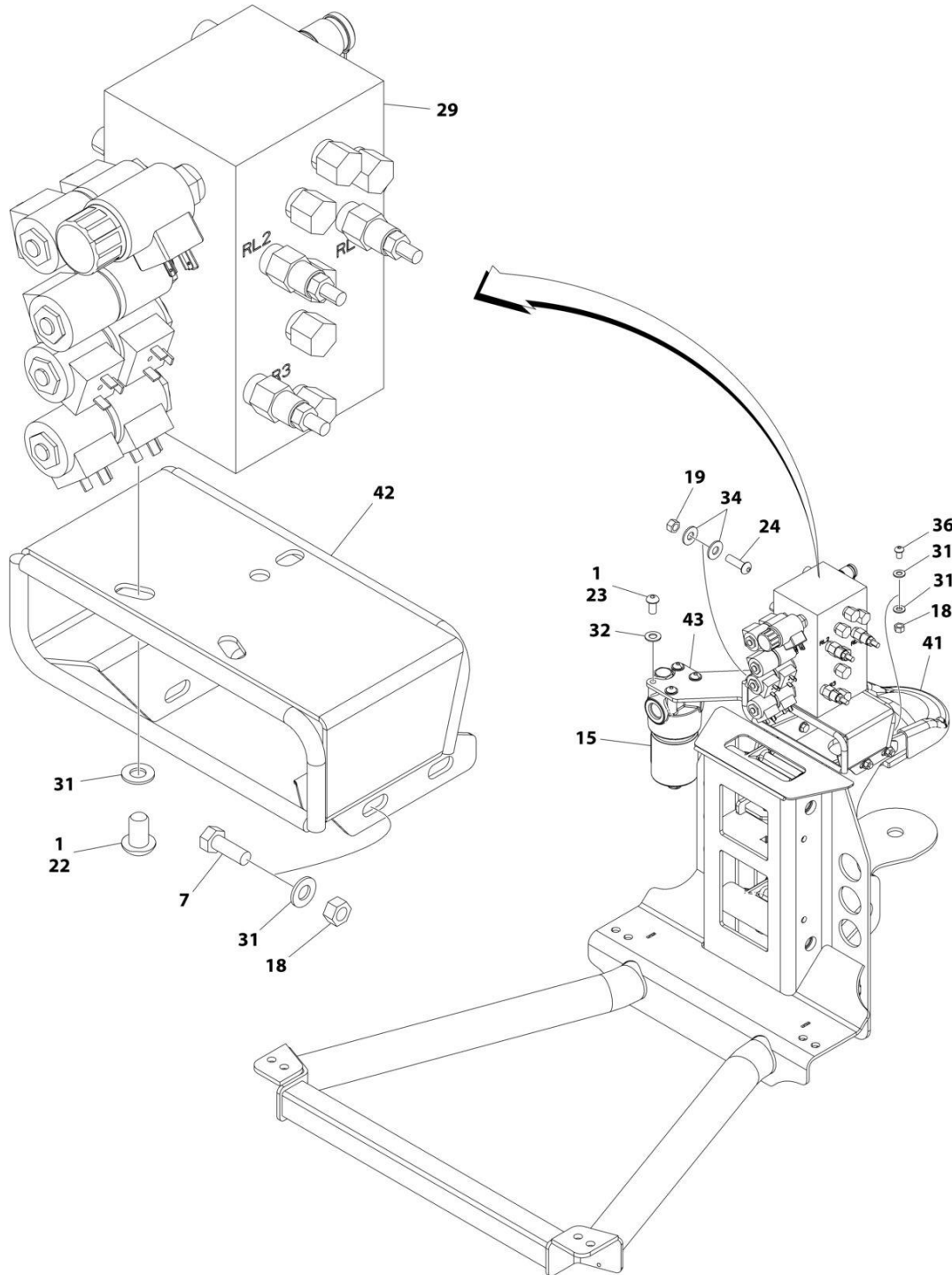
SECTION 4 - BOOM

FIGURE 4-11. PLATFORM SUPPORT INSTALLATION

ITEM	PART NUMBER	QTY	DESCRIPTION	REV
	1001167596	Ref	PLATFORM SUPPORT INSTALLATION	N
1	0100011	AR	Compound, Locking	
2	0761014	5	Bolt M10 x 30	
3	0761216	8	Bolt M12 x 40	
4	1001255133	1	Bolt 1 x 11 GRD8	
5	0681608	8	Bolt 3/8 x 1 GRD8	
6	3291001	5	Nut M10	
7	3291201	3	Nut M12	
8	1001174040	1	Nut 1	
9	3291205	8	Nut M12	
10	3841143	4	Keeper, Pin	
11	4812000	8	Washer M10	
12	4812100	3	Washer M12	
13	4891600	8	Washer 3/8	
14	5241200	8	Washer M12	
15	4892600001	1	Washer 1	
16	1001098828	2	Bolt M12 x 70 CL10.9	
17	1001167565	2	Pin	
18	1001200494	1	Support, Platform	
19	1001167567	1	Support, Rotator	
20	1001168402	2	Pin	
21	1001188622	1	Screw	
22	1001247468	1	Loadcell	
23	1001188844	1	Bolt M12 x 35	
24	1001201351	2	Link	
24	1001187382	4	Bearing	
24	1001187383	4	Seal	
26	5251008	2	Bolt M10 x 16 CL10.9	
28	1001189002	8	Bearing	
29	1001190985	1	Pad, Wear	
30	3291005	2	Nut M10	
31	5251016	2	Bolt M10 x 40 CL10.9	
32	1001200491	1	Pad, Wear	
33	1001189001	4	Bearing	
34	1001204725	2	Plug	
36	91203039	1	Clamp	
37	1001216630	2	Decal - Tie Down/No Lift	
38	1001238421	Ref	Kit, Platform Leveling (Not Shown)	
	1001202687	Ref	VALVE MOUNT INSTALLATION	B
101	0100011	AR	Compound, Locking	
102	0760810	4	Bolt M8 x 20	
103	3290806	4	Nut M8	
104	4811900	8	Washer M8	
106	1001208994	1	Mount, Valve	

SECTION 4 - BOOM

FIGURE 4-12. CONTROL VALVE INSTALLATION - PLATFORM



ART_1001219989_F_30F3

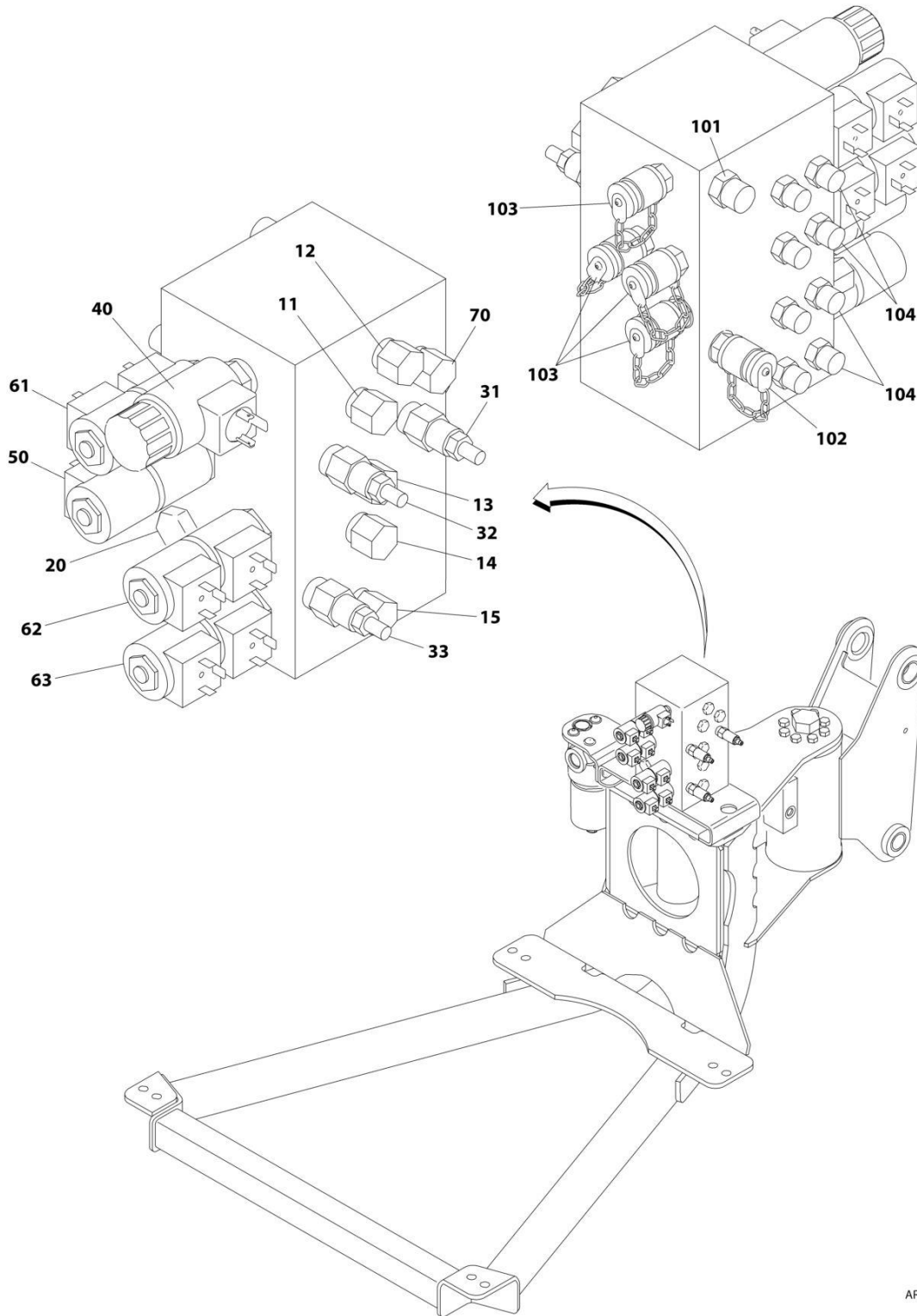
SECTION 4 - BOOM

FIGURE 4-12. CONTROL VALVE INSTALLATION - PLATFORM

ITEM	PART NUMBER	QTY	DESCRIPTION	REV
	1001219989	Ref	CONTROL VALVE INSTALLATION - WITH 1 CELL LSS	F
1	0100011	AR	Compound, Locking	
7	0641507	4	Bolt 5/16 x 7/8	
15	2120217	1	Filter, Pressure	
15	70002097	1	Element	
15	70004328	1	Plug, Indicator	
18	3311505	6	Nut 5/16	
19	3311605	2	Nut 3/8	
22	3900210	3	Screw 5/16 x 3/4	
23	3900283	4	Screw 3/8 x 3/4	
24	3900316	2	Screw 3/8 x 1	
29	4641460	1	Platform Valve (See Separate Breakdown in this Section)	
31	4711500	12	Washer 5/16	
32	4711600	4	Washer 3/8	
34	4751600	4	Washer 3/8	
36	88261024	2	Bolt 5/16 x 1	
41	1001207969	1	Cover, Support/Rotator	
42	1001208994	1	Plate, Valve Mounting	
43	1001222314	1	Bracket, Filter Mounting	

SECTION 4 - BOOM

FIGURE 4-13. PLATFORM VALVE ASSEMBLY



ART_4641460

SECTION 4 - BOOM

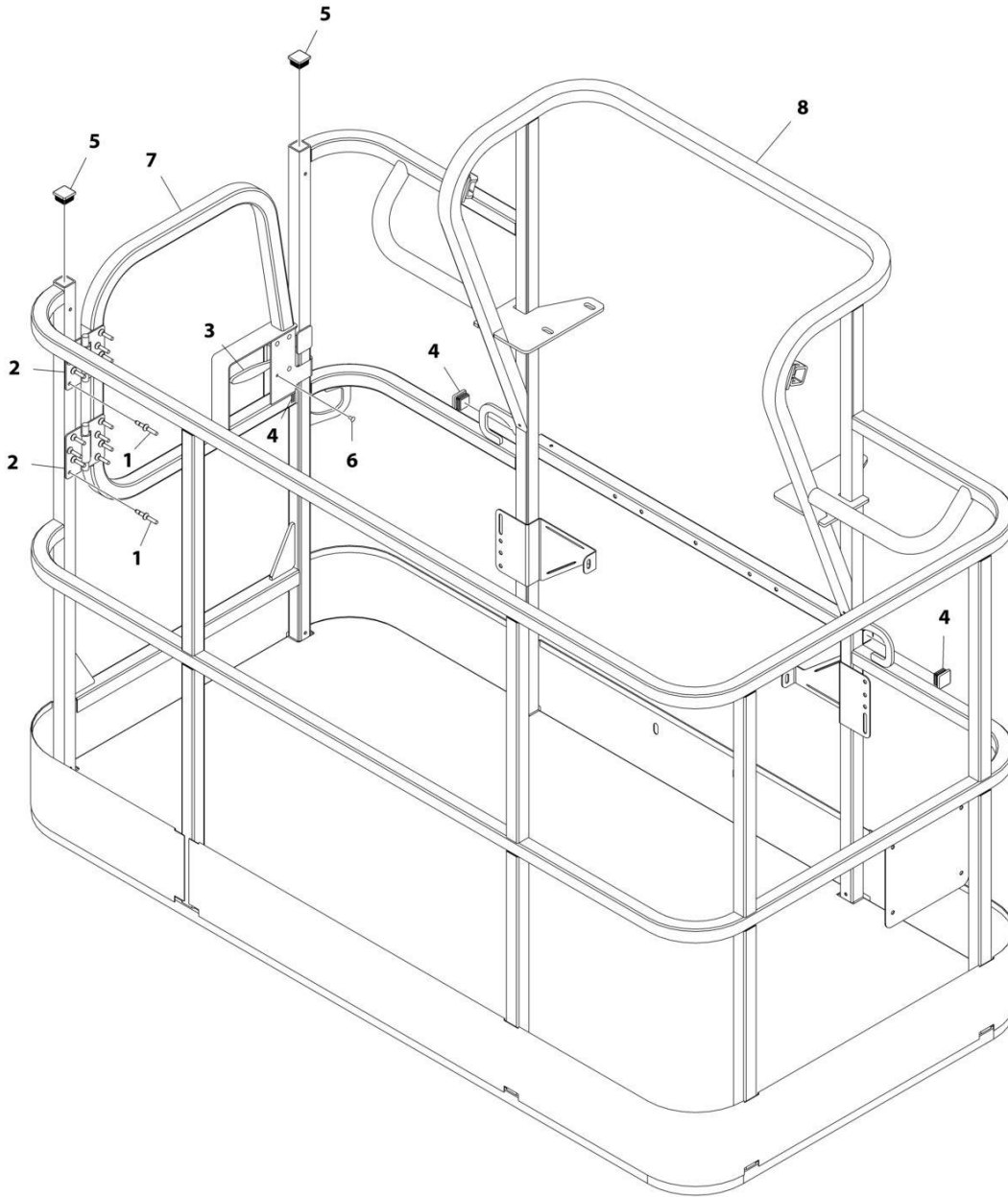
FIGURE 4-13. PLATFORM VALVE ASSEMBLY

ITEM	PART NUMBER	QTY	DESCRIPTION	REV
	4641460	Ref	PLATFORM VALVE ASSEMBLY	C
11	7026018	1	Valve, Cartridge	
11	7011346	1	Seal Kit - Valve	
12	7026019	1	Valve, Cartridge (Flow Control)	
12	7011346	1	Seal Kit - Valve	
13	7026020	1	Valve, Cartridge (Rotate)	
13	7011346	1	Seal Kit - Valve	
14	7026021	1	Valve, Cartridge (Jib Swing)	
14	7011346	1	Seal Kit - Valve	
15	7026019	1	Valve, Cartridge (Jib Lift)	
15	7011346	1	Seal Kit - Valve	
20	7011355	1	Valve, Cartridge (Jib)	
20	2900770	1	Seal Kit - Valve	
31	7024572	1	Valve, Relief Cartridge (Platform Level Up)	
31	7011346	1	Seal Kit - Valve	
32	7024572	1	Valve, Relief Cartridge (Platform Level Down)	
32	7011346	1	Seal Kit - Valve	
33	7024572	1	Valve, Relief Cartridge (Jib Up/Down)	
33	7011346	1	Seal Kit - Valve	
40	7026022	1	Valve, Cartridge (Dump)	
40	2900770	1	Seal Kit - Valve	
40	7024571	1	Coil	
50	7023922	1	Valve, Cartridge (Platform Rotate)	
50	7017402	1	Seal Kit - Valve	
50	7012944	2	Coil	
61	7023922	1	Valve, Cartridge (Platform Level)	
61	7017402	1	Seal Kit - Valve	
61	7012944	2	Coil	
62	7023922	1	Valve, Cartridge (Jib Swing)	
62	7017402	1	Seal Kit - Valve	
62	7012944	2	Coil	
63	7023922	1	Valve, Cartridge (Jib Lift)	
63	7017402	1	Seal Kit - Valve	
63	7012944	2	Coil	
70	7026023	1	Valve, Cartridge (Check)	
70	7011346	1	Seal Kit - Valve	
	4641460	Ref	Platform Valve Assembly (Fitting Information)	C
101	2110606	1	Fitting, Straight	
102	4641255	1	Fitting (Check Valve)	
103	2221086	4	Check, Pressure	
104	2110404	8	Fitting, Straight	

SECTION 5 - PLATFORM

SECTION 5 - PLATFORM

FIGURE 5-1. PLATFORM ASSEMBLY - 36IN X 6FT (91.5CM X 1.83M) WITH SWING GATE



ART_1001186384

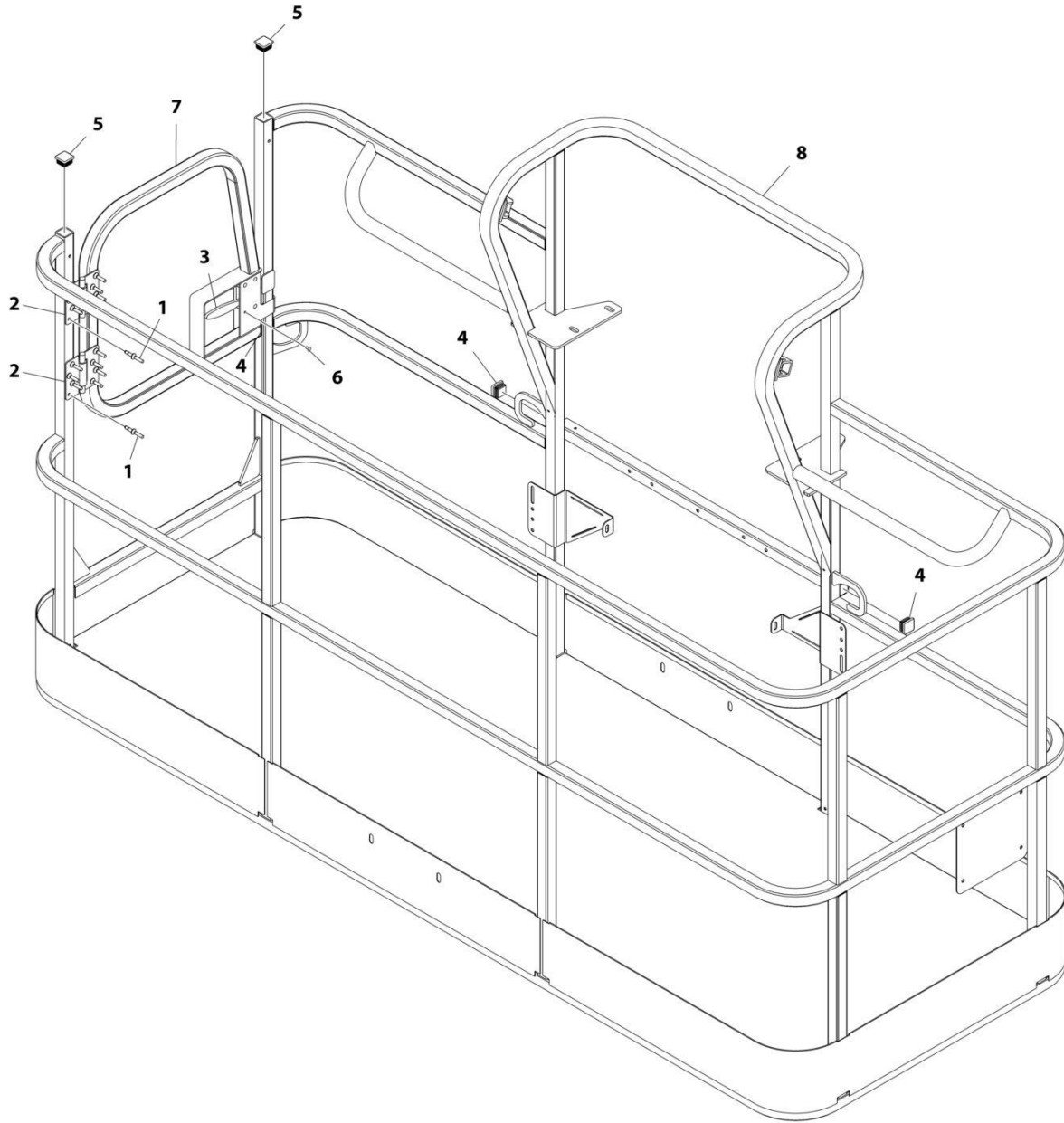
SECTION 5 - PLATFORM

FIGURE 5-1. PLATFORM ASSEMBLY - 36IN X 6FT (91.5CM X 1.83M) WITH SWING GATE

ITEM	PART NUMBER	QTY	DESCRIPTION	REV
	1001186384	Ref	PLATFORM ASSEMBLY - 36IN X 6FT (91.5CM X 1.83M) WITH SWING GATE	C
	See Note	Ref	Note: Platform and Mesh must be ordered separately for Platforms with Mesh. See SPECIAL OPTIONS SECTION for Mesh Installations.	
	See Note	Ref	Note: Replacement Decals Must be Ordered Separately - See DECALS SECTION.	
1	2080040	16	Fastener, Huck	
2	2600281	2	Hinge	
3	2940074	1	Latch	
4	3520072	3	Plug	
5	3520198	2	Plug	
6	3820020	4	Rivet	
7	1001144629	1	Gate	
8	See Note	NSS	Platform (Note: Not Available - Purchase Platform Assembly)	

SECTION 5 - PLATFORM

FIGURE 5-2. PLATFORM ASSEMBLY - 36IN X 8FT (91.5CM X 2.44M) WITH SWING GATE



ART_1001186383

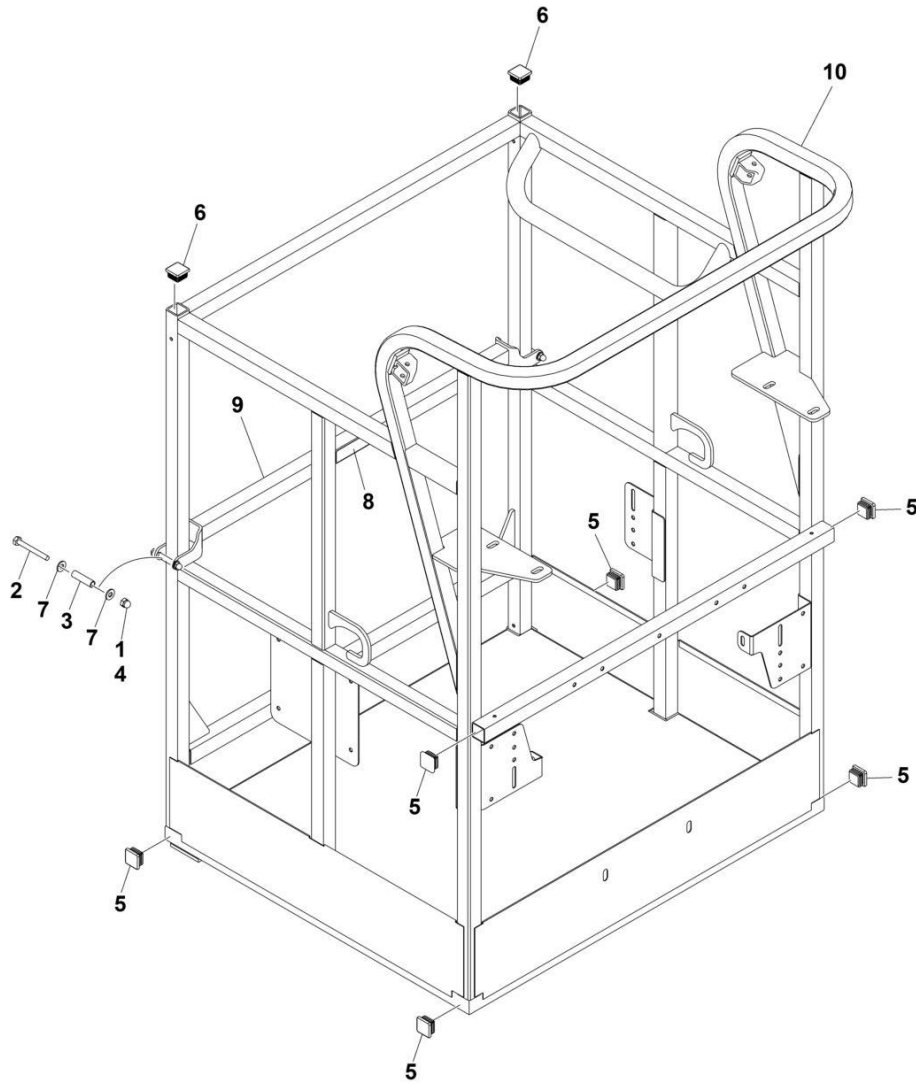
SECTION 5 - PLATFORM

FIGURE 5-2. PLATFORM ASSEMBLY - 36IN X 8FT (91.5CM X 2.44M) WITH SWING GATE

ITEM	PART NUMBER	QTY	DESCRIPTION	REV
	1001186383	Ref	PLATFORM ASSEMBLY - 36IN X 8FT (91.5CM X 2.44M) WITH SWING GATE	D
		Ref	Note: Platform and Mesh must be ordered separately for Platforms with Mesh. See SPECIAL OPTIONS SECTION for Mesh Installations.	
		Ref	Note: Replacement Decals Must be Ordered Separately - See DECALS SECTION.	
1	2080040	16	Fastener, Huck	
2	2600281	2	Hinge	
3	2940074	1	Latch	
4	3520072	3	Plug	
5	3520198	2	Plug	
6	3820020	4	Rivet	
7	1001144629	1	Gate	
8	See Note	NSS	Platform (Note: Not Available - Purchase Platform Assembly)	

SECTION 5 - PLATFORM

FIGURE 5-3. PLATFORM ASSEMBLY - 30IN X 3FT (76CM X .91M) - WITH DROP BAR



ART_1001228215

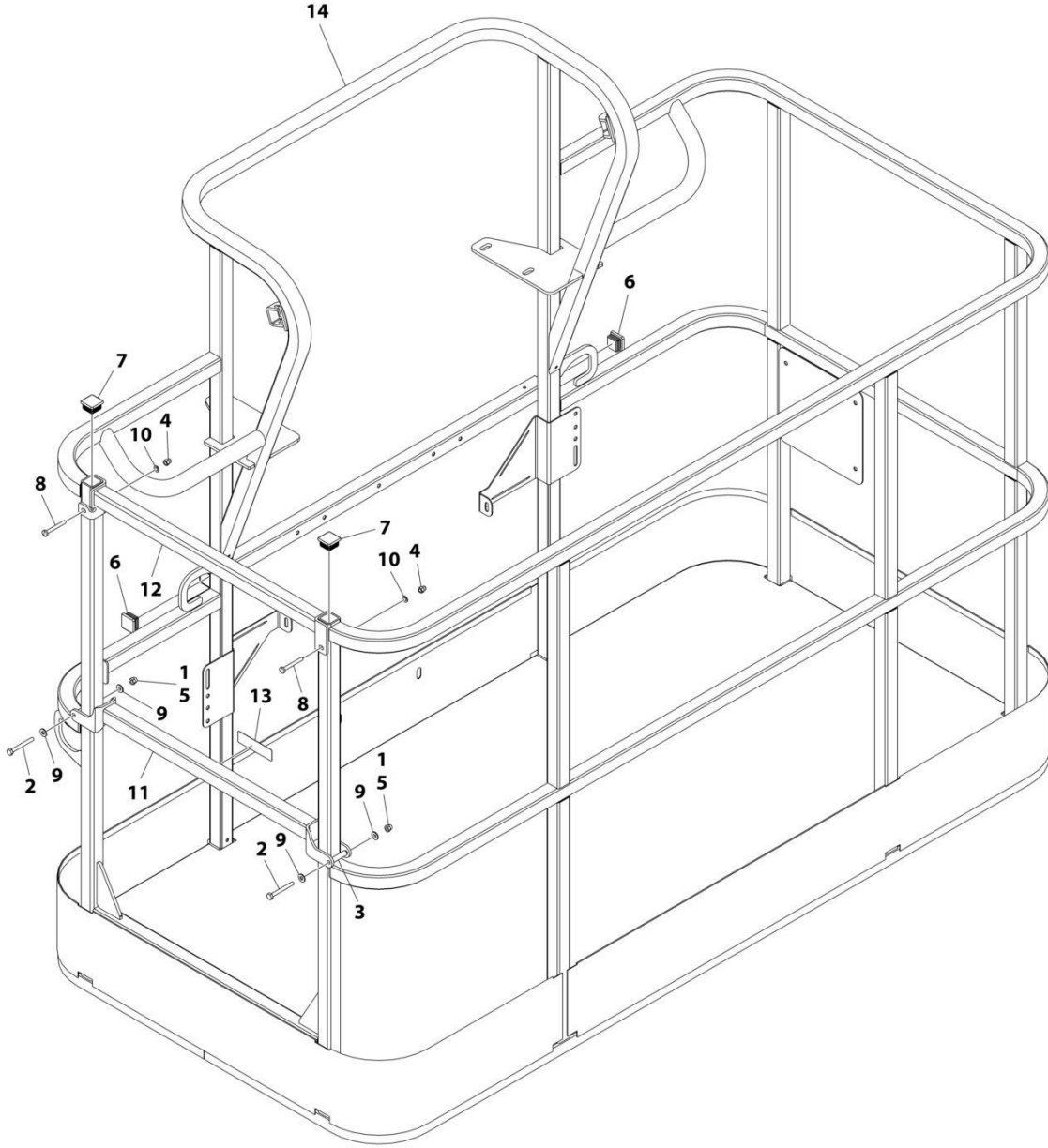
SECTION 5 - PLATFORM

FIGURE 5-3. PLATFORM ASSEMBLY - 30IN X 3FT (76CM X .91M) - WITH DROP BAR

ITEM	PART NUMBER	QTY	DESCRIPTION	REV
	1001228215	Ref	PLATFORM ASSEMBLY	A
	See Note	Ref	Note: Platform and Mesh must be ordered separately for Platforms with Mesh. See SPECIAL OPTIONS SECTION for Mesh Installations.	
	See Note	Ref	Note: Replacement Decals Must be Ordered Separately - See DECAL SECTION.	
1	0100011	AR	Compound, Locking	
2	0641418	2	Bolt 1/4 x 2-1/4	
3	0961845	2	Bushing	
4	3300151	2	Nut 1/4	
5	3520072	6	Cap, Plug	
6	3520198	2	Cap, Plug	
7	4711400	4	Washer 1/4	
8	1001140429	1	Decal - Drop Bar	
9	1001226872	1	Bar, Drop	
10	See Note	NSS	Platform (Note: Not Available - Purchase Platform Assembly)	

SECTION 5 - PLATFORM

FIGURE 5-4. PLATFORM ASSEMBLY - 36IN X 6FT (91.5CM X 1.83M) WITH DROP BAR



ART_1001186379

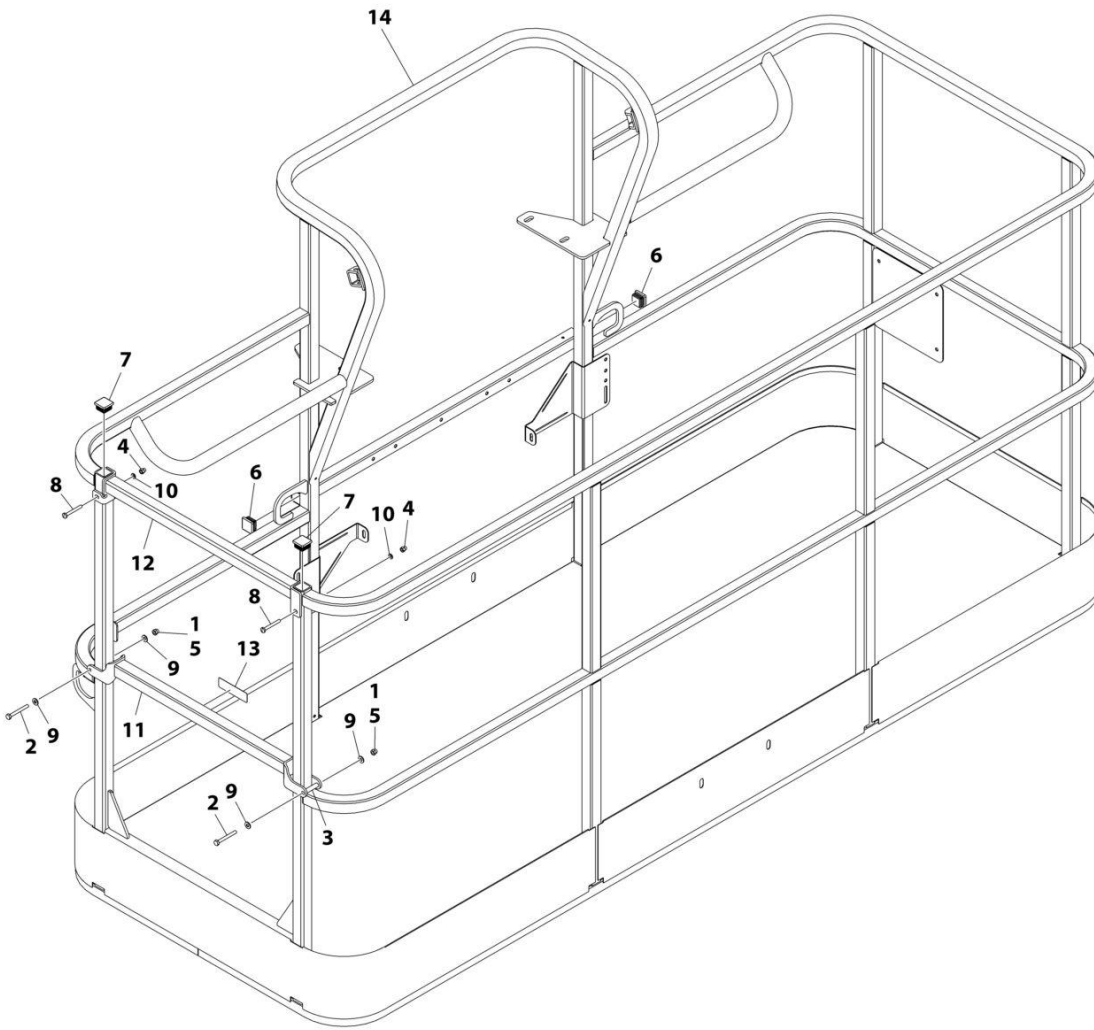
SECTION 5 - PLATFORM

FIGURE 5-4. PLATFORM ASSEMBLY - 36IN X 6FT (91.5CM X 1.83M) WITH DROP BAR

ITEM	PART NUMBER	QTY	DESCRIPTION	REV
	1001186379	Ref	PLATFORM ASSEMBLY - 36IN X 6FT (91.5CM X 1.83M) WITH DROP BAR	B
		Ref	Note: Platform and Mesh must be ordered separately for Platforms with Mesh. See SPECIAL OPTIONS SECTION for Mesh Installations.	
		Ref	Note: Replacement Decals Must be Ordered Separately - See DECALS SECTION.	
1	0100011	AR	Compound, Locking	
2	0641418	2	Bolt 1/4 x 2-1/4	
3	0961845	2	Bushing	
4	3290606	2	Nut M6	
5	3300151	2	Nut 1/4	
6	3520072	2	Plug	
7	3520198	2	Plug	
8	4010618	2	Screw M6 x 50	
9	4711400	4	Washer 1/4	
10	4811700	2	Washer M6	
11	1001138494	1	Bar, Drop	
12	1001138514	1	Rail (Top)	
13	1001140429	1	Decal - Drop Bar	
14	See Note	NSS	Platform (Note: Not Available - Purchase Platform Assembly)	

SECTION 5 - PLATFORM

FIGURE 5-5. PLATFORM ASSEMBLY - 36IN X 8FT (91.5CM X 2.44M) WITH DROP BAR



ART_1001186382

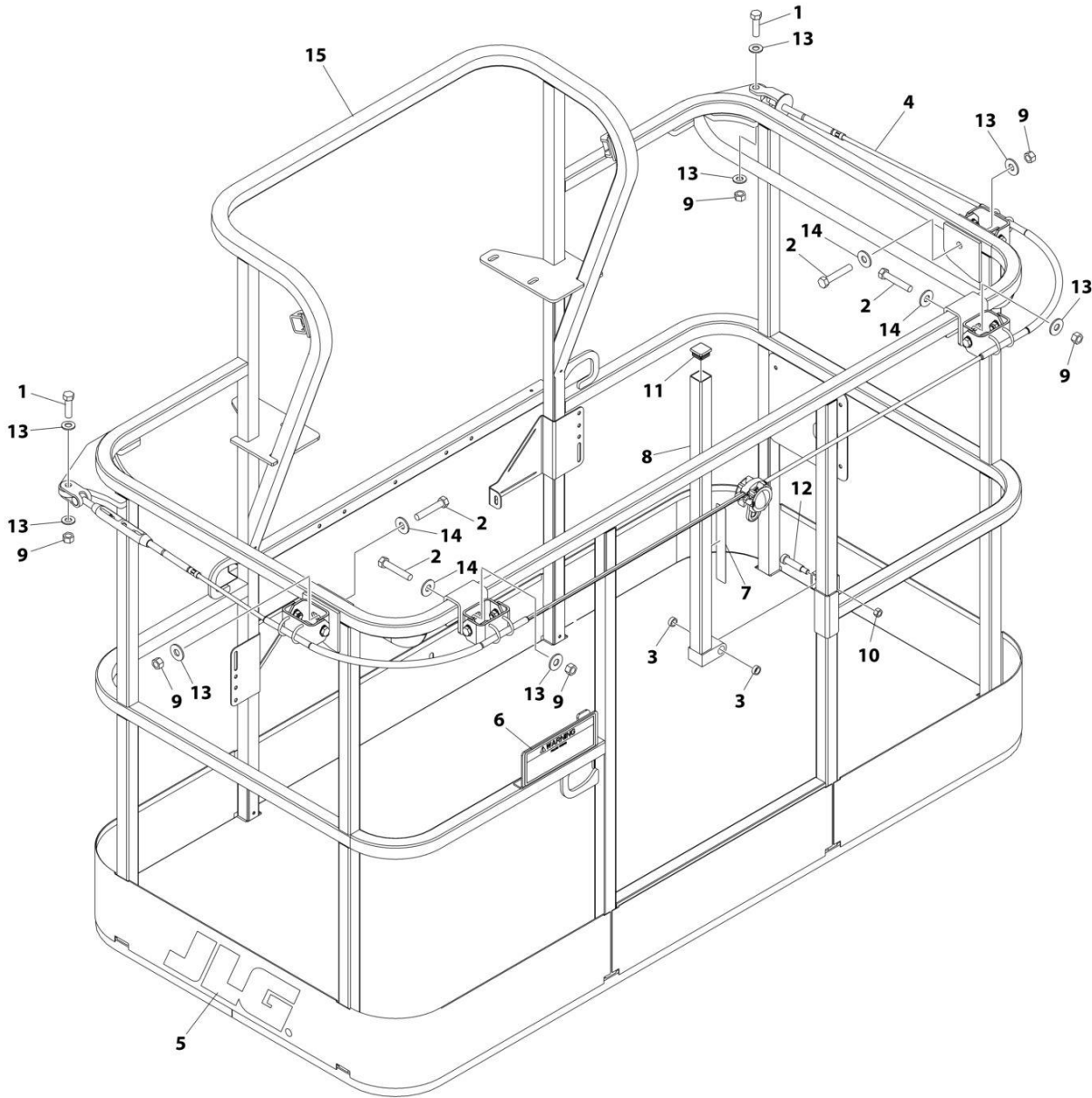
SECTION 5 - PLATFORM

FIGURE 5-5. PLATFORM ASSEMBLY - 36IN X 8FT (91.5CM X 2.44M) WITH DROP BAR

ITEM	PART NUMBER	QTY	DESCRIPTION	REV
	1001186382	Ref	PLATFORM ASSEMBLY - 36IN X 8FT (91.5CM X 2.44M) WITH DROP BAR	C
		Ref	Note: Platform and Mesh must be ordered separately for Platforms with Mesh. See SPECIAL OPTIONS SECTION for Mesh Installations.	
		Ref	Note: Replacement Decals Must be Ordered Separately - See DECALS SECTION.	
1	0100011	AR	Compound, Locking	
2	0641418	2	Bolt 1/4 x 2-1/4	
3	0961845	2	Bushing	
4	3290606	2	Nut M6	
5	3300151	2	Nut 1/4	
6	3520072	2	Plug	
7	3520198	2	Plug	
8	4010618	2	Screw M6 x 50	
9	4711400	4	Washer 1/4	
10	4811700	2	Washer M6	
11	1001138494	1	Bar, Drop	
12	1001138514	1	Rail (Top)	
13	1001140429	1	Decal - Drop Bar	
14	See Note	NSS	Platform (Note: Not Available - Purchase Platform Assembly)	

SECTION 5 - PLATFORM

FIGURE 5-6. PLATFORM ASSEMBLY - 36IN X 6FT (91.5CM X 1.83M) WITH FALL ARREST (ANSI AND ANSI EXPORT SPECS)



ART_1001186333

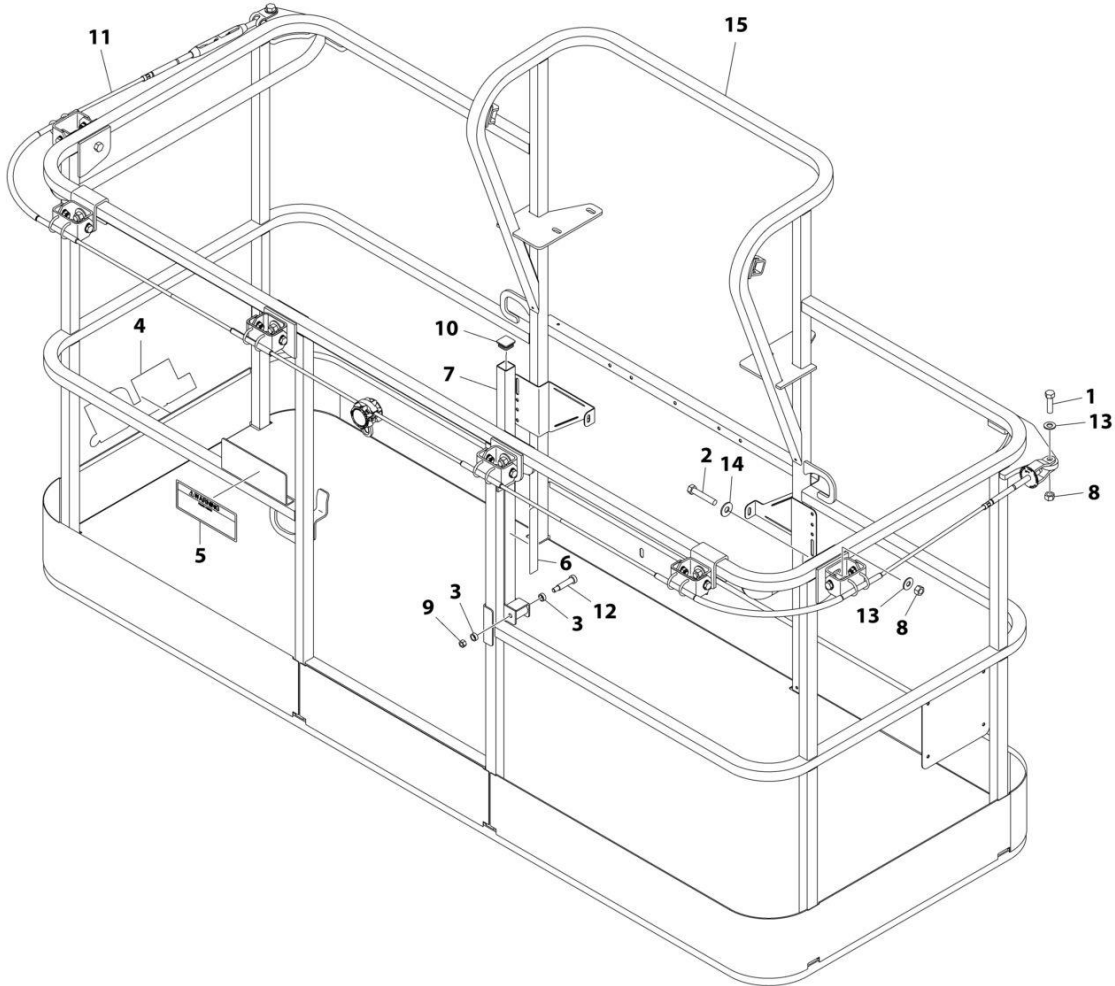
SECTION 5 - PLATFORM

FIGURE 5-6. PLATFORM ASSEMBLY - 36IN X 6FT (91.5CM X 1.83M) WITH FALL ARREST (ANSI AND ANSI EXPORT SPECS)

ITEM	PART NUMBER	QTY	DESCRIPTION	REV
	1001186333	Ref	PLATFORM ASSEMBLY	C
		Ref	Note: Replacement Decals Must be Ordered Separately - See DECALS SECTION.	
1	0681814	2	Bolt 1/2 x 1-3/4 Grade 8	
2	0681822	4	Bolt 1/2 x 2-3/4 Grade 8	
3	0962270	2	Bearing	
4	1001203655	1	Cable	
5	1702773	1	Decal - JLG	
6	1705014	1	Decal - Safety	
7	1706385	1	Decal - Drop Bar	
8	2410014	1	Bar, Drop	
9	3271805	6	Nut 1/2 Grade 8	
10	3311605	1	Nut 3/8	
11	3520072	1	Plug	
12	3900054	1	Bolt 1/2 x 1-3/4	
13	4711800	8	Washer 1/2	
14	4751800	4	Washer 1/2	
15	See Note	NSS	Platform (Note: Not Available - Purchase Platform Assembly)	

SECTION 5 - PLATFORM

FIGURE 5-7. PLATFORM ASSEMBLY - 36IN X 8FT (91.5CM X 2.44M) WITH FALL ARREST (ANSI AND CSA SPECS)



ART_1001186334

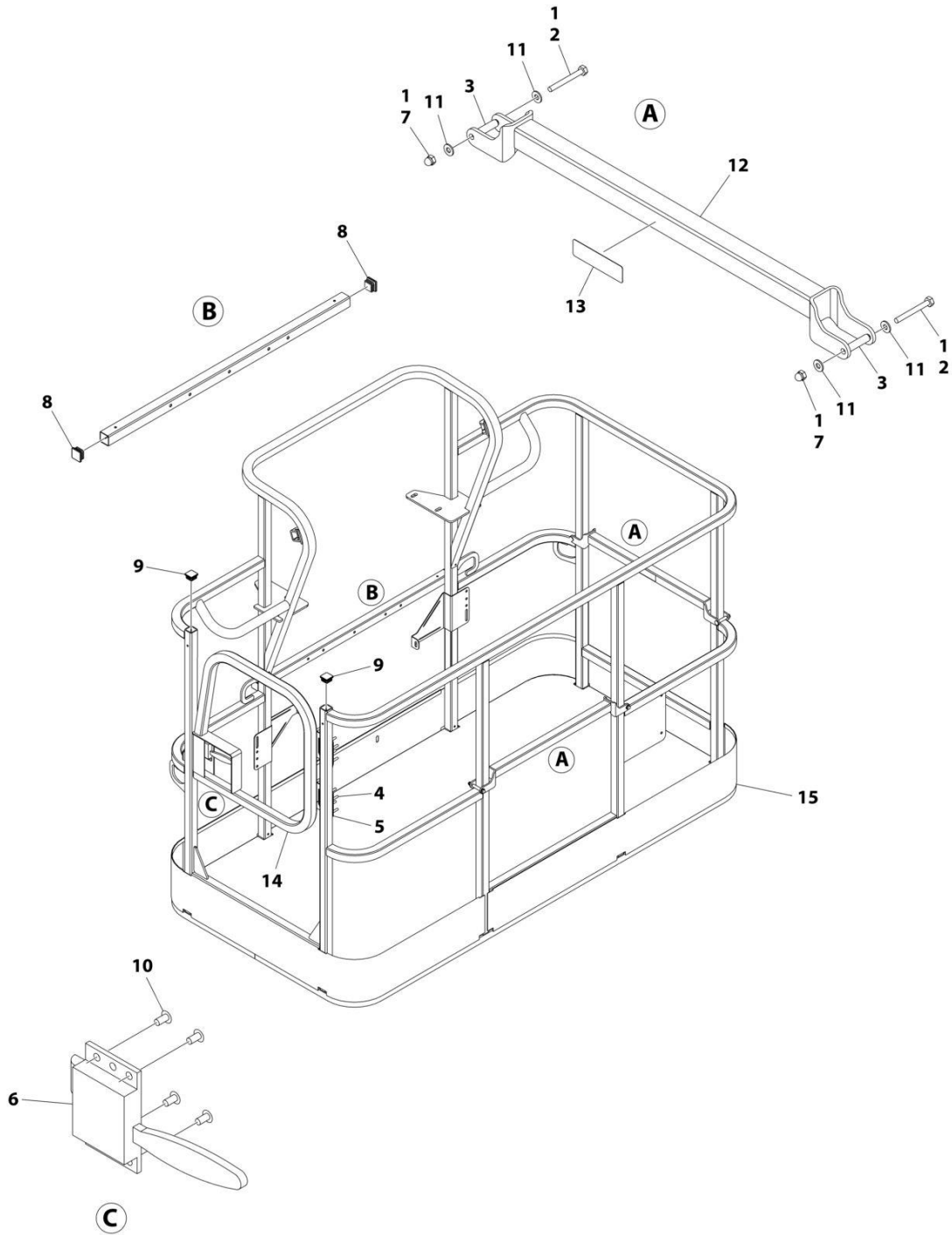
SECTION 5 - PLATFORM

FIGURE 5-7. PLATFORM ASSEMBLY - 36IN X 8FT (91.5CM X 2.44M) WITH FALL ARREST (ANSI AND CSA SPECS)

ITEM	PART NUMBER	QTY	DESCRIPTION	REV
	1001186334	Ref	PLATFORM ASSEMBLY	D
		Ref	Note: Replacement Decals Must be Ordered Separately - See DECALS SECTION.	
1	0681814	2	Bolt 1/2 x 1-3/4 Grade 8	
2	0681822	6	Bolt 1/2 x 2-3/4 Grade 8	
3	0962270	2	Bearing	
4	1702773	1	Decal - JLG	
5	1705014	1	Decal - Safety	
6	1706385	1	Decal - Drop Bar	
7	2410014	1	Bar, Drop	
8	3271805	8	Nut 1/2 Grade 8	
9	3311605	1	Nut 3/8	
10	3520072	1	Plug	
11	1001203656	1	Cable	
12	3900054	1	Bolt 1/2 x 1-3/4	
13	4711800	2	Washer 1/2	
14	4751800	6	Washer 1/2	
15	See Note	NSS	Platform (Note: Purchase Platform Assembly)	

SECTION 5 - PLATFORM

FIGURE 5-8. PLATFORM ASSEMBLY - 36IN X 6FT (91.5CM X 1.83M) TRI-ENTRY WITH SWING GATE



ART_1001228376

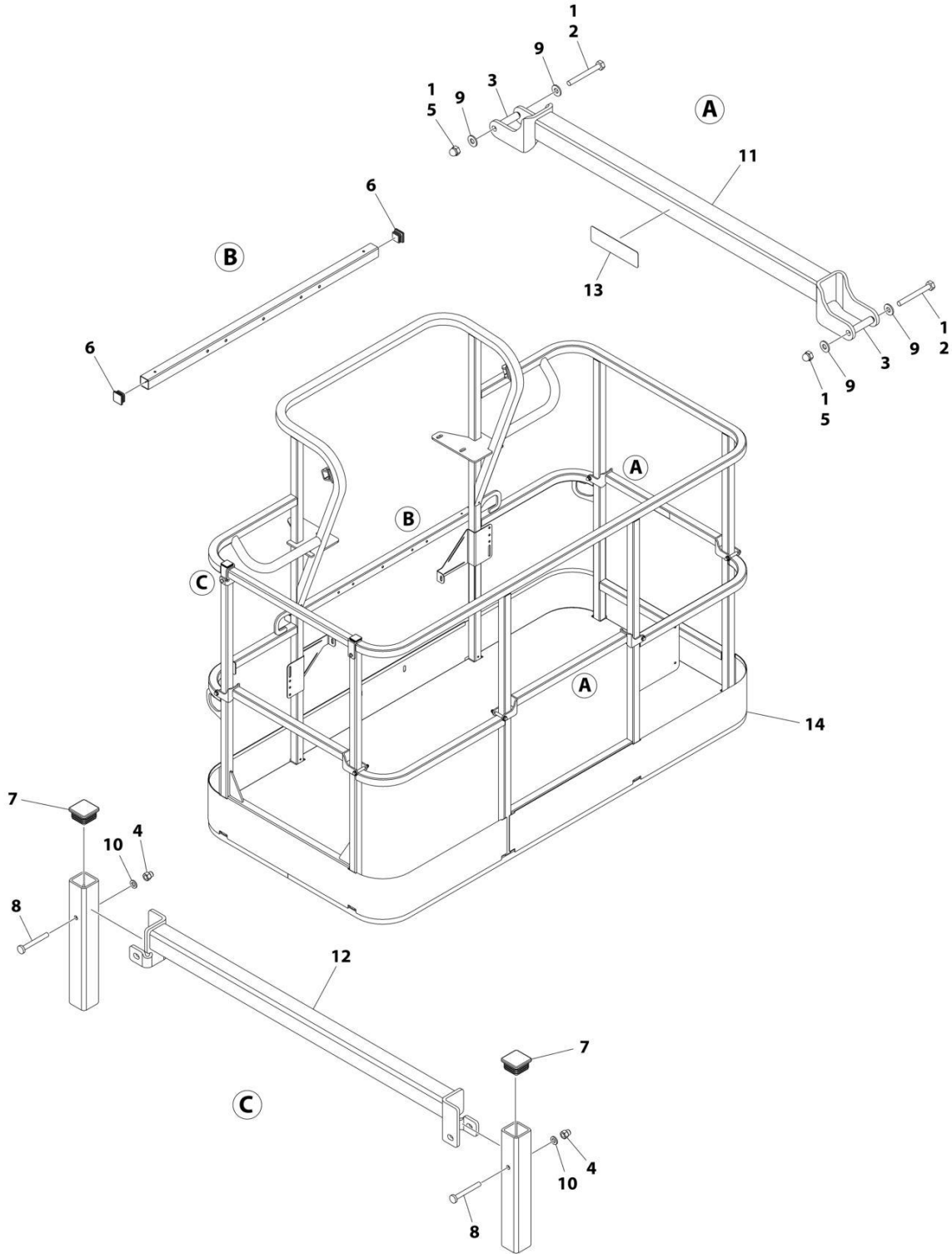
SECTION 5 - PLATFORM

FIGURE 5-8. PLATFORM ASSEMBLY - 36IN X 6FT (91.5CM X 1.83M) TRI-ENTRY WITH SWING GATE

ITEM	PART NUMBER	QTY	DESCRIPTION	REV
	1001228376	Ref	PLATFORM ASSEMBLY - 36IN x 6FT (91.5CM x 1.83M)	B
		Ref	Note: Platform and Mesh must be ordered separately for Platforms with Mesh. See SPECIAL OPTIONS SECTION for Mesh Installations.	
		Ref	Note: Replacement Decals Must be Ordered Separately - See DECAL SECTION.	
1	0100011	AR	Compound, Locking	
2	0641418	4	Bolt 1/4 x 2-1/4	
3	0961845	4	Bushing	
4	2080040	16	Fastener	
5	2600281	2	Hinge	
6	2940074	1	Latch	
7	3300151	4	Nut 1/4	
8	3520072	3	Plug	
9	3520198	2	Plug	
10	3820020	4	Rivet	
11	4711400	8	Washer 1/4	
12	1001138494	2	Bar, Drop	
13	1001140429	2	Decal - Drop Bar	
14	1001144629	1	Gate	
15	See Note	NSS	Platform (Note: Not Available - Purchase Platform Assembly)	

SECTION 5 - PLATFORM

FIGURE 5-9. PLATFORM ASSEMBLY - 36IN X 6FT (91.5CM X 1.83M) TRI-ENTRY WITH DROP BAR



ART_1001228377

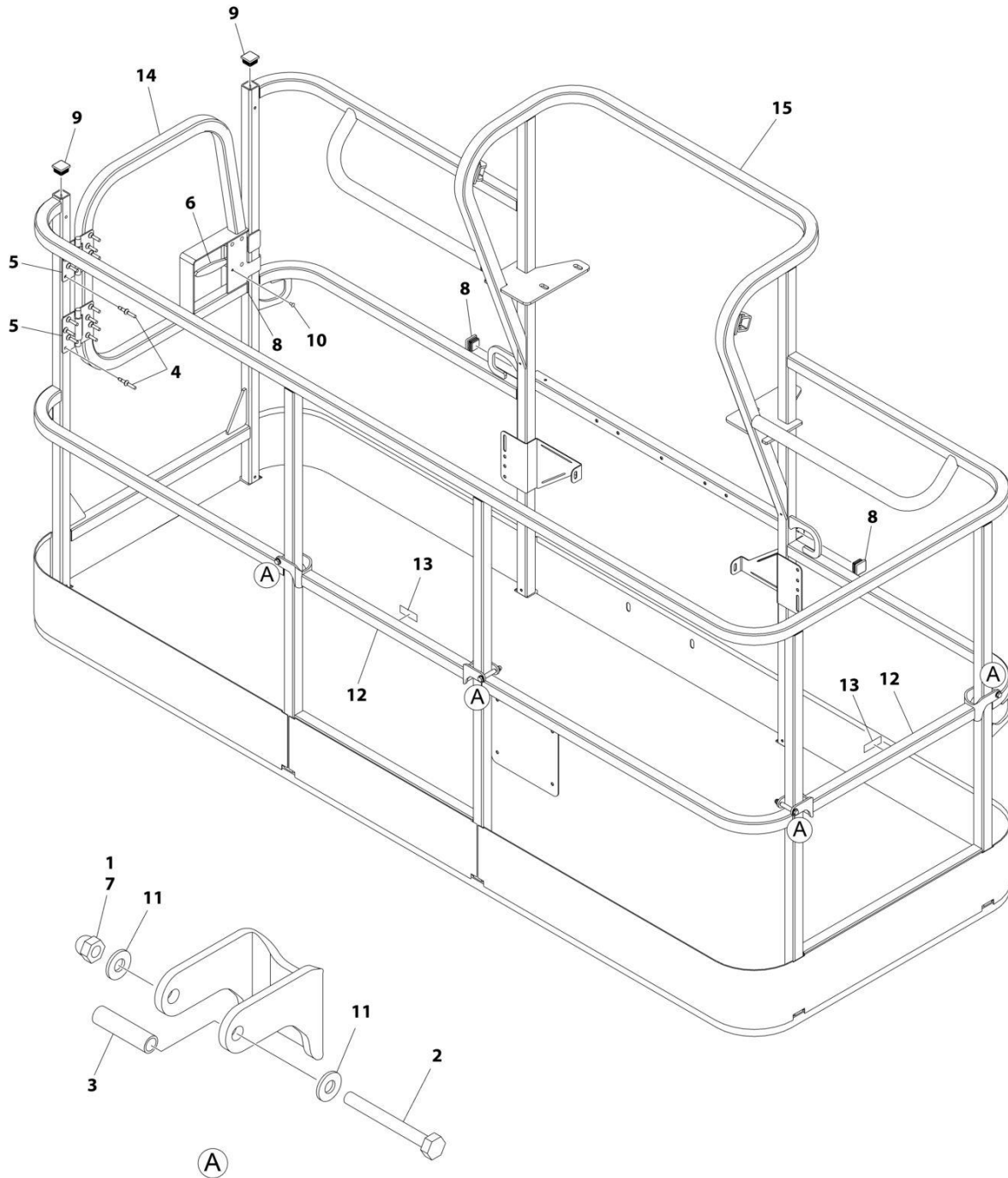
SECTION 5 - PLATFORM

FIGURE 5-9. PLATFORM ASSEMBLY - 36IN X 6FT (91.5CM X 1.83M) TRI-ENTRY WITH DROP BAR

ITEM	PART NUMBER	QTY	DESCRIPTION	REV
	1001228377	Ref	PLATFORM ASSEMBLY - 36IN x 6FT (91.5CM x 1.83M)	B
		Ref	Note: Platform and Mesh must be ordered separately for Platforms with Mesh. See SPECIAL OPTIONS SECTION for Mesh Installations.	
		Ref	Note: Replacement Decals Must be Ordered Separately - See DECAL SECTION.	
1	0100011	1	Compound, Locking	
2	0641418	6	Bolt 1/4 x 2-1/4	
3	0961845	6	Bushing	
4	3290606	2	Nut M6	
5	3300151	6	Nut 1/4	
6	3520072	2	Plug	
7	3520198	2	Plug	
8	4010618	2	Screw M6 x 50	
9	4711400	12	Washer 1/4	
10	4811700	2	Washer M6	
11	1001138494	3	Bar, Drop	
12	1001138514	1	Rail (Top)	
13	1001140429	3	Decal - Drop Bar	
14	See Note	NSS	Platform, Weldment (Note: Not Available - Purchase Platform Assembly)	

SECTION 5 - PLATFORM

FIGURE 5-10. PLATFORM ASSEMBLY - 36IN X 8FT (91.5CM X 2.44M) TRI-ENTRY WITH DROPBAR



ART_1001228243

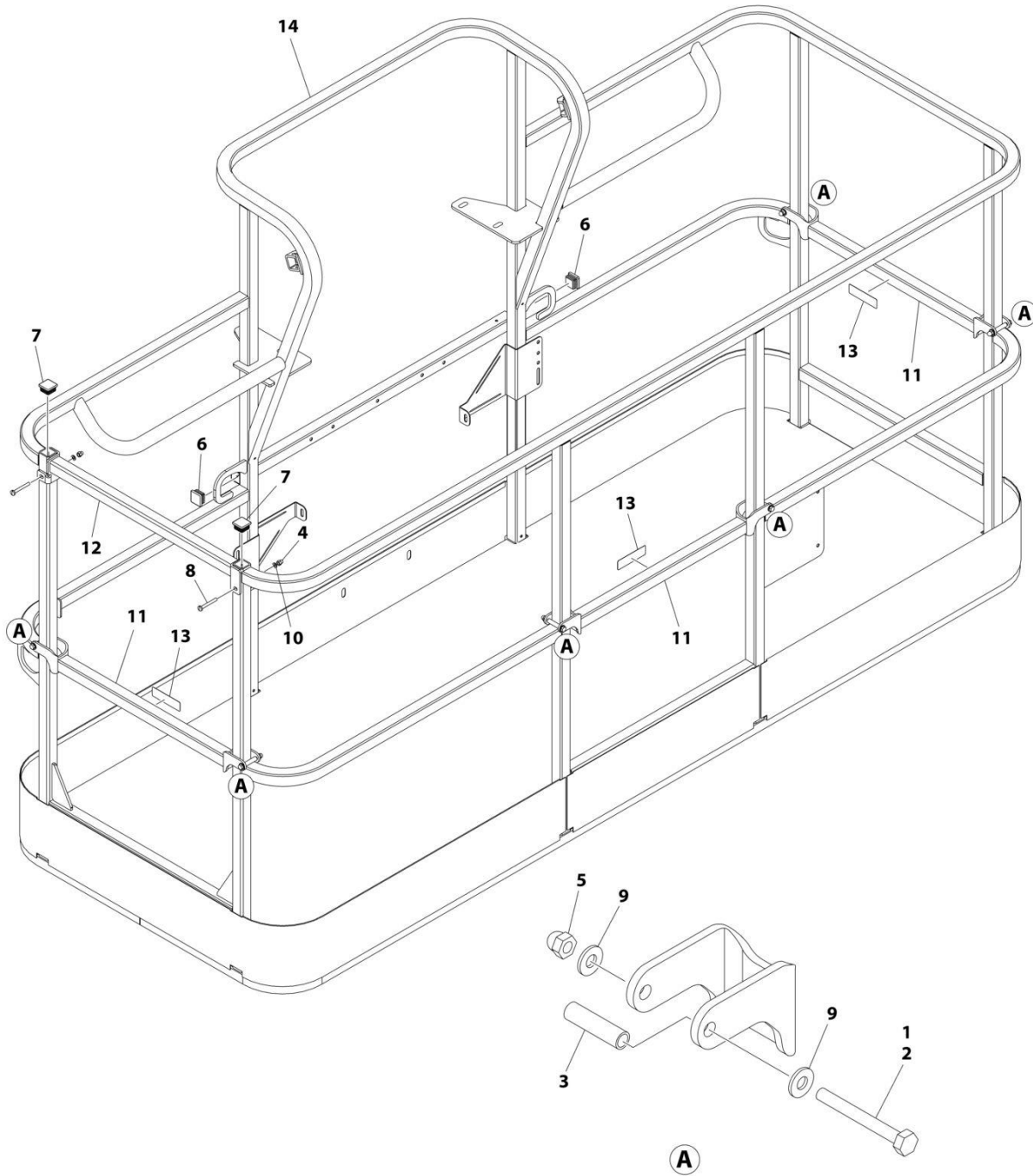
SECTION 5 - PLATFORM

FIGURE 5-10. PLATFORM ASSEMBLY - 36IN X 8FT (91.5CM X 2.44M) TRI-ENTRY WITH DROPBAR

ITEM	PART NUMBER	QTY	DESCRIPTION	REV
	1001228243	Ref	PLATFORM ASSEMBLY - 36IN X 8FT (91.5CM X 2.44M) WITH TRI-ENTRY	A
		Ref	Note: Platform and Mesh must be ordered separately for Platforms with Mesh. See SPECIAL OPTIONS SECTION for Mesh Installations.	
1	0100011	AR	Compound, Locking	
2	0641418	4	Bolt 1/4 x 2-1/4	
3	0961845	4	Bushing	
4	2080040	16	Fastener, Huck	
5	2600281	2	Hinge, Self-Closing	
6	2940074	1	Latch	
7	3300151	4	Nut 1/4	
8	3520072	3	Cap, Plug	
9	3520198	2	Cap, Plug	
10	3820020	4	Rivet	
11	4711400	8	Washer 1/4	
12	1001138494	2	Bar, Drop	
13	1001140429	2	Decal - Drop Bar	
14	1001144629	1	Gate, Weldment	
15	See Note	1	Platform (Note: Not Available - Purchase Platform Assembly)	

SECTION 5 - PLATFORM

FIGURE 5-11. PLATFORM ASSEMBLY - 36IN X 8FT (91.5CM X 2.44M) TRI-ENTRY WITH DROPGATE



ART_1001228375

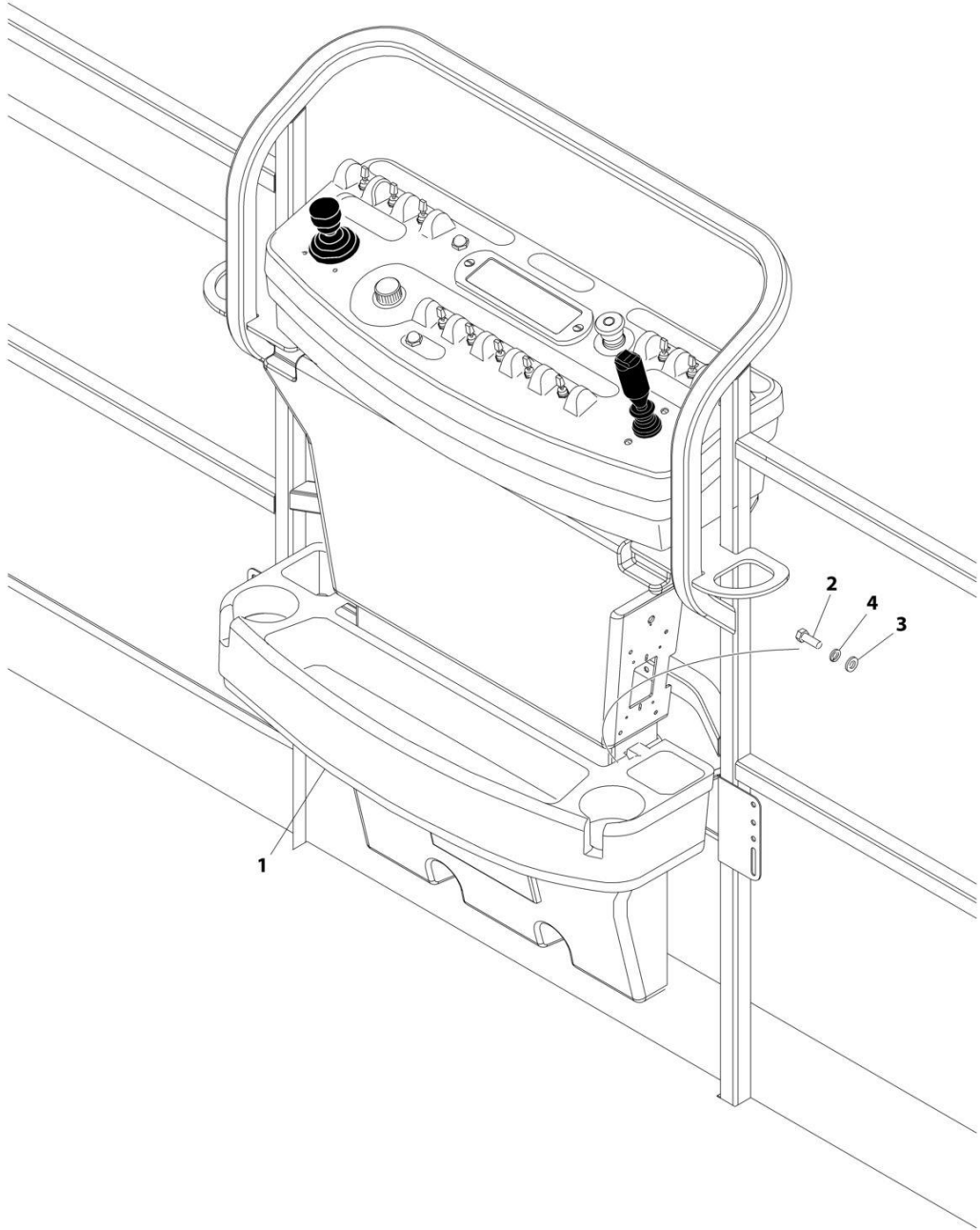
SECTION 5 - PLATFORM

FIGURE 5-11. PLATFORM ASSEMBLY - 36IN X 8FT (91.5CM X 2.44M) TRI-ENTRY WITH DROPGATE

ITEM	PART NUMBER	QTY	DESCRIPTION	REV
	1001228375	Ref	PLATFORM ASSEMBLY - 36IN X 8FT (91.5CM X 2.44M) WITH TRI-ENTRY	A
		Ref	Note: Platform and Mesh must be ordered separately for Platforms with Mesh. See SPECIAL OPTIONS SECTION for Mesh Installations.	
		Ref	Note: Replacement Decals Must be Ordered Separately - See DECAL SECTION.	
1	0100011	AR	Compound, Locking	
2	0641418	6	Bolt 1/4 x 2-1/4	
3	0961845	6	Bushing	
4	3290606	2	Nut M6 x 1	
5	3300151	6	Nut 1/4	
6	3520072	2	Cap, Plug	
7	3520198	2	Cap, Plug	
8	4010618	2	Screw M6 x 50	
9	4711400	12	Washer 1/4	
10	4811700	2	Washer M6	
11	1001138494	3	Bar, Drop	
12	1001138514	1	Rail (Top)	
13	1001140429	3	Decal - Drop Bar	
14	See Note	1	Platform (Note: Not Available - Purchase Platform Assembly)	

SECTION 5 - PLATFORM

FIGURE 5-12. TRAY INSTALLATION



ART_1580012

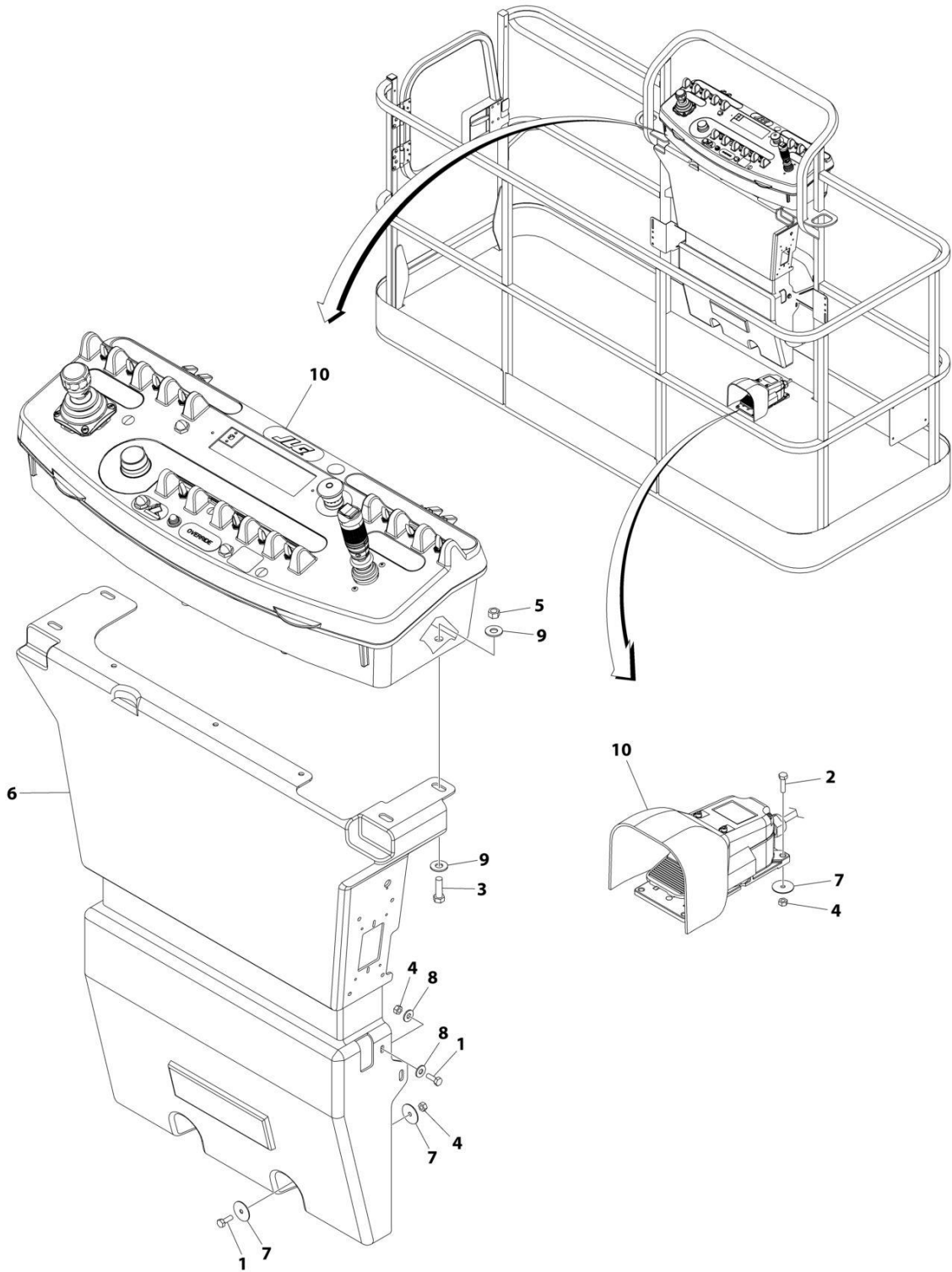
SECTION 5 - PLATFORM

FIGURE 5-12. TRAY INSTALLATION

ITEM	PART NUMBER	QTY	DESCRIPTION	REV
	1580012	Ref	TRAY ASSEMBLY	C
1	See Note	NSS	Tray, Storage (Center) (Note: Purchase p/n 1580012)	
2	0641406	2	Bolt 1/4 x 3/4	
3	4751400	2	Washer 1/4	
4	4761400	2	Washer 1/4	

SECTION 5 - PLATFORM

FIGURE 5-13. PLATFORM CONTROLS INSTALLATION (WITHOUT TOWER STOW)



ART_1001267387

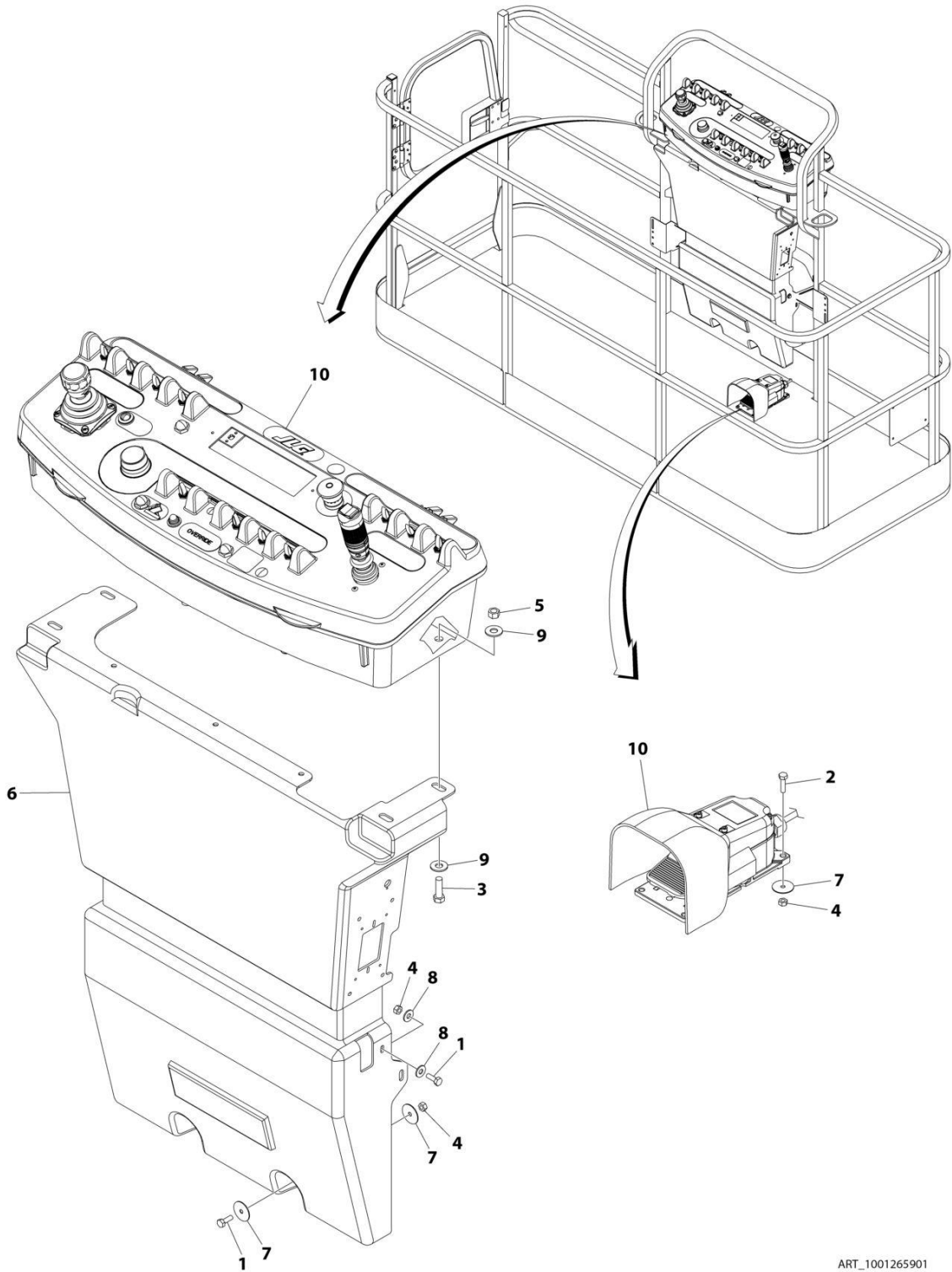
SECTION 5 - PLATFORM

FIGURE 5-13. PLATFORM CONTROLS INSTALLATION (WITHOUT TOWER STOW)

ITEM	PART NUMBER	QTY	DESCRIPTION	REV
	1001267387	Ref	PLATFORM CONTROLS INSTALLATION	A
1	0641406	4	Bolt 1/4 x 3/4	
2	0641408	3	Bolt 1/4 x 1	
3	0641610	4	Bolt 3/8 x 1-1/4	
4	3311405	7	Nut 1/4	
5	3311605	4	Nut 3/8	
6	3380434	1	Panel, Molded	
7	4740362	7	Washer, Fender	
8	4751400	4	Washer 1/4	
9	4751600	8	Washer 3/8	
10	1001267389	1	Platform Console Box Assembly (See Separate Breakdown in this Section)	

SECTION 5 - PLATFORM

FIGURE 5-14. PLATFORM CONTROLS INSTALLATION (WITH TOWER STOW)



ART_1001265901

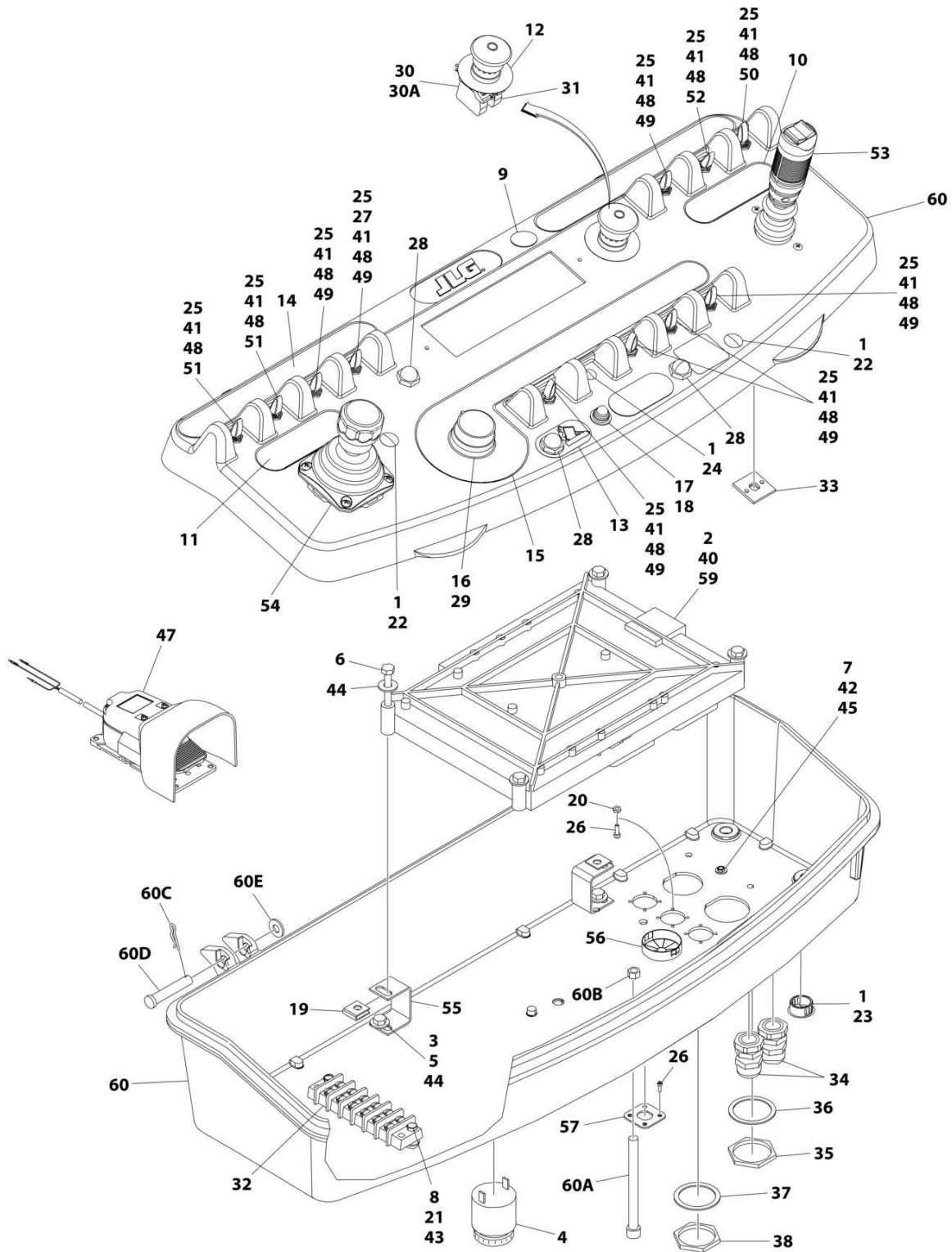
SECTION 5 - PLATFORM

FIGURE 5-14. PLATFORM CONTROLS INSTALLATION (WITH TOWER STOW)

ITEM	PART NUMBER	QTY	DESCRIPTION	REV
	1001265901	Ref	PLATFORM CONTROLS INSTALLATION	A
1	0641406	4	Bolt 1/4 x 3/4	
2	0641408	3	Bolt 1/4 x 1	
3	0641610	4	Bolt 3/8 x 1-1/4	
4	3311405	7	Nut 1/4	
5	3311605	4	Nut 3/8	
6	3380434	1	Panel, Molded	
7	4740362	7	Washer, Fender	
8	4751400	4	Washer 1/4	
9	4751600	8	Washer 3/8	
10	1001265903	1	Platform Console Box Assembly (See Separate Breakdown in this Section)	

SECTION 5 - PLATFORM

FIGURE 5-15. PLATFORM CONSOLE ASSEMBLY (WITHOUT TOWER STOW)



ART_1001267389

SECTION 5 - PLATFORM

FIGURE 5-15. PLATFORM CONSOLE ASSEMBLY (WITHOUT TOWER STOW)

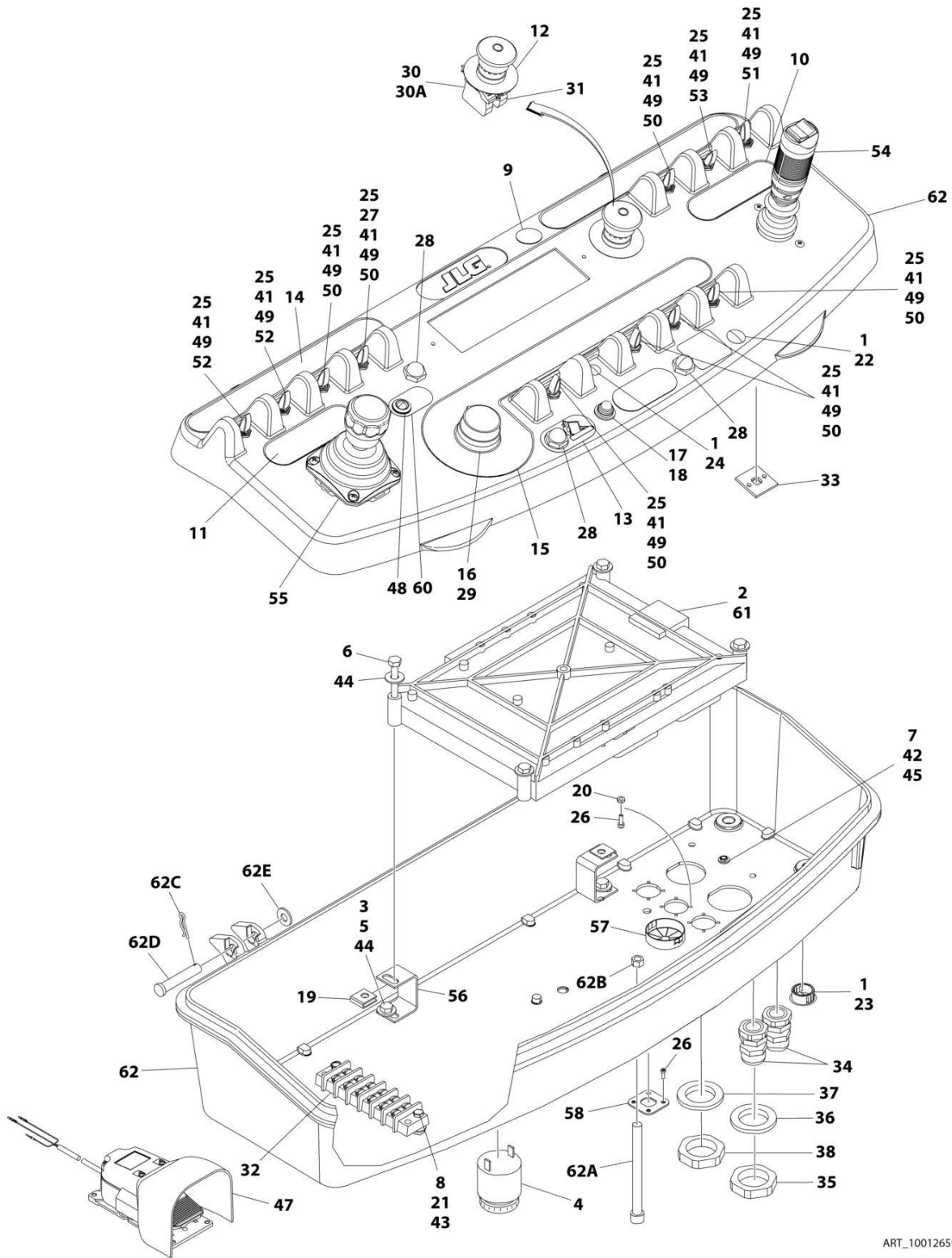
ITEM	PART NUMBER	QTY	DESCRIPTION	REV
	1001267389	Ref	PLATFORM CONSOLE ASSEMBLY	B
1	0100009	AR	Sealant	
2	0100035	AR	Compound, Locking	
3	0100048	AR	Grease, Dielectric	
4	0140011	1	Alarm	
5	0641404	4	Bolt 1/4 x 1/2	
6	0641414	4	Bolt 1/4 x 1-3/4	
7	0720804	1	Screw #8 x 1/2	
8	0721006	2	Bolt #10 x 3/4	
9	1671314	1	Cover, Hole	
10	1702565	1	Decal - Drive and Steer	
11	1702566	1	Decal - Lift and Swing	
12	1704260	1	Decal - EMS	
13	1705171	1	Decal - Jib Stow	
14	1705744	1	Decal - Horn	
15	1705745	1	Decal - Function Speed	
16	2560136	1	Handle, Knob	
17	2920028	1	Light, Indicator	
18	2920029	1	Bulb	
19	3300353	4	Nut, Tinnerman	
20	3300482	2	Nut M2.5	
21	3311005	2	Nut #10	
22	3520026	2	Plug, Hole	
23	3520030	1	Plug, Hole	
24	3520054	1	Plug, Hole	
25	3790012	11	O-Ring	
26	3900349	12	Capscrew M2.5	
27	4071074	1	Shim	
28	4360387	3	Switch, Pushbutton	
29	4360407	1	Controller, Speed	
29	See Note	NSS	Gasket "Top Hat" (Included with Switch) (Note: Not Available - Purchase Complete Controller)	
30	4360475	1	Switch, Emergency Stop	
30	7020175	1	Cap	
30A	7020176	1	Block, Contact	
31	4360476	1	Block, Contact	
32	4460007	1	Bar, Buss	
33	4460234	3	Tie-Strap	
34	4460428	2	Connector, Strain Relief	
35	4460470	1	Nut, Terminal	
36	4460471	1	Washer, Terminal	
37	4460496	1	Nut, Terminal	
38	4460497	1	Washer, Terminal	
39	4460708	2	Connector (Not Shown)	
40	4460905	AR	Plug, Seal (Not Shown)	
41	4740397	11	Spacer	
42	4750800	1	Washer #8	
43	4751000	2	Washer #10	
44	4751400	8	Washer 1/4	
45	4760800	1	Washer	

SECTION 5 - PLATFORM

ITEM	PART NUMBER	QTY	DESCRIPTION	REV
46	4922666	1	Harness, Analyzer Cable (Not Shown - See Separate Breakdown in ELECTRICAL Section)	
47	1001117174	1	Footswitch Assembly (See Separate Breakdown in this Section)	
48	1001155044	11	Nut 15/32-32	
49	1001155045	7	Switch, Toggle	
50	1001159256	1	Switch, Toggle	
51	1001161709	2	Switch, Toggle	
52	1001161710	1	Switch, Toggle	
53	1001166538	NLA	Controller Assembly (Drive and Steer) (Use p/n 1001212415) (See Separate Breakdown in this Section)	
54	1001166539	NLA	Controller Assembly (Lift and Swing) (Use p/n 1001129555) (See Separate Breakdown in this Section)	
55	1001172760	4	Bracket, Support	
56	1001185281	1	Plug	
57	1001220929	1	Mount, Connector	
58	1001241891	1	Harness, Console Box (Not Shown - See Separate Breakdown in ELECTRICAL Section)	
59	1600343	1	Control, Platform	
60	1001265905	1	Box, Console	B
60A	0630568	1	Screw 3/8 x 4-1/2	
60B	3311601	1	Nut 3/8	
60C	3430616	2	Clevis	
60D	3470003	2	Pin	
60E	4711600	2	Washer 3/8	

SECTION 5 - PLATFORM

FIGURE 5-16. PLATFORM CONSOLE ASSEMBLY (WITH TOWER STOW)



ART_1001265903

SECTION 5 - PLATFORM

FIGURE 5-16. PLATFORM CONSOLE ASSEMBLY (WITH TOWER STOW)

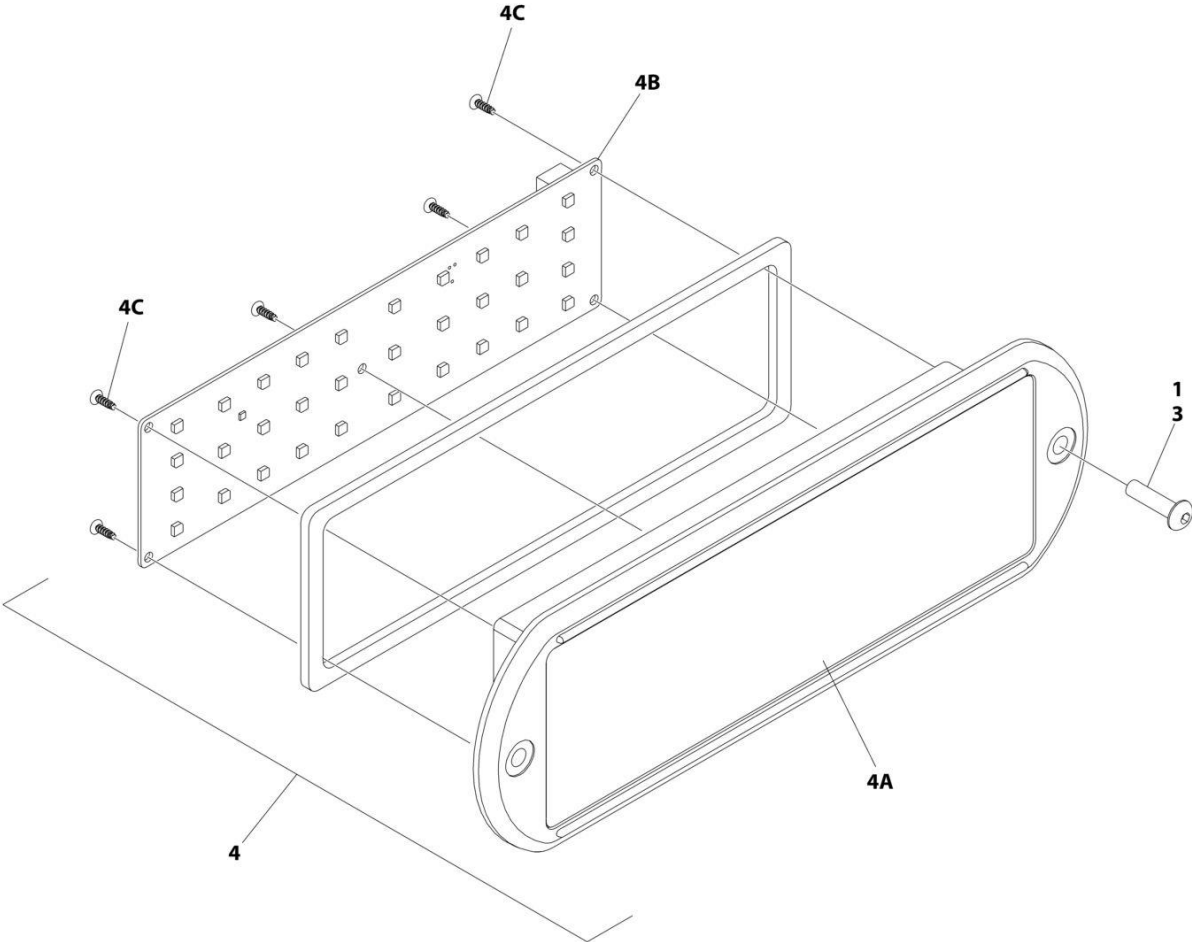
ITEM	PART NUMBER	QTY	DESCRIPTION	REV
	1001265903	Ref	PLATFORM CONSOLE ASSEMBLY	B
1	0100009	AR	Sealant	
2	0100035	AR	Compound, Locking	
3	0100048	AR	Grease, Dielectric	
4	0140011	1	Alarm	
5	0641404	4	Bolt 1/4 x 1/2	
6	0641414	4	Bolt 1/4 x 1-3/4	
7	0720804	1	Screw #8 x 1/2	
8	0721006	2	Bolt #10 x 3/4	
9	1671314	1	Cover, Hole	
10	1702565	1	Decal - Drive and Steer	
11	1702566	1	Decal - Lift and Swing	
12	1704260	1	Decal - EMS	
13	1705171	1	Decal - Jib Stow	
14	1705744	1	Decal - Horn	
15	1705745	1	Decal - Function Speed	
16	2560136	1	Handle, Knob	
17	2920028	1	Light, Indicator	
18	2920029	1	Bulb	
19	3300353	4	Nut, Tinnerman	
20	3300482	2	Nut M2.5	
21	3311005	2	Nut #10	
22	3520026	1	Plug, Hole	
23	3520030	1	Plug, Hole	
24	3520054	1	Plug, Hole	
25	3790012	11	O-Ring	
26	3900349	12	Capscrew M2.5	
27	4071074	1	Shim	
28	4360387	3	Switch, Pushbutton	
29	4360407	1	Controller, Speed	
	See Note	NSS	Gasket "Top Hat" (Included with Switch) (Note: Not Available - Purchase Complete Controller)	
30	4360475	1	Switch, Emergency Stop	
30	7020175	1	Cap	
30A	7020176	1	Block, Contact	
31	4360476	1	Block, Contact	
32	4460007	1	Bar, Buss	
33	4460234	3	Tie-Strap	
34	4460428	2	Connector, Strain Relief	
35	4460470	1	Nut, Terminal	
36	4460471	1	Washer, Terminal	
37	4460496	1	Nut, Terminal	
38	4460497	1	Washer, Terminal	
39	4460708	2	Connector, Female - 15 Position (Not Shown)	
40	4460905	AR	Plug, Seal (Not Shown)	
41	4740397	11	Spacer	
42	4750800	1	Washer #8	
43	4751000	2	Washer #10	
44	4751400	8	Washer 1/4	
45	4760800	1	Washer	

SECTION 5 - PLATFORM

ITEM	PART NUMBER	QTY	DESCRIPTION	REV
46	4922666	1	Harness, Analyzer Cable (Not Shown - See Separate Breakdown in ELECTRICAL Section)	
47	1001117174	1	Footswitch Assembly (See Separate Breakdown in this Section)	
48	1001137364	1	Light, Indicator	
49	1001155044	11	Nut 15/32-32	
50	1001155045	7	Switch, Toggle	
51	1001159256	1	Switch, Toggle	
52	1001161709	2	Switch, Toggle	
53	1001161710	1	Switch, Toggle	
54	1001166538	NLA	Controller Assembly - Drive and Steer (Use p/n 1001212415) (See Separate Breakdown in this Section)	
55	1001166539	NLA	Controller Assembly - Lift and Swing (Use p/n 1001129555) (See Separate Breakdown in this Section)	
56	1001172760	4	Bracket, Support	
57	1001185281	1	Plug	
58	1001220929	1	Mount, Connector	
59	1001241891	1	Harness, Console Box (Not Shown - See Separate Breakdown in ELECTRICAL SECTION)	
60	1001260937	1	Decal	
61	1600343	1	Module, Platform Control (Note: Re-calibration Required when Replaced)	
62	1001265905	1	Box, Console	A
62A	0630568	1	Screw 3/8 x 4-1/2	
62B	3311601	1	Nut 3/8	
62C	3430616	2	Clevis	
62D	3470003	2	Pin	
62E	4711600	2	Washer 3/8	

SECTION 5 - PLATFORM

FIGURE 5-17. LIGHT PANEL INSTALLATION



ART_1001233959_C_20F2

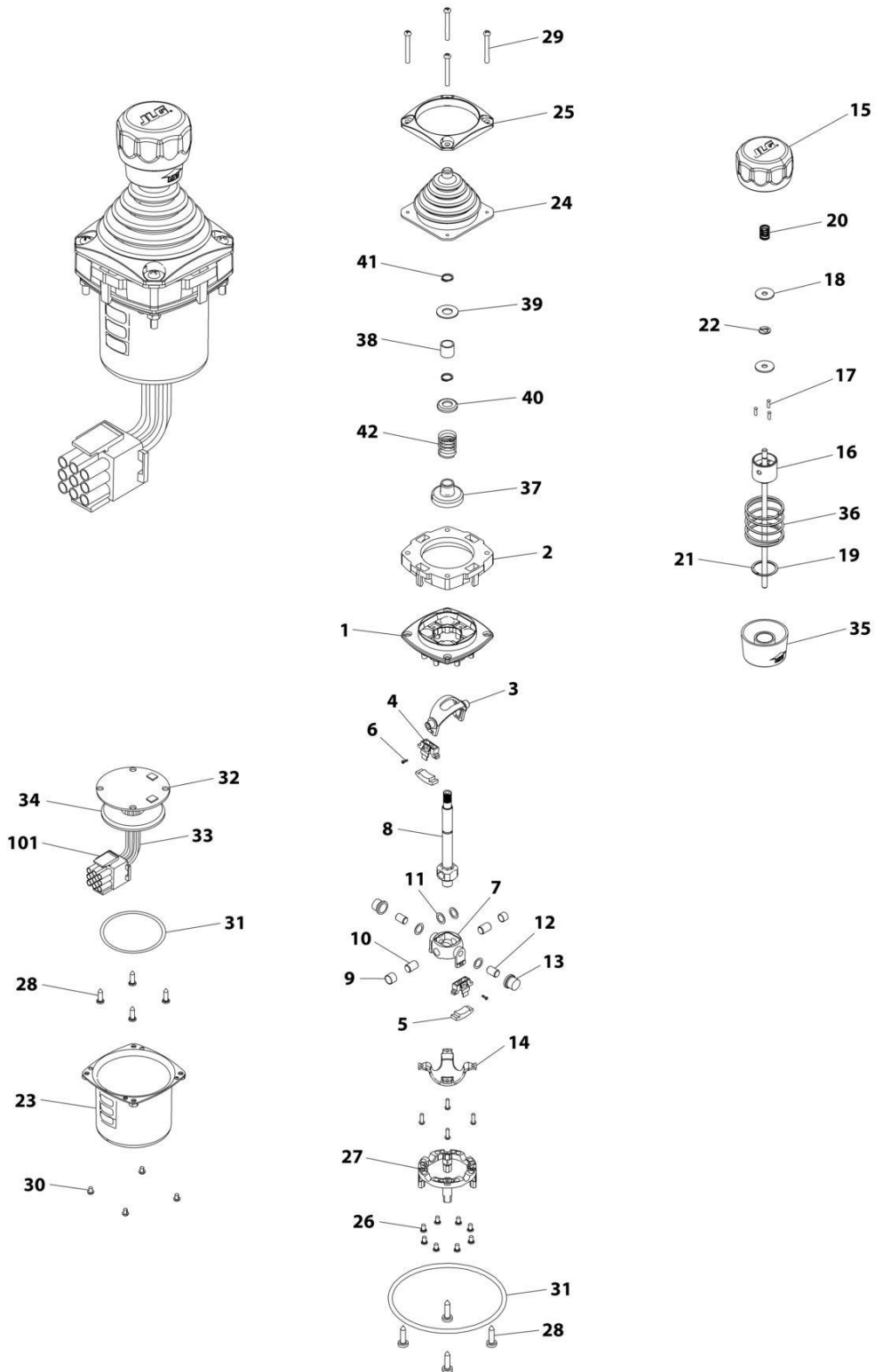
SECTION 5 - PLATFORM

FIGURE 5-17. LIGHT PANEL INSTALLATION

ITEM	PART NUMBER	QTY	DESCRIPTION	REV
	1001233959	Ref	LIGHT PANEL INSTALLATION - PLATFORM CONSOLE	C
1	0100035	AR	Compound, Locking	
3	0630518	2	Screw #10 x 3/4	
4	1001237544	1	Light Panel Assembly	H
4A	1001236087	1	Lens, I-Con	
4B	1001187807	1	Panel, LED Light	
4C		Ref	Screw	

SECTION 5 - PLATFORM

FIGURE 5-18. CONTROLLER ASSEMBLY (LIFT AND SWING)



ART_1001166539

SECTION 5 - PLATFORM

FIGURE 5-18. CONTROLLER ASSEMBLY (LIFT AND SWING)

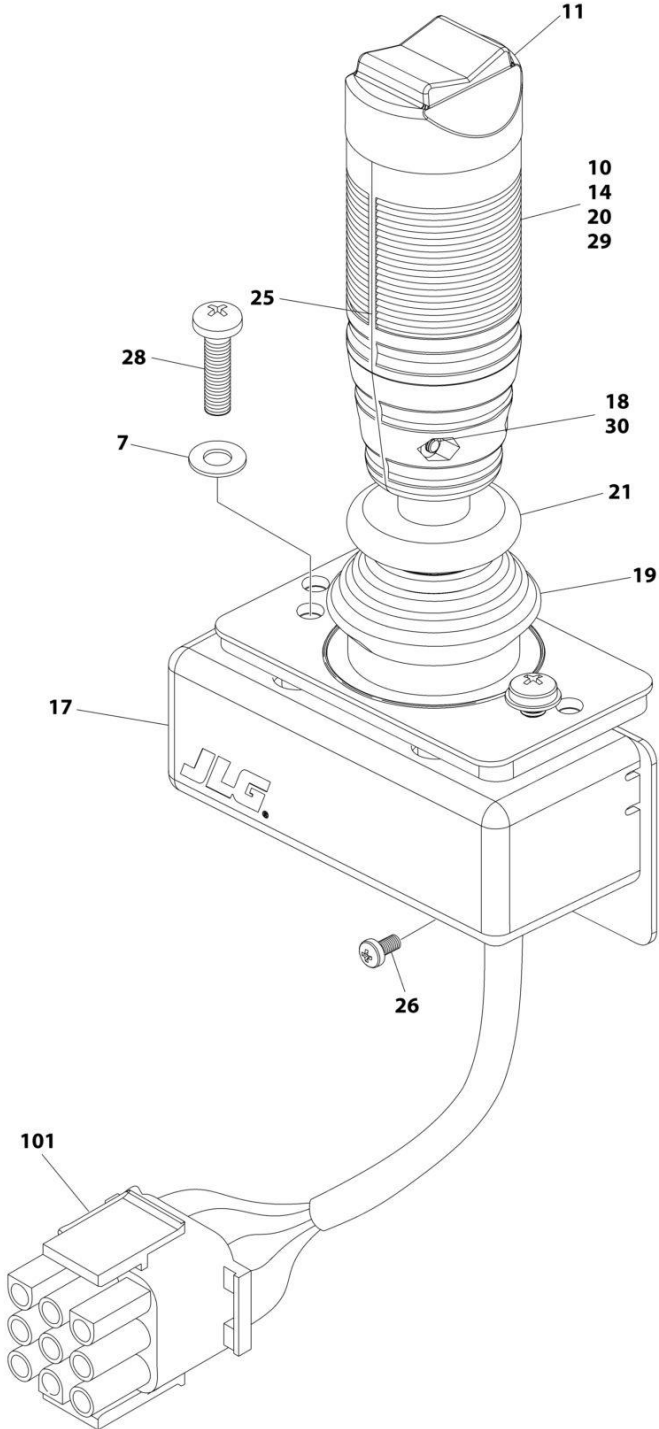
ITEM	PART NUMBER	QTY	DESCRIPTION	REV
	1001166539	Ref	CONTROLLER ASSEMBLY	E
		Ref	Note: Original Equipment Controller May Have Been Replaced with Service Replacement Controller. Visually Identify Controller Before Ordering Parts.	
		Ref	Note: For Replacement, Use p/n 1001129555	
1	See Note	NSS	Main Cast Body (Note: Not Available - Purchase Complete Assembly)	
2	70004752	1	Adapter	
3	See Note	NSS	Pivot Arm, Plastic (Note: Not Available - Purchase Complete Assembly)	
4	See Note	NSS	Holder, Magnet (Note: Not Available - Purchase Complete Assembly)	
5	See Note	NSS	Arc, Magnet (Note: Not Available - Purchase Complete Assembly)	
6	See Note	NSS	Screw (Note: Not Available for Purchase)	
7	See Note	NSS	Pivot Arm, Cast (Note: Not Available - Purchase Complete Assembly)	
8	See Note	NSS	Shaft, Main (Note: Not Available - Purchase Complete Assembly)	
9	See Note	NSS	Bearing (Note: Not Available - Purchase Complete Assembly)	
10	See Note	NSS	Pin (Note: Not Available - Purchase Complete Assembly)	
11	See Note	NSS	Shim (Note: Not Available - Purchase Complete Assembly)	
12	See Note	NSS	Pin (Note: Not Available - Purchase Complete Assembly)	
13	See Note	NSS	Bearing (Note: Not Available - Purchase Complete Assembly)	
14	See Note	NSS	Dome, Centering (Note: Not Available - Purchase Complete Assembly)	
15	70004753	1	Cap	
16	70004754	1	Insert, Cap	
17	70004755	3	Pin	
18	70004756	2	Washer	
19	70004757	1	Pin, Centering	
20	70004758	1	Spring	
21	70004759	1	Ring, Retaining	
22	70004760	1	E-Ring	
23	70004761	1	Can, Enclosure	
24	70004762	1	Boot	
25	70004763	1	Bezel	
26	See Note	NSS	Screw (Note: Not Available for Purchase)	
27	See Note	NSS	Base Mounting (Note: Not Available - Purchase Complete Assembly)	
28	See Note	NSS	Screw (Note: Not Available for Purchase)	
29	70004764	4	Screw	
30	70004765	4	Screw	
31	70004766	1	O-Ring	
32	See Note	NSS	Plate (Note: Not Available - Purchase Complete Assembly)	
33	See Note	NSS	Harness (Note: Not Available - Purchase Complete Assembly)	
34	70004767	1	Grommet, Rubber	
35	70004768	1	Housing	
36	70004769	1	Spring	
37	70004770	1	Stopper	
38	70004771	1	Spacer	
39	70004772	1	Washer	
40	70004773	1	Disc	

SECTION 5 - PLATFORM

ITEM	PART NUMBER	QTY	DESCRIPTION	REV
41	70004774	2	Ring, Retaining	
42	70004775	1	Spring	
101	4460265	1	Connector - 9 Position	
101	4460226	6	Socket, Female	

SECTION 5 - PLATFORM

FIGURE 5-19. CONTROLLER ASSEMBLY (DRIVE AND STEER)



ART_1001166538

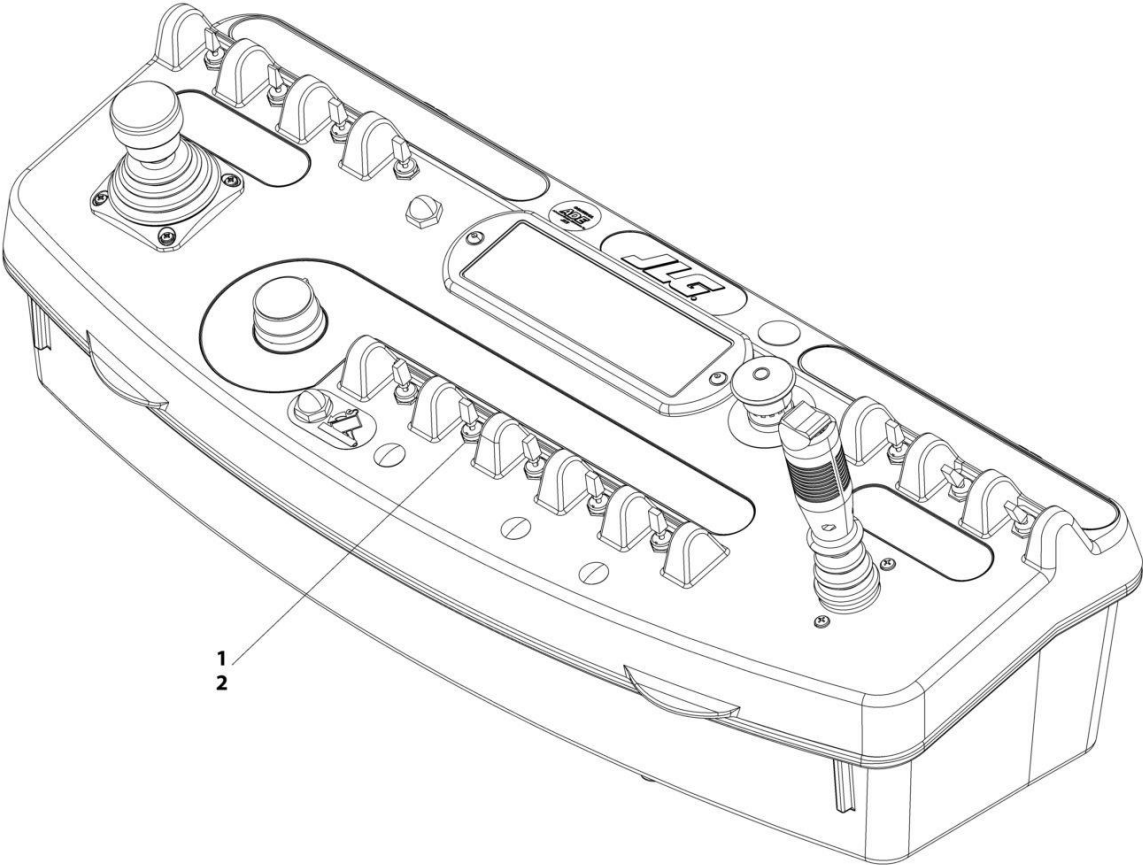
SECTION 5 - PLATFORM

FIGURE 5-19. CONTROLLER ASSEMBLY (DRIVE AND STEER)

ITEM	PART NUMBER	QTY	DESCRIPTION	REV
	1001166538	Ref	CONTROLLER ASSEMBLY - DRIVE AND STEER	G
		Ref	Note: For Replacement, Use p/n 1001212415.	
7	70004738	2	Washer	
10	70004739	1	Roller	
11	70004740	1	Boot, Switch	
14	70004741	2	Half, Handle	
17	70004742	1	Enclosure	
18	70004743	4	Nut	
19	70004744	NLA	Boot, Controller (Use p/n 70005230 Boot/Base Assembly)	
20	70004745	NLA	Tube, Locking (Use p/n 70005230 Boot/Base Assembly)	
21	70004746	NLA	Disc, Locking (Use p/n 70005230 Boot/Base Assembly)	
25	70004747	2	Seal, Rope	
26	70004748	1	Screw M3 x 6	
28	70004749	2	Screw M5 x 20	
29	70004750	1	Pin, Dowel	
30	70004751	4	Screw M3 x 16	
101	4460265	1	Connector - 9 Position	
101	4460226	7	Socket, Female	

SECTION 5 - PLATFORM

FIGURE 5-20. TOWER LIFT SWITCH INSTALLATION



ART_0273446

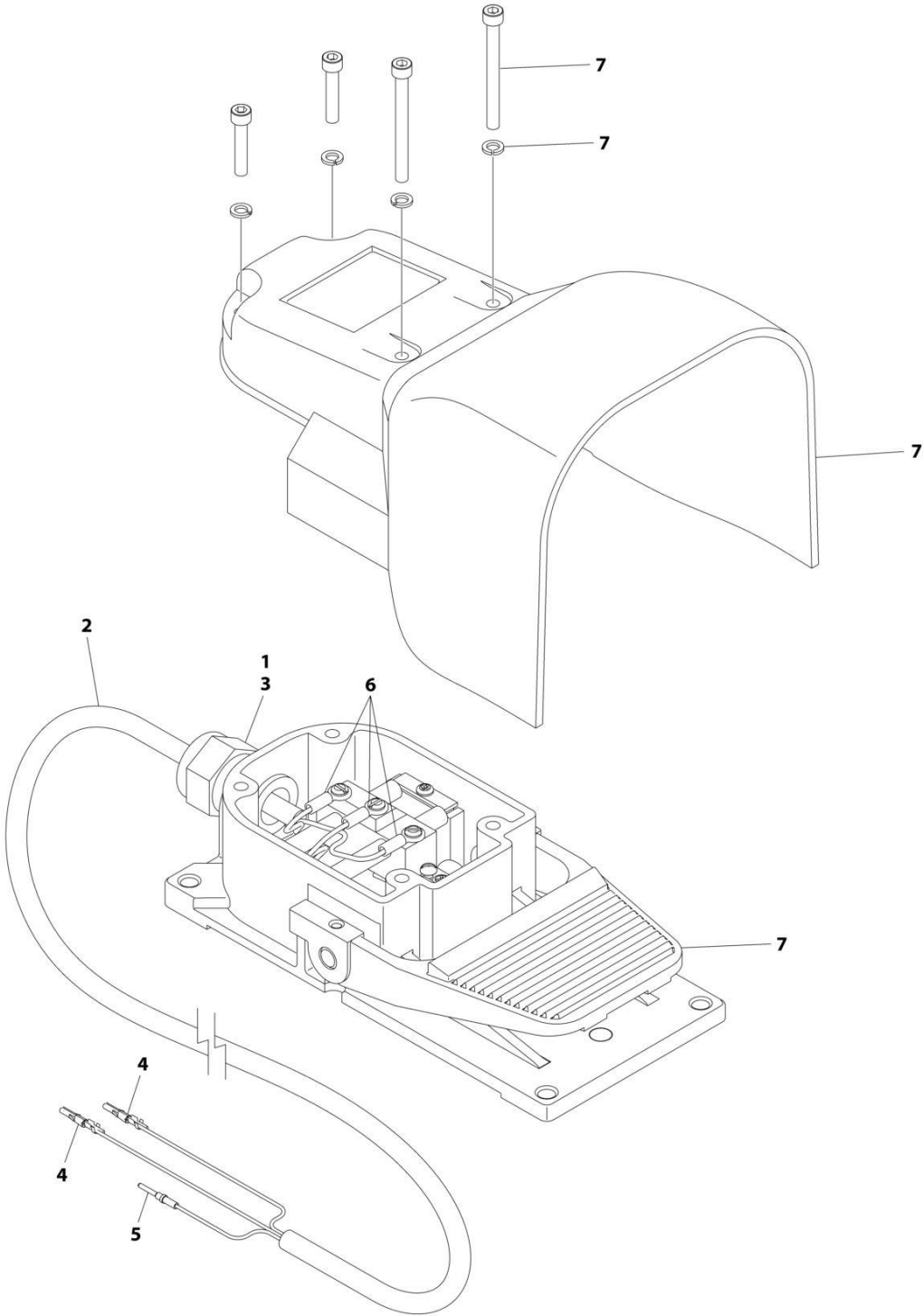
SECTION 5 - PLATFORM

FIGURE 5-20. TOWER LIFT SWITCH INSTALLATION

ITEM	PART NUMBER	QTY	DESCRIPTION	REV
	0273446	Ref	TOWER LIFT SWITCH INSTALLATION	A
1	3790012	1	O-Ring	
2	4360328	1	Switch, Toggle	

SECTION 5 - PLATFORM

FIGURE 5-21. FOOTSWITCH ASSEMBLY



ART_1001117174

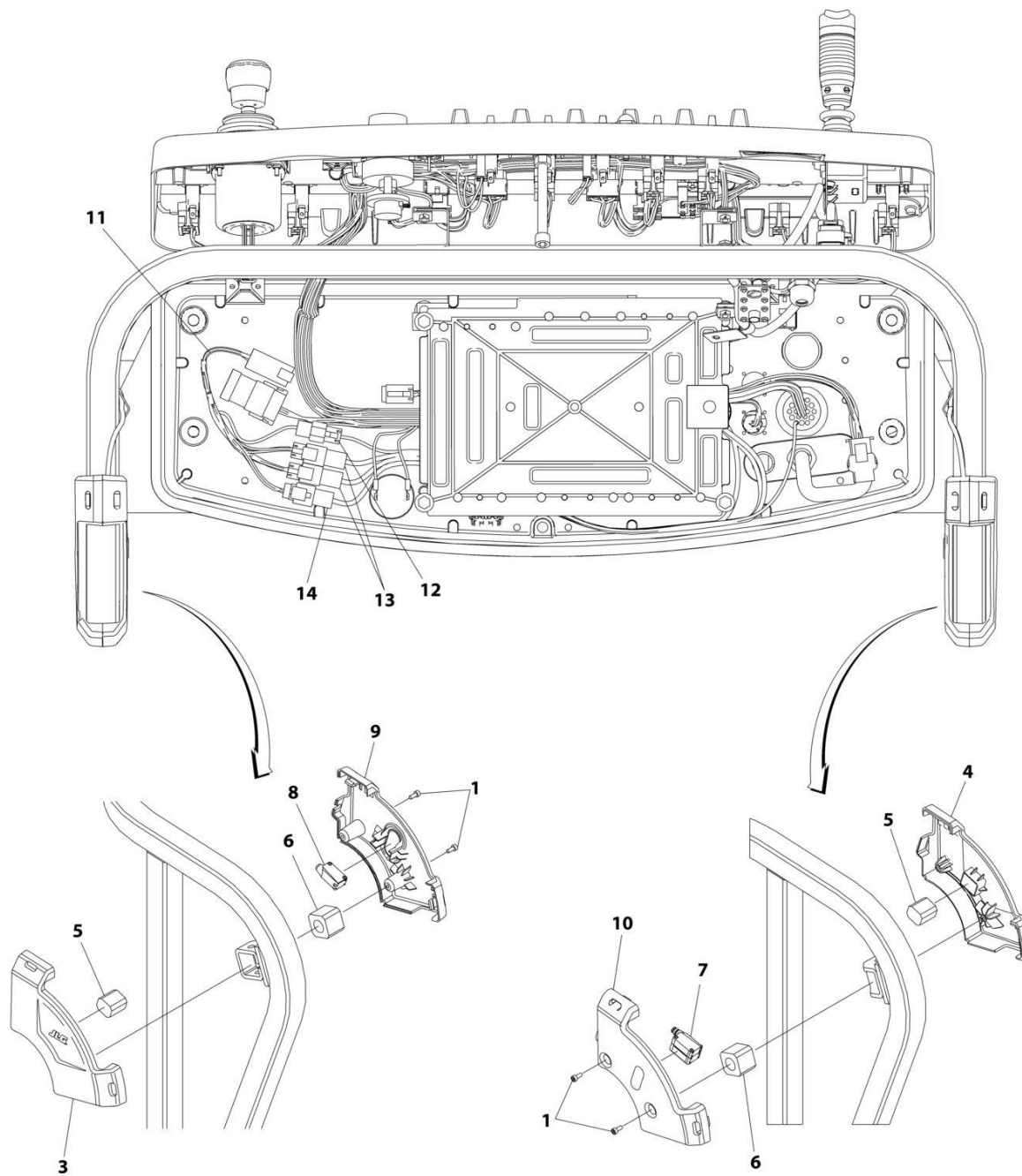
SECTION 5 - PLATFORM

FIGURE 5-21. FOOTSWITCH ASSEMBLY

ITEM	PART NUMBER	QTY	DESCRIPTION	REV
	1001117174	Ref	FOOTSWITCH ASSEMBLY	C
1	0100020	AR	Sealant	
2	1060918	7.5 ft/ 2.3m	Cable, Electrical - 18/3	
3	4460071	1	Connector, Strain Relief	
4	4460226	2	Socket, Female	
5	4460464	1	Pin, Male	
6	1001098122	3	Terminal	
7	1001117172	1	Footswitch	
7	70002902	1	Switch, 20Amp	
7	70002903	1	Gasket	
7	70002905	1	Cover	
7	70002904	1	Kit, Replacement Bolt	

SECTION 5 - PLATFORM

FIGURE 5-22. SKYEYE INSTALLATION



ART_1001229341

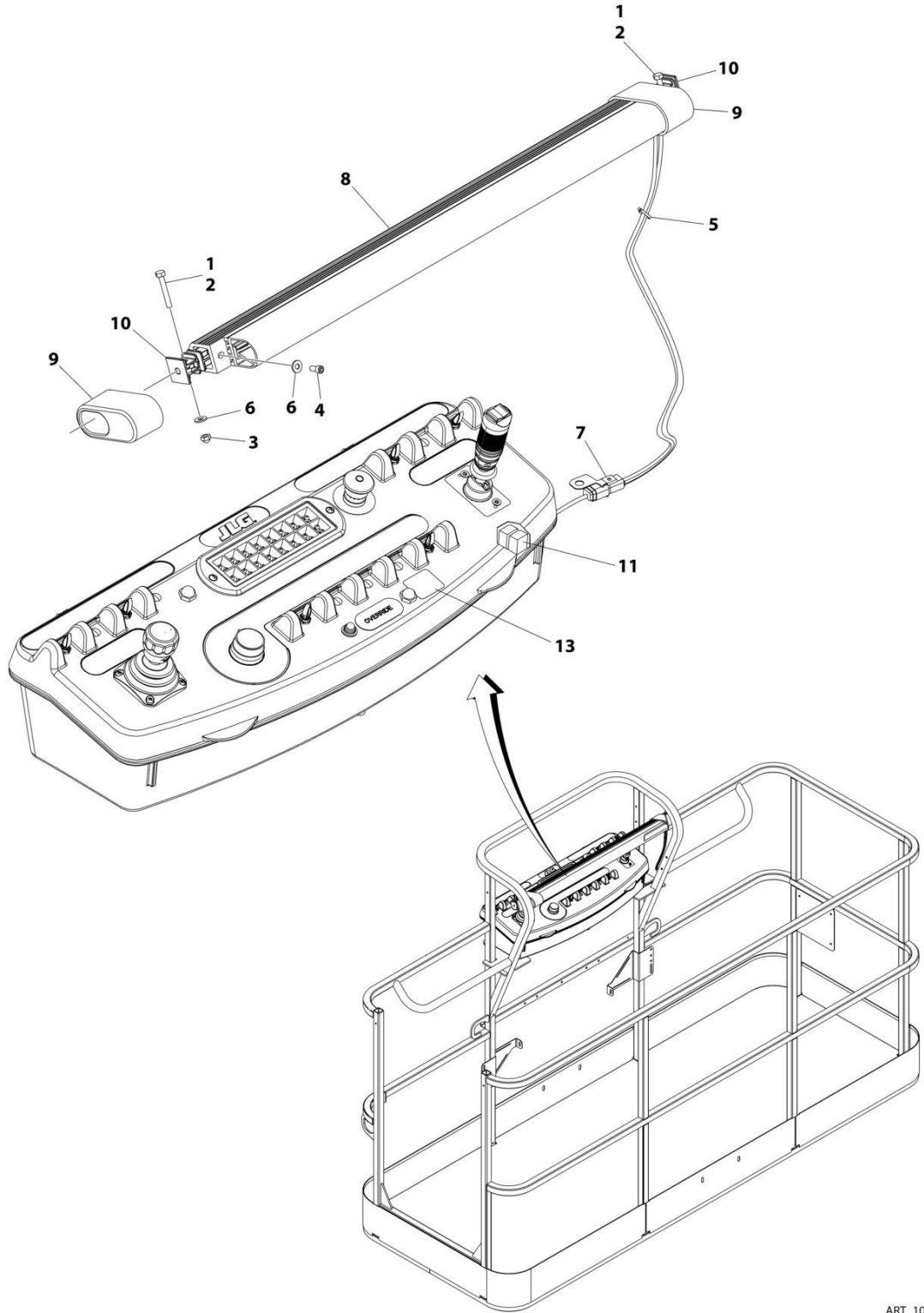
SECTION 5 - PLATFORM

FIGURE 5-22. SKYEYE INSTALLATION

ITEM	PART NUMBER	QTY	DESCRIPTION	REV
	1001229341	Ref	SKYEYE INSTALLATION	B
1	4031505	4	Bolt M4 x 10	
2	4240033	AR	Tie-Strap (Not Shown)	
3	1001227633	1	Housing, LH Outer	
4	1001227634	1	Housing, RH Outer	
5	1001227985	2	Shim	
6	1001227987	2	Shim	
7	1001228224	2	Sensor, Receiver	
8	1001228225	1	Sensor, Emitter	
9	1001232164	1	Housing, LH Inner	
10	1001232165	1	Housing, RH Inner	
11	1001237865	1	Harness, Skyeeye Intermediate (See Separate Breakdown in ELECTRICAL Section)	
12	1001238319	NLA	Harness, Skyeeye Drain Jumper	
12	1001187674	1	Plug, Male - 2 Position	
12	4460942	1	Terminal	
12	4460466	1	Plug, Terminal	
12	4460508	1	Pin, Male	
13	1001237863	2	Harness, Skyeeye Receiver (See Separate Breakdown in ELECTRICAL Section)	
14	1001237864	1	Harness, Skyeeye Emitter (See Separate Breakdown in ELECTRICAL Section)	

SECTION 5 - PLATFORM

FIGURE 5-23. SKYGUARD BAR INSTALLATION



ART_1001238495

SECTION 5 - PLATFORM

FIGURE 5-23. SKYGUARD BAR INSTALLATION

ITEM	PART NUMBER	QTY	DESCRIPTION	REV
	1001238495	Ref	SKYGUARD BAR INSTALLATION	A
1	0100011	AR	Compound, Locking	
2	0641414	2	Bolt 1/4 x 1-3/4	
3	3300430	2	Nut 1/4	
4	3931408	2	Capscrew 1/4 x 1/2	
5	4240033	8	Tie-Strap	
6	4711400	6	Washer 1/4	
7	1001120328	1	Mount	
8	1001137673	1	SkyGuard Switch Assembly	
9	1001186517	2	Cover, Platform Sensor	
10	1001209664	2	Support, Block	
11	1001186431	2	Relay	
12	1001225580	1	Interface Harness Assembly (Not Shown - Located Inside Console Box) (See Separate Breakdown in ELECTRICAL Section)	
13	1001144433	1	Decal - No Weight SkyGuard	

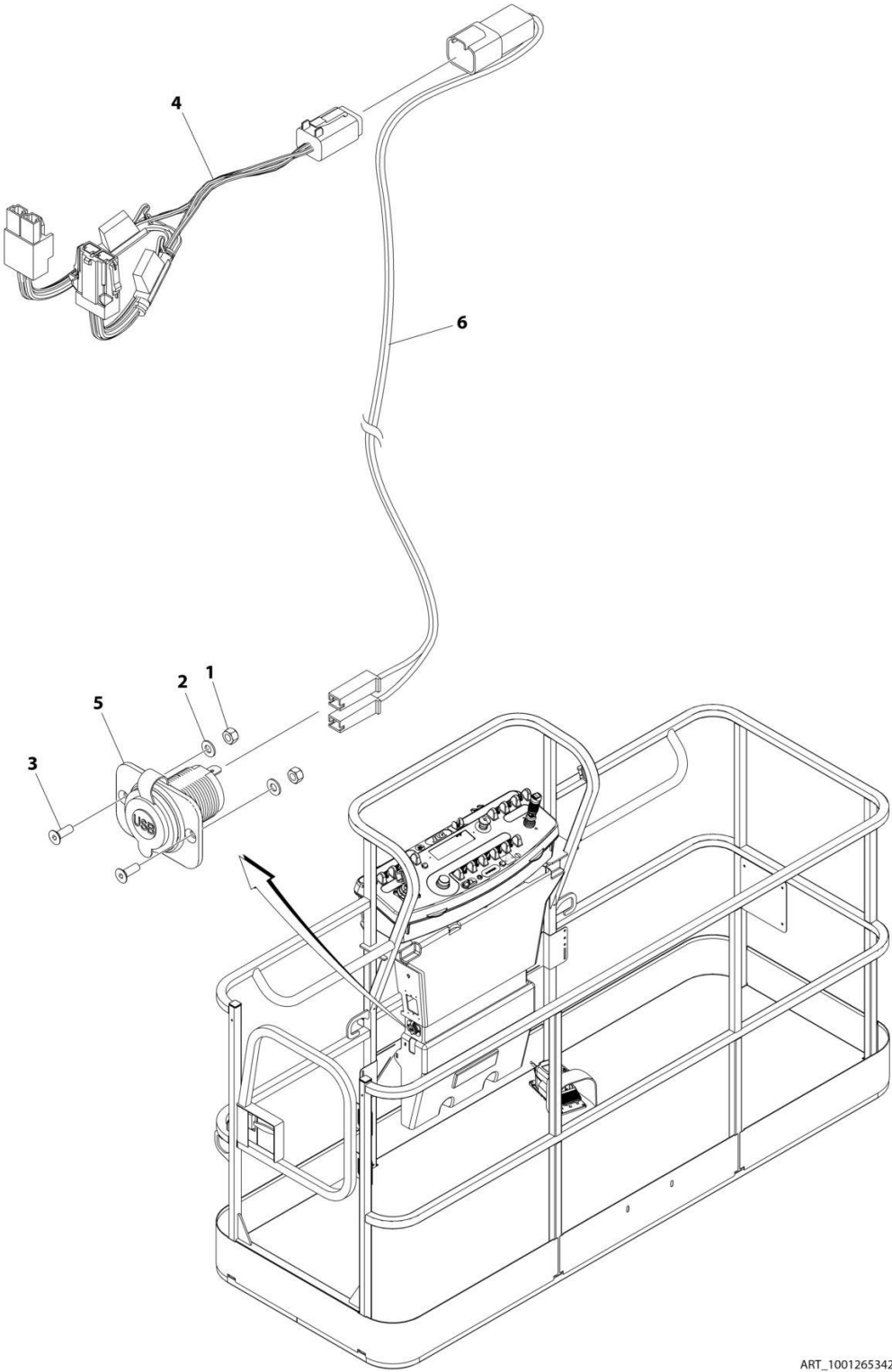
SECTION 5 - PLATFORM

FIGURE 5-24. SKYLINE INSTALLATION

ITEM	PART NUMBER	QTY	DESCRIPTION	REV
	1001238559	Ref	SKYLINE INSTALLATION	D
1	0641404	2	Bolt 1/4 x 1/2	
2	0641405	2	Bolt 1/4 x 5/8	
3	3311405	2	Nut 1/4	
4	3311601	2	Nut 3/8	
5	4031516	2	Capscrew M4 x 60	
6	4240033	AR	Tie-Strap (Not Shown)	
7	4711400	4	Washer 1/4	
8	1001120328	1	Mount	
9	1001232642	1	Bracket	
11	1001232667	1	Sensor, Proximity	
11	1001311034	1	Sensor, Proximity	
14	1001236552	1	Block	
15	1001238418	1	Harness, Skyline (See Separate Breakdown in ELECTRICAL Section)	
16	1001238472	1	Mount	
17	1001254473	1	Housing, LH	
18	1001241965	1	Housing, RH	
19	1001254472	1	Rod	
20	0100011	AR	Compound, Locking	

SECTION 5 - PLATFORM

FIGURE 5-25. USB CHARGER INSTALLATION



ART_1001265342

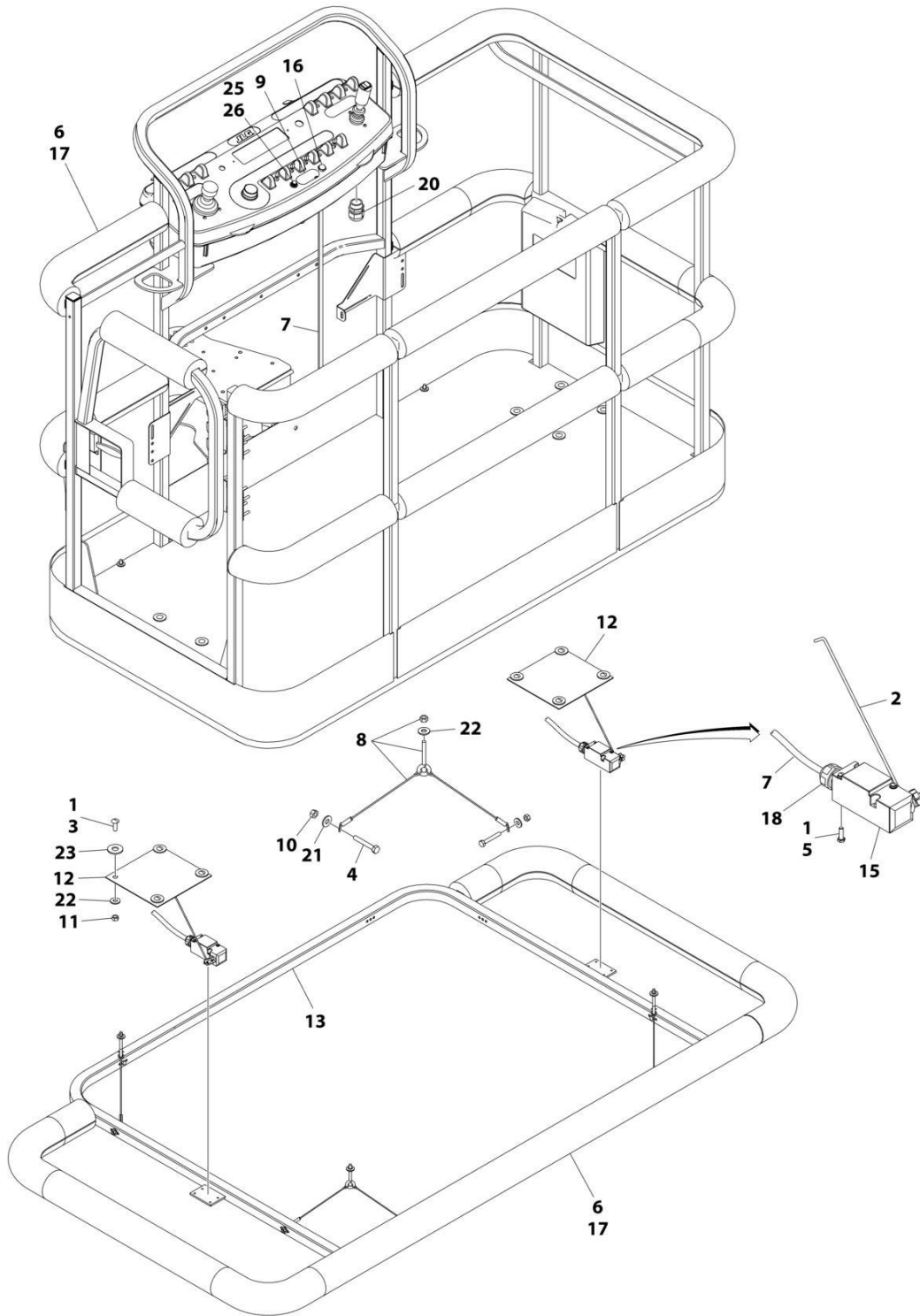
SECTION 5 - PLATFORM

FIGURE 5-25. USB CHARGER INSTALLATION

ITEM	PART NUMBER	QTY	DESCRIPTION	REV
	1001265342	Ref	USB CHARGER INSTALLATION	A
1	3290405	2	Nut M4	
2	4811400	2	Washer M4	
3	1001097244	2	Screw M4 x 12	
4	1001120484	1	Harness, Work Lights	
4	4460879	1	Plug, Male - 2 Position	
4	4460887	2	Terminal	
4	2400060	2	Fuseholder Includes Cover	
4	8229249	2	Fuse, 3 Amp	
4	4460884	1	Connector - 4 Position	
4	4460465	4	Socket, Female	
4	1001120471	1	Connector - 2 Position	
4	1001120477	2	Terminal	
5	1001210636	1	Receptacle, USB	
6	1001265163	1	Harness, USB	A
6	4460260	2	Cover, Terminal	
6	4460259	2	Terminal	
6	4460932	1	Receptacle, Bussbar - 4 Position	
6	4460464	2	Pin, Male	
6	4460466	2	Plug, Terminal	

SECTION 5 - PLATFORM

FIGURE 5-26. SOFT TOUCH SYSTEM INSTALLATION - 6FT/1.8M PLATFORMS (OPTIONAL)



ART_0273824

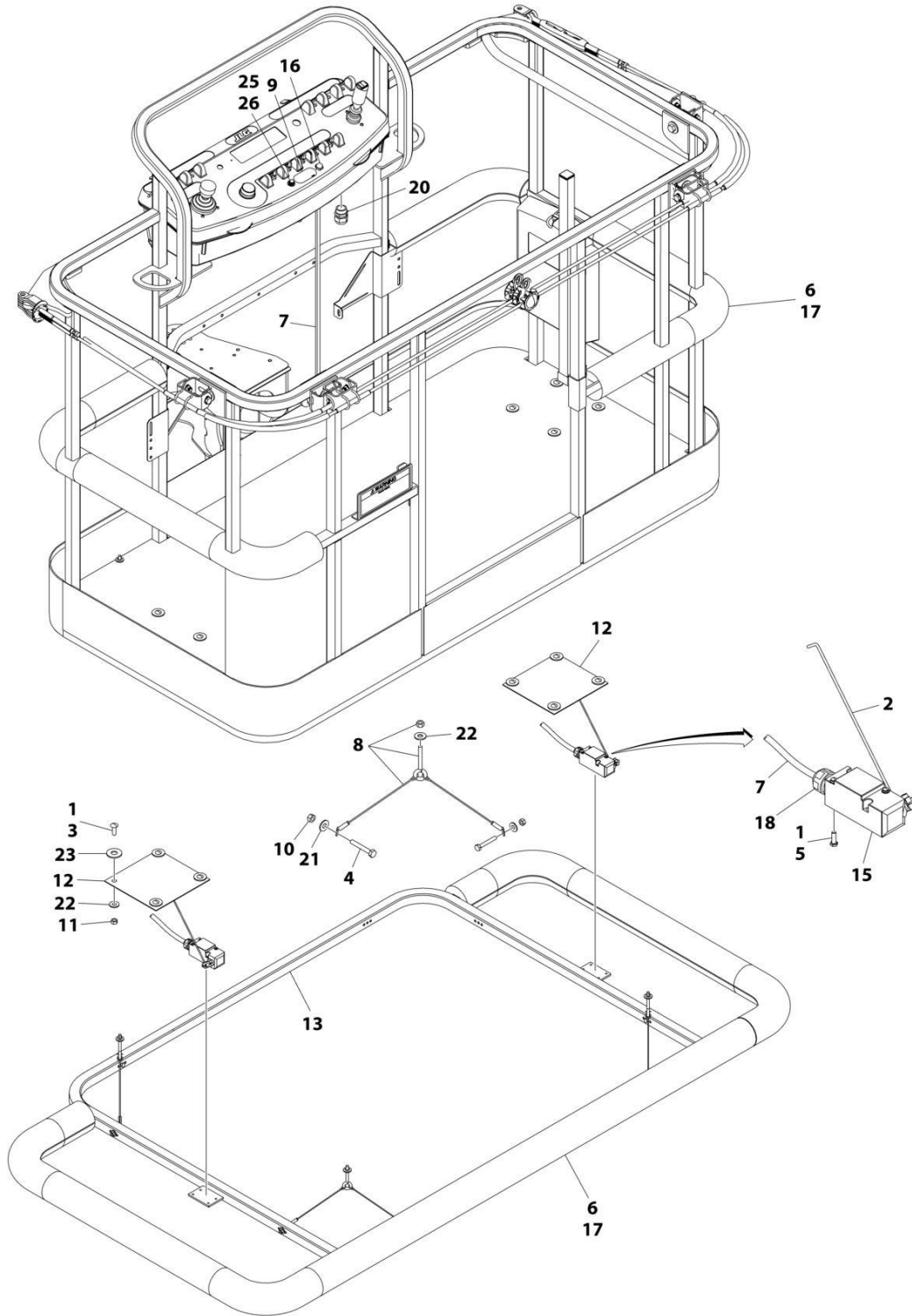
SECTION 5 - PLATFORM

FIGURE 5-26. SOFT TOUCH SYSTEM INSTALLATION - 6FT/1.8M PLATFORMS (OPTIONAL)

ITEM	PART NUMBER	QTY	DESCRIPTION	REV
	0273824	Ref	SOFT TOUCH SYSTEM INSTALLATION	D
1	0100011	AR	Compound, Locking	
2	0200048	2	Arm, Switch	
3	0630462	8	Bolt	
4	0641414	8	Bolt 1/4 x 1-3/4	
5	0731005	4	Bolt #10 x 5/8	
6	0940134	1	Bumper Kit (Includes Corners and Enough Straight Material for One Platform)	
6	0940092	AR	Bumper (Corner)	
6	0940094	AR	Bumper (12ft Length)	
7	1060341	23 ft/7m	Cable, Soft Touch - 16/2	
8	1060903	4	Wire Rope and Eyebolt Assembly	
9	1702938	1	Decal - Soft Touch Override	
10	3311401	8	Nut 1/4	
11	3311501	8	Nut 5/16	
12	3575359	2	Plate, Switch Strike	
13	3641569	1	Rail, Soft Touch	
14	4240099	7	Tie-Strap (Not Shown)	
15	4360057	2	Switch, Limit	
16	4360387	1	Switch, Push Button	
17	4420068	AR	Tape, Adhesive	
17	1001197017	AR	Tie-Strap	
18	4460049	2	Connector, Strain Relief	
19	4460234	7	Tie-Strap (Not Shown)	
20	4460425	1	Connector, Strain Relief	
21	4751400	8	Washer 1/4	
22	4751500	12	Washer 5/16	
23	4751800	8	Washer 1/2	
24	4933218	1	Wiring Diagram (Not Shown - Reference Only)	
25	2920028	1	Light, Indicator	
26	2920029	1	Bulb, Light	

SECTION 5 - PLATFORM

FIGURE 5-27. SOFT TOUCH SYSTEM INSTALLATION - 6FT/1.83M FALL ARREST PLATFORM



ART_1001108256

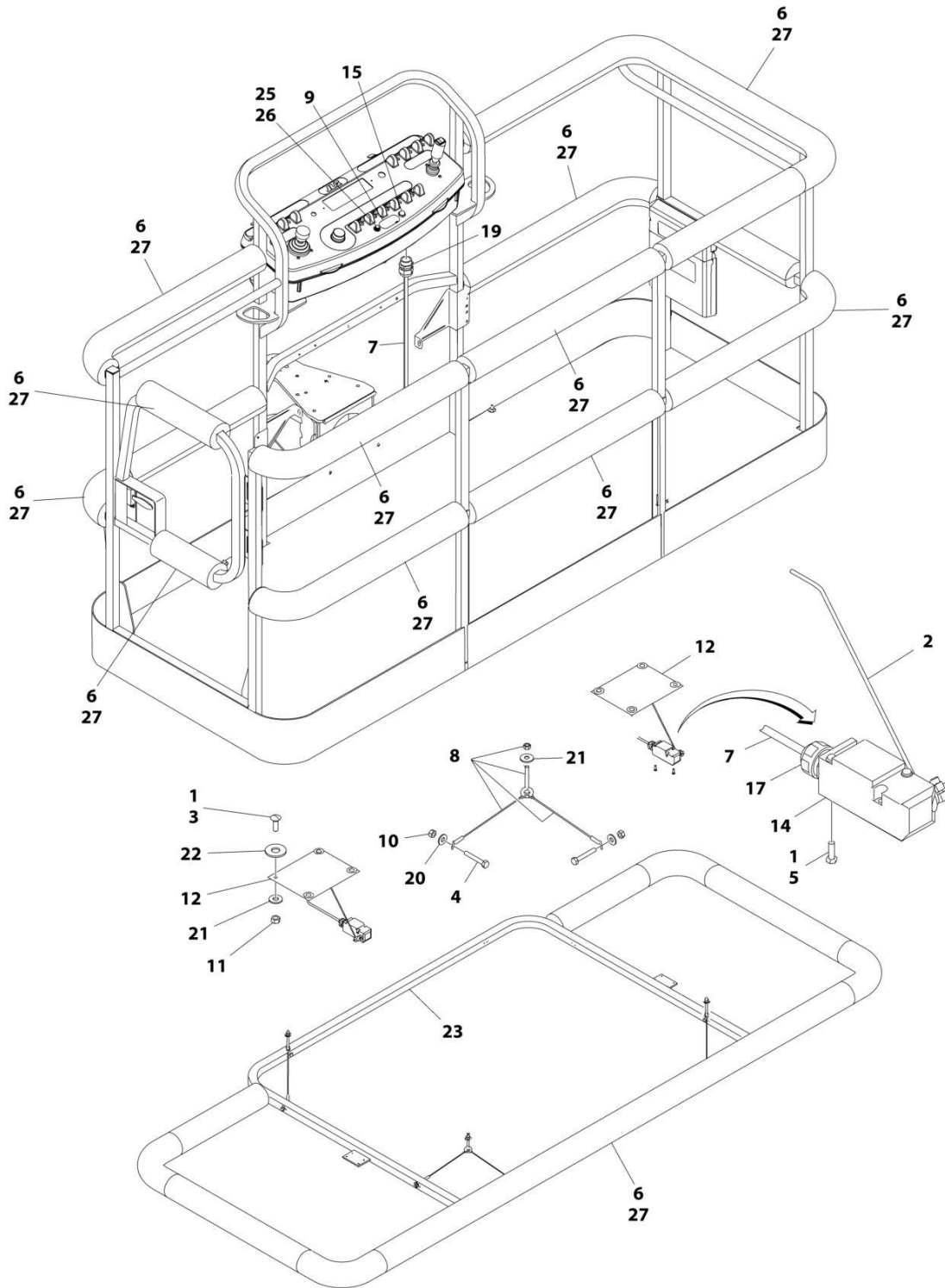
SECTION 5 - PLATFORM

FIGURE 5-27. SOFT TOUCH SYSTEM INSTALLATION - 6FT/1.83M FALL ARREST PLATFORM

ITEM	PART NUMBER	QTY	DESCRIPTION	REV
	1001108256	Ref	SOFT TOUCH INSTALLATION	C
1	0100011	AR	Compound, Locking	
2	0200048	2	Arm, Switch	
3	0630462	8	Bolt	
4	0641414	8	Bolt 1/4 x 1-3/4	
5	0731005	4	Bolt #10 x 5/8	
6	0940177	1	Bumper Kit (Includes Corners and Enough Straight Material for One Platform)	
6	0940092	8	Bumper (Corner)	
6	0940094	AR	Bumper (12ft Length)	
7	1060341	23 ft/7m	Cable, Soft Touch - 16/2	
8	1060903	4	Wire Rope and Eyebolt Assembly	
9	1702938	1	Decal - Soft Touch Override	
10	3311401	8	Nut 1/4	
11	3311501	8	Nut 5/16	
12	3575359	2	Plate, Switch Strike	
13	3641569	1	Rail, Soft Touch	
14	4240099	7	Tie-Strap (Not Shown)	
15	4360057	2	Switch, Limit	
16	4360387	1	Switch, Push Button	
17	4420068	AR	Tape, Adhesive	
17	1001197017	AR	Tie-Strap	
18	4460049	2	Connector, Strain Relief	
19	4460234	7	Tie-Strap (Not Shown)	
20	4460425	1	Connector, Strain Relief	
21	4751400	8	Washer 1/4	
22	4751500	9	Washer 5/16	
23	4751800	8	Washer 1/2	
25	2920028	1	Light, Indicator	
26	2920029	1	Bulb, Light	

SECTION 5 - PLATFORM

FIGURE 5-28. SOFT TOUCH SYSTEM INSTALLATION - 8FT/2.4M PLATFORMS (OPTIONAL)



ART_0272427_G

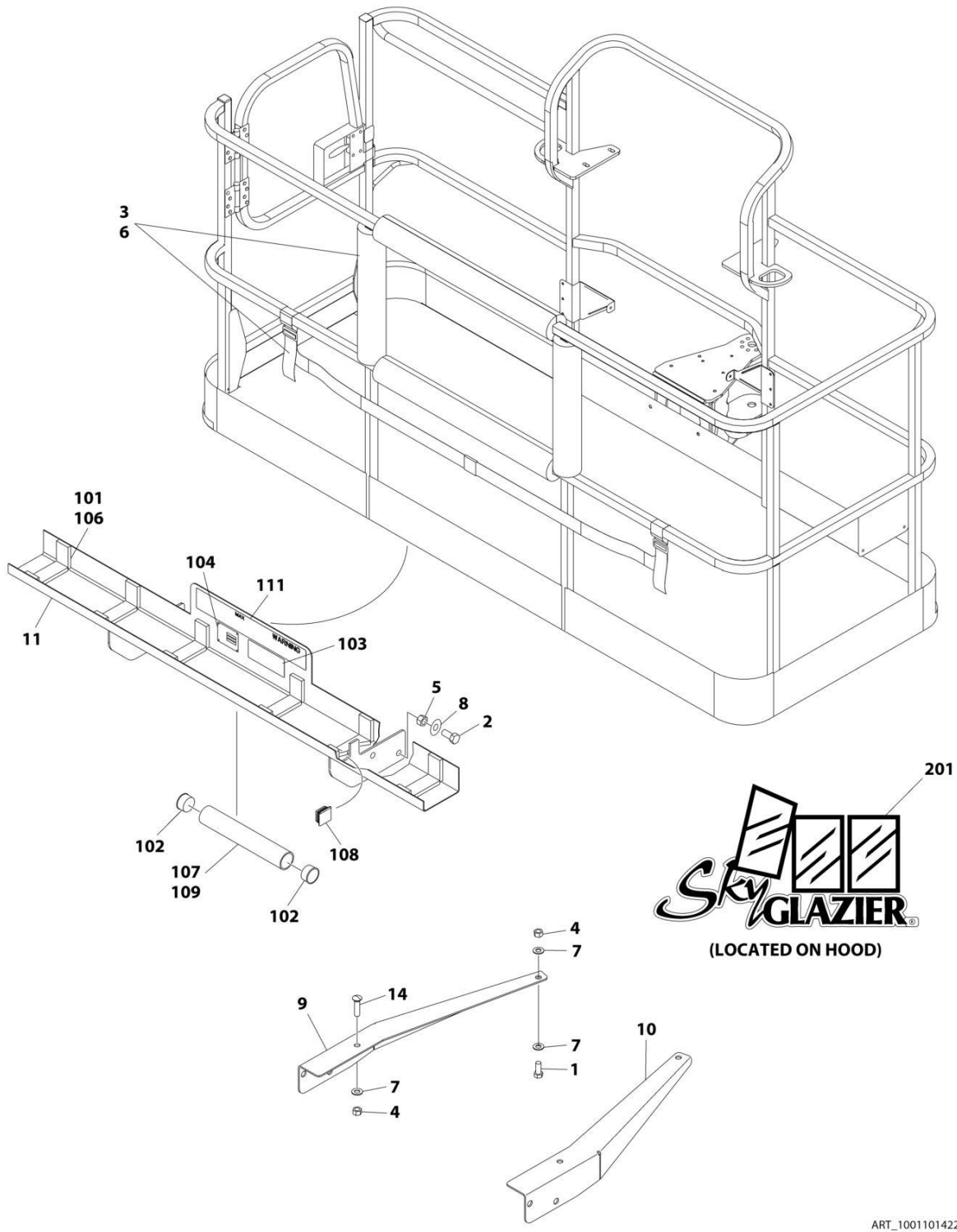
SECTION 5 - PLATFORM

FIGURE 5-28. SOFT TOUCH SYSTEM INSTALLATION - 8FT/2.4M PLATFORMS (OPTIONAL)

ITEM	PART NUMBER	QTY	DESCRIPTION	REV
	0272427	Ref	SOFT TOUCH INSTALLATION - 36IN X 8FT (91.5CM X 2.44M) PLATFORM (OPTIONAL)	G
1	0100011	AR	Compound, Locking	
2	0200048	2	Arm, Switch	
3	0630462	8	Bolt	
4	0641414	8	Bolt 1/4 x 1-3/4	
5	0721005	4	Bolt #10 x 5/8	
6	0940103	1	Bumper Kit (Includes Corners and Enough Straight Material for One Platform)	
6	0940092	12	Bumper (Corner)	
6	0940094	AR	Bumper (12ft Length)	
7	1060341	23 ft/7m	Cable, Soft Touch - 16/2	
8	1060903	4	Wire Rope and Eyebolt Assembly	
9	1702938	1	Decal - Soft Touch Override	
10	3311401	8	Nut 1/4	
11	3311501	8	Nut 5/16	
12	3574091	2	Plate, Switch Strike	
13	4240099	7	Tie-Strap (Not Shown)	
14	4360057	2	Switch, Limit	
15	4360387	1	Switch, Push Button	
16	4420068	AR	Tape, Adhesive	
16	1001197017	AR	Tie-Strap	
17	4460049	2	Connector, Strain Relief	
18	4460234	7	Tie-Strap (Not Shown)	
19	4460425	1	Connector, Strain Relief	
20	4751400	8	Washer 1/4	
21	4751500	12	Washer 5/16	
22	4751800	8	Washer 1/2	
23	4846673	1	Rail, Soft Touch	
24	4933218	1	Soft Touch Wiring Diagram (Not Shown - Reference Only)	
25	2920028	1	Light, Indicator	
26	2920029	1	Bulb, Light	

SECTION 5 - PLATFORM

FIGURE 5-29. SKYGLAZIER INSTALLATION (ANSI, AUSTRALIAN AND CSA SPECS)



ART_1001101422

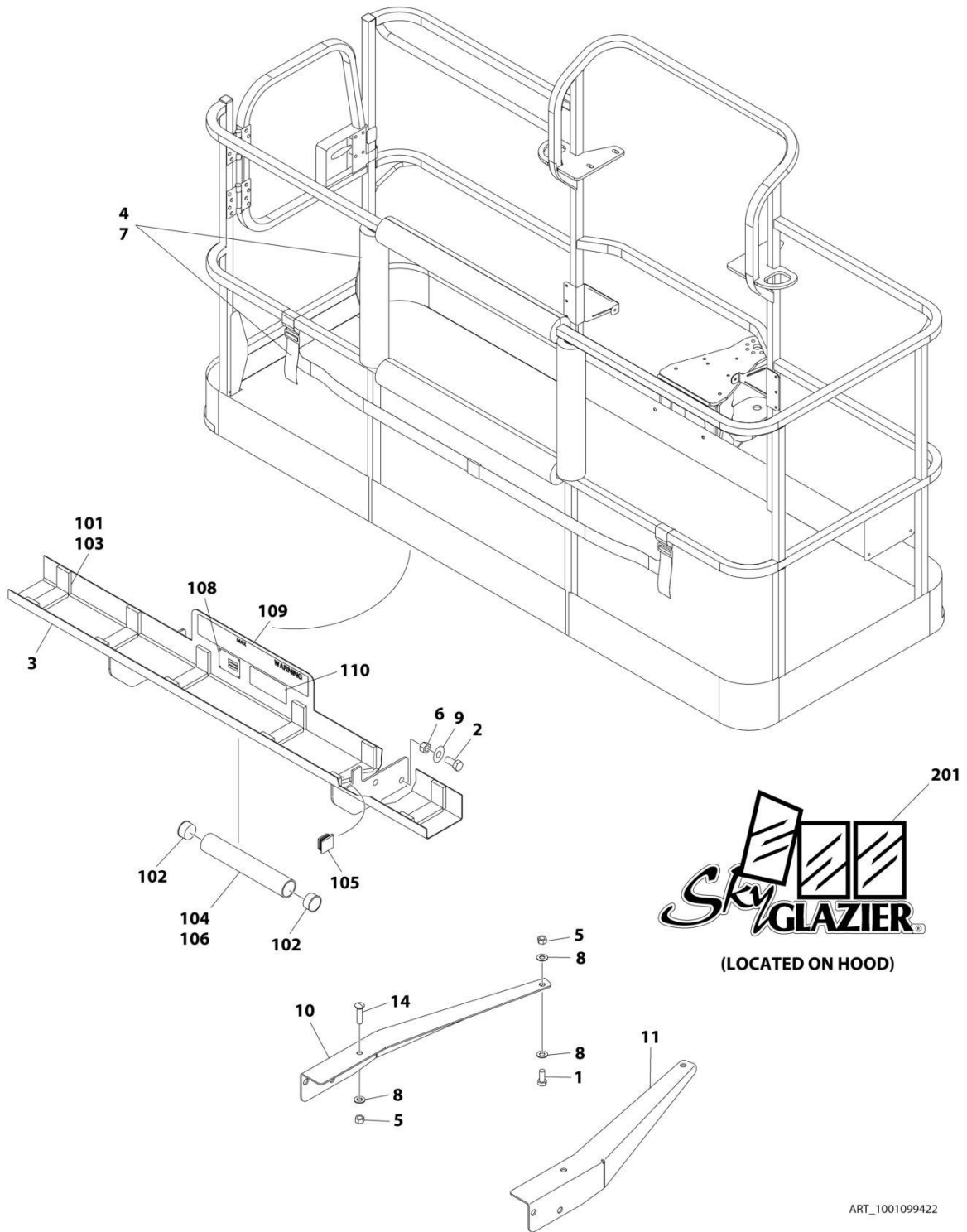
SECTION 5 - PLATFORM

FIGURE 5-29. SKYGLAZIER INSTALLATION (ANSI, AUSTRALIAN AND CSA SPECS)

ITEM	PART NUMBER	QTY	DESCRIPTION	REV
	1001101422	Ref	SKYGLAZIER INSTALLATION	C
1	0642012	2	Bolt 5/8 x 1-1/2	
2	0642212	4	Bolt 3/4 x 1-1/2	
3	2902212	1	Bumpers and Strap Kit	
3	0940102	1	Bumper Only	
3	4240149	1	Strap Only	
4	3312005	4	Nut 5/8	
5	3312205	4	Nut 3/4	
6	4420014	AR	Tape	
7	4712000	6	Washer 5/8	
8	4712200	8	Washer 3/4	
9	1001099366	1	Support	
10	1001099367	1	Support	
11	1001101421	1	Tray Assembly (See Items 101-111 for Breakdown)	
14	8310129	2	Bolt 3/4 x 2-1/2	
	1001101421	Ref	TRAY ASSEMBLY	F
101	0100081	AR	Adhesive	
102	1120555	2	Cap, Tube	
103	1701509	1	Decal - Manual	
104	See Note	NSS	Nameplate - Serial Number (Note: Not Available for Purchase)	
106	3340956	1	Pad Kit	
107	3460334	1	Tube	
108	3520071	2	Plug	
109	4420066	AR	Tape, Double Sided	
111	1001163131	2	Decal - Glazier Capacity	
	0272418	Ref	SKYGLAZIER DECAL INSTALLATION	4
201	1705358	2	Decal - SkyGlazier	

SECTION 5 - PLATFORM

FIGURE 5-30. SKYGLAZIER INSTALLATION (BRAZIL SPECS)



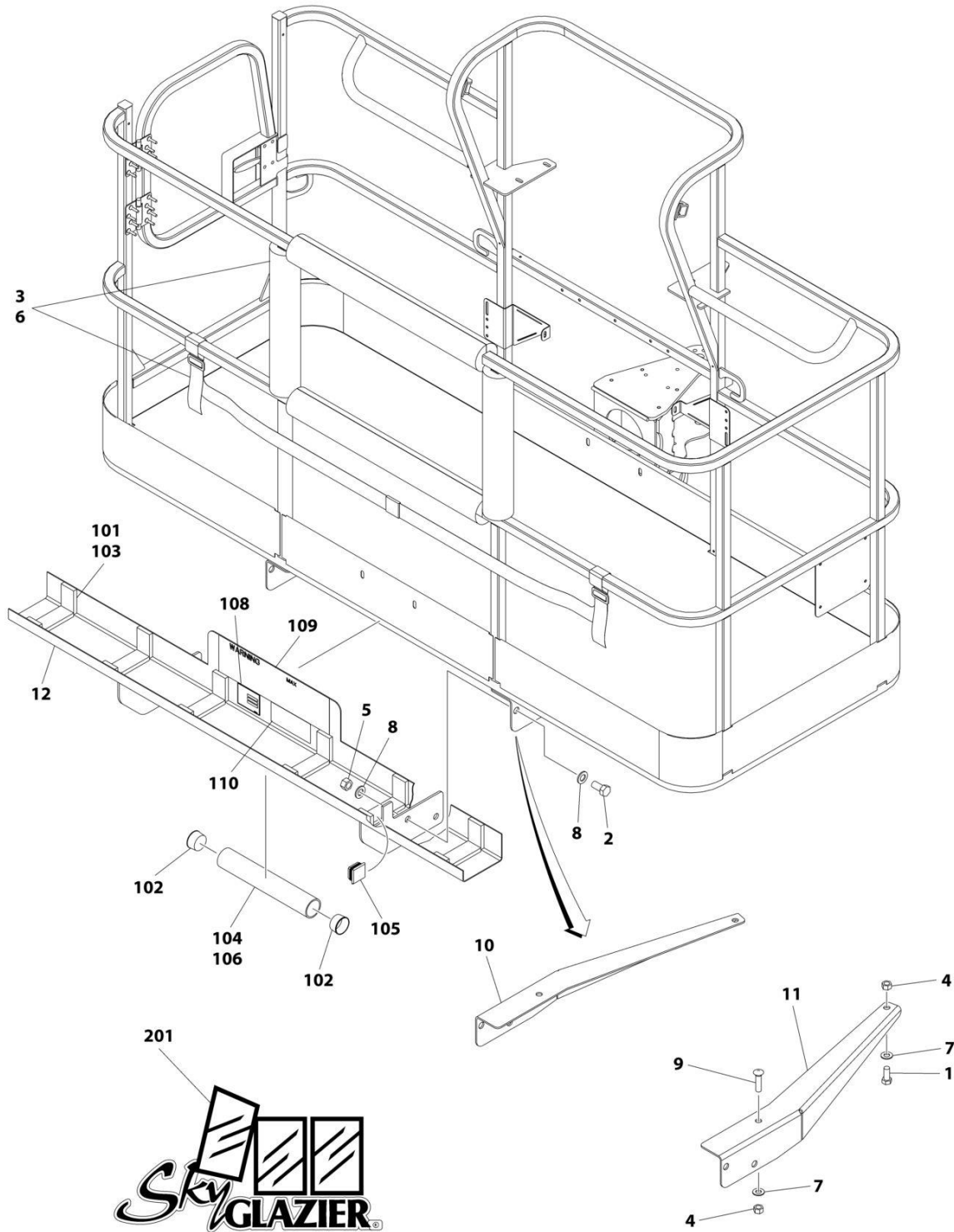
SECTION 5 - PLATFORM

FIGURE 5-30. SKYGLAZIER INSTALLATION (BRAZIL SPECS)

ITEM	PART NUMBER	QTY	DESCRIPTION	REV
	1001099422	Ref	SKYGLAZIER INSTALLATION	C
1	0642012	2	Bolt 5/8 x 1-1/2	
2	0642212	4	Bolt 3/4 x 1-1/2	
3	0272951	1	Tray Assembly (See Items 101-110 for Breakdown)	
4	2902212	1	Bumpers and Strap Kit	
4	0940102	1	Bumper Only	
4	4240149	1	Strap Only	
5	3312005	4	Nut 5/8	
6	3312205	4	Nut 3/4	
7	4420014	AR	Tape	
8	4712000	6	Washer 5/8	
9	4712200	8	Washer 3/4	
10	1001099366	1	Support	
11	1001099367	1	Support	
14	8310129	2	Bolt 3/4 x 2-1/2	
	0272951	Ref	TRAY ASSEMBLY	F
101	0100081	AR	Adhesive	
102	1120555	2	Cap, Tube	
103	3340956	1	Pad Kit	
104	3460334	1	Tube	
105	3520071	2	Plug	
106	4420066	AR	Tape, Double Sided	
108	See Note	NSS	Nameplate - Serial Number (Note: Not Available for Purchase)	
109	1001163297	2	Decal - Glazier Capacity	
110	1701509	1	Decal - Manual	
	0272418	Ref	SKYGLAZIER DECAL INSTALLATION	4
201	1705358	2	Decal - SkyGlazier	

SECTION 5 - PLATFORM

FIGURE 5-31. SKYGLAZIER INSTALLATION (DANISH SPECS)



ART_1001238462

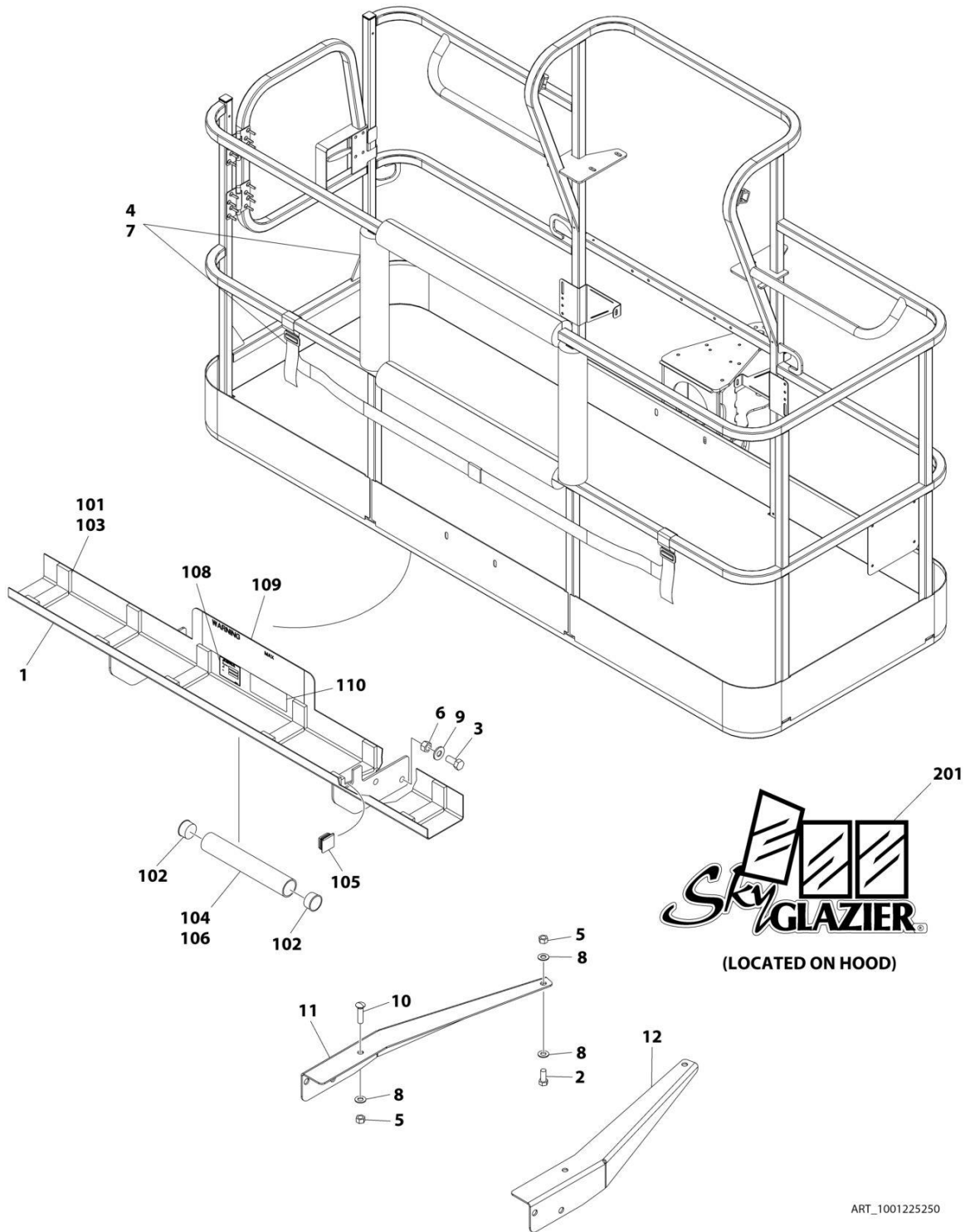
SECTION 5 - PLATFORM

FIGURE 5-31. SKYGLAZIER INSTALLATION (DANISH SPECS)

ITEM	PART NUMBER	QTY	DESCRIPTION	REV
	1001238462	Ref	SKYGLAZIER INSTALLATION	A
1	0642012	2	Bolt 5/8 x 1-1/2	
2	0642212	4	Bolt 3/4 x 1-1/2	
3	2902212	1	Bumpers and Strap Kit	
3	0940102	1	Bumper Only	
3	4240149	1	Strap Only	
4	3312005	4	Nut 5/8	
5	3312205	4	Nut 3/4	
6	4420014	AR	Tape	
7	4712000	4	Washer 5/8	
8	4712200	8	Washer 3/4	
9	8310129	2	Bolt 5/8 x 2-1/2	
10	1001099366	1	Support	
11	1001099367	1	Support	
12	1001238423	1	Tray Assembly (See Items 101-110 for Breakdown)	
	1001238423	Ref	TRAY ASSEMBLY	B
101	0100081	AR	Adhesive	
102	1120555	2	Cap, Tube	
103	3340956	1	Pad Kit	
104	3460334	1	Tube	
105	3520071	2	Plug	
106	4420066	AR	Tape, Double Sided	
108	See Note	NSS	Nameplate - Serial Number (Note: Not Available for Purchase)	
109	1001237705	2	Decal - Glazier Capacity	
110	1701509	1	Decal - Manual	
	0272418	Ref	SKYGLAZIER DECAL INSTALLATION	4
201	1705358	2	Decal - SkyGlazier	

SECTION 5 - PLATFORM

FIGURE 5-32. SKYGLAZIER INSTALLATION (FRENCH SPECS)



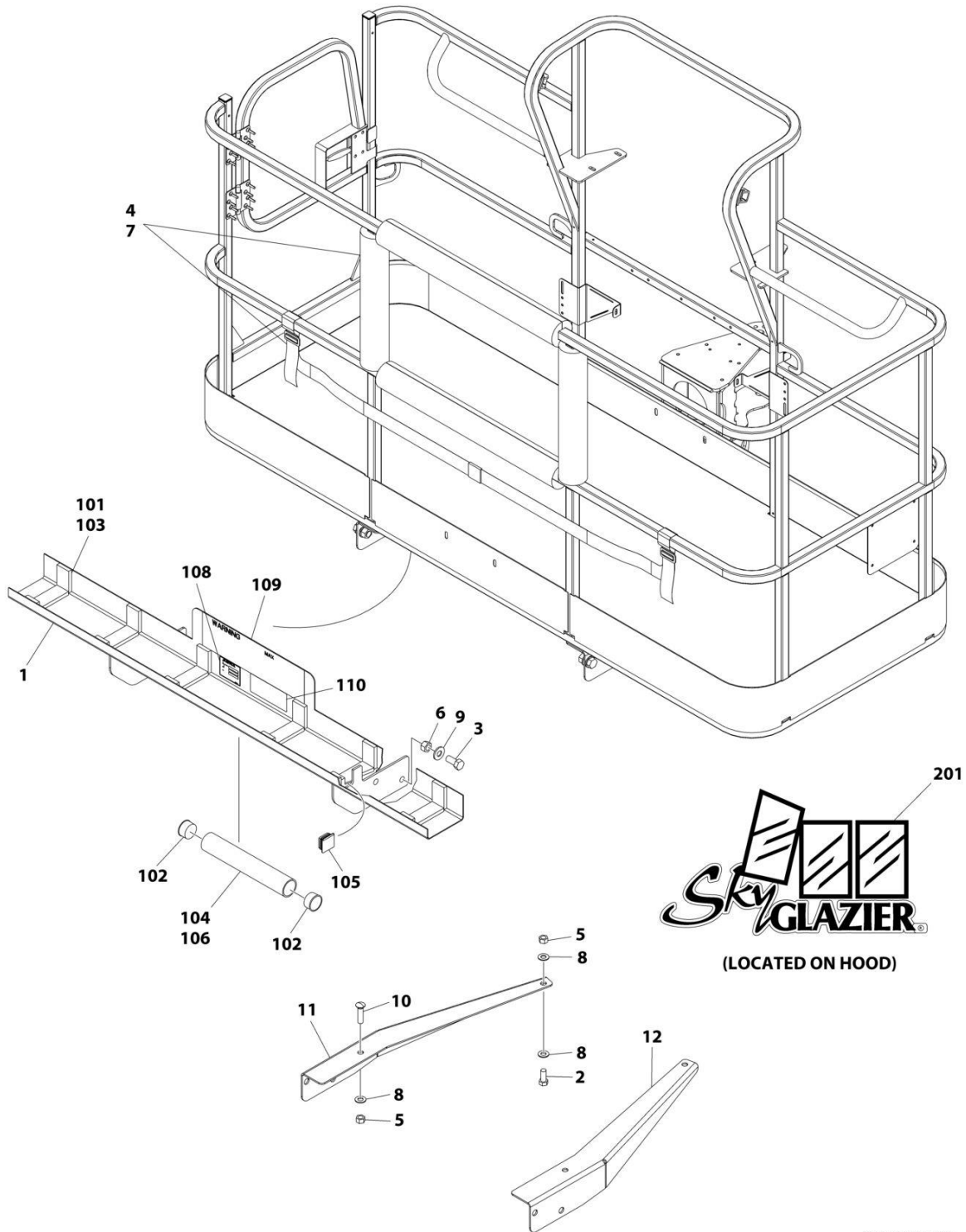
SECTION 5 - PLATFORM

FIGURE 5-32. SKYGLAZIER INSTALLATION (FRENCH SPECS)

ITEM	PART NUMBER	QTY	DESCRIPTION	REV
	1001225250	Ref	SKYGLAZIER INSTALLATION	A
1	0272949	1	Tray Assembly (See Items 101-110 for Breakdown)	
2	0642012	2	Bolt 5/8 x 1-1/2	
3	0642212	4	Bolt 3/4 x 1-1/2	
4	2902212	1	Bumpers and Strap Kit	
4	0940102	1	Bumper Only	
4	4240149	1	Strap Only	
5	3312005	4	Nut 5/8	
6	3312205	4	Nut 3/4	
7	4420014	AR	Tape	
8	4712000	6	Washer 5/8	
9	4712200	8	Washer 3/4	
10	8310129	2	Bolt 5/8 x 2-1/2	
11	1001099366	1	Support	
12	1001099367	1	Support	
	0272949	Ref	TRAY ASSEMBLY	E
101	0100081	AR	Adhesive	
102	1120555	2	Cap, Tube	
103	3340956	1	Pad Kit	
104	3460334	1	Tube	
105	3520071	2	Plug	
106	4420066	AR	Tape, Double Sided	
108	See Note	NSS	Nameplate - Serial Number (Note: Not Available for Purchase)	
109	1001163293	2	Decal - Glazier Capacity	
110	1701509	1	Decal - Manual	
	0272418	Ref	SKYGLAZIER DECAL INSTALLATION	4
201	1705358	2	Decal - SkyGlazier	

SECTION 5 - PLATFORM

FIGURE 5-33. SKYGLAZIER INSTALLATION (GERMAN SPECS)



ART_1001225249

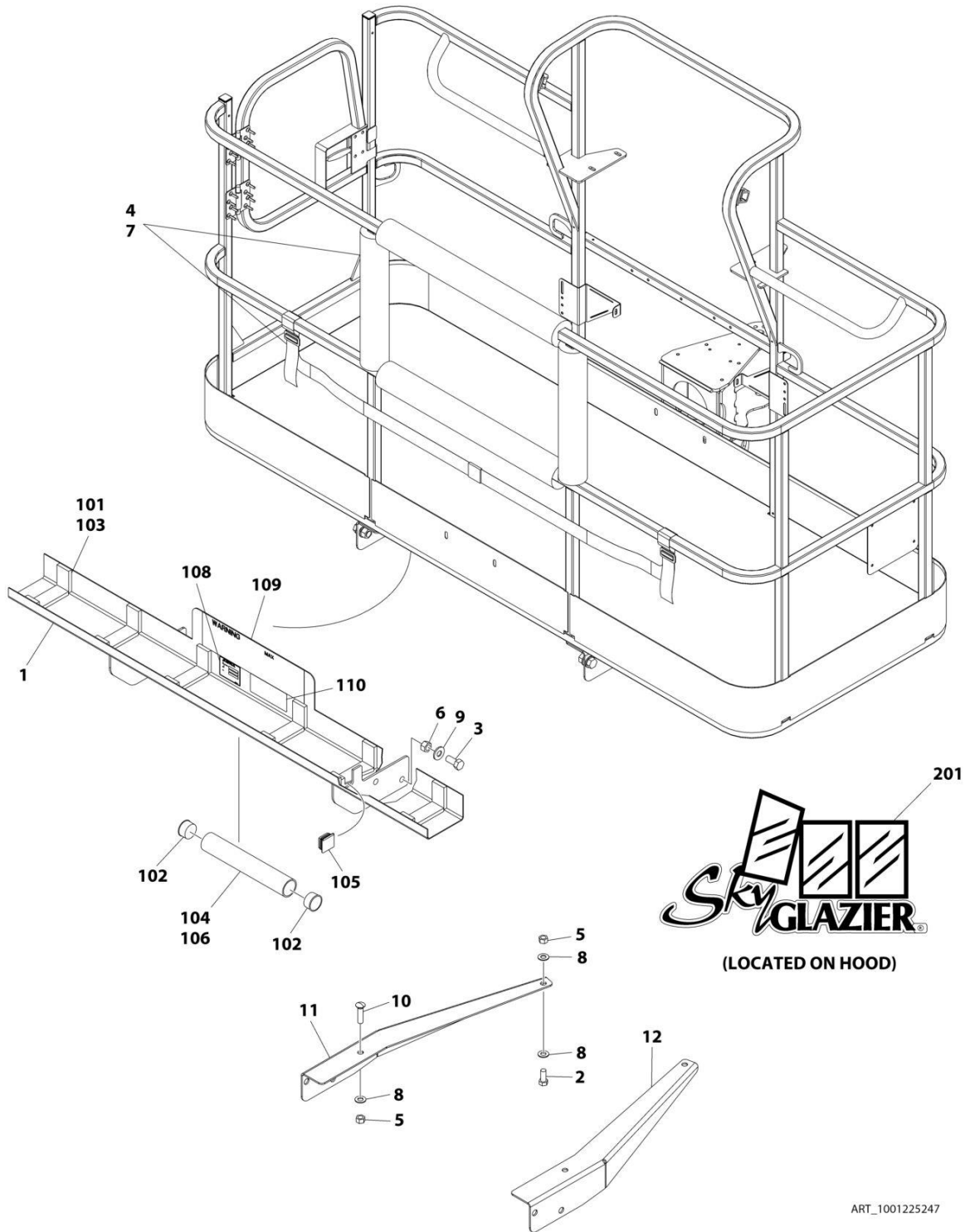
SECTION 5 - PLATFORM

FIGURE 5-33. SKYGLAZIER INSTALLATION (GERMAN SPECS)

ITEM	PART NUMBER	QTY	DESCRIPTION	REV
	1001225249	Ref	SKYGLAZIER INSTALLATION	A
1	0272950	1	Tray Assembly (See Items 101-110 for Breakdown)	
2	0642012	2	Bolt 5/8 x 1-1/2	
3	0642212	4	Bolt 3/4 x 1-1/2	
4	2902212	1	Bumpers and Strap Kit	
4	0940102	1	Bumper Only	
4	4240149	1	Strap Only	
5	3312005	4	Nut 5/8	
6	3312205	4	Nut 3/4	
7	4420014	AR	Tape	
8	4712000	6	Washer 5/8	
9	4712200	8	Washer 3/4	
10	8310129	2	Bolt 5/8 x 2-1/2	
11	1001099366	1	Support	
12	1001099367	1	Support	
	0272950	Ref	TRAY ASSEMBLY	E
101	0100081	AR	Adhesive	
102	1120555	2	Cap, Tube	
103	3340956	1	Pad Kit	
104	3460334	1	Tube	
105	3520071	2	Plug	
106	4420066	AR	Tape, Double Sided	
108	See Note	NSS	Nameplate - Serial Number (Note: Not Available for Purchase)	
109	1001163298	2	Decal - Glazier Capacity	
110	1701509	1	Decal - Manual	
	0272418	Ref	SKYGLAZIER DECAL INSTALLATION	4
201	1705358	2	Decal - SkyGlazier	

SECTION 5 - PLATFORM

FIGURE 5-34. SKYGLAZIER INSTALLATION (ITALIAN SPECS)



ART_1001225247

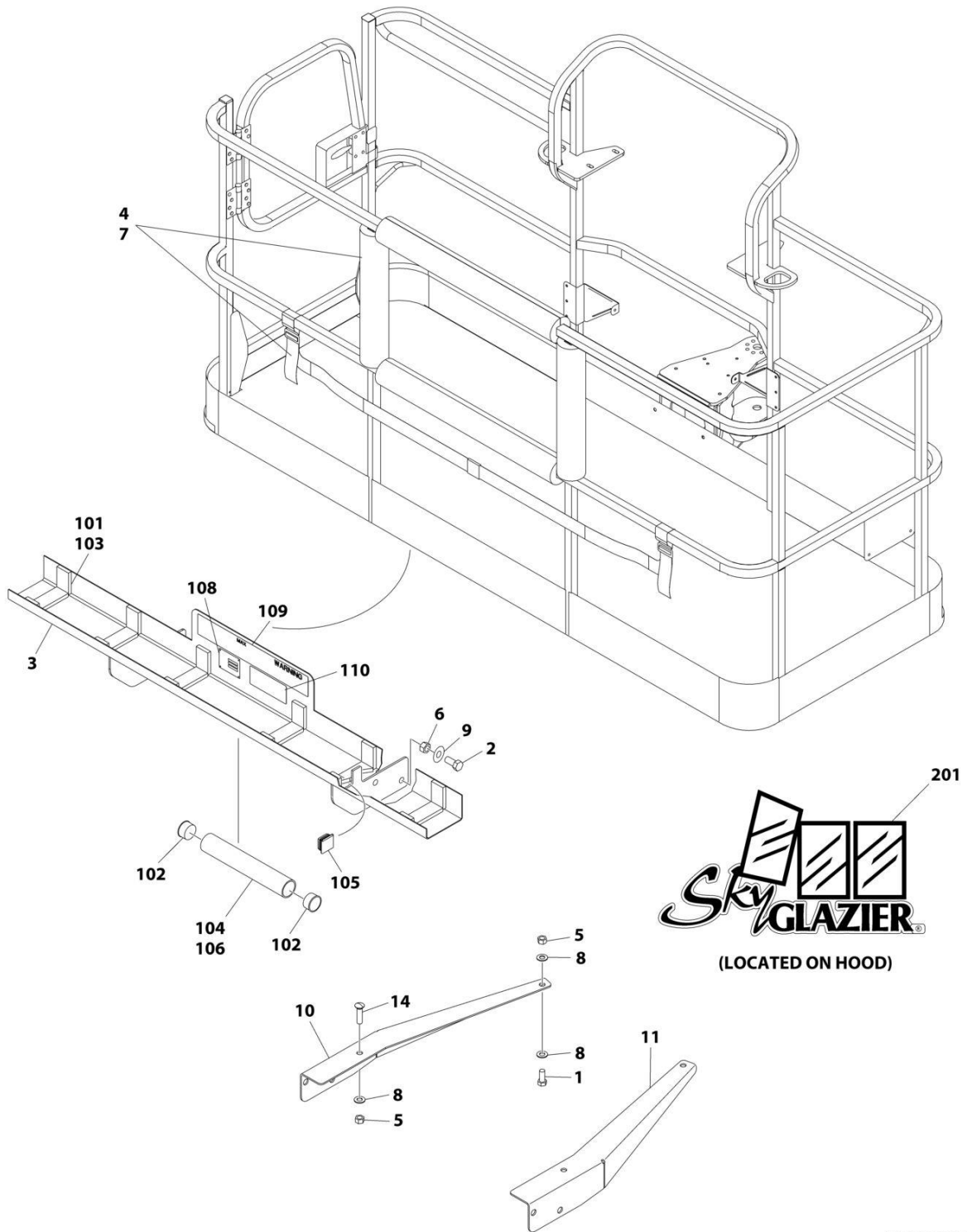
SECTION 5 - PLATFORM

FIGURE 5-34. SKYGLAZIER INSTALLATION (ITALIAN SPECS)

ITEM	PART NUMBER	QTY	DESCRIPTION	REV
	1001225247	Ref	SKYGLAZIER INSTALLATION	A
1	0272952	1	Tray Assembly (See Items 101-110 for Breakdown)	
2	0642012	2	Bolt 5/8 x 1-1/2	
3	0642212	4	Bolt 3/4 x 1-1/2	
4	2902212	1	Bumpers and Strap Kit	
4	0940102	1	Bumper Only	
4	4240149	1	Strap Only	
5	3312005	4	Nut 5/8	
6	3312205	4	Nut 3/4	
7	4420014	AR	Tape	
8	4712000	6	Washer 5/8	
9	4712200	8	Washer 3/4	
10	8310129	2	Bolt 5/8 x 2-1/2	
11	1001099366	1	Support	
12	1001099367	1	Support	
	0272952	Ref	TRAY ASSEMBLY	E
101	0100081	AR	Adhesive	
102	1120555	2	Cap, Tube	
103	3340956	1	Pad Kit	
104	3460334	1	Tube	
105	3520071	2	Plug	
106	4420066	AR	Tape, Double Sided	
108	See Note	NSS	Nameplate - Serial Number (Note: Not Available for Purchase)	
109	1001163287	2	Decal - Glazier Capacity	
110	1701509	1	Decal - Manual	
	0272418	Ref	SKYGLAZIER DECAL INSTALLATION	4
201	1705358	2	Decal - SkyGlazier	

SECTION 5 - PLATFORM

FIGURE 5-35. SKYGLAZIER INSTALLATION (LATIN AMERICAN SPECS)



ART_1001099421

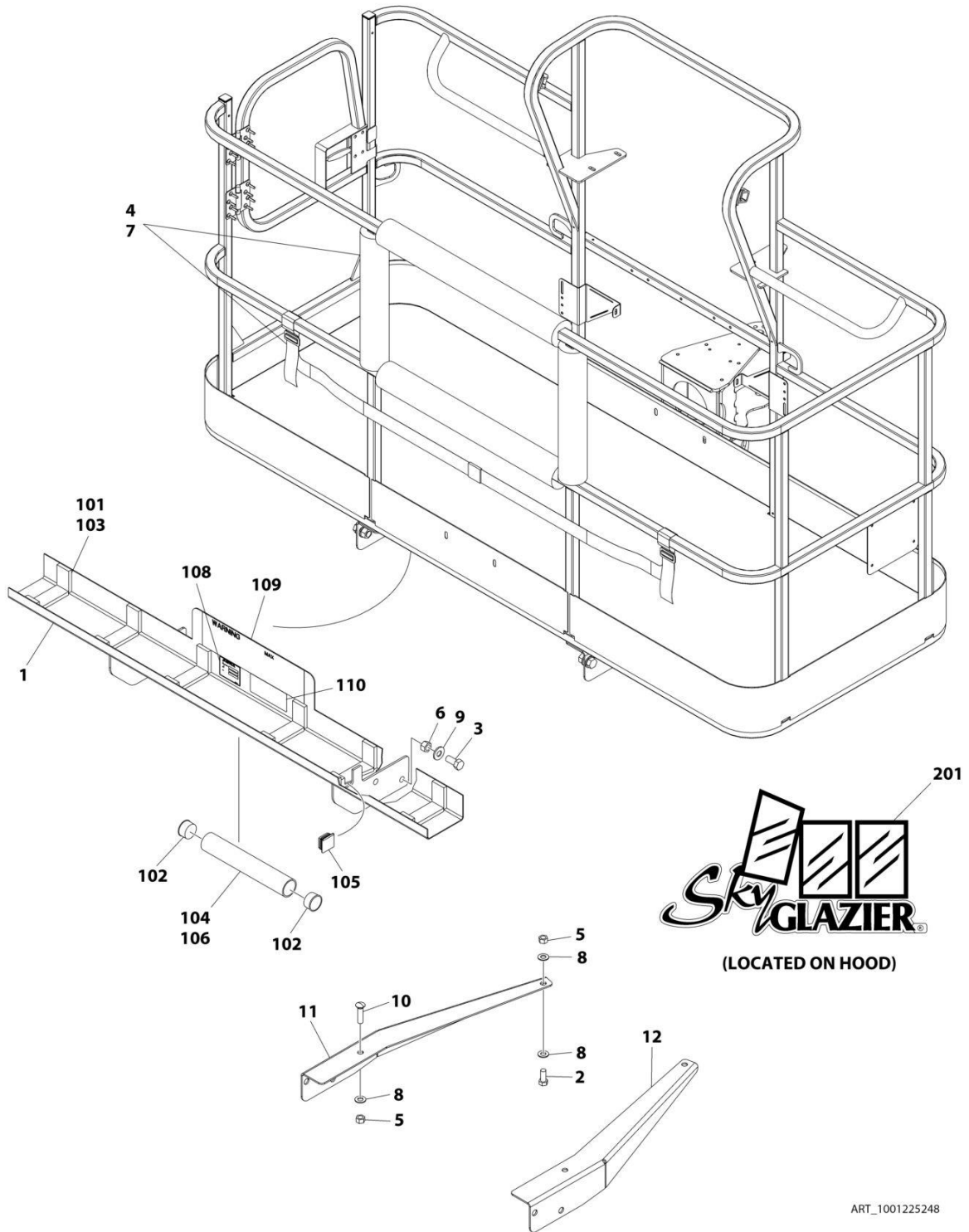
SECTION 5 - PLATFORM

FIGURE 5-35. SKYGLAZIER INSTALLATION (LATIN AMERICAN SPECS)

ITEM	PART NUMBER	QTY	DESCRIPTION	REV
	1001099421	Ref	SKYGLAZIER INSTALLATION	C
1	0642012	2	Bolt 5/8 x 1-1/2	
2	0642212	4	Bolt 3/4 x 1-1/2	
3	0272948	1	Tray Assembly (See Items 101-110 for Breakdown)	
4	2902212	1	Bumpers and Strap Kit	
4	0940102	1	Bumper Only	
4	4240149	1	Strap Only	
5	3312005	4	Nut 5/8	
6	3312205	4	Nut 3/4	
7	4420014	AR	Tape	
8	4712000	6	Washer 5/8	
9	4712200	8	Washer 3/4	
10	1001099366	1	Support	
11	1001099367	1	Support	
14	8310129	2	Bolt 3/4 x 2-1/2	
	0272948	Ref	TRAY ASSEMBLY	F
101	0100081	AR	Adhesive	
102	1120555	2	Cap, Tube	
103	3340956	1	Pad Kit	
104	3460334	1	Tube	
105	3520071	2	Plug	
106	4420066	AR	Tape, Double Sided	
108	See Note	NSS	Nameplate - Serial Number (Note: Not Available for Purchase)	
109	1001163296	2	Decal - Glazier Capacity	
110	1701509	1	Decal - Manual	
	0272418	Ref	SKYGLAZIER DECAL INSTALLATION	4
201	1705358	2	Decal - SkyGlazier	

SECTION 5 - PLATFORM

FIGURE 5-36. SKYGLAZIER INSTALLATION (PORTUGUESE SPECS)



ART_1001225248

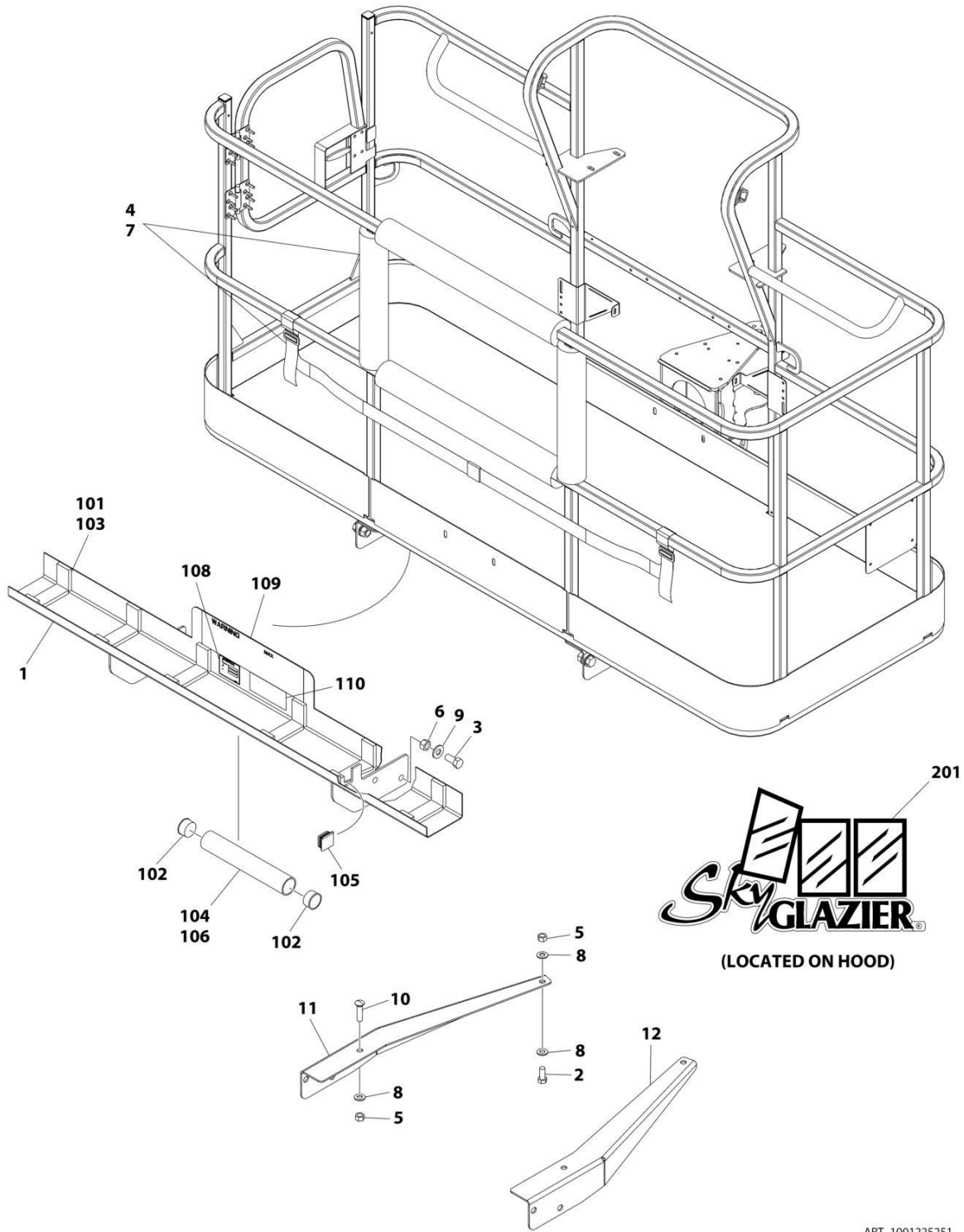
SECTION 5 - PLATFORM

FIGURE 5-36. SKYGLAZIER INSTALLATION (PORTUGUESE SPECS)

ITEM	PART NUMBER	QTY	DESCRIPTION	REV
	1001225248	Ref	SKYGLAZIER INSTALLATION	A
1	0273406	1	Tray Assembly (See Items 101-110 for Breakdown)	
2	0642012	2	Bolt 5/8 x 1-1/2	
3	0642212	4	Bolt 3/4 x 1-1/2	
4	2902212	1	Bumpers and Strap Kit	
4	0940102	1	Bumper Only	
4	4240149	1	Strap Only	
5	3312005	4	Nut 5/8	
6	3312205	4	Nut 3/4	
7	4420014	AR	Tape	
8	4712000	6	Washer 5/8	
9	4712200	8	Washer 3/4	
10	8310129	2	Bolt 5/8 x 2-1/2	
11	1001099366	1	Support	
12	1001099367	1	Support	
	0273406	Ref	TRAY ASSEMBLY	E
101	0100081	AR	Adhesive	
102	1120555	2	Cap, Tube	
103	3340956	1	Pad Kit	
104	3460334	1	Tube	
105	3520071	2	Plug	
106	4420066	AR	Tape, Double Sided	
108	See Note	NSS	Nameplate - Serial Number (Note: Not Available for Purchase)	
109	1001163289	2	Decal - Glazier Capacity	
110	1701509	1	Decal - Manual	
	0272418	Ref	SKYGLAZIER DECAL INSTALLATION	4
201	1705358	2	Decal - SkyGlazier	

SECTION 5 - PLATFORM

FIGURE 5-37. SKYGLAZIER INSTALLATION (SPANISH SPECS)



ART_1001225251

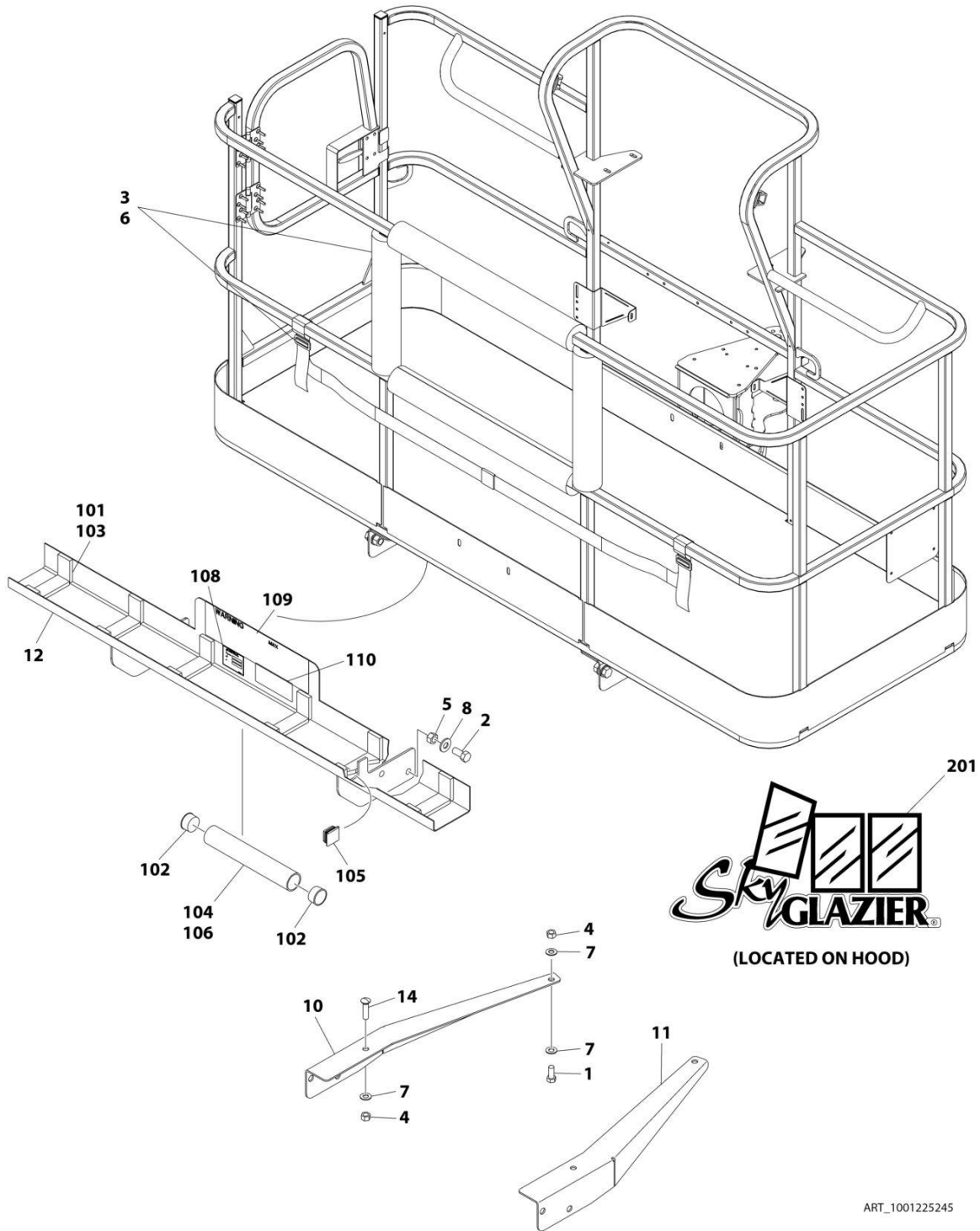
SECTION 5 - PLATFORM

FIGURE 5-37. SKYGLAZIER INSTALLATION (SPANISH SPECS)

ITEM	PART NUMBER	QTY	DESCRIPTION	REV
	1001225251	Ref	SKYGLAZIER INSTALLATION	A
1	0273405	1	Tray Assembly (See Items 101-110 for Breakdown)	
2	0642012	2	Bolt 5/8 x 1-1/2	
3	0642212	4	Bolt 3/4 x 1-1/2	
4	2902212	1	Bumpers and Strap Kit	
4	0940102	1	Bumper Only	
4	4240149	1	Strap Only	
5	3312005	4	Nut 5/8	
6	3312205	4	Nut 3/4	
7	4420014	AR	Tape	
8	4712000	6	Washer 5/8	
9	4712200	8	Washer 3/4	
10	8310129	2	Bolt 5/8 x 2-1/2	
11	1001099366	1	Support	
12	1001099367	1	Support	
	0273405	Ref	TRAY ASSEMBLY	E
101	0100081	AR	Adhesive	
102	1120555	2	Cap, Tube	
103	3340956	1	Pad Kit	
104	3460334	1	Tube	
105	3520071	2	Plug	
106	4420066	AR	Tape, Double Sided	
108	See Note	NSS	Nameplate - Serial Number (Note: Not Available for Purchase)	
109	1001163288	2	Decal - Glazier Capacity	
110	1701509	1	Decal - Manual	
	0272418	Ref	SKYGLAZIER DECAL INSTALLATION	4
201	1705358	2	Decal - SkyGlazier	

SECTION 5 - PLATFORM

FIGURE 5-38. SKYGLAZIER INSTALLATION (SWEDISH SPECS)



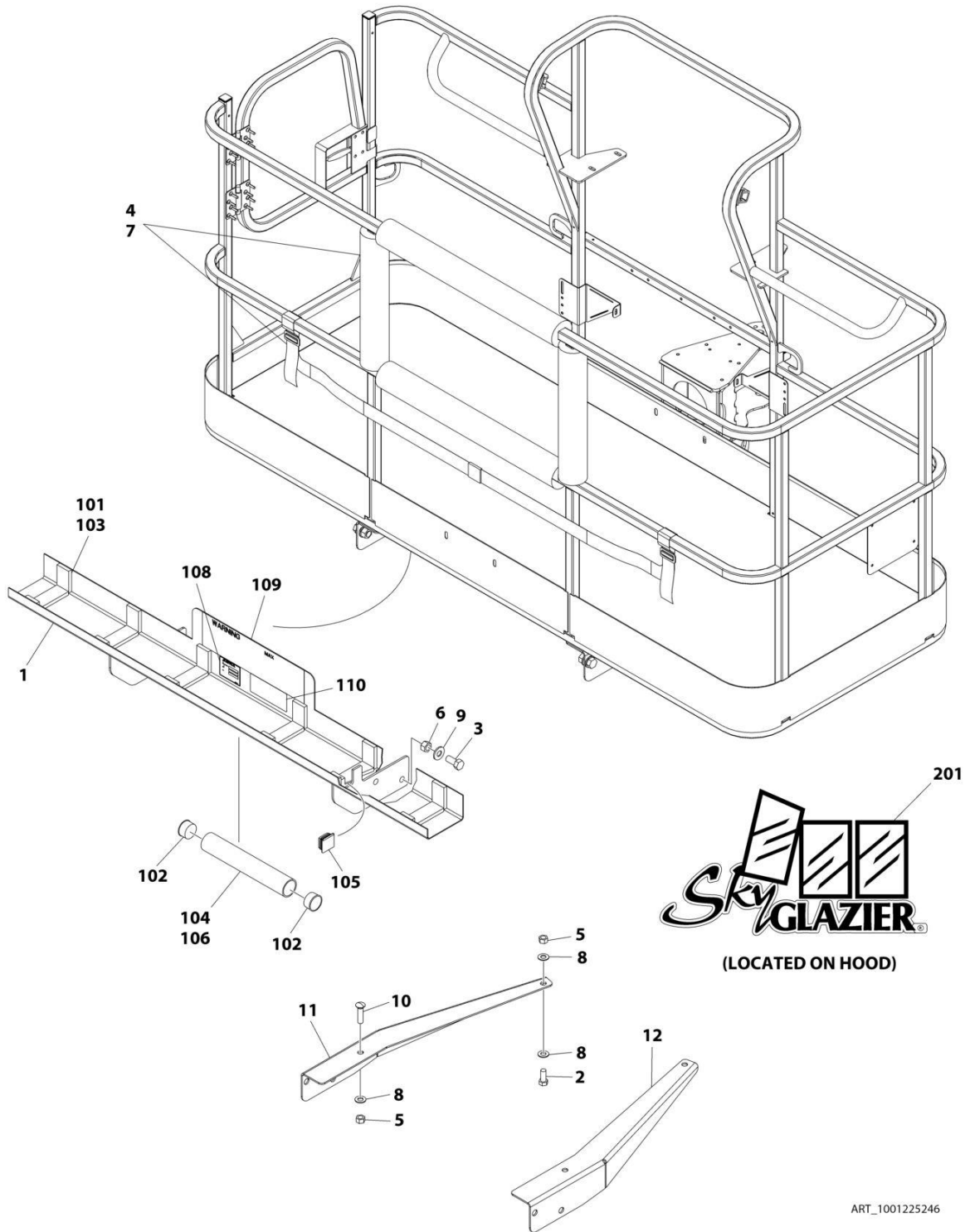
SECTION 5 - PLATFORM

FIGURE 5-38. SKYGLAZIER INSTALLATION (SWEDISH SPECS)

ITEM	PART NUMBER	QTY	DESCRIPTION	REV
	1001225245	Ref	SKYGLAZIER INSTALLATION	B
1	0642012	2	Bolt 5/8 x 1-1/2	
2	0642212	4	Bolt 3/4 x 1-1/2	
3	2902212	1	Bumpers and Strap Kit	
3	0940102	1	Bumper Only	
3	4240149	1	Strap Only	
4	3312005	4	Nut 5/8	
5	3312205	4	Nut 3/4	
6	4420014	AR	Tape	
7	4712000	6	Washer 5/8	
8	4712200	8	Washer 3/4	
9	8310129	2	Bolt 5/8 x 2-1/2	
10	1001099366	1	Support	
11	1001099367	1	Support	
12	1001115603	1	Tray Assembly (See Items 101-110 for Breakdown)	
	1001115603	Ref	TRAY ASSEMBLY	D
101	0100081	AR	Adhesive	
102	1120555	2	Cap, Tube	
103	3340956	1	Pad Kit	
104	3460334	1	Tube	
105	3520071	2	Plug	
106	4420066	AR	Tape, Double Sided	
108	See Note	NSS	Nameplate - Serial Number (Note: Not Available for Purchase)	
109	1001163292	2	Decal - Glazier Capacity	
110	1701509	1	Decal - Manual	
	0272418	Ref	SKYGLAZIER DECAL INSTALLATION	4
201	1705358	2	Decal - SkyGlazier	

SECTION 5 - PLATFORM

FIGURE 5-39. SKYGLAZIER INSTALLATION (UK SPECS)



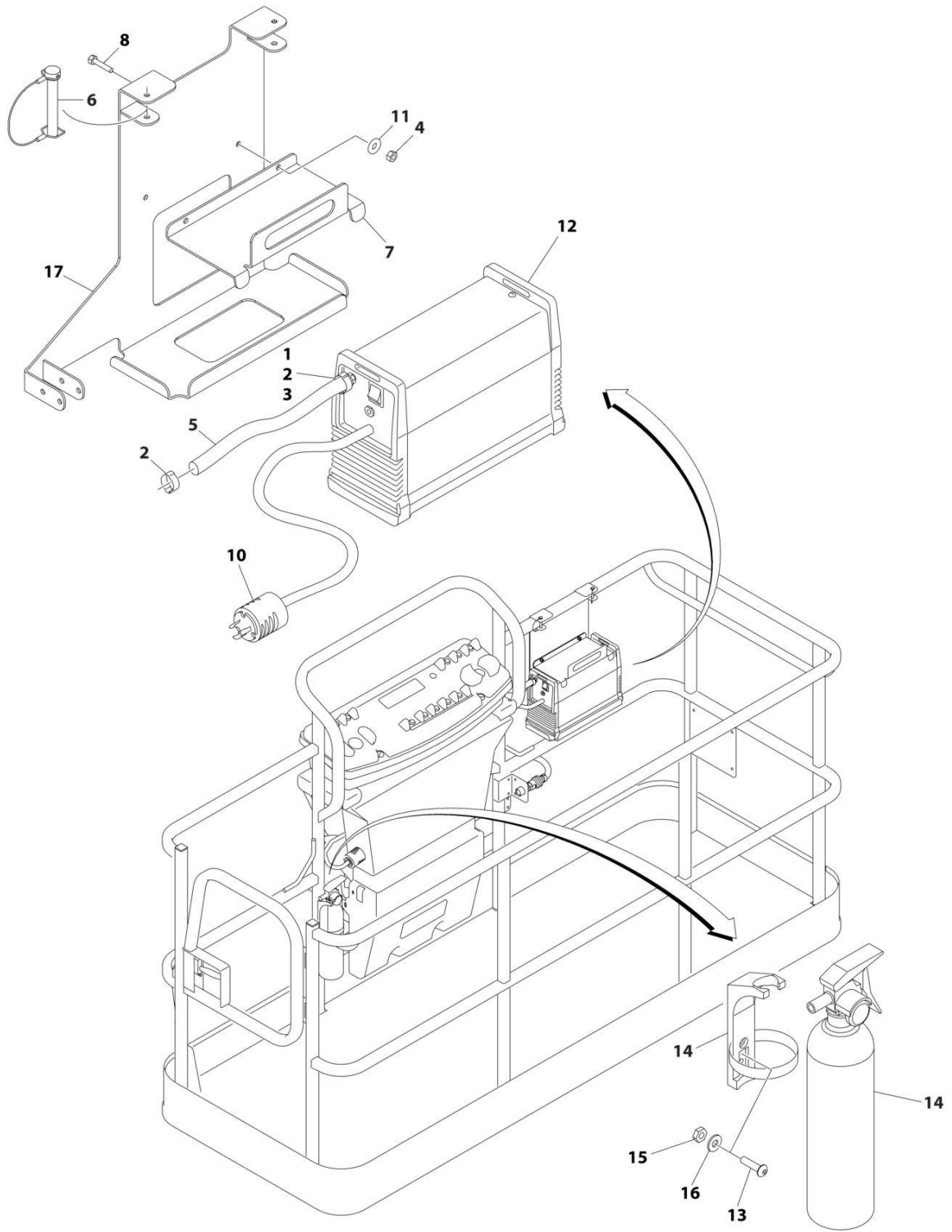
SECTION 5 - PLATFORM

FIGURE 5-39. SKYGLAZIER INSTALLATION (UK SPECS)

ITEM	PART NUMBER	QTY	DESCRIPTION	REV
	1001225246	Ref	SKYGLAZIER INSTALLATION	A
1	0273404	1	Tray Assembly (See Items 101-110 for Breakdown)	
2	0642012	2	Bolt 5/8 x 1-1/2	
3	0642212	4	Bolt 3/4 x 1-1/2	
4	2902212	1	Bumpers and Strap Kit	
4	0940102	1	Bumper Only	
4	4240149	1	Strap Only	
5	3312005	4	Nut 3/4	
6	3312205	4	Nut 3/4	
7	4420014	AR	Tape	
8	4712000	6	Washer 5/8	
9	4712200	8	Washer 3/4	
10	8310129	2	Bolt 5/8 x 2-1/2	
11	1001099366	1	Support	
12	1001099367	1	Support	
	0273404	Ref	TRAY ASSEMBLY	F
101	0100081	AR	Adhesive	
102	1120555	2	Cap, Tube	
103	3340956	1	Pad Kit	
104	3460334	1	Tube	
105	3520071	2	Plug	
106	4420066	AR	Tape, Double Sided	
108	See Note	NSS	Nameplate - Serial Number (Note: Not Available for Purchase)	
109	1001163295	2	Decal - Glazier Capacity	
110	1701509	1	Decal - Manual	
	0272418	Ref	SKYGLAZIER DECAL INSTALLATION	4
201	1705358	2	Decal - SkyGlazier	

SECTION 5 - PLATFORM

FIGURE 5-40. SKYCUTTER INSTALLATION



ART_1001098149_D

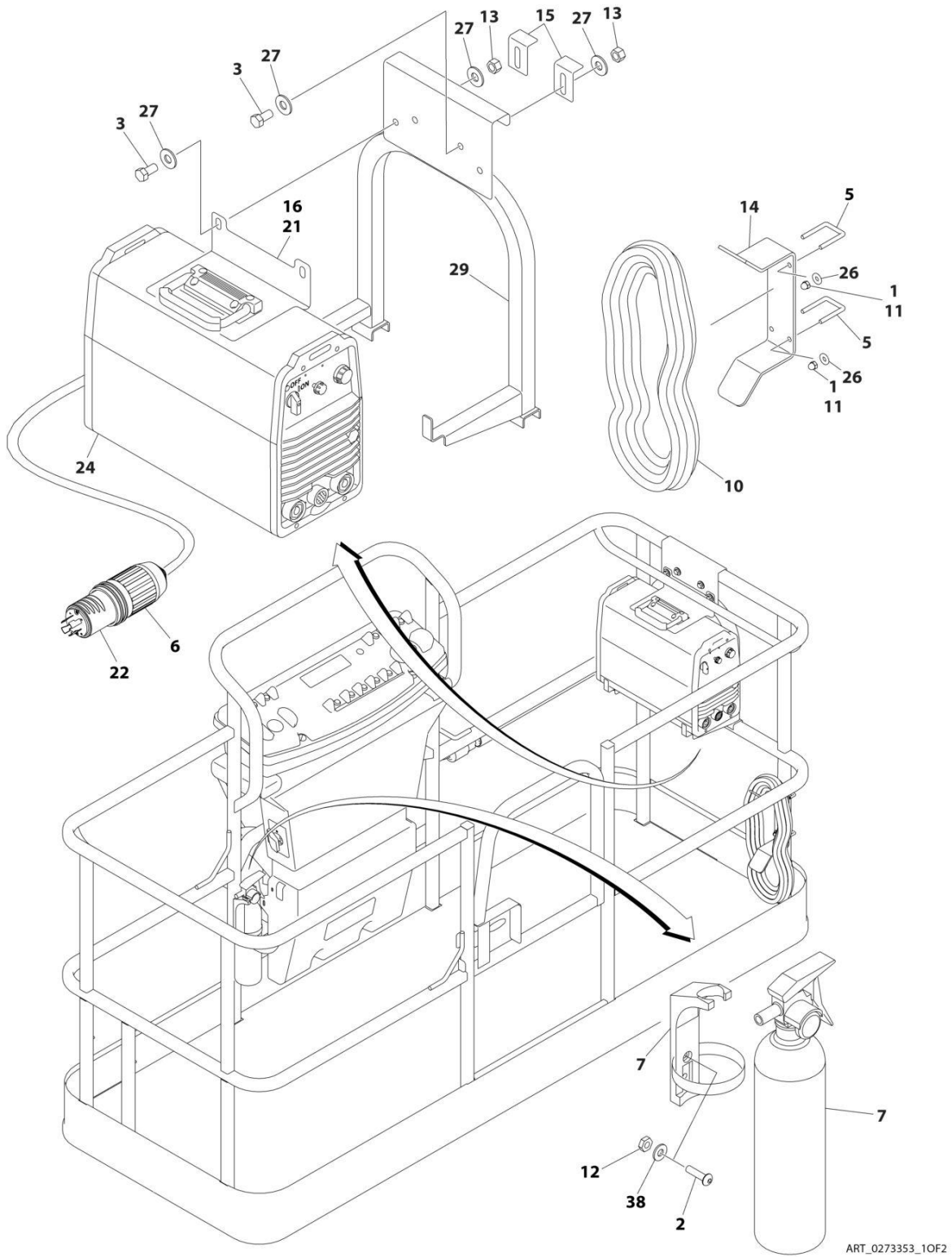
SECTION 5 - PLATFORM

FIGURE 5-40. SKYCUTTER INSTALLATION

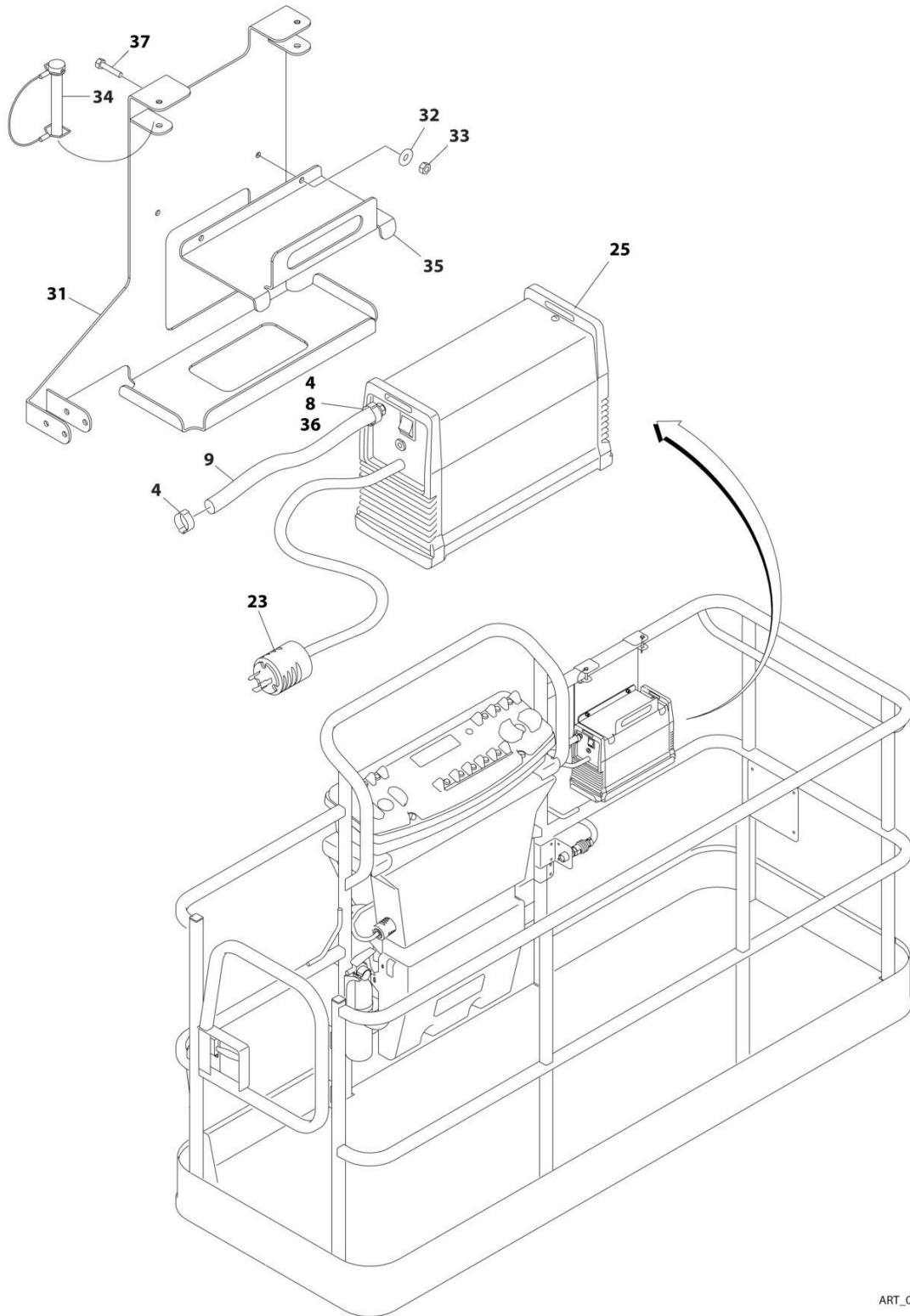
ITEM	PART NUMBER	QTY	DESCRIPTION	REV
	1001098149	Ref	SKYCUTTER INSTALLATION	D
		Ref	Note: When replacing platform on machines with SkyCutter option, new bracket p/n 1001145405 must be purchased to accommodate SkyCutter components.	
1	0100020	AR	Sealant	
2	1320177	2	Clamp, Hose	
3	2180832	1	Fitting, NPT/Barbed	
4	3290605	2	Nut M6	
5	2720160	3 ft /.9m	Hose	
6	3421453	3	Pin	
7	3576799	1	Plate, Hold-Down	
8	4010608	2	Screw M6 x 16	
10	4460971	1	Plug, Twistlock	
11	4811700	2	Washer M6	
12	1001098012	1	Plasma Cutter Assembly (See Separate Breakdown in this Section)	
13	0630518	2	Screw #10 x 3/4	
14	2030010	1	Extinguisher, Fire	
15	3311005	2	Nut #10	
16	4751000	2	Washer #10	
17	1001145405	1	Support	

SECTION 5 - PLATFORM

FIGURE 5-41. SKYWELDER/SKYCUTTER COMBO INSTALLATION (60HZ)



SECTION 5 - PLATFORM



ART_0273353_20F2

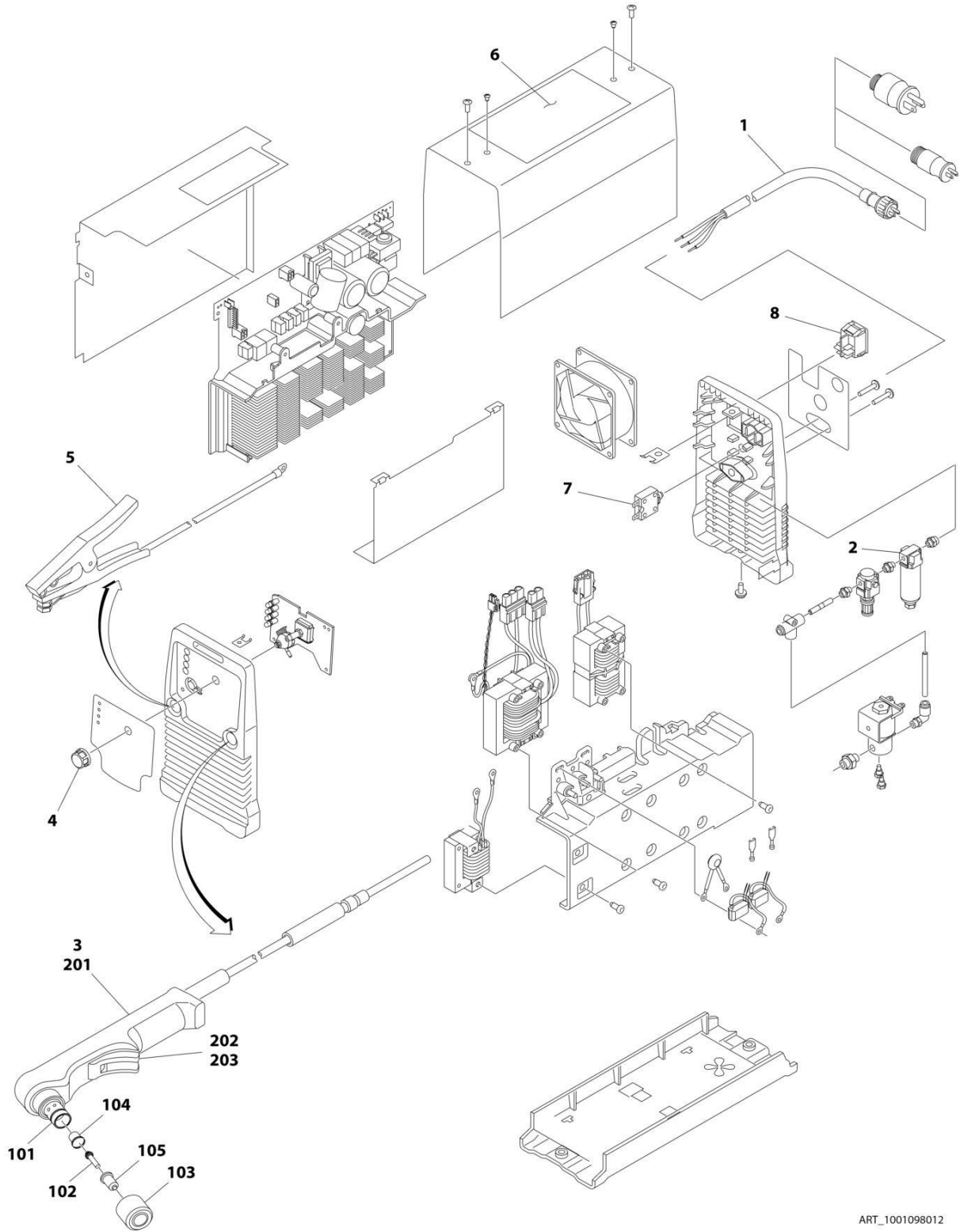
SECTION 5 - PLATFORM

FIGURE 5-41. SKYWELDER/SKYCUTTER COMBO INSTALLATION (60HZ)

ITEM	PART NUMBER	QTY	DESCRIPTION	REV
	0273353	Ref	SKYWELDER/SKYCUTTER COMBO INSTALLATION (60HZ)	G
1	0100011	AR	Compound, Locking	
2	0630518	2	Screw #10 x 3/4	
3	0641606	4	Bolt 3/8 x 3/4	
4	1320177	2	Clamp	
5	1320302	2	Clamp	
6	1671093	1	Cover, Plug	
7	2030010	1	Extinguisher, Fire	
8	2180832	1	Fitting, Barbed/NPT	
9	2720160	4.5 ft /1.37m	Hose	
10	2902217	1	Weld Leads Kit	
11	3300151	4	Nut 1/4	
12	3311005	2	Nut #10	
13	3311605	4	Nut 3/8	
14	3573400	1	Bracket	
15	3577121	2	Angle	
16	3573642	1	Plate	
20	4240099	AR	Tie-Strap (Not Shown)	
21	4420037	2.36 ft /.71m	Tape	
22	4460962	1	Plug, Twist Lock	
23	4460971	1	Plug, Twist Lock	
24	4530028	1	Welder Assembly (See Separate Breakdown in this section)	
25	1001098012	1	Plasma Cutter Assembly (See Separate Breakdown in this Section)	
26	4751400	4	Washer 1/4	
27	4751600	8	Washer 3/8	
29	4846627	1	Support	
31	1001145405	1	Bracket	
32	4811700	2	Washer M6	
33	3290605	2	Nut M6	
34	3421453	3	Pin	
35	3576799	1	Plate, Hold-Down	
36	0100020	1	Sealant	
37	4010608	2	Screw M6 x 16	
38	4751000	2	Washer #10	

SECTION 5 - PLATFORM

FIGURE 5-42. PLASMA CUTTER ASSEMBLY



ART_1001098012

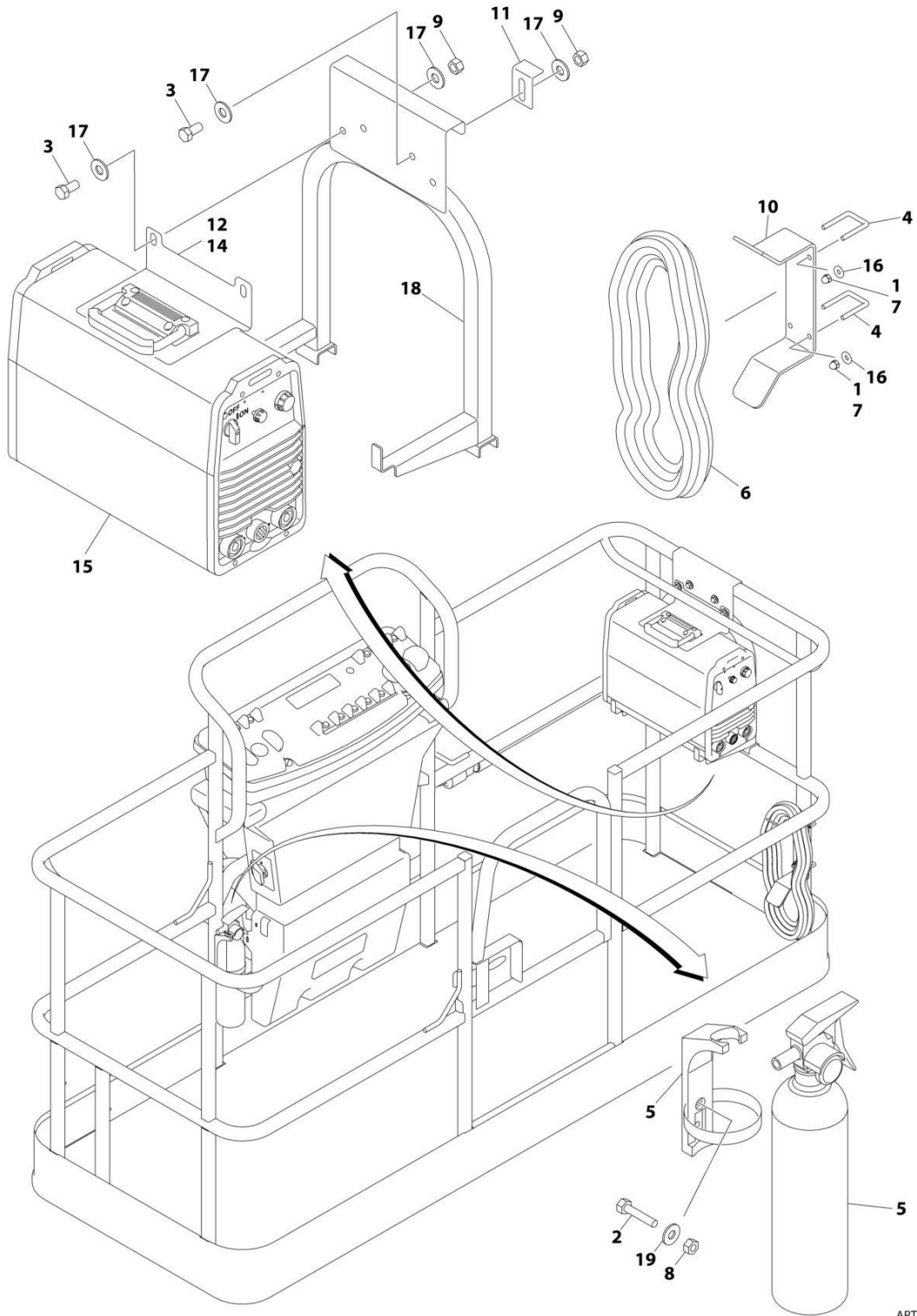
SECTION 5 - PLATFORM

FIGURE 5-42. PLASMA CUTTER ASSEMBLY

ITEM	PART NUMBER	QTY	DESCRIPTION	REV
	1001098012	Ref	PLASMA CUTTER ASSEMBLY	A
		Ref	Note: For Other Components, contact your Miller Welder Dealer.	
1	70001424	1	Cable, Power	
1	70001425	1	Decal - Voltage Warning	
2	70001427	1	Filter, Regulator	
3	70001428	1	Torch Assembly (See Items 101-203 for Breakdown)	
4	7024471	1	Knob	
5	70001429	1	Clamp with Cable	
6	70001430	1	Decal - Caution	
7	70001431	1	Breaker, Circuit	
8	70001432	1	Switch, Rocker	
	70001428	Ref	TORCH ASSEMBLY	
101	7024530	1	O-Ring	
102	7024531	1	Electrode	
103	7024532	1	Cup, Retaining	
104	7024533	1	Swirl Ring	
105	7024534	1	Tip	
201	7024535	1	Handle, Torch	
202	7024536	1	Switch	
203	7024537	1	Trigger	

SECTION 5 - PLATFORM

FIGURE 5-43. SKYWELDER INSTALLATION (50HZ)



ART_0272521_F

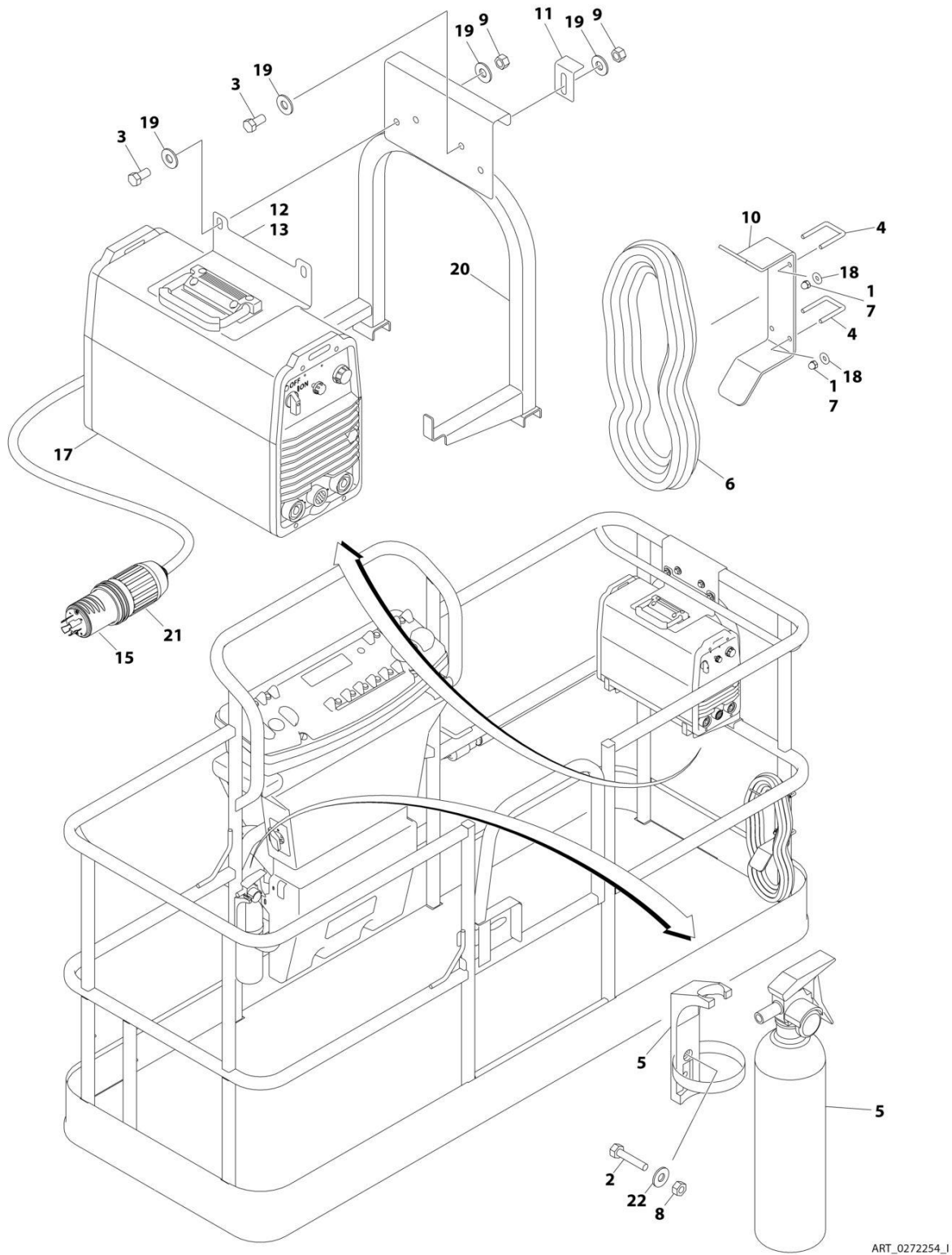
SECTION 5 - PLATFORM

FIGURE 5-43. SKYWELDER INSTALLATION (50HZ)

ITEM	PART NUMBER	QTY	DESCRIPTION	REV
	0272521	Ref	SKYWELDER INSTALLATION	F
1	0100011	AR	Compound, Locking	
2	0630518	2	Screw #10 x 3/4	
3	0641606	4	Bolt 3/8 x 3/4	
4	1320302	2	U-Clamp	
5	2030010	1	Extinguisher, Fire	
6	2902217	1	Weld Leads Kit	
7	3300151	4	Nut 1/4	
8	3311005	2	Nut #10	
9	3311605	4	Nut 3/8	
10	3573400	1	Bracket	
11	3577121	2	Angle	
12	3573642	1	Plate	
13	4240099	AR	Tie-Strap (Not Shown)	
14	4420037	AR	Tape	
15	4530028	1	Welder Assembly (See Separate Breakdown in this Section)	
16	4751400	4	Washer 1/4	
17	4751600	8	Washer 3/8	
18	4846627	1	Support	
19	4751000	2	Washer #10	

SECTION 5 - PLATFORM

FIGURE 5-44. SKYWELDER INSTALLATION (60HZ)



ART_0272254_I

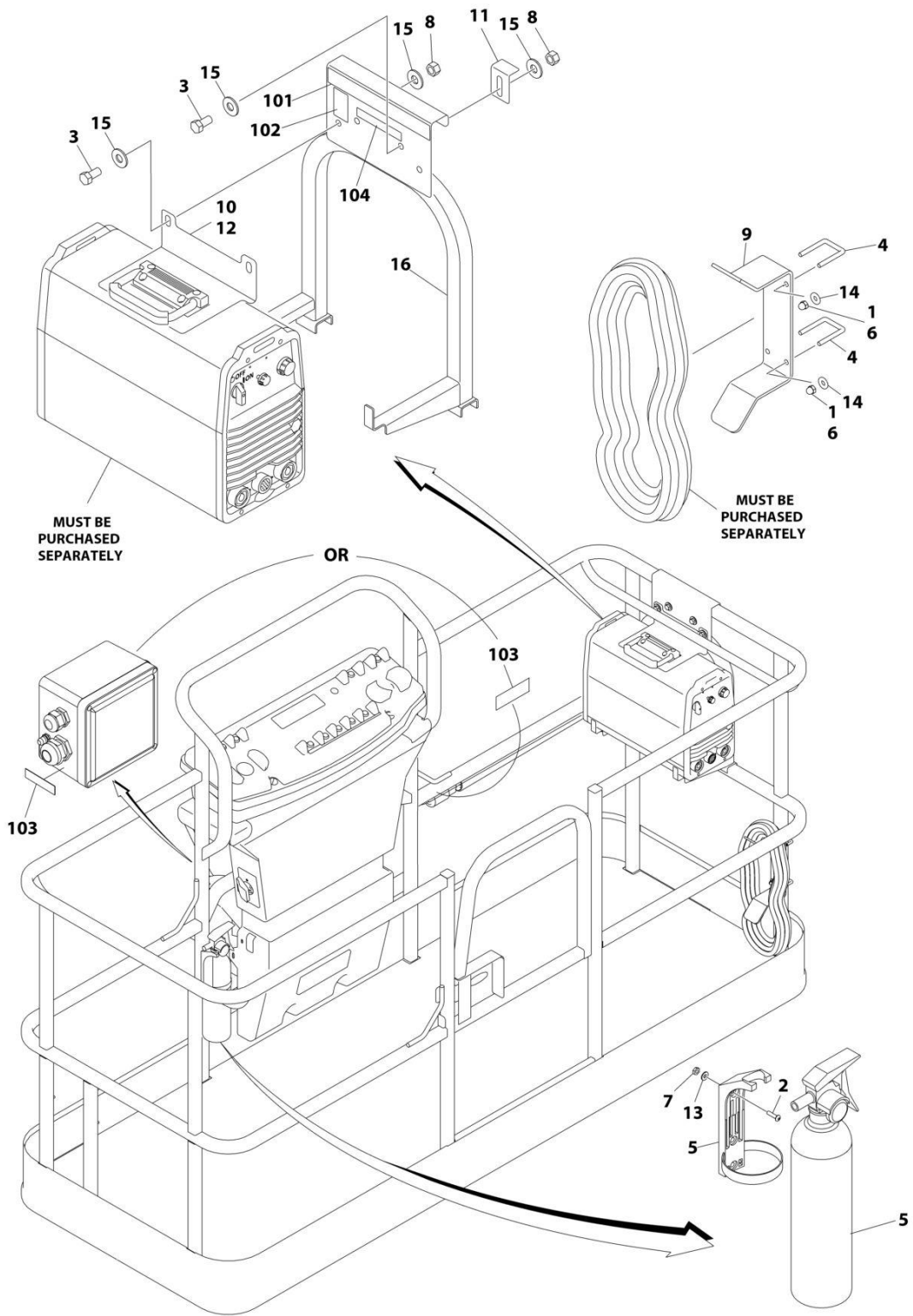
SECTION 5 - PLATFORM

FIGURE 5-44. SKYWELDER INSTALLATION (60HZ)

ITEM	PART NUMBER	QTY	DESCRIPTION	REV
	0272254	Ref	SKYWELDER INSTALLATION	1
1	0100011	AR	Compound, Locking	
2	0630518	2	Screw #10 x 3/4	
3	0641606	4	Bolt 3/8 x 3/4	
4	1320302	2	U-Clamp	
5	2030010	1	Extinguisher, Fire	
6	2902217	1	Weld Leads Kit	
7	3300151	4	Nut 1/4	
8	3311005	2	Nut #10	
9	3311605	4	Nut 3/8	
10	3573400	1	Bracket	
11	3577121	2	Angle	
12	3573642	1	Plate	
13	4420037	AR	Tape	
14	4240099	AR	Tie-Strap (Not Shown)	
15	4460962	1	Plug, Male Twistlock	
17	4530028	1	Welder Assembly (See Separate Breakdown in this Section)	
18	4751400	4	Washer 1/4	
19	4751600	8	Washer 3/8	
20	4846627	1	Support	
21	1671093	1	Cover, Plug	
22	4751000	2	Washer #10	

SECTION 5 - PLATFORM

FIGURE 5-45. SKYWELDER PREP PACKAGE (60HZ)



ART_1001128527_B

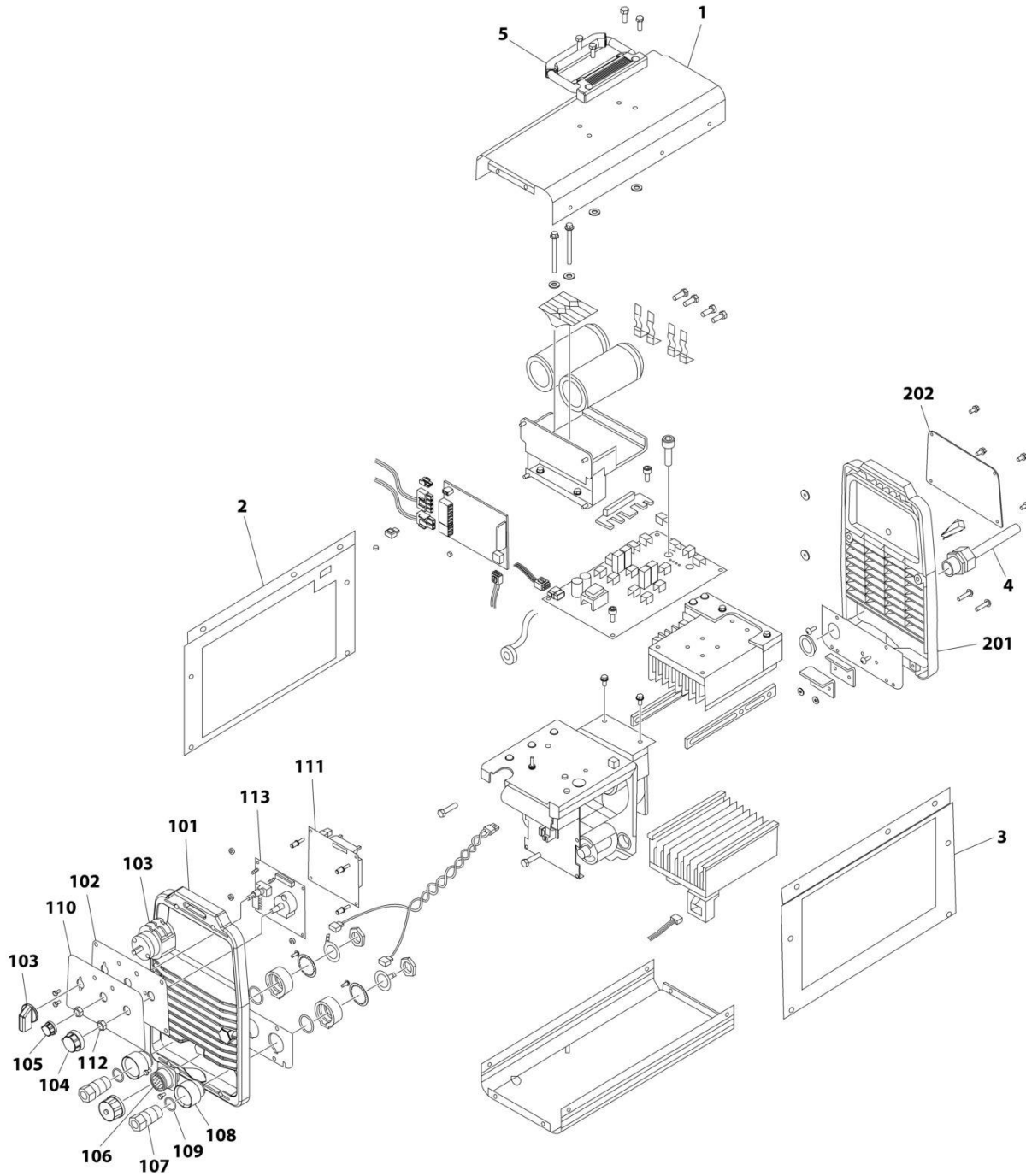
SECTION 5 - PLATFORM

FIGURE 5-45. SKYWELDER PREP PACKAGE (60HZ)

ITEM	PART NUMBER	QTY	DESCRIPTION	REV
	1001128527	Ref	SKYWELDER PREP PACKAGE	B
1	0100011	AR	Compound, Locking	
2	0630518	2	Screw #10 x 3/4	
3	0641606	4	Bolt 3/8 x 3/4	
4	1320302	2	U-Clamp	
5	2030010	1	Extinguisher, Fire	
6	3300151	4	Nut 1/4	
7	3311005	2	Nut #10	
8	3311605	4	Nut 3/8	
9	3573400	1	Bracket	
10	3573642	1	Plate	
11	3577121	2	Angle	
12	4420037	AR	Tape	
13	4751000	2	Washer #10	
14	4751400	4	Washer 1/4	
15	4751600	8	Washer 3/8	
16	4846627	1	Support	
	1001128556	Ref	SKYWELDER DECAL INSTALLATION	C
101	1702868	1	Decal - No Hands	
102	1705305	1	Decal - Weld Lead	
103	1705375	1	Decal - 240V - 3 Phase - 60Hz	
104	1001228988	1	Decal - Weight	

SECTION 5 - PLATFORM

FIGURE 5-46. WELDER ASSEMBLY



ART_4530028

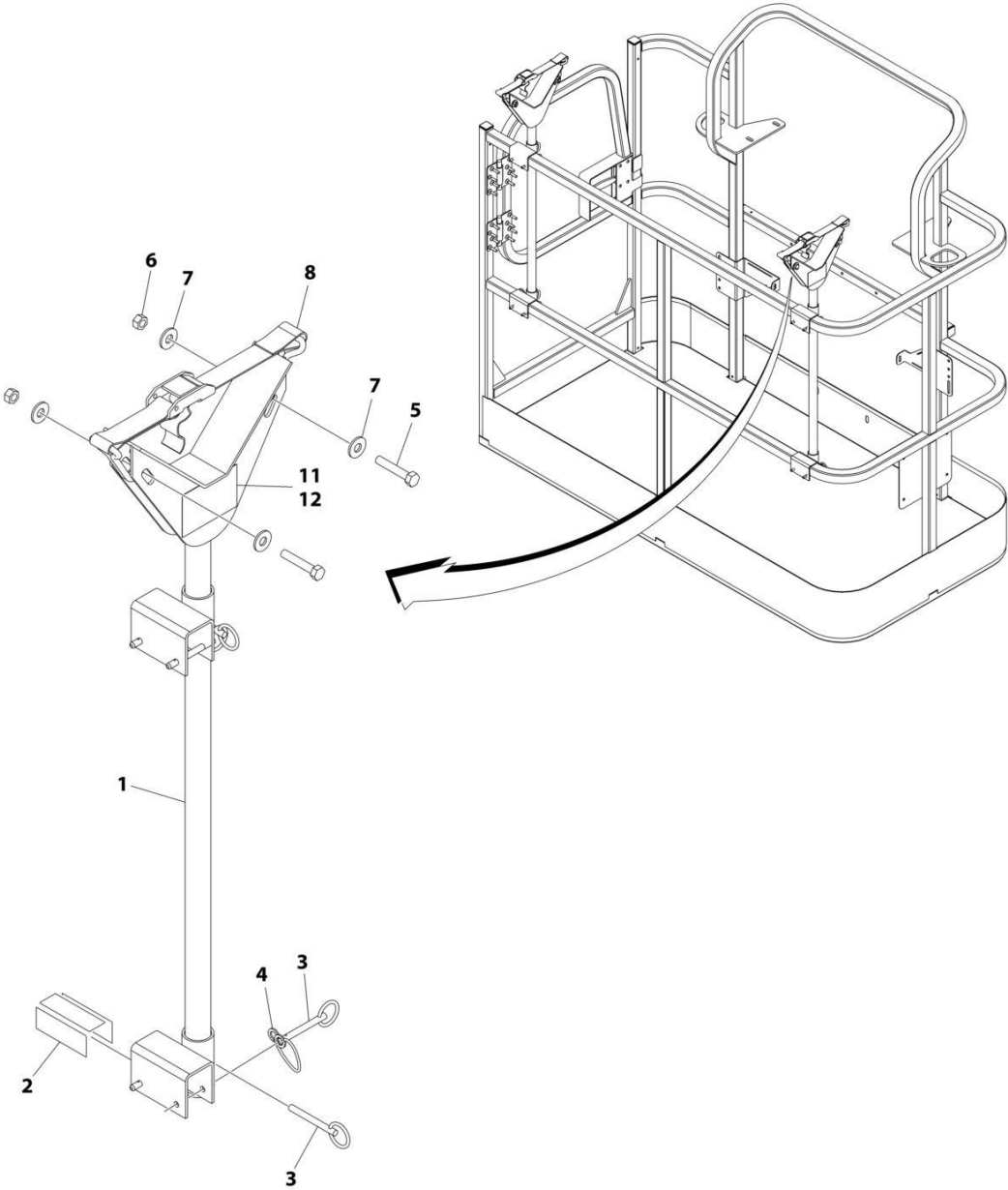
SECTION 5 - PLATFORM

FIGURE 5-46. WELDER ASSEMBLY

ITEM	PART NUMBER	QTY	DESCRIPTION	REV
	4530028	Ref	WELDER ASSEMBLY	B
		Ref	Note: For Other Components, contact your Miller Welder Dealer.	
1	7027773	1	Cover, Top	
1	7027774	1	Decal - Static Precautionary Warning	
2	See Note	NSS	Panel, LH Side (Note: Part of Item 1. Purchase Item 1)	
3	See Note	NSS	Panel, RH Side (Note: Part of Item 1. Purchase Item 1)	
4	7024467	1	Cable, Power	
4	7027775	1	Decal - Electrical Shock Warning (Not Shown)	
5	7027776	1	Handle, Carrying	
101	7024462	1	Panel, Front	
102	7024463	1	Panel, Console	
103	7024469	1	Switch with Lead	
104	7024470	1	Knob	
105	7024471	1	Knob	
106	7024472	1	Receptacle with Leads and Plugs	
107	7024473	2	Receptacle, Twistlock Female	
108	7024474	2	Insulator	
109	7024475	2	O-Ring	
110	7027777	1	Nameplate	
111	7027779	1	Circuit Card Assembly (Process Control)	
112	7024478	2	Nut	
113	7027778	1	Circuit Card Assembly (Operator Interface)	
201	7024462	1	Panel, Rear	
202	7027780	1	Panel, Cover	

SECTION 5 - PLATFORM

FIGURE 5-47. PIPE RACK INSTALLATION (ANSI SPEC)



ART_0257728_E

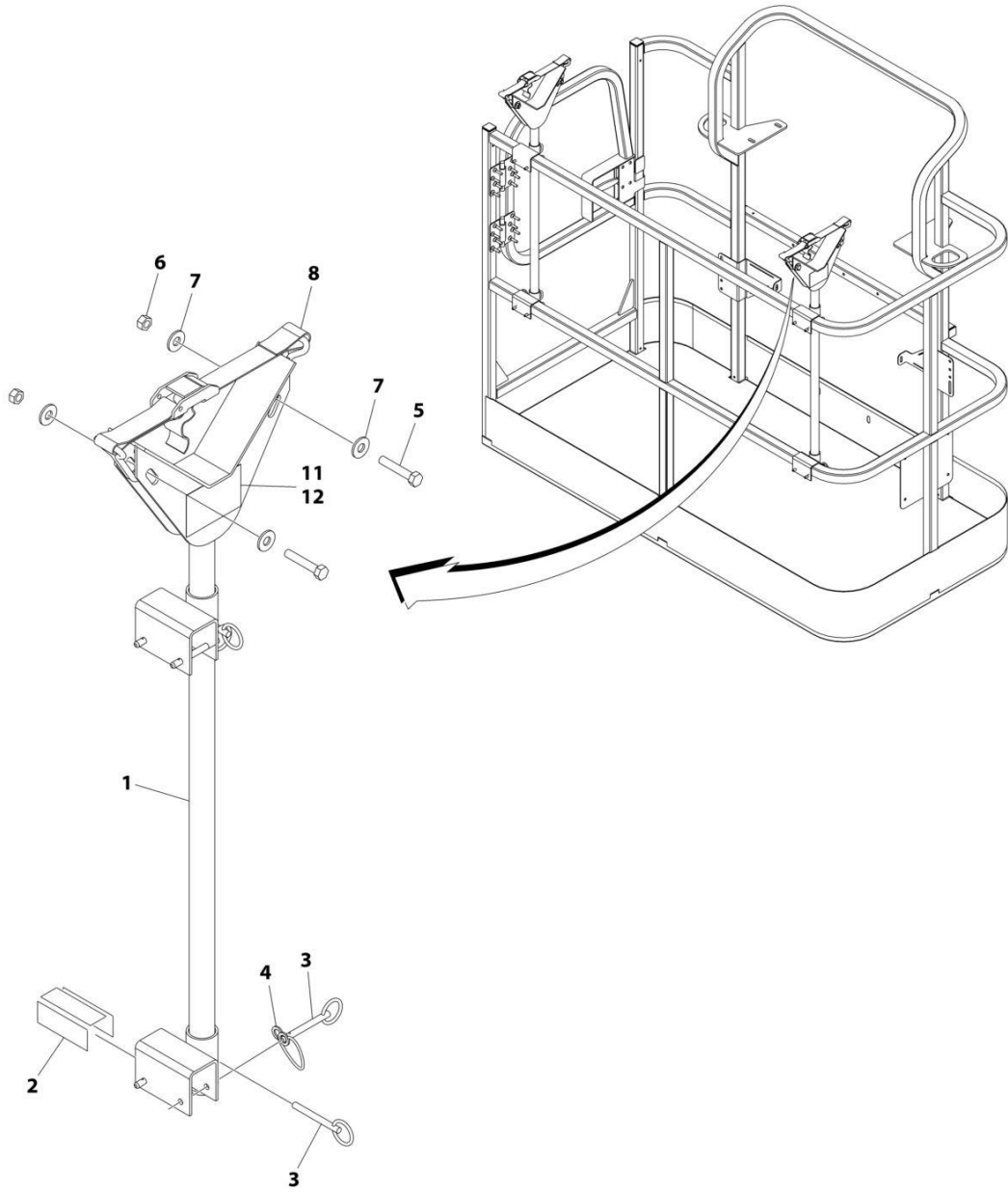
SECTION 5 - PLATFORM

FIGURE 5-47. PIPE RACK INSTALLATION (ANSI SPEC)

ITEM	PART NUMBER	QTY	DESCRIPTION	REV
	0257728	Ref	PIPE RACK INSTALLATION	E
1	4845582	2	Rack, Pipe	
2	4420062	AR	Tape	
3	3422661	10	Pin	
4	1060379	4	Lanyard	
5	0641514	4	Bolt 5/16 x 1-3/4	
6	3311505	4	Nut 5/16	
7	4751500	8	Washer 5/16	
8	0480100	2	Tie-Down	
11	1001252946	2	Decal - Capacity (500-600LBS/2227-272KG Zones)	
12	1001252947	2	Decal - Capacity (660-1000LBS/299-454KG Zones)	

SECTION 5 - PLATFORM

FIGURE 5-48. PIPE RACK INSTALLATION (AUSTRALIAN, CE & UK CA SPEC)



ART_0274661_C

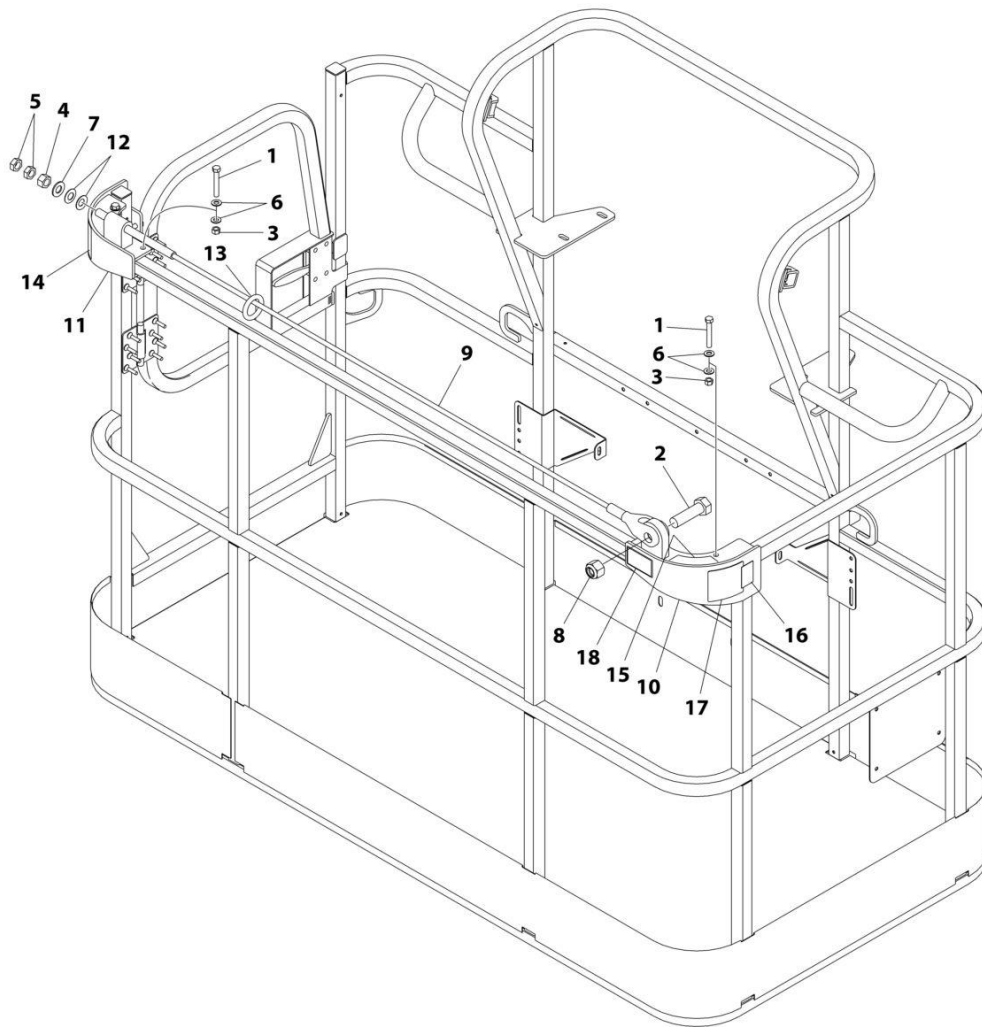
SECTION 5 - PLATFORM

FIGURE 5-48. PIPE RACK INSTALLATION (AUSTRALIAN, CE & UK CA SPEC)

ITEM	PART NUMBER	QTY	DESCRIPTION	REV
	0274661	Ref	PIPE RACK INSTALLATION	C
1	4845582	2	Rack, Pipe	
2	4420062	AR	Tape	
3	3422661	10	Pin	
4	1060379	4	Lanyard	
5	0641514	4	Bolt 5/16 x 1-3/4	
6	3311505	4	Nut 5/16	
7	4751500	8	Washer 5/16	
8	0480100	2	Tie-Down	
11	1001252946	2	Decal - Capacity (1) (500-600LBSS/227-272KG Zones) (1200SJP,1250AJP,1350SJP,1500SJ,400S,450A,450AJ,460SJ,520AJ,800S,860SJ)	
12	1001252947	2	Decal - Capacity (2) (660-1000LBSS/299-454KG Zones)	

SECTION 5 - PLATFORM

FIGURE 5-49. FALL ARREST INSTALLATION (BOLT - ON EXTERNAL) 6FT/1.82M PLATFORM



ART_1001236747

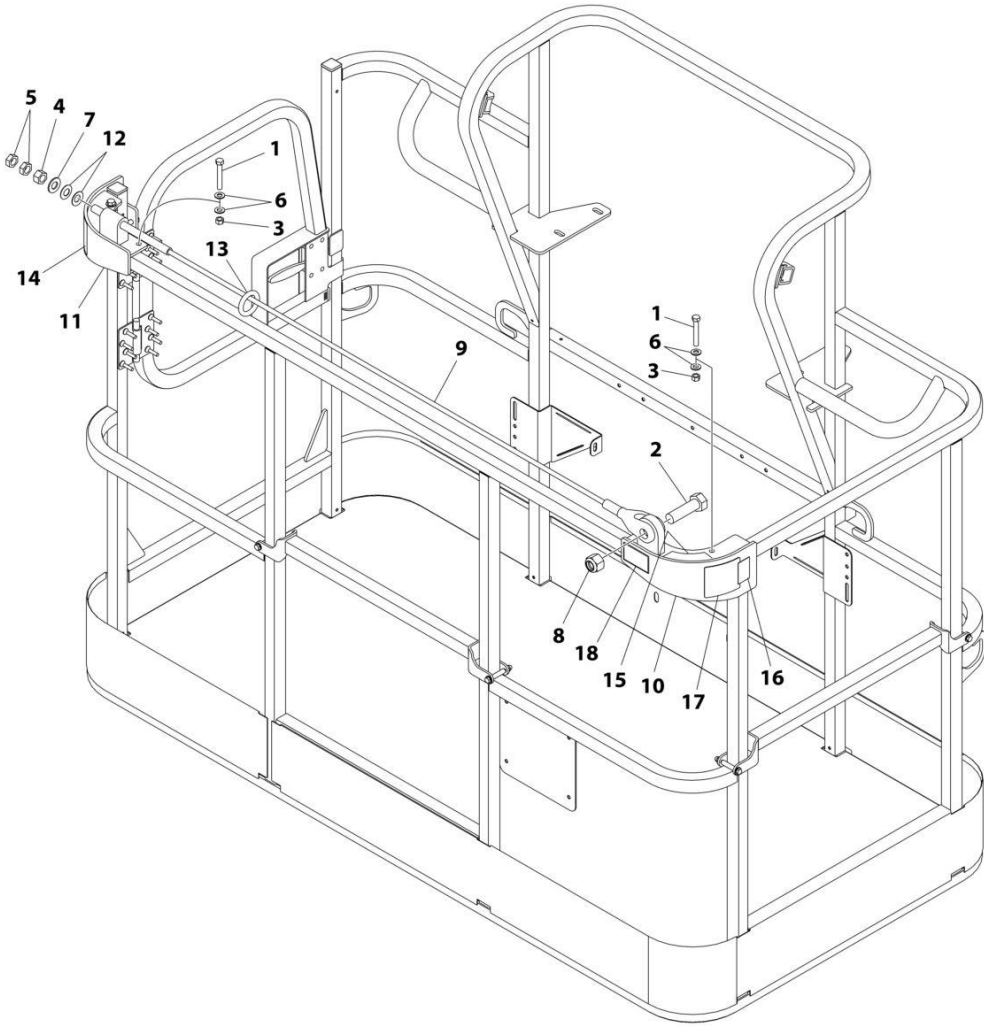
SECTION 5 - PLATFORM

FIGURE 5-49. FALL ARREST INSTALLATION (BOLT - ON EXTERNAL) 6FT/1.82M PLATFORM

ITEM	PART NUMBER	QTY	DESCRIPTION	REV
	1001236747	Ref	FALL ARREST INSTALLATION (BOLT - ON) 6FT/1.82M PLATFORM	C
1	0681620	6	Bolt 3/8 x 2-1/2	
2	0682424	1	Bolt 7/8 x 3	
3	3271605	6	Nut 3/8	
4	3272001	1	Nut 5/8	
5	3312002	2	Nut 5/8	
6	4711600	12	Washer 3/8	
7	4712000	1	Washer 5/8	
8	88521214	1	Nut 7/8	
9	1001231950	1	Rope	
10	1001232010	1	Bracket (RH)	
11	1001232011	1	Bracket (LH)	
12	1001236891	2	Washer	
13	1001236895	1	Ring	
14	1001238263	1	Decal - Warning Falling Hazard	
15	1001252629	1	Decal - Weight	
16	1001248140	1	Decal - Bolt Fall Arrest Re-Cert	
17	1001248141	1	Decal - Inscription	

SECTION 5 - PLATFORM

FIGURE 5-50. FALL ARREST INSTALLATION (BOLT - ON EXTERNAL) 6FT/1.82M PLATFORM



ART_1001238463

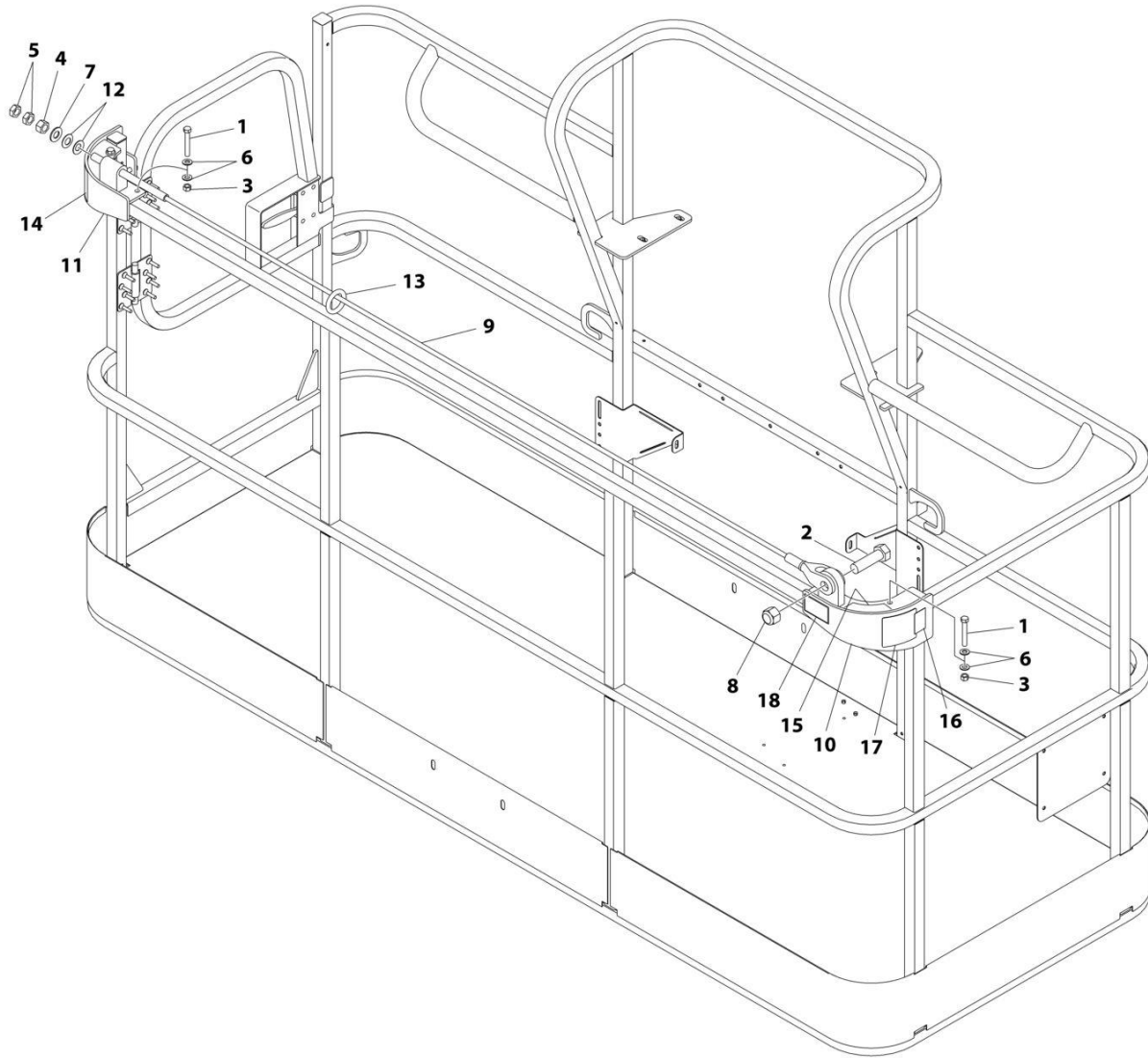
SECTION 5 - PLATFORM

FIGURE 5-50. FALL ARREST INSTALLATION (BOLT - ON EXTERNAL) 6FT/1.82M PLATFORM

ITEM	PART NUMBER	QTY	DESCRIPTION	REV
	1001238463	Ref	FALL ARREST INSTALLATION (BOLT - ON) 6FT/1.82M PLATFORM	C
1	0681620	6	Bolt 3/8 x 2-1/2	
2	0682424	1	Bolt 7/8 x 3	
3	3271605	6	Nut 3/8	
4	3272001	1	Nut 5/8	
5	3312002	2	Nut 5/8	
6	4711600	12	Washer 3/8	
7	4712000	1	Washer 5/8	
8	88521214	1	Nut 7/8	
9	1001231950	1	Rope	
10	1001232010	1	Bracket (RH)	
11	1001232011	1	Bracket (LH)	
12	1001236891	2	Washer	
13	1001236895	1	Ring	
14	1001238263	1	Decal - Warning Falling Hazard	
15	1001252629	1	Decal - Weight	
16	1001248140	1	Decal - Bolt Fall Arrest Re-Cert	
17	1001248141	1	Decal - Inscription	

SECTION 5 - PLATFORM

FIGURE 5-51. FALL ARREST INSTALLATION (BOLT - ON EXTERNAL) 8FT/2.4M PLATFORM



ART_1001236746

SECTION 5 - PLATFORM

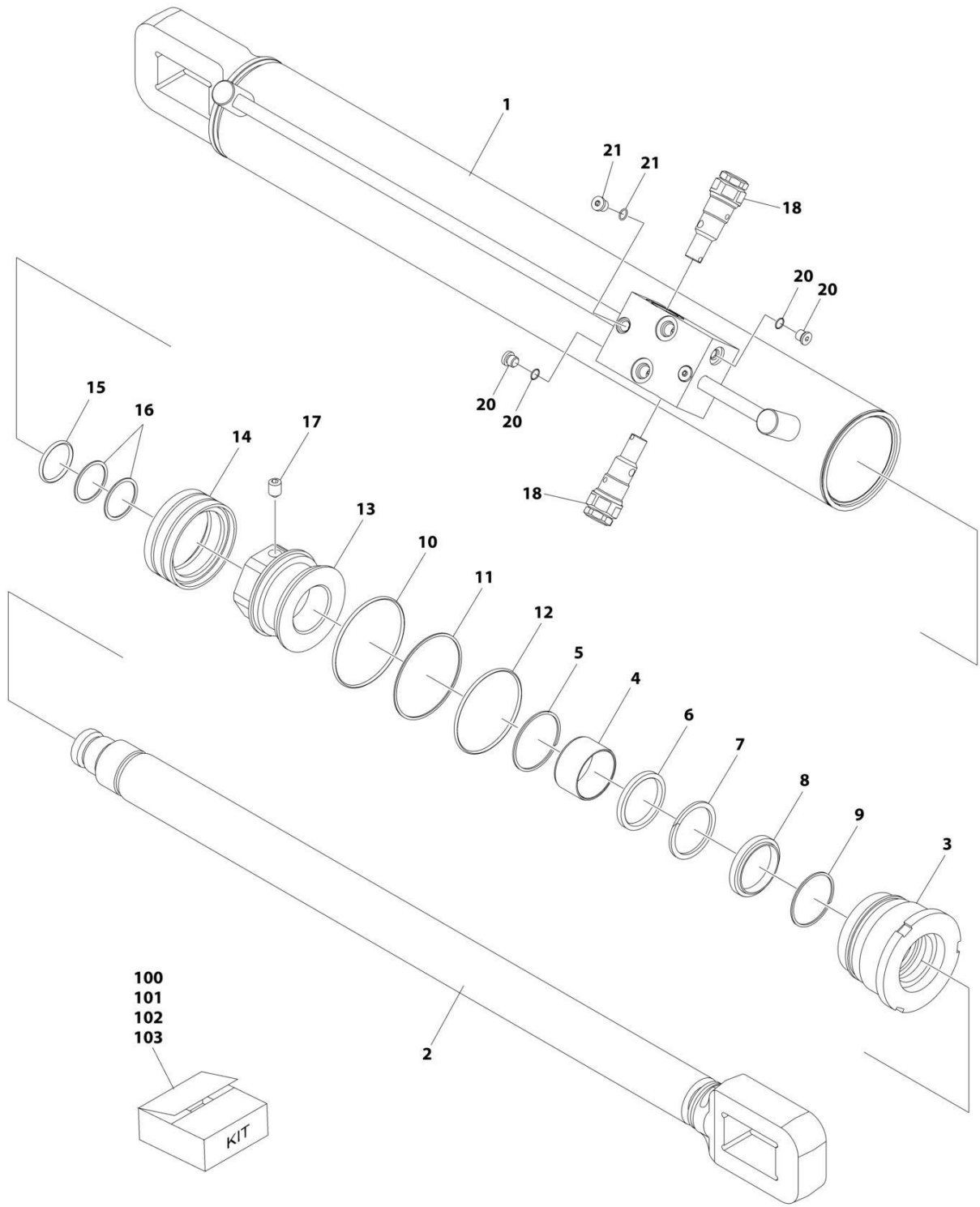
FIGURE 5-51. FALL ARREST INSTALLATION (BOLT - ON EXTERNAL) 8FT/2.4M PLATFORM

ITEM	PART NUMBER	QTY	DESCRIPTION	REV
	1001236746	Ref	FALL ARREST INSTALLATION (BOLT - ON) 8FT/2.4M PLATFORM	C
1	0681620	6	Bolt 3/8 x 2-1/2	
2	0682424	1	Bolt 7/8 x 3	
3	3271605	6	Nut 3/8	
4	3272001	1	Nut 5/8	
5	3312002	2	Nut 5/8	
6	4711600	12	Washer 3/8	
7	4712000	1	Washer 5/8	
8	88521214	1	Nut 7/8	
9	1001231949	1	Rope	
10	1001232010	1	Bracket (RH)	
11	1001232011	1	Bracket (LH)	
12	1001236891	2	Washer	
13	1001236895	1	Ring	
14	1001238263	1	Decal - Warning Falling Hazard	
15	1001252629	1	Decal - Weight 23LBS/10.4KG	
16	1001248140	1	Decal - Bolt Fall Arrest Re-Cert	
17	1001248141	1	Decal - Inscription	

SECTION 6 - CYLINDER

SECTION 6 - CYLINDER

FIGURE 6-1. AXLE EXTENSION CYLINDER ASSEMBLY



ART_1001251020

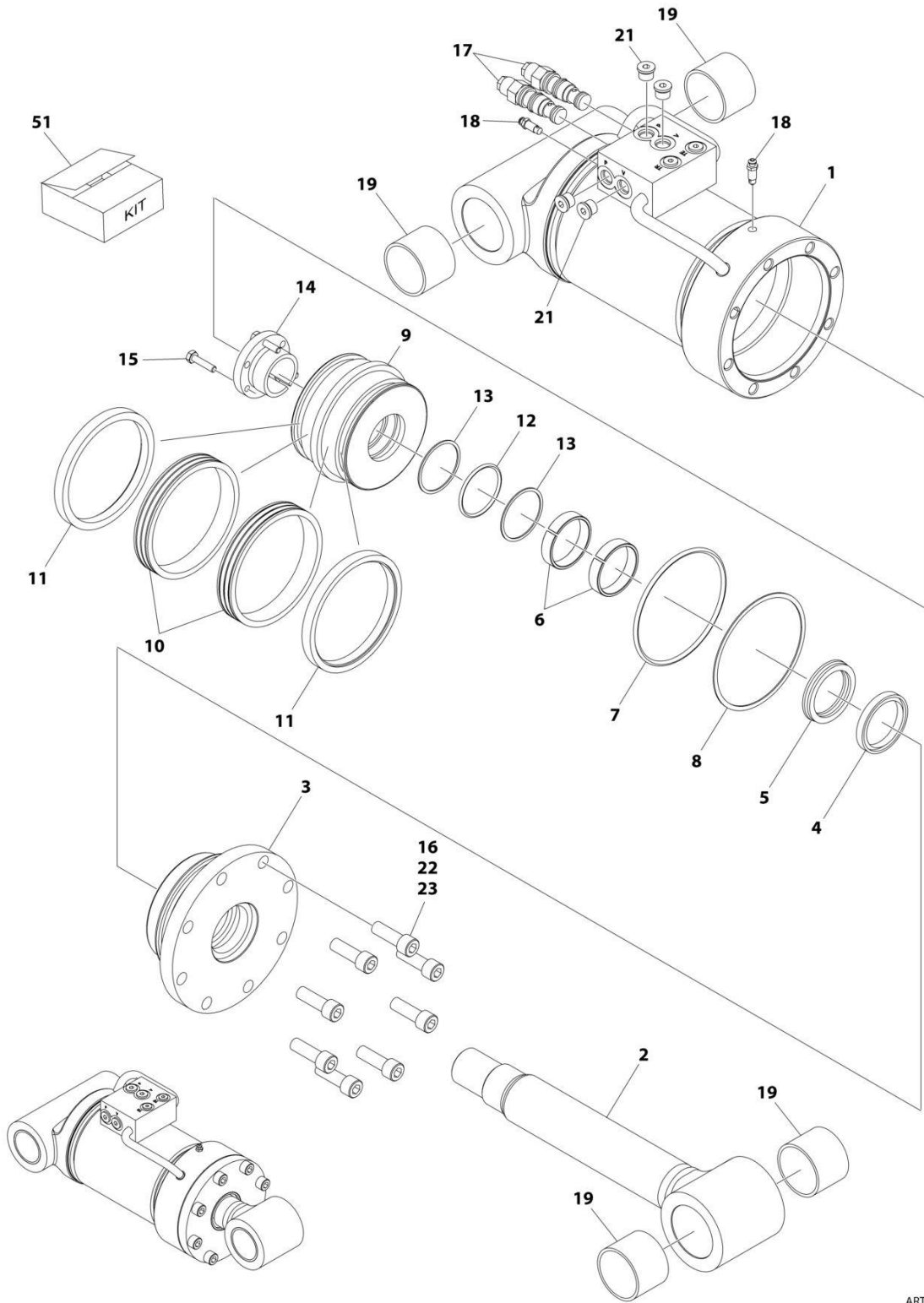
SECTION 6 - CYLINDER

FIGURE 6-1. AXLE EXTENSION CYLINDER ASSEMBLY

ITEM	PART NUMBER	QTY	DESCRIPTION	REV
	1001251020	Ref	AXLE EXTENSION CYLINDER ASSEMBLY	A
		Ref	Note: Original Cylinder May Have Been Replaced with Service Replacement. Identify PN Stamped on Cylinder Before Ordering Parts.	
1	See Note	NSS	Barrel (Note: Use p/n 1001251020)	
2	70007382	1	Rod	
3	See Note	NSS	Head (Use Item 100)	
5	See Note	NSS	Ring (Note: Use Item 100)	
6	See Note	NSS	Seal (Note: Use Item 101)	
7	See Note	NSS	Ring, Back-up (Note: Use Item 101)	
8	See Note	NSS	Wiper, Rod (Note: Use Item 101)	
9	See Note	NSS	Ring, Retaining (Note: Use Item 101)	
10	See Note	NSS	O-Ring (Note: Use Item 101)	
11	See Note	NSS	Ring, Back-up (Note: Use Item 101)	
12	See Note	NSS	O-Ring (Note: Use Item 101)	
13	See Note	NSS	Piston (Note: Use Item 102)	
14	See Note	NSS	Seal (Note: Use Item 101)	
15	See Note	NSS	O-Ring (Note: Use Item 101)	
16	See Note	NSS	Ring, Back-up (Note: Use Item 101)	
17	See Note	NSS	Setscrew (Note: Use Item 102)	
18	4640509	2	Cartridge, Holding Valve	
18	2900792	2	Seal Kit - 4640509 Cartridge Valve (1 Per Assembly)	
20	See Note	NSS	Plug (Note: Use Item 103)	
21	See Note	NSS	Plug (Note: Use Item 103)	
100	70007383	1	Rod Cover Kit (Includes Items 3-5)	
101	70007384	1	Seal Kit (Includes Items 6-12 & 14-16)	
102	70007385	1	Piston Kit (Includes Items 13 & 17)	
103	70007386	1	Plug Kit (Includes Items 20 & 21)	

SECTION 6 - CYLINDER

FIGURE 6-2. AXLE LOCKOUT CYLINDER ASSEMBLY



ART_1001228019

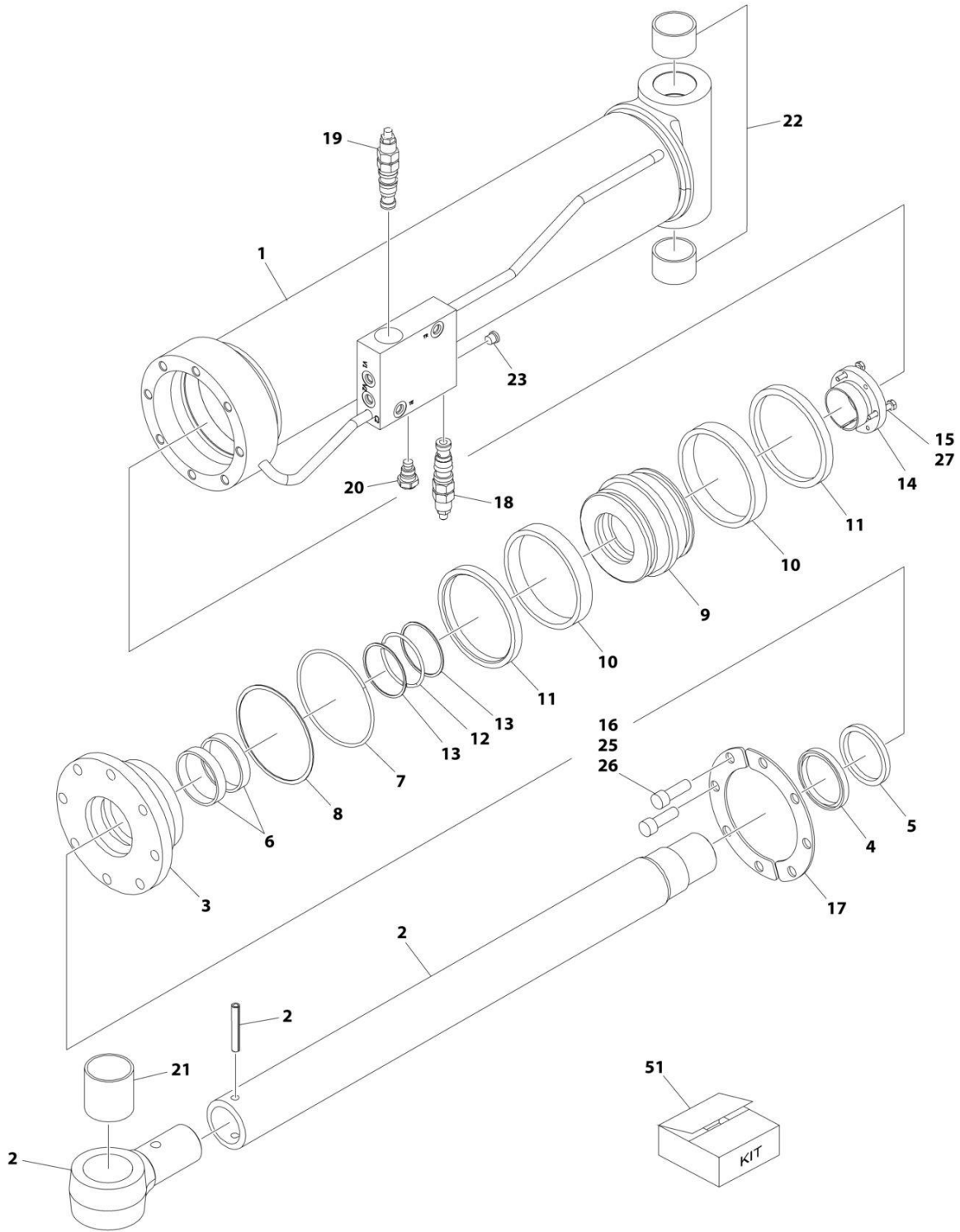
SECTION 6 - CYLINDER

FIGURE 6-2. AXLE LOCKOUT CYLINDER ASSEMBLY

ITEM	PART NUMBER	QTY	DESCRIPTION	REV
	1001228019	Ref	AXLE LOCKOUT CYLINDER ASSEMBLY	D
		Ref	Note: Original Cylinder May Have Been Replaced with Service Replacement. Identify PN Stamped on Cylinder Before Ordering Parts.	
1	See Note	NSS	Barrel (Note: Not Available for Purchase)	
2	70006520	1	Rod	
3	70006474	1	Head	
4	See Note	NSS	Wiper (Note: Use Item 51)	
5	See Note	NSS	Seal, Rod (Note: Use Item 51)	
6	See Note	NSS	Ring, Wear (Note: Use Item 51)	
7	See Note	NSS	O-Ring (Note: Use Item 51)	
8	See Note	NSS	Ring, Back-up (Note: Use Item 51)	
9	70006473	1	Piston	
10	See Note	NSS	Seal (Note: Use Item 51)	
11	See Note	NSS	Ring, Lock (Note: Use Item 51)	
12	See Note	NSS	O-Ring (Note: Use Item 51)	
13	See Note	NSS	Ring, Back-up (Note: Use Item 51)	
14	0961896	1	Bushing	
15	0630535	3	Bolt 1/4 x 1-1/8	
16	3931824	8	Bolt 1/2 x 1-1/2	
17	4641276	2	Cartridge, Valve Options: (Counterbalance)	
17	2900770	2	Seal Kit - 4641276 Valve (1 Per Assembly)	
18	4640858	2	Valve, Bleeder	
19	0961950	4	Bearing	
21	2220885	4	Plug, O-Ring	
22	0100011	AR	Compound, Locking	
23	0100038	AR	Primer, Locking	
51	2902087	1	Seal Kit (Includes Items 4-8 & 10-13)	

SECTION 6 - CYLINDER

FIGURE 6-3. PLATFORM LEVEL CYLINDER ASSEMBLY - WITHOUT COLD WEATHER PLUS PACKAGE



ART_1001228034

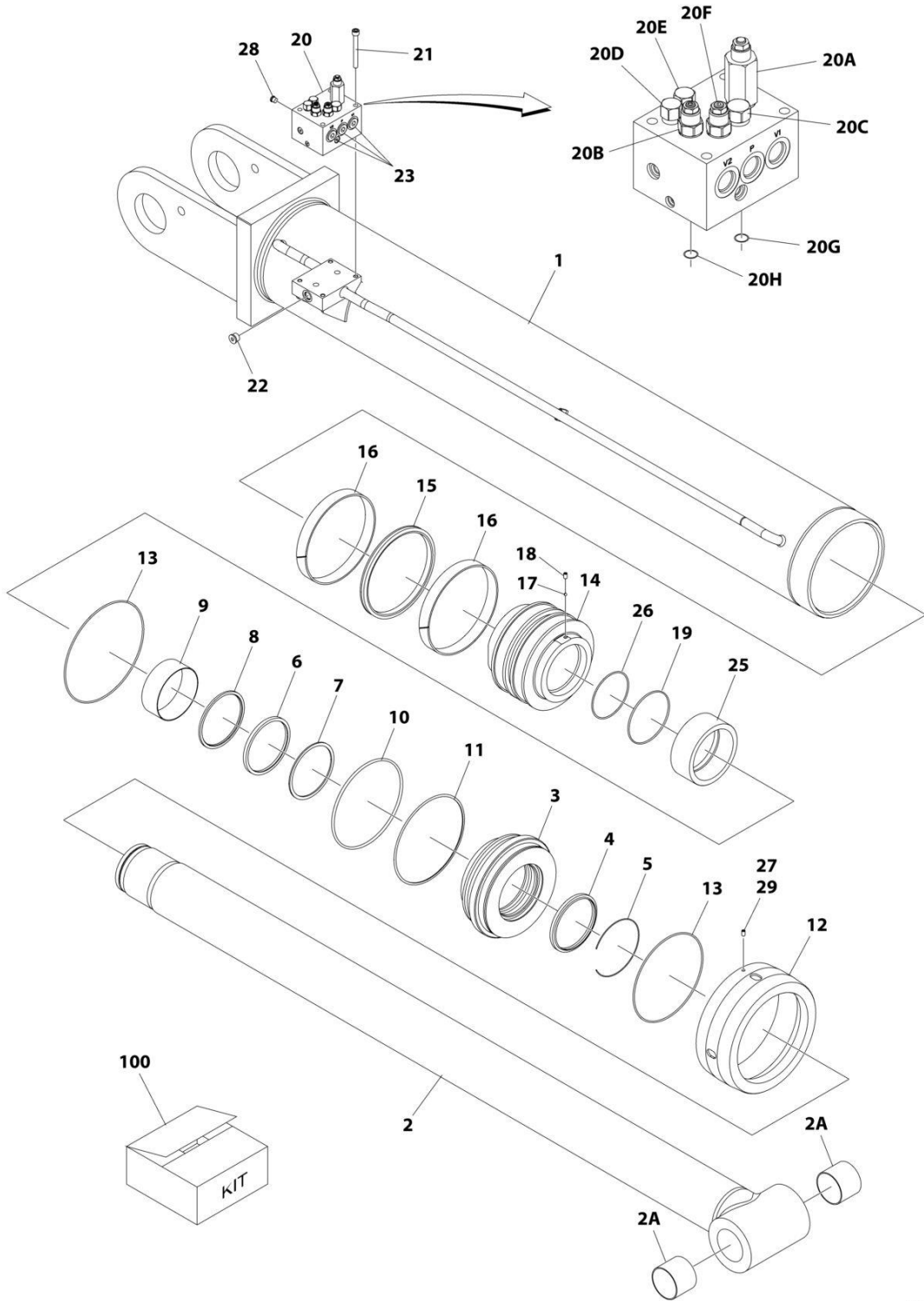
SECTION 6 - CYLINDER

FIGURE 6-3. PLATFORM LEVEL CYLINDER ASSEMBLY - WITHOUT COLD WEATHER PLUS PACKAGE

ITEM	PART NUMBER	QTY	DESCRIPTION	REV
	1001228034	Ref	PLATFORM LEVEL CYLINDER ASSEMBLY	E
		Ref	Note: Original Cylinder May Have Been Replaced with Service Replacement. Identify PN Stamped on Cylinder Before Ordering Parts.	
1	See Note	NSS	Barrel (Note: Not Available for Purchase)	
2	70006496	1	Rod	
3	70006495	1	Head	
4	See Note	NSS	Wiper, Rod (Note: Use Item 51)	
5	See Note	NSS	Seal, Rod (Note: Use Item 51)	
6	See Note	NSS	Ring, Wear (Note: Use Item 51)	
7	See Note	NSS	O-Ring (Note: Use Item 51)	
8	See Note	NSS	Ring, Back-up (Note: Use Item 51)	
9	70006494	1	Piston	
10	See Note	NSS	Ring, Guide (Note: Use Item 51)	
11	See Note	NSS	Ring, Lock (Note: Use Item 51)	
12	See Note	NSS	O-Ring (Note: Use Item 51)	
13	See Note	NSS	Ring, Back-up (Note: Use Item 51)	
14	0961897	1	Bushing, Tapered	
15	0630535	3	Capscrew 1/4 x 1-1/8	
16	3931824	8	Capscrew 1/2 x 1-1/2	
17	70007049	1	Ring, Washer	
18	4641386	1	Cartridge, Holding Valve (Vented)	
18	7011376	1	Seal Kit - 4641386 Cartridge (1 Per Cartridge)	
19	4641393	1	Cartridge, Holding Valve (Vented)	
19	7011376	1	Seal Kit - 4641393 Cartridge (1 Per Cartridge)	
20	4641388	1	Cartridge, Holding Valve	
20	7011353	1	Seal Kit - 4641388 Cartridge (1 Per Cartridge)	
21	0962561	1	Bushing	
22	0961949	2	Bushing	
23	2220883	5	Plug, O-Ring	
24	2220886	AR	Plug, O-Ring	
25	0100011	AR	Compound, Locking	
26	0100038	AR	Primer, Locking	
27	0100019	AR	Compound, Locking	
51	2902285	1	Seal Kit (Includes Items 4-8 & 10-13)	

SECTION 6 - CYLINDER

FIGURE 6-4. LIFT CYLINDER ASSEMBLY - MAIN BOOM



ART_1001251078

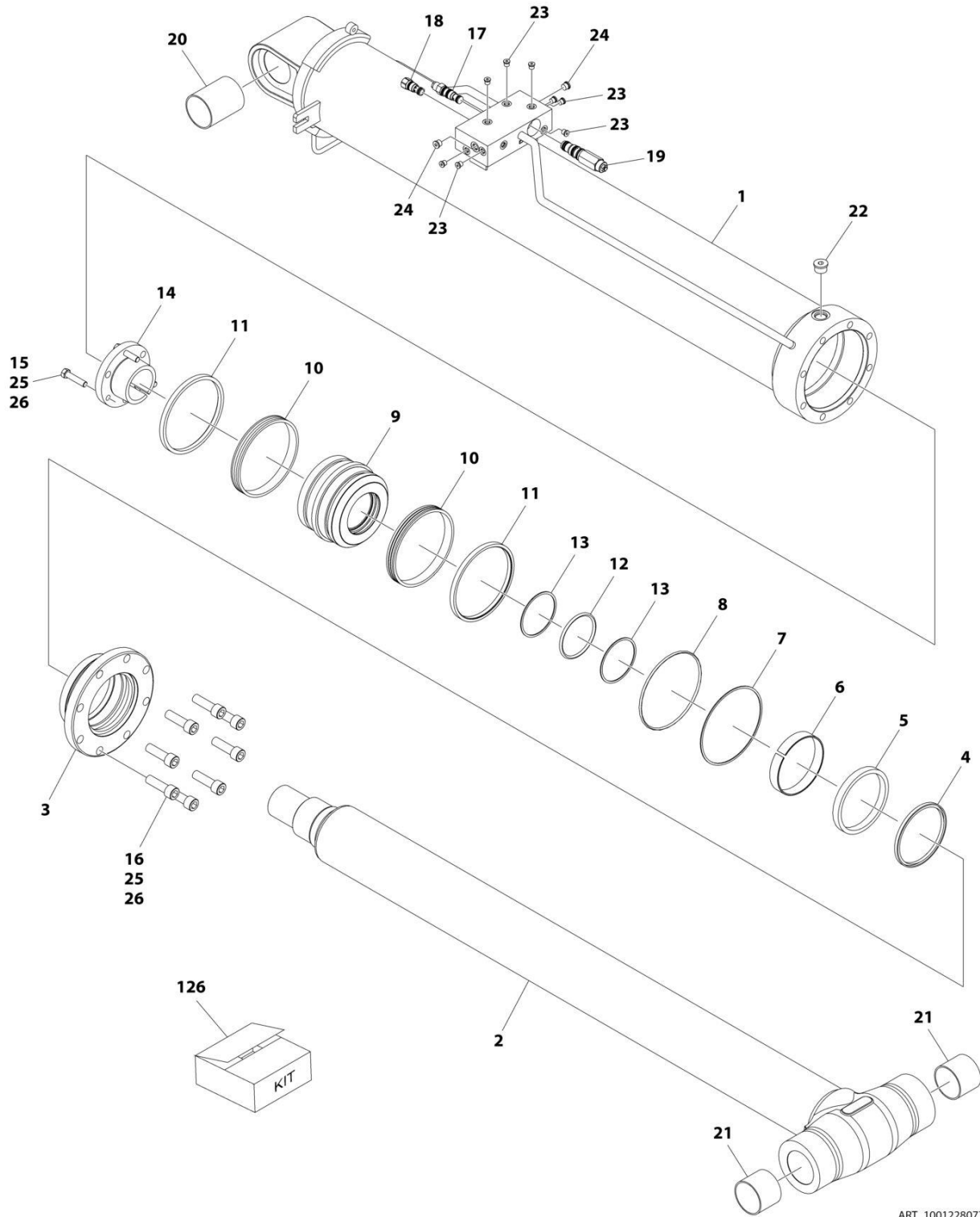
SECTION 6 - CYLINDER

FIGURE 6-4. LIFT CYLINDER ASSEMBLY - MAIN BOOM

ITEM	PART NUMBER	QTY	DESCRIPTION	REV
	1001251078	Ref	LIFT CYLINDER ASSEMBLY - MAIN BOOM	B
		Ref	Note: Original Cylinder May Have Been Replaced with Service Replacement. Identify PN Stamped on Cylinder Before Ordering Parts.	
1	See Note	NSS	Barrel (Note: Not Available for Purchase)	
2	70007431	1	Rod	
2A	0962297	2	Bushing	
3	70007432	1	Head	
4	See Note	NSS	Ring, Wiper (Note: Use Item 100)	
5	70007433	1	Ring, Retaining	
6	See Note	NSS	Seal, Rod (Note: Use Item 100)	
7	See Note	NSS	Ring, Back-up (Note: Use Item 100)	
8	See Note	NSS	O-Ring (Note: Use Item 100)	
9	70007434	1	Ring, Wear	
10	See Note	NSS	O-Ring (Note: Use Item 100)	
11	See Note	NSS	Ring, Back-up (Note: Use Item 100)	
12	70007435	1	Cap, Cylinder	
13	See Note	NSS	O-Ring (Note: Use Item 100)	
14	70007436	1	Piston	
15	See Note	NSS	Seal, Piston (Note: Use Item 100)	
16	See Note	NSS	Ring, Wear (Note: Use Item 100)	
17	70022564	1	Ball, Steel	
18	70029468	1	Setscrew	
19	See Note	NSS	O-Ring (Note: Use Item 100)	
20	4641370	1	Valve Block Assembly	A
20A	4641340	NLA	Cartridge, Valve (Use p/n 1001251329)	
20A	7011367	1	Seal Kit - 4641340 Cartridge Valve	
20B	4640938	1	Cartridge, Valve	
20B	2900770	1	Seal Kit - 4640938 Cartridge Valve	
20C	7011362	1	Cartridge, Valve	
20C	7011311	1	Seal Kit - 7011362 Cartridge Valve	
20D	7011365	1	Cartridge, Valve	
20D	7011346	1	Seal Kit - 7011365 Cartridge Valve	
20E	7011364	1	Cartridge, Valve	
20E	7011346	1	Seal Kit - 7011364 Cartridge Valve	
20F	7011375	1	Cartridge, Valve	
20F	2900770	1	Seal Kit - 7011375 Cartridge Valve	
20G	70000777	1	O-Ring	
20H	70000778	1	O-Ring	
21	70006927	4	Capscrew M8	
22	2220886	1	Plug, O-Ring	
23	70005433	3	Plug, O-Ring	
25	70007437	1	Spacer	
26	See Note	NSS	O-Ring (Note: Use Item 100)	
27	70007282	1	Insert, Locking	
28	2220883	1	Plug, O-Ring	
29	70007438	1	Setscrew	
100	70007439	1	Seal Kit (Includes Items 101-110)	

SECTION 6 - CYLINDER

FIGURE 6-5. LIFT CYLINDER ASSEMBLY - TOWER BOOM



ART_1001228077

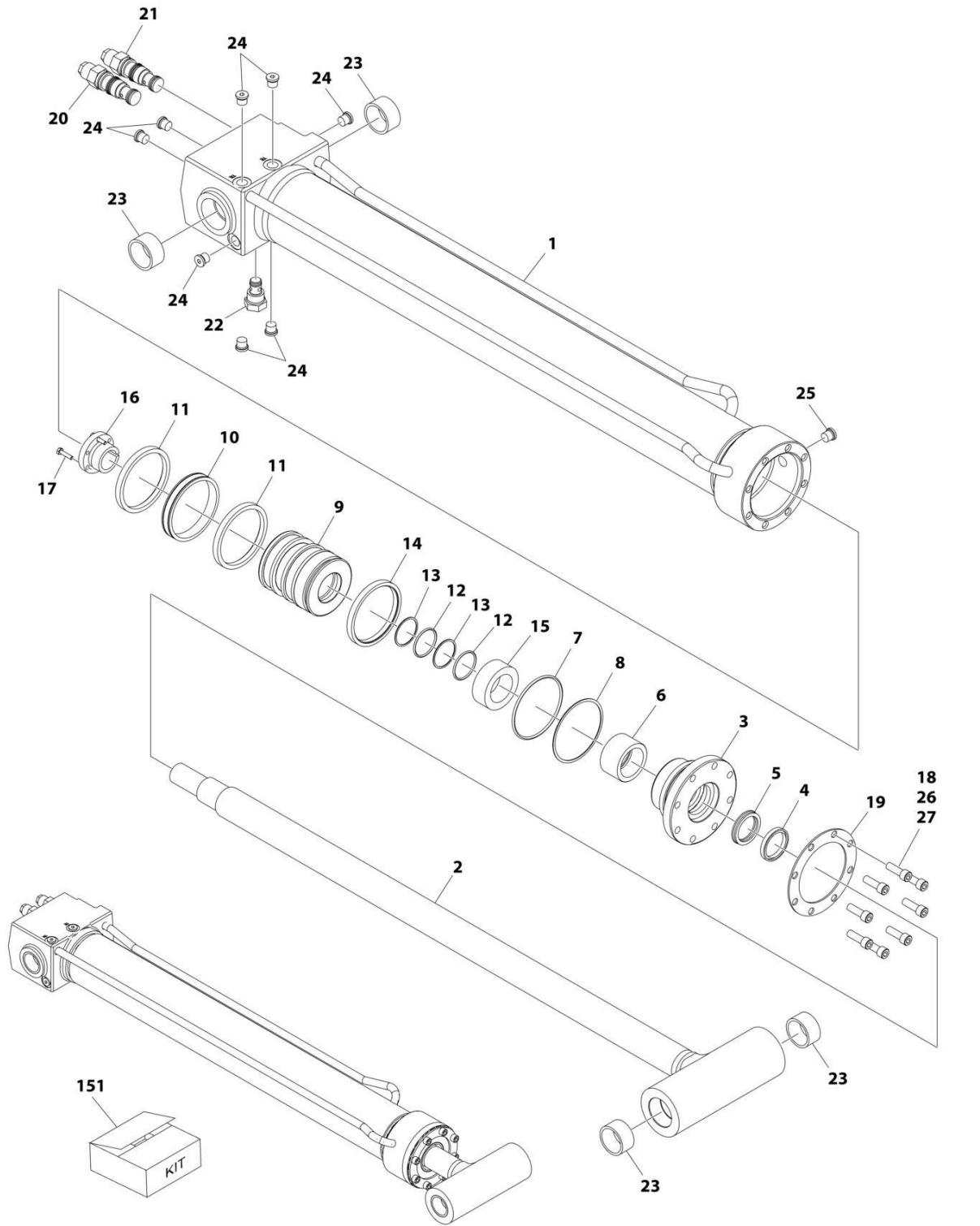
SECTION 6 - CYLINDER

FIGURE 6-5. LIFT CYLINDER ASSEMBLY - TOWER BOOM

ITEM	PART NUMBER	QTY	DESCRIPTION	REV
	1001228077	Ref	LIFT CYLINDER ASSEMBLY - TOWER BOOM	C
		Ref	Note: Original Cylinder May Have Been Replaced with Service Replacement. Identify PN Stamped on Cylinder Before Ordering Parts.	
1	See Note	NSS	Barrel (Note: Not Available for Purchase)	
2	70006509	1	Rod	
3	70006508	1	Head	
4	See Note	NSS	Ring, Wiper (Note: Use Item 126)	
5	See Note	NSS	Seal, Rod (Note: Use Item 126)	
6	See Note	NSS	Ring, Wear (Note: Use Item 126)	
7	See Note	NSS	O-Ring (Note: Use Item 126)	
8	See Note	NSS	Ring, Back-up (Note: Use Item 126)	
9	70006507	1	Piston	
10	See Note	NSS	Ring, Hydrolock (Note: Use Item 126)	
11	See Note	NSS	Ring, Lock (Note: Use Item 126)	
12	See Note	NSS	O-Ring (Note: Use Item 126)	
13	See Note	NSS	Ring, Back-up (Note: Use Item 126)	
14	0961901	1	Bushing, Tapered	
15	0630537	3	Capscrew	
16	3932240	8	Capscrew 3/4 x 2-1/2	
17	1001120140	1	Cartridge, Valve	
17	2900770	1	Seal Kit - 1001120140 Cartridge Valve	
18	4641285	1	Cartridge, Valve	
18	7011311	1	Seal Kit - 4641285 Cartridge Valve	
19	1001120141	1	Cartridge, Valve	
19	7011367	1	Seal Kit - 1001120141 Cartridge Valve	
20	0962552	1	Bushing	
21	0962297	2	Bushing	
22	2220888	1	Plug, O-Ring	
23	2220883	9	Plug, O-Ring	
24	2220885	2	Plug, O-Ring	
25	0100011	AR	Compound, Locking	
26	0100038	AR	Primer, Locking	
126	1001118762	1	Seal Kit (Includes Items 4-8 & 10-13)	

SECTION 6 - CYLINDER

FIGURE 6-6. JIB CYLINDER ASSEMBLY



ART_1001228025

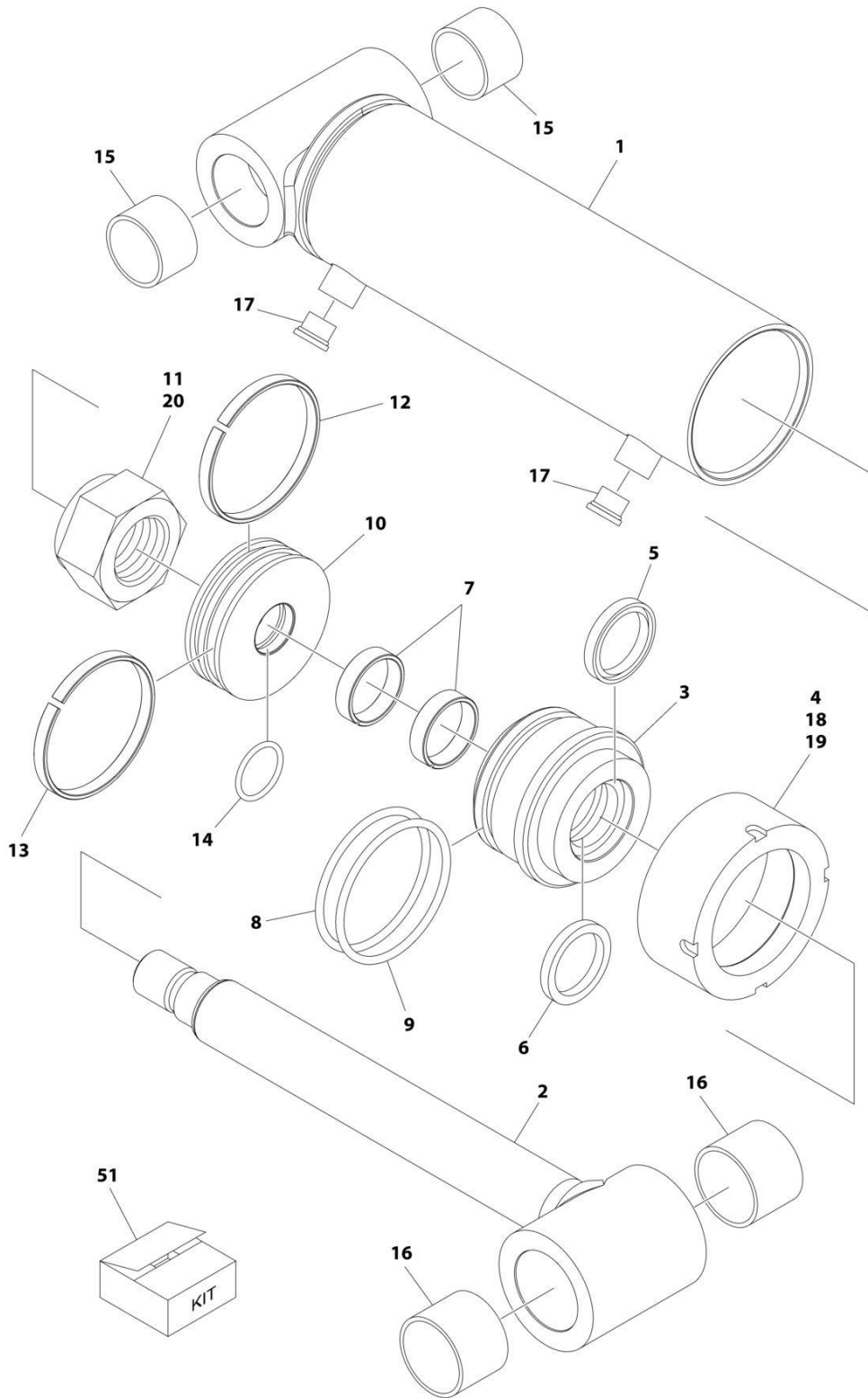
SECTION 6 - CYLINDER

FIGURE 6-6. JIB CYLINDER ASSEMBLY

ITEM	PART NUMBER	QTY	DESCRIPTION	REV
	1001228025	Ref	JIB CYLINDER ASSEMBLY	G
		Ref	Note: Original Cylinder May Have Been Replaced with Service Replacement. Identify PN Stamped on Cylinder Before Ordering Parts.	
1	See Note	NSS	Barrel (Note: Not Available for Purchase)	
2	70006526	1	Rod	
3	70006525	1	Head	
4	See Note	NSS	Wiper, Rod (Note: Use Item 151)	
5	See Note	NSS	Seal (Note: Use Item 151)	
6	See Note	NSS	Ring, Wear (Note: Use Item 151)	
7	See Note	NSS	O-Ring (Note: Use Item 151)	
8	See Note	NSS	Ring, Back-up (Note: Use Item 151)	
9	70006524	1	Piston	
10	See Note	NSS	Seal (Note: Use Item 151)	
11	See Note	NSS	Ring, Wear (Note: Use Item 151)	
12	See Note	NSS	O-Ring (Note: Use Item 151)	
13	See Note	NSS	Ring, Back-up (Note: Use Item 151)	
14	See Note	NSS	Seal (Note: Use Item 151)	
15	70006523	1	Spacer	
16	0961893	1	Bushing, Tapered	
17	0630534	3	Capscrew #10 x 1	
18	3931516	8	Capscrew 5/16 x 1	
19	3760368	1	Ring, Washer	
20	4641260	1	Cartridge, Counterbalance (Port above V1)	
20	2900770	1	Seal Kit - 4641260 Cartridge Valve (1 Per Valve)	
21	4640452	1	Cartridge, Counterbalance (Port above V2)	
21	2900770	1	Seal Kit - 4640452 Cartridge Valve (1 Per Valve)	
22	4641114	1	Cartridge, Restricted/Check	
22	7012967	1	Seal Kit - 4641114 Cartridge Valve (1 Per Valve)	
23	0962257	4	Bushing	
24	2220883	8	Plug, O-Ring	
25	2220885	AR	Plug, O-Ring	
26	0100011	AR	Compound, Locking	
27	0100038	AR	Primer, Locking	
151	1001138805	1	Seal Kit (Includes Items 4-8 & 10-14)	

SECTION 6 - CYLINDER

FIGURE 6-7. STEER CYLINDER ASSEMBLY



ART_1001228031

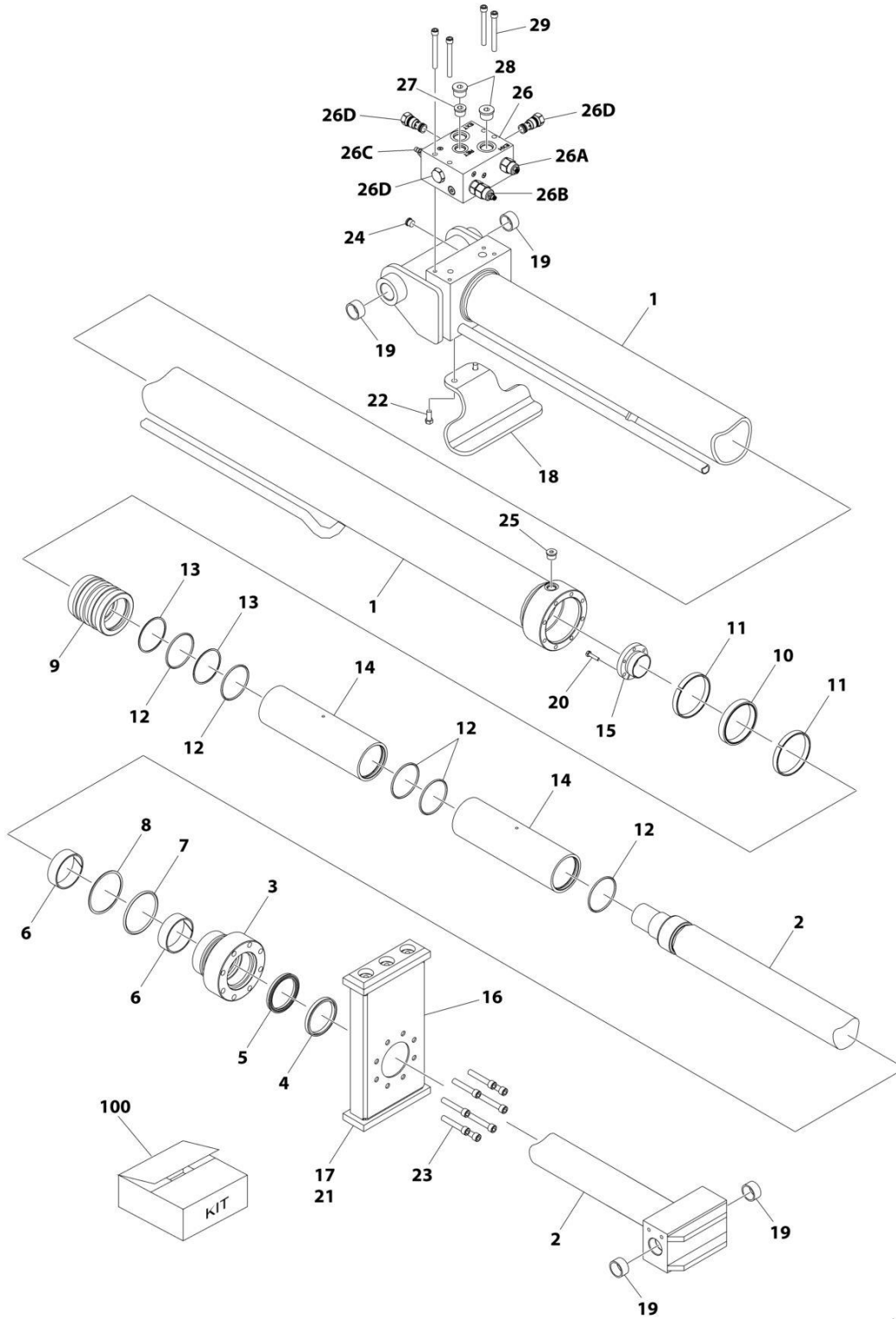
SECTION 6 - CYLINDER

FIGURE 6-7. STEER CYLINDER ASSEMBLY

ITEM	PART NUMBER	QTY	DESCRIPTION	REV
	1001228031	Ref	STEER CYLINDER ASSEMBLY	C
		Ref	Note: Original Cylinder May Have Been Replaced with Service Replacement. Identify PN Stamped on Cylinder Before Ordering Parts.	
1	See Note	NSS	Barrel (Note: Not Available for Purchase)	
2	70006493	1	Rod	
3	70006492	1	Head	
4	70006491	1	Cap, Cylinder	
5	See Note	NSS	Wiper (Note: Use Item 51)	
6	See Note	NSS	Seal, Piston (Note: Use Item 51)	
7	See Note	NSS	Ring, Wear (Note: Use Item 51)	
8	See Note	NSS	O-Ring (Note: Use Item 51)	
9	See Note	NSS	Ring, Back-up (Note: Use Item 51)	
10	70006490	1	Piston	
11	3300465	1	Nut	
12	See Note	1	Seal (Note: Use Item 51)	
13	See Note	1	Ring, Wear (Note: Use Item 51)	
14	See Note	1	O-Ring (Note: Use Item 51)	
15	0961949	2	Bushing	
16	0961950	2	Bushing	
17	2220885	2	Plug (With O-Ring)	
18	0100011	AR	Compound, Locking	
19	0100038	AR	Primer, Locking	
20	0100019	AR	Compound, Locking	
51	2902257	1	Seal Kit (Includes Items 5-9 & 12-14)	

SECTION 6 - CYLINDER

FIGURE 6-8. TELESCOPE CYLINDER ASSEMBLY - MAIN BOOM



ART_1001228080

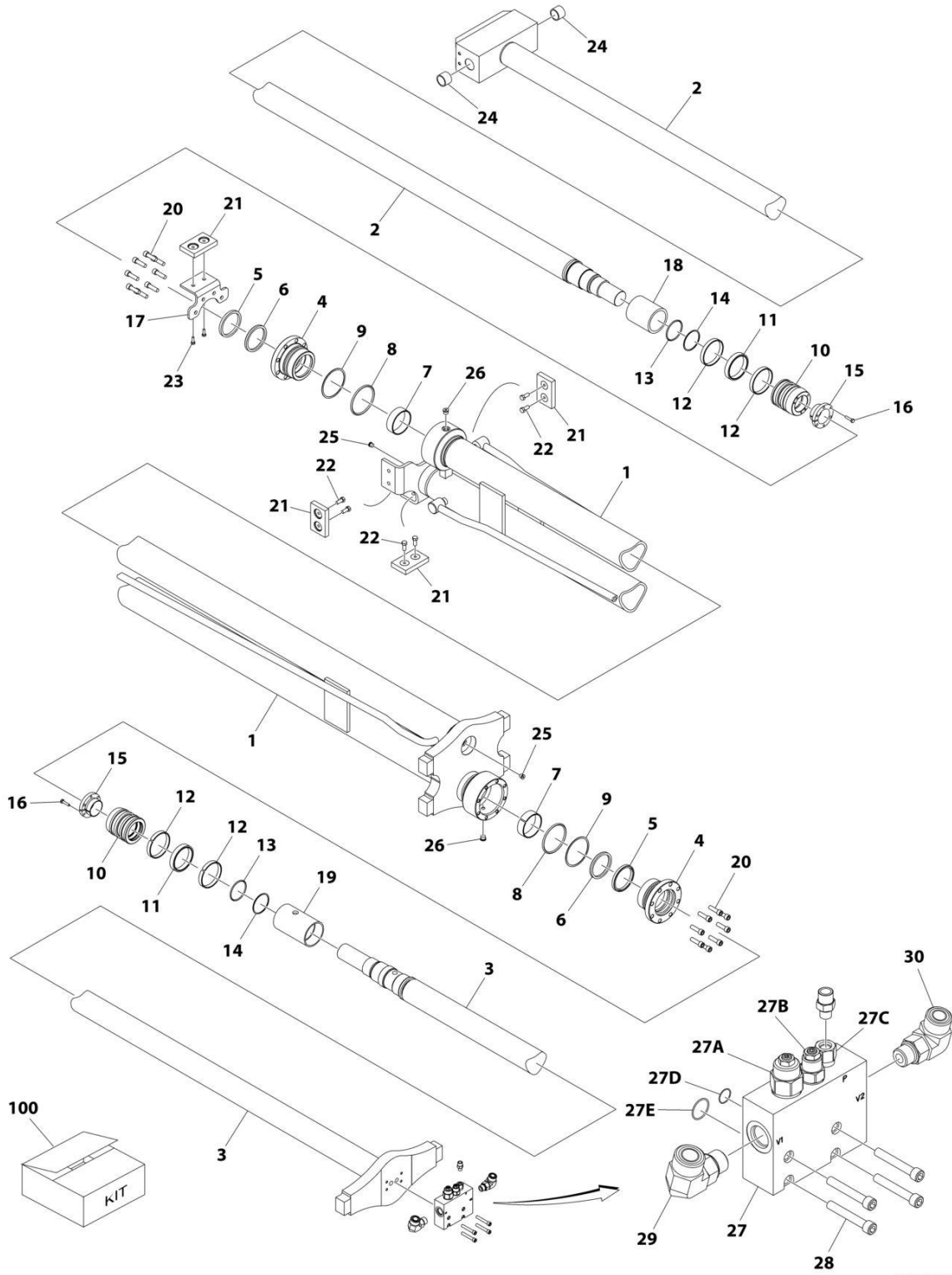
SECTION 6 - CYLINDER

FIGURE 6-8. TELESCOPE CYLINDER ASSEMBLY - MAIN BOOM

ITEM	PART NUMBER	QTY	DESCRIPTION	REV
	1001228080	Ref	TELESCOPE CYLINDER ASSEMBLY - MAIN BOOM	D
		Ref	Note: Original Cylinder May Have Been Replaced with Service Replacement. Identify PN Stamped on Cylinder Before Ordering Parts.	
1	See Note	NSS	Barrel (Note: Not Available for Purchase)	
2	70006693	1	Rod	
3	70006694	1	Head	
4	See Note	NSS	Wiper (Note: Use Item 100)	
5	See Note	NSS	Seal, Rod (Note: Use Item 100)	
6	See Note	NSS	Ring, Wear (Note: Use Item 100)	
7	See Note	NSS	O-Ring (Note: Use Item 100)	
8	See Note	NSS	Ring, Back-up (Note: Use Item 100)	
9	70006695	1	Piston	
10	See Note	NSS	Seal (Note: Use Item 100)	
11	See Note	NSS	Ring, Wear (Note: Use Item 100)	
12	See Note	NSS	O-Ring (Note: Use Item 100)	
13	See Note	NSS	Ring, Back-up (Note: Use Item 100)	
14	70006696	1	Spacer	
15	0961897	1	Bushing, Tapered	
16	3574580	1	Plate, Wear Pad Mount	
17	3340982	2	Pad, Wear	
18	3574586	1	Plate, Tele Foot	
19	0962257	4	Bushing	
20	0630535	3	Capscrew 1/4 x 1-1/8	
21	0641606	6	Bolt 3/8 x 3/4	
22	0641607	2	Bolt 3/8 x 7/8	
23	3931740	8	Capscrew 7/16 x 2-1/2	
24	2220885	1	Plug, O-Ring	
25	2220886	1	Plug, O-Ring	
26	4641288	1	Valve Assembly	
26A	7011372	1	Cartridge	
26A	2900789	1	Seal Kit - 7011372 Cartridge Valve	
26B	7011370	1	Cartridge	
26B	7011371	1	Seal Kit - 7011370 Cartridge Valve	
26C	7011369	1	Cartridge	
26C	7011311	1	Seal Kit - 7011369 Cartridge Valve	
26D	7011368	3	Cartridge	
26D	7011351	3	Seal Kit - 7011368 Cartridge Valve (1 Per Cartridge)	
27	2111010	1	Fitting, Straight ORFS/ORB	
28	2111212	2	Fitting, Straight ORFS/ORB	
29	3931656	4	Capscrew 3/8 x 3-1/2	
100	1001175887	1	Seal Kit (Includes Items 4-8 & 10-13)	

SECTION 6 - CYLINDER

FIGURE 6-9. TELESCOPE CYLINDER ASSEMBLY - TOWER BOOM



ART_1001228032

SECTION 6 - CYLINDER

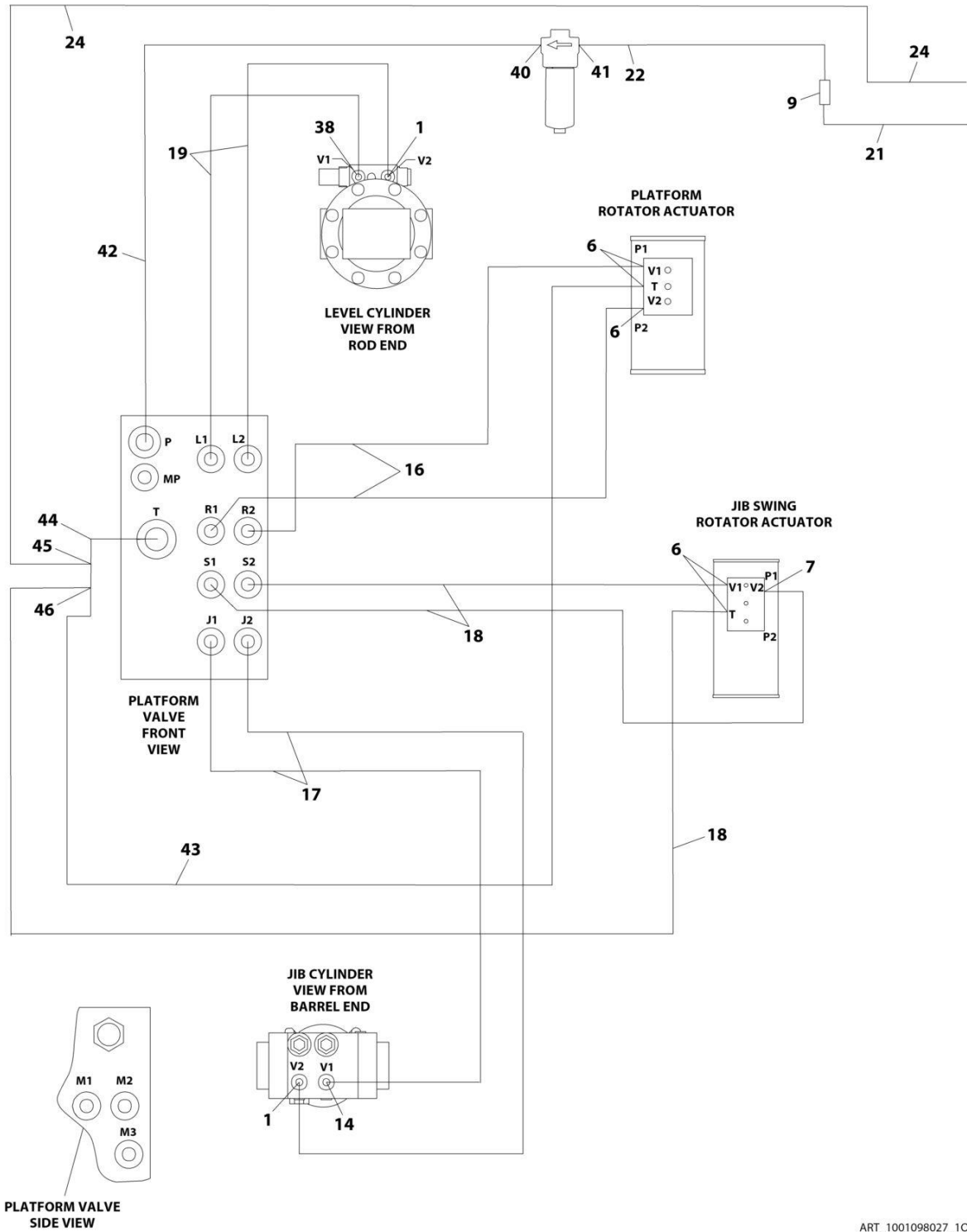
FIGURE 6-9. TELESCOPE CYLINDER ASSEMBLY - TOWER BOOM

ITEM	PART NUMBER	QTY	DESCRIPTION	REV
	1001228032	Ref	TELESCOPE CYLINDER ASSEMBLY - TOWER BOOM	C
		Ref	Note: Original Cylinder May Have Been Replaced with Service Replacement. Identify PN Stamped on Cylinder Before Ordering Parts.	
1	See Note	NSS	Barrel (Note: Not Available for Purchase)	
2	70006713	1	Rod	
3	70006714	1	Rod	
4	70006715	2	Head	
5	See Note	NSS	Wiper (Note: Use Item 100)	
6	See Note	NSS	Seal, Rod (Note: Use Item 100)	
7	See Note	NSS	Ring, Wear (Note: Use Item 100)	
8	See Note	NSS	O-Ring (Note: Use Item 100)	
9	See Note	NSS	Ring, Back-up (Note: Use Item 100)	
10	70006716	2	Piston	
11	See Note	NSS	Seal (Note: Use Item 100)	
12	See Note	NSS	Ring, Wear (Note: Use Item 100)	
13	See Note	NSS	O-Ring (Note: Use Item 100)	
14	See Note	NSS	Ring, Back-up (Note: Use Item 100)	
15	0961897	2	Bushing, Tapered	
16	0630535	6	Capscrew 1/4 x 1-1/8	
17	3574630	1	Bracket, Wear Pad Mounting	
18	70006717	1	Spacer	
19	70006718	1	Spacer	
20	3931724	16	Capscrew 7/16 x 1-1/2	
21	3340763	4	Pad, Wear	
22	0641607	6	Bolt 3/8 x 7/8	
23	0641606	2	Bolt 3/8 x 3/4	
24	0961951	2	Bushing	
25	2220883	2	Plug, O-Ring	
26	2220885	2	Plug, O-Ring	
27	4641298	1	Valve Assembly	
27A	7011359	1	Cartridge, Valve	
27A	2900789	1	Seal Kit - 7011359 Valve	
27B	4641162	1	Cartridge, Valve (was p/n 7011360)	
27B	2900770	1	Seal Kit - 7011360 & 4641162 Valve	
27C	7011361	1	Cartridge, Flow-Through Valve	
27C	7011346	1	Seal Kit - 7011361 Valve	
27D	70000778	1	O-Ring	
27E	70000777	1	O-Ring	
28	3931532	4	Capscrew 5/16 x 2	
29	2131210	1	Fitting, 90 ORFS/ORB	
30	2131008	1	Fitting, 90 ORFS/ORB	
100	2902291	2	Seal Kit (Includes Items 5-9 & 11-14)	
		Ref	Note: Two kits required to rebuild this double barreled cylinder - One kit required for each barrel of the cylinder.	

SECTION 7 - HYDRAULIC

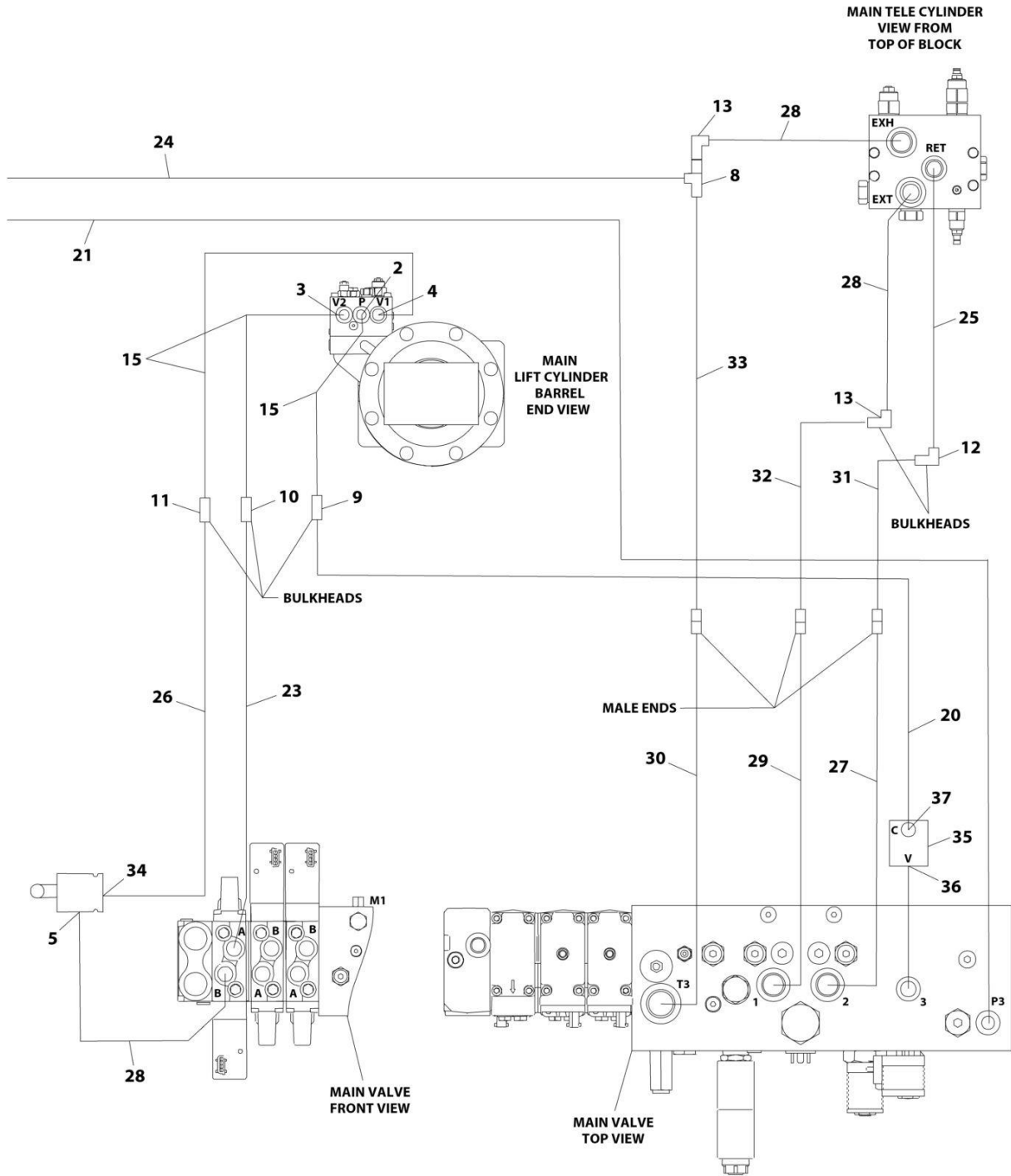
SECTION 7 - HYDRAULIC

FIGURE 7-1. HYDRAULIC DIAGRAM - BOOM (WITH REXROTH PUMPS)



ART_1001098027_1OF2

SECTION 7 - HYDRAULIC



ART_1001098027_20F2

SECTION 7 - HYDRAULIC

FIGURE 7-1. HYDRAULIC DIAGRAM - BOOM (WITH REXROTH PUMPS)

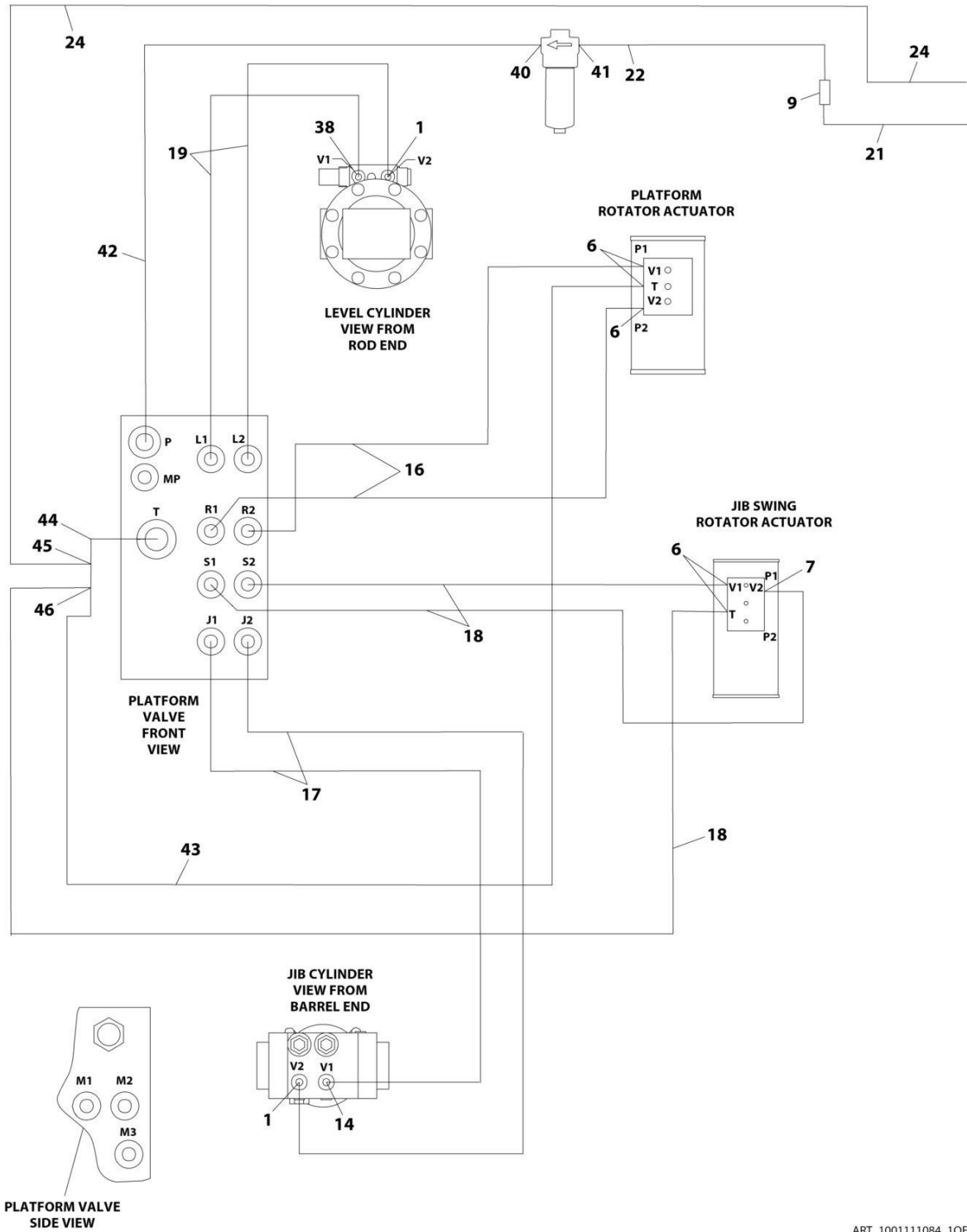
ITEM	PART NUMBER	QTY	DESCRIPTION	REV
	1283457	Ref	HYDRAULIC DIAGRAM - BOOM (WITH REXROTH PUMPS)	L
	1001098027	Ref	Hydraulic Diagram - Tower/Upper Boom	B
1	2110404	2	Fitting, Straight ORFS/ORB	
2	2110610	1	Fitting, Straight ORFS/ORB	
3	2110810	1	Fitting, Straight ORFS/ORB	
4	2111010	1	Fitting, Straight ORFS/ORB	
5	2111212	1	Fitting, Straight ORFS/ORB	
6	2150404	5	Fitting, 45 ORFS/ORB	
7	2170204	1	Fitting, 90 ORFS/ORB	
8	2170712	1	Fitting, Tee ORFS/FSORFS/ORFS	
9	2171306	2	Fitting, 45 ORFS/ORB	
10	2171308	1	Fitting, 45 ORFS/ORB	
11	2171310	1	Fitting, 45 ORFS/ORB	
12	2171210	1	Fitting, 90 ORFS/ORB	
13	2171212	2	Fitting, 90 ORFS/ORB	
14	2180830	1	Fitting, Straight ORFS/ORB	
15	2720516	1	Hose	
16	2753545	2	Hose	
17	2753717	2	Hose	
18	2753716	3	Hose	
19	2753897	2	Hose	
20	2753978	1	Hose	
21	2754123	1	Hose	
22	2754124	1	Hose	
23	2753985	1	Hose	
24	2753986	1	Hose	
25	2753987	1	Hose	
26	2753994	1	Hose	
27	2753993	1	Hose	
28	2753998	3	Hose	
29	2754002	1	Hose	
30	2754003	1	Hose	
31	2754010	1	Hose	
32	2754011	1	Hose	
33	2753999	1	Hose	
34	2111012	1	Fitting, Straight ORFS/ORB	
35	4641372	1	Valve, Double Check	
35	7027284	1	Cartridge	
35	7011346	1	Seal Kit - 7027284 Cartridge	
35	7027285	1	Cartridge	
35	7011311	1	Seal Kit - 7027285 Cartridge	
36	2221123	1	Fitting, Straight S FSORFS/ORB	
37	2130606	1	Fitting, 90 ORFS/ORB	
38	2180830	1	Fitting, Straight ORFS/ORB	
40	2110612	1	Fitting, Straight ORFS/ORB	
41	2130612	1	Fitting, 90 ORFS/ORB	
42	2717059	1	Hose	
43	2754288	1	Hose	
44	2170708	1	Fitting, Swivel Nut Run Tee ORFS/FSORFS/ORFS	
45	1001097820	1	Fitting, Adapter ORFS/FSORFS	

SECTION 7 - HYDRAULIC

ITEM	PART NUMBER	QTY	DESCRIPTION	REV
46	2170704	1	Fitting, Swivel Nut Run Tee ORFS/FSORFS/ORFS	

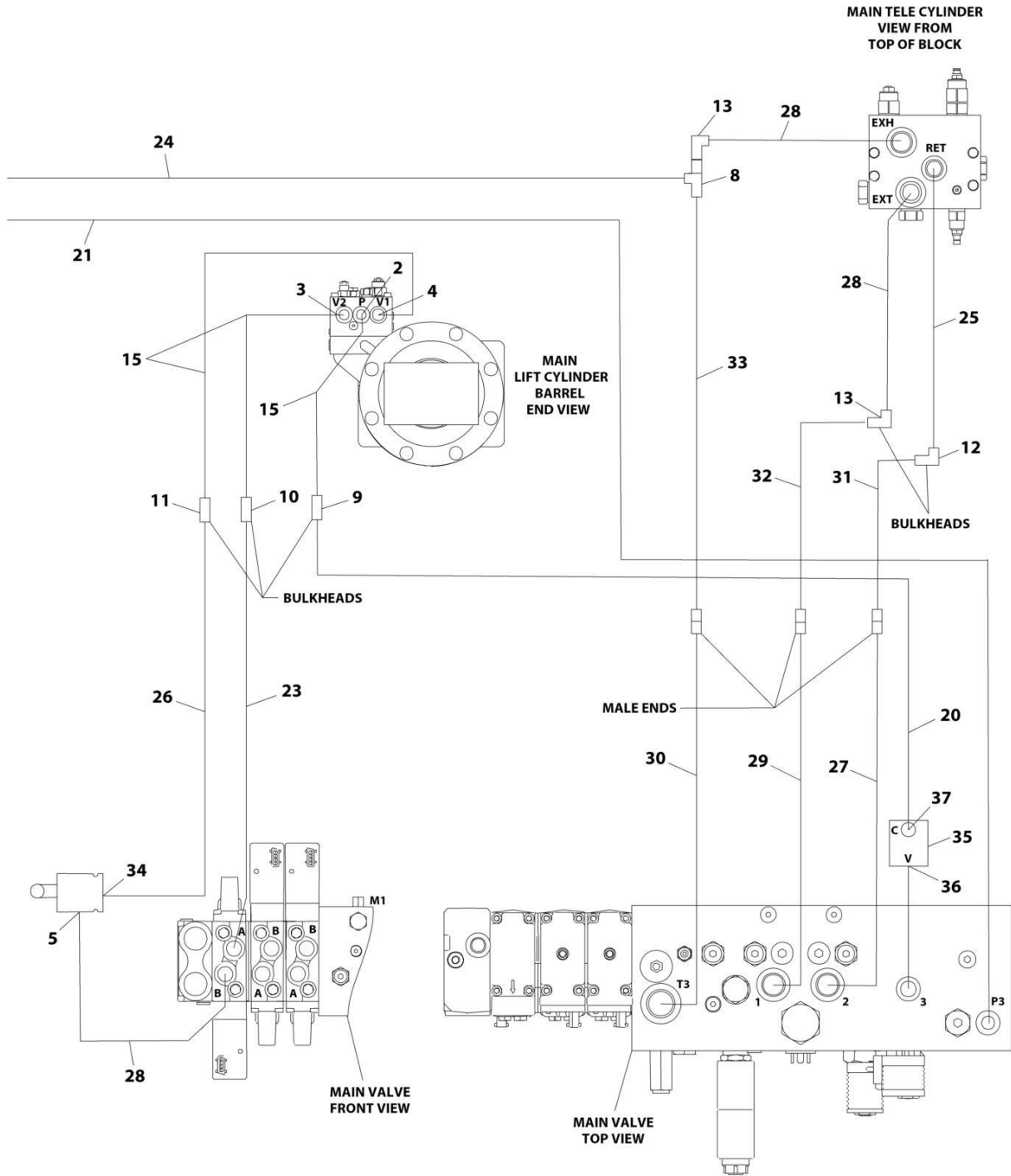
SECTION 7 - HYDRAULIC

FIGURE 7-2. HYDRAULIC DIAGRAM - BOOM (WITH SAUER PUMPS)



ART_1001111084_10F2

SECTION 7 - HYDRAULIC



ART_1001111084_20F2

SECTION 7 - HYDRAULIC

FIGURE 7-2. HYDRAULIC DIAGRAM - BOOM (WITH SAUER PUMPS)

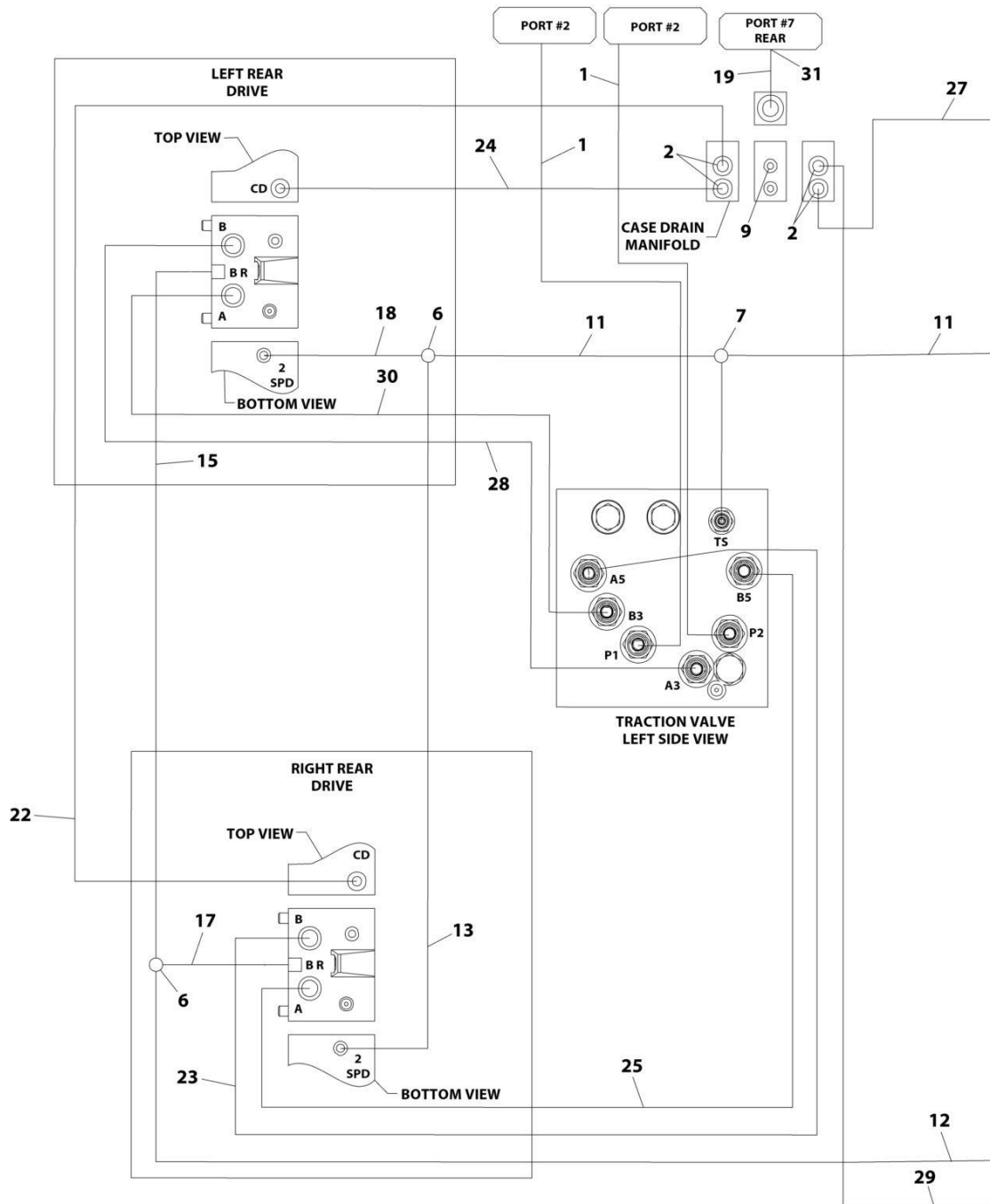
ITEM	PART NUMBER	QTY	DESCRIPTION	REV
	1001110252	Ref	HYDRAULIC DIAGRAM - BOOM (WITH SAUER PUMPS)	L
	1001111084	Ref	Hydraulic Diagram - Tower/Upper Boom	B
1	2110404	2	Fitting, Straight ORFS/ORB	
2	2110610	1	Fitting, Straight ORFS/ORB	
3	2110810	1	Fitting, Straight ORFS/ORB	
4	2111010	1	Fitting, Straight ORFS/ORB	
5	2111212	1	Fitting, Straight ORFS/ORB	
6	2150404	5	Fitting, 45 ORFS/ORB	
7	2170204	1	Fitting, 90 ORFS/ORB	
8	2170712	1	Fitting, Tee ORFS/FSORFS/ORFS	
9	2171306	2	Fitting, 45 ORFS/ORB	
10	2171308	1	Fitting, 45 ORFS/ORB	
11	2171310	1	Fitting, 45 ORFS/ORB	
12	2171210	1	Fitting, 90 ORFS/ORB	
13	2171212	2	Fitting, 90 ORFS/ORB	
14	2180830	1	Fitting, Straight ORFS/ORB	
15	2720516	1	Hose	
16	2753545	2	Hose	
17	2753717	2	Hose	
18	2753716	3	Hose	
19	2753897	2	Hose	
20	2753978	1	Hose	
21	2754123	1	Hose	
22	2754124	1	Hose	
23	2753985	1	Hose	
24	2753986	1	Hose	
25	2753987	1	Hose	
26	2753994	1	Hose	
27	2753993	1	Hose	
28	2753998	3	Hose	
29	2754002	1	Hose	
30	2754003	1	Hose	
31	2754010	1	Hose	
32	2754011	1	Hose	
33	2753999	1	Hose	
34	2111012	1	Fitting, Straight ORFS/ORB	
35	4641372	1	Valve, Double Check	
35	7027284	1	Cartridge	
35	7011346	1	Seal Kit - 7027284 Cartridge	
35	7027285	1	Cartridge	
35	7011311	1	Seal Kit - 7027285 Cartridge	
36	2221123	1	Fitting, Straight S FSORFS/ORB	
37	2130606	1	Fitting, 90 ORFS/ORB	
38	2180830	1	Fitting, Straight ORFS/ORB	
40	2110612	1	Fitting, Straight ORFS/ORB	
41	2130612	1	Fitting, 90 ORFS/ORB	
42	2717059	1	Hose	
43	2754288	1	Hose	
44	2170708	1	Fitting, Swivel Nut Run Tee ORFS/FSORFS/ORFS	
45	1001097820	1	Fitting, Adapter ORFS/FSORFS	

SECTION 7 - HYDRAULIC

ITEM	PART NUMBER	QTY	DESCRIPTION	REV
46	2170704	1	Fitting, Swivel Nut Run Tee ORFS/FSORFS/ORFS	

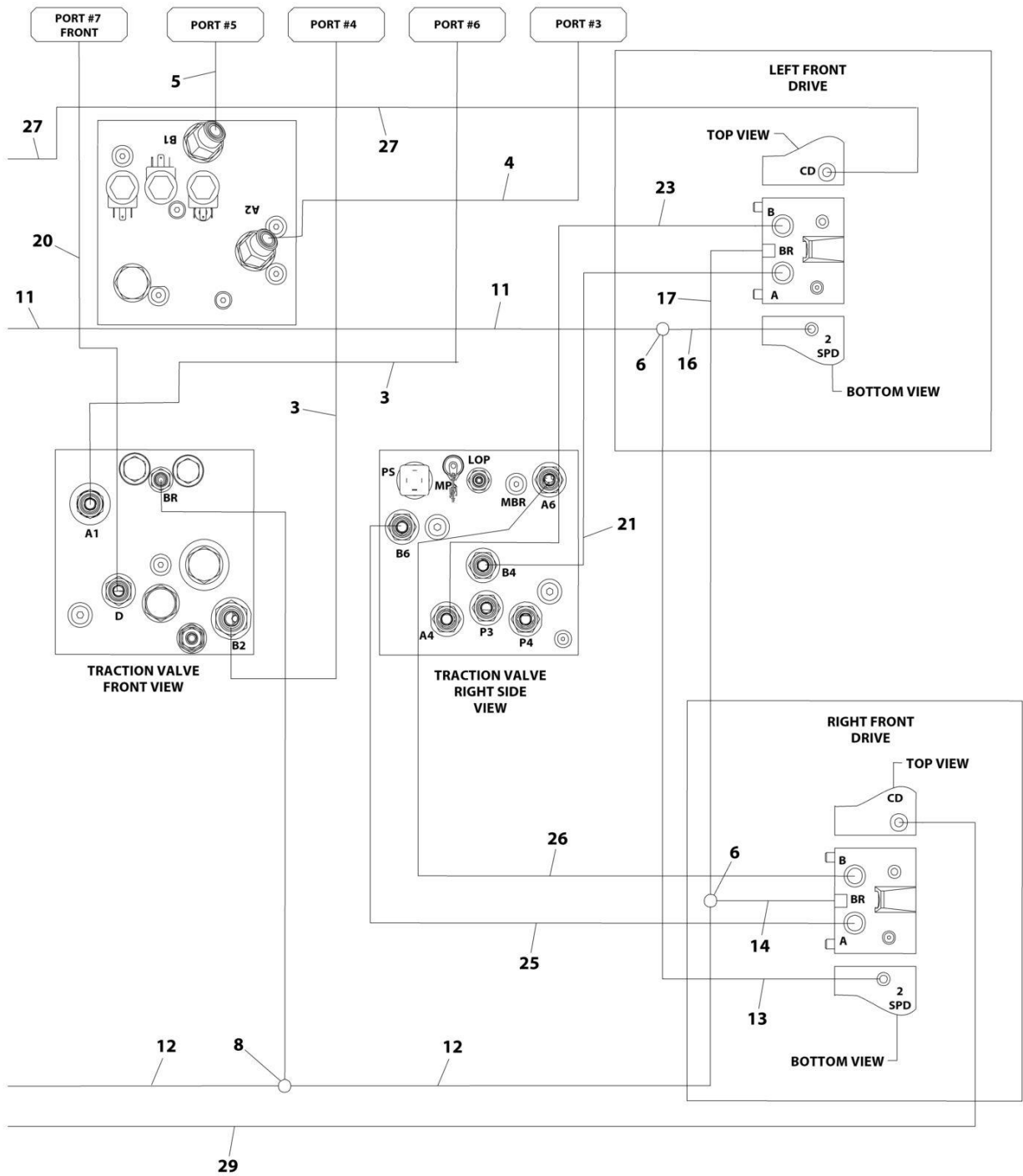
SECTION 7 - HYDRAULIC

FIGURE 7-3. HYDRAULIC DIAGRAM - DRIVE (WITH REXROTH PUMPS)



ART_2792772_10F2

SECTION 7 - HYDRAULIC



ART_2792772_20F2

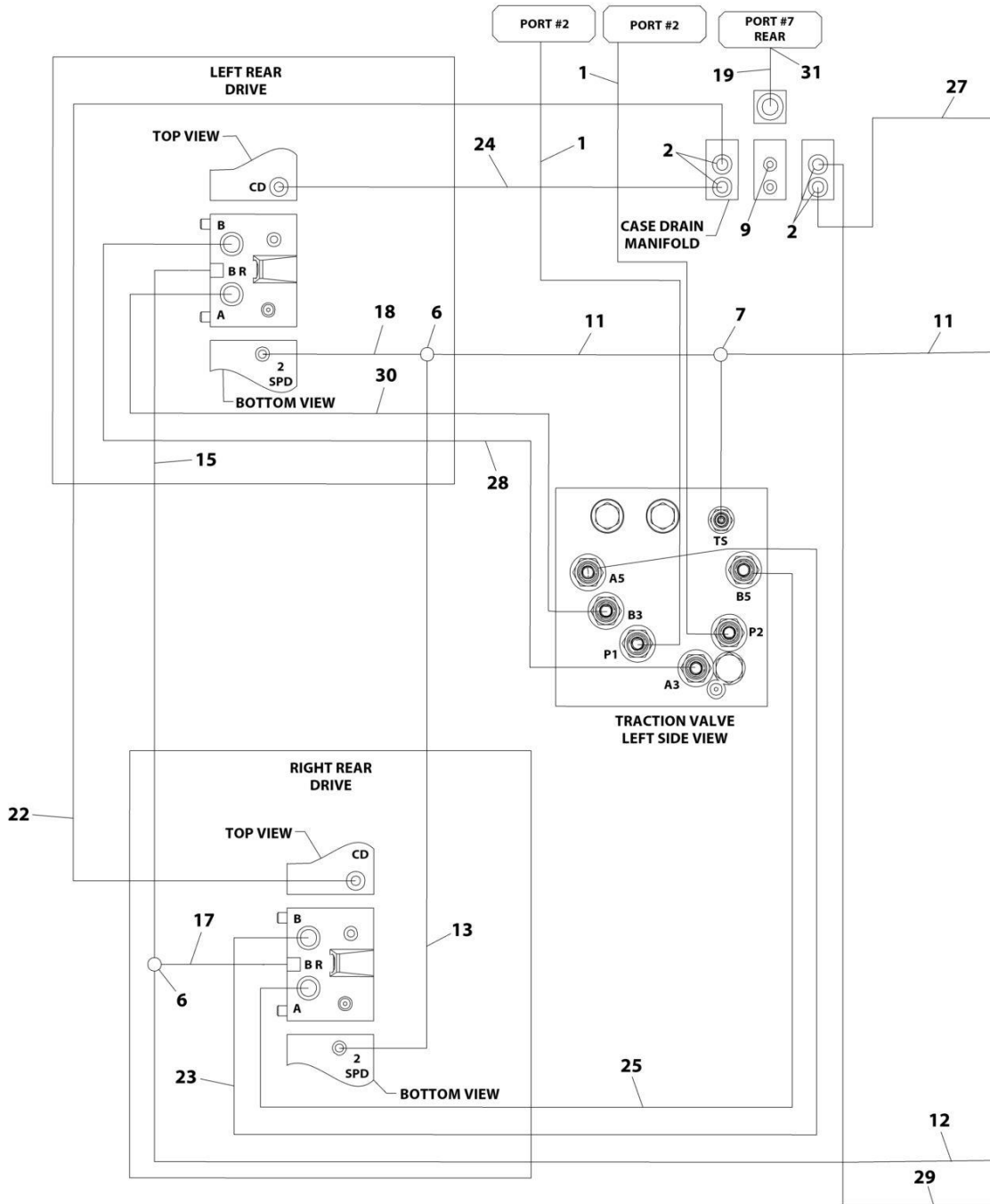
SECTION 7 - HYDRAULIC

FIGURE 7-3. HYDRAULIC DIAGRAM - DRIVE (WITH REXROTH PUMPS)

ITEM	PART NUMBER	QTY	DESCRIPTION	REV
	1283457	Ref	HYDRAULIC DIAGRAM - DRIVE	L
	2792772	Ref	Hydraulic Diagram - Drive Circuit	F
1	2753685	2	Hose	
2	2110808	4	Fitting, Straight ORFS/ORB	
3	2753703	2	Hose	
4	2753764	1	Hose	
5	2753768	1	Hose	
6	2170504	4	Fitting, Tee ORFS	
7	2170704	1	Fitting, Tee ORFS/ORB/ORFS	
8	2170804	1	Fitting, Tee ORFS/ORB/ORFS	
9	2220235	1	Plug	
11	2753541	2	Hose	
12	2753545	2	Hose	
13	2753677	2	Hose	
14	2753714	1	Hose	
15	2753713	1	Hose	
16	2753716	1	Hose	
17	2753715	2	Hose	
18	2753552	1	Hose	
19	2753752	1	Hose	
20	2753582	1	Hose	
21	2753756	1	Hose	
22	2753747	1	Hose	
23	2753757	2	Hose	
24	2753748	1	Hose	
25	2753759	2	Hose	
26	2753760	1	Hose	
27	2753749	1	Hose	
28	2753761	1	Hose	
29	2753750	1	Hose	
30	2753762	1	Hose	
31	2110812	1	Fitting, Straight ORFS/ORB	

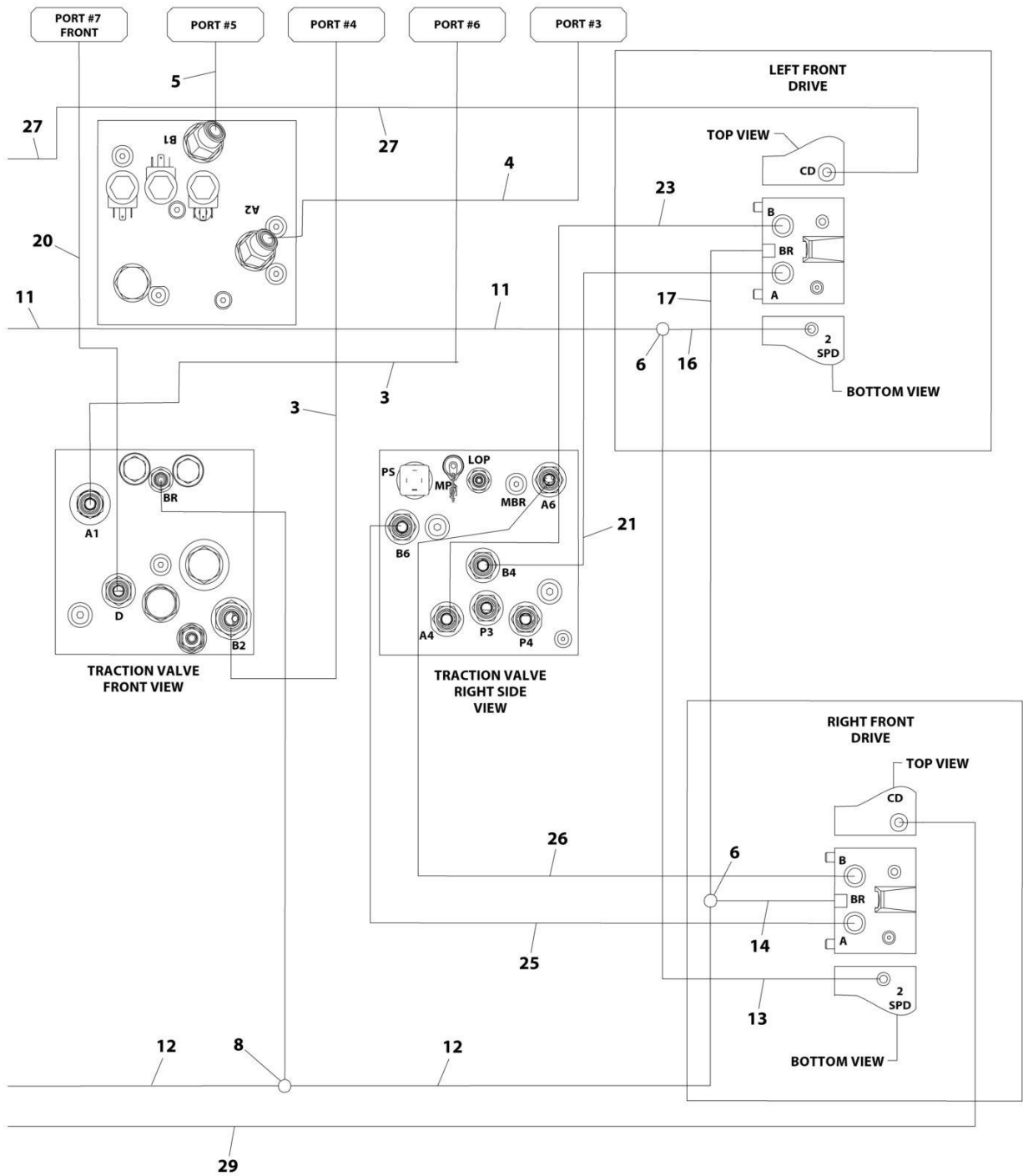
SECTION 7 - HYDRAULIC

FIGURE 7-4. HYDRAULIC DIAGRAM - DRIVE (WITH SAUER PUMPS)



ART_1001111082_1OF2

SECTION 7 - HYDRAULIC



ART_1001111082_2OF2

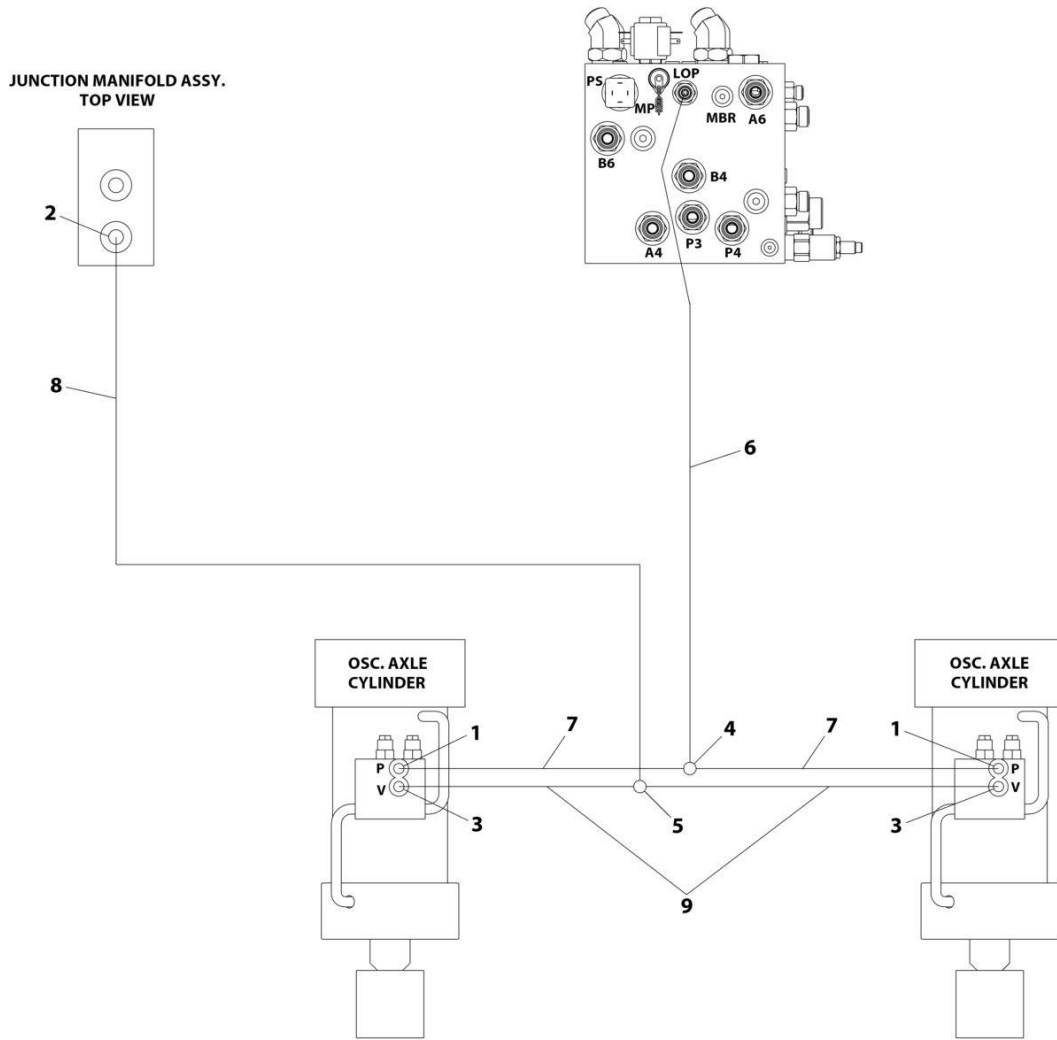
SECTION 7 - HYDRAULIC

FIGURE 7-4. HYDRAULIC DIAGRAM - DRIVE (WITH SAUER PUMPS)

ITEM	PART NUMBER	QTY	DESCRIPTION	REV
	1001110252	Ref	HYDRAULIC DIAGRAM - DRIVE (WITH SAUER PUMPS)	L
	1001111082	Ref	Hydraulic Diagram - Drive Circuit	C
1	2753685	2	Hose	
2	2110808	4	Fitting, Straight ORFS/ORB	
3	2753703	2	Hose	
4	2753764	1	Hose	
5	2753768	1	Hose	
6	2170504	4	Fitting, Tee ORFS	
7	2170704	1	Fitting, Tee ORFS/ORB/ORFS	
8	2170804	1	Fitting, Tee ORFS/ORB/ORFS	
9	2220235	1	Plug	
11	2753541	2	Hose	
12	2753545	2	Hose	
13	2753677	2	Hose	
14	2753714	1	Hose	
15	2753713	1	Hose	
16	2753716	1	Hose	
17	2753715	2	Hose	
18	2753552	1	Hose	
19	2753752	1	Hose	
20	2753582	1	Hose	
21	2753756	1	Hose	
22	2753747	1	Hose	
23	2753757	2	Hose	
24	2753748	1	Hose	
25	2753759	2	Hose	
26	2753760	1	Hose	
27	2753749	1	Hose	
28	2753761	1	Hose	
29	2753750	1	Hose	
30	2753762	1	Hose	
31	2110812	1	Fitting, Straight ORFS/ORB	

SECTION 7 - HYDRAULIC

FIGURE 7-5. HYDRAULIC DIAGRAM - OSCILLATING AXLE (WITH REXROTH PUMPS)



ART_2792647

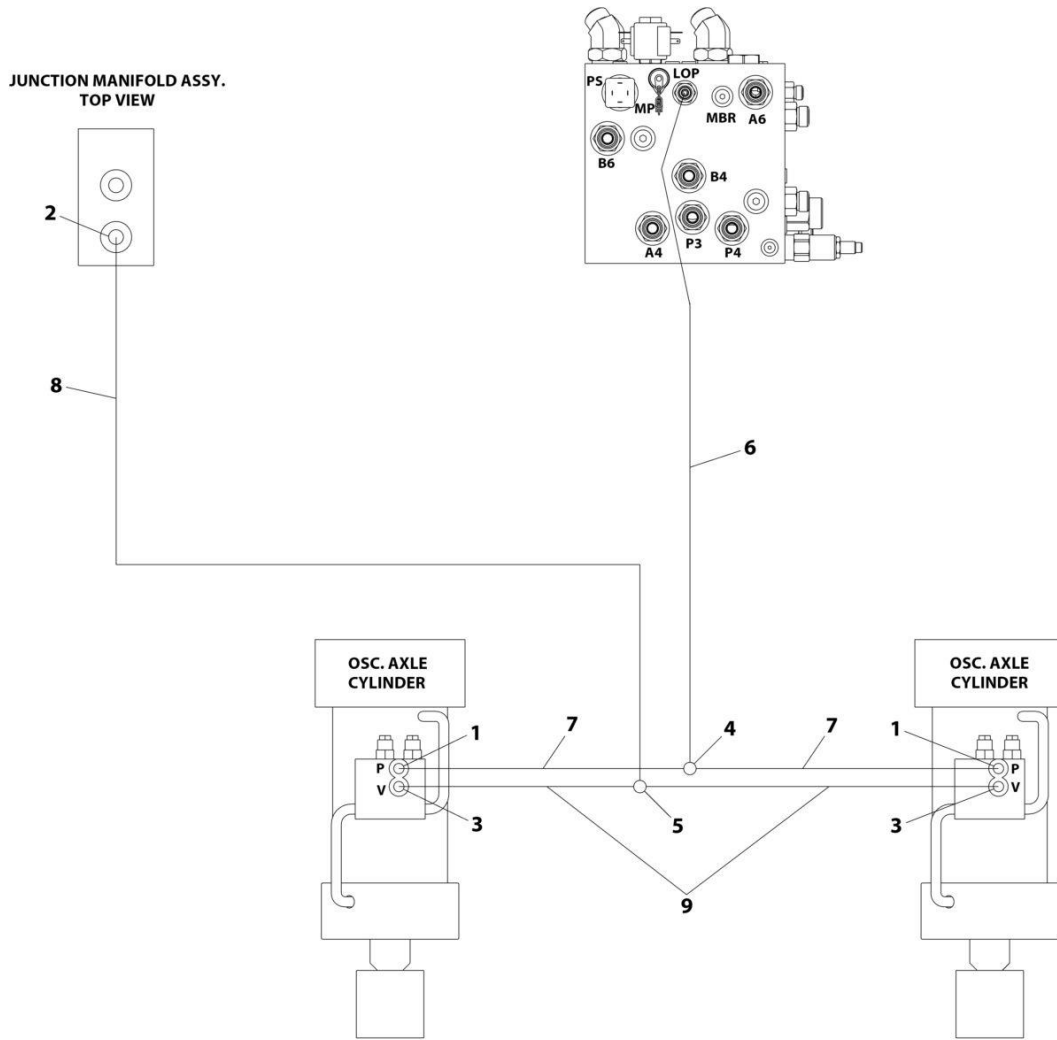
SECTION 7 - HYDRAULIC

FIGURE 7-5. HYDRAULIC DIAGRAM - OSCILLATING AXLE (WITH REXROTH PUMPS)

ITEM	PART NUMBER	QTY	DESCRIPTION	REV
	1283457	Ref	HYDRAULIC DIAGRAM - OSCILLATING AXLE	L
	2792647	Ref	Hydraulic Diagram - Oscillating Axle	4
1	2110406	2	Fitting, Straight ORFS/ORB	
2	2110604	1	Fitting, Straight ORFS/ORB	
3	2110606	2	Fitting, Straight ORFS/ORB	
4	2170504	1	Fitting, Tee ORFS	
5	2170506	1	Fitting, Tee ORFS	
6	2753726	1	Hose	
7	2753719	2	Hose	
8	2753727	1	Hose	
9	2753729	2	Hose	

SECTION 7 - HYDRAULIC

FIGURE 7-6. HYDRAULIC DIAGRAM - OSCILLATING AXLE (WITH SAUER PUMPS)



ART_1001111081

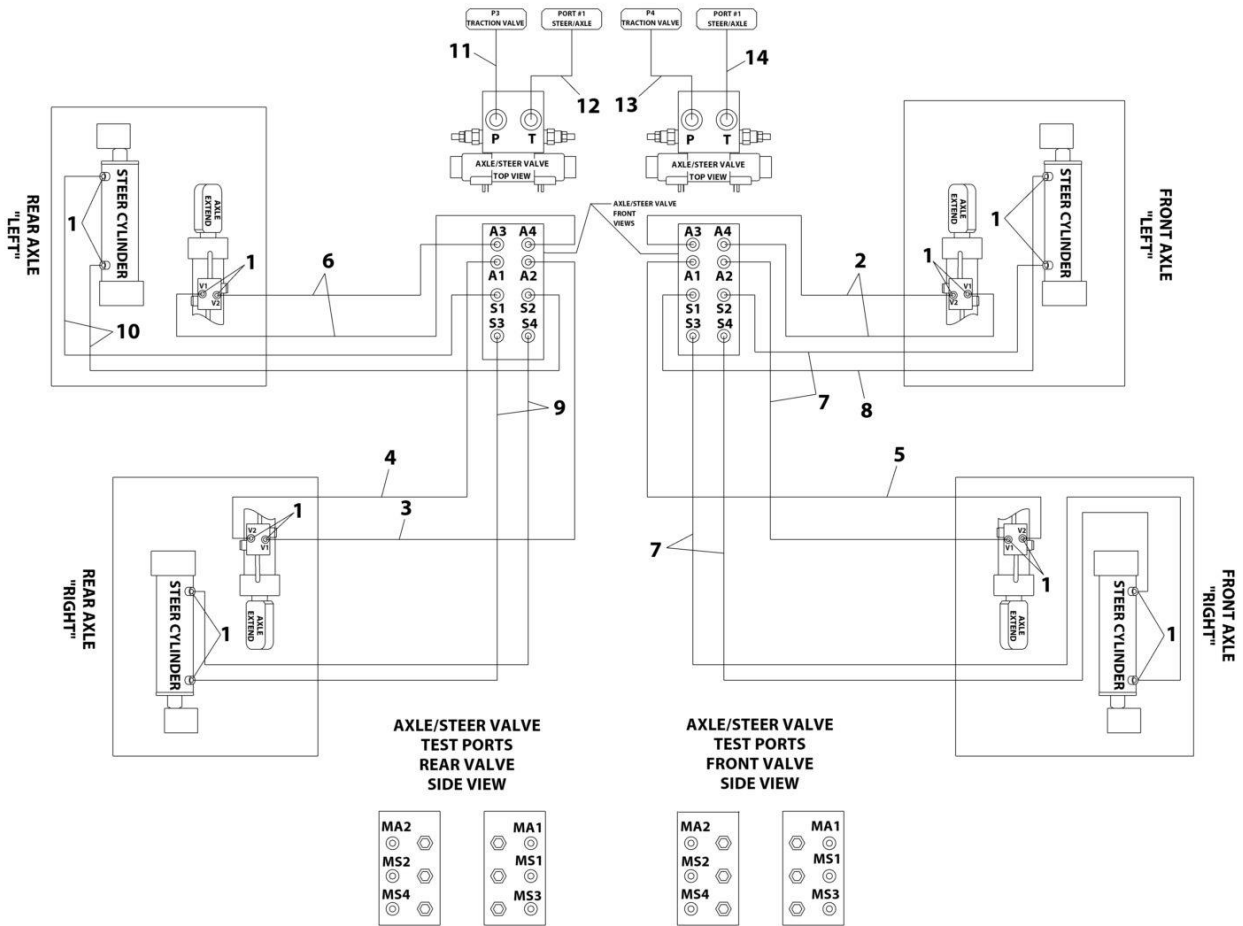
SECTION 7 - HYDRAULIC

FIGURE 7-6. HYDRAULIC DIAGRAM - OSCILLATING AXLE (WITH SAUER PUMPS)

ITEM	PART NUMBER	QTY	DESCRIPTION	REV
	1001110252	Ref	HYDRAULIC DIAGRAM - OSCILLATING AXLE (WITH SAUER PUMPS)	L
	1001111081	Ref	Hydraulic Diagram - Oscillating Axle	1
1	2110406	2	Fitting, Straight ORFS/ORB	
2	2110604	1	Fitting, Straight ORFS/ORB	
3	2110606	2	Fitting, Straight ORFS/ORB	
4	2170504	1	Fitting, Tee ORFS	
5	2170506	1	Fitting, Tee ORFS	
6	2753726	1	Hose	
7	2753719	2	Hose	
8	2753727	1	Hose	
9	2753729	2	Hose	

SECTION 7 - HYDRAULIC

FIGURE 7-7. HYDRAULIC DIAGRAM - STEER (WITH REXROTH PUMPS)



ART_2792773

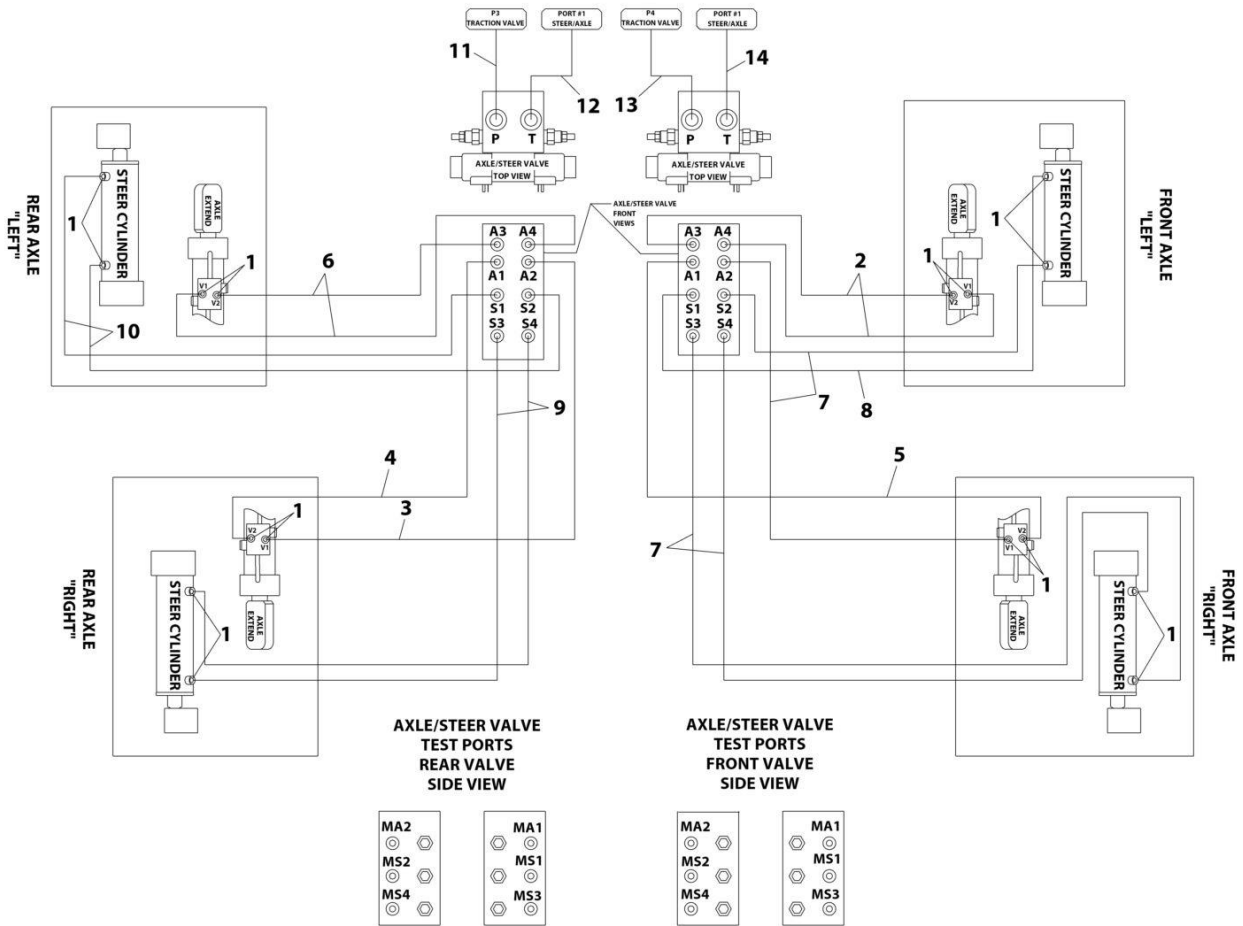
SECTION 7 - HYDRAULIC

FIGURE 7-7. HYDRAULIC DIAGRAM - STEER (WITH REXROTH PUMPS)

ITEM	PART NUMBER	QTY	DESCRIPTION	REV
	1283457	Ref	HYDRAULIC DIAGRAM - STEER	L
	2792773	Ref	Hydraulic Diagram - Steer	2
1	2130606	16	Fitting, 90 ORFS/ORB	
2	2753732	2	Hose	
3	2753733	1	Hose	
4	2753728	1	Hose	
5	2753734	1	Hose	
6	2753735	2	Hose	
7	2753736	4	Hose	
8	2753737	1	Hose	
9	2753738	2	Hose	
10	2753739	2	Hose	
11	2753753	1	Hose	
12	2753742	1	Hose	
13	2753754	1	Hose	
14	2753743	1	Hose	

SECTION 7 - HYDRAULIC

FIGURE 7-8. HYDRAULIC DIAGRAM - STEER (WITH SAUER PUMPS)



ART_1001111083

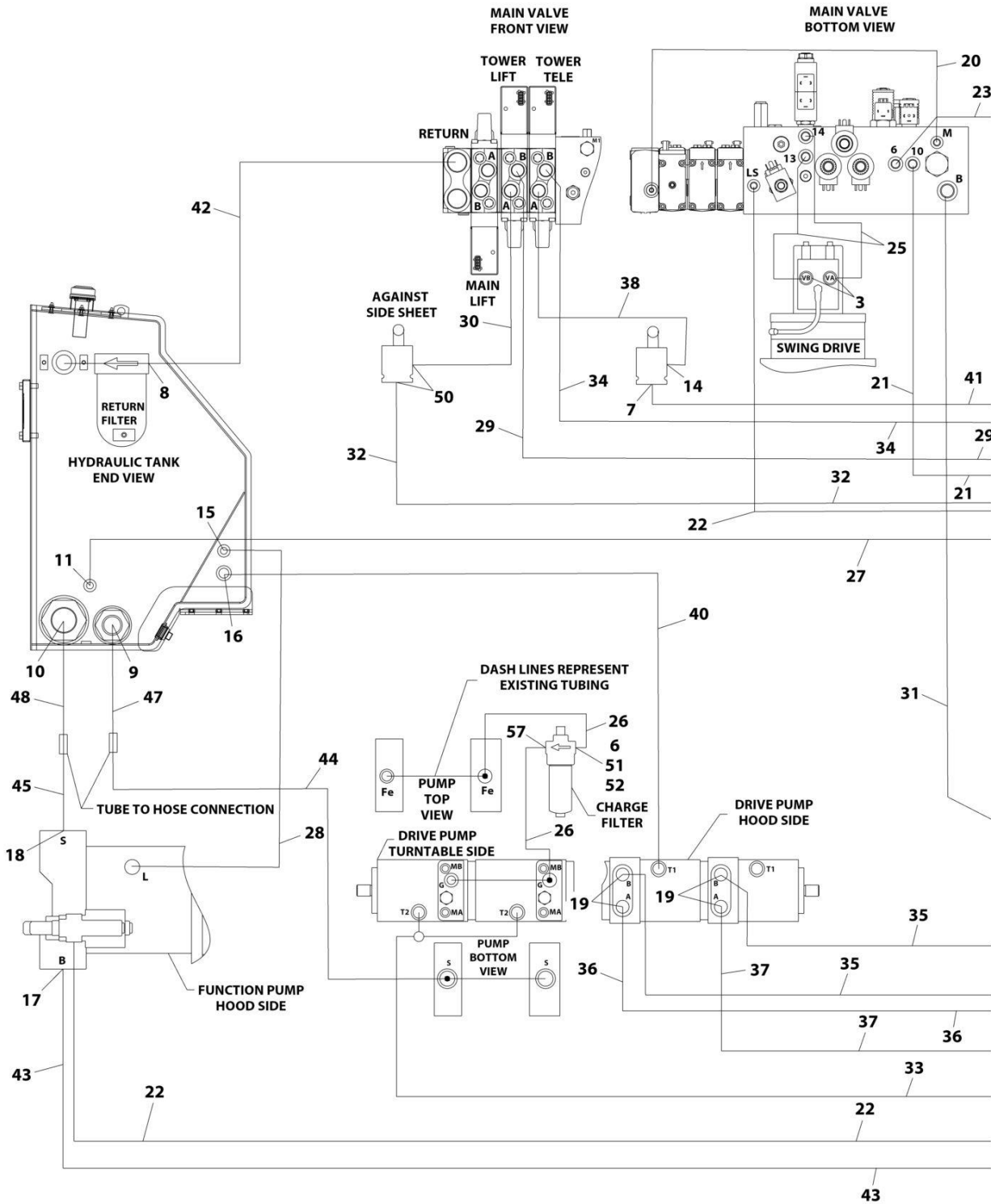
SECTION 7 - HYDRAULIC

FIGURE 7-8. HYDRAULIC DIAGRAM - STEER (WITH SAUER PUMPS)

ITEM	PART NUMBER	QTY	DESCRIPTION	REV
	1001110252	Ref	HYDRAULIC DIAGRAM - STEER (WITH SAUER PUMPS)	L
	1001111083	Ref	Hydraulic Diagram - Steer	1
1	2130606	16	Fitting, 90 ORFS/ORB	
2	2753732	2	Hose	
3	2753733	1	Hose	
4	2753728	1	Hose	
5	2753734	1	Hose	
6	2753735	2	Hose	
7	2753736	4	Hose	
8	2753737	1	Hose	
9	2753738	2	Hose	
10	2753739	2	Hose	
11	2753753	1	Hose	
12	2753742	1	Hose	
13	2753754	1	Hose	
14	2753743	1	Hose	

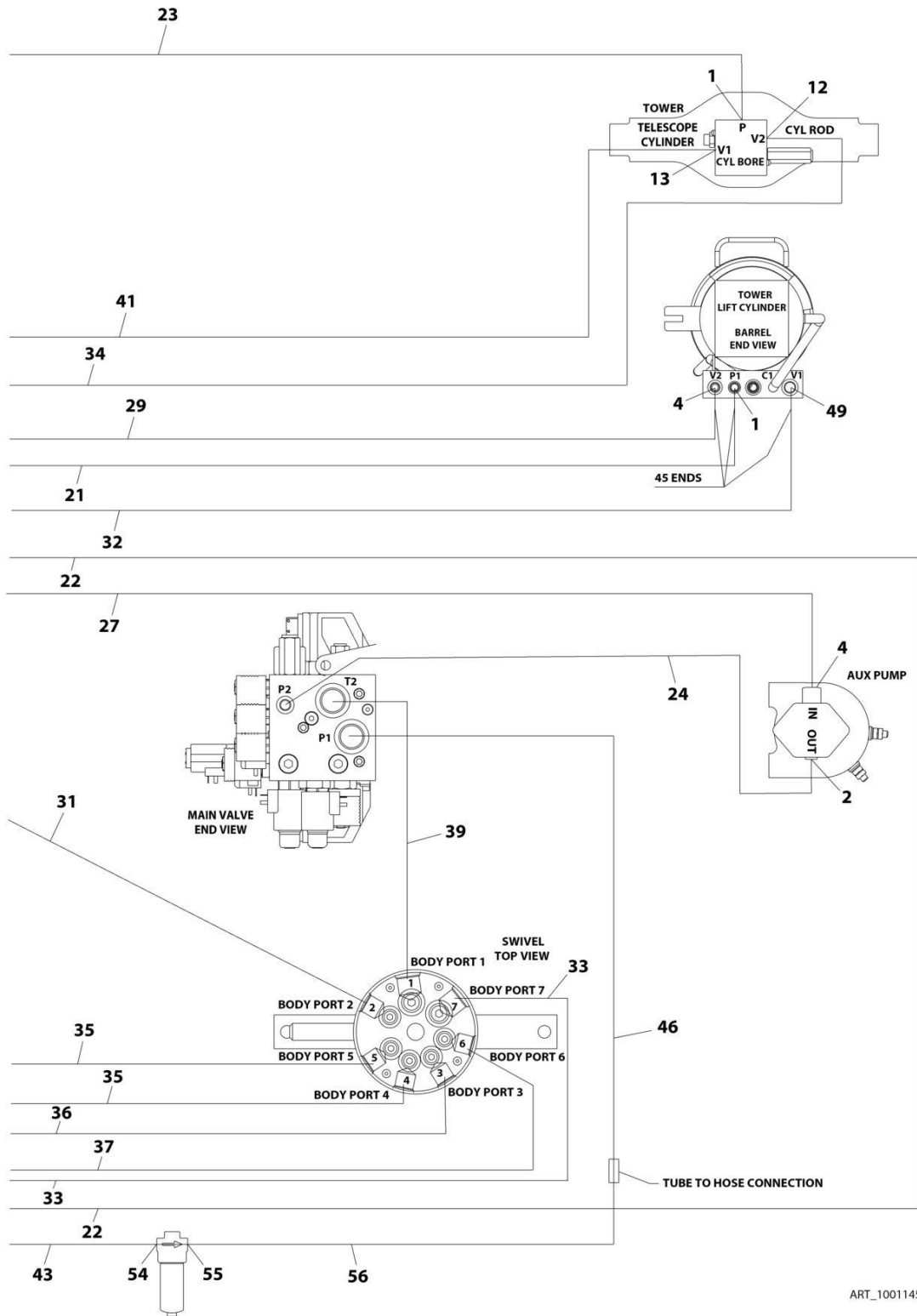
SECTION 7 - HYDRAULIC

FIGURE 7-9. HYDRAULIC DIAGRAM - TURNTABLE (DEUTZ TD2011 ENGINES WITH REXROTH PUMPS)



ART_1001145321_TOF2

SECTION 7 - HYDRAULIC



ART_1001145321_2OF2

SECTION 7 - HYDRAULIC

FIGURE 7-9. HYDRAULIC DIAGRAM - TURNTABLE (DEUTZ TD2011 ENGINES WITH REXROTH PUMPS)

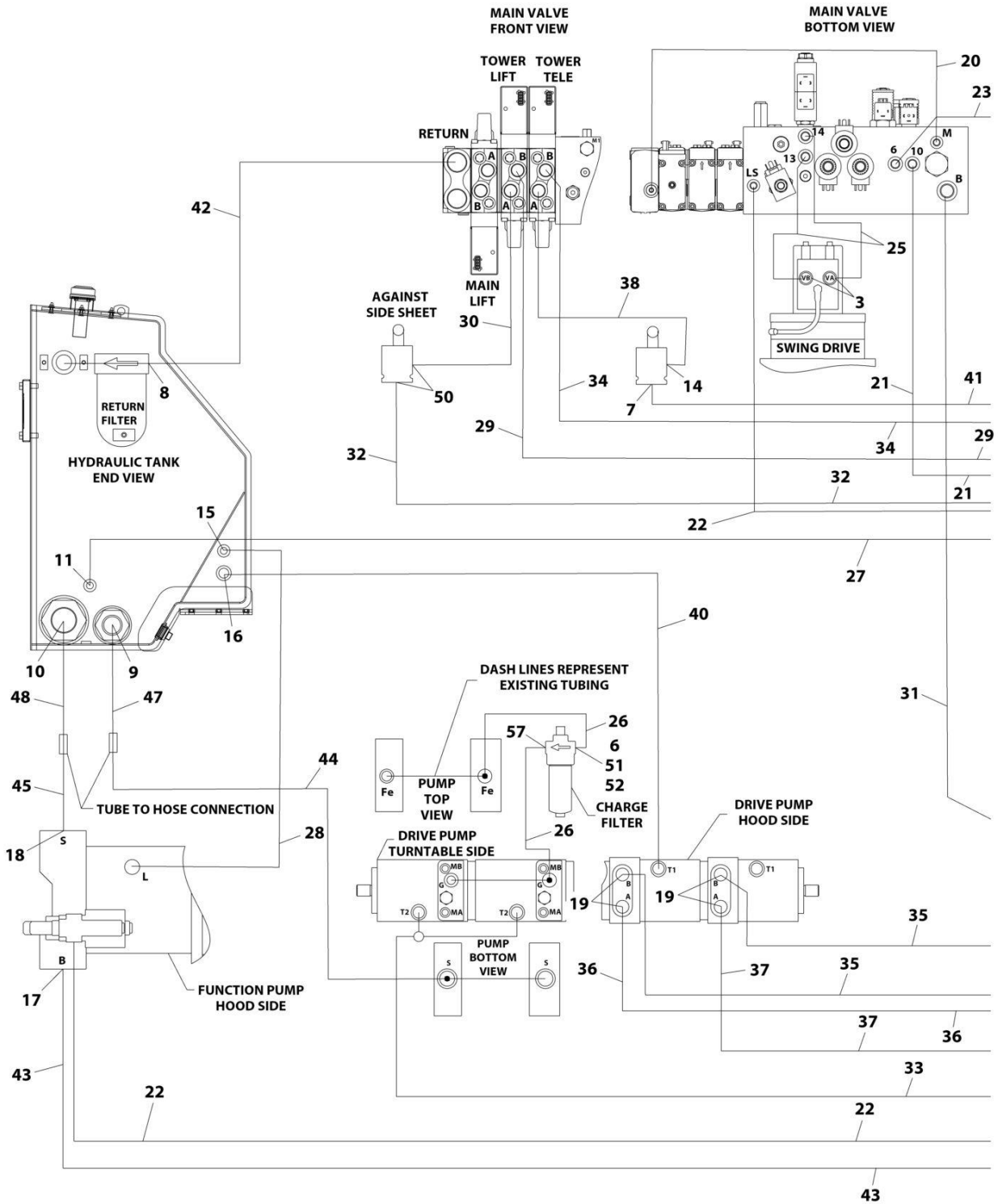
ITEM	PART NUMBER	QTY	DESCRIPTION	REV
	1283457	Ref	HYDRAULIC DIAGRAM - TURNTABLE (DEUTZ TD2011 ENGINES WITH REXROTH PUMPS)	L
	1001145321	Ref	Hydraulic Diagram - Turntable	B
1	2110404	1	Fitting, Straight ORFS/ORB	
2	2110608	1	Fitting, Straight ORFS/ORB	
3	2110610	2	Fitting, Straight ORFS/ORB	
4	2110808	2	Fitting, Straight ORFS/ORB	
6	2220811	1	Fitting, Reducer ORB/ORB	
7	2111212	1	Fitting, Straight ORFS/ORB	
8	2111620	1	Fitting, Straight ORFS/ORB	
9	2112020	1	Fitting, Straight ORFS/ORB	
10	2113232	1	Fitting, Straight ORFS/ORB	
11	2130808	1	Fitting, 90 ORFS/ORB	
12	2131008	1	Fitting, 90 ORFS/ORB	
13	2131210	1	Fitting, 90 ORFS/ORB	
14	2131212	1	Fitting, 90 ORFS/ORB	
15	2150808	1	Fitting, 45 ORFS/ORB	
16	2151212	1	Fitting, 45 ORFS/ORB	
17	2220478	1	Flange Kit	
18	2220737	1	Flange Kit	
19	2221117	4	Flange Kit	
20	2753546	1	Hose	
21	2753975	1	Hose	
22	2753976	1	Hose	
23	2753977	1	Hose	
24	2753673	1	Hose	
25	2753979	2	Hose	
26	2753746	2	Hose	
27	2753590	1	Hose	
28	2753741	1	Hose	
29	2753984	1	Hose	
30	2753988	1	Hose	
31	2753989	1	Hose	
32	2753990	1	Hose	
33	2753991	1	Hose	
34	2753992	1	Hose	
35	2753995	2	Hose	
36	2753996	1	Hose	
37	2753997	1	Hose	
38	2753843	1	Hose	
39	2753999	1	Hose	
40	2754000	1	Hose	
41	2754001	1	Hose	
42	2754004	1	Hose	
43	2754870	1	Hose	
44	2754006	1	Hose	
45	2754007	1	Hose	
46	1001173889	1	Tube	
47	4568849	1	Tube	

SECTION 7 - HYDRAULIC

ITEM	PART NUMBER	QTY	DESCRIPTION	REV
48	4568815	1	Tube	
49	2111010	1	Fitting, Straight ORFS/ORB	
50	2111012	AR	Fitting, Straight ORFS/ORB	
51	2170308	1	Fitting, Tee ORFS/ORFS/ORB	
52	2170908	1	Fitting, Cap ORFS	
54	2131620	1	Fitting, 90 ORFS/ORB	
55	2132020	1	Fitting, 90 ORFS/ORB	
56	1001173890	1	Hose	
57	2130812	1	Fitting, 90 ORFS/ORB	

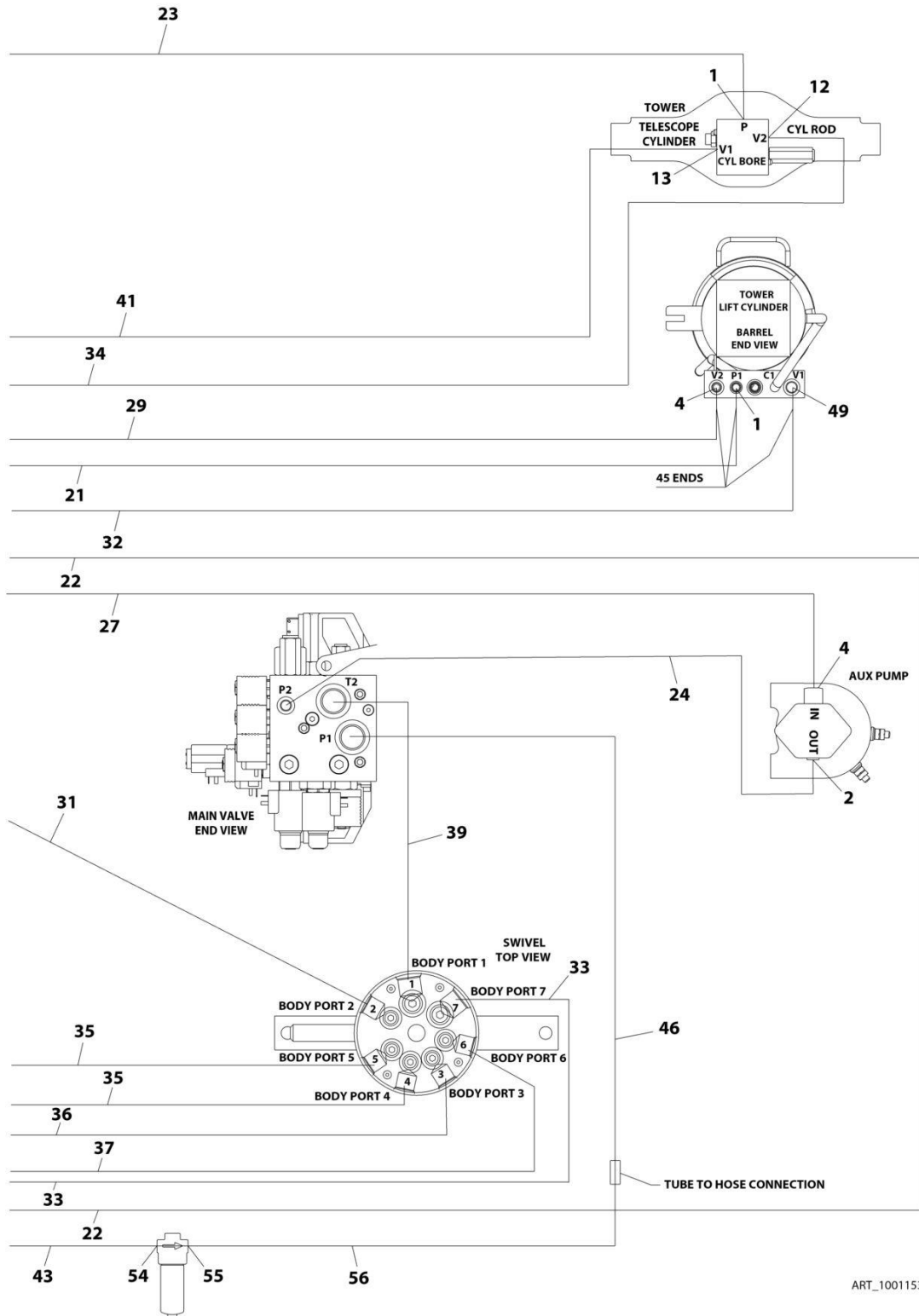
SECTION 7 - HYDRAULIC

FIGURE 7-10. HYDRAULIC DIAGRAM - TURNTABLE (DEUTZ TCD2.9L4 ENGINES AND DEUTZ TCD2.9L4 (STAGE V) ENGINES WITH REXROTH PUMPS)



ART_1001153188_10F2

SECTION 7 - HYDRAULIC



SECTION 7 - HYDRAULIC

FIGURE 7-10. HYDRAULIC DIAGRAM - TURNTABLE (DEUTZ TCD2.9L4 ENGINES AND DEUTZ TCD2.9L4 (STAGE V) ENGINES WITH REXROTH PUMPS)

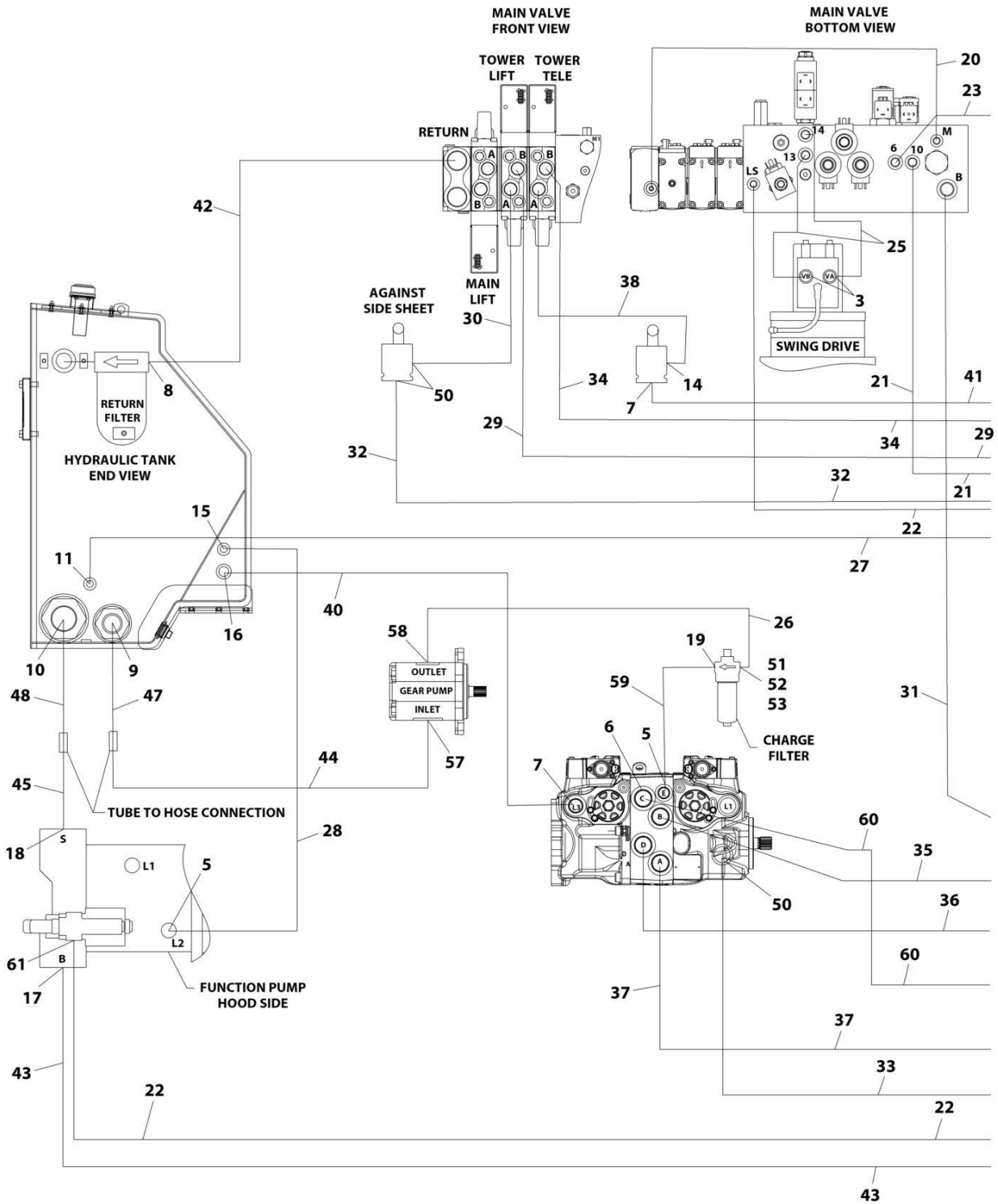
ITEM	PART NUMBER	QTY	DESCRIPTION	REV
	1001152971	Ref	HYDRAULIC DIAGRAM - TURNTABLE (DEUTZ TCD2.9L4 ENGINES AND DEUTZ TCD2.9L4 (STAGE V) ENGINES WITH REXROTH PUMPS)	C
	1001153188	Ref	Hydraulic Diagram - Turntable	B
1	2110404	1	Fitting, Straight ORFS/ORB	
2	2110608	1	Fitting, Straight ORFS/ORB	
3	2110610	2	Fitting, Straight ORFS/ORB	
4	2110808	2	Fitting, Straight ORFS/ORB	
6	2220811	1	Fitting, Reducer ORB/ORB	
7	2111212	1	Fitting, Straight ORFS/ORB	
8	2111620	1	Fitting, Straight ORFS/ORB	
9	2112020	1	Fitting, Straight ORFS/ORB	
10	2113232	1	Fitting, Straight ORFS/ORB	
11	2130808	1	Fitting, 90 ORFS/ORB	
12	2131008	1	Fitting, 90 ORFS/ORB	
13	2131210	1	Fitting, 90 ORFS/ORB	
14	2131212	1	Fitting, 90 ORFS/ORB	
15	2150808	1	Fitting, 45 ORFS/ORB	
16	2151212	1	Fitting, 45 ORFS/ORB	
17	2220478	1	Flange Kit	
18	2220737	1	Flange Kit	
19	2221117	4	Flange Kit	
20	2753546	1	Hose	
21	2753975	1	Hose	
22	2753976	1	Hose	
23	2753977	1	Hose	
24	2753673	1	Hose	
25	2753979	2	Hose	
26	2753746	2	Hose	
27	2753590	1	Hose	
28	2753741	1	Hose	
29	2753984	1	Hose	
30	2753988	1	Hose	
31	2753989	1	Hose	
32	2753990	1	Hose	
33	2753991	1	Hose	
34	2753992	1	Hose	
35	2753995	2	Hose	
36	2753996	1	Hose	
37	2753997	1	Hose	
38	2753843	1	Hose	
39	2753999	1	Hose	
40	2754000	1	Hose	
41	2754001	1	Hose	
42	2754004	1	Hose	
43	2754870	1	Hose	
44	1001153186	1	Hose	
45	2754007	1	Hose	
46	1001173889	1	Tube	

SECTION 7 - HYDRAULIC

ITEM	PART NUMBER	QTY	DESCRIPTION	REV
47	4568849	1	Tube	
48	4568815	1	Tube	
49	2111010	1	Fitting, Straight ORFS/ORB	
50	2111012	AR	Fitting, Straight ORFS/ORB	
51	2170308	1	Fitting, Tee ORFS/ORFS/ORB	
52	2170908	1	Fitting, Cap ORFS	
54	2131620	1	Fitting, 90 ORFS/ORB	
55	2132020	1	Fitting, 90 ORFS/ORB	
56	1001173890	1	Hose	
57	2130812	1	Fitting, 90 ORFS/ORB	

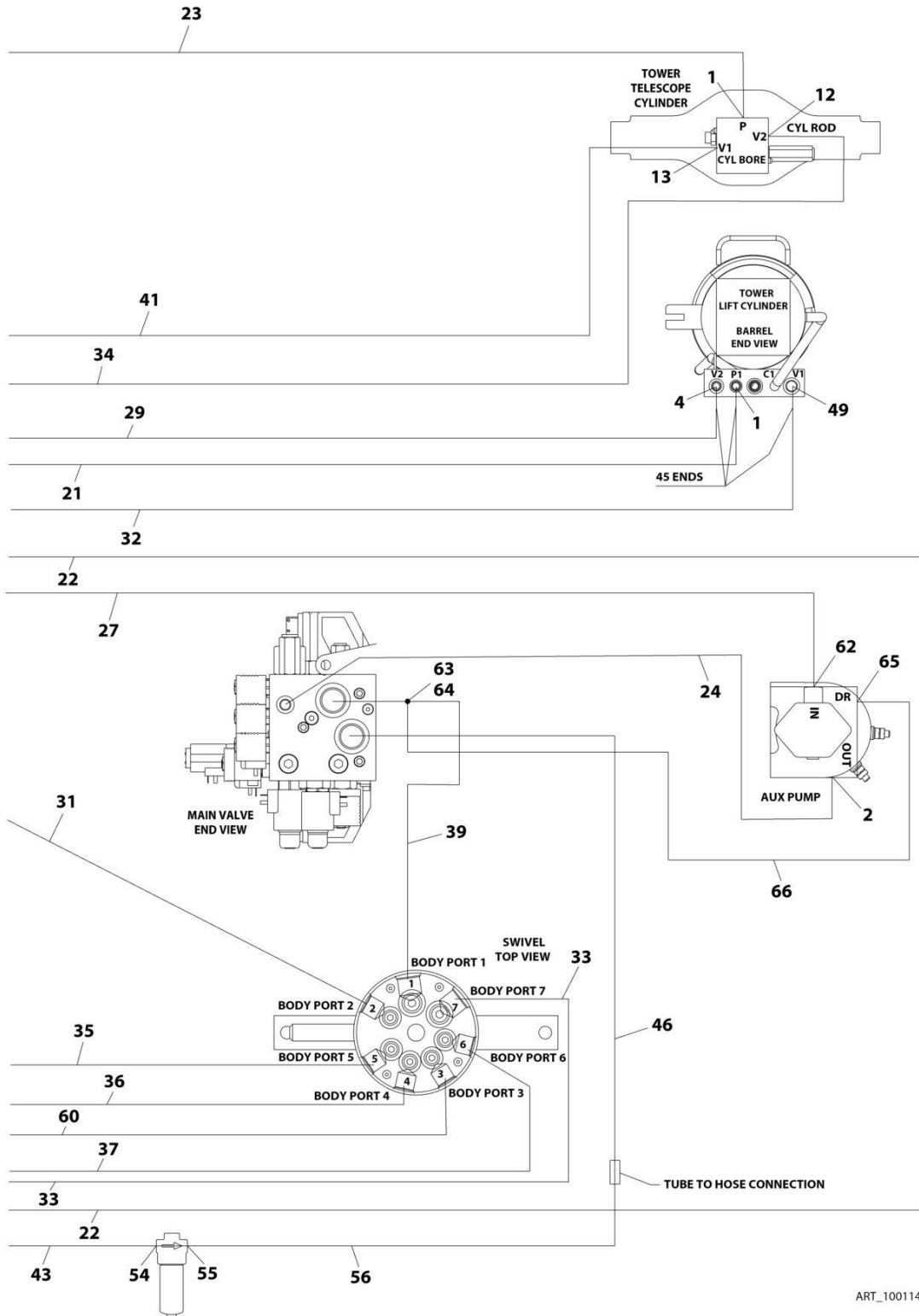
SECTION 7 - HYDRAULIC

FIGURE 7-11. HYDRAULIC DIAGRAM - TURNTABLE (WITH SAUER PUMPS)



ART_1001145322_10F2

SECTION 7 - HYDRAULIC



ART_1001145322_20F2

SECTION 7 - HYDRAULIC

FIGURE 7-11. HYDRAULIC DIAGRAM - TURNTABLE (WITH SAUER PUMPS)

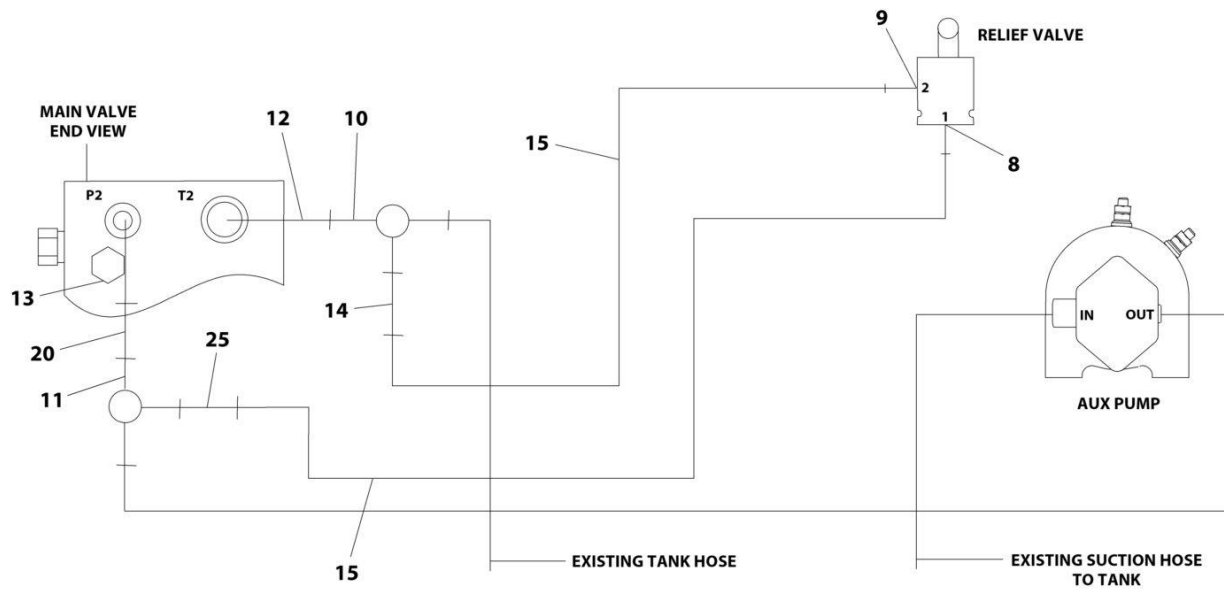
ITEM	PART NUMBER	QTY	DESCRIPTION	REV
	1001110252	Ref	HYDRAULIC DIAGRAM - TURNTABLE (WITH SAUER PUMPS)	L
	1001145322	Ref	Hydraulic Diagram - Turntable	E
1	2110404	1	Fitting, Straight ORFS/ORB	
2	2110608	1	Fitting, Straight ORFS/ORB	
3	2110610	2	Fitting, Straight ORFS/ORB	
4	2110808	1	Fitting, Straight ORFS/ORB	
5	2110810	2	Fitting, Straight ORFS/ORB	
6	2111016	4	Fitting, Straight ORFS/ORB	
7	2111212	2	Fitting, Straight ORFS/ORB	
8	2111620	1	Fitting, Straight ORFS/ORB	
9	2112020	1	Fitting, Straight ORFS/ORB	
10	2113232	1	Fitting, Straight ORFS/ORB	
11	2130808	1	Fitting, 90 ORFS/ORB	
12	2131008	1	Fitting, 90 ORFS/ORB	
13	2131210	1	Fitting, 90 ORFS/ORB	
14	2131212	1	Fitting, 90 ORFS/ORB	
15	2150808	1	Fitting, 45 ORFS/ORB	
16	2151212	1	Fitting, 45 ORFS/ORB	
17	2220478	1	Flange Kit	
18	1001110604	1	Flange Kit	
19	2130812	1	Fitting, 90 ORFS/ORB	
20	2753546	1	Hose	
21	2753975	1	Hose	
22	2753976	1	Hose	
23	2753977	1	Hose	
24	2753673	1	Hose	
25	2753979	2	Hose	
26	2753746	1	Hose	
27	2753590	1	Hose	
28	1001109439	1	Hose	
29	2753984	1	Hose	
30	2753988	1	Hose	
31	2753989	1	Hose	
32	2753990	1	Hose	
33	2753991	1	Hose	
34	2753992	1	Hose	
35	1001109468	1	Hose	
36	1001109470	1	Hose	
37	1001109471	1	Hose	
38	2753843	1	Hose	
39	2753999	1	Hose	
40	1001176982	1	Hose	
41	2754001	1	Hose	
42	2754004	1	Hose	
43	2754870	1	Hose	
44	1001109438	1	Hose	
45	1001109465	1	Hose	
46	1001173889	1	Tube	
47	4568849	1	Tube	
48	4568815	1	Tube	

SECTION 7 - HYDRAULIC

ITEM	PART NUMBER	QTY	DESCRIPTION	REV
49	2111010	1	Fitting, Straight ORFS/ORB	
50	2111012	3	Fitting, Straight ORFS/ORB	
51	2170308	1	Fitting, Tee ORFS/ORFS/ORB	
52	2170908	1	Fitting, Cap ORFS	
53	2220811	1	Fitting, Reducer ORB/ORB	
54	2131620	1	Fitting, 90 ORFS/ORB	
55	2132020	1	Fitting, 90 ORFS/ORB	
56	1001173890	1	Hose	
57	2111616	1	Fitting, Straight ORFS/ORB	
58	2110812	1	Fitting, Straight ORFS/ORB	
59	1001104577	1	Hose	
60	1001119296	1	Hose	
61	2130404	1	Fitting, 90 ORFS/ORB	
62	2110808	1	Fitting, Straight ORFS/ORB	
63	2170712	1	Fitting, Tee ORFS/FSORFS/ORFS	
64	2221221	1	Fitting, Straight ORFS/FSORFS	
65	2110406	1	Fitting, Straight ORFS/ORB	
66	1001103977	1 in/ 2.54cm	Hose	

SECTION 7 - HYDRAULIC

FIGURE 7-12. HYDRAULIC DIAGRAM - AUXILIARY POWER MOTOR



ART_1001139520_B_20F2

SECTION 7 - HYDRAULIC

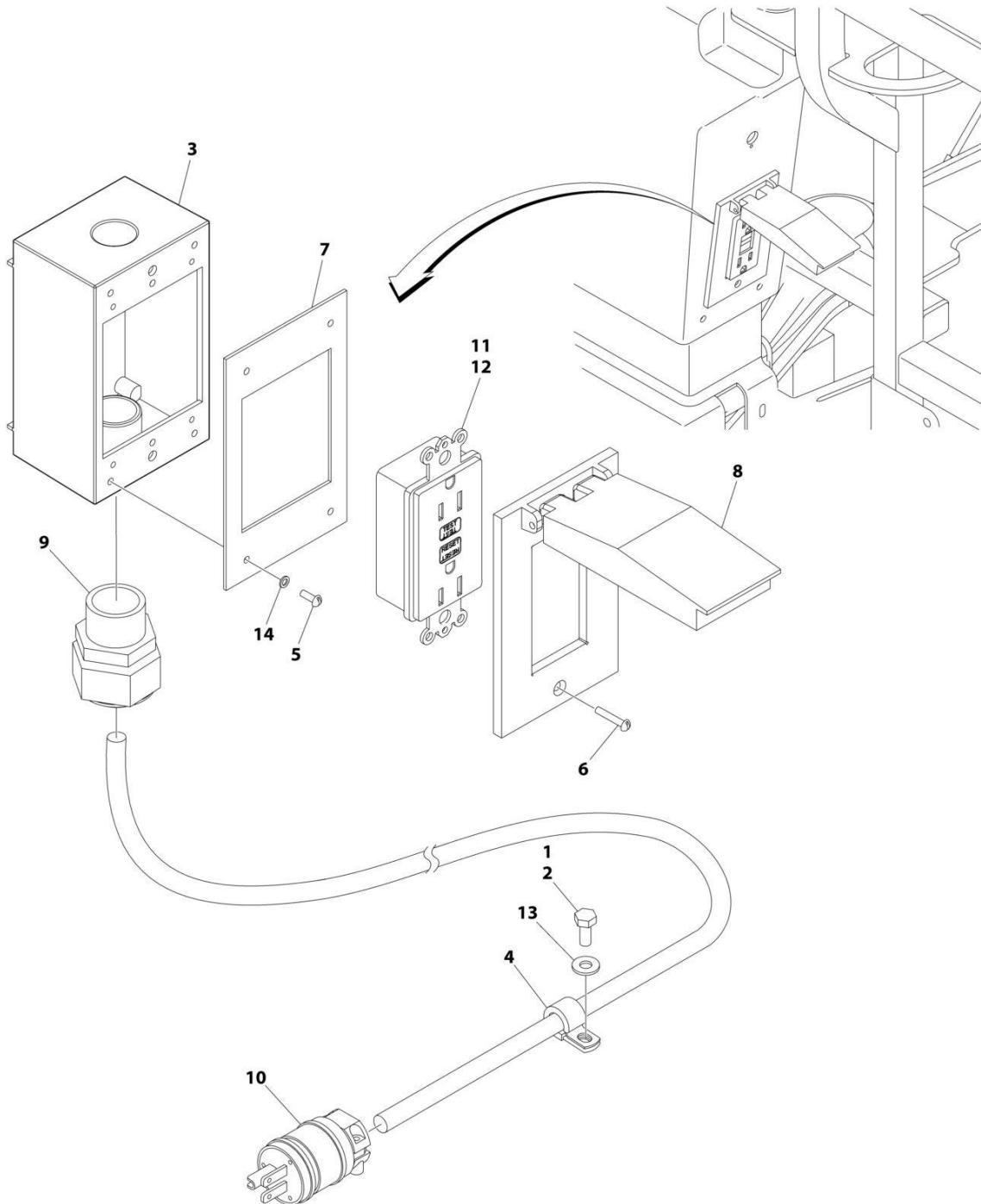
FIGURE 7-12. HYDRAULIC DIAGRAM - AUXILIARY POWER MOTOR

ITEM	PART NUMBER	QTY	DESCRIPTION	REV
	1001139520	Ref	HYDRAULIC DIAGRAM - AUXILIARY POWER MOTOR	B
8	2110406	1	Fitting, Straight ORFS/ORB	
9	2130406	1	Fitting, 90 ORFS/ORB	
10	2170312	1	Fitting, Tee ORFS	
11	2170506	1	Fitting, Tee ORFS/ORFS/ORFS	
12	2220550	1	Fitting, Straight SFORB/ORB	
13	2221123	1	Fitting, Straight S FSORFS/ORB	
14	2221221	1	Fitting, Straight ORFS/FSORFS	
15	2753781	2	Hose	
20	4641316	1	Valve, Check	
25	1001092764	1	Fitting, Tube End Reducer	

SECTION 8 - ELECTRICAL

SECTION 8 - ELECTRICAL

FIGURE 8-1. AC BOX AT PLATFORM - 110V GFI RECEPTACLE (ANSI SPECS)



ART_0273462

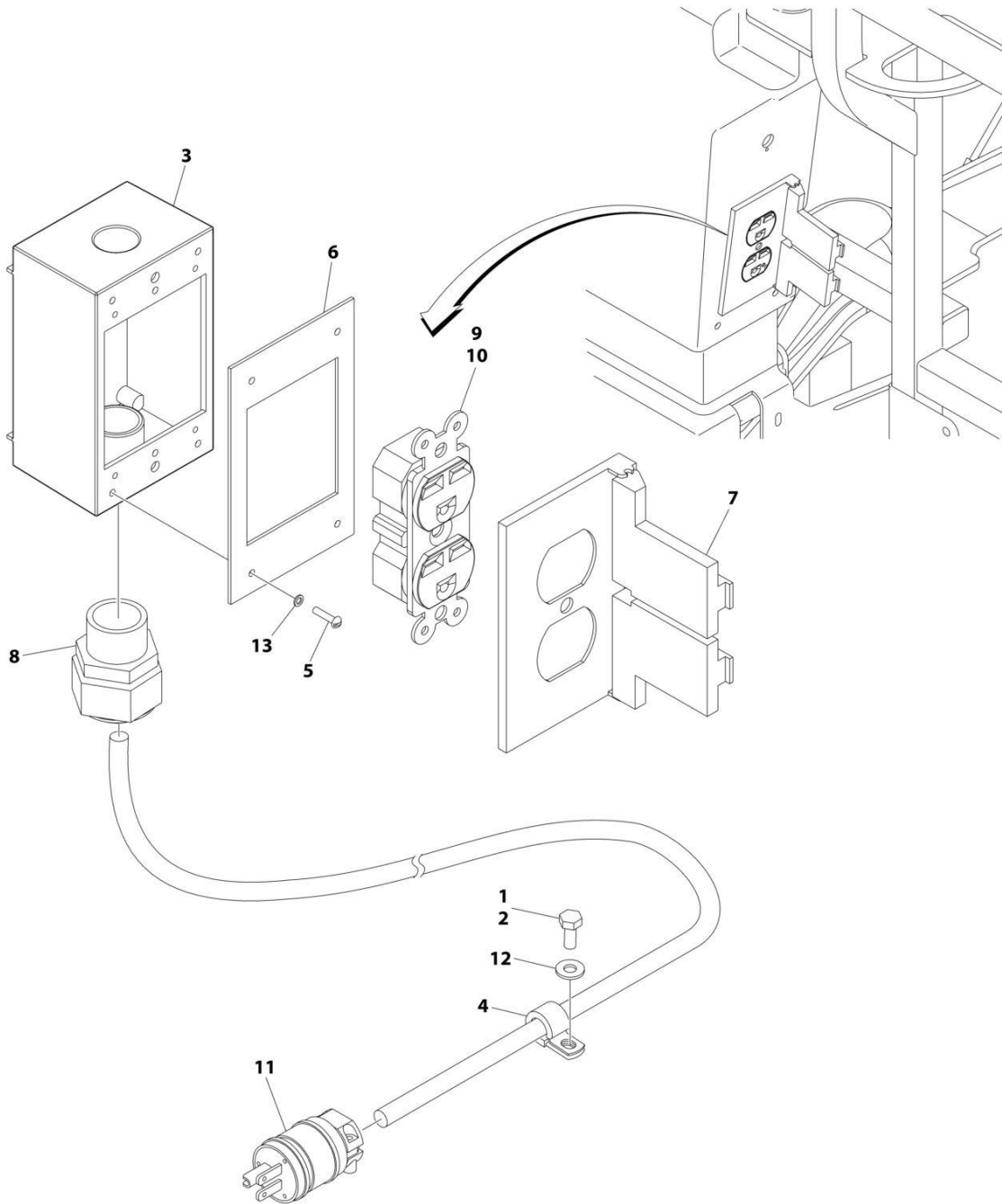
SECTION 8 - ELECTRICAL

FIGURE 8-1. AC BOX AT PLATFORM - 110V GFI RECEPTACLE (ANSI SPECS)

ITEM	PART NUMBER	QTY	DESCRIPTION	REV
	0273462	Ref	AC BOX AT PLATFORM - 110V GFI RECEPTACLE	B
1	0100011	AR	Compound, Locking	
2	0641405	1	Bolt 1/4 x 5/8	
3	0860038	1	Box, Switch	
4	1320041	1	Clamp	
5	3910606	4	Screw #6 x 3/8	
6	3910612	2	Screw #6 x 3/4	
7	3960422	1	Gasket, AC Receptacle	
8	1001110873	1	Shield, Receptacle Cover	
9	4460051	1	Connector, Strain Relief	
10	4460205	1	Plug, Male	
11	4460315	1	Terminal, Spade	
12	4460346	1	Terminal, Receptacle	
13	4711400	1	Washer 1/4	
14	4760600	4	Washer #6	

SECTION 8 - ELECTRICAL

FIGURE 8-2. AC BOX AT PLATFORM - 220V GFI RECEPTACLE (ANSI SPECS)



ART_0273463

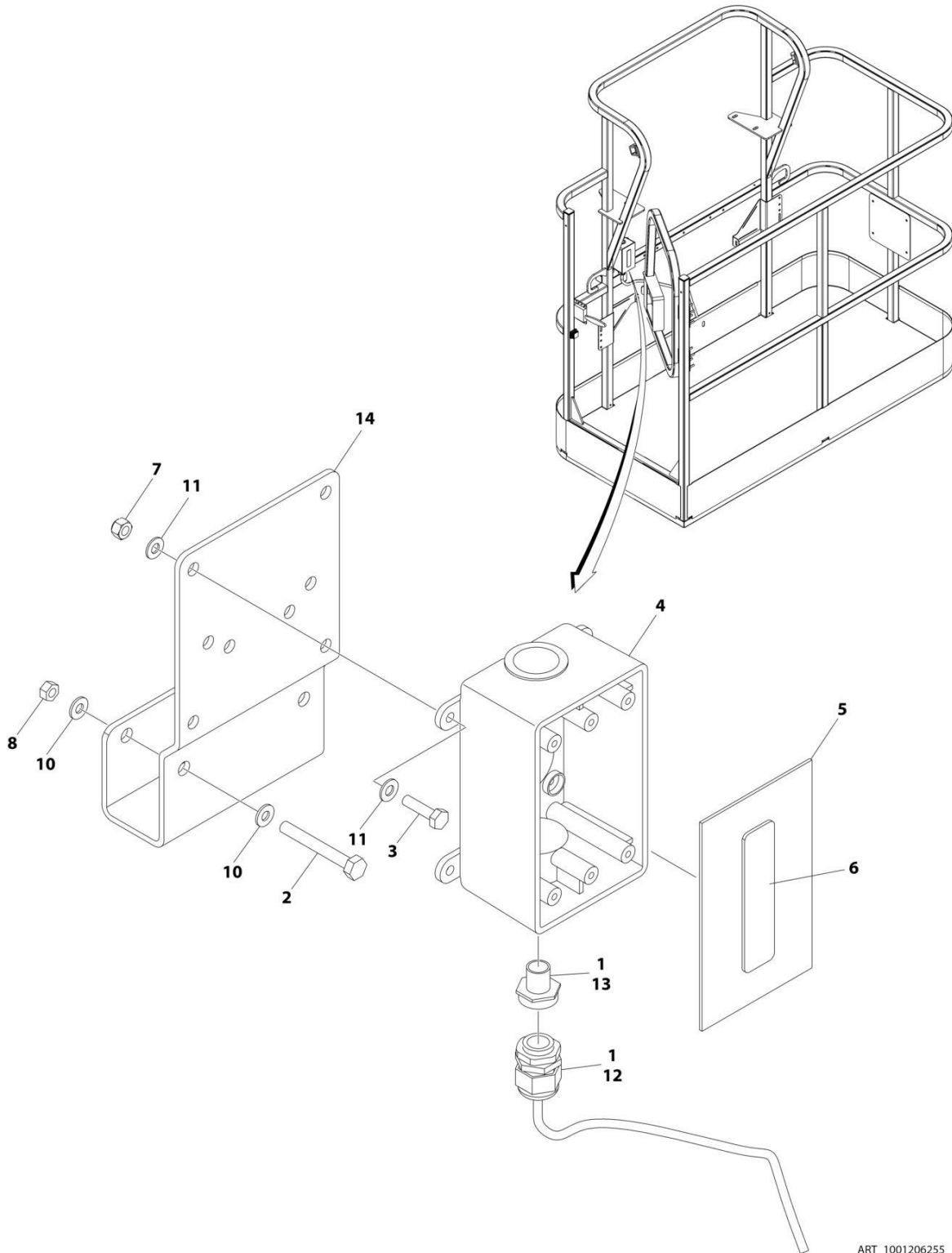
SECTION 8 - ELECTRICAL

FIGURE 8-2. AC BOX AT PLATFORM - 220V GFI RECEPTACLE (ANSI SPECS)

ITEM	PART NUMBER	QTY	DESCRIPTION	REV
	0273463	Ref	AC BOX AT PLATFORM - 220V GFI RECEPTACLE	A
1	0100011	AR	Compound, Locking	
2	0641405	1	Bolt 1/4 x 5/8	
3	0860038	1	Box, Switch	
4	1320041	1	Clamp	
5	3910606	4	Screw #6 x 3/8	
6	3960422	1	Gasket, AC Receptacle	
7	4060092	1	Shield, Receptacle Cover	
8	4460051	1	Connector, Strain Relief	
9	4460125	1	Terminal, Receptacle	
10	4460315	1	Terminal, Spade	
11	4460709	1	Plug, Male	
12	4711400	1	Washer 1/4	
13	4760600	4	Washer #6	

SECTION 8 - ELECTRICAL

FIGURE 8-3. AC BOX AT PLATFORM INSTALLATION - BOX WITH COVER (2X4 BOX) WITH 4000W GENERATOR (ANSI EXPORT, AUSTRALIAN, JAPANESE, CE & UK CA SPECS)



ART_1001206255

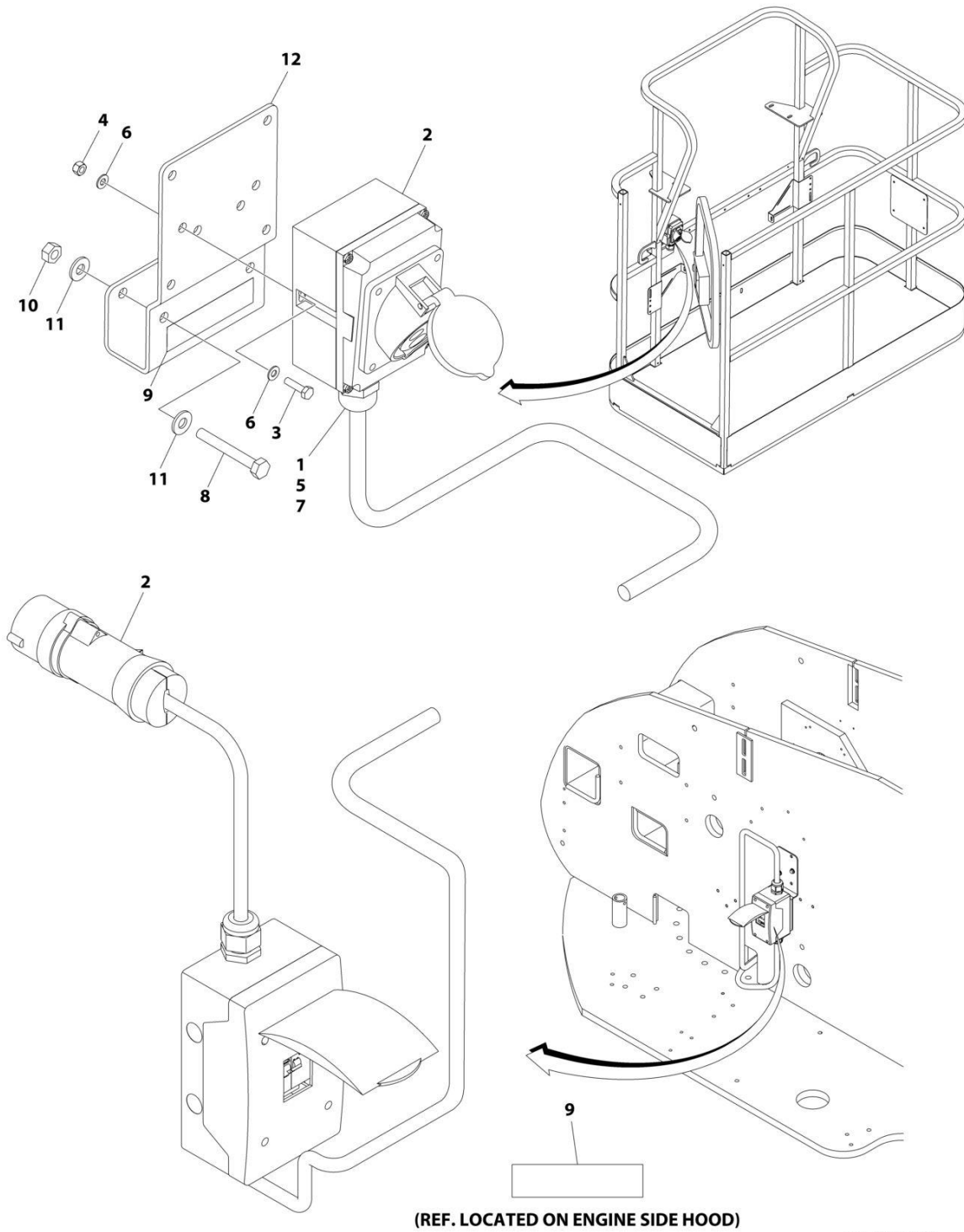
SECTION 8 - ELECTRICAL

FIGURE 8-3. AC BOX AT PLATFORM INSTALLATION - BOX WITH COVER (2X4 BOX) WITH 4000W GENERATOR (ANSI EXPORT, AUSTRALIAN, JAPANESE, CE & UK CA SPECS)

ITEM	PART NUMBER	QTY	DESCRIPTION	REV
	1001206255	Ref	AC BOX AT PLATFORM INSTALLATION - BOX WITH COVER (2X4 BOX) WITH 4000W GENERATOR	A
1	0100020	AR	Sealant, Pipe	
2	0641416	2	Bolt 1/4 x 2	
3	0700408	4	Bolt M4 x 16	
4	0861731	1	Box, Switch	
5	1670603	1	Cover	
6	3251242	1	Decal - 240V-50Hz	
7	3290405	4	Nut M4	
8	3311405	2	Nut 1/4	
10	4711400	4	Washer 1/4	
11	4811400	8	Washer M4	
12	1001101191	1	Connector, Strain Relief	
13	1001101197	1	Adapter	
14	1001193018	1	Bracket, AC Receptacle	

SECTION 8 - ELECTRICAL

FIGURE 8-4. AC BOX AT PLATFORM INSTALLATION - 110V IEC 60309 YELLOW WITHOUT 2500W GENERATOR (CE & UK CA SPECS)



ART_1001091969

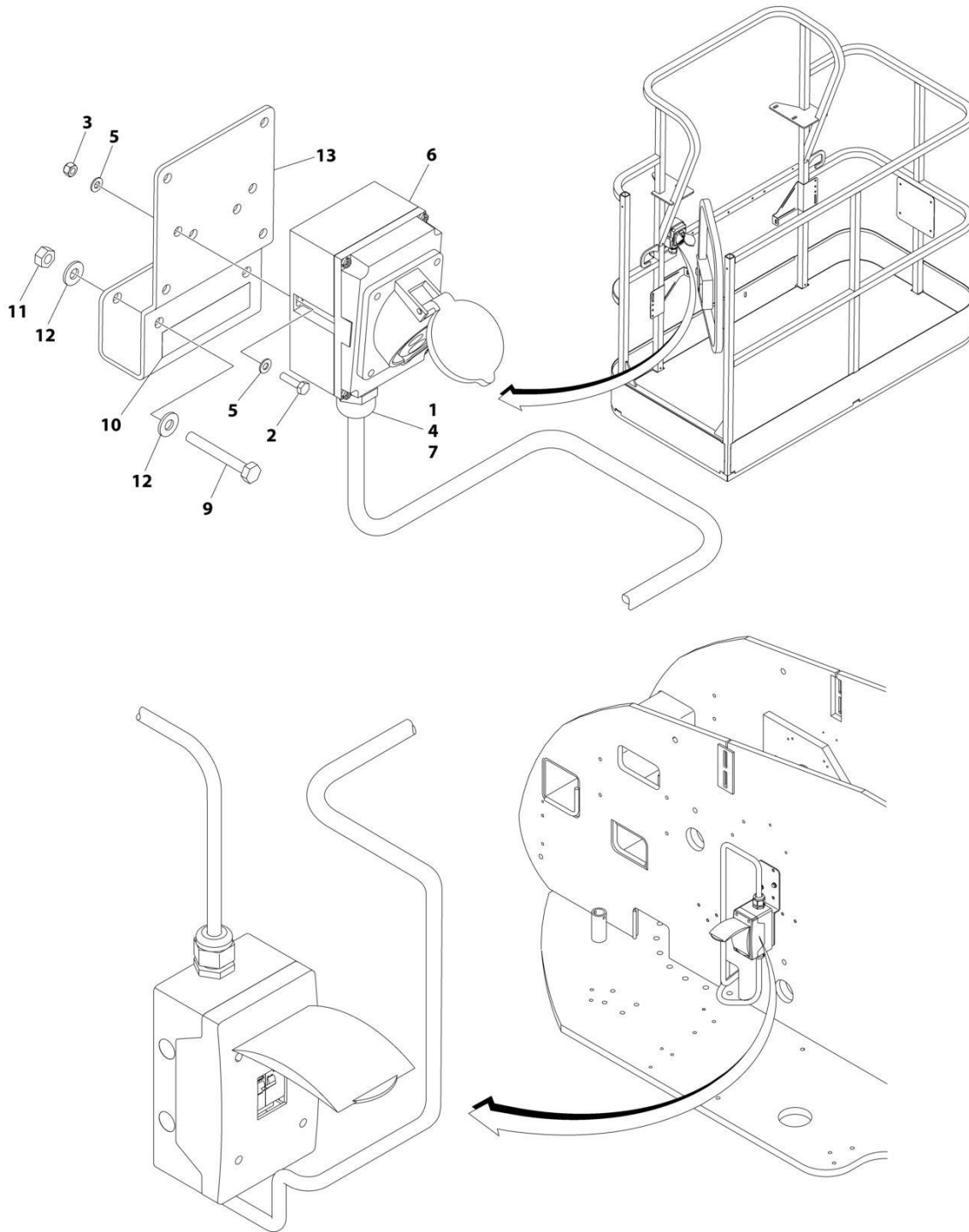
SECTION 8 - ELECTRICAL

FIGURE 8-4. AC BOX AT PLATFORM INSTALLATION - 110V IEC 60309 YELLOW WITHOUT 2500W GENERATOR (CE & UK CA SPECS)

ITEM	PART NUMBER	QTY	DESCRIPTION	REV
	1001091969	Ref	AC BOX AT PLATFORM INSTALLATION - 110V IEC YELLOW	D
1	0100020	AR	Sealant, Pipe	
2	0275216	1	Receptacle Box Kit (See Separate Breakdown in this Section)	
3	0700408	2	Bolt M4 x 16	
4	3290405	2	Nut M4	
5	1001101196	1	Adapter	
6	4811400	4	Washer M4	
7	1001101191	1	Connector, Strain Relief	
8	0641416	2	Bolt 1/4 x 2	
9	1705325	2	Decal - 110V	
10	3311405	2	Nut 1/4	
11	4711400	4	Washer 1/4	
12	1001193018	1	Bracket	

SECTION 8 - ELECTRICAL

FIGURE 8-5. AC BOX AT PLATFORM INSTALLATION - 110V IEC 60309 YELLOW WITH 2500W GENERATOR (CE & UK CA SPECS)



ART_1001100326

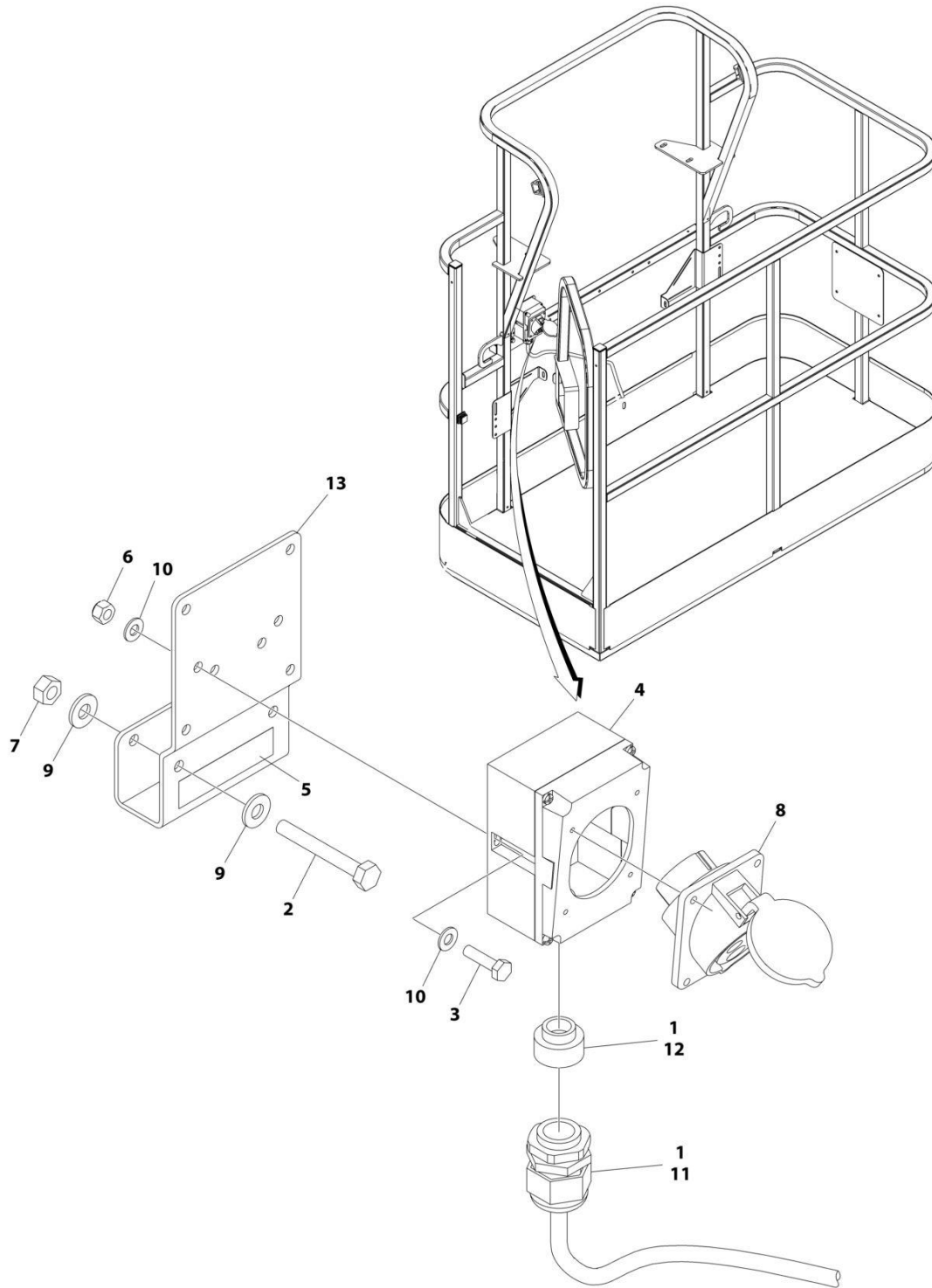
SECTION 8 - ELECTRICAL

FIGURE 8-5. AC BOX AT PLATFORM INSTALLATION - 110V IEC 60309 YELLOW WITH 2500W GENERATOR (CE & UK CA SPECS)

ITEM	PART NUMBER	QTY	DESCRIPTION	REV
	1001100326	Ref	AC BOX AT PLATFORM INSTALLATION - 110V IEC 60309 YELLOW	D
1	0100020	AR	Sealant, Pipe	
2	0700408	2	Bolt M4 x 16	
3	3290405	2	Nut M4	
4	1001101196	1	Adapter	
5	4811400	4	Washer M4	
6	1001100341	1	Receptacle Box Kit (See Separate Breakdown in this Section)	
7	1001101191	1	Connector, Strain Relief	
8	1060908	10 ft /3.05m	Cable, Electrical 12/3 (Not Shown)	
9	0641416	2	Bolt 1/4 x 2	
10	1705325	1	Decal - 110V	
11	3311405	2	Nut 1/4	
12	4711400	4	Washer 1/4	
13	1001193018	1	Bracket	

SECTION 8 - ELECTRICAL

FIGURE 8-6. AC BOX AT PLATFORM INSTALLATION - 110V IEC 60309 YELLOW WITH 4000W GENERATOR (CE & UK CA SPECS)



ART_1001206253

SECTION 8 - ELECTRICAL

FIGURE 8-6. AC BOX AT PLATFORM INSTALLATION - 110V IEC 60309 YELLOW WITH 4000W GENERATOR (CE & UK CA SPECS)

ITEM	PART NUMBER	QTY	DESCRIPTION	REV
	1001206253	Ref	AC BOX AT PLATFORM INSTALLATION - 110V IEC 60309 YELLOW WITHOUT 4000W GENERATOR	A
1	0100020	AR	Sealant, Pipe	
2	0641416	2	Bolt 1/4 x 2	
3	0700408	2	Bolt M4 x 16	
4	0861781	1	Box, Switch	
5	1705325	1	Decal - 110V	
6	3290405	2	Nut M4	
7	3311405	2	Nut 1/4	
8	4461198	1	Receptacle	
9	4711400	4	Washer 1/4	
10	4811400	4	Washer M4	
11	1001101191	1	Connector, Strain Relief	
12	1001101196	1	Adapter	
13	1001193018	1	Bracket, AC Receptacle	

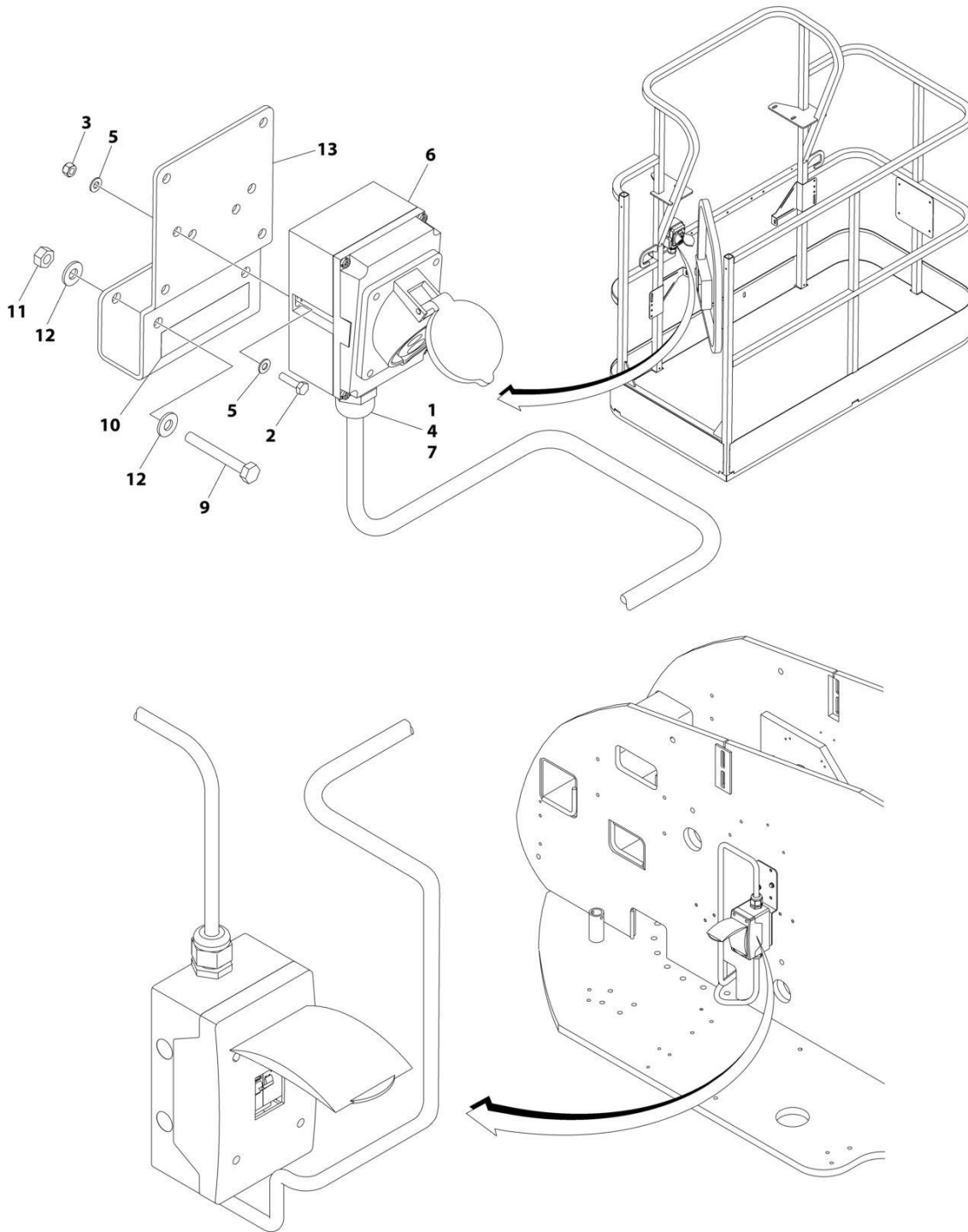
SECTION 8 - ELECTRICAL

FIGURE 8-7. AC BOX AT PLATFORM INSTALLATION - 220V IEC 60309 BLUE WITHOUT 2500W GENERATOR (CE & UK CA SPECS)

ITEM	PART NUMBER	QTY	DESCRIPTION	REV
	1001091970	Ref	AC BOX AT PLATFORM INSTALLATION - 220V IEC BLUE	D
1	0100020	AR	Sealant, Pipe	
2	0275217	1	Receptacle Box Kit (See Separate Breakdown in this Section)	
3	0700408	2	Bolt M4 x 16	
4	3290405	2	Nut M4	
5	1001101196	1	Adapter	
6	4811400	4	Washer M4	
7	1001101191	1	Connector, Strain Relief	
8	0641416	2	Bolt 1/4 x 2	
9	3311405	2	Nut 1/4	
10	4711400	4	Washer 1/4	
11	1001193018	1	Bracket	
12	3251242	2	Decal - 240V/50Hz	

SECTION 8 - ELECTRICAL

FIGURE 8-8. AC BOX AT PLATFORM INSTALLATION - 220V IEC 60309 BLUE WITH 2500W GENERATOR (CE & UK CA SPECS)



ART_1001100327

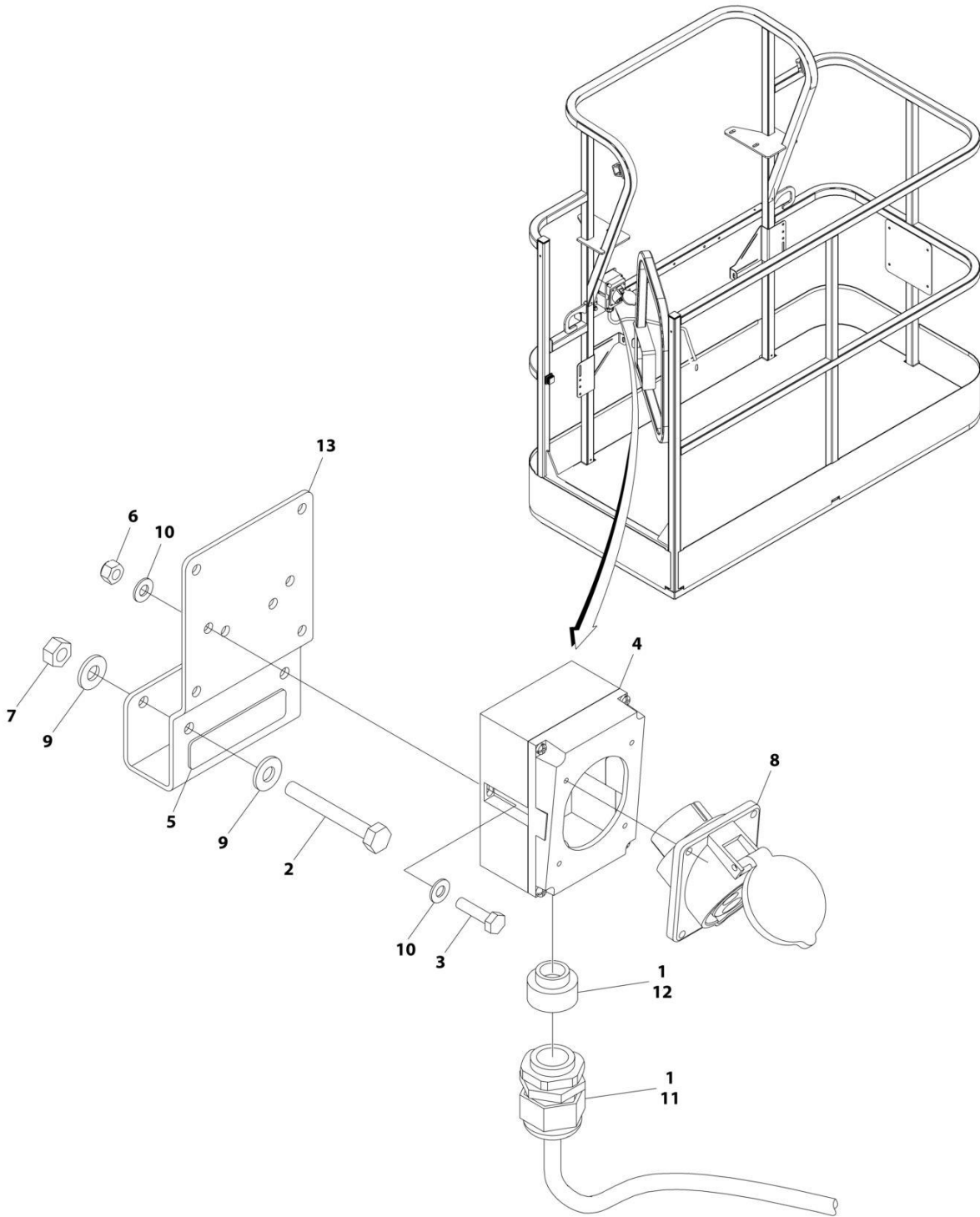
SECTION 8 - ELECTRICAL

FIGURE 8-8. AC BOX AT PLATFORM INSTALLATION - 220V IEC 60309 BLUE WITH 2500W GENERATOR (CE & UK CA SPECS)

ITEM	PART NUMBER	QTY	DESCRIPTION	REV
	1001100327	Ref	AC BOX AT PLATFORM INSTALLATION - 220V IEC 60309 BLUE	D
1	0100020	AR	Sealant, Pipe	
2	0700408	2	Bolt M4 x 16	
3	3290405	2	Nut M4	
4	1001101196	1	Adapter	
5	4811400	4	Washer M4	
6	1001100342	1	Receptacle Box Kit (See Separate Breakdown in this Section)	
7	1001101191	1	Connector, Strain Relief	
8	1060908	10 ft /3.05m	Cable, Electrical 12/3 (Not Shown)	
9	0641416	2	Bolt 1/4 x 2	
10	3252507	1	Decal - 220V	
11	3311405	2	Nut 1/4	
12	4711400	4	Washer 1/4	
13	1001193018	1	Bracket	

SECTION 8 - ELECTRICAL

FIGURE 8-9. AC BOX AT PLATFORM INSTALLATION - 220V IEC 60309 BLUE WITH 4000W GENERATOR (CE & UK CA SPECS)



ART_1001206254

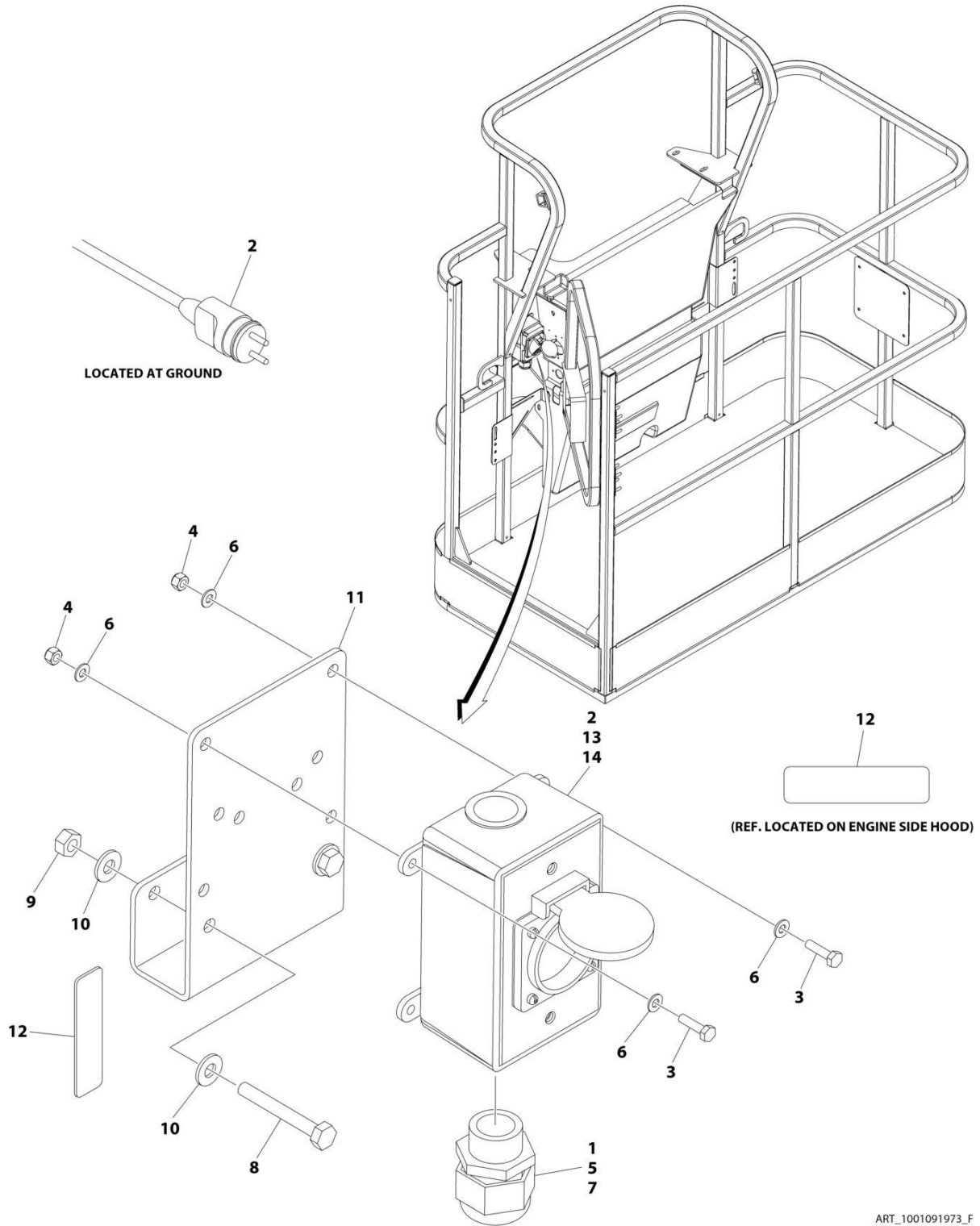
SECTION 8 - ELECTRICAL

FIGURE 8-9. AC BOX AT PLATFORM INSTALLATION - 220V IEC 60309 BLUE WITH 4000W GENERATOR (CE & UK CA SPECS)

ITEM	PART NUMBER	QTY	DESCRIPTION	REV
	1001206254	Ref	AC BOX AT PLATFORM INSTALLATION - 220V IEC BLUE	A
1	0100020	AR	Sealant, Pipe	
2	0641416	2	Bolt 1/4 x 2	
3	0700408	2	Bolt M4 x 16	
4	0861781	1	Box, Switch	
5	3251242	1	Decal - 240V/50Hz	
6	3290405	2	Nut M4	
7	3311405	2	Nut 1/4	
8	4461201	1	Receptacle	
9	4711400	4	Washer 1/4	
10	4811400	4	Washer M4	
11	1001101191	1	Connector, Strain Relief	
12	1001101196	1	Adapter	
13	1001193018	1	Bracket, AC Receptacle	

SECTION 8 - ELECTRICAL

FIGURE 8-10. AC BOX AT PLATFORM INSTALLATION - 220V CEE7 POST GROUND (2X4 BOX) WITHOUT 2500W GENERATOR (CE & UK CA SPECS)



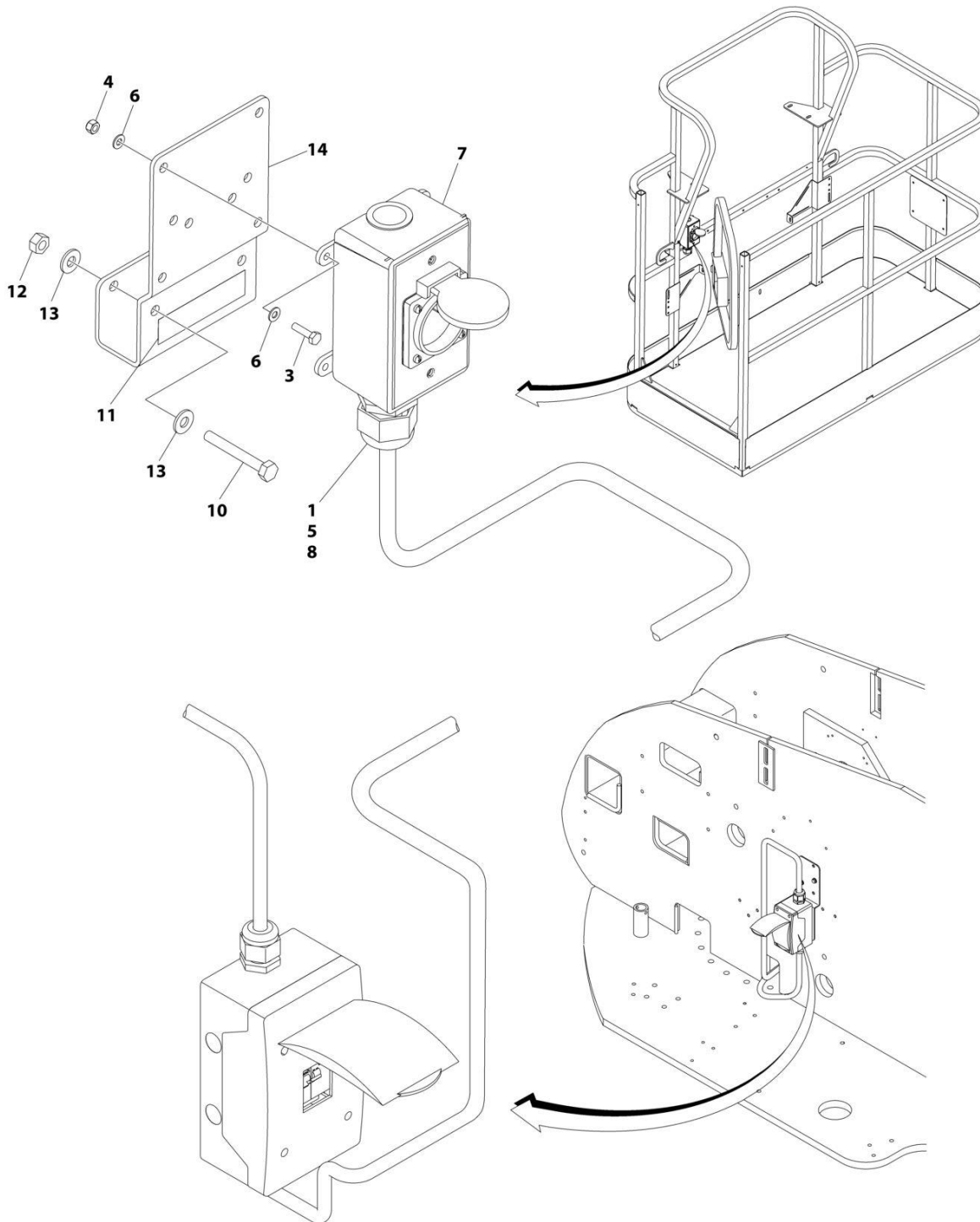
SECTION 8 - ELECTRICAL

**FIGURE 8-10. AC BOX AT PLATFORM INSTALLATION - 220V CEE7 POST GROUND (2X4 BOX)
WITHOUT 2500W GENERATOR (CE & UK CA SPECS)**

ITEM	PART NUMBER	QTY	DESCRIPTION	REV
	1001091973	Ref	AC BOX AT PLATFORM INSTALLATION - 220V CEE7 2X4 BOX POST GROUND	F
1	0100020	AR	Sealant, Pipe	
2	0275452	1	Receptacle Box Kit (See Separate Breakdown in this Section)	
3	0700408	4	Bolt M4 x 16	
4	3290405	4	Nut M4	
5	1001101197	1	Adapter	
6	4811400	8	Washer M4	
7	1001101191	1	Connector, Strain Relief	
8	0641416	2	Bolt 1/4 x 2	
9	3311405	2	Nut 1/4	
10	4711400	4	Washer 1/4	
11	1001193018	1	Bracket	
12	3251242	2	Decal - 240V/50Hz	
13	4460806	2	Terminal, Fork (Not Shown)	
14	1001205958	1	Terminal (Not Shown)	

SECTION 8 - ELECTRICAL

FIGURE 8-11. AC BOX AT PLATFORM INSTALLATION - 220V CEE7 POST GROUND (2X4 BOX) WITH 2500W GENERATOR (CE & UK CA SPECS)



ART_1001100331

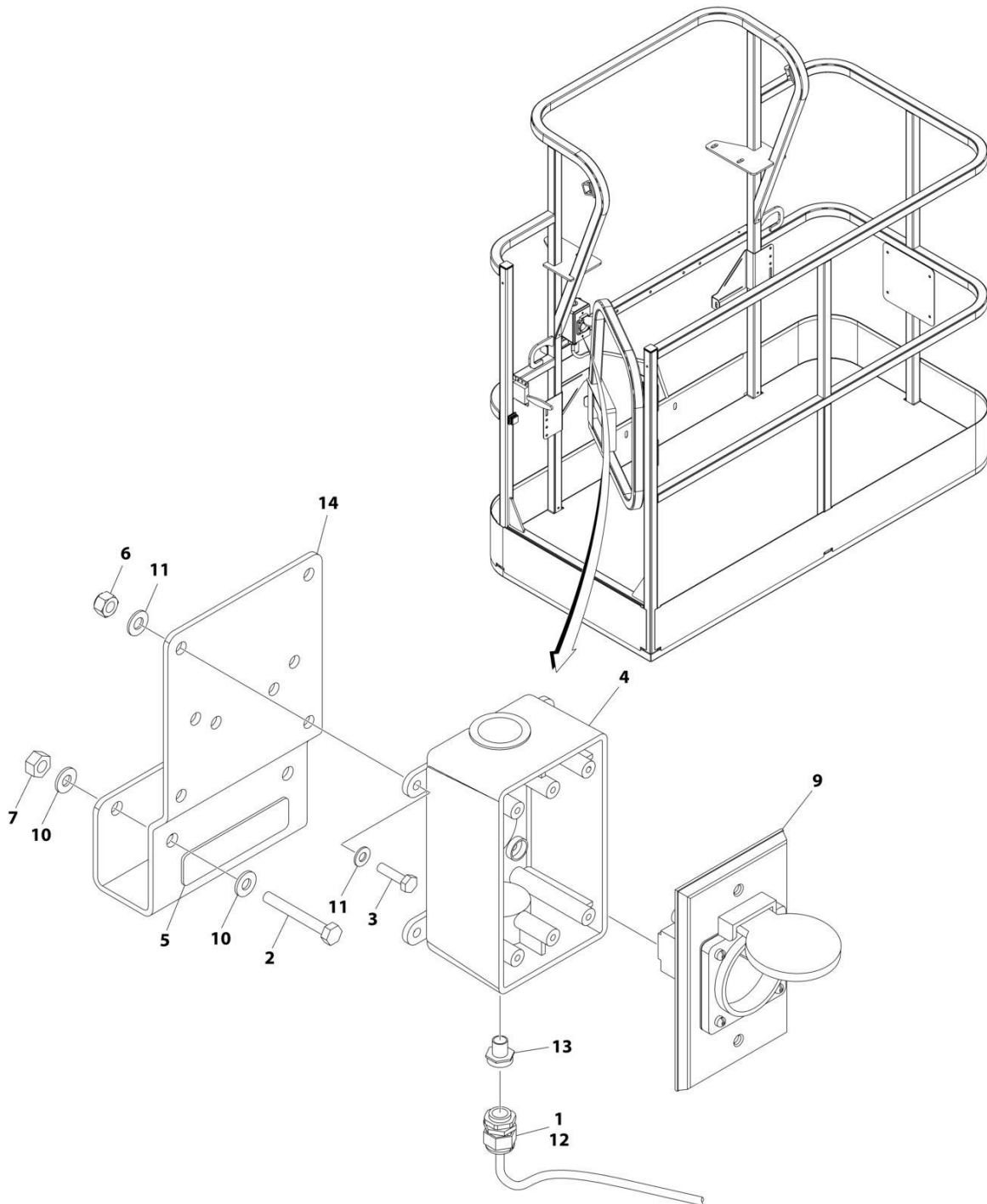
SECTION 8 - ELECTRICAL

FIGURE 8-11. AC BOX AT PLATFORM INSTALLATION - 220V CEE7 POST GROUND (2X4 BOX) WITH 2500W GENERATOR (CE & UK CA SPECS)

ITEM	PART NUMBER	QTY	DESCRIPTION	REV
	1001100331	Ref	AC BOX AT PLATFORM INSTALLATION - 220V CEE7 POST GROUND (2X4 BOX)	E
1	0100020	AR	Sealant, Pipe	
3	0700408	4	Bolt M4 x 16	
4	3290405	4	Nut M4	
5	1001101197	1	Adapter	
6	4811400	8	Washer M4	
7	1001100345	1	Receptacle Box Kit (See Separate Breakdown in this Section)	
8	1001101191	1	Connector, Strain Relief	
9	1060908	10 ft /3.05m	Cable, Electrical 12/3 (Not Shown)	
10	0641416	2	Bolt 1/4 x 2	
11	3252507	1	Decal - 220V	
12	3311405	2	Nut 1/4	
13	4711400	4	Washer 1/4	
14	1001193018	1	Bracket	
15	4460806	2	Terminal, Fork (Not Shown)	
16	1001205958	1	Terminal (Not Shown)	

SECTION 8 - ELECTRICAL

FIGURE 8-12. AC BOX AT PLATFORM INSTALLATION - 220V CEE7 POST GROUND (2X4 BOX) WITH 4000W GENERATOR (CE & UK CA SPECS)



ART_1001206250

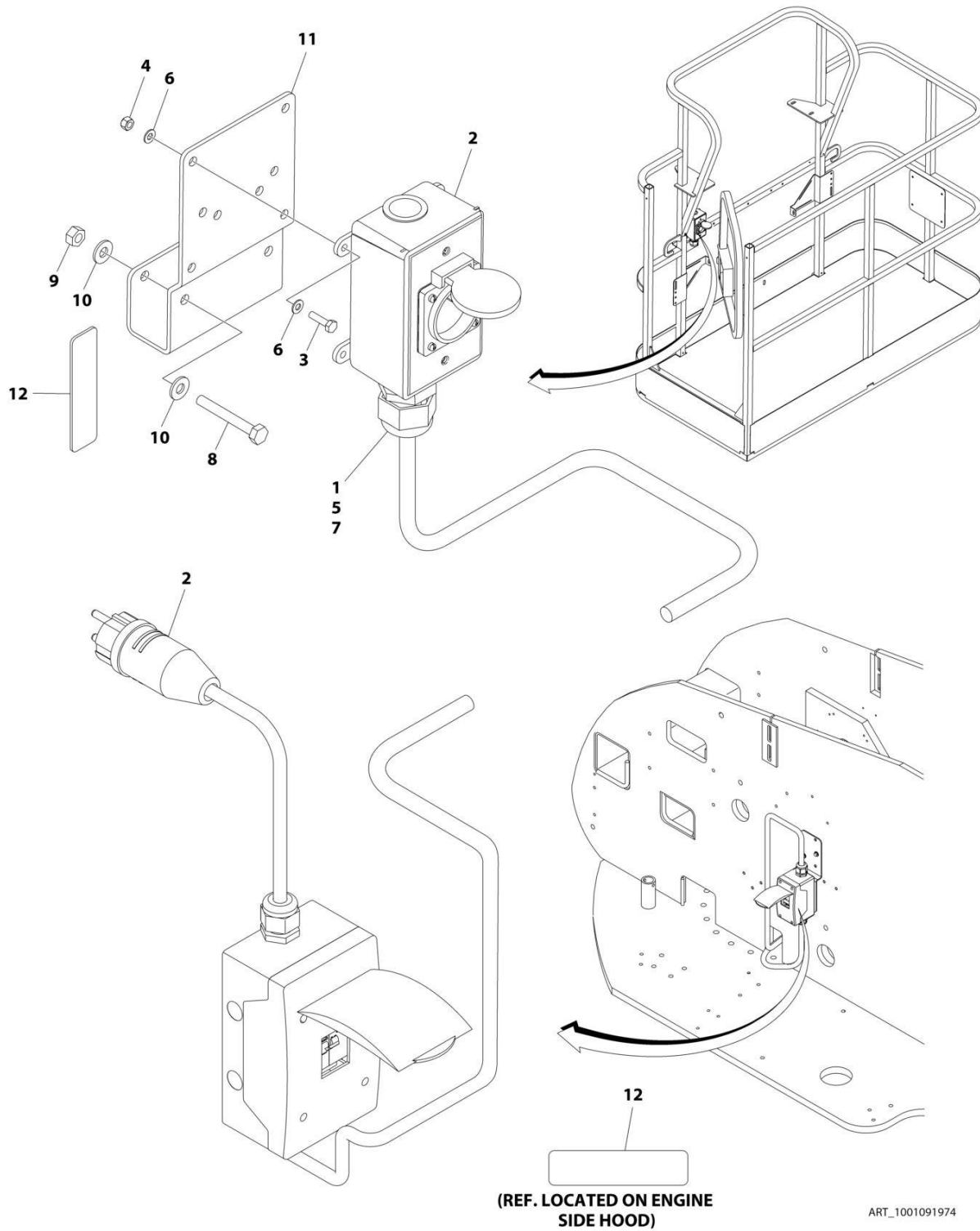
SECTION 8 - ELECTRICAL

FIGURE 8-12. AC BOX AT PLATFORM INSTALLATION - 220V CEE7 POST GROUND (2X4 BOX) WITH 4000W GENERATOR (CE & UK CA SPECS)

ITEM	PART NUMBER	QTY	DESCRIPTION	REV
	1001206250	Ref	AC BOX AT PLATFORM INSTALLATION - 220V CEE7 2X4 BOX POST GROUND	A
1	0100020	AR	Sealant, Pipe	
2	0641416	2	Bolt 1/4 x 2	
3	0700408	4	Bolt M4 x 16	
4	0861731	1	Box, Switch	
5	3251242	1	Decal - 240V/50Hz	
6	3290405	4	Nut M4	
7	3311405	2	Nut 1/4	
8	4460806	2	Terminal, Fork (Not Shown)	
9	4461244	1	Receptacle	
10	4711400	4	Washer 1/4	
11	4811400	8	Washer M4	
12	1001101191	1	Connector, Strain Relief	
13	1001101197	1	Adapter	
14	1001193018	1	Bracket, AC Receptacle	
15	1001205958	1	Terminal (Not Shown)	

SECTION 8 - ELECTRICAL

**FIGURE 8-13. AC BOX AT PLATFORM INSTALLATION - 220V CEE7 SIDE GROUND (2X4 BOX)
WITHOUT 2500W GENERATOR (CE & UK CA SPECS)**



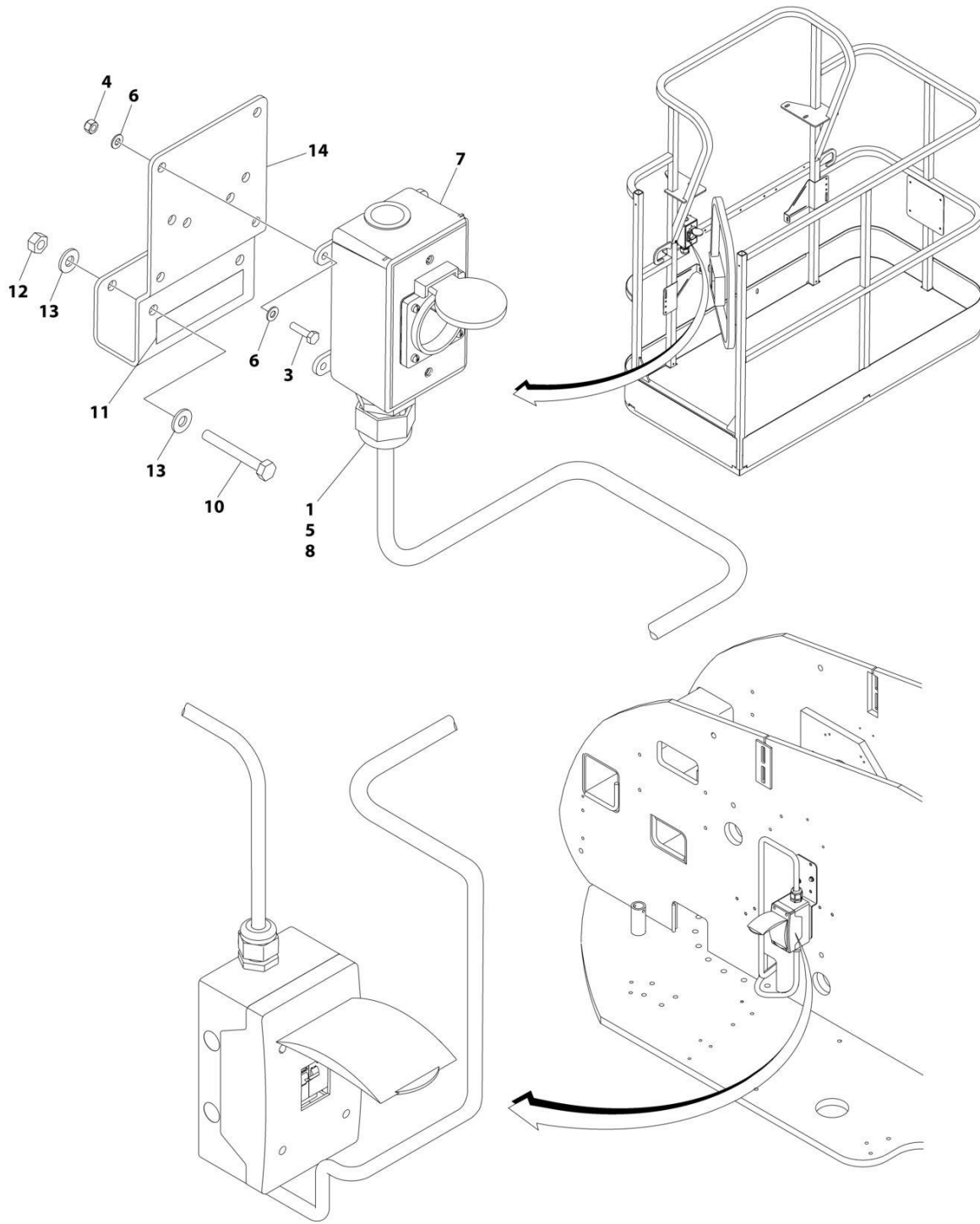
SECTION 8 - ELECTRICAL

**FIGURE 8-13. AC BOX AT PLATFORM INSTALLATION - 220V CEE7 SIDE GROUND (2X4 BOX)
WITHOUT 2500W GENERATOR (CE & UK CA SPECS)**

ITEM	PART NUMBER	QTY	DESCRIPTION	REV
	1001091974	Ref	AC BOX AT PLATFORM INSTALLATION - 220V CEE7 2X4 BOX SIDE GROUND	F
1	0100020	AR	Sealant, Pipe	
2	0275453	1	Receptacle Box Kit (See Separate Breakdown in this Section)	
3	0700408	4	Bolt M4 x 16	
4	3290405	4	Nut M4	
5	1001101197	1	Adapter	
6	4811400	8	Washer M4	
7	1001101191	1	Connector, Strain Relief	
8	0641416	2	Bolt 1/4 x 2	
9	3311405	2	Nut 1/4	
10	4711400	4	Washer 1/4	
11	1001193018	1	Bracket	
12	3251242	2	Decal - 240V/50Hz	
13	4460806	2	Terminal, Fork (Not Shown)	
14	1001205958	1	Terminal (Not Shown)	

SECTION 8 - ELECTRICAL

FIGURE 8-14. AC BOX AT PLATFORM INSTALLATION - 220V CEE7 SIDE GROUND (2X4 BOX) WITH 2500W GENERATOR (CE & UK CA SPECS)



ART_1001100333

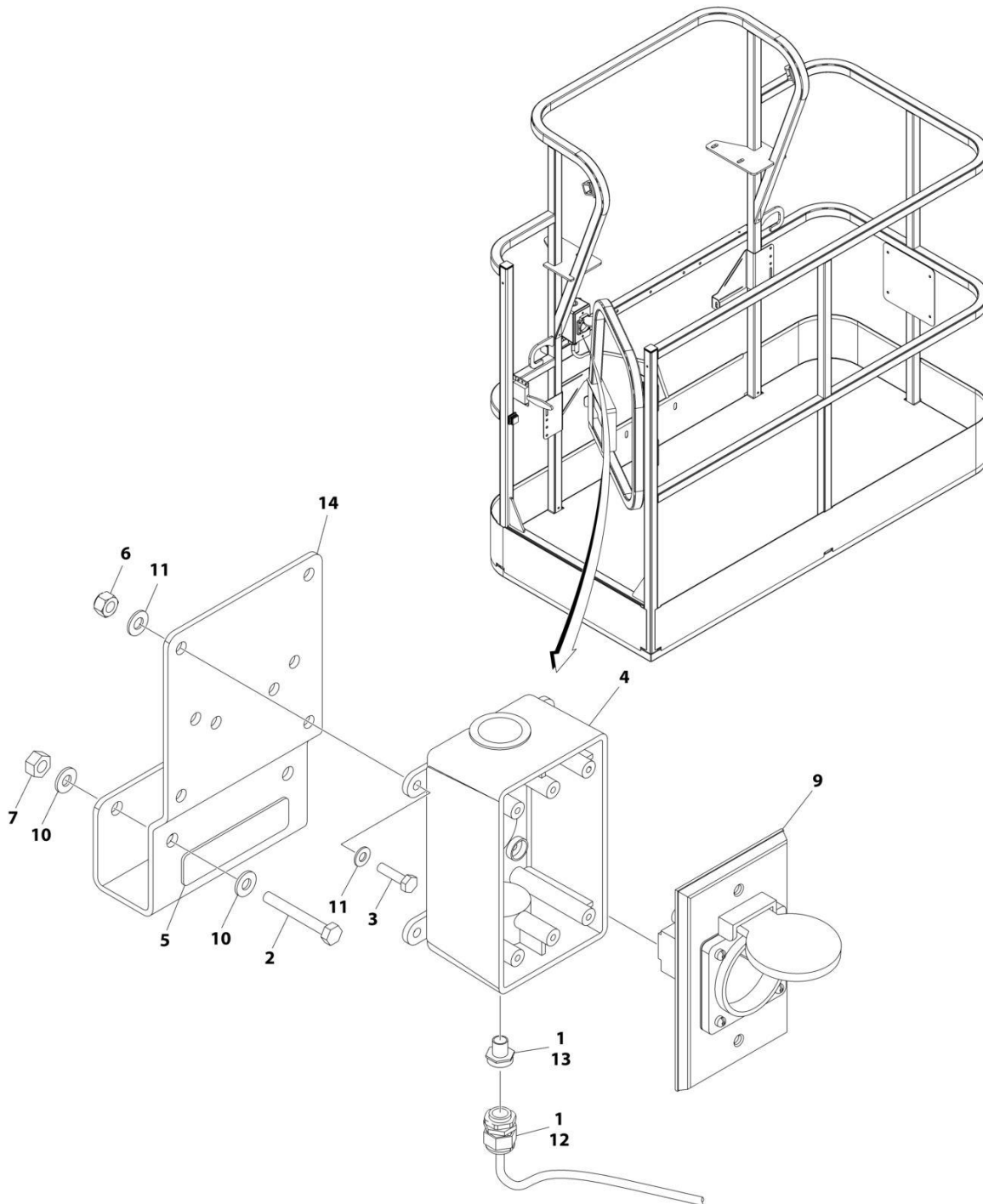
SECTION 8 - ELECTRICAL

FIGURE 8-14. AC BOX AT PLATFORM INSTALLATION - 220V CEE7 SIDE GROUND (2X4 BOX) WITH 2500W GENERATOR (CE & UK CA SPECS)

ITEM	PART NUMBER	QTY	DESCRIPTION	REV
	1001100333	Ref	AC BOX AT PLATFORM INSTALLATION - 220V CEE7 SIDE GROUND (2X4 BOX)	E
1	0100020	AR	Sealant, Pipe	
3	0700408	4	Bolt M4 x 16	
4	3290405	4	Nut M4	
5	1001101197	1	Adapter	
6	4811400	8	Washer M4	
7	1001100347	1	Receptacle Box Kit (See Separate Breakdown in this Section)	
8	1001101191	1	Connector, Strain Relief	
9	1060908	10 ft /3.05m	Cable, Electrical 12/3 (Not Shown)	
10	0641416	2	Bolt 1/4 x 2	
11	3252507	1	Decal - 220V	
12	3311405	2	Nut 1/4	
13	4711400	4	Washer 1/4	
14	1001193018	1	Bracket	
15	4460806	2	Terminal, Fork (Not Shown)	
16	1001205958	1	Terminal (Not Shown)	

SECTION 8 - ELECTRICAL

FIGURE 8-15. AC BOX AT PLATFORM INSTALLATION - 220V CEE7 SIDE GROUND (2X4 BOX) WITH 4000W GENERATOR (CE & UK CA SPECS)



ART_1001206251

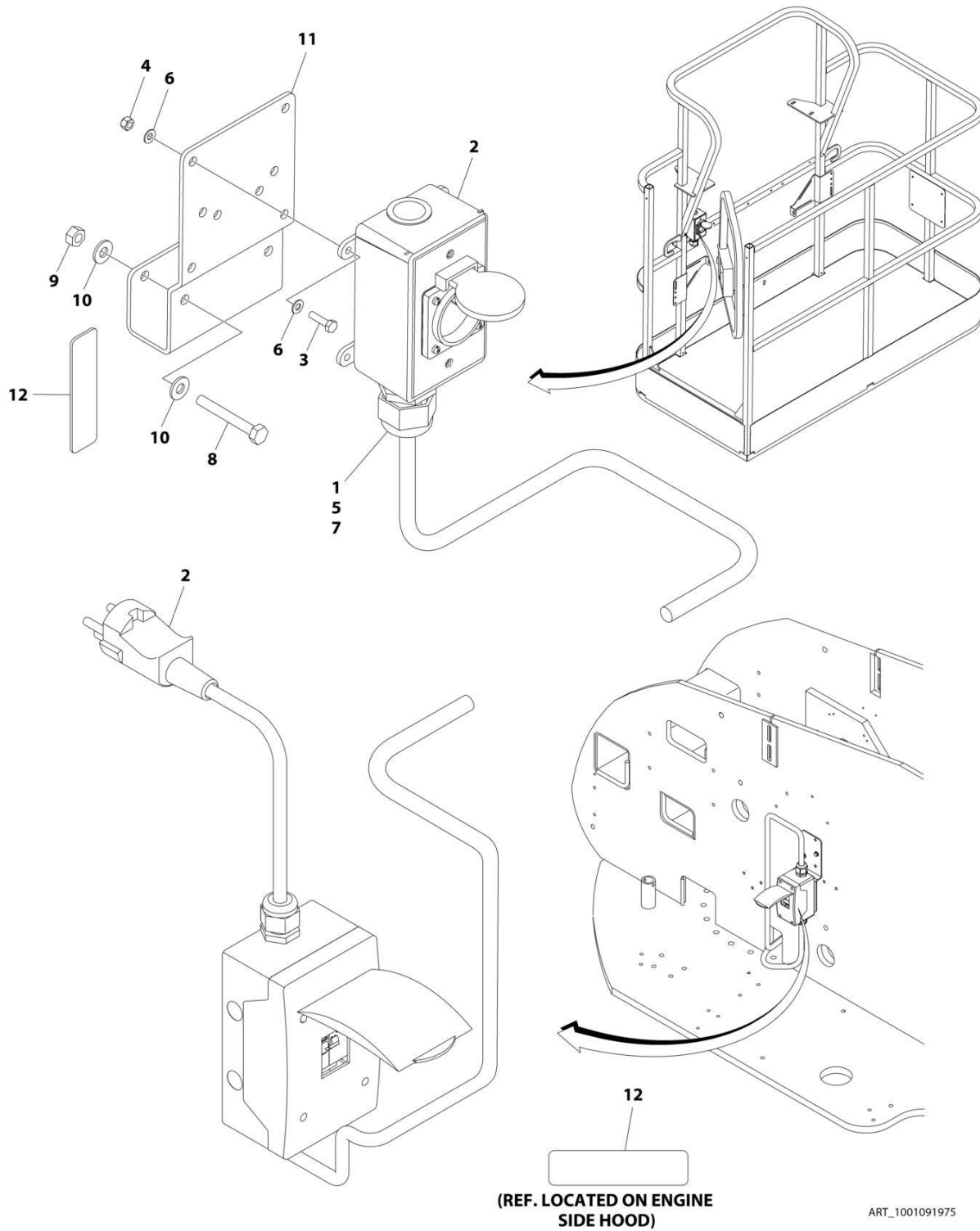
SECTION 8 - ELECTRICAL

FIGURE 8-15. AC BOX AT PLATFORM INSTALLATION - 220V CEE7 SIDE GROUND (2X4 BOX) WITH 4000W GENERATOR (CE & UK CA SPECS)

ITEM	PART NUMBER	QTY	DESCRIPTION	REV
	1001206251	Ref	AC BOX AT PLATFORM INSTALLATION - 220V CEE7 2X4 BOX SIDE GROUND	A
1	0100020	AR	Sealant, Pipe	
2	0641416	2	Bolt 1/4 x 2	
3	0700408	4	Bolt M4 x 16	
4	0861731	1	Box, Switch	
5	3251242	1	Decal - 240V/50Hz	
6	3290405	4	Nut M4	
7	3311405	2	Nut 1/4	
8	4460806	2	Terminal, Fork (Not Shown)	
9	4461245	1	Receptacle	
10	4711400	4	Washer 1/4	
11	4811400	8	Washer M4	
12	1001101191	1	Connector, Strain Relief	
13	1001101197	1	Adapter	
14	1001193018	1	Bracket, AC Receptacle	
15	1001205958	1	Terminal (Not Shown)	

SECTION 8 - ELECTRICAL

FIGURE 8-16. AC BOX AT PLATFORM INSTALLATION - 220V AFSINT 107 KEYED GROUND (2X4 BOX) WITHOUT 2500W GENERATOR (CE & UK CA SPECS)



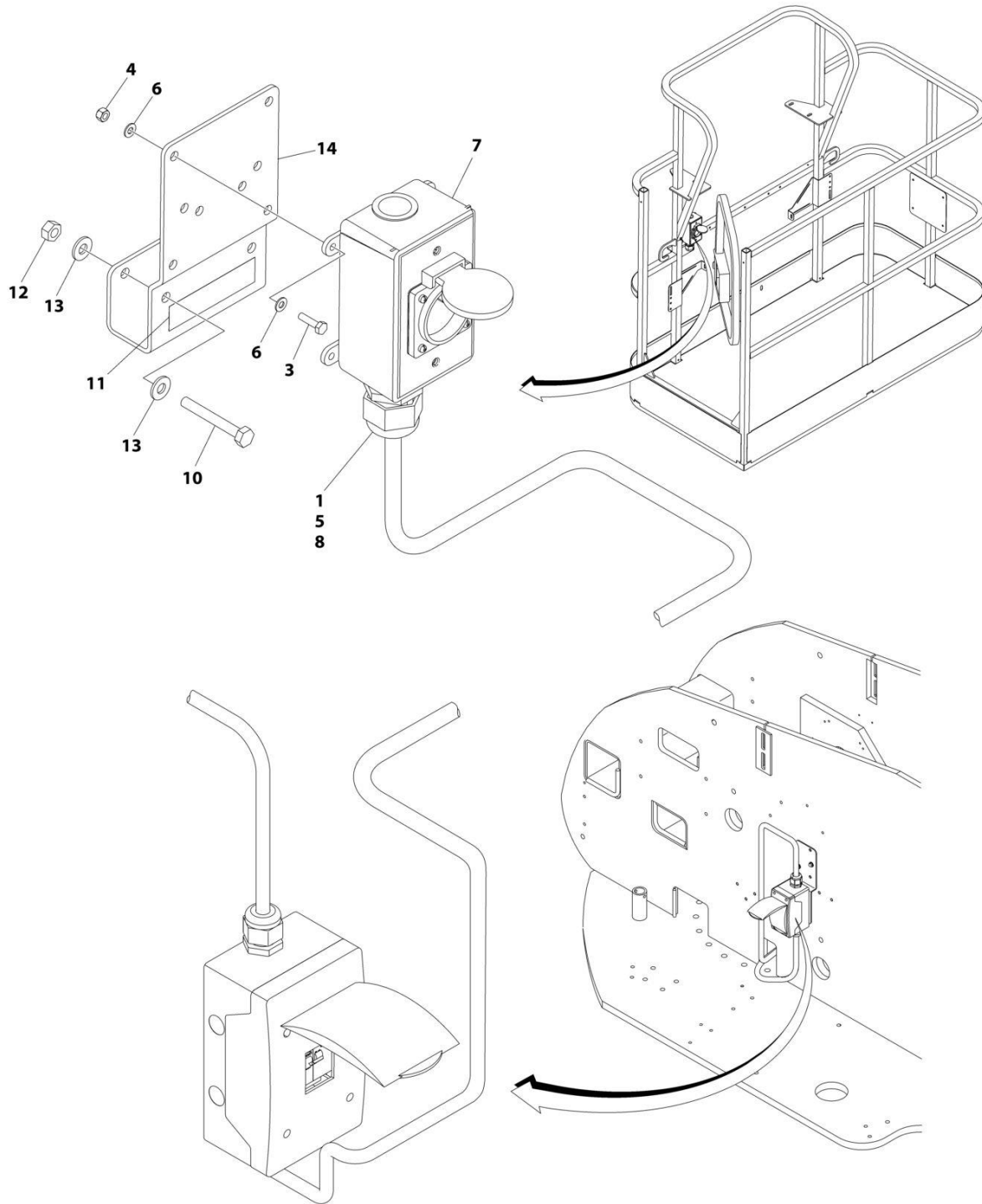
SECTION 8 - ELECTRICAL

FIGURE 8-16. AC BOX AT PLATFORM INSTALLATION - 220V AFSINT 107 KEYED GROUND (2X4 BOX) WITHOUT 2500W GENERATOR (CE & UK CA SPECS)

ITEM	PART NUMBER	QTY	DESCRIPTION	REV
	1001091975	Ref	AC BOX AT PLATFORM INSTALLATION - 220V AFSINT 107 2X4 BOX KEYED GROUND	F
1	0100020	AR	Sealant, Pipe	
2	0275454	1	Receptacle Box Kit (See Separate Breakdown in this Section)	
3	0700408	4	Bolt M4 x 16	
4	3290405	4	Nut M4	
5	1001101197	1	Adapter	
6	4811400	8	Washer M4	
7	1001101191	1	Connector, Strain Relief	
8	0641416	2	Bolt 1/4 x 2	
9	3311405	2	Nut 1/4	
10	4711400	4	Washer 1/4	
11	1001193018	1	Bracket	
12	3251242	2	Decal - 240V/50Hz	
13	1001205958	3	Terminal (Not Shown)	

SECTION 8 - ELECTRICAL

FIGURE 8-17. AC BOX AT PLATFORM INSTALLATION - 220V AFSINT 107 KEYED GROUND (2X4 BOX) WITH 2500W GENERATOR (CE & UK CA SPECS)



ART_1001100337

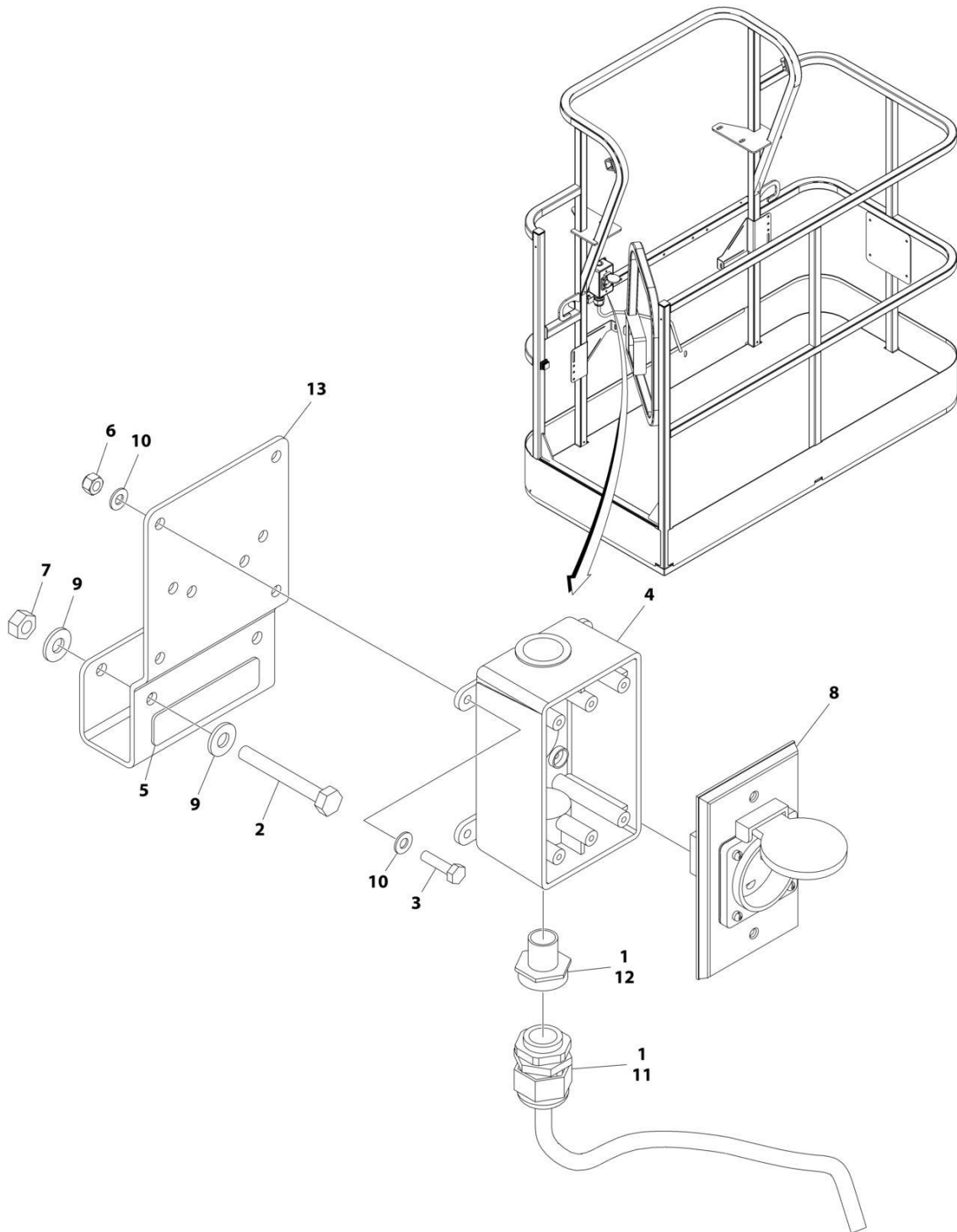
SECTION 8 - ELECTRICAL

FIGURE 8-17. AC BOX AT PLATFORM INSTALLATION - 220V AFSINT 107 KEYED GROUND (2X4 BOX) WITH 2500W GENERATOR (CE & UK CA SPECS)

ITEM	PART NUMBER	QTY	DESCRIPTION	REV
	1001100337	Ref	AC BOX AT PLATFORM INSTALLATION - 220V AFSINT 107 2X4 BOX KEYED GROUND (2X4 BOX)	E
1	0100020	AR	Sealant, Pipe	
3	0700408	4	Bolt M4 x 16	
4	3290405	4	Nut M4	
5	1001101197	1	Adapter	
6	4811400	8	Washer M4	
7	1001100346	1	Receptacle Box Kit (See Separate Breakdown in this Section)	
8	1001101191	1	Connector, Strain Relief	
9	1060908	10 ft /3.05m	Cable, Electrical 12/3 (Not Shown)	
10	0641416	2	Bolt 1/4 x 2	
11	3252507	1	Decal - 220V	
12	3311405	2	Nut 1/4	
13	4711400	4	Washer 1/4	
14	1001193018	1	Bracket	
15	1001205958	3	Terminal (Not Shown)	

SECTION 8 - ELECTRICAL

FIGURE 8-18. AC BOX AT PLATFORM INSTALLATION - 220V AFSINT 107 KEYED GROUND (2X4 BOX) WITH 4000W GENERATOR (CE & UK CA SPECS)



ART_1001206252

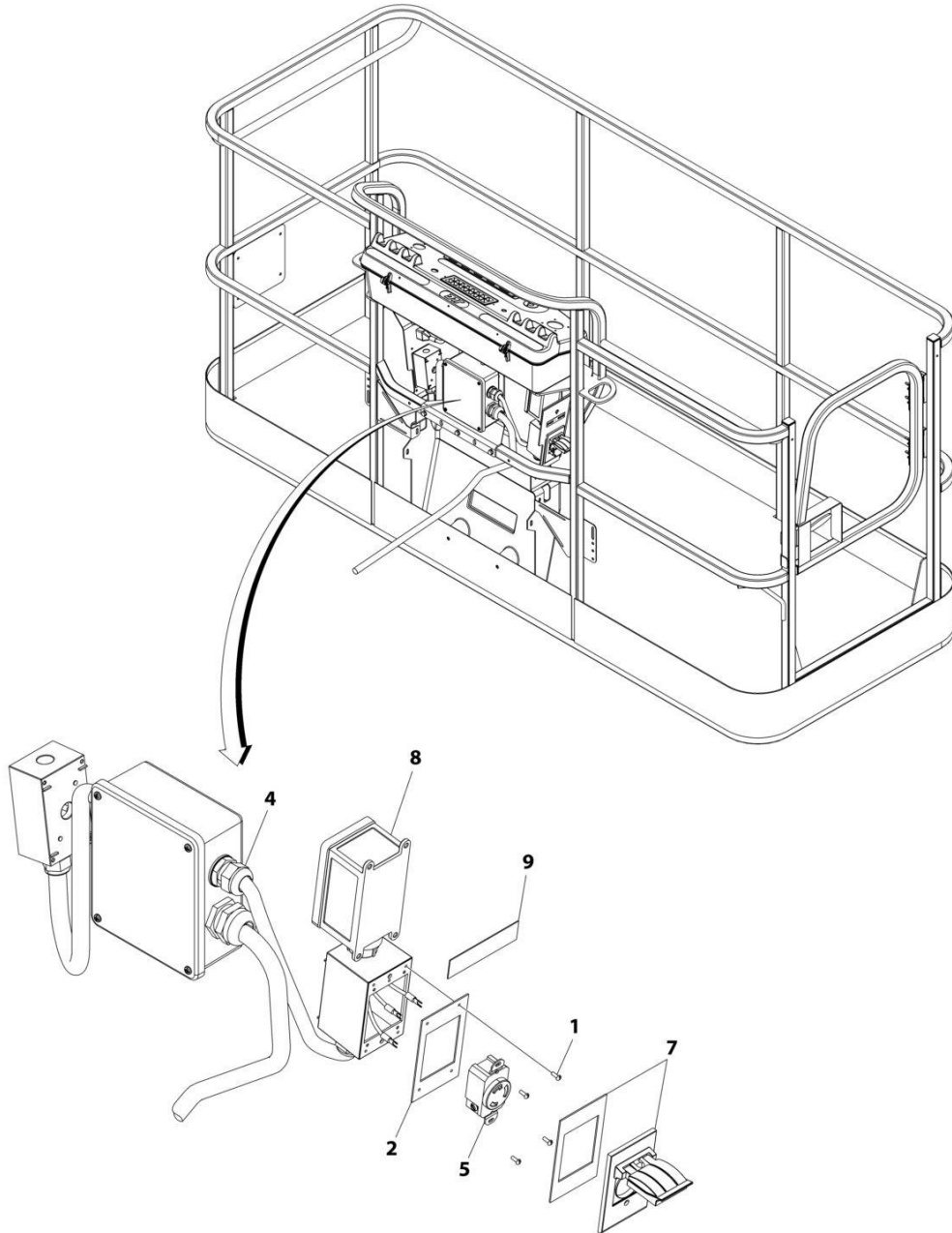
SECTION 8 - ELECTRICAL

FIGURE 8-18. AC BOX AT PLATFORM INSTALLATION - 220V AFSINT 107 KEYED GROUND (2X4 BOX) WITH 4000W GENERATOR (CE & UK CA SPECS)

ITEM	PART NUMBER	QTY	DESCRIPTION	REV
	1001206252	Ref	AC BOX AT PLATFORM INSTALLATION - 220V AFSINT 107 2x4 BOX KEYED GROUND	A
1	0100020	AR	Sealant, Pipe	
2	0641416	2	Bolt 1/4 x 2	
3	0700408	4	Bolt M4 x 16	
4	0861731	1	Box, Switch	
5	3251242	1	Decal - 240V/50Hz	
6	3290405	4	Nut M4	
7	3311405	2	Nut 1/4	
8	4461246	1	Receptacle	
9	4711400	4	Washer 1/4	
10	4811400	8	Washer M4	
11	1001101191	1	Connector, Strain Relief	
12	1001101197	1	Adapter	
13	1001193018	1	Bracket, AC Receptacle	
14	1001205958	3	Terminal (Not Shown)	

SECTION 8 - ELECTRICAL

FIGURE 8-19. AC BOX AT PLATFORM INSTALLATION - 240V (WITH 4000W GENERATOR) (ALL SPECS EXCEPT AUSTRALIAN & CE & UK CA SPECS)



ART_1001171131

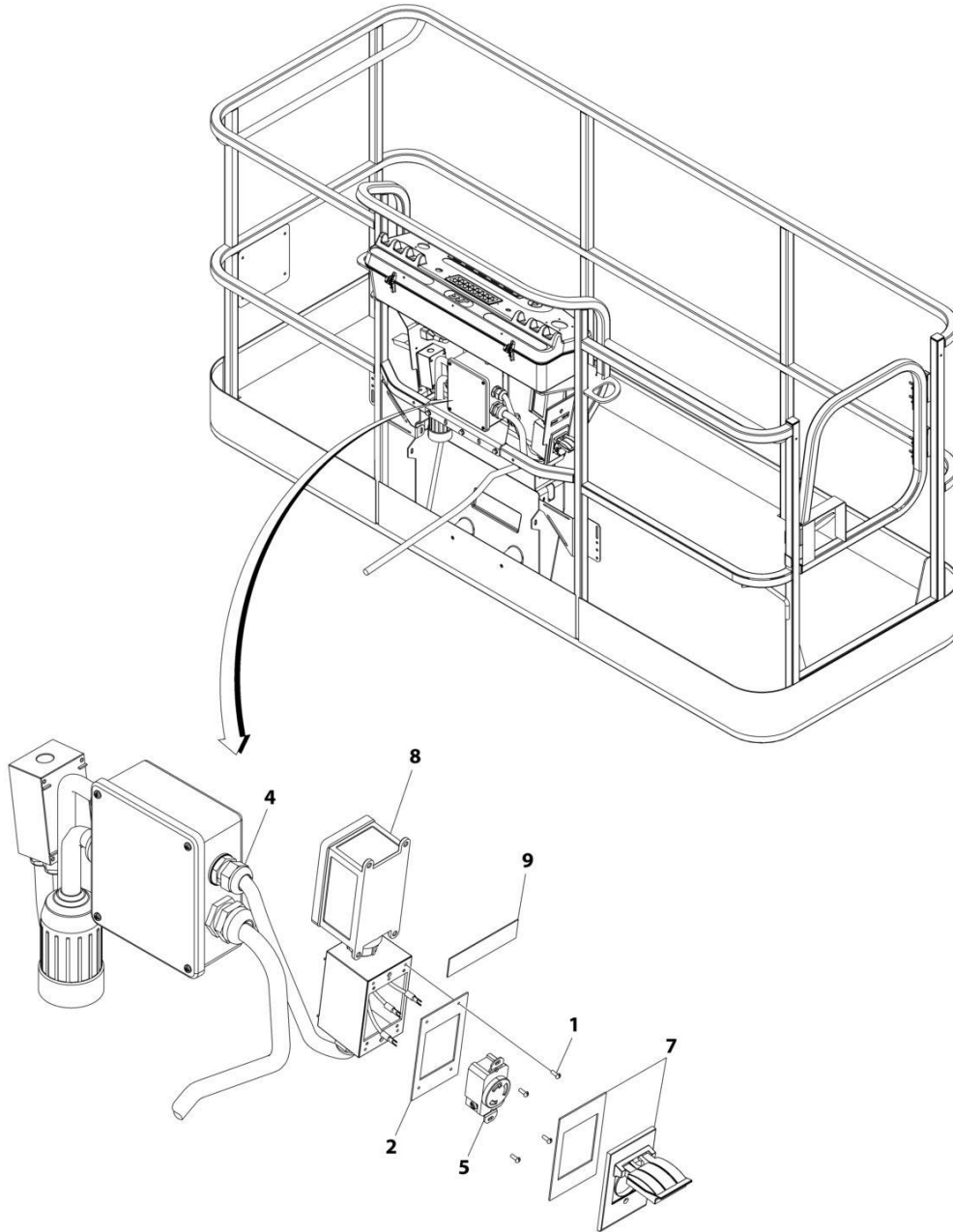
SECTION 8 - ELECTRICAL

FIGURE 8-19. AC BOX AT PLATFORM INSTALLATION - 240V (WITH 4000W GENERATOR) (ALL SPECS EXCEPT AUSTRALIAN & CE & UK CA SPECS)

ITEM	PART NUMBER	QTY	DESCRIPTION	REV
	1001171131	Ref	AC BOX AT PLATFORM INSTALLATION - 240V RECEPTACLE	B
1	3910606	4	Screw 6 x 3/8	
2	3960422	1	Gasket	
3	4240018	AR	Tie-Strap (Not Shown)	
4	4460425	1	Connector, Strain Relief	
5	1001176862	1	Receptacle	
7	1001110872	1	Cover, Receptacle	
8	1001159120	1	Receptacle/Breaker Box Assembly	
8	1001148675	1	Box, Receptacle	
8	1001159118	1	Breaker GFCI 30Amp 240VAC	
8	4460612	1	Connector, Strain Relief	
8	1001159119	1	Connector (Between Boxes)	
9	1705374	1	Decal - 240V/60Hz	

SECTION 8 - ELECTRICAL

FIGURE 8-20. AC BOX AT PLATFORM INSTALLATION - 240V (WITH 7500W SKYPOWER GENERATOR) (ALL SPECS EXCEPT AUSTRALIAN, CE & UK CA SPECS)



ART_1001159121

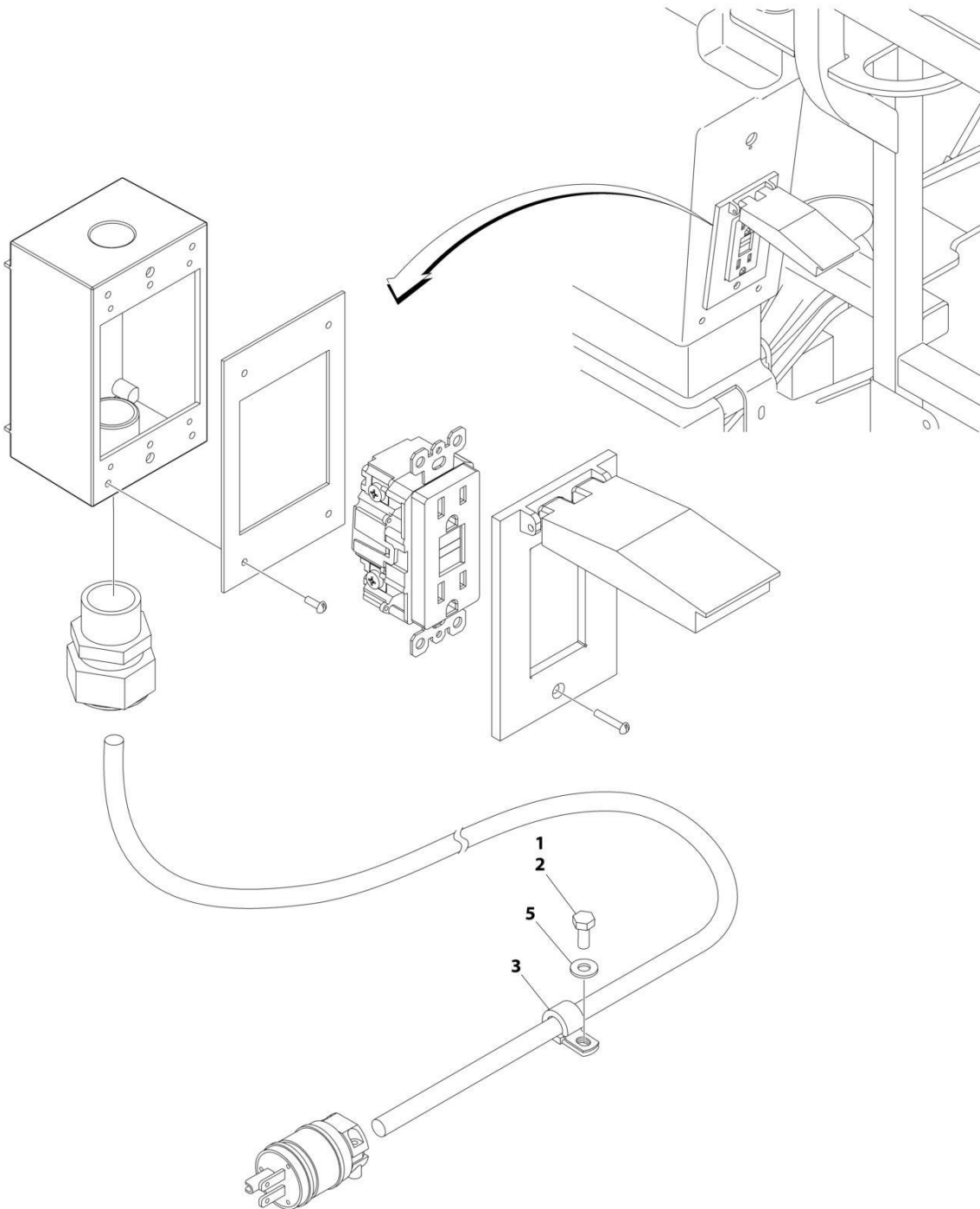
SECTION 8 - ELECTRICAL

FIGURE 8-20. AC BOX AT PLATFORM INSTALLATION - 240V (WITH 7500W SKYPOWER GENERATOR) (ALL SPECS EXCEPT AUSTRALIAN, CE & UK CA SPECS)

ITEM	PART NUMBER	QTY	DESCRIPTION	REV
	1001159121	Ref	AC BOX AT PLATFORM INSTALLATION - 240V RECEPTACLE	B
1	3910606	4	Screw 6 x 3/8	
2	3960422	1	Gasket	
3	4240018	AR	Tie-Strap (Not Shown)	
4	4460425	1	Connector, Strain Relief	
5	4460958	1	Receptacle	
7	1001110872	1	Cover, Receptacle	
8	1001159120	1	Receptacle/Breaker Box Assembly	
8	1001148675	1	Box, Receptacle	
8	1001159118	1	Breaker Box Assembly	
8	4460612	1	Connector, Strain Relief	
8	1001159119	1	Connector (Between Boxes)	
9	1705374	1	Decal - 240V/60Hz	

SECTION 8 - ELECTRICAL

FIGURE 8-21. AC LEAD INSTALLATION (ANSI EXPORT, AUSTRALIAN, CE & UK CA SPECS)



ART_0273461

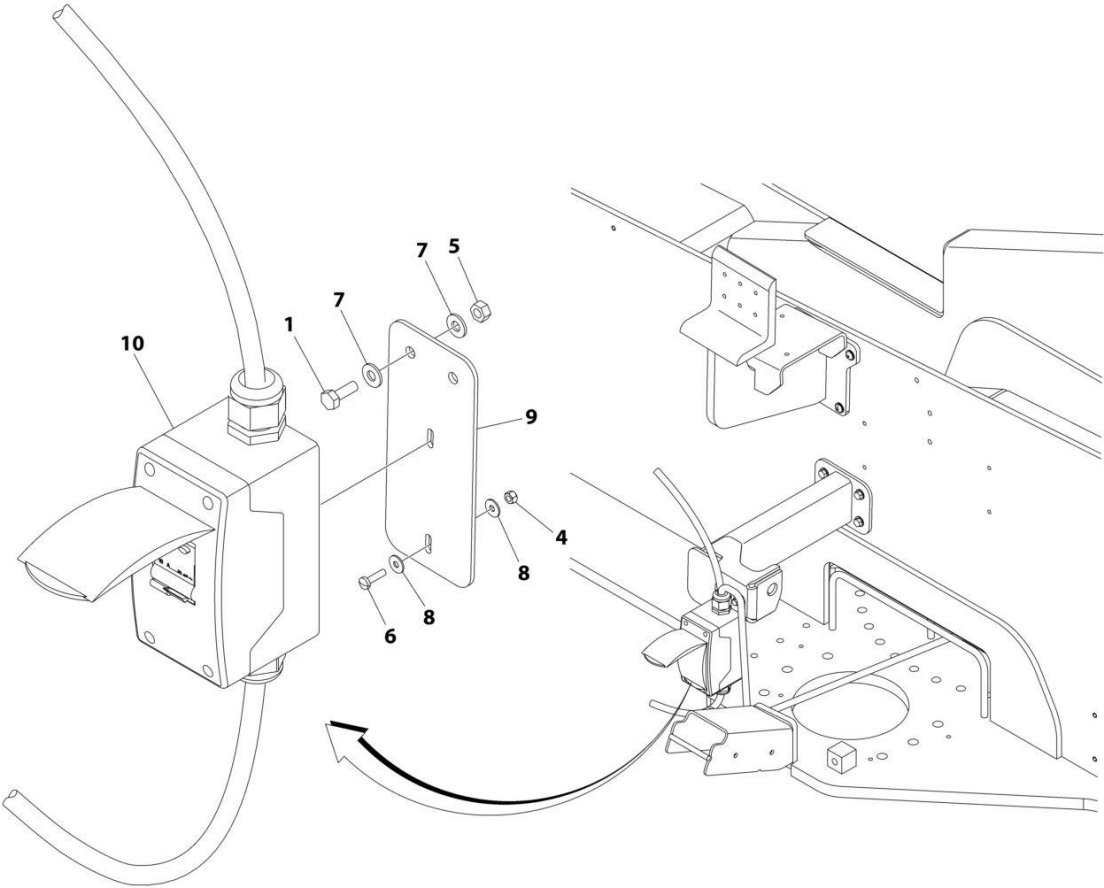
SECTION 8 - ELECTRICAL

FIGURE 8-21. AC LEAD INSTALLATION (ANSI EXPORT, AUSTRALIAN, CE & UK CA SPECS)

ITEM	PART NUMBER	QTY	DESCRIPTION	REV
	0273461	Ref	AC LEAD INSTALLATION (CE & UK CA SPECS)	B
1	0100011	AR	Compound, Locking	
2	0641405	1	Bolt 1/4 x 5/8	
3	1320041	1	Clamp	
5	4711400	1	Washer 1/4	

SECTION 8 - ELECTRICAL

FIGURE 8-22. AC 10 AMP BREAKER BOX INSTALLATION (CE & UK CA SPECS)



ART_1001109557

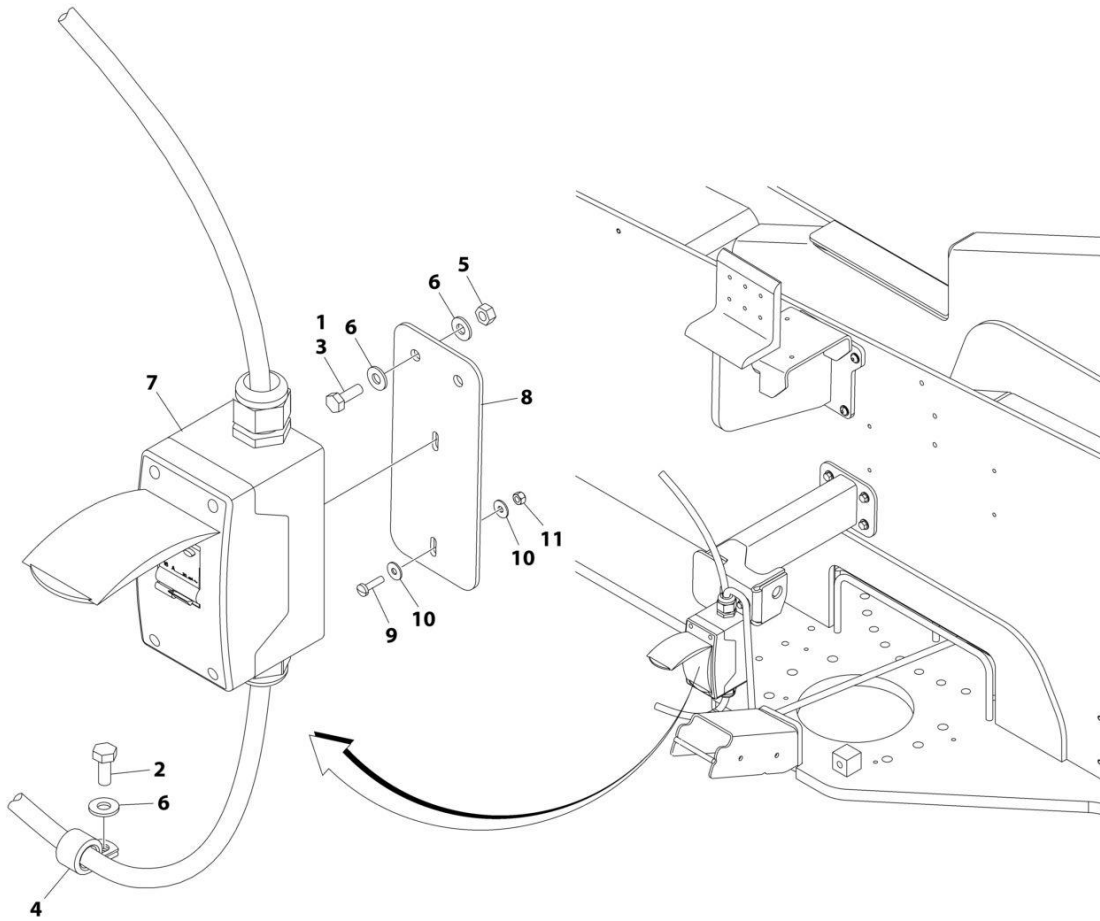
SECTION 8 - ELECTRICAL

FIGURE 8-22. AC 10 AMP BREAKER BOX INSTALLATION (CE & UK CA SPECS)

ITEM	PART NUMBER	QTY	DESCRIPTION	REV
	1001109557	Ref	AC 10 AMP BREAKER BOX INSTALLATION	B
1	0641406	2	Bolt 1/4 x 3/4	
4	3290405	2	Nut M4	
5	0641405	2	Bolt 1/4 x 5/8	
6	4010408	2	Screw M4 x 16	
7	4711400	4	Washer 1/4	
8	1001091102	4	Washer M4	
9	1001096172	1	Bracket	
10	1001109648	1	Breaker Box Kit - 10 Amp (See Separate Breakdown in this Section)	

SECTION 8 - ELECTRICAL

FIGURE 8-23. AC 16 AMP BREAKER BOX INSTALLATION (CE & UK CA SPECS)



ART_1001096163

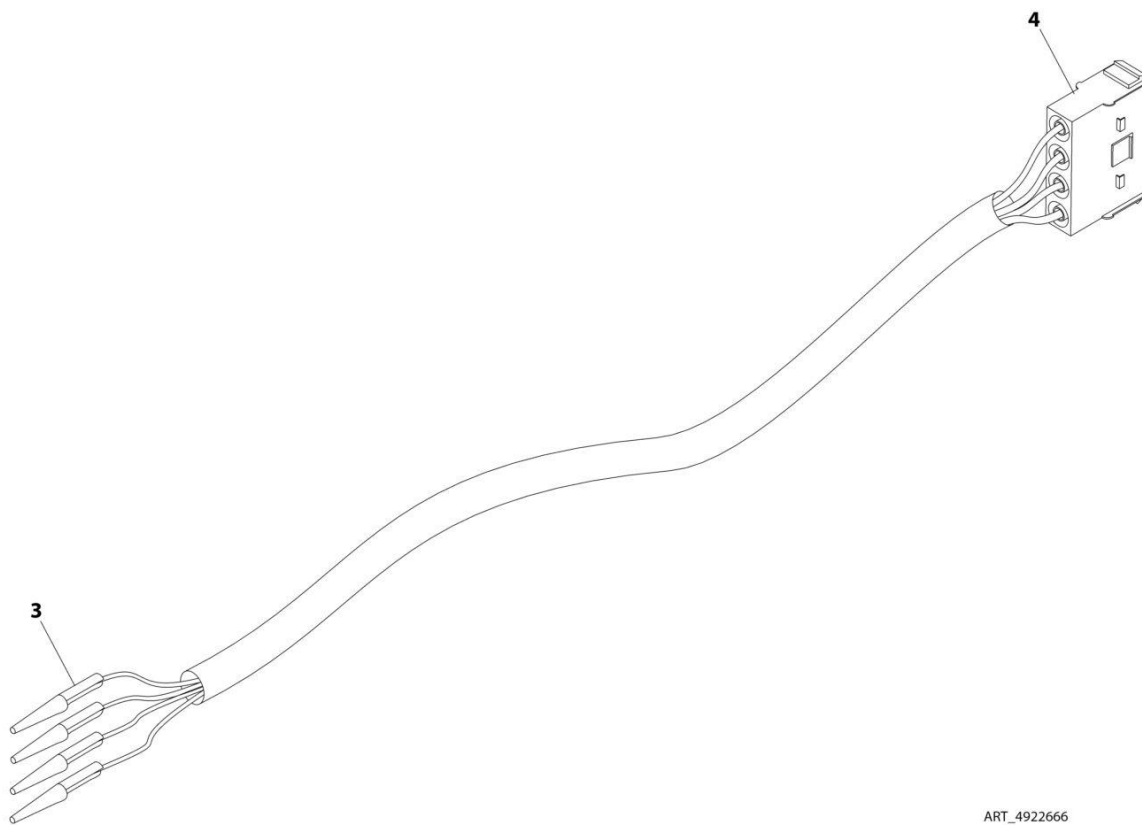
SECTION 8 - ELECTRICAL

FIGURE 8-23. AC 16 AMP BREAKER BOX INSTALLATION (CE & UK CA SPECS)

ITEM	PART NUMBER	QTY	DESCRIPTION	REV
	1001096163	Ref	AC 16 AMP BREAKER BOX INSTALLATION (CE & UK CA SPECS)	E
1	0100011	AR	Compound, Locking	
2	0641405	1	Bolt 1/4 x 5/8	
3	0641406	2	Bolt 1/4 x 3/4	
4	1320041	1	Clamp	
5	3311405	2	Nut 1/4	
6	4711400	5	Washer 1/4	
7	1001109654	1	Breaker Box Kit - 16 Amp (See Separate Breakdown in this Section)	
8	1001096172	1	Bracket	
9	4010408	2	Screw M4 x 16	
10	1001091102	4	Washer M4	
11	3290405	2	Nut M4	

SECTION 8 - ELECTRICAL

FIGURE 8-24. ANALYZER CALBE HARNESS



ART_4922666

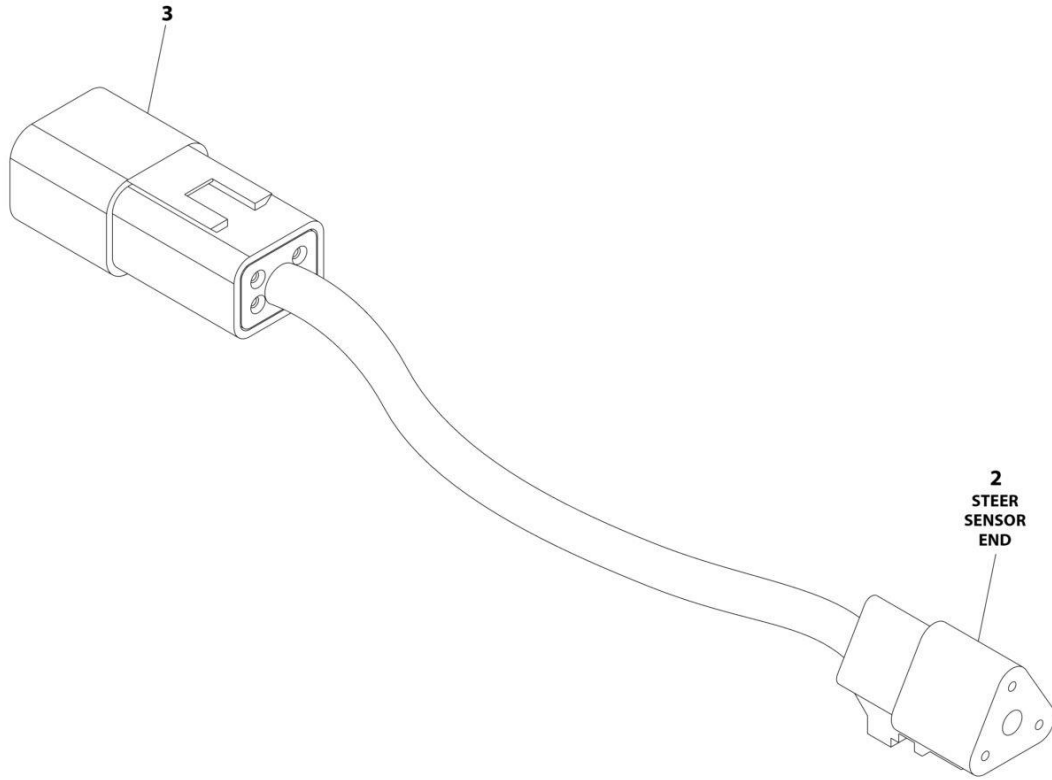
SECTION 8 - ELECTRICAL

FIGURE 8-24. ANALYZER CALBE HARNESS

ITEM	PART NUMBER	QTY	DESCRIPTION	REV
	4922666	Ref	ANALYZER CABLE HARNESS	C
3	4460226	4	Socket, Female	
4	4460761	1	Connector - 4 Position	
4	4460227	4	Pin, Male	

SECTION 8 - ELECTRICAL

FIGURE 8-25. AXLE POWER TRACK HARNESS ASSEMBLY



ART_4922718

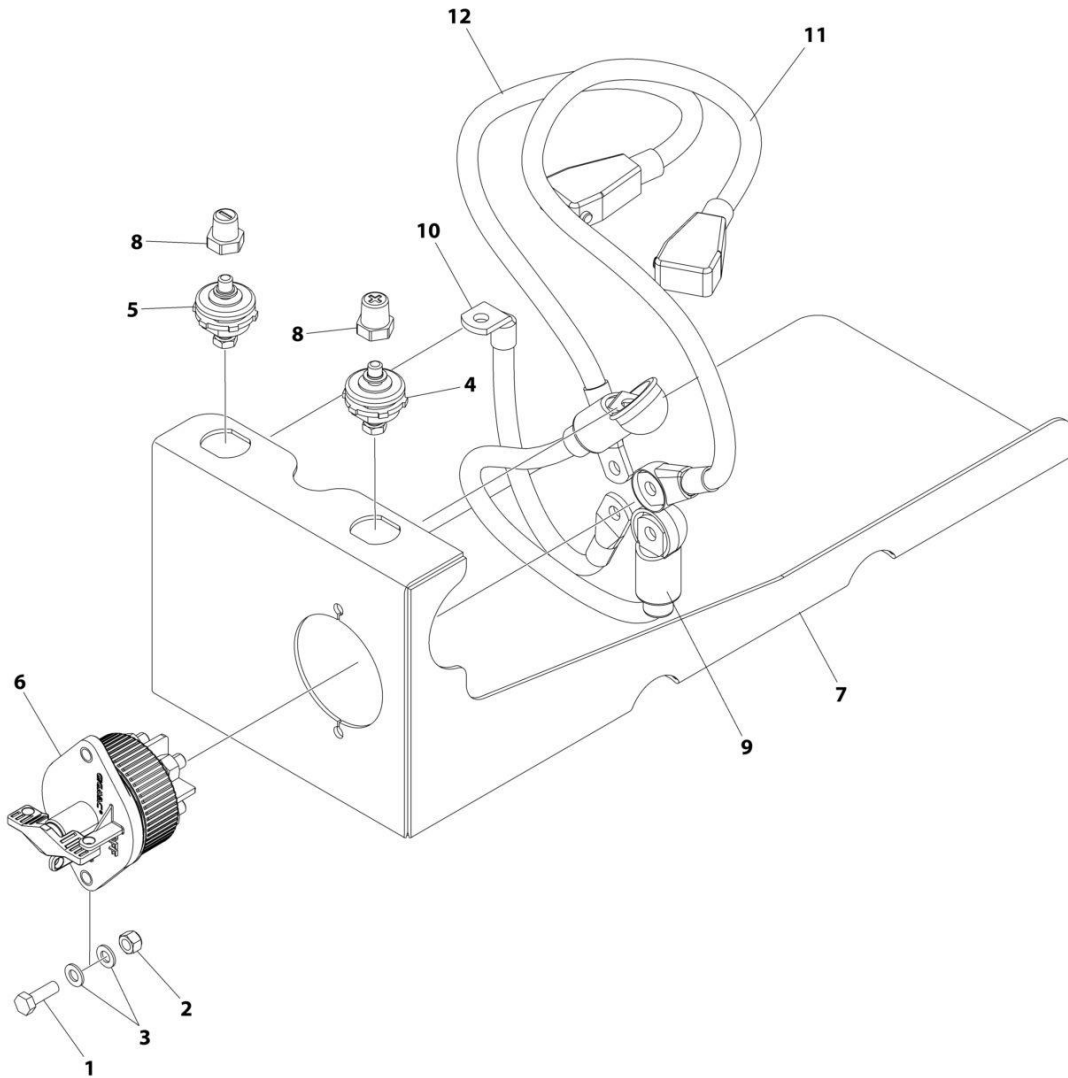
SECTION 8 - ELECTRICAL

FIGURE 8-25. AXLE POWER TRACK HARNESS ASSEMBLY

ITEM	PART NUMBER	QTY	DESCRIPTION	REV
	4922718	Ref	AXLE POWER TRACK HARNESS ASSEMBLY	E
2	4460539	1	Connector - 3 Position	
2	4460944	3	Socket, Female	
3	4460932	1	Connector - 4 Position	
3	4460943	4	Pin, Male	

SECTION 8 - ELECTRICAL

FIGURE 8-26. BATTERY DISCONNECT INSTALLATION



ART_1001242825

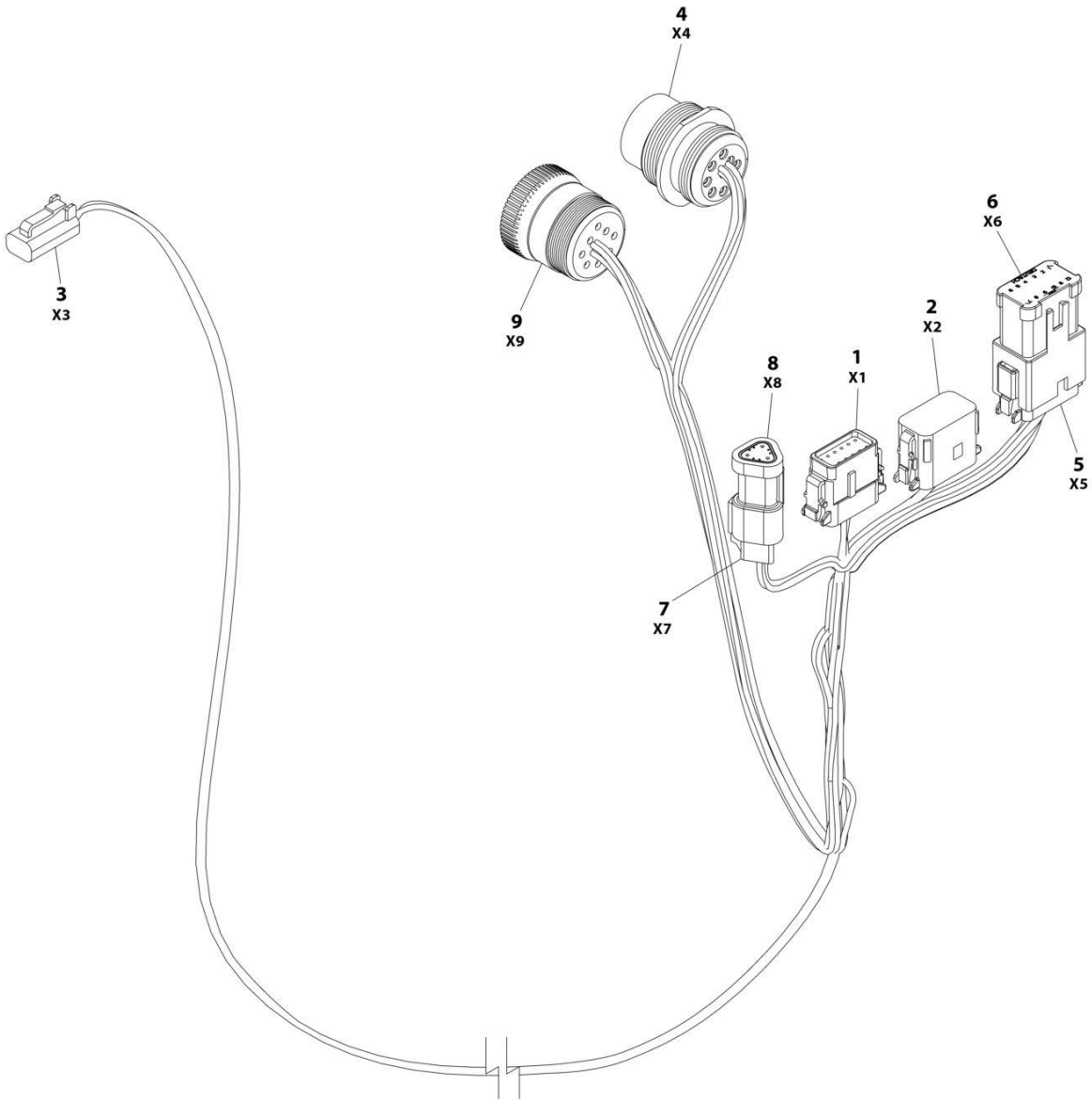
SECTION 8 - ELECTRICAL

FIGURE 8-26. BATTERY DISCONNECT INSTALLATION

ITEM	PART NUMBER	QTY	DESCRIPTION	REV
	1001242825	Ref	BATTERY DISCONNECT INSTALLATION	B
1	0760812	2	Bolt M8 x 25	
2	3290805	2	Nut M8	
3	4811900	4	Washer M8	
4	1001214570	1	Connector (Red)	
5	1001214571	1	Connector (Black)	
6	1001225346	1	Switch, Disconnect	
7	1001242824	1	Mount	
8	1001206476	1	Connector	
9	1001236375	1	Cable (Positive)	
10	1001236376	1	Cable (Negative)	
11	1001236377	1	Cable (Positive)	
12	1001236378	1	Cable (Negative)	

SECTION 8 - ELECTRICAL

FIGURE 8-27. BEACON LIGHT HARNESS



ART_1001142736

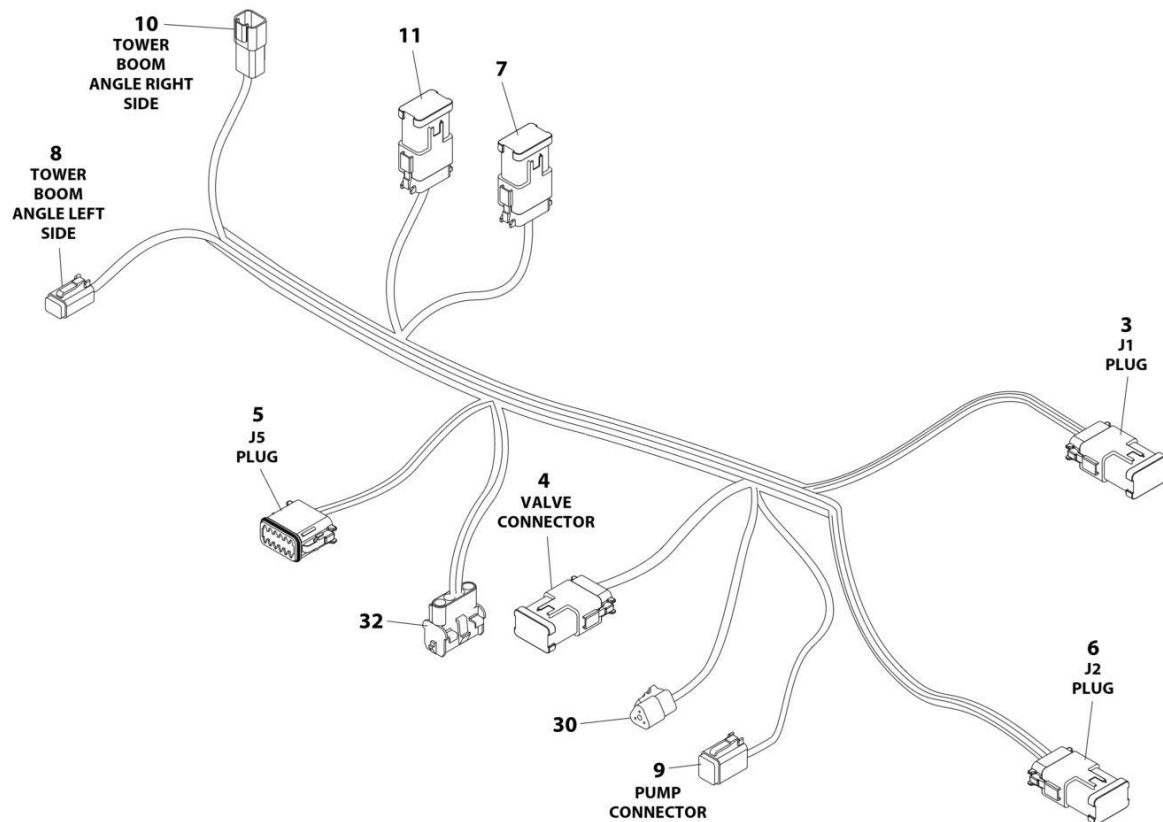
SECTION 8 - ELECTRICAL

FIGURE 8-27. BEACON LIGHT HARNESS

ITEM	PART NUMBER	QTY	DESCRIPTION	REV
	1001142736	Ref	STROBE LIGHT HARNESS	F
1	1001116808	1	Plug, Male - 12 Position	
1	4460928	3	Socket, Female	
1	4460518	9	Plug, Terminal	
2	1001116774	1	Plug, Male - 12 Position	
2	4460928	3	Socket, Female	
2	4460518	9	Plug, Terminal	
3	4460891	1	Plug, Male - 2 Position	
3	4460465	2	Socket, Female	
4	1001112612	1	Connector - 9 Position	
4	4460464	6	Pin, Male	
4	4460466	3	Plug, Terminal	
5	4460933	1	Plug, Male - 12 Position	
5	4460465	12	Socket, Female	
6	1001119020	1	Bussbar - 12 Position	
7	4461095	1	Plug, Male - 3 Position	
7	4460465	3	Socket, Female	
8	4461070	1	Bussbar - 3 Position	
9	1001112796	1	Connector - 9 Position	
9	4460465	6	Socket, Female	
9	4460466	3	Plug, Terminal	

SECTION 8 - ELECTRICAL

FIGURE 8-28. B.L.A.M. HARNESS



ART_1001242756

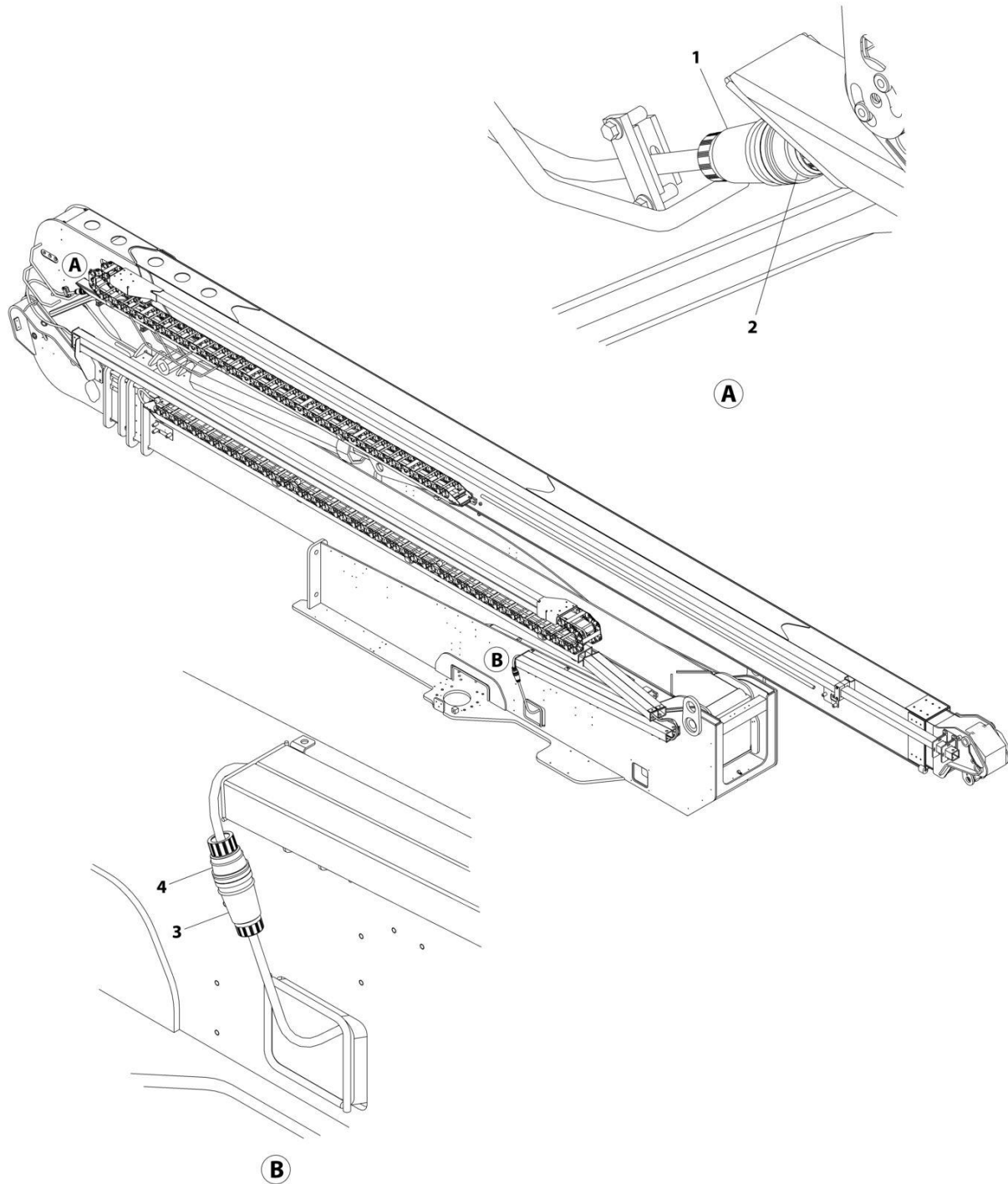
SECTION 8 - ELECTRICAL

FIGURE 8-28. B.L.A.M. HARNESS

ITEM	PART NUMBER	QTY	DESCRIPTION	REV
	1001242756	Ref	B.L.A.M. HARNESS	D
3	1001270339	1	Connector - 12 Position (Gray)	
3	4460466	7	Plug, Seal	
3	4460944	3	Socket, Female	
3	4460942	1	Socket, Female	
4	4460970	1	Connector - 12 Position	
4	4460943	3	Pin, Male (Gold)	
4	4460464	6	Pin, Male	
4	4460941	3	Pin, Male	
5	1001239345	1	Connector - 12 Position (Brown)	
5	4460466	5	Plug, Seal	
5	4460465	2	Socket, Female	
5	4460944	4	Socket, Female	
6	1001270340	1	Connector - 12 Position (Black)	
6	4460466	8	Plug, Seal	
6	4460944	2	Socket, Female	
6	4460465	2	Socket, Female	
7	4460836	1	Connector - 12 Position (Black)	
7	4460466	8	Plug, Seal	
7	4460465	4	Socket, Female	
7	4460942	2	Socket, Female	
7	1001249244	1	Connector - 12 Position Buss Bar	
8	4460884	1	Connector - 4 Position (Gray)	
8	4460944	4	Socket, Female	
9	4460894	1	Connector - 6 Position (Gray)	
9	4460465	5	Socket, Female	
9	4460466	2	Plug, Seal	
10	4460932	1	Connector - 4 Position (Gray)	
10	4460943	4	Pin, Male	
11	4460836	1	Plug, Male - 12 Position (Black)	
11	4460466	6	Plug, Seal	
11	4460465	5	Socket, Female	
11	1001249244	1	Connector - 12 Position Buss Bar	
18	4240033	7	Tie-Strap (Not Shown)	
30	4460539	1	Connector - 3 Position	
30	4460944	3	Socket, Female	
30	4460121	1	Wire Cap	
32	4460761	1	Connector - 4 Position	
32	4460227	4	Pin, Male	

SECTION 8 - ELECTRICAL

FIGURE 8-29. BOOM CABLE INSTALLATION (ANSI, ANSI EXPORT AND JAPANESE SPECS)



ART_0273474

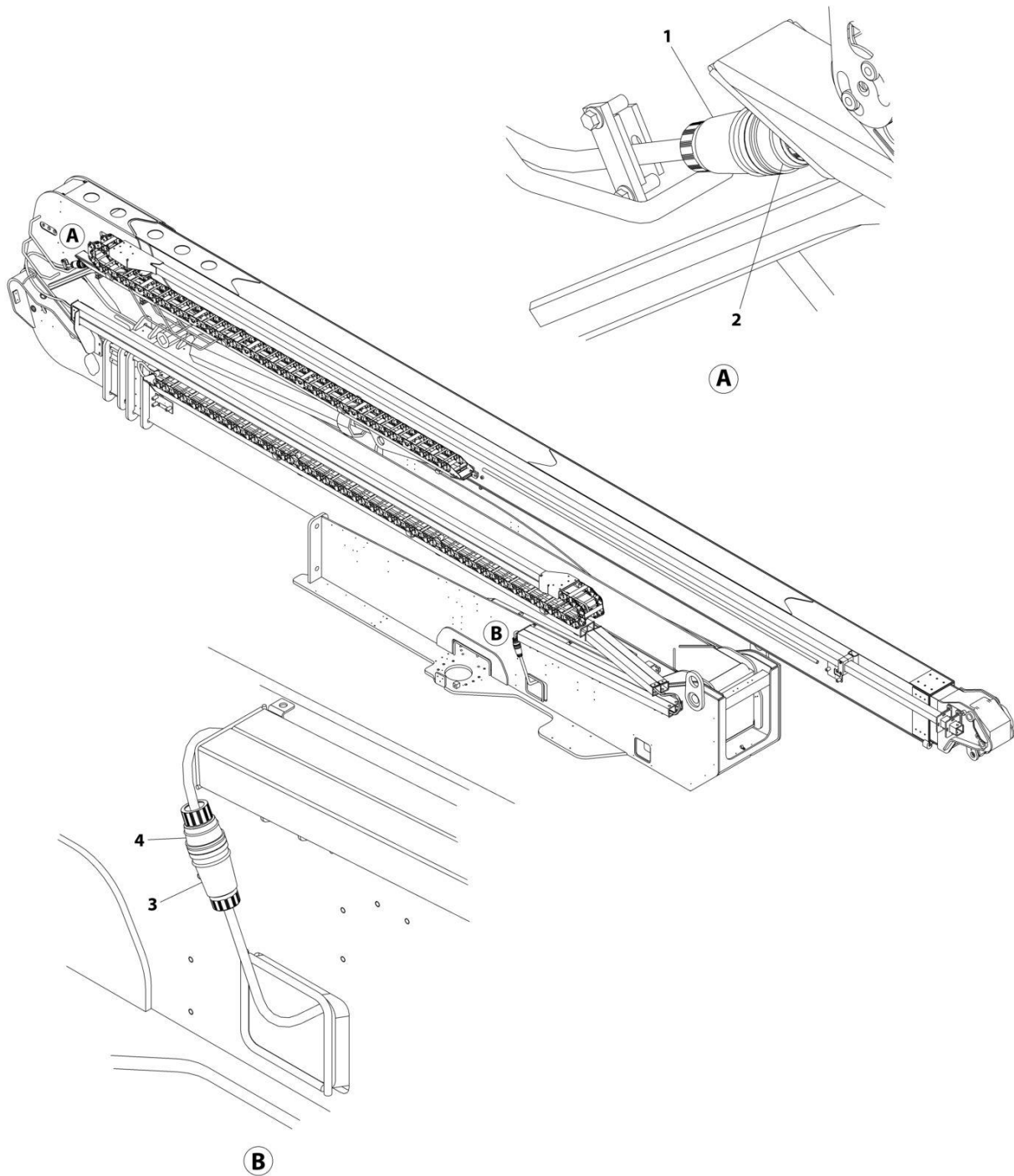
SECTION 8 - ELECTRICAL

FIGURE 8-29. BOOM CABLE INSTALLATION (ANSI, ANSI EXPORT AND JAPANESE SPECS)

ITEM	PART NUMBER	QTY	DESCRIPTION	REV
	0273474	Ref	BOOM CABLE INSTALLATION	C
1	1001227932	1	Tower Boom AC Cable Harness	
1	1001213585	1	Receptacle, Female	
2	1001227933	1	Main Boom AC Cable Harness	
2	1001213584	1	Plug, Male	
3	1001227934	1	Turntable AC Cable Harness	
3	1001213585	1	Receptacle, Female	
4	1001213584	1	Plug, Male	

SECTION 8 - ELECTRICAL

FIGURE 8-30. BOOM CABLE INSTALLATION (AUSTRALIAN, CE & UK CA SPECS)



ART_0273475

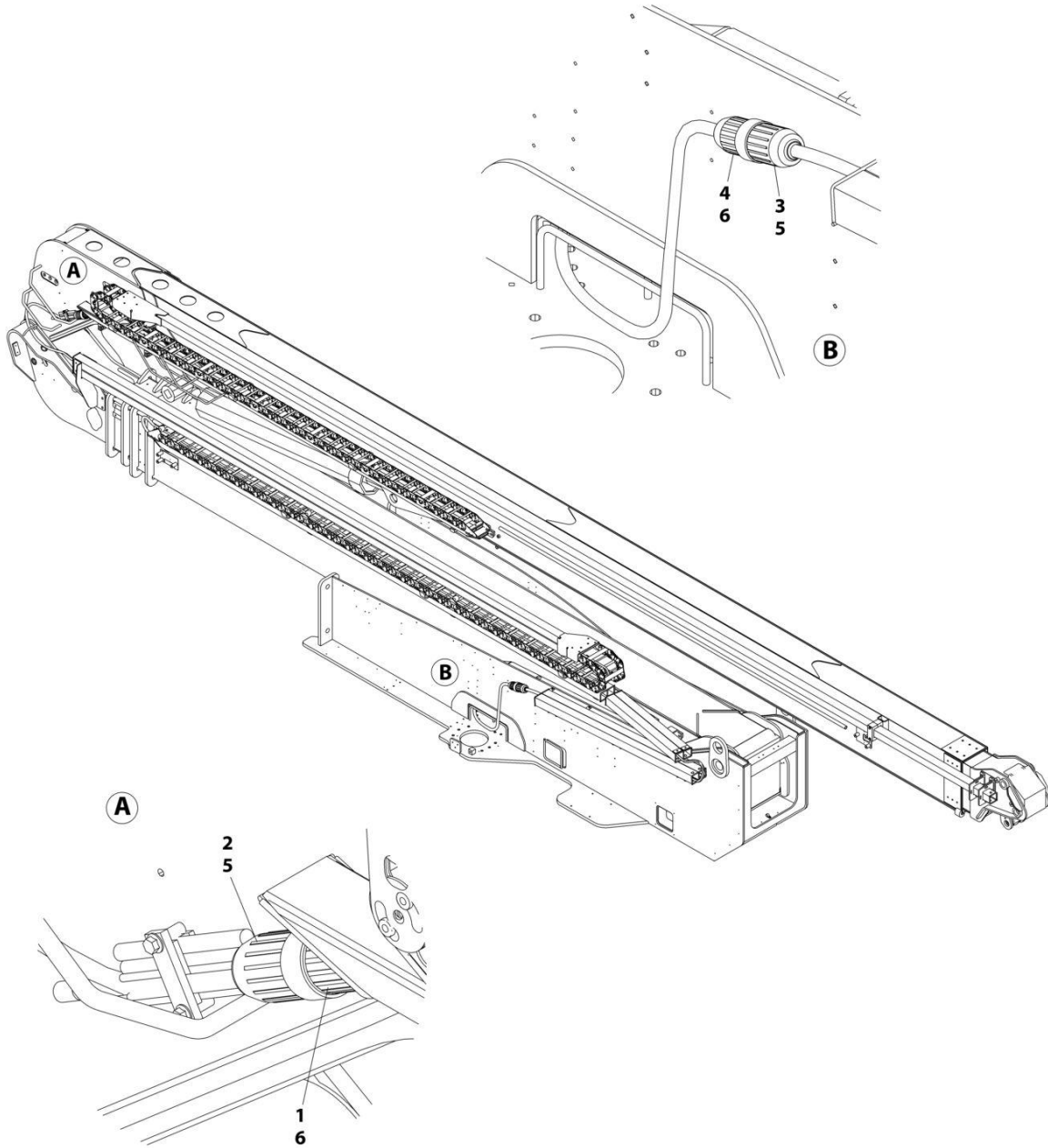
SECTION 8 - ELECTRICAL

FIGURE 8-30. BOOM CABLE INSTALLATION (AUSTRALIAN, CE & UK CA SPECS)

ITEM	PART NUMBER	QTY	DESCRIPTION	REV
	0273475	Ref	BOOM CABLE INSTALLATION	E
1	1001227935	1	Tower Boom AC Cable Harness	
1	1001213585	1	Receptacle, Female	
2	1001227936	1	Main Boom AC Cable Harness	
2	1001213584	1	Plug, Male	
3	1001227937	1	Turntable AC Cable Harness	
3	1001213585	1	Receptacle, Female	
4	1001213584	1	Plug, Male	

SECTION 8 - ELECTRICAL

FIGURE 8-31. BOOM CABLE INSTALLATION - 4000W 60HZ GENERATOR



ART_1001161049

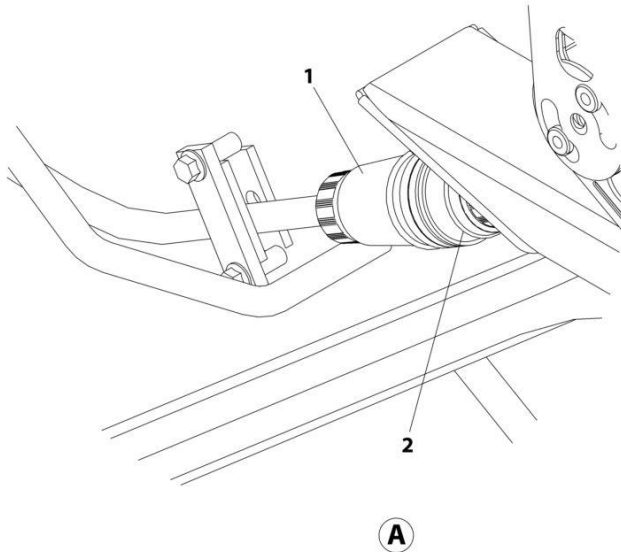
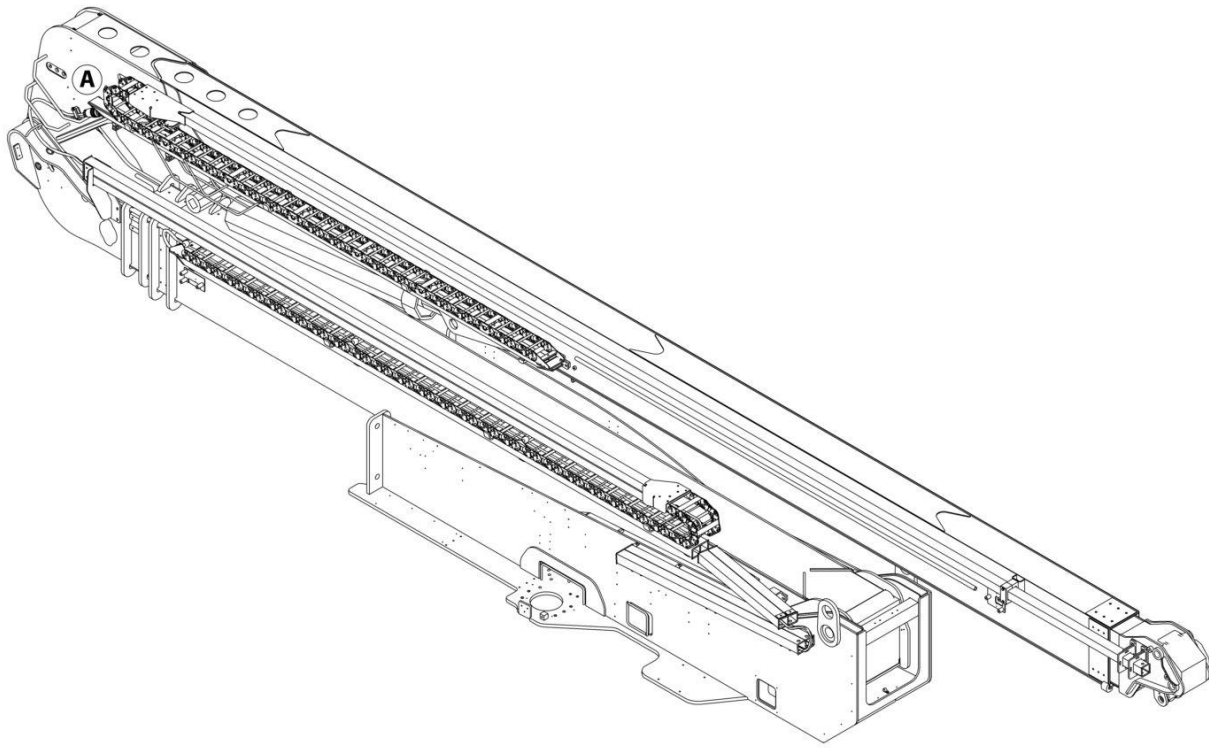
SECTION 8 - ELECTRICAL

FIGURE 8-31. BOOM CABLE INSTALLATION - 4000W 60HZ GENERATOR

ITEM	PART NUMBER	QTY	DESCRIPTION	REV
	1001161049	Ref	BOOM CABLE INSTALLATION - 4000W 60HZ GENERATOR	A
1	1001161042	1	Main Boom 4000W Generator Cable Harness	
1	1001131969	85 ft /25.9m	Cable, Electrical 8/4	
1	4460962	1	Plug, Male	
2	1001161043	1	Tower Boom 4000W Generator Cable Harness	
2	1001131969	71 ft /21.6m	Cable, Electrical 8/4	
2	4460963	1	Plug, Female	
3	4460962	1	Plug, Male	
4	1001161045	1	Turntable 4000W Generator Cable Harness	
4	1001131969	14 ft /4.27m	Cable, Electrical 8/4	
4	4460963	1	Plug, Female	
5	1671092	1	Cover, Male Connector	
6	1671093	1	Cover, Female Connector	

SECTION 8 - ELECTRICAL

FIGURE 8-32. BOOM CABLE INSTALLATION - 4000W 50HZ GENERATOR



ART_1001180951

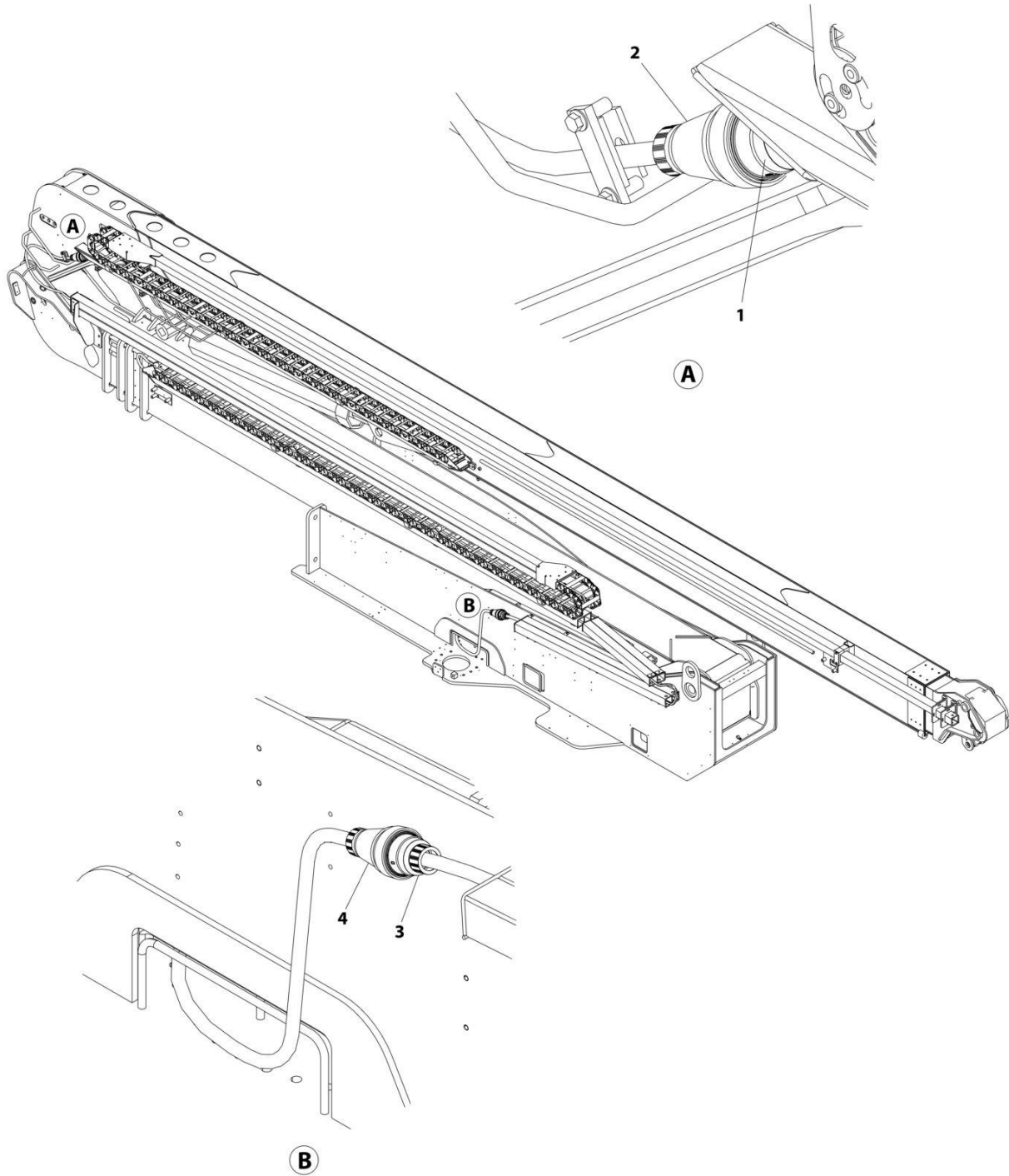
SECTION 8 - ELECTRICAL

FIGURE 8-32. BOOM CABLE INSTALLATION - 4000W 50HZ GENERATOR

ITEM	PART NUMBER	QTY	DESCRIPTION	REV
	1001180951	Ref	BOOM CABLE INSTALLATION - 4000W 50HZ GENERATOR	B
1	1001227935	1	Tower Boom AC Cable Harness	
1	1001213585	1	Receptacle, Female	
2	1001227936	1	Main Boom AC Cable Harness	
2	1001213584	1	Plug, Male	

SECTION 8 - ELECTRICAL

FIGURE 8-33. BOOM CABLE INSTALLATION - 7500W GENERATOR



ART_0273476

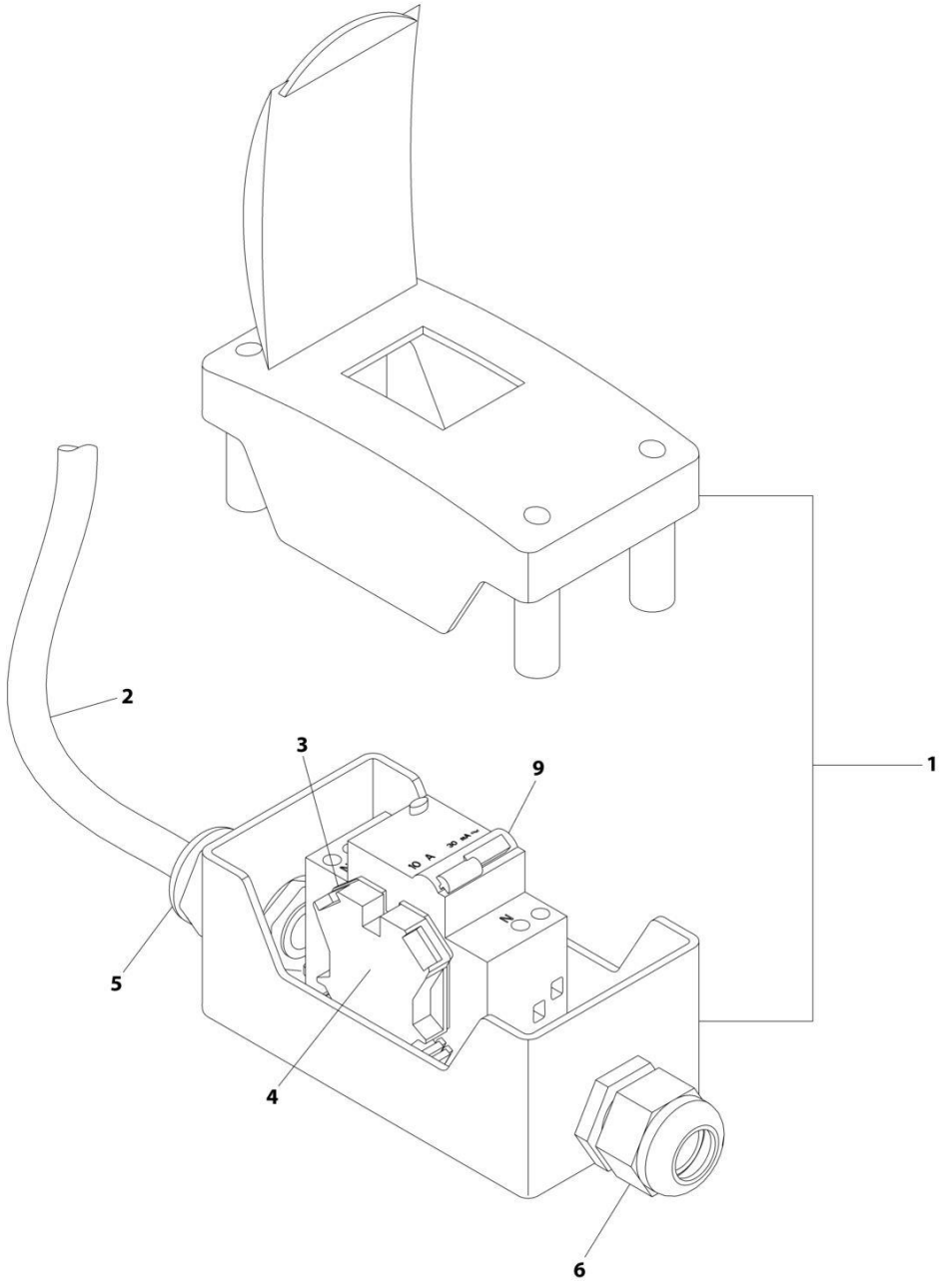
SECTION 8 - ELECTRICAL

FIGURE 8-33. BOOM CABLE INSTALLATION - 7500W GENERATOR

ITEM	PART NUMBER	QTY	DESCRIPTION	REV
	0273476	Ref	BOOM CABLE INSTALLATION - 7500W GENERATOR	D
1	1001226294	1	Main Boom SkyPower Cable Harness	
1	1001218622	1	Plug, Male	
2	1001226293	1	Tower Boom SkyPower Cable Harness	
2	1001218623	1	Plug, Female	
3	1001218622	1	Plug, Male	
4	1001226306	1	Turntable SkyPower Cable Harness	
4	1001218623	1	Plug, Female	

SECTION 8 - ELECTRICAL

FIGURE 8-34. BREAKER BOX KIT - 10 AMP (2500W GENERATOR)



ART_1001109648

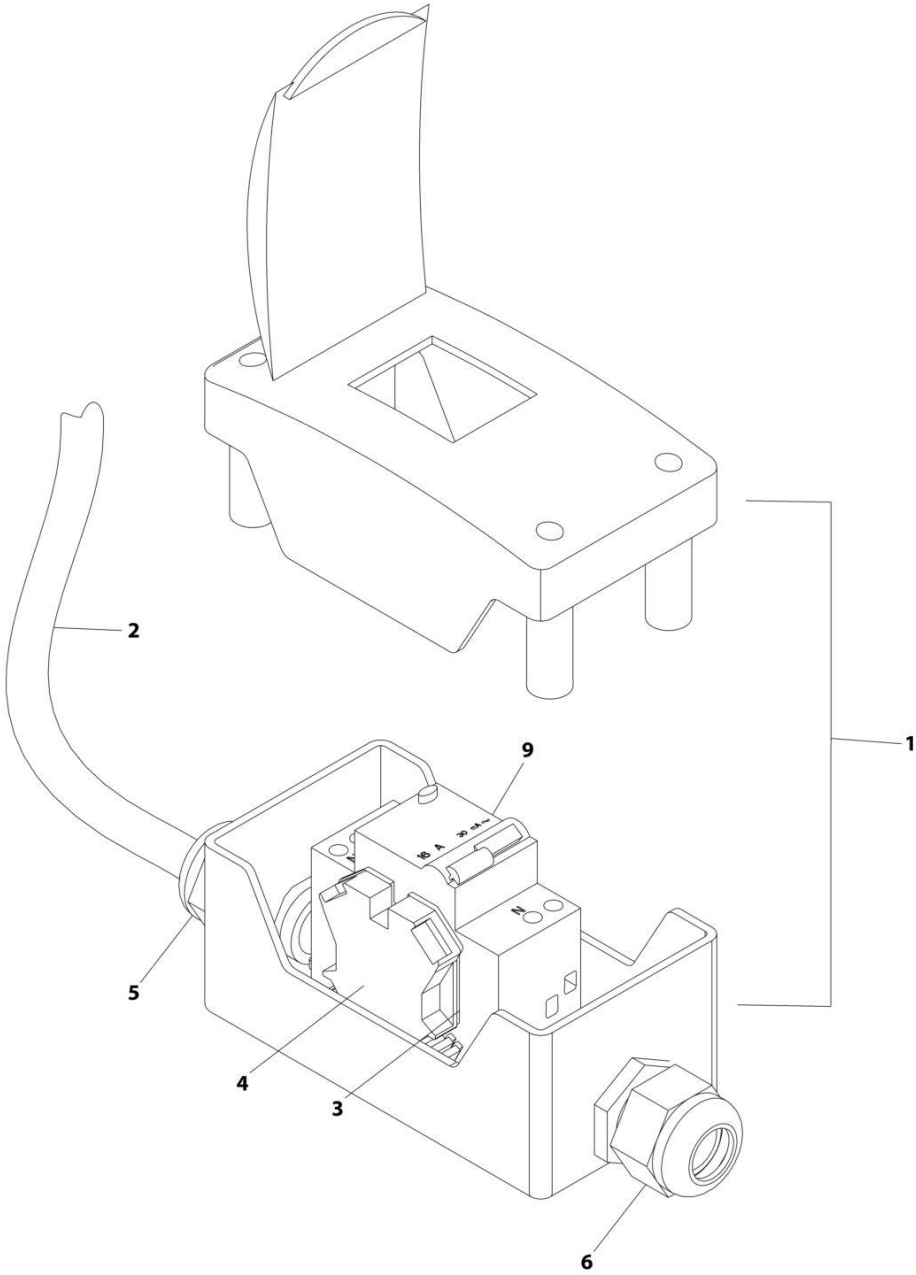
SECTION 8 - ELECTRICAL

FIGURE 8-34. BREAKER BOX KIT - 10 AMP (2500W GENERATOR)

ITEM	PART NUMBER	QTY	DESCRIPTION	REV
	1001109648	Ref	BREAKER BOX KIT - 10 AMP (2500W GENERATOR)	B
1	0861880	1	Box, Breaker	
2	1060908	12 ft /3.6m	Cable, Electrical 12/3	
3	4460956	1	Barrier, Terminal Block End	
4	4460957	1	Block, Terminal	
5	1001097150	1	Connector, Strain Relief	
6	1001101191	1	Connector, Strain Relief	
9	1001181046	1	Breaker 30mA/16Amp	

SECTION 8 - ELECTRICAL

FIGURE 8-35. BREAKER BOX KIT - 16 AMP (2500W GENERATOR)



ART_1001109654

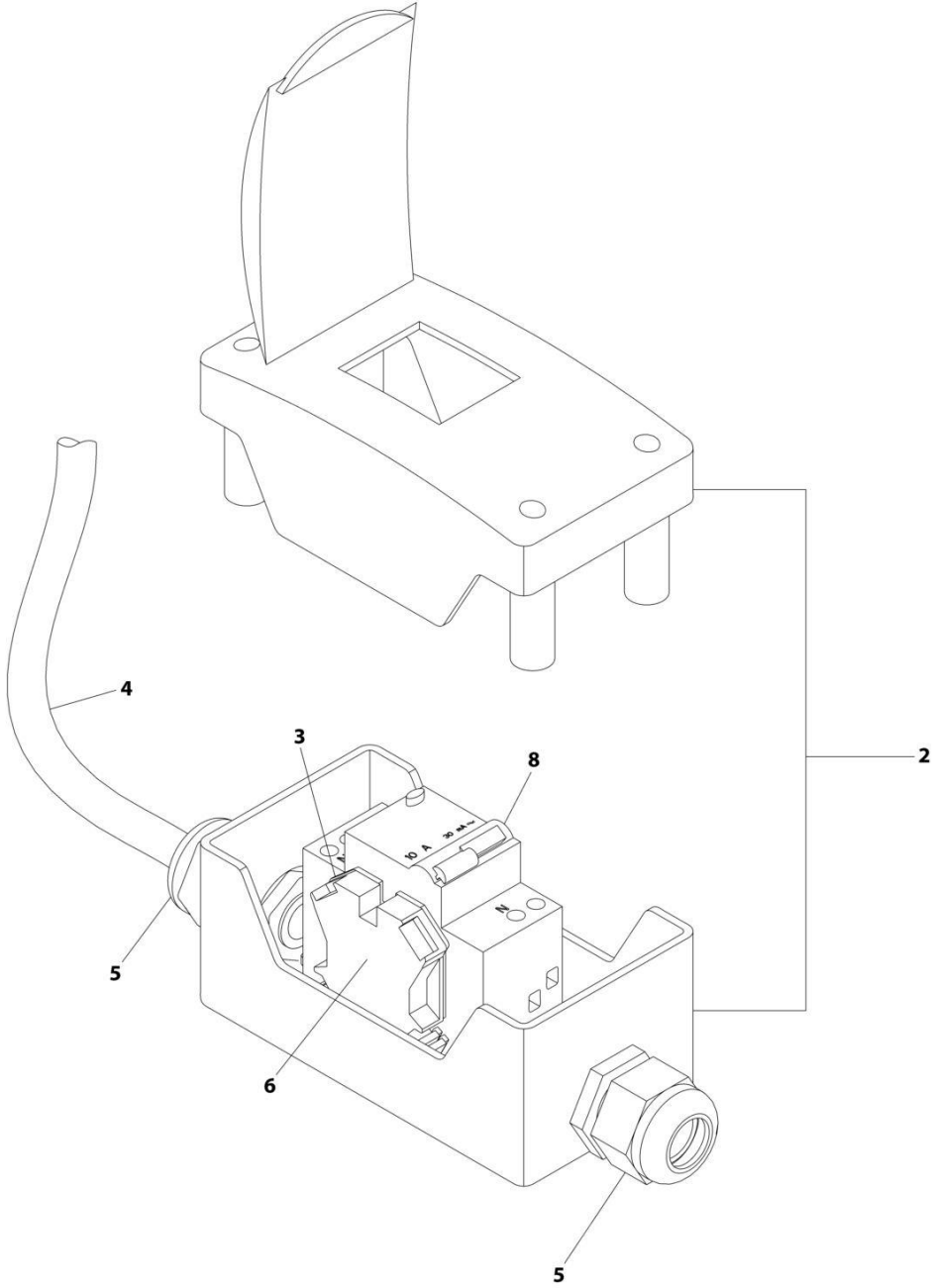
SECTION 8 - ELECTRICAL

FIGURE 8-35. BREAKER BOX KIT - 16 AMP (2500W GENERATOR)

ITEM	PART NUMBER	QTY	DESCRIPTION	REV
	1001109654	Ref	BREAKER BOX KIT	C
1	0861880	1	Box, Breaker	
2	1060908	12 ft/ 3.6m	Cable 12/3	
3	4460956	1	Barrier, Terminal Block End	
4	4460957	1	Block, Terminal	
5	1001097150	1	Connector, Strain Relief	
6	1001101191	1	Connector, Strain Relief	
9	1001181045	1	Breaker - 30mA/16Amp	
10	1001100231	3	Terminal (Not Shown)	

SECTION 8 - ELECTRICAL

FIGURE 8-36. BREAKER BOX KIT - 16 AMP (4000W GENERATOR)



ART_1001165368

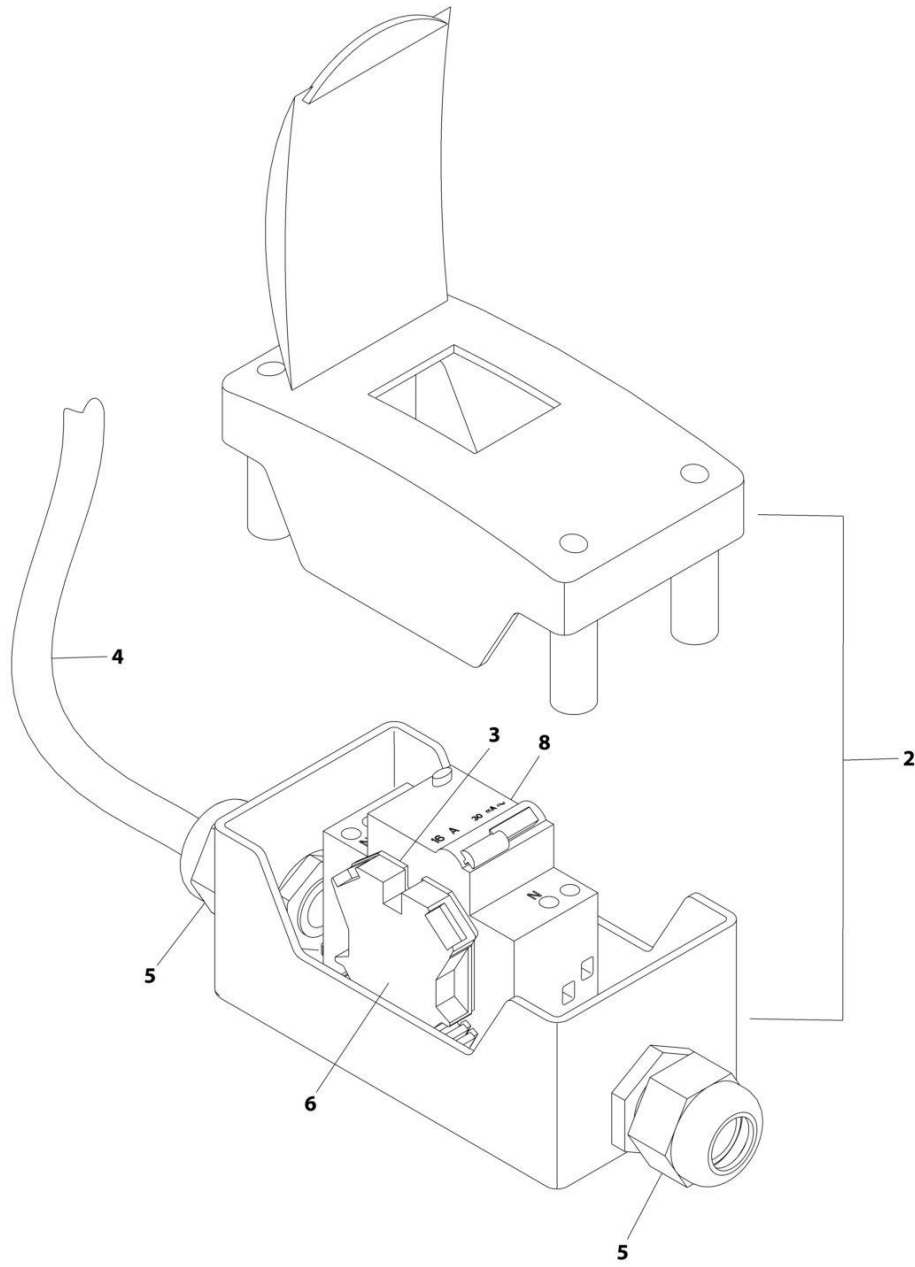
SECTION 8 - ELECTRICAL

FIGURE 8-36. BREAKER BOX KIT - 16 AMP (4000W GENERATOR)

ITEM	PART NUMBER	QTY	DESCRIPTION	REV
	1001165368	Ref	BREAKER BOX KIT	B
2	0861880	1	Box, Circuit Breaker	
3	4460956	1	Barrier, Terminal Block End	
4	1060545	12 ft/ 3.6m	Cable, Electrical 10/3	
5	1001101191	2	Connector, Strain Relief	
6	4460957	1	Block, Terminal	
8	1001181045	1	Breaker 30mA/16Amp	

SECTION 8 - ELECTRICAL

FIGURE 8-37. BREAKER BOX KIT - 30MA/16 AMP (WITHOUT GENERATOR)



ART_1001096070

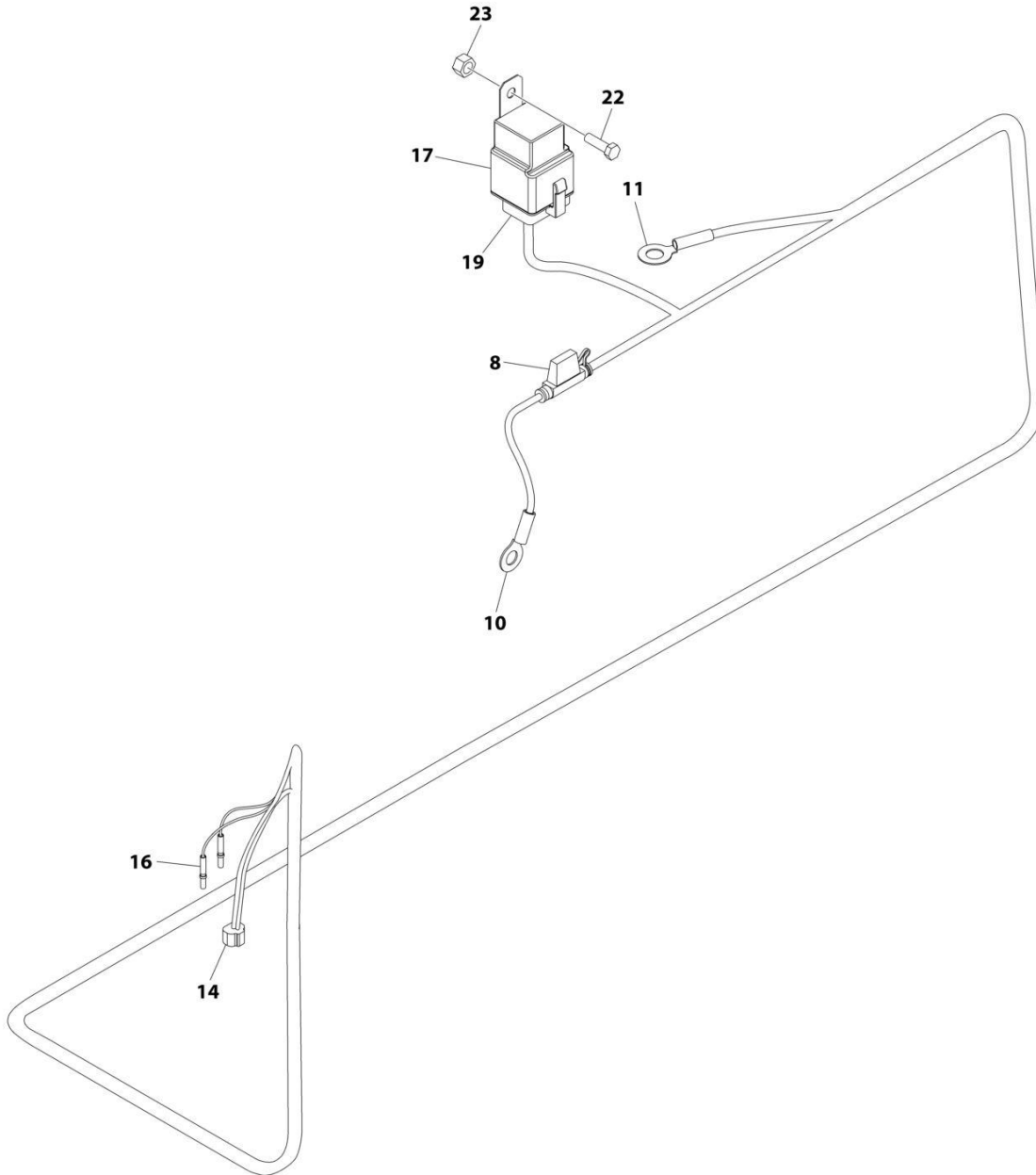
SECTION 8 - ELECTRICAL

FIGURE 8-37. BREAKER BOX KIT - 30MA/16 AMP (WITHOUT GENERATOR)

ITEM	PART NUMBER	QTY	DESCRIPTION	REV
	1001096070	Ref	BREAKER BOX KIT	E
2	0861880	1	Box	
3	4460956	1	Barrier, Terminal Block End	
4	1060908	12 ft/ 3.6m	Cable, 12/3	
5	1001097150	2	Connector, Strain Relief	
6	4460957	1	Block, Terminal	
8	1001181045	1	Breaker, 16Amp	

SECTION 8 - ELECTRICAL

FIGURE 8-38. CHASSIS POWER DISTRIBUTION HARNESS



ART_4923382

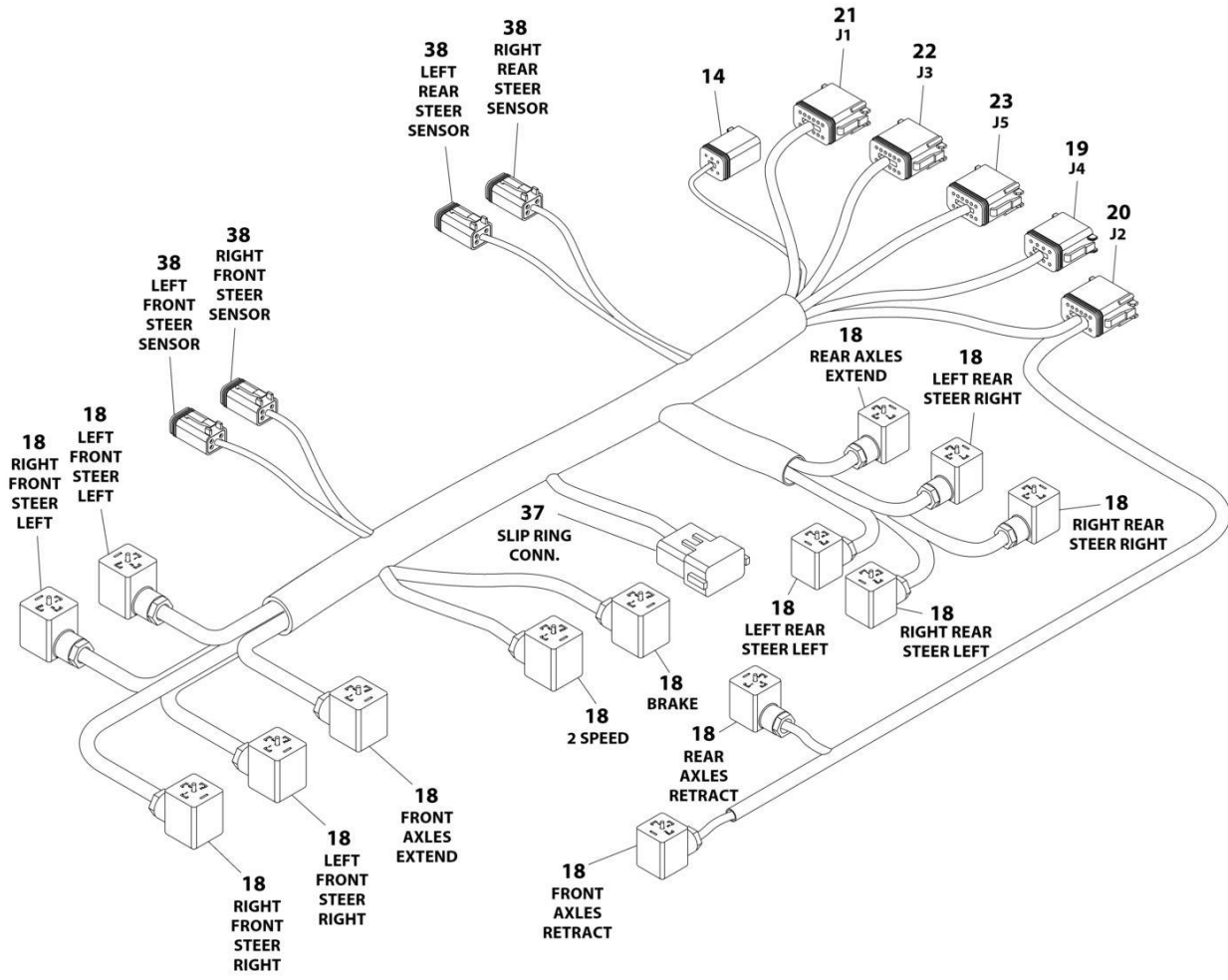
SECTION 8 - ELECTRICAL

FIGURE 8-38. CHASSIS POWER DISTRIBUTION HARNESS

ITEM	PART NUMBER	QTY	DESCRIPTION	REV
	4923382	Ref	CHASSIS POWER DISTRIBUTION HARNESS	E
8	2400066	1	Fuseholder	
8	2400065	1	Fuse 30 Amp	
9	4240032	3	Tie-Strap (Not Shown)	
10	4460019	1	Terminal, Eyelet	
11	4460256	1	Terminal, Eyelet	
14	4460897	1	Connector - 2 Position	
14	4460464	2	Pin, Male	
16	4460942	2	Socket, Female	
17	3740080	1	Relay	
19	4460374	1	Plug, Sealed	
19	4460375	5	Terminal	
19	0100048	AR	Lubricant, Silicone	
22	0641408	1	Bolt 1/4 x 1	
23	3311405	1	Nut 1/4	

SECTION 8 - ELECTRICAL

FIGURE 8-39. CHASSIS HARNESS ASSEMBLY



ART_4922696

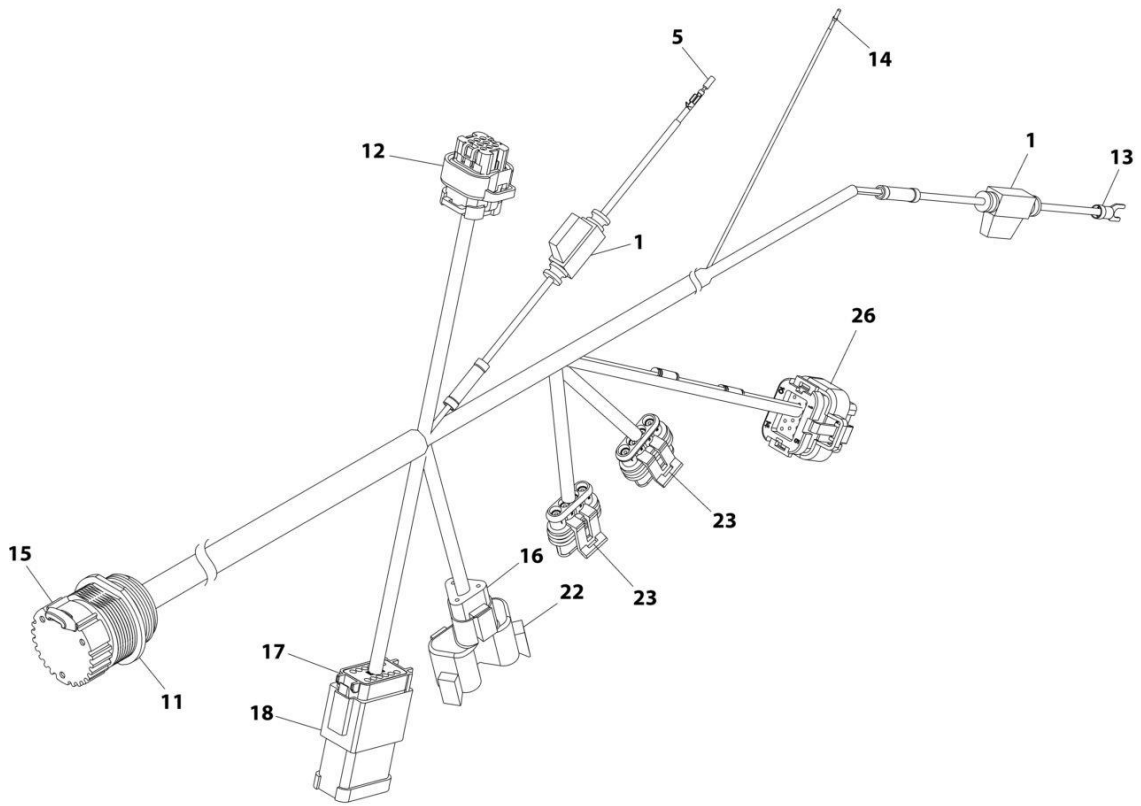
SECTION 8 - ELECTRICAL

FIGURE 8-39. CHASSIS HARNESS ASSEMBLY

ITEM	PART NUMBER	QTY	DESCRIPTION	REV
	4922696	Ref	CHASSIS HARNESS ASSEMBLY	D
14	4460894	1	Connector - 6 Position	
14	4460465	6	Socket, Female	
14	4460892	1	Connector - 6 Position Buss Bar	
17	4460894	1	Connector - 6 Position (Not Shown)	
17	4460465	6	Socket, Female	
17	4460892	1	Connector - 6 Position Buss Bar	
18	4460880	14	DIN Connector	
19	4460930	1	Connector - 8 Position (Gray)	
19	4460465	1	Socket, Female	
19	4460466	7	Plug, Terminal	
20	4460836	1	Connector - 12 Position (Black)	
20	4460465	6	Socket, Female	
20	4460466	6	Plug, Terminal	
21	4460933	1	Connector - 12 Position (Gray)	
21	4460465	8	Socket, Female	
21	4460466	4	Plug, Terminal	
22	4460934	1	Connector - 12 Position (Green)	
22	4460944	12	Socket, Female	
23	4460935	1	Connector - 12 Position (Brown)	
23	4460465	8	Socket, Female	
25	4240032	10	Tie-Strap (Not Shown)	
26	4240033	15	Tie-Strap (Not Shown)	
37	4460950	1	Connector - 12 Position	
37	4460464	6	Pin, Male	
37	4460943	3	Pin, Male	
37	4460941	2	Pin, Male	
38	4460884	4	Connector - 4 Position (Gray)	
38	4460944	16	Socket, Female	

SECTION 8 - ELECTRICAL

FIGURE 8-40. CLEARSKY READY HARNESS (DEUTZ TD2011, DEUTZ TCD2.9L4 & DEUTZ TCD2.9L4 (STAGE V PRE-BUY) ENGINES)



ART_1001279488

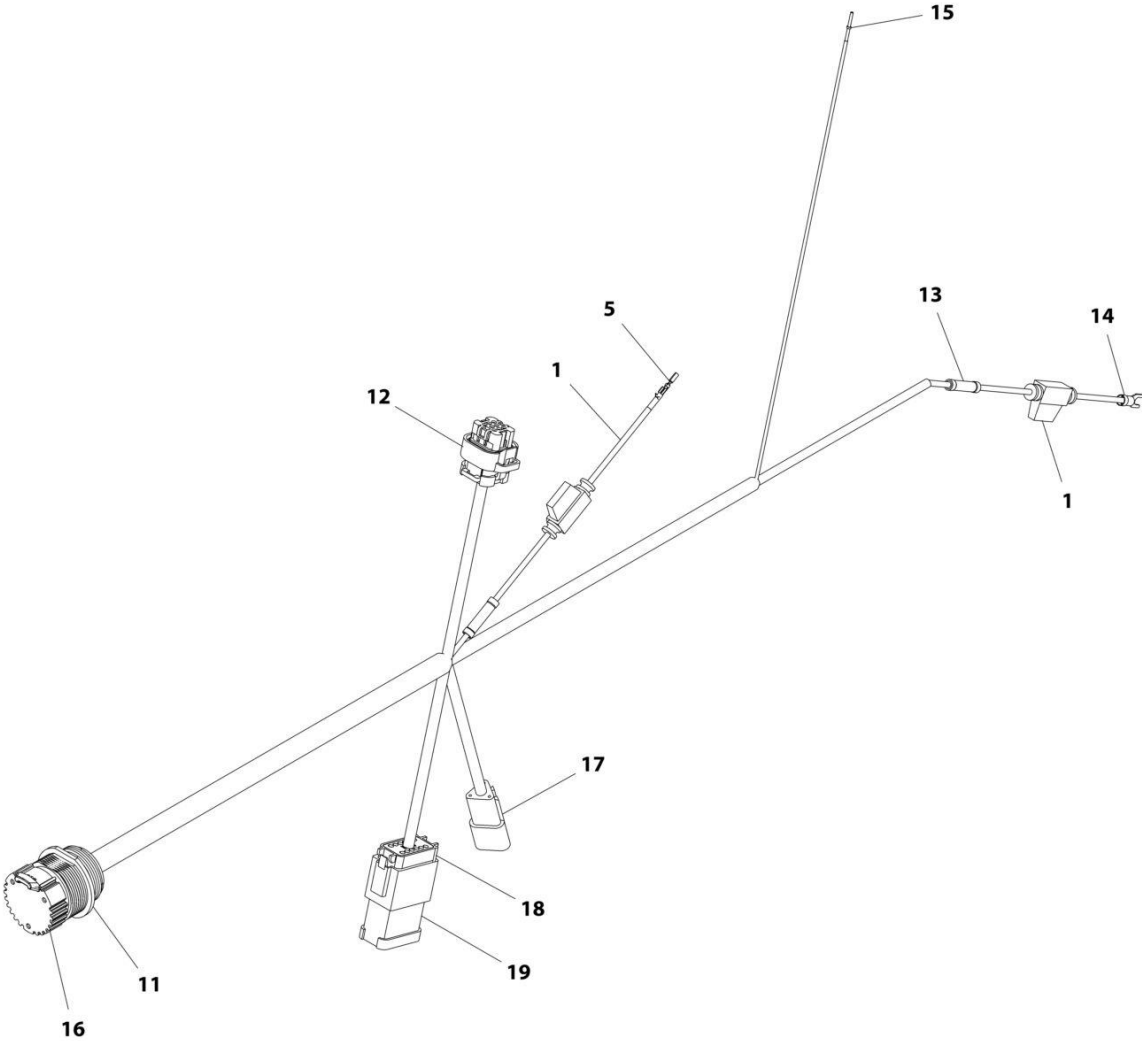
SECTION 8 - ELECTRICAL

**FIGURE 8-40. CLEARSKY READY HARNESS (DEUTZ TD2011, DEUTZ TCD2.9L4 & DEUTZ TCD2.9L4
(STAGE V PRE-BUY) ENGINES**

ITEM	PART NUMBER	QTY	DESCRIPTION	REV
	1001279488	Ref	CLEARSKY READY HARNESS	A
1	2400060	2	Fuseholder with Cover	
1	2400064	2	Fuse 5Amp	
5	4460871	1	Socket, Female	
11	1001112612	1	Connector - 9 Position	
11	4460464	6	Pin, Male	
11	4460466	3	Plug, Sealing	
12	1001113961	1	Connector - 8 Position	
12	4460871	5	Socket, Female	
12	4460905	3	Plug, Sealing	
13	4460183	1	Terminal, Connector	
14	4460465	1	Socket, Female	
15	1001106736	1	Cap, Dust	
16	1001116812	1	Connector - 3 Position	
16	4460944	3	Pin, Male	
17	4460933	1	Connector - 12 Position	
17	4460465	12	Socket, Female	
18	1001119020	1	Terminal, Connector	
22	4460945	1	Connector, Female - 3 Way	
23	1001103012	2	Connector - 4 Position	
23	1001104498	8	Terminal, Wire Seal	
23	1001107854	8	Terminal, AMP Superseal Socket	
26	1001246859	1	Connector - 14 Position	
26	4460871	5	Terminal, Socket	
26	4460905	9	Plug, Sealing	

SECTION 8 - ELECTRICAL

FIGURE 8-41. (CLEARSKY READY HARNESS (DEUTZ TCD2.9L4 (STAGE V) ENGINES)



ART_1001114438

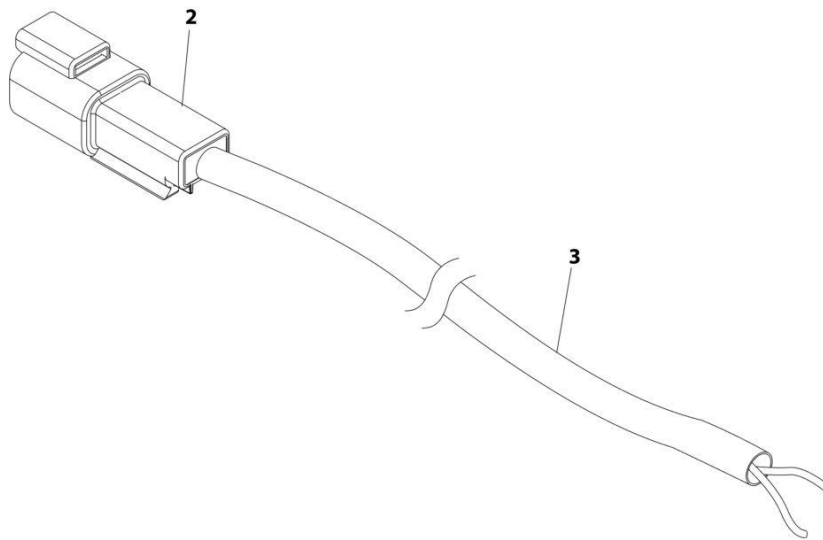
SECTION 8 - ELECTRICAL

FIGURE 8-41. (CLEARSKY READY HARNESS (DEUTZ TCD2.9L4 (STAGE V) ENGINES)

ITEM	PART NUMBER	QTY	DESCRIPTION	REV
	1001114438	Ref	CLEARSKY READY HARNESS	A
1	2400060	2	Fuseholder with Cover	
1	2400064	2	Fuse 5Amp	
5	4460871	1	Socket, Female	
11	1001112612	1	Connector - 9 Position	
11	4460464	6	Pin, Male	
11	4460466	3	Plug, Sealing	
12	1001113961	1	Connector - 8 Position	
12	4460871	5	Socket, Female	
12	4460905	5	Plug, Sealing	
13	4460035	2	Terminal, Connector	
14	4460183	1	Terminal, Eyelet	
15	4460465	1	Socket, Female	
16	1001106736	1	Cap, Dust	
17	4460536	1	Connector - 3 Position	
17	4460464	3	Pin, Male	
18	4460933	1	Connector - 12 Position	
18	4460465	9	Socket, Female	
18	4460466	3	Plug, Sealing	
19	4460898	1	Connector Bussbar - 9 Position	

SECTION 8 - ELECTRICAL

FIGURE 8-42. DUAL CAPACITY JIB POSITION SWITCH HARNESS



ART_4922785

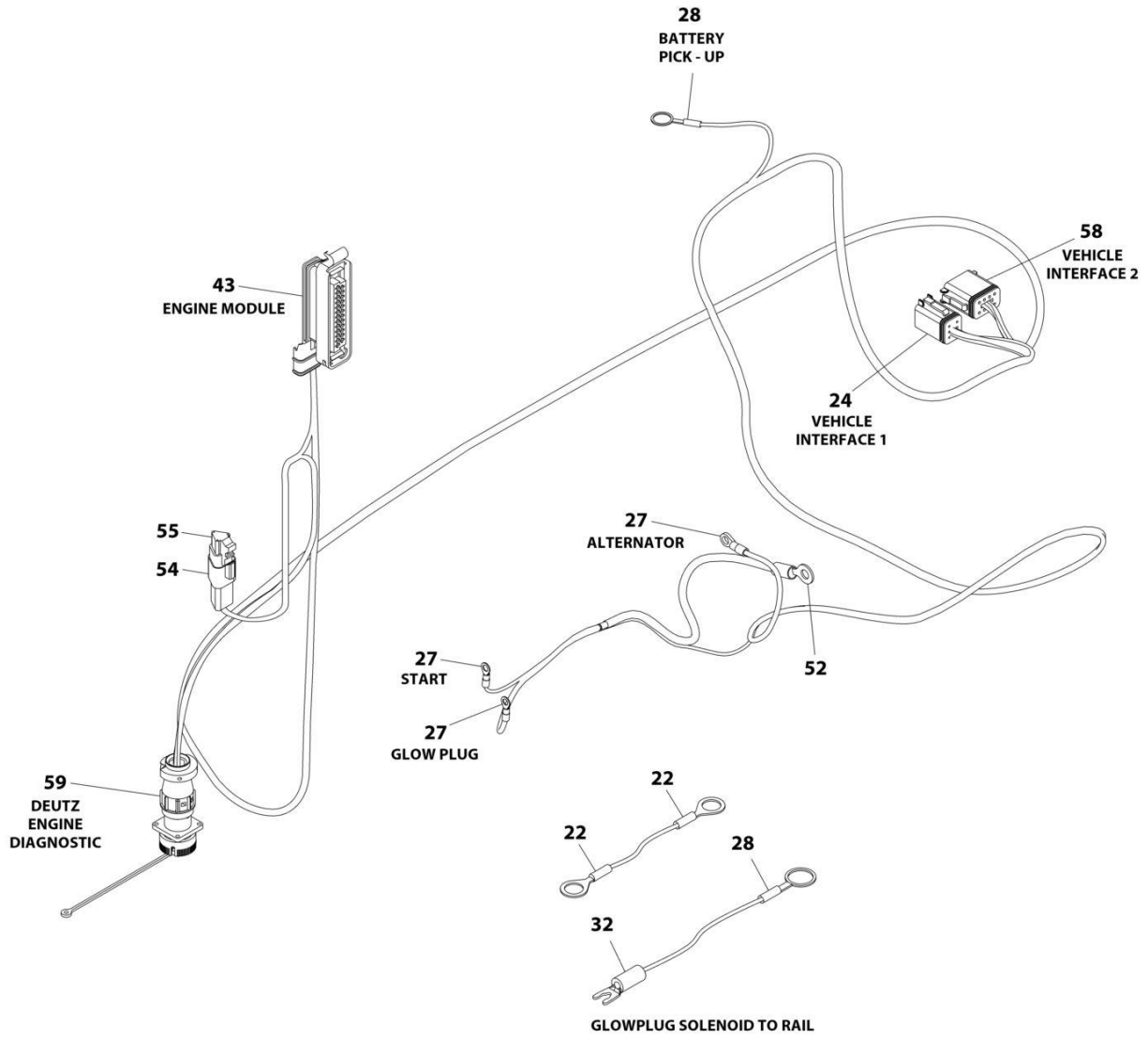
SECTION 8 - ELECTRICAL

FIGURE 8-42. DUAL CAPACITY JIB POSITION SWITCH HARNESS

ITEM	PART NUMBER	QTY	DESCRIPTION	REV
	4922785	Ref	DUAL CAPACITY JIB POSITION SWITCH HARNESS	C
2	4460897	1	Connector - 2 Position	
2	4460464	2	Pin, Male	
3	1060902	15 ft/ 4.5m	Cable, Electrical 18/2	

SECTION 8 - ELECTRICAL

FIGURE 8-43. ENGINE HARNESS - DEUTZ TD2011 ENGINES



ART_1001119470

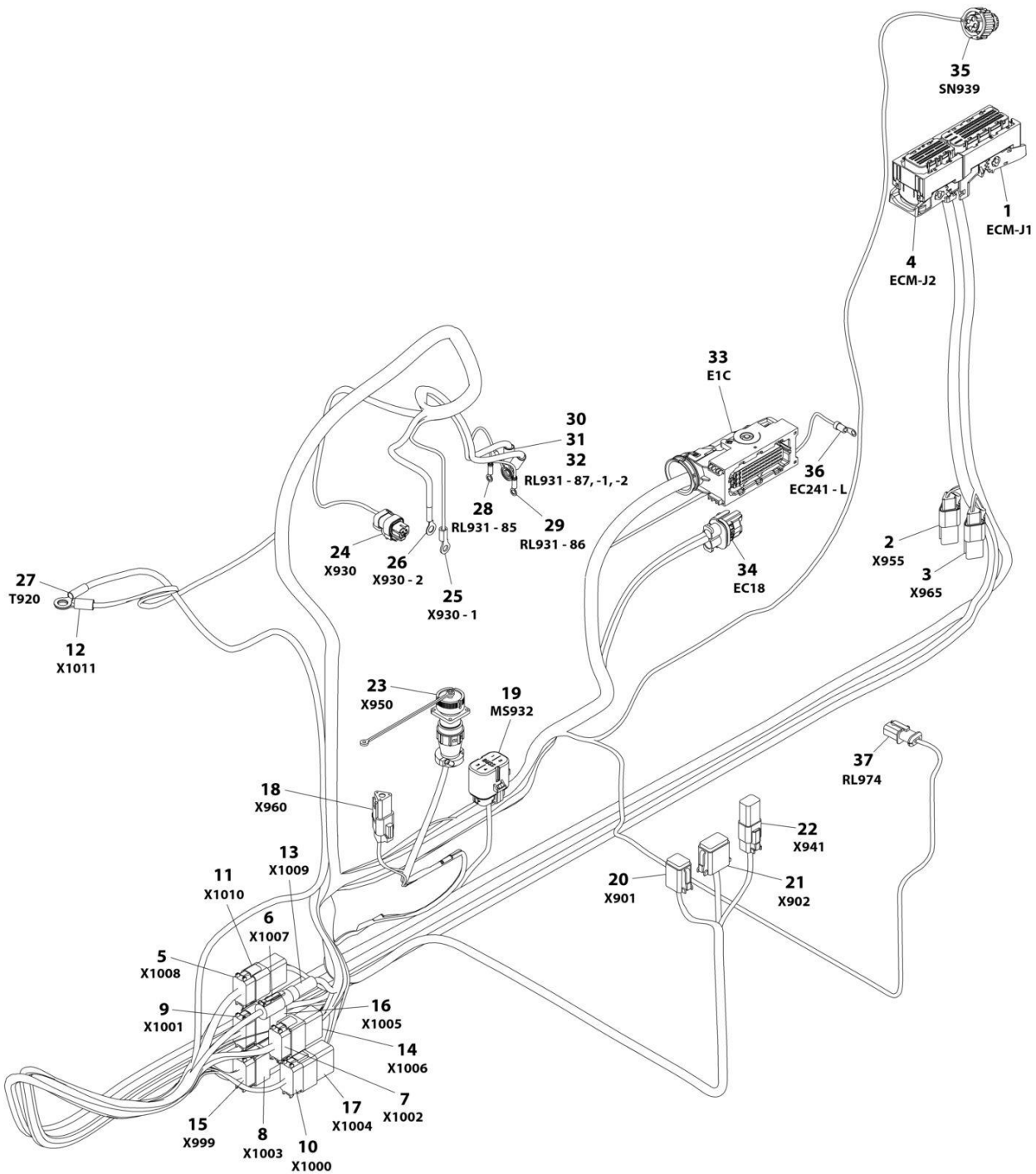
SECTION 8 - ELECTRICAL

FIGURE 8-43. ENGINE HARNESS - DEUTZ TD2011 ENGINES

ITEM	PART NUMBER	QTY	DESCRIPTION	REV
	1001119470	Ref	ENGINE HARNESS - DEUTZ TD2011 ENGINES	B
22	4460702	2	Terminal, Eyelet	
24	4460894	1	Connector - 6 Position	
24	4460465	2	Socket, Female	
24	4460466	1	Plug, Terminal	
24	4460944	3	Socket, Female	
27	4460313	3	Terminal, Eyelet	
28	4460019	2	Terminal, Eyelet	
32	4460315	1	Terminal, Fork	
43	4461052	1	Connector - 25 Position	
43	4461005	5	Terminal	
43	4461006	5	Seal	
43	4461060	2	Terminal (Tin)	
43	4461054	2	Seal, Terminal	
43	4461008	18	Plug, Hole	
43	4461053	1	Cover, Plug	
50	4240032	AR	Tie-Strap (Not Shown)	
51	4240033	AR	Tie-Strap (Not Shown)	
52	4461097	1	Terminal, Eyelet	
54	4461095	1	Connector - 3 Position	
54	4460944	3	Socket, Female	
55	4461070	1	Connector with Resistor (3 Position)	
58	4460930	1	Connector - 8 Position	
58	4460465	2	Socket, Female	
58	4460466	6	Seal, Plug	
59	2902443	1	Kit, Receptacle	
59	4461071	8	Terminal, Female (Gold)	
59	4461072	1	Connector, Flange Mount	
59	4461073	1	Connector, Dust Cap	
59	4461074	1	Connector, Shell	

SECTION 8 - ELECTRICAL

FIGURE 8-44. ENGINE HARNESS - DEUTZ TCD2.9L4 ENGINES AND DEUTZ TCD2.9L4 (STAGE V PRE-BUY) ENGINES



ART_1001138346

SECTION 8 - ELECTRICAL

FIGURE 8-44. ENGINE HARNESS - DEUTZ TCD2.9L4 ENGINES AND DEUTZ TCD2.9L4 (STAGE V PRE-BUY) ENGINES

ITEM	PART NUMBER	QTY	DESCRIPTION	REV
	1001138346	Ref	ENGINE HARNESS - DEUTZ TCD2.9L4 ENGINES AND DEUTZ TCD2.9L4 (STAGE V PRE-BUY) ENGINES	H
1	1001133956	1	Connector (Includes Cover, Locks and Retention Plate)	
1	1001182361	6	Terminal	
1	1001230934	15	Terminal	
1	1001126351	1	Terminal	
1	1001256507	4	Terminal	
1	1001230936	3	Plug, Terminal	
1	1001230935	62	Plug, Terminal	
1	1001126352	6	Terminal	
1	1001126384	19	Terminal	
1	1001126357	3	Plug, Seal	
1	1001126356	65	Plug, Seal	
2	4461070	1	Connector with Resistor (3 Position)	
2	4461095	1	Connector - 3 Position	
2	4460944	2	Socket, Female	
2	4460466	1	Seal, Plug	
3	4461070	1	Connector with Resistor (3 Position)	
3	4461095	1	Connector - 3 Position	
3	4460944	2	Socket, Female	
3	4460466	1	Seal, Plug	
4	1001133957	1	Connector (Includes Cover, Locks and Retention Plate)	
4	1001126351	13	Terminal	
4	1001230934	11	Terminal	
4	1001252527	4	Terminal	
4	1001256507	2	Terminal	
4	1001230935	19	Plug, Terminal	
4	1001230936	11	Plug, Terminal	
5	4460930	1	Connector - 8 Position	
5	4460944	5	Socket, Female (Gold)	
5	4460465	2	Socket, Female	
5	4460466	1	Seal, Plug	
6	1001116707	1	Connector - 1 Position	
6	91143340	1	Terminal	
7	4460935	1	Plug, Brown - 12 Position	
7	4460465	12	Socket, Female	
8	4460970	1	Connector - 12 Position	
8	4460941	12	Pin, Male	
9	4460934	1	Connector, Green - 12 Position	
9	4460465	10	Socket, Female	
9	4460466	2	Seal, Plug	
10	4460836	1	Connector, Black - 12 Position	
10	4460465	8	Socket, Female	
10	4460466	4	Seal, Plug	
11	4460931	1	Connector - 8 Position (Gray)	
11	4460943	5	Pin, Male (Gold)	
11	4460466	3	Plug, Socket	
12	8220164	1	Terminal, Eyelet	
13	1001116967	1	Connector - 1 Position	

SECTION 8 - ELECTRICAL

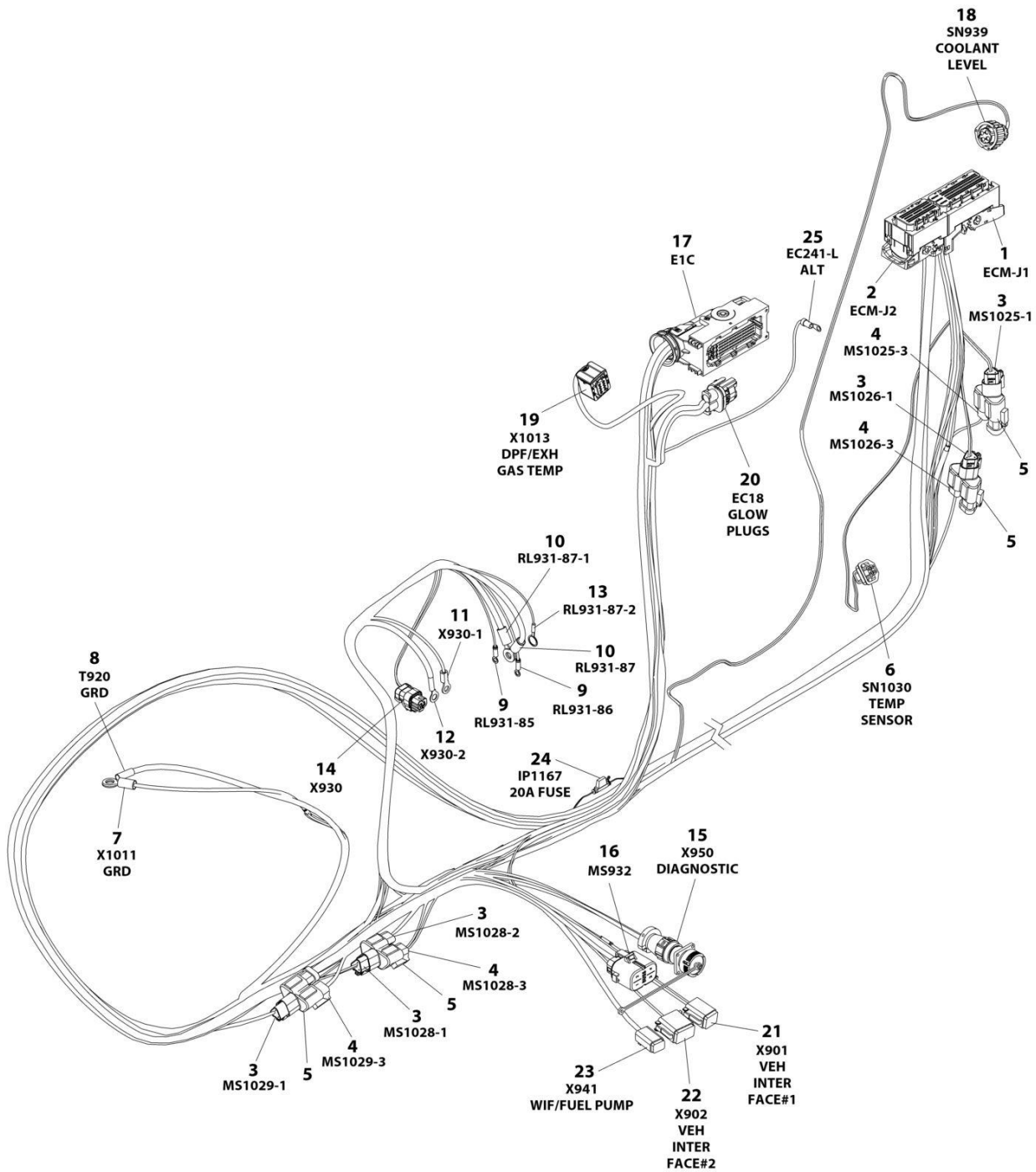
ITEM	PART NUMBER	QTY	DESCRIPTION	REV
13	91143339	1	Terminal	
14	4460982	1	Connector - 12 Position	
14	4460464	12	Pin, Male	
15	4460933	1	Connector, Gray - 12 Position	
15	4460942	12	Socket, Female	
16	1001152742	1	Connector - 12 Position	
16	4460464	10	Pin, Male	
16	4460466	2	Seal, Plug	
17	4460950	1	Connector - 12 Position	
17	4460464	8	Pin, Male	
17	4460466	4	Plug, Seal	
18	4461070	1	Connector with Resistor (3 Position)	
18	4461095	1	Connector - 3 Position	
18	4460944	2	Socket, Female	
18	4460466	1	Seal, Plug	
19	80484084	1	Connector - 8 Position	
19	8229242	1	Fuse - 5A	
19	80983191	1	Fuse - 10A	
19	1001147264	1	Cap	
19	1001116728	4	Plug	
19	4460458	4	Seal	
20	4460894	1	Connector - 6 Position	
20	4460465	3	Socket, Female	
20	4460944	2	Socket, Female	
20	4460466	1	Seal, Plug	
21	4460930	1	Connector - 8 Position	
21	4460465	1	Socket, Female	
21	4460466	7	Plug, Seal	
22	1001220379	1	Connector - 4 Position	
22	4460465	2	Socket, Female	
22	4460942	2	Socket, Female	
22	4460932	1	Connector - 4 Position	
22	4460466	4	Seal, Plug	
23	2902443	1	Kit, Receptacle	
23	4461071	8	Terminal, Female (Gold)	
23	4461072	1	Connector, Flange Mount	
23	4461073	1	Connector, Dust Cap	
23	4461074	1	Connector, Shell	
24	1001116952	1	Connector - 2 Position	
24	4460465	2	Socket, Female	
25	4460043	1	Terminal, Eyelet	
26	1001117106	1	Terminal, Eyelet	
27	4460019	1	Terminal, Eyelet	
28	4460247	1	Terminal, Eyelet	
29	4460247	1	Terminal, Eyelet	
30	1001117107	1	Terminal, Eyelet	
31	1001117107	1	Terminal, Eyelet	
32	4460703	1	Terminal, Eyelet	
33	1001126362	1	Connector - 62 Position	
33	1001126363	23	Terminal	
33	1001256506	2	Seal	

SECTION 8 - ELECTRICAL

ITEM	PART NUMBER	QTY	DESCRIPTION	REV
33	1001126364	21	Seal	
33	1001126392	10	Terminal	
33	1001223459	10	Seal	
33	1001126365	2	Terminal	
33	4461054	2	Seal	
33	1001126391	22	Plug, Terminal	
33	4461008	4	Plug, Cavity	
34	1001142938	1	Connector - 2 Position	
34	1001142940	2	Terminal, Female	
34	1001142941	2	Seal	
35	1001133714	1	Connector - 4 Position	
35	1001133715	3	Terminal, Female	
35	1001135650	1	Seal	
35	1001135651	1	Plug, Cavity	
36	4460042	1	Terminal, Eyelet	
37	1001138110	1	Connector - 2 Position	
37	1001138111	2	Socket, Female	
37	1001138113	2	Seal	

SECTION 8 - ELECTRICAL

FIGURE 8-45. ENGINE HARNESS - DEUTZ TCD2.9L4 ENGINES AND DEUTZ TCD2.9L4 (STAGE V) ENGINES



ART_1001237285

SECTION 8 - ELECTRICAL

FIGURE 8-45. ENGINE HARNESS - DEUTZ TCD2.9L4 ENGINES AND DEUTZ TCD2.9L4 (STAGE V) ENGINES

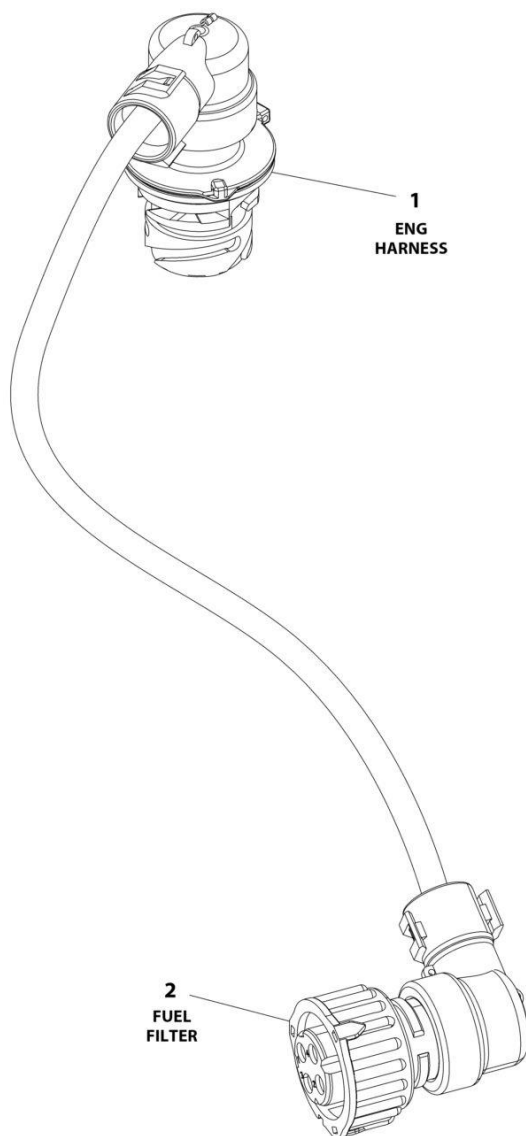
ITEM	PART NUMBER	QTY	DESCRIPTION	REV
	1001237285	Ref	ENGINE HARNESS	G
1	1001133956	1	Connector (Includes Cover, Locks and Retention Plate)	
1	1001182361	6	Terminal	
1	1001230934	25	Terminal	
1	1001126351	3	Terminal	
1	1001252527	4	Terminal	
1	1001230935	55	Plug, Terminal	
1	1001230936	1	Plug, Terminal	
2	1001133957	1	Connector (Includes Cover, Locks and Retention Plate)	
2	1001126351	13	Terminal	
2	1001230934	26	Terminal	
2	1001230935	9	Terminal	
2	1001230936	11	Plug, Terminal	
3	1001116812	5	Plug, Male - 3 Position	
3	4460944	10	Socket, Female	
3	4460466	5	Plug, Terminal	
4	4460539	4	Plug, Male - 3 Position	
4	4460944	8	Socket, Female	
4	4460466	4	Plug, Terminal	
5	4460945	4	Connector - 3 Way	
6	1001126487	1	Connector - 3 Position	
6	1001167635	2	Terminal	
6	1001126485	2	Seal	
7	8220164	1	Terminal, Eyelet	
8	4460019	1	Terminal, Eyelet	
9	4460247	2	Terminal, Eyelet	
10	1001117107	2	Terminal, Eyelet	
11	4460043	1	Terminal, Eyelet	
12	1001117106	1	Terminal, Eyelet	
13	4460703	1	Terminal, Eyelet	
14	1001116952	1	Connector - 2 Position	
14	4460465	2	Socket, Female	
15	2902443	1	Kit, Receptacle	
15	4461071	8	Terminal, Female (Gold)	
15	4461072	1	Connector, Flange Mount	
15	4461073	1	Connector, Dust Cap	
15	4461074	1	Connector, Shell	
16	80484084	1	Connector - 8 Position	
16	4460748	4	Plug, Terminal	
16	4460746	3	Terminal	
16	1001234800	1	Terminal	
16	4460458	4	Seal	
17	1001126362	1	Connector - 62 Position	
17	1001126363	36	Terminal	
17	1001126364	36	Seal	
17	1001126391	7	Plug, Terminal	
17	4461008	4	Plug, Cavity	
17	1001126392	12	Terminal	
17	1001223459	12	Seal	

SECTION 8 - ELECTRICAL

ITEM	PART NUMBER	QTY	DESCRIPTION	REV
17	1001167632	2	Terminal	
17	4461054	2	Seal	
18	1001133714	1	Connector - 4 Position	
18	1001133715	3	Terminal, Female	
18	1001135650	1	Seal	
18	1001135651	1	Plug, Cavity	
19	1001239202	1	Connector - 8 Position	
19	1001126363	7	Terminal	
19	1001126364	7	Seal	
19	1001135651	1	Plug, Terminal	
20	1001142938	1	Connector - 2 Position	
20	1001142940	2	Terminal, Female	
20	1001142941	2	Seal	
21	4460894	1	Connector - 6 Position	
21	4460465	2	Socket, Female	
21	4460944	2	Socket, Female	
21	4460466	2	Seal, Plug	
22	4460930	1	Connector - 8 Position	
22	4460465	1	Socket, Female	
22	4460466	7	Seal, Plug	
23	4460884	1	Connector - 4 Position	
23	4460465	2	Socket, Female	
23	4460942	2	Socket, Female	
24	1001170764	1	Fuseholder with Cover and 20AMP Fuse	
24	1001197719	1	Resistor 620ohm/5 watt	
25	4460042	1	Terminal, Eyelet	

SECTION 8 - ELECTRICAL

FIGURE 8-46. FUEL FILTER HARNESS - DEUTZ TCD2.9L4 ENGINES AND DEUTZ TCD2.9L4 (STAGE V) ENGINES



ART_1001148843

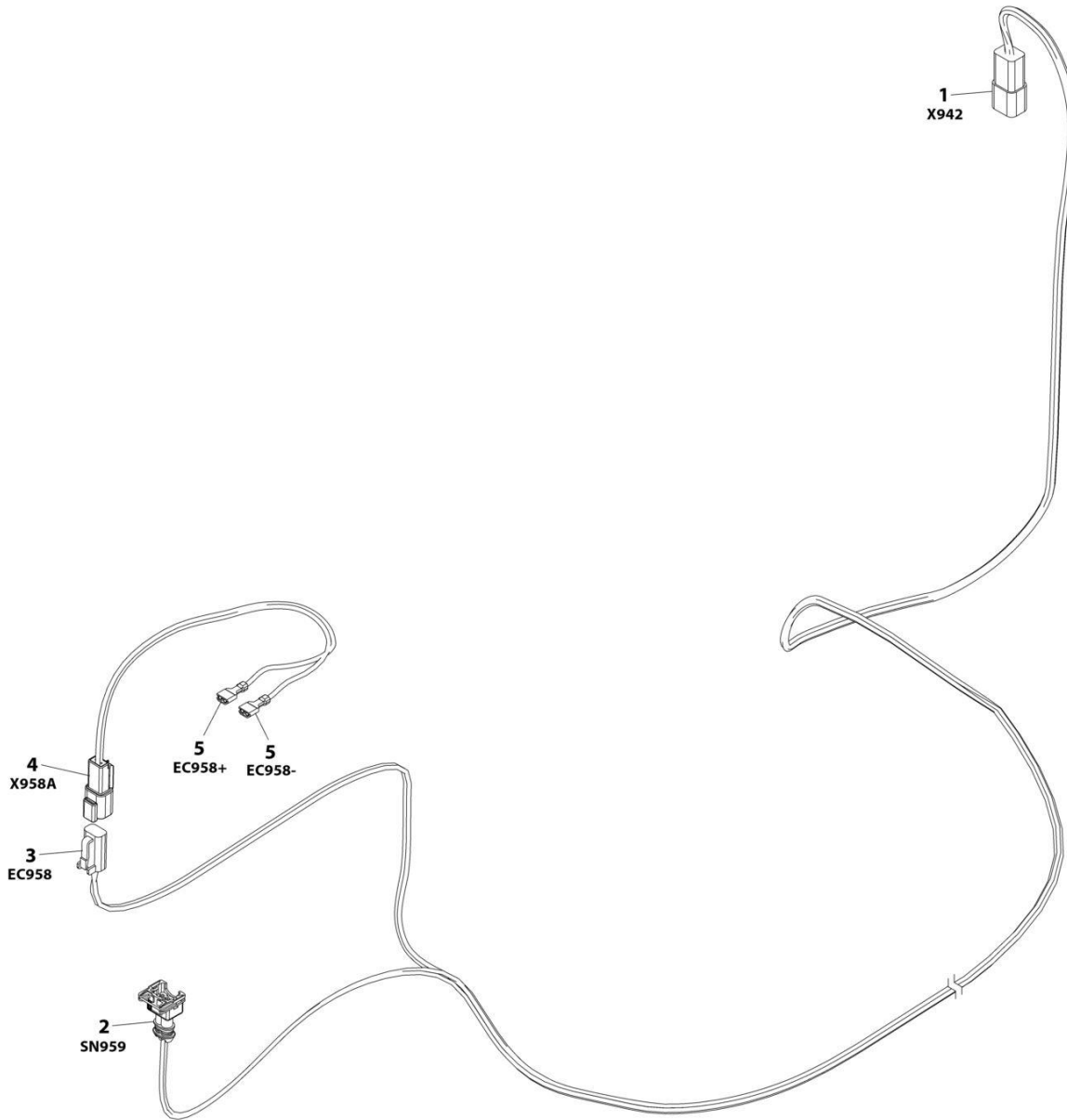
SECTION 8 - ELECTRICAL

FIGURE 8-46. FUEL FILTER HARNESS - DEUTZ TCD2.9L4 ENGINES AND DEUTZ TCD2.9L4 (STAGE V) ENGINES

ITEM	PART NUMBER	QTY	DESCRIPTION	REV
	1001148843	Ref	FUEL FILTER HARNESS - DEUTZ TCD2.9L4 ENGINES	A
1	1001148842	1	Connector - 4 Position	
1	1001148841	4	Pin, Male	
1	1001135650	4	Seal	
2	1001133714	1	Plug, Male - 4 Position	
2	1001133715	4	Socket, Female	
2	1001135650	4	Seal	

SECTION 8 - ELECTRICAL

FIGURE 8-47. FUEL HARNESS - DEUTZ TCD2.9L4 ENGINES, DEUTZ TCD2.9L4 (STAGE V PRE-BUY) ENGINES AND DEUTZ TCD2.9L4 (STAGE V) ENGINES



ART_1001138491

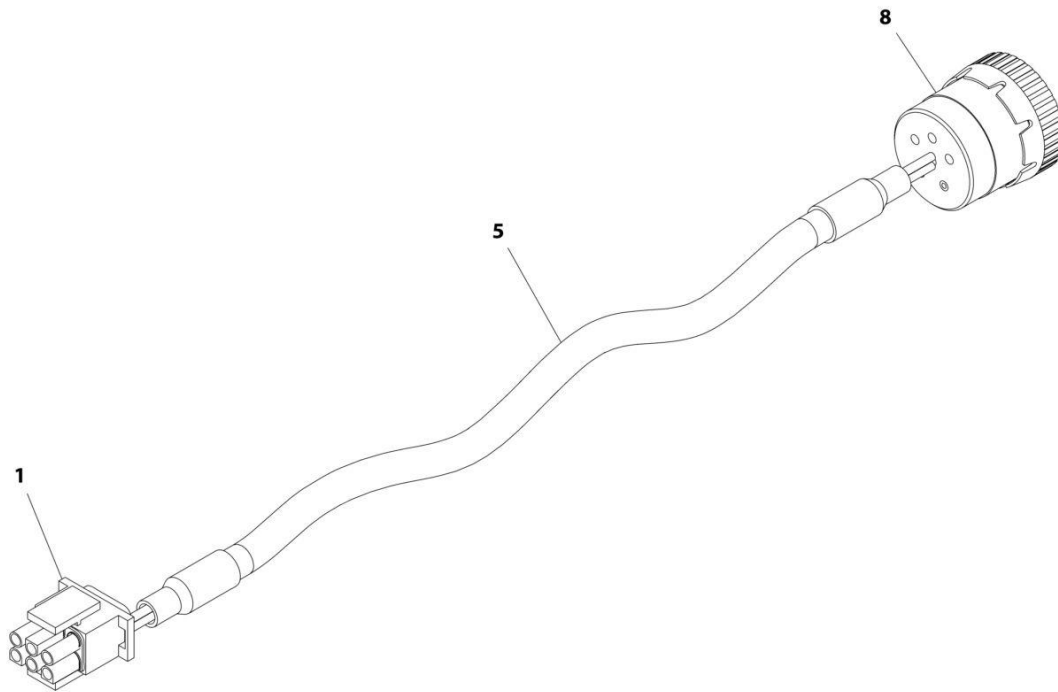
SECTION 8 - ELECTRICAL

FIGURE 8-47. FUEL HARNESS - DEUTZ TCD2.9L4 ENGINES, DEUTZ TCD2.9L4 (STAGE V PRE-BUY) ENGINES AND DEUTZ TCD2.9L4 (STAGE V) ENGINES

ITEM	PART NUMBER	QTY	DESCRIPTION	REV
	1001138491	Ref	FUEL PUMP HARNESS	D
1	4460932	1	Receptacle, Female - 4 Position	
1	4460941	2	Pin, Male	
1	4460464	2	Pin, Male	
2	1001116983	1	Plug, Male - 2 Position	
2	1001116710	2	Socket, Female	
2	4461054	2	Seal	
3	4460891	1	Plug, Male - 2 Position	
3	4460942	2	Socket, Female	
4	4460897	1	Connector - 2 Position	
4	4460941	2	Pin, Male	
5	8220051	2	Terminal, Ring	

SECTION 8 - ELECTRICAL

FIGURE 8-48. GENERATOR HARNESS - 4000W GENERATOR



ART_1001152533

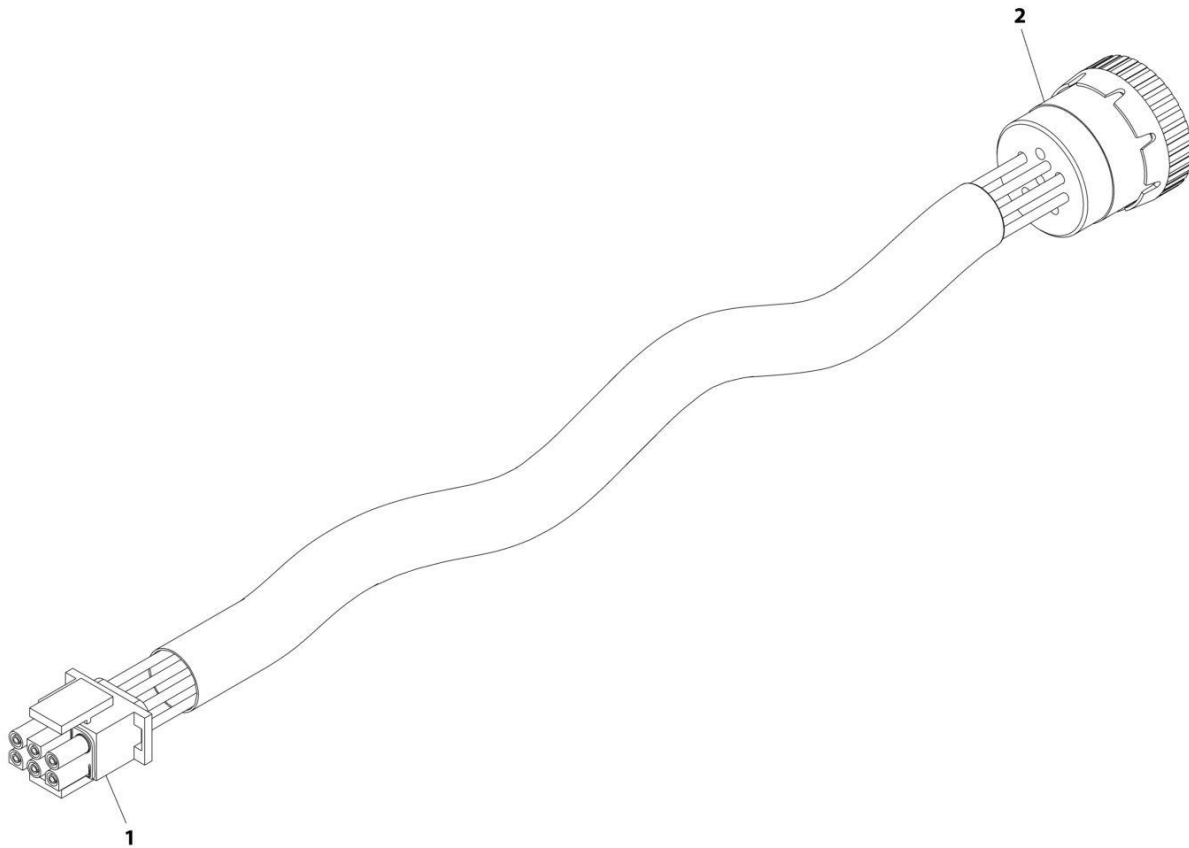
SECTION 8 - ELECTRICAL

FIGURE 8-48. GENERATOR HARNESS - 4000W GENERATOR

ITEM	PART NUMBER	QTY	DESCRIPTION	REV
	1001152533	Ref	GENERATOR HARNESS - 4000W GENERATOR	A
1	4460225	1	Connector - 6 Position	
1	4460268	2	Socket, Female	
1	4460807	1	Seal, Plug	
1	4460808	1	Seal, Plug	
5	1060341	8 ft /2.4m	Cable, 16/2	
8	77363233	1	Connector - 6 Position	
8	4460465	2	Socket, Female	

SECTION 8 - ELECTRICAL

FIGURE 8-49. GENERATOR CABLE HARNESS - 7500W GENERATOR



ART_4922972

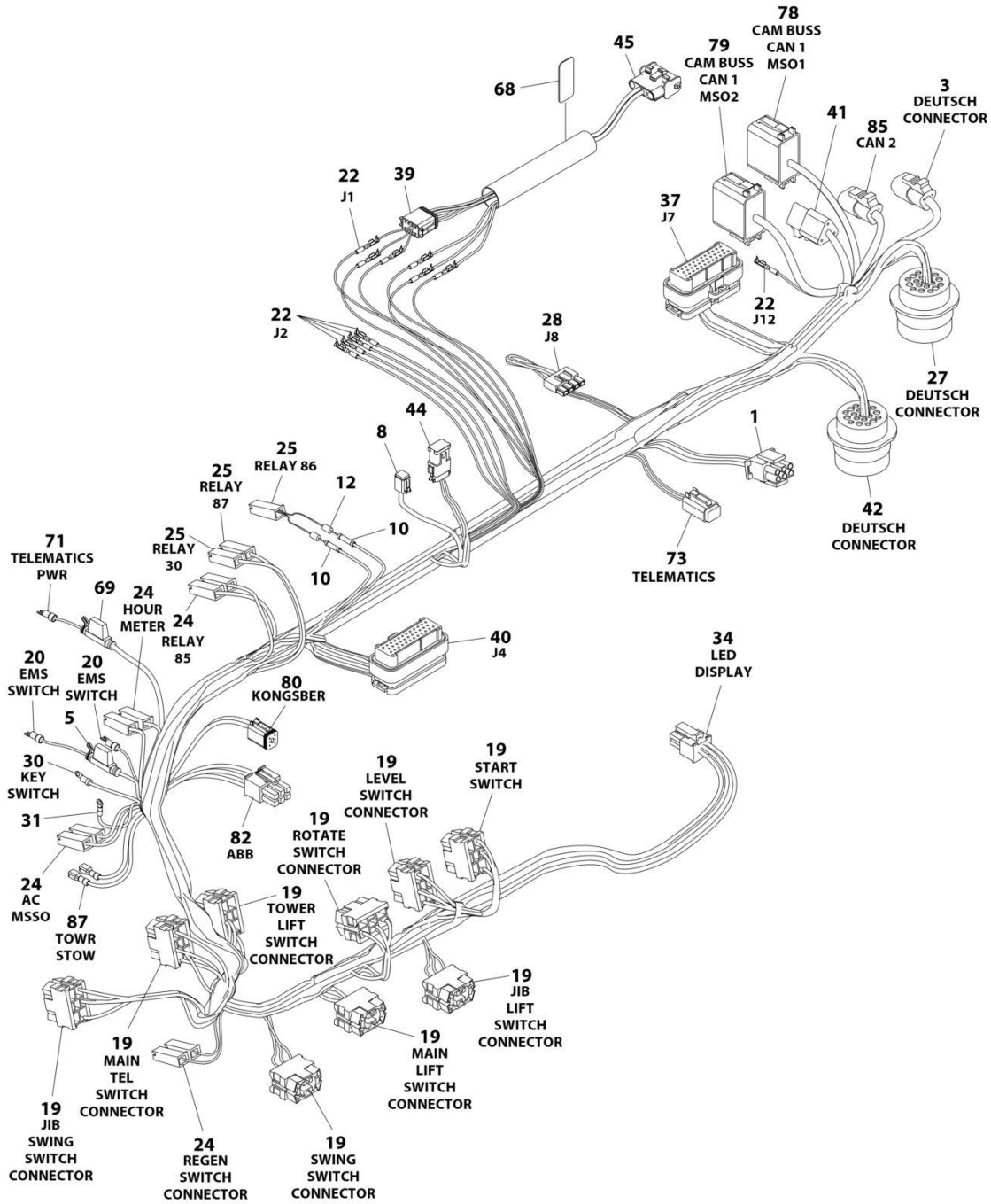
SECTION 8 - ELECTRICAL

FIGURE 8-49. GENERATOR CABLE HARNESS - 7500W GENERATOR

ITEM	PART NUMBER	QTY	DESCRIPTION	REV
	4922972	Ref	GENERATOR HARNESS - 7500W GENERATOR	C
1	4460225	1	Connector - 6 Position	
1	4460268	6	Socket, Female	
1	4460807	1	Seal, Plug	
1	4460808	1	Seal, Plug	
2	77363233	1	Connector - 6 Position	
2	4460465	6	Socket, Female	

SECTION 8 - ELECTRICAL

FIGURE 8-50. GROUND CONTROL BOX HARNESS



ART_1001242324_F

SECTION 8 - ELECTRICAL

FIGURE 8-50. GROUND CONTROL BOX HARNESS

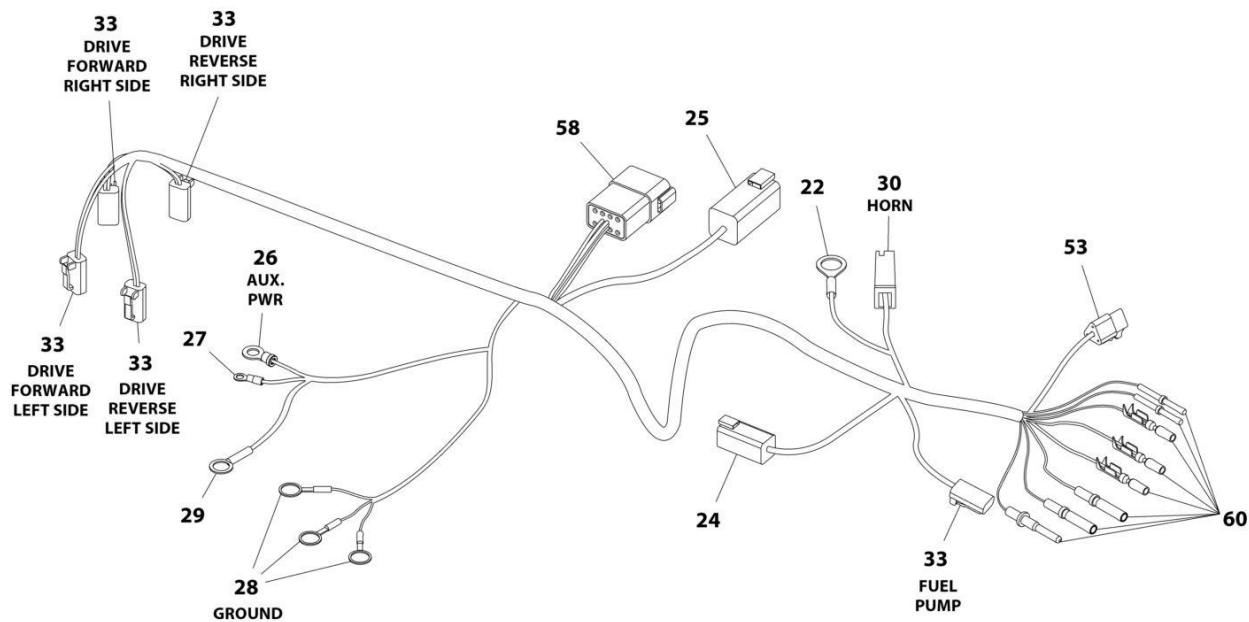
ITEM	PART NUMBER	QTY	DESCRIPTION	REV
	1001242324	Ref	GROUND CONTROL BOX HARNESS	F
1	4460225	1	Connector - 6 Position	
1	4460227	5	Pin, Male	
3	4460965	1	Connector - 3 Position (Blue Lock)	
3	4460944	3	Socket, Female	
3	4922099	AR	Cable, Can-Buss	
5	2400066	1	Fuseholder with Cover	
5	2400065	1	Fuse	
8	4460894	1	Connector - 6 Position	
8	4460465	1	Socket, Female 16-18GA	
8	4460942	1	Socket, Female 14-16 GA	
10	4460474	2	Terminal, Connector	
12	3990001	2	Diode - 3 Amp	
19	4460418	9	Connector, Female - 6 Position	
19	4460419	9	Socket, Female	
19	1001159186	16	Socket, Female	
20	4460806	6	Terminal, Fork	
22	4460871	20	Socket, Female	
24	4460260	7	Terminal, Housing	
24	4460259	7	Terminal	
25	4460260	3	Terminal, Housing	
25	4460297	3	Terminal	
27	4460866	1	Connector - 19 Pin	
27	4460464	10	Pin, Male	
27	4460508	3	Pin, Male	
28	4460878	1	Connector - 4 Position	
28	4460887	3	Terminal	
30	4460142	3	Terminal, Eyelet	
31	4460313	3	Terminal, Eyelet	
34	1001237667	1	Connector - 6 Position	
34	1001237668	5	Terminal	
37	4460873	1	Connector, Black - 35 Position	
37	4460871	17	Socket, Female	
39	4460930	1	Connector - 8 Position	
39	4460944	6	Socket, Female	
40	4460876	1	Connector, Blue - 35 Position	
40	4460871	24	Socket, Female	
41	4460951	1	Connector - 3 Position	
41	4460944	1	Socket, Female	
41	4922099	AR	Cable, Can-Buss	
41	1001003498	1	Lock, Plug	
42	4460613	1	Connector - 21 Pin	
42	4460464	8	Pin, Male Deutsch 16 Ga	
42	4460941	2	Pin, Male Deutsch 14 Ga	
44	4460836	1	Connector - 12 Position	
44	4460465	3	Socket, Female 16-18GA	
44	4460942	2	Socket, Female 14-16 GA	
45	4460761	1	Connector - 4 Position	
45	4460227	4	Pin, Male	
68	1001096076	1	Decal - Troubleshooting	

SECTION 8 - ELECTRICAL

ITEM	PART NUMBER	QTY	DESCRIPTION	REV
69	2400060	1	Fuse, Holder	
69	8229242	1	Fuse, 5Amp	
71	4460888	1	Terminal, Fork	
73	4460884	1	Connector - 4 Position	
73	4460465	4	Socket, Female	
73	1001192401	1	Connector, Dust Cap	
78	4460933	1	Connector - 12 Position (Gray)	
78	4460944	11	Socket, Female	
78	4460466	1	Plug, Terminal	
78	1001119020	1	Bussbar - 12 Position	
79	4460933	1	Connector - 12 Position (Gray)	
79	4460944	5	Socket, Female	
79	4460466	7	Plug, Terminal	
79	1001119020	1	Bussbar - 12 Position	
80	4460894	1	Connector - 6 Position	
80	4460465	4	Socket, Female	
80	4460466	2	Plug, Terminal	
82	4460868	1	Connector - 6 Position	
82	4460877	4	Terminal	
85	1001116812	1	Connector - 3 Position	
85	4460944	3	Socket, Female	
87	1001201885	2	Terminal	

SECTION 8 - ELECTRICAL

FIGURE 8-51. GROUND CONTROLS TO ENGINE HARNESS



ART_1001119529

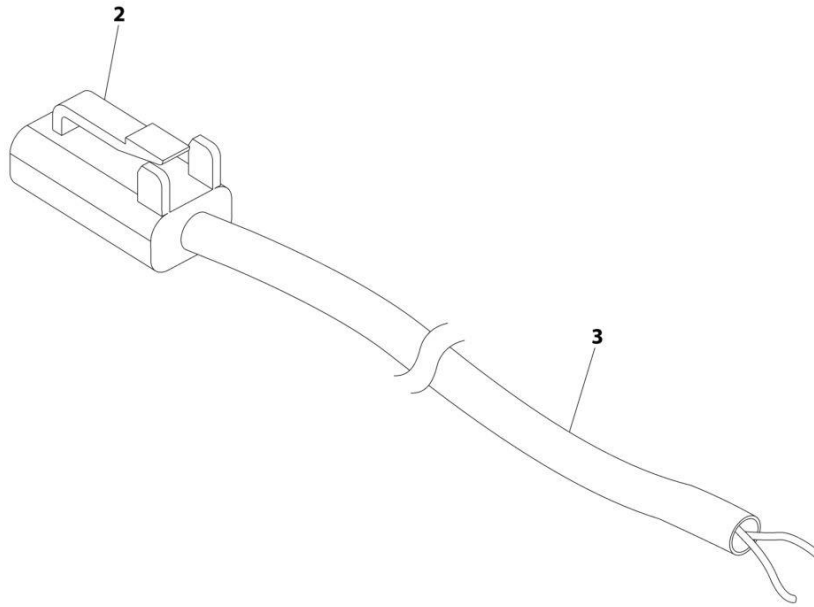
SECTION 8 - ELECTRICAL

FIGURE 8-51. GROUND CONTROLS TO ENGINE HARNESS

ITEM	PART NUMBER	QTY	DESCRIPTION	REV
	1001119529	Ref	GROUND CONTROLS TO ENGINE HARNESS	D
22	4460702	1	Terminal, Eyelet	
24	4460899	1	Connector - 6 Position	
24	4460464	5	Pin, Male	
24	4460466	1	Plug, Terminal	
25	4460899	1	Connector - 6 Position	
25	4460464	4	Pin, Male	
25	4460943	2	Pin, Male (Gold)	
26	4460312	1	Terminal, Eyelet	
27	4460313	1	Terminal, Eyelet	
28	4460019	3	Terminal, Eyelet	
29	4460256	1	Terminal, Eyelet	
30	4460260	1	Terminal, Housing	
30	4460259	1	Terminal	
33	4460891	5	Connector - 2 Position	
33	4460465	10	Socket, Female	
53	4460539	1	Connector - 3 Position	
53	4460944	3	Socket, Female	
58	4460931	1	Connector - 8 Position	
58	4460464	8	Pin, Male	
60	4460465	2	Socket, Female	
60	4460887	1	Terminal (12 Gauge)	
60	4460871	12	Socket, Female	
60	4460508	1	Pin, Male	

SECTION 8 - ELECTRICAL

FIGURE 8-52. JIB STOW SWITCH HARNESS



ART_4922784

SECTION 8 - ELECTRICAL

FIGURE 8-52. JIB STOW SWITCH HARNESS

ITEM	PART NUMBER	QTY	DESCRIPTION	REV
	4922784	Ref	JIB STOW SWITCH HARNESS	C
2	4460891	1	Connector - 2 Position	
2	4460465	2	Socket, Female	
3	1060902	15 ft/ 4.6m	Cable, Electrical 18/2	

SECTION 8 - ELECTRICAL

FIGURE 8-53. LOAD SENSING PIN HARNESS



ART_4923256

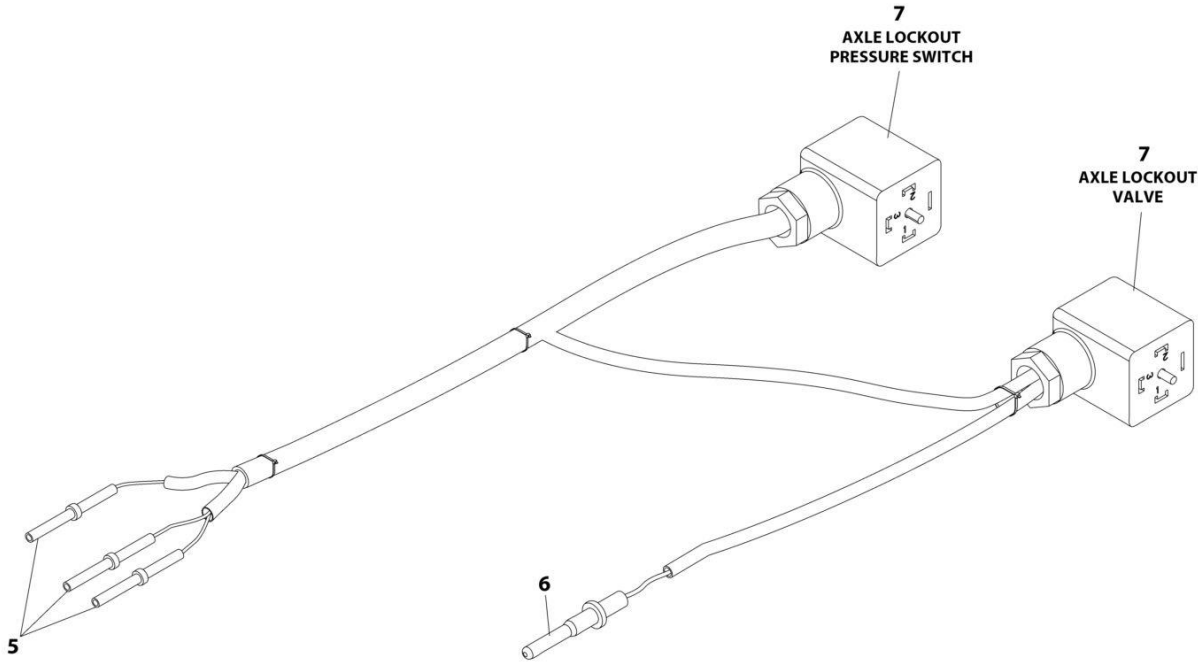
SECTION 8 - ELECTRICAL

FIGURE 8-53. LOAD SENSING PIN HARNESS

ITEM	PART NUMBER	QTY	DESCRIPTION	REV
	4923256	Ref	LOAD SENSING PIN HARNESS	C
1	4460930	1	Connector - 8 Position (Gray)	
1	4460465	4	Socket, Female	
1	4460466	3	Plug, Sealing	
2	See Note	NSS	Connector - 4 Position (Note: Not Available for Purchase)	
2	See Note	NSS	Terminal (Note: Not Available for Purchase)	

SECTION 8 - ELECTRICAL

FIGURE 8-54. LOCKOUT VALVE HARNESS



ART_4922767_D

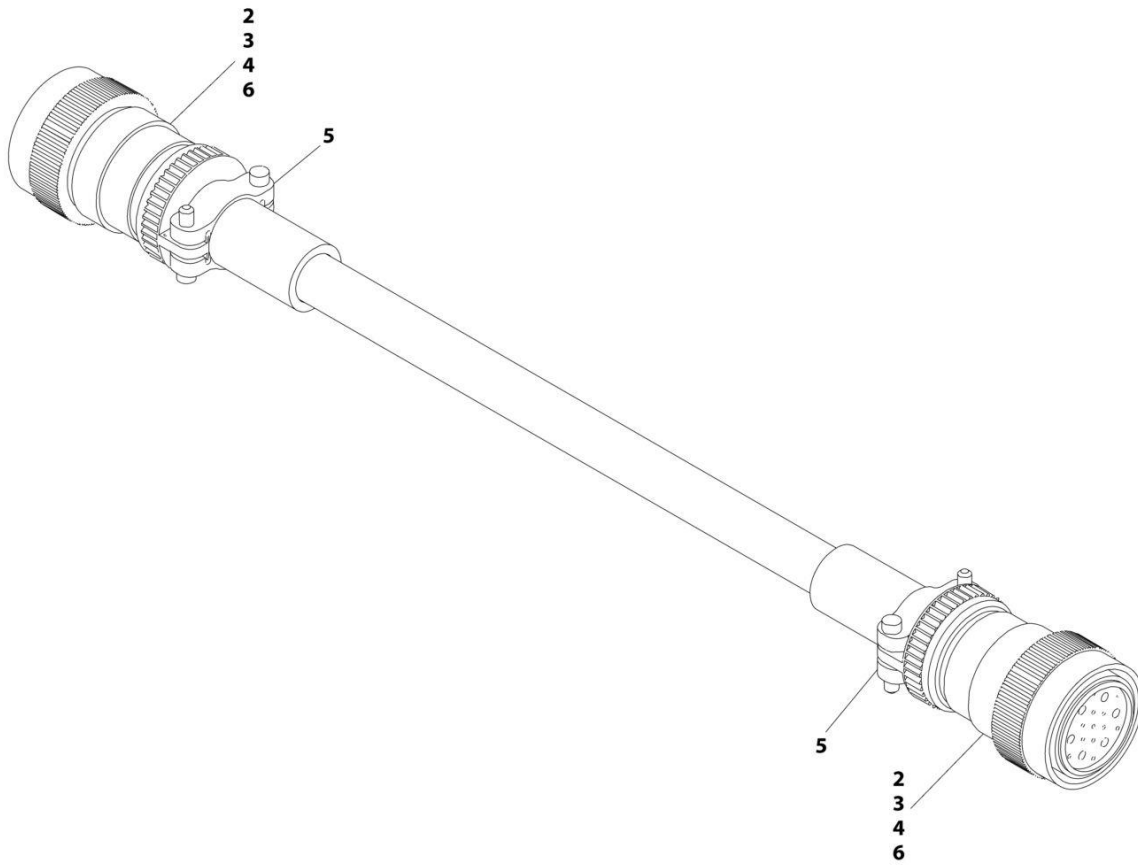
SECTION 8 - ELECTRICAL

FIGURE 8-54. LOCKOUT VALVE HARNESS

ITEM	PART NUMBER	QTY	DESCRIPTION	REV
	4922767	Ref	LOCKOUT VALVE HARNESS	D
5	4460465	3	Socket, Female	
6	4460464	1	Pin, Male	
7	1001263923	2	Connector, Din	
8	4240033	6	Tie-Strap (Not Shown)	

SECTION 8 - ELECTRICAL

FIGURE 8-55. MAIN BOOM CONTROL CABLE HARNESS



ART_4922955

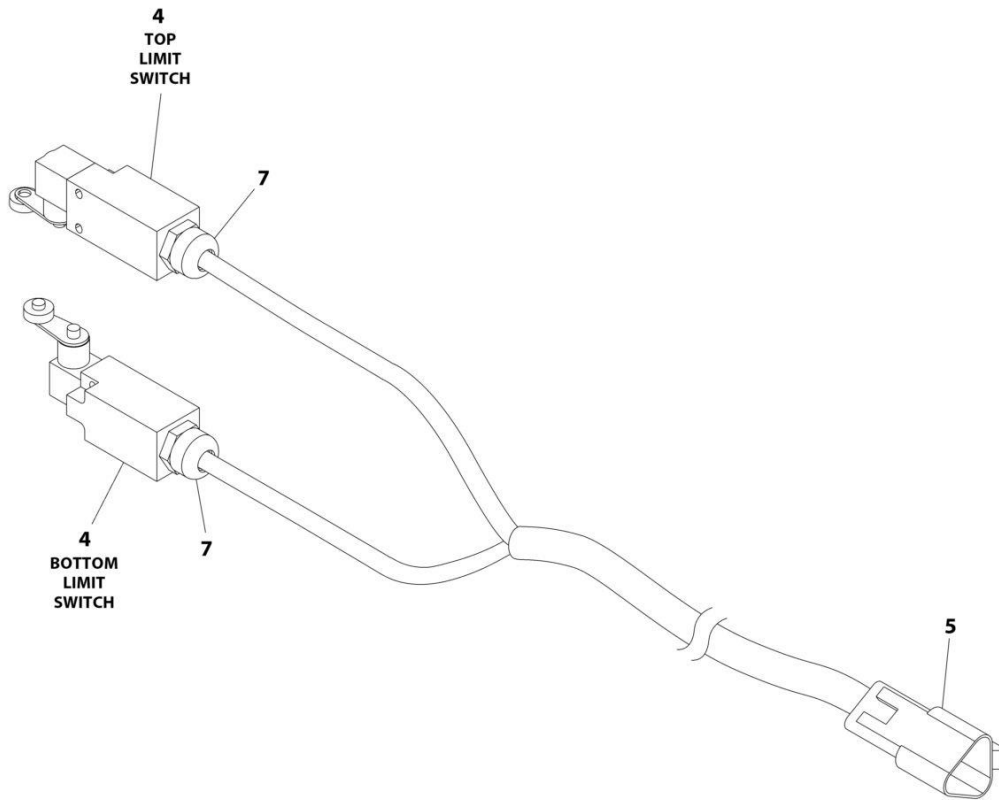
SECTION 8 - ELECTRICAL

FIGURE 8-55. MAIN BOOM CONTROL CABLE HARNESS

ITEM	PART NUMBER	QTY	DESCRIPTION	REV
	4922955	Ref	MAIN BOOM CONTROL CABLE HARNESS	D
2	4460465	22	Socket, Female	
3	4460865	2	Connector - 19 Position	
4	4460509	8	Socket, Female	
5	4460473	2	Clamp	
6	4460466	8	Plug, Socket	

SECTION 8 - ELECTRICAL

FIGURE 8-56. MAIN BOOM DUAL CAPACITY SWITCH HARNESS



ART_4923170

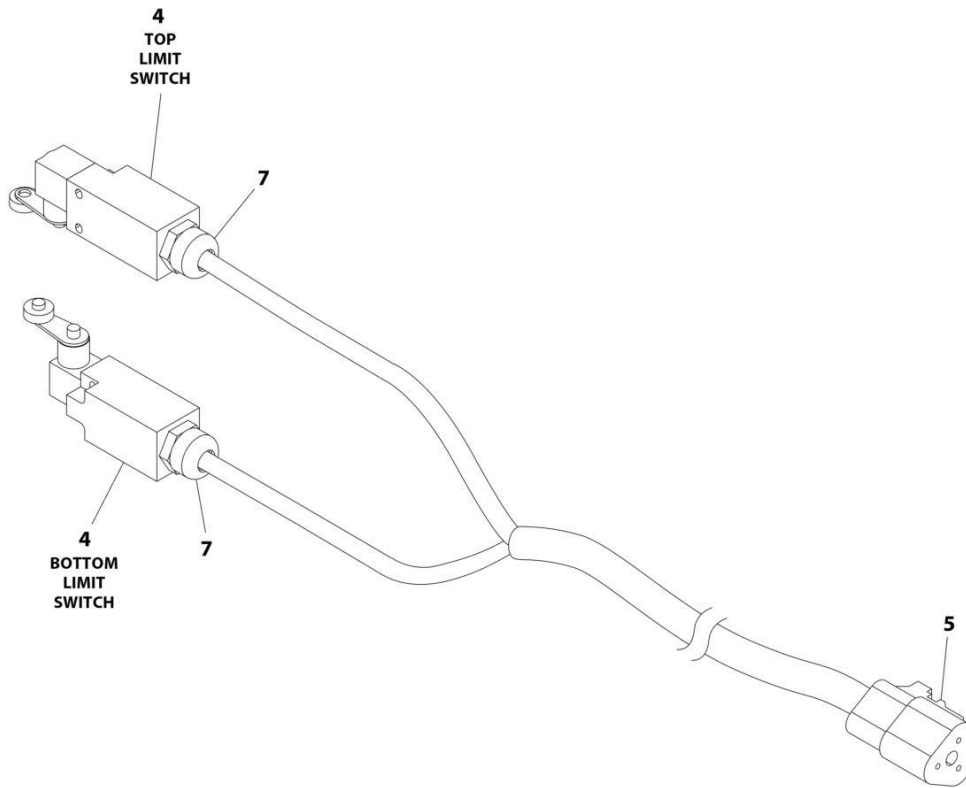
SECTION 8 - ELECTRICAL

FIGURE 8-56. MAIN BOOM DUAL CAPACITY SWITCH HARNESS

ITEM	PART NUMBER	QTY	DESCRIPTION	REV
	4923170	Ref	MAIN BOOM DUAL CAPACITY SWITCH HARNESS	C
4	4360578	2	Switch, Limit	
5	4460536	1	Connector - 3 Position	
5	4460943	3	Pin, Male (Gold)	
7	4460968	2	Connector, Strain Relief	

SECTION 8 - ELECTRICAL

FIGURE 8-57. MAIN BOOM TRANSPORT SWITCH HARNESS



ART_4923171

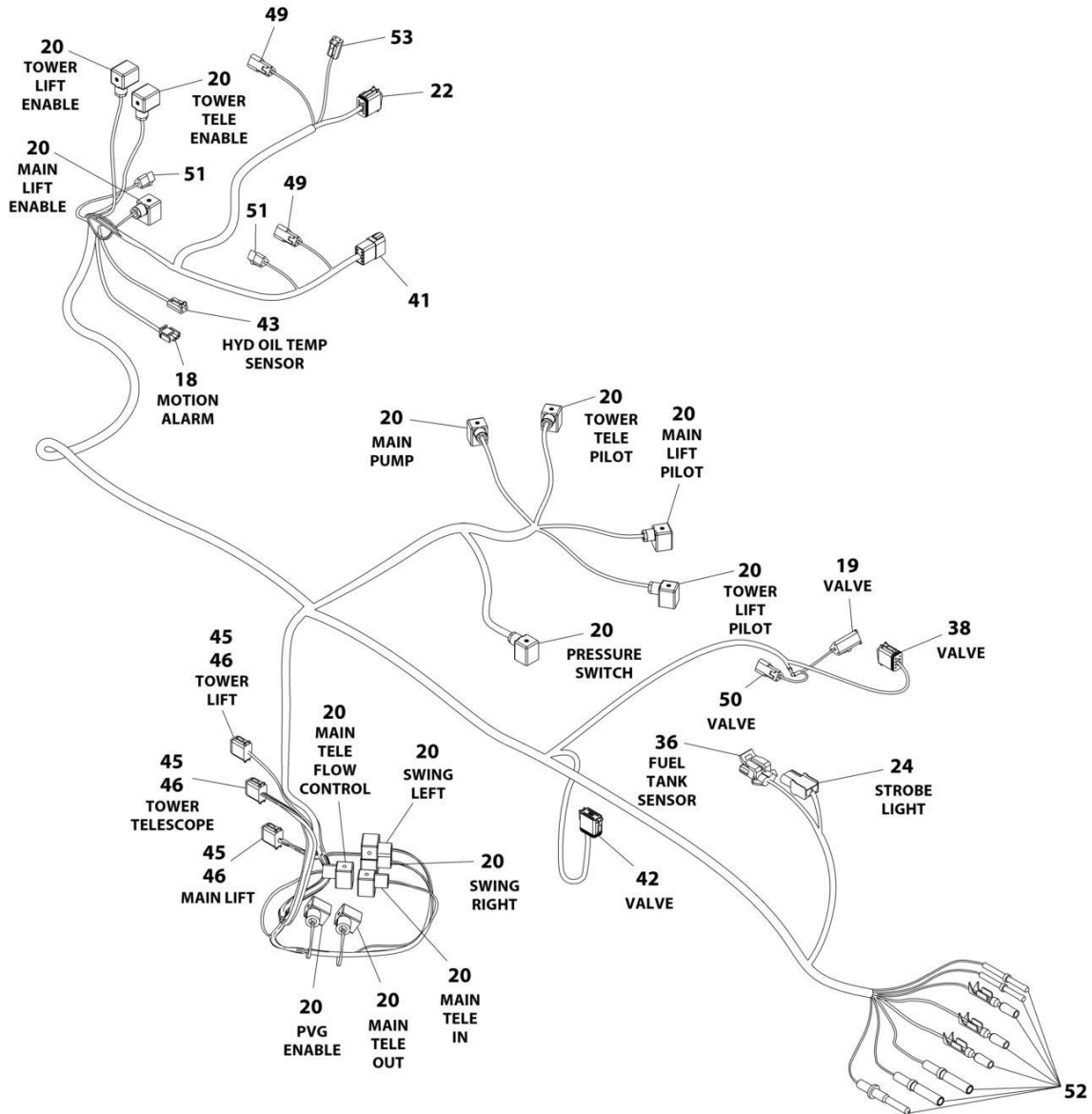
SECTION 8 - ELECTRICAL

FIGURE 8-57. MAIN BOOM TRANSPORT SWITCH HARNESS

ITEM	PART NUMBER	QTY	DESCRIPTION	REV
	4923171	Ref	MAIN BOOM TRANSPORT SWITCH HARNESS	C
4	4360578	2	Switch, Limit	
5	4460539	1	Connector - 3 Position	
5	4460944	3	Socket, Female (Gold)	
7	4460968	2	Connector, Strain Relief	

SECTION 8 - ELECTRICAL

FIGURE 8-58. MAIN VALVE HARNESS



ART_4923397

SECTION 8 - ELECTRICAL

FIGURE 8-58. MAIN VALVE HARNESS

ITEM	PART NUMBER	QTY	DESCRIPTION	REV
	4923397	Ref	MAIN VALVE HARNESS	E
18	4460320	1	Connector - 2 Position	
18	4460267	2	Pin, Male	
19	4460965	1	Connector - 3 Position	
19	4460944	3	Socket, Female	
20	4460880	14	DIN Connector (with Diode)	
	1001263923	1	DIN COnnector (without Diode)	
22	4460836	1	Connector - 12 Position (Black)	
22	4460465	3	Socket, Female	
22	4460466	4	Plug, Socket	
22	4460944	3	Socket, Female 16-18 GA (Gold)	
22	4460942	2	Socket, Female 14-16 GA	
24	4460424	1	Connector - 2 Position	
24	4460268	2	Socket, Female	
36	4460843	1	Connector - 2 Position	
36	4460842	2	Socket, Female	
38	4460930	1	Connector - 8 Position	
38	4460944	5	Socket, Female (Gold)	
38	4460466	3	Plug, Socket	
38	0840062	1	Boot, Deutsch	
41	4460931	1	Connector - 8 Position (Gray)	
41	4460943	5	Pin, Male (Gold)	
41	4460466	3	Plug, Socket	
42	4460933	1	Connector - 12 Position (Gray)	
42	4460465	7	Socket, Female	
42	4460942	5	Socket, Female 14-16 GA	
43	4460891	1	Connector - 2 Position	
43	4460465	2	Socket, Female	
45	4461004	3	Connector - 4 Position (Black)	
45	4461005	12	Terminal	
45	4461006	12	Seal	
46	4461007	3	Connector - 4 Position (Gray)	
46	4461008	12	Plug, Hole	
49	4460536	2	Connector - 3 Position	
49	4460943	6	Pin, Male (Gold)	
50	4460536	1	Connector - 3 Position	
50	4460943	3	Pin, Male (Gold)	
50	1060698	AR	Cable 18/4	
51	4460539	AR	Connector - 3 Position	
51	4460944	6	Socket, Female (Gold)	
52	4460465	3	Socket, Female	
52	4460944	2	Socket, Female (Gold)	
52	4460871	29	Socket, Female	
52	4460464	1	Pin, Male	
52	4460942	3	Socket, Female	
52	4460419	2	Socket, Female	
53	4460891	1	Connector - 2 Position	
53	4460942	2	Socket, Female	

SECTION 8 - ELECTRICAL

FIGURE 8-59. PLATFORM CONSOLE BOX HARNESS - WITH SKYGUARD

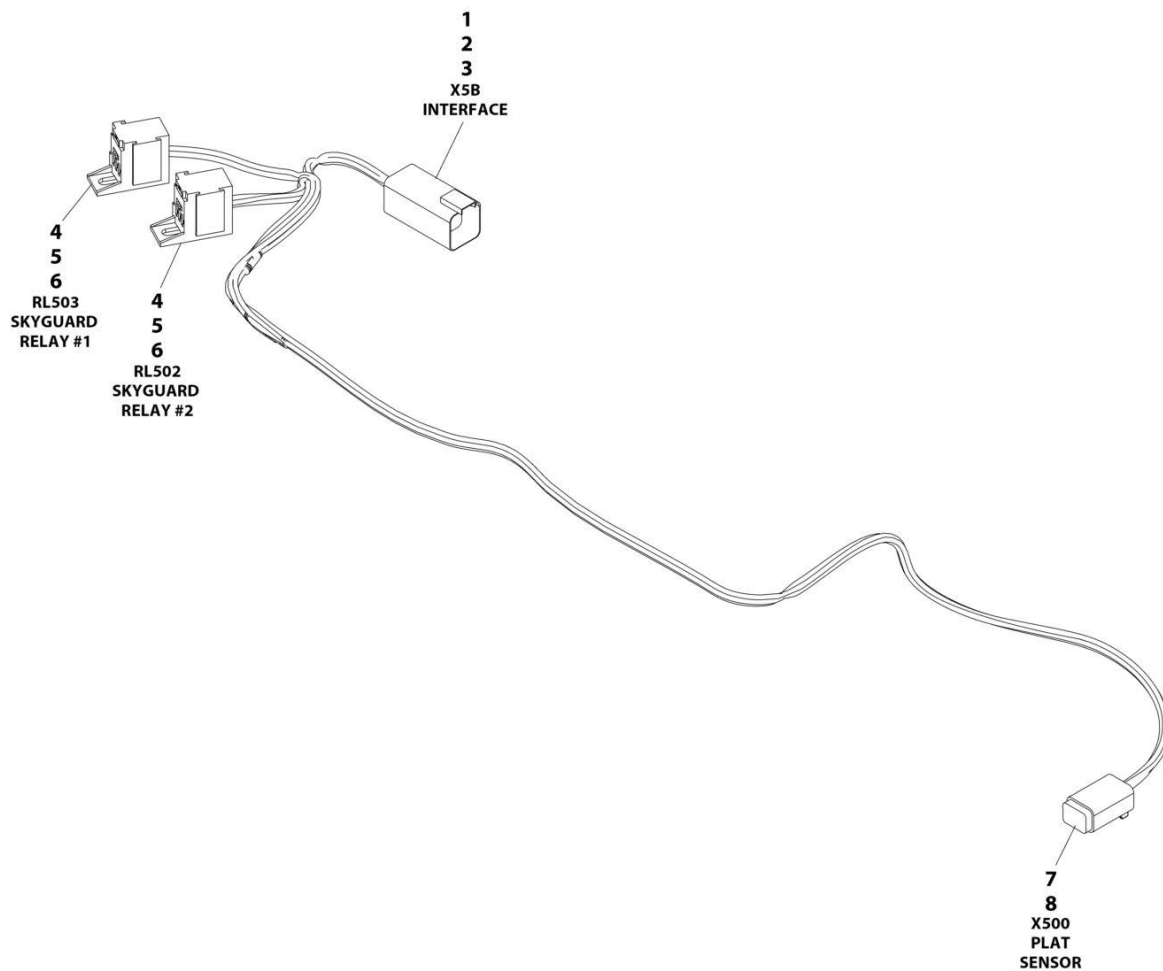
ITEM	PART NUMBER	QTY	DESCRIPTION	REV
	1001241891	Ref	PLATFORM CONSOLE BOX HARNESS	J
2	4460866	1	Connector - 19 Pin	
2	4460464	7	Pin, Male Deutsch 16 Ga	
2	4460508	4	Pin, Male Deutsch 12 Ga	
2	4460943	3	Pin, Male 16 Ga (Gold)	
2	4460466	5	Plug	
3	4460874	1	Connector - 35 Position (Natural)	
3	4460871	33	Socket, Female	
3	4460905	2	Plug	
4	4460876	1	Connector - 35 Position (Blue)	
4	4460871	20	Socket, Female	
4	4460905	20	Plug	
5	4460873	1	Connector - 35 Position (Black)	
5	4460871	26	Socket, Female	
5	4460905	8	Plug	
8	4460879	1	Connector - 2 Position	
8	4460887	2	Terminal	
10	4460213	4	Terminal Eyelet	
11	4460260	10	Terminal, Housing	
11	4460259	10	Terminal	
13	4460418	12	Connector, Female - 6 Position	
13	4460419	12	Socket, Female	
13	1001159186	22	Terminal	
18	4460888	3	Terminal, Fork	
19	4460225	1	Connector - 6 Position	
19	4460227	5	Terminal (16 Gauge)	
25	4460806	1	Terminal, Fork	
26	4460434	2	Connector - 15 Position	
26	4460227	16	Pin, Male	
26	4460267	1	Pin, Male	
27	4460183	11	Terminal, Fork	
28	4460925	1	Connector - 21 Pin	
28	1001126011	13	Pin, Male Deutsch 16 Ga	
28	4460466	8	Plug	
30	1001121616	2	Connector - 6 Position	
30	1001121615	2	Base, Mounting	
33	4460142	1	Terminal, Eyelet	
36	4460016	2	Terminal (16 - 14AWG)	
36	1001271497	2	Terminal (22 - 18AWG)	
37	4460894	1	Connector - 6 Position	
37	4460465	5	Socket, Female	
37	4460466	1	Plug	
43	4460539	1	Plug, Male - 3 Position	
43	4460944	3	Socket, Female (Gold)	
44	4460536	1	Connector - 3 Position	
44	4460943	3	Pin, Male (Gold)	
47	4460933	1	Connector, Gray - 12 Position	
47	4460944	10	Socket, Female (Gold)	
47	4460466	2	Plug	
47	1001119020	1	Bussbar - 12 Position	

SECTION 8 - ELECTRICAL

ITEM	PART NUMBER	QTY	DESCRIPTION	REV
50	1001213447	1	Connector - 5 Position	
70	1001237667	1	Connector - 6 Position	
70	1001237668	4	Socket, Female (Gold)	
71	2400060	1	Holder, Fuse	
71	8229249	1	Fuse	
75	4460042	1	Terminal, Ring	
83	4460708	2	Plug, Male - 15 Position	
83	4460226	2	Socket, Female	

SECTION 8 - ELECTRICAL

FIGURE 8-60. SKYGUARD INERFACE HARNESS



ART_1001225580_E

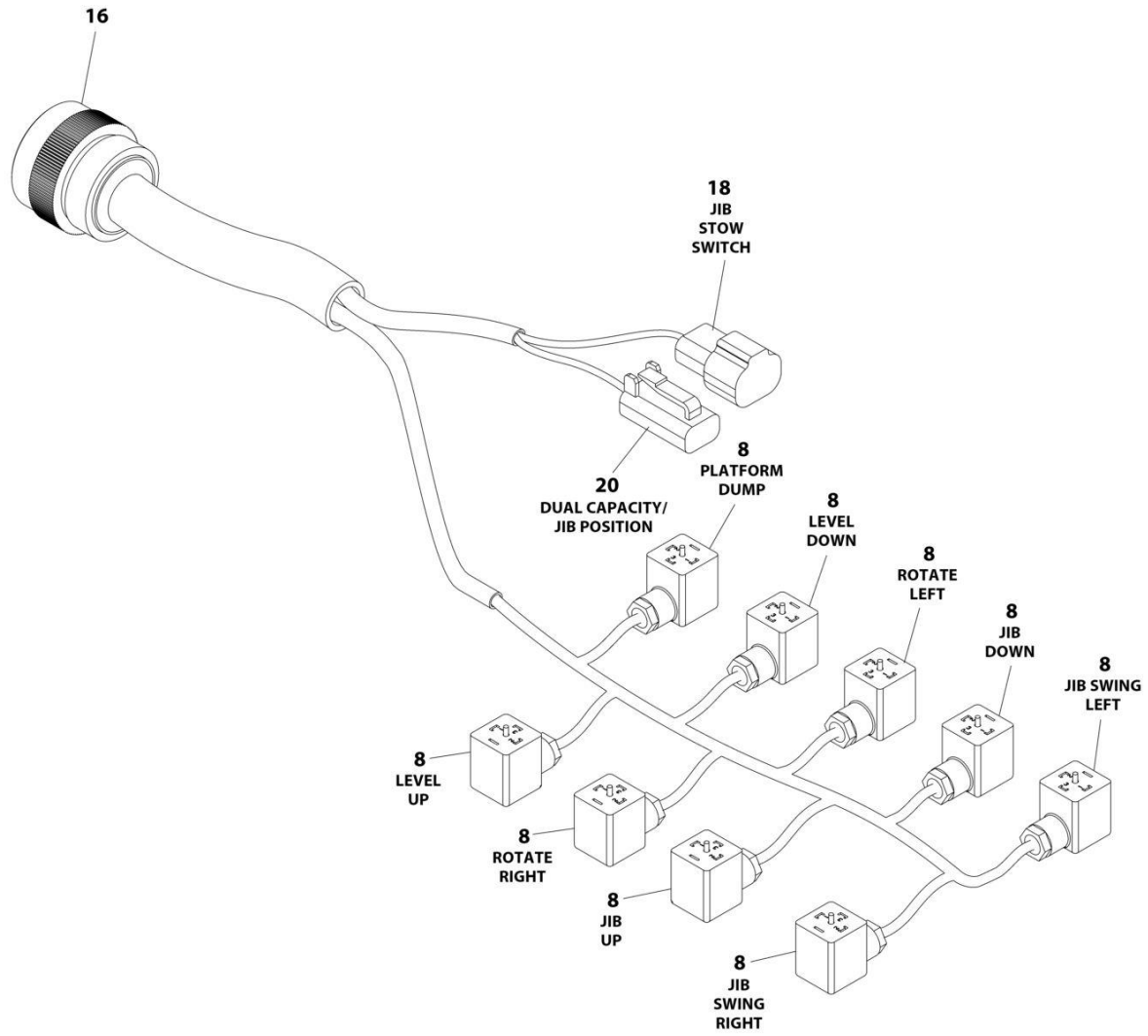
SECTION 8 - ELECTRICAL

FIGURE 8-60. SKYGUARD INERFACE HARNESS

ITEM	PART NUMBER	QTY	DESCRIPTION	REV
	1001225580	Ref	PLATFORM INTERFACE HARNESS - WITH 1 CELL LSS	E
1	4460899	1	Connector	
2	4460464	4	Terminal	
3	4460466	2	Plug	
4	1001186432	2	Connector	
5	1001253375	4	Terminal	
6	1001104519	4	Terminal	
7	4460884	1	Connector	
8	4460465	4	Terminal	

SECTION 8 - ELECTRICAL

FIGURE 8-61. PLATFORM VALVE HARNESS



ART_4922777_E

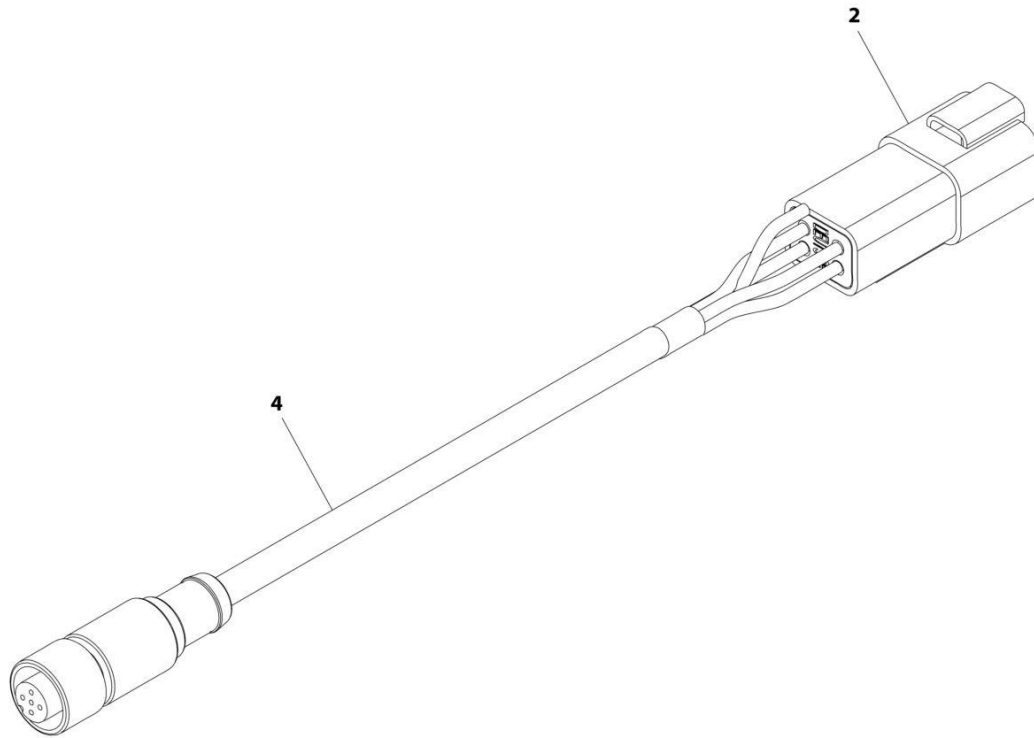
SECTION 8 - ELECTRICAL

FIGURE 8-61. PLATFORM VALVE HARNESS

ITEM	PART NUMBER	QTY	DESCRIPTION	REV
	4922777	Ref	PLATFORM VALVE HARNESS	E
7	4240033	10	Tie-Strap (Not Shown)	
8	1001263923	9	DIN Connector	
16	4460926	1	Connector - 21 Position	
16	4460928	13	Socket, Female	
16	4460466	8	Plug, Hole	
18	4460897	1	Connector - 2 Position	
18	4460464	2	Pin, Male	
20	4460891	1	Plug, Male - 2 Position	
20	4460465	2	Socket, Female	

SECTION 8 - ELECTRICAL

FIGURE 8-62. PRESSURE TRANSDUCER HARNESS



ART_1001228498

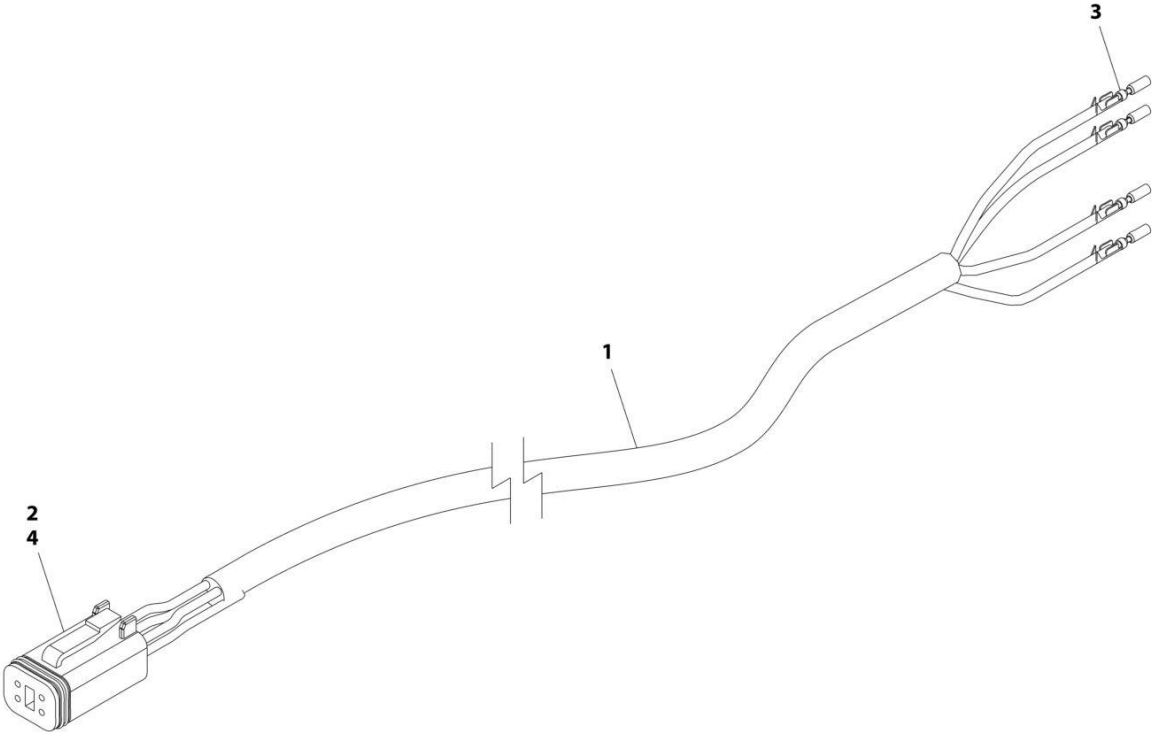
SECTION 8 - ELECTRICAL

FIGURE 8-62. PRESSURE TRANSDUCER HARNESS

ITEM	PART NUMBER	QTY	DESCRIPTION	REV
	1001228498	Ref	PRESSURE TRANSDUCER HARNESS	A
2	4460932	1	Connector - 3 Position	
2	4460464	4	Pin, Male	
4	1001120634	1	Cable, Shielded M12	

SECTION 8 - ELECTRICAL

FIGURE 8-63. PRESSURE TRANSDUCER HARNESS



ART_1001228497

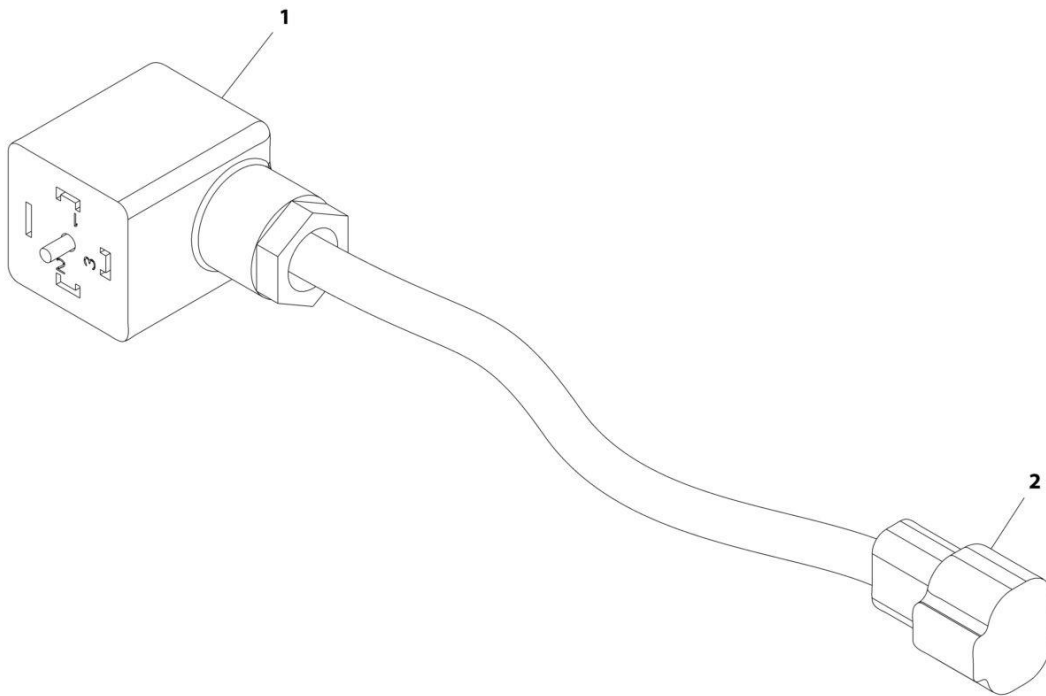
SECTION 8 - ELECTRICAL

FIGURE 8-63. PRESSURE TRANSDUCER HARNESS

ITEM	PART NUMBER	QTY	DESCRIPTION	REV
	1001228497	Ref	PRESSURE TRANSDUCER HARNESS	A
1	1060981	11 ft/ 3.35m	Cable, Electrical 18/3	
2	4460465	4	Socket, Female	
3	4460871	4	Socket, Female	
4	4460884	1	Connector - 4 Position	

SECTION 8 - ELECTRICAL

FIGURE 8-64. PUMP ADAPTER HARNESS - SAUER PUMPS



ART_1001119456

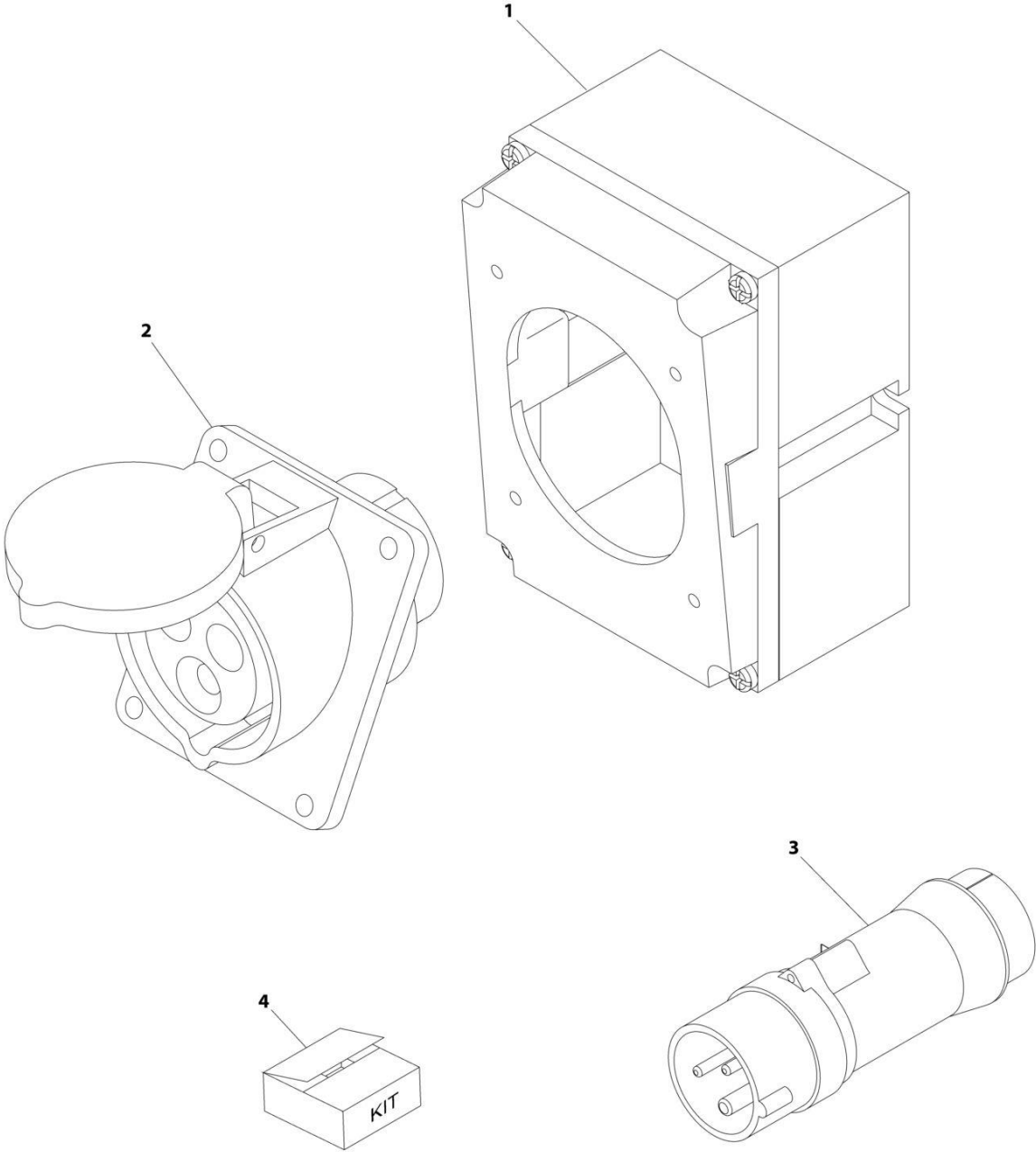
SECTION 8 - ELECTRICAL

FIGURE 8-64. PUMP ADAPTER HARNESS - SAUER PUMPS

ITEM	PART NUMBER	QTY	DESCRIPTION	REV
	1001119456	Ref	PUMP ADAPTER HARNESS - SAUER PUMPS	C
1	4460880	2	DIN Connector	
2	4460897	2	Connector - 2 Position	
2	4460464	4	Pin, Male	

SECTION 8 - ELECTRICAL

FIGURE 8-65. RECEPTACLE BOX KIT - 110V IEC YELLOW WITHOUT 2500W GENERATOR (CE & UK CA SPECS)



ART_0275216

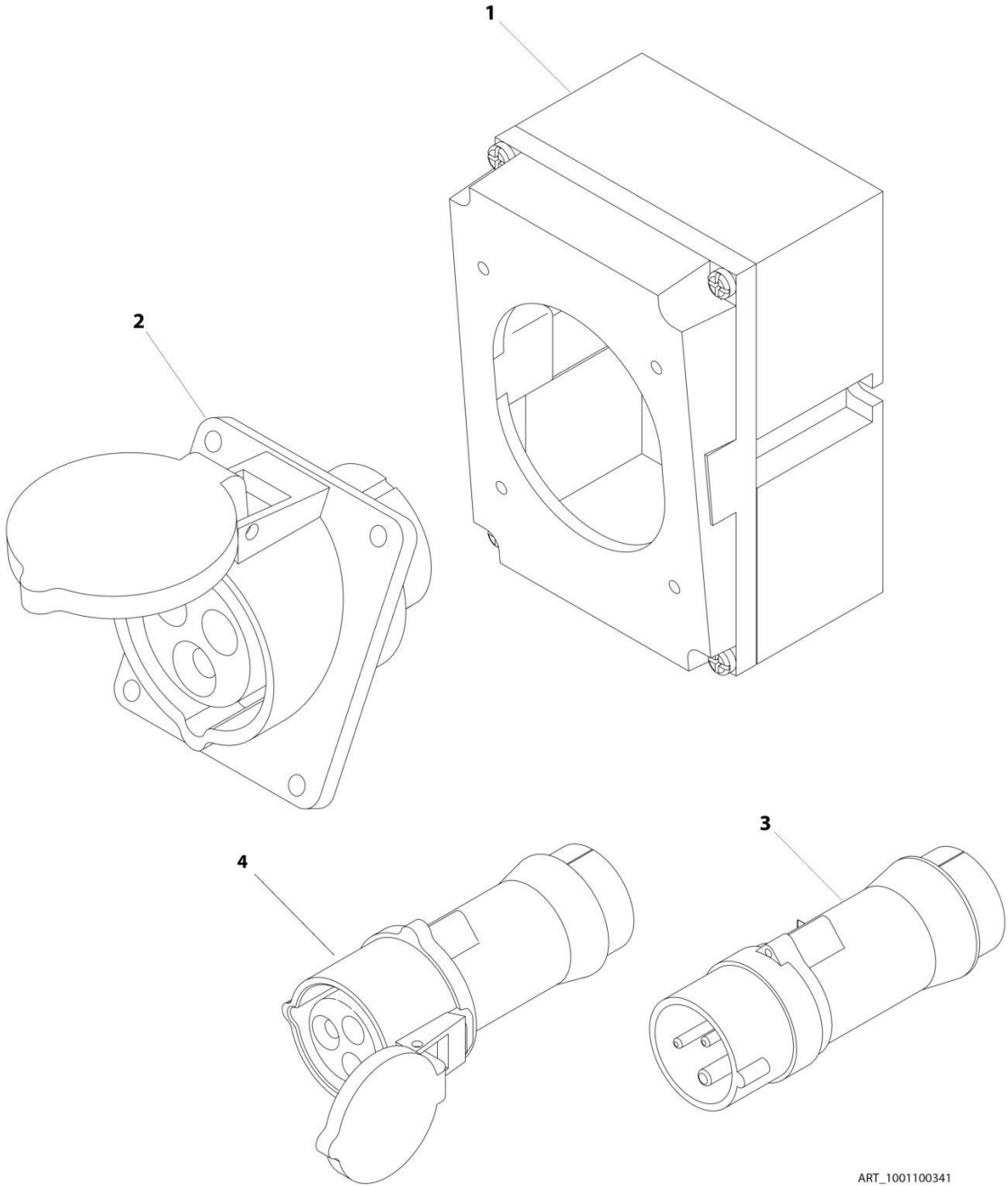
SECTION 8 - ELECTRICAL

FIGURE 8-65. RECEPTACLE BOX KIT - 110V IEC YELLOW WITHOUT 2500W GENERATOR (CE & UK CA SPECS)

ITEM	PART NUMBER	QTY	DESCRIPTION	REV
	0275216	Ref	RECEPTACLE BOX KIT - 110V IEC YELLOW	B
1	0861781	1	Box, Switch	
2	4461198	1	Receptacle	
3	4461196	1	Plug, Male	
4	1001100341	1	Plug and Socket Kit (Includes Items 1-3 and Female Plug p/n 4461197)	

SECTION 8 - ELECTRICAL

FIGURE 8-66. RECEPTACLE BOX KIT - 110V IEC YELLOW WITH 2500W GENERATOR (CE & UK CA SPECS)



ART_1001100341

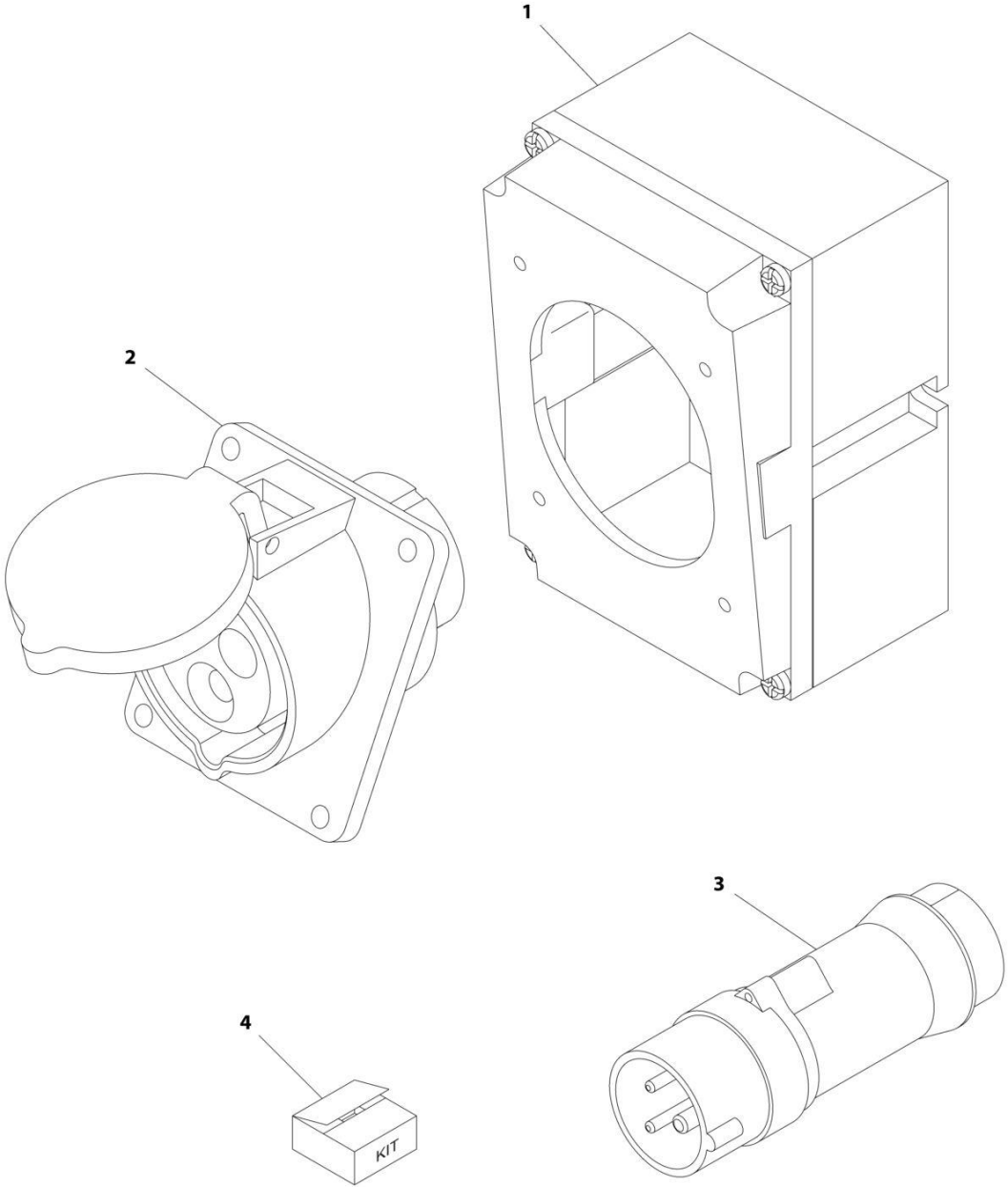
SECTION 8 - ELECTRICAL

FIGURE 8-66. RECEPTACLE BOX KIT - 110V IEC YELLOW WITH 2500W GENERATOR (CE & UK CA SPECS)

ITEM	PART NUMBER	QTY	DESCRIPTION	REV
	1001100341	Ref	RECEPTACLE BOX KIT - 110V IEC YELLOW	2
1	0861781	1	Box, Switch	
2	4461198	1	Receptacle	
3	4461196	1	Plug, Male	
4	4461197	1	Plug, Female	

SECTION 8 - ELECTRICAL

FIGURE 8-67. RECEPTACLE BOX KIT - 220V IEC BLUE WITHOUT 2500W GENERATOR (CE & UK CA SPECS)



ART_0275217

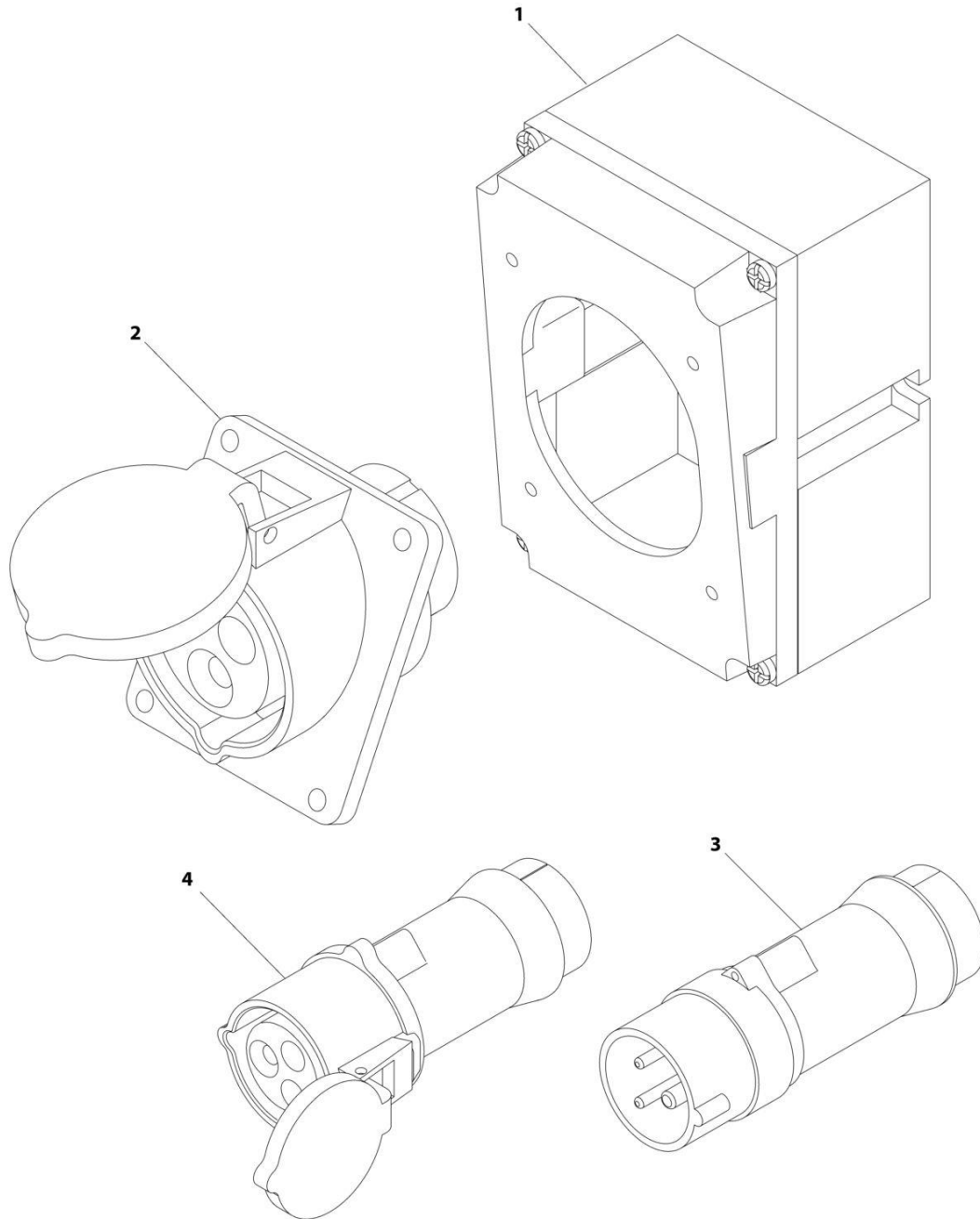
SECTION 8 - ELECTRICAL

FIGURE 8-67. RECEPTACLE BOX KIT - 220V IEC BLUE WITHOUT 2500W GENERATOR (CE & UK CA SPECS)

ITEM	PART NUMBER	QTY	DESCRIPTION	REV
	0275217	Ref	RECEPTACLE BOX KIT - 220V IEC BLUE	B
1	0861781	1	Box, Switch	
2	4461201	1	Receptacle	
3	4461199	1	Plug, Male	
4	1001100342	1	Plug and Socket Kit (Includes Items 1-3 and Female Plug p/n 4461200)	

SECTION 8 - ELECTRICAL

FIGURE 8-68. RECEPTACLE BOX KIT - 220V IEC BLUE WITH 2500W GENERATOR (CE & UK CA SPECS)



ART_1001100342

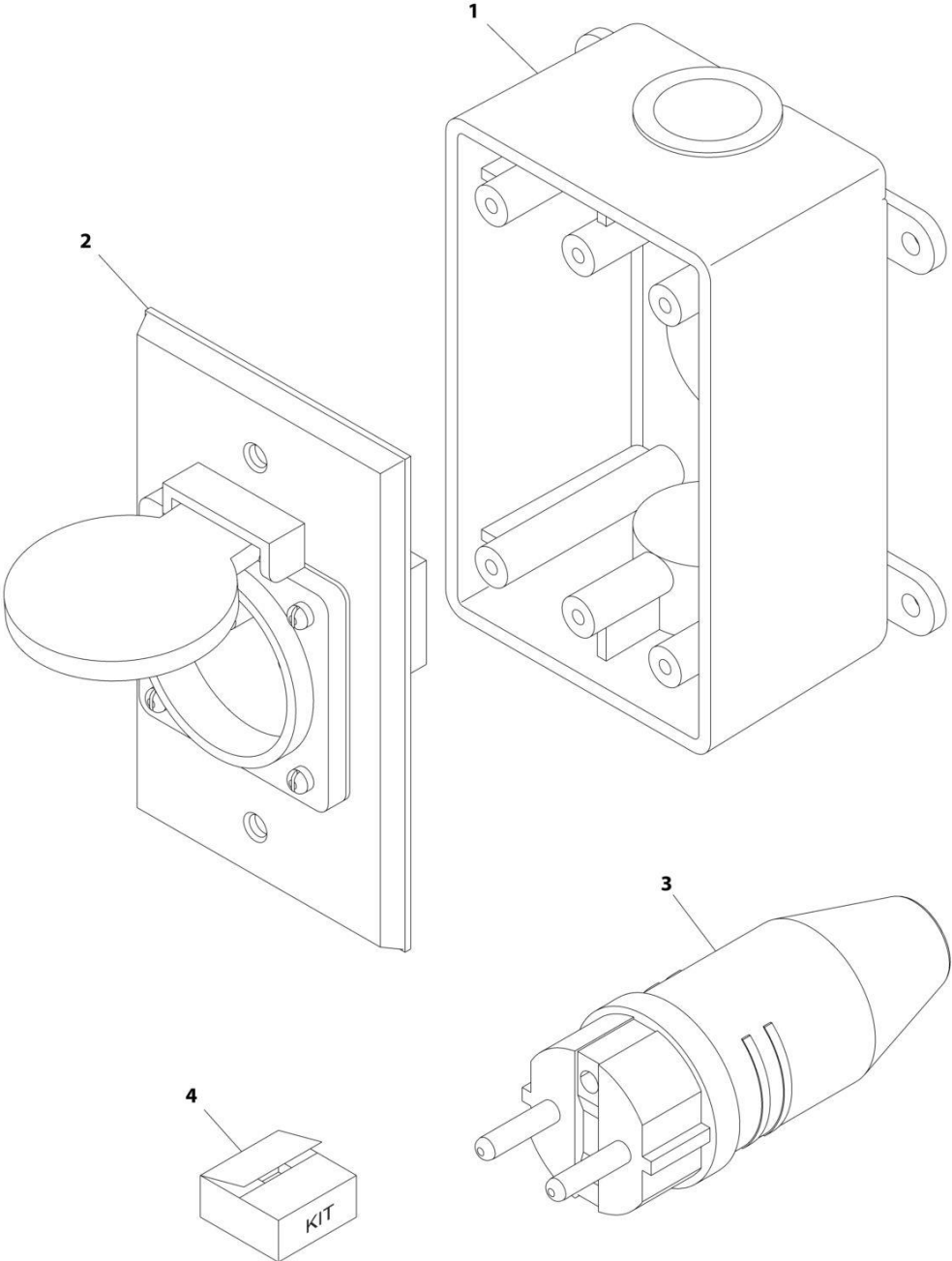
SECTION 8 - ELECTRICAL

FIGURE 8-68. RECEPTACLE BOX KIT - 220V IEC BLUE WITH 2500W GENERATOR (CE & UK CA SPECS)

ITEM	PART NUMBER	QTY	DESCRIPTION	REV
	1001100342	Ref	RECEPTACLE BOX KIT - 220V IEC BLUE WITH 2500W GENERATOR (CE & UK CA SPECS)	2
1	0861781	1	Box, Switch	
2	4461201	1	Receptacle	
3	4461199	1	Plug, Male	
4	4461200	1	Plug, Female	

SECTION 8 - ELECTRICAL

FIGURE 8-69. RECEPTACLE BOX KIT - 220V CEE7 POST GROUND WITHOUT 2500W GENERATOR (2X4 BOX) (CE & UK CA SPECS)



ART_0275452-C

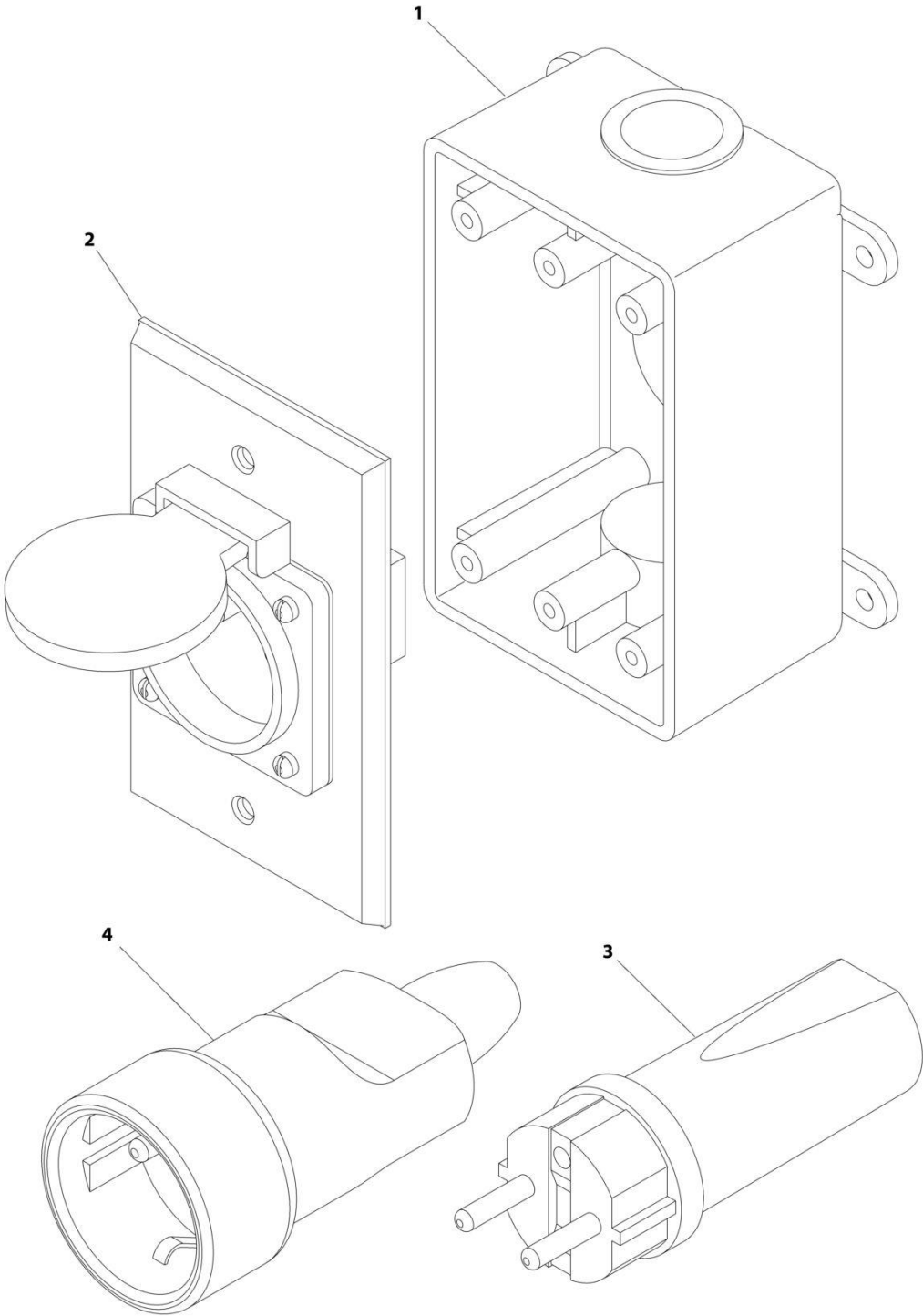
SECTION 8 - ELECTRICAL

FIGURE 8-69. RECEPTACLE BOX KIT - 220V CEE7 POST GROUND WITHOUT 2500W GENERATOR (2X4 BOX) (CE & UK CA SPECS)

ITEM	PART NUMBER	QTY	DESCRIPTION	REV
	0275452	Ref	RECEPTACLE BOX KIT - 220V CEE7 POST GROUND 2IN X 4IN BOX	C
1	0861731	1	Box, Switch	
2	4461244	1	Receptacle	
3	4461205	1	Plug, Male	
4	1001100345	1	Plug and Socket Kit (Includes Items 1-3 and Female Plug p/n 4461203)	

SECTION 8 - ELECTRICAL

FIGURE 8-70. RECEPTACLE BOX KIT - 220V CEE7 POST GROUND WITH 2500W GENERSTOR (2X4 BOX) (CE & UK CA SPECS)



ART_1001100345

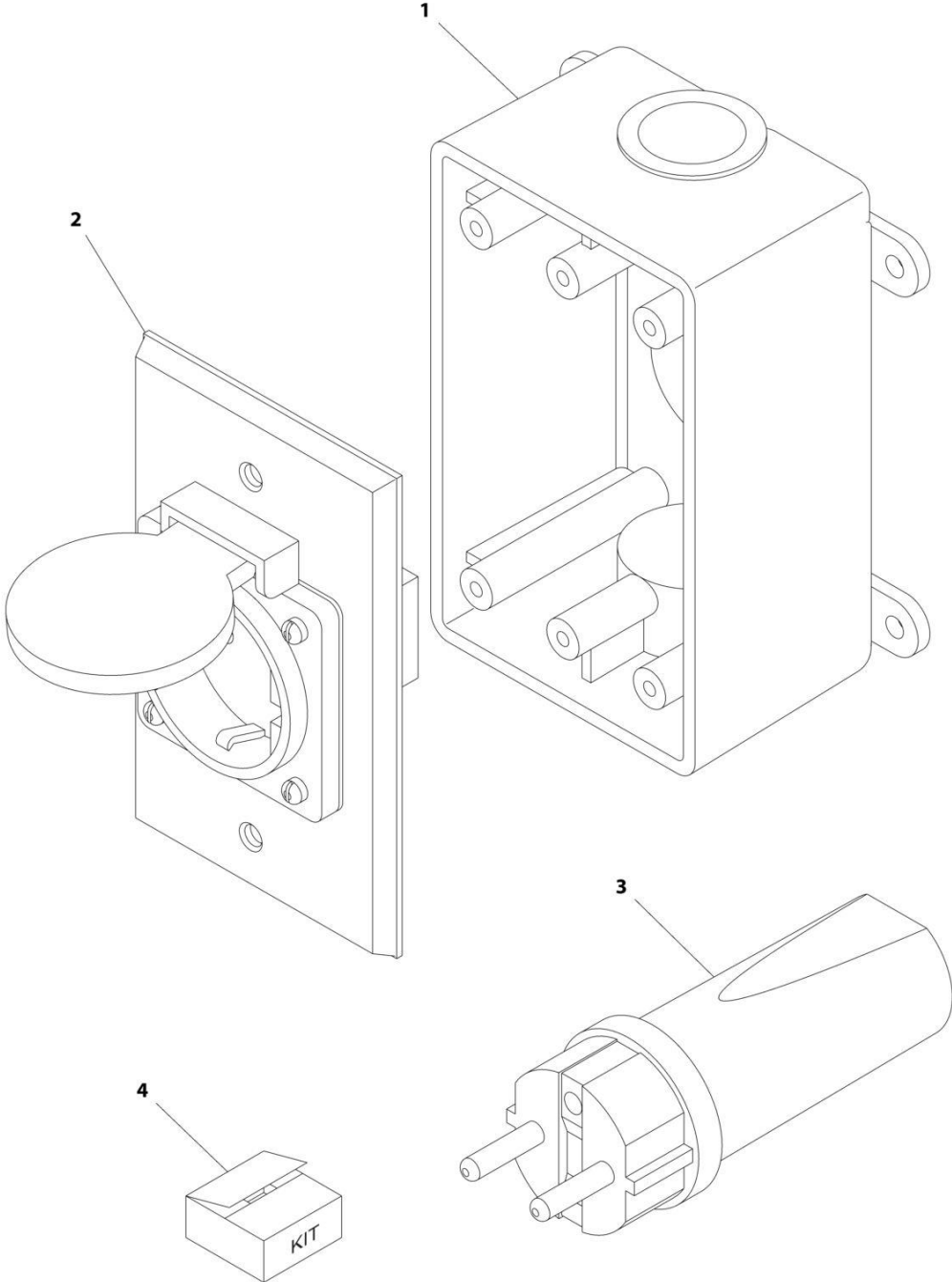
SECTION 8 - ELECTRICAL

FIGURE 8-70. RECEPTACLE BOX KIT - 220V CEE7 POST GROUND WITH 2500W GENERSTOR (2X4 BOX) (CE & UK CA SPECS)

ITEM	PART NUMBER	QTY	DESCRIPTION	REV
	1001100345	Ref	RECEPTACLE BOX KIT - 220V CEE7 POST GROUND	C
1	0861731	1	Box, Switch	
2	4461244	1	Receptacle	
3	4461205	1	Plug, Male	
4	4461203	1	Plug, Female	

SECTION 8 - ELECTRICAL

**FIGURE 8-71. RECEPTACLE BOX KIT - 220V CEE7 SIDE GROUND WITHOUT 2500W GENERATOR
(2X4 BOX) (CE & UK CA SPECS)**



ART_0275453

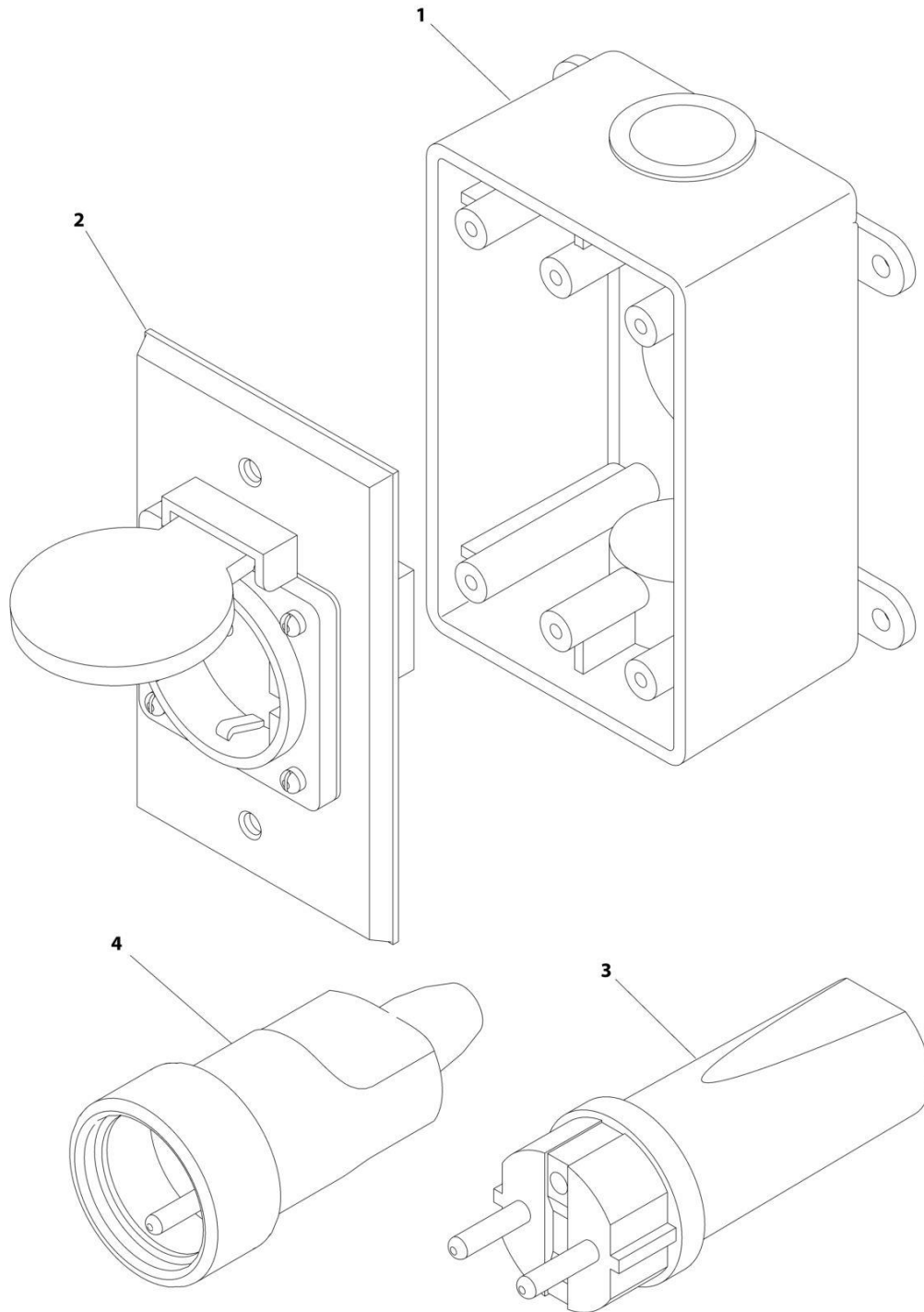
SECTION 8 - ELECTRICAL

**FIGURE 8-71. RECEPTACLE BOX KIT - 220V CEE7 SIDE GROUND WITHOUT 2500W GENERATOR
(2X4 BOX) (CE & UK CA SPECS)**

ITEM	PART NUMBER	QTY	DESCRIPTION	REV
	0275453	Ref	RECEPTACLE BOX KIT - 220V CEE7 SIDE GROUND	B
1	0861731	1	Box, Switch	
2	4461245	1	Receptacle	
3	4461205	1	Plug, Male	
4	1001100347	1	Plug and Socket Kit (Includes Items 1-3 and Female Plug p/n 4461206)	

SECTION 8 - ELECTRICAL

FIGURE 8-72. RECEPTACLE BOX KIT - 220V CEE7 SIDE GROUND WITH 2500W GENERATOR (2X4 BOX) (CE & UK CA SPECS)



ART_1001100347

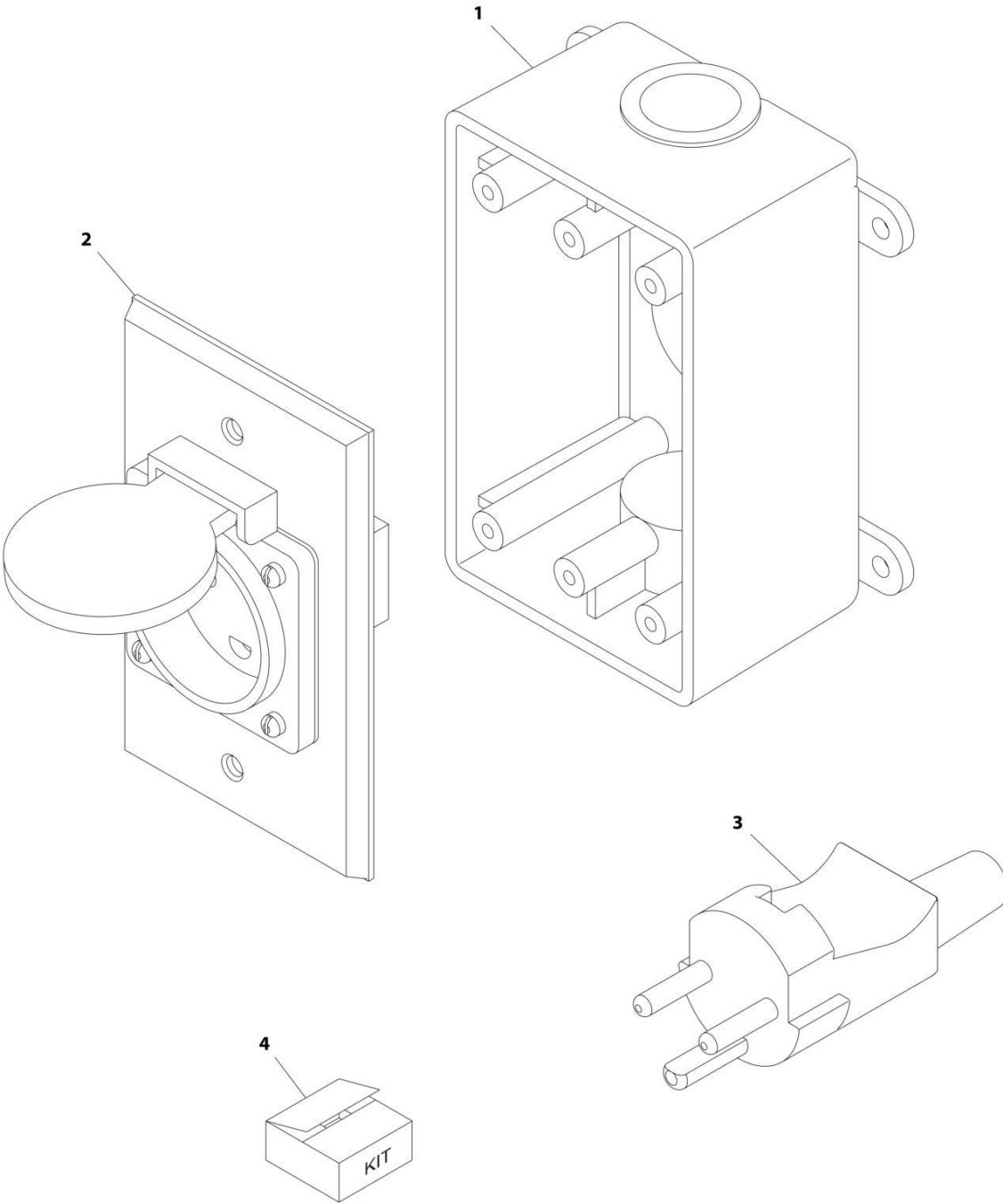
SECTION 8 - ELECTRICAL

FIGURE 8-72. RECEPTACLE BOX KIT - 220V CEE7 SIDE GROUND WITH 2500W GENERATOR (2X4 BOX) (CE & UK CA SPECS)

ITEM	PART NUMBER	QTY	DESCRIPTION	REV
	1001100347	Ref	RECEPTACLE BOX KIT - 220V CEE7 SIDE GROUND	3
1	0861731	1	Box, Switch	
2	4461245	1	Receptacle	
3	4461205	1	Plug, Male	
4	4461206	1	Plug, Female	

SECTION 8 - ELECTRICAL

FIGURE 8-73. RECEPTACLE BOX KIT - 220V AFSINT 107 KEYED GROUND WITHOUT 2500W GENERATOR (2X4 BOX) (CE & UK CA SPECS)



ART_0275454

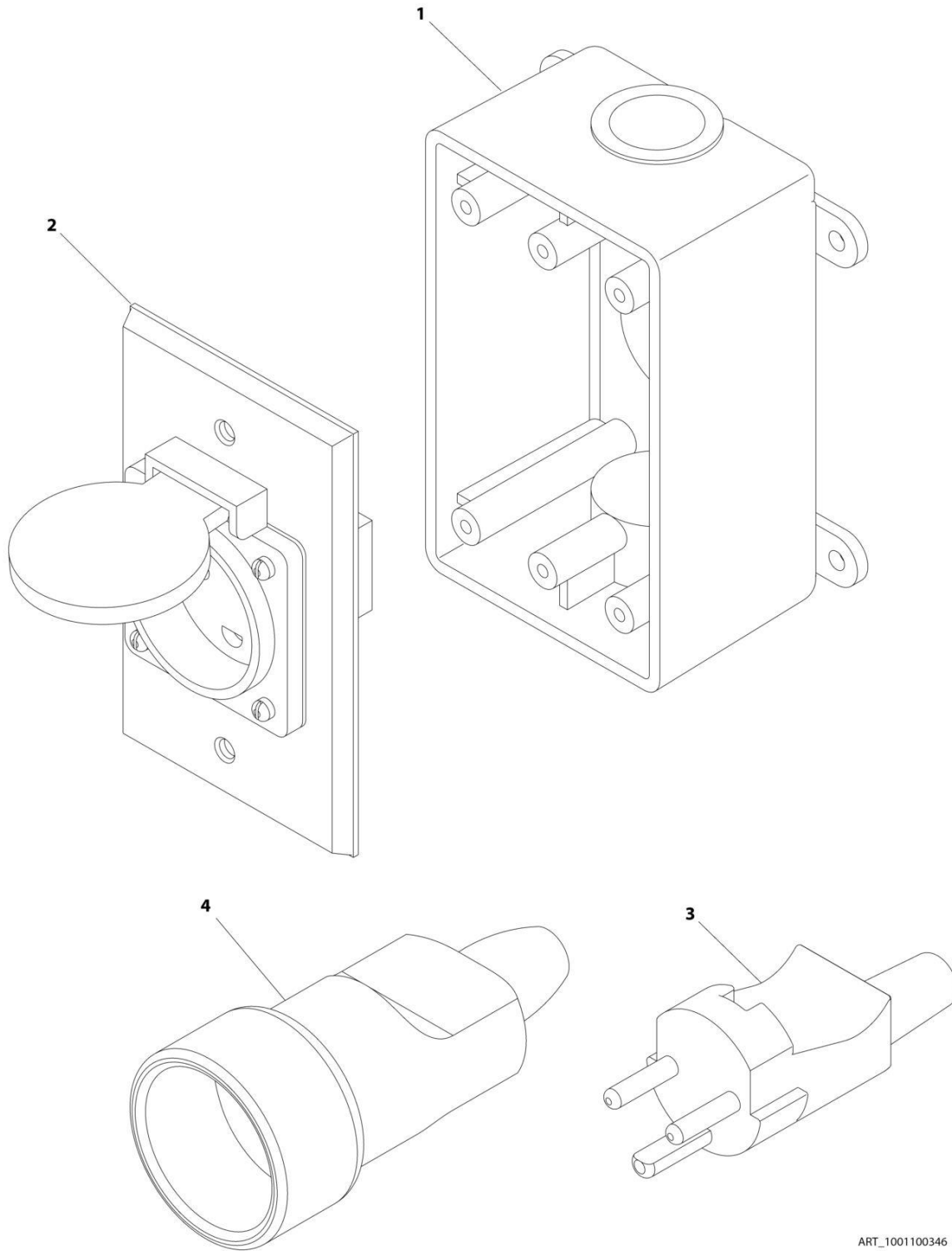
SECTION 8 - ELECTRICAL

FIGURE 8-73. RECEPTACLE BOX KIT - 220V AFSINT 107 KEYED GROUND WITHOUT 2500W GENERATOR (2X4 BOX) (CE & UK CA SPECS)

ITEM	PART NUMBER	QTY	DESCRIPTION	REV
	0275454	Ref	RECEPTACLE BOX KIT - 220V AFSINT 107	B
1	0861731	1	Box, Switch	
2	4461246	1	Receptacle	
3	4461249	1	Plug, Male	
4	1001100346	1	Plug and Socket Kit (Includes Items 1-3 and Female Plug p/n 4461250)	

SECTION 8 - ELECTRICAL

FIGURE 8-74. RECEPTACLE BOX KIT - 220V AFSINT 107 KEYED GROUND WITH 2500W GENERATOR (2X4 BOX) (CE & UK CA SPECS)



ART_1001100346

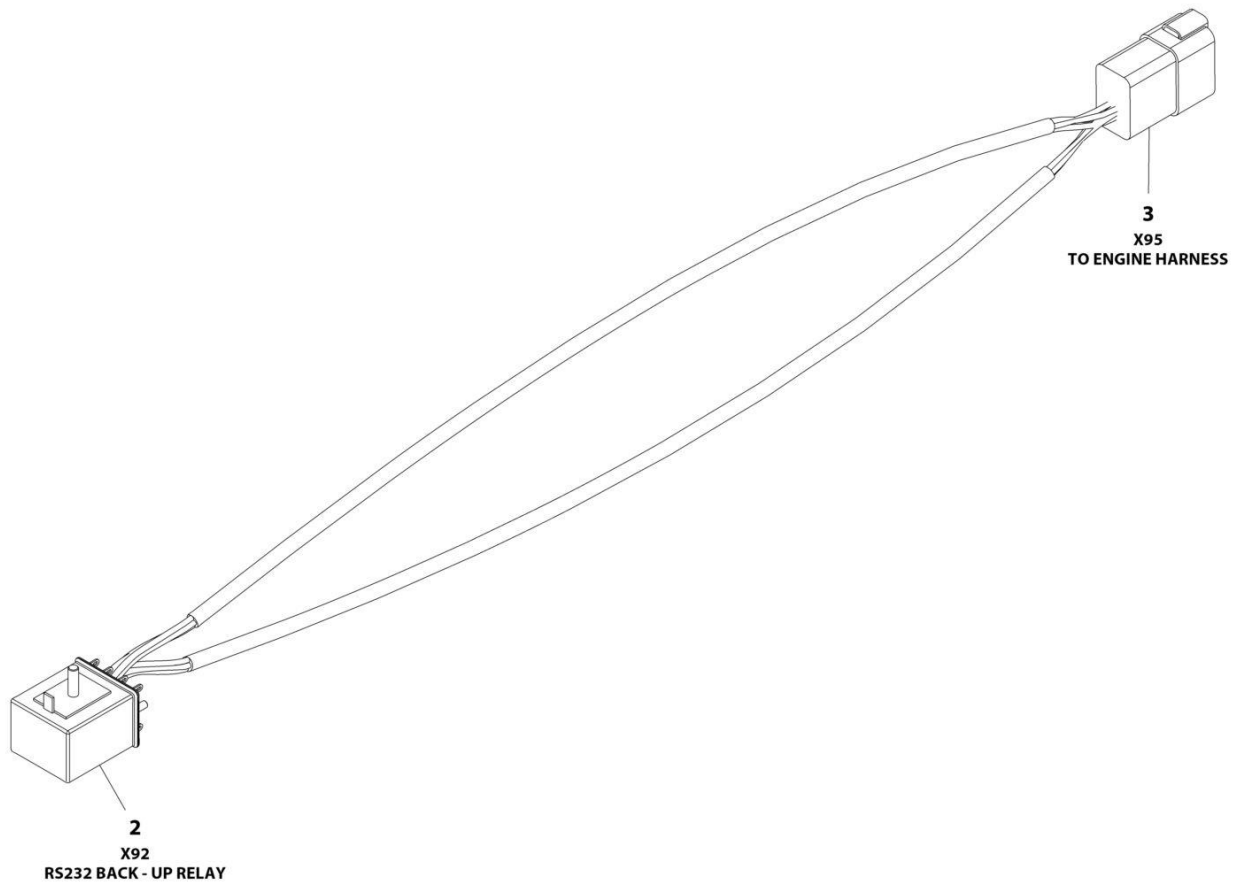
SECTION 8 - ELECTRICAL

FIGURE 8-74. RECEPTACLE BOX KIT - 220V AFSINT 107 KEYED GROUND WITH 2500W GENERATOR (2X4 BOX) (CE & UK CA SPECS)

ITEM	PART NUMBER	QTY	DESCRIPTION	REV
	1001100346	Ref	RECEPTACLE BOX KIT - 220V AFSINT 107 KEYED GROUND WITH 2500W GENERATOR (2X4 BOX) (CE & UK CA SPECS)	2
1	0861731	1	Box, Switch	
2	4461246	1	Receptacle	
3	4461249	1	Plug, Male	
4	4461250	1	Plug, Female	

SECTION 8 - ELECTRICAL

FIGURE 8-75. RELAY HARNESS



ART_4923036

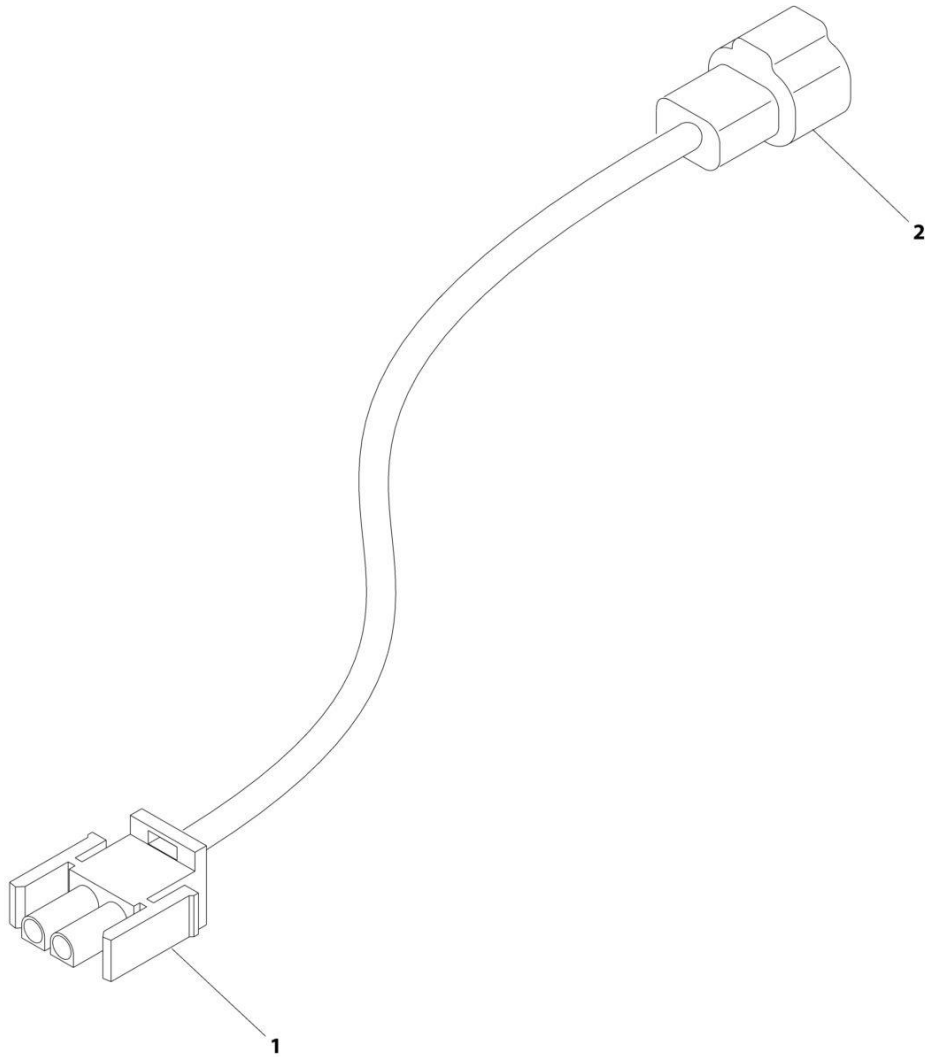
SECTION 8 - ELECTRICAL

FIGURE 8-75. RELAY HARNESS

ITEM	PART NUMBER	QTY	DESCRIPTION	REV
	4923036	Ref	RELAY HARNESS	E
2	3740143	1	Relay	
3	4460931	1	Connector - 8 Position	
3	4460943	8	Pin, Male	

SECTION 8 - ELECTRICAL

FIGURE 8-76. STROBE LIGHT HARNESS (AMBER)



ART_1001149818

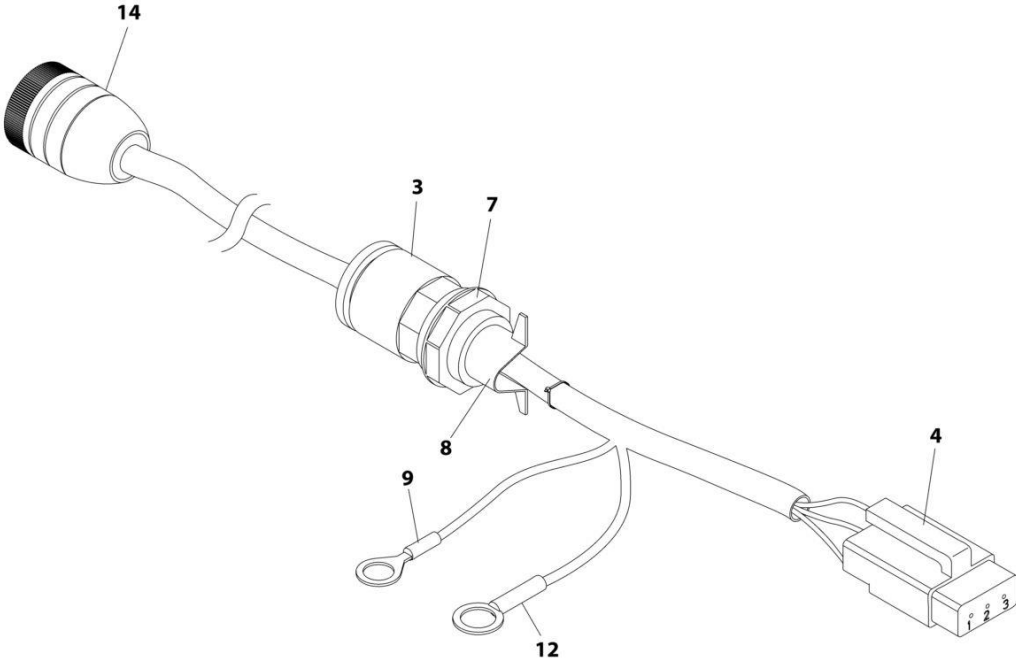
SECTION 8 - ELECTRICAL

FIGURE 8-76. STROBE LIGHT HARNESS (AMBER)

ITEM	PART NUMBER	QTY	DESCRIPTION	REV
	1001149818	Ref	STROBE LIGHT HARNESS (AMBER)	D
1	4460320	1	Plug, Male - 2 Position	
1	4460267	2	Pin, Male	
2	4460897	1	Connector - 2 Position	
2	4460464	2	Pin, Male	

SECTION 8 - ELECTRICAL

FIGURE 8-77. TILT SENSOR HARNESS (LEFT)



ART_4922948

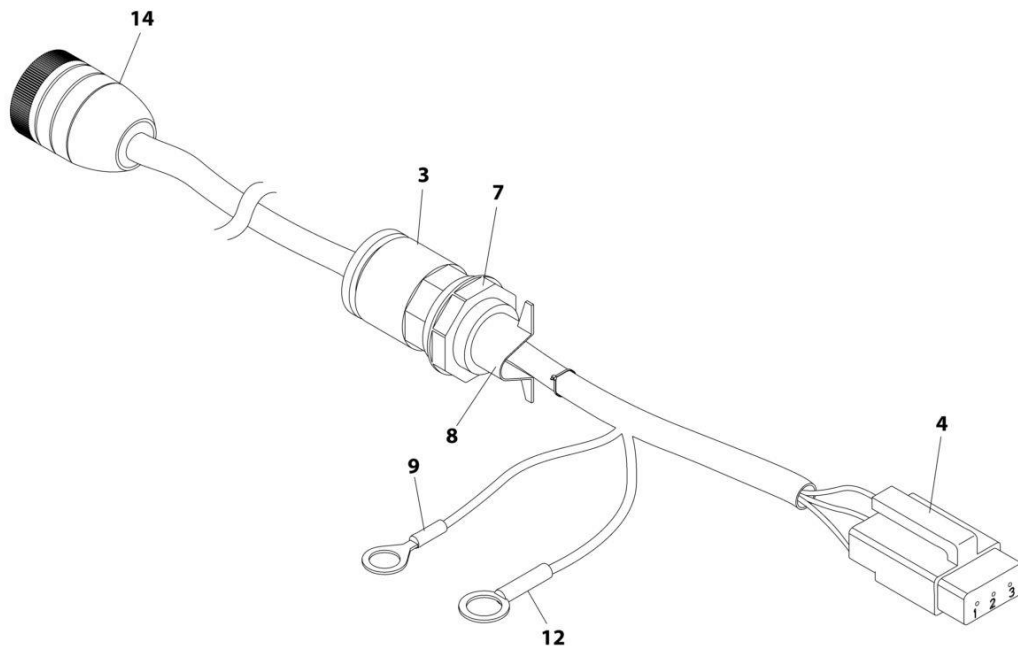
SECTION 8 - ELECTRICAL

FIGURE 8-77. TILT SENSOR HARNESS (LEFT)

ITEM	PART NUMBER	QTY	DESCRIPTION	REV
	4922948	Ref	TILT SENSOR HARNESS (LEFT)	E
3	1560011	1	Connector, Conduit	
4	4460911	1	Connector - 3 Position	
4	4460912	1	Lock, Wedge	
4	4460918	3	Pin, Male	
7	1560012	1	Nut, Conduit	
8	1320309	1	Clamp, Cable	
9	4460702	1	Terminal, Eyelet	
10	4240032	2	Tie-Strap (Not Shown)	
12	4460256	1	Terminal, Eyelet	
14	4461013	1	Connector - 6 Position	

SECTION 8 - ELECTRICAL

FIGURE 8-78. TILT SENSOR HARNESS (RIGHT)



ART_4922947

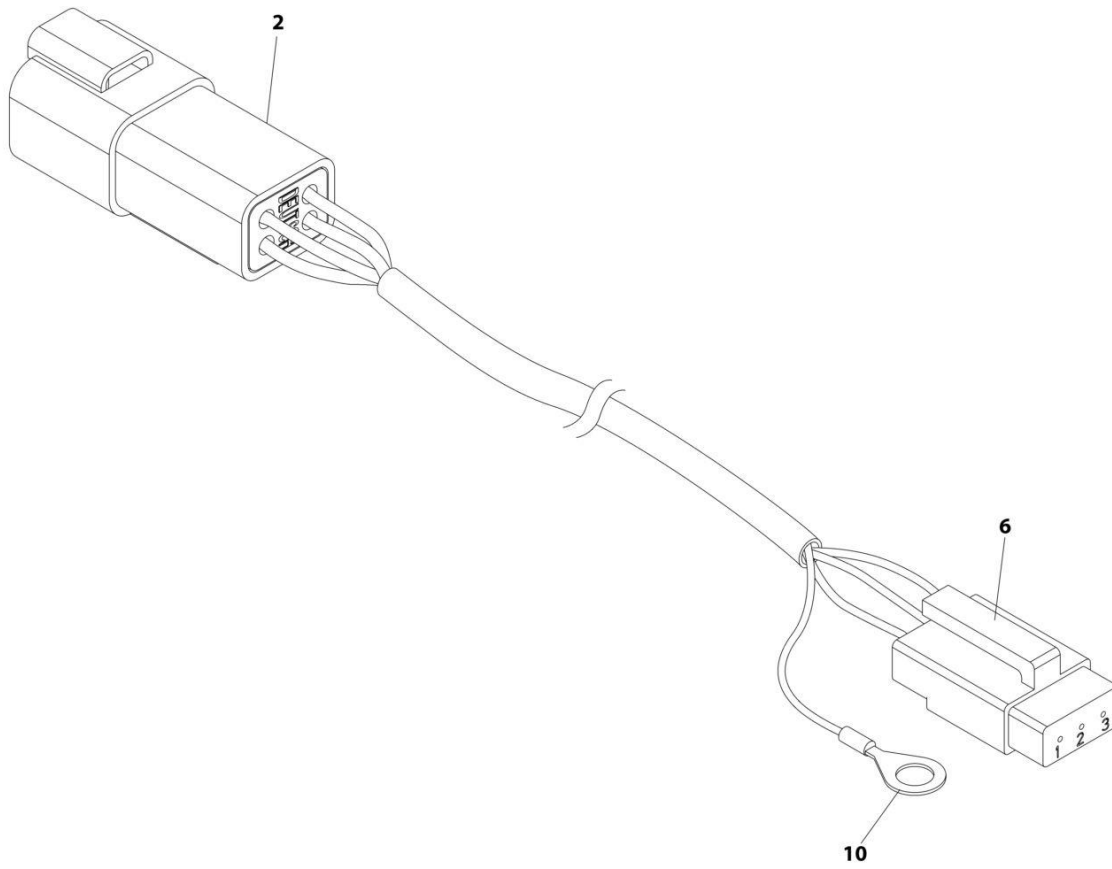
SECTION 8 - ELECTRICAL

FIGURE 8-78. TILT SENSOR HARNESS (RIGHT)

ITEM	PART NUMBER	QTY	DESCRIPTION	REV
	4922947	Ref	TILT SENSOR HARNESS (RIGHT)	E
3	1560011	1	Connector, Conduit	
4	4460911	1	Connector - 3 Position	
4	4460912	1	Lock, Wedge	
4	4460918	3	Pin, Male	
7	1560012	1	Nut, Conduit	
8	1320309	1	Clamp, Cable	
9	4460702	1	Terminal, Eyelet	
10	4240032	2	Tie-Strap (Not Shown)	
12	4460256	1	Terminal, Eyelet	
14	4461013	1	Connector - 6 Position	

SECTION 8 - ELECTRICAL

FIGURE 8-79. TOWER BOOM ANGLE SENSOR HARNESS (LEFT)



ART_4922951

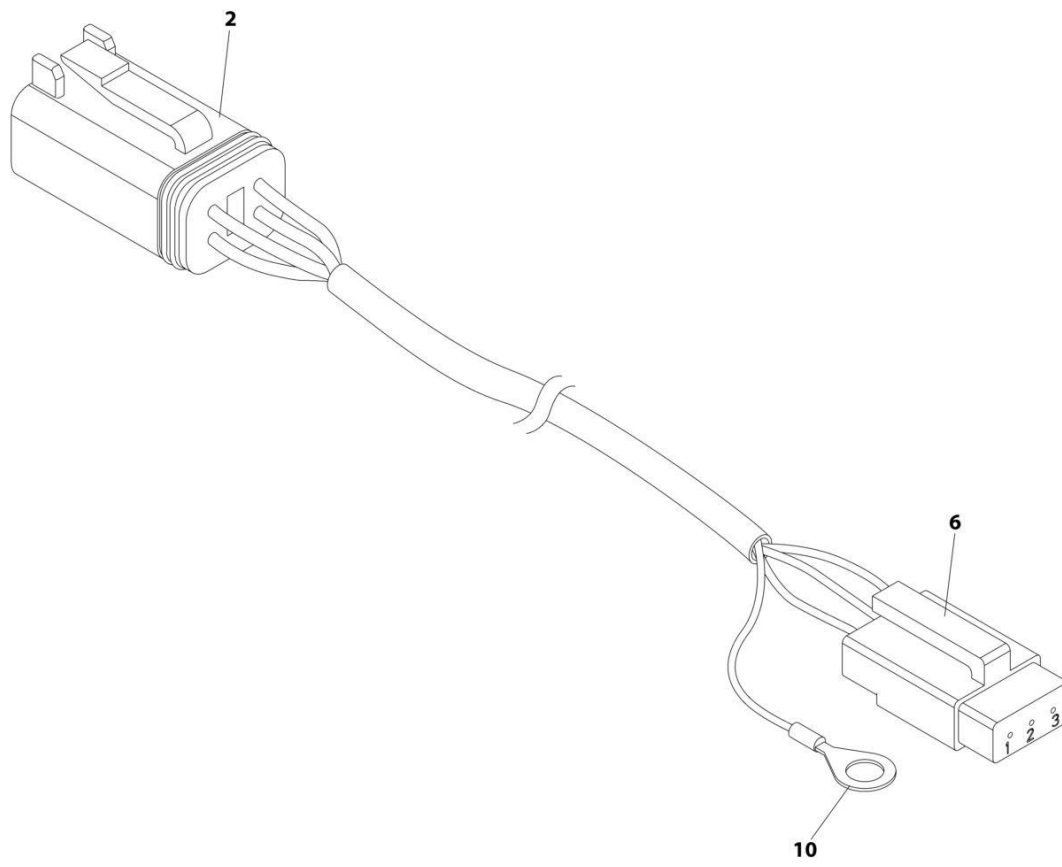
SECTION 8 - ELECTRICAL

FIGURE 8-79. TOWER BOOM ANGLE SENSOR HARNESS (LEFT)

ITEM	PART NUMBER	QTY	DESCRIPTION	REV
	4922951	Ref	TOWER BOOM ANGLE SENSOR HARNESS (LEFT)	E
2	4460932	1	Connector - 4 Position	
2	4460943	4	Pin, Male (Gold)	
6	4460911	1	Connector - 3 Position	
6	4460918	3	Socket, Female	
6	4460912	1	Lock, Wedge - Position	
10	4460722	1	Terminal, Eyelet	

SECTION 8 - ELECTRICAL

FIGURE 8-80. TOWER BOOM ANGLE SENSOR HARNESS (RIGHT)



ART_4922950

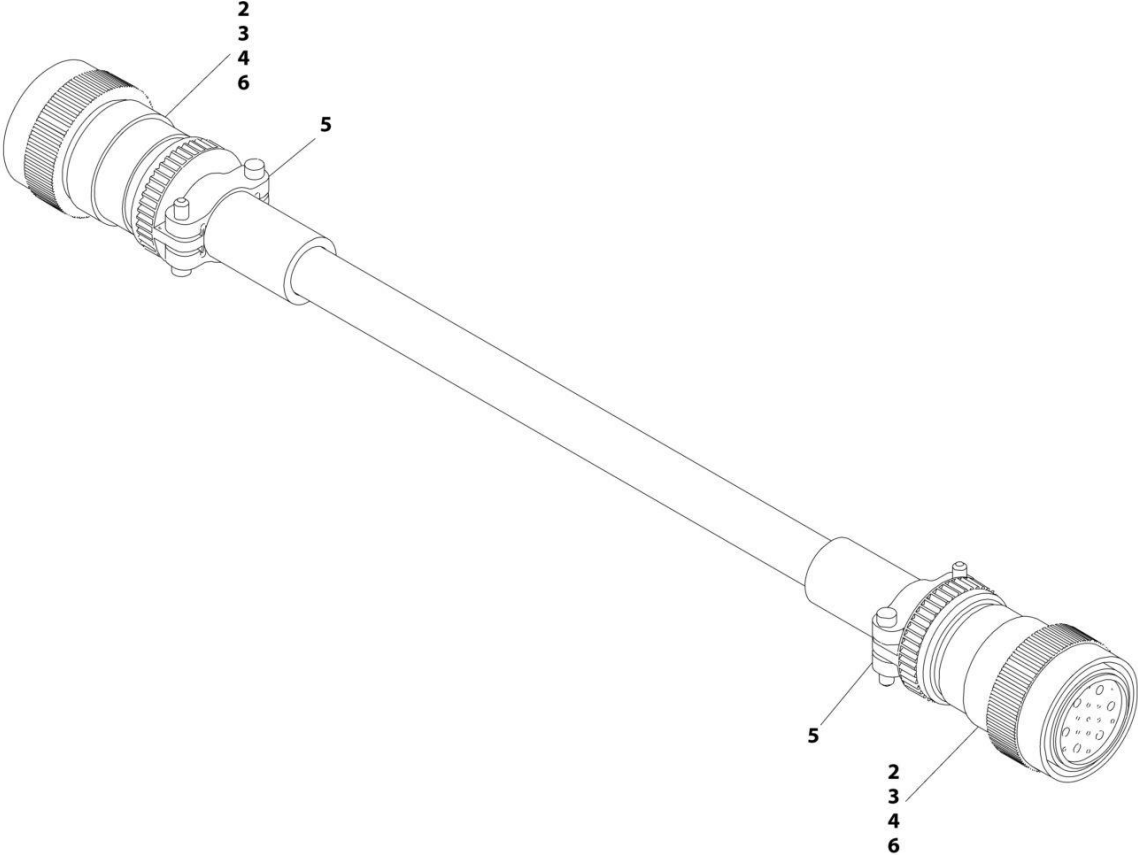
SECTION 8 - ELECTRICAL

FIGURE 8-80. TOWER BOOM ANGLE SENSOR HARNESS (RIGHT)

ITEM	PART NUMBER	QTY	DESCRIPTION	REV
	4922950	Ref	TOWER BOOM ANGLE SENSOR HARNESS (RIGHT)	D
2	4460884	1	Connector - 4 Position	
2	4460944	4	Socket, Female (Gold)	
6	4460911	1	Connector - 3 Position	
6	4460918	3	Socket, Female	
6	4460912	1	Lock, Wedge - Position	
10	4460722	1	Terminal, Eyelet	

SECTION 8 - ELECTRICAL

FIGURE 8-81. TOWER BOOM CONTROL CABLE HARNESS



ART_4922956

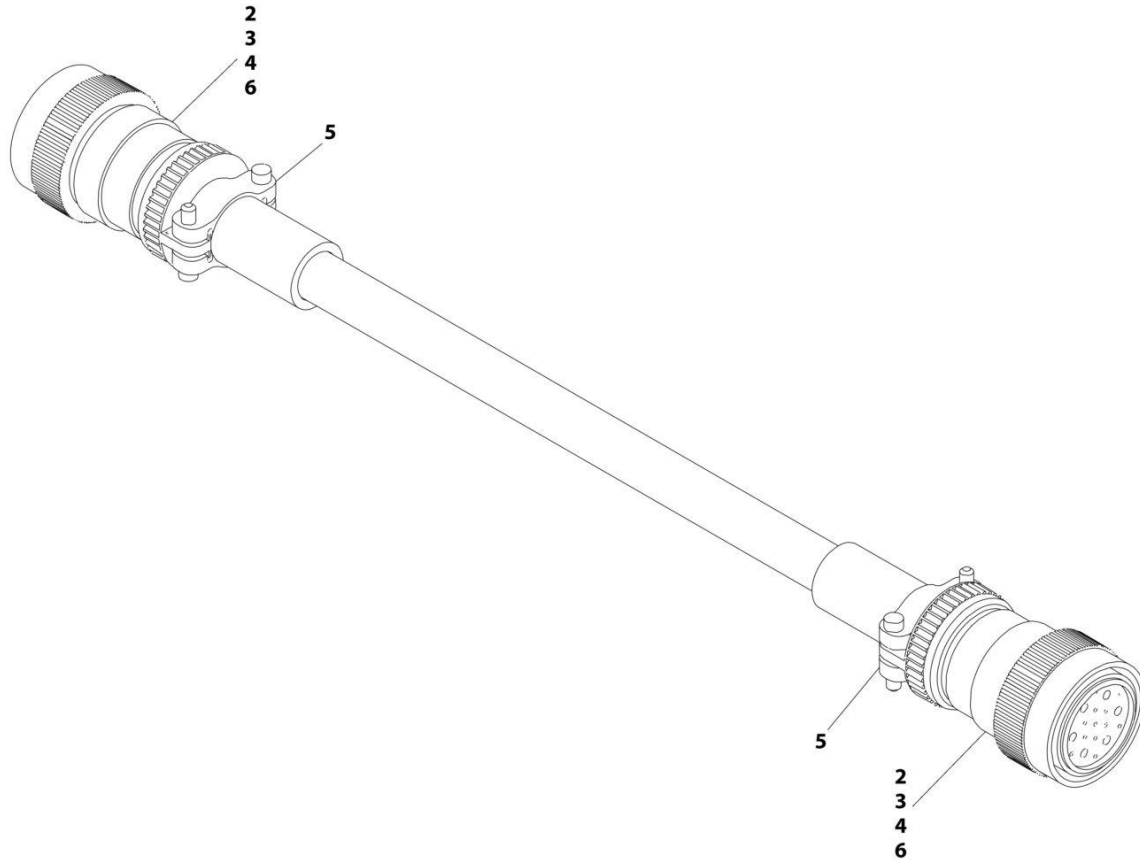
SECTION 8 - ELECTRICAL

FIGURE 8-81. TOWER BOOM CONTROL CABLE HARNESS

ITEM	PART NUMBER	QTY	DESCRIPTION	REV
	4922956	Ref	TOWER BOOM CONTROL CABLE HARNESS	E
2	4460465	11	Socket, Female	
3	4460865	2	Connector - 19 Position	
4	4460509	4	Socket, Female	
5	4460473	2	Clamp	
6	4460466	4	Plug, Socket	

SECTION 8 - ELECTRICAL

FIGURE 8-82. TOWER BOOM FLY TO GROUND CONTROL BOX HARNESS



ART_4922958

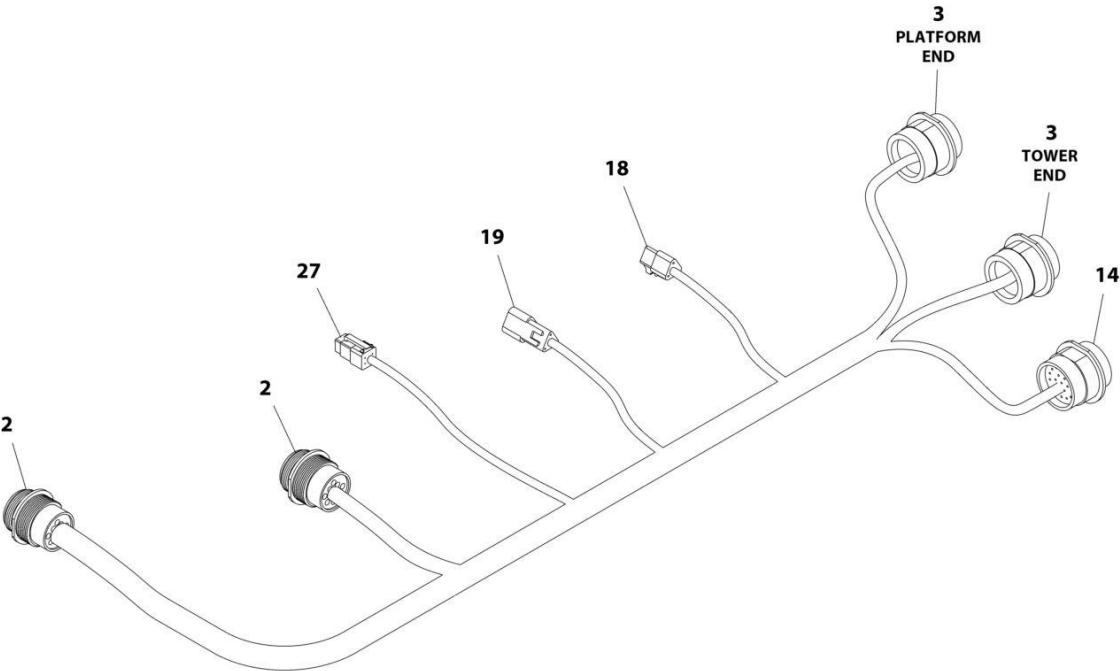
SECTION 8 - ELECTRICAL

FIGURE 8-82. TOWER BOOM FLY TO GROUND CONTROL BOX HARNESS

ITEM	PART NUMBER	QTY	DESCRIPTION	REV
	4922958	Ref	TOWER BOOM FLY TO GROUND CONTROL BOX HARNESS	D
2	4460465	22	Socket, Female	
3	4461003	2	Connector - 21 Position	
4	4460509	8	Socket, Female	
5	4460473	2	Clamp, Cable	
6	4460466	12	Seal, Plug	

SECTION 8 - ELECTRICAL

FIGURE 8-83. TOWER BOOM FLY TO MAIN BOOM BASE HARNESS



ART_4923373_C

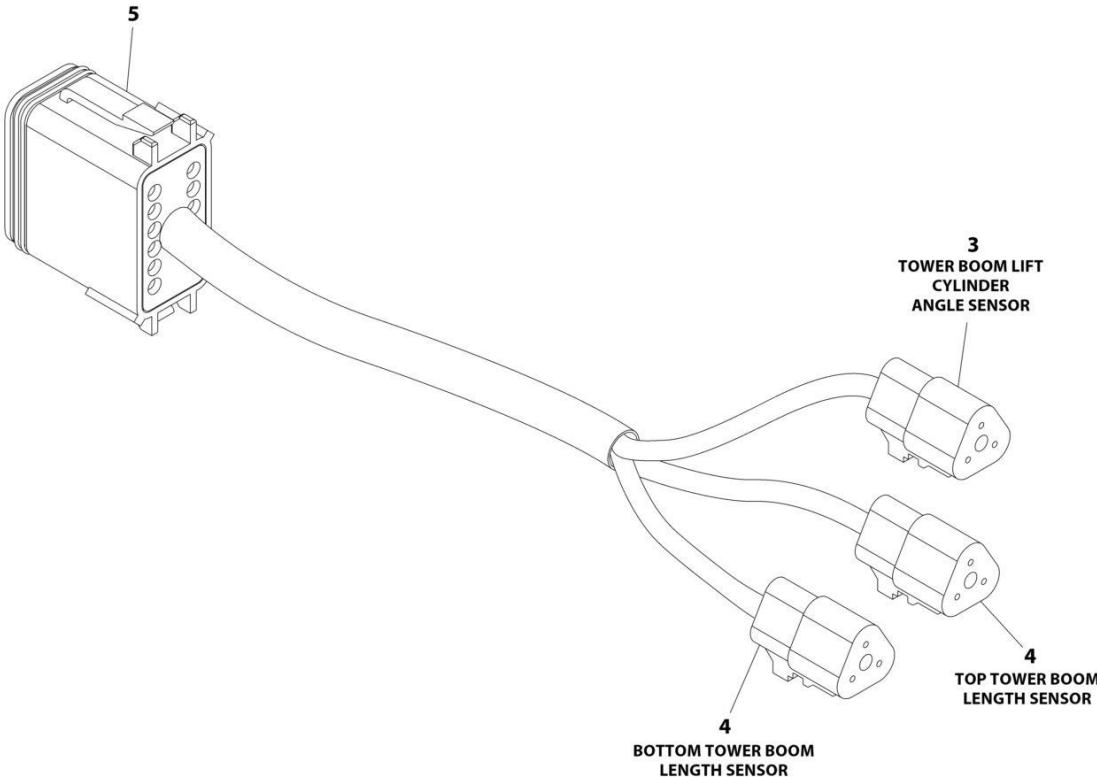
SECTION 8 - ELECTRICAL

FIGURE 8-83. TOWER BOOM FLY TO MAIN BOOM BASE HARNESS

ITEM	PART NUMBER	QTY	DESCRIPTION	REV
	4923373	Ref	TOWER BOOM FLY TO MAIN BOOM BASE HARNESS	C
2	4461009	2	Connector - 5 Position	
3	4460866	2	Connector - 19 Position	
3	4460464	3	Pin, Male	
3	4460508	4	Pin, Male	
3	4460943	3	Pin, Male (Gold)	
3	4460466	4	Seal, Plug	
14	4460613	1	Connector - 21 Position	
14	4460464	8	Pin, Male	
14	4460508	5	Pin, Male	
18	4460539	1	Connector - 3 Position	
18	4460944	3	Socket, Female (Gold)	
19	4460536	1	Connector - 3 Position	
19	4460943	3	Pin, Male (Gold)	
27	4461077	1	Plug, Male	
27	4460918	4	Socket, Female (Gold)	

SECTION 8 - ELECTRICAL

FIGURE 8-84. TOWER BOOM LENGTH SENSORS HARNESS



ART_4922949

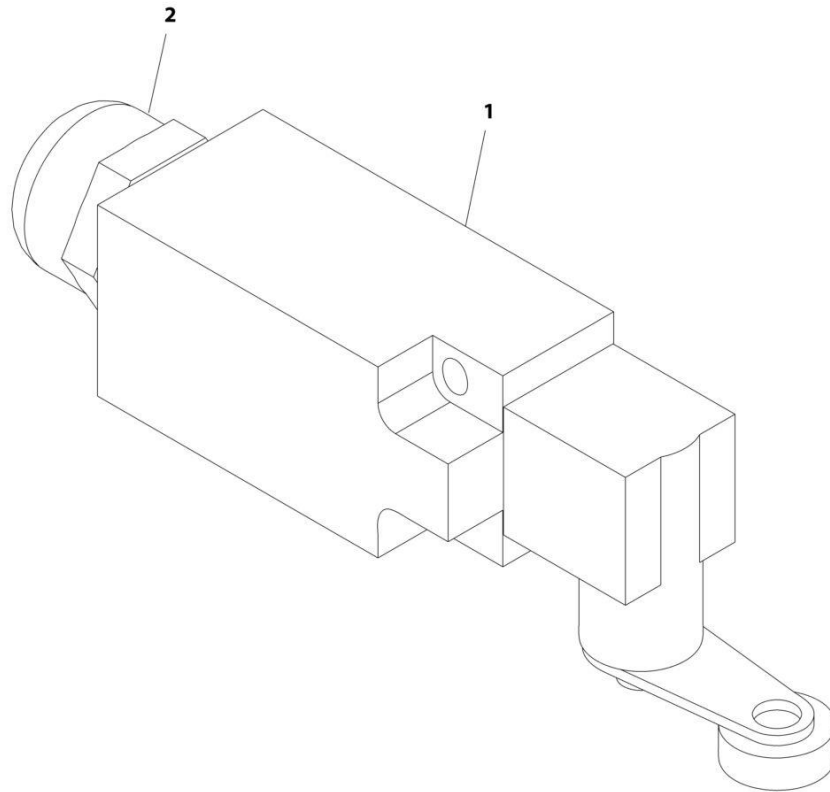
SECTION 8 - ELECTRICAL

FIGURE 8-84. TOWER BOOM LENGTH SENSORS HARNESS

ITEM	PART NUMBER	QTY	DESCRIPTION	REV
	4922949	Ref	TOWER BOOM LENGTH SENSORS HARNESS	B
3	4460539	1	Connector - 3 Position	
3	4460943	3	Pin, Male (Gold)	
4	4460539	2	Connector - 3 Position	
4	4460944	6	Socket, Female (Gold)	
5	4460934	1	Connector - 12 Position	
5	4460944	11	Socket, Female (Gold)	
5	4460466	1	Plug	

SECTION 8 - ELECTRICAL

FIGURE 8-85. TOWER BOOM TRANSPORT LENGTH SWITCH HARNESS



ART_4923169

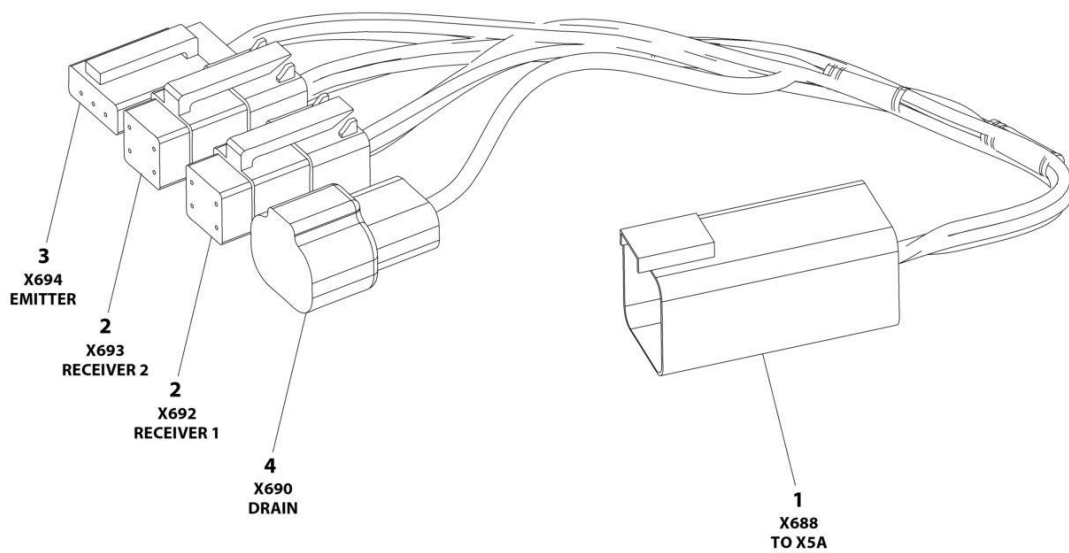
SECTION 8 - ELECTRICAL

FIGURE 8-85. TOWER BOOM TRANSPORT LENGTH SWITCH HARNESS

ITEM	PART NUMBER	QTY	DESCRIPTION	REV
	4923169	Ref	TOWER BOOM TRANSPORT LENGTH SWITCH HARNESS	A
1	4360579	1	Switch, Limit	
2	4460968	1	Connector, Strain Relief	

SECTION 8 - ELECTRICAL

FIGURE 8-86. SKYEYE INTERMEDIATE HARNESS



ART_1001237865

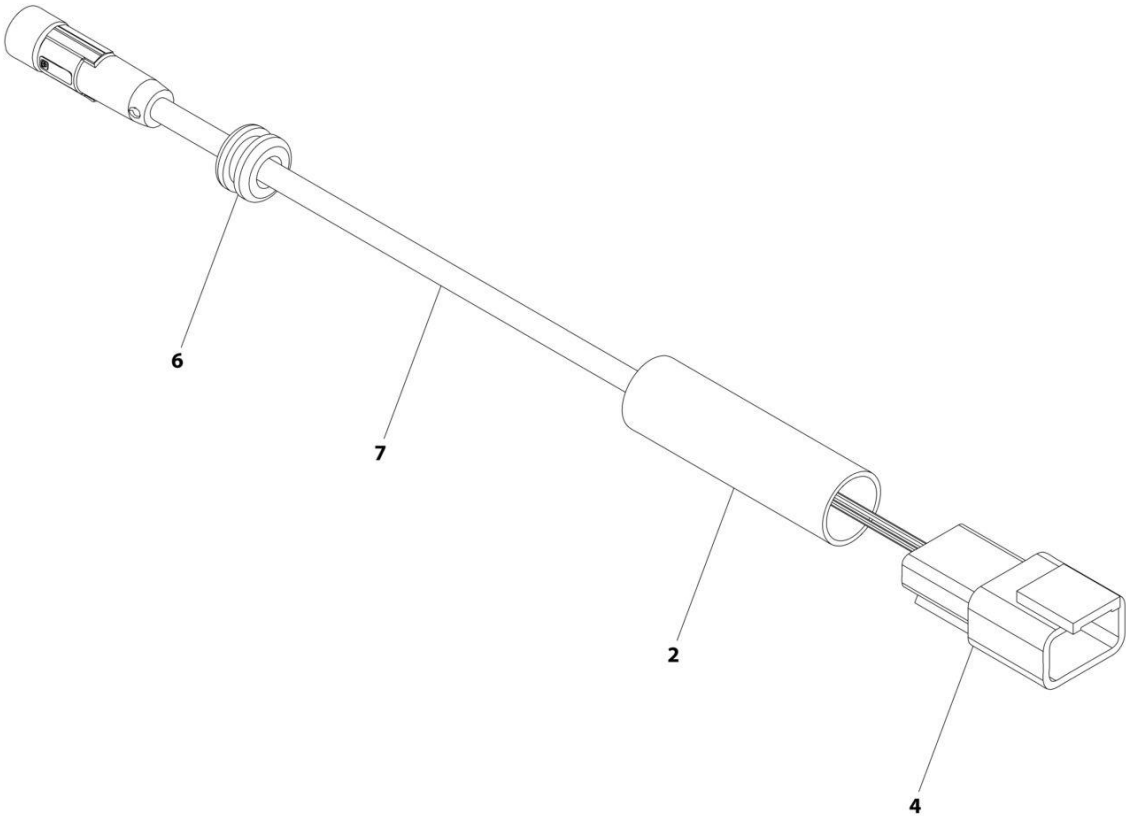
SECTION 8 - ELECTRICAL

FIGURE 8-86. SKYEYE INTERMEDIATE HARNESS

ITEM	PART NUMBER	QTY	DESCRIPTION	REV
	1001237865	Ref	SKYEYE INTERMEDIATE HARNESS	A
1	4460899	1	Connector - 6 Position	
1	4460943	4	Pin, Male	
1	4460466	2	Plug, Terminal	
2	4461077	2	Connector - 4 Position	
2	1001119619	8	Socket, Female	
3	4460911	1	Connector - 3 Position	
3	1001119619	3	Socket, Female	
4	1001187681	1	Connector - 2 Position	
4	4460941	1	Pin, Male	
4	4460466	1	Plug, Terminal	

SECTION 8 - ELECTRICAL

FIGURE 8-87. SKYEYE RECEIVER HARNESS



ART_1001237863_B

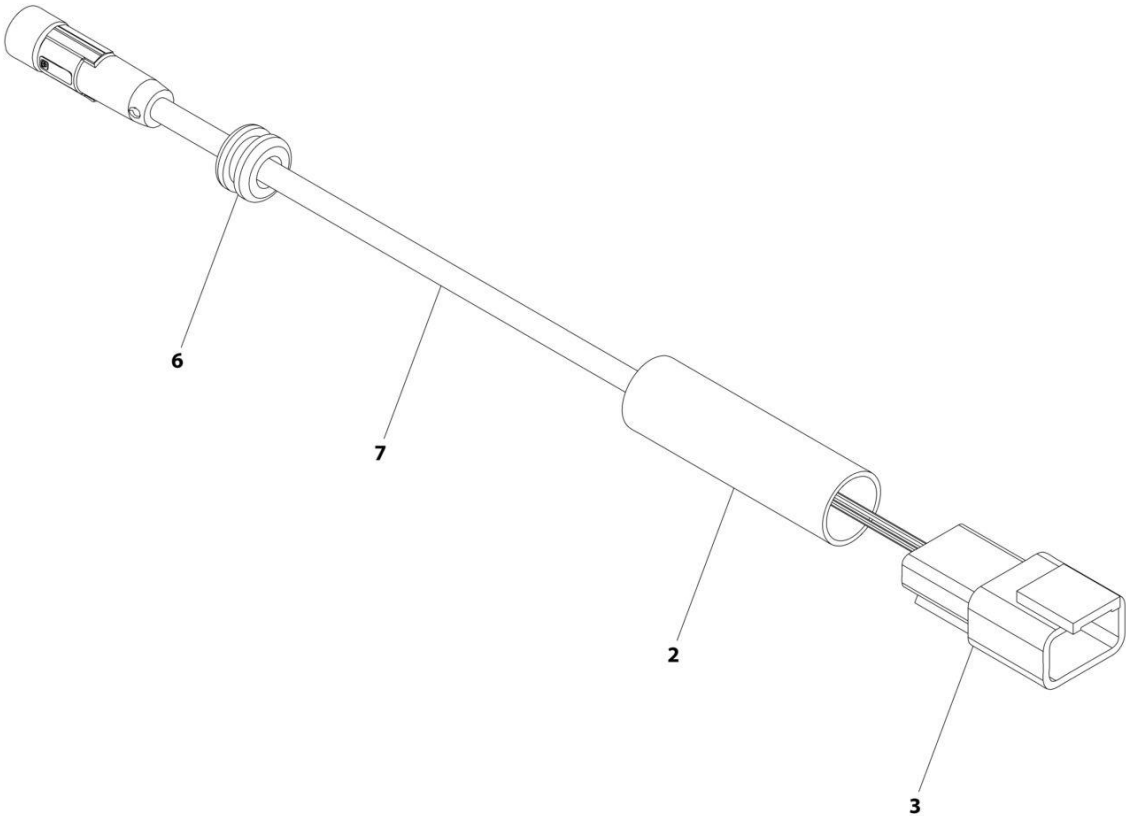
SECTION 8 - ELECTRICAL

FIGURE 8-87. SKYEYE RECEIVER HARNESS

ITEM	PART NUMBER	QTY	DESCRIPTION	REV
	1001237863	Ref	SKYEYE RECEIVER HARNESS	B
2	2820247	AR	Tubing, Heat Shrink	
4	1001097051	1	Connector - 4 Position	
4	1001119620	4	Pin, Male	
6	1001227996	1	Grommet	
7	1001258495	1	Cable, M8 Female Cordset	

SECTION 8 - ELECTRICAL

FIGURE 8-88. SKYEYE EMITTER HARNESS



ART_1001237864_B

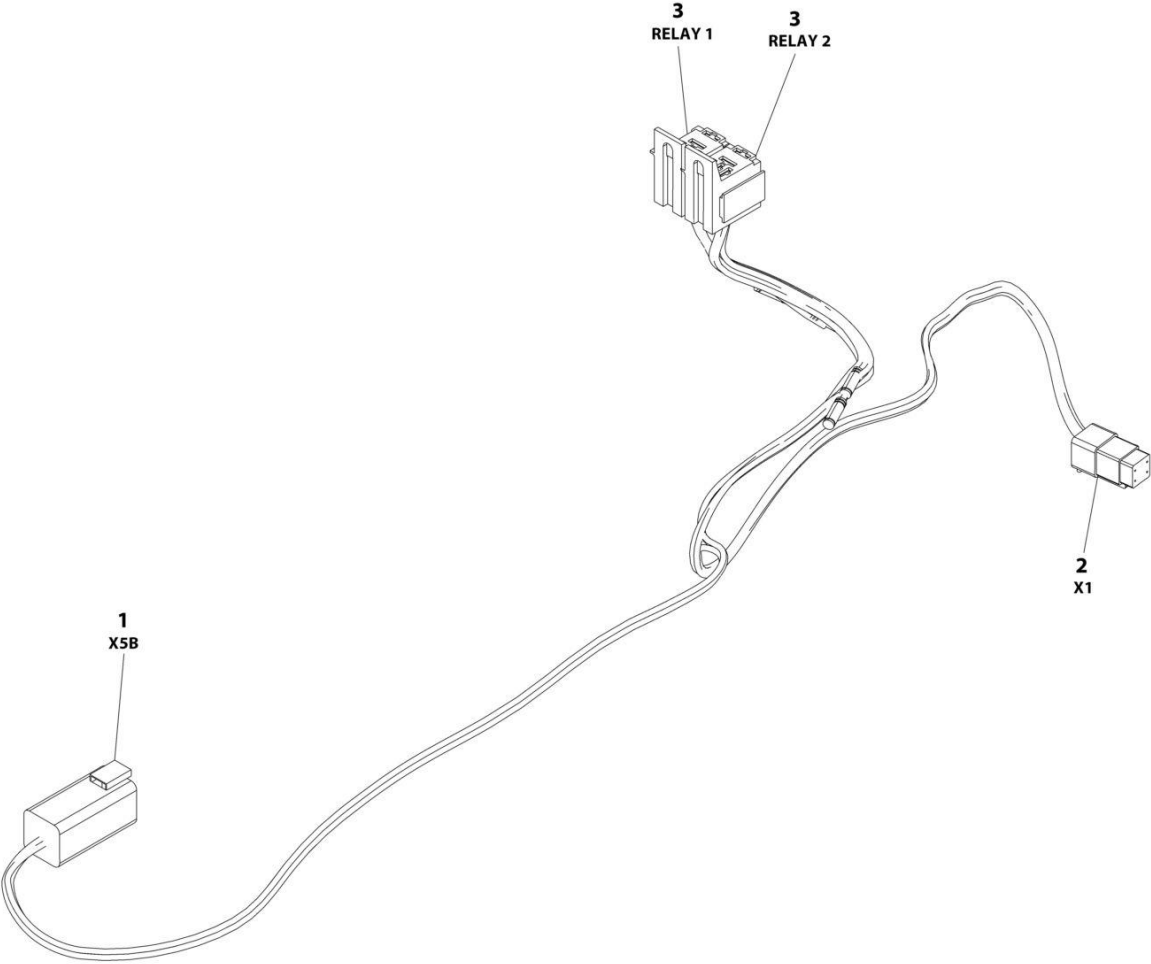
SECTION 8 - ELECTRICAL

FIGURE 8-88. SKYEYE EMITTER HARNESS

ITEM	PART NUMBER	QTY	DESCRIPTION	REV
	1001237864	Ref	SKYEYE EMITTER HARNESS	B
2	2820247	AR	Tubing, Heat Shrink	
3	4460910	1	Connector - 3 Position	
3	1001119620	3	Pin, Male	
6	1001227996	1	Grommet	
7	1001258495	1	Cable, M8 Female Cordset	

SECTION 8 - ELECTRICAL

FIGURE 8-89. SKYLINE HARNESS



ART_1001238418

SECTION 8 - ELECTRICAL

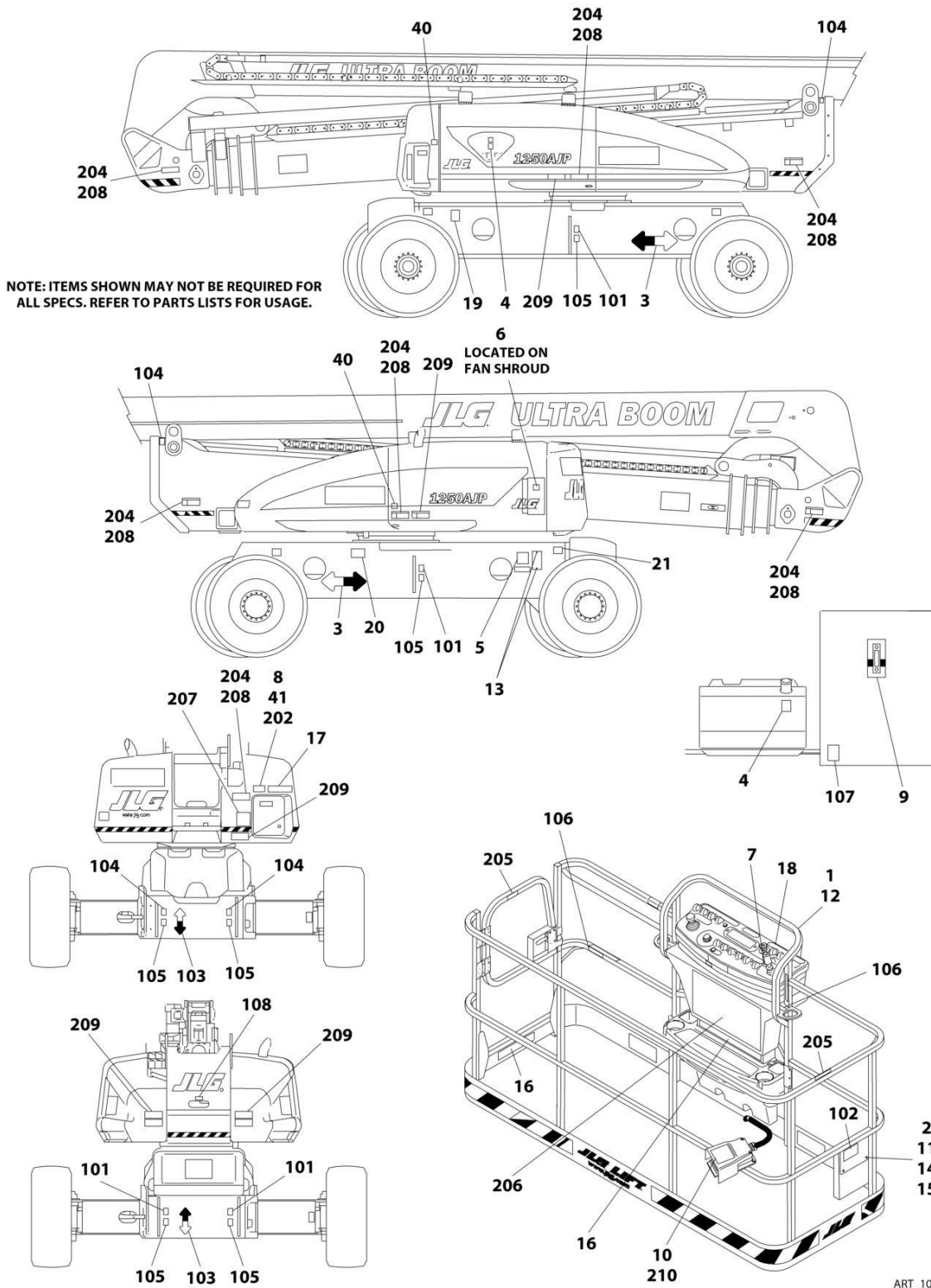
FIGURE 8-89. SKYLINE HARNESS

ITEM	PART NUMBER	QTY	DESCRIPTION	REV
	1001238418	Ref	SKYLINE HARNESS	B
1	4460899	1	Connector - 6 Position	
1	4460464	4	Pin, Male	
1	4460466	2	Plug, Terminal	
2	4461077	1	Connector - 4 Position	
2	1001126009	4	Socket, Female	
3	1001186432	2	Plug, Relay	
3	1001118388	5	Terminal	
3	1001118384	3	Terminal	
3	3740086	2	Relay	

SECTION 9 - DECALS

SECTION 9 - DECALS

FIGURE 9-1. DECAL INSTALLATION - ANSI SPEC



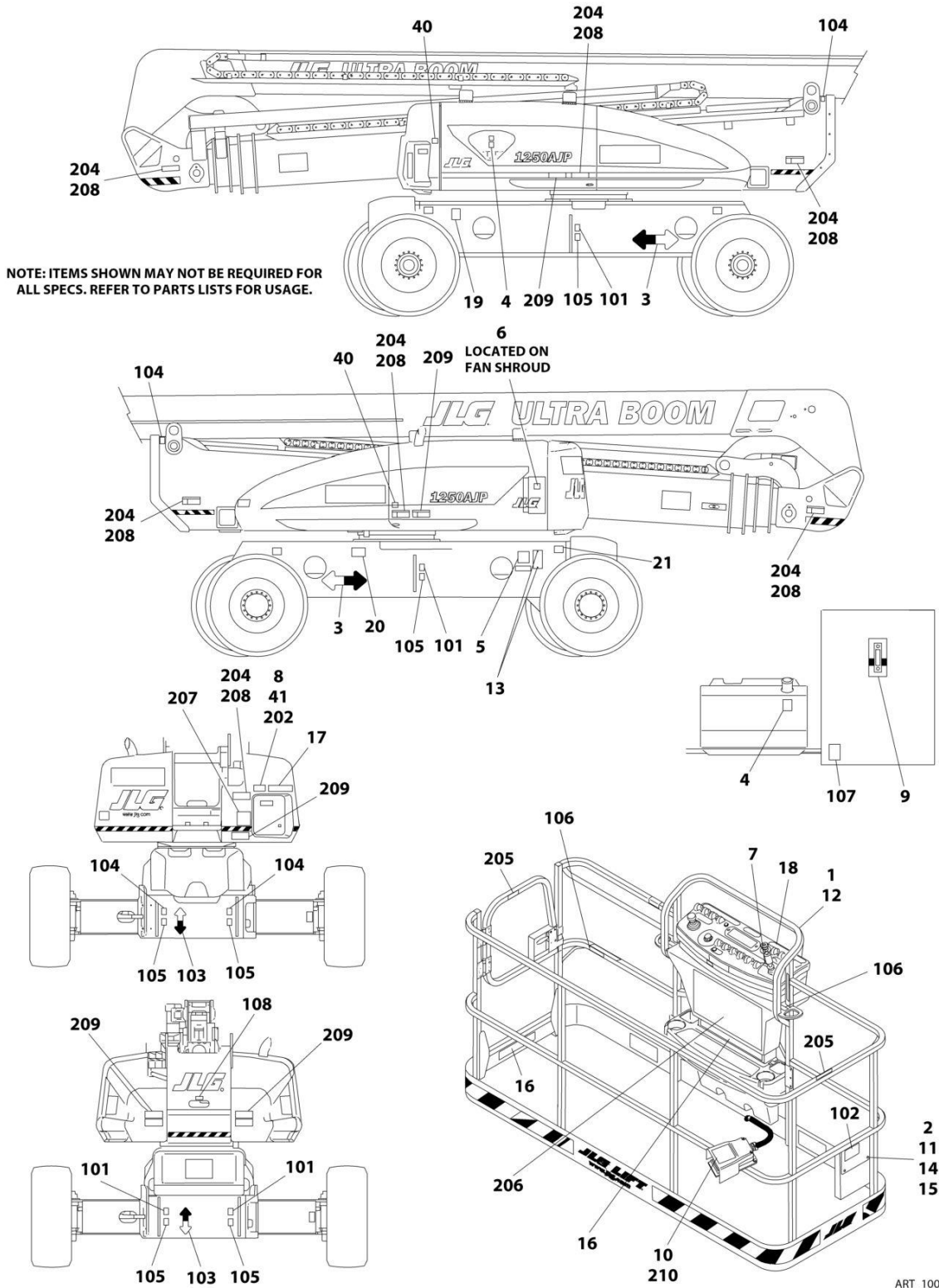
SECTION 9 - DECALS

FIGURE 9-1. DECAL INSTALLATION - ANSI SPEC

ITEM	PART NUMBER	QTY	DESCRIPTION	REV
	1001251267	Ref	DECAL INSTALLATION - REFERENCE CHART	C
	1001243965	Ref	DECAL INSTALLATION - ANSI SPEC	B
1	0100048	AR	Grease, Dielectric	
2	0641406	4	Bolt 1/4 x 3/4	
3	1701501	4	Decal - Arrow	
4	1701505	2	Decal - Fuel	
5	See Note	1	Decal - Bar Code (Note: Not Available For Purchase)	
6	1704972	1	Decal - Warning Explosion/Fire (Not Shown - Located on Engine Air Filter Housing)	
7	1705351	1	Decal - Drive/Steer Instructions	
8	1705492	1	Decal - Tip Over Hazard	
9	1705511	1	Decal - Oil Level	
10	3252347	1	Decal - Footswitch	
11	3311405	4	Nut 1/4	
12	3520174	3	Plug	
13	3820001	2	Rivet	
14	4751400	4	Washer 1/4	
15	91403230	1	Box, Manual Storage	
16	1001253048	1	Decal - Capacity (Platform)	
17	1001253049	1	Decal - Capacity (Ground Control)	
18	1001122611	1	Decal - Stop	
19	1001131269	1	Decal - Patent	
20	1001223055	1	Decal - Yearly Inspection	
21	1001223453	1	Decal - Ices	
100	1001248539	1	Decal Master Kit (Not Shown - Includes Items 101-108)	
101	1701499	4	Decal - No Lift	
102	1701509	1	Decal - Manual	
103	1701529	2	Decal - Arrow	
104	1703811	8	Decal - Tie Down/Lift	
105	1703814	6	Decal - Tie Down	
106	1704277	4	Decal - Attach Lanyard Here	
107	1704412	1	Decal - Hydraulic Oil Chart	
108	3251243	1	Nameplate - 120V-60Hz	
200	1001248547	1	Decal Kit (Not Shown - Includes Items 204-209)	
204	1703953	7	Decal - Warning/Crushing	
205	1702868	2	Decal - No Hands	
206	1001231315	1	Decal - Danger/Warning (Platform)	
207	1705336	1	Decal - Danger/Warning (Ground Control)	
208	1703804	5	Decal - Warning Crushing	
209	1703805	5	Decal - Danger/Electrocution	

SECTION 9 - DECALS

FIGURE 9-2. DECAL INSTALLATION - AUSTRALIAN SPEC



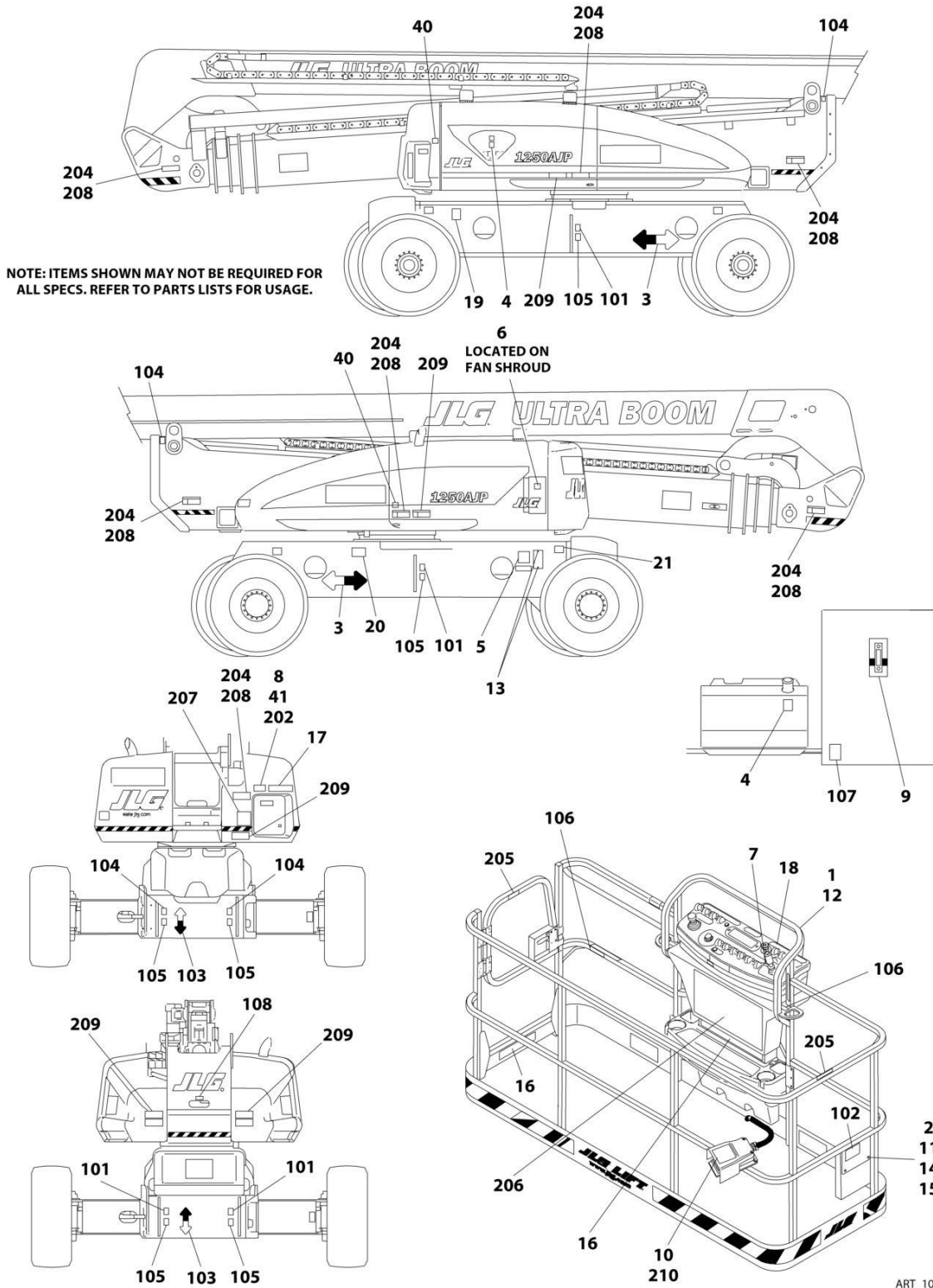
SECTION 9 - DECALS

FIGURE 9-2. DECAL INSTALLATION - AUSTRALIAN SPEC

ITEM	PART NUMBER	QTY	DESCRIPTION	REV
	1001251267	Ref	DECAL INSTALLATION - REFERENCE CHART	C
	1001246611	Ref	DECAL INSTALLATION - AUSTRALIAN SPEC	A
1	0100048	AR	Grease, Dielectric	
2	0641406	4	Bolt 1/4 x 3/4	
3	1701501	4	Decal - Arrow	
4	1701505	2	Decal - Fuel	
5	See Note	1	Decal - Bar Code (Note: Not Available For Purchase)	
6	1706098	1	Decal - Warning Explosion/Fire (Not Shown - Located on Engine Air Filter Housing)	
9	1705511	1	Decal - Oil Level	
10	1705828	1	Decal - Footswitch	
11	3311405	4	Nut 1/4	
12	3520174	3	Plug	
13	3820001	6	Rivet	
14	4751400	4	Washer 1/4	
15	91403230	1	Box, Manual Storage	
16	1706770	1	Decal - Capacity (Platform)	
17	1705468	1	Decal - Capacity (Ground Control)	
18	1705174	1	Decal - Stop	
41	1001112551	1	Decal - Emergency Controls (Australian Spec)	
100	1001248540	1	Decal Master Kit (Not Shown - Includes Items 101-107)	
101	1701499	4	Decal - No Lift	
102	1701509	1	Decal - Manual	
103	1701529	2	Decal - Arrow	
104	1703811	4	Decal - Tie Down/Lift	
105	1703814	6	Decal - Tie Down	
106	1704277	4	Decal - Attach Lanyard Here	
107	1704412	1	Decal - Hydraulic Oil Chart	
200	1001248546	1	Decal Kit (Not Shown - Includes Items 206-209)	
206	1705921	1	Decal - Tipping/Electrical (Platform)	
207	1705822	1	Decal - Electrical/Safety (Ground Control)	
208	1701518	10	Decal - Warning Crushing	
209	1705961	5	Decal - Danger Electrocution	

SECTION 9 - DECALS

FIGURE 9-3. DECAL INSTALLATION - BRAZIL SPEC (PORTGUESE/ENGLISH)



ART_1001244207

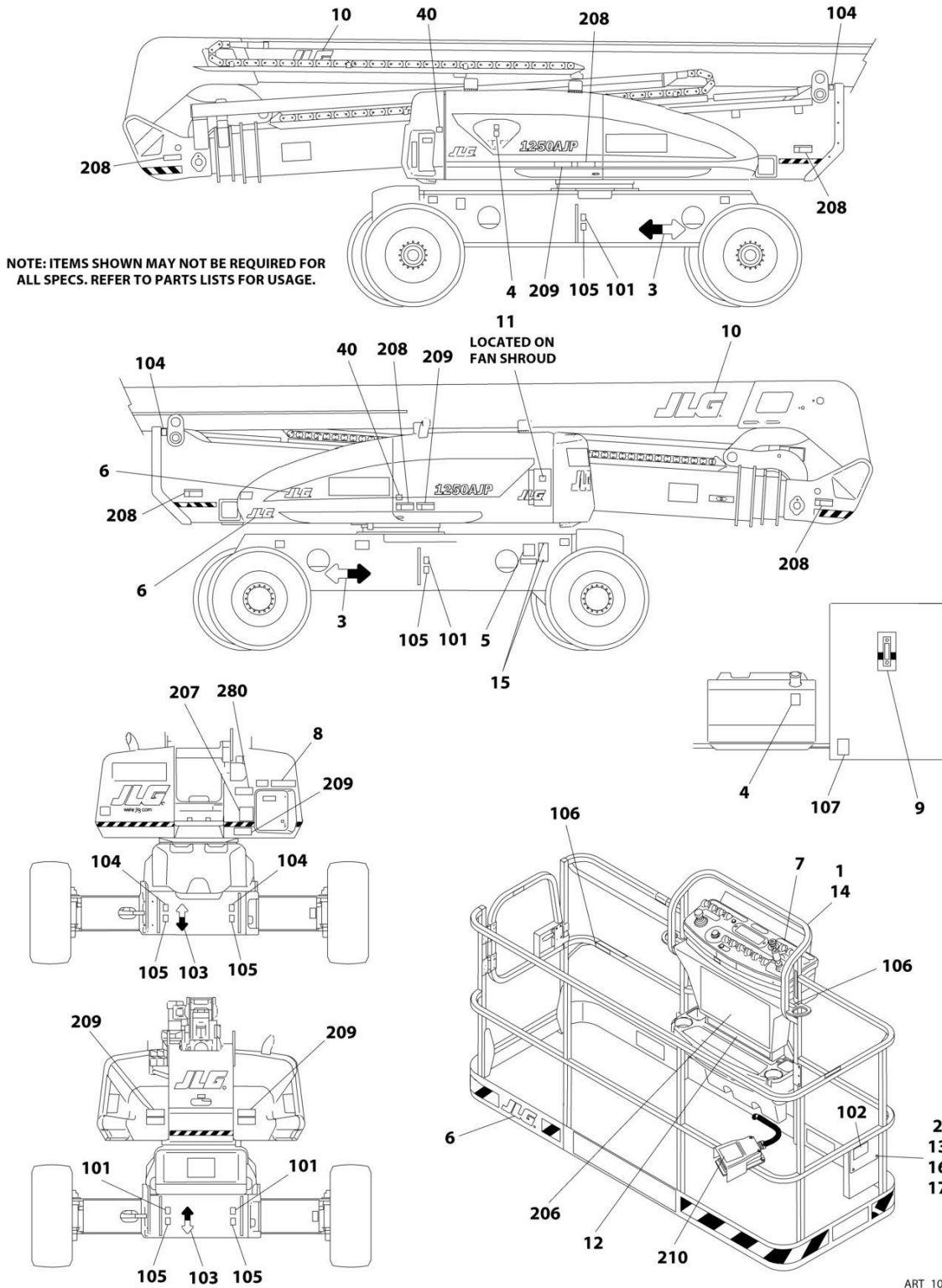
SECTION 9 - DECALS

FIGURE 9-3. DECAL INSTALLATION - BRAZIL SPEC (PORTGUESE/ENGLISH)

ITEM	PART NUMBER	QTY	DESCRIPTION	REV
	1001251267	Ref	DECAL INSTALLATION - REFERENCE CHART	C
	1001244207	Ref	DECAL INSTALLATION - BRAZIL SPEC (PORTGUESE/ENGLISH)	B
2	0641406	4	Bolt 1/4 x 3/4	
3	1701501	4	Decal - Arrow	
4	1701505	2	Decal - Fuel	
5	See Note	1	Decal - Bar Code (Note: Not Available For Purchase)	
6	1706059	1	Decal - Warning Explosion/Fire (Not Shown - Located on Engine Air Filter Housing)	
7	1705905	1	Decal - Drive/Steer Instructions	
9	1705511	1	Decal - Oil Level	
11	3311405	4	Nut 1/4	
13	3820001	2	Rivet	
14	4751400	4	Washer 1/4	
15	91403230	1	Box, Manual Storage	
16	1001253057	1	Decal - Capacity (Platform)	
17	1001253058	1	Decal - Capacity (Ground Control)	
18	1001122611	1	Decal - Stop	
20	1001224052	1	Decal - Yearly Inspection	
100	1001248539	1	Decal Master Kit (Not Shown - Includes Items 101-108)	
101	1701499	4	Decal - No Lift	
102	1701509	1	Decal - Manual	
103	1701529	2	Decal - Arrow	
104	1703811	8	Decal - Tie Down/Lift	
105	1703814	6	Decal - Tie Down	
106	1704277	4	Decal - Attach Lanyard Here	
107	1704412	1	Decal - Hydraulic Oil Chart	
108	3251243	1	Nameplate - 120V-60Hz	
200	1001248551	1	Decal Kit (Not Shown - Includes Items 202-210)	
202	1705906	1	Decal - Tip Over Hazard	
203	1705901	1	Decal - Inspection (Not Shown)	
204	1705903	7	Decal - Warning/Crushing	
205	1705967	2	Decal - No Hands	
206	1001231319	1	Decal - Danger/Warning (Platform)	
207	1705896	1	Decal - Danger/Warning (Ground Control)	
208	1705898	5	Decal - Warning Crushing	
209	1705897	5	Decal - Danger/Electrocution	
210	1705902	1	Decal - Footswitch	

SECTION 9 - DECALS

FIGURE 9-4. DECAL INSTALLATION - CE & UK CA SPEC



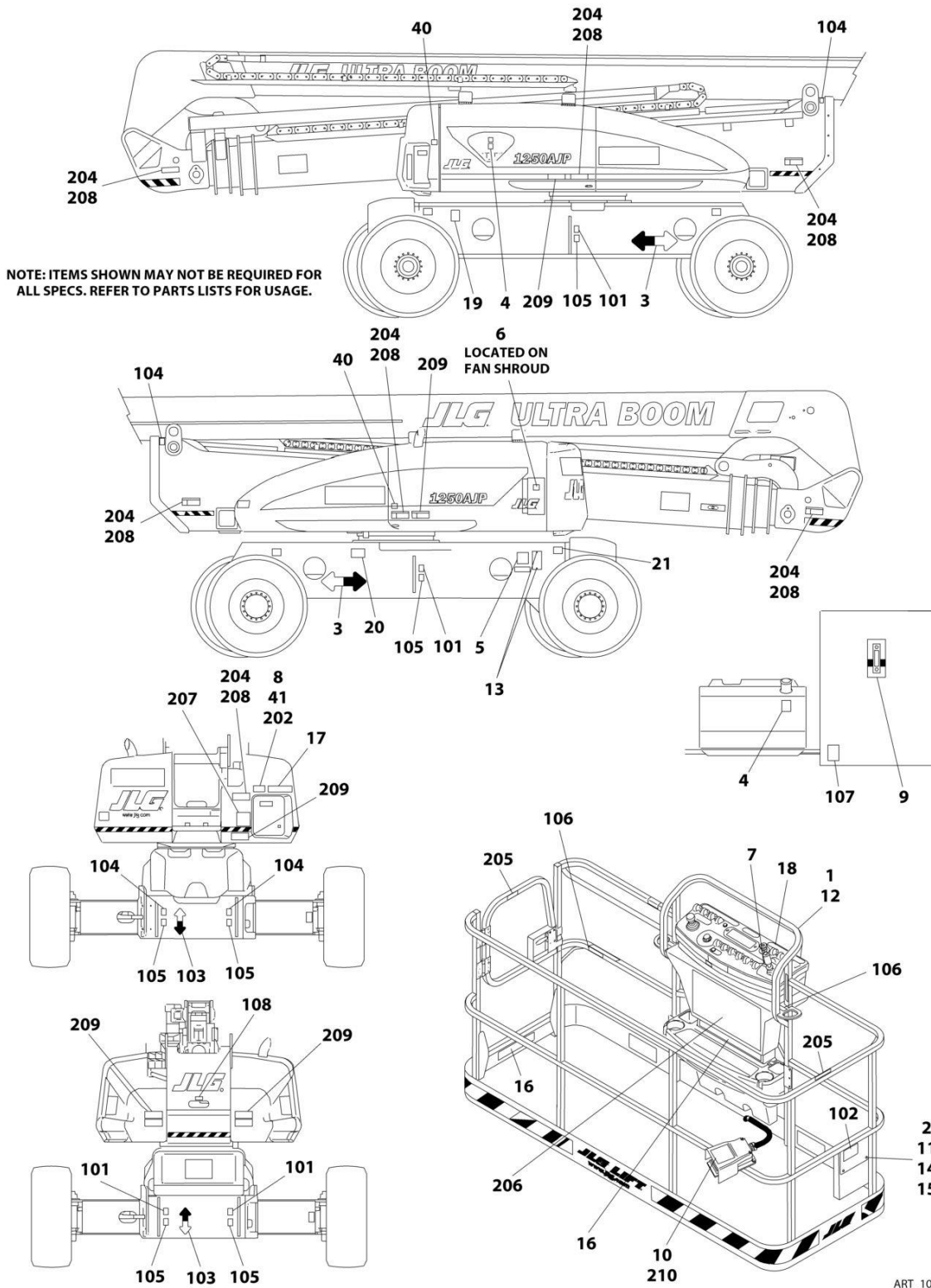
SECTION 9 - DECALS

FIGURE 9-4. DECAL INSTALLATION - CE & UK CA SPEC

ITEM	PART NUMBER	QTY	DESCRIPTION	REV
	1001251268	Ref	DECAL INSTALLATION - REFERENCE CHART	C
	1001246610	Ref	DECAL INSTALLATION - CE & UK CA SPEC	A
1	0100048	AR	Grease, Dielectric	
2	0641406	7	Bolt 1/4 x 3/4	
3	1701501	4	Decal - Arrow	
4	1701505	2	Decal - Fuel	
5	See Note	1	Decal - Bar Code (Note: Not Available For Purchase)	
6	1702773	3	Decal - JLG	
7	1705174	1	Decal - Stop	
8	1705468	1	Decal - Capacity (Ground Control)	
9	1705511	1	Decal - Oil Level	
10	1705864	2	Decal - JLG	
11	1706098	1	Decal - Warning Explosion/Fire (Not Shown - Located on Engine Air Filter Housing)	
12	1706770	1	Decal - Capacity (Platform)	
13	3311405	4	Nut 1/4	
14	3520174	3	Plug	
15	3820001	6	Rivet	
16	4751400	7	Washer 1/4	
17	91403230	1	Box, Manual Storage	
100	1001248540	1	Decal Master Kit (Not Shown - Includes Items 101-107)	
101	1701499	4	Decal - No Lift	
102	1701509	1	Decal - Manual	
103	1701529	2	Decal - Arrow	
104	1703811	4	Decal - Tie Down/Lift	
105	1703814	6	Decal - Tie Down	
106	1704277	4	Decal - Attach Lanyard Here	
107	1704412	1	Decal - Hydraulic Oil Chart	
200	1001248546	1	Decal Kit (Not Shown - Includes Items 206-210)	
206	1705921	1	Decal - Tipping/Electrical (Platform)	
207	1705822	1	Decal - Electrical/Safety (Ground Control)	
208	1701518	10	Decal - Warning Crushing	
209	1705961	5	Decal - Danger Electrocution	
210	1705828	1	Decal - Footswitch	

SECTION 9 - DECALS

FIGURE 9-5. DECAL INSTALLATION - CHINESE SPEC (CHINESE/ENGLISH)



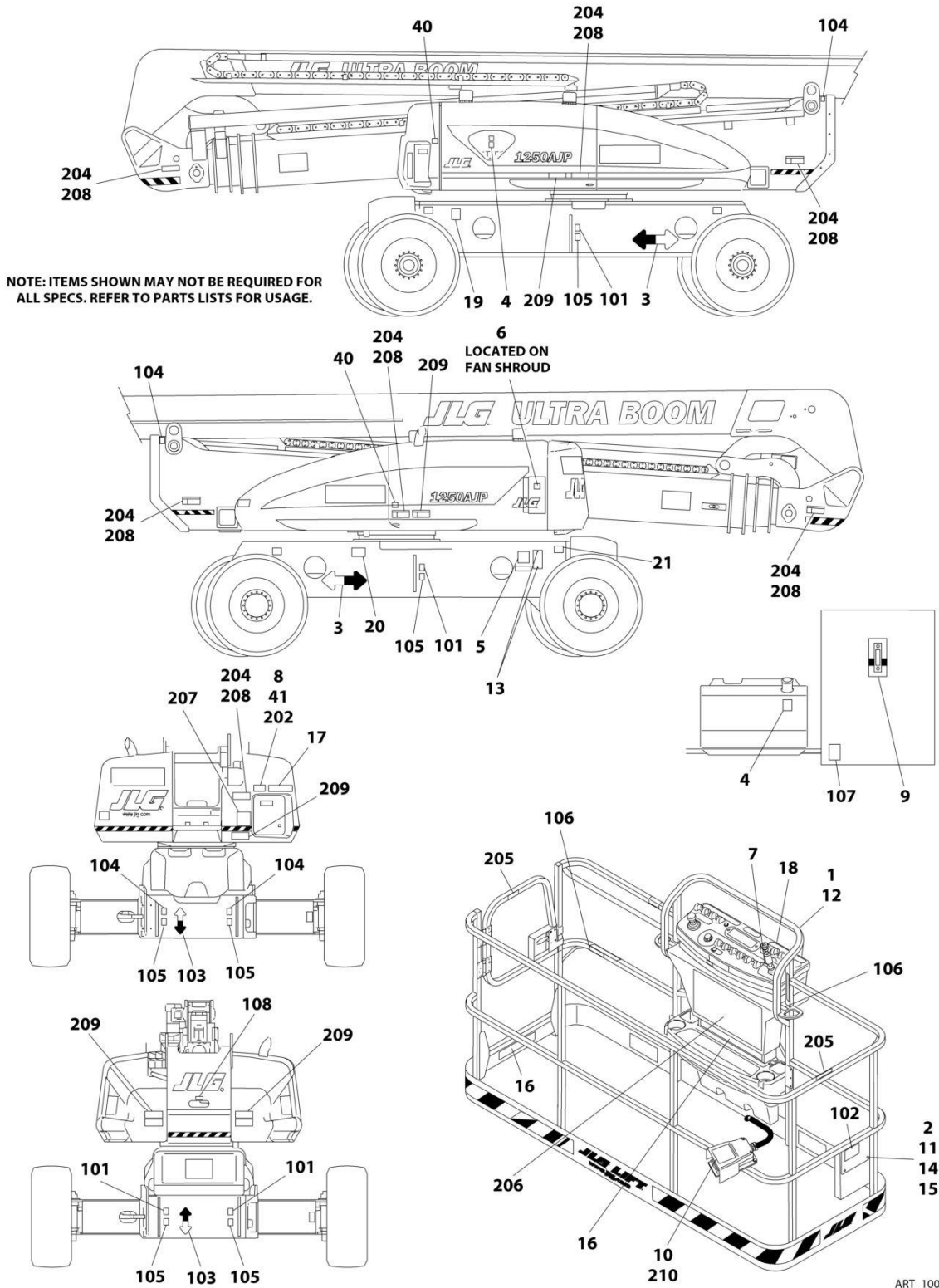
SECTION 9 - DECALS

FIGURE 9-5. DECAL INSTALLATION - CHINESE SPEC (CHINESE/ENGLISH)

ITEM	PART NUMBER	QTY	DESCRIPTION	REV
	1001251267	Ref	DECAL INSTALLATION - REFERENCE CHART	C
	1001244206	Ref	DECAL INSTALLATION - CHINESE SPEC (CHINESE/ENGLISH)	B
2	0641406	4	Bolt 1/4 x 3/4	
3	1701501	4	Decal - Arrow	
4	1701505	2	Decal - Fuel	
5	See Note	1	Decal - Bar Code (Note: Not Available For Purchase)	
6	1706060	1	Decal - Warning Explosion/Fire (Not Shown - Located on Engine Air Filter Housing)	
7	1705430	1	Decal - Drive/Steer Instructions	
9	1705511	1	Decal - Oil Level	
11	3311405	4	Nut 1/4	
13	3820001	2	Rivet	
14	4751400	4	Washer 1/4	
15	91403230	1	Box, Manual Storage	
16	1001253054	2	Decal - Capacity (Platform)	
17	1001253056	1	Decal - Capacity (Ground Control)	
18	1001122611	1	Decal - Stop	
20	1001224050	1	Decal - Yearly Inspection	
40	1001244298	2	Decal - Wechat QR Code	
100	1001248539	1	Decal Master Kit (Not Shown - Includes Items 101-108)	
101	1701499	4	Decal - No Lift	
102	1701509	1	Decal - Manual	
103	1701529	2	Decal - Arrow	
104	1703811	8	Decal - Tie Down/Lift	
105	1703814	6	Decal - Tie Down	
106	1704277	4	Decal - Attach Lanyard Here	
107	1704412	1	Decal - Hydraulic Oil Chart	
108	3251243	1	Nameplate - 120V-60Hz	
200	1001248553	1	Decal Kit (Not Shown - Includes Items 202-210)	
202	1001117035	1	Decal - Tip Over Hazard	
204	1703943	7	Decal - Warning/Crushing	
205	1001116846	2	Decal - No Hands	
206	1001231321	1	Decal - Danger/Warning (Platform)	
207	1001116849	2	Decal - Danger/Warning (Ground Control)	
208	1703949	5	Decal - Warning Crushing	
209	1001116851	5	Decal - Danger/Electrocution	
210	1703982	1	Decal - Footswitch	

SECTION 9 - DECALS

FIGURE 9-6. DECAL INSTALLATION - CSA SPEC (ENGLISH/FRENCH)



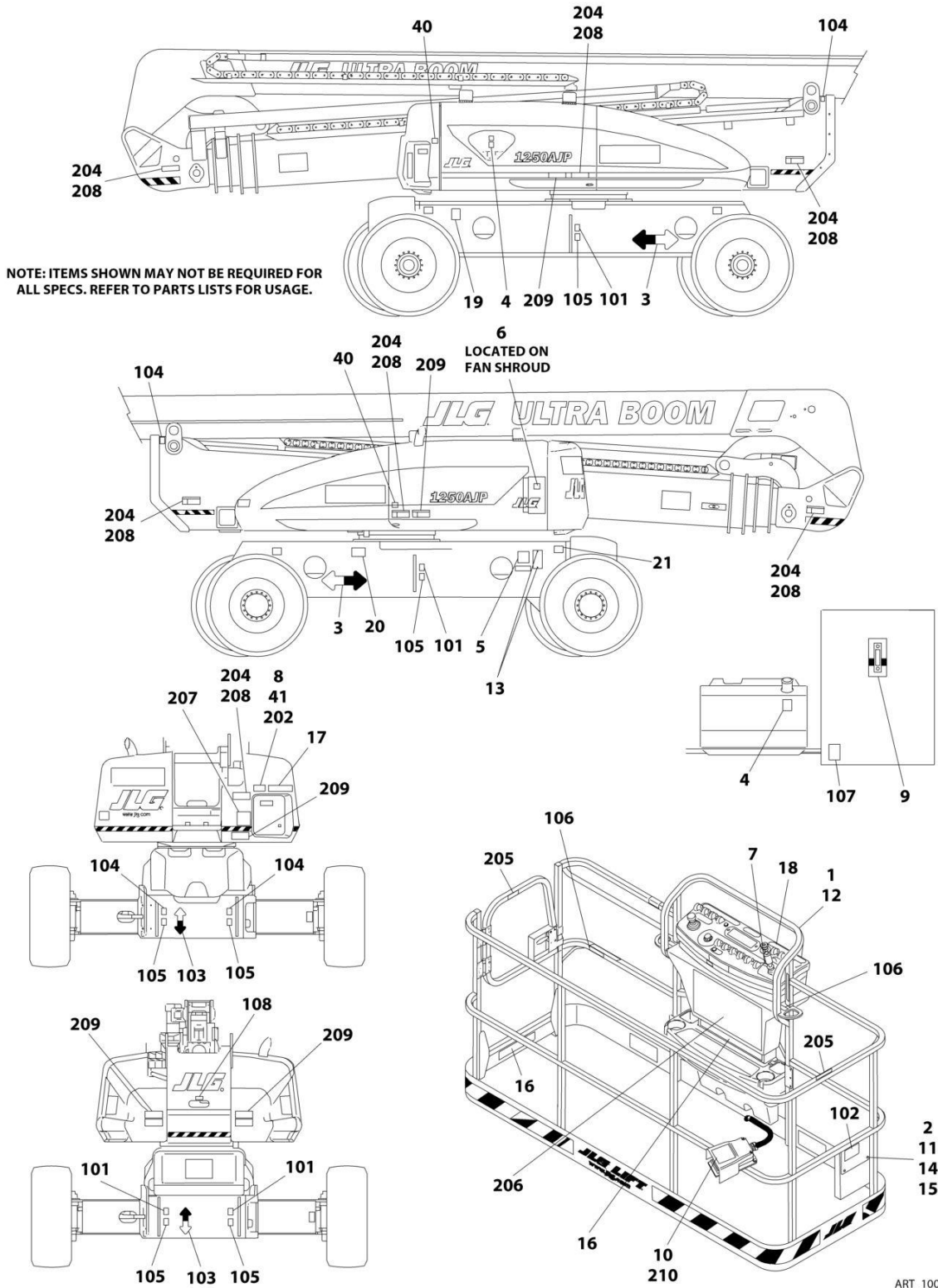
SECTION 9 - DECALS

FIGURE 9-6. DECAL INSTALLATION - CSA SPEC (ENGLISH/FRENCH)

ITEM	PART NUMBER	QTY	DESCRIPTION	REV
	1001251267	Ref	DECAL INSTALLATION - REFERENCE CHART	C
	1001243994	Ref	DECAL INSTALLATION - CSA SPEC (ENGLISH/FRENCH)	B
2	0641406	4	Bolt 1/4 x 3/4	
3	1701501	4	Decal - Arrow	
4	1701505	2	Decal - Fuel	
5	See Note	1	Decal - Bar Code (Note: Not Available For Purchase)	
6	1706064	1	Decal - Warning Explosion/Fire (Not Shown - Located on Engine Air Filter Housing)	
7	1705429	1	Decal - Drive/Steer Instructions	
9	1705511	1	Decal - Oil Level	
11	3311405	4	Nut 1/4	
13	3820001	2	Rivet	
14	4751400	4	Washer 1/4	
15	91403230	1	Box, Manual Storage	
16	1001253050	1	Decal - Capacity (Platform)	
17	1001253051	1	Decal - Capacity (Ground Control)	
18	1705174	1	Decal - Stop	
19	1001131269	1	Decal - Patent	
20	1001223971	1	Decal - Yearly Inspection	
21	1001223453	1	Decal - Ices	
100	1001248539	1	Decal Master Kit (Not Shown - Includes Items 101-108)	
101	1701499	4	Decal - No Lift	
102	1701509	1	Decal - Manual	
103	1701529	2	Decal - Arrow	
104	1703811	8	Decal - Tie Down/Lift	
105	1703814	6	Decal - Tie Down	
106	1704277	4	Decal - Attach Lanyard Here	
107	1704412	1	Decal - Hydraulic Oil Chart	
108	3251243	1	Nameplate - 120V-60Hz	
200	1001248548	1	Decal Kit (Not Shown - Includes Items 202-210)	
202	1705505	1	Decal - Tip Over Hazard	
204	1703942	7	Decal - Warning/Crushing	
205	1704000	2	Decal - No Hands	
206	1001231316	1	Decal - Danger/Warning (Platform)	
207	1705347	1	Decal - Danger/Warning (Ground Control)	
208	1703948	5	Decal - Warning Crushing	
209	1703936	5	Decal - Danger/Electrocution	
210	1703984	1	Decal - Footswitch	

SECTION 9 - DECALS

FIGURE 9-7. DECAL INSTALLATION - JAPANESE SPEC (JAPANESE/ENGLISH)



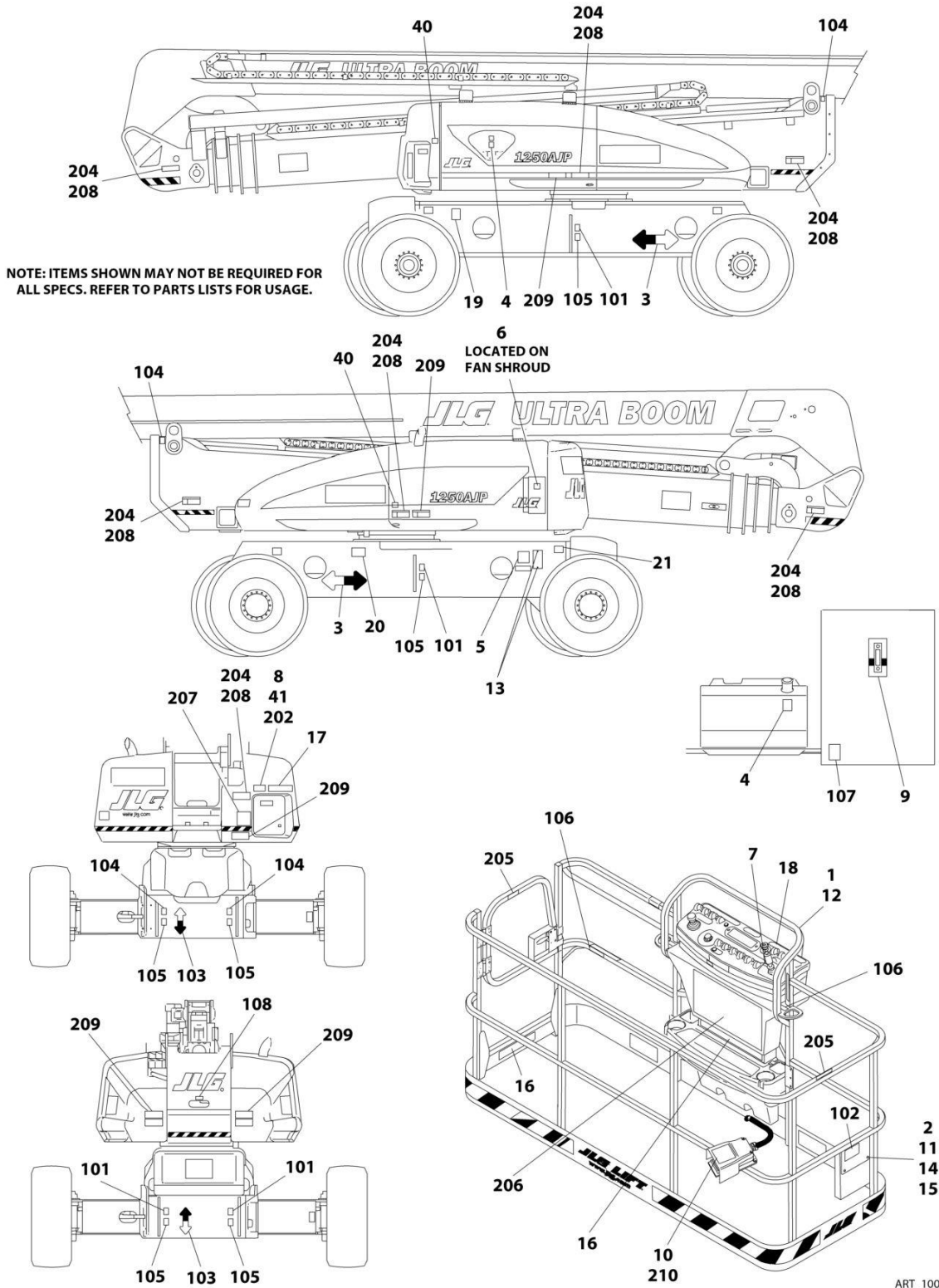
SECTION 9 - DECALS

FIGURE 9-7. DECAL INSTALLATION - JAPANESE SPEC (JAPANESE/ENGLISH)

ITEM	PART NUMBER	QTY	DESCRIPTION	REV
	1001251267	Ref	DECAL INSTALLATION - REFERENCE CHART	C
	1001244209	Ref	DECAL INSTALLATION - JAPANESE SPEC (JAPANESE/ENGLISH)	B
2	0641406	4	Bolt 1/4 x 3/4	
3	1701501	4	Decal - Arrow	
4	1701505	2	Decal - Fuel	
5	See Note	1	Decal - Bar Code (Note: Not Available For Purchase)	
6	1706062	1	Decal - Warning Explosion/Fire (Not Shown - Located on Engine Air Filter Housing)	
7	1705426	1	Decal - Drive/Steer Instructions	
9	1705511	1	Decal - Oil Level	
11	3311405	4	Nut 1/4	
13	3820001	2	Rivet	
14	4751400	4	Washer 1/4	
15	91403230	1	Box, Manual Storage	
16	1001253061	1	Decal - Capacity (Platform)	
17	1001253062	1	Decal - Capacity (Ground Control)	
18	1001122611	1	Decal - Stop	
20	1001224053	1	Decal - Yearly Inspection	
100	1001248539	1	Decal Master Kit (Not Shown - Includes Items 101-108)	
101	1701499	4	Decal - No Lift	
102	1701509	1	Decal - Manual	
103	1701529	2	Decal - Arrow	
104	1703811	8	Decal - Tie Down/Lift	
105	1703814	6	Decal - Tie Down	
106	1704277	4	Decal - Attach Lanyard Here	
107	1704412	1	Decal - Hydraulic Oil Chart	
108	3251243	1	Nameplate - 120V-60Hz	
200	1001248552	1	Decal Kit (Not Shown - Includes Items 202-210)	
202	1705493	1	Decal - Tip Over Hazard	
204	1703944	7	Decal - Warning/Crushing	
206	1001231320	1	Decal - Danger/Warning (Platform)	
207	1705344	1	Decal - Danger/Warning (Ground Control)	
208	1703950	5	Decal - Warning Crushing	
209	1703938	5	Decal - Danger/Electrocution	
210	1703980	1	Decal - Footswitch	

SECTION 9 - DECALS

FIGURE 9-8. DECAL INSTALLATION - KOREAN SPEC (KOREAN/ENGLISH)



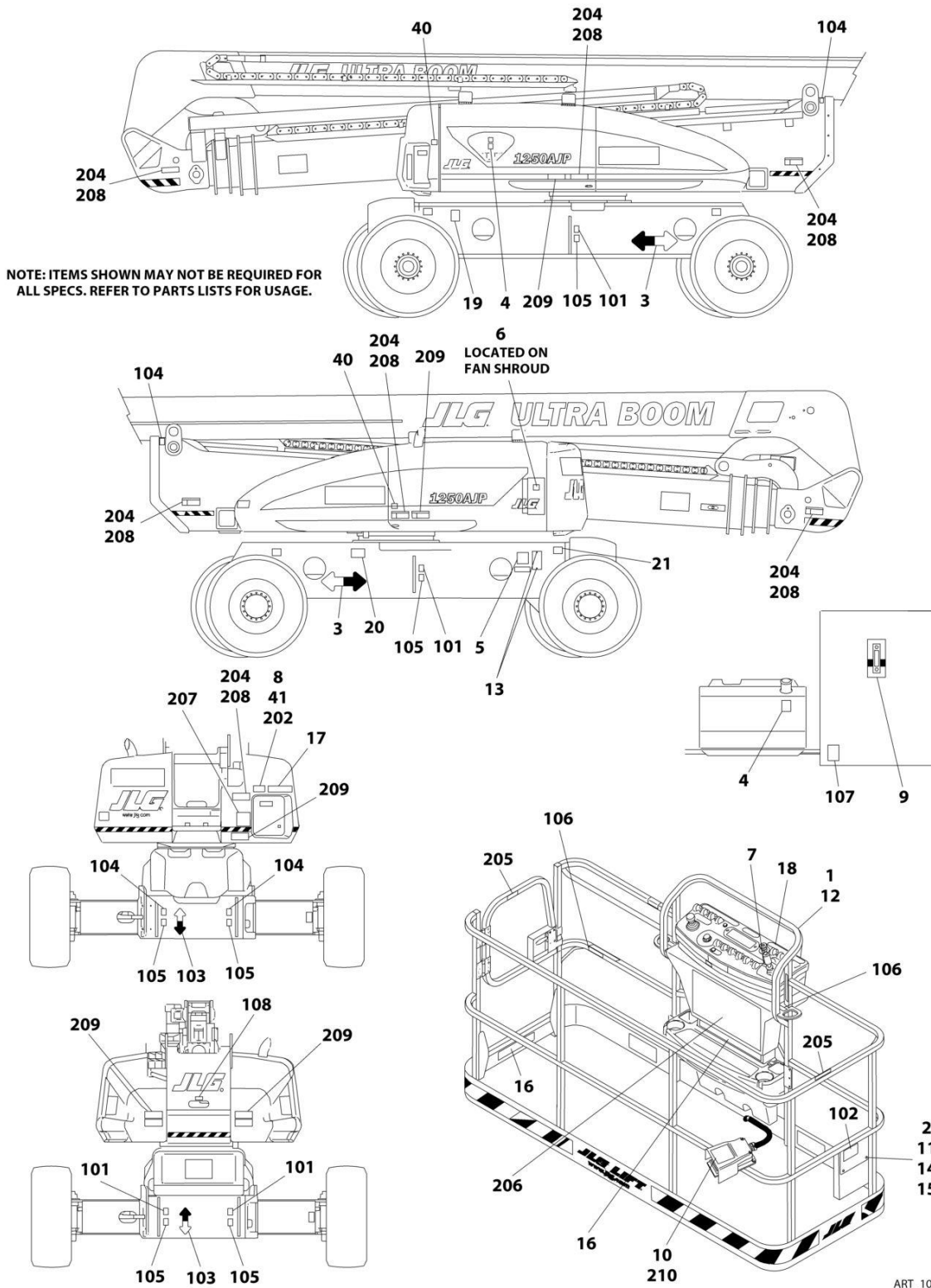
SECTION 9 - DECALS

FIGURE 9-8. DECAL INSTALLATION - KOREAN SPEC (KOREAN/ENGLISH)

ITEM	PART NUMBER	QTY	DESCRIPTION	REV
	1001251267	Ref	DECAL INSTALLATION - REFERENCE CHART	C
	1001244205	Ref	DECAL INSTALLATION - KOREAN SPEC (KOREAN/ENGLISH)	B
2	0641406	4	Bolt 1/4 x 3/4	
3	1701501	4	Decal - Arrow	
4	1701505	2	Decal - Fuel	
5	See Note	1	Decal - Bar Code (Note: Not Available For Purchase)	
6	1706061	1	Decal - Warning Explosion/Fire (Not Shown - Located on Engine Air Filter Housing)	
7	1705427	1	Decal - Drive/Steer Instructions	
9	1705511	1	Decal - Oil Level	
11	3311405	4	Nut 1/4	
13	3820001	2	Rivet	
14	4751400	4	Washer 1/4	
15	91403230	1	Box, Manual Storage	
16	1001253052	1	Decal - Capacity (Platform)	
17	1001253053	1	Decal - Capacity (Ground Control)	
18	1001122611	1	Decal - Stop	
20	1001224048	1	Decal - Yearly Inspection	
100	1001248539	1	Decal Master Kit (Not Shown - Includes Items 101-108)	
101	1701499	4	Decal - No Lift	
102	1701509	1	Decal - Manual	
103	1701529	2	Decal - Arrow	
104	1703811	8	Decal - Tie Down/Lift	
105	1703814	6	Decal - Tie Down	
106	1704277	4	Decal - Attach Lanyard Here	
107	1704412	1	Decal - Hydraulic Oil Chart	
108	3251243	1	Nameplate - 120V-60Hz	
200	1001248549	1	Decal Kit (Not Shown - Includes Items 202-210)	
202	1705503	AR	Decal - Tip Over Hazard	
204	1703945	7	Decal - Warning/Crushing	
205	1705969	2	Decal - No Hands	
206	1001231317	1	Decal - Danger/Warning (Platform)	
207	1705345	1	Decal - Danger/Warning (Ground Control)	
208	1703951	5	Decal - Warning Crushing	
209	1703939	5	Decal - Danger/Electrocution	
210	1703981	1	Decal - Footswitch	

SECTION 9 - DECALS

FIGURE 9-9. DECAL INSTALLATION - LATIN AMERICAN SPEC (SPANISH/ENGLISH)



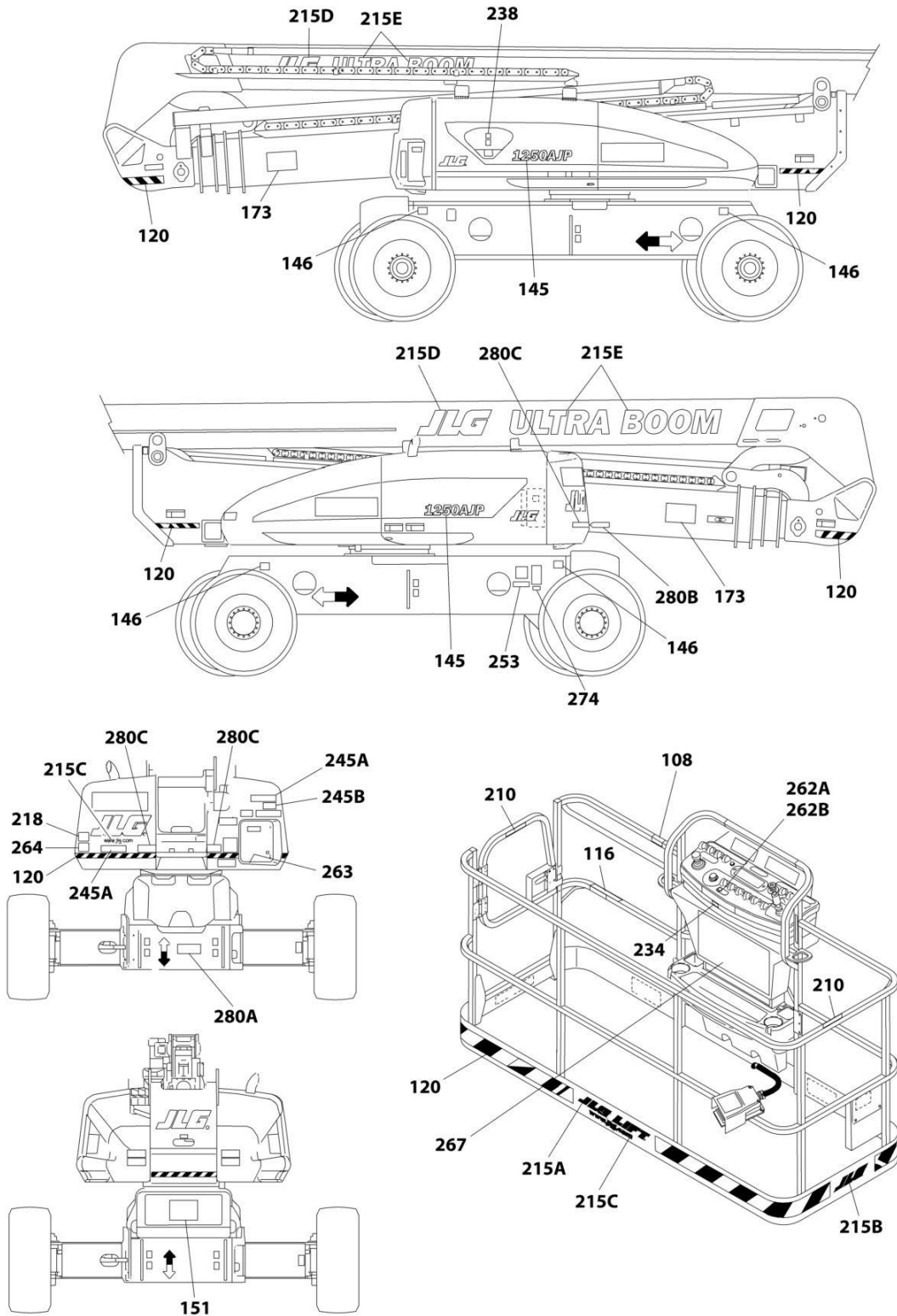
SECTION 9 - DECALS

FIGURE 9-9. DECAL INSTALLATION - LATIN AMERICAN SPEC (SPANISH/ENGLISH)

ITEM	PART NUMBER	QTY	DESCRIPTION	REV
	1001251267	Ref	DECAL INSTALLATION - REFERENCE CHART	C
	1001244208	Ref	DECAL INSTALLATION - LATIN AMERICAN SPEC (SPANISH/ENGLISH)	B
2	0641406	4	Bolt 1/4 x 3/4	
3	1701501	4	Decal - Arrow	
4	1701505	2	Decal - Fuel	
5	See Note	1	Decal - Bar Code (Note: Not Available For Purchase)	
6	1706061	1	Decal - Warning Explosion/Fire (Not Shown - Located on Engine Air Filter Housing)	
7	1705910	1	Decal - Drive/Steer Instructions	
9	1705511	1	Decal - Oil Level	
11	3311405	4	Nut 1/4	
13	3820001	2	Rivet	
14	4751400	4	Washer 1/4	
15	91403230	1	Box, Manual Storage	
16	1001253059	1	Decal - Capacity (Platform)	
17	1001253060	1	Decal - Capacity (Ground Control)	
18	1001122611	1	Decal - Stop	
20	1001224049	1	Decal - Yearly Inspection	
100	1001248539	1	Decal Master Kit (Not Shown - Includes Items 101-108)	
101	1701499	4	Decal - No Lift	
102	1701509	1	Decal - Manual	
103	1701529	2	Decal - Arrow	
104	1703811	8	Decal - Tie Down/Lift	
105	1703814	6	Decal - Tie Down	
106	1704277	4	Decal - Attach Lanyard Here	
107	1704412	1	Decal - Hydraulic Oil Chart	
108	3251243	1	Nameplate - 120V-60Hz	
200	1001248550	1	Decal Kit (Not Shown - Includes Items 202-210)	
202	1705915	AR	Decal - Tip Over Hazard	
204	1703941	7	Decal - Warning/Crushing	
205	1704001	2	Decal - No Hands	
206	1001231318	1	Decal - Danger/Warning (Platform)	
207	1705917	1	Decal - Danger/Warning (Ground Control)	
208	1703947	5	Decal - Warning Crushing	
209	1703935	5	Decal - Danger/Electrocution	
210	1703983	1	Decal - Footswitch	

SECTION 9 - DECALS

FIGURE 9-10. DECAL INSTALLATION - OPTIONS



ART_DECAL_OPTIONS

SECTION 9 - DECALS

FIGURE 9-10. DECAL INSTALLATION - OPTIONS

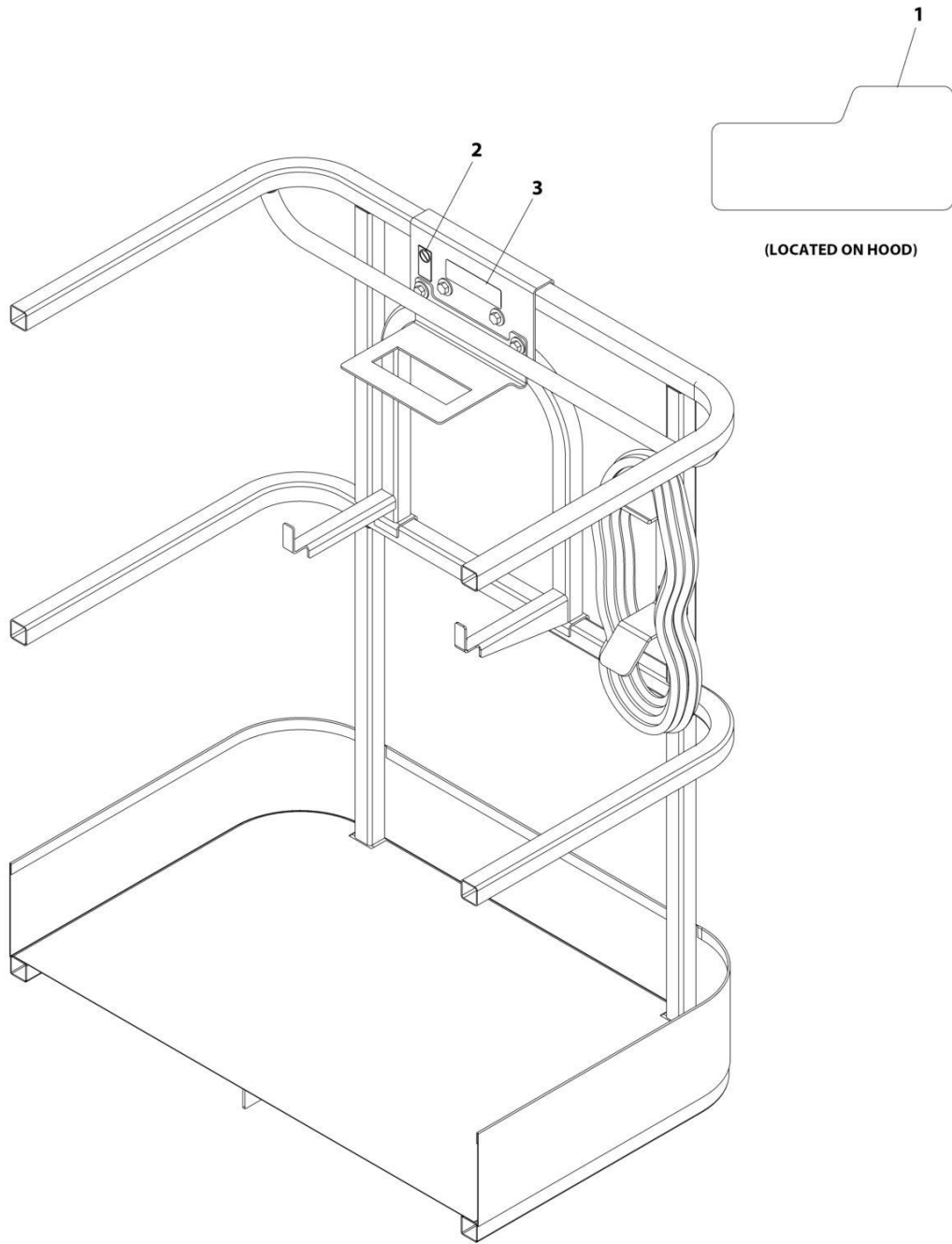
ITEM	PART NUMBER	QTY	DESCRIPTION	REV
	1001251267	Ref	DECAL INSTALLATION – REFERENCE CHART (ALL SPECS EXCEPT CE & UK CA SPECS)	C
	1001251268	Ref	DECAL INSTALLATION – REFERENCE CHART (CE & UK CA SPECS)	C
	1001261250	Ref	DECAL INSTALLATION - OPTIONS	B
108	1001231801	1	Decal - Warning (Proposition 65) (ANSI Spec Only)	
116	1703175	2	Decal - Lanyard Attach (GM Spec Only)	
120	4420051	29 ft /8.8m	Decal - Warning Stripes	
145	1001268241	2	Decal - Model 1250AJP	
146	1703483	4	Decal - Tire Load	
151	1705838	1	Decal - Lift Diagram	
173	1703959	2	Decal - Quikstik	
210	1702868	2	Decal - No Hands (ANSI and ANSI Export Specs)	
210	1704000	2	Decal - No Hands (CSA Specs) (French/English)	
210	1704001	2	Decal - No Hands (ANSI Export Specs) (Spanish/English)	
210	1705969	2	Decal - No Hands (ANSI Export Specs) (Korean/English)	
210	1705967	2	Decal - No Hands (ANSI Export Specs) (English/Portuguese)	
215	0274730	Ref	Decal - JLG Logo	
215A	1702774	1	Decal - JLG Lift	
215B	1702773	1	Decal - JLG	
215C	1704885	1	Decal - www.jlg.com	
215D	1705864	2	Decal - JLG	
215E	1001267315	1	Decal - Ultra Boom	
218	3251813	1	Decal - USA (ANSI, ANSI Export and CSA Specs)	
234	1001094055	1	Decal - Troubleshooting	
238	1001125387	1	Decal - Fuel Specification (Machines with Deutz TCD2.9L4 Engine Only) (ANSI and CSA Specs)	
238	1001139654	1	Decal - Fuel Specification (Machines with Deutz TCD2.9L4 Engine, Deutz TCD2.9L4 (Stage V Pre-Buy) Engine and Deutz TCD2.9L4 (Stage V) Engine Only) (ANSI Export, CE and Japanese Specs)	
245	1001120995	Ref	Decal - ClearSky Telematics Installation	
245A	1001116208	2	Decal - ClearSky	
245B	1001120989	1	Decal - Radio Frequency Device	
253	1001143852	1	Decal - Emissions Compliance (ANSI Export, Australian, CE & UK CA (LRC) Specs)	
262A	1001141300	1	Decal - SkyGuard Override	
262B	1001141302	1	Decal - SkyGuard/Soft Touch Override	
263	1001197408	1	Decal - MSSO	
264	8007508	1	Decal - Sound Power Level (104dB) (Deutz TD2011 Engines)	
264	1705515	1	Decal - Sound Power Level (109dB) (Deutz TD2011 Engines)	
264	1001191526	1	Decal - Sound Power Level (110dB) (Deutz TCD2.9L4 Engines, Deutz TCD2.9L4 (Stage V Pre-Buy) Engines and Deutz TCD2.9L4 (Stage V) Engines)	
267	1001197511	Ref	Decal - Quick Reference (Dutch) (Lomax Rentals)	
267	1001197513	Ref	Decal - Quick Reference (Danish) (Lomax Rentals)	
267	1001180696	Ref	Decal - Quick Reference (English) (Lomax Rentals)	
267	1001197510	Ref	Decal - Quick Reference (French) (Lomax Rentals)	
267	1001197512	Ref	Decal - Quick Reference (German) (Lomax Rentals)	
267	1001197519	Ref	Decal - Quick Reference (Norwegian) (Lomax Rentals)	
267	1001197515	Ref	Decal - Quick Reference (Spanish) (Lomax Rentals)	

SECTION 9 - DECALS

ITEM	PART NUMBER	QTY	DESCRIPTION	REV
267	1001197514	Ref	Decal - Quick Reference (Swedish) (Lomax Rentals)	
274	1001214029	1	Decal Installation - EAC (Russian/CIS Specs)	
274	1001173703	1	Decal - EAC (Russian/CIS Specs)	
280	1001221278	Ref	Decal Installation – Boom Transport Position	
280A	1001220512	1	Decal – Lower Boom	
280B	1001220510	2	Decal – Warning Arrow	
280C	1001220511	2	Decal – Warning Stripe	

SECTION 9 - DECALS

FIGURE 9-11. SKYWELDER DECAL INSTALLATION - 50HZ



ART_0272588

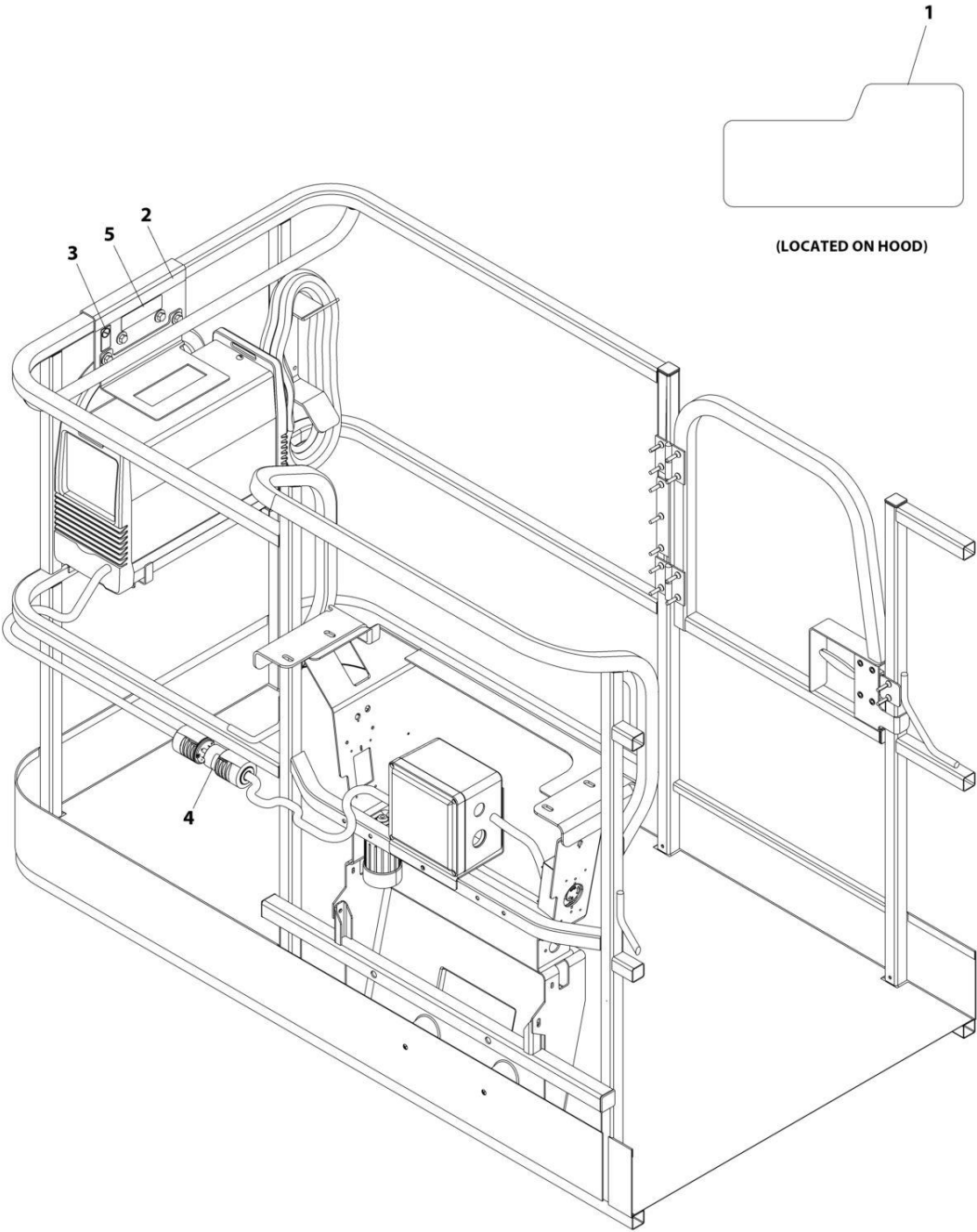
SECTION 9 - DECALS

FIGURE 9-11. SKYWELDER DECAL INSTALLATION - 50HZ

ITEM	PART NUMBER	QTY	DESCRIPTION	REV
	0272588	Ref	SKYWELDER DECAL INSTALLATION - 50Hz	B
1	1705355	2	Decal - SkyWelder	
2	1705305	1	Decal - Weld Lead	
3	1001228988	1	Decal - Weight	

SECTION 9 - DECALS

FIGURE 9-12. SKYWELDER DECAL INSTALLATION - 60HZ (PVC 2001)



ART_0272448

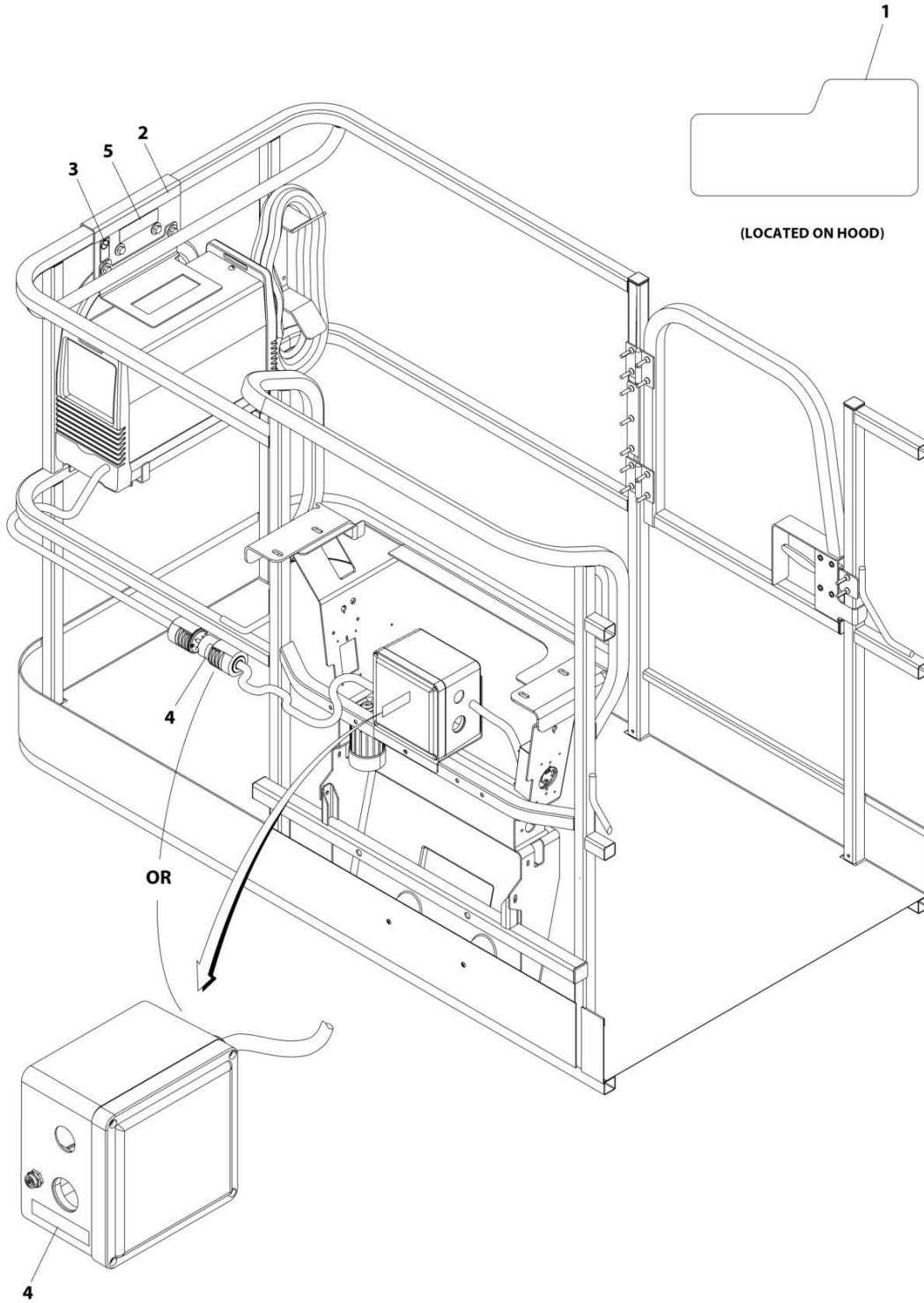
SECTION 9 - DECALS

FIGURE 9-12. SKYWELDER DECAL INSTALLATION - 60HZ (PVC 2001)

ITEM	PART NUMBER	QTY	DESCRIPTION	REV
	0272448	Ref	SKYWELDER DECAL INSTALLATION - 60Hz	B
1	1705355	2	Decal - SkyWelder	
2	1702868	1	Decal - No Hands	
3	1705305	1	Decal - Weld Lead	
4	1705375	1	Decal - 240V - 3 Phase - 60Hz	
5	1001228988	1	Decal - Weight	

SECTION 9 - DECALS

FIGURE 9-13. SKYWELDER DECAL INSTALLATION - 60HZ (PVC 2007)



ART_0272448_C

SECTION 9 - DECALS

FIGURE 9-13. SKYWELDER DECAL INSTALLATION - 60HZ (PVC 2007)

ITEM	PART NUMBER	QTY	DESCRIPTION	REV
	0272448	Ref	SKYWELDER DECAL INSTALLATION - 60Hz	C
1	1705355	2	Decal - SkyWelder	
2	1702868	1	Decal - No Hands	
3	1705305	1	Decal - Weld Lead	
4	1705375	1	Decal - 240V - 3 Phase - 60Hz	
5	1001228988	1	Decal - Weight	

SECTION 10 - RECOMMENDED SERVICE PARTS STOCK

SECTION 10 - RECOMMENDED SERVICE PARTS STOCK

SECTION 10 - RECOMMENDED SERVICE PARTS STOCK

FIGURE 10-1. RECOMMENDED SERVICE PARTS

ITEM	PART NUMBER	QTY	DESCRIPTION	REV
		Ref	Note: The following list will service one machine (built to current production per date on the front cover) with emergency repair parts which can be installed in the fields. Parts from the list should be replaced when inventory is depleted to keep service parts stock supplied. For further information, contact your JLG dealer or the JLG Industries Parts Department.	
	7024444	1	Breather, Hydraulic (Tanks)	
	4360542	1	Breaker, Circuit (2500w Generator)	
	70001431	1	Breaker, Circuit (Plasma Cutter)	
	4360070	1	Breaker, Circuit 15Amp (4000w & 7500w Generators)	
	7024485	1	Breaker, Circuit 30Amp (7500w 50Hz Generators)	
	70006095	1	Breaker, Circuit 30Amp (7500w 60Hz Generators)	
	1001159118	1	Breaker, GFCI 30Amp (AC Box 240v)	
	1001181045	1	Breaker, Circuit - 30mA/16Amp (Breaker Box Kit 16Amp 2500w & 4000w Generators)	
	1001181046	1	Breaker, Circuit - 30mA/16Amp (Breaker Box Kit 10Amp 2500w Generator)	
	7018991	1	Coil (Steer Valve)	
	7012944	1	Coil (Traction Valve & Platform Valve)	
	7024890	1	Coil (Turntable Valves)	
	70007231	1	Coil (Main Valve)	
	7027207	1	Coil (Main Valve)	
	70007228	1	Coil (Main Valve)	
	7012943	1	Coil (Main Valve)	
	7024571	1	Coil (Platform Valve)	
	7026029	1	Contactora, Rotary Circuit With Harness (Rotary Coupling & Collector Ring)	
	7019680	1	Control, Box (2500w Generator)	
	1001138566	1	Control, Box (4000w Generator)	
	0861538	1	Control, Box (7500w 60Hz Generator)	
	0861572	1	Control, Box (7500w 50Hz Generator)	
	1001166538	1	Controller, Drive/Steer	
	1001166539	1	Controller, Lift/Swing	
	4360407	1	Controller, Speed (Potentiometer) (Platform Console Box)	
	3990001	2	Diode - 3 Amp (Ground Control Harness)	
	70002097	12	Element, Pressure Filter (Control Valve Installation - Platform)	
	2120219	12	Element, High Pressure Filter	
	70002231	12	Element, Pressure Filter	
	2120168	12	Element, Hydraulic Oil Filter	
		Ref	Engine - Deutz TD2011	
	1001202281	12	Filter, Water/Fuel Separator	
	7016328	12	Filter, Fuel	
	7016331	12	Filter, Oil	
	1600443	Ref	Module, EMR2 Controller (ECU) (Note: Not available to order. Please contact JLG Parts Center)	
	3740067	1	Relay	
	3740080	1	Relay	
		Ref	Engine - Deutz TCD2.9L4	
	70024190	12	Element, Air Filter	
	1001225430	12	Filter, Fuel Primary	

SECTION 10 - RECOMMENDED SERVICE PARTS STOCK

ITEM	PART NUMBER	QTY	DESCRIPTION	REV
	1001225431	12	Filter, Fuel Secondary	
	7016331	12	Filter, Oil	
	70023592	2	Fuse, 20A	
	70023593	2	Fuse, 30A	
	70025210	Ref	Module, ECU (Note: Not available to order. Please contact JLG Parts Center)	
	1001117308	1	Relay	
	70005648	1	Relay	
		Ref	Engine - Deutz TCD2.9L4 Stage V	
	70024190	12	Element, Air Filter	
	1001225430	12	Filter, Fuel Primary	
	1001225431	12	Filter, Fuel Secondary	
	7016331	12	Filter, Oil	
	70023592	2	Fuse, 20A	
	70023593	2	Fuse, 30A	
	70025210	Ref	Module, ECU (Note: Not available to order. Please contact JLG Parts Center)	
	1001117308	1	Relay	
	1001196634	2	Fuse, 2A (Breather Heater)	
	8229249	2	Fuse, 3A (USB Charger & Platform Console Box Harness)	
	2400064	2	Fuse, 5A (Clearsky Ready Harness)	
	8229242	2	Fuse, 5A (Engine Harness & Ground Control Box Harness)	
	80983191	2	Fuse, 10A (Engine Harness)	
	2400065	2	Fuse, 30A (Chassis Power Distribution Harness & Ground Control Box Harness)	
	2860030	1	Key, Replacement	
	2940074	1	Latch, Platform	
	1001247468	1	Loadcell (Platform Support)	
	1001281100	1	Module, Ground Control	
	1001142683	1	Module, Beacon Control (Red & Blue Beacons)	
	3740067	1	Relay (Battery & Aux Pump)	
	3740049	1	Relay (Ground Control Box)	
	3740080	1	Relay (2500w Generator & Chassis Power Distribution Harness)	
	70006553	1	Relay (4000w Generator)	
	1001186431	1	Relay (SkyGuard Bar Options)	
	3740143	1	Relay (Relay Harness)	
	3740086	1	Relay (SkyLine Options)	
	1001147479	1	Switch, Digital Angle Sensor (Boom Sensors & Switches)	
	1001228225	1	Sensor, Emitter (SkyEye)	
	4360578	1	Sensor, Limit (Axle)	
	4360057	1	Sensor, Limit (Soft Touch)	
	4360579	1	Sensor, Limit (Tower Boom Transport Length Switch Harness)	
	4360548	1	Sensor, Plunger (Boom Sensors & Switches)	
	70000803	1	Sensor, Pressure Switch (Traction Valve)	
	1001253593	1	Sensor, Pressure Transducer (Boom & Cylinder Install)	
	7026031	1	Sensor, Proximity (Rotary Coupling & Collector Ring)	
	1001232667	1	Sensor, Proximity (SkyLine)	
	4000008	1	Sensor, Proximity Assembly (Boom Sensors & Switches)	
	1001228224	1	Sensor, Receiver (SkyEye)	
	4360505	1	Sensor, Rotary Angle (Steer & Boom Sensors & Switches)	
	1001137673	1	Sensor, SkyGuard Bar	
	7027738	1	Sensor, Thermostatic (Main Valve)	

SECTION 10 - RECOMMENDED SERVICE PARTS STOCK

ITEM	PART NUMBER	QTY	DESCRIPTION	REV
	1001219601	1	Sensor, Tilt Dual Axis CAN (Ground Control Box Assembly)	
	1001225346	1	Switch, Battery Disconnect	
	1001117172	1	Switch, Foot	
	4360469	1	Switch, Key	
	4360274	1	Switch, Pushbutton Gray (Ground Control Box)	
	4360387	1	Switch, Pushbutton Yellow (Console Box, Soft Touch & Ground control Box)	
	4360475	1	Switch, Push-Pull Emergency Stop	
	70001432	1	Switch, Rocker (Plasma Cutter)	
	4360328	1	Switch, Toggle (Ground Control Assembly & Tower Lift Switch)	
	1001155045	1	Switch, Toggle (Platform Console Box)	
	1001159256	1	Switch, Toggle (Platform Console Box)	
	1001161709	1	Switch, Toggle (Platform Console Box)	
	1001161710	1	Switch, Toggle (Platform Console Box)	
	4360336	1	Switch, Toggle (Generators)	

SECTION 11 - SPECIAL OPTIONS

SECTION 11 - SPECIAL OPTIONS

FIGURE 11-1. SPECIAL OPTIONS/ACCESSORIES/KITS

ITEM	PART NUMBER	QTY	DESCRIPTION	REV
		Ref	Note: This is to accommodate machines ordered with special equipment. Options may not be applicable to all models. For more specific parts information contact JLG Parts Department.	
	1001108504	Ref	Additional Transport Tie Down (ANSI Specs)	
	1340067	Ref	Air Cleaner Pre-Cleaner	
	0273464	Ref	Airline Installation, 1/2 in	
	1001202697	Ref	Air Intake Shut-off Valve (Deutz TCD2.9L4 Engines)	
	1001241275	Ref	Axle Wear Pad Kit	
	0271803	Ref	Bellows, Cylinder (Fixed Axle)	
	0271804	Ref	Bellows, Cylinder (Oscillating Axle)	
	0273471	Ref	Bellows, Cylinder (Boom)	
	1001306146	Ref	Boom Angle Sensor Kit	
	0273513	Ref	Boom Wipers Installation	
	1001233047	Ref	Breather Heater (Deutz TCD2'9L4 Engines)	
		Ref	ClearSky (Telematics) Installations (Dealer Installed)	
	1001242192	Ref	ClearSky (Telematics) Access Control Installation Kit (ANSI, ANSI Export and CSA Specs)	
	1001243183	Ref	ClearSky (Telematics) Add-on Kit (ANSI, ANSI Export and CSA Specs)	
	1001243184	Ref	ClearSky (Telematics) Add-on Kit (CE & UK CA Specs)	
	1001119938	Ref	ClearSky Telematics (ANSI Spec)	
	1001246142	Ref	ClearSky Telematics (Australian Spec)	
	1001119946	Ref	ClearSky Telematics (CSA Spec)	
		Ref	ClearSky Telematics (Factory Installed)	
	1001227449	Ref	Canbus Connection (ANSI and CSA Specs)	
	1001228953	Ref	Canbus Connection (ANSI Export and CE & UK CA Specs)	
	1001246138	Ref	Canbus Connection (Australian Specs)	
	1001229107	Ref	3 Wire Connection (ANSI and CSA Specs)	
	1001233237	Ref	3 Wire Connection (ANSI Export and CE & UK CA Specs)	
	0273862	Ref	Cold Weather Package (110V)	
	1001235617	Ref	Cold Weather Package (Deutz TCD2.9L4 Engines)	
	1001271731	Ref	Cold Weather Package (Deutz TCD2.9L4 (Stage V) Engines)	
	0274885	Ref	Cold Weather Transformer Installation	
	0272621	Ref	Control System Analyzer Installation	
	1001251329	Ref	Counterbalance Valve Replacement Kit	
	1001213183	Ref	Cribbing Enable Installation (ANSI Spec Only)	
		Ref	Decal Installations	
	0257195	Ref	Decal - Government Warranty Decal	
	1001270520	Ref	Decal Kit - Machine (ANSI Spec)	
	1001272202	Ref	Decal Kit - Platform (ANSI Spec)	
	1001272090	Ref	Decal Kit - Platform Console Box (ANSI Spec)	
	2902356	Ref	Decal Kit - Tire Load	
		Ref	Electrical Connector Kits	
	1001148902	Ref	Amp/Tyco Electrical Connector Kit	
	1001148903	Ref	Deutsch DT Electrical Connector Kit	
	1001148904	Ref	Deutsch HD Electrical Connector Kit	
	1001148905	Ref	Packard Electrical Connector Kit	
	1001148906	Ref	Various Electrical Connectors Kit	
	1001109621	Ref	Exhaust Raincap Installation	

SECTION 11 - SPECIAL OPTIONS

ITEM	PART NUMBER	QTY	DESCRIPTION	REV
	1120423	Ref	Raincap	
	1001109619	Ref	Tube, Exhaust Stack	
	1001237883	Ref	Fall Arrest Bolt on Kit (6FT x 1.83M) (ANSI, ANSI Export, China, CSA, and Japanese Specs) (Fits Platform p/ns 1001186384 & 1001228376)	
	1001237882	Ref	Fall Arrest Bolt on Kit (8FT x 2.44M) (ANSI, ANSI Export, China, CSA, and Japanese Specs) (Fits Platform p/ns 1001186383)	
	1001206794	Ref	Fan and Belt Grille Add-on Kit (Deutz D2011 Engines Only)	
	1001206796	Ref	Fan and Belt Grille Add-on Kit (Deutz TCD2.9L4 Engines Only)	
	1001202076	Ref	Fan and Belt Guard (Deutz TD2011 Engines)	
	1001202221	Ref	Fan and Belt Guard (Deutz TCD2.9L4 Engines, Deutz TCD2.9L4 (Stage V Pre-Buy) Engines and Deutz TCD2.9L4 (Stage V) Engines)	
	1001145708	Ref	Fan Guard Installation (Deutz TCD 2.9L4 Engines, Deutz TCD2.9L4 (Stage V Pre-Buy) Engines and Deutz TCD2.9L4 (Stage V) Engines Only)	
		Ref	Filter Kits	
		Ref	Deutz TD 2011 Engines	
	1001137028	Ref	Filter Kit (Service), Combined, Filter B-C45	
		Ref	Deutz TCD 2.9L4 Engines	
	1001225648	Ref	Filter Kit (Service), Combined, Filter B-C	
	1001204046	Ref	Engine - Water/Fuel Filter	
	1001139099	Ref	Fire Extinguisher Installation	
	1001237831	Ref	Fire Protection	
	1001117294	Ref	Foot Switch Shield (With Cold Weather Plus Package)	
	1001191395	Ref	Fuel Cap Cover, Lockable (Green)	
	1001202749	Ref	Fuel Cap Cover, Lockable (Black)	
	1001103286	Ref	Generator Hourmeter Installation	
	1001277849	Ref	GM to UGM2 Retrofit Ultra1 Kit	
	0273502	Ref	Headlight and Taillights Installation	
		Ref	Hose Kits	
	1001193806	Ref	Hose Kit - Boom Only	
	1001204898	Ref	Hose Kit - Platform Valve	
	1001241418	Ref	Hostile Environment Kit	
	0273503	Ref	Illumination Lights Installation	
	1001148971	Ref	Lanyard (Bolt-on) Installation Kit	
	1001236951	Ref	Low Temperature Cutout Installation (Russian Specs)	
	1001195304	Ref	Platform Console Cover Kit (Clear Polycarbonate)	
	1580013	Ref	Platform Corner Storage Tray	
		Ref	Platform Entry Kits	
	1001142504	Ref	Drop Bar (Replacing Swing Gate with Drop Bar)	
	1001142505	Ref	Swing Gate (Replacing Drop Bar with Swing Gate)	
	0273466	Ref	Platform Floodlights Installation	
	1001172045	Ref	Platform Ladder Carrier Installation (30in and 36 in Platform)	
	2910351	Ref	Platform Level Cylinder Replacement Kit	
		Ref	Platform Mesh (Steel) to Mid Rail Installations (ANSI, ANSI Export, Australian and CSA Specs)	
	1001271760	Ref	Platform Mesh (Steel) to Mid Rail Installation (Side Entry Platform) - 36in x 6ft (91.5cm x 1.83m) Platforms	
	1001266284	Ref	Platform Mesh (Nylon) to Mid Rail Installation (Side Entry Platform) - 36in x 6ft (91.5cm x 1.83m) Platforms	
	1001269389	Ref	Platform Mesh (Steel) to Mid Rail Installation (Side Entry Platform) - 36in x 8ft (91.5cm x 2.44m) Platforms	

SECTION 11 - SPECIAL OPTIONS

ITEM	PART NUMBER	QTY	DESCRIPTION	REV
	1001266098	Ref	Platform Mesh (Nylon) to Mid Rail Installation (Side Entry Platform) - 36in x 8ft (91.5cm x 2.44m) Platforms	
	1001214540	Ref	Platform Mesh (Steel) to Top Rail Add-On Kit - 36in x 8ft (91.5cm x 2.44m) with Gate	
	1001214548	Ref	Platform Mesh (Steel) to Top Rail Add-On Kit - 36in x 6ft (91.5cm x 1.83m) with Gate	
		Ref	Platform Mesh (Steel) to Top Rail (ANSI, ANSI Export and CSA Specs)	
	1001271642	Ref	Platform Mesh (Steel) to Top Rail Installation (Side Entry Platform) - 36in x 6ft (91.5cm x 1.83m) Platforms	
	1001266489	Ref	Platform Mesh (Nylon) to Top Rail Installation (Side Entry Platform) - 36in x 6ft (91.5cm x 1.83m) Platforms	
	1001269187	Ref	Platform Mesh (Steel) to Top Rail Installation (Side Entry Platform) - 36in x 8ft (91.5cm x 2.44m) Platforms	
	1001266056	Ref	Platform Mesh (Nylon) to Top Rail Installation (Side Entry Platform) - 36in x 8ft (91.5cm x 2.44m) Platforms	
	1001214561	Ref	Platform Mesh (Steel) to Top Rail Add-On Kit - 36in x 8ft (91.5cm x 2.44m) with Gate	
	1001214562	Ref	Platform Mesh (Steel) to Top Rail Add-On Kit - 36in x 6ft (91.5cm x 1.83m) with Gate	
	1001149730	Ref	Platform Mid Rail Repair Kit	
	1001269136	Ref	Platform Portable Worklights	
		Ref	Platform Rail Extensions	
	0272733	Ref	Platform Rail Extensions - 6ft Platform	
	0272725	Ref	Platform Rail Extensions - 8ft Platform	
	0273465	Ref	Platform Worklights Installation	
	1001209059	Ref	Platform Work Surface Installation	
	1001190892	Ref	Service Tools & Kits	Q
	1001247073	Ref	Skyeye Retrofit Kit	
	1001241547	Ref	SkyEye Housing Repair Kit (LH)	
	1001241548	Ref	SkyEye Housing Repair Kit (RH)	
		Ref	SkyGuard Component Options:	
	1001209481	Ref	SkyGuard Complete Add-On Kit (Blue Beacon)	
	1001210029	Ref	SkyGuard Complete Add-On Kit (Red Beacon)	
	1001250035	Ref	SkyGuard Platform Sensor Kit	
	1001249052	Ref	SkyGuard Retrofit Kit	
	1001206544	Ref	SkyGuard Strobe Light Kit (Blue Beacon)	
	1001250595	Ref	SkyGuard 6-Pin Retrofit Installation Kit	
	1001262016	Ref	SkyLine Kit (Dealer Installed)	
	1001250465	Ref	SkySense/Enhanced Detection System (EDS) Level 1 (2-Bar) Installation (Factory Installed)	
	1001252033	Ref	SkySense/Enhanced Detection System (EDS) Level 1 (2-Bar) Add-on Kit (Dealer Installed)	
	1001250466	Ref	SkySense/Enhanced Detection System (EDS) Level 2 (3-Bar) Add-on Kit (Dealer Installed) SkySense/Enhanced Detection System (EDS) Level 2 (3-Bar) Installation (Factory Installed)	
	1001252034	Ref	SkySense/Enhanced Detection System (EDS) Level 2 (3-Bar) Add-on Kit (Dealer Installed) SkySense/Enhanced Detection System (EDS) Level 2 (3-Bar) Add-on Kit (Dealer Installed)	
	1001253618	Ref	SkySense Module Kit (EDS) Level 1 (2-Bar) (Dealer Installed)	
	1001253619	Ref	SkySense Module Kit (EDS) Level 2 (3-Bar) (Dealer Installed)	
	1001231235	Ref	SkyWelder Locking Bracket	
		Ref	Tools For Service	
	2901443	Ref	Analyzer Kit	
	1001249695	Ref	Analyzer, Machine System with Cable	

SECTION 11 - SPECIAL OPTIONS

ITEM	PART NUMBER	QTY	DESCRIPTION	REV
	1001249941	Ref	Analyzer, Machine System with Cable (Battery Powered)	
	3128444	Ref	CD, Troubleshooting	
	7002821	Ref	Crimper, Wire	
	7002823	Ref	Pin Extractor - Universal (For Electrical Connectors with Pins and Sockets)	
	4460467	Ref	Extractor - 16-18 Gauge (For Removal of Pin/Sockets from Deutsch Connectors)	
	4460510	Ref	Extractor - 12-14 Gauge (For Removal of Pin/Sockets from Deutsch Connectors)	
	7016654	Ref	Screwdriver, Magnetic	
	7002822	Ref	Screwdriver, Pontimeter	
	7004275	Ref	Seal Tool 1 in (For Cylinders)	
	7004276	Ref	Seal Tool 1-1/2 in (For Cylinders)	
	7002828	Ref	Stripper, Wire	
	7016655	Ref	Wire Rope Sheave Gauge	
	1001106846	Ref	Sleeve, Cylinder Head Installation (Tower Lift Cylinder)	
	1001106847	Ref	Sleeve, Cylinder Piston Installation (Tower Lift Cylinder)	
	1001106848	Ref	Gauge, Go - No Go (Tower Lift Cylinder)	
	1001107000	Ref	Sleeve, Cylinder Head Installation (Main Lift Cylinder)	
	1001107001	Ref	Sleeve, Cylinder Piston Installation (Main Lift Cylinder)	
	1001107002	Ref	Gauge, Go - No Go (Main Lift Cylinder)	
	1001107143	Ref	Sleeve, Cylinder Head Installation (Tower Telescope Cylinder)	
	1001107145	Ref	Sleeve, Cylinder Piston Installation (Tower Telescope Cylinder)	
	1001107146	Ref	Gauge, Go - No Go (Tower Telescope Cylinder)	
	1001107147	Ref	Gauge, Go - No Go (Tower Telescope Cylinder)	
	1001137005	Ref	Software Cable Kit (Service Kit)	
	70004185	Ref	Torque Multiplier	
	70004646	Ref	Puller	
	70004647	Ref	Seal Tool for Lifetine Seal Assembly	
	70004648	Ref	Puller for Brade Disassembly	
	1001265327	Ref	Tower Stow Sensor/Indicator Add-on Kit (Dealer Installed)	
	2915072	Ref	Turntable Bearing Kit	
	1001277844	Ref	UGM2 Retrofit Ultra1 Kit	
	1001262959	Ref	Voltage Regulator Relocatio Kit (ClearSky)	
	1001119136	Ref	Wear Pad Kit (Includes Wear Pads, Shims and Hardware)	
	0273467	Ref	Weld Leads at Platform Installation	

PART NUMBER INDEX

SECTION 11 - SPECIAL OPTIONS

0080237	187, 211	0271520.....	29	0340003 187, 195, 203, 211,		0641418 421, 423, 425, 431,	
0080244	195, 203, 219, 227	0271803.....	810	219, 227		433, 435, 437	
0080277	29, 407	0271804.....	810	0340051 187, 195, 203, 211,		0641424.....	45
0100009	445, 449	0271852.....	41	219, 227		0641503 244, 256, 268, 280,	
0100011	19, 23, 29, 36, 45,	0271874.....	75	0363037	19, 23	300	
51, 55, 61, 63, 75, 81, 83,		0272055.....	41	0363062	61, 63	0641504.....	45
93, 95, 97, 99, 101, 103,		0272056.....	41	0363076	19	0641505.....	29, 406
105, 107, 109, 111, 113,		0272060 188, 195, 203, 212,		0363081	341	0641506.. 81, 153, 170, 171,	
115, 117, 118, 121, 122,		219, 227		0363082	341	175, 179, 187, 195, 203,	
125, 126, 129, 130, 133,		0272080.....	85	0363224	406	211, 219, 227	
134, 137, 138, 141, 142,		0272254.....	511	0400020	61, 63	0641507 187, 195, 203, 211,	
145, 146, 170, 171, 174,		0272418 479, 481, 483, 485,		0440251	71	219, 227, 411	
175, 178, 179, 183, 187,		487, 489, 491, 493, 495,		0440273	375, 379	0641508.. 83, 242, 254, 266,	
191, 195, 199, 203, 207,		497, 499		0480100	517, 519	278, 300, 341	
211, 215, 219, 223, 227,		0272427.....	477	0480127	341	0641509.. 45, 167, 183, 191,	
235, 239, 243, 247, 251,		0272435.....	360, 368	0480128	345, 359	199, 207, 215, 223	
254, 259, 263, 267, 271,		0272448.....	801, 803	0480129	363	0641510 175, 179, 244, 256,	
275, 278, 287, 291, 293,		0272521.....	509	0561380	375, 379	268, 280	
297, 300, 333, 341, 345,		0272588.....	799	0561533	384	0641511.. 29, 183, 191, 199,	
349, 351, 355, 359, 363,		0272589.....	364, 372	0561547	375, 379	207, 215, 223, 235, 247,	
367, 371, 375, 379, 384,		0272621.....	810	0630407 118, 122, 126, 130,		259, 271, 287, 293	
388, 392, 399, 402, 406,		0272725.....	812	134, 138, 142, 146		0641514.....	517, 519
409, 411, 421, 423, 425,		0272733.....	812	0630462	473, 477	0641516 345, 351, 359, 363,	
431, 433, 435, 437, 467,		0272948.....	491	0630464	29, 117, 121, 125,	367, 371	
469, 473, 475, 477, 504,		0272949.....	485	129, 133, 137, 141, 145,		0641520.....	85, 87, 89, 91
509, 511, 513, 531, 533,		0272950.....	487	406		0641604.....	83, 384
537, 539, 541, 589, 591,		0272951.....	481	0630518 151, 453, 501, 504,		0641605 183, 187, 191, 195,	
629, 633		0272952.....	489	509, 511, 513		199, 203, 207, 211, 215,	
0100019	19, 23, 27, 29, 31,	0273121.....	406	0630534	539	219, 223, 227, 235, 247,	
69, 71, 351, 355, 359,		0273349.....	81	0630535	531, 533, 543, 545	259, 271, 287, 293, 402	
363, 367, 371, 375, 379,		0273350.....	170	0630537	537	0641606....	19, 23, 170, 174,
388, 392, 533, 541		0273353.....	504	0630539	399	178, 183, 191, 199, 208,	
0100020 244, 254, 268, 278,		0273360.....	399	0630548 117, 121, 125, 129,		216, 224, 235, 242, 247,	
300, 345, 351, 360, 367,		0273361.....	402	133, 137, 141, 145		254, 259, 266, 271, 278,	
463, 501, 504, 593, 595,		0273395.....	165	0630558	388, 392	287, 293, 300, 399, 402,	
597, 599, 601, 603, 605,		0273401.....	83	0630568	446, 450	504, 509, 511, 513, 543,	
607, 609, 611, 613, 615,		0273404.....	499	0630593	399	545	
617, 619, 621, 623		0273405.....	495	0641404	63, 345, 349, 351,	0641607.. 61, 63, 93, 95, 97,	
0100035	29, 159, 406, 445,	0273406.....	493	355, 359, 363, 367, 371,		99, 101, 103, 105, 107,	
449, 453		0273446.....	461	445, 449, 469		109, 111, 113, 115, 388,	
0100038 531, 533, 537, 539,		0273447.....	153	0641405 406, 469, 589, 591,		392, 543, 545	
541		0273451.....	71	629, 631, 633		0641608.. 19, 23, 45, 55, 75,	
0100048 155, 157, 345, 351,		0273461.....	629	0641406	55, 117, 121, 125,	85, 87, 165, 167, 170,	
355, 360, 364, 367, 371,		0273462.....	589	129, 133, 137, 141, 145,		174, 178, 187, 195, 203,	
445, 449, 663, 777, 779,		0273463.....	591	155, 174, 178, 187, 195,		211, 219, 227, 235, 242,	
783		0273464.....	810	203, 211, 219, 227, 242,		247, 254, 259, 263, 266,	
0100062 244, 256, 268, 280,		0273465.....	812	254, 266, 278, 300, 341,		271, 275, 278, 287, 293,	
300		0273466.....	811	355, 402, 439, 441, 443,		297, 300, 341, 375, 379	
0100079	83, 183, 191, 199,	0273467.....	813	631, 633, 777, 779, 781,		0641609....	19, 23, 187, 195,
207, 215, 223, 235, 247,		0273471.....	810	783, 785, 787, 789, 791,		203, 211, 219, 227	
259, 271, 287, 293, 337		0273474.....	645	793		0641610 170, 174, 178, 183,	
0100081	83, 170, 171, 175,	0273475.....	647	0641407	157, 302, 349	187, 191, 195, 199, 203,	
179, 399, 402, 479, 481,		0273476.....	653	0641408 55, 61, 63, 83, 161,		207, 211, 215, 219, 223,	
483, 485, 487, 489, 491,		0273502.....	811	163, 170, 174, 178, 235,		227, 235, 242, 247, 254,	
493, 495, 497, 499		0273503.....	811	247, 259, 271, 287, 293,		259, 266, 271, 278, 287,	
0140001	55	0273513.....	810	441, 443, 663		293, 300, 337, 341, 388,	
0140011	445, 449	0273824.....	473	0641410 183, 191, 199, 207,		392, 441, 443	
0140032	153	0273862.....	810	215, 223, 235, 247, 259,		0641611....	19, 23, 259, 333
0200048	473, 475, 477	0274106.....	27	271, 287, 293		0641612. 244, 256, 268, 280	
0200742	341	0274661.....	519	0641412	51	0641613....	19, 23, 375, 379
0200833	29, 407	0274730.....	795	0641413	63	0641615.....	83
0236768	61, 63	0274885.....	810	0641414 445, 449, 467, 473,		0641616.....	345, 349
0239842	73	0275216.....	595, 725	475, 477		0641618 351, 355, 360, 364,	
0257195	810	0275217.....	601, 729	0641416 593, 595, 597, 599,		367, 371	
0257728	517	0275452.....	607, 733	601, 603, 605, 607, 609,		0641620.....	55
0257887	153	0275453.....	613, 737	611, 613, 615, 617, 619,		0641622.....	384
0259666	149	0275454.....	619, 741	621, 623		0641626.....	402

SECTION 11 - SPECIAL OPTIONS

0641628.....399	0682040..... 71	0801365.....384	0962423.....29
0641630..... 170, 174, 178	0682048.....375, 379	0801366.....384	0962520 345, 349, 351, 355, 359, 363, 367, 371
0641634..... 29	0682212.....388, 392	0801367.....384	0962552.....537
0641636..... 55, 403	0682422..... 69	0801369..... 388, 392	0962556.....389, 393
0641638.....402	0682424.....521, 523, 525	0801370..... 375, 379, 384	0962561.....533
0641644.....402	0700408 593, 595, 597, 599, 601, 603, 605, 607, 609, 611, 613, 615, 617, 619, 621, 623	0801371..... 375, 388	1001003498.....691
0641652.....399		0801497..... 388, 392	1001091102 ..349, 355, 631, 633
0641706 242, 254, 266, 278, 300	0700615.....161, 163	0801550.....389, 393	1001091969.....595
0641708 242, 254, 266, 278, 300	0700812 .244, 256, 268, 280	0811606.384, 388, 392, 402	1001091970.....601
0641718.....341	0700815 242, 254, 266, 278, 300	0811607..... 384, 388, 392	1001091973.....607
0641806 183, 191, 199, 207, 215, 223, 236, 248, 260, 272, 287, 293	0701418..... 341	0840062..... 709	1001091974.....613
0641808..... 19, 23, 45, 183, 187, 191, 195, 199, 203, 207, 211, 215, 219, 223, 227, 235, 247, 259, 271, 287, 293, 388, 392	0701617..... 31	0860038 345, 351, 359, 367, 589, 591	1001091975.....619
0641809 384, 388, 392, 399, 402	0701619..... 41, 43	0861538..... 359, 367, 806	1001092764.....585
0641810 345, 349, 351, 355, 359, 363, 367, 371, 384, 388, 392	0711214 187, 195, 203, 211, 219, 227	0861572..... 363, 371, 806	1001094055.....795
0641812.. 81, 187, 195, 203, 239, 251, 263, 275, 291, 297	0711417 .195, 203, 219, 227	0861731 593, 611, 617, 623, 733, 735, 737, 739, 741, 743	1001096070.....661
0641813..... 388, 392	0720804.....445, 449	0861781 599, 605, 725, 727, 729, 731	1001096076.....691
0641814.. 20, 211, 219, 227, 239, 251, 263, 275, 291, 297	0721003..... 407	0861880. 655, 657, 659, 661	1001096163.....633
0641816..... 167	0721005..... 477	0902746..... 171, 175, 179	1001096172 ..349, 355, 631, 633
0641818 165, 187, 195, 203, 211, 219, 227	0721006.....333, 445, 449	0902761..... 171, 175, 179	1001097051.....769
0641820.....81	0731005.....473, 475	0902762..... 171, 175, 179	1001097150 ...655, 657, 661
0641826 187, 195, 203, 211, 219, 227	0731007..... 83	0902763..... 171, 175, 179	1001097244.....471
0642010 183, 191, 199, 207, 215, 223, 235, 247, 259, 271, 287, 293, 388, 392	0741606..... 29	0902800..... 55	1001097820.....550, 554
0642012 479, 481, 483, 485, 487, 489, 491, 493, 495, 497, 499	0741607 345, 349, 351, 355, 367, 371	0902813..... 341	1001098012 ...501, 504, 507
0642016.....29	0741806.....388, 392	0902888 345, 351, 359, 363, 367, 371	1001098027.....550
0642020.....23	0742210.....375, 379	0902915..... 81	1001098122.....463
0642212 375, 379, 479, 481, 483, 485, 487, 489, 491, 493, 495, 497, 499	0760608.....171, 175, 179	0902932.....402	1001098149.....501
0642214..... 19, 23	0760612 117, 121, 126, 130, 134, 138, 142, 146	0902965.....403	1001098513.....184, 187
0642616..... 375, 379	0760808..... 302	0903154..... 170, 174, 178	1001098518.....191
0642624..... 375, 379	0760810 244, 256, 268, 280, 409	0903161..... 171, 175, 179	1001098519.....183
0651606 183, 191, 199, 207, 215, 223, 236, 248, 260, 272, 287, 293	0760812.....402, 639	0903162..... 171, 175, 179	1001098520.....199
0681608.....409	0761014..... 409	0903696..... 61, 63	1001098530.....192, 195
0681620..... 521, 523, 525	0761015.....375, 379	0940070 187, 195, 203, 211, 219, 227, 242, 254, 266, 278, 300	1001098531.....200, 203
0681813..... 19, 23	0761210 235, 247, 259, 271, 287, 293	0940092..... 473, 475, 477	1001098601 ..187, 196, 204, 211, 220, 228, 231
0681814..... 19, 23, 427, 429	0761212..... 302	0940094..... 473, 475, 477	1001098828.....409
0681815..... 19, 23	0761214 ..36, 244, 256, 268, 280, 300	0940102 479, 481, 483, 485, 487, 489, 491, 493, 495, 497, 499	1001099366 ..479, 481, 483, 485, 487, 489, 491, 493, 495, 497, 499
0681816..... 19, 23	0761215 212, 219, 228, 263, 275, 297	0940103.....477	1001099367 ..479, 481, 483, 485, 487, 489, 491, 493, 495, 497, 499
0681822..... 427, 429	0761216..... 409	0940134.....473	1001099421.....491
0682014..... 389, 393	0771212 242, 254, 266, 278, 300	0940177.....475	1001099422.....481
0682016..... 375, 379	0771414 187, 195, 203, 211, 219, 227, 242, 254, 266, 278, 300	0961845 421, 423, 425, 431, 433, 435, 437	1001099632.....29
0682026..... 71	0791410..... 51	0961893..... 539	1001100231.....657
0682028 242, 254, 266, 278, 300, 388, 392	0791504..... 406	0961896..... 531	1001100326.....597
	0791506..... 406	0961897..... 533, 543, 545	1001100327.....603
	0791510..... 402	0961901..... 537	1001100331.....609
	0791604.....51, 406	0961949..... 533, 541	1001100333.....615
	0791605 .170, 174, 178, 406	0961950..... 531, 541	1001100337.....621
	0791606.....388, 392, 406	0961951..... 388, 392, 545	1001100341 ...597, 725, 727
	0791607..... 51	0961986 187, 195, 203, 211, 219, 227, 242, 254, 266, 278, 300	1001100342 ...603, 729, 731
	0791608.....402, 406	0962033..... 19, 23, 375, 379	1001100345 ...609, 733, 735
	0791610..... 402	0962051..... 165, 167	1001100346 ...621, 741, 743
	0791616..... 402	0962122..... 375, 379	1001100347 ...615, 737, 739
	0791618..... 402	0962224..... 389, 393	1001101191 ..593, 595, 597, 599, 601, 603, 605, 607, 609, 611, 613, 615, 617, 619, 621, 623, 655, 657, 659
	0791622..... 402	0962257..... 539, 543	1001101196 ..595, 597, 599, 601, 603, 605
	0791808.....399, 402	0962270..... 427, 429	
	0791810..... 406	0962297 375, 379, 384, 535, 537	

SECTION 11 - SPECIAL OPTIONS

1001101197...593, 607, 609, 611, 613, 615, 617, 619, 621, 623	1001112551.....779	1001120140.....537	1001135562..243, 255, 267, 279, 301
1001101421.....479	1001112612...641, 667, 669	1001120141.....537	1001135650...677, 680, 683
1001101422.....479	1001112669.....43	1001120328.....467, 469	1001135651.....677, 680
1001101550.....35	1001112716.....43	1001120471.....471	1001135679..243, 255, 267, 279
1001103012.....667	1001112766..187, 195, 203, 211, 219, 227	1001120477.....471	1001135680..243, 255, 267, 279, 301
1001103286.....811	1001112796.....641	1001120564.....85, 87	1001135779..244, 255, 268, 279, 301
1001103977.....583	1001112850.....55	1001120634.....719	1001135901..243, 255, 267, 279, 301
1001104315.....31, 33	1001112927..212, 220, 228, 263, 275, 297, 329	1001120653.....375	1001135903.....301
1001104324.....31	1001113961.....667, 669	1001120989.....795	1001135913..243, 255, 267, 279, 301
1001104325.....33, 35	1001114438.....669	1001120995.....795	1001135924..243, 255, 267, 279, 301
1001104498.....667	1001114487..93, 95, 97, 99, 101, 103, 105, 107, 109, 111, 113, 115	1001121615.....711	1001135926..243, 255, 267, 279, 301
1001104519.....715	1001115603.....497	1001121616.....711	1001135943..243, 255, 267, 279, 301
1001104577.....583	1001115961.....43	1001122528..360, 364, 369, 372	1001135946.....301
1001106475.....388, 392	1001116208.....795	1001122611..777, 781, 785, 789, 791, 793	1001136357.....355, 372
1001106476.....388, 392	1001116707.....675	1001125387.....795	1001136626..243, 255, 267, 279, 301
1001106483.....388, 392	1001116710.....685	1001125425.....341	1001136665..243, 255, 267, 279, 301
1001106736.....667, 669	1001116728.....676	1001125427.....359	1001137005.....813
1001106846.....813	1001116774.....641	1001125428.....363	1001137028.....811
1001106847.....813	1001116792..235, 247, 259, 271, 287, 293	1001126009.....773	1001137276..243, 255, 267, 279, 301
1001106848.....813	1001116808.....641	1001126011.....711	1001137364..125, 129, 137, 145, 450
1001107000.....813	1001116812...667, 679, 692	1001126351.....675, 679	1001137590.....367
1001107001.....813	1001116846.....785	1001126352.....675	1001137591.....371
1001107002.....813	1001116849.....785	1001126356.....675	1001137673.....467, 807
1001107143.....813	1001116851.....785	1001126357.....675	1001138011..351, 355, 368, 372
1001107145.....813	1001116952.....676, 679	1001126362.....676, 679	1001138110.....677
1001107146.....813	1001116967.....675	1001126363...676, 679, 680	1001138111.....677
1001107147.....813	1001116983.....685	1001126364...677, 679, 680	1001138113.....677
1001107854.....667	1001117035.....785	1001126365.....677	1001138228..243, 255, 267, 279, 301
1001107971.....208, 211	1001117078..361, 364, 369, 372	1001126384.....675	1001138248..243, 255, 267, 279, 301
1001107972.....207	1001117106.....676, 679	1001126391.....677, 679	1001138253..243, 255, 267, 279, 301
1001107973.....216, 219	1001117107.....676, 679	1001126392.....677, 679	1001138346..243, 255, 267, 279, 675
1001107974.....215	1001117140.....175, 179	1001126485.....679	1001138491..235, 247, 259, 271, 287, 293, 685
1001107975.....224, 227	1001117172.....463, 808	1001126487.....679	1001138494..423, 425, 431, 433, 435, 437
1001107976.....223	1001117174...446, 450, 463	1001128527.....513	1001138514..423, 425, 433, 437
1001108256.....475	1001117294.....811	1001128556.....513	1001138524..243, 255, 267, 279, 301
1001108504.....810	1001117308..243, 255, 267, 279, 301, 807	1001129858.....345, 346	1001138559..243, 255, 267, 279, 301
1001108616...212, 220, 229, 263, 275, 297, 322	1001118384.....773	1001131269.....777, 787	1001138565.....349
1001108617...183, 191, 199, 207, 215, 223, 235, 247, 259, 271, 287, 293	1001118388.....773	1001131482.....167	1001138566..345, 349, 351, 355, 806
1001109438.....582	1001118762.....537	1001131542..187, 195, 203, 211, 219, 227, 236, 248, 260, 272, 287, 293	1001138717..244, 256, 268, 280
1001109439.....582	1001118957.....87	1001131730.....399	
1001109465.....582	1001119020..641, 667, 692, 711	1001131732.....403	
1001109468.....582	1001119119.....83	1001131969.....649	
1001109470.....582	1001119136.....813	1001133163.....63	
1001109471.....582	1001119296.....583	1001133593.....63	
1001109557.....631	1001119455.....83	1001133633..243, 255, 267, 279, 301	
1001109619.....811	1001119456.....93, 95, 101, 103, 723	1001133634..243, 255, 267, 279, 301	
1001109621.....810	1001119470..93, 95, 97, 99, 101, 103, 105, 107, 673	1001133714...677, 680, 683	
1001109648.....631, 655	1001119529..117, 121, 125, 129, 133, 137, 141, 145, 695	1001133715...677, 680, 683	
1001109654.....633, 657	1001119619.....767	1001133956.....675, 679	
1001109677.....87, 91	1001119620.....769, 771	1001133957.....675, 679	
1001110252...554, 562, 567, 571, 582	1001119899.....388, 392	1001134390.....259, 263	
1001110425...235, 247, 259, 271, 287, 293	1001119938.....810	1001134392..239, 242, 263, 266	
1001110604.....582	1001119946.....810	1001134488..242, 256, 266, 280, 301	
1001110872.....625, 627	1001119968..360, 364, 369, 372	1001135138..243, 255, 267, 279, 301	
1001110873...345, 351, 360, 368, 589		1001135497.....167	
1001111081.....567		1001135560..243, 255, 267, 279, 301	
1001111082.....562			
1001111083.....571			
1001111084.....554			

SECTION 11 - SPECIAL OPTIONS

1001138805.....539	1001143390...244, 256, 268, 280, 302	1001153260.....346, 352	1001166539 ..446, 450, 455, 806
1001138811.....379	1001143852.....795	1001153387..244, 256, 268, 280, 302	1001167565.....409
1001138812.....379, 392	1001144089...244, 256, 268, 280, 302	1001154405..235, 244, 247, 256, 259, 268, 271, 280, 288, 294, 302, 333	1001167567.....409
1001138827..243, 255, 267, 279, 301	1001144433.....467	1001155044.....446, 450	1001167596.....409
1001138838.....63, 67	1001144629...417, 419, 431, 435	1001155045...446, 450, 808	1001167632.....680
1001139099.....811	1001145089...235, 247, 259, 271, 288, 294	1001155575..243, 255, 267, 279, 302	1001167635.....679
1001139240..243, 255, 267, 279, 301	1001145154...244, 256, 268, 280, 302	1001155823..244, 256, 268, 280, 302	1001168402.....409
1001139357.....345, 349	1001145321.....574	1001157520..360, 364, 368, 372	1001170764.....680
1001139492.....91	1001145322.....582	1001157521..360, 364, 368, 372	1001170982.....302
1001139494.....89	1001145323.....61	1001157525..363, 364, 371, 372	1001171095..212, 220, 229, 263, 275, 297, 325
1001139520.....63, 585	1001145382...188, 196, 204, 212, 220, 228	1001157528..360, 364, 368, 372	1001171130.....351
1001139654.....795	1001145405.....501, 504	1001157592..359, 360, 367, 368	1001171131.....625
1001139665.....89, 91	1001145560...235, 247, 259, 271, 288, 294	1001158007..360, 364, 368, 372	1001171482..117, 125, 133, 137, 141, 145
1001139666.....89, 91	1001145708.....811	1001158008..346, 352, 360, 364, 368, 372	1001172045.....811
1001139958.....345	1001145842...236, 248, 260, 272, 288, 294	1001158363.....346, 352	1001172760.....446, 450
1001140222.....333	1001146050.....167	1001159118...625, 627, 806	1001173703.....796
1001140312.....256, 280	1001146132.....174, 178	1001159119.....625, 627	1001173889...574, 578, 582
1001140344.....351	1001146142.....174, 178	1001159120.....625, 627	1001173890...575, 579, 583
1001140346.....352	1001146178.....174, 178	1001159121.....627	1001173913.....23
1001140347.....355	1001146178.....174, 178	1001159186.....691, 711	1001173914.....19
1001140397.....355	1001146219...242, 254, 266, 278, 302	1001159256...446, 450, 808	1001174040.....409
1001140429..421, 423, 425, 431, 433, 435, 437	1001146588...288, 294, 302	1001160505...170, 174, 178	1001175887.....543
1001140485.....174, 178	1001147264.....676	1001160567.....83	1001176346.....51
1001140564..242, 255, 266, 279, 301	1001147479.....406, 807	1001161042.....649	1001176469..133, 137, 141, 145
1001141300.....795	1001148675.....625, 627	1001161043.....649	1001176862.....625
1001141302.....795	1001148841.....683	1001161045.....649	1001176982.....582
1001141304..244, 255, 268, 279, 302	1001148842.....683	1001161049.....649	1001178247...388, 392, 395
1001141717..244, 255, 268, 279, 302	1001148843...244, 256, 268, 280, 302, 683	1001161401.....19, 24	1001178248...388, 392, 397
1001141718.....333	1001148902.....810	1001161402.....19, 24	1001179154..346, 352, 360, 368
1001141719..242, 255, 266, 279, 302	1001148903.....810	1001161403.....19, 24	1001180019.....349
1001141745.....271, 275	1001148904.....810	1001161709...446, 450, 808	1001180219.....355
1001141746..251, 254, 275, 278	1001148905.....810	1001161710...446, 450, 808	1001180620.....302
1001141812.....235, 239	1001148906.....810	1001162880.....61, 65	1001180696.....795
1001141813.....247, 251	1001148971.....811	1001163131.....479	1001180951.....651
1001142144.....174, 178	1001149730.....812	1001163287.....489	1001181045..657, 659, 661, 806
1001142375.....235	1001149818.....159, 747	1001163288.....495	1001181046.....655, 806
1001142376.....259	1001149955.....159	1001163289.....493	1001181895.....256, 280
1001142377.....247	1001149994...159, 161, 163	1001163292.....497	1001181899.....302
1001142378.....271	1001150406.....159	1001163293.....485	1001182361.....675, 679
1001142398.....302	1001151393.....149	1001163295.....499	1001182806.....157
1001142501..244, 256, 268, 280, 302	1001152456.....346, 352	1001163296.....491	1001184682.....155
1001142504.....811	1001152457...345, 351, 352	1001163297.....481	1001185281.....446, 450
1001142505.....811	1001152525...346, 352, 360, 364, 368, 372	1001163298.....487	1001186333.....427
1001142610..235, 247, 259, 271, 287, 293	1001152530.....346, 352	1001164700.....65	1001186334.....429
1001142637.....302	1001152533...345, 349, 351, 355, 687	1001165035..243, 256, 267, 280, 302	1001186379.....423
1001142645.....351, 368	1001152566.....175, 179	1001165101..239, 251, 263, 275, 302, 333	1001186382.....425
1001142683...161, 163, 807	1001152742.....676	1001165368...349, 355, 659	1001186383.....419
1001142685..244, 256, 268, 280, 302	1001152963...239, 251, 291, 316	1001165820..244, 256, 268, 280, 302	1001186384.....417
1001142719.....161, 163	1001152971.....578	1001166393..243, 255, 267, 279, 302	1001186431.....467, 807
1001142736...161, 163, 641	1001153024...243, 255, 267, 279, 302	1001166538..446, 450, 459, 806	1001186432.....715, 773
1001142938.....677, 680	1001153186.....578		1001186517.....467
1001142940.....677, 680	1001153188.....578		1001187382.....409
1001142941.....677, 680	1001153257.....345, 351		1001187383.....409
1001143087.....89, 91			1001187674.....465
1001143123.....89, 91			1001187681.....767
1001143298.....167			1001187807.....151, 453
			1001188622.....409
			1001188844.....409
			1001188885.....337
			1001188887.....337
			1001189001.....409

SECTION 11 - SPECIAL OPTIONS

1001189002.....	409	1001210029.....	812	1001227985.....	465	1001236375.....	639
1001190892.....	812	1001210636.....	471	1001227987.....	465	1001236376.....	639
1001190985.....	409	1001212223.....	367, 371	1001227996.....	769, 771	1001236377.....	639
1001191272.....	243, 255, 267, 279, 302	1001212243.....	376, 380	1001228019.....	23, 531	1001236378.....	639
1001191395.....	811	1001213183.....	810	1001228025...	388, 392, 539	1001236408.....	178
1001191526.....	795	1001213447.....	712	1001228031.....	29, 541	1001236552.....	469
1001191541.....	19, 24	1001213584...	645, 647, 651	1001228032.....	384, 545	1001236746.....	525
1001191620.....	302	1001213585...	645, 647, 651	1001228034...	388, 392, 533	1001236747.....	521
1001192401.....	692	1001214029.....	796	1001228077...	375, 379, 537	1001236753.....	113
1001193018...	593, 595, 597, 599, 601, 603, 605, 607, 609, 611, 613, 615, 617, 619, 621, 623	1001214540.....	812	1001228080...	388, 392, 543	1001236891...	521, 523, 525
1001193674.....	19, 24	1001214548.....	812	1001228215.....	421	1001236895...	521, 523, 525
1001193806.....	811	1001214561.....	812	1001228224.....	465, 807	1001236951.....	811
1001195304.....	811	1001214562.....	812	1001228225.....	465, 807	1001237125...	174, 175, 178
1001196634.....	335, 807	1001214570.....	639	1001228243.....	435	1001237126.....	178
1001197017...	473, 475, 477	1001214571.....	639	1001228375.....	437	1001237285.....	302, 679
1001197408.....	795	1001216630.....	409	1001228376.....	431	1001237544.....	453
1001197510.....	795	1001217005.....	161	1001228377.....	433	1001237546.....	151
1001197511.....	795	1001218622.....	653	1001228488.....	69, 77	1001237667.....	691, 712
1001197512.....	795	1001218623.....	653	1001228497..	117, 121, 125, 129, 133, 137, 141, 145, 721	1001237668.....	691, 712
1001197513.....	795	1001219601..	118, 122, 126, 130, 134, 138, 142, 146, 808	1001228498...	375, 379, 719	1001237705.....	483
1001197514.....	796	1001219989.....	45, 55, 411	1001228617.....	69	1001237831.....	811
1001197515.....	795	1001220379.....	676	1001228953.....	810	1001237863.....	465, 769
1001197519.....	795	1001220510.....	796	1001228988..	513, 799, 801, 803	1001237864.....	465, 771
1001197719.....	680	1001220511.....	796	1001229058.....	69	1001237865.....	465, 767
1001198671.....	337	1001220512.....	796	1001229107.....	810	1001237882.....	811
1001200491.....	409	1001220929.....	446, 450	1001229341.....	465	1001237883.....	811
1001200494.....	409	1001221278.....	796	1001229934.....	465	1001238263...	521, 523, 525
1001200839.....	389, 393	1001222314.....	411	1001230934.....	675, 679	1001238319.....	465
1001200910.....	161	1001223055.....	777	1001230935.....	675, 679	1001238418.....	469, 773
1001201351.....	409	1001223453.....	777, 787	1001230936.....	675, 679	1001238421.....	409
1001201885.....	692	1001223459.....	677, 679	1001231235.....	812	1001238423.....	483
1001202076.....	811	1001223971.....	787	1001231315.....	777	1001238462.....	483
1001202221.....	811	1001224048.....	791	1001231316.....	787	1001238463.....	523
1001202280.....	337	1001224049.....	793	1001231317.....	791	1001238472.....	469
1001202281.....	337, 806	1001224050.....	785	1001231318.....	793	1001238495.....	467
1001202687.....	409	1001224052.....	781	1001231319.....	781	1001238559.....	469
1001202697.....	810	1001224053.....	789	1001231320.....	789	1001239202.....	680
1001202749.....	811	1001225118..	188, 196, 204, 212, 220, 228	1001231321.....	785	1001239281.....	155
1001203655.....	427	1001225245.....	497	1001231801.....	795	1001239345.....	643
1001203656.....	429	1001225246.....	499	1001231886.....	155	1001241275.....	810
1001204046.....	811	1001225247.....	489	1001231949.....	525	1001241383.....	157
1001204725.....	409	1001225248.....	493	1001231950.....	521, 523	1001241418.....	811
1001204898.....	811	1001225249.....	487	1001232010...	521, 523, 525	1001241547.....	812
1001205958...	607, 609, 611, 613, 615, 617, 619, 621, 623	1001225250.....	485	1001232011...	521, 523, 525	1001241548.....	812
1001206250.....	611	1001225251.....	495	1001232164.....	465	1001241891...	446, 450, 711
1001206251.....	617	1001225255.....	639, 808	1001232165.....	465	1001241965.....	469
1001206252.....	623	1001225346.....	639, 808	1001232546.....	302, 305	1001242192.....	810
1001206253.....	599	1001225430...	283, 806, 807	1001232642.....	469	1001242324..	117, 121, 125, 129, 133, 137, 141, 145, 691
1001206254.....	605	1001225431.....	283, 807	1001232667.....	469, 807	1001242373..	118, 122, 126, 130, 134, 138, 142, 146
1001206255.....	593	1001225580.....	467, 715	1001232842.....	335	1001242756.....	643
1001206476.....	639	1001225648.....	811	1001233047.....	810	1001242824.....	639
1001206544.....	812	1001226293.....	653	1001233237.....	810	1001242825.....	639
1001206794.....	811	1001226294.....	653	1001233492.....	302	1001243183.....	810
1001206796.....	811	1001226306.....	653	1001233763.....	335	1001243184.....	810
1001207004.....	163	1001226872.....	421	1001233959.....	151, 453	1001243414...	170, 174, 178
1001207969.....	411	1001227449.....	810	1001234800.....	679	1001243543.....	109
1001208299.....	302	1001227633.....	465	1001235147.....	287	1001243544.....	93
1001208994.....	409, 411	1001227634.....	465	1001235148.....	293	1001243583.....	97
1001209059.....	812	1001227932.....	645	1001235149.....	288, 291	1001243592.....	101
1001209481.....	812	1001227933.....	645	1001235150.....	294, 297	1001243593.....	105
1001209664.....	467	1001227934.....	645	1001235151...	291, 297, 300	1001243731.....	157
		1001227935.....	647, 651	1001235617.....	810	1001243734.....	155
		1001227936.....	647, 651	1001235952.....	302	1001243849.....	157
		1001227937.....	647	1001236087.....	453	1001243895.....	335
		1001227960.....	55	1001236091.....	151		

SECTION 11 - SPECIAL OPTIONS

1001243965.....777	1001253059.....793	1001267315.....795	1180390.....399
1001243994.....787	1001253060.....793	1001267387.....441	1260017.....73
1001244026.....161	1001253061.....789	1001267389.....441, 445	1283457 550, 558, 565, 569, 574
1001244027.....163	1001253062.....789	1001267653.....111	1320022 183, 187, 191, 195, 199, 203, 207, 211, 215, 219, 223, 227, 236, 243, 248, 255, 260, 267, 272, 279, 287, 293, 300, 337
1001244205.....791	1001253375.....715	1001267654.....95	1320041 183, 191, 199, 207, 215, 223, 589, 591, 629, 633
1001244206.....785	1001253593...375, 379, 807	1001267655.....99	1320058 187, 195, 203, 211, 219, 227
1001244207.....781	1001253618.....812	1001267656.....103	1320060 187, 195, 203, 211, 219, 227
1001244208.....793	1001253619.....812	1001267657.....107	1320095 117, 121, 125, 129, 133, 137, 141, 145
1001244209.....789	1001254472.....469	1001267658.....115	1320159.....402
1001244298.....785	1001254473.....469	1001268241.....795	1320162.....85, 87, 89, 91
1001246138.....810	1001255133.....409	1001269136.....812	1320177.....501, 504
1001246142.....810	1001256298.....174	1001269187.....812	1320187 183, 191, 199, 207, 215, 223, 235, 247, 259, 271, 287, 293
1001246610.....783	1001256299.....174	1001269389.....811	1320190 183, 191, 199, 207, 215, 223, 235, 247, 259, 271, 287, 293
1001246611.....779	1001256506.....676	1001270339.....643	1320223 187, 195, 203, 211, 219, 227
1001246762.....55, 57	1001256507.....675	1001270340.....643	1320263.....19, 23, 402
1001246859.....667	1001256859.....89, 91	1001270520.....810	1320277.....402
1001247073.....812	1001256864...243, 255, 267, 279, 301	1001271497.....711	1320288.....399, 402
1001247468.....409, 807	1001256879.....288, 294	1001271642.....812	1320289.....402
1001248011.. 117, 121, 125, 129, 133, 137, 141, 145	1001257277...187, 196, 204, 212, 220, 228	1001271731.....810	1320294.....402
1001248140... 521, 523, 525	1001258495.....769, 771	1001271760.....811	1320296.....402
1001248141... 521, 523, 525	1001258800.....301	1001272090.....810	1320301.....406
1001248539.. 777, 781, 785, 787, 789, 791, 793	1001260432.....300	1001272202.....810	1320302.. 504, 509, 511, 513
1001248540.....779, 783	1001260937.....450	1001277210.....45	1320309.....749, 751
1001248546.....779, 783	1001261045.....300	1001277844.....813	1320322.....55, 83
1001248547.....777	1001261085.....300	1001277849.....811	1320323.....83
1001248548.....787	1001261250.....795	1001278483.. 118, 122, 126, 130, 134, 138, 142, 146	1320325.....402
1001248549.....791	1001262016.....812	1001279488.. 117, 121, 125, 129, 133, 137, 141, 145, 667	1320327.....402
1001248550.....793	1001262959.....813	1001280410.....121, 129	1320328.....399
1001248551.....781	1001263923...701, 709, 717	1001281100.. 117, 121, 125, 129, 133, 137, 141, 145, 807	1321283.....288, 294
1001248552.....789	1001264917...243, 255, 267, 279	1001283008.. 243, 255, 267, 279	1321289.. 244, 256, 268, 280
1001248553.....785	1001264982...243, 255, 267, 279	1001288110.. 93, 95, 97, 99, 101, 103, 105, 107, 109, 111, 113, 115	1321385.....403
1001249052.....812	1001265163.....471	1001306146.....810	1321716.....288, 294
1001249244.....643	1001265327.....813	1001311034.....469	1340065 187, 195, 203, 211, 219, 227
1001249695.....812	1001265342.....471	1060341.. 473, 475, 477, 687	1380147.....165, 167
1001249941.....813	1001265854.....125, 129	1060343.....360, 368	1560011.....749, 751
1001249964.. 243, 255, 267, 279, 283	1001265855.....137	1060379.....517, 519	1560012.....749, 751
1001250035.....812	1001265856.....146	1060545.....659	1580012.....439
1001250301... 170, 174, 178	1001265859...118, 122, 126, 130	1060698.....709	1580013.....811
1001250465.....812	1001265860...134, 138, 142, 146	1060902.....671, 697	1600343.....446, 450
1001250466.....812	1001265864...117, 118, 122, 125, 126, 130	1060903.....473, 475, 477	1600443.....231, 806
1001250595.....812	1001265865...133, 134, 138, 141, 142, 146	1060904.....203, 227	1660256.....81
1001251020.....19, 23, 529	1001265867.....95, 99, 111, 125, 129	1060908 597, 603, 609, 615, 621, 655, 657, 661	1660261.....406
1001251078... 375, 379, 535	1001265868...103, 107, 137	1060918.....463	1670603.....593
1001251267.. 777, 779, 781, 785, 787, 789, 791, 793, 795	1001265869.....115, 145	1060981.....721	1670996.....51
1001251268.....783, 795	1001265901.....443	10702077360, 364, 368, 372	1671013.....384
1001251329.....810	1001265903.....443, 449	10702082360, 364, 368, 372	1671023 187, 195, 203, 211, 219, 227
1001252033.....812	1001265905.....446, 450	10836804.....121, 129	1671039.....406
1001252034.....812	1001266056.....812	1100141.....388, 392	1671040.....29, 406
1001252527.....675, 679	1001266098.....812	1120423.....811	1671044.....406
1001252629... 521, 523, 525	1001266284.....811	1120549.....29	
1001252946.....517, 519	1001266489.....812	1120550.....29	
1001252947.....517, 519	1001266935.....93, 97, 109, 117, 121	1120555 479, 481, 483, 485, 487, 489, 491, 493, 495, 497, 499	
1001253048.....777	1001266936...101, 105, 133	1180386.....402	
1001253049.....777	1001266937.....113, 141	1180387.....399	
1001253050.....787	1001266941.....117, 121	1180388.....399	
1001253051.....787	1001266942.....133	1180389.....399	
1001253052.....791	1001266943.....142		
1001253053.....791			
1001253054.....785			
1001253056.....785			
1001253057.....781			
1001253058.....781			

SECTION 11 - SPECIAL OPTIONS

1671045 51	1703948 787	1705910 793	2131008. 545, 574, 578, 582
1671046 51	1703949 785	1705915 793	2131010 58
1671047 51	1703950 789	1705917 793	2131210. 545, 574, 578, 582
1671048 51	1703951 791	1705921 779, 783	2131212 85, 87, 89, 91, 574, 578, 582
1671049 51	1703953 777	1705961 779, 783	2131620 575, 579, 583
1671092 360, 368, 649	1703959 795	1705967 781, 795	2132020 575, 579, 583
1671093 504, 511, 649	1703980 789	1705969 791, 795	2150404 550, 554
1671109 170, 174, 178	1703981 791	1706059 781	2150808 574, 578, 582
1671112 406	1703982 785	1706060 785	2151012 49
1671113 406	1703983 793	1706061 791, 793	2151212 574, 578, 582
1671117 406	1703984 787	1706062 789	2160002 71
1671118 170, 174, 178	1704000 787, 795	1706064 787	2170204 550, 554
1671121 183, 191, 199, 207, 215, 223, 235, 247, 259, 271, 287, 293	1704001 793, 795	1706098 779, 783	2170308 575, 579, 583
1671122 402	1704260 445, 449	1706385 427, 429	2170312 585
1671123 406	1704277 777, 779, 781, 783, 785, 787, 789, 791, 793	1706770 779, 783	2170504. 558, 562, 565, 567
1671142 407	1704412 777, 779, 781, 783, 785, 787, 789, 791, 793	2030010 501, 504, 509, 511, 513	2170506 565, 567, 585
1671191 171	1704885 795	2060025 187, 195, 203, 211, 219, 227	2170704. 551, 555, 558, 562
1671192 170	1704972 777	2080040 . 417, 419, 431, 435	2170708 550, 554
1671193 171, 175, 179	1705014 427, 429	2080051 170, 174, 178	2170712 85, 87, 89, 91, 550, 554, 583
1671194 170, 171, 174, 175, 178, 179	1705171 445, 449	2110404 36, 57, 58, 413, 550, 554, 574, 578, 582	2170804 558, 562
1671314 445, 449	1705174 779, 783, 787	2110406 49, 57, 565, 567, 583, 585	2170908 575, 579, 583
1701499 777, 779, 781, 783, 785, 787, 789, 791, 793	1705305. 513, 799, 801, 803	2110604 565, 567	2171112 89, 91
1701501 777, 779, 781, 783, 785, 787, 789, 791, 793	1705325 595, 597, 599	2110606 47, 57, 413, 565, 567	2171210 550, 554
1701505 777, 779, 781, 783, 785, 787, 789, 791, 793	1705336 777	2110608 574, 578, 582	2171212 550, 554
1701509 479, 481, 483, 485, 487, 489, 491, 493, 495, 497, 499, 777, 779, 781, 783, 785, 787, 789, 791, 793	1705344 789	2110610 550, 554, 574, 578, 582	2171306 550, 554
1701518 779, 783	1705345 791	2110612 550, 554	2171308 550, 554
1701529 777, 779, 781, 783, 785, 787, 789, 791, 793	1705347 787	2110808 .. 36, 558, 562, 574, 578, 582, 583	2171310 550, 554
1702565 445, 449	1705351 777	2110810 49, 58, 550, 554, 582	2180344 71
1702566 445, 449	1705355 799, 801, 803	2110812 ... 36, 558, 562, 583	2180348 183, 191, 199, 207, 215, 223, 337
1702773 . 427, 429, 783, 795	1705358 479, 481, 483, 485, 487, 489, 491, 493, 495, 497, 499	2111010 57, 58, 81, 543, 550, 554, 575, 579, 583	2180830 550, 554
1702774 795	1705374. 345, 351, 625, 627	2111012 49, 81, 550, 554, 575, 579, 583	2180832 235, 247, 259, 271, 287, 293, 501, 504
1702868 513, 777, 795, 801, 803	1705375 360, 368, 513, 801, 803	2111016 582	2220001 71
1702938 473, 475, 477	1705387. 345, 351, 360, 369	2111210 57, 58	2220235 20, 558, 562
1702942 199, 223	1705426 789	2111212 57, 81, 543, 550, 554, 574, 578, 582	2220313 183, 191, 199, 207, 215, 223, 235, 247, 259, 271, 287, 293
1703162 187, 195, 203, 211, 219, 227, 244, 256, 268, 280, 300	1705427 791	2111216 57	2220451 187, 195, 203, 211, 219, 227
1703175 795	1705429 787	2111616 583	2220478 574, 578, 582
1703483 795	1705430 785	2111620 574, 578, 582	2220498 187, 195, 203, 211, 219, 227
1703804 777	1705437 785	2112016 57	2220550 585
1703805 777	1705460. 360, 364, 368, 372	2112020 574, 578, 582	2220737 574, 578
1703811 777, 779, 781, 783, 785, 787, 789, 791, 793	1705461 364, 372	2112021 574, 578, 582	2220811 574, 578, 583
1703814 777, 779, 781, 783, 785, 787, 789, 791, 793	1705468 779, 783	2112022 574, 578, 582	2220816 337
1703935 793	1705489. 349, 355, 364, 372	2112023 574, 578, 582	2220883.. 49, 533, 535, 537, 539, 545
1703936 787	1705492 777	2112024 83	2220885 531, 537, 539, 541, 543, 545
1703938 789	1705493 789	2112025 411	2220886 533, 535, 543
1703939 791	1705503 791	2120217 411	2220887 57
1703941 793	1705505 787	2120218 183, 191, 199, 207, 215, 223, 236, 248, 260, 272, 287, 293	2220888 58, 537
1703942 787	1705511 777, 779, 781, 783, 785, 787, 789, 791, 793	2120219 183, 191, 199, 207, 215, 223, 236, 248, 260, 272, 287, 293, 806	2220893 83
1703943 785	1705515 795	2130404 583	2221046 337
1703944 789	1705744 445, 449	2130406 36, 585	2221086. 47, 49, 57, 58, 413
1703945 791	1705745 445, 449	2130606 . 550, 554, 569, 571	2221117 574, 578
1703947 793	1705822 779, 783	2130612 550, 554	2221123 550, 554, 585
	1705828 779, 783	2130808 574, 578, 582	2221176 183, 191, 199, 207, 215, 223
	1705838 795	2130810 47, 58	2221221 583, 585
	1705864 783, 795	2130812 ... 36, 575, 579, 582	2400060 335, 471, 667, 669, 692, 712
	1705896 781		2400064 667, 669, 807
	1705897 781		
	1705898 781		
	1705901 781		
	1705902 781		
	1705903 781		
	1705905 781		
	1705906 781		

SECTION 11 - SPECIAL OPTIONS

2400065.....	663, 691, 807	2753750.....	558, 562	2901443.....	812	3290801	242, 254, 266, 278, 300
2400066.....	663, 691	2753752.....	558, 562	2902065	187, 195, 203, 211, 219, 227, 243, 254, 267, 278, 300, 331	3290805.....	403, 639
2410014.....	427, 429	2753753.....	569, 571	2902087.....	531	3290806	244, 256, 268, 280, 409
2420191.....	83	2753754.....	569, 571	2902212	479, 481, 483, 485, 487, 489, 491, 493, 495, 497, 499	3291001.....	409
2420203.....	341	2753756.....	558, 562	2902257.....	541	3291005.....	409
2460048.....	359, 363	2753757.....	558, 562	2902285.....	533	3291007.....	375, 379
2460055.....	341	2753759.....	558, 562	2902291.....	545	3291201.....	409
2540044.....	402	2753760.....	558, 562	2902292	183, 191, 199, 207, 215, 223	3291205.....	409
2560136.....	445, 449	2753761.....	558, 562	2902356.....	810	3300151	421, 423, 425, 431, 433, 435, 437, 504, 509, 511, 513
2560187.....	171, 175, 179	2753762.....	558, 562	2902443.....	673, 676, 679	3300353.....	445, 449
2580062.....	203, 227	2753764.....	558, 562	2910351.....	811	3300364.....	406
2600279	118, 122, 126, 130, 134, 138, 142, 146	2753768.....	558, 562	2915024.....	45	3300396	346, 352, 360, 364, 368, 372
2600280.....	170, 174, 178	2753778.....	85, 87	2915072.....	71, 813	3300408.....	151
2600281	417, 419, 431, 435	2753781.....	585	2920028	445, 449, 473, 475, 477	3300430.....	406, 467
2680496.....	171, 175, 179	2753843	85, 574, 578, 582	2920029	445, 449, 473, 475, 477	3300454	55, 161, 163, 188, 196, 204, 212, 220, 228
2680498.....	171, 175, 179	2753897.....	550, 554	2920161.....	159	3300464.....	29
2717059.....	550, 554	2753975.....	574, 578, 582	2940074	417, 419, 431, 435, 807	3300465.....	541
2720015	243, 255, 267, 279	2753976.....	574, 578, 582	2940173.....	170, 174, 178	3300482.....	445, 449
2720058	187, 195, 203, 211, 219, 227, 337	2753977.....	574, 578, 582	3010133.....	375, 379	3300492.....	399, 403
2720160.....	501, 504	2753978.....	550, 554	3010134.....	375, 379	3310401	243, 254, 267, 278, 300
2720500	187, 195, 203, 211, 219, 227	2753979.....	574, 578, 582	3010136.....	389, 393	3310601	117, 121, 125, 129, 133, 137, 141, 145, 165, 167
2720501	187, 195, 203, 211, 219, 227	2753984.....	574, 578, 582	3020042.....	384, 389, 393	3310805.....	19, 23
2720516.....	550, 554	2753985.....	550, 554	3128444.....	813	3311001	117, 121, 125, 129, 133, 137, 141, 145, 333, 346, 352, 360, 364, 368, 372
2750528.....	71	2753986.....	550, 554	3160339.....	33, 39	3311005	341, 345, 351, 360, 364, 368, 372, 445, 449, 501, 504, 509, 511, 513
2750532	183, 187, 191, 195, 199, 203, 207, 211, 215, 221, 223, 227, 235, 247, 259, 271, 287, 293	2753987.....	550, 554	3200362	187, 195, 204, 211, 219, 228	3311401.....	473, 475, 477
2753541.....	558, 562	2753988.....	574, 578, 582	3200401	187, 195, 204, 211, 219, 228	3311402	118, 122, 126, 130, 134, 138, 142, 146
2753545	550, 554, 558, 562	2753989.....	574, 578, 582	3200433.....	406	3311405	45, 155, 157, 174, 178, 188, 196, 204, 212, 220, 228, 235, 242, 247, 254, 259, 266, 271, 278, 287, 293, 300, 341, 349, 355, 406, 441, 443, 469, 593, 595, 597, 599, 601, 603, 605, 607, 609, 611, 613, 615, 617, 619, 621, 623, 633, 663, 777, 779, 781, 783, 785, 787, 789, 791, 793
2753546.....	574, 578, 582	2753990.....	574, 578, 582	3200458.....	406	3311501	171, 175, 179, 473, 475, 477
2753552.....	558, 562	2753991.....	574, 578, 582	3220130.....	339	3311505	29, 45, 85, 87, 89, 91, 167, 183, 188, 191, 196, 199, 204, 207, 212, 215, 220, 223, 228, 411, 517, 519
2753582.....	558, 562	2753992.....	574, 578, 582	3251102	341, 345, 349, 351, 355, 359, 363, 367, 371	3311508	345, 351, 359, 363, 367, 371
2753590.....	574, 578, 582	2753993.....	550, 554	3251242	593, 601, 605, 607, 611, 613, 617, 619, 623	3311601	83, 170, 174, 178, 446, 450, 469
2753673.....	574, 578, 582	2753994.....	550, 554	3251243	345, 352, 360, 368, 777, 781, 785, 787, 789, 791, 793	3311602.....	399
2753677.....	558, 562	2753995.....	574, 578	3251813.....	795	3311605	45, 61, 63, 85, 87, 165, 167, 170, 174, 178,
2753685.....	558, 562	2753996.....	574, 578	3252347.....	777		
2753703.....	558, 562	2753997.....	574, 578	3252507	603, 609, 615, 621		
2753713.....	558, 562	2753998.....	550, 554	3271605.....	521, 523, 525		
2753714.....	558, 562	2753999	87, 550, 554, 574, 578, 582	3271805.....	427, 429		
2753715.....	558, 562	2754000.....	574, 578	3272001	242, 254, 266, 278, 300, 375, 379, 389, 393, 521, 523, 525		
2753716	550, 554, 558, 562	2754001.....	574, 578, 582	3290405	349, 355, 471, 593, 595, 597, 599, 601, 603, 605, 607, 609, 611, 613, 615, 617, 619, 621, 623, 631, 633		
2753717.....	550, 554	2754002.....	550, 554	3290601.....	171, 175, 179		
2753719.....	565, 567	2754003.....	550, 554	3290605	118, 122, 126, 130, 134, 138, 142, 146, 501, 504		
2753726.....	565, 567	2754004.....	574, 578, 582	3290606	423, 425, 433, 437		
2753727.....	565, 567	2754006.....	574	3290607.....	161, 163		
2753728.....	569, 571	2754007.....	574, 578				
2753729.....	565, 567	2754010.....	550, 554				
2753732.....	569, 571	2754011.....	550, 554				
2753733.....	569, 571	2754123.....	550, 554				
2753734.....	569, 571	2754124.....	550, 554				
2753735.....	569, 571	2754288.....	550, 554				
2753736.....	569, 571	2754870.....	574, 578, 582				
2753737.....	569, 571	2792647.....	565				
2753738.....	569, 571	2792772.....	558				
2753739.....	569, 571	2792773.....	569				
2753741.....	574, 578	2820031	341, 345, 349, 351, 355, 359, 363, 367, 371				
2753742.....	569, 571	2820035.....	153, 335				
2753743.....	569, 571	2820141.....	170				
2753746.....	574, 578, 582	2820145.....	171				
2753747.....	558, 562	2820146.....	171				
2753748.....	558, 562	2820247.....	769, 771				
2753749.....	558, 562	2840016.....	165, 167				
		2860030.....	149, 807				
		2900770	413, 531, 535, 537, 539, 545				
		2900789.....	543, 545				
		2900792.....	529				

SECTION 11 - SPECIAL OPTIONS

183, 188, 191, 196, 199, 204, 207, 212, 215, 220, 223, 228, 242, 254, 266, 278, 300, 333, 341, 388, 392, 403, 411, 427, 429, 441, 443, 504, 509, 511, 513	3422915.....23	3573644 183, 191, 199, 207, 215, 223	3841287..... 19, 23, 375, 379
331160861, 63, 399, 402, 406	3422917.....29	3573669 183, 191, 199, 207, 215, 223	3841340..... 45, 83
3311705 242, 254, 266, 278, 300	3422918..... 19, 23	3573727 183, 191, 200, 207, 215, 223	3841356..... 375, 379
3311801 .351, 355, 367, 371	3422920..... 375, 379	3573728 184, 192, 200, 207, 215, 224	3841581..... 375, 379
3311805 ..81, 165, 167, 188, 196, 204, 212, 220, 228, 236, 248, 260, 272, 287, 293	3422937..... 388, 392	3574091477	3900054..... 427, 429
3312002 ...69, 521, 523, 525	3422940..... 29	3574492165	3900085..... 159, 161, 163
3312005 ..23, 479, 481, 483, 485, 487, 489, 491, 493, 495, 497, 499	3422957..... 388, 392	357449483	3900210..... 411
3312205 479, 481, 483, 485, 487, 489, 491, 493, 495, 497, 499	3422958..... 388, 392	3574533170, 174, 178	3900232... 83, 170, 174, 178
3312602 159, 161, 163, 375, 379	3422960..... 19, 23	3574580543	3900251 118, 122, 126, 130, 134, 138, 142, 146
3322201 81	3423058..... 388, 392	3574586543	3900259..... 389, 393
3340763 545	3423059..... 388, 392	3574606402	3900260..... 402
3340764 402	3423061..... 375, 379	3574630545	3900267..... 346, 352
3340787 402	3423062..... 375, 379	3574633 184, 192, 200, 208, 216, 224	3900269..... 384
3340877171, 175, 179	3423063..... 375, 379	3574644399	3900270..... 19, 23
3340878384, 388, 392	3423064..... 375, 379	3575359473, 475	3900283.. 51, 170, 174, 178, 399, 402, 411
3340881 19, 23	3423066..... 384	3575782171, 175, 179	3900300..... 346, 352
3340927 375, 379	3423190..... 388, 392	3576799501, 504	3900316 170, 174, 178, 184, 192, 200, 208, 216, 224, 236, 248, 260, 272, 287, 293, 411
3340934 402	3423209..... 375, 379	3577121 .504, 509, 511, 513	3900322..... 341
3340941 399, 402	3423256..... 29, 406	3580158188, 212	3900349..... 445, 449
3340942 402	3430616..... 446, 450	3580276341	3900363..... 171, 175, 179
3340943 402	3430816..... 165, 167	3580317 345, 349, 351, 355, 360, 363, 367, 371	3910408 243, 254, 267, 278, 300
3340956 479, 481, 483, 485, 487, 489, 491, 493, 495, 497, 499	3450404..... 165, 167	3580318 .345, 351, 360, 367	3910606 345, 351, 360, 367, 589, 591, 625, 627
3340974 388, 392	3451214..... 29	3580319 .349, 355, 364, 371	3910608..... 165, 167
3340978 384	3460334 479, 481, 483, 485, 487, 489, 491, 493, 495, 497, 499	3580320 196, 204, 220, 228, 242, 254, 266, 278	3910612..... 589
3340979 384	3470003..... 446, 450	3600339 .188, 196, 204, 310	3910804..... 149
3340980 384	3520026..... 445, 449	362003485, 87	3930606..... 406
3340982 543	3520030..... 445, 449	3641569473, 475	3930816..... 406
3380434 441, 443	3520054.. 23, 188, 196, 204, 212, 220, 228, 302, 445, 449	3740049 117, 121, 125, 129, 133, 137, 141, 145, 807	3930820..... 19, 23
3380473 183, 191, 199, 207, 215, 223	3520071 479, 481, 483, 485, 487, 489, 491, 493, 495, 497, 499	374006761, 63, 188, 196, 204, 212, 220, 228, 806, 807	3931008..... 81
3380498 183, 191, 199, 207, 215, 223	3520072 417, 419, 421, 423, 425, 427, 429, 431, 433, 435, 437	3740080 188, 196, 204, 212, 220, 228, 341, 663, 806, 807	3931016 345, 351, 359, 363, 367, 371
3380523 55	3520174..... 777, 779, 783	3740086773, 807	3931020..... 29, 406
3380528 406	3520186..... 170, 174, 178	3740143745, 807	3931408..... 467
3380547 375, 379	3520189..... 364, 372	3760133384, 388, 392	3931412..... 29, 406
3380723 183, 191, 199, 207, 215, 223, 236, 248, 260, 272, 287, 293	3520192..... 364, 372	376017073	3931414..... 406
3421453 501, 504	3520198 417, 419, 421, 423, 425, 431, 433, 435, 437	3760217388, 392	3931432 243, 254, 267, 278, 300
3421563 73	3537416 188, 196, 204, 212, 220, 228	3760233388, 392	3931508 244, 256, 268, 280, 300
3421565 73	3537445..... 165	3760368539	3931512.. 81, 242, 254, 266, 278, 300
3422178 388, 392	3538758..... 402	376038329, 406	3931516..... 539
3422446 183, 191, 199, 207, 215, 223, 235, 247, 259, 271, 287, 293	3539971 188, 196, 204, 212, 220, 228	3760475375, 379	3931532..... 545
3422532 188, 196, 204, 212, 220, 228	3573142 188, 196, 204, 212, 220, 228	3790012445, 449, 461	3931616 93, 95, 97, 99, 101, 103, 105, 107, 109, 111, 113, 115, 118, 122, 126, 130, 134, 138, 142, 146
3422661 517, 519	3573144 118, 122, 126, 130, 134, 138, 142, 146	3790152 212, 220, 229, 263, 275, 297	3931624..... 406
3422833 23	3573294..... 19, 23	3790155 212, 221, 229, 263, 275, 297	3931628. 242, 254, 266, 278
	3573335..... 19, 23	379015836	3931656..... 543
	3573355..... 75	3811340384	3931724..... 545
	3573400.504, 509, 511, 513	3820001 777, 779, 781, 783, 785, 787, 789, 791, 793	3931740..... 543
	3573411 188, 196, 204, 212, 220, 228	3820020 .417, 419, 431, 435	3931816..... 27
	3573412 188, 196, 204, 212, 220, 228	3841143 184, 192, 200, 208, 216, 224, 235, 247, 259, 271, 287, 293, 388, 392, 409	3931824..... 531, 533
	3573529 188, 196, 204, 212, 220, 228	3841203388, 392	3932024..... 29
	3573642.504, 509, 511, 513	384125823, 29, 389, 393	3932240..... 537
			3941404..... 57
			3952020..... 69
			3960389..... 407

SECTION 11 - SPECIAL OPTIONS

3960418 118, 122, 126, 130, 134, 138, 142, 146	4240017 93, 95, 97, 99, 101, 103, 105, 107, 109, 111, 113, 115	4360579.....765, 807	4460425 117, 121, 125, 129, 133, 137, 141, 145, 346, 352, 360, 364, 368, 372, 473, 475, 477, 625, 627
3960422 345, 351, 360, 367, 589, 591, 625, 627	4240018 184, 192, 200, 208, 216, 224, 345, 349, 351, 355, 360, 364, 367, 371, 406, 625, 627	4360622.....407	4460426 346, 352, 360, 364, 368, 372
3960464.....171, 175, 179	4240032 161, 163, 663, 665, 673, 749, 751	4400462.....83	4460428 117, 121, 125, 129, 133, 137, 141, 145, 445, 449
3960525.....83	4240033 184, 192, 200, 208, 216, 224, 403, 406, 465, 467, 469, 643, 665, 673, 701, 717	4420014 479, 481, 483, 485, 487, 489, 491, 493, 495, 497, 499	4460434.....711
3960543 188, 196, 204, 212, 220, 228, 242, 254, 266, 278, 300	4240099 188, 196, 204, 212, 220, 228, 244, 256, 268, 280, 288, 294, 300, 335, 473, 475, 477, 504, 509, 511	4420037.....61, 63, 504, 509, 511, 513	4460458.....676, 679
3960544 188, 196, 204, 212, 220, 228, 242, 254, 266, 278, 300	4240139.....83	4420038.....83	4460464 463, 471, 641, 643, 663, 665, 667, 669, 671, 676, 685, 691, 695, 701, 709, 711, 715, 717, 719, 723, 747, 761, 773
3960551.....29	4240149 479, 481, 483, 485, 487, 489, 491, 493, 495, 497, 499	4420051.....795	4460465 360, 364, 369, 372, 471, 641, 643, 665, 667, 669, 673, 675, 676, 679, 680, 687, 689, 691, 692, 695, 697, 699, 701, 703, 709, 711, 715, 717, 721, 757, 759
3960552.....29	4240150.....171, 175, 179	4420060.....389, 393	4460466 465, 471, 641, 643, 665, 667, 669, 673, 675, 676, 679, 680, 692, 695, 699, 703, 709, 711, 715, 717, 757, 759, 761, 763, 767, 773
3960571.....407	4240153.....402	4420062.....517, 519	4460467.....813
3980006.....61, 63	4240155.....19, 24, 399, 402	4420066 479, 481, 483, 485, 487, 489, 491, 493, 495, 497, 499	4460470 117, 121, 125, 129, 133, 137, 141, 145, 445, 449
3990001.....691, 806	4240156.....403	4420068.....473, 475, 477	4460471 117, 121, 125, 129, 133, 137, 141, 145, 445, 449
4000008.....407, 807	4300157 351, 355, 367, 371	4460007.....445, 449	4460473.....703, 757, 759
4010408 349, 355, 631, 633	4340810.....406	4460016.....711	4460474.....691
4010608.....501, 504	4340811.....406	4460019 663, 673, 676, 679, 695	4460483.....346, 352
4010618 423, 425, 433, 437	4340832 117, 121, 125, 129, 133, 137, 141, 145	4460027.....341	4460488.....161, 163
4031505.....465	4340861.....407	4460035.....669	4460496 93, 95, 97, 99, 101, 103, 105, 107, 109, 111, 113, 115, 445, 449
4031516.....469	4340959.....406	4460042.....677, 680, 712	4460497 93, 95, 97, 99, 101, 103, 105, 107, 109, 111, 113, 115, 445, 449
4031914 242, 254, 266, 278, 300	4340995.....170, 174, 178	4460043.....335, 676, 679	4460508 465, 691, 695, 711, 761
4032014 242, 254, 266, 278	4340996.....170, 174, 178	4460049.....473, 475, 477	4460509.....703, 757, 759
4032022 188, 196, 204, 212, 220, 228	4341000.....170, 174, 178	4460051.....589, 591	4460510.....813
4060092.....591	4341001.....170, 174, 178	4460068.....346, 352	4460518.....641
4060802 341, 345, 349, 351, 355, 360, 364, 367, 371	4341110 184, 192, 200, 208, 216, 224	4460071 345, 351, 360, 367, 463	4460526 117, 121, 125, 129, 133, 137, 141, 145
4060804 171, 175, 179, 188, 196, 204, 212, 220, 228	4341158.....407	4460121.....643	4460536 669, 705, 709, 711, 761
4060805 188, 196, 204, 212, 220, 228	4360057 473, 475, 477, 807	4460125.....591	4460539 637, 643, 679, 695, 707, 709, 711, 761, 763
4060806.....171, 175, 179	4360070 346, 352, 360, 364, 368, 372, 806	4460142.....691, 711	4460612.....625, 627
4060808.....45	4360274.....141, 145, 808	4460183.....667, 669, 711	4460613.....691, 761
4070864.....384, 389, 393	4360328 117, 121, 125, 129, 133, 137, 141, 145, 461, 808	4460190.....341	4460702 673, 695, 749, 751
4071031.....384, 406	4360336 341, 345, 349, 351, 355, 360, 364, 367, 371, 808	4460205.....589	4460703.....676, 679
4071035.....19, 23	4360387 133, 137, 141, 145, 445, 449, 473, 475, 477, 808	4460213.....711	4460708.....445, 449, 712
4071036.....19, 23	4360407.....445, 449, 806	4460224.....356	4460709.....591
4071039.....19, 23	4360469.....149, 808	4460225 687, 689, 691, 711	4460722.....335, 753, 755
4071040.....19, 23	4360475 117, 121, 125, 129, 133, 137, 141, 145, 445, 449, 808	4460226 456, 459, 463, 635, 712	4460746.....679
4071041.....69	4360476 117, 121, 125, 129, 133, 137, 141, 145, 445, 449	4460227 635, 643, 691, 711	4460748.....679
4071042.....19, 23	4360505.....29, 406, 807	4460234 93, 95, 97, 99, 101, 103, 105, 107, 109, 111, 113, 115, 204, 228, 256, 280, 445, 449, 473, 475, 477	4460761.....635, 643, 691
4071044.....389, 393	4360542.....341, 806	4460239 471, 691, 695, 711	
4071045.....389, 393	4360548.....406, 807	4460260 471, 691, 695, 711	
4071048.....170, 174, 178	4360552.....407	4460265.....456, 459	
4071049.....20	4360578 19, 23, 705, 707, 807	4460267.....709, 711, 747	
4071050.....20		4460268 153, 155, 157, 687, 689, 709	
4071054.....19, 23		4460294.....356	
4071055.....19, 23		4460297.....691	
4071067.....384		4460312.....695	
4071069.....384		4460313.....673, 691, 695	
4071071.....384		4460315 367, 589, 591, 673	
4071072.....402		4460320.....709, 747	
4071073.....389, 393		4460346 345, 351, 360, 367, 589	
4071074.....445, 449		4460374.....663	
4071076.....399		4460375.....663	
4071081.....384		4460418.....691, 711	
4100063.....403		4460419.....691, 709, 711	
4100101.....389, 393		4460424 153, 155, 157, 709	
4160194.....170, 174, 178			
4220189.....399			
4220190.....399			
4220197.....403			
4220235.....27			

SECTION 11 - SPECIAL OPTIONS

4460806 607, 609, 611, 613, 615, 617, 691, 711	4460943 161, 163, 637, 643, 665, 675, 695, 705, 709, 711, 745, 753, 761, 763, 767	4640509529	220, 228, 236, 248, 260, 272, 287, 293, 407, 427, 429
4460807 687, 689		4640751 188, 196, 204, 212, 220, 228, 244, 256, 268, 280, 300	4711900..... 341
4460808 687, 689		4640858531	4712000.. 23, 479, 481, 483, 485, 487, 489, 491, 493, 495, 497, 499, 521, 523, 525
4460836 643, 665, 675, 691, 709	4460944 637, 643, 665, 667, 673, 675, 676, 679, 680, 691, 692, 695, 707, 709, 711, 755, 761, 763	4640938535	4712200 479, 481, 483, 485, 487, 489, 491, 493, 495, 497, 499
4460837 117, 121, 125, 129, 133, 137, 141, 145		4641114539	4740171..... 251
4460842 709	4460945 667, 679	464115545	4740181..... 29
4460843 709	4460950..... 665, 676	4641162545	4740229..... 29
4460865 703, 757	4460951..... 691	464124785, 89	4740274 188, 196, 204, 212, 220, 228
4460866691, 711, 761	4460956. 655, 657, 659, 661	4641255413	4740362..... 441, 443
4460868 692	4460957. 655, 657, 659, 661	4641260539	4740397 117, 121, 125, 129, 133, 137, 141, 145, 341, 445, 449
4460871 667, 669, 691, 695, 709, 711, 721	4460958..... 627	464126845, 47	4740430..... 51
4460873 691, 711	4460962..... 504, 511, 649	4641276531	4740461..... 19, 23
4460874 117, 121, 125, 129, 133, 137, 141, 145, 711	4460963 360, 368, 649	4641285537	4740492..... 375, 379
4460875 117, 121, 125, 129, 133, 137, 141, 145	4460965691, 709	4641288543	4740500..... 170, 174, 178
4460876 691, 711	4460967. 360, 364, 369, 372	4641298545	4740505..... 29
4460877 692	4460968.... 19, 23, 407, 705, 707, 765	4641316585	4740518 188, 196, 204, 212, 220, 228
4460878 691	4460970..... 643, 675	4641340535	4750600 117, 121, 125, 129, 133, 137, 141, 145, 165, 167
4460879 471, 711	4460971 501, 504	4641370535	4750800.... 19, 23, 445, 449
4460880665, 709, 723	4460982676	4641372550, 554	4751000.. 83, 117, 121, 125, 129, 133, 137, 141, 145, 159, 161, 163, 341, 345, 351, 360, 364, 368, 372, 407, 445, 449, 501, 504, 509, 511, 513
4460884 471, 643, 665, 680, 692, 715, 721, 755	4461003 759	4641386533	4751400 117, 121, 125, 129, 133, 137, 141, 145, 161, 163, 188, 196, 204, 212, 220, 228, 242, 254, 266, 278, 300, 341, 439, 441, 443, 445, 449, 473, 475, 477, 504, 509, 511, 513, 777, 779, 781, 783, 785, 787, 789, 791, 793
4460887 .471, 691, 695, 711	4461004..... 709	4641388533	4751500 153, 171, 175, 179, 345, 351, 360, 364, 367, 371, 473, 475, 477, 517, 519
4460888 692, 711	4461005 673, 709	4641393533	4751600.. 29, 51, 61, 63, 75, 83, 85, 87, 93, 95, 97, 99, 101, 103, 105, 107, 109, 111, 113, 115, 118, 122, 126, 130, 134, 138, 142, 146, 170, 174, 178, 411, 441, 443, 504, 509, 511, 513
4460891 641, 685, 695, 697, 709, 717	4461006 673, 709	464145445, 49	4751700 242, 254, 266, 278, 300
4460892 117, 121, 125, 129, 133, 137, 141, 145, 665	4461007 709	4641460411, 413	4751800.. 81, 427, 429, 473, 475, 477
4460894 643, 665, 673, 676, 680, 691, 692, 711	4461008. 673, 677, 679, 709	4700014384	4752000 184, 192, 200, 208, 216, 224, 235, 247, 259, 271, 287, 293
4460897 663, 671, 685, 717, 723, 747	4461009 761	4710400 243, 254, 267, 278, 300	4755000..... 29
4460898 669	4461013 749, 751	4711000 333, 346, 352, 360, 364, 368, 372	4760600..... 589, 591
4460899 .695, 715, 767, 773	4461052 673	4711400 45, 55, 61, 63, 155, 157, 170, 174, 178, 184, 192, 200, 208, 216, 224, 235, 243, 247, 254, 259, 267, 271, 278, 287, 293, 300, 345, 349, 351, 355, 360, 364, 367, 371, 402, 407, 421, 423, 425, 431, 433, 435, 437, 467, 469, 589, 591, 593, 595, 597, 599, 601, 603, 605, 607, 609, 611, 613, 615, 617, 619, 621, 623, 629, 631, 633	
4460905 117, 121, 125, 129, 133, 137, 141, 145, 445, 449, 667, 669, 711	4461053 673	4711500 ..29, 45, 85, 87, 89, 91, 167, 184, 188, 192, 196, 200, 204, 208, 212, 216, 220, 224, 228, 242, 254, 266, 278, 300, 407, 411	
4460910 771	4461054. 673, 677, 680, 685	4711600 .. 19, 23, 45, 55, 61, 63, 83, 165, 167, 170, 174, 178, 184, 188, 192, 196, 200, 204, 208, 212, 216, 220, 224, 228, 235, 242, 247, 254, 259, 266, 271, 278, 287, 293, 300, 333, 337, 341, 345, 349, 351, 355, 360, 364, 367, 371, 375, 379, 399, 403, 411, 446, 450, 521, 523, 525	
4460911 749, 751, 753, 755, 767	4461060 673	4711700 242, 254, 266, 278, 300, 337, 341	
4460912 .749, 751, 753, 755	4461070. 641, 673, 675, 676	4711800 19, 23, 29, 45, 165, 167, 188, 196, 204, 212,	
4460914 ..29, 117, 121, 125, 129, 133, 137, 141, 145, 407	4461071 673, 676, 679		
4460918 749, 751, 753, 755, 761	4461072 673, 676, 679		
4460925 711	4461073 673, 676, 679		
4460926 717	4461074 673, 676, 679		
4460928 641, 717	4461077 761, 767, 773		
4460930 665, 673, 675, 676, 680, 691, 699, 709	4461095. 641, 673, 675, 676		
4460931 .675, 695, 709, 745	4461097 673		
4460932 471, 637, 643, 676, 685, 719, 753	4461196 725, 727		
4460933 641, 665, 667, 669, 676, 692, 709, 711	4461197 727		
4460934665, 675, 763	4461198 599, 725, 727		
4460935 665, 675	4461199 729, 731		
4460941 643, 665, 675, 685, 691, 767	4461200 731		
4460942 465, 643, 663, 676, 680, 685, 691, 709	4461201 605, 729, 731		
	4461203 735		
	4461205. 733, 735, 737, 739		
	4461206 739		
	4461244 611, 733, 735		
	4461245 617, 737, 739		
	4461246 623, 741, 743		
	4461249 741, 743		
	4461250 743		
	4530028. 504, 509, 511, 515		
	4562516 399, 402		
	4568293 188, 196, 204, 212, 220, 228		
	4568426 85, 87		
	4568427 85, 87		
	4568815 575, 579, 582		
	4568849 574, 579, 582		
	4630006 389, 393		
	4640452 539		

SECTION 11 - SPECIAL OPTIONS

4760800.....	445, 449	4922767.....	701	70001100359, 363, 367, 371	70002045.....	35
4761400.....	439	4922777.....	717	70001123.....	70002046.....	35
4770600.....	165, 167	4922784.....	697	70001125.....	70002047.....	35
4791400.....	55, 61, 63, 188, 196, 204, 212, 220, 228, 242, 254, 266, 278, 302, 345, 349, 351, 355, 360, 364, 367, 371	4922785.....	671	70001126.....	70002048.....	35
4811400 471, 593, 595, 597, 599, 601, 603, 605, 607, 609, 611, 613, 615, 617, 619, 621, 623		4922947.....	751	70001128.....	70002049.....	35
4811600.....	29	4922948.....	749	70001129.....	70002050.....	35
4811700 118, 122, 126, 130, 134, 138, 142, 146, 161, 163, 300, 423, 425, 433, 437, 501, 504		4922949.....	763	70001130.....	70002052.....	35
4811900 171, 175, 179, 242, 254, 266, 278, 300, 402, 409, 639		4922950.....	755	70001131.....	70002057.....	35, 77
4811902 242, 254, 266, 278, 301		4922951.....	753	70001135.....	70002088.....	359, 363
4812000 242, 254, 266, 278, 301, 375, 379, 409		4922955.....	703	70001344.....	70002097.....	411, 806
4812100 235, 242, 247, 254, 259, 266, 271, 278, 287, 293, 301, 409		4922956.....	757	207, 215, 223, 236, 248, 260, 272, 287, 293	70002132.....	322
4812200 242, 254, 266, 278, 301		4922958.....	759	70001384359, 363, 367, 371	70002133.....	322, 325
4831900 242, 254, 266, 278, 301		4922972 360, 364, 367, 371, 689		70001421.....	70002134.....	322
4845582.....	517, 519	4923036 117, 121, 125, 129, 133, 137, 141, 145, 745		70001424.....	70002135.....	322
4846383.....	19, 24	4923169.....	765	70001425.....	70002136.....	322
4846482.....	389, 393	4923170.....	705	70001427.....	70002137.....	322
4846503.....	170	4923171.....	707	70001428.....	70002138.....	322
4846552 188, 196, 204, 212, 220, 228		4923256.....	699	70001429.....	70002139.....	322
4846627 .504, 509, 511, 513		4923373.....	761	70001430.....	70002140.....	322
4846637.....	19, 24	4923382.....	663	70001431.....	70002141.....	322
4846673.....	477	4923397 117, 121, 125, 129, 133, 137, 141, 145, 709		70001432.....	70002142.....	322
4846871.....	170, 174, 178	4923468 188, 196, 204, 212, 220, 228		70001435.....	70002145.....	322
4846872.....	170, 174, 178	4923592 .188, 196, 212, 220		70001439.....	70002148.....	322
4846920.....	403	4933218.....	473, 477	70001639.....	70002150.....	322
4846945 .196, 204, 220, 228		5241200.....	36, 409	70001640.....	70002151.....	322
4846946 188, 196, 204, 212, 220, 228		5251008.....	409	70001696.....	70002152.....	322
4891400.....	407	5251016.....	409	70001847.....	70002153.....	322
4891500.....	342	70000044.....	231	70001850.....	70002154.....	322
4891600 .. 83, 170, 174, 178, 212, 220, 228, 263, 275, 297, 399, 403, 409		70000124.....	341	70001857.....	70002155.....	322
4891800 165, 167, 188, 196, 204, 212, 220, 228, 239, 263, 275, 291, 297, 345, 349, 351, 355, 360, 364, 367, 371, 384, 389, 393, 399, 403		70000125.....	341	70001867.....	70002156.....	322
4892000 31, 41, 43, 71, 242, 254, 266, 278, 301, 342, 375, 379		70000342.....	395	70001868.....	70002157.....	322
4892400.....	69	70000345.....	231, 283, 305	70001870.....	70002158.....	322
4892600001.....	409	70000619359, 363, 367, 371		231, 283, 306	70002159.....	322
4922099.....	691	70000777.....	535, 545	70001871.....	70002160.....	322
4922641 .361, 364, 369, 372		70000778.....	535, 545	70001873.....	70002161.....	322
4922666.....	446, 450, 635	70000780.....	81	70001939.....	70002162.....	322
4922696.....	665	70000781.....	57	70001952.....	70002163.....	322
4922718.....	637	70000793.....	331	70001953.....	70002164.....	322
		70000796.....	397	70001955.....	70002165.....	322
		70000801.....	49	70001956.....	70002168.....	323
		70000802.....	49	70001958.....	70002174.....	323
		70000803.....	49, 807	70001966.....	70002175.....	323
		70000804.....	49	346, 349, 352, 355, 359, 363, 368, 371	70002177.....	323
		70000805.....	49	70001968.....	70002178.....	323
		70000806.....	49	311, 317	70002179.....	323
		70000852.....	39	70001973359, 363, 368, 372	70002231.....	183, 191, 199, 207, 215, 223, 235, 247, 259, 271, 287, 293, 806
		70000853.....	39	70001974359, 363, 368, 372	70002247.....	36
		70000854.....	39	70001976.....	70002248.....	36
		70000855.....	39	47	70002249.....	36
		70000856.....	39	35	70002255.....	359, 363
		70000857.....	39	35	70002291.....	368, 372
		70000858.....	39	35	70002297.....	359, 363
		70000859.....	39	35	70002460359, 363, 368, 372	
		70000860.....	39	35	70002569.....	312
		70000861.....	39	35, 77	70002576.....	329
		70000862.....	39	70002030.....	70002578.....	325
		70000863359, 363, 368, 371		70002031.....	70002580.....	325
		70000916.....	231	70002032.....	70002582.....	325
		70000917.....	231	35, 77	70002583.....	325
		70000918.....	231	70002033.....	70002585.....	325
		70000919.....	231	70002034.....	70002586.....	325
		70000950.....	317	70002035.....	70002588.....	325
		70001017.....	339	70002036.....	70002589.....	325
				70002037.....	70002590.....	325
				70002039.....	70002592.....	326
				70002040.....		
				70002041.....		
				70002044.....		

SECTION 11 - SPECIAL OPTIONS

70002593.....	326	70004185.....	813	70004761.....	455	70006552345, 349, 351, 355	
70002599.....	326	70004277.....	284, 306	70004762.....	455	70006553.....	345, 349, 351, 355, 807
70002600.....	322	70004280.....	283	70004763.....	455	70006653.....	284
70002601.....	322	70004282.....	284	70004764.....	455	70006693.....	543
70002602.....	322	70004328.....	411	70004765.....	455	70006694.....	543
70002604.....	323	70004414.....	83	70004766.....	455	70006695.....	543
70002605.....	323	70004416.....	325	70004767.....	455	70006696.....	543
70002606.....	323	70004417.....	325	70004768.....	455	70006713.....	545
70002607.....	323	70004420.....	325	70004769.....	455	70006714.....	545
70002608.....	323	70004421.....	325	70004770.....	455	70006715.....	545
70002609.....	323	70004422.....	326	70004771.....	455	70006716.....	545
70002610.....	323	70004423.....	325	70004772.....	455	70006717.....	545
70002612.....	323	70004426.....	325	70004773.....	455	70006718.....	545
70002616.....	323	70004467.....	77	70004774.....	456	70006927.....	535
70002617.....	323	70004469.....	77	70004775.....	456	70006986.....	77
70002618.....	322	70004474.....	77	70005171.....	283	70006987.....	77
70002619.....	322	70004477.....	77	70005172.....	283, 305	70006988.....	77
70002620.....	322	70004480.....	77	70005184.....	305	70006989.....	77
70002621.....	323	70004481.....	77	70005317.....	77	70006990.....	77
70002622.....	323	70004494.....	78	70005318.....	77	70006991.....	77
70002623.....	323	70004501.....	284	70005418.....	326	70006992.....	77
70002674.....	35	70004502.....	284	70005433.....	535	70006993.....	77
70002718.....	231, 283	70004503.....	305	70005456.....	81	70006994.....	77
70002742.....	58	70004504.....	284, 305	70005480.....	316	70006995.....	77
70002743.....	58	70004505.....	283	70005481.....	316	70006996.....	77
70002859.....	397	70004506.....	283	70005527.....	284	70006997.....	77
70002902.....	463	70004507.....	283	70005615.....	65	70006998.....	77
70002903.....	463	70004508.....	283, 305	70005616.....	65	70006999.....	77
70002904.....	463	70004509.....	283	70005617.....	65	70007000.....	77
70002905.....	463	70004510.....	283	70005618.....	65	70007001.....	77
70003043.....	58	70004646.....	813	70005619.....	65	70007002.....	77
70003135.....	231	70004647.....	813	70005647.....	284	70007003.....	77
70003136.....	231	70004648.....	813	70005648.....	284, 807	70007004.....	78
70003165.....	318	70004676346, 349, 352, 355		70005921.....	283	70007005.....	78
70003167.....	317	70004677.....	349	70005926.....	284	70007006.....	78
70003170.....	318	70004678346, 349, 352, 356		70005929.....	284	70007007.....	78
70003173.....	316	70004680346, 349, 352, 356		70005931.....	284, 305	70007008.....	78
70003174.....	316	70004681.....	349, 356	70005938.....	306	70007009.....	77
70003175.....	316	70004682346, 349, 352, 356		70005941.....	283, 305	70007010.....	78
70003177.....	316	70004683.....	349, 356	70005942.....	283, 305	70007011.....	77
70003340.....	317, 318	70004684.....	346	70006093.....	368, 371	70007012.....	78
70003475.....	231	70004685.....	346, 352	70006094.....	368, 372	70007013.....	78
70003628.....	39	70004686.....	355	70006095.....	368, 372, 806	70007049.....	533
70003631359, 363, 368, 371		70004687.....	352	70006096.....	368, 372	70007178.....	318
70003708.....	346, 349, 352, 355, 359, 363, 368, 371	70004738.....	459	70006097.....	368, 372	70007226.....	57
70003709.....	346, 349, 352, 355, 359, 363, 368, 371	70004739.....	459	70006137.....	183, 191, 199, 207, 215, 223, 236, 248, 260, 272, 287, 293	70007227.....	57
70003800.....	67	70004740.....	459	70006144.....	283, 305	70007228.....	57, 806
70003801.....	67	70004741.....	459	70006155.....	57	70007229.....	57
70003802.....	67	70004742.....	459	70006315.....	57	70007230.....	57
70003803.....	67	70004743.....	459	70006473.....	531	70007231.....	57, 806
70003913.....	403	70004744.....	459	70006474.....	531	70007282.....	535
70003914.....	403	70004745.....	459	70006490.....	541	70007325.....	284
70003916.....	403	70004746.....	459	70006491.....	541	70007326.....	284
70003919.....	399	70004747.....	459	70006492.....	541	70007327.....	284
70003920.....	399	70004748.....	459	70006493.....	541	70007328.....	284
70004005.....	65	70004749.....	459	70006494.....	533	70007329.....	284
70004006.....	65	70004750.....	459	70006495.....	533	70007330.....	284
70004007.....	65	70004751.....	459	70006496.....	533	70007331.....	284
70004092.....	346, 349, 352, 355, 368, 372	70004752.....	455	70006507.....	537	70007353.....	232
70004094.....	368, 372	70004753.....	455	70006508.....	537	70007382.....	529
70004098346, 352, 368, 372		70004754.....	455	70006509.....	537	70007383.....	529
70004099352, 355, 368, 371		70004755.....	455	70006520.....	531	70007384.....	529
70004169.....	359, 363	70004756.....	455	70006523.....	539	70007385.....	529
70004171346, 349, 359, 363		70004757.....	455	70006524.....	539	70007386.....	529
		70004758.....	455	70006525.....	539	70007431.....	535
		70004759.....	455	70006526.....	539	70007432.....	535
		70004760.....	455				

SECTION 11 - SPECIAL OPTIONS

70007433.....	535	7002821.....	813	7015013 187, 195, 203, 211,	7023964.....	325, 326
70007434.....	535	7002822.....	813	219, 227	7024005.....	311
70007435.....	535	7002823.....	813	7015014 187, 195, 203, 211,	7024006.....	317
70007436.....	535	7002828.....	813	219, 227	7024038.....	310, 316
70007437.....	535	70028540.....	284	7015015 187, 195, 203, 211,	7024042.....	310
70007438.....	535	70028699.....	284	219, 227	7024043.....	310
70007439.....	535	70029401.....	284, 305	7016319.....	7024044.....	310, 316
70007603.....	305	70029433.....	284	159	7024064.....	310, 316
70020329.....	317	70029451.....	283	7016322.....	7024065.....	311, 317
70020336.....	318	70029468.....	535	7016328.....	7024068.....	311
70021867.....	310, 316	70029517.....	284	231, 283, 305, 806,	7024069.....	312, 318
70022286.....	325	70029520.....	284	807	7024070.....	311
70022564.....	535	70029557.....	284	7016372.....	7024071.....	311, 317
70023592.....	243, 255, 267,	70029581.....	305	7016374.....	7024072.....	311, 317
279, 301, 807		70029797.....	284	7016654.....	7024073.....	311, 317
70023593.....	243, 255, 267,	7003655 187, 195, 203, 211,	219, 227	7016655.....	7024075.....	311, 317
279, 301, 807		7004275.....	813	7017142.....	7024076.....	311, 317
70024190.....	243, 255, 267,	7004276.....	813	7017159.....	7024077.....	311, 317
279, 301, 806, 807		7007207.....	322, 325	7017162.....	7024078.....	317
70024494.....	283, 305	7007415.....	323, 325, 326	7017163.....	7024079.....	317
70024504.....	284, 305	7007418.....	322	7017164.....	7024080.....	311
70024507.....	284, 305	7007419.....	322	7017185.....	7024081.....	311, 318
70024513.....	283, 305	7007420.....	39	7017195.....	7024083.....	311
70024904.....	283, 306	7007437.....	39	7017402.....	7024084.....	311
70024905.....	283	7007438.....	39	7017405.....	7024085.....	312
70024906.....	283	7007439.....	39, 323	7018936.....	7024087.....	312
70024912.....	284	7007446.....	39, 322, 325	7018991.....	7024088.....	312
70024915.....	284, 305	7007489.....	329	7019680.....	7024089.....	312
70024916.....	305	7010543.....	49	7020021.....	7024096.....	318
70024917.....	284	7010697.....	57	7020043.....	7024097.....	311
70024918.....	305	7011311 535, 537, 543, 550,	554	7020108.....	7024099.....	83
70024919.....	283	7011346 47, 413, 535, 545,	550, 554	7020109.....	7024439.....	83
70024920.....	283, 284	7011351.....	543	7020110.....	7024440.....	83
70024924.....	283, 305	7011353.....	533	7020111.....	7024441.....	83
70024925.....	283, 305	7011355.....	413	7020175 117, 121, 125, 129,	7024443.....	83
70024961.....	283, 305	7011359.....	545	133, 137, 141, 145, 445,	7024444.....	83, 806
7002511.....	283	7011361.....	545	449	7024445.....	83
70025112.....	284	7011362.....	535	7020176 117, 121, 125, 129,	7024446.....	83
70025120.....	284	7011364.....	535	133, 137, 141, 145, 445,	7024462.....	515
70025130.....	305	7011365.....	535	449	7024463.....	515
70025135.....	283	7011366.....	535, 537	7020190.....	7024467.....	515
70025136.....	283	7011367.....	543	7020414.....	7024469.....	515
70025137.....	283	7011368.....	543	7020447.....	7024470.....	515
70025140.....	283	7011369.....	543	7020460.....	7024471.....	507, 515
70025142.....	284, 305	7011370.....	543	7020465.....	7024472.....	515
70025144.....	283	7011371.....	543	7020468.....	7024473.....	515
70025145.....	283	7011372.....	543	7020471.....	7024474.....	515
70025146.....	283	7011375.....	535	7020479.....	7024475.....	515
70025151.....	283	7011376.....	533	7020486.....	7024478.....	515
70025152.....	283	7012513.....	341	7020492.....	7024485.....	359, 363, 806
70025153.....	305	7012514.....	341	7021249.....	7024488.....	359, 363, 367, 371
70025154.....	283	7012558.....	341	7021256.....	7024489.....	359, 363, 367, 371
70025160.....	305	7012706.....	310, 316	7021265.....	7024530.....	507
70025164.....	284, 305	7012709.....	310	7021275.....	7024531.....	507
70025181.....	283	7012715.....	310	7021293.....	7024532.....	507
70025182.....	283	7012773.....	47	7022300.....	7024533.....	507
70025183.....	284	7012941.....	49	7022301.....	7024534.....	507
70025184.....	284	7012942.....	49	7022311.....	7024535.....	507
70025200.....	284	7012943.....	57, 806	7022314.....	7024536.....	507
70025205.....	283	7012944.....	49, 413, 806	7022321.....	7024537.....	507
70025210.....	284, 807	7012955.....	49	7022340.....	7024565.....	231
70025235.....	283	7012967.....	49, 539	7022368.....	7024571.....	413, 806
70025239.....	283	7012998.....	49	7022371.....	7024572.....	413
70025242.....	284	7015003 187, 195, 203, 211,	219, 227	7023881.....	7024579.....	231, 283
70025788.....	284			7023887.....	7024584 183, 191, 199, 207,	215, 223
70025877.....	284			7023922.....	7024598.....	165, 167
70026210.....	284, 305			7023936.....	7024800.....	323
				7023962.....		

SECTION 11 - SPECIAL OPTIONS

7024865	39	7026680.....	58	7027276	231	8310129 479, 481, 483, 485,	
7024867	39	7026683.....	58	7027284	550, 554	487, 489, 491, 493, 495,	
7024868	39	7026684.....	57	7027285	550, 554	497, 499	
7024890	55, 806	7026685.....	57	7027738	57, 807	8405006 235, 244, 247, 256,	
7024905	317	7026686.....	57	7027740	39	259, 268, 271, 280, 287,	
7024906	311, 317	7026687.....	57	7027773	515	293, 301, 333	
7024907	317	7026688.....	57	7027774	515	8405007 243, 256, 267, 280,	
7024908	311, 317	7026689.....	57	7027775	515	301	
7024909	317	7026692.....	57	7027776	515	8405009.....	301
7024911	311, 317	7026693.....	57	7027777	515	8405201 242, 255, 266, 279,	
7024913	310, 316	7026694.....	57	7027778	515	301	
7024914	310	7026695.....	57	7027779	515	8405204 242, 255, 266, 279,	
7024915	310	7026696.....	57	7027780	515	301	
7024916	310	7026697.....	57	7027790	231	8405212.....	301
7024917	310, 316	7026980.....	318	7027791	231	8405213.....	301
7024918	310, 316	7027008 183, 191, 199, 207,		7027792	231	8406102 244, 256, 268, 280,	
7024919	310, 316	215, 223		7027799 .359, 363, 368, 372		301	
7024920	310, 316	7027009 183, 191, 199, 207,		7027882	57	8406112 244, 256, 268, 280,	
7024921	310, 316	215, 223		7027887	341	301	
7024922	310, 316	7027010 183, 191, 199, 207,		7028909	161, 163	8406201.....	302
7024927	47	215, 223		77143013	118, 122, 126,	8406302 242, 254, 266, 278,	
7026018	413	7027011 183, 191, 199, 207,		130, 134, 138, 142, 146		301	
7026019	413	215, 223		77363233	687, 689	8410011 .244, 256, 268, 280	
7026020	413	7027046 235, 247, 259, 271,		8007508	795	8410013 188, 196, 204, 212,	
7026021	413	288, 294		8007894	58	220, 228, 242, 255, 266,	
7026022	413	7027047 235, 247, 259, 271,		8007935	58	279	
7026023	413	288, 294		8007939	58	8410014.....	301
7026028	47	7027048 235, 247, 259, 271,		8007954	58	8580420.....	51
7026029	81, 806	288, 294		80334079	318	88261024.....	411
7026030	81	7027049 236, 248, 260, 272,		80334251	81	88521214.....	521, 523, 525
7026031	81, 807	288, 294		80484084	676, 679	88662523.....	170, 174, 178
7026032	81	7027200.....	57	80934174	317	90028660.....	184, 192, 200,
7026188	359, 363	7027201.....	57	80934644	318	208, 216, 224, 236, 248,	
7026597 .359, 363, 368, 372		7027202.....	57	80983191	676, 807	260, 272, 287, 293	
7026599	83	7027203.....	57	8220051	685	91143339.....	676
7026600	83	7027204.....	57	8220164	675, 679	91143340.....	675
7026608	231	7027207.....	57, 806	8229242	676, 692, 807	91203039.....	409
7026626 .359, 363, 368, 372		7027208.....	57	8229249	471, 712, 807	91403230.....	777, 779, 781,
7026665	81	7027235.....	231	8310070 118, 122, 126, 130,		783, 785, 787, 789, 791,	
7026671	58	7027236.....	231	134, 138, 142, 146, 407		793	
7026672	58	7027239.....	231			91563070.....	242, 255, 266,
7026678	58	7027240.....	231			279, 301	



**Corporate Office
JLG Industries, Inc.
1 JLG Drive
McConnellsburg, PA 17233-9533 USA
☎ (717) 485-5161 (Corporate)
☎ (877) 554-5438 (Customer Support)
📠 (717) 485-6417**

**Visit our website for JLG Worldwide Locations.
www.jlg.com**



OSHKOSH™