



Illustrated Parts Manual

Models
1200SJP
1350SJP

PVC
2201

P/N
31219958

August 25, 2023 - Rev D

ANSI

CE



UK
CA

AS/NZS

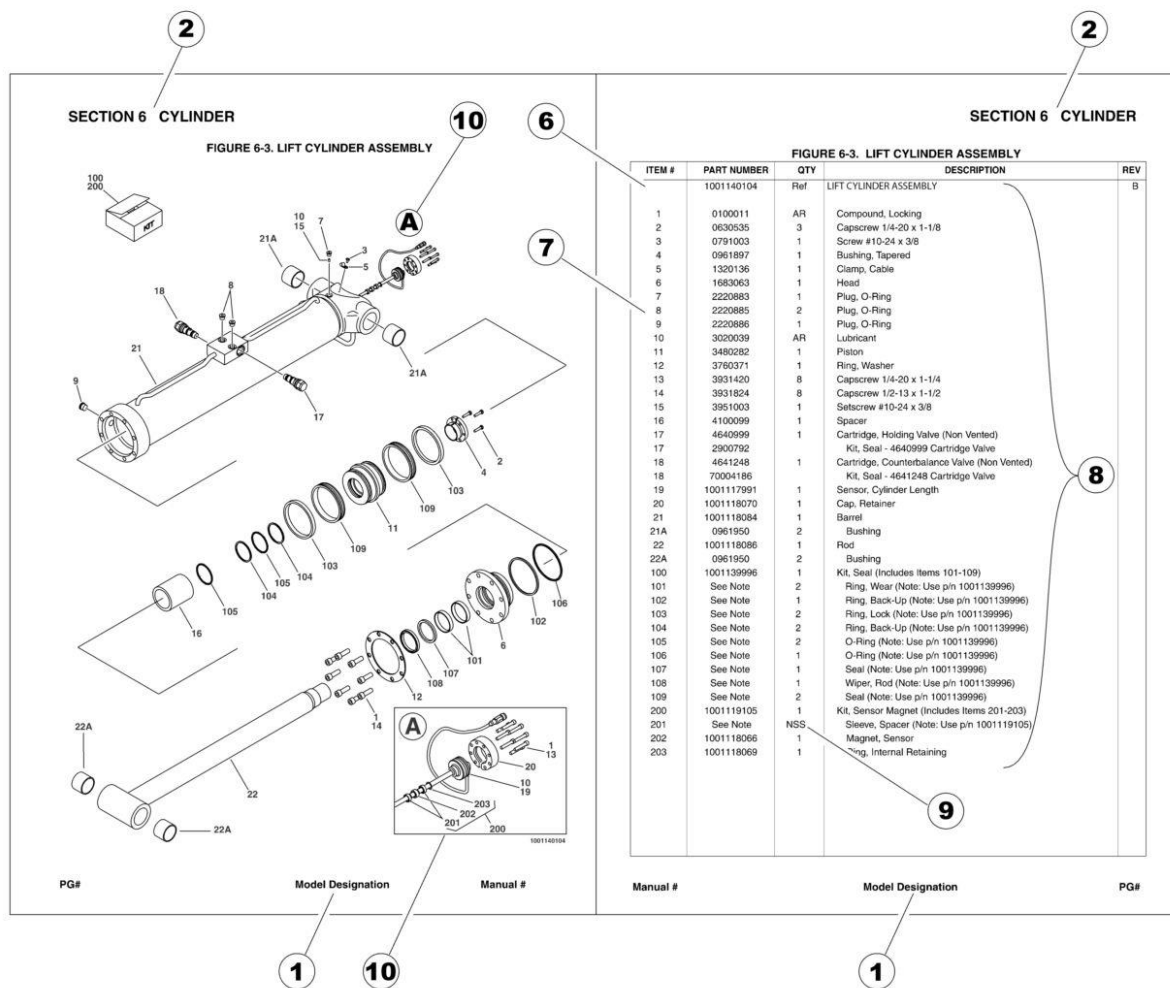


An Oshkosh Corporation Company

REVISION LOG

- January 10, 2022 - A - Original Issue of Manual (Edited to B/M 1001261213 Revision S
and B/M 1001271213 Revision J)
- July 11, 2022 - B - Revised Manual (Edited to B/M 1001261213 Revision V
and B/M 1001271213 Revision J)
- January 9, 2023 - C - Revised Manual (Edited to B/M 1001261213 Revision Y
and B/M 1001271213 Revision J)
- August 25, 2023 - D - Revised Manual (Edited to B/M 1001261213 Revision Y
and B/M 1001271213 Revision J)

GENERAL INFORMATION



1) MACHINE IDENTIFICATION

Machines are identified by model and in some cases a combination of models, serial number (SN) or regional standard (i.e ANSI, CE, CSA). Components may also be identified by SN or manufacturer. Common components that may be identified by these characteristics are engines and hydraulic components.

2) PARTS MANUAL ORGANIZATION

Product information in this manual is organized under section titles. Frame, Cylinder, Hydraulic and Electrical are a few examples. Each section is organized by figure and page number. The information within the Figure is then organized by item number, part number, description and corresponding illustration (s).

3) TABLE OF CONTENTS (NOT SHOWN)

A table of contents is found toward the beginning of the manual. Figure number, description and page number are provided for quick reference to the page containing the related information.

4) RECOMMENDED SPARE PARTS (NOT SHOWN)

The Recommended Spare Parts List, located near the end of the manual, reference most frequently used maintenance parts.

5) PART NUMBER INDEX (NOT SHOWN)

A numerical index listing all part numbers and the corresponding page number(s) appears at the back of the manual.

GENERAL INFORMATION

6) NON-SERVICED PARTS

In some instances, it is necessary to display non-serviced parts, assemblies or installations. In the case of assemblies and installations there will be a Ref in the Qty. column. In case of parts that are not available for service within assemblies or components, there will be a NSS (Not Sold Separately) or NLA (No Longer Available) listed in the Qty. column of the manual.

7) PARTS LIST ITEM NUMBERS

Numbers shown in the item# column correspond to numbers used in the associated illustration (s). Item numbers which are missing from the sequence in the parts list are not used on that page.

8) INDENTED PARTS DESCRIPTION

An indented part description is included in the item under which it is indented.

9) ABBREVIATION AND SYMBOLS

AC.....	Alternating Current	L.....	Liter
ADE.....	Advanced Design Electronics	LB(LBS).....	Pounds
AG.....	Agricultural	LCD.....	Liquid Crystal Display
ANSI.....	American National Standards Institute	LED.....	Light Emitting Diodes
AR.....	As Required	LH.....	Left Hand
ASSY.....	Assembly	LRC.....	Low Rated Countries
AUS.....	Australia	LSS.....	Load Sensing System
AUX.....	Auxiliary	M(m).....	Metric/Meter
AWG.....	American Wire Gauge	MM(mm).....	Milimeter
B/M.....	Bill of Material	mA.....	Miliamps
CAC.....	Charge Air Cooler	NLA.....	No Longer Available
CE.....	European Conformity	NPT.....	National Pipe Threads
CCW.....	Counter Clockwise	NSS.....	Not Sold Separately
CM.....	Centimeter	OD.....	Outside Diameter
CW.....	Clockwise	ORB.....	O-Ring Boss
CSA.....	Canadian Standards Association	ORFS.....	O-Ring Face Seal
CYL.....	Cylinder	OZ (oz).....	Ounces
DIA.....	Diameter	PG.....	Page
DC.....	Direct Current	PN.....	Part Number
DEF.....	Diesel Exhaust Fluid	QT(qt.).....	Quarts
EMS.....	Emergency Stop	QTY.....	Quantity
ENG.....	Engine	REF.....	Reference
FT(ft).....	Feet	REV.....	Revision Level
GA(Ga).....	Gauge	RH.....	Right Hand
HRC.....	High Rated Countries	SAE.....	Society of Automotive Engineers
HVAC.....	Heating, Ventilating, and Air Conditioning	SN.....	Serial Number
HYD.....	Hydraulic	SPEC(S).....	Specifications
Hz.....	Hertz	T/T.....	Turntable
ID.....	Inside Diameter	UGM.....	Universal Ground Module
IN.....	inches	V.....	Volts
ISO.....	International Organization for Standards	W.....	Watts
JIC.....	Joint Industry Council	#.....	Number
KG.....	Kilogram		

10) ILLUSTRATION REFERENCE LETTERS

When necessary, illustrations may contain reference letters that are intended to track information (i. e. hoses, harnesses) from one point to another or to track visual enlargement of components to show details that may be located in another area on the illustration.

Note: Due to continuous product improvements, JLG Industries, Inc. reserves the right to make specification changes without prior notification. Contact JLG Industries, Inc. for updated information.

TABLE OF CONTENTS

SECTION 1 - FRAME.....	17
FIGURE 1-1. AXLE INSTALLATION - FIXED.....	18
FIGURE 1-2. AXLE INSTALLATION - OSCILLATING.....	22
FIGURE 1-3. STEER INSTALLATION.....	26
FIGURE 1-4. WHEEL DRIVE INSTALLATION - REGGIANA RIDUTTORI	28
FIGURE 1-5. DRIVE HUB AND MOTOR ASSEMBLY - REGGIANA RIDUTTORI.....	30
FIGURE 1-6. DRIVE HUB ASSEMBLY - REGGIANA RIDUTTORI.....	32
FIGURE 1-7. DRIVE MOTOR ASSEMBLY	36
FIGURE 1-8. TIRE AND WHEEL INSTALLATION - FOAM - FILLED	38
FIGURE 1-9. TIRE AND WHEEL INSTALLATION - SOLID	40
FIGURE 1-10. TIRE AND WHEEL INSTALLATION - SOLID NON MARKIMG	42
FIGURE 1-11. FRAME VALVES INSTALLATION (Prior to SN 0300281171, Prior to SN B300011649, Including 03002811730 and 300281175).....	44
FIGURE 1-12. FRAME VALVES INSTALLATION (SN 0300281176 to Present, Including 0300281172, 0300281174 and B300011649).....	46
FIGURE 1-13. STEER VALVE ASSEMBLY	48
FIGURE 1-14. TRACTION VALVE ASSEMBLY	50
FIGURE 1-15. FRAME COVERS INSTALLATION - ABS.....	52
FIGURE 1-16. FRAME COVERS INSTALLATION - STEEL	54
SECTION 2 - TURNTABLE.....	57
FIGURE 2-1. TURNTABLE VALVES INSTALLATION (Prior to SN 0300281171, Prior to SN B300011649, Including 0300281173 and 0300281175).....	58
FIGURE 2-2. TURNTABLE VALVES INSTALLATION (SN 0300281176 to Present, Including 0300281172, 0300281174 and B300011649).....	60
FIGURE 2-3. BATTERY AND AUXILIARY PUMP INSTALLATION - ABS HOODS	62
FIGURE 2-4. BATTERY AND AUXILIARY PUMP INSTALLATION - STEEL HOODS.....	64
FIGURE 2-5. AUXILIARY PUMP ASSEMBLY.....	66
FIGURE 2-6. MAIN VALVE ASSEMBLY	68
FIGURE 2-7. SWING DRIVE INSTALLATION	72
FIGURE 2-8. TURNTABLE BEARING AND LUBE INSTALLATION	74
FIGURE 2-9. TURNTABLE LOCK INSTALLATION.....	76
FIGURE 2-10. PINION SHIELD INSTALLATION	78
FIGURE 2-11. EXTREME HOSTILE PACKAGE INSTALLATION (OPTIONAL)	80
FIGURE 2-12. SWING MOTOR/HUB ASSEMBLY.....	82
FIGURE 2-13. ROTARY COUPLING AND COLLECTOR RING INSTALLATION (ROTARY COUPLING WITHOUT SN PLATE)	86
FIGURE 2-14. ROTARY COUPLING AND COLLECTOR RING INSTALLATION (ROTARY COUPLING WITH SN PLATE)	88
FIGURE 2-15. ROTARY COUPLING AND COLLECTOR RING ASSEMBLY.....	90
FIGURE 2-16. TANK INSTALLATION - WITH ABS HOODS	92
FIGURE 2-17. TANK INSTALLATION - WITH STEEL HOODS	94
FIGURE 2-18. TANK INSTALLATION - WITH STEEL HOODS AND 52.8 GAL/200 L FUEL TANK	96
FIGURE 2-19. HYDRAULIC OIL TANK ASSEMBLY.....	98
FIGURE 2-20. HYDRAULIC OIL COOLER INSTALLATION - DEUTZ TD2011 ENGINES WITH REXROTH PUMPS (OPTIONAL)	100
FIGURE 2-21. HYDRAULIC OIL COOLER INSTALLATION - DEUTZ TD2011 ENGINES WITH SAUER PUMPS (OPTIONAL)	102
FIGURE 2-22. HYDRAULIC OIL COOLER INSTALLATION - DEUTZ TCD2.9L4 ENGINES AND DEUTZ TCD2.9L4 (STAGE V) ENGINES WITH REXROTH PUMPS (OPTIONAL).....	104

TABLE OF CONTENTS

FIGURE 2-23. HYDRAULIC OIL COOLER INSTALLATION - DEUTZ TCD2.9L4 ENGINES WITH REXROTH PUMPS (OPTIONAL) (CHINA SPEC ONLY).....	106
FIGURE 2-24. HYDRAULIC OIL COOLER INSTALLATION – DEUTZ TCD2.9L4 ENGINES AND DEUTZ TCD2.9L4 (STAGE V & CHINA IV) ENGINES WITH SAUER PUMPS (OPTIONAL).....	108
FIGURE 2-25. HYDRAULIC OIL COOLER INSTALLATION - DEUTZ TCD2.9L4 ENGINES WITH SAUER PUMPS (OPTIONAL) (CHINA SPEC ONLY)	110
FIGURE 2-26. GROUND CONTROL BOX INSTALLATION - DEUTZ TD2011 ENGINES WITH REXROTH PUMPS (CE & UK CA SPECS).....	112
FIGURE 2-27. GROUND CONTROL BOX INSTALLATION – DEUTZ TD2011 ENGINES WITH SAUER PUMPS (CE & UK CA SPECS).....	114
FIGURE 2-28. GROUND CONTROL BOX INSTALLATION – DEUTZ TCD2.9L4 ENGINES (ANSI, ANSI EXPORT, CSA, CHINA AND JAPANESE SPECS).....	116
FIGURE 2-29. GROUND CONTROL BOX INSTALLATION - DEUTZ TD2.9L4 ENGINES WITH REXROTH PUMPS (ANSI EXPORT AND AUSTRALIAN SPECS)	118
FIGURE 2-30. GROUND CONTROL BOX INSTALLATION - DEUTZ TD2.9L4 ENGINES WITH SAUER PUMPS (ANSI EXPORT AND AUSTRALIAN SPECS).....	120
FIGURE 2-31. GROUND CONTROL BOX INSTALLATION - DEUTZ TCD2.9L4 ENGINES (STAGE V).....	122
FIGURE 2-32. GROUND CONTROL BOX INSTALLATION - DEUTZ TCD2.9L4 ENGINES (CHINA IV).....	124
FIGURE 2-33. GROUND CONTROL BOX ASSEMBLY - DEUTZ TCD2.9L4 ENGINES - WITH DIGITAL DISPLAY.....	126
FIGURE 2-34. GROUND CONTROL BOX ASSEMBLY - DEUTZ TCD2.9L4 ENGINES - WITH MECHANICAL HOUR METER.....	130
FIGURE 2-35. GROUND CONTROL BOX ASSEMBLY - DEUTZ TD2011 ENGINES.....	134
FIGURE 2-36. GROUND CONTROL BOX ASSEMBLY - DEUTZ TCD2.9L4 STAGE V ENGINES.....	138
FIGURE 2-37. GROUND CONTROL BOX ASSEMBLY - DEUTZ TCD2.9L4 CHINA IV ENGINES.....	142
FIGURE 2-38. GROUND CONTROL PANEL ASSEMBLY	146
FIGURE 2-39. KEYSWITCH INSTALLATION.....	148
FIGURE 2-40. LIGHT PANEL INSTALLATION (MACHINES WITH SN STARTING WITH 03)	150
FIGURE 2-41. LIGHT PANEL INSTALLATION (MACHINES WITH SN STARTING WITH B3).....	152
FIGURE 2-42. ALARM INSTALLATION.....	154
FIGURE 2-43. ALARM AMBIENT (WHITE NOISE) INSTALLATION (ALARM WITH HORIZONTAL BAR GRILLE).....	156
FIGURE 2-44. ALARM AMBIENT (WHITE NOISE) INSTALLATION (ALARM WITH CROSS HATCH GRILLE)	158
FIGURE 2-45. STROBE LIGHT INSTALLATION (AMBER).....	160
FIGURE 2-46. STROBE LIGHT INSTALLATION (BLUE)	162
FIGURE 2-47. STROBE LIGHT INSTALLATION (RED).....	164
FIGURE 2-48. ENGINE TRAY JACK INSTALLATION - DEUTZ TD2011 ENGINES.....	166
FIGURE 2-49. ENGINE TRAY JACK INSTALLATION - DEUTZ TD2.9L4/TCD2.9L4 ENGINES AND DEUTZ TCD2.9L4 (STAGE V) ENGINES	168
FIGURE 2-50. HOOD INSTALLATIONS - DEUTZ TD2011 ENGINES (ABS).....	170
FIGURE 2-51. HOOD INSTALLATION - DEUTZ TCD2.9L4 ENGINES (ABS)	174
FIGURE 2-52. HOOD INSTALLATION - DEUTZ TD2011/TD2.9L4/TCD2.9L ENGINES (STEEL).....	180
FIGURE 2-53. HOOD INSTALLATION - DEUTZ TCD2.9L (CHINA IV) ENGINES (STEEL)	184
FIGURE 2-54. HOOD INSTALLATION - DEUTZ TCD2.9L4 ENGINES (STEEL)	188
FIGURE 2-55. HOOD KIT DEUTZ TCD2.9L4 (CHINA IV) ENGINE	192
SECTION 3 - ENGINE.....	195
FIGURE 3-1. DEUTZ TD2011 DIESEL ENGINE INSTALLATION - WITH REXROTH PUMPS AND ABS HOODS (WITHOUT SKYPOWER AND WITHOUT COLD WEATHER PLUS PACKAGE).....	196
FIGURE 3-2. DEUTZ TD2011 DIESEL ENGINE INSTALLATION - WITH REXROTH PUMPS AND ABS HOODS (WITH SKYPOWER AND WITHOUT COLD WEATHER PLUS PACKAGE).....	200
FIGURE 3-3. DEUTZ TD2011 DIESEL ENGINE INSTALLATION - WITH REXROTH PUMPS AND STEEL HOOD (WITHOUT SKYPOWER AND WITHOUT COLD WEATHER PLUS PACKAGE).....	204

TABLE OF CONTENTS

FIGURE 3-4. DEUTZ TD2011 DIESEL ENGINE INSTALLATION - WITH REXROTH PUMPS AND STEEL HOODS (WITH SKYPOWER AND WITHOUT COLD WEATHER PLUS PACKAGE)	208
FIGURE 3-5. DEUTZ TD2011 DIESEL ENGINE INSTALLATION – WITH REXROTH PUMPS AND STEEL HOODS (WITH SKYPOWER AND WITH COLD WEATHER PLUS PACKAGE).....	212
FIGURE 3-6. DEUTZ TD2011 DIESEL ENGINE INSTALLATION - WITH SAUER PUMPS AND ABS HOODS (WITHOUT SKYPOWER AND WITHOUT COLD WEATHER PLUS PACKAGE)	216
FIGURE 3-7. DEUTZ TD2011 DIESEL ENGINE INSTALLATION - WITH SAUER PUMPS AND ABS HOODS (WITH SKYPOWER AND WITHOUT COLD WEATHER PLUS PACKAGE).....	220
FIGURE 3-8. DEUTZ TD2011 DIESEL ENGINE INSTALLATION - WITH SAUER PUMPS AND STEEL HOODS (WITHOUT SKYPOWER AND WITHOUT COLD WEATHER PLUS PACKAGE)	224
FIGURE 3-9. DEUTZ TD2011 DIESEL ENGINE INSTALLATION - WITH SAUER PUMPS AND STEEL HOODS (WITH SKYPOWER AND WITH COLD WEATHER PLUS PACKAGE).....	228
FIGURE 3-10. DEUTZ TD2011 DIESEL ENGINE INSTALLATION - WITH SAUER PUMPS AND STEEL HOODS (WITH SKYPOWER AND WITHOUT COLD WEATHER PLUS PACKAGE)	232
FIGURE 3-11. DEUTZ TD2011 ENGINE ASSEMBLY - WITH REXROTH PUMPS (WITHOUT SKYPOWER AND WITHOUT COLD WEATHER PLUS PACKAGE)	236
FIGURE 3-12. DEUTZ TD2011 ENGINE ASSEMBLY - WITH REXROTH PUMPS (WITH SKYPOWER AND WITHOUT COLD WEATHER PLUS PACKAGE).....	240
FIGURE 3-13. DEUTZ TD2011 ENGINE ASSEMBLY - WITH REXROTH PUMPS (WITH SKYPOWER AND WITH COLD WEATHER PLUS PACKAGE).....	244
FIGURE 3-14. DEUTZ TD2011 ENGINE ASSEMBLY - WITH SAUER PUMPS (WITHOUT SKYPOWER AND WITHOUT COLD WEATHER PLUS PACKAGE).....	248
FIGURE 3-15. DEUTZ TD2011 ENGINE ASSEMBLY - WITH SAUER PUMPS (WITH SKYPOWER AND WITHOUT COLD WEATHER PLUS PACKAGE).....	252
FIGURE 3-16. DEUTZ TD2011 ENGINE ASSEMBLY - WITH SAUER PUMPS (WITH SKYPOWER AND WITH COLD WEATHER PLUS PACKAGE).....	256
FIGURE 3-17. DEUTZ TD2011 ENGINE COMPONENTS	260
FIGURE 3-18. DEUTZ TD2.9L4 DIESEL ENGINE INSTALLATION - WITH REXROTH PUMPS AND STEEL HOODS (CHINA SPEC ONLY).....	264
FIGURE 3-19. DEUTZ TD2.9L4 DIESEL ENGINE INSTALLATION - WITH SAUER PUMPS AND STEEL HOODS (CHINA SPEC ONLY).....	268
FIGURE 3-20. DEUTZ TD2.9L4 ENGINE SUB-ASSEMBLY - WITH REXROTH PUMP (CHINA SPEC ONLY).....	272
FIGURE 3-21. DEUTZ TD2.9L4 ENGINE SUB-ASSEMBLY - WITH SAUER PUMPS (CHINA SPEC ONLY).....	274
FIGURE 3-22. DEUTZ TD2.9L4 ENGINE ASSEMBLY (CHINA SPEC ONLY)	276
FIGURE 3-23. DEUTZ TD2.9L4 ENGINE COMPONENTS (CHINA SPEC ONLY)	282
FIGURE 3-24. DEUTZ TCD2.9L4 DIESEL ENGINE INSTALLATION - WITH REXROTH PUMPS AND ABS HOODS (WITHOUT COLD WEATHER PLUS PACKAGE)	286
FIGURE 3-25. DEUTZ TCD2.9L4 DIESEL ENGINE INSTALLATION - WITH REXROTH PUMPS AND STEEL HOODS (WITHOUT COLD WEATHER PLUS PACKAGE)	290
FIGURE 3-26. DEUTZ TCD2.9L4 DIESEL ENGINE INSTALLATION - WITH REXROTH PUMPS AND STEEL HOODS (WITH COLD WEATHER PLUS PACKAGE)	294
FIGURE 3-27. DEUTZ TCD2.9L4 DIESEL ENGINE INSTALLATION - WITH SAUER PUMPS AND ABS HOODS (WITHOUT COLD WEATHER PLUS PACKAGE)	298
FIGURE 3-28. DEUTZ TCD2.9L4 DIESEL ENGINE INSTALLATION - WITH SAUER PUMPS AND STEEL HOODS (WITHOUT COLD WEATHER PLUS PACKAGE)	302
FIGURE 3-29. DEUTZ TCD2.9L4 DIESEL ENGINE INSTALLATION - WITH SAUER PUMPS AND STEEL HOODS (WITH COLD WEATHER PLUS PACKAGE).....	306
FIGURE 3-30. DEUTZ TCD2.9L4 ENGINE SUB-ASSEMBLY - WITH REXROTH PUMP (WITHOUT COLD WEATHER PLUS PACKAGE)	310
FIGURE 3-31. DEUTZ TCD2.9L4 ENGINE SUB-ASSEMBLY - WITH REXROTH PUMP (WITH COLD WEATHER PLUS PACKAGE)	312
FIGURE 3-32. DEUTZ TCD2.9L4 ENGINE SUB-ASSEMBLY - WITH SAUER PUMP (WITHOUT COLD WEATHER PLUS PACKAGE)	314

TABLE OF CONTENTS

FIGURE 3-33. DEUTZ TCD2.9L4 ENGINE SUB-ASSEMBLY - WITH SAUER PUMPS (WITH COLD WEATHER PLUS PACKAGE).....	316
FIGURE 3-34. DEUTZ TCD2.9L4 ENGINE ASSEMBLY (WITHOUT COLD WEATHER PLUS PACKAGE)	318
FIGURE 3-35. DEUTZ TCD2.9L4 ENGINE ASSEMBLY (WITH COLD WEATHER PLUS PACKAGE)	324
FIGURE 3-36. DEUTZ TCD2.9L4 ENGINE COMPONENTS	330
FIGURE 3-37. DEUTZ TCD2.9L4 (STAGE V) DIESEL ENGINE INSTALLATION - WITH SAUER PUMPS AND ABS HOODS (WITHOUT COLD WEATHER PLUS PACKAGE).....	334
FIGURE 3-38. DEUTZ TCD2.9L4 (STAGE V) DIESEL ENGINE INSTALLATION - WITH REXROTH PUMPS AND ABS HOODS (WITHOUT COLD WEATHER PLUS PACKAGE).....	338
FIGURE 3-39. DEUTZ TCD2.9L4 (STAGE V) ENGINE SUB-ASSEMBLY - WITH SAUER PUMP AND ABS HOODS (WITHOUT COLD WEATHER PLUS PACKAGE).....	342
FIGURE 3-40. DEUTZ TCD2.9L4 (STAGE V) ENGINE SUB-ASSEMBLY - WITH REXROTH PUMP AND ABS HOODS (WITHOUT COLD WEATHER PLUS PACKAGE).....	344
FIGURE 3-41. DEUTZ TCD2.9L4 (STAGE V) ENGINE ASSEMBLY (WITHOUT COLD WEATHER PLUS PACKAGE)	346
FIGURE 3-42. DEUTZ TCD2.9L4 (STAGE V) ENGINE COMPONENTS	352
FIGURE 3-43. ENGINE INSTALLATION - DEUTZ TCD2.9L4 (CHINA IV)	356
FIGURE 3-44. SUB - ASSEMBLY - DEUTZ TCD2.9L4 (CHINA IV) - WITH SAUER PUMPS	360
FIGURE 3-45. ENGINE ASSEMBLY - DEUTZ TCD2.9L4 (CHINA IV)	362
FIGURE 3-46. ENGINE COMPONENTS - DEUTZ TCD2.9L4 (CHINA IV)	368
FIGURE 3-47. PUMP ASSEMBLY (REXROTH) (DEUTZ TD2011 ENGINES).....	370
FIGURE 3-48. PUMP ASSEMBLY (REXROTH) (DEUTZ TCD2.9L4 ENGINES)	376
FIGURE 3-49. PUMP ASSEMBLY (SAUER TANDEM)	382
FIGURE 3-50. PUMP ASSEMBLY (SAUER PISTON)	386
FIGURE 3-51. PUMP ASSEMBLY (SAUER GEAR)	390
FIGURE 3-52. PUMP COUPLING KIT	392
FIGURE 3-53. WATER/FUEL SEPARATOR INSTALLATION - DEUTZ TD2011 ENGINE.....	394
FIGURE 3-54. FUEL PUMP/FILTER BRACKET ASSEMBLY - DEUTZ TCD2.9L4 ENGINE AND DEUTZ TCD2.9L4 (STAGE V) ENGINE	396
FIGURE 3-55. FUEL PUMP/FILTER BRACKET ASSEMBLY - DEUTZ TD2.9L4 ENGINE (CHINA SPECS ONLY).....	398
FIGURE 3-56. FUEL FILTER/WATER SEPARATOR INSTALLATION - DEUTZ TD2.9L4 & TCD2.9L ENGINES	400
FIGURE 3-57. SPARK ARRESTING CATALYTIC MUFFLER - DEUTZ TD2011 ENGINES (OPTIONAL).....	402
FIGURE 3-58. 2500W GENERATOR INSTALLATION - 60HZ SPEC (DEUTZ TD2011 ENGINES) (OPTIONAL)	404
FIGURE 3-59. 2500W GENERATOR INSTALLATION - 50HZ SPEC (DEUTZ TD2011 ENGINES) (OPTIONAL)	408
FIGURE 3-60. 4000W GENERATOR INSTALLATION - 60HZ SPEC (DEUTZ TD2011 ENGINES) (OPTIONAL)	412
FIGURE 3-61. 4000W GENERATOR INSTALLATION - 50HZ SPEC (DEUTZ TD2011 ENGINES) (OPTIONAL)	416
FIGURE 3-62. 4000W GENERATOR INSTALLATION - 60HZ SPEC (DEUTZ TCD2.9L4 ENGINES) (OPTIONAL)	420
FIGURE 3-63. 4000W GENERATOR INSTALLATION - 50HZ SPEC (DEUTZ TCD2.9L4 ENGINES AND DEUTZ TCD2.9L4 (STAGE V) ENGINES) (OPTIONAL).....	424
FIGURE 3-64. 7500W SKYPOWER GENERATOR INSTALLATION - 60HZ SPEC (DEUTZ TD2011 ENGINES) (OPTIONAL)	428
FIGURE 3-65. 7500W SKYPOWER GENERATOR INSTALLATION - 50HZ SPEC (DEUTZ TD2011 ENGINES) (OPTIONAL)	432
FIGURE 3-66. 7500W SKYPOWER GENERATOR INSTALLATION - 60HZ SPEC (DEUTZ TCD2.9L4 ENGINES) (OPTIONAL)	436
FIGURE 3-67. 7500W SKYPOWER GENERATOR INSTALLATION - 50HZ SPEC (DEUTZ TCD2.9L4 ENGINES) (OPTIONAL)	440
SECTION 4 - BOOM.....	443
FIGURE 4-1. BOOM INSTALLATION - WITHOUT COLD WEATHER PLUS PACKAGE (1200SJP) (Prior to SN 0300293907, Prior to SN B300016796, Except SN 0300289295 through 0300289296, Except SN 0300289319 through 0300289323, Excluding 0300289350 and B300015854).....	444

TABLE OF CONTENTS

FIGURE 4-2. BOOM INSTALLATION - WITHOUT COLD WEATHER PLUS PACKAGE (1200SJP) (SN 0300293907 to Present, SN B300016796 to Present).....	446
FIGURE 4-3. BOOM INSTALLATION - WITH COLD WEATHER PLUS PACKAGE (1200SJP) (Prior to SN 0300293907, Prior to SN B300016796, Except SN 0300289295 through 0300289296, Except SN 0300289319 through 0300289323, Excluding 0300289350 and B300015854)	448
FIGURE 4-4. BOOM INSTALLATION - WITH COLD WEATHER PLUS PACKAGE (1200SJP) (SN 0300293907 to Present, SN B300016796 to Present).....	450
FIGURE 4-5. BOOM INSTALLATION - WITHOUT COLD WEATHER PLUS PACKAGE (1350SJP) (Prior to SN 0300293909, Prior to SN B300015609, Except SN 0300289369 through 0300289375, Except SN 0300289404 through 0300289412, Excluding 0300285775)	452
FIGURE 4-6. BOOM INSTALLATION - WITHOUT COLD WEATHER PLUS PACKAGE (1350SJP) (SN 0300293909 to Present, SN B300016146 to Present).....	454
FIGURE 4-7. BOOM INSTALLATION - WITH COLD WEATHER PLUS PACKAGE (1350SJP) (Prior to SN 0300293909, Prior to SN B300015609, Except SN 0300289369 through 0300289375, Except SN 0300289404 through 0300289412, Excluding 0300285775)	456
FIGURE 4-8. BOOM INSTALLATION - WITH COLD WEATHER PLUS PACKAGE (1350SJP) (SN 0300293909 to Present, SN B300016146 to Present).....	458
FIGURE 4-9. BOOM ASSEMBLY - WITHOUT COLD WEATHER PLUS PACKAGE (1200SJP).....	460
FIGURE 4-10. BOOM ASSEMBLY - WITH COLD WEATHER PLUS PACKAGE (1200SJP)	468
FIGURE 4-11. BOOM ASSEMBLY - WITHOUT COLD WEATHER PLUS PACKAGE (1350SJP).....	476
FIGURE 4-12. BOOM ASSEMBLY - WITH COLD WEATHER PLUS PACKAGE (1350SJP)	484
FIGURE 4-13. WIRE ROPE TOOLS INSTALLATION (OPTIONAL).....	492
FIGURE 4-14. PLATFORM ROTATE ASSEMBLY	494
FIGURE 4-15. JIB ROTATE ASSEMBLY	496
FIGURE 4-16. POWER TRACK INSTALLATION (1200SJP)	498
FIGURE 4-17. POWER TRACK INSTALLATION (1350SJP)	502
FIGURE 4-18. BOOM SENSORS AND SWITCHES INSTALLATION.....	506
FIGURE 4-19. PLATFORM SUPPORT INSTALLATION.....	510
FIGURE 4-20. CONTROL VALVE INSTALLATION (Prior to SN 0300281171, Prior to SN B300011649, Including 0300281173 and 0300281175).....	512
FIGURE 4-21. CONTROL VALVE INSTALLATION (SN 0300281176 to Present, Including 0300281172, 0300281174 and B300011649).....	514
FIGURE 4-22. CONTROL VALVE ASSEMBLY.....	516
SECTION 5 - PLATFORM.....	519
FIGURE 5-1. PLATFORM ASSEMBLY - 36IN X 6FT (91.5CM X 1.83M) WITH SWING GATE.....	520
FIGURE 5-2. PLATFORM ASSEMBLY - 36IN X 8FT (91.5CM X 2.44M) WITH SWING GATE.....	522
FIGURE 5-3. PLATFORM ASSEMBLY - 30IN X 3FT (76CM X .91M) - WITH DROP BAR.....	524
FIGURE 5-4. PLATFORM ASSEMBLY - 30IN X 4FT (76.2CM X 1.22M) WITH DROP BAR.....	526
FIGURE 5-5. PLATFORM ASSEMBLY - 36IN X 6FT (91.5CM X 1.83M) WITH DROP BAR.....	528
FIGURE 5-6. PLATFORM ASSEMBLY - 36IN X 8FT (91.5CM X 2.44M) WITH DROP BAR.....	530
FIGURE 5-7. PLATFORM ASSEMBLY - 36IN X 6FT (91.5CM X 1.83M) WITH FALL ARREST (ANSI, ANSI EXPORT AND CHINA SPECS)	532
FIGURE 5-8. PLATFORM ASSEMBLY - 36IN X 8FT (91.5CM X 2.44M) WITH FALL ARREST (ANSI SPEC)	534
FIGURE 5-9. PLATFORM ASSEMBLY - 36IN X 8FT (91.5CM X 2.44M) WITH FALL ARREST (AUSTRALIAN SPECS).....	536
FIGURE 5-10. PLATFORM ASSEMBLY - 36IN X 6FT (91.5CM X 1.83M) TRI-ENTRY WITH SWING GATE.....	538
FIGURE 5-11. PLATFORM ASSEMBLY - 36IN X 6FT (91.5CM X 1.83M) TRI-ENTRY WITH DROPBAR.....	540
FIGURE 5-12. PLATFORM ASSEMBLY - 36IN X 8FT (91.5CM X 2.44M) WITH TRI-ENTRY (1 GATE/2 DROP BARS)	542
FIGURE 5-13. PLATFORM ASSEMBLY - 36IN X 8FT (91.5CM X 2.44M) WITH TRI-ENTRY (3 DROP BARS)	544
FIGURE 5-14. PLATFORM CONTROLS INSTALLATION	546

TABLE OF CONTENTS

FIGURE 5-15. PLATFORM CONSOLE.....	548
FIGURE 5-16. CONTROLLER ASSEMBLY (DRIVE AND STEER)	552
FIGURE 5-17. CONTROLLER ASSEMBLY (LIFT AND SWING)	554
FIGURE 5-18. BOOM CONTROL SELECT SWITCH INSTALLATION.....	558
FIGURE 5-19. FALL ARREST INSTALLATION (BOLT - ON EXTERNAL) 4FFT/1.22M PLATFORM).....	560
FIGURE 5-20. FALL ARREST INSTALLATION (BOLT - ON EXTERNAL) 6FT/1.82M PLATFORM	562
FIGURE 5-21. FALL ARREST INSTALLATION (BOLT - ON EXTERNAL) 6FT/1.82M PLATFORM (.....	564
FIGURE 5-22. FALL ARREST INSTALLATION (BOLT - ON EXTERNAL) 8FT/2.4M PLATFORM	566
FIGURE 5-23. FOOTSWITCH ASSEMBLY	568
FIGURE 5-24. LIGHT PANEL INSTALLATION (MACHINES WITH SN STARTING WITH 03)	570
FIGURE 5-25. LIGHT PANEL INSTALLATION (MACHINES WITH SN STARTING WITH B3)	572
FIGURE 5-26. PLASMA CUTTER ASSEMBLY	574
FIGURE 5-27. SKYCUTTER INSTALLATION (ANSI, ANSI EXPORT, CHINA, CSA AND JAPANESE SPECS)	576
FIGURE 5-28. SKYEYE INSTALLATION.....	578
FIGURE 5-29. SKYGLAZIER INSTALLATION (ANSI AND CSA SPECS).....	580
FIGURE 5-30. SKYGLAZIER INSTALLATION (BRAZIL SPECS).....	582
FIGURE 5-31. SKYGLAZIER INSTALLATION (DANISH SPECS).....	584
FIGURE 5-32. SKYGLAZIER INSTALLATION (FINNISH SPECS).....	586
FIGURE 5-33. SKYGLAZIER INSTALLATION (FRENCH SPECS)	588
FIGURE 5-34. SKYGLAZIER INSTALLATION (GERMAN SPECS)	590
FIGURE 5-35. SKYGLAZIER INSTALLATION (ITALIAN SPECS).....	592
FIGURE 5-36. SKYGLAZIER INSTALLATION (LATIN AMERICAN SPECS)	594
FIGURE 5-37. SKYGLAZIER INSTALLATION (PORTUGUESE SPECS)	596
FIGURE 5-38. SKYGLAZIER INSTALLATION (SPANISH SPECS)	598
FIGURE 5-39. SKYGLAZIER INSTALLATION (SWEDISH SPECS).....	600
FIGURE 5-40. SKYGLAZIER INSTALLATION (UK SPECS)	602
FIGURE 5-41. SKYGUARD BAR INSTALLATION.....	604
FIGURE 5-42. SKYLINE INSTALLATION	606
FIGURE 5-43. SKYWELDER INSTALLATION (50HZ) (ANSI EXPORT, AUSTRALIAN, CHINA AND JAPANESE SPECS)	608
FIGURE 5-44. SKYWELDER INSTALLATION (60HZ) (ANSI, ANSI EXPORT, CSA AND JAPANESE SPECS)	610
FIGURE 5-45. SKYWELDER PREP PACKAGE (60HZ) (ANSI, ANSI EXPORT, CSA AND CHINA SPECS)	612
FIGURE 5-46. SKYWELDER/SKYCUTTER COMBO INSTALLATION (60HZ) (ANSI, ANSI EXPORT, CHINA, CSA AND JAPANESE SPECS)	614
FIGURE 5-47. SOFT TOUCH SYSTEM INSTALLATION - 6FT/1.8M PLATFORMS (ALL SPECS)	618
FIGURE 5-48. SOFT TOUCH SYSTEM INSTALLATION - 8FT/2.4M PLATFORMS (ALL SPECS) (1350SJP)	620
FIGURE 5-49. SOFT TOUCH SYSTEM INSTALLATION - 8FT/2.4M PLATFORMS (ANSI SPECS WITH SN STARTING WITH 03)) (1350SJP).....	622
FIGURE 5-50. TRAY ASSEMBLY	624
FIGURE 5-51. USB CHARGER INSTALLATION.....	626
FIGURE 5-52. WELDER ASSEMBLY	628
SECTION 6 - CYLINDER.....	631
FIGURE 6-1. AXLE EXTENSION CYLINDER ASSEMBLY	632
FIGURE 6-2. AXLE LOCKOUT CYLINDER ASSEMBLY (1200SJP) (Prior to SN 0300294706, Prior to SN B30016796, Excluding B30015854).....	634
FIGURE 6-3. AXLE LOCKOUT CYLINDER ASSEMBLY (1350SJP) (Prior to SN 0300294713, Prior to SN B30016574).....	636
FIGURE 6-4. AXLE LOCKOUT CYLINDER ASSEMBLY (1200SJP) (Prior to SN 0300294706, SN B300016796 to Present).....	638

TABLE OF CONTENTS

FIGURE 6-5. AXLE LOCKOUT CYLINDER ASSEMBLY (1350SJP) (Prior to SN 0300294713, Prior to SN B30016574)	640
FIGURE 6-6. PLATFORM LEVEL CYLINDER ASSEMBLY - WITHOUT COLD WEATHER PLUS PACKAGE (1200SJP) (Prior to SN 0300293708, Prior to SN B300015982, Except SN 0300289294 through 0300289296, Except SN 0300289312 through 0300289323, Except SN 0300289336 through 0300289337, Except SN 0300289352 through 03002893540300289356, Excluding 0300289325, 0300289345, 0300289349, 0300289350 and B300014859).....	642
FIGURE 6-7. PLATFORM LEVEL CYLINDER ASSEMBLY - WITHOUT COLD WEATHER PLUS PACKAGE (1350SJP) (Prior to SN 0300293909, Prior to SN B300015609, Except SN 0300285774 through 0300285777, Except SN 0300289363 through 0300289375, Except SN 0300289383 through 0300289386, Except SN 0300289395 through 0300289412, Except SN 0300289421 through 0300289422, Except SN 0300289462 through 0300289464, Except SN 0300289475 through 0300289482, Except SN B300014860 through B300014861, Excluding 0300286733, 0300289379, 0300289416, 0300289419, 0300289424 and 0300289436).....	644
FIGURE 6-8. PLATFORM LEVEL CYLINDER ASSEMBLY - WITHOUT COLD WEATHER PLUS PACKAGE (1200SJP) (SN 0300293708 to Present, SN B300015982 to Present).....	648
FIGURE 6-9. PLATFORM LEVEL CYLINDER ASSEMBLY - WITHOUT COLD WEATHER PLUS PACKAGE (1350SJP) (SN 0300293909 to Present, SN B300015609 to Present).....	650
FIGURE 6-10. PLATFORM LEVEL CYLINDER ASSEMBLY - WITH COLD WEATHER PLUS PACKAGE	652
FIGURE 6-11. LIFT CYLINDER ASSEMBLY (1350SJP) (Prior to SN 0300293909, Prior to SN B300016146, Except SN 0300289369 through 0300289375, Except SN 0300289404 through 0300289412, Excluding 0300285775)	654
FIGURE 6-12. LIFT CYLINDER ASSEMBLY (1200SJP) (Prior to SN 0300293907, Prior to SN B300016796, Except SN 0300289295 through 0300289296, Except SN 0300289319 through 0300289323, Excluding 0300289350 and B300015854) ..	656
FIGURE 6-13. LIFT CYLINDER ASSEMBLY (1350SJP) (SN 0300293909 to Present, SN B300016146 to Present)	658
FIGURE 6-14. LIFT CYLINDER ASSEMBLY (1200SJP) (SN 0300293907 to Present, SN B300016796 to Present)	660
FIGURE 6-15. JIB CYLINDER ASSEMBLY - WITH OR WITHOUT COLD WEATHER PLUS PACKAGE (1200SJP) (Prior to SN 0300293708, Prior to SN B300015982, Except SN 0300289294 through 0300289296, Except SN 0300289312 through 0300289323, Except SN 0300289336 through 0300289337, Except SN 0300289352 through 03002893540300289356, Excluding 0300289325, 0300289345, 0300289349, 0300289350 and B300014859).....	662
FIGURE 6-16. JIB CYLINDER ASSEMBLY - WITH OR WITHOUT COLD WEATHER PLUS PACKAGE (1350SJP) (Prior to SN 0300293909, Prior to SN B300015609, Except SN 0300285774 through 0300285777, Except SN 0300289363 through 0300289375, Except SN 0300289383 through 0300289386, Except SN 0300289395 through 0300289412, Except SN 0300289421 through 0300289422, Except SN 0300289462 through 0300289464, Except SN 0300289475 through 0300289482, Except SN B300014860 through B300014861, Excluding 0300286733, 0300289379, 0300289416, 0300289419, 0300289424 and 0300289436).....	664
FIGURE 6-17. JIB CYLINDER ASSEMBLY - WITH OR WITHOUT COLD WEATHER PLUS PACKAGE (1200SJP) (SN 0300293708 to Present, SN B300015982 to Present).....	668
FIGURE 6-18. JIB CYLINDER ASSEMBLY - WITH OR WITHOUT COLD WEATHER PLUS PACKAGE (1350SJP) (SN 0300293909 to Present, SN B300015609 to Present).....	670
FIGURE 6-19. STEER CYLINDER ASSEMBLY (1200SJP) (Prior to SN 0300293708, Prior to SN B300015982, Except SN 0300289294 through 0300289296, Except SN 0300289312 through 0300289323, Except SN 0300289336 through 0300289337, Except SN 0300289352 through 03002893540300289356, Excluding 0300289325, 0300289345, 0300289349, 0300289350 and B300014859).....	672
FIGURE 6-20. STEER CYLINDER ASSEMBLY (1350SJP) (Prior to SN 0300293909, Prior to SN B300015609, Except SN 0300285774 through 0300285777, Except SN 0300289363 through 0300289375, Except SN 0300289383 through 0300289386, Except SN 0300289395 through 0300289412, Except SN 0300289421 through 0300289422, Except SN 0300289462 through 0300289464, Except SN 0300289475 through 0300289482, Except SN B300014860 through B300014861, Excluding 0300286733, 0300289379, 0300289416, 0300289419, 0300289424 and 0300289436)	674
FIGURE 6-21. STEER CYLINDER ASSEMBLY (1200SJP) (SN 0300293708 to Present, SN B300015982 to Present).....	678
FIGURE 6-22. STEER CYLINDER ASSEMBLY (1350SJP) (SN 0300293909 to Present, SN B300015609 to Present).....	680
FIGURE 6-23. TELESCOPE CYLINDER ASSEMBLY (1200SJP)	682
FIGURE 6-24. TELESCOPE CYLINDER ASSEMBLY (1350SJP) (Prior to SN 0300293909, Prior to SN B300015609, Except SN 0300285774 through 0300285777, Except SN 0300289363 through 0300289375, Except SN 0300289383 through 0300289386, Except SN 0300289395 through 0300289412, Except SN 0300289421 through 0300289422, Except SN 0300289462 through 0300289464, Except SN 0300289475 through 0300289482, Except SN B300014860 through B300014861, Excluding 0300286733, 0300289379, 0300289416, 0300289419, 0300289424 and 0300289436)	684
FIGURE 6-25. TELESCOPE CYLINDER ASSEMBLY (1350SJP) (SN 0300293909 to Present, SN B300015609 to Present) ...	688
SECTION 7 - HYDRAULIC	691

TABLE OF CONTENTS

FIGURE 7-1. HYDRAULIC DIAGRAM - BOOM (1200SJP)	692
FIGURE 7-2. HYDRAULIC DIAGRAM - BOOM (1350SJP)	694
FIGURE 7-3. HYDRAULIC DIAGRAM - DRIVE	696
FIGURE 7-4. HYDRAULIC DIAGRAM - OSCILLATING AXLE	700
FIGURE 7-5. HYDRAULIC DIAGRAM - STEER	702
FIGURE 7-6. HYDRAULIC DIAGRAM - TURNTABLE (DEUTZ TD2011 ENGINES WITH REXROTH PUMPS)	704
FIGURE 7-7. HYDRAULIC DIAGRAM - TURNTABLE (DEUTZ TCD2.9L4 ENGINES AND DEUTZ TCD2.9L4 (STAGE V) ENGINES WITH REXROTH PUMPS).....	708
FIGURE 7-8. HYDRAULIC DIAGRAM - TURNTABLE (WITH SAUER PUMPS)	712
SECTION 8 - ELECTRICAL.....	715
FIGURE 8-1. AC BOX AT PLATFORM - 110V (ANSI SPECS).....	716
FIGURE 8-2. AC BOX AT PLATFORM - 110V GFI RECEPTACLE (ANSI, CSA AND JAPANESE SPECS)	718
FIGURE 8-3. AC BOX AT PLATFORM - 220V GFI RECEPTACLE (ANSI, CSA AND JAPANESE SPECS)	720
FIGURE 8-4. AC BOX AT PLATFORM INSTALLATION - BOX WITH COVER (2X4 BOX) WITH 4000W GENERATOR (AUSTRALIAN SPECS)	722
FIGURE 8-5. AC BOX AT PLATFORM INSTALLATION - 110V IEC 60309 YELLOW WITHOUT 2500W GENERATOR (CE & UK CA SPECS).....	724
FIGURE 8-6. AC BOX AT PLATFORM INSTALLATION - 110V IEC 60309 YELLOW WITHOUT 4000W GENERATOR (CE & UK CA SPECS).....	726
FIGURE 8-7. AC BOX AT PLATFORM INSTALLATION - 220V IEC 60309 BLUE WITHOUT 2500W GENERATOR (CE & UK CA SPECS).....	728
FIGURE 8-8. AC BOX AT PLATFORM INSTALLATION - 220V IEC 60309 BLUE WITHOUT 4000W GENERATOR (CE & UK CA SPECS).....	730
FIGURE 8-9. AC BOX AT PLATFORM INSTALLATION - 220V CEE7 POST GROUND (2X4 BOX) WITHOUT 2500W GENERATOR (CE & UK CA SPECS).....	732
FIGURE 8-10. AC BOX AT PLATFORM INSTALLATION - 220V CEE7 POST GROUND (2X4 BOX) WITHOUT 4000W GENERATOR (CE & UK CA SPECS).....	734
FIGURE 8-11. AC BOX AT PLATFORM INSTALLATION - 220V CEE7 SIDE GROUND (2X4 BOX) WITHOUT 2500W GENERATOR (CE & UK CA SPECS).....	736
FIGURE 8-12. AC BOX AT PLATFORM INSTALLATION - 220V CEE7 SIDE GROUND (2X4 BOX) WITHOUT 4000W GENERATOR (CE & UK CA SPECS).....	738
FIGURE 8-13. AC BOX AT PLATFORM INSTALLATION - 220V AFSINT 107 KEYED GROUND (2X4 BOX) WITHOUT 2500W GENERATOR (CE & UK CA SPECS).....	740
FIGURE 8-14. AC BOX AT PLATFORM INSTALLATION - 240V (WITH 4000W GENERATOR) (ANSI, ANSI EXPORT, CSA AND JAPANESE SPECS)	742
FIGURE 8-15. AC BOX AT PLATFORM INSTALLATION - 240V (WITH 7500W SKYPOWER GENERATOR) (ALL SPECS EXCEPT AUSTRALIAN & CE & UK CA SPECS)	744
FIGURE 8-16. AC BOX AT PLATFORM INSTALLATION - 220V AFSINT 107 KEYED GROUND (2X4 BOX) WITHOUT 4000W GENERATOR (CE & UK CA SPECS).....	746
FIGURE 8-17. AC 16 AMP BREAKER BOX INSTALLATION (CE & UK CA SPECS)	748
FIGURE 8-18. ANALYZER CABLE HARNESS.....	750
FIGURE 8-19. AXLE POWER TRACK HARNESS ASSEMBLY	752
FIGURE 8-20. BATTERY DISCONNECT SWITCH	754
FIGURE 8-21. BEACON LIGHT HARNESS (BLUE BEACON LIGHT ONLY).....	756
FIGURE 8-22. B.L.A.M. TO BOOM LENGTH SENSOR HARNESS	758
FIGURE 8-23. B.L.A.M. TO BOOM ANGLE SENSOR HARNESS (LEFT SIDE)	760
FIGURE 8-24. B.L.A.M. TO BOOM ANGLE SENSOR HARNESS (RIGHT SIDE).....	762
FIGURE 8-25. B.L.A.M. HARNESS.....	764
FIGURE 8-26. BOOM CABLES INSTALLATION (ANSI, ANSI EXPORT, CHINA, CSA AND JAPANESE SPECS) (1200SJP)...	766

TABLE OF CONTENTS

FIGURE 8-27. BOOM CABLES INSTALLATION (ANSI, ANSI EXPORT, CHINA, CSA AND JAPANESE SPECS) (1350SJP) ..	768
FIGURE 8-28. BOOM CABLES INSTALLATION (AUSTRALIAN, CE & UK CA SPECS) (1200SJP).....	770
FIGURE 8-29. BOOM CABLES INSTALLATION (AUSTRALIAN, CE & UK CA SPECS) (1350SJP).....	772
FIGURE 8-30. BOOM CABLES INSTALLATION - WITH 4000W GENERATOR (1200SJP)	774
FIGURE 8-31. BOOM CABLES INSTALLATION - WITH 4000W GENERATOR (1350SJP)	776
FIGURE 8-32. BOOM CABLES INSTALLATION - WITH 7500W GENERATOR (1200SJP)	778
FIGURE 8-33. BOOM CABLES INSTALLATION - WITH 7500W GENERATOR (1350SJP)	780
FIGURE 8-34. BREAKER BOX KIT - 16 AMP (2500W GENERATOR).....	782
FIGURE 8-35. BREAKER BOX KIT - 16 AMP (4000W GENERATOR).....	784
FIGURE 8-36. CHASSIS HARNESS ASSEMBLY	786
FIGURE 8-37. CLEARSKY READY HARNESS	788
FIGURE 8-38. DUAL CAPACITY JIB POSITION SWITCH HARNESS	790
FIGURE 8-39. ENGINE HARNESS - DEUTZ TD2011 ENGINES AND DEUTZ TD2.9L4 ENGINES	792
FIGURE 8-40. ENGINE HARNESS - DEUTZ TD2.9L4 ENGINES AND DEUTZ TCD2.9L4 ENGINES	794
FIGURE 8-41. ENGINE HARNESS - DEUTZ TCD2.9L4 (STAGE V) ENGINES.....	798
FIGURE 8-42. FUEL FILTER HARNESS - DEUTZ TCD2.9L4 ENGINES AND UTZ TCD2.9L4 (STAGE V) ENGINES	802
FIGURE 8-43. FUEL HARNESS - DEUTZ TCD2.9L4 ENGINES AND DEUTZ TCD2.9L4 (STAGE V) ENGINES	804
FIGURE 8-44. GENERATOR HARNESS - 4000W GENERATOR.....	806
FIGURE 8-45. GENERATOR HARNESS - 7500W GENERATOR.....	808
FIGURE 8-46. GROUND CONTROL BOX HARNESS.....	810
FIGURE 8-47. GROUND CONTROLS TO ENGINE HARNESS	814
FIGURE 8-48. JIB STOW SWITCH HARNESS.....	816
FIGURE 8-49. LOAD SENSING PIN HARNESS	818
FIGURE 8-50. LOCKOUT VALVE HARNESS.....	820
FIGURE 8-51. MAIN BOOM CONTROL CABLE HARNESS (1200SJP).....	822
FIGURE 8-52. MAIN BOOM CONTROL CABLE HARNESS (1350SJP).....	824
FIGURE 8-53. MAIN VALVE HARNESS	826
FIGURE 8-54. PLATFORM CONSOLE BOX HARNESS	828
FIGURE 8-55. PLATFORM CONSOLE BOX HARNESS	832
FIGURE 8-56. PLATFORM INTERFACE HARNESS	834
FIGURE 8-57. PLATFORM VALVE HARNESS.....	836
FIGURE 8-58. PUMP ADAPTER HARNESS - SAUER PUMPS	838
FIGURE 8-59. RECEPTACLE BOX KIT - 110V IEC YELLOW WITHOUT 2500W GENERATOR (CE & UK CA SPECS)	840
FIGURE 8-60. RECEPTACLE BOX KIT - 220V IEC BLUE WITHOUT 2500W GENERATOR (CE & UK CA SPECS).....	842
FIGURE 8-61. RECEPTACLE BOX KIT - 220V CEE7 POST GROUND WITHOUT 2500W GENERATOR (2X4 BOX) (CE & UK CA SPECS)	844
FIGURE 8-62. RECEPTACLE BOX KIT - 220V CEE7 SIDE GROUND WITHOUT 2500W GENERATOR (2X4 BOX) (CE & UK CA SPECS)	846
FIGURE 8-63. RECEPTACLE BOX KIT - 220V AFSINT 107 KEYED GROUND WITHOUT 2500W GENERATOR (2X4 BOX) (CE & UK CA SPECS).....	848
FIGURE 8-64. SKYEYE INTERMEDIATE HARNESS.....	850
FIGURE 8-65. SKYEYE EMITTER HARNESS.....	852
FIGURE 8-66. SKYEYE RECEIVER HARNESS	854
FIGURE 8-67. SKYLINE HARNESS.....	856
FIGURE 8-68. STROBE LIGHT HARNESS (AMBER)	858
FIGURE 8-69. TILT SENSOR HARNESS (LEFT)	860

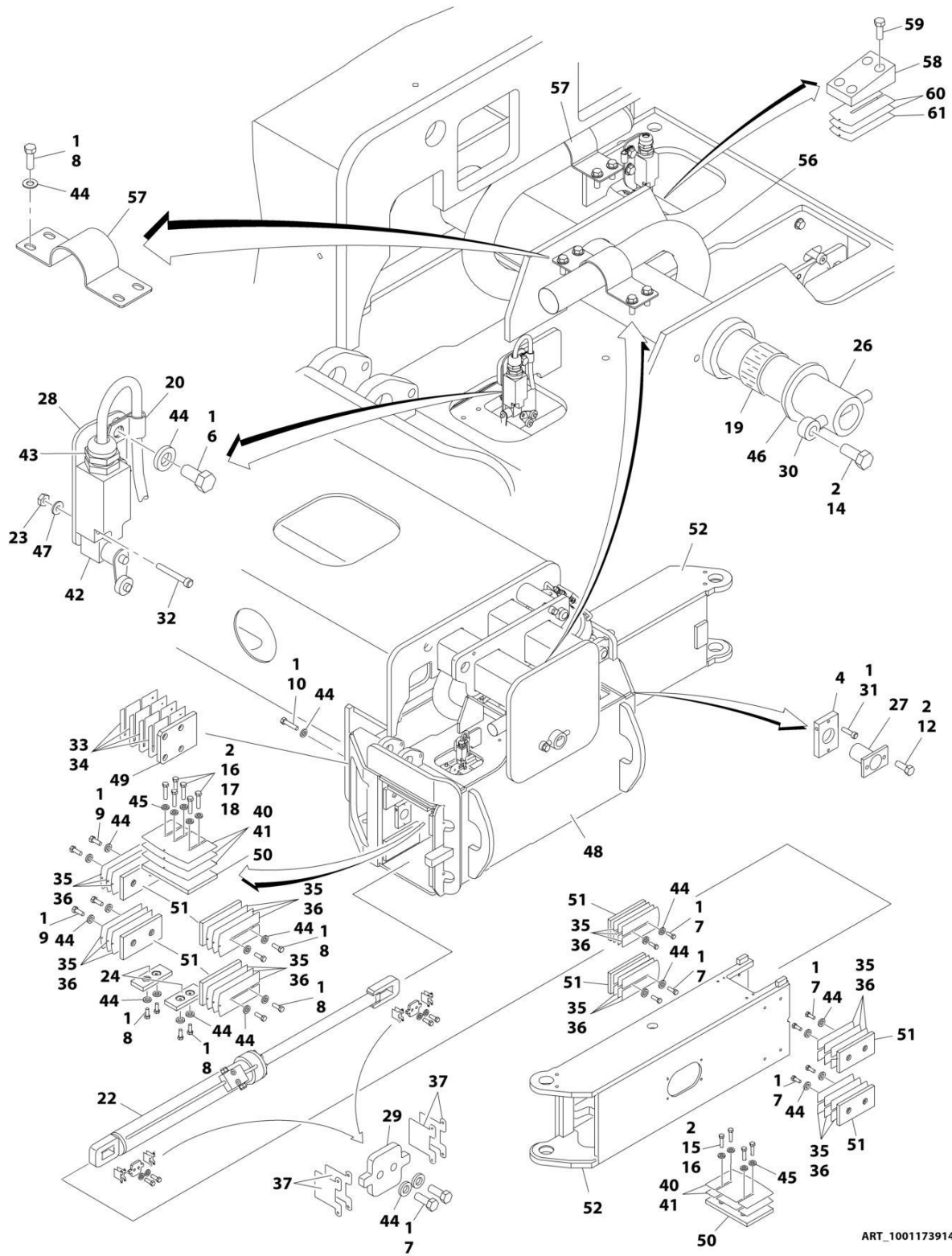
TABLE OF CONTENTS

FIGURE 8-70. TILT SENSOR HARNESS (RIGHT)	862
SECTION 9 - DECALS	865
FIGURE 9-1. DECAL INSTALLATION - ANSI SPEC	866
FIGURE 9-2. DECAL INSTALLATION - AUSTRALIAN SPEC	868
FIGURE 9-3. DECAL INSTALLATION - BRAZIL SPEC (PORTGUESE/ENGLISH)	870
FIGURE 9-4. DECAL INSTALLATION - CE & UK CA SPEC	872
FIGURE 9-5. DECAL INSTALLATION - CHINESE SPEC (CHINESE/ENGLISH)	874
FIGURE 9-6. DECAL INSTALLATION - CSA SPEC (ENGLISH/FRENCH)	876
FIGURE 9-7. DECAL INSTALLATION - JAPANESE SPEC (JAPANESE/ENGLISH)	878
FIGURE 9-8. DECAL INSTALLATION - KOREAN SPEC (KOREAN/ENGLISH)	880
FIGURE 9-9. DECAL INSTALLATION - LATIN AMERICAN SPEC (SPANISH/ENGLISH).....	882
FIGURE 9-10. DECAL INSTALLATION - OPTIONS	884
FIGURE 9-11. SKYCUTTER DECAL INSTALLATION (ANSI, ANSI EXPORT, CHINESE & CSA SPECS)	888
FIGURE 9-12. SKYCUTTER DECAL INSTALLATION (JAPANESE SPECS)	890
FIGURE 9-13. SKYWELDER DECAL INSTALLATION - 50HZ	892
FIGURE 9-14. SKYWELDER DECAL INSTALLATION - 60HZ	894
SECTION 10 - RECOMMENDED SERVICE PARTS STOCK	897
FIGURE 10-1. RECOMMENDED SERVICE PARTS STOCK	898
SECTION 11 - SPECIAL OPTIONS/ACCESSORIES/KITS	901
FIGURE 11-1. SPECIAL OPTIONS/ACCESSORIES/KITS	902
PART NUMBER INDEX	907

SECTION 1 - FRAME

SECTION 1 - FRAME

FIGURE 1-1. AXLE INSTALLATION - FIXED



ART_1001173914_J

SECTION 1 - FRAME

FIGURE 1-1. AXLE INSTALLATION - FIXED

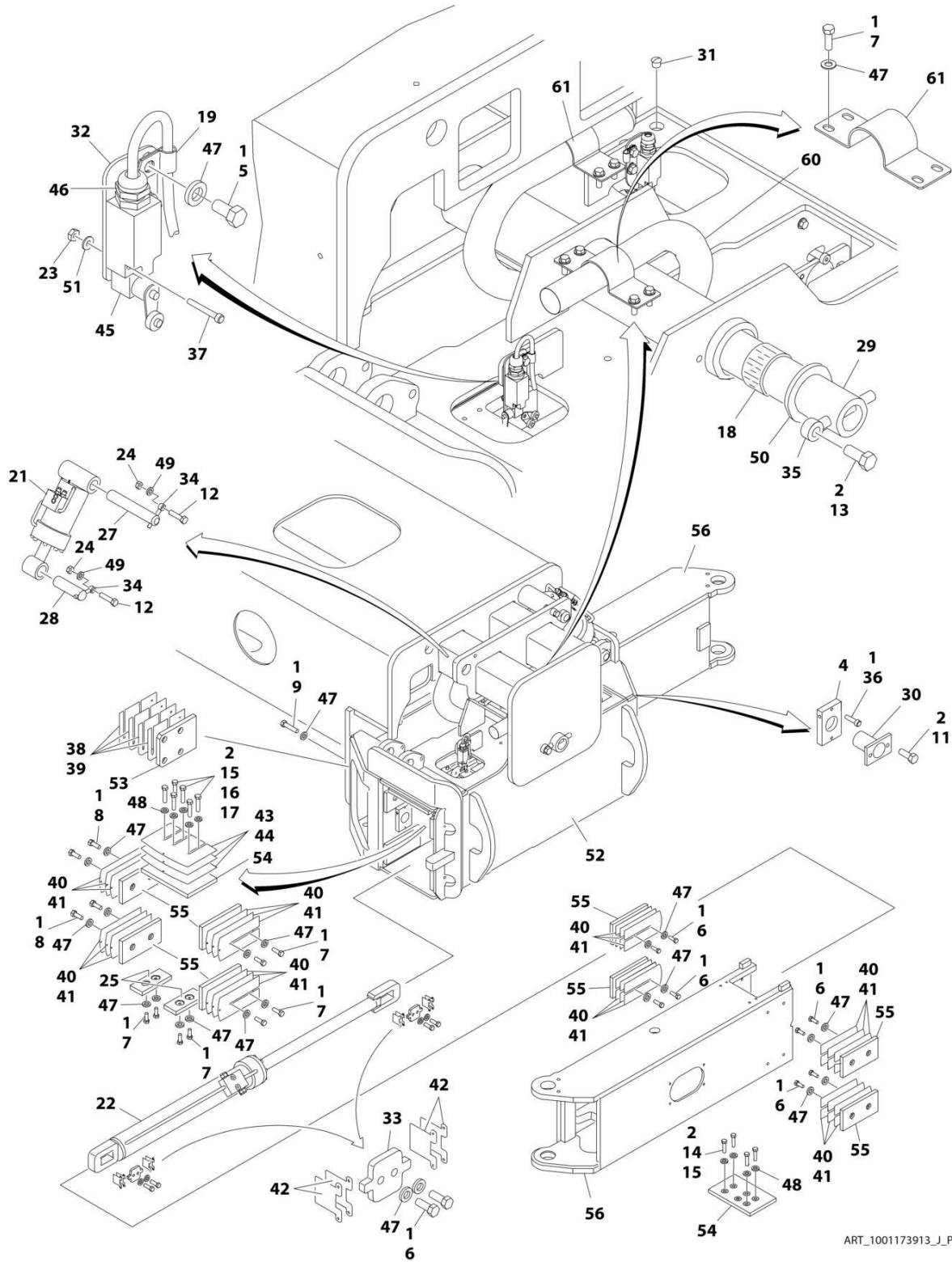
ITEM	PART NUMBER	QTY	DESCRIPTION	REV
	1001173914	Ref	AXLE INSTALLATION - FIXED	J
1	0100011	AR	Compound, Locking	
2	0100019	AR	Compound, Locking	
4	0363037	4	Bar, Stop	
6	0641606	8	Bolt 3/8 x 3/4	
7	0641608	48	Bolt 3/8 x 1	
8	0641609	64	Bolt 3/8 x 1-1/8	
9	0641611	16	Bolt 3/8 x 1-3/8	
10	0641613	8	Bolt 3/8 x 1-5/8	
12	0641808	8	Bolt 1/2 x 1	
14	0642214	1	Bolt 3/4 x 1-3/4	
15	0681813	12	Bolt 1/2 x 1-5/8 Grade 8	
16	0681814	18	Bolt 1/2 x 1-3/4 Grade 8	
17	0681815	12	Bolt 1/2 x 1-7/8 Grade 8	
18	0681816	6	Bolt 1/2 x 2 Grade 8	
19	0962033	2	Bushing	
20	1320263	4	Clamp, Cable	
22	1001251020	4	Axle Extension Cylinder Assembly (See Separate Breakdown in CYLINDER SECTION)	
23	3310805	8	Nut #8	
24	3340881	8	Pad, Wear	
26	3422918	1	Pin	
27	3422960	4	Pin	
28	3573294	4	Plate	
29	3573335	8	Plate	
30	3841287	1	Keeper, Pin	
31	3900270	4	Bolt 1/2 x 1-1/2	
32	3930820	8	Capscrew #8 x 1-1/4	
33	4071035	2	Shim #18 Gauge	
34	4071036	4	Shim #11 Gauge	
35	4071039	10	Shim #18 Gauge	
36	4071040	36	Shim #11 Gauge	
37	4071042	24	Shim #16 Gauge	
40	4071054	8	Shim #18 Gauge	
41	4071055	12	Shim #11 Gauge	
42	4360578	4	Switch, Limit	
43	4460968	4	Connector, Strain Relief	
44	4711600	144	Washer 3/8	
45	4711800	48	Washer 1/2	
46	4740461	1	Thrustwasher	
47	4750800	8	Washer #8	
48	4846383	1	Box, Axle Pivot	
49	1001161401	2	Pad, Axle	
50	1001161402	8	Pad, Wear	
51	1001161403	32	Pad, Wear	
52	4846637	4	Extension, Axle	
55	4240155	6	Strap (Not Shown)	
56	1001193674	4	Sleeve, Nylon	
57	1001191541	8	Bracket, Hose Mount	
58	0363076	2	Bar	

SECTION 1 - FRAME

ITEM	PART NUMBER	QTY	DESCRIPTION	REV
59	0641814	4	Bolt 1/2 x 1-3/4	
60	4071049	4	Shim #11 Gauge	
61	4071050	2	Shim #16 Gauge	
62	2220235	1	Plug (Not Shown - Located on Junction Manifold)	

SECTION 1 - FRAME

FIGURE 1-2. AXLE INSTALLATION - OSCILLATING



ART_1001173913_J_PVC2201

SECTION 1 - FRAME

FIGURE 1-2. AXLE INSTALLATION - OSCILLATING

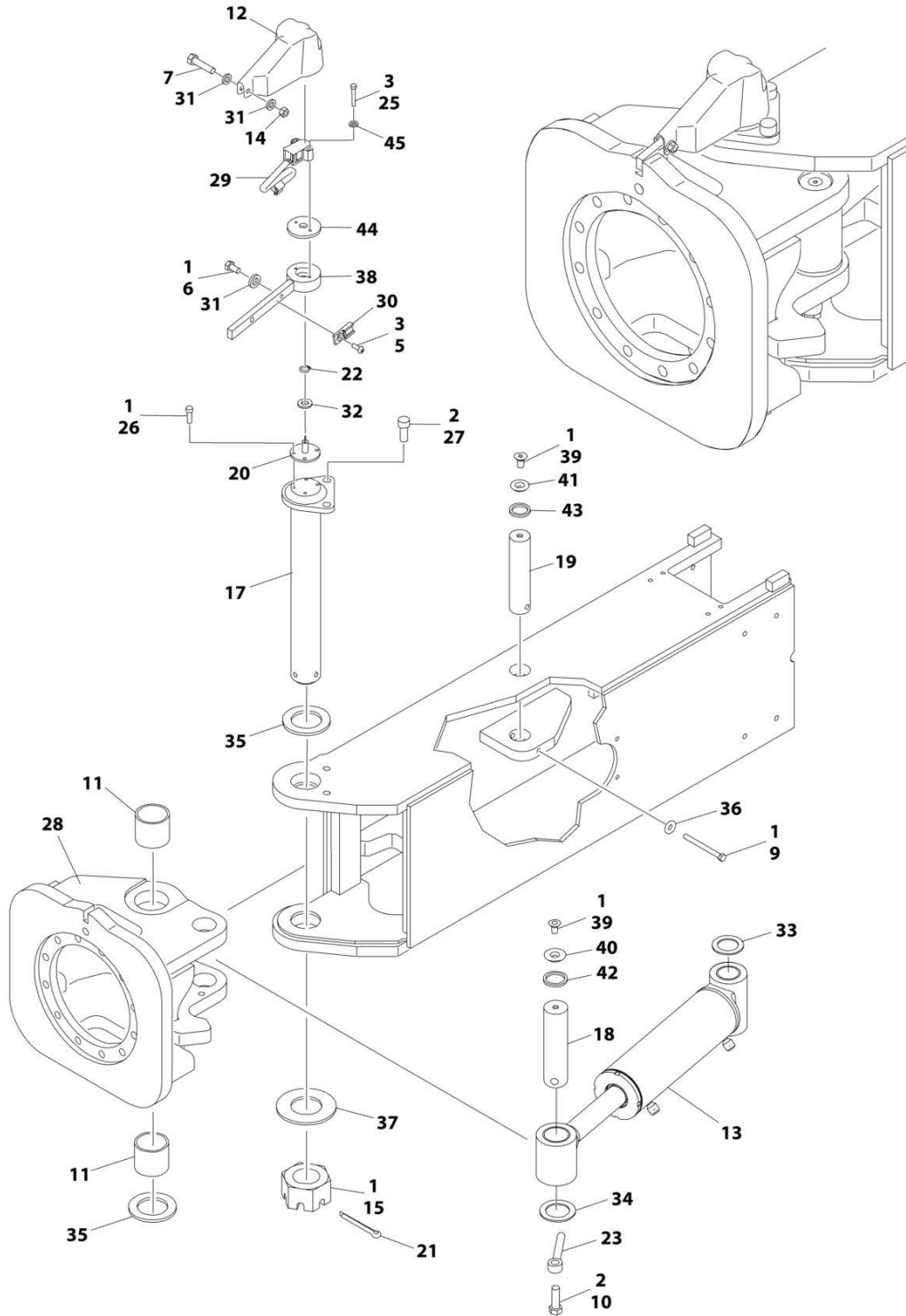
ITEM	PART NUMBER	QTY	DESCRIPTION	REV
	1001173913	Ref	AXLE INSTALLATION - OSCILLATING	J
1	0100011	AR	Compound, Locking	
2	0100019	AR	Compound, Locking	
4	0363037	4	Bar, Stop	
5	0641606	8	Bolt 3/8 x 3/4	
6	0641608	48	Bolt 3/8 x 1	
7	0641609	64	Bolt 3/6 x 1-1/8	
8	0641611	16	Bolt 3/8 x 1-3/8	
9	0641613	8	Bolt 3/8 x 1-5/8	
11	0641808	8	Bolt 1/2 x 1	
12	0642020	4	Bolt 5/8 x 2-1/2	
13	0642214	1	Bolt 3/4 x 1-3/4	
14	0681813	12	Bolt 1/2 x 1-5/8 Grade 8	
15	0681814	18	Bolt 1/2 x 1-3/4 Grade 8	
16	0681815	12	Bolt 1/2 x 1-7/8 Grade 8	
17	0681816	6	Bolt 1/2 x 2 Grade 8	
18	0962033	2	Bushing	
19	1320263	4	Clamp, Cable	
	See Note	Ref	Note: Original Oscillating Cylinder May Have Been Replaced with Service Replacement. Identify PN Stamped on Cylinder Before Ordering Parts.	
21	1001228019	2	Oscillating Axle Cylinder Assembly (See Separate Breakdown in CYLINDER Section)	
21	1001251019	2	Oscillating Axle Cylinder Assembly (See Separate Breakdown in CYLINDER Section)	
22	1001251020	4	Axle Extension Cylinder Assembly (See Separate Breakdown in CYLINDER Section)	
23	3310805	8	Nut #8	
24	3312005	4	Nut 5/8	
25	3340881	8	Pad, Wear	
27	3422833	2	Pin	
28	3422915	2	Pin	
29	3422918	1	Pin	
30	3422960	4	Pin	
31	3520054	4	Plug	
32	3573294	4	Plate	
33	3573335	8	Plate	
34	3841258	4	Keeper, Pin	
35	3841287	1	Keeper, Pin	
36	3900270	4	Bolt 1/2 x 1-1/2	
37	3930820	8	Capscrew #8 x 1-1/4	
38	4071035	2	Shim #18 Gauge	
39	4071036	4	Shim #11 Gauge	
40	4071039	10	Shim #18 Gauge	
41	4071040	36	Shim #11 Gauge	
42	4071042	24	Shim #16 Gauge	
43	4071054	8	Shim #18 Gauge	
44	4071055	12	Shim #11 Gauge	
45	4360578	4	Switch, Limit	
46	4460968	4	Connector, Strain Relief	
47	4711600	144	Washer 3/8	

SECTION 1 - FRAME

ITEM	PART NUMBER	QTY	DESCRIPTION	REV
48	4711800	48	Washer 1/2	
49	4712000	4	Washer 5/8	
50	4740461	1	Thrustwasher	
51	4750800	8	Washer #8	
52	4846383	1	Box, Axle Pivot	
53	1001161401	2	Pad, Axle	
54	1001161402	8	Pad, Wear	
55	1001161403	32	Pad, Wear	
56	4846637	4	Extension, Axle	
59	4240155	6	Strap (Not Shown)	
60	1001193674	4	Sleeve, Nylon	
61	1001191541	8	Bracket, Hose Mount	

SECTION 1 - FRAME

FIGURE 1-3. STEER INSTALLATION



ART_0271520_M

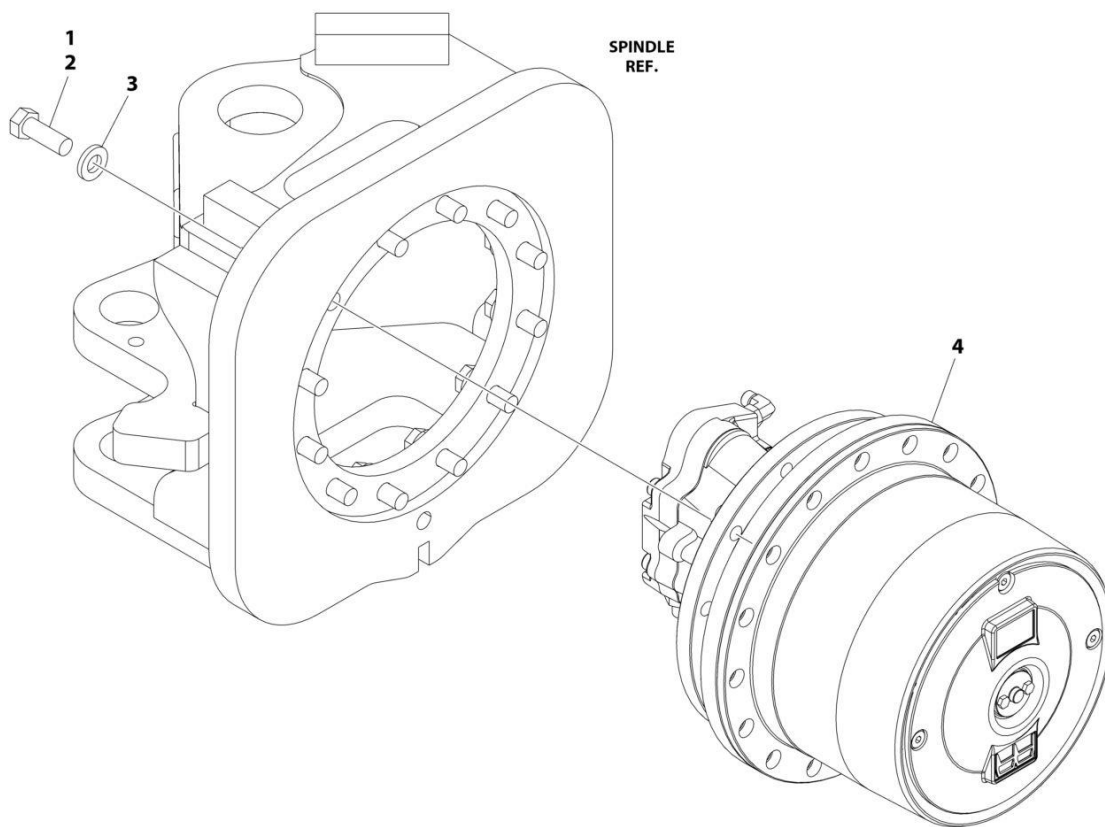
SECTION 1 - FRAME

FIGURE 1-3. STEER INSTALLATION

ITEM	PART NUMBER	QTY	DESCRIPTION	REV
	0271520	Ref	STEER INSTALLATION	M
1	0100011	AR	Compound, Locking	
2	0100019	AR	Compound, Locking	
3	0100035	AR	Compound, Locking	
5	0630464	4	Screw #10 x 1/2	
6	0641505	4	Bolt 5/16 x 5/8	
7	0641511	4	Bolt 5/16 x 1-3/8	
9	0641634	4	Bolt 3/8 x 4-1/4	
10	0642016	4	Bolt 5/8 x 2	
11	0962423	8	Bushing	
12	1671040	4	Cover, Sensor	
13	1001251031	4	Steer Cylinder Assembly (See Separate Breakdown in CYLINDER Section)	
14	3311505	4	Nut 5/16	
15	3300464	4	Nut, Slotted	
17	3422917	4	Kingpin	
18	3422940	4	Pin, Steer Cylinder (Outer)	
19	3422941	4	Pin, Steer Cylinder (Inner)	
20	3423256	4	Pin, Sensor	
21	3451214	4	Pin, Cotter 3/8 x 3-1/2	
22	3760383	4	Ring, Retaining	
23	3841258	4	Keeper, Pin	
25	3931020	8	Capscrew #10 x 1-1/4	
26	3931412	16	Capscrew 1/4 x 3/4	
27	3932024	8	Capscrew 5/8 x 1-1/2	
28	1001099632	4	Spindle	
29	4360505	4	Switch, Rotary Angle Sensor (Steer)	
30	4460914	4	Terminal	
31	4711500	12	Washer 5/16	
32	4711800	4	Washer 1/2	
33	4740181	4	Thrustwasher	
34	4740229	4	Thrustwasher	
35	4740505	8	Thrustwasher	
36	4751600	4	Washer 3/8	
37	4755000	4	Washer 2-1/2	
38	0200833	4	Arm, Steer	
39	0741606	8	Screw 3/8 x 3/4	
40	1120549	4	Cap, Seal (Outer)	
41	1120550	4	Cap, Seal (Inner)	
42	3960551	4	Seal (Outer)	
43	3960552	4	Seal (Inner)	
44	0080277	4	Adapter, Angle Sensor Pilot	
45	4811600	8	Washer M5	

SECTION 1 - FRAME

FIGURE 1-4. WHEEL DRIVE INSTALLATION - REGGIANA RIDUTTORI



ART_1001104324

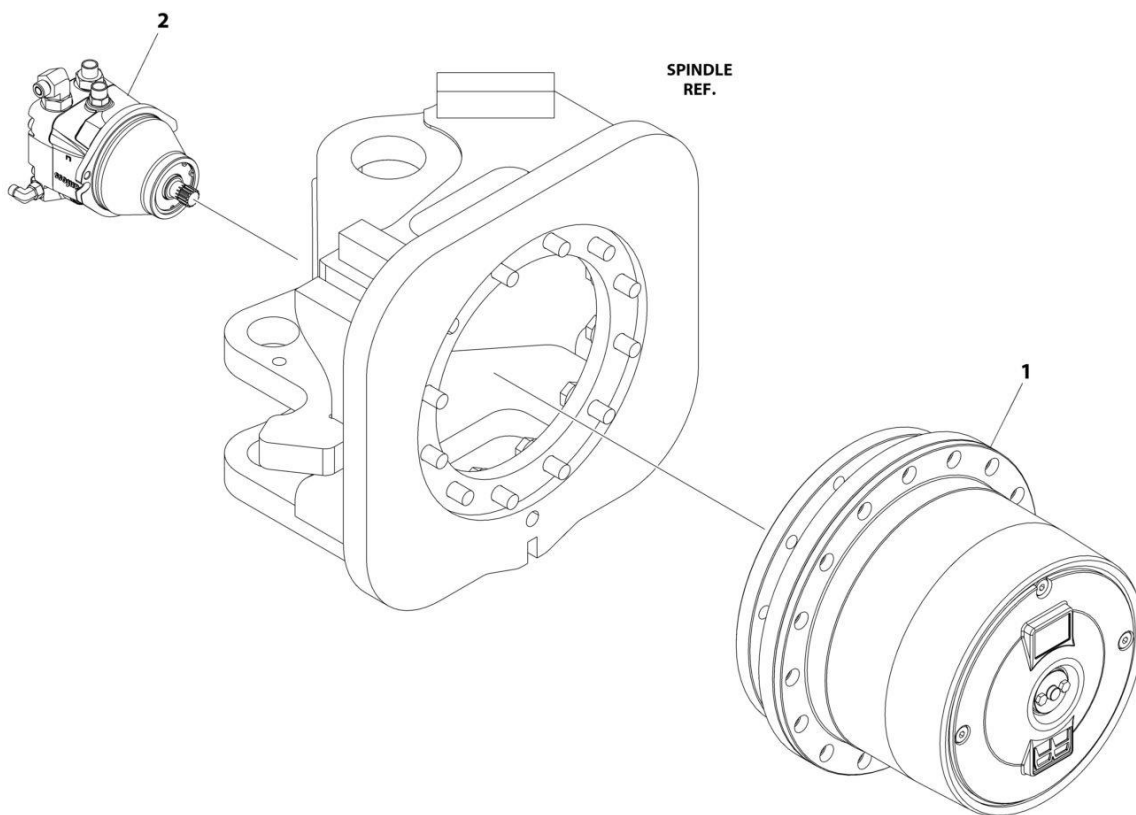
SECTION 1 - FRAME

FIGURE 1-4. WHEEL DRIVE INSTALLATION - REGGIANA RIDUTTORI

ITEM	PART NUMBER	QTY	DESCRIPTION	REV
	1001104324	Ref	WHEEL DRIVE INSTALLATION - REGGIANA RIDUTTORI	B
1	0100019	AR	Compound, Locking	
2	0701617	48	Bolt M16 x 45 (12 Per Wheel)	
3	4892000	48	Washer 5/8 (12 Per Wheel)	
4	1001104315	4	Drive Hub and Motor Assembly - Reggiana Riduttori (See Separate Breakdown in this Section)	

SECTION 1 - FRAME

FIGURE 1-5. DRIVE HUB AND MOTOR ASSEMBLY - REGGIANA RIDUTTORI



ART_1001104315

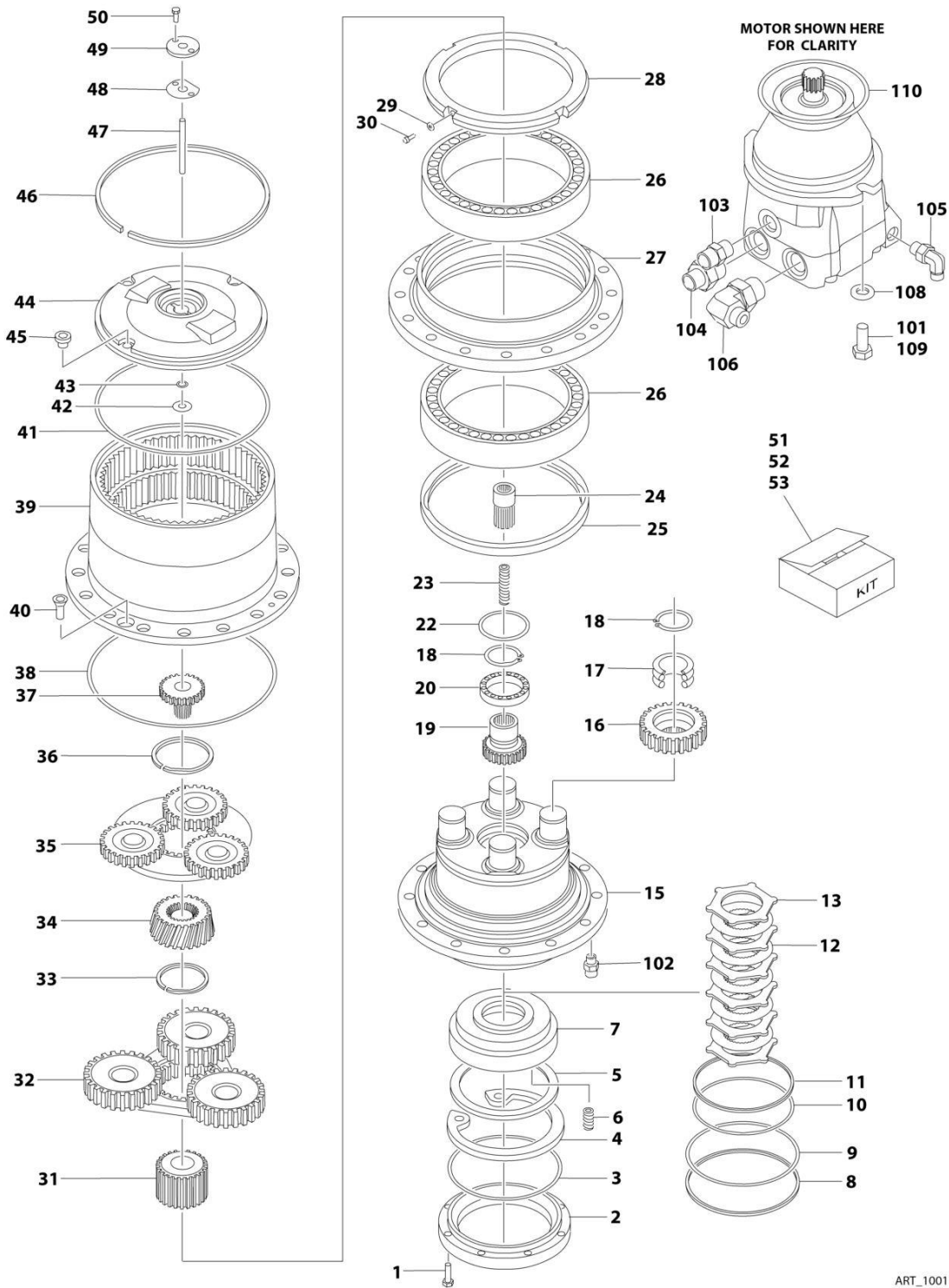
SECTION 1 - FRAME

FIGURE 1-5. DRIVE HUB AND MOTOR ASSEMBLY - REGGIANA RIDUTTORI

ITEM	PART NUMBER	QTY	DESCRIPTION	REV
	1001104315	Ref	DRIVE HUB AND MOTOR ASSEMBLY - REGGIANA RIDUTTORI	B
		Ref	Note: Various brands used on Machines. When replacing complete hub, note that all 4 hubs must be the same brand.	
		Ref	Note: Various brands used on Machines. Identify brand before ordering replacement parts.	
1	1001104325	4	Drive Hub Assembly - Reggiana Riduttori (See Separate Breakdown in this Section)	
2	3160339	4	Drive Motor Assembly (See Separate Breakdown in this Section)	

SECTION 1 - FRAME

FIGURE 1-6. DRIVE HUB ASSEMBLY - REGGIANA RIDUTTORI



ART_1001104325

SECTION 1 - FRAME

FIGURE 1-6. DRIVE HUB ASSEMBLY - REGGIANA RIDUTTORI

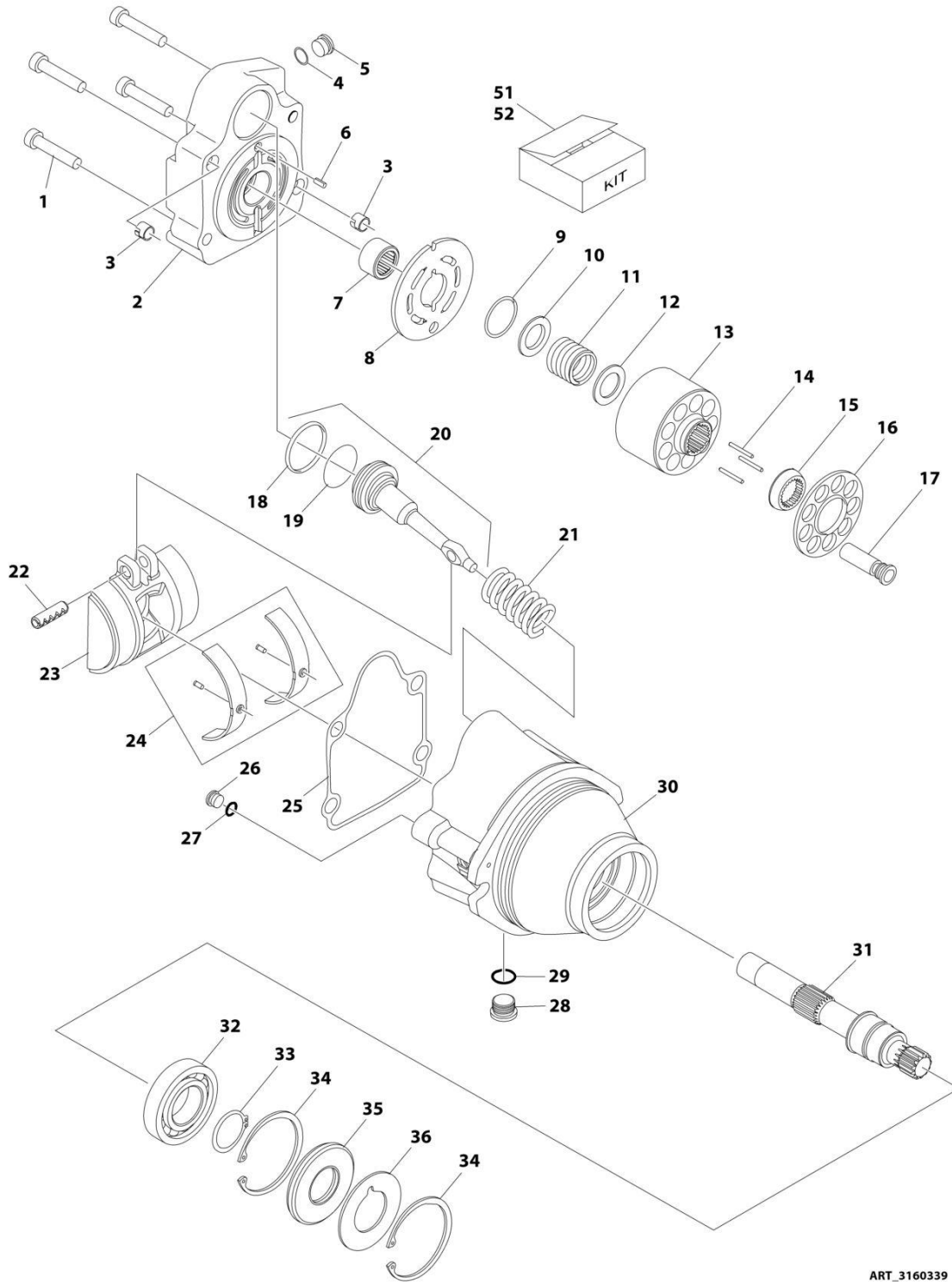
ITEM	PART NUMBER	QTY	DESCRIPTION	REV
	1001104325	Ref	DRIVE HUB ASSEMBLY - REGGIANA RIDUTTORI	G
		Ref	Note: Various brands used on Machines. Identify brand before ordering replacement parts.	
	1001101550	1	Hub, Torque	C
1	70002015	8	Bolt M8 x 25	
2	70002016	1	Ring, Motor Support	
3	See Note	NSS	O-Ring (Note: Use Item 51)	
4	70002018	1	Snap Ring	
5	70002019	1	Retainer, Spring	
6	70002020	9	Spring	
7	70002021	1	Piston	
8	See Note	NSS	Ring, Back-up (Note: Use Item 51 or 53)	
9	See Note	NSS	O-Ring (Note: Use Item 51 or 53)	
10	See Note	NSS	O-Ring (Note: Use Item 51 or 53)	
11	See Note	NSS	Ring, Back-up (Note: Use Item 51 or 53)	
12	70002026	5	Disc, Friction	
13	70002027	6	Disc, Steel	
15	70002029	1	Spindle	
16	70002030	4	Gear, Planetary	
17	70002031	4	Bearing	
18	70002032	5	Snap Ring	
19	70002033	1	Gear, Brake/Input	
20	70002034	1	Bearing	
22	70002035	1	Ring, Wear	
23	70002036	1	Spring	
24	70002037	1	Shaft, Engagement	
25	See Note	NSS	Seal (Note: Use Item 51)	
26	70002039	2	Bearing Assembly	
27	70002040	1	Support, Hub	
28	70002041	1	Nut, Retaining	
29	70002674	4	Washer	
30	70002674	4	Screw	
31	70002044	1	Gear, Planetary Sun	
32	70002045	1	Reduction Assembly, Secondary	
33	70002046	1	Snap Ring	
34	70002047	1	Gear, Secondary Input Sun	
35	70002048	1	Reduction Assembly, Primary	
36	70002049	1	Snap Ring	
37	70002050	1	Gear, Primary Input Sun	
38	See Note	NSS	O-Ring (Note: Use Item 51)	
39	See Note	NSS	Housing, Hub (Note: Not Available - Purchase Complete Assembly)	
40	70002052	2	Screw, Countersunk	
41	See Note	NSS	O-Ring (Note: Use Item 51 or 52)	
42	See Note	NSS	Thrustwasher (Note: Use Item 52)	
43	See Note	NSS	O-Ring (Note: Use Item 51 or 52)	
44	See Note	NSS	Cover, Hub (Note: Use Item 52)	
45	70002057	3	Plug	
46	See Note	NSS	Snap Ring (Note: Use Item 52)	
47	See Note	NSS	Pin, Engagement (Note: Use Item 52)	

SECTION 1 - FRAME

ITEM	PART NUMBER	QTY	DESCRIPTION	REV
48	See Note	NSS	Gasket (Note: Use Item 51 or 52)	
49	See Note	NSS	Cover, Engagement (Note: Use Item 52)	
50	See Note	NSS	Screw (Note: Use Item 52)	
51	70002248	1	Seal Kit (Includes Items 3, 8-11, 25, 38, 41, 43 & 48)	
52	70002247	1	Cover Kit (Includes Items 41-50)	
53	70002249	1	Brake Kit (Includes Items 4-13)	
101	0761214	2	Bolt M12 x 30	
102	2110404	1	Fitting, Adapter	
103	2110808	1	Fitting, Adapter	
104	2110812	1	Fitting, Adapter	
105	2130406	1	Fitting, 90 Adapter	
106	2130812	1	Fitting, 90 Adapter	
108	5241200	2	Washer M12	
109	0100011	AR	Compound, Locking	
110	3790158	1	O-Ring	

SECTION 1 - FRAME

FIGURE 1-7. DRIVE MOTOR ASSEMBLY



ART_3160339

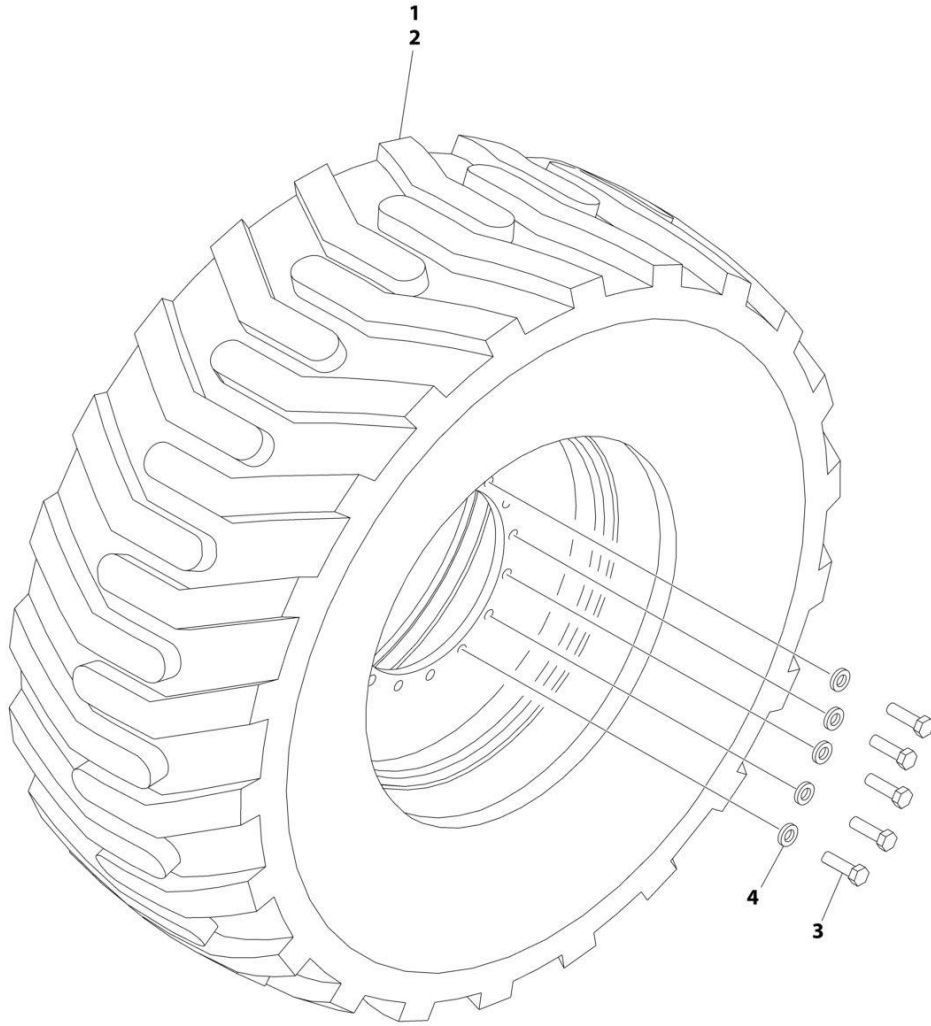
SECTION 1 - FRAME

FIGURE 1-7. DRIVE MOTOR ASSEMBLY

ITEM	PART NUMBER	QTY	DESCRIPTION	REV
	3160339	Ref	DRIVE MOTOR ASSEMBLY	D
1	7022368	4	Bolt	
2	70000859	1	End Cap, Motor	
3	70003628	2	Locating Pin	
4	See Note	NSS	O-Ring (Note: Use Item 51)	
5	7007420	1	Plug (Includes Item 4)	
6	7007446	1	Pin, Dowel	
7	7021249	1	Bearing, Needle	
8	70000854	1	Plate, Valve	
9	7022311	1	Snap Ring	
10	7022314	1	Retainer, Spring	
11	7024867	1	Spring	
12	7024868	1	Washer	
13	70000855	1	Block, Cylinder	
14	7021275	3	Pin, Slipper	
15	70000856	1	Guide	
16	70000857	1	Retainer, Slipper	
17	7024865	9	Piston, Cylinder	
18	See Note	NSS	Ring, Piston (Note: Use Item 51)	
19	See Note	NSS	O-Ring (Note: Use Item 51)	
20	70000860	1	Piston, Servo (Includes Items 18 & 19)	
21	70000861	1	Spring	
22	See Note	NSS	Pin (Note: Not Available for Purchase)	
23	70000853	1	Swash Plate	
24	70000852	1	Bearing Kit	
25	See Note	NSS	Gasket (Note: Use Item 51)	
26	See Note	NSS	Plug (Note: Not Available for Purchase)	
27	See Note	NSS	O-Ring (Note: Use Item 51)	
28	7022321	1	Plug (Includes Item 29)	
29	See Note	NSS	O-Ring (Note: Use Item 51)	
30	See Note	NSS	Housing (Note: Not Available - Purchase Complete Motor)	
31	70000858	1	Shaft	
32	7007437	1	Bearing	
33	7007439	1	Snap Ring	
34	7007438	2	Snap Ring	
35	See Note	NSS	Seal (Note: Use Item 51)	
36	7022371	1	Washer, Seal Support	
51	70000862	1	Kit 1 - Motor Seal Kit (Includes Items 4, 18, 19, 25, 27, 29 & 35)	
52	7027740	1	Kit 2 - Cylinder Block Kit (Includes Items 9-17)	

SECTION 1 - FRAME

FIGURE 1-8. TIRE AND WHEEL INSTALLATION - FOAM - FILLED



ART_0271852

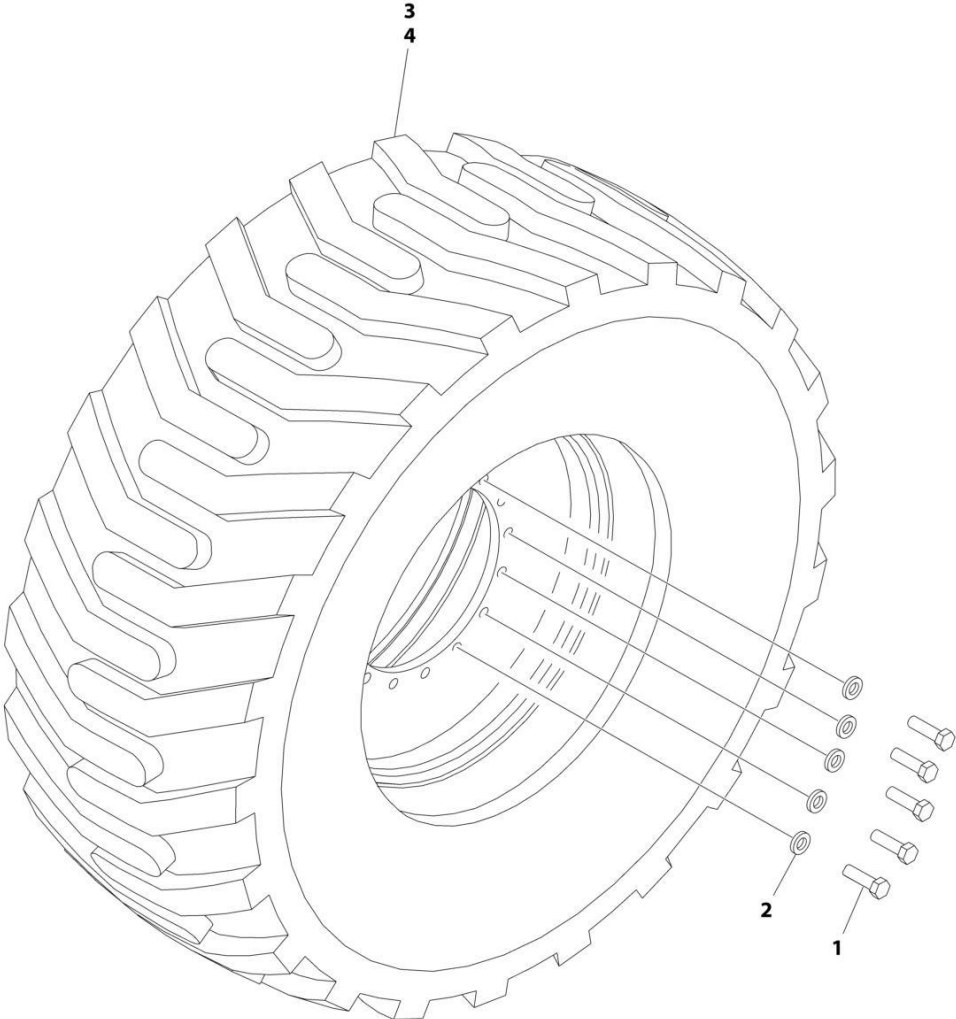
SECTION 1 - FRAME

FIGURE 1-8. TIRE AND WHEEL INSTALLATION - FOAM - FILLED

ITEM	PART NUMBER	QTY	DESCRIPTION	REV
	0271852	Ref	TIRE AND WHEEL INSTALLATION - FOAM - FILLED	B
		Ref	Note: Assemblies may require ballast/foam filling to manufacturer's specifications prior to installing on a machine. Refer to Operation and Safety or Service and Maintenance Manuals. Purchase individual tire and/or rim only if able to foam fill tire and wheel assembly, otherwise, purchase complete assembly.	
1	0272055	2	Right Side Tire and Wheel Assembly - Foam - Filled	
2	0272056	2	Left Side Tire and Wheel Assembly - Foam - Filled	
3	0701619	64	Bolt M16 x 55 (16 Per Wheel)	
4	4892000	64	Washer 5/8 (16 Per Wheel)	

SECTION 1 - FRAME

FIGURE 1-9. TIRE AND WHEEL INSTALLATION - SOLID



ART_1001115961

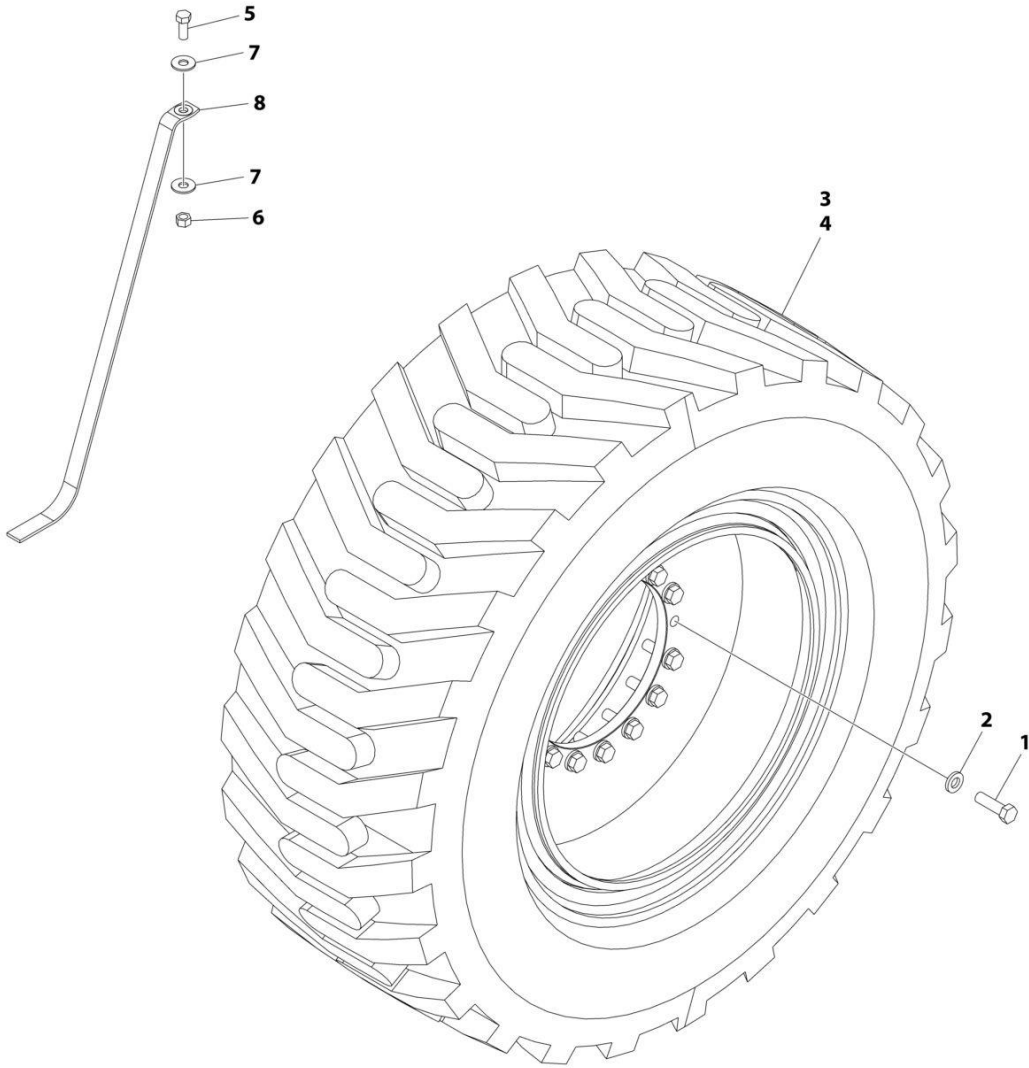
SECTION 1 - FRAME

FIGURE 1-9. TIRE AND WHEEL INSTALLATION - SOLID

ITEM	PART NUMBER	QTY	DESCRIPTION	REV
	1001115961	Ref	TIRE AND WHEEL INSTALLATION - SOLID	A
1	0701619	64	Bolt M16 x 55 (16 Per Wheel)	
2	4892000	64	Washer 5/8 (16 Per Wheel)	
3	1001112716	2	Right Side Tire and Wheel Assembly - Solid	
4	1001112669	2	Left Side Tire and Wheel Assembly - Solid	

SECTION 1 - FRAME

FIGURE 1-10. TIRE AND WHEEL INSTALLATION - SOLID NON MARKING



ART_1001223883

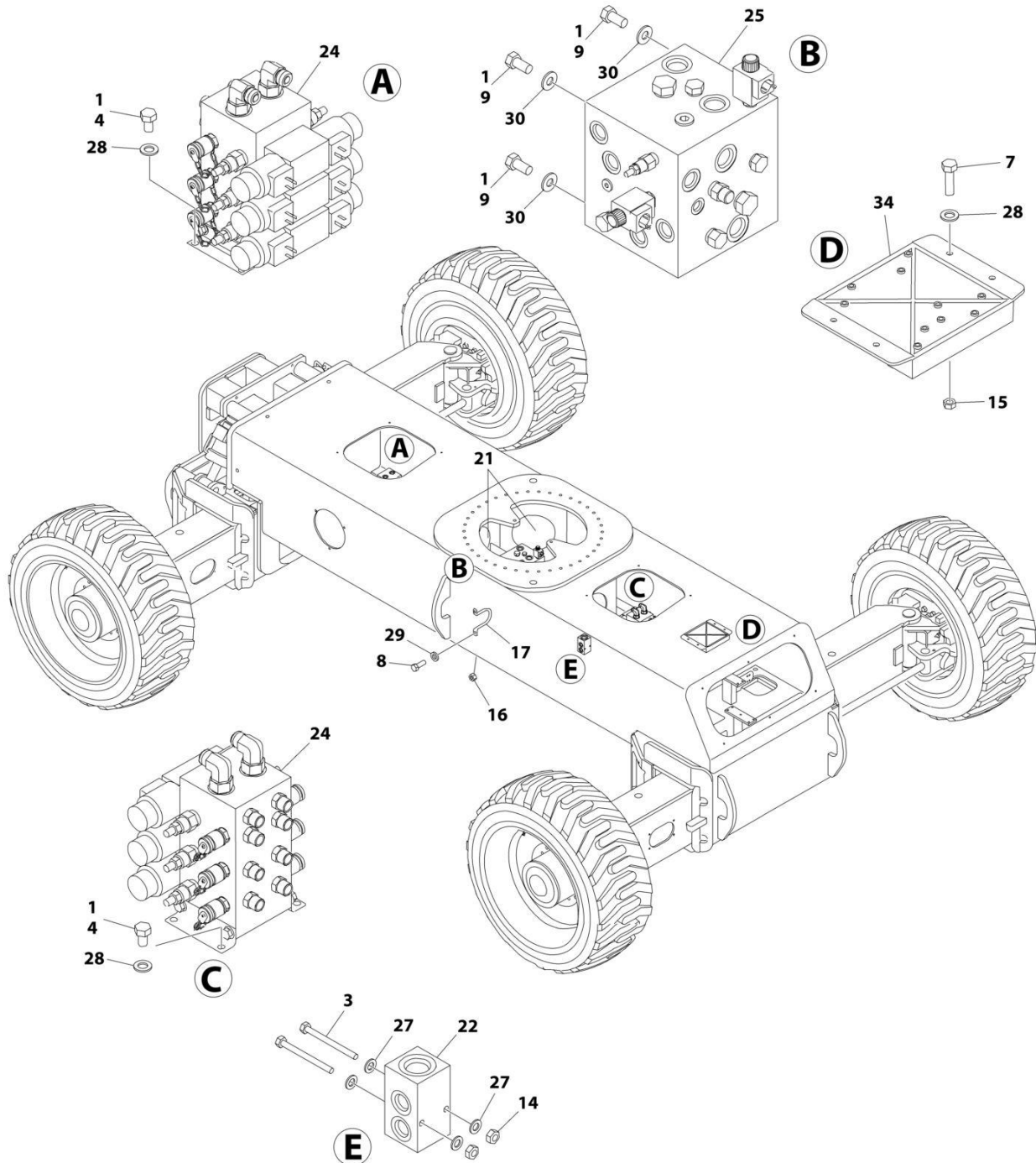
SECTION 1 - FRAME

FIGURE 1-10. TIRE AND WHEEL INSTALLATION - SOLID NON MARKING

ITEM	PART NUMBER	QTY	DESCRIPTION	REV
	1001223883	Ref	TIRE AND WHEEL INSTALLATION - SOLID NON MARKING	B
1	0701619	64	Bolt M16 x 55 (16 Per Wheel)	
2	4892000	64	Washer 5/8 (16 Per Wheel)	
3	1001216876	2	Left Side Tire and Wheel Assembly - Solid	
4	1001216877	2	Right Side Tire and Wheel Assembly - Solid	
5	0641810	1	Bolt 1/2 x 1-1/4	
6	3311805	1	Nut 1/2	
7	4751800	2	Washer 1/2	
8	1001275637	1	Strap, Anti-static	

SECTION 1 - FRAME

FIGURE 1-11. FRAME VALVES INSTALLATION (Prior to SN 0300281171, Prior to SN B300011649, Including 03002811730 and 300281175)



ART_1001219990_10F3

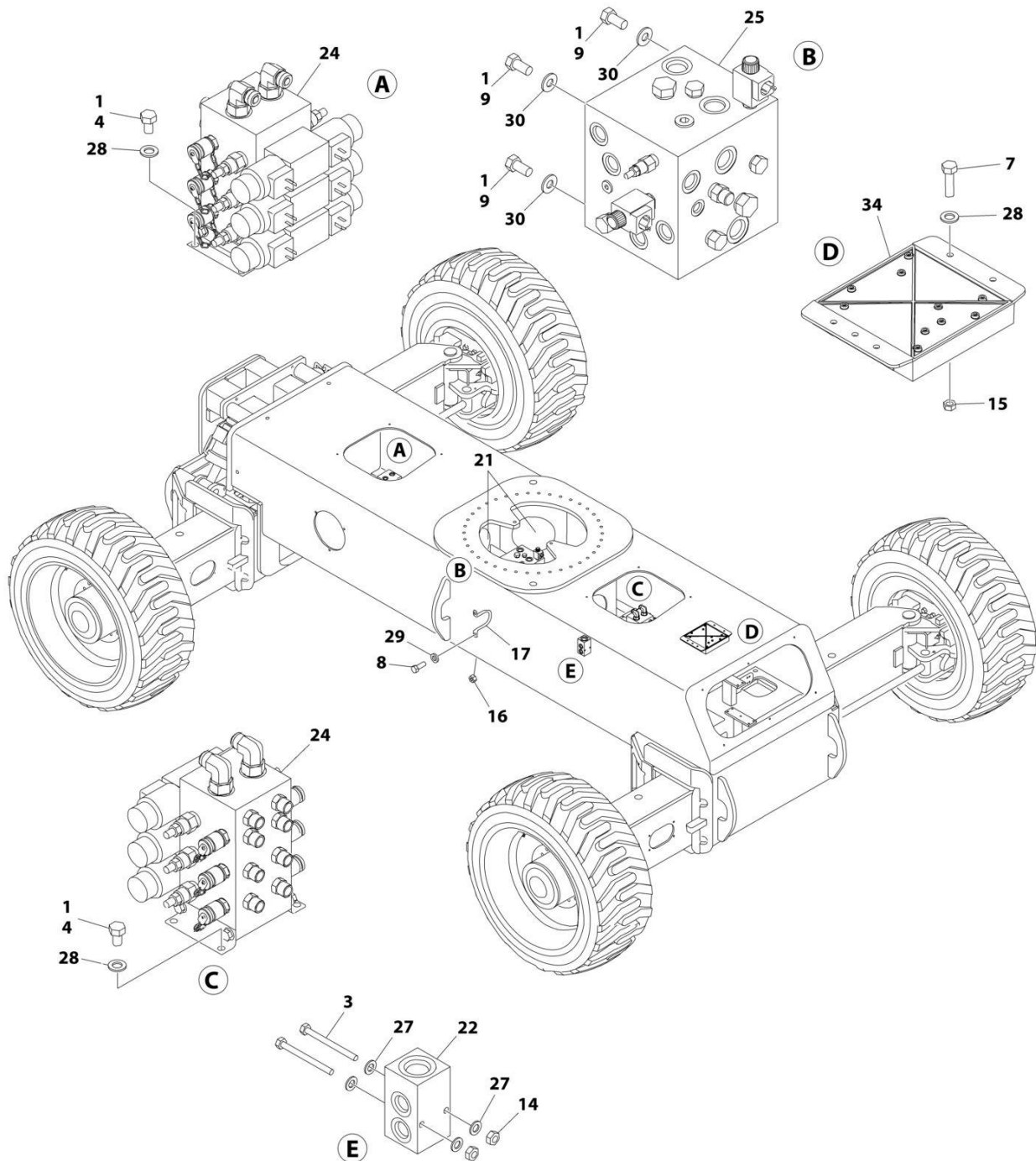
SECTION 1 - FRAME

FIGURE 1-11. FRAME VALVES INSTALLATION (Prior to SN 0300281171, Prior to SN B300011649, Including 03002811730 and 300281175)

ITEM	PART NUMBER	QTY	DESCRIPTION	REV
	1001219990	Ref	FRAME VALVES INSTALLATION - WITH 1 CELL LSS	C
1	0100011	AR	Compound, Locking	
3	0641424	2	Bolt 1/4 x 3	
4	0641504	8	Bolt 5/16 x 1/2	
7	0641509	4	Bolt 5/16 x 1-1/8	
8	0641608	4	Bolt 3/8 x 1	
9	0641808	4	Bolt 1/2 x 1	
14	3311405	2	Nut 1/4	
15	3311505	4	Nut 5/16	
16	3311605	4	Nut 3/8	
17	3841340	2	Loop, Hose	
21	4060808	124 in/ 3.2m	Flex-Trim	
22	4641155	1	Manifold, Junction	
24	4641268	2	Valve Assembly - Steer (See Separate Breakdown in this Section)	
25	4641454	1	Valve Assembly - Traction (See Separate Breakdown in this Section)	
27	4711400	4	Washer 1/4	
28	4711500	16	Washer 5/16	
29	4711600	2	Washer 3/8	
30	4711800	4	Washer 1/2	
34	100112758	1	Module (Chassis) (Note: Re-calibration Required when Replaced)	

SECTION 1 - FRAME

FIGURE 1-12. FRAME VALVES INSTALLATION (SN 0300281176 to Present, Including 0300281172, 0300281174 and B300011649)



ART_1001219990_D_10F3

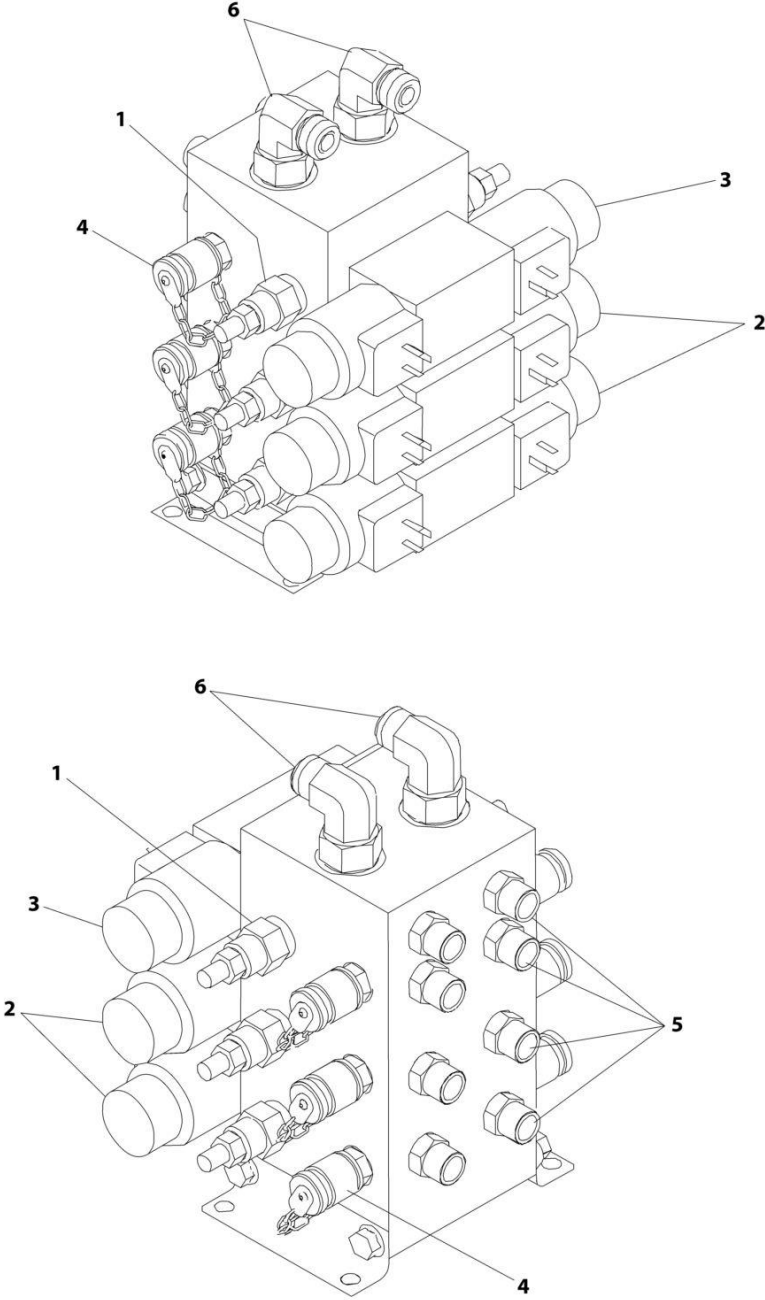
SECTION 1 - FRAME

FIGURE 1-12. FRAME VALVES INSTALLATION (SN 0300281176 to Present, Including 0300281172, 0300281174 and B300011649)

ITEM	PART NUMBER	QTY	DESCRIPTION	REV
	1001219990	Ref	FRAME VALVES INSTALLATION - WITH 1 CELL LSS	D
1	0100011	AR	Compound, Locking	
3	0641424	2	Bolt 1/4 x 3	
4	0641504	8	Bolt 5/16 x 1/2	
7	0641509	4	Bolt 5/16 x 1-1/8	
8	0641608	4	Bolt 3/8 x 1	
9	0641808	4	Bolt 1/2 x 1	
14	3311405	2	Nut 1/4	
15	3311505	4	Nut 5/16	
16	3311605	4	Nut 3/8	
17	3841340	2	Loop, Hose	
21	4060808	124 in/ 3.2m	Flex-Trim	
22	4641155	1	Manifold, Junction	
24	4641268	2	Valve Assembly - Steer (See Separate Breakdown in this Section)	
25	4641454	1	Valve Assembly - Traction (See Separate Breakdown in this Section)	
27	4711400	4	Washer 1/4	
28	4711500	16	Washer 5/16	
29	4711600	2	Washer 3/8	
30	4711800	4	Washer 1/2	
34	1001277210	1	Module (Chassis) (Note: Re-calibration Required when Replaced)	

SECTION 1 - FRAME

FIGURE 1-13. STEER VALVE ASSEMBLY



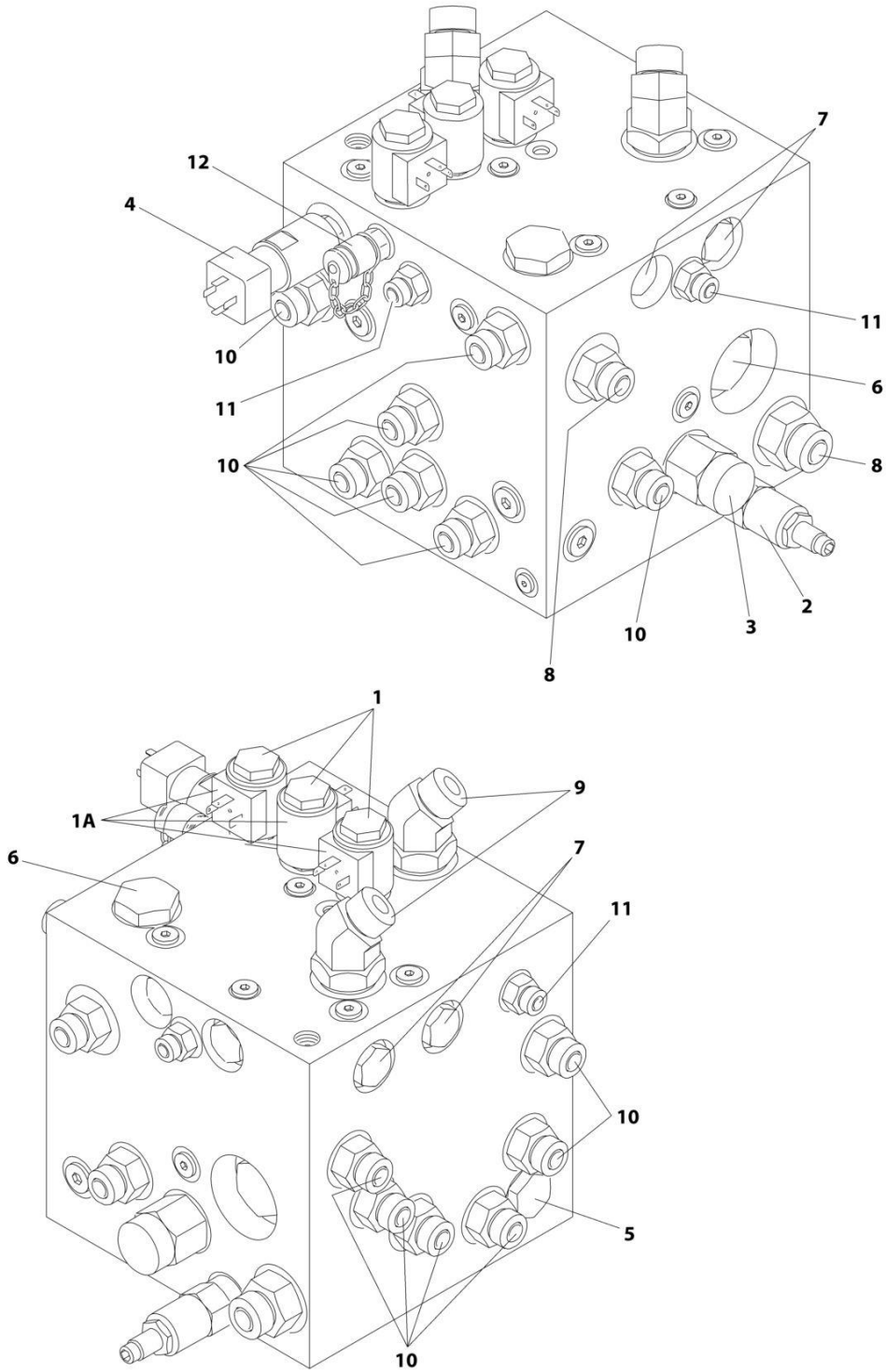
ART_4641268

FIGURE 1-13. STEER VALVE ASSEMBLY

ITEM	PART NUMBER	QTY	DESCRIPTION	REV
	4641268	Ref	STEER VALVE ASSEMBLY	C
1	7026028	12	Cartridge (6 Per Valve)	
1	7011346	12	Seal Kit - Cartridge (1 Per Cartridge)	
2	7024927	4	Valve (2 Per Valve)	
2	7012773	4	Seal Kit - Cartridge (1 Per Cartridge)	
2	7018991	8	Coil (2 Per Valve)	
3	70001976	2	Valve (1 Per Valve)	
3	7012773	2	Seal Kit - Cartridge (1 Per Cartridge)	
3	7018991	4	Coil (2 Per Valve)	
3	70001939	2	Orifice	
4	2221086	6	Check, Pressure	
5	2110606	8	Fitting, Straight	
6	2130810	2	Fitting, 90	

SECTION 1 - FRAME

FIGURE 1-14. TRACTION VALVE ASSEMBLY



ART_4641454

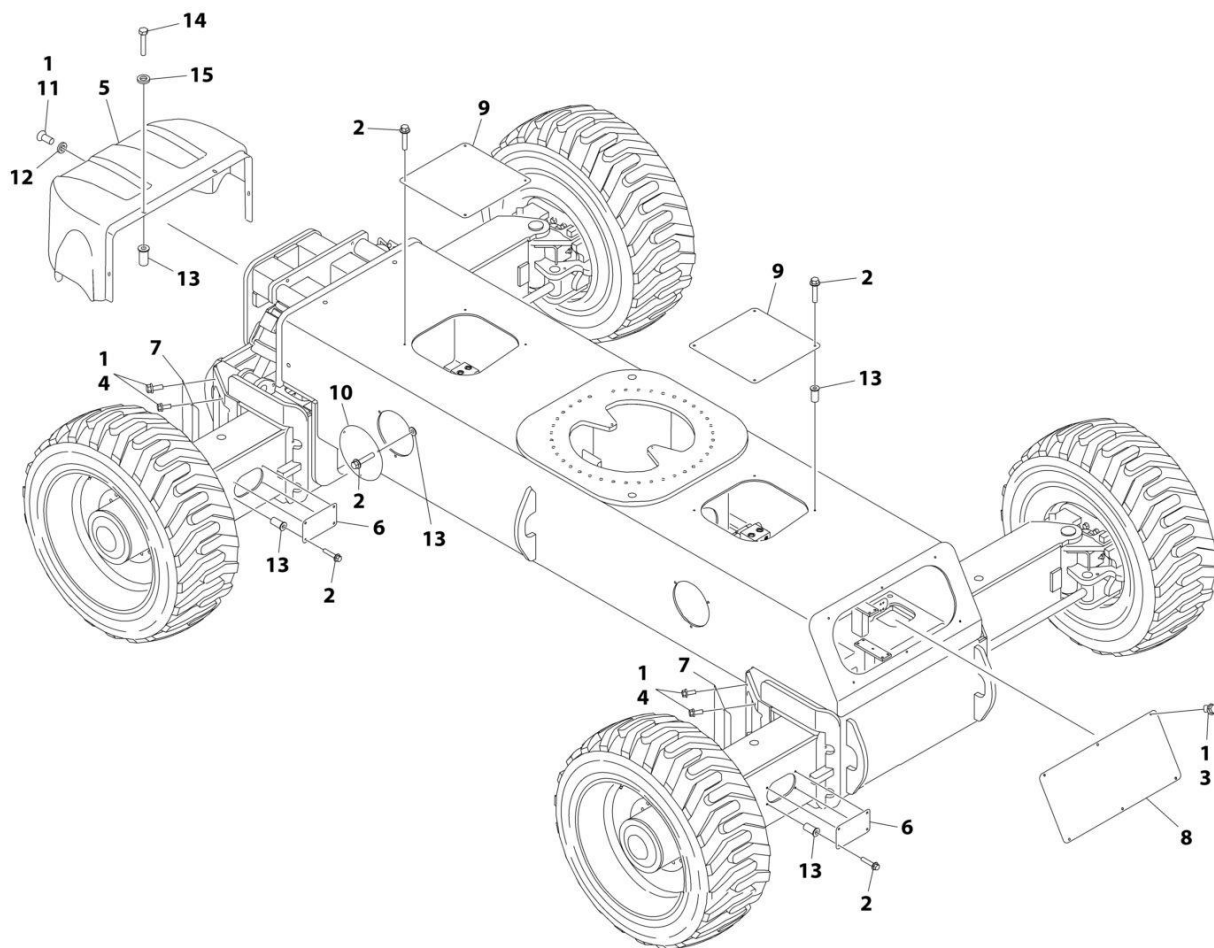
SECTION 1 - FRAME

FIGURE 1-14. TRACTION VALVE ASSEMBLY

ITEM	PART NUMBER	QTY	DESCRIPTION	REV
	4641454	Ref	TRACTION VALVE ASSEMBLY	E
1	7012941	3	Cartridge, Valve (Steer, Brake and Axle Lockout)	
1	7010543	3	Seal Kit - 7012941 Cartridge	
1A	7012944	2	Coil	
2	70000801	1	Cartridge, Valve (Relief)	
2	7012998	1	Seal Kit - 70000801 Cartridge	
3	70000802	1	Cartridge, Valve (Pilot)	
3	7012942	1	Seal Kit - 70000802 Cartridge	
4	70000803	1	Pressure Switch	
5	70000804	1	Cartridge, Valve (Shuttle)	
5	70000805	1	Seal Kit - 70000804 Cartridge	
6	70000806	2	Cartridge, Valve (Flow Divider)	
6	7017405	2	Seal Kit - 70000806 Cartridge	
7	7012955	4	Cartridge, Valve (Check)	
7	7012967	4	Seal Kit - 7012955 Cartridge	
8	2111012	2	Fitting, Straight	
9	2151012	2	Fitting, 45	
10	2110810	13	Fitting, Straight	
11	2110406	3	Fitting, Straight	
12	2221086	1	Check, Pressure	
13	2220883	1	Plug, #4 (Not Shown)	

SECTION 1 - FRAME

FIGURE 1-15. FRAME COVERS INSTALLATION - ABS



ART_1001176346

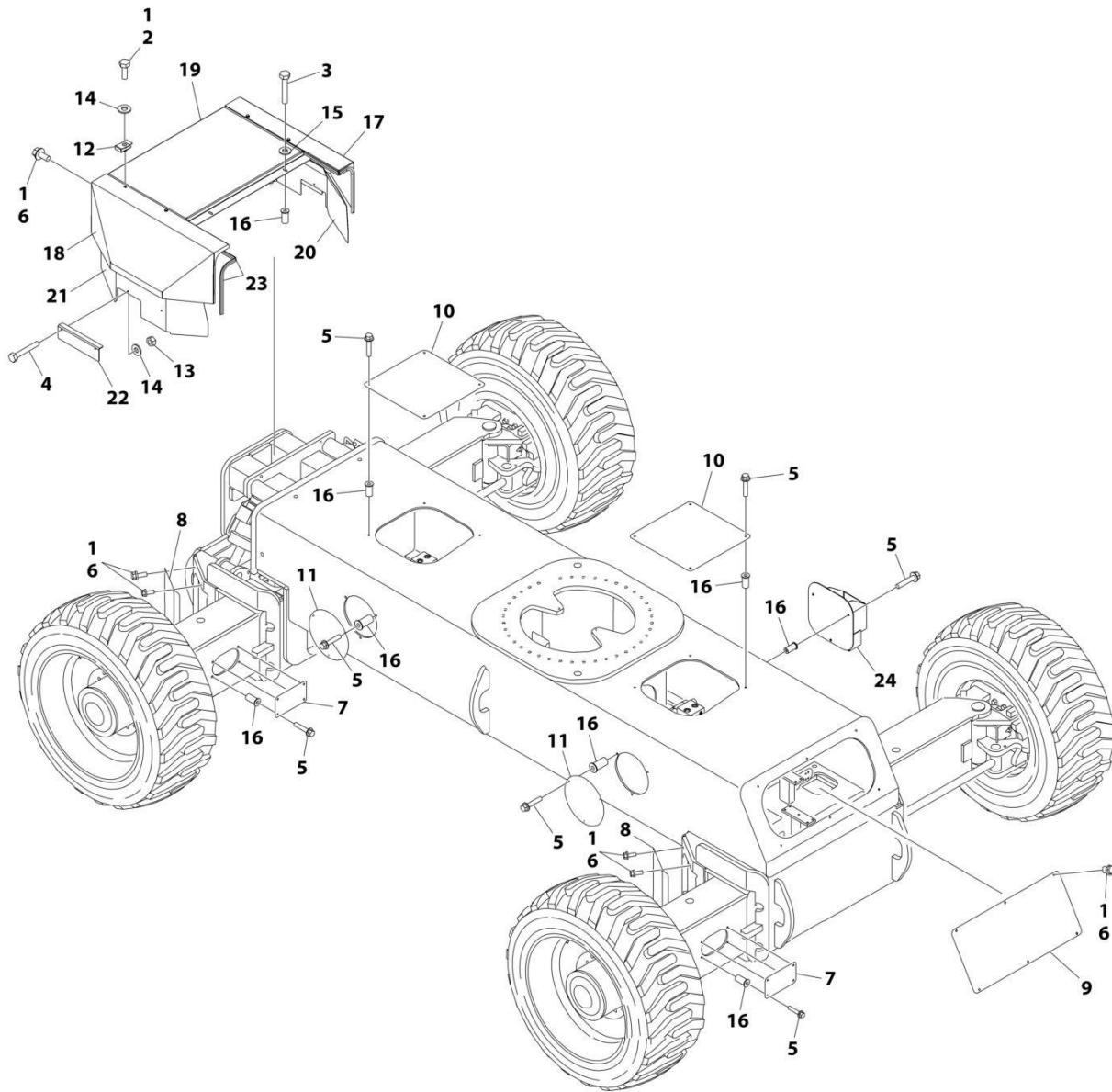
SECTION 1 - FRAME

FIGURE 1-15. FRAME COVERS INSTALLATION - ABS

ITEM	PART NUMBER	QTY	DESCRIPTION	REV
	1001176346	Ref	FRAME COVERS INSTALLATION - ABS	C
1	0100011	AR	Compound, Locking	
2	0791410	36	Screw 1/4 x 1-1/4	
3	0791604	6	Screw 3/8 x 1/2	
4	0791607	16	Screw 3/8 x 7/8	
5	1670996	1	Cover, Front	
6	1671045	4	Plate, Cover (Axle Side)	
7	1671046	4	Plate, Cover (Axle Corner)	
8	1671047	1	Plate, Cover (Rear)	
9	1671048	2	Plate, Cover (Frame Top)	
10	1671049	4	Plate, Cover (Frame Side)	
11	3900283	3	Screw 3/8 x 3/4	
12	4751600	3	Washer 3/8	
13	8580420	40	Nut, Well	
14	0641412	4	Bolt 1/4 x 1-1/2	
15	4740430	4	Washer, Fender	

SECTION 1 - FRAME

FIGURE 1-16. FRAME COVERS INSTALLATION - STEEL



ART_1001176347

SECTION 1 - FRAME

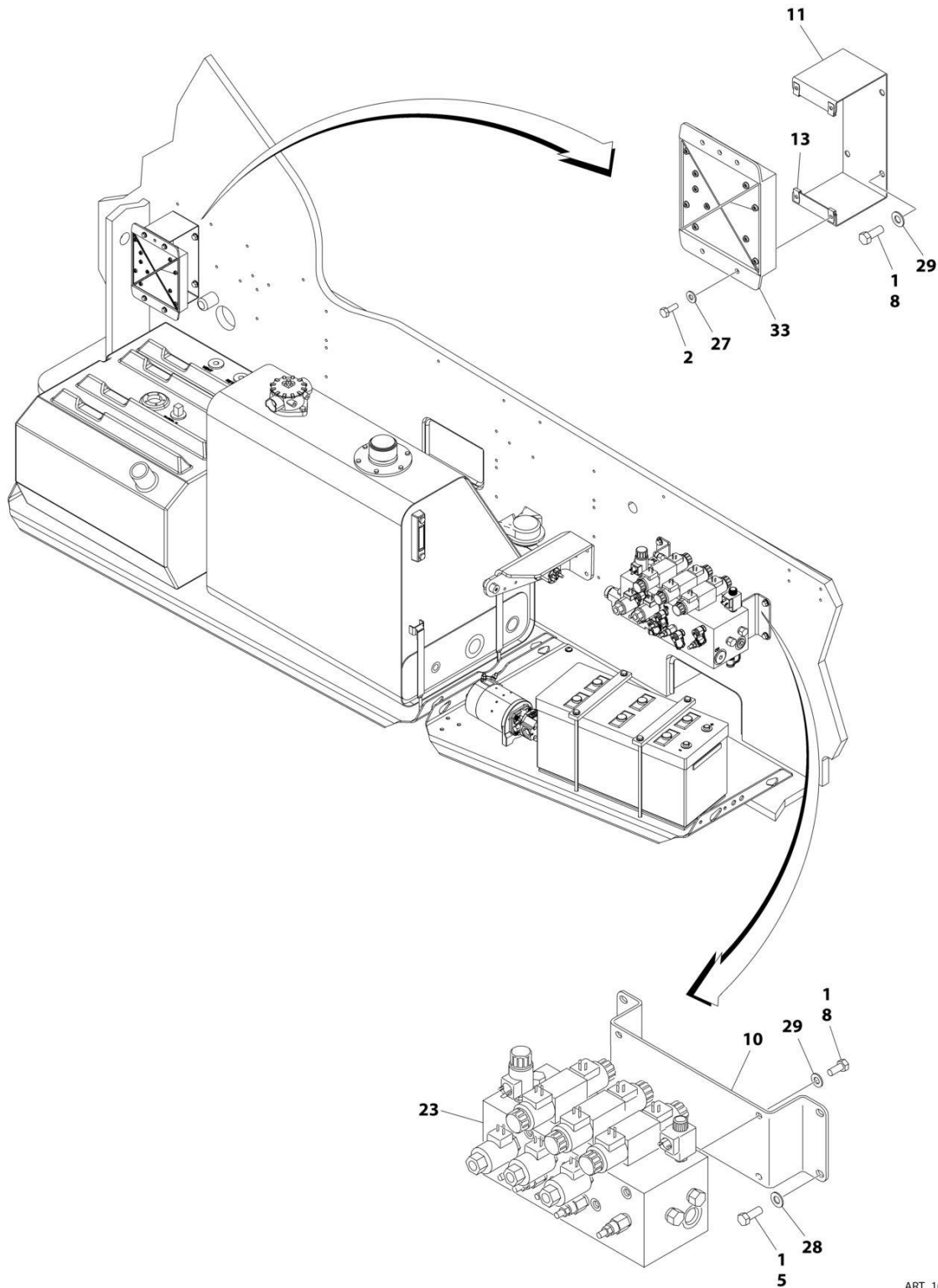
FIGURE 1-16. FRAME COVERS INSTALLATION - STEEL

ITEM	PART NUMBER	QTY	DESCRIPTION	REV
	1001176347	Ref	FRAME COVERS INSTALLATION (STEEL)	C
		Ref	Note: Only Available on ANSI, ANSI Export and Japanese Specs.	
1	0100011	AR	Compound, Locking	
2	0641406	8	Screw 1/4 x 3/4	
3	0641412	2	Bolt 1/4 x 1-1/2	
4	0641414	4	Screw 1/4 x 1-3/4	
5	0791410	36	Screw 1/4 x 1-1/4	
6	0791604	25	Screw 3/8 x 1/2	
7	1671045	4	Plate, Cover (Axle Side)	
8	1671046	4	Plate, Cover (Axle Corner)	
9	1671047	1	Plate, Cover (Rear)	
10	1671048	2	Plate, Cover (Frame Top)	
11	1671049	3	Plate, Cover (Frame Side)	
12	3300454	8	Nut 1/4	
13	3311405	4	Nut 1/4	
14	4711400	12	Washer 1/4	
15	4740430	2	Washer, Fender	
16	8580420	38	Nut, Well	
17	1001110108	1	Cover - RH Side	
18	1001110109	1	Cover - LH Side	
19	1001110110	1	Cover - Center Side	
20	1001110111	1	Shift - RH Side	
21	1001110112	1	Shift - LH Side	
22	1001110113	2	Plate	
23	1001110513	51 in /5.5m	Seal	
24	1001110877	1	Mount, Fire Extinguisher	

SECTION 2 - TURNTABLE

SECTION 2 - TURNTABLE

FIGURE 2-1. TURNTABLE VALVES INSTALLATION (Prior to SN 0300281171, Prior to SN B300011649, Including 0300281173 and 0300281175)



ART_1001219990_20F3

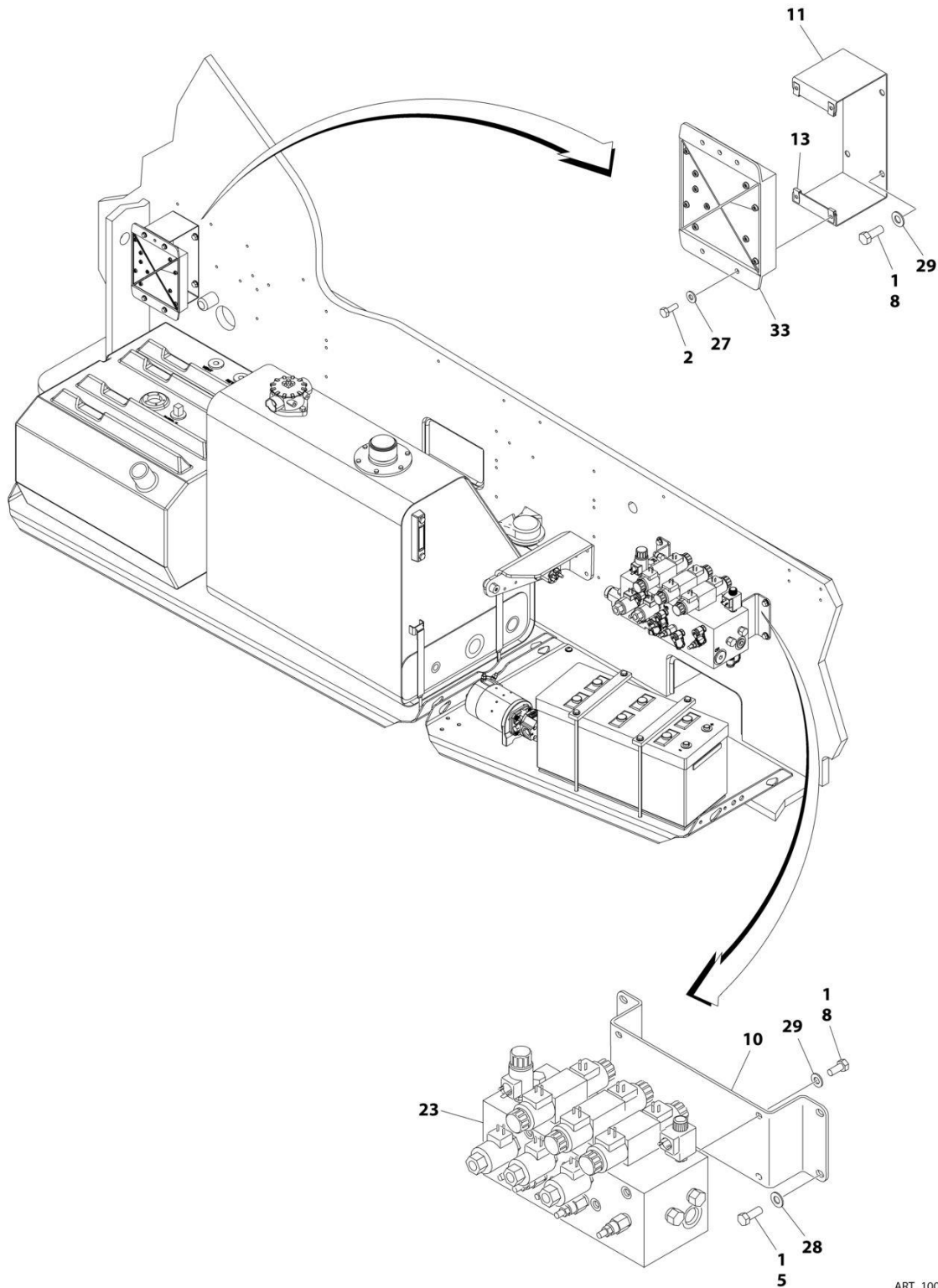
SECTION 2 - TURNTABLE

FIGURE 2-1. TURNTABLE VALVES INSTALLATION (Prior to SN 0300281171, Prior to SN B300011649, Including 0300281173 and 0300281175)

ITEM	PART NUMBER	QTY	DESCRIPTION	REV
	1001219990	Ref	TURNTABLE VALVES INSTALLATION - WITH 1 CELL LSS	C
1	0100011	AR	Compound, Locking	
2	0641406	4	Bolt 1/4 x 3/4	
5	0641506	4	Bolt 5/16 x 3/4	
8	0641608	8	Bolt 3/8 x 1	
10	0902755	1	Bracket, Valve Mounting	
11	0902800	1	Bracket, Module Mounting	
13	3300454	1	Nut, Special	
23	1001270105	1	Main Valve Assembly (See Separate Breakdown in this Section)	
27	4711400	1	Washer 1/4	
28	4711500	1	Washer 5/16	
29	4711600	1	Washer 3/8	
33	1001227960	1	Module, B.L.A.M. (Note: Control System must be Re-calibrated when Module is Replaced)	
33	2915024	1	Update Kit (Includes Cables, Programming Instructions and CD Software)	

SECTION 2 - TURNTABLE

FIGURE 2-2. TURNTABLE VALVES INSTALLATION (SN 0300281176 to Present, Including 0300281172, 0300281174 and B300011649)



ART_1001219990_D_2OF3

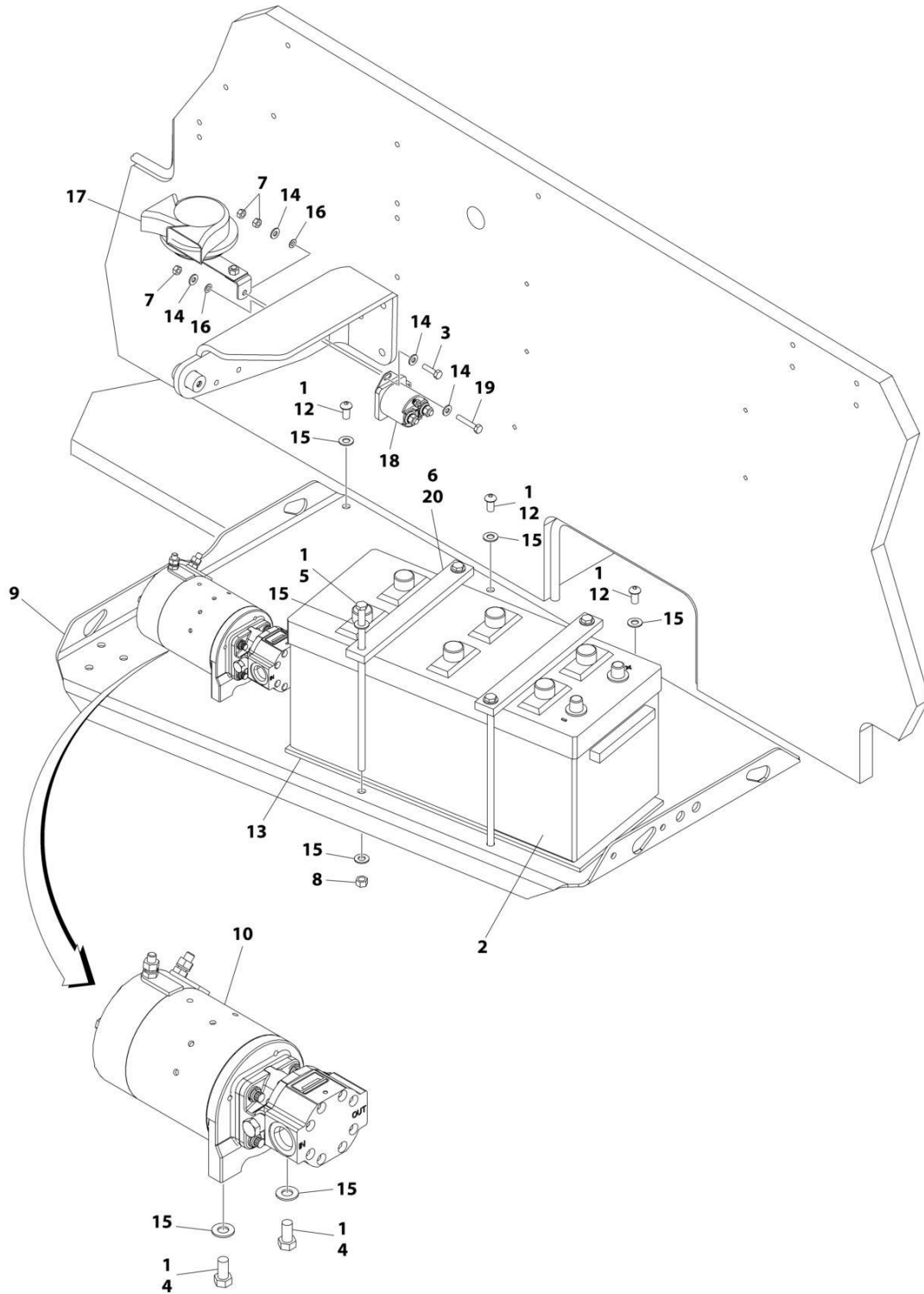
SECTION 2 - TURNTABLE

FIGURE 2-2. TURNTABLE VALVES INSTALLATION (SN 0300281176 to Present, Including 0300281172, 0300281174 and B300011649)

ITEM	PART NUMBER	QTY	DESCRIPTION	REV
	1001219990	Ref	TURNTABLE VALVES INSTALLATION - WITH 1 CELL LSS	D
1	0100011	AR	Compound, Locking	
2	0641406	4	Bolt 1/4 x 3/4	
5	0641506	4	Bolt 5/16 x 3/4	
8	0641608	8	Bolt 3/8 x 1	
10	0902755	1	Bracket, Valve Mounting	
11	0902800	1	Bracket, Module Mounting	
13	3300454	1	Nut, Special	
23	1001270105	1	Main Valve Assembly (See Separate Breakdown in this Section)	
27	4711400	1	Washer 1/4	
28	4711500	1	Washer 5/16	
29	4711600	1	Washer 3/8	
33	1001227960	1	Module, B.L.A.M. (Note: Control System must be Re-calibrated when Module is Replaced)	
33	2915024	1	Update Kit (Includes Cables, Programming Instructions and CD Software)	

SECTION 2 - TURNTABLE

FIGURE 2-3. BATTERY AND AUXILIARY PUMP INSTALLATION - ABS HOODS



ART_0271795_G

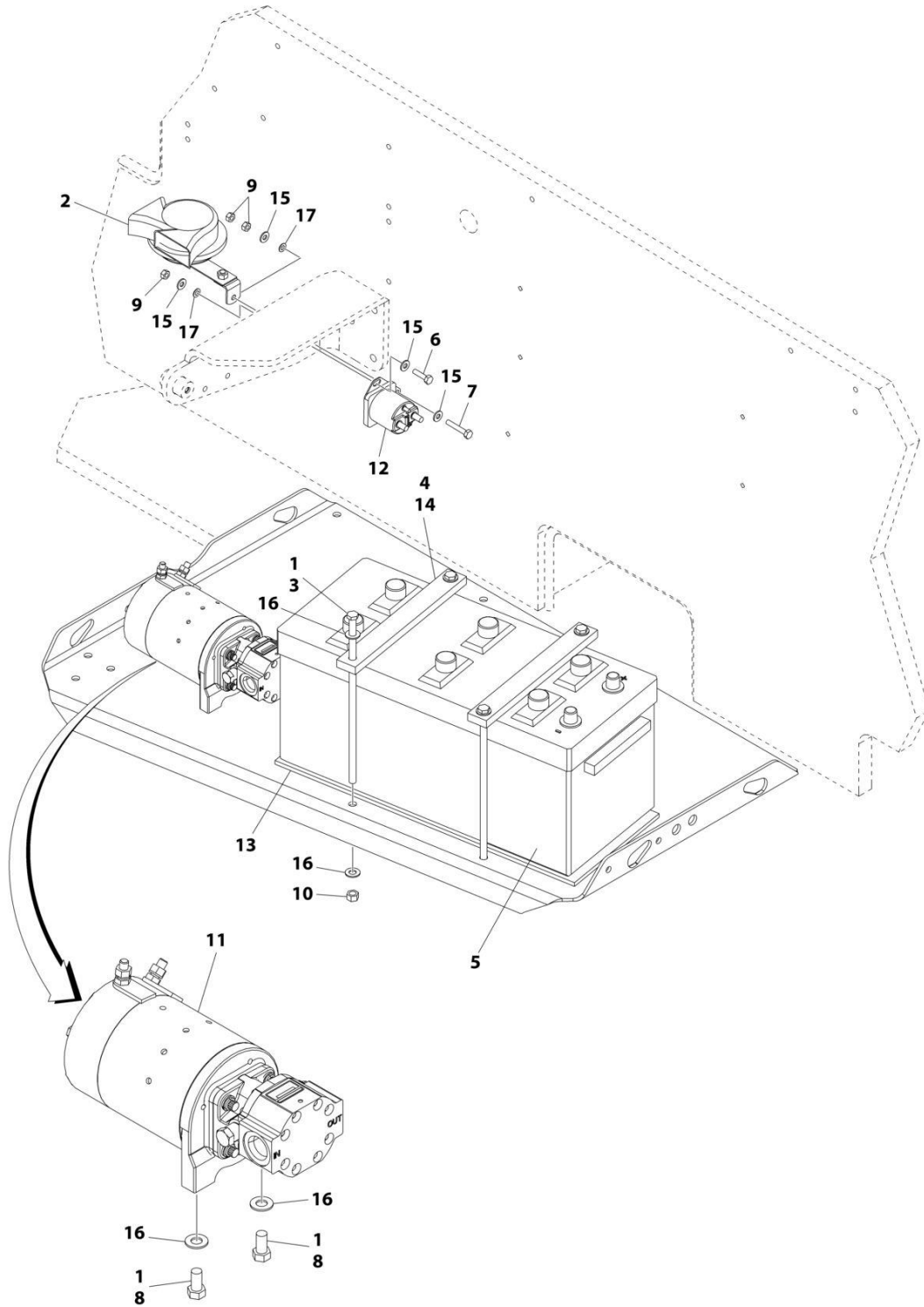
SECTION 2 - TURNTABLE

FIGURE 2-3. BATTERY AND AUXILIARY PUMP INSTALLATION - ABS HOODS

ITEM	PART NUMBER	QTY	DESCRIPTION	REV
	0271795	Ref	BATTERY AND AUXILIARY PUMP INSTALLATION - ABS HOODS	G
1	0100011	AR	Compound, Locking	
2	0400020	1	Battery	
3	0641408	1	Bolt 1/4 x 1	
4	0641606	2	Bolt 3/8 x 3/4	
5	0236768	4	Rod, Hold-down	
6	0363062	2	Bar, Battery	
7	3311405	3	Nut 1/4	
8	3311601	4	Nut 3/8	
9	3573259	1	Tray	
10	3600424	1	Auxiliary Pump Assembly (See Separate Breakdown in this Section)	
12	3900283	7	Screw 3/8 x 3/4	
13	3980006	1	Seat, Battery	
14	4711400	4	Washer 1/4	
15	4711600	17	Washer 3/8	
16	4791400	2	Starwasher 1/4	
17	0140001	1	Horn	
18	3740067	1	Relay	
19	0641412	1	Bolt 1/4 x 1-1/2	
20	4420037	17 in /43cm	Tape, Insulation	

SECTION 2 - TURNTABLE

FIGURE 2-4. BATTERY AND AUXILIARY PUMP INSTALLATION - STEEL HOODS



ART_1001110740

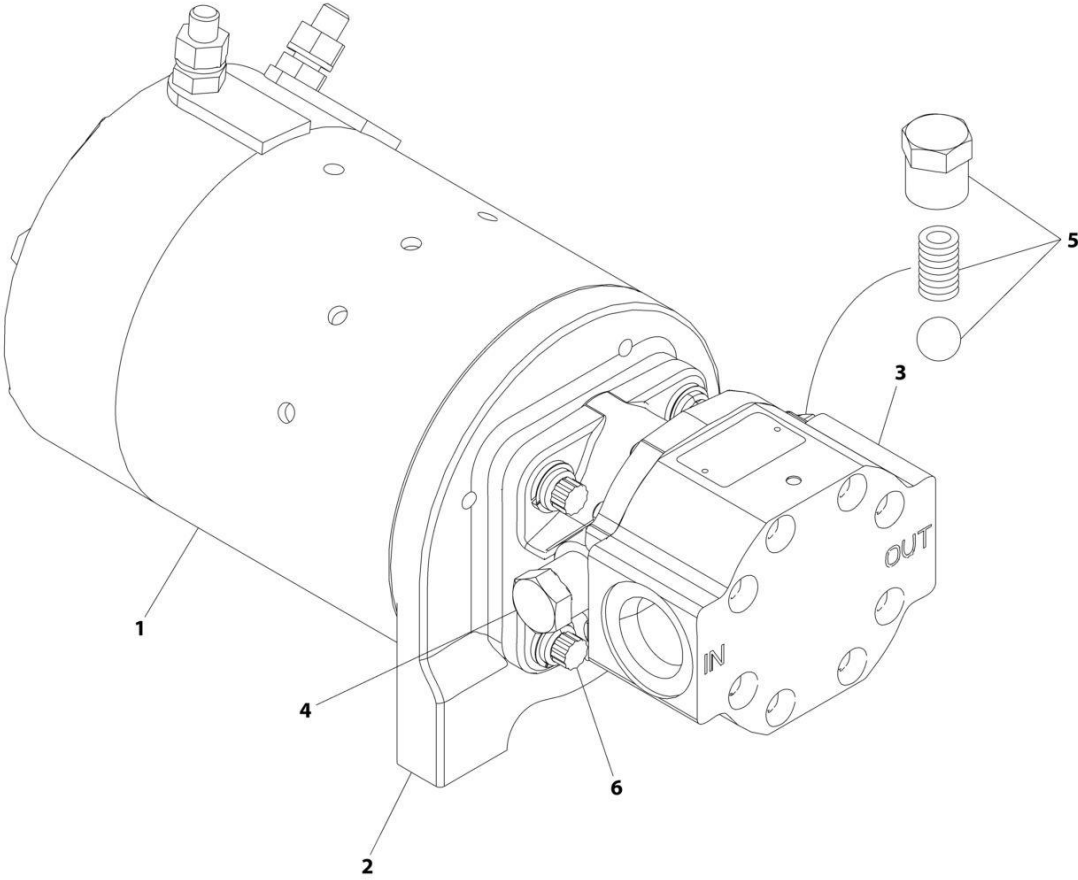
SECTION 2 - TURNTABLE

FIGURE 2-4. BATTERY AND AUXILIARY PUMP INSTALLATION - STEEL HOODS

ITEM	PART NUMBER	QTY	DESCRIPTION	REV
	1001110740	Ref	BATTERY AND AUXILIARY PUMP INSTALLATION – STEEL HOODS	A
1	0100011	AR	Compound, Locking	
2	0140001	1	Horn	
3	0236768	4	Rod, Hold-down	
4	0363062	2	Bar, Battery	
5	0400020	1	Battery	
6	0641408	1	Bolt 1/4 x 1	
7	0641412	1	Bolt 1/4 x 1-1/2	
8	0641606	2	Bolt 3/8 x 3/4	
9	3311405	3	Nut 1/4	
10	3311601	4	Nut 3/8	
11	3600424	1	Auxiliary Pump Assembly (See Separate Breakdown in this Section)	
12	3740067	1	Relay	
13	3980006	1	Seat, battery	
14	4420037	17 in /43cm	Tape, Insulation	
15	4711400	4	Washer 1/4	
16	4711600	10	Washer 3/8	
17	4791400	2	Starwasher 1/4	

SECTION 2 - TURNTABLE

FIGURE 2-5. AUXILIARY PUMP ASSEMBLY



ART_3600424

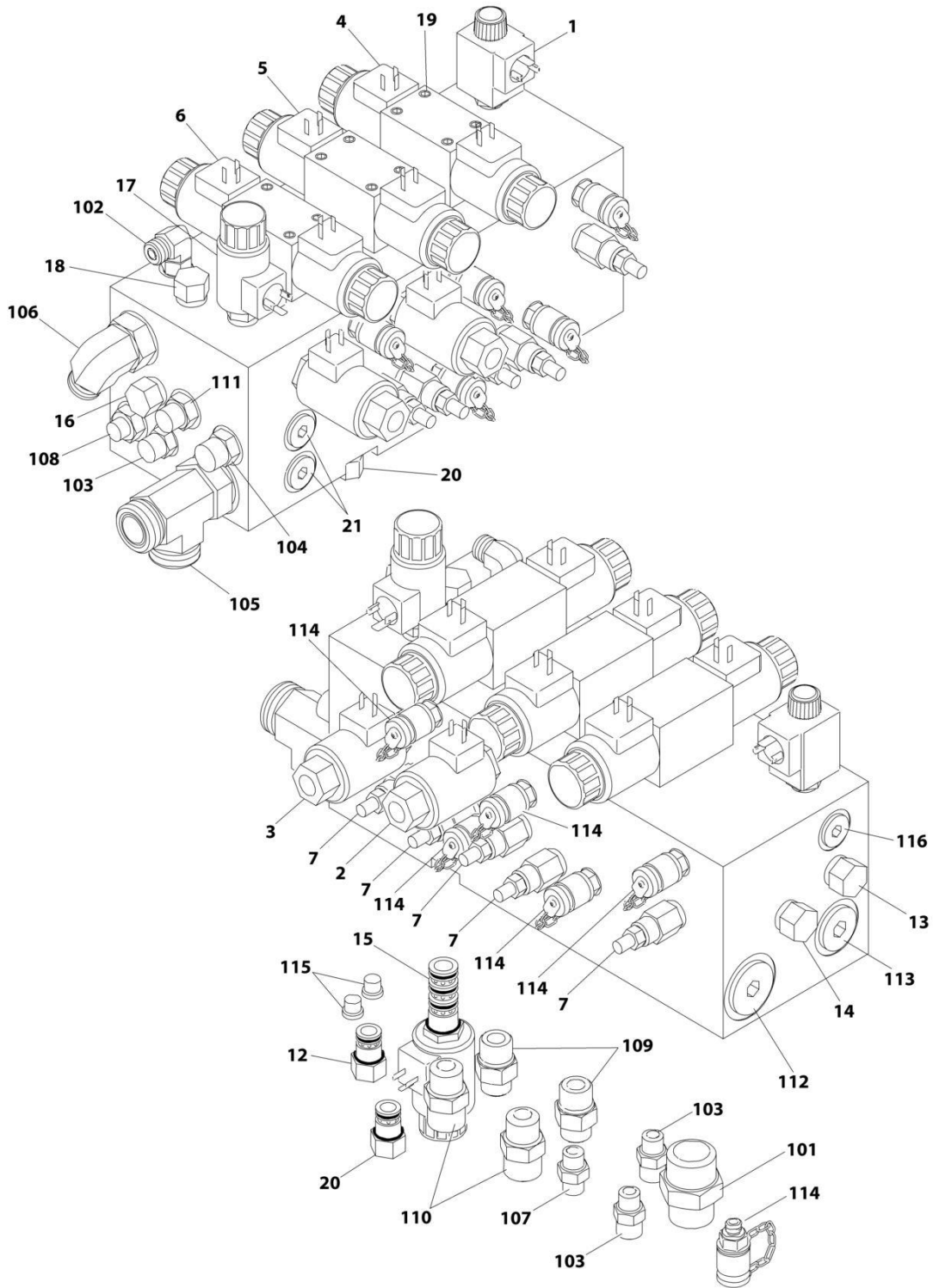
SECTION 2 - TURNTABLE

FIGURE 2-5. AUXILIARY PUMP ASSEMBLY

ITEM	PART NUMBER	QTY	DESCRIPTION	REV
	3600424	Ref	AUXILIARY PUMP ASSEMBLY	B
1	70001056	1	Motor Service Replacement Kit (Includes Motor, p/n 7011062 Adapter, p/n 7011016 Coupling and qty 2 Setscrews)	
1	See Note	1	Brush Kit (Note: Not Available For Purchase)	
2	7011062	1	Bracket, Motor/Pump (Part of Item 1)	
2	7011016	1	Coupling (Part of Items 1 & 3)	
2	7011044	1	Gasket (Part of Item 3)	
3	7029593	1	Pump Service Replacement Kit (Includes Pump, p/n 7011016 Coupling, qty 2 Gaskets and qty 4 each of Screws and Washers)	
3	See Note	1	Seal, Shaft (Note: Not Available For Purchase)	
4	7029593	1	Valve Components	
5	7029593	1	Valve Components	
6	7011048	4	Screw	
6	7011043	4	Washer	

SECTION 2 - TURNTABLE

FIGURE 2-6. MAIN VALVE ASSEMBLY



ART_1001270105

SECTION 2 - TURNTABLE

FIGURE 2-6. MAIN VALVE ASSEMBLY

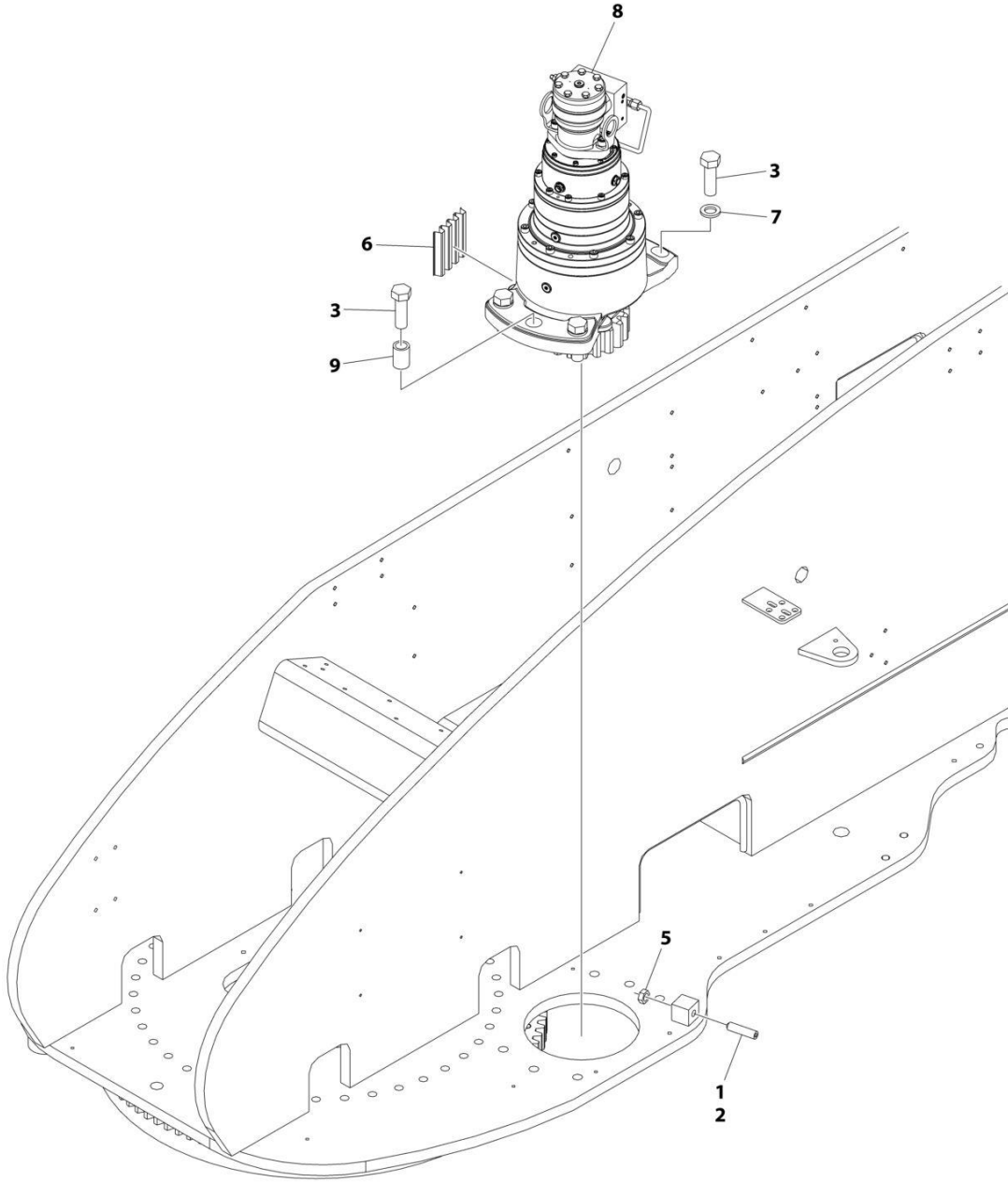
ITEM	PART NUMBER	QTY	DESCRIPTION	REV
	1001270105	Ref	MAIN VALVE ASSEMBLY	B
1	7024573	1	Cartridge, Solenoid Valve (Dump)	
1	7024574	1	Seal Kit - Cartridge	
1	7011354	1	Coil	
2	7021636	1	Cartridge, Solenoid Valve (Lift Flow)	
2	7017495	1	Seal Kit - Cartridge	
2	7017451	1	Coil	
3	7021636	1	Cartridge, Solenoid Valve (Tele Flow)	
3	7017495	1	Seal Kit - Cartridge	
3	7017451	1	Coil	
4	7024924	1	Control Valve Assembly (Swing)	
4	7012773	1	Seal Kit - Valve	
4	7018991	2	Coil	
4	7021375	2	Nut, Coil	
5	7024925	1	Control Valve Assembly (Lift)	
5	7012773	1	Seal Kit - Valve	
5	7018991	2	Coil	
5	7021375	2	Nut, Coil	
6	70001976	1	Control Valve Assembly (Tele)	
6	7012773	1	Seal Kit - Valve	
6	7018991	2	Coil	
6	7021375	2	Nut, Coil	
7	7026007	5	Cartridge, Relief Valve (Swing/Lift Up/Lift Down/Tele In/Tele Out)	
7	7024574	1	Seal Kit - Cartridge	
12	7026000	1	Cartridge, Check Valve	
12	7011311	1	Seal Kit - Cartridge	
13	7026001	1	Cartridge, Check Valve	
13	7011311	1	Seal Kit - Cartridge	
14	7026002	1	Cartridge, Shuttle Valve	
14	2900770	1	Seal Kit - Cartridge	
15	7024570	1	Cartridge, Solenoid Valve (Aux Lift Down Select)	
15	70001930	1	Seal Kit - Cartridge	
15	7024571	1	Coil	
16	7026003	1	Cartridge, Pilot Valve	
16	7026004	1	Seal Kit - Cartridge	
17	7026005	1	Cartridge, Solenoid Valve (Aux Lift Down)	
17	7026006	1	Seal Kit - Cartridge	
17	7024571	1	Coil	
18	7026008	1	Cartridge, Check Valve	
18	7011346	1	Seal Kit - Cartridge	
19	7018942	12	Capscrew #10 x 2	
20	7026016	1	Cartridge, Valve	
20	7011346	1	Seal Kit - Cartridge	
21	70002759	1	Plug with O-Ring (Valve p/n 4641222 Only)	
	1001270105	Ref	Main Valve Assembly (Fitting Information)	A
101	2111216	1	Fitting, Straight	
102	2130606	1	Fitting, Elbow	
103	2110606	3	Fitting, Straight	
104	2110808	1	Fitting, Straight	
105	2170316	1	Fitting, Tee	

SECTION 2 - TURNTABLE

ITEM	PART NUMBER	QTY	DESCRIPTION	REV
106	2131012	1	Fitting, Elbow	
107	2110406	1	Fitting, Straight	
108	2110408	1	Fitting, Straight	
109	2110810	2	Fitting, Straight	
110	2111010	2	Fitting, Straight	
111	2110608	1	Fitting, Straight	
112	2220890	1	Plug	
113	70002760	1	Plug	
114	2221086	6	Check, Pressure	
115	70002758	2	Fitting, Plug	
116	70002759	1	Plug with O-Ring	

SECTION 2 - TURNTABLE

FIGURE 2-7. SWING DRIVE INSTALLATION



ART_1001228617

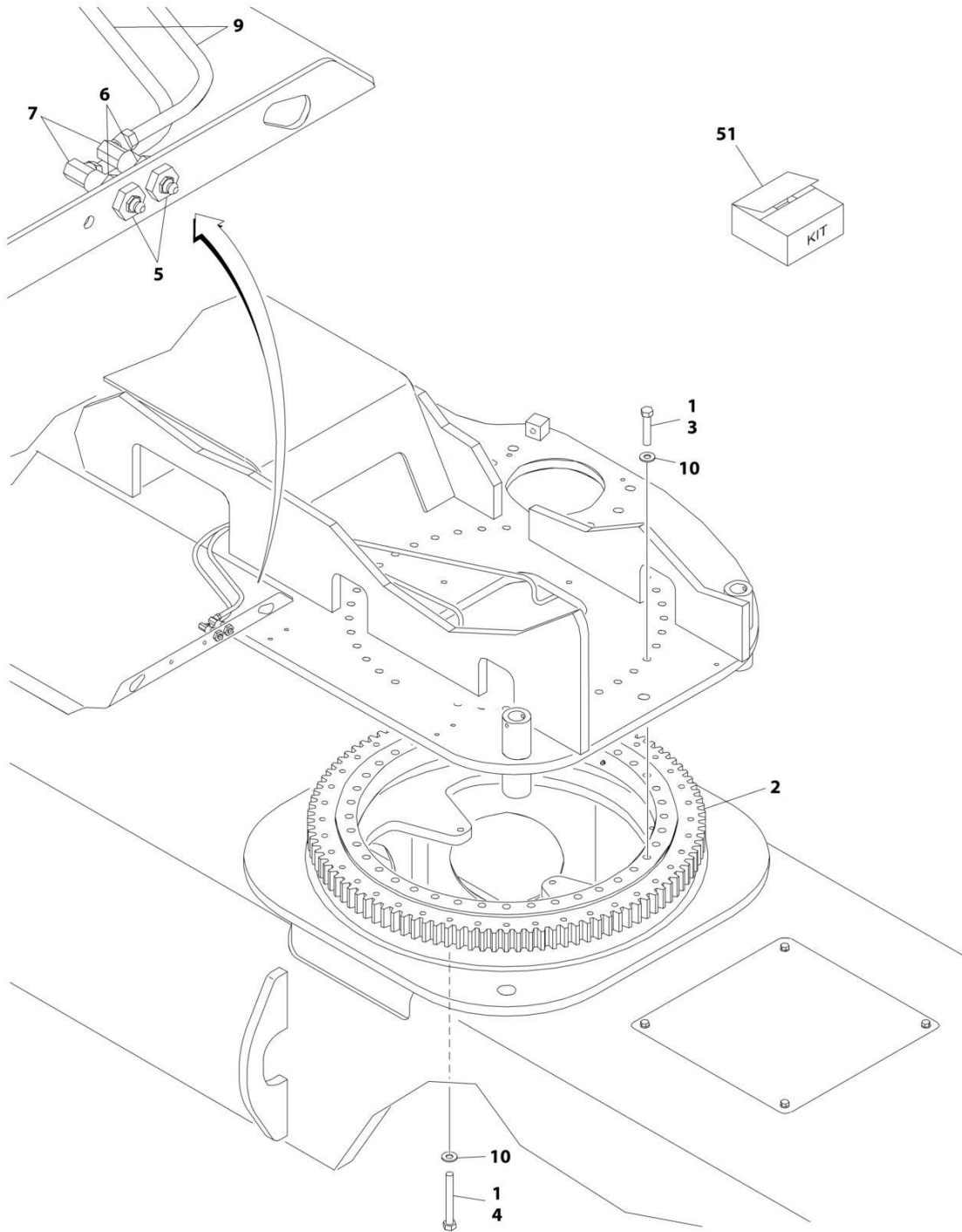
SECTION 2 - TURNTABLE

FIGURE 2-7. SWING DRIVE INSTALLATION

ITEM	PART NUMBER	QTY	DESCRIPTION	REV
	1001228617	Ref	SWING DRIVE INSTALLATION	E
1	0100019	AR	Compound, Locking	
2	3952020	1	Setscrew 5/8 x 2-1/2	
3	0682422	6	Bolt 7/8 x 2-3/4 Grade 8	
5	3312002	1	Nut 5/8	
6	4071041	1	Shim	
7	4892400	5	Washer 7/8	
8	1001228488	1	Swing Motor/Hub Assembly (See Separate Breakdown in this Section)	
9	1001229058	1	Sleeve	

SECTION 2 - TURNTABLE

FIGURE 2-8. TURNTABLE BEARING AND LUBE INSTALLATION



ART_0271512

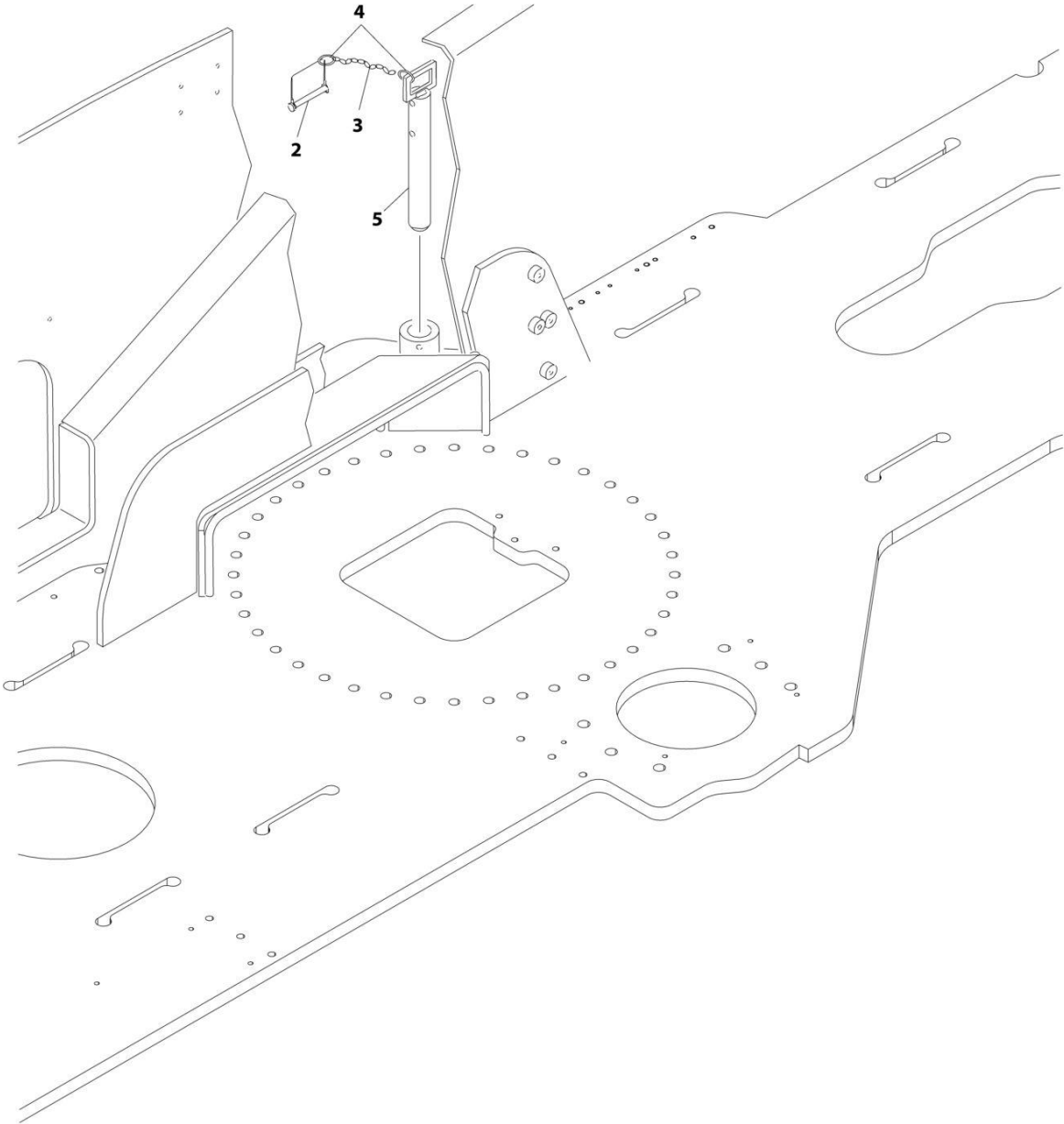
SECTION 2 - TURNTABLE

FIGURE 2-8. TURNTABLE BEARING AND LUBE INSTALLATION

ITEM	PART NUMBER	QTY	DESCRIPTION	REV
	0271512	Ref	TURNTABLE BEARING AND LUBE INSTALLATION	B
1	0100019	AR	Compound, Locking	
2	0440251	1	Bearing, Turntable	
3	0682026	40	Bolt 5/8 x 3-1/4 Grade 8	
4	0682040	40	Bolt 5/8 x 5 Grade 8	
5	2160002	2	Fitting, Grease	
6	2180344	2	Fitting, Bulkhead	
7	2220063	2	Fitting, Adapter	
9	2750528	2	Hose	
10	4892000	80	Washer 5/8	
51	2915072	1	Bearing Kit (Includes Items 2, 3, 4 & 10)	

SECTION 2 - TURNTABLE

FIGURE 2-9. TURNTABLE LOCK INSTALLATION



ART_0239842

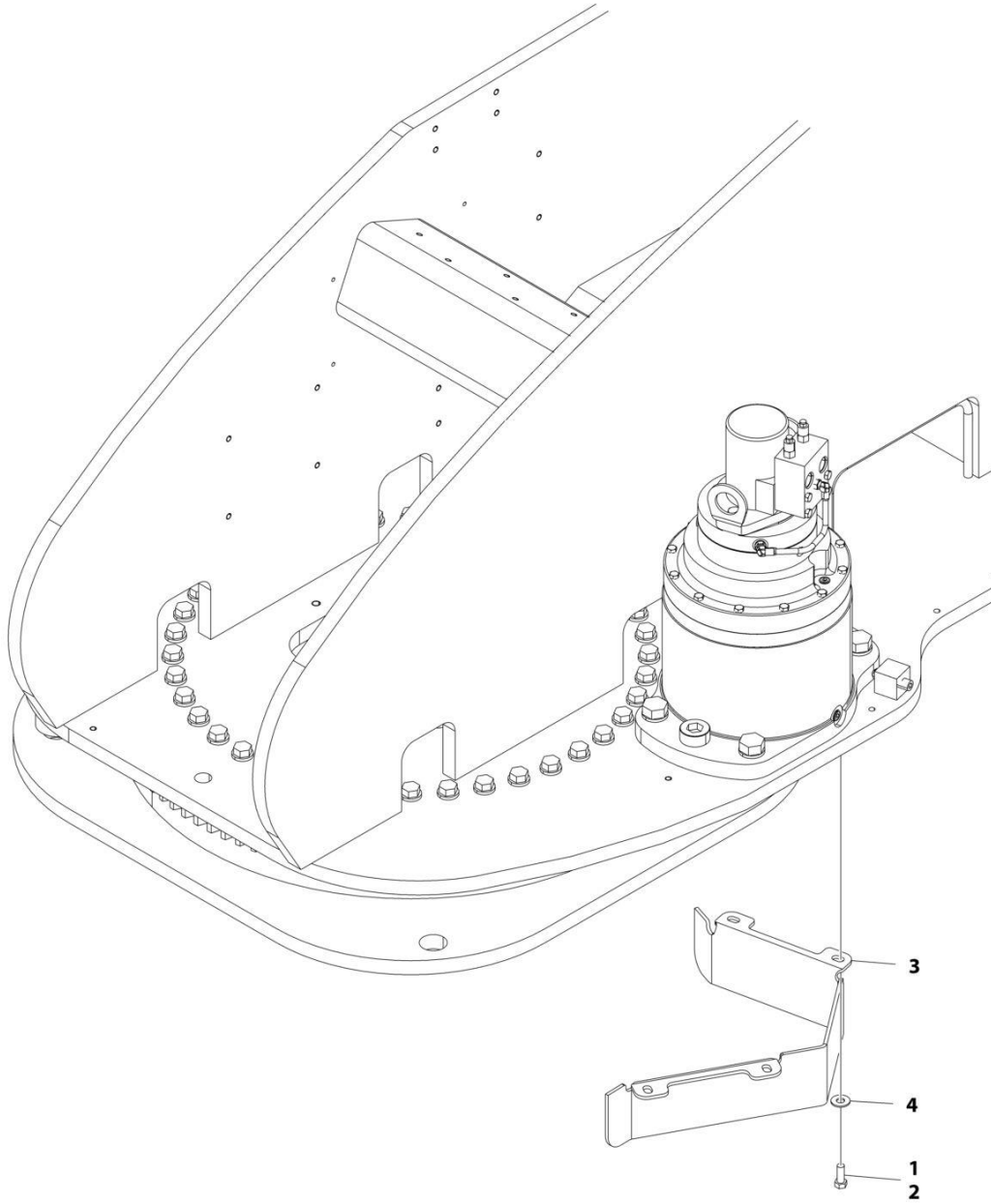
SECTION 2 - TURNTABLE

FIGURE 2-9. TURNTABLE LOCK INSTALLATION

ITEM	PART NUMBER	QTY	DESCRIPTION	REV
	0239842	Ref	TURNTABLE LOCK INSTALLATION	B
2	3421565	1	Pin, Snap	
3	1260017	9 in/23cm	Chain - #3	
4	3760170	2	Ring, Quick Release	
5	3421563	1	Pin, Turntable Lock	

SECTION 2 - TURNTABLE

FIGURE 2-10. PINION SHIELD INSTALLATION



ART_0271874

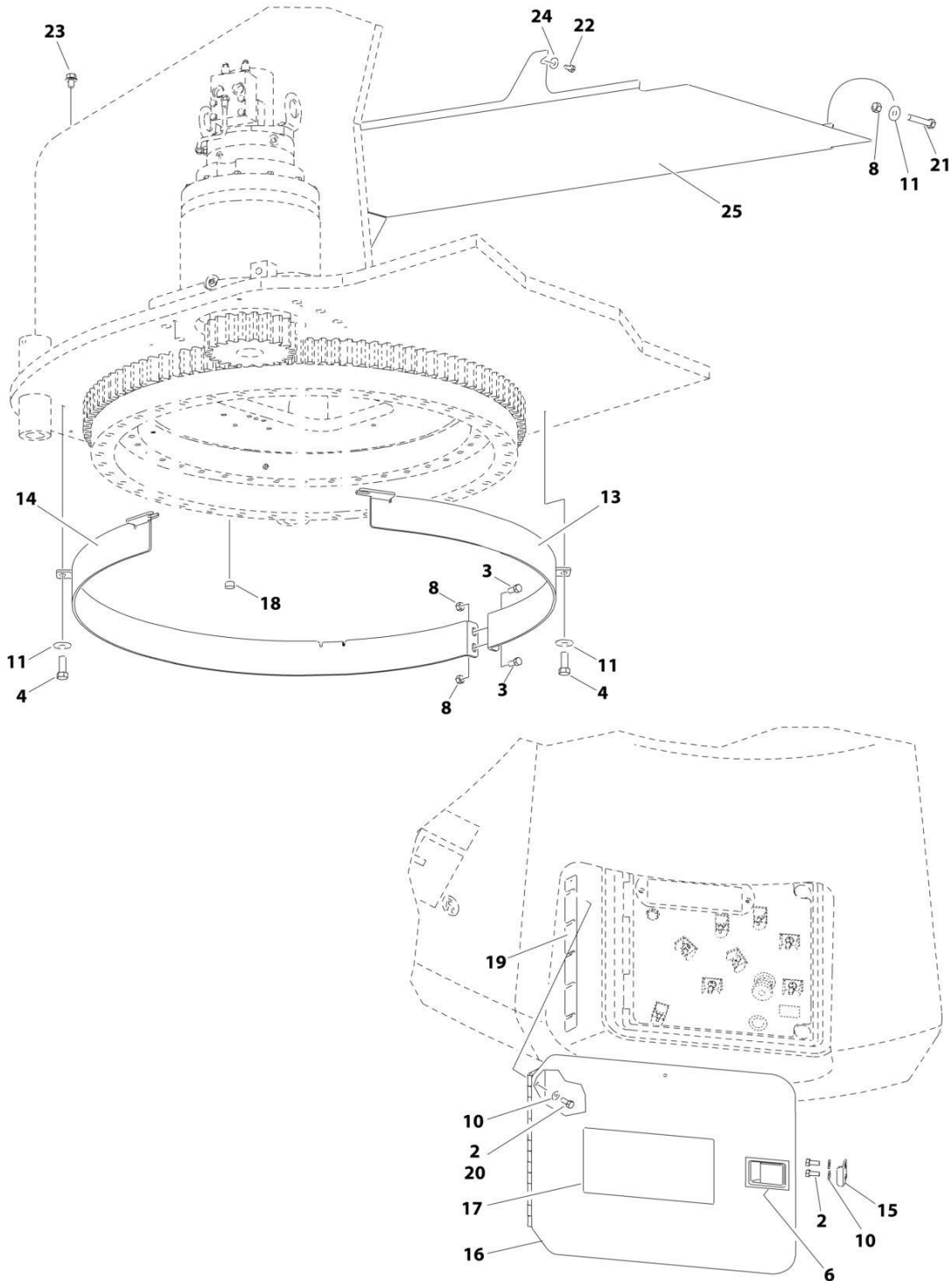
SECTION 2 - TURNTABLE

FIGURE 2-10. PINION SHIELD INSTALLATION

ITEM	PART NUMBER	QTY	DESCRIPTION	REV
	0271874	Ref	PINION SHIELD INSTALLATION	A
1	0100011	AR	Compound, Locking	
2	0641608	4	Bolt 3/8 x 1	
3	3573355	1	Plate, Pinion	
4	4751600	4	Washer 3/8	

SECTION 2 - TURNTABLE

FIGURE 2-11. EXTREME HOSTILE PACKAGE INSTALLATION (OPTIONAL)



ART_1001111219

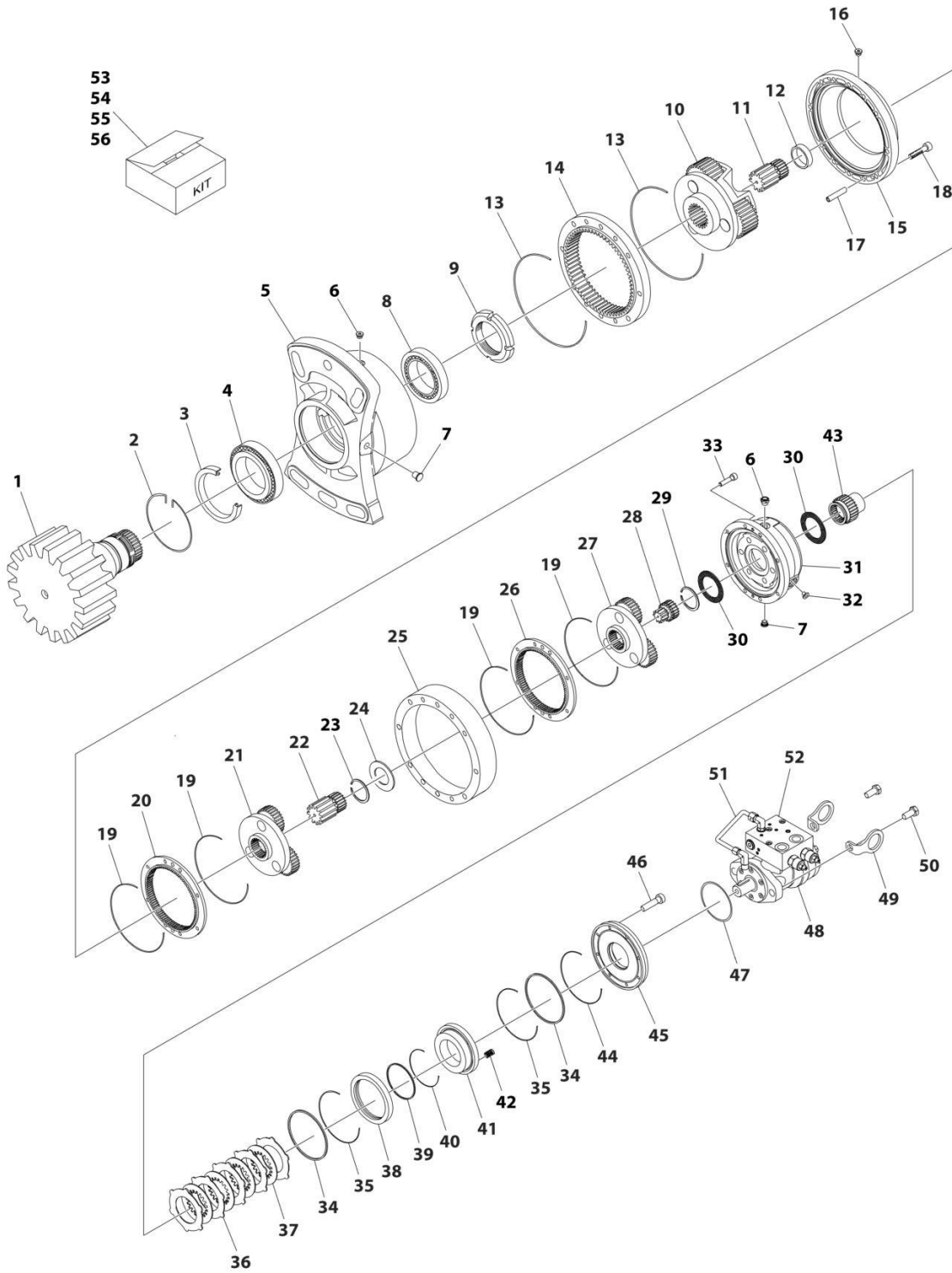
SECTION 2 - TURNTABLE

FIGURE 2-11. EXTREME HOSTILE PACKAGE INSTALLATION (OPTIONAL)

ITEM	PART NUMBER	QTY	DESCRIPTION	REV
	1001111219	Ref	EXTREME HOSTILE PACKAGE INSTALLATION (OPTIONAL)	G
2	0641506	5	Bolt 5/16 x 3/4	
3	0641606	2	Bolt 3/8 x 3/4	
4	0641608	3	Bolt 3/8 x 1	
6	2940045	1	Latch, Paddle	
8	3311605	AR	Nut 3/8	
10	4711500	7	Washer 5/16	
11	4751600	AR	Washer 3/8	
12	1001110940	1	Filter, Hydraulic Tank (Not Shown)	
13	1001111175	1	Plate, Bearing Cover	
14	1001111176	1	Plate, Bearing Cover	
15	1001112911	1	Plate, Striker	
16	1001111193	1	Door	
17	1001113173	1	Decal - Emergency Stop	
18	1001114392	1	Plug, Rubber	
19	1001115168	1	Shim	
20	0100011	AR	Compound, Locking	
21	0630511	1	Bolt 3/8 x 2	
22	0641404	1	Bolt 1/4 x 1/2	
23	0791604	2	Bolt 3/8 x 1/2	
24	4751400	1	Washer 1/4	
25	1001115440	1	Shield, Turntable	

SECTION 2 - TURNTABLE

FIGURE 2-12. SWING MOTOR/HUB ASSEMBLY



ART_1001228488

SECTION 2 - TURNTABLE

FIGURE 2-12. SWING MOTOR/HUB ASSEMBLY

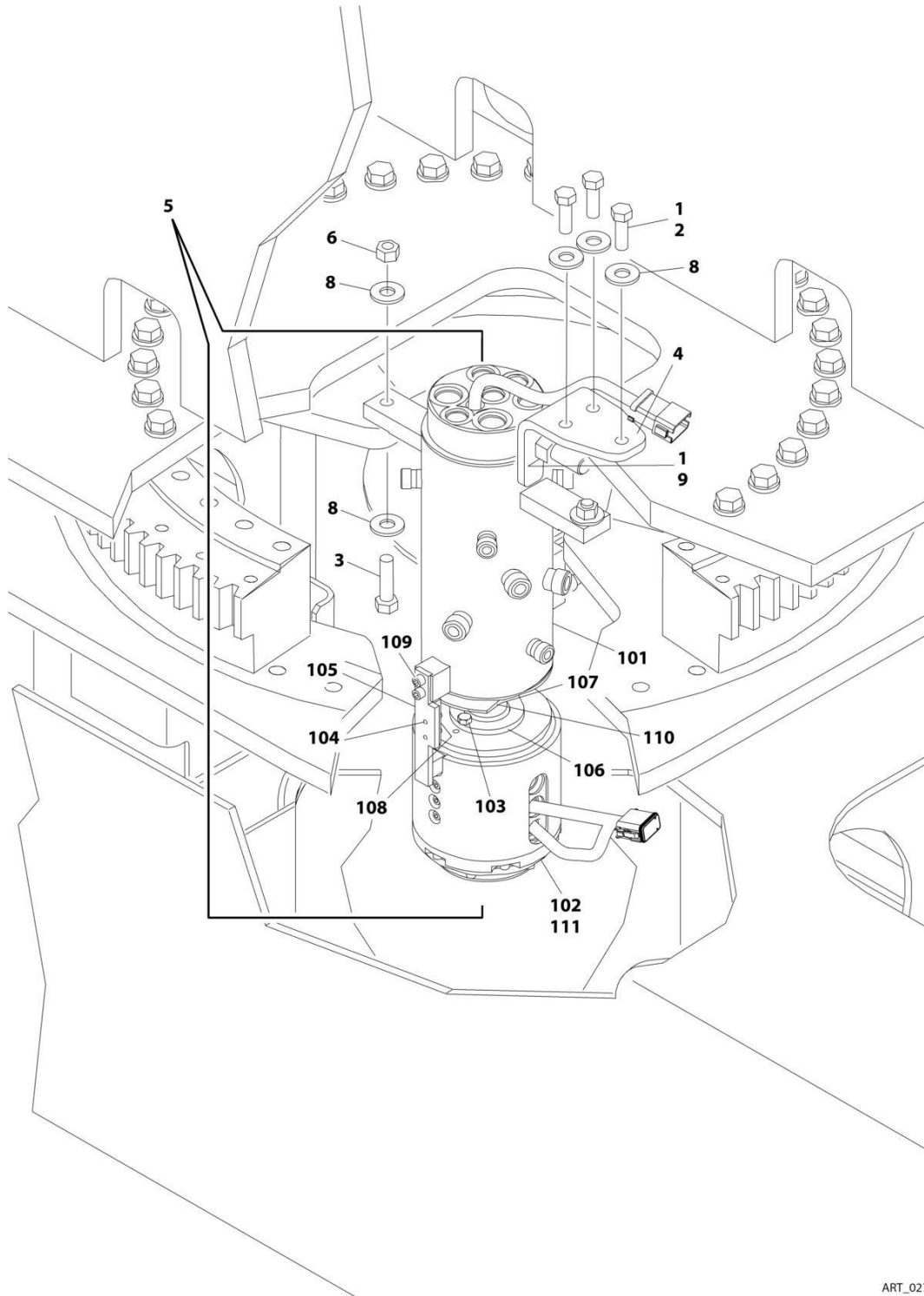
ITEM	PART NUMBER	QTY	DESCRIPTION	REV
	1001228488	Ref	SWING MOTOR/HUB ASSEMBLY	B
1	See Note	NSS	Shaft (Note: Use Item 56)	
2	70004467	1	Ring	
3	See Note	NSS	Seal, Oil (Note: Use Item 53)	
4	See Note	NSS	Bearing (Note: Use Item 55)	
5	See Note	NSS	Support, Output (Note: Not Available for Purchase)	
6	70002057	5	Plug with O-Ring	
7	70004469	2	Plug with O-Ring	
8	See Note	NSS	Bearing (Note: Use Item 55)	
9	See Note	NSS	Nut, Ring (Note: Use Item 56)	
10	70006986	1	Reduction, Gear - Complete	
11	70006987	1	Pinion	
12	70004477	1	Spacer	
13	See Note	NSS	O-Ring (Note: Use Item 53)	
14	70004474	1	Ring, Planetary	
15	70006988	1	Spacer	
16	70002057	2	Plug with O-Ring	
17	70006989	4	Pin, Spring	
18	70004480	8	Capscrew M10 x 55	
19	See Note	NSS	O-Ring (Note: Use Item 53)	
20	70006990	1	Ring, Planetary	
21	70006991	1	Reduction, Gear - Complete	
22	70006992	1	Pinion	
23	70002032	1	Ring	
24	70006993	1	Spacer	
25	70006994	1	Spacer	
26	70004481	1	Ring, Planetary	
27	70006995	1	Reduction, Gear - Complete	
28	70006996	1	Pinion	
29	70006997	1	Ring	
30	70006998	2	Washer	
31	See Note	NSS	Housing, Brake (Note: Not Available for Purchase)	
32	70006999	1	Plug	
33	70007000	8	Capscrew M8 x 90	
34	See Note	NSS	Seal (Note: Use Item 53 or 54)	
35	See Note	NSS	O-Ring (Note: Use Item 53 or 54)	
36	See Note	NSS	Disc, Steel (Note: Use Item 54)	
37	See Note	NSS	Disc (Note: Use Item 54)	
38	70005317	1	Spacer	
39	See Note	NSS	Seal (Note: Use Item 53 or 54)	
40	See Note	NSS	O-Ring (Note: Use Item 53 or 54)	
41	70005318	1	Piston, Brake	
42	See Note	NSS	Spring, Brake (Note: Use Item 54)	
43	70007001	1	Shaft, Input	
44	See Note	NSS	O-Ring (Note: Use Item 53 or 54)	
45	70007002	1	Cover	
46	70007003	8	Screw M6 x 25	
47	See Note	NSS	O-Ring (Note: Use Item 53)	
48	70007009	1	Motor	
48	70007011	1	Seal Kit	

SECTION 2 - TURNTABLE

ITEM	PART NUMBER	QTY	DESCRIPTION	REV
49	See Note	NSS	Lug, Lifting (Note: Not Available for Purchase)	
50	70004494	2	Capscrew M12 x 35	
51	70007004	1	Brake, Valve Adapter	
52	70007010	1	Valve	
52	70007012	1	Seal Kit	
52	70007013	1	Hardware Kit	
53	70007005	1	Seal Kit – Brake and Hub (Includes Items 3, 13, 19, 34, 35, 39, 40, 44 & 47)	
54	70007006	1	Seal Kit – Brake (Includes Items 34-37, 39, 40, 42 & 44)	
55	70007007	1	Bearing Kit (Includes Items 4 & 8)	
56	70007008	1	Output Shaft Kit (Includes Items 1 & 9)	

SECTION 2 - TURNTABLE

FIGURE 2-13. ROTARY COUPLING AND COLLECTOR RING INSTALLATION (ROTARY COUPLING WITHOUT SN PLATE)



ART_0271688

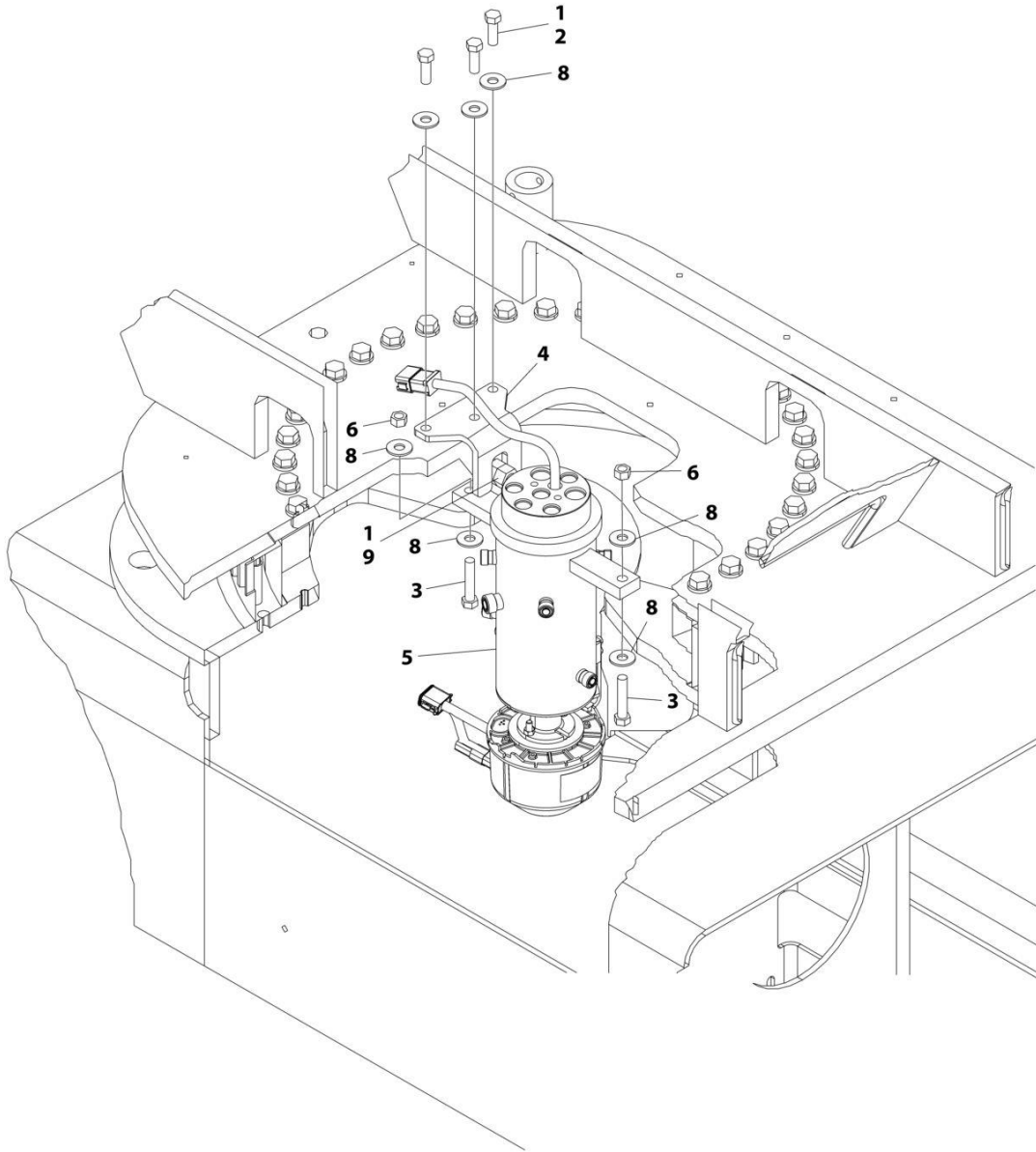
SECTION 2 - TURNTABLE

FIGURE 2-13. ROTARY COUPLING AND COLLECTOR RING INSTALLATION (ROTARY COUPLING WITHOUT SN PLATE)

ITEM	PART NUMBER	QTY	DESCRIPTION	REV
	0271688	Ref	ROTARY COUPLING AND COLLECTOR RING INSTALLATION	E
1	0100011	AR	Compound, Locking	
2	0641812	3	Bolt 1/2 x 1-1/2	
3	0641820	2	Bolt 1/2 x 2-1/2	
4	0902915	1	Bracket, Swivel	
5	1660302	1	Rotary Coupling and Collector Ring Assembly (See Items 101-111 for Breakdown)	
6	3311805	2	Nut 1/2	
8	4751800	7	Washer 1/2	
9	3322201	2	Nut 3/4	
	1660302	Ref	ROTARY COUPLING AND COLLECTOR RING ASSEMBLY	C
101	70001102	1	Coupling, Rotary	
101	See Note	1	Bearing (Note: Not Available For Purchase)	
101	70001101	1	Seal Kit - Coupling	
102	7026029	1	Contactora, Rotary Circuit (Does not include connector or pins)	
103	0641506	4	Bolt 5/16 x 3/4	
104	3931512	2	Capscrew 5/16 x 3/4	
105	70000780	1	Arm, Torque	
106	80334251	1	Adapter	
107	7026030	1	Plate, Cam	
108	7026031	1	Sensor, Proximity	
109	3931008	2	Capscrew #10 x 1/2	
110	7026032	1	Pin, Dowel	
111	0100048	AR	Grease, Silicone (Apply to Contactora Connector)	

SECTION 2 - TURNTABLE

FIGURE 2-14. ROTARY COUPLING AND COLLECTOR RING INSTALLATION (ROTARY COUPLING WITH SN PLATE)



ART_0271688_F

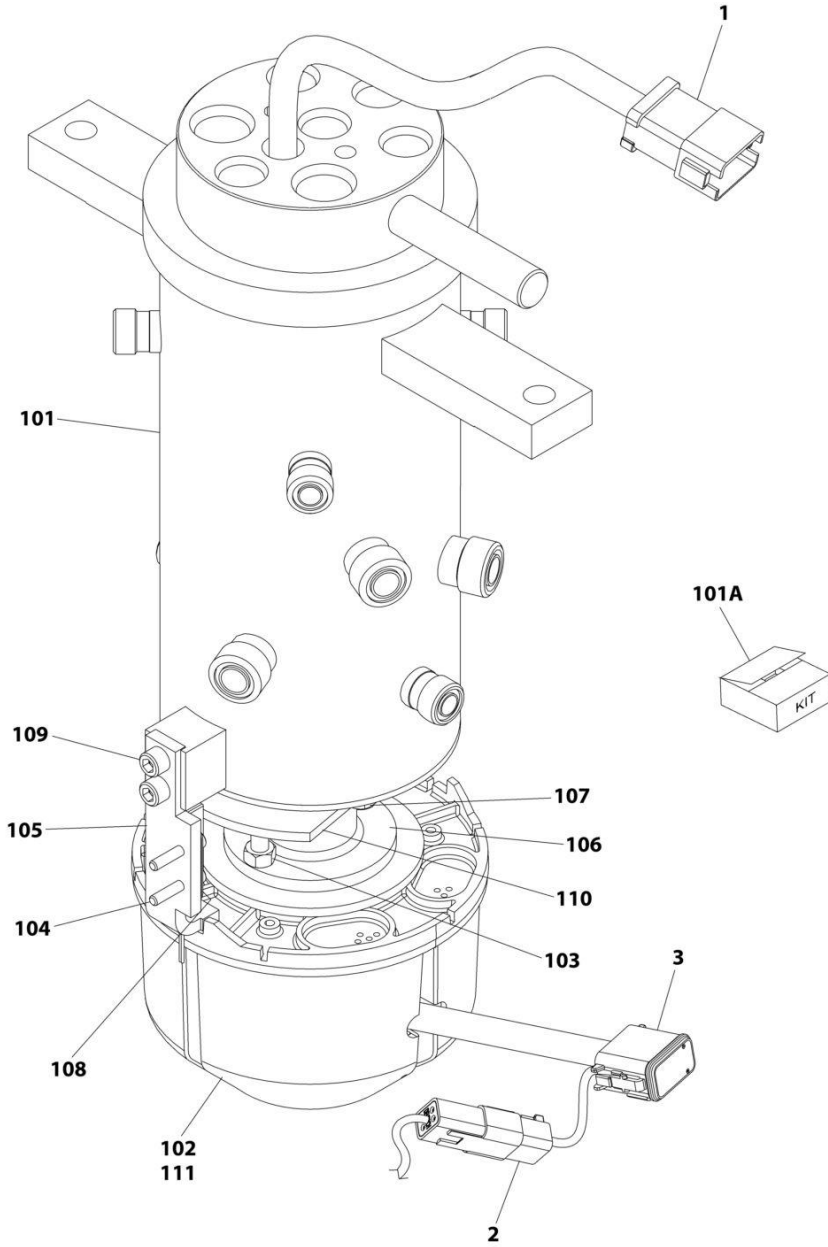
SECTION 2 - TURNTABLE

FIGURE 2-14. ROTARY COUPLING AND COLLECTOR RING INSTALLATION (ROTARY COUPLING WITH SN PLATE)

ITEM	PART NUMBER	QTY	DESCRIPTION	REV
	0271688	Ref	ROTARY COUPLING AND COLLECTOR RING INSTALLATION	F
1	0100011	AR	Compound, Locking	
2	0641812	3	Bolt 1/2 x 1-1/2	
3	0641820	2	Bolt 1/2 x 2-1/2	
4	0902915	1	Bracket, Swivel	
5	1001278607	1	Rotary Coupling and Collector Ring Assembly (See Separate Breakdown in this Section)	
6	3311805	2	Nut 1/2	
8	4751800	7	Washer 1/2	
9	3322201	2	Nut 3/4	

SECTION 2 - TURNTABLE

FIGURE 2-15. ROTARY COUPLING AND COLLECTOR RING ASSEMBLY



ART_1001278607

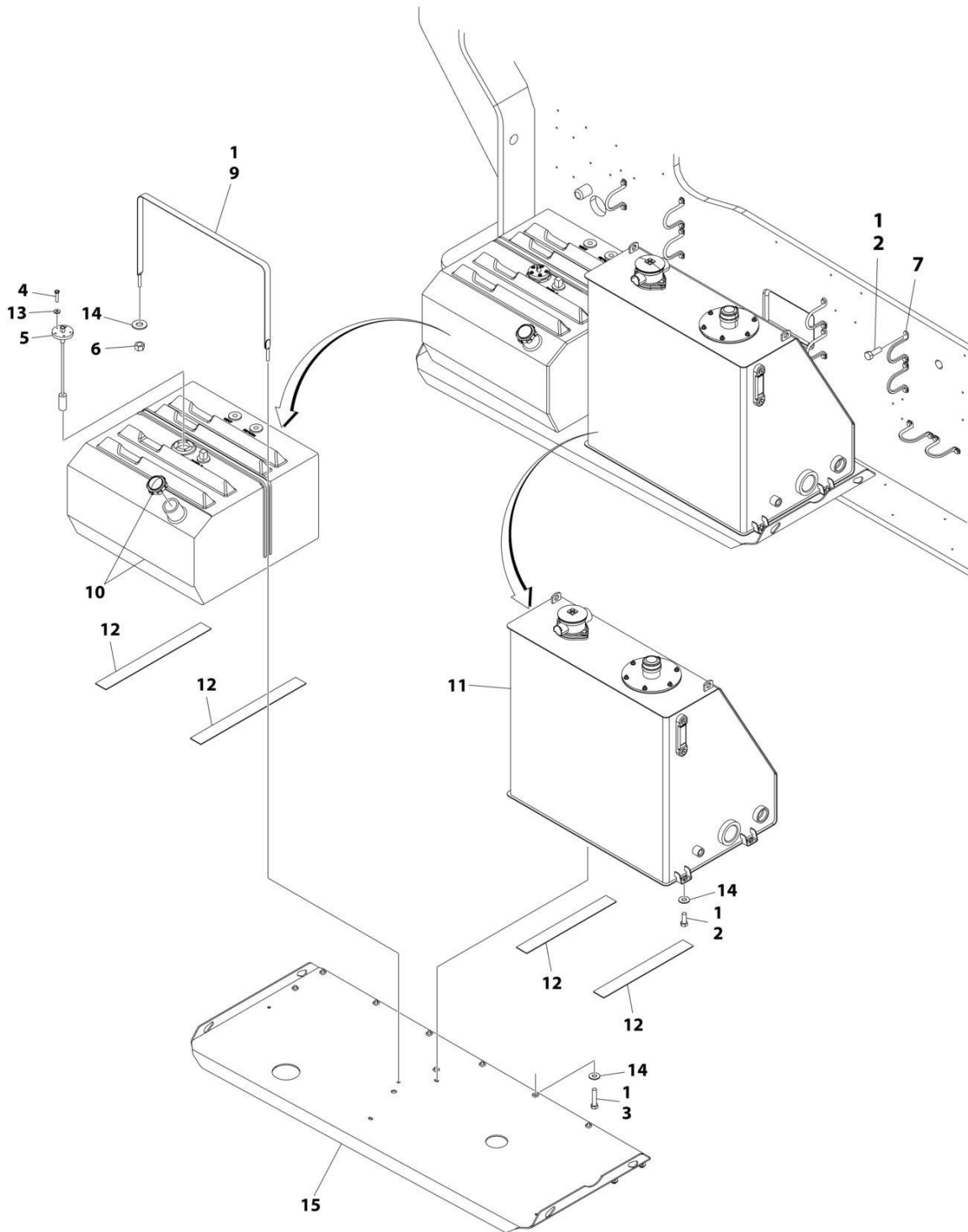
SECTION 2 - TURNTABLE

FIGURE 2-15. ROTARY COUPLING AND COLLECTOR RING ASSEMBLY

ITEM	PART NUMBER	QTY	DESCRIPTION	REV
	1001278607	Ref	ROTARY COUPLING AND COLLECTOR RING ASSEMBLY	A
1	4460950	1	Connector	
1	80363179	1	Wedge Lock	
2	4460884	1	Connector	
2	80604021	1	Wedge Lock	
3	4460836	1	Connector	
3	80604016	1	Wedge Lock	
3	4460944	3	Socket, Female (Gold)	
3	4640465	7	Socket, Female	
3	4460466	2	Seal, Plug	
101	70001102	1	Rotary Coupling Assembly	
101A	70001101	1	Seal Kit - 70001102 Coupling	
102	70008359	1	Collector Ring Assembly	
103	70008360	2	Nut 5/16	
104	70007510	2	Capscrew #10 x 1/2	
105	70008361	1	Arm	
106	70008362	1	Adaptor, Spool	
107	70008363	2	Bolt 5/16 x 1	
108	70008364	1	Sensor	
109	3931512	2	Capscrew 5/16 x 3/4	
110	70008365	1	Plate, Cam	
111	0100048	AR	Silicone	

SECTION 2 - TURNTABLE

FIGURE 2-16. TANK INSTALLATION - WITH ABS HOODS



ART_0271572

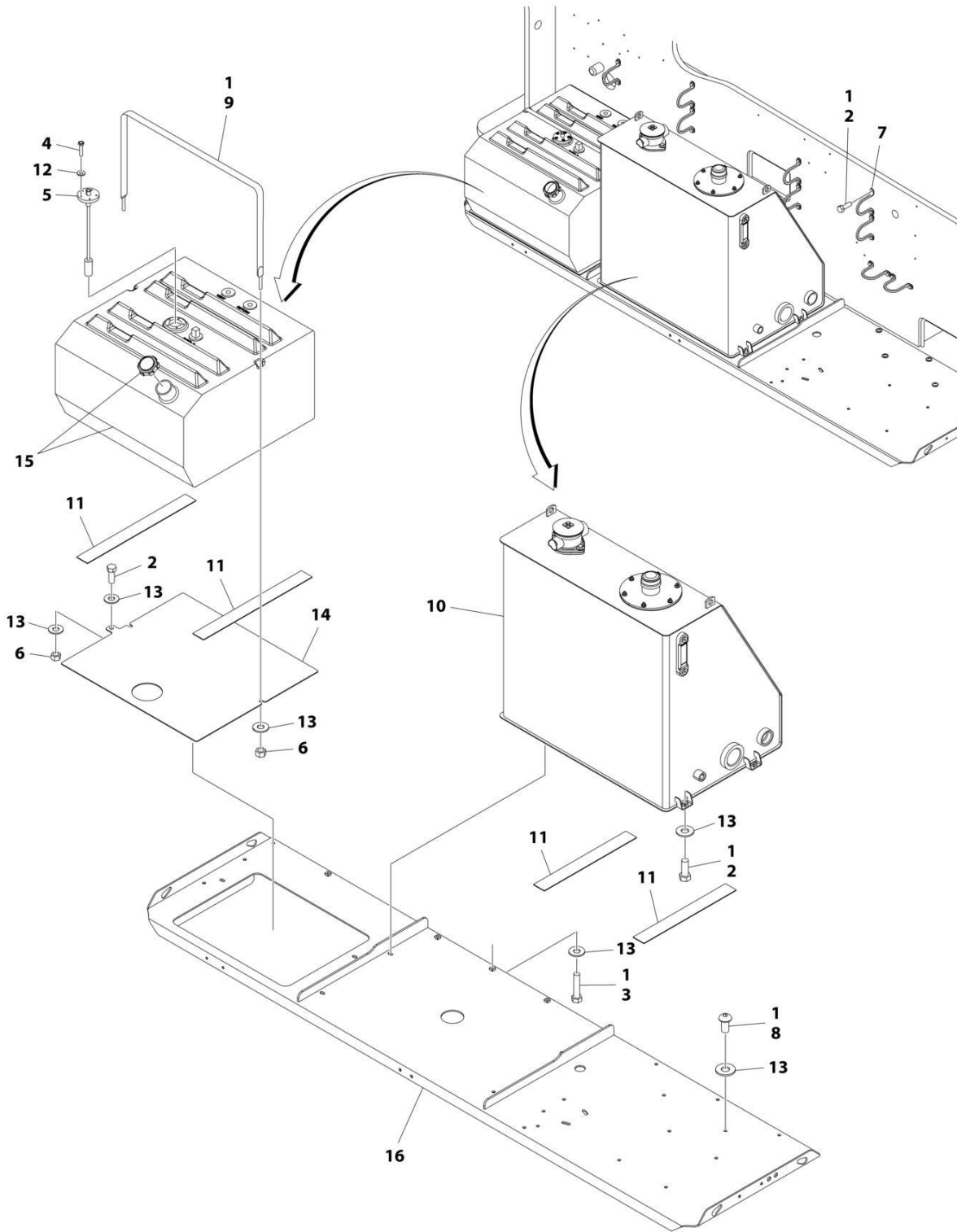
SECTION 2 - TURNTABLE

FIGURE 2-16. TANK INSTALLATION - WITH ABS HOODS

ITEM	PART NUMBER	QTY	DESCRIPTION	REV
	0271572	Ref	TANKS INSTALLATION - WITH ABS HOODS	C
1	0100011	AR	Compound, Locking	
2	0641608	22	Bolt 3/8 x 1	
3	0641614	10	Bolt 3/8 x 1-3/4	
4	0731007	5	Screw, Machine #10 x 7/8	
5	2420191	1	Gauge, Fuel	
6	3311601	2	Nut 3/8	
7	3841340	9	Loop, Hose	
9	4240139	1	Strap, Tank	
10	1001160567	1	Tank, Fuel	
10	70004414	1	Cap	
10	7020043	1	Tube, Pick up	
11	4400457	1	Tank, Hydraulic Oil (See Separate Breakdown in this Section)	
12	4420038	74 in /1.9m	Tape	
13	4751000	5	Washer #10	
14	4751600	16	Washer 3/8	
15	4846476	1	Tray	

SECTION 2 - TURNTABLE

FIGURE 2-17. TANK INSTALLATION - WITH STEEL HOODS



ART_1001173915

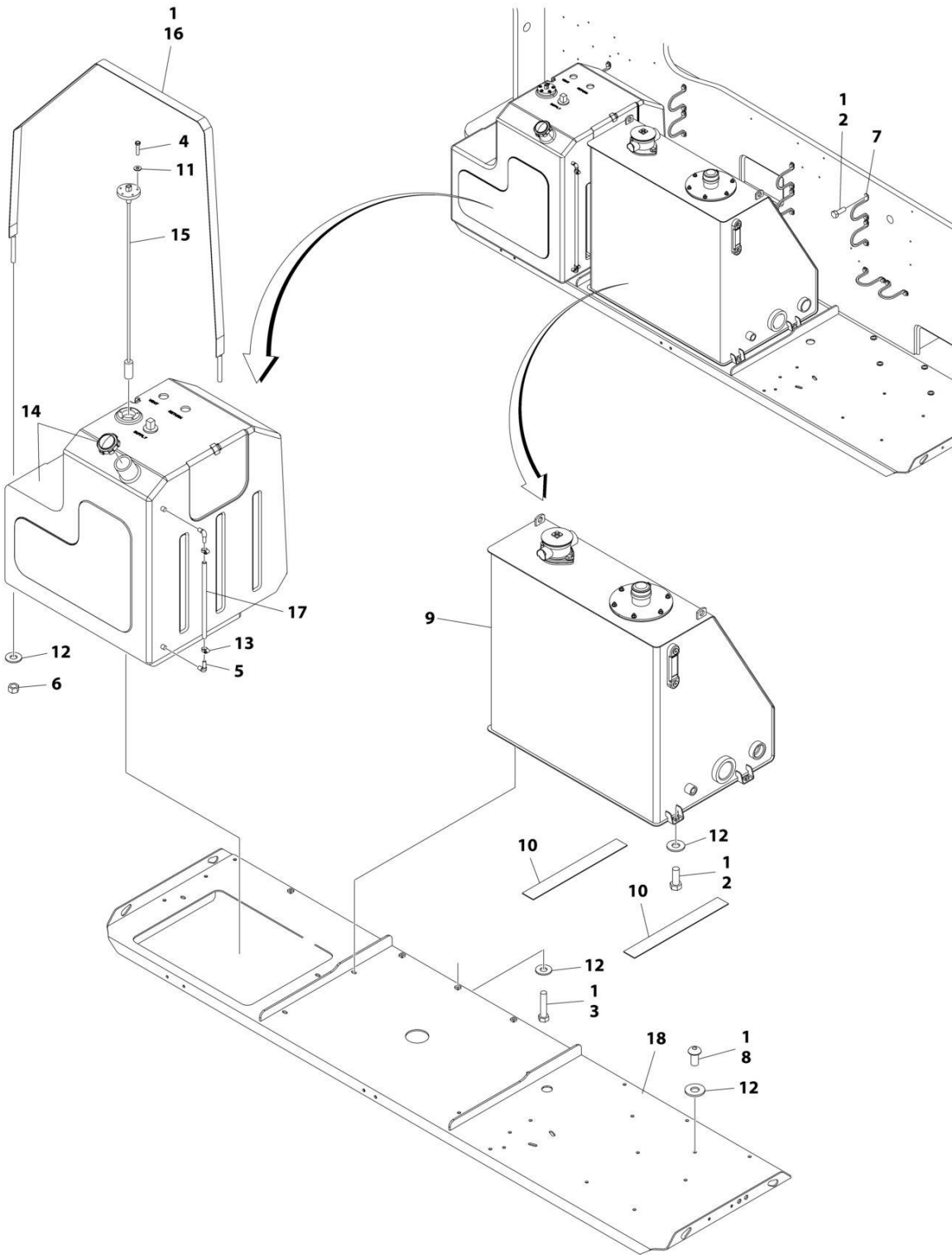
SECTION 2 - TURNTABLE

FIGURE 2-17. TANK INSTALLATION - WITH STEEL HOODS

ITEM	PART NUMBER	QTY	DESCRIPTION	REV
	1001173915	Ref	TANKS INSTALLATION - WITH STEEL HOODS	C
1	0100011	AR	Compound, Locking	
2	0641608	23	Bolt 3/8 x 1	
3	0641614	10	Bolt 3/8 x 1-3/4	
4	0731007	5	Screw, Machine #10 x 7/8	
5	2420191	1	Gauge, Fuel	
6	3311601	3	Nut 3/8	
7	3841340	9	Loop, Hose	
8	3900283	6	Screw 3/8 x 3/4	
9	4240139	1	Strap, Tank	
10	4400457	1	Tank, Hydraulic Oil (See Separate Breakdown in this Section)	
11	4420038	74 in /1.9m	Tape	
12	4751000	5	Washer #10	
13	4751600	24	Washer 3/8	
14	1001107359	1	Plate, Support	
15	1001160567	1	Tank, Fuel	
15	70004414	1	Cap	
15	7020043	1	Tube, Pick up	
16	1001173171	1	Tray	

SECTION 2 - TURNTABLE

FIGURE 2-18. TANK INSTALLATION - WITH STEEL HOODS AND 52.8 GAL/200 L FUEL TANK



ART_1001173918

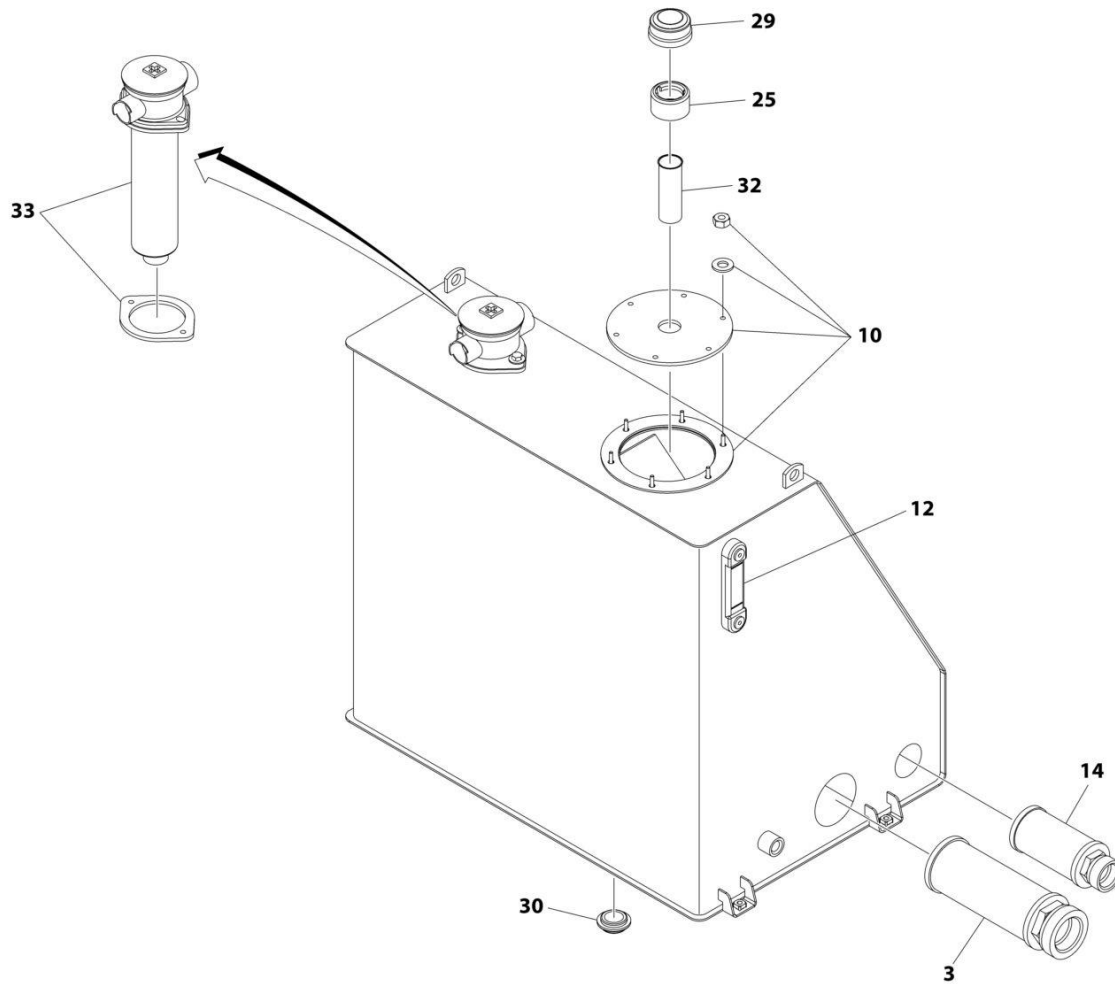
SECTION 2 - TURNTABLE

FIGURE 2-18. TANK INSTALLATION - WITH STEEL HOODS AND 52.8 GAL/200 L FUEL TANK

ITEM	PART NUMBER	QTY	DESCRIPTION	REV
	1001173918	Ref	TANKS INSTALLATION - WITH STEEL HOODS AND 52.8 GAL/200 L FUEL TANK	C
1	0100011	AR	Compound, Locking	
2	0641608	22	Bolt 3/8 x 1	
3	0641614	10	Bolt 3/8 x 1-3/4	
4	0731007	5	Screw, Machine #10 x 7/8	
5	2180467	2	Fitting, Barb	
6	3311601	2	Nut 3/8	
7	3841340	9	Loop, Hose	
8	3900283	6	Screw 3/8 x 3/4	
9	4400457	1	Tank, Hydraulic Oil (See Separate Breakdown in this Section)	
10	4420038	74 in/1.9m	Tape	
11	4751000	5	Washer #10	
12	4751600	22	Washer 3/8	
13	8405009	2	Clamp	
14	1001108579	1	Tank, Fuel	
14	7016314	1	Cap	
14	70004413	1	Tube, Pick up	
15	1001109048	1	Gauge, Fuel	
16	1001110059	1	Strap, Tank Mounting	
17	1001113103	19.5 in /0.5m	Tube, Sight	
18	1001173171	1	Tray	

SECTION 2 - TURNTABLE

FIGURE 2-19. HYDRAULIC OIL TANK ASSEMBLY



ART_4400457

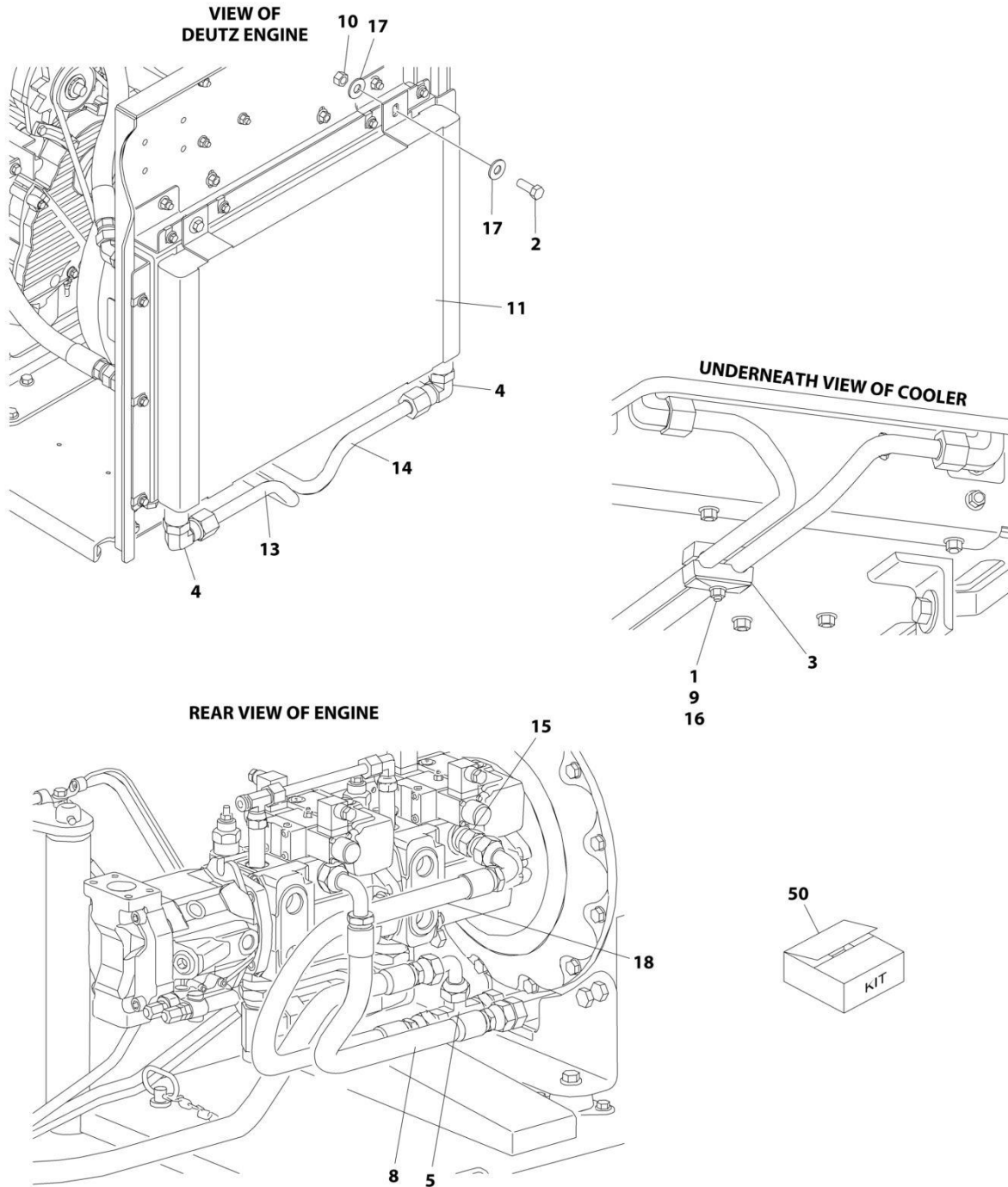
SECTION 2 - TURNTABLE

FIGURE 2-19. HYDRAULIC OIL TANK ASSEMBLY

ITEM	PART NUMBER	QTY	DESCRIPTION	REV
	4400457	Ref	HYDRAULIC OIL TANK ASSEMBLY	E
3	7026571	1	Strainer, Suction	
10	7024439	1	Cover	
10	7023306	1	Seal, Cover Plate	
10	7024440	1	Gasket	
12	7024441	1	Gauge, Sight	
14	7024442	1	Strainer	
25	7024445	1	Strainer (Filler Neck)	
29	7024444	1	Cap, Fill	
30	7024446	1	Plug, Magnetic	
32	7024443	1	Neck, Filler	
33	7024374	1	Filter, Hydraulic Oil	
33	7024375	1	Element, Filter	
33	7023347	1	Gasket, Filter Mounting Flange	

SECTION 2 - TURNTABLE

FIGURE 2-20. HYDRAULIC OIL COOLER INSTALLATION - DEUTZ TD2011 ENGINES WITH REXROTH PUMPS (OPTIONAL)



ART_0272080

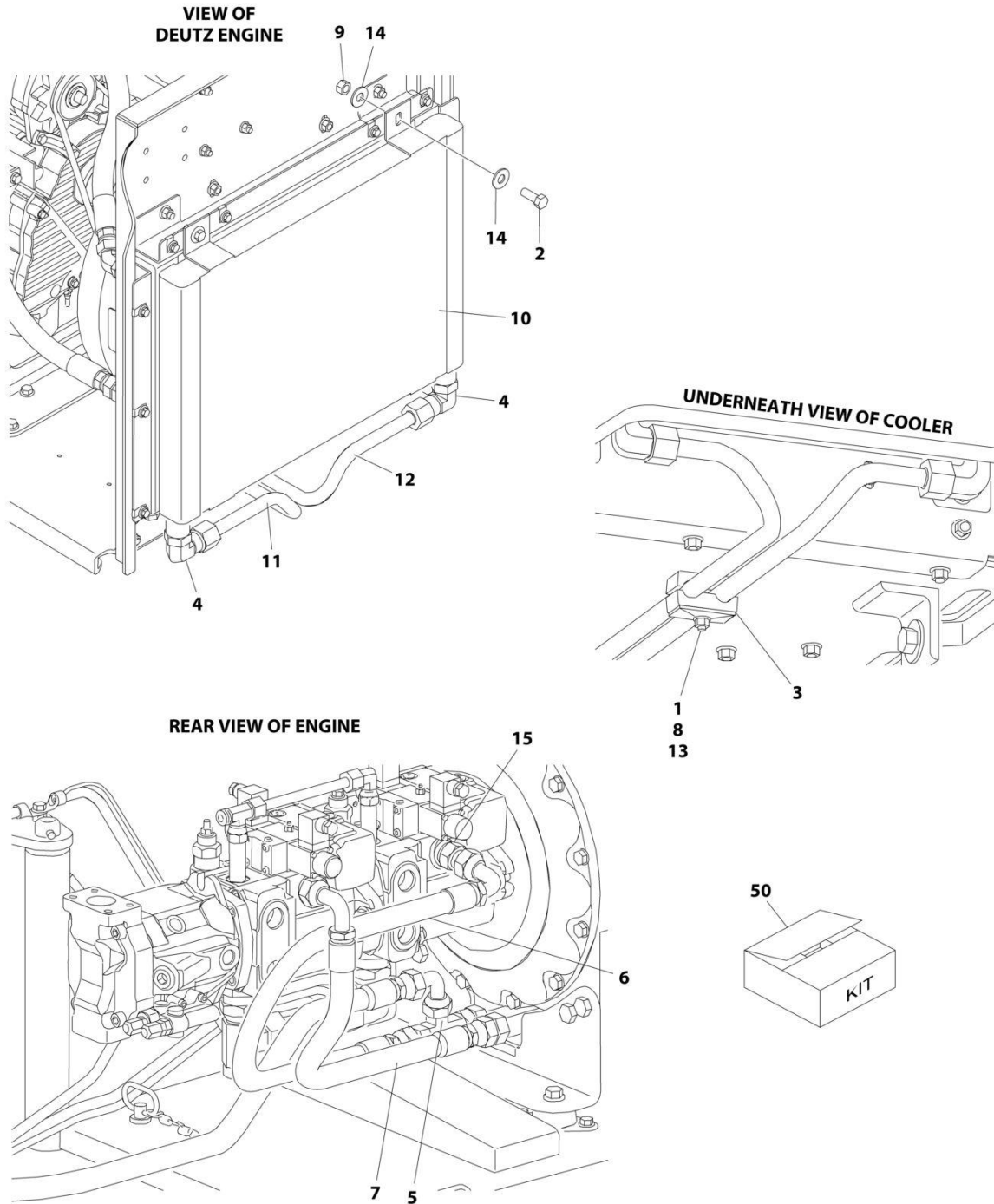
SECTION 2 - TURNTABLE

FIGURE 2-20. HYDRAULIC OIL COOLER INSTALLATION - DEUTZ TD2011 ENGINES WITH REXROTH PUMPS (OPTIONAL)

ITEM	PART NUMBER	QTY	DESCRIPTION	REV
	0272080	Ref	HYDRAULIC OIL COOLER INSTALLATION - DEUTZ TD2011 ENGINES WITH REXROTH PUMPS (OPTIONAL)	B
		Ref	Note: See Engine Installation for Engine Oil Cooler.	
1	0641520	2	Bolt 5/16 x 2-1/2	
2	0641608	4	Bolt 3/8 x 1	
3	1320162	2	Clamp, Hose	
4	2131212	2	Fitting, Elbow	
5	2170712	1	Fitting, Tee	
8	2753778	1	Hose	
9	3311505	2	Nut 5/16	
10	3311605	4	Nut 3/8	
11	3620034	1	Cooler, Hydraulic Oil	
13	4568426	1	Tube	
14	4568427	1	Tube	
15	4641247	1	Valve, Check	
16	4711500	4	Washer 5/16	
17	4751600	8	Washer 3/8	
18	2753843	1	Hose	
50	1001120564	1	Oil Cooler Add-on Kit (Includes Items 1-18)	

SECTION 2 - TURNTABLE

FIGURE 2-21. HYDRAULIC OIL COOLER INSTALLATION - DEUTZ TD2011 ENGINES WITH SAUER PUMPS (OPTIONAL)



ART_1001118957

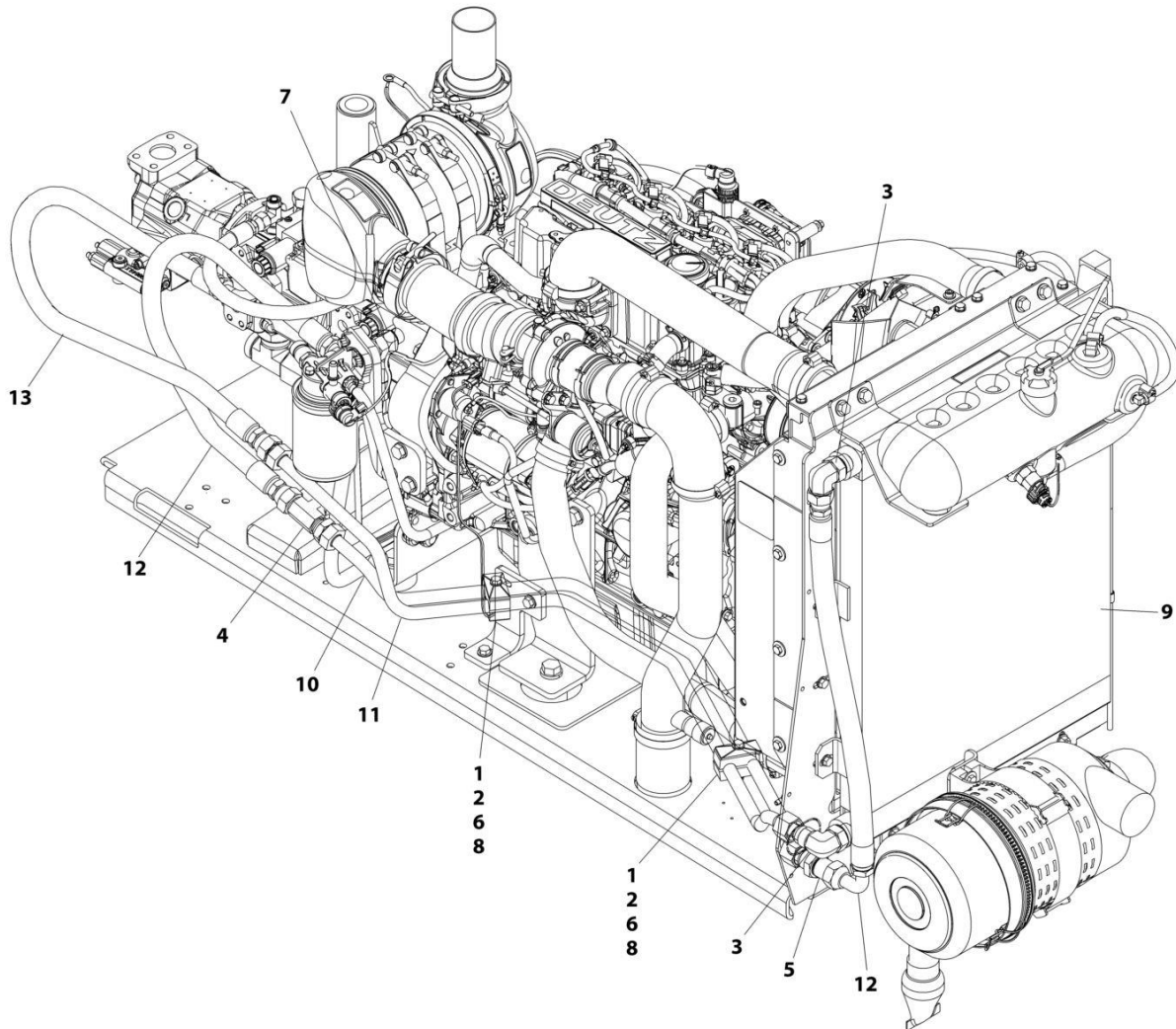
SECTION 2 - TURNTABLE

FIGURE 2-21. HYDRAULIC OIL COOLER INSTALLATION - DEUTZ TD2011 ENGINES WITH SAUER PUMPS (OPTIONAL)

ITEM	PART NUMBER	QTY	DESCRIPTION	REV
	1001118957	Ref	HYDRAULIC OIL COOLER INSTALLATION - DEUTZ TD2011 ENGINES WITH SAUER PUMPS (OPTIONAL)	B
		Ref	Note: See Engine Installation for Engine Oil Cooler.	
1	0641520	2	Bolt 5/16 x 2-1/2	
2	0641608	4	Bolt 3/8 x 1	
3	1320162	2	Clamp, Hose	
4	2131212	2	Fitting, Elbow	
5	2170712	1	Fitting, Tee	
6	2753778	1	Hose	
7	2753999	1	Hose	
8	3311505	2	Nut 5/16	
9	3311605	4	Nut 3/8	
10	3620034	1	Cooler, Hydraulic Oil	
11	4568426	1	Tube	
12	4568427	1	Tube	
13	4711500	4	Washer 5/16	
14	4751600	8	Washer 3/8	
15	1001109677	1	Valve, Check	
50	1001120564	1	Oil Cooler Add-on Kit Options (Includes Items 1-15):	

SECTION 2 - TURNTABLE

FIGURE 2-22. HYDRAULIC OIL COOLER INSTALLATION - DEUTZ TCD2.9L4 ENGINES AND DEUTZ TCD2.9L4 (STAGE V) ENGINES WITH REXROTH PUMPS (OPTIONAL)



ART_1001139494_F

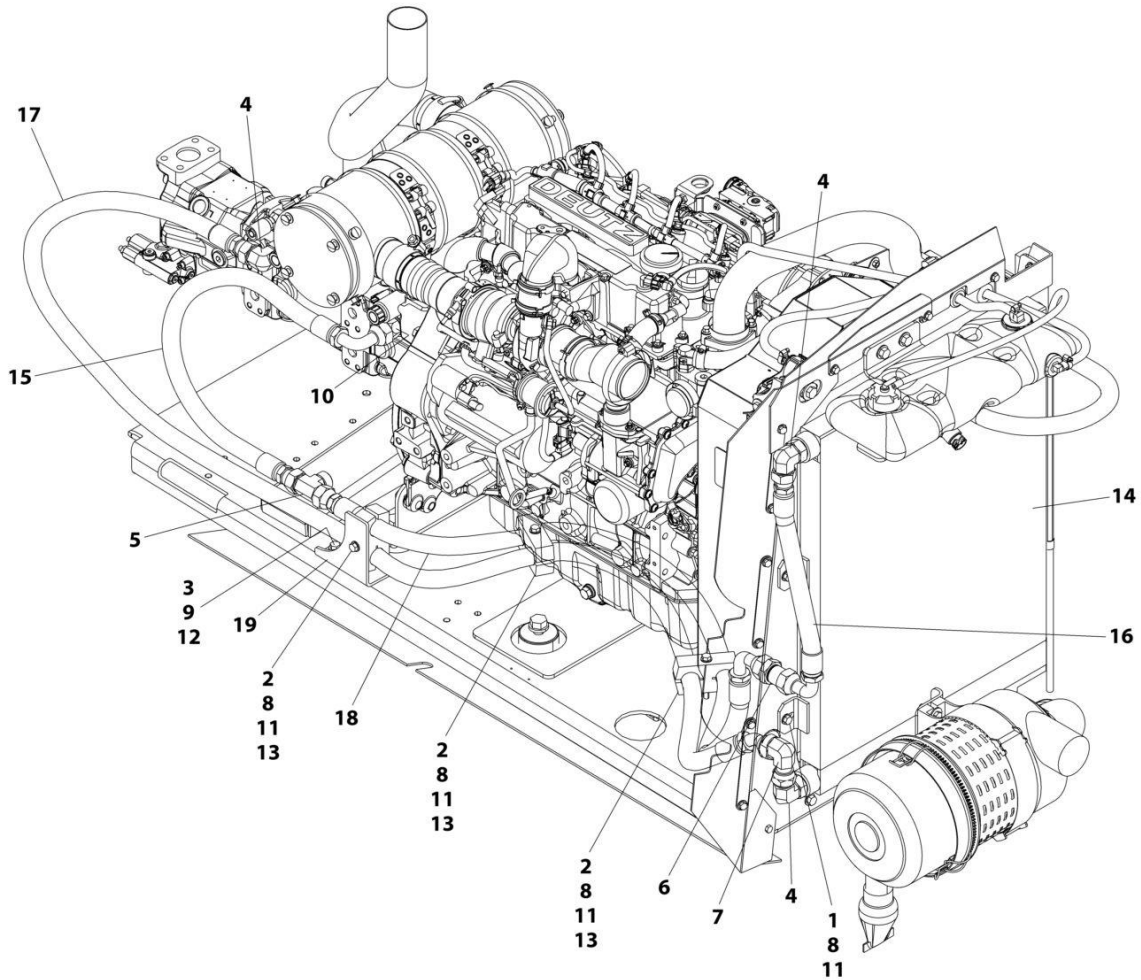
SECTION 2 - TURNTABLE

FIGURE 2-22. HYDRAULIC OIL COOLER INSTALLATION - DEUTZ TCD2.9L4 ENGINES AND DEUTZ TCD2.9L4 (STAGE V) ENGINES WITH REXROTH PUMPS (OPTIONAL)

ITEM	PART NUMBER	QTY	DESCRIPTION	REV
	1001139494	Ref	HYDRAULIC OIL COOLER INSTALLATION - DEUTZ TCD2.9L4 ENGINES WITH REXROTH PUMPS (OPTIONAL)	F
		Ref	Note: See Engine Installation for Engine Oil Cooler.	
1	0641520	2	Bolt 5/16 x 2-1/2	
2	1320162	2	Clamp, Hose	
3	2131212	2	Fitting, 90	
4	2170712	1	Fitting, Tee	
5	2171112	1	Fitting, Straight	
6	3311505	2	Nut 5/16	
7	4641247	1	Valve	
8	4711500	4	Washer 5/16	
9	1001256859	1	Cooler, Hydraulic Oil	
10	1001139665	1	Tube	
11	1001139666	1	Tube	
12	1001143087	2	Hose	
13	1001143123	1	Hose	

SECTION 2 - TURNTABLE

FIGURE 2-23. HYDRAULIC OIL COOLER INSTALLATION - DEUTZ TCD2.9L4 ENGINES WITH REXROTH PUMPS (OPTIONAL) (CHINA SPEC ONLY)



ART_1001221802_B

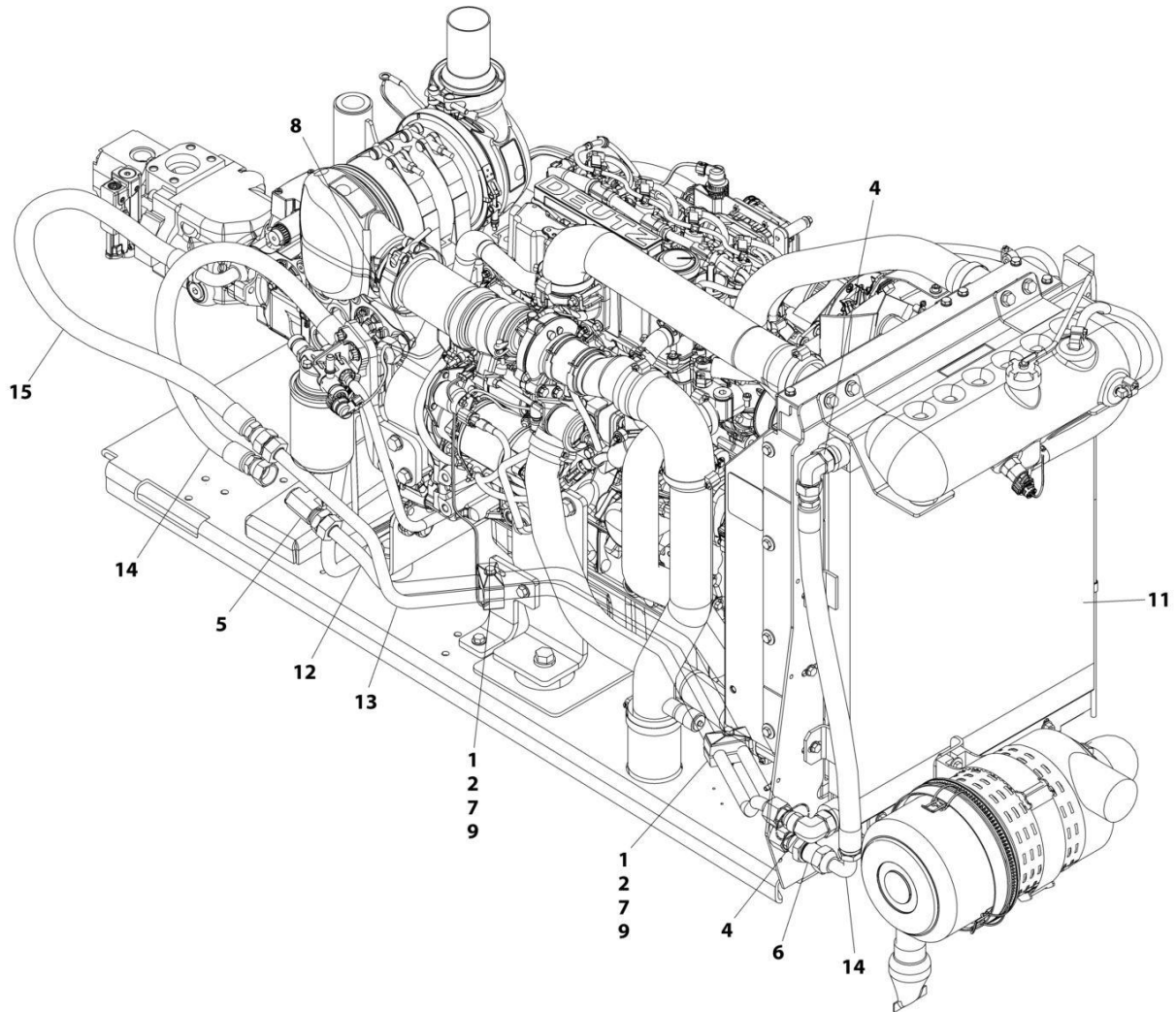
SECTION 2 - TURNTABLE

FIGURE 2-23. HYDRAULIC OIL COOLER INSTALLATION - DEUTZ TCD2.9L4 ENGINES WITH REXROTH PUMPS (OPTIONAL) (CHINA SPEC ONLY)

ITEM	PART NUMBER	QTY	DESCRIPTION	REV
	1001221802	Ref	HYDRAULIC OIL COOLER INSTALLATION - DEUTZ TCD2.9L4 ENGINES WITH REXROTH PUMPS (OPTIONAL)	B
1	0641508	4	Bolt 5/16 x 1	
2	0641524	3	Bolt 5/16 x 3	
3	0641609	2	Bolt 3/8 x 1-1/8	
4	2131212	3	Fitting, 90 ORFS/ORB	
5	2170512	1	Fitting, Tee ORFS/ORFS/ORFS	
6	2171112	1	Fitting, Straight ORFS/ORFS	
7	2172112	1	Fitting, 90 ORFS/FSORFS	
8	3311505	7	Nut 5/16	
9	3311605	2	Nut 3/8	
10	4641247	1	Valve	
11	4711500	14	Washer 5/16	
12	4711600	4	Washer 3/8	
13	8750024	3	Clamp	
14	1001256859	1	Cooler, Hydraulic Oil	
15	1001143087	1	Hose	
16	1001181129	1	Hose	
17	1001188376	1	Hose	
18	1001188382	1	Hose	
19	1001220560	1	Bracket	

SECTION 2 - TURNTABLE

FIGURE 2-24. HYDRAULIC OIL COOLER INSTALLATION – DEUTZ TCD2.9L4 ENGINES AND DEUTZ TCD2.9L4 (STAGE V & CHINA IV) ENGINES WITH SAUER PUMPS (OPTIONAL)



ART_1001139492_F

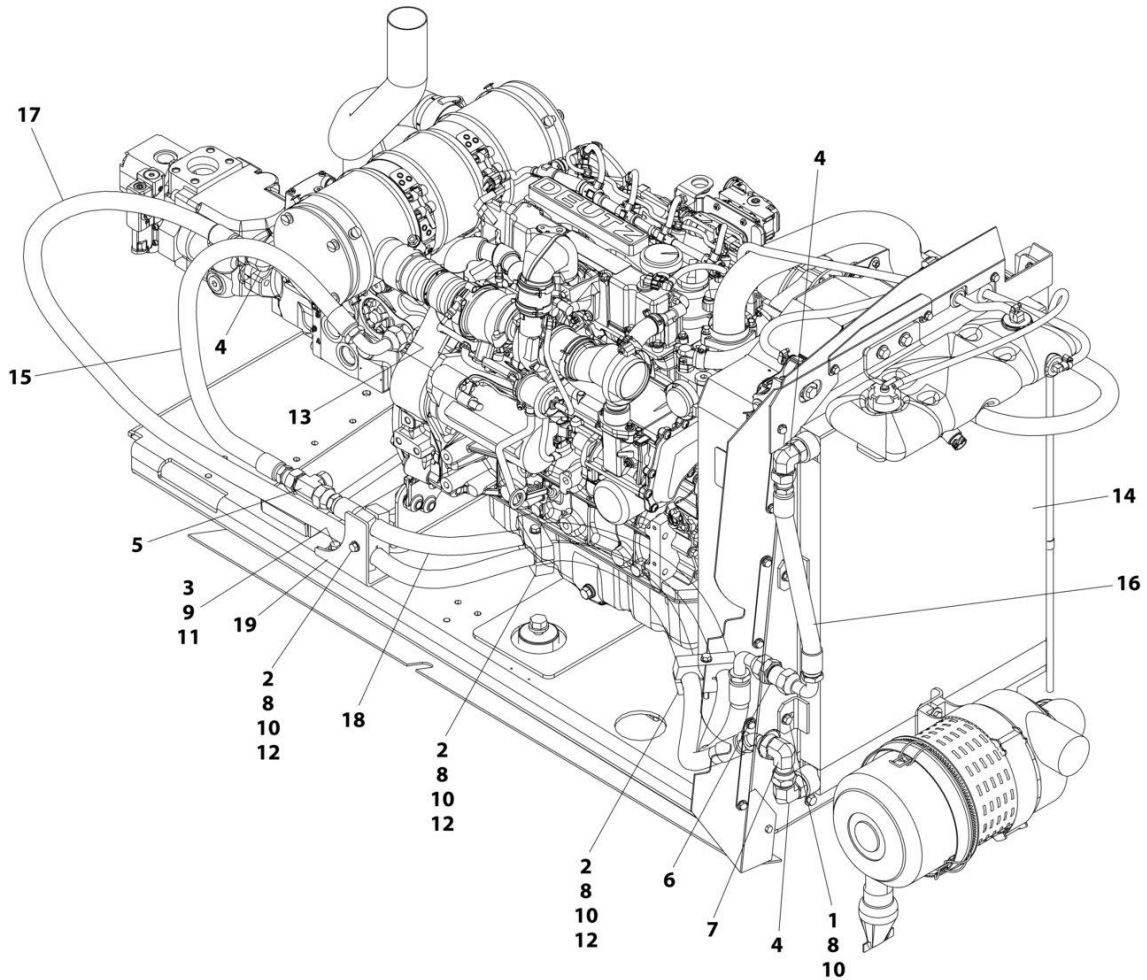
SECTION 2 - TURNTABLE

FIGURE 2-24. HYDRAULIC OIL COOLER INSTALLATION – DEUTZ TCD2.9L4 ENGINES AND DEUTZ TCD2.9L4 (STAGE V & CHINA IV) ENGINES WITH SAUER PUMPS (OPTIONAL)

ITEM	PART NUMBER	QTY	DESCRIPTION	REV
	1001139492	Ref	HYDRAULIC OIL COOLER INSTALLATION - DEUTZ TCD2.9L4 ENGINES WITH SAUER PUMPS (OPTIONAL)	F
		Ref	Note: See Engine Installation for Engine Oil Cooler	
1	0641520	2	Bolt 5/16 x 2-1/2	
2	1320162	2	Clamp, Hose	
4	2131212	2	Fitting, 90	
5	2170712	1	Fitting, Tee	
6	2171112	1	Fitting, Straight	
7	3311505	2	Nut 5/16	
8	1001109677	1	Valve	
9	4711500	4	Washer 5/16	
11	1001256859	1	Cooler, Hydraulic Oil	
12	1001139665	1	Tube	
13	1001139666	1	Tube	
14	1001143087	2	Hose	
15	1001143123	1	Hose	

SECTION 2 - TURNTABLE

FIGURE 2-25. HYDRAULIC OIL COOLER INSTALLATION - DEUTZ TCD2.9L4 ENGINES WITH SAUER PUMPS (OPTIONAL) (CHINA SPEC ONLY)



ART_1001221666_B

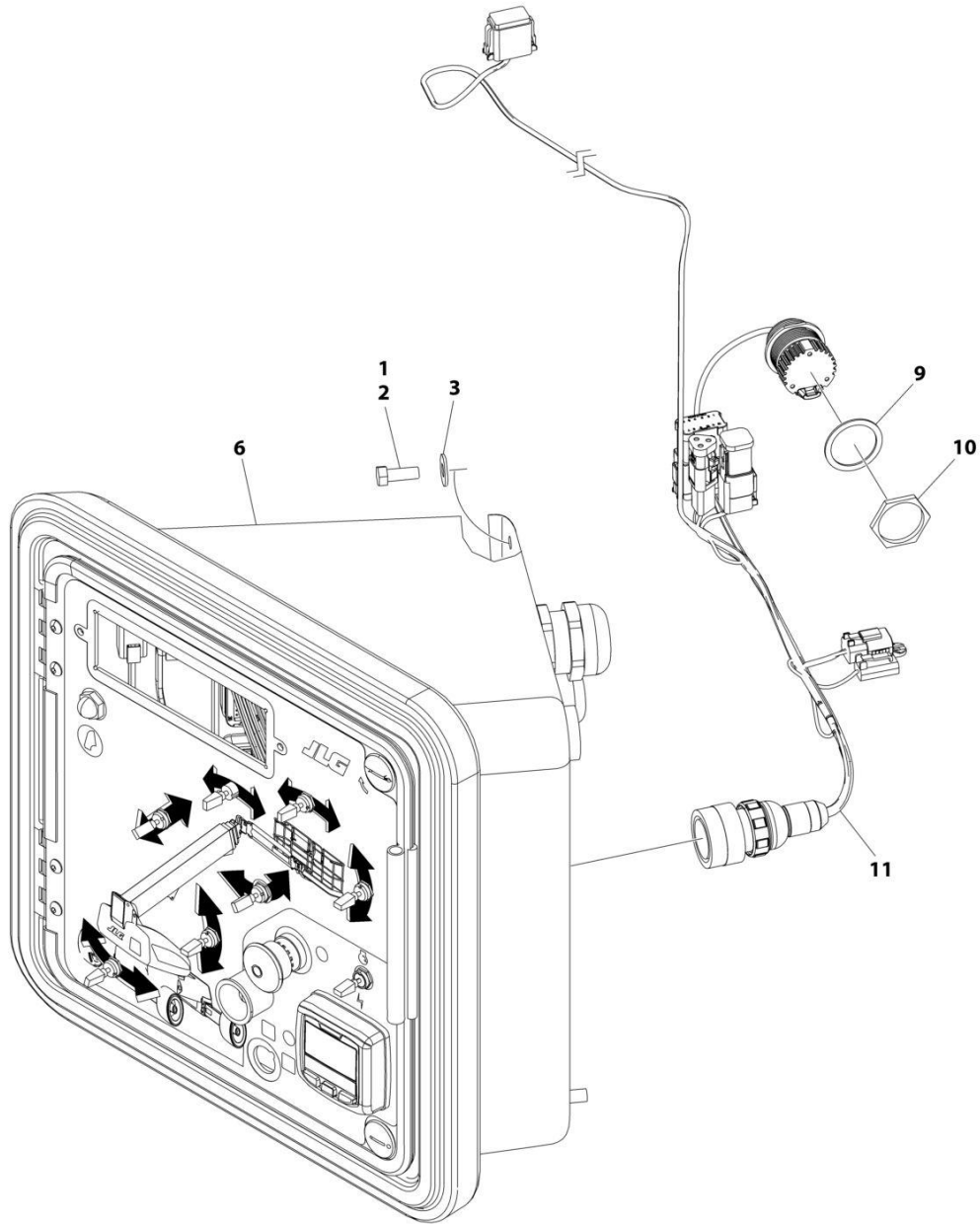
SECTION 2 - TURNTABLE

FIGURE 2-25. HYDRAULIC OIL COOLER INSTALLATION - DEUTZ TCD2.9L4 ENGINES WITH SAUER PUMPS (OPTIONAL) (CHINA SPEC ONLY)

ITEM	PART NUMBER	QTY	DESCRIPTION	REV
	1001221666	Ref	HYDRAULIC OIL COOLER INSTALLATION - DEUTZ TCD2.9L4 ENGINES WITH SAUER PUMPS (OPTIONAL)	B
1	0641508	4	Bolt 5/16 x 1	
2	0641524	3	Bolt 5/16 x 3	
3	0641609	2	Bolt 3/8 x 1-1/8	
4	2131212	3	Fitting, 90 ORFS/ORB	
5	2170512	1	Fitting, Tee ORFS/ORFS/ORFS	
6	2171112	1	Fitting, Straight ORFS/ORFS	
7	2172112	1	Fitting, 90 ORFS/FSORFS	
8	3311505	7	Nut 5/16	
9	3311605	2	Nut 3/8	
10	4711500	14	Washer 5/16	
11	4711600	4	Washer 3/8	
12	8750024	3	Clamp	
13	1001109677	1	Valve	
14	1001256859	1	Cooler, Hydraulic Oil	
15	1001143087	1	Hose	
16	1001181129	1	Hose	
17	1001188376	1	Hose	
18	1001188382	1	Hose	
19	1001220560	1	Bracket	

SECTION 2 - TURNTABLE

FIGURE 2-26. GROUND CONTROL BOX INSTALLATION - DEUTZ TD2011 ENGINES WITH REXROTH PUMPS (CE & UK CA SPECS)



ART_1001243974_E

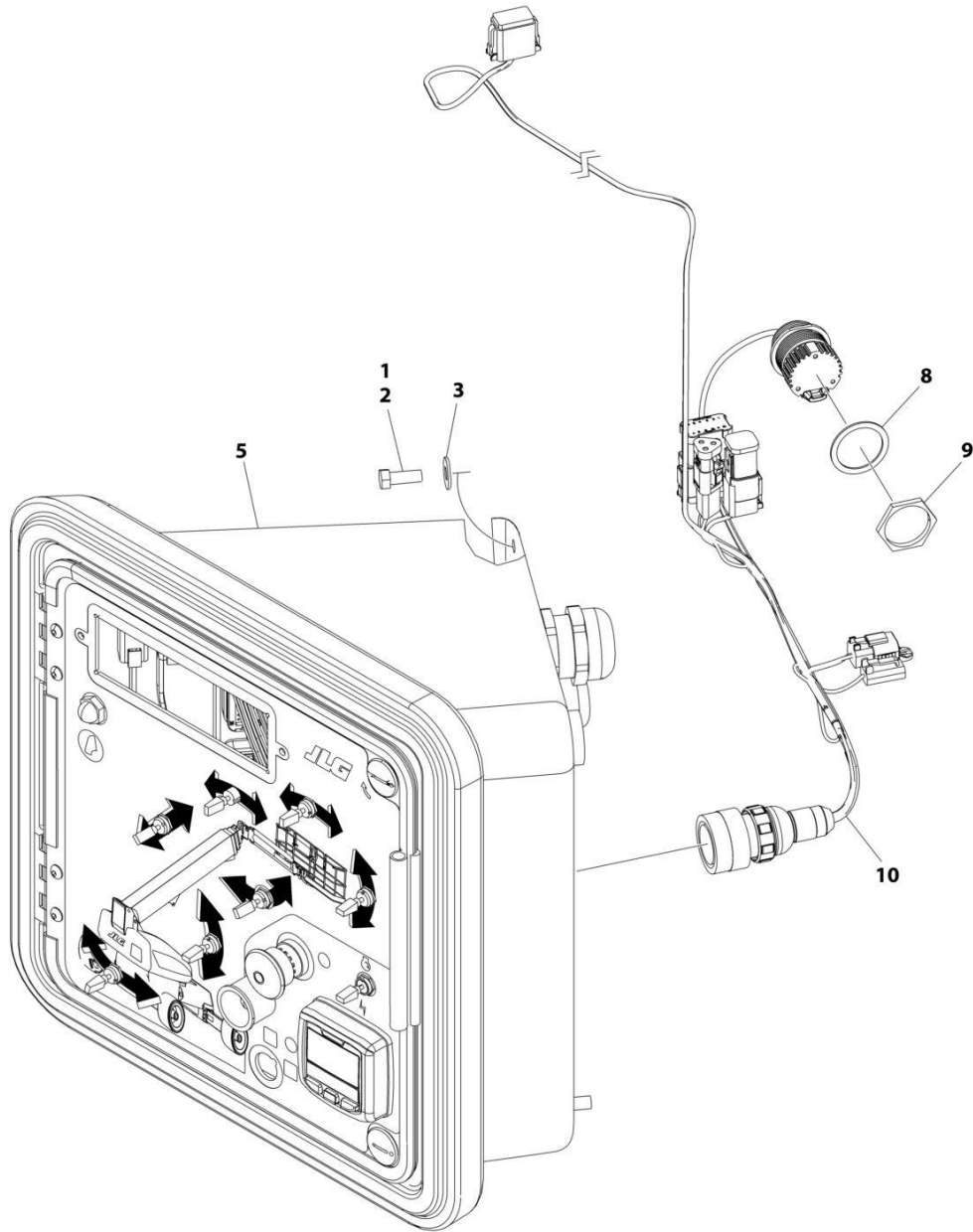
SECTION 2 - TURNTABLE

FIGURE 2-26. GROUND CONTROL BOX INSTALLATION - DEUTZ TD2011 ENGINES WITH REXROTH PUMPS (CE & UK CA SPECS)

ITEM	PART NUMBER	QTY	DESCRIPTION	REV
	1001243974	Ref	GROUND CONTROL BOX INSTALLATION - DEUTZ TD2011 ENGINES WITH REXROTH PUMPS	E
1	0100011	AR	Compound, Locking	
2	3931616	2	Bolt 3/8 x 3/4	
3	4751600	2	Washer 3/8	
4	1001119456	2	Harness, Pump Adapter (Not Shown) (See Separate Breakdown in ELECTRICAL Section)	
5	1001119470	1	Harness, Engine (Not Shown) (See Separate Breakdown in ELECTRICAL Section)	
6	1001265975	1	Ground Control Box Assembly (See Separate Breakdown in this Section)	
7	4240032	AR	Tie-Strap (Not Shown)	
8	4460234	AR	Mount, Tie-Strap (Not Shown)	
9	4460496	1	Washer, Lock	
10	4460497	1	Nut	
11	1001287275	1	Harness, Diagnostic (See Separate Breakdown in ELECTRICAL Section)	

SECTION 2 - TURNTABLE

FIGURE 2-27. GROUND CONTROL BOX INSTALLATION – DEUTZ TD2011 ENGINES WITH SAUER PUMPS (CE & UK CA SPECS)



ART_1001243973_E

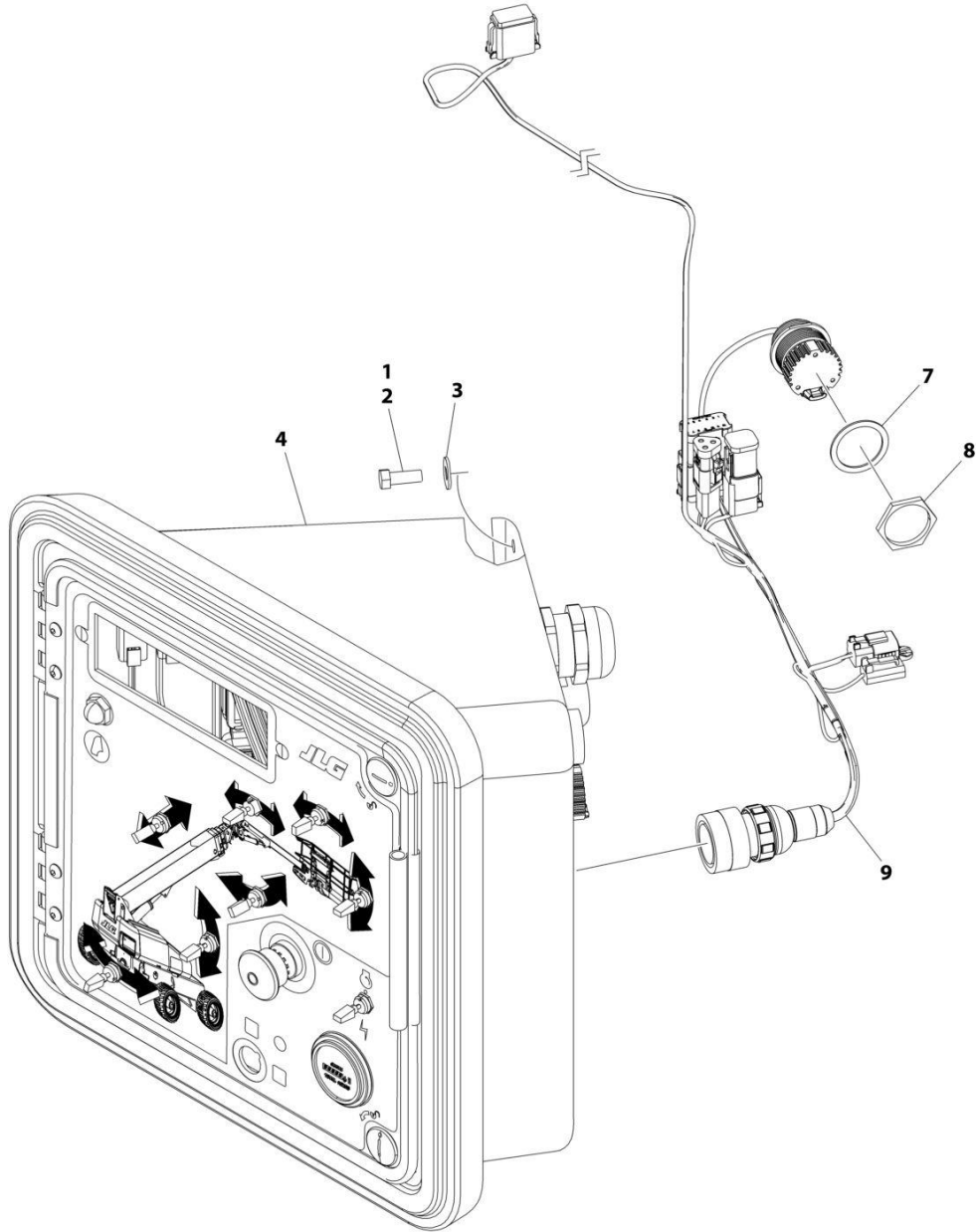
SECTION 2 - TURNTABLE

FIGURE 2-27. GROUND CONTROL BOX INSTALLATION – DEUTZ TD2011 ENGINES WITH SAUER PUMPS (CE & UK CA SPECS)

ITEM	PART NUMBER	QTY	DESCRIPTION	REV
	1001243973	Ref	GROUND CONTROL BOX INSTALLATION - DEUTZ TD2011 ENGINES WITH SAUER PUMPS	E
1	0100011	AR	Compound, Locking	
2	3931616	2	Bolt 3/8 x 3/4	
3	4751600	2	Washer 3/8	
4	1001119470	1	Harness, Engine (Not Shown) (See Separate Breakdown in ELECTRICAL Section)	
5	1001265975	1	Ground Control Box Assembly (See Separate Breakdown in this Section)	
6	4240032	AR	Tie-Strap (Not Shown)	
7	4460234	AR	Mount, Tie-Strap (Not Shown)	
8	4460496	1	Washer, Lock	
9	4460497	1	Nut	
10	1001287275	1	Harness, Diagnostic (See Separate Breakdown in ELECTRICAL Section)	

SECTION 2 - TURNTABLE

FIGURE 2-28. GROUND CONTROL BOX INSTALLATION – DEUTZ TCD2.9L4 ENGINES (ANSI, ANSI EXPORT, CSA, CHINA AND JAPANESE SPECS)



ART_1001244081_E

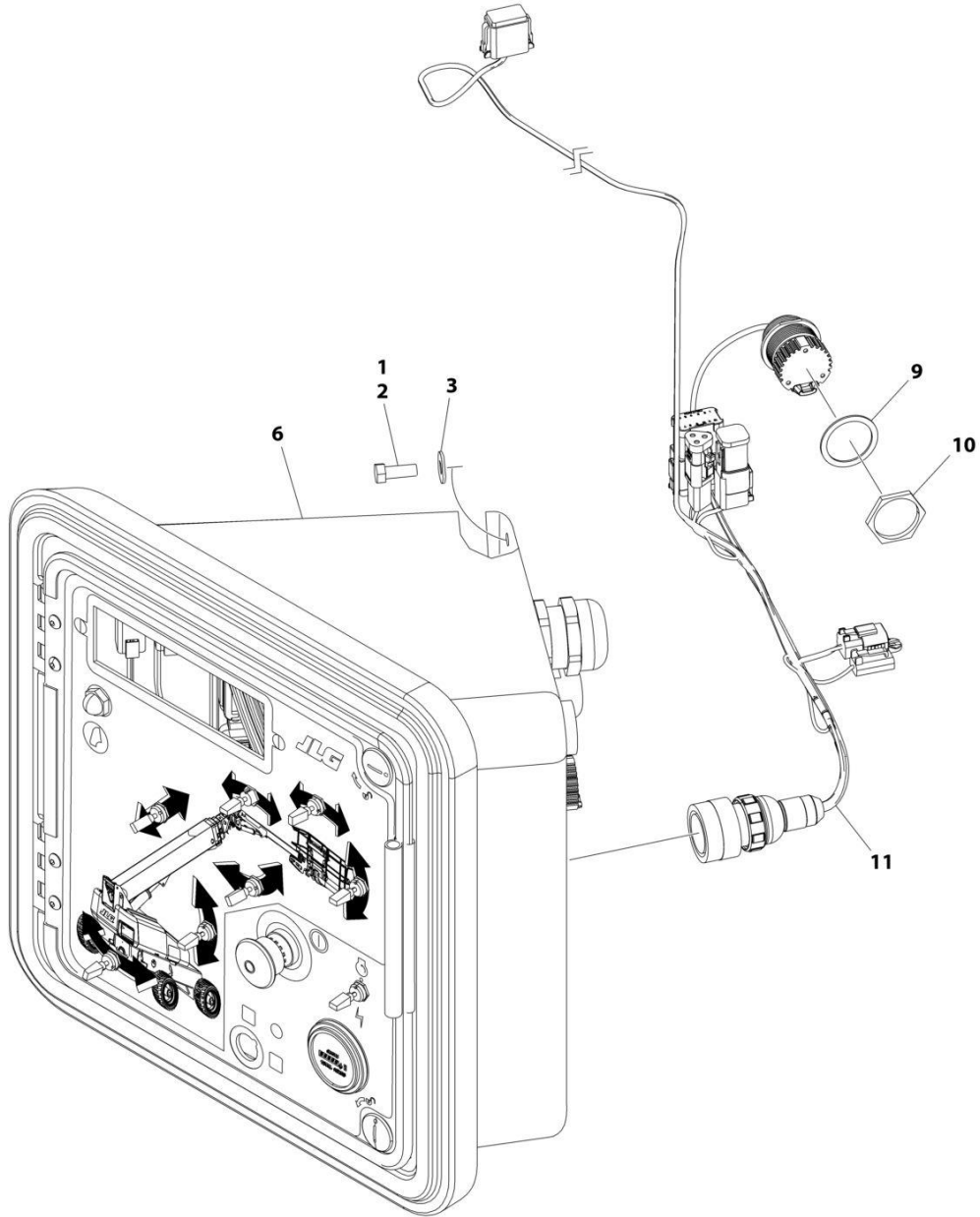
SECTION 2 - TURNTABLE

FIGURE 2-28. GROUND CONTROL BOX INSTALLATION – DEUTZ TCD2.9L4 ENGINES (ANSI, ANSI EXPORT, CSA, CHINA AND JAPANESE SPECS)

ITEM	PART NUMBER	QTY	DESCRIPTION	REV
	1001244081	Ref	GROUND CONTROL BOX INSTALLATION - DEUTZ TCD2.9L4 ENGINES	E
1	0100011	AR	Compound, Locking	
2	3931616	2	Bolt 3/8 x 3/4	
3	4751600	2	Washer 3/8	
4	1001265976	1	Ground Control Box Assembly (See Separate Breakdown in this Section)	
5	4240032	AR	Tie-Strap (Not Shown)	
6	4460234	AR	Mount, Tie-Strap (Not Shown)	
7	4460496	1	Washer, Lock	
8	4460497	1	Nut	
9	1001287275	1	Harness, Diagnostic (See Separate Breakdown in ELECTRICAL Section)	

SECTION 2 - TURNTABLE

FIGURE 2-29. GROUND CONTROL BOX INSTALLATION - DEUTZ TD2.9L4 ENGINES WITH REXROTH PUMPS (ANSI EXPORT AND AUSTRALIAN SPECS)



ART_1001244082_E

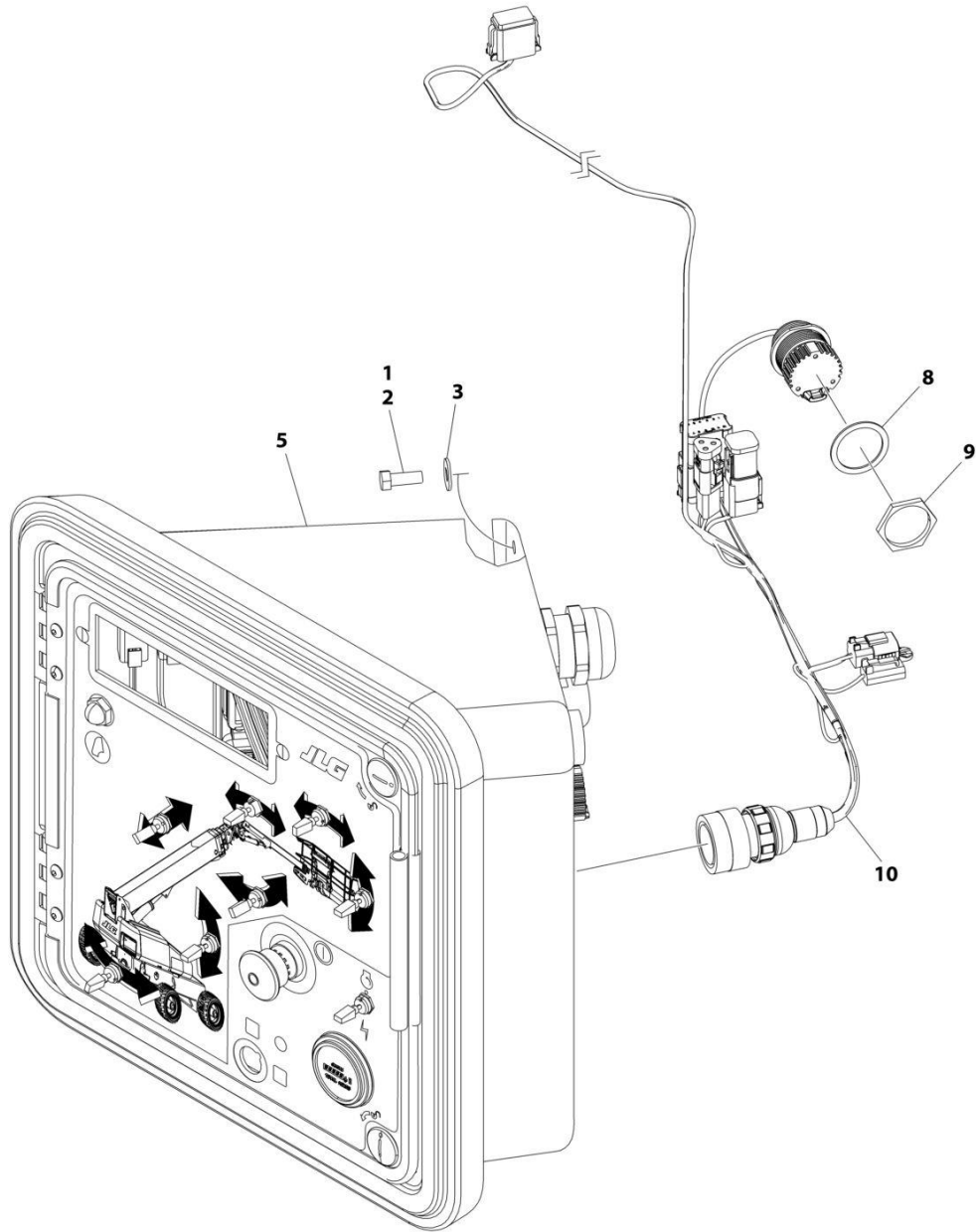
SECTION 2 - TURNTABLE

FIGURE 2-29. GROUND CONTROL BOX INSTALLATION - DEUTZ TD2.9L4 ENGINES WITH REXROTH PUMPS (ANSI EXPORT AND AUSTRALIAN SPECS)

ITEM	PART NUMBER	QTY	DESCRIPTION	REV
	1001244082	Ref	GROUND CONTROL BOX INSTALLATION - DEUTZ TD2.9L4 ENGINES WITH REXROTH PUMPS	E
1	0100011	AR	Compound, Locking	
2	3931616	2	Bolt 3/8 x 3/4	
3	4751600	2	Washer 3/8	
4	1001119456	2	Harness, Pump Adapter (Not Shown) (See Separate Breakdown in ELECTRICAL Section)	
5	1001119470	1	Harness, Engine (Not Shown) (See Separate Breakdown in ELECTRICAL Section)	
6	1001265976	1	Ground Control Box Assembly (See Separate Breakdown in this Section)	
7	4240032	AR	Tie-Strap (Not Shown)	
8	4460234	AR	Mount, Tie-Strap (Not Shown)	
9	4460496	1	Washer, Lock	
10	4460497	1	Nut	
11	1001287275	1	Harness, Diagnostic (See Separate Breakdown in ELECTRICAL Section)	

SECTION 2 - TURNTABLE

FIGURE 2-30. GROUND CONTROL BOX INSTALLATION - DEUTZ TD2.9L4 ENGINES WITH SAUER PUMPS (ANSI EXPORT AND AUSTRALIAN SPECS)



ART_1001244083_E

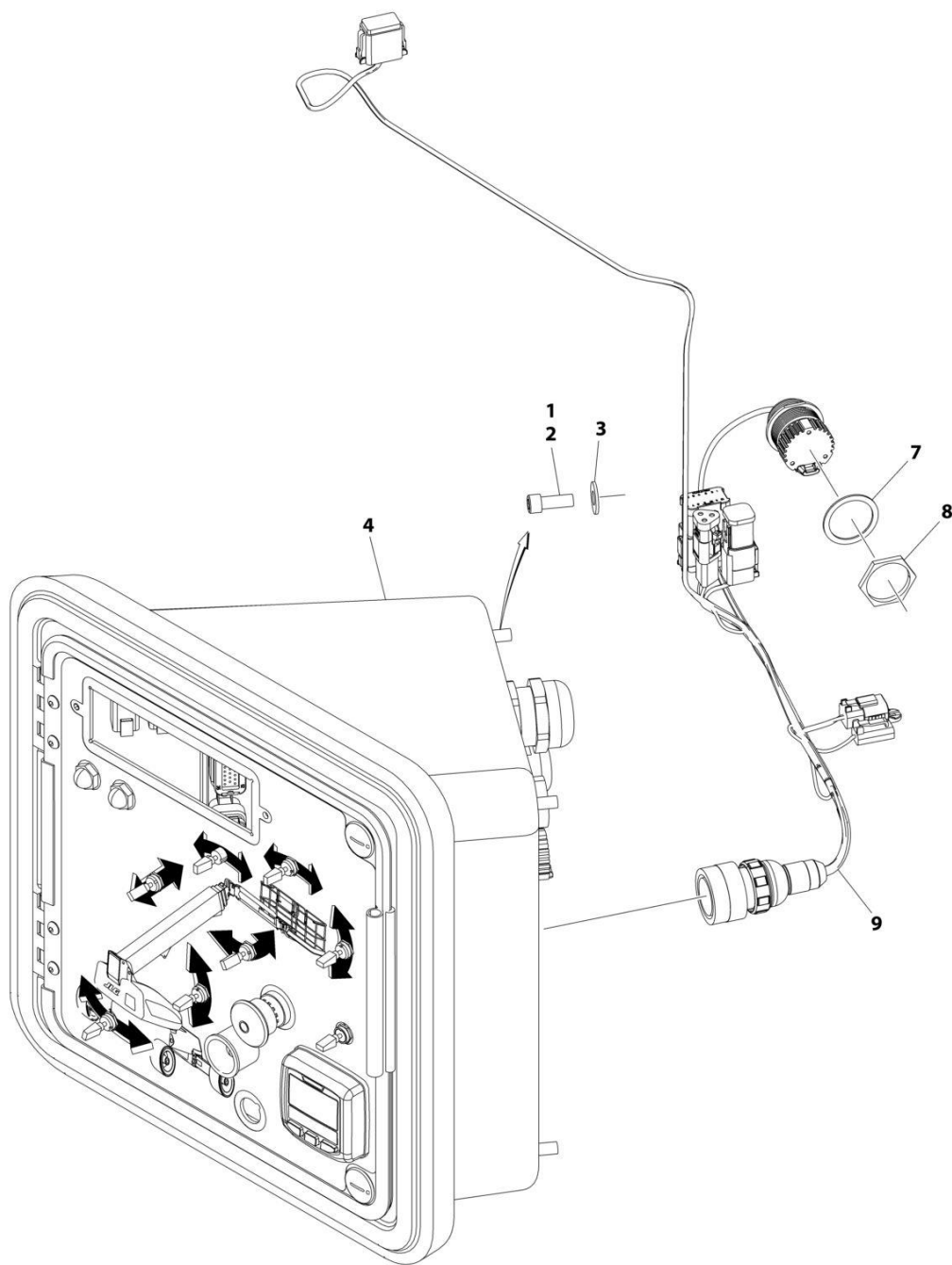
SECTION 2 - TURNTABLE

FIGURE 2-30. GROUND CONTROL BOX INSTALLATION - DEUTZ TD2.9L4 ENGINES WITH SAUER PUMPS (ANSI EXPORT AND AUSTRALIAN SPECS)

ITEM	PART NUMBER	QTY	DESCRIPTION	REV
	1001244083	Ref	GROUND CONTROL BOX INSTALLATION - DEUTZ TD2.9L4 ENGINES WITH SAUER PUMPS	E
1	0100011	AR	Compound, Locking	
2	3931616	2	Bolt 3/8 x 3/4	
3	4751600	2	Washer 3/8	
4	1001119470	1	Harness, Engine (Not Shown) (See Separate Breakdown in ELECTRICAL Section)	
5	1001265976	1	Ground Control Box Assembly (See Separate Breakdown in this Section)	
6	4240032	AR	Tie-Strap (Not Shown)	
7	4460234	AR	Mount, Tie-Strap (Not Shown)	
8	4460496	1	Washer, Lock	
9	4460497	1	Nut	
10	1001287275	1	Harness, Diagnostic (See Separate Breakdown in ELECTRICAL Section)	

SECTION 2 - TURNTABLE

FIGURE 2-31. GROUND CONTROL BOX INSTALLATION - DEUTZ TCD2.9L4 ENGINES (STAGE V)



ART_1001236754

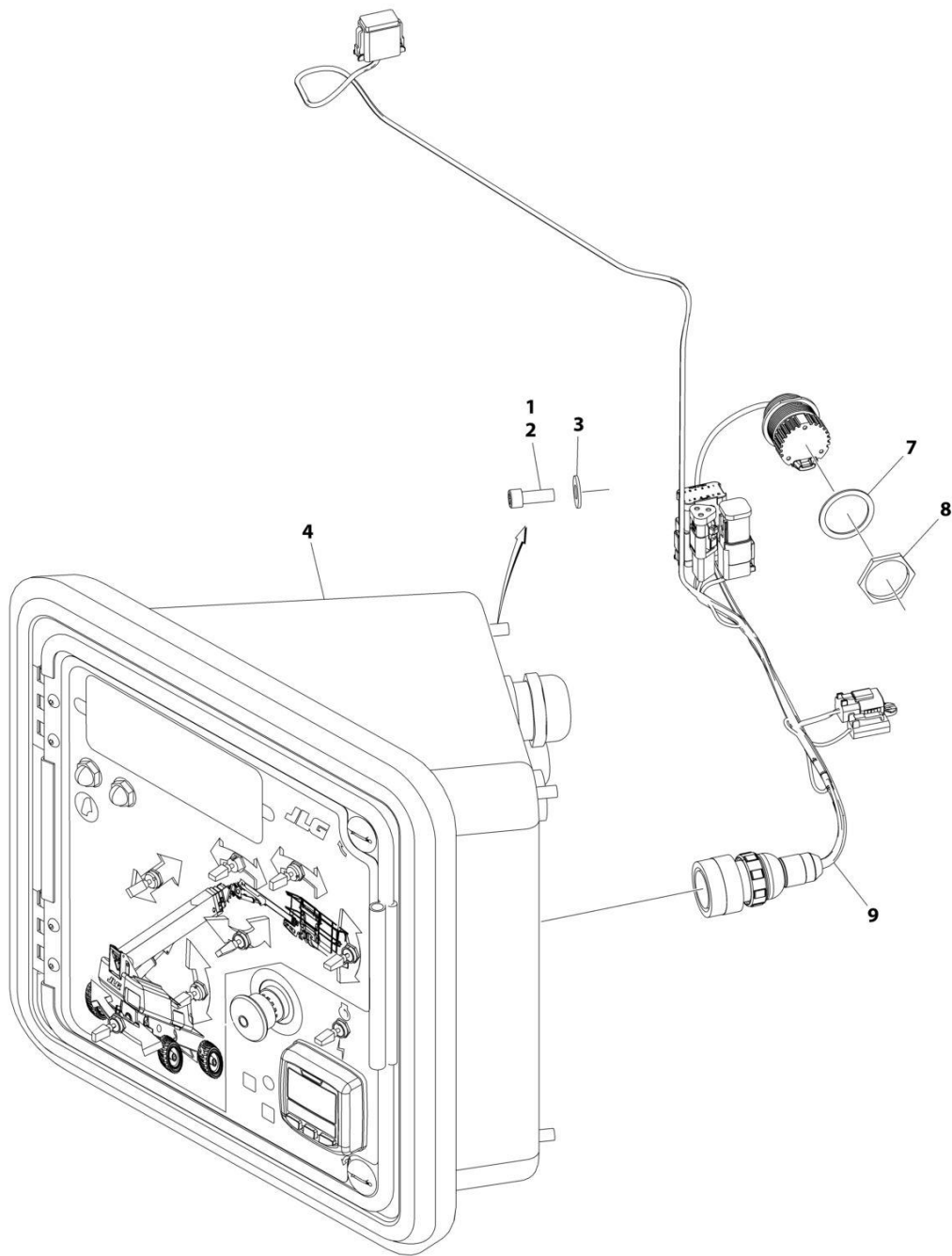
SECTION 2 - TURNTABLE

FIGURE 2-31. GROUND CONTROL BOX INSTALLATION - DEUTZ TCD2.9L4 ENGINES (STAGE V)

ITEM	PART NUMBER	QTY	DESCRIPTION	REV
	1001236754	Ref	GROUND CONTROL BOX INSTALLATION - DEUTZ TCD2.9L4 ENGINES	E
1	0100011	AR	Compound, Locking	
2	3931616	2	Bolt 3/8 x 3/4	
3	4751600	2	Washer 3/8	
4	1001266350	1	Ground Control Box Assembly (See Separate Breakdown in this Section)	
5	4240032	AR	Tie-Strap (Not Shown)	
6	4460234	AR	Mount, Tie-Strap (Not Shown)	
7	4460496	1	Washer, Lock	
8	4460497	1	Nut	
9	1001287275	1	Harness, Diagnostic (See Separate Breakdown in ELECTRICAL Section)	

SECTION 2 - TURNTABLE

FIGURE 2-32. GROUND CONTROL BOX INSTALLATION - DEUTZ TCD2.9L4 ENGINES (CHINA IV)



ART_1001282250

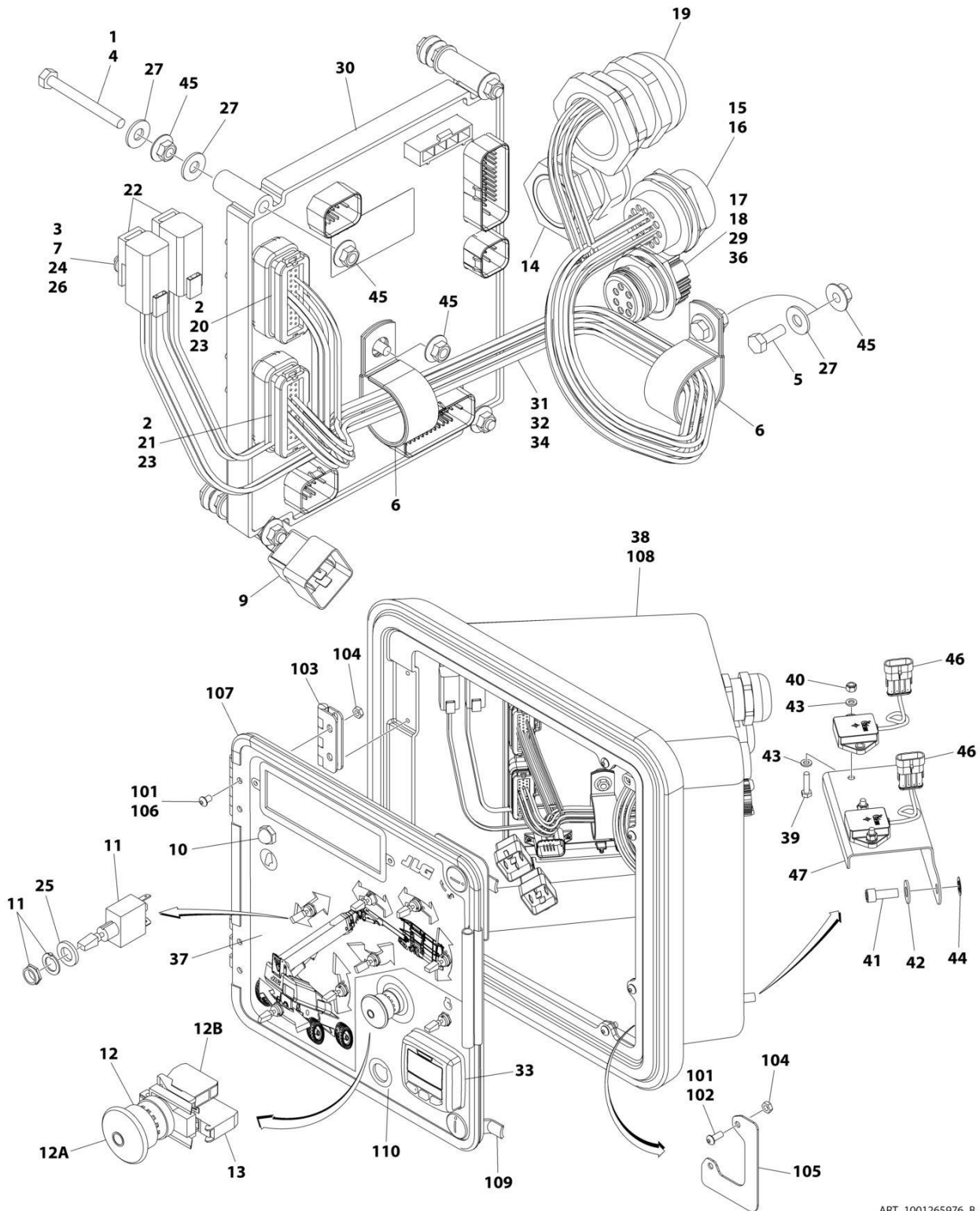
SECTION 2 - TURNTABLE

FIGURE 2-32. GROUND CONTROL BOX INSTALLATION - DEUTZ TCD2.9L4 ENGINES (CHINA IV)

ITEM	PART NUMBER	QTY	DESCRIPTION	REV
	1001282250	Ref	GROUND CONTROL BOX INSTALLATION	B
1	0100011	AR	Compound, Locking	
2	3931616	2	Bolt 3/8 x 3/4	
3	4751600	2	Washer 3/8	
4	1001282249	1	Ground Control Box Assembly (See Separate Breakdown in this Section)	
5	4240032	AR	Tie-Strap (Not Shown)	
6	4460234	AR	Mount, Tie-Strap (Not Shown)	
7	4460496	1	Washer, Lock	
8	4460497	1	Nut	
9	1001287275	1	Harness, Diagnostic (See Separate Breakdown in ELECTRICAL Section)	

SECTION 2 - TURNTABLE

FIGURE 2-33. GROUND CONTROL BOX ASSEMBLY - DEUTZ TCD2.9L4 ENGINES - WITH DIGITAL DISPLAY



ART_1001265976_B

SECTION 2 - TURNTABLE

FIGURE 2-33. GROUND CONTROL BOX ASSEMBLY - DEUTZ TCD2.9L4 ENGINES - WITH DIGITAL DISPLAY

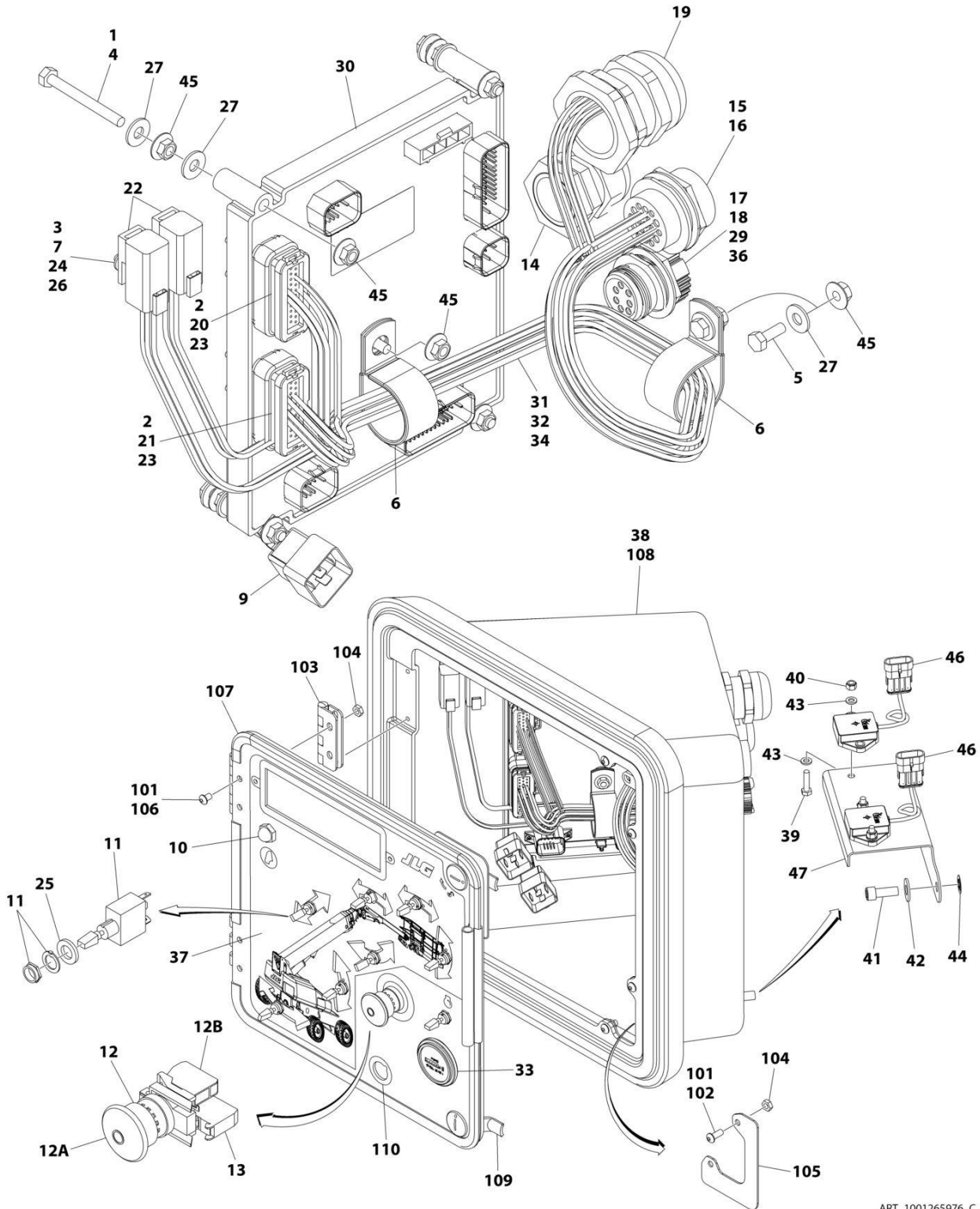
ITEM	PART NUMBER	QTY	DESCRIPTION	REV
	1001265976	Ref	GROUND CONTROL BOX ASSEMBLY	B
1	0100011	AR	Compound, Locking	
2	0100048	AR	Grease, Dielectric	
3	0630464	2	Screw #10 x 1/2	
4	0630548	5	Screw, Self Tapping	
5	0641406	1	Bolt 1/4 x 3/4	
6	1320095	2	Clamp	
7	3311001	2	Nut #10	
9	3740049	1	Relay	
10	4360274	1	Switch, Pushbutton	
11	4360328	8	Switch, Toggle	
12	4360475	1	Switch, Push-Pull Emergency	
12A	7020175	1	Cap	
12B	7020176	1	Block, Contact	
13	4360476	1	Block, Contact	
14	4460426	1	Connector, Strain Relief	
15	4460470	1	Nut, Terminal	
16	4460471	1	Washer, Terminal	
17	4460496	1	Terminal, Washer	
18	4460497	1	Nut, Strain Relief	
19	4460526	1	Connector, Strain Relief	
20	4460874	1	Connector, White	
21	4460875	1	Connector, Gray	
22	4460892	2	Connector, Buss Bar - 6 Position	
23	4460905	4	Connector, Plug	
24	4460914	2	Base, Terminal	
25	4740397	8	Washer	
26	4751000	2	Washer #10	
27	4751400	11	Washer 1/4	
29	1001106736	1	Cap, Dust	
30	1001281100	1	Module, Ground Control (Note: Control System must be recalibrated when Module is replaced)	
31	1001116369	1	Harness, Valve (See Separate Breakdown in ELECTRICAL Section)	
32	1001119372	1	Harness, Ground Control Box (See Separate Breakdown in ELECTRICAL Section)	
33	1001171482	1	Gauge	
34	1001241890	1	Harness, Ground Control Box (See Separate Breakdown in ELECTRICAL Section)	
35	1001248011	1	Wiring Diagram (Not Shown)	
36	1001279488	1	Harness, ClearSky Ready (See Separate Breakdown in ELECTRICAL Section)	
37	1001265972	1	Decal - Lid	
38	1001265977	1	Box Assembly	
39	0760612	4	Bolt M6 x 25	
40	3290605	4	Nut M6	
41	3931616	2	Bolt 3/8 x 1	
42	4751600	2	Washer 3/8	
43	4811700	8	Washer M6	
44	8310070	2	Pushnut 3/8 x 13/16	

SECTION 2 - TURNTABLE

ITEM	PART NUMBER	QTY	DESCRIPTION	REV
45	77143013	11	Nut 1/4	
46	1001219601	2	Sensor, Tilt Dual Axis CAN	
47	1001278483	1	Bracket, Tilt Sensor	
101	0100011	AR	Compound, Locking	
102	0630407	4	Screw 1/4 - 20 x 5/8	
103	2600279	2	Hing	
104	3311402	8	Nut 1/4	
105	3573144	2	Plate	
106	3900251	8	Screw 1/4 - 20 x 3/8	
107	3960418	53 in	Seal	
108	1001110064	1	Box, Main Terminal Shell	
109	1001242373	2	Latch	
110	1001265881	1	Panel, Main Terminal Box	

SECTION 2 - TURNTABLE

FIGURE 2-34. GROUND CONTROL BOX ASSEMBLY - DEUTZ TCD2.9L4 ENGINES - WITH MECHANICAL HOUR METER



ART_1001265976_C

SECTION 2 - TURNTABLE

FIGURE 2-34. GROUND CONTROL BOX ASSEMBLY - DEUTZ TCD2.9L4 ENGINES - WITH MECHANICAL HOUR METER

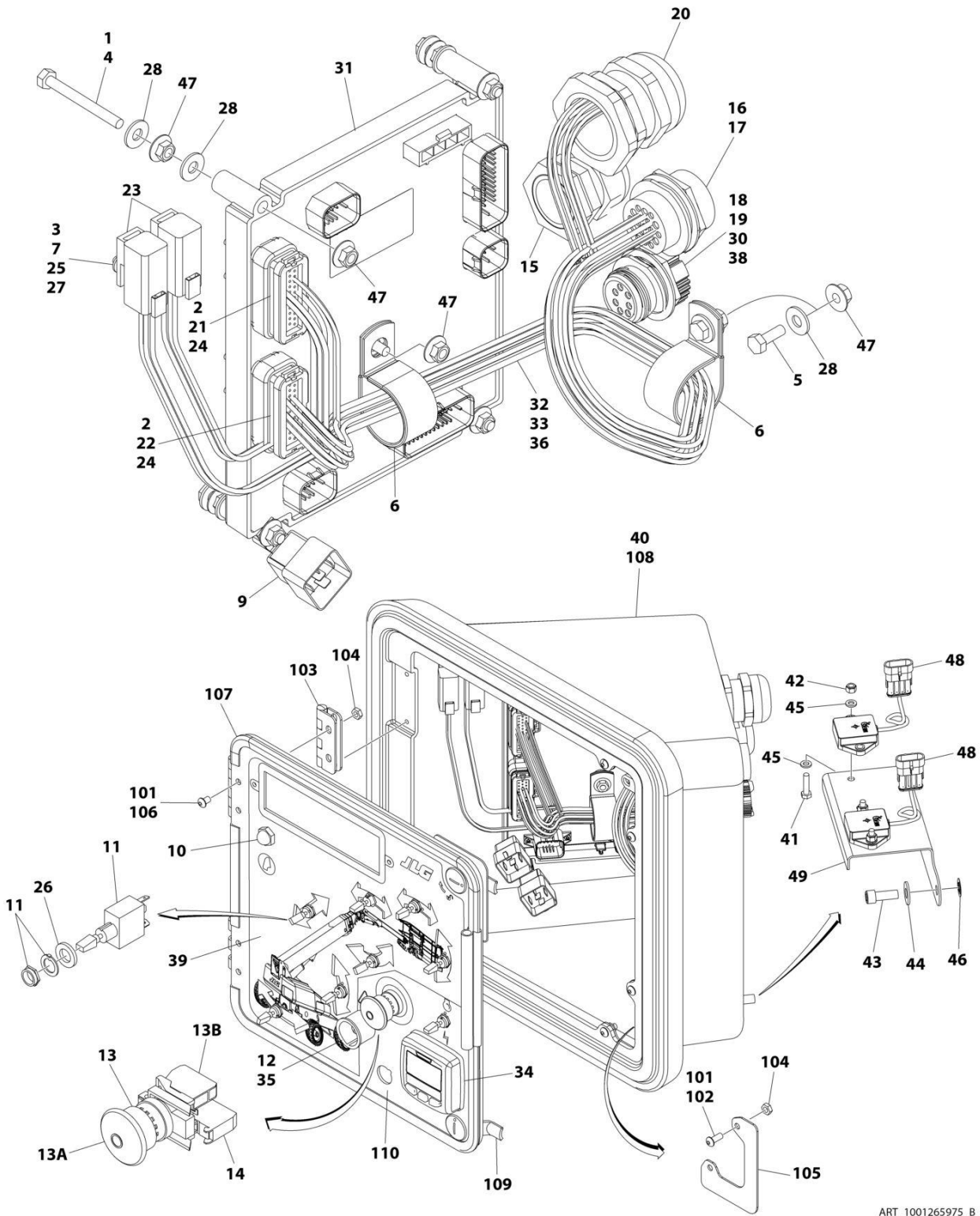
ITEM	PART NUMBER	QTY	DESCRIPTION	REV
	1001265976	Ref	GROUND CONTROL BOX ASSEMBLY	C
1	0100011	AR	Compound, Locking	
2	0100048	AR	Grease, Dielectric	
3	0630464	2	Screw #10 x 1/2	
4	0630548	5	Screw, Self Tapping	
5	0641406	1	Bolt 1/4 x 3/4	
6	1320095	2	Clamp	
7	3311001	2	Nut #10	
9	3740049	1	Relay	
10	4360274	1	Switch, Pushbutton	
11	4360328	8	Switch, Toggle	
12	4360475	1	Switch, Push-Pull Emergency	
12A	7020175	1	Cap	
12B	7020176	1	Block, Contact	
13	4360476	1	Block, Contact	
14	4460426	1	Connector, Strain Relief	
15	4460470	1	Nut, Terminal	
16	4460471	1	Washer, Terminal	
17	4460496	1	Terminal, Washer	
18	4460497	1	Nut, Strain Relief	
19	4460526	1	Connector, Strain Relief	
20	4460874	1	Connector, White	
21	4460875	1	Connector, Gray	
22	4460892	2	Connector, Buss Bar - 6 Position	
23	4460905	4	Connector, Plug	
24	4460914	2	Base, Terminal	
25	4740397	8	Washer	
26	4751000	2	Washer #10	
27	4751400	11	Washer 1/4	
29	1001106736	1	Cap, Dust	
30	1001281100	1	Module, Ground Control (Note: Control System must be recalibrated when Module is replaced)	
31	1001116369	1	Harness, Valve (See Separate Breakdown in ELECTRICAL Section)	
32	1001119372	1	Harness, Ground Control Box (See Separate Breakdown in ELECTRICAL Section)	
33	10836804	1	Hour Meter	
34	1001241890	1	Harness, Ground Control Box (See Separate Breakdown in ELECTRICAL Section)	
35	1001248011	1	Wiring Diagram (Not Shown)	
36	1001279488	1	Harness, ClearSky Ready (See Separate Breakdown in ELECTRICAL Section)	
37	1001265972	1	Decal - Lid	
38	1001280411	1	Box Assembly (See Items 101-110 for Breakdown)	
39	0760612	4	Bolt M6 x 25	
40	3290605	4	Nut M6	
41	3931616	2	Bolt 3/8 x 1	
42	4751600	2	Washer 3/8	
43	4811700	8	Washer M6	
44	8310070	2	Pushnut 3/8 x 13/16	

SECTION 2 - TURNTABLE

ITEM	PART NUMBER	QTY	DESCRIPTION	REV
45	77143013	11	Nut 1/4	
46	1001219601	2	Sensor, Tilt Dual Axis CAN	
47	1001278483	1	Bracket, Tilt Sensor	
101	0100011	AR	Compound, Locking	
102	0630407	4	Screw 1/4 - 20 x 5/8	
103	2600279	2	Hing	
104	3311402	8	Nut 1/4	
105	3573144	2	Plate	
106	3900251	8	Screw 1/4 - 20 x 3/8	
107	3960418	53 in	Seal	
108	1001110064	1	Box, Main Terminal Shell	
109	1001242373	2	Latch	
110	1001265881	1	Panel, Main Terminal Box	

SECTION 2 - TURNTABLE

FIGURE 2-35. GROUND CONTROL BOX ASSEMBLY - DEUTZ TD2011 ENGINES



ART_1001265975_B

SECTION 2 - TURNTABLE

FIGURE 2-35. GROUND CONTROL BOX ASSEMBLY - DEUTZ TD2011 ENGINES

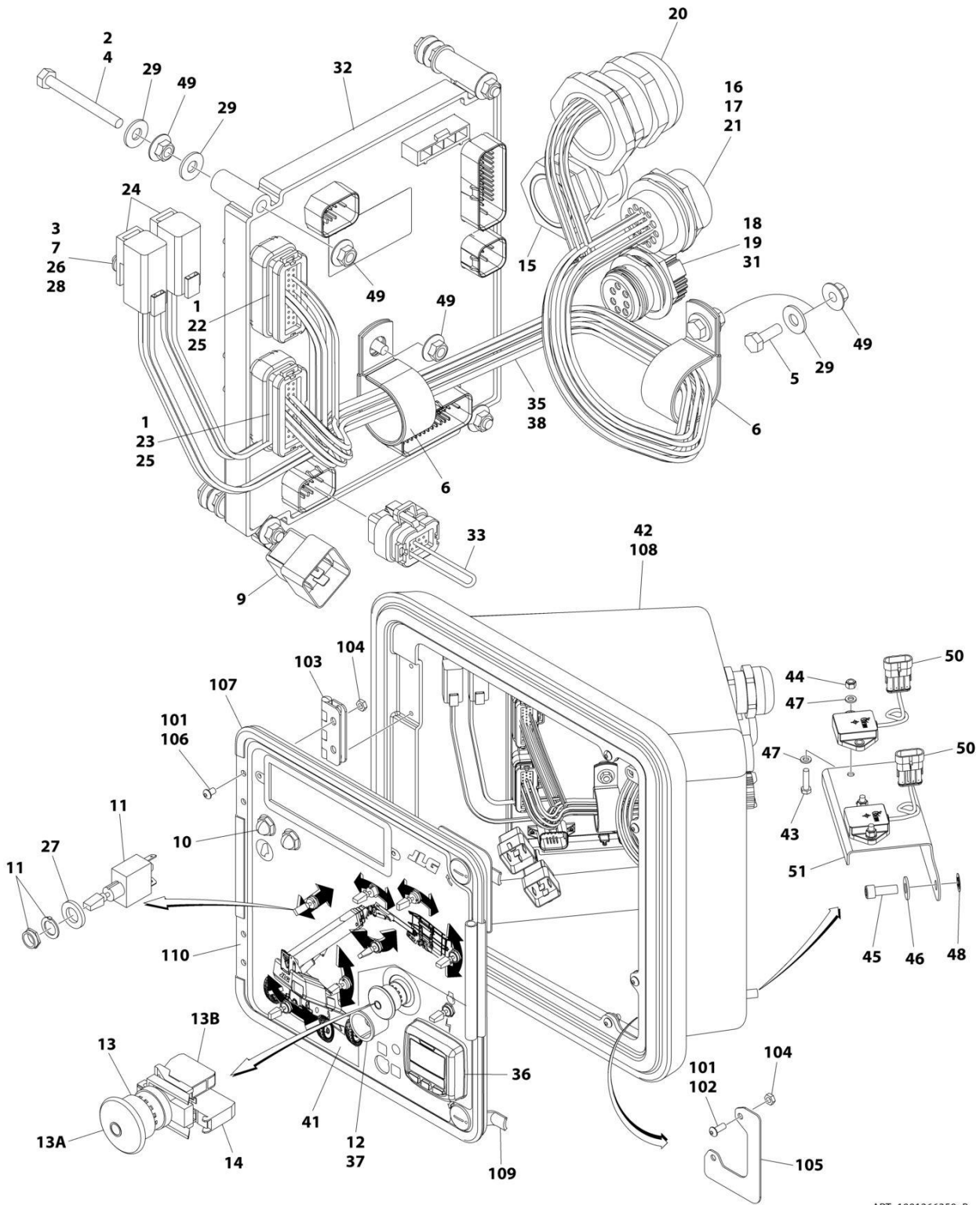
ITEM	PART NUMBER	QTY	DESCRIPTION	REV
	1001265975	Ref	GROUND CONTROL BOX ASSEMBLY	B
1	0100011	AR	Compound, Locking	
2	0100048	AR	Grease, Dielectric	
3	0630464	2	Screw #10 x 1/2	
4	0630548	5	Screw, Self Tapping	
5	0641406	1	Bolt 1/4 x 3/4	
6	1320095	2	Clamp	
7	3311001	2	Nut #10	
9	3740049	1	Relay	
10	4360274	1	Switch, Pushbutton	
11	4360328	8	Switch, Toggle	
12	4360387	1	Switch, Push Button	
13	4360475	1	Switch, Push-Pull Emergency	
13A	7020175	1	Cap	
13B	7020176	1	Block, Contact	
14	4360476	1	Block, Contact	
15	4460426	1	Connector, Strain Relief	
16	4460470	1	Nut, Terminal	
17	4460471	1	Washer, Terminal	
18	4460496	1	Terminal, Washer	
19	4460497	1	Nut, Strain Relief	
20	4460526	1	Connector, Strain Relief	
21	4460874	1	Connector, White	
22	4460875	1	Connector, Gray	
23	4460892	2	Connector, Buss Bar - 6 Position	
24	4460905	4	Connector, Plug	
25	4460914	2	Base, Terminal	
26	4740397	8	Washer	
27	4751000	2	Washer #10	
28	4751400	11	Washer 1/4	
30	1001106736	1	Cap, Dust	
31	1001281100	1	Module, Ground Control (Note: Control System must be recalibrated when Module is replaced)	
32	1001116369	1	Harness, Valve (See Separate Breakdown in ELECTRICAL Section)	
33	1001119372	1	Harness, Ground Control Box (See Separate Breakdown in ELECTRICAL Section)	
34	1001171482	1	Gauge	
35	1001176469	1	Shroud	
36	1001241890	1	Harness, Ground Control Box (See Separate Breakdown in ELECTRICAL Section)	
37	1001248011	1	Wiring Diagram (Not Shown)	
38	1001279488	1	Harness, ClearSky Ready (See Separate Breakdown in ELECTRICAL Section)	
39	1001265970	1	Decal - Lid	
40	1001265974	1	Box Assembly	
41	0760612	4	Bolt M6 x 25	
42	3290605	4	Nut M6	
43	3931616	2	Bolt 3/8 x 1	
44	3290605	2	Washer 3/8	
45	4811700	8	Washer M6	

SECTION 2 - TURNTABLE

ITEM	PART NUMBER	QTY	DESCRIPTION	REV
46	8310070	2	Pushnut 3/8 x 13/16	
47	77143013	11	Nut 1/4	
48	1001219601	2	Sensor, Tilt Dual Axis CAN	
49	1001278483	1	Bracket, Tilt Sensor	
101	0100011	AR	Compound, Locking	
102	0630407	4	Screw 1/4 x 5/8	
103	2600279	2	Hinge	
104	3311402	8	Nut 1/4	
105	3573144	2	Plate, Latch	
106	3900251	8	Screw 1/4 x 3/8	
107	3960418	53 in /1.4m	Seal	
108	1001110064	1	Box	
109	1001242373	2	Latch	
110	1001265880	1	Panel	

SECTION 2 - TURNTABLE

FIGURE 2-36. GROUND CONTROL BOX ASSEMBLY - DEUTZ TCD2.9L4 STAGE V ENGINES



ART_1001266350_B

SECTION 2 - TURNTABLE

FIGURE 2-36. GROUND CONTROL BOX ASSEMBLY - DEUTZ TCD2.9L4 STAGE V ENGINES

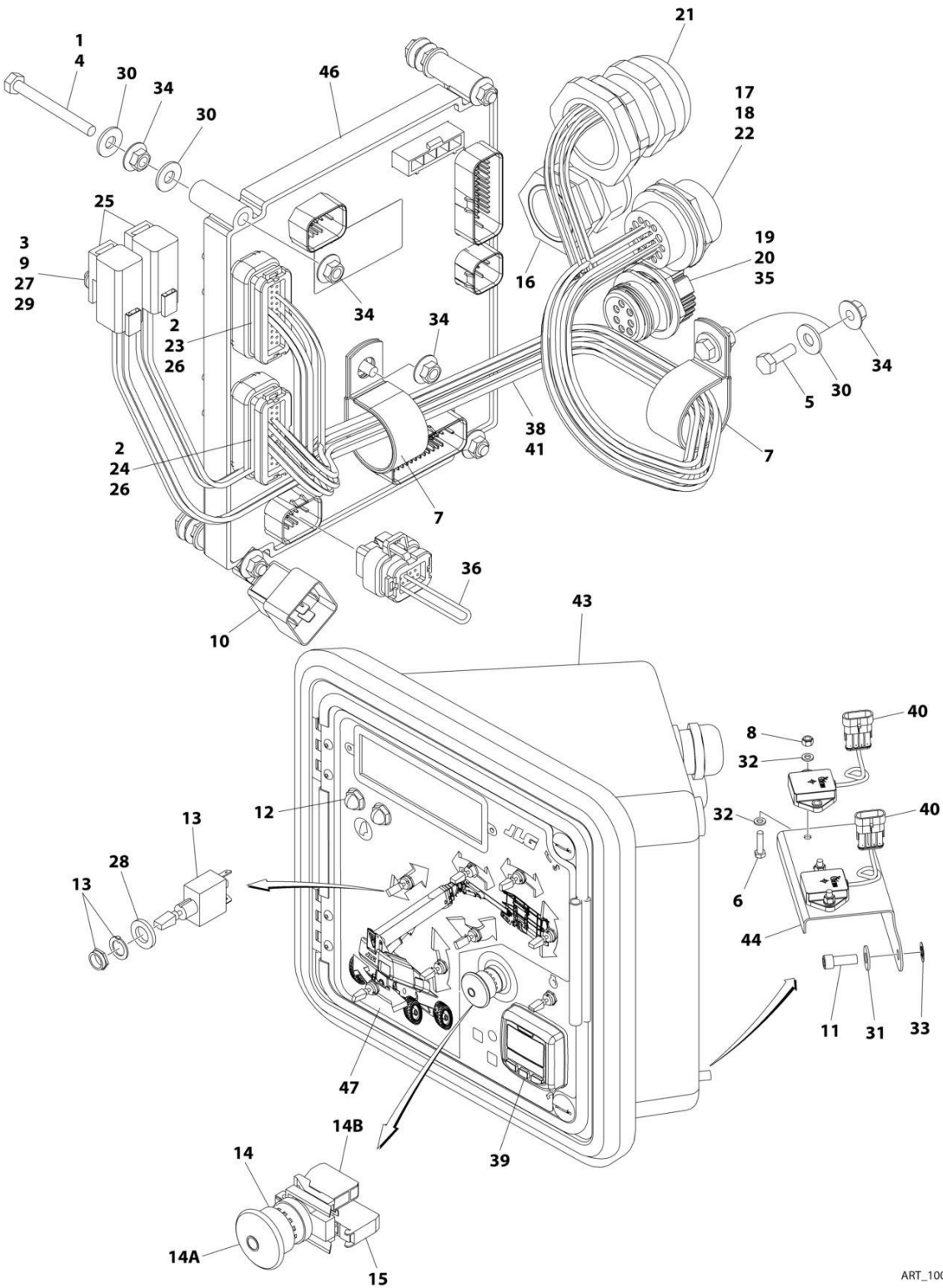
ITEM	PART NUMBER	QTY	DESCRIPTION	REV
	1001266350	Ref	GROUND CONTROL BOX ASSEMBLY	B
1	0100048	AR	Grease, Dielectric	
2	0100011	AR	Compound, Locking	
3	0630464	2	Screw #10 x 1/2	
4	0630548	5	Screw, Self Tapping	
5	0641406	1	Bolt 1/4 x 3/4	
6	1320095	2	Clamp	
7	3311001	2	Nut #10	
9	3740049	1	Relay	
10	4360274	1	Switch, Pushbutton	
11	4360328	8	Switch, Toggle	
12	4360387	1	Switch, Push Button	
13	4360475	1	Switch, Push-Pull Emergency	
13A	7020175	1	Cap	
13B	7020176	1	Block, Contact	
14	4360476	1	Block, Contact	
15	4460426	1	Connector, Strain Relief	
16	4460470	1	Nut, Terminal	
17	4460471	1	Washer, Terminal	
18	4460496	1	Terminal, Washer	
19	4460497	1	Nut, Strain Relief	
20	4460526	1	Connector, Strain Relief	
21	4460866	1	Connector, 19 Pin	
22	4460874	1	Connector, White	
23	4460875	1	Connector, Gray	
24	4460892	2	Connector, Buss Bar - 6 Position	
25	4460905	4	Connector, Plug	
26	4460914	2	Base, Terminal	
27	4740397	8	Washer	
28	4751000	2	Washer #10	
29	4751400	11	Washer 1/4	
31	1001106736	1	Cap, Dust	
32	1001281100	1	Module, Ground Control (Note: Control System must be recalibrated when Module is replaced)	
33	1001113698	1	Harness, Model Selection	
34	1001116369	1	Harness, Valve (Not Shown) (See Separate Breakdown in ELECTRICAL Section)	
35	1001119372	1	Harness, Ground Control Box (See Separate Breakdown in ELECTRICAL Section)	
36	1001171482	1	Gauge, Indicator	
37	1001176469	1	Shroud	
38	1001241890	1	Harness, Ground Control Box (See Separate Breakdown in ELECTRICAL Section)	
39	1001248011	1	Wiring Diagram (Not Shown)	
40	1001279488	1	Harness, ClearSky Ready (See Separate Breakdown in ELECTRICAL Section)	
41	1001265973	1	Decal - Lid	
42	1001265974	1	Box Assembly	
43	0760612	4	Bolt M6 x 25	
44	3290605	4	Nut M6	
45	3931616	2	Bolt 3/8 x 1	

SECTION 2 - TURNTABLE

ITEM	PART NUMBER	QTY	DESCRIPTION	REV
46	4751600	2	Washer 3/8	
47	4811700	8	Washer M6	
48	8310070	2	Pushnut 3/8 x 13/16	
49	77143013	11	Nut 1/4	
50	1001219601	2	Sensor, Tilt Dual Axis CAN	
51	1001278483	1	Bracket, Tilt Sensor	
101	0100011	AR	Compound, Locking	
102	0630407	4	Screw 1/4 x 5/8	
103	2600279	2	Hinge	
104	3311402	8	Nut 1/4	
105	3573144	2	Plate, Latch	
106	3900251	8	Screw 1/4 x 3/8	
107	3960418	53 in /1.4m	Seal	
108	1001110064	1	Box	
109	1001242373	2	Latch	
110	1001265880	1	Lid	

SECTION 2 - TURNTABLE

FIGURE 2-37. GROUND CONTROL BOX ASSEMBLY - DEUTZ TCD2.9L4 CHINA IV ENGINES



ART_1001282249

SECTION 2 - TURNTABLE

FIGURE 2-37. GROUND CONTROL BOX ASSEMBLY - DEUTZ TCD2.9L4 CHINA IV ENGINES

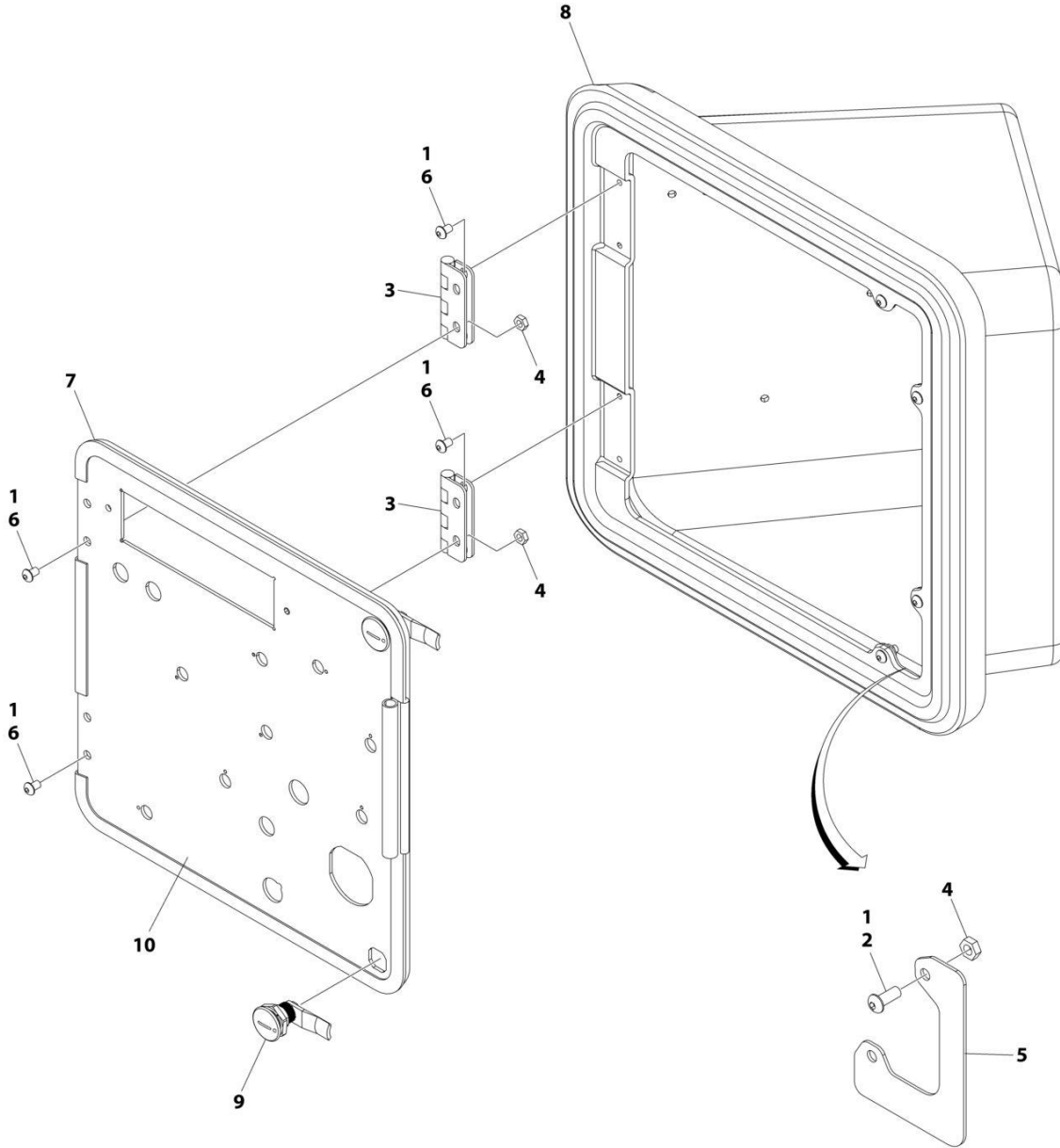
ITEM	PART NUMBER	QTY	DESCRIPTION	REV
	1001282249	Ref	GROUND CONTROL BOX ASSEMBLY	A
1	0100011	AR	Compound, Locking	
2	0100048	AR	Grease, Dielectric	
3	0630464	2	Screw #10 x 1/2	
4	0630548	5	Screw, Self Tapping	
5	0641406	1	Bolt 1/4 x 3/4	
6	0760612	4	Bolt M6 x 25	
7	1320095	2	Clamp	
8	3290605	4	Nut M6	
9	3311001	2	Nut #10	
10	3740049	1	Relay	
11	3931616	2	Bolt 3/8 x 1	
12	4360274	2	Switch, Pushbutton	
13	4360328	8	Switch, Toggle	
14	4360475	1	Switch, Push-Pull Emergency	
14A	7020175	1	Cap	
14B	7020176	1	Block, Contact	
15	4360476	1	Block, Contact	
16	4460426	1	Connector, Strain Relief	
17	4460470	1	Nut, Terminal	
18	4460471	1	Washer, Terminal	
19	4460496	1	Terminal, Washer	
20	4460497	1	Nut, Strain Relief	
21	4460526	1	Connector, Strain Relief	
22	4460866	1	Connector, 19 Pin	
23	4460874	1	Connector	
24	4460875	1	Connector, Gray	
25	4460892	2	Connector, Buss Bar - 6 Position	
26	4460905	4	Plug	
27	4460914	2	Base, Terminal	
28	4740397	8	Washer	
29	4751000	2	Washer #10	
30	4751400	11	Washer 1/4	
31	4751600	2	Washer 3/8	
32	4811700	8	Washer M6	
33	8310070	2	Pushnut 3/8	
34	77143013	11	Nut 1/4	
35	1001106736	1	Cap, Dust	
36	1001113698	1	Harness, Model Selection	
37	1001116369	1	Harness, Valve (Not Shown) (See Separate Breakdown in ELECTRICAL Section)	
38	1001119372	1	Harness, Ground Control Box (See Separate Breakdown in ELECTRICAL Section)	
39	1001171482	1	Gauge, Indicator	
40	1001219601	2	Sensor, Tilt Dual Axis CAN	
41	1001241890	1	Harness, Ground Control Box (See Separate Breakdown in ELECTRICAL Section)	
42	1001248011	1	Wiring Diagram (Not Shown)	
43	1001265974	1	Box Assembly (See Separate Breakdown in this Section)	
44	1001278483	1	Bracket, Tilt Sensor	

SECTION 2 - TURNTABLE

ITEM	PART NUMBER	QTY	DESCRIPTION	REV
45	1001279488	1	Harness, ClearSky Ready (Not Shown) (See Separate Breakdown in ELECTRICAL Section)	
46	1001281100	1	Module, Ground Control (Note: Control System must be recalibrated when Module is replaced)	
47	1001282239	1	Decal - Terminal Box	

SECTION 2 - TURNTABLE

FIGURE 2-38. GROUND CONTROL PANEL ASSEMBLY



ART_1001265974

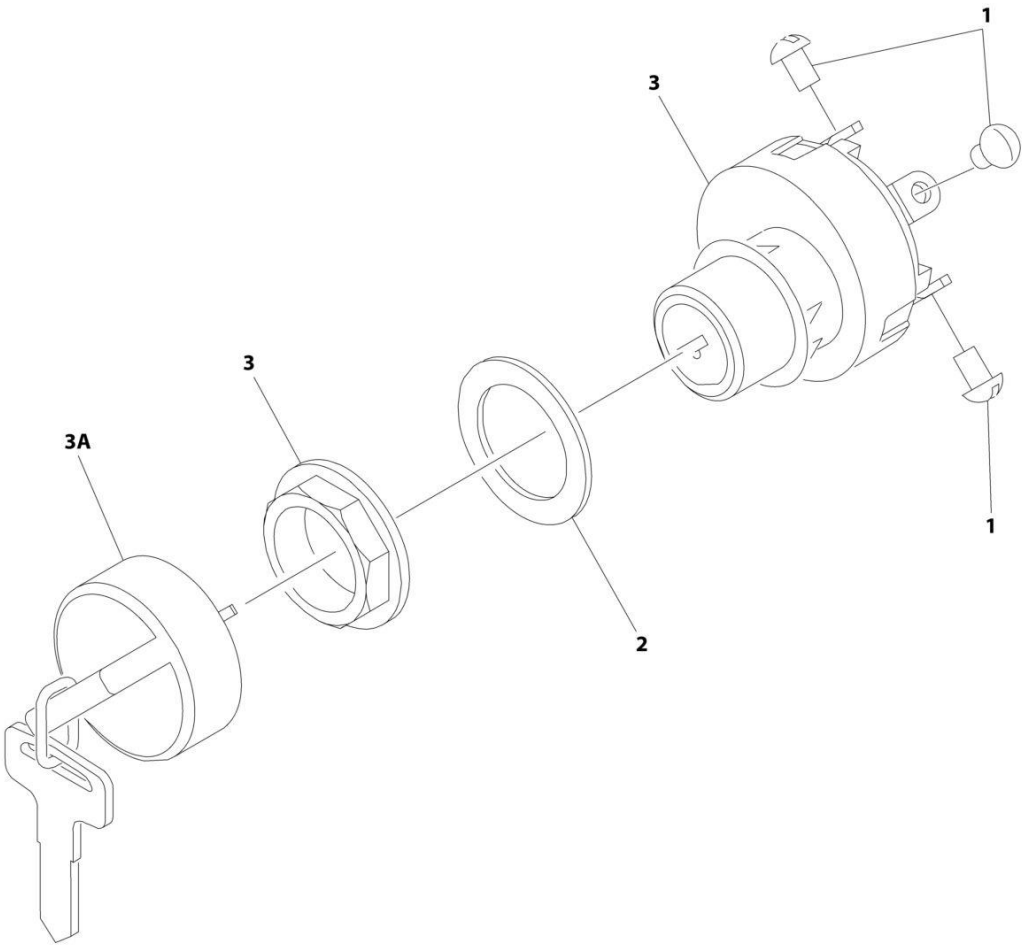
SECTION 2 - TURNTABLE

FIGURE 2-38. GROUND CONTROL PANEL ASSEMBLY

ITEM	PART NUMBER	QTY	DESCRIPTION	REV
	1001265974	Ref	BOX ASSEMBLY	A
1	0100011	AR	Compound, Locking	
2	0630407	4	Screw 1/4 x 5/8	
3	2600279	2	Hinge	
4	3311402	8	Nut 1/4	
5	3573144	2	Plate, Latch	
6	3900251	8	Screw 1/4 x 3/8	
7	3960418	53 in /1.4m	Seal	
8	1001110064	1	Box	
9	1001242373	2	Latch	
10	1001265880	1	Lid	

SECTION 2 - TURNTABLE

FIGURE 2-39. KEYSWITCH INSTALLATION



ART_0259666

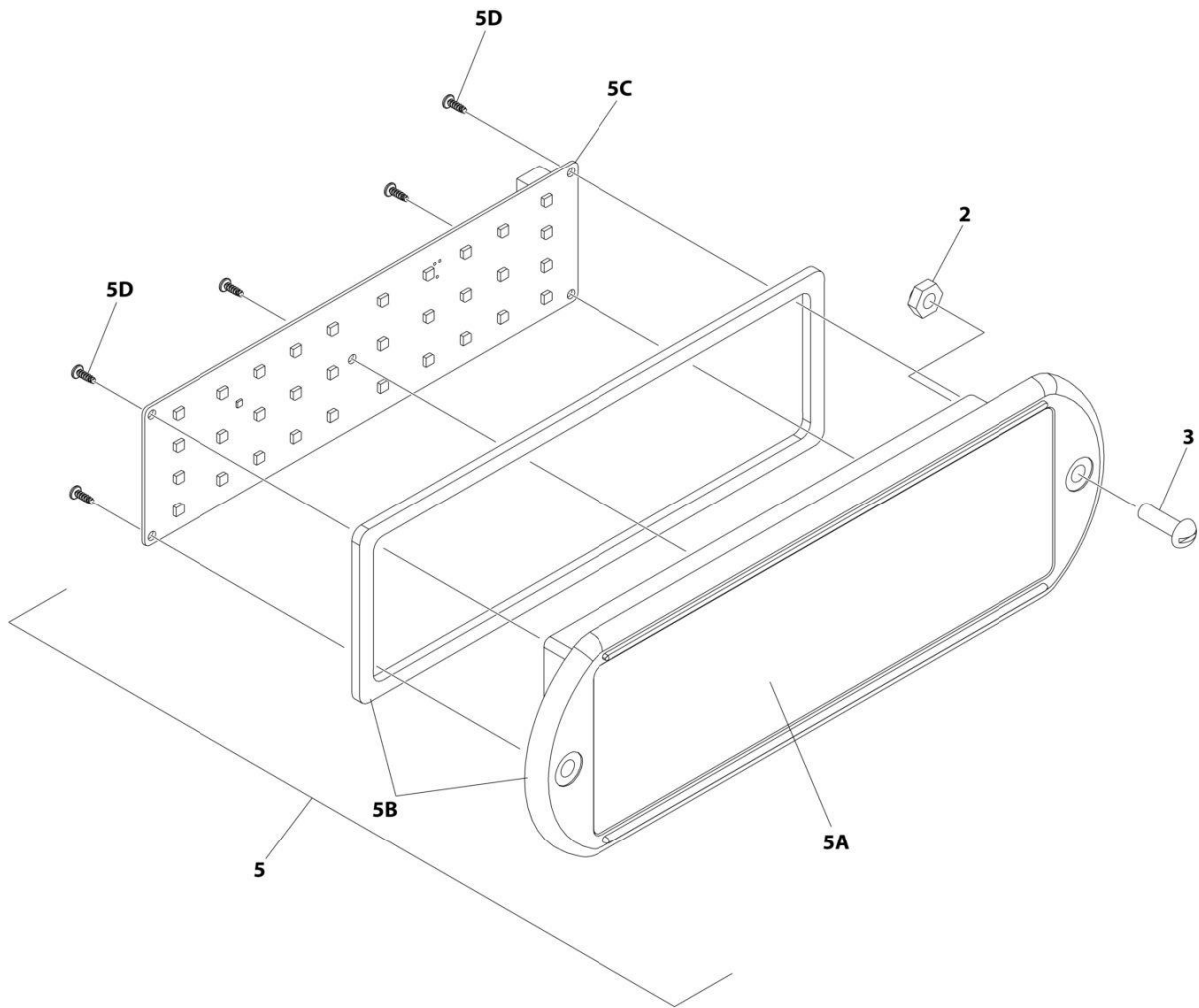
SECTION 2 - TURNTABLE

FIGURE 2-39. KEYSWITCH INSTALLATION

ITEM	PART NUMBER	QTY	DESCRIPTION	REV
	0259666	Ref	KEYSWITCH INSTALLATION	B
1	3910804	6	Screw #8 x 1/8	
2	1001151393	1	Shim .063	
3	4360469	1	Keyswitch	
3A	2860030	1	Key, Replacement	

SECTION 2 - TURNTABLE

FIGURE 2-40. LIGHT PANEL INSTALLATION (MACHINES WITH SN STARTING WITH 03)



ART_1001233959_10F2

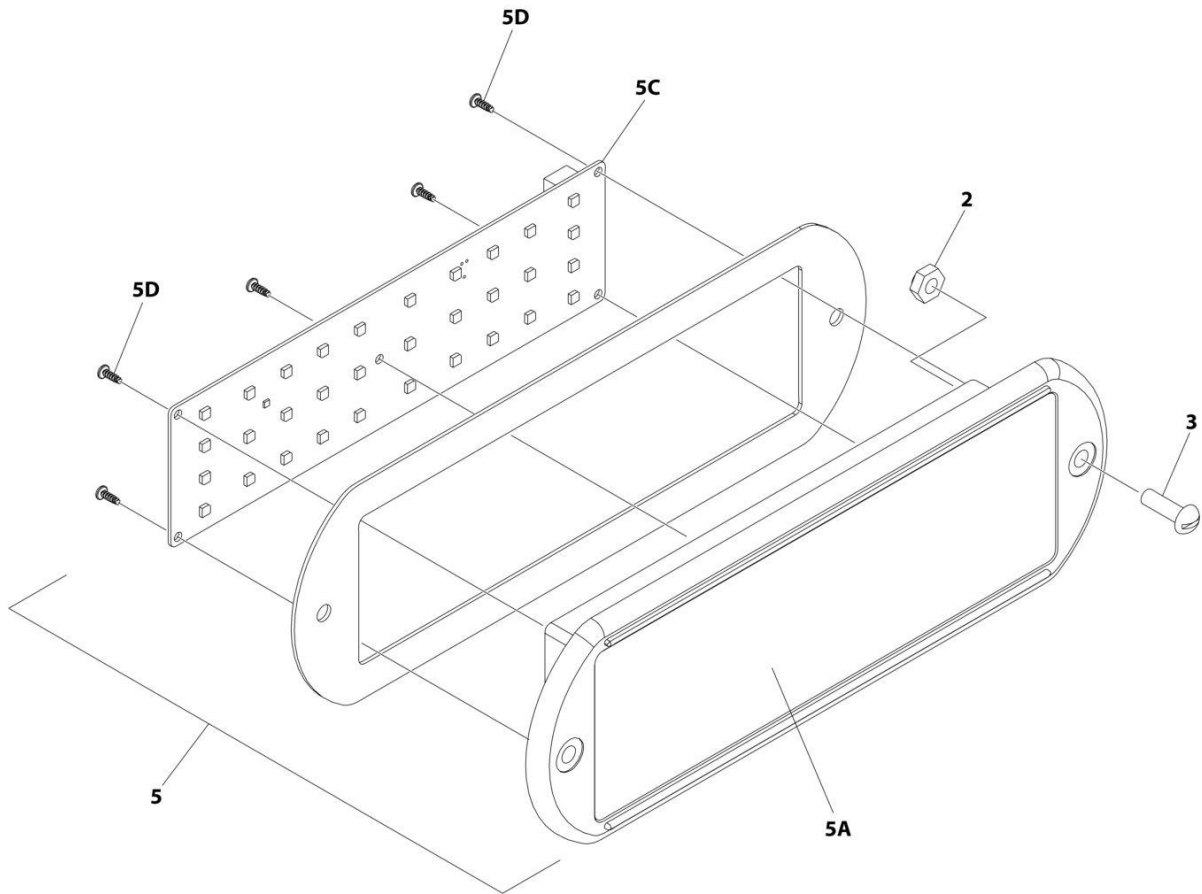
SECTION 2 - TURNTABLE

FIGURE 2-40. LIGHT PANEL INSTALLATION (MACHINES WITH SN STARTING WITH 03)

ITEM	PART NUMBER	QTY	DESCRIPTION	REV
	1001233959	Ref	LIGHT PANEL INSTALLATION	C
2	3300408	2	Nut, Nylon Insert	
3	0630518	2	Screw #10 x 3/4	
5	1001237546	1	Light Panel Assembly	
5A	1001236091	1	Lens, I-Con/Bezel	
5C	1001187807	1	Panel, LED Light	
5D		Ref	Screw	

SECTION 2 - TURNTABLE

FIGURE 2-41. LIGHT PANEL INSTALLATION (MACHINES WITH SN STARTING WITH B3)



ART_1001241398_B_10F2

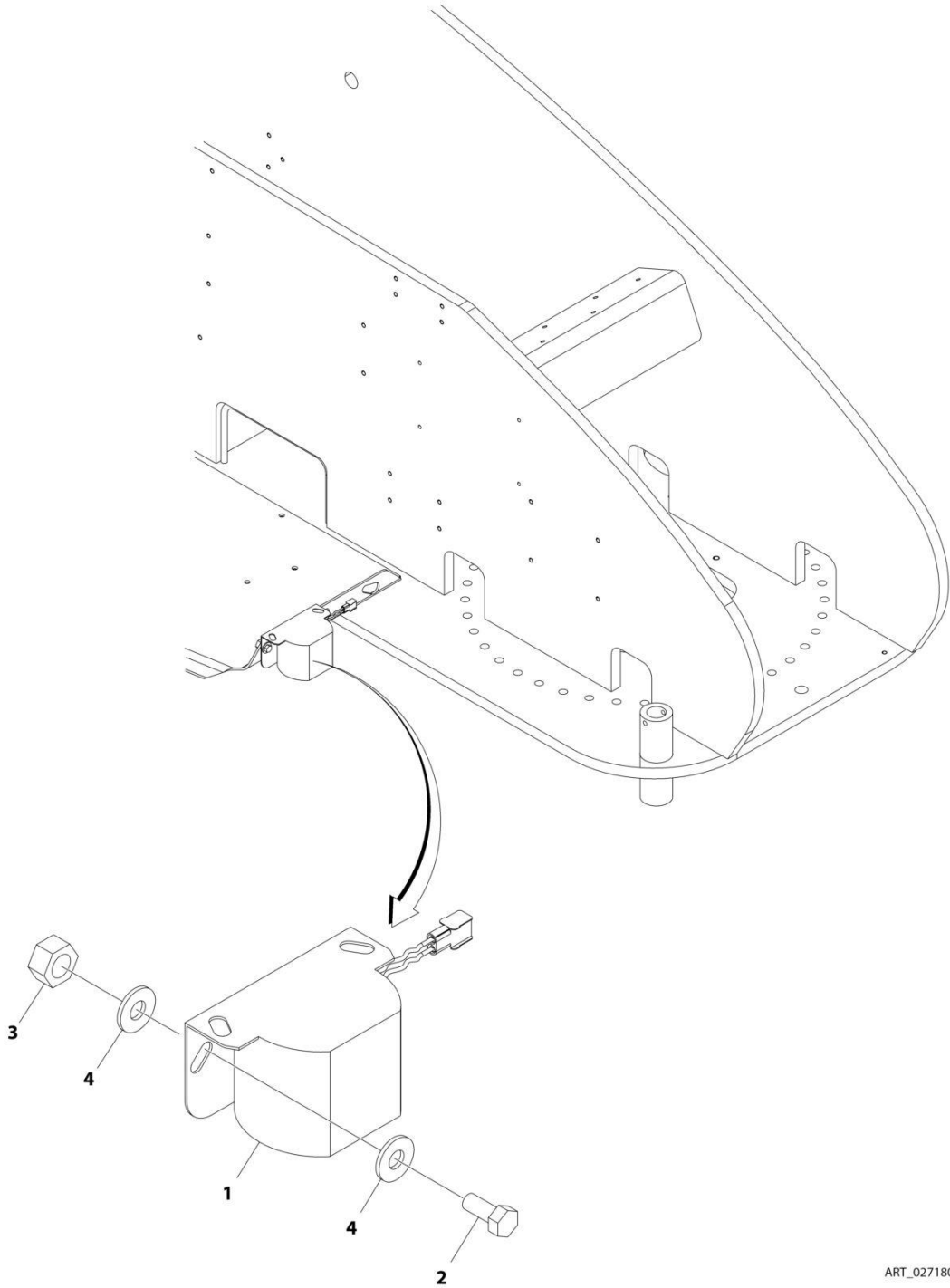
SECTION 2 - TURNTABLE

FIGURE 2-41. LIGHT PANEL INSTALLATION (MACHINES WITH SN STARTING WITH B3)

ITEM	PART NUMBER	QTY	DESCRIPTION	REV
	1001241398	Ref	LIGHT PANEL INSTALLATION	B
2	3300408	2	Nut, Nylon Insert	
3	3911010	2	Screw #10 x 5/8	
5	1001238673	1	Light Panel Assembly	
5A	1001236091	1	Lens, I-Con	
5C	1001238732	1	Panel, LED Light	
5D		Ref	Screw	

SECTION 2 - TURNTABLE

FIGURE 2-42. ALARM INSTALLATION



ART_0271806

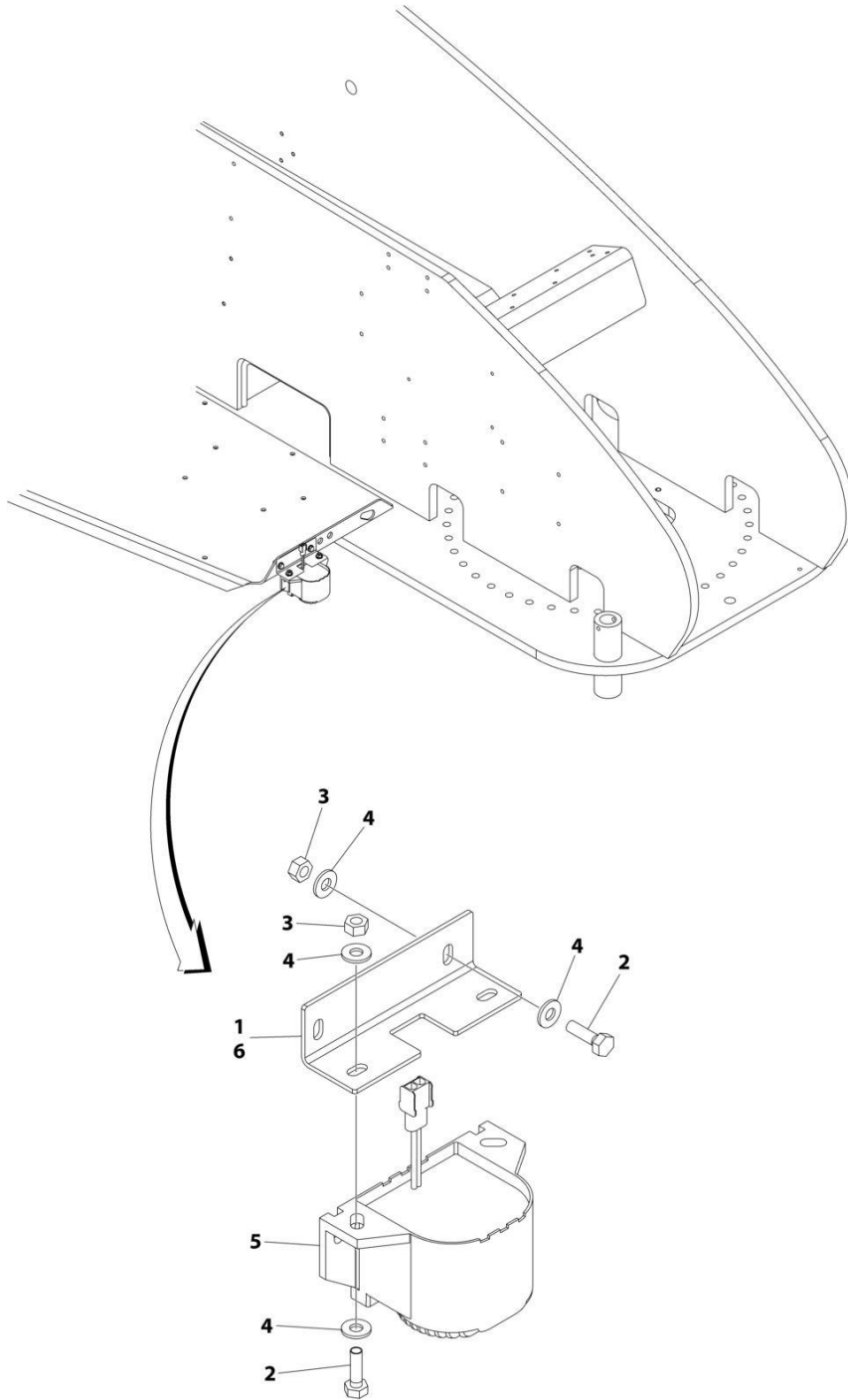
SECTION 2 - TURNTABLE

FIGURE 2-42. ALARM INSTALLATION

ITEM	PART NUMBER	QTY	DESCRIPTION	REV
	0271806	Ref	ALARMS INSTALLATION	A
1	0257887	1	Alarm	
1	0140032	1	Alarm	
1	2820035	6 in/15cm	Loom	
1	4460424	1	Plug	
1	4460268	2	Socket, Female	
2	0641506	2	Bolt 5/16 x 3/4	
3	3311505	2	Nut 5/16	
4	4751500	4	Washer 5/16	

SECTION 2 - TURNTABLE

FIGURE 2-43. ALARM AMBIENT (WHITE NOISE) INSTALLATION (ALARM WITH HORIZONTAL BAR GRILLE)



ART_1001241383

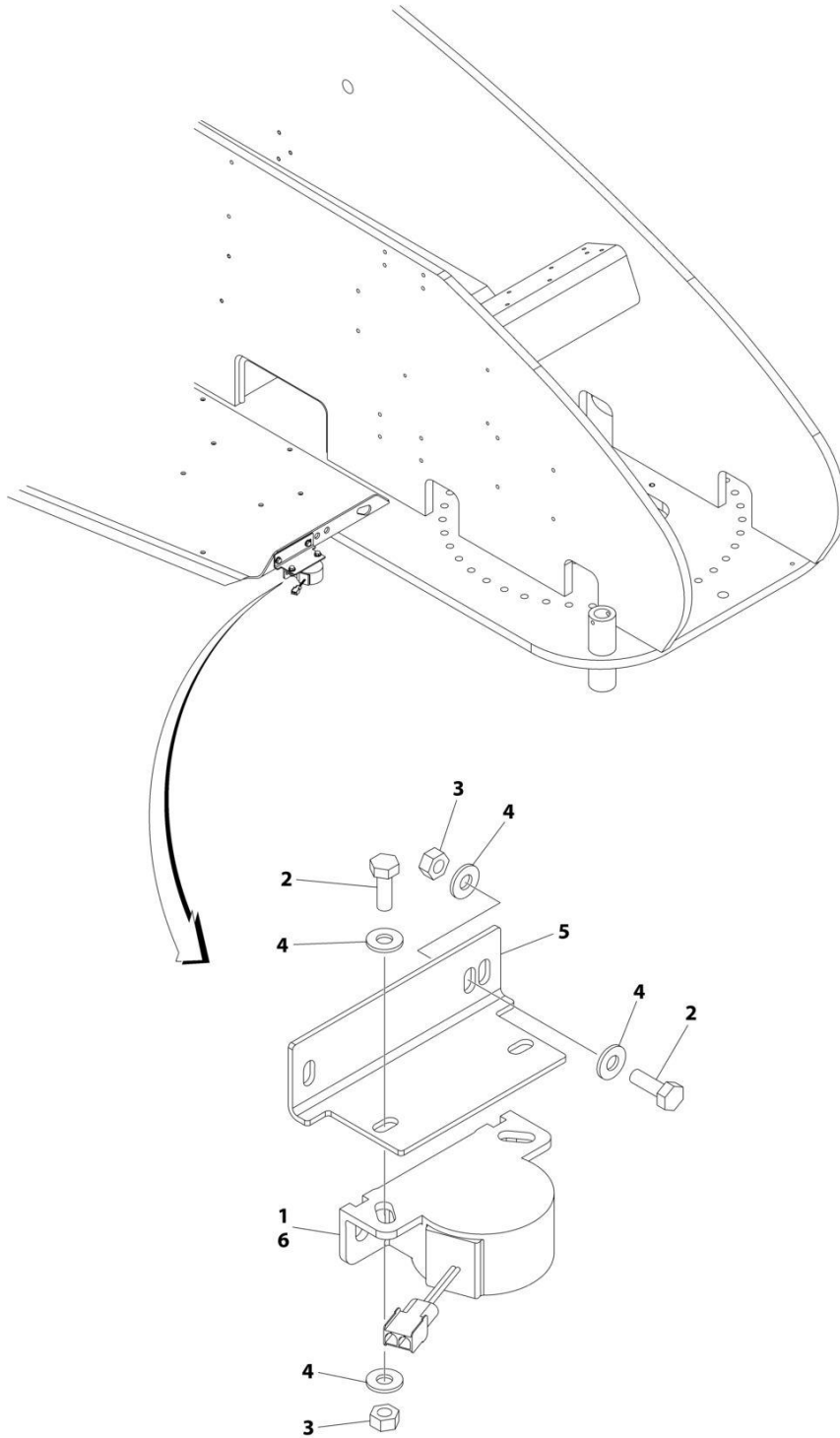
SECTION 2 - TURNTABLE

FIGURE 2-43. ALARM AMBIENT (WHITE NOISE) INSTALLATION (ALARM WITH HORIZONTAL BAR GRILLE)

ITEM	PART NUMBER	QTY	DESCRIPTION	REV
	1001241383	Ref	ALARM AMBIENT (WHITE NOISE) INSTALLATION	A
1	0100048	AR	Grease, Dielectric	
2	0641407	4	Bolt 1/4 x 7/8	
3	3311405	4	Nut 1/4	
4	4711400	8	Washer 1/4	
5	1001243731	1	Alarm	
5	1001182806	1	Alarm	
5	4460424	1	Plug	
5	4460268	2	Socket, Female	
6	1001243849	1	Plate	

SECTION 2 - TURNTABLE

FIGURE 2-44. ALARM AMBIENT (WHITE NOISE) INSTALLATION (ALARM WITH CROSS HATCH GRILLE)



ART_1001239281

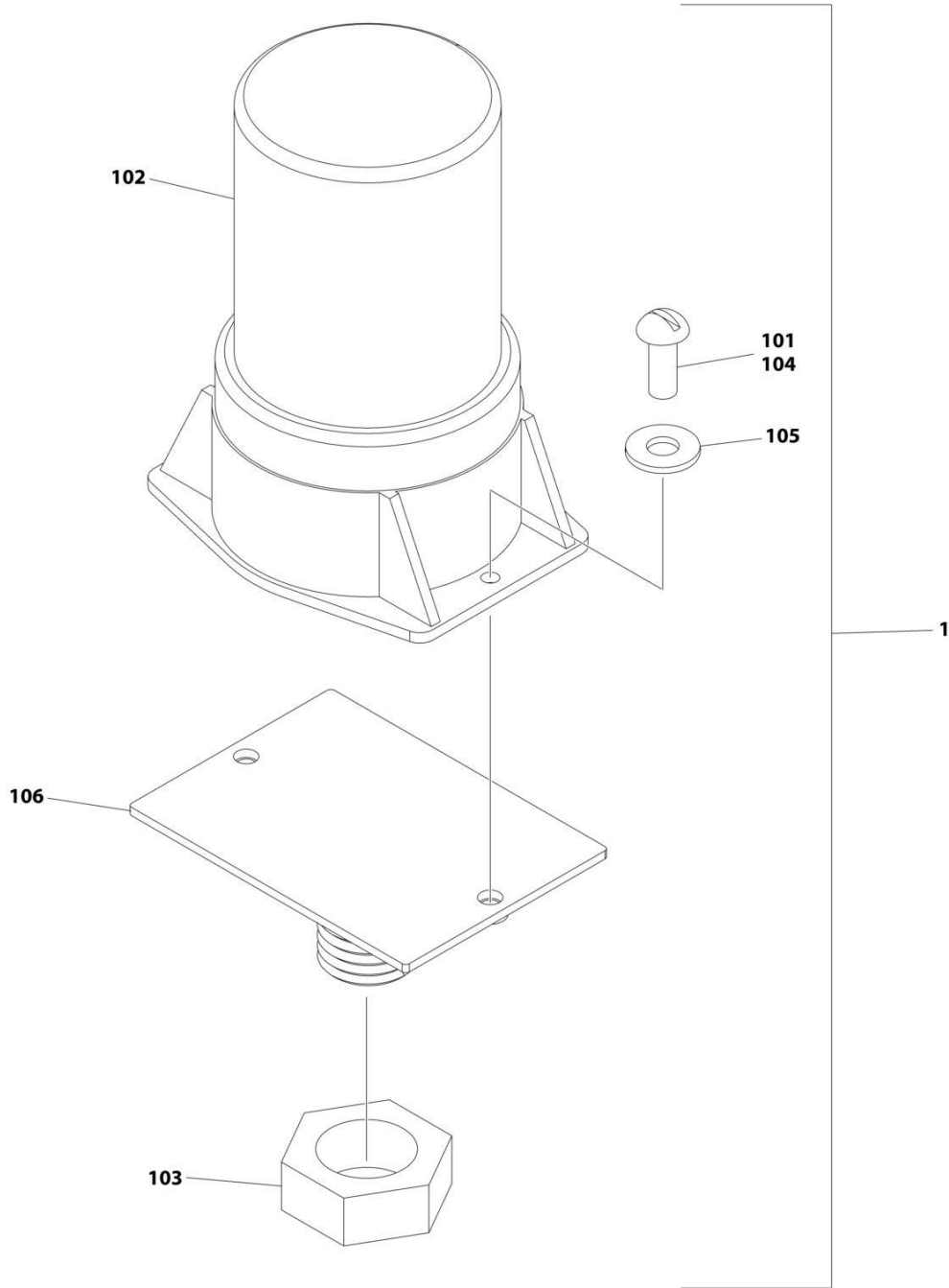
SECTION 2 - TURNTABLE

FIGURE 2-44. ALARM AMBIENT (WHITE NOISE) INSTALLATION (ALARM WITH CROSS HATCH GRILLE)

ITEM	PART NUMBER	QTY	DESCRIPTION	REV
	1001239281	Ref	BACKUP ALARM (WHITE NOISE) INSTALLATION	A
1	0100048	AR	Grease, Dielectric	
2	0641406	4	Bolt 1/4 x 3/4	
3	3311405	4	Nut 1/4	
4	4711400	8	Washer 1/4	
5	1001231886	1	Plate	
6	1001243734	1	Alarm	
6	1001184682	1	Alarm	
6	4460424	1	Plug	
6	4460268	2	Socket, Female	

SECTION 2 - TURNTABLE

FIGURE 2-45. STROBE LIGHT INSTALLATION (AMBER)



ART_1001149955

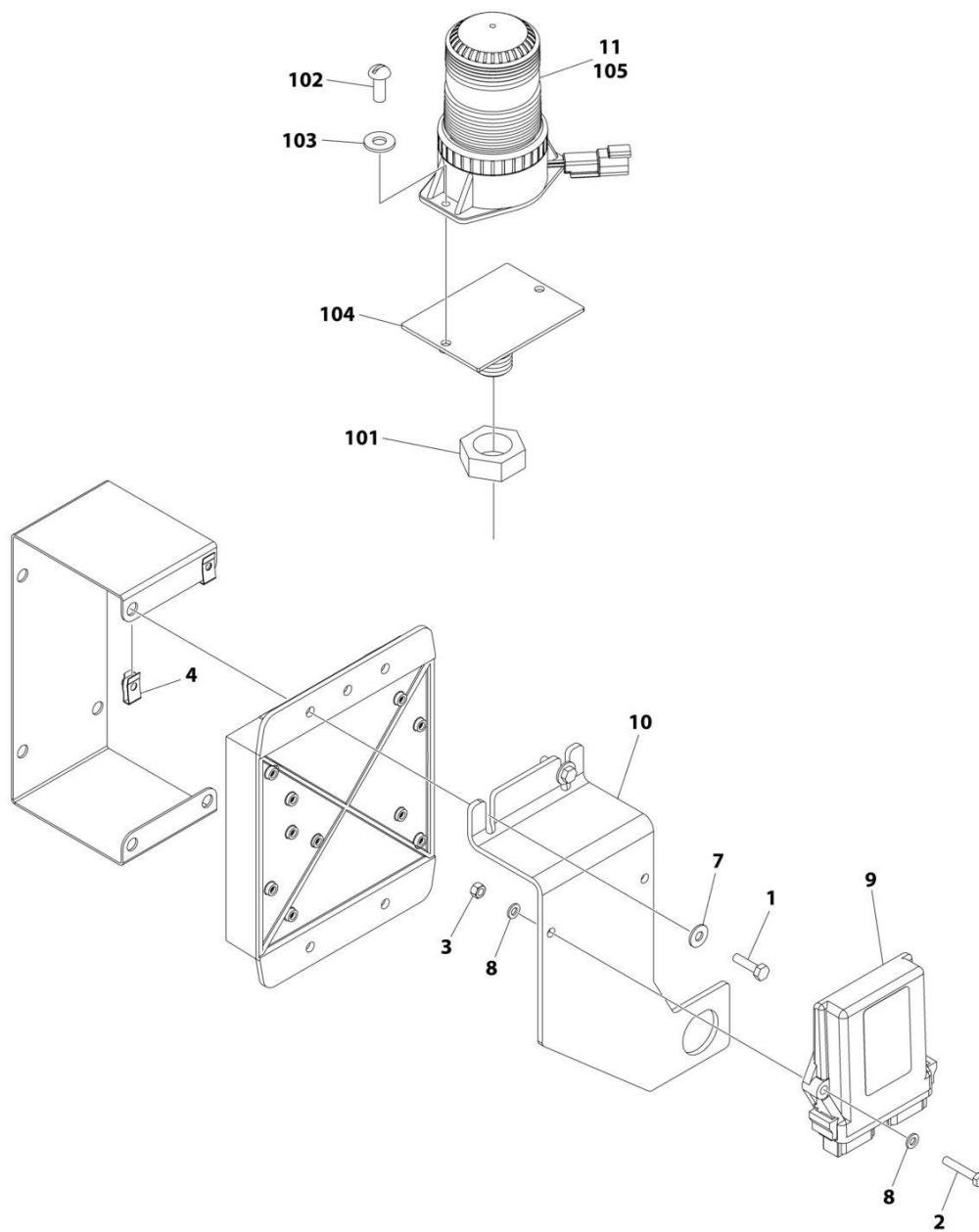
SECTION 2 - TURNTABLE

FIGURE 2-45. STROBE LIGHT INSTALLATION (AMBER)

ITEM	PART NUMBER	QTY	DESCRIPTION	REV
	1001149955	Ref	STROBE LIGHT INSTALLATION (AMBER)	B
1	1001150406	1	Strobe Light Assembly (Includes Items 101-106)	D
2	1001149818	1	Harness, Strobe Light (Not Shown - See Separate Breakdown in ELECTRICAL SECTION)	
101	0100035	AR	Compound, Locking	
102	2920161	1	Strobe Light/Harness Assembly	
102	7016319	1	Bulb	
102	7016372	1	Lens	
103	3312602	1	Nut 1	
104	3900085	2	Screw #10 x 1/2	
105	4751000	2	Washer 1/4	
106	1001149994	1	Mount Strobe	

SECTION 2 - TURNTABLE

FIGURE 2-46. STROBE LIGHT INSTALLATION (BLUE)



ART_1001244026-A

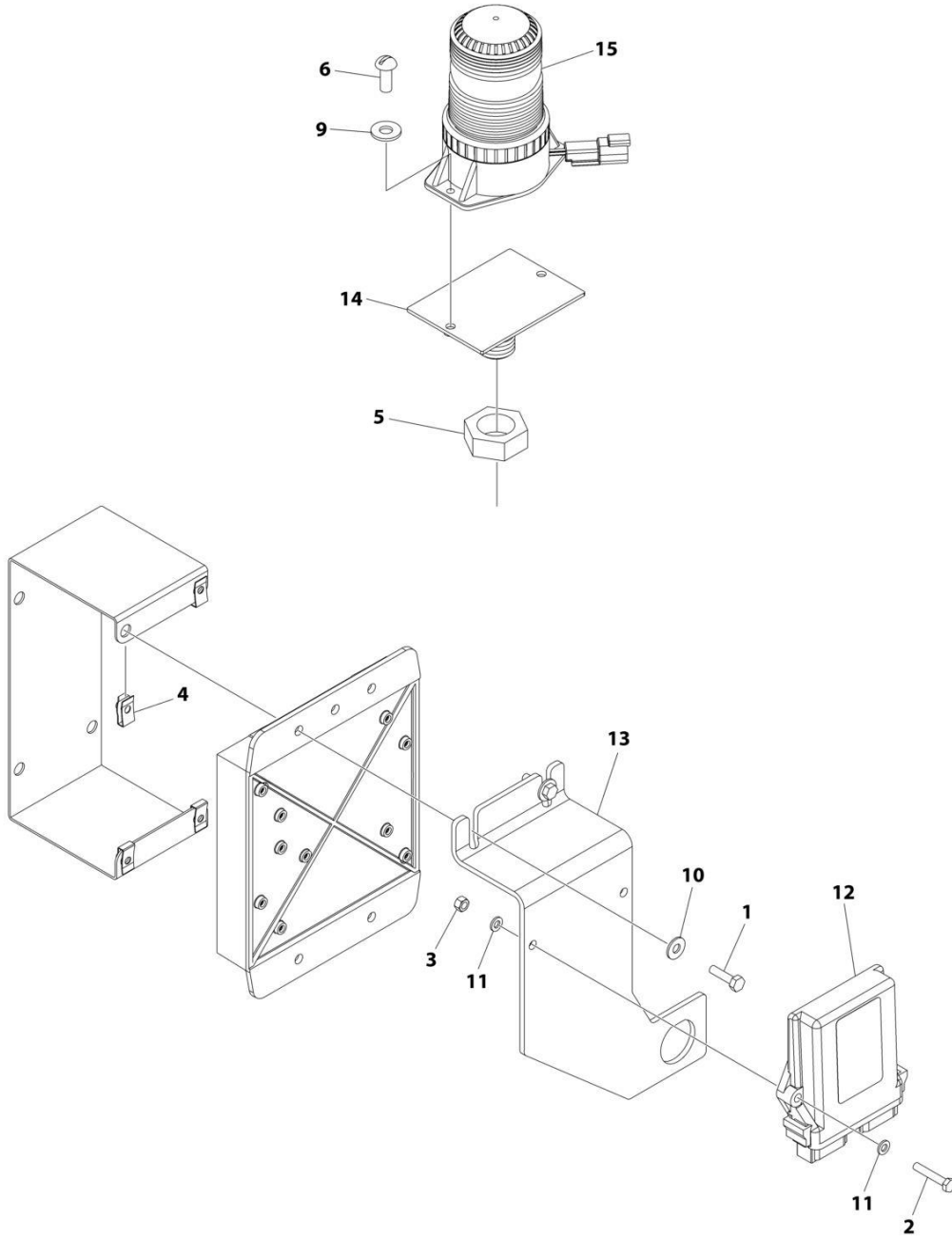
SECTION 2 - TURNTABLE

FIGURE 2-46. STROBE LIGHT INSTALLATION (BLUE)

ITEM	PART NUMBER	QTY	DESCRIPTION	REV
	1001244026	Ref	STROBE LIGHT INSTALLATION (BLUE)	A
1	0641408	2	Bolt 1/4 x 1	
2	0700615	2	Bolt M6 x 35	
3	3290607	2	Nut M6 x 1	
4	3300454	2	Nut 1/4	
5	4240032	AR	Tie-Strap (Not Shown)	
6	4460488	AR	Mounting Base (Not Shown)	
7	4751400	2	Washer 1/4	
8	4811700	4	Washer M6	
9	1001142683	1	Module, Control Beacon	
10	1001142719	1	Bracket	
11	1001217005	1	Blue Beacon Light Kit (See Items 101-105 for Breakdown)	
12	1001142736	1	Harness, Beacon Control (Not Shown - See Separate Breakdown in ELECTRICAL SECTION)	
101	3312602	1	Nut 1/4	
102	3900085	2	Screw 10 x 1/2	
103	4751000	2	Washer #10	
104	1001149994	1	Mount, Beacon	
105	1001200910	1	Light, Strobe	
105	7028909	1	Connector - 2 Position	
105	4460943	2	Pin, Male	

SECTION 2 - TURNTABLE

FIGURE 2-47. STROBE LIGHT INSTALLATION (RED)



ART_1001244027

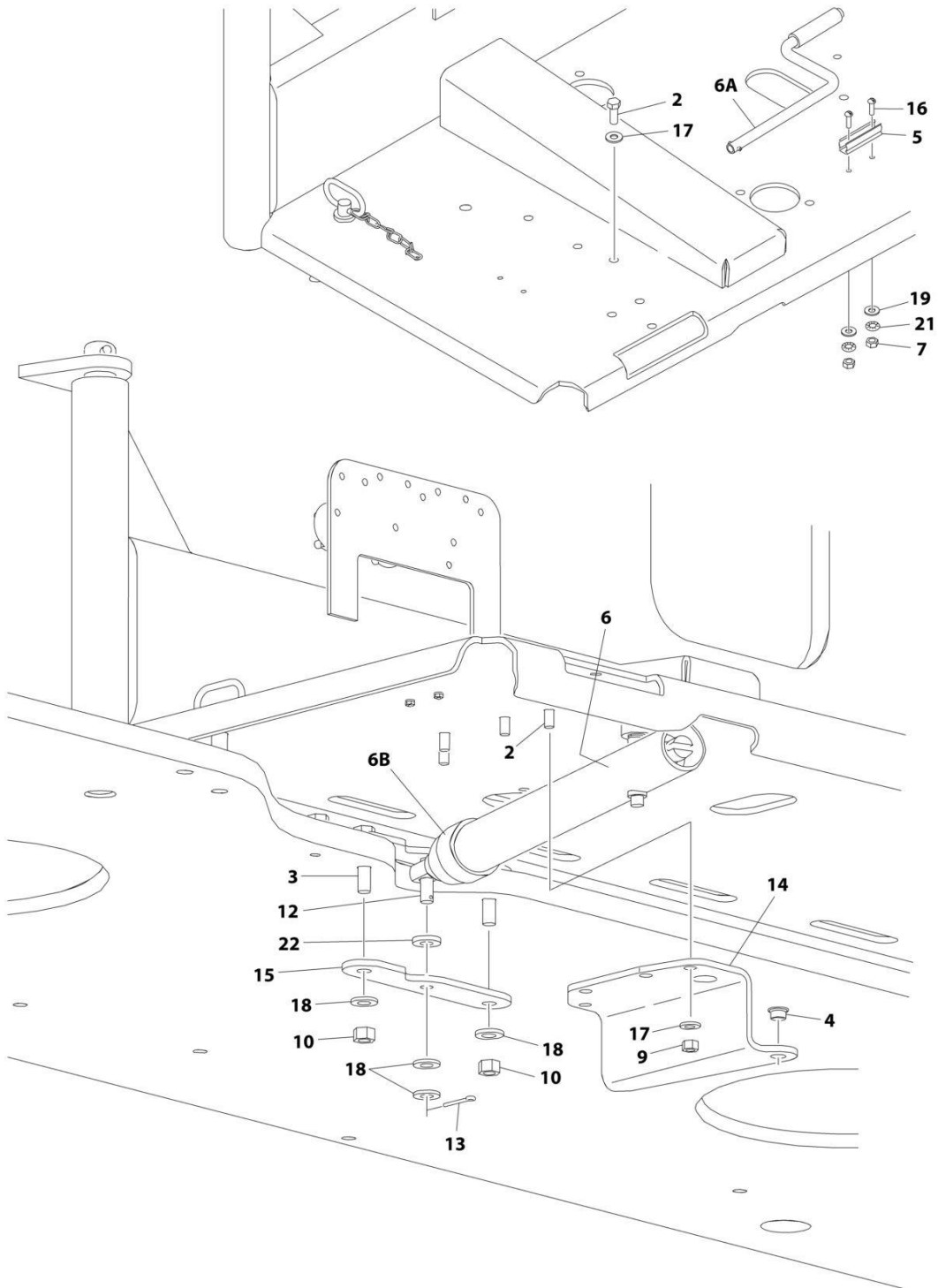
SECTION 2 - TURNTABLE

FIGURE 2-47. STROBE LIGHT INSTALLATION (RED)

ITEM	PART NUMBER	QTY	DESCRIPTION	REV
	1001244027	Ref	STROBE LIGHT INSTALLATION (RED)	A
1	0641408	2	Bolt 1/4 x 1	
2	0700615	2	Bolt M6 x 35	
3	3290607	2	Nut M6 x 1	
4	3300454	2	Nut	
5	3312602	1	Nut 1	
6	3900085	2	Screw 10 x 1/2	
7	4240032	AR	Tie-Strap (Not Shown)	
8	4460488	AR	Mounting Base (Not Shown)	
9	4751000	2	Washer #10	
10	4751400	2	Washer 1/4	
11	4811700	4	Washer M6	
12	1001142683	1	Module, Control Beacon	
13	1001142719	1	Bracket	
14	1001149994	1	Mount, Beacon	
15	1001207004	1	Light, Strobe	
15	7028909	1	Connector - 2 Position	
15	4460943	2	Pin, Male	
16	1001142736	1	Harness, Beacon Control (Not Shown - See Separate Breakdown in ELECTRICAL SECTION)	

SECTION 2 - TURNTABLE

FIGURE 2-48. ENGINE TRAY JACK INSTALLATION - DEUTZ TD2011 ENGINES



ART_0272064

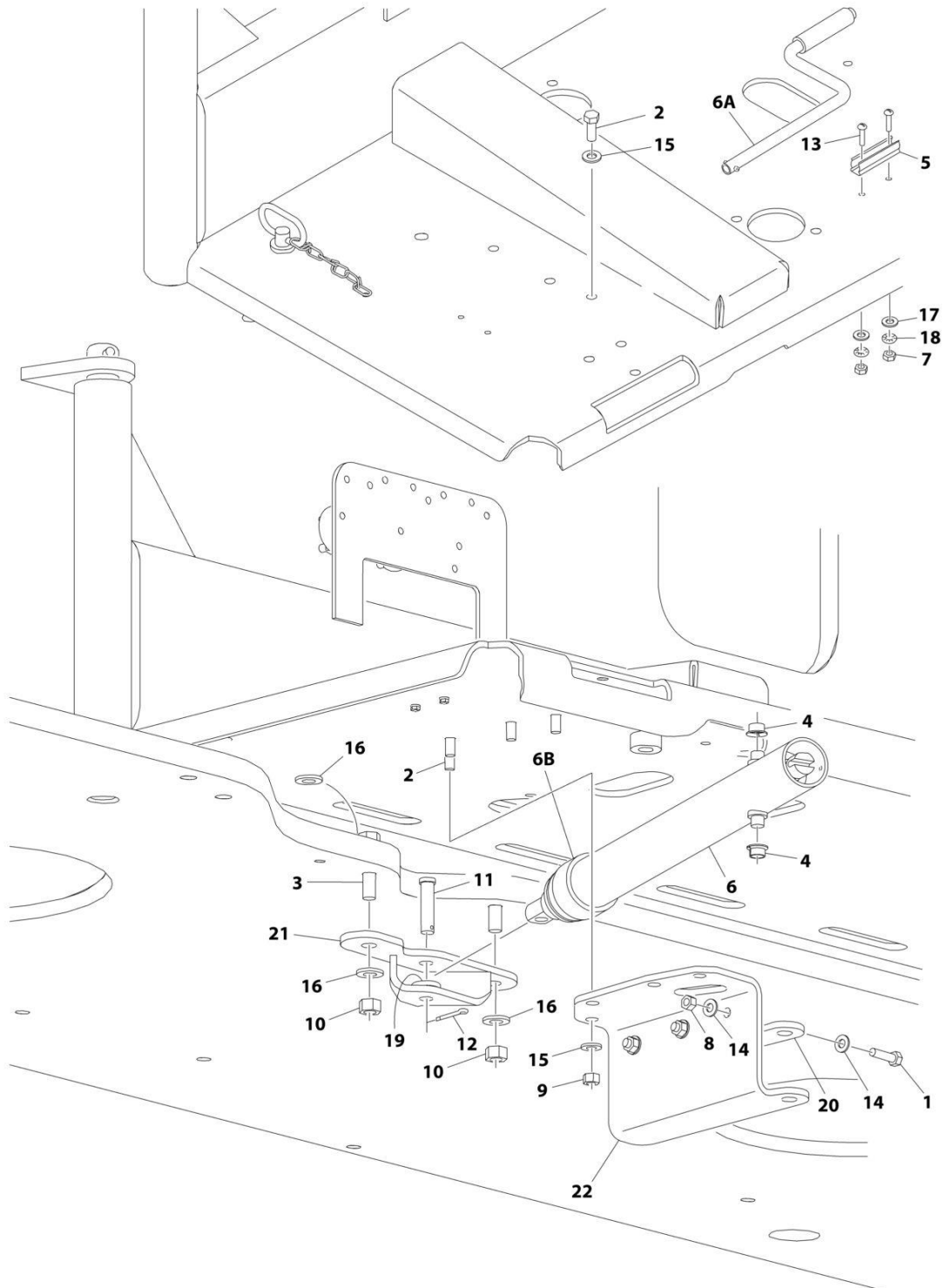
SECTION 2 - TURNTABLE

FIGURE 2-48. ENGINE TRAY JACK INSTALLATION - DEUTZ TD2011 ENGINES

ITEM	PART NUMBER	QTY	DESCRIPTION	REV
	0272064	Ref	ENGINE TRAY JACK INSTALLATION	C
2	0641608	4	Bolt 3/8 x 1	
3	0641818	2	Bolt 1/2 x 2-1/4	
4	0962051	2	Bearing, Flanged	
5	1380147	1	Clip, Spring	
6	2840016	1	Jack and Handle Assembly	
6A		Ref	Handle Options:	
6A	7016374	1	Burr Manufacturing Brand	
6A	7024598	1	Hammerblow Corp Brand	
6B	7016322	1	Wiper (Burr Manufacturing Brand Only)	
7	3310601	2	Nut #6	
9	3311605	4	Nut 3/8	
10	3311805	2	Nut 1/2	
12	3430816	1	Pin, Clevis	
13	3450404	1	Pin, Cotter 1/8 x 1	
14	3537445	1	Bracket	
15	3573454	2	Plate	
16	3910608	2	Screw #6 x 1/2	
17	4711600	8	Washer 3/8	
18	4711800	4	Washer 1/2	
19	4750600	2	Washer #6	
21	4770600	2	Starwasher #6	
22	4891800	1	Washer 1/2	

SECTION 2 - TURNTABLE

FIGURE 2-49. ENGINE TRAY JACK INSTALLATION - DEUTZ TD2.9L4/TCD2.9L4 ENGINES AND DEUTZ TCD2.9L4 (STAGE V) ENGINES



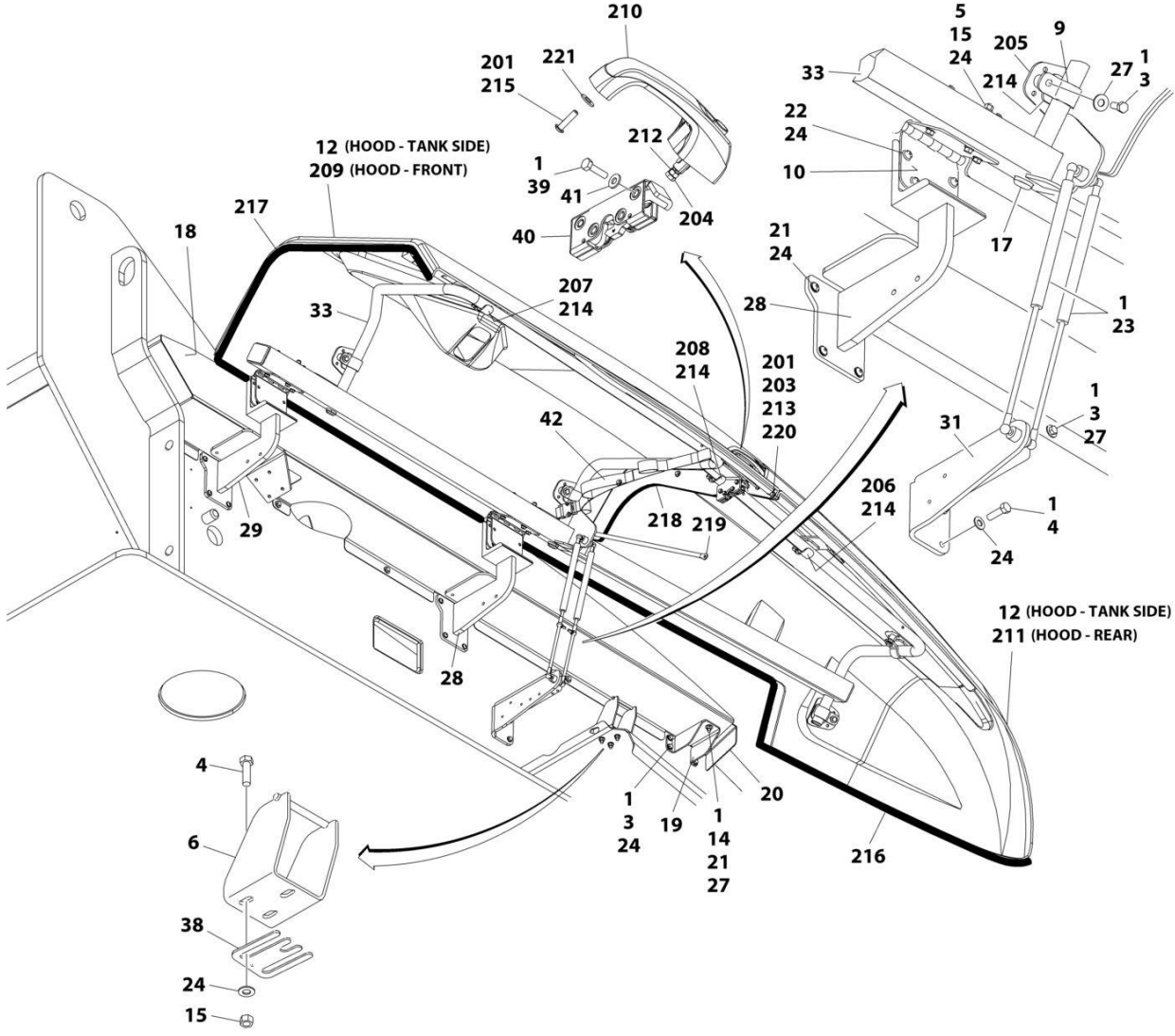
ART_1001143294

SECTION 2 - TURNTABLE

FIGURE 2-49. ENGINE TRAY JACK INSTALLATION - DEUTZ TD2.9L4/TCD2.9L4 ENGINES AND DEUTZ TCD2.9L4 (STAGE V) ENGINES

ITEM	PART NUMBER	QTY	DESCRIPTION	REV
	1001143294	Ref	ENGINE TRAY JACK INSTALLATION	A
1	0641509	3	Bolt 5/16 x 1-1/8	
2	0641608	4	Bolt 3/8 x 1	
3	0641816	2	Bolt 1/2 x 2	
4	0962051	2	Bearing, Flanged	
5	1380147	1	Clip, Spring	
6	2840016	1	Jack and Handle Assembly	
6A		Ref	Handle Options:	
6A	7016374	1	Burr Manufacturing Brand (Identified by 4in handle offset)	
6A	7024598	1	Hammerblow Corp Brand (Identified by 4-1/2in handle offset)	
6B	7016322	1	Wiper (Burr Manufacturing Brand Only)	
7	3310601	2	Nut #6	
8	3311505	3	Nut 5/16	
9	3311605	4	Nut 3/8	
10	3311805	2	Nut 1/2	
11	3430816	1	Pin, Clevis	
12	3450404	1	Pin, Cotter 1/8 x 1	
13	3910608	2	Screw #6 x 1/2	
14	4711500	6	Washer 5/16	
15	4711600	8	Washer 3/8	
16	4711800	4	Washer 1/2	
17	4750600	2	Washer #6	
18	4770600	2	Starwasher #6	
19	4891800	1	Washer 1/2	
20	1001131482	1	Plate, Jack Bracket	
21	1001135663	1	Support, Engine Tray Jack	
22	1001143298	1	Plate, Jack Bracket	

SECTION 2 - TURNTABLE



ART_0271595_G_2OF2

SECTION 2 - TURNTABLE

FIGURE 2-50. HOOD INSTALLATIONS - DEUTZ TD2011 ENGINES (ABS)

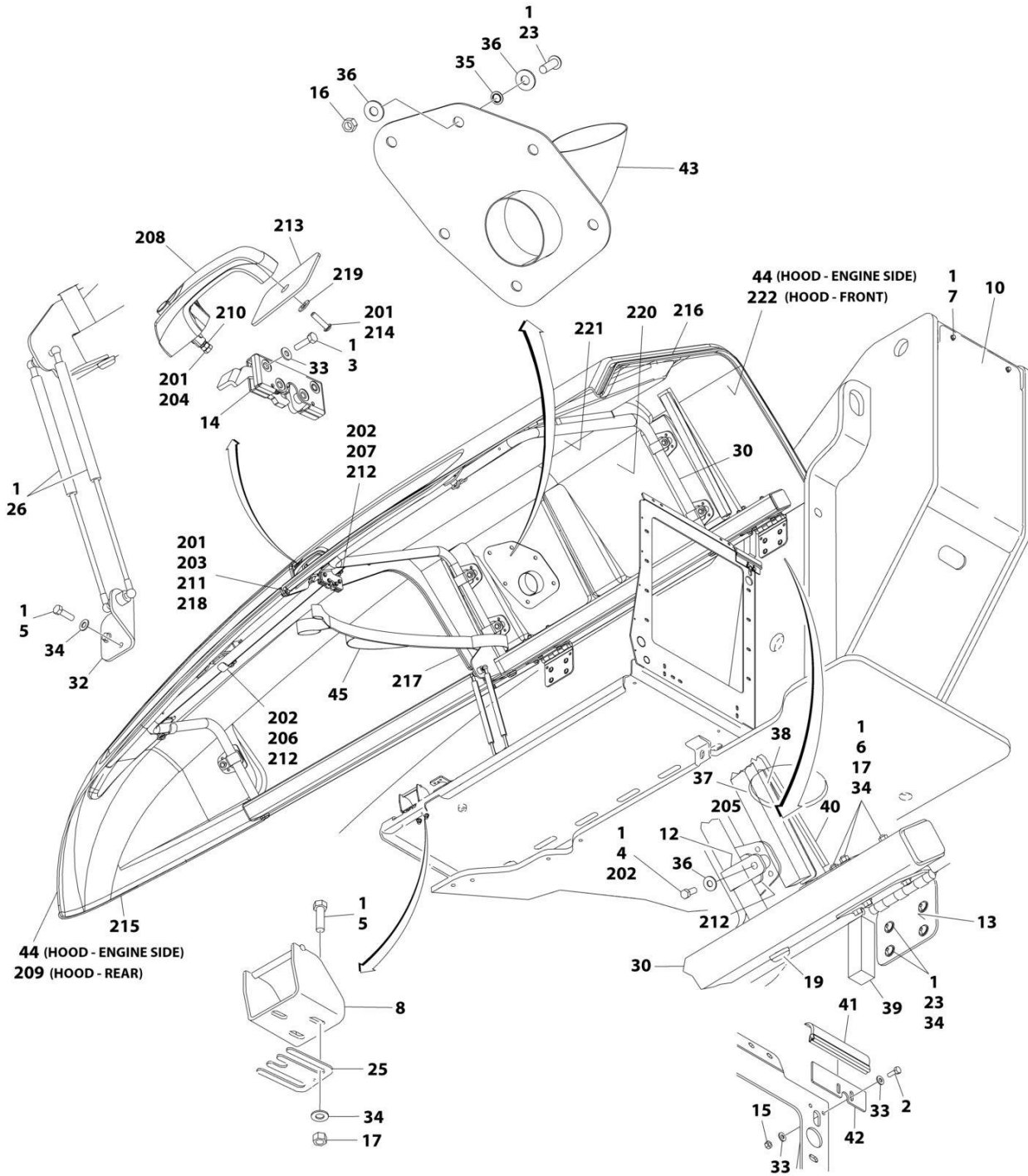
ITEM	PART NUMBER	QTY	DESCRIPTION	REV
	0271595	Ref	HOOD INSTALLATIONS - DEUTZ TD2011 ENGINES (ABS)	G
1	0100011	AR	Compound, Locking	
2	0791604	2	Screw 3/8 x 1/2	
3	0641608	24	Bolt 3/8 x 1	
4	0641610	12	Bolt 3/8 x 1-1/4	
5	0641630	12	Bolt 3/8 x 3-3/4	
6	0903156	1	Bracket	
8	1671038	1	Cover, Turntable	
9	2080051	16	Clamp	
10	2600280	4	Hinge	
11	1671192	1	Hood, Engine Side (See Items 101-123 for Breakdown)	
		Ref	Note: Replacement decals must be ordered separately - See DECAL SECTION.	
12	1671194	1	Hood, Tank Side (See Items 201-225 for Breakdown)	
		Ref	Note: Replacement decals must be ordered separately - See DECAL SECTION.	
13	2820141	1	Shield, Heat	
14	3311601	5	Nut 3/8	
15	3311605	18	Nut 3/8	
17	3520186	6	Plug	
18	3573231	1	Trough, Powertrack	
19	3573232	1	Mount, Trough	
20	3573233	1	Plate, Seal Mounting	
21	3900232	21	Screw 3/8 x 1-1/4	
22	3900283	16	Screw 3/8 x 3/4	
23	4160194	4	Spring, Gas	
24	4711600	70	Washer 3/8	
25	4740500	3	Washer, Nylon	
27	4751600	38	Washer 3/8	
28	4340923	1	Support, Rear Hood	
29	4340924	1	Support, Front Hood	
30	4341001	1	Mount, Gas Spring	
31	4340999	1	Mount, Gas Spring	
32	4340996	1	Support, Engine Side Hood	
33	4340995	1	Support, Tank Side Hood	
34	4846503	1	Stack, Exhaust	
36	0903154	1	Bracket, Latch	
37	3520034	2	Plug (Not Shown - Located in Boom Rest)	
38	4071048	2	Shim	
39	0641408	8	Bolt 1/4 x 1	
40	2940173	2	Latch, Rotary	
41	4711400	8	Washer 1/4	
42	1001160505	2	Strap	
	1671192	Ref	ENGINE SIDE HOOD ASSEMBLIES (ABS)	B
101	0100011	AR	Compound, Locking	
102	0100081	AR	Adhesive (Not Shown)	
103	0641506	10	Bolt 5/16 x 3/4	
104	0760608	1	Screw M6 x 16	
105	0902746	7	Bracket	
106	0902761	1	Bracket	

SECTION 2 - TURNTABLE

ITEM	PART NUMBER	QTY	DESCRIPTION	REV
107	0903161	1	Bracket	
108	1671191	1	Hood - Front	
109	2560187	1	Handle, Push Button	
110	2680496	1	Hood - Rear	
111	2820145	1	Insulation	
112	2820146	1	Insulation	
113	3290601	1	Nut M6 x 1	
114	3311501	10	Nut 5/16	
115	3340877	9	Pad	
116	3575782	1	Plate, Handle Backing	
117	3900363	2	Screw M6 x 1 x 25	
118	3960464	12 ft /3.7m	Seal, Hood	
119	4060804	61 in /1.6m	Flex-Trim	
120	4060806	49 in /1.3m	Flex-Trim	
121	4751500	20	Washer 5/16	
122	4811900	2	Washer M8	
	1671194	Ref	TANK SIDE HOOD ASSEMBLY (ABS)	A
201	0100011	AR	Compound, Locking	
202	0100081	AR	Adhesive (Not Shown)	
203	0641506	9	Bolt 5/16 x 3/4	
204	0760608	1	Screw M6 x 16	
205	0902746	4	Bracket	
206	0902762	1	Bracket	
207	0902763	1	Bracket	
208	0903162	1	Bracket	
209	1671193	1	Hood - Front	
210	2560187	1	Handle, Push Button	
211	2680498	1	Hood - Rear	
212	3290601	1	Nut M6	
213	3311501	9	Nut 5/16	
214	3340877	7	Pad	
215	3900363	2	Screw M6 x 1 x 25	
216	3960464	149 in /3.8m	Seal, Hood	
217	4060804	53 in /1.4m	Flex-Trim	
218	4060806	40 in /1.2m	Flex-Trim	
219	4240150	1	Strap, Ground	
220	4751500	18	Washer 5/16	
221	4811900	2	Washer M8	

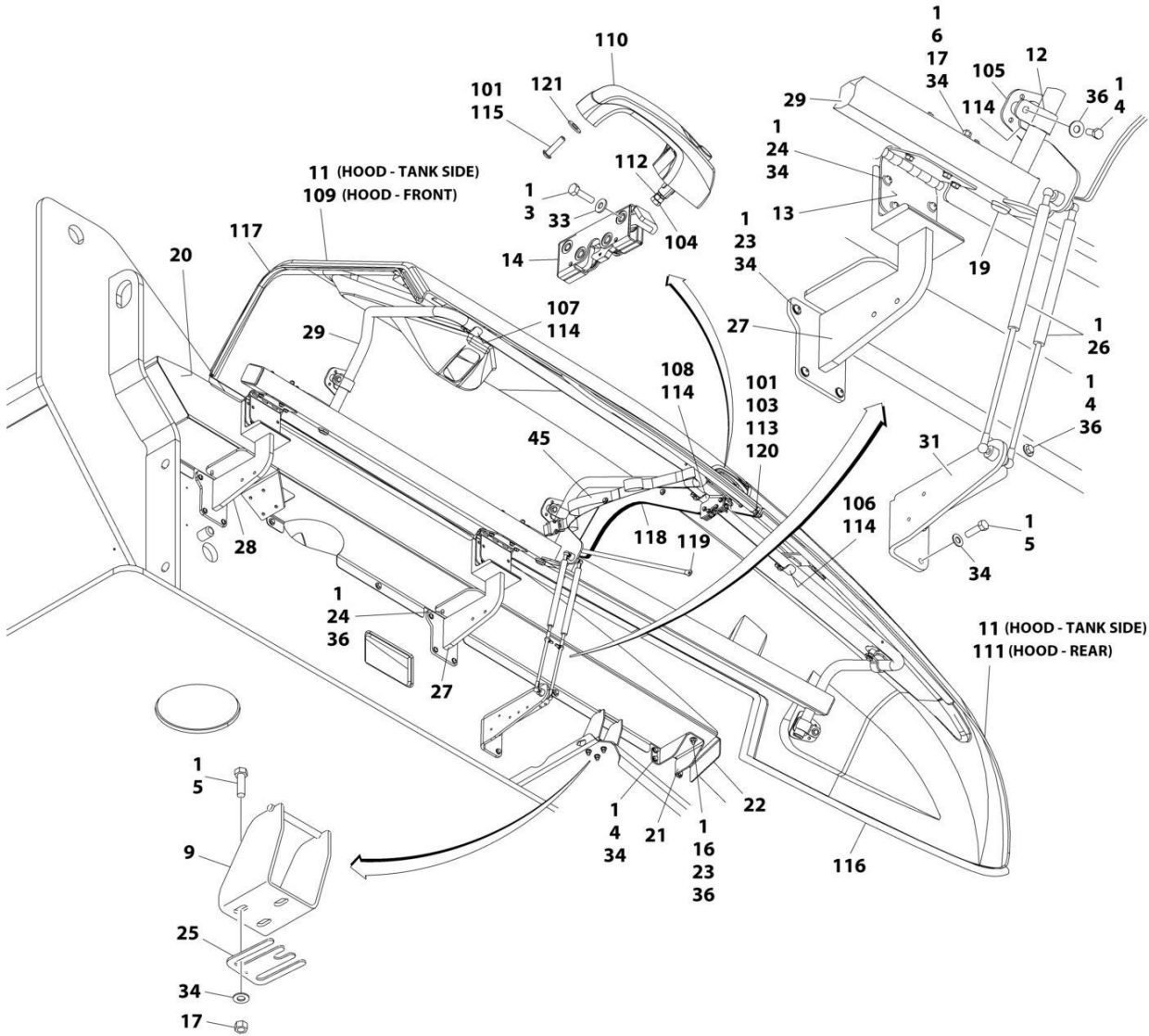
SECTION 2 - TURNTABLE

FIGURE 2-51. HOOD INSTALLATION - DEUTZ TCD2.9L4 ENGINES (ABS)



ART_1001237127_10F2

SECTION 2 - TURNTABLE



ART_1001237127_2OF2

SECTION 2 - TURNTABLE

FIGURE 2-51. HOOD INSTALLATION - DEUTZ TCD2.9L4 ENGINES (ABS)

ITEM	PART NUMBER	QTY	DESCRIPTION	REV
	1001237127	Ref	HOOD INSTALLATION - DEUTZ TCD2.9L4 ENGINES (ABS)	B
1	0100011	AR	Compound, Locking	
2	0641406	2	Bolt 1/4 x 3/4	
3	0641408	8	Bolt 1/4 x 1	
4	0641608	24	Bolt 3/8 x 1	
5	0641610	12	Bolt 3/8 x 1-1/4	
6	0641630	12	Bolt 3/8 x 3-3/4	
7	0791604	2	Screw 3/8 x 1/2	
8	0903154	1	Bracket, Latch	
9	0903156	1	Bracket	
10	1671038	1	Cover, Turntable	
11	1671194	1	Hood, Tank Side (See Items 101-121 for Breakdown)	
		Ref	Note: Replacement decals must be ordered separately - See DECAL SECTION.	
12	2080051	16	Clamp	
13	2600280	4	Hinge	
14	2940173	2	Latch, Rotary	
15	3311405	2	Nut 1/4	
16	3311601	8	Nut 3/8	
17	3311605	18	Nut 3/8	
18	3520034	2	Plug (Not Shown - Located in Boom Rest)	
19	3520186	6	Plug	
20	3573231	1	Trough, Powertrack	
21	3573232	1	Mount, Trough	
22	3573233	1	Plate, Seal Mounting	
23	3900232	24	Screw 3/8 x 1-1/4	
24	3900283	16	Screw 3/8 x 3/4	
25	4071048	2	Shim	
26	4160194	4	Spring, Gas	
27	4340923	1	Support, Rear Hood	
28	4340924	1	Support, Front Hood	
29	4340995	1	Support, Tank Side Hood	
30	4340996	1	Support, Engine Side Hood	
31	4340999	1	Mount, Gas Spring	
32	4341001	1	Mount, Gas Spring	
33	4711400	12	Washer 1/4	
34	4711600	70	Washer 3/8	
35	4740500	6	Washer, Nylon	
36	4751600	44	Washer 3/8	
37	1001140485	1	Seal	
38	1001142144	1	Bracket	
39	1001146132	1	Seal	
40	1001146142	1	Seal	
41	1001146178	1	Seal	
42	1001146183	1	Plate	
43	1001236408	1	Stack, Exhaust	
44	1001237125	1	Hood, Engine Side (See Items 201-222 for Breakdown)	
		Ref	Note: Replacement decals must be ordered separately - See DECAL SECTION.	
45	1001160505	2	Strap	

SECTION 2 - TURNTABLE

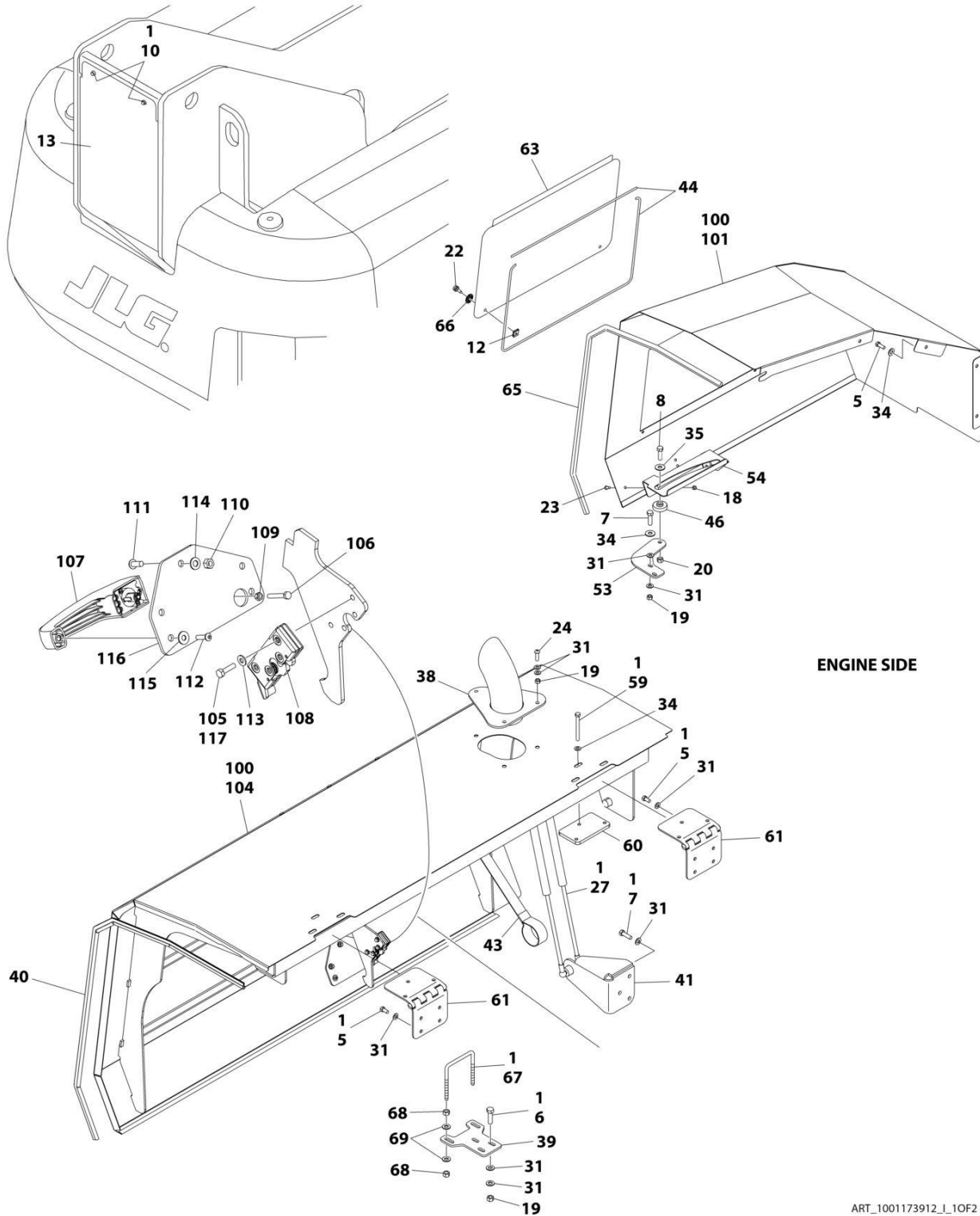
ITEM	PART NUMBER	QTY	DESCRIPTION	REV
	1671194	Ref	TANK SIDE HOOD ASSEMBLY (ABS)	A
101	0100011	AR	Compound, Locking	
102	0100081	AR	Adhesive (Not Shown)	
103	0641506	9	Bolt 5/16 x 3/4	
104	0760608	1	Screw M6 x 16	
105	0902746	4	Bracket	
106	0902762	1	Bracket	
107	0902763	1	Bracket	
108	0903162	1	Bracket	
109	1671193	1	Hood - Front	
110	2560187	1	Handle, Push Button	
111	2680498	1	Hood - Rear	
112	3290601	1	Nut M6	
113	3311501	9	Nut 5/16	
114	3340877	7	Pad	
115	3900363	2	Screw M6 x 25	
116	3960464	12.4 ft /3.8m	Seal, Hood	
117	4060804	4.4 ft /1.4m	Flex-Trim	
118	4060806	3.3 ft /1.2m	Flex-Trim	
119	4240150	1	Strap, Ground	
120	4751500	18	Washer 5/16	
121	4811900	2	Washer M8	
	1001237125	Ref	ENGINE SIDE HOOD ASSEMBLY (ABS)	A
201	0100011	AR	Compound, Locking	
202	0100081	AR	Adhesive	
203	0641510	10	Bolt 5/16 x 1-1/4	
204	0760608	1	Screw M6 x 16	
205	0902746	7	Bracket	
206	0902761	1	Bracket	
207	0903161	1	Bracket	
208	2560187	1	Handle, Push Button	
209	2680496	1	Hood - Rear	
210	3290601	1	Nut M6	
211	3311501	10	Nut 5/16	
212	3340877	9	Pad	
213	3575782	1	Plate, Handle Backing	
214	3900363	2	Screw M6 x 25	
215	3960464	12 ft /3.7m	Seal, Hood	
216	4060804	5.1 ft /1.6m	Flex-Trim	
217	4060806	4.1 ft /1.3m	Flex-Trim	
218	4751500	20	Washer 5/16	
219	4811900	2	Washer M8	
220	1001117140	AR	Tape, Aluminized	
221	1001152566	AR	Insulation	
222	1001237124	1	Hood - Engine Side Front	

SECTION 2 - TURNTABLE

ITEM	PART NUMBER	QTY	DESCRIPTION	REV
		Ref	Note: When installing a replacement hood, heat shields (item 223) must be installed on the replacement hood before being place in service. Heat shield must be purchased separately.	

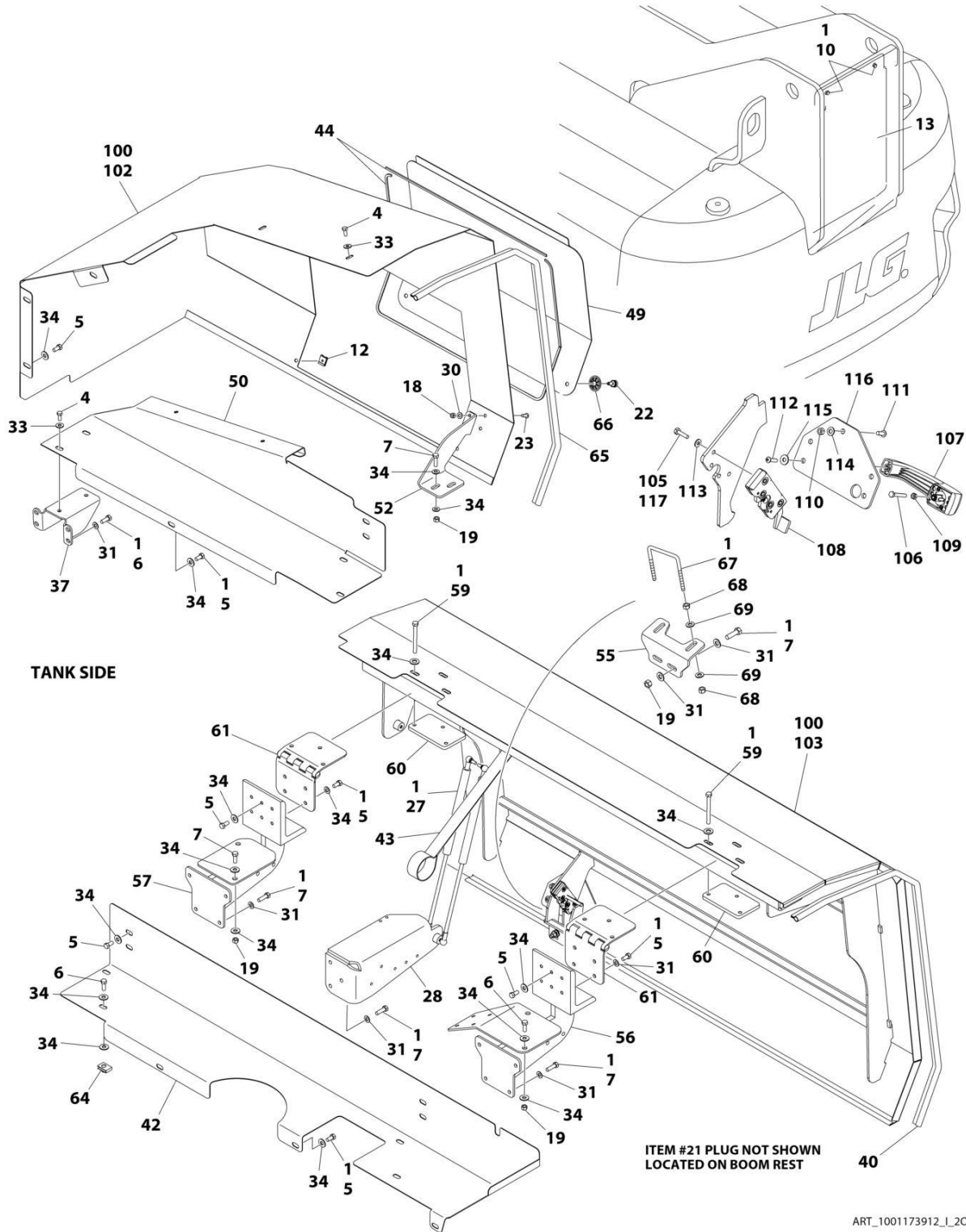
SECTION 2 - TURNTABLE

FIGURE 2-52. HOOD INSTALLATION - DEUTZ TD2011/TD2.9L4/TCD2.9L ENGINES (STEEL)



ART_1001173912_L_10F2

SECTION 2 - TURNTABLE



TANK SIDE

ITEM #21 PLUG NOT SHOWN
LOCATED ON BOOM REST

ART_1001173912_I_20F2

SECTION 2 - TURNTABLE

FIGURE 2-52. HOOD INSTALLATION - DEUTZ TD2011/TD2.9L4 ENGINES (STEEL)

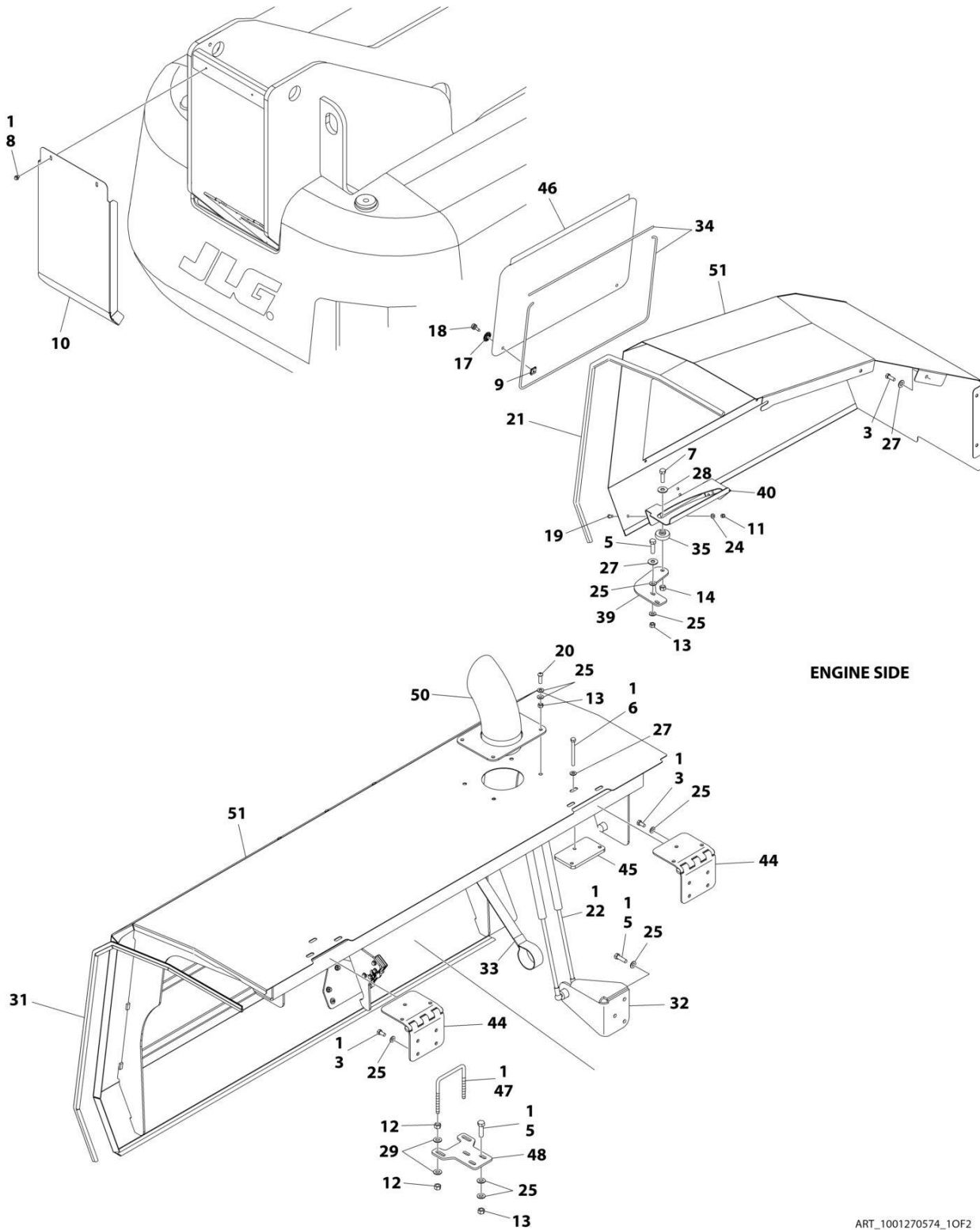
ITEM	PART NUMBER	QTY	DESCRIPTION	REV
	1001173912	Ref	HOOD INSTALLATION - DEUTZ TD2011/TD2.9L4 ENGINES (STEEL)	I
		Ref	Note: Replacement Decals Must be Ordered Separately - See DECAL SECTION.	
1	0100011	AR	Compound, Locking	
4	0641506	AR	Bolt 5/16 x 3/4	
5	0641606	32	Bolt 3/8 x 3/4	
6	0641608	8	Bolt 3/8 x 1	
7	0641610	AR	Bolt 3/8 x 1-1/4	
8	0641813	1	Bolt 1/2 x 1-5/8	
10	0791604	2	Screw 3/8 x 1/2	
12	1380169	4	Clip	
13	1671038	1	Cover	
18	3311505	5	Nut 5/16	
19	3311605	AR	Nut 3/8	
20	3311805	1	Nut 1/2	
21	3520034	2	Plug, Hole	
22	3900174	4	Screw, Thumb	
23	3900210	5	Screw 5/16 x 3/4	
24	3900232	3	Screw 3/8 x 1-1/4	
27	4160194	4	Spring, Gas	
28	4340999	1	Mount, Gas Spring	
30	4711500	2	Washer 5/16	
31	4711600	54	Washer 3/8	
33	4751500	4	Washer 5/16	
34	4751600	AR	Washer 3/8	
35	4751800	1	Washer 1/2	
37	3573232	1	Support, Power Track Trough	
38	1001110027	1	Stack, Exhaust	
39	1001250296	1	Bracket, Striker	
40	1001110433	AR	Seal	
41	1001110486	1	Mount, Gas Spring	
42	1001175859	1	Plate, Power Track Trough	
43	1001112691	2	Strap, Hand Pull	
44	1001113047	14.5 ft/ 4.4m	Seal	
46	1001131462	1	Pad, Hood Slide	
49	1001173166	1	Cover, Access (Tank Side)	
50	1001173170	1	Plate, Power Track Trough	
52	1001173185	1	Plate, Mounting	
53	1001173186	1	Bracket, Engine Tray	
54	1001173187	1	Bracket, Engine Tray	
55	1001250297	1	Bracket, Hood Latch	
56	1001173647	1	Support, Front Hood	
57	1001173651	1	Support, Front Hood	
59	0641630	12	Bolt 3/8 x 3-3/4	
60	1001175880	4	Plate	
61	1001175879	4	Hinge, Offset Hood	
63	1001180051	1	Cover, Access (Engine Side)	
64	88662523	4	Nut, Tinnerman	

SECTION 2 - TURNTABLE

ITEM	PART NUMBER	QTY	DESCRIPTION	REV
65	3960447	10 ft/ 3.1m	Seal, Self-Gripping	
66	3760308	4	Retainer	
67	1001243414	2	U - Bolt	
68	3311601	8	Nut 3/8	
69	4891600	8	Washer 3/8	
100	1001175250	1	Kit, Hood	F
101	1001173163	1	Hood, Engine Side - Rear	
102	1001173164	1	Hood, Tank Side - Rear	
103	1001173183	1	Hood, Tank Side - Front	
104	1001174331	1	Hood, Engine Side - Front	
105	0641408	8	Bolt 1/4 x 1	
106	0700616	2	Bolt M6 x 40	
107	2560187	2	Handle, Push Button	
108	2940173	2	Latch, Rotary	
109	3290601	2	Nut M6	
110	3311505	6	Nut 5/16	
111	3900210	6	Screw 5/16 x 3/4	
112	3900363	4	Screw M6 x 25	
113	4711400	8	Washer 1/4	
114	4711500	6	Washer 5/16	
115	4751400	4	Washer 1/4	
116	1001116290	2	Plate, Latch Mounting	
117	0100011	AR	Compound, Locking	

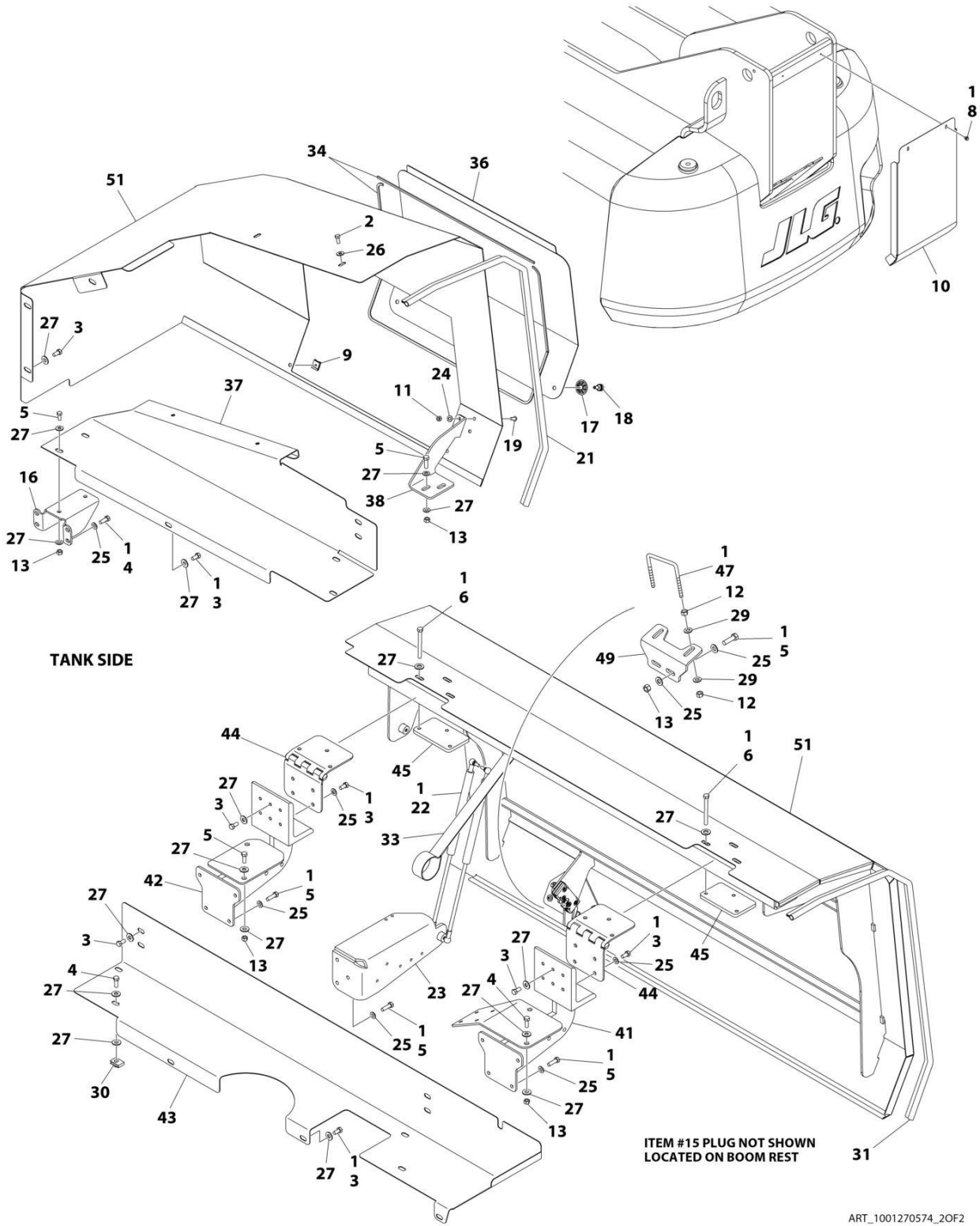
SECTION 2 - TURNTABLE

FIGURE 2-53. HOOD INSTALLATION - DEUTZ TCD2.9L (CHINA IV) ENGINES (STEEL)



ART_1001270574_1OF2

SECTION 2 - TURNTABLE



SECTION 2 - TURNTABLE

FIGURE 2-53. HOOD INSTALLATION - DEUTZ TCD2.9L (CHINA IV) ENGINES (STEEL)

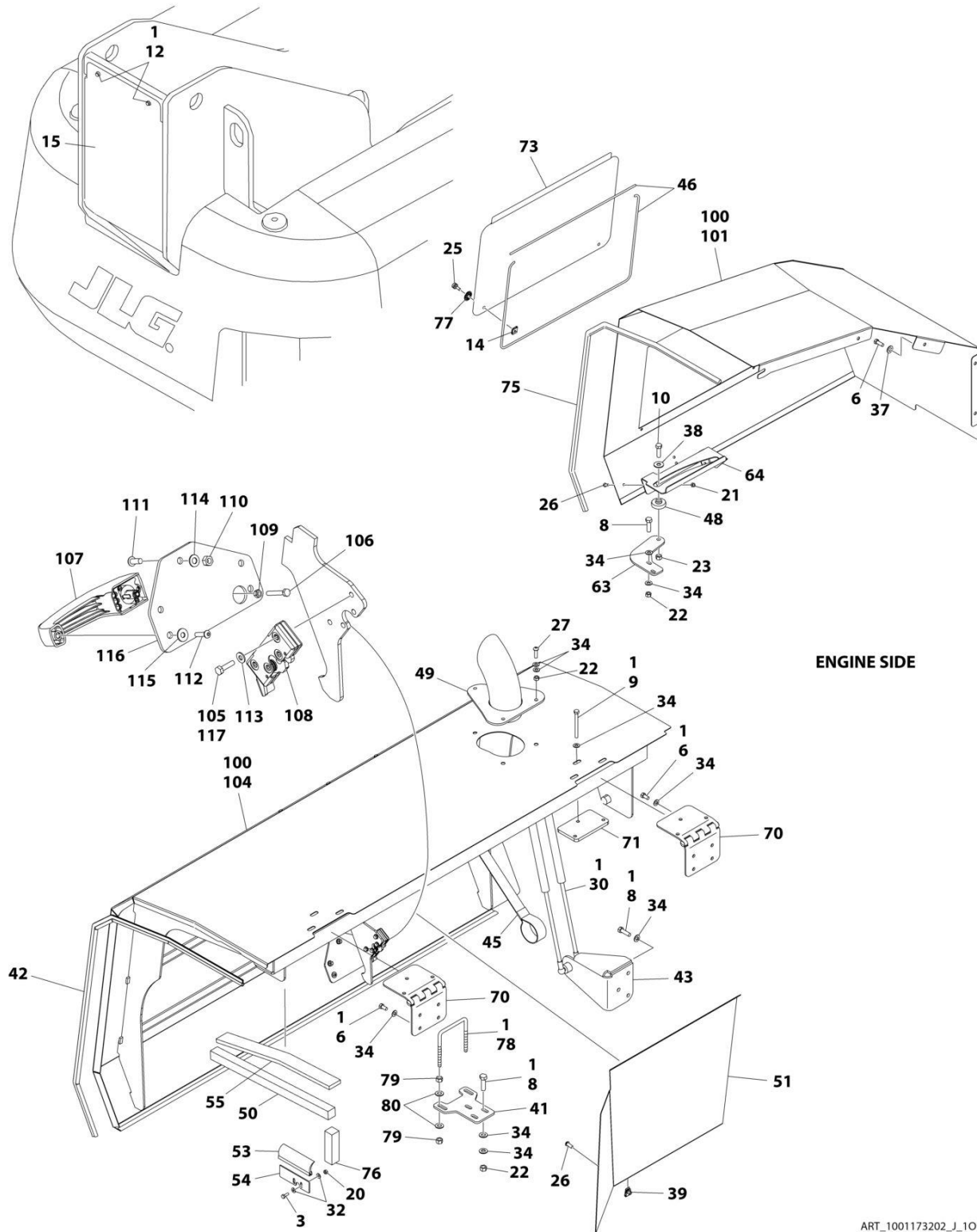
ITEM	PART NUMBER	QTY	DESCRIPTION	REV
	1001270574	1	HOOD INSTALLATION	A
		Ref	Note: Replacement Decals Must be Ordered Separately - See DECAL Section.	
1	0100011	AR	Compound, Locking	
2	0641506	2	Bolt 5/16 x 3/4	
3	0641606	32	Bolt 3/8 x 3/4	
4	0641608	8	Bolt 3/8 x 1	
5	0641610	25	Bolt 3/8 x 1-1/4	
6	0641630	12	Bolt 3/8 x 3-3/4	
7	0641813	1	Bolt 1/2 x 1-5/8	
8	0791604	2	Screw 3/8 x 1/2	
9	1380169	4	Clip	
10	1671038	1	Cover	
11	3311505	5	Nut 5/16	
12	3311601	8	Nut 3/8	
13	3311605	15	Nut 3/8	
14	3311805	1	Nut 1/2	
15	3520034	2	Plug, Hole	
16	3573232	1	Support, Power Track Trough	
17	3760308	4	Retainer	
18	3900174	4	Screw, Thumb	
19	3900210	5	Screw 5/16 x 3/4	
20	3900232	3	Screw 3/8 x 1-1/4	
21	3960447	10 ft/ 3.1m	Seal, Self-Gripping	
22	4160194	4	Spring, Gas	
23	4340999	1	Mount, Gas Spring	
24	4711500	5	Washer 5/16	
25	4711600	42	Washer 3/8	
26	4751500	2	Washer 5/16	
27	4751600	42	Washer 3/8	
28	4751800	1	Washer 1/2	
29	4891600	8	Washer 3/8	
30	88662523	4	Nut, Tinnerman	
31	1001110433	AR	Seal	
32	1001110486	1	Mount, Gas Spring	
33	1001112691	2	Strap, Hand Pull	
34	1001113047	14.5 ft/ 4.4m	Seal	
35	1001131462	1	Pad, Hood Slide	
36	1001173166	1	Cover, Access (Tank Side)	
37	1001173170	1	Plate, Power Track Trough	
38	1001173185	1	Plate, Mounting	
39	1001173186	1	Bracket, Engine Tray	
40	1001173187	1	Bracket, Engine Tray	
41	1001173647	1	Support, Front Hood	
42	1001173651	1	Support, Front Hood	
43	1001175859	1	Plate, Power Track Trough	
44	1001175879	4	Hinge, Offset Hood	
45	1001175880	4	Plate, Nut	

SECTION 2 - TURNTABLE

ITEM	PART NUMBER	QTY	DESCRIPTION	REV
46	1001180051	1	Cover, Access (Engine Side)	
47	1001243414	2	U - Bolt	
48	1001250296	1	Bracket, Engine	
49	1001250297	1	Bracket, Hood Latch	
50	1001270573	1	Pipe, Exhaust	
51	1001270575	1	Kit, Hood (See Separate Breakdown in this Section)	

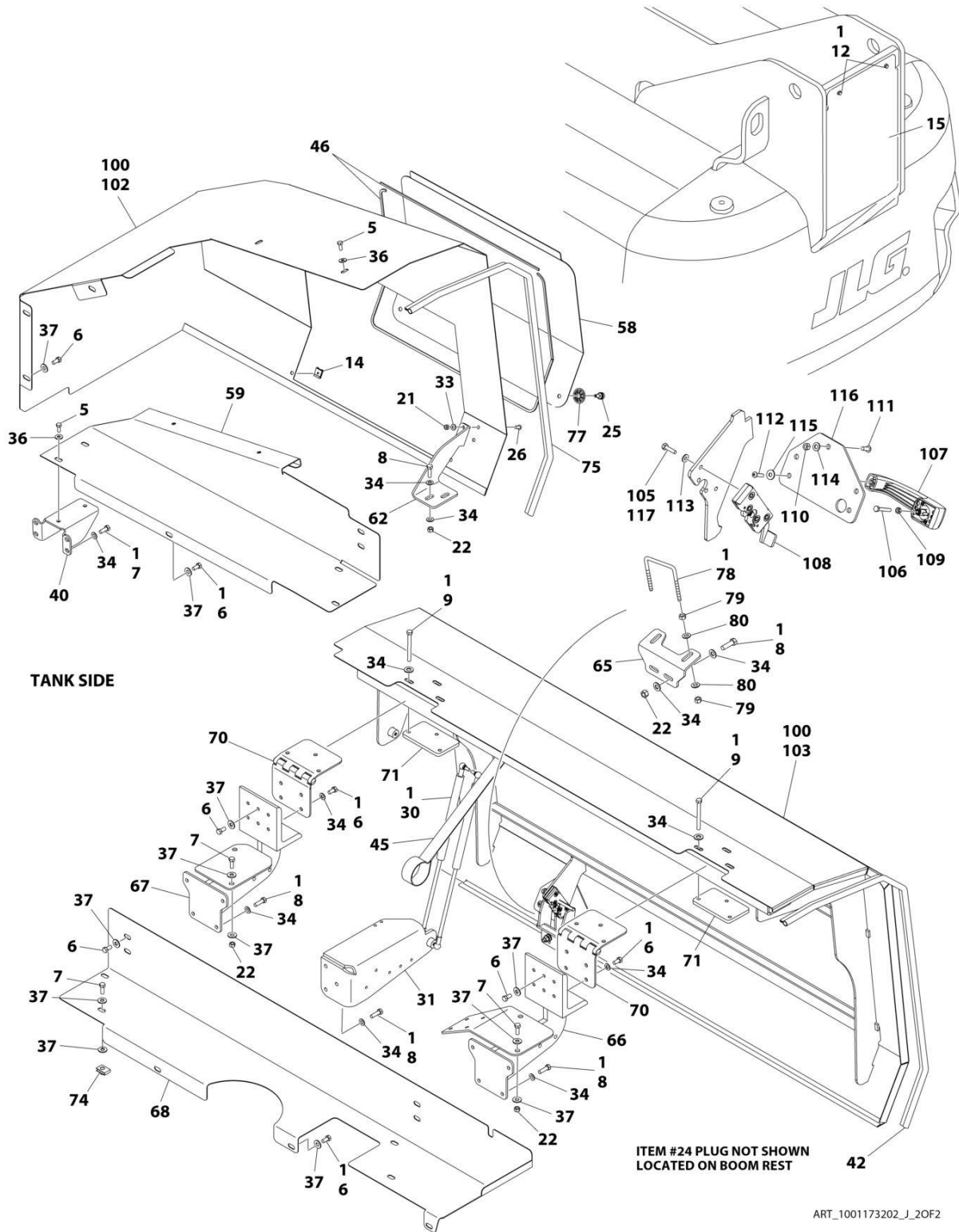
SECTION 2 - TURNTABLE

FIGURE 2-54. HOOD INSTALLATION - DEUTZ TCD2.9L4 ENGINES (STEEL)



ART_1001173202_J_1OF2

SECTION 2 - TURNTABLE



SECTION 2 - TURNTABLE

FIGURE 2-54. HOOD INSTALLATION - DEUTZ TCD2.9L4 ENGINES (STEEL)

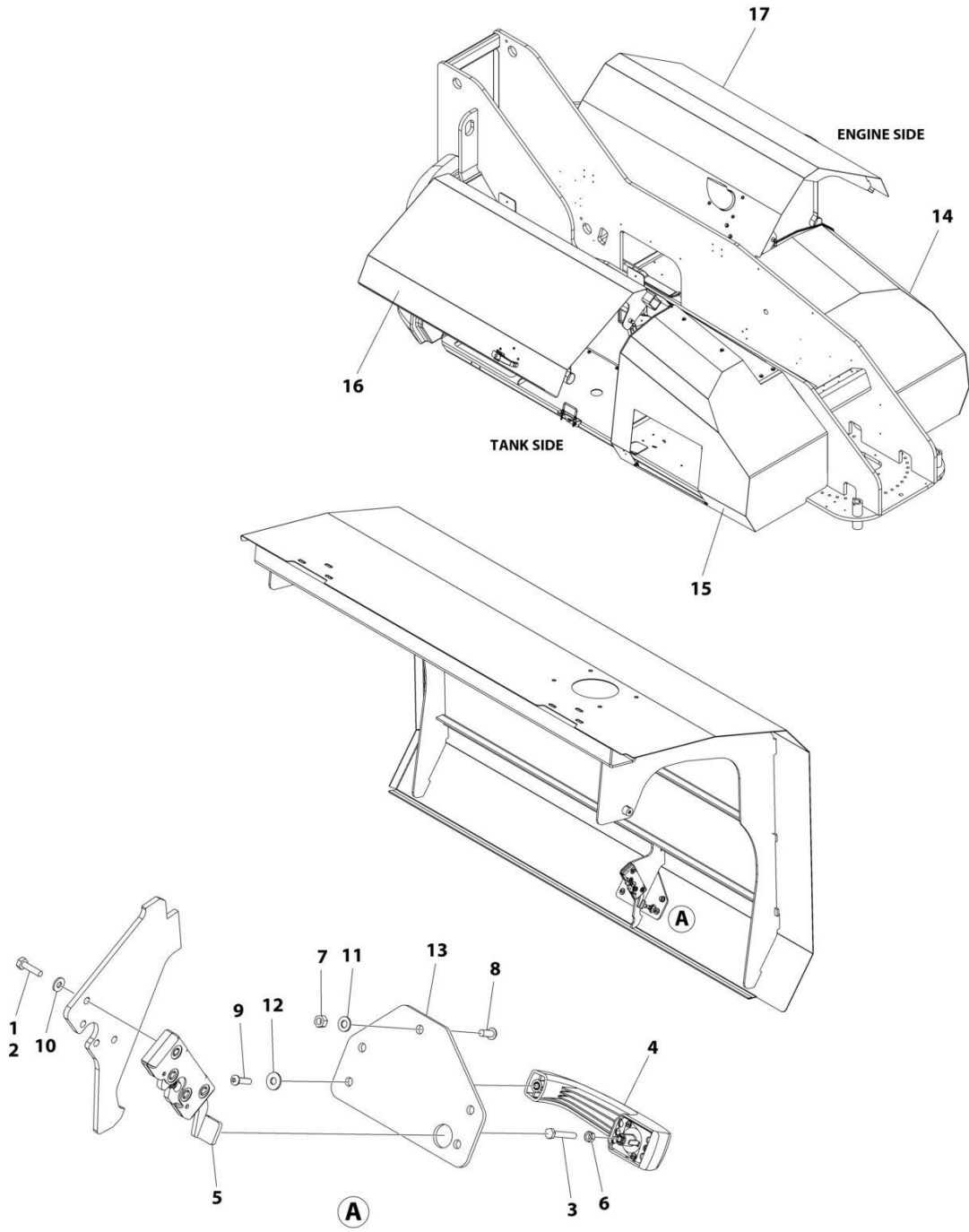
ITEM	PART NUMBER	QTY	DESCRIPTION	REV
	1001173202	Ref	HOOD INSTALLATION - DEUTZ TCD2.9L4 ENGINES (STEEL)	J
		Ref	Note: Replacement Decals Must be Ordered Separately - See DECAL SECTION.	
1	0100011	AR	Compound, Locking	
3	0641406	2	Bolt 1/4 x 3/4	
5	0641506	AR	Bolt 5/16 x 3/4	
6	0641606	32	Bolt 3/8 x 3/4	
7	0641608	8	Bolt 3/8 x 1	
8	0641610	AR	Bolt 3/8 x 1-1/4	
9	0641630	12	Bolt 3/8 x 3-3/4	
10	0641813	1	Bolt 1/2 x 1-5/8	
12	0791604	2	Screw 3/8 x 1/2	
14	1380169	4	Clip	
15	1671038	1	Cover	
20	3311405	2	Nut 1/4	
21	3311505	5	Nut 5/16	
22	3311605	AR	Nut 3/8	
23	3311805	1	Nut 1/2	
24	3520034	2	Plug, Hole	
25	3900174	4	Screw, Thumb	
26	3900210	10	Screw 5/16 x 3/4	
27	3900232	3	Screw 3/8 x 1-1/4	
31	4340999	1	Mount, Gas Spring	
32	4711400	4	Washer 1/4	
33	4711500	2	Washer 5/16	
34	4711600	72	Washer 3/8	
36	4751500	AR	Washer 5/16	
37	4751600	AR	Washer 3/8	
38	4751800	1	Washer 1/2	
39	8310658	5	Nut .312 x 1	
40	3573232	1	Support, Power Track Trough	
41	1001250296	1	Bracket, Striker	
42	1001110433	AR	Seal	
43	1001110486	1	Mount, Gas Spring	
45	1001112691	2	Strap, Hand Pull	
46	1001113047	14.5 ft/ 4.2m	Seal	
48	1001131462	1	Pad, Hood Slide	
49	1001139778	1	Stack, Exhaust	
50	1001140485	1	Seal	
51	1001145162	1	Panel, Heat Deflector	
53	1001146178	1	Seal	
54	1001146183	1	Plate	
55	1001146244	1	Seal	
58	1001173166	1	Cover, Access (Tank Side)	
59	1001173170	1	Plate, Power Track Trough	
62	1001173185	1	Plate, Mounting	
63	1001173186	1	Bracket, Engine Tray	
64	1001173187	1	Bracket, Engine Tray	
65	1001250297	1	Bracket, Hood	

SECTION 2 - TURNTABLE

ITEM	PART NUMBER	QTY	DESCRIPTION	REV
66	1001173647	1	Support, Front Hood	
67	1001173651	1	Support, Front Hood	
68	1001175859	1	Plate, Power Track Trough	
70	1001175879	4	Hinge, Offset Hood	
71	1001175880	4	Plate	
73	1001180051	1	Cover, Access (Engine Side)	
74	88662523	1	Nut, Tinnerman	
75	3960447	10 ft/ 3.1m	Seal, Self-Gripping	
76	1001146132	1	Seal	
77	3760308	4	Retainer	
78	1001243414	2	U - Bolt	
79	3311601	8	Nut 3/8	
80	4891600	8	Washer 3/8	
100	1001175237	1	Kit, Hood	H
101	1001173163	1	Hood, Engine Side - Rear	
102	1001173164	1	Hood, Tank Side - Rear	
103	1001173183	1	Hood, Tank Side - Front	
104	1001173184	1	Hood, Engine Side - Front	
105	0641408	8	Bolt 1/4 x 1	
106	0700616	2	Bolt M6 x 40	
107	2560187	2	Handle, Push Button	
108	2940173	2	Latch, Rotary	
109	3290601	2	Nut M6	
110	3311505	6	Nut 5/16	
111	3900210	6	Screw 5/16 x 3/4	
112	3900363	4	Screw M6 x 25	
113	4711400	8	Washer 1/4	
114	4711500	6	Washer 5/16	
115	4751400	4	Washer 1/4	
116	1001116290	2	Plate, Latch Mounting	
117	0100011	1	Compound, Locking	

SECTION 2 - TURNTABLE

FIGURE 2-55. HOOD KIT DEUTZ TCD2.9L4 (CHINA IV) ENGINE



ART_1001270575

SECTION 2 - TURNTABLE

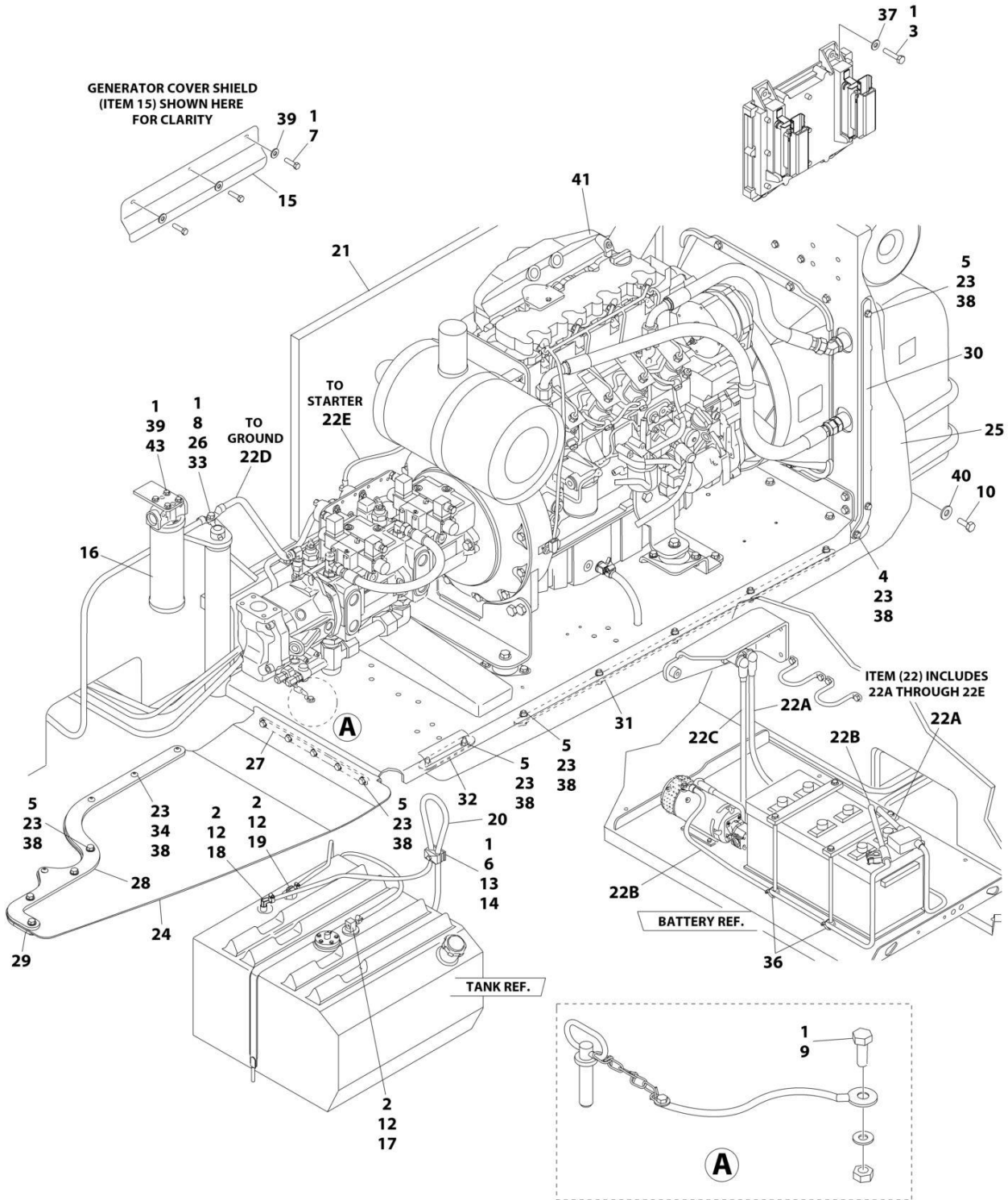
FIGURE 2-55. HOOD KIT DEUTZ TCD2.9L4 (CHINA IV) ENGINE

ITEM	PART NUMBER	QTY	DESCRIPTION	REV
	1001270575	Ref	HOOD KIT	B
1	0100011	AR	Compound, Locking	
2	0641408	8	Bolt 1/4 x 1	
3	0700616	2	Bolt M6 x 40	
4	2560187	2	Handle, Push Button	
5	2940173	2	Latch, Rotary	
6	3290601	2	Nut M6	
7	3311505	6	Nut 5/16	
8	3900210	6	Screw 5/16 x 3/4	
9	3900363	4	Screw M6 x 25	
10	4711400	8	Washer 1/4	
11	4711500	6	Washer 5/16	
12	4751400	4	Washer 1/4	
13	1001116290	2	Plate, Latch Mounting	
14	1001173163	1	Hood, Engine Side - Rear	
15	1001173164	1	Hood, Tank Side - Rear	
16	1001173183	1	Hood, Tank Side - Front	
17	1001270572	1	Hood, Engine Side - Front	

SECTION 3 - ENGINE

SECTION 3 - ENGINE

FIGURE 3-1. DEUTZ TD2011 DIESEL ENGINE INSTALLATION - WITH REXROTH PUMPS AND ABS HOODS (WITHOUT SKYPOWER AND WITHOUT COLD WEATHER PLUS PACKAGE)



ART_1001098512

SECTION 3 - ENGINE

FIGURE 3-1. DEUTZ TD2011 DIESEL ENGINE INSTALLATION - WITH REXROTH PUMPS AND ABS HOODS (WITHOUT SKYPOWER AND WITHOUT COLD WEATHER PLUS PACKAGE)

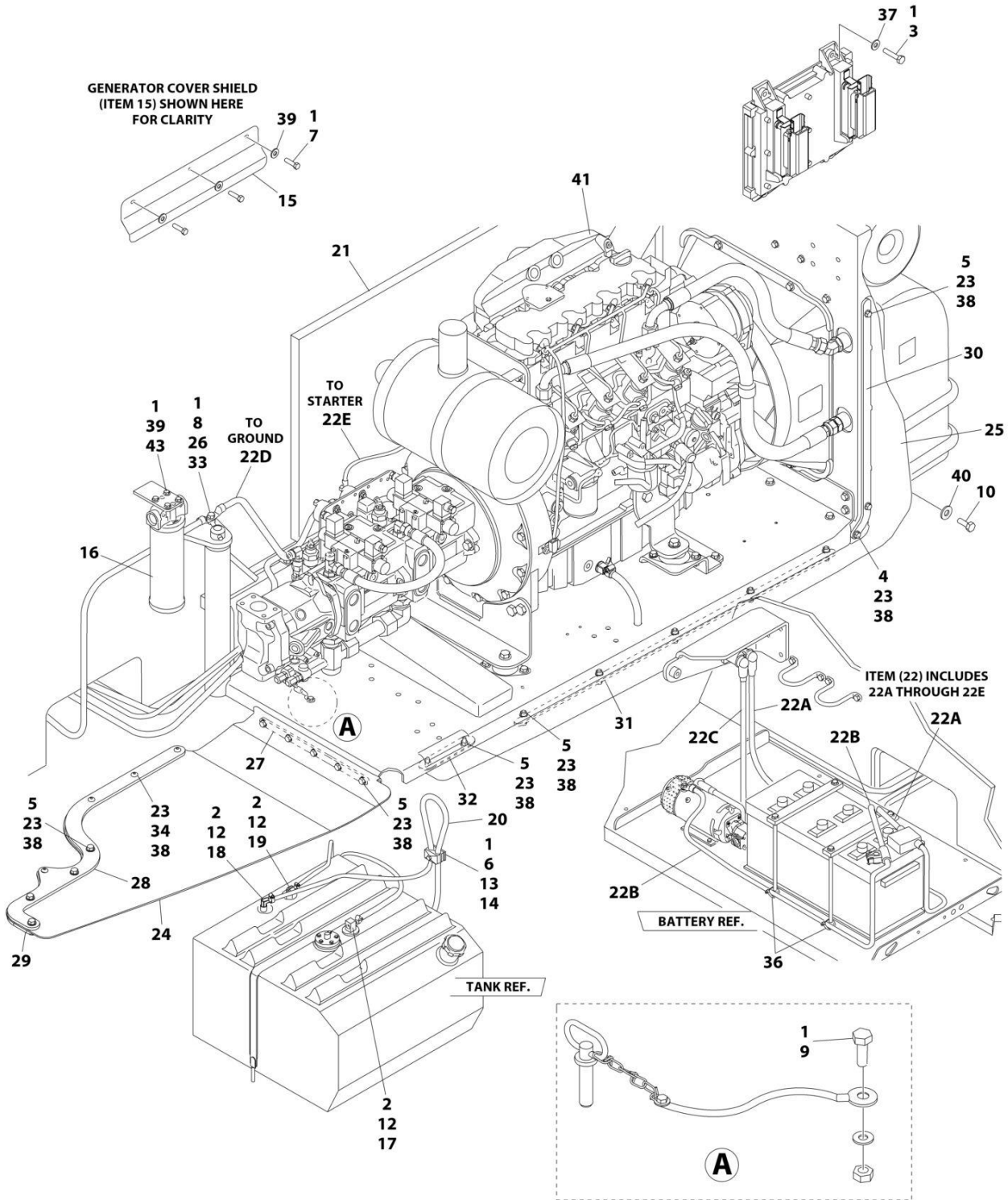
ITEM	PART NUMBER	QTY	DESCRIPTION	REV
	1001098512	Ref	DEUTZ TD2011 DIESEL ENGINE INSTALLATION - WITH REXROTH PUMPS AND ABS HOODS (WITHOUT SKYPOWER AND WITHOUT COLD WEATHER PLUS PACKAGE)	G
1	0100011	AR	Compound, Locking	
2	0100079	AR	Sealant, Pipe	
3	0641410	4	Bolt 1/4 x 1-1/4	
4	0641506	1	Bolt 5/16 x 3/4	
5	0641509	18	Bolt 5/16 x 1-1/8	
6	0641511	1	Bolt 5/16 x 1-3/8	
7	0641605	3	Bolt 3/8 x 5/8	
8	0641610	1	Bolt 3/8 x 1-1/4	
9	0641808	1	Bolt 1/2 x 1	
10	0642010	1	Bolt 5/8 x 1-1/4	
12	1320022	3	Clamp	
13	1320187	1	Clamp, Twin	
14	1320190	1	Cover, Clamp	
15	1671121	1	Cover, Generator	
16	1001108617	1	Pressure Filter	
16	70002231	1	Element, Filter	
17	2180348	1	Fitting, Barbed	
18	2220313	1	Fitting, Elbow Barbed	
19	2221176	1	Fitting, Elbow	
20	2750532	5 ft/ 1.5m	Hose	
21	2820170	1	Insulation, Sound Absorbing	
22	2902099	1	Battery Cable Kit	
22A	7024580	1	Cable, Red (To Aux Pump Relay, Battery Positive Terminal and Start Relay)	
22B	7024581	1	Cable, Black (To Aux Pump, Battery Negative Terminal and Ground at Tray Pivot)	
22C	7024582	1	Cable, Red (Aux Pump Relay to Aux Pump)	
22D	7024583	1	Cable, Black (Tray Pivot to Engine Mount)	
22E	7024584	1	Cable, Red (Start Relay to Starter)	
23	3311505	23	Nut 5/16	
24	3380472	1	Panel, Rubber	
25	3380473	1	Panel, Rubber	
26	3422446	1	Pin	
27	3573644	1	Plate, Tray Clamp	
28	3573645	1	Plate, Top Clamp	
29	3573646	1	Plate, Bottom Clamp	
30	3573669	1	Plate, Clamp	
31	3573727	1	Plate, Tray Clamp	
32	3573728	1	Plate, Tray Clamp	
33	3841143	1	Keeper, Pin	
34	3900272	4	Screw 5/16 x 1-3/4	
35	4240018	2	Strap, Tie (Not Shown)	
36	4240099	AR	Strap, Tie	
37	4711400	4	Washer 1/4	
38	4711500	42	Washer 5/16	
39	4711600	7	Washer 3/8	
40	4752000	1	Washer 5/8	

SECTION 3 - ENGINE

ITEM	PART NUMBER	QTY	DESCRIPTION	REV
41	1001098513	1	Engine Assembly with Pumps (See Separate Breakdown in this Section)	
43	0641606	4	Bolt 3/8 x 3/4	

SECTION 3 - ENGINE

FIGURE 3-2. DEUTZ TD2011 DIESEL ENGINE INSTALLATION - WITH REXROTH PUMPS AND ABS HOODS (WITH SKYPOWER AND WITHOUT COLD WEATHER PLUS PACKAGE)



ART_1001098516

SECTION 3 - ENGINE

FIGURE 3-2. DEUTZ TD2011 DIESEL ENGINE INSTALLATION - WITH REXROTH PUMPS AND ABS HOODS (WITH SKYPOWER AND WITHOUT COLD WEATHER PLUS PACKAGE)

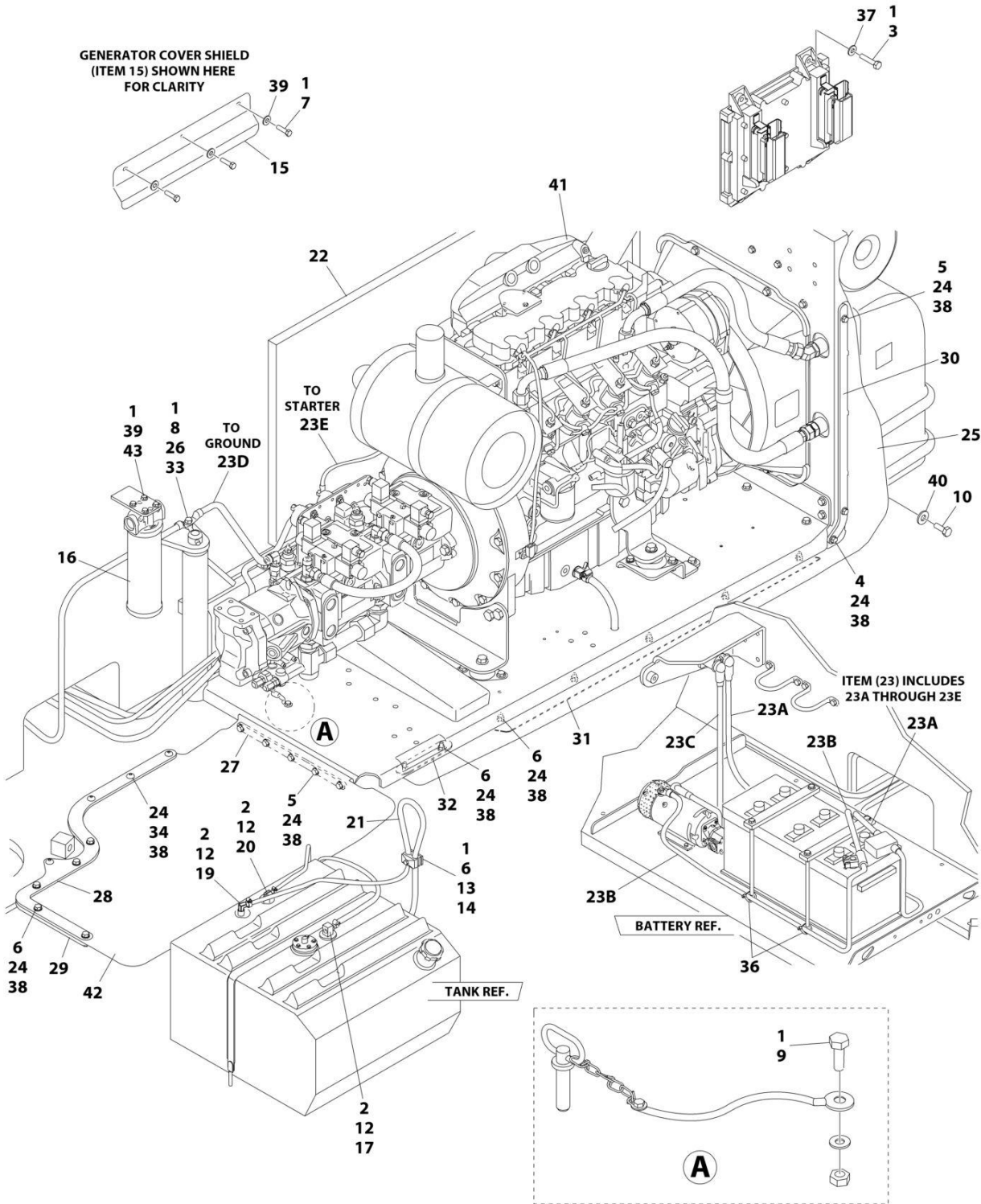
ITEM	PART NUMBER	QTY	DESCRIPTION	REV
	1001098516	Ref	DEUTZ TD2011 DIESEL ENGINE INSTALLATION - WITH REXROTH PUMPS AND ABS HOODS (WITH SKYPOWER AND WITHOUT COLD WEATHER PLUS PACKAGE)	G
1	0100011	AR	Compound, Locking	
2	0100079	AR	Sealant, Pipe	
3	0641410	4	Bolt 1/4 x 1-1/4	
4	0641506	1	Bolt 5/16 x 3/4	
5	0641509	18	Bolt 5/16 x 1-1/8	
6	0641511	1	Bolt 5/16 x 1-3/8	
7	0641605	3	Bolt 3/8 x 5/8	
8	0641610	1	Bolt 3/8 x 1-1/4	
9	0641808	1	Bolt 1/2 x 1	
10	0642010	1	Bolt 5/8 x 1-1/4	
12	1320022	3	Clamp	
13	1320187	1	Clamp, Twin	
14	1320190	1	Cover, Clamp	
15	1671121	1	Cover, Generator	
16	1001108617	1	Pressure Filter	
16	70002231	1	Element, Filter	
17	2180348	1	Fitting, Barbed	
18	2220313	1	Fitting, Elbow Barbed	
19	2221176	1	Fitting, Elbow	
20	2750532	5 ft/ 1.5m	Hose	
21	2820170	1	Insulation, Sound Absorbing	
22	2902099	1	Battery Cable Kit	
22A	7024580	1	Cable, Red (To Aux Pump Relay, Battery Positive Terminal and Start Relay)	
22B	7024581	1	Cable, Black (To Aux Pump, Battery Negative Terminal and Ground at Tray Pivot)	
22C	7024582	1	Cable, Red (Aux Pump Relay to Aux Pump)	
22D	7024583	1	Cable, Black (Tray Pivot to Engine Mount)	
22E	7024584	1	Cable, Red (Start Relay to Starter)	
23	3311505	23	Nut 5/16	
24	3380472	1	Panel, Rubber	
25	3380473	1	Panel, Rubber	
26	3422446	1	Pin	
27	3573644	1	Plate, Tray Clamp	
28	3573645	1	Plate, Top Clamp	
29	3573646	1	Plate, Bottom Clamp	
30	3573669	1	Plate, Clamp	
31	3573727	1	Plate, Tray Clamp	
32	3573728	1	Plate, Tray Clamp	
33	3841143	1	Keeper, Pin	
34	3900272	4	Screw 5/16 x 1-3/4	
35	4240018	2	Strap, Tie (Not Shown)	
36	4240099	AR	Strap, Tie	
37	4711400	4	Washer 1/4	
38	4711500	42	Washer 5/16	
39	4711600	7	Washer 3/8	
40	4752000	1	Washer 5/8	

SECTION 3 - ENGINE

ITEM	PART NUMBER	QTY	DESCRIPTION	REV
41	1001098530	1	Engine Assembly with Pumps (See Separate Breakdown in this Section)	
43	0641606	4	Bolt 3/8 x 3/4	

SECTION 3 - ENGINE

FIGURE 3-3. DEUTZ TD2011 DIESEL ENGINE INSTALLATION - WITH REXROTH PUMPS AND STEEL HOOD (WITHOUT SKYPOWER AND WITHOUT COLD WEATHER PLUS PACKAGE)



ART_1001117370

SECTION 3 - ENGINE

FIGURE 3-3. DEUTZ TD2011 DIESEL ENGINE INSTALLATION - WITH REXROTH PUMPS AND STEEL HOOD (WITHOUT SKYPOWER AND WITHOUT COLD WEATHER PLUS PACKAGE)

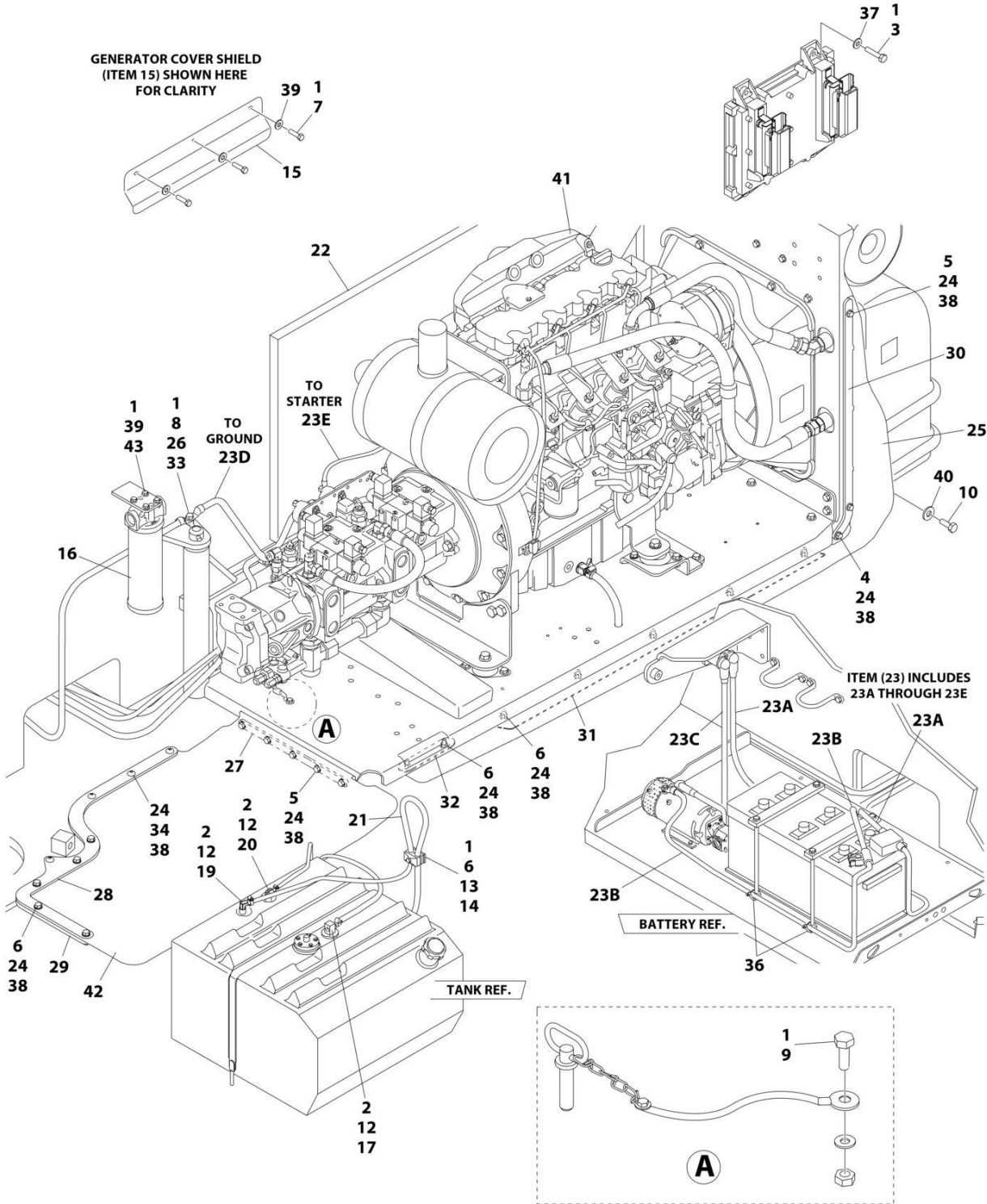
ITEM	PART NUMBER	QTY	DESCRIPTION	REV
	1001117370	Ref	DEUTZ TD2011 DIESEL ENGINE INSTALLATION - WITH REXROTH PUMPS AND STEEL HOOD (WITHOUT SKYPOWER AND WITHOUT COLD WEATHER PLUS PACKAGE)	D
1	0100011	AR	Compound, Locking	
2	0100079	AR	Sealant, Pipe	
3	0641410	4	Bolt 1/4 x 1-1/4	
4	0641506	1	Bolt 5/16 x 3/4	
5	0641509	7	Bolt 5/16 x 1-1/8	
6	0641511	13	Bolt 5/16 x 1-3/8	
7	0641605	3	Bolt 3/8 x 5/8	
8	0641610	1	Bolt 3/8 x 1-1/4	
9	0641808	1	Bolt 1/2 x 1	
10	0642010	1	Bolt 5/8 x 1-1/4	
12	1320022	3	Clamp	
13	1320187	1	Clamp, Twin	
14	1320190	1	Cover, Clamp	
15	1671121	1	Cover, Generator	
16	1001108617	1	Pressure Filter	
16	70002231	1	Element, Filter	
17	2180348	1	Fitting, Barbed	
19	2220313	1	Fitting, Elbow Barbed	
20	2221176	1	Fitting, Elbow	
21	2750532	5 ft/ 1.5m	Hose	
22	2820170	1	Insulation, Sound Absorbing	
23	2902099	1	Battery Cable Kit	
23A	7024580	1	Cable, Red (To Aux Pump Relay, Battery Positive Terminal and Start Relay)	
23B	7024581	1	Cable, Black (To Aux Pump, Battery Negative Terminal and Ground at Tray Pivot)	
23C	7024582	1	Cable, Red (Aux Pump Relay to Aux Pump)	
23D	7024583	1	Cable, Black (Tray Pivot to Engine Mount)	
23E	7024584	1	Cable, Red (Start Relay to Starter)	
24	3311505	24	Nut 5/16	
25	3380473	1	Panel, Rubber	
26	3422446	1	Pin	
27	3573644	1	Plate, Tray Clamp	
28	1001112878	1	Plate, Top Clamp	
29	1001112879	1	Plate, Bottom Clamp	
30	3573669	1	Plate, Clamp	
31	1001112880	1	Plate, Tray Clamp	
32	3573728	1	Plate, Tray Clamp	
33	3841143	1	Keeper, Pin	
34	3900272	4	Screw 5/16 x 1-3/4	
35	4240018	2	Strap, Tie (Not Shown)	
36	4240099	AR	Strap, Tie	
37	4711400	4	Washer 1/4	
38	4711500	44	Washer 5/16	
39	4711600	7	Washer 3/8	
40	4752000	1	Washer 5/8	

SECTION 3 - ENGINE

ITEM	PART NUMBER	QTY	DESCRIPTION	REV
41	1001098513	1	Engine Assembly with Pumps (See Separate Breakdown in this Section)	
42	1001111132	1	Panel, Rubber	
43	0641606	4	Bolt 3/8 x 3/4	

SECTION 3 - ENGINE

FIGURE 3-4. DEUTZ TD2011 DIESEL ENGINE INSTALLATION - WITH REXROTH PUMPS AND STEEL HOODS (WITH SKYPOWER AND WITHOUT COLD WEATHER PLUS PACKAGE)



ART_1001117371

SECTION 3 - ENGINE

FIGURE 3-4. DEUTZ TD2011 DIESEL ENGINE INSTALLATION - WITH REXROTH PUMPS AND STEEL HOODS (WITH SKYPOWER AND WITHOUT COLD WEATHER PLUS PACKAGE)

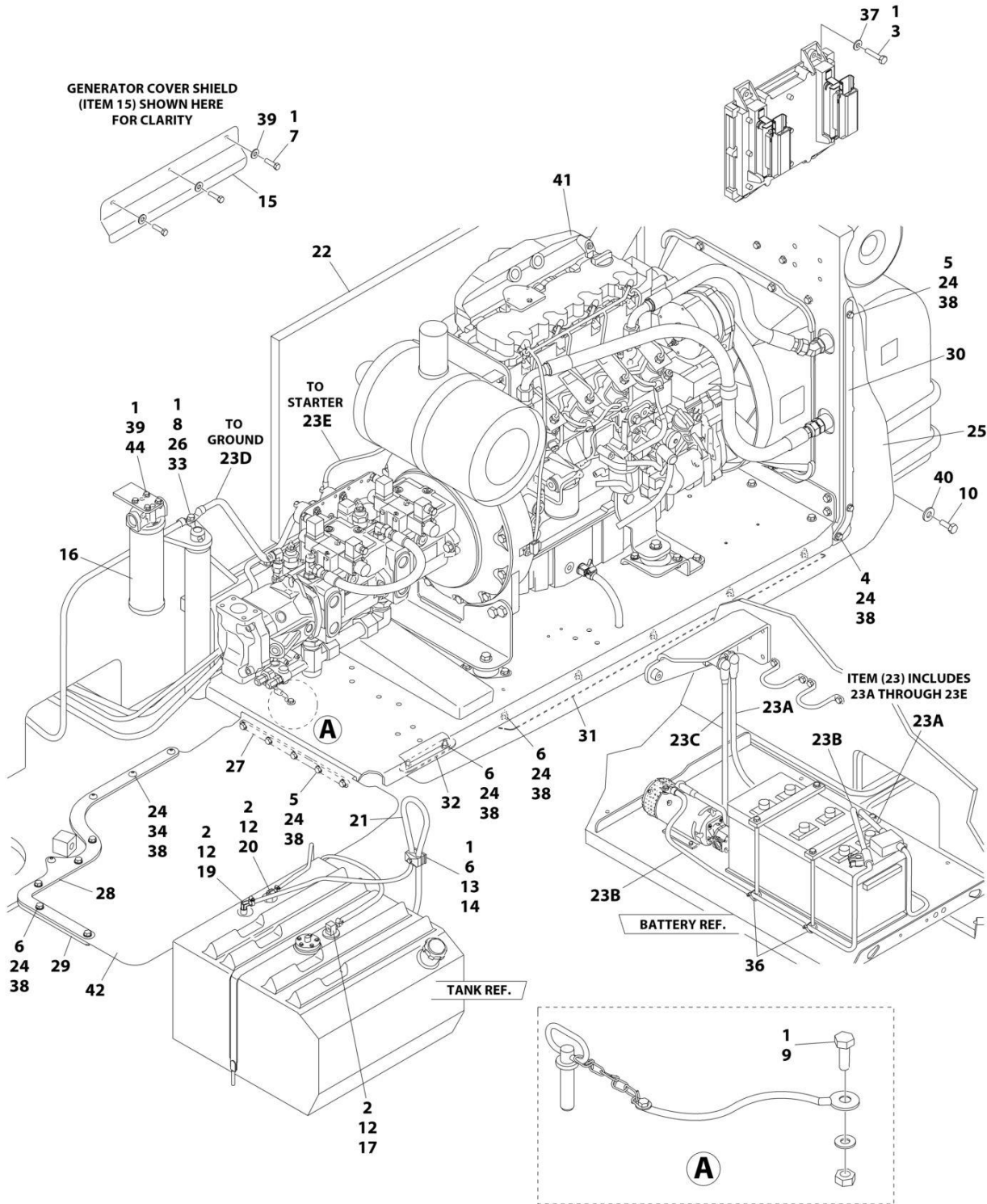
ITEM	PART NUMBER	QTY	DESCRIPTION	REV
	1001117371	Ref	DEUTZ TD2011 DIESEL ENGINE INSTALLATION - WITH REXROTH PUMPS AND STEEL HOODS (WITH SKYPOWER AND WITHOUT COLD WEATHER PLUS PACKAGE)	D
1	0100011	AR	Compound, Locking	
2	0100079	AR	Sealant, Pipe	
3	0641410	4	Bolt 1/4 x 1-1/4	
4	0641506	1	Bolt 5/16 x 3/4	
5	0641509	7	Bolt 5/16 x 1-1/8	
6	0641511	13	Bolt 5/16 x 1-3/8	
7	0641605	3	Bolt 3/8 x 5/8	
8	0641610	1	Bolt 3/8 x 1-1/4	
9	0641808	1	Bolt 1/2 x 1	
10	0642010	1	Bolt 5/8 x 1-1/4	
12	1320022	3	Clamp	
13	1320187	1	Clamp, Twin	
14	1320190	1	Cover, Clamp	
15	1671121	1	Cover, Generator	
16	1001108617	1	Pressure Filter	
16	70002231	1	Element, Filter	
17	2180348	1	Fitting, Barbed	
19	2220313	1	Fitting, Elbow Barbed	
20	2221176	1	Fitting, Elbow	
21	2750532	5 ft/ 1.5m	Hose	
22	2820170	1	Insulation, Sound Absorbing	
23	2902099	1	Battery Cable Kit	
23A	7024580	1	Cable, Red (To Aux Pump Relay, Battery Positive Terminal and Start Relay)	
23B	7024581	1	Cable, Black (To Aux Pump, Battery Negative Terminal and Ground at Tray Pivot)	
23C	7024582	1	Cable, Red (Aux Pump Relay to Aux Pump)	
23D	7024583	1	Cable, Black (Tray Pivot to Engine Mount)	
23E	7024584	1	Cable, Red (Start Relay to Starter)	
24	3311505	24	Nut 5/16	
25	3380473	1	Panel, Rubber	
26	3422446	1	Pin	
27	3573644	1	Plate, Tray Clamp	
28	1001112878	1	Plate, Top Clamp	
29	1001112879	1	Plate, Bottom Clamp	
30	3573669	1	Plate, Clamp	
31	1001112880	1	Plate, Tray Clamp	
32	3573728	1	Plate, Tray Clamp	
33	3841143	1	Keeper, Pin	
34	3900272	4	Screw 5/16 x 1-3/4	
35	4240018	2	Strap, Tie (Not Shown)	
36	4240099	AR	Strap, Tie	
37	4711400	4	Washer 1/4	
38	4711500	44	Washer 5/16	
39	4711600	7	Washer 3/8	
40	4752000	1	Washer 5/8	

SECTION 3 - ENGINE

ITEM	PART NUMBER	QTY	DESCRIPTION	REV
41	1001098530	1	Engine Assembly with Pumps (See Separate Breakdown in this Section)	
42	1001111132	1	Panel, Rubber	
43	0641606	4	Bolt 3/8 x 3/4	

SECTION 3 - ENGINE

FIGURE 3-5. DEUTZ TD2011 DIESEL ENGINE INSTALLATION – WITH REXROTH PUMPS AND STEEL HOODS (WITH SKYPOWER AND WITH COLD WEATHER PLUS PACKAGE)



ART_1001116015

SECTION 3 - ENGINE

FIGURE 3-5. DEUTZ TD2011 DIESEL ENGINE INSTALLATION – WITH REXROTH PUMPS AND STEEL HOODS (WITH SKYPOWER AND WITH COLD WEATHER PLUS PACKAGE)

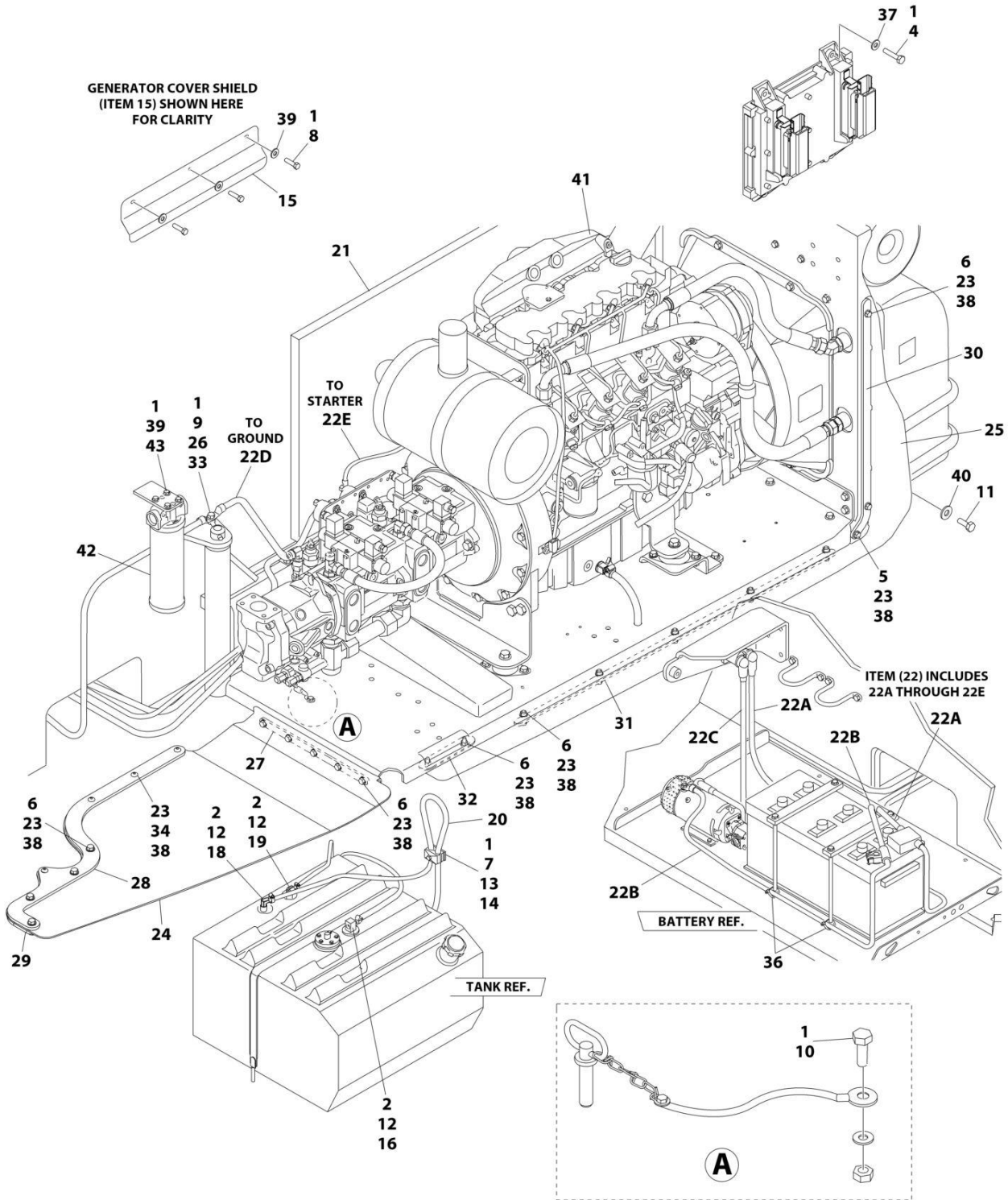
ITEM	PART NUMBER	QTY	DESCRIPTION	REV
	1001116015	Ref	DEUTZ TD2011 DIESEL ENGINE INSTALLATION - WITH REXROTH PUMPS AND STEEL HOODS (WITH SKYPOWER AND WITH COLD WEATHER PLUS PACKAGE)	D
1	0100011	AR	Compound, Locking	
2	0100079	AR	Sealant, Pipe	
3	0641410	4	Bolt 1/4 x 1-1/4	
4	0641506	1	Bolt 5/16 x 3/4	
5	0641509	7	Bolt 5/16 x 1-1/8	
6	0641511	13	Bolt 5/16 x 1-3/8	
7	0641605	3	Bolt 3/8 x 5/8	
8	0641610	1	Bolt 3/8 x 1-1/4	
9	0641808	1	Bolt 1/2 x 1	
10	0642010	1	Bolt 5/8 x 1-1/4	
12	1320022	3	Clamp	
13	1320187	1	Clamp, Twin	
14	1320190	1	Cover, Clamp	
15	1671121	1	Cover, Generator	
16	1001108617	1	Pressure Filter	
16	70002231	1	Element, Filter	
17	2180348	1	Fitting, Barbed	
19	2220313	1	Fitting, Elbow Barbed	
20	2221176	1	Fitting, Elbow	
21	2750532	5 ft/ 1.5m	Hose	
22	2820170	1	Insulation, Sound Absorbing	
23	2902099	1	Battery Cable Kit	
23A	7024580	1	Cable, Red (To Aux Pump Relay, Battery Positive Terminal and Start Relay)	
23B	7024581	1	Cable, Black (To Aux Pump, Battery Negative Terminal and Ground at Tray Pivot)	
23C	7024582	1	Cable, Red (Aux Pump Relay to Aux Pump)	
23D	7024583	1	Cable, Black (Tray Pivot to Engine Mount)	
23E	7024584	1	Cable, Red (Start Relay to Starter)	
24	3311505	24	Nut 5/16	
25	3380473	1	Panel, Rubber	
26	3422446	1	Pin	
27	3573644	1	Plate, Tray Clamp	
28	1001112878	1	Plate, Top Clamp	
29	1001112879	1	Plate, Bottom Clamp	
30	3573669	1	Plate, Clamp	
31	1001112880	1	Plate, Tray Clamp	
32	3573728	1	Plate, Tray Clamp	
33	3841143	1	Keeper, Pin	
34	3900272	4	Screw, Button 5/16 x 1-3/4	
35	4240018	2	Strap, Tie (Not Shown)	
36	4240099	AR	Strap, Tie	
37	4711400	4	Washer 1/4	
38	4711500	44	Washer 5/16	
39	4711600	7	Washer 3/8	
40	4752000	1	Washer 5/8	

SECTION 3 - ENGINE

ITEM	PART NUMBER	QTY	DESCRIPTION	REV
41	1001098531	1	Engine Assembly with Pumps (See Separate Breakdown in this Section)	
42	1001111132	1	Panel, Rubber	
43	1702942	1	Decal - Block Heater (Not Shown)	
44	0641606	4	Bolt 3/8 x 3/4	

SECTION 3 - ENGINE

FIGURE 3-6. DEUTZ TD2011 DIESEL ENGINE INSTALLATION - WITH SAUER PUMPS AND ABS HOODS (WITHOUT SKYPOWER AND WITHOUT COLD WEATHER PLUS PACKAGE)



ART_1001098712

SECTION 3 - ENGINE

FIGURE 3-6. DEUTZ TD2011 DIESEL ENGINE INSTALLATION - WITH SAUER PUMPS AND ABS HOODS (WITHOUT SKYPOWER AND WITHOUT COLD WEATHER PLUS PACKAGE)

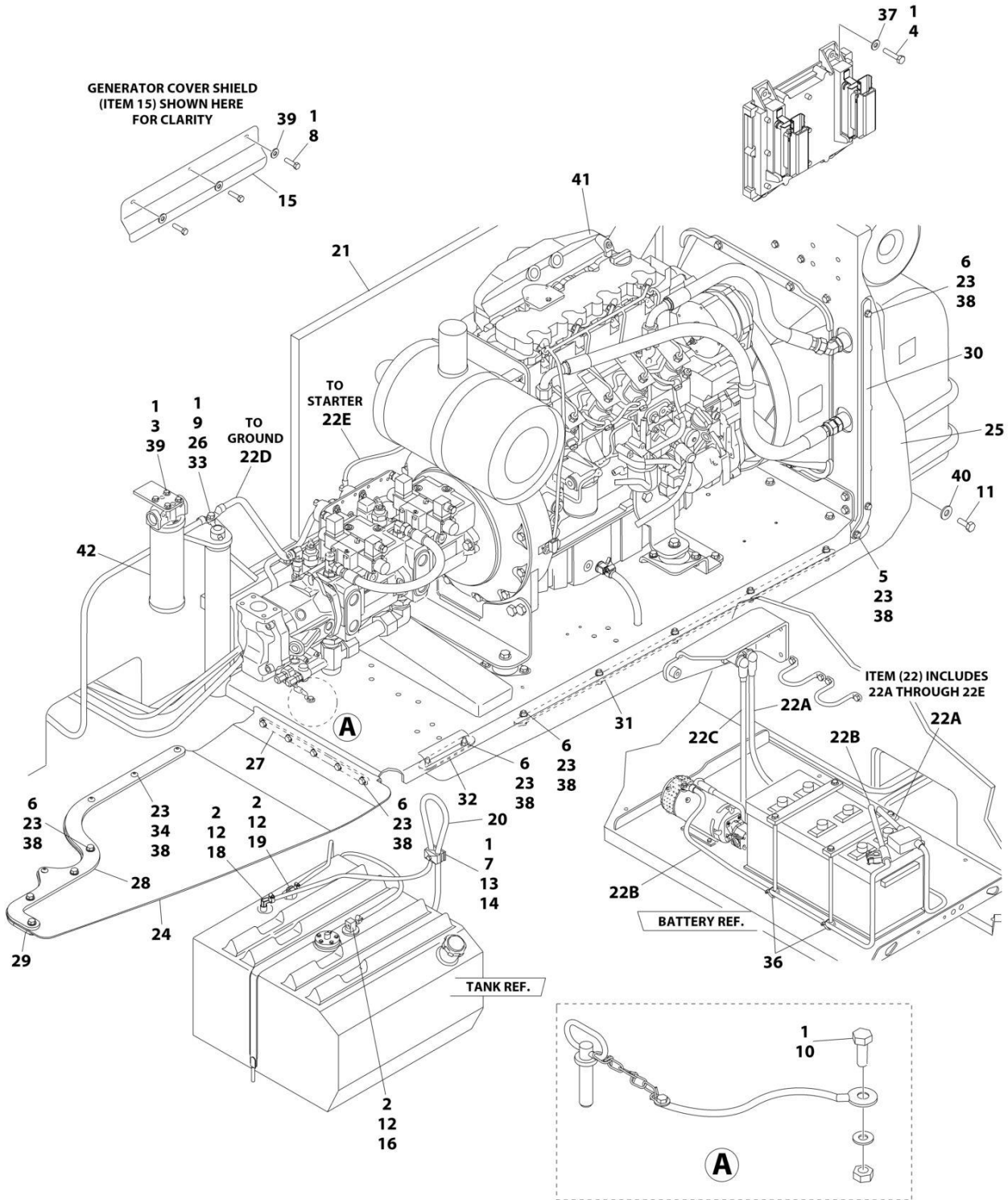
ITEM	PART NUMBER	QTY	DESCRIPTION	REV
	1001118712	Ref	DEUTZ TD2011 DIESEL ENGINE INSTALLATION - WITH SAUER PUMPS AND ABS HOODS (WITHOUT SKYPOWER AND WITHOUT COLD WEATHER PLUS PACKAGE)	E
1	0100011	AR	Compound, Locking	
2	0100079	AR	Sealant, Pipe	
3	0641410	4	Bolt 1/4 x 1-1/4	
4	0641506	1	Bolt 5/16 x 3/4	
5	0641509	18	Bolt 5/16 x 1-1/8	
6	0641511	1	Bolt 5/16 x 1-3/8	
7	0641605	3	Bolt 3/8 x 5/8	
8	0641610	1	Bolt 3/8 x 1-1/4	
9	0641808	1	Bolt 1/2 x 1	
10	0642010	1	Bolt 5/8 x 1-1/4	
12	1320022	3	Clamp	
13	1320187	1	Clamp, Twin	
14	1320190	1	Cover, Clamp	
15	1671121	1	Cover, Generator	
16	2180348	1	Fitting, Barbed	
18	2220313	1	Fitting, Elbow Barbed	
19	2221176	1	Fitting, Elbow	
20	2750532	5 ft/ 1.5m	Hose	
21	2820170	1	Insulation, Sound Absorbing	
22	2902099	1	Battery Cable Kit	
22A	7024580	1	Cable, Red (To Aux Pump Relay, Battery Positive Terminal and Start Relay)	
22B	7024581	1	Cable, Black (To Aux Pump, Battery Negative Terminal and Ground at Tray Pivot)	
22C	7024582	1	Cable, Red (Aux Pump Relay to Aux Pump)	
22D	7024583	1	Cable, Black (Tray Pivot to Engine Mount)	
22E	7024584	1	Cable, Red (Start Relay to Starter)	
23	3311505	23	Nut 5/16	
24	3380472	1	Panel, Rubber	
25	3380473	1	Panel, Rubber	
26	3422446	1	Pin	
27	3573644	1	Plate, Tray Clamp	
28	3573645	1	Plate, Top Clamp	
29	3573646	1	Plate, Bottom Clamp	
30	3573669	1	Plate, Clamp	
31	3573727	1	Plate, Tray Clamp	
32	3573728	1	Plate, Tray Clamp	
33	3841143	1	Keeper, Pin	
34	3900272	4	Screw, Button 5/16 x 1-3/4	
35	4240018	2	Strap, Tie (Not Shown)	
36	4240099	AR	Strap, Tie	
37	4711400	4	Washer 1/4	
38	4711500	42	Washer 5/16	
39	4711600	7	Washer 3/8	
40	4752000	1	Washer 5/8	
41	1001107971	1	Engine Assembly with Pumps (See Separate Breakdown in this Section)	

SECTION 3 - ENGINE

ITEM	PART NUMBER	QTY	DESCRIPTION	REV
42	1001108617	1	Pressure Filter	
42	70002231	1	Element, Filter	
43	0641606	4	Bolt 3/8 x 3/4	

SECTION 3 - ENGINE

FIGURE 3-7. DEUTZ TD2011 DIESEL ENGINE INSTALLATION - WITH SAUER PUMPS AND ABS HOODS (WITH SKYPOWER AND WITHOUT COLD WEATHER PLUS PACKAGE)



ART_1001098713

SECTION 3 - ENGINE

FIGURE 3-7. DEUTZ TD2011 DIESEL ENGINE INSTALLATION - WITH SAUER PUMPS AND ABS HOODS (WITH SKYPOWER AND WITHOUT COLD WEATHER PLUS PACKAGE)

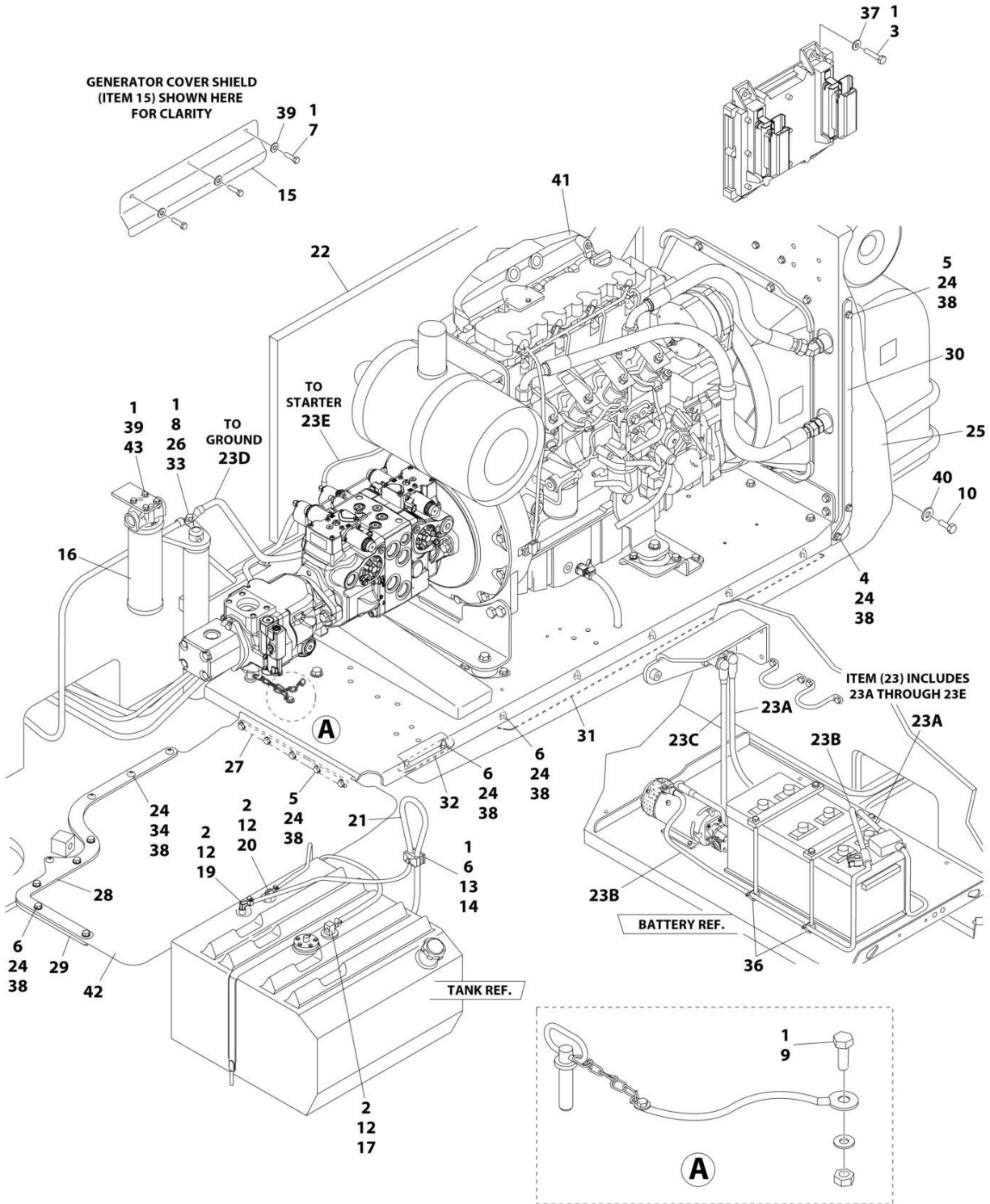
ITEM	PART NUMBER	QTY	DESCRIPTION	REV
	1001118713	Ref	DEUTZ TD2011 DIESEL ENGINE INSTALLATION - WITH SAUER PUMPS AND ABS HOODS (WITH SKYPOWER AND WITHOUT COLD WEATHER PLUS PACKAGE)	E
1	0100011	AR	Compound, Locking	
2	0100079	AR	Sealant, Pipe	
3	0641606	4	Bolt 3/8 x 3/4	
4	0641410	4	Bolt 1/4 x 1-1/4	
5	0641506	1	Bolt 5/16 x 3/4	
6	0641509	18	Bolt 5/16 x 1-1/8	
7	0641511	1	Bolt 5/16 x 1-3/8	
8	0641605	3	Bolt 3/8 x 5/8	
9	0641610	1	Bolt 3/8 x 1-1/4	
10	0641808	1	Bolt 1/2 x 1	
11	0642010	1	Bolt 5/8 x 1-1/4	
12	1320022	3	Clamp	
13	1320187	1	Clamp, Twin	
14	1320190	1	Cover, Clamp	
15	1671121	1	Cover, Generator	
16	2180348	1	Fitting, Barbed	
18	2220313	1	Fitting, Elbow Barbed	
19	2221176	1	Fitting, Elbow	
20	2750532	5 ft/ 1.5m	Hose	
21	2820170	1	Insulation, Sound Absorbing	
22	2902099	1	Battery Cable Kit	
22A	7024580	1	Cable, Red (To Aux Pump Relay, Battery Positive Terminal and Start Relay)	
22B	7024581	1	Cable, Black (To Aux Pump, Battery Negative Terminal and Ground at Tray Pivot)	
22C	7024582	1	Cable, Red (Aux Pump Relay to Aux Pump)	
22D	7024583	1	Cable, Black (Tray Pivot to Engine Mount)	
22E	7024584	1	Cable, Red (Start Relay to Starter)	
23	3311505	23	Nut 5/16	
24	3380472	1	Panel, Rubber	
25	3380473	1	Panel, Rubber	
26	3422446	1	Pin	
27	3573644	1	Plate, Tray Clamp	
28	3573645	1	Plate, Top Clamp	
29	3573646	1	Plate, Bottom Clamp	
30	3573669	1	Plate, Clamp	
31	3573727	1	Plate, Tray Clamp	
32	3573728	1	Plate, Tray Clamp	
33	3841143	1	Keeper, Pin	
34	3900272	4	Screw, Button 5/16 x 1-3/4	
35	4240018	2	Strap, Tie (Not Shown)	
36	4240099	AR	Strap, Tie	
37	4711400	4	Washer 1/4	
38	4711500	42	Washer 5/16	
39	4711600	7	Washer 3/8	
40	4752000	1	Washer 5/8	

SECTION 3 - ENGINE

ITEM	PART NUMBER	QTY	DESCRIPTION	REV
41	1001107973	1	Engine Assembly with Pumps (See Separate Breakdown in this Section)	
42	1001108617	1	Pressure Filter	
42	70002231	1	Element, Filter	

SECTION 3 - ENGINE

FIGURE 3-8. DEUTZ TD2011 DIESEL ENGINE INSTALLATION - WITH SAUER PUMPS AND STEEL HOODS (WITHOUT SKYPOWER AND WITHOUT COLD WEATHER PLUS PACKAGE)



ART_1001119052

SECTION 3 - ENGINE

FIGURE 3-8. DEUTZ TD2011 DIESEL ENGINE INSTALLATION - WITH SAUER PUMPS AND STEEL HOODS (WITHOUT SKYPOWER AND WITHOUT COLD WEATHER PLUS PACKAGE)

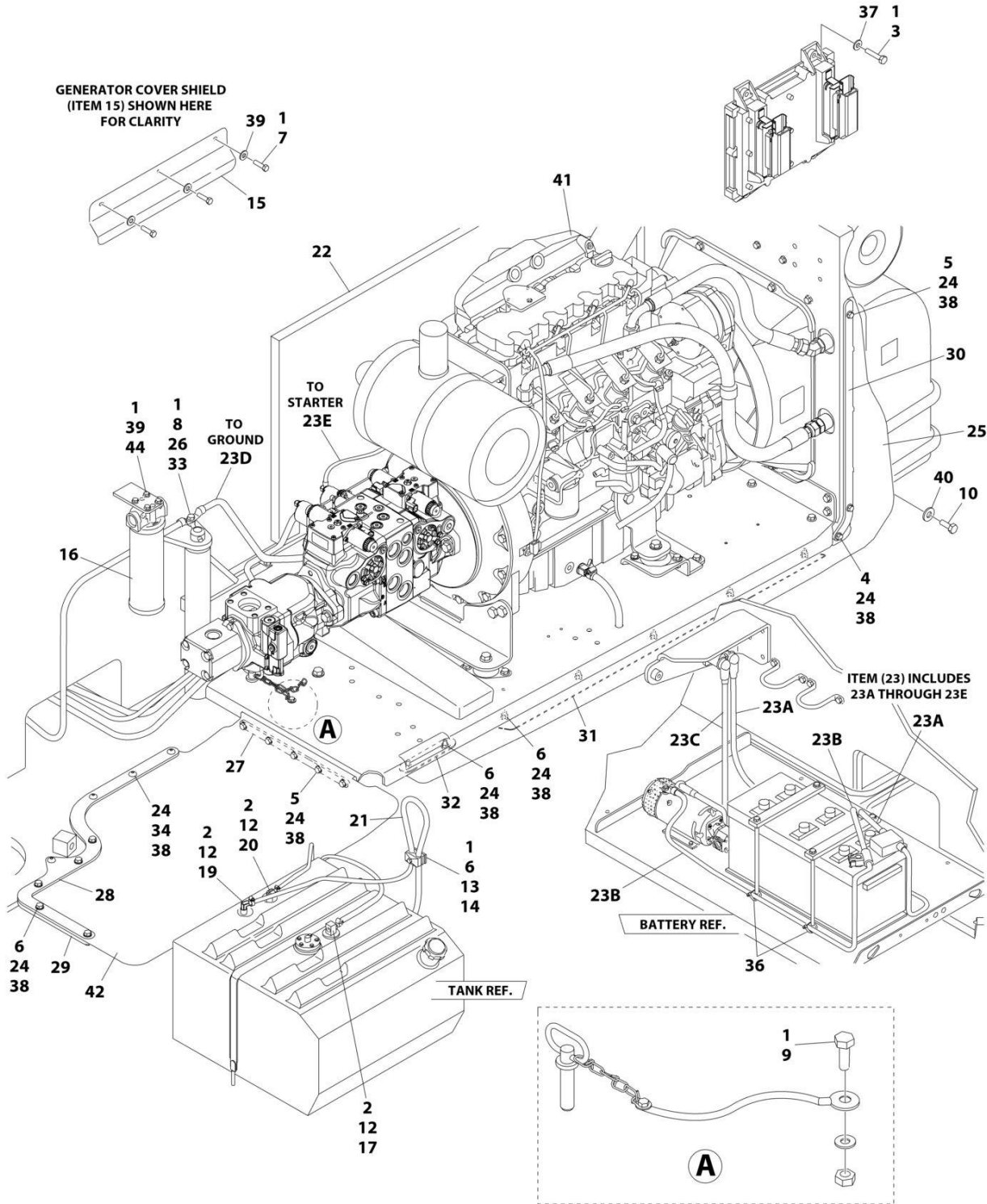
ITEM	PART NUMBER	QTY	DESCRIPTION	REV
	1001119052	Ref	DEUTZ TD2011 DIESEL ENGINE INSTALLATION - WITH SAUER PUMPS AND STEEL HOODS (WITHOUT SKYPOWER AND WITHOUT COLD WEATHER PLUS PACKAGE)	D
1	0100011	AR	Compound, Locking	
2	0100079	AR	Sealant, Pipe	
3	0641410	4	Bolt 1/4 x 1-1/4	
4	0641506	1	Bolt 5/16 x 3/4	
5	0641509	7	Bolt 5/16 x 1-1/8	
6	0641511	13	Bolt 5/16 x 1-3/8	
7	0641605	3	Bolt 3/8 x 5/8	
8	0641610	1	Bolt 3/8 x 1-1/4	
9	0641808	1	Bolt 1/2 x 1	
10	0642010	1	Bolt 5/8 x 1-1/4	
12	1320022	3	Clamp	
13	1320187	1	Clamp, Twin	
14	1320190	1	Cover, Clamp	
15	1671121	1	Cover, Generator	
16	1001108617	1	Pressure Filter	
16	70002231	1	Element, Filter	
17	2180348	1	Fitting, Barbed	
19	2220313	1	Fitting, Elbow Barbed	
20	2221176	1	Fitting, Elbow	
21	2750532	5 ft/ 1.5m	Hose	
22	2820170	1	Insulation, Sound Absorbing	
23	2902099	1	Battery Cable Kit	
23A	7024580	1	Cable, Red (To Aux Pump Relay, Battery Positive Terminal and Start Relay)	
23B	7024581	1	Cable, Black (To Aux Pump, Battery Negative Terminal and Ground at Tray Pivot)	
23C	7024582	1	Cable, Red (Aux Pump Relay to Aux Pump)	
23D	7024583	1	Cable, Black (Tray Pivot to Engine Mount)	
23E	7024584	1	Cable, Red (Start Relay to Starter)	
24	3311505	24	Nut 5/16	
25	3380473	1	Panel, Rubber	
26	3422446	1	Pin	
27	3573644	1	Plate, Tray Clamp	
28	1001112878	1	Plate, Top Clamp	
29	1001112879	1	Plate, Bottom Clamp	
30	3573669	1	Plate, Clamp	
31	1001112880	1	Plate, Tray Clamp	
32	3573728	1	Plate, Tray Clamp	
33	3841143	1	Keeper, Pin	
34	3900272	4	Screw 5/16 x 1-3/4	
35	4240018	2	Strap, Tie (Not Shown)	
36	4240099	AR	Strap, Tie	
37	4711400	4	Washer 1/4	
38	4711500	44	Washer 5/16	
39	4711600	7	Washer 3/8	
40	4752000	1	Washer 5/8	

SECTION 3 - ENGINE

ITEM	PART NUMBER	QTY	DESCRIPTION	REV
41	1001107971	1	Engine Assembly with Pumps (See Separate Breakdown in this Section)	
42	1001111132	1	Panel, Rubber	
43	0641606	4	Bolt 3/8 x 3/4	

SECTION 3 - ENGINE

FIGURE 3-9. DEUTZ TD2011 DIESEL ENGINE INSTALLATION - WITH SAUER PUMPS AND STEEL HOODS (WITH SKYPOWER AND WITH COLD WEATHER PLUS PACKAGE)



ART_1001119054

SECTION 3 - ENGINE

FIGURE 3-9. DEUTZ TD2011 DIESEL ENGINE INSTALLATION - WITH SAUER PUMPS AND STEEL HOODS (WITH SKYPOWER AND WITH COLD WEATHER PLUS PACKAGE)

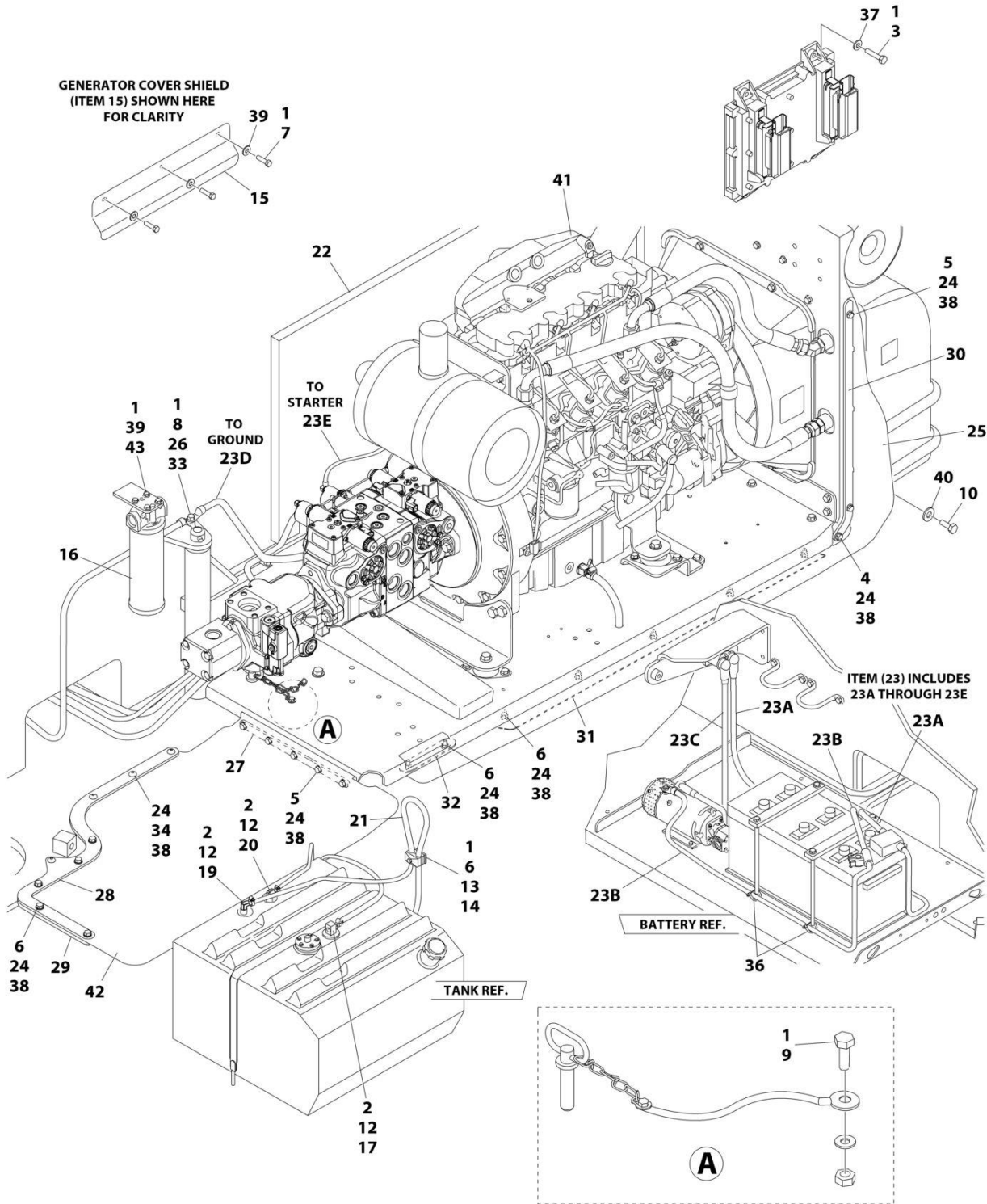
ITEM	PART NUMBER	QTY	DESCRIPTION	REV
	1001119054	Ref	DEUTZ TD2011 DIESEL ENGINE INSTALLATION - WITH SAUER PUMPS AND STEEL HOODS (WITH SKYPOWER AND WITH COLD WEATHER PLUS PACKAGE)	D
1	0100011	AR	Compound, Locking	
2	0100079	AR	Sealant, Pipe	
3	0641410	4	Bolt 1/4 x 1-1/4	
4	0641506	1	Bolt 5/16 x 3/4	
5	0641509	7	Bolt 5/16 x 1-1/8	
6	0641511	13	Bolt 5/16 x 1-3/8	
7	0641605	3	Bolt 3/8 x 5/8	
8	0641610	1	Bolt 3/8 x 1-1/4	
9	0641808	1	Bolt 1/2 x 1	
10	0642010	1	Bolt 5/8 x 1-1/4	
12	1320022	3	Clamp	
13	1320187	1	Clamp, Twin	
14	1320190	1	Cover, Clamp	
15	1671121	1	Cover, Generator	
16	1001108617	1	Pressure Filter	
16	70002231	1	Element, Filter	
17	2180348	1	Fitting, Barbed	
19	2220313	1	Fitting, Elbow Barbed	
20	2221176	1	Fitting, Elbow	
21	2750532	5 ft/ 1.5m	Hose	
22	2820170	1	Insulation, Sound Absorbing	
23	2902099	1	Battery Cable Kit	
23A	7024580	1	Cable, Red (To Aux Pump Relay, Battery Positive Terminal and Start Relay)	
23B	7024581	1	Cable, Black (To Aux Pump, Battery Negative Terminal and Ground at Tray Pivot)	
23C	7024582	1	Cable, Red (Aux Pump Relay to Aux Pump)	
23D	7024583	1	Cable, Black (Tray Pivot to Engine Mount)	
23E	7024584	1	Cable, Red (Start Relay to Starter)	
24	3311505	24	Nut 5/16	
25	3380473	1	Panel, Rubber	
26	3422446	1	Pin	
27	3573644	1	Plate, Tray Clamp	
28	1001112878	1	Plate, Top Clamp	
29	1001112879	1	Plate, Bottom Clamp	
30	3573669	1	Plate, Clamp	
31	1001112880	1	Plate, Tray Clamp	
32	3573728	1	Plate, Tray Clamp	
33	3841143	1	Keeper, Pin	
34	3900272	4	Screw 5/16 x 1-3/4	
35	4240018	2	Strap, Tie (Not Shown)	
36	4240099	AR	Strap, Tie	
37	4711400	4	Washer 1/4	
38	4711500	44	Washer 5/16	
39	4711600	7	Washer 3/8	
40	4752000	1	Washer 5/8	

SECTION 3 - ENGINE

ITEM	PART NUMBER	QTY	DESCRIPTION	REV
41	1001107975	1	Engine Assembly with Pumps (See Separate Breakdown in this Section)	
42	1001111132	1	Panel, Rubber	
43	1702942	1	Decal - Block Heater (Not Shown)	
44	0641606	4	Bolt 3/8 x 3/4	

SECTION 3 - ENGINE

FIGURE 3-10. DEUTZ TD2011 DIESEL ENGINE INSTALLATION - WITH SAUER PUMPS AND STEEL HOODS (WITH SKYPOWER AND WITHOUT COLD WEATHER PLUS PACKAGE)



ART_1001119053

SECTION 3 - ENGINE

FIGURE 3-10. DEUTZ TD2011 DIESEL ENGINE INSTALLATION - WITH SAUER PUMPS AND STEEL HOODS (WITH SKYPOWER AND WITHOUT COLD WEATHER PLUS PACKAGE)

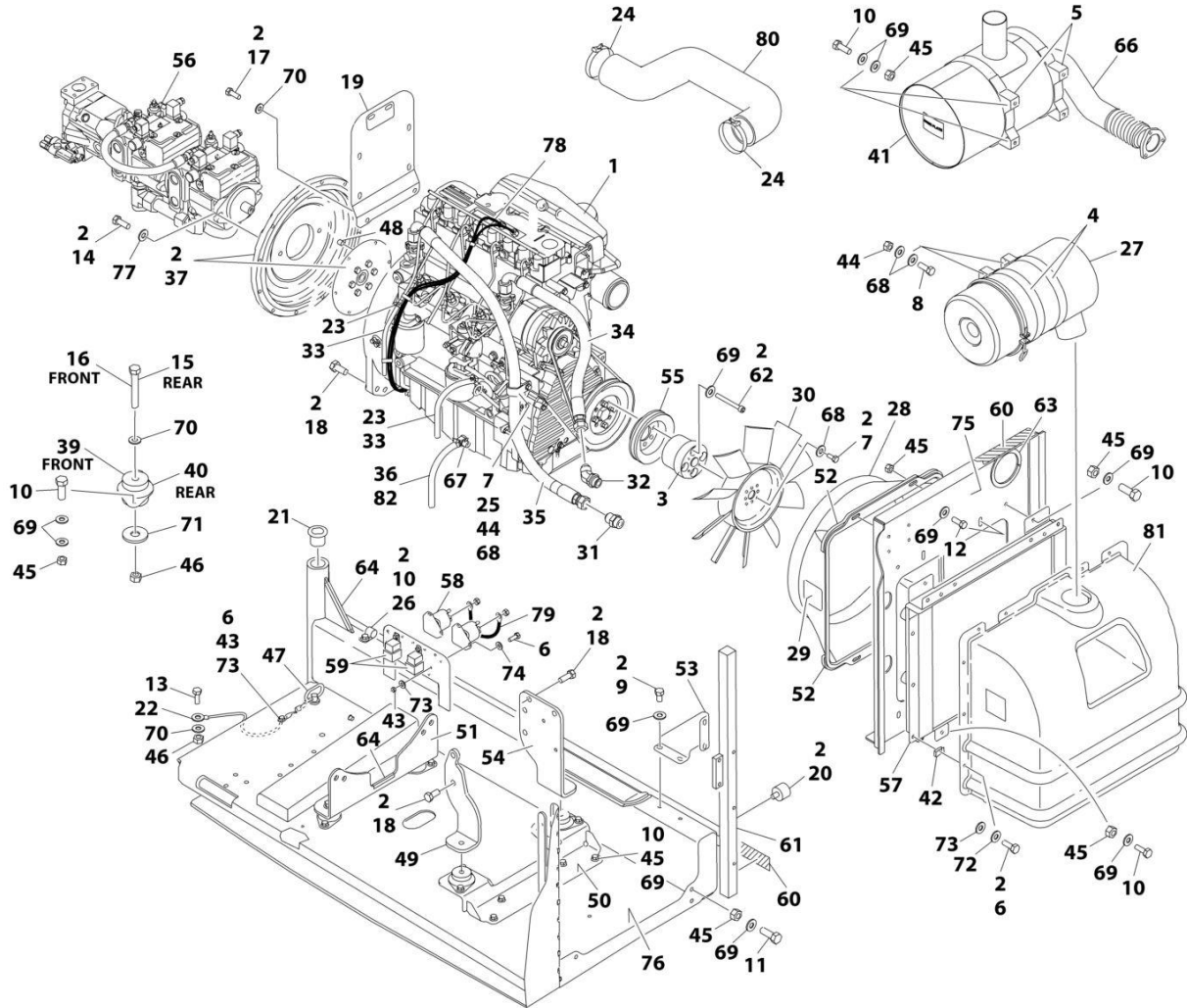
ITEM	PART NUMBER	QTY	DESCRIPTION	REV
	1001119053	Ref	DEUTZ TD2011 DIESEL ENGINE INSTALLATION - WITH SAUER PUMPS AND STEEL HOODS (WITH SKYPOWER AND WITHOUT COLD WEATHER PLUS PACKAGE)	D
1	0100011	AR	Compound, Locking	
2	0100079	AR	Sealant, Pipe	
3	0641410	4	Bolt 1/4 x 1-1/4	
4	0641506	1	Bolt 5/16 x 3/4	
5	0641509	7	Bolt 5/16 x 1-1/8	
6	0641511	13	Bolt 5/16 x 1-3/8	
7	0641605	3	Bolt 3/8 x 5/8	
8	0641610	1	Bolt 3/8 x 1-1/4	
9	0641808	1	Bolt 1/2 x 1	
10	0642010	1	Bolt 5/8 x 1-1/4	
12	1320022	3	Clamp	
13	1320187	1	Clamp, Twin	
14	1320190	1	Cover, Clamp	
15	1671121	1	Cover, Generator	
16	1001108617	1	Pressure Filter	
16	70002231	1	Element, Filter	
17	2180348	1	Fitting, Barbed	
19	2220313	1	Fitting, Elbow Barbed	
20	2221176	1	Fitting, Elbow	
21	2750532	5 ft/ 1.5m	Hose	
22	2820170	1	Insulation, Sound Absorbing	
23	2902099	1	Battery Cable Kit	
23A	7024580	1	Cable, Red (To Aux Pump Relay, Battery Positive Terminal and Start Relay)	
23B	7024581	1	Cable, Black (To Aux Pump, Battery Negative Terminal and Ground at Tray Pivot)	
23C	7024582	1	Cable, Red (Aux Pump Relay to Aux Pump)	
23D	7024583	1	Cable, Black (Tray Pivot to Engine Mount)	
23E	7024584	1	Cable, Red (Start Relay to Starter)	
24	3311505	24	Nut 5/16	
25	3380473	1	Panel, Rubber	
26	3422446	1	Pin	
27	3573644	1	Plate, Tray Clamp	
28	1001112878	1	Plate, Top Clamp	
29	1001112879	1	Plate, Bottom Clamp	
30	3573669	1	Plate, Clamp	
31	1001112880	1	Plate, Tray Clamp	
32	3573728	1	Plate, Tray Clamp	
33	3841143	1	Keeper, Pin	
34	3900272	4	Screw 5/16 x 1-3/4	
35	4240018	2	Strap, Tie (Not Shown)	
36	4240099	AR	Strap, Tie	
37	4711400	4	Washer 1/4	
38	4711500	44	Washer 5/16	
39	4711600	7	Washer 3/8	
40	4752000	1	Washer 5/8	

SECTION 3 - ENGINE

ITEM	PART NUMBER	QTY	DESCRIPTION	REV
41	1001107973	1	Engine Assembly with Pumps (See Separate Breakdown in this Section)	
42	1001111132	1	Panel, Rubber	
43	0641606	4	Bolt 3/8 x 3/4	

SECTION 3 - ENGINE

FIGURE 3-11. DEUTZ TD2011 ENGINE ASSEMBLY - WITH REXROTH PUMPS (WITHOUT SKYPOWER AND WITHOUT COLD WEATHER PLUS PACKAGE)



ART_1001098513_M

SECTION 3 - ENGINE

FIGURE 3-11. DEUTZ TD2011 ENGINE ASSEMBLY - WITH REXROTH PUMPS (WITHOUT SKYPOWER AND WITHOUT COLD WEATHER PLUS PACKAGE)

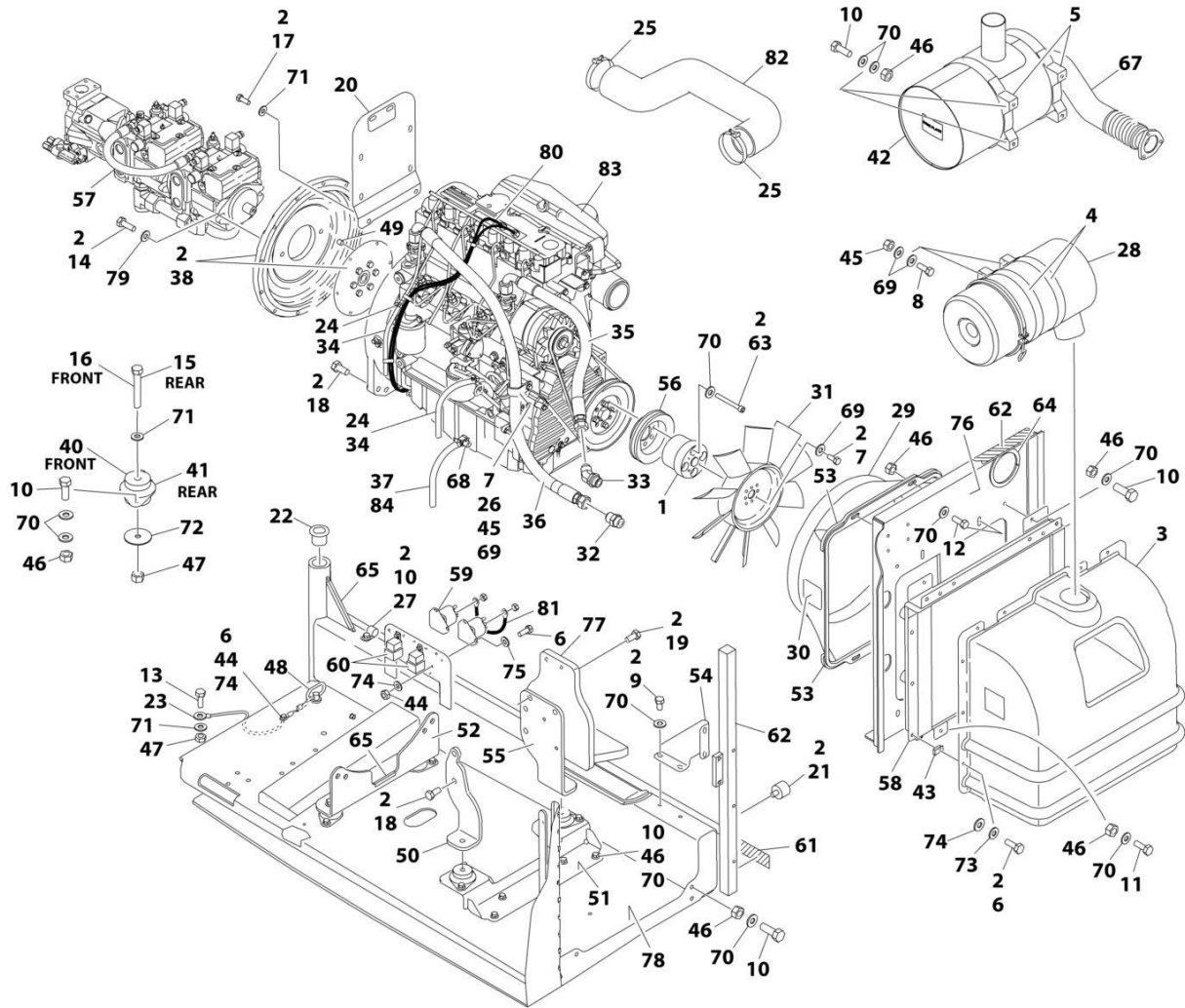
ITEM	PART NUMBER	QTY	DESCRIPTION	REV
	1001098513	Ref	DEUTZ TD2011 ENGINE ASSEMBLY - WITH REXROTH PUMPS	M
1	1001098601	1	Engine, Deutz TD2011 Components (See Separate Breakdown in this Section)	
2	0100011	AR	Compound, Locking	
3	0080237	1	Spacer, Fan	
4	0340003	2	Band, Air Cleaner	
5	0340051	2	Band, Muffler	
6	0641406	15	Bolt 1/4 x 3/4	
7	0641506	5	Bolt 5/16 x 3/4	
8	0641507	4	Bolt 5/16 x 7/8	
9	0641605	4	Bolt 3/8 x 5/8	
10	0641608	25	Bolt 3/8 x 1	
11	0641609	2	Bolt 3/8 x 1-1/8	
12	0641610	4	Bolt 3/8 x 1-1/4	
13	0641808	1	Bolt 1/2 x 1	
14	0641812	2	Bolt 1/2 x 1-1/2	
15	0641818	2	Bolt 1/2 x 2-1/4	
16	0641826	2	Bolt 1/2 x 3-1/4	
17	0711214	2	Bolt M12 x 30	
18	0771414	10	Bolt M14 x 30	
19	1001112766	1	Bracket, Muffler	
20	0940070	1	Bumper	
21	0961986	2	Bushing, Flanged	
22	1001131542	1	Lanyard	
23	1320022	3	Clamp	
24	1320058	2	Clamp	
25	1320060	1	Clamp	
26	1320223	1	J-Clip	
27	1340065	1	Air Cleaner Assembly	
27	7003655	1	Element, Air Cleaner	
27	7015013	1	Baffle, Rubber	
27	7015014	1	Clamp, Cap	
27	7015015	1	Cup	
27	7015003	1	Wingnut	
28	1671023	1	Shroud, Fan	
29	1703162	2	Decal - Fan Blade	
30	2060025	1	Fan	
31	2220451	1	Fitting, Straight	
32	2220498	1	Fitting, Elbow	
33	2720058	34 ft/ 10.3m	Hose	
34	2720500	1	Hose, Oil Cooler (Top)	
35	2720501	1	Hose, Oil Cooler (Bottom)	
36	2750532	0.75 ft /0.2m	Hose	
37	2902065	1	Pump Coupling Kit (See Separate Breakdown in this Section)	
39	3200362	2	Mount, Motor (Front)	
40	3200401	2	Mount, Motor (Rear)	
41	1001257277	1	Muffler, Spark Arresting	

SECTION 3 - ENGINE

ITEM	PART NUMBER	QTY	DESCRIPTION	REV
42	3300454	10	Nut 1/4	
43	3311405	5	Nut 1/4	
44	3311505	5	Nut 5/16	
45	3311605	30	Nut 3/8	
46	3311805	5	Nut 1/2	
47	3422532	1	Pin, Hitch	
48	3520054	2	Plug	
49	3537416	1	Plate, Mounting (Front Right)	
50	3539971	1	Bracket, Engine Mounting (Front)	
51	3573142	1	Bracket, Engine Mounting (Rear)	
52	3573411	2	Plate, Clamp	
53	3573412	1	Gusset	
54	3573529	1	Plate, Mounting (Front Left)	
55	3580158	1	Pulley	
56	3600339	1	Pump Assembly - Rexroth (See Separate Breakdown in this Section)	
57	1001145382	1	Cooler, Engine Oil	
58	3740067	2	Relay, Start	
59	3740080	2	Relay	
60	3960543	1	Seal	
61	3960544	1	Seal	
62	4032022	4	Capscrew M10 x 90	
63	4060804	0.98 ft /0.3m	Flex-Trim	
64	4060805	0.67 ft /0.2m	Flex-Trim	
65	4240099	AR	Tie, Wire (Not Shown)	
66	4568293	1	Pipe, Exhaust	
67	4640751	1	Valve, Oil Drain	
68	4711500	13	Washer 5/16	
69	4711600	68	Washer 3/8	
70	4711800	7	Washer 1/2	
71	4740274	4	Washer, Snubbing	
72	4740518	10	Washer, Nylon	
73	4751400	20	Washer 1/4	
74	4791400	4	Washer 1/4	
75	4846552	1	Plate, Oil Cooler Mounting	
76	4846946	1	Tray	
77	4891800	2	Washer 1/2 Hardened	
78	4923468	1	Harness, Glow Plugs	
79	4923592	1	Cable, Jumper	
80	1001225118	1	Hose, Air Intake	
81	0272060	1	Box, Air Intake	
82	8410013	1	Clamp, Gear	

SECTION 3 - ENGINE

FIGURE 3-12. DEUTZ TD2011 ENGINE ASSEMBLY - WITH REXROTH PUMPS (WITH SKYPOWER AND WITHOUT COLD WEATHER PLUS PACKAGE)



ART_1001098530_N

SECTION 3 - ENGINE

FIGURE 3-12. DEUTZ TD2011 ENGINE ASSEMBLY - WITH REXROTH PUMPS (WITH SKYPOWER AND WITHOUT COLD WEATHER PLUS PACKAGE)

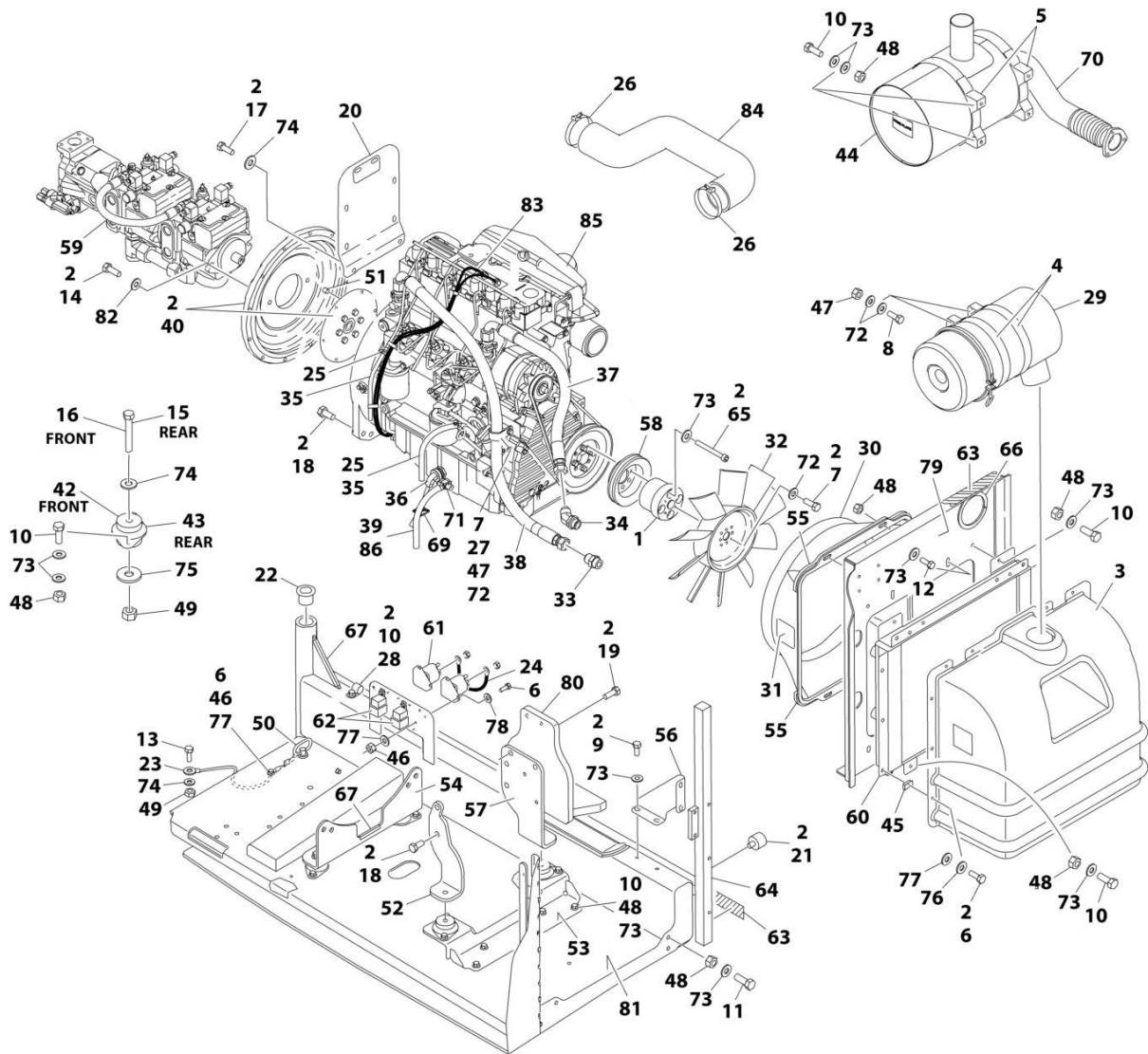
ITEM	PART NUMBER	QTY	DESCRIPTION	REV
	1001098530	Ref	DEUTZ TD2011 ENGINE ASSEMBLY - WITH REXROTH PUMPS (WITH SKYPOWER AND WITHOUT COLD WEATHER PLUS PACKAGE)	N
1	0080244	1	Spacer, Fan	
2	0100011	AR	Compound, Locking	
3	0272060	1	Box, Air Intake	
4	0340003	2	Band, Air Cleaner	
5	0340051	2	Band, Muffler	
6	0641406	15	Bolt 1/4 x 3/4	
7	0641506	5	Bolt 5/16 x 3/4	
8	0641507	4	Bolt 5/16 x 7/8	
9	0641605	4	Bolt 3/8 x 5/8	
10	0641608	25	Bolt 3/8 x 1	
11	0641609	2	Bolt 3/8 x 1-1/8	
12	0641610	4	Bolt 3/8 x 1-1/4	
13	0641808	1	Bolt 1/2 x 1	
14	0641812	2	Bolt 1/2 x 1-1/2	
15	0641818	2	Bolt 1/2 x 2-1/4	
16	0641826	2	Bolt 1/2 x 3-1/4	
17	0711214	2	Bolt M12 x 30	
18	0771414	6	Bolt M14 x 30	
19	0711417	4	Bolt M14 x 45	
20	1001112766	1	Bracket, Muffler	
21	0940070	1	Bumper	
22	0961986	2	Bushing, Flanged	
23	1001131542	1	Lanyard	
24	1320022	2	Clamp	
25	1320058	2	Clamp	
26	1320060	1	Clamp	
27	1320223	1	J-Clip	
28	1340065	1	Air Cleaner Assembly	
28	7003655	1	Element, Air Cleaner	
28	7015013	1	Baffle, Rubber	
28	7015014	1	Clamp, Cap	
28	7015015	1	Cup	
28	7015003	1	Wingnut	
29	1671023	1	Shroud, Fan	
30	1703162	2	Decal - Fan Blade	
31	2060025	1	Fan	
32	2220451	1	Fitting, Straight	
33	2220498	1	Fitting, Elbow	
34	2720058	34 ft/ 10.3m	Hose	
35	2720500	1	Hose, Oil Cooler (Top)	
36	2720501	1	Hose, Oil Cooler (Bottom)	
37	2750532	0.75 ft /0.2m	Hose	
38	2902065	1	Pump Coupling Kit (See Separate Breakdown in this Section)	
40	3200362	2	Mount, Motor (Front)	
41	3200401	2	Mount, Motor (Rear)	

SECTION 3 - ENGINE

ITEM	PART NUMBER	QTY	DESCRIPTION	REV
42	1001257277	1	Muffler	
43	3300454	10	Nut	
44	3311405	5	Nut 1/4	
45	3311505	5	Nut 5/16	
46	3311605	30	Nut 3/8	
47	3311805	5	Nut 1/2	
48	3422532	1	Pin, Hitch	
49	3520054	2	Plug	
50	3537416	1	Plate, Mounting (Front Right)	
51	3539971	1	Bracket, Engine Mounting (Front)	
52	3573142	1	Bracket, Engine Mounting (Rear)	
53	3573411	2	Plate, Clamp	
54	3573412	1	Gusset	
55	3573529	1	Plate, Mounting (Front Left)	
56	3580320	1	Pulley	
57	3600339	1	Pump Assembly - Rexroth (See Separate Breakdown in this Section)	
58	1001145382	1	Cooler, Engine Oil	
59	3740067	2	Relay, Start	
60	3740080	2	Relay	
61	3960543	1	Seal	
62	3960544	1	Seal	
63	4032022	4	Capscrew M10 x 90	
64	4060804	0.98 ft /0.3m	Flex-Trim	
65	4060805	0.67 ft /0.2m	Flex-Trim	
66	4240099	AR	Tie, Wire (Not Shown)	
67	4568293	1	Pipe, Exhaust	
68	4640751	1	Valve, Oil Drain	
69	4711500	13	Washer 5/16	
70	4711600	68	Washer 3/8	
71	4711800	7	Washer 1/2	
72	4740274	4	Washer, Snubbing	
73	4740518	10	Washer, Nylon	
74	4751400	20	Washer 1/4	
75	4791400	4	Washer 1/4	
76	4846552	1	Plate, Oil Cooler Mounting	
77	4846945	1	Mount, Generator	
78	4846946	1	Tray	
79	4891800	2	Washer 1/2	
80	4923468	1	Harness, Glow Plugs	
81	4923592	1	Cable, Jumper	
82	1001225118	1	Hose, Air Intake	
83	1001098601	1	Engine, Deutz TD2011 Components (See Separate Breakdown in this Section)	
84	8410013	1	Clamp, Gear	

SECTION 3 - ENGINE

FIGURE 3-13. DEUTZ TD2011 ENGINE ASSEMBLY - WITH REXROTH PUMPS (WITH SKYPOWER AND WITH COLD WEATHER PLUS PACKAGE)



ART_1001098531_N

SECTION 3 - ENGINE

FIGURE 3-13. DEUTZ TD2011 ENGINE ASSEMBLY - WITH REXROTH PUMPS (WITH SKYPOWER AND WITH COLD WEATHER PLUS PACKAGE)

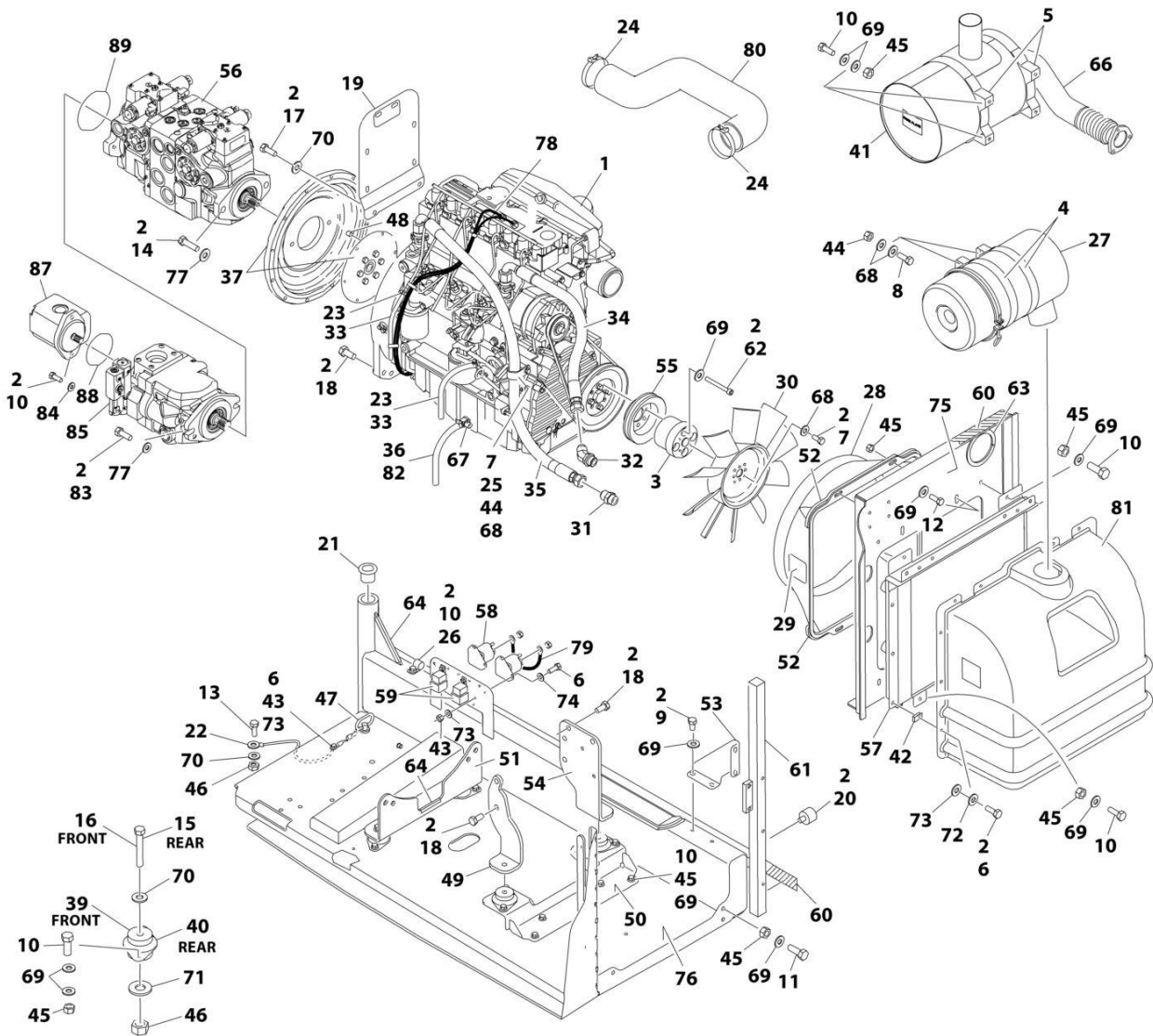
ITEM	PART NUMBER	QTY	DESCRIPTION	REV
	1001098531	Ref	DEUTZ TD2011 ENGINE ASSEMBLY - WITH REXROTH PUMPS (WITH SKYPOWER AND WITH COLD WEATHER PLUS PACKAGE)	N
1	0080244	1	Spacer, Fan	
2	0100011	AR	Compound, Locking	
3	0272060	1	Box, Air Intake	
4	0340003	2	Band, Air Cleaner	
5	0340051	2	Band, Muffler	
6	0641406	15	Bolt 1/4 x 3/4	
7	0641506	5	Bolt 5/16 x 3/4	
8	0641507	4	Bolt 5/16 x 7/8	
9	0641605	4	Bolt 3/8 x 5/8	
10	0641608	25	Bolt 3/8 x 1	
11	0641609	2	Bolt 3/8 x 1-1/8	
12	0641610	4	Bolt 3/8 x 1-1/4	
13	0641808	1	Bolt 1/2 x 1	
14	0641812	2	Bolt 1/2 x 1-1/2	
15	0641818	2	Bolt 1/2 x 2-1/4	
16	0641826	2	Bolt 1/2 x 3-1/4	
17	0711214	2	Bolt M12 x 30	
18	0771414	6	Bolt M14 x 30	
19	0711417	4	Bolt M14 x 45	
20	1001112766	1	Bracket, Muffler	
21	0940070	1	Bumper	
22	0961986	2	Bushing, Flanged	
23	1001131542	1	Lanyard	
24	1060904	1	Cable, Jumper	
25	1320022	2	Clamp	
26	1320058	2	Clamp	
27	1320060	1	Clamp	
28	1320223	1	J-Clip	
29	1340065	1	Air Cleaner Assembly	
29	7003655	1	Element, Air Cleaner	
29	7015013	1	Baffle, Rubber	
29	7015014	1	Clamp, Cap	
29	7015015	1	Cup	
29	7015003	1	Wingnut	
30	1671023	1	Shroud, Fan	
31	1703162	2	Decal - Fan Blade	
32	2060025	1	Fan	
33	2220451	1	Fitting, Straight	
34	2220498	1	Fitting, Elbow	
35	2720058	34 ft/ 10.3m	Hose	
36	2580062	1	Heater, Engine Block	
37	2720500	1	Hose, Oil Cooler (Top)	
38	2720501	1	Hose, Oil Cooler (Bottom)	
39	2750532	0.75 ft /0.2m	Hose	
40	2902065	1	Pump Coupling Kit (See Separate Breakdown in this Section)	

SECTION 3 - ENGINE

ITEM	PART NUMBER	QTY	DESCRIPTION	REV
42	3200362	2	Mount, Motor (Front)	
43	3200401	2	Mount, Motor (Rear)	
44	1001257277	1	Muffler	
45	3300454	10	Nut 1/4	
46	3311405	5	Nut 1/4	
47	3311505	5	Nut 5/16	
48	3311605	30	Nut 3/8	
49	3311805	5	Nut 1/2	
50	3422532	1	Pin, Hitch	
51	3520054	2	Plug	
52	3537416	1	Plate, Mounting (Front Right)	
53	3539971	1	Bracket, Engine Mounting (Front)	
54	3573142	1	Bracket, Engine Mounting (Rear)	
55	3573411	2	Plate, Clamp	
56	3573412	1	Gusset	
57	3573529	1	Plate, Mounting (Front Left)	
58	3580320	1	Pulley	
59	3600339	1	Pump Assembly - Rexroth (See Separate Breakdown in this Section)	
60	1001145382	1	Cooler, Engine Oil	
61	3740067	2	Relay, Start	
62	3740080	2	Relay	
63	3960543	1	Seal	
64	3960544	1	Seal	
65	4032022	4	Capscrew M10 x 90	
66	4060804	0.98 ft /0.3m	Flex-Trim	
67	4060805	0.67 ft /0.2m	Flex-Trim	
68	4240099	AR	Tie, Wire (Not Shown)	
69	4460234	3	Mount, Wire Tie	
70	4568293	1	Pipe, Exhaust	
71	4640751	1	Valve, Oil Drain	
72	4711500	13	Washer 5/16	
73	4711600	68	Washer 3/8	
74	4711800	7	Washer 1/2	
75	4740274	4	Washer, Snubbing	
76	4740518	10	Washer, Nylon	
77	4751400	20	Washer 1/4	
78	4791400	4	Washer 1/4	
79	4846552	1	Plate, Oil Cooler Mounting	
80	4846945	1	Mount, Generator	
81	4846946	1	Tray	
82	4891800	2	Washer 1/2 Hardened	
83	4923468	1	Harness, Glow Plugs	
84	1001225118	1	Hose, Air Intake	
85	1001098601	1	Engine, Deutz TD2011 Components (See Separate Breakdown in this Section)	
86	8410013	1	Clamp, Gear	

SECTION 3 - ENGINE

FIGURE 3-14. DEUTZ TD2011 ENGINE ASSEMBLY - WITH SAUER PUMPS (WITHOUT SKYPOWER AND WITHOUT COLD WEATHER PLUS PACKAGE)



ART_1001107971_M

SECTION 3 - ENGINE

FIGURE 3-14. DEUTZ TD2011 ENGINE ASSEMBLY - WITH SAUER PUMPS (WITHOUT SKYPOWER AND WITHOUT COLD WEATHER PLUS PACKAGE)

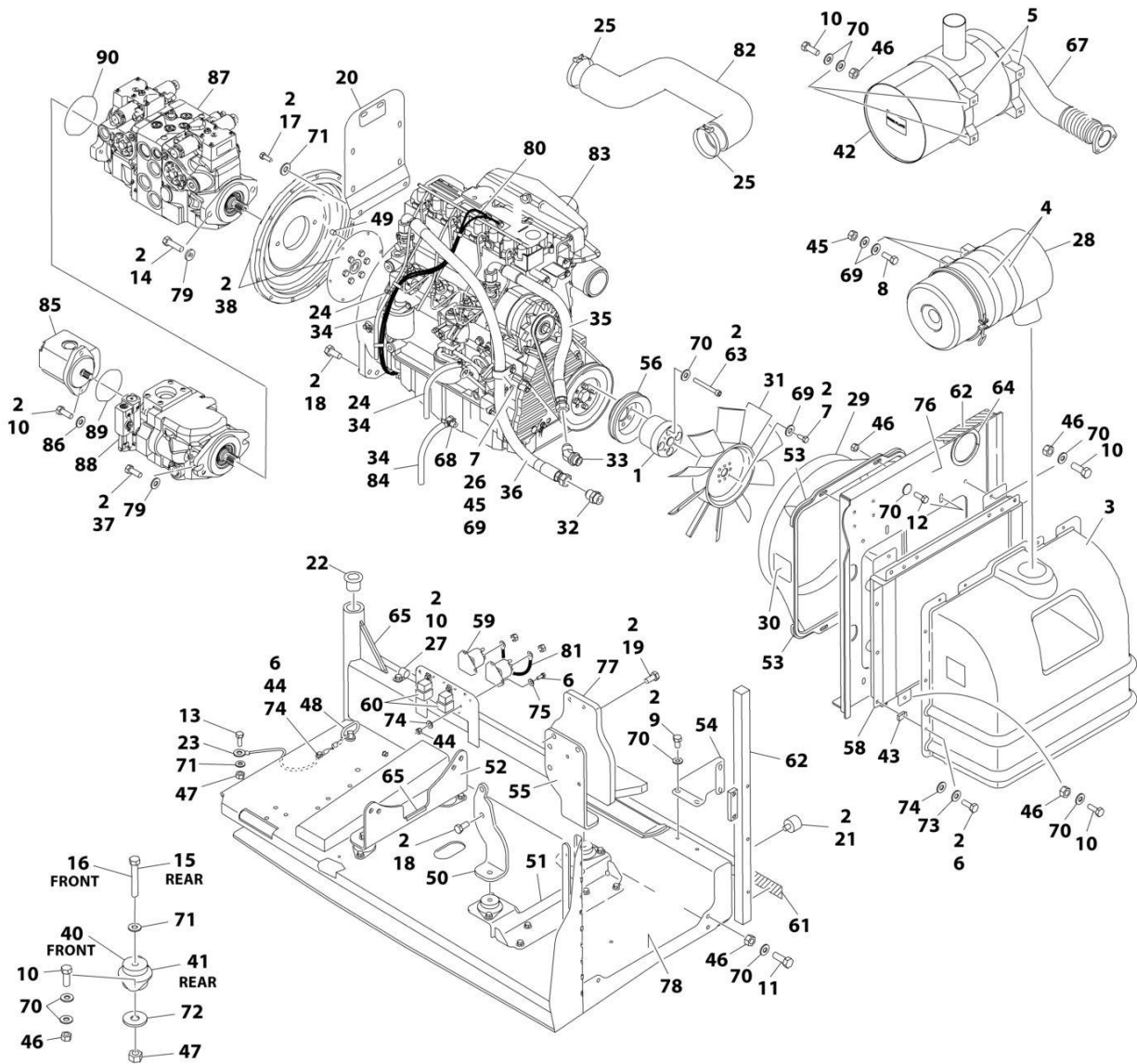
ITEM	PART NUMBER	QTY	DESCRIPTION	REV
	1001107971	Ref	DEUTZ TD2011 ENGINE ASSEMBLY - WITH SAUER PUMPS (WITHOUT SKYPOWER AND WITHOUT COLD WEATHER PLUS PACKAGE)	M
1	1001098601	1	Engine, Deutz TD2011 Components (See Separate Breakdown in this Section)	
2	0100011	AR	Compound, Locking	
3	0080237	1	Spacer, Fan	
4	0340003	2	Band, Air Cleaner	
5	0340051	2	Band, Muffler	
6	0641406	15	Bolt 1/4 x 3/4	
7	0641506	5	Bolt 5/16 x 3/4	
8	0641507	4	Bolt 5/16 x 7/8	
9	0641605	4	Bolt 3/8 x 5/8	
10	0641608	27	Bolt 3/8 x 1	
11	0641609	2	Bolt 3/8 x 1-1/8	
12	0641610	4	Bolt 3/8 x 1-1/4	
13	0641808	1	Bolt 1/2 x 1	
14	0641814	2	Bolt 1/2 x 1-3/4	
15	0641818	2	Bolt 1/2 x 2-1/4	
16	0641826	2	Bolt 1/2 x 3-1/4	
17	0711214	2	Bolt M12 x 30	
18	0771414	10	Bolt M14 x 30	
19	1001112766	1	Bracket, Muffler	
20	0940070	1	Bumper	
21	0961986	2	Bushing, Flanged	
22	1001131542	1	Lanyard	
23	1320022	3	Clamp	
24	1320058	2	Clamp	
25	1320060	1	Clamp	
26	1320223	1	J-Clip	
27	1340065	1	Air Cleaner Assembly	
27	7003655	1	Element, Air Cleaner	
27	7015013	1	Baffle, Rubber	
27	7015014	1	Clamp, Cap	
27	7015015	1	Cup	
27	7015003	1	Wingnut	
28	1671023	1	Shroud, Fan	
29	1703162	2	Decal - Fan Blade	
30	2060025	1	Fan	
31	2220451	1	Fitting, Straight	
32	2220498	1	Fitting, Elbow	
33	2720058	34 ft /10.3m	Hose	
34	2720500	1	Hose, Oil Cooler (Top)	
35	2720501	1	Hose, Oil Cooler (Bottom)	
36	2750532	0.75 ft /0.2m	Hose	
37	2902065	1	Pump Coupling Kit (See Separate Breakdown in this Section)	
39	3200362	2	Mount, Motor (Front)	
40	3200401	2	Mount, Motor (Rear)	

SECTION 3 - ENGINE

ITEM	PART NUMBER	QTY	DESCRIPTION	REV
41	1001257277	1	Muffler	
42	3300454	10	Nut 1/4	
43	3311405	5	Nut 1/4	
44	3311505	5	Nut 5/16	
45	3311605	30	Nut 3/8	
46	3311805	5	Nut 1/2	
47	3422532	1	Pin, Hitch	
48	3520054	2	Plug	
49	3537416	1	Plate, Mounting (Front Right)	
50	3539971	1	Bracket, Engine Mounting (Front)	
51	3573142	1	Bracket, Engine Mounting (Rear)	
52	3573411	2	Plate, Clamp	
53	3573412	1	Gusset	
54	3573529	1	Plate, Mounting (Front Left)	
55	3580158	1	Pulley	
56	1001108616	1	Pump Assembly - Sauer (See Separate Breakdown in this Section)	
57	1001145382	1	Cooler, Engine Oil	
58	3740067	2	Relay, Start	
59	3740080	2	Relay	
60	3960543	1	Seal	
61	3960544	1	Seal	
62	4032022	4	Capscrew M10 x 90	
63	4060804	0.98 ft /0.3m	Flex-Trim	
64	4060805	0.67 ft /0.2m	Flex-Trim	
65	4240099	AR	Tie, Wire (Not Shown)	
66	4568293	1	Pipe, Exhaust	
67	4640751	1	Valve, Oil Drain	
68	4711500	13	Washer 5/16	
69	4711600	68	Washer 3/8	
70	4711800	7	Washer 1/2	
71	4740274	4	Washer, Snubbing	
72	4740518	10	Washer, Nylon	
73	4751400	20	Washer 1/4	
74	4791400	4	Washer 1/4	
75	4846552	1	Plate, Oil Cooler Mounting	
76	4846946	1	Tray	
77	4891800	4	Washer 1/2	
78	4923468	1	Harness, Glow Plugs	
79	4923592	1	Cable, Jumper	
80	1001225118	1	Hose, Air Intake	
81	0272060	1	Box, Air Intake	
82	8410013	1	Clamp, Gear	
83	0761215	2	Bolt M12 x 35mm	
84	4891600	2	Washer 3/8	
85	1001171095	1	Pump Assembly - Sauer Piston (See Separate Breakdown in this Section)	
87	1001112927	1	Pump Assembly - Sauer Gear (See Separate Breakdown in this Section)	
88	3790152	1	O-Ring	
89	3790155	1	O-Ring	

SECTION 3 - ENGINE

FIGURE 3-15. DEUTZ TD2011 ENGINE ASSEMBLY - WITH SAUER PUMPS (WITH SKYPOWER AND WITHOUT COLD WEATHER PLUS PACKAGE)



ART_1001107973_M

SECTION 3 - ENGINE

FIGURE 3-15. DEUTZ TD2011 ENGINE ASSEMBLY - WITH SAUER PUMPS (WITH SKYPOWER AND WITHOUT COLD WEATHER PLUS PACKAGE)

ITEM	PART NUMBER	QTY	DESCRIPTION	REV
	1001107973	Ref	DEUTZ TD2011 ENGINE ASSEMBLY - WITH SAUER PUMPS (WITH SKYPOWER AND WITHOUT COLD WEATHER PLUS PACKAGE)	N
1	0080244	1	Spacer, Fan	
2	0100011	AR	Compound, Locking	
3	0272060	1	Box, Air Intake	
4	0340003	2	Band, Air Cleaner	
5	0340051	2	Band, Muffler	
6	0641406	15	Bolt 1/4 x 3/4	
7	0641506	5	Bolt 5/16 x 3/4	
8	0641507	4	Bolt 5/16 x 7/8	
9	0641605	4	Bolt 3/8 x 5/8	
10	0641608	27	Bolt 3/8 x 1	
11	0641609	2	Bolt 3/8 x 1-1/8	
12	0641610	4	Bolt 3/8 x 1-1/4	
13	0641808	1	Bolt 1/2 x 1	
14	0641814	2	Bolt 1/2 x 1-3/4	
15	0641818	2	Bolt 1/2 x 2-1/4	
16	0641826	2	Bolt 1/2 x 3-1/4	
17	0711214	2	Bolt M12 x 30	
18	0771414	6	Bolt M14 x 30	
19	0711417	4	Bolt M14 x 45	
20	1001112766	1	Bracket, Muffler	
21	0940070	1	Bumper	
22	0961986	2	Bushing, Flanged	
23	1001131542	1	Lanyard	
24	1320022	2	Clamp	
25	1320058	2	Clamp	
26	1320060	1	Clamp	
27	1320223	1	J-Clip	
28	1340065	1	Air Cleaner Assembly	
28	7003655	1	Element, Air Cleaner	
28	7015013	1	Baffle, Rubber	
28	7015014	1	Clamp, Cap	
28	7015015	1	Cup	
28	7015003	1	Wingnut	
29	1671023	1	Shroud, Fan	
30	1703162	2	Decal - Fan Blade	
31	2060025	1	Fan	
32	2220451	1	Fitting, Straight	
33	2220498	1	Fitting, Elbow	
34	2720058	34 ft/ 10.3m	Hose	
35	2720500	1	Hose, Oil Cooler (Top)	
36	2720501	1	Hose, Oil Cooler (Bottom)	
37	0761215	2	Bolt M12 x 35mm	
38	2902065	1	Pump Coupling Kit (See Separate Breakdown in this Section)	
40	3200362	2	Mount, Motor (Front)	
41	3200401	2	Mount, Motor (Rear)	

SECTION 3 - ENGINE

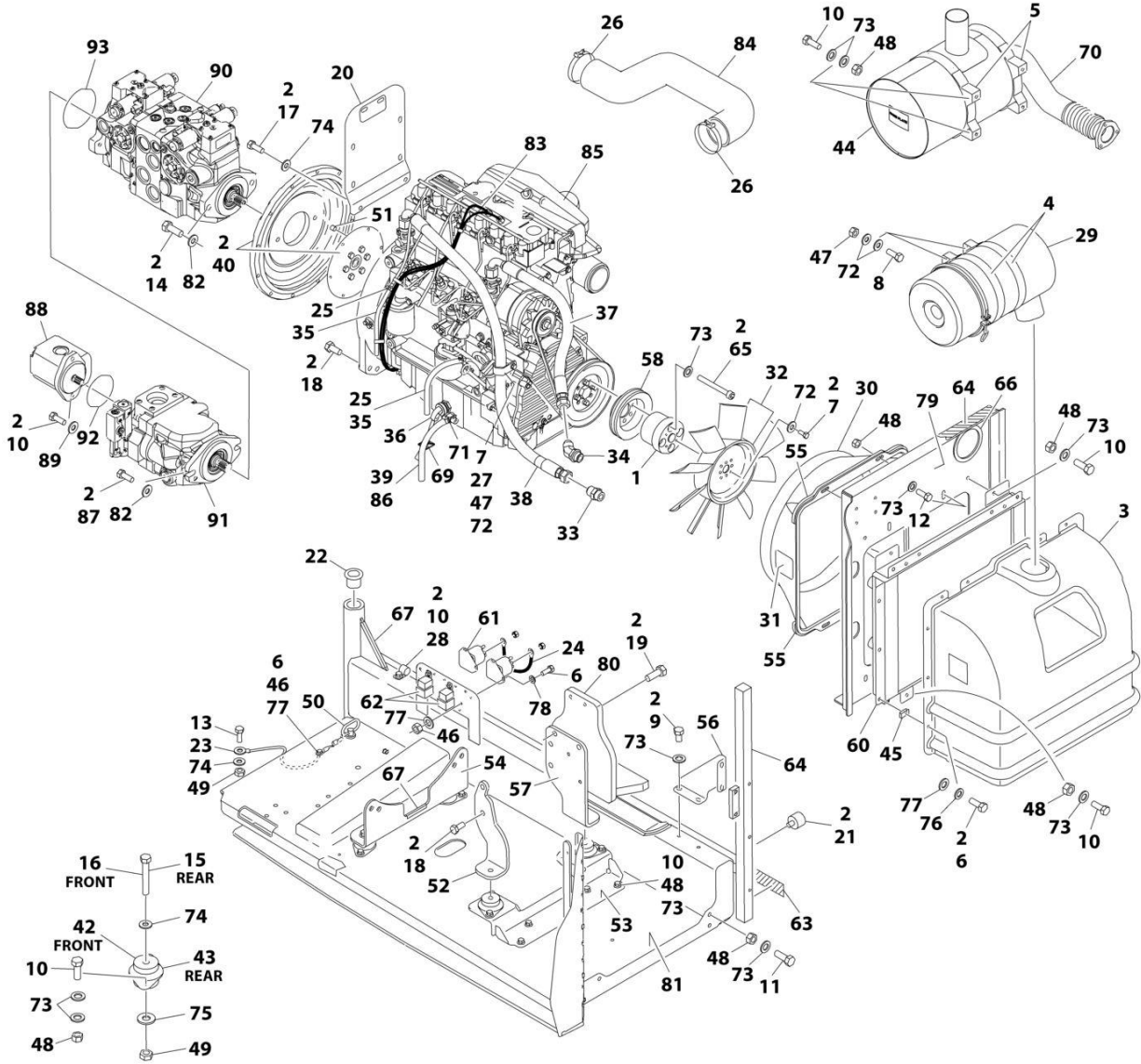
ITEM	PART NUMBER	QTY	DESCRIPTION	REV
42	1001257277	1	Muffler	
43	3300454	10	Nut	
44	3311405	5	Nut 1/4	
45	3311505	5	Nut 5/16	
46	3311605	30	Nut 3/8	
47	3311805	5	Nut 1/2	
48	3422532	1	Pin, Hitch	
49	3520054	2	Plug	
50	3537416	1	Plate, Mounting (Front Right)	
51	3539971	1	Bracket, Engine Mounting (Front)	
52	3573142	1	Bracket, Engine Mounting (Rear)	
53	3573411	2	Plate, Clamp	
54	3573412	1	Gusset	
55	3573529	1	Plate, Mounting (Front Left)	
56	3580320	1	Pulley	
58	1001145382	1	Cooler, Engine Oil	
59	3740067	2	Relay, Start	
60	3740080	2	Relay	
61	3960543	1	Seal	
62	3960544	1	Seal	
63	4032022	4	Capscrew M10 x 90	
64	4060804	0.98 ft /0.3m	Flex-Trim	
65	4060805	0.67 ft /0.2m	Flex-Trim	
66	4240099	AR	Tie, Wire (Not Shown)	
67	4568293	1	Pipe, Exhaust	
68	4640751	1	Valve, Oil Drain	
69	4711500	13	Washer 5/16	
70	4711600	68	Washer 3/8	
71	4711800	7	Washer 1/2	
72	4740274	4	Washer, Snubbing	
73	4740518	10	Washer, Nylon	
74	4751400	20	Washer 1/4	
75	4791400	4	Washer 1/4	
76	4846552	1	Plate, Oil Cooler Mounting	
77	4846945	1	Mount, Generator	
78	4846946	1	Tray	
79	4891800	4	Washer 1/2	
80	4923468	1	Harness, Glow Plugs	
81	4923592	1	Cable, Jumper	
82	1001225118	1	Hose, Air Intake	
83	1001098601	1	Engine, Deutz TD2011 Components (See Separate Breakdown in this Section)	
84	8410013	1	Clamp, Gear	
85	1001112927	1	Pump Assembly - Sauer Gear (See Separate Breakdown in this Section)	
86	4891600	2	Washer 3/8	
87	1001108616	1	Pump Assembly - Sauer (See Separate Breakdown in this Section)	
88	1001171095	1	Pump Assembly - Sauer Piston (See Separate Breakdown in this Section)	
89	3790152	1	O-Ring	

SECTION 3 - ENGINE

ITEM	PART NUMBER	QTY	DESCRIPTION	REV
90	3790155	1	O-Ring	
91	2750532	0.8 ft/ 0.2m	Hose	

SECTION 3 - ENGINE

FIGURE 3-16. DEUTZ TD2011 ENGINE ASSEMBLY - WITH SAUER PUMPS (WITH SKYPOWER AND WITH COLD WEATHER PLUS PACKAGE)



ART_1001107975_M

SECTION 3 - ENGINE

FIGURE 3-16. DEUTZ TD2011 ENGINE ASSEMBLY - WITH SAUER PUMPS (WITH SKYPOWER AND WITH COLD WEATHER PLUS PACKAGE)

ITEM	PART NUMBER	QTY	DESCRIPTION	REV
	1001107975	Ref	DEUTZ TD2011 ENGINE ASSEMBLY - WITH SAUER PUMPS (WITH SKYPOWER AND WITH COLD WEATHER PLUS PACKAGE)	M
1	0080244	1	Spacer, Fan	
2	0100011	AR	Compound, Locking	
3	0272060	1	Box, Air Intake	
4	0340003	2	Band, Air Cleaner	
5	0340051	2	Band, Muffler	
6	0641406	15	Bolt 1/4 x 3/4	
7	0641506	5	Bolt 5/16 x 3/4	
8	0641507	4	Bolt 5/16 x 7/8	
9	0641605	4	Bolt 3/8 x 5/8	
10	0641608	27	Bolt 3/8 x 1	
11	0641609	2	Bolt 3/8 x 1-1/8	
12	0641610	4	Bolt 3/8 x 1-1/4	
13	0641808	1	Bolt 1/2 x 1	
14	0641814	2	Bolt 1/2 x 1-3/4	
15	0641818	2	Bolt 1/2 x 2-1/4	
16	0641826	2	Bolt 1/2 x 3-1/4	
17	0711214	2	Bolt M12 x 30	
18	0771414	6	Bolt M14 x 30	
19	0711417	4	Bolt M14 x 45	
20	1001112766	1	Bracket, Muffler	
21	0940070	1	Bumper	
22	0961986	2	Bushing, Flanged	
23	1001131542	1	Lanyard	
24	1060904	1	Cable, Jumper	
25	1320022	2	Clamp	
26	1320058	2	Clamp	
27	1320060	1	Clamp	
28	1320223	1	J-Clip	
29	1340065	1	Air Cleaner Assembly	
29	7003655	1	Element, Air Cleaner	
29	7015013	1	Baffle, Rubber	
29	7015014	1	Clamp, Cap	
29	7015015	1	Cup	
29	7015003	1	Wingnut	
30	1671023	1	Shroud, Fan	
31	1703162	2	Decal - Fan Blade	
32	2060025	1	Fan	
33	2220451	1	Fitting, Straight	
34	2220498	1	Fitting, Elbow	
35	2720058	34 ft/ 10.3m	Hose	
36	2580062	1	Heater, Engine Block	
37	2720500	1	Hose, Oil Cooler (Top)	
38	2720501	1	Hose, Oil Cooler (Bottom)	
39	2750532	0.75 ft /0.2m	Hose	
40	2902065	1	Pump Coupling Kit (See Separate Breakdown in this Section))	

SECTION 3 - ENGINE

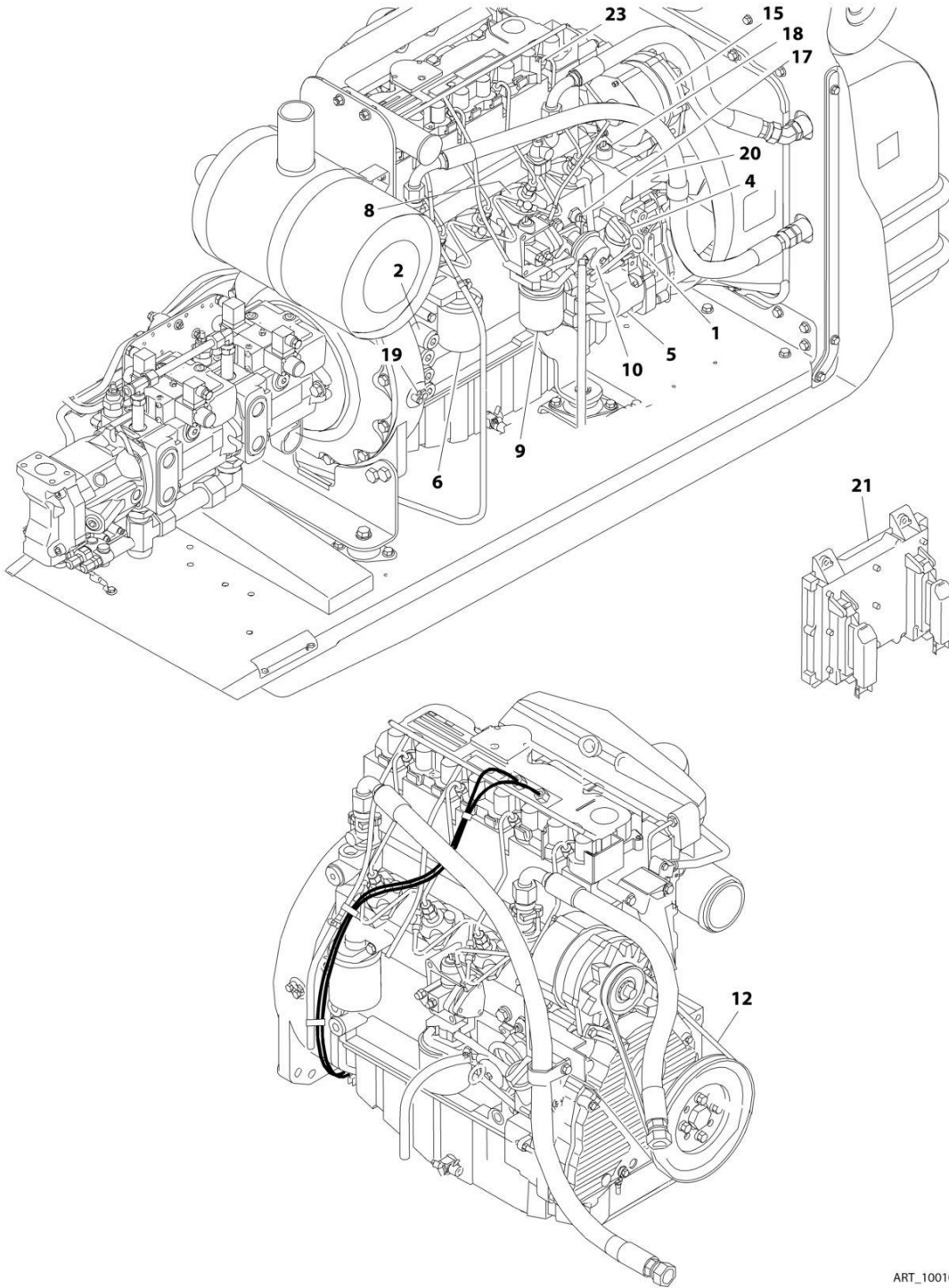
ITEM	PART NUMBER	QTY	DESCRIPTION	REV
42	3200362	2	Mount, Motor (Front)	
43	3200401	2	Mount, Motor (Rear)	
44	1001257277	1	Muffler	
45	3300454	10	Nut	
46	3311405	5	Nut 1/4	
47	3311505	5	Nut 5/16	
48	3311605	30	Nut 3/8	
49	3311805	5	Nut 1/2	
50	3422532	1	Pin, Hitch	
51	3520054	2	Plug	
52	3537416	1	Plate, Mounting (Front Right)	
53	3539971	1	Bracket, Engine Mounting (Front)	
54	3573142	1	Bracket, Engine Mounting (Rear)	
55	3573411	2	Plate, Clamp	
56	3573412	1	Gusset	
57	3573529	1	Plate, Mounting (Front Left)	
58	3580320	1	Pulley	
60	1001145382	1	Cooler, Engine Oil	
61	3740067	2	Relay, Start	
62	3740080	2	Relay	
63	3960543	1	Seal	
64	3960544	1	Seal	
65	4032022	4	Capscrew M10 x 90	
66	4060804	0.98 ft /0.3m	Flex-Trim	
67	4060805	0.67 ft /0.2m	Flex-Trim	
68	4240099	AR	Tie, Wire (Not Shown)	
69	4460234	3	Mount, Wire Tie	
70	4568293	1	Pipe, Exhaust	
71	4640751	1	Valve, Oil Drain	
72	4711500	13	Washer 5/16	
73	4711600	68	Washer 3/8	
74	4711800	7	Washer 1/2	
75	4740274	4	Washer, Snubbing	
76	4740518	10	Washer, Nylon	
77	4751400	20	Washer 1/4	
78	4791400	4	Washer 1/4	
79	4846552	1	Plate, Oil Cooler Mounting	
80	4846945	1	Mount, Generator	
81	4846946	1	Tray	
82	4891800	4	Washer 1/2	
83	4923468	1	Harness, Glow Plugs	
84	1001225118	1	Hose, Air Intake	
85	1001098601	1	Engine, Deutz TD2011 Components (See Separate Breakdown in this Section)	
86	8410013	1	Clamp, Gear	
87	0761215	2	Bolt M12 x 35	
88	1001112927	1	Pump Assembly - Sauer Gear (See Separate Breakdown in this Section)	
89	4891600	2	Washer 3/8	

SECTION 3 - ENGINE

ITEM	PART NUMBER	QTY	DESCRIPTION	REV
90	1001108616	1	Pump Assembly - Sauer Tandem (See Separate Breakdown in this Section)	
91	1001171095	1	Pump Assembly - Sauer Piston (See Separate Breakdown in this Section)	
92	3790152	1	O-Ring	
93	3790155	1	O-Ring	

SECTION 3 - ENGINE

FIGURE 3-17. DEUTZ TD2011 ENGINE COMPONENTS



ART_1001098601

SECTION 3 - ENGINE

FIGURE 3-17. DEUTZ TD2011 ENGINE COMPONENTS

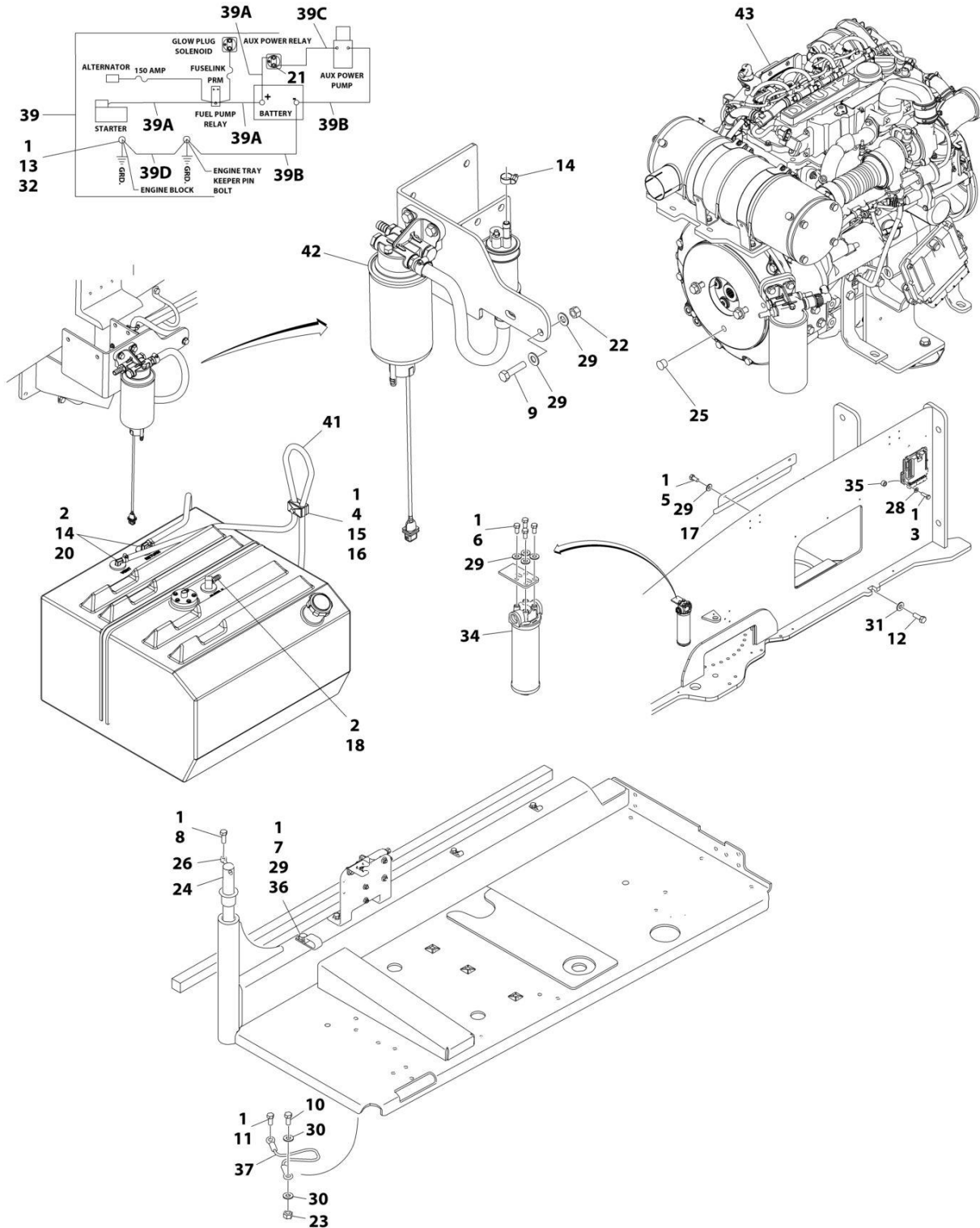
ITEM	PART NUMBER	QTY	DESCRIPTION	REV
	1001098601	Ref	DEUTZ TD2011 ENGINE COMPONENTS	C
1	7027235	1	Dipstick	
1	70000044	1	O-Ring	
2	70003475	1	Thermostat	
2	7020460	1	Compression Spring	
3	70001870	1	Flywheel (Not Shown)	
3	7024579	1	Gear, Ring (Not Shown)	
4	7020465	1	Cap, Filler	
5	70001850	1	Pump, Oil	
5	7020468	1	Seal Between Oil Pump and Engine Block (Not Shown)	
6	7016331	1	Filter, Oil	
6	7027236	1	Sender, Temperature (Located near Oil Filter)	
8		Ref	Injector Pump	
8	70001128	AR	"A" Series	
8	70001129	AR	"B" Series	
8	70001130	AR	"C" Series	
8	70001131	AR	"D" Series	
8	7020447	AR	Gasket (1 per Injector)	
9	7016328	1	Filter, Fuel	
10	70000916	1	Pump Fuel Supply	
10	70001435	1	Repair Kit	
10	70000917	1	O-Seal Between Fuel Pump and Engine Block (Not Shown)	
10	70000918	1	Sealing Ring (Not Shown)	
10	70000919	1	Pump, Hand (Not Shown)	
11	7027239	1	Solenoid, Start (Not Shown - Located near Throttle)	
12	7020414	1	V-Belt	
13	7020471	4	Gasket, Exhaust Manifold to Engine Block (Not Shown)	
13	7020486	1	Gasket, Exhaust Manifold to Exhaust Pipe (Not Shown)	
14	7027240	1	Turbocharger (Not Shown)	
14	70001857	1	Flange, Turbocharger (Not Shown)	
14	70001135	1	Gasket (Not Shown)	
15	70001867	1	Alternator	
15	70001868	1	Regulator, Voltage (Not Shown)	
16	7020479	1	Starter (Not Shown - Located on Right Side of Engine)	
16	7026608	1	Relay, Start (Not Shown)	
17	7027790	1	Sensor, Oil Pressure	
18	7027791	1	Sensor, Temperature (Not Shown)	
19	7024565	1	Sensor, Speed	
20	7027792	1	Actuator Throttle	
20	7027276	2	Spring	
21	1600443	1	Module, EMR2 Controller	
22	70002718	1	Seal, Rear Main (Not Shown)	
23	70003135	4	Injector, Fuel	
23	70003136	1	Ring, Sealing	
24	70001847	1	Valve, Breather (Located - Front Cover) (Not Shown)	
24	70001126	1	O-Ring (Not Shown)	
25	70001125	1	Cap, Breather (Located In Cylinder Head Cover) (Not Shown)	
25	70001126	1	O-Ring (Not Shown)	
26	70001871	4	Gasket, Air Intake Manifold (Not Shown)	
27	70000345	4	Plug, Glow (Not Shown)	

SECTION 3 - ENGINE

ITEM	PART NUMBER	QTY	DESCRIPTION	REV
28	70007353	1	Gasket Kit (Not Shown)	

SECTION 3 - ENGINE

FIGURE 3-18. DEUTZ TD2.9L4 DIESEL ENGINE INSTALLATION - WITH REXROTH PUMPS AND STEEL HOODS (CHINA SPEC ONLY)



ART_1001221259

SECTION 3 - ENGINE

FIGURE 3-18. DEUTZ TD2.9L4 DIESEL ENGINE INSTALLATION - WITH REXROTH PUMPS AND STEEL HOODS (CHINA SPEC ONLY)

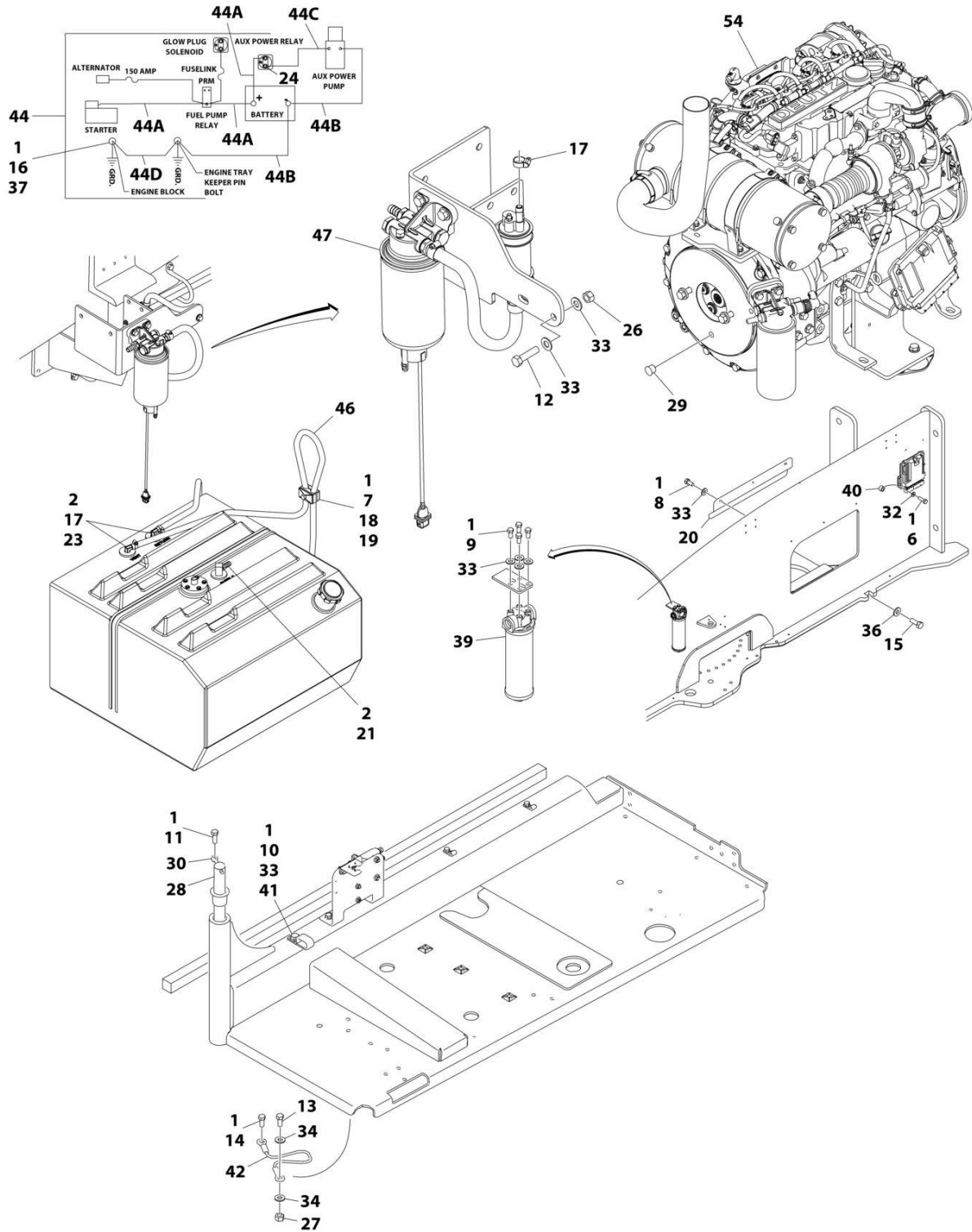
ITEM	PART NUMBER	QTY	DESCRIPTION	REV
	1001221259	Ref	DEUTZ TD2.9L4 DIESEL ENGINE INSTALLATION - WITH REXROTH PUMPS AND STEEL HOODS	C
1	0100011	AR	Compound, Locking	
2	0100079	AR	Sealant, Pipe	
3	0641410	4	Bolt 1/4 x 1-1/4	
4	0641511	1	Bolt 5/16 x 1-3/8	
5	0641605	3	Bolt 3/8 x 5/8	
6	0641606	4	Bolt 3/8 x 3/4	
7	0641608	1	Bolt 3/8 x 1	
8	0641610	1	Bolt 3/8 x 1-1/4	
9	0641612	2	Bolt 3/8 x 1-1/2	
10	0641708	1	Bolt 7/16 x 1	
11	0641808	1	Bolt 1/2 x 1	
12	0642010	1	Bolt 5/8 x 1-1/4	
13	0761210	1	Bolt M12 x 20	
14	1320022	3	Clamp	
15	1320187	1	Clamp	
16	1320190	1	Cover, Clamp	
17	1671121	1	Cover	
18	2180832	1	Fitting, Barbed	
20	2220313	2	Fitting, Elbow Barbed	
21	3300220	2	Nut 5/16	
22	3311605	2	Nut 3/8	
23	3311705	1	Nut 7/16	
24	3422446	1	Pin, Pivot	
25	3520054	1	Plug	
26	3841143	1	Pin, Keeper	
27	4240018	2	Strap, Tie (Not Shown)	
28	4711400	4	Washer 1/4	
29	4711600	12	Washer 3/8	
30	4711700	2	Washer 7/16	
31	4752000	1	Washer 5/8	
32	4812100	1	Washer M12	
34	1001108617	1	Filter	
34	70002231	1	Element, Filter	
35	1001110425	4	Spacer	
36	1001116792	1	Clamp	
37	1001131542	1	Lanyard	
38	1001138491	NLA	Harness, Fuel (Use p/n 1001222665) (Not Shown - See Separate Breakdown in ELECTRICAL SECTION)	
39	1001141225	1	Battery Cable Kit	E
39A	7027042	1	Cable, Battery (Red) (Battery + to Relays and Starter)	
39B	7027043	1	Cable, Battery (Black) (Battery - to Tray Pivot Grd and Aux Pump)	
39C	7027044	1	Cable (Red) (Aux Relay to Aux Pump)	
39D	7027045	1	Cable, Battery (Black) (Engine to Tray Pivot Grd)	
41	2750532	5 ft/ 1.5m	Hose	
42	1001227606	1	Bracket, Fuel Pump Filter Assembly (See Separate Breakdown in this Section)	

SECTION 3 - ENGINE

ITEM	PART NUMBER	QTY	DESCRIPTION	REV
43	1001221263	1	Engine Sub-Assembly (See Separate Breakdown in this Section)	

SECTION 3 - ENGINE

FIGURE 3-19. DEUTZ TD2.9L4 DIESEL ENGINE INSTALLATION - WITH SAUER PUMPS AND STEEL HOODS (CHINA SPEC ONLY)



ART_1001221261

SECTION 3 - ENGINE

FIGURE 3-19. DEUTZ TD2.9L4 DIESEL ENGINE INSTALLATION - WITH SAUER PUMPS AND STEEL HOODS (CHINA SPEC ONLY)

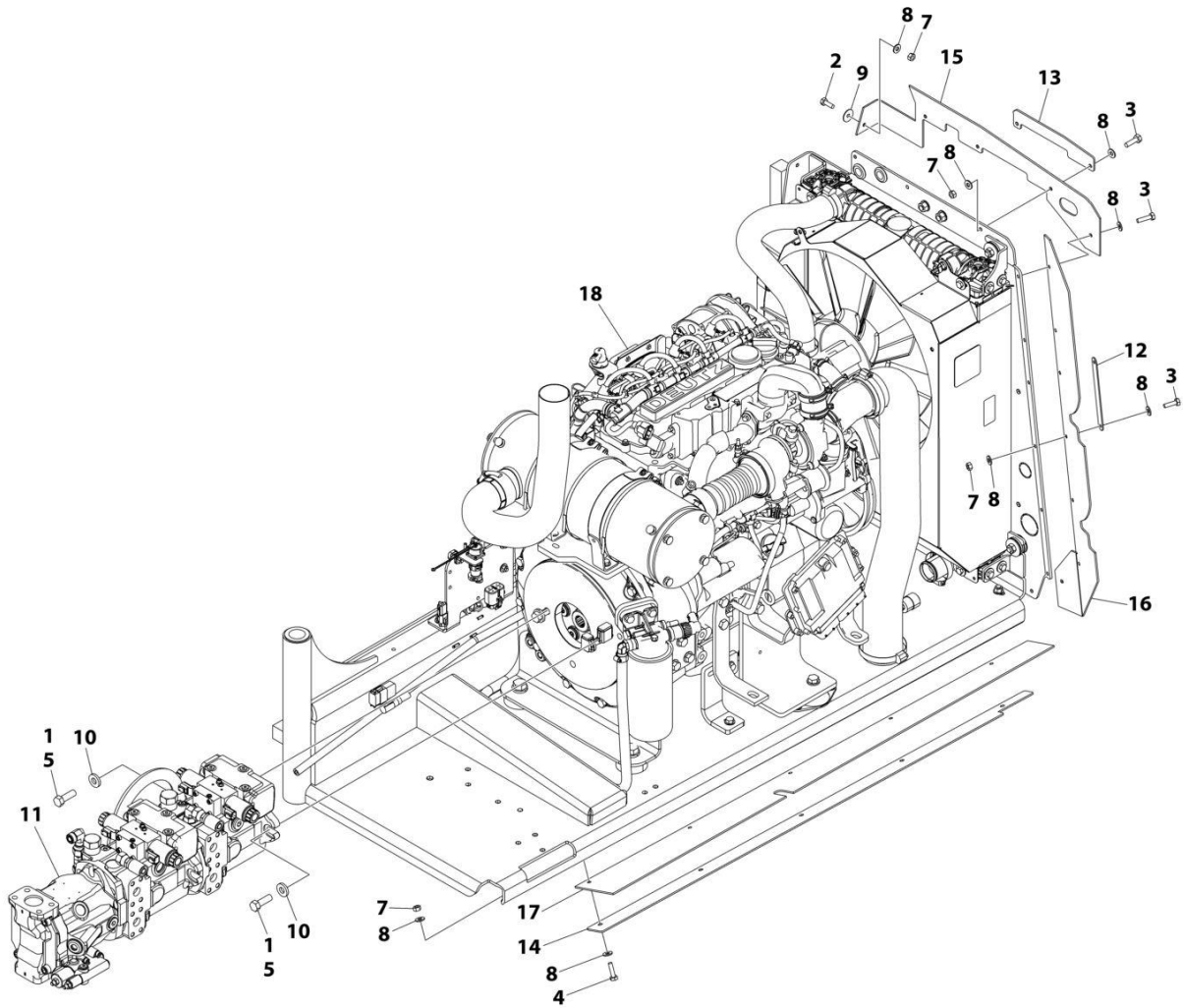
ITEM	PART NUMBER	QTY	DESCRIPTION	REV
	1001221261	Ref	DEUTZ TD2.9L4 DIESEL ENGINE INSTALLATION - WITH SAUER PUMPS AND STEEL HOODS	D
1	0100011	AR	Compound, Locking	
2	0100079	AR	Sealant, Pipe	
6	0641410	4	Bolt 1/4 x 1-1/4	
7	0641511	1	Bolt 5/16 x 1-3/8	
8	0641605	3	Bolt 3/8 x 5/8	
9	0641606	4	Bolt 3/8 x 3/4	
10	0641608	1	Bolt 3/8 x 1	
11	0641610	1	Bolt 3/8 x 1-1/4	
12	0641612	2	Bolt 3/8 x 1-1/2	
13	0641708	1	Bolt 7/16 x 1	
14	0641808	1	Bolt 1/2 x 1	
15	0642010	1	Bolt 5/8 x 1-1/4	
16	0761210	1	Bolt M12 x 20	
17	1320022	3	Clamp	
18	1320187	1	Clamp	
19	1320190	1	Cover, Clamp	
20	1671121	1	Cover	
21	2180832	1	Fitting, Barbed	
23	2220313	2	Fitting, Elbow Barbed	
24	3300220	2	Nut 5/16	
26	3311605	2	Nut 3/8	
27	3311705	1	Nut 7/16	
28	3422446	1	Pin, Pivot	
29	3520054	1	Plug	
30	3841143	1	Pin, Keeper	
31	4240018	2	Strap, Tie (Not Shown)	
32	4711400	4	Washer 1/4	
33	4711600	12	Washer 3/8	
34	4711700	2	Washer 7/16	
36	4752000	1	Washer 5/8	
37	4812100	1	Washer M12	
39	1001108617	1	Filter	
39	70002231	1	Element, Filter	
40	1001110425	4	Spacer	
41	1001116792	1	Clamp	
42	1001131542	1	Lanyard	
43	1001138491	NLA	Harness, Fuel (Use p/n 1001222665) (Not Shown - See Separate Breakdown in ELECTRICAL SECTION)	
44	1001141225	1	Battery Cable Kit	E
44A	7027042	1	Cable, Battery (Red) (Battery + to Relays and Starter)	
44B	7027043	1	Cable, Battery (Black) (Battery - to Tray Pivot Grd and Aux Pump)	
44C	7027044	1	Cable (Red) (Aux Relay to Aux Pump)	
44D	7027045	1	Cable, Battery (Black) (Engine to Tray Pivot Grd)	
46	2750532	5 ft/ 1.5m	Hose	
47	1001227606	1	Bracket, Fuel Pump Filter Assembly (See Separate Breakdown in this Section)	

SECTION 3 - ENGINE

ITEM	PART NUMBER	QTY	DESCRIPTION	REV
54	1001221265	1	Engine Sub-Assembly (See Separate Breakdown in this Section)	

SECTION 3 - ENGINE

FIGURE 3-20. DEUTZ TD2.9L4 ENGINE SUB-ASSEMBLY - WITH REXROTH PUMP (CHINA SPEC ONLY)



ART_1001221263

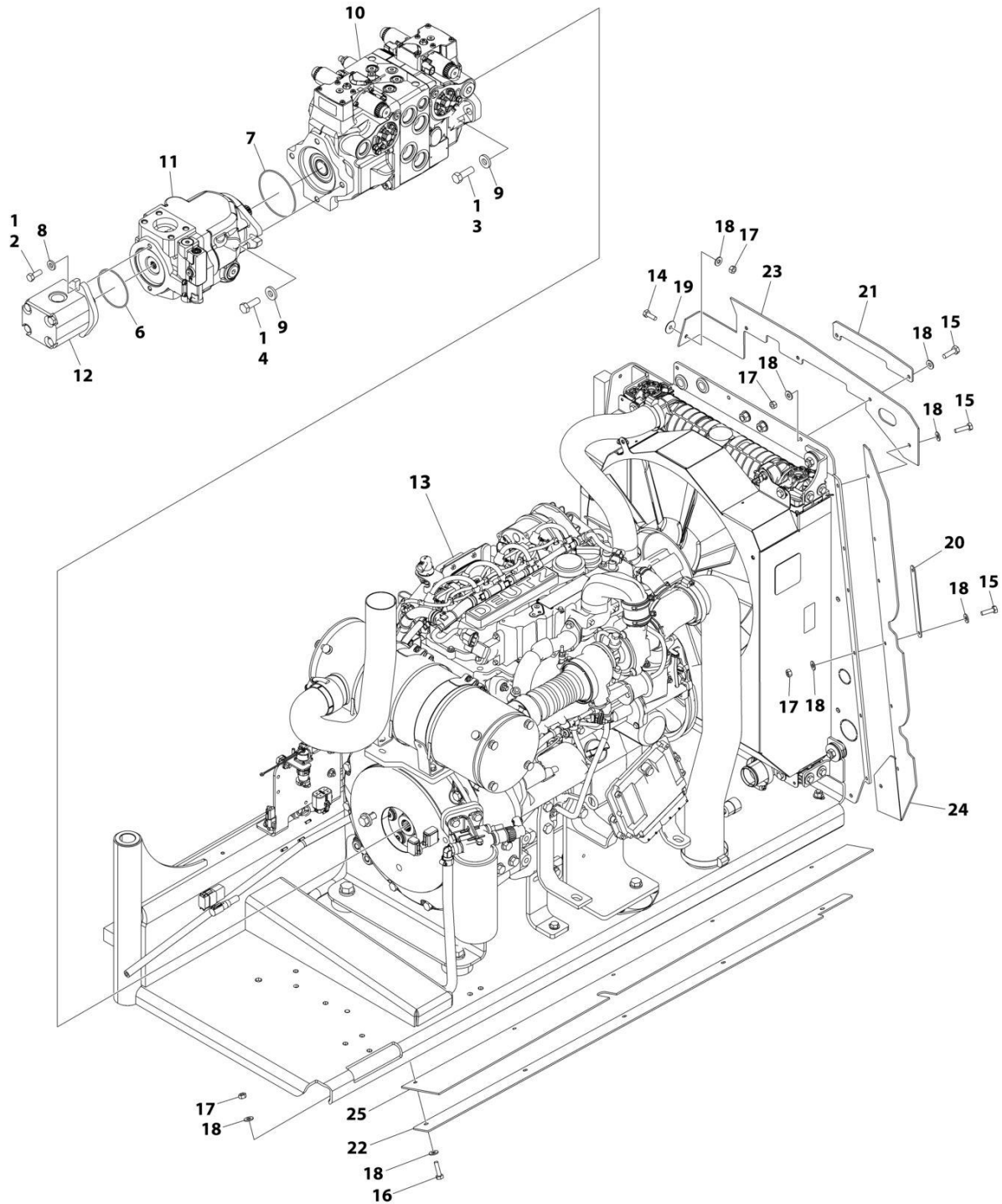
SECTION 3 - ENGINE

FIGURE 3-20. DEUTZ TD2.9L4 ENGINE SUB-ASSEMBLY - WITH REXROTH PUMP (CHINA SPEC ONLY)

ITEM	PART NUMBER	QTY	DESCRIPTION	REV
	1001221263	Ref	DEUTZ TD2.9L4 ENGINE SUB-ASSEMBLY	Q
1	0100011	AR	Compound, Locking	
2	0641406	AR	Bolt 1/4 x 3/4	
3	0641407	8	Bolt 1/4 x 7/8	
4	0641408	AR	Bolt 1/4 x 1	
5	0641812	2	Bolt 1/2 x 1-1/2	
7	3311405	16	Nut 1/4	
8	4711400	AR	Washer 1/4	
9	4740430	AR	Washer, Fender	
10	4891800	2	Washer 1/2	
11	1001152963	1	Pump Assembly - Rexroth (See Separate Breakdown in this Section)	
12	1001167164	3	Plate, Support	
13	1001177945	1	Bracket	
14	1001177946	1	Bracket	
15	1001177957	1	Seal, Rubber Baffle	
16	1001177958	1	Seal, Rubber Baffle	
17	1001177959	1	Seal, Rubber Baffle	
18	1001220735	1	Deutz TD2.9L4 Engine Assembly (See Separate Breakdown in this Section)	

SECTION 3 - ENGINE

FIGURE 3-21. DEUTZ TD2.9L4 ENGINE SUB-ASSEMBLY - WITH SAUER PUMPS (CHINA SPEC ONLY)



ART_1001221265

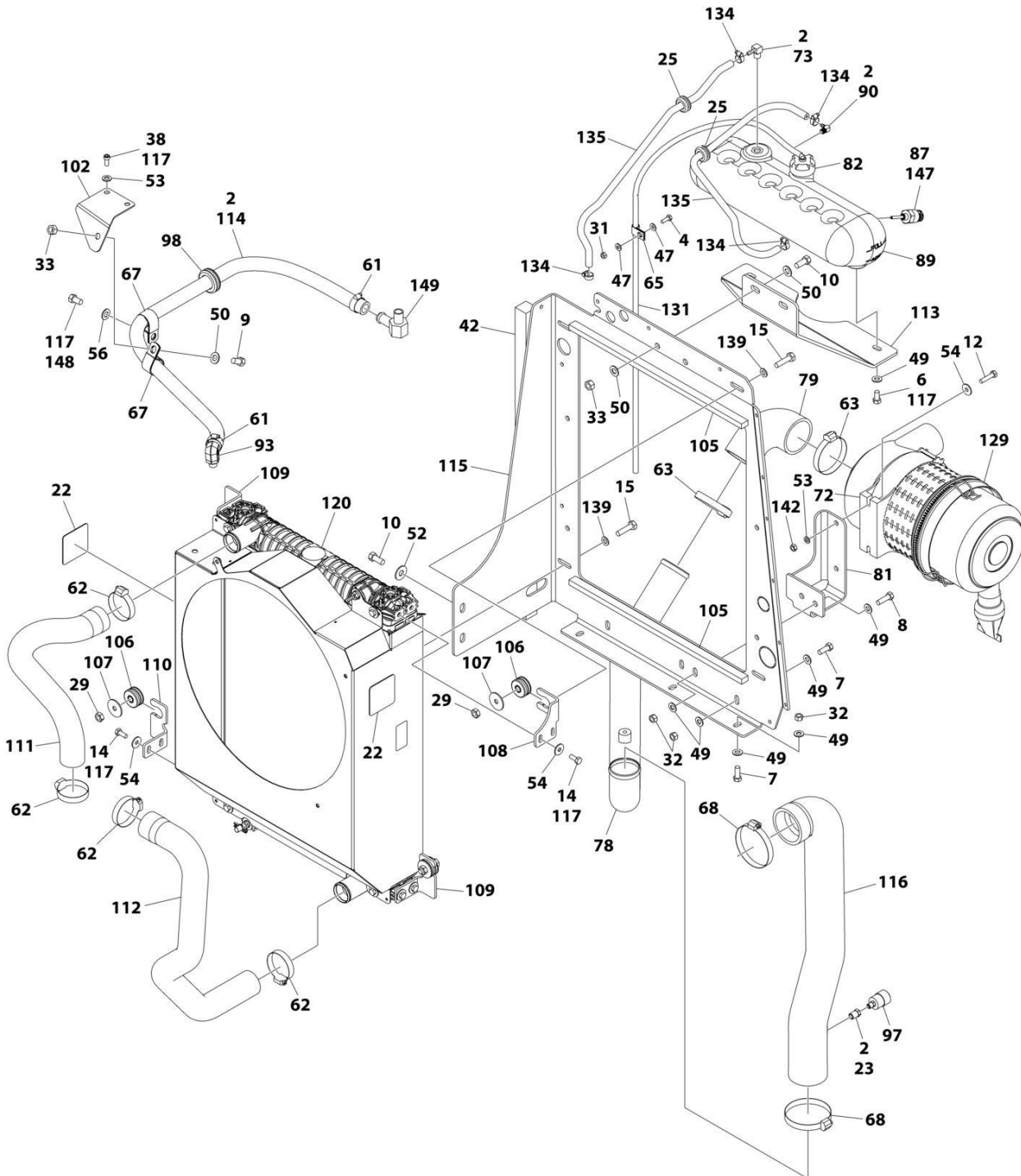
SECTION 3 - ENGINE

FIGURE 3-21. DEUTZ TD2.9L4 ENGINE SUB-ASSEMBLY - WITH SAUER PUMPS (CHINA SPEC ONLY)

ITEM	PART NUMBER	QTY	DESCRIPTION	REV
	1001221265	Ref	DEUTZ TD2.9L4 ENGINE SUB-ASSEMBLY	R
1	0100011	AR	Compound, Locking	
2	0641608	2	Bolt 3/8 x 1	
3	0641812	2	Bolt 1/2 x 1-1/2	
4	0761215	2	Bolt M12 x 35	
6	3790152	1	O-Ring	
7	3790155	1	O-Ring	
8	4891600	2	Washer 3/8	
9	4891800	4	Washer 1/2	
10	1001108616	1	Pump Assembly (Sauer Tandem) (See Separate Breakdown in this Section)	
11	1001171095	1	Pump Assembly (Sauer Piston) (See Separate Breakdown in this Section)	
12	1001112927	1	Pump Assembly (Sauer Gear) (See Separate Breakdown in this Section)	
13	1001220735	1	Deutz TD2.9L4 Engine Assembly (See Separate Breakdown in this Section)	
14	0641406	AR	Bolt 1/4 x 3/4	
15	0641407	8	Bolt 1/4 x 7/8	
16	0641408	AR	Bolt 1/4 x 1	
16	0641407	AR	Bolt 1/4 x 7/8	
17	3311405	16	Nut 1/4	
18	4711400	AR	Washer 1/4	
19	4740430	AR	Washer, Fender	
20	1001167164	3	Plate, Support	
21	1001177945	1	Bracket	
22	1001177946	1	Bracket	
23	1001177957	1	Seal, Rubber Baffle	
24	1001177958	1	Seal, Rubber Baffle	
25	1001177959	1	Seal, Rubber Baffle	

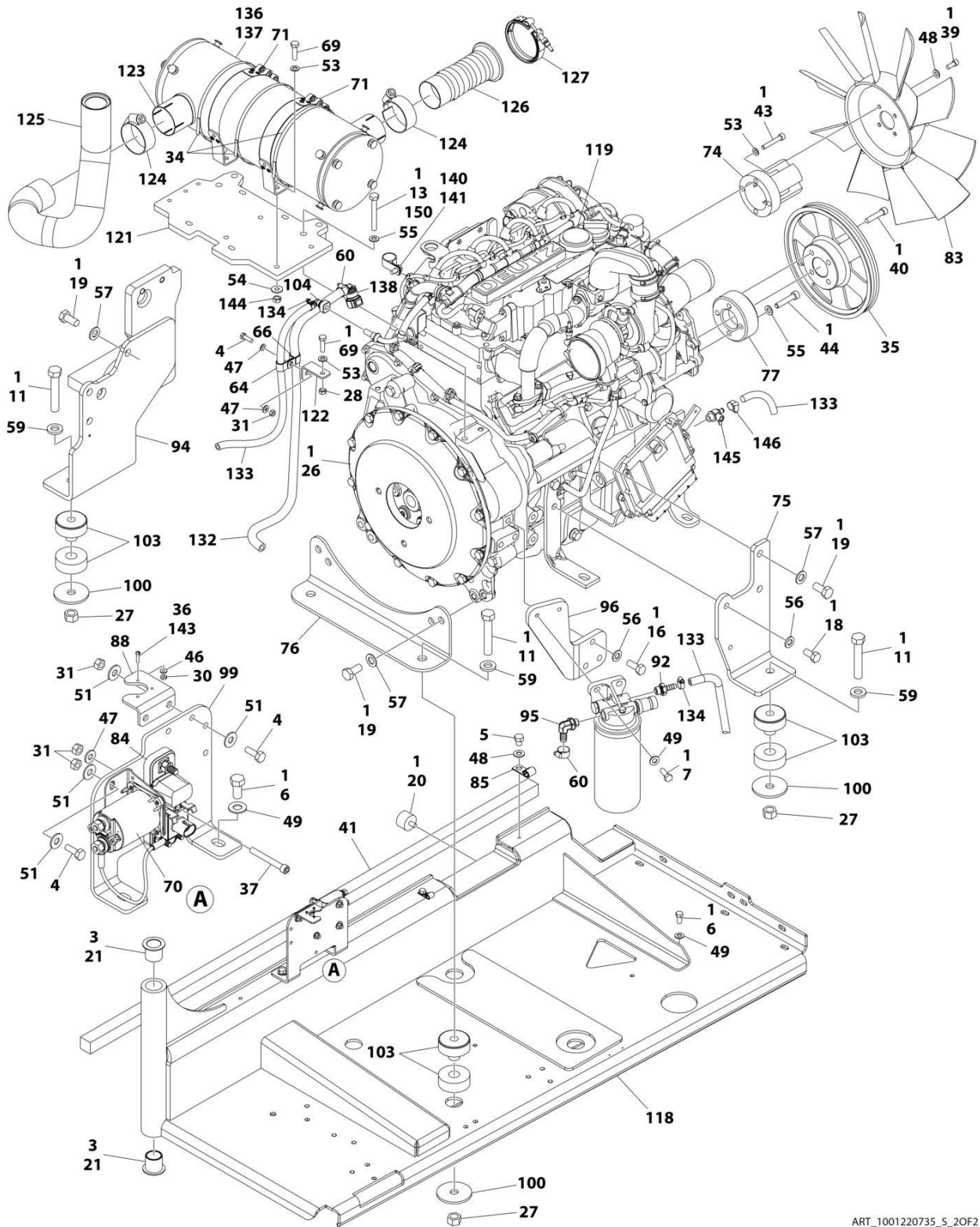
SECTION 3 - ENGINE

FIGURE 3-22. DEUTZ TD2.9L4 ENGINE ASSEMBLY (CHINA SPEC ONLY)



ART_1001220735_S_10F2

SECTION 3 - ENGINE



ART_1001220735_S_2OF2

SECTION 3 - ENGINE

FIGURE 3-22. DEUTZ TD2.9L4 ENGINE ASSEMBLY (CHINA SPEC ONLY)

ITEM	PART NUMBER	QTY	DESCRIPTION	REV
	1001220735	Ref	DEUTZ TD2.9L4 ENGINE ASSEMBLY	S
1	0100011	AR	Compound, Locking	
2	0100020	AR	Sealant	
3	0100062	AR	Adhesive, Loctite #680	
4	0641406	7	Bolt 1/4 x 3/4	
5	0641503	2	Bolt 5/16 x 3/8	
6	0641606	5	Bolt 3/8 x 3/4	
7	0641608	7	Bolt 3/8 x 1	
8	0641610	2	Bolt 3/8 x 1-1/4	
9	0641706	AR	Bolt 7/16 x 3/4	
10	0641708	4	Bolt 7/16 x 1	
11	0682028	4	Bolt 5/8 x 3-1/2 Grade 8	
12	0700815	2	Bolt M8 x 35	
13	0701024	AR	Bolt M10 x 80	
13	0701025	AR	Bolt M10 x 85	
14	0760810	8	Bolt M8 x 20	
15	0761016	4	Bolt M10 x 40	
16	0761214	3	Bolt M12 x 30	
18	0771212	1	Bolt M12 x 25 Grade 10.9	
19	0771414	9	Bolt M14 x 30 Grade 10.9	
20	0940070	1	Bumper	
21	0961986	2	Bushing, Flanged	
22	1703162	2	Decal - Fan	
23	2220273	1	Fitting, Straight NPTF/FNPTF	
25	2540038	2	Grommet	
26	2902065	1	Pump Coupling Kit (See Separate Breakdown in this Section)	
27	3272001	4	Nut 5/8 Grade 8	
28	3290801	AR	Nut M8	
29	3291001	4	Nut M10	
29	3291007	4	Nut M10	
30	3310401	3	Nut #4	
31	3311405	8	Nut 1/4	
32	3311605	7	Nut 3/8	
33	3311705	3	Nut 7/16	
34	1001137336	AR	Strap	
35	3580320	1	Pulley	
36	3910408	3	Screw #4 x 1/2	
37	3931432	1	Capscrew 1/4 x 2	
38	3931508	2	Capscrew 5/16 x 1/2	
38	4031907	2	Capscrew M8 x 16	
39	3931512	4	Capscrew 5/16 x 3/4	
40	3931628	4	Capscrew 3/8 x 1-3/4	
41	3960543	1	Seal	
42	3960544	1	Seal	
43	4031914	4	Bolt M8 x 50	
44	4032014	4	Bolt M10 x 50	
45	4240099	AR	Tie-Strap (Not Shown)	
46	4710400	3	Washer #4	
47	4711400	7	Washer 1/4	
48	4711500	AR	Washer 5/16	

SECTION 3 - ENGINE

ITEM	PART NUMBER	QTY	DESCRIPTION	REV
49	4711600	21	Washer 3/8	
50	4711700	6	Washer 7/16	
51	4751400	8	Washer 1/4	
52	4751700	2	Washer 7/16	
53	4811900	13	Washer M8	
54	4811902	14	Washer M8	
55	4812000	AR	Washer M10	
56	4812100	AR	Washer M12	
57	4812200	9	Washer M14	
59	4892000	4	Washer 5/8	
60	8405006	2	Clamp	
61	8405007	2	Clamp	
62	8405201	4	Clamp	
63	8405204	2	Clamp	
64	8406102	1	Clip	
65	8406109	2	Clip	
66	8406112	1	Clip	
67	8406302	2	Clamp	
68	8410011	2	Clamp	
69	0760814001	1	Bolt M8 x 30	
69	0760814	5	Bolt M8 x 30	
70	1001117308	1	Relay	
71	1001119727	2	Clamp	
72	1001133634	1	Clamp	
73	1001134488	1	Fitting, 90 Barbed	
74	1001135138	1	Spacer, Fan	
75	1001135560	1	Support, Engine	
76	1001135562	1	Support, Engine - Rear	
77	1001135679	1	Spacer, Pulley	
78	1001135903	1	Pipe, Air Intake	
79	1001135946	1	Elbow, Rubber	
81	1001136665	1	Bracket	
82	1001136834	1	Cap, Tank	
83	1001137276	1	Fan	
84	1001138228	1	Module, Power	
84	70023592	1	Fuse 20Amp (Switched Output)	
84	70023593	1	Fuse 30Amp (Battery Output)	
85	1001138253	2	Clamp	
86	1001138346	1	Harness, Engine (Not Shown - See Separate Breakdown in ELECTRICAL Section)	
87	1001138827	1	Sensor, Coolant Level	
88	1001139240	1	Bracket	
89	1001166393	1	Tank, Surge	
90	1001140564	1	Fitting, 90 Barbed	
91	1001141304	1	Wire, Glow Plug (Not Shown)	
92	1001141717	1	Fitting, Straight	
93	1001141719	1	Fitting, 90 Barbed	
94	1001283008	1	Support, Engine	
95	1001142501	1	Fitting, 90 Barbed	
96	1001142685	1	Bracket	
97	1001143390	1	Indicator, Air Filter Service	
98	1001144089	1	Grommet	

SECTION 3 - ENGINE

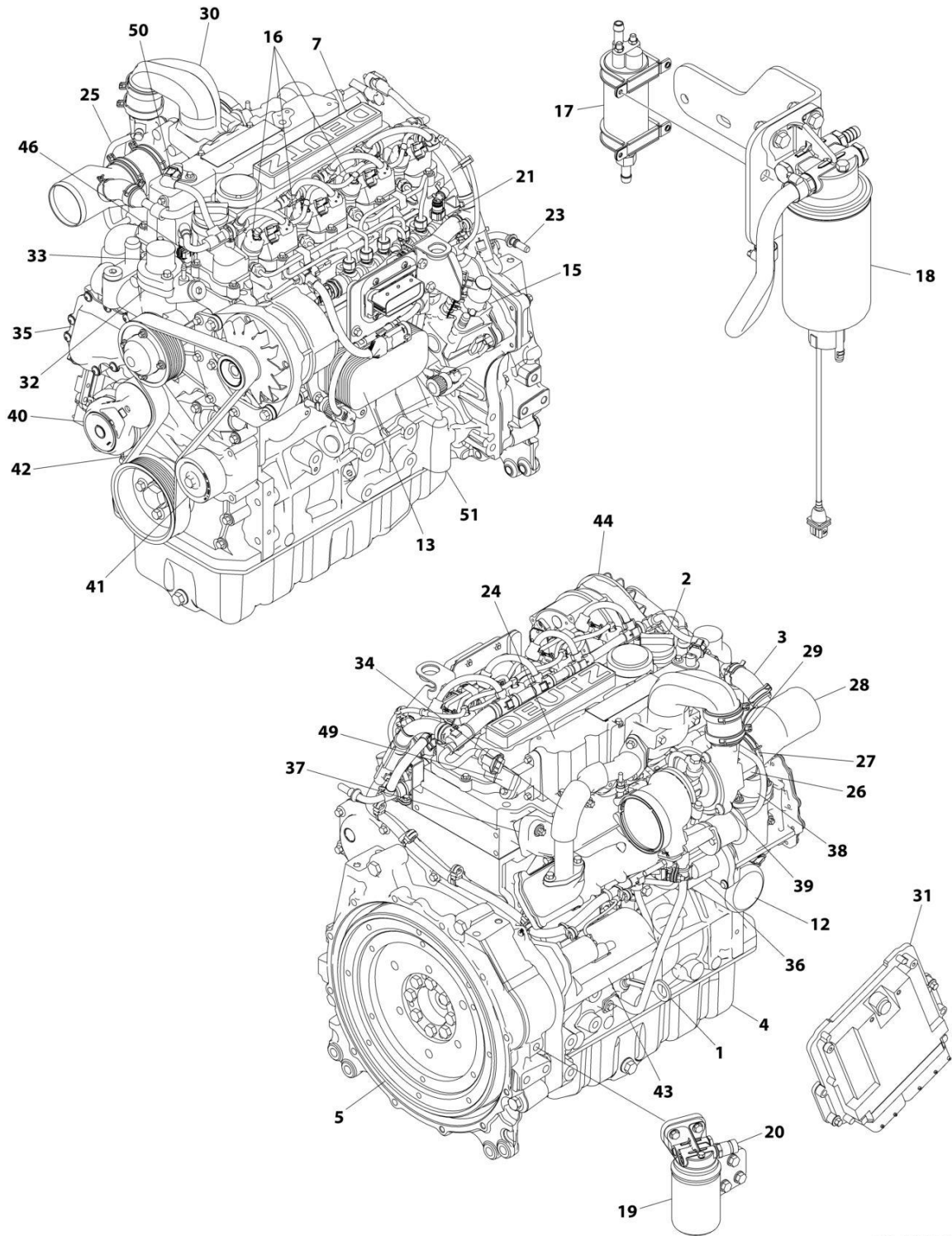
ITEM	PART NUMBER	QTY	DESCRIPTION	REV
99	1001145154	1	Plate, Mounting	
100	1001146219	4	Washer Special	
101	1001148843	1	Harness, Fuel Filter (Not Shown - See Separate Breakdown in ELECTRICAL Section)	
102	1001229600	1	Plate	
103	1001155575	4	Mount, Motor	
104	1001155823	1	Coupling	
105	1001168166	2	Seal	
106	1001169054	4	Isolator	
107	1001169138	4	Pad	
108	1001170035	1	Bracket	
109	1001176329	2	Bracket	
110	1001176330	1	Bracket	
111	1001176415	1	Hose, Radiator (Upper)	
112	1001176416	1	Hose, Radiator (Lower)	
113	1001229599	1	Bracket	
114	1001138524	1	Hose	
115	1001178236	1	Support, Radiator	
116	1001178894	1	Hose, Air Intake	
117	1001180620	AR	Adhesive	
118	1001187011	1	Tray	
119	1001219642	1	Engine, Deutz TD2.9L4 (See Separate Breakdown in this Section)	
120	1001220770	1	Radiator	
121	1001221203	1	Muffler Bracket Assembly	
122	1001221205	1	Bracket	
123	1001151432	1	Muffler	
124	1001221212	2	Clamp	
125	1001257155	1	Pipe, Exhaust	
126	1001221217	1	Pipe, Flex Assembly	
127	1001221219	1	Clamp	
129	1001133633	1	Air Cleaner Assembly	
129	70024190	1	Element, Air Filter	
130	1001135779	1	Cable, Alternator Positive (Not Shown)	
131	1001138248	4 ft/ 1.2m	Tubing	
132	1001154405	5 ft/ 1.5m	Hose	
133	1001165035	30.5 ft/ 9.3m	Hose	
134	1320022	6	Clamp	
135	2720015	5 ft/ 1.52m	Hose	
136	1001221427	1	Muffler-Wrap Assembly	
137	4920385	AR	Wire, Safety	
138	1001170982	1	Adapter	
139	4812002	4	Washer M10	
140	1320130	1	Clamp	
141	5250808	1	Bolt M8 x 16	
142	3290805	2	Nut, M10 (Not Shown)	
143	0100035	AR	Compound, Locking	
144	3290807	4	Nut M8	
145	4640751	1	Valve, Oil Drain	
146	8410013	1	Clamp, Gear	
147	1001182997	AR	Adhesive	

SECTION 3 - ENGINE

ITEM	PART NUMBER	QTY	DESCRIPTION	REV
148	0761210	1	Bolt M12 x 20	
149	1001138559	1	Fitting, 90	
150	0701022	AR	Bolt M10 x 70	

SECTION 3 - ENGINE

FIGURE 3-23. DEUTZ TD2.9L4 ENGINE COMPONENTS (CHINA SPEC ONLY)



ART_1001219642

SECTION 3 - ENGINE

FIGURE 3-23. DEUTZ TD2.9L4 ENGINE COMPONENTS (CHINA SPEC ONLY)

ITEM	PART NUMBER	QTY	DESCRIPTION	REV
	1001219642	Ref	DEUTZ TD2.9L4 ENGINE COMPONENTS	D
1	70006127	1	Dipstick	
1	70024905	1	O-Ring	
2	7020465	2	Cap, Filler	
3	70005920	1	Hose	
3	70025111	2	Clamp	
4	70025162	1	Pan, Oil	
4	70005941	2	Plug	
4	70005942	2	Washer, Sealing	
5	70001870	1	Flywheel	
5	7024579	1	Gear, Ring	
6	70024906	1	Gasket, Head (Not Shown)	
7	70005921	1	Cover, Valve	
7	70025205	1	Gasket	
7	70005171	1	Gasket	
8	70025076	1	Valve (Not Shown - Located on Right Side of Front Engine Cover)	
8	70025176	1	Spring	
8	70025082	1	Ring, Sealing	
8	70025091	1	Plug	
9	70004280	1	Seal, Shaft - Front (Not Shown)	
10	70002718	1	Seal, Shaft - Rear (Not Shown)	
11	70005172	1	Pump, Oil Lube (Not Shown)	
11	70025135	1	O-Ring	
11	70005173	1	Gasket	
12	7016331	1	Filter, Oil	
12	70025137	1	Bushing	
13	70024494	1	Cooler, Engine Oil (Not Shown - Located on Right Side)	
13	70024925	1	Gasket	
14	70025171	1	Oil Suction Pump (Not Shown - Located Inside of Engine Oil Pan)	
15	70024924	1	Pump, Fuel	
15	70025152	1	O-Ring	
15	70025080	1	Washer	
15	70024488	1	Spacer	
15	70024517	1	O-Ring	
16	70025181	4	Injector, Fuel (Not Shown - Located on Right Side)	
16	70025140	4	Washer, Sealing	
16	70025146	4	Clamp (Top of Injector)	
16	70025145	4	O-Ring	
16	70025154	4	Shoe, Clamping	
16	70000345	1	Plug, Glow (Not Shown)	
16	70025231	1	Harness, Glow Plug (Not Shown)	
17	70005174	NLA	Pump, Fuel (Use p/n 1001226098)	
17	70025144	2	Clamp	
18	70024961	1	Fuel Filter Assembly	
18	70025153	NLA	Filter, Fuel (Use p/n 1001225430)	
18	70024513	1	Cable, Sensor	
18	70025239	1	Ring, Sealing	
19	70004511	1	Filter with Head	
19	70004512	NLA	Filter, Fuel (Use p/n 1001225432)	
20	70024504	1	Sensor, Pressure	

SECTION 3 - ENGINE

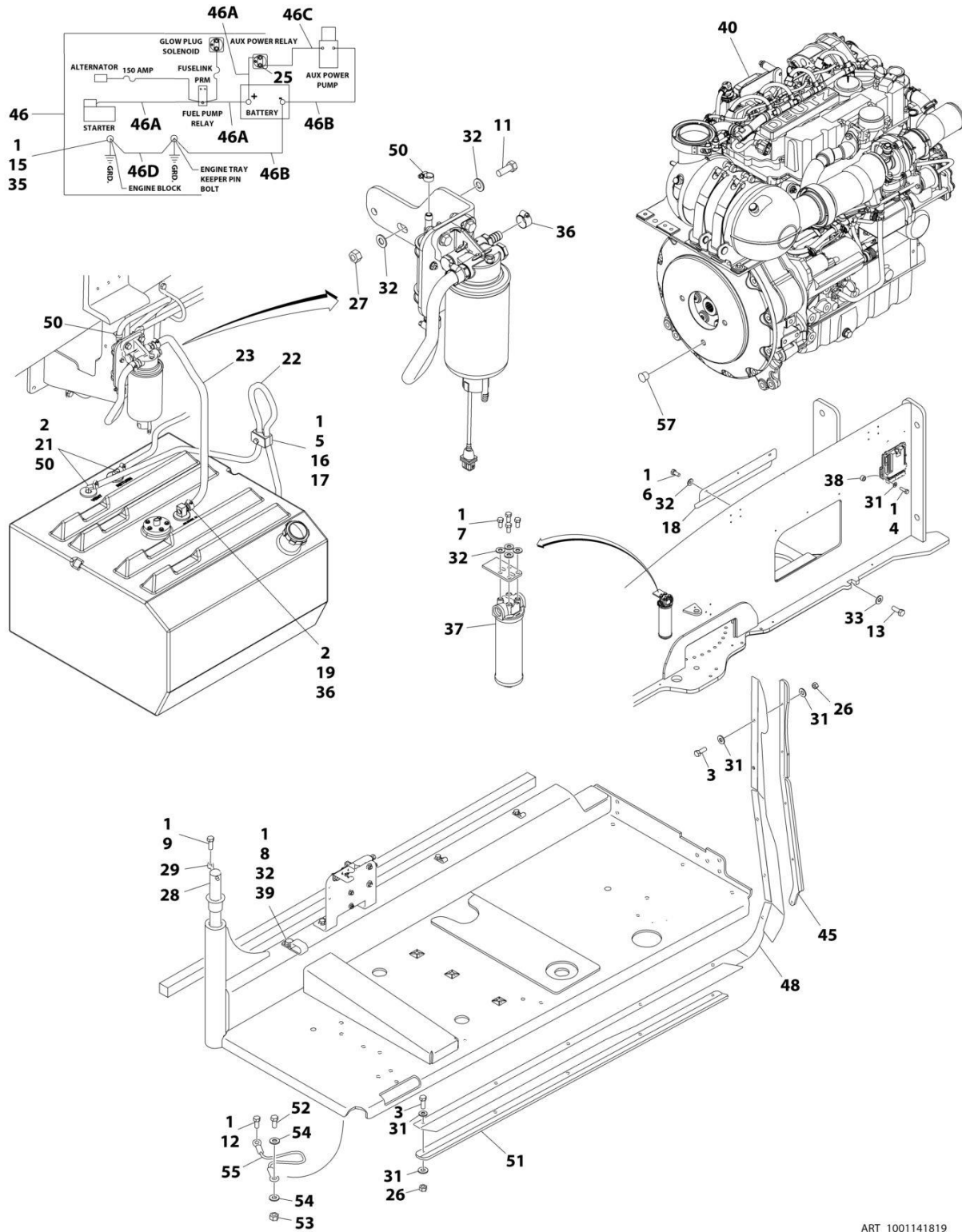
ITEM	PART NUMBER	QTY	DESCRIPTION	REV
20	70024920	1	O-Ring	
21	70025151	1	Rail, Fuel	
21	70025235	1	Repair Kit	
21	70025240	1	O-Ring	
22	70025182	1	Fuel Line - High Pressure (Cylinder 1 & 2) (Not Shown)	
22	70025183	1	Fuel Line - High Pressure (Cylinder 3 & 4) (Not Shown)	
22	70025184	1	Fuel Line - High Pressure (Supply) (Not Shown)	
23	70025158	1	Manifold, Fuel	
23	70025109	2	Clamp	
23	70025115	1	Clamp	
23	70025133	1	Hose	
23	70024502	1	Pipe	
23	70025185	1	Hose	
23	70025101	2	Clamp	
24	70005923	1	Charge Air Pipe	
24	70005924	1	O-Ring	
24	70005177	1	Gasket	
25	70005925	1	Breather Line	
25	70005181	1	O-Ring	
26	70004501	1	Sleeve, Rubber	
27	70025112	2	Clamp	
28	70005926	1	Elbow Connector	
29	70005927	1	Sleeve, Rubber	
29	70025107	2	Clamp	
30	70005928	1	Charge Air Elbow	
31	70025210	1	ECU (Engine Control Unit)	
32	70024910	1	Pump, Water	
32	70025200	1	Ring, Sealing	
32	70025084	2	Plug	
32	7020492	2	Ring, Sealing	
33	70005929	1	Thermostat	
33	70005184	1	O-Ring	
33	70025142	1	Cover, Thermostat	
33	70025931	1	Gasket	
34	70025178	1	Pipe	
34	70025768	1	Valve, Shuttle	
34	70025179	2	Gasket	
34	70025180	1	Gasket	
35	70025203	1	Module, EGR (Includes Item 36)	
35	70025155	1	Plug	
36	70005188	1	Control Valve	
36	70005189	1	Seal	
37	70004282	1	Manifold, Exhaust	
37	70025164	1	Gasket, Exhaust Manifold to Head	
38	70031136	1	Pipe, Exhaust	
38	70021895	2	Gasket	
39	70004276	1	Turbocharger	
39	70024912	1	Gasket, Exhaust Manifold	
39	70024509	1	Gasket, Return Line	
40	70025477	1	Tensioner, Belt	
41	70024484	1	Idler Roller	

SECTION 3 - ENGINE

ITEM	PART NUMBER	QTY	DESCRIPTION	REV
42	70004277	1	Belt, Drive	
43	70024915	1	Starter	
43	70005647	1	Switch, Solenoid	
43	70005648	1	Relay	
44	70025533	1	Generator	
44	70025149	1	Regulator, Voltage	
45	70025077	1	Harness, Engine (Not Shown)	
46	70024918	1	Sender, Temperature	
47	70024504	1	Sensor, Pressure (Not Shown - Located on Right Side)	
47	70024920	1	O-Ring	
48	70026210	2	Sensor, Speed (Not Shown - Located Left Side Front and Flywheel Housing)	
48	70005191	2	O-Ring	
49	70024507	1	Sensor, Pressure (Not Shown - Located Top Rear)	
49	70025120	1	O-Ring	
50	70024922	1	Temperature, Transmitter	
50	70035212	1	O-Ring	
51	70025660	1	Screw	

SECTION 3 - ENGINE

FIGURE 3-24. DEUTZ TCD2.9L4 DIESEL ENGINE INSTALLATION - WITH REXROTH PUMPS AND ABS HOODS (WITHOUT COLD WEATHER PLUS PACKAGE)



ART_1001141819

SECTION 3 - ENGINE

FIGURE 3-24. DEUTZ TCD2.9L4 DIESEL ENGINE INSTALLATION - WITH REXROTH PUMPS AND ABS HOODS (WITHOUT COLD WEATHER PLUS PACKAGE)

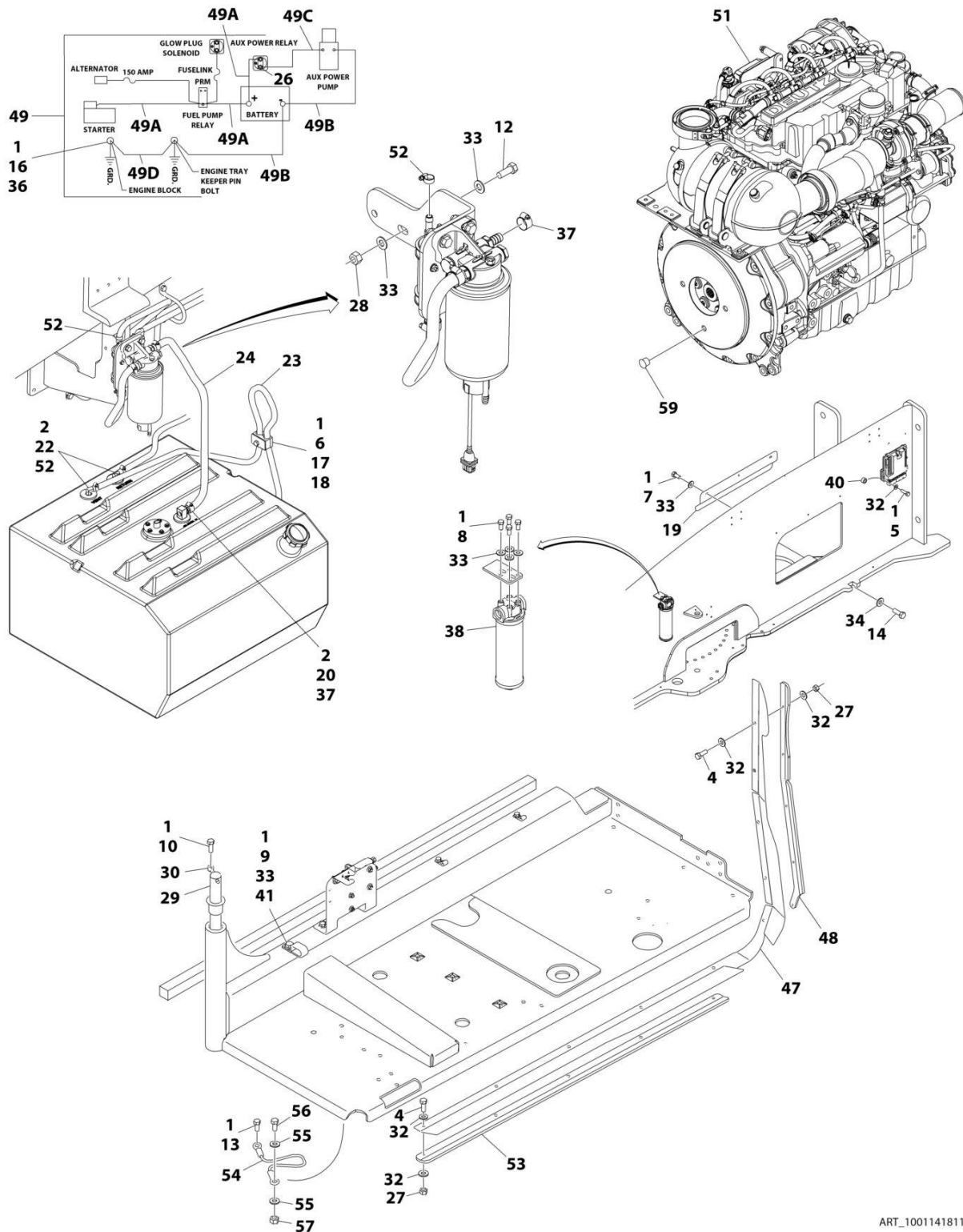
ITEM	PART NUMBER	QTY	DESCRIPTION	REV
	1001141819	Ref	DEUTZ TCD2.9L4 DIESEL ENGINE INSTALLATION - WITH REXROTH PUMPS AND ABS HOODS (WITHOUT COLD WEATHER PLUS PACKAGE)	K
1	0100011	AR	Compound, Locking	
2	0100079	AR	Sealant, Pipe	
3	0641408	10	Bolt 1/4 x 1	
4	0641410	4	Bolt 1/4 x 1-1/4	
5	0641511	1	Bolt 5/16 x 1-3/8	
6	0641605	3	Bolt 3/8 x 5/8	
7	0641606	4	Bolt 3/8 x 3/4	
8	0641608	1	Bolt 3/8 x 1	
9	0641610	1	Bolt 3/8 x 1-1/4	
11	0641612	2	Bolt 3/8 x 1-1/2	
12	0641808	1	Bolt 1/2 x 1	
13	0642010	1	Bolt 5/8 x 1-1/4	
15	0761210	1	Bolt M12 x 20	
16	1320187	1	Clamp	
17	1320190	1	Cover, Clamp	
18	1671121	1	Cover	
19	2180832	1	Fitting, Barbed	
21	2220313	2	Fitting, Elbow Barbed	
22	2750532	5 ft/ 1.5m	Hose	
23	1001154405	2 ft/ 0.6m	Hose	
25	3300220	2	Nut 5/16	
26	3311405	10	Nut 1/4	
27	3311605	2	Nut 3/8	
28	3422446	1	Pin, Pivot	
29	3841143	1	Pin, Keeper	
30	4240018	2	Strap, Tie (Not Shown)	
31	4711400	24	Washer 1/4	
32	4711600	12	Washer 3/8	
33	4752000	1	Washer 5/8	
35	4812100	1	Washer M12	
36	8405006	2	Clamp	
37	1001108617	1	Filter	
37	70002231	1	Element, Filter	
38	1001110425	4	Spacer	
39	1001116792	1	Clamp	
40	1001141812	1	Engine Sub-Assembly (See Separate Breakdown in this Section)	
42	1001138491	NLA	Harness, Fuel (Use p/n 1001222665) (Not Shown - See Separate Breakdown in ELECTRICAL SECTION)	
45	1001145089	1	Clamp	
46	1001141225	1	Battery Cable Kit	
46A	7027042	1	Cable, Battery (Red) (Battery + to Relays and Starter)	
46B	7027043	1	Cable, Battery (Black) (Battery - to Tray Pivot Grd and Aux Pump)	
46C	7027044	1	Cable (Red) (Aux Relay to Aux Pump)	
46D	7027045	1	Cable, Battery (Black) (Engine to Tray Pivot Grd)	
48	1001145560	1	Panel, Rubber	
50	1320022	3	Clamp	

SECTION 3 - ENGINE

ITEM	PART NUMBER	QTY	DESCRIPTION	REV
51	1001145842	1	Plate, Clamping	
52	0641708	1	Bolt 7/16 x 1	
53	3311705	1	Nut 7/16	
54	4711700	2	Washer 7/16	
55	1001131542	1	Lanyard	
57	3520054	1	Plug	

SECTION 3 - ENGINE

FIGURE 3-25. DEUTZ TCD2.9L4 DIESEL ENGINE INSTALLATION - WITH REXROTH PUMPS AND STEEL HOODS (WITHOUT COLD WEATHER PLUS PACKAGE)



ART_1001141811

SECTION 3 - ENGINE

FIGURE 3-25. DEUTZ TCD2.9L4 DIESEL ENGINE INSTALLATION - WITH REXROTH PUMPS AND STEEL HOODS (WITHOUT COLD WEATHER PLUS PACKAGE)

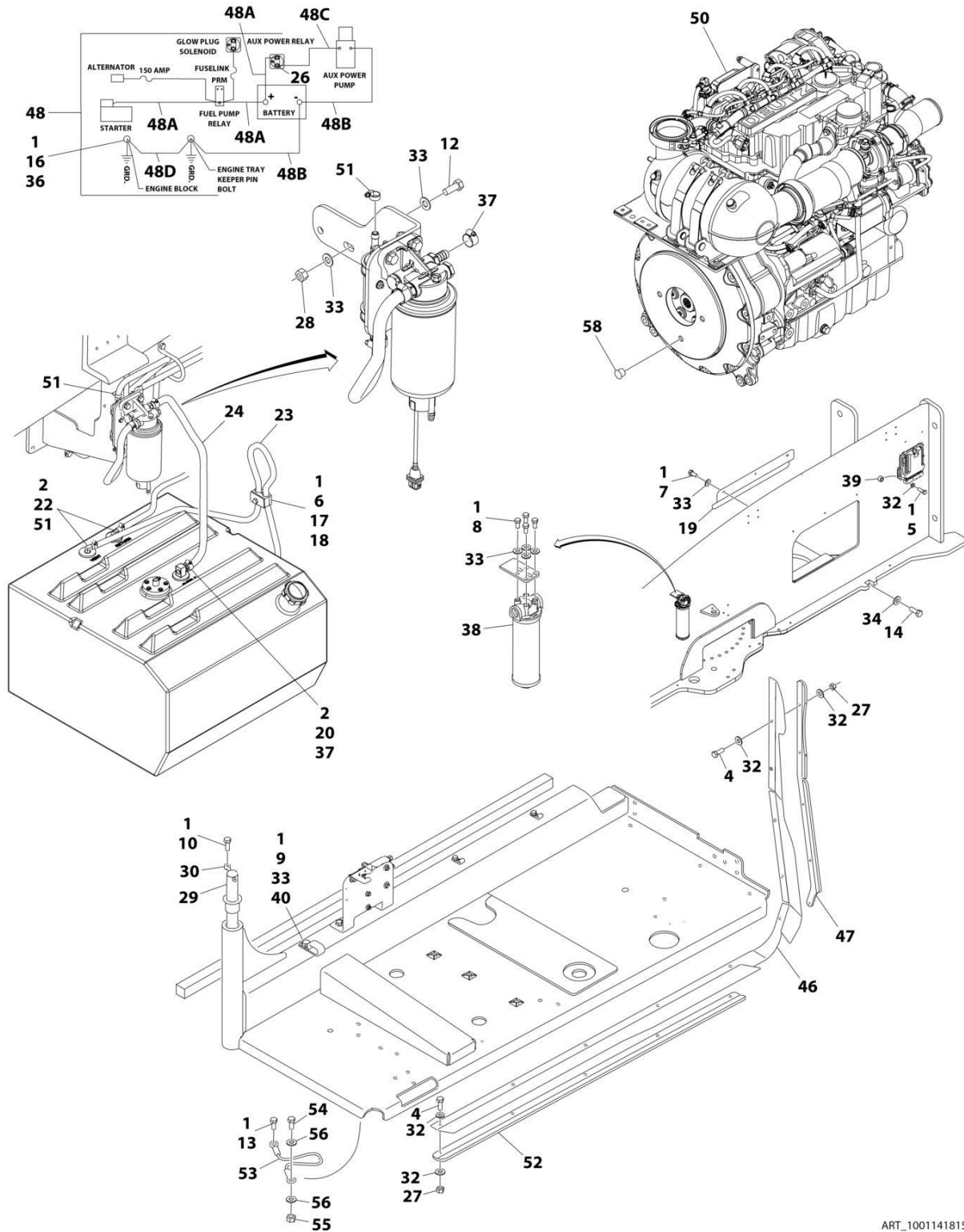
ITEM	PART NUMBER	QTY	DESCRIPTION	REV
	1001141811	Ref	DEUTZ TCD2.9L4 DIESEL ENGINE INSTALLATION - WITH REXROTH PUMPS AND STEEL HOODS (WITHOUT COLD WEATHER PLUS PACKAGE)	K
1	0100011	AR	Compound, Locking	
2	0100079	AR	Sealant, Pipe	
4	0641408	10	Bolt 1/4 x 1	
5	0641410	4	Bolt 1/4 x 1-1/4	
6	0641511	1	Bolt 5/16 x 1-3/8	
7	0641605	3	Bolt 3/8 x 5/8	
8	0641606	4	Bolt 3/8 x 3/4	
9	0641608	1	Bolt 3/8 x 1	
10	0641610	1	Bolt 3/8 x 1-1/4	
12	0641612	2	Bolt 3/8 x 1-1/2	
13	0641808	1	Bolt 1/2 x 1	
14	0642010	1	Bolt 5/8 x 1-1/4	
16	0761210	1	Bolt M12 x 20	
17	1320187	1	Clamp	
18	1320190	1	Cover, Clamp	
19	1671121	1	Cover	
20	2180832	1	Fitting, Barbed	
22	2220313	2	Fitting, Elbow Barbed	
23	2750532	5 ft/ 1.5m	Hose	
24	1001154405	2 ft/ 0.6m	Hose	
26	3300220	2	Nut 5/16	
27	3311405	10	Nut 1/4	
28	3311605	2	Nut 3/8	
29	3422446	1	Pin, Pivot	
30	3841143	1	Pin, Keeper	
31	4240018	2	Strap, Tie (Not Shown)	
32	4711400	24	Washer 1/4	
33	4711600	12	Washer 3/8	
34	4752000	1	Washer 5/8	
36	4812100	1	Washer M12	
37	8405006	2	Clamp	
38	1001108617	1	Filter	
38	70002231	1	Element, Filter	
40	1001110425	4	Spacer	
41	1001116792	1	Clamp	
43	1001138491	NLA	Harness, Fuel (Use p/n 1001222665) (Not Shown - See Separate Breakdown in ELECTRICAL SECTION)	
47	1001140604	1	Panel, Rubber	
48	1001145089	1	Clamp	
49	1001141225	1	Battery Cable Kit	E
49A	7027042	1	Cable, Battery (Red) (Battery + to Relays and Starter)	
49B	7027043	1	Cable, Battery (Black) (Battery - to Tray Pivot Grd and Aux Pump)	
49C	7027044	1	Cable (Red) (Aux Relay to Aux Pump)	
49D	7027045	1	Cable, Battery (Black) (Engine to Tray Pivot Grd)	
51	1001141812	1	Engine Sub-Assembly (See Separate Breakdown in this Section)	
52	1320022	3	Clamp	

SECTION 3 - ENGINE

ITEM	PART NUMBER	QTY	DESCRIPTION	REV
53	1001145842	1	Plate, Clamping	
54	1001131542	1	Lanyard	
55	4711700	2	Washer 7/16	
56	0641708	1	Bolt 7/16 x 1	
57	3311705	1	Nut 7/16	
59	3520054	1	Plug	

SECTION 3 - ENGINE

FIGURE 3-26. DEUTZ TCD2.9L4 DIESEL ENGINE INSTALLATION - WITH REXROTH PUMPS AND STEEL HOODS (WITH COLD WEATHER PLUS PACKAGE)



ART_1001141815

SECTION 3 - ENGINE

FIGURE 3-26. DEUTZ TCD2.9L4 DIESEL ENGINE INSTALLATION - WITH REXROTH PUMPS AND STEEL HOODS (WITH COLD WEATHER PLUS PACKAGE)

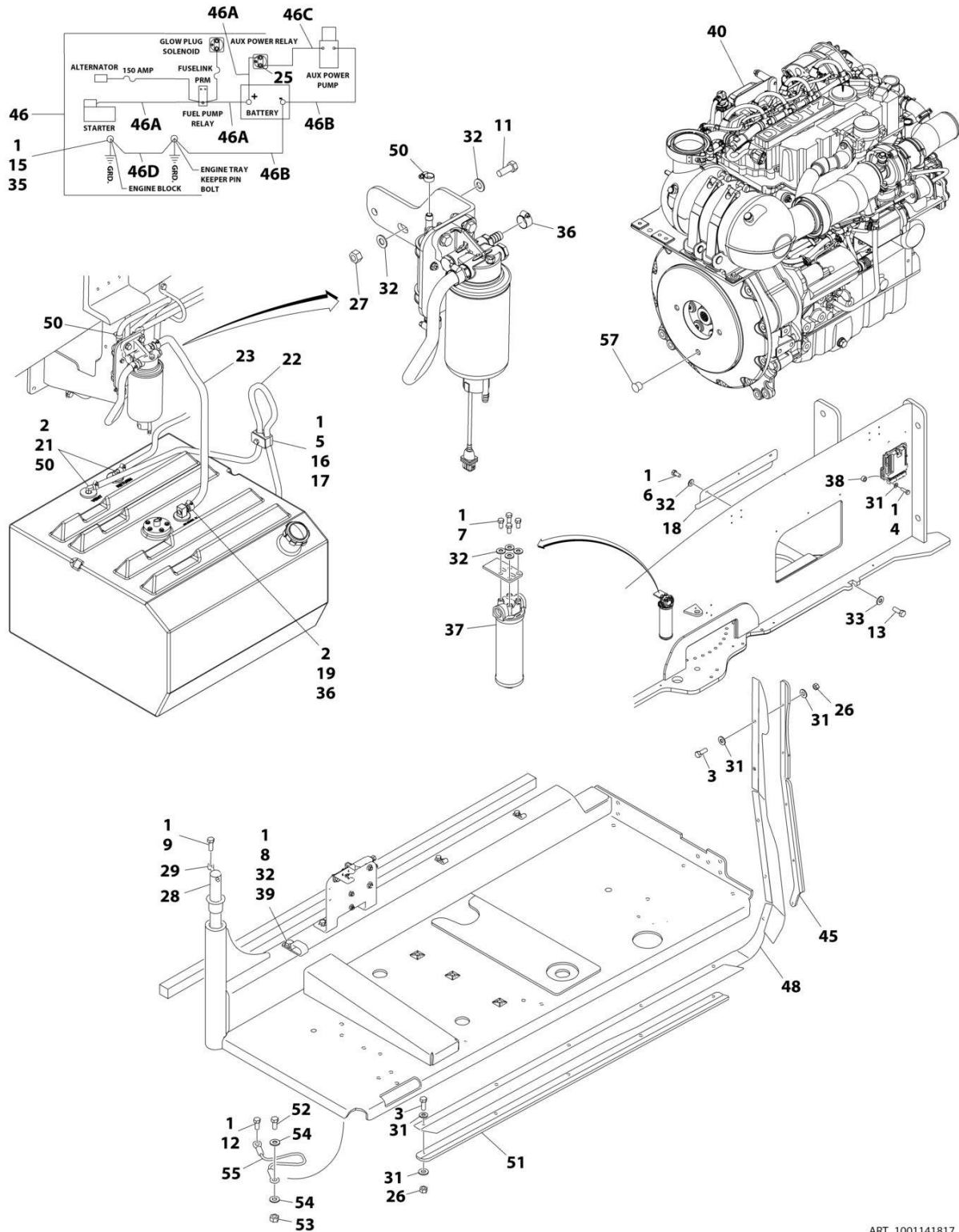
ITEM	PART NUMBER	QTY	DESCRIPTION	REV
	1001141815	Ref	DEUTZ TCD2.9L4 DIESEL ENGINE INSTALLATION - WITH REXROTH PUMPS AND STEEL HOODS (WITH COLD WEATHER PLUS PACKAGE)	M
1	0100011	AR	Compound, Locking	
2	0100079	AR	Sealant, Pipe	
4	0641408	10	Bolt 1/4 x 1	
5	0641410	4	Bolt 1/4 x 1-1/4	
6	0641511	1	Bolt 5/16 x 1-3/8	
7	0641605	3	Bolt 3/8 x 5/8	
8	0641606	4	Bolt 3/8 x 3/4	
9	0641608	1	Bolt 3/8 x 1	
10	0641610	1	Bolt 3/8 x 1-1/4	
12	0641612	2	Bolt 3/8 x 1-1/2	
13	0641808	1	Bolt 1/2 x 1	
14	0642010	1	Bolt 5/8 x 1-1/4	
16	0761210	1	Bolt M12 x 20	
17	1320187	1	Clamp	
18	1320190	1	Cover, Clamp	
19	1671121	1	Cover	
20	2180832	1	Fitting, Barbed	
22	2220313	2	Fitting, Elbow Barbed	
23	2750532	5 ft/ 1.5m	Hose	
24	1001154405	2 ft/ 0.6m	Hose	
26	3300220	2	Nut 5/16	
27	3311405	10	Nut 1/4	
28	3311605	2	Nut 3/8	
29	3422446	1	Pin, Pivot	
30	3841143	1	Pin, Keeper	
31	4240018	2	Strap, Tie (Not Shown)	
32	4711400	24	Washer 1/4	
33	4711600	12	Washer 3/8	
34	4752000	1	Washer 5/8	
36	4812100	1	Washer M12	
37	8405006	2	Clamp	
38	1001108617	1	Filter	
38	70002231	1	Element, Filter	
39	1001110425	4	Spacer	
40	1001116792	1	Clamp	
42	1001138491	NLA	Harness, Fuel (Use p/n 1001222665) (Not Shown - See Separate Breakdown in ELECTRICAL SECTION)	
46	1001140604	1	Panel, Rubber	
47	1001145089	1	Clamp	
48	1001141225	1	Battery Cable Kit	E
48A	7027042	1	Cable, Battery (Red) (Battery + to Relays and Starter)	
48B	7027043	1	Cable, Battery (Black) (Battery - to Tray Pivot Grd and Aux Pump)	
48C	7027044	1	Cable (Red) (Aux Relay to Aux Pump)	
48D	7027045	1	Cable, Battery (Black) (Engine to Tray Pivot Grd)	
50	1001141813	1	Engine Sub-Assembly (See Separate Breakdown in this Section)	
51	1320022	3	Clamp	

SECTION 3 - ENGINE

ITEM	PART NUMBER	QTY	DESCRIPTION	REV
52	1001145842	1	Plate, Clamping	
53	1001131542	1	Lanyard	
54	0641708	1	Bolt 7/16 x 1	
55	3311705	1	Nut 7/16	
56	4711700	2	Washer 7/16	
58	3520054	1	Plug	

SECTION 3 - ENGINE

FIGURE 3-27. DEUTZ TCD2.9L4 DIESEL ENGINE INSTALLATION - WITH SAUER PUMPS AND ABS HOODS (WITHOUT COLD WEATHER PLUS PACKAGE)



ART_1001141817

SECTION 3 - ENGINE

FIGURE 3-27. DEUTZ TCD2.9L4 DIESEL ENGINE INSTALLATION - WITH SAUER PUMPS AND ABS HOODS (WITHOUT COLD WEATHER PLUS PACKAGE)

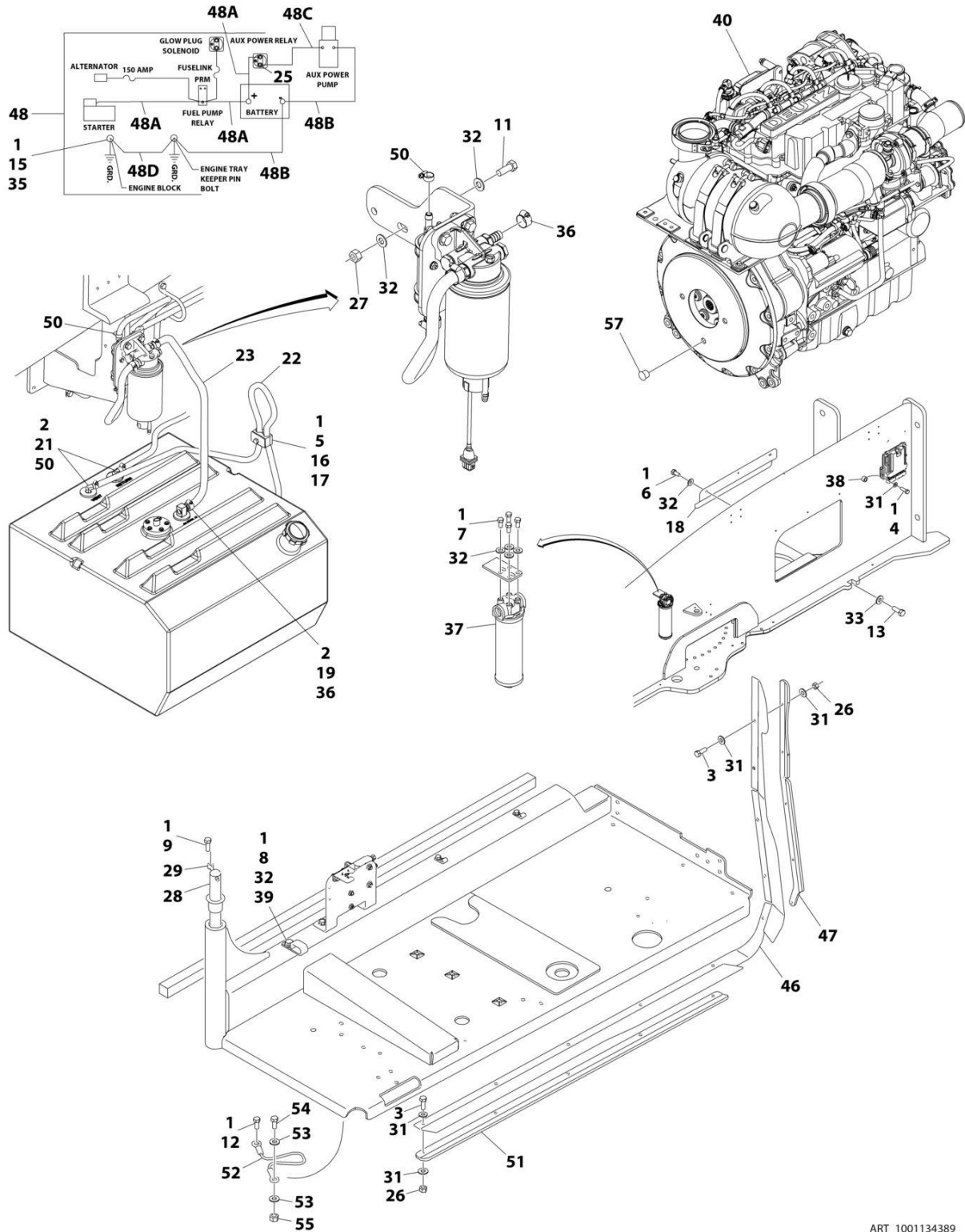
ITEM	PART NUMBER	QTY	DESCRIPTION	REV
	1001141817	Ref	DEUTZ TCD2.9L4 DIESEL ENGINE INSTALLATION - WITH SAUER PUMPS AND ABS HOODS (WITHOUT COLD WEATHER PLUS PACKAGE)	K
1	0100011	AR	Compound, Locking	
2	0100079	AR	Sealant, Pipe	
3	0641408	10	Bolt 1/4 x 1	
4	0641410	4	Bolt 1/4 x 1-1/4	
5	0641511	1	Bolt 5/16 x 1-3/8	
6	0641605	3	Bolt 3/8 x 5/8	
7	0641606	4	Bolt 3/8 x 3/4	
8	0641608	1	Bolt 3/8 x 1	
9	0641610	1	Bolt 3/8 x 1-1/4	
11	0641612	2	Bolt 3/8 x 1-1/2	
12	0641808	1	Bolt 1/2 x 1	
13	0642010	1	Bolt 5/8 x 1-1/4	
15	0761210	1	Bolt M12 x 20	
16	1320187	1	Clamp	
17	1320190	1	Cover, Clamp	
18	1671121	1	Cover	
19	2180832	1	Fitting, Barbed	
21	2220313	2	Fitting, Elbow Barbed	
22	2750532	5 ft/ 1.5m	Hose	
23	1001154405	2 ft/ 0.6m	Hose	
25	3300220	2	Nut 5/16	
26	3311405	10	Nut 1/4	
27	3311605	2	Nut 3/8	
28	3422446	1	Pin, Pivot	
29	3841143	1	Pin, Keeper	
30	4240018	2	Strap, Tie (Not Shown)	
31	4711400	24	Washer 1/4	
32	4711600	12	Washer 3/8	
33	4752000	1	Washer 5/8	
35	4812100	1	Washer M12	
36	8405006	2	Clamp	
37	1001108617	1	Filter	
37	70002231	1	Element, Filter	
38	1001110425	4	Spacer	
39	1001116792	1	Clamp	
40	1001134390	1	Engine Sub-Assembly (See Separate Breakdown in this Section)	
42	1001138491	NLA	Harness, Fuel (Use p/n 1001222665) (Not Shown - See Separate Breakdown in ELECTRICAL SECTION)	
45	1001145089	1	Clamp	
46	1001141225	1	Battery Cable Kit	E
46A	7027042	1	Cable, Battery (Red) (Battery + to Relays and Starter)	
46B	7027043	1	Cable, Battery (Black) (Battery - to Tray Pivot Grd and Aux Pump)	
46C	7027044	1	Cable (Red) (Aux Relay to Aux Pump)	
46D	7027045	1	Cable, Battery (Black) (Engine to Tray Pivot Grd)	
48	1001145560	1	Panel, Rubber	
50	1320022	3	Clamp	

SECTION 3 - ENGINE

ITEM	PART NUMBER	QTY	DESCRIPTION	REV
51	1001145842	1	Plate, Clamping	
52	0641708	1	Bolt 7/16 x 1	
53	3311705	1	Nut 7/16	
54	4711700	2	Washer 7/16	
55	1001131542	1	Lanyard	
57	3520054	1	Plug	

SECTION 3 - ENGINE

FIGURE 3-28. DEUTZ TCD2.9L4 DIESEL ENGINE INSTALLATION - WITH SAUER PUMPS AND STEEL HOODS (WITHOUT COLD WEATHER PLUS PACKAGE)



ART_1001134389

SECTION 3 - ENGINE

FIGURE 3-28. DEUTZ TCD2.9L4 DIESEL ENGINE INSTALLATION - WITH SAUER PUMPS AND STEEL HOODS (WITHOUT COLD WEATHER PLUS PACKAGE)

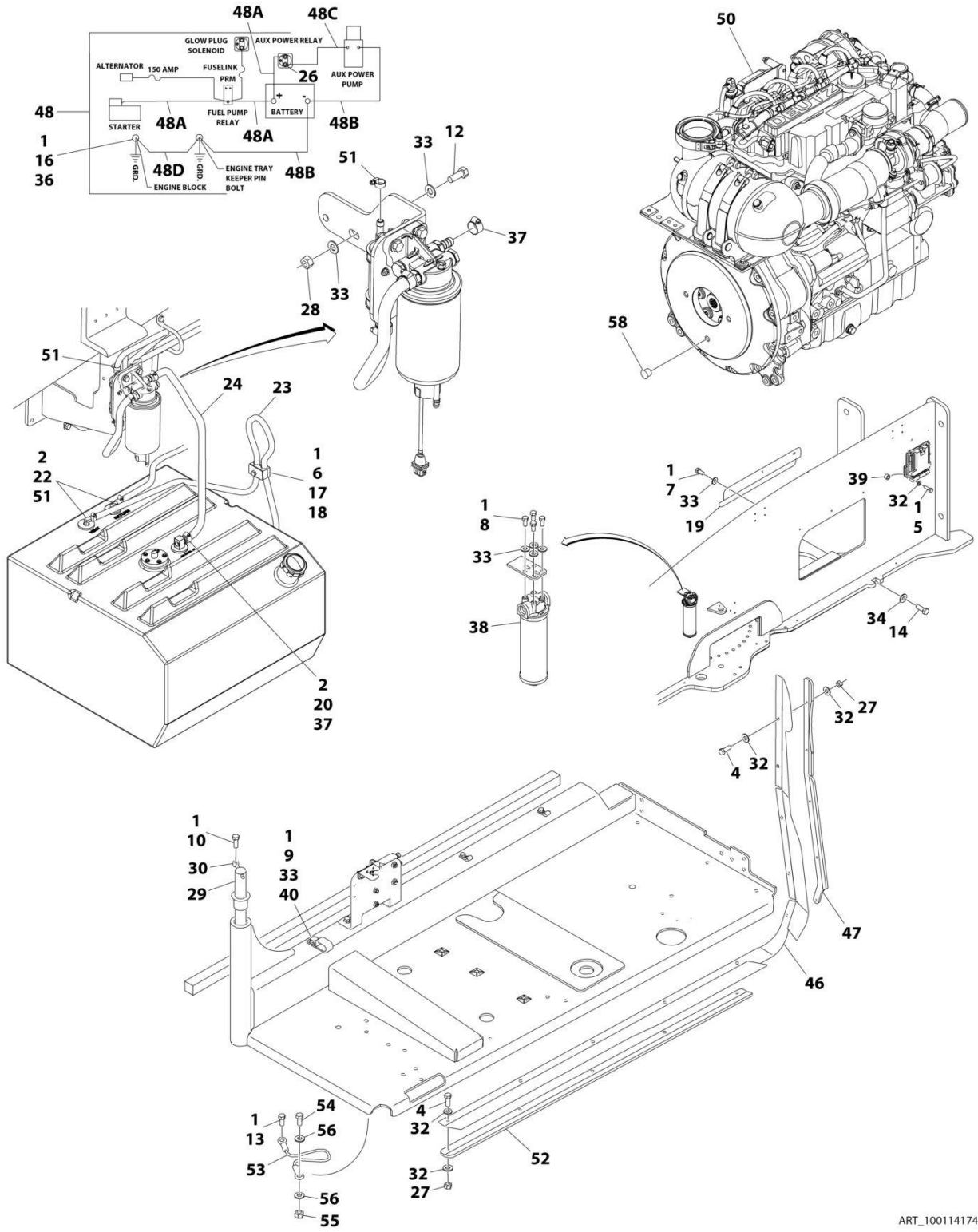
ITEM	PART NUMBER	QTY	DESCRIPTION	REV
	1001134389	Ref	DEUTZ TCD2.9L4 DIESEL ENGINE INSTALLATION - WITH SAUER PUMPS AND STEEL HOODS (WITHOUT COLD WEATHER PLUS PACKAGE)	K
1	0100011	AR	Compound, Locking	
2	0100079	AR	Sealant, Pipe	
3	0641408	10	Bolt 1/4 x 1	
4	0641410	4	Bolt 1/4 x 1-1/4	
5	0641511	1	Bolt 5/16 x 1-3/8	
6	0641605	3	Bolt 3/8 x 5/8	
7	0641606	4	Bolt 3/8 x 3/4	
8	0641608	1	Bolt 3/8 x 1	
9	0641610	1	Bolt 3/8 x 1-1/4	
11	0641612	2	Bolt 3/8 x 1-1/2	
12	0641808	1	Bolt 1/2 x 1	
13	0642010	1	Bolt 5/8 x 1-1/4	
15	0761210	1	Bolt M12 x 20	
16	1320187	1	Clamp	
17	1320190	1	Cover, Clamp	
18	1671121	1	Cover	
19	2180832	1	Fitting, Barbed	
21	2220313	2	Fitting, Elbow Barbed	
22	2750532	5 ft/ 1.5m	Hose	
23	1001154405	2 ft/ 0.6m	Hose	
25	3300220	2	Nut 5/16	
26	3311405	10	Nut 1/4	
27	3311605	2	Nut 3/8	
28	3422446	1	Pin, Pivot	
29	3841143	1	Pin, Keeper	
30	4240018	2	Strap, Tie (Not Shown)	
31	4711400	24	Washer 1/4	
32	4711600	12	Washer 3/8	
33	4752000	1	Washer 5/8	
35	4812100	1	Washer M12	
36	8405006	2	Clamp	
37	1001108617	1	Filter	
37	70002231	1	Element, Filter	
38	1001110425	4	Spacer	
39	1001116792	1	Clamp	
40	1001134390	1	Engine Sub-Assembly (See Separate Breakdown in this Section)	
42	1001138491	NLA	Harness, Fuel (Use p/n 1001222665) (Not Shown - See Separate Breakdown in ELECTRICAL SECTION)	
46	1001140604	1	Panel, Rubber	
47	1001145089	1	Clamp	
48	1001141225	1	Battery Cable Kit	E
48A	7027042	1	Cable, Battery (Red) (Battery + to Relays and Starter)	
48B	7027043	1	Cable, Battery (Black) (Battery - to Tray Pivot Grd and Aux Pump)	
48C	7027044	1	Cable (Red) (Aux Relay to Aux Pump)	
48D	7027045	1	Cable, Battery (Black) (Engine to Tray Pivot Grd)	
50	1320022	3	Clamp	

SECTION 3 - ENGINE

ITEM	PART NUMBER	QTY	DESCRIPTION	REV
51	1001145842	1	Plate, Clamping	
52	1001131542	1	Lanyard	
53	4711700	2	Washer 7/16	
54	0641708	1	Bolt 7/16 x 1	
55	3311705	1	Nut 7/16	
57	3520054	1	Plug	

SECTION 3 - ENGINE

FIGURE 3-29. DEUTZ TCD2.9L4 DIESEL ENGINE INSTALLATION - WITH SAUER PUMPS AND STEEL HOODS (WITH COLD WEATHER PLUS PACKAGE)



ART_1001141744

SECTION 3 - ENGINE

FIGURE 3-29. DEUTZ TCD2.9L4 DIESEL ENGINE INSTALLATION - WITH SAUER PUMPS AND STEEL HOODS (WITH COLD WEATHER PLUS PACKAGE)

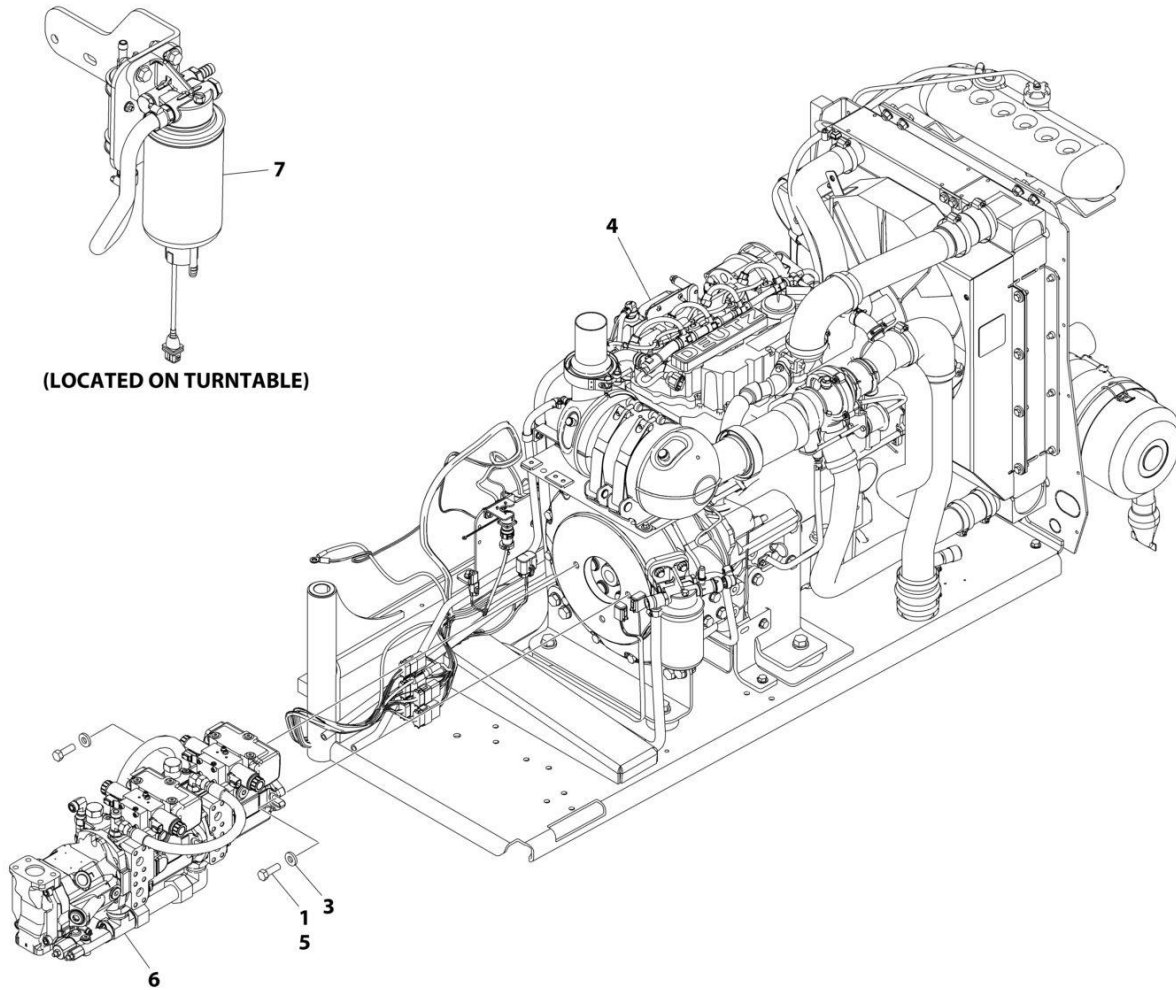
ITEM	PART NUMBER	QTY	DESCRIPTION	REV
	1001141744	Ref	DEUTZ TCD2.9L4 DIESEL ENGINE INSTALLATION - WITH SAUER PUMPS AND STEEL HOODS (WITH COLD WEATHER PLUS PACKAGE)	M
1	0100011	AR	Compound, Locking	
2	0100079	AR	Sealant, Pipe	
4	0641408	10	Bolt 1/4 x 1	
5	0641410	4	Bolt 1/4 x 1-1/4	
6	0641511	1	Bolt 5/16 x 1-3/8	
7	0641605	3	Bolt 3/8 x 5/8	
8	0641606	4	Bolt 3/8 x 3/4	
9	0641608	1	Bolt 3/8 x 1	
10	0641610	1	Bolt 3/8 x 1-1/4	
12	0641612	2	Bolt 3/8 x 1-1/2	
13	0641808	1	Bolt 1/2 x 1	
14	0642010	1	Bolt 5/8 x 1-1/4	
16	0761210	1	Bolt M12 x 20	
17	1320187	1	Clamp	
18	1320190	1	Cover, Clamp	
19	1671121	1	Cover	
20	2180832	1	Fitting, Barbed	
22	2220313	2	Fitting, Elbow Barbed	
23	2750532	5 ft/ 1.5m	Hose	
24	1001154405	2 ft/ 0.6m	Hose	
26	3300220	2	Nut 5/16	
27	3311405	10	Nut 1/4	
28	3311605	2	Nut 3/8	
29	3422446	1	Pin, Pivot	
30	3841143	1	Pin, Keeper	
31	4240018	2	Strap, Tie (Not Shown)	
32	4711400	24	Washer 1/4	
33	4711600	12	Washer 3/8	
34	4752000	1	Washer 5/8	
36	4812100	1	Washer M12	
37	8405006	2	Clamp	
38	1001108617	1	Filter	
38	70002231	1	Element, Filter	
39	1001110425	4	Spacer	
40	1001116792	1	Clamp	
42	1001138491	NLA	Harness, Fuel (Use p/n 1001222665) (Not Shown - See Separate Breakdown in ELECTRICAL SECTION)	
46	1001140604	1	Panel, Rubber	
47	1001145089	1	Clamp	
48	1001141225	1	Battery Cable Kit	E
48A	7027042	1	Cable, Battery (Red) (Battery + to Relays and Starter)	
48B	7027043	1	Cable, Battery (Black) (Battery - to Tray Pivot Grd and Aux Pump)	
48C	7027044	1	Cable (Red) (Aux Relay to Aux Pump)	
48D	7027045	1	Cable, Battery (Black) (Engine to Tray Pivot Grd)	
50	1001141745	1	Engine Sub-Assembly (See Separate Breakdown in this Section)	
51	1320022	3	Clamp	

SECTION 3 - ENGINE

ITEM	PART NUMBER	QTY	DESCRIPTION	REV
52	1001145842	1	Plate, Clamping	
53	1001131542	1	Lanyard	
54	0641708	1	Bolt 7/16 x 1	
55	3311705	1	Nut 7/16	
56	4711700	2	Washer 7/16	
58	3520054	1	Plug	

SECTION 3 - ENGINE

FIGURE 3-30. DEUTZ TCD2.9L4 ENGINE SUB-ASSEMBLY - WITH REXROTH PUMP (WITHOUT COLD WEATHER PLUS PACKAGE)



ART_1001141812

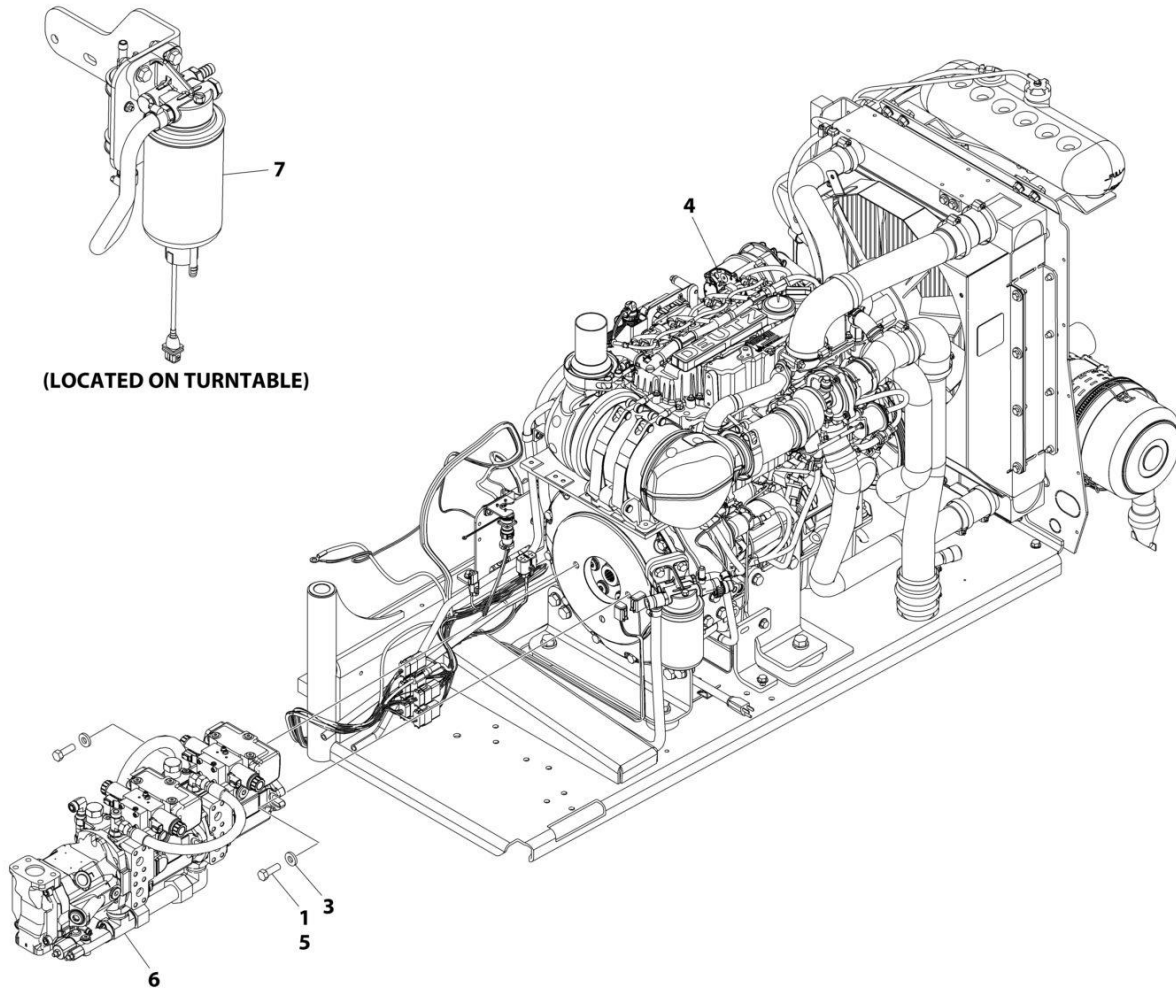
SECTION 3 - ENGINE

FIGURE 3-30. DEUTZ TCD2.9L4 ENGINE SUB-ASSEMBLY - WITH REXROTH PUMP (WITHOUT COLD WEATHER PLUS PACKAGE)

ITEM	PART NUMBER	QTY	DESCRIPTION	REV
	1001141812	Ref	DEUTZ TCD2.9L4 ENGINE SUB-ASSEMBLY	AO
1	0641812	2	Bolt 1/2 x 1-1/2	
1	0641814	2	Bolt 1/2 x 1-3/4	
3	4891800	2	Washer 1/2	
4	1001134392	1	Engine Assembly (See Separate Breakdown in this Section)	
5	0100011	AR	Compound, Locking	
6	1001152963	1	Pump Assembly - Rexroth (See Separate Breakdown in this Section)	
7	1001165101	1	Bracket, Fuel Pump Filter Assembly (See Separate Breakdown in this Section)	

SECTION 3 - ENGINE

FIGURE 3-31. DEUTZ TCD2.9L4 ENGINE SUB-ASSEMBLY - WITH REXROTH PUMP (WITH COLD WEATHER PLUS PACKAGE)



ART_1001141813

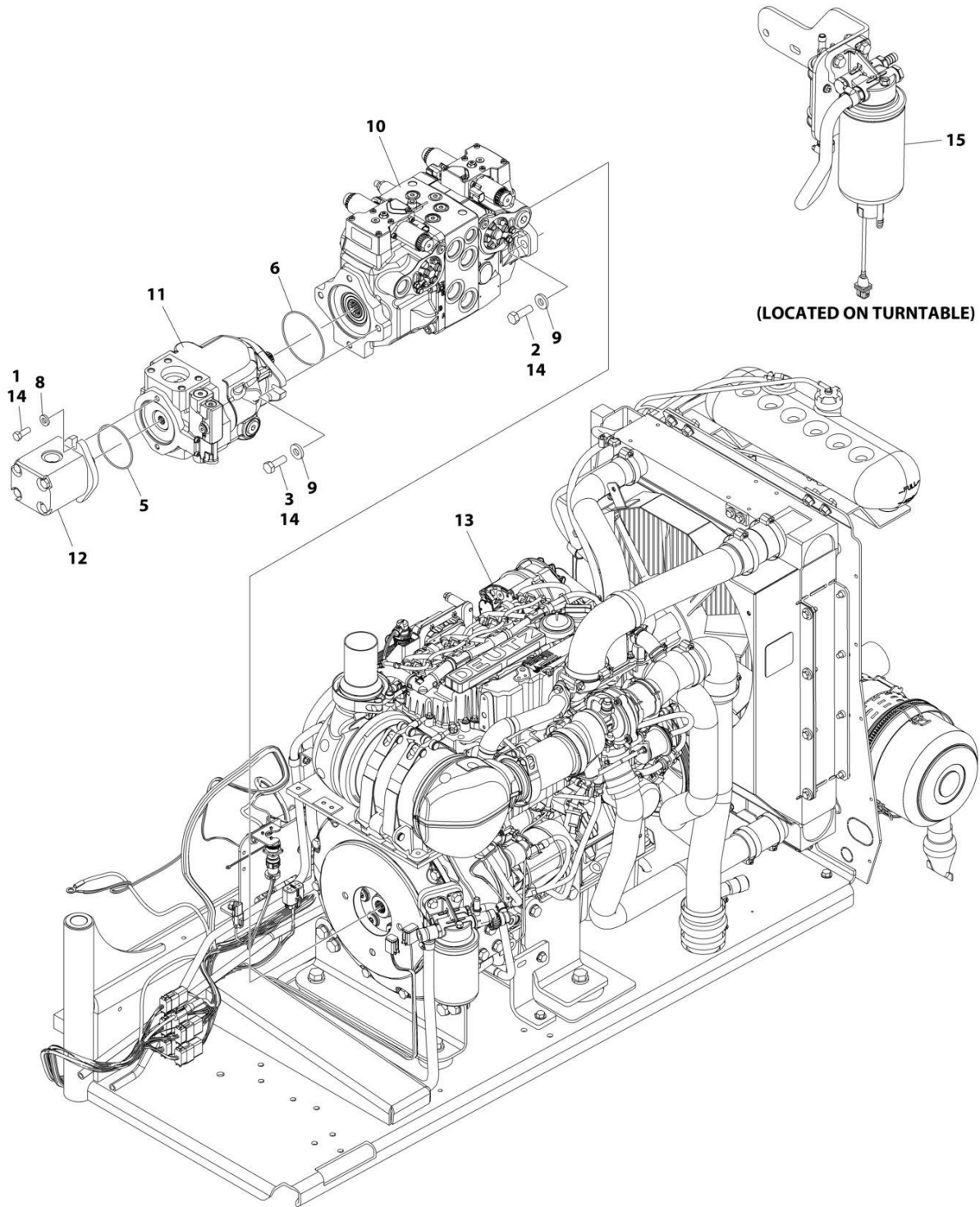
SECTION 3 - ENGINE

FIGURE 3-31. DEUTZ TCD2.9L4 ENGINE SUB-ASSEMBLY - WITH REXROTH PUMP (WITH COLD WEATHER PLUS PACKAGE)

ITEM	PART NUMBER	QTY	DESCRIPTION	REV
	1001141813	Ref	DEUTZ TCD2.9L4 ENGINE SUB-ASSEMBLY	AP
1	0641812	2	Bolt 1/2 x 1-1/2	
1	0641814	2	Bolt 1/2 x 1-1/2	
3	4740171	2	Washer 1/2	
4	1001141746	1	Engine Assembly (See Separate Breakdown in this Section)	
5	0100011	AR	Compound, Locking	
6	1001152963	1	Pump Assembly - Rexroth (See Separate Breakdown in this Section)	
7	1001165101	1	Bracket, Fuel Pump Filter Assembly (See Separate Breakdown in this Section)	

SECTION 3 - ENGINE

FIGURE 3-32. DEUTZ TCD2.9L4 ENGINE SUB-ASSEMBLY - WITH SAUER PUMP (WITHOUT COLD WEATHER PLUS PACKAGE)



ART_1001134390

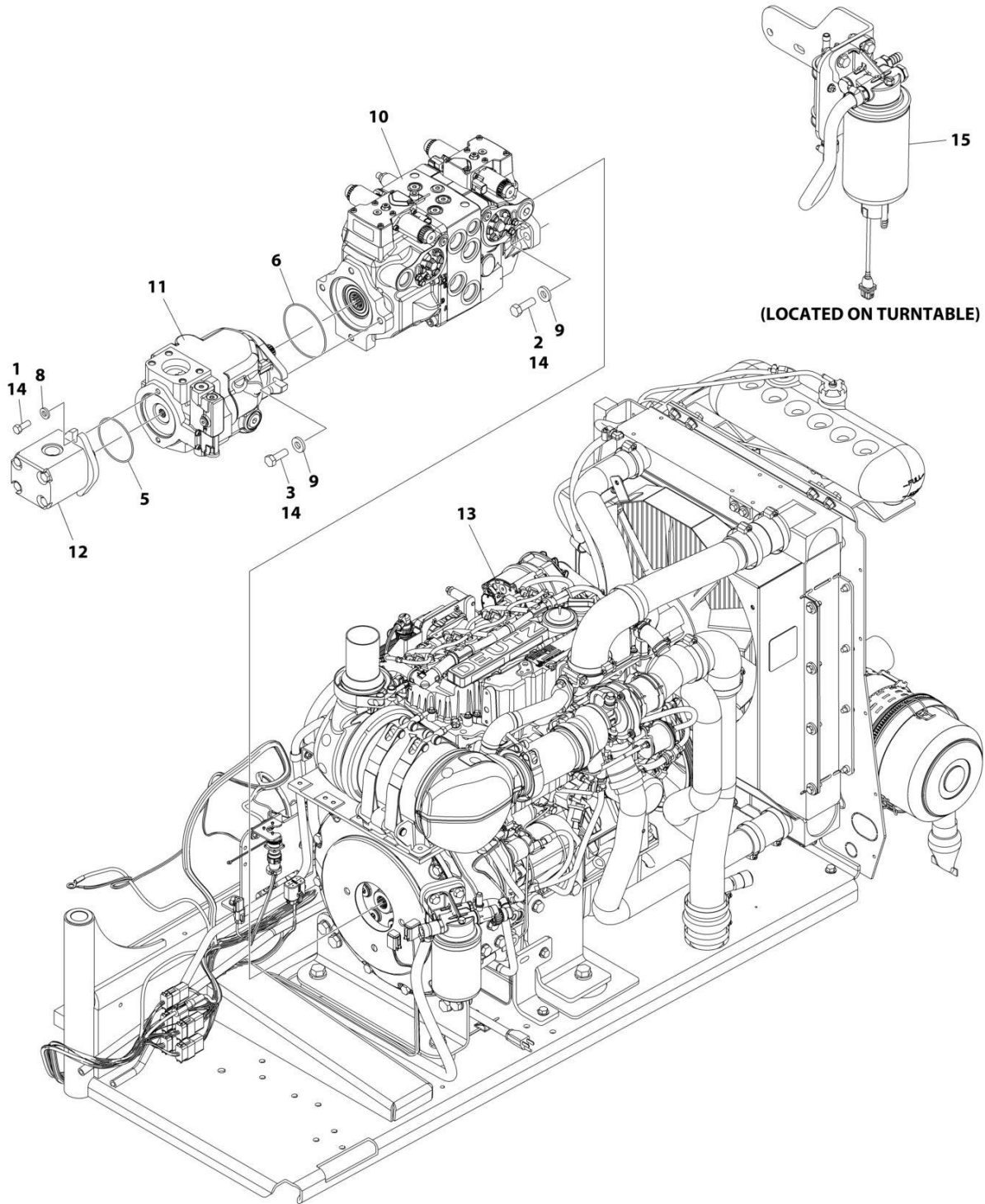
SECTION 3 - ENGINE

FIGURE 3-32. DEUTZ TCD2.9L4 ENGINE SUB-ASSEMBLY - WITH SAUER PUMP (WITHOUT COLD WEATHER PLUS PACKAGE)

ITEM	PART NUMBER	QTY	DESCRIPTION	REV
	1001134390	Ref	DEUTZ TCD2.9L4 ENGINE SUB-ASSEMBLY	AM
1	0641608	2	Bolt 3/8 x 1	
2	0641812	2	Bolt 1/2 x 1-1/2	
2	0641814	2	Bolt 1/2 x 1-3/4	
3	0761215	2	Bolt M12 x 35	
5	3790152	1	O-Ring	
6	3790155	1	O-Ring	
8	4891600	2	Washer 3/8	
9	4891800	4	Washer 1/2	
10	1001108616	1	Pump Assembly - Sauer Tandem (See Separate Breakdown in this Section)	
11	1001171095	1	Pump Assembly - Sauer Piston (See Separate Breakdown in this Section)	
12	1001112927	1	Pump Assembly - Sauer Gear (See Separate Breakdown in this Section)	
13	1001134392	1	Engine Assembly (See Separate Breakdown in this Section)	
14	0100011	AR	Compound, Locking	
15	1001165101	1	Bracket, Fuel Pump Filter Assembly (See Separate Breakdown in this Section)	

SECTION 3 - ENGINE

FIGURE 3-33. DEUTZ TCD2.9L4 ENGINE SUB-ASSEMBLY - WITH SAUER PUMPS (WITH COLD WEATHER PLUS PACKAGE)



ART_1001141745

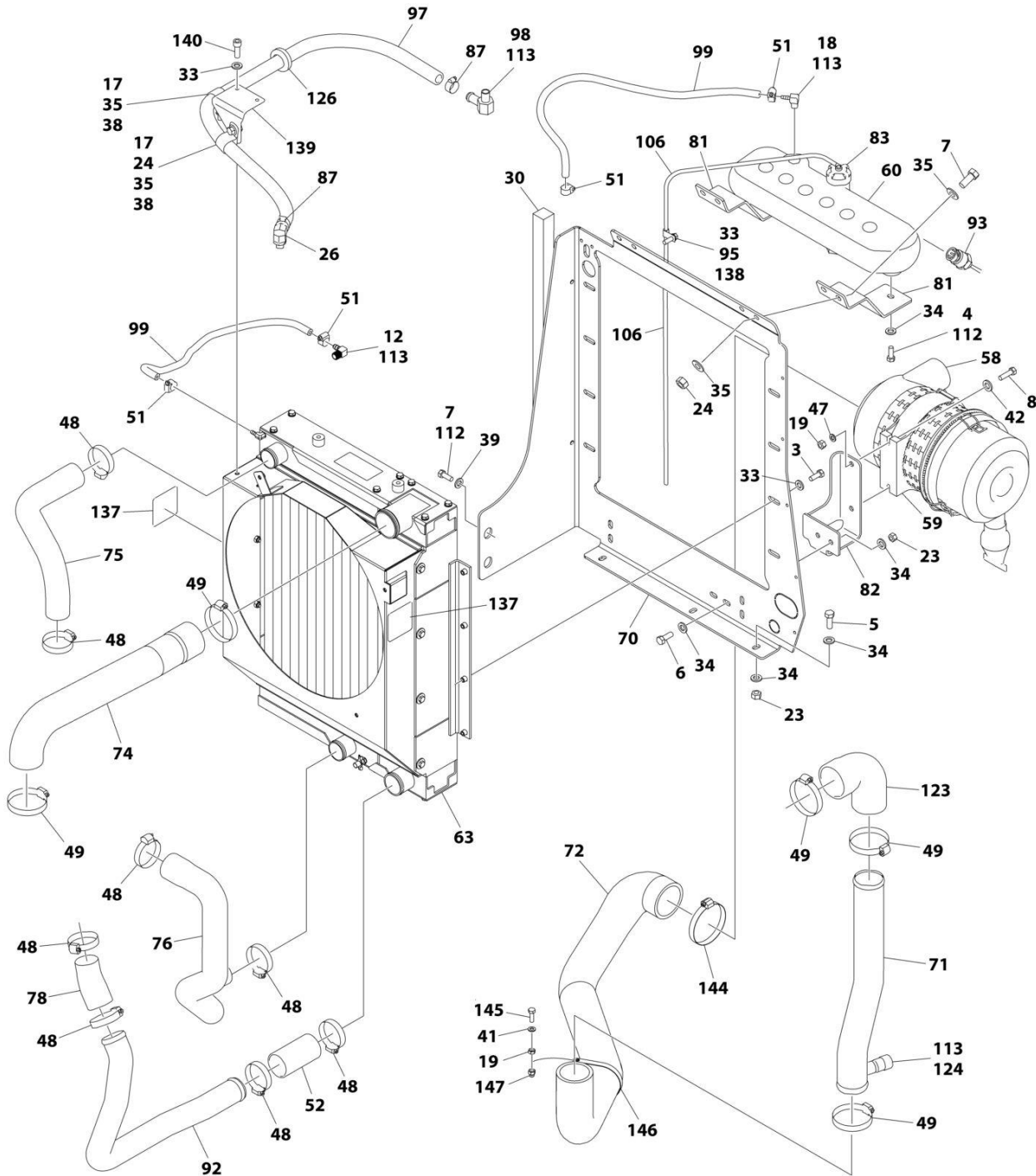
SECTION 3 - ENGINE

FIGURE 3-33. DEUTZ TCD2.9L4 ENGINE SUB-ASSEMBLY - WITH SAUER PUMPS (WITH COLD WEATHER PLUS PACKAGE)

ITEM	PART NUMBER	QTY	DESCRIPTION	REV
	1001141745	Ref	DEUTZ TCD2.9L4 ENGINE SUB-ASSEMBLY	AL
1	0641608	2	Bolt 3/8 x 1	
2	0641812	2	Bolt 1/2 x 1-1/2	
2	0641814	2	Bolt 1/2 x 1-3/4	
3	0761215	2	Bolt M12 x 35	
5	3790152	1	O-Ring	
6	3790155	1	O-Ring	
8	4891600	2	Washer 3/8	
9	4891800	4	Washer 1/2	
10	1001108616	1	Pump Assembly - Sauer Tandem (See Separate Breakdown in this Section)	
11	1001171095	1	Pump Assembly - Sauer Piston (See Separate Breakdown in this Section)	
12	1001112927	1	Pump Assembly - Sauer Gear (See Separate Breakdown in this Section)	
13	1001141746	1	Engine Assembly (See Separate Breakdown in this Section)	
14	0100011	AR	Compound, Locking	
15	1001165101	1	Bracket, Fuel Pump Filter Assembly (See Separate Breakdown in this Section)	

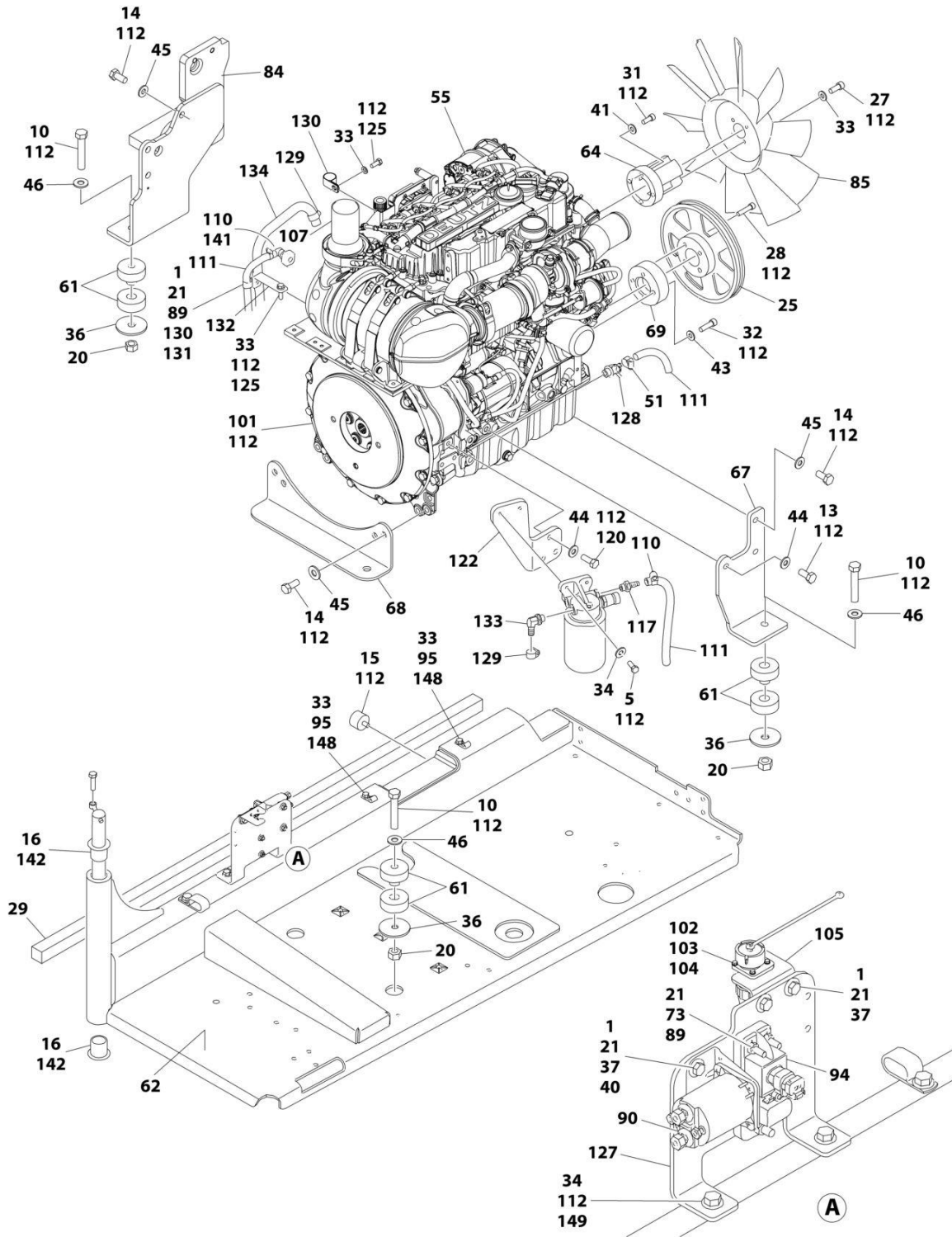
SECTION 3 - ENGINE

FIGURE 3-34. DEUTZ TCD2.9L4 ENGINE ASSEMBLY (WITHOUT COLD WEATHER PLUS PACKAGE)



ART_1001134392_AU_10F2

SECTION 3 - ENGINE



ART_1001134392_AU_20F2

SECTION 3 - ENGINE

FIGURE 3-34. DEUTZ TCD2.9L4 ENGINE ASSEMBLY (WITHOUT COLD WEATHER PLUS PACKAGE)

ITEM	PART NUMBER	QTY	DESCRIPTION	REV
	1001134392	Ref	DEUTZ TCD2.9L4 ENGINE ASSEMBLY	AU
1	0641406	5	Bolt 1/4 x 3/4	
3	0641508	8	Bolt 5/16 x 1	
4	0641606	2	Bolt 3/8 x 3/4	
5	0641608	9	Bolt 3/8 x 1	
6	0641610	2	Bolt 3/8 x 1-1/4	
7	0641708	6	Bolt 7/16 x 1	
8	0700815	2	Bolt M8 x 35	
10	0682028	4	Bolt 5/8 x 3-1/2 Grade 8	
12	1001140564	1	Fitting, 90 Barbed	
13	0771212	1	Bolt M12 x 25 Grade 10.9	
14	0771414	9	Bolt M14 x 30 Grade 10.9	
15	0940070	1	Bumper	
16	0961986	2	Bushing, Flanged	
17	0641706	2	Bolt 7/16 x 3/4	
18	1001134488	1	Fitting, 90 Barbed	
19	3290801	3	Nut M8	
20	3272001	4	Nut 5/8 Grade 8	
21	3311405	6	Nut 1/4	
23	3311605	9	Nut 3/8	
24	3311705	5	Nut 7/16	
25	3580320	1	Pulley	
26	1001141719	1	Fitting, 90 Barbed	
27	3931512	4	Capscrew 5/16 x 3/4	
28	3931628	4	Capscrew 3/8 x 1-3/4	
29	3960543	1	Seal	
30	3960544	1	Seal	
31	4031914	4	Bolt M8 x 50	
32	4032014	4	Bolt M10 x 50	
33	4711500	19	Washer 5/16	
34	4711600	24	Washer 3/8	
35	4711700	10	Washer 7/16	
36	1001146219	4	Washer Special	
37	4751400	8	Washer 1/4	
38	8406302	2	Clamp	
39	4751700	2	Washer 7/16	
40	4791400	2	Starwasher 1/4	
41	4811900	5	Washer M8	
42	4811902	2	Washer M8	
43	4812000	4	Washer M10	
44	4812100	4	Washer M12	
45	4812200	9	Washer M14	
46	4892000	4	Washer 5/8	
47	4831900	2	Washer M8	
48	8405201	8	Clamp	
49	8405204	5	Clamp	
51	8410013	5	Clamp	
52	91563070	1	Coupling, Rubber	
55	1001249964	1	Engine, Deutz TCD2.9L4 (See Separate Breakdown in this Section)	

SECTION 3 - ENGINE

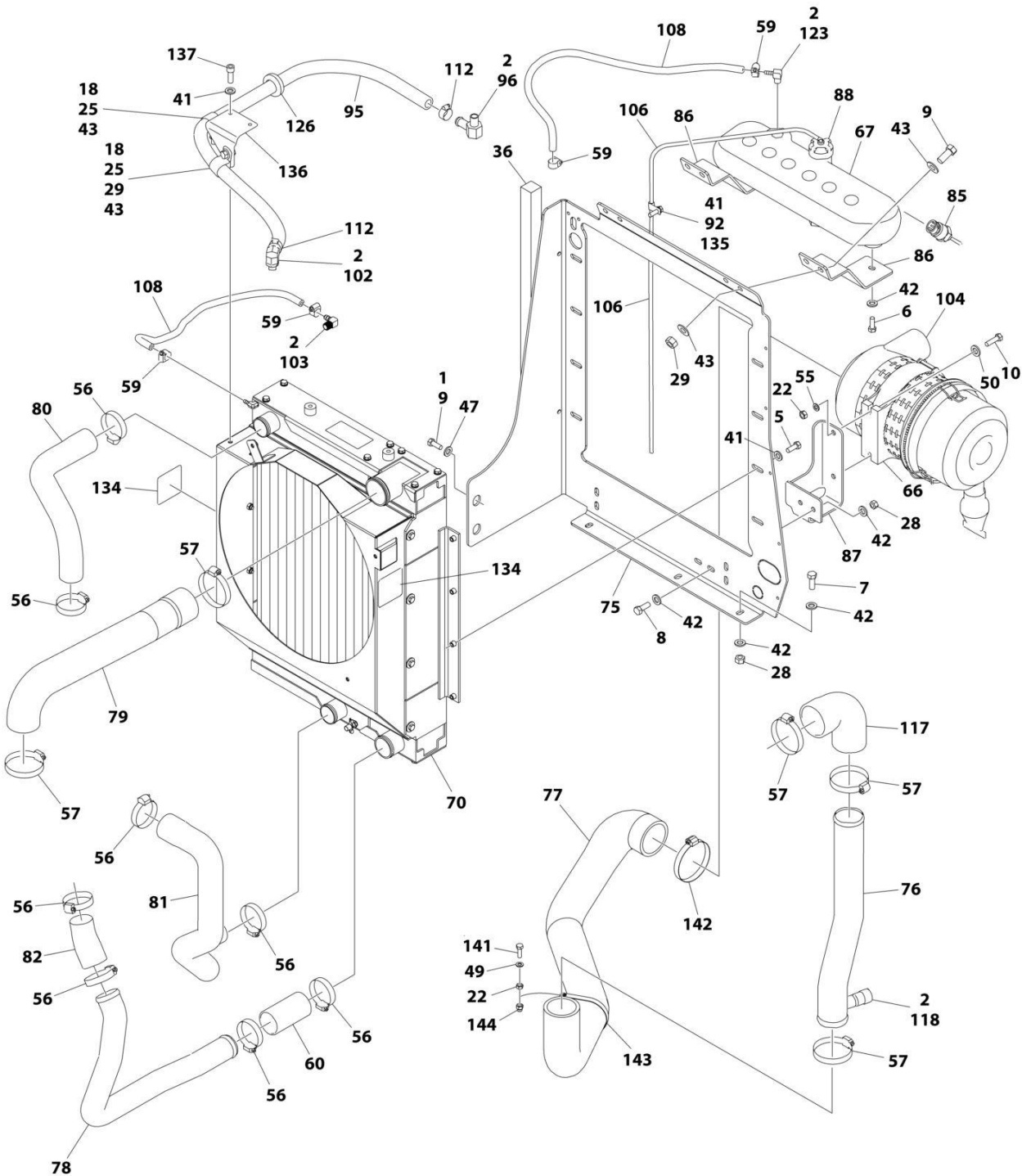
ITEM	PART NUMBER	QTY	DESCRIPTION	REV
58	1001133633	1	Air Cleaner Assembly	
58	70024190	1	Element, Air Filter	
59	1001133634	1	Clamp	
60	1001166393	1	Tank, Surge	
61	1001155575	4	Mount, Motor	
62	1001191272	1	Tray	
63	1001256864	1	Radiator	
64	1001135138	1	Spacer, Fan	
67	1001135560	1	Support, Engine	
68	1001135562	1	Support, Engine - Rear	
69	1001135679	1	Spacer, Pulley	
70	1001135680	1	Support, Radiator	
71	1001135901	1	Pipe, Air Intake	
72	1001264917	1	Pipe, Air Intake	
73	3931432	1	Capscrew 1/4 x 2	
74	1001264982	1	Pipe, Air Cleaner to Intake	
75	1001135924	1	Hose, Radiator (Upper)	
76	1001135926	1	Hose, Radiator (Lower)	
78	1001135943	1	Coupling, Rubber	
81	1001136626	2	Bracket	
82	1001136665	1	Bracket	
83	1001136834	1	Cap, Tank	
84	1001283008	1	Support, Engine	
85	1001137276	1	Fan	
87	8405007	2	Clamp	
89	4711400	3	Washer 1/4	
90	1001117308	1	Relay	
92	1001135913	1	Pipe, Turbo to Air Cleaner	
93	1001138827	1	Sensor, Coolant Level	
94	1001138228	1	Module, Power	
94	70023592	1	Fuse 20Amp (Switched Output)	
94	70023593	1	Fuse 30Amp (Battery Output)	
95	1001138253	5	Clamp	
96	1001138346	1	Harness, Engine (Not Shown - See Separate Breakdown in ELECTRICAL Section)	
97	1001138524	1	Hose	
98	1001138559	1	Fitting, 90	
99	2720015	4.5 ft/ 1.4m	Hose	
101	2902065	1	Pump Coupling Kit (See Separate Breakdown in this Section)	
102	3310401	3	Nut #4	
103	3910408	3	Screw #4 x 1/2	
104	4710400	3	Washer #4	
105	1001139240	1	Bracket	
106	1001138248	4 ft/ 1.2m	Tubing	
107	1001153024	1	Pipe, Exhaust	
110	1320022	2	Clamp	
111	1001165035	30.5 ft/ 9.3m	Hose	
112	0100011	AR	Compound, Locking	
113	0100020	AR	Sealant	
114	1001141304	1	Wire, Glow Plug (Not Shown)	

SECTION 3 - ENGINE

ITEM	PART NUMBER	QTY	DESCRIPTION	REV
115	1001135779	1	Cable, Alternator Positive (Not Shown)	
117	1001141717	1	Fitting, Straight	
120	0761214	3	Bolt M12 x 30	
122	1001142685	1	Bracket	
123	1001165820	1	Pipe, Elbow	
124	1001143390	1	Indicator, Air Filter Service	
125	0760810	2	Bolt M8 x 20	
126	1001144089	1	Grommet	
127	1001145154	1	Plate, Mounting	
128	4640751	1	Valve, Oil Drain	
129	8405006	2	Clamp	
130	8406102	AR	Clip	
131	8406112	1	Clip	
132	1001138717	1	Bracket	
133	1001142501	1	Fitting, 90 Barbed	
134	1001154405	5 ft/ 1.5m	Hose	
135	1001148843	1	Harness, Fuel Filter (Not Shown - See Separate Breakdown in ELECTRICAL Section)	
137	1703162	2	Decal - Fan	
138	0641503	1	Bolt 5/16 x 3/8	
139	1001153387	1	Plate	
140	3931508	2	Capscrew 5/16 x 1/2	
141	1001155823	1	Coupling	
142	0100062	AR	Adhesive, Loctite #680	
143	4240099	AR	Tie-Strap (Not Shown)	
144	8410011	1	Clamp	
145	0700812	1	Bolt M8 x 25	
146	1321289	1	Clamp	
147	3290806	1	Nut M8	
148	0641510	2	Bolt 5/16 x 1-1/4	
149	0641612	2	Bolt 3/8 x 1-1/2	

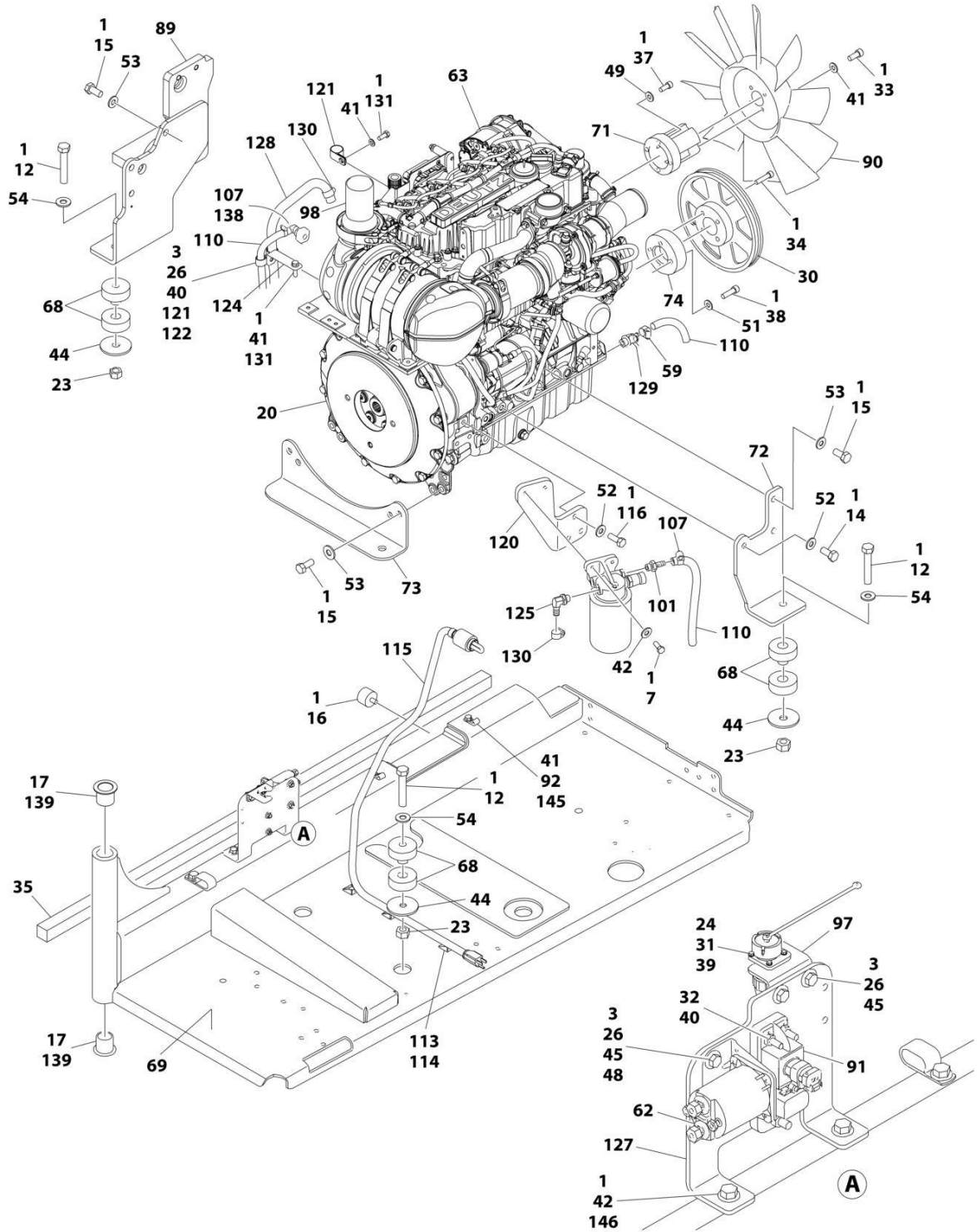
SECTION 3 - ENGINE

FIGURE 3-35. DEUTZ TCD2.9L4 ENGINE ASSEMBLY (WITH COLD WEATHER PLUS PACKAGE)



ART_1001141746_AS_10F2

SECTION 3 - ENGINE



ART_1001141746_AS_20F2

SECTION 3 - ENGINE

FIGURE 3-35. DEUTZ TCD2.9L4 ENGINE ASSEMBLY (WITH COLD WEATHER PLUS PACKAGE)

ITEM	PART NUMBER	QTY	DESCRIPTION	REV
	1001141746	Ref	DEUTZ TCD2.9L4 ENGINE ASSEMBLY	AS
1	0100011	AR	Compound, Locking	
2	0100020	AR	Sealant	
3	0641406	5	Bolt 1/4 x 3/4	
5	0641508	8	Bolt 5/16 x 1	
6	0641606	2	Bolt 3/8 x 3/4	
7	0641608	9	Bolt 3/8 x 1	
8	0641610	2	Bolt 3/8 x 1-1/4	
9	0641708	6	Bolt 7/16 x 1	
10	0700815	2	Bolt M8 x 35	
12	0682028	4	Bolt 5/8 x 3-1/2 Grade 8	
14	0771212	1	Bolt M12 x 25 Grade 10.9	
15	0771414	9	Bolt M14 x 30 Grade 10.9	
16	0940070	1	Bumper	
17	0961986	2	Bushing, Flanged	
18	0641706	2	Bolt 7/16 x 3/4	
20	2902065	1	Pump Coupling Kit (See Separate Breakdown in this Section)	
22	3290801	3	Nut M8	
23	3272001	4	Nut 5/8 Grade 8	
24	3310401	3	Nut #4	
25	8406302	2	Clamp	
26	3311405	6	Nut 1/4	
28	3311605	9	Nut 3/8	
29	3311705	5	Nut 7/16	
30	3580320	1	Pulley	
31	3910408	3	Screw #4 x 1/2	
32	3931432	1	Capscrew 1/4 x 2	
33	3931512	4	Capscrew 5/16 x 3/4	
34	3931628	4	Capscrew 3/8 x 1-3/4	
35	3960543	1	Seal	
36	3960544	1	Seal	
37	4031914	4	Bolt M8 x 50	
38	4032014	4	Bolt M10 x 50	
39	4710400	3	Washer #4	
40	4711400	3	Washer 1/4	
41	4711500	19	Washer 5/16	
42	4711600	24	Washer 3/8	
43	4711700	10	Washer 7/16	
44	1001146219	4	Washer Special	
45	4751400	8	Washer 1/4	
47	4751700	2	Washer 7/16	
48	4791400	2	Starwasher 1/4	
49	4811900	5	Washer M8	
50	4811902	2	Washer M8	
51	4812000	4	Washer M10	
52	4812100	4	Washer M12	
53	4812200	9	Washer M14	
54	4892000	4	Washer 5/8	
55	4831900	2	Washer M8	
56	8405201	8	Clamp	

SECTION 3 - ENGINE

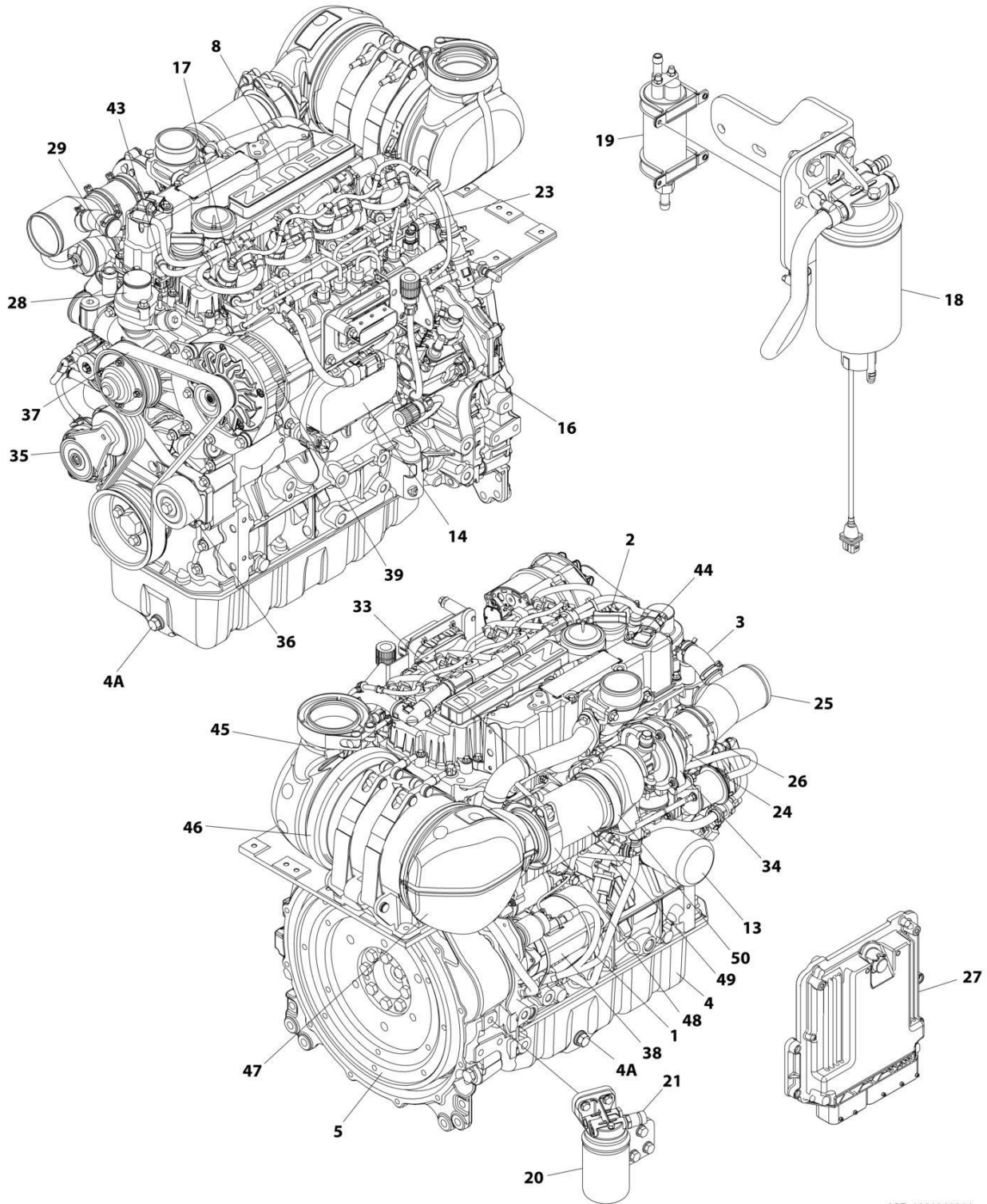
ITEM	PART NUMBER	QTY	DESCRIPTION	REV
57	8405204	5	Clamp	
59	8410013	5	Clamp	
60	91563070	1	Coupling, Rubber	
62	1001117308	1	Relay	
63	1001249964	1	Engine, Deutz TCD2.9L4 (See Separate Breakdown in this Section)	
66	1001133634	1	Clamp	
67	1001166393	1	Tank, Surge	
68	1001155575	4	Mount, Motor	
69	1001191272	1	Tray	
70	1001256864	1	Radiator	
71	1001135138	1	Spacer, Fan	
72	1001135560	1	Support, Engine	
73	1001135562	1	Support, Engine - Rear	
74	1001135679	1	Spacer, Pulley	
75	1001135680	1	Support, Radiator	
76	1001135901	1	Pipe, Air Intake	
77	1001264917	1	Hose, Air Intake	
78	1001135913	1	Pipe, Turbo to Air Cleaner	
79	1001264982	1	Hose, Air Cleaner to Intake	
80	1001135924	1	Hose, Radiator (Upper)	
81	1001135926	1	Hose, Radiator (Lower)	
82	1001135943	1	Coupling, Rubber	
85	1001138827	1	Sensor, Coolant Level	
86	1001136626	2	Bracket	
87	1001136665	1	Bracket	
88	1001136834	1	Cap, Tank	
89	1001283008	1	Support, Engine	
90	1001137276	1	Fan	
91	1001138228	1	Module, Power	
91	70023592	1	Fuse 20Amp (Switched Output)	
91	70023593	1	Fuse 30Amp (Battery Output)	
92	1001138253	5	Clamp	
94	1001138346	1	Harness, Engine (Not Shown - See Separate Breakdown in ELECTRICAL Section)	
95	1001138524	1	Hose	
96	1001138559	1	Fitting, 90	
97	1001139240	1	Bracket	
98	1001153024	1	Pipe, Exhaust	
100	1001141304	1	Wire, Glow Plug (Not Shown)	
101	1001141717	1	Fitting, Straight	
102	1001141719	1	Fitting, 90 Barbed	
103	1001140564	1	Fitting, 90 Barbed	
104	1001133633	1	Air Cleaner Assembly	
104	70024190	1	Element, Air Filter	
105	1001135779	1	Cable, Alternator Positive (Not Shown)	
106	1001138248	4 ft/ 1.2m	Tubing	
107	1320022	2	Clamp	
108	2720015	4.5 ft/ 1.4m	Hose	
110	1001165035	30.5 ft/ 9.3m	Hose	

SECTION 3 - ENGINE

ITEM	PART NUMBER	QTY	DESCRIPTION	REV
112	8405007	2	Clamp	
113	4240099	AR	Tie-Strap (Used to Secure Block Heater Cord)	
114	4460234	3	Mount, Wire Tie (Used to Secure Block Heater Cord)	
115	1001140312	1	Heater, Block	
116	0761214	3	Bolt M12 x 30	
117	1001165820	1	Pipe, Elbow	
118	1001143390	1	Indicator, Air Filter Service	
120	1001142685	1	Bracket	
121	8406102	AR	Clip	
122	8406112	1	Clip	
123	1001134488	1	Fitting, 90 Barbed	
124	1001138717	1	Bracket	
125	1001142501	1	Fitting, 90 Barbed	
126	1001144089	1	Grommet	
127	1001145154	1	Plate, Mounting	
128	1001154405	5 ft/ 1.5m	Hose	
129	4640751	1	Valve, Oil Drain	
130	8405006	2	Clamp	
131	0760810	AR	Bolt M8 x 20	
132	1001148843	1	Harness, Fuel Filter (Not Shown - See Separate Breakdown in ELECTRICAL Section)	
134	1703162	2	Decal - Fan	
135	0641503	1	Bolt 5/16 x 3/8	
136	1001153387	1	Plate	
137	3931508	2	Capscrew 5/16 x 1/2	
138	1001155823	1	Coupling	
139	0100062	AR	Adhesive, Loctite #680	
140	1001181895	AR	Adhesive, Loctite #640 (Not Shown - Apply to Block Heater)	
141	0700812	1	Bolt M8 x 25	
142	8410011	1	Clamp	
143	1321289	1	Clamp	
144	3290806	1	Nut M8	
145	0641510	2	Bolt 5/16 x 1-1/4	
146	0641612	2	Bolt 3/8 x 1-1/2	

SECTION 3 - ENGINE

FIGURE 3-36. DEUTZ TCD2.9L4 ENGINE COMPONENTS



ART_1001249964

SECTION 3 - ENGINE

FIGURE 3-36. DEUTZ TCD2.9L4 ENGINE COMPONENTS

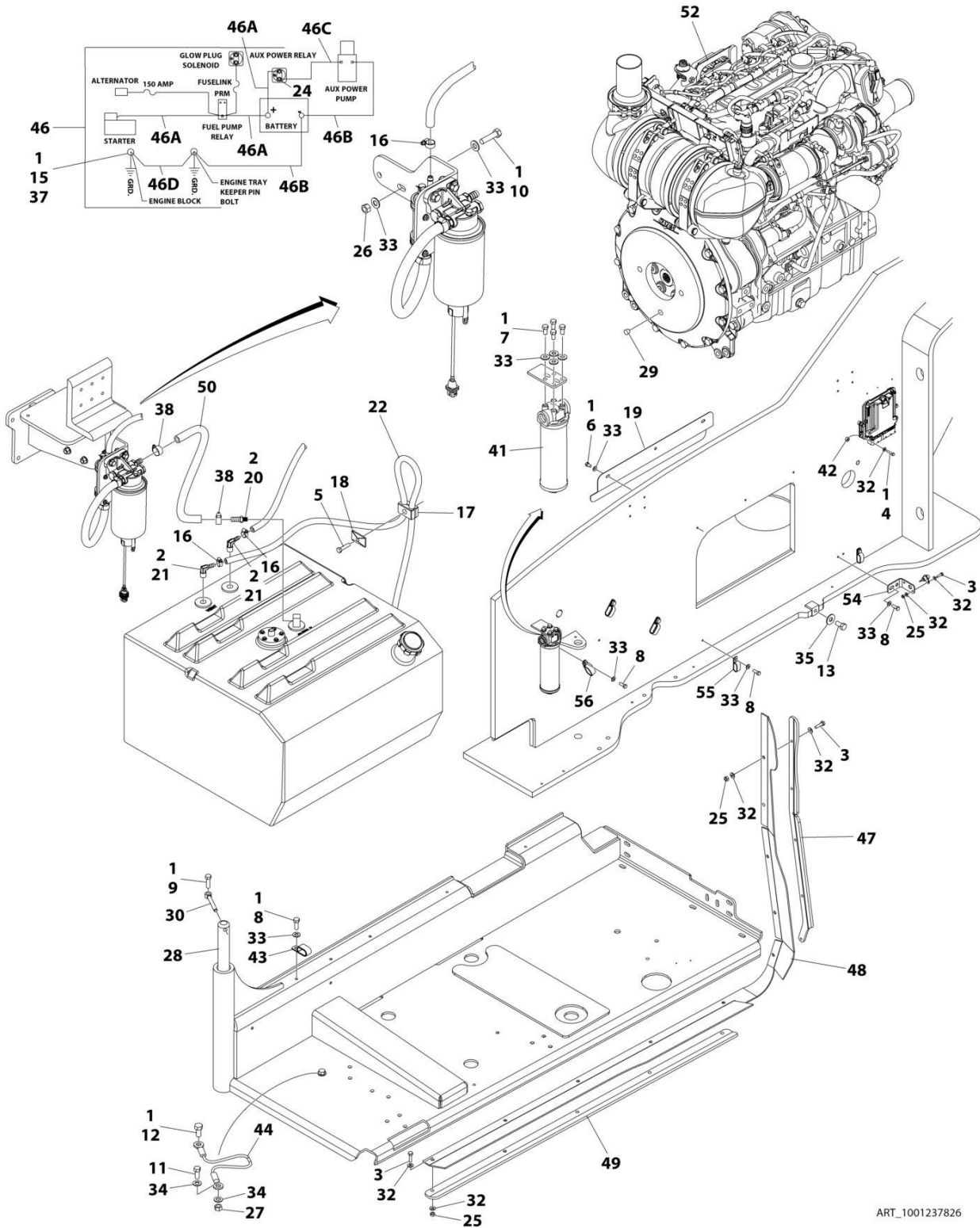
ITEM	PART NUMBER	QTY	DESCRIPTION	REV
	1001249964	Ref	DEUTZ TCD2.9L4 ENGINE COMPONENTS	A
1	70024904	1	Dipstick	
1	70024905	1	O-Ring	
2	7020465	2	Cap, Filler	
3	7002511	2	Clamp	
4		Ref	Pan, Oil	
4A	70005941	2	Plug	
4A	70005942	2	Washer, Sealing	
5	70001870	1	Flywheel	
5	7024579	1	Gear, Ring	
6	70024906	1	Gasket, Head (Not Shown)	
8	70005921	1	Cover, Valve	
8	70005171	1	Gasket	
8	70025205	1	Gasket, Small Valve Cover	
10	70004280	1	Seal, Shaft - Front (Not Shown)	
11	70002718	1	Seal, Shaft - Rear (Not Shown)	
12	70005172	1	Pump, Oil Lube (Not Shown)	
12	70025135	1	O-Ring	
12	70025136	1	Gasket	
13	7016331	1	Filter, Oil	
13	70025137	1	Bushing	
14	70024494	1	Cooler, Engine Oil	
14	70024925	1	Gasket	
16	70024924	1	Pump, Fuel	
16	70025152	1	O-Ring	
16	70004505	1	Valve, Overflow	
16	70004506	1	O-Ring	
16	70004507	1	O-Ring	
16	70004508	1	Valve Volume Control	
16	70004509	1	O-Ring	
16	70004510	1	Gasket	
17	70025181	4	Injector, Fuel	
17	70025140	4	Washer, Sealing	
17	70025146	4	Clamp (Top of Injector)	
17	70025145	4	O-Ring	
17	70025154	4	Shoe, Clamping	
17	70000345	1	Plug, Glow (Not Shown)	
18	70024961	1	Fuel Filter Assembly	
18	1001225430	1	Filter, Fuel	
18	70024513	1	Cable, Sensor	
18	70025239	1	Ring, Sealing	
19	70006144	1	Pump, Fuel	
19	70025144	2	Clamp	
20	70029451	1	Filter with Head	
20	1001225431	1	Filter, Fuel	
21	70024919	1	Sensor, Pressure	
21	70024920	1	O-Ring	
22	70025151	1	Rail, Fuel (Not Shown)	
22	70025235	1	Repair Kit (Not Shown)	
23	70025182	1	Fuel Line - High Pressure (Cylinder 1 & 2)	

SECTION 3 - ENGINE

ITEM	PART NUMBER	QTY	DESCRIPTION	REV
23	70025183	1	Fuel Line - High Pressure (Cylinder 3 & 4)	
23	70025184	1	Fuel Line - High Pressure (Supply)	
24	70004501	1	Sleeve, Rubber	
25	70004502	1	Pipe, Intake	
25	70005926	1	Pipe, Elbow	
26	70025112	2	Clamp	
27	70025210	1	ECU (Engine Control Unit)	
28	70029797	1	Pump, Water	
28	70025200	1	Ring, Sealing	
28	70007325	1	Gasket	
28	7020492	2	Ring, Sealing (Plug)	
29	70005929	1	Thermostat	
29	70025184	1	O-Ring (Thermostat to Cover)	
29	70005931	1	Gasket (Thermostat to Pump)	
29	70025142	1	Cover, Thermostat	
31	70007326	1	Valve, Shuttle (EGR) (Not Shown)	
31	70007327	1	Gasket	
33	70004282	1	Manifold, Exhaust	
33	70025164	1	Gasket, Exhaust Manifold to Head	
33	70029557	1	Gasket, Exhaust Manifold to Pipe	
34	70007328	1	Turbocharger	
34	70024912	1	Gasket, Exhaust Manifold	
35	70028699	1	Tensioner, Belt	
36		Ref	Idler Roller	
37	70004277	1	Belt, Drive	
38	70024915	1	Starter	
38	70005647	1	Switch, Solenoid	
38	70005648	1	Relay	
39	70029401	1	Generator	
39	70006653	1	Regulator, Voltage	
40	70007329	1	Harness, Engine (Not Shown)	
41	70024504	1	Sensor, Pressure (Not Shown - Located Top Rear)	
41	70024920	1	O-Ring	
42	70026210	2	Sensor, Speed (Not Shown - Located Left Side Front and Flywheel Housing)	
42	70024917	2	O-Ring	
43	70028540	1	Sender, Temperature	
44	70024507	1	Sensor, Pressure	
44	70025120	1	O-Ring	
45	70007331	1	Outlet, Muffler	
46	70029517	1	Clip	
46	70029520	1	Gasket	
47	70007330	1	Inlet	
48	70025877	1	Clip	
48	70025788	1	Nut	
48	70025242	1	Gasket	
49	70004504	1	Compensator	
50	70005527	1	Clip	
50	70029433	1	Clip	
50	70025242	1	Gasket	

SECTION 3 - ENGINE

FIGURE 3-37. DEUTZ TCD2.9L4 (STAGE V) DIESEL ENGINE INSTALLATION - WITH SAUER PUMPS AND ABS HOODS (WITHOUT COLD WEATHER PLUS PACKAGE)



ART_1001237826

SECTION 3 - ENGINE

FIGURE 3-37. DEUTZ TCD2.9L4 (STAGE V) DIESEL ENGINE INSTALLATION - WITH SAUER PUMPS AND ABS HOODS (WITHOUT COLD WEATHER PLUS PACKAGE)

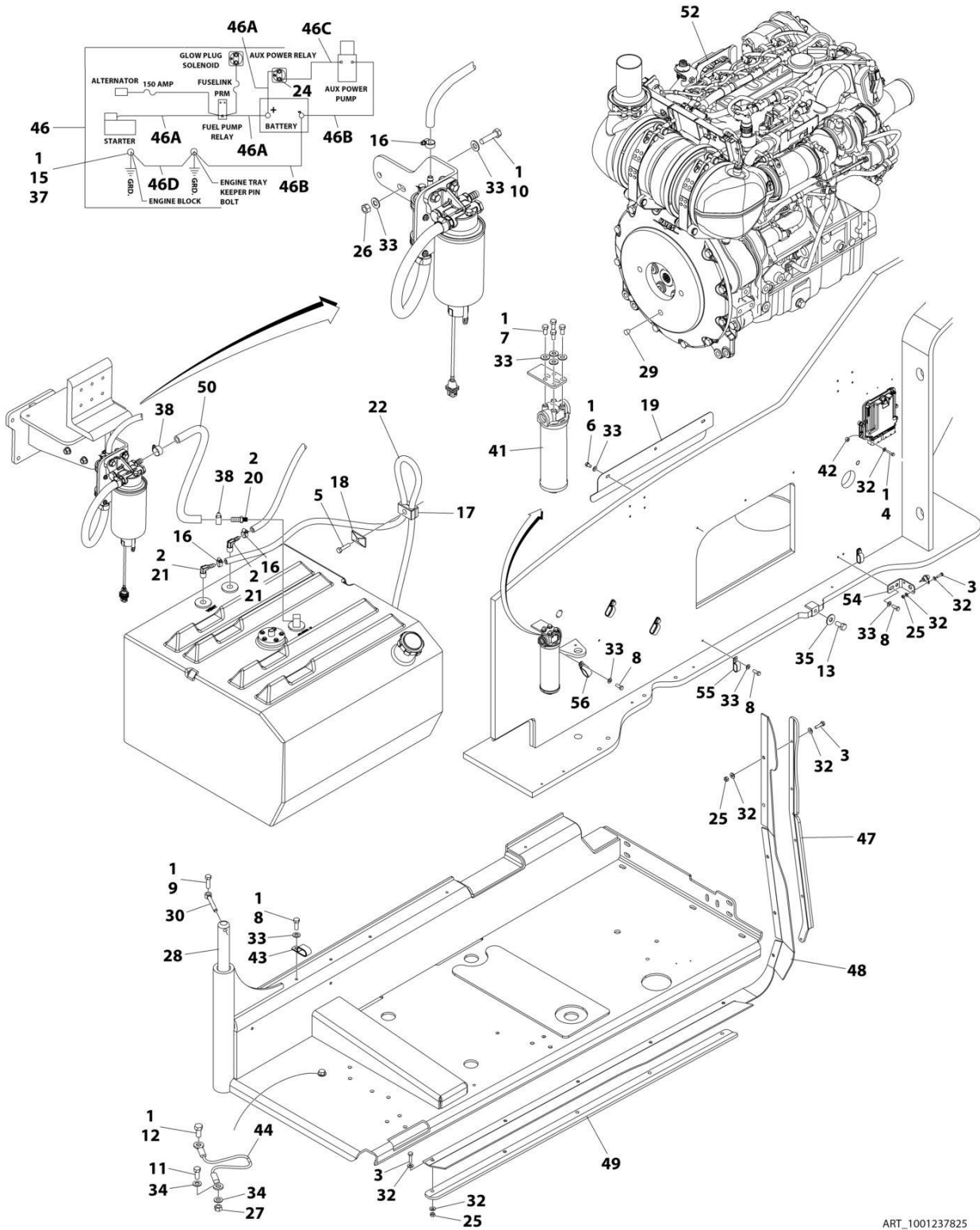
ITEM	PART NUMBER	QTY	DESCRIPTION	REV
	1001237826	Ref	DEUTZ TCD2.9L4 (Stage V) DIESEL ENGINE INSTALLATION - WITH SAUER PUMPS AND ABS HOODS (WITHOUT COLD WEATHER PLUS PACKAGE)	F
1	0100011	AR	Compound, Locking	
2	0100079	AR	Sealant, Pipe	
3	0641408	11	Bolt 1/4 x 1	
4	0641410	4	Bolt 1/4 x 1-1/4	
5	0641511	1	Bolt 5/16 x 1-3/8	
6	0641605	3	Bolt 3/8 x 5/8	
7	0641606	4	Bolt 3/8 x 3/4	
8	0641608	8	Bolt 3/8 x 1	
9	0641610	1	Bolt 3/8 x 1-1/4	
10	0641612	2	Bolt 3/8 x 1-1/2	
11	0641708	1	Bolt 7/16 x 1	
12	0641808	1	Bolt 1/2 x 1	
13	0642010	1	Bolt 5/8 x 1-1/4	
15	0761210	1	Bolt M12 x 20	
16	1320022	3	Clamp	
17	1320187	1	Clamp	
18	1320190	1	Cover, Clamp	
19	1671121	1	Cover	
20	2180832	1	Fitting, Barbed	
21	2220313	2	Fitting, Elbow Barbed	
22	2750532	5 ft/ 1.5m	Hose	
24	3300220	2	Nut 5/16	
25	3311405	11	Nut 1/4	
26	3311605	2	Nut 3/8	
27	3311705	1	Nut 7/16	
28	3422446	1	Pin, Pivot	
29	3520054	1	Plug	
30	3841143	1	Pin, Keeper	
31	4240018	2	Strap, Tie (Not Shown)	
32	4711400	26	Washer 1/4	
33	4711600	19	Washer 3/8	
34	4711700	2	Washer 7/16	
35	4752000	1	Washer 5/8	
37	4812100	1	Washer M12	
38	8405006	2	Clamp	
41	1001108617	1	Filter	
41	70002231	1	Element, Filter	
42	1001110425	4	Spacer	
43	1001116792	1	Clamp	
44	1001131542	1	Lanyard	
45	1001138491	NLA	Harness, Fuel (Use p/n 1001222665) (Not Shown - See Separate Breakdown in ELECTRICAL Section)	
46	1001141225	1	Battery Cable Kit	E
46A	7027042	1	Cable, Battery (Red) (Battery + to Relays and Starter)	
46B	7027043	1	Cable, Battery (Black) (Battery - to Tray Pivot Grd and Aux Pump)	
46C	7027044	1	Cable (Red) (Aux Relay to Aux Pump)	

SECTION 3 - ENGINE

ITEM	PART NUMBER	QTY	DESCRIPTION	REV
46D	7027045	1	Cable, Battery (Black) (Engine to Tray Pivot Grd)	
47	1001145089	1	Clamp	
48	1001145560	1	Panel, Rubber	
49	1001145842	1	Plate, Clamping	
50	1001154405	2 ft/ 0.6m	Hose	
52	1001235150	1	Engine, Deutz TCD2.9L4 (See Separate Breakdown in this Section)	
53	1001146588	1	Strap (Not Shown)	
54	1001256879	1	Bracket	
55	1321283	2	Clamp	
56	1321716	3	Clamp	
57	4240099	AR	Tie-Strap (Not Shown)	

SECTION 3 - ENGINE

FIGURE 3-38. DEUTZ TCD2.9L4 (STAGE V) DIESEL ENGINE INSTALLATION - WITH REXROTH PUMPS AND ABS HOODS (WITHOUT COLD WEATHER PLUS PACKAGE)



ART_1001237825

SECTION 3 - ENGINE

FIGURE 3-38. DEUTZ TCD2.9L4 (STAGE V) DIESEL ENGINE INSTALLATION - WITH REXROTH PUMPS AND ABS HOODS (WITHOUT COLD WEATHER PLUS PACKAGE)

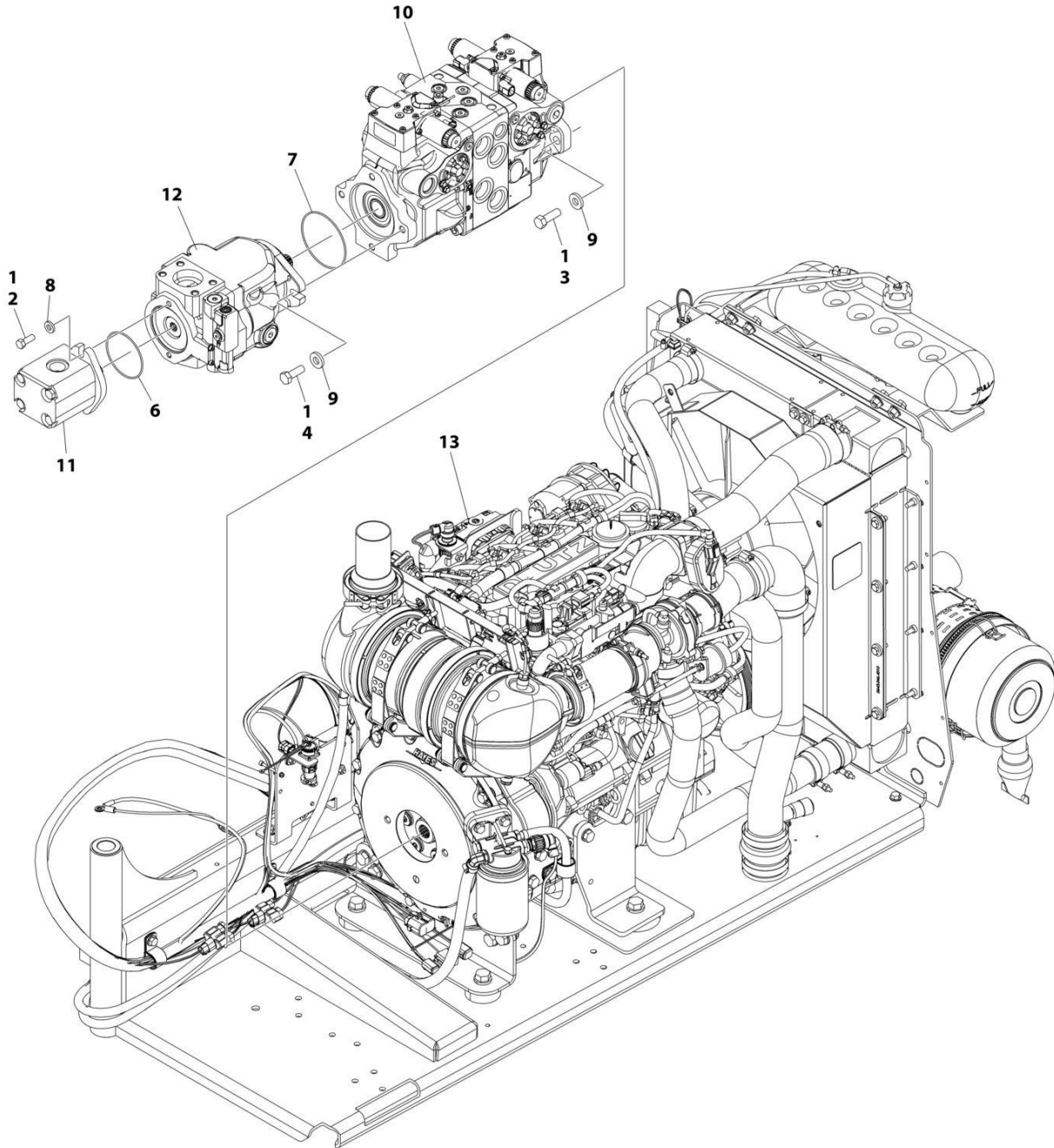
ITEM	PART NUMBER	QTY	DESCRIPTION	REV
	1001237825	1	DEUTZ TCD2.9L4 (Stage V) DIESEL ENGINE INSTALLATION - WITH REXROTH PUMPS AND ABS HOODS (WITHOUT COLD WEATHER PLUS PACKAGE)	F
1	0100011	AR	Compound, Locking	
2	0100079	AR	Sealant, Pipe	
3	0641408	11	Bolt 1/4 x 1	
4	0641410	4	Bolt 1/4 x 1-1/4	
5	0641511	1	Bolt 5/16 x 1-3/8	
6	0641605	3	Bolt 3/8 x 5/8	
7	0641606	4	Bolt 3/8 x 3/4	
8	0641608	8	Bolt 3/8 x 1	
9	0641610	1	Bolt 3/8 x 1-1/4	
10	0641612	2	Bolt 3/8 x 1-1/2	
11	0641708	1	Bolt 7/16 x 1	
12	0641808	1	Bolt 1/2 x 1	
13	0642010	1	Bolt 5/8 x 1-1/4	
15	0761210	1	Bolt M12 x 20	
16	1320022	3	Clamp	
17	1320187	1	Clamp	
18	1320190	1	Cover, Clamp	
19	1671121	1	Cover	
20	2180832	1	Fitting, Barbed	
21	2220313	2	Fitting, Elbow Barbed	
22	2750532	5 ft/ 1.5m	Hose	
24	3300220	2	Nut 5/16	
25	3311405	11	Nut 1/4	
26	3311605	2	Nut 3/8	
27	3311705	1	Nut 7/16	
28	3422446	1	Pin, Pivot	
29	3520054	1	Plug	
30	3841143	1	Pin, Keeper	
31	4240018	2	Strap, Tie (Not Shown)	
32	4711400	26	Washer 1/4	
33	4711600	19	Washer 3/8	
34	4711700	2	Washer 7/16	
35	4752000	1	Washer 5/8	
37	4812100	1	Washer M12	
38	8405006	2	Clamp	
41	1001108617	1	Filter	
41	70002231	1	Element, Filter	
42	1001110425	4	Spacer	
43	1001116792	1	Clamp	
44	1001131542	1	Lanyard	
45	1001138491	NLA	Harness, Fuel (Use p/n 1001222665) (Not Shown - See Separate Breakdown in ELECTRICAL Section)	
46	1001141225	1	Battery Cable Kit	E
46A	7027042	1	Cable, Battery (Red) (Battery + to Relays and Starter)	
46B	7027043	1	Cable, Battery (Black) (Battery - to Tray Pivot Grd and Aux Pump)	
46C	7027044	1	Cable (Red) (Aux Relay to Aux Pump)	

SECTION 3 - ENGINE

ITEM	PART NUMBER	QTY	DESCRIPTION	REV
46D	7027045	1	Cable, Battery (Black) (Engine to Tray Pivot Grd)	
47	1001145089	1	Clamp	
48	1001145560	1	Panel, Rubber	
49	1001145842	1	Plate, Clamping	
50	1001154405	2 ft/ 0.6m	Hose	
52	1001235149	1	Engine, Deutz TCD2.9L4 (See Separate Breakdown in this Section)	
53	1001146588	1	Strap (Not Shown)	
54	1001256879	1	Bracket	
55	1321283	2	Clamp	
56	1321716	3	Clamp	
57	4240099	AR	Tie-Strap (Not Shown)	

SECTION 3 - ENGINE

FIGURE 3-39. DEUTZ TCD2.9L4 (STAGE V) ENGINE SUB-ASSEMBLY - WITH SAUER PUMP AND ABS HOODS (WITHOUT COLD WEATHER PLUS PACKAGE)



ART_1001235150

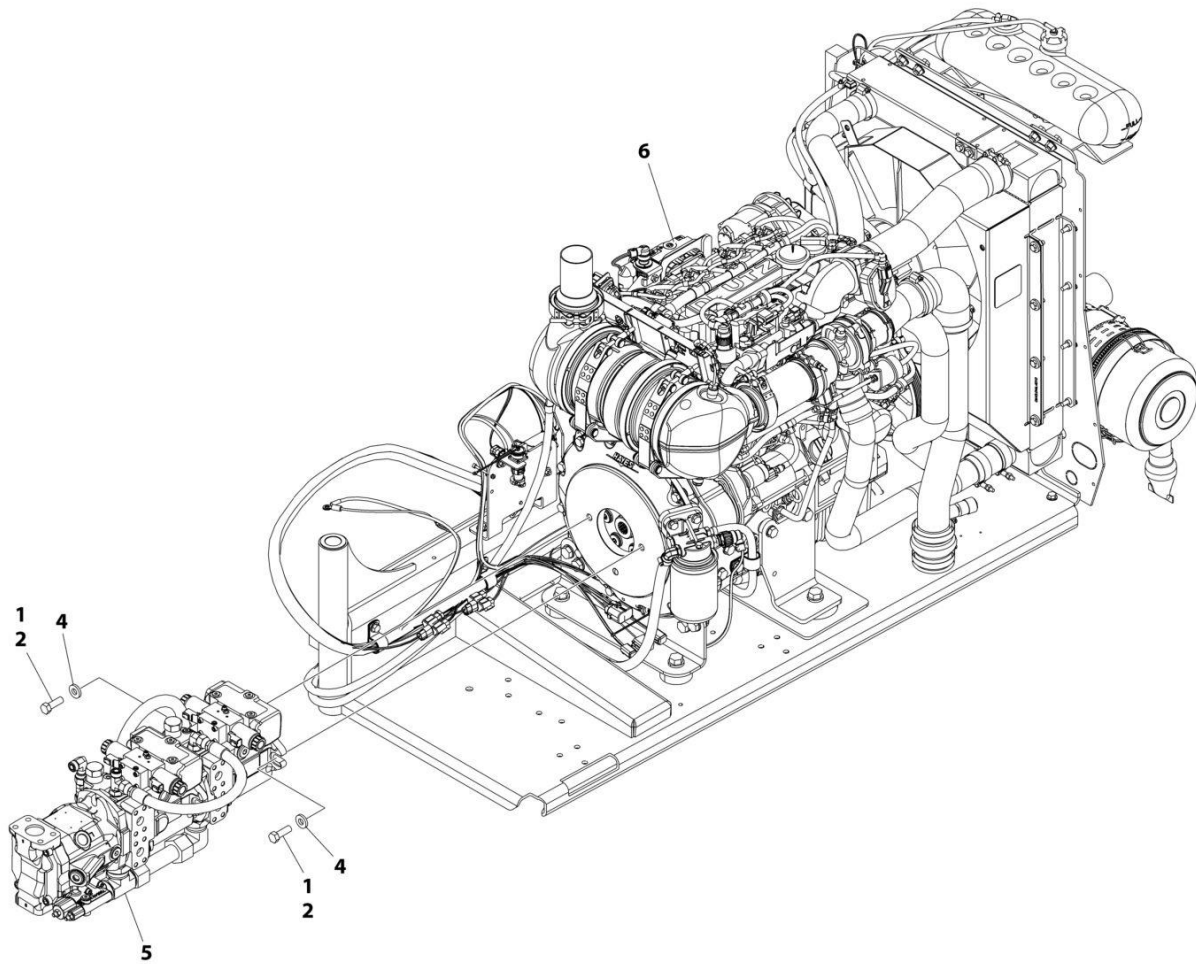
SECTION 3 - ENGINE

FIGURE 3-39. DEUTZ TCD2.9L4 (STAGE V) ENGINE SUB-ASSEMBLY - WITH SAUER PUMP AND ABS HOODS (WITHOUT COLD WEATHER PLUS PACKAGE)

ITEM	PART NUMBER	QTY	DESCRIPTION	REV
	1001235150	Ref	DEUTZ TCD2.9L4 (STAGE V) ENGINE SUB-ASSEMBLY	Q
1	0100011	AR	Compound, Locking	
2	0641608	2	Bolt 3/8 x 1	
3	0641812	2	Bolt 1/2 x 1-1/2	
3	0641814	2	Bolt 1/2 x 1-3/4	
4	0761215	2	Bolt M12 x 35	
6	3790152	1	O-Ring	
7	3790155	1	O-Ring	
8	4891600	2	Washer 3/8	
9	4891800	4	Washer 1/2	
10	1001108616	1	Pump Assembly - Sauer Tandem (See Separate Breakdown in this Section)	
11	1001112927	1	Pump Assembly - Sauer Gear (See Separate Breakdown in this Section)	
12	1001171095	1	Pump Assembly - Sauer Piston (See Separate Breakdown in this Section)	
13	1001235151	1	Engine Assembly (See Separate Breakdown in this Section)	

SECTION 3 - ENGINE

FIGURE 3-40. DEUTZ TCD2.9L4 (STAGE V) ENGINE SUB-ASSEMBLY - WITH REXROTH PUMP AND ABS HOODS (WITHOUT COLD WEATHER PLUS PACKAGE)



ART_1001235149

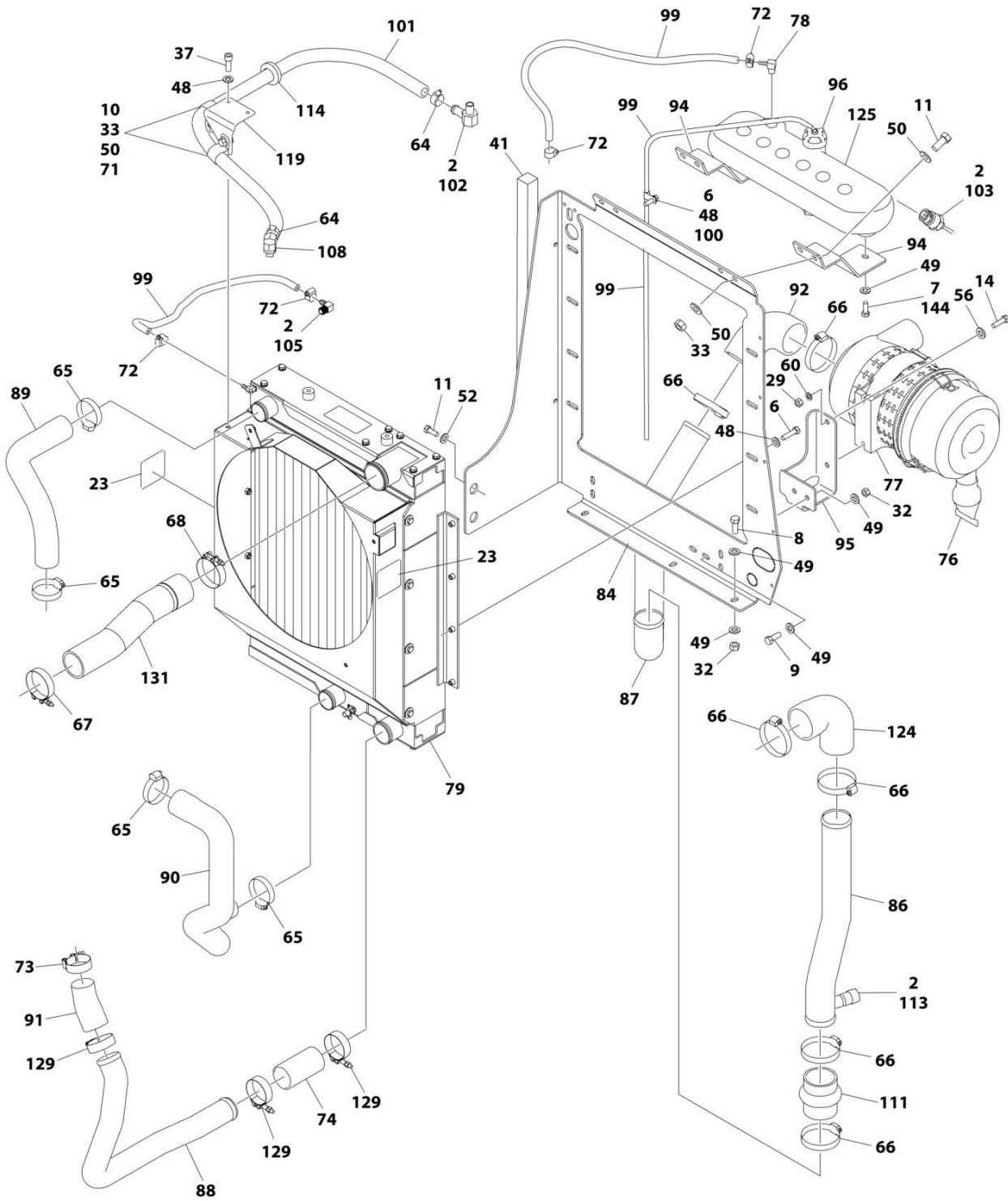
SECTION 3 - ENGINE

FIGURE 3-40. DEUTZ TCD2.9L4 (STAGE V) ENGINE SUB-ASSEMBLY - WITH REXROTH PUMP AND ABS HOODS (WITHOUT COLD WEATHER PLUS PACKAGE)

ITEM	PART NUMBER	QTY	DESCRIPTION	REV
	1001235149	Ref	DEUTZ TCD2.9L4 (STAGE V) ENGINE SUB-ASSEMBLY	Q
1	0100011	AR	Compound, Locking	
2	0641812	2	Bolt 1/2 x 1-1/2	
2	0641814	2	Bolt 1/2 x 1-3/4	
4	4891800	2	Washer 1/2	
5	1001152963	1	Pump Assembly - Rexroth (See Separate Breakdown in this Section)	
6	1001235151	1	Engine Assembly (See Separate Breakdown in this Section)	

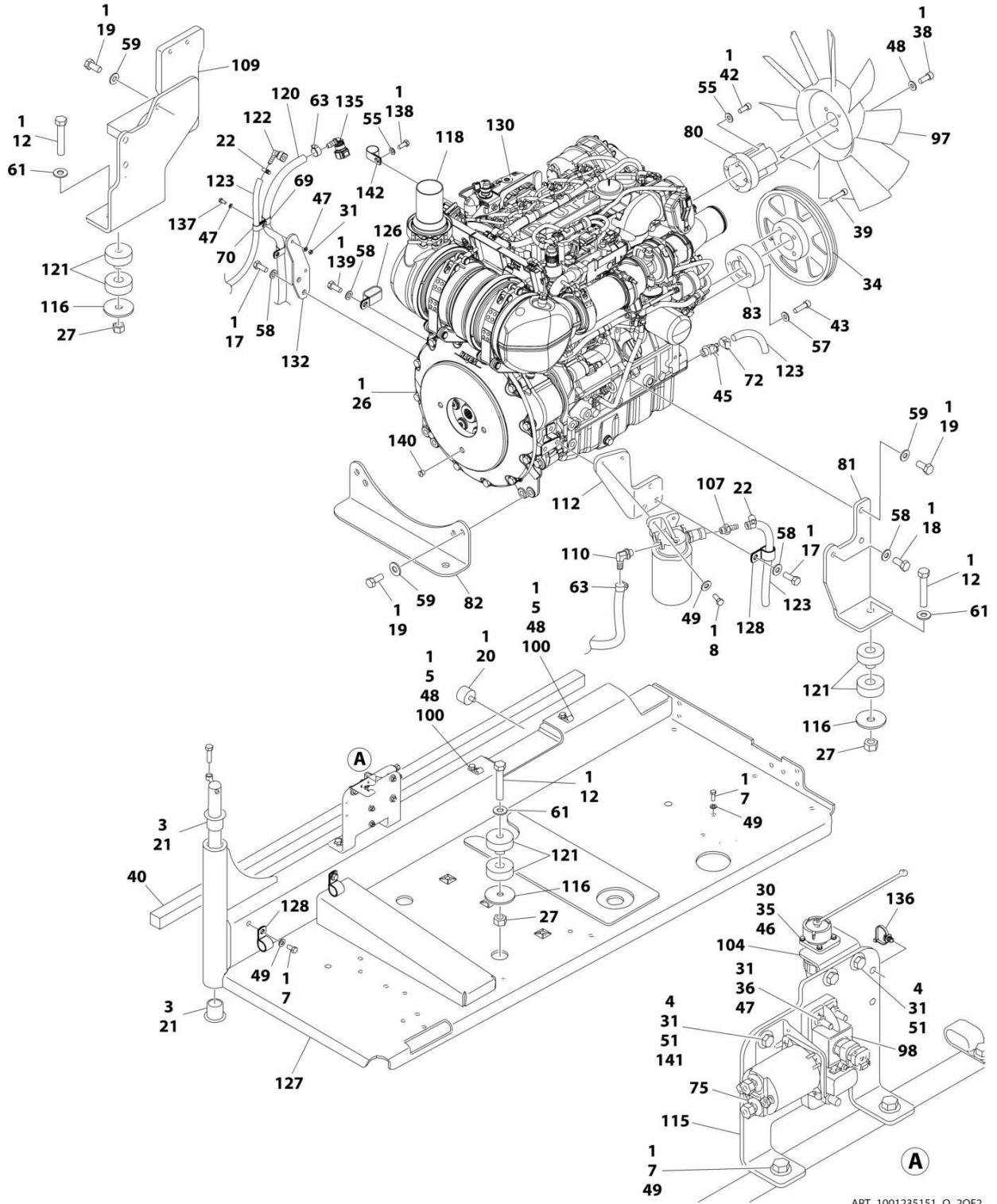
SECTION 3 - ENGINE

FIGURE 3-41. DEUTZ TCD2.9L4 (STAGE V) ENGINE ASSEMBLY (WITHOUT COLD WEATHER PLUS PACKAGE)



ART_1001235151_O_10F2

SECTION 3 - ENGINE



ART_1001235151_O_20F2

SECTION 3 - ENGINE

FIGURE 3-41. DEUTZ TCD2.9L4 (STAGE V) ENGINE ASSEMBLY (WITHOUT COLD WEATHER PLUS PACKAGE)

ITEM	PART NUMBER	QTY	DESCRIPTION	REV
	1001235151	Ref	DEUTZ TCD2.9L4 (STAGE V) ENGINE ASSEMBLY	O
1	0100011	AR	Compound, Locking	
2	0100020	AR	Sealant	
3	0100062	AR	Adhesive, Loctite #680	
4	0641406	4	Bolt 1/4 x 3/4	
5	0641503	3	Bolt 5/16 x 3/8	
6	0641508	8	Bolt 5/16 x 1-1/4	
7	0641606	7	Bolt 3/8 x 3/4	
8	0641608	9	Bolt 3/8 x 1	
9	0641610	2	Bolt 3/8 x 1-1/4	
10	0641706	2	Bolt 7/16 x 3/4	
11	0641708	6	Bolt 7/16 x 1	
12	0682028	4	Bolt 5/8 x 3-1/2 Grade 8	
14	0700815	2	Bolt M8 x 35	
17	0761214	5	Bolt M12 x 30	
18	0771212	1	Bolt M12 x 25 Grade 10.9	
19	0771414	9	Bolt M14 x 30 Grade 10.9	
20	0940070	1	Bumper	
21	0961986	2	Bushing, Flanged	
22	1320022	2	Clamp	
23	1703162	2	Decal - Fan	
26	2902065	1	Pump Coupling Kit (See Separate Breakdown in this Section)	
27	3272001	4	Nut 5/8 Grade 8	
29	3290801	2	Nut M8	
30	3310401	3	Nut #4	
31	3311405	7	Nut 1/4	
32	3311605	9	Nut 3/8	
33	3311705	5	Nut 7/16	
34	1001260432	1	Pulley	
35	3910408	3	Screw #4 x 1/2	
36	3931432	1	Capscrew 1/4 x 2	
37	3931508	2	Capscrew 5/16 x 1/2	
38	3931512	4	Capscrew 5/16 x 3/4	
39	1001261085	4	Screw M10	
40	3960543	1	Seal	
41	3960544	1	Seal	
42	4031914	4	Bolt M8 x 50	
43	1001261045	4	Screw M10	
44	4240099	AR	Tie-Strap (Not Shown)	
45	4640751	1	Valve, Oil Drain	
46	4710400	3	Washer #4	
47	4711400	5	Washer 1/4	
48	4711500	17	Washer 5/16	
49	4711600	27	Washer 3/8	
50	4711700	10	Washer 7/16	
51	4751400	8	Washer 1/4	
52	4751700	2	Washer 7/16	
54	4811700	4	Washer M6	
55	4811900	5	Washer M8	

SECTION 3 - ENGINE

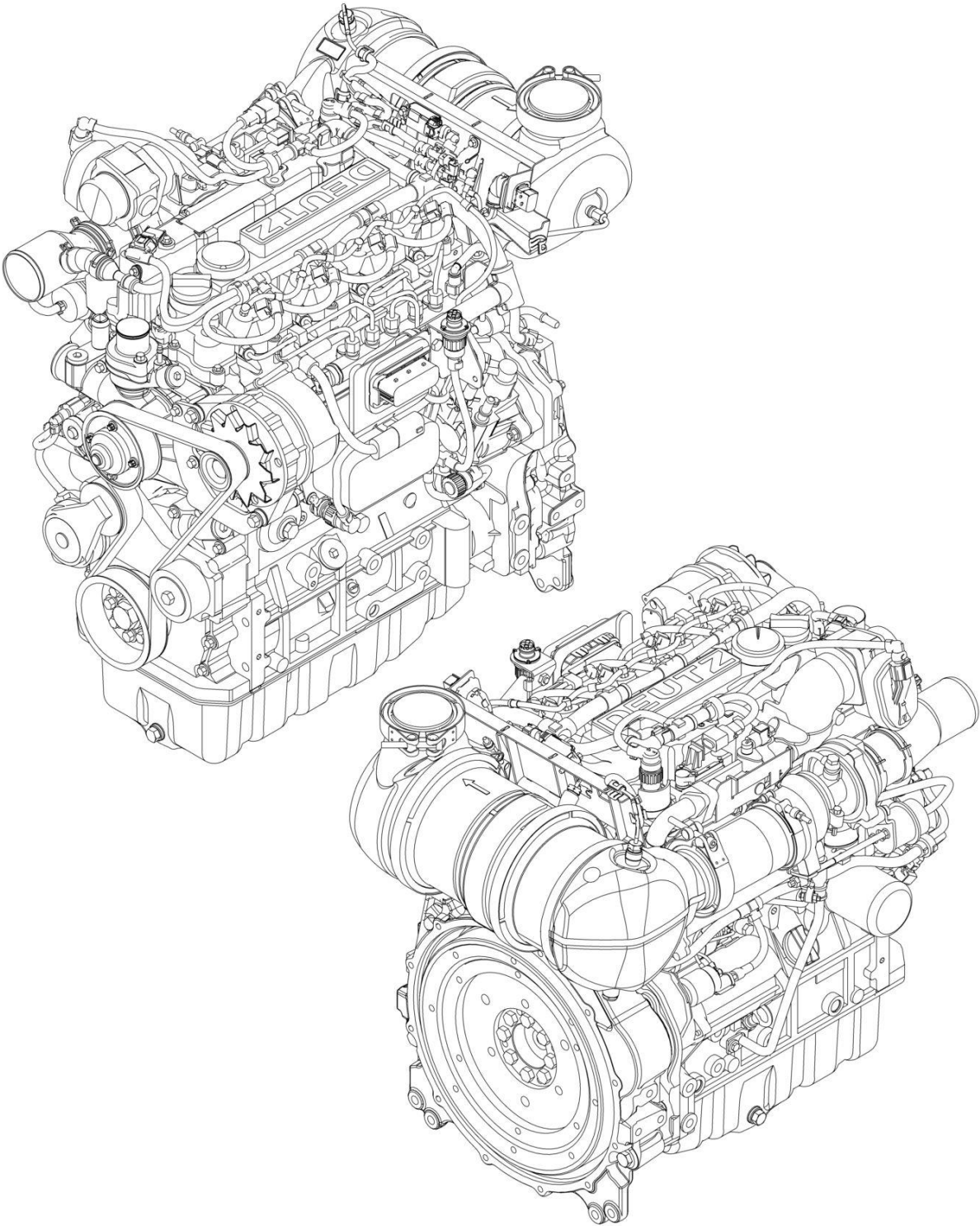
ITEM	PART NUMBER	QTY	DESCRIPTION	REV
56	4811902	2	Washer M8	
57	4812000	4	Washer M10	
58	4812100	7	Washer M12	
59	4812200	9	Washer M14	
60	4831900	2	Washer M8	
61	4892000	4	Washer 5/8	
63	8405006	2	Clamp	
64	8405007	2	Clamp	
65	8405201	4	Clamp	
66	8405204	6	Clamp	
67	8405212	1	Clamp	
68	8405213	1	Clamp	
69	8406102	2	Clip	
70	8406112	1	Clip	
71	8406302	2	Clamp	
72	8405009	5	Clamp	
73	8410014	1	Clamp	
74	91563070	1	Coupling, Rubber	
75	1001117308	1	Relay	
76	1001133633	1	Air Cleaner Assembly	
76	70024190	1	Element, Air Filter	
77	1001133634	1	Clamp	
78	1001134488	1	Fitting, 90 Barbed	
79	1001256864	1	Radiator	
80	1001135138	1	Spacer, Fan	
81	1001135560	1	Support, Engine	
82	1001135562	1	Support, Engine - Rear	
83	1001258800	1	Spacer, Pulley	
84	1001135680	1	Support, Radiator	
85	1001135779	1	Cable, Alternator Positive (Not Shown)	
86	1001135901	1	Pipe, Air Intake	
87	1001135903	1	Pipe, Air Intake	
88	1001135913	1	Pipe, Turbo to Air Cleaner	
89	1001135924	1	Hose, Radiator (Upper)	
90	1001135926	1	Pipe, Radiator (Lower)	
91	1001135943	1	Coupling, Rubber	
92	1001135946	1	Elbow, Rubber	
94	1001136626	2	Bracket	
95	1001136665	1	Bracket	
96	1001136834	1	Cap, Tank	
97	1001137276	1	Fan	
98	1001138228	1	Module, Power	
98	70023592	1	Fuse 20Amp (Switched Output)	
98	70023593	1	Fuse 30Amp (Battery Output)	
99	1001138248	8.6 ft/ 2.59m	Tubing	
100	1001138253	5	Clamp	
101	1001138524	1	Hose	
102	1001138559	1	Fitting, 90	
103	1001138827	1	Sensor, Coolant Level	
104	1001139240	1	Bracket	
105	1001140564	1	Fitting, 90 Barbed	

SECTION 3 - ENGINE

ITEM	PART NUMBER	QTY	DESCRIPTION	REV
106	1001141304	1	Wire, Glow Plug (Not Shown)	
107	1001141717	1	Fitting, Straight	
108	1001141719	1	Fitting, 90 Barbed	
109	1001142398	1	Support, Engine	
110	1001142501	1	Fitting, 90 Barbed	
111	1001142637	1	Hose, Hump	
112	1001142685	1	Bracket	
113	1001143390	1	Indicator, Air Filter Service	
114	1001144089	1	Grommet	
115	1001145154	1	Plate, Mounting	
116	1001146219	4	Washer Special	
117	1001148843	1	Harness, Fuel Filter (Not Shown - See Separate Breakdown in ELECTRICAL Section)	
118	1001153024	1	Pipe, Exhaust	
119	1001153387	1	Plate	
120	1001154405	4.7 ft/ 1.44m	Hose	
121	1001155575	4	Mount, Motor	
122	1001155823	1	Coupling	
123	1001165035	30.5 ft/ 9.3m	Hose	
124	1001165820	1	Pipe, Elbow	
125	1001166393	1	Tank, Surge	
126	1001181899	1	Clamp	
127	1001191272	1	Tray	
128	1001191620	3	Clamp	
129	1001208299	3	Clamp	
130	1001232546	1	Engine, Deutz TCD2.9L4 (Stage V) Engine Components (See Separate Breakdown in this Section)	
131	1001233492	1	Hose	
132	1001235952	1	Bracket	
133	1001237285	1	Harness, Engine (Not Shown - See Separate Breakdown in ELECTRICAL Section)	
135	1001170982	1	Adapter	
136	1001146588	1	Strap	
137	0641407	2	Bolt 1/4 x 7/8	
138	0760808	1	Bolt M8 x 16	
139	0761212	1	Bolt M12 x 25	
140	3520054	1	Plug, Hole	
141	4791400	2	Starwasher 1/4	
142	8406201	1	Clip	
143	1001165101	1	Fuel Pump/Bracket Assembly (Not Shown - See Separate breakdown in this Section)	
144	1001180620	AR	Adhesive	

SECTION 3 - ENGINE

FIGURE 3-42. DEUTZ TCD2.9L4 (STAGE V) ENGINE COMPONENTS



ART_1001232546

SECTION 3 - ENGINE

FIGURE 3-42. DEUTZ TCD2.9L4 (STAGE V) ENGINE COMPONENTS

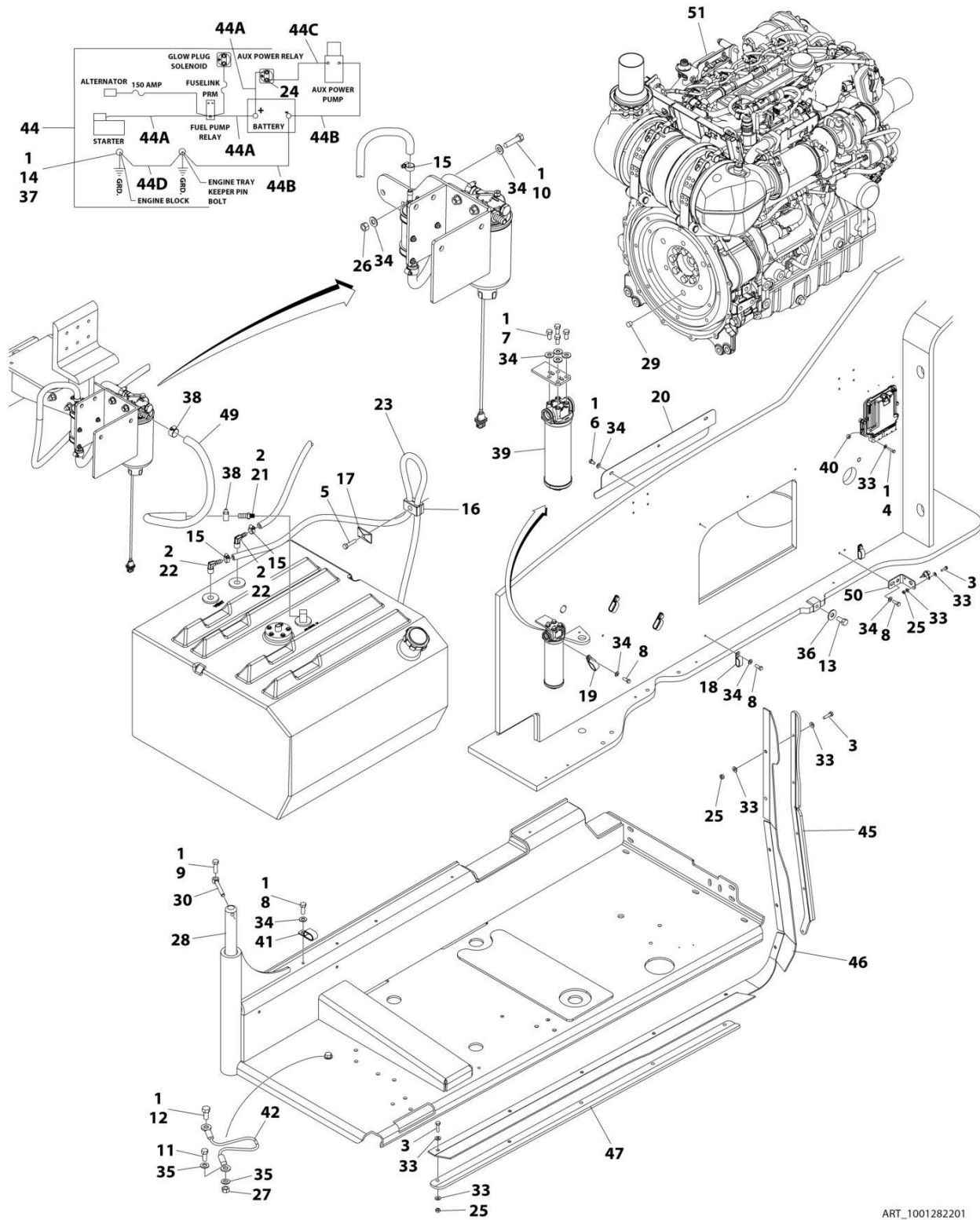
ITEM	PART NUMBER	QTY	DESCRIPTION	REV
	1001232546	Ref	DEUTZ ENGINE COMPONENTS	H
		Ref	Note: For complete list of parts, contact JLG Parts Department	
		Ref	Air Intake System Components	
	70004503	1	Turbocharger	
		Ref	Cooling System Components	
	70029581	1	Pump, Coolant (Includes Gasket & Seals)	
	70007603	1	Thermostat	
	70005184	1	O-Ring	
	70005931	1	Gasket	
	70025142	1	Cover	
		Ref	Electrical System Components	
		Ref	Module, ECU/ECM	
	70029401	1	Generator (Includes Controller, Fan & Hardware)	
	70024915	1	Starter (Includes Solenoid & Relay)	
	70026210	1	Sender, Tacho-Generator (Speed) (On Rear of Block) (Includes Seal)	
	70024916	1	Sender, Tacho-Generator (Speed) (On Cover) (Includes Seal)	
	70024918	1	Sender, Temperature (Includes Seal) (On Air Intake Manifold)	
	70024507	1	Sensor, Pressure (Includes Seal) (On Air Intake Manifold)	
	70024504	1	Sensor, Pressure (Includes Seal) (On Fuel Filter & Side of Block)	
		Ref	Sensor, Pressure (Includes Seal) (On Exhaust Manifold)	
		Ref	Sensor, Temperature (Includes Seal) (On Exhaust Manifold)	
	70000345	4	Plug, Glow	
		Ref	Exhaust System Components	
		Ref	Valve, EGR	
	70025130	8	Bolt, Exhaust Manifold	
	70025164	1	Gasket, Exhaust Manifold	
		Ref	Outlet, Muffler	
		Ref	Muffler	
		Ref	Bracket, Muffler Mounting	
	70004504	1	Compensator, Exhaust	
		Ref	Fuel System Components	
	70024924	1	Pump, High Pressure	
		Ref	Injector (Includes Sealing washer, Clamp & O-Ring)	
	70006144	1	Pump, Fuel Supply (Includes Clamps)	
	70024961	1	Filter, Fuel (Pre-Filter Assembly) (Includes Head, Spin on filter, Sensor Cable & Seal)	
	70025153	1	Filter, Fuel Spin On	
	70024513	1	Sensor Cable (Includes Seal)	
	70025160	1	Filter, Fuel (Assembly) (Includes Head & Spin on Filter)	
		Ref	Filter, Fuel Spin On	
	70004508	1	Vol. Control Valve (Includes O-Ring & Gasket)	
		Ref	Lubricating System Components	
	7020465	2	Cap, Oil Fill	
	70005941	2	Plug, Oil Drain	
	70005942	2	Seal, Oil Drain Plug	
	70005172	1	Pump, Oil (Includes Seal & Gasket)	
	7016331	1	Filter, Oil	
	70024494	1	Cooler, Oil	
	70024925	1	Gasket, Oil Cooler	

SECTION 3 - ENGINE

ITEM	PART NUMBER	QTY	DESCRIPTION	REV
	70024904	1	Dipstick (Includes Seal)	
		Ref	Mechanical Components	
	70001870	1	Flywheel (includes Gear)	
	70004277	1	V-Belt	
	70005938	1	Gasket Set - Complete	

SECTION 3 - ENGINE

FIGURE 3-43. ENGINE INSTALLATION - DEUTZ TCD2.9L4 (CHINA IV)



ART_1001282201

SECTION 3 - ENGINE

FIGURE 3-43. ENGINE INSTALLATION - DEUTZ TCD2.9L4 (CHINA IV)

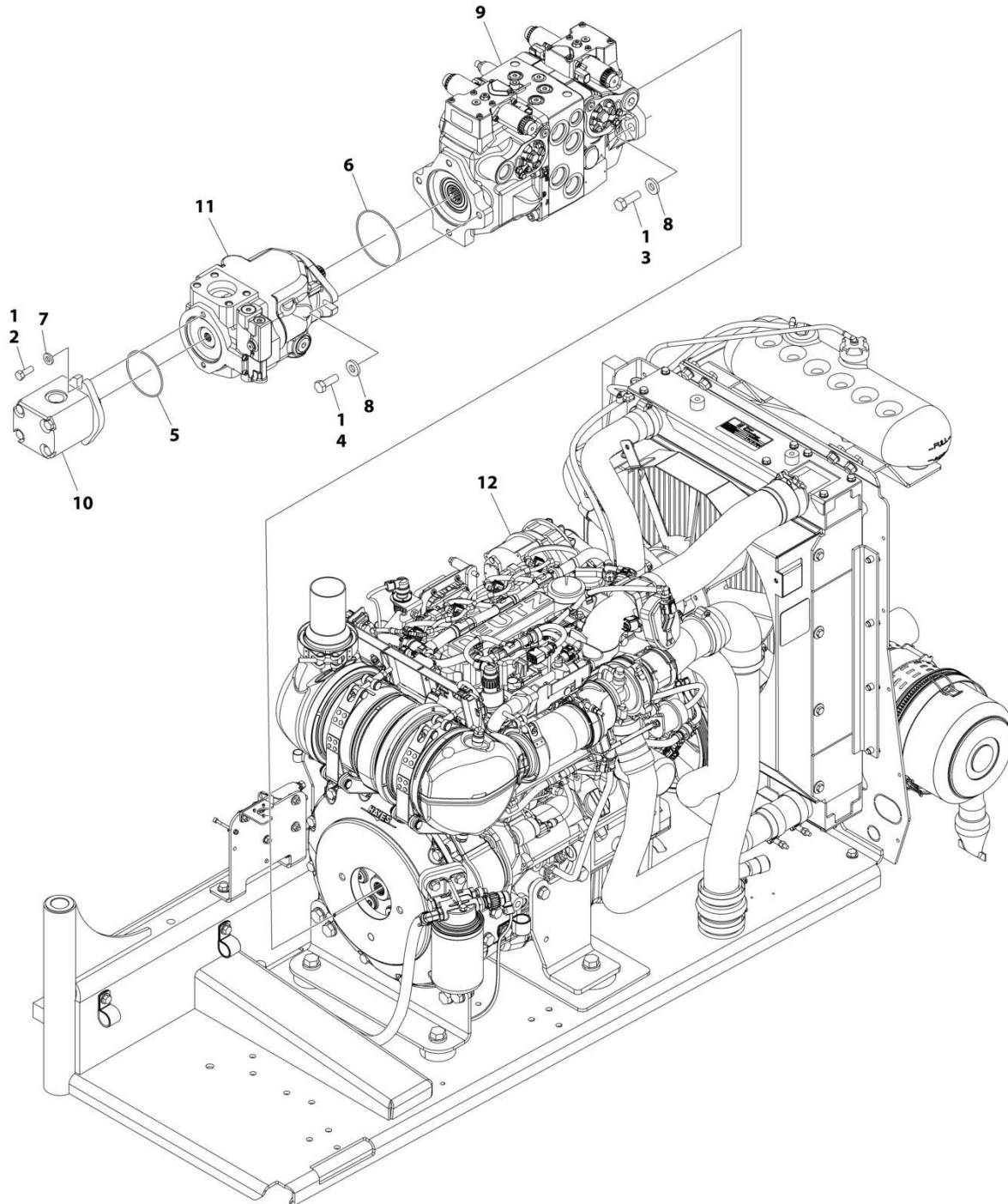
ITEM	PART NUMBER	QTY	DESCRIPTION	REV
	1001282201	Ref	ENGINE INSTALLATION - DEUTZ TCD2.9L4 (CHINA IV)	B
1	0100011	AR	Compound, Locking	
2	0100079	AR	Sealant, Pipe	
3	0641408	11	Bolt 1/4 x 1	
4	0641410	4	Bolt 1/4 x 1-1/4	
5	0641511	1	Bolt 5/16 x 1-3/8	
6	0641605	3	Bolt 3/8 x 5/8	
7	0641606	4	Bolt 3/8 x 3/4	
8	0641608	8	Bolt 3/8 x 1	
9	0641610	1	Bolt 3/8 x 1-1/4	
10	0641612	2	Bolt 3/8 x 1-1/2	
11	0641708	1	Bolt 7/16 x 1	
12	0641808	1	Bolt 1/2 x 1	
13	0642010	1	Bolt 5/8 x 1-1/4	
14	0761210	1	Bolt M12 x 20	
15	1320022	3	Clamp	
16	1320187	1	Clamp	
17	1320190	1	Cover, Clamp	
19	1321716	5	Clamp	
20	1671121	1	Cover	
21	2180832	1	Fitting, Barbed	
22	2220313	2	Fitting, Elbow Barbed	
23	2750532	5 ft/ 1.5m	Hose	
24	3300220	2	Nut 5/16	
25	3311405	11	Nut 1/4	
26	3311605	2	Nut 3/8	
27	3311705	1	Nut 7/16	
28	3422446	1	Pin, Pivot	
29	3520054	1	Plug	
30	3841143	1	Pin, Keeper	
31	4240018	2	Strap, Tie (Not Shown)	
32	4240099	AR	Tie-Strap (Not Shown)	
33	4711400	26	Washer 1/4	
34	4711600	19	Washer 3/8	
35	4711700	2	Washer 7/16	
36	4752000	1	Washer 5/8	
37	4812100	1	Washer M12	
38	8405006	2	Clamp	
39	1001108617	1	Filter	
40	1001110425	4	Spacer	
41	1001116792	1	Clamp	
42	1001131542	1	Lanyard	
43	1001138491	1	Harness, (Not Shown - See Separate Breakdown in ELECTRICAL Section)	
44	1001141225	1	Battery Cable Kit	E
44A	7027042	1	Cable, Battery (Red) (Battery + to Relays and Starter)	
44B	7027043	1	Cable, Battery (Black) (Battery - to Tray Pivot Grd and Aux Pump)	
44C	7027044	1	Cable (Red) (Aux Relay to Aux Pump)	
44D	7027045	1	Cable, (Black) (Engine to Tray Pivot Grd)	

SECTION 3 - ENGINE

ITEM	PART NUMBER	QTY	DESCRIPTION	REV
45	1001145089	1	Clamp	
46	1001145560	1	Panel, Rubber	
47	1001145842	1	Plate, Clamping	
48	1001146588	1	Strap (Not Shown)	
49	1001154405	2 ft/ 0.7m	Hose	
50	1001256879	1	Bracket	
51	1001282199	1	Engine Sub-Assembly (See Separate Breakdown in this Section)	

SECTION 3 - ENGINE

FIGURE 3-44. SUB - ASSEMBLY - DEUTZ TCD2.9L4 (CHINA IV) - WITH SAUER PUMPS



ART_1001282199

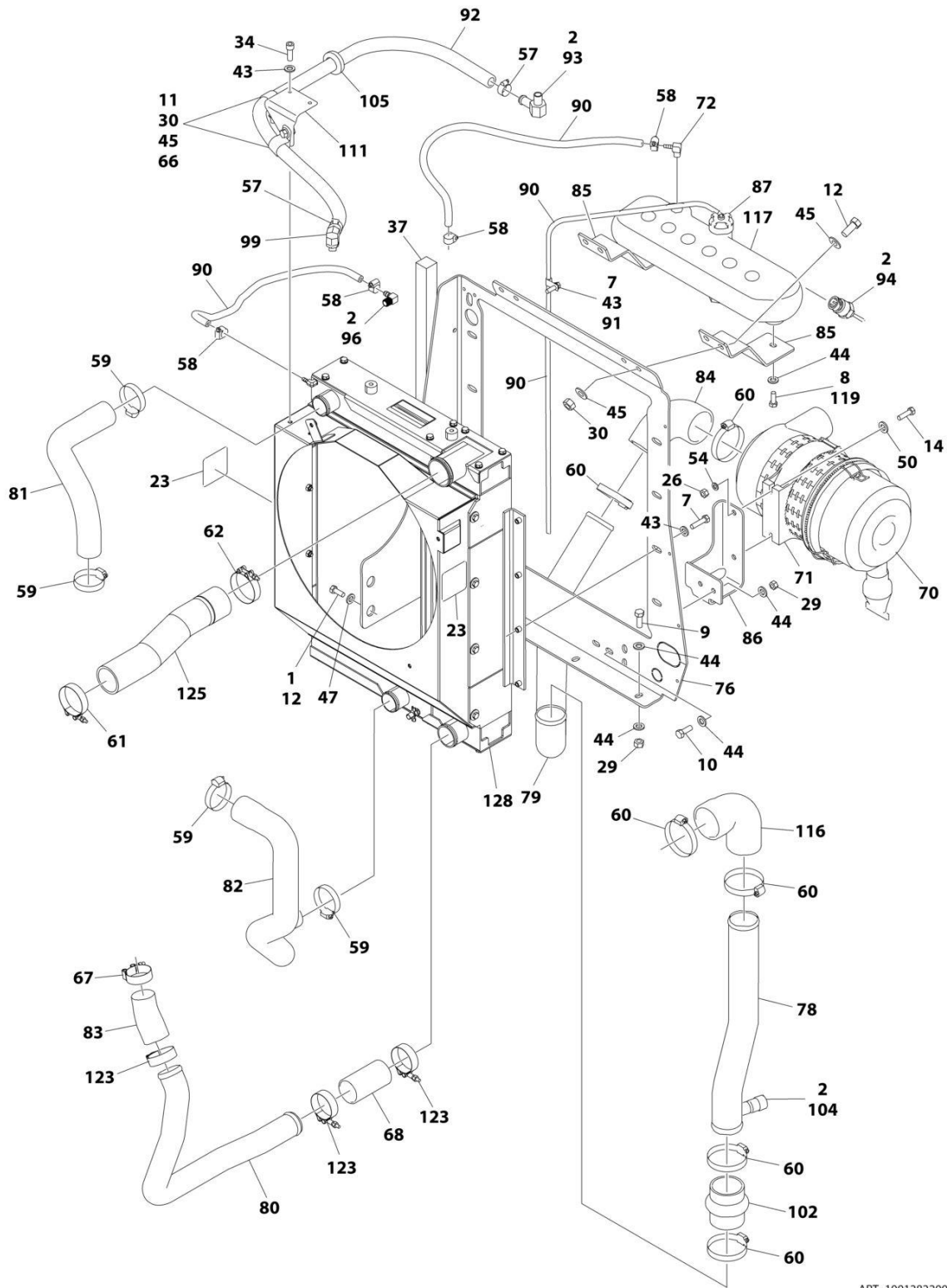
SECTION 3 - ENGINE

FIGURE 3-44. SUB - ASSEMBLY - DEUTZ TCD2.9L4 (CHINA IV) - WITH SAUER PUMPS

ITEM	PART NUMBER	QTY	DESCRIPTION	REV
	1001282199	Ref	SUB-ASSEMBLY - DEUTZ TCD2.9L4 (CHINA IV)	G
1	0100011	AR	Compound, Locking	
2	0641608	2	Bolt 3/8 x 1	
3	0641814	2	Bolt 1/2 x 1-3/4	
4	0761215	2	Bolt M12 x 35	
5	3790152	1	O-Ring	
6	3790155	1	O-Ring	
7	4891600	2	Washer 3/8	
8	4891800	4	Washer 1/2	
9	1001108616	1	Pump Assembly - Tandem (See Separate Breakdown in this Section)	
10	1001112927	1	Pump Assembly - Gear (See Separate Breakdown in this Section)	
11	1001171095	1	Pump Assembly - Piston (See Separate Breakdown in this Section)	
12	1001282200	1	Engine Assembly (See Separate Breakdown in this Section)	

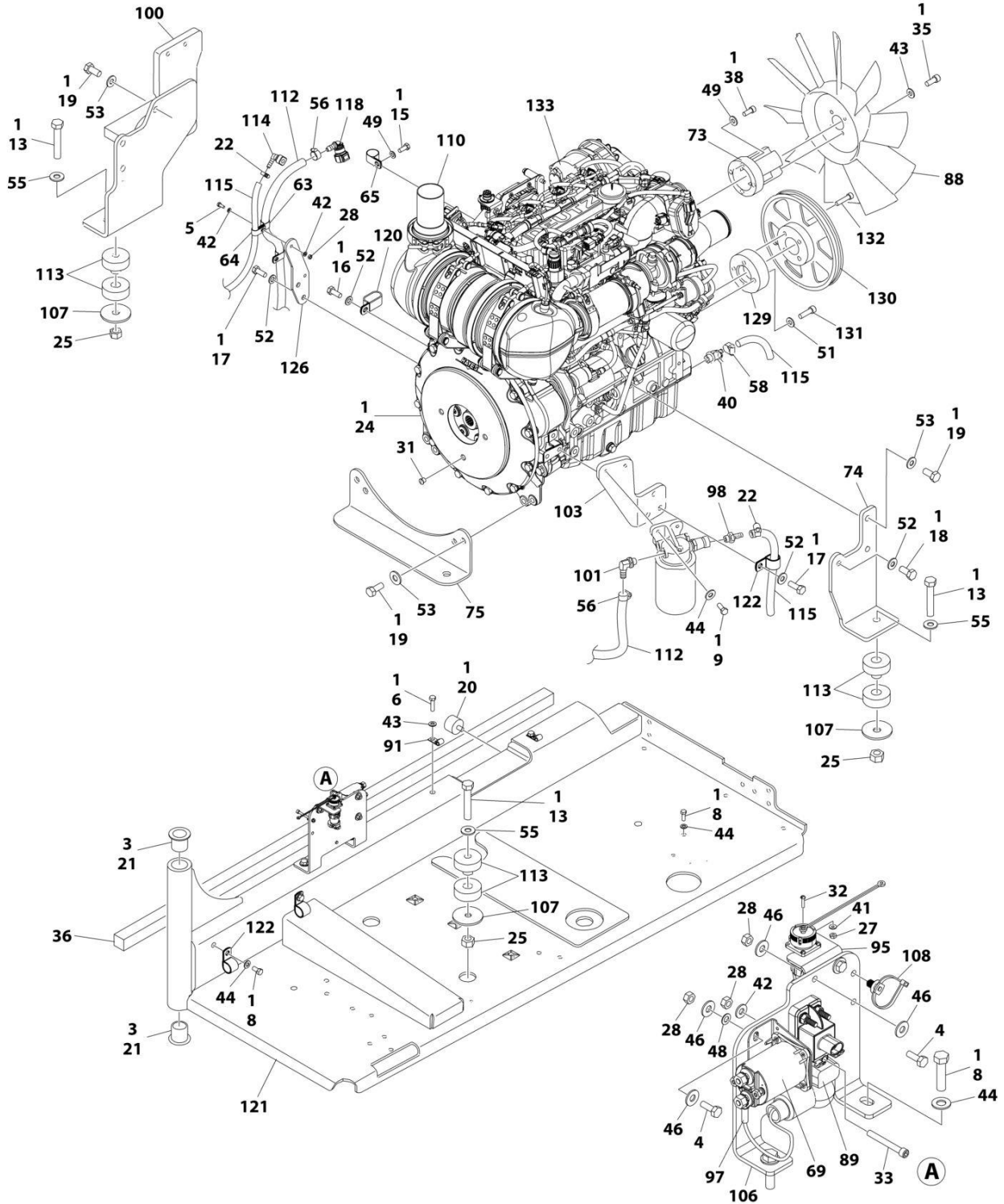
SECTION 3 - ENGINE

FIGURE 3-45. ENGINE ASSEMBLY - DEUTZ TCD2.9L4 (CHINA IV)



ART_1001282200_10F2

SECTION 3 - ENGINE



ART_1001282200_20F2

SECTION 3 - ENGINE

FIGURE 3-45. ENGINE ASSEMBLY - DEUTZ TCD2.9L4 (CHINA IV)

ITEM	PART NUMBER	QTY	DESCRIPTION	REV
	1001282200	Ref	ENGINE ASSEMBLY - DEUTZ TCD2.9L4 (CHINA IV)	A
1	0100011	AR	Compound, Locking	
2	0100020	AR	Compound, Locking	
3	0100062	AR	Compound, Locking	
4	0641406	4	Bolt 1/4 x 3/4	
5	0641407	2	Bolt 1/4 x 7/8	
6	0641503	3	Bolt 5/16 x 3/8	
7	0641508	8	Bolt 5/16 x 1-1/4	
8	0641606	7	Bolt 3/8 x 3/4	
9	0641608	9	Bolt 3/8 x 1	
10	0641610	2	Bolt 3/8 x 1-1/4	
11	0641706	2	Bolt 7/16 x 3/4	
12	0641708	6	Bolt 7/16 x 1	
13	0682028	4	Bolt 5/8 x 3-1/2 Grade 8	
14	0700815	2	Bolt M8 x 35	
15	0760808	1	Bolt M8 x 16	
16	0761212	1	Bolt M12 x 25	
17	0761214	5	Bolt M12 x 30	
18	0771212	1	Bolt M12 x 25 Class 10.9	
19	0771414	9	Bolt M14 x 30 Class 10.9	
20	0940070	1	Bumper	
21	0961986	2	Bushing, Flanged	
22	1320022	2	Clamp	
23	1703162	2	Decal - Fan	
24	2902065	1	Pump Coupling Kit (See Separate Breakdown in this Section)	
25	3272001	4	Nut 5/8 Grade 8	
26	3290801	2	Nut M8	
27	3310401	3	Nut #4	
28	3311405	7	Nut 1/4	
29	3311605	9	Nut 3/8	
30	3311705	5	Nut 7/16	
31	3520054	1	Plug, Hole	
32	3910408	3	Screw #4 x 1/2	
33	3931432	1	Capscrew 1/4 x 2	
34	3931508	2	Capscrew 5/16 x 1/2	
35	3931512	4	Capscrew 5/16 x 3/4	
36	3960543	1	Seal	
37	3960544	1	Seal	
38	4031914	4	Bolt M8 x 50	
39	4240099	AR	Tie-Strap (Not Shown)	
40	4640751	1	Valve, Oil Drain	
41	4710400	3	Washer #4	
42	4711400	5	Washer 1/4	
43	4711500	17	Washer 5/16	
44	4711600	27	Washer 3/8	
45	4711700	10	Washer 7/16	
46	4751400	8	Washer 1/4	
47	4751700	2	Washer 7/16	
48	4791400	2	Starwasher 1/4	
49	4811900	5	Washer M8	

SECTION 3 - ENGINE

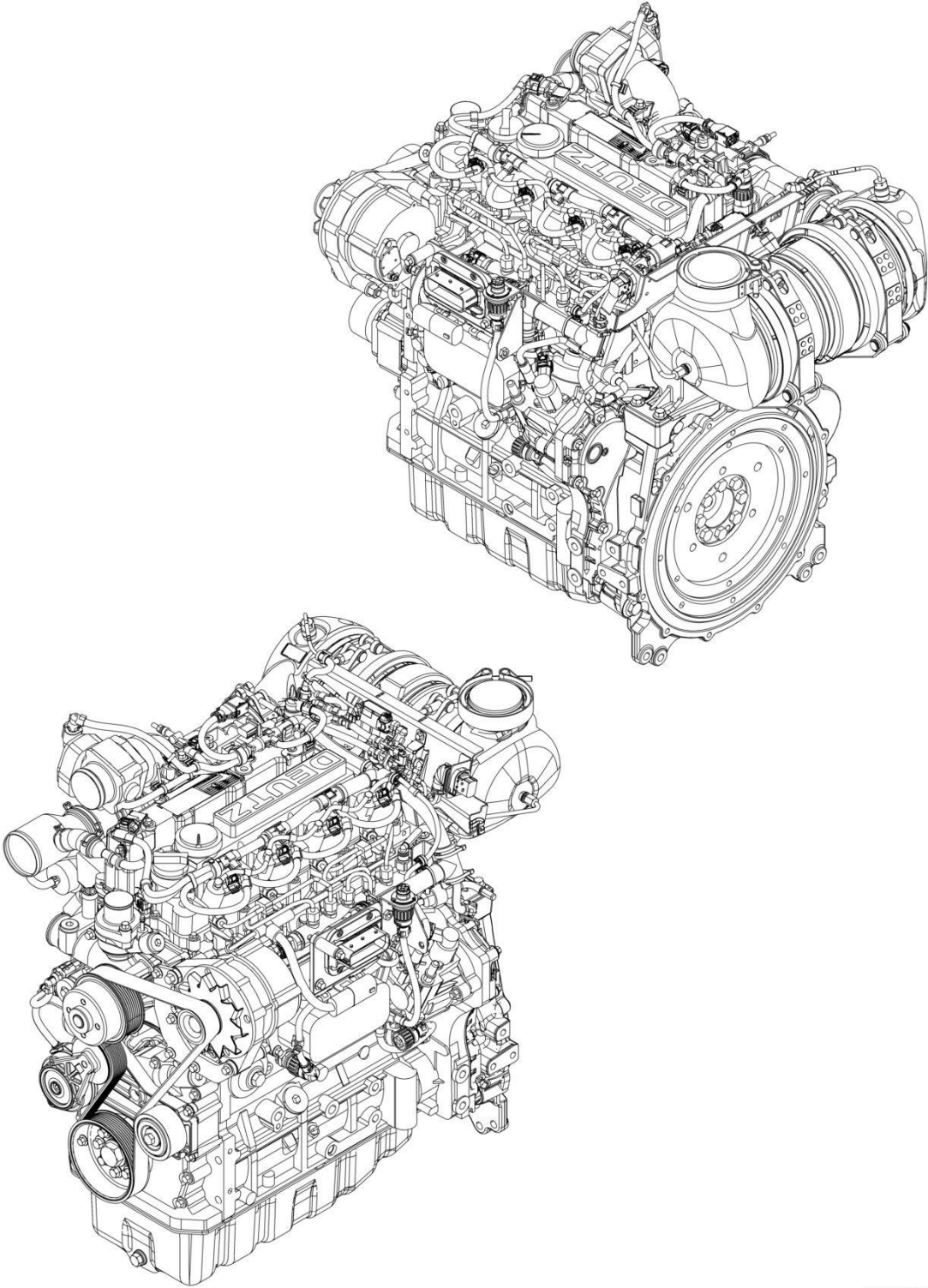
ITEM	PART NUMBER	QTY	DESCRIPTION	REV
50	4811902	2	Washer M8	
51	4812000	4	Washer M10	
52	4812100	7	Washer M12	
53	4812200	9	Washer M14	
54	4831900	2	Washer M8	
55	4892000	4	Washer 5/8	
56	8405006	2	Clamp	
57	8405007	2	Clamp	
58	8405009	5	Clamp	
59	8405201	4	Clamp	
60	8405204	6	Clamp	
61	8405212	1	Clamp	
62	8405213	1	Clamp	
63	8406102	2	Clip	
64	8406112	1	Clip	
65	8406201	1	Clip	
66	8406302	2	Clamp	
67	8410014	1	Clamp	
68	91563070	1	Coupling, Rubber	
69	1001117308	1	Relay	
70	1001133633	1	Air Cleaner Assembly	
70	70024190	1	Element, Air Filter	
71	1001133634	1	Clamp	
72	1001134488	1	Fitting, 90 Barbed	
73	1001135138	1	Spacer, Fan	
74	1001135560	1	Support, Engine	
75	1001135562	1	Support, Engine - Rear	
76	1001135680	1	Support, Radiator	
77	1001135779	1	Cable, Alternator Positive (Not Shown)	
78	1001135901	1	Pipe, Air Intake	
79	1001135903	1	Pipe, Air Intake	
80	1001135913	1	Pipe, Turbo to Air Cleaner	
81	1001135924	1	Hose, Radiator (Upper)	
82	1001135926	1	Pipe, Radiator (Lower)	
83	1001135943	1	Coupling, Rubber	
84	1001135946	1	Elbow, Rubber	
85	1001136626	2	Bracket	
86	1001136665	1	Bracket	
87	1001136834	1	Cap, Tank	
88	1001137276	1	Fan	
89	1001138228	1	Module, Power	
89	70023592	1	Fuse 20Amp (Switched Output)	
89	70023593	1	Fuse 30Amp (Battery Output)	
90	1001138248	8.6 ft/ 2.59 m	Tubing	
91	1001138253	5	Clamp	
92	1001138524	1	Hose	
93	1001138559	1	Fitting, 90	
94	1001138827	1	Sensor, Coolant Level	
95	1001139240	1	Bracket	
96	1001140564	1	Fitting, 90 Barbed	
97	1001141304	1	Wire, Glow Plug	

SECTION 3 - ENGINE

ITEM	PART NUMBER	QTY	DESCRIPTION	REV
98	1001141717	1	Fitting, Straight	
99	1001141719	1	Fitting, 90 Barbed	
100	1001142398	1	Support, Engine	
101	1001142501	1	Fitting, 90 Barbed	
102	1001142637	1	Hose, Hump	
103	1001142685	1	Bracket	
104	1001143390	1	Indicator, Air Filter Service	
105	1001144089	1	Grommet	
106	1001145154	1	Plate, Mounting	
107	1001146219	4	Washer Special	
108	1001146588	1	Strap	
109	1001148843	1	Harness, Fuel Filter (Not Shown - See Separate Breakdown in ELECTRICAL Section)	
110	1001153024	1	Pipe, Exhaust	
111	1001153387	1	Plate	
112	1001154405	4.7 ft/ 1.44m	Hose	
113	1001155575	4	Mount, Motor	
114	1001155823	1	Coupling	
115	1001165035	30.5 ft/ 9.3m	Hose	
116	1001165820	1	Pipe, Elbow	
117	1001166393	1	Tank, Surge	
118	1001170982	1	Adapter	
119	1001180620	AR	Adhesive	
120	1001181899	1	Clamp	
121	1001191272	1	Tray	
122	1001191620	3	Clamp	
123	1001208299	3	Clamp	
124	1001227606	1	Bracket	
125	1001233492	1	Hose	
126	1001235952	1	Bracket	
127	1001237285	1	Harness, Engine (Not Shown - See Separate Breakdown in ELECTRICAL Section)	
128	1001256864	1	Radiator	
129	1001258800	1	Spacer, Pulley	
130	1001260432	1	Pulley	
131	1001261045	4	Capscrew M10	
132	1001261085	4	Capscrew M10	
133	1001282198	1	Deutz TCD2.9L4 (Stage IV) Engine Components (See Separate Breakdown in this Section)	

SECTION 3 - ENGINE

FIGURE 3-46. ENGINE COMPONENTS - DEUTZ TCD2.9L4 (CHINA IV)



ART_1001282198

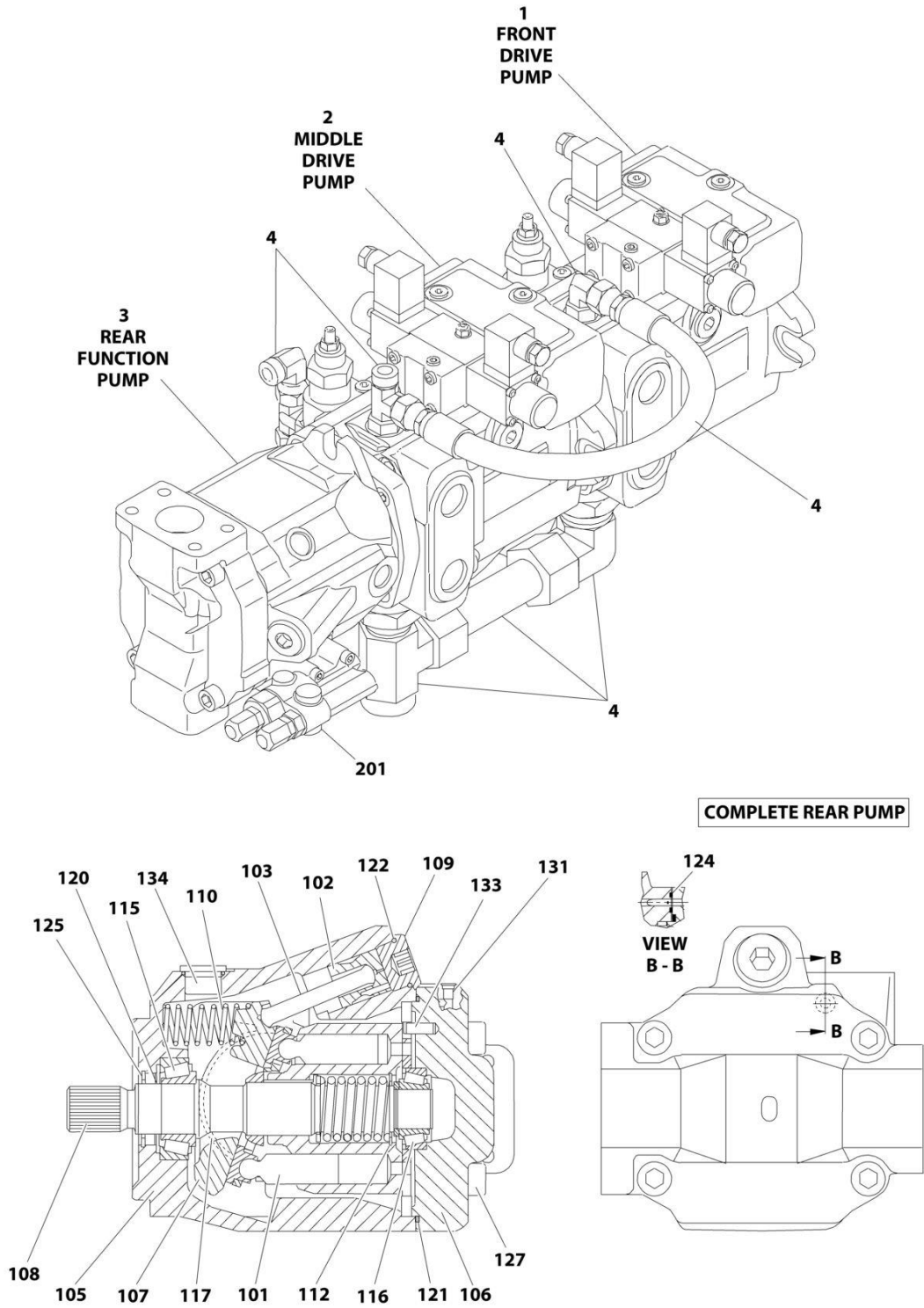
SECTION 3 - ENGINE

FIGURE 3-46. ENGINE COMPONENTS - DEUTZ TCD2.9L4 (CHINA IV)

ITEM	PART NUMBER	QTY	DESCRIPTION	REV
	1001282198	Ref	DEUTZ TCD2.9L4 (CHINA IV) ENGINE COMPONENTS	B
	See Note	Ref	Note: No Service Parts Available at Time of Printing.	

SECTION 3 - ENGINE

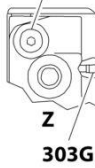
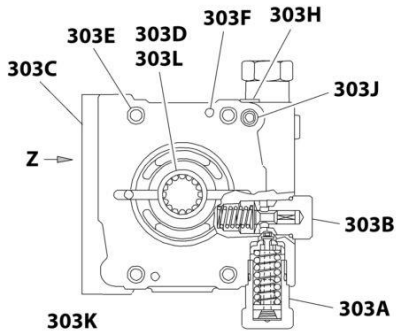
FIGURE 3-47. PUMP ASSEMBLY (REXROTH) (DEUTZ TD2011 ENGINES)



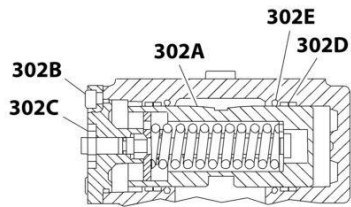
ART_3600339_10F2

SECTION 3 - ENGINE

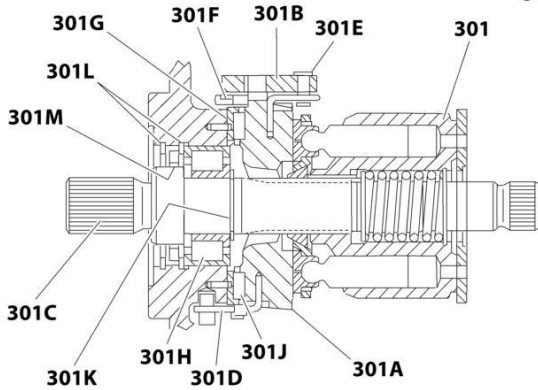
COMPLETE FRONT AND PUMPS



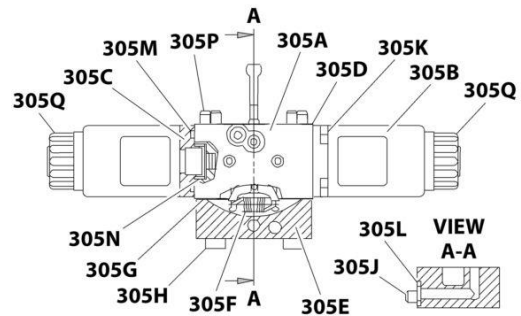
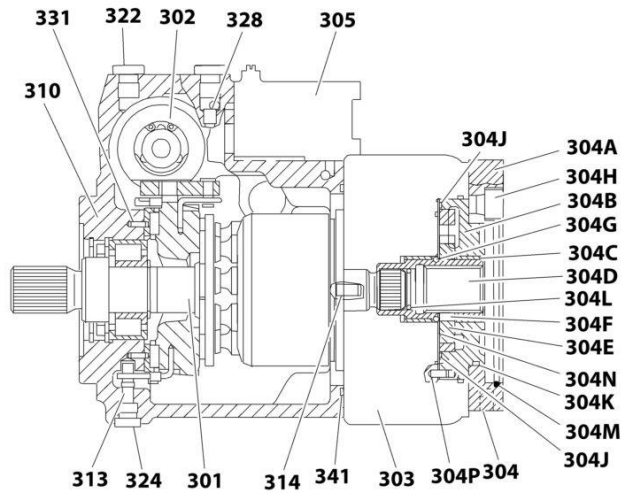
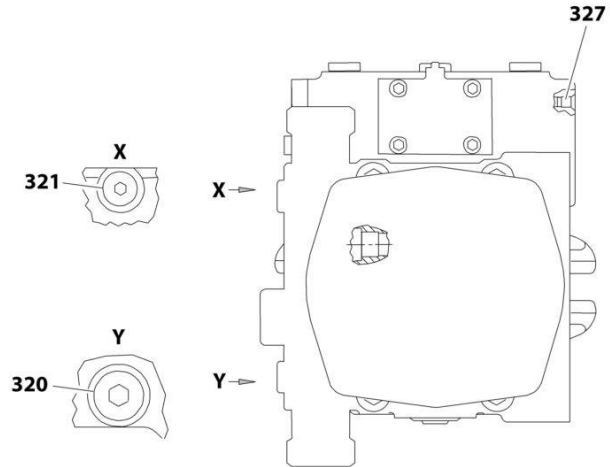
PORT PLATE SECTION FRONT AND MID PUMPS (DETAIL OF ITEM 303)



HYD. CONTROL FRONT AND MID PUMPS (DETAIL OF ITEM 302)



ROTARY GROUP FRONT AND MID PUMPS (DETAIL OF ITEM 301)



CONTROL MODULE FRONT AND MID PUMPS (DETAIL OF ITEM 305)

ART_3600339_20F2

SECTION 3 - ENGINE

FIGURE 3-47. PUMP ASSEMBLY (REXROTH) (DEUTZ TD2011 ENGINES)

ITEM	PART NUMBER	QTY	DESCRIPTION	REV
	3600339	Ref	PUMP ASSEMBLY (REXROTH) (DEUTZ TD2011 ENGINES)	D
1	7024042	1	Front Drive Pump Assembly (Includes Items 301-341)	
2	7024043	1	Middle Drive Pump Assembly (Includes Items 301-341)	
3	7024044	1	Rear Function Pump Assembly (Includes Items 101-201)	
4	70001952	1	Hydraulic Kit (Includes all Rexroth Supplied Hydraulic Fittings, Hoses and Tubes)	
	7024044	Ref	REAR FUNCTION PUMP ASSEMBLY	
101	7024914	1	Rotary Section	
102	See Note	1	Piston, Control (Note: Not Available - Purchase Complete Assembly)	
103	See Note	1	Rod, Piston (Note: Not Available - Purchase Complete Assembly)	
105	See Note	1	Housing, Pump (Note: Not Available - Purchase Complete Assembly)	
106	See Note	1	Plate, Port (Note: Not Available - Purchase Complete Assembly)	
107	7024915	1	Plate, Swash	
108	7024916	1	Driveshaft	
109	See Note	1	Plug (Note: Not Available for Purchase)	
110	See Note	1	Spring (Note: Not Available for Purchase)	
112	7012709	1	Shim	
115	7024038	1	Bearing, Roller	
116	7012706	1	Bearing, Roller	
117	7024917	2	Shell, Cradle	
120	7024918	1	Seal, Shaft	
121	7024919	1	O-Ring	
122	7024920	1	O-Ring	
124	7024921	1	Seal	
125	7012715	1	V-Ring	
127	See Note	4	Capscrew M12 x 45 Grade 10.9 (Note: Not Available for Purchase)	
131	See Note	1	Plug (Note: Not Available for Purchase)	
133	See Note	1	Pin, Dowel (Note: Not Available for Purchase)	
134	See Note	1	Plug (Note: Not Available for Purchase)	
201	7024913	Ref	Pilot Valve Assembly	
		Ref	Note: Two mounting designs of p/n 7024913 pilot valve exist. Early design uses qty. 3 O-rings. Late design uses qty 1 sealing plate. Seal designs cannot be interchanged. Verify seal design before ordering.	
201	7024922	3	O-Ring (Seals between Pilot Valve and Rear Pump)	
201	70021867	1	Plate, Sealing (Seals between Pilot Valve and Rear Pump)	
		Ref	FRONT DRIVE PUMP ASSEMBLIES	
	7024042	Ref	Front Drive Pump Assembly	
	7024043	Ref	Middle Drive Pump Assembly	
301	7024064	1	Rotary Group	
301A	See Note	NSS	Cradle (Note: Use Item 301)	
301B	See Note	NSS	Ring, Slide (Note: Use Item 301)	
301C	See Note	NSS	Driveshaft (Note: Use Item 301)	
301D	See Note	NSS	Wire (Note: Use Item 301)	
301E	See Note	NSS	Pin, Joint (Note: Use Item 301)	
301F	See Note	NSS	Wire (Note: Use Item 301)	
301G	See Note	NSS	Liner, Bearing (Note: Use Item 301)	
301H	See Note	NSS	Bearing, Roller (Note: Use Item 301)	
301J	See Note	NSS	Cradle Bearing Assembly (Note: Use Item 301)	

SECTION 3 - ENGINE

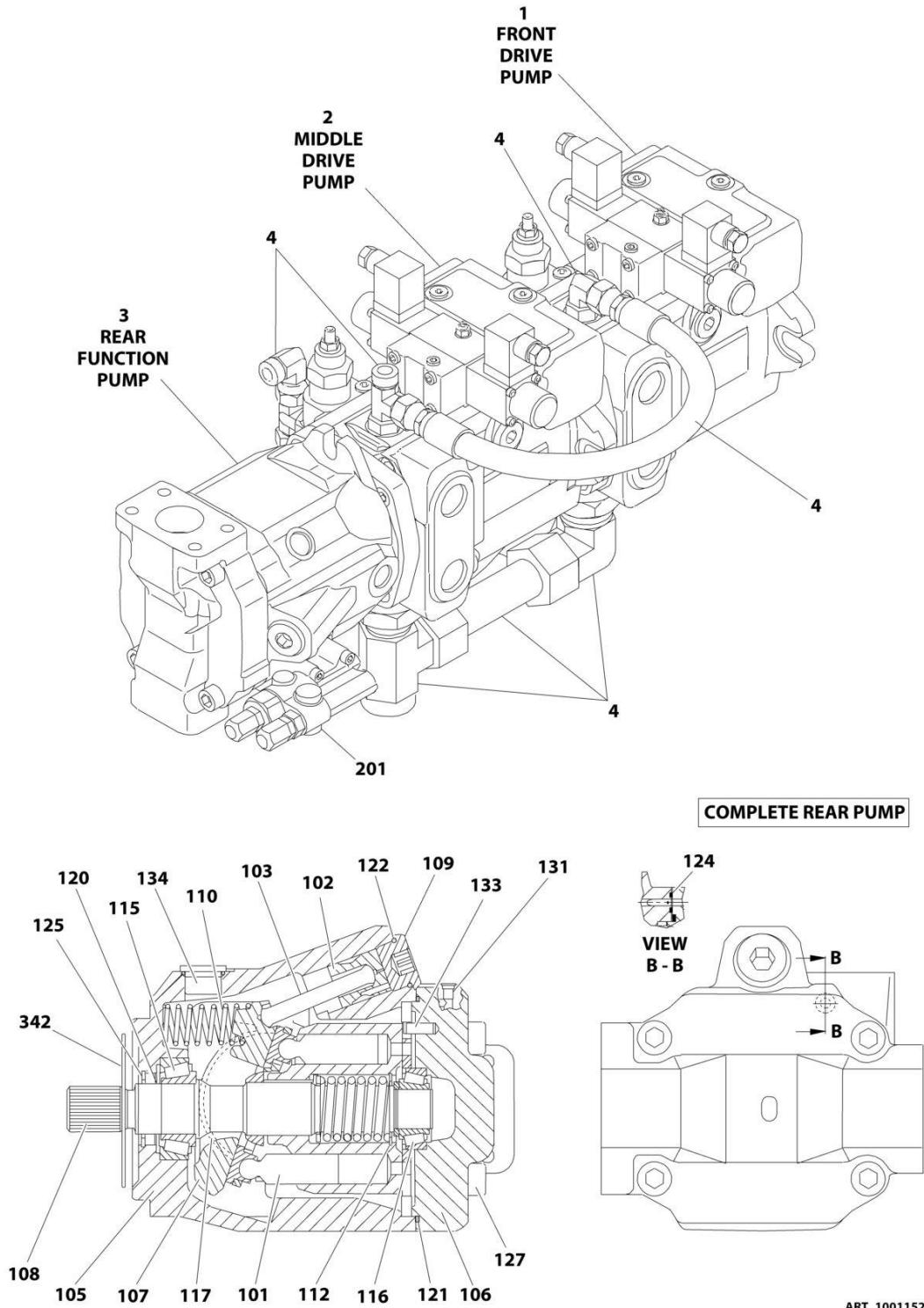
ITEM	PART NUMBER	QTY	DESCRIPTION	REV
301K	See Note	NSS	Ring, Retaining (Note: Use Item 301)	
301L	70001968	2	Ring, Retaining	
301M	7024070	1	Seal, Shaft Ring	
302	7024065	1	Control Group - Hydraulic	
302A	See Note	NSS	Piston, Positioning - Complete (Note: Use Item 302)	
302A	7024071	1	O-Ring, Outer Seal	
302A	7024072	1	O-Ring, Stem	
302B	See Note	4	Capscrew M6 x 12 (Note: Not Available - Purchase Locally)	
302C	See Note	NSS	Nut (Note: Use Item 302)	
302D	See Note	NSS	Ring, Guide (Note: Use Item 302)	
302E	See Note	NSS	Seal, O-Ring (Note: Use Item 302)	
303	7024911	1	Port Plate Group	
303A	7024073	2	Cartridge, Relief Valve (High Pressure)	
303A	7024075	1	O-Ring	
303A	7024076	1	Ring, Back-up	
303B		Ref	Cartridge Options:	
303B	7024097	1	Front Pump Cartridge (Lock Valve with Orifice) Note: Sold as an Assembly except Outer Seal.	
303B	7024075	1	O-Ring	
303B	7023881	1	Middle Pump Cartridge (Pressure Relief Valve) Note: Sold as an Assembly except Outer Seal.	
303B	7024077	1	O-Ring	
303C	See Note	NSS	Plate, Port (Note: Use Item 303)	
303D	See Note	NSS	Bushing, Bearing (Note: Use Item 303)	
303E	See Note	4	Capscrew M12 x 70 Grade10.9 (Note: Not Available - Purchase Locally)	
303F	See Note	NSS	Pin, Dowel (Note: Use Item 303)	
303G	See Note	NSS	Pin, Break-Off (Note: Use Item 303)	
303H	See Note	1	Screw, Locking M10 x 1 (Note: Not Available - Purchase Locally)	
303J	7024908	2	O-Ring	
303K	See Note	2	Screw, Locking 7/16 (Note: Not Available - Purchase Locally)	
303L	See Note	NSS	Bearing, Roller (Note: Use Item 303)	
304	7024906	1	Internal Gear Pump	
304A	See Note	NSS	Flange, Intermediate (Note: Use Item 304)	
304B	See Note	NSS	IZP-Housing (Note: Use Item 304)	
304C	See Note	NSS	Bushing, Bearing (Note: Use Item 304)	
304D	See Note	NSS	Coupling, Driveshaft Through (Note: Use Item 304)	
304E	See Note	NSS	Gear Set (Note: Use Item 304)	
304F	See Note	NSS	Key, Driveshaft (Note: Use Item 304)	
304G	See Note	NSS	Ring, Retaining (Note: Use Item 304)	
304H	See Note	4	Capscrew M10 x 20 (Note: Not Available - Purchase Locally)	
304J	7024080	2	Seal	
304K	7024081	1	O-Ring	
304L	See Note	NSS	Ring, Retaining (Note: Use Item 304)	
304M	See Note	NSS	O-Ring (Note: Use Item 304)	
304N	7024005	1	Plate, Wear	
304P	See Note	NSS	Pin, Cylinder (Note: Use Item 304)	
305	7024068	1	Control Module	
305A	7024084	1	Valve Body, Lever and Internal Components	
305B	7024083	2	Coil, Solenoid	
305C	See Note	NSS	Spacer, Coil (Note: Use Item 305)	

SECTION 3 - ENGINE

ITEM	PART NUMBER	QTY	DESCRIPTION	REV
305D	7024085	1	Gasket	
305E	See Note	NSS	Cover (Note: Use Item 305)	
305F	See Note	NSS	Spring, Draw (Note: Use Item 305)	
305G	See Note	NSS	Gasket (Note: Use Item 305)	
305H	See Note	4	Capscrew M6 x 65 (Note: Not Available - Purchase Locally)	
305J	See Note	1	Capscrew M6 x 45 (Note: Not Available - Purchase Locally)	
305K	See Note	8	Capscrew M5 x 10 (Note: Not Available - Purchase Locally)	
305L	7024087	1	O-Ring	
305M	7024088	2	O-Ring	
305N	7024089	2	Cup, Spring	
305P	See Note	NSS	Pin, Cylinder (Note: Use Item 305)	
305Q	70002569	2	Nut, Coil	
310	See Note	1	Housing (Note: Not Available for Purchase)	
313	See Note	2	Pin, Dowel (Note: Not Available for Purchase)	
314	See Note	1	Pin, Cylinder (Note: Not Available for Purchase)	
320	See Note	1	Screw 7/8 (Front Drive Pump Only) (Note: Not Available - Purchase Locally)	
321	See Note	1	Screw 9/16 (Note: Not Available - Purchase Locally)	
322	See Note	1	Screw 7/16 (Note: Not Available - Purchase Locally)	
324	See Note	1	Screw M10 x 1 (Note: Not Available - Purchase Locally)	
327	See Note	1	Pin, Double Break-Off (Note: Not Available for Purchase)	
328	7018936	2	Orifice	
331	See Note	2	Pin, Clamping (Note: Not Available for Purchase)	
341	7024069	1	O-Ring	

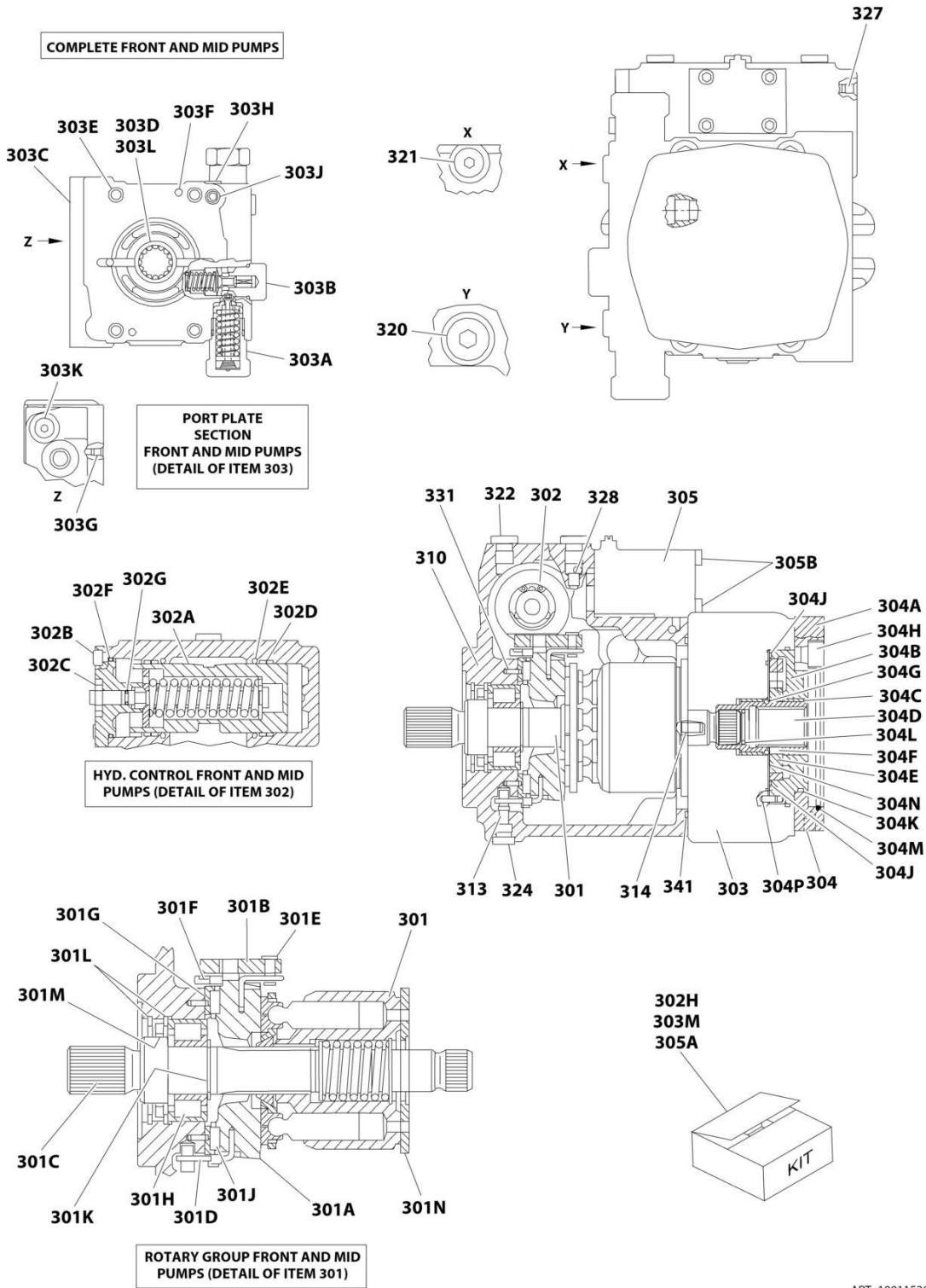
SECTION 3 - ENGINE

FIGURE 3-48. PUMP ASSEMBLY (REXROTH) (DEUTZ TCD2.9L4 ENGINES)



ART_1001152963_10F2

SECTION 3 - ENGINE



ART_1001152963_20F2

SECTION 3 - ENGINE

FIGURE 3-48. PUMP ASSEMBLY (REXROTH) (DEUTZ TCD2.9L4 ENGINES)

ITEM	PART NUMBER	QTY	DESCRIPTION	REV
	1001152963	Ref	PUMP ASSEMBLY (REXROTH) (DEUTZ TCD2.9L4 ENGINES)	C
1	70005480	1	Front Drive Pump Assembly Options (Includes Items 301-341)	
2	70005481	1	Middle Drive Pump Assembly (Includes Items 301-341)	
3	7024044	1	Rear Function Pump Assembly (Includes Items 101-201)	
4	See Note	NSS	Hydraulic Kit (Includes all Rexroth Supplied Hydraulic Fittings, Hoses and Tubes) (Note: Not Available for Purchase)	
	7024044	Ref	REAR FUNCTION PUMP ASSEMBLY	
101	70003173	1	Rotary Section	
102	See Note	1	Piston Control (Note: Not Available - Purchase Complete Assembly)	
103	See Note	1	Rod, Piston (Note: Not Available - Purchase Complete Assembly)	
105	See Note	1	Housing, Pump (Note: Not Available - Purchase Complete Assembly)	
106	See Note	1	Plate, Port (Note: Not Available - Purchase Complete Assembly)	
107	70003174	1	Plate, Swash	
108	70003175	1	Driveshaft	
109	See Note	1	Plug (Note: Not Available for Purchase)	
110	See Note	1	Spring (Note: Not Available for Purchase)	
112		Ref	Shim	
115	7024038	1	Bearing, Roller	
116	7012706	1	Bearing, Roller	
117	7024917	2	Shell, Cradle	
120	7024918	1	Seal, Shaft	
121	7024919	1	O-Ring	
122	7024920	1	O-Ring	
124	7024921	1	Seal	
125	70003177	1	V-Ring	
127	See Note	4	Capscrew M12 x 45 Grade 10.9 (Note: Not Available for Purchase)	
131	See Note	1	Plug (Note: Not Available for Purchase)	
133	See Note	1	Pin, Dowel (Note: Not Available for Purchase)	
134	See Note	1	Plug (Note: Not Available for Purchase)	
201	7024913	Ref	Pilot Valve Assembly	
		Ref	Note: Two mounting designs of p/n 7024913 pilot valve exist. Early design uses qty. 3 o-rings. Late design uses qty. 1 sealing plate. Seal designs cannot be interchanged. Verify seal design before ordering.	
201	7024922	3	O-Ring (Seals between Pilot Valve and Rear Pump)	
201	70021867	1	Plate, Sealing (Seals between Pilot Valve and Rear Pump)	
		Ref	FRONT DRIVE PUMP ASSEMBLIES	
	70005480	Ref	Front Drive Pump Assembly	
	70005481	Ref	Middle Drive Pump Assembly	
		Ref	Note: Service Parts not available at time of printing, call-out number on illustration for ref only.	
301	7024064	1	Rotary Group	
301A	See Note	NSS	Cradle (Note: Use Item 301)	
301B	See Note	NSS	Ring, Slide (Note: Use Item 301)	
301C	7023887	1	Driveshaft	
301D	See Note	NSS	Wire (Note: Use Item 301)	
301E	See Note	NSS	Pin, Joint (Note: Use Item 301)	
301F	See Note	NSS	Wire (Note: Use Item 301)	
301G	See Note	NSS	Liner, Bearing (Note: Use Item 301)	

SECTION 3 - ENGINE

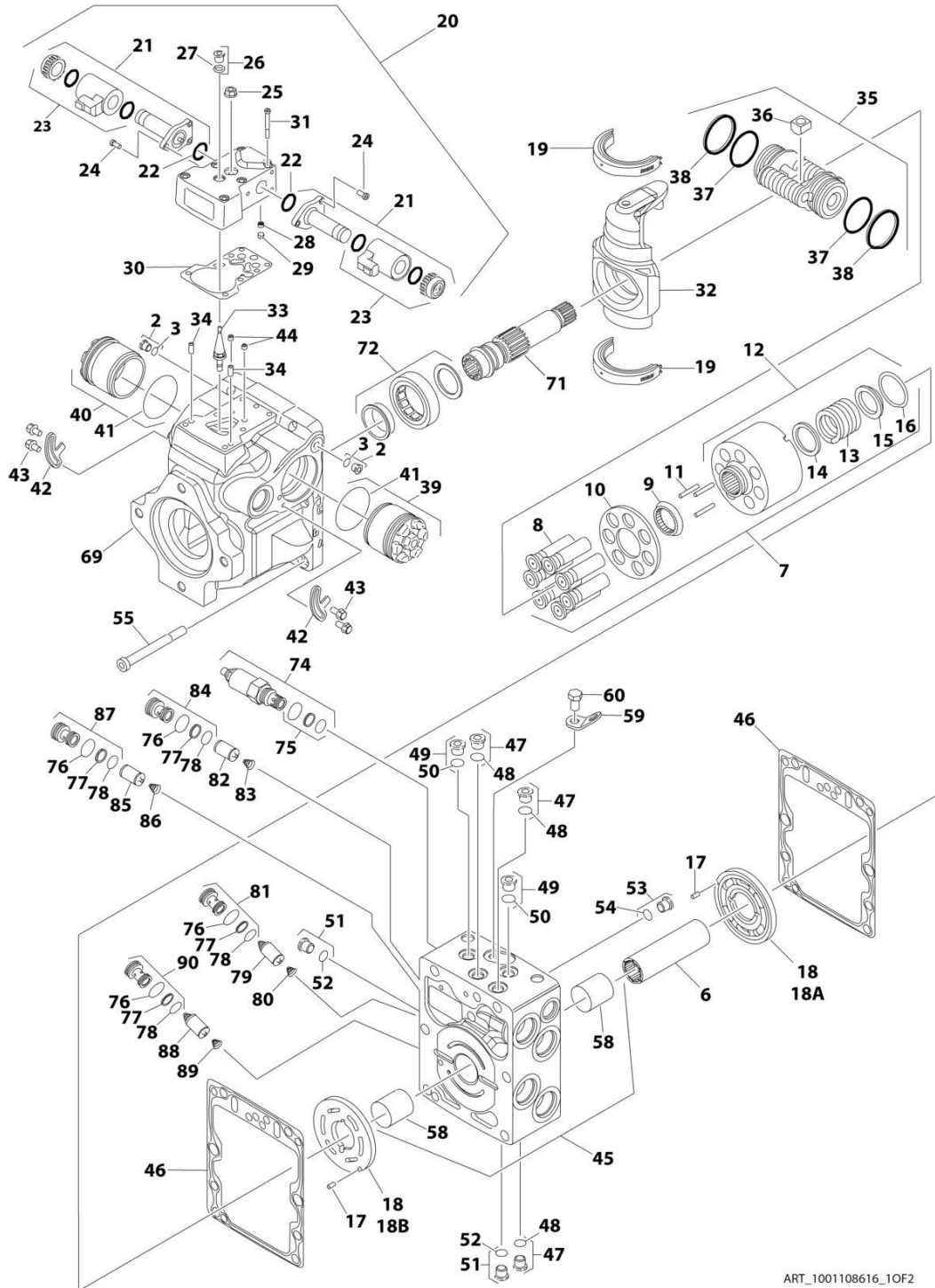
ITEM	PART NUMBER	QTY	DESCRIPTION	REV
301H	See Note	NSS	Bearing, Roller (Note: Use Item 301)	
301J	See Note	NSS	Cradle Bearing Assembly (Note: Use Item 301)	
301K	70001968	1	Ring, Retaining	
301L	See Note	NSS	Ring, Retaining (Note: Not Available for Purchase)	
301M	70003167	1	Seal, Shaft Ring	
301N	70000950	1	Plate	
302	7024065	1	Control Group - Hydraulic	
302A	See Note	NSS	Piston, Positioning - Complete (Note: Use Item 302)	
302A	See Note	NSS	O-Ring, Outer Seal (Note: Not Available for Purchase)	
302A	See Note	NSS	O-Ring, Stem (Note: Not Available for Purchase)	
302B	See Note	4	Capscrew M6 x 12 (Note: Not Available - Purchase Locally)	
302C	See Note	NSS	Nut (Note: Use Item 302)	
302D	See Note	NSS	Ring, Guide (Note: Use Item 302)	
302E	See Note	NSS	Seal, O-Ring (Note: Use Item 302)	
302F	7024071	1	O-Ring	
302G	7024072	1	O-Ring	
302H	7024006	1	Seal Kit - Control Section	
303	7024905	1	Port Plate Group (Front)	
303	7024911	1	Port Plate Group (Mid)	
303A	7024073	1	Cartridge, Relief Valve (High Pressure)	
303A	7024075	1	O-Ring	
303A	7024076	1	Ring, Back-up	
303B		Ref	Cartridge Options:	
303B	7024907	1	Front Pump Cartridge (Lock Valve With Orifice)	
303B	7024909	1	Screw, Locking	
303B	7024075	1	O-Ring	
303B	70020329	1	Middle Pump Cartridge (Pressure Relief Valve)	
303B	7024909	1	Screw, Locking	
303B	7024077	1	O-Ring	
303C	See Note	NSS	Plate, Port (Note: Use Item 303)	
303D	See Note	NSS	Bushing, Bearing (Note: Use Item 303)	
303E	See Note	4	Capscrew M12 x 70 Grade 10.9 (Note: Not Available - Purchase Locally)	
303F	See Note	NSS	Pin, Dowel (Note: Use Item 303)	
303G	70003340	1	Pin, Break-Off	
303H	See Note	1	Screw, Locking M10 x 1 (Note: Not Available - Purchase Locally)	
303J	7024908	1	O-Ring	
303K	See Note	2	Screw, Locking 7/16 (Note: Not Available - Purchase Locally)	
303L	See Note	NSS	Bearing, Roller (Note: Use Item 303)	
303M	7024006	1	Seal Kit - Port Plate Group	
304	7024906	1	Internal Gear Pump	
304A	See Note	NSS	Flange, Intermediate (Note: Use Item 304)	
304B	See Note	NSS	IZP-Housing (Note: Use Item 304)	
304C	See Note	NSS	Bushing, Bearing (Note: Use Item 304)	
304D	See Note	NSS	Coupling, Driveshaft Through (Note: Use Item 304)	
304E	7024078	1	Gear Set	
304F	7024079	1	Key, Driveshaft	
304G	80934174	1	Ring, Retaining	
304H	See Note	4	Capscrew M10 x 20 (Note: Not Available - Purchase Locally)	
304J	See Note	NSS	Seal (Note: Not Available for Purchase)	
304K	7024081	1	O-Ring	

SECTION 3 - ENGINE

ITEM	PART NUMBER	QTY	DESCRIPTION	REV
304L	See Note	NSS	Ring, Retaining (Note: Use Item 304)	
304M	See Note	NSS	O-Ring (Note: Use Item 304)	
304N	See Note	NSS	Plate, Wear (Note: Not Available for Purchase)	
304P	See Note	NSS	Pin, Cylinder (Note: Use Item 304)	
305	70003165	1	Control Module	
305	70003170	1	Coil, Solenoid	
305A	70020336	1	Seal Kit - Control Module	
305B	80934644	4	Capscrew	
310	See Note	1	Housing (Note: Not Available for Purchase)	
313	See Note	2	Pin, Dowel (Note: Not Available for Purchase)	
314	See Note	1	Pin, Cylinder (Note: Not Available for Purchase)	
320	7026980	1	Screw 7/8 (Front Drive Pump Only)	
321	80334079	1	Screw 9/16	
322	See Note	1	Screw 7/16 (Note: Not Available - Purchase Locally)	
324	See Note	1	Screw M10 x 1 (Note: Not Available - Purchase Locally)	
327	70003340	1	Pin, Double Break-Off	
328	7018936	1	Orifice	
331	7024096	2	Pin, Clamping	
341	7024069	1	O-Ring	
342	70007178	1	O-Ring	

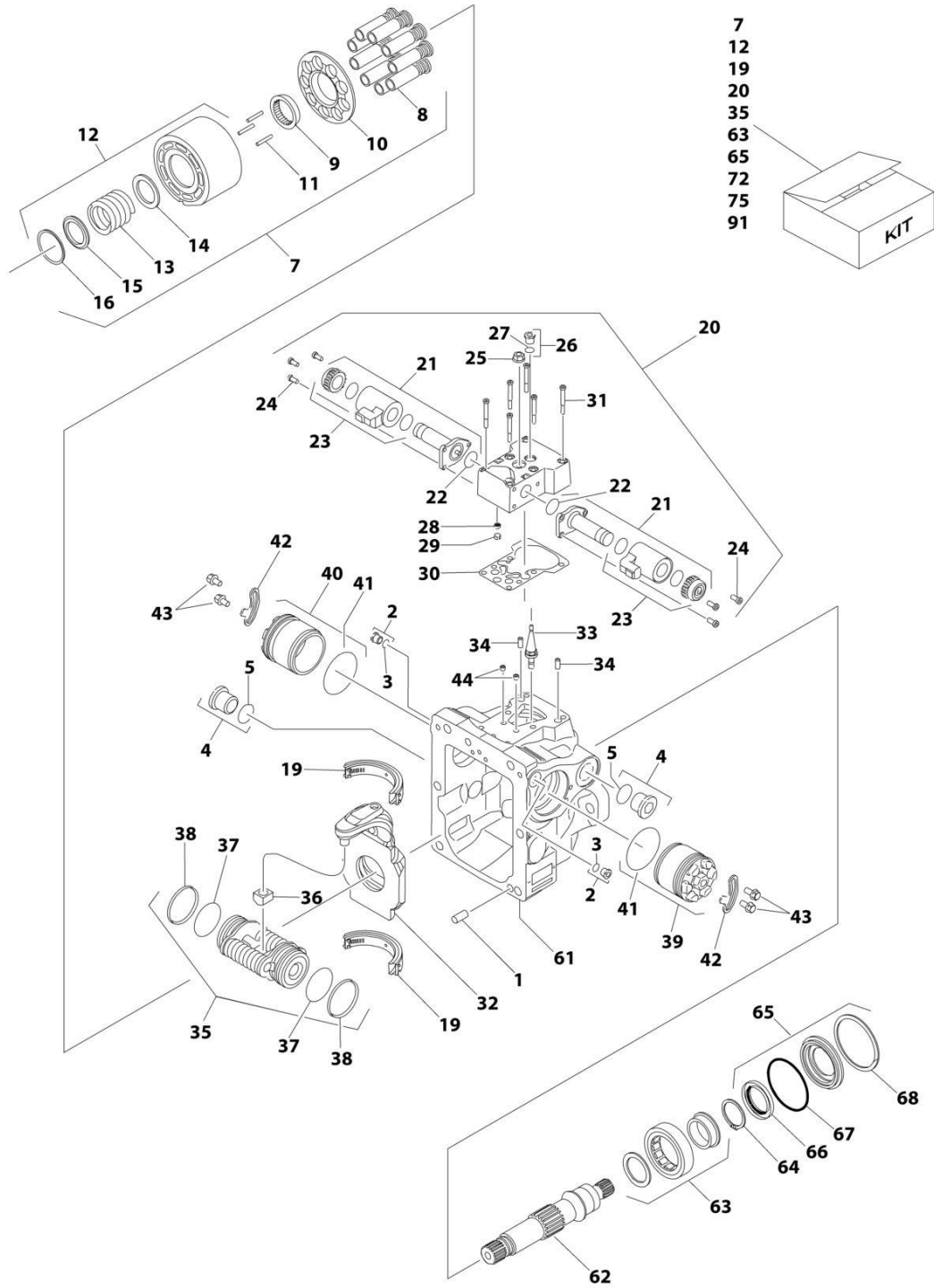
SECTION 3 - ENGINE

FIGURE 3-49. PUMP ASSEMBLY (SAUER TANDEM)



ART_1001108616_10F2

SECTION 3 - ENGINE



ART_1001108616_2OF2

SECTION 3 - ENGINE

FIGURE 3-49. PUMP ASSEMBLY (SAUER TANDEM)

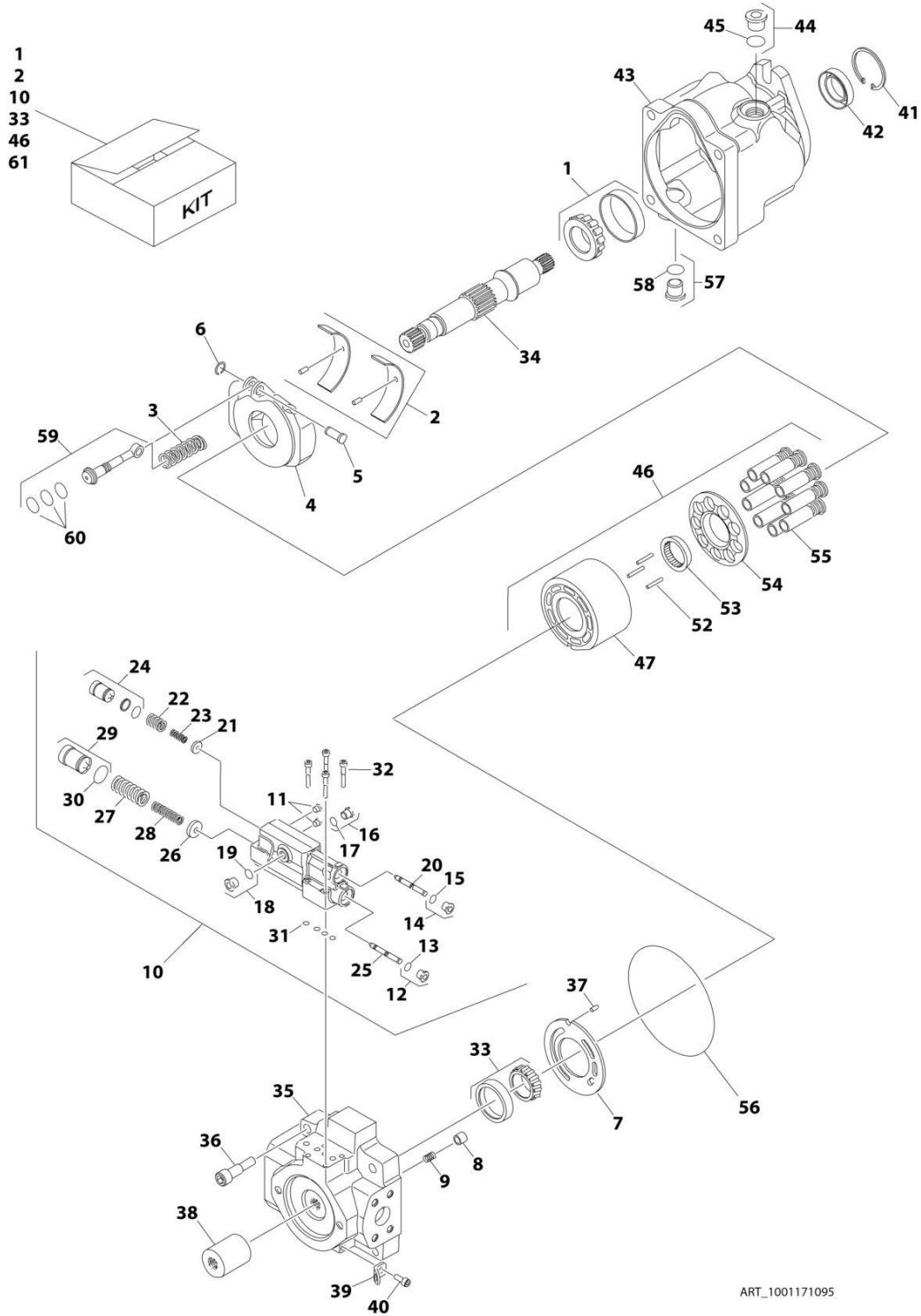
ITEM	PART NUMBER	QTY	DESCRIPTION	REV
	1001108616	Ref	PUMP ASSEMBLY (SAUER TANDEM)	D
1	70002132	4	Pin	
2	70002133	4	Plug Assembly (Includes Item 3)	
3	7007207	4	O-Ring (Part of Item 2)	
4	7007419	2	Plug Assembly (Includes Item 5)	
5	7007418	2	O-Ring (Part of Item 4)	
6	70002600	1	Coupling	
7	70002135	2	Cylinder Block Kit (Each Kit Includes Qty 1 of Items 8-10 & 12-16 & Qty 3 of Item 11)	
8	70002136	2	Piston Assembly Kit (Includes Qty 9 Piston Assemblies) (Part of Item 7)	
9	70002137	2	Guide, Slipper Retainer (Part of Item 7)	
10	70002138	2	Retainer, Slipper (Part of Item 7)	
11	7021275	6	Pin, Slipper Retainer Holddown (Part of Item 7)	
12	70002135	2	Cylinder Block Assembly (Includes Qty 1 of Item 13-16) (Part of Item 7)	
13	70002139	2	Spring (Part of Item 12)	
14	70002140	2	Washer (Part of Item 12)	
15	70002141	2	Washer (Part of Item 12)	
16	70002142	2	Ring, Retaining (Part of Item 12)	
17	7007446	2	Pin	
18		Ref	Plate, Valve Options:	
18A	70002601	1	Plate, CW Valve	
18B	70002602	1	Plate, CCW Valve	
19	70002145	2	Swash Plate Bearing Kit (Includes Qty 2 Bearings)	
20	70002618	2	EDC Kit (Includes Items 21-31)	
21	70002619	4	Solenoid Valve Assembly (Includes Items 22 & 23) (Part of Item 20)	
22	70002148	4	O-Ring (2 Per EDC Assembly) (Part of Item 21)	
23	70002620	4	Coil, Nut and Seals Kit (2 Per EDC Assembly) (Part of Item 21)	
24	70002150	12	Screw (Part of Item 20)	
25	7022301	2	Nut, Seal (Part of Item 20)	
26	70002151	2	Plug Assembly (Part of Item 20) (Includes Item 27)	
27	7007207	2	O-Ring (Part of Item 26)	
28	70002134	2	Screen (Part of Item 20)	
29	70002153	2	Ring, Locking (Part of Item 20)	
30	70002154	2	Gasket, Control (Part of Item 20)	
31	70002156	12	Capscrew (Part of Item 20)	
32	70002152	2	Swash Plate	
33	70002155	2	Link, Swash Plate	
34	70002157	4	Pin, Dowel	
35	70002158	2	Servo Piston Assembly (Includes Items 36-38)	
36	70002159	2	Block, Slider (Part of Item 35)	
37	70002160	2	O-Ring (Part of Item 35)	
38	70002161	2	Ring, Piston (Part of Item 35)	
39	70002162	2	Cylinder, Servo	
40	70002162	2	Cylinder, Servo	
41	70002163	4	O-Ring	
42	70002164	4	Plate, Locking	
43	70002165	8	Screw	

SECTION 3 - ENGINE

ITEM	PART NUMBER	QTY	DESCRIPTION	REV
44	70002604	4	Orifice	
45	70002605	1	Center Section Assembly (Includes Item 58)	
46	70002168	2	Gasket, End Cap	
47	70001958	2	Plug Assembly (Includes Item 48)	
48	7021256	2	O-Ring (Part of Item 47)	
49	70001958	2	Plug Assembly (Includes Item 50)	
50	7021256	2	O-Ring (Part of Item 49)	
51	70001958	2	Plug Assembly (Includes Item 52)	
52	7021256	2	O-Ring (Part of Item 51)	
53	70001958	2	Plug Assembly (Includes Item 54)	
54	7021256	2	O-Ring (Part of Item 53)	
55	70002606	4	Capscrew	
58	70002607	2	Bearing, Journal (Part of Item 45)	
59	70002608	1	Bracket, Lifting	
60	70002609	1	Screw	
61	See Note	1	Housing (Note: Not Available for Purchase)	
62	70002175	1	Shaft	
63	70002610	1	Ball Bearing Kit	
	7007439	1	Ring, Retaining	
65	70002174	1	Shaft Seal Kit (Includes Items 66-68) (Note: This is a universal kit and will contain extra pieces that are not used on this pump assembly)	
66	70002177	1	Seal, Lip	
67	70002178	1	O-Ring	
68	70002179	1	Ring, Retaining	
69	See Note	1	Housing (Note: Not Available for Purchase)	
71	70002612	1	Shaft	
72	70002610	1	Ball Bearing Kit	
74	70002621	1	High Pressure Relief Valve Cartridge Assembly (Includes Item 75)	
75	70002622	1	Seal Kit - 70002621 Valve (Part of Item 74)	
76	7007415	1	O-Ring (Part of Items 81, 84, 87 & 90)	
77	7021293	1	Ring, Back-up (Part of Items 81, 84, 87 & 90)	
78	7022300	1	O-Ring (Part of Items 81, 84, 87 & 90)	
79	70002616	1	SCR Valve Assembly	
80	7024800	1	Spring	
81	7021265	1	Plug Assembly (Includes Qty 1 of Items 76-78)	
82	70002616	1	SCR Valve Assembly	
83	7024800	1	Spring	
84	7021265	1	Plug Assembly (Includes Qty 1 of Item 76-78)	
85	70002616	1	SCR Valve Assembly	
86	7024800	1	Spring	
87	70002617	1	Plug Assembly (Includes Qty 1 of Item 76-78)	
88	70002616	1	SCR Valve Assembly	
89	7024800	1	Spring	
90	7021265	1	Plug Assembly (Includes Qty 1 of Items 76-78)	
91	70002623	1	Overhaul Seal Kit (Includes Items 3, 5, 22, 27, 30, 37, 38, 41, 46, 48, 50, 52, 54, 66, 67, 75, 76, 77 & 78)	

SECTION 3 - ENGINE

FIGURE 3-50. PUMP ASSEMBLY (SAUER PISTON)



ART_1001171095

SECTION 3 - ENGINE

FIGURE 3-50. PUMP ASSEMBLY (SAUER PISTON)

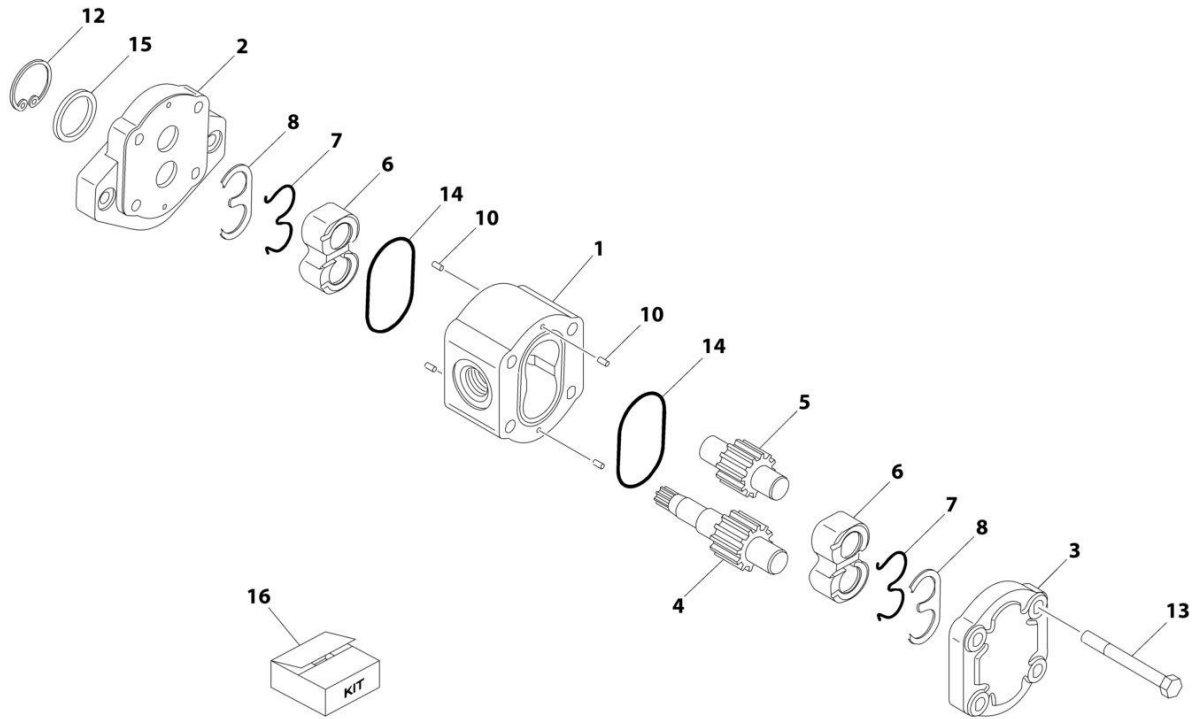
ITEM	PART NUMBER	QTY	DESCRIPTION	REV
	1001171095	Ref	PUMP ASSEMBLY (SAUER PISTON)	B
1	70002578	1	Bearing Kit - Front (Includes Cup and Cone)	
2	70004426	1	Swash Plate Bearing Kit (Includes Qty 2 Bearings and Retainer Pins)	
3	70002580	1	Spring, Bias	
4	70004416	1	Swash Plate Assembly	
5	70002582	1	Shaft	
6	70002583	1	Ring, Retaining	
7	70004417	1	Plate, Valve	
8	70001956	1	Poppet, Check Valve	
9	70001955	1	Spring	
10	70022286	1	Control Kit (Includes Items 11-32)	
11	See Note	NSS	Setscrew (Note: Use Item 10)	
12	70002133	1	Plug Assembly (Includes Item 13)	
13	7007207	1	O-Ring (Part of Item 12)	
14	70002133	1	Plug Assembly (Part of Item 15)	
15	7007207	1	O-Ring (Part of Item 14)	
16	70002133	1	Plug Assembly (Includes Item 17)	
17	7007207	1	O-Ring (Part of Item 16)	
18	70002133	1	Plug Assembly (Includes Item 19)	
19	7007207	1	O-Ring (Part of Item 18)	
20	See Note	NSS	Spool (Note: Use Item 10)	
21	See Note	NSS	Guide, Spring LS (Note: Use Item 10)	
22	See Note	NSS	Spring, Outer LS (Note: Use Item 10)	
23	See Note	NSS	Spring, Inner LS (Note: Use Item 10)	
24	See Note	NSS	Plug, Adjusting LS (Note: Use Item 10 or 61)	
25	See Note	NSS	Spool, Control (Note: Use Item 10)	
26	See Note	NSS	Guide, Spring PC (Note: Use Item 10)	
27	See Note	NSS	Spring, Outer PC (Note: Use Item 10)	
28	See Note	NSS	Spring, Inner PC (Note: Use Item 10)	
29	See Note	NSS	Plug, Adjusting PC (Note: Use Item 10)	
30	See Note	NSS	O-Ring (Note: Use Item 10 or 61)	
31	See Note	NSS	Ring, Seal (Note: Use Item 10 or 61)	
32	See Note	NSS	Capscrew (Note: Use Item 10)	
33	70002585	1	Bearing Kit - Rear (Includes Cup and Cone)	
34	70002586	1	Shaft	
35	70004420	1	Cap, End	
36	70002588	4	Capscrew	
37	7007446	1	Pin, Slotted	
38	70002589	1	Coupling	
39	7022340	1	Bracket, Lifting	
40	70002590	1	Capscrew	
41	7023962	1	Ring, Retaining	
42	See Note	NSS	Seal, Lip (Note: Use Item 61)	
43	See Note	NSS	Housing (Note: Not Available for Purchase)	
44	7023964	1	Plug Assembly (Includes Item 45)	
45	7007415	1	O-Ring (Part of Item 44)	
46	70004423	1	Cylinder Block Kit (Includes Items 47-55)	
47	70004421	1	Cylinder	
52	7021275	3	Pin, Hold-down	

SECTION 3 - ENGINE

ITEM	PART NUMBER	QTY	DESCRIPTION	REV
53	70002592	1	Guide, Slipper Retainer	
54	70002593	1	Retainer, Slipper	
55	70004422	1	Piston Assembly	
56	See Note	NSS	Seal, End Cap (Note: Use Item 61)	
57	7023964	1	Plug, O-Ring (Includes Item 58)	
58	7007415	1	O-Ring (Part of Item 57)	
59	70005418	1	Servo Piston Assembly (Includes Item 60)	
60	See Note	NSS	Ring, Piston (Part of Item 59) (Note: Use Item 61)	
61	70002599	1	Complete Seal Kit (Includes Items 13, 15, 17, 19, 24, 30, 31, 42, 45, 56, 58 & 60)	

SECTION 3 - ENGINE

FIGURE 3-51. PUMP ASSEMBLY (SAUER GEAR)



ART_1001112927

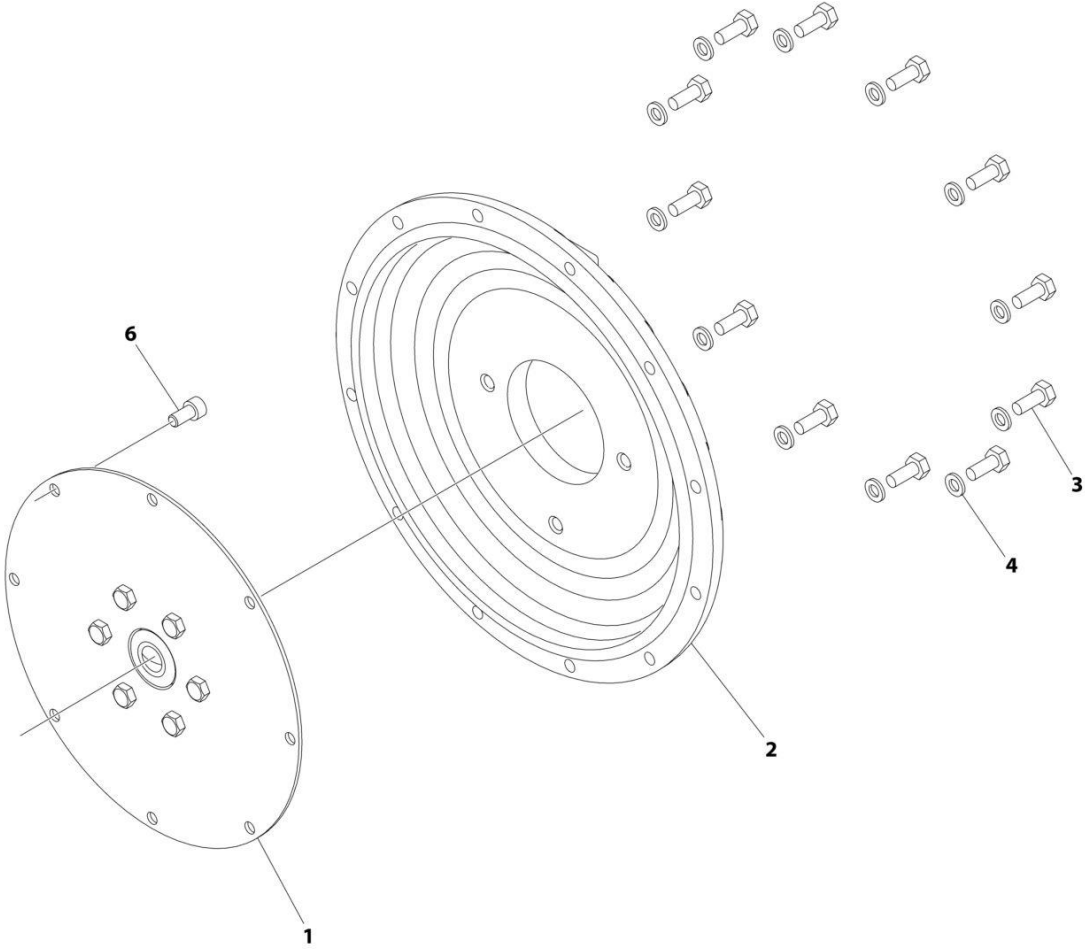
SECTION 3 - ENGINE

FIGURE 3-51. PUMP ASSEMBLY (SAUER GEAR)

ITEM	PART NUMBER	QTY	DESCRIPTION	REV
	1001112927	Ref	PUMP ASSEMBLY (SAUER GEAR)	A
1	See Note	NSS	Body (Note: Use p/n 1001112927)	
2	See Note	NSS	Cover, Front (Note: Use p/n 1001112927)	
3	See Note	NSS	Cover, Rear (Note: Use p/n 1001112927)	
4	See Note	NSS	Shaft, Gear (Note: Use p/n 1001112927)	
5	See Note	NSS	Gear, Idler (Note: Use p/n 1001112927)	
6	See Note	NSS	Block, Bearing (Note: Use p/n 1001112927)	
7	7007489	2	Ring, Anti-Extrusion	
8	7007489	2	Ring, Seal	
10	See Note	NSS	Pin, Dowel (Note: Use p/n 1001112927)	
12	70002576	1	Ring, Retaining	
13	See Note	NSS	Capscrew (Note: Use p/n 1001112927)	
14	7007489	2	O-Ring	
15	7007489	1	Seal, Lip	
16	7007489	1	Seal Kit - 1001112927 Pump (Includes Items 7, 8, 14 & 15)	

SECTION 3 - ENGINE

FIGURE 3-52. PUMP COUPLING KIT



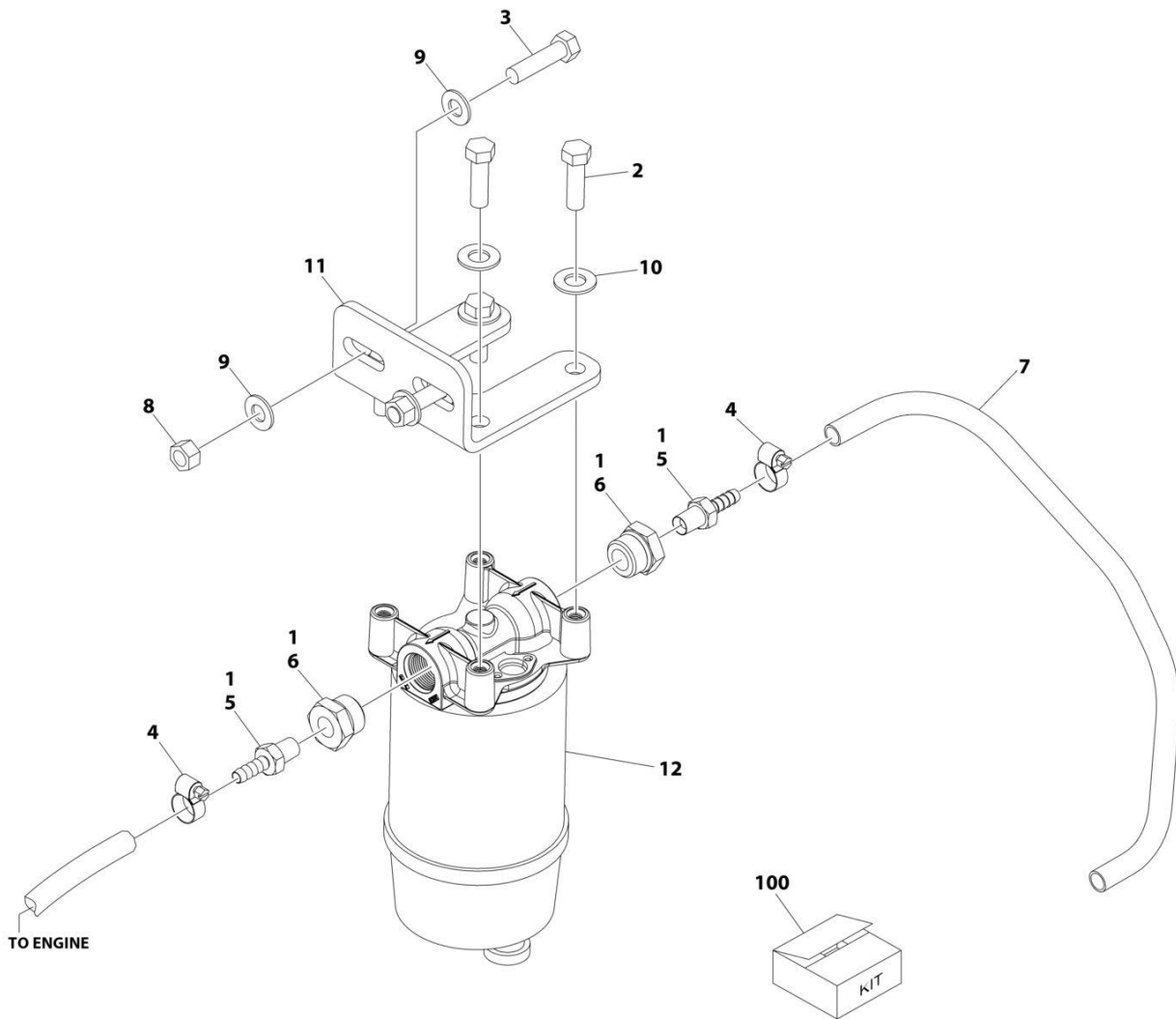
ART_2902065

FIGURE 3-52. PUMP COUPLING KIT

ITEM	PART NUMBER	QTY	DESCRIPTION	REV
	2902065	Ref	PUMP COUPLING KIT	L
1	70000793	1	Coupling, Hayes	
2	See Note	NSS	Plate, Pump Adapter (Note: Use p/n 2902065)	
3	See Note	NSS	Bolt M10 x 30 Grade 10.9 (Note: Use p/n 2902065)	
4	See Note	NSS	Washer M10 (Note: Use p/n 2902065)	
6	See Note	NSS	Bolt M10 x 20 Grade 10.9 (Note: Use p/n 2902065)	

SECTION 3 - ENGINE

FIGURE 3-53. WATER/FUEL SEPARATOR INSTALLATION - DEUTZ TD2011 ENGINE



ART_1001195214

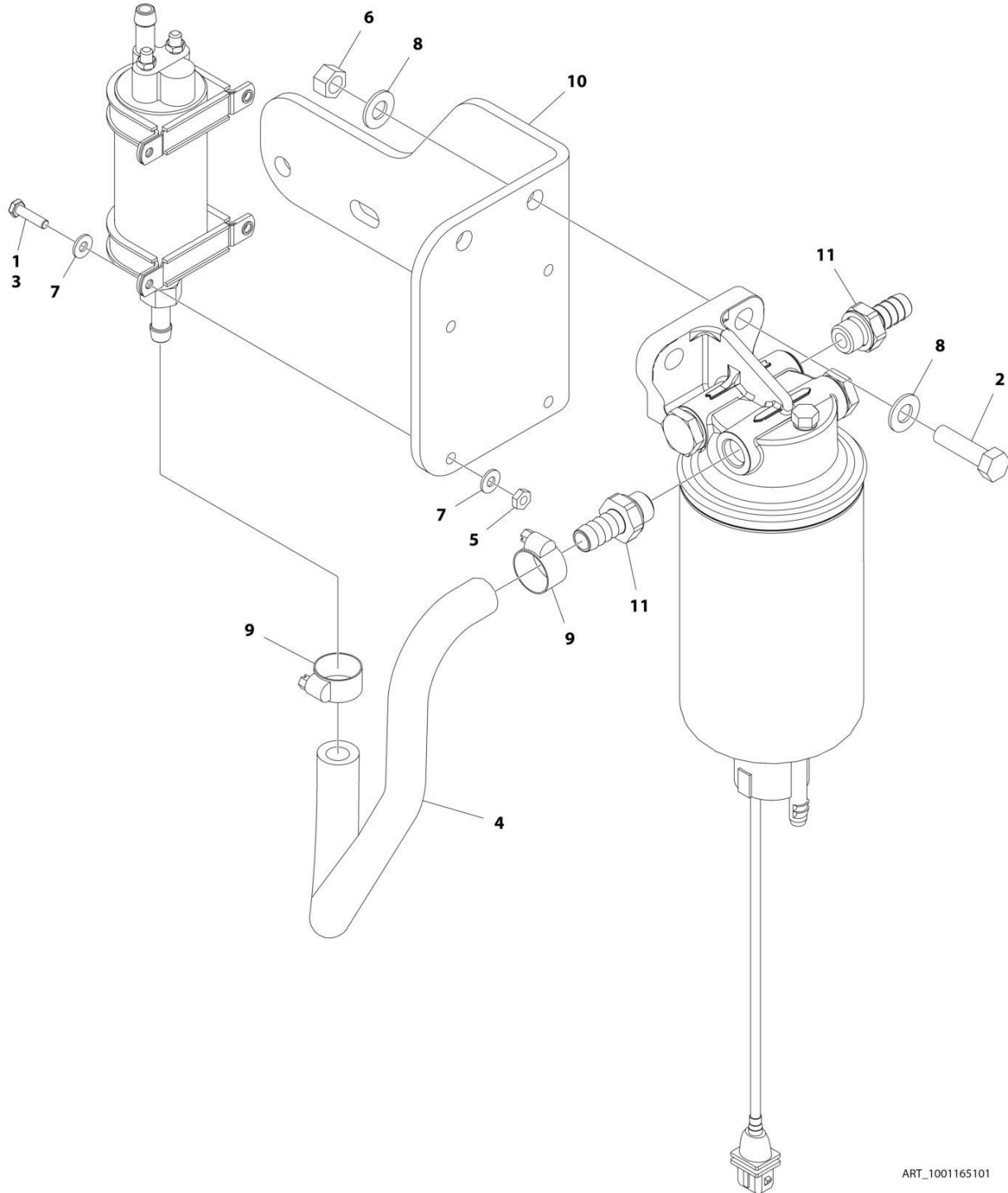
SECTION 3 - ENGINE

FIGURE 3-53. WATER/FUEL SEPARATOR INSTALLATION - DEUTZ TD2011 ENGINE

ITEM	PART NUMBER	QTY	DESCRIPTION	REV
	1001195214	Ref	WATER/FUEL SEPARATOR INSTALLATION - DEUTZ TD2011 ENGINE	A
1	0100079	AR	Sealant, Pipe	
2	0641610	4	Bolt 3/8 x 1-1/4	
3	0641612	2	Bolt 3/8 x 1-1/2	
4	1320022	2	Clamp	
5	2180348	1	Fitting, Barbed	
6	2220816	2	Fitting, Adapter FNPTF/ORB	
7	2720058	3.5 ft /1.1m	Hose	
8	3271601	2	Nut 3/8	
9	4711600	4	Washer 3/8	
10	4711700	4	Washer 7/16	
11	1001188884	1	Bracket, Water/Fuel	
12	1001188887	1	Filter Water/Fuel	
12	1001202280	1	Filter, Head	
12	1001202281	1	Filter, Element	
100	1001204159	1	Water/Separator Add-on Kit	

SECTION 3 - ENGINE

FIGURE 3-54. FUEL PUMP/FILTER BRACKET ASSEMBLY - DEUTZ TCD2.9L4 ENGINE AND DEUTZ TCD2.9L4 (STAGE V) ENGINE



ART_1001165101

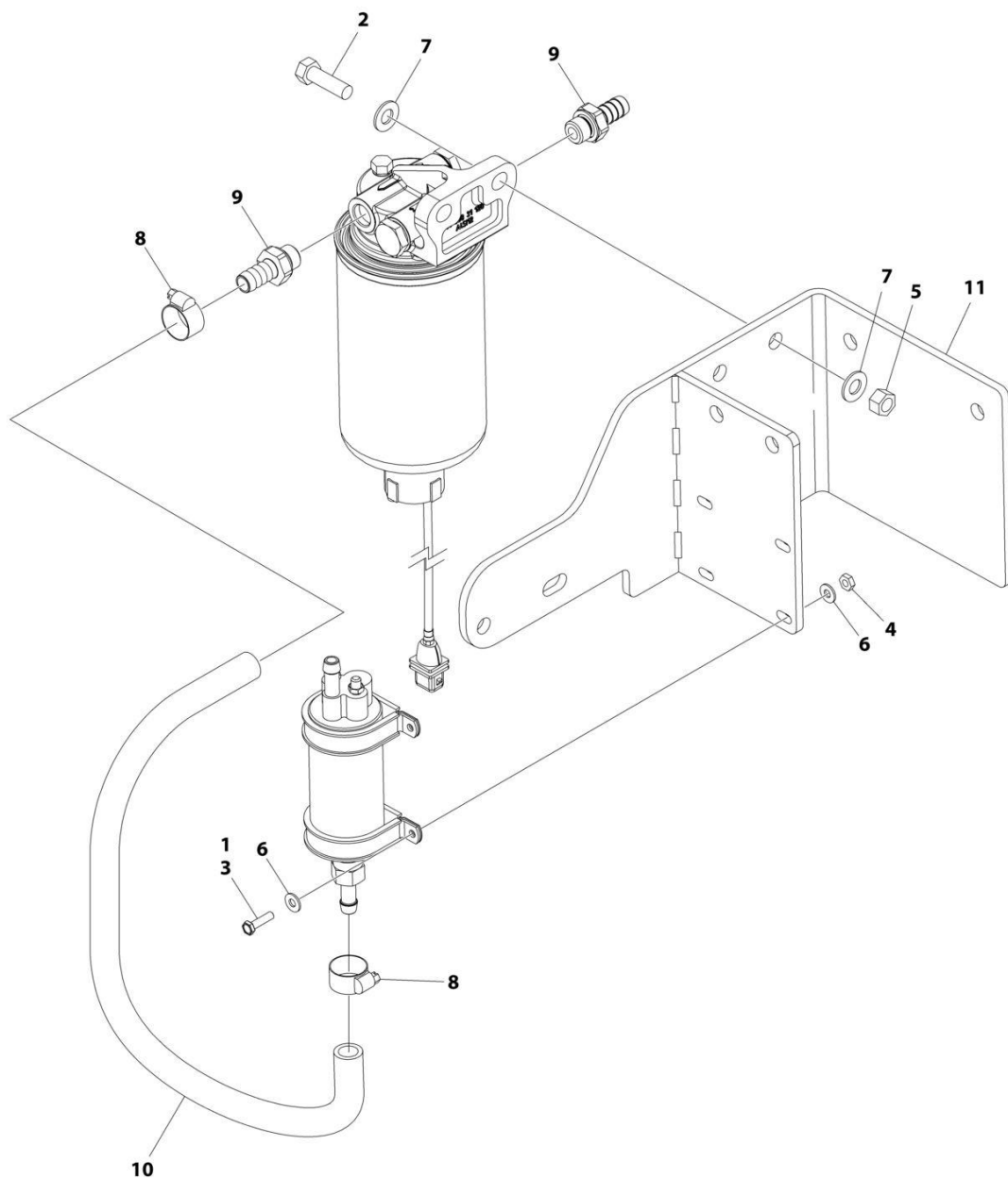
SECTION 3 - ENGINE

FIGURE 3-54. FUEL PUMP/FILTER BRACKET ASSEMBLY - DEUTZ TCD2.9L4 ENGINE AND DEUTZ TCD2.9L4 (STAGE V) ENGINE

ITEM	PART NUMBER	QTY	DESCRIPTION	REV
	1001165101	Ref	FUEL PUMP/FILTER BRACKET ASSEMBLY - DEUTZ TCD2.9L4 ENGINE AND DEUTZ TCD2.9L4 (STAGE V PRE-BUY) ENGINE	C
1	0100011	AR	Compound, Locking	
2	0641611	2	Bolt 3/8 x 1-3/8	
3	0721006	4	Bolt #10 x 3/4	
4	1001154405	1.5 ft /0.4m	Hose	
5	3311001	4	Nut #10	
6	3311605	2	Nut 3/8	
7	4711000	8	Washer #10	
8	4711600	4	Washer 3/8	
9	8405006	2	Clamp	
10	1001140222	1	Bracket, Fuel Pump Mounting	
11	1001141718	1	Fitting, Barbed	

SECTION 3 - ENGINE

FIGURE 3-55. FUEL PUMP/FILTER BRACKET ASSEMBLY - DEUTZ TD2.9L4 ENGINE (CHINA SPECS ONLY)



ART_1001227606

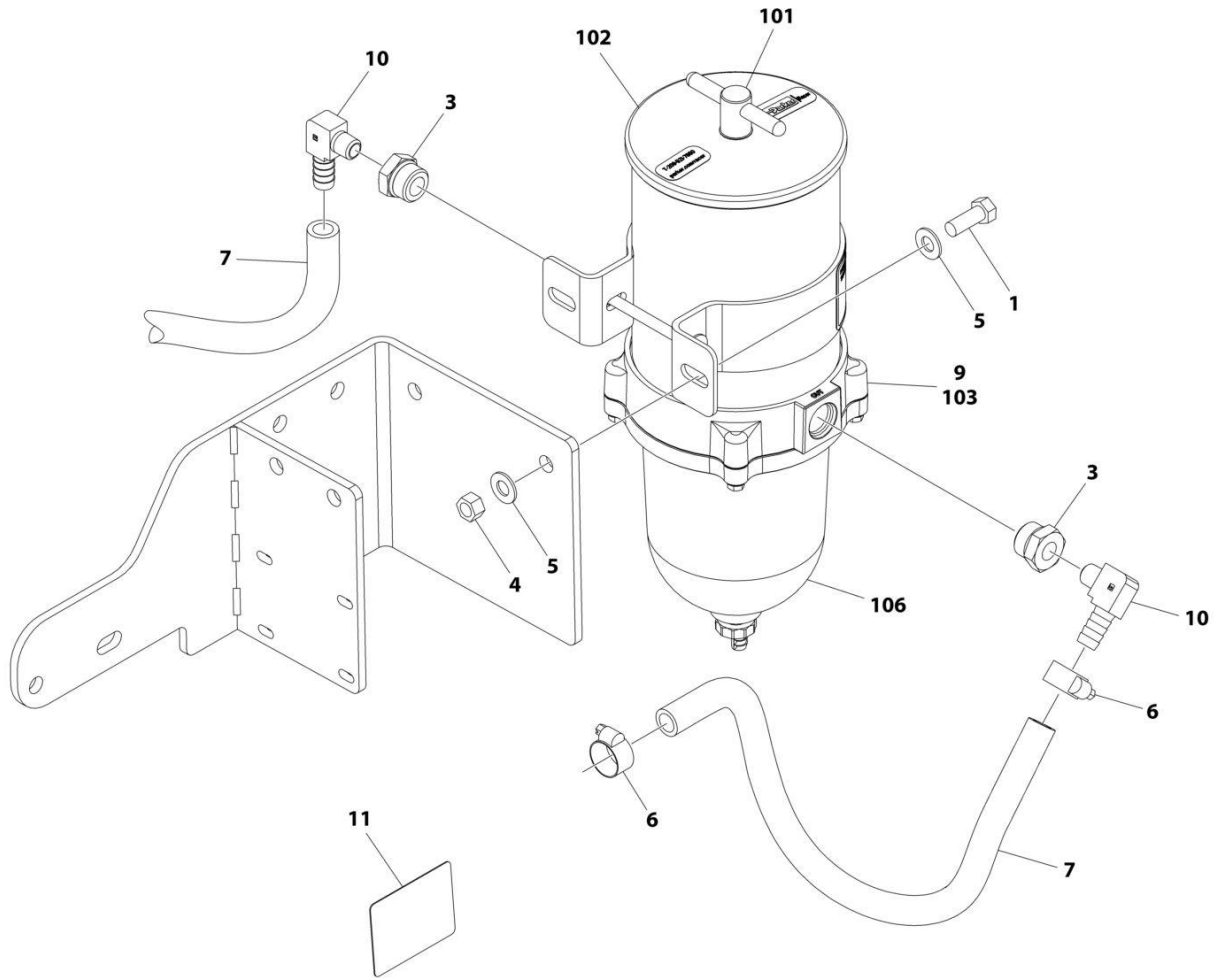
SECTION 3 - ENGINE

FIGURE 3-55. FUEL PUMP/FILTER BRACKET ASSEMBLY - DEUTZ TD2.9L4 ENGINE (CHINA SPECS ONLY)

ITEM	PART NUMBER	QTY	DESCRIPTION	REV
	1001227606	Ref	FUEL PUMP/FILTER BRACKET ASSEMBLY - DEUTZ TD2.9L4 ENGINE	A
1	0100011	AR	Compound, Locking	
2	0641610	2	Bolt 3/8 x 1-1/4	
3	0721006	4	Bolt #10 x 3/4	
4	3311001	4	Nut #10	
5	3311605	2	Nut 3/8	
6	4711000	8	Washer #10	
7	4711600	4	Washer 3/8	
8	8405006	2	Clamp	
9	1001141718	2	Fitting, Barbed	
10	1001154405	1.5 ft/ 0.4m	Hose	
11	1001222773	1	Bracket, Fuel Pump Mounting	

SECTION 3 - ENGINE

FIGURE 3-56. FUEL FILTER/WATER SEPARATOR INSTALLATION - DEUTZ TD2.9L4 & TCD2.9L ENGINES



NOTE : LOCATED ON HOOD

ART_1001223068

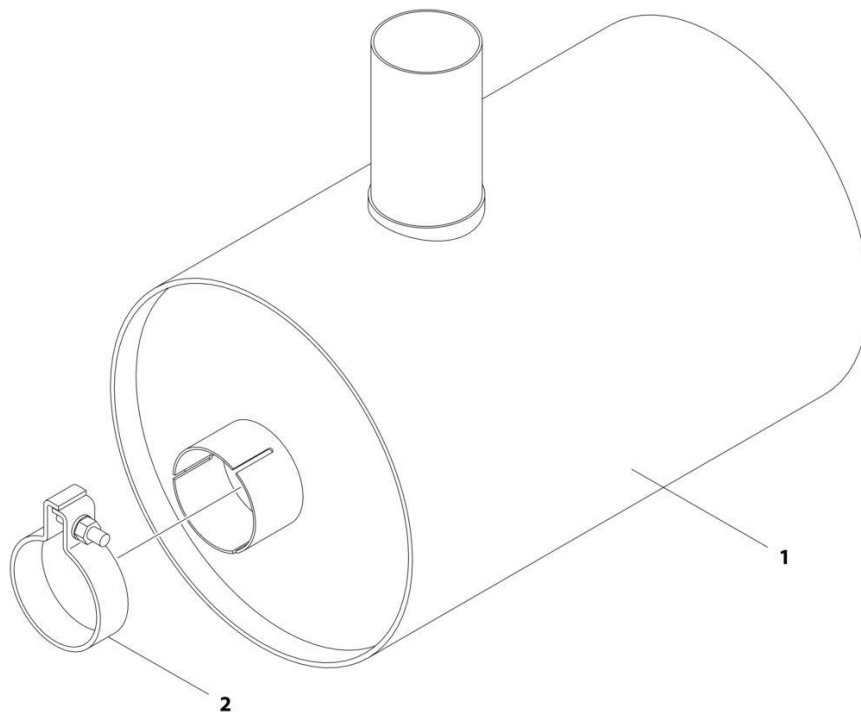
SECTION 3 - ENGINE

FIGURE 3-56. FUEL FILTER/WATER SEPARATOR INSTALLATION - DEUTZ TD2.9L4 & TCD2.9L ENGINES

ITEM	PART NUMBER	QTY	DESCRIPTION	REV
	1001223068	Ref	FUEL FILTER/WATER SEPARATOR INSTALLATION - DEUTZ TD2.9L4 ENGINE	C
1	0641608	2	Bolt 3/8 x 1	
3	2220816	2	Fitting, Adapter FNPTF/ORB	
4	3311605	2	Nut 3/8	
5	4711600	4	Washer 3/8	
6	8405006	4	Clamp	
7	1001154405	4 ft/ 1.22m	Hose	
9	1001222817	1	Fuel Filter Assembly (See Items 101-107 for Breakdown)	
10	1001178797	2	Fitting, 90	
11	1001226923	1	Decal - Fuel Water Separator	
	1001222817	Ref	FUEL FILTER ASSEMBLY	
101	70006403	1	T-Handle Kit (Includes O-Ring)	
102	70006404	1	Lid Kit (Includes Gasket)	
103	70006405	1	Element	
104	70006406	1	Checkball & Gasket Kit (Not Shown)	
105	70006407	1	Centrifuge and Baffle Kit (Not Shown)	
106	70006409	1	Bowl Kit (Includes Gasket, O-Ring and Drain)	
106	70006408	1	Gasket, Bowl	
107	70006410	1	Bowl Ring Kit (Includes Gasket & Hardware) (Not Shown)	

SECTION 3 - ENGINE

FIGURE 3-57. SPARK ARRESTING CATALYTIC MUFFLER - DEUTZ TD2011 ENGINES (OPTIONAL)



ART_3220130

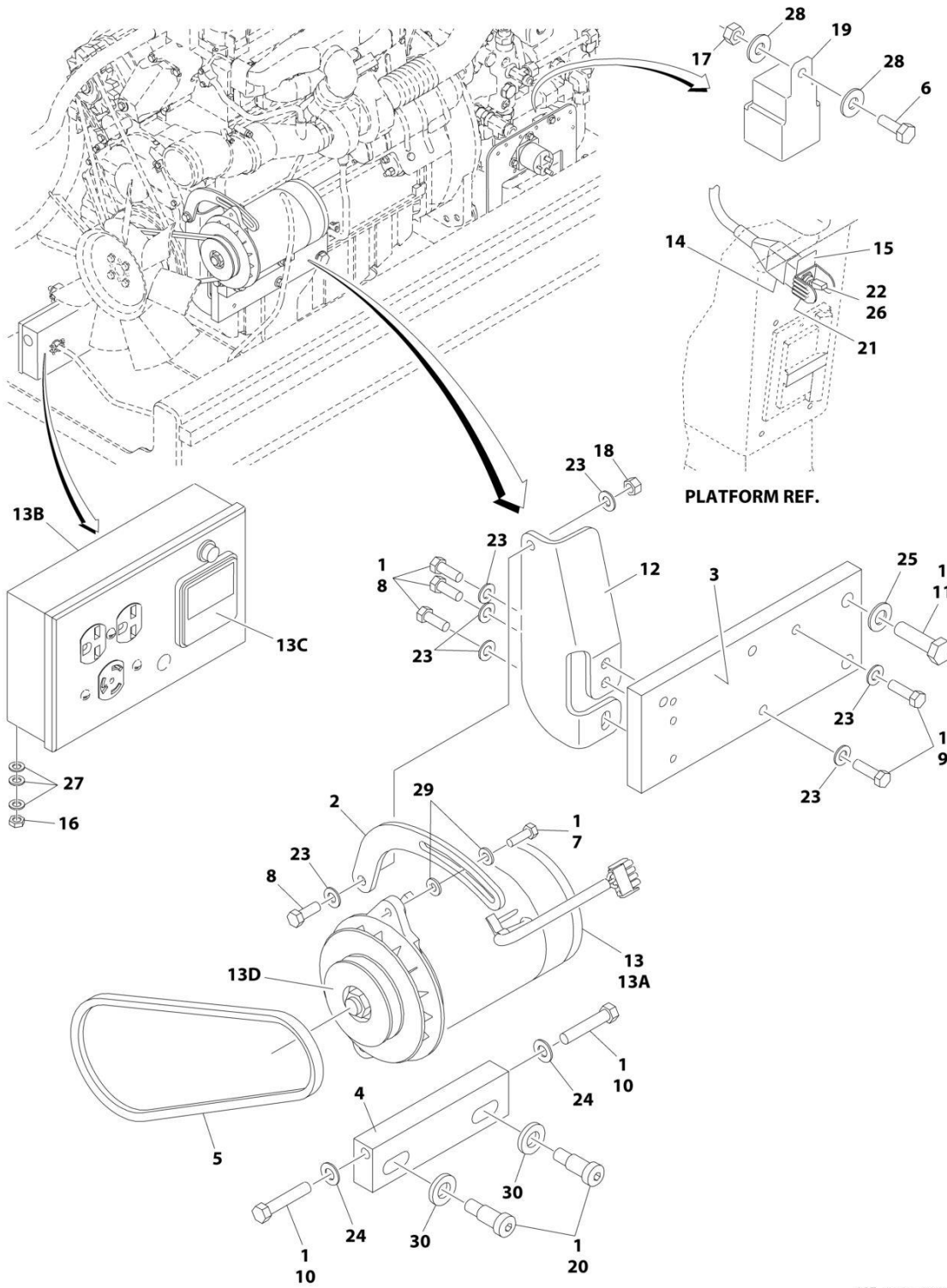
SECTION 3 - ENGINE

FIGURE 3-57. SPARK ARRESTING CATALYTIC MUFFLER - DEUTZ TD2011 ENGINES (OPTIONAL)

ITEM	PART NUMBER	QTY	DESCRIPTION	REV
	3220130	Ref	SPARK ARRESTING CATALYTIC MUFFLER - DEUTZ TD2011 ENGINES	A
1	See Note	NSS	Muffler (Note: Use p/n 3220130)	
2	70001017	1	Clamp	

SECTION 3 - ENGINE

FIGURE 3-58. 2500W GENERATOR INSTALLATION - 60HZ SPEC (DEUTZ TD2011 ENGINES) (OPTIONAL)



ART_1001125425

SECTION 3 - ENGINE

**FIGURE 3-58. 2500W GENERATOR INSTALLATION - 60HZ SPEC (DEUTZ TD2011 ENGINES)
(OPTIONAL)**

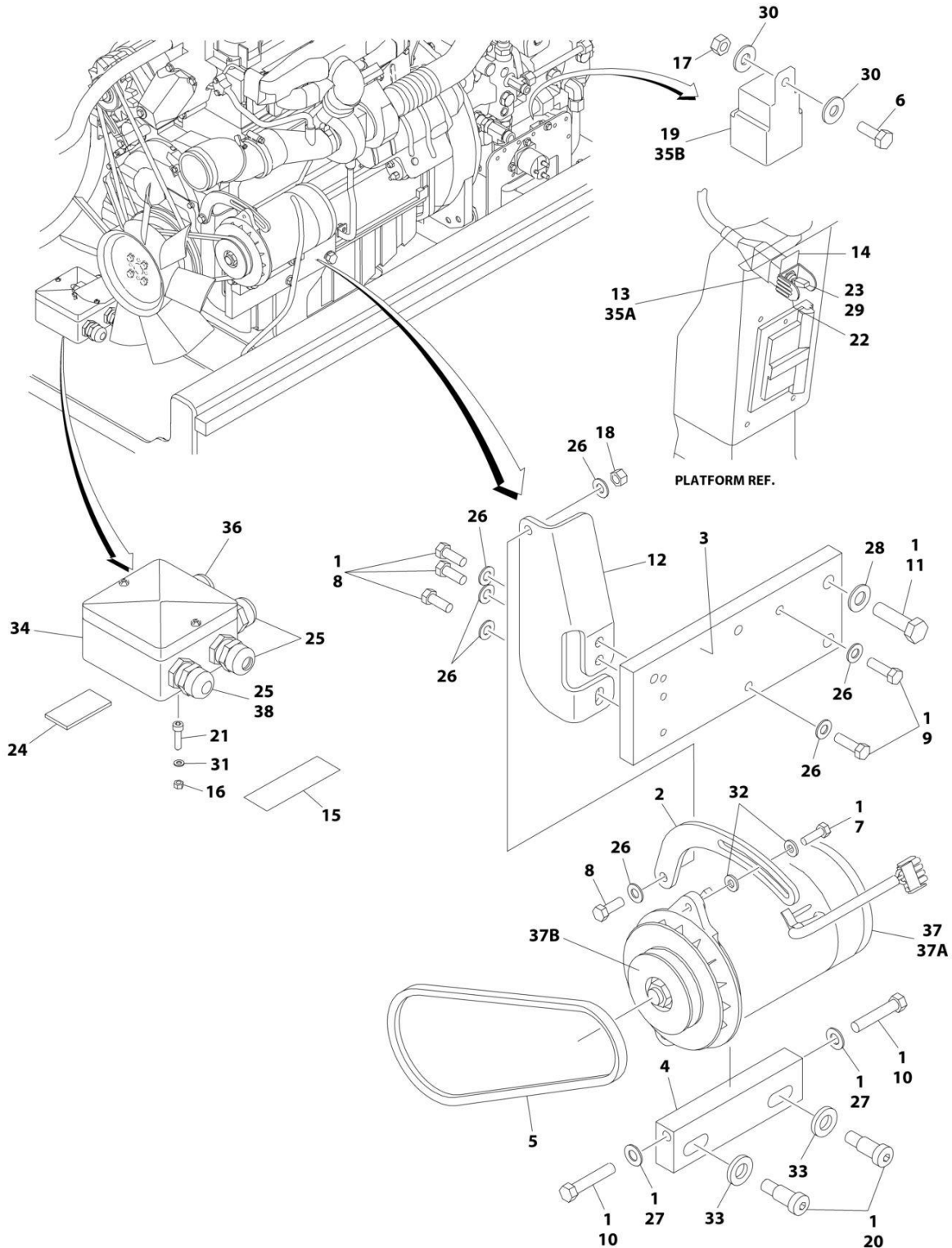
ITEM	PART NUMBER	QTY	DESCRIPTION	REV
	1001125425	Ref	2500W GENERATOR INSTALLATION - 60HZ SPEC (DEUTZ TD2011 ENGINES)	A
1	0100011	AR	Compound, Locking	
2	0200742	1	Arm, Adjusting	
3	0363081	1	Bar, Mounting	
4	0363082	1	Bar, Adjusting	
5	0480127	1	Belt	
6	0641406	1	Bolt 1/4 x 3/4	
7	0641508	1	Bolt 5/16 x 1	
8	0641608	4	Bolt 3/8 x 1	
9	0641610	2	Bolt 3/8 x 1-1/4	
10	0641718	2	Bolt 7/16 x 2-1/14	
11	0701418	2	Bolt M14 x 50	
12	0902813	1	Bracket, Arm Mounting	
13	2460055	1	Generator, 110V/60Hz	
13A	7012558	1	Generator 110V/60Hz	
		Ref	Note: Replacement generators come standard with p/n 3580134 pulley. This pulley may not be correct for all applications. Refer to pulley options below for correct pulley.	
13A	7012513	4	Cap, Brush Holder	
13A	7020108	4	Brush	
13A	7020109	4	Holder, Brush	
13A	7012514	1	Fan	
13A	7020190	2	Bearing	
13A	7020110	1	End Bell, Front	
13A	7020111	1	End Bell, Rear	
13B	7019680	1	Box Control	
13B	4360542	1	Breaker, Circuit	
13B	4460190	AR	Receptacle, Double (110V)	
13B	4460027	AR	Receptacle, Double Twist Lock (110V)	
13B	70000124	1	Receptacle, Double (220V)	
13B	70000125	1	Receptacle, Single Twist Lock (220V)	
13C	2420203	1	Voltmeter	
13D	3580276	1	Pulley	
13D	7027887	1	Key, Woodruff	
14	2820031	AR	Heat Shrink	
15	3251102	1	Nameplate - Generator	
16	3311005	2	Nut #10	
17	3311405	1	Nut 1/4	
18	3311605	1	Nut 3/8	
19	3740080	1	Relay	
20	3900322	2	Screw, Socket Head Shoulder	
21	4060802	1	Guard, Switch	
22	4360336	1	Switch, Toggle	
23	4711600	7	Washer 3/8	
24	4711700	2	Washer 7/16	
25	4711900	2	Washer 9/16	
26	4740397	1	Spacer	
27	4751000	6	Washer #10	

SECTION 3 - ENGINE

ITEM	PART NUMBER	QTY	DESCRIPTION	REV
28	4751400	2	Washer 1/4	
29	4891500	2	Washer 5/16	
30	4892000	2	Washer 5/8	

SECTION 3 - ENGINE

FIGURE 3-59. 2500W GENERATOR INSTALLATION - 50HZ SPEC (DEUTZ TD2011 ENGINES) (OPTIONAL)



ART_1001125426

SECTION 3 - ENGINE

**FIGURE 3-59. 2500W GENERATOR INSTALLATION - 50HZ SPEC (DEUTZ TD2011 ENGINES)
(OPTIONAL)**

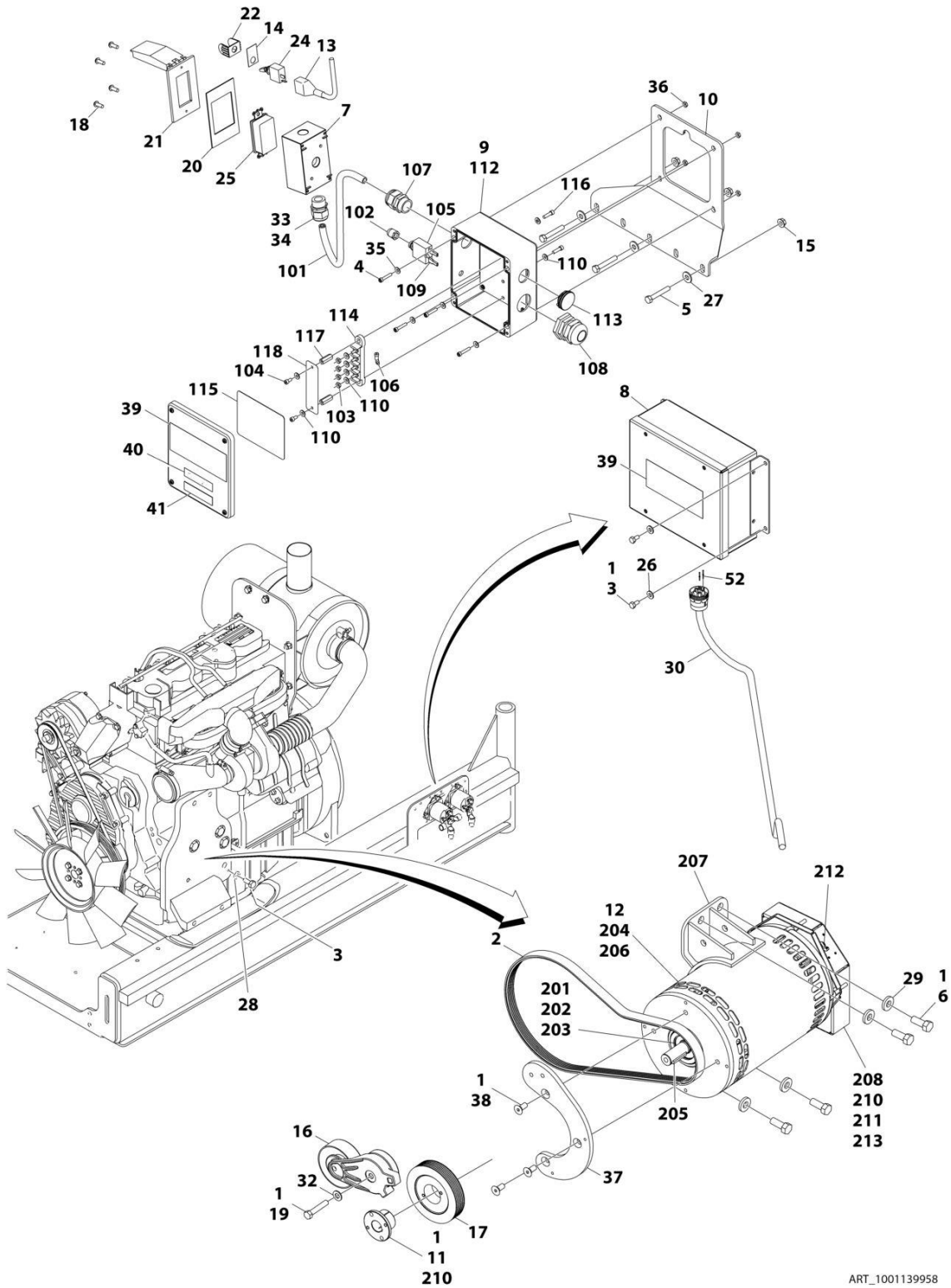
ITEM	PART NUMBER	QTY	DESCRIPTION	REV
	1001125426	Ref	2500W GENERATOR INSTALLATION - 50HZ SPEC (DEUTZ TD2011 ENGINES)	A
1	0100011	AR	Compound, Locking	
2	0200742	1	Arm, Adjusting	
3	0363081	1	Bar, Mounting	
4	0363082	1	Bar, Adjusting	
5	0480122	1	Belt	
6	0641406	1	Bolt 1/4 x 3/4	
7	0641508	1	Bolt 5/16 x 1	
8	0641608	4	Bolt 3/8 x 1	
9	0641610	2	Bolt 3/8 x 1-1/4	
10	0641718	2	Bolt 7/16 x 2-1/4	
11	0701418	2	Bolt M14 x 50	
12	0902813	1	Bracket, Arm Mounting	
13	2820031	AR	Heat Shrink	
14	3251102	1	Nameplate - Generator	
15	3252507	1	Decal, Voltage	
16	3290505	1	Nut M5	
17	3311405	1	Nut 1/4	
18	3311605	1	Nut 3/8	
19	3740080	1	Relay	
20	3900322	2	Screw, Socket Head Shoulder	
21	4031608	1	Screw M5 x 20	
22	4060802	1	Guard, Switch	
23	4360336	1	Switch, Toggle	
24	4420060	AR	Tape, Double-Sided	
25	4460968	3	Relief, Strain	
26	4711600	7	Washer 3/8	
27	4711700	2	Washer 7/16	
28	4711900	2	Washer 9/16	
29	4740397	1	Spacer	
30	4751400	2	Washer 1/4	
31	4811600	1	Washer M5	
32	4891500	2	Washer 5/16	
33	4892000	2	Washer 5/8	
34	1001099869	1	Box, Junction	
35	1001120382	1	Wiring Diagram (Not Shown)	
35A	4922641	1	Generator ON/OFF Switch Harness	
35B	1001120378	1	Generator Harness	
36	1001100233	1	Light, Red	
37	1001100321	1	Generator Assembly	
		Ref	Note: Replacement generators come standard with p/n 3580134 pulley. This pulley may not be correct for all applications. Refer to pulley options below for correct pulley.	
37A	7012513	4	Cap, Brush Holder	
37A	7020108	4	Brush	
37A	7020109	4	Holder, Brush	
37A	7012514	1	Fan	
37A	7020190	2	Bearing	

SECTION 3 - ENGINE

ITEM	PART NUMBER	QTY	DESCRIPTION	REV
37A	7020110	1	End Bell, Front	
37A	7020111	1	End Bell, Rear	
37B	7027887	1	Key, Woodruff	
38	0962449	1	Bushing, Silicone	

SECTION 3 - ENGINE

FIGURE 3-60. 4000W GENERATOR INSTALLATION - 60HZ SPEC (DEUTZ TD2011 ENGINES) (OPTIONAL)



ART_1001139958

SECTION 3 - ENGINE

**FIGURE 3-60. 4000W GENERATOR INSTALLATION - 60HZ SPEC (DEUTZ TD2011 ENGINES)
(OPTIONAL)**

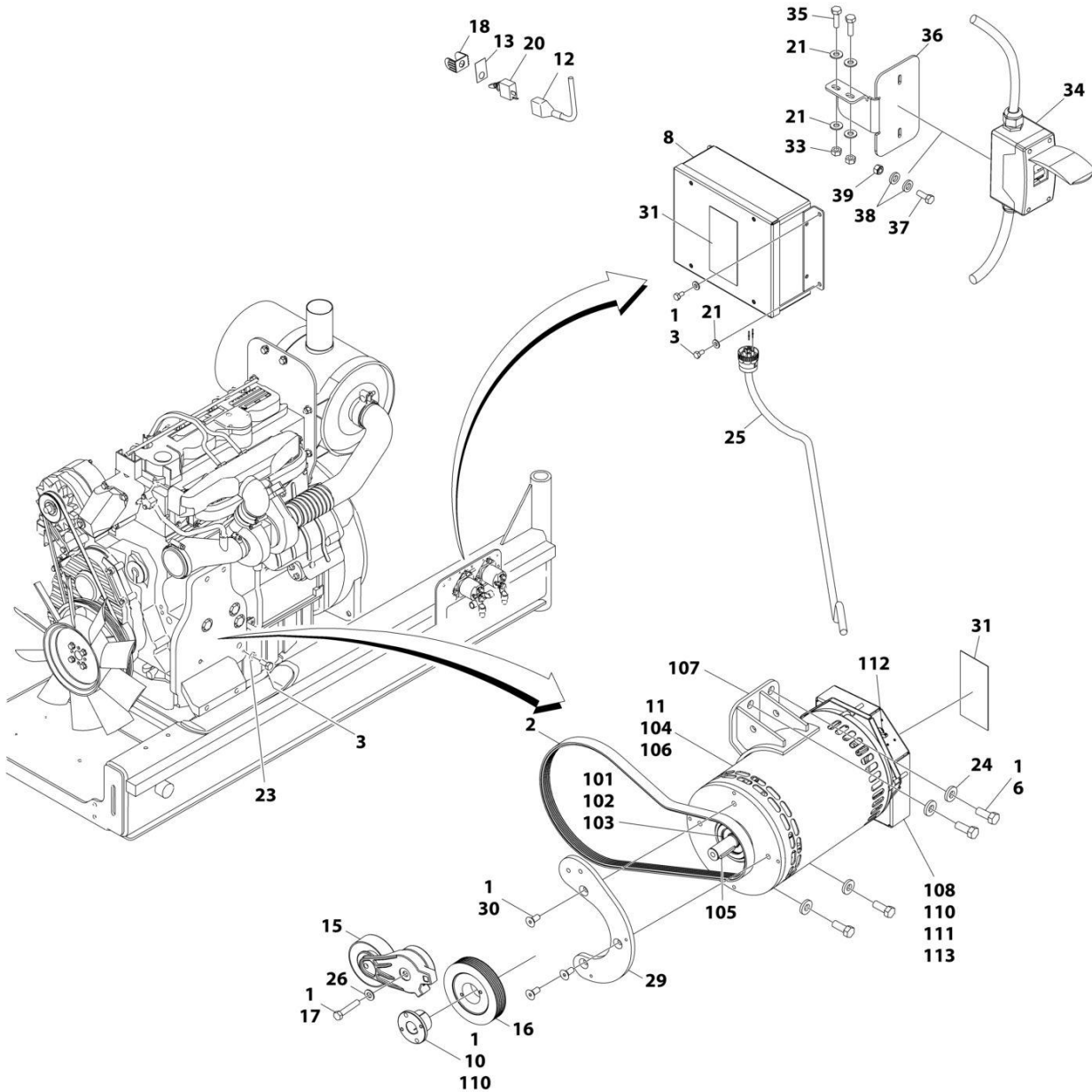
ITEM	PART NUMBER	QTY	DESCRIPTION	REV
	1001139958	Ref	4000W GENERATOR INSTALLATION - 60HZ SPEC (DEUTZ TD2011 ENGINES)	B
		Ref	Note: See ELECTRICAL SECTION for Boom Cable Installation.	
1	0100011	AR	Compound, Locking	
2	0480128	1	Belt, Generator	
3	0641404	5	Bolt 1/4 x 1/2	
4	3931016	4	Screw 1/4 x 1	
5	0641516	3	Bolt 5/16 x 2	
6	0641810	4	Bolt 1/2 x 1-1/4	
7	0860038	1	Box, Switch-Weatherhead	
8	1001138566	1	Box, Generator Control	
8	70006552	1	Capacitor	
8	70006553	1	Relay	
9	1001152457	1	Box, Junction Assembly (See Items 101-118 for Breakdown)	
10	0902888	1	Bracket, Generator Junction Box	
11	0962520	1	Bushing, Taper	
12	1001129858	1	Generator, 4000W Assembly (See Items 200-213 for Breakdown)	
13	2820031	AR	Insulator, Heat Shrink	
14	3251102	1	Nameplate, Generator	
15	3311508	3	Nut 5/16	
16	3580317	1	Pulley, Belt Tensioner	
17	3580318	1	Pulley, Generator	
18	3910606	4	Screw 6 x 3/8	
19	0641616	AR	Bolt 3/8 x 2	
20	3960422	1	Gasket, AC Receptacle	
21	1001110873	1	Cover, Gang Vertical Receptacle GFCI	
22	4060802	1	Guard, Switch	
23	4240018	AR	Strap, Tie (Not Shown)	
24	4360336	1	Switch, Toggle	
25	4460346	1	Terminal, Receptacle	
26	4711400	4	Washer 1/4	
27	4751500	3	Washer 5/16	
28	4791400	2	Starwasher 1/4	
29	4891800	4	Washer 1/2	
30	1001152533	1	Harness, Generator Cable (See Separate Breakdown in ELECTRICAL SECTION)	
31	1001153257	1	Diagram, Generator Wiring (Not Shown)	
32	4711600	1	Washer 3/8	
33	0100020	AR	Sealant, Pipe	
34	4460071	1	Connector, Strain Relief	
35	4751000	4	Washer #10	
36	3311005	4	Nut #10	
37	1001139357	1	Mount, Generator Tensioner	
38	0741607	3	Screw 3/8 x 0.88	
39	1705387	3	Decal - Hazardous Voltage	
40	3251243	1	Decal - 120V-60Hz	
41	1705374	1	Decal - 240V-60Hz	
52	0100048	AR	Grease, Dielectric	
	1001152457	Ref	JUNCTION BOX ASSEMBLY	B

SECTION 3 - ENGINE

ITEM	PART NUMBER	QTY	DESCRIPTION	REV
101	1001179154	2.5 ft/ 0.8m	Cable, 12/3	
102	3300396	1	Cover, Fuse	
103	3311001	4	Nut #10 Grade 2	
104	3900300	2	Screw, Spec, Cap	
105	4360070	1	Circuit Breaker, 15Amp	
106	4460068	3	Terminal, Ring	
107	4460425	1	Terminal, Strain Relief	
108	4460426	1	Connector, Strain Relief	
109	4460483	2	Terminal	
110	4711000	8	Washer #10	
112	1001152456	1	Box, Junction	
113	1001152525	1	Plug, Hole Pluggit	
114	1001152530	1	Terminal, Block, 4 Pole	
115	1001153260	1	Decal - Wiring 4000W Generator	
116	3900267	2	Screw, Spec, Cap	
117	1001158008	2	Stand-Off, Female, Threaded	
118	1001158363	1	Plate, Cover, PVC	
	1001129858	Ref	4000W GENERATOR ASSEMBLY	
201	70003709	1	Ring, Retaining	
202	70003708	1	Ring, Retaining	
203	70001966	1	Bearing, Ball	
204	70004092	1	Endbell	
205	70004171	1	Key	
206	70004676	1	Rotor Assembly	
207	70004684	1	Stator, Generator 4000W	
208	70004678	1	Endbell	
210	70004680	1	Enclosure	
211	70004685	1	Cover, Enclosure	
212	70004682	1	Protector, Supplementary, Manual Reset	
213	70004098	1	Bushing, Strain Relief	

SECTION 3 - ENGINE

FIGURE 3-61. 4000W GENERATOR INSTALLATION - 50HZ SPEC (DEUTZ TD2011 ENGINES) (OPTIONAL)



ART_1001139959

SECTION 3 - ENGINE

**FIGURE 3-61. 4000W GENERATOR INSTALLATION - 50HZ SPEC (DEUTZ TD2011 ENGINES)
(OPTIONAL)**

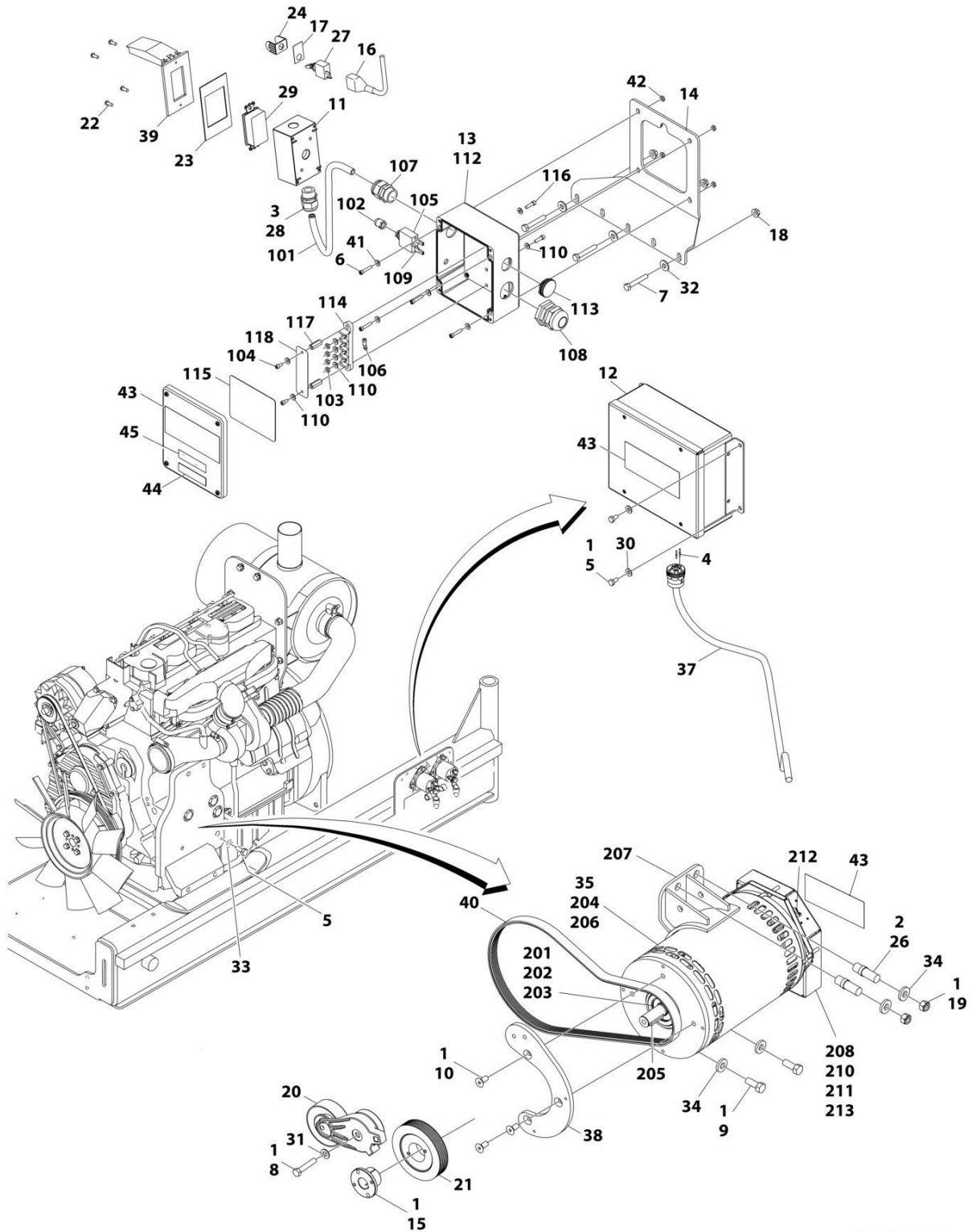
ITEM	PART NUMBER	QTY	DESCRIPTION	REV
	1001139959	Ref	4000W GENERATOR INSTALLATION - 50HZ SPEC (DEUTZ TD2011 ENGINES)	D
		Ref	Note: See ELECTRICAL SECTION for Boom Cable Installation.	
1	0100011	AR	Compound, Locking	
2	1001136356	1	Belt, Generator	
3	0641404	5	Bolt 1/4 x 1/2	
6	0641810	4	Bolt 1/2 x 1-1/4	
8	1001138566	1	Box, Generator Control	
8	70006552	1	Capacitor	
8	70006553	1	Relay	
10	0962520	1	Bushing, Taper	
11	1001138565	1	Generator, 4000W Assembly Options: (See items 101-113 for Breakdown)	
12	2820031	AR	Insulator, Heat Shrink	
13	3251102	1	Nameplate, Generator	
15	3580317	1	Pulley, Belt Tensioner	
16	3580319	1	Pulley, Generator	
17	0641616	1	Bolt 3/8 x 2	
18	4060802	1	Guard, Switch	
19	4240018	AR	Strap, Tie (Not Shown)	
20	4360336	1	Switch, Toggle	
21	4711400	8	Washer 1/4	
23	4791400	2	Washer 1/4	
24	4891800	4	Washer 1/2	
25	1001152533	1	Harness, Generator Cable (See Separate Breakdown in ELECTRICAL SECTION)	
26	4711600	1	Washer 3/8	
29	1001139357	1	Mount, Generator Tensioner	
30	0741607	3	Screw, Flat head, 3/8 x .88	
31	1705489	AR	Decal - Hazardous Voltage	
33	3311405	2	Nut 1/4	
34	1001165368	1	Kit, Box and Breaker (See Separate Breakdown in ELECTRICAL SECTION)	
35	0641407	2	Bolt 1/4 x 7/8	
36	1001094915	1	Bracket, AC Breaker Box	
37	4010408	2	Screw M4 x 16	
38	1001091102	4	Washer M4	
39	3290405	2	Nut M4	
	1001138565	Ref	4000W GENERATOR ASSEMBLY	
101	70003709	1	Ring, Retaining	
102	70003708	1	Ring, Retaining	
103	70001966	1	Bearing, Ball	
104	70004092	1	Endbell	
105	70004171	1	Key	
106	70004676	1	Rotor Assembly	
107	70004677	1	Stator, Generator 4000W	
108	70004678	1	Endbell	
110	70004680	1	Enclosure	
111	70004681	1	Cover, Enclosure	
112	70004682	1	Protector, Supplementary, Manual Reset	

SECTION 3 - ENGINE

ITEM	PART NUMBER	QTY	DESCRIPTION	REV
113	70004683	1	Bushing, Strain Relief	

SECTION 3 - ENGINE

FIGURE 3-62. 4000W GENERATOR INSTALLATION - 60HZ SPEC (DEUTZ TCD2.9L4 ENGINES) (OPTIONAL)



ART_1001171130

SECTION 3 - ENGINE

**FIGURE 3-62. 4000W GENERATOR INSTALLATION - 60HZ SPEC (DEUTZ TCD2.9L4 ENGINES)
(OPTIONAL)**

ITEM	PART NUMBER	QTY	DESCRIPTION	REV
	1001171130	Ref	4000W GENERATOR INSTALLATION - 60HZ SPEC (DEUTZ TCD2.9L4 ENGINES)	B
		Ref	Note: See ELECTRICAL SECTION for Boom Cable Installation.	
1	0100011	AR	Compound, Locking	
2	0100019	AR	Compound, Locking	
3	0100020	AR	Sealant, Pipe	
4	0100048	AR	Grease, Dielectric	
5	0641404	5	Bolt 1/4 x 1/2	
6	3931016	4	Screw 1/4 x 1	
7	0641516	3	Bolt 5/16 x 2	
8	0641618	1	Bolt 3/8 x 2-1/4	
9	0641810	2	Bolt 1/2 x 1-1/4	
10	0741607	3	Screw 3/8 x 0.88	
11	0860038	1	Box, Switch-Weatherhead	
12	1001138566	1	Box, Generator Control	
12	70006552	1	Capacitor	
12	70006553	1	Relay	
13	1001152457	1	Box, Junction Assembly (See Items 101-118 for Breakdown)	
14	0902888	1	Bracket, Generator Junction Box	
15	0962520	1	Bushing, Taper	
16	2820031	AR	Insulator, Heat Shrink	
17	3251102	1	Nameplate, Generator	
18	3311508	3	Nut 5/16	
19	3311801	2	Nut 1/2	
20	3580317	1	Pulley, Belt Tensioner	
21	3580318	1	Pulley, Generator	
22	3910606	4	Screw 6 x 3/8	
23	3960422	1	Gasket, AC Receptacle	
24	4060802	1	Guard, Switch	
25	4240018	AR	Strap, Tie (Not Shown)	
26	4300157	2	Stud	
27	4360336	1	Switch, Toggle	
28	4460071	1	Connector, Strain Relief	
29	4460346	1	Terminal, Receptacle	
30	4711400	4	Washer 1/4	
31	4711600	1	Washer 3/8	
32	4751500	3	Washer 5/16	
33	4791400	2	Starwasher 1/4	
34	4891800	4	Washer 1/2	
35	1001140344	1	Generator, 4000W Assembly (See Items 200-213 for Breakdown)	
36	1001153257	1	Diagram, Generator Wiring (Not Shown)	
37	1001152533	1	Harness, Generator Cable (See Separate Breakdown in ELECTRICAL SECTION)	
38	1001138011	1	Mount, Generator Tensioner	
39	1001110873	1	Cover, Gang Vertical Receptacle GFCI	
40	1001142645	1	Belt, Generator	
41	4751000	4	Washer #10	
42	3311005	4	Nut 10	
43	1705387	3	Decal - Hazardous Voltage	

SECTION 3 - ENGINE

ITEM	PART NUMBER	QTY	DESCRIPTION	REV
44	1705374	1	Decal - 240V-60Hz	
45	3251243	1	Decal - 120V-60Hz	
	1001152457	Ref	JUNCTION BOX ASSEMBLY	B
101	1001179154	2.5 ft/ 0.8m	Cable, Electrical 12/3	
102	3300396	1	Cover, Fuse	
103	3311001	4	Nut 10 Grade 2	
104	3900300	2	Screw, Spec, Cap	
105	4360070	1	Circuit Breaker, 15Amp	
106	4460068	3	Terminal, Ring	
107	4460425	1	Terminal, Strain Relief	
108	4460426	1	Connector, Strain Relief	
109	4460483	2	Terminal	
110	4711000	AR	Washer #10	
112	1001152456	1	Box, Junction	
113	1001152525	1	Plug, Hole Pluggit	
114	1001152530	1	Terminal, Block, 4 Pole	
115	1001153260	1	Decal - Wiring 4000W Generator	
116	3900267	2	Screw, Spec, Cap	
117	1001158008	2	Stand-Off, Female, Threaded	
118	1001158363	1	Plate, Cover, PVC	
	1001140346	Ref	4000W GENERATOR ASSEMBLY	
201	70003709	1	Ring, Retaining	
202	70003708	1	Ring, Retaining	
203	70001966	1	Bearing, Ball	
204	70004092	1	Endbell	
205	70004099	1	Key	
206	70004676	1	Rotor Assembly	
207	70004687	1	Stator, Generator 4000W	
208	70004678	1	Endbell	
210	70004680	1	Enclosure	
211	70004685	1	Cover, Enclosure	
212	70004682	1	Protector, Supplementary, Manual Reset	
213	70004098	1	Bushing, Strain Relief	

SECTION 3 - ENGINE

FIGURE 3-63. 4000W GENERATOR INSTALLATION - 50HZ SPEC (DEUTZ TCD2.9L4 ENGINES AND DEUTZ TCD2.9L4 (STAGE V) ENGINES) (OPTIONAL)

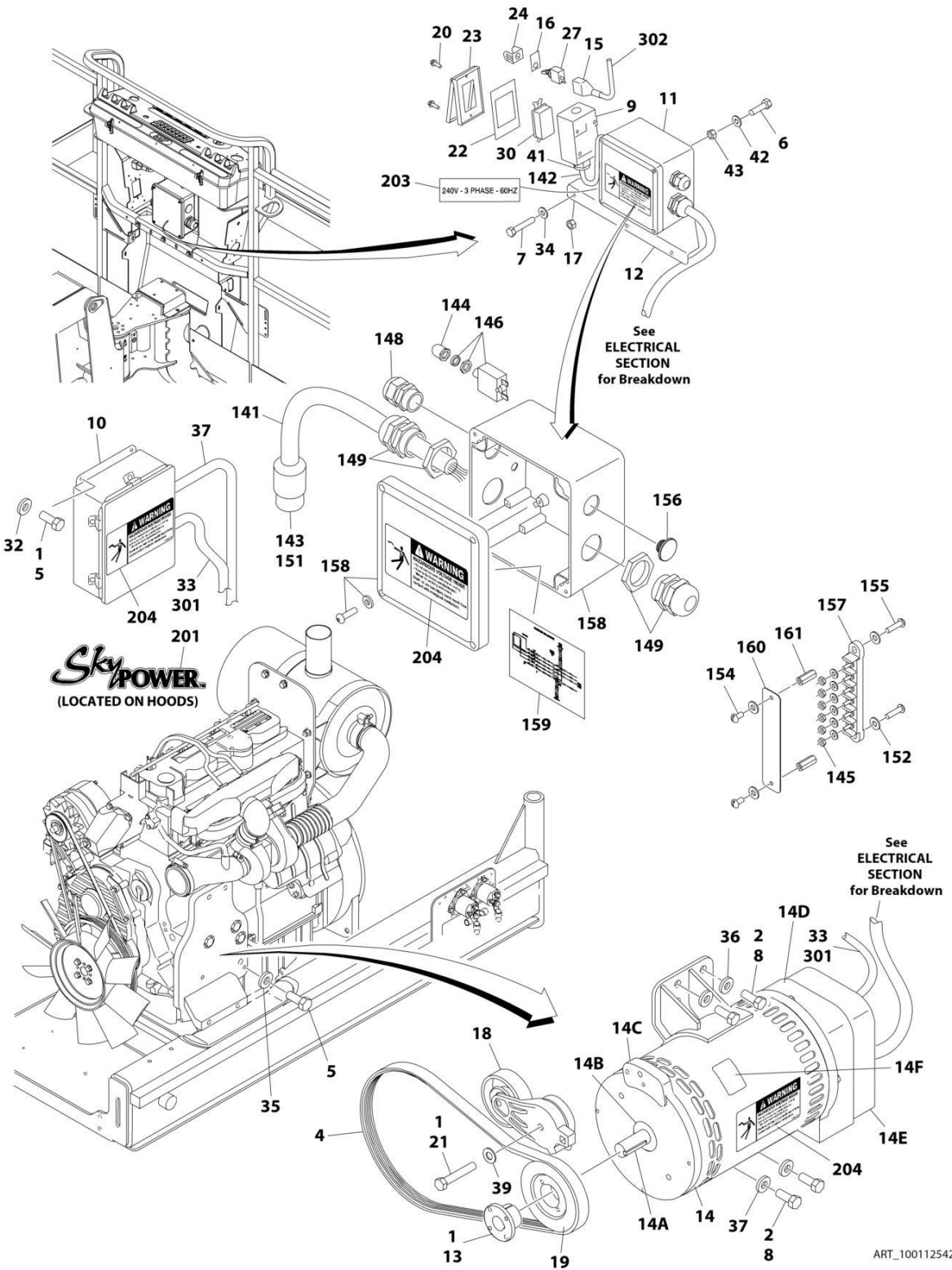
ITEM	PART NUMBER	QTY	DESCRIPTION	REV
	1001171273	Ref	4000W GENERATOR INSTALLATION - 50HZ SPEC (DEUTZ TCD2.9L4 ENGINES	C
		Ref	Note: See ELECTRICAL SECTION for Boom Cable Installation.	
1	0100011	AR	Compound, Locking	
2	0100019	AR	Compound, Locking	
3	0100048	AR	Grease, Dielectric	
4	0641404	5	Bolt 1/4 x 1/2	
7	0641618	1	Bolt 3/8 x 2-1/4	
8	0641810	2	Bolt 1/2 x 1-1/4	
9	0741607	3	Screw 3/8 x 0.88	
11	1001138566	1	Box, Generator Control	
11	70006552	1	Capacitor	
11	70006553	1	Relay	
13	0962520	1	Bushing, Taper	
14	2820031	AR	Insulator, Heat Shrink	
15	3251102	1	Nameplate, Generator	
17	3311801	2	Nut 1/2	
18	3580317	1	Pulley, Belt Tensioner	
19	3580319	1	Pulley, Generator	
20	4060802	1	Guard, Switch	
21	4240018	AR	Strap, Tie (Not Shown)	
22	4300157	2	Stud	
23	4360336	1	Switch, Toggle	
24	4711400	8	Washer 1/4	
25	4711600	1	Washer 3/8	
27	4791400	2	Starwasher 1/4	
28	4891800	4	Washer 1/2	
29	1001152533	1	Harness, Generator Cable (See Separate Breakdown in ELECTRICAL Section)	
30	1001140347	1	Generator, 4000W Assembly (See Items 101-114 for Breakdown)	
31	1001138011	1	Mount, Generator Tensioner	
32	1001136357	1	Belt, Generator	
35	1705489	AR	Decal - Hazardous Voltage	
37	3311405	2	Nut 1/4	
38	1001165368	1	Kit, Box and Breaker (See Separate Breakdown in ELECTRICAL Section)	
39	0641407	2	Bolt 1/4 x 7/8	
40	1001094915	1	Bracket	
41	4010408	2	Screw M4 x 16	
42	1001091102	4	Washer M4	
43	3290405	2	Nut M4	
	1001140347	Ref	4000W GENERATOR ASSEMBLY	
101	70003709	1	Ring, Retaining	
102	70003708	1	Ring, Retaining	
103	70001966	1	Bearing, Ball	
104	70004092	1	Endbell	
105	70004099	1	Key	
106	70004676	1	Rotor Assembly	
107	70004686	1	Stator, Generator 4000W	

SECTION 3 - ENGINE

ITEM	PART NUMBER	QTY	DESCRIPTION	REV
108	70004678	1	Endbell	
110	70004680	1	Enclosure	
111	70004681	1	Cover, Enclosure	
112	70004682	1	Protector, Supplementary, Manual Reset	
113	70004683	1	Bushing, Strain Relief	
114	4460224	1	Connector - 6 Position (50Hz) (Located on Enclosure Cover)	
114	4460294	2	Pin, Male (50Hz) (Located on Enclosure Cover)	

SECTION 3 - ENGINE

FIGURE 3-64. 7500W SKYPOWER GENERATOR INSTALLATION - 60HZ SPEC (DEUTZ TD2011 ENGINES) (OPTIONAL)



SECTION 3 - ENGINE

FIGURE 3-64. 7500W SKYPOWER GENERATOR INSTALLATION - 60HZ SPEC (DEUTZ TD2011 ENGINES) (OPTIONAL)

ITEM	PART NUMBER	QTY	DESCRIPTION	REV
	1001125427	Ref	7500W SKYPOWER GENERATOR INSTALLATION - 60HZ SPEC (DEUTZ TD2011 ENGINES)	D
		Ref	Note: See ELECTRICAL SECTION for Boom Cable Installation.	
1	0100011	AR	Compound, Locking	
2	0100019	AR	Compound, Locking	
4	0480128	1	Belt, Generator	
5	0641404	6	Bolt 1/4 x 1/2	
6	3931016	AR	Bolt 10 x 1	
7	0641516	3	Bolt 5/16 x 2	
8	0641810	4	Bolt 1/2 x 1-1/4	
9	0860038	1	Box, Switch	
10	0861538	1	Box, Generator Control	
10	7024488	1	Card, Circuit - Generator Power (Not Shown)	
10	See Note	1	Fuse (Note: Not Available - Purchase Locally)	
10	7024489	1	Card, Circuit - Control (Not Shown)	
		Ref	Note: When replacing card, rocker switch on card must be set for required application.	
10	70000619	1	Harness, Circuit Card	
11	1001157592	1	Junction Box Assembly Options (See Items 141-161 for Breakdown)	
12	0902888	1	Bracket, Generator Junction Box	
13	0962520	1	Bushing, Taper	
14	2460048	1	Generator, 7500W	
14	70001100	1	Rotor (Includes p/n 70001384 & 70000863) (Not Shown)	
14	70001384	1	Bearing, Shaft (Rear) (Not Shown)	
14	70000863	1	Fan, Generator (Not Shown)	
14	70002088	1	Stator (Not Shown)	
14	70002297	2	Stud 1/4 x 12-7/8 (Not Shown)	
14	70003631	1	Brushholder Assembly (Not Shown) (was p/n 7024484)	
14A	70004171	1	Key	
14B	70001966	1	Bearing, Ball Radial (Located in Belt Tensioner Endbell)	
14B	70003709	1	Ring, Retaining (Small)	
14B	70003708	1	Ring, Retaining (Large)	
14C	70001953	1	Endbell, Belt Tensioner	
14D	70004169	1	Kit, Endbell (Includes Endbell, Brush Block and Shroud Assembly)	
14E	7027799	1	Block, Connector 6 Position (Not Shown)	
14E	70002460	6	Nut, Brass (Attaches p/n 7027799 to Cover) (Not Shown)	
14E	7024485	1	Breaker, Circuit 30Amp (Not Shown)	
14E	70001696	1	Boot, Breaker (Not Shown)	
14E	7026597	1	Connector with Leads (Not Shown)	
14E	7026626	1	Connector with Pins (Not Shown)	
14E	7026188	1	Clamp, Cable (Not Shown)	
14E	70002255	1	Plate, End Panel (Not Shown)	
14E	See Note	NSS	Insulator, End Panel (Note: Not Available for Purchase)	
14E	70001974	1	Decal - Terminal Connections (Not Shown)	
14F	70001973	1	Decal - Warning Moving Parts	
15	2820031	AR	Insulator, Heat Shrink	
16	3251102	1	Nameplate, Generator	
17	3311508	3	Nut 5/16	

SECTION 3 - ENGINE

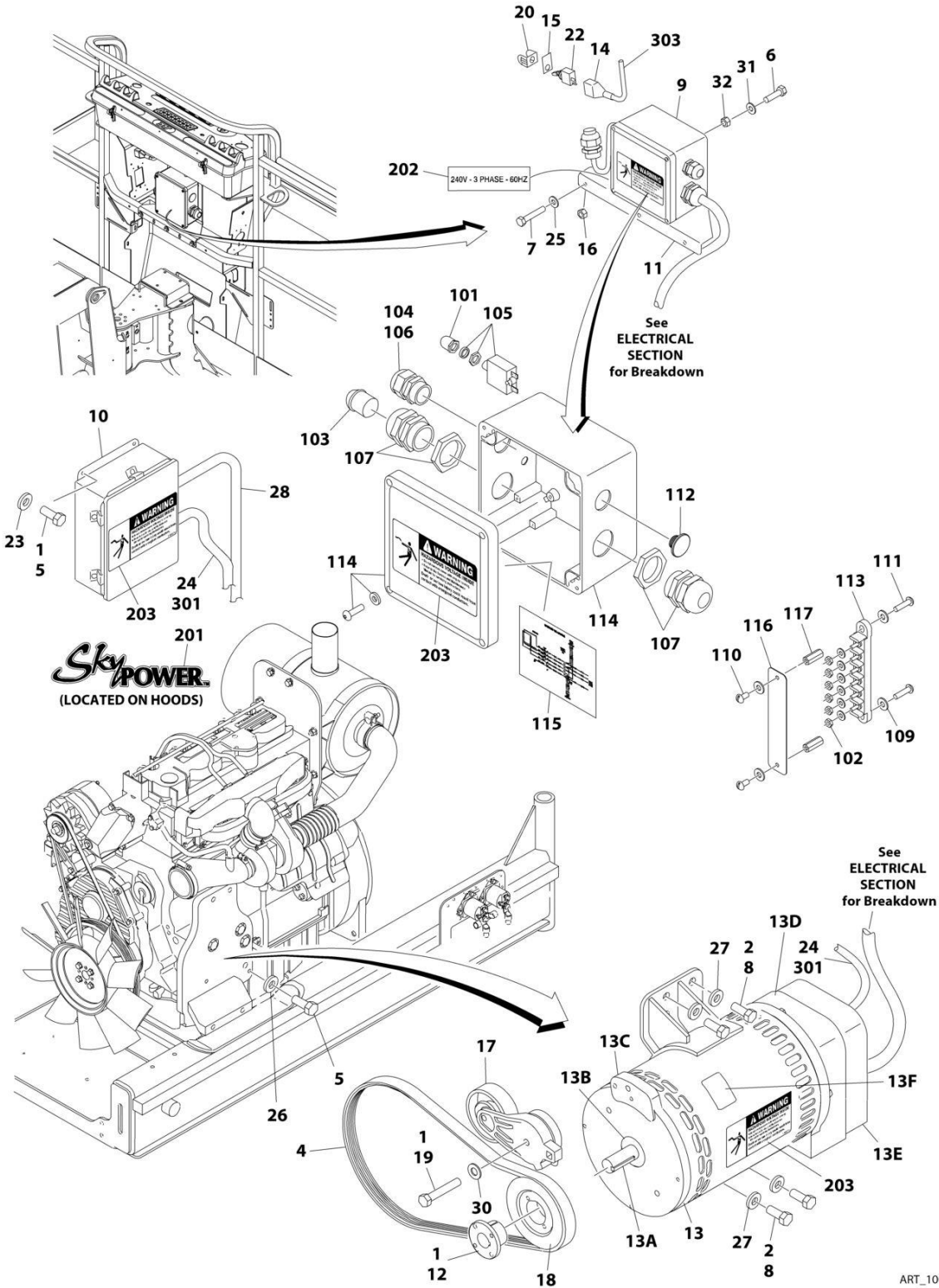
ITEM	PART NUMBER	QTY	DESCRIPTION	REV
18	3580317	1	Pulley, Belt Tensioner	
19	3580318	1	Pulley, Generator	
20	3910606	4	Screw #6 x 3/8	
21	0641618	1	Bolt 3/8 x 2	
22	3960422	1	Gasket, AC Receptacle	
23	1001110873	1	Shield, Receptacle Cover	
24	4060802	1	Guard, Switch	
26	4240018	AR	Strap, Tie (Not Shown)	
27	4360336	1	Switch, Toggle	
30	4460346	1	Terminal, Receptacle	
32	4711400	4	Washer 1/4	
33	0100048	AR	Grease, Dielectric	
34	4751500	3	Washer 5/16	
35	4791400	2	Starwasher 1/4	
36	4891800	4	Washer 1/2	
37	4922972	1	Harness, Generator Cable (See Separate Breakdown in ELECTRICAL SECTION)	
39	4711600	1	Washer 3/8	
40	0100020	AR	Sealant, Pipe (Not Shown)	
41	4460071	1	Connector, Strain Relief	
42	4751000	4	Washer #10	
43	3311005	4	Nut #10	
	1001157592	Ref	JUNCTION BOX ASSEMBLY	C
141	1060343	1.5 ft/ 0.5m	Cable, Electrical 10/4	
142	1001179154	2.5 ft/ 0.8m	Cable, 12/3	
143	1671092	1	Cover	
144	3300396	1	Cover, Fuse	
145	3311001	6	Nut #10	
146	4360070	1	Circuit Breaker - 15Amp	
148	4460425	1	Strain Relief, Terminal	
149	4460426	2	Connector, Strain Relief	
151	4460963	1	Connector	
152	4711000	10	Washer #10	
154	10702077	2	Screw #10 x 3/8	
155	10702082	2	Screw #10 x 3/4	
156	1001152525	1	Plug	
157	1001157520	1	Block, Terminal	
158	1001157521	1	Box, Junction	
159	1001157528	1	Decal - Wiring Schematic	
160	1001158007	1	Decal - PVC	
161	1001158008	2	Stand-Off	
	0272435	Ref	DECAL INSTALLATION	D
201	1705460	2	Decal - SkyPower	
202	3251243	1	Decal - 120V - 60Hz (Located at Platform Receptacle)	
203	1705375	1	Decal - 240V - 3 Phase	
204	1705387	3	Decal - Hazardous Voltage	
	1001122528	Ref	ELECTRICAL DIAGRAM COMPONENTS	B
301	1001119968	1	Generator Harness	B
301A	4460967	1	Plug, Male - 3 Position (Not Shown)	
301A	4460465	6	Socket, Female	

SECTION 3 - ENGINE

ITEM	PART NUMBER	QTY	DESCRIPTION	REV
301B	1001117078	1	Fuseholder with Fuse (Not Shown)	
302	4922641	1	Switch, Harness	

SECTION 3 - ENGINE

FIGURE 3-65. 7500W SKYPOWER GENERATOR INSTALLATION - 50HZ SPEC (DEUTZ TD2011 ENGINES) (OPTIONAL)



ART_1001125428

SECTION 3 - ENGINE

FIGURE 3-65. 7500W SKYPOWER GENERATOR INSTALLATION - 50HZ SPEC (DEUTZ TD2011 ENGINES) (OPTIONAL)

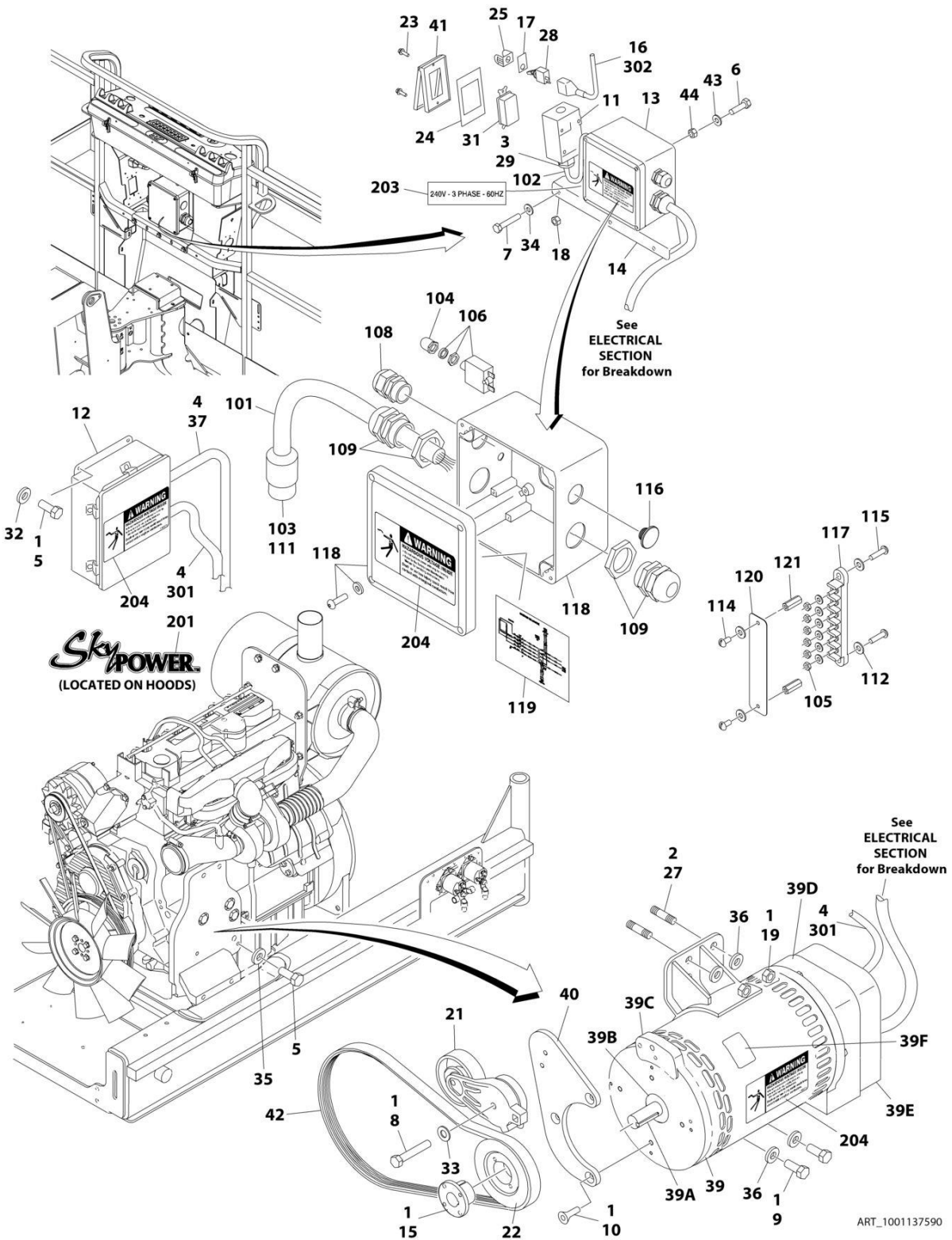
ITEM	PART NUMBER	QTY	DESCRIPTION	REV
	1001125428	Ref	7500W SKYPOWER GENERATOR INSTALLATION - 50HZ SPEC (DEUTZ TD2011 ENGINES)	C
		Ref	Note: See ELECTRICAL SECTION for Boom Cable Installation.	
1	0100011	AR	Compound, Locking	
2	0100019	AR	Compound, Locking	
4	0480129	1	Belt, Generator	
5	0641404	5	Bolt 1/4 x 1/2	
6	3931016	4	Bolt 10 x 1	
7	0641516	3	Bolt 5/16 x 2	
8	0641810	4	Bolt 1/2 x 1-1/4	
9	1001157525	1	Junction Box Assembly (See Items 101-117 for Breakdown)	
10	0861572	1	Box, Generator Control	
10	7024488	1	Card, Circuit - Generator Power (Not Shown)	
10	See Note	1	Fuse (Note: Not Available - Purchase Locally)	
10	7024489	1	Card, Circuit - Control (Not Shown)	
		Ref	Note: When replacing card, rocker switch on card must be set for required application.	
10	70000619	1	Harness, Circuit Card	
11	0902888	1	Bracket, Generator Junction Box	
12	0962520	1	Bushing, Taper	
13	2460048	1	Generator, 7500W	
13	70001100	1	Rotor (Includes p/n 70001384 & 70000863) (Not Shown)	
13	70001384	1	Bearing, Shaft (Rear) (Not Shown)	
13	70000863	1	Fan, Generator (Not Shown)	
13	70002088	1	Stator (Not Shown)	
13	70002297	2	Stud 1/4 x 12-7/8	
13	70003631	1	Brushholder Assembly (Not Shown)	
13A	70004171	1	Key	
13B	70001966	1	Bearing, Ball Radial (Located in Belt Tensioner Endbell)	
13B	70003709	1	Ring, Retaining (Small)	
13B	70003708	1	Ring, Retaining (Large)	
13C	70001953	1	Endbell, Belt Tensioner	
13D	70004169	1	Kit, Endbell (Includes Endbell, Brush Block and Shroud Assembly)	
13E	7027799	1	Block, Connector 6 Position (Not Shown)	
13E	70002460	6	Nut, Brass (Attaches p/n 7027799 to Cover) (Not Shown)	
13E	7024485	1	Breaker, Circuit 30Amp (Not Shown)	
13E	70001696	1	Boot, Breaker (Not Shown)	
13E	7026597	1	Connector with Lead (Not Shown)	
13E	7026626	1	Connector with Pins (Not Shown)	
13E	7026188	1	Clamp, Cable (Not Shown)	
13E	70002255	1	Plate, End Panel (Not Shown)	
13E	See Note	1	Insulator, End Panel (Not Shown) (Note: Not Available for Purchase)	
13E	70001974	1	Decal - Terminal Connections (Not Shown)	
13F	70001973	1	Decal - Warning Moving Parts	
14	2820031	AR	Insulator, Heat Shrink	
15	3251102	1	Nameplate, Generator	
16	3311508	3	Nut 5/16	
17	3580317	1	Pulley, Belt Tensioner	

SECTION 3 - ENGINE

ITEM	PART NUMBER	QTY	DESCRIPTION	REV
18	3580319	1	Pulley, Generator	
19	0641618	1	Bolt 3/8 x 2	
20	4060802	1	Guard, Switch	
21	4240018	AR	Strap, Tie (Not Shown)	
22	4360336	1	Switch, Toggle	
23	4711400	4	Washer 1/4	
24	0100048	AR	Grease, Dielectric	
25	4751500	3	Washer 5/16	
26	4791400	2	Starwasher 1/4	
27	4891800	4	Washer 1/2	
28	4922972	1	Harness, Generator Cable (See Separate Breakdown in ELECTRICAL SECTION)	
30	4711600	1	Washer 3/8	
31	4751000	4	Washer #10	
32	3311005	4	Nut #10	
	1001157525	Ref	JUNCTION BOX ASSEMBLY	B
101	3300396	1	Cover, Fuse	
102	3311001	6	Nut #10	
103	3520189	1	Plug	
104	3520192	1	Plug	
105	4360070	1	Circuit Breaker - 15Amp	
106	4460425	1	Strain Relief, Terminal	
107	4460426	2	Connector, Strain Relief	
109	4711000	10	Washer #10	
110	10702077	2	Screw #10 x 3/8	
111	10702082	2	Screw #10 x 3/4	
112	1001152525	1	Plug	
113	1001157520	1	Block, Terminal	
114	1001157521	1	Box, Junction	
115	1001157528	1	Decal - Wiring Schematic	
116	1001158007	1	Cover, PVC	
117	1001158008	2	Stand-Off	
	0272589	Ref	DECAL INSTALLATION	A
201	1705460	2	Decal - SkyPower	
202	1705461	1	Decal - 240V - 3 Phase	
203	1705489	3	Decal - Hazardous Voltage	
	1001122528	Ref	ELECTRICAL DIAGRAM COMPONENTS	B
301	1001119968	1	Generator Harness	B
301A	4460967	1	Plug, Male - 3 Position (Not Shown)	
301A	4460465	6	Socket, Female	
301B	1001117078	1	Fuseholder with Fuse (Not Shown)	
303	4922641	1	Switch Harness	

SECTION 3 - ENGINE

FIGURE 3-66. 7500W SKYPOWER GENERATOR INSTALLATION - 60HZ SPEC (DEUTZ TCD2.9L4 ENGINES) (OPTIONAL)



SECTION 3 - ENGINE

FIGURE 3-66. 7500W SKYPOWER GENERATOR INSTALLATION - 60HZ SPEC (DEUTZ TCD2.9L4 ENGINES) (OPTIONAL)

ITEM	PART NUMBER	QTY	DESCRIPTION	REV
	1001137590	Ref	7500W SKYPOWER GENERATOR INSTALLATION - 60HZ SPEC (DEUTZ TCD2.9L4 ENGINES)	G
		Ref	Note: See ELECTRICAL SECTION for Boom Cable Installation.	
1	0100011	AR	Compound, Locking	
2	0100019	AR	Compound, Locking	
3	0100020	AR	Sealant, Pipe	
4	0100048	AR	Grease, Dielectric	
5	0641404	5	Bolt 1/4 x 1/2	
6	3931016	4	Bolt 10 x 1	
7	0641516	3	Bolt 5/16 x 2	
8	0641618	1	Bolt 3/8 x 2	
9	0641810	2	Bolt 1/2 x 1-1/4	
10	0741607	3	Screw 3/8 x 7/8	
11	0860038	1	Box, Switch	
12	0861538	1	Box, Generator Control	
12	7024488	1	Card, Circuit - Generator Power (Not Shown)	
12	See Note	1	Fuse (Note: Not Available Purchase Locally)	
12	7024489	1	Card, Circuit - Control (Not Shown)	
		Ref	Note: When replacing card, rocker switch on card must be set for required application.	
12	70000619	1	Harness, Circuit Card	
13	1001157592	1	Junction Box Assembly (See Items 101-121 for Breakdown)	
14	0902888	1	Bracket, Generator Junction Box	
15	0962520	1	Bushing, Taper	
16	2820031	AR	Insulator, Heat Shrink	
17	3251102	1	Nameplate, Generator	
18	3311508	3	Nut 5/16	
19	3311801	2	Nut 1/2	
21	3580317	1	Pulley, Belt Tensioner	
22	3580318	1	Pulley, Generator	
23	3910606	AR	Screw #6 x 3/8	
24	3960422	1	Gasket, AC Receptacle	
25	4060802	1	Guard, Switch	
26	4240018	AR	Strap, Tie (Not Shown)	
27	4300157	2	Stud 1/2	
28	4360336	1	Switch, Toggle	
29	4460071	1	Connector, Strain Relief	
30	4460315	3	Terminal, Spade (Not Shown)	
31	4460346	1	Terminal, Receptacle	
32	4711400	4	Washer 1/4	
33	4711600	1	Washer 3/8	
34	4751500	3	Washer 5/16	
35	4791400	2	Starwasher 1/4	
36	4891800	4	Washer 1/2	
37	4922972	1	Harness, Generator Cable (See Separate Breakdown in ELECTRICAL SECTION)	
39	1001212223	1	Generator, 7500W	
39	70001100	1	Rotor (Includes p/n 70001384 & 70000863)	
39	70001384	1	Bearing, Shaft (Rear)	

SECTION 3 - ENGINE

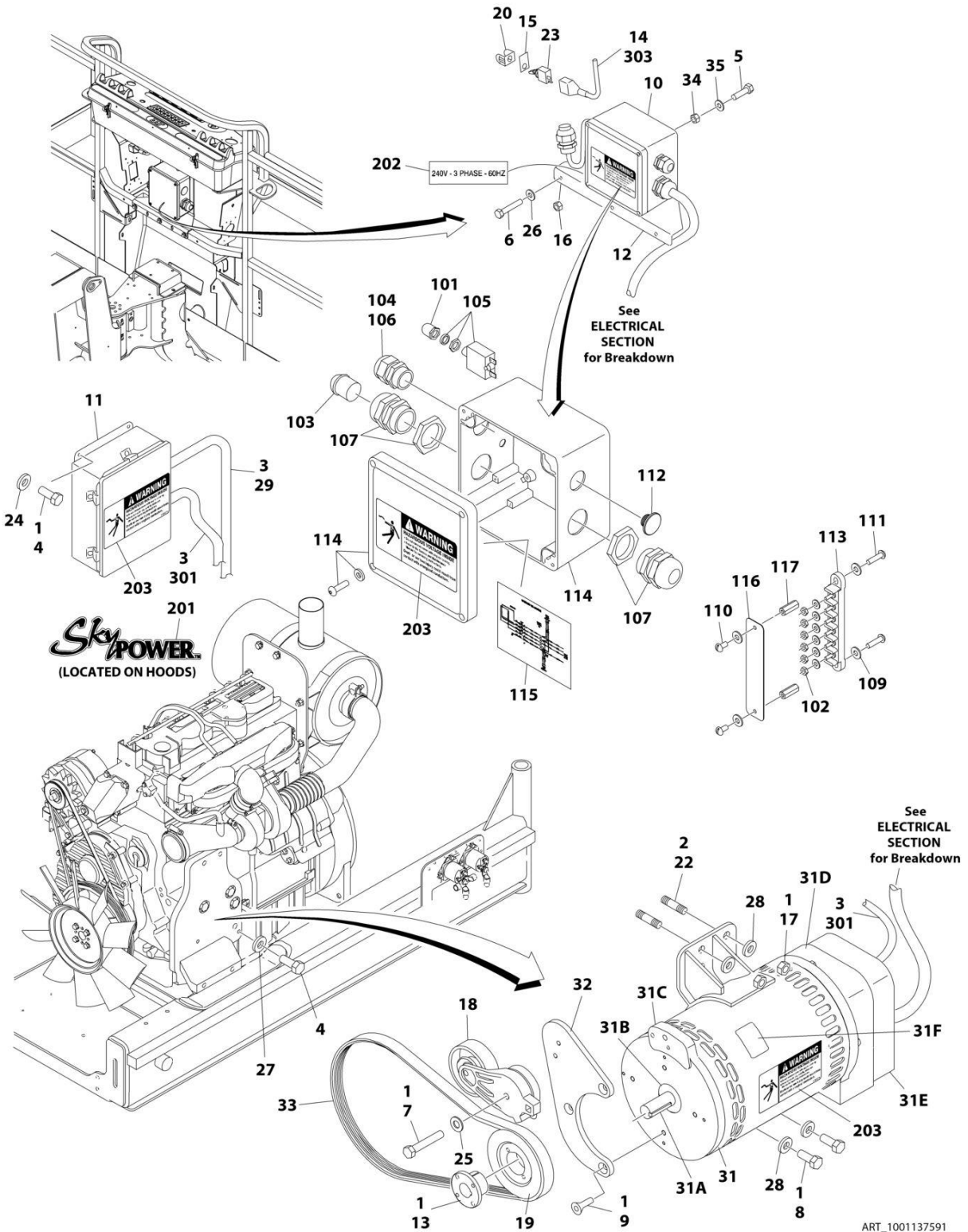
ITEM	PART NUMBER	QTY	DESCRIPTION	REV
39	7000863	1	Fan, Generator	
39	70006093	1	Stater	
39	70003631	1	Brush-holder Assembly (was p/n 7024484)	
39A	70004099	NLA	Key (Use p/n 70004171)	
39B	70001966	1	Bearing, Ball Radial (Located in Belt Tensioner Endbell)	
39B	70003709	1	Ring, Retaining (Small)	
39B	70003708	1	Ring, Retaining (Large)	
39C	70004092	1	Endbell, Belt Tensioner	
39D	70004094	1	Endbell, Brush Block	
39E	70006094	1	Shroud Assembly	
39E	7027799	1	Block, Connector - 6 Position (Not Shown)	
39E	70002460	6	Nut, Brass (Attaches p/n 7027799 to Cover) (Not Shown)	
39E	70006095	1	Breaker, Circuit 30Amp (Not Shown)	
39E	70006096	1	Boot, Breaker (Not Shown)	
39E	7026597	1	Connector with Leads (Not Shown)	
39E	7026626	1	Connector with Pins (Not Shown)	
39E	70004098	1	Clamp, Cable (Not Shown)	
39E	70006097	1	Plate, End Panel (Not Shown)	
39E	70002291	1	Insulator, End Panel Generator (Not Shown)	
39E	70001974	1	Decal - Terminal Connections (Not Shown)	
39F	70001973	1	Decal - Warning Moving Parts	
40	1001138011	1	Bracket	
41	1001110873	1	Shield, Receptacle Cover	
42	1001142645	1	Belt, Generator	
43	4751000	4	Washer #10	
44	3311005	4	Nut #10	
	1001157592	Ref	JUNCTION BOX ASSEMBLY	C
101	1060343	1.5 ft/ 0.5m	Cable, Electrical 10/4	
102	1001179154	2.5 ft/ 0.8m	Cable, Electrical 12/3	
103	1671092	1	Cover	
104	3300396	1	Cover, Fuse	
105	3311001	6	Nut #10	
106	4360070	1	Circuit Breaker - 15Amp	
108	4460425	1	Strain Relief, Terminal	
109	4460426	2	Connector, Strain Relief	
111	4460963	1	Connector	
112	4711000	10	Washer #10	
114	10702077	2	Screw #10 x 3/8	
115	10702082	2	Screw #10 x 3/4	
116	1001152525	1	Plug	
117	1001157520	1	Block, Terminal	
118	1001157521	1	Box, Junction	
119	1001157528	1	Decal - Wiring Schematic	
120	1001158007	1	Cover, PVC	
121	1001158008	2	Stand-Off	
	0272435	Ref	DECAL INSTALLATION	D
201	1705460	2	Decal - SkyPower	
202	3251243	1	Decal - 120V - 60Hz (Not Shown - Located at Platform Receptacle)	
203	1705375	1	Decal - 240V - 3 Phase	

SECTION 3 - ENGINE

ITEM	PART NUMBER	QTY	DESCRIPTION	REV
204	1705387	3	Decal - Hazardous Voltage	
	1001122528	Ref	ELECTRICAL DIAGRAM COMPONENTS	B
301	1001119968	1	Generator Harness	B
301A	4460967	1	Plug, Male - 3 Position (Not Shown)	
301A	4460465	6	Socket, Female	
301B	1001117078	1	Fuseholder with Fuse (Not Shown)	
302	4922641	1	Switch Harness	

SECTION 3 - ENGINE

FIGURE 3-67. 7500W SKYPOWER GENERATOR INSTALLATION - 50HZ SPEC (DEUTZ TCD2.9L4 ENGINES) (OPTIONAL)



ART_1001137591

SECTION 3 - ENGINE

FIGURE 3-67. 7500W SKYPOWER GENERATOR INSTALLATION - 50HZ SPEC (DEUTZ TCD2.9L4 ENGINES) (OPTIONAL)

ITEM	PART NUMBER	QTY	DESCRIPTION	REV
	1001137591	Ref	7500W SKYPOWER GENERATOR INSTALLATION - 50HZ SPEC (DEUTZ TCD2.9L4 ENGINES)	D
		Ref	Note: See ELECTRICAL SECTION for Boom Cable Installation.	
1	0100011	AR	Compound, Locking	
2	0100019	AR	Compound, Locking	
3	0100048	AR	Grease, Dielectric	
4	0641404	5	Bolt 1/4 x 1/2	
5	3931016	4	Bolt 10 x 1	
6	0641516	3	Bolt 5/16 x 2	
7	0641618	1	Bolt 3/8 x 2	
8	0641810	2	Bolt 1/2 x 1-1/4	
9	0741607	3	Screw 3/8 x 7/8	
10	1001157525	1	Junction Box Assembly (See Items 101-117 for Breakdown)	
11	0861572	1	Box, Generator Control	
11	7024488	1	Card, Circuit - Generator Power (Not Shown)	
11	See Note	1	Fuse (Note: Not Available - Purchase Locally)	
11	7024489	1	Card, Circuit - Control (Not Shown)	
		Ref	Note: When replacing card, rocker switch on card must be set for required application.	
11	70000619	1	Harness, Circuit Card	
12	0902888	1	Bracket, Generator Junction Box	
13	0962520	1	Bushing, Taper	
14	2820031	AR	Insulator, Heat Shrink	
15	3251102	1	Nameplate, Generator	
16	3311508	3	Nut 5/16	
17	3311801	2	Nut 1/2	
18	3580317	1	Pulley, Belt Tensioner	
19	3580319	1	Pulley, Generator	
20	4060802	1	Guard, Switch	
21	4240018	AR	Strap, Tie (Not Shown)	
22	4300157	2	Stud 1/2	
23	4360336	1	Switch, Toggle	
24	4711400	4	Washer 1/4	
25	4711600	1	Washer 3/8	
26	4751500	3	Washer 5/16	
27	4791400	2	Starwasher 1/4	
28	4891800	4	Washer 1/2	
29	4922972	1	Harness, Generator Cable (See Separate Breakdown in ELECTRICAL Section)	
31	1001212223	1	Generator, 7500W	
31	70001100	1	Rotor (Includes p/n 70001384 & 70000863) (Not Shown)	
31	70001384	1	Bearing, Shaft (Rear) (Not Shown)	
31	70000863	1	Fan, Generator (Not Shown)	
31	70006093	1	Stator (Not Shown)	
31	70003631	1	Brush-holder Assembly (Not Shown)	
31A	70004099	NLA	Key (Use p/n 70004171)	
31B	70001966	1	Bearing, Ball Radial (Located in Belt Tensioner Endbell)	
31B	70003709	1	Ring, Retaining (Small)	
31B	70003708	1	Ring, Retaining (Large)	

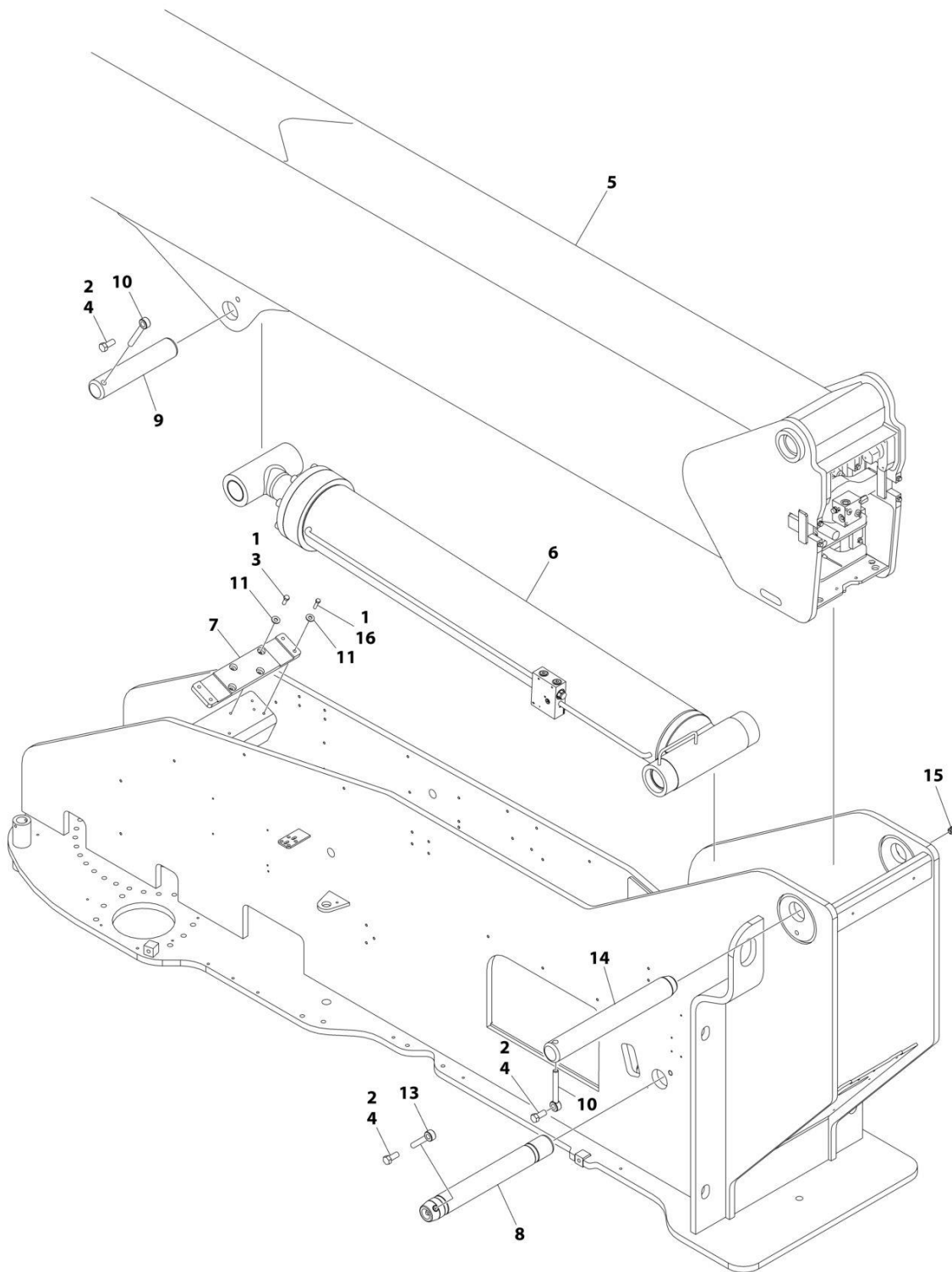
SECTION 3 - ENGINE

ITEM	PART NUMBER	QTY	DESCRIPTION	REV
31C	70004092	1	Endbell, Belt Tensioner	
31D	70004094	1	Endbell, Brush Block	
31E	70006094	1	Shroud Assembly	
31E	7027799	1	Block, Connector - 6 Position (Not Shown)	
31E	70002460	6	Nut, Brass (Attaches p/n 7027799 to Cover) (Not Shown)	
31E	70006095	1	Breaker, Circuit 30Amp (Not Shown)	
31E	70006096	1	Boot, Breaker (Not Shown)	
31E	7026597	1	Connector with Leads (Not Shown)	
31E	7026626	1	Connector with Pins (Not Shown)	
31E	70004098	1	Clamp, Cable (Not Shown)	
31E	70006097	1	Plate, End Panel (Not Shown)	
31E	70002291	1	Insulator, End Panel (Not Shown)	
31E	70001974	1	Decal - Terminal Connections (Not Shown)	
31F	70001973	1	Decal - Warning Moving Parts	
32	1001138011	1	Bracket	
33	1001136357	1	Belt, Generator	
34	3311005	4	Nut #10	
35	4751000	4	Washer #10	
	1001157525	Ref	JUNCTION BOX ASSEMBLY	B
101	3300396	1	Cover, Fuse	
102	3311001	6	Nut #10	
103	3520189	1	Plug (50Hz Spec Only)	
104	3520192	1	Plug	
105	4360070	1	Circuit Breaker - 15Amp	
106	4460425	1	Strain Relief, Terminal	
107	4460426	2	Connector, Strain Relief	
109	4711000	10	Washer #10	
110	10702077	2	Screw #10 x 3/8	
111	10702082	2	Screw #10 x 3/4	
112	1001152525	1	Plug	
113	1001157520	1	Block, Terminal	
114	1001157521	1	Box, Junction	
115	1001157528	1	Decal - Wiring Schematic	
116	1001158007	1	Cover, PVC	
117	1001158008	2	Stand-Off	
	0272589	Ref	DECAL INSTALLATION	A
201	1705460	2	Decal - SkyPower	
202	1705461	1	Decal - 240V - 3 Phase	
203	1705489	3	Decal - Hazardous Voltage	
	1001122528	Ref	ELECTRICAL DIAGRAM COMPONENTS	B
301	1001119968	1	Generator Harness (With UGM)	B
301A	4460967	1	Plug, Male - 3 Position (Not Shown)	
301A	4460465	6	Socket, Female	
301B	1001117078	1	Fuseholder with Fuse (Not Shown)	
303	4922641	1	Switch Harness	

SECTION 4 - BOOM

SECTION 4 - BOOM

FIGURE 4-1. BOOM INSTALLATION - WITHOUT COLD WEATHER PLUS PACKAGE (1200SJP) (Prior to SN 0300293907, Prior to SN B300016796, Except SN 0300289295 through 0300289296, Except SN 0300289319 through 0300289323, Excluding 0300289350 and B300015854)



ART_0271799

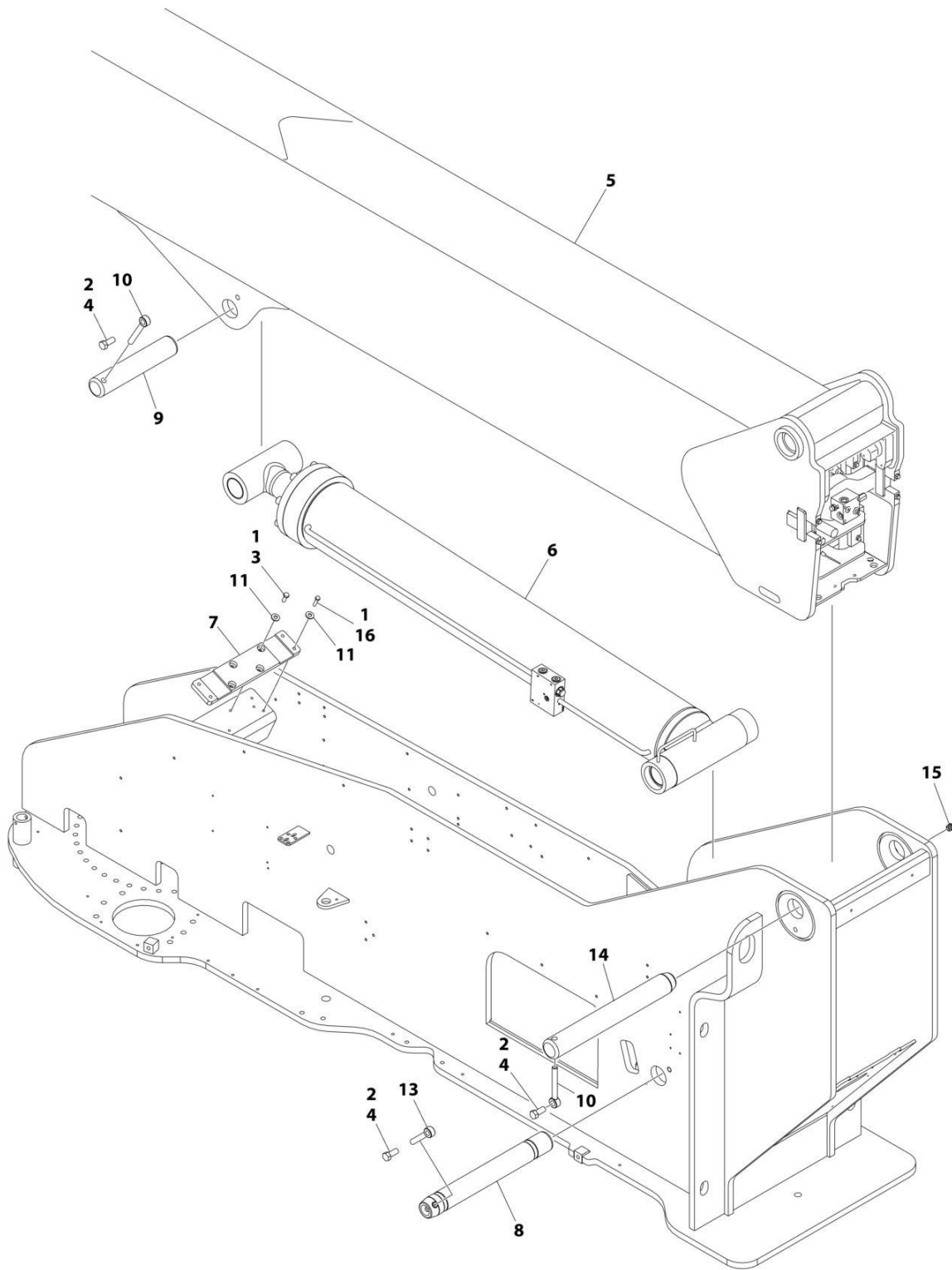
SECTION 4 - BOOM

FIGURE 4-1. BOOM INSTALLATION - WITHOUT COLD WEATHER PLUS PACKAGE (1200SJP) (Prior to SN 0300293907, Prior to SN B300016796, Except SN 0300289295 through 0300289296, Except SN 0300289319 through 0300289323, Excluding 0300289350 and B300015854)

ITEM	PART NUMBER	QTY	DESCRIPTION	REV
	0271799	Ref	BOOM INSTALLATION	I
1	0100011	AR	Compound, Locking	
2	0100019	AR	Compound, Locking	
3	0641608	4	Bolt 3/8 x 1	
4	0642214	3	Bolt 3/4 x 1-3/4	
5	0801320	1	Boom Assembly (See Separate Breakdown in this Section)	
6	1001228024	1	Lift Cylinder Assembly (See Separate Breakdown in CYLINDER SECTION)	
7	1001237755	1	Pad	
8	3423208	1	Pin, Load Sensing	
9	3422955	1	Pin	
10	3841287	2	Keeper, Pin	
11	4751600	8	Washer 3/8	
13	3841581	1	Keeper, Pin	
14	3422988	1	Pin	
15	1001213705	1	Plug	
16	0641612	4	Bolt 3/8 x 1-1/2	

SECTION 4 - BOOM

FIGURE 4-2. BOOM INSTALLATION - WITHOUT COLD WEATHER PLUS PACKAGE (1200SJP) (SN 0300293907 to Present, SN B300016796 to Present)



ART_0271799_J

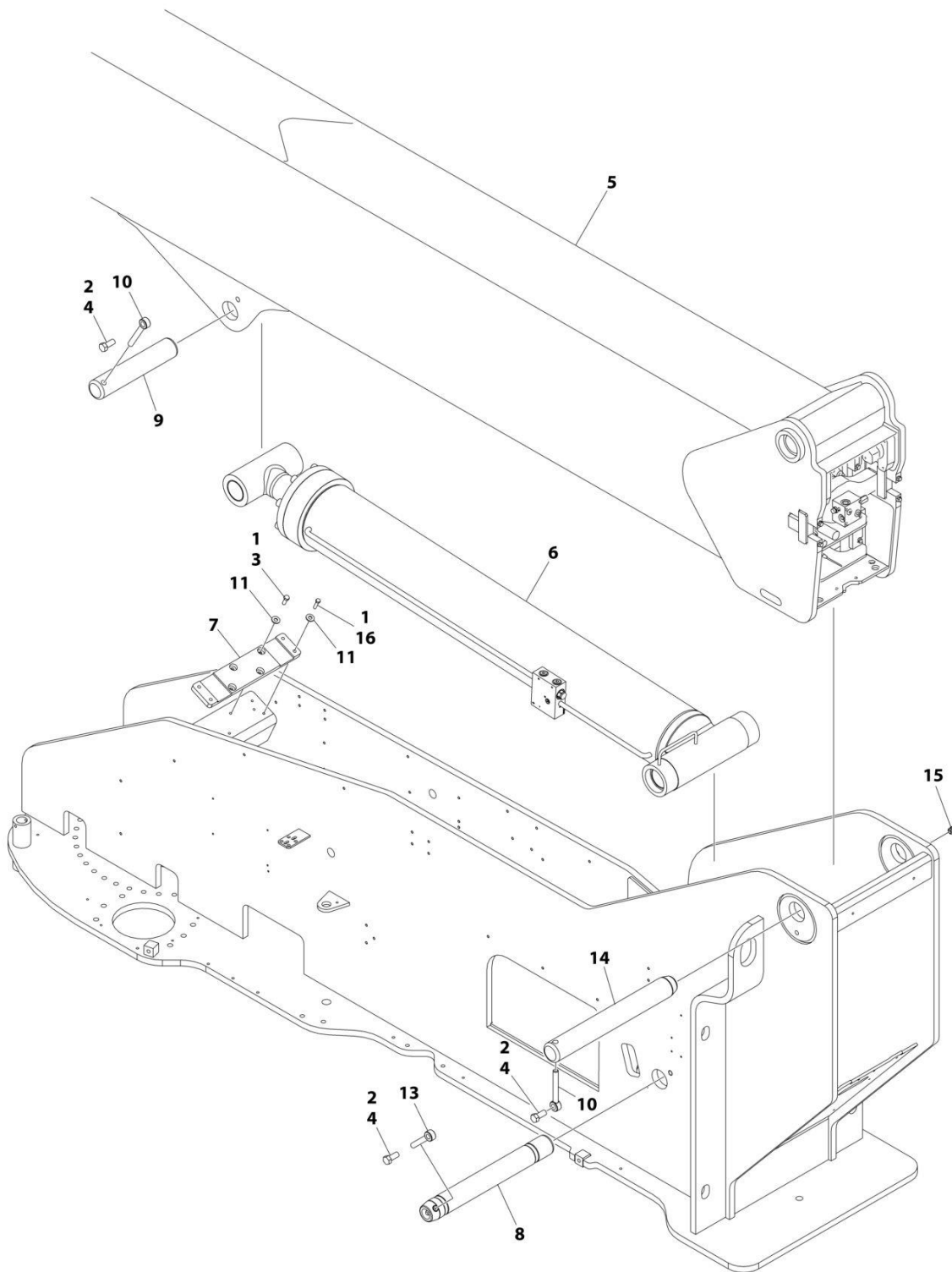
SECTION 4 - BOOM

FIGURE 4-2. BOOM INSTALLATION - WITHOUT COLD WEATHER PLUS PACKAGE (1200SJP) (SN 0300293907 to Present, SN B300016796 to Present)

ITEM	PART NUMBER	QTY	DESCRIPTION	REV
	0271799	Ref	BOOM INSTALLATION	J
1	0100011	AR	Compound, Locking	
2	0100019	AR	Compound, Locking	
3	0641608	4	Bolt 3/8 x 1	
4	0642214	3	Bolt 3/4 x 1-3/4	
5	0801320	1	Boom Assembly (See Separate Breakdown in this Section)	
6	1001251024	1	Lift Cylinder Assembly (See Separate Breakdown in CYLINDER Section)	
7	1001237755	1	Pad	
8	3423208	1	Pin, Load Sensing	
9	3422955	1	Pin	
10	3841287	2	Keeper, Pin	
11	4751600	8	Washer 3/8	
13	3841581	1	Keeper, Pin	
14	3422988	1	Pin	
15	1001213705	1	Plug	
16	0641612	4	Bolt 3/8 x 1-1/2	

SECTION 4 - BOOM

FIGURE 4-3. BOOM INSTALLATION - WITH COLD WEATHER PLUS PACKAGE (1200SJP) (Prior to SN 0300293907, Prior to SN B300016796, Except SN 0300289295 through 0300289296, Except SN 0300289319 through 0300289323, Excluding 0300289350 and B300015854)



ART_1001138800

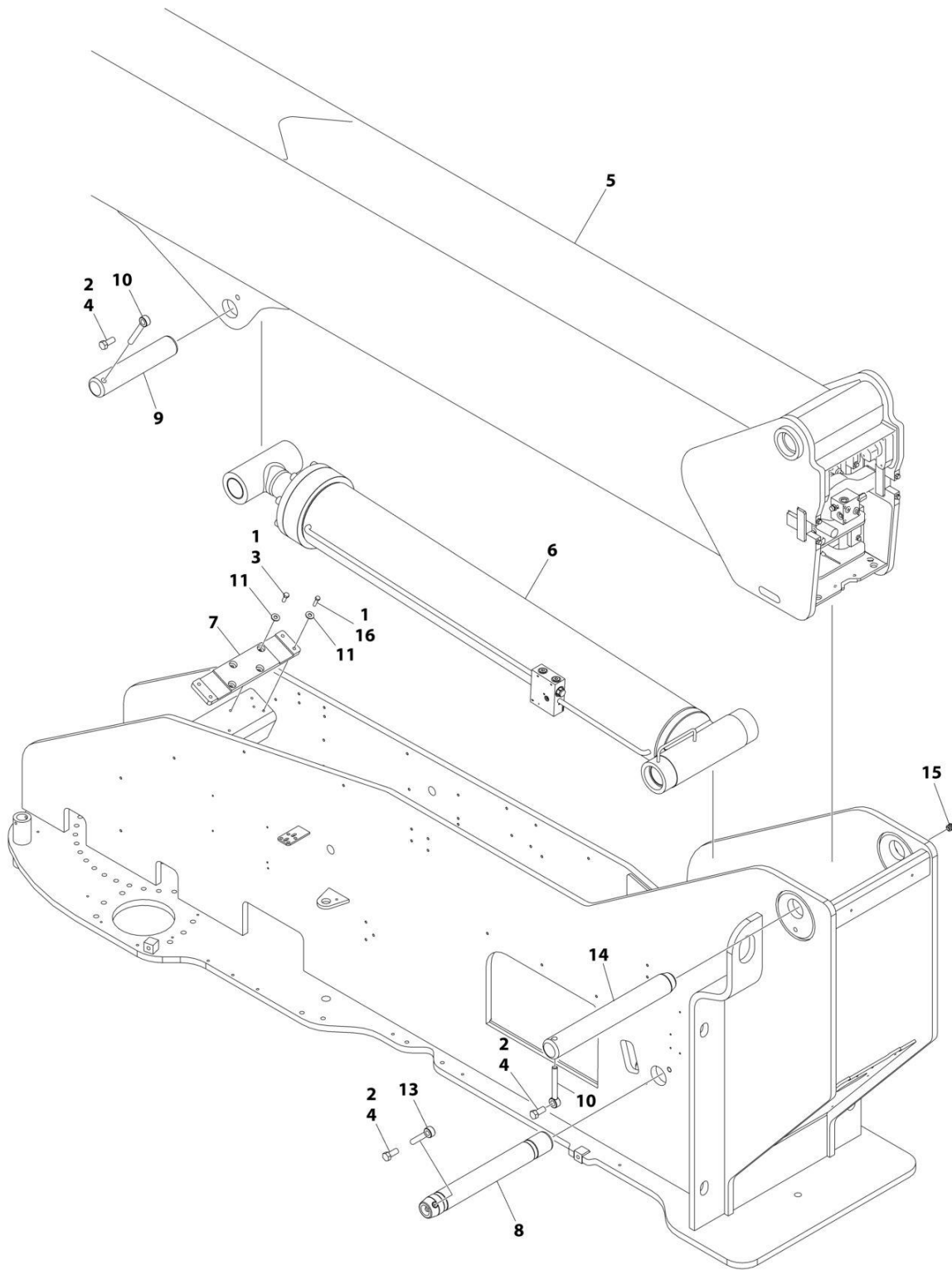
SECTION 4 - BOOM

FIGURE 4-3. BOOM INSTALLATION - WITH COLD WEATHER PLUS PACKAGE (1200SJP) (Prior to SN 0300293907, Prior to SN B300016796, Except SN 0300289295 through 0300289296, Except SN 0300289319 through 0300289323, Excluding 0300289350 and B300015854)

ITEM	PART NUMBER	QTY	DESCRIPTION	REV
	1001138800	Ref	BOOM INSTALLATION	D
1	0100011	AR	Compound, Locking	
2	0100019	AR	Compound, Locking	
3	0641608	4	Bolt 3/8 x 1	
4	0642214	3	Bolt 3/4 x 1-3/4	
5	1001138801	1	Boom Assembly (See Separate Breakdown in this Section)	
6	1001228024	1	Lift Cylinder Assembly (See Separate Breakdown in CYLINDER SECTION)	
7	1001237755	1	Pad	
8	3423208	1	Pin, Load Sensing	
9	3422955	1	Pin	
10	3841287	2	Keeper, Pin	
11	4751600	8	Washer 3/8	
13	3841581	1	Keeper, Pin	
14	3422988	1	Pin	
15	1001213705	1	Plug	
16	0641611	4	Bolt 3/8 x 1-3/8	

SECTION 4 - BOOM

FIGURE 4-4. BOOM INSTALLATION - WITH COLD WEATHER PLUS PACKAGE (1200SJP) (SN 0300293907 to Present, SN B300016796 to Present)



ART_1001138800_E

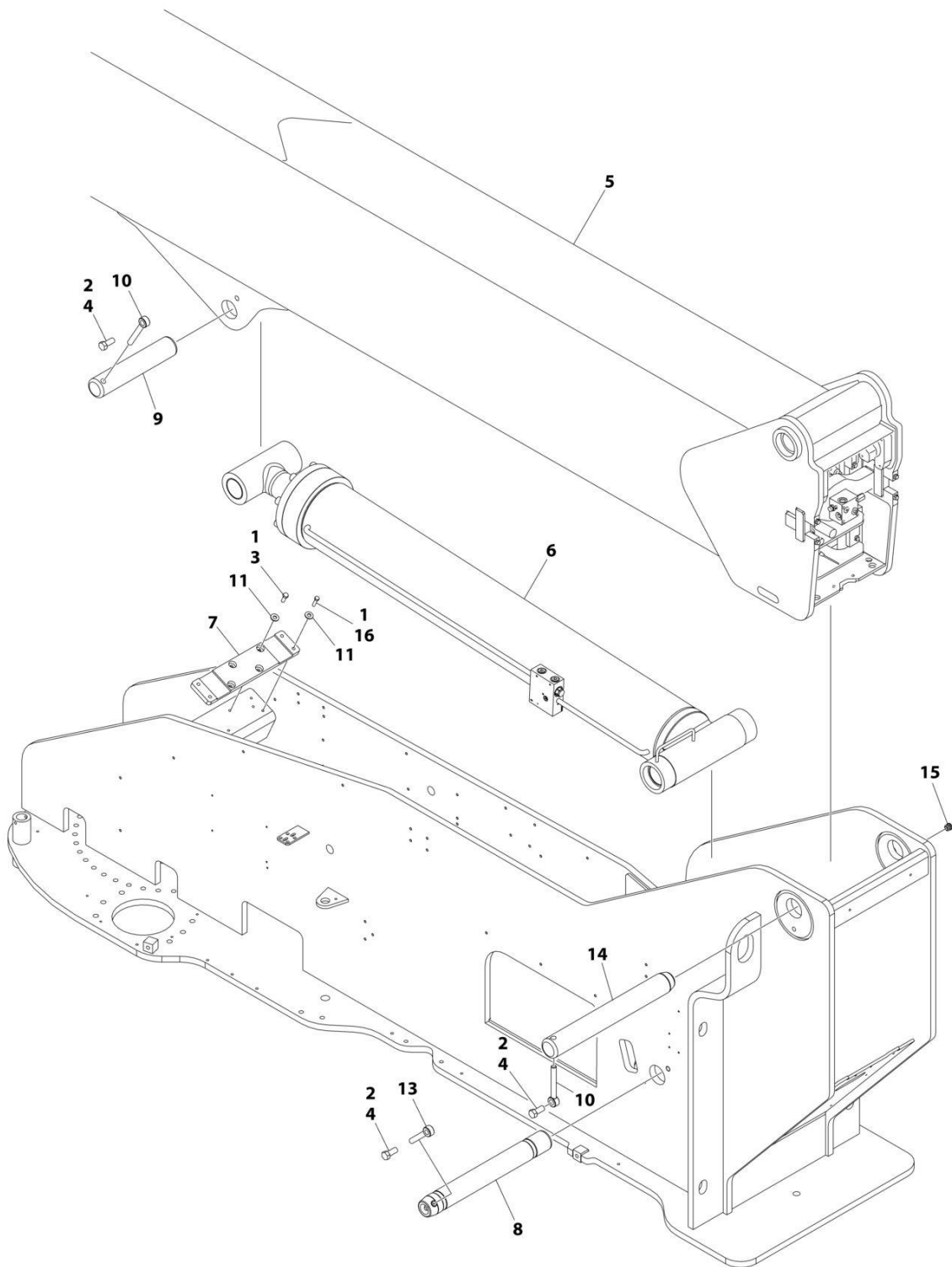
SECTION 4 - BOOM

FIGURE 4-4. BOOM INSTALLATION - WITH COLD WEATHER PLUS PACKAGE (1200SJP) (SN 0300293907 to Present, SN B300016796 to Present)

ITEM	PART NUMBER	QTY	DESCRIPTION	REV
	1001138800	Ref	BOOM INSTALLATION	E
1	0100011	AR	Compound, Locking	
2	0100019	AR	Compound, Locking	
3	0641608	4	Bolt 3/8 x 1	
4	0642214	3	Bolt 3/4 x 1-3/4	
5	1001138801	1	Boom Assembly (See Separate Breakdown in this Section)	
6	1001251024	1	Lift Cylinder Assembly (See Separate Breakdown in CYLINDER Section)	
7	1001237755	1	Pad	
8	3423208	1	Pin, Load Sensing	
9	3422955	1	Pin	
10	3841287	2	Keeper, Pin	
11	4751600	8	Washer 3/8	
13	3841581	1	Keeper, Pin	
14	3422988	1	Pin	
15	1001213705	1	Plug	
16	0641611	4	Bolt 3/8 x 1-3/8	

SECTION 4 - BOOM

FIGURE 4-5. BOOM INSTALLATION - WITHOUT COLD WEATHER PLUS PACKAGE (1350SJP) (Prior to SN 0300293909, Prior to SN B300015609, Except SN 0300289369 through 0300289375, Except SN 0300289404 through 0300289412, Excluding 0300285775)



ART_0271530

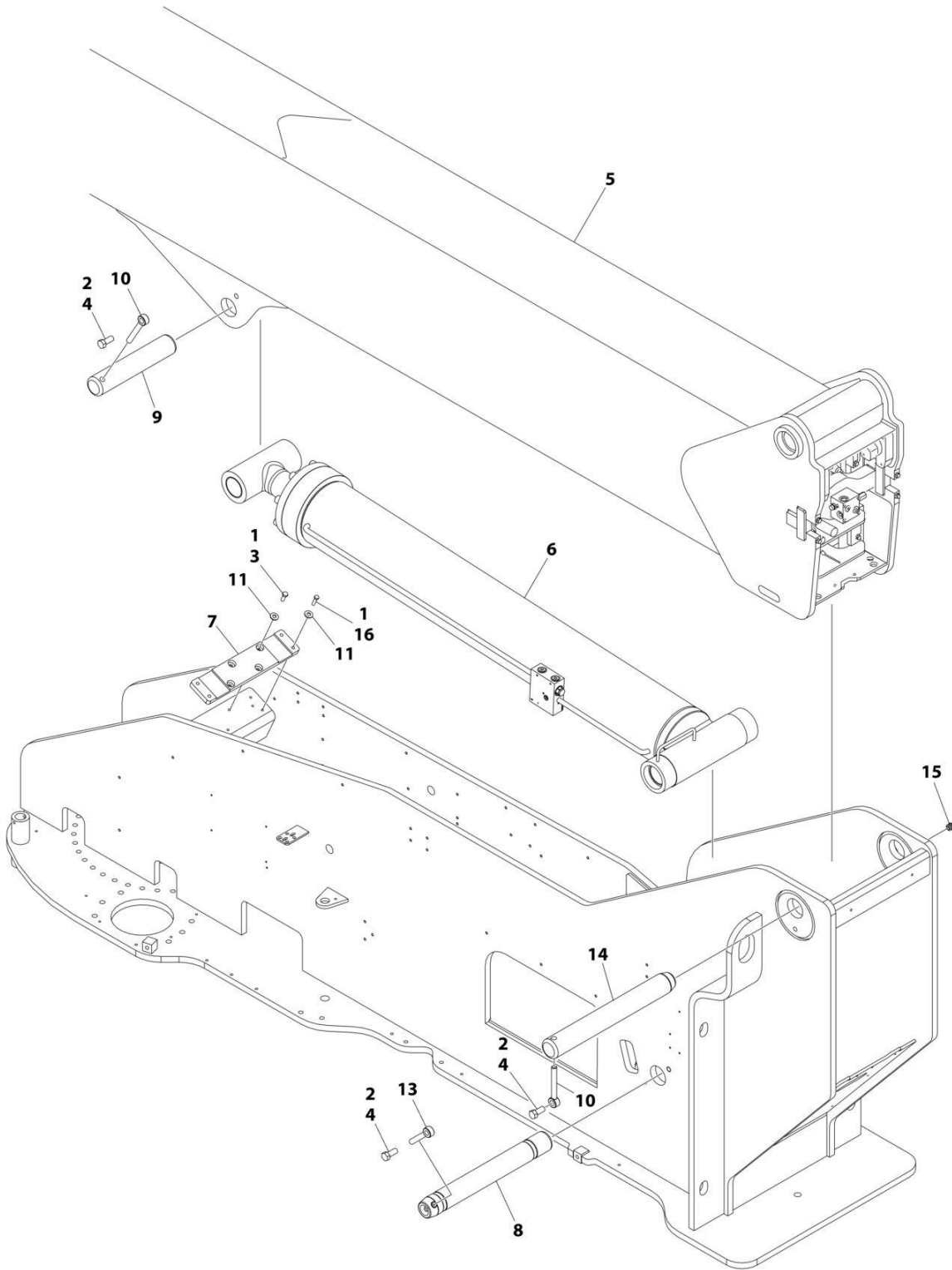
SECTION 4 - BOOM

FIGURE 4-5. BOOM INSTALLATION - WITHOUT COLD WEATHER PLUS PACKAGE (1350SJP) (Prior to SN 0300293909, Prior to SN B300015609, Except SN 0300289369 through 0300289375, Except SN 0300289404 through 0300289412, Excluding 0300285775)

ITEM	PART NUMBER	QTY	DESCRIPTION	REV
	0271530	Ref	BOOM INSTALLATION	I
1	0100011	AR	Compound, Locking	
2	0100019	AR	Compound, Locking	
3	0641608	4	Bolt 3/8 x 1	
4	0642214	3	Bolt 3/4 x 1-3/4	
5	0801315	1	Boom Assembly (See Separate Breakdown in this Section)	
6	1001228024	1	Lift Cylinder Assembly (See Separate Breakdown in CYLINDER SECTION)	
7	1001237755	1	Pad	
8	3423208	1	Pin, Load Sensing	
9	3422955	1	Pin	
10	3841287	2	Keeper, Pin	
11	4751600	AR	Washer 3/8	
13	3841581	1	Keeper, Pin	
14	3422988	1	Pin	
15	1001213705	1	Plug	
16	0641612	4	Bolt 3/8 x 1-1/2	

SECTION 4 - BOOM

FIGURE 4-6. BOOM INSTALLATION - WITHOUT COLD WEATHER PLUS PACKAGE (1350SJP) (SN 0300293909 to Present, SN B300016146 to Present)



ART_0271530_J

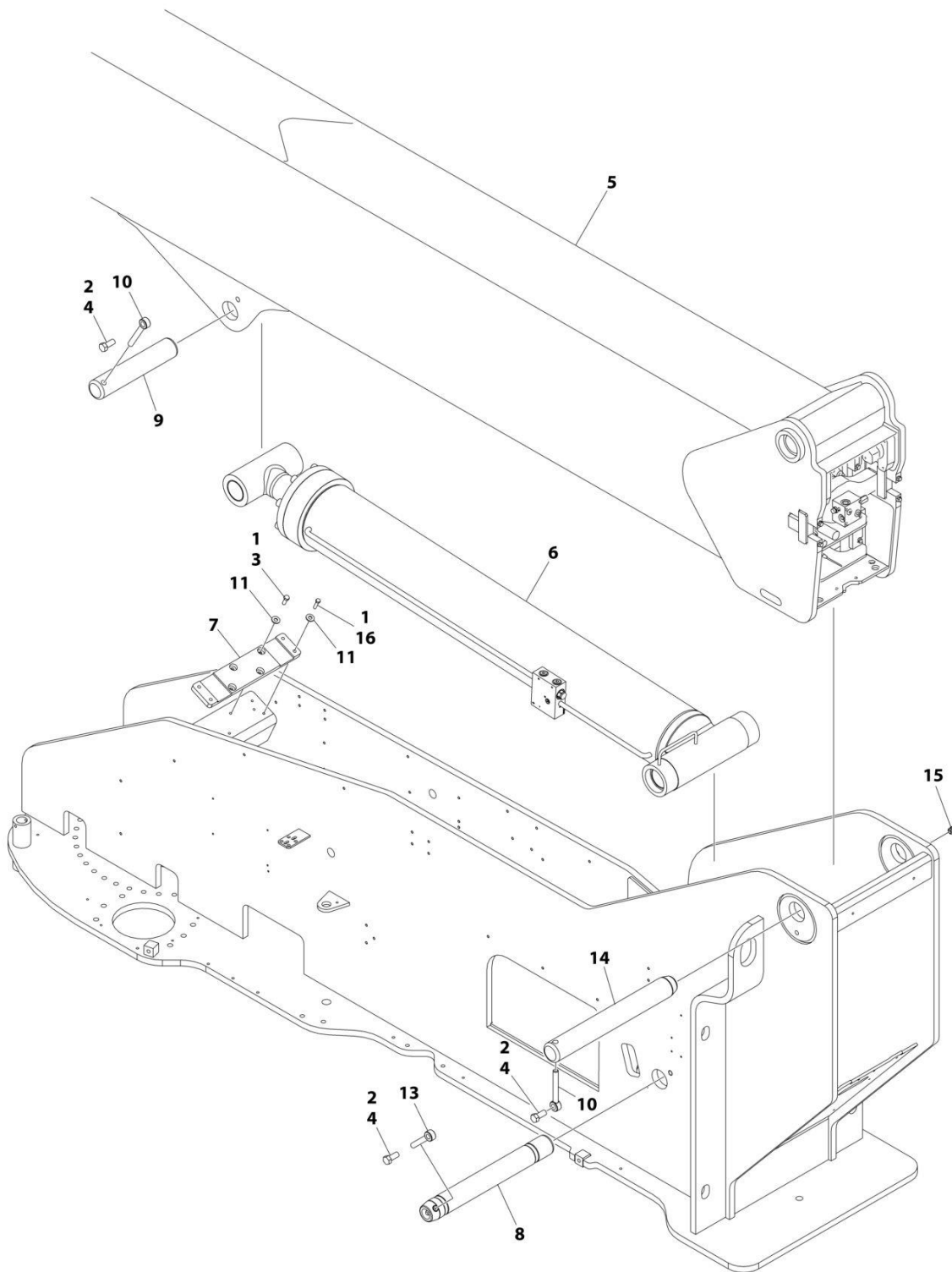
SECTION 4 - BOOM

FIGURE 4-6. BOOM INSTALLATION - WITHOUT COLD WEATHER PLUS PACKAGE (1350SJP) (SN 0300293909 to Present, SN B300016146 to Present)

ITEM	PART NUMBER	QTY	DESCRIPTION	REV
	0271530	Ref	BOOM INSTALLATION	J
1	0100011	AR	Compound, Locking	
2	0100019	AR	Compound, Locking	
3	0641608	4	Bolt 3/8 x 1	
4	0642214	3	Bolt 3/4 x 1-3/4	
5	0801315	1	Boom Assembly (See Separate Breakdown in this Section)	
6	1001251024	1	Lift Cylinder Assembly (See Separate Breakdown in CYLINDER Section)	
7	1001237755	1	Pad	
8	3423208	1	Pin, Load Sensing	
9	3422955	1	Pin	
10	3841287	2	Keeper, Pin	
11	4751600	AR	Washer 3/8	
13	3841581	1	Keeper, Pin	
14	3422988	1	Pin	
15	1001213705	1	Plug	
16	0641612	4	Bolt 3/8 x 1-1/2	

SECTION 4 - BOOM

FIGURE 4-7. BOOM INSTALLATION - WITH COLD WEATHER PLUS PACKAGE (1350SJP) (Prior to SN 0300293909, Prior to SN B300015609, Except SN 0300289369 through 0300289375, Except SN 0300289404 through 0300289412, Excluding 0300285775)



ART_1001139516

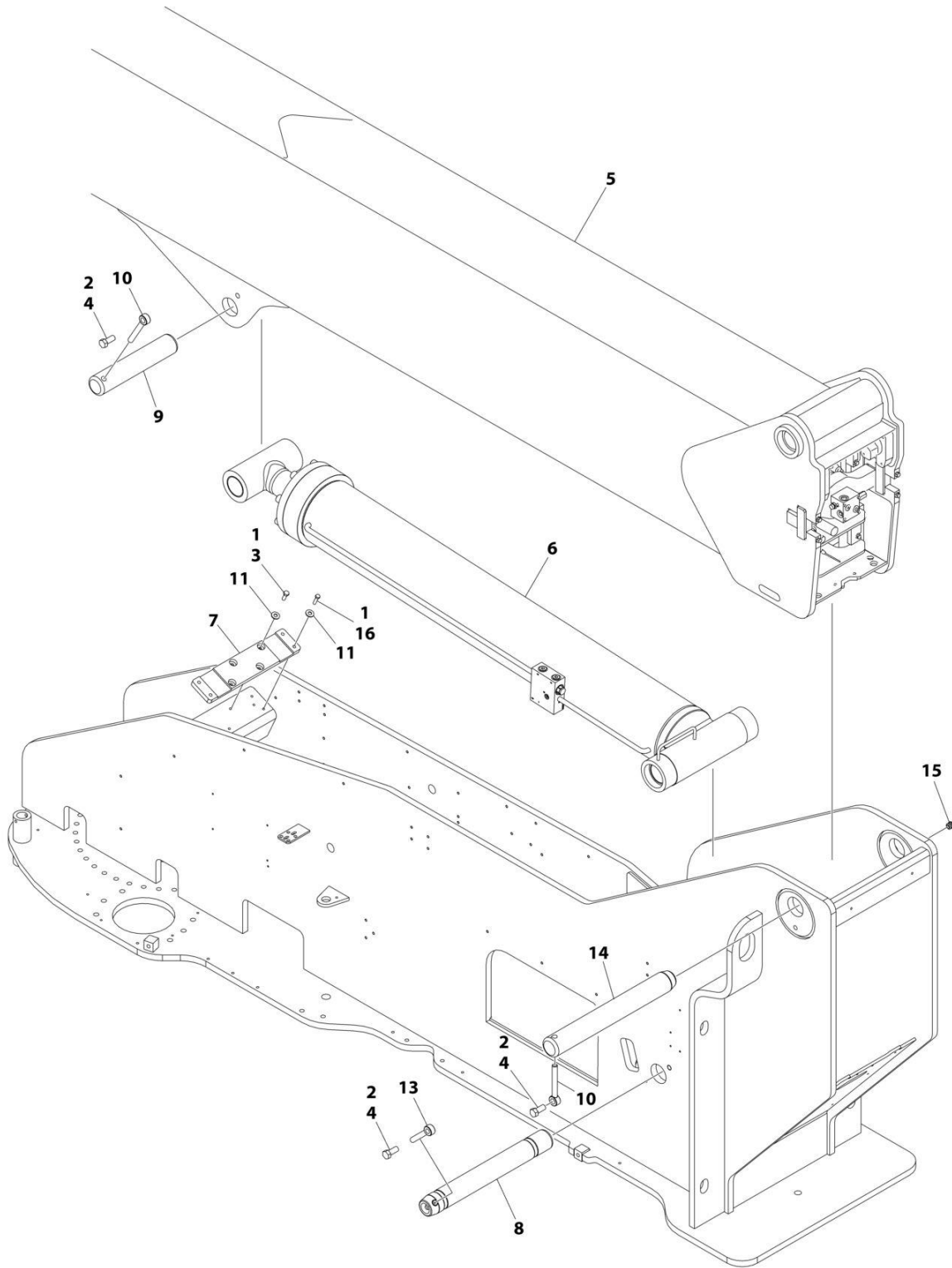
SECTION 4 - BOOM

FIGURE 4-7. BOOM INSTALLATION - WITH COLD WEATHER PLUS PACKAGE (1350SJP) (Prior to SN 0300293909, Prior to SN B300015609, Except SN 0300289369 through 0300289375, Except SN 0300289404 through 0300289412, Excluding 0300285775)

ITEM	PART NUMBER	QTY	DESCRIPTION	REV
	1001139516	Ref	BOOM INSTALLATION	D
1	0100011	AR	Compound, Locking	
2	0100019	AR	Compound, Locking	
3	0641608	4	Bolt 3/8 x 1	
4	0642214	3	Bolt 3/4 x 1-3/4	
5	1001139517	1	Boom Assembly (See Separate Breakdown in this Section)	
6	1001228024	1	Lift Cylinder Assembly (See Separate Breakdown in CYLINDER SECTION)	
7	1001237755	1	Pad	
8	3423208	1	Pin, Load Sensing	
9	3422955	1	Pin	
10	3841287	2	Keeper, Pin	
11	4751600	8	Washer 3/8	
13	3841581	1	Keeper, Pin	
14	3422988	1	Pin	
15	1001213705	1	Plug	
16	0641611	4	Bolt 3/8 x 1-3/8	

SECTION 4 - BOOM

FIGURE 4-8. BOOM INSTALLATION - WITH COLD WEATHER PLUS PACKAGE (1350SJP) (SN 0300293909 to Present, SN B300016146 to Present)



ART_1001139516_E

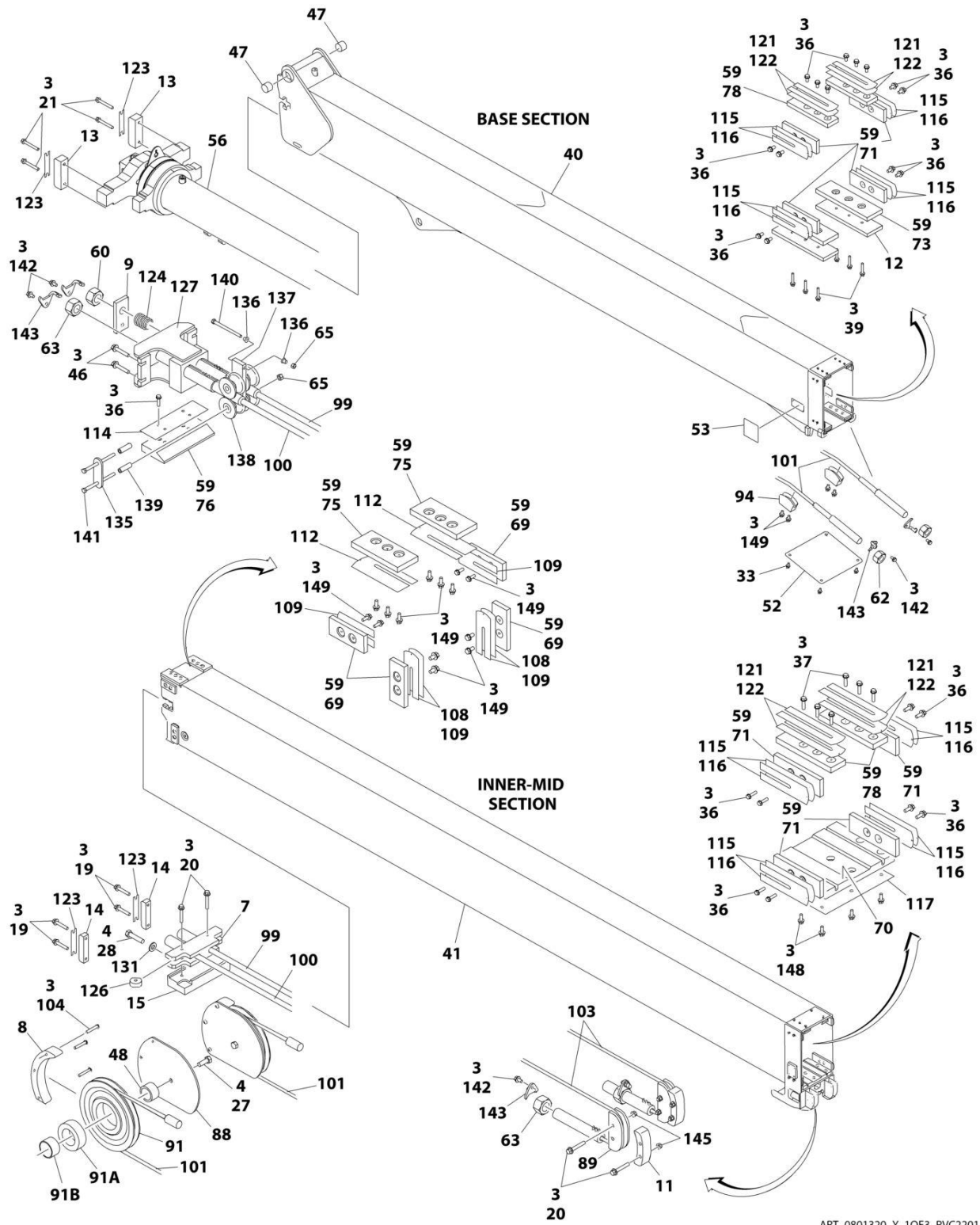
SECTION 4 - BOOM

FIGURE 4-8. BOOM INSTALLATION - WITH COLD WEATHER PLUS PACKAGE (1350SJP) (SN 0300293909 to Present, SN B300016146 to Present)

ITEM	PART NUMBER	QTY	DESCRIPTION	REV
	1001139516	Ref	BOOM INSTALLATION	E
1	0100011	AR	Compound, Locking	
2	0100019	AR	Compound, Locking	
3	0641608	4	Bolt 3/8 x 1	
4	0642214	3	Bolt 3/4 x 1-3/4	
5	1001139517	1	Boom Assembly (See Separate Breakdown in this Section)	
6	1001251024	1	Lift Cylinder Assembly (See Separate Breakdown in CYLINDER Section)	
7	1001237755	1	Pad	
8	3423208	1	Pin, Load Sensing	
9	3422955	1	Pin	
10	3841287	2	Keeper, Pin	
11	4751600	8	Washer 3/8	
13	3841581	1	Keeper, Pin	
14	3422988	1	Pin	
15	1001213705	1	Plug	
16	0641611	4	Bolt 3/8 x 1-3/8	

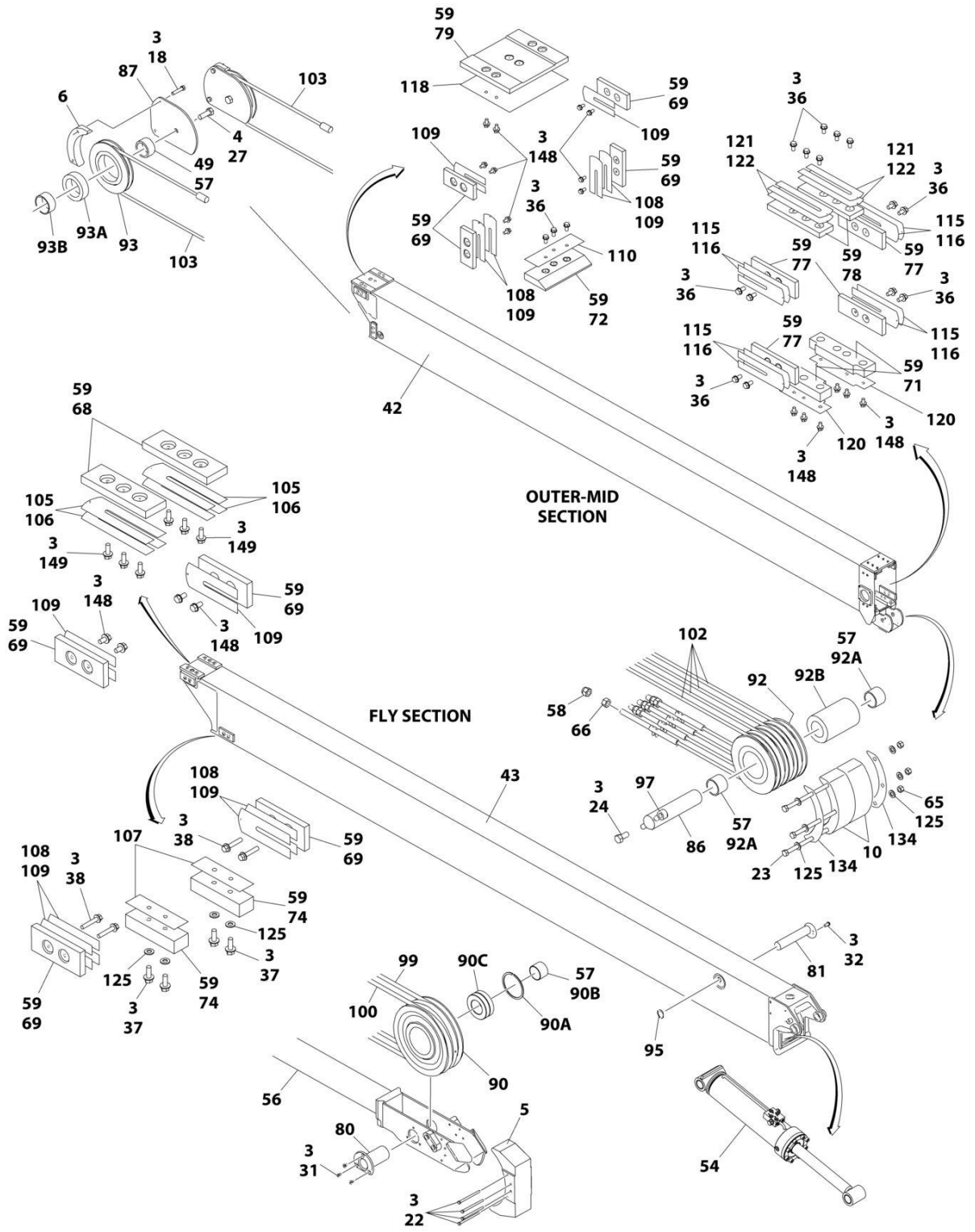
SECTION 4 - BOOM

FIGURE 4-9. BOOM ASSEMBLY - WITHOUT COLD WEATHER PLUS PACKAGE (1200SJP)



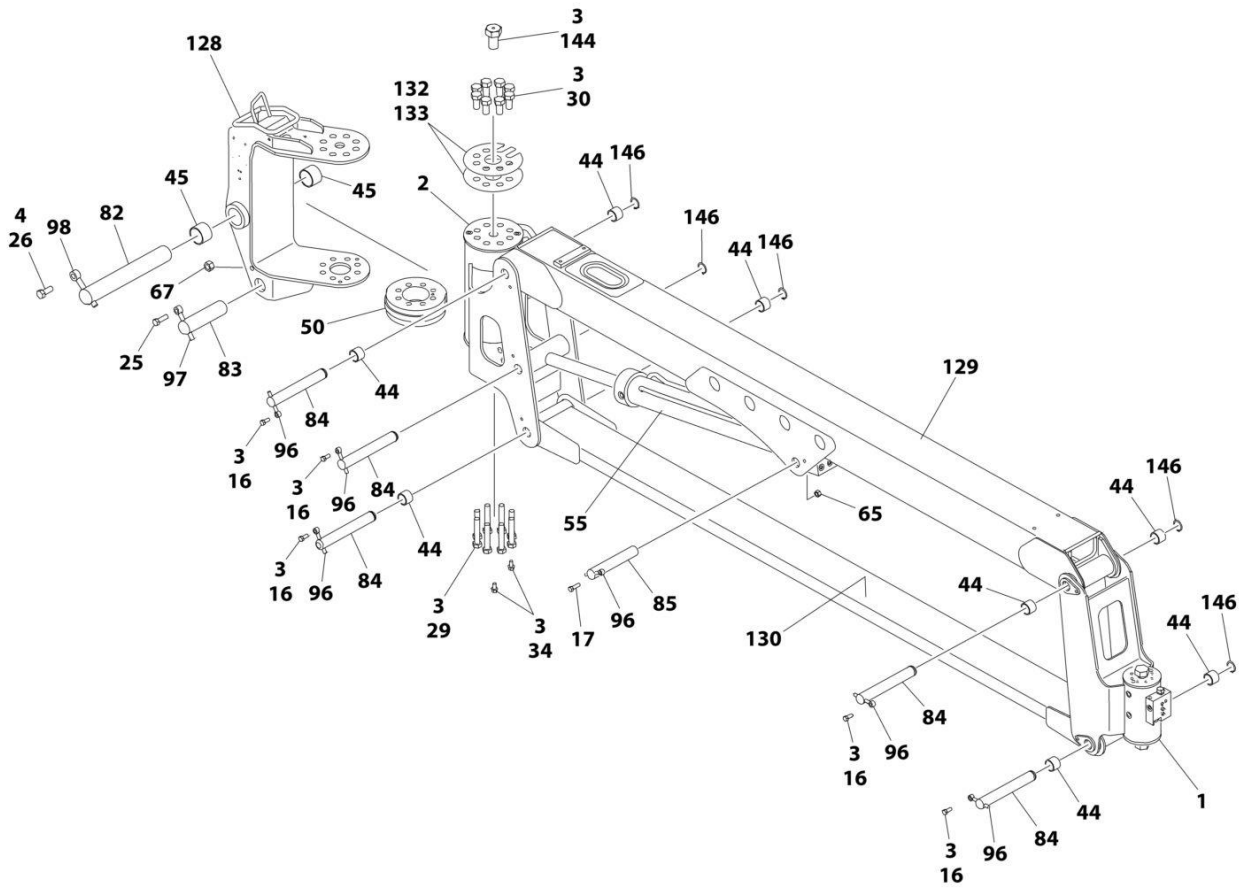
ART_0801320_Y_10F3_PVC2201

SECTION 4 - BOOM



ART_0801320_Y_20F3_PVC2201

SECTION 4 - BOOM



ART_0801320_Y_3OF3_PVC2201

SECTION 4 - BOOM

FIGURE 4-9. BOOM ASSEMBLY - WITHOUT COLD WEATHER PLUS PACKAGE (1200SJP)

ITEM	PART NUMBER	QTY	DESCRIPTION	REV
	0801320	Ref	BOOM ASSEMBLY	Z
1	1001178247	1	Actuator Assembly (Platform Rotate) (See Separate Breakdown in this Section)	
2	1001178248	1	Actuator Assembly (Jib Rotate) (See Separate Breakdown in this Section)	
3	0100011	AR	Compound, Locking	
4	0100019	AR	Compound, Locking	
5	0561431	1	Block, Rope Retainer	
6	0561437	2	Block, Rope Retainer	
7	0561439	1	Block, Outer Mid Extend	
8	0561444	2	Block, Cable Retainer	
9	0561454	1	Block, Switch Adjuster	
10	0561457	2	Block, Cable Retainer	
11	0561458	2	Block, Cable Retainer	
12	0561471	2	Block, Spacer	
13	0561500	2	Block, Trunnion Keeper	
14	0561482	2	Block, Trunnion Keeper	
15	3340955	1	Pad	
16	0641607	5	Bolt 3/8 x 7/8	
17	0641610	1	Bolt 3/8 x 1-1/4	
18	0641615	4	Bolt 3/8 x 1-7/8	
19	0791618	4	Screw 3/8 x 2-1/4	
20	0791620	10	Screw 3/8 x 2-1/2	
21	0791624	4	Screw 3/8 x 3	
22	0641646	4	Bolt 3/8 x 5-3/4	
23	0641652	3	Bolt 3/8 x 6-1/2	
24	0641808	1	Bolt 1/2 x 1	
25	0641813	1	Bolt 1/2 x 1-5/8	
26	0642012	1	Bolt 5/8 x 1-1/2	
27	0642014	4	Bolt 5/8 x 1-3/4	
28	0642022	2	Bolt 5/8 x 2-3/4	
29	0682028	8	Bolt 5/8 x 3-1/2 Grade 8	
30	0682212	8	Bolt 3/4 x 1-1/2 Grade 8	
31	0741606	3	Screw 3/8 x 3/4	
32	0741806	1	Screw 1/2 x 3/4	
33	0791604	4	Screw 3/8 x 1/2	
34	0791606	2	Screw 3/8 x 3/4	
36	0811608	43	Screw 3/8 x 1	
37	0811610	10	Screw 3/8 x 1-1/4	
38	0811614	4	Screw 3/8 x 1-3/4	
39	0811616	6	Screw 3/8 x 2	
40	0801316	1	Base, Boom	
41	0801317	1	Mid, Inner	
42	0801318	1	Mid, Outer	
43	0801319	1	Fly, Boom	
44	0961951	8	Bushing (Part of Item 129 & 130)	
45	0962224	2	Bearing	
46	0791612	4	Screw 3/8 x 1-1/2	
47	0962297	2	Bushing	
48	0962409	2	Bushing	

SECTION 4 - BOOM

ITEM	PART NUMBER	QTY	DESCRIPTION	REV
49	0962410	2	Bushing	
50	1100131	1	Cam	
52	1671032	1	Cover	
53	1671033	1	Cover	
	See Note	Ref	Note: Machines built with various design cylinders. Refer to PN on cylinder before ordering.	
54	1001228023	1	Platform Level Cylinder Assembly (See Separate Breakdown in CYLINDER Section)	
54	1001251023	1	Platform Level Cylinder Assembly (See Separate Breakdown in CYLINDER Section)	
55	1001228025	1	Jib Cylinder Assembly (See Separate Breakdown in CYLINDER Section)	
55	1001251025	1	Jib Cylinder Assembly (See Separate Breakdown in CYLINDER Section)	
56	1001251026	1	Telescope Cylinder Assembly (See Separate Breakdown in CYLINDER Section)	
57	3020039	AR	Lubricant, Moly	
58	3300239	4	Nut, Nylon Insert	
59	3020042	AR	Lubricant with PTFE	
60	3300458	1	Nut 1	
62	3300460	2	Nut 1-1/4	
63	3300461	3	Nut 1-3/8	
65	3311605	7	Nut 3/8	
66	3311801	4	Nut 1/2	
67	3311805	1	Nut 1/2	
68	3340871	2	Pad, Wear	
69	3340881	12	Pad, Wear	
70	3340910	1	Pad, Wear	
71	3340912	2	Pad, Wear	
72	4700039	1	Pad, Wear	
73	3340916	2	Pad, Wear	
74	3340917	2	Pad, Wear	
75	3340918	2	Pad, Wear	
76	4700038	1	Pad, Wear	
77	3340921	12	Pad, Wear	
78	3340922	6	Pad, Wear	
79	3340926	1	Pad, Wear	
80	3422926	1	Pin	
81	3422937	1	Pin	
82	1001119899	1	Pin	
83	3422956	1	Pin	
84	3422957	5	Pin	
85	3422958	1	Pin	
86	3422959	1	Pin	
87	3572950	2	Plate, Cable Retract Retainer	
88	3572951	2	Plate, Cable Retract Retainer	
89	3580342	2	Sheave	
90	1001154260	2	Sheave	
90A	1001154294	1	Ring, Snap	
90B	1001154304	1	Bushing (Inner)	
90C	1001154306	1	Bushing (Outer)	
91	3580298	2	Sheave	
91A	0962402	1	Bushing (Outer)	

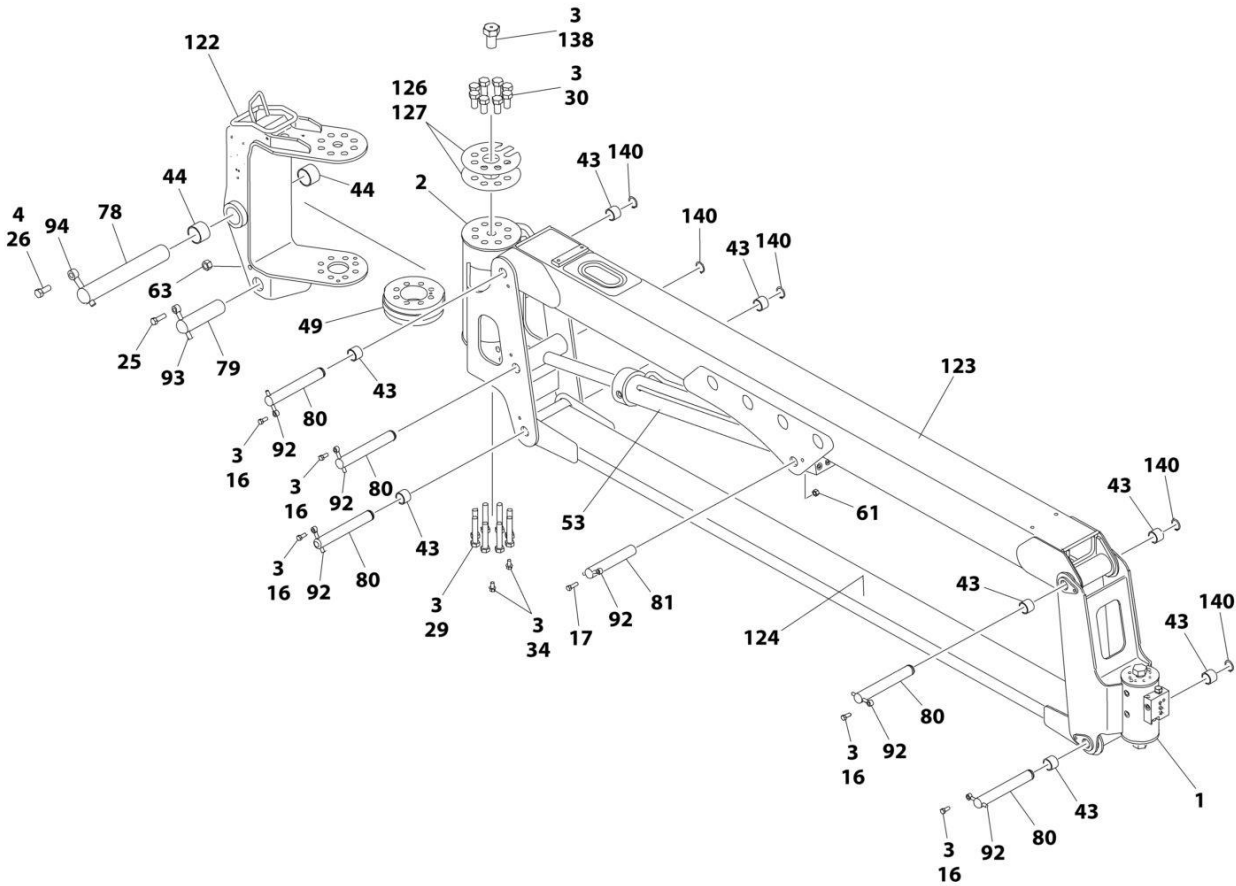
SECTION 4 - BOOM

ITEM	PART NUMBER	QTY	DESCRIPTION	REV
91B	0962406	1	Bushing (Inner)	
92	3580300	1	Sheave	
92A	1001139972	1	Sleeve, Bushing (Inner)	
92B	0962403	1	Bushing (Outer)	
93	3580302	2	Sheave	
93A	0962404	1	Bushing (Outer)	
93B	0962411	1	Bushing (Inner)	
94	3580341	2	Sheave	
95	3760233	1	Ring, Retaining	
96	3841143	6	Keeper, Pin	
97	3841203	2	Keeper, Pin	
98	3841258	1	Keeper, Pin	
99	3890034	1	Cable, Outer Mid Extend	
100	3890035	1	Cable, Outer Mid Extend	
101	3890036	2	Cable, Outer Mid Retract	
102	3890037	4	Cable, Fly Extend	
103	3890038	2	Cable, Fly Retract	
104	0641618	6	Screw 3/8 x 2-1/4	
105	4070863	2	Shim #11 Gauge	
106	4070864	2	Shim #18 Gauge	
107	4070895	2	Shim #16 Gauge	
108	4070897	6	Shim #18 Gauge	
109	4070898	12	Shim #11 Gauge	
110	4071012	1	Shim #16 Gauge	
112	4071015	2	Shim #16 Gauge	
114	4071017	1	Shim #16 Gauge	
115	4071018	8	Shim #16 Gauge	
116	4071019	12	Shim #11 Gauge	
117	4071024	1	Shim #16 Gauge	
118	4071025	1	Shim #16 Gauge	
120	4071027	2	Shim #16 Gauge	
121	4071028	6	Shim #16 Gauge	
122	4071029	6	Shim #11 Gauge	
123	4071031	4	Shim #16 Gauge	
124	4160197	1	Spring	
125	4711600	10	Washer 3/8	
126	4740509	2	Spacer	
127	4846453	1	Plate, Mounting	
128	4846462	1	Pivot	
129	4846482	1	Link, Jib (Upper) (Includes Item 44)	
130	0801550	1	Link, Jib (Lower) (Includes Item 44)	
131	4892000	2	Washer 5/8	
132	4071044	1	Shim #18 Gauge	
133	4071045	1	Shim #11 Gauge	
134	4071046	2	Shim #16 Gauge	
135	0363066	2	Bar, Stabilizer	
136	0962447	2	Bearing, Flanged	
137	3573437	1	Plate, Pulley Adjustment	
138	3580306	4	Pulley	
139	4568423	4	Tube, Spacer	
140	0641640	1	Bolt 3/8 x 5	

SECTION 4 - BOOM

ITEM	PART NUMBER	QTY	DESCRIPTION	REV
141	0641644	2	Bolt 3/8 x 5-1/2	
142	0791605	6	Screw 3/8 x 5/8	
143	3573444	6	Plate, Lock	
144	0630558	1	Bolt 1 x 2	
145	3311608	8	Nut 3/8	
146	3760133	5	Ring, Retaining	
148	0811606	30	Screw 3/8 x 3/4	
149	0811607	24	Screw 3/8 x 7/8	

SECTION 4 - BOOM



ART_1001138801_H_30F3_PVC2201

SECTION 4 - BOOM

FIGURE 4-10. BOOM ASSEMBLY - WITH COLD WEATHER PLUS PACKAGE (1200SJP)

ITEM	PART NUMBER	QTY	DESCRIPTION	REV
	1001138801	Ref	BOOM ASSEMBLY	H
1	1001178247	1	Actuator Assembly (Platform Rotate) (See Separate Breakdown in this Section)	
2	1001178248	1	Actuator Assembly (Jib Rotate) (See Separate Breakdown in this Section)	
3	0100011	AR	Compound, Locking	
4	0100019	AR	Compound, Locking	
5	0561431	1	Block, Rope Retainer	
6	0561437	2	Block, Rope Retainer	
7	0561439	1	Block, Outer Mid Extend	
8	0561444	2	Block, Cable Retainer	
9	0561454	1	Block, Switch Adjuster	
10	0561457	2	Block, Cable Retainer	
11	0561458	2	Block, Cable Retainer	
12	0561471	2	Block, Spacer	
13	0561500	2	Block, Trunnion Keeper	
14	0561482	2	Block, Trunnion Keeper	
15	3340955	1	Pad	
16	0641607	5	Bolt 3/8 x 7/8	
17	0641610	1	Bolt 3/8 x 1-1/4	
18	0641615	4	Bolt 3/8 x 1-7/8	
19	0791618	4	Screw 3/8 x 2-1/4	
20	0791620	10	Screw 3/8 x 2-1/2	
21	0791624	4	Screw 3/8 x 3	
22	0641646	4	Bolt 3/8 x 5-3/4	
23	0641652	3	Bolt 3/8 x 6-1/2	
24	0641808	1	Bolt 1/2 x 1	
25	0641813	1	Bolt 1/2 x 1-5/8	
26	0642012	1	Bolt 5/8 x 1-1/2	
27	0642014	4	Bolt 5/8 x 1-3/4	
28	0642022	2	Bolt 5/8 x 2-3/4	
29	0682028	8	Bolt 5/8 x 3-1/2 Grade 8	
30	0682212	8	Bolt 3/4 x 1-1/2 Grade 8	
31	0741606	3	Screw 3/8 x 3/4	
32	0741806	1	Screw 1/2 x 3/4	
33	0791604	4	Screw 3/8 x 1/2	
34	0791606	2	Screw 3/8 x 3/4	
35	0811608	43	Screw 3/8 x 1	
36	0811610	10	Screw 3/8 x 1-1/4	
37	0811614	4	Screw 3/8 x 1-3/4	
38	0811616	6	Screw 3/8 x 2	
39	0801316	1	Base, Boom	
40	0801317	1	Mid, Inner	
41	0801318	1	Mid, Outer	
42	0801319	1	Fly, Boom	
43	0961951	8	Bushing (Part of Items 123 & 124)	
44	0962224	2	Bushing	
45	0791612	4	Screw 3/8 x 1-1/2	
46	0962297	2	Bushing	
47	0962409	2	Bushing	

SECTION 4 - BOOM

ITEM	PART NUMBER	QTY	DESCRIPTION	REV
48	0962410	2	Bushing	
49	1100131	1	Cam	
50	1671032	1	Cover	
51	1671033	1	Cover	
	See Note	Ref	Note: Machines built with various design cylinders. Refer to PN on Cylinder before ordering.	
52	1001228053	1	Platform Level Cylinder Assembly (See Separate Breakdown in CYLINDER Section)	
53	1001228025	1	Jib Cylinder Assembly (See Separate Breakdown in CYLINDER Section)	
53	1001251025	1	Jib Cylinder Assembly (See Separate Breakdown in CYLINDER Section)	
54	1001228026	1	Telescope Cylinder Assembly (See Separate Breakdown in CYLINDER Section)	
55	3020039	AR	Lubricant, Moly	
56	3300239	4	Nut, Nylon Insert	
57	3020042	AR	Lubricant with PTFE	
58	3300458	1	Nut 1	
59	3300460	2	Nut 1-1/4	
60	3300461	3	Nut 1-3/8	
61	3311605	7	Nut 3/8	
62	3311801	4	Nut 1/2	
63	3311805	1	Nut 1/2	
64	3340871	2	Pad, Wear	
65	3340881	12	Pad, Wear	
66	3340910	1	Pad, Wear	
67	3340912	2	Pad, Wear	
68	4700039	1	Pad, Wear	
69	3340916	2	Pad, Wear	
70	3340917	2	Pad, Wear	
71	3340918	2	Pad, Wear	
72	4700038	1	Pad, Wear	
73	3340921	12	Pad, Wear	
74	3340922	6	Pad, Wear	
75	3340926	1	Pad, Wear	
76	3422926	1	Pin	
77	3422937	1	Pin	
78	1001119899	1	Pin	
79	3422956	1	Pin	
80	3422957	5	Pin	
81	3422958	1	Pin	
82	3422959	1	Pin	
83	3572950	2	Plate, Cable Retract Retainer	
84	3572951	2	Plate, Cable Retract Retainer	
85	3580342	2	Sheave	
86	1001154260	2	Sheave	
86A	1001154294	1	Ring, Snap	
86B	1001154304	1	Bushing (Inner)	
86C	1001154306	1	Bushing (Outer)	
87	3580298	2	Sheave	
87A	0962402	1	Bushing (Outer)	
87B	0962406	1	Bushing (Inner)	

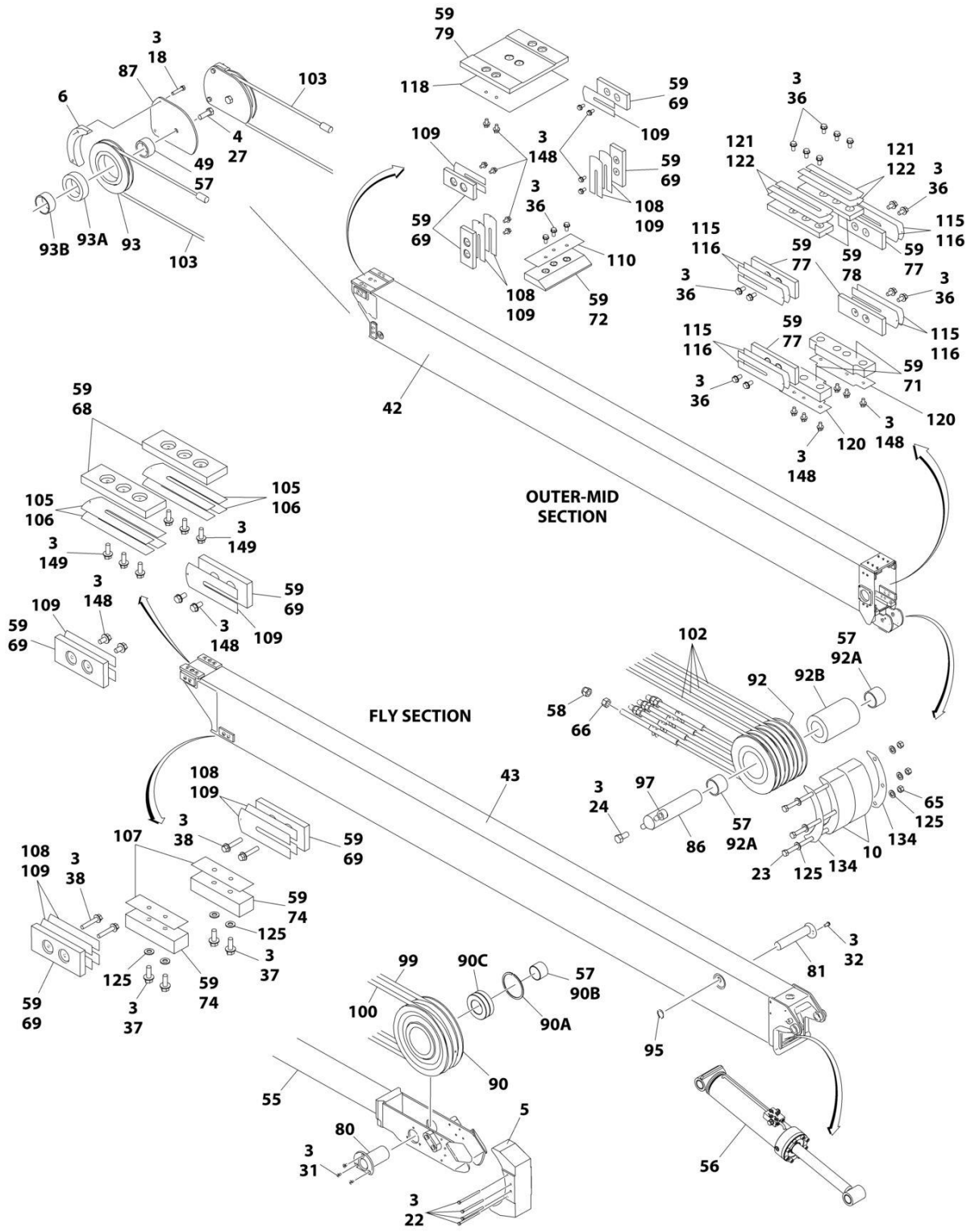
SECTION 4 - BOOM

ITEM	PART NUMBER	QTY	DESCRIPTION	REV
88	3580300	1	Sheave	
88A	1001139972	1	Sleeve, Bushing (Inner)	
88B	0962403	1	Bushing (Outer)	
89	3580302	2	Sheave	
89A	0962404	1	Bushing (Outer)	
89B	0962411	1	Bushing (Inner)	
90	3580341	2	Sheave	
91	3760233	1	Ring, Retaining	
92	3841143	6	Keeper, Pin	
93	3841203	2	Keeper, Pin	
94	3841258	1	Keeper, Pin	
95	3890034	1	Cable, Outer Mid Extend	
96	3890035	1	Cable, Outer Mid Extend	
97	3890036	2	Cable, Outer Mid Retract	
98	3890037	4	Cable, Fly Extend	
99	3890038	2	Cable, Fly Retract	
100	0641618	6	Screw 3/8 x 2-1/4	
101	4070863	2	Shim #11 Gauge	
102	4070864	2	Shim #18 Gauge	
103	4070895	2	Shim #16 Gauge	
104	4070897	6	Shim #18 Gauge	
105	4070898	12	Shim #11 Gauge	
106	4071012	1	Shim #16 Gauge	
107	4071013	2	Shim #16 Gauge	
108	4071015	2	Shim #16 Gauge	
109	4071017	1	Shim #16 Gauge	
110	4071018	8	Shim #16 Gauge	
111	4071019	12	Shim #11 Gauge	
112	4071024	1	Shim #16 Gauge	
113	4071025	1	Shim #16 Gauge	
114	4071027	2	Shim #16 Gauge	
115	4071028	6	Shim #16 Gauge	
116	4071029	6	Shim #11 Gauge	
117	4071031	4	Shim #16 Gauge	
118	4160197	1	Spring	
119	4711600	10	Washer 3/8	
120	4740509	2	Spacer	
121	4846453	1	Plate, Mounting	
122	4846462	1	Pivot	
123	4846482	1	Link, Jib (Upper) (Includes Item 43)	
124	0801550	1	Link, Jib (Lower) (Includes Item 43)	
125	4892000	2	Washer 5/8	
126	4071044	1	Shim #18 Gauge	
127	4071045	1	Shim #11 Gauge	
128	4071046	2	Shim #16 Gauge	
129	0363066	2	Bar, Stabilizer	
130	0962447	2	Bearing, Flanged	
131	3573437	1	Plate, Pulley Adjustment	
132	3580306	4	Pulley	
133	4568423	4	Tube, Spacer	
134	0641640	1	Bolt 3/8 x 5	

SECTION 4 - BOOM

ITEM	PART NUMBER	QTY	DESCRIPTION	REV
135	0641644	2	Bolt 3/8 x 5-1/2	
136	0791605	6	Screw 3/8 x 5/8	
137	3573444	6	Plate, Lock	
138	0630558	1	Bolt 1 x 2	
139	3311608	8	Nut 3/8	
140	3760133	5	Ring, Retaining	
141	0811606	30	Screw 3/8 x 3/4	
142	0811607	24	Screw 3/8 x 7/8	

SECTION 4 - BOOM



ART_0801315_W_20F3_PVC2201

SECTION 4 - BOOM

FIGURE 4-11. BOOM ASSEMBLY - WITHOUT COLD WEATHER PLUS PACKAGE (1350SJP)

ITEM	PART NUMBER	QTY	DESCRIPTION	REV
	0801315	Ref	BOOM ASSEMBLY	W
1	1001178247	1	Actuator Assembly (Platform Rotate) (See Separate Breakdown in this Section)	
2	1001178248	1	Actuator Assembly (Jib Rotate) (See Separate Breakdown in this Section)	
3	0100011	AR	Compound, Locking	
4	0100019	AR	Compound, Locking	
5	0561431	1	Block, Rope Retainer	
6	0561437	2	Block, Rope Retainer	
7	0561439	1	Block, Outer Mid Extend	
8	0561444	2	Block, Cable Retainer	
9	0561454	1	Block, Switch Adjuster	
10	0561457	2	Block, Cable Retainer	
11	0561458	2	Block, Cable Retainer	
12	0561471	2	Block, Spacer	
13	0561500	2	Block, Trunnion Keeper	
14	0561482	2	Block, Trunnion Keeper	
15	3340955	1	Pad	
16	0641607	5	Bolt 3/8 x 7/8	
17	0641610	1	Bolt 3/8 x 1-1/4	
18	0641615	4	Bolt 3/8 x 1-7/8	
19	0791618	4	Screw 3/8 x 2-1/4	
20	0791620	10	Screw 3/8 x 2-1/2	
21	0791624	4	Screw 3/8 x 3	
22	0641646	4	Bolt 3/8 x 5-3/4	
23	0641652	3	Bolt 3/8 x 6-1/2	
24	0641808	1	Bolt 1/2 x 1	
25	0641813	1	Bolt 1/2 x 1-5/8	
26	0642012	1	Bolt 5/8 x 1-1/2	
27	0642014	4	Bolt 5/8 x 1-3/4	
28	0642022	2	Bolt 5/8 x 2-3/4	
29	0682028	8	Bolt 5/8 x 3-1/2 Grade 8	
30	0682212	8	Bolt 3/4 x 1-1/2 Grade 8	
31	0741606	3	Screw 3/8 x 3/4	
32	0741806	1	Screw 1/2 x 3/4	
33	0791604	4	Screw 3/8 x 1/2	
34	0791606	2	Screw 3/8 x 3/4	
36	0811608	43	Screw 3/8 x 1	
37	0811610	10	Screw 3/8 x 1-1/4	
38	0811614	4	Screw 3/8 x 1-3/4	
39	0811616	6	Screw 3/8 x 2	
40	0801301	1	Base, Boom	
41	0801302	1	Mid, Inner	
42	0801303	1	Mid, Outer	
43	0801304	1	Fly, Boom	
44	0961951	8	Bushing (Part of Item 129 & 130)	
45	0962224	2	Bearing	
46	0791612	4	Screw 3/8 x 1-1/2	
47	0962297	2	Bushing	
48	0962409	2	Bushing	

SECTION 4 - BOOM

ITEM	PART NUMBER	QTY	DESCRIPTION	REV
49	0962410	2	Bushing	
50	1100131	1	Cam	
52	1671032	1	Cover	
53	1671033	1	Cover	
	See Note	Ref	Note: Machines built with various design cylinders. Refer to PN on Cylinder before ordering.	
54	1001228021	1	Telescope Cylinder Assembly (See Separate Breakdown in CYLINDER Section)	
54	1001251021	1	Telescope Cylinder Assembly (See Separate Breakdown in CYLINDER Section)	
55	1001228023	1	Platform Level Cylinder Assembly (See Separate Breakdown in CYLINDER Section)	
55	1001251023	1	Platform Level Cylinder Assembly (See Separate Breakdown in CYLINDER Section)	
56	1001228025	1	Jib Cylinder Assembly (See Separate Breakdown in CYLINDER Section)	
56	1001251025	1	Jib Cylinder Assembly (See Separate Breakdown in CYLINDER Section)	
57	3020039	AR	Lubricant, Moly	
58	3300239	4	Nut, Nylon Insert	
59	3020042	AR	Lubricant with PTFE	
60	3300458	1	Nut 1	
62	3300460	2	Nut 1-1/4	
63	3300461	3	Nut 1-3/8	
65	3311605	7	Nut 3/8	
66	3311801	4	Nut 1/2	
67	3311805	1	Nut 1/2	
68	3340871	2	Pad, Wear	
69	3340881	12	Pad, Wear	
70	3340910	1	Pad, Wear	
71	3340912	2	Pad, Wear	
72	4700039	1	Pad, Wear	
73	3340916	2	Pad, Wear	
74	3340917	2	Pad, Wear	
75	3340918	2	Pad, Wear	
76	4700038	1	Pad, Wear	
77	3340921	12	Pad, Wear	
78	3340922	6	Pad, Wear	
79	3340926	1	Pad, Wear	
80	3422926	1	Pin	
81	3422937	1	Pin	
82	1001119899	1	Pin	
83	3422956	1	Pin	
84	3422957	5	Pin	
85	3422958	1	Pin	
86	3422959	1	Pin	
87	3572950	2	Plate, Cable Retract Retainer	
88	3572951	2	Plate, Cable Retract Retainer	
89	3580342	2	Sheave	
90	1001154260	2	Sheave	
90A	1001154294	1	Ring, Snap	
90B	1001154304	1	Bushing (Inner)	
90C	1001154306	1	Bushing (Outer)	

SECTION 4 - BOOM

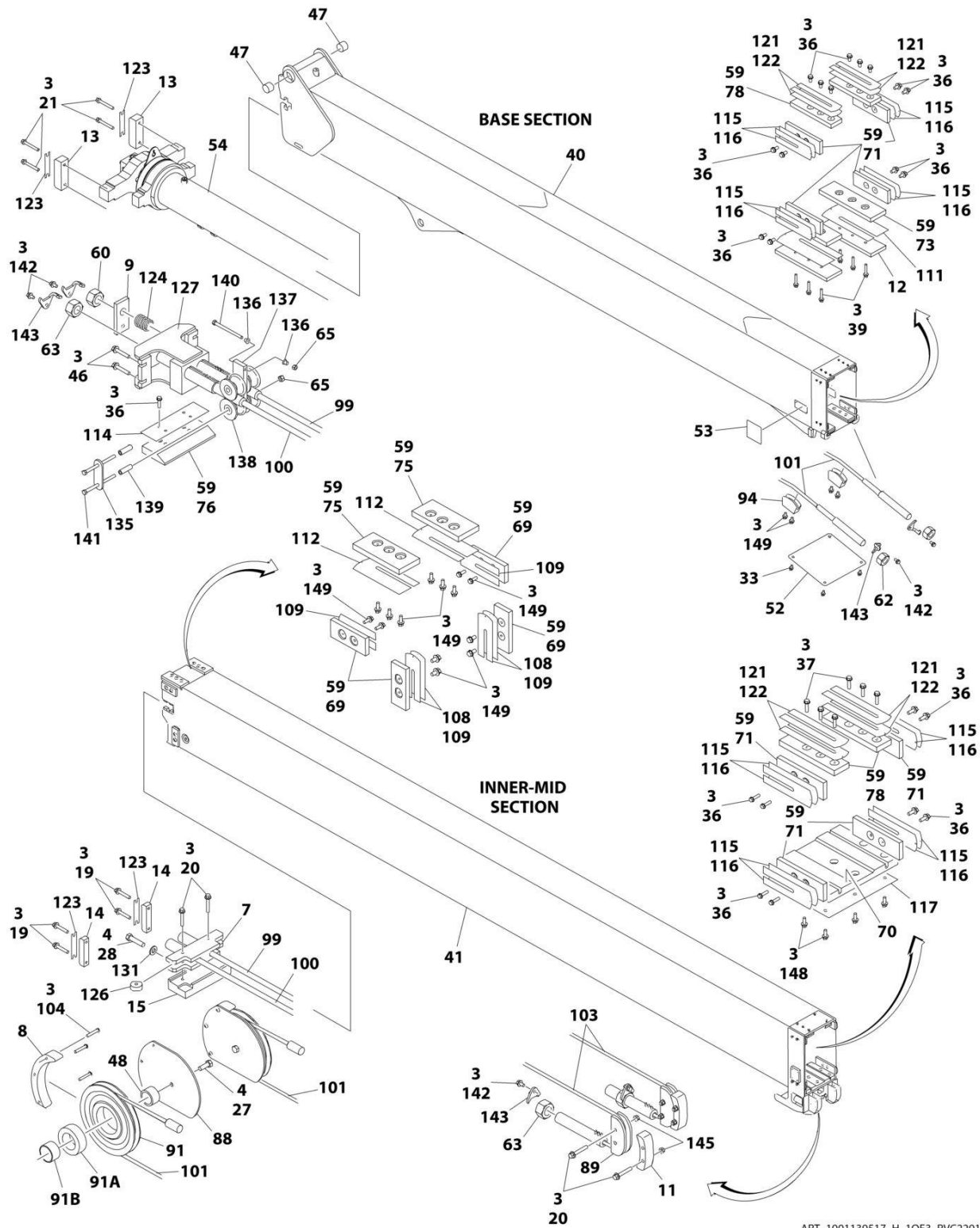
ITEM	PART NUMBER	QTY	DESCRIPTION	REV
91	3580298	2	Sheave	
91A	0962402	1	Bushing (Outer)	
91B	0962406	1	Bushing (Inner)	
92	3580300	1	Sheave	
92A	1001139972	1	Bushing (Inner)	
92B	0962403	1	Bushing (Outer)	
93	3580302	1	Sheave	
93A	0962404	1	Bushing (Outer)	
93B	0962411	1	Bushing (Inner)	
94	3580341	2	Sheave	
95	3760233	1	Ring, Retaining	
96	3841143	6	Keeper, Pin	
97	3841203	2	Keeper, Pin	
98	3841258	1	Keeper, Pin	
99	3890029	1	Cable, Outer Mid Extend	
100	3890030	1	Cable, Outer Mid Extend	
101	3890031	2	Cable, Outer Mid Retract	
102	3890032	4	Cable, Fly Extend	
103	3890033	2	Cable, Fly Retract	
104	0641618	6	Screw 3/8 x 2-1/4	
105	4070863	2	Shim #11 Gauge	
106	4070864	2	Shim #18 Gauge	
107	4070895	2	Shim #16 Gauge	
108	4070897	6	Shim #18 Gauge	
109	4070898	12	Shim #11 Gauge	
110	4071012	1	Shim #16 Gauge	
112	4071015	2	Shim #16 Gauge	
114	4071017	1	Shim #16 Gauge	
115	4071018	8	Shim #16 Gauge	
116	4071019	12	Shim #11 Gauge	
117	4071024	1	Shim #16 Gauge	
118	4071025	1	Shim #16 Gauge	
120	4071027	2	Shim #16 Gauge	
121	4071028	6	Shim #16 Gauge	
122	4071029	6	Shim #11 Gauge	
123	4071031	4	Shim #16 Gauge	
124	4160197	1	Spring	
125	4711600	10	Washer 3/8	
126	4740509	2	Spacer	
127	4846453	1	Plate, Mounting	
128	4846462	1	Pivot	
129	4846482	1	Link, Jib (Upper) (Includes Item 44)	
130	0801550	1	Link, Jib (Lower) (Includes Item 44)	
131	4892000	2	Washer 5/8	
132	4071044	1	Shim #18 Gauge	
133	4071045	1	Shim #11 Gauge	
134	4071046	2	Shim #16 Gauge	
135	0363066	2	Bar, Stabilizer	
136	0962447	2	Bearing, Flanged	
137	3573437	1	Plate, Pulley Adjustment	
138	3580306	4	Pulley	

SECTION 4 - BOOM

ITEM	PART NUMBER	QTY	DESCRIPTION	REV
139	4568423	4	Tube, Spacer	
140	0641640	1	Bolt 3/8 x 5	
141	0641644	2	Bolt 3/8 x 5-1/2	
142	0791605	6	Screw 3/8 x 5/8	
143	3573444	6	Plate, Lock	
144	0630558	1	Bolt 1-1/8 x 2	
145	3311608	8	Nut 3/8	
146	3760133	5	Ring, Retaining	
148	0811606	30	Screw 3/8 x 3/4	
149	0811607	24	Screw 3/8 x 7/8	

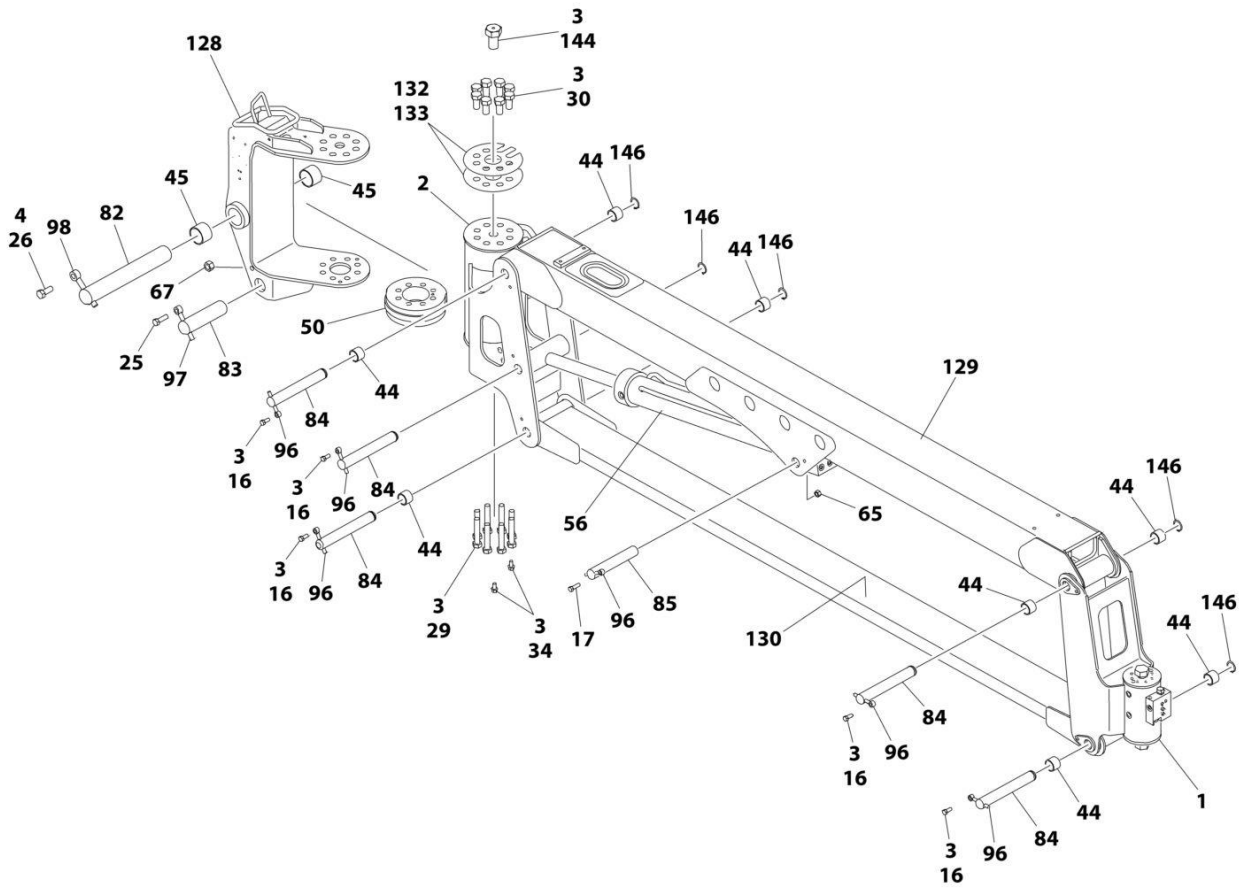
SECTION 4 - BOOM

FIGURE 4-12. BOOM ASSEMBLY - WITH COLD WEATHER PLUS PACKAGE (1350SJP)



ART_1001139517_H_1OF3_PVC2201

SECTION 4 - BOOM



ART_1001139517_H_3OF3_PVC2201

SECTION 4 - BOOM

FIGURE 4-12. BOOM ASSEMBLY - WITH COLD WEATHER PLUS PACKAGE (1350SJP)

ITEM	PART NUMBER	QTY	DESCRIPTION	REV
	1001139517	Ref	BOOM ASSEMBLY	H
1	1001178247	1	Actuator Assembly (Platform Rotate) (See Separate Breakdown in this Section)	
2	1001178248	1	Actuator Assembly (Jib Rotate) (See Separate Breakdown in this Section)	
3	0100011	AR	Compound, Locking	
4	0100019	AR	Compound, Locking	
5	0561431	1	Block, Rope Retainer	
6	0561437	2	Block, Rope Retainer	
7	0561439	1	Block, Outer Mid Extend	
8	0561444	2	Block, Cable Retainer	
9	0561454	1	Block, Switch Adjuster	
10	0561457	2	Block, Cable Retainer	
11	0561458	2	Block, Cable Retainer	
12	0561471	2	Block, Spacer	
13	0561500	2	Block, Trunnion Keeper	
14	0561482	2	Block, Trunnion Keeper	
15	3340955	1	Pad	
16	0641607	5	Bolt 3/8 x 7/8	
17	0641610	1	Bolt 3/8 x 1-1/4	
18	0641615	4	Bolt 3/8 x 1-7/8	
19	0791618	4	Screw 3/8 x 2-1/4	
20	0791620	10	Screw 3/8 x 2-1/2	
21	0791624	4	Screw 3/8 x 3	
22	0641646	4	Bolt 3/8 x 5-3/4	
23	0641652	3	Bolt 3/8 x 6-1/2	
24	0641808	1	Bolt 1/2 x 1	
25	0641813	1	Bolt 1/2 x 1-5/8	
26	0642012	1	Bolt 5/8 x 1-1/2	
27	0642014	4	Bolt 5/8 x 1-3/4	
28	0642022	2	Bolt 5/8 x 2-3/4	
29	0682028	8	Bolt 5/8 x 3-1/2 Grade 8	
30	0682212	8	Bolt 3/4 x 1-1/2 Grade 8	
31	0741606	3	Screw 3/8 x 3/4	
32	0741806	1	Screw 1/2 x 3/4	
33	0791604	4	Screw 3/8 x 1/2	
34	0791606	2	Screw 3/8 x 3/4	
36	0811608	43	Screw 3/8 x 1	
37	0811610	10	Screw 3/8 x 1-1/4	
38	0811614	4	Screw 3/8 x 1-3/4	
39	0811616	6	Screw 3/8 x 2	
40	0801301	1	Base, Boom	
41	0801302	1	Mid, Inner	
42	0801303	1	Mid, Outer	
43	0801304	1	Fly, Boom	
44	0961951	8	Bushing (Part of Item 129 & 130)	
45	0962224	2	Bearing	
46	0791612	4	Screw 3/8 x 1-1/2	
47	0962297	2	Bushing	
48	0962409	2	Bushing	

SECTION 4 - BOOM

ITEM	PART NUMBER	QTY	DESCRIPTION	REV
49	0962410	2	Bushing	
50	1100131	1	Cam	
52	1671032	1	Cover	
53	1671033	1	Cover	
	See Note	Ref	Note: Machines built with various design Cylinders. Refer to PN on Cylinder before ordering.	
54	1001228021	1	Telescope Cylinder Assembly (See Separate Breakdown in CYLINDER Section)	
54	1001251021	1	Telescope Cylinder Assembly (See Separate Breakdown in CYLINDER Section)	
55	1001228053	1	Platform Level Cylinder Assembly (See Separate Breakdown in CYLINDER Section)	
56	1001228025	1	Jib Cylinder Assembly (See Separate Breakdown in CYLINDER Section)	
56	1001251025	1	Jib Cylinder Assembly (See Separate Breakdown in CYLINDER Section)	
57	3020039	AR	Lubricant, Moly	
58	3300239	4	Nut, Nylon Insert	
59	3020042	AR	Lubricant with PTFE	
60	3300458	1	Nut 1	
62	3300460	2	Nut 1-1/4	
63	3300461	3	Nut 1-3/8	
65	3311605	7	Nut 3/8	
66	3311801	4	Nut 1/2	
67	3311805	1	Nut 1/2	
68	3340871	2	Pad, Wear	
69	3340881	12	Pad, Wear	
70	3340910	1	Pad, Wear	
71	3340912	2	Pad, Wear	
72	4700039	1	Pad, Wear	
73	3340916	2	Pad, Wear	
74	3340917	2	Pad, Wear	
75	3340918	2	Pad, Wear	
76	4700038	1	Pad, Wear	
77	3340921	12	Pad, Wear	
78	3340922	6	Pad, Wear	
79	3340926	1	Pad, Wear	
80	3422926	1	Pin	
81	3422937	1	Pin	
82	1001119899	1	Pin	
83	3422956	1	Pin	
84	3422957	5	Pin	
85	3422958	1	Pin	
86	3422959	1	Pin	
87	3572950	2	Plate, Cable Retract Retainer	
88	3572951	2	Plate, Cable Retract Retainer	
89	3580342	2	Sheave	
90	1001154260	2	Sheave	
90A	1001154294	1	Ring, Snap	
90B	1001154304	1	Bushing (Inner)	
90C	1001154306	1	Bushing (Outer)	
91	3580298	2	Sheave	
91A	0962402	1	Bushing (Outer)	

SECTION 4 - BOOM

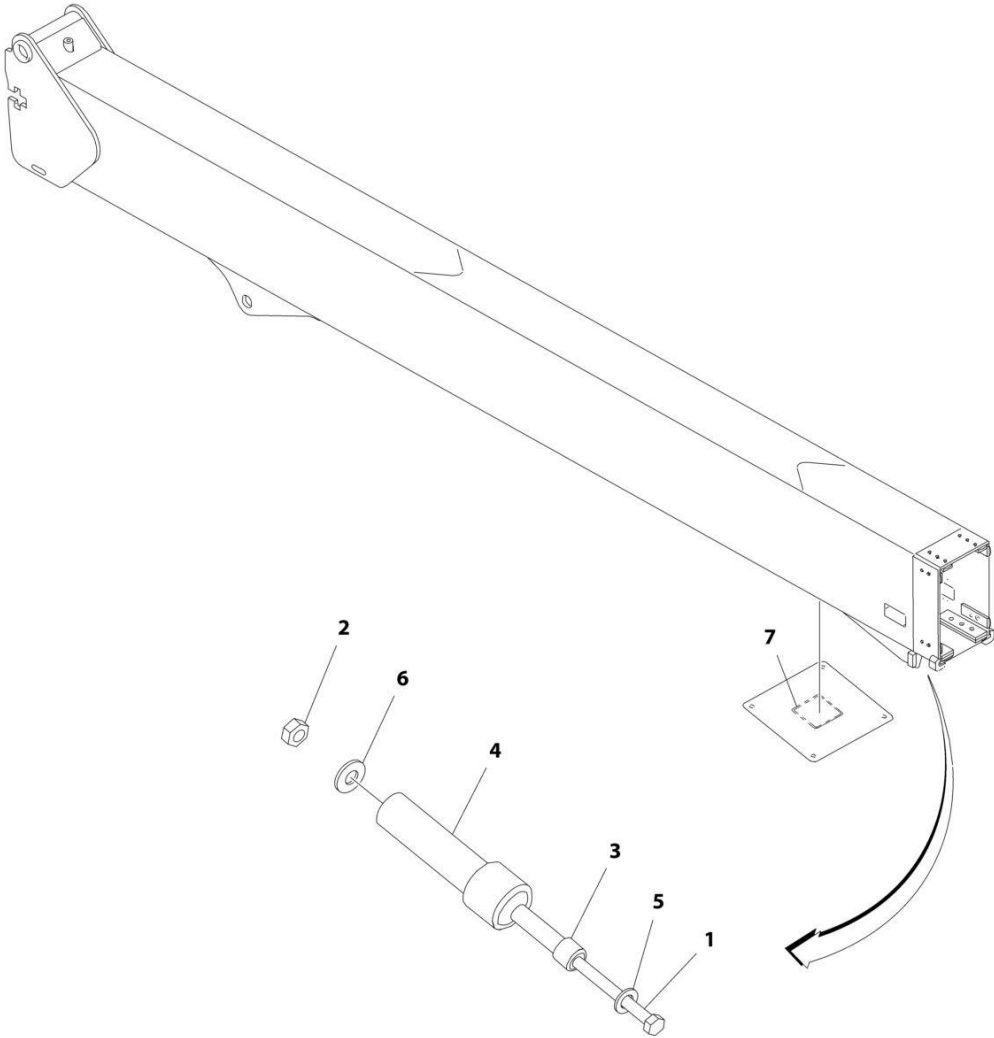
ITEM	PART NUMBER	QTY	DESCRIPTION	REV
91B	0962406	1	Bushing (Inner)	
92	3580300	1	Sheave	
92A	1001139972	1	Sleeve, Bushing (Inner)	
92B	0962403	1	Bushing (Outer)	
93	3580302	2	Sheave	
93A	0962404	1	Bushing (Outer)	
93B	0962411	1	Bushing (Inner)	
94	3580341	2	Sheave	
95	3760233	1	Ring, Retaining	
96	3841143	6	Keeper, Pin	
97	3841203	2	Keeper, Pin	
98	3841258	1	Keeper, Pin	
99	3890029	1	Cable, Outer Mid Extend	
100	3890030	1	Cable, Outer Mid Extend	
101	3890031	2	Cable, Outer Mid Retract	
102	3890032	4	Cable, Fly Extend	
103	3890033	2	Cable, Fly Retract	
104	0641618	6	Screw 3/8 x 2-1/4	
105	4070863	2	Shim #11 Gauge	
106	4070864	2	Shim #18 Gauge	
107	4070895	2	Shim #16 Gauge	
108	4070897	6	Shim #18 Gauge	
109	4070898	12	Shim #11 Gauge	
110	4071012	1	Shim #16 Gauge	
111	4071013	2	Shim #16 Gauge	
112	4071015	2	Shim #16 Gauge	
114	4071017	1	Shim #16 Gauge	
115	4071018	8	Shim #16 Gauge	
116	4071019	12	Shim #11 Gauge	
117	4071024	1	Shim #16 Gauge	
118	4071025	1	Shim #16 Gauge	
120	4071027	2	Shim #16 Gauge	
121	4071028	6	Shim #16 Gauge	
122	4071029	6	Shim #11 Gauge	
123	4071031	4	Shim #16 Gauge	
124	4160197	1	Spring	
125	4711600	10	Washer 3/8	
126	4740509	2	Spacer	
127	4846453	1	Plate, Mounting	
128	4846462	1	Pivot	
129	4846482	1	Link, Jib (Upper) (Includes Item 44)	
130	0801550	1	Link, Jib (Lower) (Includes Item 44)	
131	4892000	2	Washer 5/8	
132	4071044	1	Shim #18 Gauge	
133	4071045	1	Shim #11 Gauge	
134	4071046	2	Shim #16 Gauge	
135	0363066	2	Bar, Stabilizer	
136	0962447	2	Bearing, Flanged	
137	3573437	1	Plate, Pulley Adjustment	
138	3580306	4	Pulley	
139	4568423	4	Tube, Spacer	

SECTION 4 - BOOM

ITEM	PART NUMBER	QTY	DESCRIPTION	REV
140	0641640	1	Bolt 3/8 x 5	
141	0641644	2	Bolt 3/8 x 5-1/2	
142	0791605	6	Screw 3/8 x 5/8	
143	3573444	6	Plate, Lock	
144	0630558	1	Bolt 1 x 2	
145	3311608	8	Nut 3/8	
146	3760133	5	Ring, Retaining	
148	0811606	30	Screw 3/8 x 3/4	
149	0811607	24	Screw 3/8 x 7/8	

SECTION 4 - BOOM

FIGURE 4-13. WIRE ROPE TOOLS INSTALLATION (OPTIONAL)



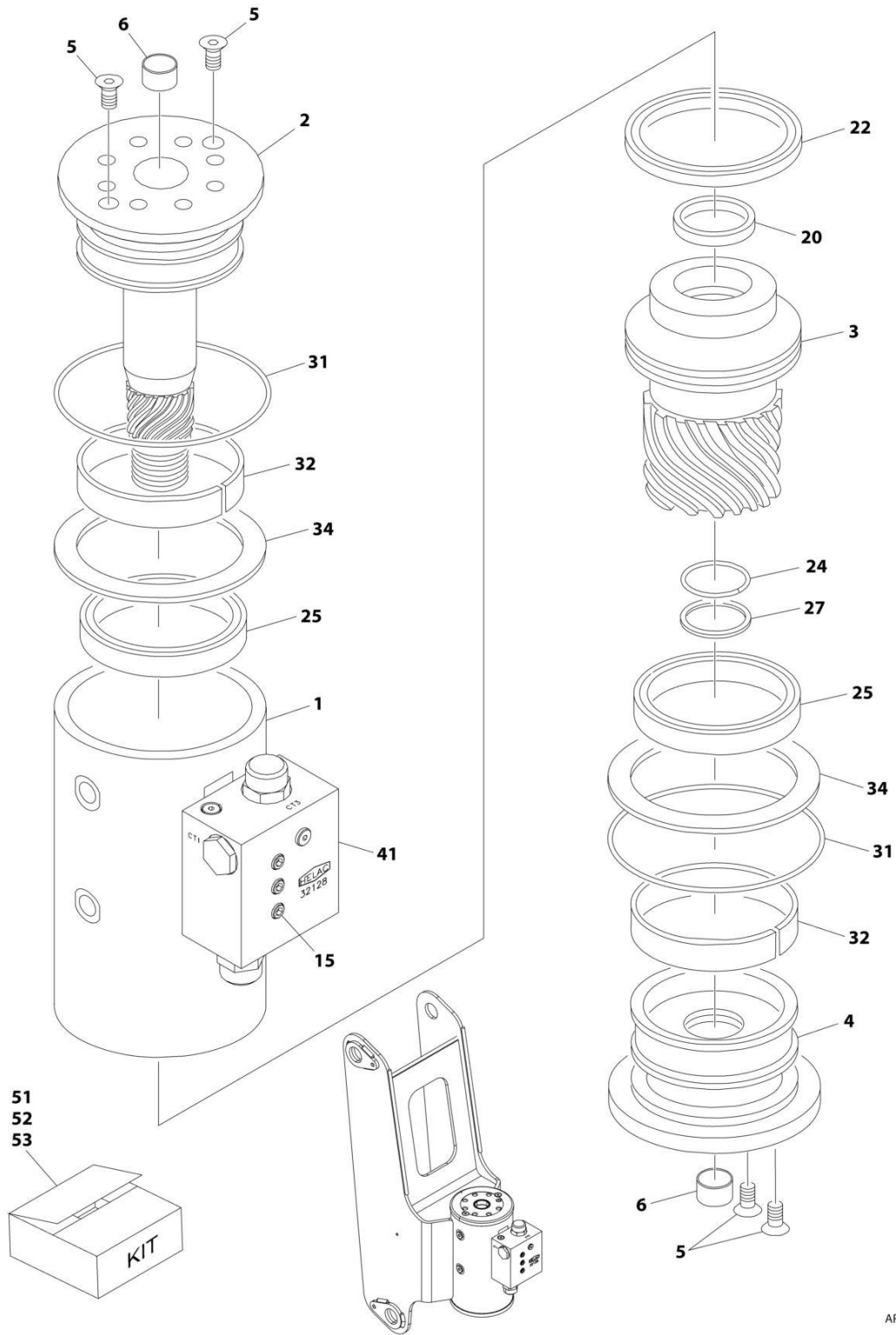
ART_0272048

FIGURE 4-13. WIRE ROPE TOOLS INSTALLATION (OPTIONAL)

ITEM	PART NUMBER	QTY	DESCRIPTION	REV
	0272048	Ref	WIRE ROPE TOOLS INSTALLATION (OPTIONAL)	B
1	0641676	1	Bolt 3/8 x 9-1/2	
2	3311605	1	Nut 3/8	
3	4120040	1	Socket 3/4	
4	4120043	1	Socket 2	
5	4711600	1	Washer 3/8	
6	4891600	1	Washer 3/8	
7	1705307	1	Decal - Tool Location	

SECTION 4 - BOOM

FIGURE 4-14. PLATFORM ROTATE ASSEMBLY



ART_1001178247

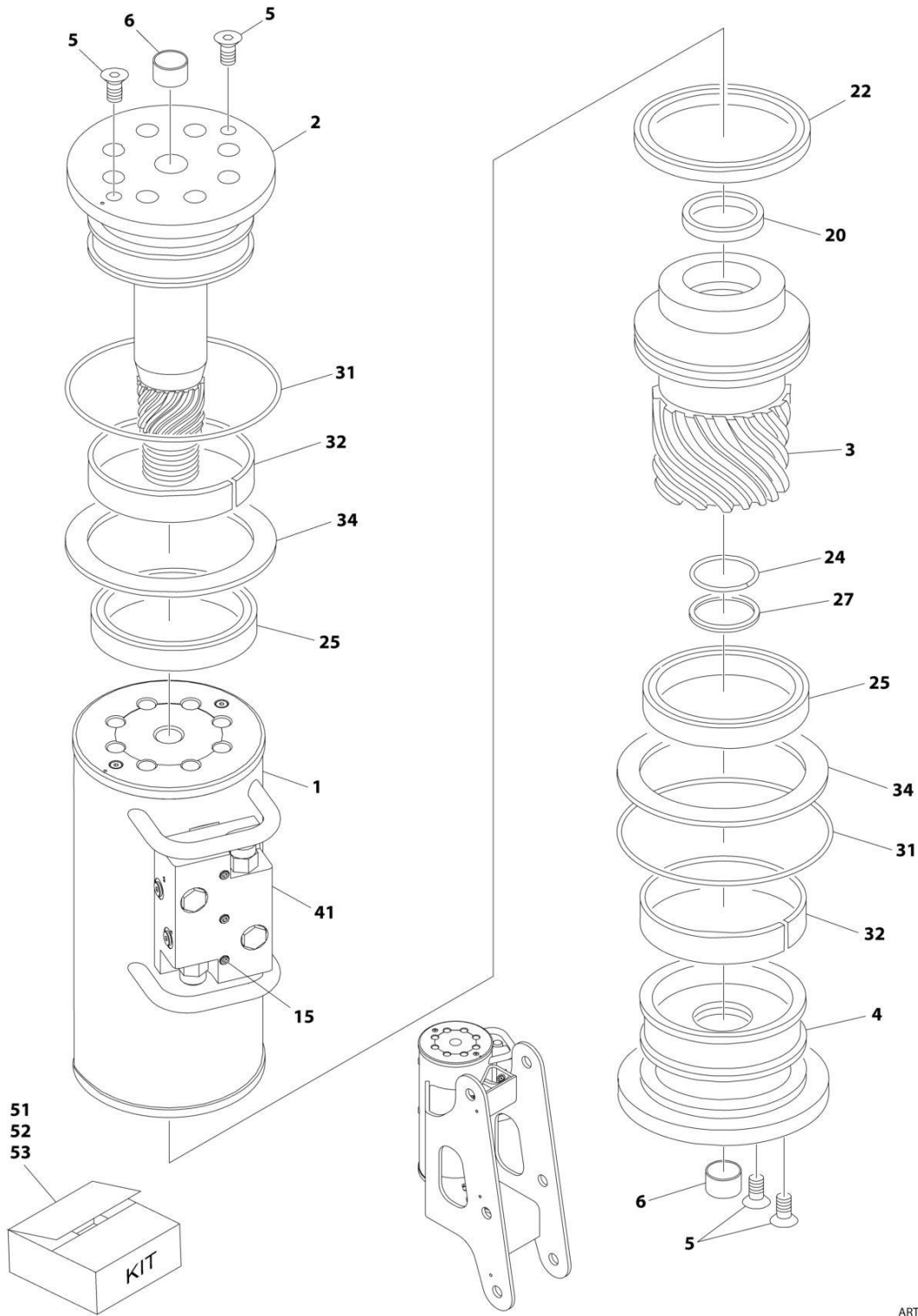
SECTION 4 - BOOM

FIGURE 4-14. PLATFORM ROTATE ASSEMBLY

ITEM	PART NUMBER	QTY	DESCRIPTION	REV
	1001178247	Ref	PLATFORM ROTATE ASSEMBLY	A
1	See Note	NSS	Case/Bracket Weldment (Note: Not Available - Purchase Complete Assembly)	
2	7017162	1	Shaft	
3	7017163	1	Sleeve, Piston	
4	7017164	1	Cap, End	
5	See Note	AR	Screw (Note: See Item 53 for Replacement)	
5	See Note	AR	Dowel Pin (Note: See Item 53 for Replacement)	
6	7017195	2	Bushing	
15	See Note	NSS	Capscrew 1/4 x 1-1/2 Grade 8 (Note: Not Available for Purchase)	
20	See Note	1	Seal, Rod (Note: See Item 51 for Replacement Options)	
22	See Note	1	Seal, Piston (Note: See Item 51 for Replacement Options)	
24	See Note	1	Seal, Cap (Note: See Item 51 for Replacement Options)	
25	See Note	2	Packing, Bearing (Note: See Item 51 for Replacement Options)	
27	See Note	1	Ring, Cap Back-up (Note: See Item 51 for Replacement Options)	
31	See Note	2	Seal (Note: See Item 51 for Replacement Options)	
32	See Note	2	Bearing, Shaft (Note: See Item 52 for Replacement)	
34	See Note	2	Thrustwasher (Note: See Item 52 for Replacement)	
41	70001639	1	Motion Control Valve Assembly (Cartridges not serviced separately)	
51	70000342	1	Seal Kit (Includes Items 20, 22, 24, 25, 27 & 31)	
52	7017159	1	Bearing Kit (Includes Items 32 & 34)	
53	7017142	1	Hardware Kit (Includes Item 5 and Plugs)	

SECTION 4 - BOOM

FIGURE 4-15. JIB ROTATE ASSEMBLY



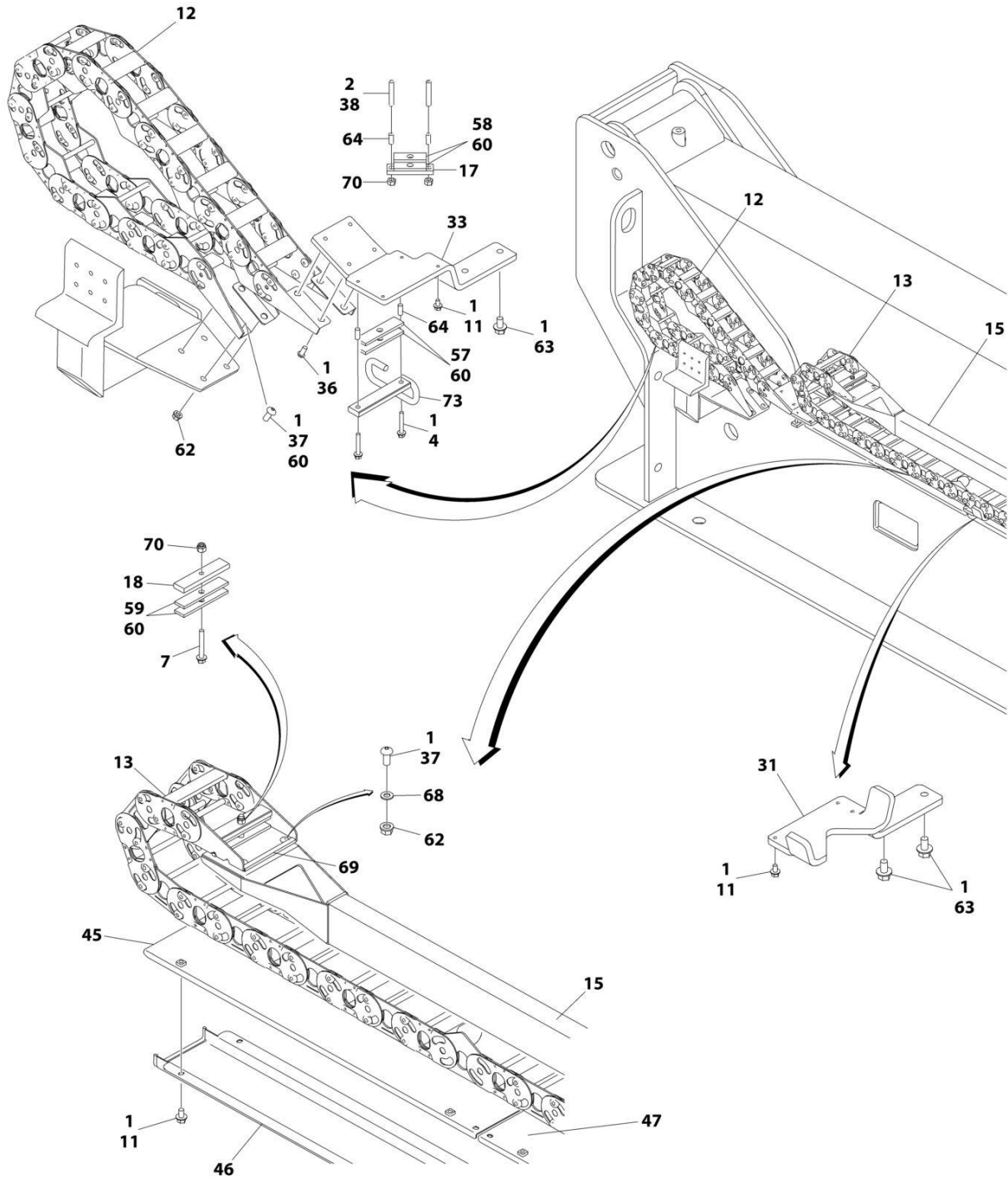
ART_1001178248

FIGURE 4-15. JIB ROTATE ASSEMBLY

ITEM	PART NUMBER	QTY	DESCRIPTION	REV
	1001178248	Ref	JIB ROTATE ASSEMBLY	A
1	See Note	NSS	Case/Bracket Weldment (Note: Not Available - Purchase Complete Assembly)	
2	7017162	1	Shaft	
3	7017163	1	Sleeve, Piston	
4	7017164	1	Cap, End	
5	See Note	AR	Screw (Note: See Item 53 for Replacement)	
5	See Note	AR	Dowel Pin (Note: See Item 53 for Replacement)	
6	7017195	2	Bushing	
15	See Note	NSS	Capscrew 1/4 x 1-1/2 Grade 8 (Note: Not Available for Purchase)	
20	See Note	1	Seal, Rod (Note: See Item 51 for Replacement Options)	
22	See Note	1	Seal, Piston (Note: See Item 51 for Replacement Options)	
24	See Note	1	Seal, Cap (Note: See Item 51 for Replacement Options)	
25	See Note	2	Packing, Bearing (Note: See Item 51 for Replacement Options)	
27	See Note	1	Ring, Cap Back-up (Note: See Item 51 for Replacement Options)	
31	See Note	2	Seal (Note: See Item 51 for Replacement Options)	
32	See Note	2	Bearing, Shaft (Note: See Item 52 for Replacement)	
34	See Note	2	Thrustwasher (Note: See Item 52 for Replacement)	
41	70002859	1	Motion Control Valve Assembly (Cartridges not serviced separately)	
51	70000796	1	Seal Kit (Includes Items 20, 22, 24, 25, 27 & 31)	
52	7017185	1	Bearing Kit (Includes Items 32 & 34)	
53	70001640	1	Hardware Kit (Includes Item 5 and Plugs)	

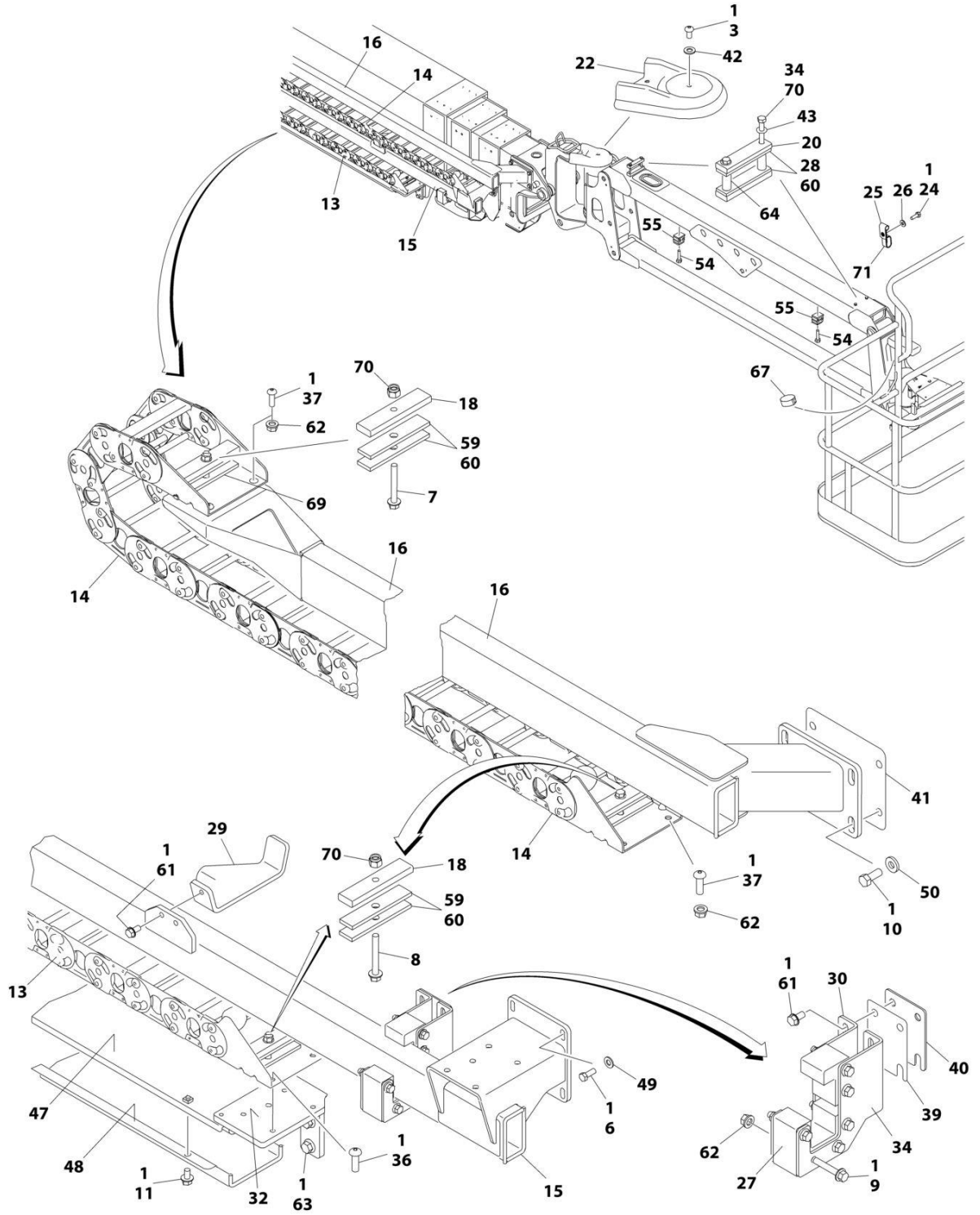
SECTION 4 - BOOM

FIGURE 4-16. POWER TRACK INSTALLATION (1200SJP)



ART_0271800_10F2

SECTION 4 - BOOM



ART_0271800_20F2

SECTION 4 - BOOM

FIGURE 4-16. POWER TRACK INSTALLATION (1200SJP)

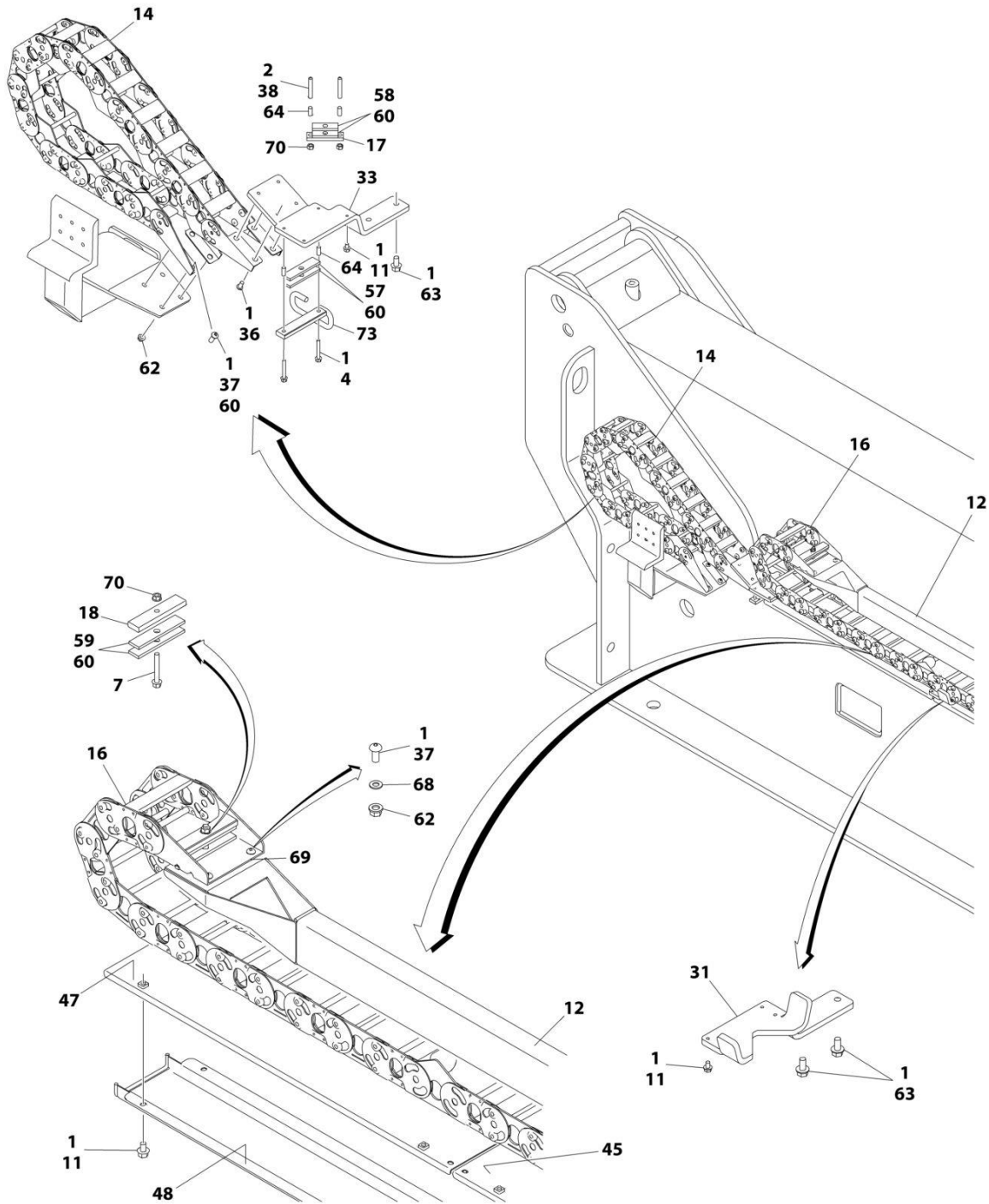
ITEM	PART NUMBER	QTY	DESCRIPTION	REV
	0271800	Ref	POWER TRACK INSTALLATION	Q
1	0100011	AR	Compound, Locking	
2	0100019	AR	Compound, Locking	
3	0630467	3	Screw 5/16 x 1/2	
4	0791518	2	Screw 5/16 x 2-1/4	
6	0641608	4	Bolt 3/8 x 1	
7	0791620	2	Screw 3/8 x 2-1/2	
8	0791622	2	Screw 3/8 x 2-3/4	
9	0791624	6	Screw 3/8 x 3	
10	0641810	4	Bolt 1/2 x 1-1/4	
11	0791504	48	Screw 5/16 x 1/2	
12	1001131620	Ref	Carrier (T/T to Boom)	
12	70003917	AR	Section Repair Kit (Includes Inner and Outer Links, Joining Bars and Rollers and Assembling Hardware)	
12	70003918	1	Mounting Bracket Kit (Includes Mounting Brackets for Both Ends, 1 Roller Assembly and Assembling Hardware)	
13	1001131734	1	Carrier (Lower)	
13	70003913	AR	Section Repair Kit (Includes Inner and Outer Links, Joining Bars and Rollers and Assembling Hardware)	
13	70003915	1	Mounting Bracket Kit (Includes Mounting Brackets for Both Ends, 1 Roller Assembly and Assembling Hardware)	
13	70003914	AR	Center Bracket Kit (Includes 1 Flat Bar, 1 Round Bar, 1 Roller and Assembling Hardware)	
14	1001131729	1	Carrier (Upper)	
14	70003913	AR	Section Repair (Includes Inner and Outer Links, Joining Bars and Rollers and Assembling Hardware)	
14	70003915	1	Mounting Bracket Kit (Includes Mounting Brackets for Both Ends, 1 Roller Assembly and Assembling Hardware)	
14	70003914	AR	Center Bracket Kit (Includes 1 Flat Bar, 1 Round Bar, 1 Roller and Assembling Hardware)	
15	1180369	1	Tube, Push (Lower)	
16	1180370	1	Tube, Push (Upper)	
17	1320277	1	Clamp, Hose	
18	1320294	4	Clamp, Bar	
20	1320296	3	Clamp, Bar	
22	1671043	1	Cover, Jib Pivot	
24	0641406	1	Screw 1/4 x 3/4	
25	1320263	1	Clamp, Cable	
26	4711400	1	Washer 1/4	
27	3340925	1	Pad	
28	3340934	4	Pad, Clamp	
29	3573016	3	Support, Track	
30	3573179	2	Plate, Mounting	
31	3573181	4	Support, Track	
32	3573194	1	Plate, Track Mounting	
33	3573210	1	Plate, Track Mounting	
34	3900260	4	Capscrew 3/8 x 4	
36	3900283	8	Screw 3/8 x 3/4	
37	3900316	16	Screw 3/8 x 1	
38	3951620	2	Setscrew 3/8 x 2-1/2	
39	4071021	1	Shim, Adjusting 16Ga	

SECTION 4 - BOOM

ITEM	PART NUMBER	QTY	DESCRIPTION	REV
40	4071022	1	Shim, Adjusting 11Ga	
41	4071023	1	Shim, Adjusting 11Ga	
42	4711500	3	Washer 5/16	
43	4711600	4	Washer 3/8	
45	4846431	1	Cover, Cable (Front)	
46	4846485	1	Support, Cable (Front)	
47	4846515	4	Cover, Cable (Rear)	
48	4846516	4	Support, Cable (Rear)	
49	4891600	4	Washer 3/8	
50	4891800	4	Washer 1/2	
54	0641510	2	Bolt 5/16 x 1-1/4	
55	1320159	2	Clamp	
56	4240018	10	Tie-Strap (Not Shown)	
57	3340940	2	Pad, Rubber	
58	3340941	2	Pad, Rubber	
59	3340942	8	Pad, Rubber	
60	0100081	AR	Adhesive #454	
61	0791607	10	Screw 3/8 x 7/8	
62	3311608	22	Nut 3/8	
63	0791808	12	Screw 1/2 x 1	
64	4562516	AR	Tubing, Poly	
66	4240155	4	Strap, 8 Cinch (Not Shown)	
67	4240156	1	Strap, 12 Cinch	
68	4751500	4	Washer 5/16	
69	4060804	11 in /28cm	Shield, Flex Trim 3/16	
70	3300492	8	Nut, Nylon Insert	
71	1321385	1	Clamp, Hose	
72	4240153	1	Strap, 4 Cinch (Not Shown)	
73	1001212790	1	Clamp	

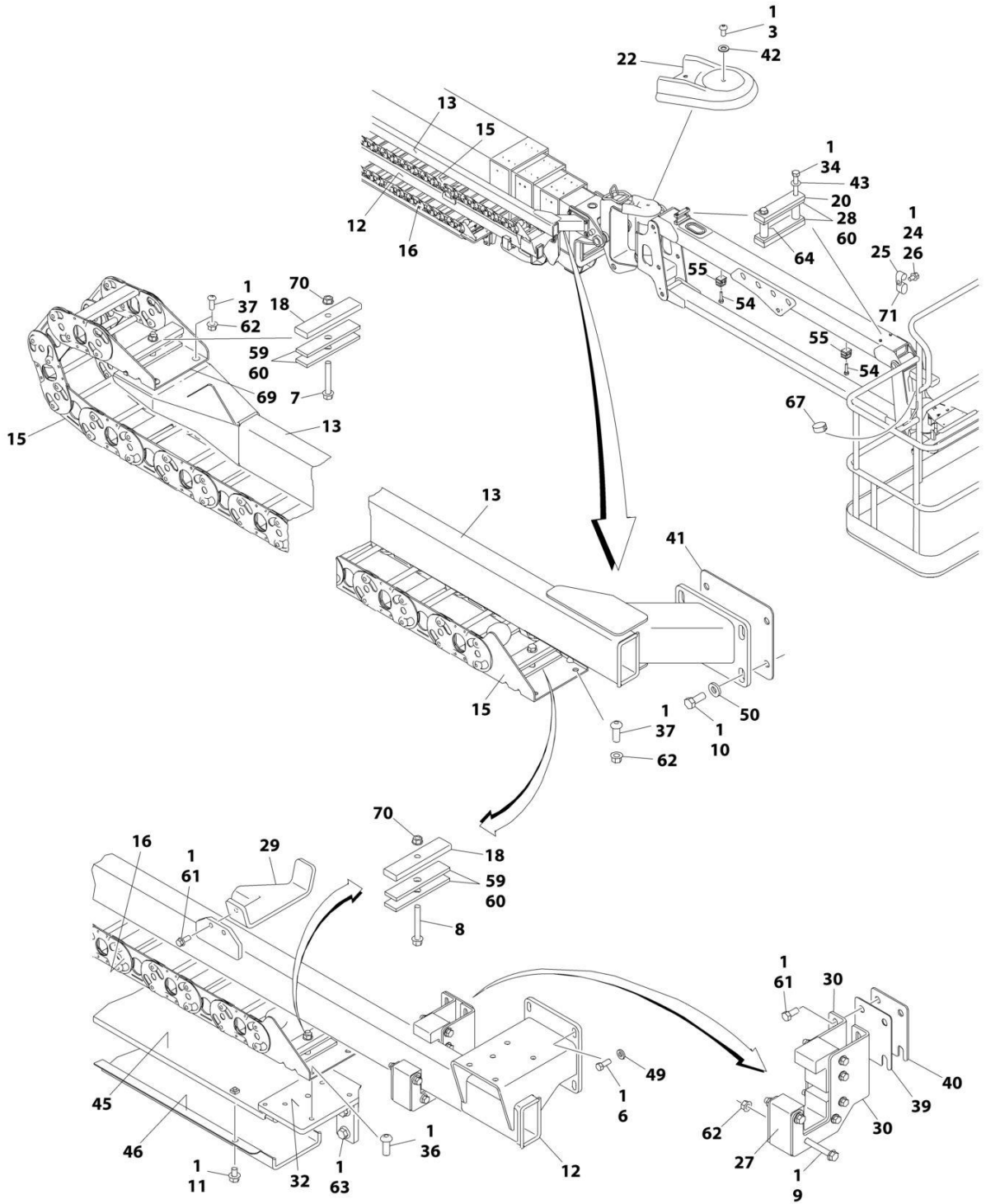
SECTION 4 - BOOM

FIGURE 4-17. POWER TRACK INSTALLATION (1350SJP)



ART_0271570_10F2

SECTION 4 - BOOM



ART_0271570_20F2

SECTION 4 - BOOM

FIGURE 4-17. POWER TRACK INSTALLATION (1350SJP)

ITEM	PART NUMBER	QTY	DESCRIPTION	REV
	0271570	Ref	POWER TRACK INSTALLATION	R
1	0100011	AR	Compound, Locking	
2	0100019	AR	Compound, Locking	
3	0630467	3	Screw 5/16 x 1/2	
4	0791518	2	Screw 5/16 x 2-1/4	
6	0641608	4	Bolt 3/8 x 1	
7	0791620	2	Screw 3/8 x 2-1/2	
8	0791622	2	Screw 3/8 x 2-3/4	
9	0791624	6	Screw 3/8 x 3	
10	0641810	4	Bolt 1/2 x 1-1/4	
11	0791504	58	Screw 5/16 x 1/2	
12	1180362	1	Tube, Push (Lower)	
13	1180363	1	Tube, Push (Upper)	
14	1001131620	1	Carrier (T/T to Boom)	
14	70003917	AR	Section Repair Kit (Includes Inner and Outer Links, Joining Bars and Rollers and Assembling Hardware)	
14	70003918	1	Mounting Bracket Kit (Includes Mounting Brackets for Both Ends, 1 Roller Assembly and Assembling Hardware)	
15	1001131728	1	Carrier (Upper)	
15	70003913	AR	Section Repair Kit (Includes Inner and Outer Links, Joining Bars and Rollers and Assembling Hardware)	
15	70003915	1	Mounting Bracket Kit (Includes Mounting Brackets for Both Ends, 1 Roller Assembly and Assembling Hardware)	
15	70003914	AR	Center Bracket Kit (Includes 1 Flat Bar, 1 Round Bar, 1 Roller and Assembling Hardware)	
16	1001131733	1	Carrier (Lower)	
16	70003913	AR	Section Repair Kit (Includes Inner and Outer Links, Joining Bars and Rollers and Assembling Hardware)	
16	70003915	1	Mounting Bracket Kit (Includes Mounting Brackets for Both Ends, 1 Roller Assembly and Assembling Hardware)	
16	70003914	AR	Center Bracket Kit (Includes 1 Flat Bar, 1 Round Bar, 1 Roller and Assembling Hardware)	
17	1320277	1	Clamp, Hose	
18	1320294	4	Clamp, Bar	
20	1320296	3	Clamp, Bar	
22	1671043	1	Cover, Jib Pivot	
24	0641406	1	Screw 1/4 x 3/4	
25	1320263	1	Clamp, Cable	
26	4711400	1	Washer 1/4	
27	3340925	1	Pad	
28	3340934	4	Pad, Clamp	
29	3573016	3	Support, Track	
30	3573179	2	Plate, Mounting	
31	3573181	5	Support, Track	
32	3573194	1	Plate, Track Mounting	
33	3573210	1	Plate, Track Mounting	
34	3900260	4	Capscrew 3/8 x 4	
36	3900283	8	Screw 3/8 x 3/4	
37	3900316	16	Screw 3/8 x 1	
38	3951620	2	Setscrew 3/8 x 2-1/2	
39	4071021	1	Shim, Adjusting 16Ga	

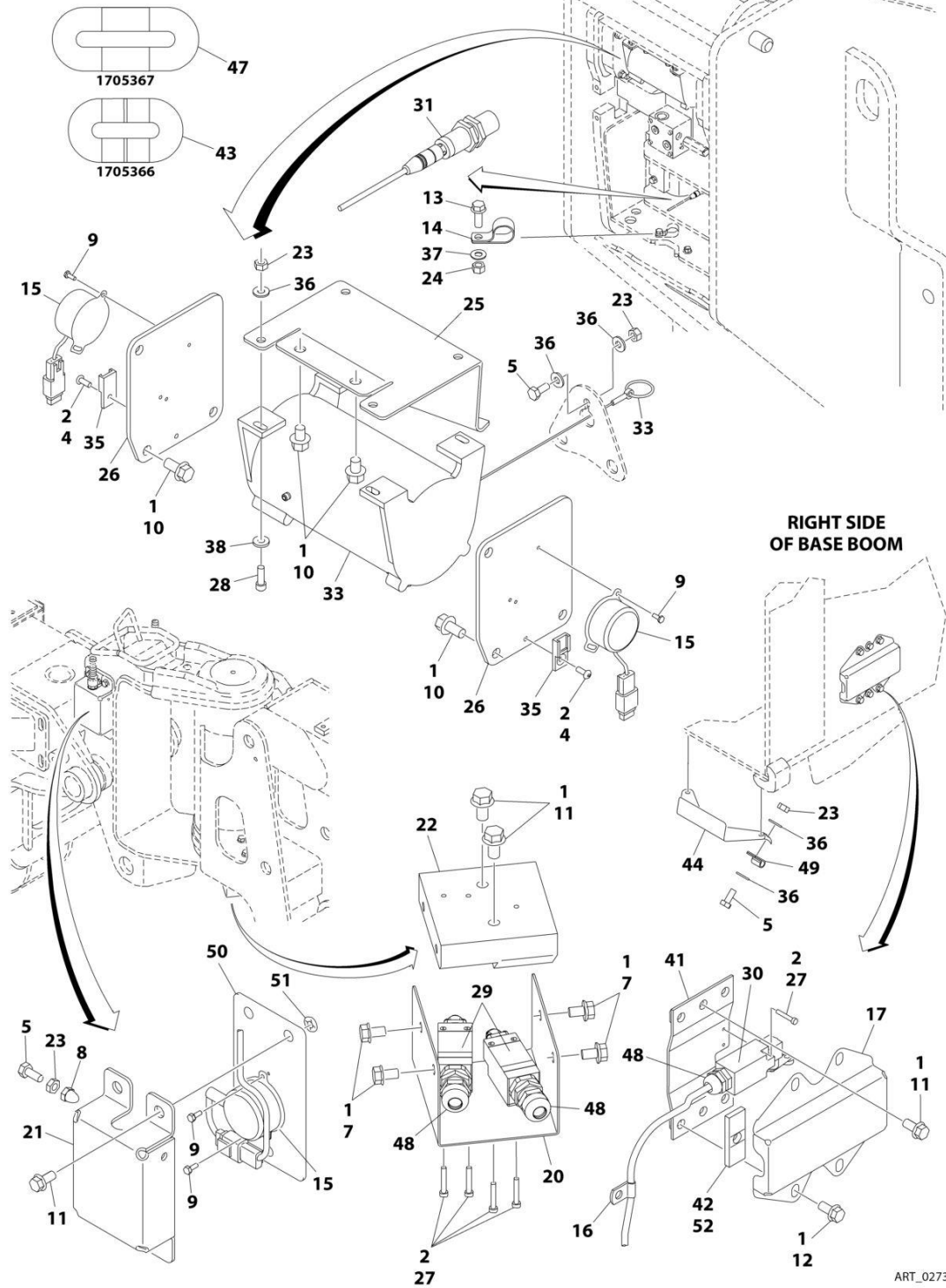
SECTION 4 - BOOM

ITEM	PART NUMBER	QTY	DESCRIPTION	REV
40	4071022	1	Shim, Adjusting 11Ga	
41	4071023	1	Shim, Adjusting 11Ga	
42	4711500	3	Washer 5/16	
43	4711600	4	Washer 3/8	
45	4846423	5	Cover, Cable (Rear)	
46	4846429	5	Support, Cable (Rear)	
47	4846431	1	Cover, Cable (Front)	
48	4846485	1	Support, Cable (Front)	
49	4891600	4	Washer 3/8	
50	4891800	4	Washer 1/2	
54	0641510	2	Bolt 5/16 x 1-1/4	
55	1320159	2	Clamp	
56	4240018	10	Tie-Strap (Not Shown)	
57	3340940	2	Pad, Rubber	
58	3340941	2	Pad, Rubber	
59	3340942	8	Pad, Rubber	
60	0100081	AR	Adhesive #454	
61	0791607	10	Screw 3/8 x 7/8	
62	3311608	22	Nut 3/8	
63	0791808	14	Screw 1/2 x 1	
64	4562516	AR	Tubing, Poly	
66	4240155	4	Strap, 8 Cinch (Not Shown)	
67	4240156	1	Strap, 12 Cinch	
68	4751500	4	Washer 5/16	
69	4060804	11 in /28cm	Shield, Flex Trim 3/16	
70	3300492	8	Nut, Nylon Insert	
71	1321385	1	Clamp, Hose	
72	4240153	1	Strap, 4 Cinch (Not Shown)	
73	1001212790	1	Clamp	

SECTION 4 - BOOM

FIGURE 4-18. BOOM SENSORS AND SWITCHES INSTALLATION

WITNESS DECALS LOCATED ON
BOTTOM OF INNER MID BOOM



RIGHT SIDE
OF BASE BOOM

ART_0273696

SECTION 4 - BOOM

FIGURE 4-18. BOOM SENSORS AND SWITCHES INSTALLATION

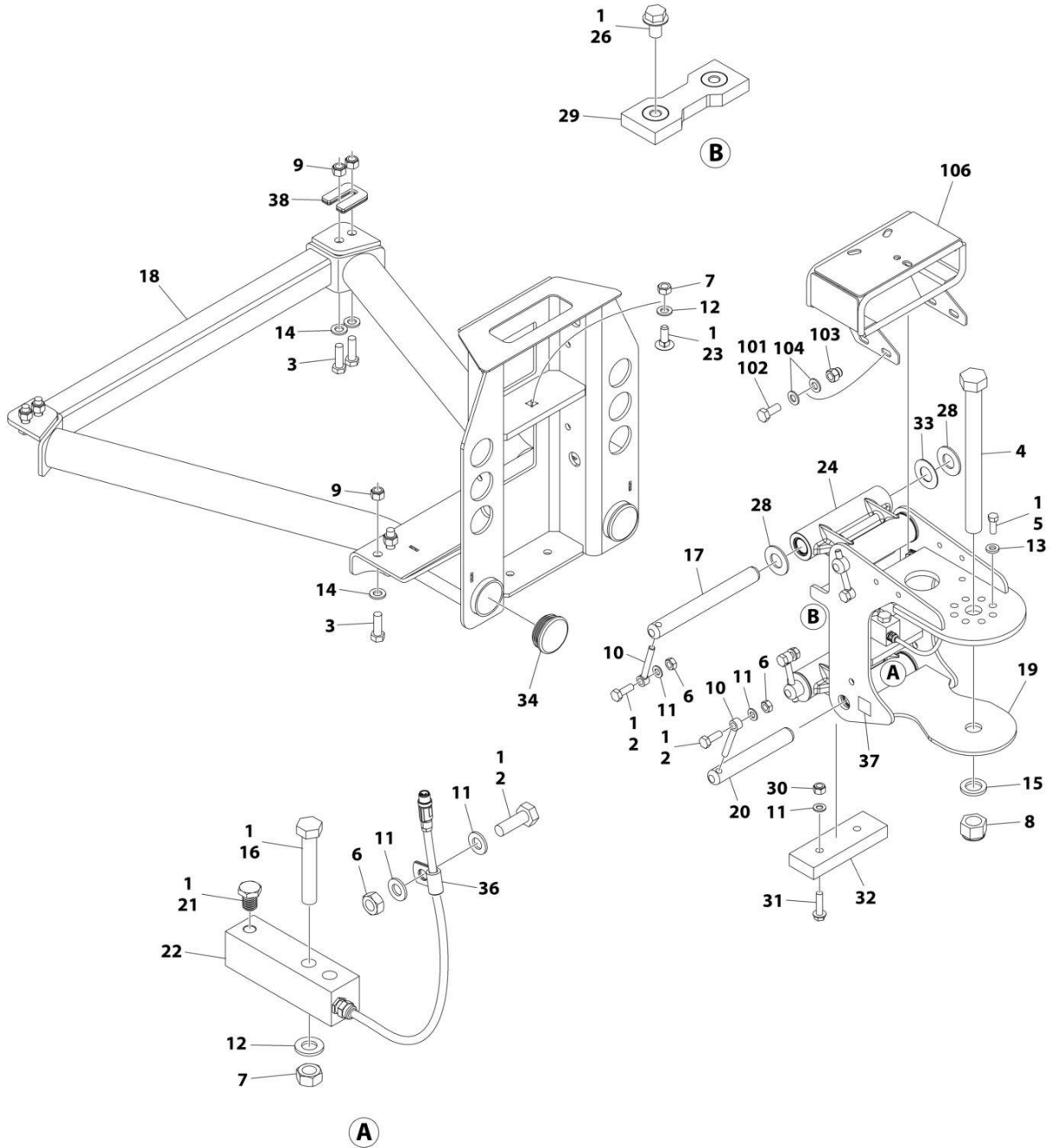
ITEM	PART NUMBER	QTY	DESCRIPTION	REV
	0273696	Ref	BOOM SENSORS AND SWITCHES INSTALLATION	H
1	0100011	AR	Compound, Locking	
2	0100035	AR	Compound, Locking	
3	0100048	AR	Grease, Dielectric	
4	0630464	2	Screw #10 x 1/2	
5	0641405	5	Bolt 1/4 x 5/8	
7	0791504	4	Screw 5/16 x 1/2	
8	3300430	2	Nut 1/4	
9	3930606	12	Screw, Machine #6 x 3/8	
10	0791604	8	Screw 3/8 x 1/2	
11	0791605	12	Screw 3/8 x 5/8	
12	0791606	4	Screw 3/8 x 3/4	
13	0791608	4	Screw 3/8 x 1	
14	1320130	2	Clamp, Hose	
15	1001147479	4	Sensor, Angle Indicator (Note: Control System must be recalibrated when Sensor is replaced)	
15	4460910	2	Connector, Female Deutsch - 3 Position	
15	4460917	6	Pin, Male	
15	4460913	1	Lock, Wedge	
16	1320301	1	Clamp, Cable	
17	1671031	1	Cover, Limit Switch	
20	1671039	1	Cover, Jib Switch	
21	1671044	2	Cover, Level Sensor	
22	3200433	1	Mount, Jib Switch	
23	3311405	9	Nut 1/4	
24	3311605	2	Nut 3/8	
25	3574431	1	Plate, Switch Mounting	
26	3573301	2	Plate, Sensor Mounting	
27	3930816	6	Capscrew #8 x 1	
28	3931414	4	Capscrew 1/4 x 7/8	
29	4360548	2	Switch, Jib Limit (Note: Control System must be recalibrated when Switch is replaced)	
30	4360578	1	Switch, Limit (Note: Control System must be recalibrated when Switch is replaced)	
31	4360527	1	Switch, Cable Break Proximity (Note: Control System must be recalibrated when Switch is replaced)	
33	4360543	1	Sensor, Boom Length (Note: Control System must be recalibrated when Sensor is replaced)	
35	4460914	2	Terminal, Base	
36	4711400	10	Washer 1/4	
37	4711600	2	Washer 3/8	
38	4891400	4	Washer 1/4	
41	4846484	1	Mount, Switch	
42	3340941	1	Pad, Rubber	
43	1705366	1	Decal - Boom Length (500LB Cap)	
44	3574616	1	Plate, Boom Length	
47	1705367	1	Decal - Boom Length (1000LB Cap)	
48	4460968	3	Connector, Strain Relief (Not Shown)	
49	1320136	2	Clamp, Cable (Not Shown)	
50	4341158	2	Plate, Mounting Sensor	
51	8310070	6	Pushnut 3/8	

SECTION 4 - BOOM

ITEM	PART NUMBER	QTY	DESCRIPTION	REV
52	0100081	AR	Adhesive	

SECTION 4 - BOOM

FIGURE 4-19. PLATFORM SUPPORT INSTALLATION



ART_1001167596_N

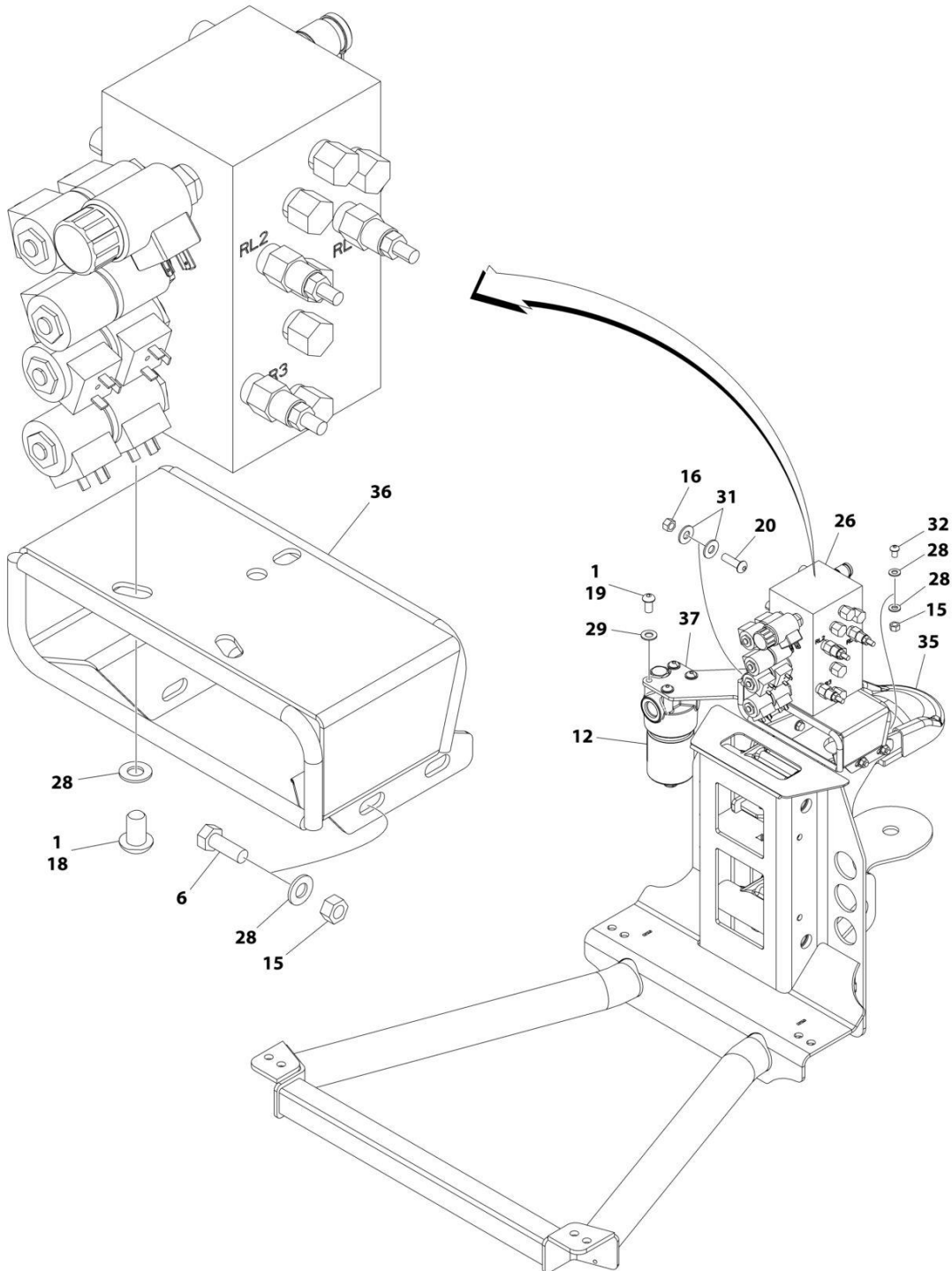
SECTION 4 - BOOM

FIGURE 4-19. PLATFORM SUPPORT INSTALLATION

ITEM	PART NUMBER	QTY	DESCRIPTION	REV
	1001167596	Ref	PLATFORM SUPPORT INSTALLATION	N
1	0100011	AR	Compound, Locking	
2	0761014	5	Bolt M10 x 30	
3	0761216	8	Bolt M12 x 40	
4	1001255133	1	Bolt 1 x 11 GRD8	
5	0681608	8	Bolt 3/8 x 1 GRD8	
6	3291001	5	Nut M10	
7	3291201	3	Nut M12	
8	1001174040	1	Nut 1	
9	3291205	8	Nut M12	
10	3841143	4	Keeper, Pin	
11	4812000	8	Washer M10	
12	4812100	3	Washer M12	
13	4891600	8	Washer 3/8	
14	5241200	8	Washer M12	
15	4892600001	1	Washer 1	
16	1001098828	2	Bolt M12 x 70 CL10.9	
17	1001167565	2	Pin	
18	1001200494	1	Support, Platform	
19	1001167567	1	Support, Rotator	
20	1001168402	2	Pin	
21	1001188622	1	Screw	
22	1001247468	1	Loadcell	
23	1001188844	1	Bolt M12 x 35	
24	1001201351	2	Link	
24	1001187382	4	Bearing	
24	1001187383	4	Seal	
26	5251008	2	Bolt M10 x 16 CL10.9	
28	1001189002	8	Bearing	
29	1001190985	1	Pad, Wear	
30	3291005	2	Nut M10	
31	5251016	2	Bolt M10 x 40 CL10.9	
32	1001200491	1	Pad, Wear	
33	1001189001	4	Bearing	
34	1001204725	2	Plug	
36	91203039	1	Clamp	
37	1001216630	2	Decal - Tie Down/No Lift	
38	1001238421	Ref	Kit, Platform Leveling (Not Shown)	
	1001202687	Ref	VALVE MOUNT INSTALLATION	B
101	0100011	AR	Compound, Locking	
102	0760810	4	Bolt M8 x 20	
103	3290806	4	Nut M8	
104	4811900	8	Washer M8	
106	1001208994	1	Mount, Valve	

SECTION 4 - BOOM

FIGURE 4-20. CONTROL VALVE INSTALLATION (Prior to SN 0300281171, Prior to SN B30001649, Including 0300281173 and 0300281175)



ART_1001219990_3OF3

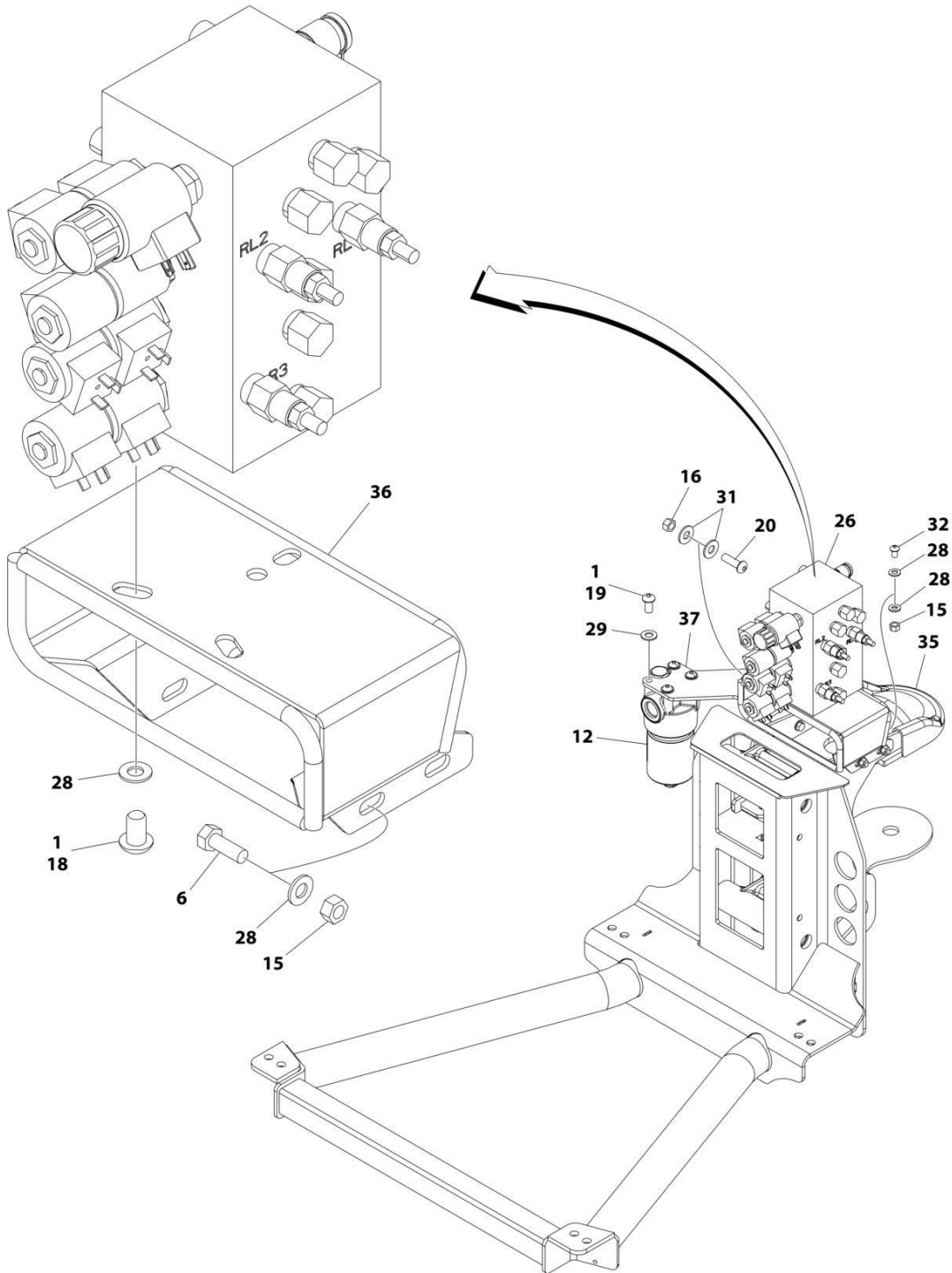
SECTION 4 - BOOM

FIGURE 4-20. CONTROL VALVE INSTALLATION (Prior to SN 0300281171, Prior to SN B300011649, Including 0300281173 and 0300281175)

ITEM	PART NUMBER	QTY	DESCRIPTION	REV
	1001219990	Ref	CONTROL VALVE INSTALLATION - WITH 1 CELL LSS	C
1	0100011	AR	Compound, Locking	
6	0641507	4	Bolt 5/16 x 7/8	
12	2120217	1	Filter, Pressure	
12	70002097	1	Element	
12	70004328	1	Plug, Indicator	
15	3311505	6	Nut 5/16	
16	3311605	2	Nut 3/8	
18	3900210	3	Screw 5/16 x 3/4	
19	3900283	4	Screw 3/8 x 3/4	
20	3900316	2	Screw 3/8 x 1	
26	4641460	1	Platform Valve (See Separate Breakdown in this Section)	
28	4711500	15	Washer 5/16	
29	4711600	4	Washer 3/8	
31	4751600	4	Washer 3/8	
32	88261024	2	Bolt 5/16 x 1	
35	1001207969	1	Cover, Support/Rotator	
36	1001208994	1	Plate, Valve Mounting	
37	1001222314	1	Bracket, Filter Mounting	

SECTION 4 - BOOM

FIGURE 4-21. CONTROL VALVE INSTALLATION (SN 0300281176 to Present, Including 0300281172, 0300281174 and B300011649)



ART_1001219990_D_3OF3

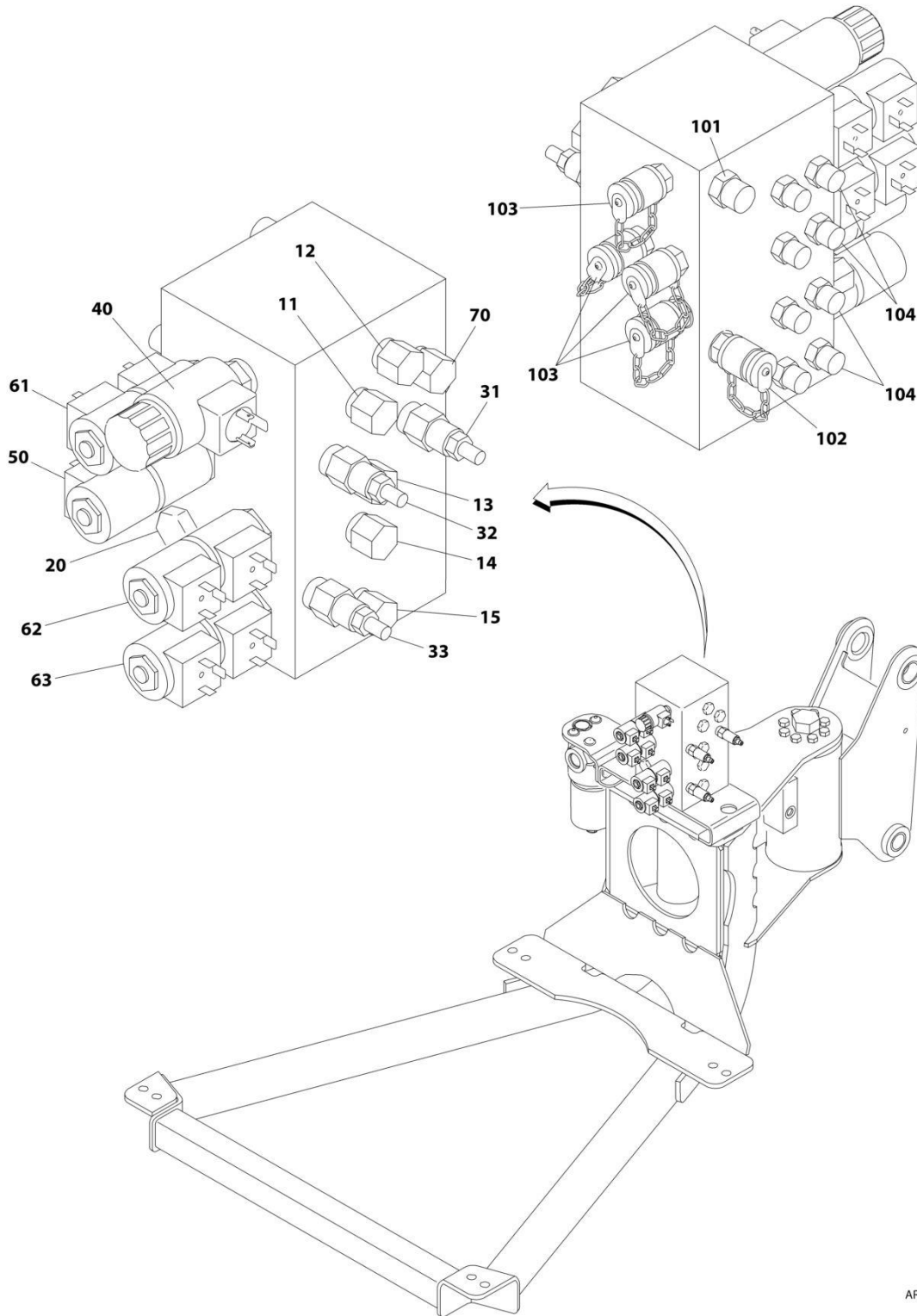
SECTION 4 - BOOM

FIGURE 4-21. CONTROL VALVE INSTALLATION (SN 0300281176 to Present, Including 0300281172, 0300281174 and B300011649)

ITEM	PART NUMBER	QTY	DESCRIPTION	REV
	1001219990	Ref	CONTROL VALVE INSTALLATION - WITH 1 CELL LSS	D
1	0100011	AR	Compound, Locking	
6	0641507	4	Bolt 5/16 x 7/8	
12	2120217	1	Filter, Pressure	
12	70002097	1	Element	
12	70004328	1	Plug, Indicator	
15	3311505	6	Nut 5/16	
16	3311605	2	Nut 3/8	
18	3900210	3	Screw 5/16 x 3/4	
19	3900283	4	Screw 3/8 x 3/4	
20	3900316	2	Screw 3/8 x 1	
26	4641460	1	Platform Valve (See Separate Breakdown in this Section)	
28	4711500	15	Washer 5/16	
29	4711600	4	Washer 3/8	
31	4751600	4	Washer 3/8	
32	88261024	2	Bolt 5/16 x 1	
35	1001207969	1	Cover, Support/Rotator	
36	1001208994	1	Plate, Valve Mounting	
37	1001222314	1	Bracket, Filter Mounting	

SECTION 4 - BOOM

FIGURE 4-22. CONTROL VALVE ASSEMBLY



ART_4641460

SECTION 4 - BOOM

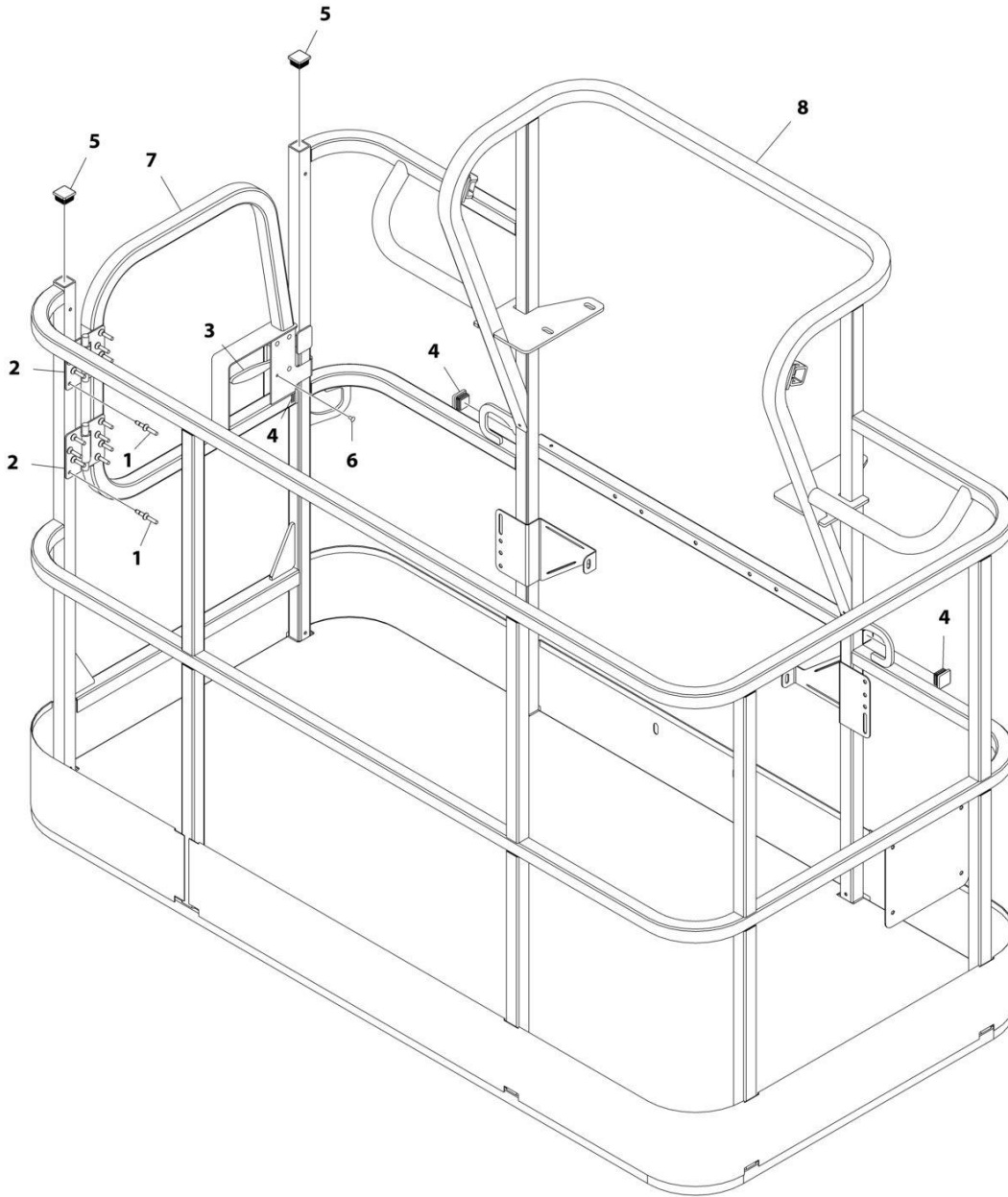
FIGURE 4-22. CONTROL VALVE ASSEMBLY

ITEM	PART NUMBER	QTY	DESCRIPTION	REV
	4641460	Ref	PLATFORM VALVE ASSEMBLY	C
11	7026018	1	Valve, Cartridge	
11	7011346	1	Seal Kit - Valve	
12	7026019	1	Valve, Cartridge (Flow Control)	
12	7011346	1	Seal Kit - Valve	
13	7026020	1	Valve, Cartridge (Rotate)	
13	7011346	1	Seal Kit - Valve	
14	7026021	1	Valve, Cartridge (Jib Swing)	
14	7011346	1	Seal Kit - Valve	
15	7026019	1	Valve, Cartridge (Jib Lift)	
15	7011346	1	Seal Kit - Valve	
20	7011355	1	Valve, Cartridge (Jib)	
20	2900770	1	Seal Kit - Valve	
31	7024572	1	Valve, Relief Cartridge (Platform Level Up)	
31	7011346	1	Seal Kit - Valve	
32	7024572	1	Valve, Relief Cartridge (Platform Level Down)	
32	7011346	1	Seal Kit - Valve	
33	7024572	1	Valve, Relief Cartridge (Jib Up/Down)	
33	7011346	1	Seal Kit - Valve	
40	7026022	1	Valve, Cartridge (Dump)	
40	2900770	1	Seal Kit - Valve	
40	7024571	1	Coil	
50	7023922	1	Valve, Cartridge (Platform Rotate)	
50	7017402	1	Seal Kit - Valve	
50	7012944	2	Coil	
61	7023922	1	Valve, Cartridge (Platform Level)	
61	7017402	1	Seal Kit - Valve	
61	7012944	2	Coil	
62	7023922	1	Valve, Cartridge (Jib Swing)	
62	7017402	1	Seal Kit - Valve	
62	7012944	2	Coil	
63	7023922	1	Valve, Cartridge (Jib Lift)	
63	7017402	1	Seal Kit - Valve	
63	7012944	2	Coil	
70	7026023	1	Valve, Cartridge (Check)	
70	7011346	1	Seal Kit - Valve	
	4641460	Ref	Platform Valve Assembly (Fitting Information)	C
101	2110606	1	Fitting, Straight	
102	4641255	1	Fitting (Check Valve)	
103	2221086	4	Check, Pressure	
104	2110404	8	Fitting, Straight	

SECTION 5 - PLATFORM

SECTION 5 - PLATFORM

FIGURE 5-1. PLATFORM ASSEMBLY - 36IN X 6FT (91.5CM X 1.83M) WITH SWING GATE



ART_1001186384

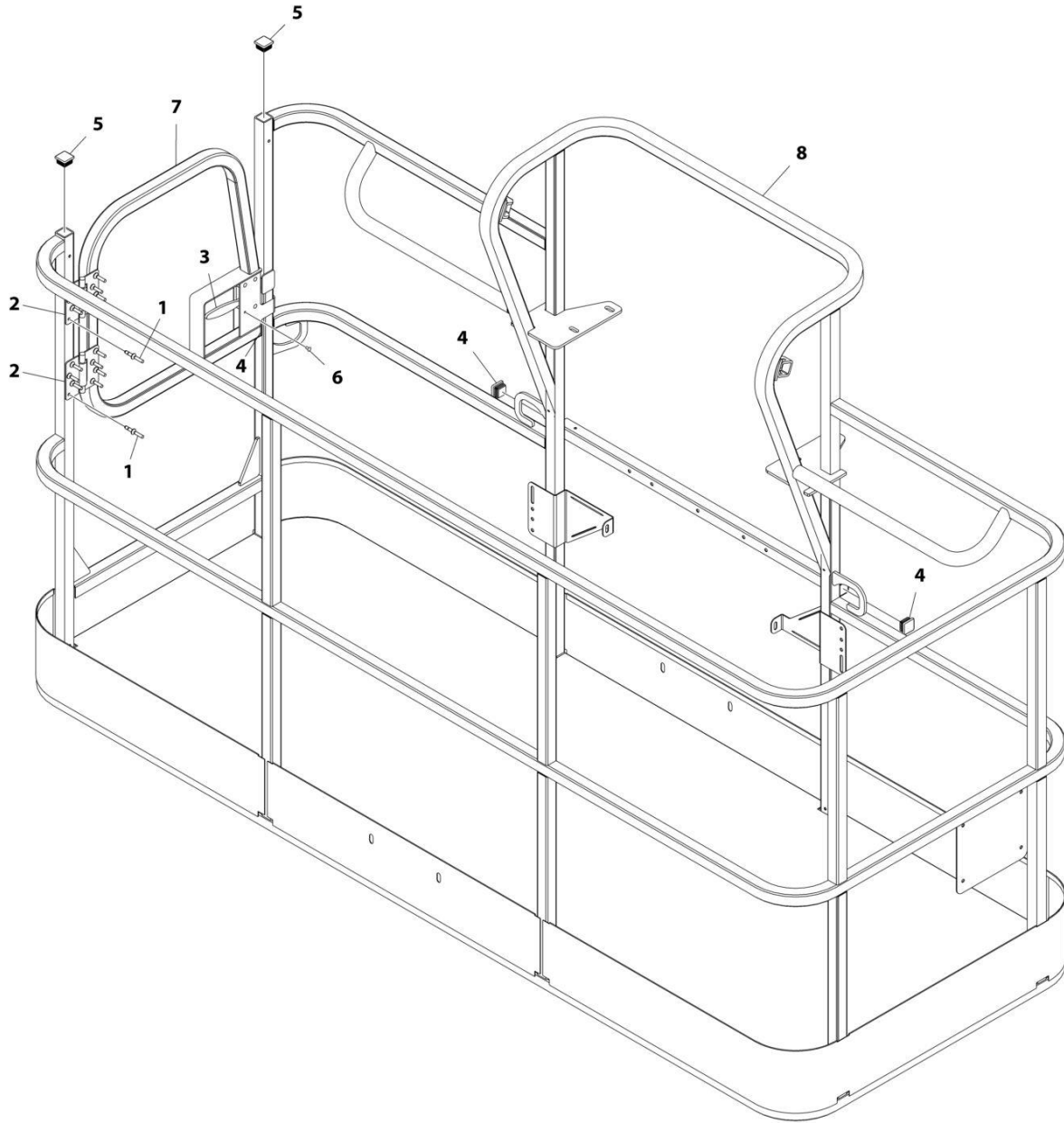
SECTION 5 - PLATFORM

FIGURE 5-1. PLATFORM ASSEMBLY - 36IN X 6FT (91.5CM X 1.83M) WITH SWING GATE

ITEM	PART NUMBER	QTY	DESCRIPTION	REV
	1001186384	Ref	PLATFORM ASSEMBLY - 36IN X 6FT (91.5CM X 1.83M) WITH SWING GATE	C
	See Note	Ref	Note: Platform and Mesh must be ordered separately for Platforms with Mesh. See SPECIAL OPTIONS SECTION for Mesh Installations.	
	See Note	Ref	Note: Replacement Decals Must be Ordered Separately - See DECALS SECTION.	
1	2080040	16	Fastener, Huck	
2	2600281	2	Hinge	
3	2940074	1	Latch	
4	3520072	3	Plug	
5	3520198	2	Plug	
6	3820020	4	Rivet	
7	1001144629	1	Gate	
8	See Note	NSS	Platform (Note: Not Available - Purchase Platform Assembly)	

SECTION 5 - PLATFORM

FIGURE 5-2. PLATFORM ASSEMBLY - 36IN X 8FT (91.5CM X 2.44M) WITH SWING GATE



ART_1001186383

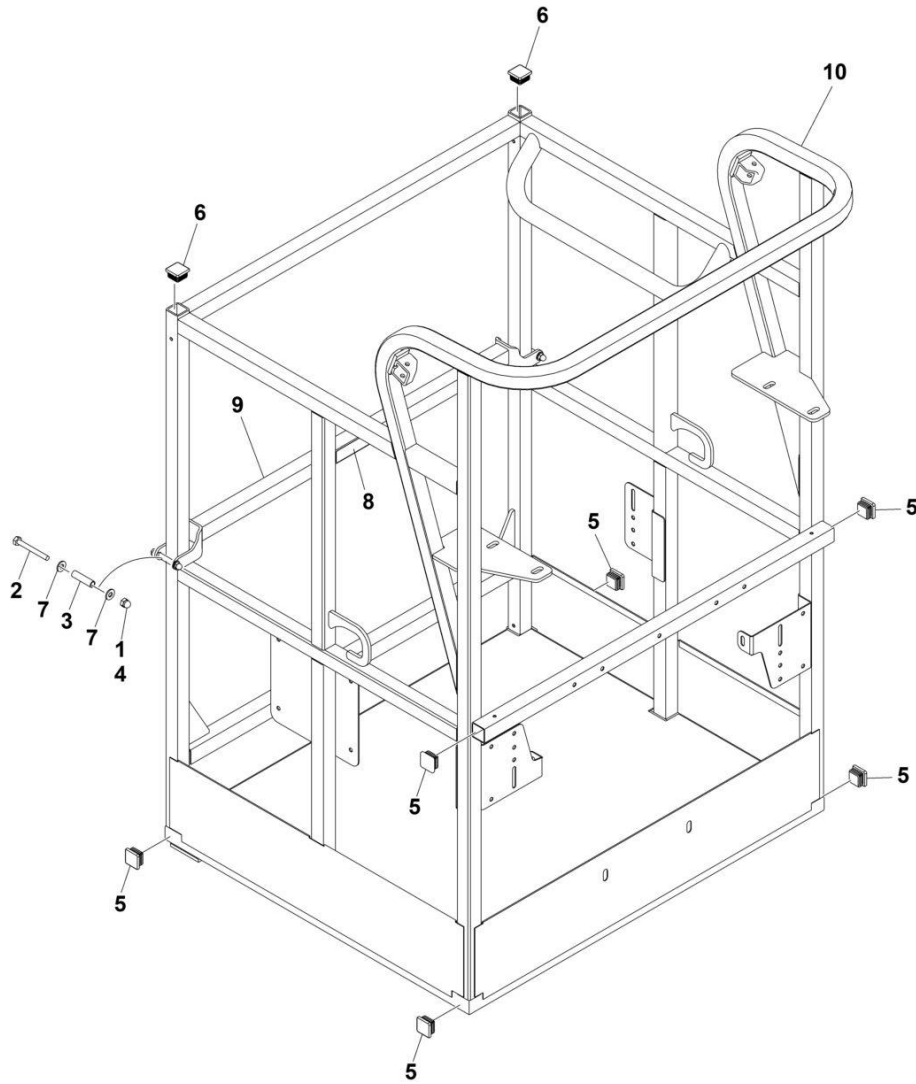
SECTION 5 - PLATFORM

FIGURE 5-2. PLATFORM ASSEMBLY - 36IN X 8FT (91.5CM X 2.44M) WITH SWING GATE

ITEM	PART NUMBER	QTY	DESCRIPTION	REV
	1001186383	Ref	PLATFORM ASSEMBLY - 36IN X 8FT (91.5CM X 2.44M) WITH SWING GATE	D
		Ref	Note: Platform and Mesh must be ordered separately for Platforms with Mesh. See SPECIAL OPTIONS SECTION for Mesh Installations.	
		Ref	Note: Replacement Decals Must be Ordered Separately - See DECALS SECTION.	
1	2080040	16	Fastener, Huck	
2	2600281	2	Hinge	
3	2940074	1	Latch	
4	3520072	3	Plug	
5	3520198	2	Plug	
6	3820020	4	Rivet	
7	1001144629	1	Gate	
8	See Note	NSS	Platform (Note: Not Available - Purchase Platform Assembly)	

SECTION 5 - PLATFORM

FIGURE 5-3. PLATFORM ASSEMBLY - 30IN X 3FT (76CM X .91M) - WITH DROP BAR



ART_1001228215

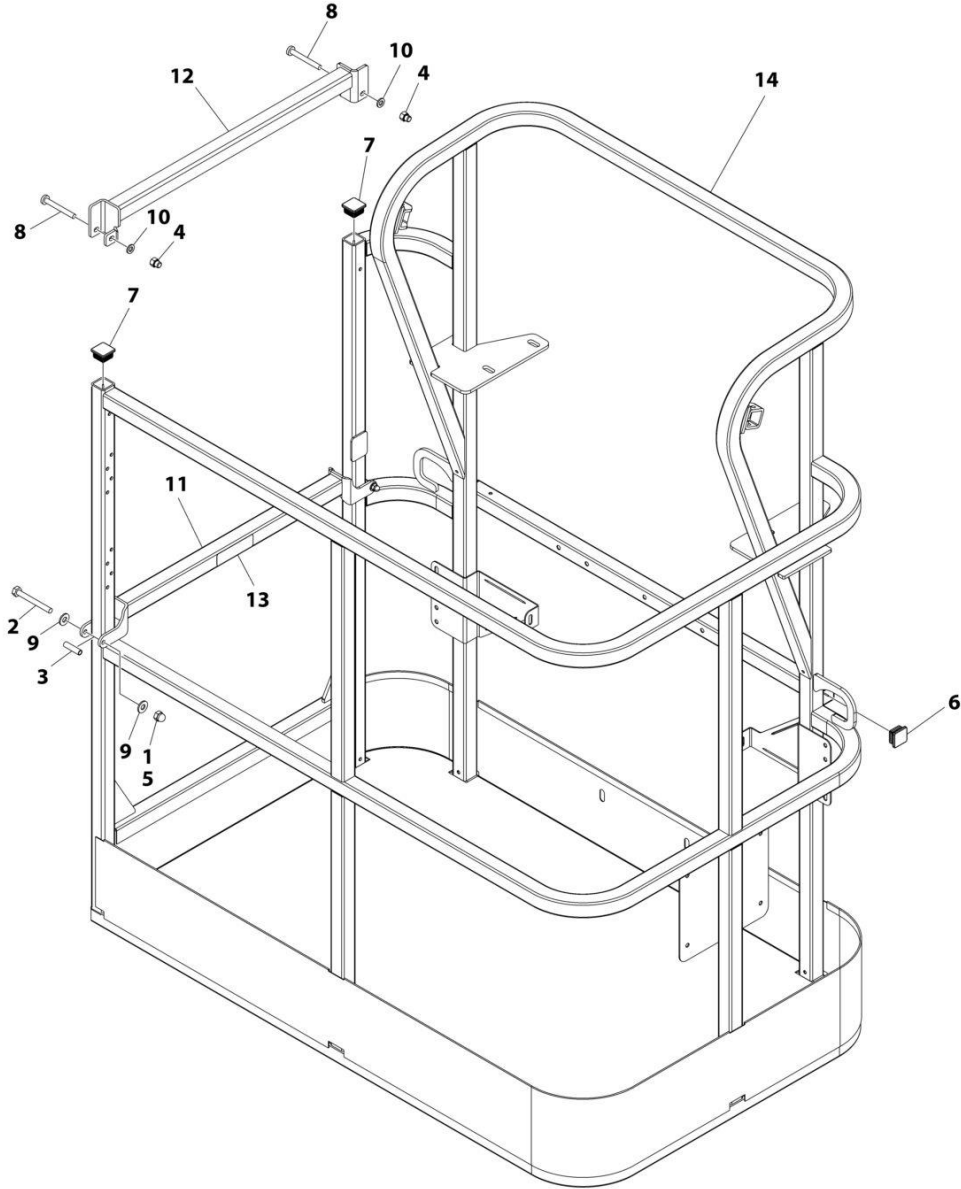
SECTION 5 - PLATFORM

FIGURE 5-3. PLATFORM ASSEMBLY - 30IN X 3FT (76CM X .91M) - WITH DROP BAR

ITEM	PART NUMBER	QTY	DESCRIPTION	REV
	1001228215	Ref	PLATFORM ASSEMBLY	A
	See Note	Ref	Note: Platform and Mesh must be ordered separately for Platforms with Mesh. See SPECIAL OPTIONS SECTION for Mesh Installations.	
	See Note	Ref	Note: Replacement Decals Must be Ordered Separately - See DECAL SECTION.	
1	0100011	AR	Compound, Locking	
2	0641418	2	Bolt 1/4 x 2-1/4	
3	0961845	2	Bushing	
4	3300151	2	Nut 1/4	
5	3520072	6	Cap, Plug	
6	3520198	2	Cap, Plug	
7	4711400	4	Washer 1/4	
8	1001140429	1	Decal - Drop Bar	
9	1001226872	1	Bar, Drop	
10	See Note	NSS	Platform (Note: Not Available - Purchase Platform Assembly)	

SECTION 5 - PLATFORM

FIGURE 5-4. PLATFORM ASSEMBLY - 30IN X 4FT (76.2CM X 1.22M) WITH DROP BAR



ART_1001186375

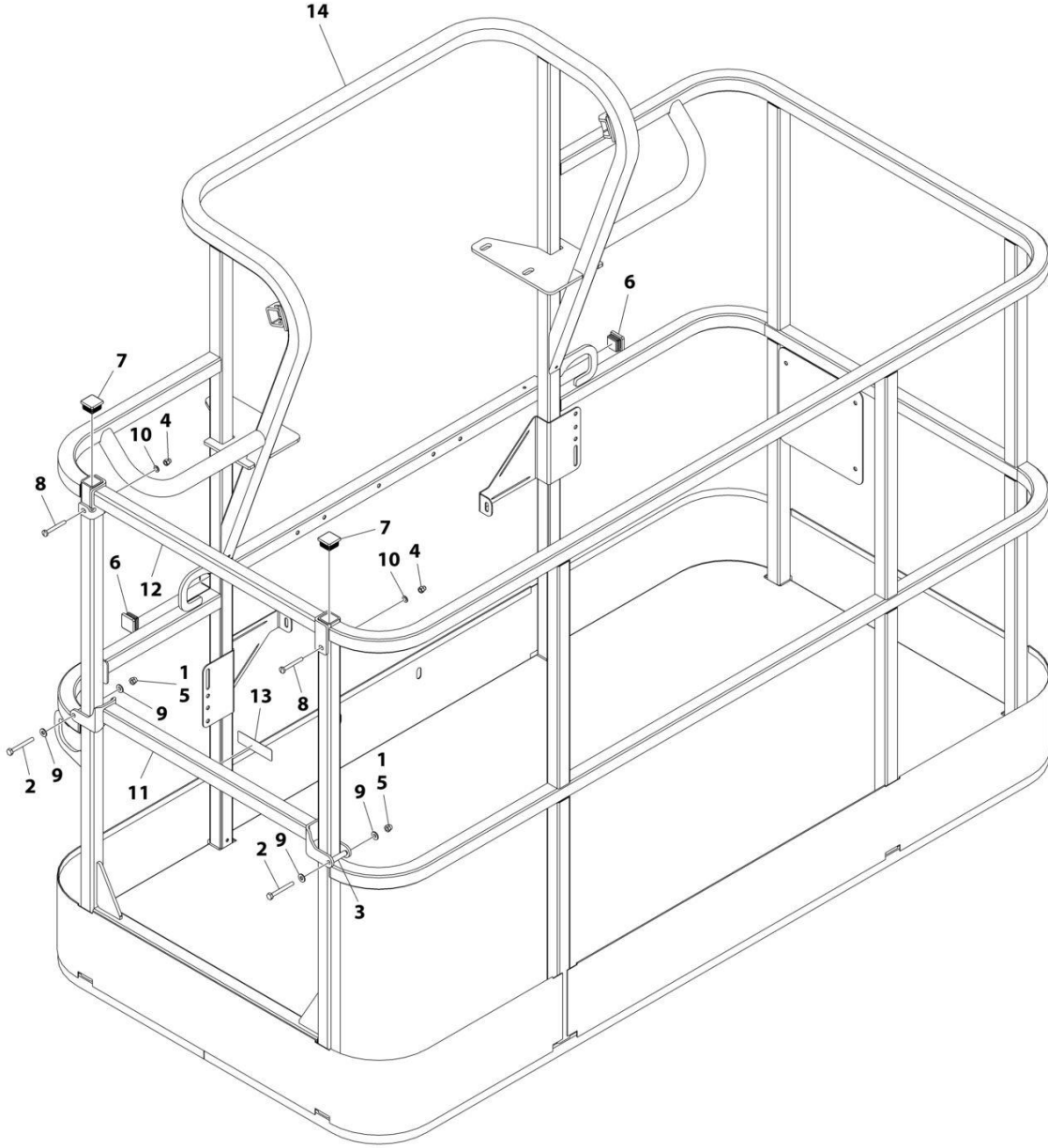
SECTION 5 - PLATFORM

FIGURE 5-4. PLATFORM ASSEMBLY - 30IN X 4FT (76.2CM X 1.22M) WITH DROP BAR

ITEM	PART NUMBER	QTY	DESCRIPTION	REV
	1001186375	Ref	PLATFORM ASSEMBLY	B
		Ref	Note: Platform and Mesh must be ordered separately for Platforms with Mesh. See SPECIAL OPTIONS SECTION for Mesh Installations.	
		Ref	Note: Replacement Decals Must be Ordered Separately - See DECALS SECTION.	
1	0100011	AR	Compound, Locking	
2	0641418	2	Bolt 1/4 x 2-1/4	
3	0961845	2	Bushing	
4	3290606	2	Nut M6	
5	3300151	2	Nut 1/4	
6	3520072	2	Plug	
7	3520198	2	Plug	
8	4010618	2	Screw M6 x 50	
9	4711400	4	Washer 1/4	
10	4811700	2	Washer M6	
11	1001138494	1	Bar, Drop	
12	1001138514	1	Rail - Top	
13	1001140429	1	Decal - Drop Bar	
14	See Note	1	Platform (Note: Not Available - Purchase Platform Assembly)	

SECTION 5 - PLATFORM

FIGURE 5-5. PLATFORM ASSEMBLY - 36IN X 6FT (91.5CM X 1.83M) WITH DROP BAR



ART_1001186379

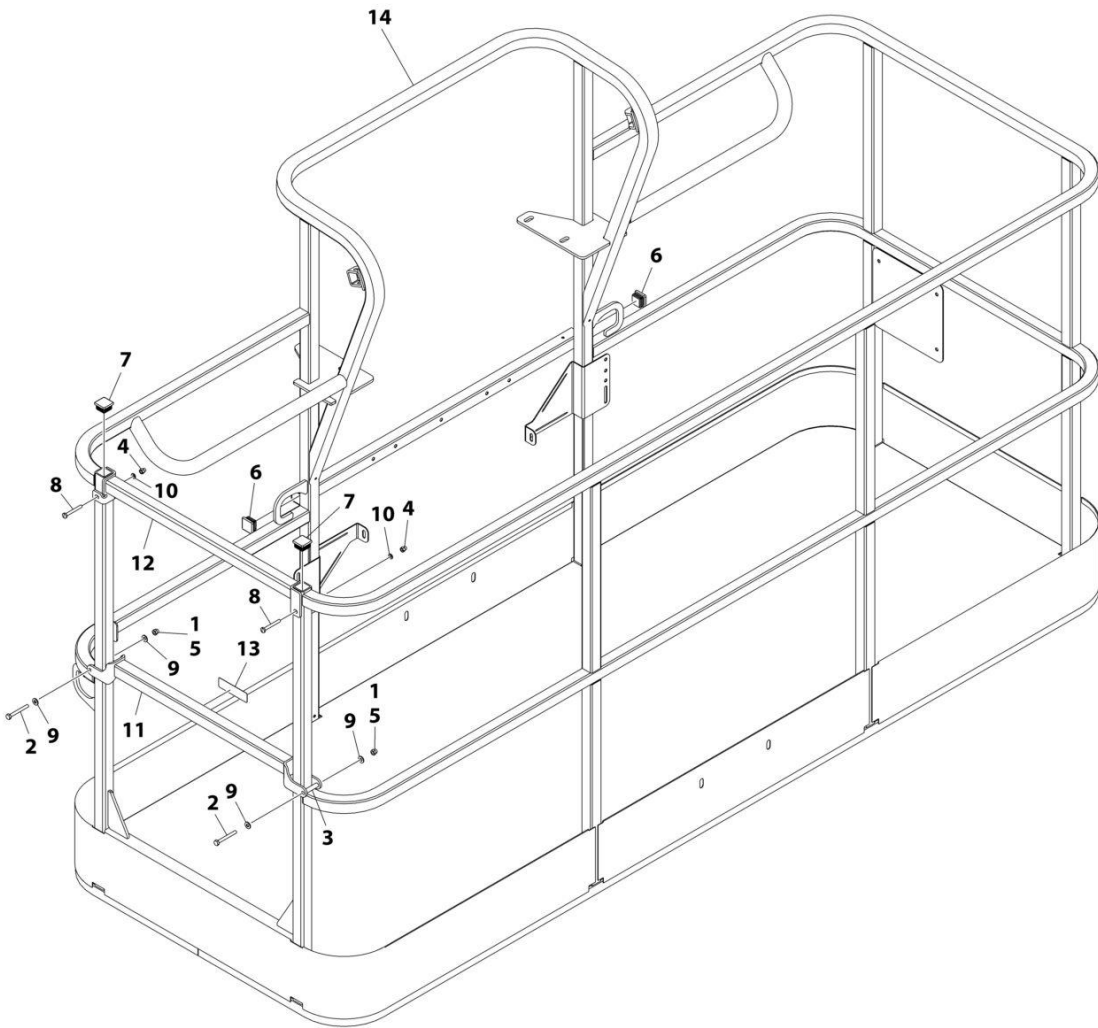
SECTION 5 - PLATFORM

FIGURE 5-5. PLATFORM ASSEMBLY - 36IN X 6FT (91.5CM X 1.83M) WITH DROP BAR

ITEM	PART NUMBER	QTY	DESCRIPTION	REV
	1001186379	Ref	PLATFORM ASSEMBLY - 36IN X 6FT (91.5CM X 1.83M) WITH DROP BAR	B
		Ref	Note: Platform and Mesh must be ordered separately for Platforms with Mesh. See SPECIAL OPTIONS SECTION for Mesh Installations.	
		Ref	Note: Replacement Decals Must be Ordered Separately - See DECALS SECTION.	
1	0100011	AR	Compound, Locking	
2	0641418	2	Bolt 1/4 x 2-1/4	
3	0961845	2	Bushing	
4	3290606	2	Nut M6	
5	3300151	2	Nut 1/4	
6	3520072	2	Plug	
7	3520198	2	Plug	
8	4010618	2	Screw M6 x 50	
9	4711400	4	Washer 1/4	
10	4811700	2	Washer M6	
11	1001138494	1	Bar, Drop	
12	1001138514	1	Rail (Top)	
13	1001140429	1	Decal - Drop Bar	
14	See Note	NSS	Platform (Note: Not Available - Purchase Platform Assembly)	

SECTION 5 - PLATFORM

FIGURE 5-6. PLATFORM ASSEMBLY - 36IN X 8FT (91.5CM X 2.44M) WITH DROP BAR



ART_1001186382

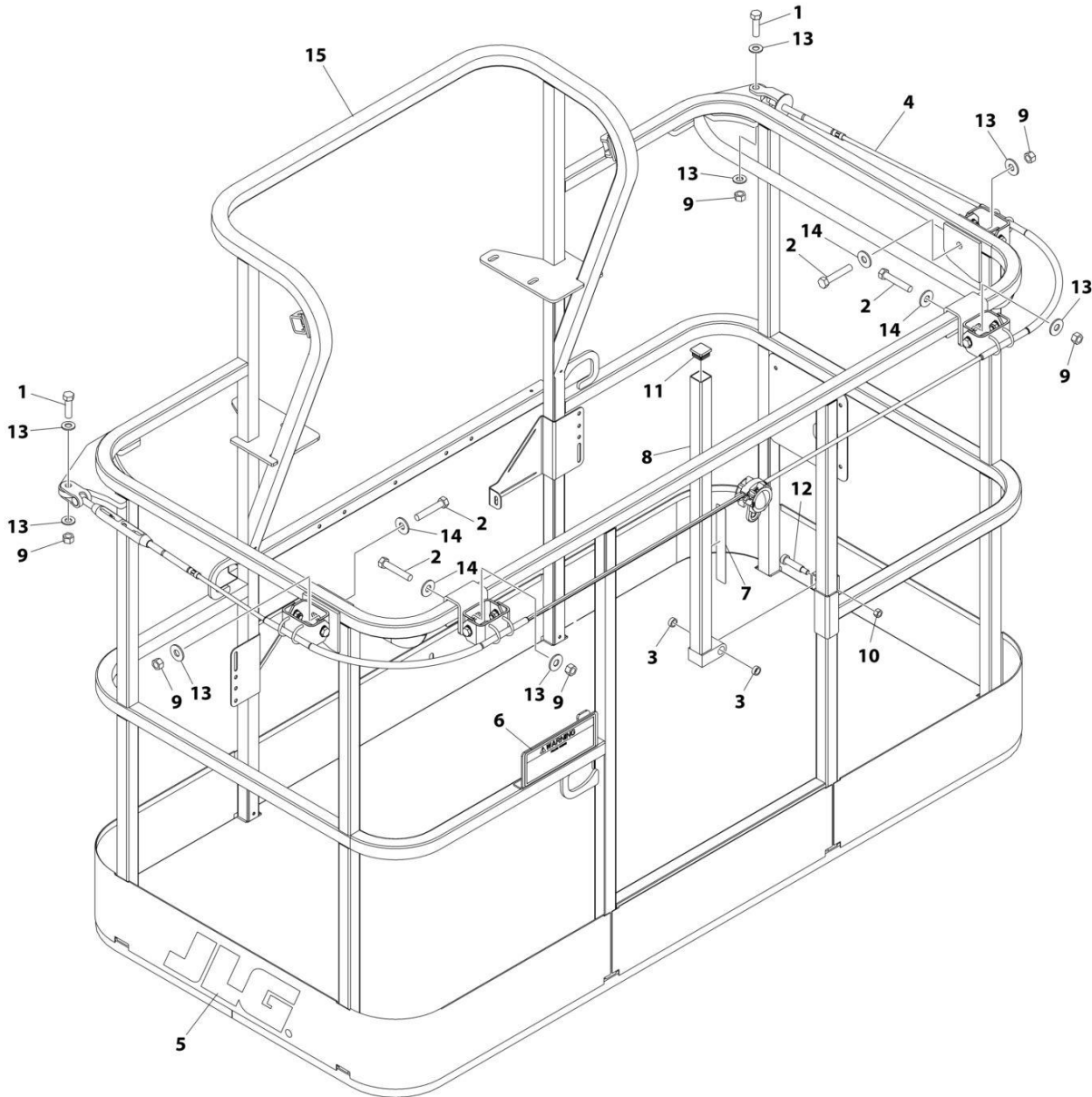
SECTION 5 - PLATFORM

FIGURE 5-6. PLATFORM ASSEMBLY - 36IN X 8FT (91.5CM X 2.44M) WITH DROP BAR

ITEM	PART NUMBER	QTY	DESCRIPTION	REV
	1001186382	Ref	PLATFORM ASSEMBLY - 36IN X 8FT (91.5CM X 2.44M) WITH DROP BAR	C
		Ref	Note: Platform and Mesh must be ordered separately for Platforms with Mesh. See SPECIAL OPTIONS SECTION for Mesh Installations.	
		Ref	Note: Replacement Decals Must be Ordered Separately - See DECALS SECTION.	
1	0100011	AR	Compound, Locking	
2	0641418	2	Bolt 1/4 x 2-1/4	
3	0961845	2	Bushing	
4	3290606	2	Nut M6	
5	3300151	2	Nut 1/4	
6	3520072	2	Plug	
7	3520198	2	Plug	
8	4010618	2	Screw M6 x 50	
9	4711400	4	Washer 1/4	
10	4811700	2	Washer M6	
11	1001138494	1	Bar, Drop	
12	1001138514	1	Rail (Top)	
13	1001140429	1	Decal - Drop Bar	
14	See Note	NSS	Platform (Note: Not Available - Purchase Platform Assembly)	

SECTION 5 - PLATFORM

FIGURE 5-7. PLATFORM ASSEMBLY - 36IN X 6FT (91.5CM X 1.83M) WITH FALL ARREST (ANSI, ANSI EXPORT AND CHINA SPECS)



ART_1001186333

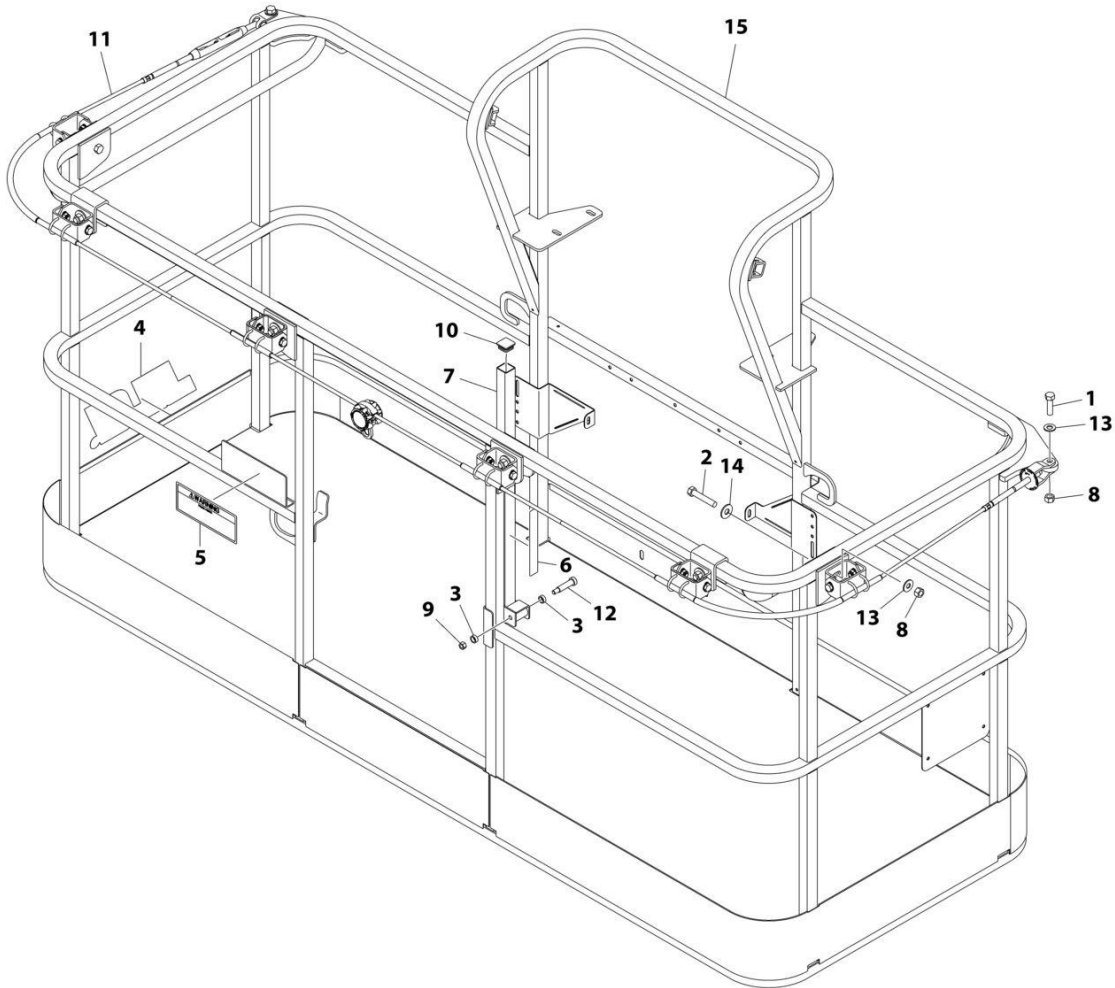
SECTION 5 - PLATFORM

FIGURE 5-7. PLATFORM ASSEMBLY - 36IN X 6FT (91.5CM X 1.83M) WITH FALL ARREST (ANSI, ANSI EXPORT AND CHINA SPECS)

ITEM	PART NUMBER	QTY	DESCRIPTION	REV
	1001186333	Ref	PLATFORM ASSEMBLY	C
		Ref	Note: Replacement Decals Must be Ordered Separately - See DECALS SECTION.	
1	0681814	2	Bolt 1/2 x 1-3/4 Grade 8	
2	0681822	4	Bolt 1/2 x 2-3/4 Grade 8	
3	0962270	2	Bearing	
4	1001203655	1	Cable	
5	1702773	1	Decal - JLG	
6	1705014	1	Decal - Safety	
7	1706385	1	Decal - Drop Bar	
8	2410014	1	Bar, Drop	
9	3271805	6	Nut 1/2 Grade 8	
10	3311605	1	Nut 3/8	
11	3520072	1	Plug	
12	3900054	1	Bolt 1/2 x 1-3/4	
13	4711800	8	Washer 1/2	
14	4751800	4	Washer 1/2	
15	See Note	NSS	Platform (Note: Not Available - Purchase Platform Assembly)	

SECTION 5 - PLATFORM

FIGURE 5-8. PLATFORM ASSEMBLY - 36IN X 8FT (91.5CM X 2.44M) WITH FALL ARREST (ANSI SPEC)



ART_1001186334

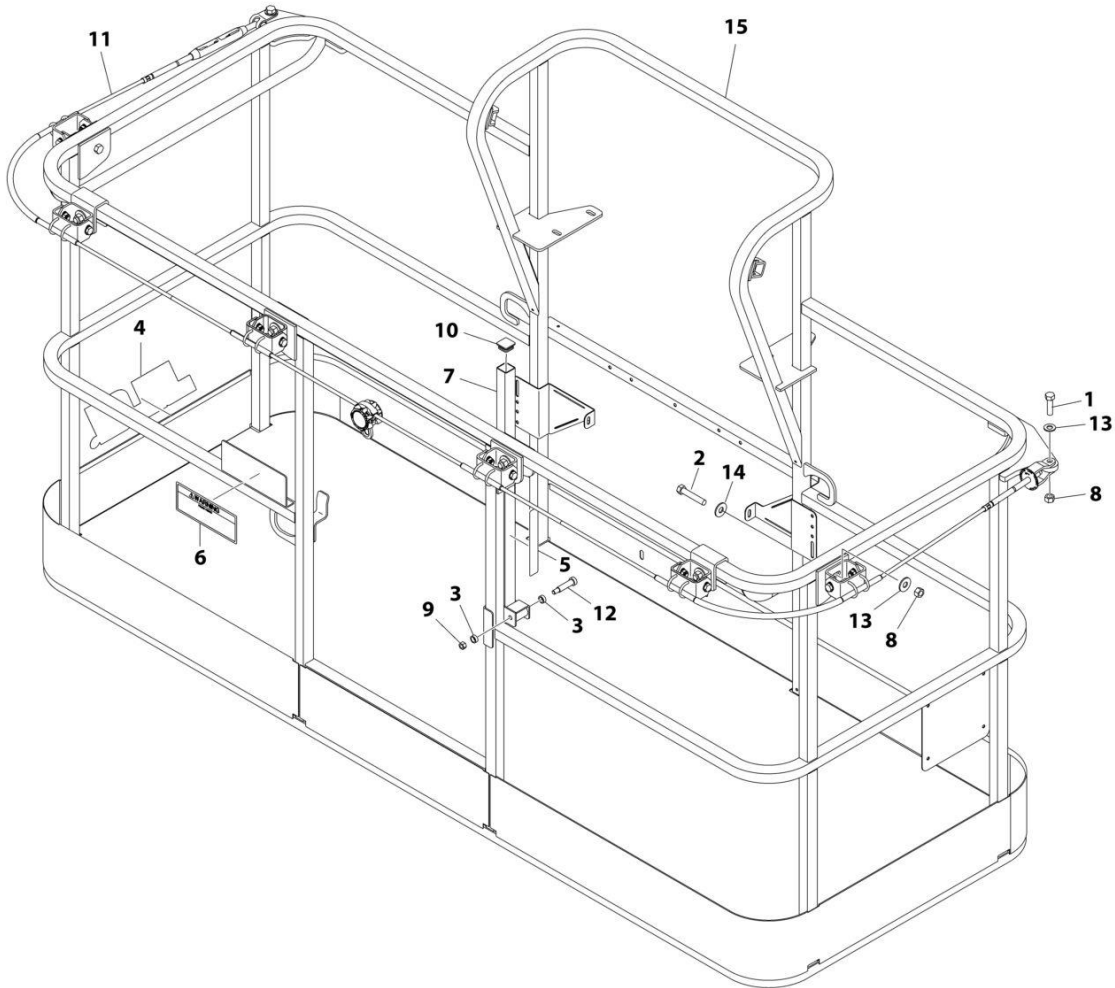
SECTION 5 - PLATFORM

FIGURE 5-8. PLATFORM ASSEMBLY - 36IN X 8FT (91.5CM X 2.44M) WITH FALL ARREST (ANSI SPEC)

ITEM	PART NUMBER	QTY	DESCRIPTION	REV
	1001186334	Ref	PLATFORM ASSEMBLY	D
		Ref	Note: Replacement Decals Must be Ordered Separately - See DECALS SECTION.	
1	0681814	2	Bolt 1/2 x 1-3/4 Grade 8	
2	0681822	6	Bolt 1/2 x 2-3/4 Grade 8	
3	0962270	2	Bearing	
4	1702773	1	Decal - JLG	
5	1705014	1	Decal - Safety	
6	1706385	1	Decal - Drop Bar	
7	2410014	1	Bar, Drop	
8	3271805	8	Nut 1/2 Grade 8	
9	3311605	1	Nut 3/8	
10	3520072	1	Plug	
11	1001203656	1	Cable	
12	3900054	1	Bolt 1/2 x 1-3/4	
13	4711800	2	Washer 1/2	
14	4751800	6	Washer 1/2	
15	See Note	NSS	Platform (Note: Purchase Platform Assembly)	

SECTION 5 - PLATFORM

FIGURE 5-9. PLATFORM ASSEMBLY - 36IN X 8FT (91.5CM X 2.44M) WITH FALL ARREST (AUSTRALIAN SPECS)



ART_1001186389

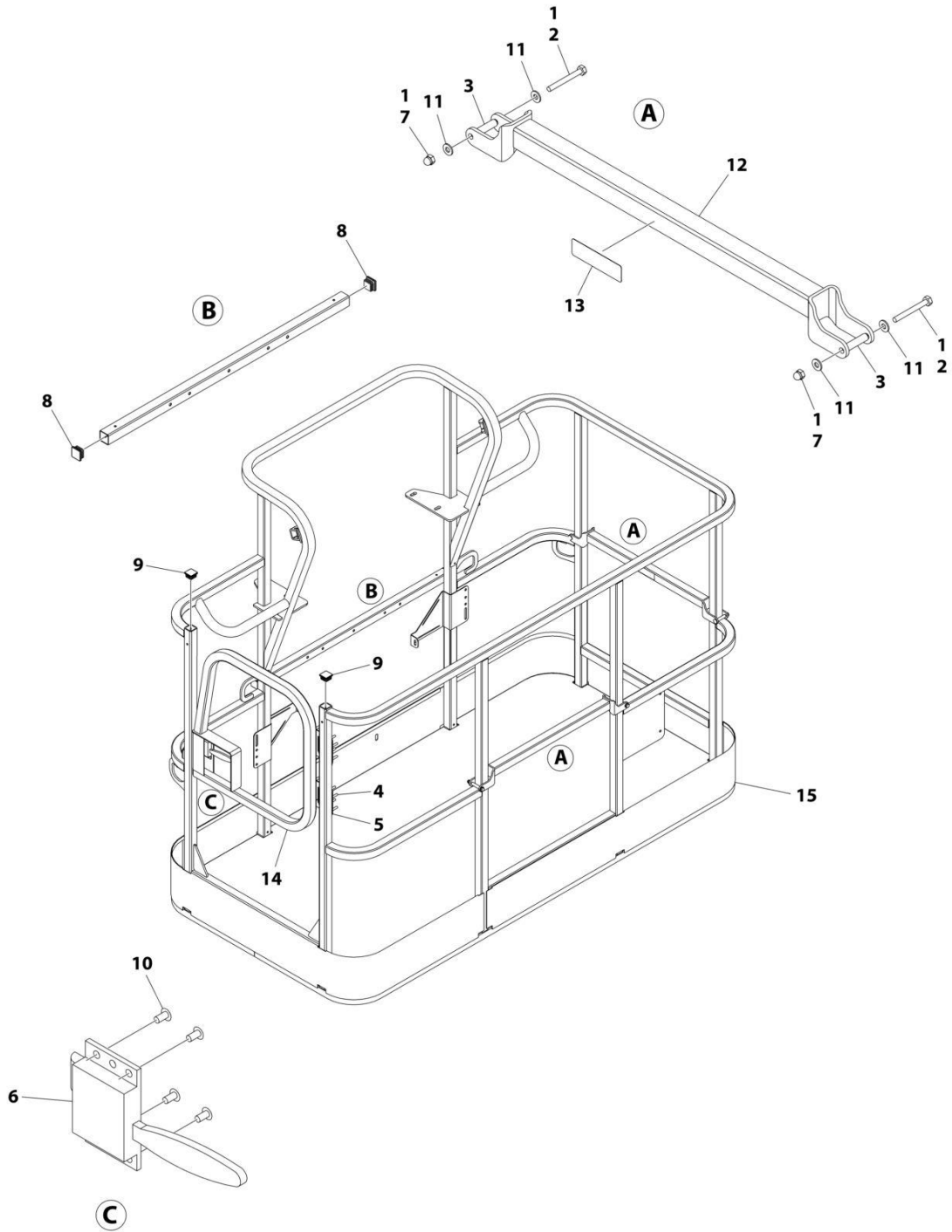
SECTION 5 - PLATFORM

**FIGURE 5-9. PLATFORM ASSEMBLY - 36IN X 8FT (91.5CM X 2.44M) WITH FALL ARREST
(AUSTRALIAN SPECS)**

ITEM	PART NUMBER	QTY	DESCRIPTION	REV
	1001186389	Ref	PLATFORM ASSEMBLY - 36IN X 8FT (91.5CM X 2.44M) WITH FALL ARREST	D
		Ref	Note: Standard decals must be ordered separately - See DECAL SECTION.	
1	0681814	2	Bolt 1/2 x 1-3/4 Grade 8	
2	0681822	6	Bolt 1/2 x 2-3/4 Grade 8	
3	0962270	2	Bearing	
4	1702773	1	Decal - JLG	
5	1706493	1	Decal - Drop Bar	
6	1706501	1	Decal - Safety	
7	2410014	1	Gate	
8	3271805	8	Nut 1/2 Grade 8	
9	3311605	1	Nut 3/8	
10	3520072	1	Plug	
11	1001203656	1	Cable	
12	3900054	1	Bolt 1/2 x 1-3/4	
13	4711800	8	Washer 1/2	
14	4751800	6	Washer 1/2	
15	1001186318	NSS	Platform (Note: Not Available - Purchase Platform Assembly)	

SECTION 5 - PLATFORM

FIGURE 5-10. PLATFORM ASSEMBLY - 36IN X 6FT (91.5CM X 1.83M) TRI-ENTRY WITH SWING GATE



ART_1001228376

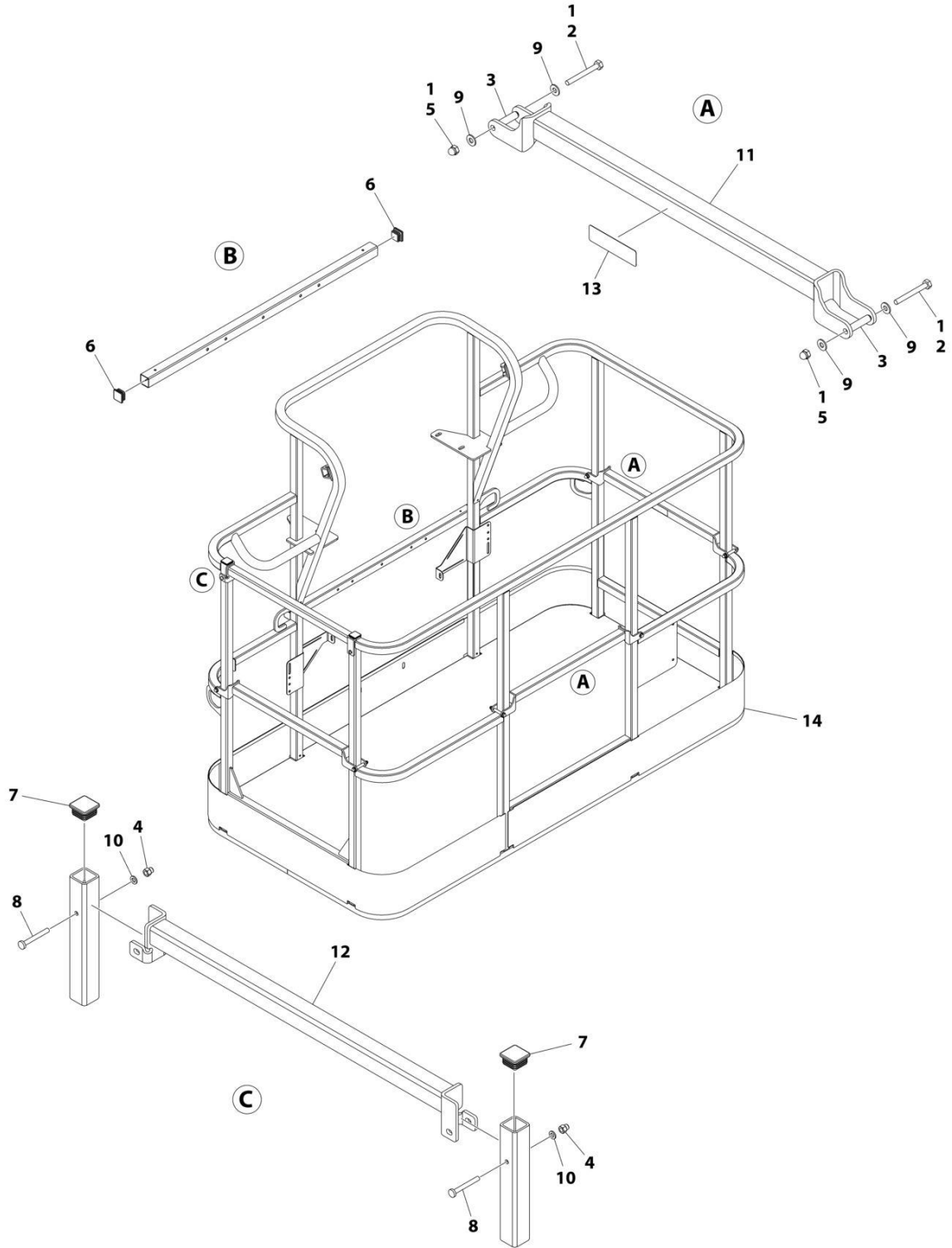
SECTION 5 - PLATFORM

FIGURE 5-10. PLATFORM ASSEMBLY - 36IN X 6FT (91.5CM X 1.83M) TRI-ENTRY WITH SWING GATE

ITEM	PART NUMBER	QTY	DESCRIPTION	REV
	1001228376	Ref	PLATFORM ASSEMBLY - 36IN x 6FT (91.5CM x 1.83M)	B
		Ref	Note: Platform and Mesh must be ordered separately for Platforms with Mesh. See SPECIAL OPTIONS SECTION for Mesh Installations.	
		Ref	Note: Replacement Decals Must be Ordered Separately - See DECAL SECTION.	
1	0100011	AR	Compound, Locking	
2	0641418	4	Bolt 1/4 x 2-1/4	
3	0961845	4	Bushing	
4	2080040	16	Fastener	
5	2600281	2	Hinge	
6	2940074	1	Latch	
7	3300151	4	Nut 1/4	
8	3520072	3	Plug	
9	3520198	2	Plug	
10	3820020	4	Rivet	
11	4711400	8	Washer 1/4	
12	1001138494	2	Bar, Drop	
13	1001140429	2	Decal - Drop Bar	
14	1001144629	1	Gate	
15	See Note	NSS	Platform (Note: Not Available - Purchase Platform Assembly)	

SECTION 5 - PLATFORM

FIGURE 5-11. PLATFORM ASSEMBLY - 36IN X 6FT (91.5CM X 1.83M) TRI-ENTRY WITH DROPBAR



ART_1001228377

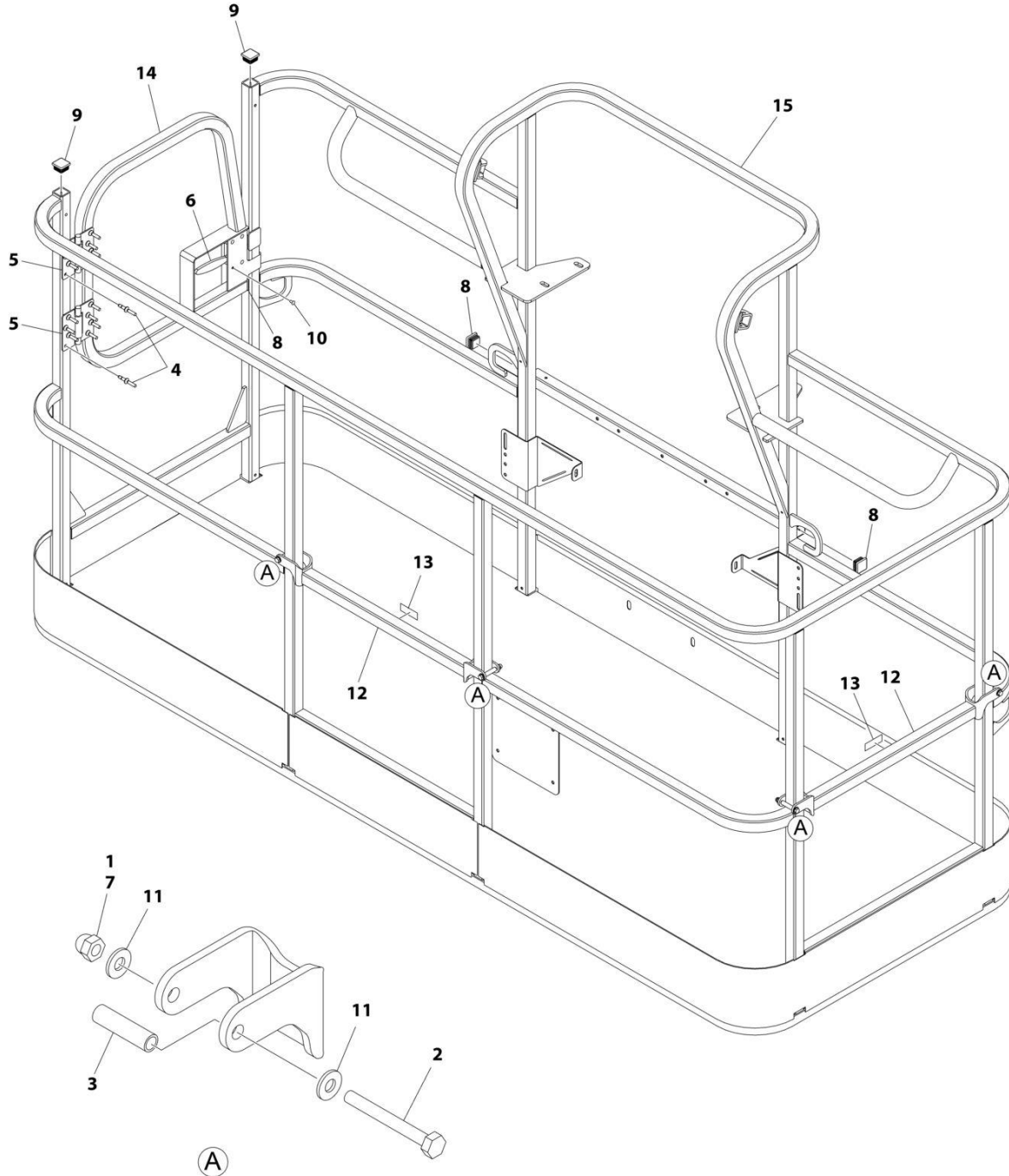
SECTION 5 - PLATFORM

FIGURE 5-11. PLATFORM ASSEMBLY - 36IN X 6FT (91.5CM X 1.83M) TRI-ENTRY WITH DROPBAR

ITEM	PART NUMBER	QTY	DESCRIPTION	REV
	1001228377	Ref	PLATFORM ASSEMBLY - 36IN x 6FT (91.5CM x 1.83M)	B
		Ref	Note: Platform and Mesh must be ordered separately for Platforms with Mesh. See SPECIAL OPTIONS SECTION for Mesh Installations.	
		Ref	Note: Replacement Decals Must be Ordered Separately - See DECAL SECTION.	
1	0100011	1	Compound, Locking	
2	0641418	6	Bolt 1/4 x 2-1/4	
3	0961845	6	Bushing	
4	3290606	2	Nut M6	
5	3300151	6	Nut 1/4	
6	3520072	2	Plug	
7	3520198	2	Plug	
8	4010618	2	Screw M6 x 50	
9	4711400	12	Washer 1/4	
10	4811700	2	Washer M6	
11	1001138494	3	Bar, Drop	
12	1001138514	1	Rail (Top)	
13	1001140429	3	Decal - Drop Bar	
14	See Note	NSS	Platform, Weldment (Note: Not Available - Purchase Platform Assembly)	

SECTION 5 - PLATFORM

FIGURE 5-12. PLATFORM ASSEMBLY - 36IN X 8FT (91.5CM X 2.44M) WITH TRI-ENTRY (1 GATE/2 DROP BARS)



ART_1001228243

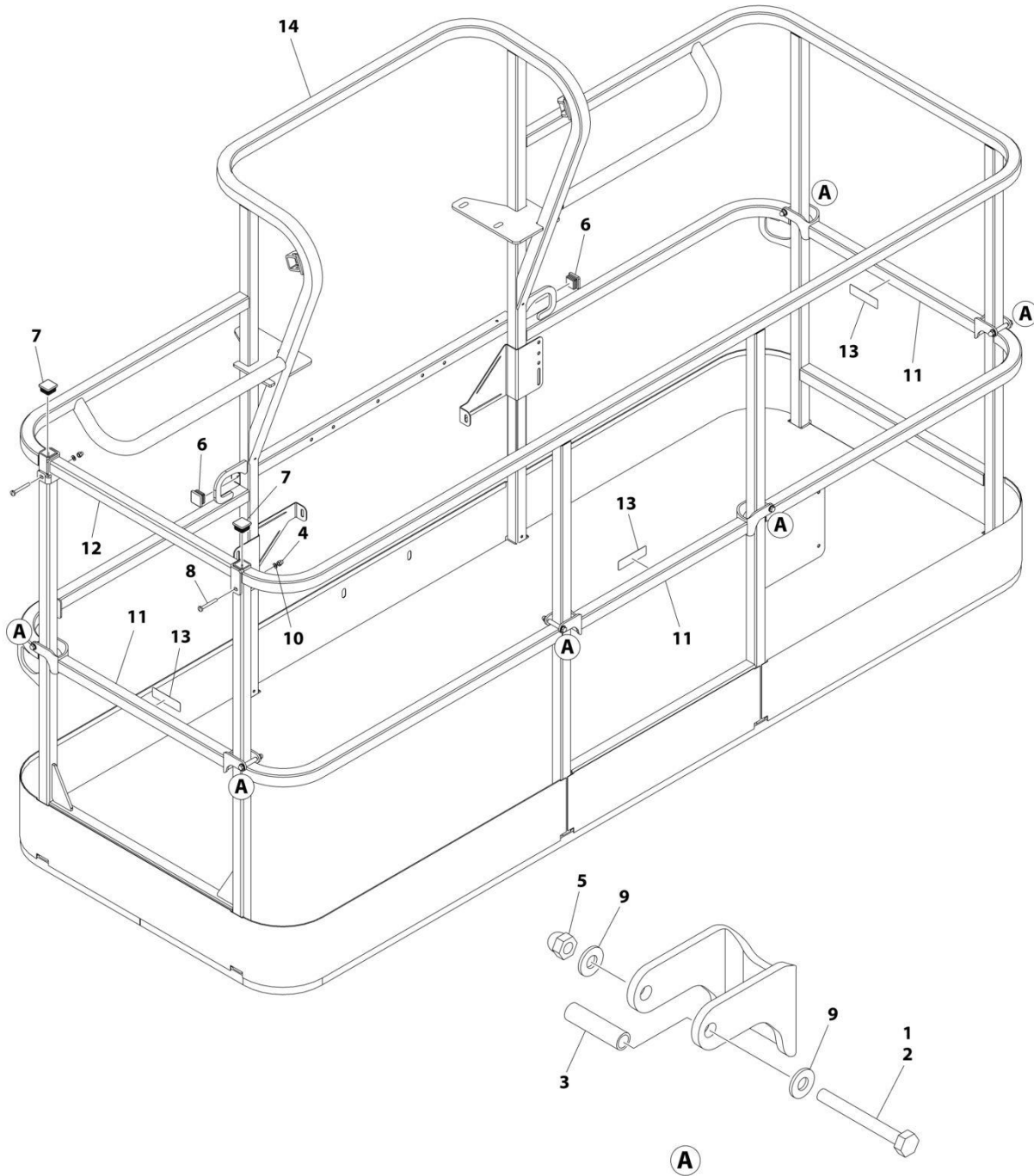
SECTION 5 - PLATFORM

FIGURE 5-12. PLATFORM ASSEMBLY - 36IN X 8FT (91.5CM X 2.44M) WITH TRI-ENTRY (1 GATE/2 DROP BARS)

ITEM	PART NUMBER	QTY	DESCRIPTION	REV
	1001228243	Ref	PLATFORM ASSEMBLY - 36IN X 8FT (91.5CM X 2.44M) WITH TRI-ENTRY	A
		Ref	Note: Platform and Mesh must be ordered separately for Platforms with Mesh. See SPECIAL OPTIONS SECTION for Mesh Installations.	
1	0100011	AR	Compound, Locking	
2	0641418	4	Bolt 1/4 x 2-1/4	
3	0961845	4	Bushing	
4	2080040	16	Fastener, Huck	
5	2600281	2	Hinge, Self-Closing	
6	2940074	1	Latch	
7	3300151	4	Nut 1/4	
8	3520072	3	Cap, Plug	
9	3520198	2	Cap, Plug	
10	3820020	4	Rivet	
11	4711400	8	Washer 1/4	
12	1001138494	2	Bar, Drop	
13	1001140429	2	Decal - Drop Bar	
14	1001144629	1	Gate, Weldment	
15	See Note	1	Platform (Note: Not Available - Purchase Platform Assembly)	

SECTION 5 - PLATFORM

FIGURE 5-13. PLATFORM ASSEMBLY - 36IN X 8FT (91.5CM X 2.44M) WITH TRI-ENTRY (3 DROP BARS)



ART_1001228375

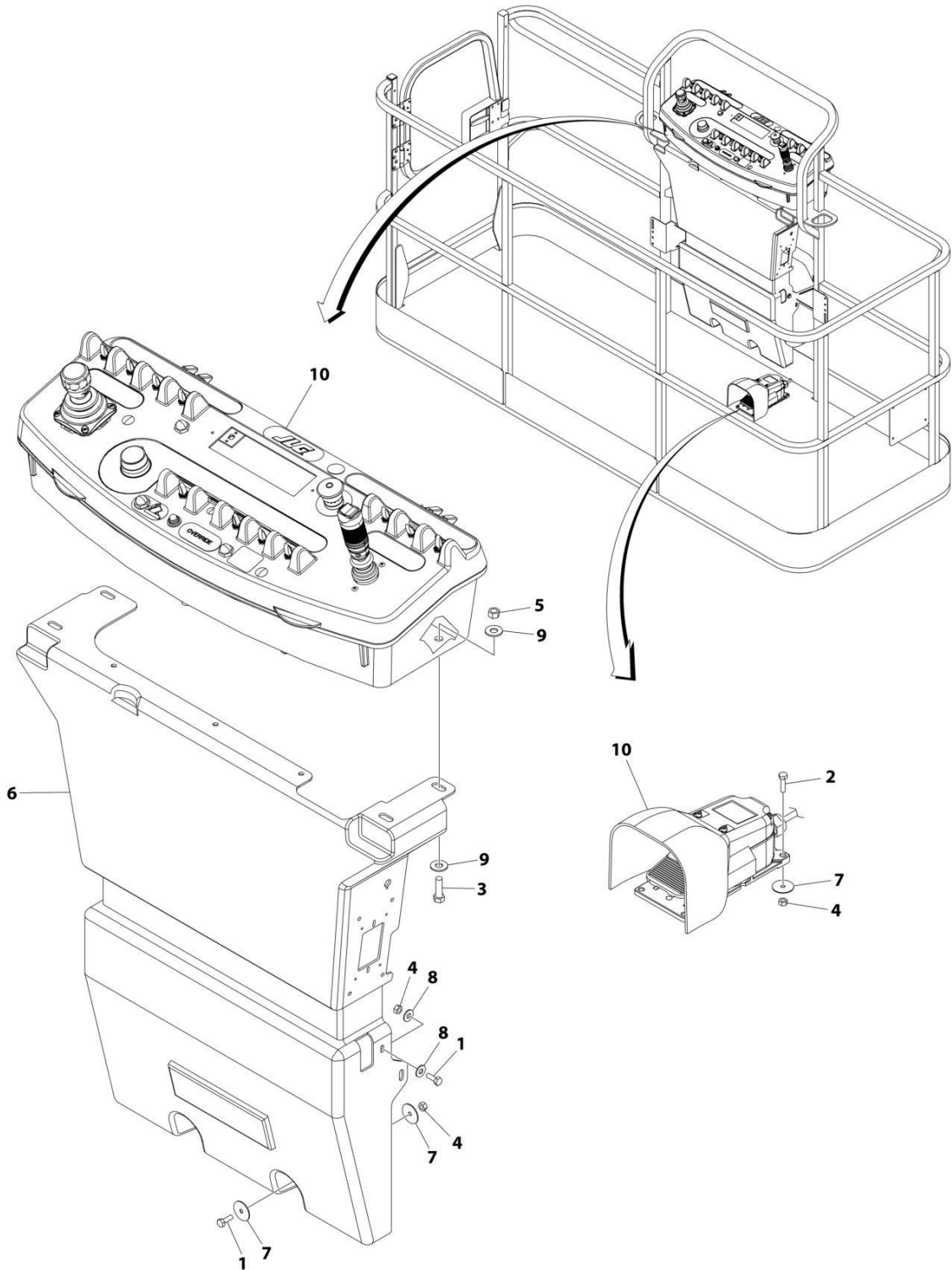
SECTION 5 - PLATFORM

FIGURE 5-13. PLATFORM ASSEMBLY - 36IN X 8FT (91.5CM X 2.44M) WITH TRI-ENTRY (3 DROP BARS)

ITEM	PART NUMBER	QTY	DESCRIPTION	REV
	1001228375	Ref	PLATFORM ASSEMBLY - 36IN X 8FT (91.5CM X 2.44M) WITH TRI-ENTRY	A
		Ref	Note: Platform and Mesh must be ordered separately for Platforms with Mesh. See SPECIAL OPTIONS SECTION for Mesh Installations.	
		Ref	Note: Replacement Decals Must be Ordered Separately - See DECAL SECTION.	
1	0100011	AR	Compound, Locking	
2	0641418	6	Bolt 1/4 x 2-1/4	
3	0961845	6	Bushing	
4	3290606	2	Nut M6 x 1	
5	3300151	6	Nut 1/4	
6	3520072	2	Cap, Plug	
7	3520198	2	Cap, Plug	
8	4010618	2	Screw M6 x 50	
9	4711400	12	Washer 1/4	
10	4811700	2	Washer M6	
11	1001138494	3	Bar, Drop	
12	1001138514	1	Rail (Top)	
13	1001140429	3	Decal - Drop Bar	
14	See Note	1	Platform (Note: Not Available - Purchase Platform Assembly)	

SECTION 5 - PLATFORM

FIGURE 5-14. PLATFORM CONTROLS INSTALLATION



ART_1001267387

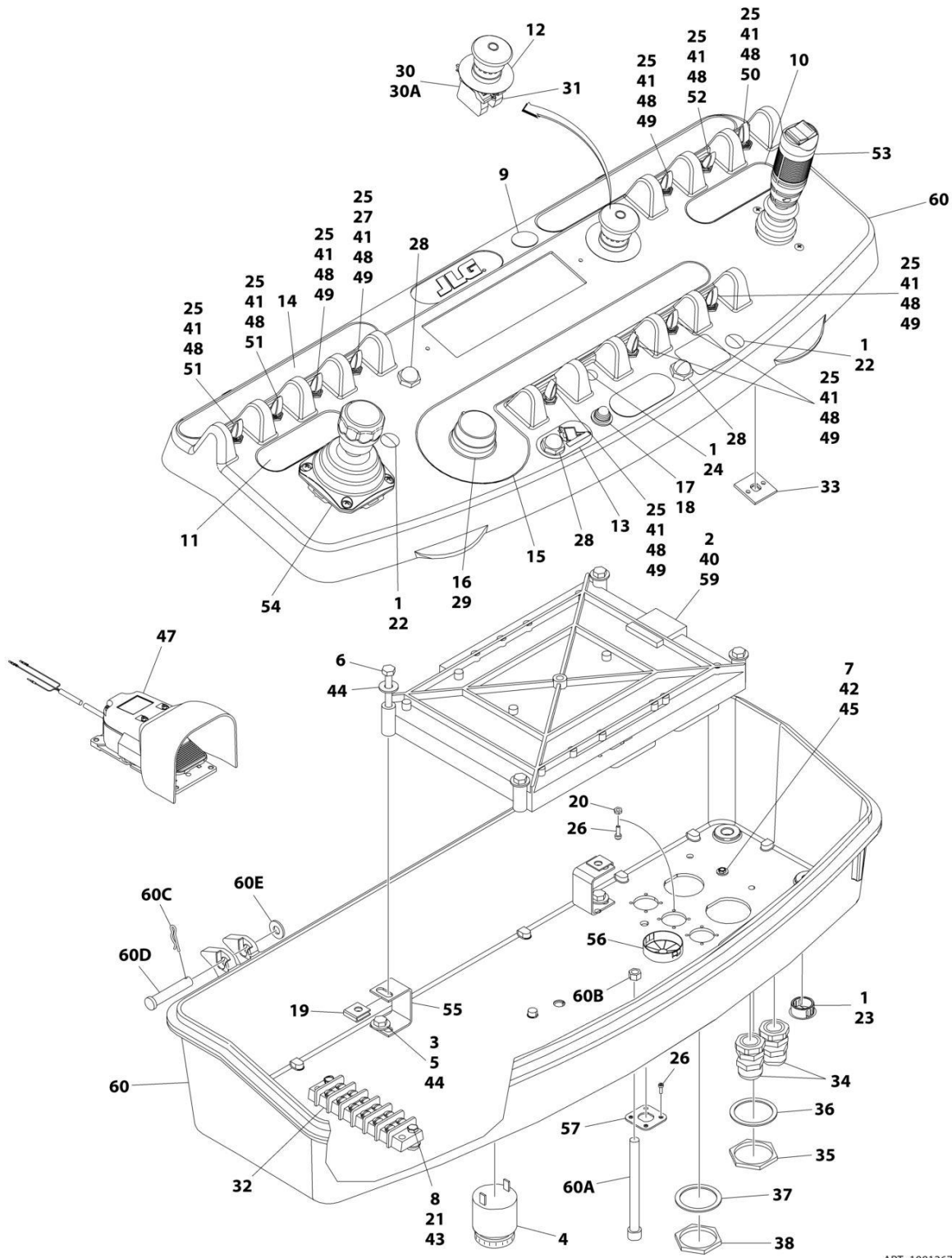
SECTION 5 - PLATFORM

FIGURE 5-14. PLATFORM CONTROLS INSTALLATION

ITEM	PART NUMBER	QTY	DESCRIPTION	REV
	1001267387	Ref	PLATFORM CONTROLS INSTALLATION	A
1	0641406	4	Bolt 1/4 x 3/4	
2	0641408	3	Bolt 1/4 x 1	
3	0641610	4	Bolt 3/8 x 1-1/4	
4	3311405	7	Nut 1/4	
5	3311605	4	Nut 3/8	
6	3380434	1	Panel, Molded	
7	4740362	7	Washer, Fender	
8	4751400	4	Washer 1/4	
9	4751600	8	Washer 3/8	
10	1001267389	1	Platform Console Box Assembly (See Separate Breakdown in this Section)	

SECTION 5 - PLATFORM

FIGURE 5-15. PLATFORM CONSOLE



ART_1001267389

SECTION 5 - PLATFORM

FIGURE 5-15. PLATFORM CONSOLE

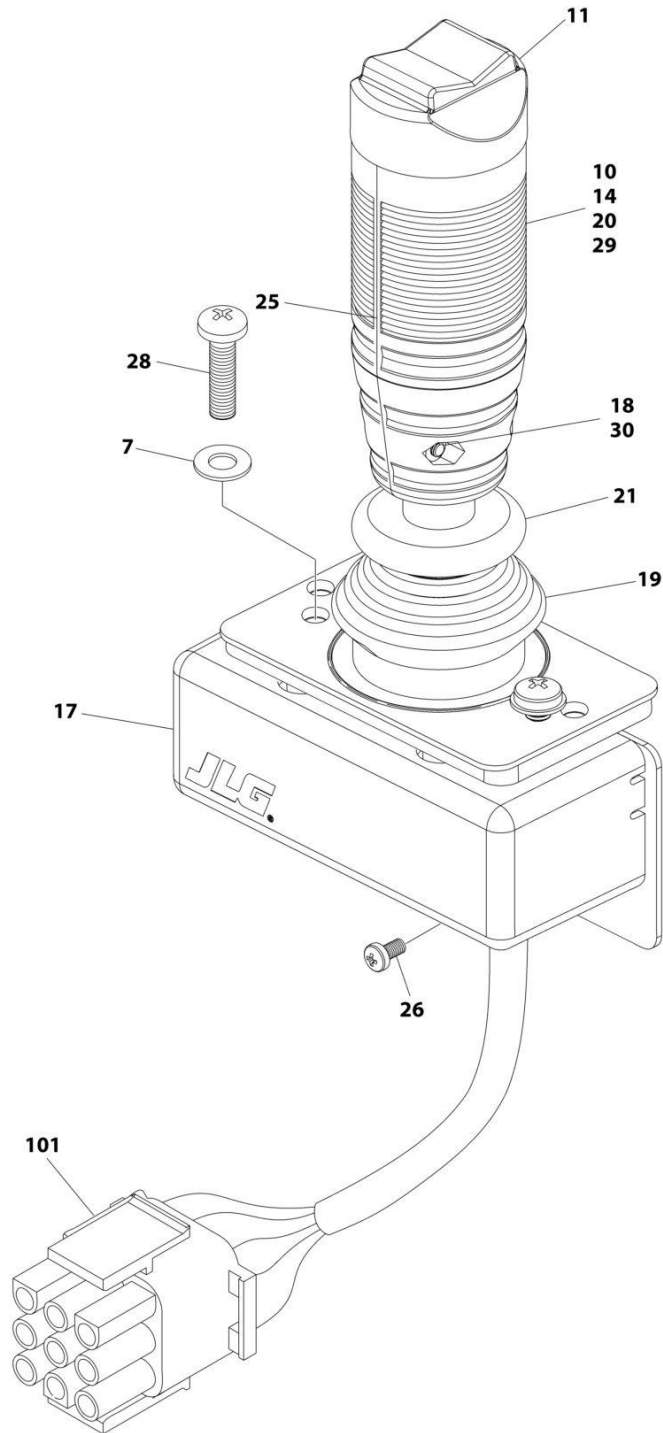
ITEM	PART NUMBER	QTY	DESCRIPTION	REV
	1001267389	Ref	PLATFORM CONSOLE ASSEMBLY	B
1	0100009	AR	Sealant	
2	0100035	AR	Compound, Locking	
3	0100048	AR	Grease, Dielectric	
4	0140011	1	Alarm	
5	0641404	4	Bolt 1/4 x 1/2	
6	0641414	4	Bolt 1/4 x 1-3/4	
7	0720804	1	Screw #8 x 1/2	
8	0721006	2	Bolt #10 x 3/4	
9	1671314	1	Cover, Hole	
10	1702565	1	Decal - Drive and Steer	
11	1702566	1	Decal - Lift and Swing	
12	1704260	1	Decal - EMS	
13	1705171	1	Decal - Jib Stow	
14	1705744	1	Decal - Horn	
15	1705745	1	Decal - Function Speed	
16	2560136	1	Handle, Knob	
17	2920028	1	Light, Indicator	
18	2920029	1	Bulb	
19	3300353	4	Nut, Tinnerman	
20	3300482	2	Nut M2.5	
21	3311005	2	Nut #10	
22	3520026	2	Plug, Hole	
23	3520030	1	Plug, Hole	
24	3520054	1	Plug, Hole	
25	3790012	11	O-Ring	
26	3900349	12	Capscrew M2.5	
27	4071074	1	Shim	
28	4360387	3	Switch, Pushbutton	
29	4360407	1	Controller, Speed	
29	See Note	NSS	Gasket "Top Hat" (Included with Switch) (Note: Not Available - Purchase Complete Controller)	
30	4360475	1	Switch, Emergency Stop	
30	7020175	1	Cap	
30A	7020176	1	Block, Contact	
31	4360476	1	Block, Contact	
32	4460007	1	Bar, Buss	
33	4460234	3	Tie-Strap	
34	4460428	2	Connector, Strain Relief	
35	4460470	1	Nut, Terminal	
36	4460471	1	Washer, Terminal	
37	4460496	1	Nut, Terminal	
38	4460497	1	Washer, Terminal	
39	4460708	2	Connector (Not Shown)	
40	4460905	AR	Plug, Seal (Not Shown)	
41	4740397	11	Spacer	
42	4750800	1	Washer #8	
43	4751000	2	Washer #10	
44	4751400	8	Washer 1/4	
45	4760800	1	Washer	

SECTION 5 - PLATFORM

ITEM	PART NUMBER	QTY	DESCRIPTION	REV
46	4922666	1	Harness, Analyzer Cable (Not Shown - See Separate Breakdown in ELECTRICAL Section)	
47	1001117174	1	Footswitch Assembly (See Separate Breakdown in this Section)	
48	1001155044	11	Nut 15/32-32	
49	1001155045	7	Switch, Toggle	
50	1001159256	1	Switch, Toggle	
51	1001161709	2	Switch, Toggle	
52	1001161710	1	Switch, Toggle	
53	1001166538	NLA	Controller Assembly (Drive and Steer) (Use p/n 1001212415) (See Separate Breakdown in this Section)	
54	1001166539	NLA	Controller Assembly (Lift and Swing) (Use p/n 1001129555) (See Separate Breakdown in this Section)	
55	1001172760	4	Bracket, Support	
56	1001185281	1	Plug	
57	1001220929	1	Mount, Connector	
58	1001241891	1	Harness, Console Box (Not Shown - See Separate Breakdown in ELECTRICAL Section)	
59	1600343	1	Control, Platform	
60	1001265905	1	Box, Console	B
60A	0630568	1	Screw 3/8 x 4-1/2	
60B	3311601	1	Nut 3/8	
60C	3430616	2	Clevis	
60D	3470003	2	Pin	
60E	4711600	2	Washer 3/8	

SECTION 5 - PLATFORM

FIGURE 5-16. CONTROLLER ASSEMBLY (DRIVE AND STEER)



ART_1001166538

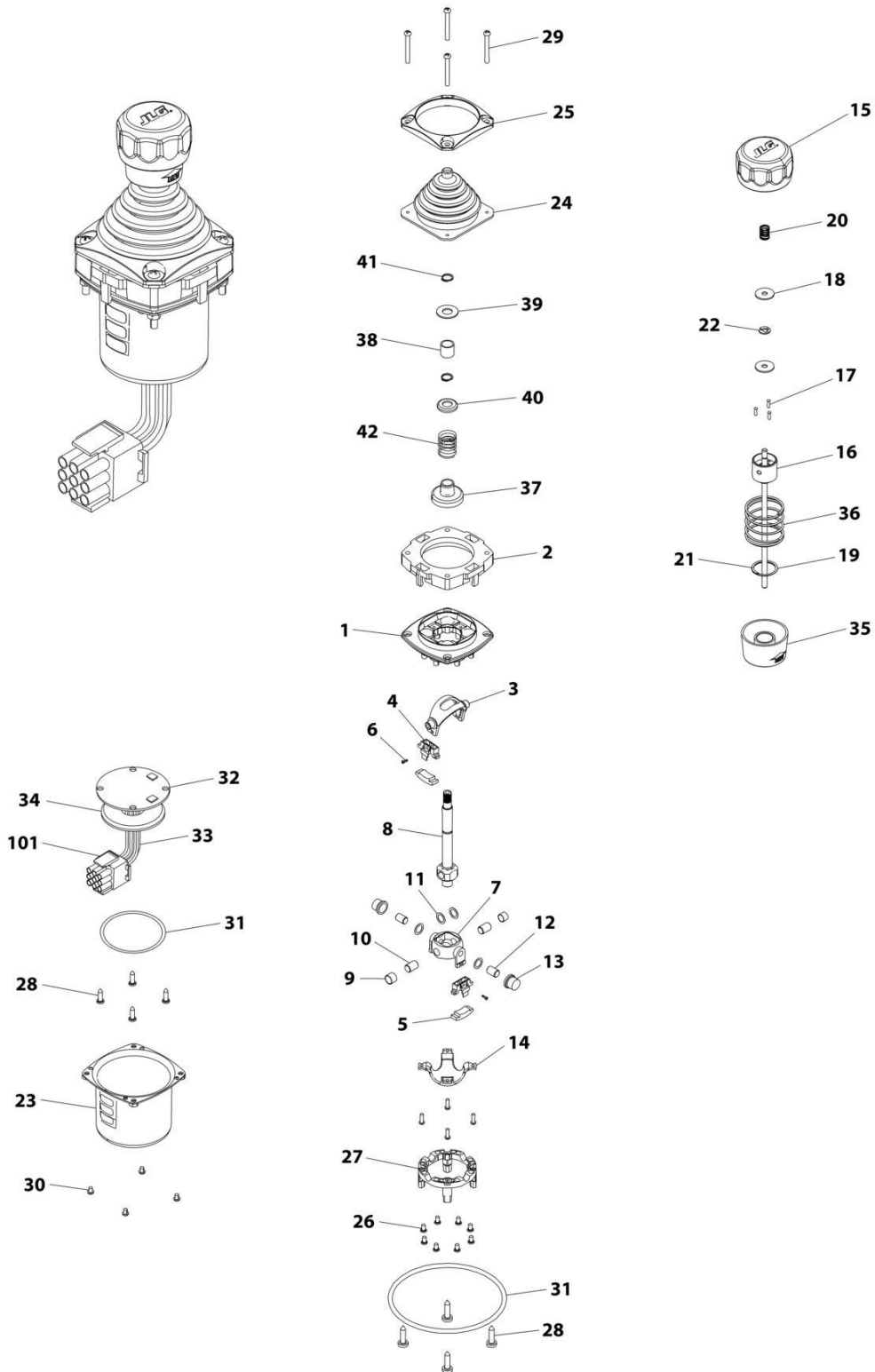
SECTION 5 - PLATFORM

FIGURE 5-16. CONTROLLER ASSEMBLY (DRIVE AND STEER)

ITEM	PART NUMBER	QTY	DESCRIPTION	REV
	1001166538	Ref	CONTROLLER ASSEMBLY - DRIVE AND STEER	G
		Ref	Note: For Replacement, Use p/n 1001212415.	
7	70004738	2	Washer	
10	70004739	1	Roller	
11	70004740	1	Boot, Switch	
14	70004741	2	Half, Handle	
17	70004742	1	Enclosure	
18	70004743	4	Nut	
19	70004744	NLA	Boot, Controller (Use p/n 70005230 Boot/Base Assembly)	
20	70004745	NLA	Tube, Locking (Use p/n 70005230 Boot/Base Assembly)	
21	70004746	NLA	Disc, Locking (Use p/n 70005230 Boot/Base Assembly)	
25	70004747	2	Seal, Rope	
26	70004748	1	Screw M3 x 6	
28	70004749	2	Screw M5 x 20	
29	70004750	1	Pin, Dowel	
30	70004751	4	Screw M3 x 16	
101	4460265	1	Connector - 9 Position	
101	4460226	7	Socket, Female	

SECTION 5 - PLATFORM

FIGURE 5-17. CONTROLLER ASSEMBLY (LIFT AND SWING)



ART_1001166539

SECTION 5 - PLATFORM

FIGURE 5-17. CONTROLLER ASSEMBLY (LIFT AND SWING)

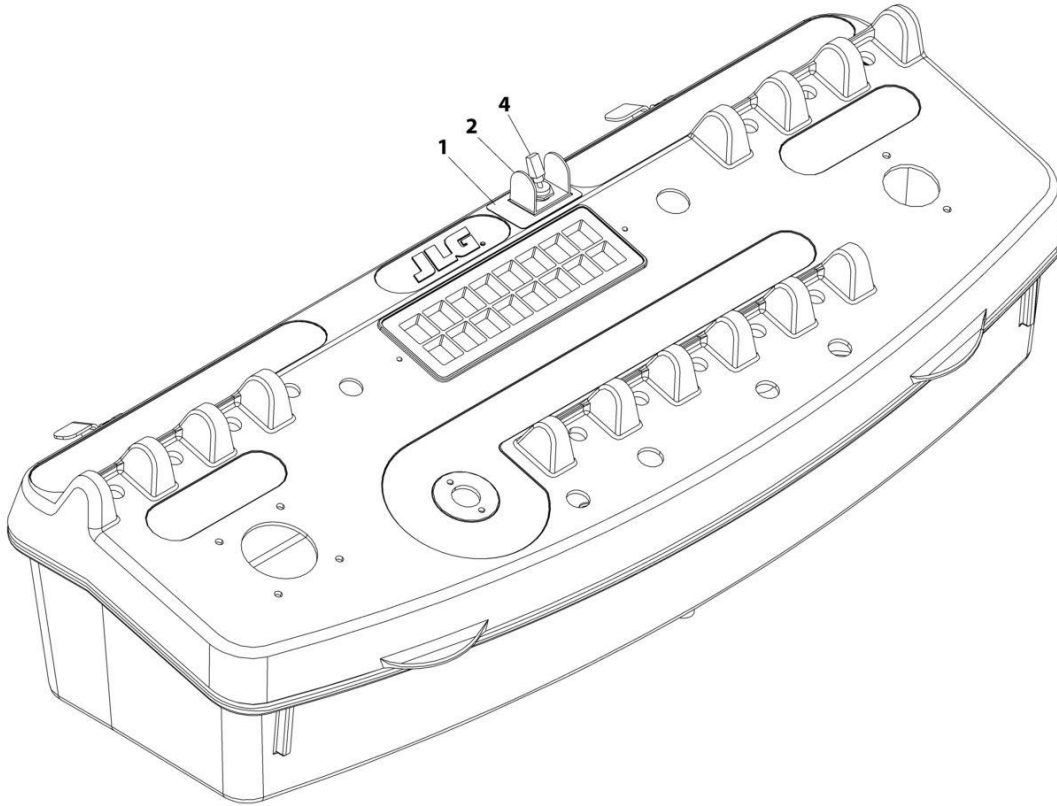
ITEM	PART NUMBER	QTY	DESCRIPTION	REV
	1001166539	Ref	CONTROLLER ASSEMBLY	E
		Ref	Note: Original Equipment Controller May Have Been Replaced with Service Replacement Controller. Visually Identify Controller Before Ordering Parts.	
		Ref	Note: For Replacement, Use p/n 1001129555	
1	See Note	NSS	Main Cast Body (Note: Not Available - Purchase Complete Assembly)	
2	70004752	1	Adapter	
3	See Note	NSS	Pivot Arm, Plastic (Note: Not Available - Purchase Complete Assembly)	
4	See Note	NSS	Holder, Magnet (Note: Not Available - Purchase Complete Assembly)	
5	See Note	NSS	Arc, Magnet (Note: Not Available - Purchase Complete Assembly)	
6	See Note	NSS	Screw (Note: Not Available for Purchase)	
7	See Note	NSS	Pivot Arm, Cast (Note: Not Available - Purchase Complete Assembly)	
8	See Note	NSS	Shaft, Main (Note: Not Available - Purchase Complete Assembly)	
9	See Note	NSS	Bearing (Note: Not Available - Purchase Complete Assembly)	
10	See Note	NSS	Pin (Note: Not Available - Purchase Complete Assembly)	
11	See Note	NSS	Shim (Note: Not Available - Purchase Complete Assembly)	
12	See Note	NSS	Pin (Note: Not Available - Purchase Complete Assembly)	
13	See Note	NSS	Bearing (Note: Not Available - Purchase Complete Assembly)	
14	See Note	NSS	Dome, Centering (Note: Not Available - Purchase Complete Assembly)	
15	70004753	1	Cap	
16	70004754	1	Insert, Cap	
17	70004755	3	Pin	
18	70004756	2	Washer	
19	70004757	1	Pin, Centering	
20	70004758	1	Spring	
21	70004759	1	Ring, Retaining	
22	70004760	1	E-Ring	
23	70004761	1	Can, Enclosure	
24	70004762	1	Boot	
25	70004763	1	Bezel	
26	See Note	NSS	Screw (Note: Not Available for Purchase)	
27	See Note	NSS	Base Mounting (Note: Not Available - Purchase Complete Assembly)	
28	See Note	NSS	Screw (Note: Not Available for Purchase)	
29	70004764	4	Screw	
30	70004765	4	Screw	
31	70004766	1	O-Ring	
32	See Note	NSS	Plate (Note: Not Available - Purchase Complete Assembly)	
33	See Note	NSS	Harness (Note: Not Available - Purchase Complete Assembly)	
34	70004767	1	Grommet, Rubber	
35	70004768	1	Housing	
36	70004769	1	Spring	
37	70004770	1	Stopper	
38	70004771	1	Spacer	
39	70004772	1	Washer	
40	70004773	1	Disc	

SECTION 5 - PLATFORM

ITEM	PART NUMBER	QTY	DESCRIPTION	REV
41	70004774	2	Ring, Retaining	
42	70004775	1	Spring	
101	4460265	1	Connector - 9 Position	
101	4460226	6	Socket, Female	

SECTION 5 - PLATFORM

FIGURE 5-18. BOOM CONTROL SELECT SWITCH INSTALLATION



ART_0275098

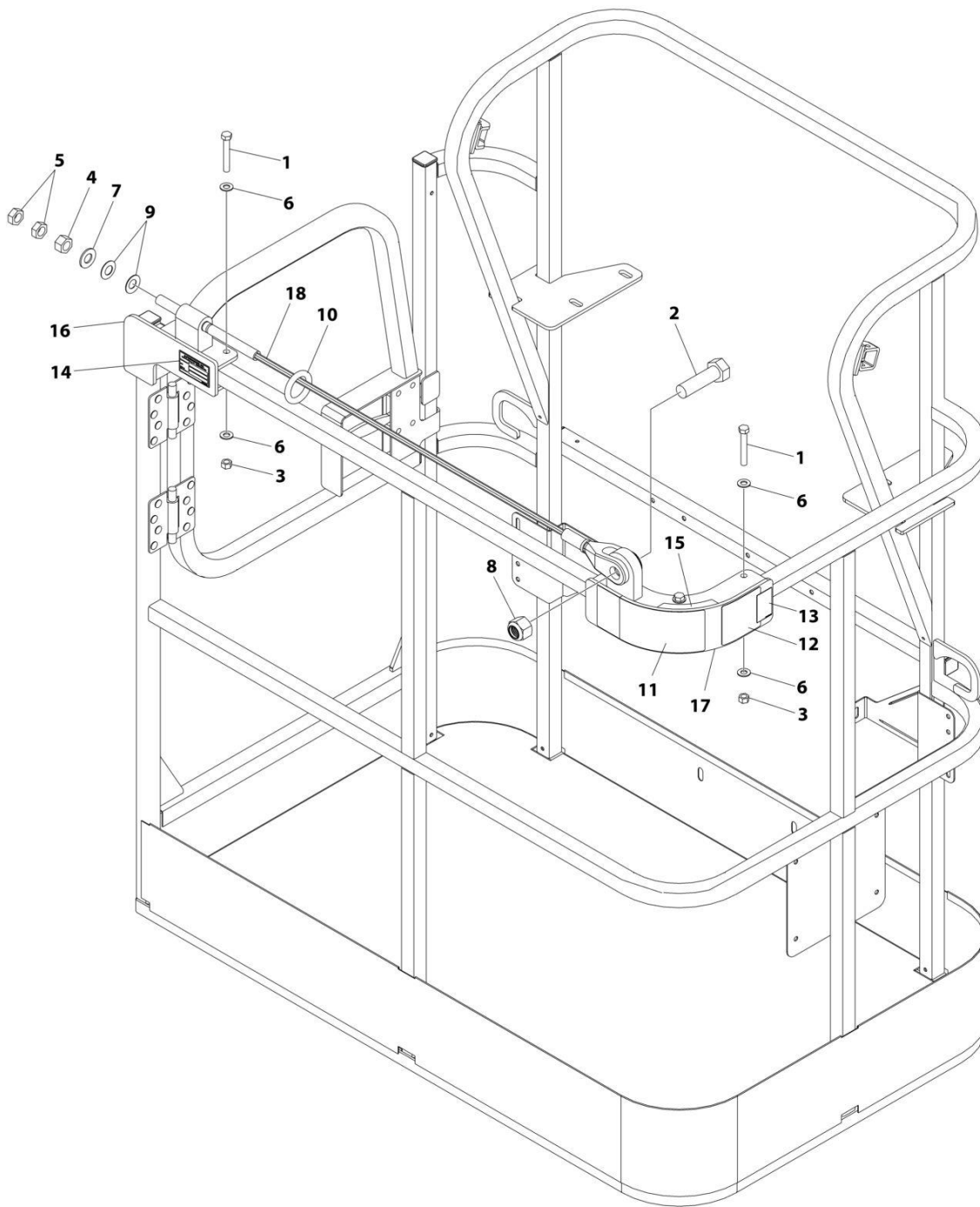
SECTION 5 - PLATFORM

FIGURE 5-18. BOOM CONTROL SELECT SWITCH INSTALLATION

ITEM	PART NUMBER	QTY	DESCRIPTION	REV
	0275098	Ref	BOOM CONTROL SELECT SWITCH INSTALLATION	B
1	1706741	1	Decal - Boom Control Select	
2	4060906	1	Guard	
4	4360336	1	Switch, Toggle	

SECTION 5 - PLATFORM

FIGURE 5-19. FALL ARREST INSTALLATION (BOLT - ON EXTERNAL) 4FFT/1.22M PLATFORM)



ART_1001261338

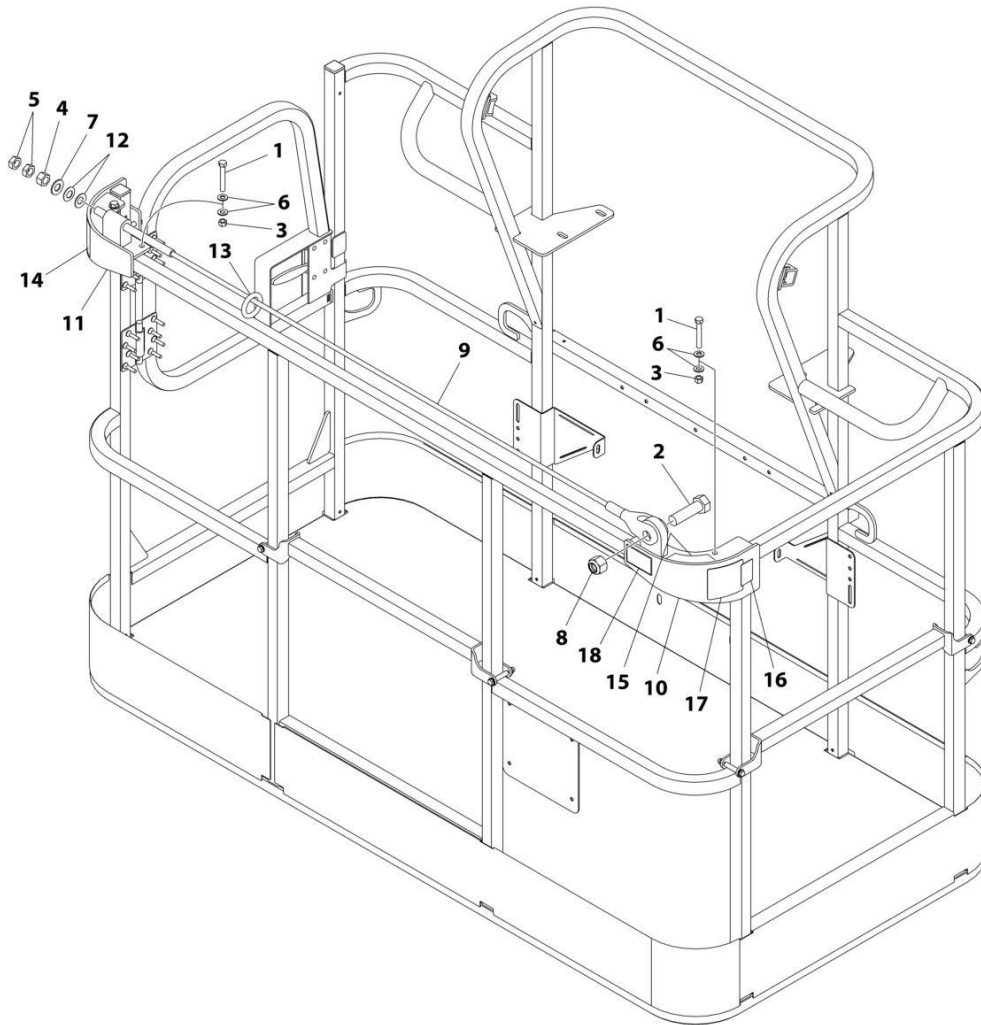
SECTION 5 - PLATFORM

FIGURE 5-19. FALL ARREST INSTALLATION (BOLT - ON EXTERNAL) 4FFT/1.22M PLATFORM)

ITEM	PART NUMBER	QTY	DESCRIPTION	REV
	1001261338	Ref	FALL ARREST INSTALLATION	A
1	0681620	6	Bolt 3/8 x 2-1/2	
2	0682424	1	Bolt 7/8 x 3	
3	3271605	6	Nut 3/8	
4	3272001	1	Nut 5/8	
5	3312002	2	Nut 5/8	
6	4711600	12	Washer 3/8	
7	4712000	1	Washer 5/8	
8	88521214	1	Nut 7/8	
9	1001236891	2	Washer	
10	1001236895	1	Ring	
11	1001238263	1	Decal - Warning Falling Hazard	
12	1001248140	1	Decal - Bolt Fall Arrest Re-Cert	
13	1001248141	1	Decal - Incription	
14	See Note	NSS	Nameplate - Manufacturers Serial Number (Note: Not Available for Purchase)	
15	1001252629	1	Decal - Weight	
16	1001257271	1	Bracket (RH)	
17	1001257274	1	Bracket (LH)	
18	1001261335	1	Rope	

SECTION 5 - PLATFORM

FIGURE 5-20. FALL ARREST INSTALLATION (BOLT - ON EXTERNAL) 6FT/1.82M PLATFORM



ART_1001238463

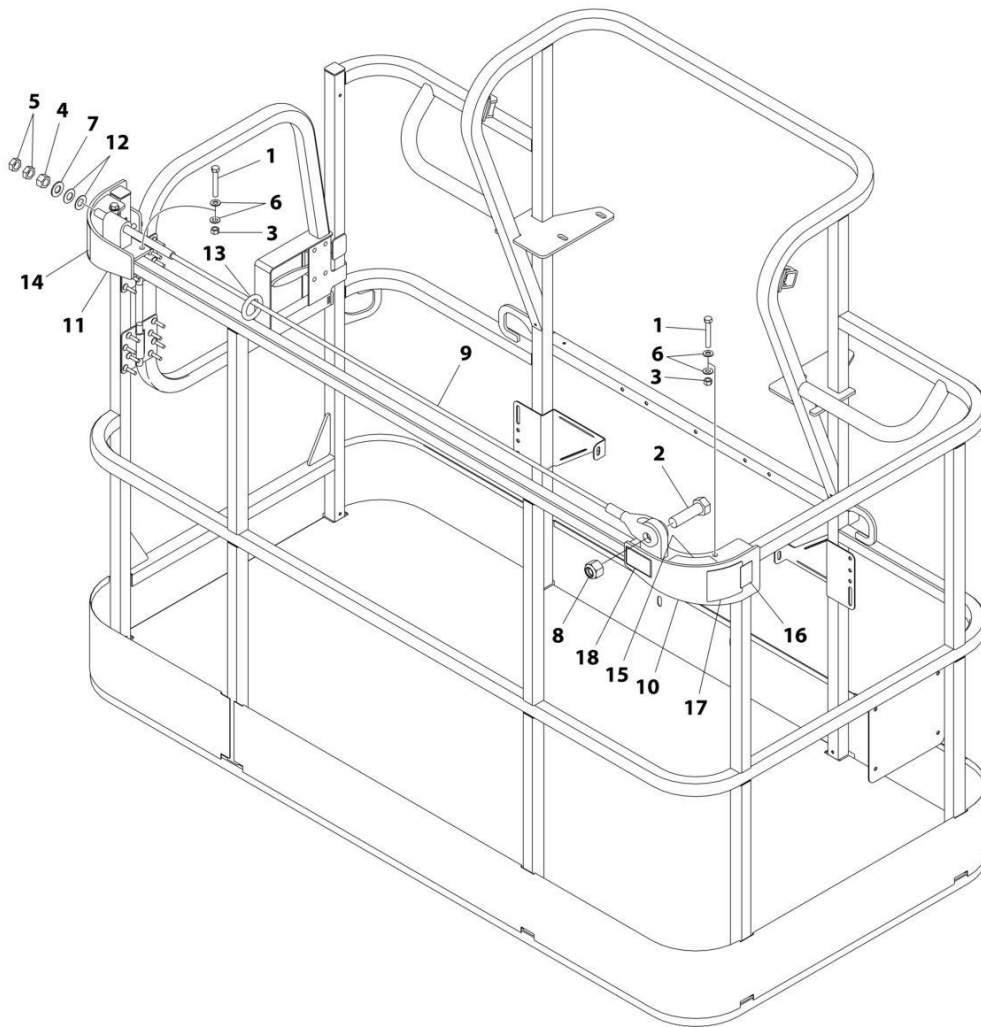
SECTION 5 - PLATFORM

FIGURE 5-20. FALL ARREST INSTALLATION (BOLT - ON EXTERNAL) 6FT/1.82M PLATFORM

ITEM	PART NUMBER	QTY	DESCRIPTION	REV
	1001238463	Ref	FALL ARREST INSTALLATION (BOLT - ON) 6FT/1.82M PLATFORM	C
1	0681620	6	Bolt 3/8 x 2-1/2	
2	0682424	1	Bolt 7/8 x 3	
3	3271605	6	Nut 3/8	
4	3272001	1	Nut 5/8	
5	3312002	2	Nut 5/8	
6	4711600	12	Washer 3/8	
7	4712000	1	Washer 5/8	
8	88521214	1	Nut 7/8	
9	1001231950	1	Rope	
10	1001232010	1	Bracket (RH)	
11	1001232011	1	Bracket (LH)	
12	1001236891	2	Washer	
13	1001236895	1	Ring	
14	1001238263	1	Decal - Warning Falling Hazard	
15	1001252629	1	Decal - Weight	
16	1001248140	1	Decal - Bolt Fall Arrest Re-Cert	
17	1001248141	1	Decal - Inscription	

SECTION 5 - PLATFORM

FIGURE 5-21. FALL ARREST INSTALLATION (BOLT - ON EXTERNAL) 6FT/1.82M PLATFORM (



ART_1001236747

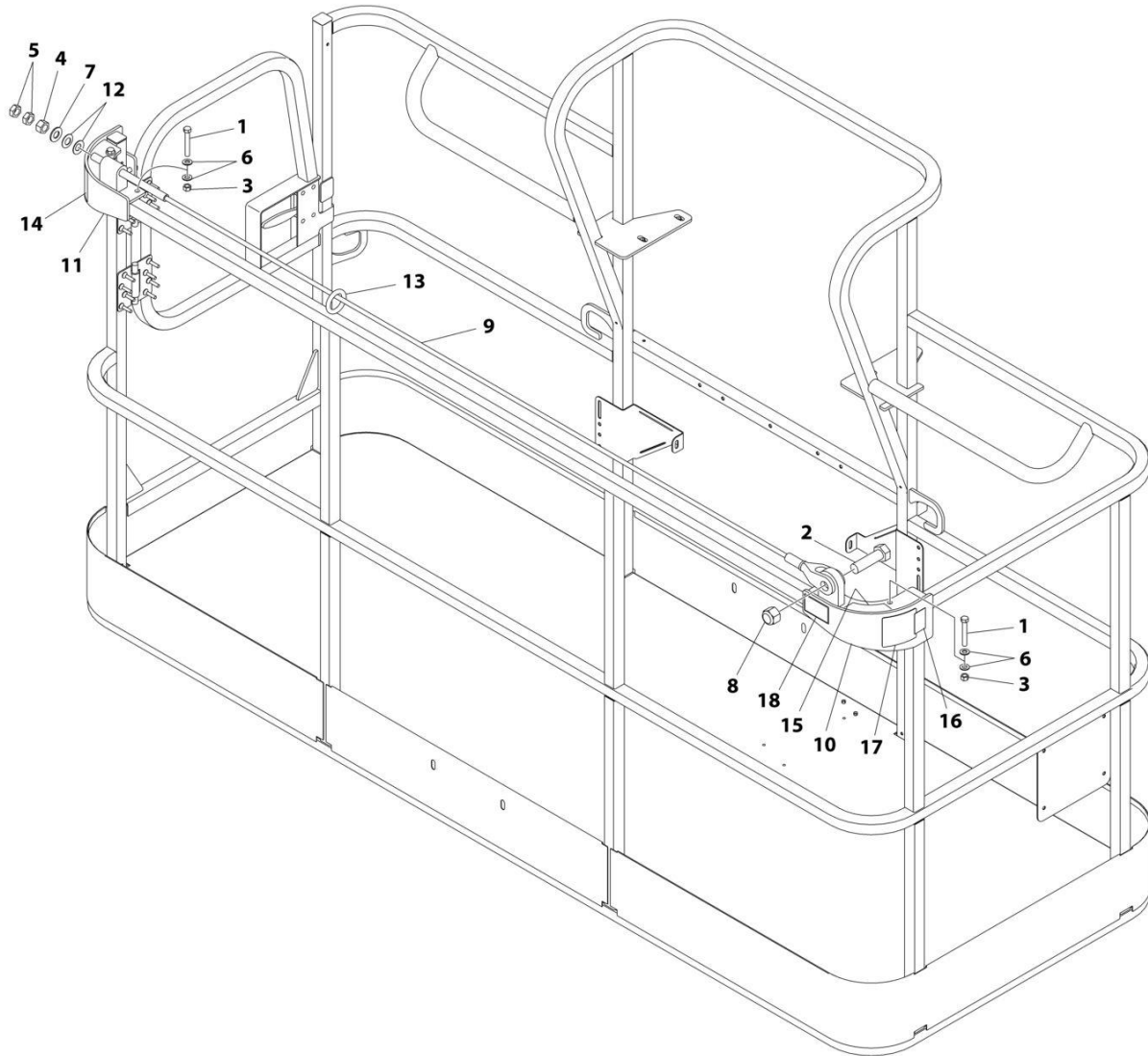
SECTION 5 - PLATFORM

FIGURE 5-21. FALL ARREST INSTALLATION (BOLT - ON EXTERNAL) 6FT/1.82M PLATFORM (

ITEM	PART NUMBER	QTY	DESCRIPTION	REV
	1001236747	Ref	FALL ARREST INSTALLATION (BOLT - ON) 6FT/1.82M PLATFORM	C
1	0681620	6	Bolt 3/8 x 2-1/2	
2	0682424	1	Bolt 7/8 x 3	
3	3271605	6	Nut 3/8	
4	3272001	1	Nut 5/8	
5	3312002	2	Nut 5/8	
6	4711600	12	Washer 3/8	
7	4712000	1	Washer 5/8	
8	88521214	1	Nut 7/8	
9	1001231950	1	Rope	
10	1001232010	1	Bracket (RH)	
11	1001232011	1	Bracket (LH)	
12	1001236891	2	Washer	
13	1001236895	1	Ring	
14	1001238263	1	Decal - Warning Falling Hazard	
15	1001252629	1	Decal - Weight	
16	1001248140	1	Decal - Bolt Fall Arrest Re-Cert	
17	1001248141	1	Decal - Inscription	

SECTION 5 - PLATFORM

FIGURE 5-22. FALL ARREST INSTALLATION (BOLT - ON EXTERNAL) 8FT/2.4M PLATFORM



ART_1001236746

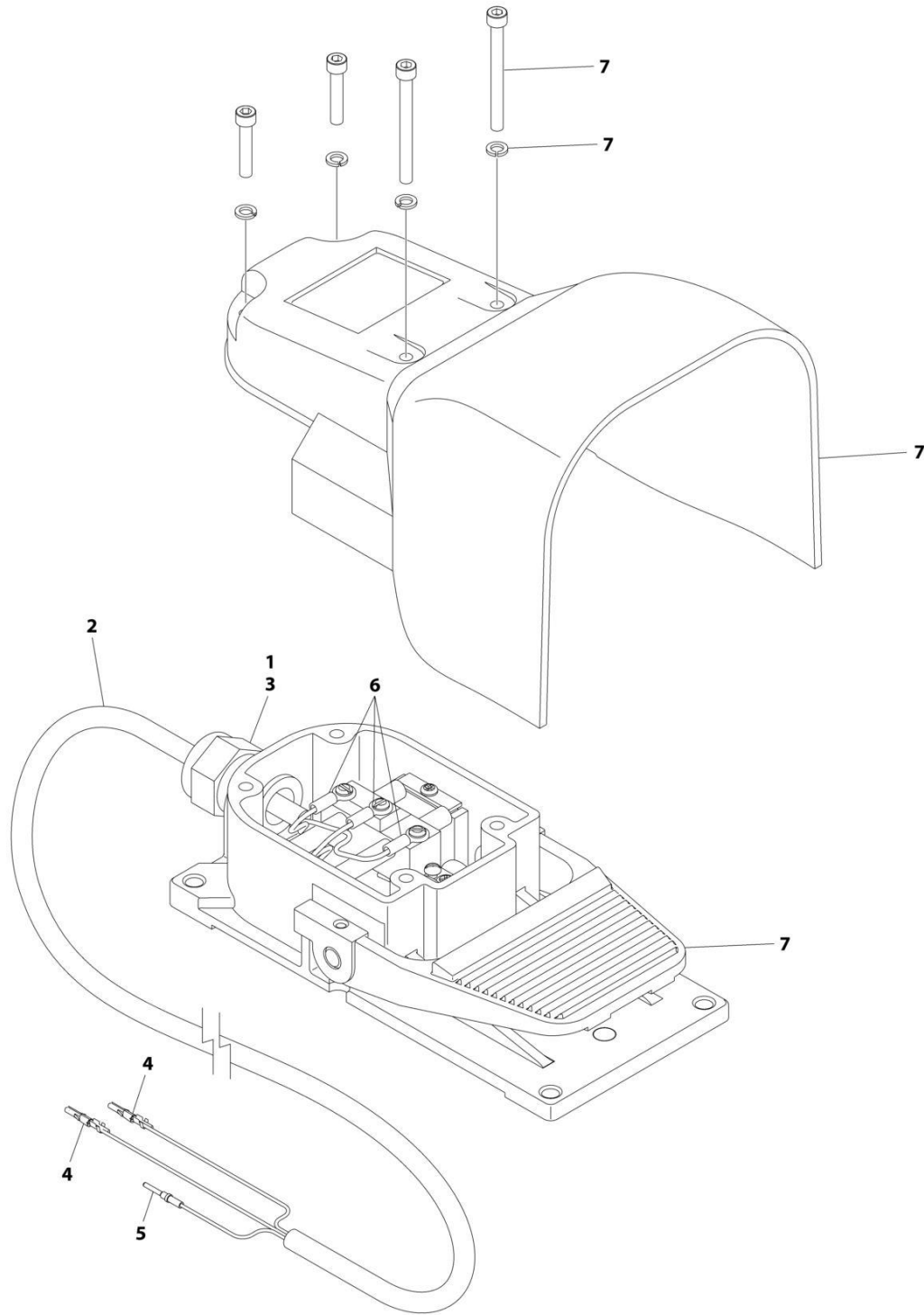
SECTION 5 - PLATFORM

FIGURE 5-22. FALL ARREST INSTALLATION (BOLT - ON EXTERNAL) 8FT/2.4M PLATFORM

ITEM	PART NUMBER	QTY	DESCRIPTION	REV
	1001236746	Ref	FALL ARREST INSTALLATION (BOLT - ON) 8FT/2.4M PLATFORM	C
1	0681620	6	Bolt 3/8 x 2-1/2	
2	0682424	1	Bolt 7/8 x 3	
3	3271605	6	Nut 3/8	
4	3272001	1	Nut 5/8	
5	3312002	2	Nut 5/8	
6	4711600	12	Washer 3/8	
7	4712000	1	Washer 5/8	
8	88521214	1	Nut 7/8	
9	1001231949	1	Rope	
10	1001232010	1	Bracket (RH)	
11	1001232011	1	Bracket (LH)	
12	1001236891	2	Washer	
13	1001236895	1	Ring	
14	1001238263	1	Decal - Warning Falling Hazard	
15	1001252629	1	Decal - Weight 23LBS/10.4KG	
16	1001248140	1	Decal - Bolt Fall Arrest Re-Cert	
17	1001248141	1	Decal - Inscription	

SECTION 5 - PLATFORM

FIGURE 5-23. FOOTSWITCH ASSEMBLY



ART_1001117174

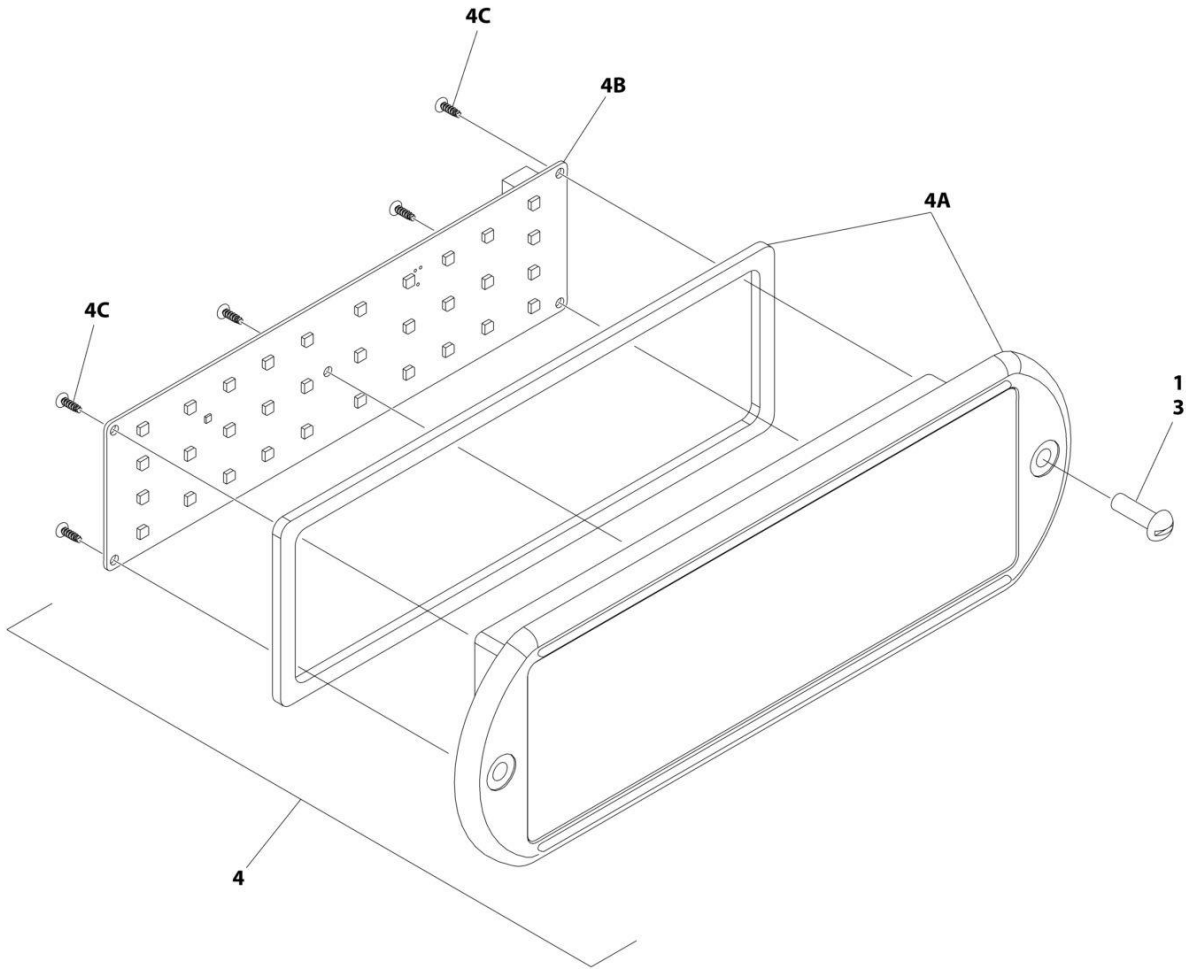
SECTION 5 - PLATFORM

FIGURE 5-23. FOOTSWITCH ASSEMBLY

ITEM	PART NUMBER	QTY	DESCRIPTION	REV
	1001117174	Ref	FOOTSWITCH ASSEMBLY	C
1	0100020	AR	Sealant	
2	1060918	7.5 ft/ 2.3m	Cable, Electrical - 18/3	
3	4460071	1	Connector, Strain Relief	
4	4460226	2	Socket, Female	
5	4460464	1	Pin, Male	
6	1001098122	3	Terminal	
7	1001117172	1	Footswitch	
7	70002902	1	Switch, 20Amp	
7	70002903	1	Gasket	
7	70002905	1	Cover	
7	70002904	1	Kit, Replacement Bolt	

SECTION 5 - PLATFORM

FIGURE 5-24. LIGHT PANEL INSTALLATION (MACHINES WITH SN STARTING WITH 03)



ART_1001233959_20F2

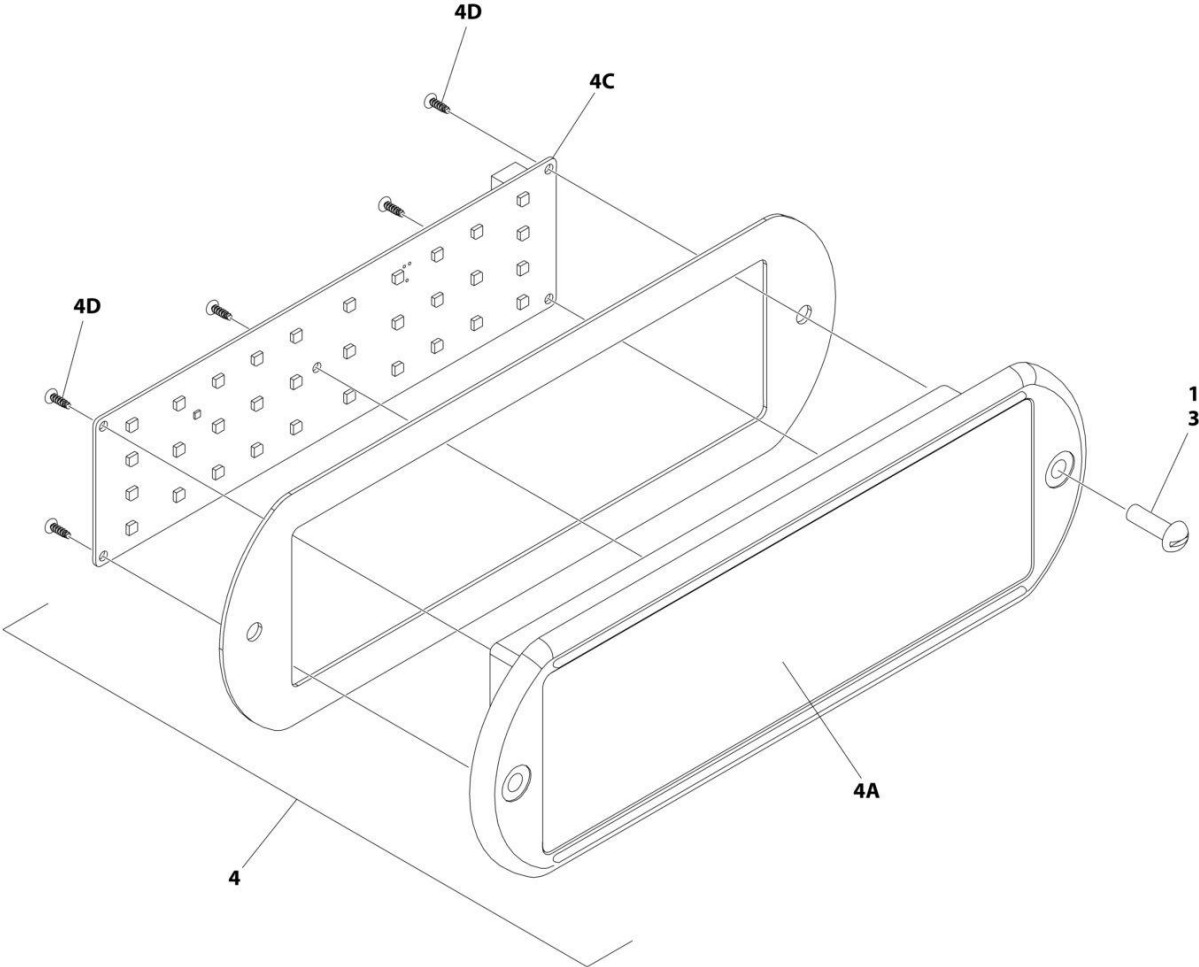
SECTION 5 - PLATFORM

FIGURE 5-24. LIGHT PANEL INSTALLATION (MACHINES WITH SN STARTING WITH 03)

ITEM	PART NUMBER	QTY	DESCRIPTION	REV
	1001233959	Ref	LIGHT PANEL INSTALLATION - PLATFORM CONSOLE	C
1	0100035	AR	Compound, Locking	
3	0630518	2	Screw #10 x 3/4	
4	1001237544	1	Light Panel Assembly	
4A	1001236087	1	Lens, I-Con (Includes Gasket)	
4B	1001187807	1	Panel, LED Light	
4C		Ref	Screw	

SECTION 5 - PLATFORM

FIGURE 5-25. LIGHT PANEL INSTALLATION (MACHINES WITH SN STARTING WITH B3)



ART_1001241398_B_20F2

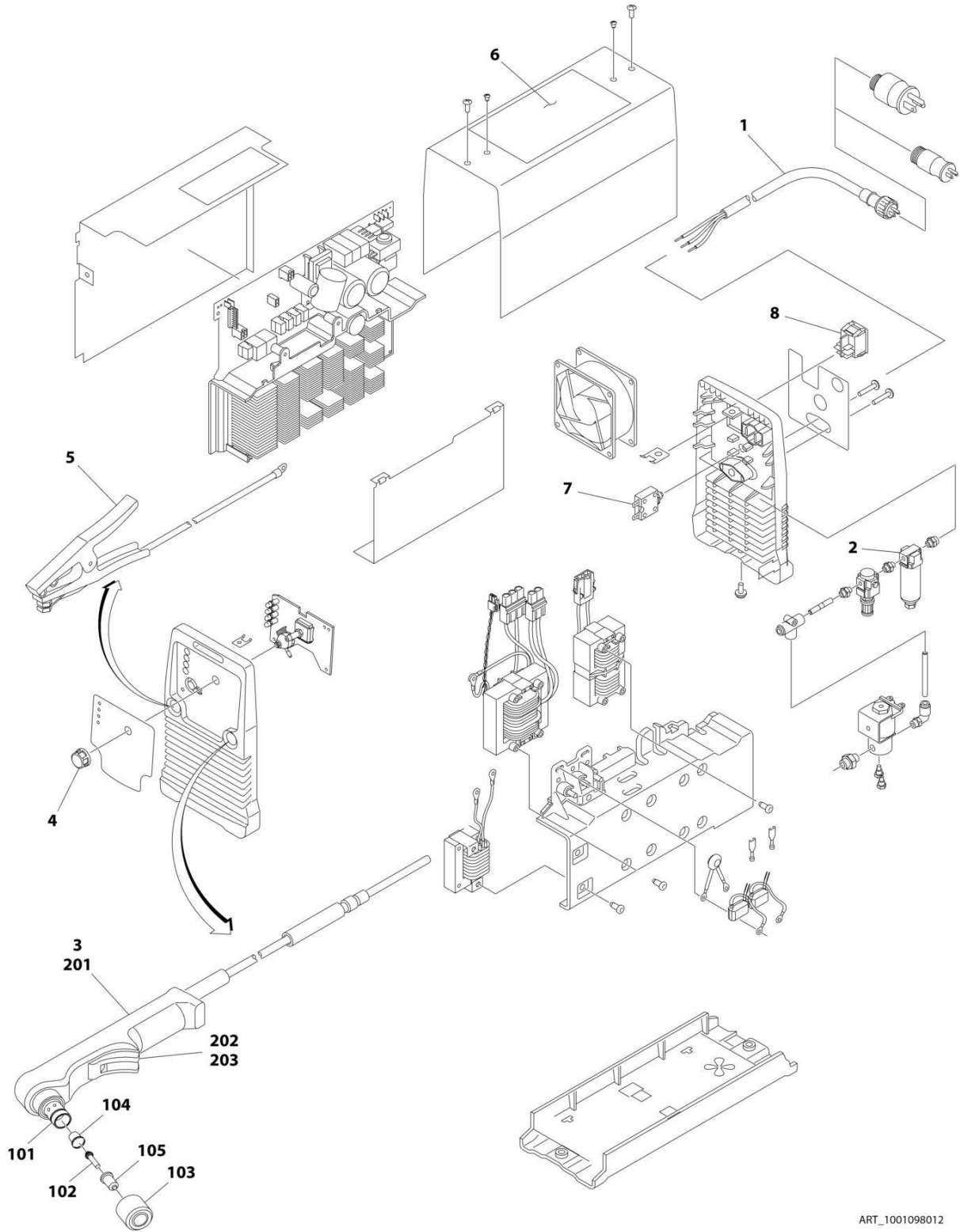
SECTION 5 - PLATFORM

FIGURE 5-25. LIGHT PANEL INSTALLATION (MACHINES WITH SN STARTING WITH B3)

ITEM	PART NUMBER	QTY	DESCRIPTION	REV
	1001241398	Ref	LIGHT PANEL INSTALLATION - PLATFORM CONSOLE	B
1	0100035	AR	Compound, Locking	
3	3911010	2	Screw #10 x 5/8	
4	1001238671	1	Light Panel Assembly	
4A	1001236087	1	Lens, I-Con	
4C	1001238732	1	Panel, LED Light	
4D		Ref	Screw	

SECTION 5 - PLATFORM

FIGURE 5-26. PLASMA CUTTER ASSEMBLY



ART_1001098012

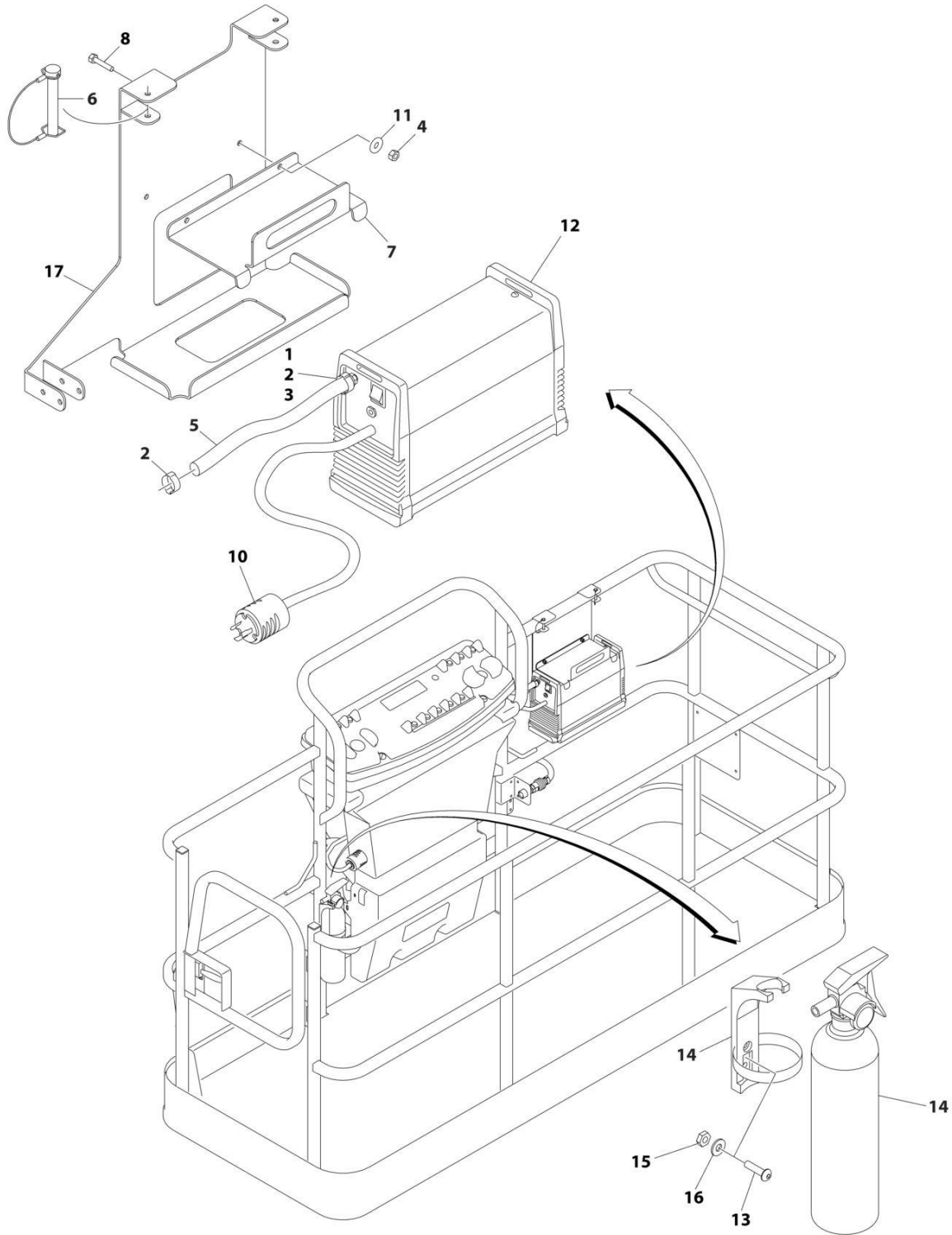
SECTION 5 - PLATFORM

FIGURE 5-26. PLASMA CUTTER ASSEMBLY

ITEM	PART NUMBER	QTY	DESCRIPTION	REV
	1001098012	Ref	PLASMA CUTTER ASSEMBLY	A
		Ref	Note: For Other Components, contact your Miller Welder Dealer.	
1	70001424	1	Cable, Power	
1	70001425	1	Decal - Voltage Warning	
2	70001427	1	Filter, Regulator	
3	70001428	1	Torch Assembly (See Items 101-203 for Breakdown)	
4	7024471	1	Knob	
5	70001429	1	Clamp with Cable	
6	70001430	1	Decal - Caution	
7	70001431	1	Breaker, Circuit	
8	70001432	1	Switch, Rocker	
	70001428	Ref	TORCH ASSEMBLY	
101	7024530	1	O-Ring	
102	7024531	1	Electrode	
103	7024532	1	Cup, Retaining	
104	7024533	1	Swirl Ring	
105	7024534	1	Tip	
201	7024535	1	Handle, Torch	
202	7024536	1	Switch	
203	7024537	1	Trigger	

SECTION 5 - PLATFORM

FIGURE 5-27. SKYCUTTER INSTALLATION (ANSI, ANSI EXPORT, CHINA, CSA AND JAPANESE SPECS)



ART_1001098149_D

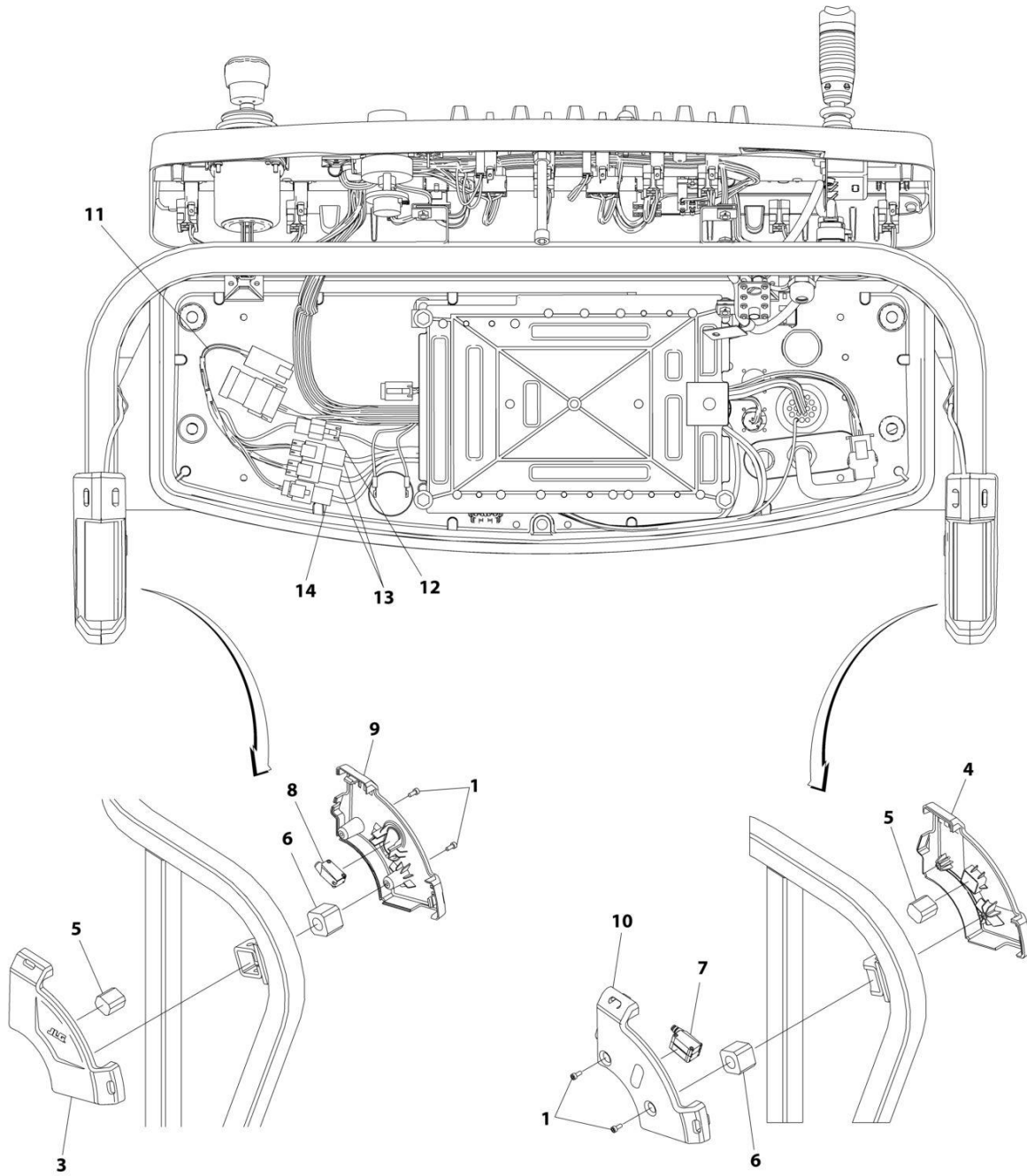
SECTION 5 - PLATFORM

FIGURE 5-27. SKYCUTTER INSTALLATION (ANSI, ANSI EXPORT, CHINA, CSA AND JAPANESE SPECS)

ITEM	PART NUMBER	QTY	DESCRIPTION	REV
	1001098149	Ref	SKYCUTTER INSTALLATION	D
		Ref	Note: When replacing platform on machines with SkyCutter option, new bracket p/n 1001145405 must be purchased to accommodate SkyCutter components.	
1	0100020	AR	Sealant	
2	1320177	2	Clamp, Hose	
3	2180832	1	Fitting, NPT/Barbed	
4	3290605	2	Nut M6	
5	2720160	3 ft /.9m	Hose	
6	3421453	3	Pin	
7	3576799	1	Plate, Hold-Down	
8	4010608	2	Screw M6 x 16	
10	4460971	1	Plug, Twistlock	
11	4811700	2	Washer M6	
12	1001098012	1	Plasma Cutter Assembly (See Separate Breakdown in this Section)	
13	0630518	2	Screw #10 x 3/4	
14	2030010	1	Extinguisher, Fire	
15	3311005	2	Nut #10	
16	4751000	2	Washer #10	
17	1001145405	1	Support	

SECTION 5 - PLATFORM

FIGURE 5-28. SKYEYE INSTALLATION



ART_1001229341

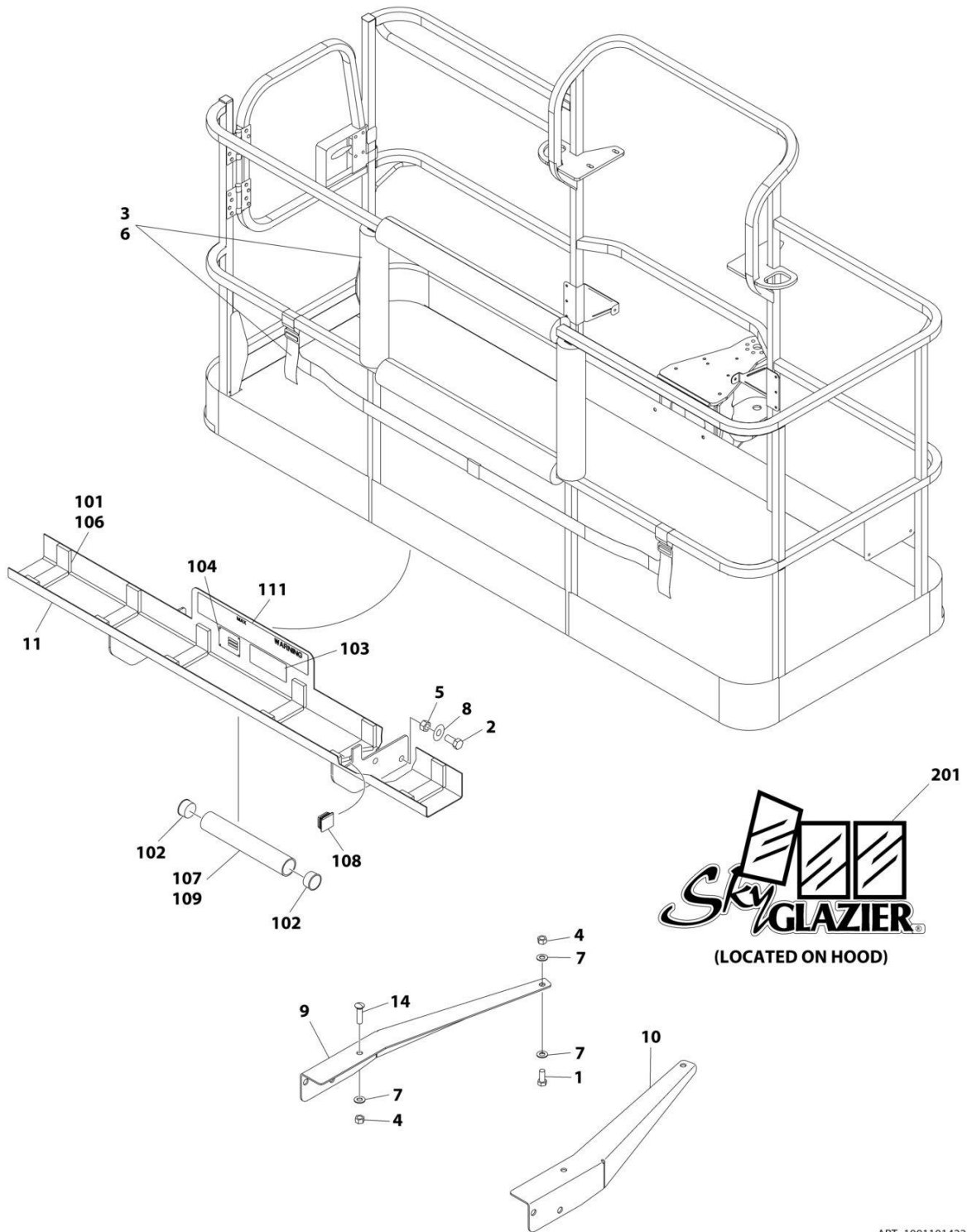
SECTION 5 - PLATFORM

FIGURE 5-28. SKYEYE INSTALLATION

ITEM	PART NUMBER	QTY	DESCRIPTION	REV
	1001229341	Ref	SKYEYE INSTALLATION	B
1	4031505	4	Bolt M4 x 10	
2	4240033	AR	Tie-Strap (Not Shown)	
3	1001227633	1	Housing, LH Outer	
4	1001227634	1	Housing, RH Outer	
5	1001227985	2	Shim	
6	1001227987	2	Shim	
7	1001228224	2	Sensor, Receiver	
8	1001228225	1	Sensor, Emitter	
9	1001232164	1	Housing, LH Inner	
10	1001232165	1	Housing, RH Inner	
11	1001237865	1	Harness, Skyeeye Intermediate (See Separate Breakdown in ELECTRICAL Section)	
12	1001238319	NLA	Harness, Skyeeye Drain Jumper	
12	1001187674	1	Plug, Male - 2 Position	
12	4460942	1	Terminal	
12	4460466	1	Plug, Terminal	
12	4460508	1	Pin, Male	
13	1001237863	2	Harness, Skyeeye Receiver (See Separate Breakdown in ELECTRICAL Section)	
14	1001237864	1	Harness, Skyeeye Emitter (See Separate Breakdown in ELECTRICAL Section)	

SECTION 5 - PLATFORM

FIGURE 5-29. SKYGLAZIER INSTALLATION (ANSI AND CSA SPECS)



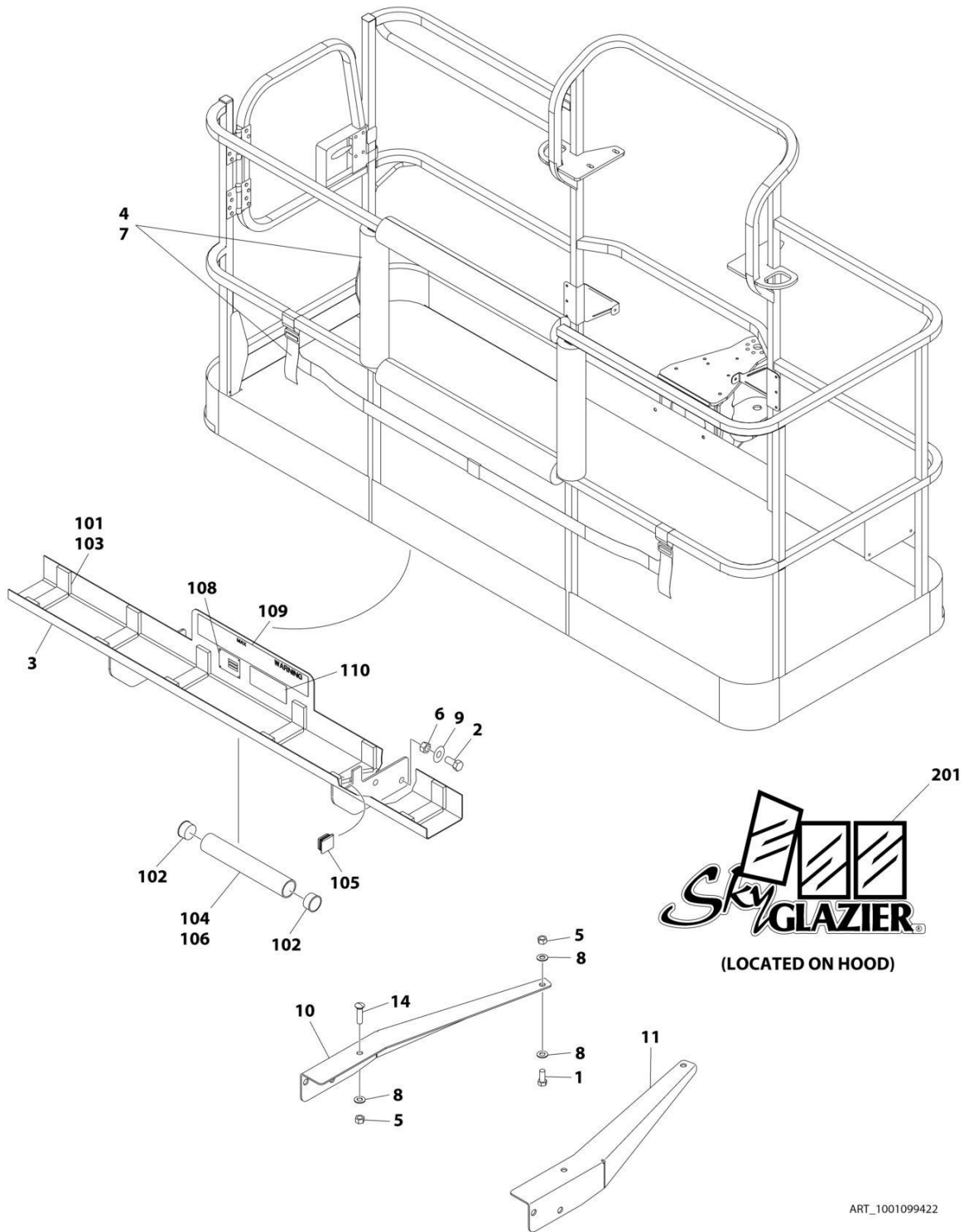
SECTION 5 - PLATFORM

FIGURE 5-29. SKYGLAZIER INSTALLATION (ANSI AND CSA SPECS)

ITEM	PART NUMBER	QTY	DESCRIPTION	REV
	1001101422	Ref	SKYGLAZIER INSTALLATION	C
1	0642012	2	Bolt 5/8 x 1-1/2	
2	0642212	4	Bolt 3/4 x 1-1/2	
3	2902212	1	Bumpers and Strap Kit	
3	0940102	1	Bumper Only	
3	4240149	1	Strap Only	
4	3312005	4	Nut 5/8	
5	3312205	4	Nut 3/4	
6	4420014	AR	Tape	
7	4712000	6	Washer 5/8	
8	4712200	8	Washer 3/4	
9	1001099366	1	Support	
10	1001099367	1	Support	
11	1001101421	1	Tray Assembly (See Items 101-111 for Breakdown)	
14	8310129	2	Bolt 3/4 x 2-1/2	
	1001101421	Ref	TRAY ASSEMBLY	F
101	0100081	AR	Adhesive	
102	1120555	2	Cap, Tube	
103	1701509	1	Decal - Manual	
104	See Note	NSS	Nameplate - Serial Number (Note: Not Available for Purchase)	
106	3340956	1	Pad Kit	
107	3460334	1	Tube	
108	3520071	2	Plug	
109	4420066	AR	Tape, Double Sided	
111	1001163131	2	Decal - Glazier Capacity	
	0272418	Ref	SKYGLAZIER DECAL INSTALLATION	4
201	1705358	2	Decal - SkyGlazier	

SECTION 5 - PLATFORM

FIGURE 5-30. SKYGLAZIER INSTALLATION (BRAZIL SPECS)



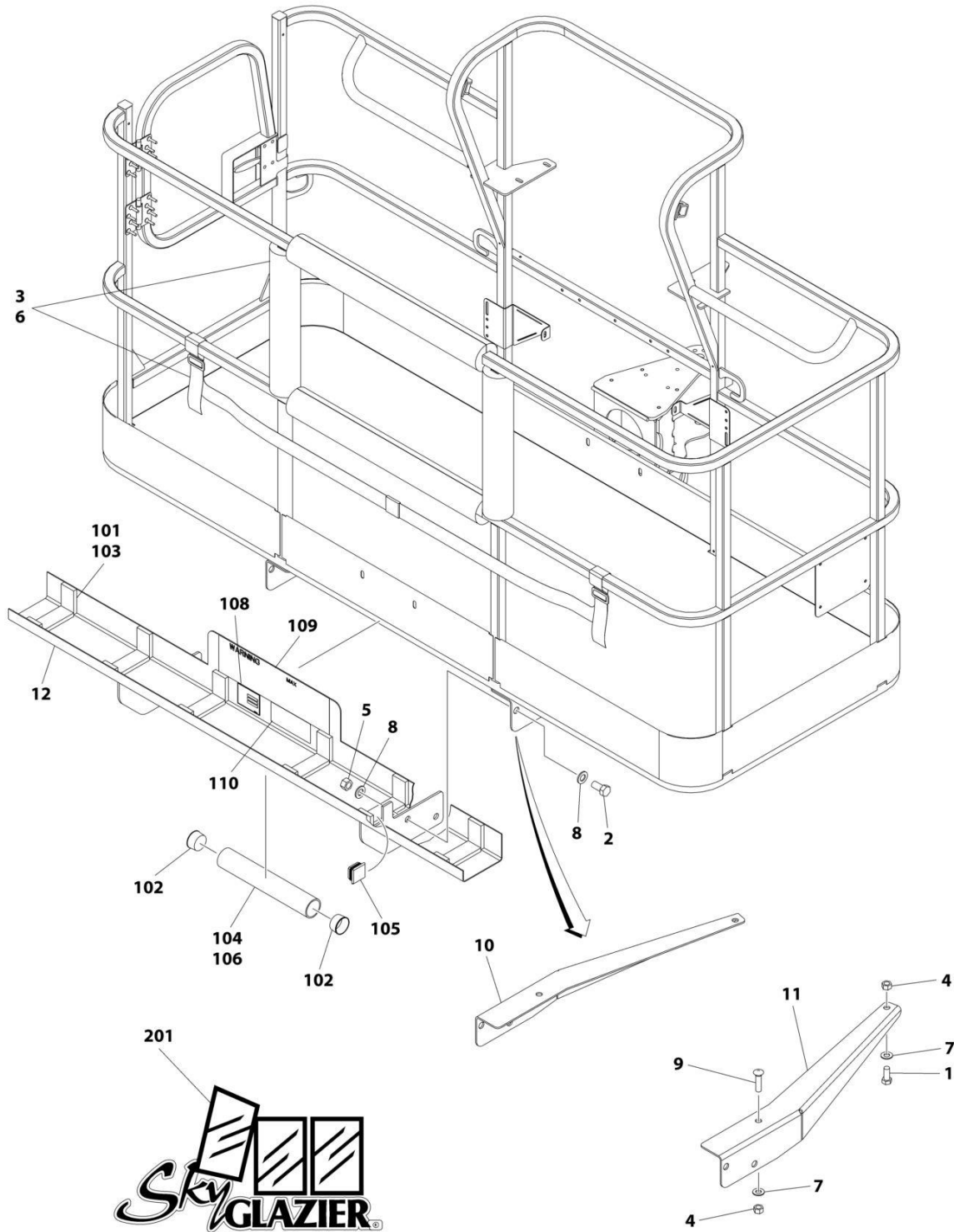
SECTION 5 - PLATFORM

FIGURE 5-30. SKYGLAZIER INSTALLATION (BRAZIL SPECS)

ITEM	PART NUMBER	QTY	DESCRIPTION	REV
	1001099422	Ref	SKYGLAZIER INSTALLATION	C
1	0642012	2	Bolt 5/8 x 1-1/2	
2	0642212	4	Bolt 3/4 x 1-1/2	
3	0272951	1	Tray Assembly (See Items 101-110 for Breakdown)	
4	2902212	1	Bumpers and Strap Kit	
4	0940102	1	Bumper Only	
4	4240149	1	Strap Only	
5	3312005	4	Nut 5/8	
6	3312205	4	Nut 3/4	
7	4420014	AR	Tape	
8	4712000	6	Washer 5/8	
9	4712200	8	Washer 3/4	
10	1001099366	1	Support	
11	1001099367	1	Support	
14	8310129	2	Bolt 3/4 x 2-1/2	
	0272951	Ref	TRAY ASSEMBLY	F
101	0100081	AR	Adhesive	
102	1120555	2	Cap, Tube	
103	3340956	1	Pad Kit	
104	3460334	1	Tube	
105	3520071	2	Plug	
106	4420066	AR	Tape, Double Sided	
108	See Note	NSS	Nameplate - Serial Number (Note: Not Available for Purchase)	
109	1001163297	2	Decal - Glazier Capacity	
110	1701509	1	Decal - Manual	
	0272418	Ref	SKYGLAZIER DECAL INSTALLATION	4
201	1705358	2	Decal - SkyGlazier	

SECTION 5 - PLATFORM

FIGURE 5-31. SKYGLAZIER INSTALLATION (DANISH SPECS)



ART_1001238462

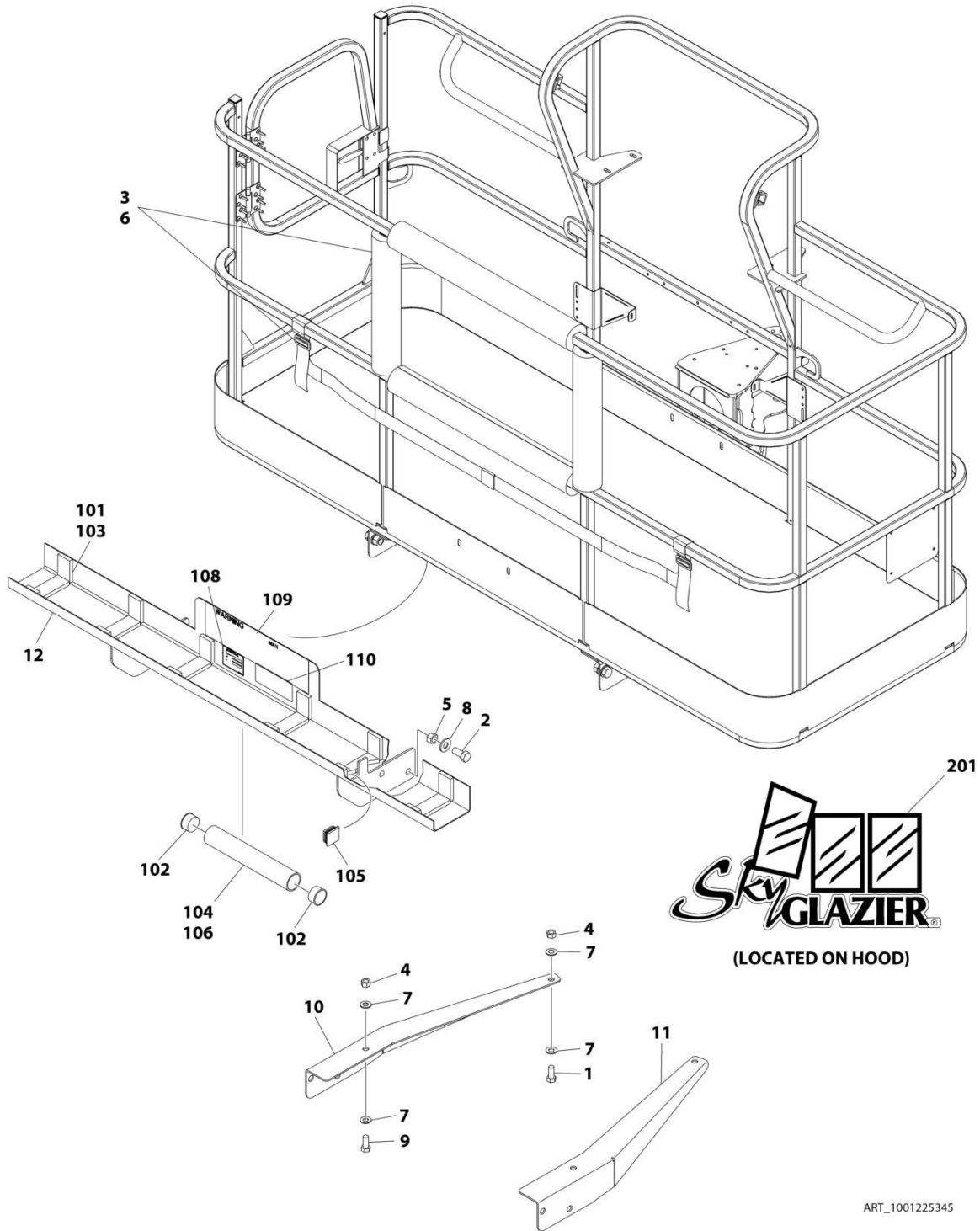
SECTION 5 - PLATFORM

FIGURE 5-31. SKYGLAZIER INSTALLATION (DANISH SPECS)

ITEM	PART NUMBER	QTY	DESCRIPTION	REV
	1001238462	Ref	SKYGLAZIER INSTALLATION	A
1	0642012	2	Bolt 5/8 x 1-1/2	
2	0642212	4	Bolt 3/4 x 1-1/2	
3	2902212	1	Bumpers and Strap Kit	
3	0940102	1	Bumper Only	
3	4240149	1	Strap Only	
4	3312005	4	Nut 5/8	
5	3312205	4	Nut 3/4	
6	4420014	AR	Tape	
7	4712000	4	Washer 5/8	
8	4712200	8	Washer 3/4	
9	8310129	2	Bolt 5/8 x 2-1/2	
10	1001099366	1	Support	
11	1001099367	1	Support	
12	1001238423	1	Tray Assembly (See Items 101-110 for Breakdown)	
	1001238423	Ref	TRAY ASSEMBLY	B
101	0100081	AR	Adhesive	
102	1120555	2	Cap, Tube	
103	3340956	1	Pad Kit	
104	3460334	1	Tube	
105	3520071	2	Plug	
106	4420066	AR	Tape, Double Sided	
108	See Note	NSS	Nameplate - Serial Number (Note: Not Available for Purchase)	
109	1001237705	2	Decal - Glazier Capacity	
110	1701509	1	Decal - Manual	
	0272418	Ref	SKYGLAZIER DECAL INSTALLATION	4
201	1705358	2	Decal - SkyGlazier	

SECTION 5 - PLATFORM

FIGURE 5-32. SKYGLAZIER INSTALLATION (FINNISH SPECS)



ART_1001225345

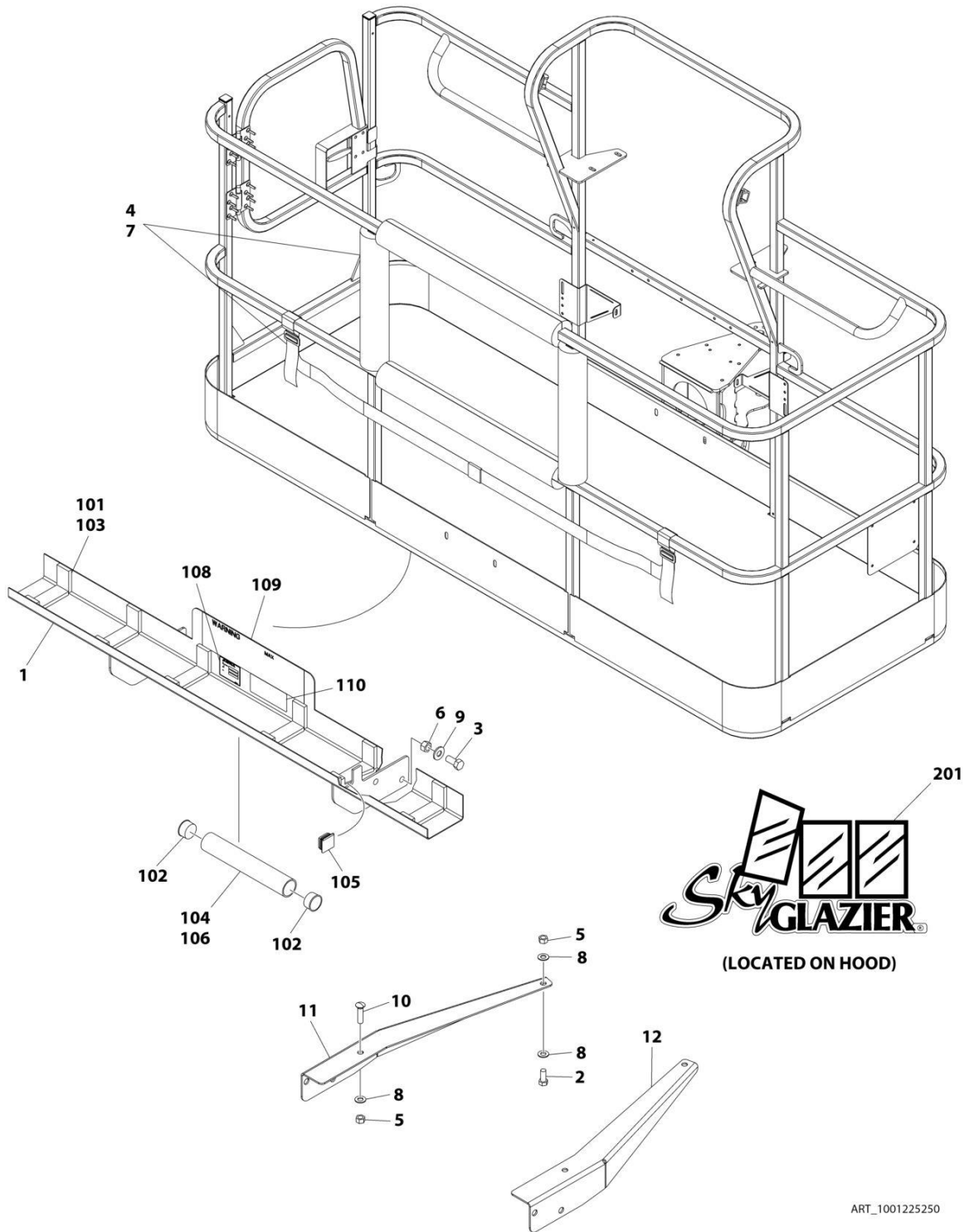
SECTION 5 - PLATFORM

FIGURE 5-32. SKYGLAZIER INSTALLATION (FINNISH SPECS)

ITEM	PART NUMBER	QTY	DESCRIPTION	REV
	1001225345	Ref	SKYGLAZIER INSTALLATION	A
1	0642012	2	Bolt 5/8 x 1-1/2	
2	0642212	4	Bolt 3/4 x 1-1/2	
3	2902212	1	Bumpers and Strap Kit	
3	0940102	1	Bumper Only	
3	4240149	1	Strap Only	
4	3312005	4	Nut 5/8	
5	3312205	4	Nut 3/4	
6	4420014	AR	Tape	
7	4712000	6	Washer 5/8	
8	4712200	8	Washer 3/4	
9	8310129	2	Bolt 5/8 x 2-1/2	
10	1001099366	1	Support	
11	1001099367	1	Support	
12	1001181142	1	Tray Assembly (See Items 101-110 for Breakdown)	
	1001181142	Ref	TRAY ASSEMBLY	B
101	0100081	AR	Adhesive	
102	1120555	2	Cap, Tube	
103	3340956	1	Pad Kit	
104	3460334	1	Tube	
105	3520071	2	Plug	
106	4420066	AR	Tape, Double Sided	
108	See Note	NSS	Nameplate - Serial Number (Note: Not Available for Purchase)	
109	1001181134	2	Decal - Glazier Capacity	
110	1701509	1	Decal - Manual	
	0272418	Ref	SKYGLAZIER DECAL INSTALLATION	4
201	1705358	2	Decal - SkyGlazier	

SECTION 5 - PLATFORM

FIGURE 5-33. SKYGLAZIER INSTALLATION (FRENCH SPECS)



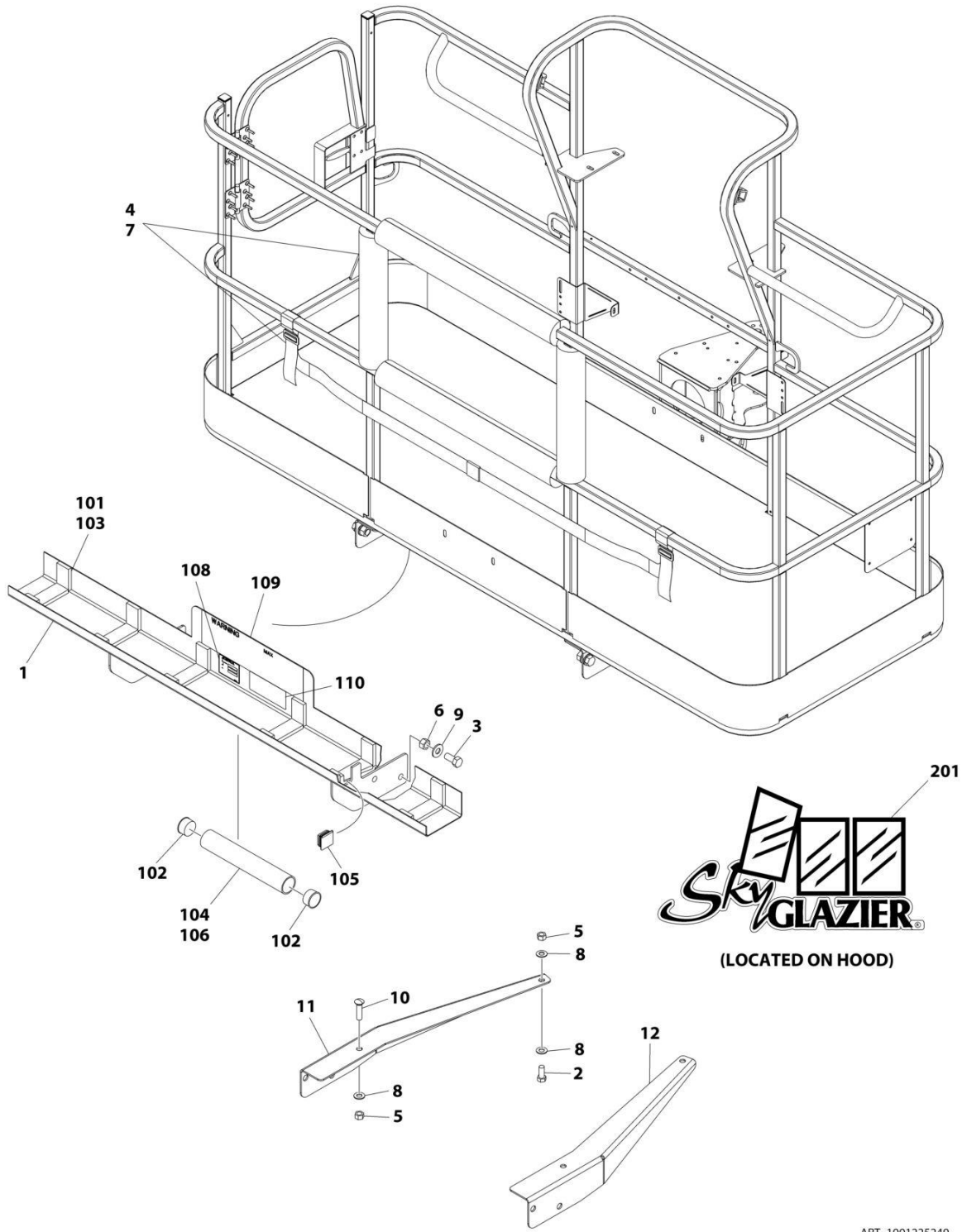
SECTION 5 - PLATFORM

FIGURE 5-33. SKYGLAZIER INSTALLATION (FRENCH SPECS)

ITEM	PART NUMBER	QTY	DESCRIPTION	REV
	1001225250	Ref	SKYGLAZIER INSTALLATION	A
1	0272949	1	Tray Assembly (See Items 101-110 for Breakdown)	
2	0642012	2	Bolt 5/8 x 1-1/2	
3	0642212	4	Bolt 3/4 x 1-1/2	
4	2902212	1	Bumpers and Strap Kit	
4	0940102	1	Bumper Only	
4	4240149	1	Strap Only	
5	3312005	4	Nut 5/8	
6	3312205	4	Nut 3/4	
7	4420014	AR	Tape	
8	4712000	6	Washer 5/8	
9	4712200	8	Washer 3/4	
10	8310129	2	Bolt 5/8 x 2-1/2	
11	1001099366	1	Support	
12	1001099367	1	Support	
	0272949	Ref	TRAY ASSEMBLY	E
101	0100081	AR	Adhesive	
102	1120555	2	Cap, Tube	
103	3340956	1	Pad Kit	
104	3460334	1	Tube	
105	3520071	2	Plug	
106	4420066	AR	Tape, Double Sided	
108	See Note	NSS	Nameplate - Serial Number (Note: Not Available for Purchase)	
109	1001163293	2	Decal - Glazier Capacity	
110	1701509	1	Decal - Manual	
	0272418	Ref	SKYGLAZIER DECAL INSTALLATION	4
201	1705358	2	Decal - SkyGlazier	

SECTION 5 - PLATFORM

FIGURE 5-34. SKYGLAZIER INSTALLATION (GERMAN SPECS)



ART_1001225249

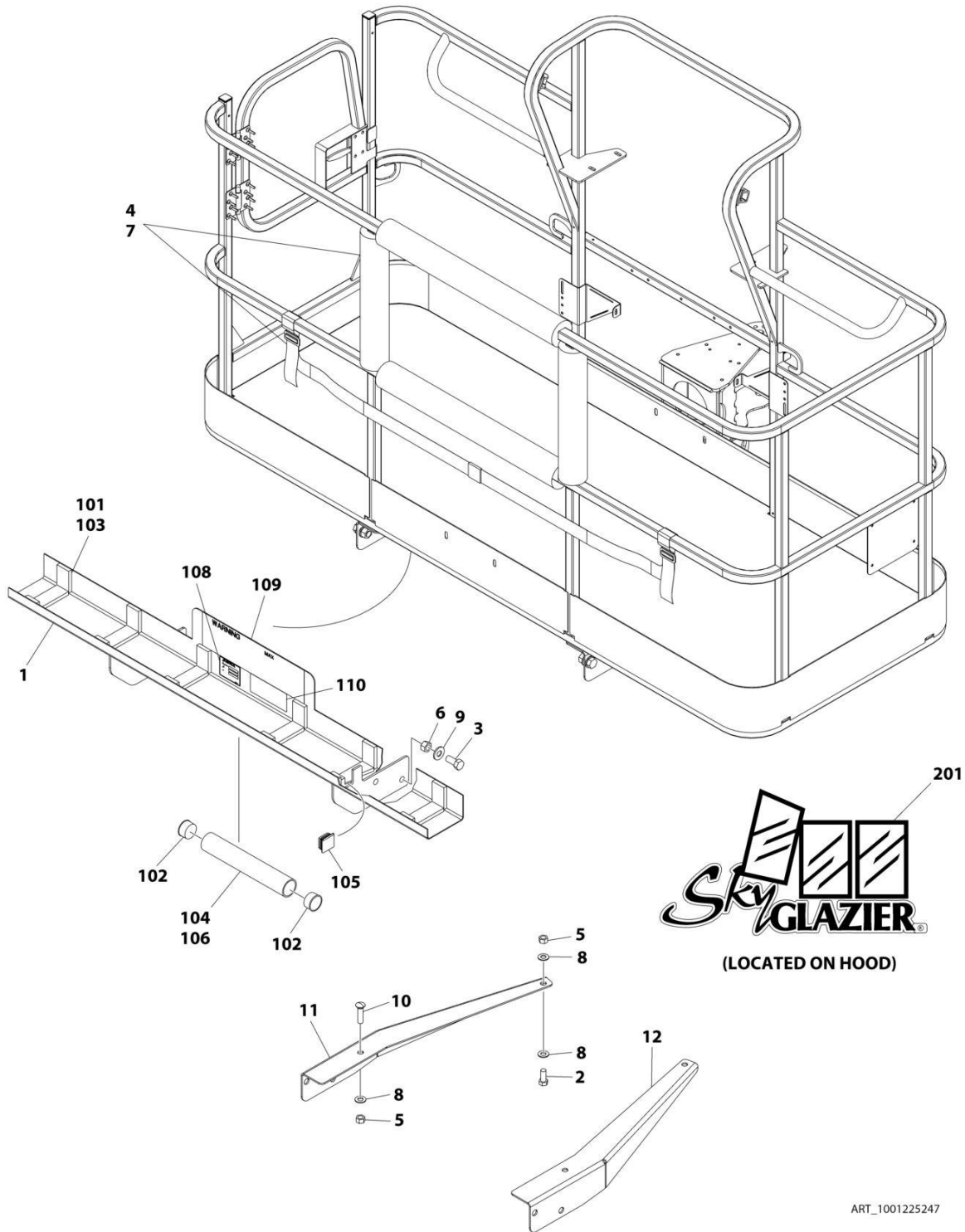
SECTION 5 - PLATFORM

FIGURE 5-34. SKYGLAZIER INSTALLATION (GERMAN SPECS)

ITEM	PART NUMBER	QTY	DESCRIPTION	REV
	1001225249	Ref	SKYGLAZIER INSTALLATION	A
1	0272950	1	Tray Assembly (See Items 101-110 for Breakdown)	
2	0642012	2	Bolt 5/8 x 1-1/2	
3	0642212	4	Bolt 3/4 x 1-1/2	
4	2902212	1	Bumpers and Strap Kit	
4	0940102	1	Bumper Only	
4	4240149	1	Strap Only	
5	3312005	4	Nut 5/8	
6	3312205	4	Nut 3/4	
7	4420014	AR	Tape	
8	4712000	6	Washer 5/8	
9	4712200	8	Washer 3/4	
10	8310129	2	Bolt 5/8 x 2-1/2	
11	1001099366	1	Support	
12	1001099367	1	Support	
	0272950	Ref	TRAY ASSEMBLY	E
101	0100081	AR	Adhesive	
102	1120555	2	Cap, Tube	
103	3340956	1	Pad Kit	
104	3460334	1	Tube	
105	3520071	2	Plug	
106	4420066	AR	Tape, Double Sided	
108	See Note	NSS	Nameplate - Serial Number (Note: Not Available for Purchase)	
109	1001163298	2	Decal - Glazier Capacity	
110	1701509	1	Decal - Manual	
	0272418	Ref	SKYGLAZIER DECAL INSTALLATION	4
201	1705358	2	Decal - SkyGlazier	

SECTION 5 - PLATFORM

FIGURE 5-35. SKYGLAZIER INSTALLATION (ITALIAN SPECS)



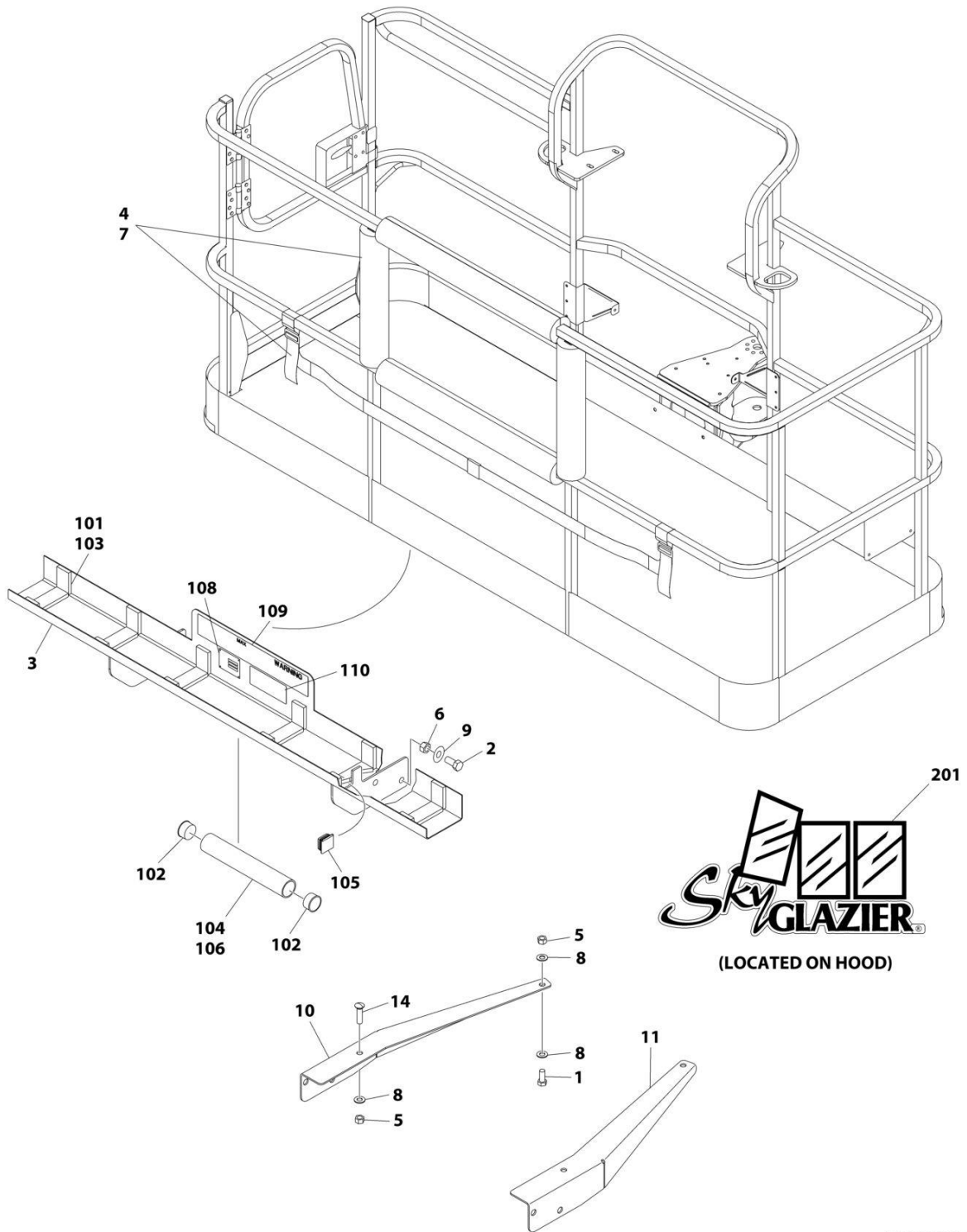
SECTION 5 - PLATFORM

FIGURE 5-35. SKYGLAZIER INSTALLATION (ITALIAN SPECS)

ITEM	PART NUMBER	QTY	DESCRIPTION	REV
	1001225247	Ref	SKYGLAZIER INSTALLATION	A
1	0272952	1	Tray Assembly (See Items 101-110 for Breakdown)	
2	0642012	2	Bolt 5/8 x 1-1/2	
3	0642212	4	Bolt 3/4 x 1-1/2	
4	2902212	1	Bumpers and Strap Kit	
4	0940102	1	Bumper Only	
4	4240149	1	Strap Only	
5	3312005	4	Nut 5/8	
6	3312205	4	Nut 3/4	
7	4420014	AR	Tape	
8	4712000	6	Washer 5/8	
9	4712200	8	Washer 3/4	
10	8310129	2	Bolt 5/8 x 2-1/2	
11	1001099366	1	Support	
12	1001099367	1	Support	
	0272952	Ref	TRAY ASSEMBLY	E
101	0100081	AR	Adhesive	
102	1120555	2	Cap, Tube	
103	3340956	1	Pad Kit	
104	3460334	1	Tube	
105	3520071	2	Plug	
106	4420066	AR	Tape, Double Sided	
108	See Note	NSS	Nameplate - Serial Number (Note: Not Available for Purchase)	
109	1001163287	2	Decal - Glazier Capacity	
110	1701509	1	Decal - Manual	
	0272418	Ref	SKYGLAZIER DECAL INSTALLATION	4
201	1705358	2	Decal - SkyGlazier	

SECTION 5 - PLATFORM

FIGURE 5-36. SKYGLAZIER INSTALLATION (LATIN AMERICAN SPECS)



ART_1001099421

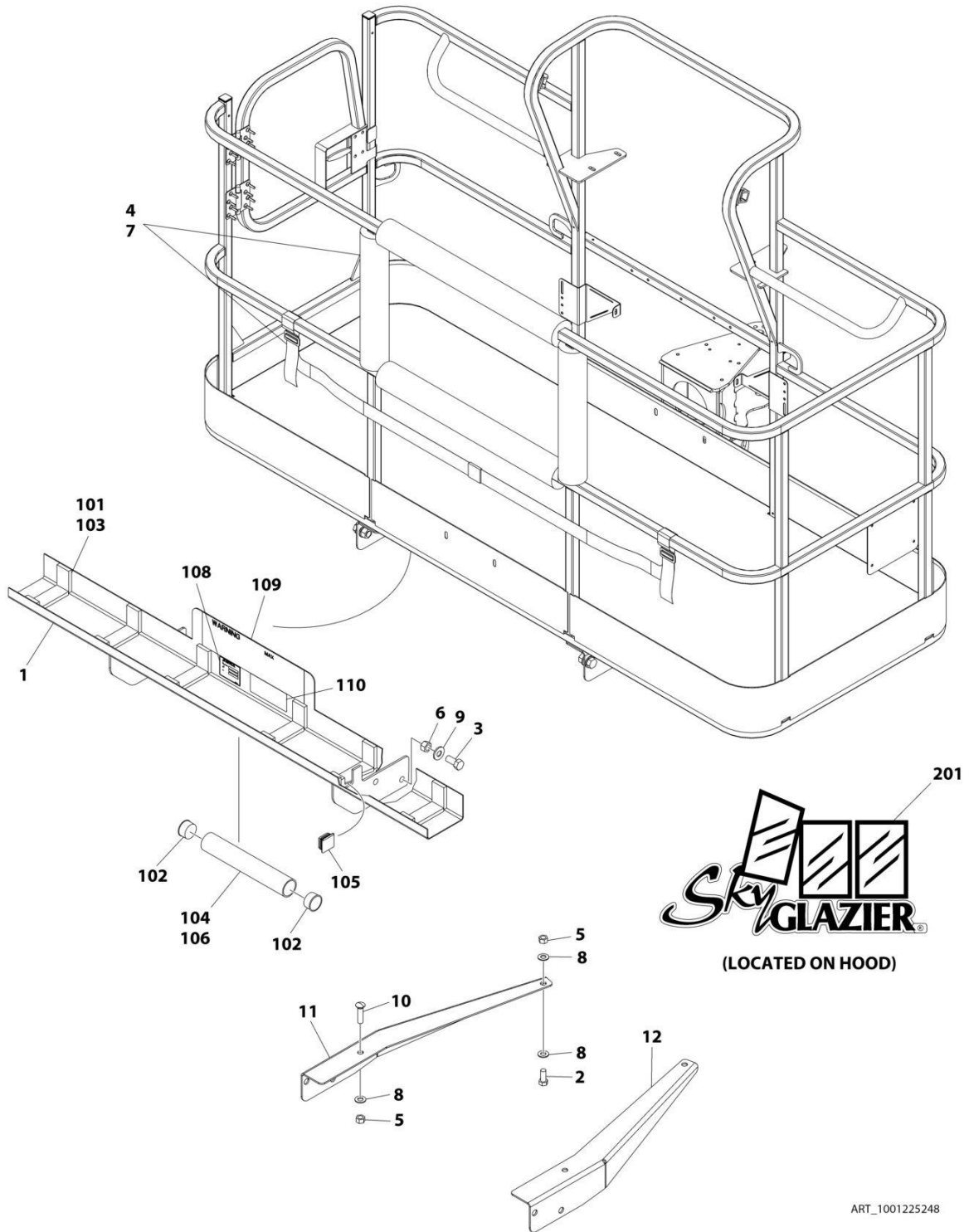
SECTION 5 - PLATFORM

FIGURE 5-36. SKYGLAZIER INSTALLATION (LATIN AMERICAN SPECS)

ITEM	PART NUMBER	QTY	DESCRIPTION	REV
	1001099421	Ref	SKYGLAZIER INSTALLATION	C
1	0642012	2	Bolt 5/8 x 1-1/2	
2	0642212	4	Bolt 3/4 x 1-1/2	
3	0272948	1	Tray Assembly (See Items 101-110 for Breakdown)	
4	2902212	1	Bumpers and Strap Kit	
4	0940102	1	Bumper Only	
4	4240149	1	Strap Only	
5	3312005	4	Nut 5/8	
6	3312205	4	Nut 3/4	
7	4420014	AR	Tape	
8	4712000	6	Washer 5/8	
9	4712200	8	Washer 3/4	
10	1001099366	1	Support	
11	1001099367	1	Support	
14	8310129	2	Bolt 3/4 x 2-1/2	
	0272948	Ref	TRAY ASSEMBLY	F
101	0100081	AR	Adhesive	
102	1120555	2	Cap, Tube	
103	3340956	1	Pad Kit	
104	3460334	1	Tube	
105	3520071	2	Plug	
106	4420066	AR	Tape, Double Sided	
108	See Note	NSS	Nameplate - Serial Number (Note: Not Available for Purchase)	
109	1001163296	2	Decal - Glazier Capacity	
110	1701509	1	Decal - Manual	
	0272418	Ref	SKYGLAZIER DECAL INSTALLATION	4
201	1705358	2	Decal - SkyGlazier	

SECTION 5 - PLATFORM

FIGURE 5-37. SKYGLAZIER INSTALLATION (PORTUGUESE SPECS)



ART_1001225248

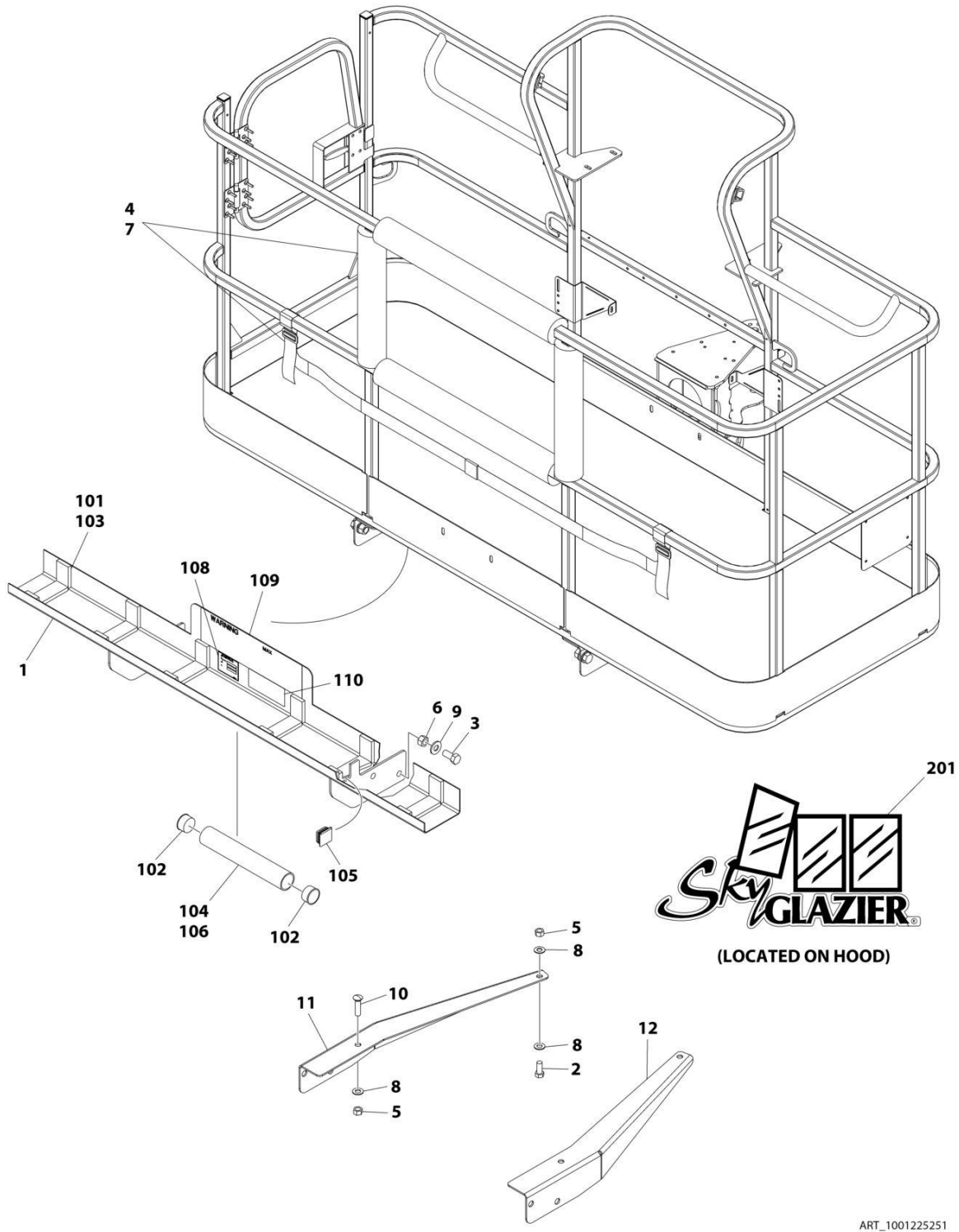
SECTION 5 - PLATFORM

FIGURE 5-37. SKYGLAZIER INSTALLATION (PORTUGUESE SPECS)

ITEM	PART NUMBER	QTY	DESCRIPTION	REV
	1001225248	Ref	SKYGLAZIER INSTALLATION	A
1	0273406	1	Tray Assembly (See Items 101-110 for Breakdown)	
2	0642012	2	Bolt 5/8 x 1-1/2	
3	0642212	4	Bolt 3/4 x 1-1/2	
4	2902212	1	Bumpers and Strap Kit	
4	0940102	1	Bumper Only	
4	4240149	1	Strap Only	
5	3312005	4	Nut 5/8	
6	3312205	4	Nut 3/4	
7	4420014	AR	Tape	
8	4712000	6	Washer 5/8	
9	4712200	8	Washer 3/4	
10	8310129	2	Bolt 5/8 x 2-1/2	
11	1001099366	1	Support	
12	1001099367	1	Support	
	0273406	Ref	TRAY ASSEMBLY	E
101	0100081	AR	Adhesive	
102	1120555	2	Cap, Tube	
103	3340956	1	Pad Kit	
104	3460334	1	Tube	
105	3520071	2	Plug	
106	4420066	AR	Tape, Double Sided	
108	See Note	NSS	Nameplate - Serial Number (Note: Not Available for Purchase)	
109	1001163289	2	Decal - Glazier Capacity	
110	1701509	1	Decal - Manual	
	0272418	Ref	SKYGLAZIER DECAL INSTALLATION	4
201	1705358	2	Decal - SkyGlazier	

SECTION 5 - PLATFORM

FIGURE 5-38. SKYGLAZIER INSTALLATION (SPANISH SPECS)



ART_1001225251

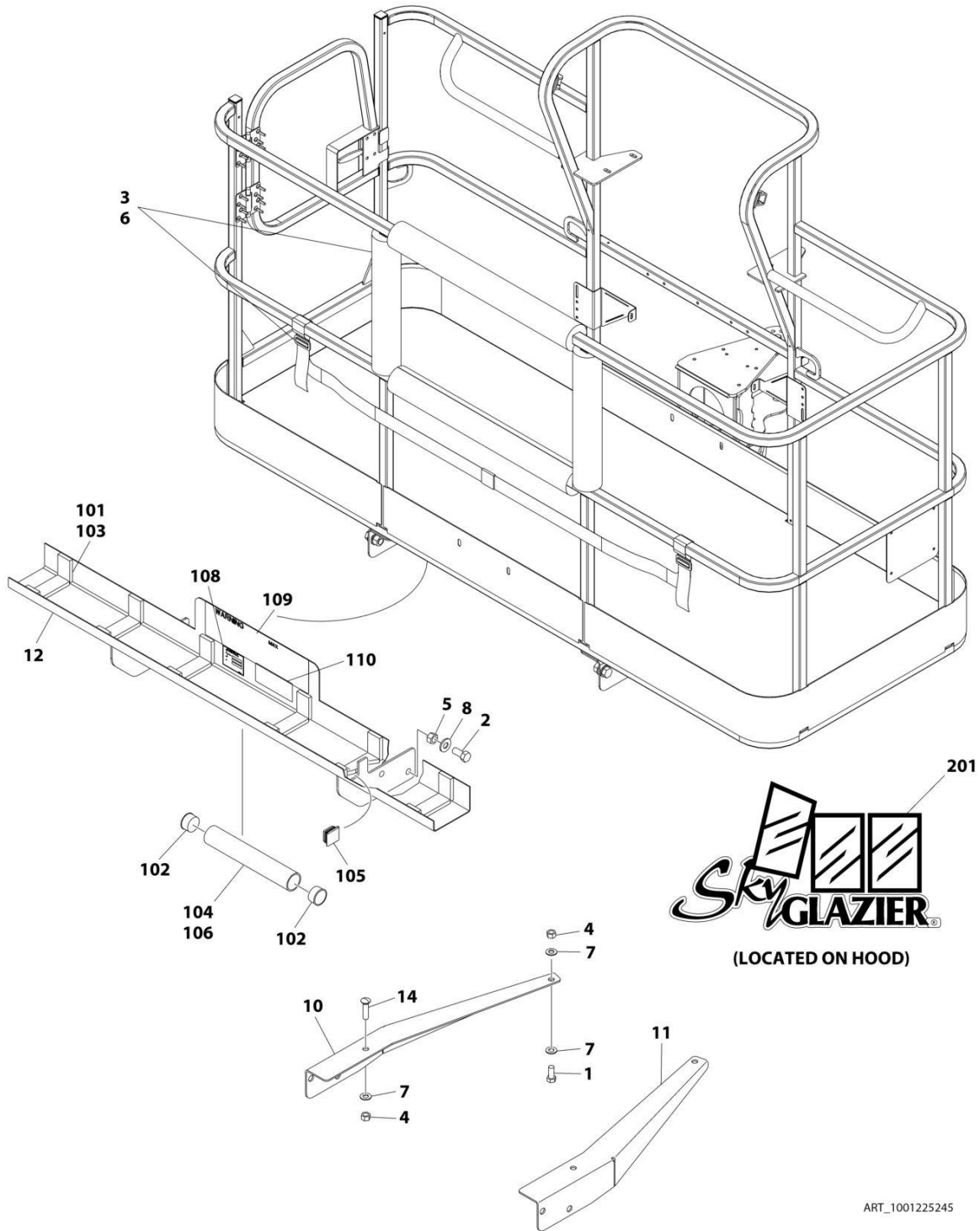
SECTION 5 - PLATFORM

FIGURE 5-38. SKYGLAZIER INSTALLATION (SPANISH SPECS)

ITEM	PART NUMBER	QTY	DESCRIPTION	REV
	1001225251	Ref	SKYGLAZIER INSTALLATION	A
1	0273405	1	Tray Assembly (See Items 101-110 for Breakdown)	
2	0642012	2	Bolt 5/8 x 1-1/2	
3	0642212	4	Bolt 3/4 x 1-1/2	
4	2902212	1	Bumpers and Strap Kit	
4	0940102	1	Bumper Only	
4	4240149	1	Strap Only	
5	3312005	4	Nut 5/8	
6	3312205	4	Nut 3/4	
7	4420014	AR	Tape	
8	4712000	6	Washer 5/8	
9	4712200	8	Washer 3/4	
10	8310129	2	Bolt 5/8 x 2-1/2	
11	1001099366	1	Support	
12	1001099367	1	Support	
	0273405	Ref	TRAY ASSEMBLY	E
101	0100081	AR	Adhesive	
102	1120555	2	Cap, Tube	
103	3340956	1	Pad Kit	
104	3460334	1	Tube	
105	3520071	2	Plug	
106	4420066	AR	Tape, Double Sided	
108	See Note	NSS	Nameplate - Serial Number (Note: Not Available for Purchase)	
109	1001163288	2	Decal - Glazier Capacity	
110	1701509	1	Decal - Manual	
	0272418	Ref	SKYGLAZIER DECAL INSTALLATION	4
201	1705358	2	Decal - SkyGlazier	

SECTION 5 - PLATFORM

FIGURE 5-39. SKYGLAZIER INSTALLATION (SWEDISH SPECS)



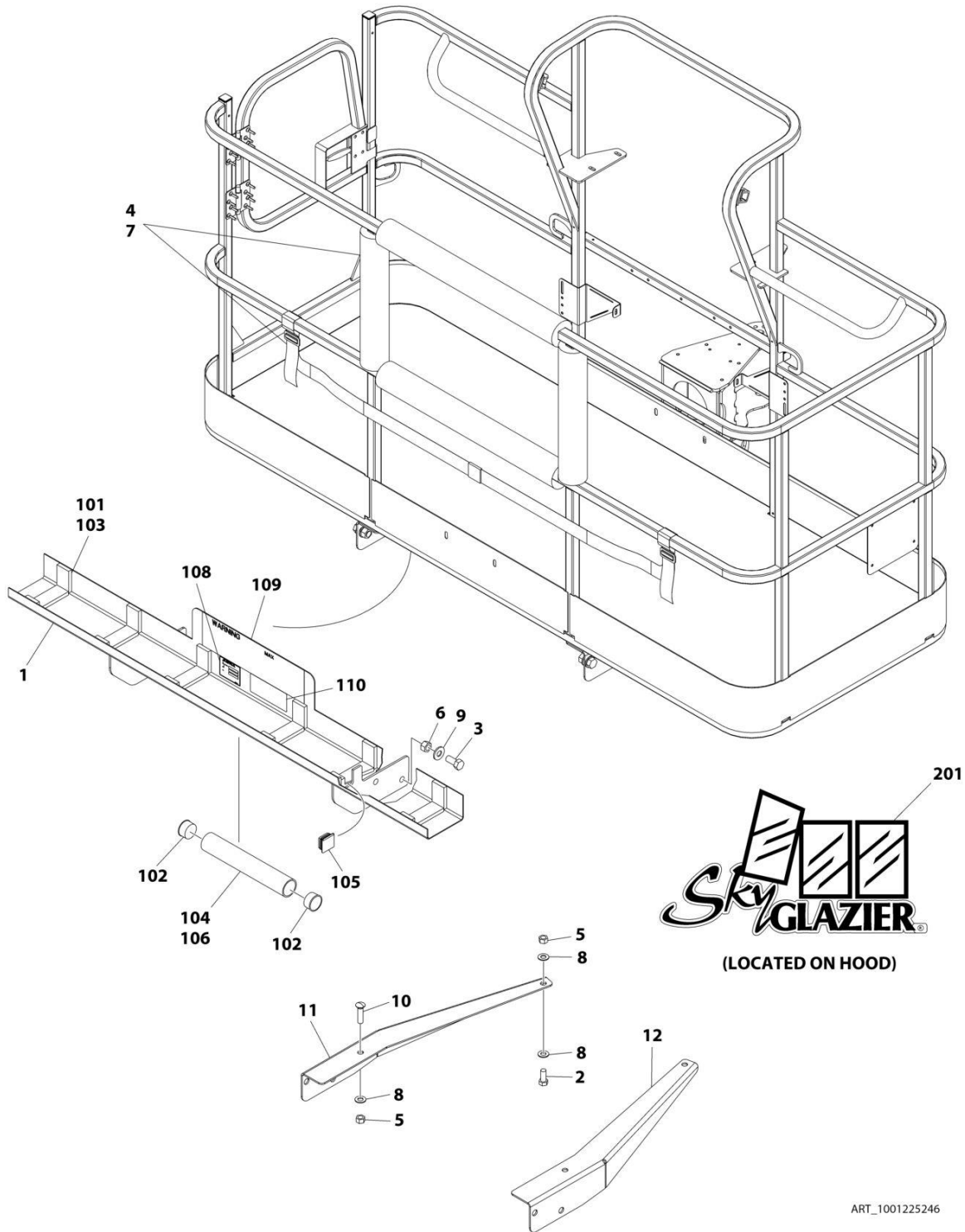
SECTION 5 - PLATFORM

FIGURE 5-39. SKYGLAZIER INSTALLATION (SWEDISH SPECS)

ITEM	PART NUMBER	QTY	DESCRIPTION	REV
	1001225245	Ref	SKYGLAZIER INSTALLATION	B
1	0642012	2	Bolt 5/8 x 1-1/2	
2	0642212	4	Bolt 3/4 x 1-1/2	
3	2902212	1	Bumpers and Strap Kit	
3	0940102	1	Bumper Only	
3	4240149	1	Strap Only	
4	3312005	4	Nut 5/8	
5	3312205	4	Nut 3/4	
6	4420014	AR	Tape	
7	4712000	6	Washer 5/8	
8	4712200	8	Washer 3/4	
9	8310129	2	Bolt 5/8 x 2-1/2	
10	1001099366	1	Support	
11	1001099367	1	Support	
12	1001115603	1	Tray Assembly (See Items 101-110 for Breakdown)	
	1001115603	Ref	TRAY ASSEMBLY	D
101	0100081	AR	Adhesive	
102	1120555	2	Cap, Tube	
103	3340956	1	Pad Kit	
104	3460334	1	Tube	
105	3520071	2	Plug	
106	4420066	AR	Tape, Double Sided	
108	See Note	NSS	Nameplate - Serial Number (Note: Not Available for Purchase)	
109	1001163292	2	Decal - Glazier Capacity	
110	1701509	1	Decal - Manual	
	0272418	Ref	SKYGLAZIER DECAL INSTALLATION	4
201	1705358	2	Decal - SkyGlazier	

SECTION 5 - PLATFORM

FIGURE 5-40. SKYGLAZIER INSTALLATION (UK SPECS)



ART_1001225246

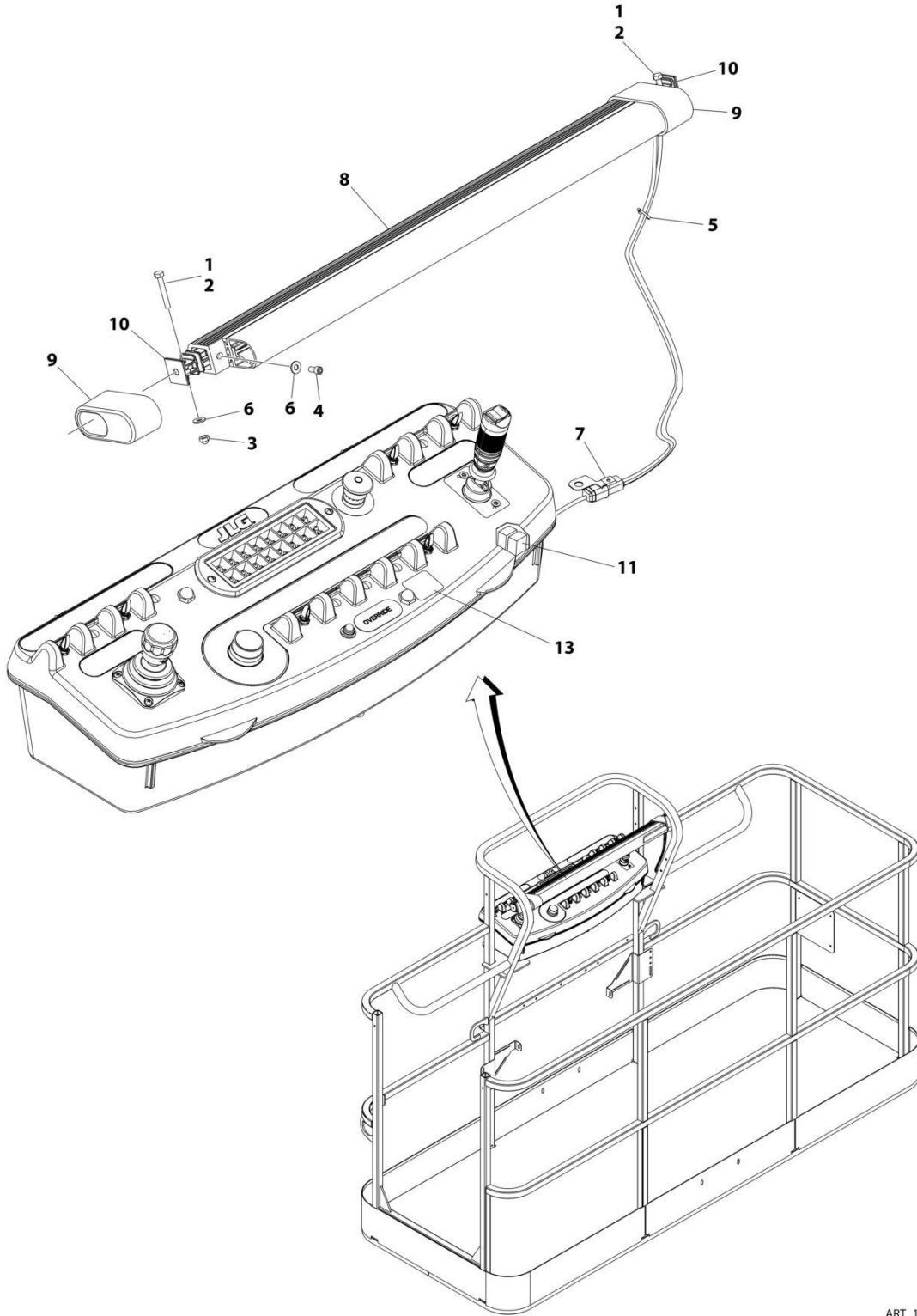
SECTION 5 - PLATFORM

FIGURE 5-40. SKYGLAZIER INSTALLATION (UK SPECS)

ITEM	PART NUMBER	QTY	DESCRIPTION	REV
	1001225246	Ref	SKYGLAZIER INSTALLATION	A
1	0273404	1	Tray Assembly (See Items 101-110 for Breakdown)	
2	0642012	2	Bolt 5/8 x 1-1/2	
3	0642212	4	Bolt 3/4 x 1-1/2	
4	2902212	1	Bumpers and Strap Kit	
4	0940102	1	Bumper Only	
4	4240149	1	Strap Only	
5	3312005	4	Nut 3/4	
6	3312205	4	Nut 3/4	
7	4420014	AR	Tape	
8	4712000	6	Washer 5/8	
9	4712200	8	Washer 3/4	
10	8310129	2	Bolt 5/8 x 2-1/2	
11	1001099366	1	Support	
12	1001099367	1	Support	
	0273404	Ref	TRAY ASSEMBLY	F
101	0100081	AR	Adhesive	
102	1120555	2	Cap, Tube	
103	3340956	1	Pad Kit	
104	3460334	1	Tube	
105	3520071	2	Plug	
106	4420066	AR	Tape, Double Sided	
108	See Note	NSS	Nameplate - Serial Number (Note: Not Available for Purchase)	
109	1001163295	2	Decal - Glazier Capacity	
110	1701509	1	Decal - Manual	
	0272418	Ref	SKYGLAZIER DECAL INSTALLATION	4
201	1705358	2	Decal - SkyGlazier	

SECTION 5 - PLATFORM

FIGURE 5-41. SKYGUARD BAR INSTALLATION



ART_1001238495

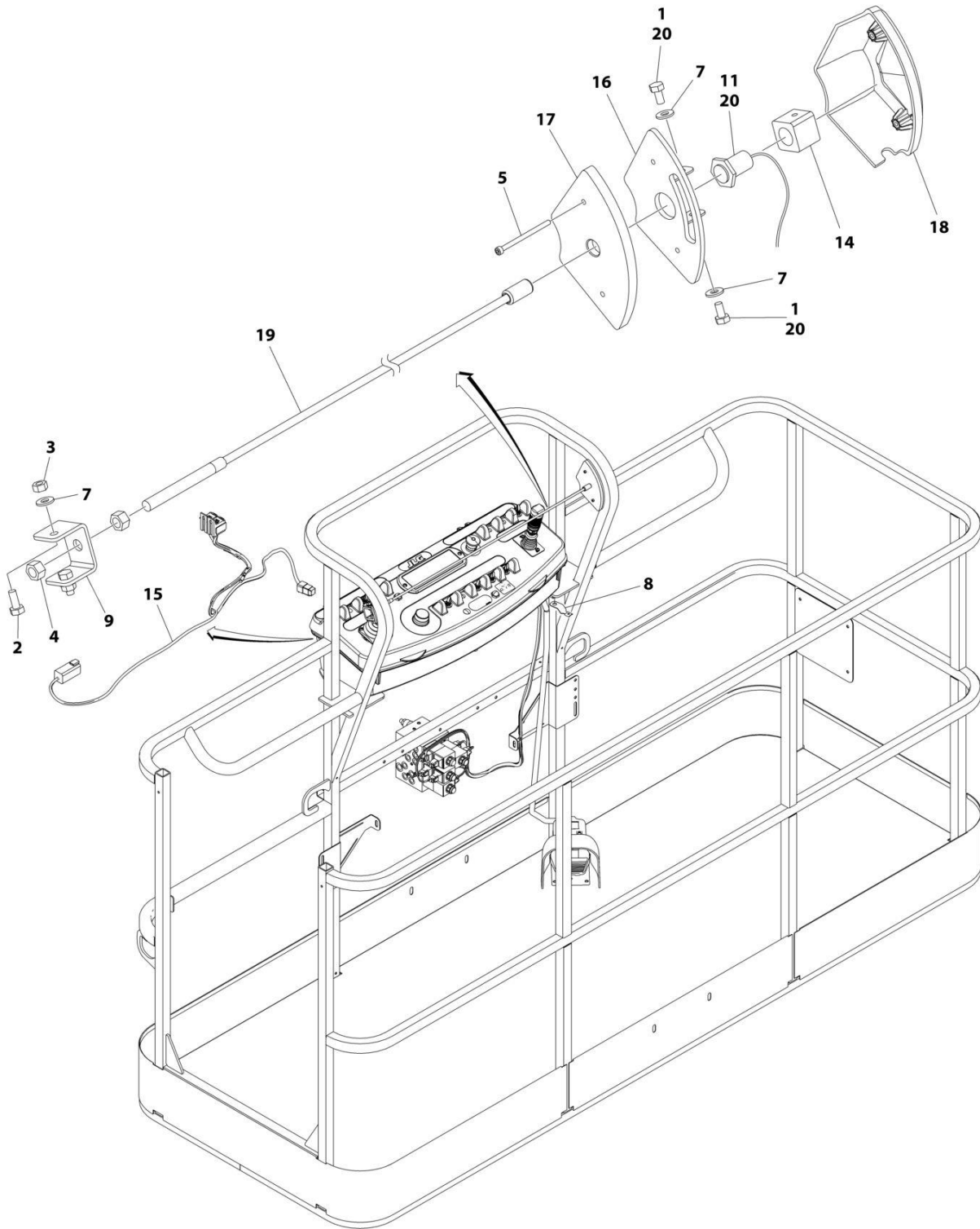
SECTION 5 - PLATFORM

FIGURE 5-41. SKYGUARD BAR INSTALLATION

ITEM	PART NUMBER	QTY	DESCRIPTION	REV
	1001238495	Ref	SKYGUARD BAR INSTALLATION	A
1	0100011	AR	Compound, Locking	
2	0641414	2	Bolt 1/4 x 1-3/4	
3	3300430	2	Nut 1/4	
4	3931408	2	Capscrew 1/4 x 1/2	
5	4240033	8	Tie-Strap	
6	4711400	6	Washer 1/4	
7	1001120328	1	Mount	
8	1001137673	1	SkyGuard Switch Assembly	
9	1001186517	2	Cover, Platform Sensor	
10	1001209664	2	Support, Block	
11	1001186431	2	Relay	
12	1001225580	1	Interface Harness Assembly (Not Shown - Located Inside Console Box) (See Separate Breakdown in ELECTRICAL Section)	
13	1001144433	1	Decal - No Weight SkyGuard	

SECTION 5 - PLATFORM

FIGURE 5-42. SKYLINE INSTALLATION



ART_1001238559_D

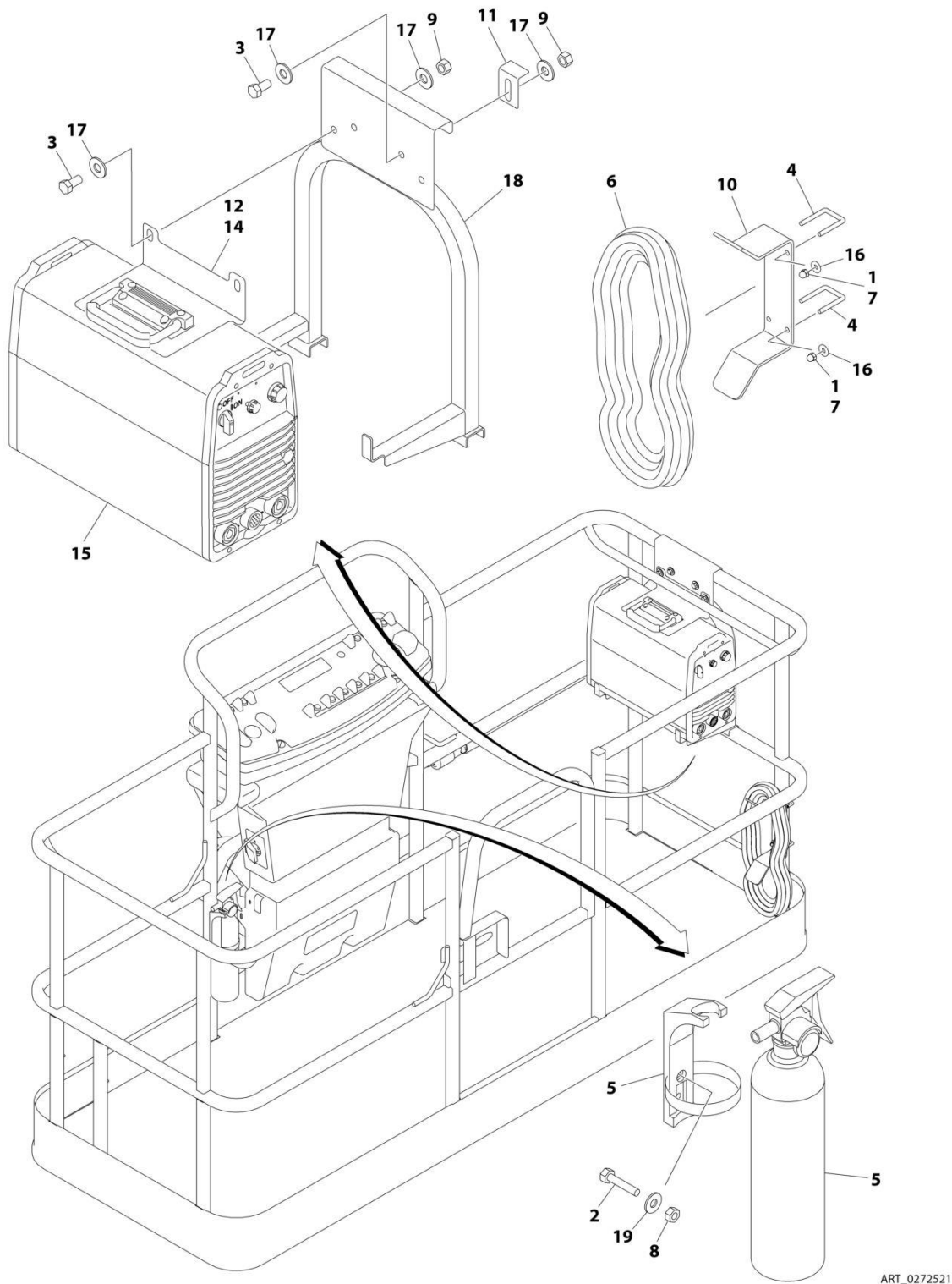
SECTION 5 - PLATFORM

FIGURE 5-42. SKYLINE INSTALLATION

ITEM	PART NUMBER	QTY	DESCRIPTION	REV
	1001238559	Ref	SKYLINE INSTALLATION	D
1	0641404	2	Bolt 1/4 x 1/2	
2	0641405	2	Bolt 1/4 x 5/8	
3	3311405	2	Nut 1/4	
4	3311601	2	Nut 3/8	
5	4031516	2	Capscrew M4 x 60	
6	4240033	AR	Tie-Strap (Not Shown)	
7	4711400	4	Washer 1/4	
8	1001120328	1	Mount	
9	1001232642	1	Bracket	
11	1001232667	1	Sensor, Proximity	
11	1001311034	1	Sensor, Proximity	
14	1001236552	1	Block	
15	1001238418	1	Harness, Skyline (See Separate Breakdown in ELECTRICAL Section)	
16	1001238472	1	Mount	
17	1001254473	1	Housing, LH	
18	1001241965	1	Housing, RH	
19	1001254472	1	Rod	
20	0100011	AR	Compound, Locking	

SECTION 5 - PLATFORM

FIGURE 5-43. SKYWELDER INSTALLATION (50HZ) (ANSI EXPORT, AUSTRALIAN, CHINA AND JAPANESE SPECS)



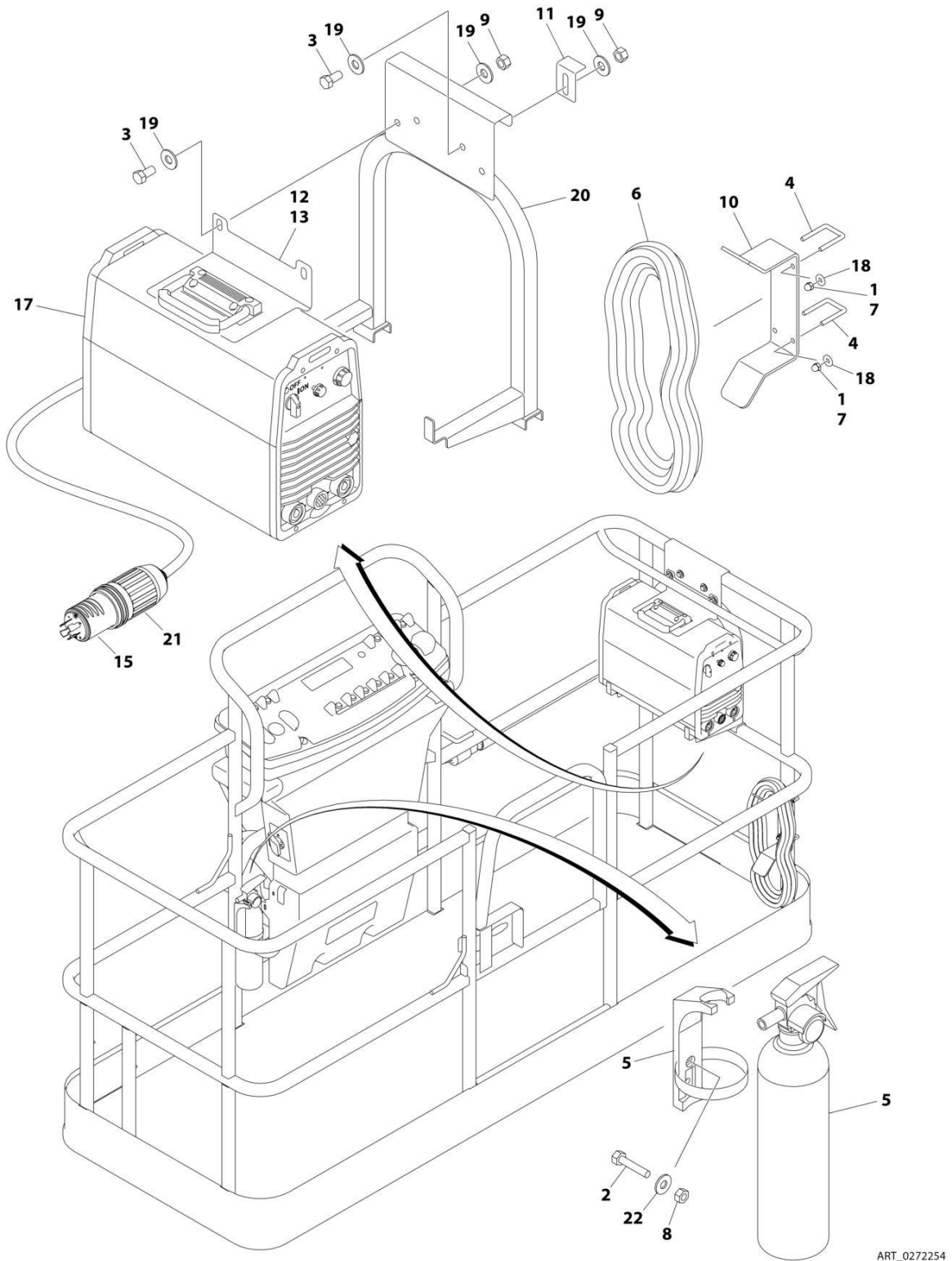
SECTION 5 - PLATFORM

FIGURE 5-43. SKYWELDER INSTALLATION (50HZ) (ANSI EXPORT, AUSTRALIAN, CHINA AND JAPANESE SPECS)

ITEM	PART NUMBER	QTY	DESCRIPTION	REV
	0272521	Ref	SKYWELDER INSTALLATION	F
1	0100011	AR	Compound, Locking	
2	0630518	2	Screw #10 x 3/4	
3	0641606	4	Bolt 3/8 x 3/4	
4	1320302	2	U-Clamp	
5	2030010	1	Extinguisher, Fire	
6	2902217	1	Weld Leads Kit	
7	3300151	4	Nut 1/4	
8	3311005	2	Nut #10	
9	3311605	4	Nut 3/8	
10	3573400	1	Bracket	
11	3577121	2	Angle	
12	3573642	1	Plate	
13	4240099	AR	Tie-Strap (Not Shown)	
14	4420037	AR	Tape	
15	4530028	1	Welder Assembly (See Separate Breakdown in this Section)	
16	4751400	4	Washer 1/4	
17	4751600	8	Washer 3/8	
18	4846627	1	Support	
19	4751000	2	Washer #10	

SECTION 5 - PLATFORM

FIGURE 5-44. SKYWELDER INSTALLATION (60HZ) (ANSI, ANSI EXPORT, CSA AND JAPANESE SPECS)



ART_0272254

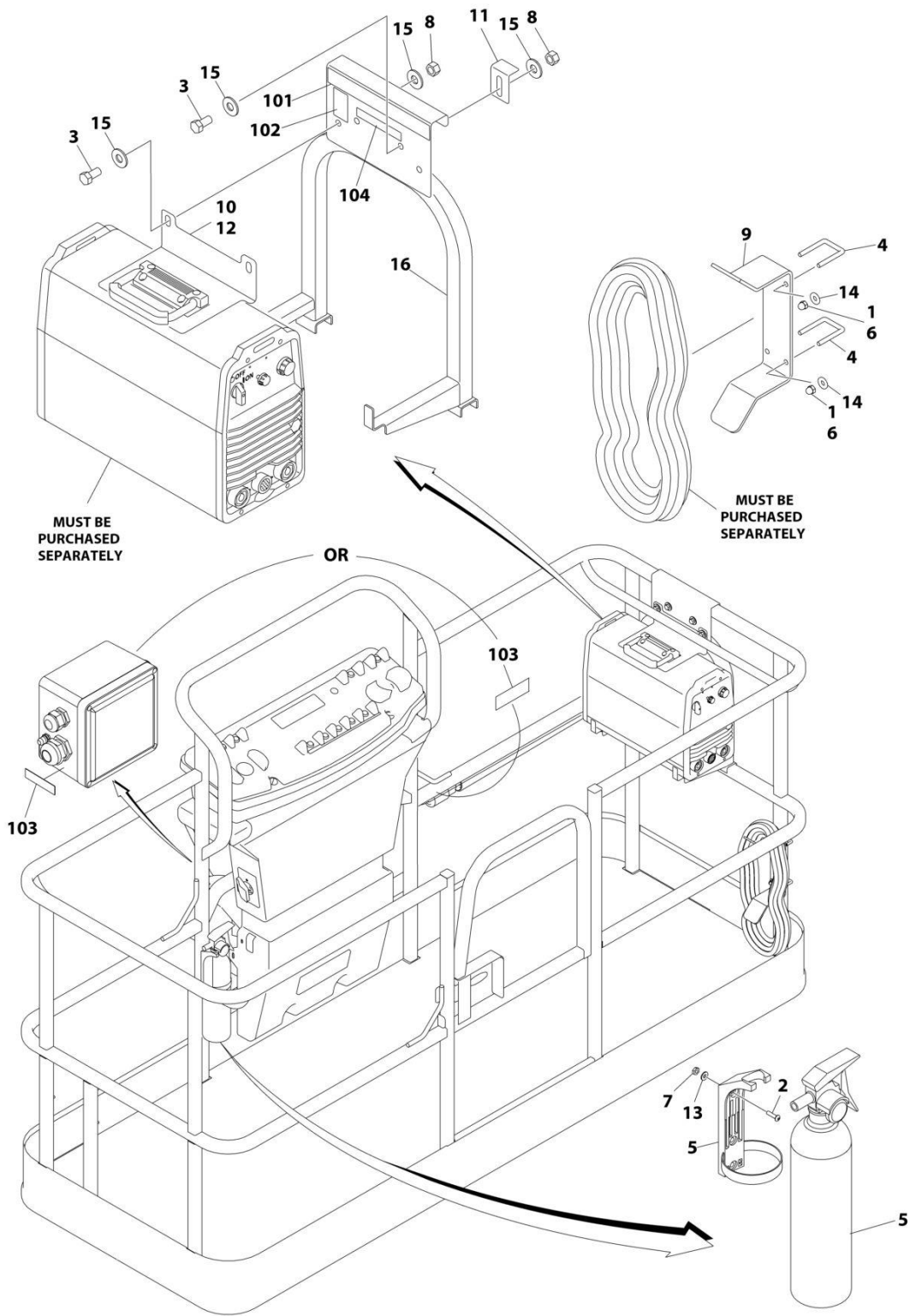
SECTION 5 - PLATFORM

FIGURE 5-44. SKYWELDER INSTALLATION (60HZ) (ANSI, ANSI EXPORT, CSA AND JAPANESE SPECS)

ITEM	PART NUMBER	QTY	DESCRIPTION	REV
	0272254	Ref	SKYWELDER INSTALLATION	I
1	0100011	AR	Compound, Locking	
2	0630518	2	Screw #10 x 3/4	
3	0641606	4	Bolt 3/8 x 3/4	
4	1320302	2	U-Clamp	
5	2030010	1	Extinguisher, Fire	
6	2902217	1	Weld Leads Kit	
7	3300151	4	Nut 1/4	
8	3311005	2	Nut #10	
9	3311605	4	Nut 3/8	
10	3573400	1	Bracket	
11	3577121	2	Angle	
12	3573642	1	Plate	
13	4420037	AR	Tape	
14	4240099	AR	Tie-Strap (Not Shown)	
15	4460962	1	Plug, Male Twistlock	
17	4530028	1	Welder Assembly (See Separate Breakdown in this Section)	
18	4751400	4	Washer 1/4	
19	4751600	8	Washer 3/8	
20	4846627	1	Support	
21	1671093	1	Cover, Plug	
22	4751000	2	Washer #10	

SECTION 5 - PLATFORM

FIGURE 5-45. SKYWELDER PREP PACKAGE (60HZ) (ANSI, ANSI EXPORT, CSA AND CHINA SPECS)



ART_1001128527_B

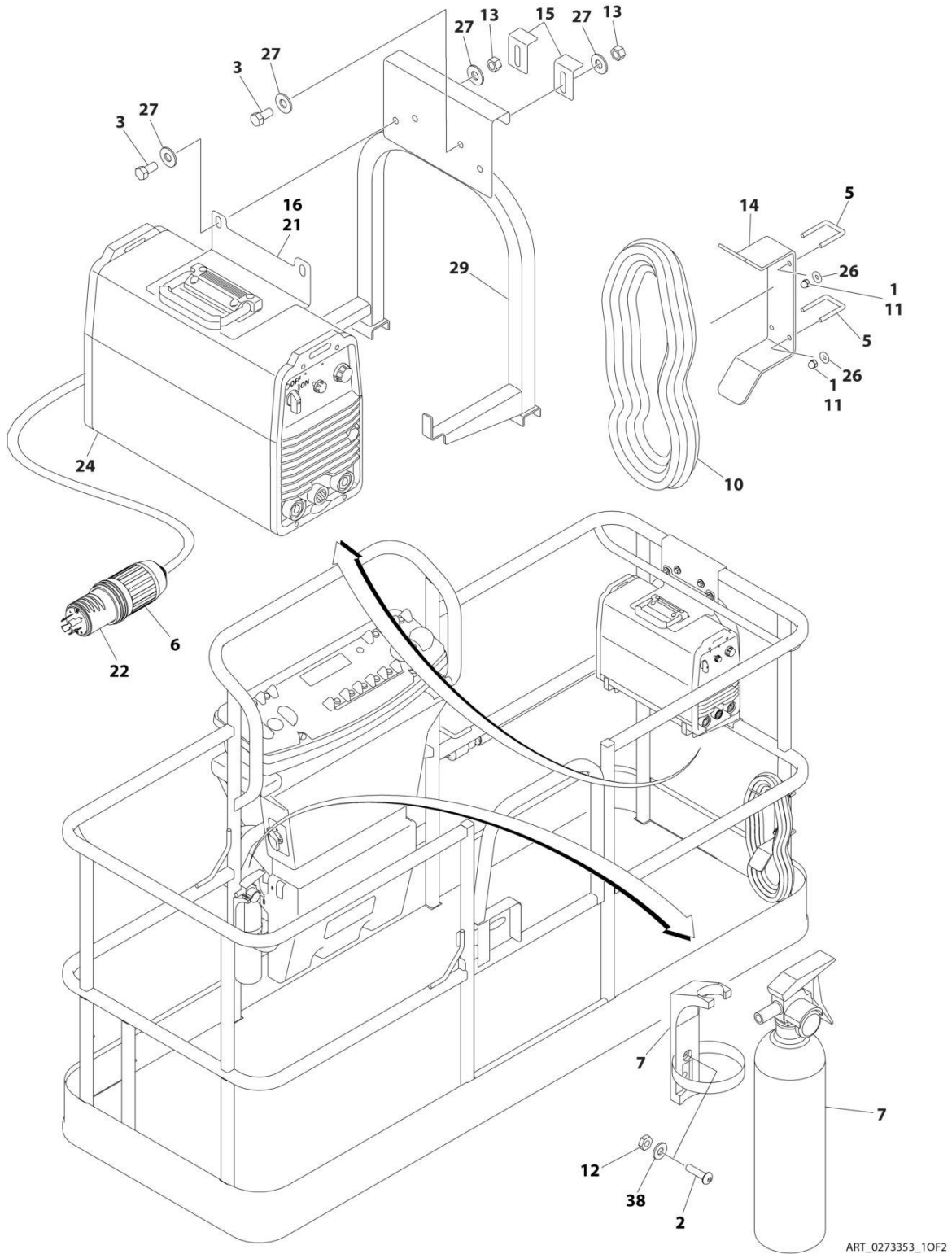
SECTION 5 - PLATFORM

FIGURE 5-45. SKYWELDER PREP PACKAGE (60HZ) (ANSI, ANSI EXPORT, CSA AND CHINA SPECS)

ITEM	PART NUMBER	QTY	DESCRIPTION	REV
	1001128527	Ref	SKYWELDER PREP PACKAGE	B
1	0100011	AR	Compound, Locking	
2	0630518	2	Screw #10 x 3/4	
3	0641606	4	Bolt 3/8 x 3/4	
4	1320302	2	U-Clamp	
5	2030010	1	Extinguisher, Fire	
6	3300151	4	Nut 1/4	
7	3311005	2	Nut #10	
8	3311605	4	Nut 3/8	
9	3573400	1	Bracket	
10	3573642	1	Plate	
11	3577121	2	Angle	
12	4420037	AR	Tape	
13	4751000	2	Washer #10	
14	4751400	4	Washer 1/4	
15	4751600	8	Washer 3/8	
16	4846627	1	Support	
	1001128556	Ref	SKYWELDER DECAL INSTALLATION	C
101	1702868	1	Decal - No Hands	
102	1705305	1	Decal - Weld Lead	
103	1705375	1	Decal - 240V - 3 Phase - 60Hz	
104	1001228988	1	Decal - Weight	

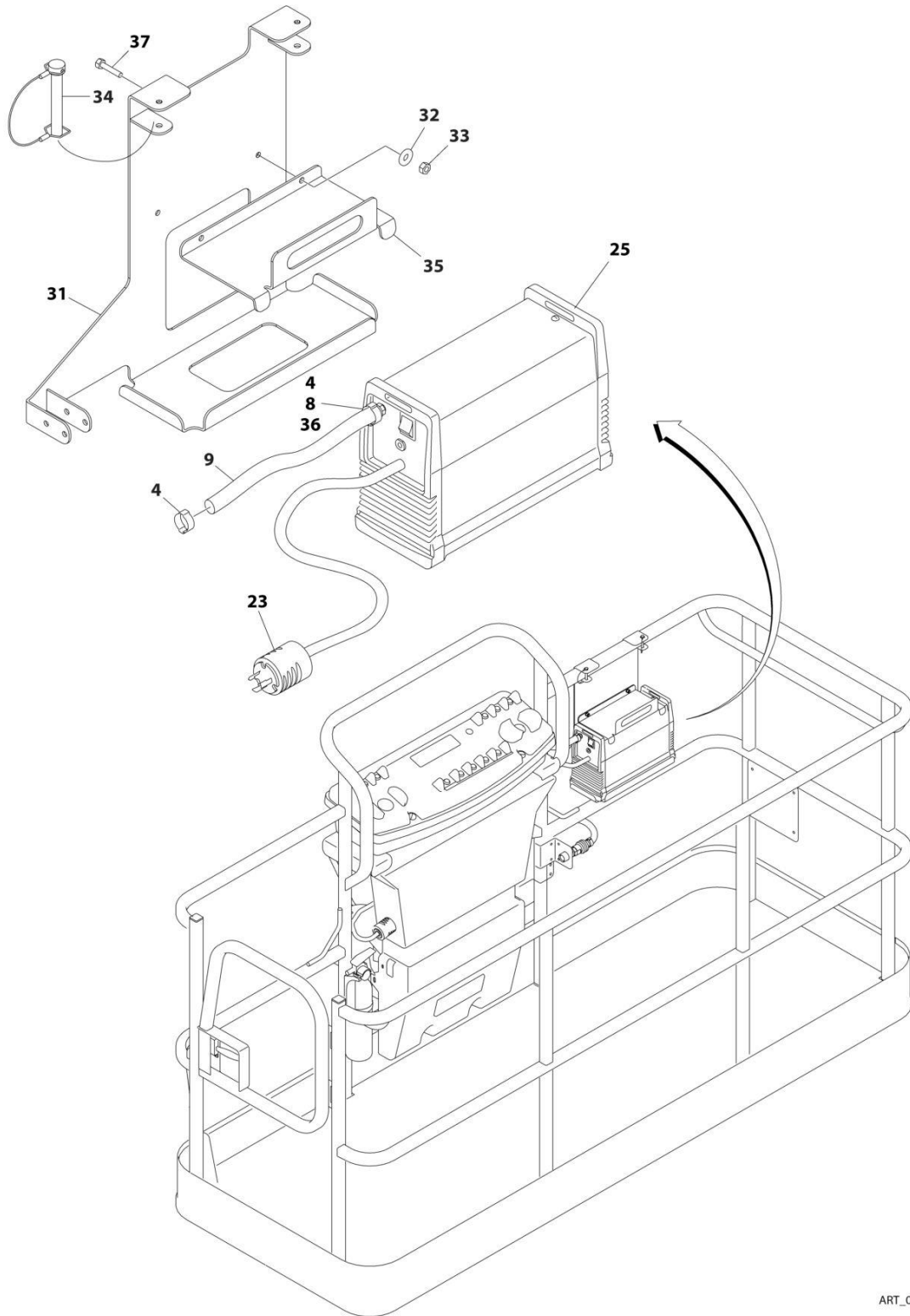
SECTION 5 - PLATFORM

FIGURE 5-46. SKYWELDER/SKYCUTTER COMBO INSTALLATION (60HZ) (ANSI, ANSI EXPORT, CHINA, CSA AND JAPANESE SPECS)



ART_0273353_10F2

SECTION 5 - PLATFORM



ART_0273353_20F2

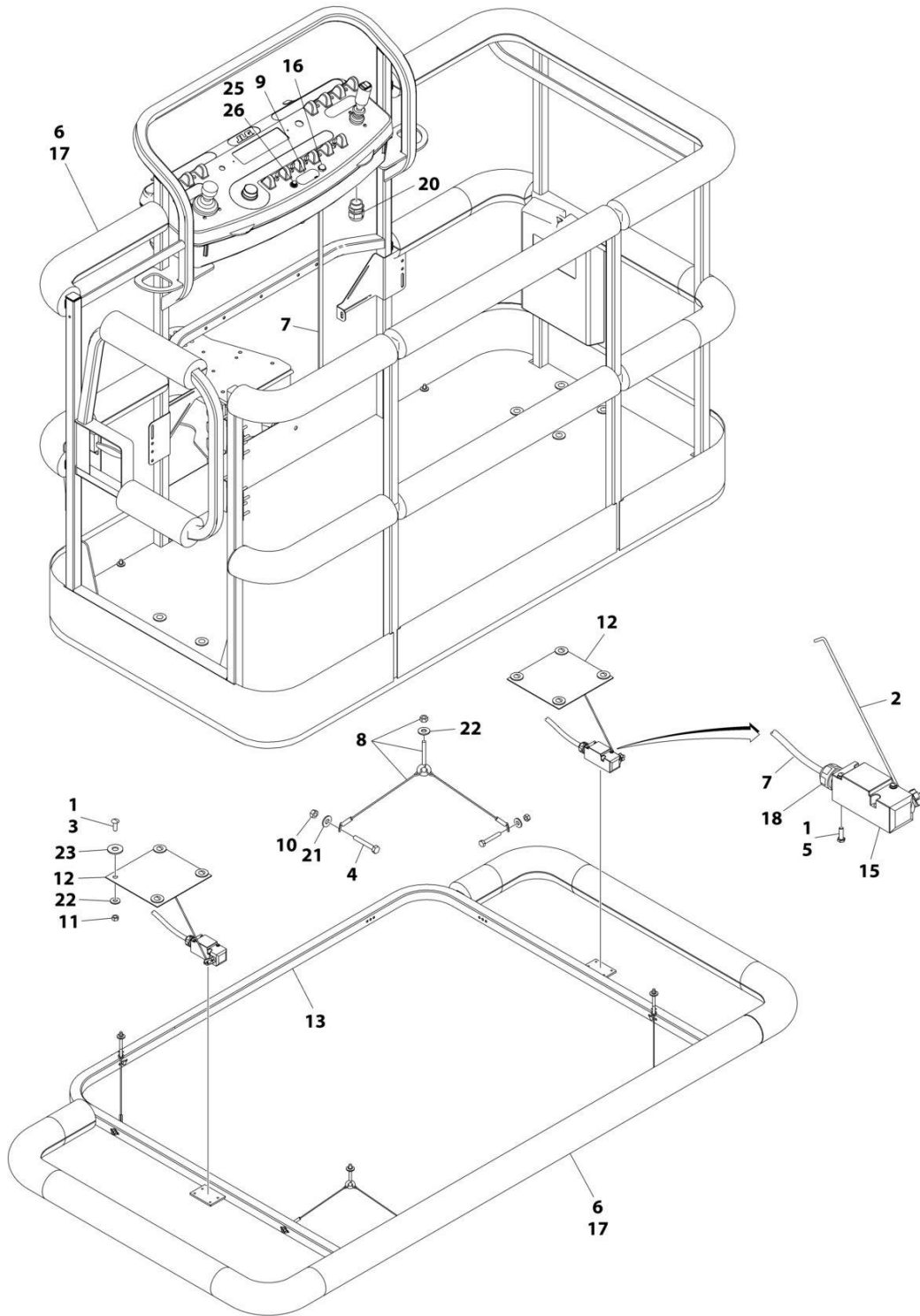
SECTION 5 - PLATFORM

FIGURE 5-46. SKYWELDER/SKYCUTTER COMBO INSTALLATION (60HZ) (ANSI, ANSI EXPORT, CHINA, CSA AND JAPANESE SPECS)

ITEM	PART NUMBER	QTY	DESCRIPTION	REV
	0273353	Ref	SKYWELDER/SKYCUTTER COMBO INSTALLATION (60HZ)	G
1	0100011	AR	Compound, Locking	
2	0630518	2	Screw #10 x 3/4	
3	0641606	4	Bolt 3/8 x 3/4	
4	1320177	2	Clamp	
5	1320302	2	Clamp	
6	1671093	1	Cover, Plug	
7	2030010	1	Extinguisher, Fire	
8	2180832	1	Fitting, Barbed/NPT	
9	2720160	4.5 ft /1.37m	Hose	
10	2902217	1	Weld Leads Kit	
11	3300151	4	Nut 1/4	
12	3311005	2	Nut #10	
13	3311605	4	Nut 3/8	
14	3573400	1	Bracket	
15	3577121	2	Angle	
16	3573642	1	Plate	
20	4240099	AR	Tie-Strap (Not Shown)	
21	4420037	2.36 ft /.71m	Tape	
22	4460962	1	Plug, Twist Lock	
23	4460971	1	Plug, Twist Lock	
24	4530028	1	Welder Assembly (See Separate Breakdown in this section)	
25	1001098012	1	Plasma Cutter Assembly (See Separate Breakdown in this Section)	
26	4751400	4	Washer 1/4	
27	4751600	8	Washer 3/8	
29	4846627	1	Support	
31	1001145405	1	Bracket	
32	4811700	2	Washer M6	
33	3290605	2	Nut M6	
34	3421453	3	Pin	
35	3576799	1	Plate, Hold-Down	
36	0100020	1	Sealant	
37	4010608	2	Screw M6 x 16	
38	4751000	2	Washer #10	

SECTION 5 - PLATFORM

FIGURE 5-47. SOFT TOUCH SYSTEM INSTALLATION - 6FT/1.8M PLATFORMS (ALL SPECS)



ART_0273824

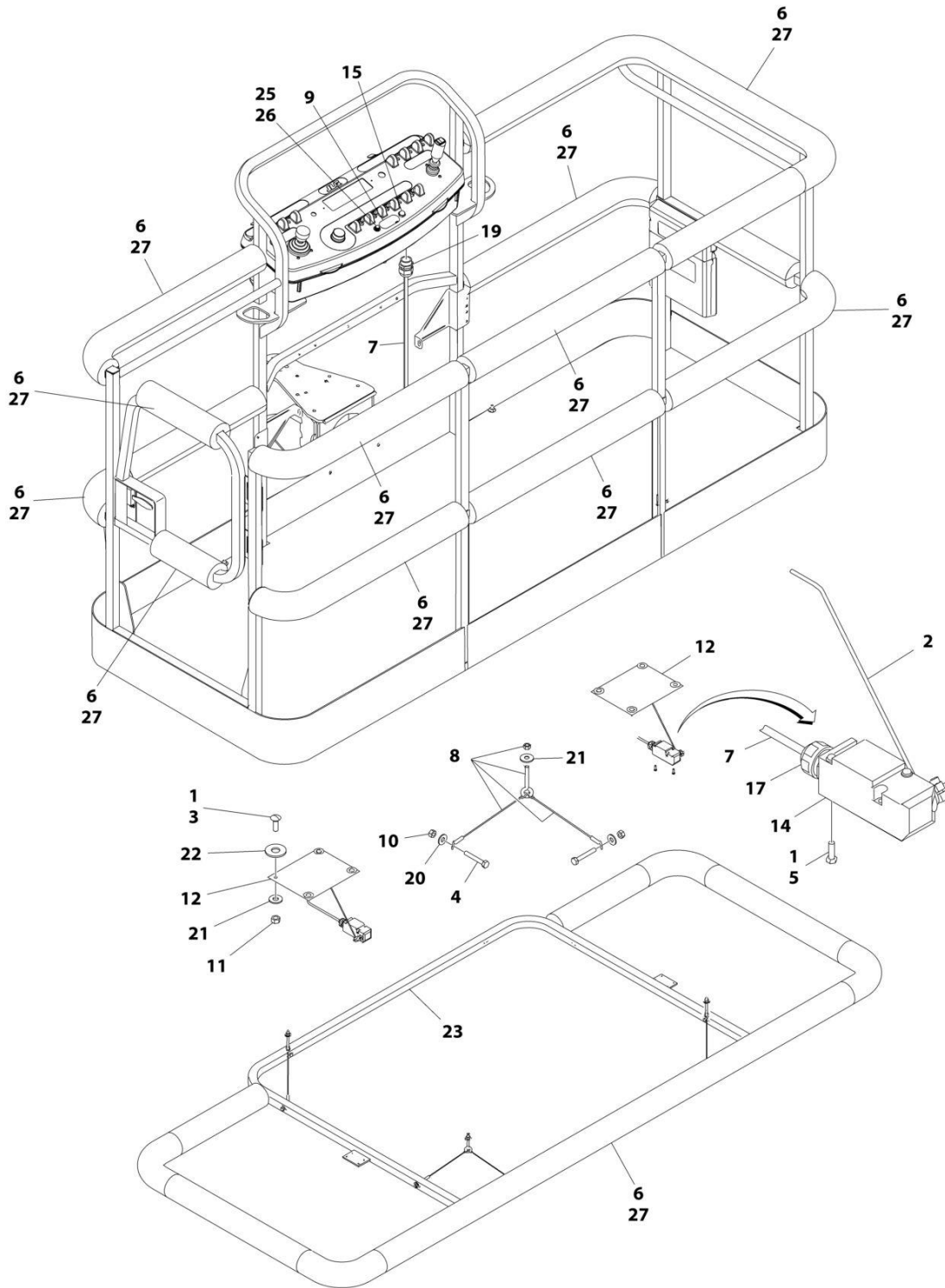
SECTION 5 - PLATFORM

FIGURE 5-47. SOFT TOUCH SYSTEM INSTALLATION - 6FT/1.8M PLATFORMS (ALL SPECS)

ITEM	PART NUMBER	QTY	DESCRIPTION	REV
	0273824	Ref	SOFT TOUCH SYSTEM INSTALLATION	D
1	0100011	AR	Compound, Locking	
2	0200048	2	Arm, Switch	
3	0630462	8	Bolt	
4	0641414	8	Bolt 1/4 x 1-3/4	
5	0731005	4	Bolt #10 x 5/8	
6	0940134	1	Bumper Kit (Includes Corners and Enough Straight Material for One Platform)	
6	0940092	AR	Bumper (Corner)	
6	0940094	AR	Bumper (12ft Length)	
7	1060341	23 ft/7m	Cable, Soft Touch - 16/2	
8	1060903	4	Wire Rope and Eyebolt Assembly	
9	1702938	1	Decal - Soft Touch Override	
10	3311401	8	Nut 1/4	
11	3311501	8	Nut 5/16	
12	3575359	2	Plate, Switch Strike	
13	3641569	1	Rail, Soft Touch	
14	4240099	7	Tie-Strap (Not Shown)	
15	4360057	2	Switch, Limit	
16	4360387	1	Switch, Push Button	
17	4420068	AR	Tape, Adhesive	
17	1001197017	AR	Tie-Strap	
18	4460049	2	Connector, Strain Relief	
19	4460234	7	Tie-Strap (Not Shown)	
20	4460425	1	Connector, Strain Relief	
21	4751400	8	Washer 1/4	
22	4751500	12	Washer 5/16	
23	4751800	8	Washer 1/2	
24	4933218	1	Wiring Diagram (Not Shown - Reference Only)	
25	2920028	1	Light, Indicator	
26	2920029	1	Bulb, Light	

SECTION 5 - PLATFORM

FIGURE 5-48. SOFT TOUCH SYSTEM INSTALLATION - 8FT/2.4M PLATFORMS (ALL SPECS) (1350SJP)



ART_0272427_G

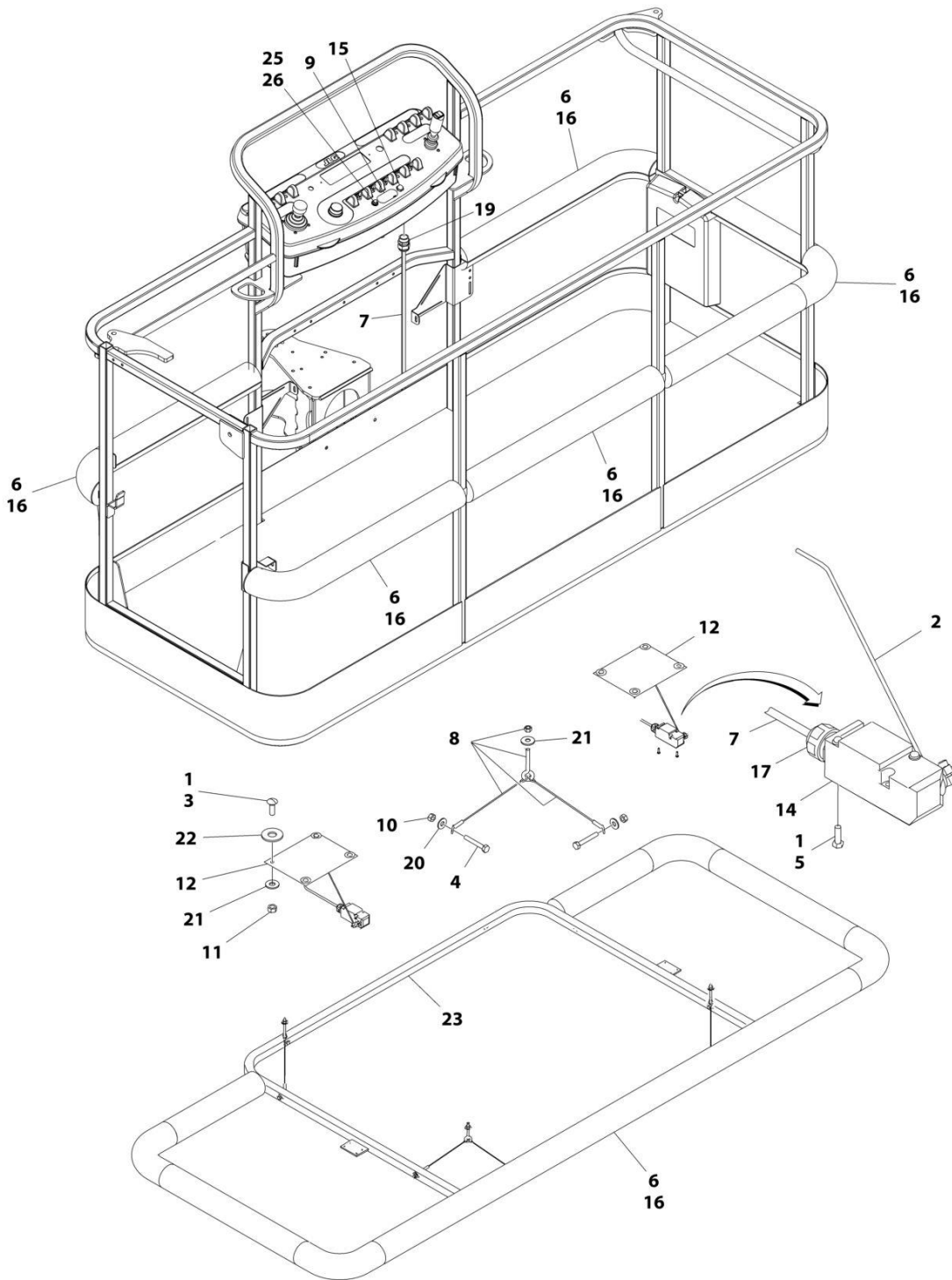
SECTION 5 - PLATFORM

**FIGURE 5-48. SOFT TOUCH SYSTEM INSTALLATION - 8FT/2.4M PLATFORMS (ALL SPECS)
(1350SJP)**

ITEM	PART NUMBER	QTY	DESCRIPTION	REV
	0272427	Ref	SOFT TOUCH INSTALLATION - 36IN X 8FT (91.5CM X 2.44M) PLATFORM (OPTIONAL)	G
1	0100011	AR	Compound, Locking	
2	0200048	2	Arm, Switch	
3	0630462	8	Bolt	
4	0641414	8	Bolt 1/4 x 1-3/4	
5	0721005	4	Bolt #10 x 5/8	
6	0940103	1	Bumper Kit (Includes Corners and Enough Straight Material for One Platform)	
6	0940092	12	Bumper (Corner)	
6	0940094	AR	Bumper (12ft Length)	
7	1060341	23 ft/7m	Cable, Soft Touch - 16/2	
8	1060903	4	Wire Rope and Eyebolt Assembly	
9	1702938	1	Decal - Soft Touch Override	
10	3311401	8	Nut 1/4	
11	3311501	8	Nut 5/16	
12	3574091	2	Plate, Switch Strike	
13	4240099	7	Tie-Strap (Not Shown)	
14	4360057	2	Switch, Limit	
15	4360387	1	Switch, Push Button	
16	4420068	AR	Tape, Adhesive	
16	1001197017	AR	Tie-Strap	
17	4460049	2	Connector, Strain Relief	
18	4460234	7	Tie-Strap (Not Shown)	
19	4460425	1	Connector, Strain Relief	
20	4751400	8	Washer 1/4	
21	4751500	12	Washer 5/16	
22	4751800	8	Washer 1/2	
23	4846673	1	Rail, Soft Touch	
24	4933218	1	Soft Touch Wiring Diagram (Not Shown - Reference Only)	
25	2920028	1	Light, Indicator	
26	2920029	1	Bulb, Light	

SECTION 5 - PLATFORM

FIGURE 5-49. SOFT TOUCH SYSTEM INSTALLATION - 8FT/2.4M PLATFORMS (ANSI SPECS WITH SN STARTING WITH 03)) (1350SJP)



ART_0273706

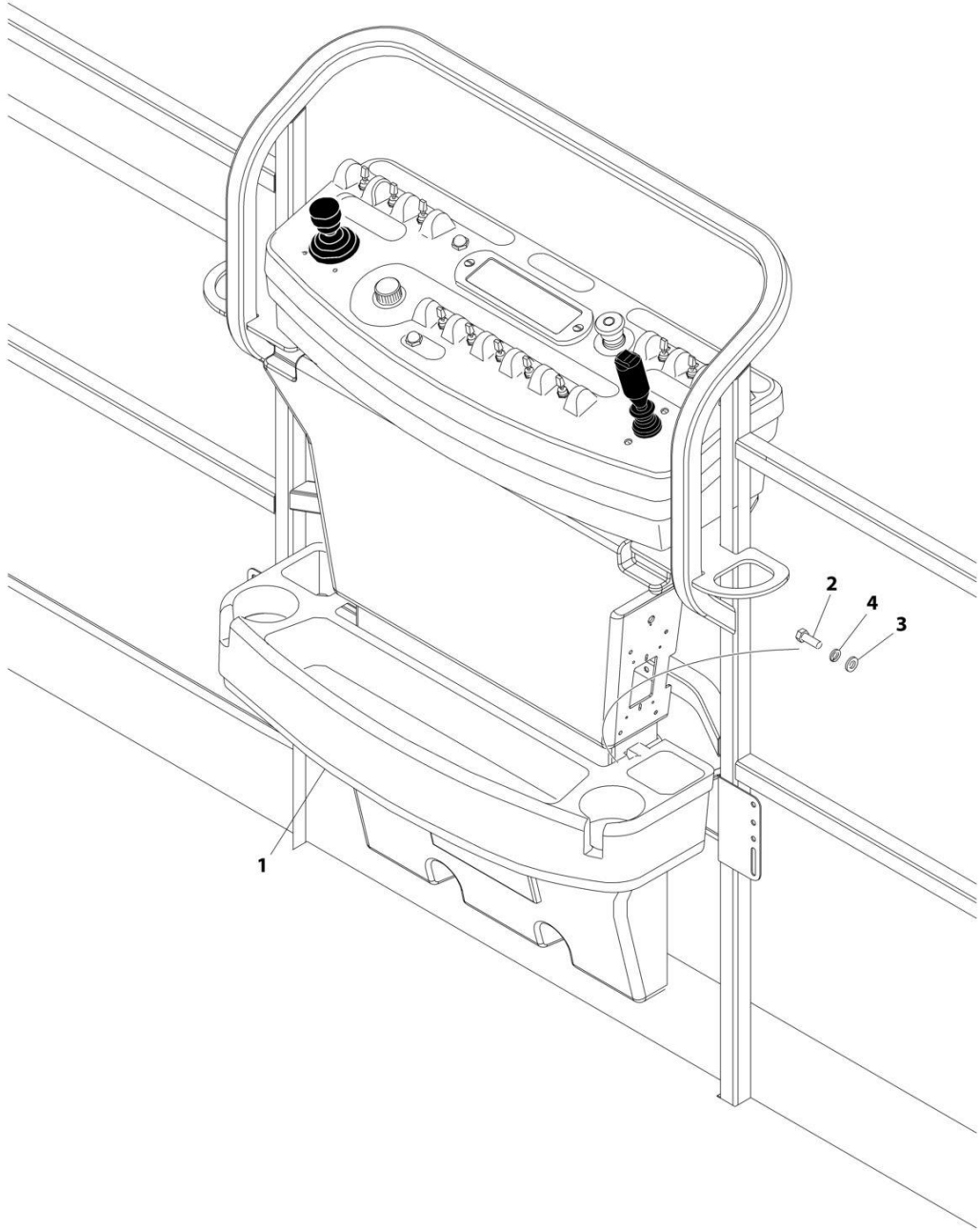
SECTION 5 - PLATFORM

FIGURE 5-49. SOFT TOUCH SYSTEM INSTALLATION - 8FT/2.4M PLATFORMS (ANSI SPECS WITH SN STARTING WITH 03)) (1350SJP)

ITEM	PART NUMBER	QTY	DESCRIPTION	REV
	0273706	Ref	SOFT TOUCH INSTALLATION	D
1	0100011	AR	Compound, Locking	
2	0200048	2	Arm, Switch	
3	0630462	8	Bolt	
4	0641414	8	Bolt 1/4 x 1-3/4	
5	0721005	4	Bolt #10 x 5/8	
6	0940133	1	Bumper Kit (Includes Corners and Enough Straight Material for One Platform)	
6	0940092	8	Bumper (Corner)	
6	0940094	AR	Bumper (12ft Length)	
7	1060341	23 ft/7m	Cable, Soft Touch - 16/2	
8	1060903	4	Wire Rope and Eyebolt Assembly	
9	1702938	1	Decal - Soft Touch Override	
10	3311401	8	Nut 1/4	
11	3311501	8	Nut 5/16	
12	3574091	2	Plate, Switch Strike	
13	4240099	7	Tie-Strap (Not Shown)	
14	4360057	2	Switch, Limit	
15	4360387	1	Switch, Push Button	
16	4420068	AR	Tape, Adhesive	
16	1001197017	AR	Tie-Strap	
17	4460049	2	Connector, Strain Relief	
18	4460234	7	Tie-Strap (Not Shown)	
19	4460425	1	Connector, Strain Relief	
20	4751400	8	Washer 1/4	
21	4751500	12	Washer 5/16	
22	4751800	8	Washer 1/2	
23	4846673	1	Rail, Soft Touch	
25	2920028	1	Light, Indicator	
26	2920029	1	Bulb, Light	

SECTION 5 - PLATFORM

FIGURE 5-50. TRAY ASSEMBLY



ART_1580012

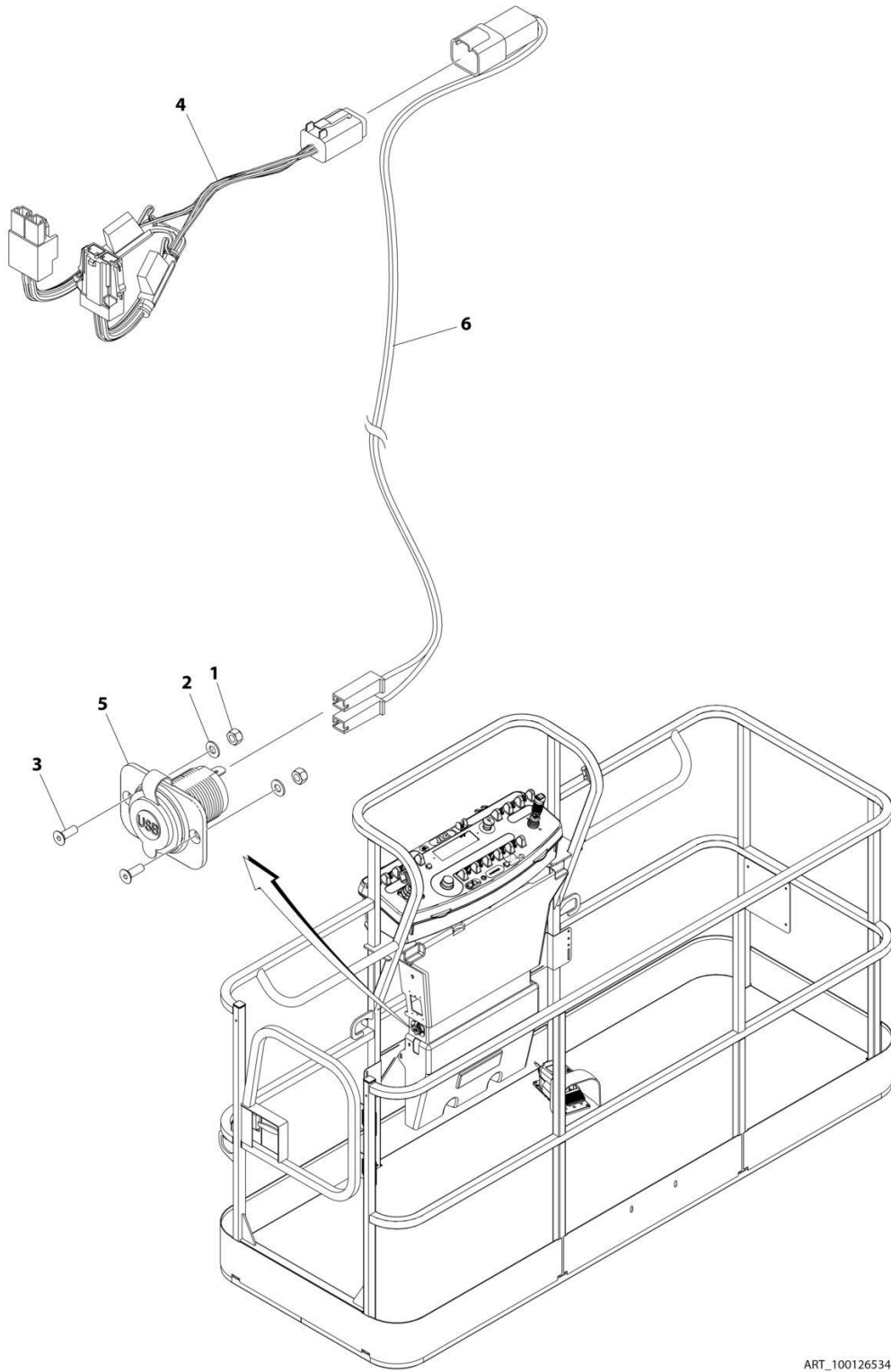
SECTION 5 - PLATFORM

FIGURE 5-50. TRAY ASSEMBLY

ITEM	PART NUMBER	QTY	DESCRIPTION	REV
	1580012	Ref	TRAY ASSEMBLY	C
1	See Note	NSS	Tray, Storage (Center) (Note: Purchase p/n 1580012)	
2	0641406	2	Bolt 1/4 x 3/4	
3	4751400	2	Washer 1/4	
4	4761400	2	Washer 1/4	

SECTION 5 - PLATFORM

FIGURE 5-51. USB CHARGER INSTALLATION



ART_1001265342

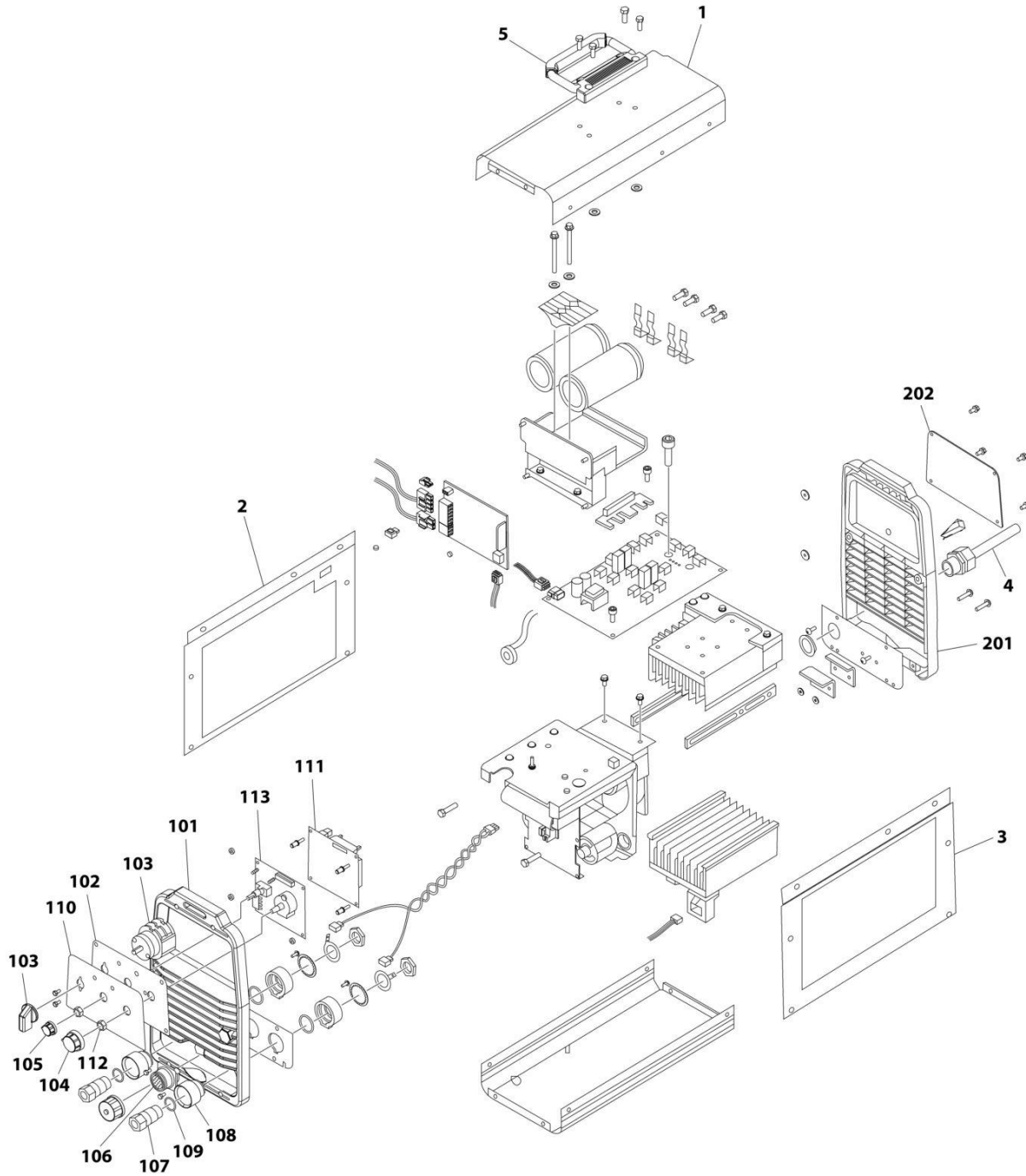
SECTION 5 - PLATFORM

FIGURE 5-51. USB CHARGER INSTALLATION

ITEM	PART NUMBER	QTY	DESCRIPTION	REV
	1001265342	Ref	USB CHARGER INSTALLATION	A
1	3290405	2	Nut M4	
2	4811400	2	Washer M4	
3	1001097244	2	Screw M4 x 12	
4	1001120484	1	Harness, Work Lights	
4	4460879	1	Plug, Male - 2 Position	
4	4460887	2	Terminal	
4	2400060	2	Fuseholder Includes Cover	
4	8229249	2	Fuse, 3 Amp	
4	4460884	1	Connector - 4 Position	
4	4460465	4	Socket, Female	
4	1001120471	1	Connector - 2 Position	
4	1001120477	2	Terminal	
5	1001210636	1	Receptacle, USB	
6	1001265163	1	Harness, USB	A
6	4460260	2	Cover, Terminal	
6	4460259	2	Terminal	
6	4460932	1	Receptacle, Bussbar - 4 Position	
6	4460464	2	Pin, Male	
6	4460466	2	Plug, Terminal	

SECTION 5 - PLATFORM

FIGURE 5-52. WELDER ASSEMBLY



ART_4530028

SECTION 5 - PLATFORM

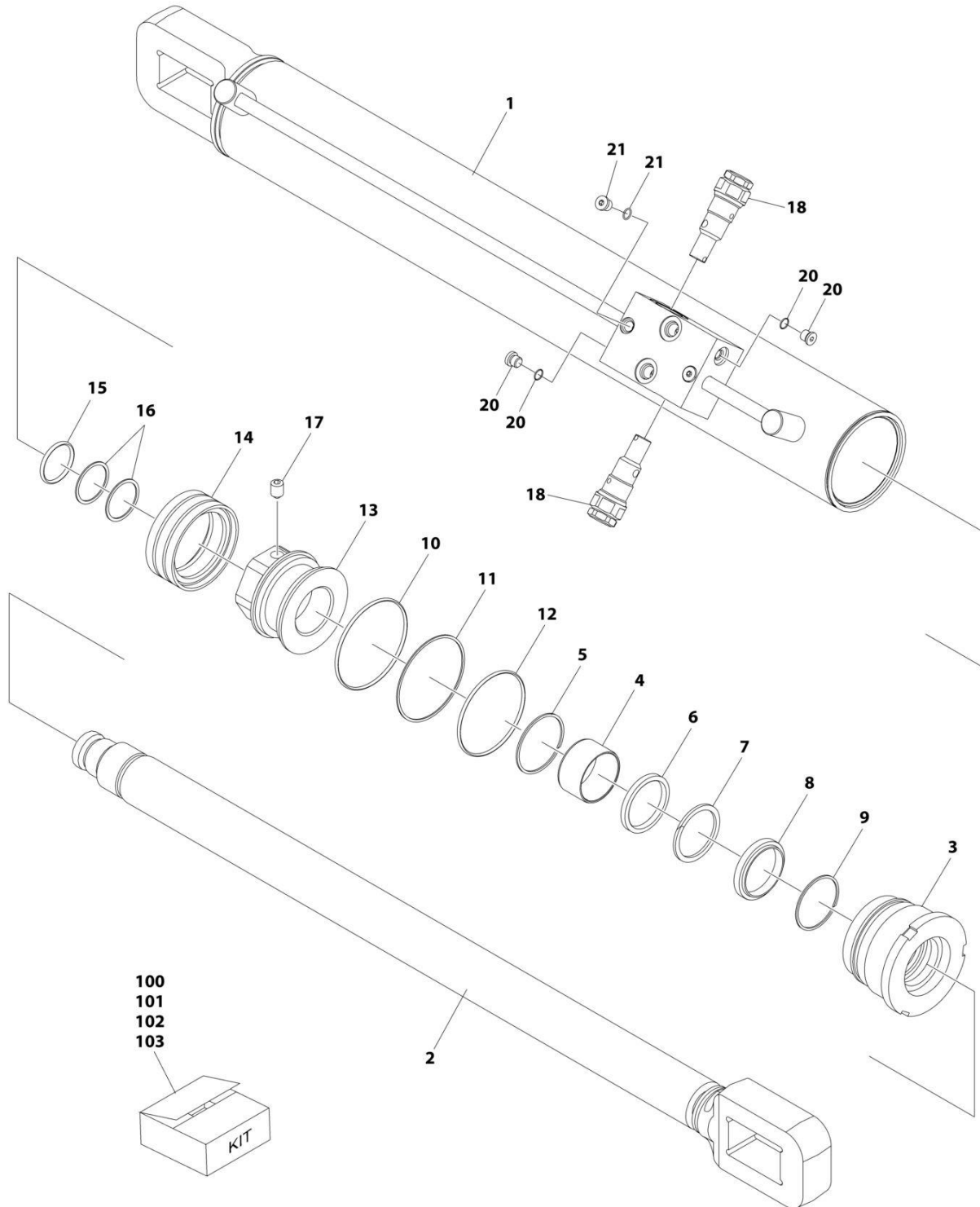
FIGURE 5-52. WELDER ASSEMBLY

ITEM	PART NUMBER	QTY	DESCRIPTION	REV
	4530028	Ref	WELDER ASSEMBLY	B
		Ref	Note: For Other Components, contact your Miller Welder Dealer.	
1	7027773	1	Cover, Top	
1	7027774	1	Decal - Static Precautionary Warning	
2	See Note	NSS	Panel, LH Side (Note: Part of Item 1. Purchase Item 1)	
3	See Note	NSS	Panel, RH Side (Note: Part of Item 1. Purchase Item 1)	
4	7024467	1	Cable, Power	
4	7027775	1	Decal - Electrical Shock Warning (Not Shown)	
5	7027776	1	Handle, Carrying	
101	7024462	1	Panel, Front	
102	7024463	1	Panel, Console	
103	7024469	1	Switch with Lead	
104	7024470	1	Knob	
105	7024471	1	Knob	
106	7024472	1	Receptacle with Leads and Plugs	
107	7024473	2	Receptacle, Twistlock Female	
108	7024474	2	Insulator	
109	7024475	2	O-Ring	
110	7027777	1	Nameplate	
111	7027779	1	Circuit Card Assembly (Process Control)	
112	7024478	2	Nut	
113	7027778	1	Circuit Card Assembly (Operator Interface)	
201	7024462	1	Panel, Rear	
202	7027780	1	Panel, Cover	

SECTION 6 - CYLINDER

SECTION 6 - CYLINDER

FIGURE 6-1. AXLE EXTENSION CYLINDER ASSEMBLY



ART_1001251020

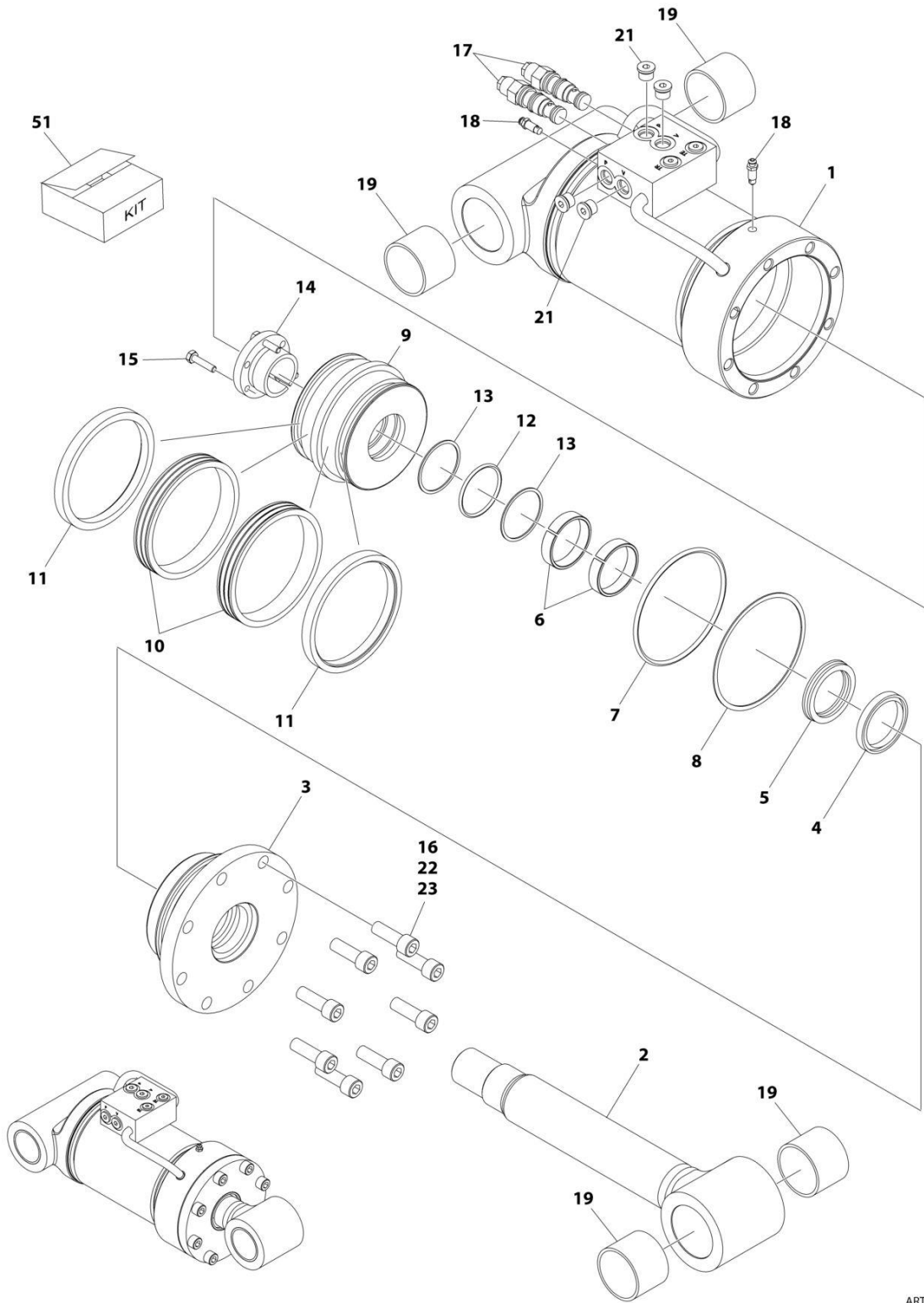
SECTION 6 - CYLINDER

FIGURE 6-1. AXLE EXTENSION CYLINDER ASSEMBLY

ITEM	PART NUMBER	QTY	DESCRIPTION	REV
	1001251020	Ref	AXLE EXTENSION CYLINDER ASSEMBLY	A
		Ref	Note: Original Cylinder May Have Been Replaced with Service Replacement. Identify PN Stamped on Cylinder Before Ordering Parts.	
1	See Note	NSS	Barrel (Note: Use p/n 1001251020)	
2	70007382	1	Rod	
3	See Note	NSS	Head (Use Item 100)	
5	See Note	NSS	Ring (Note: Use Item 100)	
6	See Note	NSS	Seal (Note: Use Item 101)	
7	See Note	NSS	Ring, Back-up (Note: Use Item 101)	
8	See Note	NSS	Wiper, Rod (Note: Use Item 101)	
9	See Note	NSS	Ring, Retaining (Note: Use Item 101)	
10	See Note	NSS	O-Ring (Note: Use Item 101)	
11	See Note	NSS	Ring, Back-up (Note: Use Item 101)	
12	See Note	NSS	O-Ring (Note: Use Item 101)	
13	See Note	NSS	Piston (Note: Use Item 102)	
14	See Note	NSS	Seal (Note: Use Item 101)	
15	See Note	NSS	O-Ring (Note: Use Item 101)	
16	See Note	NSS	Ring, Back-up (Note: Use Item 101)	
17	See Note	NSS	Setscrew (Note: Use Item 102)	
18	4640509	2	Cartridge, Holding Valve	
18	2900792	2	Seal Kit - 4640509 Cartridge Valve (1 Per Assembly)	
20	See Note	NSS	Plug (Note: Use Item 103)	
21	See Note	NSS	Plug (Note: Use Item 103)	
100	70007383	1	Rod Cover Kit (Includes Items 3-5)	
101	70007384	1	Seal Kit (Includes Items 6-12 & 14-16)	
102	70007385	1	Piston Kit (Includes Items 13 & 17)	
103	70007386	1	Plug Kit (Includes Items 20 & 21)	

SECTION 6 - CYLINDER

FIGURE 6-2. AXLE LOCKOUT CYLINDER ASSEMBLY (1200SJP) (Prior to SN 0300294706, Prior to SN B30016796, Excluding B30015854)



ART_1001228019

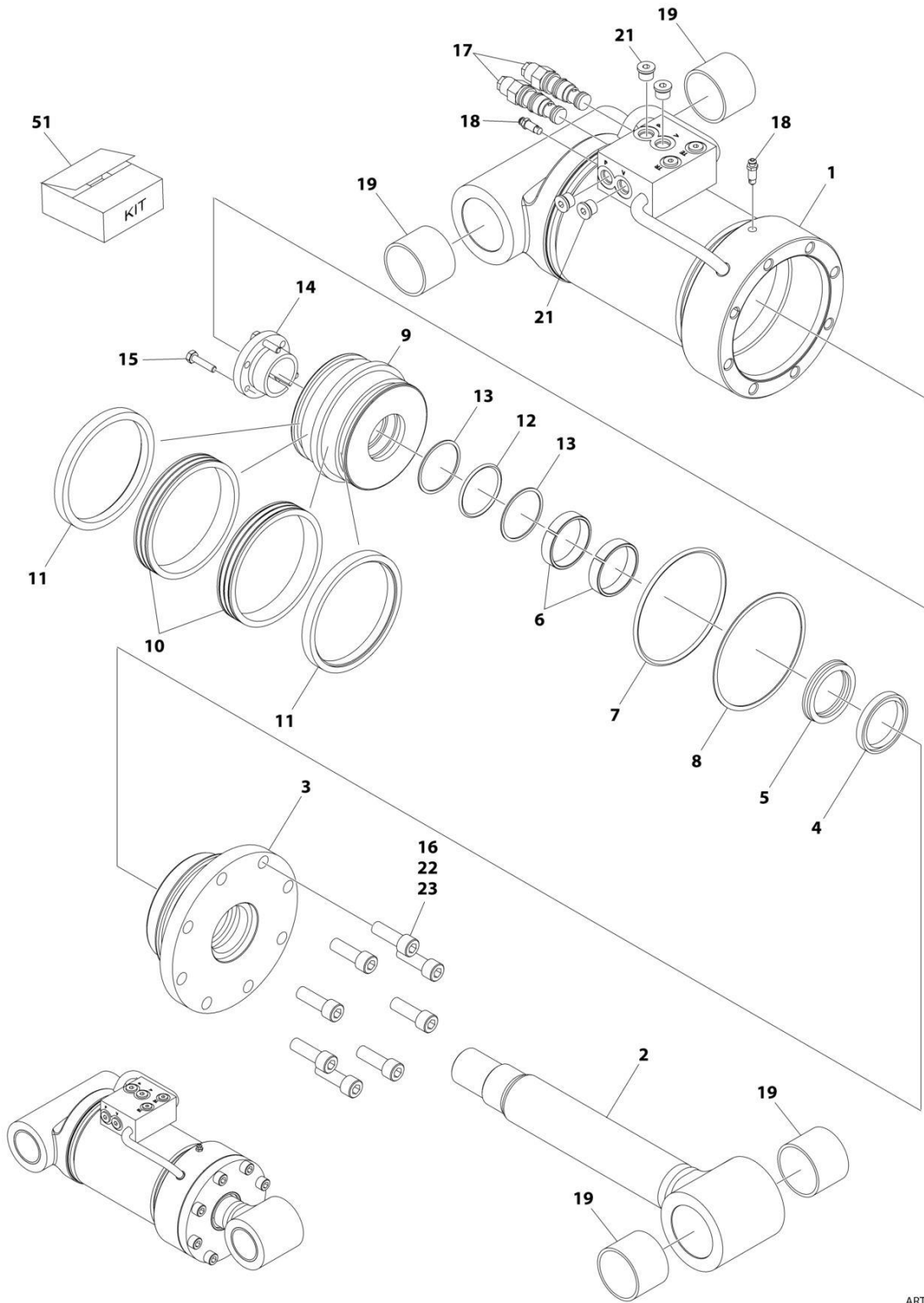
SECTION 6 - CYLINDER

FIGURE 6-2. AXLE LOCKOUT CYLINDER ASSEMBLY (1200SJP) (Prior to SN 0300294706, Prior to SN B30016796, Excluding B30015854)

ITEM	PART NUMBER	QTY	DESCRIPTION	REV
	1001228019	Ref	AXLE LOCKOUT CYLINDER ASSEMBLY	D
		Ref	Note: Original Cylinder May Have Been Replaced with Service Replacement. Identify PN Stamped on Cylinder Before Ordering Parts.	
1	See Note	NSS	Barrel (Note: Not Available for Purchase)	
2	70006520	1	Rod	
3	70006474	1	Head	
4	See Note	NSS	Wiper (Note: Use Item 51)	
5	See Note	NSS	Seal, Rod (Note: Use Item 51)	
6	See Note	NSS	Ring, Wear (Note: Use Item 51)	
7	See Note	NSS	O-Ring (Note: Use Item 51)	
8	See Note	NSS	Ring, Back-up (Note: Use Item 51)	
9	70006473	1	Piston	
10	See Note	NSS	Seal (Note: Use Item 51)	
11	See Note	NSS	Ring, Lock (Note: Use Item 51)	
12	See Note	NSS	O-Ring (Note: Use Item 51)	
13	See Note	NSS	Ring, Back-up (Note: Use Item 51)	
14	0961896	1	Bushing	
15	0630535	3	Bolt 1/4 x 1-1/8	
16	3931824	8	Bolt 1/2 x 1-1/2	
17	4641276	2	Cartridge, Valve Options: (Counterbalance)	
17	2900770	2	Seal Kit - 4641276 Valve (1 Per Assembly)	
18	4640858	2	Valve, Bleeder	
19	0961950	4	Bearing	
21	2220885	4	Plug, O-Ring	
22	0100011	AR	Compound, Locking	
23	0100038	AR	Primer, Locking	
51	2902087	1	Seal Kit (Includes Items 4-8 & 10-13)	

SECTION 6 - CYLINDER

FIGURE 6-3. AXLE LOCKOUT CYLINDER ASSEMBLY (1350SJP) (Prior to SN 0300294713, Prior to SN B30016574)



ART_1001228019

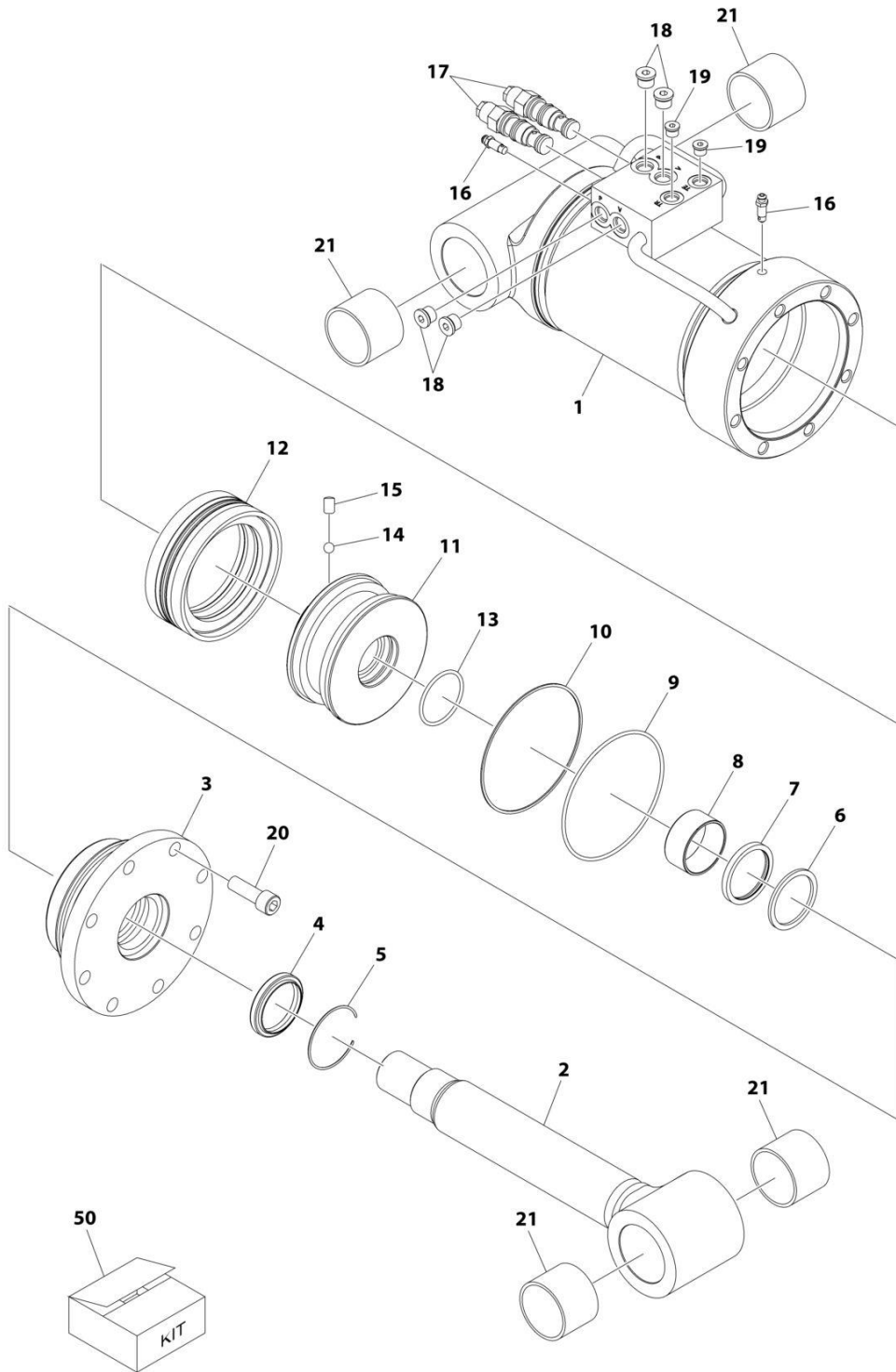
SECTION 6 - CYLINDER

FIGURE 6-3. AXLE LOCKOUT CYLINDER ASSEMBLY (1350SJP) (Prior to SN 0300294713, Prior to SN B30016574)

ITEM	PART NUMBER	QTY	DESCRIPTION	REV
	1001228019	Ref	AXLE LOCKOUT CYLINDER ASSEMBLY	D
		Ref	Note: Original Cylinder May Have Been Replaced with Service Replacement. Identify PN Stamped on Cylinder Before Ordering Parts.	
1	See Note	NSS	Barrel (Note: Not Available for Purchase)	
2	70006520	1	Rod	
3	70006474	1	Head	
4	See Note	NSS	Wiper (Note: Use Item 51)	
5	See Note	NSS	Seal, Rod (Note: Use Item 51)	
6	See Note	NSS	Ring, Wear (Note: Use Item 51)	
7	See Note	NSS	O-Ring (Note: Use Item 51)	
8	See Note	NSS	Ring, Back-up (Note: Use Item 51)	
9	70006473	1	Piston	
10	See Note	NSS	Seal (Note: Use Item 51)	
11	See Note	NSS	Ring, Lock (Note: Use Item 51)	
12	See Note	NSS	O-Ring (Note: Use Item 51)	
13	See Note	NSS	Ring, Back-up (Note: Use Item 51)	
14	0961896	1	Bushing	
15	0630535	3	Bolt 1/4 x 1-1/8	
16	3931824	8	Bolt 1/2 x 1-1/2	
17	4641276	2	Cartridge, Valve Options: (Counterbalance)	
17	2900770	2	Seal Kit - 4641276 Valve (1 Per Assembly)	
18	4640858	2	Valve, Bleeder	
19	0961950	4	Bearing	
21	2220885	4	Plug, O-Ring	
22	0100011	AR	Compound, Locking	
23	0100038	AR	Primer, Locking	
51	2902087	1	Seal Kit (Includes Items 4-8 & 10-13)	

SECTION 6 - CYLINDER

FIGURE 6-4. AXLE LOCKOUT CYLINDER ASSEMBLY (1200SJP) (Prior to SN 0300294706, SN B300016796 to Present)



ART_1001251019

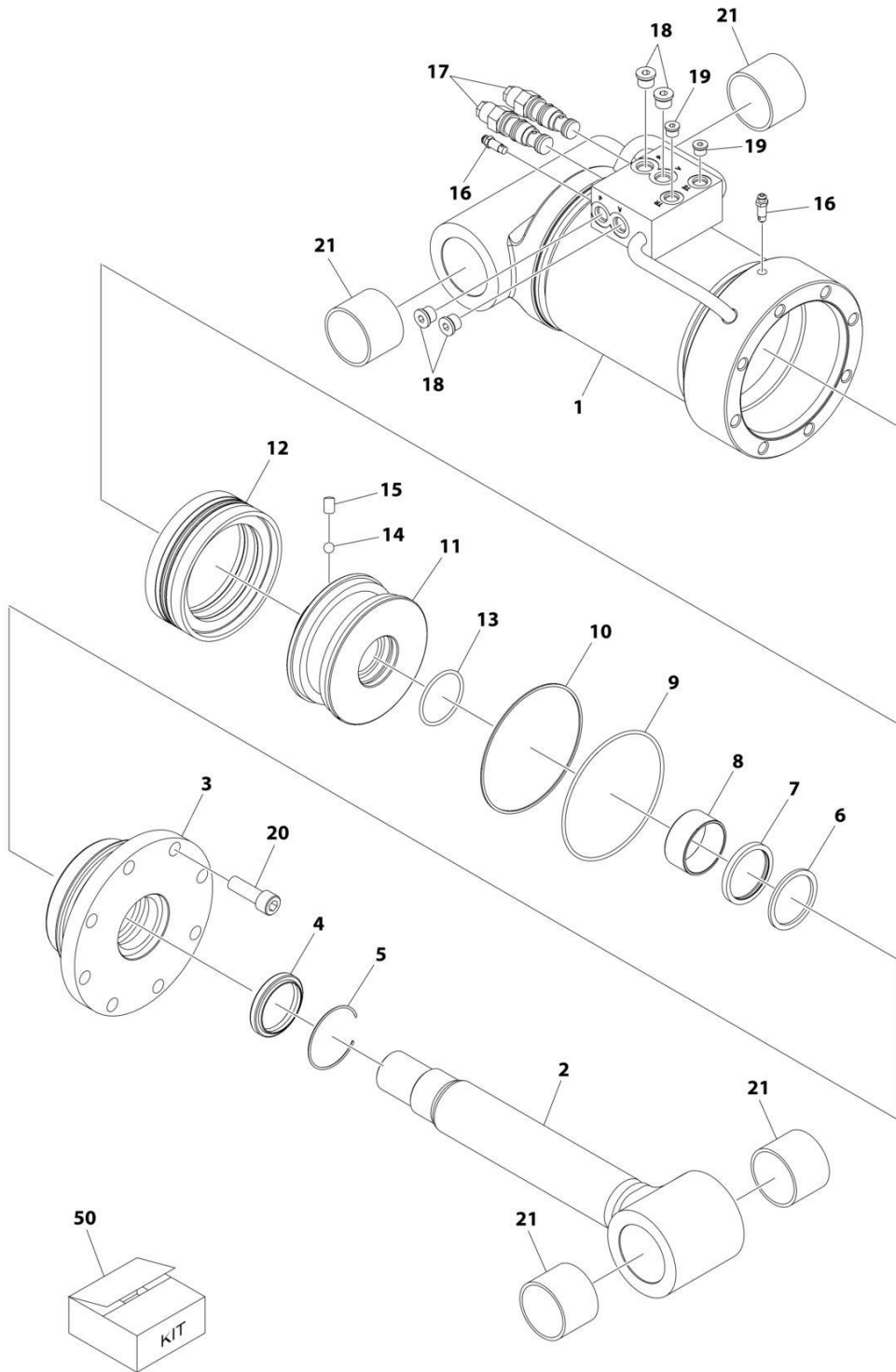
SECTION 6 - CYLINDER

FIGURE 6-4. AXLE LOCKOUT CYLINDER ASSEMBLY (1200SJP) (Prior to SN 0300294706, SN B300016796 to Present)

ITEM	PART NUMBER	QTY	DESCRIPTION	REV
	1001251019	Ref	AXLE LOCKOUT CYLINDER ASSEMBLY	B
		Ref	Note: Original Cylinder May Have Been Replaced with Service Replacement. Identify PN Stamped on Cylinder Before Ordering Parts.	
1	See Note	NSS	Barrel (Note: Use PN 1001251019)	
2	70007984	1	Rod	
3	70007985	1	Head	
4	See Note	NSS	Wiper (Note: Use Item 50)	
5	70002412	1	Ring, Retaining	
6	See Note	NSS	Seal, Rod (Note: Use Item 50)	
7	See Note	NSS	Ring, Back-up (Note: Use Item 50)	
8	70005153	1	Bearing	
9	See Note	NSS	O-Ring (Note: Use Item 50)	
10	See Note	NSS	Ring, Back-up (Note: Use Item 50)	
11	7007986	1	Piston	
12	See Note	NSS	Seal, Piston (Note: Use Item 50)	
13	See Note	NSS	O-Ring (Note: Use Item 50)	
14	70022564	1	Ball	
15	70006596	1	Setscrew M8 x 12	
16	70007987	2	Bleeder	
17	4641276	2	Cartridge, Valve - Counterbalance	
17	2900770	2	Seal Kit - 4641276 Valve	
18	2220885	4	Plug 9/16	
19	2220883	2	Plug 7/16	
20	70007988	8	Bolt M12 x 50	
21	0961950	4	Bearing	
50	70007989	1	Seal Kit - 1001251019 Cylinder (Includes Items 4, 6, 7, 9, 10, 12 & 13)	

SECTION 6 - CYLINDER

FIGURE 6-5. AXLE LOCKOUT CYLINDER ASSEMBLY (1350SJP) (Prior to SN 0300294713, Prior to SN B30016574)



ART_1001251019

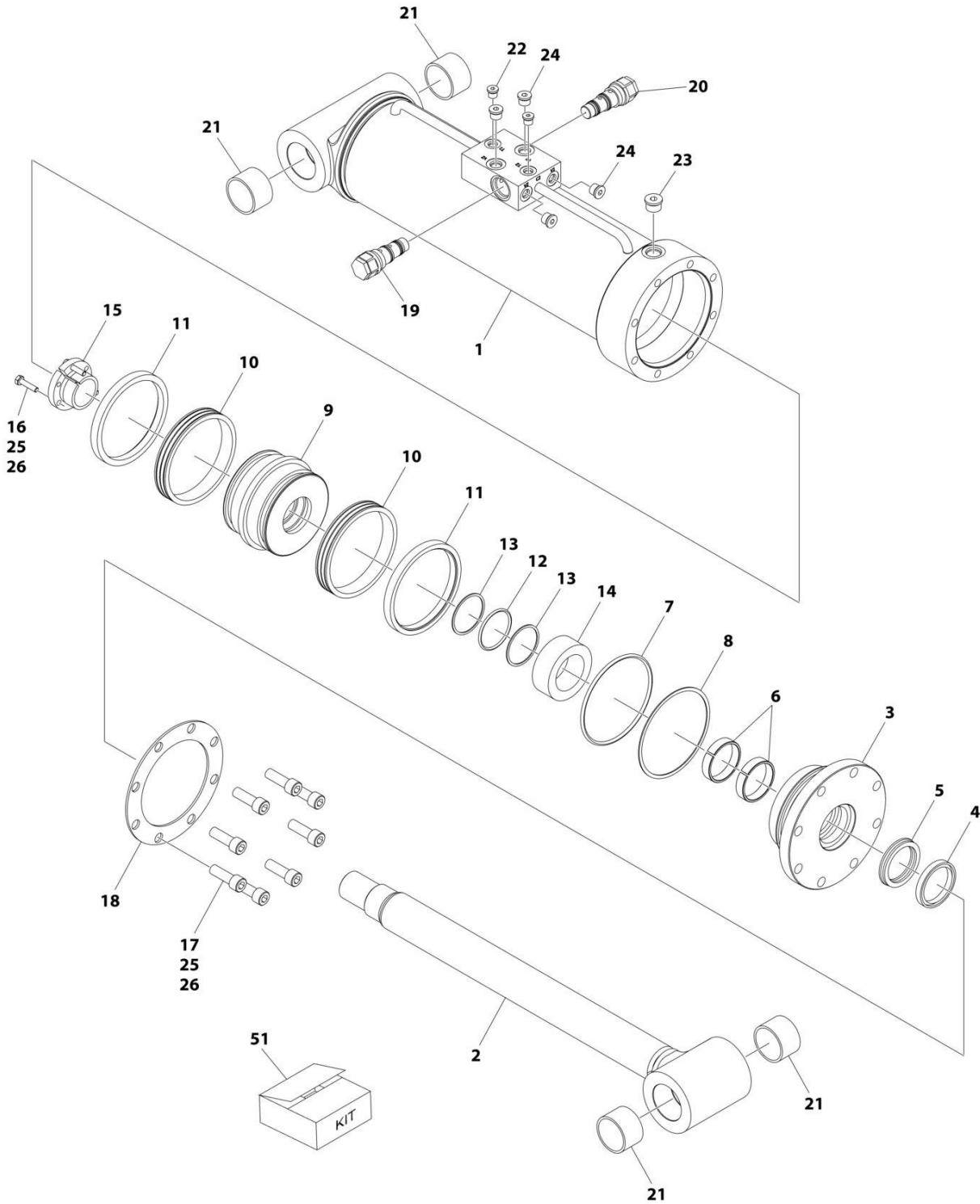
SECTION 6 - CYLINDER

FIGURE 6-5. AXLE LOCKOUT CYLINDER ASSEMBLY (1350SJP) (Prior to SN 0300294713, Prior to SN B30016574)

ITEM	PART NUMBER	QTY	DESCRIPTION	REV
	1001251019	Ref	AXLE LOCKOUT CYLINDER ASSEMBLY	B
		Ref	Note: Original Cylinder May Have Been Replaced with Service Replacement. Identify PN Stamped on Cylinder Before Ordering Parts.	
1	See Note	NSS	Barrel (Note: Use PN 1001251019)	
2	70007984	1	Rod	
3	70007985	1	Head	
4	See Note	NSS	Wiper (Note: Use Item 50)	
5	70002412	1	Ring, Retaining	
6	See Note	NSS	Seal, Rod (Note: Use Item 50)	
7	See Note	NSS	Ring, Back-up (Note: Use Item 50)	
8	70005153	1	Bearing	
9	See Note	NSS	O-Ring (Note: Use Item 50)	
10	See Note	NSS	Ring, Back-up (Note: Use Item 50)	
11	7007986	1	Piston	
12	See Note	NSS	Seal, Piston (Note: Use Item 50)	
13	See Note	NSS	O-Ring (Note: Use Item 50)	
14	70022564	1	Ball	
15	70006596	1	Setscrew M8 x 12	
16	70007987	2	Bleeder	
17	4641276	2	Cartridge, Valve - Counterbalance	
17	2900770	2	Seal Kit - 4641276 Valve	
18	2220885	4	Plug 9/16	
19	2220883	2	Plug 7/16	
20	70007988	8	Bolt M12 x 50	
21	0961950	4	Bearing	
50	70007989	1	Seal Kit - 1001251019 Cylinder (Includes Items 4, 6, 7, 9, 10, 12 & 13)	

SECTION 6 - CYLINDER

FIGURE 6-6. PLATFORM LEVEL CYLINDER ASSEMBLY - WITHOUT COLD WEATHER PLUS PACKAGE (1200SJP) (Prior to SN 0300293708, Prior to SN B300015982, Except SN 0300289294 through 0300289296, Except SN 0300289312 through 0300289323, Except SN 0300289336 through 0300289337, Except SN 0300289352 through 03002893540300289356, Excluding 0300289325, 0300289345, 0300289349, 0300289350 and B300014859)



ART_1001228023

SECTION 6 - CYLINDER

FIGURE 6-6. PLATFORM LEVEL CYLINDER ASSEMBLY - WITHOUT COLD WEATHER PLUS PACKAGE (1200SJP) (Prior to SN 0300293708, Prior to SN B300015982, Except SN 0300289294 through 0300289296, Except SN 0300289312 through 0300289323, Except SN 0300289336 through 0300289337, Except SN 0300289352 through 03002893540300289356, Excluding 0300289325, 0300289345, 0300289349, 0300289350 and B300014859)

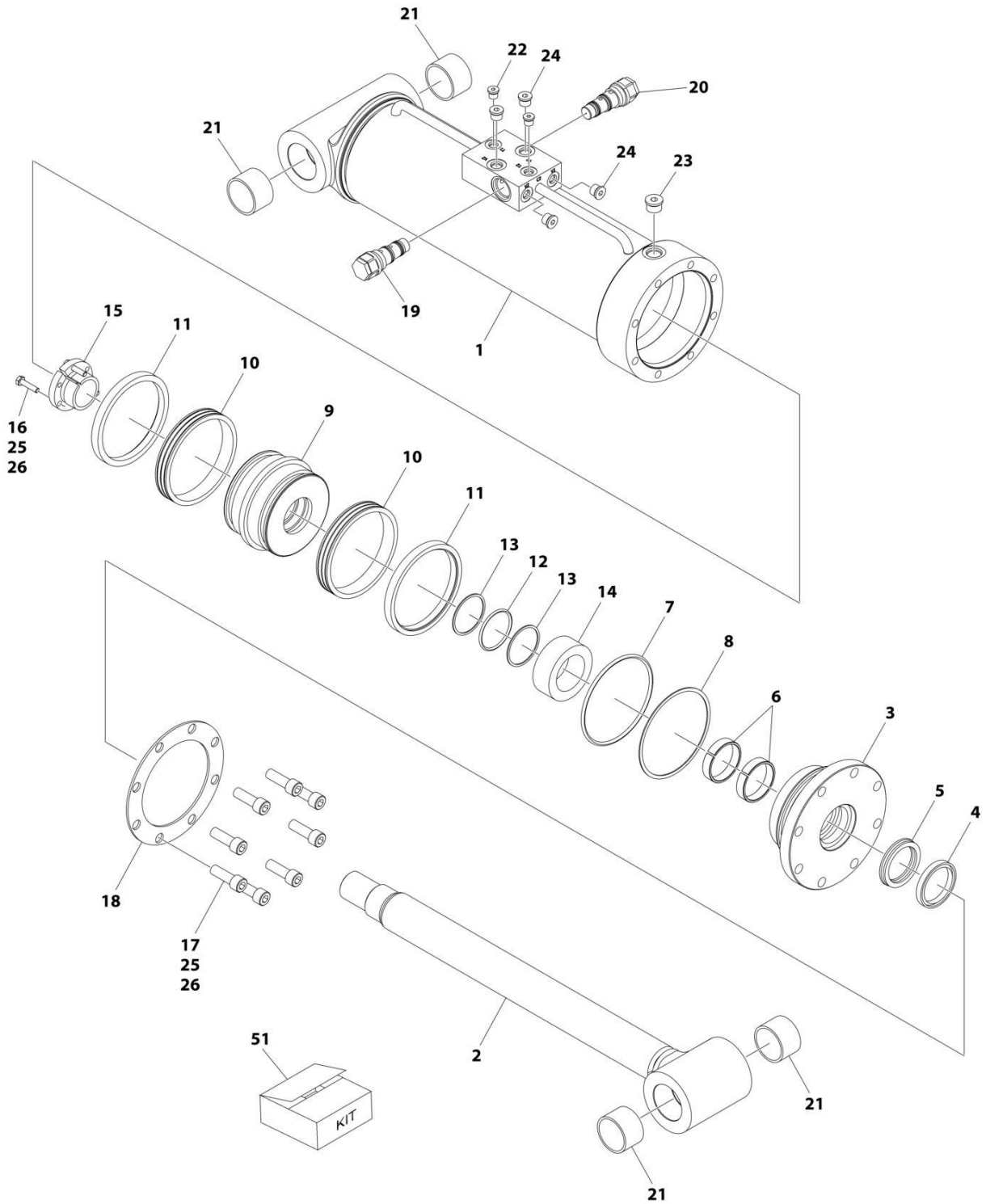
ITEM	PART NUMBER	QTY	DESCRIPTION	REV
	1001228023	Ref	PLATFORM LEVEL CYLINDER ASSEMBLY - WITHOUT COLD WEATHER PLUS PACKAGE	C
		Ref	Note: Original Cylinder May Have Been Replaced with Service Replacement. Identify PN Stamped on Cylinder Before Ordering Parts.	
1	See Note	NSS	Barrel (Note: Not Available for Purchase)	
2	70006550	1	Rod	
3	70006549	1	Head	
4	See Note	NSS	Wiper, Rod (Note: Use Item 51)	
5	See Note	NSS	Seal, Rod (Note: Use Item 51)	
6	See Note	NSS	Ring, Wear (Note: Use Item 51)	
7	See Note	NSS	O-Ring (Note: Use Item 51)	
8	See Note	NSS	Ring, Back-up (Note: Use Item 51)	
9	70006548	1	Piston	
10	See Note	NSS	Ring, Guide (Note: Use Item 51)	
11	See Note	NSS	Ring, Lock (Note: Use Item 51)	
12	See Note	NSS	O-Ring (Note: Use Item 51)	
13	See Note	NSS	Ring, Back-up (Note: Use Item 51)	
14	70006547	1	Spacer	
15	0961896	1	Bushing, Tapered	
16	0630535	3	Capscrew 1/4 x 1-1/8	
17	3931824	8	Capscrew 1/2 x 1-1/2	
18	3760371	1	Ring, Washer	
19	4641248	1	Cartridge, Counterbalance Valve (Non-Vented)	
19	See Note	NSS	Seal Kit - 4641248 Cartridge Valve (Note: Use p/n 4641248)	
20	4640509	1	Cartridge, Holding Valve (Non-Vented)	
20	2900792	1	Seal Kit - 4640509 Cartridge Valve	
21	0961949	4	Bushing	
22	2220883	4	Plug, O-Ring	
23	2220886	1	Plug, O-Ring	
24	2220885	2	Plug, O-Ring	
25	0100011	AR	Compound, Locking	
26	0100038	AR	Primer, Locking	
51	2902087	1	Seal Kit Options (Includes Items 4-8 & 10-13)	

SECTION 6 - CYLINDER

FIGURE 6-7. PLATFORM LEVEL CYLINDER ASSEMBLY - WITHOUT COLD WEATHER PLUS PACKAGE (1350SJP) (Prior to SN 0300293909, Prior to SN B300015609, Except SN 0300285774 through 0300285777, Except SN 0300289363 through 0300289375, Except SN 0300289383 through 0300289386, Except SN 0300289395 through 0300289412, Except SN 0300289421 through 0300289422, Except SN 0300289462 through 0300289464, Except SN 0300289475 through 0300289482, Except SN B300014860 through B300014861, Excluding 0300286733, 0300289379,

SECTION 6 - CYLINDER

0300289416, 0300289419, 0300289424 and 0300289436)



ART_1001228023

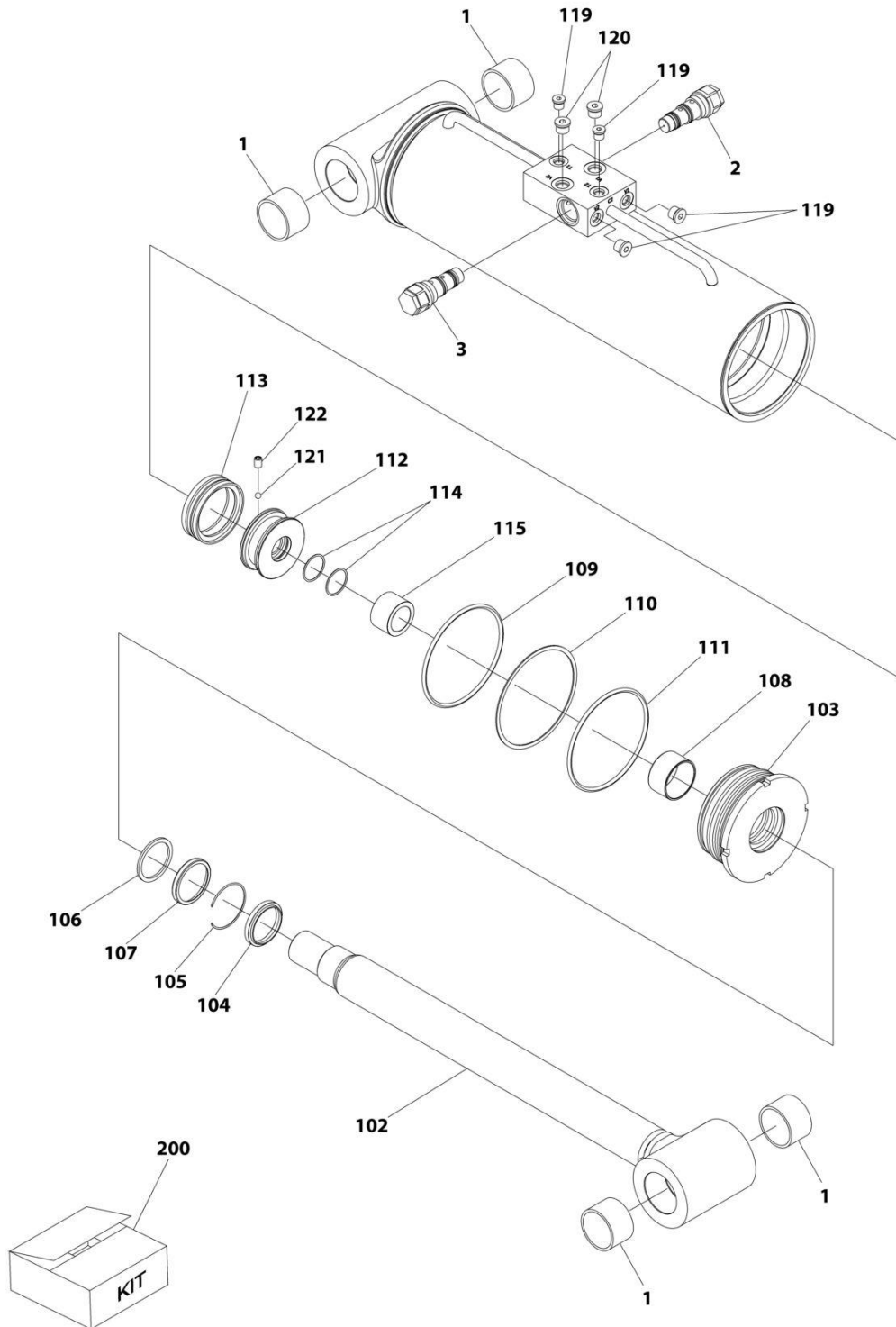
SECTION 6 - CYLINDER

FIGURE 6-7. PLATFORM LEVEL CYLINDER ASSEMBLY - WITHOUT COLD WEATHER PLUS PACKAGE (1350SJP) (Prior to SN 0300293909, Prior to SN B300015609, Except SN 0300285774 through 0300285777, Except SN 0300289363 through 0300289375, Except SN 0300289383 through 0300289386, Except SN 0300289395 through 0300289412, Except SN 0300289421 through 0300289422, Except SN 0300289462 through 0300289464, Except SN 0300289475 through 0300289482, Except SN B300014860 through B300014861, Excluding 0300286733, 0300289379, 0300289416, 0300289419, 0300289424 and 0300289436)

ITEM	PART NUMBER	QTY	DESCRIPTION	REV
	1001228023	Ref	PLATFORM LEVEL CYLINDER ASSEMBLY - WITHOUT COLD WEATHER PLUS PACKAGE	C
		Ref	Note: Original Cylinder May Have Been Replaced with Service Replacement. Identify PN Stamped on Cylinder Before Ordering Parts.	
1	See Note	NSS	Barrel (Note: Not Available for Purchase)	
2	70006550	1	Rod	
3	70006549	1	Head	
4	See Note	NSS	Wiper, Rod (Note: Use Item 51)	
5	See Note	NSS	Seal, Rod (Note: Use Item 51)	
6	See Note	NSS	Ring, Wear (Note: Use Item 51)	
7	See Note	NSS	O-Ring (Note: Use Item 51)	
8	See Note	NSS	Ring, Back-up (Note: Use Item 51)	
9	70006548	1	Piston	
10	See Note	NSS	Ring, Guide (Note: Use Item 51)	
11	See Note	NSS	Ring, Lock (Note: Use Item 51)	
12	See Note	NSS	O-Ring (Note: Use Item 51)	
13	See Note	NSS	Ring, Back-up (Note: Use Item 51)	
14	70006547	1	Spacer	
15	0961896	1	Bushing, Tapered	
16	0630535	3	Capscrew 1/4 x 1-1/8	
17	3931824	8	Capscrew 1/2 x 1-1/2	
18	3760371	1	Ring, Washer	
19	4641248	1	Cartridge, Counterbalance Valve (Non-Vented)	
19	See Note	NSS	Seal Kit - 4641248 Cartridge Valve (Note: Use p/n 4641248)	
20	4640509	1	Cartridge, Holding Valve (Non-Vented)	
20	2900792	1	Seal Kit - 4640509 Cartridge Valve	
21	0961949	4	Bushing	
22	2220883	4	Plug, O-Ring	
23	2220886	1	Plug, O-Ring	
24	2220885	2	Plug, O-Ring	
25	0100011	AR	Compound, Locking	
26	0100038	AR	Primer, Locking	
51	2902087	1	Seal Kit Options (Includes Items 4-8 & 10-13)	

SECTION 6 - CYLINDER

FIGURE 6-8. PLATFORM LEVEL CYLINDER ASSEMBLY - WITHOUT COLD WEATHER PLUS PACKAGE (1200SJP) (SN 0300293708 to Present, SN B300015982 to Present)



ART_1001251023

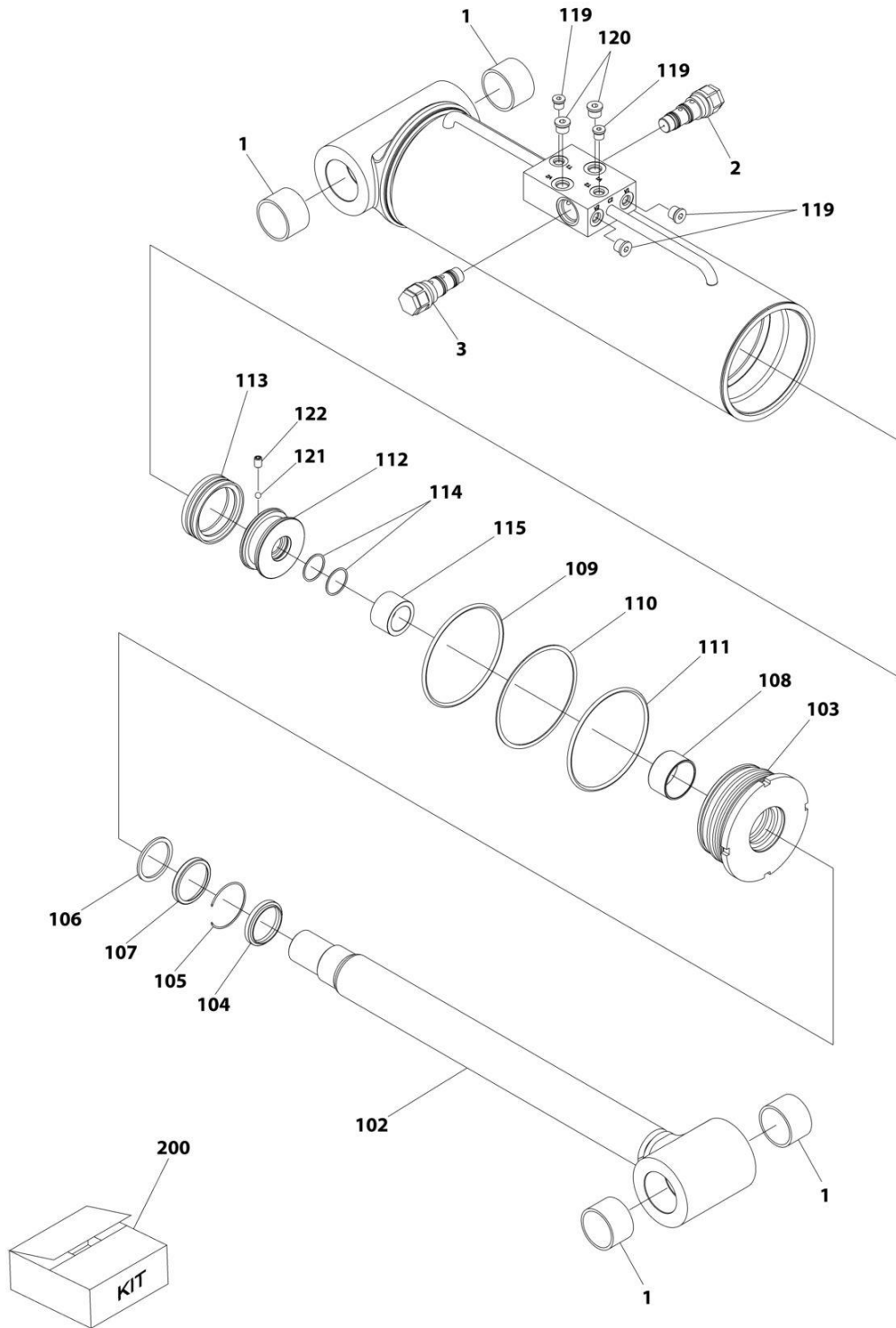
SECTION 6 - CYLINDER

FIGURE 6-8. PLATFORM LEVEL CYLINDER ASSEMBLY - WITHOUT COLD WEATHER PLUS PACKAGE (1200SJP) (SN 0300293708 to Present, SN B300015982 to Present)

ITEM	PART NUMBER	QTY	DESCRIPTION	REV
	1001251023	Ref	PLATFORM LEVEL CYLINDER ASSEMBLY	A
		Ref	Note: Original Cylinder May Have Been Replaced with Service Replacement. Identify PN Stamped on Cylinder Before Ordering Parts.	
1	0961949	4	Bushing	
2	4641248	1	Cartridge, Counterbalance Valve (Non-Vented)	
2	70004186	1	Seal Kit - For 4641248 Counterbalance Valve	
3	4640509	1	Cartridge, Holding Valve (Non-Vented)	
3	2900792	1	Seal Kit - For 4640509 Holding Valve	
102	70007999	1	Rod	
103	70008000	1	Head	
104	See Note	NSS	Wiper (Note: Use Item 200)	
105	70002412	1	Ring, Retaining	
106	See Note	NSS	Seal (Note: Use Item 200)	
107	See Note	NSS	Ring (Note: Use Item 200)	
108	70052577	1	Bearing	
109	See Note	NSS	O-Ring (Note: Use Item 200)	
110	See Note	NSS	Ring (Note: Use Item 200)	
111	See Note	NSS	O-Ring (Note: Use Item 200)	
112	70008001	1	Piston	
113	See Note	NSS	Seal (Note: Use Item 200)	
114	See Note	NSS	O-Ring (Note: Use Item 200)	
115	70008002	1	Spacer	
119	2220883	4	Plug 7/16	
120	2220885	2	Plug 9/16	
121	70022564	1	Ball, Steel	
122	70006596	1	Setscrew M8 x 1-1/4	
200	70008003	1	Seal Kit (Includes Items 4, 6, 7, 9-11, 13 & 14)	

SECTION 6 - CYLINDER

FIGURE 6-9. PLATFORM LEVEL CYLINDER ASSEMBLY - WITHOUT COLD WEATHER PLUS PACKAGE (1350SJP) (SN 0300293909 to Present, SN B300015609 to Present)



ART_1001251023

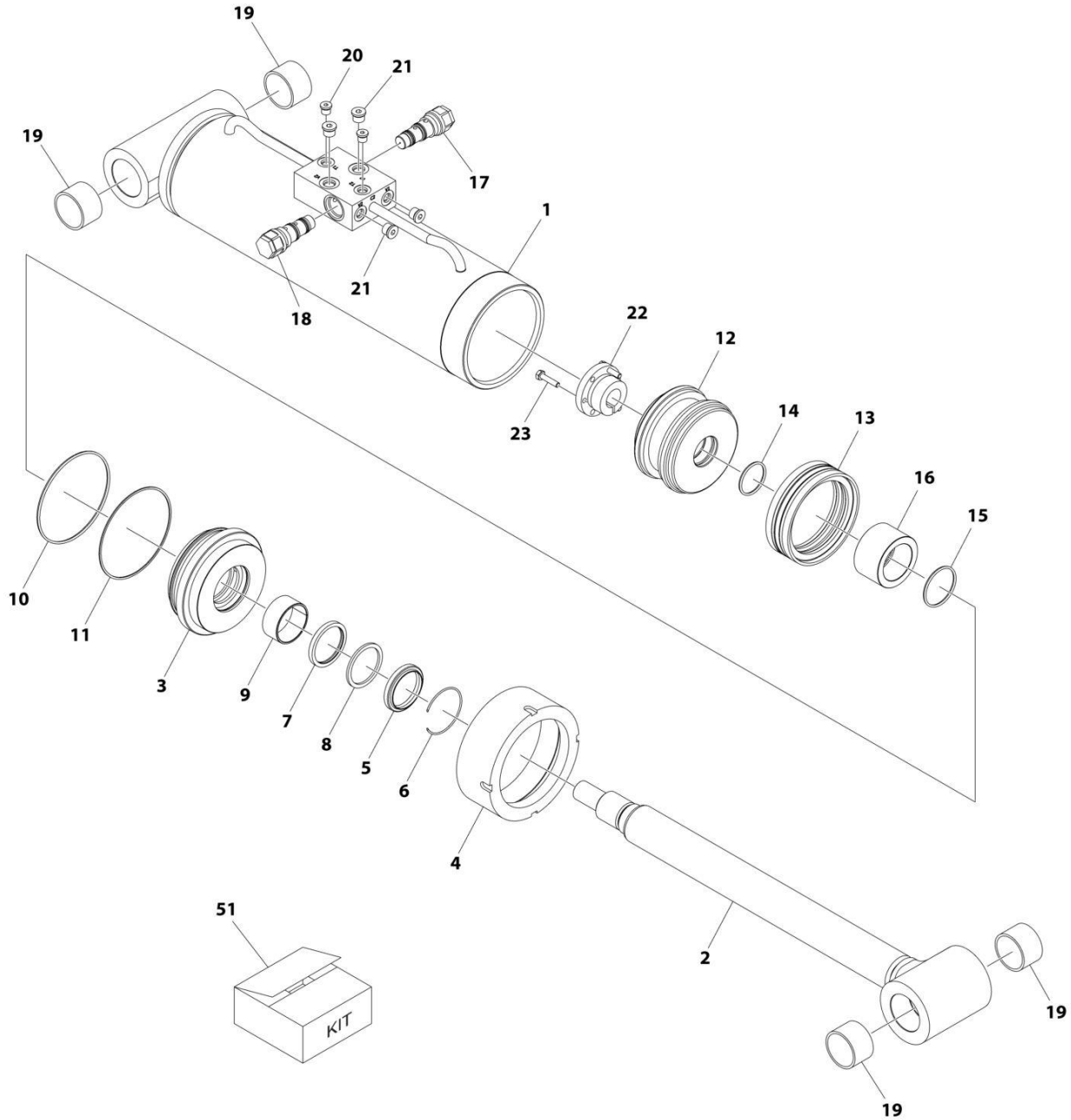
SECTION 6 - CYLINDER

FIGURE 6-9. PLATFORM LEVEL CYLINDER ASSEMBLY - WITHOUT COLD WEATHER PLUS PACKAGE (1350SJP) (SN 0300293909 to Present, SN B300015609 to Present)

ITEM	PART NUMBER	QTY	DESCRIPTION	REV
	1001251023	Ref	PLATFORM LEVEL CYLINDER ASSEMBLY	A
		Ref	Note: Original Cylinder May Have Been Replaced with Service Replacement. Identify PN Stamped on Cylinder Before Ordering Parts.	
1	0961949	4	Bushing	
2	4641248	1	Cartridge, Counterbalance Valve (Non-Vented)	
2	70004186	1	Seal Kit - For 4641248 Counterbalance Valve	
3	4640509	1	Cartridge, Holding Valve (Non-Vented)	
3	2900792	1	Seal Kit - For 4640509 Holding Valve	
102	70007999	1	Rod	
103	70008000	1	Head	
104	See Note	NSS	Wiper (Note: Use Item 200)	
105	70002412	1	Ring, Retaining	
106	See Note	NSS	Seal (Note: Use Item 200)	
107	See Note	NSS	Ring (Note: Use Item 200)	
108	70052577	1	Bearing	
109	See Note	NSS	O-Ring (Note: Use Item 200)	
110	See Note	NSS	Ring (Note: Use Item 200)	
111	See Note	NSS	O-Ring (Note: Use Item 200)	
112	70008001	1	Piston	
113	See Note	NSS	Seal (Note: Use Item 200)	
114	See Note	NSS	O-Ring (Note: Use Item 200)	
115	70008002	1	Spacer	
119	2220883	4	Plug 7/16	
120	2220885	2	Plug 9/16	
121	70022564	1	Ball, Steel	
122	70006596	1	Setscrew M8 x 1-1/4	
200	70008003	1	Seal Kit (Includes Items 4, 6, 7, 9-11, 13 & 14)	

SECTION 6 - CYLINDER

FIGURE 6-10. PLATFORM LEVEL CYLINDER ASSEMBLY - WITH COLD WEATHER PLUS PACKAGE



ART_1001228053

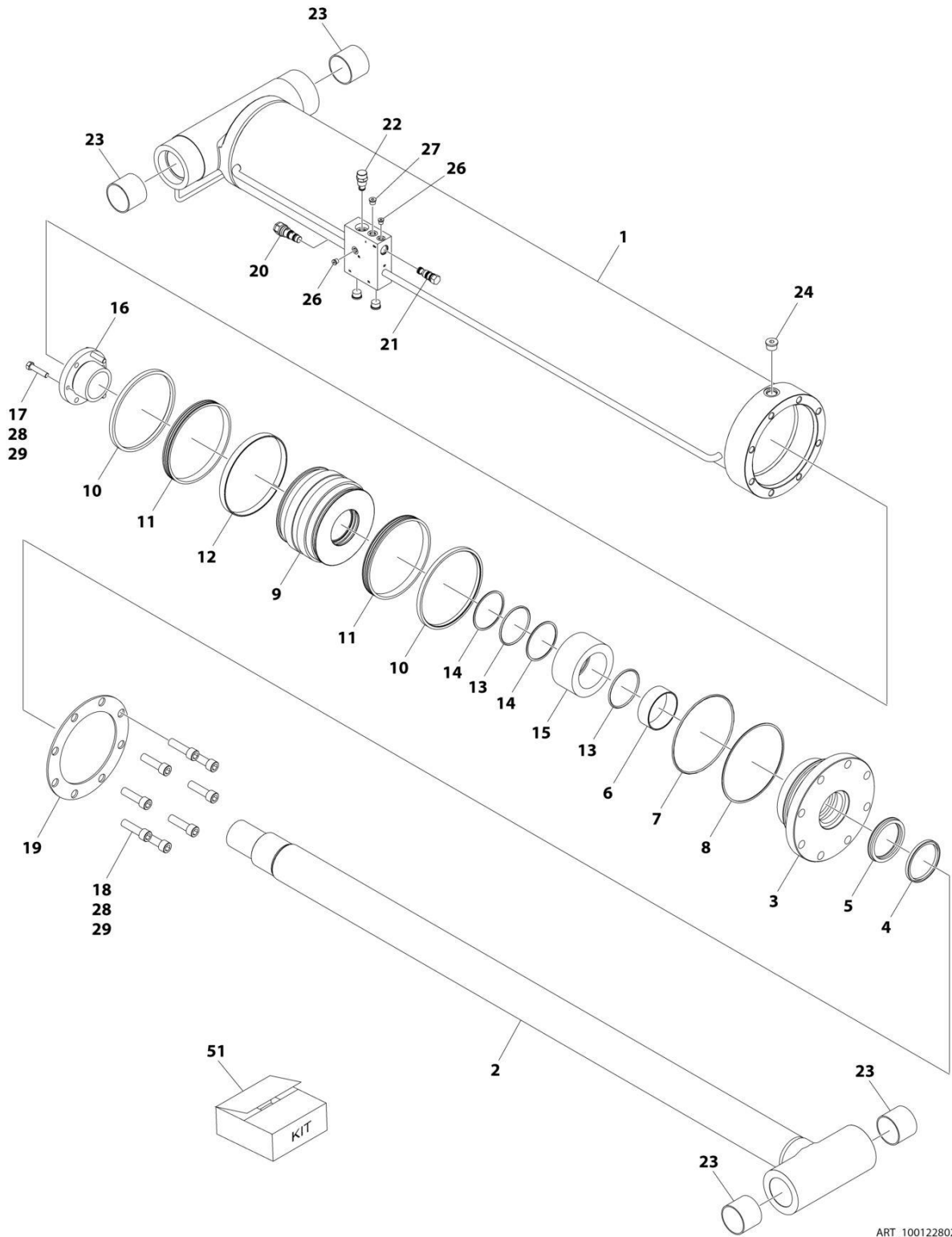
SECTION 6 - CYLINDER

FIGURE 6-10. PLATFORM LEVEL CYLINDER ASSEMBLY - WITH COLD WEATHER PLUS PACKAGE

ITEM	PART NUMBER	QTY	DESCRIPTION	REV
	1001228053	Ref	PLATFORM LEVEL CYLINDER ASSEMBLY - WITH COLD WEATHER PLUS PACKAGE	B
		Ref	Note: Original Cylinder May Have Been Replaced with Service Replacement. Identify PN Stamped on Cylinder Before Ordering Parts.	
1	See Note	NSS	Barrel (Note: Not Available for Purchase)	
2	70007015	1	Rod	
3	70007016	1	Head	
4	70007017	1	Cap, Cylinder	
5	See Note	NSS	Wiper, Rod (Note: Use Item 51)	
6	70002412	1	Retainer	
7	See Note	NSS	Seal, Rod (Note: Use Item 51)	
8	See Note	NSS	Ring, Back-up (Note: Use Item 51)	
9	70005153	1	Ring, Wear	
10	See Note	NSS	O-Ring (Note: Use Item 51)	
11	See Note	NSS	Ring, Back-up (Note: Use Item 51)	
12	70007018	1	Piston	
13	See Note	NSS	Seal, Piston (Note: Use Item 51)	
14	See Note	NSS	O-Ring (Note: Use Item 51)	
15	See Note	NSS	O-Ring (Note: Use Item 51)	
16	70007019	1	Spacer	
17	4640509	1	Cartridge, Holding Valve (Non-Vented)	
17	2900792	1	Seal Kit - 4640509 Cartridge Valve	
18	4641248	1	Cartridge, Counterbalance Valve (Non-Vented)	
18	70004186	1	Seal Kit - 4641248 Cartridge Valve	
19	0961949	4	Bushing	
20	2220883	2	Plug, O-Ring	
21	2220885	4	Plug, O-Ring	
22	0961894	1	Bushing, Tapered	
23	0630535	3	Capscrew 1/4 x 1-1/8	
51	70007020	1	Seal Kit Options (Includes Items 5, 7, 8, 10, 11 & 13-15)	

SECTION 6 - CYLINDER

FIGURE 6-11. LIFT CYLINDER ASSEMBLY (1350SJP) (Prior to SN 0300293909, Prior to SN B300016146, Except SN 0300289369 through 0300289375, Except SN 0300289404 through 0300289412, Excluding 0300285775)



ART_1001228024

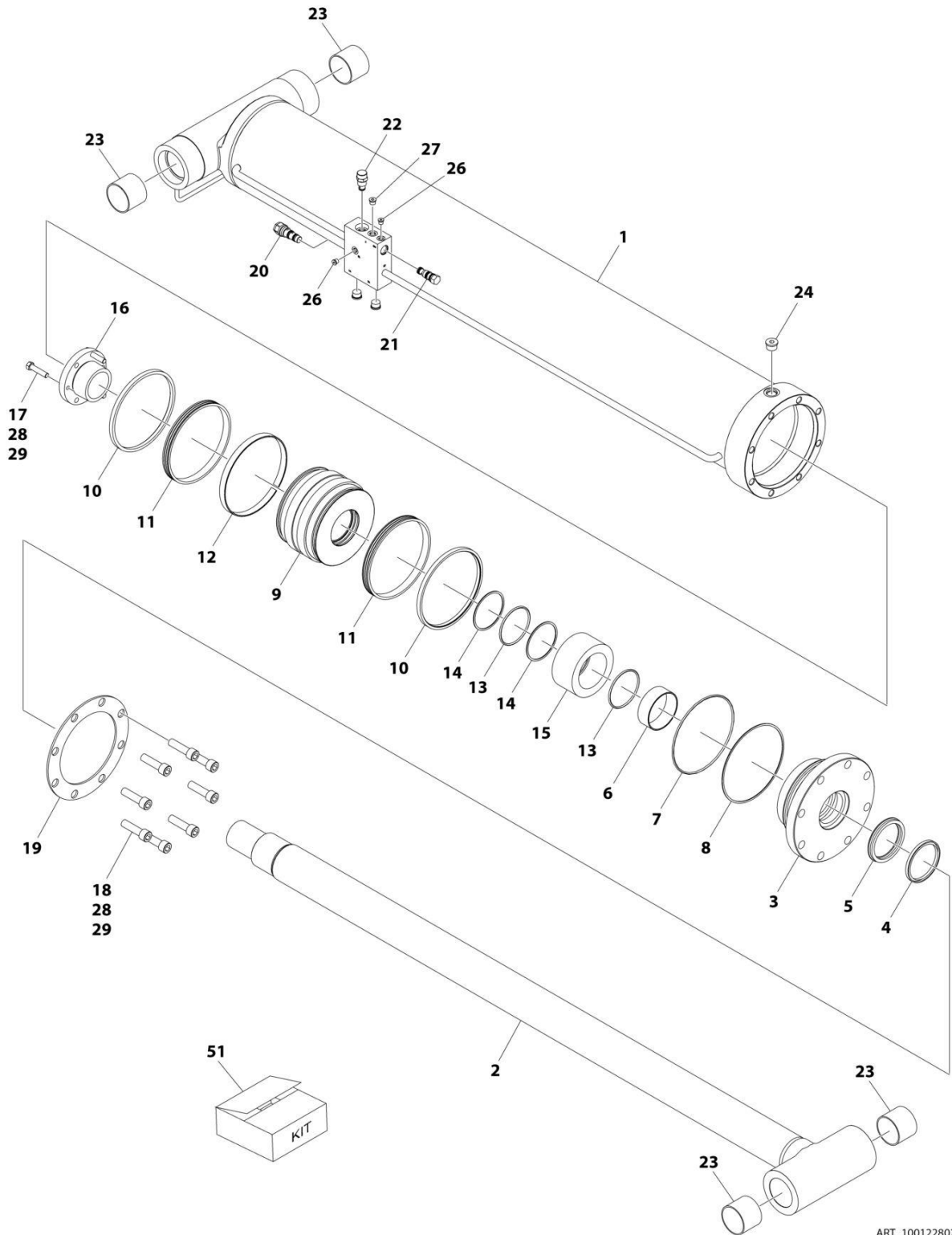
SECTION 6 - CYLINDER

FIGURE 6-11. LIFT CYLINDER ASSEMBLY (1350SJP) (Prior to SN 0300293909, Prior to SN B300016146, Except SN 0300289369 through 0300289375, Except SN 0300289404 through 0300289412, Excluding 0300285775)

ITEM	PART NUMBER	QTY	DESCRIPTION	REV
	1001228024	Ref	LIFT CYLINDER ASSEMBLY	D
		Ref	Note: Original Cylinder May Have Been Replaced with Service Replacement. Identify PN Stamped on Cylinder Before Ordering Parts.	
1	See Note	NSS	Barrel (Note: Not Available for Purchase)	
2	70006530	1	Rod	
3	70006529	1	Head	
4	See Note	NSS	Wiper, Rod (Note: Use Item 51)	
5	See Note	NSS	Seal, Rod (Note: Use Item 51)	
6	See Note	NSS	Ring, Wear (Note: Use Item 51)	
7	See Note	NSS	O-Ring (Note: Use Item 51)	
8	See Note	NSS	Ring, Back-up (Note: Use Item 51)	
9	70006528	1	Piston	
10	See Note	NSS	Ring, Lock (Note: Use Item 51)	
11	See Note	NSS	Ring, Guide (Note: Use Item 51)	
12	See Note	NSS	Ring, Wear (Note: Use Item 51)	
13	See Note	NSS	O-Ring (Note: Use Item 51)	
14	See Note	NSS	Ring, Back-up (Note: Use Item 51)	
15	70006527	1	Spacer	
16	0961901	1	Bushing, Tapered	
17	0630537	3	Capscrew	
18	3932244	8	Capscrew 3/4 x 2-3/4	
19	3760375	1	Ring, Washer	
20	4640509	1	Cartridge, Holding Valve (Non-Vented)	
20	2900792	1	Seal Kit - 4640509 Cartridge Valve	
21	4640438	1	Cartridge, Check Valve	
21	2900770	1	Seal Kit - 4640438 Cartridge Valve	
22	4641210	1	Cartridge, Pressure Regulator Valve	
22	7010545	1	Seal Kit - 4641210 Cartridge Valve	
23	0962297	4	Bushing	
24	2220888	1	Plug, O-Ring	
26	2220883	2	Plug, O-Ring	
27	2220885	1	Plug, O-Ring	
28	0100011	AR	Compound, Locking	
29	0100038	AR	Primer, Locking	
51	1001174325	1	Seal Kit (Includes Items 4-8 & 10-14)	

SECTION 6 - CYLINDER

FIGURE 6-12. LIFT CYLINDER ASSEMBLY (1200SJP) (Prior to SN 0300293907, Prior to SN B300016796, Except SN 0300289295 through 0300289296, Except SN 0300289319 through 0300289323, Excluding 0300289350 and B300015854)



ART_1001228024

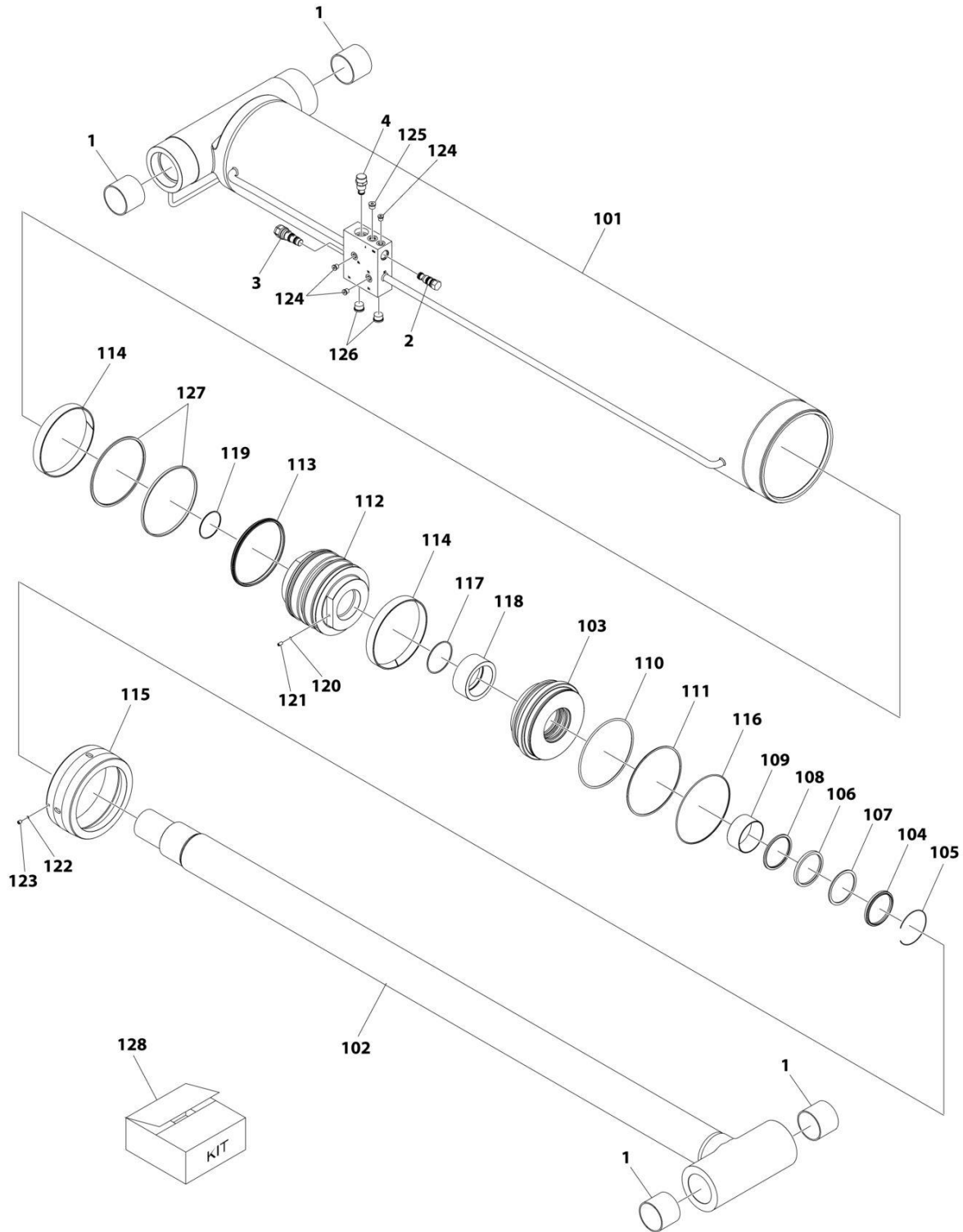
SECTION 6 - CYLINDER

FIGURE 6-12. LIFT CYLINDER ASSEMBLY (1200SJP) (Prior to SN 0300293907, Prior to SN B300016796, Except SN 0300289295 through 0300289296, Except SN 0300289319 through 0300289323, Excluding 0300289350 and B300015854)

ITEM	PART NUMBER	QTY	DESCRIPTION	REV
	1001228024	Ref	LIFT CYLINDER ASSEMBLY	D
		Ref	Note: Original Cylinder May Have Been Replaced with Service Replacement. Identify PN Stamped on Cylinder Before Ordering Parts.	
1	See Note	NSS	Barrel (Note: Not Available for Purchase)	
2	70006530	1	Rod	
3	70006529	1	Head	
4	See Note	NSS	Wiper, Rod (Note: Use Item 51)	
5	See Note	NSS	Seal, Rod (Note: Use Item 51)	
6	See Note	NSS	Ring, Wear (Note: Use Item 51)	
7	See Note	NSS	O-Ring (Note: Use Item 51)	
8	See Note	NSS	Ring, Back-up (Note: Use Item 51)	
9	70006528	1	Piston	
10	See Note	NSS	Ring, Lock (Note: Use Item 51)	
11	See Note	NSS	Ring, Guide (Note: Use Item 51)	
12	See Note	NSS	Ring, Wear (Note: Use Item 51)	
13	See Note	NSS	O-Ring (Note: Use Item 51)	
14	See Note	NSS	Ring, Back-up (Note: Use Item 51)	
15	70006527	1	Spacer	
16	0961901	1	Bushing, Tapered	
17	0630537	3	Capscrew	
18	3932244	8	Capscrew 3/4 x 2-3/4	
19	3760375	1	Ring, Washer	
20	4640509	1	Cartridge, Holding Valve (Non-Vented)	
20	2900792	1	Seal Kit - 4640509 Cartridge Valve	
21	4640438	1	Cartridge, Check Valve	
21	2900770	1	Seal Kit - 4640438 Cartridge Valve	
22	4641210	1	Cartridge, Pressure Regulator Valve	
22	7010545	1	Seal Kit - 4641210 Cartridge Valve	
23	0962297	4	Bushing	
24	2220888	1	Plug, O-Ring	
26	2220883	2	Plug, O-Ring	
27	2220885	1	Plug, O-Ring	
28	0100011	AR	Compound, Locking	
29	0100038	AR	Primer, Locking	
51	1001174325	1	Seal Kit (Includes Items 4-8 & 10-14)	

SECTION 6 - CYLINDER

FIGURE 6-13. LIFT CYLINDER ASSEMBLY (1350SJP) (SN 0300293909 to Present, SN B300016146 to Present)



ART_1001228024

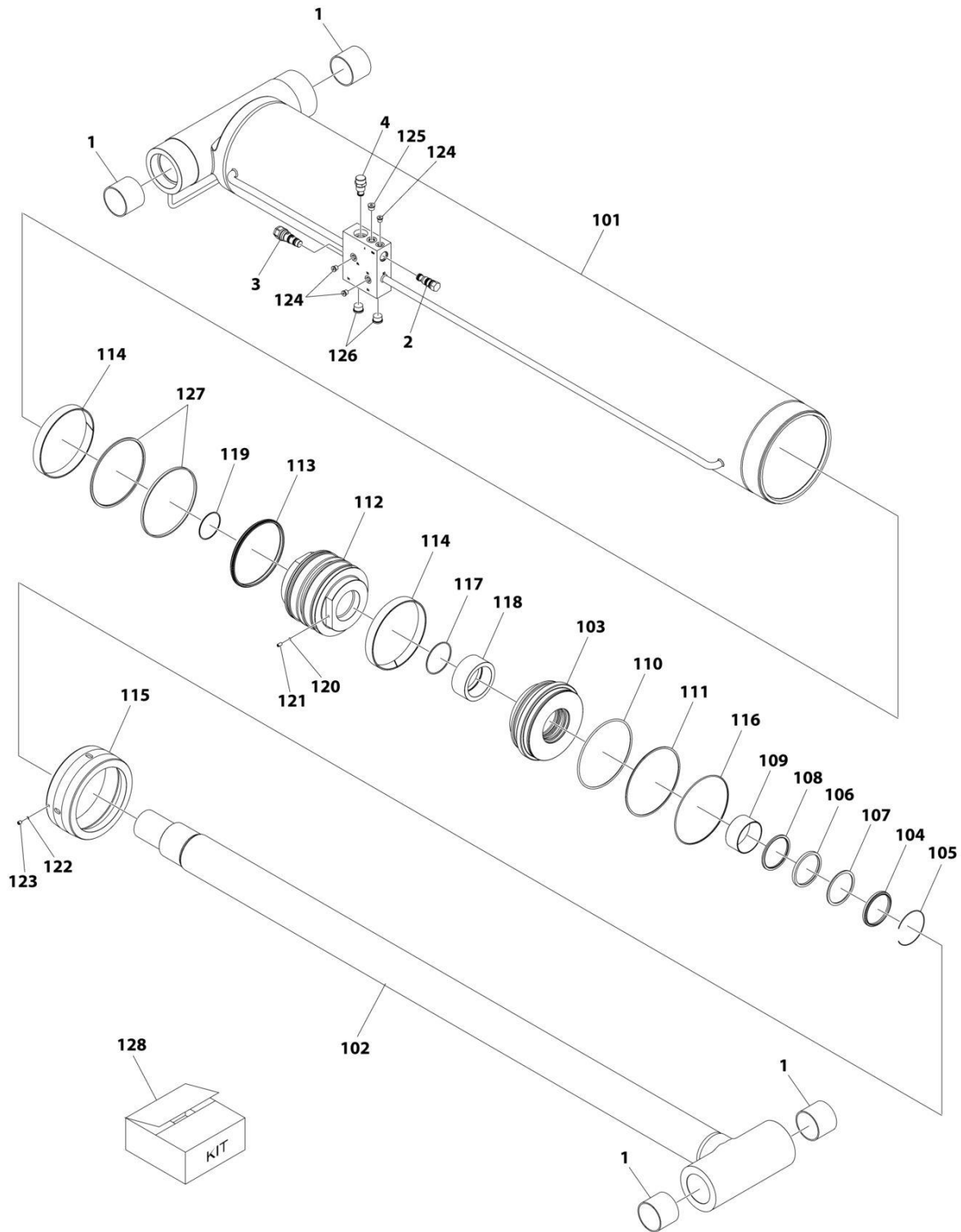
SECTION 6 - CYLINDER

FIGURE 6-13. LIFT CYLINDER ASSEMBLY (1350SJP) (SN 0300293909 to Present, SN B300016146 to Present)

ITEM	PART NUMBER	QTY	DESCRIPTION	REV
	1001251024	Ref	LIFT CYLINDER ASSEMBLY	A
		Ref	Note: Original Cylinder May Have Been Replaced with Service Replacement. Identify PN Stamped on Cylinder Before Ordering Parts.	
1	0962297	4	Bushing	
2	4640438	1	Cartridge, Check Valve	
2	2900770	1	Seal Kit - 4640438 Cartridge Valve	
3	4640509	1	Cartridge, Holding Valve (Non-Vented)	
3	2900792	1	Seal Kit - 4640509 Cartridge Valve	
4	4641210	1	Cartridge, Pressure Regulator Valve	
4	7010545	1	Seal Kit - 4641210 Cartridge Valve	
101	See Note	NSS	Tube (Note: Not Available for Purchase)	
102	70008180	1	Rod	
103	70008181	1	Head	
104	See Note	NSS	Wiper, Dust (Note: Use Item 128)	
105	70026283	1	Ring, Retaining	
106	See Note	NSS	Seal, Rod (Note: Use Item 128)	
107	See Note	NSS	Ring, Backup (Note: Use Item 128)	
108	See Note	NSS	Ring, Buffer (Note: Use Item 128)	
109	70008182	1	Bushing	
110	See Note	NSS	O-Ring (Note: Use Item 128)	
111	See Note	NSS	Ring, Backup (Note: Use Item 128)	
112	70008183	1	Piston	
113	See Note	NSS	Seal, Piston (Note: Use Item 128)	
114	See Note	NSS	Ring, Wear (Note: Use Item 128)	
115	70007435	1	Cap, Tube	
116	See Note	NSS	O-Ring (Note: Use Item 128)	
117	See Note	NSS	O-Ring (Note: Use Item 128)	
118	70008184	1	Spacer	
119	See Note	NSS	O-Ring (Note: Use Item 128)	
120	70022564	1	Ball, Steel	
121	70007246	1	Setscrew	
122	70007282	1	Insert, Locking	
123	70007438	1	Setscrew	
124	2220883	3	Plug 7/16	
125	2220885	1	Plug 9/16	
126	70005433	2	Plug 7/8	
127	See Note	NSS	Ring, Dust (Note: Use Item 128)	
128	70008185	1	Seal Kit (Includes Items 104, 106-108, 110-111, 113-114, 116-117, 119 & 127)	

SECTION 6 - CYLINDER

FIGURE 6-14. LIFT CYLINDER ASSEMBLY (1200SJP) (SN 0300293907 to Present, SN B300016796 to Present)



ART_1001228024

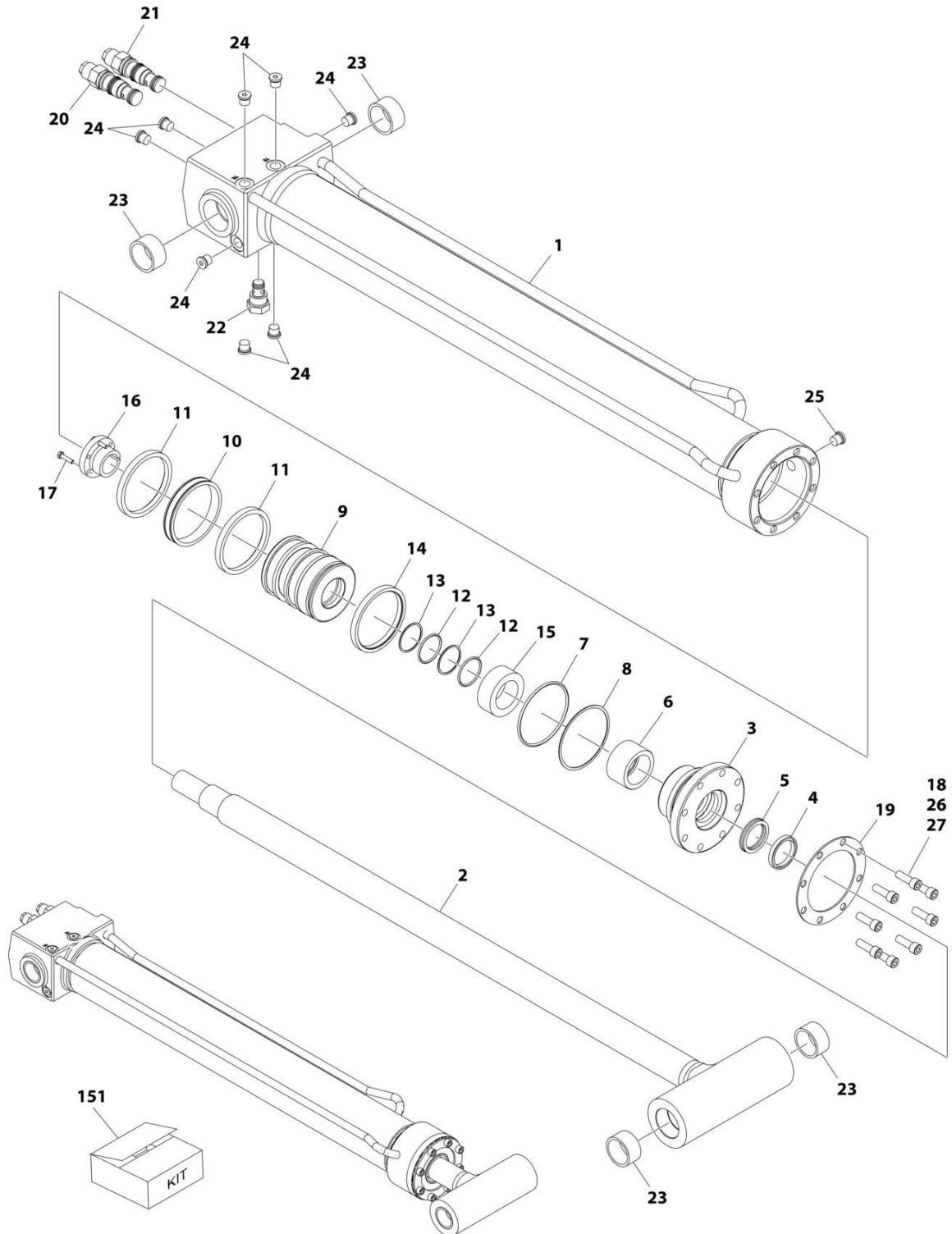
SECTION 6 - CYLINDER

FIGURE 6-14. LIFT CYLINDER ASSEMBLY (1200SJP) (SN 0300293907 to Present, SN B300016796 to Present)

ITEM	PART NUMBER	QTY	DESCRIPTION	REV
	1001251024	Ref	LIFT CYLINDER ASSEMBLY	A
		Ref	Note: Original Cylinder May Have Been Replaced with Service Replacement. Identify PN Stamped on Cylinder Before Ordering Parts.	
1	0962297	4	Bushing	
2	4640438	1	Cartridge, Check Valve	
2	2900770	1	Seal Kit - 4640438 Cartridge Valve	
3	4640509	1	Cartridge, Holding Valve (Non-Vented)	
3	2900792	1	Seal Kit - 4640509 Cartridge Valve	
4	4641210	1	Cartridge, Pressure Regulator Valve	
4	7010545	1	Seal Kit - 4641210 Cartridge Valve	
101	See Note	NSS	Tube (Note: Not Available for Purchase)	
102	70008180	1	Rod	
103	70008181	1	Head	
104	See Note	NSS	Wiper, Dust (Note: Use Item 128)	
105	70026283	1	Ring, Retaining	
106	See Note	NSS	Seal, Rod (Note: Use Item 128)	
107	See Note	NSS	Ring, Backup (Note: Use Item 128)	
108	See Note	NSS	Ring, Buffer (Note: Use Item 128)	
109	70008182	1	Bushing	
110	See Note	NSS	O-Ring (Note: Use Item 128)	
111	See Note	NSS	Ring, Backup (Note: Use Item 128)	
112	70008183	1	Piston	
113	See Note	NSS	Seal, Piston (Note: Use Item 128)	
114	See Note	NSS	Ring, Wear (Note: Use Item 128)	
115	70007435	1	Cap, Tube	
116	See Note	NSS	O-Ring (Note: Use Item 128)	
117	See Note	NSS	O-Ring (Note: Use Item 128)	
118	70008184	1	Spacer	
119	See Note	NSS	O-Ring (Note: Use Item 128)	
120	70022564	1	Ball, Steel	
121	70007246	1	Setscrew	
122	70007282	1	Insert, Locking	
123	70007438	1	Setscrew	
124	2220883	3	Plug 7/16	
125	2220885	1	Plug 9/16	
126	70005433	2	Plug 7/8	
127	See Note	NSS	Ring, Dust (Note: Use Item 128)	
128	70008185	1	Seal Kit (Includes Items 104, 106-108, 110-111, 113-114, 116-117, 119 & 127)	

SECTION 6 - CYLINDER

FIGURE 6-15. JIB CYLINDER ASSEMBLY - WITH OR WITHOUT COLD WEATHER PLUS PACKAGE (1200SJP) (Prior to SN 0300293708, Prior to SN B300015982, Except SN 0300289294 through 0300289296, Except SN 0300289312 through 0300289323, Except SN 0300289336 through 0300289337, Except SN 0300289352 through 03002893540300289356, Excluding 0300289325, 0300289345, 0300289349, 0300289350 and B300014859)



ART_1001228025

SECTION 6 - CYLINDER

FIGURE 6-15. JIB CYLINDER ASSEMBLY - WITH OR WITHOUT COLD WEATHER PLUS PACKAGE (1200SJP) (Prior to SN 0300293708, Prior to SN B300015982, Except SN 0300289294 through 0300289296, Except SN 0300289312 through 0300289323, Except SN 0300289336 through 0300289337, Except SN 0300289352 through 03002893540300289356, Excluding 0300289325, 0300289345, 0300289349, 0300289350 and B300014859)

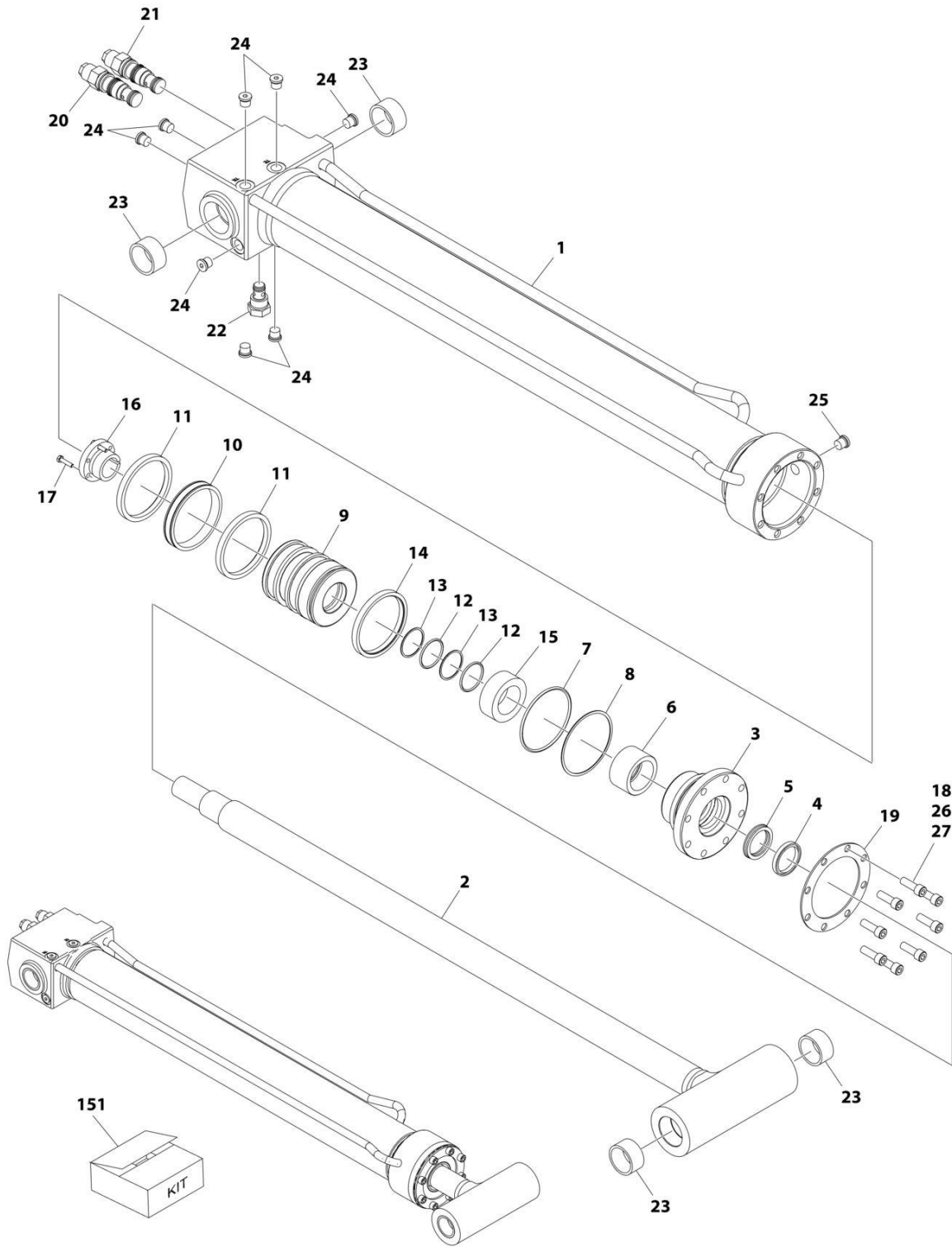
ITEM	PART NUMBER	QTY	DESCRIPTION	REV
	1001228025	Ref	JIB CYLINDER ASSEMBLY	G
		Ref	Note: Original Cylinder May Have Been Replaced with Service Replacement. Identify PN Stamped on Cylinder Before Ordering Parts.	
1	See Note	NSS	Barrel (Note: Not Available for Purchase)	
2	70006526	1	Rod	
3	70006525	1	Head	
4	See Note	NSS	Wiper, Rod (Note: Use Item 151)	
5	See Note	NSS	Seal (Note: Use Item 151)	
6	See Note	NSS	Ring, Wear (Note: Use Item 151)	
7	See Note	NSS	O-Ring (Note: Use Item 151)	
8	See Note	NSS	Ring, Back-up (Note: Use Item 151)	
9	70006524	1	Piston	
10	See Note	NSS	Seal (Note: Use Item 151)	
11	See Note	NSS	Ring, Wear (Note: Use Item 151)	
12	See Note	NSS	O-Ring (Note: Use Item 151)	
13	See Note	NSS	Ring, Back-up (Note: Use Item 151)	
14	See Note	NSS	Seal (Note: Use Item 151)	
15	70006523	1	Spacer	
16	0961893	1	Bushing, Tapered	
17	0630534	3	Capscrew #10 x 1	
18	3931516	8	Capscrew 5/16 x 1	
19	3760368	1	Ring, Washer	
20	4641260	1	Cartridge, Counterbalance (Port above V1)	
20	2900770	1	Seal Kit - 4641260 Cartridge Valve (1 Per Valve)	
21	4640452	1	Cartridge, Counterbalance (Port above V2)	
21	2900770	1	Seal Kit - 4640452 Cartridge Valve (1 Per Valve)	
22	4641114	1	Cartridge, Restricted/Check	
22	7012967	1	Seal Kit - 4641114 Cartridge Valve (1 Per Valve)	
23	0962257	4	Bushing	
24	2220883	8	Plug, O-Ring	
25	2220885	AR	Plug, O-Ring	
26	0100011	AR	Compound, Locking	
27	0100038	AR	Primer, Locking	
151	1001138805	1	Seal Kit (Includes Items 4-8 & 10-14)	

SECTION 6 - CYLINDER

FIGURE 6-16. JIB CYLINDER ASSEMBLY - WITH OR WITHOUT COLD WEATHER PLUS PACKAGE (1350SJP) (Prior to SN 0300293909, Prior to SN B300015609, Except SN 0300285774 through 0300285777, Except SN 0300289363 through 0300289375, Except SN 0300289383 through 0300289386, Except SN 0300289395 through 0300289412, Except SN 0300289421 through 0300289422, Except SN 0300289462 through 0300289464, Except SN 0300289475 through 0300289482, Except SN B300014860 through B300014861, Excluding 0300286733, 0300289379,

SECTION 6 - CYLINDER

0300289416, 0300289419, 0300289424 and 0300289436)



ART_1001228025

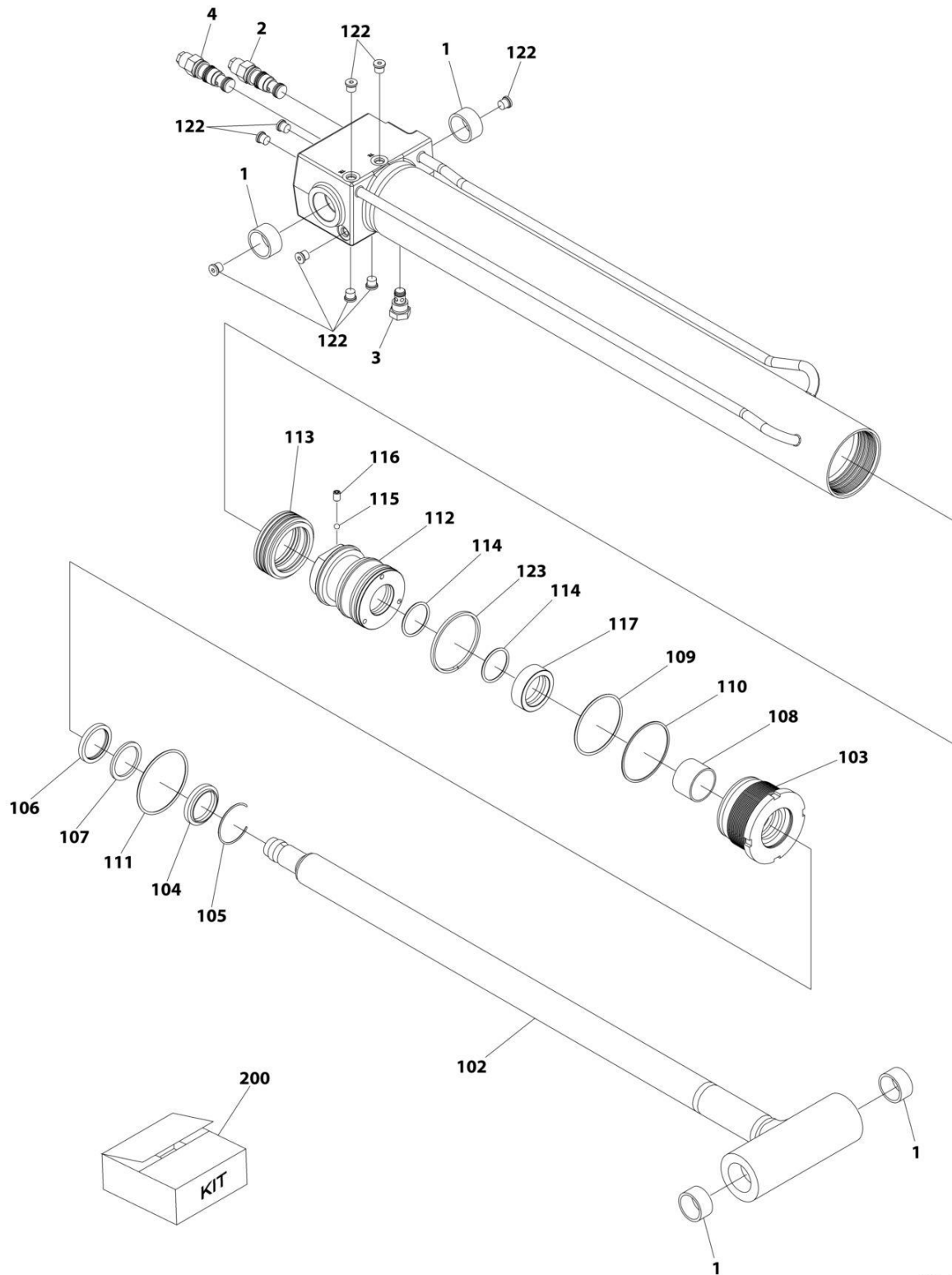
SECTION 6 - CYLINDER

FIGURE 6-16. JIB CYLINDER ASSEMBLY - WITH OR WITHOUT COLD WEATHER PLUS PACKAGE (1350SJP) (Prior to SN 0300293909, Prior to SN B300015609, Except SN 0300285774 through 0300285777, Except SN 0300289363 through 0300289375, Except SN 0300289383 through 0300289386, Except SN 0300289395 through 0300289412, Except SN 0300289421 through 0300289422, Except SN 0300289462 through 0300289464, Except SN 0300289475 through 0300289482, Except SN B300014860 through B300014861, Excluding 0300286733, 0300289379, 0300289416, 0300289419, 0300289424 and 0300289436)

ITEM	PART NUMBER	QTY	DESCRIPTION	REV
	1001228025	Ref	JIB CYLINDER ASSEMBLY	G
		Ref	Note: Original Cylinder May Have Been Replaced with Service Replacement. Identify PN Stamped on Cylinder Before Ordering Parts.	
1	See Note	NSS	Barrel (Note: Not Available for Purchase)	
2	70006526	1	Rod	
3	70006525	1	Head	
4	See Note	NSS	Wiper, Rod (Note: Use Item 151)	
5	See Note	NSS	Seal (Note: Use Item 151)	
6	See Note	NSS	Ring, Wear (Note: Use Item 151)	
7	See Note	NSS	O-Ring (Note: Use Item 151)	
8	See Note	NSS	Ring, Back-up (Note: Use Item 151)	
9	70006524	1	Piston	
10	See Note	NSS	Seal (Note: Use Item 151)	
11	See Note	NSS	Ring, Wear (Note: Use Item 151)	
12	See Note	NSS	O-Ring (Note: Use Item 151)	
13	See Note	NSS	Ring, Back-up (Note: Use Item 151)	
14	See Note	NSS	Seal (Note: Use Item 151)	
15	70006523	1	Spacer	
16	0961893	1	Bushing, Tapered	
17	0630534	3	Capscrew #10 x 1	
18	3931516	8	Capscrew 5/16 x 1	
19	3760368	1	Ring, Washer	
20	4641260	1	Cartridge, Counterbalance (Port above V1)	
20	2900770	1	Seal Kit - 4641260 Cartridge Valve (1 Per Valve)	
21	4640452	1	Cartridge, Counterbalance (Port above V2)	
21	2900770	1	Seal Kit - 4640452 Cartridge Valve (1 Per Valve)	
22	4641114	1	Cartridge, Restricted/Check	
22	7012967	1	Seal Kit - 4641114 Cartridge Valve (1 Per Valve)	
23	0962257	4	Bushing	
24	2220883	8	Plug, O-Ring	
25	2220885	AR	Plug, O-Ring	
26	0100011	AR	Compound, Locking	
27	0100038	AR	Primer, Locking	
151	1001138805	1	Seal Kit (Includes Items 4-8 & 10-14)	

SECTION 6 - CYLINDER

FIGURE 6-17. JIB CYLINDER ASSEMBLY - WITH OR WITHOUT COLD WEATHER PLUS PACKAGE
(1200SJP) (SN 0300293708 to Present, SN B300015982 to Present)



ART_1001251025

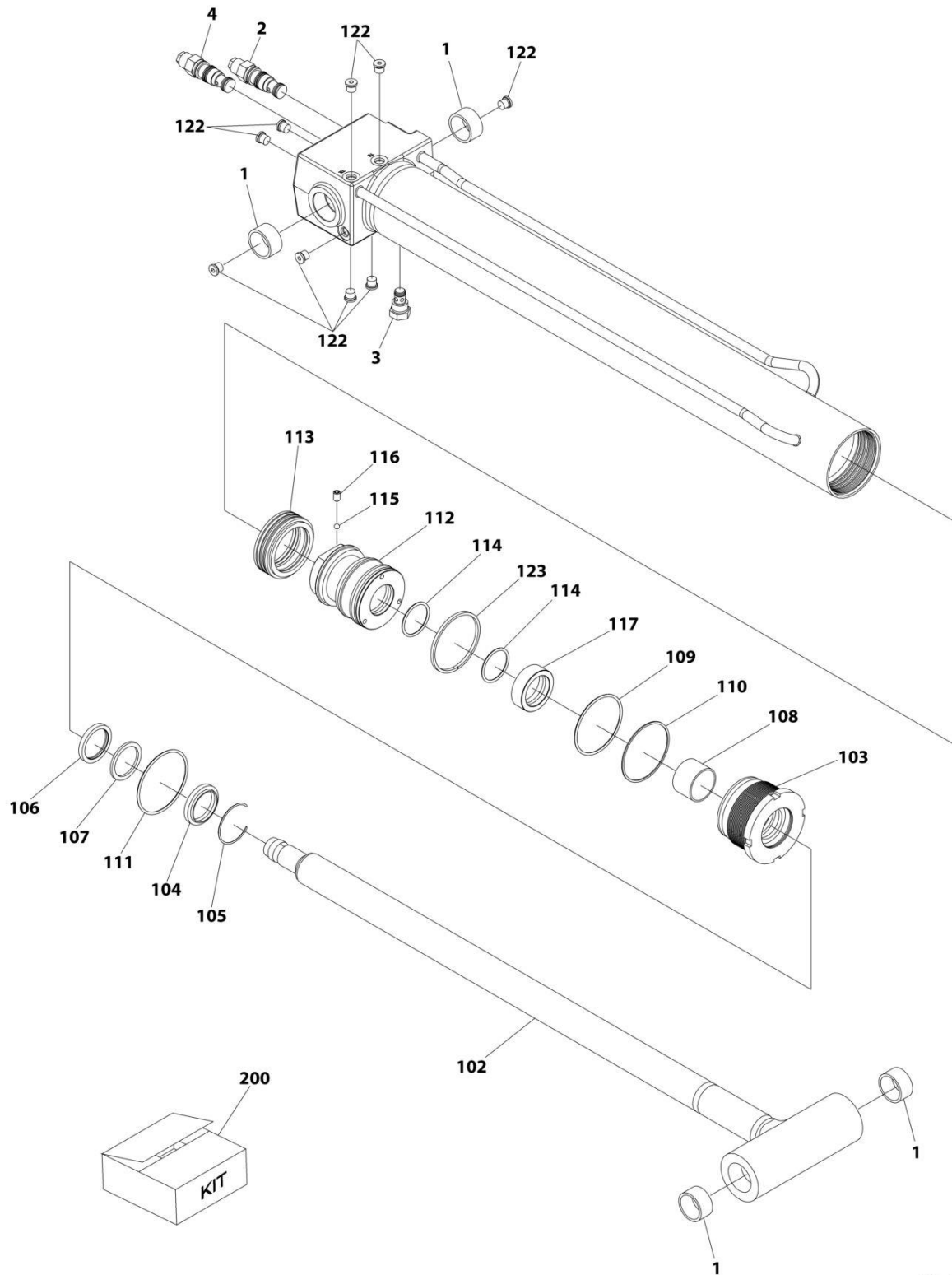
SECTION 6 - CYLINDER

**FIGURE 6-17. JIB CYLINDER ASSEMBLY - WITH OR WITHOUT COLD WEATHER PLUS PACKAGE
(1200SJP) (SN 0300293708 to Present, SN B300015982 to Present)**

ITEM	PART NUMBER	QTY	DESCRIPTION	REV
	1001251025	Ref	JIB CYLINDER ASSEMBLY	A
		Ref	Note: Original Cylinder May Have Been Replaced with Service Replacement. Identify PN Stamped on Cylinder Before Ordering Parts.	
1	0962257	4	Bushing	
2	4640452	1	Valve, Counterbalance	
2	2900770	1	Seal Kit - For 4640452 Counterbalance Valve	
3	4641114	1	Valve, Check	
3	7012998	1	Seal Kit - For 4641114 Check Valve	
4	4641260	1	Valve, Counterbalance	
4	2900770	1	Seal Kit - For 4641260 Counterbalance Valve	
102	70007993	1	Rod	
103	70007994	1	Head	
104	See Note	NSS	Wiper (Note: Use Item 200)	
105	70002373	1	Ring, Retaining	
106	See Note	NSS	Seal (Note: Use Item 200)	
107	See Note	NSS	Ring (Note: Use Item 200)	
108	70005143	1	Bearing	
109	See Note	NSS	O-Ring (Note: Use Item 200)	
110	See Note	NSS	Ring (Note: Use Item 200)	
111	See Note	NSS	O-Ring (Note: Use Item 200)	
112	70007995	1	Piston	
113	See Note	NSS	Seal (Note: Use Item 200)	
114	See Note	NSS	O-Ring (Note: Use Item 200)	
115	70022564	1	Ball, Steel	
116	70006596	1	Setscrew M8 x 1-1/4	
117	70007996	1	Spacer	
122	2220883	9	Plug	
123	70007997	1	Ring	
200	70007998	1	Seal Kit (Includes Items 104, 106, 107, 109-111, 113 & 114)	

SECTION 6 - CYLINDER

FIGURE 6-18. JIB CYLINDER ASSEMBLY - WITH OR WITHOUT COLD WEATHER PLUS PACKAGE
(1350SJP) (SN 0300293909 to Present, SN B300015609 to Present)



ART_1001251025

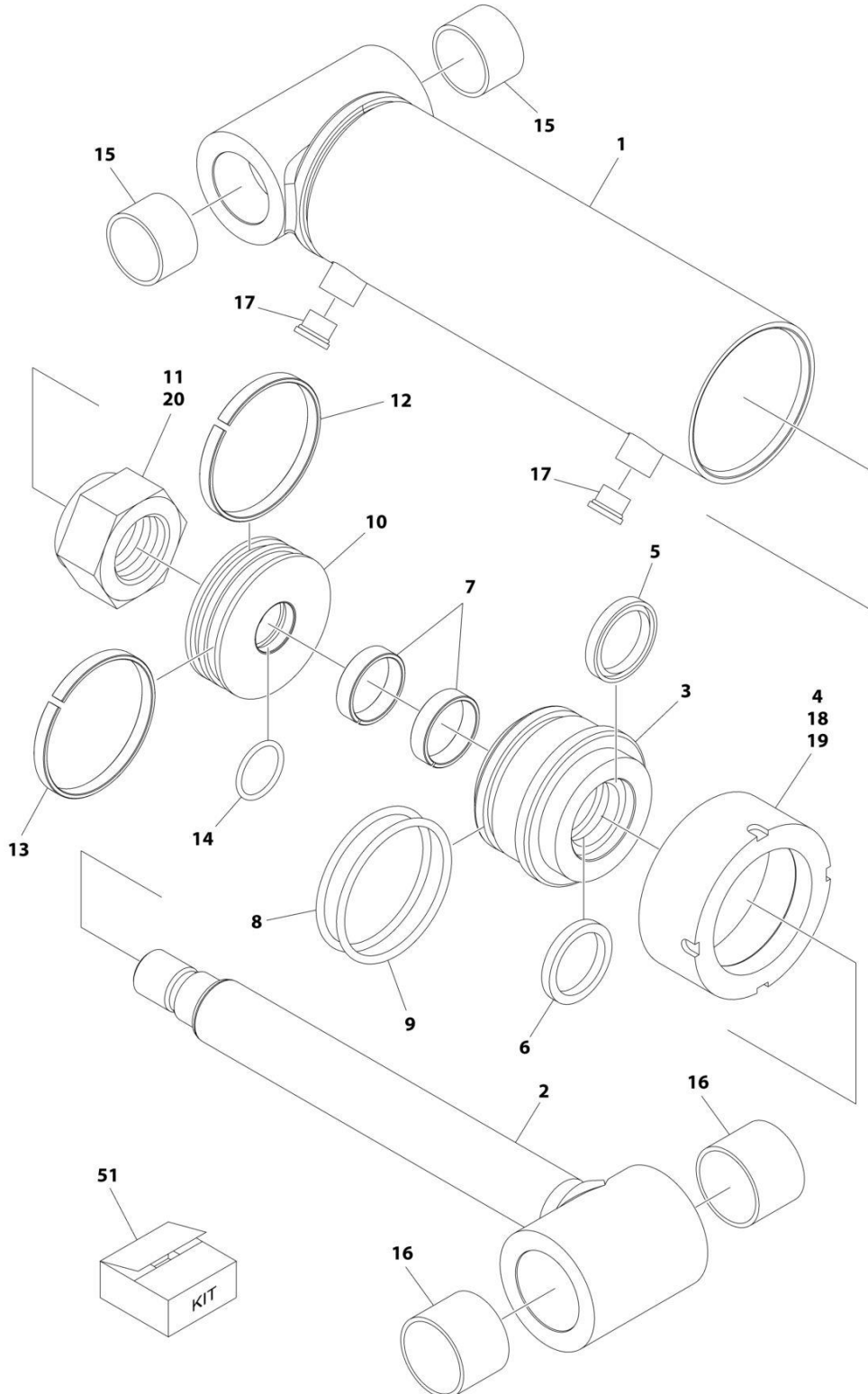
SECTION 6 - CYLINDER

**FIGURE 6-18. JIB CYLINDER ASSEMBLY - WITH OR WITHOUT COLD WEATHER PLUS PACKAGE
(1350SJP) (SN 0300293909 to Present, SN B300015609 to Present)**

ITEM	PART NUMBER	QTY	DESCRIPTION	REV
	1001251025	Ref	JIB CYLINDER ASSEMBLY	A
		Ref	Note: Original Cylinder May Have Been Replaced with Service Replacement. Identify PN Stamped on Cylinder Before Ordering Parts.	
1	0962257	4	Bushing	
2	4640452	1	Valve, Counterbalance	
2	2900770	1	Seal Kit - For 4640452 Counterbalance Valve	
3	4641114	1	Valve, Check	
3	7012998	1	Seal Kit - For 4641114 Check Valve	
4	4641260	1	Valve, Counterbalance	
4	2900770	1	Seal Kit - For 4641260 Counterbalance Valve	
102	70007993	1	Rod	
103	70007994	1	Head	
104	See Note	NSS	Wiper (Note: Use Item 200)	
105	70002373	1	Ring, Retaining	
106	See Note	NSS	Seal (Note: Use Item 200)	
107	See Note	NSS	Ring (Note: Use Item 200)	
108	70005143	1	Bearing	
109	See Note	NSS	O-Ring (Note: Use Item 200)	
110	See Note	NSS	Ring (Note: Use Item 200)	
111	See Note	NSS	O-Ring (Note: Use Item 200)	
112	70007995	1	Piston	
113	See Note	NSS	Seal (Note: Use Item 200)	
114	See Note	NSS	O-Ring (Note: Use Item 200)	
115	70022564	1	Ball, Steel	
116	70006596	1	Setscrew M8 x 1-1/4	
117	70007996	1	Spacer	
122	2220883	9	Plug	
123	70007997	1	Ring	
200	70007998	1	Seal Kit (Includes Items 104, 106, 107, 109-111, 113 & 114)	

SECTION 6 - CYLINDER

FIGURE 6-19. STEER CYLINDER ASSEMBLY (1200SJP) (Prior to SN 0300293708, Prior to SN B300015982, Except SN 0300289294 through 0300289296, Except SN 0300289312 through 0300289323, Except SN 0300289336 through 0300289337, Except SN 0300289352 through 03002893540300289356, Excluding 0300289325, 0300289345, 0300289349, 0300289350 and B300014859)



ART_1001228031

SECTION 6 - CYLINDER

FIGURE 6-19. STEER CYLINDER ASSEMBLY (1200SJP) (Prior to SN 0300293708, Prior to SN B300015982, Except SN 0300289294 through 0300289296, Except SN 0300289312 through 0300289323, Except SN 0300289336 through 0300289337, Except SN 0300289352 through 03002893540300289356, Excluding 0300289325, 0300289345, 0300289349, 0300289350 and B300014859)

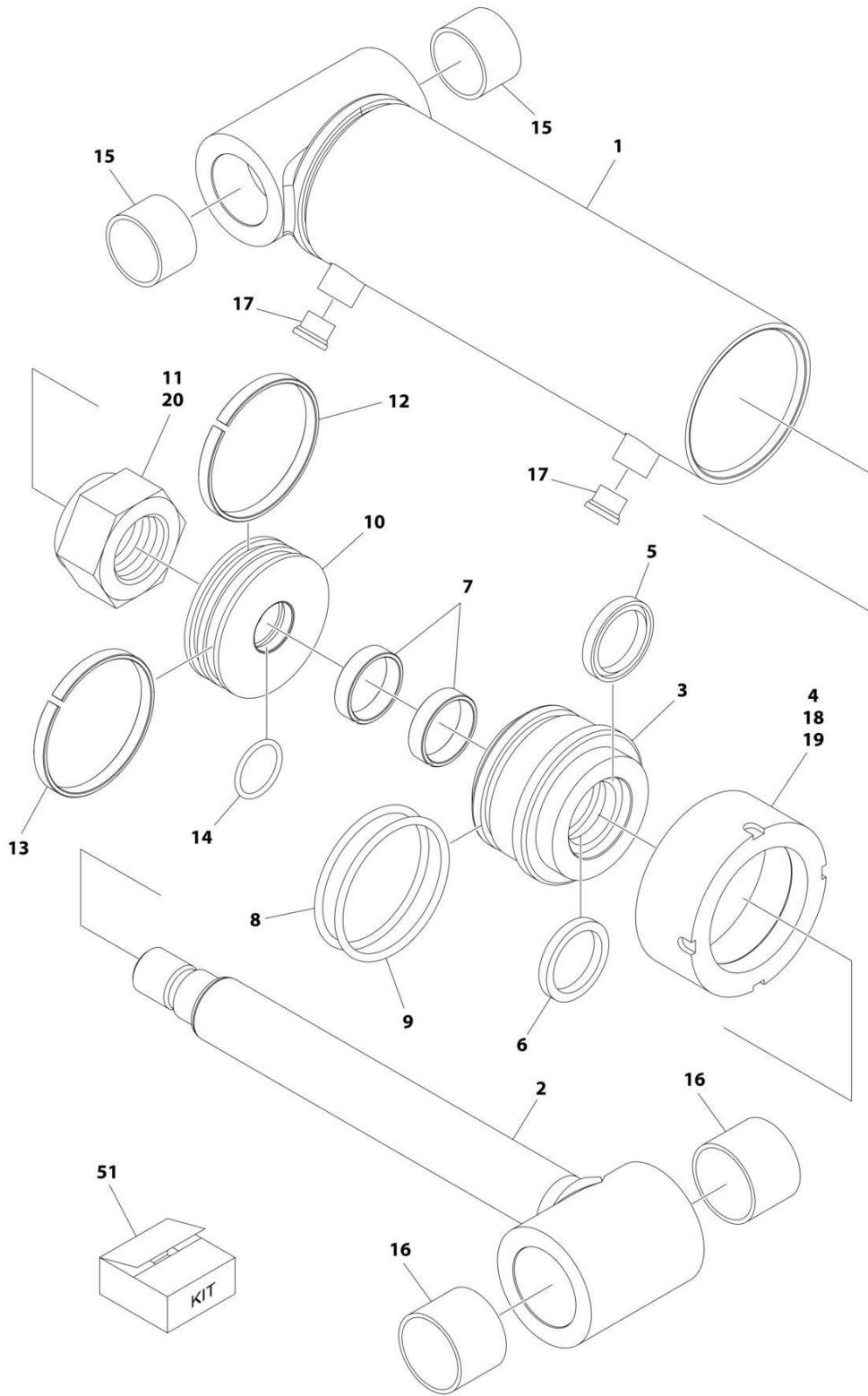
ITEM	PART NUMBER	QTY	DESCRIPTION	REV
	1001228031	Ref	STEER CYLINDER ASSEMBLY	C
		Ref	Note: Original Cylinder May Have Been Replaced with Service Replacement. Identify PN Stamped on Cylinder Before Ordering Parts.	
1	See Note	NSS	Barrel (Note: Not Available for Purchase)	
2	70006493	1	Rod	
3	70006492	1	Head	
4	70006491	1	Cap, Cylinder	
5	See Note	NSS	Wiper (Note: Use Item 51)	
6	See Note	NSS	Seal, Piston (Note: Use Item 51)	
7	See Note	NSS	Ring, Wear (Note: Use Item 51)	
8	See Note	NSS	O-Ring (Note: Use Item 51)	
9	See Note	NSS	Ring, Back-up (Note: Use Item 51)	
10	70006490	1	Piston	
11	3300465	1	Nut	
12	See Note	1	Seal (Note: Use Item 51)	
13	See Note	1	Ring, Wear (Note: Use Item 51)	
14	See Note	1	O-Ring (Note: Use Item 51)	
15	0961949	2	Bushing	
16	0961950	2	Bushing	
17	2220885	2	Plug (With O-Ring)	
18	0100011	AR	Compound, Locking	
19	0100038	AR	Primer, Locking	
20	0100019	AR	Compound, Locking	
51	2902257	1	Seal Kit (Includes Items 5-9 & 12-14)	

SECTION 6 - CYLINDER

FIGURE 6-20. STEER CYLINDER ASSEMBLY (1350SJP) (Prior to SN 0300293909, Prior to SN B300015609, Except SN 0300285774 through 0300285777, Except SN 0300289363 through 0300289375, Except SN 0300289383 through 0300289386, Except SN 0300289395 through 0300289412, Except SN 0300289421 through 0300289422, Except SN 0300289462 through 0300289464, Except SN 0300289475 through 0300289482, Except SN B300014860 through B300014861, Excluding 0300286733, 0300289379, 0300289416, 0300289419, 0300289424 and

SECTION 6 - CYLINDER

0300289436)



ART_1001228031

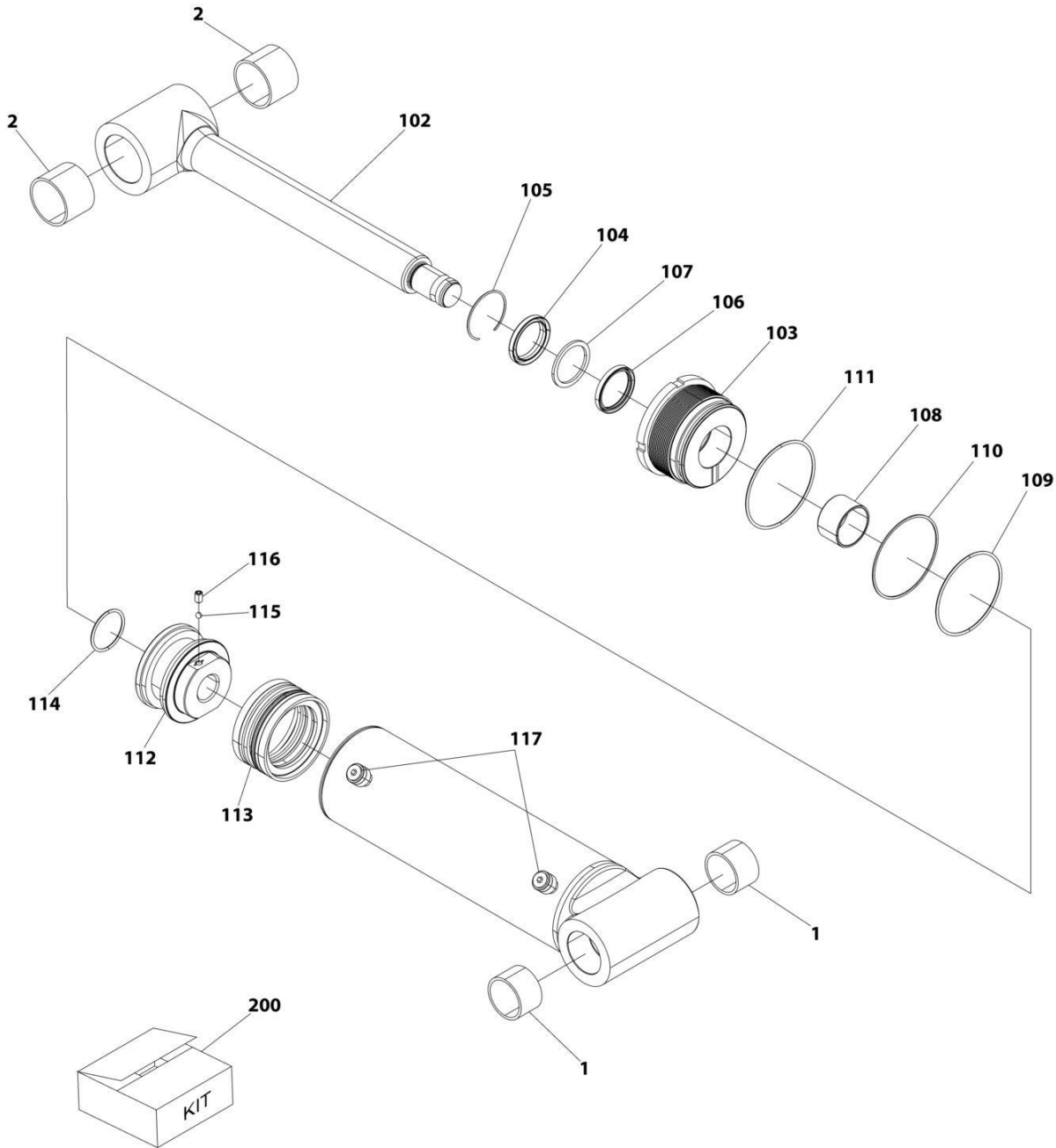
SECTION 6 - CYLINDER

FIGURE 6-20. STEER CYLINDER ASSEMBLY (1350SJP) (Prior to SN 0300293909, Prior to SN B300015609, Except SN 0300285774 through 0300285777, Except SN 0300289363 through 0300289375, Except SN 0300289383 through 0300289386, Except SN 0300289395 through 0300289412, Except SN 0300289421 through 0300289422, Except SN 0300289462 through 0300289464, Except SN 0300289475 through 0300289482, Except SN B300014860 through B300014861, Excluding 0300286733, 0300289379, 0300289416, 0300289419, 0300289424 and 0300289436)

ITEM	PART NUMBER	QTY	DESCRIPTION	REV
	1001228031	Ref	STEER CYLINDER ASSEMBLY	C
		Ref	Note: Original Cylinder May Have Been Replaced with Service Replacement. Identify PN Stamped on Cylinder Before Ordering Parts.	
1	See Note	NSS	Barrel (Note: Not Available for Purchase)	
2	70006493	1	Rod	
3	70006492	1	Head	
4	70006491	1	Cap, Cylinder	
5	See Note	NSS	Wiper (Note: Use Item 51)	
6	See Note	NSS	Seal, Piston (Note: Use Item 51)	
7	See Note	NSS	Ring, Wear (Note: Use Item 51)	
8	See Note	NSS	O-Ring (Note: Use Item 51)	
9	See Note	NSS	Ring, Back-up (Note: Use Item 51)	
10	70006490	1	Piston	
11	3300465	1	Nut	
12	See Note	1	Seal (Note: Use Item 51)	
13	See Note	1	Ring, Wear (Note: Use Item 51)	
14	See Note	1	O-Ring (Note: Use Item 51)	
15	0961949	2	Bushing	
16	0961950	2	Bushing	
17	2220885	2	Plug (With O-Ring)	
18	0100011	AR	Compound, Locking	
19	0100038	AR	Primer, Locking	
20	0100019	AR	Compound, Locking	
51	2902257	1	Seal Kit (Includes Items 5-9 & 12-14)	

SECTION 6 - CYLINDER

FIGURE 6-21. STEER CYLINDER ASSEMBLY (1200SJP) (SN 0300293708 to Present, SN B300015982 to Present)



ART_1001251031

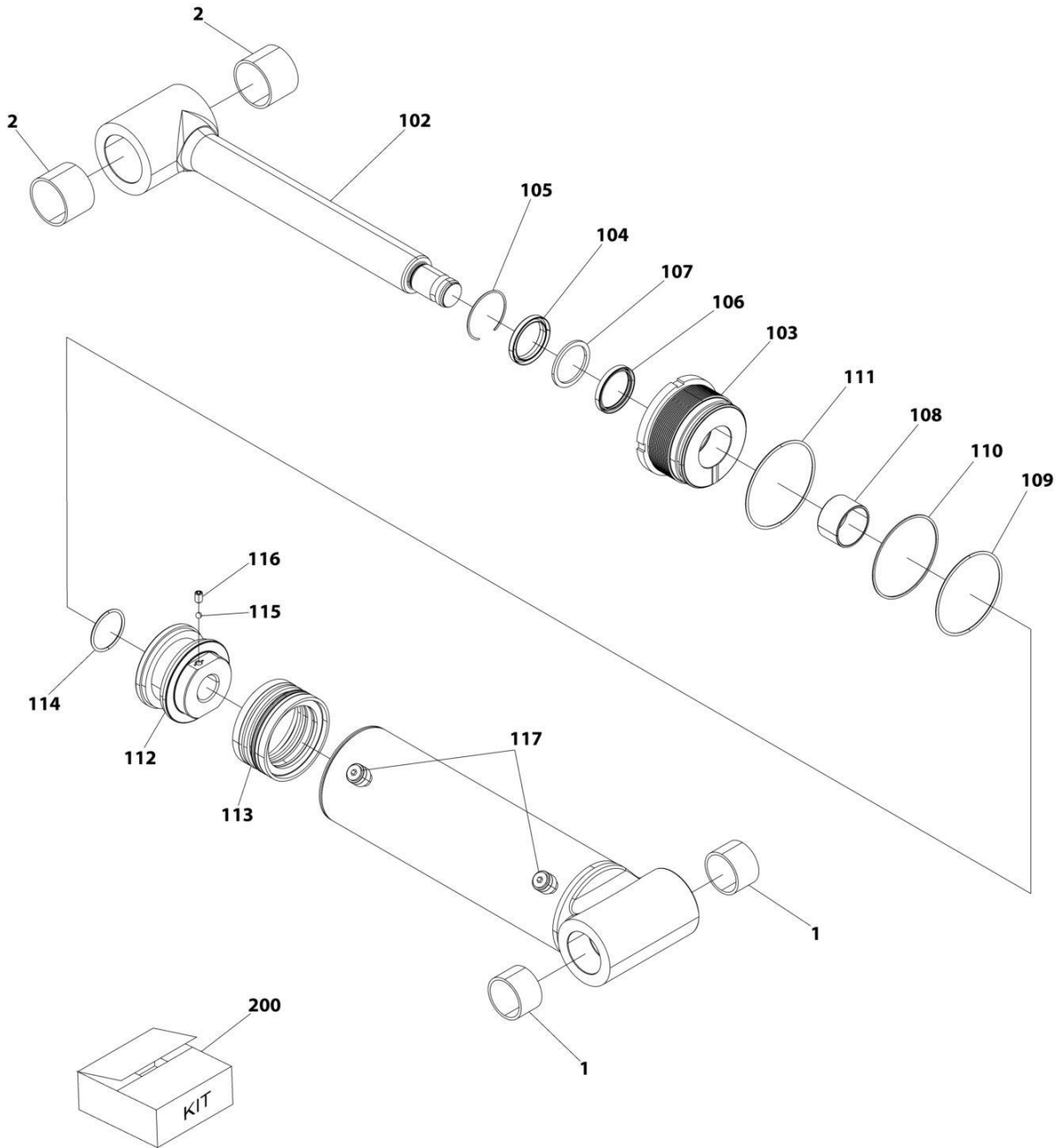
SECTION 6 - CYLINDER

FIGURE 6-21. STEER CYLINDER ASSEMBLY (1200SJP) (SN 0300293708 to Present, SN B300015982 to Present)

ITEM	PART NUMBER	QTY	DESCRIPTION	REV
	1001251031	Ref	STEER CYLINDER ASSEMBLY	A
		Ref	Note: Original Cylinder May Have Been Replaced with Service Replacement. Identify PN Stamped on Cylinder Before Ordering Parts.	
1	0961949	2	Bushing	
2	0961950	2	Bushing	
102	70008004	1	Rod	
103	70008005	1	Head	
104	See Note	NSS	Wiper (Note: Use Item 200)	
105	70002410	1	Ring, Retaining	
106	See Note	NSS	Seal (Note: Use Item 200)	
107	See Note	NSS	Ring (Note: Use Item 200)	
108	70004237	1	Bearing	
109	See Note	NSS	O-Ring (Note: Use Item 200)	
110	See Note	NSS	Ring (Note: Use Item 200)	
111	See Note	NSS	O-Ring (Note: Use Item 200)	
112	70008006	1	Piston	
113	See Note	NSS	Seal (Note: Use Item 200)	
114	See Note	NSS	O-Ring (Note: Use Item 200)	
115	70022564	1	Ball, Steel	
116	70006596	1	Setscrew M8 x 1-1/4	
117	2220885	2	Plug	
200	70008007	1	Seal Kit (Includes Items 104, 106, 107, 109-111, 113 & 114)	

SECTION 6 - CYLINDER

FIGURE 6-22. STEER CYLINDER ASSEMBLY (1350SJP) (SN 0300293909 to Present, SN B300015609 to Present)



ART_1001251031

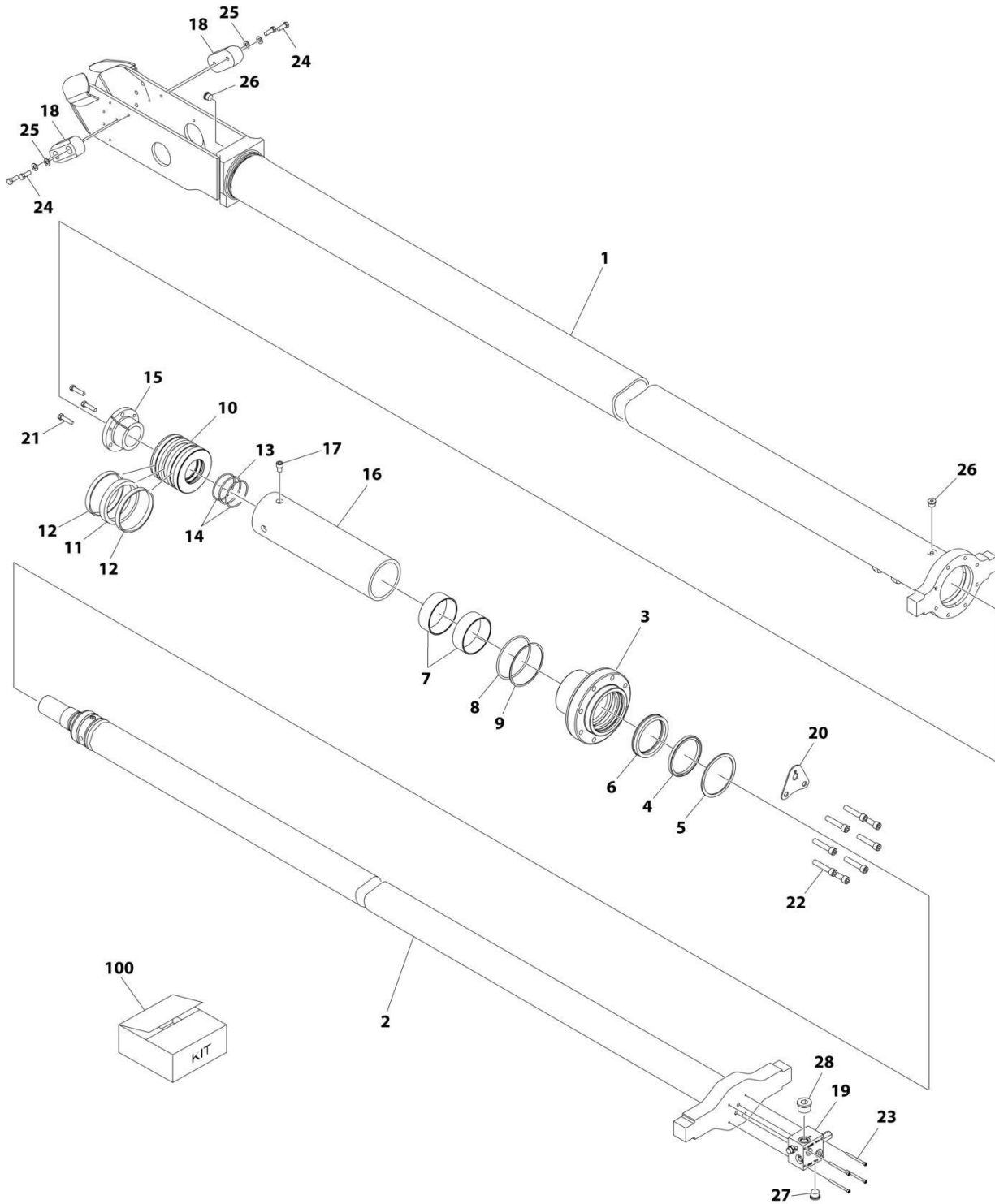
SECTION 6 - CYLINDER

FIGURE 6-22. STEER CYLINDER ASSEMBLY (1350SJP) (SN 0300293909 to Present, SN B300015609 to Present)

ITEM	PART NUMBER	QTY	DESCRIPTION	REV
	1001251031	Ref	STEER CYLINDER ASSEMBLY	A
		Ref	Note: Original Cylinder May Have Been Replaced with Service Replacement. Identify PN Stamped on Cylinder Before Ordering Parts.	
1	0961949	2	Bushing	
2	0961950	2	Bushing	
102	70008004	1	Rod	
103	70008005	1	Head	
104	See Note	NSS	Wiper (Note: Use Item 200)	
105	70002410	1	Ring, Retaining	
106	See Note	NSS	Seal (Note: Use Item 200)	
107	See Note	NSS	Ring (Note: Use Item 200)	
108	70004237	1	Bearing	
109	See Note	NSS	O-Ring (Note: Use Item 200)	
110	See Note	NSS	Ring (Note: Use Item 200)	
111	See Note	NSS	O-Ring (Note: Use Item 200)	
112	70008006	1	Piston	
113	See Note	NSS	Seal (Note: Use Item 200)	
114	See Note	NSS	O-Ring (Note: Use Item 200)	
115	70022564	1	Ball, Steel	
116	70006596	1	Setscrew M8 x 1-1/4	
117	2220885	2	Plug	
200	70008007	1	Seal Kit (Includes Items 104, 106, 107, 109-111, 113 & 114)	

SECTION 6 - CYLINDER

FIGURE 6-23. TELESCOPE CYLINDER ASSEMBLY (1200SJP)



ART_1001228026

SECTION 6 - CYLINDER

FIGURE 6-23. TELESCOPE CYLINDER ASSEMBLY (1200SJP)

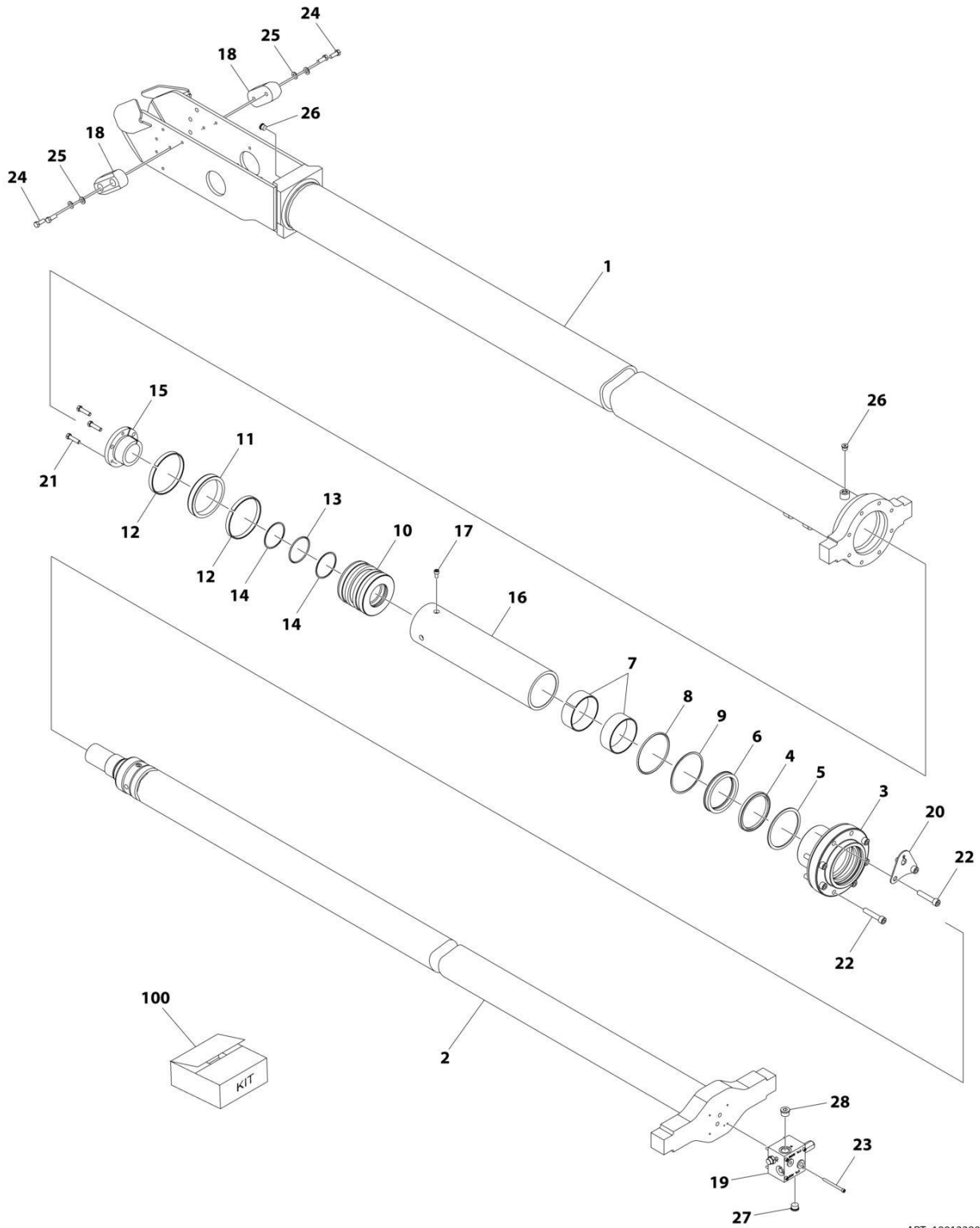
ITEM	PART NUMBER	QTY	DESCRIPTION	REV
	1001228026	Ref	TELESCOPE CYLINDER ASSEMBLY	C
		Ref	Note: Original Cylinder May Have Been Replaced with Service Replacement. Identify PN Stamped on Cylinder Before Ordering Parts.	
1	See Note	NSS	Barrel (Note: Not Available for Purchase)	
2	70006656	1	Rod	
3	70006657	1	Head	
4	See Note	NSS	Wiper (Note: Use Item 100)	
5	See Note	NSS	Ring, Retaining (Note: Use Item 100)	
6	See Note	NSS	Seal, Rod (Note: Use Item 100)	
7	See Note	NSS	Ring, Wear (Note: Use Item 100)	
8	See Note	NSS	O-Ring (Note: Use Item 100)	
9	See Note	NSS	Ring, Back-up (Note: Use Item 100)	
10	70006658	1	Piston	
11	See Note	NSS	Seal (Note: Use Item 100)	
12	See Note	NSS	Ring, Wear (Note: Use Item 100)	
13	See Note	NSS	O-Ring (Note: Use Item 100)	
14	See Note	NSS	Ring, Back-up (Note: Use Item 100)	
15	0961903	1	Bushing, Tapered	
16	70006659	1	Spacer	
17	3931608	1	Capscrew 3/8 x 1	
18	3340963	2	Pad, Wear	
19	4641256	1	Valve Assembly	
19	2220884	1	Plug, SAE #5 (With O-Ring)	
19	2220885	1	Plug, SAE #6 (With O-Ring)	
20	0902743	1	Bracket	
21	0630536	3	Capscrew	
22	3931840	8	Capscrew 1/2 x 2-1/2	
23	3931448	4	Capscrew 1/4 x 3	
24	0641608	4	Bolt 3/8 x 1	
25	4711600	4	Washer 3/8	
26	2220885	2	Plug, O-Ring	
27	2220886	1	Plug, O-Ring	
28	70005433	1	Plug, O-Ring	
100	2902081	1	Seal Kit (Includes Items 4-9 & 11-14)	

SECTION 6 - CYLINDER

FIGURE 6-24. TELESCOPE CYLINDER ASSEMBLY (1350SJP) (Prior to SN 0300293909, Prior to SN B300015609, Except SN 0300285774 through 0300285777, Except SN 0300289363 through 0300289375, Except SN 0300289383 through 0300289386, Except SN 0300289395 through 0300289412, Except SN 0300289421 through 0300289422, Except SN 0300289462 through 0300289464, Except SN 0300289475 through 0300289482, Except SN B300014860 through B300014861, Excluding 0300286733, 0300289379, 0300289416, 0300289419, 0300289424 and

SECTION 6 - CYLINDER

0300289436)



ART_1001228021

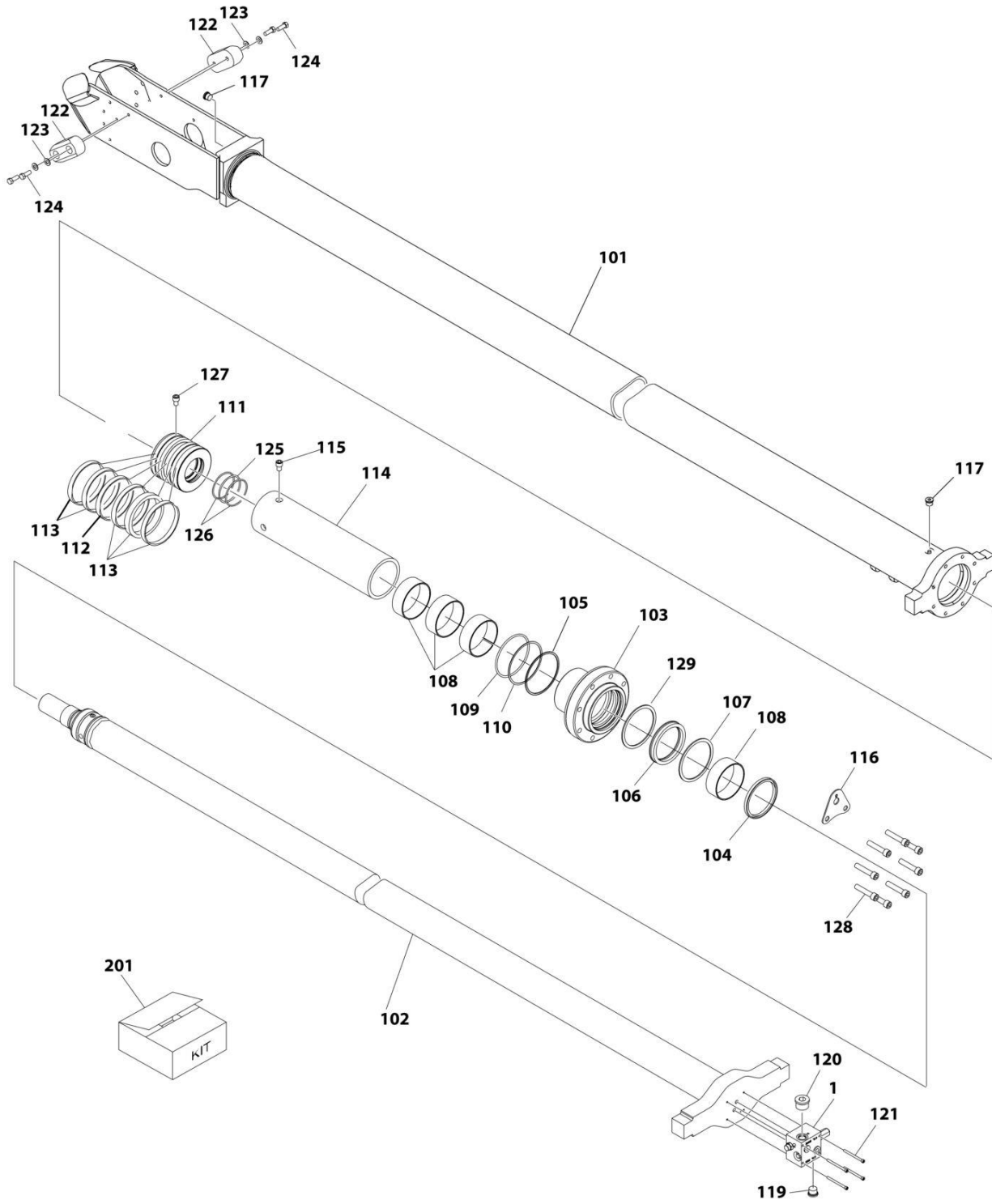
SECTION 6 - CYLINDER

FIGURE 6-24. TELESCOPE CYLINDER ASSEMBLY (1350SJP) (Prior to SN 0300293909, Prior to SN B300015609, Except SN 0300285774 through 0300285777, Except SN 0300289363 through 0300289375, Except SN 0300289383 through 0300289386, Except SN 0300289395 through 0300289412, Except SN 0300289421 through 0300289422, Except SN 0300289462 through 0300289464, Except SN 0300289475 through 0300289482, Except SN B300014860 through B300014861, Excluding 0300286733, 0300289379, 0300289416, 0300289419, 0300289424 and 0300289436)

ITEM	PART NUMBER	QTY	DESCRIPTION	REV
	1001228021	Ref	TELESCOPE CYLINDER ASSEMBLY	C
		Ref	Note: Original Cylinder May Have Been Replaced with Service Replacement. Identify PN Stamped on Cylinder Before Ordering Parts.	
1	See Note	NSS	Barrel (Note: Not Available for Purchase)	
2	70006697	1	Rod	
3	70006657	1	Head	
4	See Note	NSS	Wiper (Note: Use Item 100)	
5	See Note	NSS	Ring, Retaining (Note: Use Item 100)	
6	See Note	NSS	Seal, Rod (Note: Use Item 100)	
7	See Note	NSS	Ring, Wear (Note: Use Item 100)	
8	See Note	NSS	O-Ring (Note: Use Item 100)	
9	See Note	NSS	Ring, Back-up (Note: Use Item 100)	
10	70006658	1	Piston	
11	See Note	NSS	Seal (Note: Use Item 100)	
12	See Note	NSS	Ring, Wear (Note: Use Item 100)	
13	See Note	NSS	O-Ring (Note: Use Item 100)	
14	See Note	NSS	Ring, Back-up (Note: Use Item 100)	
15	0961903	1	Bushing, Tapered	
16	70006698	1	Spacer	
17	70006631	1	Capscrew M8 x 16	
18	3340963	2	Pad, Wear	
19	4641256	1	Valve Assembly	
19	2220884	1	Plug, SAE #5 (With O-Ring)	
19	2220885	1	Plug, SAE #6 (With O-Ring)	
20	0902743	1	Bracket	
21	0630536	3	Capscrew	
22	3931840	8	Capscrew 1/2 x 2-1/2	
23	3931448	4	Capscrew 1/4 x 3	
24	0641608	4	Bolt 3/8 x 1	
25	4711600	4	Washer 3/8	
26	2220885	2	Plug, O-Ring	
27	2220886	1	Plug, O-Ring	
28	70005433	1	Plug, O-Ring	
100	2902081	1	Seal Kit (Includes Items 4-9 & 11-14)	

SECTION 6 - CYLINDER

FIGURE 6-25. TELESCOPE CYLINDER ASSEMBLY (1350SJP) (SN 0300293909 to Present, SN B300015609 to Present)



ART_1001251021

SECTION 6 - CYLINDER

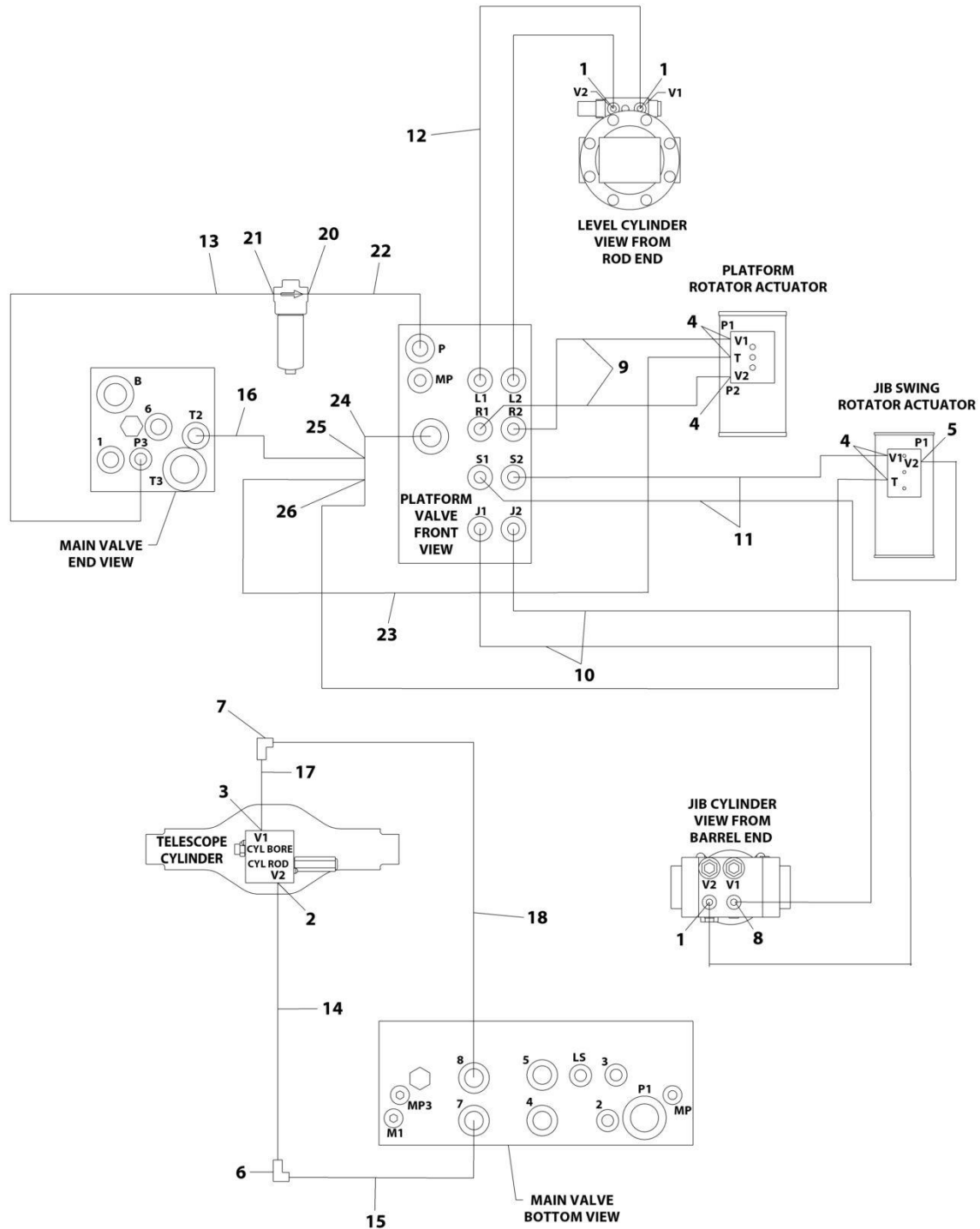
FIGURE 6-25. TELESCOPE CYLINDER ASSEMBLY (1350SJP) (SN 0300293909 to Present, SN B300015609 to Present)

ITEM	PART NUMBER	QTY	DESCRIPTION	REV
	1001251021	Ref	TELESCOPE CYLINDER ASSEMBLY	A
		Ref	Note: Original Cylinder May Have Been Replaced with Service Replacement. Identify PN Stamped on Cylinder Before Ordering Parts.	
1	4641256	1	Valve Assembly	
101	SEE NOTE	NSS	Barrel (Note: Not Available for Purchase)	
102	70008083	1	Rod	
103	70008084	1	Head	
104	SEE NOTE	NSS	Wiper, Dust (Note: Use Item 201)	
105	SEE NOTE	NSS	Ring, Buffer (Note: Use Item 201)	
106	SEE NOTE	NSS	Seal, Rod (Note: Use Item 201)	
107	SEE NOTE	NSS	Ring, Backup (Note: Use Item 201)	
108	SEE NOTE	NSS	Ring, Wear (Note: Use Item 201)	
109	SEE NOTE	NSS	O-Ring (Note: Use Item 201)	
110	SEE NOTE	NSS	Ring, Backup (Note: Use Item 201)	
111	70008085	1	Piston	
112	SEE NOTE	NSS	Seal, Piston (Note: Use Item 201)	
113	SEE NOTE	NSS	Ring, Wear (Note: Use Item 201)	
114	70008086	1	Spacer	
115	70008043	1	Bolt M8 X 16	
116	70008044	1	Bracket	
117	2220885	2	Plug 9/16	
119	2220886	1	Plug 3/4	
120	70005433	1	Plug 7/8	
121	70008045	4	Bolt M6 X 80	
122	70008046	2	Pad	
123	70006344	4	Washer	
124	70008047	4	Bolt M10 X 25	
125	SEE NOTE	1	O-Ring (Note: Use Item 201)	
126	SEE NOTE	1	Ring, Backup (Note: Use Item 201)	
127	70005839	1	Screw, Set	
128	70008048	8	Bolt M14 X 65	
129	70008049	1	Ring, Washer	
201	70008087	1	Seal Kit (Includes 104-110, 112, 113, 125, 126)	

SECTION 7 - HYDRAULIC

SECTION 7 - HYDRAULIC

FIGURE 7-1. HYDRAULIC DIAGRAM - BOOM (1200SJP)



ART_1283457_10F7

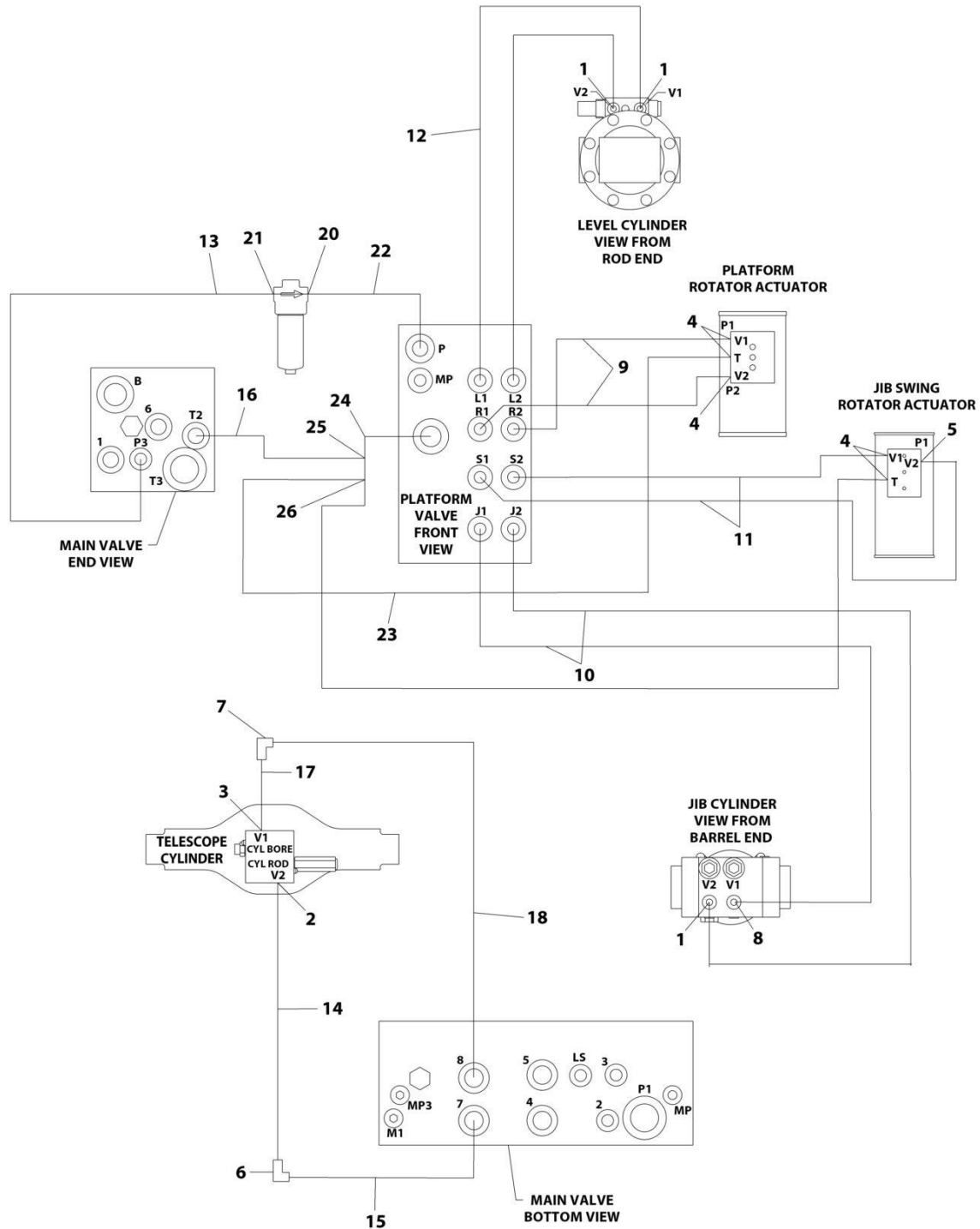
SECTION 7 - HYDRAULIC

FIGURE 7-1. HYDRAULIC DIAGRAM - BOOM (1200SJP)

ITEM	PART NUMBER	QTY	DESCRIPTION	REV
	1283457	Ref	HYDRAULIC DIAGRAM - BOOM	L
	1001098025	Ref	Hydraulic Diagram - Upper Boom	3
1	2110404	3	Fitting, Straight ORFS/ORB	
2	2110808	1	Fitting, Straight ORFS/ORB	
3	2111010	1	Fitting, Straight ORFS/ORB	
4	2150404	5	Fitting, 45 ORFS/ORB	
5	2170204	1	Fitting, 90 ORFS/ORB	
6	2171208	1	Fitting, Elbow	
7	2171210	1	Fitting, Elbow	
8	2180830	1	Fitting, Orifice	
9	2753545	2	Hose	
10	2753717	2	Hose	
11	2753716	3	Hose	
12	2753552	2	Hose	
13	2753810	1	Hose	
14	2753745	1	Hose	
15	2753755	1	Hose	
16	2753811	1	Hose	
17	2753763	1	Hose	
18	2753767	1	Hose	
20	2110612	1	Fitting, Straight ORFS/ORB	
21	2130612	1	Fitting, 90 ORFS/ORB	
22	2717059	1	Hose	
23	2754288	1	Hose	
24	2170708	1	Fitting, Swivel Nut Run Tee ORFS/FSORFS/ORFS	
25	1001097820	1	Fitting, Adapter ORFS/FSORFS	
26	2170704	1	Fitting, Swivel Nut Run Tee ORFS/FSORFS/ORFS	

SECTION 7 - HYDRAULIC

FIGURE 7-2. HYDRAULIC DIAGRAM - BOOM (1350SJP)



ART_1283457_10F7

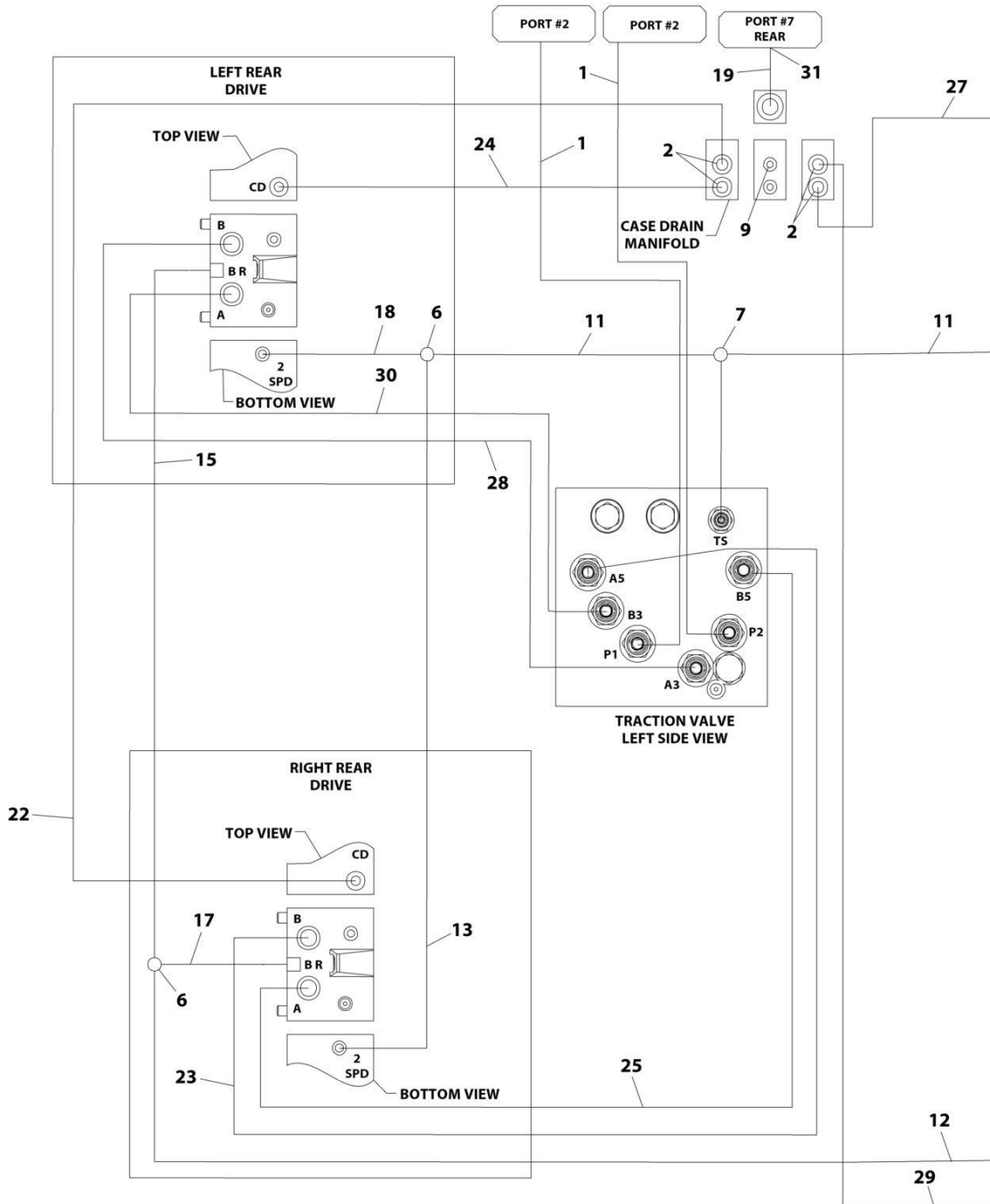
SECTION 7 - HYDRAULIC

FIGURE 7-2. HYDRAULIC DIAGRAM - BOOM (1350SJP)

ITEM	PART NUMBER	QTY	DESCRIPTION	REV
	1283457	Ref	HYDRAULIC DIAGRAM - BOOM	L
	1001098026	Ref	Hydraulic Diagram - Upper Boom	3
1	2110404	3	Fitting, Straight ORFS/ORB	
2	2110808	1	Fitting, Straight ORFS/ORB	
3	2111010	1	Fitting, Straight ORFS/ORB	
4	2150404	5	Fitting, 45 ORFS/ORB	
5	2170204	1	Fitting, 90 ORFS/ORB	
6	2171208	1	Fitting, Elbow	
7	2171210	1	Fitting, Elbow	
8	2180830	1	Fitting, Orifice	
9	2753545	2	Hose	
10	2753717	2	Hose	
11	2753716	3	Hose	
12	2753552	2	Hose	
13	2753740	1	Hose	
14	2753745	1	Hose	
15	2753755	1	Hose	
16	2753751	1	Hose	
17	2753763	1	Hose	
18	2753767	1	Hose	
20	2110612	1	Fitting, Straight ORFS/ORB	
21	2130612	1	Fitting, 90 ORFS/ORB	
22	2717059	1	Hose	
23	2754288	1	Hose	
24	2170708	1	Fitting, Swivel Nut Run Tee ORFS/FSORFS/ORFS	
25	1001097820	1	Fitting, Adapter ORFS/FSORFS	
26	2170704	1	Fitting, Swivel Nut Run Tee ORFS/FSORFS/ORFS	

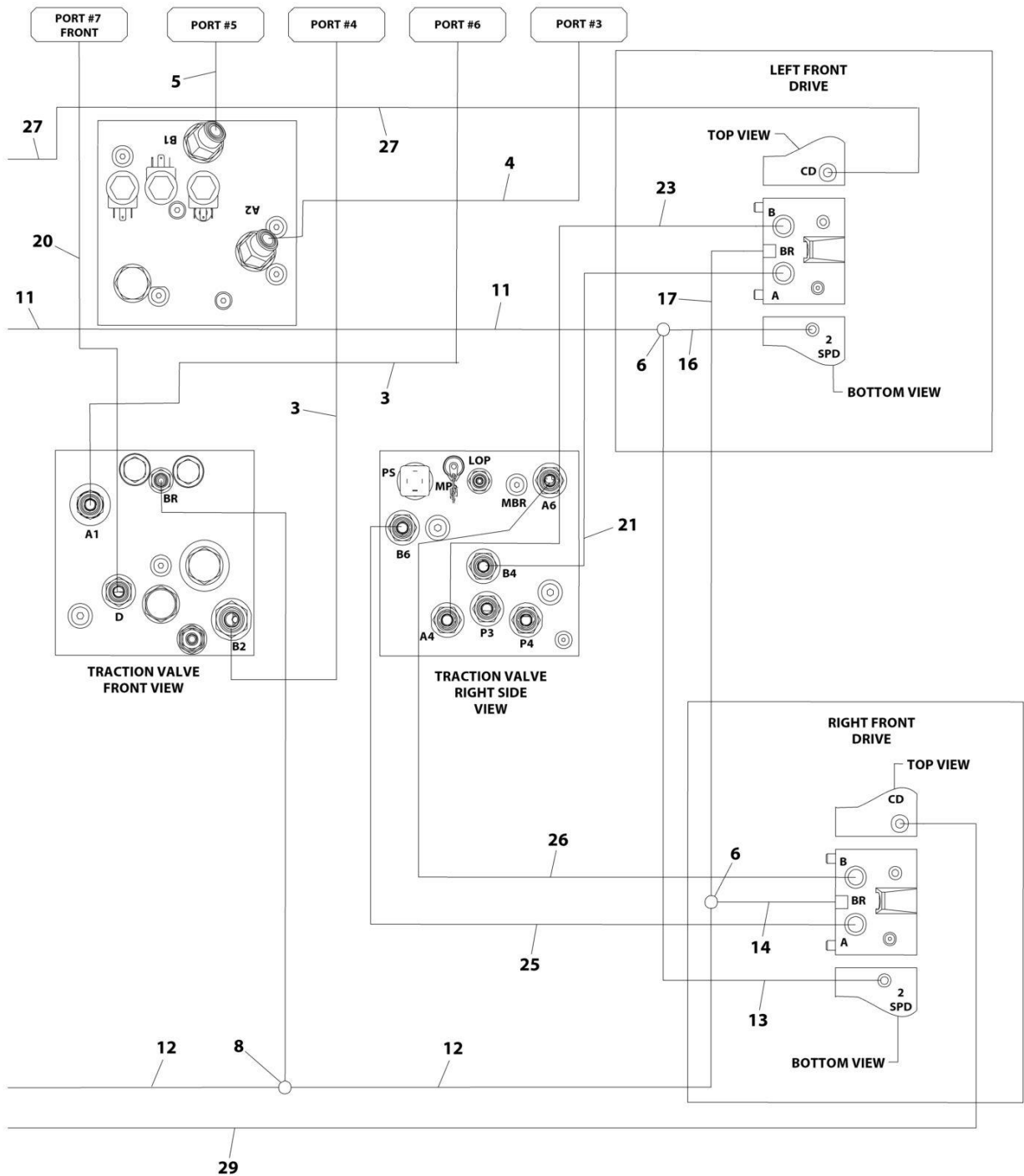
SECTION 7 - HYDRAULIC

FIGURE 7-3. HYDRAULIC DIAGRAM - DRIVE



ART_2792772_10F2

SECTION 7 - HYDRAULIC



ART_2792772_2OF2

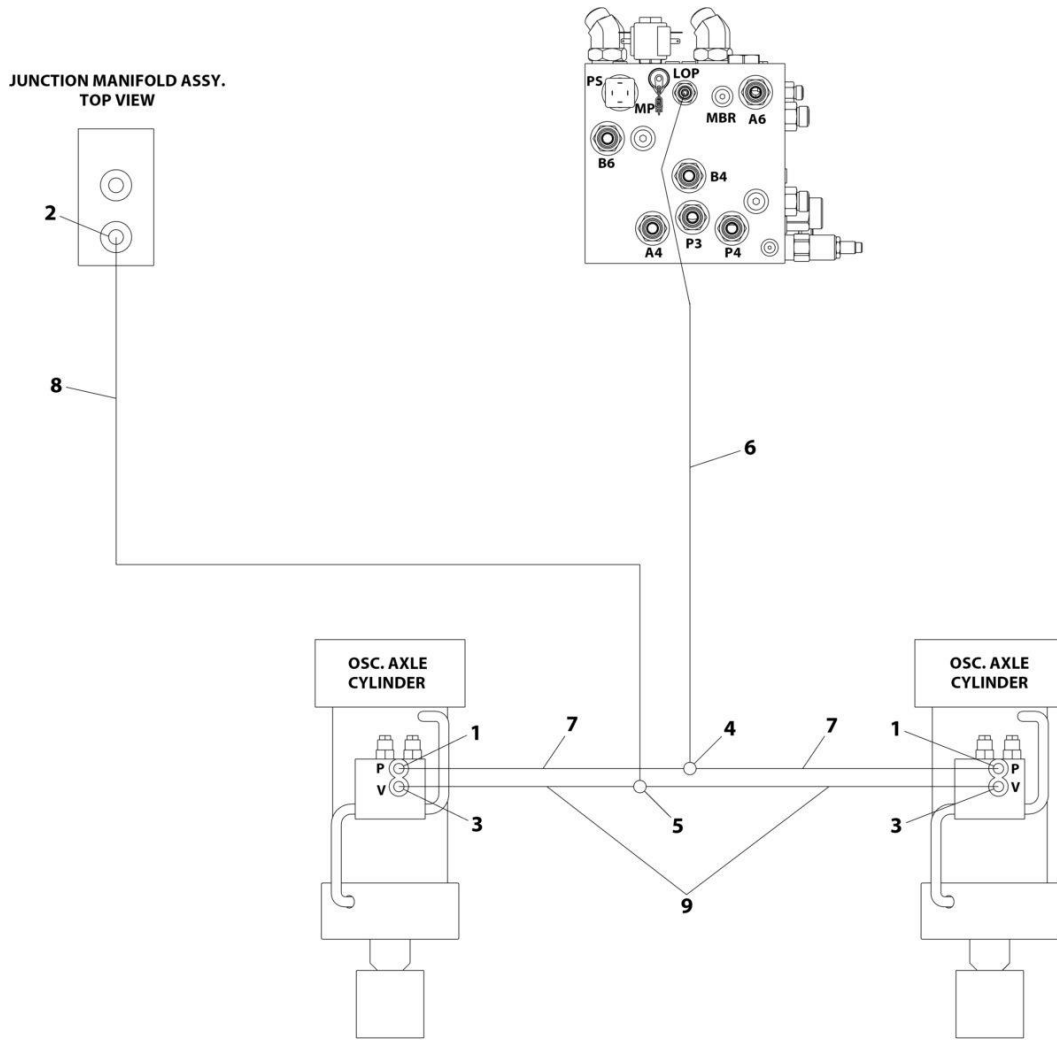
SECTION 7 - HYDRAULIC

FIGURE 7-3. HYDRAULIC DIAGRAM - DRIVE

ITEM	PART NUMBER	QTY	DESCRIPTION	REV
	1283457	Ref	HYDRAULIC DIAGRAM - DRIVE	L
	2792772	Ref	Hydraulic Diagram - Drive Circuit	F
1	2753685	2	Hose	
2	2110808	4	Fitting, Straight ORFS/ORB	
3	2753703	2	Hose	
4	2753764	1	Hose	
5	2753768	1	Hose	
6	2170504	4	Fitting, Tee ORFS	
7	2170704	1	Fitting, Tee ORFS/ORB/ORFS	
8	2170804	1	Fitting, Tee ORFS/ORB/ORFS	
9	2220235	1	Plug	
11	2753541	2	Hose	
12	2753545	2	Hose	
13	2753677	2	Hose	
14	2753714	1	Hose	
15	2753713	1	Hose	
16	2753716	1	Hose	
17	2753715	2	Hose	
18	2753552	1	Hose	
19	2753752	1	Hose	
20	2753582	1	Hose	
21	2753756	1	Hose	
22	2753747	1	Hose	
23	2753757	2	Hose	
24	2753748	1	Hose	
25	2753759	2	Hose	
26	2753760	1	Hose	
27	2753749	1	Hose	
28	2753761	1	Hose	
29	2753750	1	Hose	
30	2753762	1	Hose	
31	2110812	1	Fitting, Straight ORFS/ORB	

SECTION 7 - HYDRAULIC

FIGURE 7-4. HYDRAULIC DIAGRAM - OSCILLATING AXLE



ART_2792647

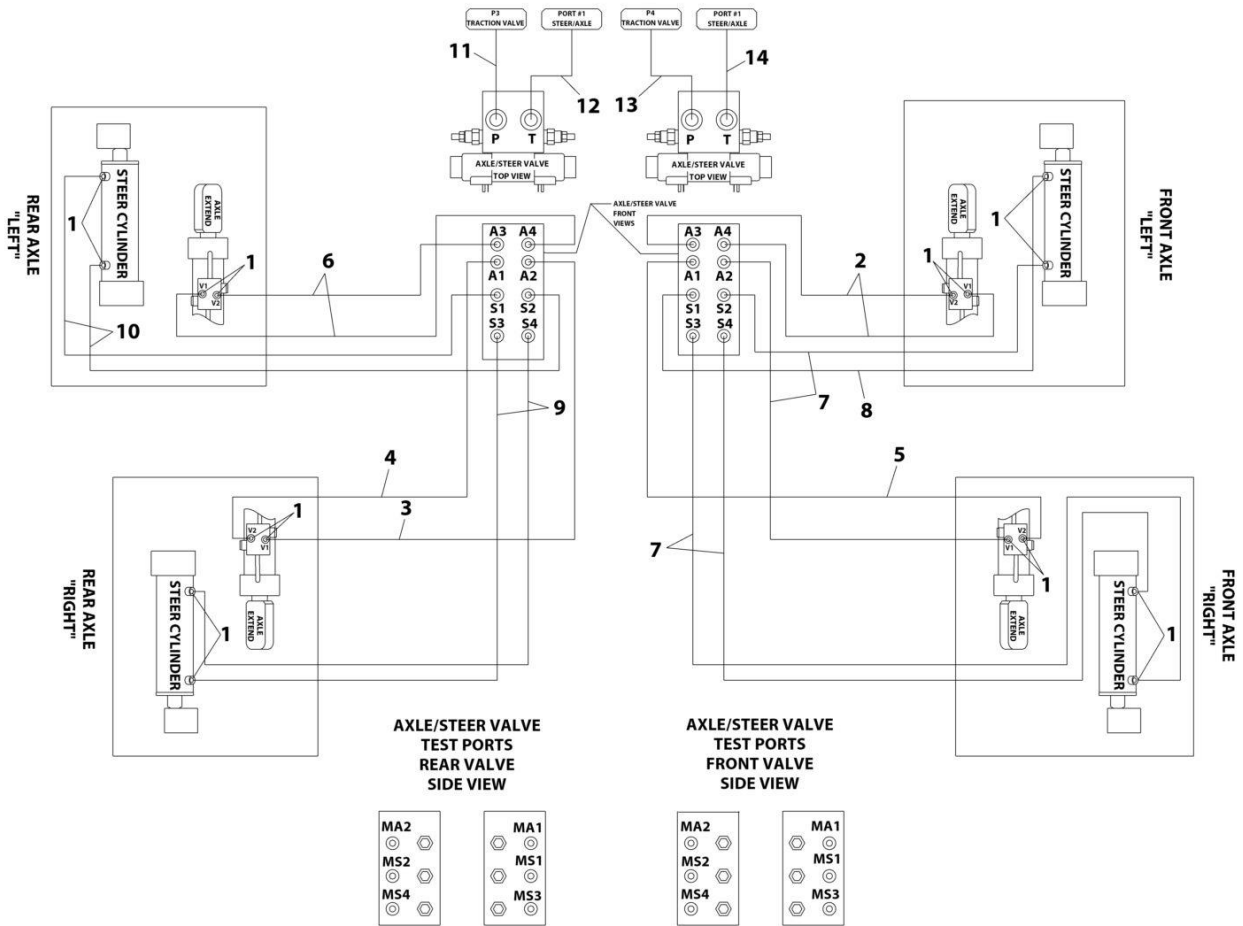
SECTION 7 - HYDRAULIC

FIGURE 7-4. HYDRAULIC DIAGRAM - OSCILLATING AXLE

ITEM	PART NUMBER	QTY	DESCRIPTION	REV
	1283457	Ref	HYDRAULIC DIAGRAM - OSCILLATING AXLE	L
	2792647	Ref	Hydraulic Diagram - Oscillating Axle	4
1	2110406	2	Fitting, Straight ORFS/ORB	
2	2110604	1	Fitting, Straight ORFS/ORB	
3	2110606	2	Fitting, Straight ORFS/ORB	
4	2170504	1	Fitting, Tee ORFS	
5	2170506	1	Fitting, Tee ORFS	
6	2753726	1	Hose	
7	2753719	2	Hose	
8	2753727	1	Hose	
9	2753729	2	Hose	

SECTION 7 - HYDRAULIC

FIGURE 7-5. HYDRAULIC DIAGRAM - STEER



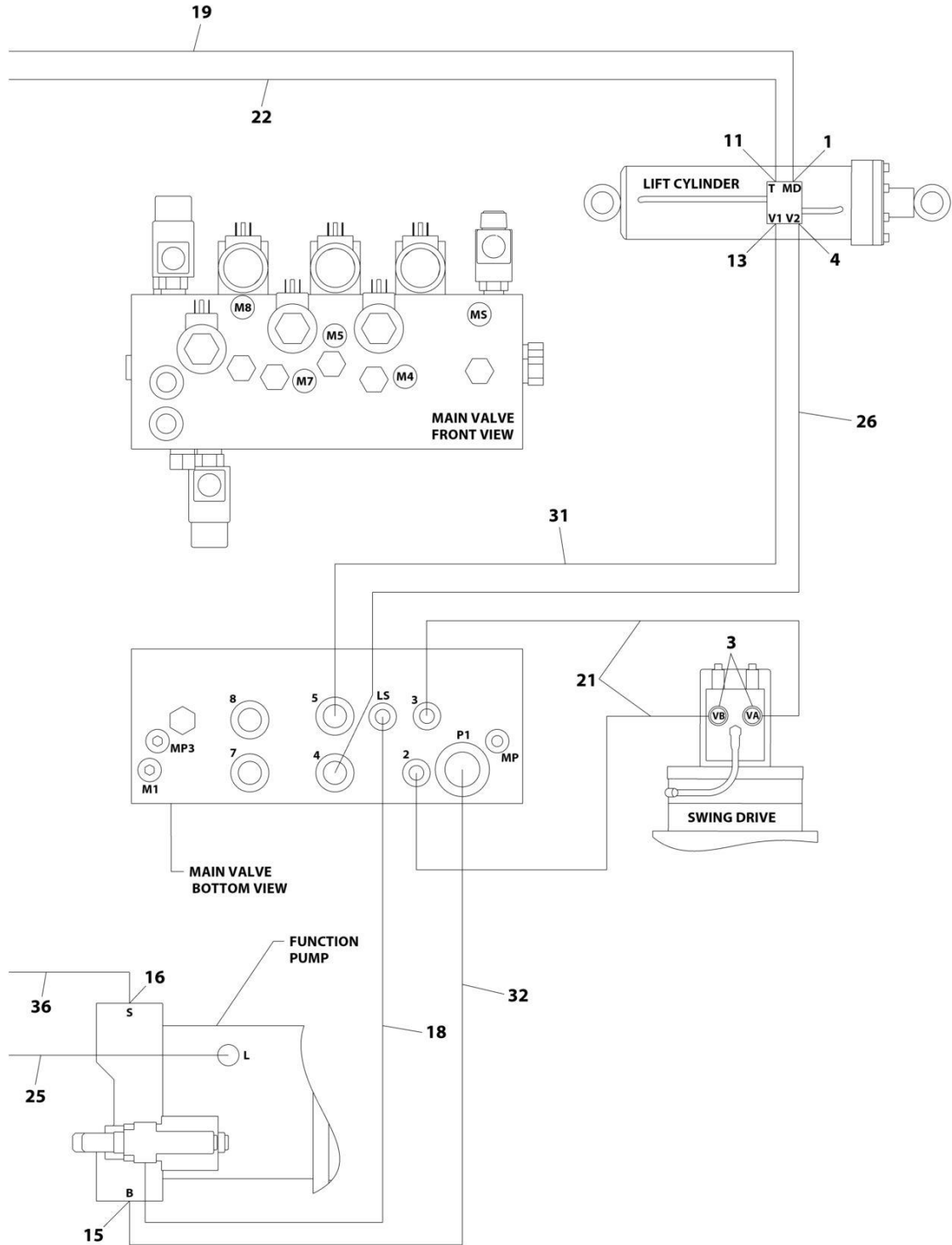
ART_2792773

SECTION 7 - HYDRAULIC

FIGURE 7-5. HYDRAULIC DIAGRAM - STEER

ITEM	PART NUMBER	QTY	DESCRIPTION	REV
	1283457	Ref	HYDRAULIC DIAGRAM - STEER	L
	2792773	Ref	Hydraulic Diagram - Steer	2
1	2130606	16	Fitting, 90 ORFS/ORB	
2	2753732	2	Hose	
3	2753733	1	Hose	
4	2753728	1	Hose	
5	2753734	1	Hose	
6	2753735	2	Hose	
7	2753736	4	Hose	
8	2753737	1	Hose	
9	2753738	2	Hose	
10	2753739	2	Hose	
11	2753753	1	Hose	
12	2753742	1	Hose	
13	2753754	1	Hose	
14	2753743	1	Hose	

SECTION 7 - HYDRAULIC



ART_1283457_70F7

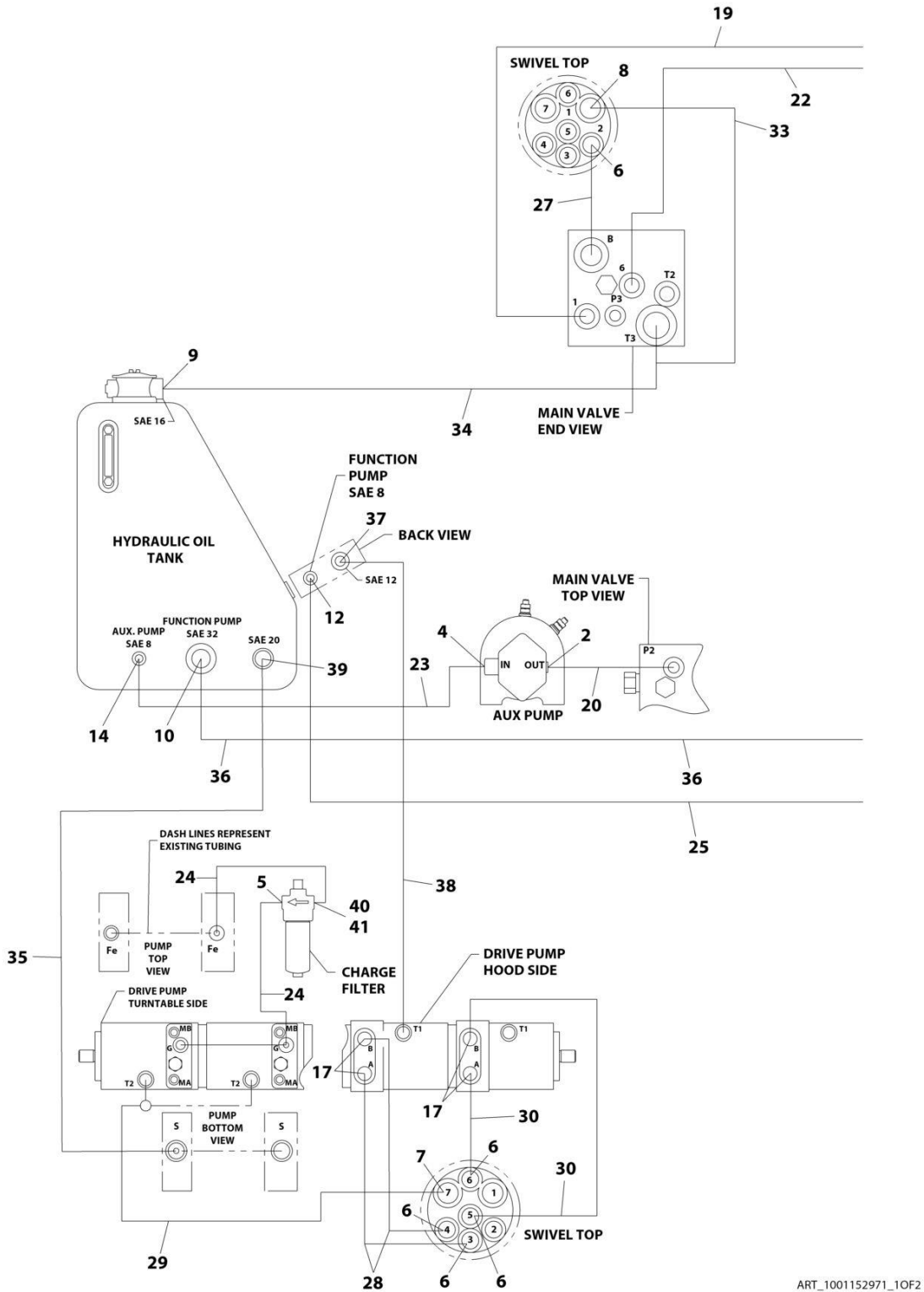
SECTION 7 - HYDRAULIC

FIGURE 7-6. HYDRAULIC DIAGRAM - TURNTABLE (DEUTZ TD2011 ENGINES WITH REXROTH PUMPS)

ITEM	PART NUMBER	QTY	DESCRIPTION	REV
	1283457	Ref	HYDRAULIC DIAGRAM - TURNTABLE (DEUTZ TD2011 ENGINES WITH REXROTH PUMPS)	L
	1001114620	Ref	Hydraulic Diagram - Turntable	B
1	2110404	1	Fitting, Straight ORFS/ORB	
2	2110608	1	Fitting, Straight ORFS/ORB	
3	2110610	2	Fitting, Straight ORFS/ORB	
4	2110810	2	Fitting, Straight ORFS/ORB	
5	2110812	1	Fitting, Straight ORFS/ORB	
6	2111010	5	Fitting, Straight ORFS/ORB	
7	2111012	1	Fitting, Straight ORFS/ORB	
8	2111212	1	Fitting, Straight ORFS/ORB	
9	2111616	1	Fitting, Straight ORFS/ORB	
10	2113232	1	Fitting, Straight ORFS/ORB	
11	2130606	1	Fitting, 90 ORFS/ORB	
12	2130808	1	Fitting, 90 ORFS/ORB	
13	2131010	1	Fitting, 90 ORFS/ORB	
14	2150808	1	Fitting, 45 ORFS/ORB	
15	2220478	1	Flange Kit	
16	2220737	1	Flange Kit	
17	2221117	4	Flange Kit	
18	1001213385	1	Hose	
19	2753718	1	Hose	
20	2753730	1	Hose	
21	2753731	2	Hose	
22	2753734	1	Hose	
23	2753758	1	Hose	
24	2753746	2	Hose	
25	2753741	1	Hose	
26	2753744	1	Hose	
27	2753766	1	Hose	
28	2753769	2	Hose	
29	2753708	1	Hose	
30	2753770	2	Hose	
31	2753765	1	Hose	
32	2753771	1	Hose	
33	2753772	1	Hose	
34	2753774	1	Hose	
35	2753775	1	Hose	
36	2753776	1	Hose	
37	2131212	1	Fitting, 90 ORFS/ORB	
38	2753773	1	Hose	
39	2112020	1	Fitting, Straight ORFS/ORB	
40	2221084	1	Fitting, Tee ORFS/ORFS/ORB	
41	2170908	1	Fitting, Cap ORFS	

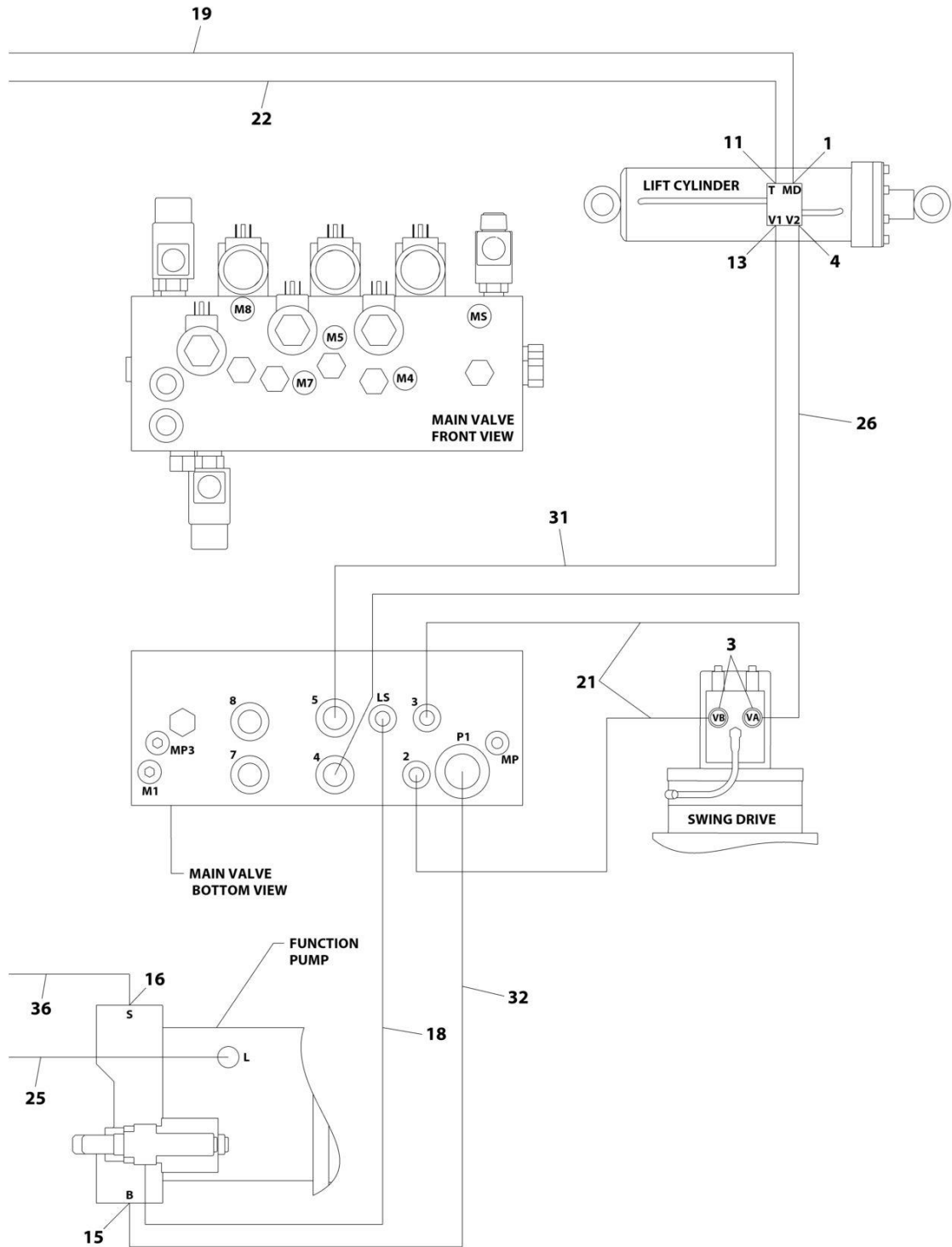
SECTION 7 - HYDRAULIC

FIGURE 7-7. HYDRAULIC DIAGRAM - TURNTABLE (DEUTZ TCD2.9L4 ENGINES AND DEUTZ TCD2.9L4 (STAGE V) ENGINES WITH REXROTH PUMPS)



ART_1001152971_10F2

SECTION 7 - HYDRAULIC



ART_1001152971_2OF2

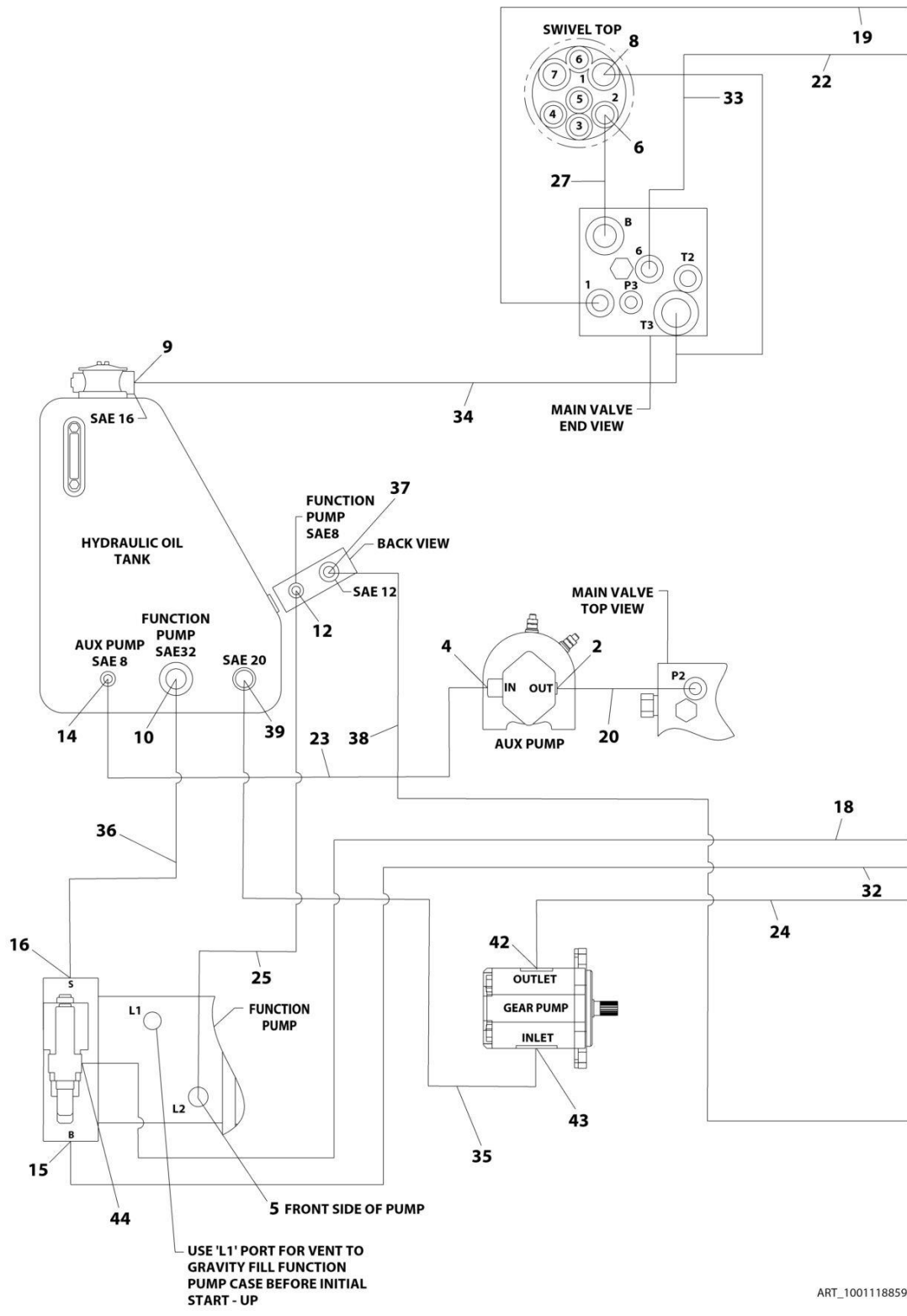
SECTION 7 - HYDRAULIC

FIGURE 7-7. HYDRAULIC DIAGRAM - TURNTABLE (DEUTZ TCD2.9L4 ENGINES AND DEUTZ TCD2.9L4 (STAGE V) ENGINES WITH REXROTH PUMPS)

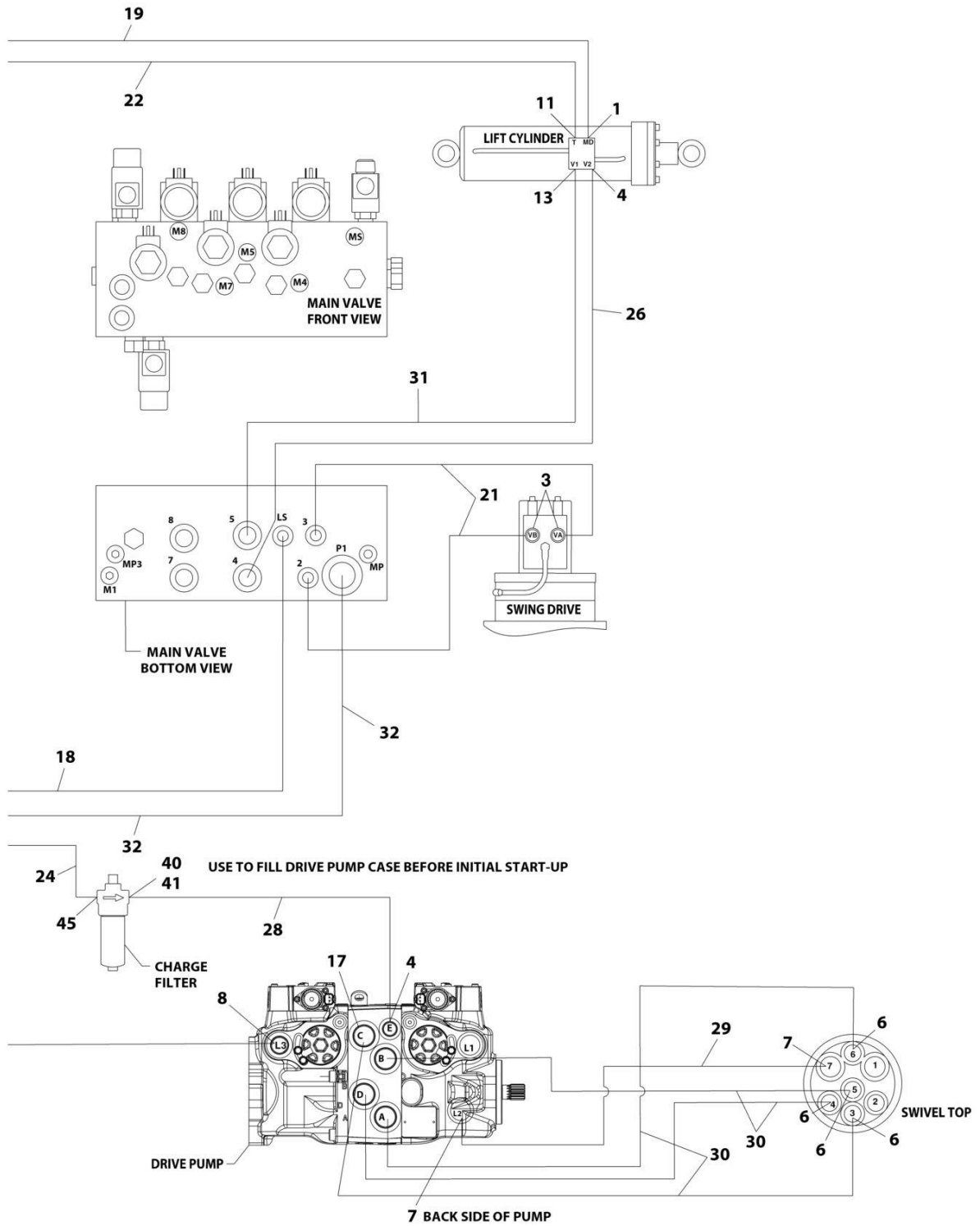
ITEM	PART NUMBER	QTY	DESCRIPTION	REV
	1001152971	Ref	HYDRAULIC DIAGRAM - TURNTABLE (DEUTZ TCD2.9L4 ENGINES AND DEUTZ TCD2.9L4 (STAGE V) ENGINES WITH REXROTH PUMPS)	C
	1001152968	Ref	Hydraulic Diagram - Turntable	B
1	2110404	1	Fitting, Straight ORFS/ORB	
2	2110608	1	Fitting, Straight ORFS/ORB	
3	2110610	2	Fitting, Straight ORFS/ORB	
4	2110810	2	Fitting, Straight ORFS/ORB	
5	2110812	1	Fitting, Straight ORFS/ORB	
6	2111010	5	Fitting, Straight ORFS/ORB	
7	2111012	1	Fitting, Straight ORFS/ORB	
8	2111212	1	Fitting, Straight ORFS/ORB	
9	2111616	1	Fitting, Straight ORFS/ORB	
10	2113232	1	Fitting, Straight ORFS/ORB	
11	2130606	1	Fitting, 90 ORFS/ORB	
12	2130808	1	Fitting, 90 ORFS/ORB	
13	2131010	1	Fitting, 90 ORFS/ORB	
14	2150808	1	Fitting, 45 ORFS/ORB	
15	2220478	1	Flange Kit	
16	2220737	1	Flange Kit	
17	2221117	4	Flange Kit	
18	1001213385	1	Hose	
19	2753718	1	Hose	
20	2753730	1	Hose	
21	2753731	2	Hose	
22	2753734	1	Hose	
23	2753758	1	Hose	
24	2753746	2	Hose	
25	2753741	1	Hose	
26	2753744	1	Hose	
27	2753766	1	Hose	
28	2753769	2	Hose	
29	2753708	1	Hose	
30	2753770	2	Hose	
31	2753765	1	Hose	
32	2753771	1	Hose	
33	2753772	1	Hose	
34	2753774	1	Hose	
35	1001152966	1	Hose	
36	2753776	1	Hose	
37	2131212	1	Fitting, 90 ORFS/ORB	
38	2753773	1	Hose	
39	2112020	1	Fitting, Straight ORFS/ORB	
40	2221084	1	Fitting, Tee ORFS/ORFS/ORB	
41	2170908	1	Fitting, Cap ORFS	

SECTION 7 - HYDRAULIC

FIGURE 7-8. HYDRAULIC DIAGRAM - TURNTABLE (WITH SAUER PUMPS)



SECTION 7 - HYDRAULIC



ART_1001118859_2OF2

SECTION 7 - HYDRAULIC

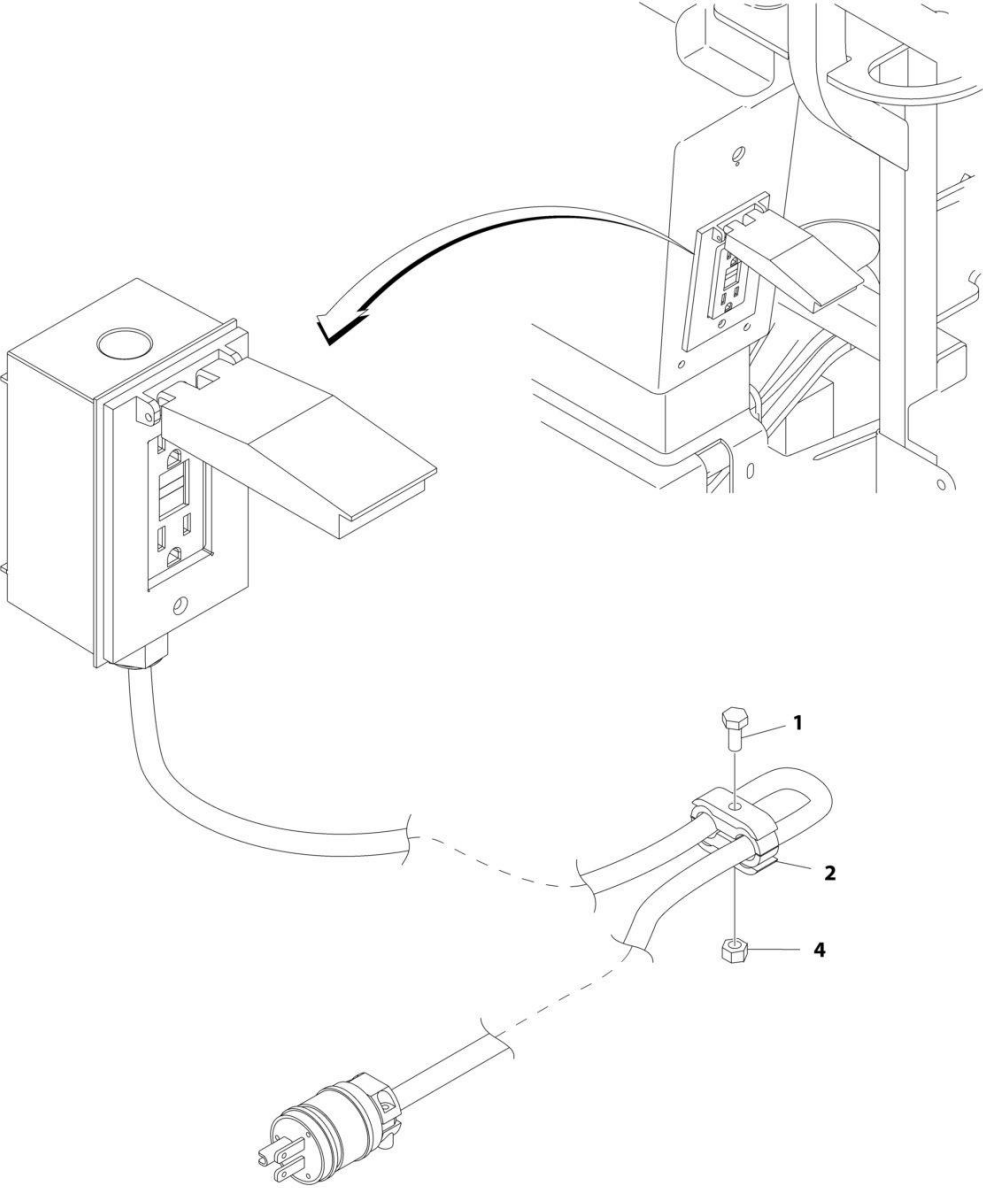
FIGURE 7-8. HYDRAULIC DIAGRAM - TURNTABLE (WITH SAUER PUMPS)

ITEM	PART NUMBER	QTY	DESCRIPTION	REV
	1001118859	Ref	HYDRAULIC DIAGRAM - TURNTABLE (WITH SAUER PUMPS)	D
	1001118869	Ref	Hydraulic Diagram - Turntable	B
1	2110404	1	Fitting, Straight ORFS/ORB	
2	2110608	1	Fitting, Straight ORFS/ORB	
3	2110610	2	Fitting, Straight ORFS/ORB	
4	2110810	3	Fitting, Straight ORFS/ORB	
5	2130810	1	Fitting, 90 ORFS/ORB	
6	2111010	5	Fitting, Straight ORFS/ORB	
7	2111012	2	Fitting, Straight ORFS/ORB	
8	2111212	2	Fitting, Straight ORFS/ORB	
9	2111616	1	Fitting, Straight ORFS/ORB	
10	2113232	1	Fitting, Straight ORFS/ORB	
11	2130606	1	Fitting, 90 ORFS/ORB	
12	2130808	1	Fitting, 90 ORFS/ORB	
13	2131010	1	Fitting, 90 ORFS/ORB	
14	2150808	1	Fitting, 45 ORFS/ORB	
15	2220478	1	Flange Kit	
16	1001110604	1	Flange Kit	
17	2111016	4	Fitting, Straight ORFS/ORB	
18	1001213385	1	Hose	
19	2753718	1	Hose	
20	2753730	1	Hose	
21	2753731	2	Hose	
22	2753734	1	Hose	
23	2753758	1	Hose	
24	2753746	1	Hose	
25	1001118934	1	Hose	
26	2753744	1	Hose	
27	2753766	1	Hose	
28	1001118933	1	Hose	
29	2753708	1	Hose	
30	1001109468	4	Hose	
31	2753765	1	Hose	
32	2753771	1	Hose	
33	2753772	1	Hose	
34	2753774	1	Hose	
35	1001119817	1	Hose	
36	1001118935	1	Hose	
37	2131612	1	Fitting, 90 ORFS/ORB	
38	1001119138	1	Hose	
39	2112020	1	Fitting, Straight ORFS/ORB	
40	2221084	1	Fitting, Tee ORFS/ORFS/ORB	
41	2170908	1	Fitting, Cap ORFS	
42	2110812	1	Fitting, Straight ORFS/ORB	
43	2112016	1	Fitting, Straight ORFS/ORB	
44	2130404	1	Fitting, 90 ORFS/ORB	
45	2130812	1	Fitting, 90 ORFS/ORB	

SECTION 8 - ELECTRICAL

SECTION 8 - ELECTRICAL

FIGURE 8-1. AC BOX AT PLATFORM - 110V (ANSI SPECS)



ART_0271955

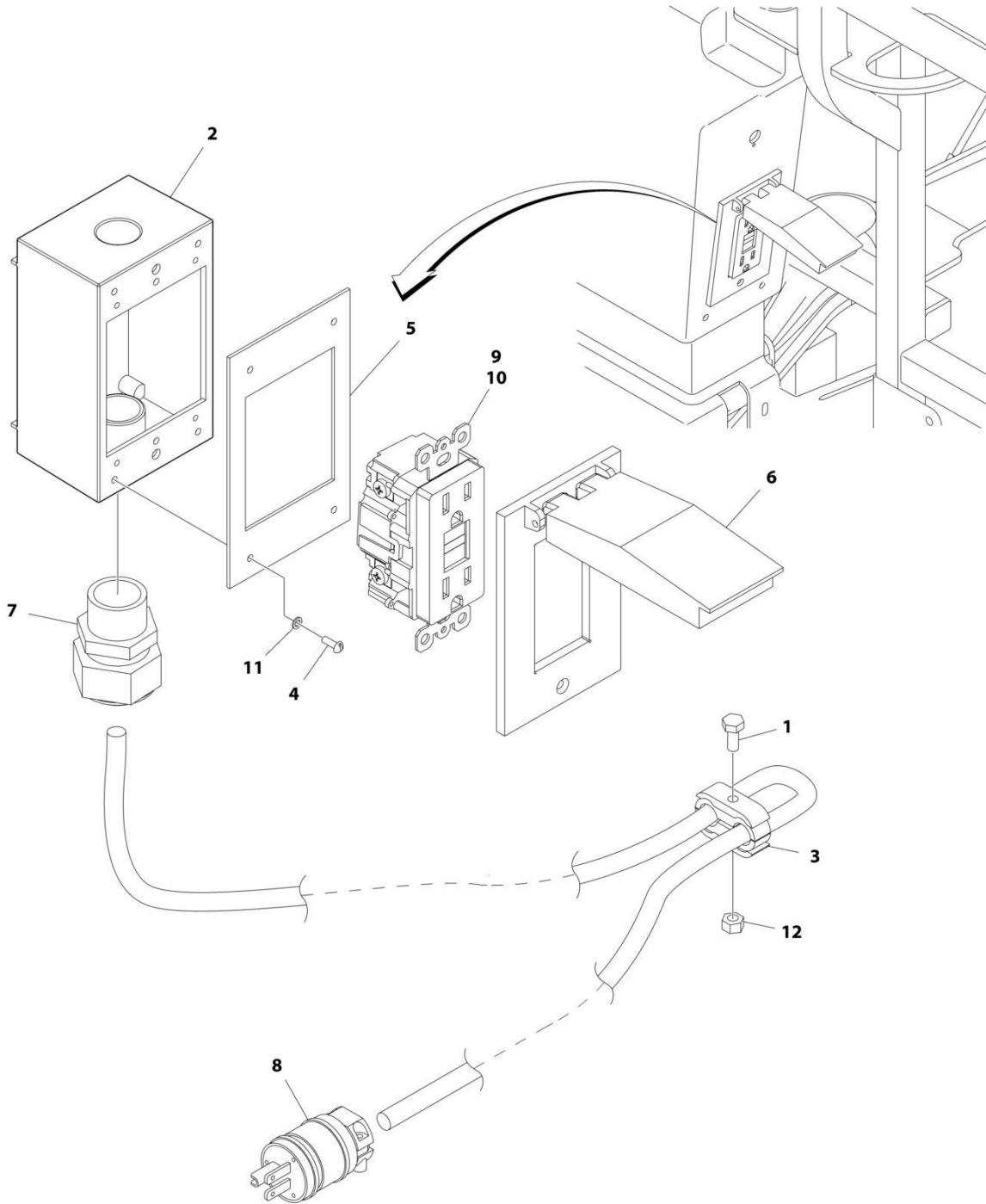
SECTION 8 - ELECTRICAL

FIGURE 8-1. AC BOX AT PLATFORM - 110V (ANSI SPECS)

ITEM	PART NUMBER	QTY	DESCRIPTION	REV
	0271955	Ref	AC BOX AT PLATFORM - 110V	C
1	0641416	1	Bolt 1/4 x 2	
2	1320146	1	Clamp	
4	3311405	1	Nut 1/4	

SECTION 8 - ELECTRICAL

FIGURE 8-2. AC BOX AT PLATFORM - 110V GFI RECEPTACLE (ANSI, CSA AND JAPANESE SPECS)



ART_0271953

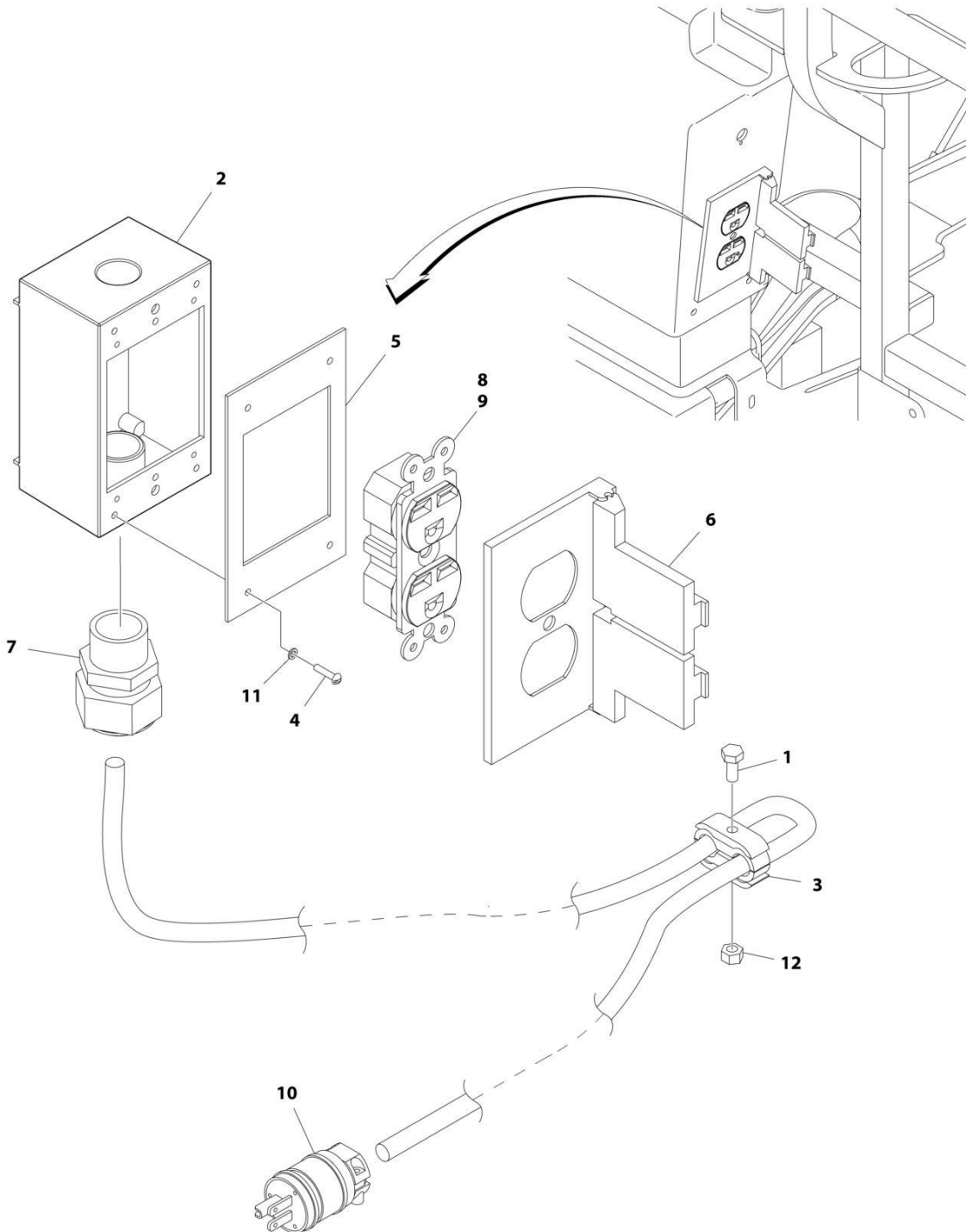
SECTION 8 - ELECTRICAL

FIGURE 8-2. AC BOX AT PLATFORM - 110V GFI RECEPTACLE (ANSI, CSA AND JAPANESE SPECS)

ITEM	PART NUMBER	QTY	DESCRIPTION	REV
	0271953	Ref	AC BOX AT PLATFORM - 110V GFI RECEPTACLE	D
1	0641416	1	Bolt 1/4 x 2	
2	0860038	1	Box, Switch	
3	1320146	1	Clamp	
4	3910606	4	Screw 6 x 3/8	
5	3960422	1	Gasket, AC Receptacle	
6	1001110873	1	Shield, Receptacle Cover	
7	4460051	1	Connector, Strain Relief	
8	4460205	1	Plug, Male	
9	4460315	1	Terminal, Spade	
10	4460346	1	Terminal, Receptacle	
11	4760600	4	Washer 6	
12	3311405	1	Nut 1/4	

SECTION 8 - ELECTRICAL

FIGURE 8-3. AC BOX AT PLATFORM - 220V GFI RECEPTACLE (ANSI, CSA AND JAPANESE SPECS)



ART_0271954

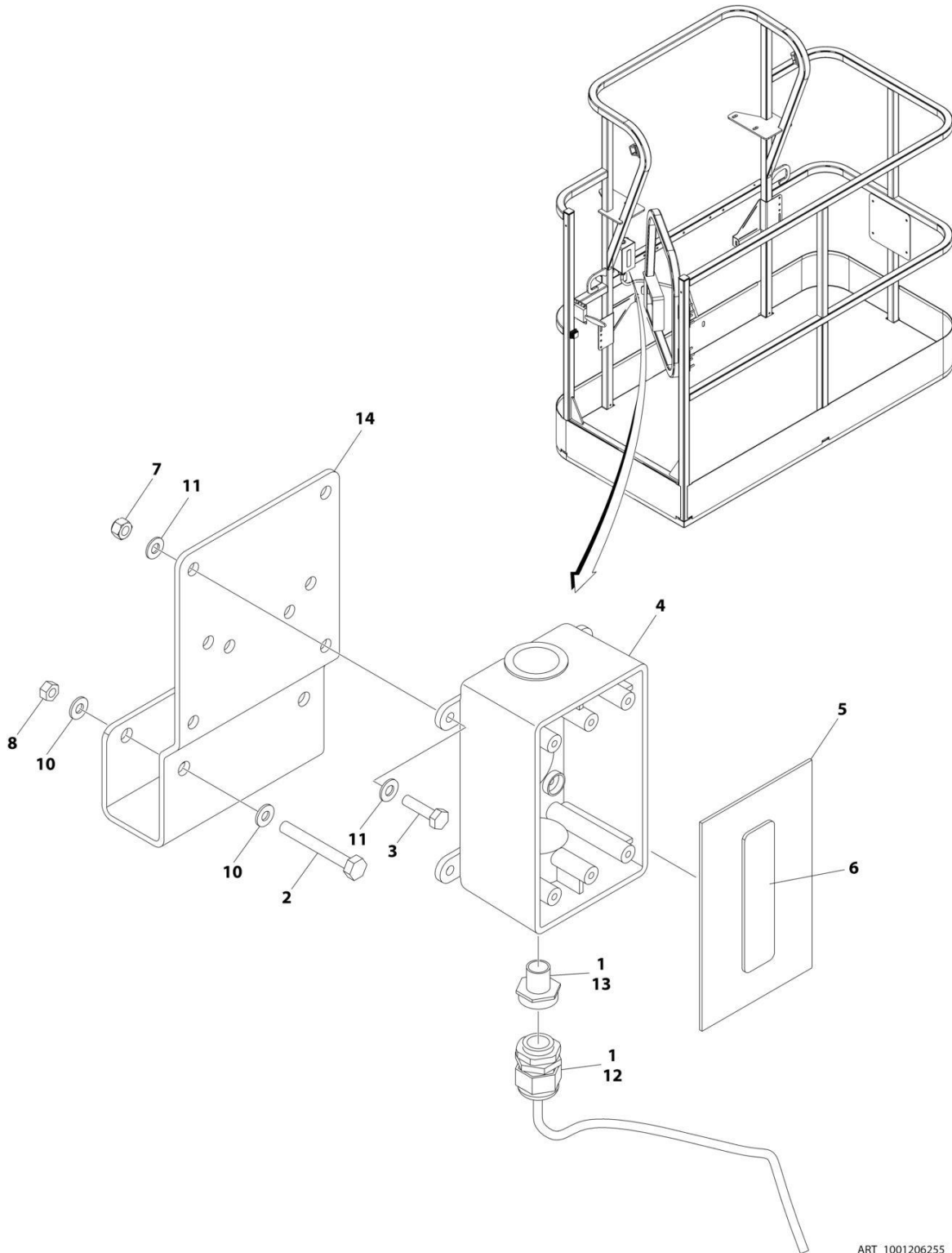
SECTION 8 - ELECTRICAL

FIGURE 8-3. AC BOX AT PLATFORM - 220V GFI RECEPTACLE (ANSI, CSA AND JAPANESE SPECS)

ITEM	PART NUMBER	QTY	DESCRIPTION	REV
	0271954	Ref	AC BOX AT PLATFORM - 220V GFI RECEPTACLE	C
1	0641416	1	Bolt 1/4 x 2	
2	0860038	1	Box, Switch	
3	1320146	1	Clamp	
4	3910606	4	Screw 6 x 3/8	
5	3960422	1	Gasket, AC Receptacle	
6	4060092	1	Shield, Receptacle Cover	
7	4460051	1	Connector, Strain Relief	
8	4460125	1	Terminal, Receptacle	
9	4460315	1	Terminal, Spade	
10	4460709	1	Plug, Male	
11	4760600	4	Washer 6	
12	3311405	1	Nut 1/4	

SECTION 8 - ELECTRICAL

FIGURE 8-4. AC BOX AT PLATFORM INSTALLATION - BOX WITH COVER (2X4 BOX) WITH 4000W GENERATOR (AUSTRALIAN SPECS)



ART_1001206255

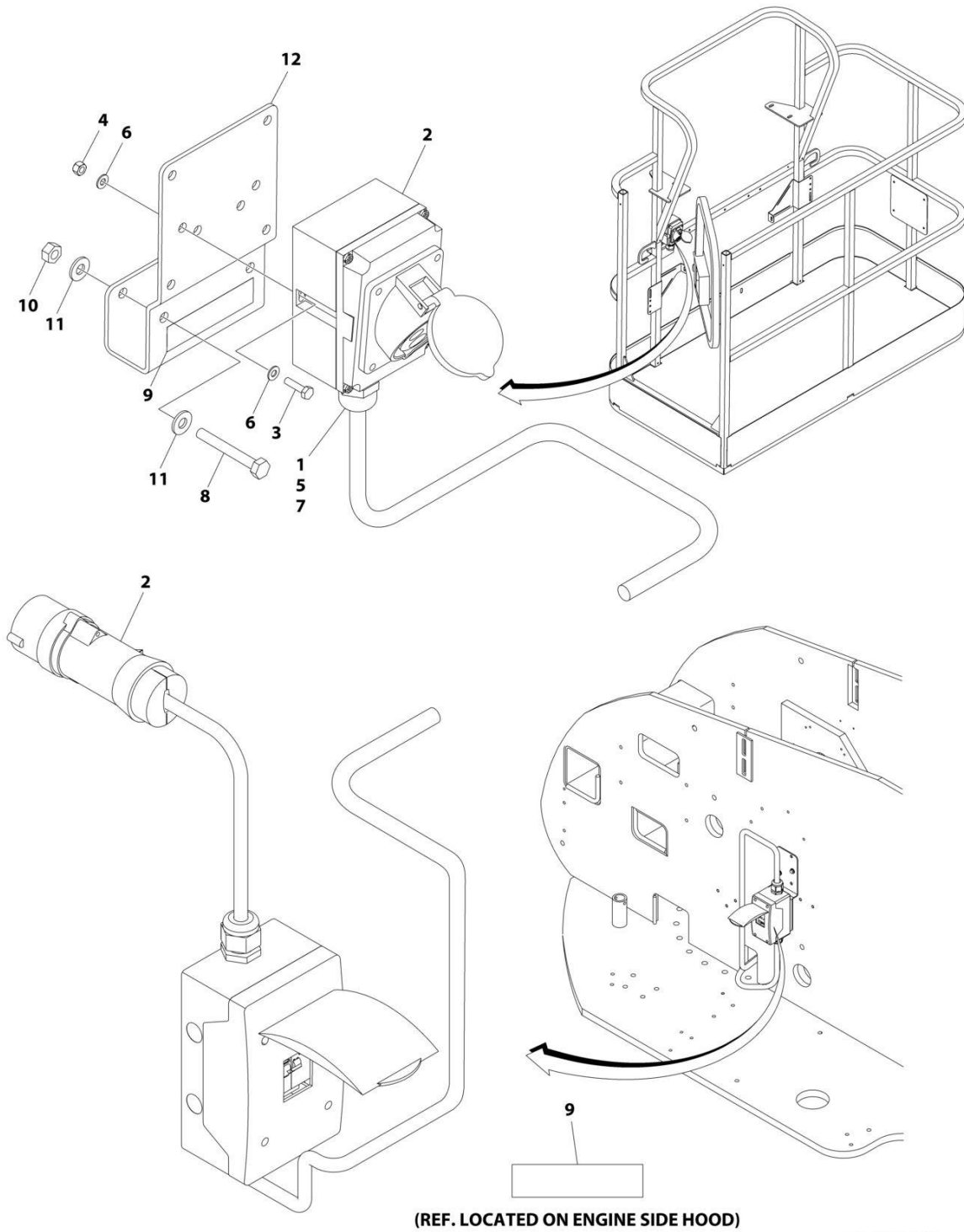
SECTION 8 - ELECTRICAL

FIGURE 8-4. AC BOX AT PLATFORM INSTALLATION - BOX WITH COVER (2X4 BOX) WITH 4000W GENERATOR (AUSTRALIAN SPECS)

ITEM	PART NUMBER	QTY	DESCRIPTION	REV
	1001206255	Ref	AC BOX AT PLATFORM INSTALLATION - BOX WITH COVER (2X4 BOX) WITH 4000W GENERATOR	A
1	0100020	AR	Sealant, Pipe	
2	0641416	2	Bolt 1/4 x 2	
3	0700408	4	Bolt M4 x 16	
4	0861731	1	Box, Switch	
5	1670603	1	Cover	
6	3251242	1	Decal - 240V-50Hz	
7	3290405	4	Nut M4	
8	3311405	2	Nut 1/4	
10	4711400	4	Washer 1/4	
11	4811400	8	Washer M4	
12	1001101191	1	Connector, Strain Relief	
13	1001101197	1	Adapter	
14	1001193018	1	Bracket, AC Receptacle	

SECTION 8 - ELECTRICAL

FIGURE 8-5. AC BOX AT PLATFORM INSTALLATION - 110V IEC 60309 YELLOW WITHOUT 2500W GENERATOR (CE & UK CA SPECS)



ART_1001091969

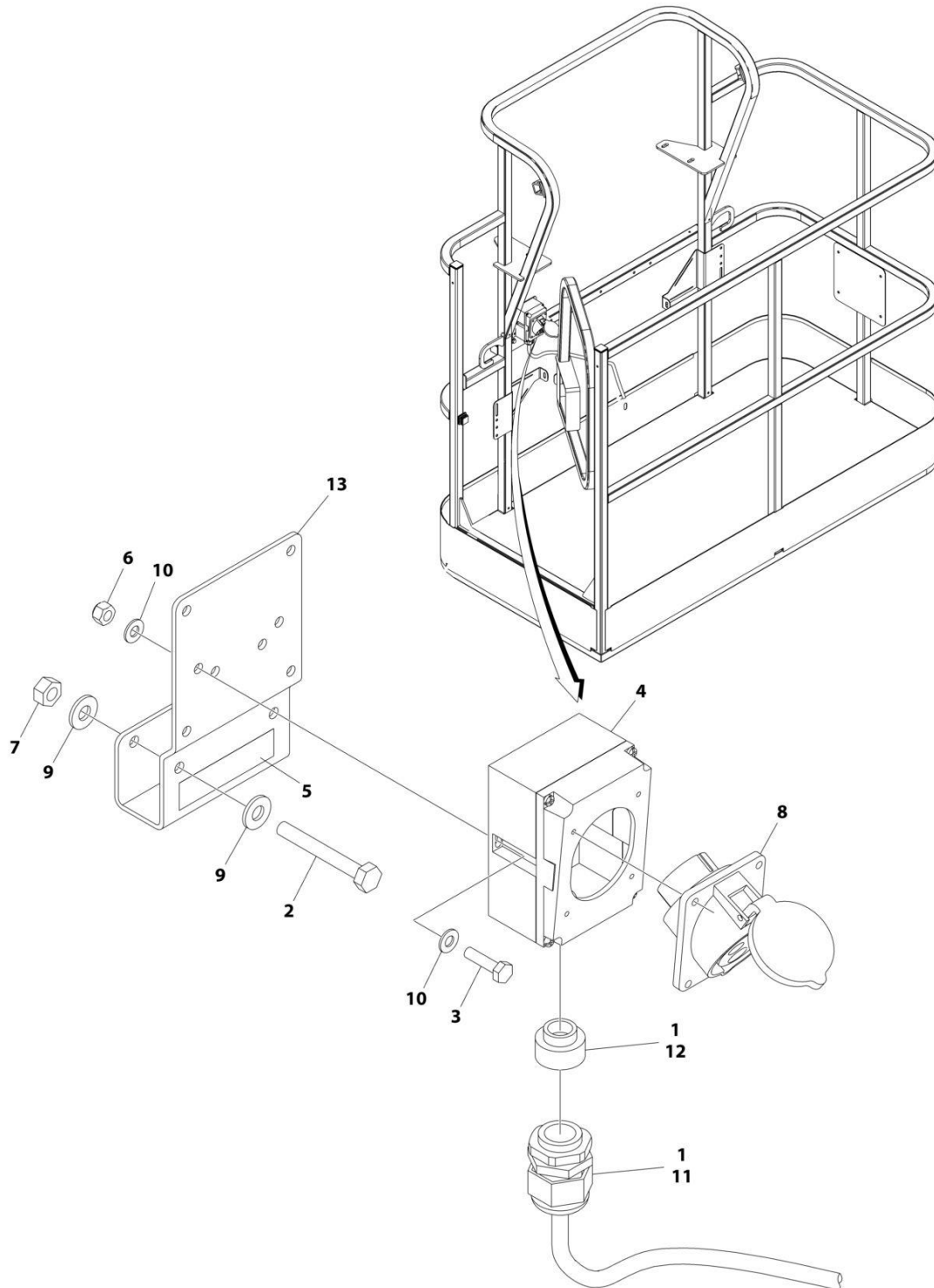
SECTION 8 - ELECTRICAL

FIGURE 8-5. AC BOX AT PLATFORM INSTALLATION - 110V IEC 60309 YELLOW WITHOUT 2500W GENERATOR (CE & UK CA SPECS)

ITEM	PART NUMBER	QTY	DESCRIPTION	REV
	1001091969	Ref	AC BOX AT PLATFORM INSTALLATION - 110V IEC YELLOW	D
1	0100020	AR	Sealant, Pipe	
2	0275216	1	Receptacle Box Kit (See Separate Breakdown in this Section)	
3	0700408	2	Bolt M4 x 16	
4	3290405	2	Nut M4	
5	1001101196	1	Adapter	
6	4811400	4	Washer M4	
7	1001101191	1	Connector, Strain Relief	
8	0641416	2	Bolt 1/4 x 2	
9	1705325	2	Decal - 110V	
10	3311405	2	Nut 1/4	
11	4711400	4	Washer 1/4	
12	1001193018	1	Bracket	

SECTION 8 - ELECTRICAL

FIGURE 8-6. AC BOX AT PLATFORM INSTALLATION - 110V IEC 60309 YELLOW WITHOUT 4000W GENERATOR (CE & UK CA SPECS)



ART_1001206253

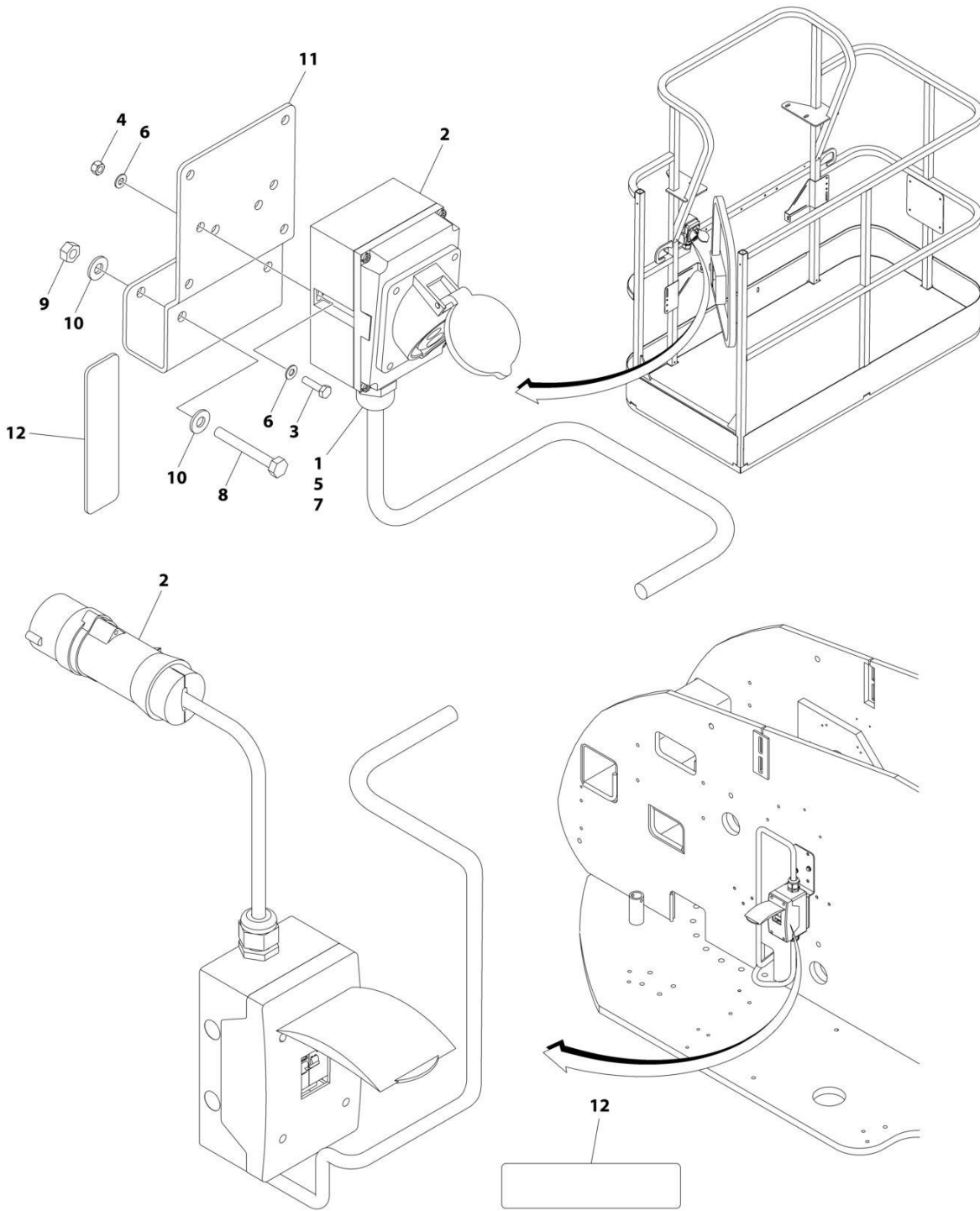
SECTION 8 - ELECTRICAL

FIGURE 8-6. AC BOX AT PLATFORM INSTALLATION - 110V IEC 60309 YELLOW WITHOUT 4000W GENERATOR (CE & UK CA SPECS)

ITEM	PART NUMBER	QTY	DESCRIPTION	REV
	1001206253	Ref	AC BOX AT PLATFORM INSTALLATION - 110V IEC 60309 YELLOW WITHOUT 4000W GENERATOR	A
1	0100020	AR	Sealant, Pipe	
2	0641416	2	Bolt 1/4 x 2	
3	0700408	2	Bolt M4 x 16	
4	0861781	1	Box, Switch	
5	1705325	1	Decal - 110V	
6	3290405	2	Nut M4	
7	3311405	2	Nut 1/4	
8	4461198	1	Receptacle	
9	4711400	4	Washer 1/4	
10	4811400	4	Washer M4	
11	1001101191	1	Connector, Strain Relief	
12	1001101196	1	Adapter	
13	1001193018	1	Bracket, AC Receptacle	

SECTION 8 - ELECTRICAL

FIGURE 8-7. AC BOX AT PLATFORM INSTALLATION - 220V IEC 60309 BLUE WITHOUT 2500W GENERATOR (CE & UK CA SPECS)



(REF. LOCATED ON ENGINE SIDE HOOD)

ART_1001091970

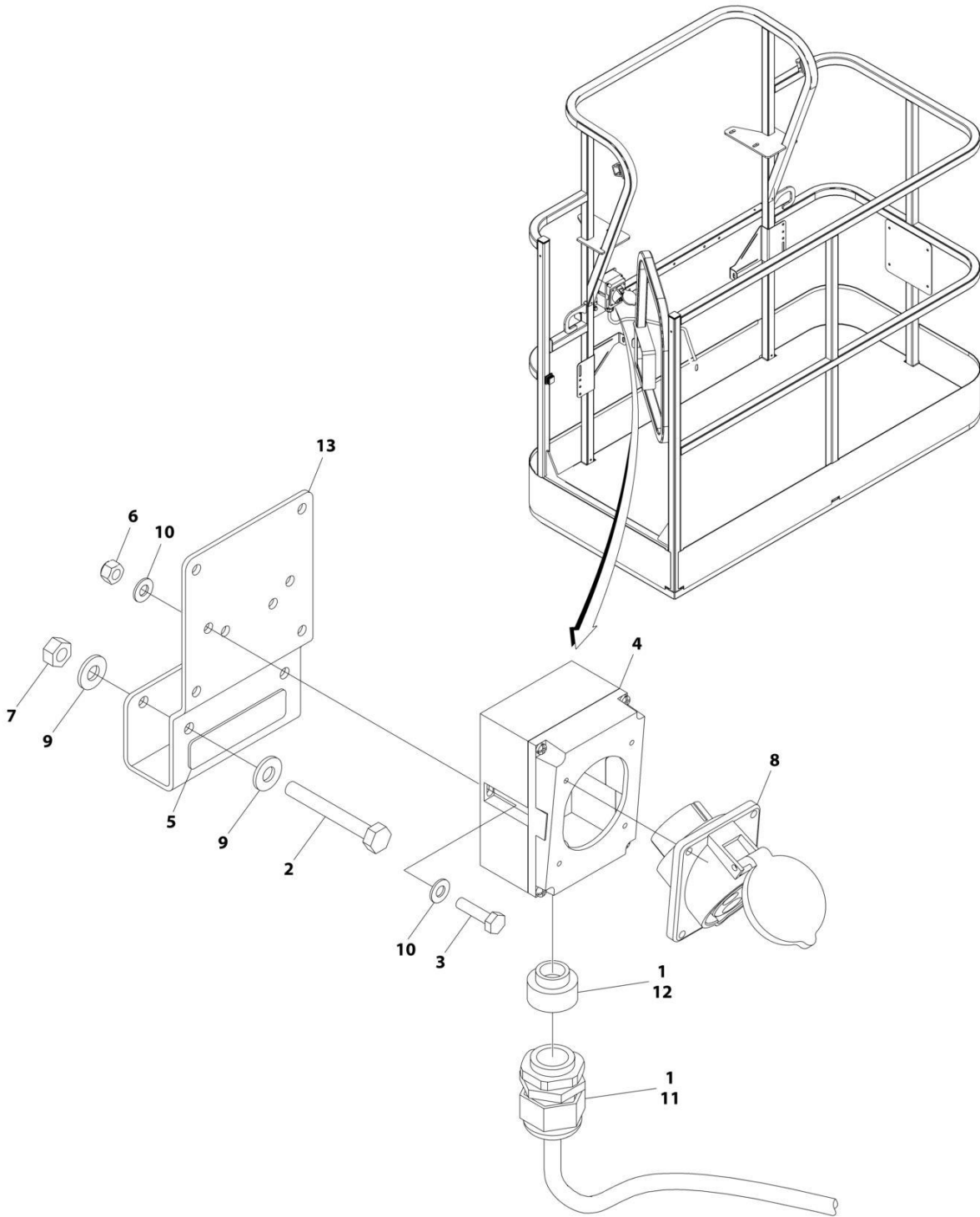
SECTION 8 - ELECTRICAL

FIGURE 8-7. AC BOX AT PLATFORM INSTALLATION - 220V IEC 60309 BLUE WITHOUT 2500W GENERATOR (CE & UK CA SPECS)

ITEM	PART NUMBER	QTY	DESCRIPTION	REV
	1001091970	Ref	AC BOX AT PLATFORM INSTALLATION - 220V IEC BLUE	D
1	0100020	AR	Sealant, Pipe	
2	0275217	1	Receptacle Box Kit (See Separate Breakdown in this Section)	
3	0700408	2	Bolt M4 x 16	
4	3290405	2	Nut M4	
5	1001101196	1	Adapter	
6	4811400	4	Washer M4	
7	1001101191	1	Connector, Strain Relief	
8	0641416	2	Bolt 1/4 x 2	
9	3311405	2	Nut 1/4	
10	4711400	4	Washer 1/4	
11	1001193018	1	Bracket	
12	3251242	2	Decal - 240V/50Hz	

SECTION 8 - ELECTRICAL

FIGURE 8-8. AC BOX AT PLATFORM INSTALLATION - 220V IEC 60309 BLUE WITHOUT 4000W GENERATOR (CE & UK CA SPECS)



ART_1001206254

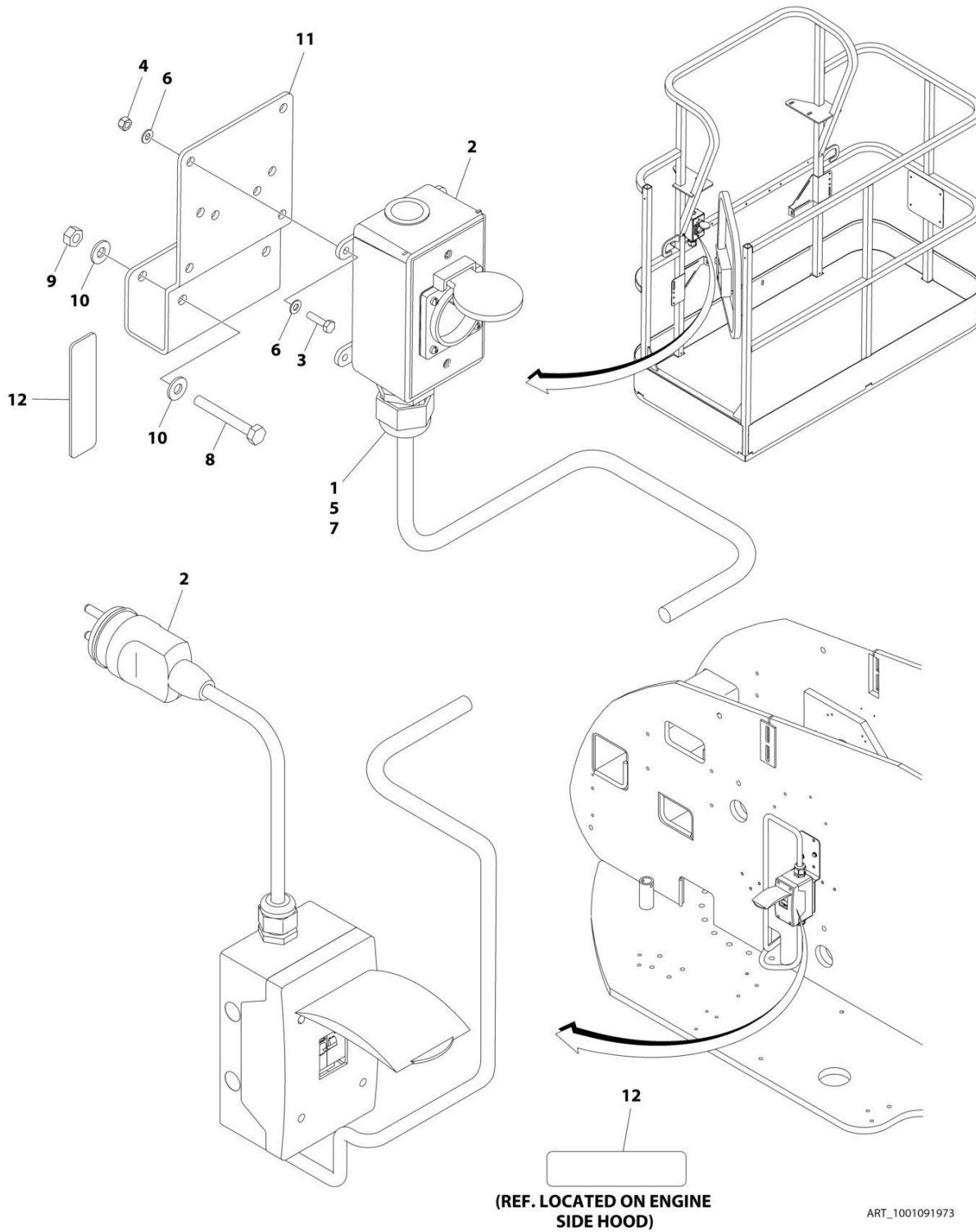
SECTION 8 - ELECTRICAL

FIGURE 8-8. AC BOX AT PLATFORM INSTALLATION - 220V IEC 60309 BLUE WITHOUT 4000W GENERATOR (CE & UK CA SPECS)

ITEM	PART NUMBER	QTY	DESCRIPTION	REV
	1001206254	Ref	AC BOX AT PLATFORM INSTALLATION - 220V IEC BLUE	A
1	0100020	AR	Sealant, Pipe	
2	0641416	2	Bolt 1/4 x 2	
3	0700408	2	Bolt M4 x 16	
4	0861781	1	Box, Switch	
5	3251242	1	Decal - 240V/50Hz	
6	3290405	2	Nut M4	
7	3311405	2	Nut 1/4	
8	4461201	1	Receptacle	
9	4711400	4	Washer 1/4	
10	4811400	4	Washer M4	
11	1001101191	1	Connector, Strain Relief	
12	1001101196	1	Adapter	
13	1001193018	1	Bracket, AC Receptacle	

SECTION 8 - ELECTRICAL

FIGURE 8-9. AC BOX AT PLATFORM INSTALLATION - 220V CEE7 POST GROUND (2X4 BOX)
WITHOUT 2500W GENERATOR (CE & UK CA SPECS)



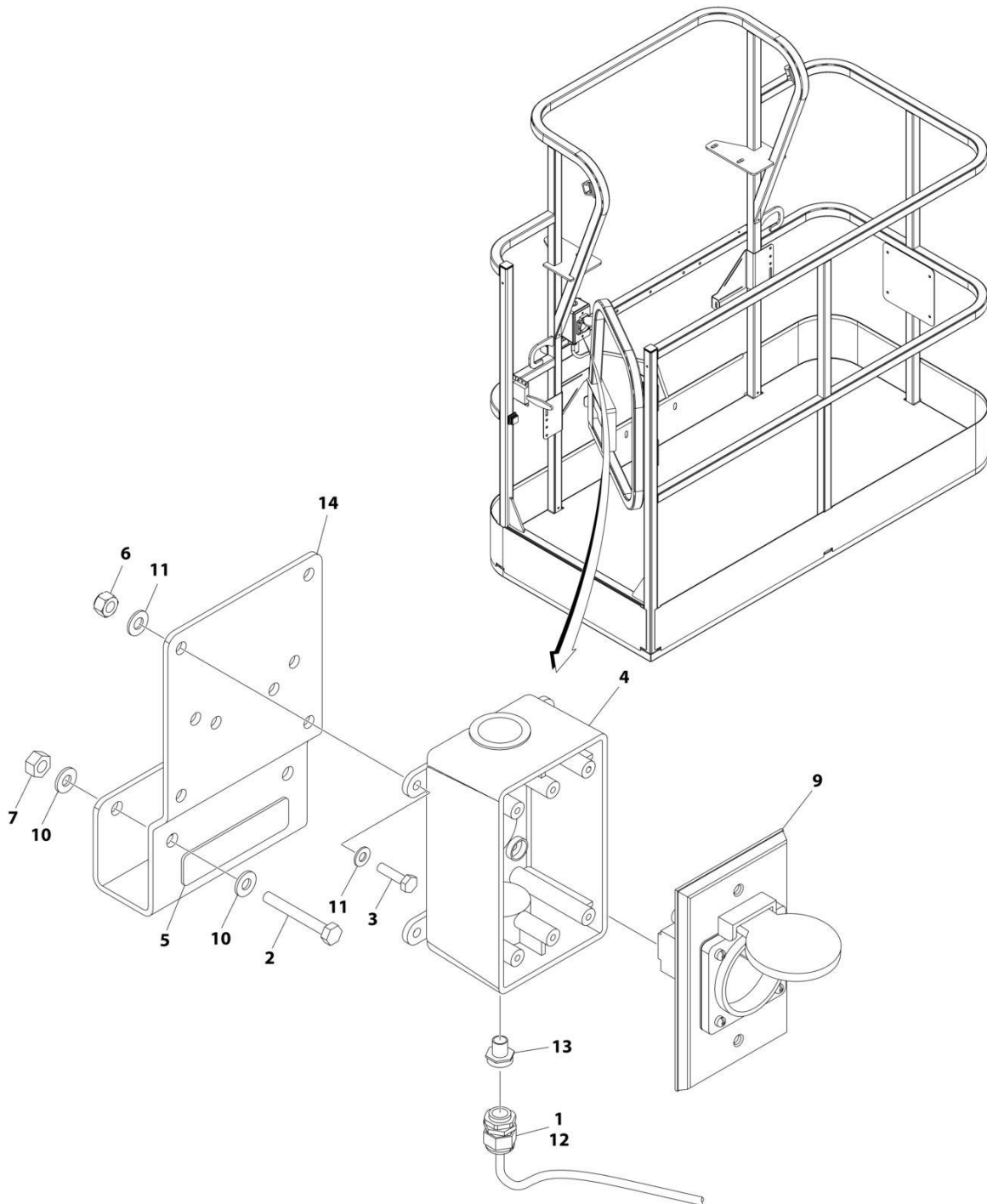
SECTION 8 - ELECTRICAL

**FIGURE 8-9. AC BOX AT PLATFORM INSTALLATION - 220V CEE7 POST GROUND (2X4 BOX)
WITHOUT 2500W GENERATOR (CE & UK CA SPECS)**

ITEM	PART NUMBER	QTY	DESCRIPTION	REV
	1001091973	Ref	AC BOX AT PLATFORM INSTALLATION - 220V CEE7 2X4 BOX POST GROUND	F
1	0100020	AR	Sealant, Pipe	
2	0275452	1	Receptacle Box Kit (See Separate Breakdown in this Section)	
3	0700408	4	Bolt M4 x 16	
4	3290405	4	Nut M4	
5	1001101197	1	Adapter	
6	4811400	8	Washer M4	
7	1001101191	1	Connector, Strain Relief	
8	0641416	2	Bolt 1/4 x 2	
9	3311405	2	Nut 1/4	
10	4711400	4	Washer 1/4	
11	1001193018	1	Bracket	
12	3251242	2	Decal - 240V/50Hz	
13	4460806	2	Terminal, Fork (Not Shown)	
14	1001205958	1	Terminal (Not Shown)	

SECTION 8 - ELECTRICAL

FIGURE 8-10. AC BOX AT PLATFORM INSTALLATION - 220V CEE7 POST GROUND (2X4 BOX)
WITHOUT 4000W GENERATOR (CE & UK CA SPECS)



ART_1001206250

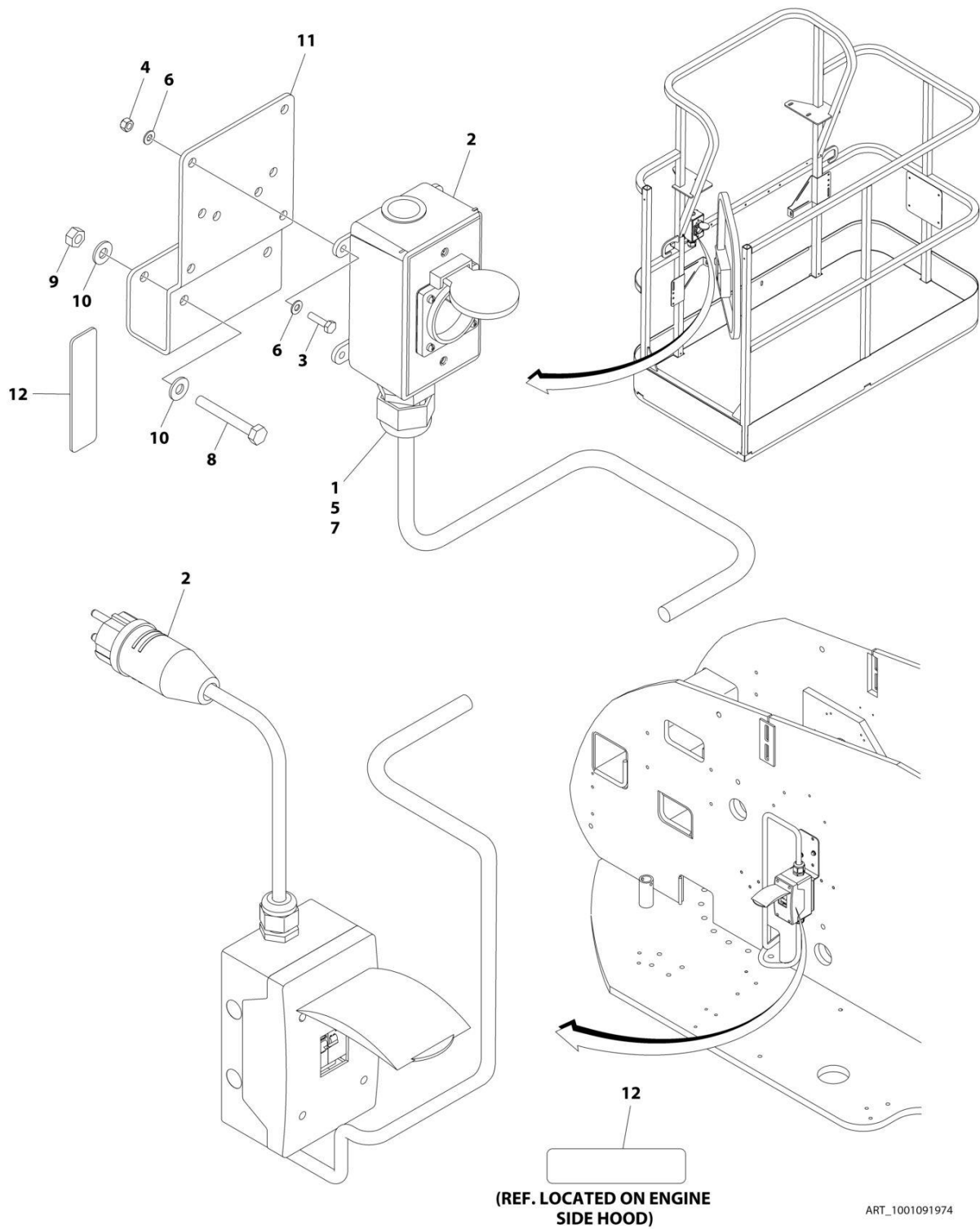
SECTION 8 - ELECTRICAL

**FIGURE 8-10. AC BOX AT PLATFORM INSTALLATION - 220V CEE7 POST GROUND (2X4 BOX)
WITHOUT 4000W GENERATOR (CE & UK CA SPECS)**

ITEM	PART NUMBER	QTY	DESCRIPTION	REV
	1001206250	Ref	AC BOX AT PLATFORM INSTALLATION - 220V CEE7 2X4 BOX POST GROUND	A
1	0100020	AR	Sealant, Pipe	
2	0641416	2	Bolt 1/4 x 2	
3	0700408	4	Bolt M4 x 16	
4	0861731	1	Box, Switch	
5	3251242	1	Decal - 240V/50Hz	
6	3290405	4	Nut M4	
7	3311405	2	Nut 1/4	
8	4460806	2	Terminal, Fork (Not Shown)	
9	4461244	1	Receptacle	
10	4711400	4	Washer 1/4	
11	4811400	8	Washer M4	
12	1001101191	1	Connector, Strain Relief	
13	1001101197	1	Adapter	
14	1001193018	1	Bracket, AC Receptacle	
15	1001205958	1	Terminal (Not Shown)	

SECTION 8 - ELECTRICAL

**FIGURE 8-11. AC BOX AT PLATFORM INSTALLATION - 220V CEE7 SIDE GROUND (2X4 BOX)
WITHOUT 2500W GENERATOR (CE & UK CA SPECS)**



SECTION 8 - ELECTRICAL

**FIGURE 8-11. AC BOX AT PLATFORM INSTALLATION - 220V CEE7 SIDE GROUND (2X4 BOX)
WITHOUT 2500W GENERATOR (CE & UK CA SPECS)**

ITEM	PART NUMBER	QTY	DESCRIPTION	REV
	1001091974	Ref	AC BOX AT PLATFORM INSTALLATION - 220V CEE7 2X4 BOX SIDE GROUND	F
1	0100020	AR	Sealant, Pipe	
2	0275453	1	Receptacle Box Kit (See Separate Breakdown in this Section)	
3	0700408	4	Bolt M4 x 16	
4	3290405	4	Nut M4	
5	1001101197	1	Adapter	
6	4811400	8	Washer M4	
7	1001101191	1	Connector, Strain Relief	
8	0641416	2	Bolt 1/4 x 2	
9	3311405	2	Nut 1/4	
10	4711400	4	Washer 1/4	
11	1001193018	1	Bracket	
12	3251242	2	Decal - 240V/50Hz	
13	4460806	2	Terminal, Fork (Not Shown)	
14	1001205958	1	Terminal (Not Shown)	

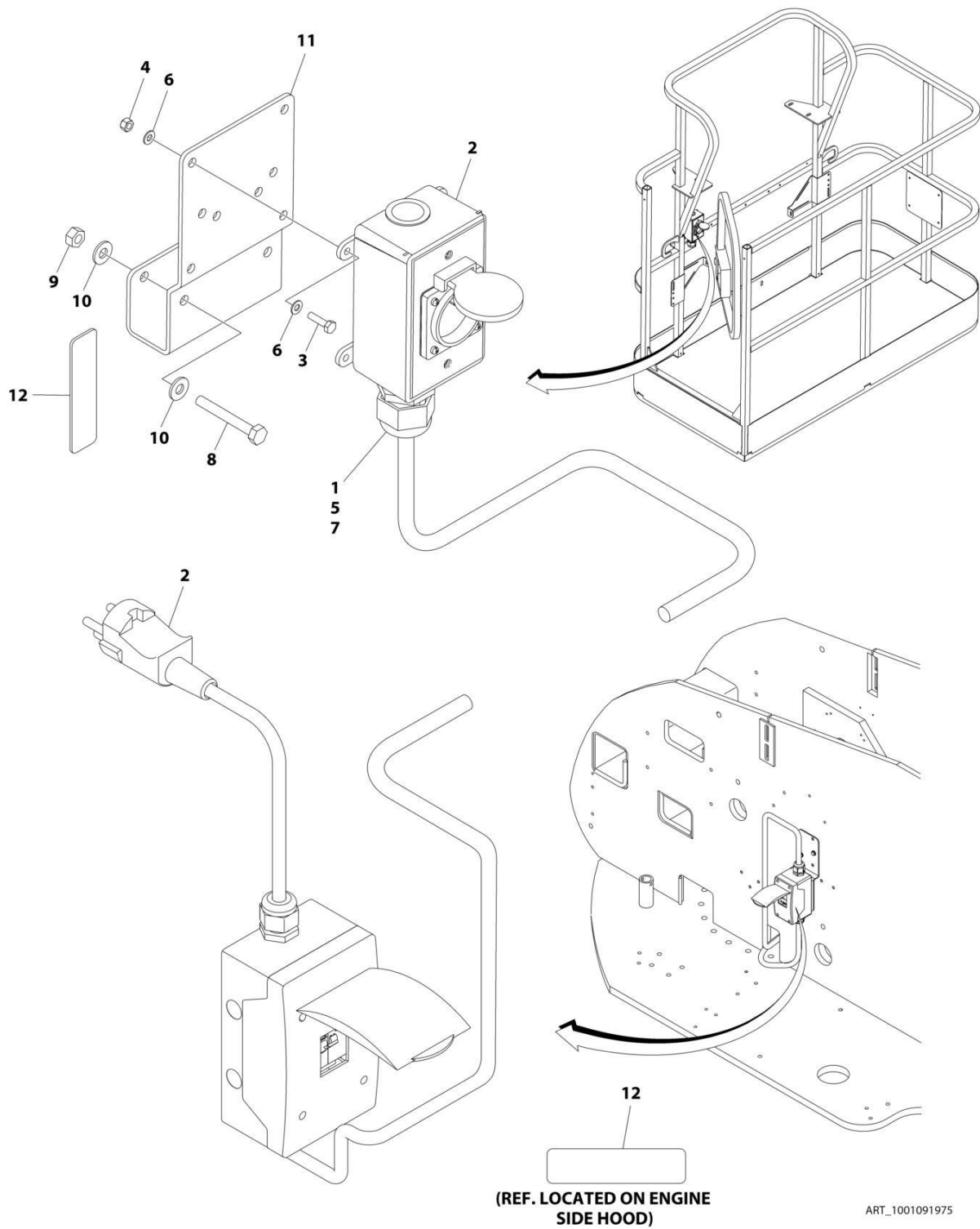
SECTION 8 - ELECTRICAL

**FIGURE 8-12. AC BOX AT PLATFORM INSTALLATION - 220V CEE7 SIDE GROUND (2X4 BOX)
WITHOUT 4000W GENERATOR (CE & UK CA SPECS)**

ITEM	PART NUMBER	QTY	DESCRIPTION	REV
	1001206251	Ref	AC BOX AT PLATFORM INSTALLATION - 220V CEE7 2X4 BOX SIDE GROUND	A
1	0100020	AR	Sealant, Pipe	
2	0641416	2	Bolt 1/4 x 2	
3	0700408	4	Bolt M4 x 16	
4	0861731	1	Box, Switch	
5	3251242	1	Decal - 240V/50Hz	
6	3290405	4	Nut M4	
7	3311405	2	Nut 1/4	
8	4460806	2	Terminal, Fork (Not Shown)	
9	4461245	1	Receptacle	
10	4711400	4	Washer 1/4	
11	4811400	8	Washer M4	
12	1001101191	1	Connector, Strain Relief	
13	1001101197	1	Adapter	
14	1001193018	1	Bracket, AC Receptacle	
15	1001205958	1	Terminal (Not Shown)	

SECTION 8 - ELECTRICAL

FIGURE 8-13. AC BOX AT PLATFORM INSTALLATION - 220V AFSINT 107 KEYED GROUND (2X4 BOX) WITHOUT 2500W GENERATOR (CE & UK CA SPECS)



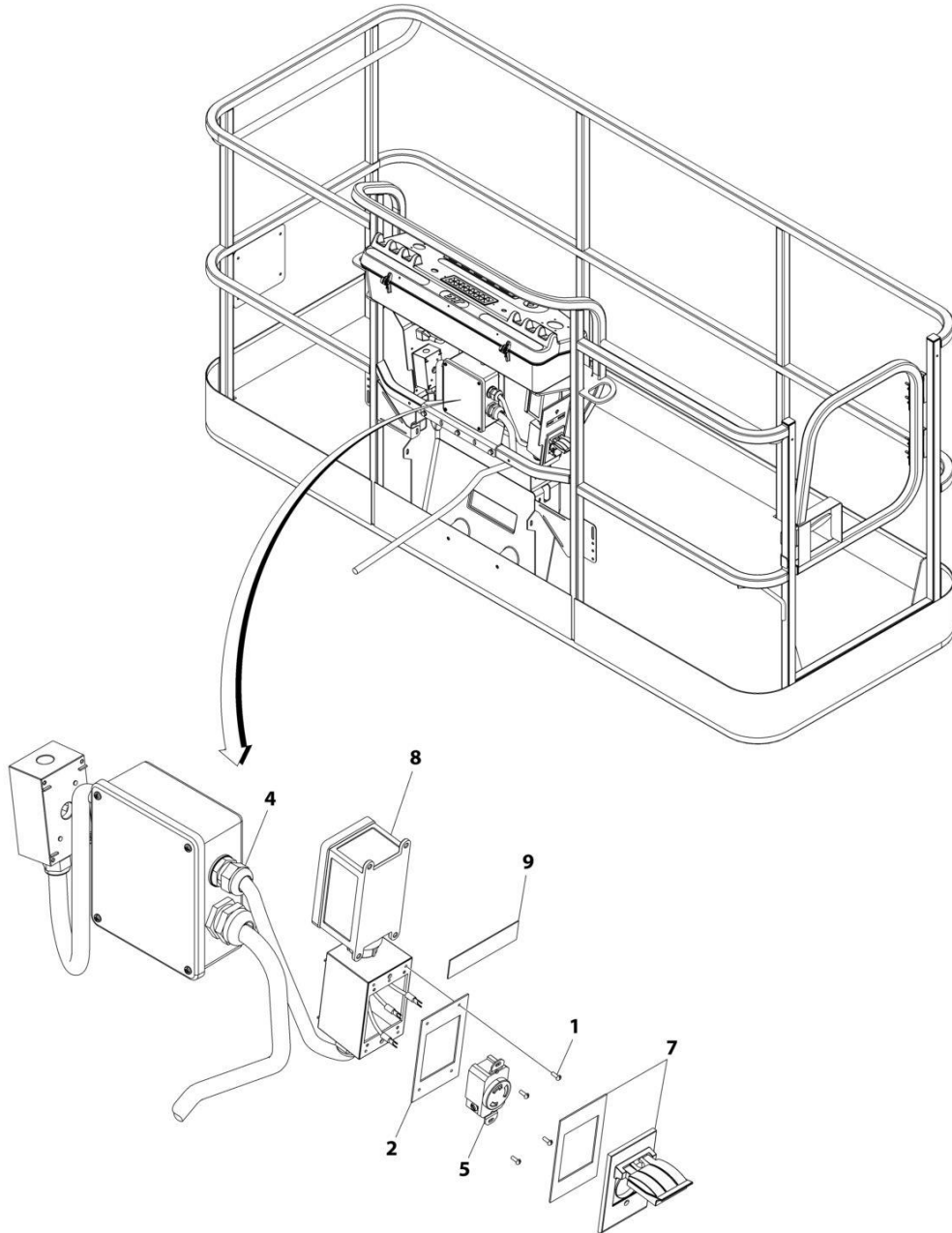
SECTION 8 - ELECTRICAL

FIGURE 8-13. AC BOX AT PLATFORM INSTALLATION - 220V AFSINT 107 KEYED GROUND (2X4 BOX) WITHOUT 2500W GENERATOR (CE & UK CA SPECS)

ITEM	PART NUMBER	QTY	DESCRIPTION	REV
	1001091975	Ref	AC BOX AT PLATFORM INSTALLATION - 220V AFSINT 107 2X4 BOX KEYED GROUND	F
1	0100020	AR	Sealant, Pipe	
2	0275454	1	Receptacle Box Kit (See Separate Breakdown in this Section)	
3	0700408	4	Bolt M4 x 16	
4	3290405	4	Nut M4	
5	1001101197	1	Adapter	
6	4811400	8	Washer M4	
7	1001101191	1	Connector, Strain Relief	
8	0641416	2	Bolt 1/4 x 2	
9	3311405	2	Nut 1/4	
10	4711400	4	Washer 1/4	
11	1001193018	1	Bracket	
12	3251242	2	Decal - 240V/50Hz	
13	1001205958	3	Terminal (Not Shown)	

SECTION 8 - ELECTRICAL

FIGURE 8-14. AC BOX AT PLATFORM INSTALLATION - 240V (WITH 4000W GENERATOR) (ANSI, ANSI EXPORT, CSA AND JAPANESE SPECS)



ART_1001171131

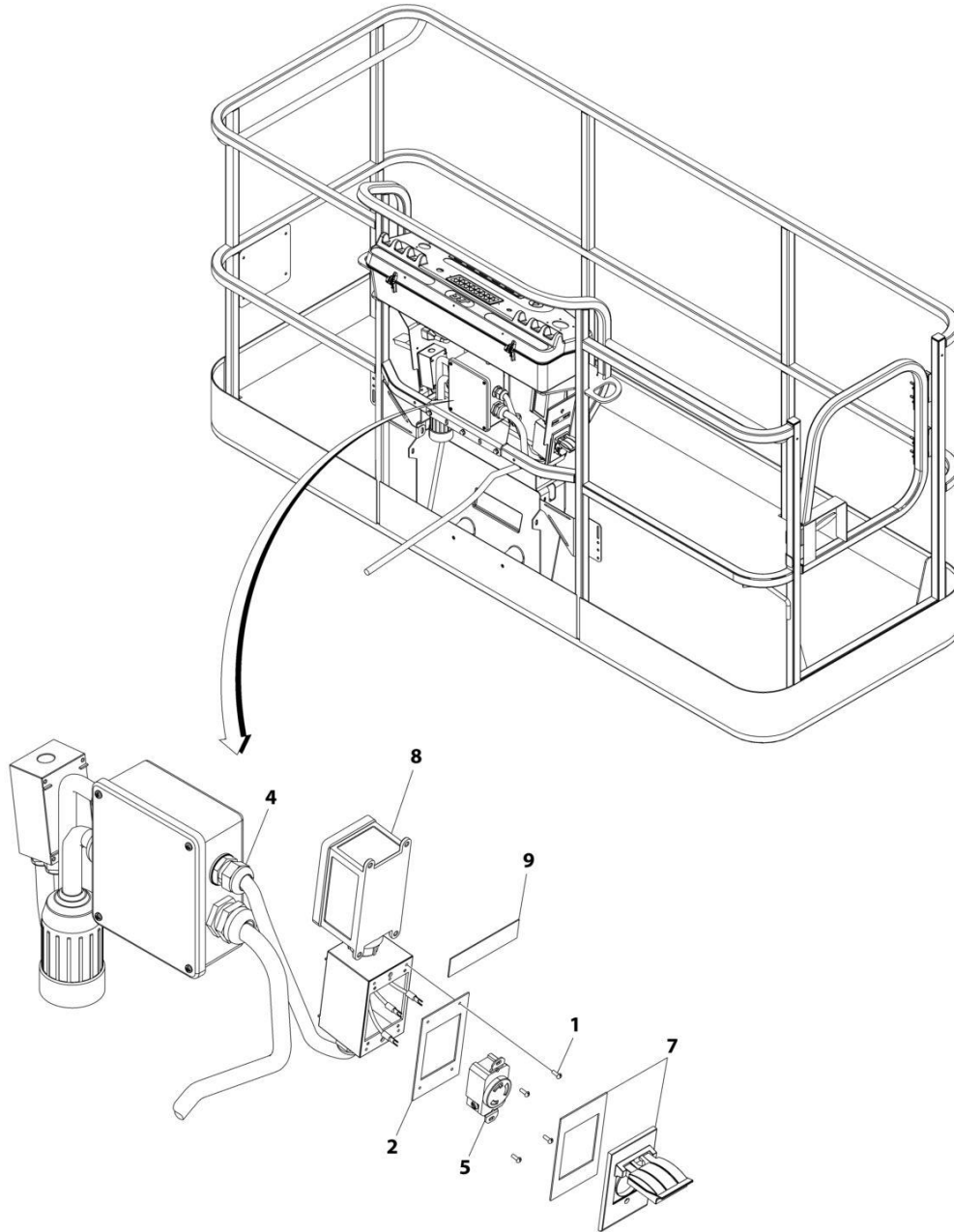
SECTION 8 - ELECTRICAL

FIGURE 8-14. AC BOX AT PLATFORM INSTALLATION - 240V (WITH 4000W GENERATOR) (ANSI, ANSI EXPORT, CSA AND JAPANESE SPECS)

ITEM	PART NUMBER	QTY	DESCRIPTION	REV
	1001171131	Ref	AC BOX AT PLATFORM INSTALLATION - 240V RECEPTACLE	B
1	3910606	4	Screw 6 x 3/8	
2	3960422	1	Gasket	
3	4240018	AR	Tie-Strap (Not Shown)	
4	4460425	1	Connector, Strain Relief	
5	1001176862	1	Receptacle	
7	1001110872	1	Cover, Receptacle	
8	1001159120	1	Receptacle/Breaker Box Assembly	
8	1001148675	1	Box, Receptacle	
8	1001159118	1	Breaker GFCI 30Amp 240VAC	
8	4460612	1	Connector, Strain Relief	
8	1001159119	1	Connector (Between Boxes)	
9	1705374	1	Decal - 240V/60Hz	

SECTION 8 - ELECTRICAL

FIGURE 8-15. AC BOX AT PLATFORM INSTALLATION - 240V (WITH 7500W SKYPOWER GENERATOR) (ALL SPECS EXCEPT AUSTRALIAN & CE & UK CA SPECS)



ART_1001159121

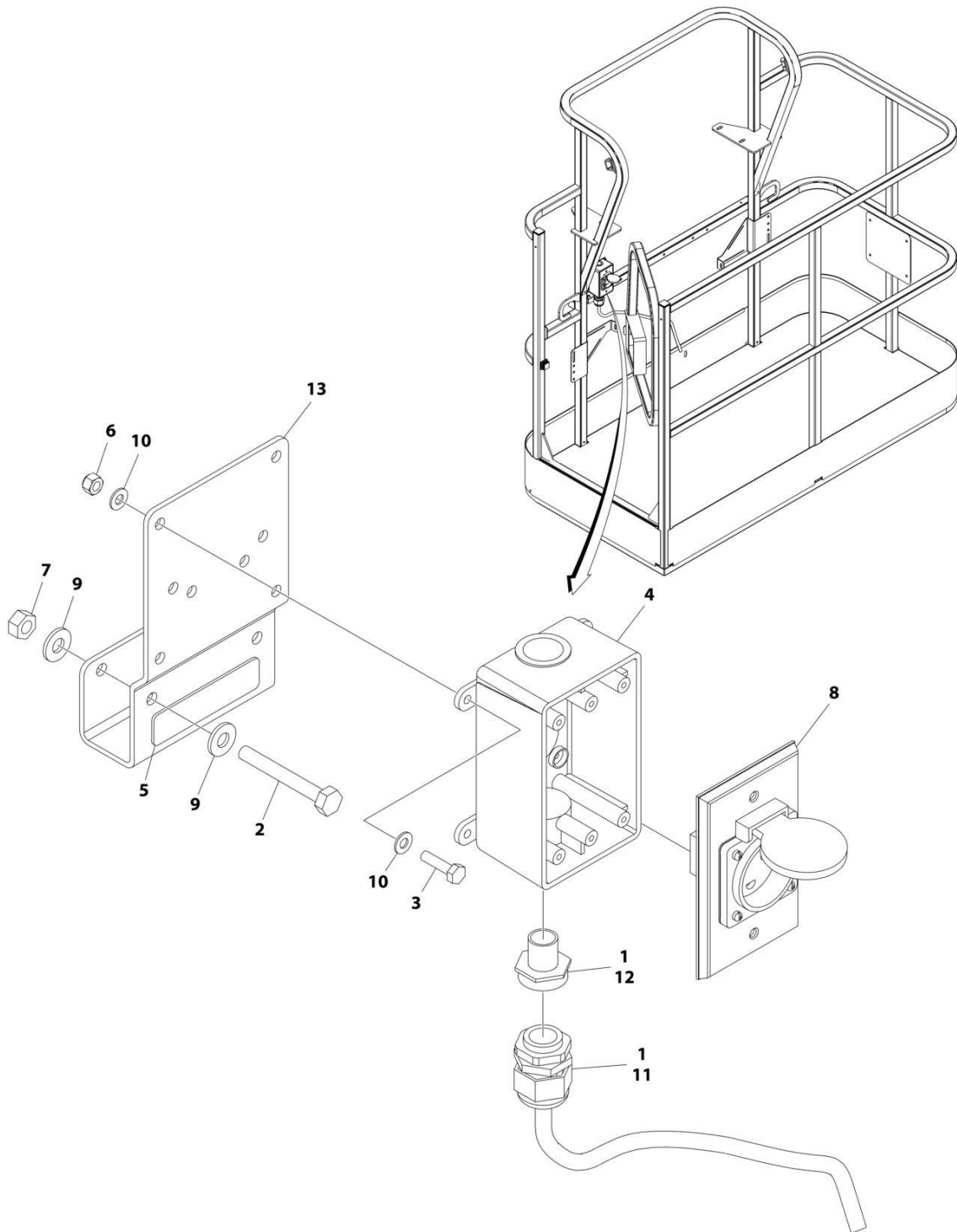
SECTION 8 - ELECTRICAL

FIGURE 8-15. AC BOX AT PLATFORM INSTALLATION - 240V (WITH 7500W SKYPOWER GENERATOR) (ALL SPECS EXCEPT AUSTRALIAN & CE & UK CA SPECS)

ITEM	PART NUMBER	QTY	DESCRIPTION	REV
	1001159121	Ref	AC BOX AT PLATFORM INSTALLATION - 240V RECEPTACLE	B
1	3910606	4	Screw 6 x 3/8	
2	3960422	1	Gasket	
3	4240018	AR	Tie-Strap (Not Shown)	
4	4460425	1	Connector, Strain Relief	
5	4460958	1	Receptacle	
7	1001110872	1	Cover, Receptacle	
8	1001159120	1	Receptacle/Breaker Box Assembly	
8	1001148675	1	Box, Receptacle	
8	1001159118	1	Breaker Box Assembly	
8	4460612	1	Connector, Strain Relief	
8	1001159119	1	Connector (Between Boxes)	
9	1705374	1	Decal - 240V/60Hz	

SECTION 8 - ELECTRICAL

FIGURE 8-16. AC BOX AT PLATFORM INSTALLATION - 220V AFSINT 107 KEYED GROUND (2X4 BOX) WITHOUT 4000W GENERATOR (CE & UK CA SPECS)



ART_1001206252

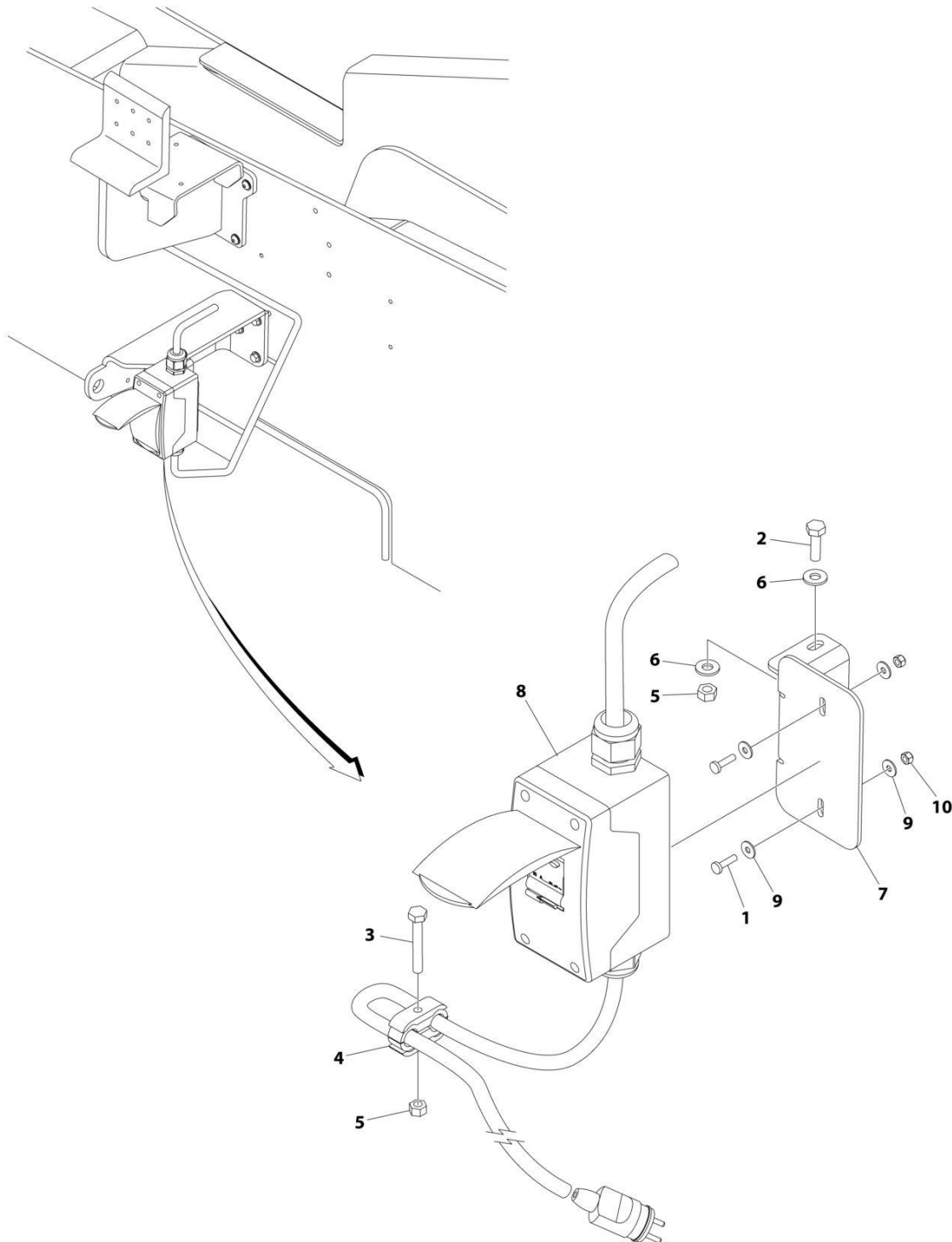
SECTION 8 - ELECTRICAL

FIGURE 8-16. AC BOX AT PLATFORM INSTALLATION - 220V AFSINT 107 KEYED GROUND (2X4 BOX) WITHOUT 4000W GENERATOR (CE & UK CA SPECS)

ITEM	PART NUMBER	QTY	DESCRIPTION	REV
	1001206252	Ref	AC BOX AT PLATFORM INSTALLATION - 220V AFSINT 107 2x4 BOX KEYED GROUND	A
1	0100020	AR	Sealant, Pipe	
2	0641416	2	Bolt 1/4 x 2	
3	0700408	4	Bolt M4 x 16	
4	0861731	1	Box, Switch	
5	3251242	1	Decal - 240V/50Hz	
6	3290405	4	Nut M4	
7	3311405	2	Nut 1/4	
8	4461246	1	Receptacle	
9	4711400	4	Washer 1/4	
10	4811400	8	Washer M4	
11	1001101191	1	Connector, Strain Relief	
12	1001101197	1	Adapter	
13	1001193018	1	Bracket, AC Receptacle	
14	1001205958	3	Terminal (Not Shown)	

SECTION 8 - ELECTRICAL

FIGURE 8-17. AC 16 AMP BREAKER BOX INSTALLATION (CE & UK CA SPECS)



ART_1001095976

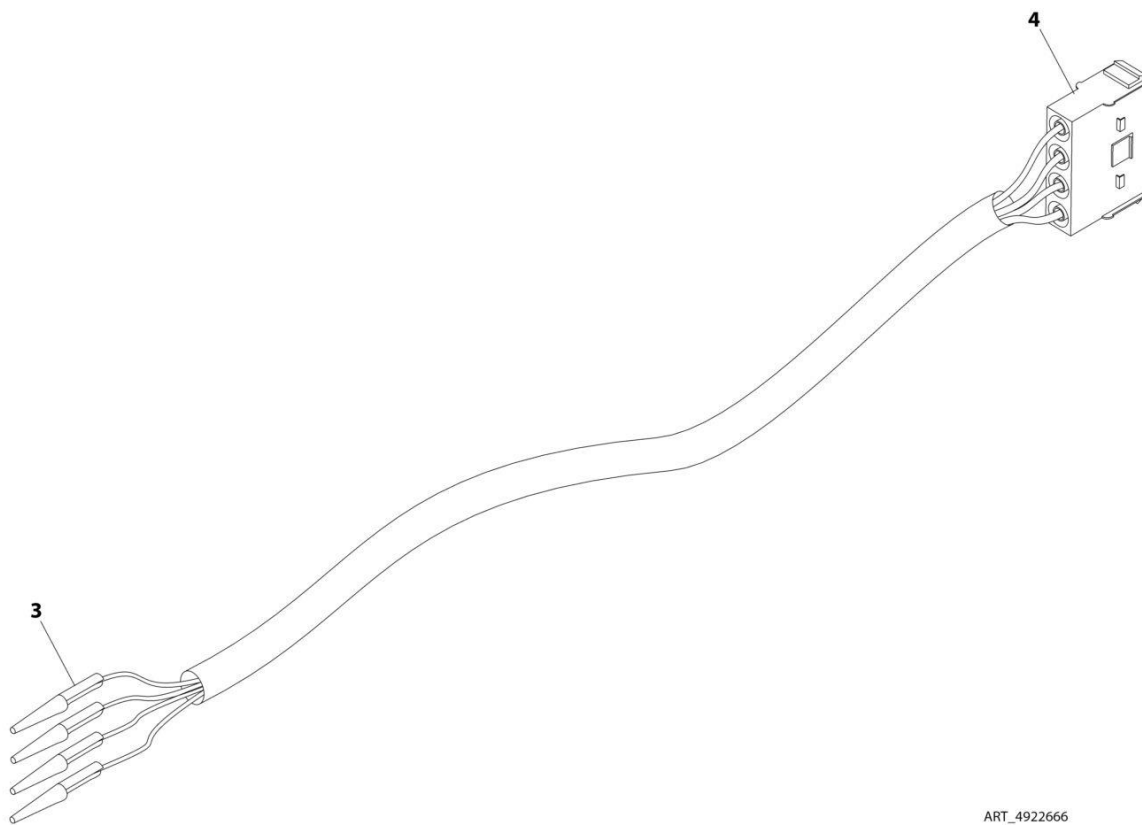
SECTION 8 - ELECTRICAL

FIGURE 8-17. AC 16 AMP BREAKER BOX INSTALLATION (CE & UK CA SPECS)

ITEM	PART NUMBER	QTY	DESCRIPTION	REV
	1001095976	Ref	AC 16 AMP BREAKER BOX INSTALLATION	D
1	4010408	2	Screw M4 x 16	
2	0641407	2	Bolt 1/4 x 7/8	
3	0641416	AR	Bolt 1/4 x 2	
4	1320146	1	Clamp	
5	3311405	AR	Nut 1/4	
6	4711400	AR	Washer 1/4	
7	1001094915	1	Bracket	
8	1001109654	1	Breaker Box Kit - 16 Amp (See Separate Breakdown in this Section)	
9	1001091102	4	Washer M4	
10	3290405	2	Nut M4	

SECTION 8 - ELECTRICAL

FIGURE 8-18. ANALYZER CABLE HARNESS



ART_4922666

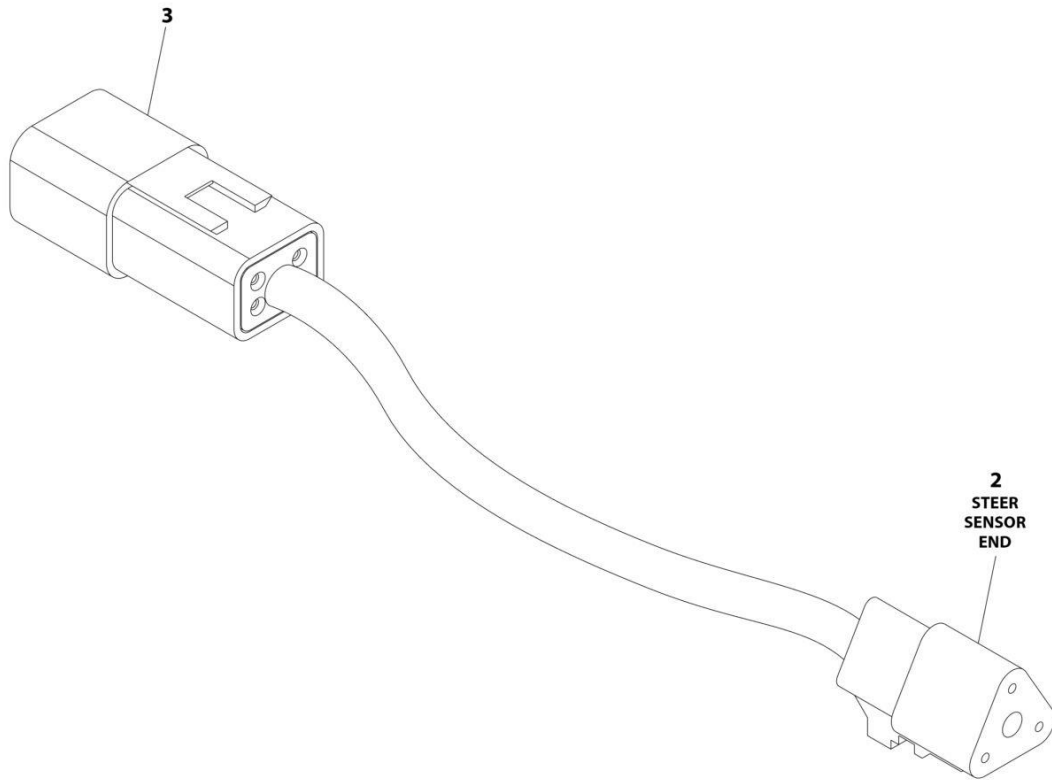
SECTION 8 - ELECTRICAL

FIGURE 8-18. ANALYZER CABLE HARNESS

ITEM	PART NUMBER	QTY	DESCRIPTION	REV
	4922666	Ref	ANALYZER CABLE HARNESS	C
3	4460226	4	Socket, Female	
4	4460761	1	Connector - 4 Position	
4	4460227	4	Pin, Male	

SECTION 8 - ELECTRICAL

FIGURE 8-19. AXLE POWER TRACK HARNESS ASSEMBLY



ART_4922718

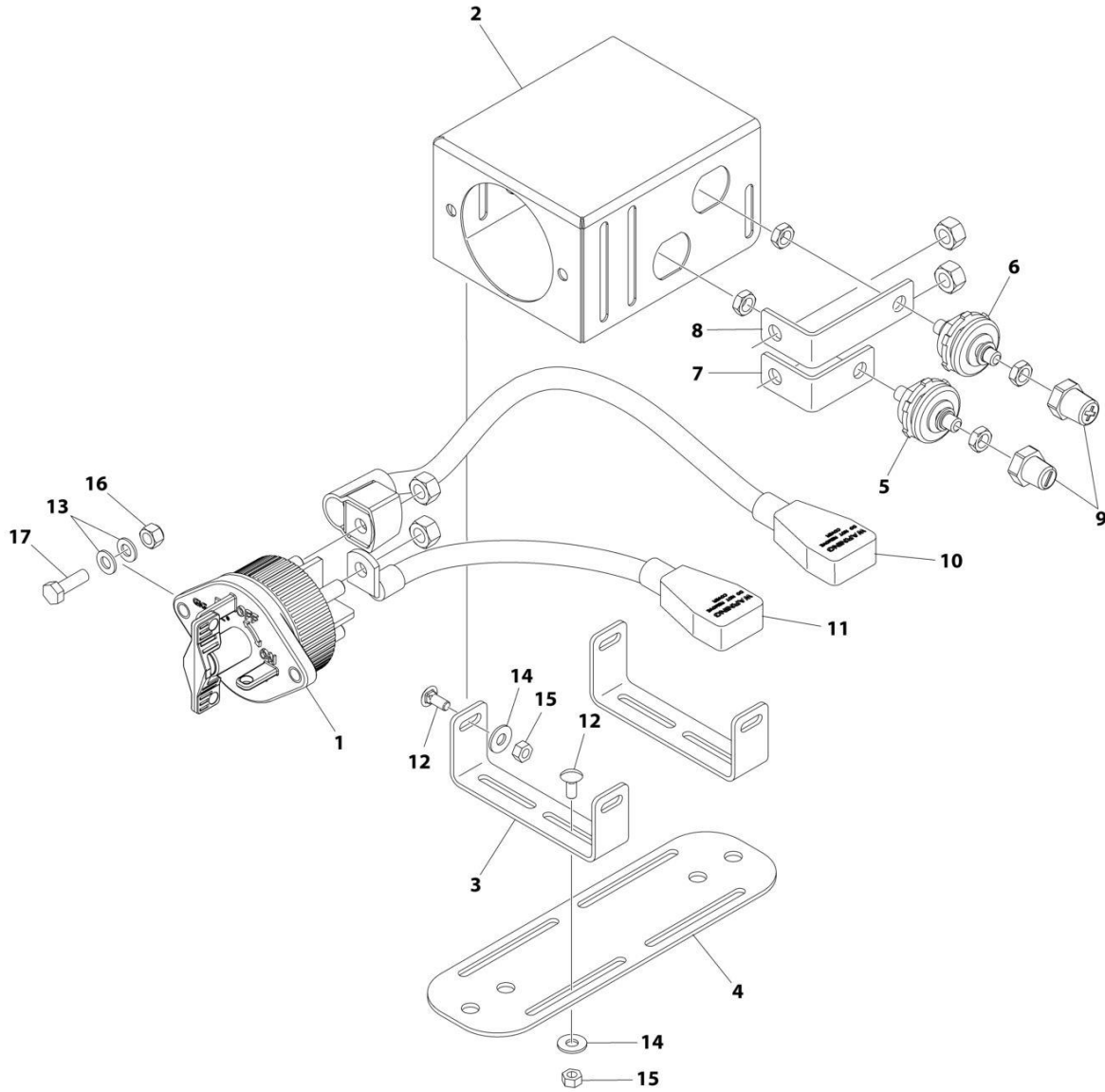
SECTION 8 - ELECTRICAL

FIGURE 8-19. AXLE POWER TRACK HARNESS ASSEMBLY

ITEM	PART NUMBER	QTY	DESCRIPTION	REV
	4922718	Ref	AXLE POWER TRACK HARNESS ASSEMBLY	E
2	4460539	1	Connector - 3 Position	
2	4460944	3	Socket, Female	
3	4460932	1	Connector - 4 Position	
3	4460943	4	Pin, Male	

SECTION 8 - ELECTRICAL

FIGURE 8-20. BATTERY DISCONNECT SWITCH



ART_1001241630

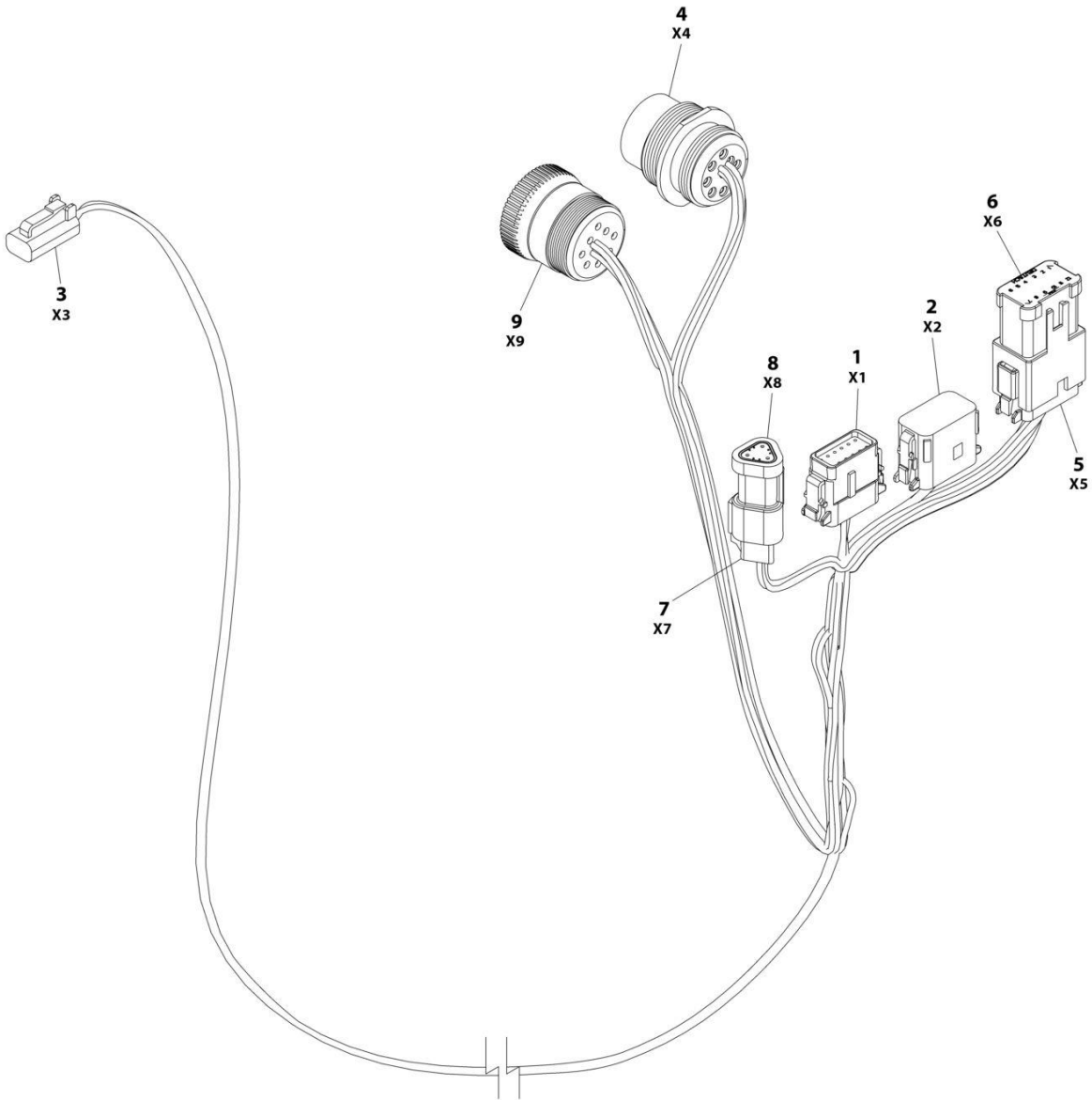
SECTION 8 - ELECTRICAL

FIGURE 8-20. BATTERY DISCONNECT SWITCH

ITEM	PART NUMBER	QTY	DESCRIPTION	REV
	1001241630	Ref	BATTERY DISCONNECT SWITCH	A
1	1001225346	1	Switch, Battery Disconnect	
2	1001226531	1	Mount	
3	1001239805	2	Mount	
4	1001241585	1	Plate	
5	1001214571	1	Connector (Black)	
6	1001214570	1	Connector (Red)	
7	1001209474	1	Buss bar	
8	1001209432	1	Buss bar	
9	1001206476	1	Connector	
10	1001236504	1	Cable (Positive)	
11	1001236505	1	Cable (Negative)	
12	88411013	8	Bolt 1/4 x 3/4	
13	4811900	4	Washer M8	
14	4751400	8	Washer 1/4	
15	3311405	8	Nut 1/4	
16	3290805	2	Nut M8	
17	0760812	2	Bolt M8 x 25	

SECTION 8 - ELECTRICAL

FIGURE 8-21. BEACON LIGHT HARNESS (BLUE BEACON LIGHT ONLY)



ART_1001142736

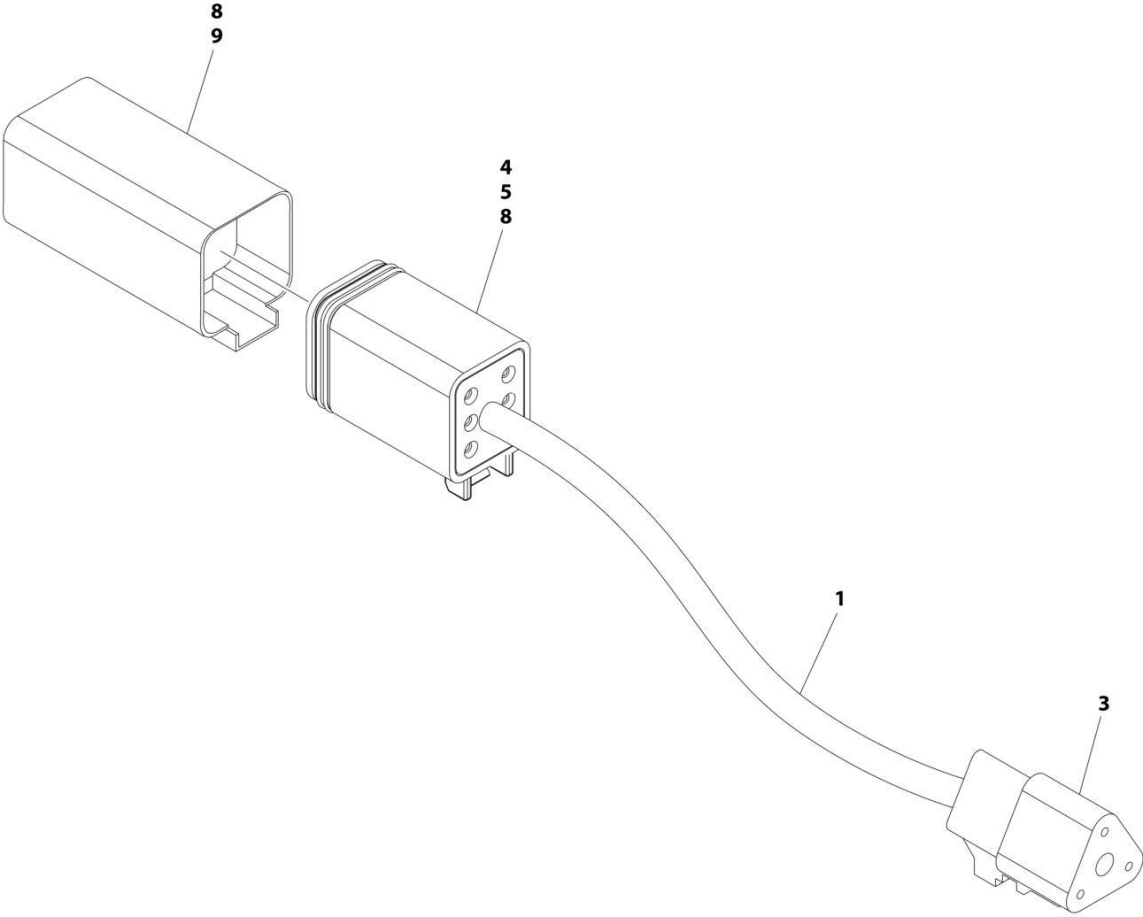
SECTION 8 - ELECTRICAL

FIGURE 8-21. BEACON LIGHT HARNESS (BLUE BEACON LIGHT ONLY)

ITEM	PART NUMBER	QTY	DESCRIPTION	REV
	1001142736	Ref	STROBE LIGHT HARNESS	F
1	1001116808	1	Plug, Male - 12 Position	
1	4460928	3	Socket, Female	
1	4460518	9	Plug, Terminal	
2	1001116774	1	Plug, Male - 12 Position	
2	4460928	3	Socket, Female	
2	4460518	9	Plug, Terminal	
3	4460891	1	Plug, Male - 2 Position	
3	4460465	2	Socket, Female	
4	1001112612	1	Connector - 9 Position	
4	4460464	6	Pin, Male	
4	4460466	3	Plug, Terminal	
5	4460933	1	Plug, Male - 12 Position	
5	4460465	12	Socket, Female	
6	1001119020	1	Bussbar - 12 Position	
7	4461095	1	Plug, Male - 3 Position	
7	4460465	3	Socket, Female	
8	4461070	1	Bussbar - 3 Position	
9	1001112796	1	Connector - 9 Position	
9	4460465	6	Socket, Female	
9	4460466	3	Plug, Terminal	

SECTION 8 - ELECTRICAL

FIGURE 8-22. B.L.A.M. TO BOOM LENGTH SENSOR HARNESS



ART_4922716

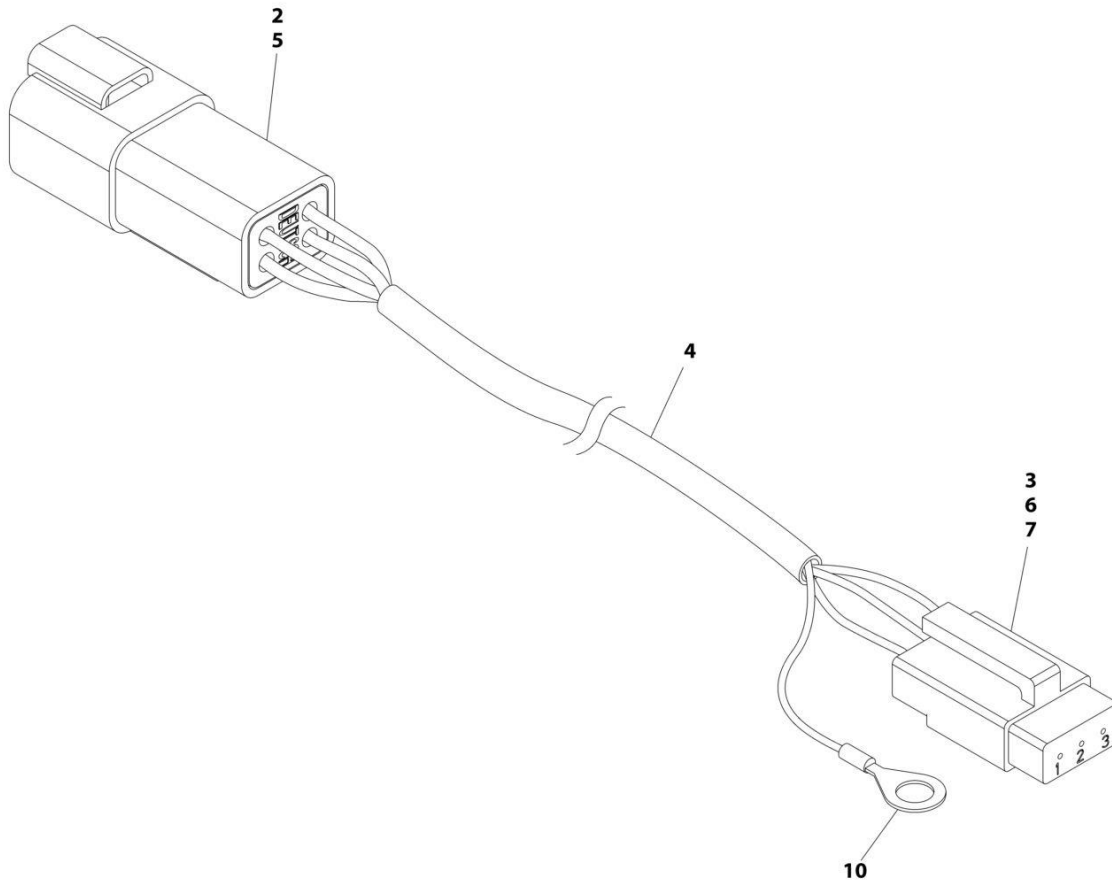
SECTION 8 - ELECTRICAL

FIGURE 8-22. B.L.A.M. TO BOOM LENGTH SENSOR HARNESS

ITEM	PART NUMBER	QTY	DESCRIPTION	REV
	4922716	Ref	B.L.A.M. TO BOOM LENGTH SENSOR HARNESS	H
1	1060981	14 ft/ 4.3m	Cable, Electrical 18/3	
3	4460539	1	Connector - 3 Position	
4	4460944	7	Socket, Female (Gold)	
5	4460894	1	Plug, Male - 6 Position	
8	4460466	AR	Plug, Terminal	
9	4460899	1	Connector, Female - 6 Position	

SECTION 8 - ELECTRICAL

FIGURE 8-23. B.L.A.M. TO BOOM ANGLE SENSOR HARNESS (LEFT SIDE)



ART_4922781

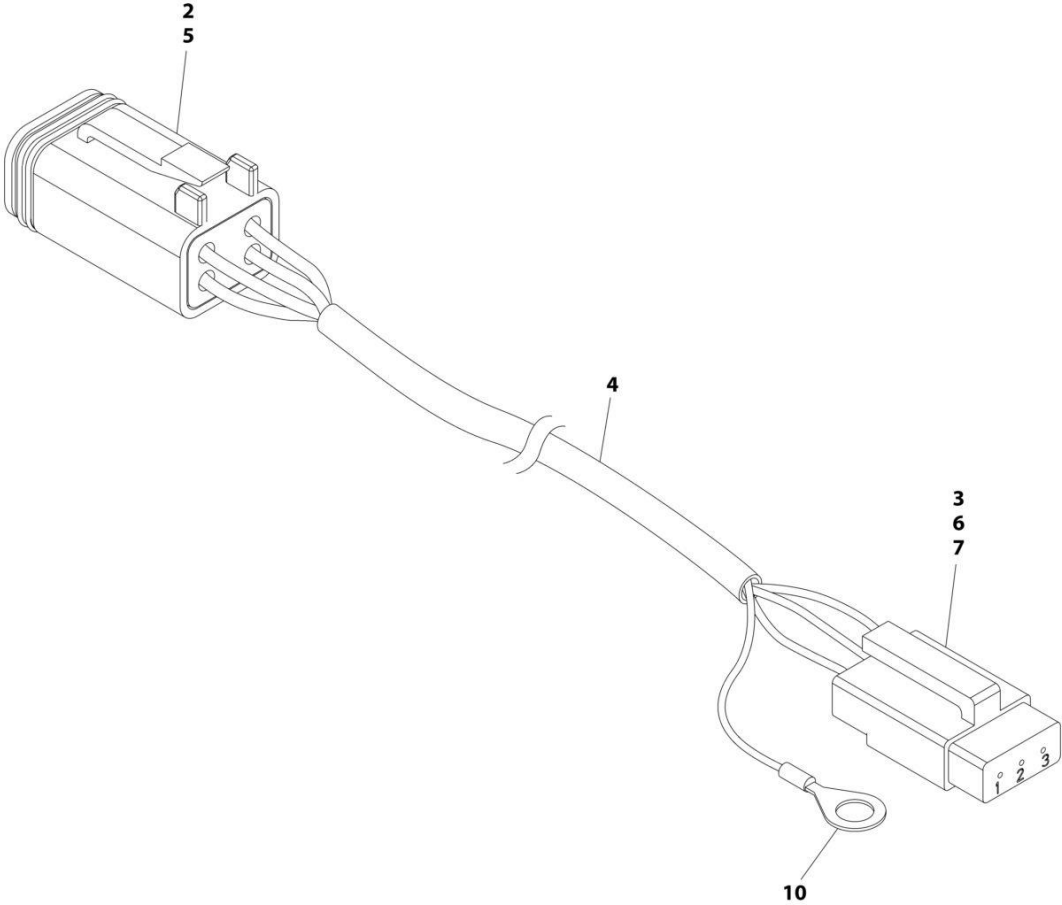
SECTION 8 - ELECTRICAL

FIGURE 8-23. B.L.A.M. TO BOOM ANGLE SENSOR HARNESS (LEFT SIDE)

ITEM	PART NUMBER	QTY	DESCRIPTION	REV
	4922781	Ref	B.L.A.M. TO BOOM ANGLE SENSOR HARNESS (LEFT SIDE)	F
2	4460932	1	Connector, Female - 4 Position	
3	4460912	1	Lock, Wedge - Position	
4	1060982	16.2 ft/ 4.9m	Cable, Electrical 18/3	
5	4460943	4	Pin, Male 16 Ga	
6	4460911	1	Plug, Male - 3 Position	
7	4460918	3	Socket, Female (Gold)	
10	4460722	1	Terminal, Ring	

SECTION 8 - ELECTRICAL

FIGURE 8-24. B.L.A.M. TO BOOM ANGLE SENSOR HARNESS (RIGHT SIDE)



ART_4922780

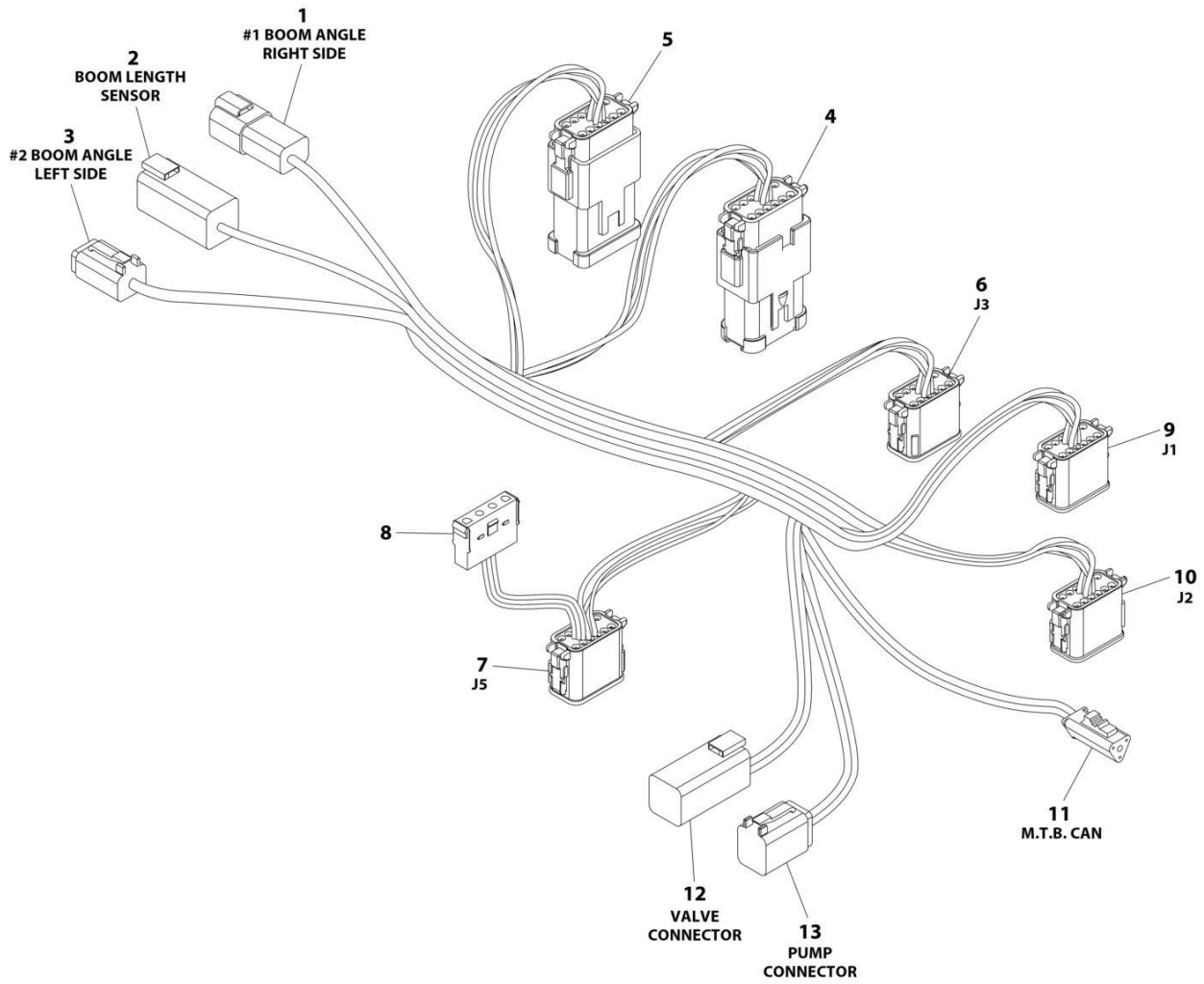
SECTION 8 - ELECTRICAL

FIGURE 8-24. B.L.A.M. TO BOOM ANGLE SENSOR HARNESS (RIGHT SIDE)

ITEM	PART NUMBER	QTY	DESCRIPTION	REV
	4922780	Ref	B.L.A.M. TO BOOM ANGLE SENSOR HARNESS (RIGHT SIDE)	E
2	4460884	1	Connector, Gray - 4 Position	
3	4460912	1	Lock, Wedge - Position	
4	1060981	16.2 ft/ 4.9m	Cable, Electrical 18/3	
5	4460944	4	Socket, Female (Gold)	
6	4460911	1	Plug, Male - 3 Position	
7	4460918	3	Socket, Female (Gold)	
10	4460722	1	Terminal, Ring	

SECTION 8 - ELECTRICAL

FIGURE 8-25. B.L.A.M. HARNESS



ART_1001242030_C

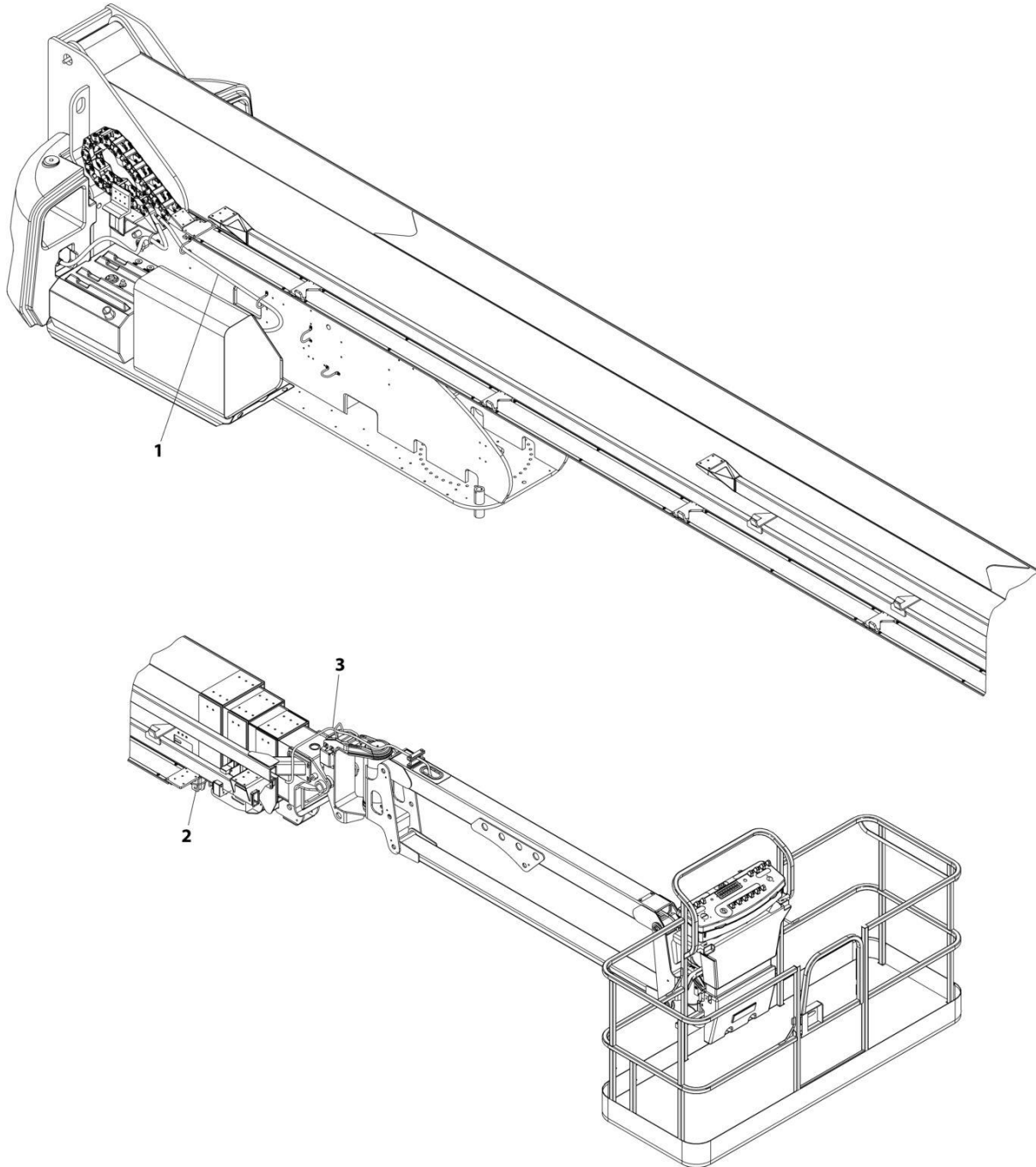
SECTION 8 - ELECTRICAL

FIGURE 8-25. B.L.A.M. HARNESS

ITEM	PART NUMBER	QTY	DESCRIPTION	REV
	1001242030	Ref	B.L.A.M. HARNESS	C
1	4460932	1	Connector - 4 Position (Gray)	
1	4460943	4	Pin, Male	
2	4460899	1	Connector, Female - 6 Position	
2	4460943	4	Pin, Male (Gold)	
2	4460466	2	Plug, Seal	
3	4460884	1	Connector - 4 Position (Gray)	
3	4460944	4	Socket, Female	
4	1001270340	1	Connector - 12 Position (Black)	
4	4460466	8	Plug, Seal	
4	4460465	2	Socket, Female	
4	4460942	2	Socket, Female	
4	1001271323	1	Connector - 12 Position Buss Bar	
5	1001270340	1	Plug, Male - 12 Position (Black)	
5	4460466	6	Plug, Seal	
5	4460944	5	Socket, Female	
5	4460465	1	Socket, Female	
5	4460837	1	Connector - 12 Position Buss Bar	
6	1001239344	1	Connector - 12 Position (Green)	
6	4460466	7	Plug, Seal	
6	4460944	3	Socket, Female	
6	4460465	2	Socket, Female	
7	1001239345	1	Connector - 12 Position (Brown)	
7	4460466	5	Plug, Seal	
7	4460465	7	Socket, Female	
8	4460761	1	Connector, Female - 4 Position (Natural)	
8	4460227	4	Pin, Male	
9	1001270339	1	Connector - 12 Position (Gray)	
9	4460466	7	Plug, Seal	
9	4460944	3	Socket, Female	
9	4460465	1	Socket, Female	
9	4460942	1	Socket, Female	
10	1001270340	1	Connector - 12 Position (Black)	
10	4460466	7	Plug, Seal	
10	4460944	2	Socket, Female	
10	4460465	3	Socket, Female	
11	4460966	1	Plug, Male - 3 Position (Green Lock)	
11	4460944	3	Socket, Female	
12	4460899	1	Connector, Female - 6 Position	
12	4460464	3	Socket, Female	
12	4460941	3	Pin, Male	
13	4460894	1	Connector - 6 Position (Gray)	
13	4460465	4	Socket, Female	
13	4460466	2	Plug, Seal	
14	4240033	AR	Tie-Strap (Not Shown)	

SECTION 8 - ELECTRICAL

FIGURE 8-26. BOOM CABLES INSTALLATION (ANSI, ANSI EXPORT, CHINA, CSA AND JAPANESE SPECS) (1200SJP)



ART_0271932

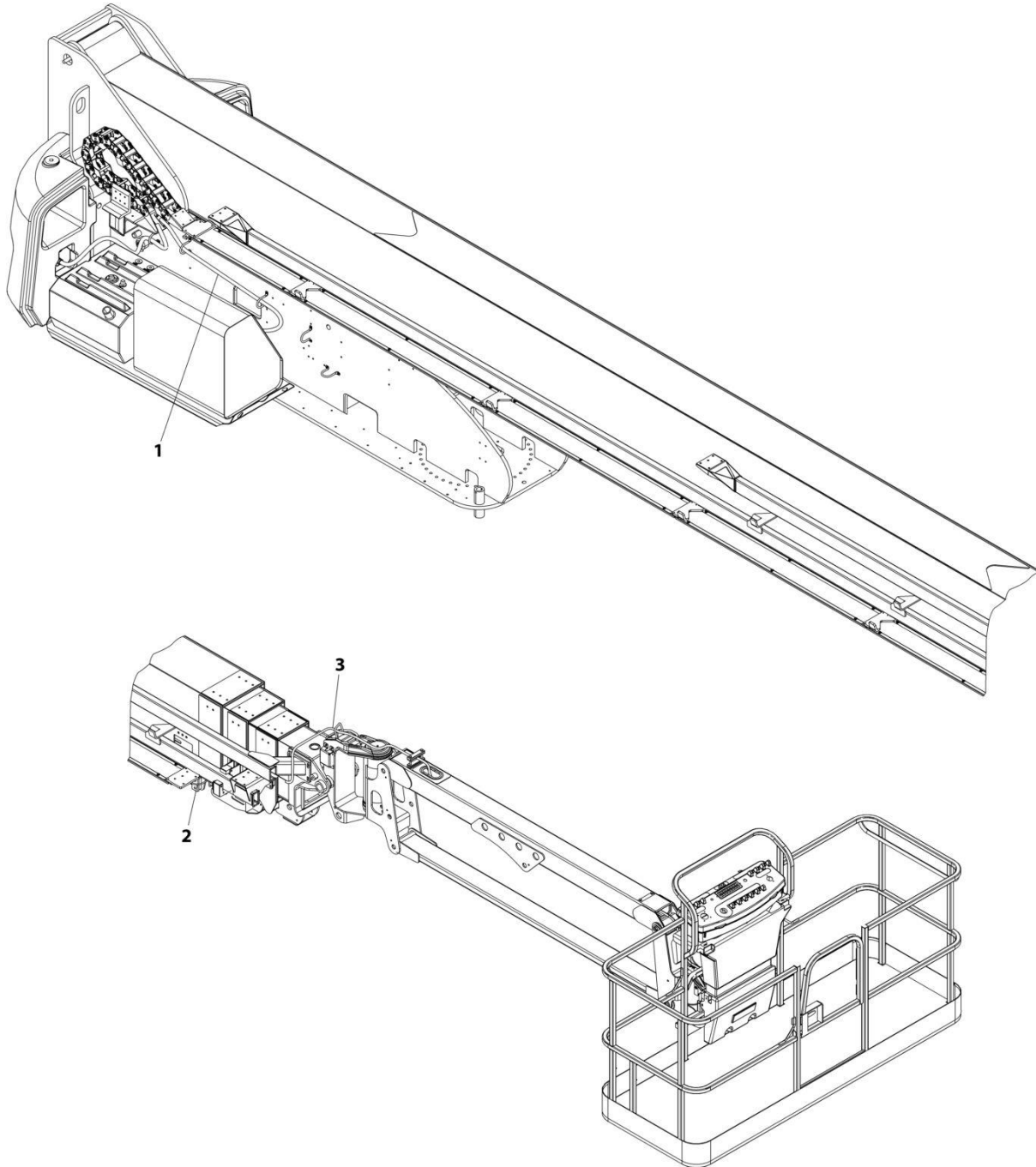
SECTION 8 - ELECTRICAL

FIGURE 8-26. BOOM CABLES INSTALLATION (ANSI, ANSI EXPORT, CHINA, CSA AND JAPANESE SPECS) (1200SJP)

ITEM	PART NUMBER	QTY	DESCRIPTION	REV
	0271932	Ref	BOOM CABLES INSTALLATION	D
1	4922759	1	Harness, 10/3 AC	
2	4922763	1	Harness, 18/3 Transport Switch	
3	4922672	1	Harness, Main Boom Control (See Separate Breakdown in this Section)	

SECTION 8 - ELECTRICAL

FIGURE 8-27. BOOM CABLES INSTALLATION (ANSI, ANSI EXPORT, CHINA, CSA AND JAPANESE SPECS) (1350SJP)



ART_0271951

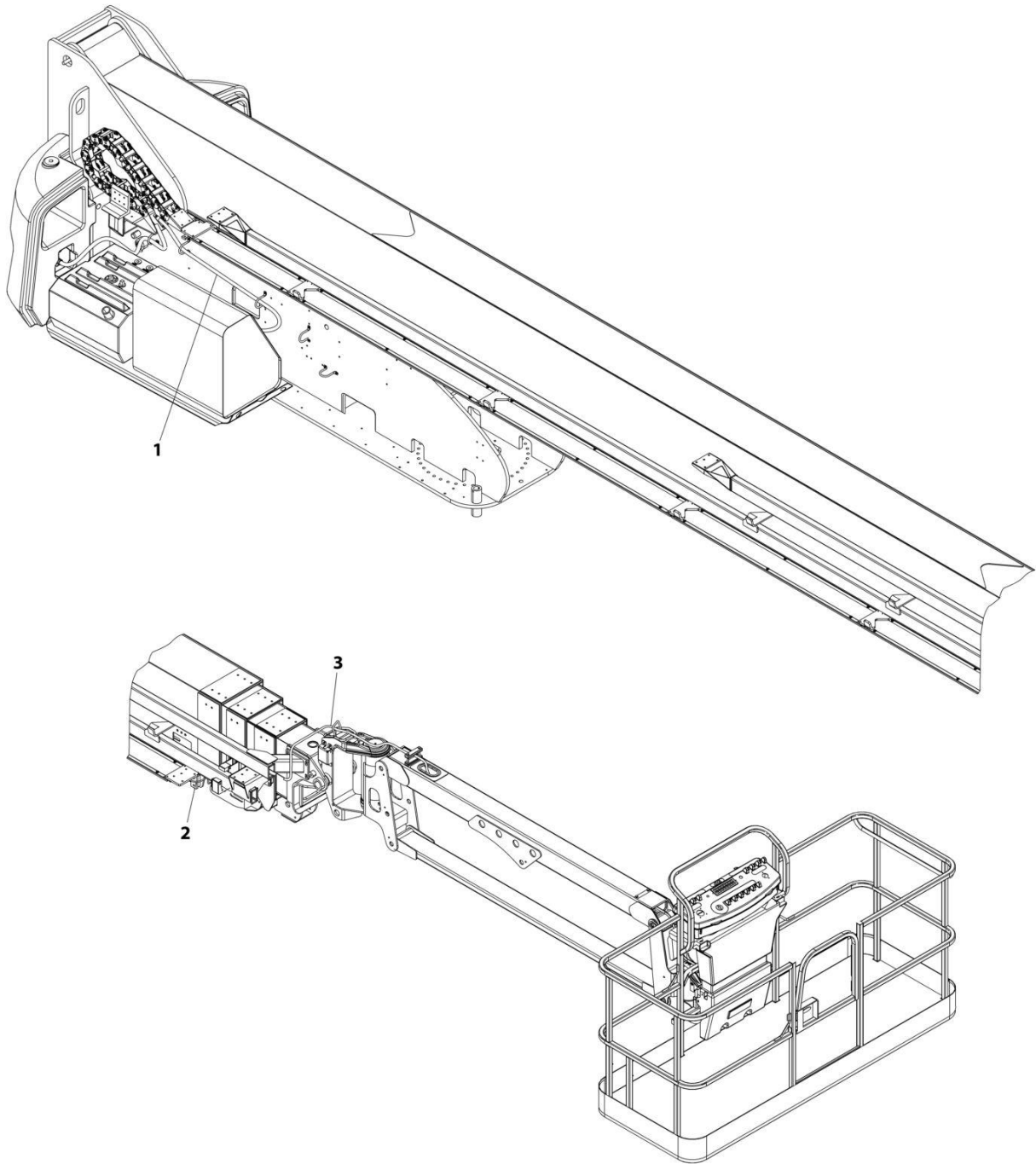
SECTION 8 - ELECTRICAL

FIGURE 8-27. BOOM CABLES INSTALLATION (ANSI, ANSI EXPORT, CHINA, CSA AND JAPANESE SPECS) (1350SJP)

ITEM	PART NUMBER	QTY	DESCRIPTION	REV
	0271951	Ref	BOOM CABLES INSTALLATION	D
1	4922758	1	Harness, 10/3 AC	
2	4922762	1	Harness, 18/3 Transport Switch	
3	4922673	1	Harness, Main Boom Control (See Separate Breakdown in this Section)	

SECTION 8 - ELECTRICAL

FIGURE 8-28. BOOM CABLES INSTALLATION (AUSTRALIAN, CE & UK CA SPECS) (1200SJP)



ART_0271950

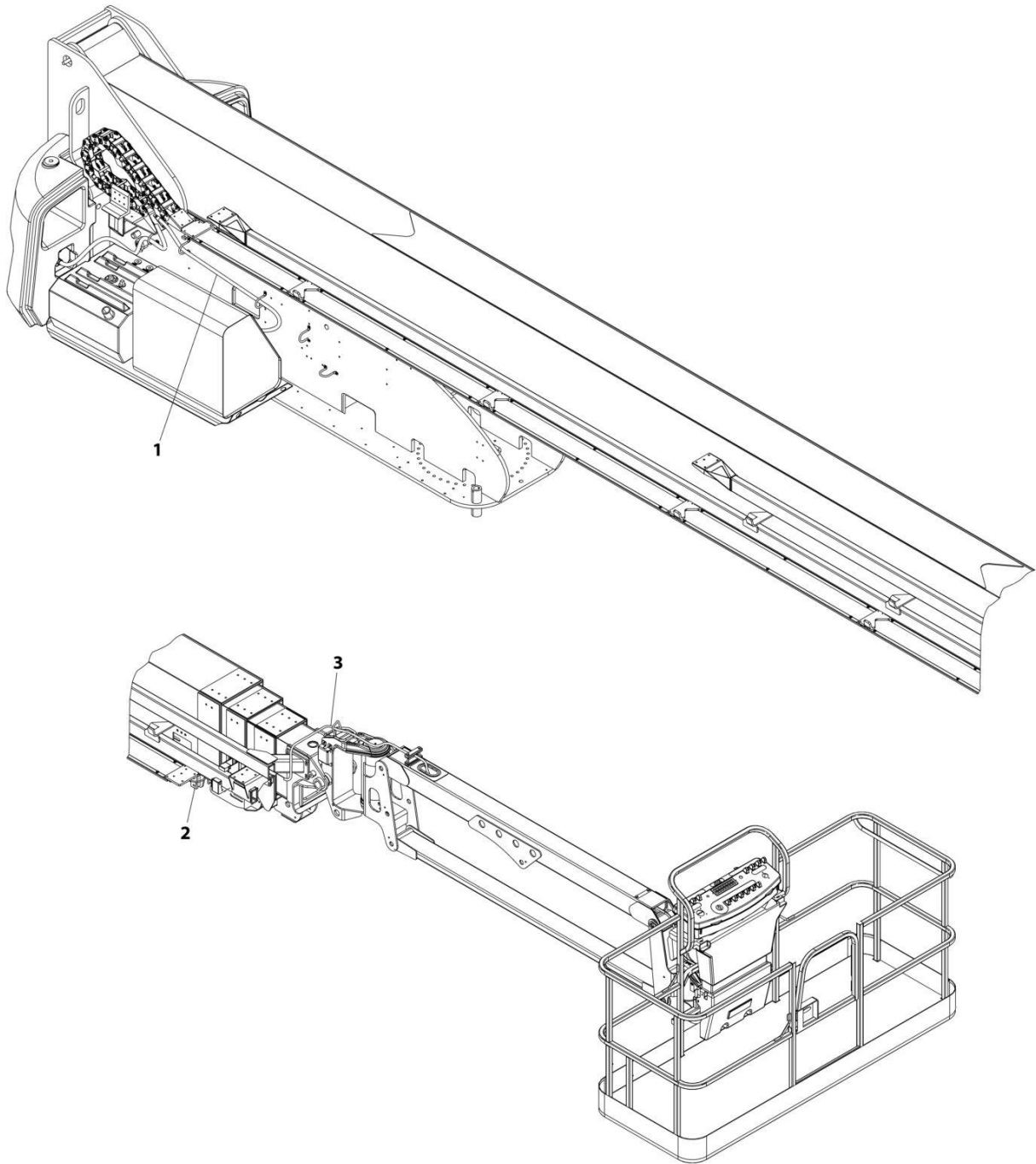
SECTION 8 - ELECTRICAL

FIGURE 8-28. BOOM CABLES INSTALLATION (AUSTRALIAN, CE & UK CA SPECS) (1200SJP)

ITEM	PART NUMBER	QTY	DESCRIPTION	REV
	0271950	Ref	BOOM CABLES INSTALLATION	D
1	4922761	1	Harness, 10/3 AC	
2	4922763	1	Harness, 18/3 Transport Switch	
3	4922672	1	Harness, Main Boom Control (See Separate Breakdown in this Section)	

SECTION 8 - ELECTRICAL

FIGURE 8-29. BOOM CABLES INSTALLATION (AUSTRALIAN, CE & UK CA SPECS) (1350SJP)



ART_0271952

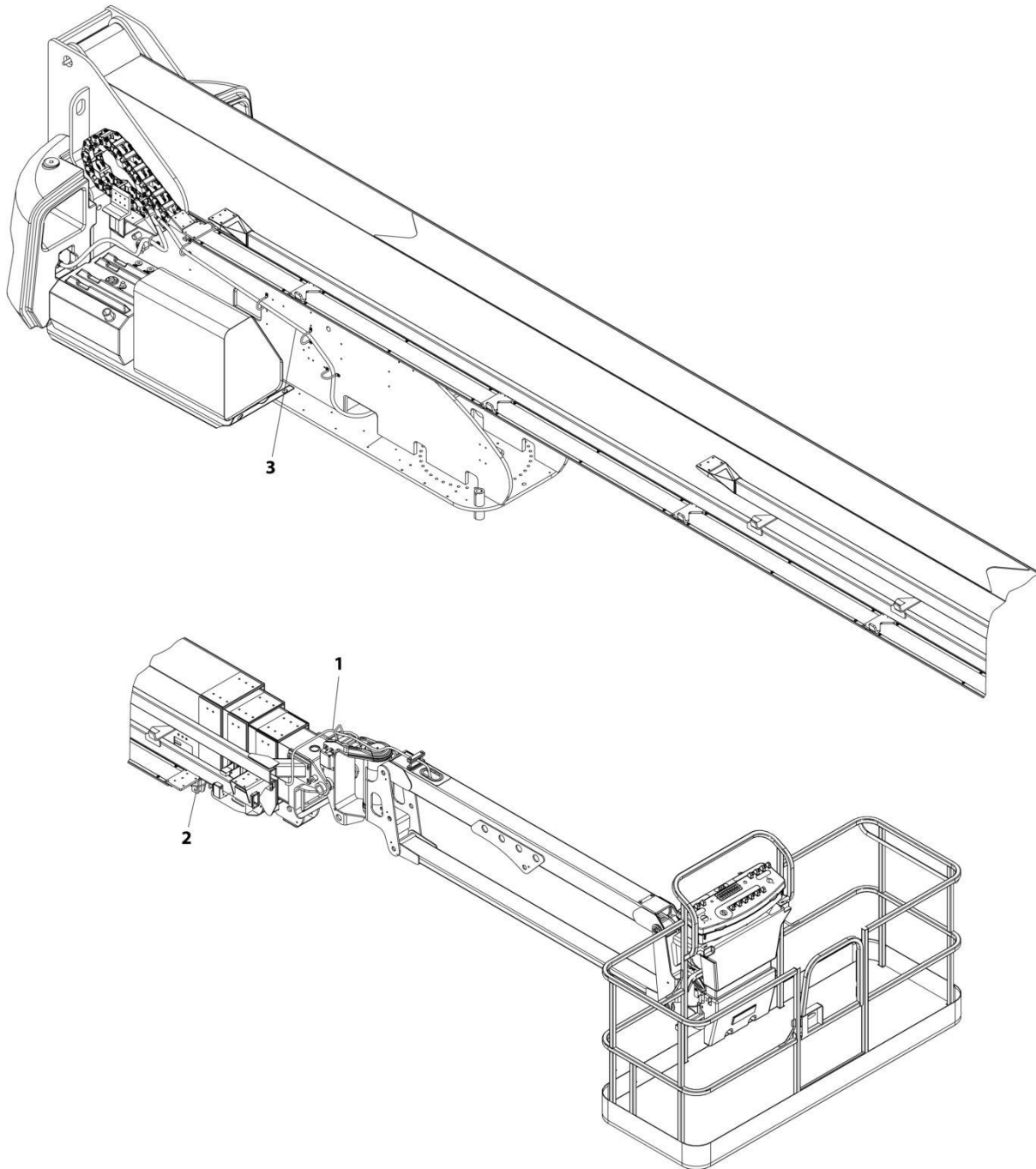
SECTION 8 - ELECTRICAL

FIGURE 8-29. BOOM CABLES INSTALLATION (AUSTRALIAN, CE & UK CA SPECS) (1350SJP)

ITEM	PART NUMBER	QTY	DESCRIPTION	REV
	0271952	Ref	BOOM CABLES INSTALLATION	D
1	4922760	1	Harness, 10/3 AC	
2	4922762	1	Harness, 18/3 Transport Switch	
3	4922673	1	Harness, Main Boom Control (See Separate Breakdown in this Section)	

SECTION 8 - ELECTRICAL

FIGURE 8-30. BOOM CABLES INSTALLATION - WITH 4000W GENERATOR (1200SJP)



ART_1001161048

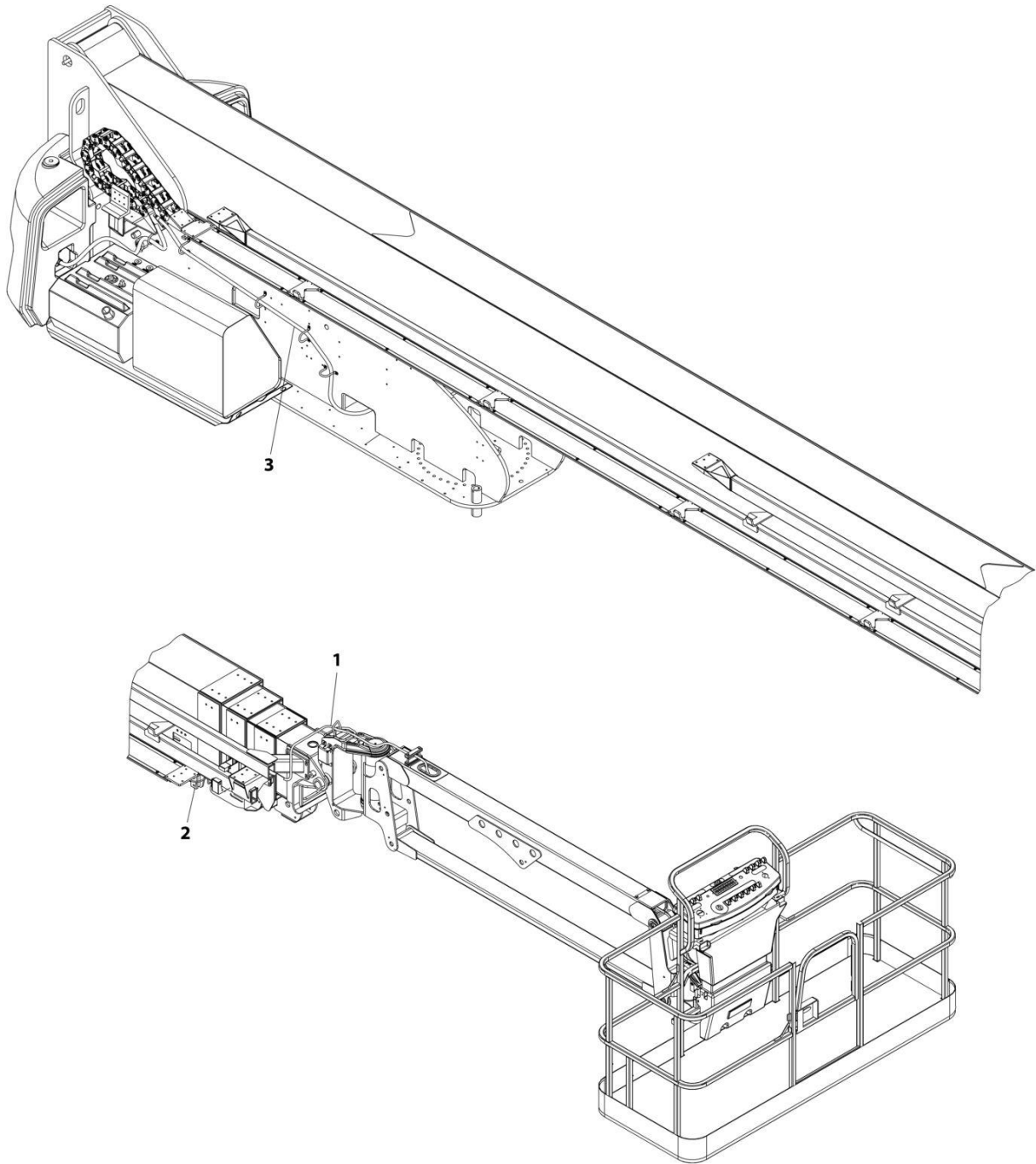
SECTION 8 - ELECTRICAL

FIGURE 8-30. BOOM CABLES INSTALLATION - WITH 4000W GENERATOR (1200SJP)

ITEM	PART NUMBER	QTY	DESCRIPTION	REV
	1001161048	Ref	BOOM CABLES INSTALLATION	A
1	4922673	1	Harness, Main Boom Control (See Separate Breakdown in this Section)	
2	4922762	1	Harness, 18/3 Transport Switch	
3	1001161041	1	Harness, 8/4 Generator	
3	1001131969	152 ft /46.3m	Cable, Electrical 8/4	

SECTION 8 - ELECTRICAL

FIGURE 8-31. BOOM CABLES INSTALLATION - WITH 4000W GENERATOR (1350SJP)



ART_1001161050

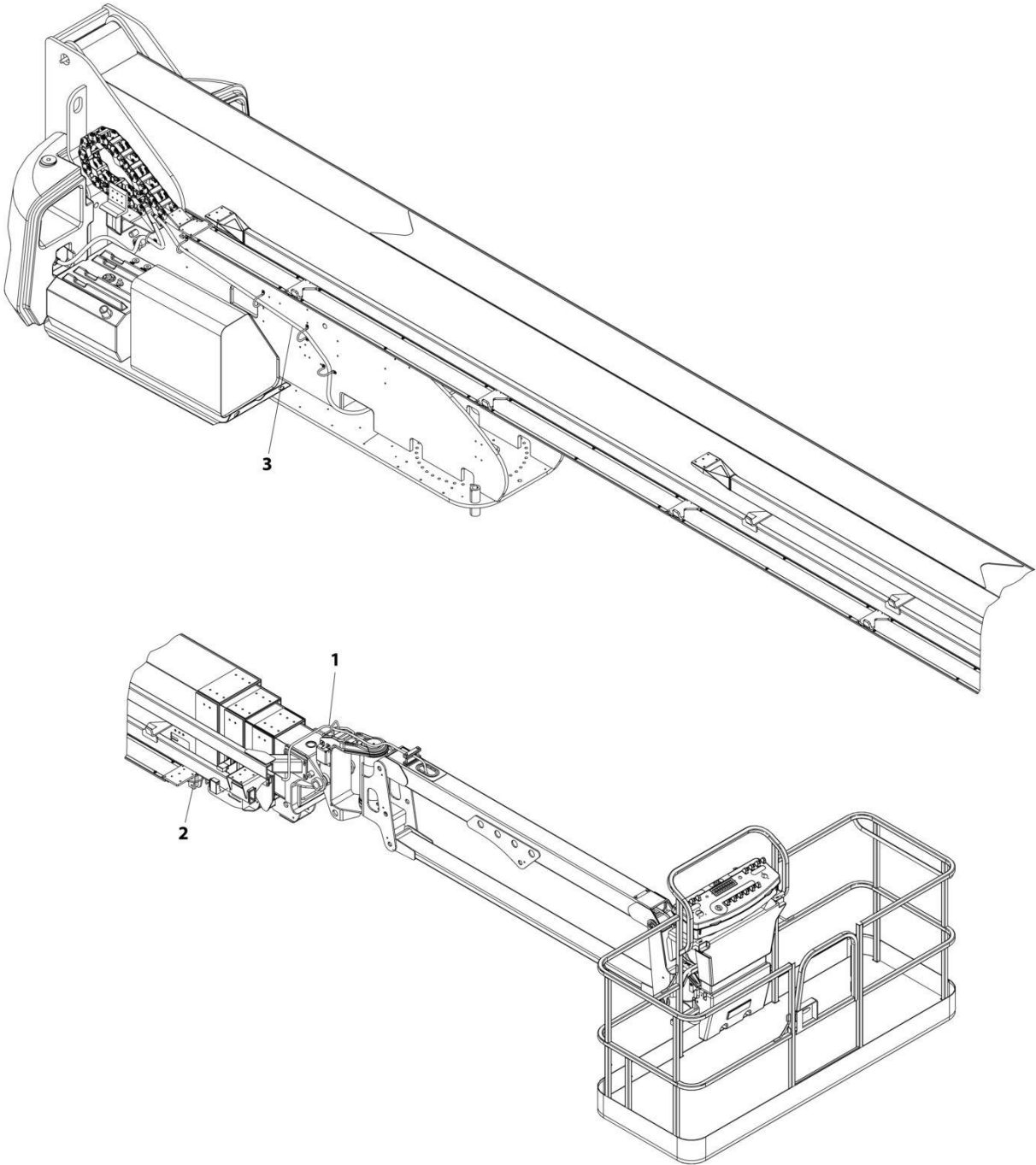
SECTION 8 - ELECTRICAL

FIGURE 8-31. BOOM CABLES INSTALLATION - WITH 4000W GENERATOR (1350SJP)

ITEM	PART NUMBER	QTY	DESCRIPTION	REV
	1001161050	Ref	BOOM CABLES INSTALLATION	A
1	4922673	1	Harness, Main Boom Control (See Separate Breakdown in this Section)	
2	4922762	1	Harness, 18/3 Transport Switch	
3	1001161044	1	Harness, Generator	
3	1001131969	168 ft /51.2m	Cable, Electrical 8/4	

SECTION 8 - ELECTRICAL

FIGURE 8-32. BOOM CABLES INSTALLATION - WITH 7500W GENERATOR (1200SJP)



ART_0273854

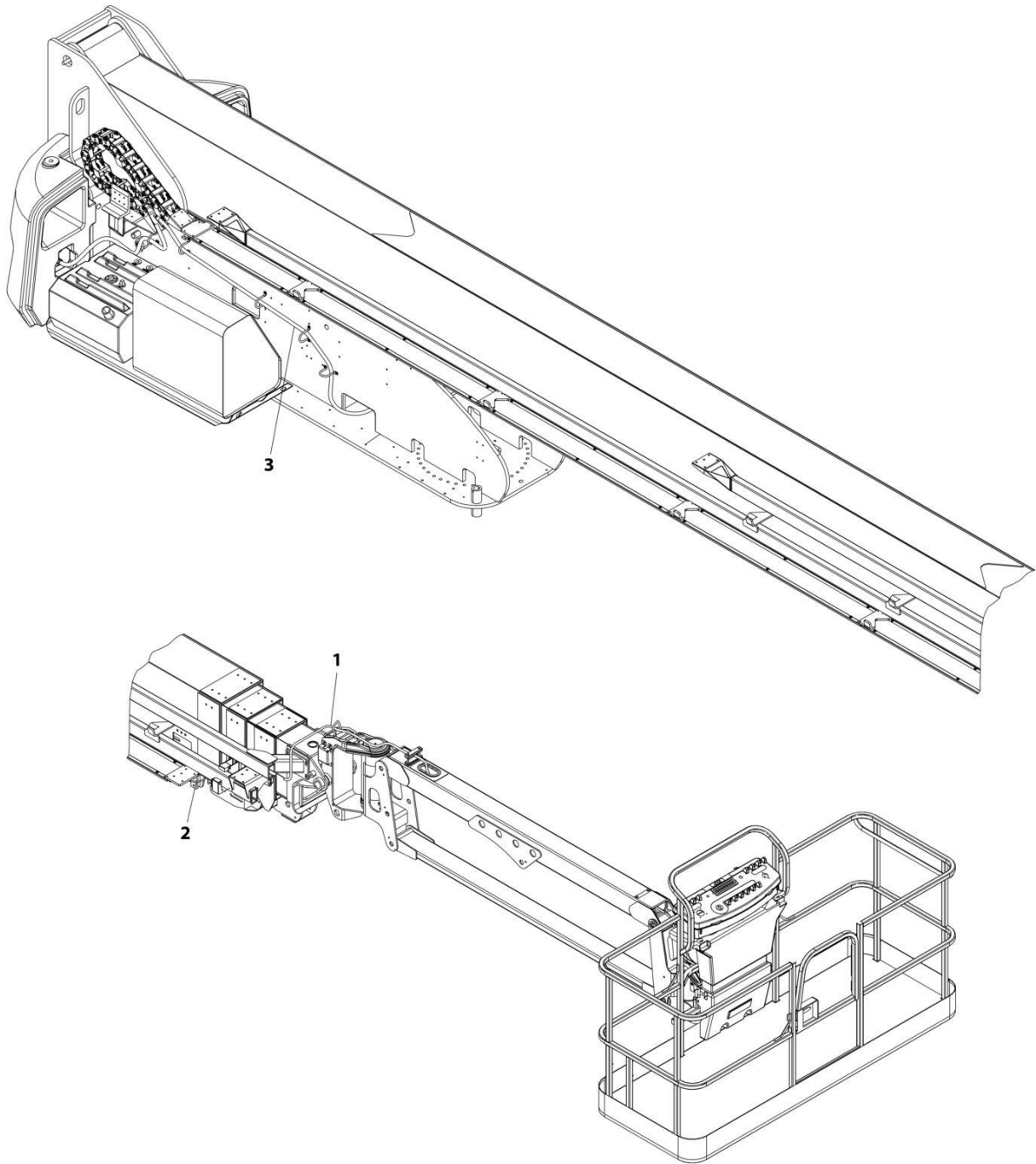
SECTION 8 - ELECTRICAL

FIGURE 8-32. BOOM CABLES INSTALLATION - WITH 7500W GENERATOR (1200SJP)

ITEM	PART NUMBER	QTY	DESCRIPTION	REV
	0273854	Ref	BOOM CABLES INSTALLATION	A
1	4922672	1	Harness, Main Boom Control (See Separate Breakdown in this Section)	
2	4922763	1	Harness, 18/3 Transport Switch	
3	4922796	1	Harness, Generator	

SECTION 8 - ELECTRICAL

FIGURE 8-33. BOOM CABLES INSTALLATION - WITH 7500W GENERATOR (1350SJP)



ART_0273855

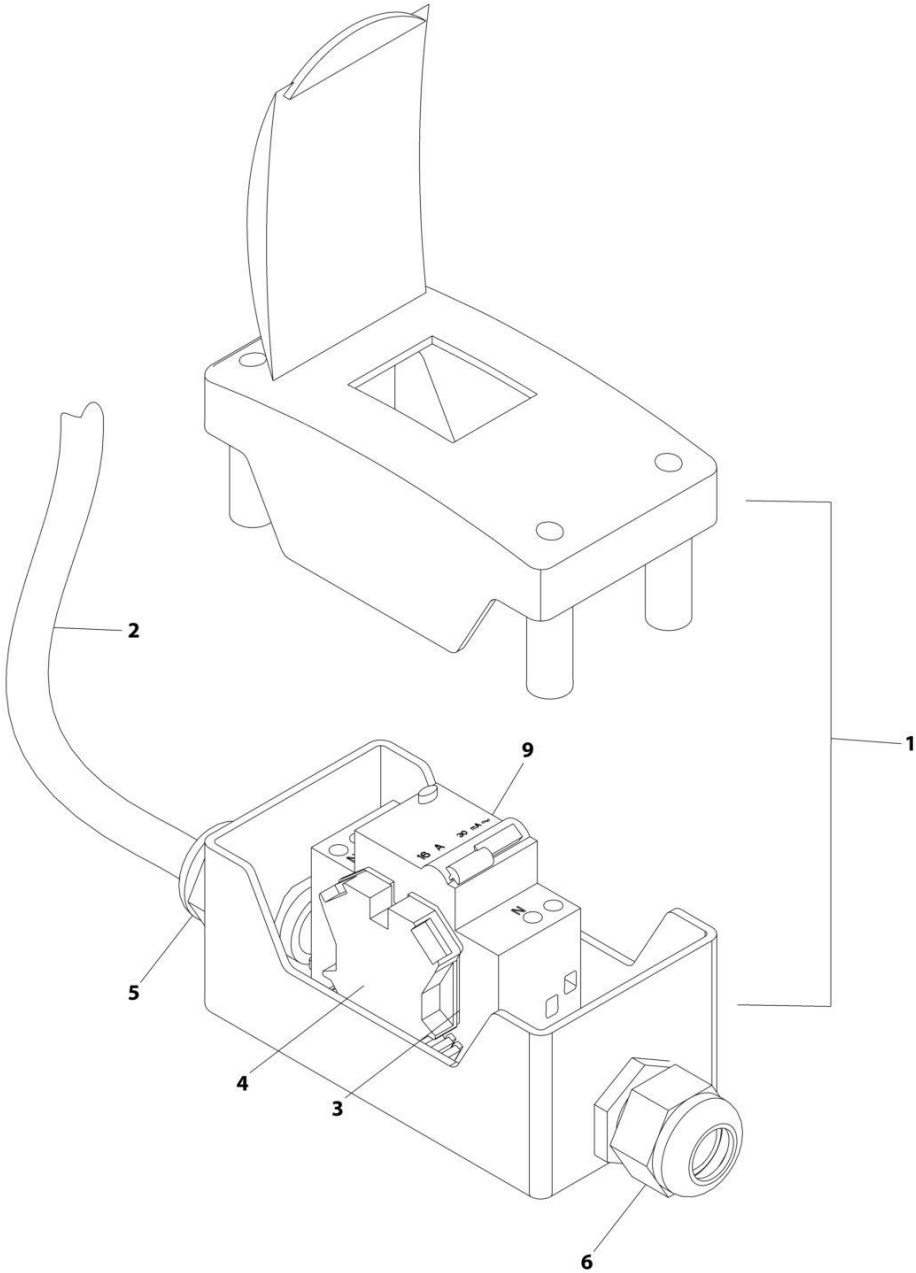
SECTION 8 - ELECTRICAL

FIGURE 8-33. BOOM CABLES INSTALLATION - WITH 7500W GENERATOR (1350SJP)

ITEM	PART NUMBER	QTY	DESCRIPTION	REV
	0273855	Ref	BOOM CABLES INSTALLATION	A
1	4922673	1	Harness, Main Boom Control (See Separate Breakdown in this Section)	
2	4922762	1	Harness, 18/3 Transport Switch	
3	4922795	1	Harness, Generator	

SECTION 8 - ELECTRICAL

FIGURE 8-34. BREAKER BOX KIT - 16 AMP (2500W GENERATOR)



ART_1001109654

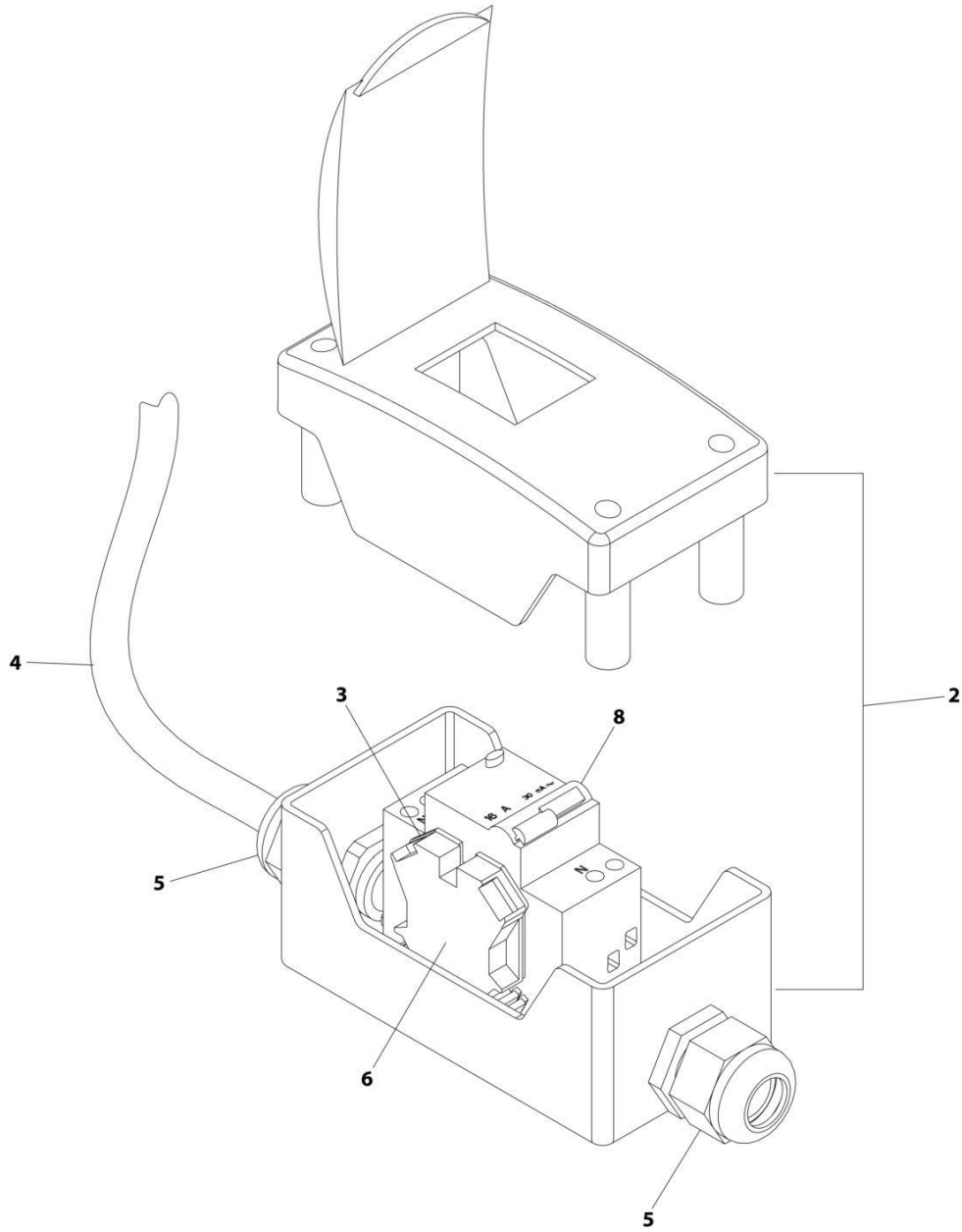
SECTION 8 - ELECTRICAL

FIGURE 8-34. BREAKER BOX KIT - 16 AMP (2500W GENERATOR)

ITEM	PART NUMBER	QTY	DESCRIPTION	REV
	1001109654	Ref	BREAKER BOX KIT	C
1	0861880	1	Box, Breaker	
2	1060908	12 ft/ 3.6m	Cable 12/3	
3	4460956	1	Barrier, Terminal Block End	
4	4460957	1	Block, Terminal	
5	1001097150	1	Connector, Strain Relief	
6	1001101191	1	Connector, Strain Relief	
9	1001181045	1	Breaker - 30mA/16Amp	
10	1001100231	3	Terminal (Not Shown)	

SECTION 8 - ELECTRICAL

FIGURE 8-35. BREAKER BOX KIT - 16 AMP (4000W GENERATOR)



ART_1001165368_B

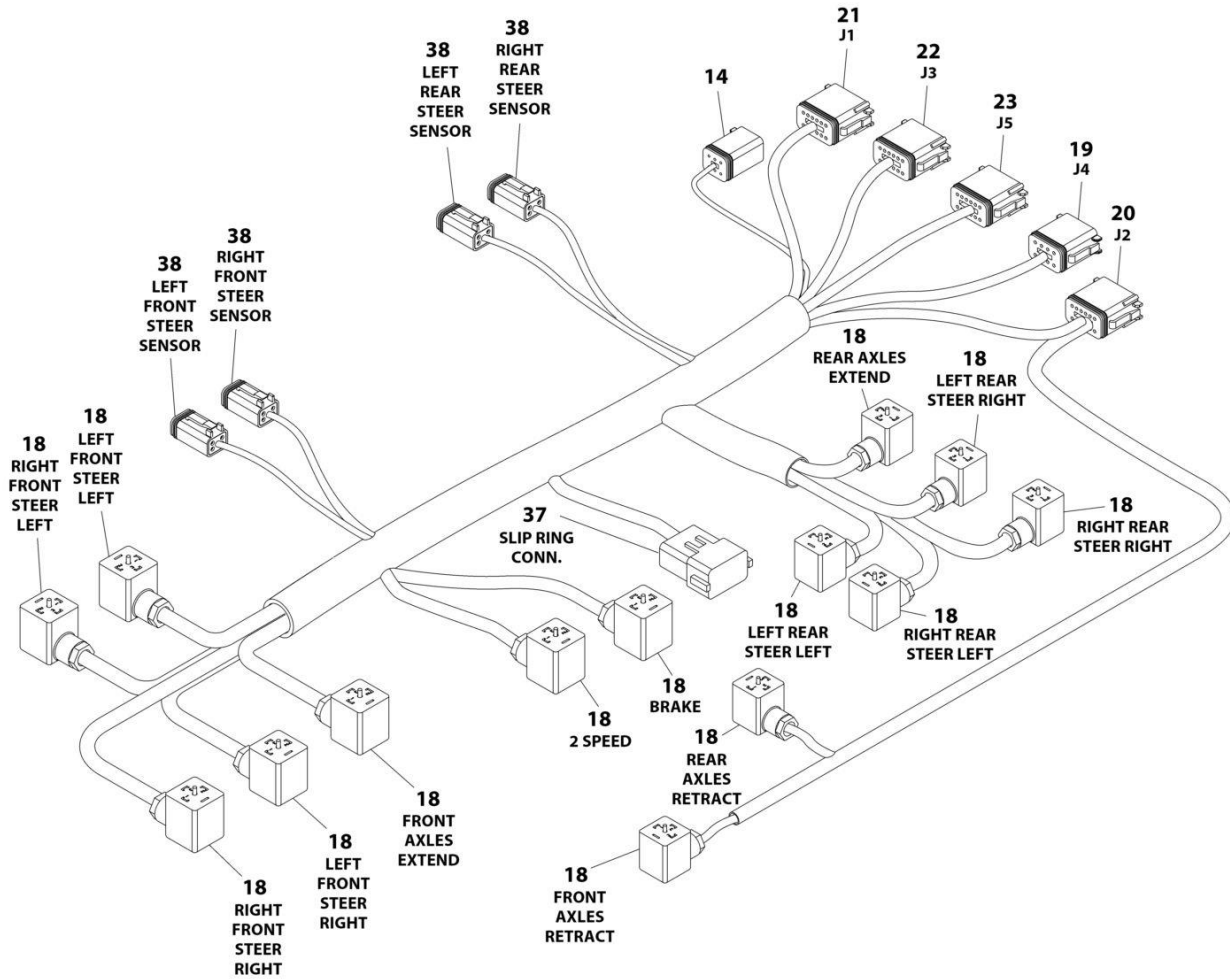
SECTION 8 - ELECTRICAL

FIGURE 8-35. BREAKER BOX KIT - 16 AMP (4000W GENERATOR)

ITEM	PART NUMBER	QTY	DESCRIPTION	REV
	1001165368	Ref	BREAKER BOX KIT	B
2	0861880	1	Box, Circuit Breaker	
3	4460956	1	Barrier, Terminal Block End	
4	1060545	12 ft/ 3.6m	Cable, Electrical 10/3	
5	1001101191	2	Connector, Strain Relief	
6	4460957	1	Block, Terminal	
8	1001181045	1	Breaker 30mA/16Amp	

SECTION 8 - ELECTRICAL

FIGURE 8-36. CHASSIS HARNESS ASSEMBLY



ART_4922696

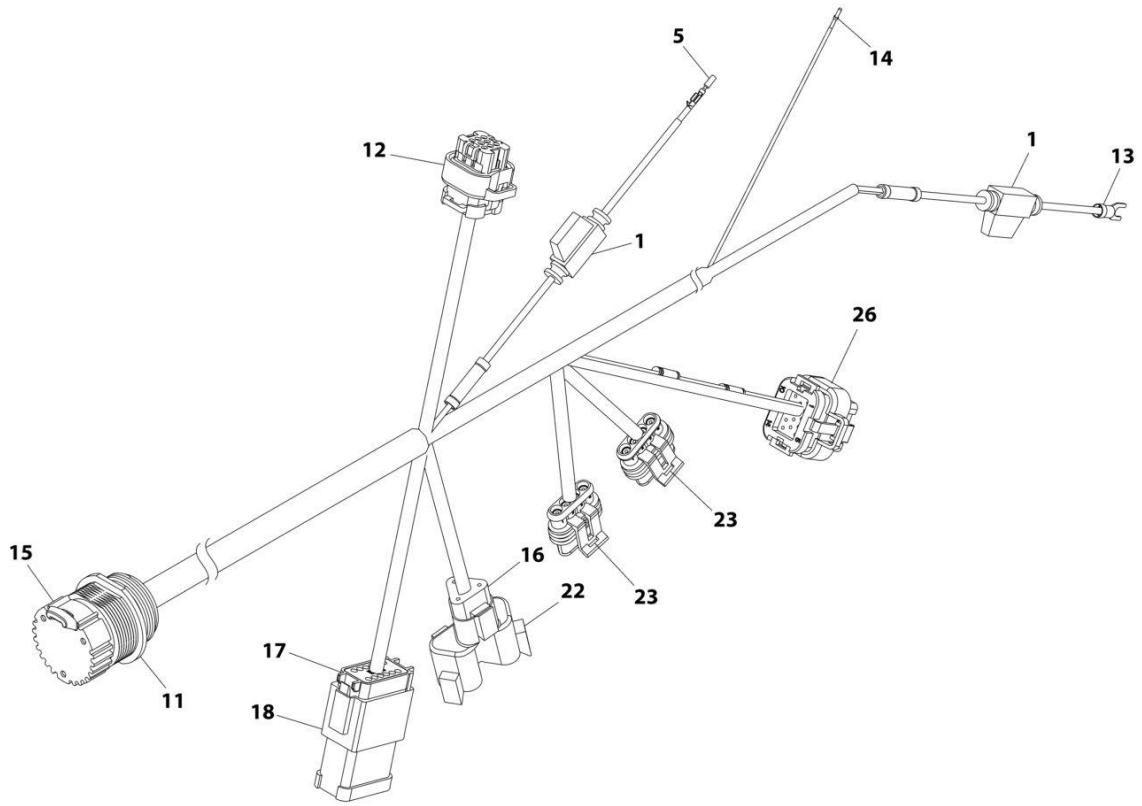
SECTION 8 - ELECTRICAL

FIGURE 8-36. CHASSIS HARNESS ASSEMBLY

ITEM	PART NUMBER	QTY	DESCRIPTION	REV
	4922696	Ref	CHASSIS HARNESS ASSEMBLY	D
14	4460894	1	Connector - 6 Position	
14	4460465	6	Socket, Female	
14	4460892	1	Connector - 6 Position Buss Bar	
17	4460894	1	Connector - 6 Position (Not Shown)	
17	4460465	6	Socket, Female	
17	4460892	1	Connector - 6 Position Buss Bar	
18	4460880	14	DIN Connector	
19	4460930	1	Connector - 8 Position (Gray)	
19	4460465	1	Socket, Female	
19	4460466	7	Plug, Terminal	
20	4460836	1	Connector - 12 Position (Black)	
20	4460465	6	Socket, Female	
20	4460466	6	Plug, Terminal	
21	4460933	1	Connector - 12 Position (Gray)	
21	4460465	8	Socket, Female	
21	4460466	4	Plug, Terminal	
22	4460934	1	Connector - 12 Position (Green)	
22	4460944	12	Socket, Female	
23	4460935	1	Connector - 12 Position (Brown)	
23	4460465	8	Socket, Female	
25	4240032	10	Tie-Strap (Not Shown)	
26	4240033	15	Tie-Strap (Not Shown)	
37	4460950	1	Connector - 12 Position	
37	4460464	6	Pin, Male	
37	4460943	3	Pin, Male	
37	4460941	2	Pin, Male	
38	4460884	4	Connector - 4 Position (Gray)	
38	4460944	16	Socket, Female	

SECTION 8 - ELECTRICAL

FIGURE 8-37. CLEARSKY READY HARNESS



ART_1001279488

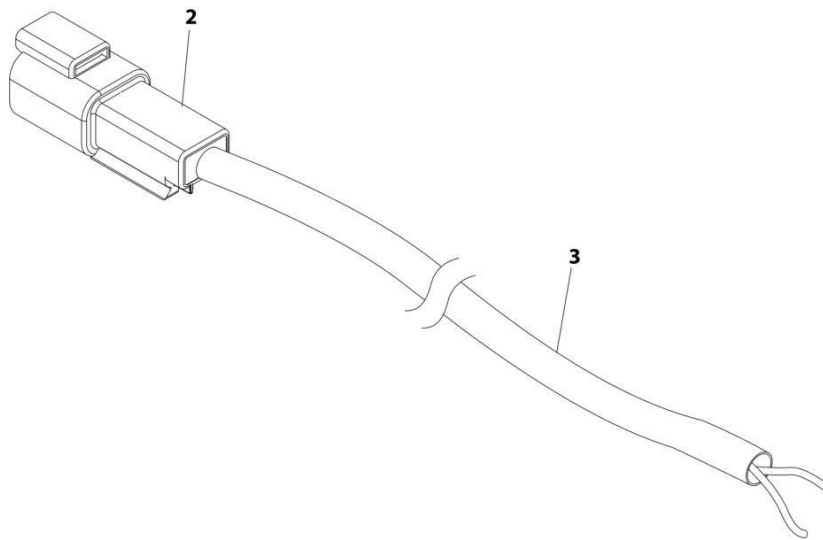
SECTION 8 - ELECTRICAL

FIGURE 8-37. CLEARSKY READY HARNESS

ITEM	PART NUMBER	QTY	DESCRIPTION	REV
	1001279488	Ref	CLEARSKY READY HARNESS	A
1	2400060	2	Fuseholder with Cover	
1	2400064	2	Fuse 5Amp	
5	4460871	1	Socket, Female	
11	1001112612	1	Connector - 9 Position	
11	4460464	6	Pin, Male	
11	4460466	3	Plug, Sealing	
12	1001113961	1	Connector - 8 Position	
12	4460871	5	Socket, Female	
12	4460905	3	Plug, Sealing	
13	4460183	1	Terminal, Connector	
14	4460465	1	Socket, Female	
15	1001106736	1	Cap, Dust	
16	1001116812	1	Connector - 3 Position	
16	4460944	3	Pin, Male	
17	4460933	1	Connector - 12 Position	
17	4460465	12	Socket, Female	
18	1001119020	1	Terminal, Connector	
22	4460945	1	Connector, Female - 3 Way	
23	1001103012	2	Connector - 4 Position	
23	1001104498	8	Terminal, Wire Seal	
23	1001107854	8	Terminal, AMP Superseal Socket	
26	1001246859	1	Connector - 14 Position	
26	4460871	5	Terminal, Socket	
26	4460905	9	Plug, Sealing	

SECTION 8 - ELECTRICAL

FIGURE 8-38. DUAL CAPACITY JIB POSITION SWITCH HARNESS



ART_4922785

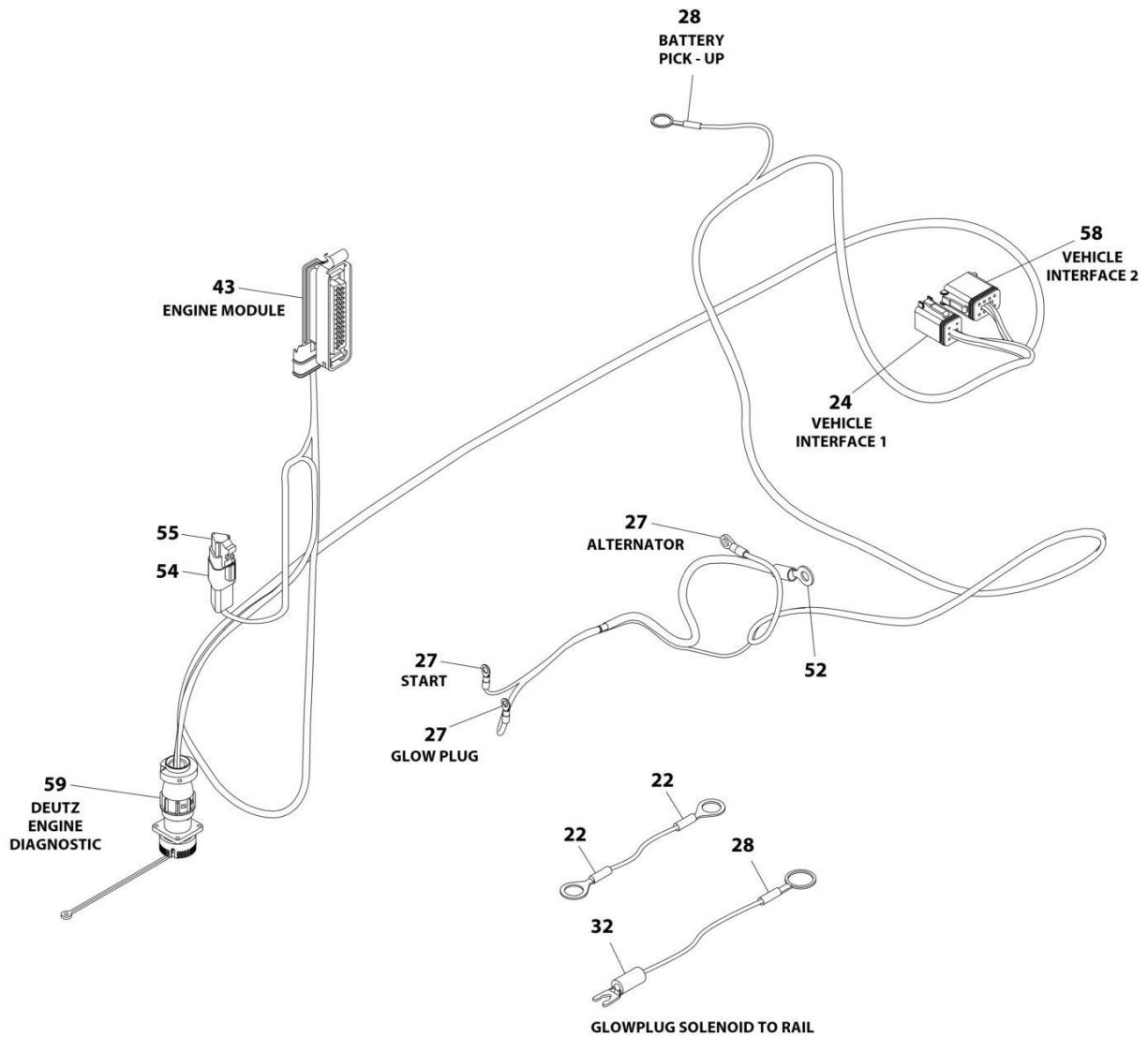
SECTION 8 - ELECTRICAL

FIGURE 8-38. DUAL CAPACITY JIB POSITION SWITCH HARNESS

ITEM	PART NUMBER	QTY	DESCRIPTION	REV
	4922785	Ref	DUAL CAPACITY JIB POSITION SWITCH HARNESS	C
2	4460897	1	Connector - 2 Position	
2	4460464	2	Pin, Male	
3	1060902	15 ft/ 4.5m	Cable, Electrical 18/2	

SECTION 8 - ELECTRICAL

FIGURE 8-39. ENGINE HARNESS - DEUTZ TD2011 ENGINES AND DEUTZ TD2.9L4 ENGINES



ART_1001119470

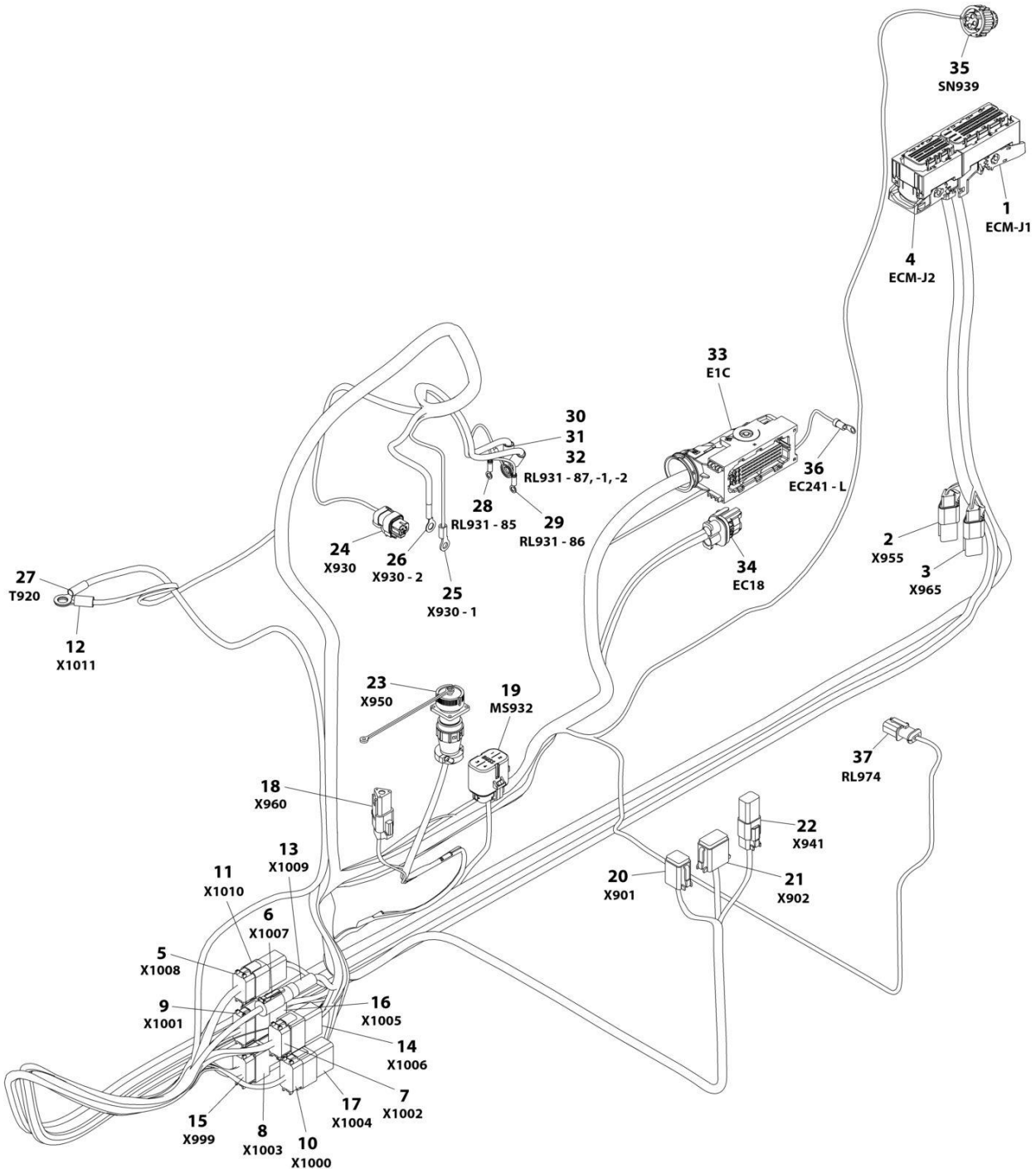
SECTION 8 - ELECTRICAL

FIGURE 8-39. ENGINE HARNESS - DEUTZ TD2011 ENGINES AND DEUTZ TD2.9L4 ENGINES

ITEM	PART NUMBER	QTY	DESCRIPTION	REV
	1001119470	Ref	ENGINE HARNESS - DEUTZ TD2011 ENGINES	B
22	4460702	2	Terminal, Eyelet	
24	4460894	1	Connector - 6 Position	
24	4460465	2	Socket, Female	
24	4460466	1	Plug, Terminal	
24	4460944	3	Socket, Female	
27	4460313	3	Terminal, Eyelet	
28	4460019	2	Terminal, Eyelet	
32	4460315	1	Terminal, Fork	
43	4461052	1	Connector - 25 Position	
43	4461005	5	Terminal	
43	4461006	5	Seal	
43	4461060	2	Terminal (Tin)	
43	4461054	2	Seal, Terminal	
43	4461008	18	Plug, Hole	
43	4461053	1	Cover, Plug	
50	4240032	AR	Tie-Strap (Not Shown)	
51	4240033	AR	Tie-Strap (Not Shown)	
52	4461097	1	Terminal, Eyelet	
54	4461095	1	Connector - 3 Position	
54	4460944	3	Socket, Female	
55	4461070	1	Connector with Resistor (3 Position)	
58	4460930	1	Connector - 8 Position	
58	4460465	2	Socket, Female	
58	4460466	6	Seal, Plug	
59	2902443	1	Kit, Receptacle	
59	4461071	8	Terminal, Female (Gold)	
59	4461072	1	Connector, Flange Mount	
59	4461073	1	Connector, Dust Cap	
59	4461074	1	Connector, Shell	

SECTION 8 - ELECTRICAL

FIGURE 8-40. ENGINE HARNESS - DEUTZ TD2.9L4 ENGINES AND DEUTZ TCD2.9L4 ENGINES



ART_1001138346

SECTION 8 - ELECTRICAL

FIGURE 8-40. ENGINE HARNESS - DEUTZ TD2.9L4 ENGINES AND DEUTZ TCD2.9L4 ENGINES

ITEM	PART NUMBER	QTY	DESCRIPTION	REV
	1001138346	Ref	ENGINE HARNESS - DEUTZ TCD2.9L4 ENGINES AND DEUTZ TCD2.9L4 (STAGE V PRE-BUY) ENGINES	H
1	1001133956	1	Connector (Includes Cover, Locks and Retention Plate)	
1	1001182361	6	Terminal	
1	1001230934	15	Terminal	
1	1001126351	1	Terminal	
1	1001256507	4	Terminal	
1	1001230936	3	Plug, Terminal	
1	1001230935	62	Plug, Terminal	
1	1001126352	6	Terminal	
1	1001126384	19	Terminal	
1	1001126357	3	Plug, Seal	
1	1001126356	65	Plug, Seal	
2	4461070	1	Connector with Resistor (3 Position)	
2	4461095	1	Connector - 3 Position	
2	4460944	2	Socket, Female	
2	4460466	1	Seal, Plug	
3	4461070	1	Connector with Resistor (3 Position)	
3	4461095	1	Connector - 3 Position	
3	4460944	2	Socket, Female	
3	4460466	1	Seal, Plug	
4	1001133957	1	Connector (Includes Cover, Locks and Retention Plate)	
4	1001126351	13	Terminal	
4	1001230934	11	Terminal	
4	1001252527	4	Terminal	
4	1001256507	2	Terminal	
4	1001230935	19	Plug, Terminal	
4	1001230936	11	Plug, Terminal	
5	4460930	1	Connector - 8 Position	
5	4460944	5	Socket, Female (Gold)	
5	4460465	2	Socket, Female	
5	4460466	1	Seal, Plug	
6	1001116707	1	Connector - 1 Position	
6	91143340	1	Terminal	
7	4460935	1	Plug, Brown - 12 Position	
7	4460465	12	Socket, Female	
8	4460970	1	Connector - 12 Position	
8	4460941	12	Pin, Male	
9	4460934	1	Connector, Green - 12 Position	
9	4460465	10	Socket, Female	
9	4460466	2	Seal, Plug	
10	4460836	1	Connector, Black - 12 Position	
10	4460465	8	Socket, Female	
10	4460466	4	Seal, Plug	
11	4460931	1	Connector - 8 Position (Gray)	
11	4460943	5	Pin, Male (Gold)	
11	4460466	3	Plug, Socket	
12	8220164	1	Terminal, Eyelet	
13	1001116967	1	Connector - 1 Position	
13	91143339	1	Terminal	

SECTION 8 - ELECTRICAL

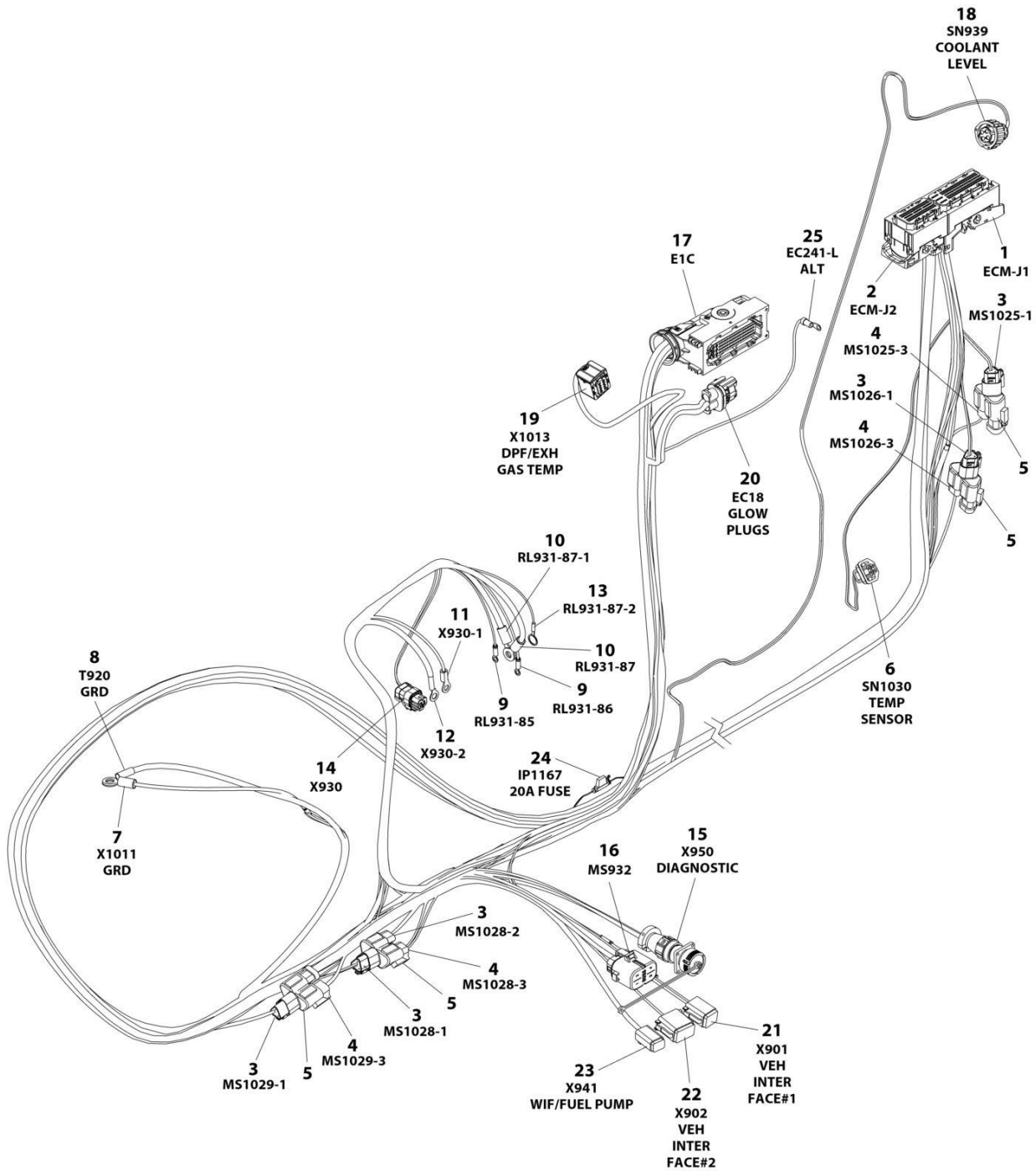
ITEM	PART NUMBER	QTY	DESCRIPTION	REV
14	4460982	1	Connector - 12 Position	
14	4460464	12	Pin, Male	
15	4460933	1	Connector, Gray - 12 Position	
15	4460942	12	Socket, Female	
16	1001152742	1	Connector - 12 Position	
16	4460464	10	Pin, Male	
16	4460466	2	Seal, Plug	
17	4460950	1	Connector - 12 Position	
17	4460464	8	Pin, Male	
17	4460466	4	Plug, Seal	
18	4461070	1	Connector with Resistor (3 Position)	
18	4461095	1	Connector - 3 Position	
18	4460944	2	Socket, Female	
18	4460466	1	Seal, Plug	
19	80484084	1	Connector - 8 Position	
19	8229242	1	Fuse - 5A	
19	80983191	1	Fuse - 10A	
19	1001147264	1	Cap	
19	1001116728	4	Plug	
19	4460458	4	Seal	
20	4460894	1	Connector - 6 Position	
20	4460465	3	Socket, Female	
20	4460944	2	Socket, Female	
20	4460466	1	Seal, Plug	
21	4460930	1	Connector - 8 Position	
21	4460465	1	Socket, Female	
21	4460466	7	Plug, Seal	
22	1001220379	1	Connector - 4 Position	
22	4460465	2	Socket, Female	
22	4460942	2	Socket, Female	
22	4460932	1	Connector - 4 Position	
22	4460466	4	Seal, Plug	
23	2902443	1	Kit, Receptacle	
23	4461071	8	Terminal, Female (Gold)	
23	4461072	1	Connector, Flange Mount	
23	4461073	1	Connector, Dust Cap	
23	4461074	1	Connector, Shell	
24	1001116952	1	Connector - 2 Position	
24	4460465	2	Socket, Female	
25	4460043	1	Terminal, Eyelet	
26	1001117106	1	Terminal, Eyelet	
27	4460019	1	Terminal, Eyelet	
28	4460247	1	Terminal, Eyelet	
29	4460247	1	Terminal, Eyelet	
30	1001117107	1	Terminal, Eyelet	
31	1001117107	1	Terminal, Eyelet	
32	4460703	1	Terminal, Eyelet	
33	1001126362	1	Connector - 62 Position	
33	1001126363	23	Terminal	
33	1001256506	2	Seal	
33	1001126364	21	Seal	

SECTION 8 - ELECTRICAL

ITEM	PART NUMBER	QTY	DESCRIPTION	REV
33	1001126392	10	Terminal	
33	1001223459	10	Seal	
33	1001126365	2	Terminal	
33	4461054	2	Seal	
33	1001126391	22	Plug, Terminal	
33	4461008	4	Plug, Cavity	
34	1001142938	1	Connector - 2 Position	
34	1001142940	2	Terminal, Female	
34	1001142941	2	Seal	
35	1001133714	1	Connector - 4 Position	
35	1001133715	3	Terminal, Female	
35	1001135650	1	Seal	
35	1001135651	1	Plug, Cavity	
36	4460042	1	Terminal, Eyelet	
37	1001138110	1	Connector - 2 Position	
37	1001138111	2	Socket, Female	
37	1001138113	2	Seal	

SECTION 8 - ELECTRICAL

FIGURE 8-41. ENGINE HARNESS - DEUTZ TCD2.9L4 (STAGE V) ENGINES



ART_1001237285

SECTION 8 - ELECTRICAL

FIGURE 8-41. ENGINE HARNESS - DEUTZ TCD2.9L4 (STAGE V) ENGINES

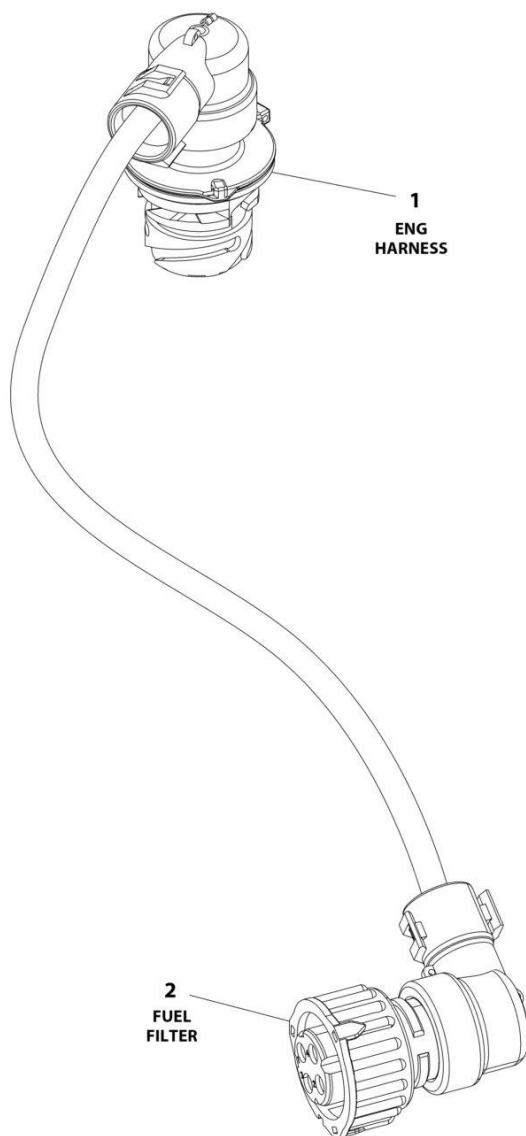
ITEM	PART NUMBER	QTY	DESCRIPTION	REV
	1001237285	Ref	ENGINE HARNESS	G
1	1001133956	1	Connector (Includes Cover, Locks and Retention Plate)	
1	1001182361	6	Terminal	
1	1001230934	25	Terminal	
1	1001126351	3	Terminal	
1	1001252527	4	Terminal	
1	1001230935	55	Plug, Terminal	
1	1001230936	1	Plug, Terminal	
2	1001133957	1	Connector (Includes Cover, Locks and Retention Plate)	
2	1001126351	13	Terminal	
2	1001230934	26	Terminal	
2	1001230935	9	Terminal	
2	1001230936	11	Plug, Terminal	
3	1001116812	5	Plug, Male - 3 Position	
3	4460944	10	Socket, Female	
3	4460466	5	Plug, Terminal	
4	4460539	4	Plug, Male - 3 Position	
4	4460944	8	Socket, Female	
4	4460466	4	Plug, Terminal	
5	4460945	4	Connector - 3 Way	
6	1001126487	1	Connector - 3 Position	
6	1001167635	2	Terminal	
6	1001126485	2	Seal	
7	8220164	1	Terminal, Eyelet	
8	4460019	1	Terminal, Eyelet	
9	4460247	2	Terminal, Eyelet	
10	1001117107	2	Terminal, Eyelet	
11	4460043	1	Terminal, Eyelet	
12	1001117106	1	Terminal, Eyelet	
13	4460703	1	Terminal, Eyelet	
14	1001116952	1	Connector - 2 Position	
14	4460465	2	Socket, Female	
15	2902443	1	Kit, Receptacle	
15	4461071	8	Terminal, Female (Gold)	
15	4461072	1	Connector, Flange Mount	
15	4461073	1	Connector, Dust Cap	
15	4461074	1	Connector, Shell	
16	80484084	1	Connector - 8 Position	
16	4460748	4	Plug, Terminal	
16	4460746	3	Terminal	
16	1001234800	1	Terminal	
16	4460458	4	Seal	
17	1001126362	1	Connector - 62 Position	
17	1001126363	36	Terminal	
17	1001126364	36	Seal	
17	1001126391	7	Plug, Terminal	
17	4461008	4	Plug, Cavity	
17	1001126392	12	Terminal	
17	1001223459	12	Seal	
17	1001167632	2	Terminal	

SECTION 8 - ELECTRICAL

ITEM	PART NUMBER	QTY	DESCRIPTION	REV
17	4461054	2	Seal	
18	1001133714	1	Connector - 4 Position	
18	1001133715	3	Terminal, Female	
18	1001135650	1	Seal	
18	1001135651	1	Plug, Cavity	
19	1001239202	1	Connector - 8 Position	
19	1001126363	7	Terminal	
19	1001126364	7	Seal	
19	1001135651	1	Plug, Terminal	
20	1001142938	1	Connector - 2 Position	
20	1001142940	2	Terminal, Female	
20	1001142941	2	Seal	
21	4460894	1	Connector - 6 Position	
21	4460465	2	Socket, Female	
21	4460944	2	Socket, Female	
21	4460466	2	Seal, Plug	
22	4460930	1	Connector - 8 Position	
22	4460465	1	Socket, Female	
22	4460466	7	Seal, Plug	
23	4460884	1	Connector - 4 Position	
23	4460465	2	Socket, Female	
23	4460942	2	Socket, Female	
24	1001170764	1	Fuseholder with Cover and 20AMP Fuse	
24	1001197719	1	Resistor 620ohm/5 watt	
25	4460042	1	Terminal, Eyelet	

SECTION 8 - ELECTRICAL

FIGURE 8-42. FUEL FILTER HARNESS - DEUTZ TCD2.9L4 ENGINES AND UTZ TCD2.9L4 (STAGE V) ENGINES



ART_1001148843

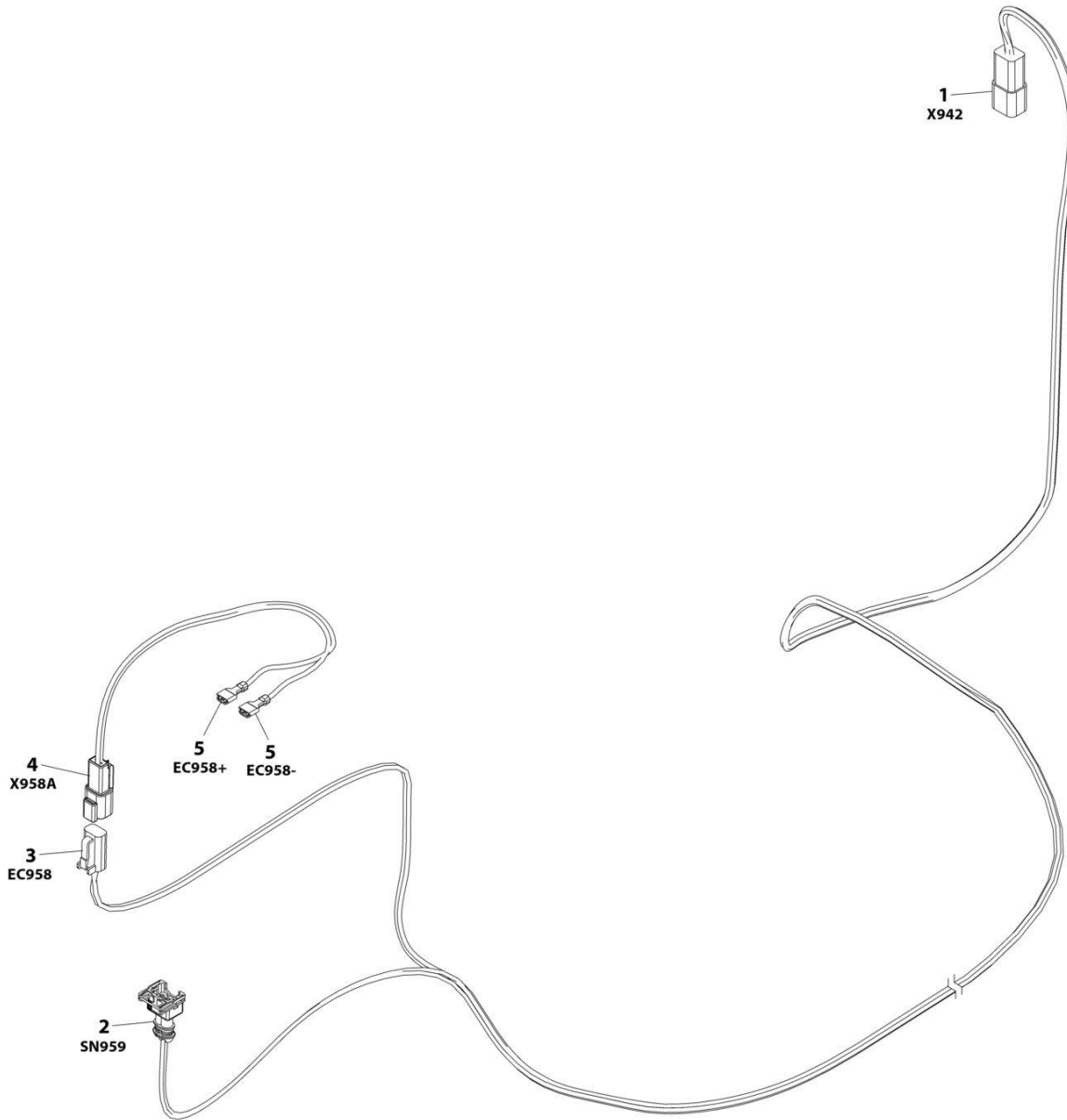
SECTION 8 - ELECTRICAL

FIGURE 8-42. FUEL FILTER HARNESS - DEUTZ TCD2.9L4 ENGINES AND UTZ TCD2.9L4 (STAGE V) ENGINES

ITEM	PART NUMBER	QTY	DESCRIPTION	REV
	1001148843	Ref	FUEL FILTER HARNESS - DEUTZ TCD2.9L4 ENGINES	A
1	1001148842	1	Connector - 4 Position	
1	1001148841	4	Pin, Male	
1	1001135650	4	Seal	
2	1001133714	1	Plug, Male - 4 Position	
2	1001133715	4	Socket, Female	
2	1001135650	4	Seal	

SECTION 8 - ELECTRICAL

FIGURE 8-43. FUEL HARNESS - DEUTZ TCD2.9L4 ENGINES AND DEUTZ TCD2.9L4 (STAGE V) ENGINES



ART_1001138491

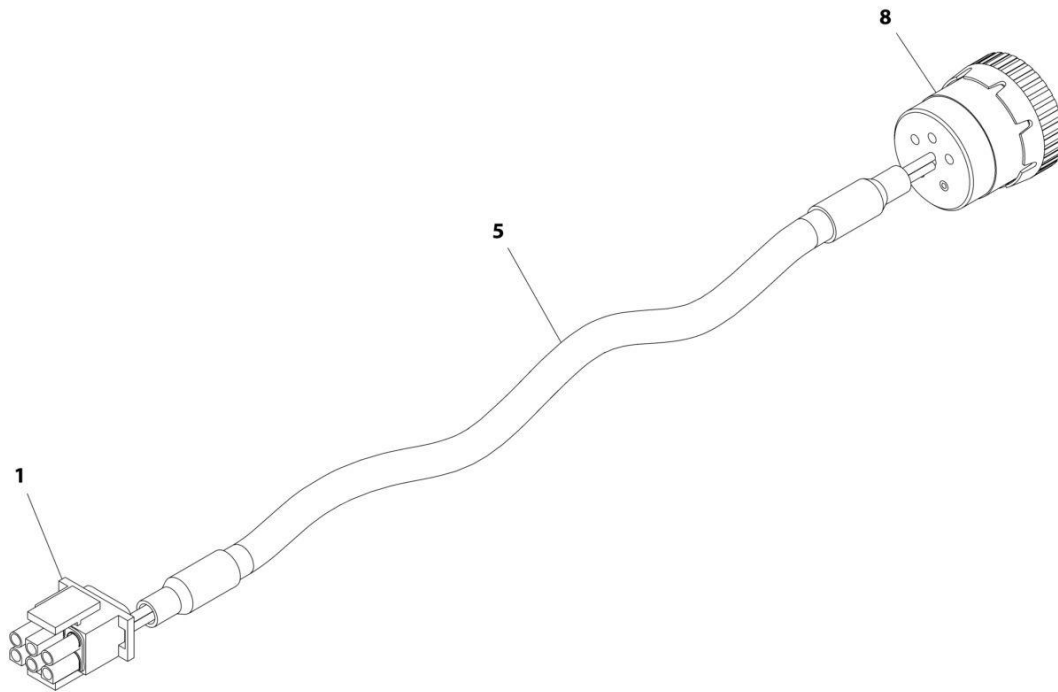
SECTION 8 - ELECTRICAL

FIGURE 8-43. FUEL HARNESS - DEUTZ TCD2.9L4 ENGINES AND DEUTZ TCD2.9L4 (STAGE V) ENGINES

ITEM	PART NUMBER	QTY	DESCRIPTION	REV
	1001138491	Ref	FUEL PUMP HARNESS	D
1	4460932	1	Receptacle, Female - 4 Position	
1	4460941	2	Pin, Male	
1	4460464	2	Pin, Male	
2	1001116983	1	Plug, Male - 2 Position	
2	1001116710	2	Socket, Female	
2	4461054	2	Seal	
3	4460891	1	Plug, Male - 2 Position	
3	4460942	2	Socket, Female	
4	4460897	1	Connector - 2 Position	
4	4460941	2	Pin, Male	
5	8220051	2	Terminal, Ring	

SECTION 8 - ELECTRICAL

FIGURE 8-44. GENERATOR HARNESS - 4000W GENERATOR



ART_1001152533

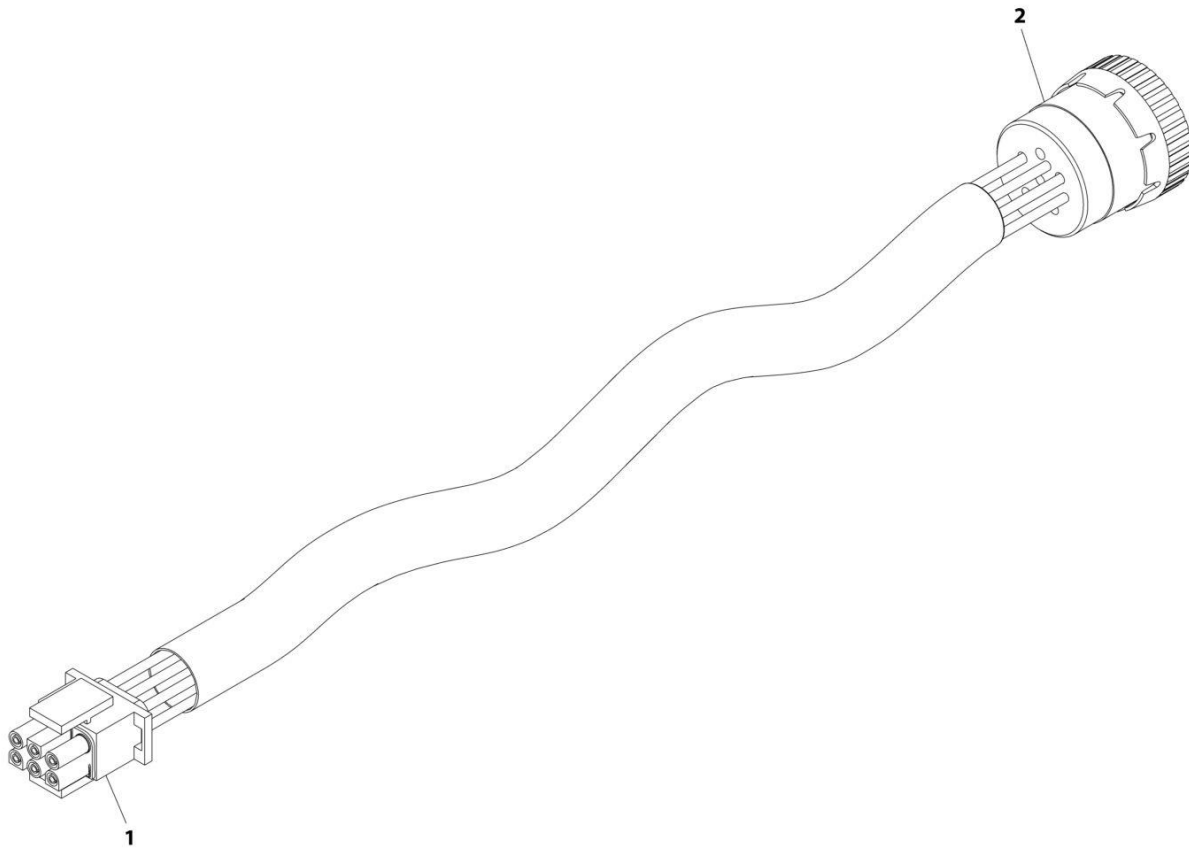
SECTION 8 - ELECTRICAL

FIGURE 8-44. GENERATOR HARNESS - 4000W GENERATOR

ITEM	PART NUMBER	QTY	DESCRIPTION	REV
	1001152533	Ref	GENERATOR HARNESS - 4000W GENERATOR	A
1	4460225	1	Connector - 6 Position	
1	4460268	2	Socket, Female	
1	4460807	1	Seal, Plug	
1	4460808	1	Seal, Plug	
5	1060341	8 ft /2.4m	Cable, 16/2	
8	77363233	1	Connector - 6 Position	
8	4460465	2	Socket, Female	

SECTION 8 - ELECTRICAL

FIGURE 8-45. GENERATOR HARNESS - 7500W GENERATOR



ART_4922972

SECTION 8 - ELECTRICAL

FIGURE 8-45. GENERATOR HARNESS - 7500W GENERATOR

ITEM	PART NUMBER	QTY	DESCRIPTION	REV
	4922972	Ref	GENERATOR HARNESS - 7500W GENERATOR	C
1	4460225	1	Connector - 6 Position	
1	4460268	6	Socket, Female	
1	4460807	1	Seal, Plug	
1	4460808	1	Seal, Plug	
2	77363233	1	Connector - 6 Position	
2	4460465	6	Socket, Female	

SECTION 8 - ELECTRICAL

FIGURE 8-46. GROUND CONTROL BOX HARNESS

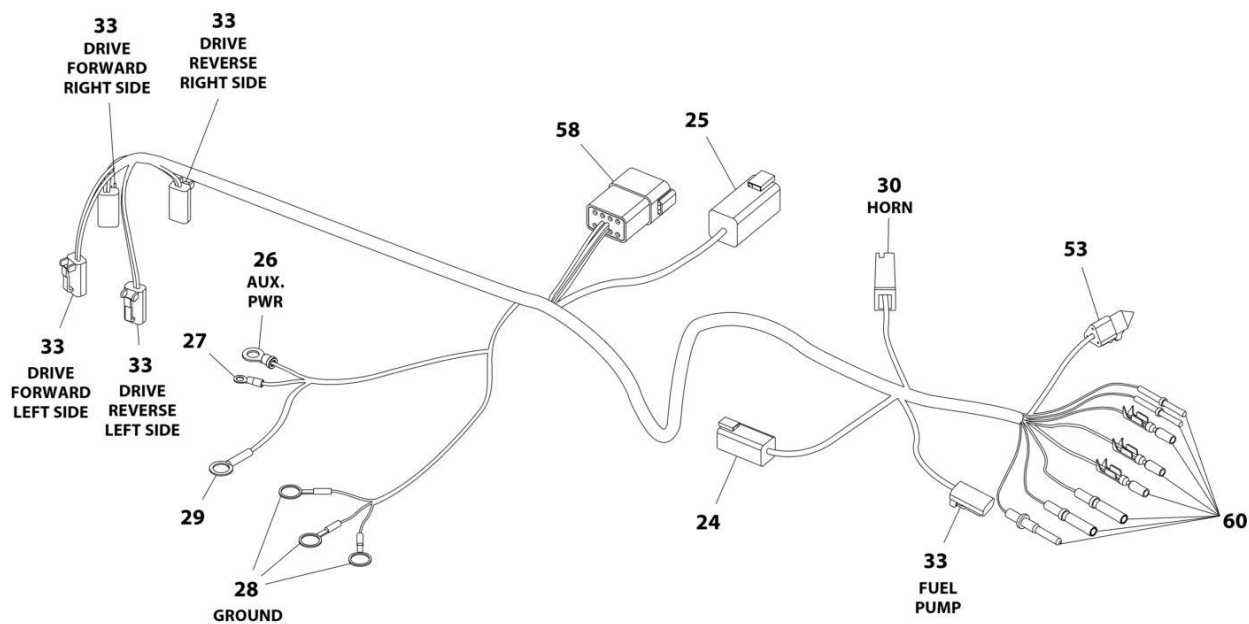
ITEM	PART NUMBER	QTY	DESCRIPTION	REV
	1001241890	Ref	GROUND CONTROL BOX HARNESS	C
22	4460871	11	Socket, Female	
23	4460876	1	Connector, Blue - 35 Position	
23	4460871	29	Socket, Female	
23	4460905	6	Plug, Sealing	
24	4460260	5	Terminal, Housing	
24	4460259	5	Terminal	
25	4460260	5	Terminal, Housing	
25	4460297	5	Terminal	
27	4460866	1	Connector - 19 Pin	
27	4460464	10	Pin, Male	
27	4460508	3	Pin, Male	
28	4460878	1	Connector - 4 Position	
28	4460887	3	Terminal	
30	4460142	3	Terminal, Eyelet	
31	4460313	3	Terminal, Eyelet	
37	4460873	1	Connector, Black - 35 Position	
37	4460871	16	Socket, Female	
37	4460905	19	Plug, Sealing	
39	4240032	AR	Tie-Strap (Not Shown)	
40	4460418	8	Connector - 6 Position	
40	4460419	24	Socket, Female	
42	4460225	1	Plug, Male - 6 Position	
42	4460227	6	Pin, Male	
44	4460965	1	Plug, Male - 3 Position	
44	4460944	3	Socket, Female	
46	2400066	1	Fuseholder with Cover	
46	2400065	1	Fuse	
49	4460894	3	Connector - 6 Position	
49	4460465	6	Socket, Female	
49	4460942	2	Socket, Female	
51	4460474	1	Terminal, Connector	
53	3990010	2	Diode - 3 Amp	
55	4460761	1	Connector - 4 Position	
55	4460227	4	Pin, Male	
56	4460035	1	Terminal, Connector	
57	4460806	6	Terminal, Fork	
58	4460966	1	Connector - 3 Position (Green Lock)	
58	4460944	3	Socket, Female	
59	2400060	1	Fuse, Holder	
59	8229242	1	Fuse, 5Amp	
61	4460888	1	Terminal, Fork	
63	4460884	1	Connector - 4 Position	
63	4460465	4	Socket, Female	
63	1001192401	1	Connector, Dust Cap	
68	4460868	1	Connector - 6 Position	
68	4460877	4	Terminal	
70	4460933	2	Connector, Gray - 12 Position	
70	4460944	22	Socket, Female	
70	1001119020	2	Bussbar - 12 Position	

SECTION 8 - ELECTRICAL

ITEM	PART NUMBER	QTY	DESCRIPTION	REV
72	1001237667	5	Connector - 6 Position	
72	1001237668	2	Terminal	
74	1001116812	1	Plug, Male - 3 Position	
74	4460944	2	Socket, Female	

SECTION 8 - ELECTRICAL

FIGURE 8-47. GROUND CONTROLS TO ENGINE HARNESS



ART_1001119372

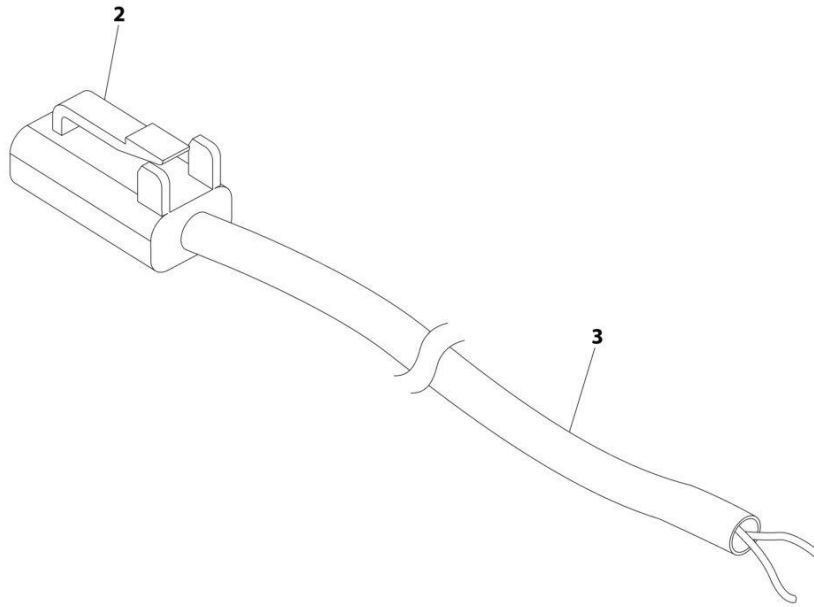
SECTION 8 - ELECTRICAL

FIGURE 8-47. GROUND CONTROLS TO ENGINE HARNESS

ITEM	PART NUMBER	QTY	DESCRIPTION	REV
	1001119372	Ref	GROUND CONTROLS TO ENGINE HARNESS	C
24	4460899	1	Connector - 6 Position	
24	4460464	5	Pin, Male	
24	4460466	1	Plug, Terminal	
25	4460899	1	Connector - 6 Position	
25	4460464	4	Pin, Male	
25	4460943	2	Pin, Male (Gold)	
26	4460312	1	Terminal, Eyelet	
27	4460313	1	Terminal, Eyelet	
28	4460019	3	Terminal, Eyelet	
29	4460256	1	Terminal, Eyelet	
30	4460260	1	Terminal, Housing	
30	4460259	1	Terminal	
33	4460891	5	Connector - 2 Position	
33	4460465	10	Socket, Female	
53	4460539	1	Connector - 3 Position	
53	4460944	3	Socket, Female	
58	4460931	1	Connector - 8 Position	
58	4460464	8	Pin, Male	
60	4460465	2	Socket, Female	
60	4460887	1	Terminal (12 Gauge)	
60	4460871	11	Socket, Female	
60	4460508	1	Pin, Male	

SECTION 8 - ELECTRICAL

FIGURE 8-48. JIB STOW SWITCH HARNESS



ART_4922784

SECTION 8 - ELECTRICAL

FIGURE 8-48. JIB STOW SWITCH HARNESS

ITEM	PART NUMBER	QTY	DESCRIPTION	REV
	4922784	Ref	JIB STOW SWITCH HARNESS	C
2	4460891	1	Connector - 2 Position	
2	4460465	2	Socket, Female	
3	1060902	15 ft/ 4.6m	Cable, Electrical 18/2	

SECTION 8 - ELECTRICAL

FIGURE 8-49. LOAD SENSING PIN HARNESS



ART_4923256

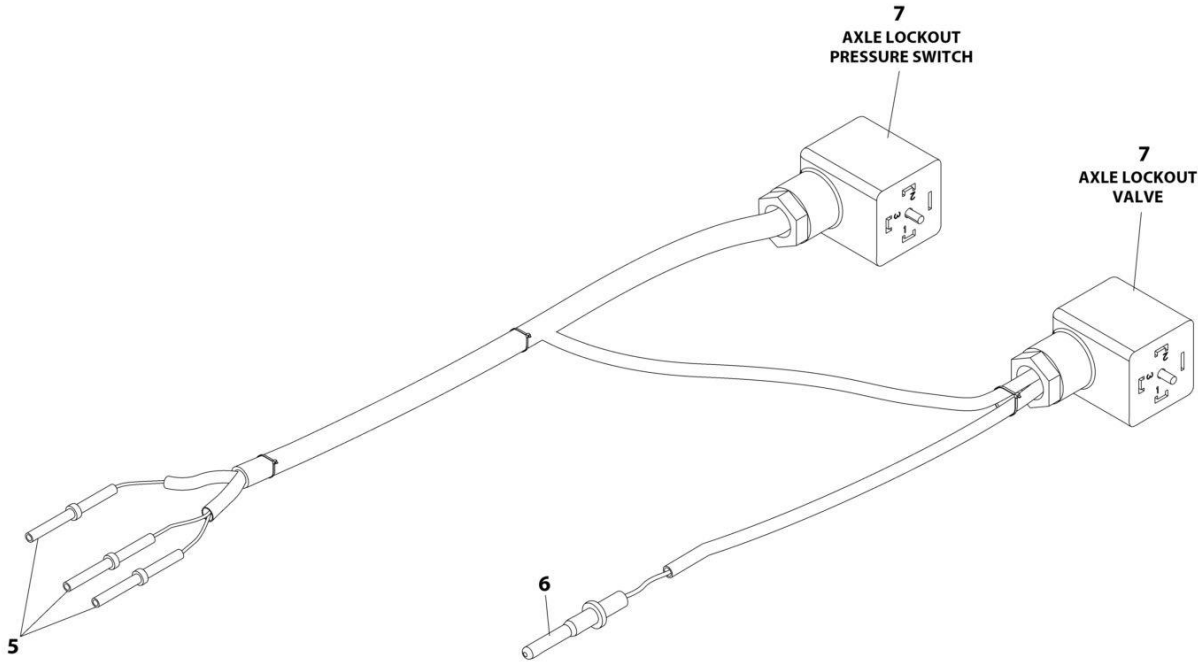
SECTION 8 - ELECTRICAL

FIGURE 8-49. LOAD SENSING PIN HARNESS

ITEM	PART NUMBER	QTY	DESCRIPTION	REV
	4923256	Ref	LOAD SENSING PIN HARNESS	C
1	4460930	1	Connector - 8 Position (Gray)	
1	4460465	4	Socket, Female	
1	4460466	3	Plug, Sealing	
2	See Note	NSS	Connector - 4 Position (Note: Not Available for Purchase)	
2	See Note	NSS	Terminal (Note: Not Available for Purchase)	

SECTION 8 - ELECTRICAL

FIGURE 8-50. LOCKOUT VALVE HARNESS



ART_4922767_D

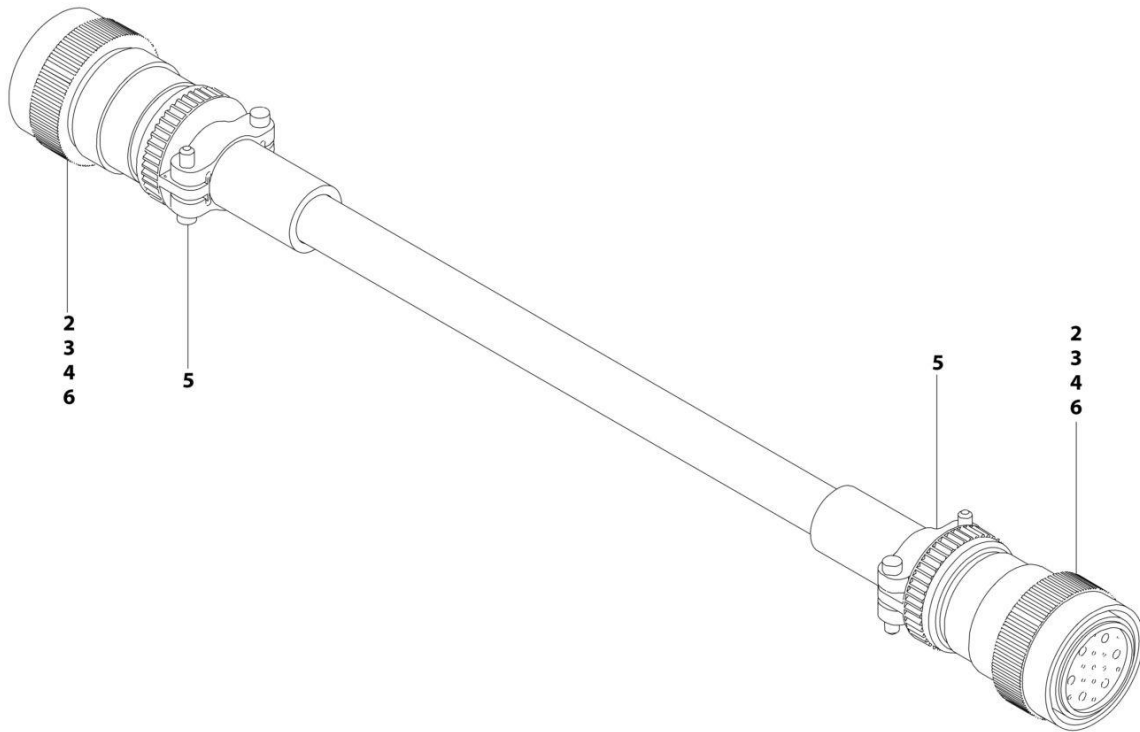
SECTION 8 - ELECTRICAL

FIGURE 8-50. LOCKOUT VALVE HARNESS

ITEM	PART NUMBER	QTY	DESCRIPTION	REV
	4922767	Ref	LOCKOUT VALVE HARNESS	D
5	4460465	3	Socket, Female	
6	4460464	1	Pin, Male	
7	1001263923	2	Connector, Din	
8	4240033	6	Tie-Strap (Not Shown)	

SECTION 8 - ELECTRICAL

FIGURE 8-51. MAIN BOOM CONTROL CABLE HARNESS (1200SJP)



ART_4922672

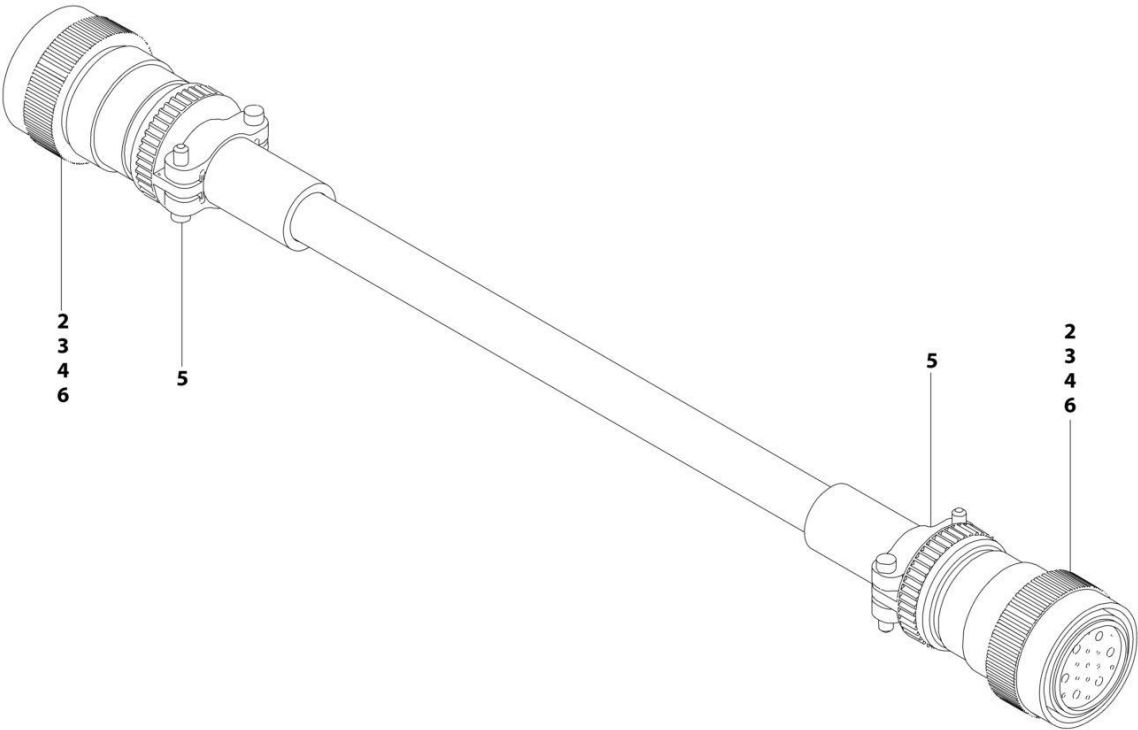
SECTION 8 - ELECTRICAL

FIGURE 8-51. MAIN BOOM CONTROL CABLE HARNESS (1200SJP)

ITEM	PART NUMBER	QTY	DESCRIPTION	REV
	4922672	Ref	MAIN BOOM CONTROL CABLE HARNESS	C
2	4460465	22	Socket, Female	
3	4460865	2	Connector - 19 Position	
4	4460509	8	Socket, Female	
5	4460473	2	Clamp	
6	4460466	8	Plug, Socket	

SECTION 8 - ELECTRICAL

FIGURE 8-52. MAIN BOOM CONTROL CABLE HARNESS (1350SJP)



ART_4922673

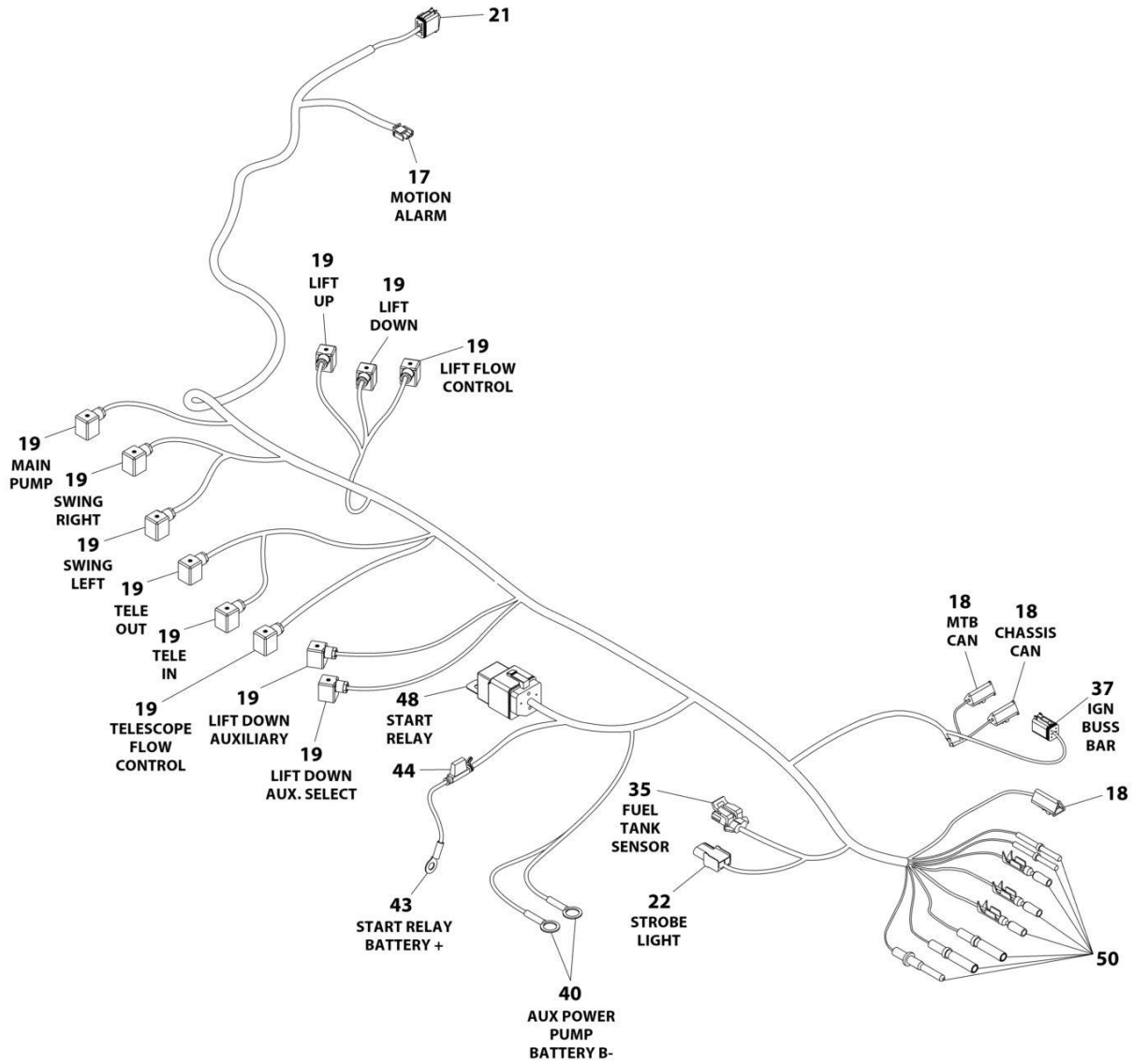
SECTION 8 - ELECTRICAL

FIGURE 8-52. MAIN BOOM CONTROL CABLE HARNESS (1350SJP)

ITEM	PART NUMBER	QTY	DESCRIPTION	REV
	4922673	Ref	MAIN BOOM CONTROL CABLE HARNESS	D
2	4460465	22	Socket, Female	
3	4460865	2	Connector - 19 Position	
4	4460509	8	Socket, Female	
5	4460473	2	Clamp	
6	4460466	8	Plug, Socket	

SECTION 8 - ELECTRICAL

FIGURE 8-53. MAIN VALVE HARNESS



ART_1001116369_G

SECTION 8 - ELECTRICAL

FIGURE 8-53. MAIN VALVE HARNESS

ITEM	PART NUMBER	QTY	DESCRIPTION	REV
	1001116369	Ref	MAIN VALVE HARNESS	G
17	4460320	1	Connector - 2 Position	
17	4460267	2	Pin, Male	
18	4460965	3	Connector - 3 Position	
18	4460944	9	Socket, Female	
19	1001263923	11	DIN Connector	
21	4460836	1	Connector - 12 Position (Black)	
21	4460465	3	Socket, Female	
21	4460466	4	Plug, Socket	
21	4460944	3	Socket, Female 16-18 GA (Gold)	
21	4460942	2	Socket, Female 14-16 GA	
22	4460424	1	Connector - 2 Position	
22	4460268	2	Socket, Female	
35	4460843	1	Connector - 2 Position	
35	4460842	2	Socket, Female	
37	4460894	1	Connector - 6 Position	
37	4460465	3	Socket, Female	
37	4460942	3	Socket, Female 14-16 GA	
40	4460256	2	Terminal, Eyelet	
43	4460019	1	Terminal, Eyelet	
44	2400066	1	Holder, Fuse	
44	2400065	1	Fuse	
48	3740080	1	Relay	
48	4460374	1	Plug, Seal	
48	4460375	5	Terminal	
48	0100048	AR	Grease, Dielectric	
50	4460465	2	Socket, Female	
50	4460944	1	Socket, Female (Gold)	
50	4460871	16	Socket, Female	
50	4460464	1	Pin, Male	
50	4460942	3	Socket, Female	

SECTION 8 - ELECTRICAL

FIGURE 8-54. PLATFORM CONSOLE BOX HARNESS

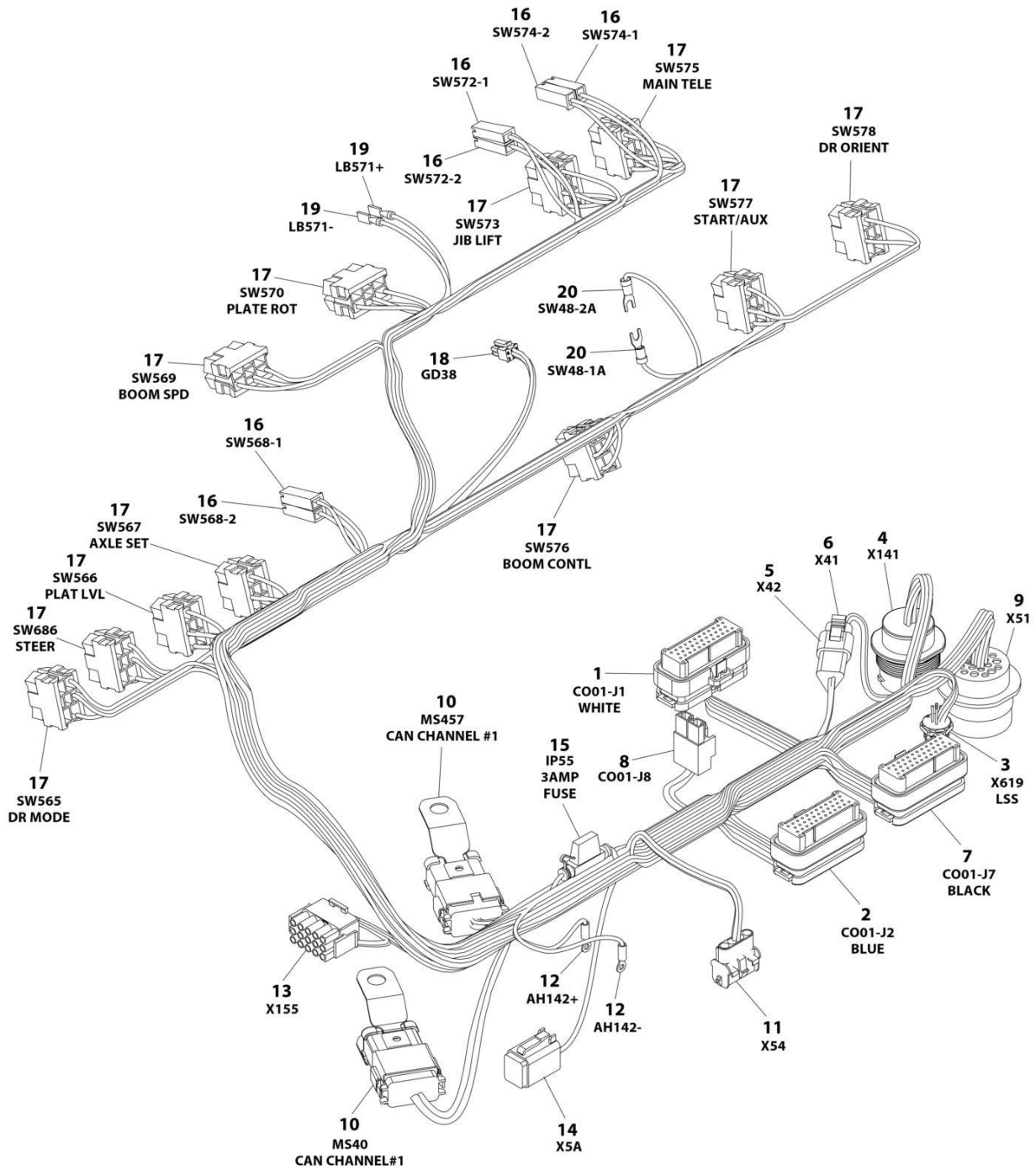
ITEM	PART NUMBER	QTY	DESCRIPTION	REV
	1001241891	Ref	PLATFORM CONSOLE BOX HARNESS	J
2	4460866	1	Connector - 19 Pin	
2	4460464	7	Pin, Male Deutsch 16 Ga	
2	4460508	4	Pin, Male Deutsch 12 Ga	
2	4460943	3	Pin, Male 16 Ga (Gold)	
2	4460466	5	Plug	
3	4460874	1	Connector - 35 Position (Natural)	
3	4460871	33	Socket, Female	
3	4460905	2	Plug	
4	4460876	1	Connector - 35 Position (Blue)	
4	4460871	20	Socket, Female	
4	4460905	20	Plug	
5	4460873	1	Connector - 35 Position (Black)	
5	4460871	26	Socket, Female	
5	4460905	8	Plug	
8	4460879	1	Connector - 2 Position	
8	4460887	2	Terminal	
10	4460213	4	Terminal Eyelet	
11	4460260	10	Terminal, Housing	
11	4460259	10	Terminal	
13	4460418	12	Connector, Female - 6 Position	
13	4460419	12	Socket, Female	
13	1001159186	22	Terminal	
18	4460888	3	Terminal, Fork	
19	4460225	1	Connector - 6 Position	
19	4460227	5	Terminal (16 Gauge)	
25	4460806	1	Terminal, Fork	
26	4460434	2	Connector - 15 Position	
26	4460227	16	Pin, Male	
26	4460267	1	Pin, Male	
27	4460183	11	Terminal, Fork	
28	4460925	1	Connector - 21 Pin	
28	1001126011	13	Pin, Male Deutsch 16 Ga	
28	4460466	8	Plug	
30	1001121616	2	Connector - 6 Position	
30	1001121615	2	Base, Mounting	
33	4460142	1	Terminal, Eyelet	
36	4460016	2	Terminal (16 - 14AWG)	
36	1001271497	2	Terminal (22 - 18AWG)	
37	4460894	1	Connector - 6 Position	
37	4460465	5	Socket, Female	
37	4460466	1	Plug	
43	4460539	1	Plug, Male - 3 Position	
43	4460944	3	Socket, Female (Gold)	
44	4460536	1	Connector - 3 Position	
44	4460943	3	Pin, Male (Gold)	
47	4460933	1	Connector, Gray - 12 Position	
47	4460944	10	Socket, Female (Gold)	
47	4460466	2	Plug	
47	1001119020	1	Bussbar - 12 Position	

SECTION 8 - ELECTRICAL

ITEM	PART NUMBER	QTY	DESCRIPTION	REV
50	1001213447	1	Connector - 5 Position	
70	1001237667	1	Connector - 6 Position	
70	1001237668	4	Socket, Female (Gold)	
71	2400060	1	Holder, Fuse	
71	8229249	1	Fuse	
75	4460042	1	Terminal, Ring	
83	4460708	2	Plug, Male - 15 Position	
83	4460226	2	Socket, Female	

SECTION 8 - ELECTRICAL

FIGURE 8-55. PLATFORM CONSOLE BOX HARNESS



ART_1001243596

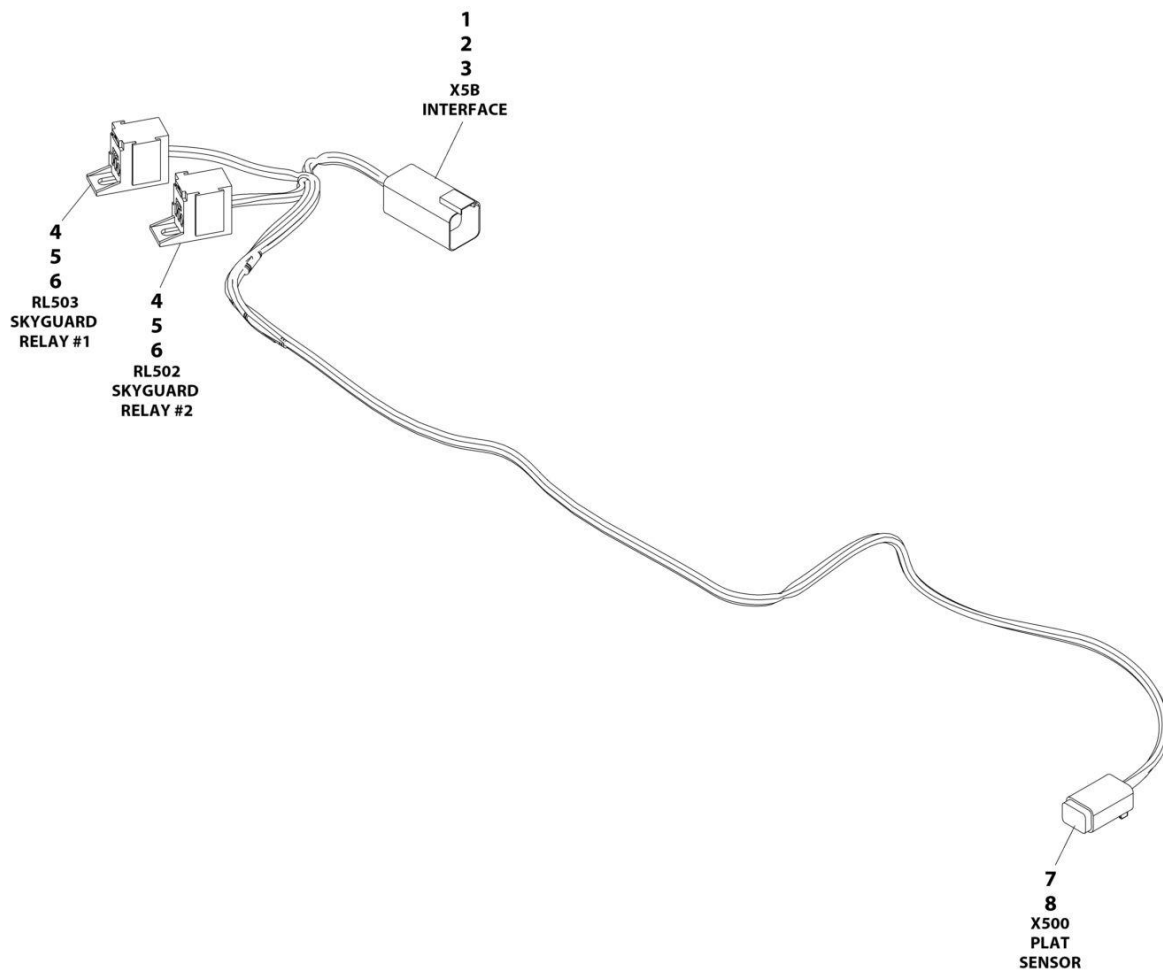
SECTION 8 - ELECTRICAL

FIGURE 8-55. PLATFORM CONSOLE BOX HARNESS

ITEM	PART NUMBER	QTY	DESCRIPTION	REV
	1001243596	Ref	PLATFORM CONSOLE BOX HARNESS	C
1	4460874	1	Connector - 35 Position	
1	4460871	24	Socket, Female	
1	4460905	11	Plug, Terminal	
2	4460876	1	Connector - 35 Position	
2	4460871	11	Socket, Female	
2	4460905	24	Plug, Terminal	
3	1001213447	1	Receptacle, Female - 5 Position (With Wires & Terminals)	
4	4460925	1	Connector - 21 Position	
4	1001126011	7	Pin, Male	
4	4460518	14	Plug, Terminal	
5	4460536	1	Recepracle, Female - 3 Position	
5	4460943	3	Pin, Male	
6	4460539	1	Plug, Male - 3 Position	
6	4460944	3	Socket, Male	
7	4460873	1	Connector - 35 Position	
7	4460871	19	Socket, Female	
7	4460905	16	Plug, Terminal	
8	4460879	1	Plug, Male - 2 Position	
8	4460887	2	Terminal	
9	4460866	1	Connector - 19 Position	
9	4460943	3	Pin, Male	
9	4460464	5	Pin, Male	
9	4460508	2	Pin, Male	
9	4460466	9	Plug, Terminal	
10	4460933	2	Plug, Male - 12 Position	
10	4460465	17	Socket, Female	
10	4460466	7	Plug, Terminal	
10	1001119020	2	Bussbar - 12 Position	
10	1001120328	2	Mount	
11	4460761	1	Receptacle, Female - 4 Position	
11	4460227	4	Pin, Male	
12	1001098122	2	Terminal, Ring	
13	4460434	2	Plug, Male - 15 Position	
13	4460227	6	Pin, Male	
13	4460267	12	Pin, Male	
14	4460894	1	Plug, Male - 6 Position	
14	4460465	4	Socket, Female	
14	4460466	2	Plug, Terminal	
15	2400060	1	Fuseholder with Cover	
15		Ref	Fuse - 3 AMP	
16	4460260	6	Cover, Terminal	
16	4460259	6	Terminal	
17	4460418	11	Connector - 6 Position	
17	4460419	20	Socket, Female	
17	1001159186	21	Socket, Female	
18	1001237667	1	Plug, Male - 6 Position	
18	1001237668	4	Socket, Female	
19	4460016	2	Terminal	
20	4460183	2	Terminal, Fork	

SECTION 8 - ELECTRICAL

FIGURE 8-56. PLATFORM INTERFACE HARNESS



ART_1001225580

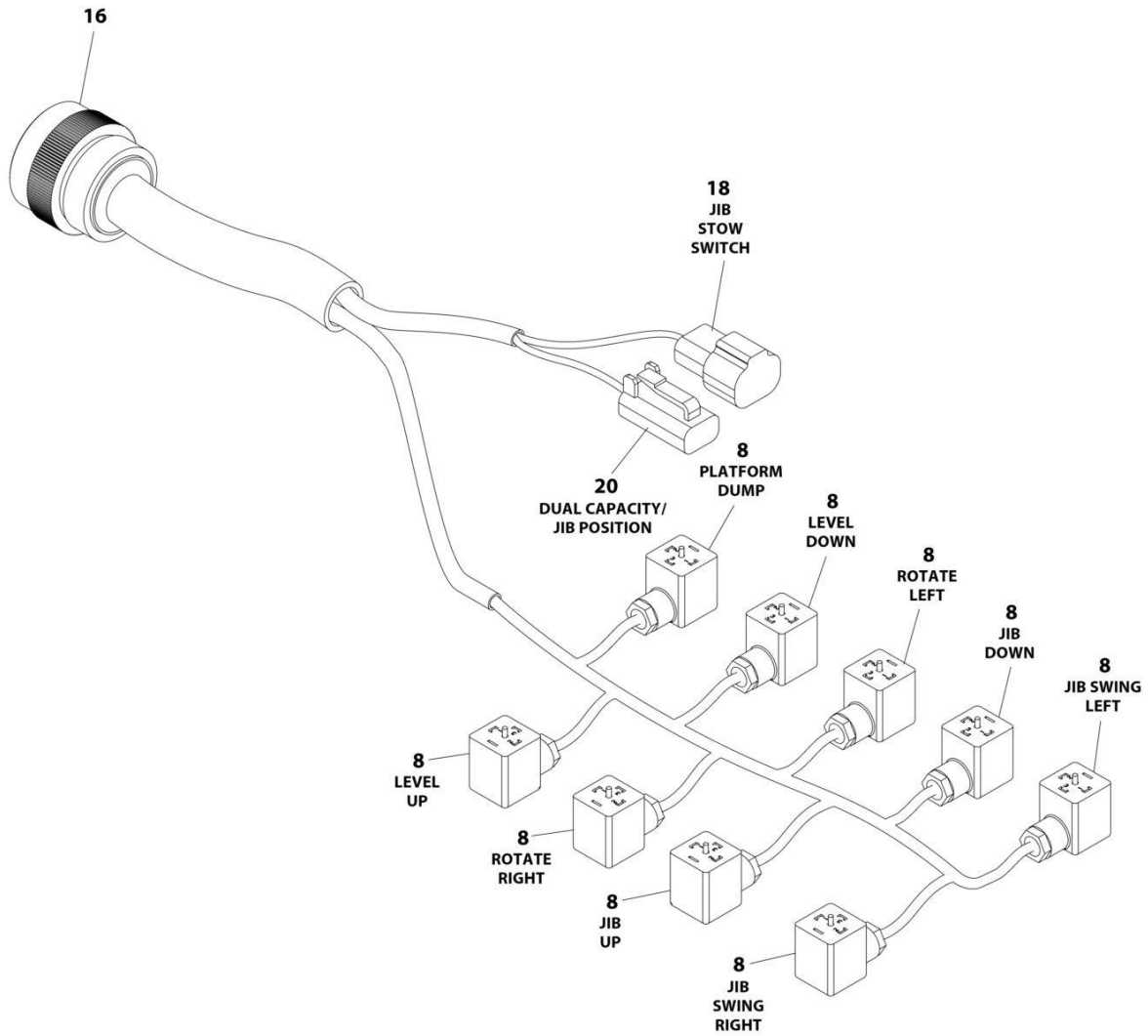
SECTION 8 - ELECTRICAL

FIGURE 8-56. PLATFORM INTERFACE HARNESS

ITEM	PART NUMBER	QTY	DESCRIPTION	REV
	1001225580	Ref	INTERFACE HARNESS - WITH 1 CELL LSS	D
1	4460899	1	Connector	
2	4460464	4	Terminal	
3	4460466	2	Plug	
4	1001186432	2	Connector	
5	1001116720	4	Terminal	
6	1001118388	4	Terminal	
7	4460884	1	Connector	
8	4460465	4	Terminal	

SECTION 8 - ELECTRICAL

FIGURE 8-57. PLATFORM VALVE HARNESS



ART_4922777_E

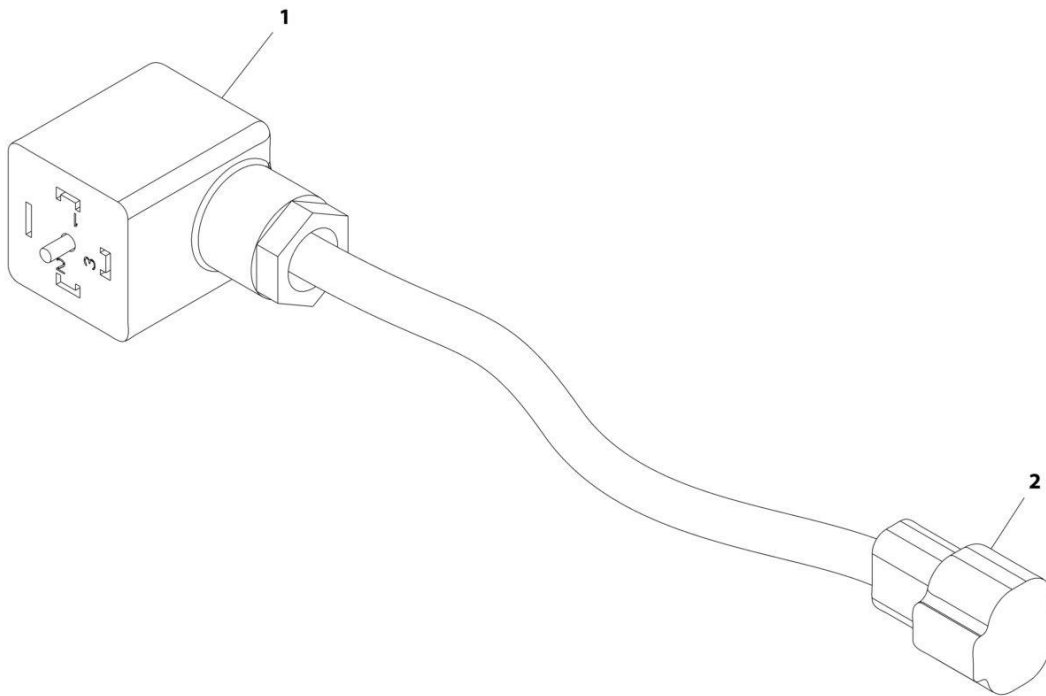
SECTION 8 - ELECTRICAL

FIGURE 8-57. PLATFORM VALVE HARNESS

ITEM	PART NUMBER	QTY	DESCRIPTION	REV
	4922777	Ref	PLATFORM VALVE HARNESS	E
7	4240033	10	Tie-Strap (Not Shown)	
8	1001263923	9	DIN Connector	
16	4460926	1	Connector - 21 Position	
16	4460928	13	Socket, Female	
16	4460466	8	Plug, Hole	
18	4460897	1	Connector - 2 Position	
18	4460464	2	Pin, Male	
20	4460891	1	Plug, Male - 2 Position	
20	4460465	2	Socket, Female	

SECTION 8 - ELECTRICAL

FIGURE 8-58. PUMP ADAPTER HARNESS - SAUER PUMPS



ART_100119456

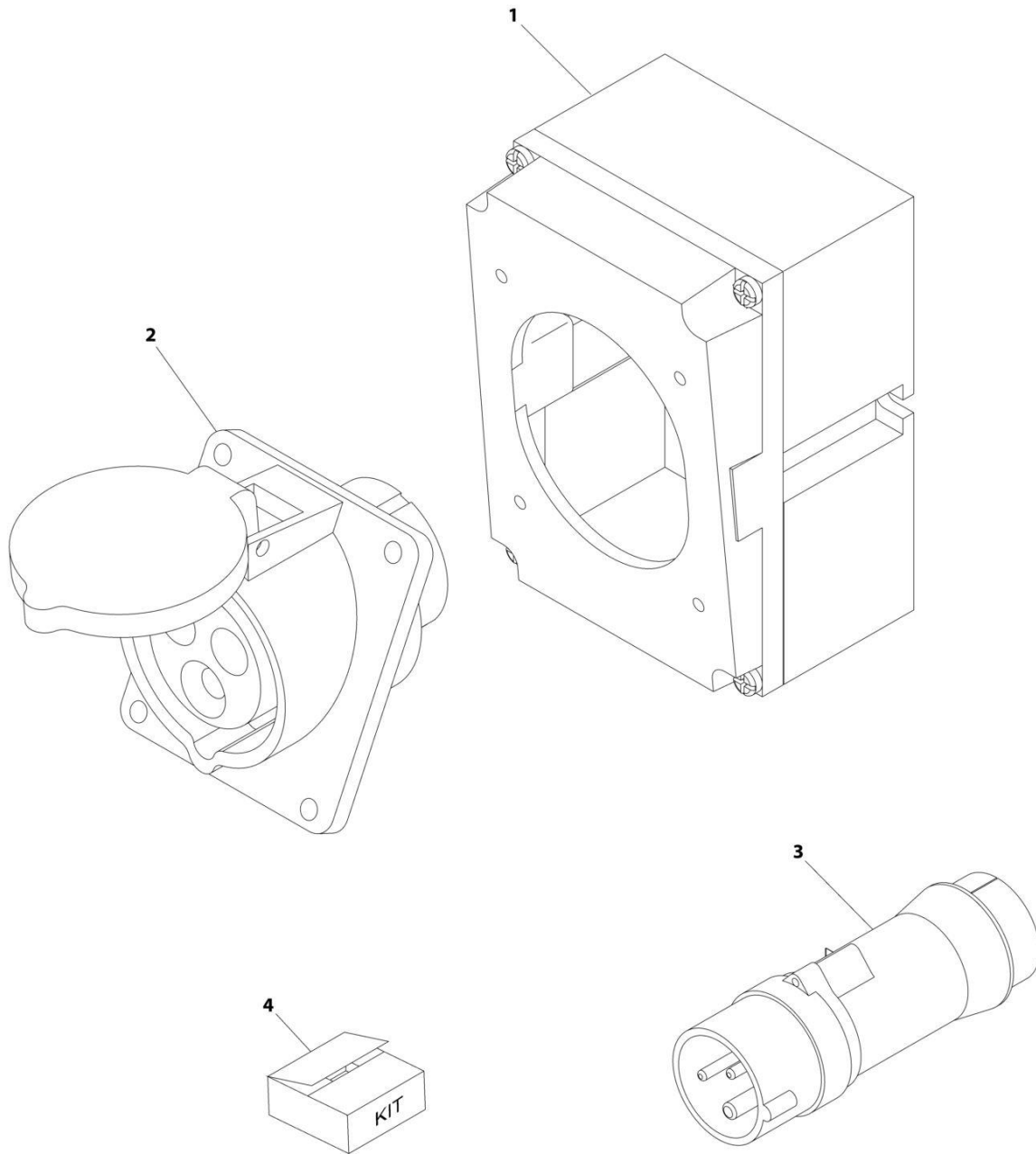
SECTION 8 - ELECTRICAL

FIGURE 8-58. PUMP ADAPTER HARNESS - SAUER PUMPS

ITEM	PART NUMBER	QTY	DESCRIPTION	REV
	1001119456	Ref	PUMP ADAPTER HARNESS - SAUER PUMPS	C
1	4460880	2	DIN Connector	
2	4460897	2	Connector - 2 Position	
2	4460464	4	Pin, Male	

SECTION 8 - ELECTRICAL

FIGURE 8-59. RECEPTACLE BOX KIT - 110V IEC YELLOW WITHOUT 2500W GENERATOR (CE & UK CA SPECS)



ART_0275216

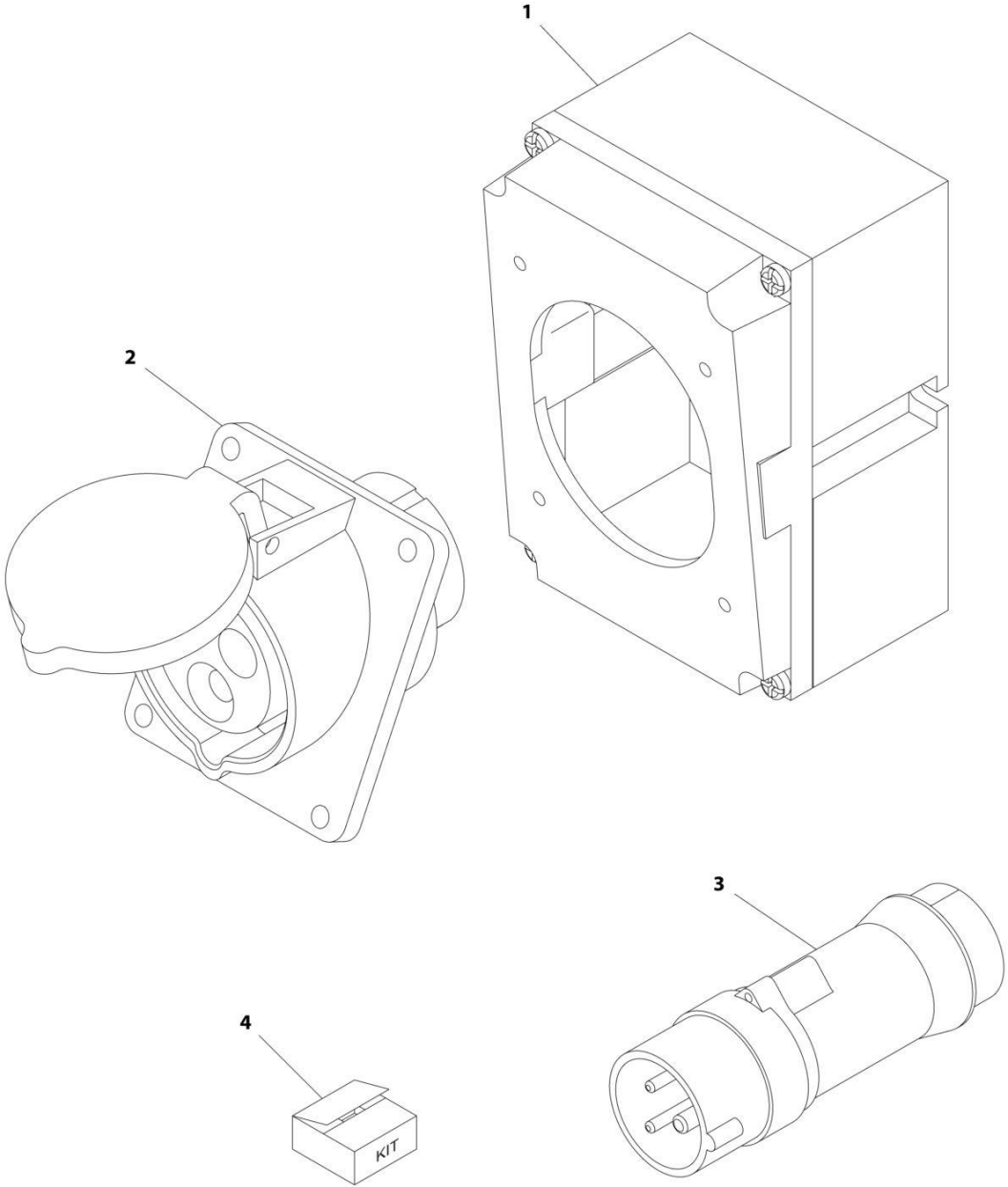
SECTION 8 - ELECTRICAL

FIGURE 8-59. RECEPTACLE BOX KIT - 110V IEC YELLOW WITHOUT 2500W GENERATOR (CE & UK CA SPECS)

ITEM	PART NUMBER	QTY	DESCRIPTION	REV
	0275216	Ref	RECEPTACLE BOX KIT - 110V IEC YELLOW	B
1	0861781	1	Box, Switch	
2	4461198	1	Receptacle	
3	4461196	1	Plug, Male	
4	1001100341	1	Plug and Socket Kit (Includes Items 1-3 and Female Plug p/n 4461197)	

SECTION 8 - ELECTRICAL

FIGURE 8-60. RECEPTACLE BOX KIT - 220V IEC BLUE WITHOUT 2500W GENERATOR (CE & UK CA SPECS)



ART_0275217

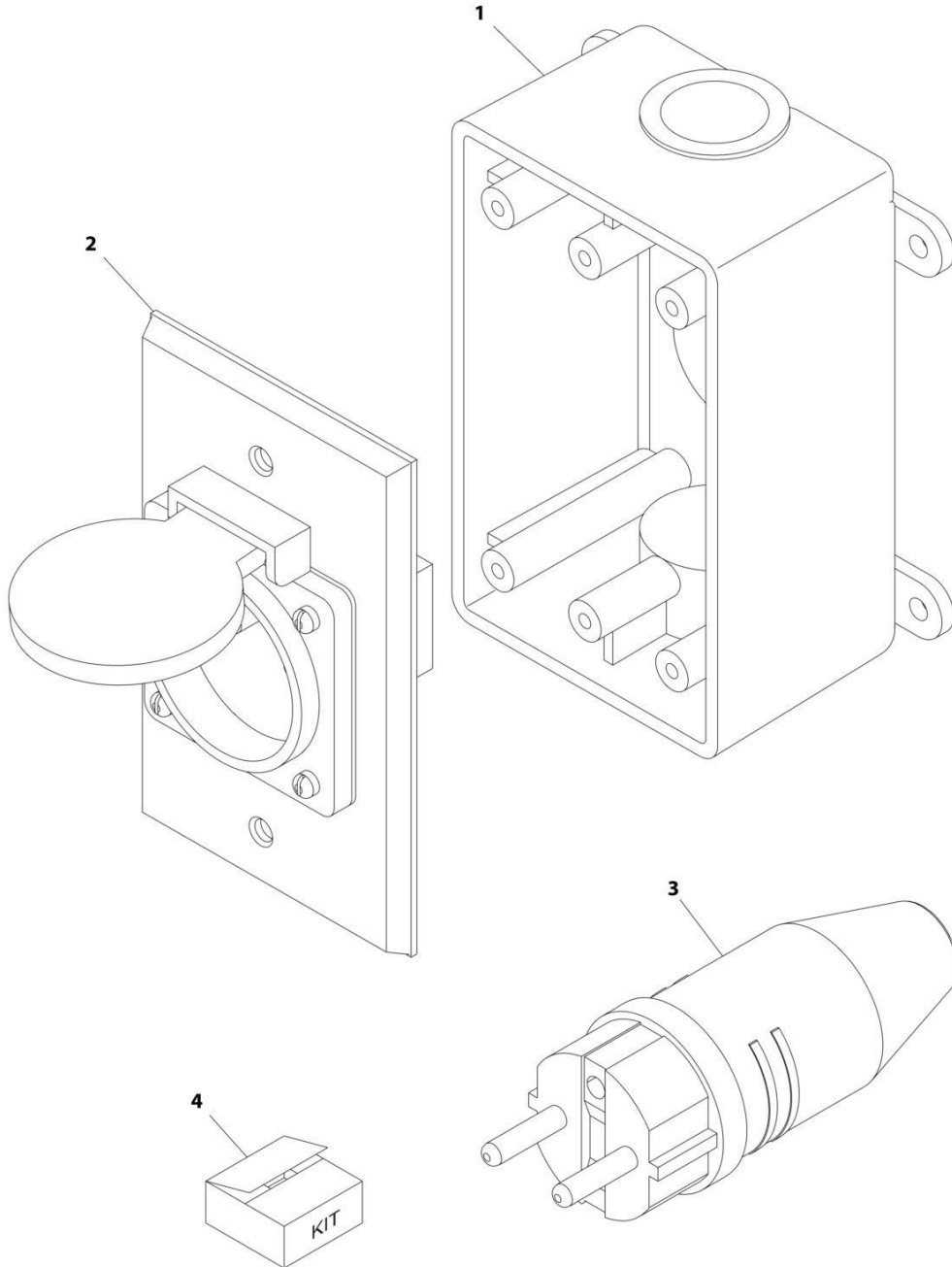
SECTION 8 - ELECTRICAL

FIGURE 8-60. RECEPTACLE BOX KIT - 220V IEC BLUE WITHOUT 2500W GENERATOR (CE & UK CA SPECS)

ITEM	PART NUMBER	QTY	DESCRIPTION	REV
	0275217	Ref	RECEPTACLE BOX KIT - 220V IEC BLUE	B
1	0861781	1	Box, Switch	
2	4461201	1	Receptacle	
3	4461199	1	Plug, Male	
4	1001100342	1	Plug and Socket Kit (Includes Items 1-3 and Female Plug p/n 4461200)	

SECTION 8 - ELECTRICAL

FIGURE 8-61. RECEPTACLE BOX KIT - 220V CEE7 POST GROUND WITHOUT 2500W GENERATOR
(2X4 BOX) (CE & UK CA SPECS)



ART_0275452-C

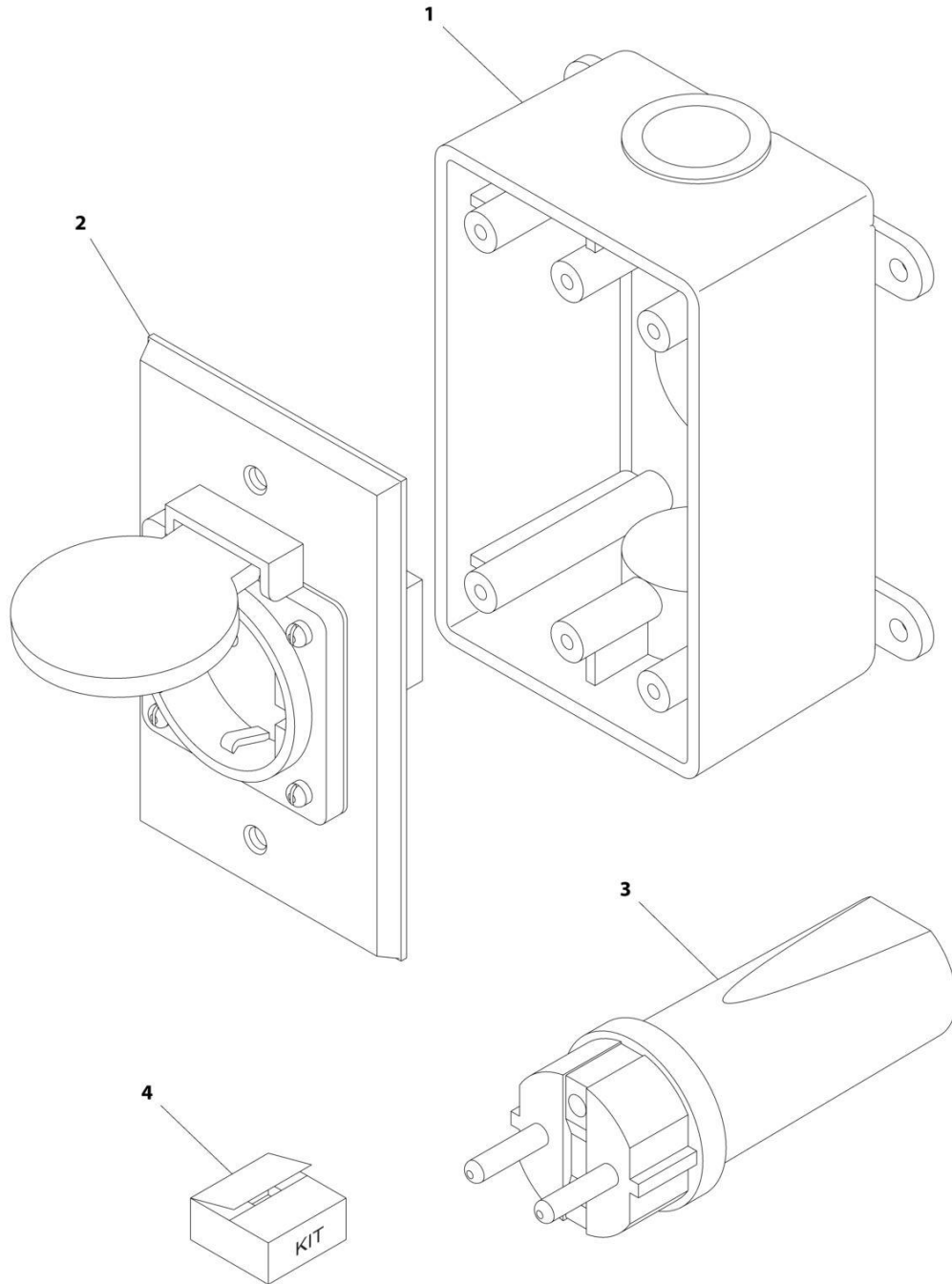
SECTION 8 - ELECTRICAL

**FIGURE 8-61. RECEPTACLE BOX KIT - 220V CEE7 POST GROUND WITHOUT 2500W GENERATOR
(2X4 BOX) (CE & UK CA SPECS)**

ITEM	PART NUMBER	QTY	DESCRIPTION	REV
	0275452	Ref	RECEPTACLE BOX KIT - 220V CEE7 POST GROUND 2IN X 4IN BOX	C
1	0861731	1	Box, Switch	
2	4461244	1	Receptacle	
3	4461205	1	Plug, Male	
4	1001100345	1	Plug and Socket Kit (Includes Items 1-3 and Female Plug p/n 4461203)	

SECTION 8 - ELECTRICAL

FIGURE 8-62. RECEPTACLE BOX KIT - 220V CEE7 SIDE GROUND WITHOUT 2500W GENERATOR
(2X4 BOX) (CE & UK CA SPECS)



ART_0275453

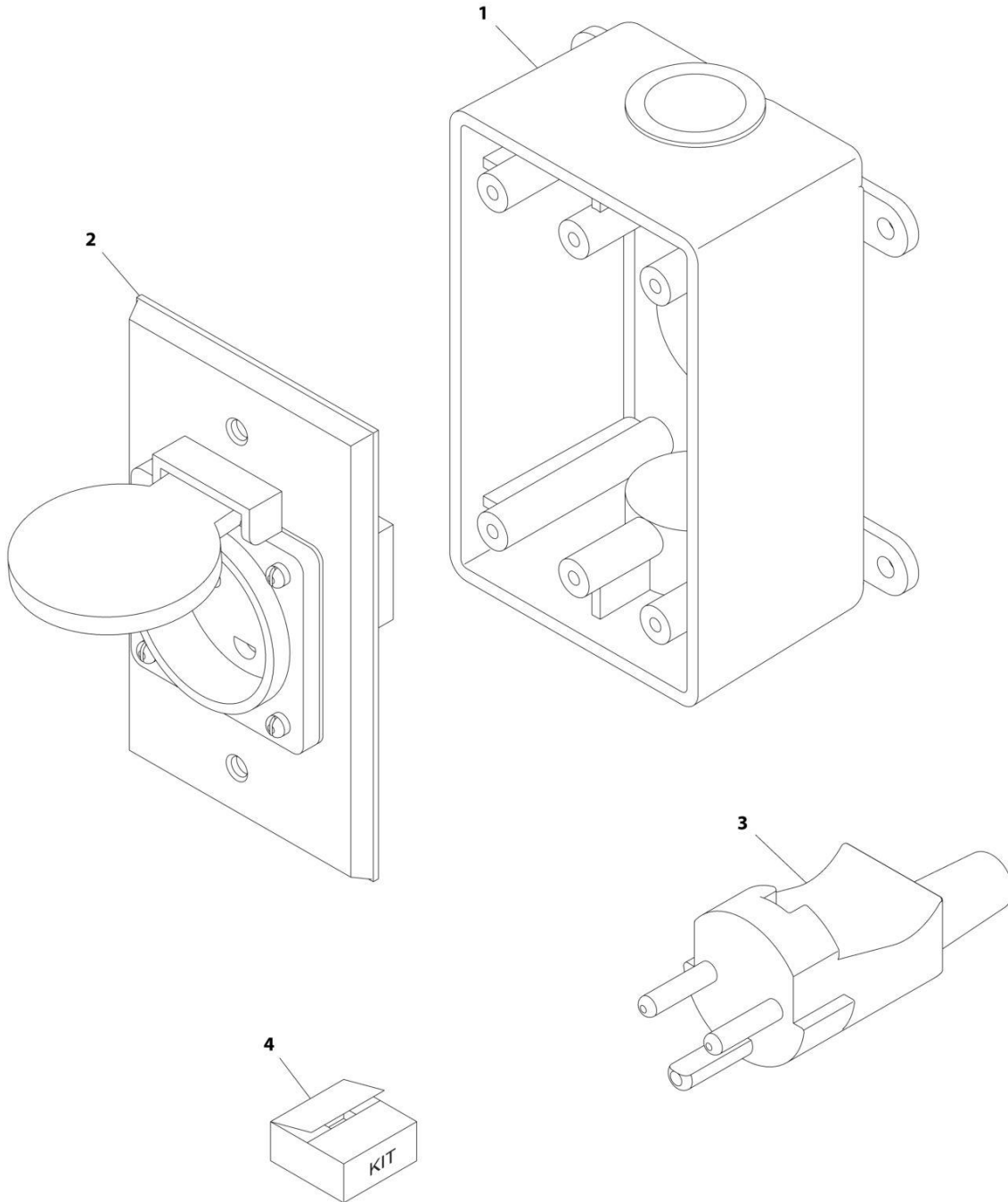
SECTION 8 - ELECTRICAL

**FIGURE 8-62. RECEPTACLE BOX KIT - 220V CEE7 SIDE GROUND WITHOUT 2500W GENERATOR
(2X4 BOX) (CE & UK CA SPECS)**

ITEM	PART NUMBER	QTY	DESCRIPTION	REV
	0275453	Ref	RECEPTACLE BOX KIT - 220V CEE7 SIDE GROUND	B
1	0861731	1	Box, Switch	
2	4461245	1	Receptacle	
3	4461205	1	Plug, Male	
4	1001100347	1	Plug and Socket Kit (Includes Items 1-3 and Female Plug p/n 4461206)	

SECTION 8 - ELECTRICAL

FIGURE 8-63. RECEPTACLE BOX KIT - 220V AFSINT 107 KEYED GROUND WITHOUT 2500W GENERATOR (2X4 BOX) (CE & UK CA SPECS)



ART_0275454

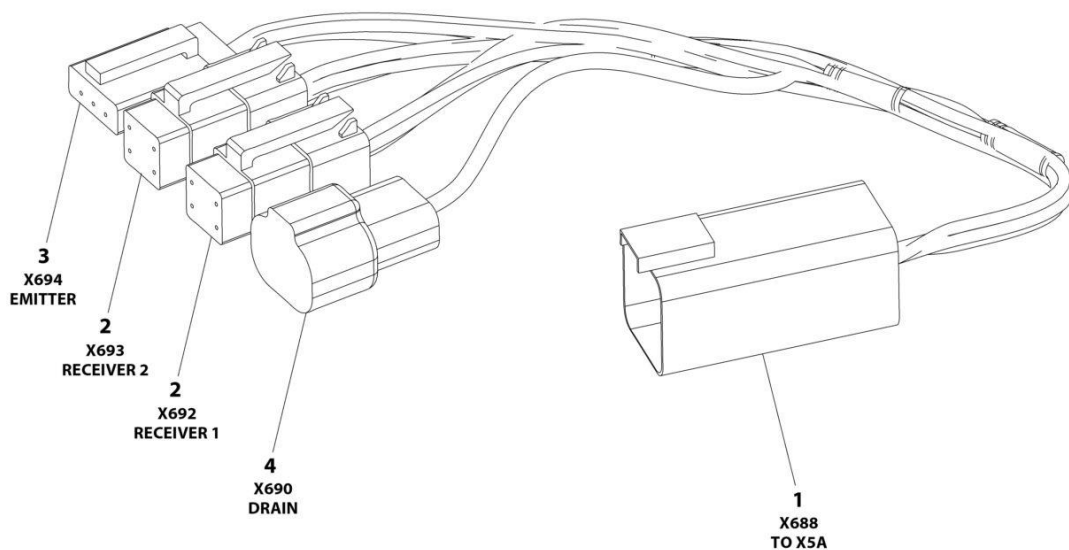
SECTION 8 - ELECTRICAL

FIGURE 8-63. RECEPTACLE BOX KIT - 220V AFSINT 107 KEYED GROUND WITHOUT 2500W GENERATOR (2X4 BOX) (CE & UK CA SPECS)

ITEM	PART NUMBER	QTY	DESCRIPTION	REV
	0275454	Ref	RECEPTACLE BOX KIT - 220V AFSINT 107	B
1	0861731	1	Box, Switch	
2	4461246	1	Receptacle	
3	4461249	1	Plug, Male	
4	1001100346	1	Plug and Socket Kit (Includes Items 1-3 and Female Plug p/n 4461250)	

SECTION 8 - ELECTRICAL

FIGURE 8-64. SKYEYE INTERMEDIATE HARNESS



ART_1001237865

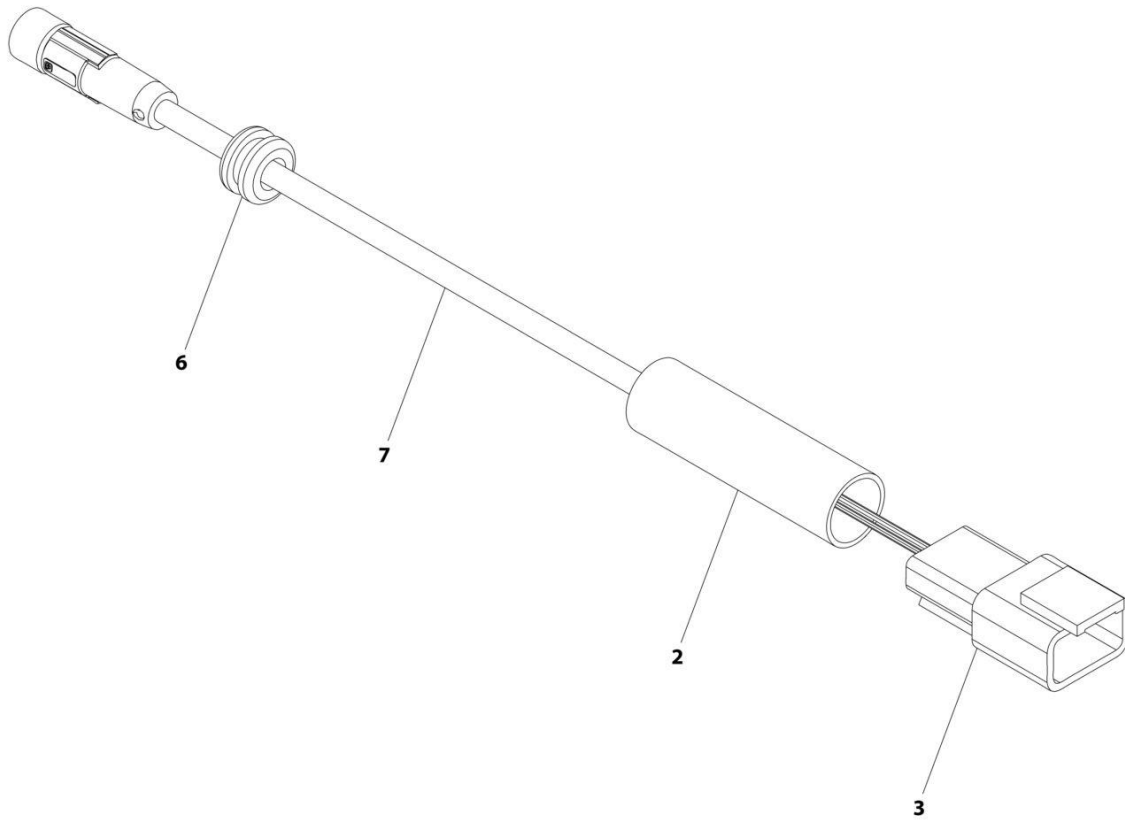
SECTION 8 - ELECTRICAL

FIGURE 8-64. SKYEYE INTERMEDIATE HARNESS

ITEM	PART NUMBER	QTY	DESCRIPTION	REV
	1001237865	Ref	SKYEYE INTERMEDIATE HARNESS	A
1	4460899	1	Connector - 6 Position	
1	4460943	4	Pin, Male	
1	4460466	2	Plug, Terminal	
2	4461077	2	Connector - 4 Position	
2	1001119619	8	Socket, Female	
3	4460911	1	Connector - 3 Position	
3	1001119619	3	Socket, Female	
4	1001187681	1	Connector - 2 Position	
4	4460941	1	Pin, Male	
4	4460466	1	Plug, Terminal	

SECTION 8 - ELECTRICAL

FIGURE 8-65. SKYEYE EMITTER HARNESS



ART_1001237864

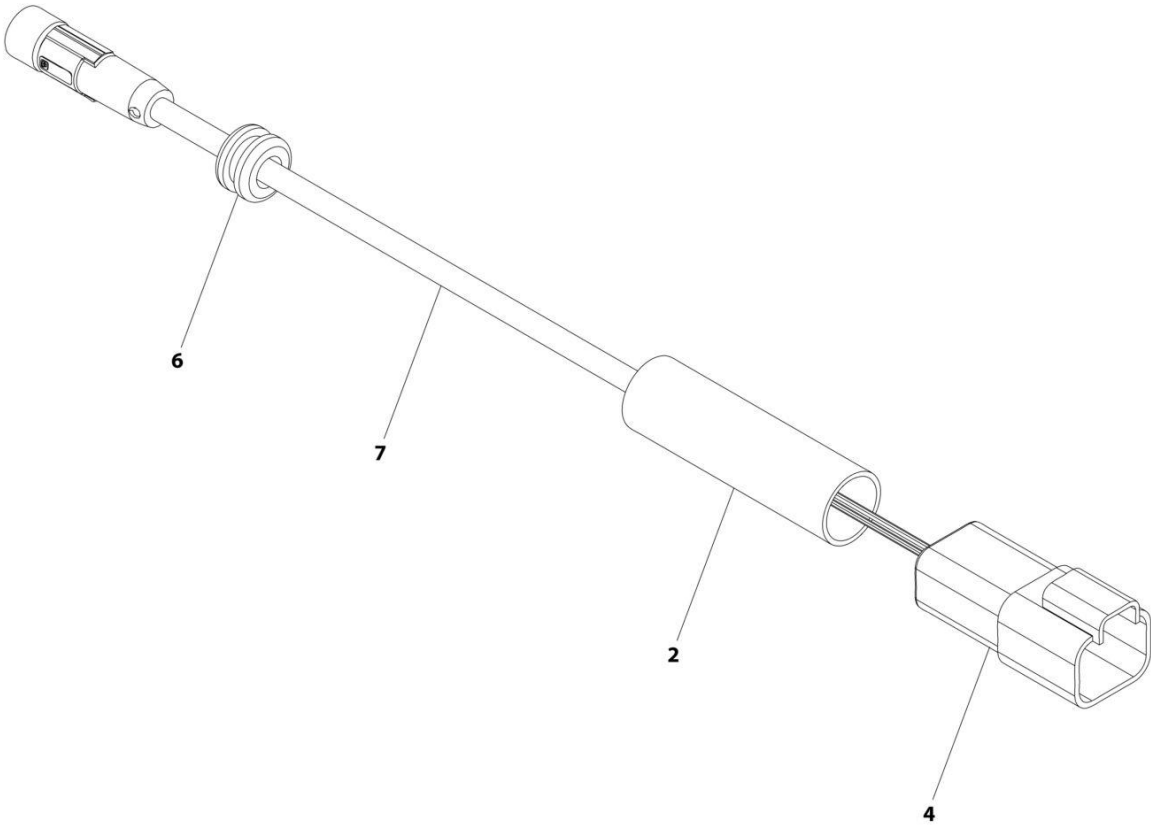
SECTION 8 - ELECTRICAL

FIGURE 8-65. SKYEYE EMITTER HARNESS

ITEM	PART NUMBER	QTY	DESCRIPTION	REV
	1001237864	Ref	SKYEYE EMITTER HARNESS	A
2	2820247	AR	Tubing, Heat Shrink	
3	4460910	1	Connector - 3 Position	
3	1001119620	3	Pin, Male	
6	1001227996	1	Grommet	
7	1001237862	1	Cable, M8 Female Cordset	

SECTION 8 - ELECTRICAL

FIGURE 8-66. SKYEYE RECEIVER HARNESS



ART_1001237863

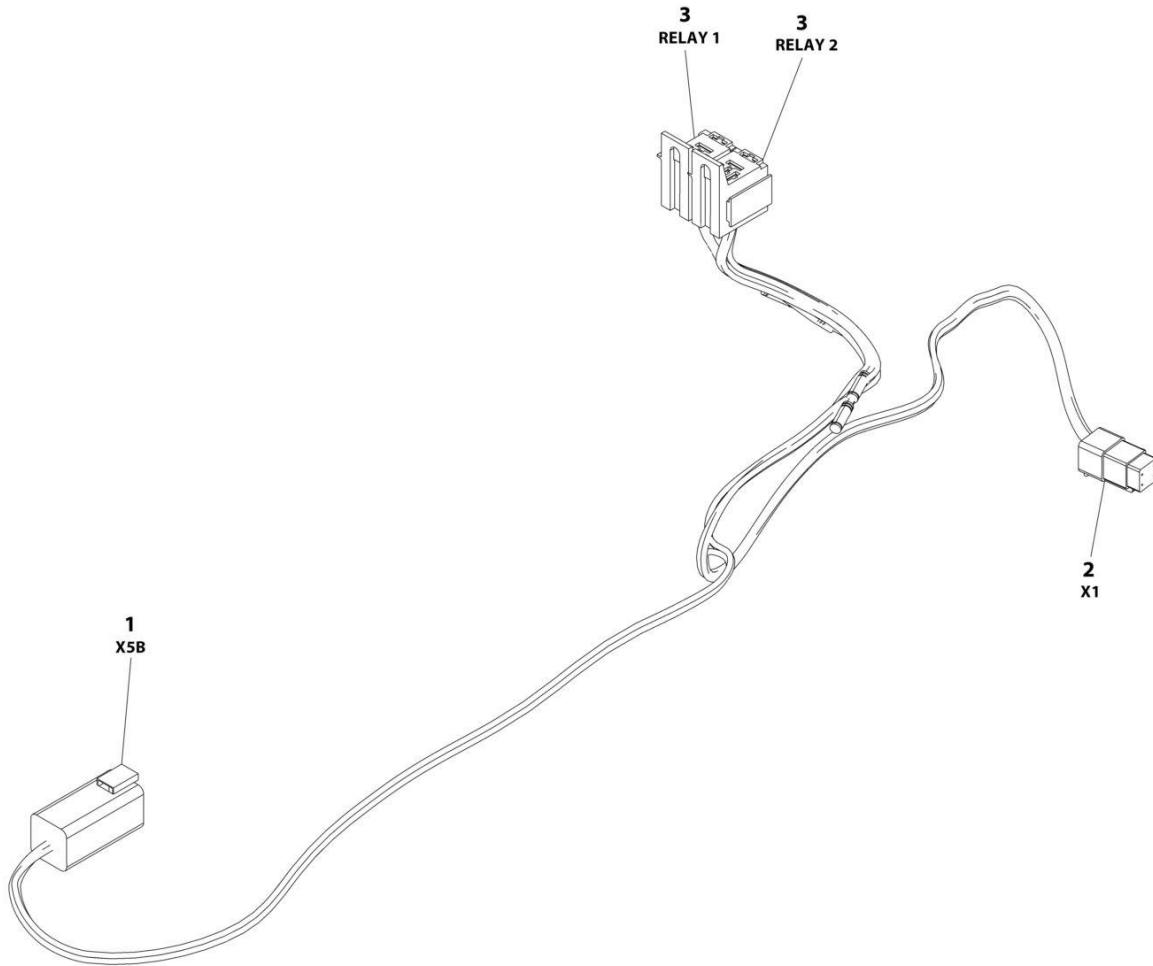
SECTION 8 - ELECTRICAL

FIGURE 8-66. SKYEYE RECEIVER HARNESS

ITEM	PART NUMBER	QTY	DESCRIPTION	REV
	1001237863	Ref	SKYEYE RECEIVER HARNESS	A
2	2820247	AR	Tubing, Heat Shrink	
4	1001097051	1	Connector - 4 Position	
4	1001119620	4	Pin, Male	
6	1001227996	1	Grommet	
7	1001237862	1	Cable, M8 Female Cordset	

SECTION 8 - ELECTRICAL

FIGURE 8-67. SKYLINE HARNESS



ART_1001238418

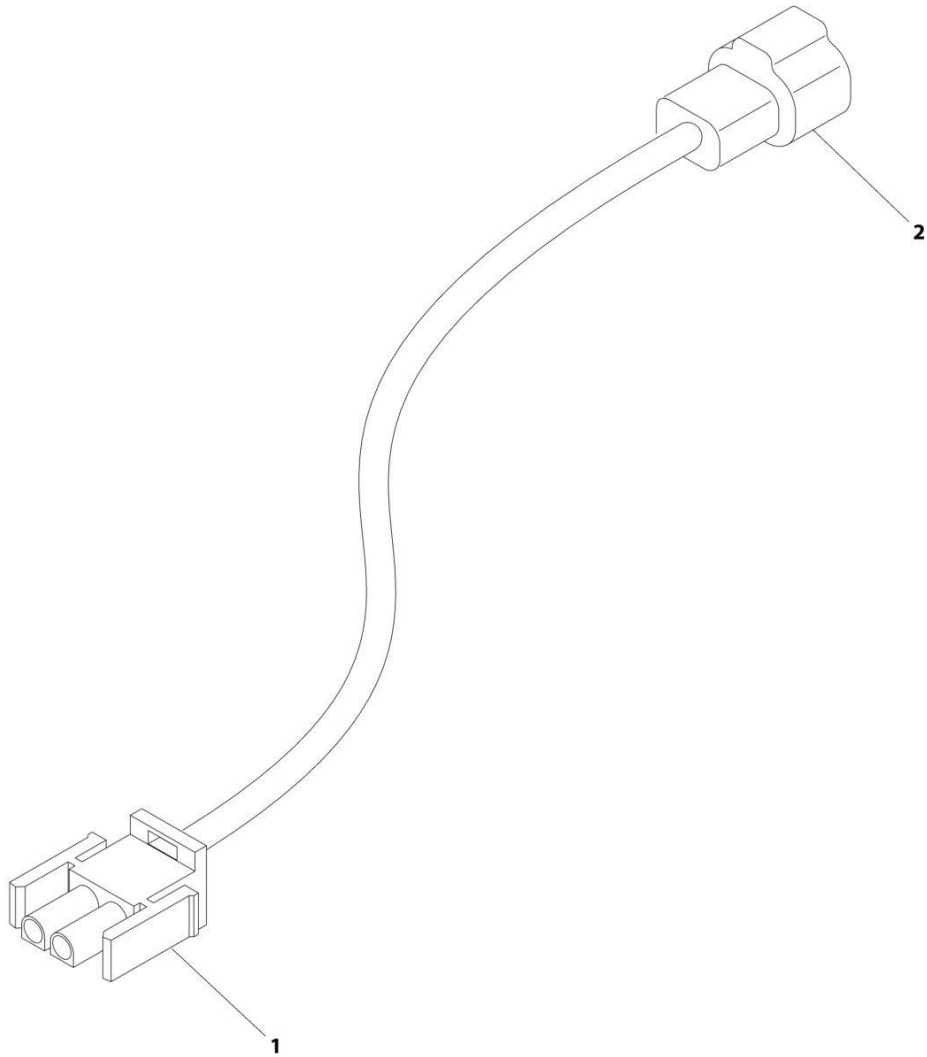
SECTION 8 - ELECTRICAL

FIGURE 8-67. SKYLINE HARNESS

ITEM	PART NUMBER	QTY	DESCRIPTION	REV
	1001238418	Ref	SKYLINE HARNESS	B
1	4460899	1	Connector - 6 Position	
1	4460464	4	Pin, Male	
1	4460466	2	Plug, Terminal	
2	4461077	1	Connector - 4 Position	
2	1001126009	4	Socket, Female	
3	1001186432	2	Plug, Relay	
3	1001118388	5	Terminal	
3	1001118384	3	Terminal	
3	3740086	2	Relay	

SECTION 8 - ELECTRICAL

FIGURE 8-68. STROBE LIGHT HARNESS (AMBER)



ART_1001149818

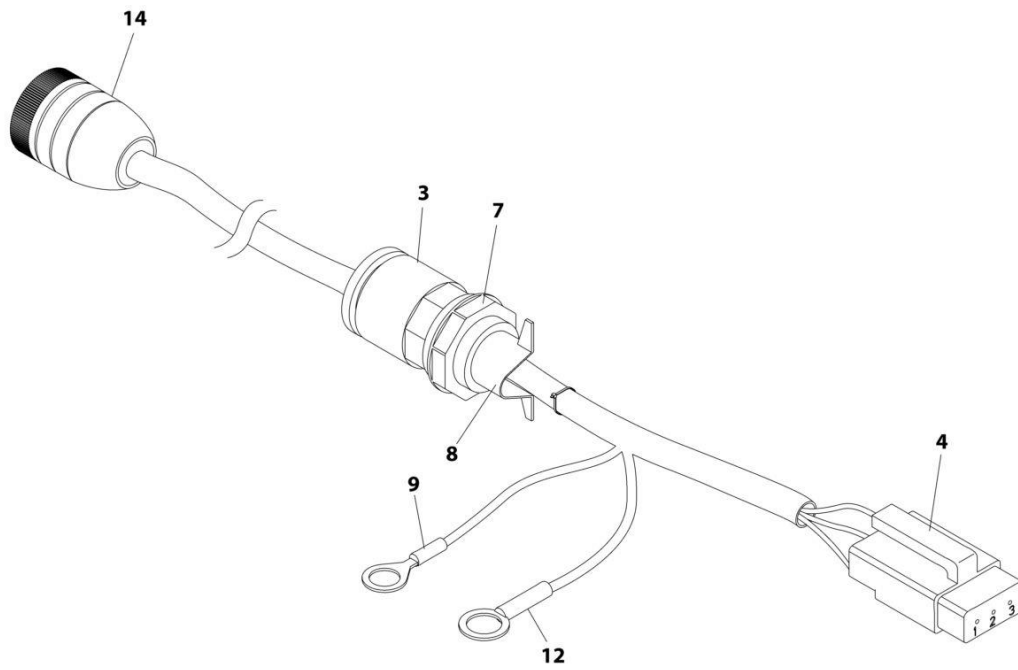
SECTION 8 - ELECTRICAL

FIGURE 8-68. STROBE LIGHT HARNESS (AMBER)

ITEM	PART NUMBER	QTY	DESCRIPTION	REV
	1001149818	Ref	STROBE LIGHT HARNESS (AMBER)	D
1	4460320	1	Plug, Male - 2 Position	
1	4460267	2	Pin, Male	
2	4460897	1	Connector - 2 Position	
2	4460464	2	Pin, Male	

SECTION 8 - ELECTRICAL

FIGURE 8-69. TILT SENSOR HARNESS (LEFT)



ART_4922948

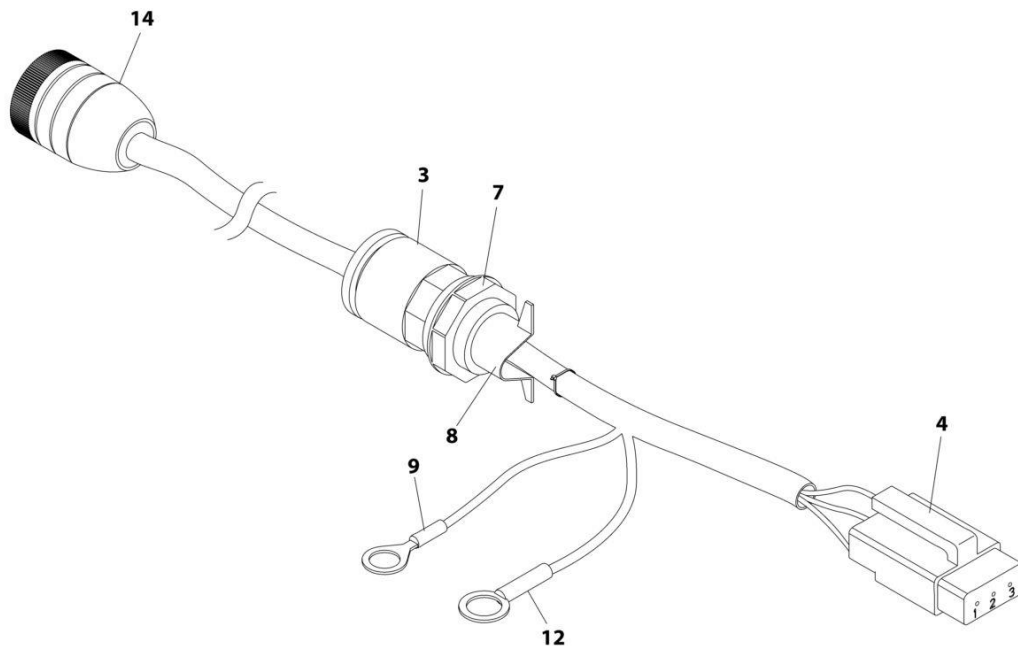
SECTION 8 - ELECTRICAL

FIGURE 8-69. TILT SENSOR HARNESS (LEFT)

ITEM	PART NUMBER	QTY	DESCRIPTION	REV
	4922948	Ref	TILT SENSOR HARNESS (LEFT)	E
3	1560011	1	Connector, Conduit	
4	4460911	1	Connector - 3 Position	
4	4460912	1	Lock, Wedge	
4	4460918	3	Pin, Male	
7	1560012	1	Nut, Conduit	
8	1320309	1	Clamp, Cable	
9	4460702	1	Terminal, Eyelet	
10	4240032	2	Tie-Strap (Not Shown)	
12	4460256	1	Terminal, Eyelet	
14	4461013	1	Connector - 6 Position	

SECTION 8 - ELECTRICAL

FIGURE 8-70. TILT SENSOR HARNESS (RIGHT)



ART_4922947

SECTION 8 - ELECTRICAL

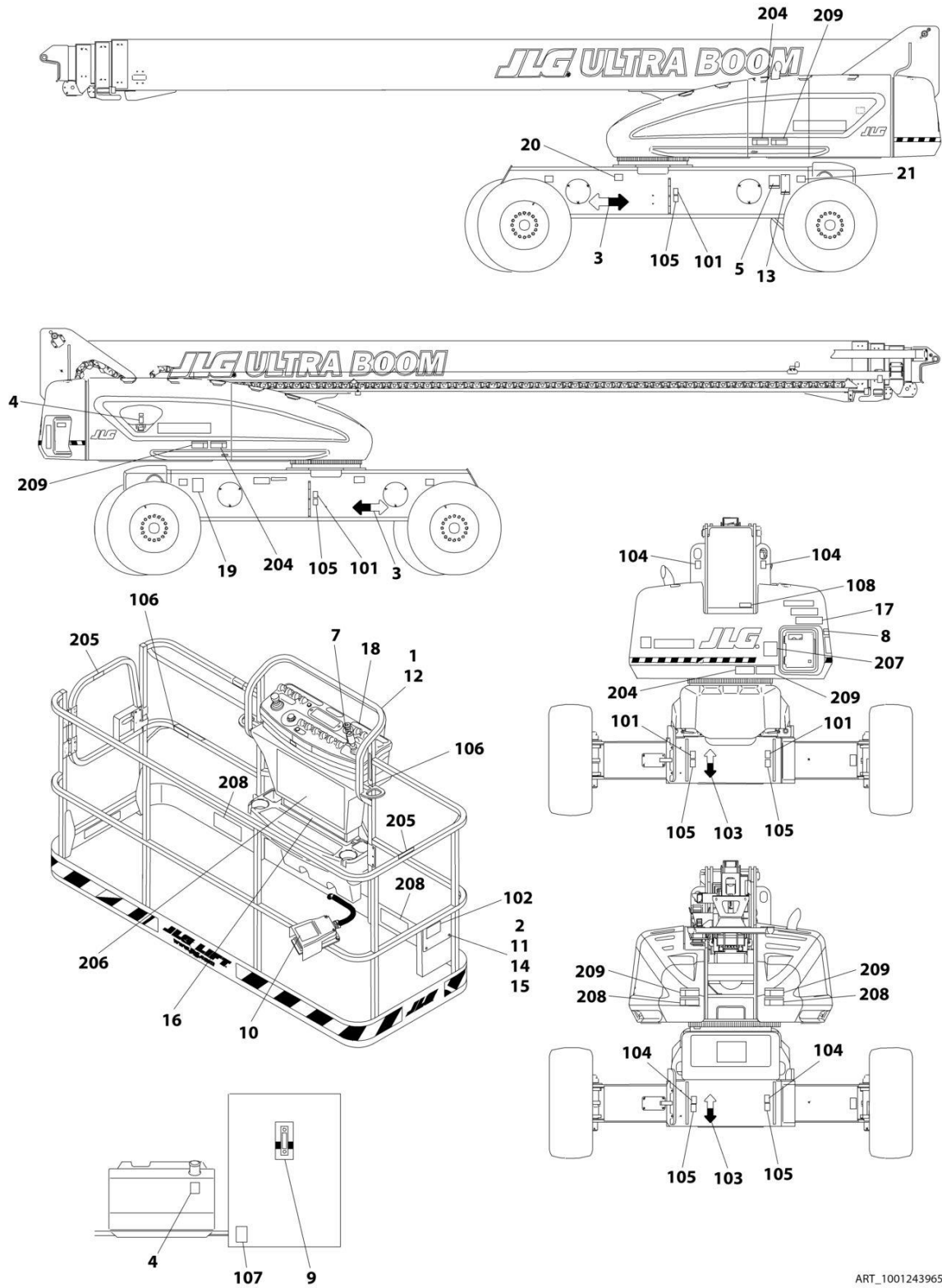
FIGURE 8-70. TILT SENSOR HARNESS (RIGHT)

ITEM	PART NUMBER	QTY	DESCRIPTION	REV
	4922947	Ref	TILT SENSOR HARNESS (RIGHT)	E
3	1560011	1	Connector, Conduit	
4	4460911	1	Connector - 3 Position	
4	4460912	1	Lock, Wedge	
4	4460918	3	Pin, Male	
7	1560012	1	Nut, Conduit	
8	1320309	1	Clamp, Cable	
9	4460702	1	Terminal, Eyelet	
10	4240032	2	Tie-Strap (Not Shown)	
12	4460256	1	Terminal, Eyelet	
14	4461013	1	Connector - 6 Position	

SECTION 9 - DECALS

SECTION 9 - DECALS

FIGURE 9-1. DECAL INSTALLATION - ANSI SPEC



ART_1001243965_1200-1350

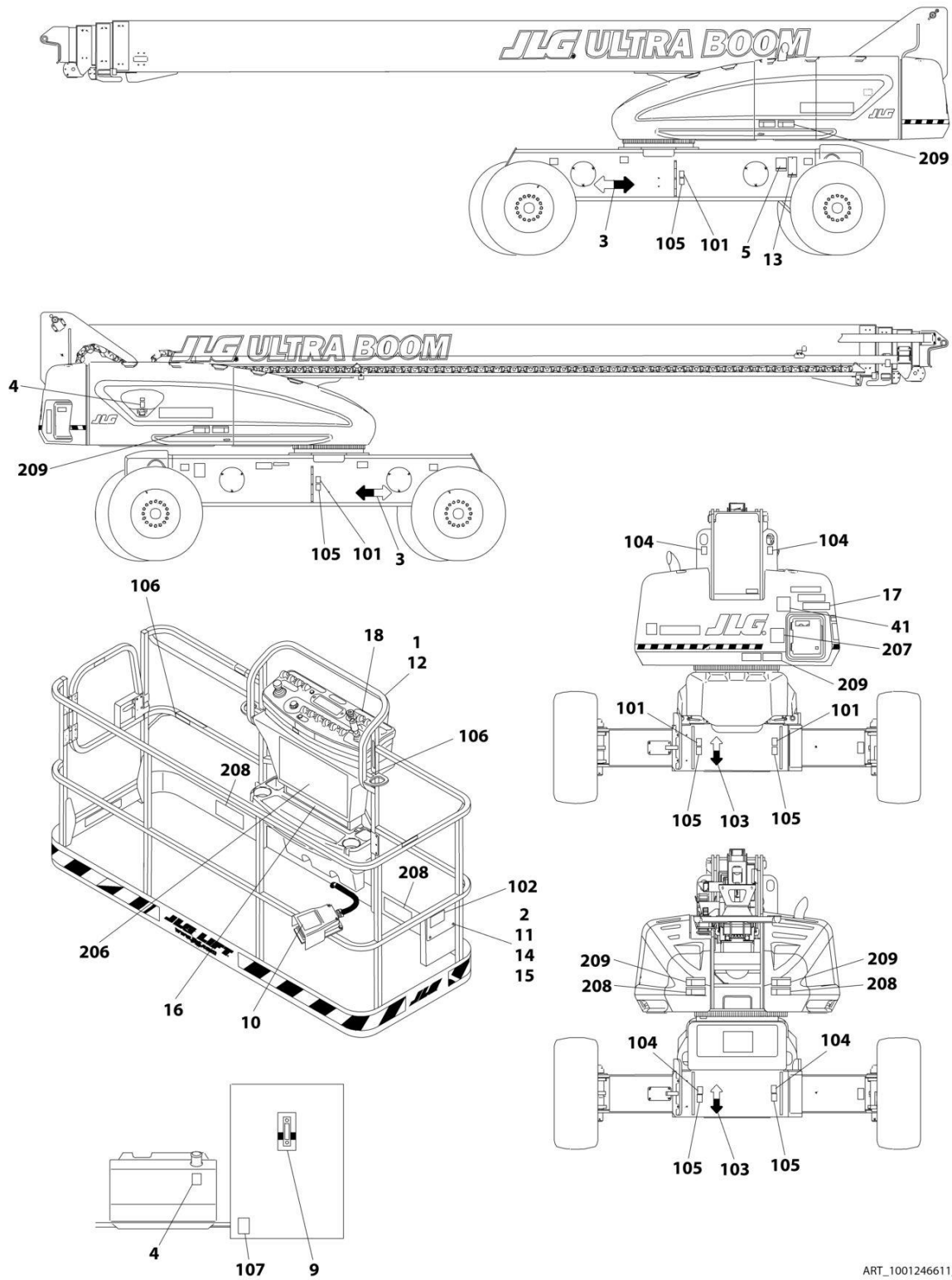
SECTION 9 - DECALS

FIGURE 9-1. DECAL INSTALLATION - ANSI SPEC

ITEM	PART NUMBER	QTY	DESCRIPTION	REV
	1001248554	Ref	DECAL INSTALLATION - REFERENCE CHART	D
	1001243965	Ref	DECAL INSTALLATION - ANSI SPEC	B
1	0100048	AR	Grease, Dielectric	
2	0641406	4	Bolt 1/4 x 3/4	
3	1701501	4	Decal - Arrow	
4	1701505	2	Decal - Fuel	
5	See Note	1	Decal - Bar Code (Note: Not Available For Purchase)	
6	1704972	1	Decal - Warning Explosion/Fire (Not Shown - Located on Engine Air Filter Housing)	
7	1705351	1	Decal - Drive/Steer Instructions	
8	1705492	1	Decal - Tip Over Hazard	
9	1705511	1	Decal - Oil Level	
10	3252347	1	Decal - Footswitch	
11	3311405	4	Nut 1/4	
12	3520174	3	Plug	
13	3820001	2	Rivet	
14	4751400	4	Washer 1/4	
15	91403230	1	Box, Manual Storage	
16	1001253048	1	Decal - Capacity (Platform)	
17	1001253049	1	Decal - Capacity (Ground Control)	
18	1001122611	1	Decal - Stop	
19	1001131269	1	Decal - Patent	
20	1001223055	1	Decal - Yearly Inspection	
21	1001223453	1	Decal - Ices	
100	1001248539	1	Decal Master Kit (Not Shown - Includes Items 101-108)	
101	1701499	4	Decal - No Lift	
102	1701509	1	Decal - Manual	
103	1701529	2	Decal - Arrow	
104	1703811	8	Decal - Tie Down/Lift	
105	1703814	6	Decal - Tie Down	
106	1704277	4	Decal - Attach Lanyard Here	
107	1704412	1	Decal - Hydraulic Oil Chart	
108	3251243	1	Nameplate - 120V-60Hz	
200	1001248547	1	Decal Kit (Not Shown - Includes Items 204-209)	
204	1703953	7	Decal - Warning/Crushing	
205	1702868	2	Decal - No Hands	
206	1001231315	1	Decal - Danger/Warning (Platform)	
207	1705336	1	Decal - Danger/Warning (Ground Control)	
208	1703804	5	Decal - Warning Crushing	
209	1703805	5	Decal - Danger/Electrocution	

SECTION 9 - DECALS

FIGURE 9-2. DECAL INSTALLATION - AUSTRALIAN SPEC



ART_1001246611_1200-1350

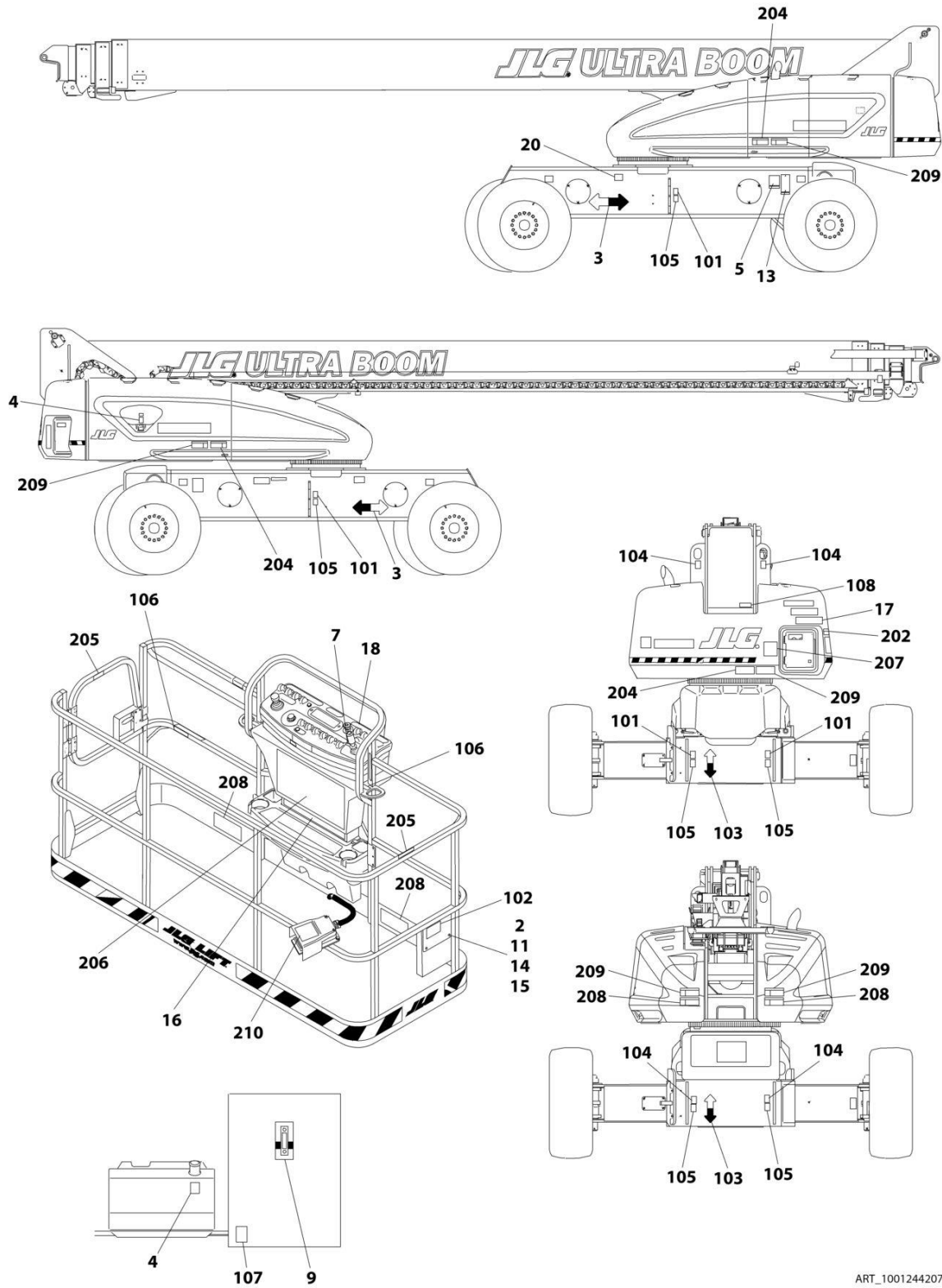
SECTION 9 - DECALS

FIGURE 9-2. DECAL INSTALLATION - AUSTRALIAN SPEC

ITEM	PART NUMBER	QTY	DESCRIPTION	REV
	1001248554	Ref	DECAL INSTALLATION - REFERENCE CHART	D
	1001246611	Ref	DECAL INSTALLATION - AUSTRALIAN SPEC	A
1	0100048	AR	Grease, Dielectric	
2	0641406	4	Bolt 1/4 x 3/4	
3	1701501	4	Decal - Arrow	
4	1701505	2	Decal - Fuel	
5	See Note	1	Decal - Bar Code (Note: Not Available For Purchase)	
6	1706098	1	Decal - Warning Explosion/Fire (Not Shown - Located on Engine Air Filter Housing)	
9	1705511	1	Decal - Oil Level	
10	1705828	1	Decal - Footswitch	
11	3311405	4	Nut 1/4	
12	3520174	3	Plug	
13	3820001	6	Rivet	
14	4751400	4	Washer 1/4	
15	91403230	1	Box, Manual Storage	
16	1706770	1	Decal - Capacity (Platform)	
17	1705468	1	Decal - Capacity (Ground Control)	
18	1705174	1	Decal - Stop	
41	1001112551	1	Decal - Emergency Controls (Australian Spec)	
100	1001248540	1	Decal Master Kit (Not Shown - Includes Items 101-107)	
101	1701499	4	Decal - No Lift	
102	1701509	1	Decal - Manual	
103	1701529	2	Decal - Arrow	
104	1703811	4	Decal - Tie Down/Lift	
105	1703814	6	Decal - Tie Down	
106	1704277	4	Decal - Attach Lanyard Here	
107	1704412	1	Decal - Hydraulic Oil Chart	
200	1001248546	1	Decal Kit (Not Shown - Includes Items 206-209)	
206	1705921	1	Decal - Tipping/Electrical (Platform)	
207	1705822	1	Decal - Electrical/Safety (Ground Control)	
208	1701518	10	Decal - Warning Crushing	
209	1705961	5	Decal - Danger Electrocution	

SECTION 9 - DECALS

FIGURE 9-3. DECAL INSTALLATION - BRAZIL SPEC (PORTGUESE/ENGLISH)



ART_1001244207_1200-1350

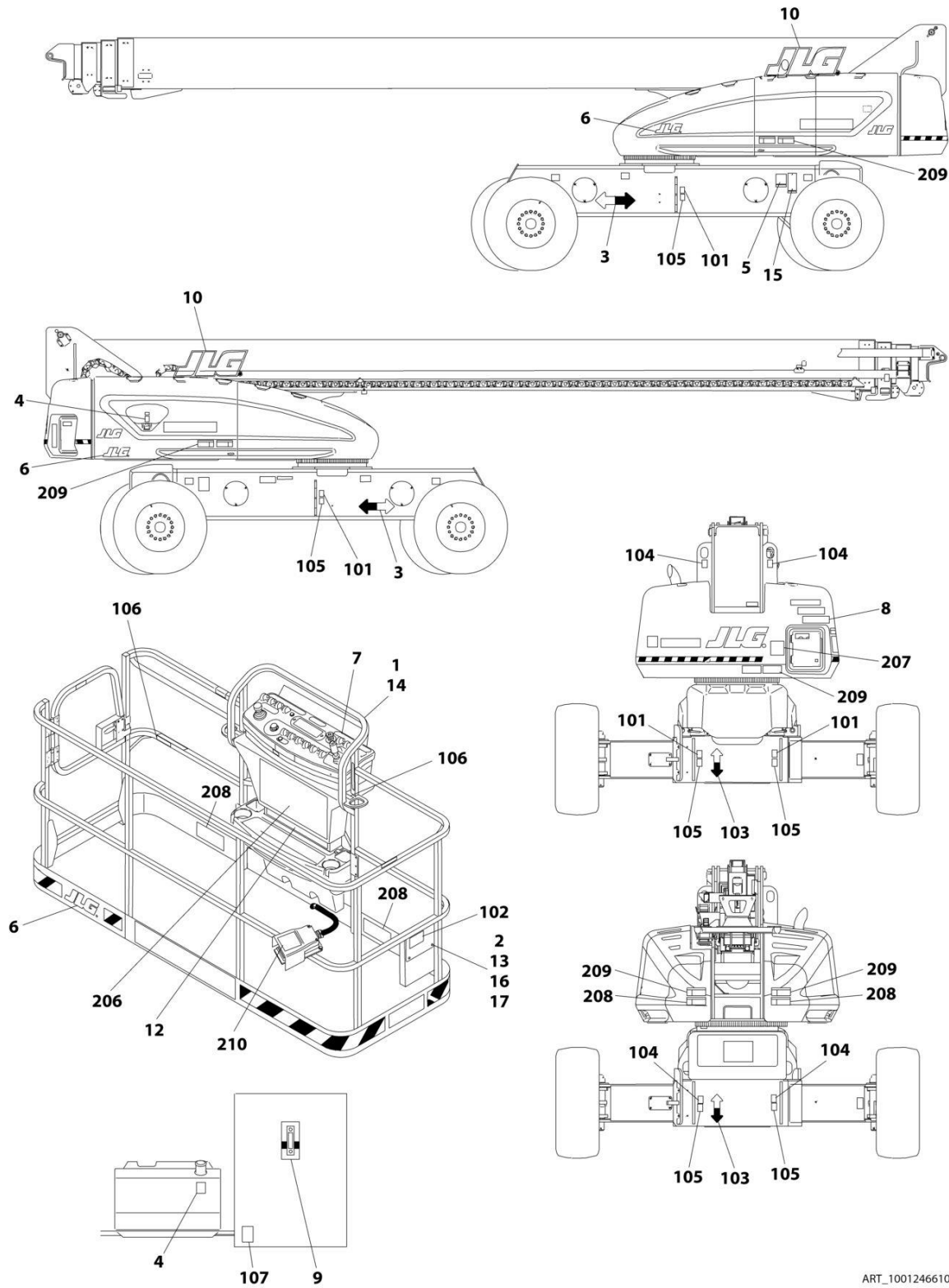
SECTION 9 - DECALS

FIGURE 9-3. DECAL INSTALLATION - BRAZIL SPEC (PORTGUESE/ENGLISH)

ITEM	PART NUMBER	QTY	DESCRIPTION	REV
	1001248554	Ref	DECAL INSTALLATION - REFERENCE CHART	D
	1001244207	Ref	DECAL INSTALLATION - BRAZIL SPEC (PORTGUESE/ENGLISH)	B
2	0641406	4	Bolt 1/4 x 3/4	
3	1701501	4	Decal - Arrow	
4	1701505	2	Decal - Fuel	
5	See Note	1	Decal - Bar Code (Note: Not Available For Purchase)	
6	1706059	1	Decal - Warning Explosion/Fire (Not Shown - Located on Engine Air Filter Housing)	
7	1705905	1	Decal - Drive/Steer Instructions	
9	1705511	1	Decal - Oil Level	
11	3311405	4	Nut 1/4	
13	3820001	2	Rivet	
14	4751400	4	Washer 1/4	
15	91403230	1	Box, Manual Storage	
16	1001253057	1	Decal - Capacity (Platform)	
17	1001253058	1	Decal - Capacity (Ground Control)	
18	1001122611	1	Decal - Stop	
20	1001224052	1	Decal - Yearly Inspection	
100	1001248539	1	Decal Master Kit (Not Shown - Includes Items 101-108)	
101	1701499	4	Decal - No Lift	
102	1701509	1	Decal - Manual	
103	1701529	2	Decal - Arrow	
104	1703811	8	Decal - Tie Down/Lift	
105	1703814	6	Decal - Tie Down	
106	1704277	4	Decal - Attach Lanyard Here	
107	1704412	1	Decal - Hydraulic Oil Chart	
108	3251243	1	Nameplate - 120V-60Hz	
200	1001248551	1	Decal Kit (Not Shown - Includes Items 202-210)	
202	1705906	1	Decal - Tip Over Hazard	
203	1705901	1	Decal - Inspection (Not Shown)	
204	1705903	7	Decal - Warning/Crushing	
205	1705967	2	Decal - No Hands	
206	1001231319	1	Decal - Danger/Warning (Platform)	
207	1705896	1	Decal - Danger/Warning (Ground Control)	
208	1705898	5	Decal - Warning Crushing	
209	1705897	5	Decal - Danger/Electrocution	
210	1705902	1	Decal - Footswitch	

SECTION 9 - DECALS

FIGURE 9-4. DECAL INSTALLATION - CE & UK CA SPEC



ART_1001246610_1200-1350

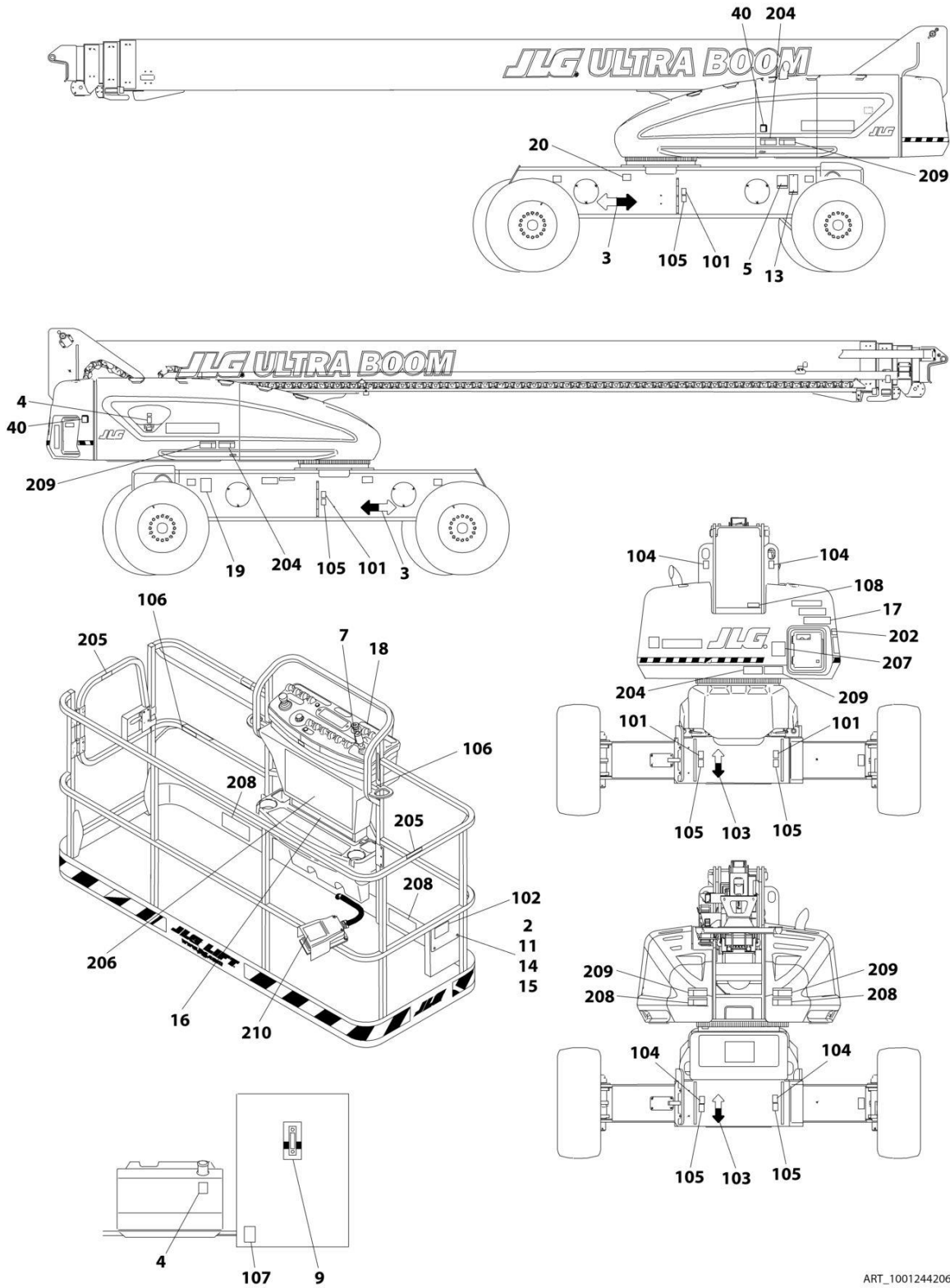
SECTION 9 - DECALS

FIGURE 9-4. DECAL INSTALLATION - CE & UK CA SPEC

ITEM	PART NUMBER	QTY	DESCRIPTION	REV
	1001248559	Ref	DECAL INSTALLATION - REFERENCE CHART	B
	1001246610	Ref	DECAL INSTALLATION - CE & UK CA SPEC	A
1	0100048	AR	Grease, Dielectric	
2	0641406	7	Bolt 1/4 x 3/4	
3	1701501	4	Decal - Arrow	
4	1701505	2	Decal - Fuel	
5	See Note	1	Decal - Bar Code (Note: Not Available For Purchase)	
6	1702773	3	Decal - JLG	
7	1705174	1	Decal - Stop	
8	1705468	1	Decal - Capacity (Ground Control)	
9	1705511	1	Decal - Oil Level	
10	1705864	2	Decal - JLG	
11	1706098	1	Decal - Warning Explosion/Fire (Not Shown - Located on Engine Air Filter Housing)	
12	1706770	1	Decal - Capacity (Platform)	
13	3311405	4	Nut 1/4	
14	3520174	3	Plug	
15	3820001	6	Rivet	
16	4751400	7	Washer 1/4	
17	91403230	1	Box, Manual Storage	
100	1001248540	1	Decal Master Kit (Not Shown - Includes Items 101-107)	
101	1701499	4	Decal - No Lift	
102	1701509	1	Decal - Manual	
103	1701529	2	Decal - Arrow	
104	1703811	4	Decal - Tie Down/Lift	
105	1703814	6	Decal - Tie Down	
106	1704277	4	Decal - Attach Lanyard Here	
107	1704412	1	Decal - Hydraulic Oil Chart	
200	1001248546	1	Decal Kit (Not Shown - Includes Items 206-210)	
206	1705921	1	Decal - Tipping/Electrical (Platform)	
207	1705822	1	Decal - Electrical/Safety (Ground Control)	
208	1701518	10	Decal - Warning Crushing	
209	1705961	5	Decal - Danger Electrocution	
210	1705828	1	Decal - Footswitch	

SECTION 9 - DECALS

FIGURE 9-5. DECAL INSTALLATION - CHINESE SPEC (CHINESE/ENGLISH)



ART_1001244206_1200-1350

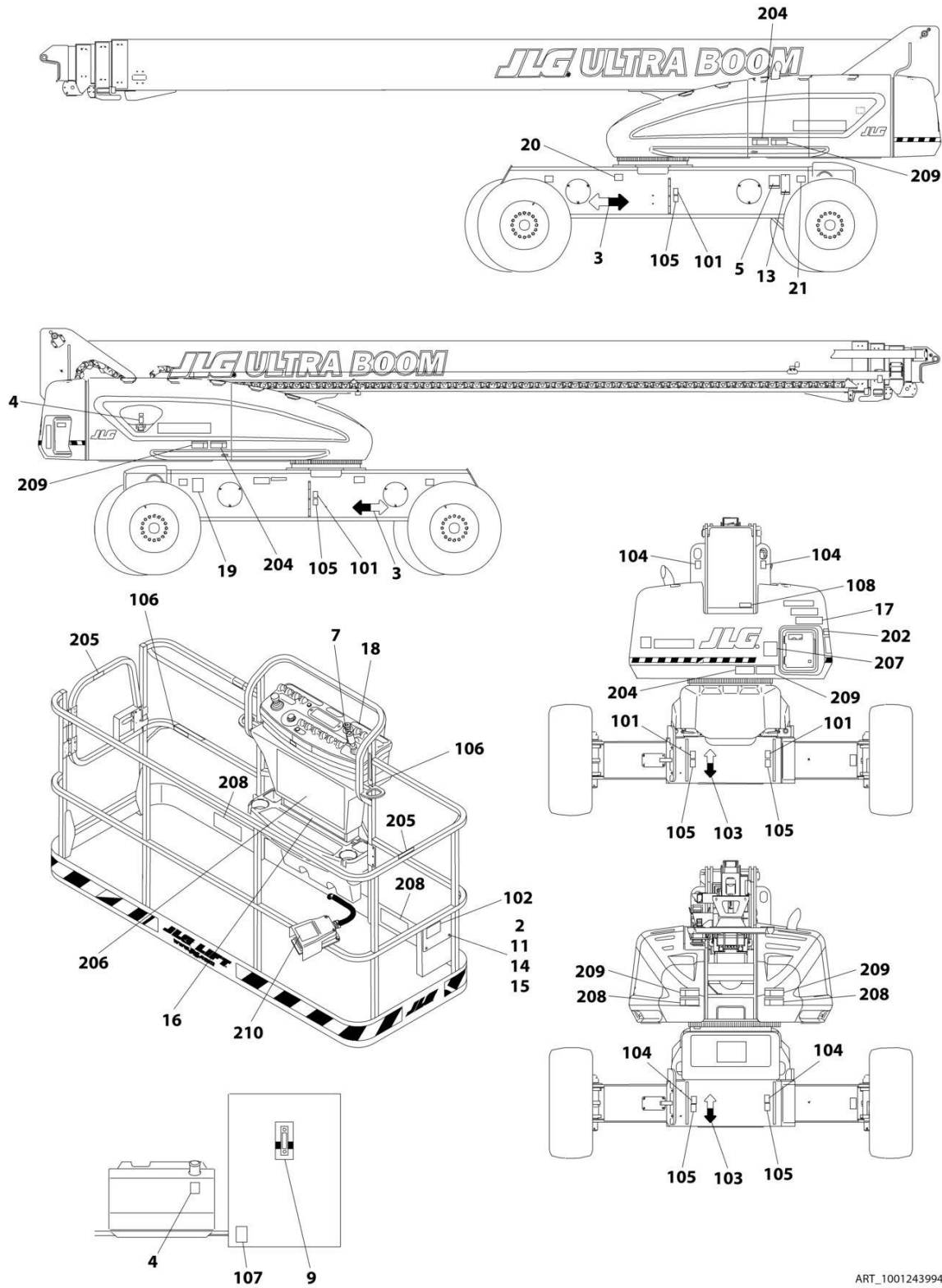
SECTION 9 - DECALS

FIGURE 9-5. DECAL INSTALLATION - CHINESE SPEC (CHINESE/ENGLISH)

ITEM	PART NUMBER	QTY	DESCRIPTION	REV
	1001248554	Ref	DECAL INSTALLATION - REFERENCE CHART	D
	1001244206	Ref	DECAL INSTALLATION - CHINESE SPEC (CHINESE/ENGLISH)	B
2	0641406	4	Bolt 1/4 x 3/4	
3	1701501	4	Decal - Arrow	
4	1701505	2	Decal - Fuel	
5	See Note	1	Decal - Bar Code (Note: Not Available For Purchase)	
6	1706060	1	Decal - Warning Explosion/Fire (Not Shown - Located on Engine Air Filter Housing)	
7	1705430	1	Decal - Drive/Steer Instructions	
9	1705511	1	Decal - Oil Level	
11	3311405	4	Nut 1/4	
13	3820001	2	Rivet	
14	4751400	4	Washer 1/4	
15	91403230	1	Box, Manual Storage	
16	1001253054	2	Decal - Capacity (Platform)	
17	1001253056	1	Decal - Capacity (Ground Control)	
18	1001122611	1	Decal - Stop	
20	1001224050	1	Decal - Yearly Inspection	
40	1001244298	2	Decal - Wechat QR Code	
100	1001248539	1	Decal Master Kit (Not Shown - Includes Items 101-108)	
101	1701499	4	Decal - No Lift	
102	1701509	1	Decal - Manual	
103	1701529	2	Decal - Arrow	
104	1703811	8	Decal - Tie Down/Lift	
105	1703814	6	Decal - Tie Down	
106	1704277	4	Decal - Attach Lanyard Here	
107	1704412	1	Decal - Hydraulic Oil Chart	
108	3251243	1	Nameplate - 120V-60Hz	
200	1001248553	1	Decal Kit (Not Shown - Includes Items 202-210)	
202	1001117035	1	Decal - Tip Over Hazard	
204	1703943	7	Decal - Warning/Crushing	
205	1001116846	2	Decal - No Hands	
206	1001231321	1	Decal - Danger/Warning (Platform)	
207	1001116849	2	Decal - Danger/Warning (Ground Control)	
208	1703949	5	Decal - Warning Crushing	
209	1001116851	5	Decal - Danger/Electrocution	
210	1703982	1	Decal - Footswitch	

SECTION 9 - DECALS

FIGURE 9-6. DECAL INSTALLATION - CSA SPEC (ENGLISH/FRENCH)



ART_1001243994_1200-1350

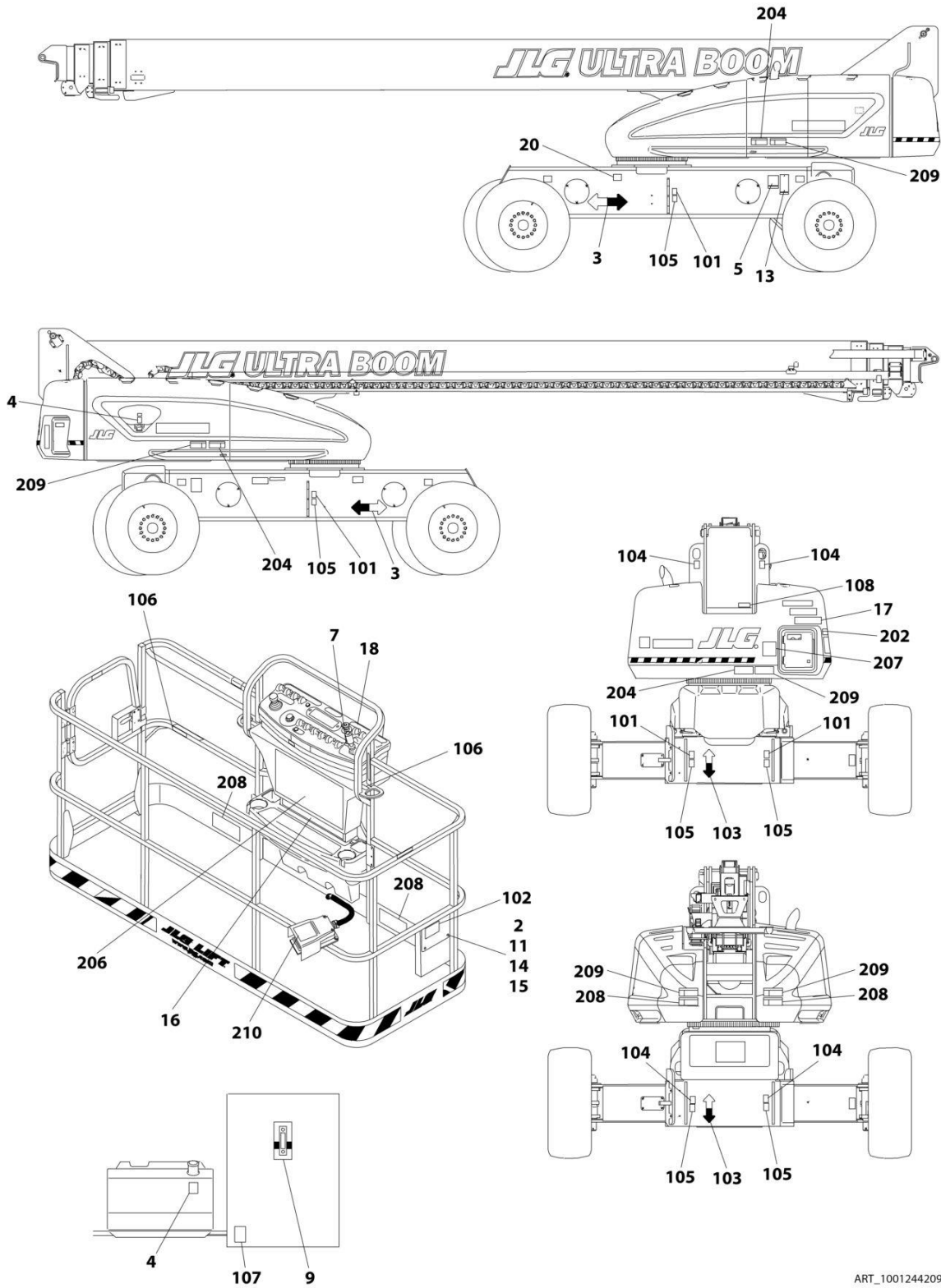
SECTION 9 - DECALS

FIGURE 9-6. DECAL INSTALLATION - CSA SPEC (ENGLISH/FRENCH)

ITEM	PART NUMBER	QTY	DESCRIPTION	REV
	1001248554	Ref	DECAL INSTALLATION - REFERENCE CHART	D
	1001243994	Ref	DECAL INSTALLATION - CSA SPEC (ENGLISH/FRENCH)	B
2	0641406	4	Bolt 1/4 x 3/4	
3	1701501	4	Decal - Arrow	
4	1701505	2	Decal - Fuel	
5	See Note	1	Decal - Bar Code (Note: Not Available For Purchase)	
6	1706064	1	Decal - Warning Explosion/Fire (Not Shown - Located on Engine Air Filter Housing)	
7	1705429	1	Decal - Drive/Steer Instructions	
9	1705511	1	Decal - Oil Level	
11	3311405	4	Nut 1/4	
13	3820001	2	Rivet	
14	4751400	4	Washer 1/4	
15	91403230	1	Box, Manual Storage	
16	1001253050	1	Decal - Capacity (Platform)	
17	1001253051	1	Decal - Capacity (Ground Control)	
18	1705174	1	Decal - Stop	
19	1001131269	1	Decal - Patent	
20	1001223971	1	Decal - Yearly Inspection	
21	1001223453	1	Decal - Ices	
100	1001248539	1	Decal Master Kit (Not Shown - Includes Items 101-108)	
101	1701499	4	Decal - No Lift	
102	1701509	1	Decal - Manual	
103	1701529	2	Decal - Arrow	
104	1703811	8	Decal - Tie Down/Lift	
105	1703814	6	Decal - Tie Down	
106	1704277	4	Decal - Attach Lanyard Here	
107	1704412	1	Decal - Hydraulic Oil Chart	
108	3251243	1	Nameplate - 120V-60Hz	
200	1001248548	1	Decal Kit (Not Shown - Includes Items 202-210)	
202	1705505	1	Decal - Tip Over Hazard	
204	1703942	7	Decal - Warning/Crushing	
205	1704000	2	Decal - No Hands	
206	1001231316	1	Decal - Danger/Warning (Platform)	
207	1705347	1	Decal - Danger/Warning (Ground Control)	
208	1703948	5	Decal - Warning Crushing	
209	1703936	5	Decal - Danger/Electrocution	
210	1703984	1	Decal - Footswitch	

SECTION 9 - DECALS

FIGURE 9-7. DECAL INSTALLATION - JAPANESE SPEC (JAPANESE/ENGLISH)



ART_1001244209_1200-1350

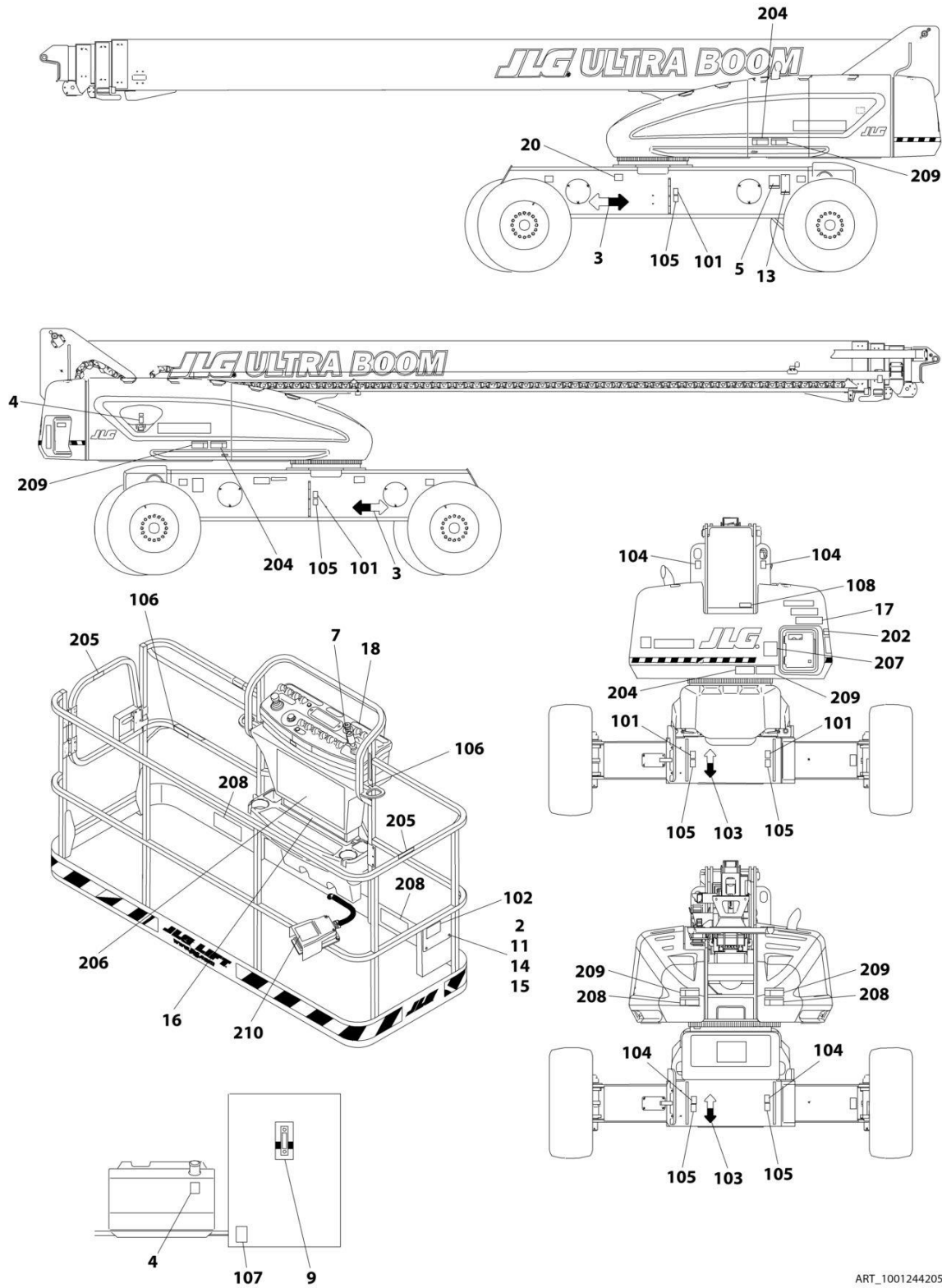
SECTION 9 - DECALS

FIGURE 9-7. DECAL INSTALLATION - JAPANESE SPEC (JAPANESE/ENGLISH)

ITEM	PART NUMBER	QTY	DESCRIPTION	REV
	1001248554	Ref	DECAL INSTALLATION - REFERENCE CHART	D
	1001244209	Ref	DECAL INSTALLATION - JAPANESE SPEC (JAPANESE/ENGLISH)	B
2	0641406	4	Bolt 1/4 x 3/4	
3	1701501	4	Decal - Arrow	
4	1701505	2	Decal - Fuel	
5	See Note	1	Decal - Bar Code (Note: Not Available For Purchase)	
6	1706062	1	Decal - Warning Explosion/Fire (Not Shown - Located on Engine Air Filter Housing)	
7	1705426	1	Decal - Drive/Steer Instructions	
9	1705511	1	Decal - Oil Level	
11	3311405	4	Nut 1/4	
13	3820001	2	Rivet	
14	4751400	4	Washer 1/4	
15	91403230	1	Box, Manual Storage	
16	1001253061	1	Decal - Capacity (Platform)	
17	1001253062	1	Decal - Capacity (Ground Control)	
18	1001122611	1	Decal - Stop	
20	1001224053	1	Decal - Yearly Inspection	
100	1001248539	1	Decal Master Kit (Not Shown - Includes Items 101-108)	
101	1701499	4	Decal - No Lift	
102	1701509	1	Decal - Manual	
103	1701529	2	Decal - Arrow	
104	1703811	8	Decal - Tie Down/Lift	
105	1703814	6	Decal - Tie Down	
106	1704277	4	Decal - Attach Lanyard Here	
107	1704412	1	Decal - Hydraulic Oil Chart	
108	3251243	1	Nameplate - 120V-60Hz	
200	1001248552	1	Decal Kit (Not Shown - Includes Items 202-210)	
202	1705493	1	Decal - Tip Over Hazard	
204	1703944	7	Decal - Warning/Crushing	
206	1001231320	1	Decal - Danger/Warning (Platform)	
207	1705344	1	Decal - Danger/Warning (Ground Control)	
208	1703950	5	Decal - Warning Crushing	
209	1703938	5	Decal - Danger/Electrocution	
210	1703980	1	Decal - Footswitch	

SECTION 9 - DECALS

FIGURE 9-8. DECAL INSTALLATION - KOREAN SPEC (KOREAN/ENGLISH)



ART_1001244205_1200-1350

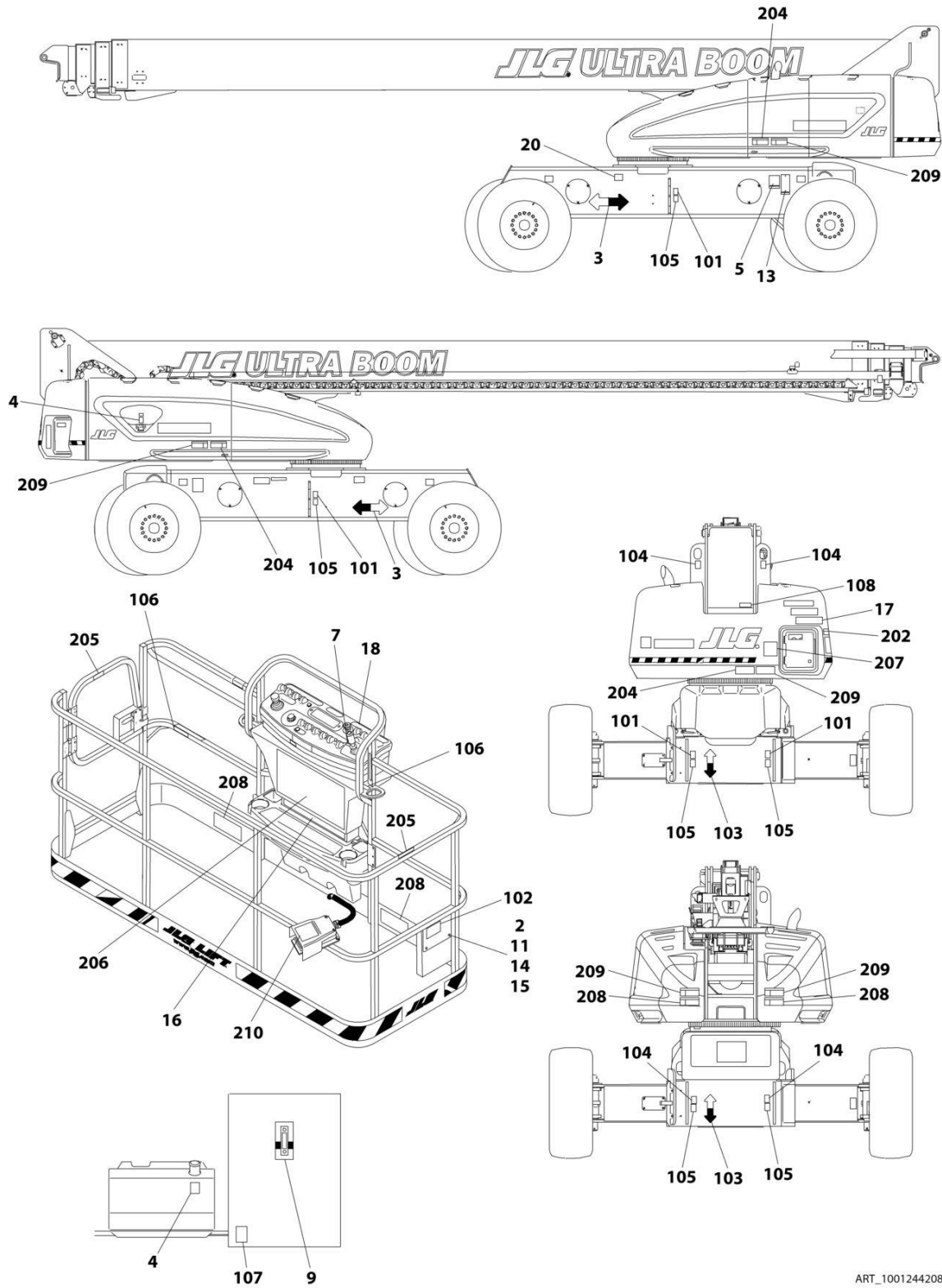
SECTION 9 - DECALS

FIGURE 9-8. DECAL INSTALLATION - KOREAN SPEC (KOREAN/ENGLISH)

ITEM	PART NUMBER	QTY	DESCRIPTION	REV
	1001248554	Ref	DECAL INSTALLATION - REFERENCE CHART	D
	1001244205	Ref	DECAL INSTALLATION - KOREAN SPEC (KOREAN/ENGLISH)	B
2	0641406	4	Bolt 1/4 x 3/4	
3	1701501	4	Decal - Arrow	
4	1701505	2	Decal - Fuel	
5	See Note	1	Decal - Bar Code (Note: Not Available For Purchase)	
6	1706061	1	Decal - Warning Explosion/Fire (Not Shown - Located on Engine Air Filter Housing)	
7	1705427	1	Decal - Drive/Steer Instructions	
9	1705511	1	Decal - Oil Level	
11	3311405	4	Nut 1/4	
13	3820001	2	Rivet	
14	4751400	4	Washer 1/4	
15	91403230	1	Box, Manual Storage	
16	1001253052	1	Decal - Capacity (Platform)	
17	1001253053	1	Decal - Capacity (Ground Control)	
18	1001122611	1	Decal - Stop	
20	1001224048	1	Decal - Yearly Inspection	
100	1001248539	1	Decal Master Kit (Not Shown - Includes Items 101-108)	
101	1701499	4	Decal - No Lift	
102	1701509	1	Decal - Manual	
103	1701529	2	Decal - Arrow	
104	1703811	8	Decal - Tie Down/Lift	
105	1703814	6	Decal - Tie Down	
106	1704277	4	Decal - Attach Lanyard Here	
107	1704412	1	Decal - Hydraulic Oil Chart	
108	3251243	1	Nameplate - 120V-60Hz	
200	1001248549	1	Decal Kit (Not Shown - Includes Items 202-210)	
202	1705503	AR	Decal - Tip Over Hazard	
204	1703945	7	Decal - Warning/Crushing	
205	1705969	2	Decal - No Hands	
206	1001231317	1	Decal - Danger/Warning (Platform)	
207	1705345	1	Decal - Danger/Warning (Ground Control)	
208	1703951	5	Decal - Warning Crushing	
209	1703939	5	Decal - Danger/Electrocution	
210	1703981	1	Decal - Footswitch	

SECTION 9 - DECALS

FIGURE 9-9. DECAL INSTALLATION - LATIN AMERICAN SPEC (SPANISH/ENGLISH)



ART_1001244208_1200-1350

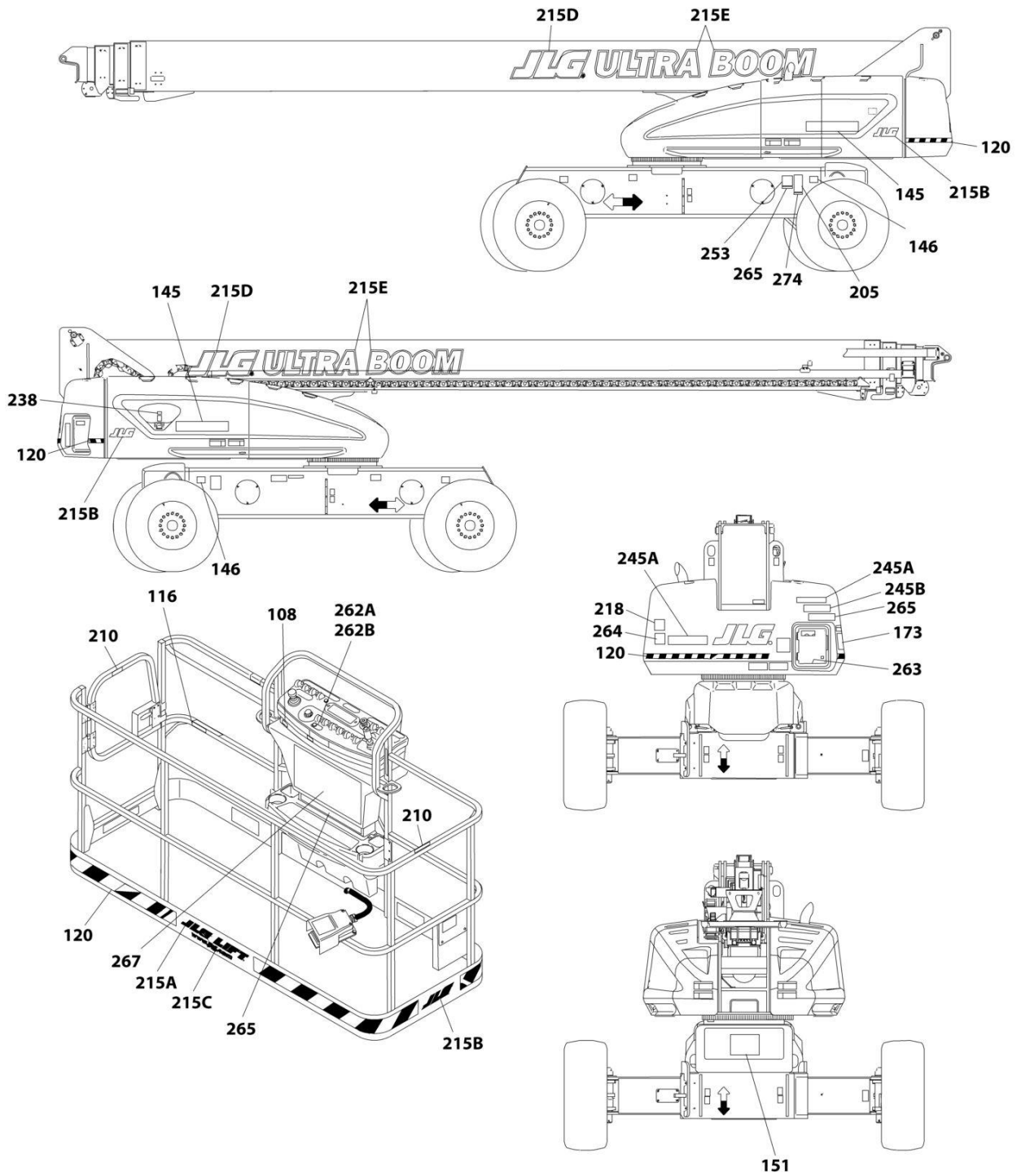
SECTION 9 - DECALS

FIGURE 9-9. DECAL INSTALLATION - LATIN AMERICAN SPEC (SPANISH/ENGLISH)

ITEM	PART NUMBER	QTY	DESCRIPTION	REV
	1001248554	Ref	DECAL INSTALLATION - REFERENCE CHART	D
	1001244208	Ref	DECAL INSTALLATION - LATIN AMERICAN SPEC (SPANISH/ENGLISH)	B
2	0641406	4	Bolt 1/4 x 3/4	
3	1701501	4	Decal - Arrow	
4	1701505	2	Decal - Fuel	
5	See Note	1	Decal - Bar Code (Note: Not Available For Purchase)	
6	1706061	1	Decal - Warning Explosion/Fire (Not Shown - Located on Engine Air Filter Housing)	
7	1705910	1	Decal - Drive/Steer Instructions	
9	1705511	1	Decal - Oil Level	
11	3311405	4	Nut 1/4	
13	3820001	2	Rivet	
14	4751400	4	Washer 1/4	
15	91403230	1	Box, Manual Storage	
16	1001253059	1	Decal - Capacity (Platform)	
17	1001253060	1	Decal - Capacity (Ground Control)	
18	1001122611	1	Decal - Stop	
20	1001224049	1	Decal - Yearly Inspection	
100	1001248539	1	Decal Master Kit (Not Shown - Includes Items 101-108)	
101	1701499	4	Decal - No Lift	
102	1701509	1	Decal - Manual	
103	1701529	2	Decal - Arrow	
104	1703811	8	Decal - Tie Down/Lift	
105	1703814	6	Decal - Tie Down	
106	1704277	4	Decal - Attach Lanyard Here	
107	1704412	1	Decal - Hydraulic Oil Chart	
108	3251243	1	Nameplate - 120V-60Hz	
200	1001248550	1	Decal Kit (Not Shown - Includes Items 202-210)	
202	1705915	AR	Decal - Tip Over Hazard	
204	1703941	7	Decal - Warning/Crushing	
205	1704001	2	Decal - No Hands	
206	1001231318	1	Decal - Danger/Warning (Platform)	
207	1705917	1	Decal - Danger/Warning (Ground Control)	
208	1703947	5	Decal - Warning Crushing	
209	1703935	5	Decal - Danger/Electrocution	
210	1703983	1	Decal - Footswitch	

SECTION 9 - DECALS

FIGURE 9-10. DECAL INSTALLATION - OPTIONS



ART_DECAL_OPTIONS

SECTION 9 - DECALS

FIGURE 9-10. DECAL INSTALLATION - OPTIONS

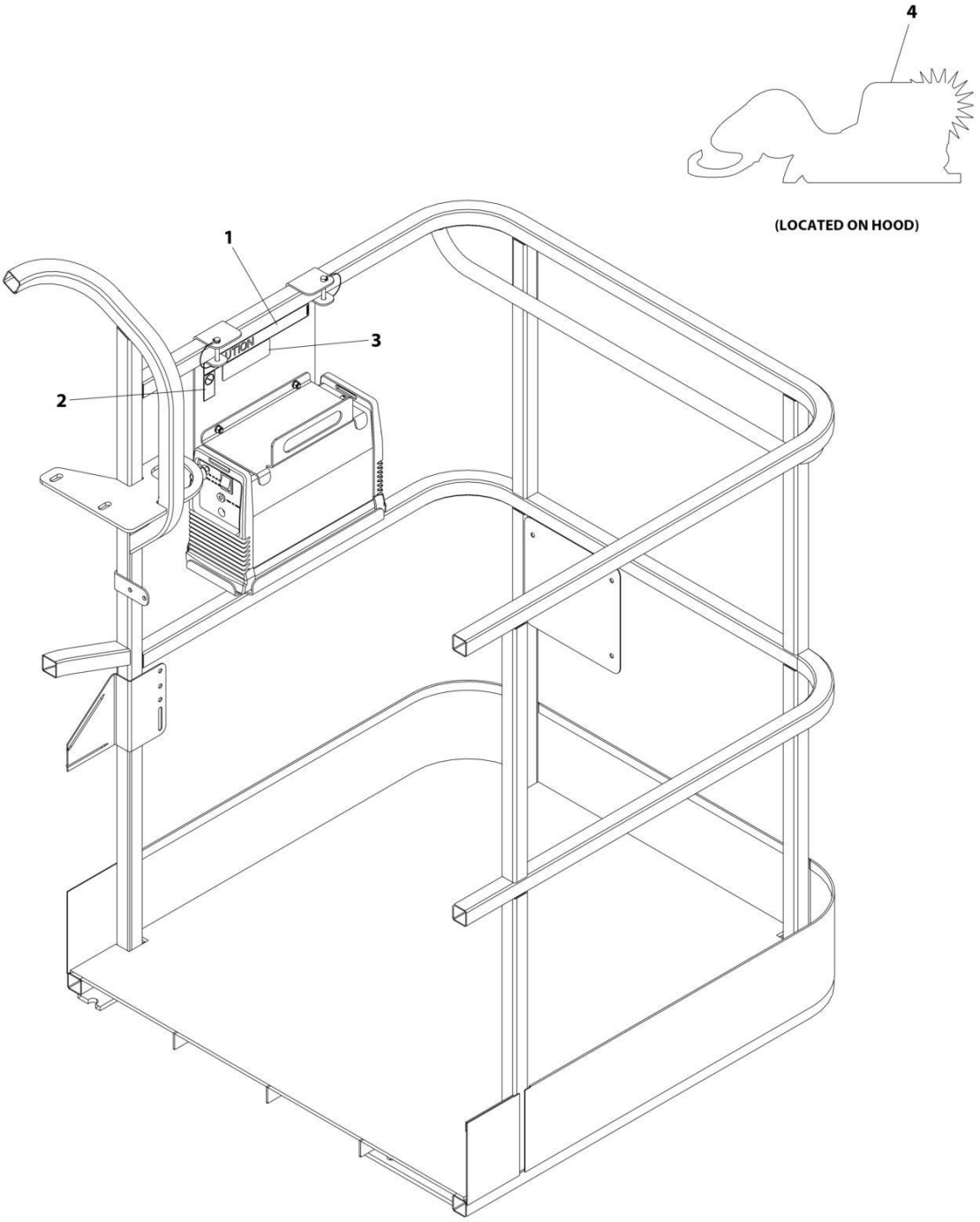
ITEM	PART NUMBER	QTY	DESCRIPTION	REV
	1001248554	Ref	DECAL INSTALLATION - REFERENCE CHART	D
	1001261213	Ref	DECAL INSTALLATION - OPTIONS	M
108	1001231801	1	Decal - Warning (Proposition 65) (ANSI Spec Only)	
116	1703175	1	Lanyard Attachment Decal (GM K-1 Spec) (ANSI and CSA Specs Only)	
120	4420051	21.9 ft/ 6.7m	Decal - Warning Stripes	
145	0272523	1	Decal - Model Designation Installation (1200SJP)	B
145	0272522	1	Decal - Model Designation Installation (1350SJP)	B
145A	1001268238	2	Decal - Model (1200SJP)	
145B	1001268239	2	Decal - Model (1350SJP)	
146	2902355	1	Decal - Max Tire Load Kit (1200SJP)	2
146	2902357	1	Decal - Max Tire Load Kit (1350SJP)	2
146A	1705178	4	Decal - Max Tire Load (1200SJP)	
146B	1705167	4	Decal - Max Tire Load (1350SJP)	
151	1705096	1	Decal - Lift Diagram	
173	1705365	1	Decal - Daily Check List - ANSI Spec	
173	1705365	1	Decal - Daily Check List - Australian Spec	
173	1705452	1	Decal - Daily Check List - Chinese Spec (Chinese/English)	
173	1705451	1	Decal - Daily Check List - CSA Spec (English/French)	
173	1705552	1	Decal - Daily Check List - Danish Spec	
173	1705444	1	Decal - Daily Check List - Dutch Spec	
173	1705454	1	Decal - Daily Check List - Finnish Spec	
173	1705445	1	Decal - Daily Check List - French Spec	
173	1001172766	1	Decal - Daily Check List - German Spec (German/English)	
173	1705446	1	Decal - Daily Check List - Italian Spec	
173	1705449	1	Decal - Daily Check List - Japanese Spec (Japanese/English)	
173	1705448	1	Decal - Daily Check List - Korean Spec (Korean/English)	
173	1706904	1	Decal - Daily Check List - Latin American Spec (Spanish/English)	
173	1001219085	1	Decal - Daily Check List - Latvian Spec (Latvian/English)	
173	1001177533	1	Decal - Daily Check List - Norwegian Spec (Norwegian/English)	
173	1705554	1	Decal - Daily Check List - Polish Spec	
173	1705456	1	Decal - Daily Check List - Portuguese Spec	
173	1001221738	1	Decal - Daily Check List - Russian Spec	
173	1705447	1	Decal - Daily Check List - Spanish Spec	
173	1705455	1	Decal - Daily Check List - Swedish Spec	
173	1705365	1	Decal - Daily Check List - UK English Spec	
205	See Note	1	Decal - Nameplate (Note: Not Available for Purchase)	
210	1702868	2	Decal - No Hands - ANSI Spec	
210	1704000	2	Decal - No Hands - CSA Spec (French/English)	
210	1705969	2	Decal - No Hands - Korean Spec (Korean/English)	
215	0274730	1	Decal - JLG Decal Installation (ABS Hood)	E
215	1001116025	1	Decal - JLG Decal Installation (Steel Hood)	E
215A	1702774	1	Decal - JLG Lift	
215B	1702773	1	Decal - JLG (Platform)	
215B	1702773	2	Decal - JLG (Steel Hood)	
215C	1704885	1	Decal - Website	
215D	1705864	2	Decal - JLG	
215E	1001267315	2	Decal - Ultra Boom	
218	3251813	1	Decal - USA (ANSI, ANSI Export, China and CSA Specs)	

SECTION 9 - DECALS

ITEM	PART NUMBER	QTY	DESCRIPTION	REV
238	1001125387	1	Decal - Ultra Low Sulfur Fuel (Deutz TCD2.9L4 Engines) (ANSI and CSA Specs)	A
238	1001139654	1	Decal - Ultra Low Sulfur Fuel (Deutz TCD2.9L4) (Deutz TCD2.9L4 Stage V) (Deutz TCD2.9L China IV) Engines (ANSI Export (HRC), Japanese, CE & UK CA Specs)	
245	1001120994	1	Decal - ClearSky Telematics Decal Installation	
245A	1001116208	2	Decal - ClearSky	
245B	1001120989	1	Decal - Radio Frequency Device	
253	1001143852	1	Decal - EPA (ANSI Export and Australian Specs)	
262A	1001141300	1	Decal - SkyGuard Override	
262B	1001141302	1	Decal - SkyGuard/Soft Touch Override	
263	1001197408	1	Decal - MSSO (CE & UK CA Specs Only)	
264	1705980	1	Decal - Sound Power (106Db) (Deutz TD2011 Engines)	
264	8007508	1	Decal - Sound Power (104Db) (Deutz TD2011 Engines)	
264	1001191526	1	Decal - Sound Power (110Db) (Deutz TCD2.9L4 Engines and Deutz TCD2.9L4 (Stage V) Engines)	
264	1001191525	1	Decal - Sound Power (108Db) (Deutz TCD2.9L4 (Stage V) Engines)	
265	1001275124	1	Decal - Soft Touch (ANSI) (English)	
265	1001275125	1	Decal - Soft Touch (China Spec) (English/Chinese)	
265	1001275126	1	Decal - Soft Touch (Latin American Spec) (English/Spanish)	
265	1001275127	1	Decal - Soft Touch (CSA Spec) (English/French)	
265	1001275128	1	Decal - Soft Touch (Japanese Spec) (English/Japanese)	
265	1001275129	1	Decal - Soft Touch (Korean Spec) (English/Korean)	
265	1001275130	1	Decal - Soft Touch (Brazil Spec) (English/Portuguese)	
265	1001275131	1	Decal - Soft Touch (Australian, CE & UK CA Spec)	
267	1001197529	1	Decal - Quick Reference (Dutch) (Lomax Rentals)	
267	1001197531	1	Decal - Quick Reference (Danish) (Lomax Rentals)	
267	1001180690	1	Decal - Quick Reference (English) (Lomax Rentals)	
267	1001197528	1	Decal - Quick Reference (French) (Lomax Rentals)	
267	1001197530	1	Decal - Quick Reference (German) (Lomax Rentals)	
267	1001197537	1	Decal - Quick Reference (Norwegian) (Lomax Rentals)	
267	1001197533	1	Decal - Quick Reference (Spanish) (Lomax Rentals)	
267	1001197532	1	Decal - Quick Reference (Swedish) (Lomax Rentals)	
274	1001214029	1	Decal Installation - EAC (Russian/CIS Specs)	
274	1001173703	1	Decal - EAC (Russian/CIS Specs)	
287	1001236398	Ref	Decal Installation - ECO (Machines With SN Starting With B3) (Not Shown - No Parts Available for Purchase due to Stamping Requirements)	

SECTION 9 - DECALS

FIGURE 9-11. SKYCUTTER DECAL INSTALLATION (ANSI, ANSI EXPORT, CHINESE & CSA SPECS)



ART_0272599

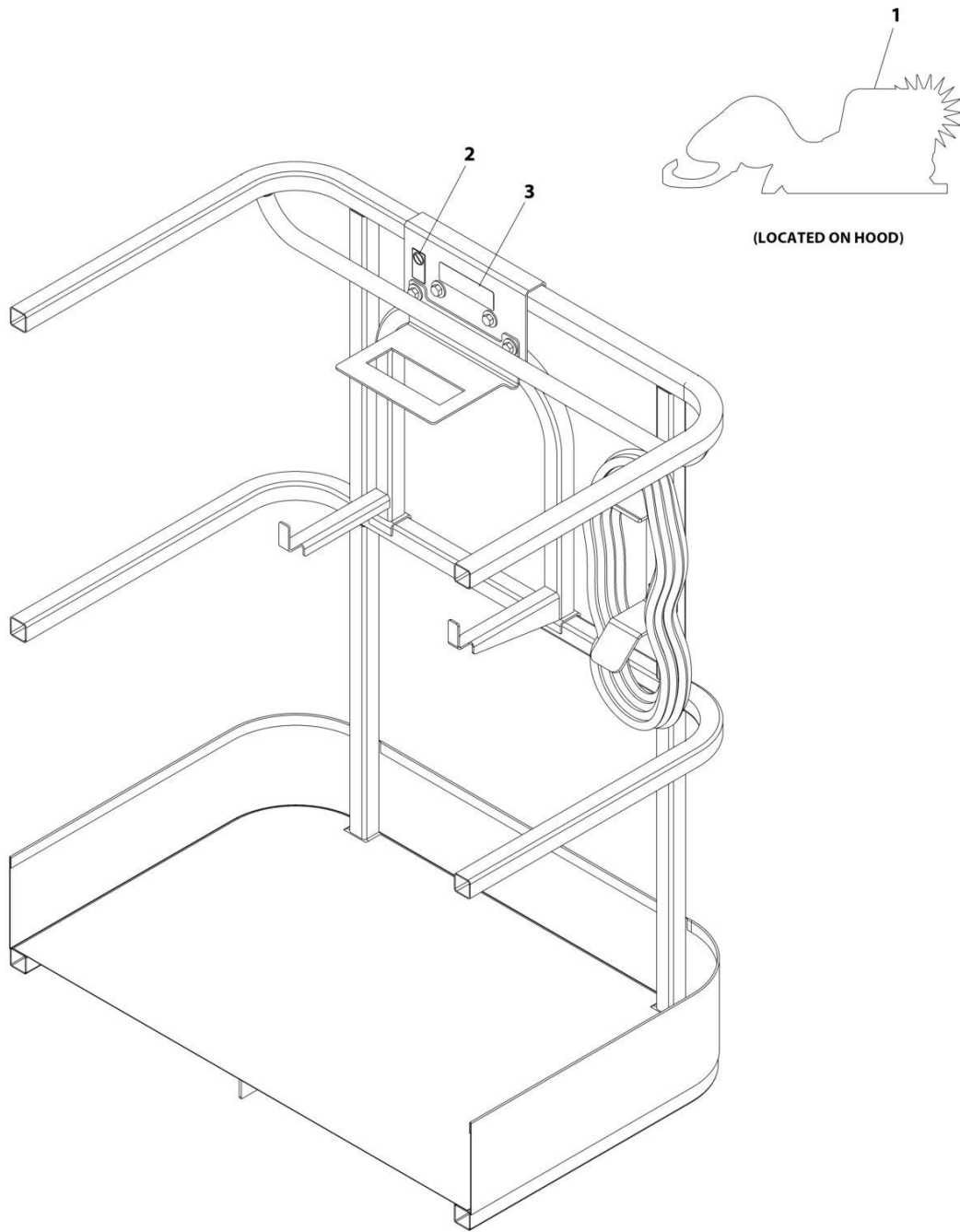
SECTION 9 - DECALS

FIGURE 9-11. SKYCUTTER DECAL INSTALLATION (ANSI, ANSI EXPORT, CHINESE & CSA SPECS)

ITEM	PART NUMBER	QTY	DESCRIPTION	REV
	0272599	Ref	SKYCUTTER DECAL INSTALLATION	C
1	1702868	1	Decal - No Hands	
2	1705305	1	Decal - Weld Leads	
3	1001252627	1	Decal - Weight	
4	1705490	2	Decal - SkyCutter	

SECTION 9 - DECALS

FIGURE 9-12. SKYCUTTER DECAL INSTALLATION (JAPANESE SPECS)



ART_0272607_C

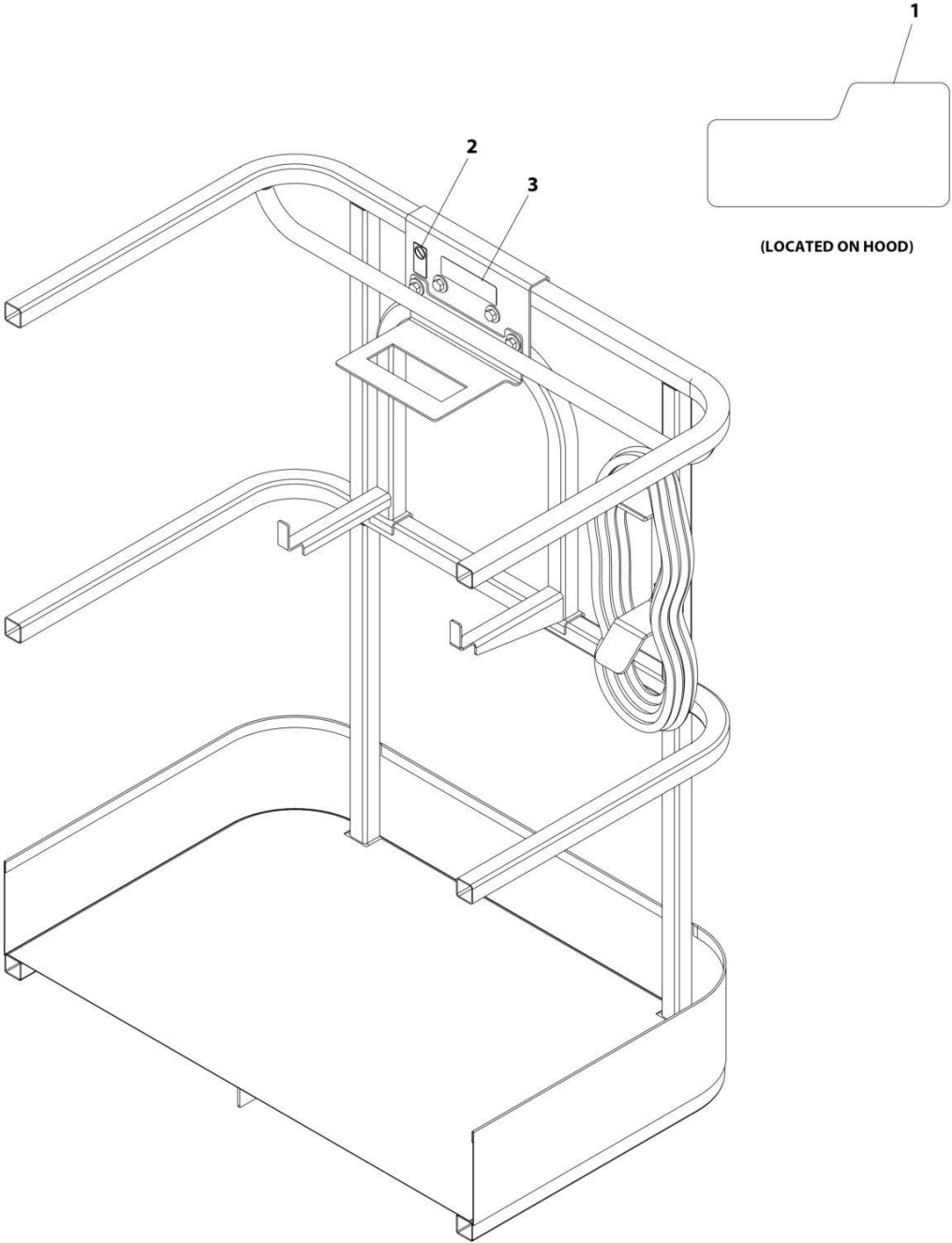
SECTION 9 - DECALS

FIGURE 9-12. SKYCUTTER DECAL INSTALLATION (JAPANESE SPECS)

ITEM	PART NUMBER	QTY	DESCRIPTION	REV
	0272607	1	SKYCUTTER DECAL INSTALLATION	C
1	1705490	2	Decal - SkyCutter	
2	1705305	1	Decal - Weld Lead	
3	1001252627	1	Decal - Weight	

SECTION 9 - DECALS

FIGURE 9-13. SKYWELDER DECAL INSTALLATION - 50HZ



ART_0272588

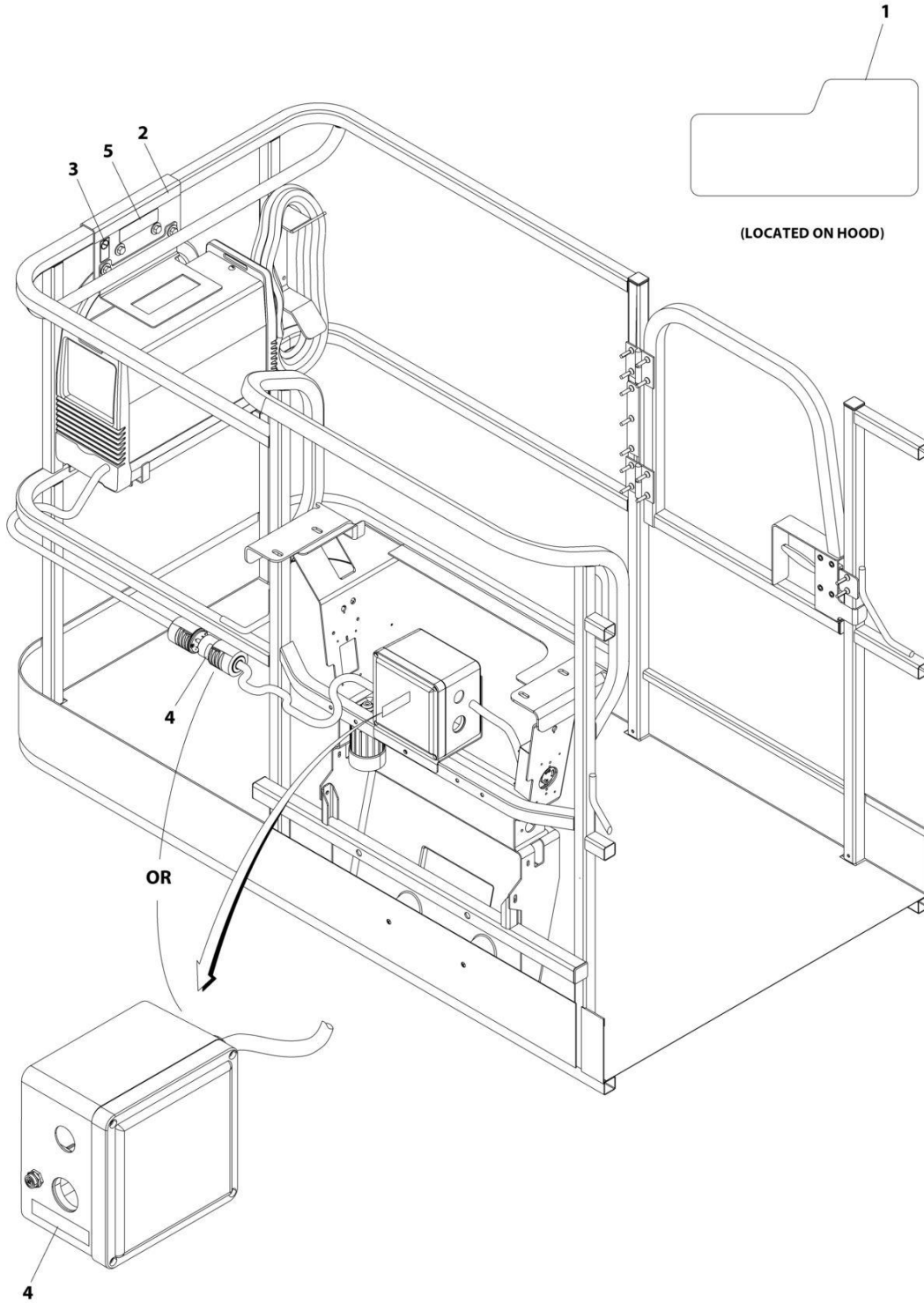
SECTION 9 - DECALS

FIGURE 9-13. SKYWELDER DECAL INSTALLATION - 50HZ

ITEM	PART NUMBER	QTY	DESCRIPTION	REV
	0272588	Ref	SKYWELDER DECAL INSTALLATION - 50Hz	B
1	1705355	2	Decal - SkyWelder	
2	1705305	1	Decal - Weld Lead	
3	1001228988	1	Decal - Weight	

SECTION 9 - DECALS

FIGURE 9-14. SKYWELDER DECAL INSTALLATION - 60HZ



ART_0272448_C

SECTION 9 - DECALS

FIGURE 9-14. SKYWELDER DECAL INSTALLATION - 60HZ

ITEM	PART NUMBER	QTY	DESCRIPTION	REV
	0272448	Ref	SKYWELDER DECAL INSTALLATION - 60Hz	C
1	1705355	2	Decal - SkyWelder	
2	1702868	1	Decal - No Hands	
3	1705305	1	Decal - Weld Lead	
4	1705375	1	Decal - 240V - 3 Phase - 60Hz	
5	1001228988	1	Decal - Weight	

SECTION 10 - RECOMMENDED SERVICE PARTS STOCK

SECTION 10 - RECOMMENDED SERVICE PARTS STOCK

SECTION 10 - RECOMMENDED SERVICE PARTS STOCK

FIGURE 10-1. RECOMMENDED SERVICE PARTS STOCK

ITEM	PART NUMBER	QTY	DESCRIPTION	REV
		Ref	Note: The following list will service one machine (built to current production per date on the front cover) with emergency repair parts which can be installed in the field. Parts from the list should be replaced when inventory is depleted to keep service parts stock supplied. For further information, contact your JLG dealer or the JLG Industries Parts Department.	
	4360542	1	Breaker, Circuit (2500W Generator)	
	70001431	1	Breaker, Circuit (Plasma Cutter)	
	4360070	1	Breaker, Circuit 15Amp (4000W & 7500W Generator)	
	1001181045	1	Breaker, Circuit 30mA/16Amp (Breaker Box 16 Amp)	
	7024485	1	Breaker, Circuit 30Amp (7500W 60Hz Generator)	
	70006095	1	Breaker, Circuit 30Amp (7500W 50Hz Generator)	
	1001159118	1	Breaker, GFCI 30Amp (AC Box 240VAC)	
	7018991	1	Coil (Steer Valve & Main Valve)	
	7012944	1	Coil (Traction Valve & Platform Valve)	
	7011354	1	Coil (Main Valve)	
	7017451	1	Coil (Main Valve)	
	7024571	1	Coil (Main Valve & Platform Valve)	
	7026029	1	Contactora, Rotary Circuit (Rotary Coupling & Collector Ring)	
	1001166538	1	Controller, Drive/Steer	
	1001166539	1	Controller, Lift/Swing	
	4360407	1	Controller, Speed (Potentiometer)	
	3990010	2	Diode - 3Amp (Ground Control Box Harness)	
		Ref	Engine - TD2011	
	1001202281	12	Element, Water/Fuel Separator	
	7016328	12	Filter, Fuel	
	7016331	12	Filter, Oil	
	1600443	1	Module, EMR2 (ECM) (Note: Not available to order. Please Contact the JLG Parts Contact Center)	
	3740067	1	Relay	
	3740080	1	Relay	
	7026608	1	Relay, Start	
		Ref	Engine - TD2.9L4	
	70024190	12	Element, Air	
	70006405	12	Element, Water/Fuel Separator	
	70025153	12	Filter, Fuel Primary	
	70004512	12	Filter, Fuel Secondary	
	7016331	12	Filter, Oil	
	70023592	2	Fuse - 20Amp (Switched Output)	
	70023593	2	Fuse - 30Amp (Battery Output)	
	1001138228	1	Module, Power	
	1001117308	1	Relay	
	70005648	1	Relay	
	7024375	12	Element, Hydraulic Oil Filter	
	70002231	12	Element, Pressure Filter	
	70002097	12	Element, Pressure Filter	
	8229249	2	Fuse, 3A (USB Charger & Platform Control Box Harness)	
	2400064	2	Fuse, 5A (ClearSky Ready Harness)	
	8229242	2	Fuse, 5A (Ground Control Box Harness)	
	2400065	2	Fuse, 30A (Ground Control Box Harness & Main Valve Harness)	

SECTION 10 - RECOMMENDED SERVICE PARTS STOCK

ITEM	PART NUMBER	QTY	DESCRIPTION	REV
	2860030	1	Key, Replacement	
	2940074	1	Latch, Platform	
	1001247468	1	Loadcell (Platform Support)	
	1001227960	1	Module, B.L.A.M.	
	1001277210	1	Module, Chassis	
	1001142683	1	Module, Control Beacon	
	1001281100	1	Module, Ground Control	
	1001261326	1	Module, Platform	
	3740067	1	Relay (Battery & Aux)	
	3740049	1	Relay (Ground Control Box)	
	3740080	1	Relay (110V/220V Generator Options & Main Valve Harness)	
	70006553	1	Relay (4000W Generator)	
	1001186431	1	Relay (SkyGuard Bar)	
	3740086	1	Relay (SkyLine Harness)	
	1001147479	1	Sensor, Angle Indicator (Boom Sensors & Switches)	
	4360543	1	Sensor, Boom Length (Boom Sensors & Switches)	
	4360527	1	Sensor, Cable Break Proximity (Boom Sensors & Switches)	
	1001228225	1	Sensor, Emitter (SkyEye)	
	4360548	1	Sensor, Jib Limit (Boom Sensors & Switches)	
	4360578	1	Sensor, Limit (Boom Sensors & Switches & Axle Install)	
	70000803	1	Sensor, Pressure (Steer Installation)	
	7026031	1	Sensor, Proximity (Rotary Coupling & Collector Ring)	
	1001232667	1	Sensor, Proximity (SkyLine)	
	1001228224	1	Sensor, Receiver (SkyEye)	
	4360505	1	Sensor, Rotary Angle Sensor (Steer)	
	1001137673	1	Sensor, SkyGuard Bar	
	1001219601	1	Sensor, Tilt Dual Axis Can (Ground Control Box)	
	1001225346	1	Switch, Battery Disconnect	
	1001117174	1	Switch, Foot	
	4360469	1	Switch, Key	
	4360274	1	Switch, Push Button Gray (Ground Control)	
	4360387	1	Switch, Push Button Yellow (Ground Control Box, Console Box & Soft Touch))	
	4360475	1	Switch, Push - Pull Emergency (Ground Control Box & Console Box)	
	4360328	1	Switch, Toggle (Ground Control Box)	
	4360336	1	Switch, Toggle (Generator & Boom Control)	
	1001155045	1	Switch, Toggle (Console Box)	
	1001159256	1	Switch, Toggle (Console Box)	
	1001161709	1	Switch, Toggle (Console Box)	
	1001161710	1	Switch, Toggle (Console Box)	
	70001432	1	Switch, Rocker (Plasma Cutter)	

SECTION 11 - SPECIAL OPTIONS/ACCESSORIES/KITS

SECTION 11 - SPECIAL OPTIONS/ACCESSORIES/KITS

SECTION 11 - SPECIAL OPTIONS/ACCESSORIES/KITS

FIGURE 11-1. SPECIAL OPTIONS/ACCESSORIES/KITS

ITEM	PART NUMBER	QTY	DESCRIPTION	REV
		Ref	Note: This list is to accommodate machines ordered with special equipment. Options may not be applicable to all models. For more specific parts information contact JLG Parts Department.	
	0272078	Ref	Accessory Counterweight (Required with SkyWelder and Fall Arrest Platform Options)	
	1340067	Ref	Air Cleaner Pre-Cleaner	
	0271956	Ref	Airline Installation, 1/2in (1200SJP)	
	0271933	Ref	Airline Installation, 1/2in (1350SJP)	
	1001202697	Ref	Air Intake Shut-off Valve (Deutz TCD2.9L4 Engines)	
	1001241275	Ref	Axle Wear Pad Kit	
	0271803	Ref	Bellows, Cylinder (Fixed Axle)	
	0271804	Ref	Bellows, Cylinder (Oscillating Axle)	
	0271805	Ref	Bellows, Cylinder (Boom)	
	0271875	Ref	Boom Wipers Installation	
	1001233763	Ref	Breather Heater (Deutz TCD2.9L4 Engines and Deutz TCD2.9L4 (Stage V Engines)	
	1001252494	Ref	China Ultra Master Kit Installations (Machines With SN Starting With B3)	
	1001220745	Ref	Booms and Cylinder Kit (1200SJP)	
	1001220747	Ref	Booms and Cylinder Kit (1350SJP)	
	1001220041	Ref	China Parts Kit (With 1 Cell LSS and Sauer Pump) (1200SJP)	
	1001220743	Ref	China Parts Kit (With 1 Cell LSS and Sauer Pump) (1350SJP)	
	1001252492	Ref	Console and Footswitch Kit (1200SJP)	
	1001252493	Ref	Console and Footswitch Kit (1350SJP)	
	1001220039	Ref	Frame Kit (1200SJP)	
	1001252686	Ref	Frame Kit (1350SJP)	
	1001245072	Ref	Harness Kit	
	1001220044	Ref	Jib Kit (1200SJP)	
	1001220746	Ref	Jib Kit (1350SJP)	
	1001252490	Ref	Turntable Kit (1200SJP)	
	1001252491	Ref	Turntable Kit (1350SJP)	
		Ref	ClearSky (Telematics) Installations (Dealer Installed)	
	1001242192	Ref	ClearSky (Telematics) Access Control Installation Kit (Dealer Installed) (ANSI, ANSI Export and CSA Specs)	
	1001243183	Ref	ClearSky (Telematics) Added-on Kit (Dealer Installed) (ANSI, ANSI Export and CSA Specs)	
	1001246142	Ref	ClearSky (Telematics) Added-on Kit (Dealer Installed) (Australian Specs)	
	1001243184	Ref	ClearSky (Telematics) Added-on Kit (Dealer Installed) (CE & UK CA Specs)	
	1001119938	Ref	ClearSky Telematics (Dealer Installed) (ANSI Spec)	
	1001119946	Ref	ClearSky Telematics (Dealer Installed) (CSA Spec)	
	1001276923	Ref	ClearSky Telematics (Dealer Installed) (Contact JLG for Approved Countries)	
	1001265359	Ref	ClearSky Telematics Harness Kit (Dealer Installed)	
		Ref	ClearSky Telematics (Factory Installed)	
	1001227449	Ref	Canbus Connection (ANSI and CSA Specs)	
	1001228951	Ref	Canbus Connection (ANSI Export, CE & UK CA Specs)	
	1001246136	Ref	Canbus Connection (Australian Specs)	
	1001246137	Ref	Canbus Connection (China Specs)	

SECTION 11 - SPECIAL OPTIONS/ACCESSORIES/KITS

ITEM	PART NUMBER	QTY	DESCRIPTION	REV
	1001229107	Ref	3 Wire Connection (Module P/N 1001239828) (ANSI and CSA Specs)	
	1001233237	Ref	3 Wire Connection (Module P/N 1001233236) (ANSI Export, CE & UK CA Specs)	
	1001276610	Ref	3 Wire Connection (Module P/N 1001277695) (All Specs except China)	
	0273862	Ref	Cold Weather Package (Deutz TD2011 Engines) (110V)	
	1001235617	Ref	Cold Weather Package (Deutz TCD2.9L4 Engines and Deutz TCD2.9L4 (Stage V Engines)	
	1001271731	Ref	Cold Weather Package Deutz (Stage V)	
	1001282063	Ref	Cold Weather Package Deutz (Stage IV)	
	0272621	Ref	Control System Analyzer Installation	
	1001233047	Ref	Crankcase Breather Heater (Deutz TCD2'9L4 Engines)	
	1001213183	Ref	Cribbing Enable Installation	
	0257195	Ref	Government Warranty Decal	
		Ref	Decal Kits	
	1001248539	Ref	Decal Kit - Master (All Specs Except Australian, CE & UK CA Specs)	
	1001248540	Ref	Decal Kit - Master (Australian, CE & UK CA Specs)	
	1001248547	Ref	Decal Kit - Country Spec (ANSI Spec)	
	1001248546	Ref	Decal Kit - Country Spec (Australian, CE & UK CA Specs)	
	1001248551	Ref	Decal Kit - Country Spec (Brazilian Spec)	
	1001248553	Ref	Decal Kit - Country Spec (Chinese Spec)	
	1001248548	Ref	Decal Kit - Country Spec (CSA Spec)	
	1001248552	Ref	Decal Kit - Country Spec (Japanese Spec)	
	1001248549	Ref	Decal Kit - Country Spec (Korean Spec)	
	1001248550	Ref	Decal Kit - Country Spec (Latin American Spec)	
	1001270519	Ref	Decal Kit - Machine	
	1001272202	Ref	Decal Kit - Platform	
	1001272090	Ref	Decal Kit - Platform Console Box	
		Ref	Electrical Connector Kits	
	1001148902	Ref	Amp/Tyco Electrical Connector Kit	
	1001148903	Ref	Deutsch DT Electrical Connector Kit	
	1001148904	Ref	Deutsch HD Electrical Connector Kit	
	1001148905	Ref	Packard Electrical Connector Kit	
	1001148906	Ref	Various Electrical Connectors Kit	
	1001237883	Ref	Fall Arrest (Bolt-on) Add-on Kit (6ft/1.82m Platform (ANSI, ANSI Export, China, CSA & Japanese Specs Only) (Fits Platform p/ns 1001186384 & 1001228376)	
	1001237882	Ref	Fall Arrest (Bolt-on) Add-on Kit (8ft/2.4m Platform (ANSI, ANSI Export, China, CSA & Japanese Specs Only) (Fits Platform p/ns 1001186383)	
	1001206794	Ref	Fan & Belt Grille Add-on Kit (Deutz D2011 Engines Only)	
	1001206797	Ref	Fan & Belt Grille Add-on Kit (Deutz TCD2.9L4 Engines Only)	
	1001203564	Ref	Fan & Belt Grille Installation (Deutz TD2011 Engines and Deutz TCD2.9L4 (Stage V) Engines Only)	
	1001202221	Ref	Fan & Belt Grille Installation (Deutz TCD2.9L4 Engines Only)	
	1001182600	Ref	Fan Guard Installation (Deutz TD2011 Engines Only) (Factory Installed)	
	1001145708	Ref	Fan Guard Installation (Deutz TCD2.9L4 Engines and Deutz TCD2.9L4 (Stage V) Engines Only)	
		Ref	Filter Kits:	
	1001137027	Ref	Deutz TD2011 Engine Only	
	1001181151	Ref	Deutz TCD2.9L4 Engines Only	

SECTION 11 - SPECIAL OPTIONS/ACCESSORIES/KITS

ITEM	PART NUMBER	QTY	DESCRIPTION	REV
	1001139099	Ref	Fire Extinguisher Installation	
	1001274833	Ref	Floor Mat Add-on Kit (30x48 Platform) (Dealer Installed)	
	1001274830	Ref	Floor Mat Add-on Kit (36x72 Platform) (Dealer Installed)	
	1001274829	Ref	Floor Mat Add-on Kit (36x96 Platform) (Dealer Installed)	
	1001191395	Ref	Fuel Cap Cover (Lockable) (Green)	
	1001202749	Ref	Fuel Cap Cover (Lockable) (Black)	
	1001103286	Ref	Generator Hourmeter Installation	
	0271769	Ref	Headlight and Taillights Installation	
	1001142966	Ref	Hood Bracket Kit (Eliminates bending of the hood when cranking engine tray open)	
	1001233534	Ref	Hose/Cable Protection (Platform)	
	1001112741	Ref	Hose/Cable Protection (Boom) (1200SJP)	
	1001228431	Ref	Hose/Cable Protection (Boom) (1350SJP)	
	1001229940	Ref	Hydraulic Tank Lock Installation (Machines With SN Starting With B3)	
	0271808	Ref	Illumination Lights Installation	
	1001204930	Ref	Hostile Environment - With Oscillating Axle (Add-on Kit)	
	1001241417	Ref	Hostile Environment - Fixed Axle (Add-on Kit)	
	1001148971	Ref	Lanyard (Bolt-on) Installation Kit	
	1001288636	1	LOCKOUT CYLINDER KIT	
	2915046	Ref	Load Pin Harness Kit	
	1001236951	Ref	Low Temperature Cutout Installation (Russian Specs)	
	1001120564	Ref	Oil Cooler Service Kit	
	1001117294	Ref	Panel, Foot Switch	
	1001272166	Ref	Pipe Rack Kit	
	1001172045	Ref	Platform Cable Carrier Installation	
	1001195304	Ref	Platform Console Cover Installation (Clear Polycarbonate Cover) (All Specs)	
	1001266290	Ref	Platform Console Cover Installation (Steel Cover) (ANSI, ANSI Export, China, CSA and Japanese Specs)	
	1580013	Ref	Platform Corner Storage Tray	
		Ref	Platform Entry Kits	
	1001142505	Ref	Drop Bar (Replacing Swing Gate with Drop Bar)	
	1001142504	Ref	Swing Gate (Replacing Drop Bar with Swing Gate)	
		Ref	Platform Light Installations	
	0272093	Ref	Flood Lights (1200SJP)	
	0272092	Ref	Flood Lights (1350SJP)	
	0272097	Ref	Work Lights (1200SJP)	
	0272096	Ref	Work Lights (1350SJP)	
		Ref	Platform Steel Mesh to Top Rail Add-on Kits (Dealer Installed)	
	1001214562	Ref	36in x 8ft (91.5cm x 2.44m) with Gate (ANSI and ANSI Export Specs)	
	1001214561	Ref	36in x 6ft (91.5cm x 1.83m) with Gate (ANSI and ANSI Export Specs)	
		Ref	Platform Steel Mesh to Top Rail Installations (Factory Installed)	
	1001269187	Ref	36in x 8ft (91.5cm x 2.44m) (ANSI and CSA Specs)	
	1001271642	Ref	36in x 6ft (91.5cm x 1.83m) (ANSI and CSA Specs)	
	1001272166	Ref	Platform Plastic Mesh to Top Rail Installations (Factory Installed)	
	1001266807	Ref	30in x 4ft (76cm x 1.22m) (ANSI, ANSI Export, CSA and Australian Specs) (China Specs with SN Starting with B3)	
	1001266489	Ref	36in x 6ft (91.5cm x 1.83m) (ANSI, ANSI Export, CSA and Australian Specs) (China Specs with SN Starting with B3)	

SECTION 11 - SPECIAL OPTIONS/ACCESSORIES/KITS

ITEM	PART NUMBER	QTY	DESCRIPTION	REV
	1001266056	Ref	36in x 8ft (91.5cm x 2.44m) (ANSI, ANSI Export, CSA and Australian Specs) (China Specs with SN Starting with B3)	
		Ref	Platform Steel Mesh to Mid Rail Add-on Kits (Dealer Installed)	
	1001214548	Ref	36in x 8ft (91.5cm x 2.44m) with Gate (ANSI, ANSI Export and Australian Specs)	
	1001214540	Ref	36in x 6ft (91.5cm x 1.83m) with Gate (ANSI, ANSI Export and Australian Specs)	
	1001214478	Ref	30in x 4ft (76.2cm x 1.22m) with Gate (ANSI, ANSI Export and Australian Specs)	
		Ref	Platform Steel Mesh to Mid Rail Installations (Factory Installed)	
	1001272274	Ref	30in x 4ft (76.2cm x 1.22m) (ANSI, ANSI Export and Australian Specs) (China Specs with SN Starting with 03)	
	1001271760	Ref	36in x 6ft (91.5cm x 1.83m) (ANSI, ANSI Export, Australian and China Specs)	
	1001269389	Ref	36in x 8ft (91.5cm x 2.44m) (ANSI, ANSI Export, Australian and China Specs)	
		Ref	Platform Plastic Mesh to Mid Rail Installations (Factory Installed)	
	1001266969	Ref	30in x 4ft (76cm x 1.22m) (ANSI, ANSI Export, CSA and Australian Specs) (China Specs with SN Starting with B3)	
	1001266284	Ref	36in x 6ft (91.5cm x 1.83m) (ANSI, ANSI Export, CSA and Australian Specs) (China Specs with SN Starting with B3)	
	1001266098	Ref	36in x 8ft (91.5cm x 2.44m) (ANSI, ANSI Export, CSA and Australian Specs) (China Specs with SN Starting with B3)	
	1001149730	Ref	Platform Mid Rail Repair Kit	
		Ref	Platform Rail Extensions	
	0272733	Ref	6ft Platform	
	0272725	Ref	8ft Platform	
	1001209059	Ref	Platform Work Surface Installation	
	1001099466	Ref	Programmable Security Lock Installation (CE & UK CA Spec Only) (1200SJP)	
	1001190891	Ref	Service Kits	Q
	1001247073	Ref	SkyEye Retrofit Kit	
	1001241547	Ref	SkyEye Housing Repair Kit (LH Side)	
	1001241548	Ref	SkyEye Housing Repair Kit (RH Side)	
	1001249052	Ref	SkyGuard Retrofit Kit	
	1001250595	Ref	SkyGuard 6 Pin Retrofit Kit	
		Ref	SkyGuard Component Options:	
	1001210043	Ref	SkyGuard Complete Add-on Kit (Red Beacon)	
	1001209481	Ref	SkyGuard Complete Add-on Kit (Blue Beacon)	
	1001210042	Ref	SkyGuard Complete Add-on Kit (Red Beacon)	
	1001137672	Ref	SkyGuard Platform Sensor Kit	
	1001137440	Ref	Harness - Platform Sensor	
	1001186431	Ref	Relay	
	1001206544	Ref	SkyGuard Strobe Light Kit (Blue Beacon)	
	1001210028	Ref	SkyGuard Strobe Light Kit (Red Beacon)	
	1001262016	Ref	SkyLine Kit Add-on Kit (Dealer Installed)	
	1001250465	Ref	SkySense (EDS) Level 1 (2 Bar) Installation (Factory Installed)	
	1001250466	Ref	SkySense (EDS) Level 2 (3 Bar) Installation (Factory Installed)	
	1001252033	Ref	SkySense (EDS) Level 1 Kit (2 Bar) (Dealer Installed)	
	1001252034	Ref	SkySense (EDS) Level 2 Kit (3 Bar) (Dealer Installed)	
	1001253618	Ref	SkySense Module Service Kit (Level 1)	
	1001253619	Ref	SkySense Module Service Kit (Level 2)	
	1001231235	Ref	SkyWelder Locking Bracket	
	1001228926	Ref	Turntable Bearing Cover Installation	

SECTION 11 - SPECIAL OPTIONS/ACCESSORIES/KITS

ITEM	PART NUMBER	QTY	DESCRIPTION	REV
		Ref	Tools For Service:	
	2901443	Ref	Analyzer Kit	
	1001249695	Ref	Analyzer and Cable Kit	
	1001249941	Ref	Analyzer and Cable Kit (Battery Powered)	
	1001137005	Ref	Cable Service Kit	
	0272048	Ref	Boom Cable Tools Installation	
	4120040	Ref	Socket 3/4in	
	4120043	Ref	Socket 2in	
	1705307	Ref	Decal - Tool Location	
	7002821	Ref	Crimper, Wire	
	70004646	Ref	Puller	
	70004647	Ref	Seal, Tool	
	70004648	Ref	Puller (Brake Assembly)	
	70004185	Ref	Torque Multiplier	
	7002823	Ref	Pin Extractor - Universal (For Electrical Connectors with Pins and Sockets)	
	4460467	Ref	Extractor - 16-18 Gauge (For Removal of Pin/Sockets from Deutsch Connectors)	
	4460510	Ref	Extractor - 12-14 Gauge (For Removal of Pin/Sockets from Deutsch Connectors)	
	7016654	Ref	Screwdriver, Magnetic	
	7002822	Ref	Screwdriver, Potentiometer	
	7004275	Ref	Seal Tool 1in (For Cylinders)	
	7004276	Ref	Seal Tool 1-1/2in (For Cylinders)	
	7002828	Ref	Stripper, Wire	
	4921850	Ref	Throttle Service Harness	
	70004185	Ref	Torque Multiplier	
	7016655	Ref	Wire Rope Sheave Gauge	
	1001277849	Ref	UGM2 Retrofit Kit	
	1001277844	Ref	UGM2 Retrofit Kit	
	1001274249	1	USB Charger Add-on Kit (Dealer Installed)	
	1001262959	Ref	Voltage Regulator Relocation Kit (ClearSky)	
	2910890	Ref	Wear Pad Kit (Includes Wear Pads, Shims and Hardware)	
		Ref	Weld Leads at Platform Installation	
	0271983	Ref	Weld Leads at Platform Installation (1200SJP)	
	0271820	Ref	Weld Leads at Platform Installation (1350SJP)	
	2910894	Ref	Wire Rope Kit (Includes Cables, Sheaves, Sheave Pins and Hardware) (1200SJP)	
	2910895	Ref	Wire Rope Kit (Includes Cables, Sheaves, Sheave Pins and Hardware) (1350SJP)	
	1001277222	Ref	White Noise Alarm Kit	
	1001277191	Ref	White Noise Ambient Alarm Kit	

SECTION 11 - SPECIAL OPTIONS/ACCESSORIES/KITS

PART NUMBER INDEX

SECTION 11 - SPECIAL OPTIONS/ACCESSORIES/KITS

0080237.....237, 249	0100079 ... 197, 201, 205,	0272418 ... 581, 583, 585,	0561458.... 463, 471, 479,
0080244.....241, 245, 253,	209, 213, 217, 221,	587, 589, 591, 593,	487
257	225, 229, 233, 265,	595, 597, 599, 601, 603	0561471.... 463, 471, 479,
0080277.....27	269, 287, 291, 295,	0272427 621	487
0100009.....549	299, 303, 307, 335,	0272435 430, 438	0561482.... 463, 471, 479,
0100011 19, 23, 27, 34,	339, 357, 395	0272448 895	487
45, 47, 53, 55, 59, 61,	0100081 ... 172, 173, 177,	0272521 609	0561500.... 463, 471, 479,
63, 65, 79, 81, 87, 89,	501, 505, 508, 581,	0272522 885	487
93, 95, 97, 113, 115,	583, 585, 587, 589,	0272523 885	0630407.... 128, 132, 136,
117, 119, 121, 123,	591, 593, 595, 597,	0272588 893	140, 147
125, 127, 128, 131,	599, 601, 603	0272589 434, 442	0630462.... 619, 621, 623
132, 135, 136, 139,	0140001 63, 65	0272599 889	0630464..... 27, 127, 131,
140, 143, 147, 172,	0140011 549	0272607 891	135, 139, 143, 507
173, 176, 177, 182,	0140032 155	0272621 903	0630467..... 500, 504
183, 186, 190, 191,	0200048 ... 619, 621, 623	0272725 905	0630511..... 81
193, 197, 201, 205,	0200742 405, 409	0272733 905	0630518.... 151, 571, 577,
209, 213, 217, 221,	0200833 27	0272948 595	609, 611, 613, 616
225, 229, 233, 237, 241,	0236768 63, 65	0272949 589	0630534..... 663, 666
245, 249, 253, 257,	0239842 77	0272950 591	0630535.... 635, 637, 643,
265, 269, 273, 275,	0257195 903	0272951 583	646, 653
278, 287, 291, 295,	0257887 155	0272952 593	0630536..... 683, 686
299, 303, 307, 311,	0259666 149	0273353 616	0630537..... 655, 657
313, 315, 317, 321,	0271512 75	0273404 603	0630548.... 127, 131, 135,
326, 335, 339, 343,	0271520 27	0273405 599	139, 143
345, 348, 357, 361,	0271530 453, 455	0273406 597	0630558.... 466, 474, 482,
364, 397, 399, 405,	0271570 504	0273696 507	490
409, 413, 417, 421,	0271572 93	0273706 623	0630568..... 550
425, 429, 433, 437,	0271595 172	0273824 619	0641404..... 81, 413, 417,
441, 445, 447, 449,	0271688 87, 89	0273854 779	421, 425, 429, 433,
451, 453, 455, 457,	0271769 904	0273855 781	437, 441, 549, 607
459, 463, 471, 479,	0271795 63	0273862 903	0641405..... 507, 607
487, 500, 504, 507,	0271799 445, 447	0274730 885	0641406.. 55, 59, 61, 127,
511, 513, 515, 525,	0271800 500	0275098 559	131, 135, 139, 143,
527, 529, 531, 539,	0271803 902	0275216 725, 841	159, 176, 190, 237,
541, 543, 545, 605,	0271804 902	0275217 729, 843	241, 245, 249, 253,
607, 609, 611, 613,	0271805 902	0275452 733, 845	257, 273, 275, 278,
616, 619, 621, 623,	0271806 155	0275453 737, 847	320, 326, 348, 364,
635, 637, 643, 646,	0271808 904	0275454 741, 849	405, 409, 500, 504,
655, 657, 663, 666,	0271820 906	0340003 ... 237, 241, 245,	547, 625, 867, 869,
673, 676	0271852 39	249, 253, 257	871, 873, 875, 877,
0100019.... 19, 23, 27, 29,	0271874 79	0340051 ... 237, 241, 245,	879, 881, 883
73, 75, 421, 425, 429,	0271875 902	249, 253, 257	0641407.... 157, 273, 275,
433, 437, 441, 445,	0271932 767	0363037 19, 23	350, 364, 417, 425, 749
447, 449, 451, 453,	0271933 902	0363062 63, 65	0641408 63, 65, 163, 165,
455, 457, 459, 463,	0271950 771	0363066 ... 465, 473, 481,	172, 176, 183, 191,
471, 479, 487, 500,	0271951 769	489	193, 273, 275, 287,
504, 673, 676	0271952 773	0363076 19	291, 295, 299, 303,
0100020.... 278, 321, 326,	0271953 719	0363081 405, 409	307, 335, 339, 357, 547
348, 364, 413, 421,	0271954 721	0363082 405, 409	0641410.... 197, 201, 205,
430, 437, 569, 577,	0271955 717	0400020 63, 65	209, 213, 217, 221,
616, 723, 725, 727,	0271956 902	0440251 75	225, 229, 233, 265,
729, 731, 733, 735,	0271983 906	0480122 409	269, 287, 291, 295,
737, 739, 741, 747	0272048 493, 906	0480127 405	299, 303, 307, 335,
0100035..... 27, 161, 280,	0272055 39	0480128 413, 429	339, 357
507, 549, 571, 573	0272056 39	0480129 433	0641412.... 53, 55, 63, 65
0100038.... 635, 637, 643,	0272060 ... 238, 241, 245,	0561431 ... 463, 471, 479,	0641414..... 55, 549, 605,
646, 655, 657, 663,	250, 253, 257	487	619, 621, 623
666, 673, 676	0272064 167	0561437 ... 463, 471, 479,	0641416.... 717, 719, 721,
0100048 87, 91, 127, 131,	0272078 902	487	723, 725, 727, 729,
135, 139, 143, 157,	0272080 101	0561439 ... 463, 471, 479,	731, 733, 735, 737,
159, 413, 421, 425,	0272092 904	487	739, 741, 747, 749
430, 434, 437, 441,	0272093 904	0561444 ... 463, 471, 479,	0641418.... 525, 527, 529,
507, 549, 827, 867,	0272096 904	487	531, 539, 541, 543, 545
869, 873	0272097 904	0561454 ... 463, 471, 479,	0641424..... 45, 47
0100062.... 278, 322, 328,	0272254 611	487	0641503.... 278, 322, 328,
348, 364		0561457 ... 463, 471, 479,	348, 364
		487	0641504..... 45, 47

SECTION 11 - SPECIAL OPTIONS/ACCESSORIES/KITS

0641505	27	221, 225, 229, 233,	0641826.....	237, 241, 245,	0741606	27, 463, 471,
0641506 ...	59, 61, 81, 87,	237, 241, 245, 249,	249, 253, 257	479, 487	0741607 ...	413, 417, 421,
155, 172, 173, 177,		253, 257, 265, 269,	0642010....	197, 201, 205,	425, 437, 441	
182, 186, 190, 197,		278, 287, 291, 295,	209, 213, 217, 221,	225, 229, 233, 265,	0741806 ...	463, 471, 479,
201, 205, 209, 213,		299, 303, 307, 320,	269, 287, 291, 295,	299, 303, 307, 335,	487	
217, 221, 225, 229,		326, 335, 339, 348,	339, 357	0642012....	463, 471, 479,	
233, 237, 241, 245,		357, 364, 395, 399,	487, 581, 583, 585,	587, 589, 591, 593,	0760608	172, 173, 177
249, 253, 257		405, 409, 463, 471,	595, 597, 599, 601, 603	0642020.....	23	
0641507 ...	237, 241, 245,	479, 487, 547	0642022....	463, 471, 479,	0760612 ...	127, 131, 135,
249, 253, 257, 513, 515		0641611 19, 23, 397, 449,	487	487	139, 143	
0641508 ...	107, 111, 320,	451, 457, 459	0642212....	581, 583, 585,	0760808	350, 364
326, 348, 364, 405, 409		0641612 ... 265, 269, 287,	587, 589, 591, 593,	595, 597, 599, 601, 603	0760810 ...	278, 322, 328,
0641509 45, 47, 169, 197,		291, 295, 299, 303,	0642014....	463, 471, 479,	511	
201, 205, 209, 213,		307, 322, 328, 335,	487	0642016.....	27	
217, 221, 225, 229, 233		339, 357, 395, 445,	0642020.....	23	0760814001	279
0641510 ...	177, 322, 328,	447, 453, 455	0642022....	463, 471, 479,	0761014	511
501, 505		0641613	487	0681608.....	511	
0641511	27, 197, 201,	19, 23	0642214 19, 23, 445, 447,	449, 451, 453, 455,	0761016	278
205, 209, 213, 217,		0641614	457, 459	0681620....	561, 563, 565,	
221, 225, 229, 233,		93, 95, 97	567	567	0761210 ...	265, 269, 281,
265, 269, 287, 291,		0641615 ... 463, 471, 479,	0681813.....	19, 23	287, 291, 295, 299,	
295, 299, 303, 307,		487	0681814 19, 23, 533, 535,	537	303, 307, 335, 339, 357	
335, 339, 357		0641616	0681815.....	19, 23	0761212	350, 364
0641516 ...	413, 421, 429,	413, 417	0681816.....	19, 23	0761214	34, 278, 322,
433, 437, 441		0641618 ... 421, 425, 430,	0681822....	533, 535, 537	328, 348, 364	
0641520 ...	101, 103, 105,	434, 437, 441, 465,	0682026.....	75	0761215 ...	250, 253, 258,
109		473, 481, 489	0682028....	278, 320, 326,	275, 315, 317, 343, 361	
0641524	107, 111	0641630 ... 172, 176, 182,	348, 364, 463, 471,	479, 487	0761216	511
0641605 ...	197, 201, 205,	186, 190	479, 487	0682040.....	75	
209, 213, 217, 221,		0641634	0682212....	463, 471, 479,	0791605 ...	466, 474, 482,
225, 229, 233, 237,		27	487	487	490, 507	
241, 245, 249, 253,		0641640 ... 465, 473, 482,	0682422.....	73	0791606 ...	463, 471, 479,
257, 265, 269, 287,		490	0682424....	561, 563, 565,	487, 507	
291, 295, 299, 303,		0641644 ... 466, 474, 482,	567	0700408....	723, 725, 727,	
307, 335, 339, 357		490	0700812.....	322, 328	729, 731, 733, 735,	
0641606 ...	19, 23, 63, 65,	0641646 ... 463, 471, 479,	0700815....	278, 320, 326,	737, 739, 741, 747	
81, 182, 186, 190, 198,		487	0700615.....	163, 165	0700616.....	183, 191, 193
202, 206, 210, 214,		0641652 ... 463, 471, 479,	0700812.....	322, 328	0700815....	278, 320, 326,
218, 221, 226, 230,		487	0701022.....	281	348, 364	
234, 265, 269, 278,		0641656	0701024.....	278	0701025.....	278
287, 291, 295, 299,		493	0701025.....	278	0701418.....	405, 409
303, 307, 320, 326,		0641706 ... 278, 320, 326,	0701617.....	29	0701619.....	39, 41, 43
335, 339, 348, 357,		348, 364	0711214....	237, 241, 245,	0711214....	237, 241, 245,
364, 609, 611, 613, 616		0641708 ... 265, 269, 278,	249, 253, 257	249, 253, 257	0801315	453, 455, 479
0641607 ...	463, 471, 479,	288, 292, 296, 300,	0711417....	241, 245, 253,	0801316	463, 471
487		304, 308, 320, 326,	257	257	0801317	463, 471
0641608 ...	19, 23, 45, 47,	335, 339, 348, 357, 364	0720804.....	549	0801318	463, 471
59, 61, 79, 81, 93, 95,		0641718	0721005.....	621, 623	0801319	463, 471
97, 101, 103, 167, 169,		405, 409	0721006....	397, 399, 549	0801320	445, 447, 463
172, 176, 182, 186,		0641808 ... 19, 23, 45, 47,	0731005.....	619	0801550 ...	465, 473, 481,
190, 237, 241, 245,		197, 201, 205, 209,	0731007.....	93, 95, 97	489	
249, 253, 257, 265,		213, 217, 221, 225,			0811606 ...	466, 474, 482,
269, 275, 278, 287,		229, 233, 237, 241,			490	
291, 295, 299, 303,		245, 249, 253, 257,				
307, 315, 317, 320,		265, 269, 287, 291,				
326, 335, 339, 343,		295, 299, 303, 307,				
348, 357, 361, 364,		335, 339, 357, 463,				
401, 405, 409, 445,		471, 479, 487				
447, 449, 451, 453,		0641810				
455, 457, 459, 500,		43, 413, 417,				
504, 683, 686		421, 425, 429, 433,				
0641609 19, 23, 107, 111,		437, 441, 500, 504				
237, 241, 245, 249,		0641812 87, 89, 237, 241,				
253, 257		245, 273, 275, 311,				
0641610 ...	172, 176, 182,	313, 315, 317, 343, 345				
186, 190, 197, 201,		0641813 ... 182, 186, 190,				
205, 209, 213, 217,		463, 471, 479, 487				
		0641814				
		20, 249, 253,				
		257, 311, 313, 315,				
		317, 343, 345, 361				
		0641816				
		169				
		0641818 ... 167, 237, 241,				
		245, 249, 253, 257				
		0641820				
		87, 89				

SECTION 11 - SPECIAL OPTIONS/ACCESSORIES/KITS

0811607 466, 474, 482, 490	0962257 ... 663, 666, 669, 671	1001099869 409	1001110513 55
0811608 463, 471, 479, 487	0962270 533, 535, 537	1001100231 783	1001110604 714
0811610 463, 471, 479, 487	0962297 ... 463, 471, 479, 487, 655, 657, 659, 661	1001100233 409	1001110740 65
0811614 463, 471, 479, 487	0962402 ... 464, 472, 481, 488	1001100321 409	1001110872 743, 745
0811616 463, 471, 479, 487	0962403 ... 465, 473, 481, 489	1001100341 841	1001110873 413, 421, 430, 438, 719
0860038 413, 421, 429, 437, 719, 721	0962404 ... 465, 473, 481, 489	1001100342 843	1001110877 55
0861538 429, 437	0962406 ... 465, 472, 481, 489	1001100345 845	1001110940 81
0861572 433, 441	0962409 ... 463, 471, 479, 487	1001100346 849	1001111132 206, 210, 214, 226, 230, 234
0861731 723, 735, 739, 747, 845, 847, 849	0962410 ... 464, 472, 480, 488	1001100347 847	1001111175 81
0861781 727, 731, 841, 843	0962411 ... 465, 473, 481, 489	1001101191 723, 725, 727, 729, 731, 733, 735, 737, 739, 741, 747, 783, 785	1001111176 81
0861880 783, 785	0962419 ... 463, 471, 479, 487	1001101196 725, 727, 729, 731	1001111193 81
0902743 683, 686	0962423 27	1001101197 723, 733, 735, 737, 739, 741, 747	1001111219 81
0902746 172, 173, 177	0962447 ... 465, 473, 481, 489	1001101421 581	1001112551 869
0902755 59, 61	0962449 410	1001101422 581	1001112612 757, 789
0902761 172, 177	0962520 ... 413, 417, 421, 425, 429, 433, 437, 441	1001101550 33	1001112669 41
0902762 173, 177	1001091102 417, 425, 749	1001103012 789	1001112691 182, 186, 190
0902763 173, 177	1001091969 725	1001103286 904	1001112716 41
0902800 59, 61	1001091970 729	1001104315 29, 31	1001112741 904
0902813 405, 409	1001091973 733	1001104324 29	1001112758 45
0902888 413, 421, 429, 433, 437, 441	1001091974 737	1001104325 31, 33	1001112766 237, 241, 245, 249, 253, 257
0902915 87, 89	1001091975 741	1001104498 789	1001112796 757
0903154 172, 176	1001094915 417, 425, 749	1001106736 127, 131, 135, 139, 143, 789	1001112878 205, 209, 213, 225, 229, 233
0903156 172, 176	1001095976 749	1001107359 95	1001112879 205, 209, 213, 225, 229, 233
0903161 173, 177	1001097051 855	1001107854 789	1001112880 205, 209, 213, 225, 229, 233
0903162 173, 177	1001097150 783	1001107971 217, 226, 249	1001112911 81
0940070 237, 241, 245, 249, 253, 257, 278, 320, 326, 348, 364	1001097244 627	1001107973 222, 234, 253	1001112927 250, 254, 258, 275, 315, 317, 343, 361, 391
0940092 619, 621, 623	1001097820 693, 695	1001107975 230, 257	1001113047 182, 186, 190
0940094 619, 621, 623	1001098012 575, 577, 616	1001108579 97	1001113103 97
0940102 581, 583, 585, 587, 589, 591, 593, 595, 597, 599, 601, 603	1001098025 693	1001108616 250, 254, 259, 275, 315, 317, 343, 361, 384	1001113173 81
0940103 621	1001098026 695	1001108617 197, 201, 205, 209, 213, 218, 222, 225, 229, 233, 265, 269, 287, 291, 295, 299, 303, 307, 335, 339, 357	1001113698 139, 143
0940133 623	1001098122 569, 833	1001109048 97	1001113961 789
0940134 619	1001098149 577	1001109468 714	1001114392 81
0961845 525, 527, 529, 531, 539, 541, 543, 545	1001098512 197	1001109654 749, 783	1001114620 706
0961893 663, 666	1001098513 198, 206, 237	1001109677 103, 109, 111	1001115168 81
0961894 653	1001098516 201	1001110027 182	1001115440 81
0961896 635, 637, 643, 646	1001098530 202, 210, 241	1001110059 97	1001115603 601
0961901 655, 657	1001098531 214, 245	1001110064 128, 132, 136, 140, 147	1001115961 41
0961903 683, 686	1001098601 237, 242, 246, 249, 254, 258, 261	1001110108 55	1001116015 213
0961949 643, 646, 649, 651, 653, 673, 676, 679, 681	1001098828 511	1001110109 55	1001116025 885
0961950 635, 637, 639, 641, 673, 676, 679, 681	1001099366 581, 583, 585, 587, 589, 591, 593, 595, 597, 599, 601, 603	1001110110 55	1001116208 886
0961951 463, 471, 479, 487	1001099367 581, 583, 585, 587, 589, 591, 593, 595, 597, 599, 601, 603	1001110111 55	1001116290 183, 191, 193
0961986 237, 241, 245, 249, 253, 257, 278, 320, 326, 348, 364	1001099421 595	1001110112 55	1001116369 127, 131, 135, 139, 143, 827
0962033 19, 23	1001099422 583	1001110113 55	1001116707 795
0962051 167, 169	1001099466 905	1001110425 265, 269, 287, 291, 295, 299, 303, 307, 335, 339, 357	1001116710 805
0962224 463, 471, 479, 487	1001099632 27	1001110433 182, 186, 190	1001116720 835
		1001110486 182, 186, 190	1001116728 796
			1001116774 757
			1001116792 265, 269, 287, 291, 295, 299, 303, 307, 335, 339, 357
			1001116808 757
			1001116812 789, 799, 812
			1001116846 875
			1001116849 875

SECTION 11 - SPECIAL OPTIONS/ACCESSORIES/KITS

1001116851 875	1001125387..... 886	1001135679.....279, 321, 327	1001138800 449, 451
1001116952 796, 799	1001125425..... 405	1001135680.....321, 327, 349, 365	1001138801 449, 451, 471
1001116967 795	1001125426..... 409	1001135779.....280, 322, 327, 349, 365	1001138805 663, 666
1001116983 805	1001125427..... 429	1001135901.....321, 327, 349, 365	1001138827 279, 321, 327, 349, 365
1001117035 875	1001125428..... 433	1001135903.....279, 349, 365	1001139099 904
1001117078 431, 434, 439, 442	1001126009..... 857	1001135913.....321, 327, 349, 365	1001139240 279, 321, 327, 349, 365
1001117106 796, 799	1001126011..... 829, 833	1001135924.....321, 327, 349, 365	1001139357 413, 417
1001117107 796, 799	1001126351..... 795, 799	1001135926.....321, 327, 349, 365	1001139492 109
1001117140 177	1001126352..... 795	1001135943.....321, 327, 349, 365	1001139494 105
1001117172 569	1001126356..... 795	1001135946.....279, 349, 365	1001139516 457, 459
1001117174 550, 569, 899	1001126357..... 795	1001136356.....417	1001139517 457, 459, 487
1001117294 904	1001126362..... 796, 799	1001136357 425, 442	1001139654 886
1001117308 279, 321, 327, 349, 365, 898	1001126363..... 796, 799, 800	1001136626.....321, 327, 349, 365	1001139665 105, 109
1001117370 205	1001126364..... 796, 799, 800	1001136665.....279, 321, 327, 349, 365	1001139666 105, 109
1001117371 209	1001126365..... 797	1001136834.....279, 321, 327, 349, 365	1001139778 190
1001118384 857	1001126384..... 795	1001137005.....906	1001139958 413
1001118388 835, 857	1001126391..... 797, 799	1001137027.....903	1001139959 417
1001118712 217	1001126392..... 797, 799	1001137276.....279, 321, 327, 349, 365	1001139972 465, 473, 481, 489
1001118713 221	1001126485..... 799	1001137336.....278	1001140222 397
1001118859 714	1001126487..... 799	1001137440 905	1001140312 328
1001118869 714	1001128527..... 613	1001137590 437	1001140344 421
1001118933 714	1001128556..... 613	1001137591 441	1001140346 422
1001118934 714	1001129858..... 413, 414	1001137672 905	1001140347 425
1001118935 714	1001131269..... 867, 877	1001137673 605, 899	1001140429 525, 527, 529, 531, 539, 541, 543, 545
1001118957 103	1001131462..... 182, 186, 190	1001138011 421, 425, 438, 442	1001140485 176, 190
1001119020 757, 789, 811, 829, 833	1001131482..... 169	1001138110 797	1001140564 279, 320, 327, 349, 365
1001119052 225	1001131542..... 237, 241, 245, 249, 253, 257, 265, 269, 288, 292, 296, 300, 304, 308, 335, 339, 357	1001138111 797	1001140604 291, 295, 303, 307
1001119053 233	1001131620..... 500, 504	1001138113 797	1001141225 265, 269, 287, 291, 295, 299, 303, 307, 335, 339, 357
1001119054 229	1001131728..... 504	1001138228.....279, 321, 327, 349, 365, 898	1001141300 886
1001119138 714	1001131729..... 500	1001138248.....280, 321, 327, 349, 365	1001141302 886
1001119372 127, 131, 135, 139, 143, 815	1001131733..... 504	1001138253.....279, 321, 327, 349, 365	1001141304 279, 321, 327, 350, 365
1001119456 113, 119, 839	1001131734..... 500	1001138346.....279, 321, 327, 795	1001141717 279, 322, 327, 350, 366
1001119470 113, 115, 119, 121, 793	1001131969..... 775, 777	1001138491 265, 269, 287, 291, 295, 299, 303, 307, 335, 339, 357, 805	1001141718 397, 399
1001119619 851	1001133633..... 280, 321, 327, 349, 365	1001138494 527, 529, 531, 539, 541, 543, 545	1001141719 279, 320, 327, 350, 366
1001119620 853, 855	1001133634..... 279, 321, 327, 349, 365	1001138514 527, 529, 531, 541, 545	1001141744 307
1001119727 279	1001133714..... 797, 800, 803	1001138524 280, 321, 327, 349, 365	1001141745 307, 317
1001119817 714	1001133715..... 797, 800, 803	1001138559 281, 321, 327, 349, 365	1001141746 313, 317, 326
1001119899 464, 472, 480, 488	1001133956..... 795, 799	1001138565 417	1001141811 291
1001119938 902	1001133957..... 795, 799	1001138566 413, 417, 421, 425	1001141812 287, 291, 311
1001119946 902	1001134389..... 303	1001138717 322, 328	1001141813 295, 313
1001119968 430, 434, 439, 442	1001134390..... 299, 303, 315		1001141815 295
1001120328 605, 607, 833	1001134392..... 311, 315, 320		1001141817 299
1001120378 409	1001134488..... 279, 320, 328, 349, 365		1001141819 287
1001120382 409	1001135138..... 279, 321, 327, 349, 365		1001142144 176
1001120471 627	1001135560..... 279, 321, 327, 349, 365		1001142398 350, 366
1001120477 627	1001135562..... 279, 321, 327, 349, 365		1001142501 279, 322, 328, 350, 366
1001120484 627	1001135650..... 797, 800, 803		1001142504 904
1001120564 101, 103, 904	1001135651..... 797, 800		1001142505 904
1001120989 886	1001135663..... 169		1001142637 350, 366
1001120994 886			1001142645 421, 438
1001121615 829			
1001121616 829			
1001122528 430, 434, 439, 442			
1001122611 867, 871, 875, 879, 881, 883			

SECTION 11 - SPECIAL OPTIONS/ACCESSORIES/KITS

1001142683.....163, 165, 899	1001151393..... 149	1001161044 777	1001173183..... 183, 191, 193
1001142685.....279, 322, 328, 350, 366	1001151432 280	1001161048 775	1001173184..... 191
1001142719..... 163, 165	1001152456 414, 422	1001161050 777	1001173185..... 182, 186, 190
1001142736.....163, 165, 757	1001152457 413, 421, 422	1001161401 19, 24	1001173186..... 182, 186, 190
1001142938.....797, 800	1001152525 414, 422, 430, 434, 438, 442	1001161402 19, 24	1001173187..... 182, 186, 190
1001142940.....797, 800	1001152530 414, 422	1001161403 19, 24	1001173202..... 190
1001142941.....797, 800	1001152533 413, 417, 421, 425, 807	1001161709 550, 899	1001173647..... 182, 186, 191
1001142966.....904	1001152566 177	1001161710 550, 899	1001173651..... 182, 186, 191
1001143087105, 107, 109, 111	1001152742 796	1001163131 581	1001173703..... 886
1001143123..... 105, 109	1001152963 273, 311, 313, 345, 378	1001163287 593	1001173912..... 182
1001143294..... 169	1001152966 710	1001163288 599	1001173913..... 23
1001143298..... 169	1001152968 710	1001163289 597	1001173914..... 19
1001143390.....279, 322, 328, 350, 366	1001152971 710	1001163292 601	1001173915..... 95
1001143852..... 886	1001153024 321, 327, 350, 366	1001163293 589	1001173918..... 97
1001144089.....279, 322, 328, 350, 366	1001153257 413, 421	1001163295 603	1001174040..... 511
1001144433..... 605	1001153260 414, 422	1001163296 595	1001174325..... 655, 657
1001144629.....521, 523, 539, 543	1001153387 322, 328, 350, 366	1001163297 583	1001174331..... 183
1001145089.....287, 291, 295, 299, 303, 307, 336, 340, 358	1001154260 464, 472, 480, 488	1001163298 591	1001175237..... 191
1001145154.....280, 322, 328, 350, 366	1001154294 464, 472, 480, 488	1001165035 280, 321, 327, 350, 366	1001175250..... 183
1001145162..... 190	1001154304 464, 472, 480, 488	1001165101 311, 313, 315, 317, 350, 397	1001175859..... 182, 186, 191
1001145382.....238, 242, 246, 250, 254, 258	1001154306 464, 472, 480, 488	1001165368 417, 425, 785	1001175879..... 182, 186, 191
1001145405.....577, 616	1001154405 280, 287, 291, 295, 299, 303, 307, 322, 328, 336, 340, 350, 358, 366, 397, 399, 401	1001165820 322, 328, 350, 366	1001175880..... 182, 186, 191
1001145560.....287, 299, 336, 340, 358	1001155044 550	1001166393 279, 321, 327, 350, 366	1001176329..... 280
1001145708..... 903	1001155045 550, 899	1001166538 550, 553, 898	1001176330..... 280
1001145842.....288, 292, 296, 300, 304, 308, 336, 340, 358	1001155575 280, 321, 327, 350, 366	1001166539 550, 555, 898	1001176346..... 53
1001146132..... 176, 191	1001155823 280, 322, 328, 350, 366	1001167164 273, 275	1001176347..... 55
1001146142..... 176	1001157520 430, 434, 438, 442	1001167565 511	1001176415..... 280
1001146178..... 176, 190	1001157521 430, 434, 438, 442	1001167567 511	1001176416..... 280
1001146183..... 176, 190	1001157525 433, 434, 441, 442	1001167596 511	1001176469..... 135, 139
1001146219.....280, 320, 326, 350, 366	1001157528 430, 434, 438, 442	1001167632 799	1001176862..... 743
1001146244..... 190	1001157592 429, 430, 437, 438	1001167635 799	1001177533..... 885
1001146588.....336, 340, 350, 358, 366	1001158007 430, 434, 438, 442	1001168166 280	1001177945..... 273, 275
1001147264..... 796	1001158008 414, 422, 430, 434, 438, 442	1001168402 511	1001177946..... 273, 275
1001147479.....507, 899	1001158363 414, 422	1001169054 280	1001177957..... 273, 275
1001148675..... 743, 745	1001159118 743, 745, 898	1001169138 280	1001177958..... 273, 275
1001148841..... 803	1001159119 743, 745	1001170035 280	1001177959..... 273, 275
1001148842..... 803	1001159120 743, 745	1001170764 800	1001178236..... 280
1001148843.....280, 322, 328, 350, 366, 803	1001159121 745	1001170982 280, 350, 366	1001178247..... 463, 471, 479, 487, 495
1001148902..... 903	1001159186 829, 833	1001171095 250, 254, 259, 275, 315, 317, 343, 361, 387	1001178248..... 463, 471, 479, 487, 497
1001148903..... 903	1001159256 550, 899	1001171130 421	1001178797..... 401
1001148904..... 903	1001160505 172, 176	1001171131 743	1001178894..... 280
1001148905..... 903	1001160567 93, 95	1001171273 425	1001179154..... 414, 422, 430, 438
1001148906..... 903	1001161041 775	1001171482 127, 135, 139, 143	1001180051..... 182, 187, 191
1001148971 904		1001172045 904	1001180620..... 280, 350, 366
1001149730..... 905		1001172760 550	1001180690..... 886
1001149818..... 161, 859		1001172766 885	1001181045..... 783, 785, 898
1001149955..... 161		1001173163 183, 191, 193	1001181129..... 107, 111
1001149994..... 161, 163, 165		1001173164 183, 191, 193	1001181134..... 587
1001150406..... 161		1001173166 182, 186, 190	1001181142..... 587
		1001173170 182, 186, 190	1001181151..... 903
		1001173171 95, 97	1001181895..... 328
			1001181899..... 350, 366

SECTION 11 - SPECIAL OPTIONS/ACCESSORIES/KITS

1001182361 795, 799	1001202687.....511	1001220735.....273, 275, 278	1001228024 445, 449, 453, 457, 655, 657
1001182600 903	1001202697.....902	1001220743.....902	1001228025 464, 472, 480, 488, 663, 666
1001182806 157	1001202749.....904	1001220745.....902	1001228026 472, 683
1001182997 280	1001203564.....903	1001220746.....902	1001228031 673, 676
1001184682 159	1001203655.....533	1001220747902	1001228053 472, 488, 653
1001185281 550	1001203656..... 535, 537	1001220770280	1001228215 525
1001186318 537	1001204159.....395	1001220929550	1001228224 579, 899
1001186333 533	1001204725..... 511	1001221203280	1001228225 579, 899
1001186334 535	1001204930.....904	1001221205280	1001228243 543
1001186375 527	1001205958..... 733, 735, 737, 739, 741, 747	1001221212280	1001228375 545
1001186379 529	1001206250..... 735	1001221217280	1001228376 539
1001186382 531	1001206251..... 739	1001221219280	1001228377 541
1001186383 523	1001206252..... 747	1001221259265	1001228431 904
1001186384 521	1001206253..... 727	1001221261269	1001228488 73, 83
1001186389 537	1001206254..... 731	1001221263266, 273	1001228617 73
1001186431 605, 899, 905	1001206255.....723	1001221265270, 275	1001228926 905
1001186432 835, 857	1001206476..... 755	1001221427280	1001228951 902
1001186517 605	1001206544..... 905	1001221666111	1001228988 613, 893, 895
1001187011 280	1001206794..... 903	1001221738885	1001229058 73
1001187382 511	1001206797903	1001221802107	1001229107 903
1001187383 511	1001207004..... 165	1001222314513, 515	1001229341 579
1001187674 579	1001207969..... 513, 515	1001222773399	1001229599 280
1001187681 851	1001208299..... 350, 366	1001222817401	1001229600 280
1001187807 151, 571	1001208994..... 511, 513, 515	1001223055867	1001229940 904
1001188376 107, 111	1001209059..... 905	1001223068401	1001230934 795, 799
1001188382 107, 111	1001209432..... 755	1001223453867, 877	1001230935 795, 799
1001188622 511	1001209474..... 755	1001223459797, 799	1001230936 795, 799
1001188844 511	1001209481..... 905	100122388343	1001231235 905
1001188884 395	1001209481..... 905	1001223971877	1001231315 867
1001188887 395	1001209664..... 605	1001224048881	1001231316 877
1001189001 511	1001210028..... 905	1001224049883	1001231317 881
1001189002 511	1001210042..... 905	1001224050875	1001231318 883
1001190891 905	1001210043..... 905	1001224052871	1001231319 871
1001190985 511	1001210636..... 627	1001224053879	1001231320 879
1001191272 321, 327, 350, 366	1001212223..... 437, 441	1001224053879	1001231321 875
1001191395 904	1001212790..... 501, 505	1001225118238, 242, 246, 250, 254, 258	1001231801 885
1001191525 886	1001213183..... 903	1001225245601	1001231886 159
1001191526 886	1001213385..... 706, 710, 714	1001225246603	1001231949 567
1001191541 19, 24	1001213447..... 830, 833	1001225247593	1001231950 563, 565
1001191620 350, 366	1001213705..... 445, 447, 449, 451, 453, 455, 457, 459	1001225248597	1001232010 563, 565, 567
1001192401 811	1001214029..... 886	1001225249591	1001232011 563, 565, 567
1001193018 723, 725, 727, 729, 731, 733, 735, 737, 739, 741, 747	1001214478..... 905	1001225250589	1001232164 579
1001193674 19, 24	1001214540..... 905	1001225251599	1001232165 579
1001195214 395	1001214548..... 905	1001225345587	1001232546 350, 353
1001195304 904	1001214548..... 905	1001225346755, 899	1001232642 607
1001197017 619, 621, 623	1001214561..... 904	1001225430331	1001232667 607, 899
1001197408 886	1001214562..... 904	1001225431331	1001233047 903
1001197528 886	1001214570..... 755	1001225580605, 835	1001233237 903
1001197529 886	1001214571..... 755	1001226531755	1001233492 350, 366
1001197530 886	1001216630..... 511	1001226872525	1001233534 904
1001197531 886	1001216876..... 43	1001226923401	1001233763 902
1001197532 886	1001216877..... 43	1001227449902	1001233959 151, 571
1001197533 886	1001217005..... 163	1001227606265, 269, 366, 399	1001234800 799
1001197537 886	1001217005..... 163	1001227633579	1001235149 340, 345
1001197719 800	1001219085..... 885	1001227634579	1001235150 336, 343
1001200491 511	1001219601..... 128, 132, 136, 140, 143, 899	100122796059, 61, 899	1001235151 343, 345, 348
1001200494 511	1001219642..... 280, 283	1001227985579	1001235617 903
1001200910 163	1001219990..... 45, 47, 59, 61, 513, 515	1001227987579	1001235952 350, 366
1001201351 511	1001220039..... 902	1001227996853, 855	1001236087 571, 573
1001202221 903	1001220041..... 902	1001228019.23, 635, 637	1001236091 151, 153
1001202280 395	1001220044..... 902	1001228021480, 488, 686	
1001202281 395, 898	1001220379..... 796	1001228023464, 480, 643, 646	
	1001220560..... 107, 111		

SECTION 11 - SPECIAL OPTIONS/ACCESSORIES/KITS

1001236398.....886	1001242030.....765	1001250297.....182, 187, 190	1001261335.....561
1001236408.....176	1001242192.....902	1001250465.....905	1001261338.....561
1001236504.....755	1001242373.....128, 132, 136, 140, 147	1001250466.....905	1001262016.....905
1001236505.....755	1001243183.....902	1001250595.....905	1001262959.....906
1001236552.....607	1001243184.....902	1001251019.....23, 639, 641	1001263923.....821, 827, 837
1001236746.....567	1001243414.....183, 187, 191	1001251020.....19, 23, 633	1001264917.....321, 327
1001236747.....565	1001243596.....833	1001251021.....480, 488, 689	1001264982.....321, 327
1001236754.....123	1001243731.....157	1001251023.....464, 480, 649, 651	1001265163.....627
1001236891.....561, 563, 565, 567	1001243734.....159	1001251024.....447, 451, 455, 459, 659, 661	1001265342.....627
1001236895.....561, 563, 565, 567	1001243849.....157	1001251025.....464, 472, 480, 488, 669, 671	1001265359.....902
1001236951.....904	1001243965.....867	1001251026.....464	1001265880.....136, 140, 147
1001237124.....177	1001243973.....115	1001251031.....27, 679, 681	1001265881.....128, 132
1001237125.....176, 177	1001243974.....113	1001252033.....905	1001265905.....550
1001237127.....176	1001243994.....877	1001252034.....905	1001265970.....135
1001237285.....350, 366, 799	1001244026.....163	1001252490.....902	1001265972.....127, 131
1001237544.....571	1001244027.....165	1001252491.....902	1001265973.....139
1001237546.....151	1001244081.....117	1001252492.....902	1001265974.....135, 139, 143, 147
1001237667.....812, 830, 833	1001244082.....119	1001252493.....902	1001265975.....113, 115, 135
1001237668.....812, 830, 833	1001244083.....121	1001252494.....902	1001265976.....117, 119, 121, 127, 131
1001237705.....585	1001244205.....881	1001252527.....795, 799	1001265977.....127
1001237755.....445, 447, 449, 451, 453, 455, 457, 459	1001244206.....875	1001252627.....889, 891	1001266056.....905
1001237825.....339	1001244207.....871	1001252629.....561, 563, 565, 567	1001266098.....905
1001237826.....335	1001244208.....883	1001252686.....902	1001266284.....905
1001237862.....853, 855	1001244209.....879	1001253048.....867	1001266290.....904
1001237863.....579, 855	1001244298.....875	1001253049.....867	1001266350.....123, 139
1001237864.....579, 853	1001245072.....902	1001253050.....877	1001266489.....904
1001237865.....579, 851	1001246136.....902	1001253051.....877	1001266807.....904
1001237882.....903	1001246137.....902	1001253052.....881	1001266969.....905
1001237883.....903	1001246142.....902	1001253053.....881	1001267315.....885
1001238263.....561, 563, 565, 567	1001246610.....873	1001253054.....875	1001267387.....547
1001238319.....579	1001246611.....869	1001253055.....875	1001267389.....547, 549
1001238418.....607, 857	1001246859.....789	1001253056.....875	1001268238.....885
1001238421.....511	1001247073.....905	1001253057.....871	1001268239.....885
1001238423.....585	1001247468.....511, 899	1001253058.....871	1001269187.....904
1001238462.....585	1001248011.....127, 131, 135, 139, 143	1001253059.....883	1001269389.....905
1001238463.....563	1001248140.....561, 563, 565, 567	1001253060.....883	1001270105.....59, 61, 69
1001238472.....607	1001248141.....561, 563, 565, 567	1001253061.....879	1001270339.....765
1001238495.....605	1001248539.....867, 871, 875, 877, 879, 881, 883, 903	1001253062.....879	1001270340.....765
1001238559.....607	1001248540.....869, 873, 903	1001253618.....905	1001270519.....903
1001238671.....573	1001248546.....869, 873, 903	1001253619.....905	1001270572.....193
1001238673.....153	1001248547.....867, 903	1001254472.....607	1001270573.....187
1001238732.....153, 573	1001248548.....877, 903	1001254473.....607	1001270574.....186
1001239202.....800	1001248549.....881, 903	1001255133.....511	1001270575.....187, 193
1001239281.....159	1001248550.....883, 903	1001256506.....796	1001271323.....765
1001239344.....765	1001248551.....871, 903	1001256507.....795	1001271497.....829
1001239345.....765	1001248552.....879, 903	1001256859.....105, 107, 109, 111	1001271642.....904
1001239805.....755	1001248553.....875, 903	1001256864.....321, 327, 349, 366	1001271731.....903
1001241275.....902	1001248554.....867, 869, 871, 875, 877, 879, 881, 883, 885	1001256879.....336, 340, 358	1001271760.....905
1001241383.....157	1001248555.....873	1001257155.....280	1001272090.....903
1001241398.....153, 573	1001249052.....905	1001257271.....561	1001272166.....904
1001241417.....904	1001249695.....906	1001257274.....561	1001272202.....903
1001241547.....905	1001249941.....906	1001257277.....237, 242, 246, 250, 254, 258	1001272274.....905
1001241548.....905	1001249964.....320, 327, 331	1001258800.....349, 366	1001274249.....906
1001241585.....755	1001250296.....182, 187, 190	1001260432.....348, 366	1001274829.....904
1001241630.....755		1001261045.....348, 366	1001274830.....904
1001241890.....127, 131, 135, 139, 143, 811		1001261085.....348, 366	1001274833.....904
1001241891.....550, 829		1001261213.....885	1001275124.....886
1001241965.....607		1001261326.....899	1001275125.....886
			1001275126.....886
			1001275127.....886
			1001275128.....886
			1001275129.....886

SECTION 11 - SPECIAL OPTIONS/ACCESSORIES/KITS

1001275130	886	287, 291, 295, 299,	1671039.....	507	1703941	883
1001275131	886	303, 307, 321, 327,	1671040.....	27	1703942	877
1001275637	43	335, 339, 348, 357,	1671043.....	500, 504	1703943	875
1001276610	903	364, 395	1671044.....	507	1703944	879
1001276923	902	1320058 ... 237, 241, 245,	1671045.....	53, 55	1703945	881
1001277191	906	249, 253, 257	1671046.....	53, 55	1703947	883
1001277210	47, 899	1320060 ... 237, 241, 245,	1671047.....	53, 55	1703948	877
1001277222	906	249, 253, 257	1671048.....	53, 55	1703949	875
1001277844	906	1320095 ... 127, 131, 135,	1671049.....	53, 55	1703950	879
1001277849	906	139, 143	1671092.....	430, 438	1703951	881
1001278483	128, 132,	1320130	1671093.....	611, 616	1703953	867
136, 140, 143		280, 507	1671121	197, 201, 205,	1703980	879
1001278607	89, 91	1320136	209, 213, 217, 221,		1703981	881
1001279488	127, 131,	507	225, 229, 233, 265,		1703982	875
135, 139, 144, 789		1320146 ... 717, 719, 721,	269, 287, 291, 295,		1703983	883
1001280411	131	749	299, 303, 307, 335,		1703984	877
1001281100	127, 131,	1320159	339, 357		1704000	877, 885
135, 139, 144, 899		501, 505	1671191	173	1704001	883
1001282063	903	1320162 ... 101, 103, 105,	1671192.....	172	1704260	549
1001282198	366, 369	109	1671193.....	173, 177	1704277 ... 867, 869, 871,	
1001282199	358, 361	1320177	1671194	172, 173, 176,	873, 875, 877, 879,	
1001282200	361, 364	577, 616	177		881, 883	
1001282201	357	1320187 ... 197, 201, 205,	1671199.....	549	1704412 ... 867, 869, 871,	
1001282239	144	209, 213, 217, 221,	1701499....	867, 869, 871,	873, 875, 877, 879,	
1001282249	125, 143	225, 229, 233, 265,	873, 875, 877, 879,		881, 883	
1001282250	125	269, 287, 291, 295,	881, 883		1704885	885
1001283008	279, 321,	299, 303, 307, 335,	1701501....	867, 869, 871,	1704972	867
327		339, 357	873, 875, 877, 879,		1705014	533, 535
1001287275	113, 115,	1320190 ... 197, 201, 205,	881, 883		1705096	885
117, 119, 121, 123, 125		209, 213, 217, 221,	1701505....	867, 869, 871,	1705167	885
1001288636	904	225, 229, 233, 265,	873, 875, 877, 879,		1705171	549
1001311034	607	269, 287, 291, 295,	881, 883		1705174 ... 869, 873, 877	
1060341 ... 619, 621, 623,		299, 303, 307, 335,	1701509....	581, 583, 585,	1705178	885
807		339, 357	587, 589, 591, 593,		1705305 ... 613, 889, 891,	
1060343	430, 438	1320223 ... 237, 241, 245,	595, 597, 599, 601,		893, 895	
1060545	785	249, 253, 257	603, 867, 869, 871,		1705307	493, 906
1060902	791, 817	1320263 19, 23, 500, 504	873, 875, 877, 879,		1705325	725, 727
1060903 ... 619, 621, 623		1320277	881, 883		1705336	867
1060904	245, 257	500, 504	1701518.....	869, 873	1705344	879
1060908	783	1320294	1701529....	867, 869, 871,	1705345	881
1060918	569	500, 504	873, 875, 877, 879,		1705347	877
1060981	759, 763	1320296	881, 883		1705351	867
1060982	761	500, 504	1702565.....	549	1705355	893, 895
10702077 . 430, 434, 438,		1320301	1702566.....	549	1705358 ... 581, 583, 585,	
442		507	1702773....	533, 535, 537,	587, 589, 591, 593,	
10702082 . 430, 434, 438,		1320302 ... 609, 611, 613,	873, 885		595, 597, 599, 601, 603	
442		616	1702774.....	885	1705365	885
10836804	131	1320309	1702868....	613, 867, 885,	1705366	507
1100131 ... 464, 472, 480,		861, 863	889, 895		1705367	507
488		1321283	1702938....	619, 621, 623	1705374 ... 413, 422, 743,	
1120549	27	336, 340	1702942.....	214, 230	745	
1120550	27	1321289	1703162....	237, 241, 245,	1705375 ... 430, 438, 613,	
1120555 ... 581, 583, 585,		322, 328	249, 253, 257, 278,		895	
587, 589, 591, 593,		501, 505	322, 328, 348, 364		1705387 ... 413, 421, 430,	
595, 597, 599, 601, 603		1321716 ... 336, 340, 357	1703175.....	885	439	
1180362	504	1340065 ... 237, 241, 245,	1703804.....	867	1705426	879
1180363	504	249, 253, 257	1703805.....	867	1705427	881
1180369	500	1340067	1703811....	867, 869, 871,	1705429	877
1180370	500	902	873, 875, 877, 879,		1705430	875
1260017	77	1380147	881, 883		1705444	885
1283457 ... 693, 695, 698,		167, 169	1703814....	867, 869, 871,	1705445	885
701, 703, 706		1380169 ... 182, 186, 190	873, 875, 877, 879,		1705446	885
1320022 ... 197, 201, 205,		1560011	881, 883		1705447	885
209, 213, 217, 221,		861, 863	1703935.....	883	1705448	885
225, 229, 233, 237,		1560012	1703936.....	877	1705449	885
241, 245, 249, 253,		625	1703938.....	879	1705451	885
257, 265, 269, 280,		1580013	1703939.....	881	1705452	885
		904				
		1600343				
		1600443				
		261, 898				
		1660302				
		87				
		1670603				
		723				
		1670996				
		53				
		1671023 ... 237, 241, 245,				
		249, 253, 257				
		1671031				
		507				
		1671032 ... 464, 472, 480,				
		488				
		1671033 ... 464, 472, 480,				
		488				
		1671038 ... 172, 176, 182,				
		186, 190				

SECTION 11 - SPECIAL OPTIONS/ACCESSORIES/KITS

1705454.....885	2110610 706, 710, 714	2220313 ... 197, 201, 205,	2750532.... 197, 201, 205,
1705455.....885	2110612 693, 695	209, 213, 217, 221,	209, 213, 217, 221,
1705456.....885	2110808 34, 69, 693, 695,	225, 229, 233, 265,	225, 229, 233, 237,
1705460.... 430, 434, 438,	698	269, 287, 291, 295,	241, 245, 249, 255,
442	211081051, 70, 706, 710,	299, 303, 307, 335,	257, 265, 269, 287,
1705461 434, 442	714	339, 357	291, 295, 299, 303,
1705468 869, 873	2110812 34, 698, 706,	2220451 ... 237, 241, 245,	307, 335, 339, 357
1705489.... 417, 425, 434,	710, 714	249, 253, 257	2753541 698
442	2111010 70, 693, 695,	2220478 706, 710, 714	2753545..... 693, 695, 698
1705490..... 889, 891	706, 710, 714	2220498 ... 237, 241, 245,	2753552.... 693, 695, 698
1705492..... 867	2111012 51, 706, 710,	249, 253, 257	2753582..... 698
1705493..... 879	714	2220737 706, 710	2753677 698
1705503..... 881	2111016 714	2220816 395, 401	2753685 698
1705505..... 877	2111212 706, 710, 714	2220883 51, 639, 641,	2753703..... 698
1705511 867, 869, 871,	2111216 69	643, 646, 649, 651,	2753708.... 706, 710, 714
873, 875, 877, 879,	2111616 706, 710, 714	653, 655, 657, 659,	2753713..... 698
881, 883	2112016 714	661, 663, 666, 669, 671	2753714..... 698
1705552..... 885	2112020 706, 710, 714	2220884 683, 686	2753715..... 698
1705554..... 885	2113232 706, 710, 714	2220885 ... 635, 637, 639,	2753716.... 693, 695, 698
1705744..... 549	2120217 513, 515	641, 643, 646, 649,	2753717 693, 695
1705745..... 549	2130404 714	651, 653, 655, 657,	2753718.... 706, 710, 714
1705822..... 869, 873	2130406 34	659, 661, 663, 666,	2753719..... 701
1705828..... 869, 873	2130606 69, 703, 706,	673, 676, 679, 681,	2753726..... 701
1705864..... 873, 885	710, 714	683, 686, 689	2753727 701
1705896..... 871	2130612 693, 695	2220886 ... 643, 646, 683,	2753728..... 703
1705897..... 871	2130808 706, 710, 714	686, 689	2753729..... 701
1705898..... 871	2130810 49, 714	2220888 655, 657	2753730.... 706, 710, 714
1705901..... 871	2130812 34, 714	2220890 70	2753731.... 706, 710, 714
1705902..... 871	2131010 706, 710, 714	2221084 706, 710, 714	2753732..... 703
1705903..... 871	2131012 70	2221086 .. 49, 51, 70, 517	2753733..... 703
1705905..... 871	2131212 ... 101, 103, 105,	2221117 706, 710	2753734.... 703, 706, 710,
1705906..... 871	107, 109, 111, 706, 710	2221176 ... 197, 201, 205,	714
1705910..... 883	2131612 714	209, 213, 217, 221,	2753735..... 703
1705915..... 883	2150404 693, 695	225, 229, 233	2753736..... 703
1705917..... 883	2150808 706, 710, 714	2400060 ... 627, 789, 811,	2753737 703
1705921..... 869, 873	2151012 51	830, 833	2753738..... 703
1705961..... 869, 873	2160002 75	2400064 789, 898	2753739..... 703
1705967..... 871	2170204 693, 695	2400065 811, 827, 898	2753740..... 695
1705969..... 881, 885	2170316 69	2400066 811, 827	2753741..... 706, 710
1705980..... 886	2170504 698, 701	2410014 533, 535, 537	2753742..... 703
1706059..... 871	2170506 701	2420191 93, 95	2753743..... 703
1706060..... 875	2170512 107, 111	2420203 405	2753744.... 706, 710, 714
1706061..... 881, 883	2170704 693, 695, 698	2460048 429, 433	2753745..... 693, 695
1706062..... 879	2170708 693, 695	2460055 405	2753746.... 706, 710, 714
1706064..... 877	2170712 ... 101, 103, 105,	2540038 278	2753747..... 698
1706098..... 869, 873	109	2560136 549	2753748..... 698
1706385..... 533, 535	2170804 698	2560187 ... 173, 177, 183,	2753749..... 698
1706493..... 537	2170908 706, 710, 714	191, 193	2753750..... 698
1706501..... 537	2171112 ... 105, 107, 109,	2580062 245, 257	2753751..... 695
1706741..... 559	111	2600279 ... 128, 132, 136,	2753752..... 698
1706770..... 869, 873	2171208 693, 695	140, 147	2753753..... 703
1706904..... 885	2171210 693, 695	2600280 172, 176	2753754..... 703
2030010.... 577, 609, 611,	2172112 107, 111	2600281 ... 521, 523, 539,	2753755..... 693, 695
613, 616	2180344 75	543	2753756..... 698
2060025.... 237, 241, 245,	2180348 ... 197, 201, 205,	2680496 173, 177	2753757..... 698
249, 253, 257	209, 213, 217, 221,	2680498 173, 177	2753758.... 706, 710, 714
2080040.... 521, 523, 539,	225, 229, 233, 395	2717059 693, 695	2753759..... 698
543	2180467 97	2720015 280, 321, 327	2753760..... 698
2080051 172, 176	2180830 693, 695	2720058 ... 237, 241, 245,	2753761..... 698
2110404.... 34, 517, 693,	2180832 ... 265, 269, 287,	249, 253, 257, 395	2753762..... 698
695, 706, 710, 714	291, 295, 299, 303,	2720160 577, 616	2753763..... 693, 695
2110406..... 51, 70, 701	307, 335, 339, 357,	2720500 ... 237, 241, 245,	2753764..... 698
2110408..... 70	577, 616	249, 253, 257	2753765.... 706, 710, 714
2110604..... 701	2220063 75	2720501 ... 237, 241, 245,	2753766.... 706, 710, 714
2110606. 49, 69, 517, 701	2220235 20, 698	249, 253, 257	2753767..... 693, 695
2110608.... 70, 706, 710,	2220273 278	2750528 75	2753768..... 698
714			2753769..... 706, 710

SECTION 11 - SPECIAL OPTIONS/ACCESSORIES/KITS

2753770 706, 710	2940074 ... 521, 523, 539, 543, 899	3300408.....151, 153	265, 269, 278, 287, 291, 295, 299, 303, 307, 320, 326, 335, 339, 348, 357, 364, 397, 399, 401, 405, 409, 464, 472, 480, 488, 493, 507, 513, 515, 533, 535, 537, 547, 609, 611, 613, 616
2753771 706, 710, 714	2940173 ... 172, 176, 183, 191, 193	3300430.....507, 605	3311608 ... 466, 474, 482, 490, 501, 505
2753772 706, 710, 714	3020039 ... 464, 472, 480, 488	3300454..55, 59, 61, 163, 165, 238, 242, 246, 250, 254, 258	3311705 ... 265, 269, 278, 288, 292, 296, 300, 304, 308, 320, 326, 335, 339, 348, 357, 364
2753773 706, 710	3020042 ... 464, 472, 480, 488	3300458....464, 472, 480, 488	3311801 ... 421, 425, 437, 441, 464, 472, 480, 488
2753774 706, 710, 714	3160339 31, 37	3300460....464, 472, 480, 488	3311805. 43, 87, 89, 167, 169, 182, 186, 190, 238, 242, 246, 250, 254, 258, 464, 472, 480, 488
2753775 706	3200362 ... 237, 241, 246, 249, 253, 258	3300461....464, 472, 480, 488	3312002 73, 561, 563, 565, 567
2753776 706, 710	3200401 ... 237, 241, 246, 249, 253, 258	3300464.....27	3312005 23, 581, 583, 585, 587, 589, 591, 593, 595, 597, 599, 601, 603
2753778 101, 103	3200433 507	3300465.....673, 676	3312205 ... 581, 583, 585, 587, 589, 591, 593, 595, 597, 599, 601, 603
2753810 693	3220130 403	3300482.....549	3312602 161, 163, 165
2753811 693	3251102 ... 405, 409, 413, 417, 421, 425, 429, 433, 437, 441	3300492.....501, 505	3322201 87, 89
2753843 101	3251242 ... 723, 729, 731, 733, 735, 737, 739, 741, 747	3310401.....278, 321, 326, 348, 364	3340871 ... 464, 472, 480, 488
2753999 103	3251243 ... 413, 422, 430, 438, 867, 871, 875, 877, 879, 881, 883	3310601.....167, 169	3340877 173, 177
2754288 693, 695	3251813 885	3310805.....19, 23	3340881 19, 23, 464, 472, 480, 488
2792647 701	3252347 867	3311001....127, 131, 135, 139, 143, 397, 399, 414, 422, 430, 434, 438, 442	3340910 ... 464, 472, 480, 488
2792772 698	3252507 409	3311005....405, 413, 421, 430, 434, 438, 442, 549, 577, 609, 611, 613, 616	3340912 ... 464, 472, 480, 488
2792773 703	3271601 395	3311401.....619, 621, 623	3340916 ... 464, 472, 480, 488
2820031 ... 405, 409, 413, 417, 421, 425, 429, 433, 437, 441	3271605 ... 561, 563, 565, 567	3311402....128, 132, 136, 140, 147	3340917 ... 464, 472, 480, 488
2820035 155	3271805 533, 535, 537	3311405....45, 47, 55, 63, 65, 157, 159, 176, 190, 238, 242, 246, 250, 254, 258, 273, 275, 278, 287, 291, 295, 299, 303, 307, 320, 326, 335, 339, 348, 357, 364, 405, 409, 417, 425, 507, 547, 607, 717, 719, 721, 723, 725, 727, 729, 731, 733, 735, 737, 739, 741, 747, 749	3340918 ... 464, 472, 480, 488
2820141 172	3272001 ... 278, 320, 326, 348, 364, 561, 563, 565, 567	3311501....173, 177, 619, 621, 623	3340918 ... 464, 472, 480, 488
2820145 173	3290405 ... 417, 425, 627, 723, 725, 727, 729, 731, 733, 735, 737, 739, 741, 747, 749	3311505..27, 45, 47, 101, 103, 105, 107, 109, 111, 155, 169, 182, 183, 186, 190, 191, 193, 197, 201, 205, 209, 213, 217, 221, 225, 229, 233, 238, 242, 246, 250, 254, 258, 513, 515	3340921 ... 464, 472, 480, 488
2820146 173	3290505 409	3311508....413, 421, 429, 433, 437, 441	3340922 ... 464, 472, 480, 488
2820170 ... 197, 201, 205, 209, 213, 217, 221, 225, 229, 233	3290601 ... 173, 177, 183, 191, 193	3311601....63, 65, 93, 95, 97, 172, 176, 183, 186, 191, 550, 607	3340925 500, 504
2820247 853, 855	3290605 ... 127, 131, 135, 139, 143, 577, 616	3311605..45, 47, 81, 101, 103, 107, 111, 167, 169, 172, 176, 182, 186, 190, 238, 242, 246, 250, 254, 258,	3340926 ... 464, 472, 480, 488
2840016 167, 169	3290606 ... 527, 529, 531, 541, 545	3300353 549	3340934 500, 504
2860030 149, 899	3290607 163, 165	3300396 ... 414, 422, 430, 434, 438, 442	3340940 501, 505
2900770 69, 517, 635, 637, 639, 641, 655, 657, 659, 661, 663, 666, 669, 671	3290801 ... 278, 320, 326, 348, 364		3340941 501, 505, 507
2900792 ... 633, 643, 646, 649, 651, 653, 655, 657, 659, 661	3290805 280, 755		3340942 501, 505
2901443 906	3290806 322, 328, 511		3340955 ... 463, 471, 479, 487
2902065 ... 237, 241, 245, 249, 253, 257, 278, 321, 326, 348, 364, 393	3290807 280		3340956 ... 581, 583, 585, 587, 589, 591, 593, 595, 597, 599, 601, 603
2902081 683, 686	3291001 278, 511		3340963 683, 686
2902087 ... 635, 637, 643, 646	3291005 511		3380434 547
2902099 ... 197, 201, 205, 209, 213, 217, 221, 225, 229, 233	3291007 278		
2902212 ... 581, 583, 585, 587, 589, 591, 593, 595, 597, 599, 601, 603	3291201 511		
2902217 609, 611, 616	3291205 511		
2902257 673, 676	3300151 ... 525, 527, 529, 531, 539, 541, 543, 545, 609, 611, 613, 616		
2902355 885	3300220 ... 265, 269, 287, 291, 295, 299, 303, 307, 335, 339, 357		
2902357 885	3300239 ... 464, 472, 480, 488		
2902443 793, 796, 799	3300353 549		
2910890 906	3300396 ... 414, 422, 430, 434, 438, 442		
2910894 906			
2910895 906			
2915024 59, 61			
2915046 904			
2915072 75			
2920028 ... 549, 619, 621, 623			
2920029 ... 549, 619, 621, 623			
2920161 161			
2940045 81			

SECTION 11 - SPECIAL OPTIONS/ACCESSORIES/KITS

3380472.... 197, 201, 217, 221	3520174 867, 869, 873	3575359 619	339, 357, 465, 473, 481, 489, 511
3380473.... 197, 201, 205, 209, 213, 217, 221, 225, 229, 233	3520186 172, 176	3575782 173, 177	3841203.... 465, 473, 481, 489
3421453 577, 616	3520189 434, 442	3576799 577, 616	3841258 23, 27, 465, 473, 481, 489
3421563 77	3520192 434, 442	3577121 ... 609, 611, 613, 616	3841287 19, 23, 445, 447, 449, 451, 453, 455, 457, 459
3421565 77	3520198 ... 521, 523, 525, 527, 529, 531, 539, 541, 543, 545	3580158 238, 250	3841340.... 45, 47, 93, 95, 97
3422446.... 197, 201, 205, 209, 213, 217, 221, 225, 229, 233, 265, 269, 287, 291, 295, 299, 303, 307, 335, 339, 357	3537416 ... 238, 242, 246, 250, 254, 258	3580276 405	3890029..... 481, 489
3422532.... 238, 242, 246, 250, 254, 258	3537445 167	3580298 ... 464, 472, 481, 488	3890030..... 481, 489
3422833 23	3539971 ... 238, 242, 246, 250, 254, 258	3580300 ... 465, 473, 481, 489	3890031..... 481, 489
3422915 23	3572950 ... 464, 472, 480, 488	3580302 ... 465, 473, 481, 489	3890032..... 481, 489
3422917 27	3572951 ... 464, 472, 480, 488	3580306 ... 465, 473, 481, 489	3890033..... 481, 489
3422918 19, 23	3573016 500, 504	3580317 ... 413, 417, 421, 425, 430, 433, 437, 441	3890034..... 465, 473
3422926.... 464, 472, 480, 488	3573142 ... 238, 242, 246, 250, 254, 258	3580318 ... 413, 421, 430, 437	3890035..... 465, 473
3422937 464, 472, 480, 488	3573144 ... 128, 132, 136, 140, 147	3580319 ... 417, 425, 434, 441	3890036..... 465, 473
3422940 27	3573179 500, 504	3580320 ... 242, 246, 254, 258, 278, 320, 326	3890037..... 465, 473
3422941 27	3573181 500, 504	3580341 ... 465, 473, 481, 489	3890038..... 465, 473
3422955.... 445, 447, 449, 451, 453, 455, 457, 459	3573194 500, 504	3580342 ... 464, 472, 480, 488	3900054.... 533, 535, 537
3422956.... 464, 472, 480, 488	3573210 500, 504	3600339 ... 238, 242, 246, 372	3900085.... 161, 163, 165
3422957 464, 472, 480, 488	3573231 172, 176	3600424 63, 65, 67	3900174.... 182, 186, 190
3422958.... 464, 472, 480, 488	3573232 ... 172, 176, 182, 186, 190	3620034 101, 103	3900210.... 182, 183, 186, 190, 191, 193, 513, 515
3422959.... 464, 472, 480, 488	3573259 63	3641569 619	3900232.... 172, 176, 182, 186, 190
3422960 19, 23	3573294 19, 23	3740049 ... 127, 131, 135, 139, 143, 899	3900251.... 128, 132, 136, 140, 147
3422988.... 445, 447, 449, 451, 453, 455, 457, 459	3573301 507	3740067 63, 65, 238, 242, 246, 250, 254, 258, 898, 899	3900260..... 500, 504
3423208.... 445, 447, 449, 451, 453, 455, 457, 459	3573335 19, 23	3740080 ... 238, 242, 246, 250, 254, 258, 405, 409, 827, 898, 899	3900267..... 414, 422
3423256 27	3573355 79	3740086 857, 899	3900270..... 19, 23
3430616 550	3573400 ... 609, 611, 613, 616	3760133 ... 466, 474, 482, 490	3900272.... 197, 201, 205, 209, 213, 217, 221, 225, 229, 233
3430816 167, 169	3573411 ... 238, 242, 246, 250, 254, 258	3760170 77	3900283.... 53, 63, 95, 97, 172, 176, 500, 504, 513, 515
3450404 167, 169	3573412 ... 238, 242, 246, 250, 254, 258	3760233 ... 465, 473, 481, 489	3900300..... 414, 422
3451214 27	3573437 ... 465, 473, 481, 489	3760308 183, 186, 191	3900316.... 500, 504, 513, 515
3460334.... 581, 583, 585, 587, 589, 591, 593, 595, 597, 599, 601, 603	3573444 ... 466, 474, 482, 490	3760368 663, 666	3900322..... 405, 409
3470003 550	3573454 167	3760371 643, 646	3900349..... 549
3520026 549	3573529 ... 238, 242, 246, 250, 254, 258	3760375 655, 657	3900363.... 173, 177, 183, 191, 193
3520030 549	3573642 ... 609, 611, 613, 616	3760383 27	3910408.... 278, 321, 326, 348, 364
3520034.... 172, 176, 182, 186, 190	3573644 ... 197, 201, 205, 209, 213, 217, 221, 225, 229, 233	3760387 549	3910606.... 413, 421, 430, 437, 719, 721, 743, 745
3520054..... 23, 238, 242, 246, 250, 254, 258, 265, 269, 288, 292, 296, 300, 304, 308, 335, 339, 350, 357, 364, 549	3573645 ... 197, 201, 217, 221	3790012 549	3910608..... 167, 169
3520071 581, 583, 585, 587, 589, 591, 593, 595, 597, 599, 601, 603	3573646 ... 197, 201, 217, 221	3790152 ... 250, 254, 259, 275, 315, 317, 343, 361	3910804..... 149
3520072.... 521, 523, 525, 527, 529, 531, 533, 535, 537, 539, 541, 543, 545	3573669 ... 197, 201, 205, 209, 213, 217, 221, 225, 229, 233	3790155 ... 250, 255, 259, 275, 315, 317, 343, 361	3911010..... 153, 573
	3573727 ... 197, 201, 217, 221	3790158 34	3930606..... 507
	3573728 ... 197, 201, 205, 209, 213, 217, 221, 225, 229, 233	3820001 ... 867, 869, 871, 873, 875, 877, 879, 881, 883	3930816..... 507
	3574091 621, 623	3820020 ... 521, 523, 539, 543	3930820..... 19, 23
	3574431 507	3841143 ... 197, 201, 205, 209, 213, 217, 221, 225, 229, 233, 265, 269, 287, 291, 295, 299, 303, 307, 335,	3931008..... 87
	3574616 507		3931016.... 413, 421, 429, 433, 437, 441

SECTION 11 - SPECIAL OPTIONS/ACCESSORIES/KITS

3931448 683, 686	4070898 ... 465, 473, 481, 489	4240099.... 197, 201, 205, 209, 213, 217, 221, 225, 229, 233, 238, 242, 246, 250, 254, 258, 278, 322, 328, 336, 340, 348, 357, 364, 609, 611, 616, 619, 621, 623	4460027 405
3931508 ... 278, 322, 328, 348, 364	4071012 ... 465, 473, 481, 489	4240139.....93, 95	4460035 811
3931512 87, 91, 278, 320, 326, 348, 364	4071013 473, 489	4240149....581, 583, 585, 587, 589, 591, 593, 595, 597, 599, 601, 603	4460042 797, 800, 830
3931516 663, 666	4071015 ... 465, 473, 481, 489	4240150.....173, 177	4460043 796, 799
3931608 683	4071017 ... 465, 473, 481, 489	4240153.....501, 505	4460049 619, 621, 623
3931616 ... 113, 115, 117, 119, 121, 123, 125, 127, 131, 135, 139, 143	4071018 ... 465, 473, 481, 489	4240155.19, 24, 501, 505	4460051 719, 721
3931628 278, 320, 326	4071019 ... 465, 473, 481, 489	4240156.....501, 505	4460068 414, 422
3931824 ... 635, 637, 643, 646	4071021 500, 504	4300157....421, 425, 437, 441	4460071 ... 413, 421, 430, 437, 569
3931840 683, 686	4071022 501, 505	4340923.....172, 176	4460125 721
3932024 27	4071023 501, 505	4340924.....172, 176	4460142 811, 829
3932244 655, 657	4071024 ... 465, 473, 481, 489	4340995.....172, 176	4460183 789, 829, 833
3951620 500, 504	4071025 ... 465, 473, 481, 489	4340996.....172, 176	4460190 405
3952020 73	4071027 ... 465, 473, 481, 489	4340999....172, 176, 182, 186, 190	4460205 719
3960418 ... 128, 132, 136, 140, 147	4071028 ... 465, 473, 481, 489	4341001.....172, 176	4460213 829
3960422 ... 413, 421, 430, 437, 719, 721, 743, 745	4071029 ... 465, 473, 481, 489	4341158.....507	4460224 426
3960447 183, 186, 191	4071031 ... 465, 473, 481, 489	4360057....619, 621, 623	4460225 ... 807, 809, 811, 829
3960464 173, 177	4071035 19, 23	4360070....414, 422, 430, 434, 438, 442, 898	4460226 ... 553, 556, 569, 751, 830
3960543 ... 238, 242, 246, 250, 254, 258, 278, 320, 326, 348, 364	4071036 19, 23	4360274....127, 131, 135, 139, 143, 899	4460227 ... 751, 765, 811, 829, 833
3960544 ... 238, 242, 246, 250, 254, 258, 278, 320, 326, 348, 364	4071039 19, 23	4360328....127, 131, 135, 139, 143, 899	4460234 ... 113, 115, 117, 119, 121, 123, 125, 246, 258, 328, 549, 619, 621, 623
3960551 27	4071040 19, 23	4360336....405, 409, 413, 417, 421, 425, 430, 434, 437, 441, 559, 899	4460247 796, 799
3960552 27	4071041 73	4360387....135, 139, 549, 619, 621, 623, 899	4460256 ... 815, 827, 861, 863
3980006 63, 65	4071042 19, 23	4360407.....549, 898	4460259 ... 627, 811, 815, 829, 833
3990010 811, 898	4071044 ... 465, 473, 481, 489	4360469.....149, 899	4460260 ... 627, 811, 815, 829, 833
4010408 417, 425, 749	4071045 ... 465, 473, 481, 489	4360475....127, 131, 135, 139, 143, 549, 899	4460265 553, 556
4010608 577, 616	4071046 ... 465, 473, 481, 489	4360476....127, 131, 135, 139, 143, 549	4460267 ... 827, 829, 833, 859
4010618 ... 527, 529, 531, 541, 545	4071048 172, 176	4360505.....27, 899	4460268 ... 155, 157, 159, 807, 809, 827
4031505 579	4071049 20	4360527.....507, 899	4460294 426
4031516 607	4071050 20	4360542.....405, 898	4460297 811
4031608 409	4071054 19, 23	4360543.....507, 899	4460312 815
4031907 278	4071055 19, 23	4360548.....507, 899	4460313 793, 811, 815
4031914 ... 278, 320, 326, 348, 364	4071074 549	4360578.19, 23, 507, 899	4460315 ... 437, 719, 721, 793
4032014 278, 320, 326	4120040 493, 906	4400457....93, 95, 97, 99	4460320 827, 859
4032022 ... 238, 242, 246, 250, 254, 258	4120043 493, 906	4420014....581, 583, 585, 587, 589, 591, 593, 595, 597, 599, 601, 603	4460346 ... 413, 421, 430, 437, 719
4060092 721	4160194 ... 172, 176, 182, 186	4420038.....93, 95, 97	4460374 827
4060802 ... 405, 409, 413, 417, 421, 425, 430, 434, 437, 441	4160197 ... 465, 473, 481, 489	4420051.....885	4460375 827
4060804 ... 173, 177, 238, 242, 246, 250, 254, 258, 501, 505	4240018 ... 197, 201, 205, 209, 213, 217, 221, 225, 229, 233, 265, 269, 287, 291, 295, 299, 303, 307, 335, 339, 357, 413, 417, 421, 425, 430, 434, 437, 441, 501, 505, 743, 745	4420060.....409	4460418 811, 829, 833
4060805 ... 238, 242, 246, 250, 254, 258	4240032 ... 113, 115, 117, 119, 121, 123, 125, 163, 165, 787, 793, 811, 861, 863	4420066....581, 583, 585, 587, 589, 591, 593, 595, 597, 599, 601, 603	4460419 811, 829, 833
4060806 173, 177	4240033 ... 579, 605, 607, 765, 787, 793, 821, 837	4420037 63, 65, 609, 611, 613, 616	4460424 ... 155, 157, 159, 827
4060808 45, 47		4420038.....93, 95, 97	4460425 ... 414, 422, 430, 434, 438, 442, 619, 621, 623, 743, 745
4060906 559		4420051.....885	4460426 ... 127, 131, 135, 139, 143, 414, 422, 430, 434, 438, 442
4070863 ... 465, 473, 481, 489		4420060.....409	4460428 549
4070864 ... 465, 473, 481, 489		4420066....581, 583, 585, 587, 589, 591, 593, 595, 597, 599, 601, 603	4460434 829, 833
4070895 ... 465, 473, 481, 489		4420068....619, 621, 623	4460458 796, 799
4070897 ... 465, 473, 481, 489		4460007.....549	4460464 ... 569, 627, 757, 765, 787, 789, 791, 796, 805, 811, 815, 821, 827, 829, 833, 835, 837, 839, 857, 859
		4460016.....829, 833	
		4460019....793, 796, 799, 815, 827	

SECTION 11 - SPECIAL OPTIONS/ACCESSORIES/KITS

4460465.....430, 434, 439, 442, 627, 757, 765, 787, 789, 793, 795, 796, 799, 800, 807, 809, 811, 815, 817, 819, 821, 823, 825, 827, 829, 833, 835, 837	4460874 ... 127, 131, 135, 139, 143, 829, 833	4460958 745	4641248.....643, 646, 649, 651, 653
4460466.....91, 579, 627, 757, 759, 765, 787, 789, 793, 795, 796, 799, 800, 815, 819, 823, 825, 827, 829, 833, 835, 837, 851, 857	4460875 ... 127, 131, 135, 139, 143	4460962 611, 616	4641255.....517
4460467 906	4460876 811, 829, 833	4460963 430, 438	4641256.....683, 686, 689
4460470.....127, 131, 135, 139, 143, 549	4460877 811	4460965 811, 827	4641260.....663, 666, 669, 671
4460471 127, 131, 135, 139, 143, 549	4460878 811	4460966 765, 811	4641268.....45, 47, 49
4460473.....823, 825	4460879 627, 829, 833	4460967 ... 430, 434, 439, 442	4641276.....635, 637, 639, 641
4460474.....811	4460880 787, 839	4460968 19, 23, 409, 507	4641454.....45, 47, 51
4460483.....414, 422	4460884 91, 627, 763, 765, 787, 800, 811, 835	4460970 795	4641460.....513, 515, 517
4460488.....163, 165	4460887 ... 627, 811, 815, 829, 833	4460971 577, 616	4700038....464, 472, 480, 488
4460496....113, 115, 117, 119, 121, 123, 125, 127, 131, 135, 139, 143, 549	4460888 811, 829	4460982 796	4700039....464, 472, 480, 488
4460497....113, 115, 117, 119, 121, 123, 125, 127, 131, 135, 139, 143, 549	4460891 ... 757, 805, 815, 817, 837	4461005 793	4710400....278, 321, 326, 348, 364
4460508....579, 811, 815, 829, 833	4460892 127, 131, 135, 139, 143, 787	4461006 793	4711000....397, 399, 414, 422, 430, 434, 438, 442
4460509.....823, 825	4460894 ... 759, 765, 787, 793, 796, 800, 811, 827, 829, 833	4461008 793, 797, 799	4711400....45, 47, 55, 59, 61, 63, 65, 157, 159, 172, 176, 183, 190, 191, 193, 197, 201, 205, 209, 213, 217, 221, 225, 229, 233, 265, 269, 273, 275, 278, 287, 291, 295, 299, 303, 307, 321, 326, 335, 339, 348, 357, 364, 413, 417, 421, 425, 430, 434, 437, 441, 500, 504, 507, 525, 527, 529, 531, 539, 541, 543, 545, 605, 607, 723, 725, 727, 729, 731, 733, 735, 737, 739, 741, 747, 749
4460510.....906	4460897 ... 791, 805, 837, 839, 859	4461010 793	4711500....27, 45, 47, 59, 61, 81, 101, 103, 105, 107, 109, 111, 169, 182, 183, 186, 190, 191, 193, 197, 201, 205, 209, 213, 217, 221, 225, 229, 233, 238, 242, 246, 250, 254, 258, 278, 320, 326, 348, 364, 501, 505, 513, 515
4460518.....757, 833	4460899 ... 759, 765, 815, 835, 851, 857	4461013 861, 863	4711600....19, 23, 45, 47, 59, 61, 63, 65, 107, 111, 167, 169, 172, 176, 182, 186, 190, 197, 201, 205, 209, 213, 217, 221, 225, 229, 233, 238, 242, 246, 250, 254, 258, 265, 269, 279, 287, 291, 295, 299, 303, 307, 320, 326, 335, 339, 348, 357, 364, 395, 397, 399, 401, 405, 409, 413, 417, 421, 425, 430, 434, 437, 441, 465, 473, 481, 489, 493, 501, 505, 507, 513, 515,
4460526....127, 131, 135, 139, 143	4460905 ... 127, 131, 135, 139, 143, 549, 789, 811, 829, 833	4461015 793	
4460536.....829, 833	4460910 507, 853	4461016 861, 863	
4460539....753, 759, 799, 815, 829, 833	4460911 ... 761, 763, 851, 861, 863	4461017 793	
4460612.....743, 745	4460912 ... 761, 763, 861, 863	4461018 851, 857	
4460702.....793, 861, 863	4460913 507	4461019 ... 757, 793, 795, 796	
4460703.....796, 799	4460914 27, 127, 131, 135, 139, 143, 507	4461020 793, 796, 799	
4460708.....549, 830	4460917 507	4461021 731, 843	
4460709.....721	4460918 ... 761, 763, 861, 863	4461025 845, 847	
4460722.....761, 763	4460925 829, 833	4461024 735, 845	
4460746.....799	4460926 837	4461026 739, 847	
4460748.....799	4460928 757, 837	4461027 739, 847	
4460761....751, 765, 811, 833	4460930 ... 787, 793, 795, 796, 800, 819	4461028 747, 849	
4460806....733, 735, 737, 739, 811, 829	4460931 795, 815	4461029 849	
4460807.....807, 809	4460932 ... 627, 753, 761, 765, 796, 805	4530028 ... 609, 611, 616, 629	
4460808.....807, 809	4460933 ... 757, 787, 789, 796, 811, 829, 833	4562516 501, 505	
4460836.....91, 787, 795, 827	4460934 787, 795	4568293 ... 238, 242, 246, 250, 254, 258	
4460837.....765	4460935 787, 795	4568423 ... 465, 473, 482, 489	
4460842.....827	4460941 ... 765, 787, 795, 805, 851	4568426 101, 103	
4460843.....827	4460942 ... 579, 765, 796, 800, 805, 811, 827	4568427 101, 103	
4460865.....823, 825	4460943 ... 163, 165, 753, 761, 765, 787, 795, 815, 829, 833, 851	4640438 ... 655, 657, 659, 661	
4460866....139, 143, 811, 829, 833	4460944 91, 753, 759, 763, 765, 787, 789, 793, 795, 796, 799, 800, 811, 812, 815, 827, 829, 833	4640452 ... 663, 666, 669, 671	
4460868.....811	4460945 789, 799	4640465 91	
4460871....789, 811, 815, 827, 829, 833	4460950 91, 787, 796	4640509 ... 633, 643, 646, 649, 651, 653, 655, 657, 659, 661	
4460873....811, 829, 833	4460956 783, 785	4640751 ... 238, 242, 246, 250, 254, 258, 280, 322, 328, 348, 364	
	4460957 783, 785	4640858 635, 637	
		4641114 ... 663, 666, 669, 671	
		4641155 45, 47	
		4641210 ... 655, 657, 659, 661	
		4641247 101, 105, 107	

SECTION 11 - SPECIAL OPTIONS/ACCESSORIES/KITS

550, 561, 563, 565, 567, 683, 686	453, 455, 457, 459, 513, 515, 547, 609, 611, 613, 616	4846627....609, 611, 613, 616	5251016..... 511
4711700 ... 265, 269, 279, 288, 292, 296, 300, 304, 308, 320, 326, 335, 339, 348, 357, 364, 395, 405, 409	4751700 ... 279, 320, 326, 348, 364	4846637..... 19, 24	70000044..... 261
4711800 ... 19, 24, 27, 45, 47, 167, 169, 238, 242, 246, 250, 254, 258, 533, 535, 537	4751800 .43, 87, 89, 182, 186, 190, 533, 535, 537, 619, 621, 623	4846673..... 621, 623	70000124..... 405
4711900 405, 409	4752000 ... 197, 201, 205, 209, 213, 217, 221, 225, 229, 233, 265, 269, 287, 291, 295, 299, 303, 307, 335, 339, 357	4846945....242, 246, 254, 258	70000125..... 405
4712000 24, 561, 563, 565, 567, 581, 583, 585, 587, 589, 591, 593, 595, 597, 599, 601, 603	4755000 27	4846946....238, 242, 246, 250, 254, 258	70000342..... 495
4712200 ... 581, 583, 585, 587, 589, 591, 593, 595, 597, 599, 601, 603	4760600 719, 721	4891400..... 507	70000345 . 261, 283, 331, 353
4740171 313	4760800 549	4891500..... 406, 409	70000619 . 429, 433, 437, 441
4740181 27	4761400 625	4891600.... 183, 186, 191, 250, 254, 258, 275, 315, 317, 343, 361, 493, 501, 505, 511	70000780..... 87
4740229 27	4770600 167, 169	4891800.... 167, 169, 238, 242, 246, 250, 254, 258, 273, 275, 311, 315, 317, 343, 345, 361, 413, 417, 421, 425, 430, 434, 437, 441, 501, 505	70000793..... 393
4740274 ... 238, 242, 246, 250, 254, 258	4791400 63, 65, 238, 242, 246, 250, 254, 258, 320, 326, 350, 364, 413, 417, 421, 425, 430, 434, 437, 441	4892000....29, 39, 41, 43, 75, 279, 320, 326, 349, 365, 406, 409, 465, 473, 481, 489	70000796..... 497
4740362 547	4811400 ... 627, 723, 725, 727, 729, 731, 733, 735, 737, 739, 741, 747	4922641....409, 431, 434, 439, 442	70000801..... 51
4740397 ... 127, 131, 135, 139, 143, 405, 409, 549	4811600 27, 409	4922666..... 550, 751	70000802..... 51
4740430 53, 55, 273, 275	4811700 ... 127, 131, 135, 140, 143, 163, 165, 348, 527, 529, 531, 541, 545, 577, 616	4922672....767, 771, 779, 823	70000803..... 51, 899
4740461 19, 24	4811900 ... 173, 177, 279, 320, 326, 348, 364, 511, 755	4922673....769, 773, 775, 777, 781, 825	70000804..... 51
4740500 172, 176	4811902 ... 279, 320, 326, 349, 365	4922696..... 787	70000805..... 51
4740505 27	4812000 ... 279, 320, 326, 349, 365, 511	4922716..... 759	70000806..... 51
4740509... 465, 473, 481, 489	4812002 280	4922718..... 753	70000808..... 37
4740518 ... 238, 242, 246, 250, 254, 258	4812100 ... 265, 269, 279, 287, 291, 295, 299, 303, 307, 320, 326, 335, 339, 349, 357, 365, 511	4922758..... 769	70000852..... 37
4750600 167, 169	4812200 ... 279, 320, 326, 349, 365	4922759..... 767	70000853..... 37
4750800 19, 24, 549	4831900 ... 320, 326, 349, 365	4922760..... 773	70000854..... 37
4751000 . 93, 95, 97, 127, 131, 135, 139, 143, 161, 163, 165, 405, 413, 421, 430, 434, 438, 442, 549, 577, 609, 611, 613, 616	4846383 19, 24	4922761..... 771	70000855..... 37
4751400 81, 127, 131, 135, 139, 143, 163, 165, 183, 191, 193, 238, 242, 246, 250, 254, 258, 279, 320, 326, 348, 364, 406, 409, 547, 549, 609, 611, 613, 616, 619, 621, 623, 625, 755, 867, 869, 871, 873, 875, 877, 879, 881, 883	4846423 505	4922762....769, 773, 775, 777, 781	70000856..... 37
4751500 ... 155, 173, 177, 182, 186, 190, 413, 421, 430, 434, 437, 441, 501, 505, 619, 621, 623	4846429 505	4922763....767, 771, 779	70000857..... 37
4751600 ... 27, 53, 79, 81, 93, 95, 97, 101, 103, 113, 115, 117, 119, 121, 123, 125, 127, 131, 140, 143, 172, 176, 182, 186, 190, 445, 447, 449, 451,	4846431 501, 505	4922767..... 821	70000858..... 37
	4846453 ... 465, 473, 481, 489	4922777..... 837	70000859..... 37
	4846462 ... 465, 473, 481, 489	4922780..... 763	70000860..... 37
	4846476 93	4922781..... 761	70000861..... 37
	4846482 ... 465, 473, 481, 489	4922784..... 817	70000862..... 37
	4846484 507	4922785..... 791	70000863 . 429, 433, 438, 441
	4846485 501, 505	4922795..... 781	70000916..... 261
	4846503 172	4922796..... 779	70000917..... 261
	4846515 501	4922947..... 863	70000918..... 261
	4846516 501	4922948..... 861	70000919..... 261
	4846552 ... 238, 242, 246, 250, 254, 258	4922972....430, 434, 437, 441, 809	70000950..... 379
		4923256..... 819	70001017..... 261
		4923468....238, 242, 246, 250, 254, 258	70001018..... 261
		4923592....238, 242, 250, 254	70001019..... 261
		4933218..... 619, 621	70001056..... 67
		5241200..... 34, 511	70001100 . 429, 433, 437, 441
		5250808..... 280	70001101 87, 91
		5251008..... 511	70001102 87, 91
			70001125..... 261
			70001126..... 261
			70001128..... 261
			70001129..... 261
			70001130..... 261
			70001131..... 261
			70001135..... 261
			70001384 . 429, 433, 437, 441
			70001424..... 575
			70001425..... 575
			70001427..... 575
			70001428..... 575
			70001429..... 575
			70001430..... 575
			70001431..... 575, 898
			70001432..... 575, 899
			70001435..... 261
			70001639..... 495
			70001640..... 497
			70001696..... 429, 433
			70001847..... 261
			70001850..... 261
			70001857..... 261
			70001867..... 261

SECTION 11 - SPECIAL OPTIONS/ACCESSORIES/KITS

70001868.....261	70002154.....384	70002622.....385	70004481.....83
70001870..261, 283, 331, 354	70002155.....384	70002623.....385	70004494.....84
70001871.....261	70002156.....384	70002674.....33	70004501.....284, 332
70001930.....69	70002157.....384	70002718..261, 283, 331	70004502.....332
70001939.....49	70002158.....384	70002758.....70	70004503.....353
70001952.....372	70002159.....384	70002759.....69, 70	70004504.....332, 353
70001953.....429, 433	70002160.....384	70002760.....70	70004505.....331
70001955.....387	70002161.....384	70002859.....497	70004506.....331
70001956.....387	70002162.....384	70002902.....569	70004507.....331
70001958.....385	70002163.....384	70002903.....569	70004508.....331, 353
70001966..414, 417, 422, 425, 429, 433, 438, 441	70002164.....384	70002904.....569	70004509.....331
70001968.....373, 379	70002165.....384	70002905.....569	70004510.....331
70001973..429, 433, 438, 442	70002168.....385	70003135.....261	70004511.....283
70001974..429, 433, 438, 442	70002174.....385	70003136.....261	70004512.....283, 898
70001976.....49, 69	70002175.....385	70003165.....380	70004646.....906
70002015.....33	70002177.....385	70003167.....379	70004647.....906
70002016.....33	70002178.....385	70003170.....380	70004648.....906
70002018.....33	70002179.....385	70003173.....378	70004676..414, 417, 422, 425
70002019.....33	70002231 . 197, 201, 205, 209, 213, 218, 222, 225, 229, 233, 265, 269, 287, 291, 295, 299, 303, 307, 335, 339, 898	70003174.....378	70004677.....417
70002020.....33	70002247.....34	70003175.....378	70004678..414, 417, 422, 426
70002021.....33	70002248.....34	70003177.....378	70004680..414, 417, 422, 426
70002026.....33	70002249.....34	70003340.....379, 380	70004681.....417, 426
70002027.....33	70002255.....429, 433	70003475.....261	70004682..414, 417, 422, 426
70002029.....33	70002291.....438, 442	70003628.....37	70004683.....418, 426
70002030.....33	70002297.....429, 433	70003708 . 414, 417, 422, 425, 429, 433, 438, 441	70004684.....414
70002031.....33	70002373.....669, 671	70003709 . 414, 417, 422, 425, 429, 433, 438, 441	70004685.....414, 422
70002032.....33, 83	70002410.....679, 681	70003913.....500, 504	70004686.....425
70002033.....33	70002412 . 639, 641, 649, 651, 653	70003914.....500, 504	70004687.....422
70002034.....33	70002460 . 429, 433, 438, 442	70003915.....500, 504	70004738.....553
70002035.....33	70002569.....374	70003917.....500, 504	70004739.....553
70002036.....33	70002576.....391	70003918.....500, 504	70004740.....553
70002037.....33	70002578.....387	70004092 . 414, 417, 422, 425, 438, 442	70004741.....553
70002039.....33	70002580.....387	70004094.....438, 442	70004742.....553
70002040.....33	70002582.....387	70004098 . 414, 422, 438, 442	70004743.....553
70002041.....33	70002583.....387	70004099 . 422, 425, 438, 441	70004744.....553
70002044.....33	70002585.....387	70004169.....429, 433	70004745.....553
70002045.....33	70002586.....387	70004171 . 414, 417, 429, 433	70004746.....553
70002046.....33	70002588.....387	70004185.....906	70004747.....553
70002047.....33	70002589.....387	70004186 .. 649, 651, 653	70004748.....553
70002048.....33	70002590.....387	70004237.....679, 681	70004749.....553
70002049.....33	70002592.....388	70004276.....284	70004750.....553
70002050.....33	70002593.....388	70004277 .. 285, 332, 354	70004751.....553
70002052.....33	70002599.....388	70004280.....283, 331	70004752.....555
70002057.....33, 83	70002600.....384	70004282.....284, 332	70004753.....555
70002088.....429, 433	70002601.....384	70004328.....513, 515	70004754.....555
70002097...513, 515, 898	70002602.....384	70004413.....97	70004755.....555
70002132.....384	70002604.....385	70004414.....93, 95	70004756.....555
70002133.....384, 387	70002605.....385	70004416.....387	70004757.....555
70002134.....384	70002606.....385	70004417.....387	70004758.....555
70002135.....384	70002607.....385	70004420.....387	70004759.....555
70002136.....384	70002608.....385	70004421.....387	70004760.....555
70002137.....384	70002609.....385	70004422.....388	70004761.....555
70002138.....384	70002610.....385	70004423.....387	70004762.....555
70002139.....384	70002612.....385	70004426.....387	70004763.....555
70002140.....384	70002616.....385	70004467.....83	70004764.....555
70002141.....384	70002617.....385	70004469.....83	70004765.....555
70002142.....384	70002618.....384	70004474.....83	70004766.....555
70002145.....384	70002619.....384	70004477.....83	70004767.....555
70002148.....384	70002620.....384	70004480.....83	70004768.....555
70002150.....384	70002621.....385		70004769.....555
70002151.....384			70004770.....555
70002152.....384			70004771.....555
70002153.....384			70004772.....555

SECTION 11 - SPECIAL OPTIONS/ACCESSORIES/KITS

70004773	555	70006528	655, 657	70007383	633	70024484	284
70004774	556	70006529	655, 657	70007384	633	70024488	283
70004775	556	70006530	655, 657	70007385	633	70024494 ..	283, 331, 353
70005143	669, 671	70006547	643, 646	70007386	633	70024502	284
70005153 ..	639, 641, 653	70006548	643, 646	70007435	659, 661	70024504 ..	283, 285, 332, 353
70005171	283, 331	70006549	643, 646	70007438	659, 661	70024507 ..	285, 332, 353
70005172 ..	283, 331, 353	70006550	643, 646	70007510	91	70024509	284
70005173	283	70006552 ..	413, 417, 421, 425	70007603	353	70024513 ..	283, 331, 353
70005174	283	70006553 ..	413, 417, 421, 425, 899	70007984	639, 641	70024517	283
70005177	284	70006596 ..	639, 641, 649, 651, 669, 671, 679, 681	70007985	639, 641	70024904	331, 354
70005181	284	70006631	686	70007987	639, 641	70024905	283, 331
70005184	284, 353	70006653	332	70007988	639, 641	70024906	283, 331
70005188	284	70006656	683	70007989	639, 641	70024910	284
70005189	284	70006657	683, 686	70007993	669, 671	70024912	284, 332
70005191	285	70006658	683, 686	70007994	669, 671	70024915 ..	285, 332, 353
70005317	83	70006659	683	70007995	669, 671	70024916	353
70005318	83	70006697	686	70007996	669, 671	70024917	332
70005418	388	70006698	686	70007997	669, 671	70024918	285, 353
70005433 ..	659, 661, 683, 686, 689	70006986	83	70007998	669, 671	70024919	331
70005480	378	70006987	83	70007999	649, 651	70024920 ..	284, 285, 331, 332
70005481	378	70006988	83	70008000	649, 651	70024922	285
70005527	332	70006989	83	70008001	649, 651	70024924 ..	283, 331, 353
70005647	285, 332	70006990	83	70008002	649, 651	70024925 ..	283, 331, 353
70005648 ..	285, 332, 898	70006991	83	70008003	649, 651	70024961 ..	283, 331, 353
70005839	689	70006992	83	70008004	679, 681	70025076	283
70005920	283	70006993	83	70008005	679, 681	70025077	285
70005921	283, 331	70006994	83	70008006	679, 681	70025080	283
70005923	284	70006995	83	70008007	679, 681	70025082	283
70005924	284	70006996	83	70008043	689	70025084	284
70005925	284	70006997	83	70008044	689	70025091	283
70005926	284, 332	70006998	83	70008045	689	70025101	284
70005927	284	70006999	83	70008046	689	70025107	284
70005928	284	70007000	83	70008047	689	70025109	284
70005929	284, 332	70007001	83	70008048	689	70025111	331
70005931	332, 353	70007002	83	70008049	689	70025112	284, 332
70005938	354	70007003	83	70008083	689	70025115	284
70005941 ..	283, 331, 353	70007004	84	70008084	689	70025120	285, 332
70005942 ..	283, 331, 353	70007005	84	70008085	689	70025130	353
70006093	438, 441	70007006	84	70008086	689	70025133	284
70006094	438, 442	70007007	84	70008087	689	70025135	283, 331
70006095 ..	438, 442, 898	70007008	84	70008180	659, 661	70025136	331
70006096	438, 442	70007009	83	70008181	659, 661	70025137	283, 331
70006097	438, 442	70007010	84	70008182	659, 661	70025140	283, 331
70006127	283	70007011	83	70008183	659, 661	70025142 ..	284, 332, 353
70006144	331, 353	70007012	84	70008184	659, 661	70025144	283, 331
70006344	689	70007013	84	70008185	659, 661	70025145	283, 331
70006403	401	70007015	653	70008359	91	70025146	283, 331
70006404	401	70007016	653	70008360	91	70025149	285
70006405	401, 898	70007017	653	70008361	91	70025151	284, 331
70006406	401	70007018	653	70008362	91	70025152	283, 331
70006407	401	70007019	653	70008363	91	70025153 ..	283, 353, 898
70006408	401	70007020	653	70008364	91	70025154	283, 331
70006409	401	70007178	380	70008365	91	70025155	284
70006410	401	70007246	659, 661	70020329	379	70025158	284
70006473	635, 637	70007282	659, 661	70020336	380	70025160	353
70006474	635, 637	70007325	332	70021867	372, 378	70025162	283
70006490	673, 676	70007326	332	70021895	284	70025164 ..	284, 332, 353
70006491	673, 676	70007327	332	70022286	387	70025171	283
70006492	673, 676	70007328	332	70022564 ..	639, 641, 649, 651, 659, 661, 669, 671, 679, 681	70025176	283
70006493	673, 676	70007329	332	70023592 ..	279, 321, 327, 349, 365, 898	70025178	284
70006520	635, 637	70007330	332	70023593 ..	279, 321, 327, 349, 365, 898	70025179	284
70006523	663, 666	70007331	332	70024190 ..	280, 321, 327, 349, 365, 898	70025180	284
70006524	663, 666	70007353	262	70024484	284	70025181	283, 331
70006525	663, 666	70007382	633	70024488	283	70025182	284, 331
70006526	663, 666						
70006527	655, 657						

SECTION 11 - SPECIAL OPTIONS/ACCESSORIES/KITS

70025183.....	284, 332	7012558	405	7021275	37, 384, 387	7024475.....	629
70025184.....	284, 332	7012706	372, 378	7021293	385	7024478.....	629
70025185.....	284	7012709	372	7021375	69	7024485.....	429, 433, 898
70025200.....	284, 332	7012715	372	7021636	69	7024488.....	429, 433, 437, 441
70025203.....	284	7012773	49, 69	7022300	385	7024489....	429, 433, 437, 441
70025205.....	283, 331	7012941	51	7022301	384	7024530.....	575
70025210.....	284, 332	7012942	51	7022311	37	7024531.....	575
70025231.....	283	7012944	51, 517, 898	7022314	37	7024532.....	575
70025235.....	284, 331	7012955	51	7022321	37	7024533.....	575
70025239.....	283, 331	7012967	51, 663, 666	7022340	387	7024534.....	575
70025240.....	284	7012998	51, 669, 671	7022368	37	7024535.....	575
70025242.....	332	7015003 ...	237, 241, 245, 249, 253, 257	7022371	37	7024536.....	575
70025477.....	284	7015013 ...	237, 241, 245, 249, 253, 257	7023306	99	7024537.....	575
70025533.....	285	7015014 ...	237, 241, 245, 249, 253, 257	7023347	99	7024565.....	261
70025660.....	285	7015015 ...	237, 241, 245, 249, 253, 257	7023881	373	7024570.....	69
70025768.....	284	7016314	97	7023887	378	7024571.....	69, 517, 898
70025788.....	332	7016319	161	7023922	517	7024572.....	517
70025877.....	332	7016322	167, 169	7023962	387	7024573.....	69
70025931.....	284	7016328	261, 898	7023964	387, 388	7024574.....	69
70026210... ..	285, 332, 353	7016331 ...	261, 283, 331, 353, 898	7024005	373	7024579.....	261, 283, 331
70026283.....	659, 661	7016372	161	7024006	379	7024580.....	197, 201, 205, 209, 213, 217, 221, 225, 229, 233
7002821	906	7016374	167, 169	7024038	372, 378	7024581....	197, 201, 205, 209, 213, 217, 221, 225, 229, 233
7002822	906	7016654	906	7024042	372	7024582....	197, 201, 205, 209, 213, 217, 221, 225, 229, 233
7002823	906	7016655	906	7024043	372	7024583....	197, 201, 205, 209, 213, 217, 221, 225, 229, 233
7002828	906	7017142	495	7024044	372, 378	7024584....	197, 201, 205, 209, 213, 217, 221, 225, 229, 233
70028540.....	332	7017159	495	7024064	372, 378	7024598.....	167, 169
70028699.....	332	7017162	495, 497	7024065	373, 379	7024800.....	385
70029401.....	332, 353	7017163	495, 497	7024068	373	7024865.....	37
70029433.....	332	7017164	495, 497	7024069	374, 380	7024867.....	37
70029451.....	331	7017185	497	7024070	373	7024868.....	37
70029517.....	332	7017195	495, 497	7024071	373, 379	7024905.....	379
70029520.....	332	7017402	517	7024072	373, 379	7024906.....	373, 379
70029557.....	332	7017405	51	7024073	373, 379	7024907.....	379
70029581.....	353	7017451	69, 898	7024075	373, 379	7024908.....	373, 379
70029797.....	332	7017495	69	7024076	373, 379	7024909.....	379
70031136.....	284	7018936	374, 380	7024077	373, 379	7024911.....	373, 379
70035212.....	285	7018942	69	7024078	379	7024913.....	372, 378
7003655.... ..	237, 241, 245, 249, 253, 257	7018991	49, 69, 898	7024079	379	7024914.....	372
7004275.....	906	7019680	405	7024080	373	7024915.....	372
7004276.....	906	7020043	93, 95	7024081	373, 379	7024916.....	372
70052577.....	649, 651	7020108	405, 409	7024083	373	7024917.....	372, 378
7007207.....	384, 387	7020109	405, 409	7024084	373	7024918.....	372, 378
7007415.....	385, 387, 388	7020110	405, 410	7024085	374	7024919.....	372, 378
7007418.....	384	7020111	405, 410	7024087	374	7024920.....	372, 378
7007419.....	384	7020175 ...	127, 131, 135, 139, 143, 549	7024088	374	7024921.....	372, 378
7007420.....	37	7020176 ...	127, 131, 135, 139, 143, 549	7024089	374	7024922.....	372, 378
7007437.....	37	7020190	405, 409	7024096	380	7024924.....	69
7007438.....	37	7020414	261	7024097	373	7024925.....	69
7007439.....	37, 385	7020447	261	7024098	373	7024927.....	49
7007446.....	37, 384, 387	7020460	261	7024099	380	7026000.....	69
7007489.....	391	7020465 ...	261, 283, 331, 353	7024374	99	7026001.....	69
7007986.....	639, 641	7020468	261	7024375	99, 898	7026002.....	69
7010543.....	51	7020471	261	7024439	99	7026003.....	69
7010545.... ..	655, 657, 659, 661	7020479	261	7024440	99	7026004.....	69
7011016.....	67	7020486	261	7024441	99	7026005.....	69
7011043.....	67	7020488	374	7024442	99		
7011044.....	67	7020492	284, 332	7024443	99		
7011048.....	67	7021249	37	7024444	99		
7011062.....	67	7021256	385	7024445	99		
7011311.....	69	7021265	385	7024446	99		
7011346.....	49, 69, 517			7024462	629		
7011354.....	69, 898			7024463	629		
7011355.....	517			7024467	629		
7012513.....	405, 409			7024469	629		
7012514.....	405, 409			7024470	629		
				7024471	575, 629		
				7024472	629		
				7024473	629		
				7024474	629		

SECTION 11 - SPECIAL OPTIONS/ACCESSORIES/KITS

7026006	69	7027045 ...	265, 269, 287, 291, 295, 299, 303, 307, 336, 340, 357	80484084	796, 799	8406109	279
7026007	69	7027235	261	80604016	91	8406112 ...	279, 322, 328, 349, 365
7026008	69	7027236	261	80604021	91	8406201	350, 365
7026016	69	7027239	261	80934174	379	8406302 ...	279, 320, 326, 349, 365
7026018	517	7027240	261	80934644	380	8410011	279, 322, 328
7026019	517	7027276	261	8220051	805	8410013 ...	238, 242, 246, 250, 254, 258, 280, 320, 327
7026020	517	7027740	37	8220164	795, 799	8410014	349, 365
7026021	517	7027773	629	8229242	796, 811, 898	8580420	53, 55
7026022	517	7027774	629	8229249	627, 830, 898	8750024	107, 111
7026023	517	7027775	629	8310070	127, 131, 136, 140, 143, 507	88261024	513, 515
7026028	49	7027776	629	8310129 ...	581, 583, 585, 587, 589, 591, 593, 595, 597, 599, 601, 603	88411013	755
7026029	87, 898	7027777	629	8310658	190	88521214 .	561, 563, 565, 567
7026030	87	7027778	629	8405006	279, 287, 291, 295, 299, 303, 307, 322, 328, 335, 339, 349, 357, 365, 397, 399, 401	88662523 ..	182, 186, 191
7026031	87, 899	7027779	629	8405007	279, 321, 328, 349, 365	91143339	795
7026032	87	7027790	261	8405009	97, 349, 365	91143340	795
7026188	429, 433	7027791	261	8405201	279, 320, 326, 349, 365	91203039	511
7026571	99	7027792	261	8405204	279, 320, 327, 349, 365	91403230 .	867, 869, 871, 873, 875, 877, 879, 881, 883
7026597 ...	429, 433, 438, 442	7027799 ...	429, 433, 438, 442	8405212	349, 365	91563070 .	320, 327, 349, 365
7026608	261, 898	7027887	405, 410	8405213	349, 365	SEE NOTE	689
7026626 ...	429, 433, 438, 442	7028909	163, 165	8406102	279, 322, 328, 349, 365		
7026980	380	7029593	67				
7027042 ...	265, 269, 287, 291, 295, 299, 303, 307, 335, 339, 357	77143013 .	128, 132, 136, 140, 143				
7027043 ...	265, 269, 287, 291, 295, 299, 303, 307, 335, 339, 357	77363233	807, 809				
7027044 ...	265, 269, 287, 291, 295, 299, 303, 307, 335, 339, 357	8007508	886				
		80334079	380				
		80334251	87				
		80363179	91				



**Corporate Office
JLG Industries, Inc.
1 JLG Drive
McConnellsburg, PA 17233-9533 USA
☎ (717) 485-5161 (Corporate)
☎ (877) 554-5438 (Customer Support)
📠 (717) 485-6417**

**Visit our website for JLG Worldwide Locations.
www.jlg.com**



OSHKOSH™