



Illustrated Parts Manual

Models
40ic
45ic

P/N
3120735

September 30 2011

ANSI



REVISION LOG

August 1, 1996 - Original Issue of Manual

August 15, 1997 - Revised Manual

December 1, 2000 - Revised Manual (Edited to B/M 0010531 Revision 21 & B/M 0010530 Revision 22)

August 16, 2005 - Revised Manual

January 31, 2008 - Revised Manual

September 30, 2011 - Revised Manual (Revision 1)

TABLE OF CONTENTS

| | |
|---|-----|
| SECTION 1 - FRAME..... | 7 |
| FIGURE 1-1. FRAME AND STEERING INSTALLATIONS..... | 8 |
| FIGURE 1-2. TIRE AND WHEEL DRIVE INSTALLATIONS..... | 12 |
| FIGURE 1-3. DRIVE HUB ASSEMBLY..... | 16 |
| FIGURE 1-4. DRIVE MOTOR ASSEMBLY..... | 18 |
| FIGURE 1-5. DRIVE BRAKE ASSEMBLY..... | 20 |
| FIGURE 1-6. VALVES, BATTERY AND TILT INDICATOR INSTALLATIONS (FRAME MOUNTED)..... | 24 |
| FIGURE 1-7. ACCESSORY VALVE ASSEMBLY..... | 28 |
| FIGURE 1-8. VANGUARD GAS ENGINE INSTALLATIONS..... | 30 |
| FIGURE 1-9. DUAL FUEL INSTALLATION (OPTION FOR VANGUARD GAS MACHINES)..... | 36 |
| FIGURE 1-10. YANMAR DIESEL ENGINE INSTALLATION..... | 38 |
| FIGURE 1-11. PISTON PUMP ASSEMBLY..... | 42 |
| FIGURE 1-12. GEAR PUMP ASSEMBLY..... | 44 |
| FIGURE 1-13. TANK INSTALLATIONS..... | 46 |
| FIGURE 1-14. FRAME COVERS INSTALLATIONS..... | 48 |
| SECTION 2 - TURNTABLE..... | 51 |
| FIGURE 2-1. TURNTABLE MOUNTED COMPONENTS INSTALLATION..... | 52 |
| FIGURE 2-2. CONTROL VALVE ASSEMBLY..... | 56 |
| FIGURE 2-3. SWING DRIVE AND TURNTABLE BEARING INSTALLATIONS..... | 58 |
| FIGURE 2-4. SWING MOTOR ASSEMBLY..... | 60 |
| FIGURE 2-5. SWING BEARING ASSEMBLY..... | 62 |
| FIGURE 2-6. GROUND CONTROL BOX ASSEMBLY..... | 64 |
| FIGURE 2-7. TURNTABLE AND HOODS INSTALLATION..... | 68 |
| SECTION 3 - BOOM..... | 71 |
| FIGURE 3-1. BOOM AND LIMIT SWITCHES INSTALLATIONS..... | 72 |
| FIGURE 3-2. MAIN BOOM COMPONENTS ASSEMBLY..... | 76 |
| SECTION 4 - PLATFORMS..... | 79 |
| FIGURE 4-1. PLATFORM COMPONENTS INSTALLATION..... | 80 |
| FIGURE 4-2. ROTATOR MOTOR/PUMP/TANK ASSEMBLY..... | 84 |
| FIGURE 4-3. PLATFORM CONSOLE ASSEMBLY..... | 86 |
| FIGURE 4-4. CONTROLLER ASSEMBLY - DRIVE/STEER..... | 90 |
| SECTION 5 - CYLINDER..... | 93 |
| FIGURE 5-1. UPPER LIFT CYLINDER ASSEMBLIES..... | 94 |
| FIGURE 5-2. MID LIFT CYLINDER ASSEMBLIES..... | 96 |
| FIGURE 5-3. LOWER LIFT CYLINDER ASSEMBLIES..... | 100 |
| FIGURE 5-4. MASTER CYLINDER ASSEMBLY..... | 104 |
| FIGURE 5-5. PLATFORM ROTATOR CYLINDER ASSEMBLY..... | 106 |
| FIGURE 5-6. SLAVE (PLATFORM LEVEL) CYLINDER ASSEMBLY..... | 108 |
| FIGURE 5-7. STEER CYLINDER ASSEMBLY..... | 110 |
| FIGURE 5-8. TELESCOPE CYLINDER ASSEMBLIES..... | 112 |
| FIGURE 5-9. OPTIONAL CYLINDER BELLOWS INSTALLATION..... | 114 |

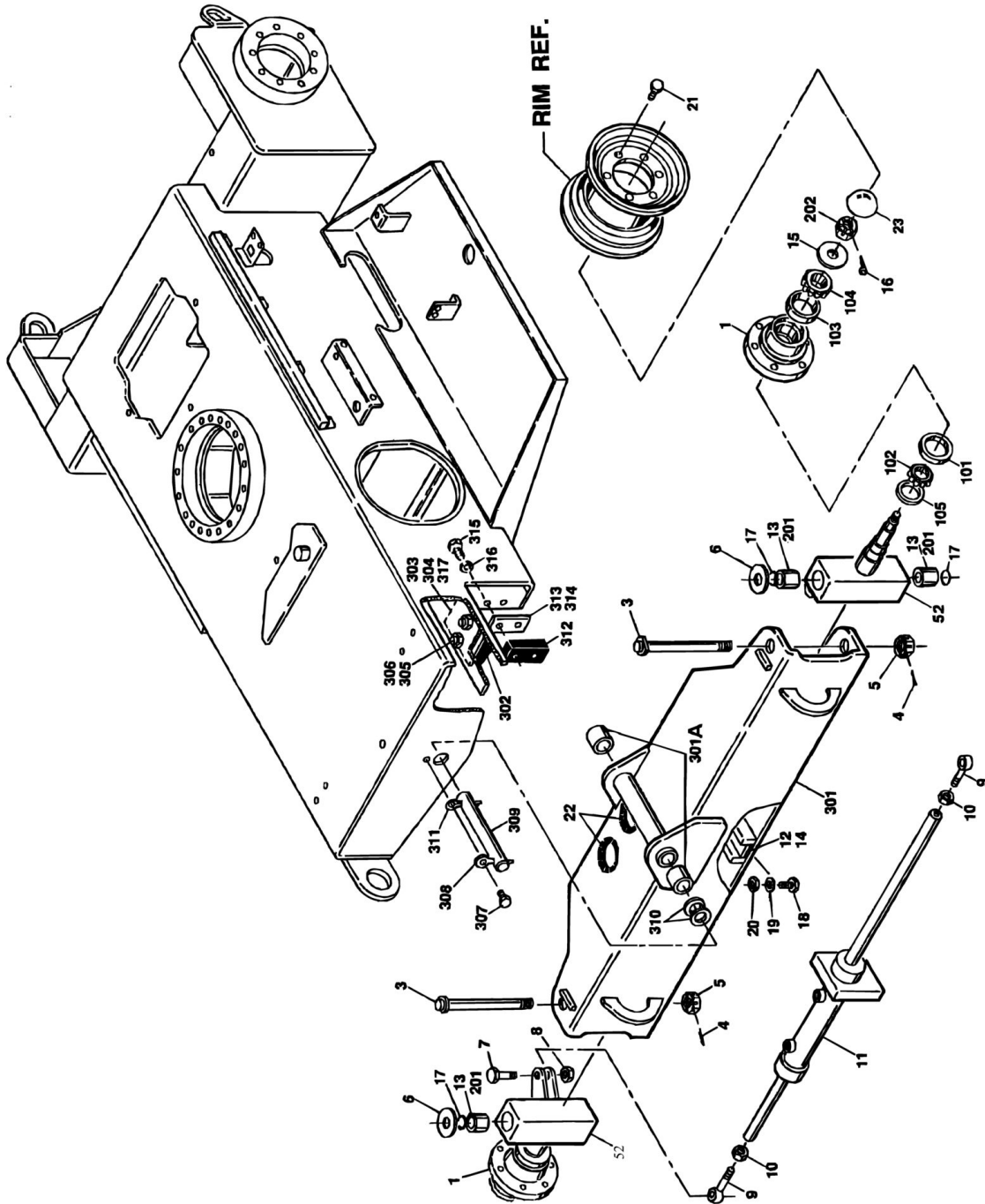
TABLE OF CONTENTS

| | |
|---|-----|
| SECTION 6 - HYDRAULICS..... | 117 |
| FIGURE 6-1. HYDRAULICS DIAGRAM LIST | 118 |
| FIGURE 6-2. HYDRAULIC DIAGRAM (SHEET 1 OF 2)..... | 120 |
| SECTION 7 - ELECTRICAL..... | 125 |
| FIGURE 7-1. ELECTRICAL DIAGRAMS AND DIAGRAM LIST..... | 126 |
| FIGURE 7-2. ELECTRICAL DIAGRAM - STANDARD (SHEET 1 OF 2)..... | 128 |
| FIGURE 7-3. HARNESS INSTALLATIONS | 130 |
| SECTION 8 - DECALS | 137 |
| FIGURE 8-1. DECALS INSTALLATION - ANSI SPEC..... | 138 |
| FIGURE 8-2. DECALS INSTALLATION - JAPANESE AND LATIN AMERICA..... | 140 |
| SECTION 9 - RECOMMENDED SERVICE PARTS STOCK..... | 143 |
| FIGURE 9-1. MODELS 40IC/45IC LIFTS STANDARD PARTS | 144 |
| FIGURE 9-2. MODELS 40IC/45IC LIFTS VARIABLE PARTS | 148 |
| SECTION 10 - SPECIAL OPTIONS | 149 |
| FIGURE 10-1. SPECIAL OPTIONS LIST..... | 150 |
| PART NUMBER INDEX..... | 153 |

SECTION 1 - FRAME

SECTION 1 - FRAME

FIGURE 1-1. FRAME AND STEERING INSTALLATIONS



SECTION 1 - FRAME

FIGURE 1-1. FRAME AND STEERING INSTALLATIONS

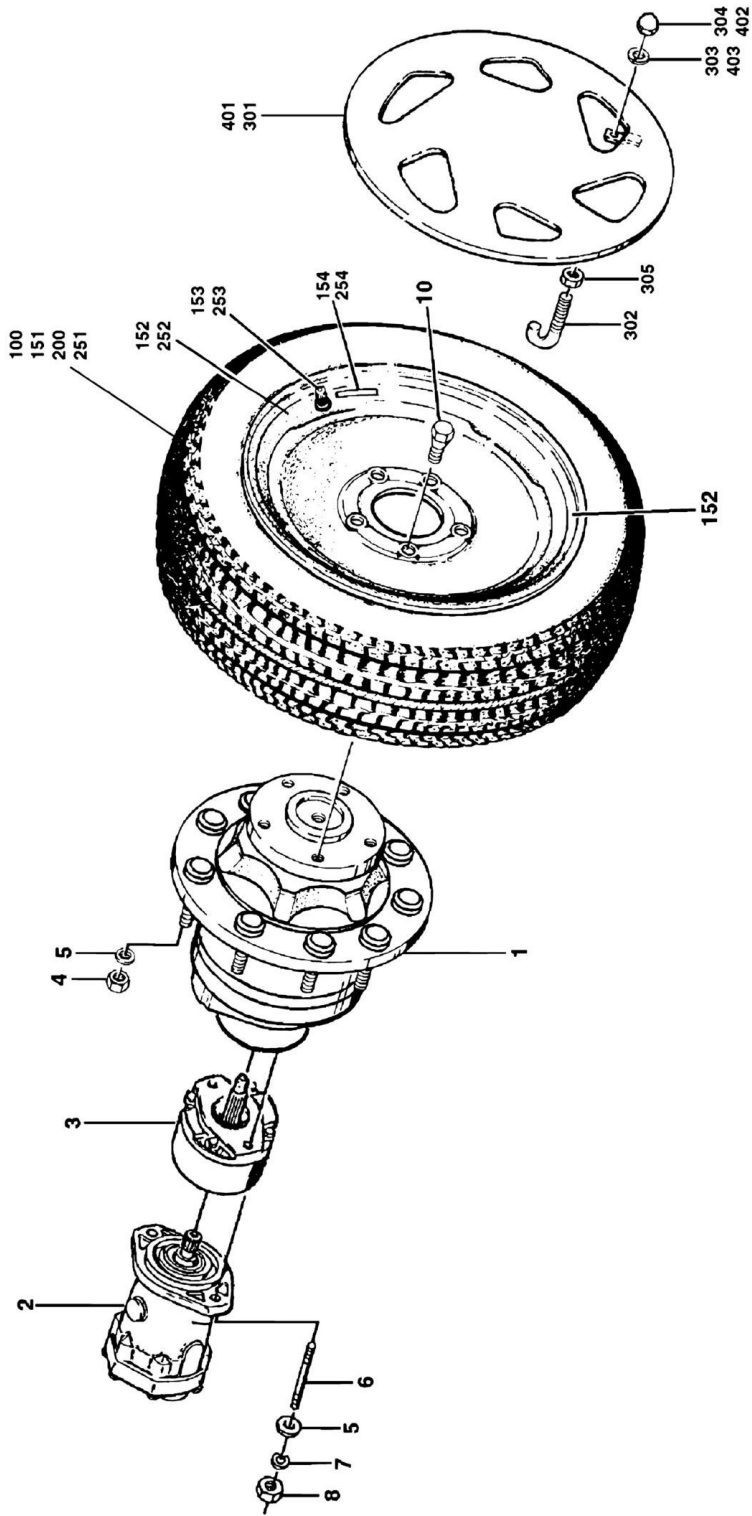
| ITEM | PART NUMBER | QTY | DESCRIPTION | REV |
|------|-------------|-----------|--|-----|
| | | Ref | FRAME WELDMENT OPTIONS: | |
| | 2360402 | Ref | Frame Weldment Model 40ic | |
| | 2360403 | Ref | Frame Weldment Model 45ic | |
| | | Ref | STEERING AND SPINDLES INSTALLATION | |
| | 0256855 | Ref | (ANSI Spec) | 3 |
| | 0252856 | Ref | (CSA Spec) | B-3 |
| 1 | 2780201 | 2 | Hub Assembly (See Items 101-105 for Breakdown) | |
| 3 | 3421988 | 2 | Kingpin | |
| 4 | 3450810 | 2 | Pin, Cotter 1/4in x 2 1/3in | |
| 5 | 3313003 | 2 | Nut, Slotted 1 1/4 -7NC | |
| 6 | 0440162 | 2 | Washer, Thrust | |
| 7 | 0642016 | 2 | Bolt 5/8in-11NC x 2in | |
| 8 | 3312005 | 2 | Locknut 5/8in-11NC | |
| 9 | 3841146 | 2 | End, Rod | |
| 10 | 3322002 | 2 | Nut, Jam 5/8in-18NF | |
| 11 | 1683487 | 1 | Steer Cylinder Assembly (See CYLINDER SECTION for Breakdown) | |
| 12 | 3340644 | 1 | Pad, Wear | |
| 13 | 3020022 | AR | Grease | |
| 14 | 4070809 | AR | Shim | |
| 15 | 4712400 | 2 | Flatwasher 7/8in | |
| 16 | 3450506 | 2 | Pin, Cotter | |
| 17 | 3780182 | 4 | O-Ring | |
| 18 | 0641510 | 1 | Bolt 5/16in-18NC x 1 1/4in | |
| 19 | 4751500 | 1 | Flatwasher 5/16in | |
| 20 | 3311505 | 1 | Locknut 5/16in-18NC | |
| 21 | 0630016 | 12 | Bolt, Wheel 1/2in-20NF x 1in | |
| 22 | 4060808 | 2 ft/.61m | Trim | |
| 23 | 1120457 | 2 | Cap, Dust | |
| 52 | | Ref | Spindle Weldment Options: (See Items 201-202 for Breakdown) | |
| 52 | 4130319 | 2 | ANSI Spec | |
| 52 | 4130302 | 2 | CSA Spec | |
| | 2780201 | Ref | HUB ASSEMBLY | D |
| 101 | Kit | 2 | Cup, Bearing - Inner (1 Per Hub) | |
| 102 | Kit | 2 | Cone, Bearing - Inner (1 Per Hub) | |
| 103 | Kit | 2 | Cup, Bearing - Outer (1 Per Hub) | |
| 104 | Kit | 2 | Cone, Bearing - Outer (1 Per Hub) | |
| 105 | Kit | 2 | Seal (1 Per Hub) | |
| | 2900842 | 2 | Bearing Kit (Includes Item 101-105) | |
| | | Ref | SPINDLE ASSEMBLY | |
| 201 | 0961621 | 4 | Bushing (2 Per Spindle) | |
| 202 | 3322403 | 2 | Nut, Slotted 7/8in-14NF (1 Per Spindle) | |
| | 0253613 | Ref | AXLE INSTALLATION | D |
| 301 | 4844324 | 1 | Axle Weldment (Includes Item 301A) | |
| 301A | 0961621 | 2 | Bushing | |
| 302 | 0940048 | 2 | Bumper | |
| 303 | 4070832 | AR | Shim 1/2in-13mm | |
| 304 | 4070833 | AR | Shim 1/16in-1.6mm | |
| 305 | 0641814 | 4 | Bolt 1/2in-13NC x 1 3/4in | |
| 306 | 3311805 | 4 | Locknut 1/2in-13NC | |

SECTION 1 - FRAME

| ITEM | PART NUMBER | QTY | DESCRIPTION | REV |
|------|-------------|-----|-----------------------------|-----|
| 307 | 0641608 | 1 | Bolt 3/8in-16NC x 1in | |
| 308 | 3841143 | 1 | Pin, Keeper | |
| 309 | 3422170 | 1 | Pin, Axle | |
| 310 | 4740247 | 2 | Washer, Thrust | |
| 311 | 3451210 | 1 | Pin, Cotter 3/8in x 2 1/2in | |
| 312 | 3340450 | 2 | Pad, Wear | |
| 313 | 4070834 | AR | Shim 1/4in-6.4mm | |
| 314 | 4070835 | AR | Shim 1/16in-1.6mm | |
| 315 | 0641610 | 4 | Bolt 3/8in-16NC x 1 1/4in | |
| 316 | 4751600 | 4 | Flatwasher 3/8in | |
| 317 | 4070853 | AR | Shim 1/32in-.8mm | |
| | 0100011 | AR | Loctite #242 (Not Shown) | |

SECTION 1 - FRAME

FIGURE 1-2. TIRE AND WHEEL DRIVE INSTALLATIONS



SECTION 1 - FRAME

FIGURE 1-2. TIRE AND WHEEL DRIVE INSTALLATIONS

| ITEM | PART NUMBER | QTY | DESCRIPTION | REV |
|------|-------------|-----|---|-----|
| | 0255994 | Ref | WHEEL DRIVE INSTALLATION | A |
| 1 | 2780219 | 2 | Drive Hub Assembly (See DRIVE HUB ASSEMBLY for Breakdown) | |
| 2 | 3160158 | 2 | Drive Motor Assembly (See DRIVE MOTOR ASSEMBLY for Breakdown) | |
| 3 | 0920084 | 2 | Drive Brake Assembly (See DRIVE BRAKE ASSEMBLY for Breakdown) (Machines Built) (Prior to SN 33476) | |
| 3 | 0920110 | 2 | Drive Brake Assembly (See DRIVE BRAKE ASSEMBLY for Breakdown) (Machines Built) (SN 33476 to Present) | |
| 4 | 3321801 | 18 | Nut 1/2in-20NF | |
| 5 | 4711800 | 22 | Flatwasher 1/2in Narrow | |
| 6 | 4300092 | 4 | Stud 1/2in-13NC x 5 1/2in | |
| 7 | 4761800 | 4 | Lockwasher 1/2in | |
| 8 | 3311801 | 8 | Nut 1/2in-13NC | |
| 9 | 0100019 | AR | Loctite #271 (Not Shown) | |
| 10 | 0630016 | 12 | Bolt, Wheel | |
| 11 | 0100011 | AR | Loctite #242 (Not Shown) | |
| | | Ref | TIRE AND WHEEL INSTALLATIONS - MODEL 40ic | |
| | 0256835 | Ref | G78-15 X28 PNEUMATIC TIRE WITH 6IN WIDE RIM | - |
| | 0256641 | Ref | G78-15 X28 PNEUMATIC TIRE WITH 8IN WIDE RIM | - |
| | 0256967 | Ref | 10 X 16.5 PNEUMATIC TIRE | - |
| | 0256837 | Ref | G78-15 X28 FOAM-FILLED TIRE WITH 6IN WIDE RIM | - |
| | 0256643 | Ref | G78-15 X28 FOAM-FILLED TIRE WITH 8IN WIDE RIM | - |
| | 0256968 | Ref | 10 X 16.5 FOAM-FILLED TIRE | - |
| | 0254874 | Ref | SOLID - NON-MARKING TIRE | - |
| | | Ref | Note: Assemblies may require ballast/foam filling to manufacturer's specifications prior to installing on a machine. Refer to Operation and Safety or Service and Maintenance Manuals. Purchase individual tire and/or rim only if able to foam fill tire and wheel assembly, otherwise, purchase complete assembly. | |
| 100 | 0256834 | 4 | Tire and Wheel Assembly (G78-15 X28 Pneumatic with 6in Wide Rim) (Includes Items 151-154) | |
| 100 | 0256640 | 4 | Tire and Wheel Assembly (G78-15 X28 Pneumatic with 8in Wide Rim) (Includes Items 151-154) | |
| 100 | 0256952 | 2 | Tire and Wheel Assembly (10 X 16.5 Pneumatic Right Side) (Includes Items 151-154) | |
| 100 | 0256954 | 2 | Tire and Wheel Assembly (10 X 16.5 Pneumatic Left Side) (Includes Items 151-154) | |
| 100 | 0256836 | 4 | Tire and Wheel Assembly (G78-15 X28 Foam-Filled with 6in Wide Rim) (Sold As An Assembly Only) | |
| 100 | 0256642 | 4 | Tire and Wheel Assembly (G78-15 X28 Foam-Filled with 8in Wide Rim) (Sold As An Assembly Only) | |
| 100 | 0256953 | 2 | Tire and Wheel Assembly (10 X 16.5 Foam-Filled Right Side) (Sold As An Assembly Only) | |
| 100 | 0256955 | 2 | Tire and Wheel Assembly (10 X 16.5 Foam-Filled Left Side) (Sold As An Assembly Only) | |
| 100 | 4520159 | 4 | Tire and Wheel Assembly (Solid - Non-Marking) (Sold As An Assembly Only) | |
| | | Ref | TIRE AND WHEEL ASSEMBLY (PNEUMATIC) MODEL 40ic | |
| | 0256834 | Ref | TIRE AND WHEEL ASSEMBLY (G78-15x28 PNEUMATIC WITH 6IN WIDE RIM) | - |
| | 0256640 | Ref | TIRE AND WHEEL ASSEMBLY (G78-15x28 PNEUMATIC WITH 8IN WIDE RIM) | A |

SECTION 1 - FRAME

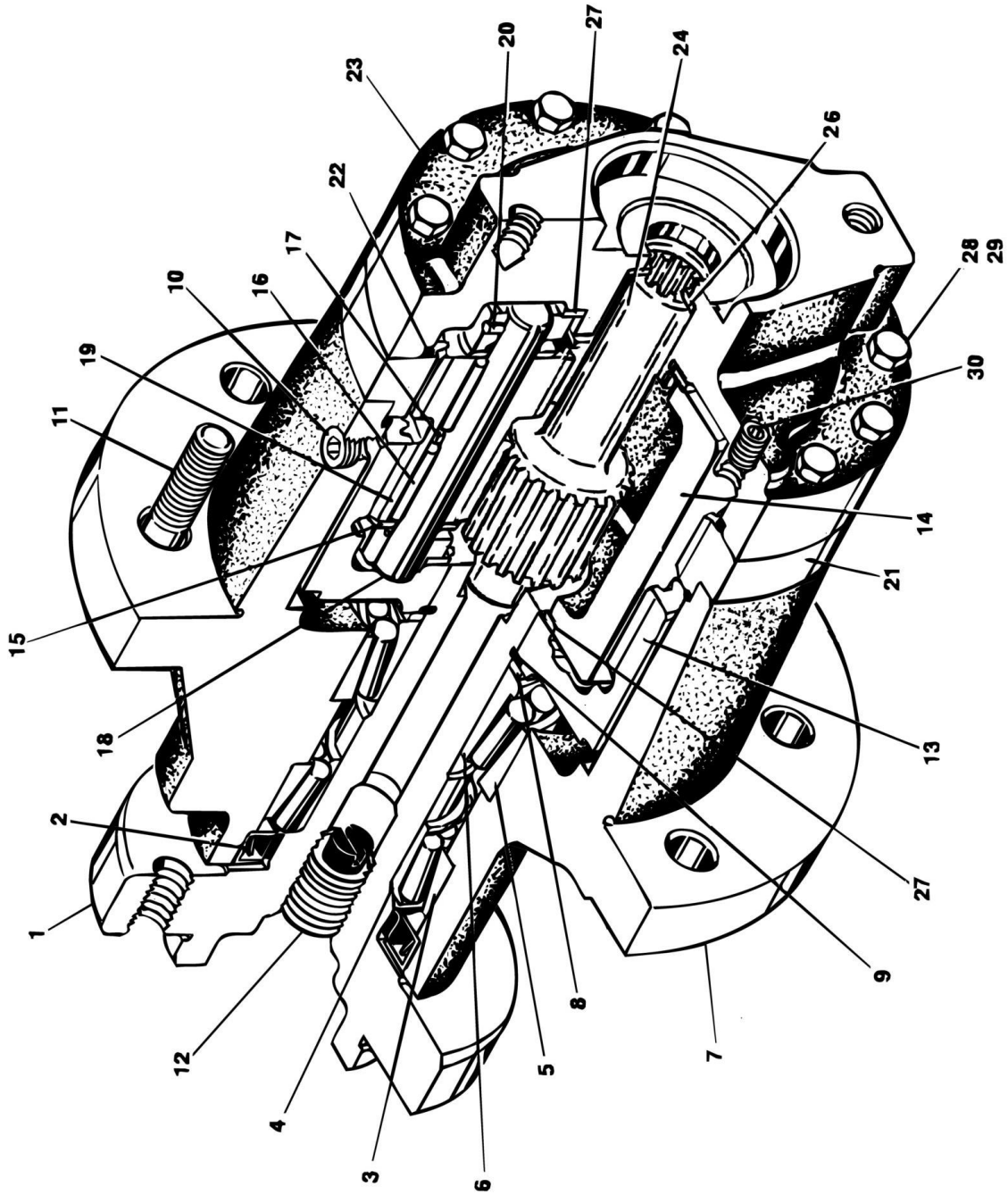
| ITEM | PART NUMBER | QTY | DESCRIPTION | REV |
|------|-------------|-----|---|-----|
| | 0256952 | Ref | TIRE AND WHEEL ASSEMBLY (10x16.5 PNEUMATIC RIGHT SIDE) | - |
| | 0256954 | Ref | TIRE AND WHEEL ASSEMBLY (10x16.5 PNEUMATIC LEFT SIDE) | - |
| 151 | | Ref | Tire Options (1 Per Assembly): | |
| 151 | 4520184 | 4 | Tire - G78-15 x 28 | |
| 151 | 4520190 | 4 | Tire - 10 x 16.5 | |
| 152 | | Ref | Rim Options (1 Per Assembly): | |
| 152 | 4860169 | 4 | Rim - 6in Wide (G78-15 x 28 Tires) | |
| 152 | 4860137 | 4 | Rim - 8in Wide (G78-15 x 28 Tires) | |
| 152 | 4860168 | 4 | Rim (10 x 16.5 Tires) | |
| 153 | 4640392 | 4 | Stem, Valve (G78-15 x 28 Tires) (1 Per Assembly) | |
| 153 | 4640113 | 4 | Stem, Valve (10 x 16.5 Tires) (1 Per Assembly) | |
| 154 | 1701812 | 4 | Decal - Tire Pressure (1 Per Assembly) | |
| | | Ref | TIRE AND WHEEL INSTALLATIONS - MODEL 45ic | |
| | 0254484 | Ref | LT215/85R16 PNEUMATIC TIRE | - |
| | 0256967 | Ref | 10 X 16.5 PNEUMATIC TIRE | - |
| | 0254866 | Ref | LT215/85R16 FOAM-FILLED TIRE | - |
| | 0256968 | Ref | 10 X 16.5 FOAM-FILLED TIRE | - |
| | 0254874 | Ref | SOLID - NON-MARKING TIRE (OPTIONAL) | - |
| | | Ref | Note: Assemblies may require ballast/foam filling to manufacturer's specifications prior to installing on a machine. Refer to Operation and Safety or Service and Maintenance Manuals. Purchase individual tire and/or rim only if able to foam fill tire and wheel assembly, otherwise, purchase complete assembly. | |
| 200 | 0254481 | 3 | Tire and Wheel Assembly (LT215/85R16 Pneumatic) (Includes Items 251-254) | |
| 200 | 0256952 | 2 | Tire and Wheel Assembly (10 X 16.5 Pneumatic Right Side) (Includes Items 251-254) | |
| 200 | 0256954 | 2 | Tire and Wheel Assembly (10 X 16.5 Pneumatic Left Side) (Includes Items 251-254) | |
| 200 | 0254865 | 2 | Tire and Wheel Assembly (LT215/85R16 Foam-Filled) (Sold As An Assembly Only) | |
| 200 | 0256953 | 2 | Tire and Wheel Assembly (10 X 16.5 Foam-Filled Right Side) (Sold As An Assembly Only) | |
| 200 | 0256955 | 2 | Tire and Wheel Assembly (10 X 16.5 Foam-Filled Left Side) (Sold As An Assembly Only) | |
| 200 | 4520159 | 4 | Tire and Wheel Assembly (Solid - Non-Marking) (Sold As An Assembly Only) | |
| | | Ref | TIRE AND WHEEL ASSEMBLY (PNEUMATIC) MODEL 45ic | |
| | 0254481 | Ref | TIRE AND WHEEL ASSEMBLY (LT215/85R16 PNEUMATIC) | - |
| | 0256952 | Ref | TIRE AND WHEEL ASSEMBLY (10x16.5 PNEUMATIC RIGHT SIDE) | - |
| | 0256954 | Ref | TIRE AND WHEEL ASSEMBLY (10x16.5 PNEUMATIC LEFT SIDE) | - |
| 251 | | Ref | Tire Options (1 Per Assembly): | |
| 251 | 4520265 | 4 | Tire - LT215/85R16 (was p/n 4520156) | |
| 251 | 4520190 | 4 | Tire - 10 x 16.5 | |
| 252 | | Ref | Rim Options (1 Per Assembly): | |
| 252 | 4860142 | 4 | Rim (LT215/85R16 Tires) | |
| 252 | 4860168 | 4 | Rim (10 x 16.5 Tires) | |
| 253 | 4640392 | 4 | Stem, Valve (LT215/85R16 Tires) (1 Per Assembly) | |
| 253 | 4640113 | 4 | Stem, Valve (10 x 16.5 Tires) (1 Per Assembly) | |
| 254 | 1702740 | 4 | Decal - Tire Pressure (1 Per Assembly) | |

SECTION 1 - FRAME

| ITEM | PART NUMBER | QTY | DESCRIPTION | REV |
|------|-------------|-----|---|-----|
| | 0256832 | Ref | HUBCAP INSTALLATION - 40ic (G78-15 X28 TIRES WITH 6IN WIDE RIM) (OPTIONAL) | - |
| | 0253864 | Ref | HUBCAP INSTALLATION - 40ic (G78-15 X28 TIRES WITH 8IN WIDE RIM) (OPTIONAL) | B |
| 301 | 1670808 | 4 | Hubcap | |
| 302 | 0630513 | 8 | J-Bolt 5/16in-18NC | |
| 303 | 4761500 | 8 | Lockwasher 5/16in | |
| 304 | 3300356 | 8 | Nut, Acorn 5/16in-18NC | |
| 305 | 3311501 | 8 | Nut 5/16in-18NC | |
| | 0254590 | Ref | HUBCAP INSTALLATION - 45ic (LT215/85R16 TIRES) (OPTIONAL) | C |
| 401 | 1670810 | 4 | Hubcap | |
| 402 | 0641510 | 8 | Bolt 5/16in-18NC x 1 1/4in | |
| 403 | 4761500 | 8 | Lockwasher 5/16in | |

SECTION 1 - FRAME

FIGURE 1-3. DRIVE HUB ASSEMBLY



SECTION 1 - FRAME

FIGURE 1-3. DRIVE HUB ASSEMBLY

| ITEM | PART NUMBER | QTY | DESCRIPTION | REV |
|------|-------------|-----|---|-----|
| | 2780219 | 1 | HUB-SHAFT ASSEMBLY | |
| 1 | 7010486 | 1 | Spindle | |
| 2 | Kit | 1 | Seal, Lip | |
| 3 | 7000255 | 1 | Cup, Bearing (Outer) | |
| 4 | 7000256 | 1 | Cone, Bearing (Outer) | |
| 5 | 7000257 | 1 | Cup, Bearing (Inner) | |
| 6 | 7000258 | 1 | Cone, Bearing (Inner) | |
| 7 | 7000259 | 1 | Housing | |
| 8 | 7000232 | 1 | Washer, Thrust | |
| 9 | Kit | 1 | Ring, Retaining | |
| 10 | 7000242 | 2 | Plug, Pipe - 1/4in NPTF | |
| 11 | 7000241 | 9 | Stud, Wheel 1/2in-20NF | |
| 12 | 7001952 | 1 | Plug, Pipe 3/4in NPTF | |
| 13 | 7000246 | 1 | Gear, Internal | |
| | | Ref | Carrier Assembly | |
| 14 | 7001931 | 1 | Carrier | |
| 15 | 7001985 | 6 | Washer, Tanged Thrust | |
| 16 | 7010408 | 96 | Bearing, Needle | |
| 17 | 7000263 | 3 | Spacer, Thrust | |
| 18 | 7001911 | 3 | Shaft, Planet | |
| 19 | 7007643 | 3 | Gear, Cluster | |
| 20 | 7010474 | 3 | Rollpin | |
| 21 | 7000203 | 1 | Gear, Ring | |
| 22 | Kit | 2 | O-Ring | |
| 23 | 7000209 | 1 | Cover, Input | |
| 24 | 7017001 | 1 | Gear, Sun | |
| 26 | 7007642 | 1 | Washer, Thrust | |
| 27 | Kit | 2 | Washer, Thrust | |
| 28 | 7000217 | 8 | Bolt, Hex | |
| 29 | 7000214 | 4 | Bolt, Shoulder | |
| 30 | 7000242 | 1 | Plug, Pipe 1/4in NPTF | |
| | 2900661 | 1 | Seal Kit (Includes Items 2, 9, 22 & 27) | |

SECTION 1 - FRAME

FIGURE 1-4. DRIVE MOTOR ASSEMBLY

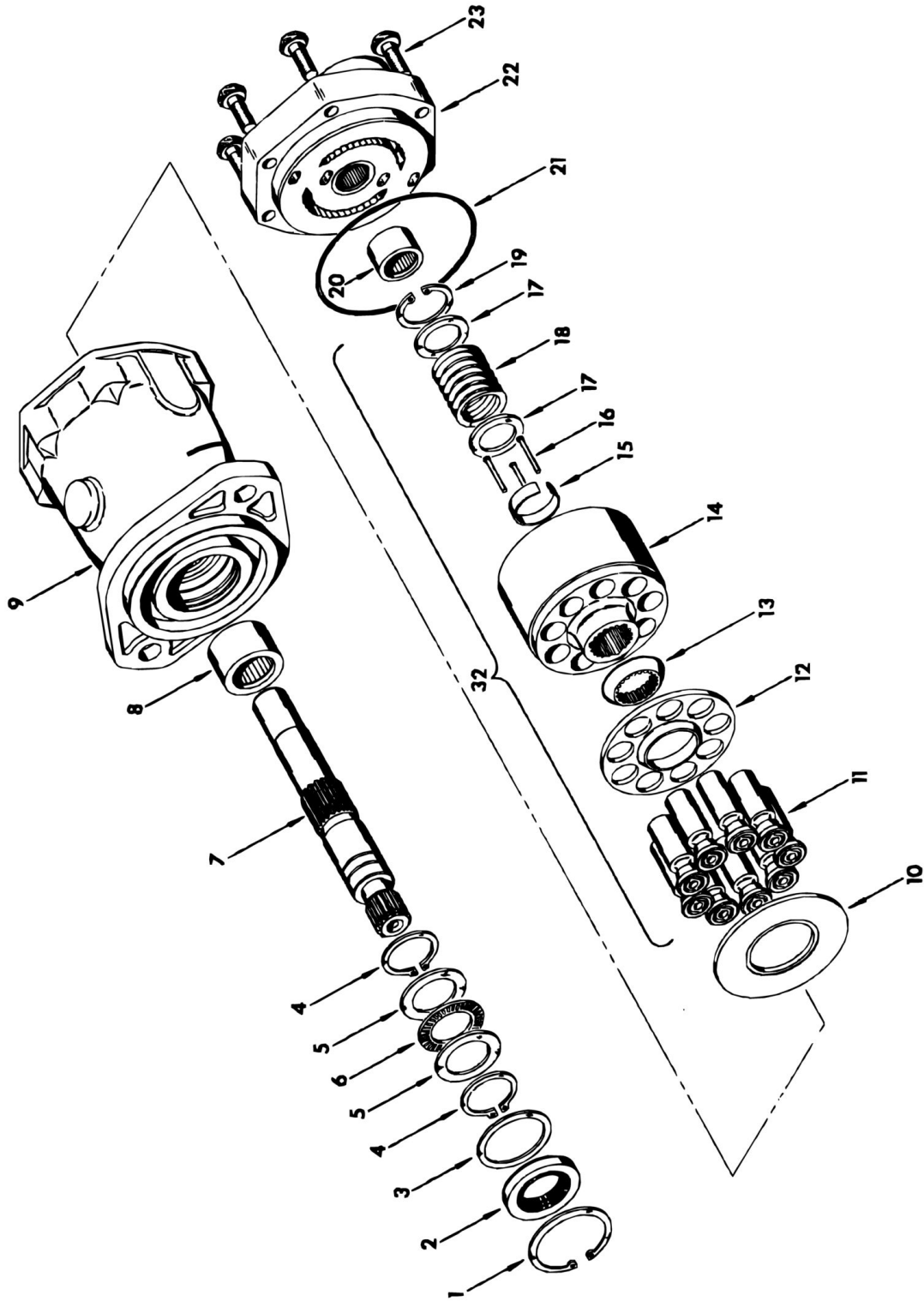
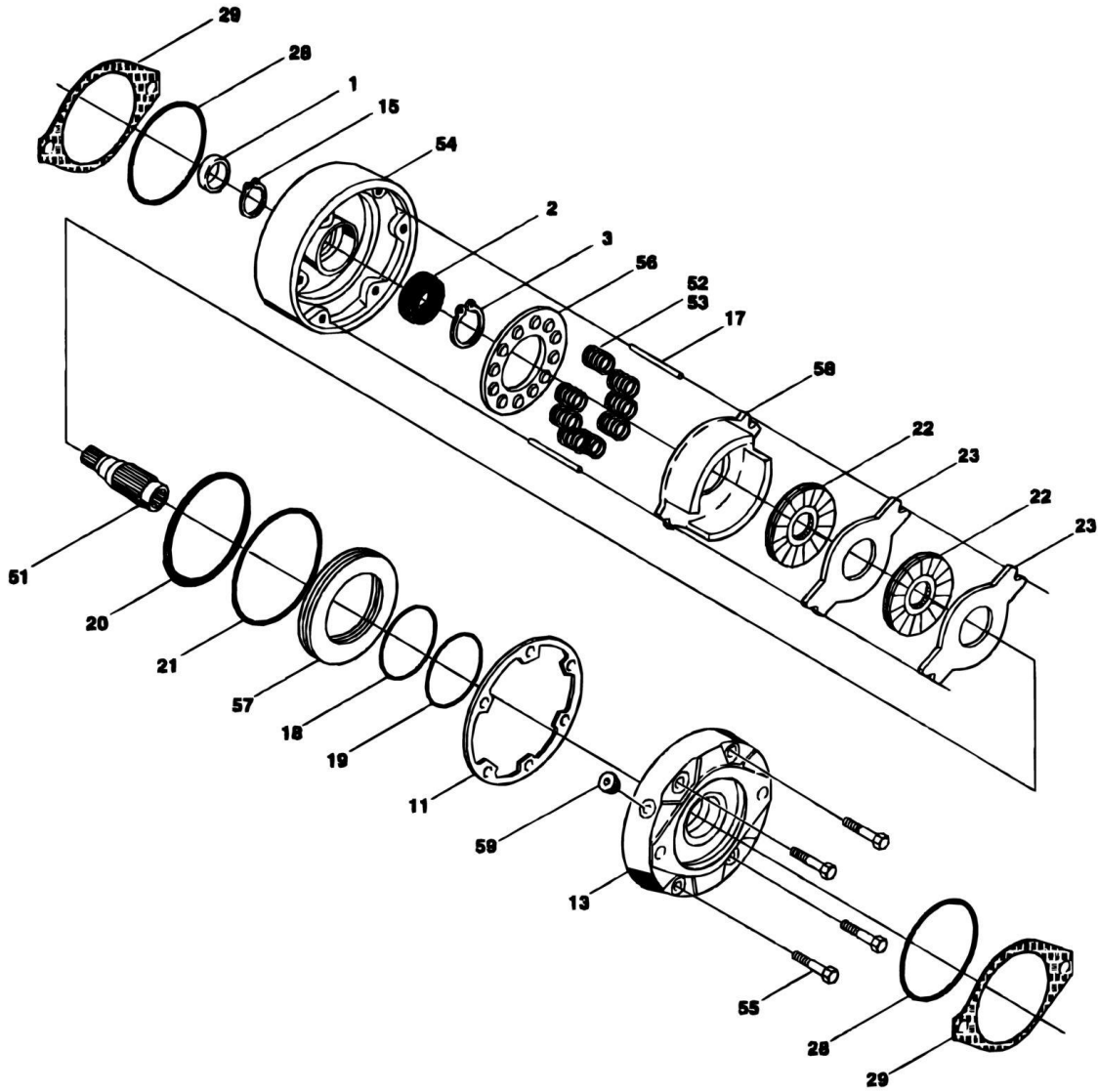


FIGURE 1-4. DRIVE MOTOR ASSEMBLY

| ITEM | PART NUMBER | QTY | DESCRIPTION | REV |
|------|-------------|-----|--|-----|
| | 3160158 | Ref | DRIVE MOTOR ASSEMBLY | A |
| 1 | Kit | 1 | Ring, Retaining | |
| 2 | Kit | 1 | Seal, Shaft | |
| 3 | 7004906 | 1 | Washer | |
| 4 | Kit | 2 | Ring, Retaining | |
| 5 | 7004907 | 2 | Race, Thrust | |
| 6 | 7004908 | 1 | Bearing | |
| 7 | 7004974 | 1 | Shaft, Drive | |
| 8 | 7004910 | 1 | Bearing | |
| 9 | 7007875 | 1 | Housing Assembly (Includes Item 8) | |
| 10 | 7007876 | 1 | Camplate | |
| 11 | 7007880 | 1 | Rotating Kit Assembly | |
| 12 | 7004917 | 1 | Bearing | |
| 13 | Kit | 1 | O-Ring | |
| 14 | 7007878 | 1 | Backplate Assembly (Includes Item 12) | |
| 15 | 7007879 | 6 | Bolt | |
| | 2900714 | 1 | Repair Kit (Includes Items 1, 2, 4 & 13) | |

SECTION 1 - FRAME

FIGURE 1-5. DRIVE BRAKE ASSEMBLY



SECTION 1 - FRAME

FIGURE 1-5. DRIVE BRAKE ASSEMBLY

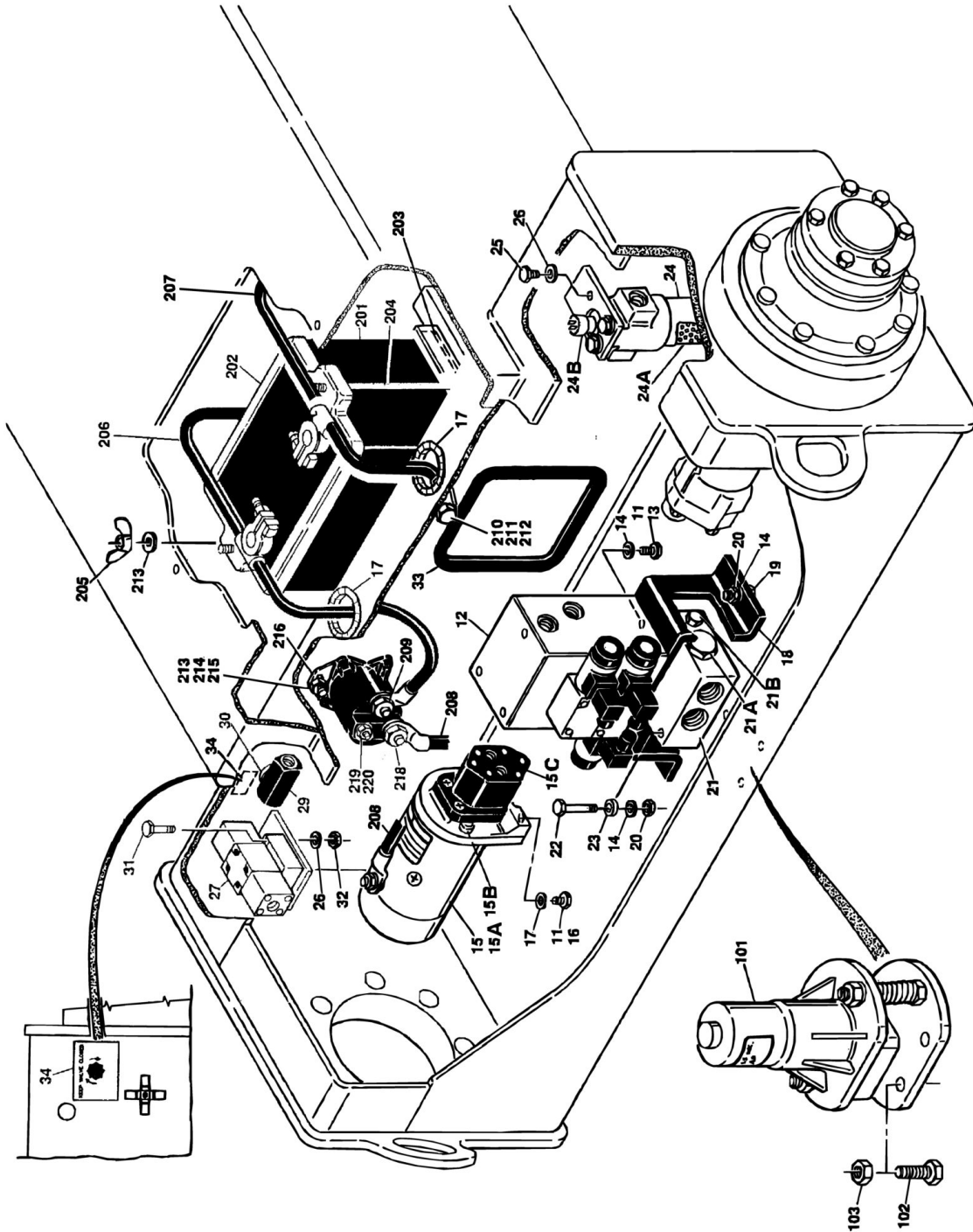
| ITEM | PART NUMBER | QTY | DESCRIPTION | REV |
|------|-------------|-----|--|-----|
| | | Ref | DRIVE BRAKE ASSEMBLY | |
| 1 | Kit | 1 | Seal, Oil | |
| 2 | Kit | 1 | Bearing | |
| 3 | 7007977 | 1 | Ring, Retaining | |
| 11 | Kit | 1 | Seal, Case | |
| 13 | 7007986 | 1 | Cover | |
| 15 | 7011716 | 1 | Ring, Retainer | |
| 17 | 7007987 | 2 | Pin, Dowel | |
| 18 | Kit | 1 | Ring, Back-up | |
| 19 | Kit | 1 | O-Ring | |
| 20 | Kit | 1 | Ring, Back-up | |
| 21 | Kit | 1 | O-Ring | |
| 22 | Kit | 2 | Rotor | |
| 23 | Kit | 2 | Stator | |
| 28 | Kit | 2 | O-Ring | |
| 29 | 7007933 | 2 | Gasket | |
| | 2900766 | 1 | Seal Kit (Includes Items 1, 11, 18, 19, 20, 21, 28 & 29) | |
| | 2900768 | 1 | Bearing Kit (Includes Items 1, 2, 11, 28 & 29) | |
| | 0920084 | Ref | DRIVE BRAKE ASSEMBLY - MICO (Prior to SN 33476) | - |
| | 0920110 | Ref | DRIVE BRAKE ASSEMBLY - MICO ALL INSTALLATIONS REQUIRE (2) GASKETS (SN 33476 to Present) | A |
| 51 | | Ref | Shaft Options: | |
| 51 | 7011712 | 1 | Shaft (Prior to SN 33476) | |
| 51 | 7011720 | 1 | Shaft (SN 33476 to Present) | |
| 52 | | Ref | Spring (Inner) Options: | |
| 52 | 7007979 | 6 | Spring (Inner) (Prior to SN 33476) | |
| 52 | 7007970 | 6 | Spring (Inner) (SN 33476 to Present) | |
| 53 | | Ref | Spring (Outer) Options: | |
| 53 | 7007980 | 6 | Spring (Outer) (Prior to SN 33476) | |
| 53 | 7018602 | 3 | Spring (Outer) (SN 33476 to Present) | |
| 54 | | Ref | Housing Options: | |
| 54 | 7011713 | 1 | Housing (Prior to SN 33476) | |
| 54 | 7018605 | 1 | Housing (SN 33476 to Present) | |
| 55 | | Ref | Bolt, Washer Head Options: | |
| 55 | 7007985 | 4 | Bolt, Washer Head (Prior to SN 33476) | |
| 55 | 7018607 | 4 | Bolt, Washer Head (SN 33476 to Present) | |
| 56 | | Ref | Guide, Spring Options: | |
| 56 | 7011717 | 1 | Guide, Spring (Prior to SN 33476) | |
| 56 | 7018606 | 1 | Guide, Spring (SN 33476 to Present) | |
| 57 | | Ref | Piston Options: | |
| 57 | 7007923 | 1 | Piston (Prior to SN 33476) | |
| 57 | 7018603 | 1 | Piston (SN 33476 to Present) | |
| 58 | Kit | 1 | Plate, Return | |
| 58 | 7011715 | 2 | Separator Assembly | |
| 58 | 7011714 | 4 | Pin | |
| 58 | 7007983 | 2 | Separator | |
| 59 | | Ref | Screw, Bleeder Options: | |
| 59 | 7007914 | 1 | Screw, Bleeder (Prior to SN 33476) | |
| 59 | 7018609 | 1 | Screw, Bleeder (SN 33476 to Present) | |
| | | Ref | Lining Kit (Includes Items 58, 11, 22, 23, 28 & 29) Options: | |

SECTION 1 - FRAME

| ITEM | PART NUMBER | QTY | DESCRIPTION | REV |
|------|-------------|-----|----------------------------------|-----|
| | 2900767 | 1 | Lining Kit (Prior to SN 33476) | |
| | 7018608 | 1 | Lining Kit (SN 33476 to Present) | |

SECTION 1 - FRAME

FIGURE 1-6. VALVES, BATTERY AND TILT INDICATOR INSTALLATIONS (FRAME MOUNTED)



SECTION 1 - FRAME

FIGURE 1-6. VALVES, BATTERY AND TILT INDICATOR INSTALLATIONS (FRAME MOUNTED)

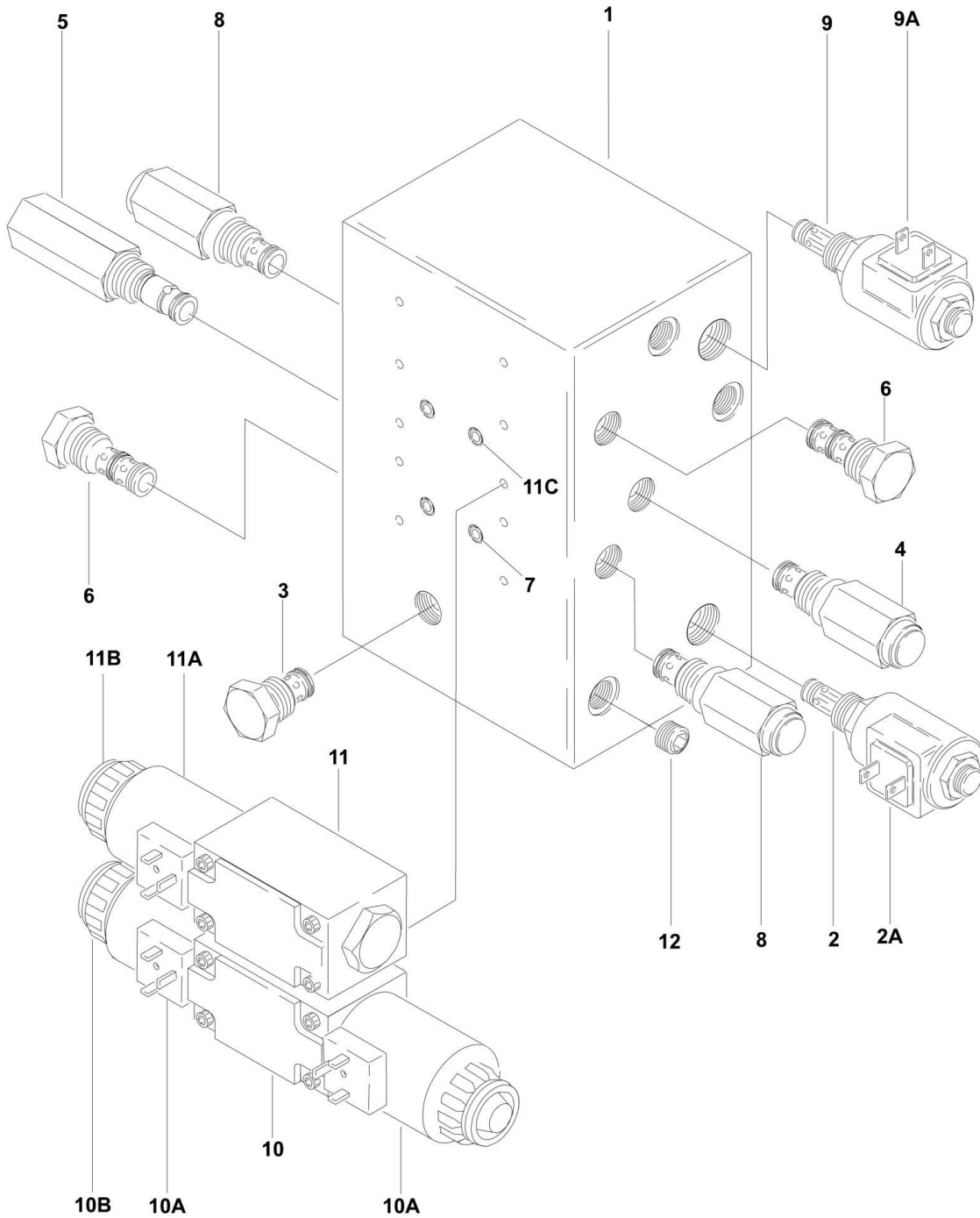
| ITEM | PART NUMBER | QTY | DESCRIPTION | REV |
|------|---------------|---------|---|-----|
| | 0255994 | Ref | VALVES INSTALLATION | A |
| 11 | 0100011 | AR | Loctite #242 (Not Shown) | |
| 12 | 4640969 | 1 | Accessory Valve Assembly (See ACCESSORY VALVE ASSEMBLY for Breakdown) | |
| 13 | 0641506 | 3 | Bolt 5/16in-18NC x 3/4in | |
| 14 | 4751500 | 7 | Flatwasher 5/16in | |
| 15 | 3600208 | 1 | Auxiliary Pump Assembly | |
| 15A | 7013710 | 1 | Motor, Replacement | |
| 15A | 7013753 | 1 | Brush Kit - 7013710 Motor | |
| 15B | 7013711 | 1 | Coupling | |
| 15C | 7013712 | 1 | Pump, Replacement | |
| 16 | 0641606 | 2 | Bolt 3/8in-16NC x 3/4in | |
| 17 | 4751600 | 2 | Flatwasher 3/8in | |
| 18 | 3539716 | 1 | Plate, Valve Mounting | |
| 19 | 0641508 | 2 | Bolt 5/16in-18NC x 1in | |
| 20 | 3311505 | 4 | Locknut 5/16in-18NC | |
| 21 | 4640976 | 1 | Flow Divider Valve Assembly | |
| 21A | 7017404 | 1 | Cartridge, Flow Divider Valve | |
| 21A | 7017405 | 1 | Seal Kit - 7017404 Valve | |
| 21B | 7017406 | 1 | Plug, Check | |
| 21B | 7012993 | 1 | Orifice | |
| 22 | 0641526 | 2 | Bolt 5/16in-18NC x 3 1/4in | |
| 23 | 4566987 | 2 | Spacer | |
| 24 | 2120146 | 1 | Filter Assembly | |
| 24A | 2120150 | 1 | Element, Filter | |
| 24B | 7016312 | 1 | Switch | |
| 25 | 0641405 | 4 | Bolt 1/4in-20NC x 5/8in | |
| 26 | 4711400 | 6 | Flatwasher 1/4in Narrow | |
| 27 | 4640974 | 1 | Brake Release Valve Assembly | |
| 27 | Not Available | 1 | Seal Kit - 4640974 Valve | |
| 28 | 4640005 | 1 | Valve, Needle | |
| 29 | 2900062 | 1 | Valve Mounting Kit | |
| 30 | 4712200 | 1 | Flatwasher 3/4in Narrow | |
| 31 | 0641414 | 2 | Bolt 1/4in-20NC x 1 3/4in | |
| 32 | 3311405 | 2 | Locknut 1/4in-20NC | |
| 33 | 4060807 | 30 | Flex-Trim | |
| | | in/76cm | | |
| 34 | 1703030 | 1 | Decal - Close (Tow Valve) | |
| | 0256404 | Ref | TILT INDICATOR INSTALLATION | B |
| 101 | 4360443 | 1 | Switch, Tilt Indicator | |
| 102 | 0641406 | 2 | Bolt 1/4in-20NC x 3/4in | |
| 103 | 3311405 | 2 | Locknut 1/4in-20NC | |
| | 0256307 | Ref | BATTERY AND CABLES INSTALLATION | C |
| 201 | 0400003 | 1 | Battery | |
| 202 | 0400002 | 1 | Hold-Down, Battery | |
| 202A | 2910479 | 4 | Hold-down, Clips (Not Shown) | |
| 203 | 3980003 | 1 | Seat, Battery | |
| 204 | 0630505 | 2 | Bolt, Tie-down | |
| 205 | 3300371 | 2 | Wingnut 1/4in-20NC | |
| 206 | 1060623 | 1 | Cable, Battery (Positive) | |

SECTION 1 - FRAME

| ITEM | PART NUMBER | QTY | DESCRIPTION | REV |
|------|-------------|-----|---------------------------------|-----|
| 207 | 1060624 | 1 | Cable, Battery (Negative) | |
| 208 | 1060620 | 1 | Cable, Battery (Auxiliary Pump) | |
| 209 | 3300401 | 1 | Nut, Brass | |
| 210 | 0641508 | 1 | Bolt 5/16in-18NC x 1in | |
| 211 | 4791500 | 2 | Starwasher 5/16in | |
| 212 | 3311505 | 1 | Locknut 5/16in-18NC | |
| 213 | 4751400 | 4 | Flatwasher 1/4in | |
| 214 | 4761400 | 2 | Lockwasher 1/4in | |
| 215 | 3311401 | 2 | Nut 1/4in-20NC | |
| 216 | 3740067 | 1 | Relay, Continuous Duty | |
| 217 | 2540021 | 2 | Grommet | |
| 218 | 3300220 | 1 | Nut, Special | |
| 219 | 3321001 | 1 | Nut #10-32NF | |
| 220 | 4761000 | 1 | Lockwasher #10 | |

SECTION 1 - FRAME

FIGURE 1-7. ACCESSORY VALVE ASSEMBLY



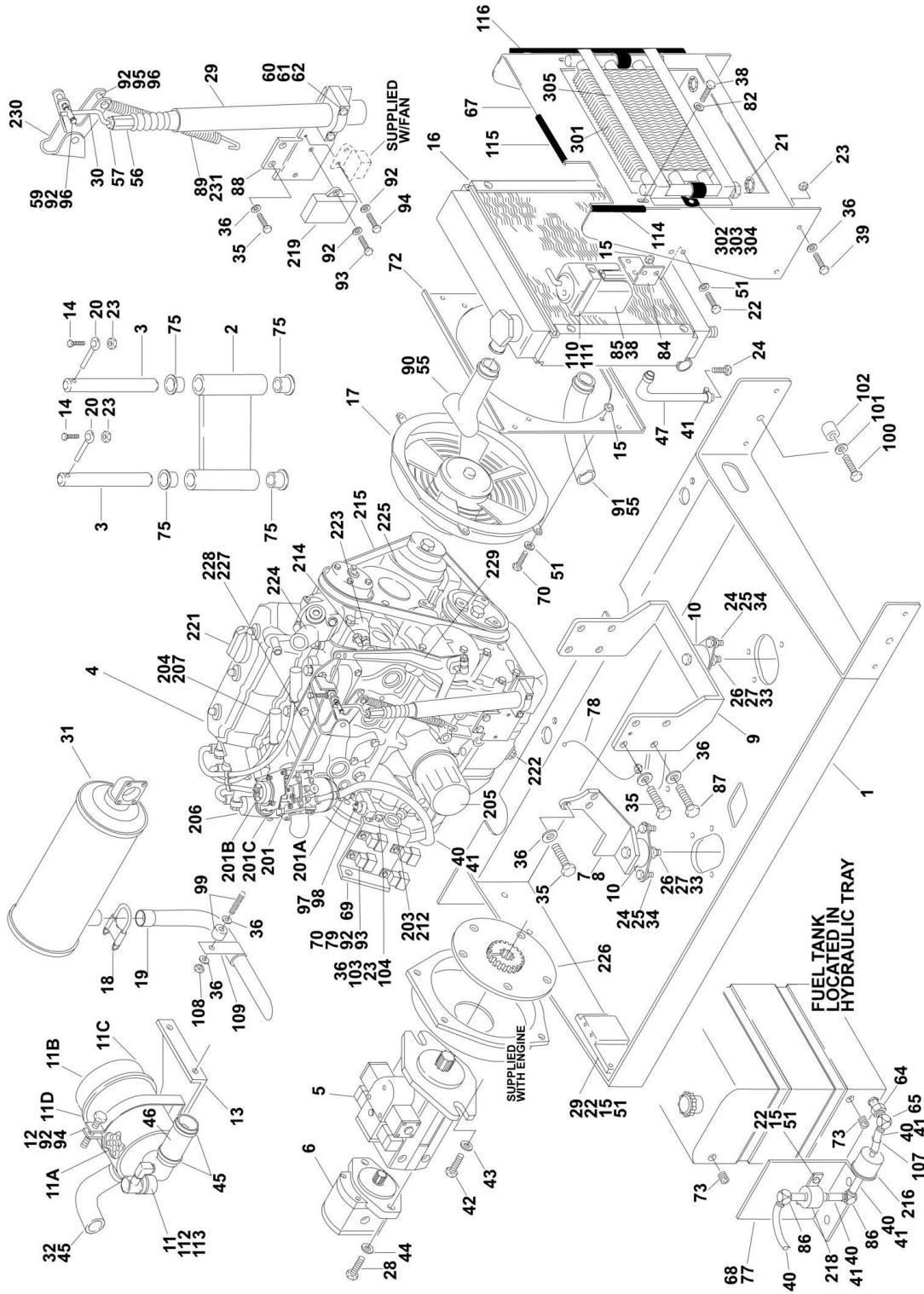
SECTION 1 - FRAME

FIGURE 1-7. ACCESSORY VALVE ASSEMBLY

| ITEM | PART NUMBER | QTY | DESCRIPTION | REV |
|------|--------------|-----|---------------------------------------|-----|
| | 4640969 | Ref | ACCESSORY VALVE ASSEMBLY | E |
| 1 | Not Serviced | 1 | Block, Manifold | |
| 2 | 7017410 | 1 | Cartridge, Solenoid Valve (Less Coil) | |
| 2 | 7012967 | 1 | Seal Kit - 7017410 Valve | |
| 2A | 7012944 | 1 | Coil, Solenoid | |
| 3 | 7012969 | 1 | Cartridge, Check Valve | |
| 3 | 7012540 | 1 | Seal Kit - 7012969 Valve | |
| 4 | 7017419 | 1 | Cartridge, Relief Valve | |
| 4 | 7012953 | 1 | Seal Kit - 7017419 Valve | |
| 5 | 7012968 | 1 | Cartridge, Pilot Valve | |
| 5 | 7012518 | 1 | Seal Kit - 7012968 Valve | |
| 6 | 7010542 | 2 | Cartridge, Shuttle Valve | |
| 6 | 7010543 | 2 | Seal Kit - 7010543 Valve | |
| 7 | 7018902 | 2 | Plug, Orifice - 1.5mm | |
| 8 | 7017429 | 2 | Cartridge, Relief Valve | |
| 8 | 7012967 | 2 | Seal Kit - 7017429 Valve | |
| 9 | 7012941 | 1 | Cartridge, Solenoid Valve (Less Coil) | |
| 9 | 7012907 | 1 | Seal Kit - 7012941 Valve | |
| 9A | 7012944 | 1 | Coil, Solenoid | |
| 10 | 7012795 | 1 | Control Valve Assembly | |
| 10 | 7012773 | 1 | Seal Kit - 7012795 Valve | |
| 10A | 7012772 | 2 | Coil, Solenoid | |
| 10B | 7018912 | 2 | Nut, Coil | |
| 11 | 7018913 | 1 | Control Valve Assembly | |
| 11 | 7012773 | 1 | Seal Kit - 7018913 Valve | |
| 11A | 7012772 | 1 | Coil, Solenoid | |
| 11B | 7018912 | 1 | Nut, Coil | |
| 11C | 7018916 | 1 | Plug, Orifice - 2mm | |
| 12 | 7018905 | 1 | Plug | |

SECTION 1 - FRAME

FIGURE 1-8. VANGUARD GAS ENGINE INSTALLATIONS



SECTION 1 - FRAME

FIGURE 1-8. VANGUARD GAS ENGINE INSTALLATIONS

| ITEM | PART NUMBER | QTY | DESCRIPTION | REV |
|------|-------------|-----|--|-----|
| | 0255999 | Ref | ENGINE ASSEMBLY AND INSTALLATION | 11 |
| 1 | 4845223 | 1 | Tray, Engine | |
| 2 | 4845238 | 2 | Arm, Swing-Out | |
| 3 | 3422426 | 4 | Pin | |
| 4 | 2000140 | 1 | Engine - Vanguard DM700G | |
| 5 | 3600256 | 1 | Piston Pump Assembly (See PISTON PUMP ASSEMBLY for Breakdown) | |
| 6 | 3600199 | 1 | Gear Pump Assembly (See GEAR PUMP ASSEMBLY for Breakdown) | |
| 7 | 3539459 | 1 | Plate, Mounting (Rear Right Side) | |
| 8 | 3539460 | 1 | Plate, Mounting (Rear Left Side) | |
| 9 | 3539461 | 1 | Plate, Mounting (Front) | |
| 10 | 3200381 | 3 | Mount, Motor | |
| 11 | 1340057 | 1 | Air Cleaner Assembly | |
| 11A | 7015004 | 1 | Element, Filter | |
| 11B | 7015005 | 1 | Cover Assembly | |
| 11C | 7015006 | 1 | Valve, Vacuator | |
| 11D | 7015007 | 2 | Latch | |
| 12 | 0340045 | 1 | Band, Mounting | |
| 13 | 3539484 | 1 | Plate, Mounting (Air Cleaner) | |
| 14 | 0641509 | 4 | Bolt 5/16in-18NC x 1 1/8in | |
| 15 | 3311405 | 10 | Locknut 1/4in-20NC | |
| 16 | 3620035 | 1 | Radiator | |
| 16 | 7016606 | 1 | Cap, Radiator | |
| 16 | 7019618 | 1 | Draincock | |
| 17 | 2060027 | 1 | Fan, Electric Cooling | |
| 17 | 7016617 | 1 | Control, Thermostatic | |
| 18 | 1320026 | 1 | Clamp, Exhaust | |
| 19 | 4845391 | 1 | Pipe, Exhaust (Use 4567108 & #109 as Replacement) (Prior to SN 33269) | |
| 19 | 4567108 | 1 | Pipe, Exhaust (SN 33269 to Present) | |
| 20 | 3841143 | 4 | Pin, Keeper | |
| 21 | 2540031 | 2 | Grommet | |
| 22 | 0641406 | 6 | Bolt 1/4in-20NC x 3/4in | |
| 23 | 3311505 | 12 | Locknut 5/16in-18NC | |
| 24 | 0641608 | 6 | Bolt 3/8in-16NC x 1in | |
| 25 | 3311605 | 6 | Locknut 3/8in-16NC | |
| 26 | 0641820 | 3 | Bolt 1/2in-13NC x 2 1/2in | |
| 27 | 3311805 | 3 | Locknut 1/2in-18NC | |
| 28 | 0701014 | 2 | Bolt, Metric M10-1.5 x 30mm | |
| 29 | 2910000 | 1 | Actuator Assembly (Was p/n 0060037) (See ELECTRICAL SECTION for Breakdown) | |
| 30 | 3841315 | 1 | Rod, Throttle | |
| 31 | 3220109 | 1 | Muffler | |
| 32 | 0080223 | 1 | Elbow, Air Intake | |
| 33 | 4740274 | 3 | Washer, Snubbing | |
| 34 | 4751600 | 6 | Flatwasher 3/8in | |
| 35 | 0760812 | 15 | Bolt, Metric 8mm x 25mm | |
| 36 | 4751500 | 33 | Flatwasher 5/16in | |
| 37 | 0100011 | AR | Loctite #242 (Not Shown) | |

SECTION 1 - FRAME

| ITEM | PART NUMBER | QTY | DESCRIPTION | REV |
|------|-------------|----------------|--|-----|
| 38 | 0760605 | 8 | Bolt 6mm x 10mm | |
| 39 | 0641508 | 4 | Bolt 5/16in-18NC x 1in | |
| 40 | 2720015 | 92 in/2.3m | Hose, Fuel Line (1/4in) | |
| 41 | 1320022 | 10 | Clamp, Hose | |
| 42 | 0641812 | 2 | Bolt 1/2in-13NC x 1 1/2in | |
| 43 | 4751800 | 2 | Flatwasher 1/2in | |
| 44 | 4891600 | 2 | Washer, Hardened | |
| 45 | 1320031 | 3 | Clamp, Hose | |
| 46 | 2720423 | 3 in/8cm | Hose, Air Intake (1 3/4in) | |
| 47 | 2750058 | 1 ft/30.5cm | Hose (5/16in) | |
| 51 | 4751400 | 8 | Flatwasher 1/4in | |
| 55 | 1320014 | 4 | Clamp, Hose | |
| 56 | 1660222 | 1 | Coupling, Throttle | |
| 57 | 3321402 | 1 | Nut, Jam 1/4in-28NF | |
| 59 | 1660220 | 1 | Swivel, Throttle | |
| 60 | 4740442 | 1 | Washer, Belleville | |
| 61 | 3900217 | 1 | Bolt, Socket Head Shoulder | |
| 62 | 0962031 | 1 | Bushing, Flanged | |
| 64 | 2220250 | 1 | Fitting, Reducer | |
| 65 | 2220317 | 1 | Fitting, 90 | |
| 67 | | Ref | Radiator Mounting Plate Options: | |
| 67 | 3539477 | 1 | Radiator Mounting Plate (Prior to SN 23060) | |
| 67 | 4845432 | 1 | Radiator Mounting Plate (SN 23060 to Present) | |
| 68 | 0641505 | 2 | Bolt 5/16in-18NC x 5/8in | |
| 69 | 0902270 | 1 | Bracket, Mounting (Throttle Control) | |
| 70 | 0641408 | 4 | Bolt 1/4in-20NC x 1in | |
| 72 | 3539663 | 1 | Plate, Mounting (Cooling Fan) | |
| 73 | 2200223 | 2 | Fitting | |
| 74 | 0100020 | AR | Sealant, Pipe (Not Shown) | |
| 75 | 0962068 | 8 | Bushing, Flanged | |
| 76 | 1701542 | 1 | Decal - Gas (Not Shown - Located on Hood) | |
| 77 | 4845338 | 1 | Mount, Fuel Pump | |
| 78 | 1060221 | 1 | Strap, Ground | |
| 79 | 3740080 | 4 | Relay | |
| 82 | 4751000 | 6 | Flatwasher #10 | |
| 83 | 4921852 | 1 | Harness, Engine | |
| 84 | 3539816 | 1 | Plate, Mounting - Coolant Overflow Tank | |
| 85 | 4400395 | 1 | Tank, Coolant Overflow | |
| 86 | 2221010 | 2 | Fitting, Barbed | |
| 88 | 3539929 | 1 | Plate, Throttle Mounting | |
| 89 | 4160150 | 1 | Spring (Used - Recommend #231 as replacement) (Prior to SN 23060) | |
| 90 | 2720428 | 1 | Hose, Radiator (Top) | |
| 91 | 2720429 | 1 | Hose, Radiator (Bottom) | |
| 92 | 4711400 | 13 | Flatwasher 1/4in Narrow | |
| 93 | 0641405 | 6 | Bolt 1/4in-20NC x 5/8in | |
| 94 | 0641404 | 4 | Bolt 1/4in-20NC x 1/2in | |
| 95 | 0641405 | 1 | Bolt 1/4in-20NC x 5/8in | |
| 96 | 4567086 | 2 | Spacer, Throttle Tube | |
| 97 | 2180812 | 1 | Fitting, Adaptor | |
| 98 | 4360405 | 1 | Switch, Oil Pressure | |

SECTION 1 - FRAME

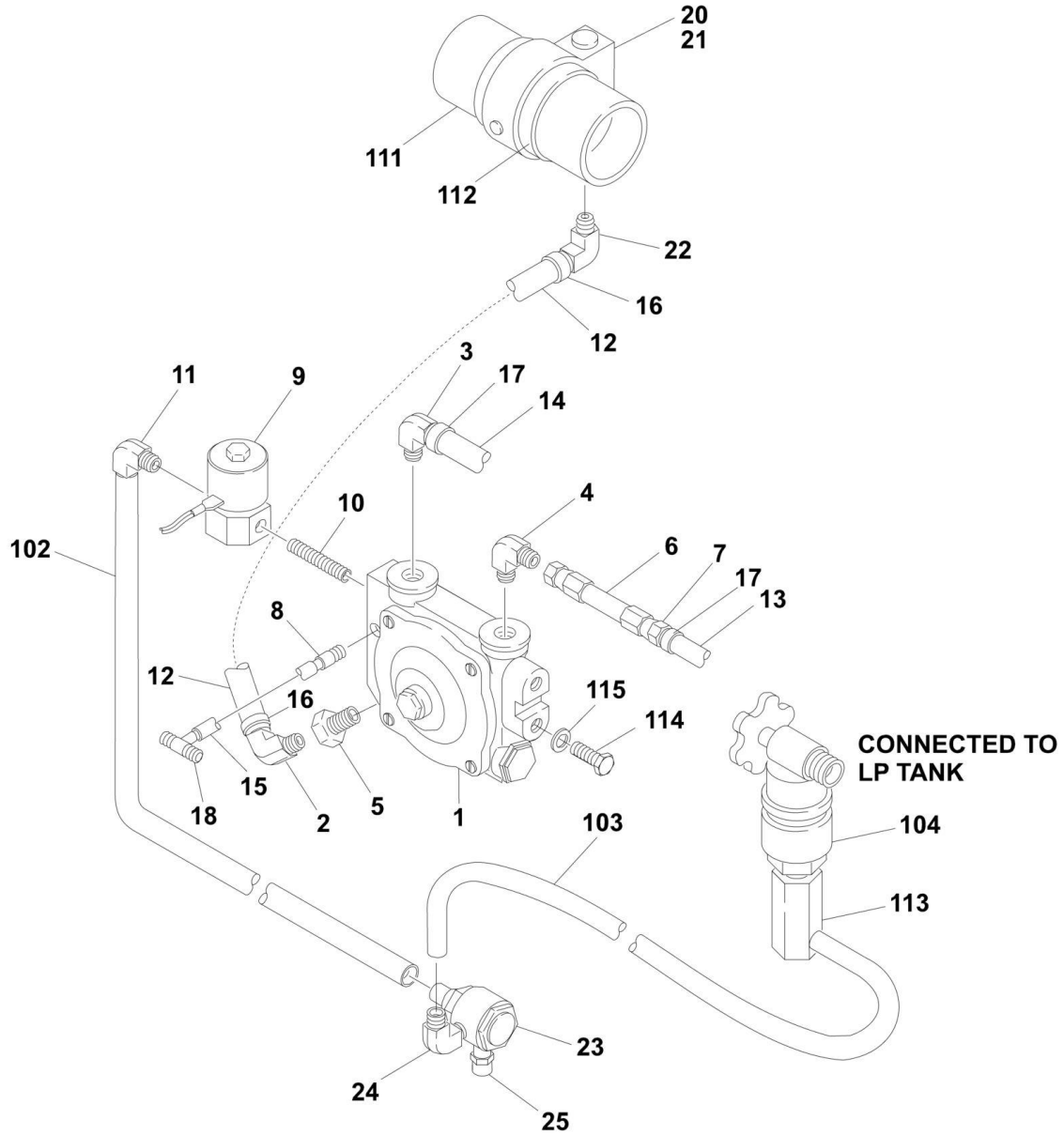
| ITEM | PART NUMBER | QTY | DESCRIPTION | REV |
|------|-------------|------------------|--|-----|
| 99 | 4320002 | 1 | Stud, Rubber Mounted | |
| 100 | 0641820 | 2 | Bolt 1/2in-13NC x2 1/2in | |
| 101 | 4751800 | 2 | Flatwasher 1/2in | |
| 102 | 0940070 | 2 | Bumper, Rubber | |
| 103 | 0641516 | 1 | Bolt 5/16in-18NC x 2in | |
| 104 | 4791500 | 1 | Starwasher 5/16in | |
| 105 | 4060807 | 15 in/38cm | Flex-Trim (Not Shown - Located on Frame) | |
| 106 | 4060918 | 10 in/25cm | Flex-Trim (Not Shown - Located on Frame) | |
| 107 | 2540017 | 1 | Grommet (SN 33269 to Present) | |
| 108 | 3311501 | 2 | Nut 5/16in-18NC | |
| 109 | 1320239 | 1 | Clamp, Loop (SN 33269 to Present) | |
| 110 | 0902383 | 1 | Bracket, Recovery Tank (SN 33269 to Present) | |
| 111 | 4420008 | 7 in/18cm | Tape, Neoprene (SN 33269 to Present) | |
| 112 | 2420047 | 1 | Service Indicator Kit (SN 33269 to Present) | |
| 113 | 2220063 | 1 | Fitting, 90 | |
| 114 | 3960389 | 1.42 ft/0.44m | Seal (SN 33820 to Present) | |
| 115 | 3960433 | 1.54 ft/0.47m | Seal (SN 33820 to Present) | |
| 116 | 3960477 | 1 | Seal Foam Gasket (SN 33820 to Present) | |
| | 2000140 | Ref | ENGINE COMPONENTS | D |
| 201 | 7017617 | 1 | Carburetor | |
| 201 | 7017640 | 1 | Rebuild Kit - 7017617 Carburetor | |
| 201 | 7017641 | 1 | Gasket - Air Intake to Carburetor | |
| 201 | 70002087 | 1 | Float Assembly | |
| 201 | 70000209 | 1 | Gasket - Carburetor Float Bowl | |
| 201A | 7017639 | 1 | Solenoid, Fuel | |
| 201B | 7017637 | 1 | Switch, Choke | |
| 201C | 7017638 | 1 | Choke, Vacuum | |
| 201C | 7017632 | 1 | Link, Choke | |
| 201C | 7017644 | 1 | Shaft, Choke | |
| 201C | 7017645 | 1 | Orifice, Vacuum Limiter | |
| 202 | 7017620 | 1 | Starter (Not Shown) | |
| 203 | 7017603 | 1 | Dipstick | |
| 204 | 7019932 | 3 | Plug, Spark (was p/n 7017608) | |
| 205 | 7017600 | 1 | Filter, Oil | |
| 206 | 7017606 | 3 | Coil, Ignition | |
| 207 | 7017607 | 3 | Boot, Spark Plug | |
| 208 | 7017629 | 1 | Gasket - Exhaust (Not Shown) (was p/n 7024414) | |
| 209 | 7017612 | 1 | Gasket - Outlet (Not Shown) | |
| 210 | 7017613 | 1 | Gasket - Inlet (Not Shown) | |
| 211 | 7017614 | 1 | Gasket - Water Pump (Not Shown) | |
| 212 | 7017602 | 1 | Tube, Dipstick | |
| 213 | 7017641 | 1 | Gasket -Carburetor to Intake (Not Shown) (was p/n 7017618) | |
| 214 | 7017627 | 1 | Switch, Water Temperature | |
| 215 | 7017616 | 1 | V-Belt | |
| 216 | 7017636 | 1 | Filter, Fuel | |
| 217 | 7017610 | 1 | Regulator (Not Shown) | |
| 218 | 7017657 | 1 | Pump, Fuel (was p/n 7017619) | |
| 219 | 7017621 | 1 | Module, Ignition | |

SECTION 1 - FRAME

| ITEM | PART NUMBER | QTY | DESCRIPTION | REV |
|------|-------------|-----|--|-----|
| 220 | 7017622 | 1 | Trigger, Ignition (Not Shown) | |
| 221 | 7017605 | 1 | Cap, Oil Fill | |
| 222 | 7017604 | 1 | Plug, Oil Drain | |
| 223 | 7017615 | 1 | Pump, Water | |
| 224 | 7017611 | 1 | Thermostat | |
| 225 | 7017609 | 1 | Alternator | |
| 226 | 1600229 | 1 | Coupling, Pump | |
| 227 | 7017630 | 1 | Link, Governor | |
| 228 | 7017635 | 1 | Spring, Link | |
| 229 | 7017634 | 1 | Lever, Governor | |
| 230 | 7017633 | 1 | Bracket, Control | |
| 231 | 7017642 | 1 | Spring, Governor | |
| 232 | 4360405 | 1 | Switch, Oil Pressure (Not Shown) (was p/n 7017601) | |
| 233 | 7017643 | 1 | Shaft, Throttle (Not Shown) | |
| 234 | 7017646 | 1 | Flywheel/Ring Gear Assembly (Not Shown) | |
| 235 | 7017669 | 1 | Elbow, Carburetor to Air Intake (Not Shown) | |
| | 0256919 | Ref | OIL COOLER INSTALLATION | C |
| | 0256910 | Ref | OIL COOLER INSTALLATION | C |
| 301 | 3620039 | 1 | Cooler, Oil | |
| 302 | 1320202 | 2 | Clamp | |
| 303 | 3311605 | 2 | Locknut 3/8in-16NC | |
| 304 | 4711600 | 2 | Flatwasher 3/8in | |
| 305 | 3570105 | 1 | Plate, Cover | |

SECTION 1 - FRAME

FIGURE 1-9. DUAL FUEL INSTALLATION (OPTION FOR VANGUARD GAS MACHINES)



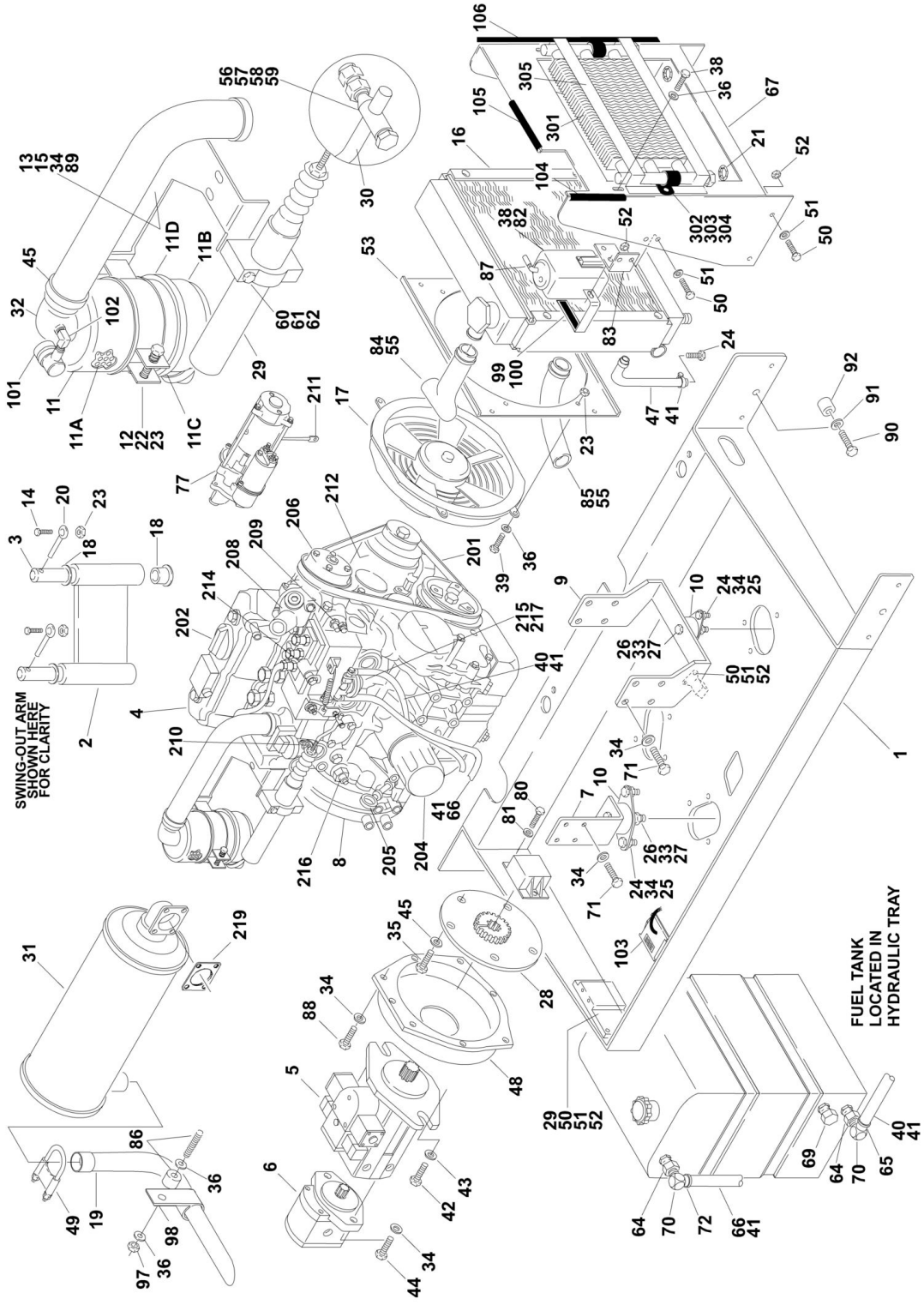
SECTION 1 - FRAME

FIGURE 1-9. DUAL FUEL INSTALLATION (OPTION FOR VANGUARD GAS MACHINES)

| ITEM | PART NUMBER | QTY | DESCRIPTION | REV |
|------|---------------|-----------------|---|-----|
| | 2901456 | Ref | DUAL FUEL KIT ASSEMBLY | A |
| 1 | 3720011 | 1 | Regulator, Beam | |
| 2 | 7017513 | 1 | Fitting, 90 | |
| 3 | 7017517 | 1 | Fitting, 90 Barbed | |
| 4 | 7017518 | 1 | Fitting, 90 | |
| 5 | 7017508 | 1 | Bushing | |
| 6 | 7017501 | 1 | Thermostat | |
| 7 | 7017519 | 1 | Fitting, Straight Barbed | |
| 8 | 7017514 | 1 | Fitting, 90 (Prior to SN 37463) | |
| 8 | 7017522 | 1 | Fitting, 90 (SN 37463 to Present) | |
| 9 | 7017500 | 1 | Solenoid, Fuel Shut-Off | |
| 10 | 7017520 | 1 | Fitting, Straight Nipple | |
| 11 | 7017521 | 3 | Fitting, 90 | |
| 12 | Not Available | 12 in/30.5cm | Hose, Vapor | |
| 13 | Not Available | 16 in/41cm | Hose, Water | |
| 14 | Not Available | 22 in/59cm | Hose, Water | |
| 15 | Not Available | 20 in/51cm | Hose, Vacuum | |
| 16 | Not Available | 2 | Clamp | |
| 17 | Not Available | 4 | Clamp | |
| 18 | 7017512 | 1 | Fitting, Tee | |
| 19 | Not Available | 1 | Tie-Strap | |
| 20 | 7017511 | 1 | Adapter | |
| 21 | 7017510 | 1 | Venturi | |
| 22 | 7017513 | 1 | Fitting, 90 | |
| 23 | 7017504 | 1 | Filter, Fuel | |
| 24 | 7017521 | 1 | Fitting, 90 | |
| 25 | 7017505 | 1 | Valve, Relief | |
| 27 | Not Available | 2 | Clamp (Not Shown) | |
| 28 | 7017521 | 1 | Fitting, 90 (Not Shown - Located at Oil Pressure Switch) | |
| | 0256000 | Ref | DUAL FUEL INSTALLATION | G |
| 101 | 2901456 | 1 | Dual Fuel Kit Assembly (Includes Items 1-28) | |
| 102 | 2720175 | 1 | Hose | |
| 103 | 2720190 | 1 | Hose | |
| 104 | 2180387 | 1 | Fitting, Tank Connector | |
| 106 | 4360336 | 1 | Switch, Toggle (Not Shown - Located at Platform Box) | |
| 107 | 4060802 | 1 | Guard, Switch (Not Shown - Located at Platform Box) | |
| 108 | 3790012 | 1 | O-Ring (Not Shown - Located at Platform Box) | |
| 109 | 1701543 | 1 | Decal - LP (Not Shown - Located near Tank) | |
| 110 | 1700818 | 1 | Decal - Liquid Withdrawal (Not Shown - Located near Tank) | |
| 111 | 2720433 | 2 | Hose | |
| 112 | 1320016 | 2 | Clamp | |
| 113 | 2220082 | 1 | Fitting, Adapter | |
| 114 | 0641405 | 2 | Bolt 1/4in-20NC x 5/8in | |
| 115 | 4711400 | 2 | Flatwasher 1/4in Narrow | |
| 116 | 0100011 | AR | Loctite #272 (Not Shown) | |

SECTION 1 - FRAME

FIGURE 1-10. YANMAR DIESEL ENGINE INSTALLATION



SECTION 1 - FRAME

FIGURE 1-10. YANMAR DIESEL ENGINE INSTALLATION

| ITEM | PART NUMBER | QTY | DESCRIPTION | REV |
|------|-------------|-----------|--|------|
| | 0256002 | Ref | ENGINE ASSEMBLY AND INSTALLATION | 14-K |
| 1 | 4845223 | 1 | Tray, Engine | |
| 2 | 4845238 | 2 | Arm, Swing-Out | |
| 3 | 3422426 | 4 | Pin | |
| 4 | 2000145 | 1 | Engine, Yanmar 3TNE68 | |
| 5 | 3600256 | 1 | Piston Pump Assembly (See PISTON PUMP ASSEMBLY for Breakdown) | |
| 6 | 3600199 | 1 | Gear Pump Assembly (See GEAR PUMP ASSEMBLY for Breakdown) | |
| 7 | 0902263 | 1 | Bracket, Mounting (Rear) | |
| 8 | 0080222 | 1 | Adapter, Spacer - Flywheel Housing | |
| 9 | 0902265 | 1 | Bracket, Mounting (Front) | |
| 10 | 3200381 | 3 | Mount, Motor | |
| 11 | 1340057 | 1 | Air Cleaner Assembly | |
| 11A | 7015004 | 1 | Element, Filter | |
| 11B | 7015005 | 1 | Cover Assembly | |
| 11C | 7015006 | 1 | Valve, Vacuator | |
| 11D | 7015007 | 2 | Latch | |
| 12 | 0340045 | 1 | Band, Mounting | |
| 13 | 3539692 | 1 | Plate, Mounting (Air Cleaner) | |
| 14 | 0641509 | 4 | Bolt 5/16in-18NC x 1 1/8in | |
| 15 | 4566987 | 4 | Tube, Spacer | |
| 16 | 3620037 | 1 | Radiator | |
| 17 | 2060027 | 1 | Fan, Electric Cooling | |
| 18 | 0962068 | 8 | Bushing, Flanged | |
| 19 | 4845391 | 1 | Pipe, Exhaust | |
| 20 | 3841143 | 4 | Pin, Keeper | |
| 21 | 2540031 | 2 | Grommet | |
| 22 | 0641506 | 2 | Bolt 5/16in-18NC x 3/4in | |
| 23 | 3311505 | 12 | Locknut 5/16in-18NC | |
| 24 | 0641608 | 6 | Bolt 3/8in-16NC x 1in | |
| 25 | 3311605 | 6 | Locknut 3/8in-16NC | |
| 26 | 0641820 | 3 | Bolt 1/2in-13NC x 2 1/2in | |
| 27 | 3311805 | 3 | Locknut 1/2in-18NC | |
| 28 | 1660228 | 1 | Coupling, Pump | |
| 29 | 2910000 | 1 | Actuator Assembly (Was p/n 0060038) (See ELECTRICAL SECTION for Breakdown) | |
| 30 | 3841307 | 1 | Rod, Throttle | |
| 31 | 3220109 | 1 | Muffler | |
| 32 | 0080225 | 1 | Elbow, Air Intake | |
| 33 | 4740274 | 3 | Washer, Snubbing | |
| 34 | 4751600 | 33 | Flatwasher 3/8in | |
| 35 | 0760812 | 8 | Bolt, Metric 8mm x 25mm | |
| 36 | 4751500 | 6 | Flatwasher 5/16in | |
| 37 | 0100011 | AR | Loctite #242 (Not Shown) | |
| 38 | 0700605 | 8 | Bolt 8mm x 10mm | |
| 39 | 0641508 | 5 | Bolt 5/16in-18NC x 1in | |
| 40 | 2720058 | 7 ft/2.1m | Hose, Fuel Line (5/16in) | |
| 41 | 1320022 | 6 | Clamp, Hose | |
| 42 | 0641810 | 2 | Bolt 1/2in-13NC x 1 1/4in | |

SECTION 1 - FRAME

| ITEM | PART NUMBER | QTY | DESCRIPTION | REV |
|------|-------------|-----------|--|-----|
| 43 | 4751800 | 2 | Flatwasher 1/2in | |
| 44 | 0641608 | 2 | Bolt 3/8in-16NC x 1in | |
| 45 | 1320031 | 3 | Clamp, Hose | |
| 46 | 1701505 | 1 | Decal - Diesel Fuel (Not Shown - Located on hood) | |
| 47 | 2720271 | 1 | Hose | |
| | | ft/30.5cm | | |
| 48 | 0080221 | 1 | Adapter, Pump Mounting | |
| 49 | 1320026 | 1 | Clamp, U-Bolt | |
| 50 | 0641406 | 12 | Bolt 1/4in-20NC x 3/4in | |
| 51 | 4751400 | 20 | Flatwasher 1/4in | |
| 52 | 3311405 | 12 | Locknut 1/4in-20NC | |
| 53 | 3539663 | 1 | Plate, Mounting (Cooling Fan) | |
| 55 | 1320014 | 4 | Clamp, Hose | |
| 56 | 1660222 | 1 | Coupling, Throttle | |
| 57 | 3321402 | 1 | Nut, Jam 1/4in-28NF | |
| 58 | 3321602 | 1 | Nut, Jam 3/8in-24NF | |
| 59 | 1660220 | 1 | Swivel, Throttle | |
| 60 | 4740442 | 1 | Washer, Belleville | |
| 61 | 3900217 | 1 | Bolt, Socket Head Shoulder | |
| 62 | 0962031 | 1 | Bushing, Flanged | |
| 64 | 2220250 | 2 | Fitting, Reducer | |
| 65 | 2180348 | 1 | Fitting, Barbed | |
| 66 | 2720271 | 10 ft/3m | Hose, Fuel (3/16in) | |
| 67 | | Ref | Mounting Plate Options (Radiator): | |
| 67 | 3539681 | 1 | Mounting Plate (Prior to SN 23060) | |
| 67 | 4845433 | 1 | Mounting Plate (SN 23060 to Present) | |
| 68 | 0100020 | AR | Sealant, Pipe (Not Shown) | |
| 69 | 2200213 | 1 | Plug, Pipe | |
| 70 | 2220648 | 2 | Fitting, 90 | |
| 71 | 0701012 | 16 | Bolt, Metric 10mm x 25mm | |
| 72 | 2180666 | 1 | Fitting, Barbed | |
| 73 | 4360330 | 2 | Switch, Toggle (Glow Plugs) (Not Shown - Located at Platform and Ground Control Boxes) | |
| 74 | 4060802 | 2 | Guard, Switch (Not Shown - Used with Item 73) | |
| 75 | 3790152 | 2 | O-Ring (Not Shown - Used with Item 73) | |
| 76 | 4740397 | 1 | Spacer | |
| 77 | 1060221 | 1 | Strap, Ground | |
| 78 | 4921853 | 1 | Harness, Engine (Not Shown - See ELECTRICAL SECTION for Breakdown) | |
| 80 | 0721008 | 2 | Bolt #10-24NC x 1/2in | |
| 81 | 3311005 | 2 | Locknut #10-24NC | |
| 82 | 4400395 | 1 | Tank, Coolant Overflow | |
| 83 | 3539816 | 1 | Plate, Overflow Tank | |
| 84 | 2720430 | 1 | Hose, Radiator (Top) | |
| 85 | 2720431 | 1 | Hose, Radiator (Bottom) | |
| 86 | 4320002 | 1 | Stud, Rubber Mounted | |
| 87 | 1320040 | 1 | Clamp | |
| 88 | 0701015 | 8 | Bolt, Metric M8 x 35mm | |
| 89 | 0701014 | 4 | Bolt, Metric M10 x 30mm | |
| 90 | 0641820 | 2 | Bolt 1/2in-13NC x 2 1/2in | |
| 91 | 4751800 | 2 | Flatwasher 1/2in | |
| 92 | 0940070 | 2 | Bumper, Rubber | |

SECTION 1 - FRAME

| ITEM | PART NUMBER | QTY | DESCRIPTION | REV |
|------|-------------|-----------|---|-----|
| 93 | 4751000 | 8 | Flatwasher #10 | |
| 94 | 4791600 | 2 | Starwasher 3/8in | |
| 95 | 4060807 | 15 | Flex-Trim (Not Shown - Located on Frame) | |
| | | in/38cm | | |
| 96 | 4060918 | 15 | Flex-Trim (Not Shown - Located on Frame) | |
| | | in/38cm | | |
| 97 | 3311501 | 2 | Nut 5/16in-18NC | |
| 98 | 1320239 | 1 | Clamp, Loop Only (SN 33269 to Present) | |
| 99 | 0902383 | 1 | Bracket, Recovery Tank (SN 33269 to Present) | |
| 100 | 4420008 | 7 in/18cm | Tape, Neoprene (SN 33269 to Present) | |
| 101 | 2420047 | 1 | Service Indicator Kit (SN 33269 to Present) | |
| 102 | 2220063 | 1 | Fitting, 90 | |
| 103 | 0257589 | 1 | Timer Module, Assy (See ELECTRICAL SECTION for Breakdown) | |
| 104 | 3960389 | 1.42 | Seal (SN 33820 to Present) | |
| | | ft/0.44m | | |
| 105 | 3960433 | 1.54 | Seal (SN 33820 to Present) | |
| | | ft/0.47m | | |
| 106 | 3960477 | 1 | Seal, Foam Gasket (SN 33820 to Present) | |
| 107 | 0181932 | 1 | Angle (Not Shown) | |
| 108 | 1320241 | 1 | Clamp (Not Shown) | |
| | 2000145 | Ref | ENGINES COMPONENTS | B |
| 201 | 7018100 | 1 | V-Belt | |
| 202 | 7018101 | 1 | Cap, Oil Fill | |
| 203 | 7018102 | 1 | Gasket, Valve Cover (Not Shown) | |
| 204 | 7018103 | 1 | Filter, Oil | |
| 205 | 7018104 | 1 | Dipstick, Engine Oil Level | |
| 206 | 7018105 | 1 | Pump, Water | |
| 207 | 7018106 | 1 | Gasket, Thermostat (Not Shown) | |
| 208 | 7018107 | 1 | Thermostat | |
| 209 | 7018108 | 1 | Switch, Water Temperature | |
| 210 | 7018111 | 1 | Element, Fuel Filter | |
| 211 | 7018112 | 1 | Starter | |
| 212 | 7018113 | 1 | Alternator - 40 Amp | |
| 213 | 7018116 | 1 | Solenoid, ETR Stop (Not Shown) | |
| 214 | 7018117 | 1 | Pump, Injector | |
| 215 | 7018118 | 1 | Pump, Fuel | |
| 215 | 7018119 | 1 | Lever, | |
| 216 | 7018145 | 1 | Switch, Oil Pressure | |
| 217 | 7018146 | 1 | Fuel Strainer Assembly | |
| 218 | 7018147 | 3 | Plug, Glow (Not Shown) | |
| 219 | 7018144 | 1 | Gasket, Muffler | |
| 220 | 7018119 | 1 | Lever, Regulator (Not Shown) | |
| | 0256919 | Ref | OIL COOLER INSTALLATION | C |
| | 0256910 | Ref | OIL COOLER INSTALLATION | C |
| 301 | 3620039 | 1 | Cooler, Oil | |
| 302 | 1320202 | 2 | Clamp | |
| 303 | 3311605 | 2 | Locknut 3/8in-16NC | |
| 304 | 4711600 | 2 | Flatwasher 3/8in | |
| 305 | 3570105 | 1 | Plate, Cover | |

SECTION 1 - FRAME

FIGURE 1-11. PISTON PUMP ASSEMBLY

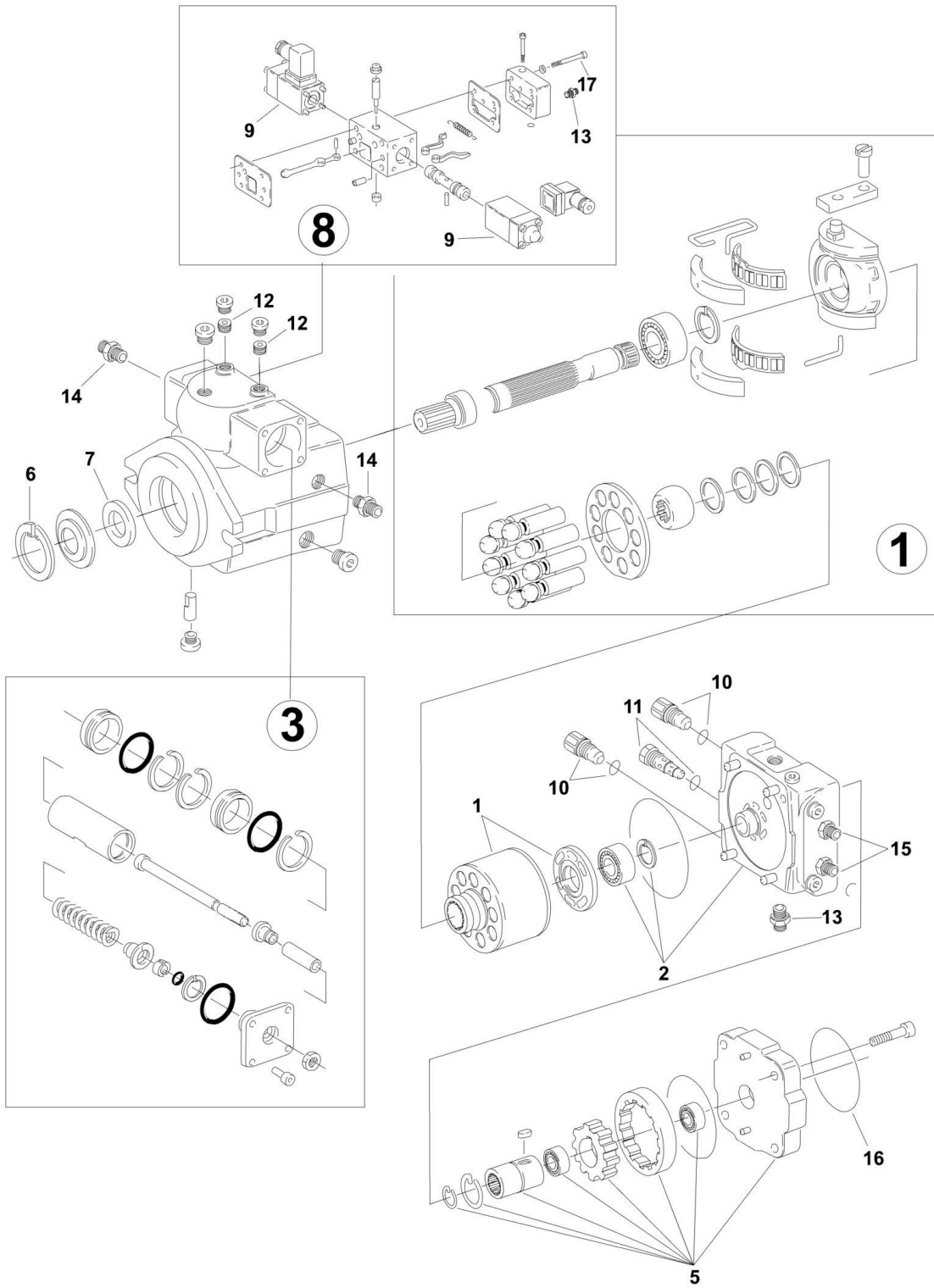


FIGURE 1-11. PISTON PUMP ASSEMBLY

| ITEM | PART NUMBER | QTY | DESCRIPTION | REV |
|------|-------------|-----|---|-----|
| | 3600256 | Ref | PISTON PUMP ASSEMBLY | D |
| 1 | 7018925 | 1 | Rotary Group Assembly | |
| 2 | 7018926 | 1 | Port Plate Assembly (Includes Items 10 & 11) | |
| 3 | 7018927 | 1 | Stroking Cylinder Assembly | |
| 5 | 7018929 | 1 | Connecting Plate Assembly | |
| 6 | 7018930 | 1 | Ring, Retaining | |
| 7 | 7018931 | 1 | Seal, Shaft | |
| 8 | 7018932 | 1 | Proportional Valve Assembly (Includes Item 9) | |
| 9 | 7018933 | 2 | Coil, Solenoid | |
| 10 | 7018934 | 2 | Cartridge, Valve - High Pressure Relief | |
| 11 | 7018935 | 1 | Cartridge, Valve - Boost Oil Pressure Relief | |
| 12 | 7018936 | 2 | Orifice | |
| 13 | 7018937 | 2 | Fitting, Adapter | |
| 14 | 7018938 | 2 | Fitting, Adapter | |
| 15 | 7018939 | 1 | Fitting, Adapter | |
| 16 | 7018953 | 1 | O-Ring | |
| 17 | 7024016 | 4 | Screw M6 x 55 | |
| | 7018940 | 1 | Seal Kit -Complete External | |

SECTION 1 - FRAME

FIGURE 1-12. GEAR PUMP ASSEMBLY

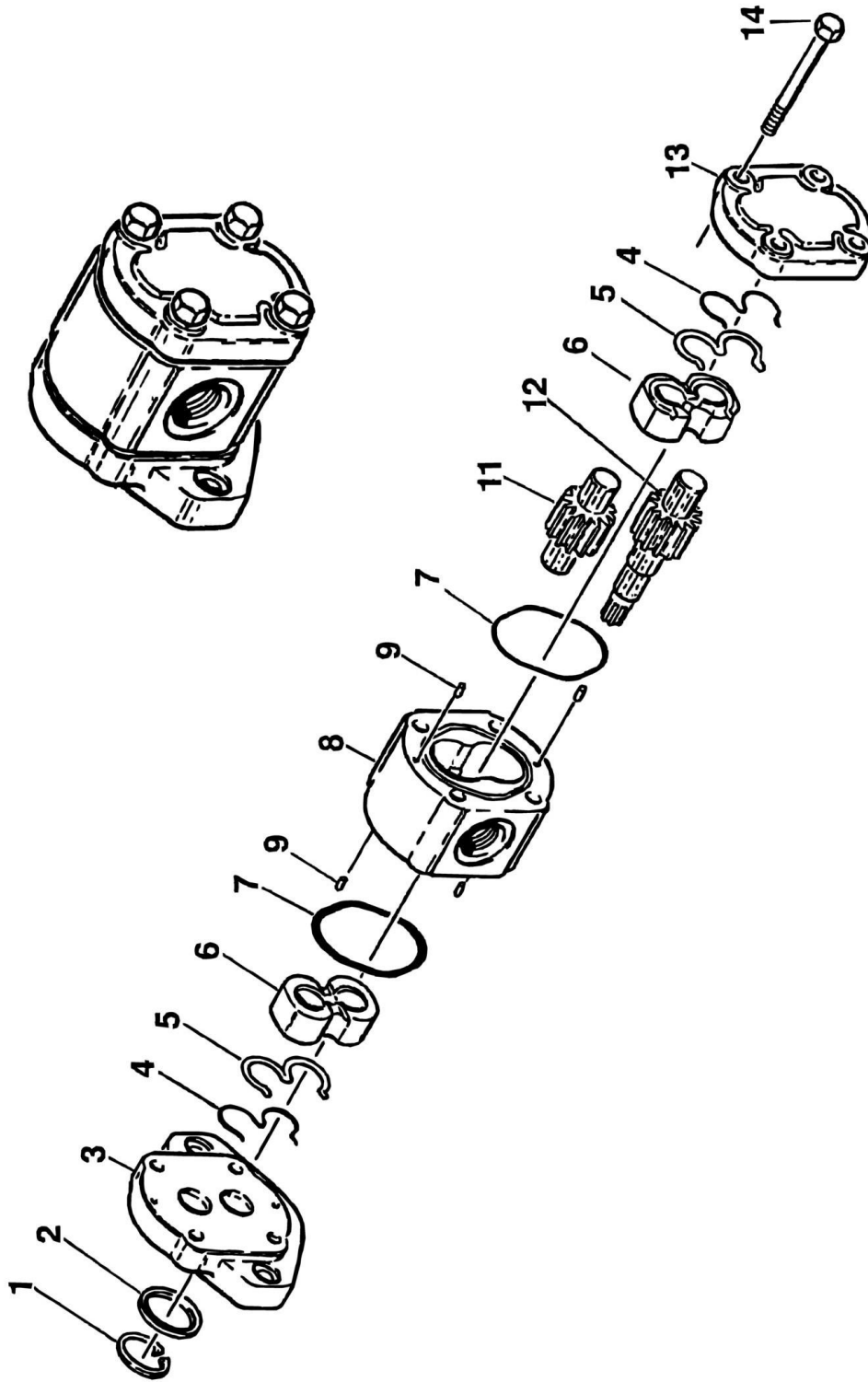
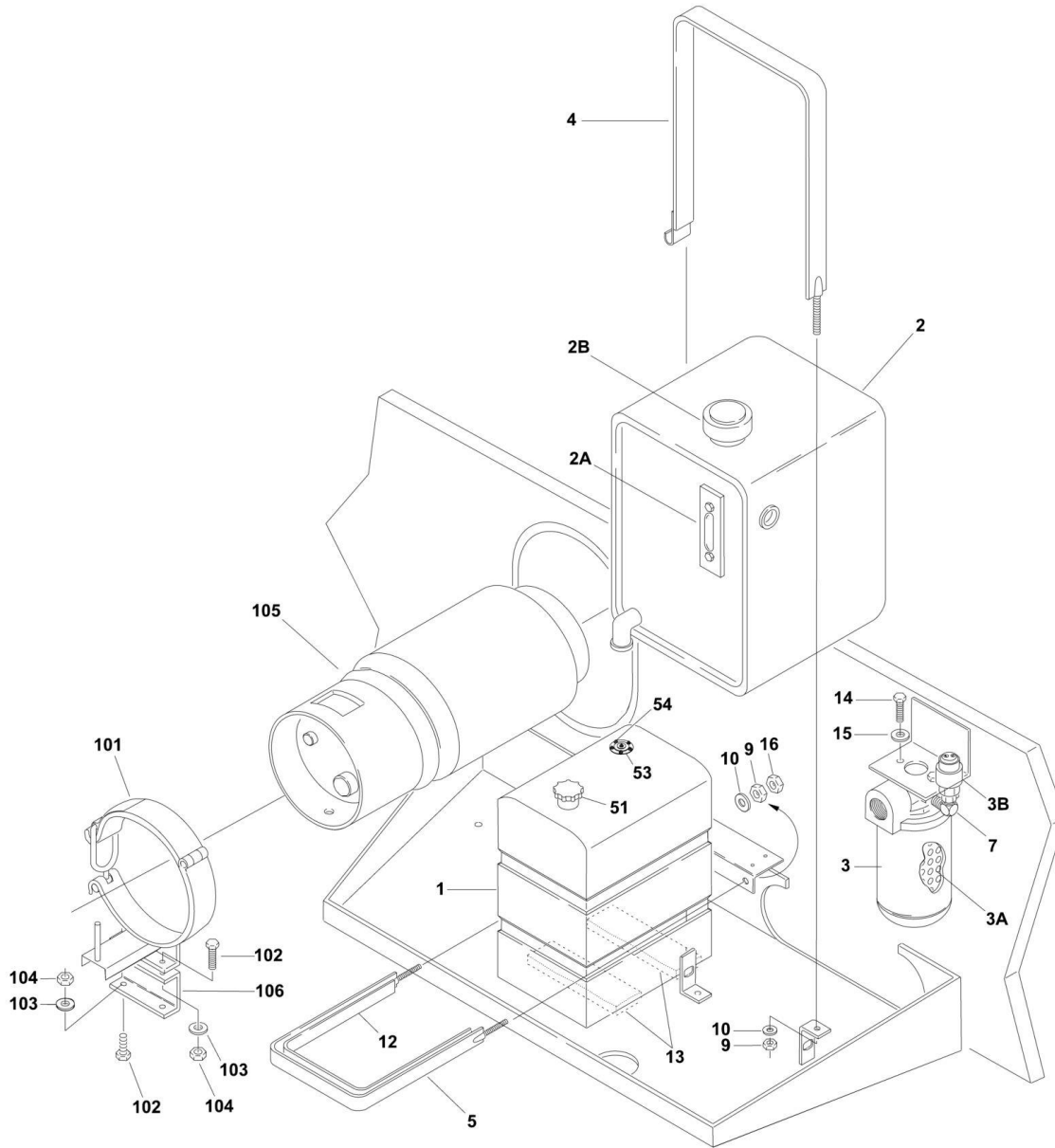


FIGURE 1-12. GEAR PUMP ASSEMBLY

| ITEM | PART NUMBER | QTY | DESCRIPTION | REV |
|------|-------------|-----|---------------------------------------|-----|
| | 3600199 | Ref | GEAR PUMP ASSEMBLY | - |
| 1 | 7010955 | 1 | Ring, Retaining | |
| 2 | Kit | 1 | Seal, Shaft | |
| 3 | 7010956 | 1 | Flange, Mounting | |
| 4 | Kit | 2 | Ring, Backup | |
| 5 | Kit | 2 | E-Seal | |
| 6 | 7010957 | 2 | Bearing | |
| 7 | Kit | 2 | O-Ring | |
| 8 | 7010958 | 1 | Housing | |
| 9 | 7010959 | 4 | Pin, Dowel | |
| 11 | 7010954 | 1 | Gear, Idler | |
| 12 | 7010978 | 1 | Gear, Drive | |
| 13 | 7010960 | 1 | Cover, End | |
| 14 | 7010961 | 4 | Bolt | |
| | 7010953 | 1 | Seal Kit (Includes Items 2, 4, 5 & 7) | |

SECTION 1 - FRAME

FIGURE 1-13. TANK INSTALLATIONS



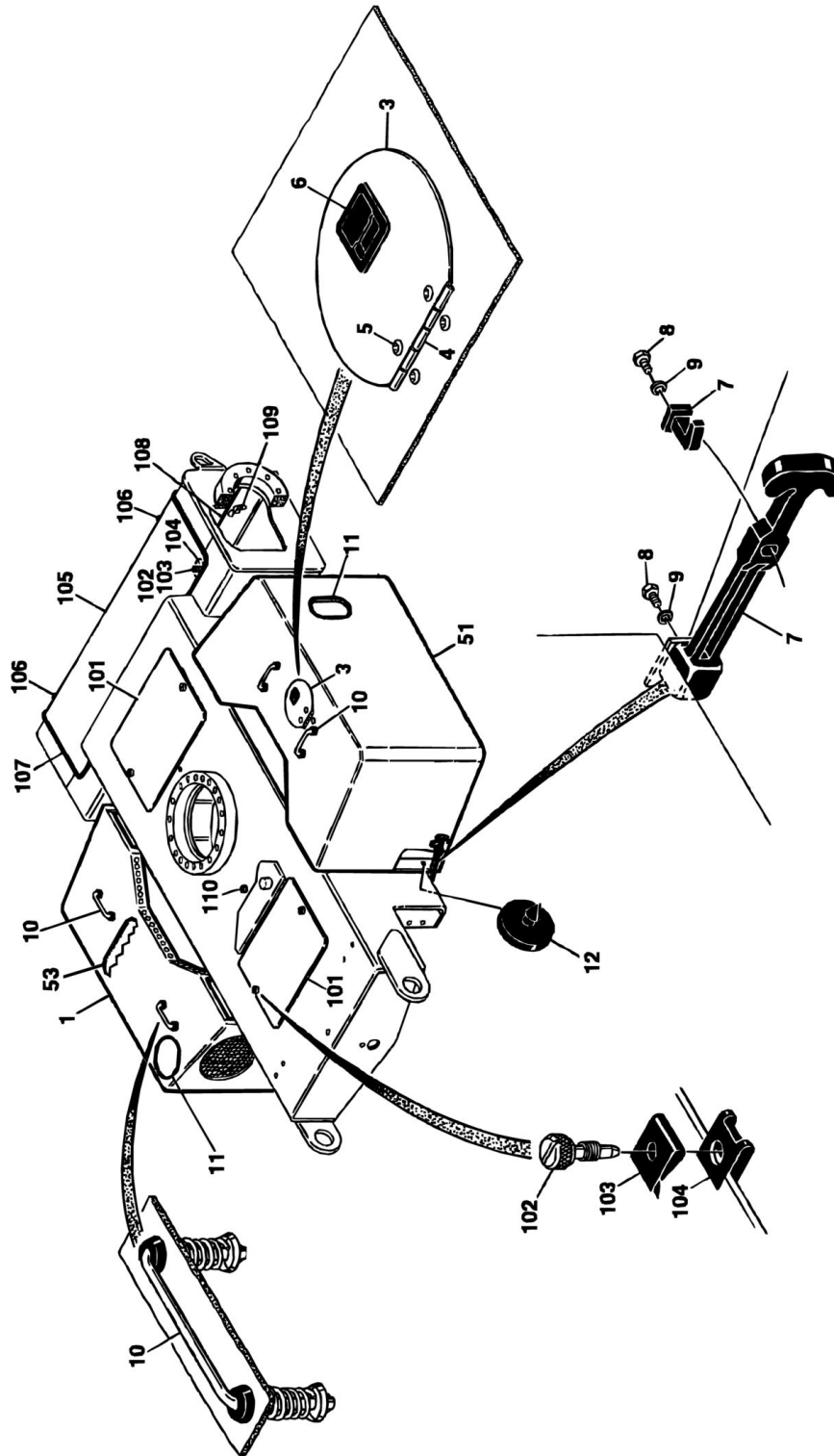
SECTION 1 - FRAME

FIGURE 1-13. TANK INSTALLATIONS

| ITEM | PART NUMBER | QTY | DESCRIPTION | REV |
|------|-------------|---------|---|-----|
| | | Ref | TANK INSTALLATIONS | |
| | 0255993 | Ref | Fuel / Hydraulic Tanks and Filter Installation (Without Locking Cap) | E-5 |
| | 0257341 | Ref | Fuel / Hydraulic Tanks and Filter Installation (With Locking Cap) | B-2 |
| 1 | 4400371 | 1 | Tank, Fuel (Prior to SN 30747) | |
| 1 | 4400401 | 1 | Tank, Fuel (SN 30747 to Present) | |
| 2 | 4400383 | 1 | Tank, Hydraulic Oil | |
| 2A | 7014802 | 1 | Gauge, Sight | |
| 2B | 7014803 | 1 | Breather/Filler | |
| 3 | 2120157 | 1 | Hydraulic Oil Filter Assembly | |
| 3A | 2120158 | 1 | Element, Filter | |
| 3B | 7016313 | 1 | Switch, Electrical Pressure (Clogging Indicator) | |
| 4 | 4240118 | 1 | Strap, Hold-Down (Hydraulic Tank) | |
| 5 | 4240117 | 1 | Strap, Hold-Down (Fuel Tank) | |
| 7 | 2180117 | 1 | Fitting, 90 | |
| 8 | 0100020 | AR | Sealant, Pipe (Not Shown) | |
| 9 | 3311601 | 4 | Nut 3/8in-16NC | |
| 10 | 4711600 | 4 | Flatwasher 3/8in Narrow | |
| 11 | 0100011 | AR | Loctite #242 (Not Shown) | |
| 12 | 4280295 | 30 | Strip, Bumper | |
| | | in/76cm | | |
| 13 | 4420038 | 20 | Moulding, Rubber | |
| | | in/51cm | | |
| 14 | 0641406 | 2 | Bolt 1/4in-20NC x 3/4in | |
| 15 | 4711400 | 2 | Flatwasher 1/4in Narrow | |
| 16 | 3311602 | 2 | Nut, Jam 3/8in-16NC | |
| 51 | | Ref | Cap, Fuel Options: | |
| 51 | 1120477 | 1 | Without Lock | |
| 51 | 1120485 | 1 | With Lock | |
| 52 | 0100019 | AR | Loctite #271 (Not Shown) (With Locking Cap Only) | |
| 53 | 2420185 | 1 | Sender, Fuel (With Locking Cap Only) | |
| 54 | 4771000 | 1 | Lockwasher, Star #10 (With Locking Cap Only) | |
| | 0256272 | Ref | LP TANK INSTALLATION (DUAL FUEL OPTION) | B |
| 101 | 1320228 | 1 | Clamp Kit | |
| 102 | 0641608 | 4 | Bolt 3/8in-16NC x 1in | |
| 103 | 4751600 | 8 | Flatwasher 3/8in | |
| 104 | 3311605 | 4 | Locknut 3/8in-16NC | |
| 105 | | Ref | LP Tank Options: | |
| 105 | 4400275 | 1 | 43.5Lbs Tank (Alum) | |
| 105 | 4400420 | 1 | 43.5Lbs Tank (Steel) | |
| 105 | 4400281 | 1 | 33.5Lbs Tank (Alum) | |
| 105 | 4400421 | 1 | 33.5Lbs Tank (Steel) | |
| 106 | 0902275 | 1 | Bracket | |

SECTION 1 - FRAME

FIGURE 1-14. FRAME COVERS INSTALLATIONS



SECTION 1 - FRAME

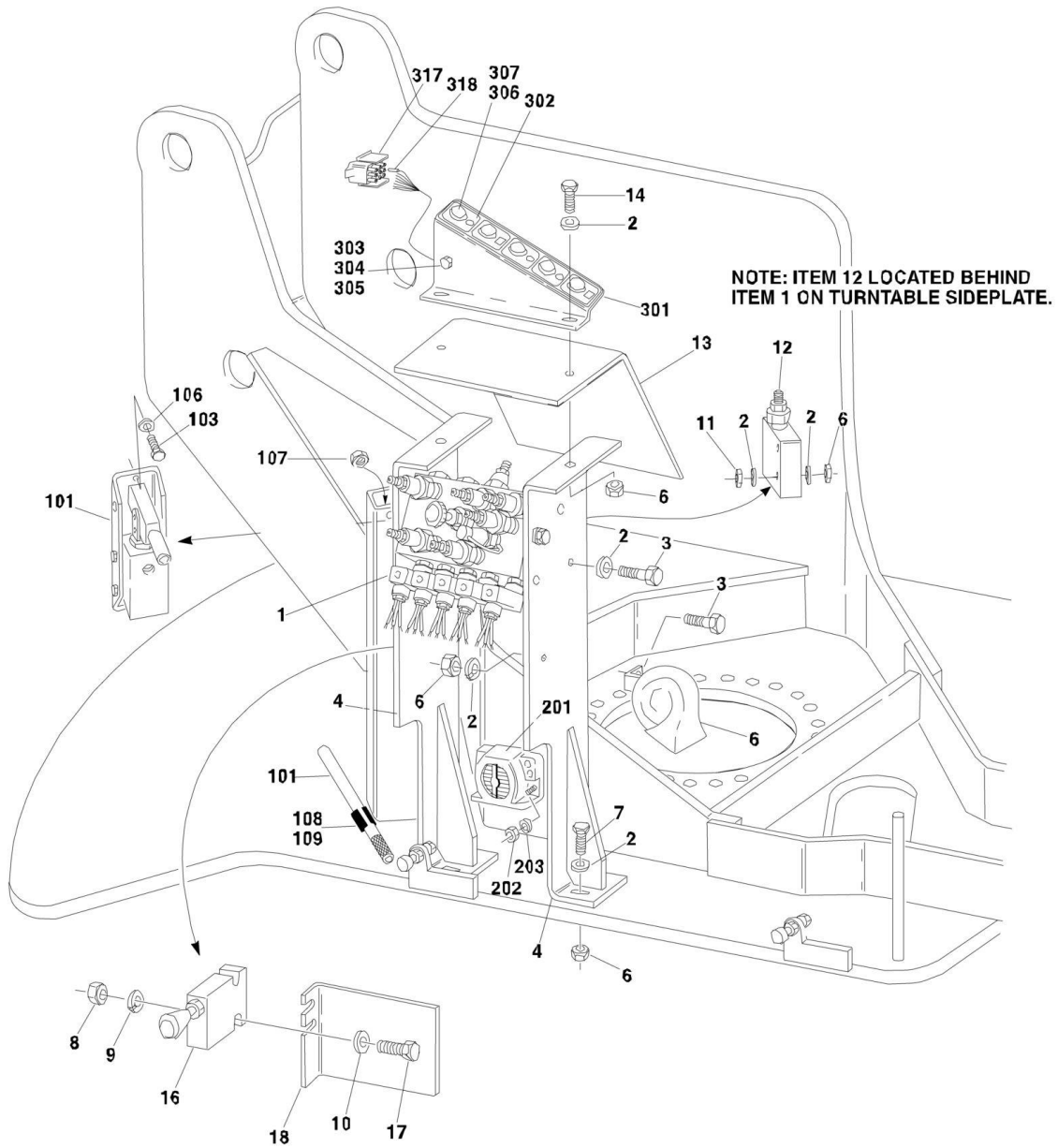
FIGURE 1-14. FRAME COVERS INSTALLATIONS

| ITEM | PART NUMBER | QTY | DESCRIPTION | REV |
|------|-------------|-------------|---|-----|
| | | Ref | ENGINE TRAY AND TANK COVERS INSTALLATION (STANDARD PARTS) | |
| | 0256003 | Ref | Engine Tray and Tank Covers Installation - Standard Gas/Diesel | G-6 |
| | 0256144 | Ref | Engine Tray and Tank Covers Installation - Duel Fuel | G |
| 1 | 4845305 | 1 | Cover, Engine Tray | |
| 3 | 1780294 | 1 | Door | |
| 4 | 2600218 | 1 | Hinge | |
| 5 | 2080040 | 4 | Fastener, Huck | |
| 6 | 2940090 | 1 | Latch, Paddle | |
| 7 | 2940080 | 4 | Latch, Draw | |
| 8 | 0721005 | 12 | Screw, Machine #10-24NC x 5/8in | |
| 9 | 4761000 | 12 | Lockwasher #10 | |
| 10 | 2560147 | 4 | Handle, Retractable | |
| 11 | 4060803 | AR | Trim, Flexible | |
| 12 | 0940072 | 4 | Bumper | |
| 51 | | Ref | Cover, Tank Tray Options: | |
| 51 | 4845306 | 1 | Standard Gas/Diesel | |
| 51 | 4845307 | 1 | Duel Fuel | |
| 52 | 2940096 | 1 | Catch, Magnetic (Not Shown - Located on # 51) (Duel Fuel) | |
| 53 | 2901497 | 1 | Kit, Hood Insulation | |
| 53 | 2820090 | 1 | Insulation, Top | |
| 53 | 2820091 | 1 | Insulation, Drive Wheel Side | |
| 53 | 2820092 | 1 | Insulation, Steer Wheel Side | |
| 53 | 2820093 | 1 | Insulation, Front | |
| | 0256136 | Ref | REAR FRAME COVER INSTALLATION | - |
| 101 | 3535959 | 2 | Cover | |
| 102 | 3900174 | 5 | Screw, Special | |
| 103 | 3760308 | 5 | Retainer | |
| 104 | 1380138 | 5 | Cup, Receptacle | |
| 105 | 4844602 | 1 | Cover, Axle | |
| 106 | 0940036 | 2 | Bumper | |
| 107 | 3960447 | 8 ft/2.5m | Seal, Self-Gripping | |
| 108 | 3960433 | 3.7 ft/1.1m | Seal | |
| 109 | 3300371 | 4 | Wingnut, Locking | |
| 110 | 3520026 | 3 | Plug | |

SECTION 2 - TURNTABLE

SECTION 2 - TURNTABLE

FIGURE 2-1. TURNTABLE MOUNTED COMPONENTS INSTALLATION



SECTION 2 - TURNTABLE

FIGURE 2-1. TURNTABLE MOUNTED COMPONENTS INSTALLATION

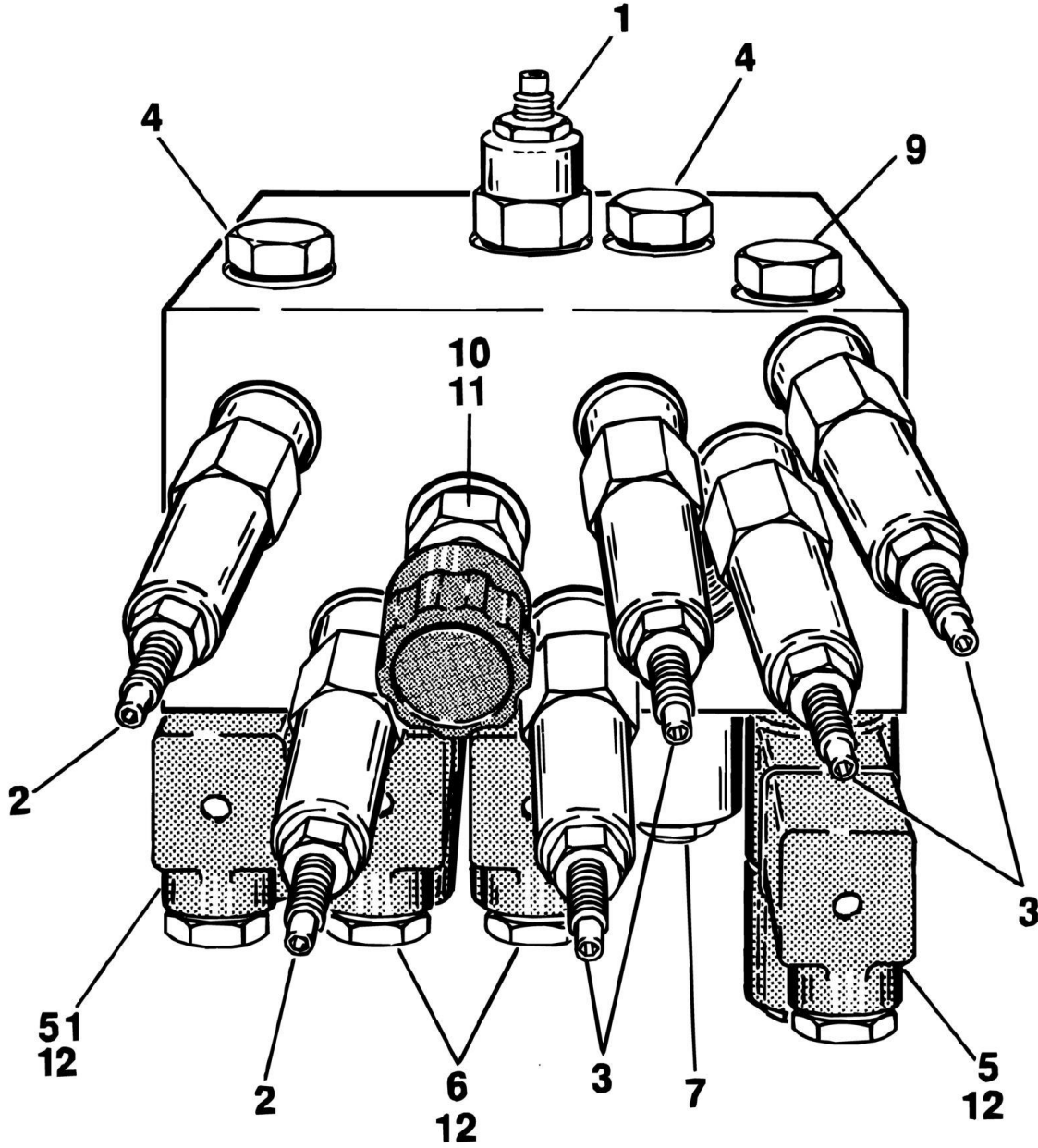
| ITEM | PART NUMBER | QTY | DESCRIPTION | REV |
|------|-------------|-----|--|-----|
| | 0256033 | Ref | VALVES AND HORN INSTALLATION | B |
| 1 | | Ref | Control Valve Assembly (See CONTROL VALVE ASSEMBLY for Breakdown) | |
| 1 | See Note | 1 | Valves and Horn Installation (Note: Recommend using 4641023 in place of original 4640966) (Prior to SN 33963) | |
| 1 | 4641023 | 1 | Valves and Horn Installation (SN 33963 to Present) | |
| 2 | 4711500 | 14 | Flatwasher 5/16in Narrow | |
| 3 | 0641506 | 5 | Bolt 5/16in-18NC x 3/4in | |
| 4 | 4844365 | 2 | Bracket, Valve Mounting | |
| 5 | 0140001 | 1 | Horn | |
| 6 | 3311505 | 8 | Locknut 5/16in-18NC | |
| 7 | 0641514 | 4 | Bolt 5/16in-18NC | |
| 8 | 3311401 | 2 | Nut 1/4in-20NC | |
| 9 | 4761400 | 2 | Lockwasher 1/4in | |
| 10 | 4751400 | 4 | Flatwasher 1/4in | |
| 11 | 3311501 | 1 | Nut 5/16in-18NC | |
| 12 | 4640814 | 1 | Relief Valve Assembly | |
| 12 | 7011322 | 1 | Cartridge, Valve (Was P/N 7011321) | |
| 13 | 4060854 | 1 | Shield, Valve | |
| 14 | 0641508 | 2 | Bolt 5/16in-18NC x 1in | |
| 15 | 0100011 | AR | Loctite #242 (Not Shown) | |
| 16 | 4640866 | 1 | Manual Valve Assembly | |
| 16 | 2900708 | 1 | Seal Kit - 4640866 Valve | |
| 17 | 0641418 | 2 | Bolt 1/4in-20NC x 2 1/4in | |
| 18 | 0902051 | 1 | Bracket, Decal Mounting | |
| | 0253708 | Ref | MANUAL DESCENT COMPONENTS INSTALLATION | C |
| 101 | 3600179 | 1 | Pump Assembly | |
| 101 | 2900779 | 1 | Seal Kit | |
| 101 | 7010652 | 1 | Handle | |
| 101 | 7016673 | NLA | Pump - W/O Handle (Note: Use p/n 3600179) | |
| 103 | 0641518 | 2 | Bolt 5/16in-18NC x 2 1/4in | |
| 106 | 4751500 | 4 | Flatwasher 5/16in | |
| 107 | 3311501 | 2 | Nut 5/16in-18NC | |
| 108 | 1380132 | 1 | Clip, Gripper | |
| 109 | 4300106 | 1 | Stud, Special | |
| | 2901249 | Ref | MOTION ALARM KIT | A |
| | 2901250 | Ref | TILT ALARM KIT | A |
| 201 | 0140031 | 1 | Alarm, Horn (Remove ground strap before installation) | |
| 202 | 3311405 | 2 | Locknut 1/4in-20NC | |
| 203 | 4711400 | 4 | Flatwasher 1/4in | |
| | 0256577 | Ref | LIGHT PANEL INSTALLATION | A |
| | 0256524 | 1 | Light Panel Assembly | |
| 301 | 3380426 | 1 | Panel, Mounting | |
| 302 | 1702963 | 1 | Decal - Light Panel | |
| 303 | 0641404 | 1 | Bolt 1/4in-20NC x 1/2in | |
| 304 | 3311405 | 1 | Locknut 1/4in-20NC | |
| 305 | 1320043 | 1 | Clamp | |
| 306 | 2920028 | 5 | Lamp, Indicator | |
| 307 | 2920029 | 5 | Bulb, Light | |
| 308 | 3990001 | 6 | Diode (Not Shown) | |

SECTION 2 - TURNTABLE

| ITEM | PART NUMBER | QTY | DESCRIPTION | REV |
|------|-------------|-----|-----------------|-----|
| 317 | 4460265 | 1 | Plug, Connector | |
| 318 | 4460268 | 7 | Socket, Female | |

SECTION 2 - TURNTABLE

FIGURE 2-2. CONTROL VALVE ASSEMBLY



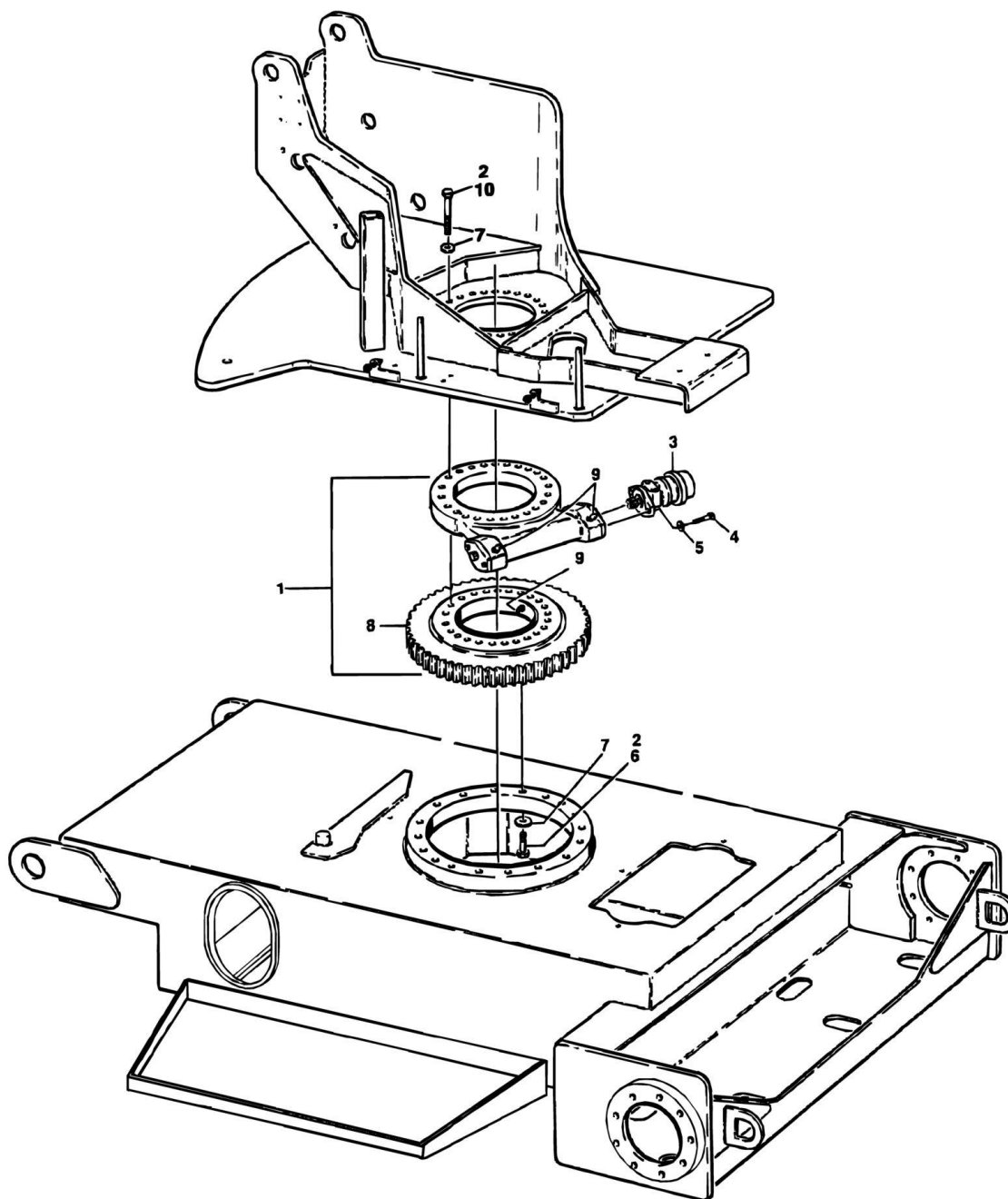
SECTION 2 - TURNTABLE

FIGURE 2-2. CONTROL VALVE ASSEMBLY

| ITEM | PART NUMBER | QTY | DESCRIPTION | REV |
|------|-------------|-----|---|-----|
| | | Ref | CONTROL VALVE ASSEMBLY (STANDARD PARTS) | |
| | 4640966 | Ref | Control Valve Assembly (Prior to SN 33963) | A |
| | 4641023 | Ref | Control Valve Assembly (SN 33963 to Present) | A |
| 1 | 7012997 | 1 | Cartridge, Flow Control Valve (Lower Lift Down) | |
| 1 | 7012901 | 1 | Seal Kit - 7012997 Valve | |
| 2 | 7012981 | 2 | Cartridge, Relief Valve (Upper Lift Down and Swing) | |
| 2 | 7012998 | 2 | Seal Kit - 7012981 Valve | |
| 3 | 7012912 | 4 | Cartridge, Relief Valve (Platform Level, Telescope and Lower Lift Down) | |
| 3 | 7012998 | 4 | Seal Kit - 7012912 Valve | |
| 4 | 7010542 | 2 | Cartridge, Shuttle Valve (Swing) | |
| 4 | 7012907 | 2 | Seal Kit - 7010542 Valve | |
| 5 | 7017401 | 1 | Cartridge, Solenoid Valve (Less Coils) (Platform Level) | |
| 5 | 7017402 | 1 | Seal Kit - 7017401 Valve | |
| 5 | 7017403 | 1 | Waterproofing Kit | |
| 5 | 7012944 | 2 | Coil | |
| 6 | 7012948 | 2 | Cartridge, Solenoid Valve (Less Coils) (Lift) | |
| 6 | 7012903 | 2 | Seal Kit - 7012948 Valve | |
| 6 | 7017403 | 1 | Waterproofing Kit | |
| 6 | 7012944 | 4 | Coil (2 Per Assembly) | |
| 7 | 7012999 | 2 | Cartridge, Solenoid Valve (Less Coil) (Telescope) | |
| 7 | 7012907 | 2 | Seal Kit - 7012999 Valve | |
| 7 | 7017403 | 1 | Waterproofing Kit | |
| 7 | 7012944 | 2 | Coil (1 Per Assembly) | |
| 9 | 7012914 | 2 | Cartridge, Check Valve (Platform Level) | |
| 9 | 7012918 | 2 | Seal Kit - 7012914 Valve | |
| 10 | 7012947 | 1 | Cartridge, Valve (Manual Descent) | |
| 10 | 7012918 | 1 | Seal Kit - 7012947 Valve | |
| 11 | 7012949 | 1 | Knob | |
| 12 | 4460499 | 8 | Connector, Electrical | |
| 51 | | Ref | Cartridge, Solenoid Valve Options (Less Coils) (Swing): | |
| 51 | See Note | 1 | 4640966 Valve (Note: Recommend using 7017433 in place of original 7017401) (Prior to SN 33963) | |
| 51 | 7017433 | 1 | 4641023 Valve (SN 33963 to Present) | |
| 51 | 7017402 | 1 | Seal Kit - 7017433 Valve | |
| 51 | 7017403 | 1 | Waterproofing Kit | |
| 51 | 7012944 | 2 | Coil | |

SECTION 2 - TURNTABLE

FIGURE 2-3. SWING DRIVE AND TURNTABLE BEARING INSTALLATIONS



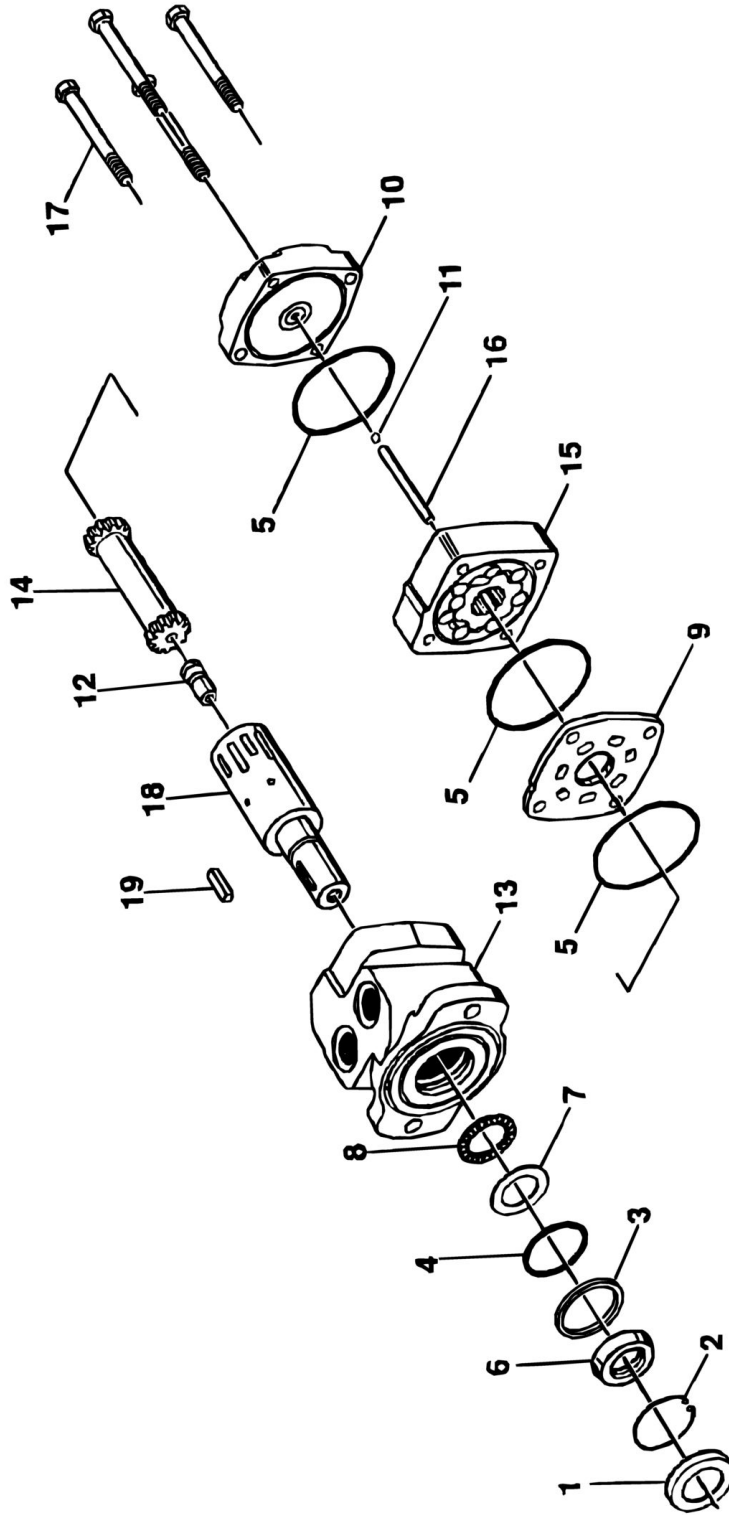
SECTION 2 - TURNTABLE

FIGURE 2-3. SWING DRIVE AND TURNTABLE BEARING INSTALLATIONS

| ITEM | PART NUMBER | QTY | DESCRIPTION | REV |
|------|-------------|-----|--|-----|
| | 0253508 | Ref | SWING DRIVE INSTALLATION | B |
| 1 | 0440339 | 1 | Turntable Bearing and Rotation Box Assembly (See SWING BEARING ASSEMBLY for Breakdown) (was p/n 0440203) | |
| 2 | 0100019 | AR | Loctite | |
| 3 | 3160182 | 1 | Swing Motor Assembly (See SWING MOTOR ASSEMBLY for Breakdown) | |
| 4 | 0681814 | 2 | Bolt 1/2in-13NC x 1 3/4in (Grade 8) | |
| 5 | 4740171 | 2 | Washer, Hardened | |
| 6 | 0682026 | 18 | Bolt 5/8in-11NC x 3 1/4in | |
| 7 | 4740393 | 42 | Washer, Hardened | |
| 8 | 3020027 | AR | Grease, Bearing (5 gallon bucket) (Prior to SN 31641) | |
| 8 | 3020036 | AR | Grease, Bearing (SN 31641 to Present) | |
| 9 | 3020029 | AR | Grease, Bearing | |
| 10 | 0682028 | 24 | Bolt 5/8in-11NC x 3 1/2in Grade 8 | |

SECTION 2 - TURNTABLE

FIGURE 2-4. SWING MOTOR ASSEMBLY



SECTION 2 - TURNTABLE

FIGURE 2-4. SWING MOTOR ASSEMBLY

| ITEM | PART NUMBER | QTY | DESCRIPTION | REV |
|------|---------------|-----|-------------------------------|-----|
| | 3160182 | Ref | SWING MOTOR ASSEMBLY | - |
| 1 | Kit | 1 | Seal, Dust | |
| 2 | Kit | 1 | Ring, Retainer | |
| 3 | Kit | 1 | Shim, Back-Up | |
| 4 | Kit | 1 | Seal, Housing | |
| 5 | Kit | 3 | Seal, Body | |
| 6 | Kit | 1 | Seal, Shaft | |
| 6 | Kit | 1 | Ring, Teflon Back-Up | |
| 6 | Kit | 1 | Shim, Back-Up | |
| 7 | Not Available | 1 | Washer, Thrust | |
| 8 | 7005809 | 1 | Bearing, Thrust | |
| 9 | 7005812 | 1 | Plate, Wear | |
| 10 | 7005874 | 1 | Cover, End | |
| 11 | Not Available | AR | Ball (Part of Item 10) | |
| 12 | 7005876 | 1 | Plug, Cooling | |
| 13 | 7005804 | 1 | Housing | |
| 14 | 7005811 | 1 | Link, Drive | |
| 15 | 7005877 | 1 | Rotor Set Assembly | |
| 16 | 7005878 | AR | Pin, Drive Link | |
| 17 | 7005821 | 4 | Bolt | |
| 18 | 7005879 | 1 | Shaft | |
| 19 | 7005880 | 1 | Key | |
| | 7005881 | 1 | Seal Kit (Includes Items 1-6) | |

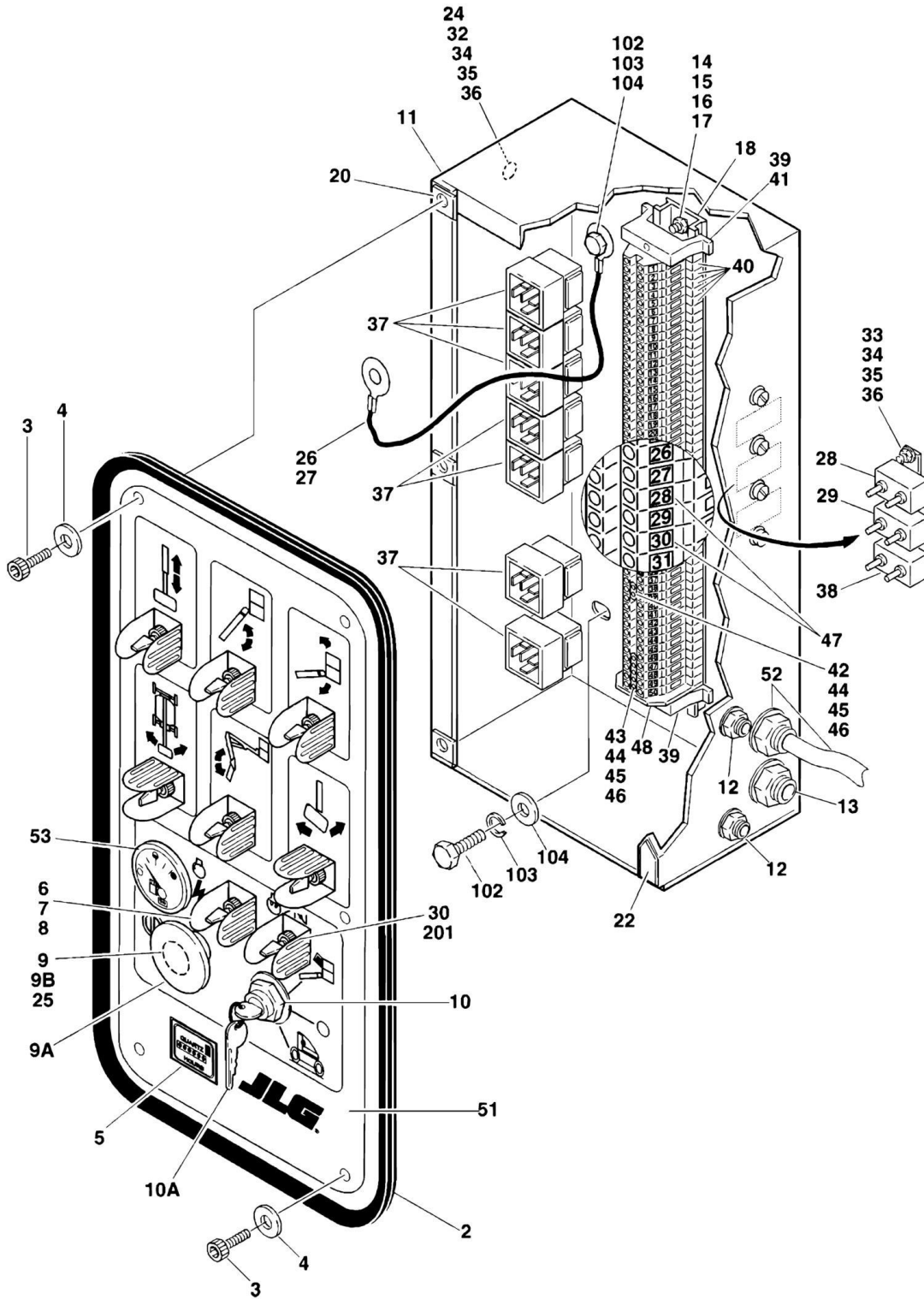
SECTION 2 - TURNTABLE

FIGURE 2-5. SWING BEARING ASSEMBLY

| ITEM | PART NUMBER | QTY | DESCRIPTION | REV |
|------|---------------|-----|--|-----|
| | | Ref | Note: Visually identify the brand before ordering replacement parts. | |
| | 0440339 | Ref | SWING BEARING ASSEMBLY (PERFECTION GEAR) | C |
| 1 | 7026042 | 2 | Bearing, Cup | |
| 1 | 7026043 | 2 | Bearing, Cone | |
| 2 | 7027356 | 1 | Adapter, Motor | |
| 3 | 7027361 | 2 | Seal | |
| 4 | 7027354 | 1 | Cap, End | |
| 5 | 0641510 | 2 | Bolt 5/16in-18NC x 1 1/4in | |
| 6 | 0641812 | 2 | Bolt 1/2in-13NC x 1 1/2in | |
| 7 | 70000865 | 1 | Plug | |
| 8 | 7027360 | 1 | Seal | |
| 9 | 7027359 | 2 | Straight Fitting, Grease | |
| 9 | 2160003 | 2 | Fitting, Grease - 45 | |
| 10 | 7027358 | 2 | 90 Fitting, Grease | |
| 11 | Not Available | 1 | Housing | |
| 12 | 4891500 | 2 | Flatwasher 5/16in (Hardened) | |
| 13 | 7027363 | 1 | Gear, Worm | |
| 14 | 70000868 | 1 | Ring, Bearing | |
| 15 | 7027352 | AR | Gasket (.010 - Brown) | |
| 16 | 7027351 | AR | Gasket (.0075 - Clear) | |
| 17 | 7027350 | AR | Gasket (.005 - Blue) | |
| 18 | 7027353 | 1 | Gasket (.020 - Yellow) | |
| | 0440203 | Ref | SWING BEARING ASSEMBLY (KAYDON) | G |
| | | Ref | Note: When replacing major components, consider replacing with p/n 0440339 Complete Bearing Assembly. | |
| 101 | 7012597 | 1 | Swing Rotation Box Assembly | |
| 102 | 7023484 | 1 | Cap, End | |
| 103 | Not Available | 2 | Bolt 1/2in-13NC x 1 1/2in Grade 8 | |
| 104 | Not Available | 1 | Gear, Worm | |
| 105 | 7012654 | 1 | Seal, Outer - Capped End (1.75 O.D.) | |
| 105 | 7016676 | 1 | Seal, Outer - Capped End (2.063 O.D.) | |
| 106 | 7016682 | 1 | Shims Kit (Includes Qty 3 each of .005, .0075 & .010 Shims) | |
| 107 | 70001677 | 2 | Cup, Bearing | |
| 108 | 90206369 | 2 | Cone, Bearing | |
| 109 | 7027730 | 1 | Seal, Inner | |
| 110 | 70001864 | 1 | Ring, Retaining | |
| 111 | 7012655 | 1 | Seal, Outer - Motor End | |
| 112 | 2160001 | 2 | Fitting, Grease - 90 | |
| 113 | Not Available | 2 | Lockwasher 1/2in | |
| 114 | | Ref | Component Options: | |
| 114 | Not Available | | Plug, Pipe | |
| 114 | 2160001 | 1 | Fitting, Grease - 45 | |
| 115 | 7012596 | 1 | Bearing, Turntable | |
| 116 | 2160003 | 2 | Fitting, Grease - 45 | |
| 117 | Not Available | 4 | Capscrew, Socket Head 5/16in-18NC | |
| 117 | Not Available | 4 | Washer 5/16in (Not Shown) | |

SECTION 2 - TURNTABLE

FIGURE 2-6. GROUND CONTROL BOX ASSEMBLY



SECTION 2 - TURNTABLE

FIGURE 2-6. GROUND CONTROL BOX ASSEMBLY

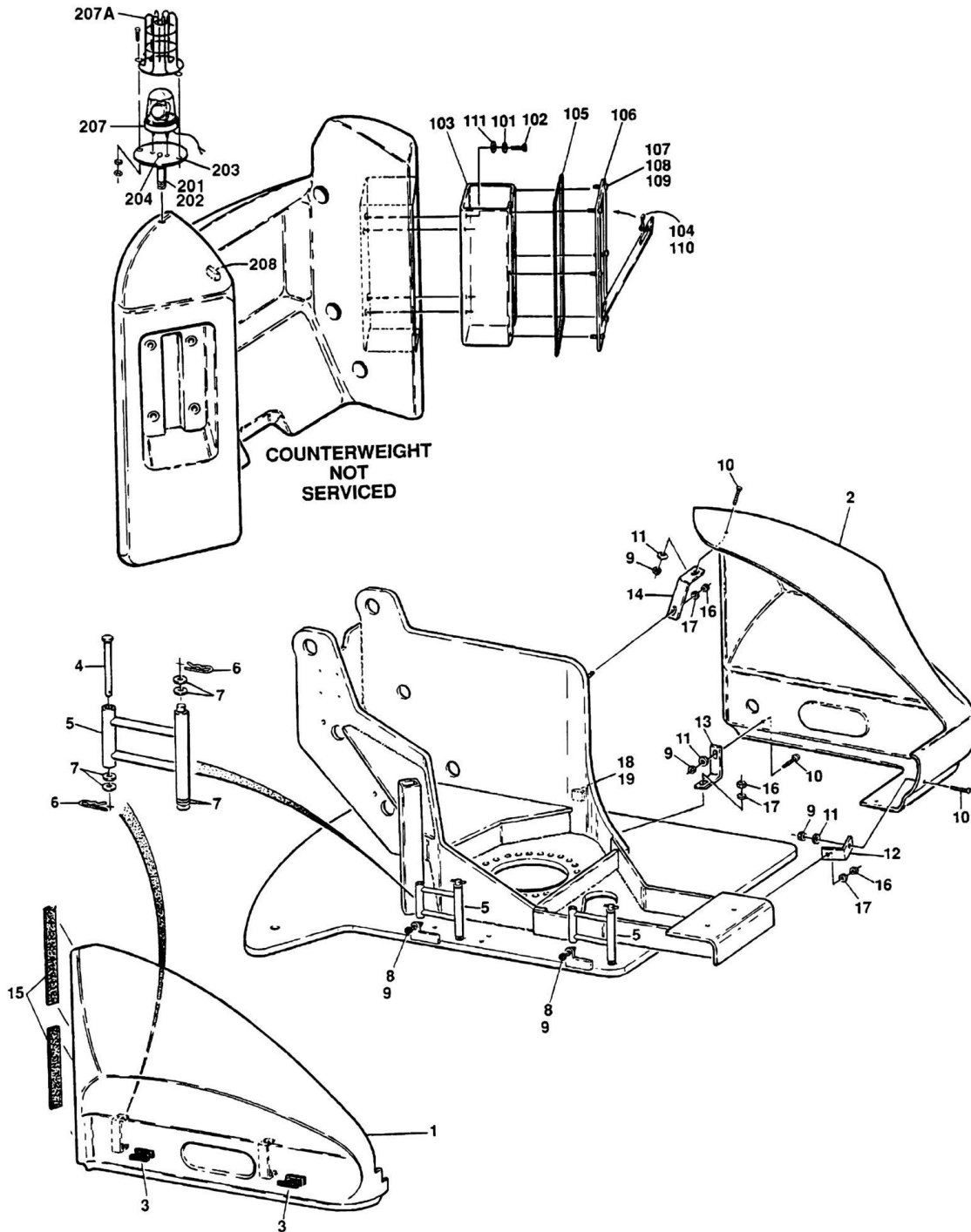
| ITEM | PART NUMBER | QTY | DESCRIPTION | REV |
|------|-------------|------------|---|-----|
| 1 | 0861027 | Ref | GROUND CONTROL BOX ASSEMBLY | C |
| 1 | 0255996 | Ref | Ground Control Box Installation | - |
| 1 | 0257338 | Ref | Ground Control Box Installation with Fuel Gauges | 1 |
| 2 | 3960438 | 50 in/1.3m | Seal | |
| 3 | 0630464 | 6 | Screw #10-24NC x 1/2in | |
| 4 | 4740120 | 6 | Washer, Nylon | |
| 5 | 2420172 | 1 | Hourmeter | |
| 5 | 7012665 | 1 | Guard, Domed (Optional) | |
| 6 | 4360314 | 7 | Switch, Toggle | |
| 7 | 4060802 | 7 | Guard, Switch | |
| 8 | 4740397 | 7 | Spacer | |
| 9 | 4360289 | 1 | Switch, Push-Pull (Emergency Stop) | |
| 9A | 7012611 | 1 | Mushroom Head | |
| 9B | 7012612 | 1 | Boot | |
| 10 | 4360315 | 1 | Switch, Master Key (Select) | |
| 10A | 7012560 | 1 | Key, Replacement | |
| 11 | 0860883 | | Box | |
| 12 | 4460425 | 2 | Connector, Strain Relief | |
| 13 | 4460426 | 1 | Connector, Strain Relief | |
| 14 | 3910608 | 2 | Screw, Round Head #6-32NC x 1/2in | |
| 15 | 4760600 | 2 | Lockwasher #6 | |
| 16 | 4750600 | 2 | Flatwasher #6 | |
| 17 | 3310601 | 2 | Nut #6-32NC | |
| 18 | 3640862 | 1 | Rail | |
| 20 | 3300365 | 6 | Nut, Retainer | |
| 22 | 4420008 | 4 ft/1.2m | Tape, Seal | |
| 23 | 0100048 | AR | Silicone (Not Shown) | |
| 24 | 2540016 | 1 | Grommet | |
| 25 | 4360282 | 1 | Block, Contact | |
| 26 | 1060584 | 1 | Cable, Lanyard | |
| 27 | 3311011 | 1 | Nut, Push #10 | |
| 28 | 4360216 | 1 | Breaker, Circuit - 30 Amp | |
| 29 | 4360232 | 1 | Breaker, Circuit - 15 Amp | |
| 30 | 3520028 | 1 | Plug, Hole | |
| 31 | 0100035 | AR | Loctite #272 (not Shown) | |
| 32 | 3911040 | 1 | Screw, Round Head #10-24NC x 2 1/2in | |
| 33 | 3911012 | 12 | Screw, Round Head #10-24NC x 3/4in | |
| 34 | 4761000 | 13 | Lockwasher #10 | |
| 35 | 4751000 | 26 | Flatwasher #10 | |
| 36 | 3311001 | 13 | Nut #10-24NC | |
| 37 | 3740049 | 8 | Relay | |
| 38 | 4360164 | 1 | Breaker, Circuit - 5 Amp | |
| 39 | 4460299 | 2 | Stop, Terminal | |
| 40 | 4460298 | 50 | Block, Terminal | |
| 41 | 4460300 | AR | Barrier, Terminal | |
| 42 | 4460308 | 1 | Bar, Buss - 2 Position | |
| 43 | 4460310 | 1 | Bar, Buss - 5 Position | |
| 44 | 4460305 | 7 | Screw, Terminal Strip | |
| 45 | 4460306 | 7 | Washer, Terminal Strip | |
| 46 | 4460307 | 7 | Sleeve, Terminal Strip | |

SECTION 2 - TURNTABLE

| ITEM | PART NUMBER | QTY | DESCRIPTION | REV |
|------|-------------|-----|--|-----|
| 47 | 4460301 | 2 | Strip, Marking | |
| 48 | 4460300 | 1 | Barrier, Terminal | |
| 51 | | Ref | Lid, Nameplate Options: | |
| 51 | 3252490 | 1 | Lid, Nameplate | |
| 51 | 3252530 | 1 | Lid, Nameplate (W/ Fuel Gauge) | |
| 52 | | Ref | Harness - Chassis and Valve Options: | |
| 52 | 4921813 | 1 | Harness - Chassis and Valve (See ELECTRICAL SECTION for Breakdown) | |
| 52 | 4921976 | 1 | Harness - Chassis and Valve (W/ Fuel Gauge) (See ELECTRICAL SECTION for Breakdown) | |
| 53 | 2420181 | 1 | Gauge, Fuel | |
| 102 | 0641605 | 4 | Bolt 3/8in-16NC x 5/8in | |
| 103 | 4761600 | 4 | Lockwasher 3/8in | |
| 104 | 4751600 | 4 | Flatwasher 3/8in | |
| | | Ref | GROUND CONTROL BOX OPTIONS | |
| 201 | 4360330 | 1 | Switch, Toggle - Glow Plugs (Diesel Only) | |
| 201 | 4060802 | 1 | Guard, Switch | |
| 201 | 3790012 | 1 | O-Ring | |

SECTION 2 - TURNTABLE

FIGURE 2-7. TURNTABLE AND HOODS INSTALLATION



SECTION 2 - TURNTABLE

FIGURE 2-7. TURNTABLE AND HOODS INSTALLATION

| ITEM | PART NUMBER | QTY | DESCRIPTION | REV |
|------|-------------|------------|--|-----|
| | 4620088 | 1 | TURNTABLE | |
| | 0253709 | Ref | HOODS INSTALLATION | E |
| | | Ref | Note: Replacement decals must be ordered separately - See DECALS SECTION for Breakdown. | |
| 1 | 2680410 | 1 | Hood (Left Side) | |
| 2 | 2680411 | 1 | Hood (Right Side) | |
| 3 | 2940071 | 2 | Latch | |
| 4 | 3430840 | 2 | Pin, Clevis | |
| 5 | 0253687 | 2 | Swing Hinge Assembly | |
| 6 | 3420156 | 4 | Hairpin | |
| 7 | 4751800 | AR | Flatwasher 1/2in | |
| 8 | 0940049 | 2 | Bumper | |
| 9 | 3311501 | 7 | Nut 5/16in-18NC | |
| 10 | 0630468 | 3 | Screw, Button Head 5/16in-18NC x 1in | |
| 11 | 4751500 | 3 | Flatwasher 5/16in | |
| 12 | 0901923 | 1 | Bracket, Mounting - Right Front | |
| 13 | 0901923 | 1 | Bracket, Mounting - Right Side Bottom | |
| 14 | 0901921 | 1 | Bracket, Mounting - Right Side Top | |
| 15 | 3960453 | 2.5 ft/.8m | Seal, Door | |
| 16 | 3311601 | 3 | Nut 3/8in-16NC | |
| 17 | 4751600 | 3 | Flatwasher 3/8in | |
| 18 | 1320043 | 1 | Clamp | |
| 20 | 4751400 | 1 | Flatwasher 1/4in | |
| 21 | 3311401 | 1 | Nut 1/4in-20NC | |
| | 0253984 | Ref | STORAGE COMPARTMENT INSTALLATION | B |
| 101 | 4761600 | 4 | Lockwasher 3/8in | |
| 102 | 0641605 | 4 | Bolt 3/8in-16NC x 5/8in | |
| 103 | 3536691 | 1 | Box, Storage | |
| 104 | 2940042 | 1 | Latch | |
| 105 | 3960438 | 50 in/1.3m | Seal | |
| 106 | 4844404 | 1 | Door Front Weldment | |
| 107 | 4740120 | 6 | Washer, Nylon | |
| 108 | 0630464 | 6 | Screw, Button Head #10-24NC x 1/2in | |
| 109 | 3300365 | 6 | Retainer, Nut #10-24NC | |
| 110 | 0100011 | AR | Loctite #242 | |
| 111 | 4751600 | 4 | Flatwasher | |
| | 0256478 | Ref | OPTIONAL STROBE LIGHT INSTALLATION | - |
| 201 | 4220162 | 1 | Spacer, Stop (Used with ECCO Model 6640 Only) | |
| 202 | | Ref | Adapter Options: | |
| 202 | 0630491 | 1 | Adapter used with ECCO Model 6640 | |
| 202 | 0080241 | 1 | Adapter used with ECCO Model 6650 | |
| 203 | 3539281 | 1 | Plate, Mounting (Used with ECCO Model 6640 Only) | |
| 204 | 0741606 | 1 | Screw, Flathead 3/8in-16NC x 3/4in (Used with ECCO Model 6640 Only) | |
| 205 | 0100011 | AR | Loctite #242 (Not Shown) | |
| 206 | 4240032 | 1 | Tie-Strap (Not Shown) | |
| 207 | 0272507 | 1 | Strobe Light Assembly (was p/n 0255917) | |
| 207 | | Ref | Bulb, Replacement Options: | |
| 207 | 7016380 | 1 | Bulb for ECCO Model 6640 | |
| 207 | 70001941 | 1 | Bulb for ECCO Model 6650 | |

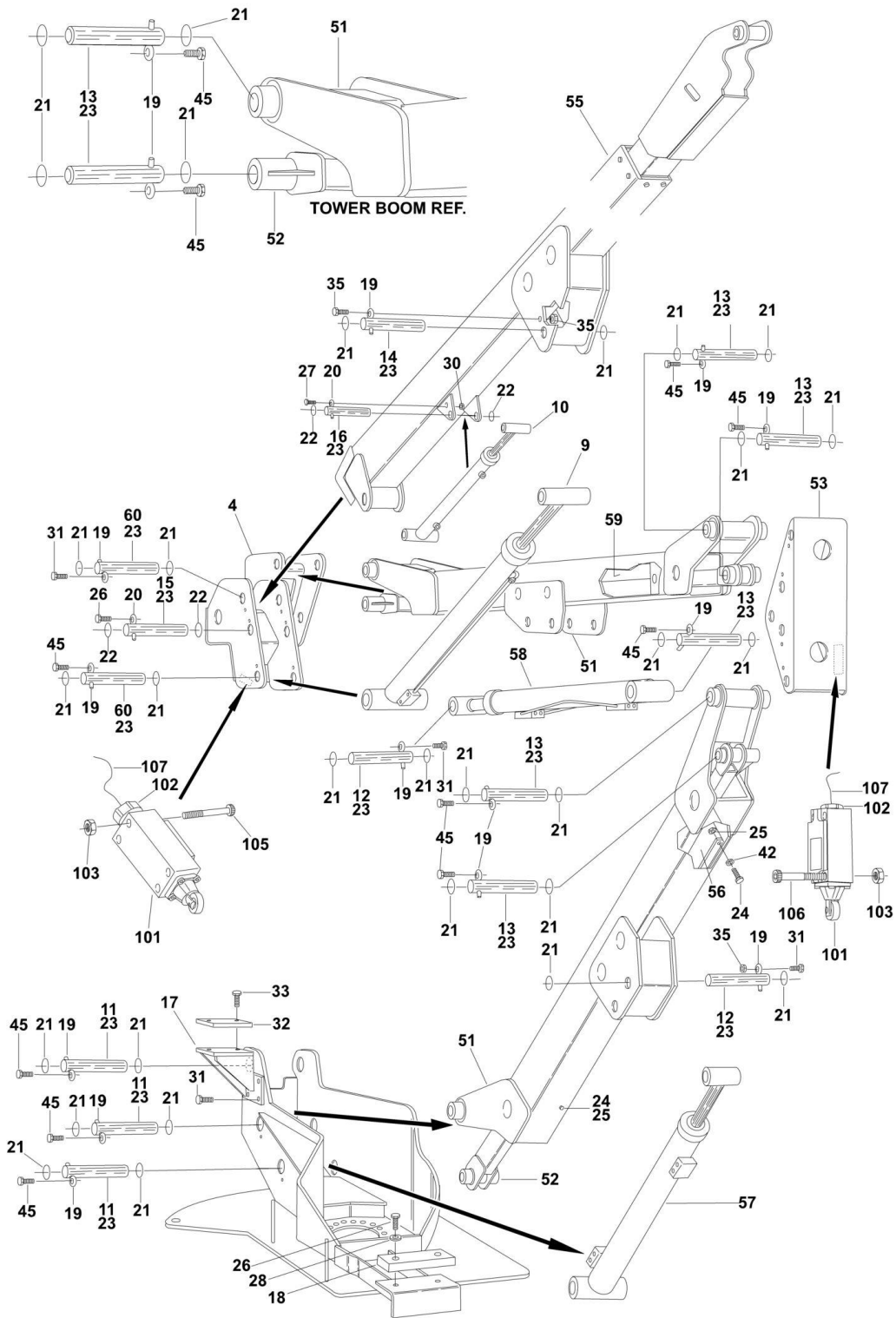
SECTION 2 - TURNTABLE

| ITEM | PART NUMBER | QTY | DESCRIPTION | REV |
|------|-------------|-----|---------------------------------|-----|
| 207A | | Ref | Guard, Strobe Options: | |
| 207A | 4060907 | 1 | Guard used with ECCO Model 6640 | |
| 207A | 2920215 | 1 | Guard used with ECCO Model 6650 | |
| 208 | 4460234 | 1 | Clamp | |
| 209 | 0100048 | AR | Sealant, Silicone (Not Shown) | |

SECTION 3 - BOOM

SECTION 3 - BOOM

FIGURE 3-1. BOOM AND LIMIT SWITCHES INSTALLATIONS



SECTION 3 - BOOM

FIGURE 3-1. BOOM AND LIMIT SWITCHES INSTALLATIONS

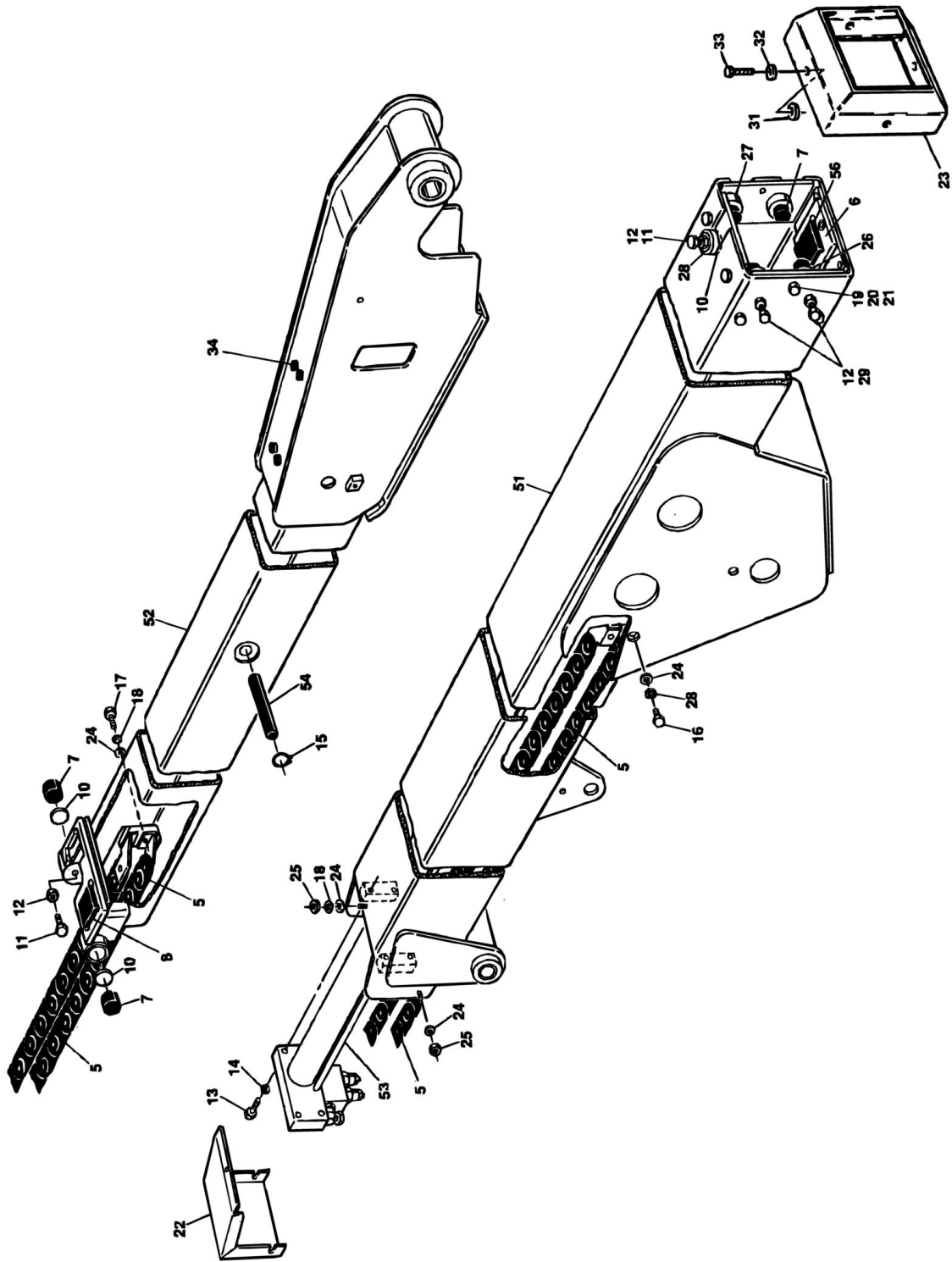
| ITEM | PART NUMBER | QTY | DESCRIPTION | REV |
|------|-------------|-----|--|-----|
| | | Ref | BOOM INSTALLATION (STANDARD PARTS) | |
| | 0253455 | Ref | Boom Installation Model 40ic | 13 |
| | 0254040 | Ref | Boom Installation Model 45ic | 8 |
| 4 | 4844304 | 1 | Upright Weldment (Top) | |
| 9 | 1683337 | 1 | Cylinder Assembly - Upper Lift (See CYLINDER SECTION for Breakdown) (Prior to SN 29899) | |
| 9 | 1683506 | 1 | Cylinder Assembly - Upper Lift (See CYLINDER SECTION for Breakdown) (SN 29899 to Present) | |
| 10 | 1683325 | 1 | Cylinder Assembly - Master (See CYLINDER SECTION for Breakdown) | |
| 11 | 3422175 | 3 | Pin, Pivot | |
| 12 | 3422176 | 2 | Pin, Pivot | |
| 13 | 3422177 | 9 | Pin, Pivot | |
| 14 | 3422178 | 1 | Pin, Pivot | |
| 15 | 3422179 | 1 | Pin, Pivot | |
| 16 | 3422180 | 1 | Pin, Pivot | |
| 17 | 4844467 | 1 | Boom Rest Weldment | |
| 18 | 0561076 | 1 | Block, Boom Rest | |
| 19 | 3841203 | 15 | Keeper, Pin - 1/2in | |
| 20 | 3841143 | 2 | Keeper, Pin - 3/8in | |
| 21 | 3780184 | 30 | O-Ring - 2in | |
| 22 | 3780181 | 4 | O-Ring - 1in | |
| 23 | 3020022 | AR | Grease | |
| 24 | 0641506 | 4 | Bolt 5/16in-18NC x 3/4in | |
| 25 | 3311505 | 4 | Locknut 5/16in-18NC | |
| 26 | 0641608 | 3 | Bolt 3/8in-16NC x 1in | |
| 27 | 0641610 | 1 | Bolt 3/8in-16NC x 1 1/4in | |
| 28 | 4751600 | 2 | Flatwasher 3/8in | |
| 30 | 3311605 | 1 | Locknut 3/8in-16NC | |
| 31 | 0641812 | 6 | Bolt 1/2in-13NC x 1 1/2in | |
| 32 | 0940048 | 1 | Bumper | |
| 33 | 0641806 | 2 | Bolt 1/2in-13NC x 3/4in | |
| 35 | 3311805 | 3 | Locknut 1/2in-13NC | |
| 42 | 4751500 | 4 | Flatwasher 5/16in | |
| 44 | 0100011 | AR | Loctite #242 (Not Shown) | |
| 45 | 0641810 | 12 | Bolt 1/2in-13NC x 1 1/4in | |
| 51 | | Ref | Tower Boom Weldment Options: | |
| 51 | 0800831 | 2 | Tower Boom Weldment Model 40ic | |
| 51 | 0800852 | 2 | Tower Boom Weldment Model 45ic | |
| 51 | 0961726 | 8 | Bushing, Teflon (4 Per Assembly) | |
| 52 | | Ref | Link, Level (Base and Mid) Options: | |
| 52 | 4844302 | 2 | Link, Level (Base and Mid) Model 40ic | |
| 52 | 4844541 | 2 | Link, Level (Base and Mid) Model 45ic | |
| 52 | 0961726 | 8 | Bushing, Teflon (4 Per Assembly) | |
| 53 | | Ref | Upright Weldment (Bottom) Options: | |
| 53 | 4844303 | 1 | Upright Weldment (Bottom) Model 40ic | |
| 53 | 4844427 | 1 | Upright Weldment (Bottom) Model 45ic | |
| 55 | | Ref | Main Boom Assembly (See MAIN BOOM COMPONENTS ASSEMBLY for Breakdown) Options: | |
| 55 | 0800832 | 1 | Main Boom Assembly Model 40ic | |

SECTION 3 - BOOM

| ITEM | PART NUMBER | QTY | DESCRIPTION | REV |
|------|-------------|----------------|--|-----|
| 55 | 0800853 | 1 | Main Boom Assembly Model 45ic | |
| 56 | | Ref | Plate, Hose Guard Options: | |
| 56 | 3536491 | 1 | Plate, Hose Guard Model 40ic | |
| 56 | 3537045 | 1 | Plate, Hose Guard Model 45ic | |
| 57 | | Ref | Cylinder Assembly - Lower Lift Options: (See CYLINDER SECTION for Breakdown) | |
| 57 | 1682855 | 1 | Cylinder Assembly - Lower Lift Model 40ic (Prior to SN 29899) | |
| 57 | 1683518 | 1 | Cylinder Assembly - Lower Lift (SN 29899 to Present) | |
| 57 | 1683013 | 1 | Cylinder Assembly - Lower Lift Model 45ic (Prior to SN 29899) | |
| 57 | 1683521 | 1 | Cylinder Assembly - Lower Lift (SN 29899 to Present) | |
| 58 | | Ref | Cylinder Assembly - Mid Lift Options: (See CYLINDER SECTION for Breakdown) | |
| 58 | 1682861 | 1 | Cylinder Assembly - Mid Lift Model 40ic (Prior to SN 29899) | |
| 58 | 1683519 | 1 | Cylinder Assembly - Mid Lift (SN 29899 to Present) | |
| 58 | 1683018 | 1 | Cylinder Assembly - Mid Lift Model 45ic (Prior to SN 29899) | |
| 58 | 1683522 | 1 | Cylinder Assembly - Mid Lift (SN 29899 to Present) | |
| 59 | | Ref | Tube Options: | |
| 59 | 4566427 | 1 | Tube Model 40ic | |
| 59 | 4566356 | 1 | Tube Model 45ic | |
| | 0254875 | Ref | BOOM LIMIT SWITCHES INSTALLATION | 4 |
| 101 | 4360321 | 2 | Switch, Limit | |
| 102 | 4460428 | 2 | Connector, Strain Relief | |
| 103 | 3311005 | 4 | Locknut #10-24NC | |
| 105 | 3900168 | 2 | Screw, Socket Head #10-24NC x 1 1/2in | |
| 106 | 3900097 | 2 | Screw, Socket Head #10-24NC x 2 1/8in | |
| 107 | 1060341 | 48 ft 14.7m | Cable, Electrical - 16/2 | |
| 108 | 1670832 | 1 | Cover, Lower Switch | |
| 109 | 1680833 | 1 | Cover, Upper Switch | |

SECTION 3 - BOOM

FIGURE 3-2. MAIN BOOM COMPONENTS ASSEMBLY



SECTION 3 - BOOM

FIGURE 3-2. MAIN BOOM COMPONENTS ASSEMBLY

| ITEM | PART NUMBER | QTY | DESCRIPTION | REV |
|------|-------------|-----|---|------|
| | | Ref | MAIN BOOM ASSEMBLY | |
| | 0800832 | Ref | Main Boom Assembly Model 40ic | O-12 |
| | 0800853 | Ref | Main Boom Assembly Model 45ic | J-12 |
| 5 | 1180302 | 1 | Power-Track | |
| 5 | 7019698 | 40 | Links | |
| 5 | 7019699 | 1 | Bracket, End (Sold in Pairs) | |
| 6 | 4844579 | 1 | Holder, Wear Pad (Base Front Bottom) | |
| 7 | 3340663 | 8 | Pad, Wear (Base Front Top and Sides/Fly Rear Sides and Bottom) | |
| 8 | 3340666 | 2 | Pad, Wear (Fly Rear Top) (Prior to SN 31965) | |
| 8 | 3340820 | 2 | Pad, Wear (Fly Rear Top) (SN 31965 to Present) | |
| 10 | 1760160 | 8 | Disc | |
| 11 | 0630487 | 6 | Bolt, Special | |
| 12 | 3311602 | 8 | Nut, Jam 3/8in-16NC | |
| 13 | 0641818 | 4 | Bolt 1/2in-13NC x 2 1/4in | |
| 14 | 4761800 | 4 | Lockwasher 1/2in | |
| 15 | 3760115 | 2 | Ring, Retaining | |
| 16 | 0641405 | 2 | Bolt 1/4in-20NC x 5/8in | |
| 17 | 0641404 | 2 | Bolt 1/4in-20NC x 1/2in | |
| 18 | 4761400 | 7 | Lockwasher 1/4in | |
| 19 | 0641606 | 7 | Bolt 3/8in-16NC x 3/4in | |
| 20 | 4761600 | 7 | Lockwasher 3/8in | |
| 21 | 0100011 | AR | Loctite #242 | |
| 22 | 1670678 | 1 | Cover, Boom | |
| 23 | 1670698 | 1 | Cover, Boom | |
| 24 | 4751400 | 7 | Flatwasher 1/4in | |
| 25 | 3311401 | 3 | Nut 1/4in-20NC | |
| 26 | | Ref | Casting, Wear Pad Holder (Base Front Left Side) Options: | |
| 26 | 4844383 | 1 | Casting, Wear Pad Holder (Base Front Left Side) (Prior to SN 35014) | |
| 26 | 1220038 | 1 | Casting, Wear Pad Holder (Base Front Left Side) (SN 35014 to Present) | |
| 27 | | Ref | Casting, Wear Pad Holder (Base Front Right Side) Options: | |
| 27 | 4844384 | 1 | Casting, Wear Pad Holder (Base Front Right Side) (Prior to SN 35014) | |
| 27 | 1220039 | 1 | Casting, Wear Pad Holder (Base Front Right Side) (SN 35014 to Present) | |
| 28 | | Ref | Casting, Wear Pad Holder (Base Front Top) Options: | |
| 28 | 4844386 | 1 | Casting, Wear Pad Holder (Base Front Top) (Prior to SN 35014) | |
| 28 | 1220040 | 1 | Casting, Wear Pad Holder (Base Front Top) (SN 35014 to Present) | |
| 29 | 0630399 | 2 | Bolt 3/8in-16NC x 2 1/4in | |
| 30 | 0100009 | AR | Silicone (Not Shown) | |
| 31 | 4740413 | 5 | Spacer | |
| 32 | 4751600 | 5 | Flatwasher 3/8in | |
| 33 | 0641608 | 5 | Bolt 3/8in-16NC x 1in | |
| 34 | 3520034 | 4 | Plug, Hole | |
| 51 | | Ref | Base Weldment Options: | |
| 51 | 0800833 | 1 | Base Weldment Model 40ic | |
| 51 | 0800854 | 1 | Base Weldment Model 45ic | |

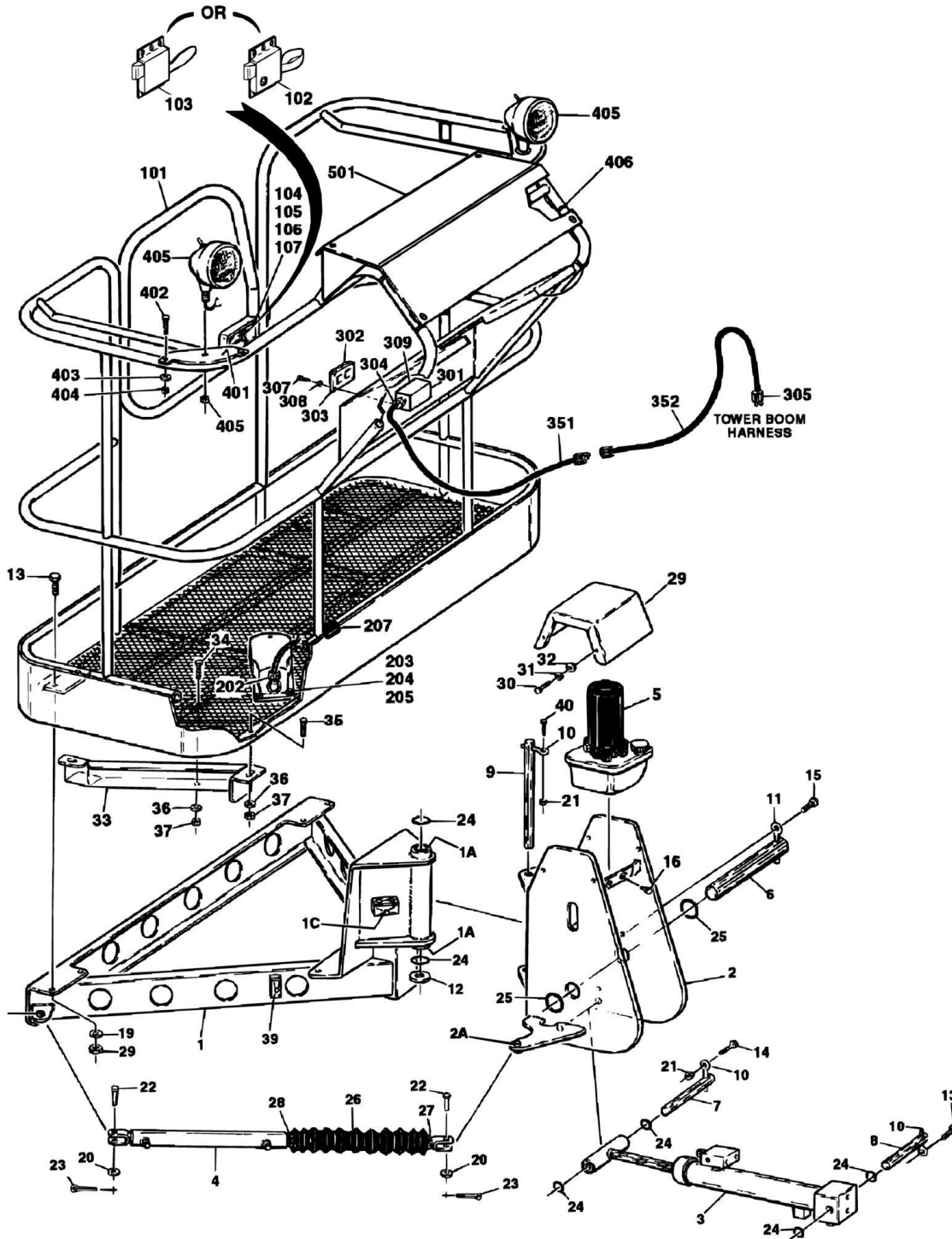
SECTION 3 - BOOM

| ITEM | PART NUMBER | QTY | DESCRIPTION | REV |
|------|-------------|-----|---|-----|
| 51 | 0961726 | 2 | Bushing, Teflon | |
| 52 | | Ref | Fly Weldment Options: | |
| 52 | 0800834 | 1 | Fly Weldment Model 40ic | |
| 52 | 0800855 | 1 | Fly Weldment Model 45ic | |
| 52 | 0961726 | 2 | Bushing, Teflon | |
| 53 | | Ref | Telescope Cylinder Assembly Options: (See CYLINDER SECTION for Breakdown) | |
| 53 | 1682887 | 1 | Telescope Cylinder Assembly Model 40ic | |
| 53 | 1682947 | 1 | Telescope Cylinder Assembly Model 45ic | |
| 54 | 3422185 | 1 | Pin, Mounting | |
| 56 | 3340682 | 1 | Pad, Wear (Base Front Bottom) | |

SECTION 4 - PLATFORMS

SECTION 4 - PLATFORMS

FIGURE 4-1. PLATFORM COMPONENTS INSTALLATION



SECTION 4 - PLATFORMS

FIGURE 4-1. PLATFORM COMPONENTS INSTALLATION

| ITEM | PART NUMBER | QTY | DESCRIPTION | REV |
|------|-------------|-----|--|-----|
| | 0255995 | Ref | ROTATOR AND SUPPORT INSTALLATION | C |
| 1 | 4844465 | 1 | Support Weldment | |
| 1A | 0961608 | 2 | Bushing, Bronze (Platform Pivot) | |
| 1B | 0961749 | 2 | Bushing, Bronze (Rotator Cylinder Pivot) | |
| 1C | 1320050 | 2 | Clamp, Hose | |
| 2 | 4844466 | 1 | Pivot Weldment | |
| 2A | 0961749 | 2 | Bushing, Bronze (Rotator Cylinder Pivot) | |
| 3 | 1683285 | 1 | Slave Cylinder Assembly (See CYLINDER SECTION for Breakdown) | |
| 4 | 1682930 | 1 | Rotator Cylinder Assembly (See CYLINDER SECTION for Breakdown) | |
| 5 | 3600253 | 1 | Rotator Pump, Motor and Tank Assembly (See ROTATOR MOTOR/PUMP/TANK ASSEMBLY for Breakdown) | |
| 6 | 3422176 | 1 | Pin, Pivot | |
| 7 | 3422180 | 1 | Pin, Pivot | |
| 8 | 3422181 | 1 | Pin, Pivot | |
| 9 | 3422191 | 1 | Pin, Pivot | |
| 10 | 3841143 | 3 | Pin, Keeper | |
| 11 | 3841203 | 1 | Pin, Keeper | |
| 12 | 4740007 | 1 | Washer, Thrust | |
| 13 | 0641607 | 8 | Bolt 3/8in-16NC x 7/8in | |
| 14 | 0641608 | 1 | Bolt 3/8in-16NC x 1in | |
| 15 | 0641810 | 1 | Bolt 1/2in-13NC x 1 1/4in | |
| 16 | 0641605 | 2 | Bolt 3/8in-16NC x 5/8in | |
| 19 | 4751600 | 9 | Flatwasher 3/8in | |
| 20 | 4751800 | 2 | Flatwasher 1/2in | |
| 21 | 3311605 | 9 | Locknut 3/8in-16NC | |
| 22 | 3430816 | 2 | Pin, Clevis 1/2in x 2in | |
| 23 | 3450405 | 2 | Pin, Cotter | |
| 24 | 3780181 | 6 | O-Ring | |
| 25 | 3780184 | 2 | O-Ring | |
| 26 | 0460106 | 1 | Bellows | |
| 27 | 1320017 | 1 | Clamp, Hose | |
| 28 | 1320031 | 1 | Clamp, Hose | |
| 29 | 1670690 | 1 | Cover, Motor | |
| 30 | 3941405 | 4 | Screw, Self-Tapping 1/4in x 5/8in | |
| 31 | 4751400 | 4 | Flatwasher 1/4in | |
| 32 | 4761400 | 4 | Lockwasher 1/4in | |
| 33 | 4060855 | 1 | Shield | |
| 34 | 0641505 | 1 | Bolt 5/16in-18NC x 5/8in | |
| 35 | 0641516 | 2 | Bolt 5/16in-18NC x 2in | |
| 36 | 4751500 | 6 | Flatwasher 5/16in | |
| 37 | 3311505 | 3 | Locknut 5/16in-18NC | |
| 38 | 0100011 | AR | Loctite #242 (Not Shown) | |
| 39 | 1320159 | 1 | Clamp, Hose | |
| 40 | 0641610 | 1 | Bolt 3/8in-16NC x 1 1/4in | |
| | | Ref | Platform Weldment Options: | |
| | 3510504 | Ref | 26in x 48in (Prior to SN 33712) | - |
| | 3510596 | Ref | 26in x 48in (SN 33712 to Present) | B-2 |
| | 3510498 | Ref | 26in x 60in (Prior to SN 33712) | - |

SECTION 4 - PLATFORMS

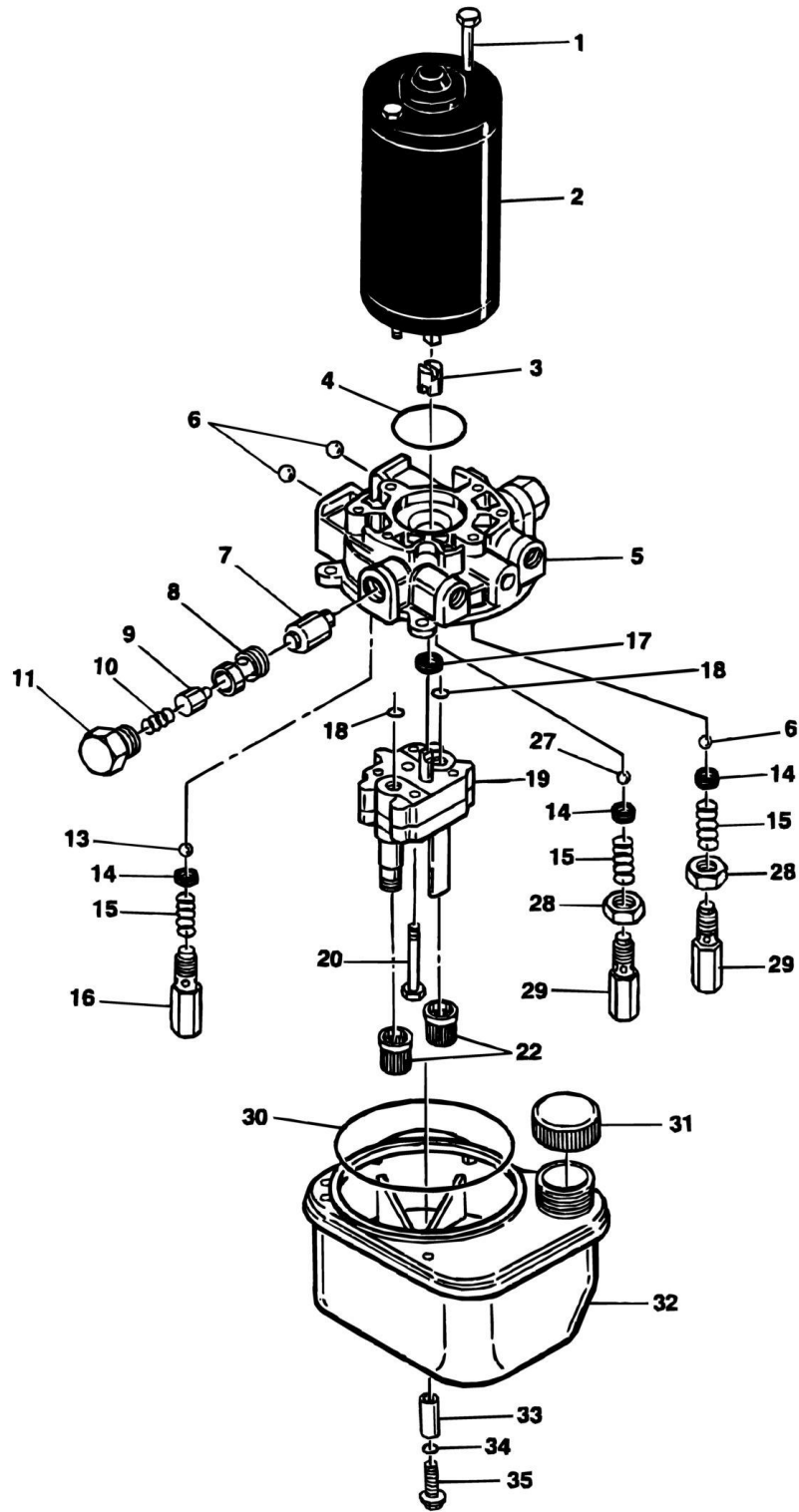
| ITEM | PART NUMBER | QTY | DESCRIPTION | REV |
|------|-------------|----------|--|-----|
| | 3510584 | Ref | 26in x 60in (SN 33712 to Present) | A-1 |
| | 3510601 | Ref | 26in x 48in (With Mesh to Top Rail) | A-2 |
| | 3510513 | Ref | 26in x 60in (With Mesh to Top Rail) (Prior to SN 33712) | A-2 |
| | 3510598 | Ref | 26in x 60in (With Mesh to Top Rail) (SN 33712 to Present) | A-3 |
| | | Ref | Note: Replacement decals must be ordered separately - See DECALS SECTION for Breakdown. | |
| 101 | | Ref | Door Weldment Options (Includes Items 102-107): | |
| 101 | 1780265 | 1 | Standard Door (Prior to SN 33712) | |
| 101 | 1780299 | 1 | Standard Door (SN 33712 to Present) | |
| 101 | 1780289 | 1 | Door With Mesh to Top Rail (Prior to SN 33712) | |
| 101 | 1780300 | 1 | Door With Mesh to Top Rail (SN 33712 to Present) | |
| 102 | 2940006 | 1 | Latch, Door (Prior to SN 33712) | |
| 102 | 2560010 | 1 | Handle, Door (Prior to SN 33712) | |
| 103 | 2940074 | 1 | Latch, Door (SN 33712 to Present) | |
| 104 | 3911016 | 4 | Screw, Machine #10-24NC x 1in | |
| 105 | 4761000 | 4 | Lockwasher #10 | |
| 106 | 4751000 | 4 | Flatwasher #10 | |
| 107 | 3311001 | 4 | Nut #10-24NC | |
| | 0252408 | Ref | FOOTSWITCH INSTALLATION | D |
| 201 | 4360031 | 1 | Footswitch Assembly | |
| 201 | 7000625 | 2 | Block, Contact | |
| 202 | 4460422 | 1 | Connector | |
| 203 | 0641408 | 3 | Bolt 1/4in-20NC x 1in | |
| 204 | 3311401 | 3 | Nut 1/4in-20NC | |
| 205 | 4751400 | 3 | Flatwasher 1/4in | |
| 207 | 4060803 | 2 in/5cm | Flex-Trim | |
| | | Ref | OPTIONAL 110VAC RECEPTACLE BOX INSTALLATION | |
| | 0253716 | Ref | Optional 110vac Receptacle Box Installation Model 40ic | E |
| | 0254042 | Ref | Optional 110vac Receptacle Box Installation Model 45ic | D |
| 301 | 0860038 | 1 | Box, Electrical | |
| 302 | 4460347 | 1 | Receptacle, Electrical | |
| 303 | 4060092 | 1 | Cover, Receptacle | |
| 304 | 4460071 | 1 | Connector, Strain Relief | |
| 305 | 4460205 | 1 | Plug | |
| 307 | 3910606 | 4 | Screw, Machine #6-32NC x 3/8in | |
| 308 | 4760600 | 4 | Lockwasher #6 | |
| 309 | 3960422 | 1 | Gasket | |
| 351 | | Ref | Harness Options: (Main Boom) (See ELECTRICAL SECTION for Breakdown) | |
| 351 | 4921569 | 1 | Harness Model 40ic | |
| 351 | 4921593 | 1 | Harness Model 45ic | |
| 352 | | Ref | Harness Options: (Tower Boom) (See ELECTRICAL SECTION for Breakdown) | |
| 352 | 4921568 | 1 | Harness Model 40ic | |
| 352 | 4921592 | 1 | Harness Model 45ic | |
| | 2901406 | Ref | OPTIONAL PLATFORM WORKLIGHT KIT | - |
| 401 | 3536089 | 2 | Plate, Mounting | |
| 402 | 0641414 | 4 | Bolt 1/4in-20NC x 1 3/4in | |
| 403 | 3311405 | 4 | Locknut 1/4in-20NC | |
| 404 | 4711400 | 4 | Flatwasher 1/4in Narrow | |
| 405 | 2920140 | 2 | Floodlight | |
| 406 | 4240099 | 10 | Tie-Strap | |

SECTION 4 - PLATFORMS

| ITEM | PART NUMBER | QTY | DESCRIPTION | REV |
|------|-------------|-----------|---|-----|
| 407 | 4360070 | 1 | Breaker, Circuit - 15 Amp (Not Shown - Located in Platform Console Box) | A |
| 409 | 2820035 | 9 ft/2.7m | Loom, Vinyl (Not Shown) | |
| 410 | 4460598 | 1 | Connector, Strain Relief (Not Shown - Located in Platform Console Box) | |
| | 0254955 | Ref | OPTIONAL CONSOLE COVER KIT | |
| 501 | 1670732 | 1 | Cover, Console | |
| 501 | 1020005 | AR | Button, Tear Away | |
| 501 | 1670688 | AR | Cover, Tear Away | |

SECTION 4 - PLATFORMS

FIGURE 4-2. ROTATOR MOTOR/PUMP/TANK ASSEMBLY



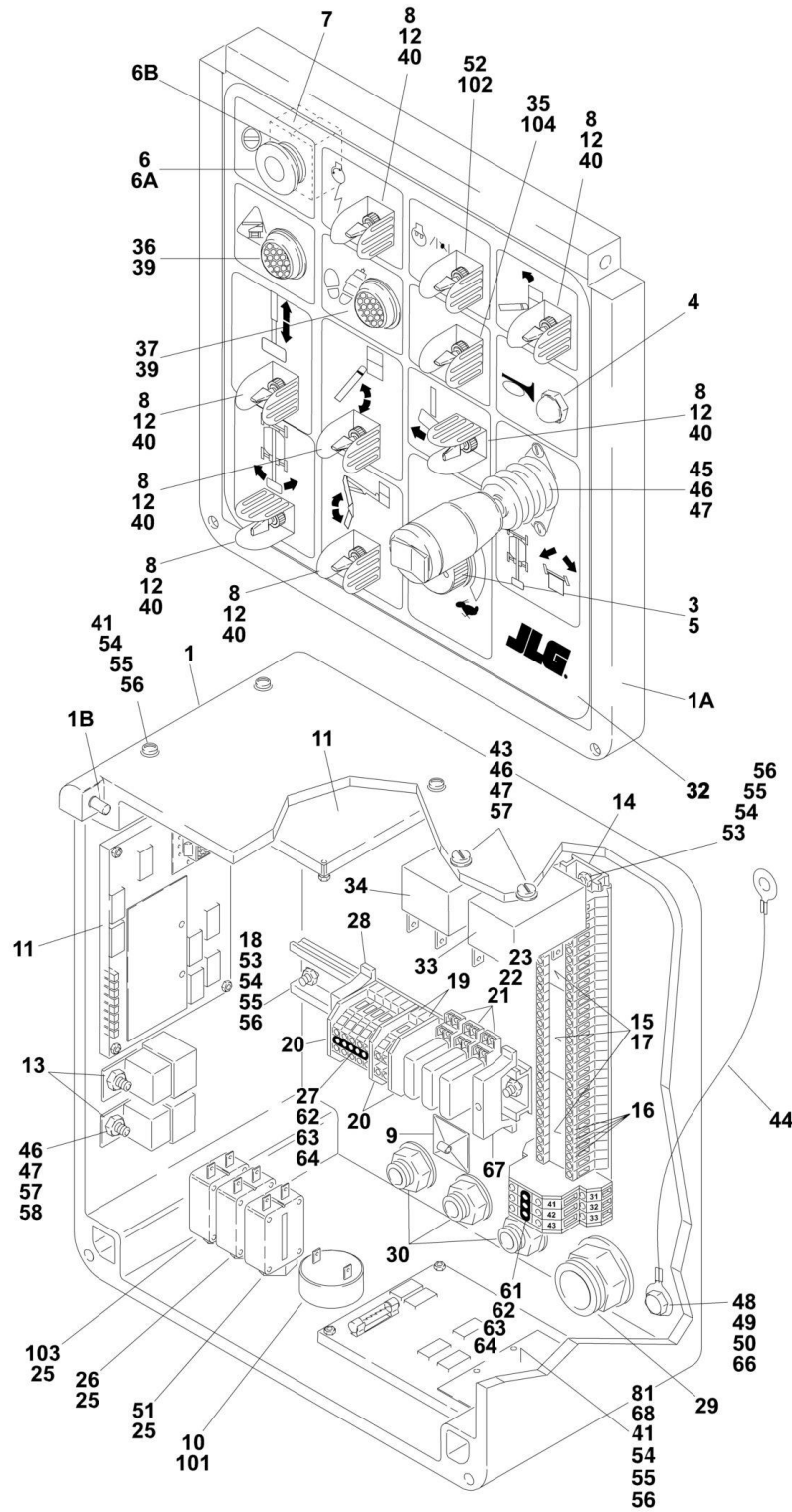
SECTION 4 - PLATFORMS

FIGURE 4-2. ROTATOR MOTOR/PUMP/TANK ASSEMBLY

| ITEM | PART NUMBER | QTY | DESCRIPTION | REV |
|------|---------------|-----|--|-----|
| | 3600253 | Ref | ROTATOR MOTOR/PUMP/TANK ASSEMBLY | - |
| 1 | Not Serviced | 2 | Stud, Motor Mounting | |
| 2 | 7003563 | 1 | Motor (Includes Mounting Bolts) | |
| 2 | Not Available | 1 | Brush/Spring Kit | |
| 3 | 7003551 | 1 | Coupling | |
| 4 | Kit | 1 | O-Ring | |
| 5 | Not Serviced | 1 | Adapter | |
| 6 | 7003576 | 3 | Ball, Steel | |
| 7 | 7003564 | 1 | Spool | |
| 8 | 7003565 | 1 | Body, Check Valve (Includes O-Ring) | |
| 9 | 7003566 | 2 | Poppet Assembly | |
| 10 | 7003567 | 2 | Spring | |
| 11 | 7003568 | 2 | Retainer, Hex | |
| 13 | 7003569 | 2 | Ball | |
| 14 | 7003570 | 4 | Eyelet | |
| 15 | 7003571 | 4 | Spring | |
| 16 | 7003572 | 2 | Screw, Thermal Relief Adjusting | |
| 17 | Kit | 1 | Seal, Shaft | |
| 18 | Kit | 1 | O-Ring | |
| 19 | 7003573 | 1 | Pump | |
| 20 | Not Serviced | 2 | Capscrew, Torx | |
| 22 | 7003554 | 2 | Filter | |
| 27 | 7003574 | 1 | Ball, Steel | |
| 28 | Not Serviced | 2 | Nut 7/16in-20 | |
| 29 | 7003575 | 2 | Screw, Relief Valve Adjusting | |
| 30 | Kit | 1 | Seal, Reservoir | |
| 31 | 7003556 | 1 | Cap, Reservoir | |
| 32 | 7003557 | 1 | Reservoir | |
| 33 | Not Serviced | 1 | Spacer | |
| 34 | Kit | 1 | O-Ring | |
| 35 | Not Serviced | 1 | Bolt, Self-Tapping | |
| | 7003562 | 1 | Seal Kit (Includes Items 4, 17, 18, 30, 34 and Pump Seals and O-Rings) | |

SECTION 4 - PLATFORMS

FIGURE 4-3. PLATFORM CONSOLE ASSEMBLY



SECTION 4 - PLATFORMS

FIGURE 4-3. PLATFORM CONSOLE ASSEMBLY

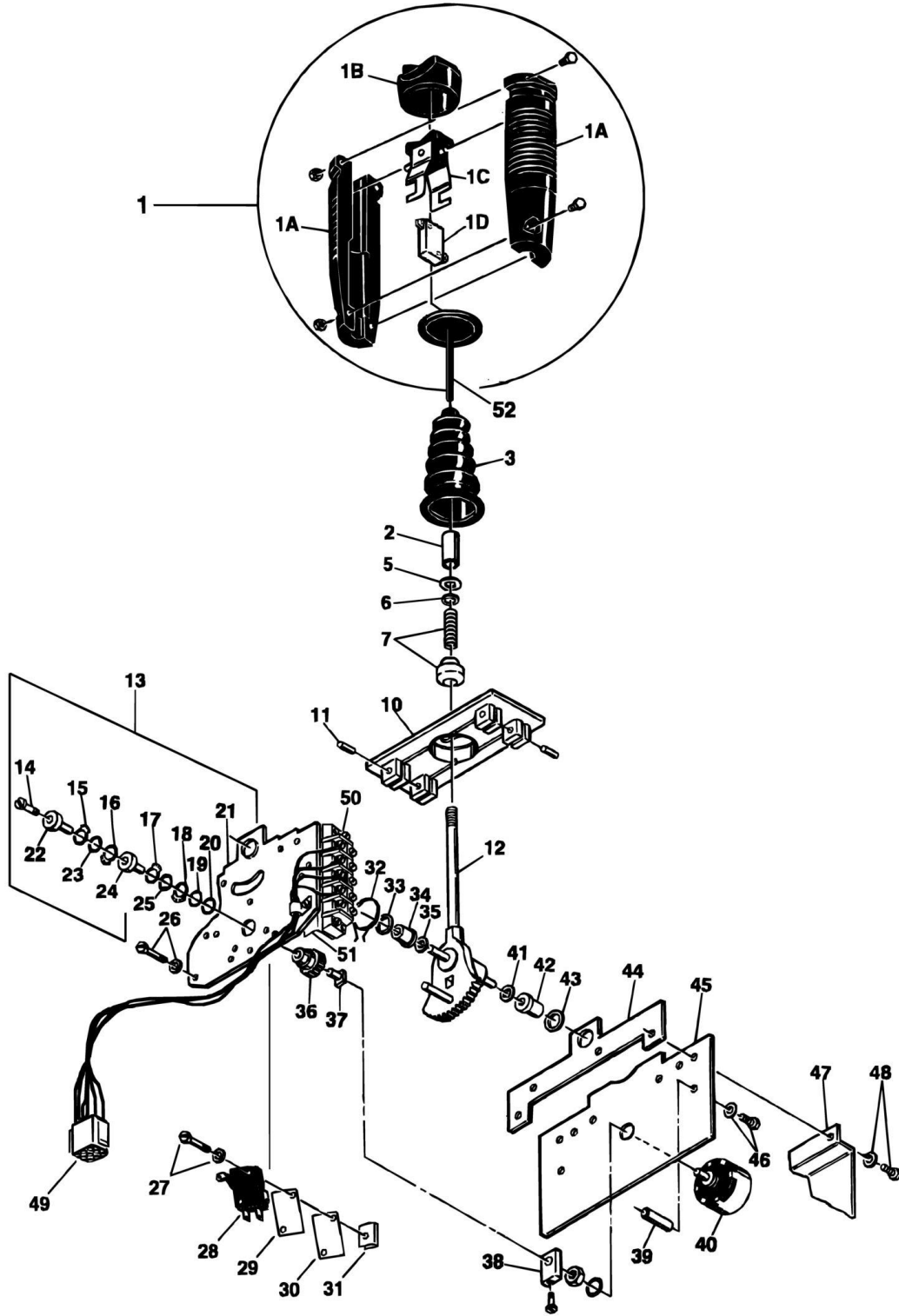
| ITEM | PART NUMBER | QTY | DESCRIPTION | REV |
|------|---------------|-----|--|-----|
| | | Ref | PLATFORM CONSOLE ASSEMBLY (STANDARD PARTS) | H |
| | 0861029 | Ref | Platform Console Assembly - Gas Machines | G |
| | 0861067 | Ref | Platform Console Assembly - Diesel Machines | B |
| 1 | 0861028 | 1 | Box Assembly | |
| 1A | Not Available | 1 | Lid | |
| 1B | 2900859 | 1 | Hinge Pin/Retainer/Gasket Kit | |
| 2 | 1600245 | 1 | Controller Assembly - Drive/Steer (See CONTROLLER ASSEMBLY - DRIVE/STEER for Breakdown) | |
| 3 | 4360407 | 1 | Potentiometer/Switch (Function Speed) | |
| 3 | See Note | 1 | Gasket "Top Hat" (Included with Switch) (Note: Not Available - Purchase Complete Controller) | |
| 3 | 70003784 | 1 | Seal | |
| 4 | 4360387 | 1 | Switch, Push Button | |
| 5 | 2560136 | 1 | Knob | |
| 6 | 4360289 | 1 | Switch, Push/Pull (Emergency Stop) | |
| 6A | 7012611 | 1 | Head, Mushroom | |
| 6B | 7012612 | 1 | Boot | |
| 7 | 4360282 | 1 | Block, Contact | |
| 8 | 4360314 | 7 | Switch, Toggle | |
| 9 | 4460234 | 4 | Mount, Cable Tie | |
| 10 | 3520031 | 1 | Plug, Hole | |
| 11 | 1600218 | 2 | Card, Control | |
| 12 | 4060802 | 7 | Guard, Switch | |
| 13 | 3740049 | 2 | Relay | |
| 14 | 3640930 | 1 | Rail | |
| 15 | 4460522 | 3 | Block, Terminal | |
| 16 | 4460525 | 1 | Markers, Terminal | |
| 17 | 4460524 | 3 | Lock, Terminal | |
| 18 | 3640834 | 1 | Rail | |
| 19 | 4460387 | 10 | Strip, Terminal - 2 Level | |
| 20 | 4460388 | 5 | Barrier, Terminal | |
| 21 | 4120012 | 3 | Base, Relay | |
| 22 | 3740057 | 3 | Relay 2DPT | |
| 23 | 3740066 | 6 | Spring, Relay | |
| 24 | 3520054 | 1 | Plug, Button | |
| 25 | 3300396 | 3 | Nut, Special | |
| 26 | 4360069 | 1 | Breaker, Circuit - 10 Amp | |
| 27 | 4460441 | 2 | Bar, Buss - 5 Position | |
| 28 | 4460442 | 2 | Stop, Terminal | |
| 29 | 4460526 | 1 | Connector, Strain Relief | |
| 30 | 4460428 | 3 | Connector, Strain Relief | |
| 32 | 1702734 | 1 | Decal, Lid | |
| 33 | 3740113 | 1 | Relay, Time Delay | |
| 34 | 3740115 | 1 | Relay, Time Delay | |
| 35 | 3520028 | 1 | Plug, Hole | |
| 36 | 2920120 | 1 | Light, Indicator - Red | |
| 37 | 2920141 | 1 | Light, Indicator - Green | |
| 39 | 2920108 | 2 | Bulb | |
| 40 | 3790012 | 7 | O-Ring | |
| 41 | 3910616 | 8 | Screw #6-32NC x 1in | |

SECTION 4 - PLATFORMS

| ITEM | PART NUMBER | QTY | DESCRIPTION | REV |
|------|-------------|-----|---|-----|
| 42 | 0100029 | AR | Silicone (Not Shown) | |
| 43 | 3911024 | 2 | Screw #10-24NC x 1 1/2in | |
| 44 | 1060329 | 1 | Lanyard | |
| 45 | 0731003 | 1 | Bolt #10-28NF x 3/8in | |
| 46 | 4751000 | 9 | Flatwasher #10 | |
| 47 | 4761000 | 5 | Lockwasher #10 | |
| 48 | 0641520 | 4 | Bolt 5/16in-18NC x 2 1/2in | |
| 49 | 4751500 | 4 | Flatwasher 5/16in | |
| 50 | 4761500 | 4 | Lockwasher 5/16in | |
| 51 | 4360161 | 1 | Breaker, Circuit - 20 Amp | |
| 52 | 3250028 | 1 | Plug, Hole | |
| 53 | 3910608 | 4 | Screw #6-32NC x 1/2in | |
| 54 | 4760600 | 16 | Lockwasher #6 | |
| 55 | 4750600 | 36 | Flatwasher #6 | |
| 56 | 3310601 | 20 | Nut #6-32NC | |
| 57 | 3311001 | 4 | Nut #10-24NC | |
| 58 | 3911012 | 2 | Screw #10-24NC x 3/4in | |
| 59 | 0100035 | AR | Loctite #272 (not Shown) | |
| 60 | 0100011 | AR | Loctite #242 (Not Shown) | |
| 61 | 4460390 | 1 | Bar, Buss - 3 Position | |
| 62 | 4460305 | 13 | Screw, Terminal | |
| 63 | 4460306 | 13 | Washer, Terminal | |
| 64 | 4460307 | 13 | Sleeve, Terminal | |
| 65 | 4460301 | 1 | Number, Terminal Strip | |
| 66 | 4567058 | 2 | Spacer | |
| 67 | 4460299 | 1 | Stop, Terminal | |
| 68 | 3910620 | 4 | Screw #6-32NC x 1 1/4in | |
| 81 | | Ref | Card, Control Options: | |
| 81 | 1600251 | 1 | Gas Machines | |
| 81 | 1600252 | 1 | Diesel Machines | |
| 81 | 7016379 | 1 | Fuse - 1 Amp | |
| 81 | 7016608 | 1 | Plug, Connector | |
| 81 | 7016609 | 8 | Pin | |
| | | Ref | CONSOLE OPTIONS | |
| 101 | 0140026 | 1 | Alarm, Tilt | |
| 102 | 4360330 | 1 | Switch, Toggle - Glow Plugs (Diesel Only) | |
| 102 | 4060802 | 1 | Guard, Switch | |
| 102 | 3790012 | 1 | O-Ring | |
| 103 | 4360070 | 1 | Breaker, Circuit - 15 Amp (With Worklights) | |
| 104 | 4360336 | 1 | Switch, Toggle - Fuel Select (Dual Fuel Only) | |
| 104 | 4060802 | 1 | Guard, Switch | |
| 104 | 3790012 | 1 | O-Ring | |

SECTION 4 - PLATFORMS

FIGURE 4-4. CONTROLLER ASSEMBLY - DRIVE/STEER



SECTION 4 - PLATFORMS

FIGURE 4-4. CONTROLLER ASSEMBLY - DRIVE/STEER

| ITEM | PART NUMBER | QTY | DESCRIPTION | REV |
|------|--------------|-----|--|-----|
| | 1600245 | Ref | OEM CONTROLLER ASSEMBLY (DRIVE/STEER) | C |
| 1 | 7003978 | 1 | Handle Assembly | |
| 1A | 7003973 | 2 | Half, Handle | |
| 1B | 7003972 | 1 | Boot, Switch | |
| 1C | 7003981 | 1 | Rocker | |
| 1D | 7003982 | 2 | Switch, Micro (Not Shown) | |
| 2 | 7003984 | 1 | Coupling | |
| 3 | 7003966 | 1 | Boot | |
| 5 | 7003957 | 1 | Ring, Retainer | |
| 6 | 7003967 | 1 | Flatwasher | |
| 7 | 7003968 | 1 | Detent Assembly | |
| 10 | 7003950 | 1 | Plate, Base | |
| 11 | Not Serviced | 1 | Pin | |
| 12 | Not Serviced | 1 | Shaft/Gear Assembly | |
| 13 | Not Serviced | 1 | Micro Cam Assembly (Includes Items 14-25) | |
| 14 | Not Serviced | 1 | Screw | |
| 15 | Not Serviced | 1 | Cam, 4 Hole | |
| 16 | Not Serviced | 1 | Cam, 4 Hole | |
| 17 | Not Serviced | 1 | Cam, 4 Hole | |
| 18 | Not Serviced | 1 | Cam, 4 Hole | |
| 19 | Not Serviced | 1 | Spacer, Cam | |
| 20 | Not Serviced | 1 | Spacer, Cam | |
| 21 | Not Serviced | 1 | Plate, Cam - Left Side | |
| 22 | Not Serviced | 1 | Coupling, Cam | |
| 23 | Not Serviced | 1 | Spacer, Cam | |
| 24 | Not Serviced | 1 | Coupling, Cam | |
| 25 | Not Serviced | 1 | Spacer, Cam | |
| 26 | Not Serviced | 4 | Screw | |
| 26 | Not Serviced | 4 | Washer | |
| 27 | Not Serviced | 4 | Screw | |
| 27 | Not Serviced | 4 | Washer | |
| 28 | 7003961 | 1 | Micro-Switch | |
| 29 | Not Serviced | 2 | Insulator | |
| 30 | Not Serviced | 2 | Insulator, Black | |
| 31 | Not Serviced | 4 | Nut, Tinnerman | |
| 32 | 7003946 | 1 | Spring, Return | |
| 33 | Not Serviced | 1 | Spacer | |
| 34 | Not Serviced | 1 | Bearing | |
| 35 | Not Serviced | 1 | Washer, Cam Retainer | |
| 36 | 7003935 | 1 | Gear, Slave | |
| 37 | Not Serviced | 1 | Nut/Cam Assembly | |
| 38 | Not Serviced | 1 | Coupling, Potentiometer | |
| 39 | Not Serviced | 2 | Stand-Off | |
| 40 | 7003974 | 1 | Potentiometer | |
| 41 | Not Serviced | 1 | Washer, Cam Retainer | |
| 42 | Not Serviced | 1 | Bearing | |
| 43 | Not Serviced | 1 | Spacer | |
| 44 | Not Serviced | 1 | Plate, Mounting | |
| 45 | Not Serviced | 1 | Plate, Potentiometer | |
| 46 | Not Serviced | 2 | Screw | |

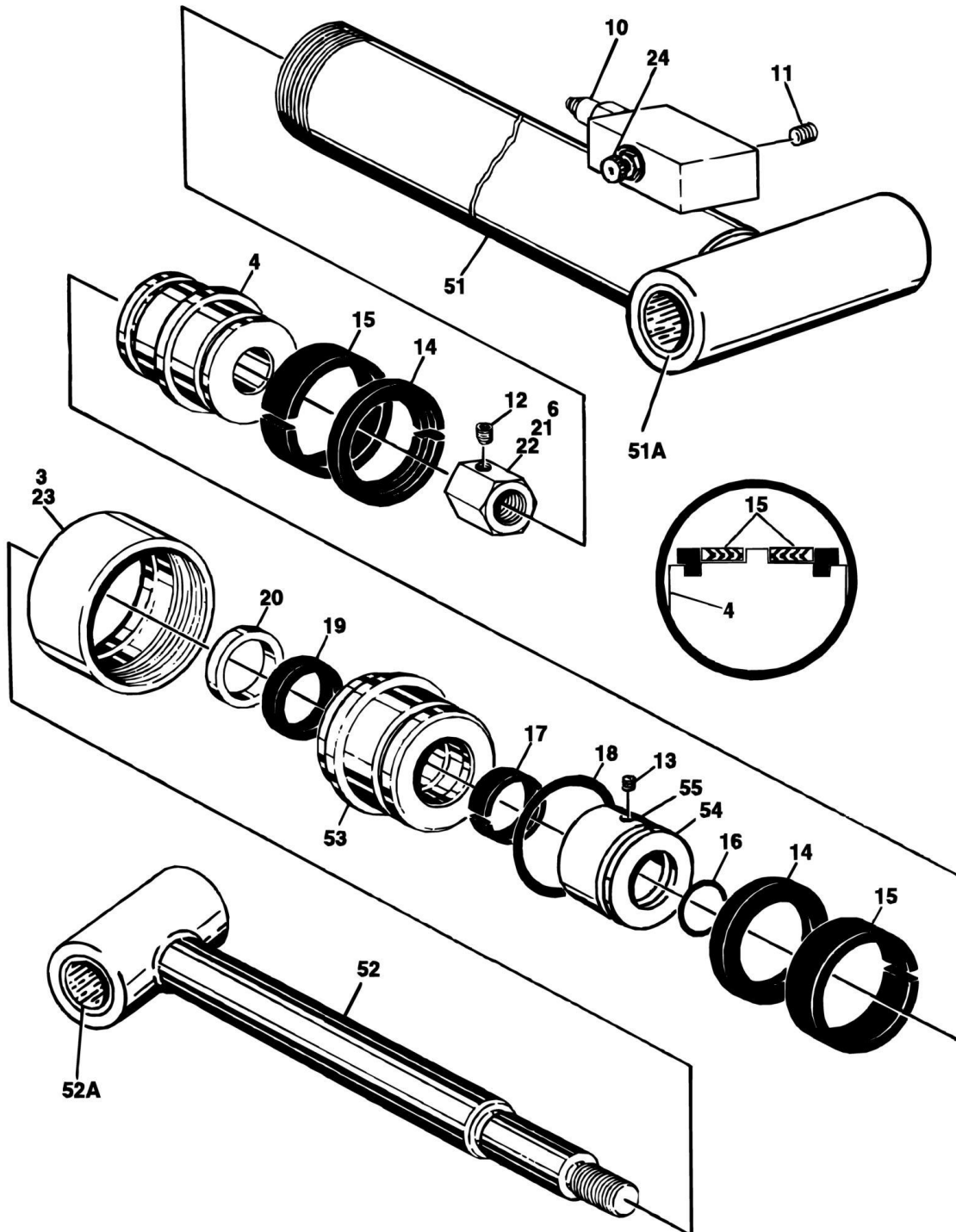
SECTION 4 - PLATFORMS

| ITEM | PART NUMBER | QTY | DESCRIPTION | REV |
|------|--------------|-----|------------------------------|-----|
| 46 | Not Serviced | 2 | Washer | |
| 47 | Not Serviced | 1 | Heatsink | |
| 48 | Not Serviced | 2 | Screw | |
| 48 | Not Serviced | 2 | Washer | |
| 49 | 4460266 | 1 | Connector, AMP (9 Pin) | |
| 49 | 4460268 | 9 | Socket, Female (9 Pin) | |
| 50 | 7003986 | 1 | Strip, Terminal - 3 Position | |
| 51 | 7003985 | 1 | Brace | |
| 52 | 7019161 | 1 | Lever Lock | |

SECTION 5 - CYLINDER

SECTION 5 - CYLINDER

FIGURE 5-1. UPPER LIFT CYLINDER ASSEMBLIES



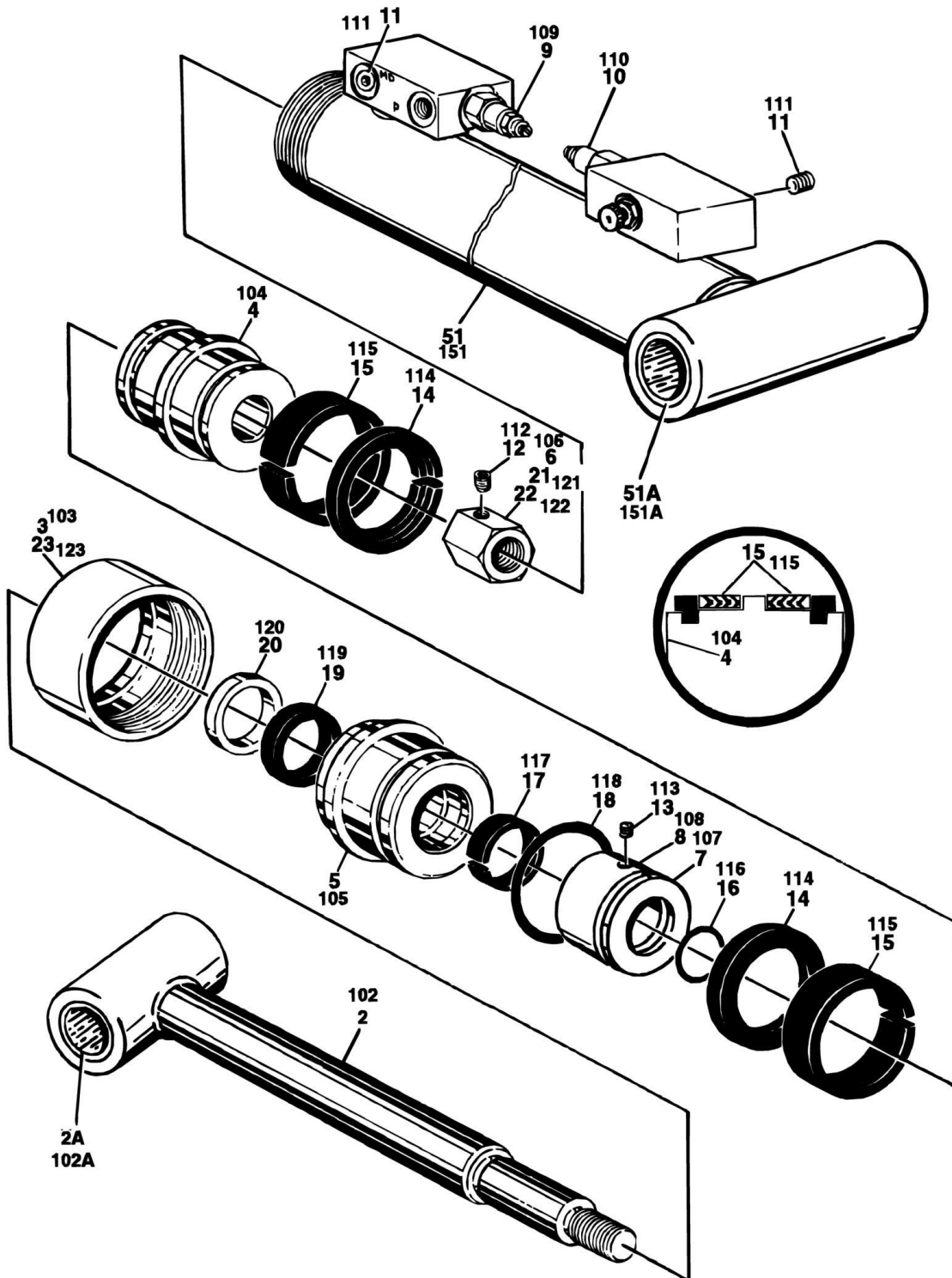
SECTION 5 - CYLINDER

FIGURE 5-1. UPPER LIFT CYLINDER ASSEMBLIES

| ITEM | PART NUMBER | QTY | DESCRIPTION | REV |
|------|-------------|-----|--|-----|
| | | Ref | UPPER LIFT CYLINDER ASSEMBLIES | |
| | 1683337 | Ref | Upper Lift Cylinder Assembly (Prior to SN 29899) | - |
| | 1683506 | Ref | Upper Lift Cylinder Assembly (SN 29899 through 33089) | - |
| | 1683520 | Ref | Upper Lift Cylinder Assembly (SN 33090 to Present) | 1-A |
| 3 | 1120108 | 1 | Retainer | |
| 4 | 3480115 | 1 | Piston | |
| 6 | 3300279 | 1 | Nut, Hex | |
| 10 | 4640936 | 1 | Cartridge, Holding Valve | |
| 10 | 2900770 | 1 | Seal Kit - 4640936 Valves | |
| 11 | 2220885 | 1 | Plug | |
| 12 | 3900170 | 1 | Setscrew 3/8in-16NC x 3/8in | |
| 13 | 3951402 | 1 | Setscrew 1/4in-20NC x 1/4in | |
| 14 | Kit | 2 | Ring, Lock | |
| 15 | Kit | 2 | Seal, Piston | |
| 16 | Kit | 1 | O-Ring | |
| 17 | Kit | 1 | Ring, Wear | |
| 18 | Kit | 1 | O-Ring | |
| 19 | Kit | 1 | Seal, Rod | |
| 20 | Kit | 1 | Wiper Rod | |
| 21 | 0100011 | AR | Loctite #242 | |
| 22 | 0100038 | AR | Primer, Locking | |
| 23 | 0100035 | AR | Loctite #222 | |
| 51 | | Ref | Barrel Weldment Options: | |
| 51 | 1682868 | 1 | Barrel Weldment (Prior to SN 33090) | |
| 51 | 1683514 | 1 | Barrel Weldment (SN 33090 to Present) | |
| 51A | 0961726 | 2 | Bushing, Teflon | |
| 52 | | Ref | Rod Weldment Options: | |
| 52 | 1682870 | 1 | Rod Weldment (Prior to SN 29899) | |
| 52 | 1683505 | 1 | Rod Weldment (SN 29899 to Present) | |
| 52A | 0961726 | 2 | Bushing, Teflon | |
| 53 | | Ref | Head Options: | |
| 53 | 1681344 | 1 | Head (Prior to SN 29899) | |
| 53 | 1683504 | 1 | Head (SN 29899 to Present) | |
| 54 | 4740394 | 1 | Washer | |
| 55 | | Ref | Spacer Options: | |
| 55 | 4566009 | 1 | Spacer (Prior to SN 29899) | |
| 55 | 4567177 | 1 | Spacer (SN 29899 to Present) | |
| 100 | | Ref | Seal Kit Options: (Not Shown) | |
| 100 | 2900371 | 1 | 1683337 Cylinder (Prior to SN 29899) | |
| 100 | 2901496 | 1 | 1683506 & 1683520 Cylinders (SN 29899 to Present) | |

SECTION 5 - CYLINDER

FIGURE 5-2. MID LIFT CYLINDER ASSEMBLIES



SECTION 5 - CYLINDER

FIGURE 5-2. MID LIFT CYLINDER ASSEMBLIES

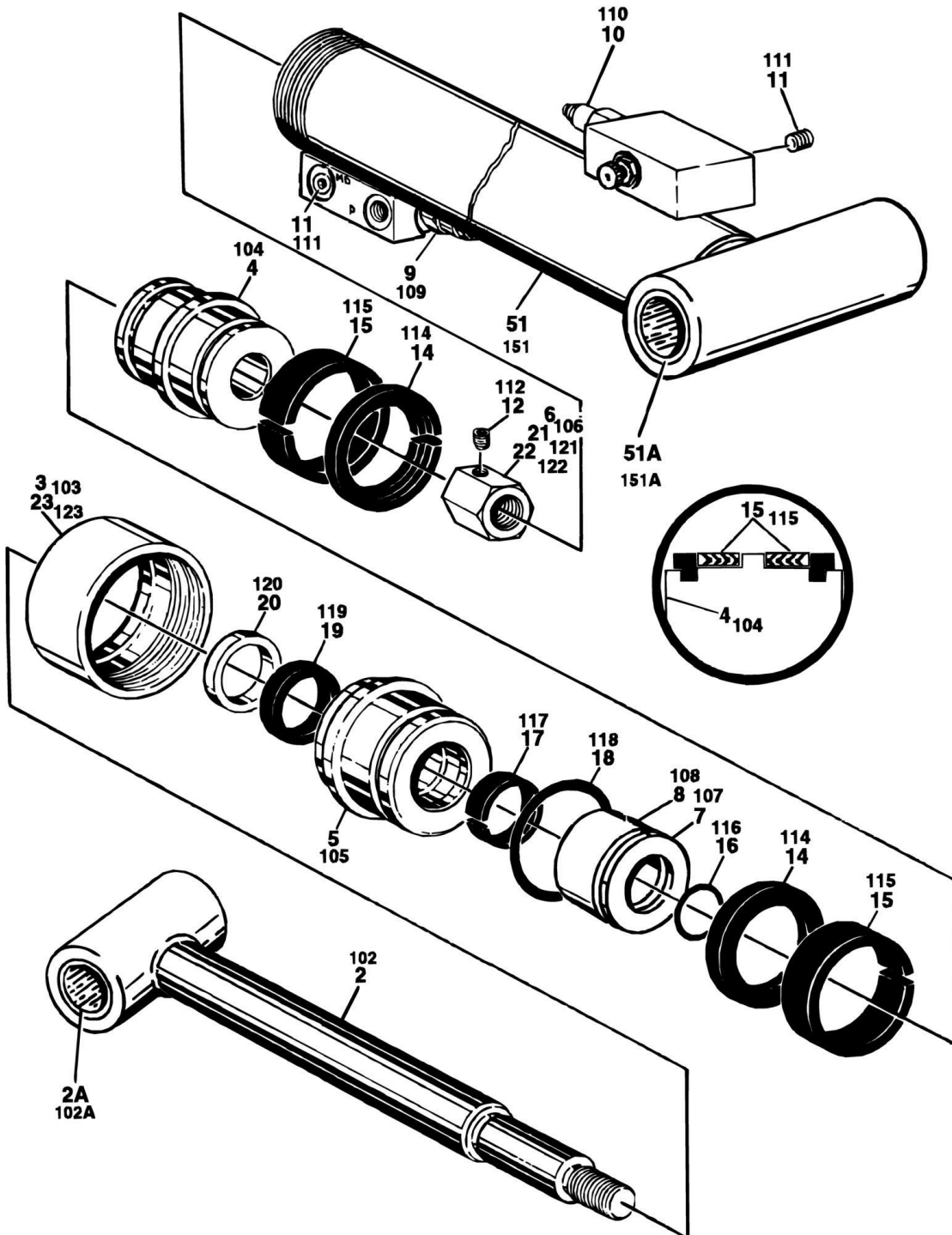
| ITEM | PART NUMBER | QTY | DESCRIPTION | REV |
|------|--------------|-----|---|-----|
| | | Ref | MID LIFT CYLINDER ASSEMBLY - MODEL 45IC | |
| | 1683018 | Ref | Mid Lift Cylinder Assembly (Prior to SN 33090) | C |
| | 1683522 | Ref | Mid Lift Cylinder Assembly (SN 33090 to Present) | 1-A |
| 2 | 1683021 | 1 | Rod Weldment | |
| 2A | 0961726 | 2 | Bushing, Teflon | |
| 3 | 1120305 | 1 | Retainer | |
| 4 | 3480113 | 1 | Piston | |
| 5 | 1682209 | 1 | Head | |
| 6 | 3300281 | 1 | Nut, Hex | |
| 7 | 4740207 | 1 | Washer | |
| 8 | 4566435 | 1 | Spacer | |
| 9 | 4640634 | 1 | Cartridge, Holding Valve | |
| 9 | 2900770 | 1 | Seal Kit - 4640634 | |
| 10 | 4640816 | 1 | Cartridge, Holding Valve | |
| 10 | 2900770 | 1 | Seal Kit - 4640771 Valve | |
| 11 | 2220885 | 2 | Plug | |
| 12 | 3900170 | 1 | Setscrew 3/8in-16NC x 3/8in | |
| 13 | Not Required | 0 | Not Required | |
| 14 | Kit | 2 | Ring, Lock | |
| 15 | Kit | 2 | Seal, Piston | |
| 16 | Kit | 1 | O-Ring | |
| 17 | Kit | 1 | Ring, Wear | |
| 18 | Kit | 1 | O-Ring | |
| 19 | Kit | 1 | Seal, Rod | |
| 20 | Kit | 1 | Wiper Rod | |
| 21 | 0100011 | AR | Loctite #242 | |
| 22 | 0100038 | AR | Primer, Locking | |
| 23 | 0100035 | AR | Loctite #222 | |
| 51 | | Ref | Barrel Weldment Options: | |
| 51 | 1683019 | 1 | Barrel Weldment (Prior to SN 33090) | |
| 51 | 1683516 | 1 | Barrel Weldment (SN 33090 to Present) | |
| 51A | 0961726 | 2 | Bushing, Teflon | |
| | | Ref | MID LIFT CYLINDER ASSEMBLY - MODEL 40IC | |
| | 1682861 | Ref | Mid Lift Cylinder Assembly (Prior to SN 33090) | B |
| | 1683519 | Ref | Mid Lift Cylinder Assembly (SN 33090 to Present) | 1-A |
| 102 | 1682864 | 1 | Rod Weldment | |
| 102A | 0961726 | 2 | Bushing, Teflon | |
| 103 | 1120108 | 1 | Retainer | |
| 104 | 3480115 | 1 | Piston | |
| 105 | 1681344 | 1 | Head | |
| 106 | 3300279 | 1 | Nut, Hex | |
| 107 | 4740394 | 1 | Washer | |
| 108 | 4565994 | 1 | Spacer | |
| 109 | 4640634 | 1 | Cartridge, Holding Valve | |
| 109 | 2900770 | 1 | Seal Kit - 4640634 Valve | |
| 110 | 4640816 | 1 | Cartridge, Holding Valve | |
| 110 | 2900770 | 1 | Seal Kit - 4640816 Valve | |
| 111 | 2220885 | 2 | Plug | |
| 112 | 3900170 | 1 | Setscrew 3/8in-16NC x 3/8in | |
| 113 | 3951402 | 1 | Setscrew 1/4in-20NC x 1/4in | |

SECTION 5 - CYLINDER

| ITEM | PART NUMBER | QTY | DESCRIPTION | REV |
|------|-------------|-----|--|-----|
| 114 | Kit | 2 | Ring, Lock | |
| 115 | Kit | 2 | Seal, Piston | |
| 116 | Kit | 1 | O-Ring | |
| 117 | Kit | 1 | Ring, Wear | |
| 118 | Kit | 1 | O-Ring | |
| 119 | Kit | 1 | Seal, Rod | |
| 120 | Kit | 1 | Wiper, Rod | |
| 121 | 0100011 | AR | Loctite #242 | |
| 122 | 0100038 | AR | Primer, Locking | |
| 123 | 0100035 | AR | Loctite #222 | |
| 151 | | Ref | Barrel Weldment Options: | |
| 151 | 1682862 | 1 | Barrel Weldment (Prior to SN 33090) | |
| 151 | 1683513 | 1 | Barrel Weldment (SN 33090 to Present) | |
| 151A | 0961726 | 2 | Bushing, Teflon | |

SECTION 5 - CYLINDER

FIGURE 5-3. LOWER LIFT CYLINDER ASSEMBLIES



SECTION 5 - CYLINDER

FIGURE 5-3. LOWER LIFT CYLINDER ASSEMBLIES

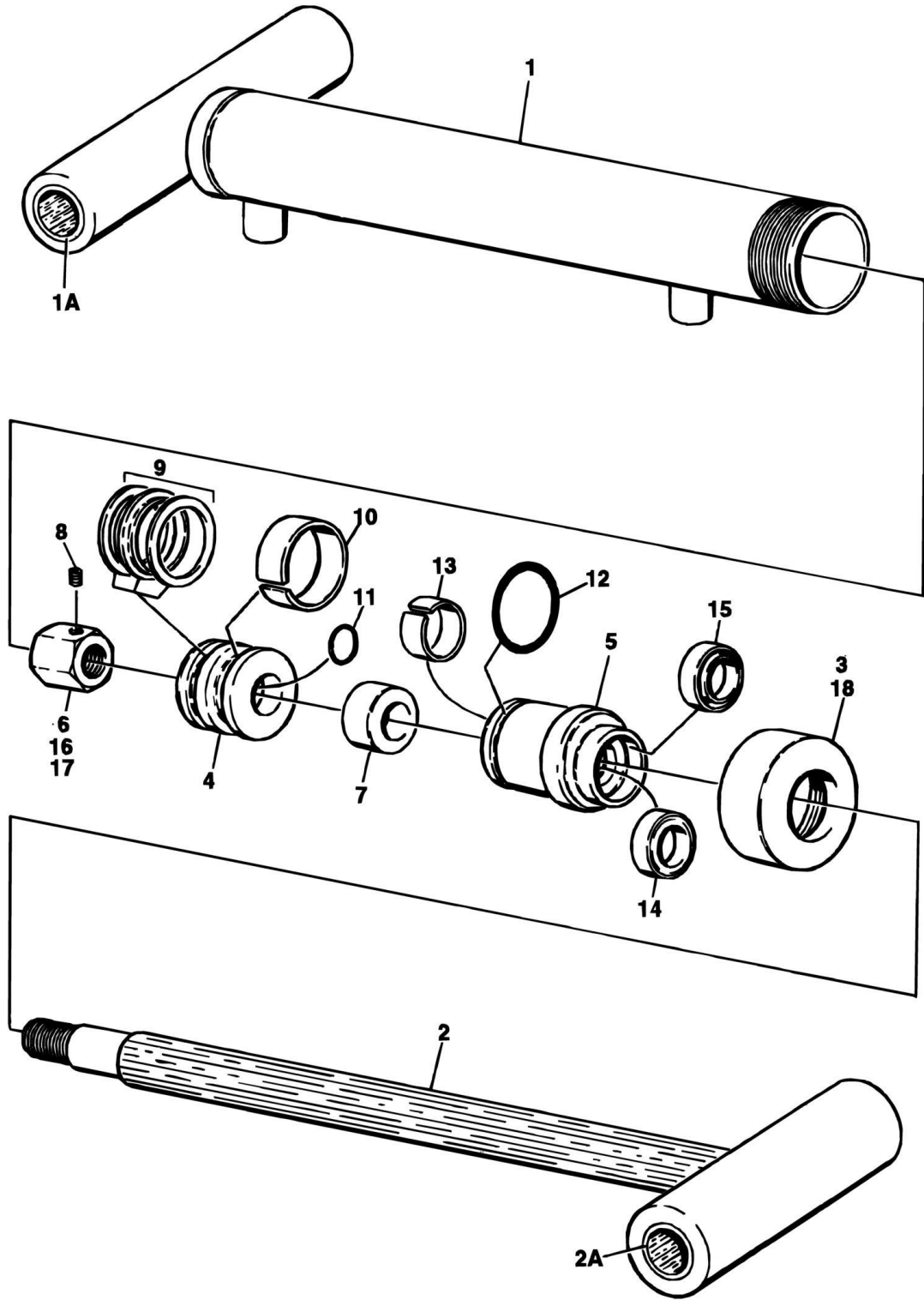
| ITEM | PART NUMBER | QTY | DESCRIPTION | REV |
|------|--------------|-----|--|-----|
| | | Ref | LOWER LIFT CYLINDER ASSEMBLY - MODEL 45IC (STANDARD PARTS) | |
| | 1683013 | Ref | Lower Lift Cylinder Assembly - Model 45ic (Prior to SN 33090) | - |
| | 1683521 | Ref | Lower Lift Cylinder Assembly - Model 45ic (SN 33090 to Present) | 1-A |
| 1 | Not Required | 0 | Not Required | |
| 2 | 1683016 | 1 | Rod Weldment | |
| 2A | 0961726 | 2 | Bushing, Teflon | |
| 3 | 1120094 | 1 | Retainer | |
| 4 | 3480102 | 1 | Piston | |
| 5 | 1682323 | 1 | Head | |
| 6 | 3300281 | 1 | Nut, Hex | |
| 7 | Not Required | 0 | Not Required | |
| 8 | 4566432 | 1 | Spacer | |
| 9 | 4640634 | 1 | Cartridge, Holding Valve | |
| 9 | 2900770 | 1 | Seal Kit - 4640634 Valve | |
| 10 | 4640816 | 1 | Cartridge, Holding Valve | |
| 10 | 2900770 | 1 | Seal Kit - 4640816 Valve | |
| 11 | 2220885 | 2 | Plug | |
| 12 | 3900170 | 1 | Setscrew 3/8in-16NC x 3/8in | |
| 14 | Kit | 2 | Ring, Lock | |
| 15 | Kit | 2 | Seal, Piston | |
| 16 | Kit | 1 | O-Ring | |
| 17 | Kit | 1 | Ring, Wear | |
| 18 | Kit | 1 | O-Ring | |
| 19 | Kit | 1 | Seal, Rod | |
| 20 | Kit | 1 | Wiper, Rod | |
| 21 | 0100011 | AR | Loctite #242 | |
| 22 | 0100038 | AR | Primer, Locking | |
| 23 | 0100035 | AR | Loctite #222 | |
| 51 | | Ref | Barrel Weldment Options: | |
| 51 | 1683014 | 1 | Barrel Weldment (Prior to SN 33090) | |
| 51 | 1683515 | 1 | Barrel Weldment (SN 33090 to Present) | |
| 51A | 0961726 | 2 | Bushing, Teflon | |
| | | Ref | LOWER LIFT CYLINDER ASSEMBLY - MODEL 40IC | |
| | 1682855 | Ref | Lower Lift Cylinder Assembly - Model 45ic (Prior to SN 33090) | C |
| | 1683518 | Ref | Lower Lift Cylinder Assembly - Model 40ic (SN 33090 to Present) | 1-A |
| 102 | 1682858 | 1 | Rod Weldment | |
| 102A | 0961726 | 2 | Bushing, Teflon | |
| 103 | 1120305 | 1 | Retainer | |
| 104 | 3480113 | 1 | Piston | |
| 105 | 1682209 | 1 | Head | |
| 106 | 3300281 | 1 | Nut, Hex | |
| 107 | 4740207 | 1 | Washer | |
| 108 | 4565992 | 1 | Spacer | |
| 109 | 4640634 | 1 | Cartridge, Holding Valve | |
| 109 | 2900770 | 1 | Seal Kit - 4640634 Valve | |
| 110 | 4640816 | 1 | Cartridge, Holding Valve | |
| 110 | 2900770 | 1 | Seal Kit - 4640816 Valve | |

SECTION 5 - CYLINDER

| ITEM | PART NUMBER | QTY | DESCRIPTION | REV |
|------|-------------|-----|--|-----|
| 111 | 2220885 | 2 | Plug | |
| 112 | 3900170 | 1 | Setscrew 3/8in-16NC x 3/8in | |
| 114 | Kit | 2 | Ring, Lock | |
| 115 | Kit | 2 | Seal, Piston | |
| 116 | Kit | 1 | O-Ring | |
| 117 | Kit | 1 | Ring, Wear | |
| 118 | Kit | 1 | O-Ring | |
| 118 | Kit | 1 | Ring, Back-up | |
| 119 | Kit | 1 | Seal, Rod | |
| 120 | Kit | 1 | Wiper, Rod | |
| 121 | 0100011 | AR | Loctite #242 | |
| 122 | 0100038 | AR | Primer, Locking | |
| 123 | 0100035 | AR | Loctite #222 | |
| 151 | | Ref | Barrel Weldment Options: | |
| 151 | 1682856 | | Barrel Weldment (Prior to SN 33090) | |
| 151 | 1683512 | | Barrel Weldment (SN 33090 to Present) | |
| 151A | 0961726 | 2 | Bushing, Teflon | |

SECTION 5 - CYLINDER

FIGURE 5-4. MASTER CYLINDER ASSEMBLY



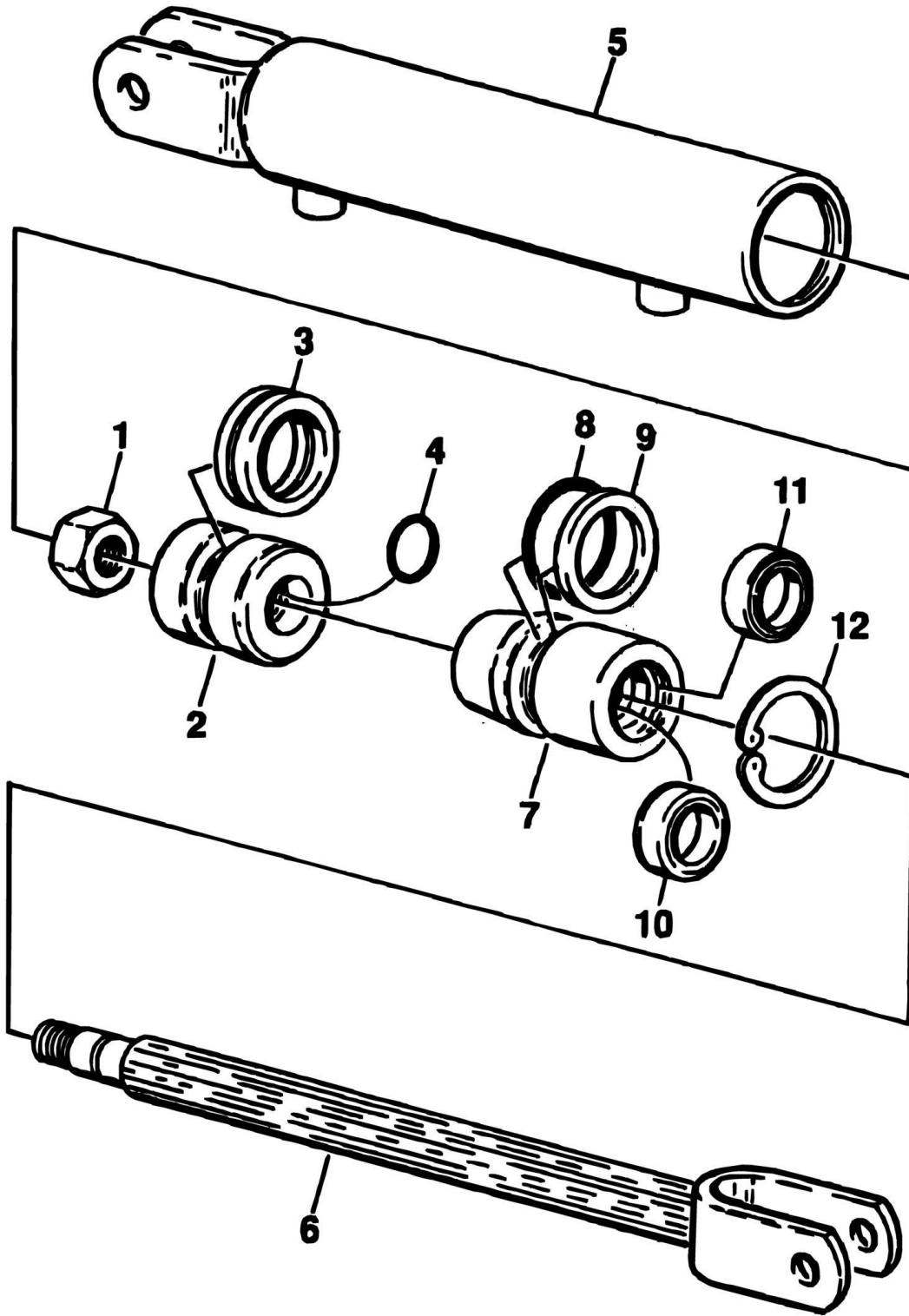
SECTION 5 - CYLINDER

FIGURE 5-4. MASTER CYLINDER ASSEMBLY

| ITEM | PART NUMBER | QTY | DESCRIPTION | REV |
|------|-------------|-----|---------------------------------|-----|
| | 1683325 | Ref | MASTER CYLINDER ASSEMBLY | - |
| 1 | 1682879 | 1 | Barrel Weldment | |
| 1A | 0961608 | 2 | Bushing, Teflon | |
| 2 | 1683286 | 1 | Rod Weldment | |
| 2A | 0961608 | 2 | Bushing, Teflon | |
| 3 | 1120110 | 1 | Retainer | |
| 4 | 3480217 | 1 | Piston | |
| 5 | 1682154 | 1 | Head | |
| 6 | 3300308 | 1 | Nut, Hex | |
| 7 | 4566023 | 1 | Spacer, Tube | |
| 8 | 3900170 | 1 | Setscrew 3/8in-16NC x 3/8in | |
| 9 | Kit | 1 | T-Seal | |
| 10 | Kit | 1 | Ring, Wear | |
| 11 | Kit | 1 | O-Ring | |
| 12 | Kit | 1 | O-Ring | |
| 13 | Kit | 1 | Ring, Wear | |
| 14 | Kit | 1 | Seal, Rod | |
| 15 | Kit | 1 | Wiper, Rod | |
| 16 | 0100038 | AR | Primer, Locking | |
| 17 | 0100011 | AR | Loctite #242 | |
| 18 | 0100035 | AR | Loctite #222 | |
| | 2901147 | 1 | Seal Kit (Includes Items 9-15) | |

SECTION 5 - CYLINDER

FIGURE 5-5. PLATFORM ROTATOR CYLINDER ASSEMBLY



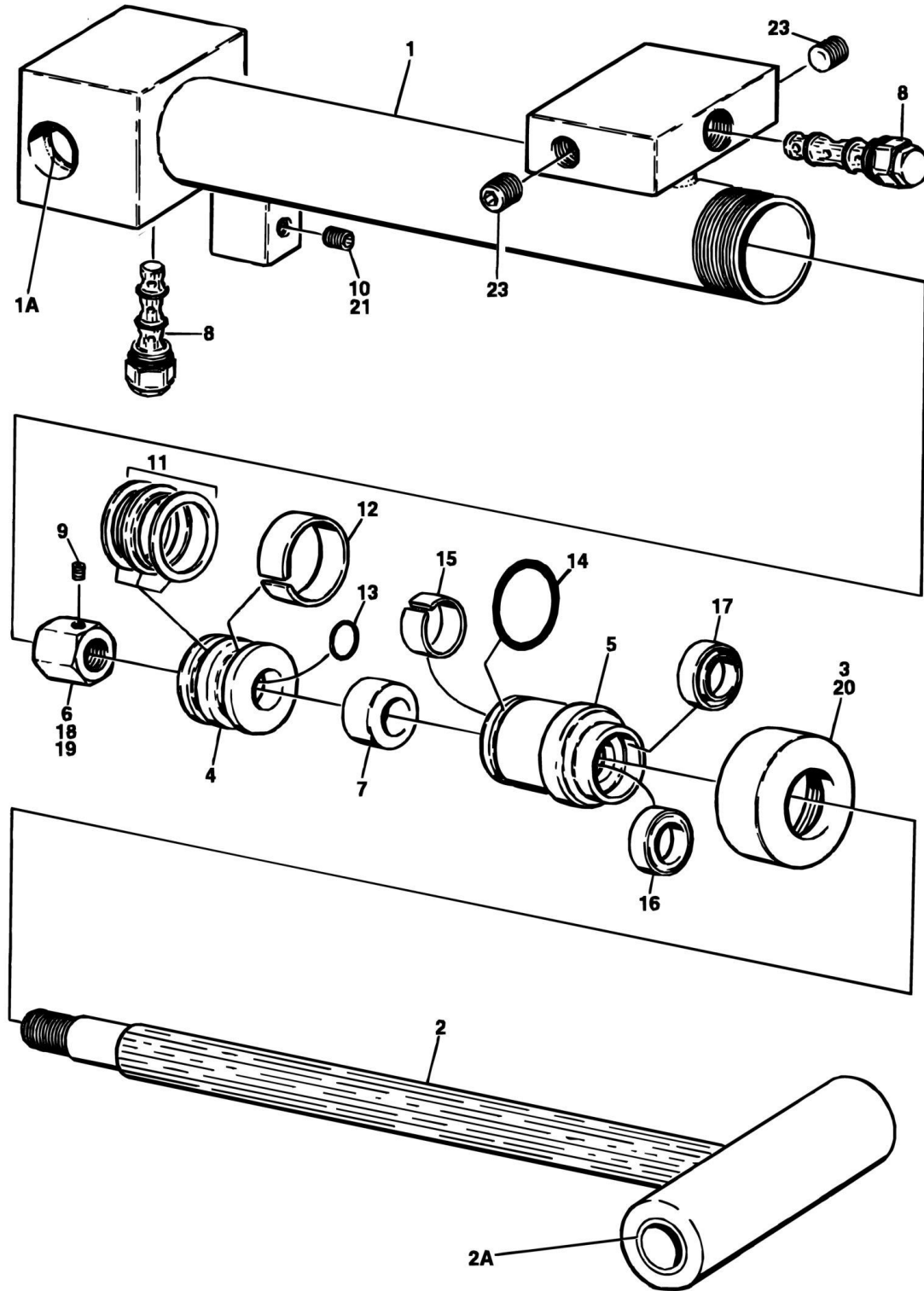
SECTION 5 - CYLINDER

FIGURE 5-5. PLATFORM ROTATOR CYLINDER ASSEMBLY

| ITEM | PART NUMBER | QTY | DESCRIPTION | REV |
|------|-------------|-----|--|-----|
| | 1682930 | Ref | PLATFORM ROTATOR CYLINDER ASSEMBLY | - |
| 1 | 7001609 | 1 | Nut, Hex | |
| 2 | 7001610 | 1 | Piston | |
| 3 | Kit | 1 | Seal | |
| 4 | Kit | 1 | O-Ring | |
| 5 | 7001611 | 1 | Barrel Weldment | |
| 6 | 7001612 | 1 | Rod | |
| 7 | 7001613 | 1 | Head | |
| 8 | Kit | 1 | O-Ring | |
| 9 | Kit | 1 | Ring, Back-up | |
| 10 | Kit | 1 | Seal | |
| 11 | Kit | 1 | Wiper | |
| 12 | 7001614 | 1 | Ring, Retainer | |
| | 7001608 | 1 | Seal Kit - 1682930 Cylinder (Includes Items 3, 4 & 8-11) | |

SECTION 5 - CYLINDER

FIGURE 5-6. SLAVE (PLATFORM LEVEL) CYLINDER ASSEMBLY



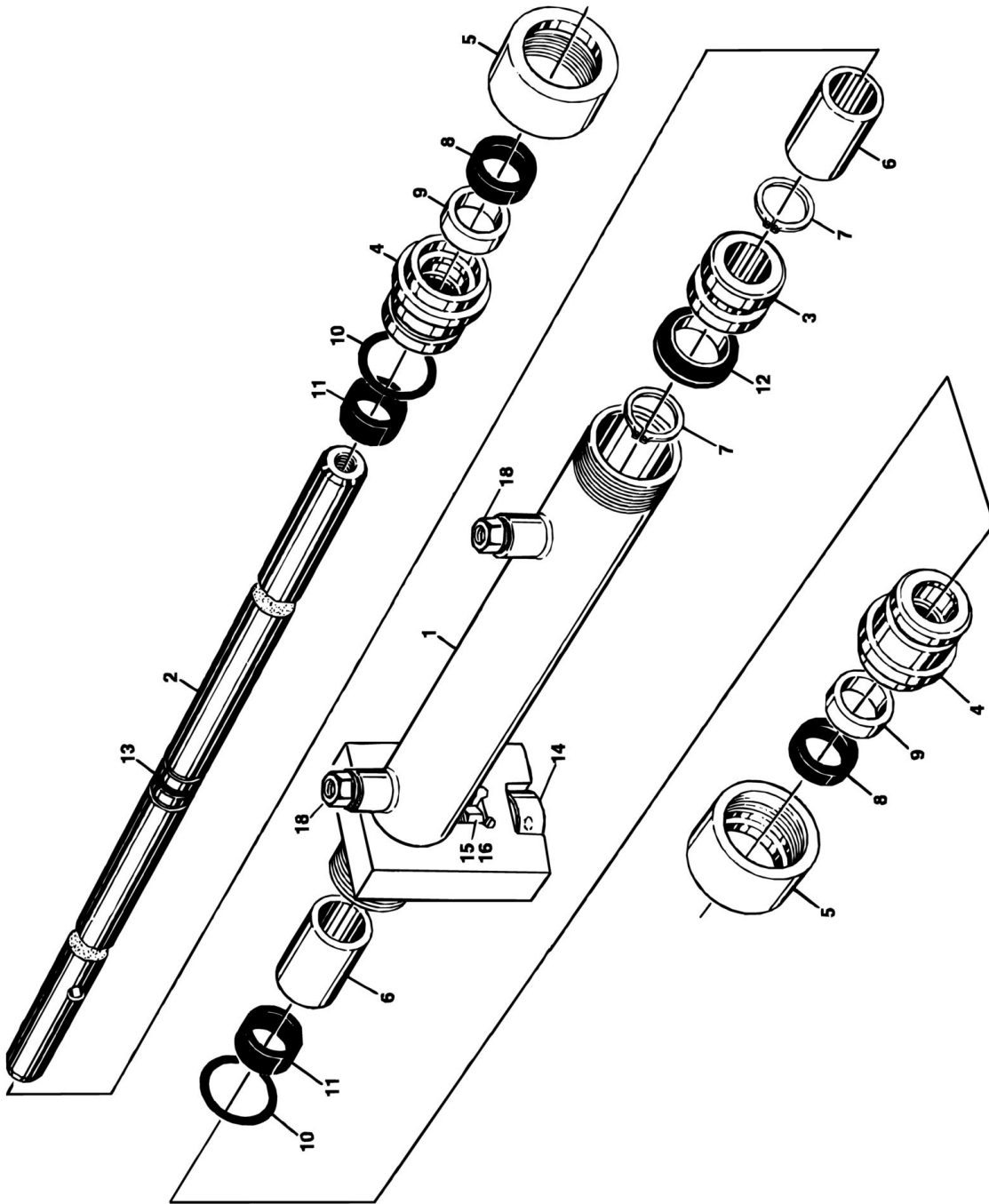
SECTION 5 - CYLINDER

FIGURE 5-6. SLAVE (PLATFORM LEVEL) CYLINDER ASSEMBLY

| ITEM | PART NUMBER | QTY | DESCRIPTION | REV |
|------|-------------|-----|--|-----|
| | 1683285 | Ref | SLAVE (PLATFORM LEVEL) CYLINDER ASSEMBLY | - |
| 1 | 1682878 | 1 | Barrel Weldment | |
| 1A | 0961608 | 2 | Bushing, Teflon | |
| 2 | 1683286 | 1 | Rod Weldment | |
| 2A | 0961608 | 2 | Bushing, Teflon | |
| 3 | 1120110 | 1 | Retainer | |
| 4 | 3480217 | 1 | Piston | |
| 5 | 1682154 | 1 | Head | |
| 6 | 3300308 | 1 | Nut, Hex | |
| 7 | 4566023 | 1 | Spacer, Tube | |
| 8 | 4640932 | 1 | Cartridge, Holding Valve | |
| 8 | 7011112 | | Seal Kit - 4640932 Valve | |
| 9 | 3900170 | 1 | Setscrew 3/8in-16NC x 3/8in | |
| 10 | 2200222 | 1 | Plug, Pipe | |
| 11 | Kit | 1 | T-Seal | |
| 12 | Kit | 1 | Ring, Wear | |
| 13 | Kit | 1 | O-Ring | |
| 14 | Kit | 1 | O-Ring | |
| 15 | Kit | 1 | Ring, Wear | |
| 16 | Kit | 1 | Seal, Rod | |
| 17 | Kit | 1 | Wiper, Rod | |
| 18 | 0100038 | AR | Primer, Locking | |
| 19 | 0100011 | AR | Loctite #242 | |
| 20 | 0100035 | AR | Loctite #222 | |
| 21 | 0100020 | AR | Sealant, Pipe | |
| 23 | 2220883 | 2 | Plug, Socket Hex | |
| | 2901147 | 1 | Seal Kit - 1683285 Cylinder (Includes Items 11-17) | |

SECTION 5 - CYLINDER

FIGURE 5-7. STEER CYLINDER ASSEMBLY



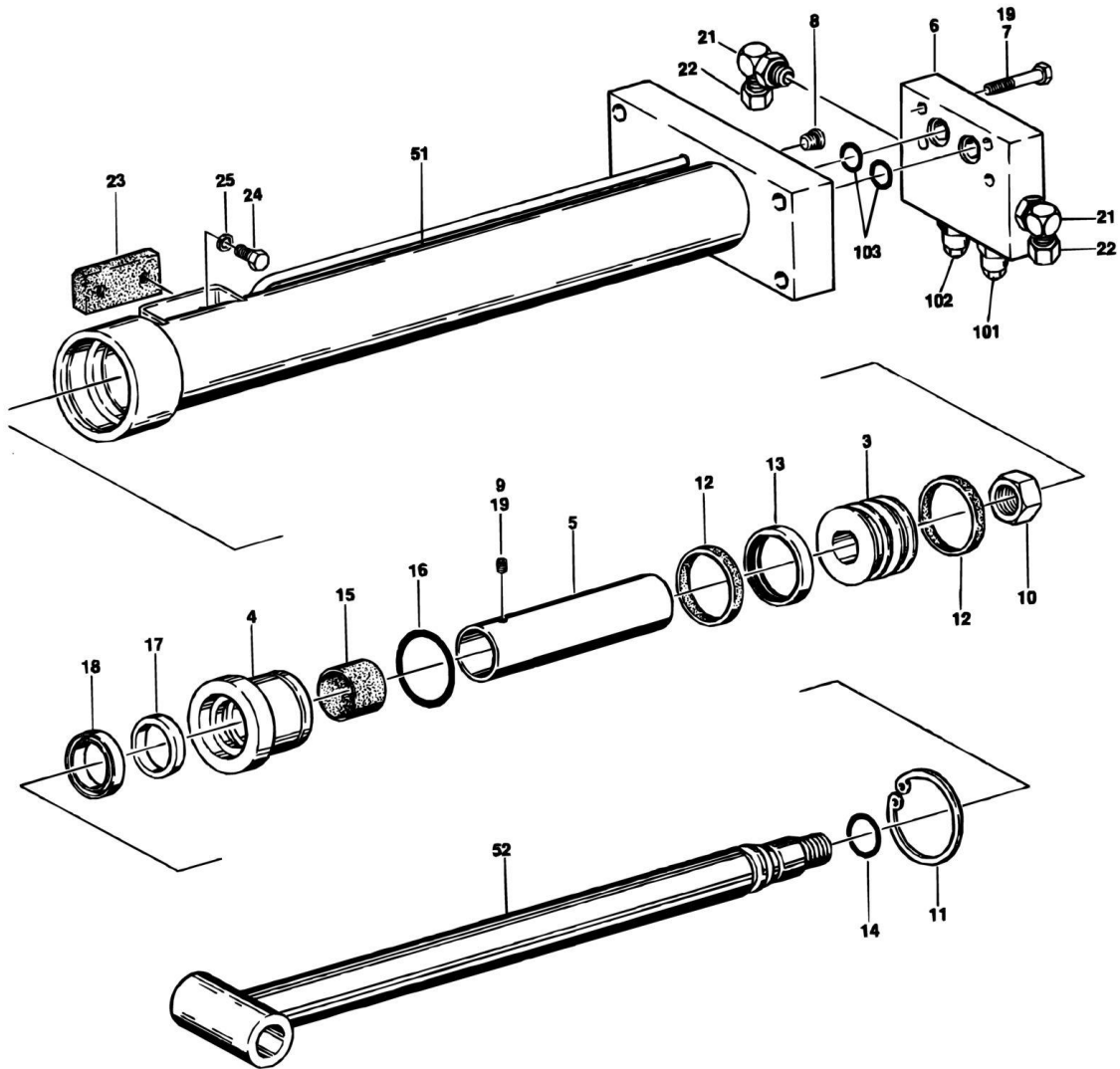
SECTION 5 - CYLINDER

FIGURE 5-7. STEER CYLINDER ASSEMBLY

| ITEM | PART NUMBER | QTY | DESCRIPTION | REV |
|------|-------------|-----|--|-----|
| | 1683698 | Ref | STEER CYLINDER ASSEMBLY (Was P/N 1683487) (Prior to SN 37950) | 2 |
| 1 | 1683694 | 1 | Barrel Weldment (Was P/N 1682528) (Prior to SN 37950) | |
| 2 | 1682530 | 1 | Rod | |
| 3 | 3480153 | 1 | Piston | |
| 4 | 1682364 | 2 | Head | |
| 5 | 1120387 | 2 | Retainer | |
| 6 | 4565275 | 2 | Spacer | |
| 7 | 3760141 | 2 | Ring, Retaining | |
| 8 | Kit | 2 | Seal, Wiper | |
| 9 | Kit | 2 | Seal, Rod | |
| 10 | Kit | 2 | O-Ring | |
| 11 | Kit | 2 | Ring, Wear | |
| 12 | Kit | 1 | T-Seal | |
| 13 | Kit | 1 | O-Ring | |
| 14 | 3860054 | 1 | Follower, Cam (Prior to SN 31325) | |
| 14 | 3860080 | 1 | Follower, Cam (Was P/N 3860076) (Prior to SN 37950) | |
| 15 | 3321801 | 1 | Nut 1/2in-20NF | |
| 16 | 0100035 | AR | Loctite #222 | |
| 18 | 2220237 | 2 | Fitting | |
| | 2901178 | 1 | Seal Kit (Includes Items 8-13) | |

SECTION 5 - CYLINDER

FIGURE 5-8. TELESCOPE CYLINDER ASSEMBLIES



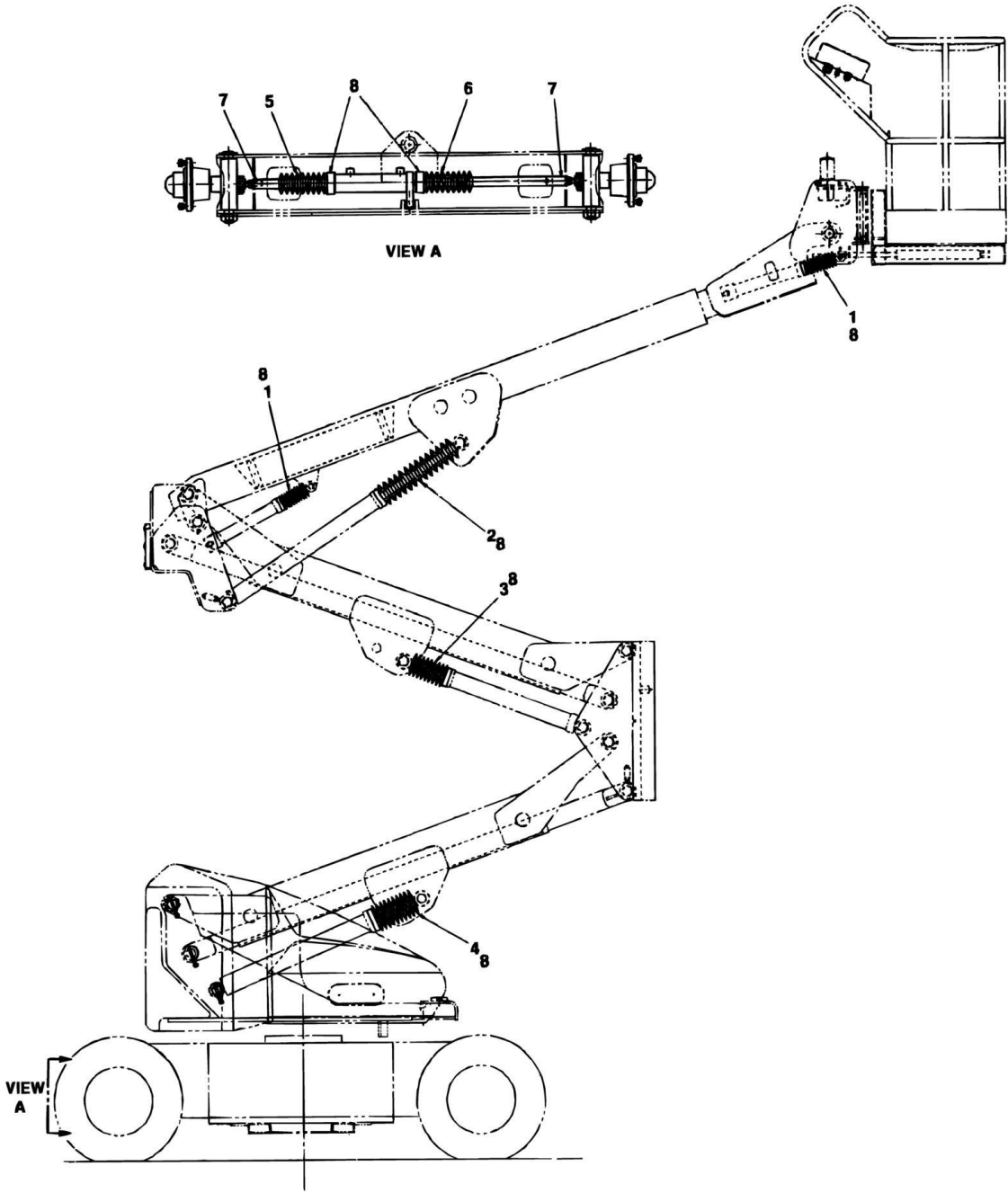
SECTION 5 - CYLINDER

FIGURE 5-8. TELESCOPE CYLINDER ASSEMBLIES

| ITEM | PART NUMBER | QTY | DESCRIPTION | REV |
|------|-------------|-----|---|-----|
| | | Ref | TELESCOPE CYLINDER ASSEMBLY | |
| | 1682947 | Ref | Telescope Cylinder Assembly - Model 45ic | 3-A |
| | 1682887 | Ref | Telescope Cylinder Assembly - Model 40ic | D |
| 3 | 3480170 | 1 | Piston | |
| 4 | 1682892 | 1 | Head | |
| 5 | 4566027 | 1 | Spacer, Tube | |
| 6 | 4640807 | 1 | Counterbalance Valve Assembly (See Items 101-103 for Breakdown) | |
| 7 | 0641512 | 4 | Bolt 5/16in-18NC x 1 1/2in | |
| 8 | 2220883 | 2 | Plug, O-Ring | |
| 9 | 3951402 | 1 | Setscrew 1/4in-20NC x 1/4in | |
| 10 | 3322205 | 1 | Locknut | |
| 11 | 3760318 | 1 | Ring, Retaining | |
| 12 | Kit | 2 | Ring, Wear | |
| 13 | Kit | 1 | Seal, Cap | |
| 14 | Kit | 1 | O-Ring | |
| 15 | Kit | 1 | Ring, Wear | |
| 16 | Kit | 1 | O-Ring | |
| 17 | Kit | 1 | Seal, Rod | |
| 18 | Kit | 1 | Wiper | |
| 19 | 0100011 | AR | Loctite #242 | |
| 21 | 2220628 | 2 | Fitting, 90 | |
| 22 | 2220516 | 2 | Fitting, Cap | |
| 23 | 3340679 | 1 | Wear Pad Assembly | |
| 24 | 0641604 | 2 | Bolt 3/8in-16NC x 1/2in | |
| 25 | 4761600 | 2 | Lockwasher 3/8in | |
| 26 | 0100011 | AR | Loctite #242 | |
| 51 | | Ref | Barrel Weldment Options: | |
| 51 | 1682948 | 1 | Barrel Weldment Model 45ic | |
| 51 | 1682888 | 1 | Barrel Weldment Model 40ic | |
| 52 | | Ref | Rod Weldment Options: | |
| 52 | 1682950 | 1 | Rod Weldment Model 45ic | |
| 52 | 1682890 | 1 | Rod Weldment Model 40ic | |
| | 2901242 | 1 | Seal Kit (Includes Items 12-18) | |
| | 4640807 | Ref | COUNTERBALANCE VALVE ASSEMBLY | B |
| 101 | 4640771 | 1 | Cartridge, Counterbalance | |
| 102 | 4640709 | 1 | Cartridge, Vented Counterbalance | |
| 103 | 3790113 | 2 | O-Ring (Between Valve and Cylinder Block) | |
| | 2900770 | | Seal Kit (1 Per Cartridge) | |

SECTION 5 - CYLINDER

FIGURE 5-9. OPTIONAL CYLINDER BELLOWS INSTALLATION



SECTION 5 - CYLINDER

FIGURE 5-9. OPTIONAL CYLINDER BELLOWS INSTALLATION

| ITEM | PART NUMBER | QTY | DESCRIPTION | REV |
|------|-------------|-----|--|-----|
| | 0254851 | Ref | OPTIONAL CYLINDER BELLOWS INSTALLATION - MODEL 45IC | - |
| | 0254028 | Ref | OPTIONAL CYLINDER BELLOWS INSTALLATION - MODEL 40IC | - |
| 1 | 0460110 | 2 | Bellows, Cylinders (Slave and Master Cylinders) | |
| 2 | 0460111 | 1 | Bellows, Cylinders (Upper Lift Cylinder) | |
| 3 | | Ref | Bellows, Cylinders (Mid Lift Cylinder) Options: | |
| 3 | 0460113 | 1 | Bellows, Cylinders (Mid Lift Cylinder) Model 45ic | |
| 3 | 0460112 | 1 | Bellows, Cylinders (Mid Lift Cylinder) Model 40ic | |
| 4 | | Ref | Bellows, Cylinders (Tower Lift Cylinder) | |
| 4 | 0460114 | 1 | Bellows, Cylinders (Tower Lift Cylinder) Model 45ic | |
| 4 | 0460113 | 1 | Bellows, Cylinders (Tower Lift Cylinder) Model 40ic | |
| 5 | 0460102 | 1 | Bellows, Cylinders (Steer Cylinder - Right Side) | |
| 6 | 0460103 | 1 | Bellows, Cylinders (Steer Cylinder - Left Side) | |
| 7 | 1320033 | 2 | Clamp | |
| 8 | 1320037 | 7 | Clamp | |

SECTION 6 - HYDRAULICS

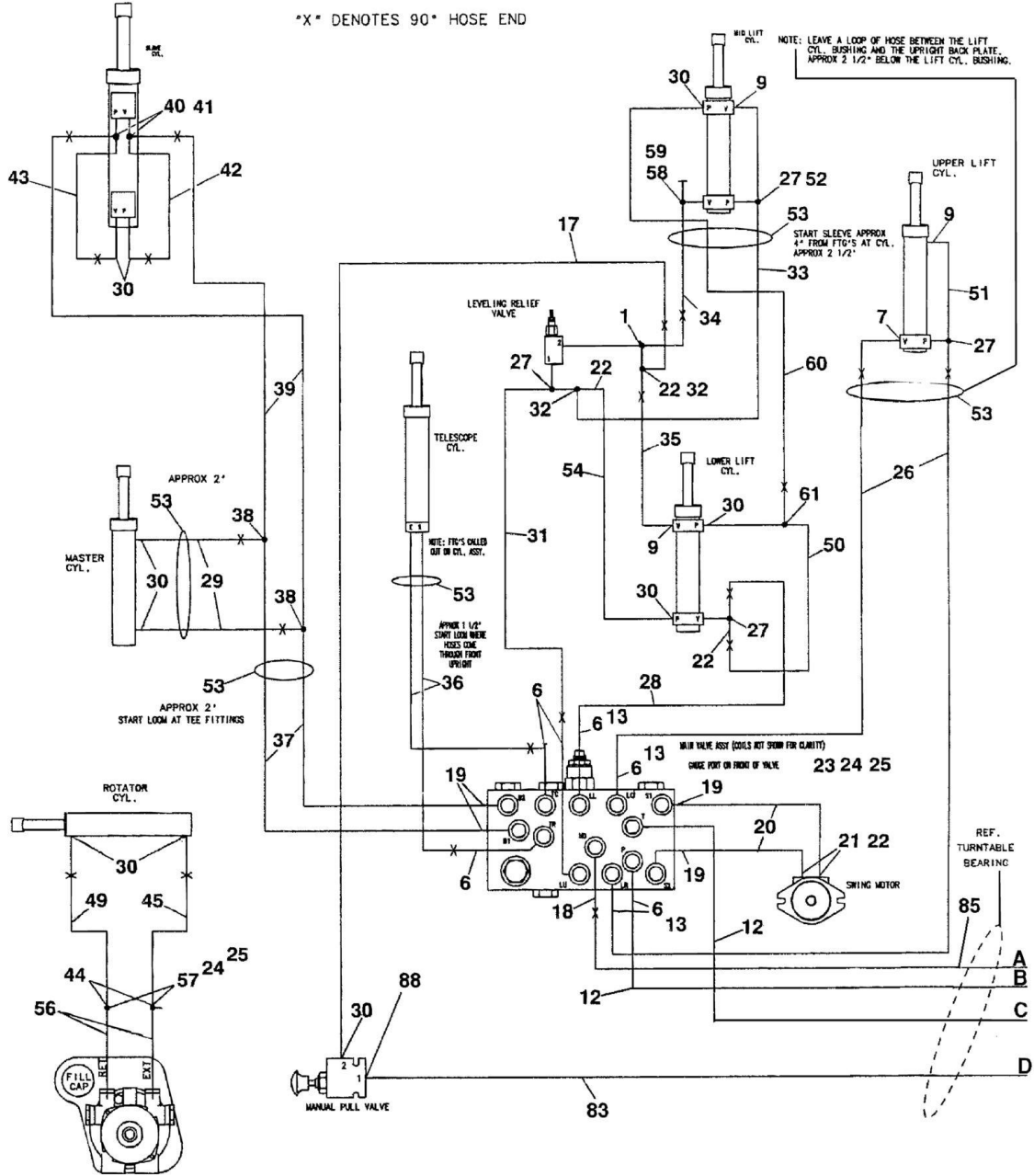
SECTION 6 - HYDRAULICS

FIGURE 6-1. HYDRAULICS DIAGRAM LIST

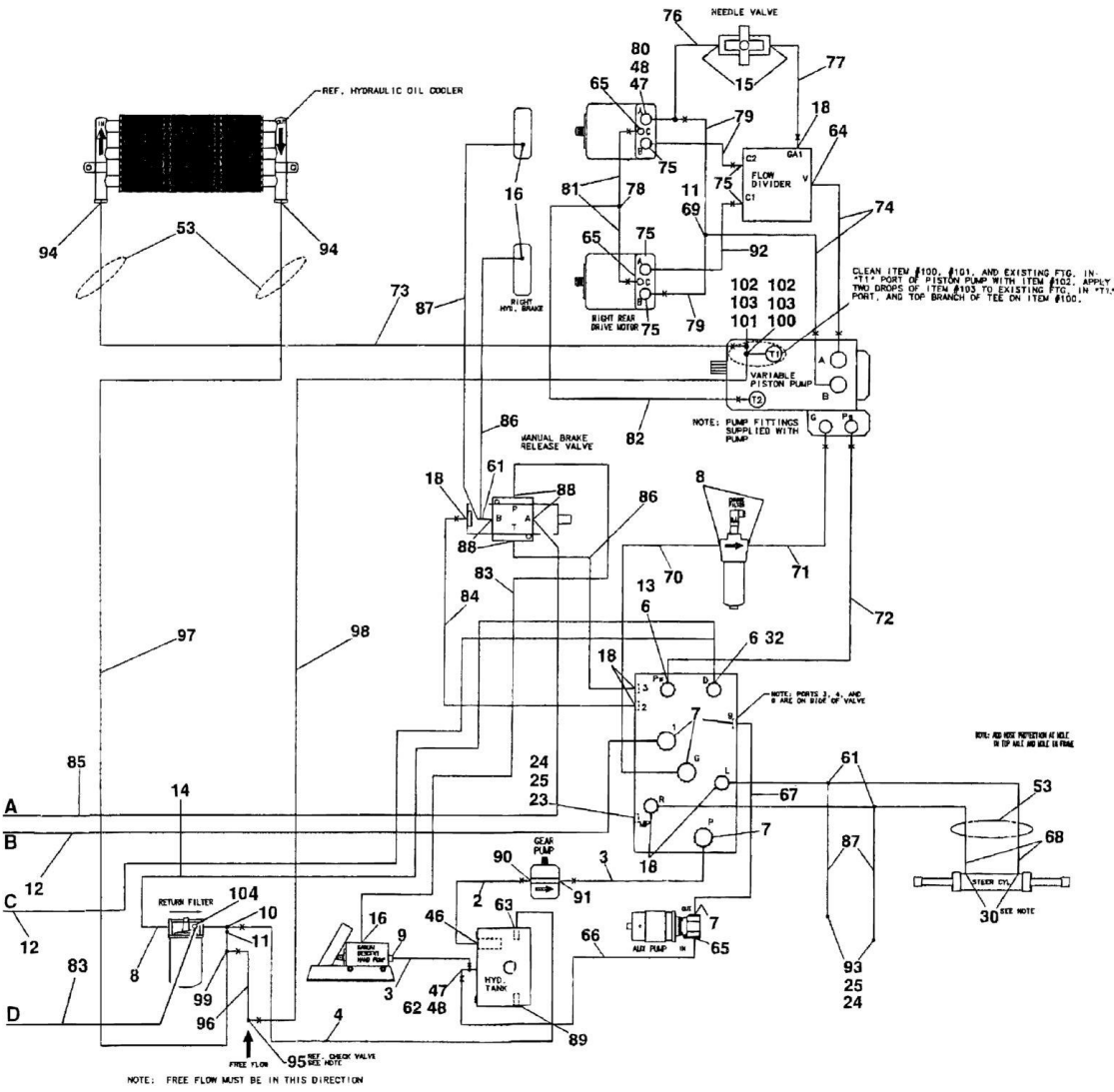
| ITEM | PART NUMBER | QTY | DESCRIPTION | REV |
|------|-------------|-----|--|-----|
| | | Ref | Note: Information on Diagrams not shown are available from JLG Service/Parts Departments. | |
| | 2792244 | Ref | Hydraulic Diagram - 40ic | |
| | 2792277 | Ref | Hydraulic Diagram - 45ic | |
| | 2792243 | Ref | Hydraulic Schematic | |

SECTION 6 - HYDRAULICS

FIGURE 6-2. HYDRAULIC DIAGRAM (SHEET 1 OF 2)



SECTION 6 - HYDRAULICS



SECTION 6 - HYDRAULICS

FIGURE 6-2. HYDRAULIC DIAGRAM (SHEET 2 OF 2)

| ITEM | PART NUMBER | QTY | DESCRIPTION | REV |
|------|-------------|-----|---------------------------------------|-----|
| | 2792244 | Ref | HYDRAULIC DIAGRAM (40IC) | 11 |
| | 2792277 | Ref | HYDRAULIC DIAGRAM (45IC) | I |
| 1 | 2220606 | 1 | Fitting, Tee | |
| 2 | 2752522 | 1 | Hose, Suction | |
| 3 | 2752486 | 2 | Hose | |
| 4 | 2750834 | 1 | Hose | |
| 6 | 2220603 | 10 | Fitting, Straight | |
| 7 | 2220371 | 6 | Fitting, Straight | |
| 8 | 2220577 | 3 | Fitting, Straight | |
| 9 | 2220473 | 4 | Fitting, 90 | |
| 10 | 2220738 | 1 | Fitting, Tee | |
| 11 | 2220622 | 3 | Fitting, Reducer | |
| 12 | 2752488 | 2 | Hose | |
| 13 | 2220657 | 6 | Fitting, 45 | |
| 14 | 2750993 | 1 | Hose | |
| 15 | 2220416 | 2 | Fitting, 90 | |
| 16 | 2220466 | 3 | Fitting, 90 | |
| 17 | 2752433 | 1 | Hose | |
| 18 | 2220415 | 7 | Fitting, Straight | |
| 19 | 2220502 | 4 | Fitting, 45 | |
| 20 | 2752459 | 2 | Hose | |
| 21 | 2220497 | 2 | Fitting, Straight | |
| 22 | 2220609 | 5 | Fitting, Reducer | |
| 23 | 2220873 | 2 | Fitting, Pipe | |
| 24 | 2220428 | 6 | Fitting, Quick Disconnect | |
| 25 | 2220429 | 6 | Cap, Dust | |
| 26 | | Ref | Hose Options: | |
| 26 | 2752619 | 2 | Hose Model 40ic | |
| 26 | 2752482 | 2 | Hose Model 45ic (Prior to SN 28755) | |
| 26 | 2753050 | 2 | Hose Model 45ic (SN 28755 to Present) | |
| 27 | 2220899 | 4 | Fitting, Tee | |
| 28 | 2752620 | 1 | Hose | |
| 29 | 2752580 | 2 | Hose | |
| 30 | 2220472 | 13 | Fitting, 90 | |
| 31 | 2752614 | 1 | Hose | |
| 32 | 2220635 | 3 | Fitting, Tee | |
| 33 | | Ref | Hose Options: | |
| 33 | 2753115 | 1 | Hose Model 40ic | |
| 33 | 2753113 | 1 | Hose Model 45ic | |
| 34 | | Ref | Hose Options: | |
| 34 | 2753116 | 1 | Hose Model 40ic | |
| 34 | 2753114 | 1 | Hose Model 45ic | |
| 35 | 2752462 | 1 | Hose | |
| 36 | | Ref | Hose Options: | |
| 36 | 2752621 | 2 | Hose Model 40ic | |
| 36 | 2752626 | 2 | Hose Model 45ic | |
| 37 | | Ref | Hose Options: | |
| 37 | 2752579 | 2 | Hose Model 40ic | |
| 37 | 2752585 | 2 | Hose Model 45ic | |
| 38 | 2220504 | 2 | Fitting, Tee | |

SECTION 6 - HYDRAULICS

| ITEM | PART NUMBER | QTY | DESCRIPTION | REV |
|------|-------------|-----|------------------------|-----|
| 39 | 2753005 | 2 | Hose | |
| 40 | 2220727 | 2 | Fitting, Pipe | |
| 41 | 2220684 | 2 | Fitting, Tee | |
| 42 | 2752435 | 1 | Hose | |
| 43 | 2752573 | 1 | Hose | |
| 44 | 2220677 | 2 | Fitting, 45 | |
| 45 | 2752574 | 1 | Hose | |
| 46 | 2220435 | 1 | Fitting, Straight | |
| 47 | 2220811 | 2 | Fitting, Reducer | |
| 48 | 2220602 | 2 | Fitting, Tee | |
| 49 | 2752575 | 1 | Hose | |
| 50 | 2752581 | 1 | Hose | |
| 51 | 4566188 | 1 | Tube | |
| 52 | | Ref | Tube Options: | |
| 52 | 4566187 | 1 | Tube Model 40ic | |
| 52 | 4566623 | 1 | Tube Model 45ic | |
| 53 | 4100026 | 4 | Sleeve, Nylon | |
| 54 | 2752438 | 1 | Hose | |
| 55 | 1702124 | 1 | Tags, Hose (Not Shown) | |
| 56 | 2221020 | 2 | Fitting, Straight | |
| 57 | 2220584 | 2 | Fitting, Tee | |
| 58 | 2220934 | 1 | Fitting, Tee | |
| 59 | 4640861 | 1 | Bleeder Kit | |
| 60 | | Ref | Hose Options: | |
| 60 | 2752441 | 1 | Hose Model 40ic | |
| 60 | 2752440 | 1 | Hose Model 45ic | |
| 61 | 2220605 | 4 | Fitting, Tee | |
| 62 | 2220619 | 1 | Fitting, Reducer | |
| 63 | 2220578 | 1 | Fitting, 90 | |
| 64 | 2220451 | 1 | Fitting, Straight | |
| 65 | 2220600 | 3 | Fitting, Straight | |
| 66 | 2750763 | 1 | Hose | |
| 67 | 2752472 | 1 | Hose | |
| 68 | 2752984 | 2 | Hose | |
| 69 | 2220481 | 1 | Fitting, Tee | |
| 70 | 2752648 | 1 | Hose | |
| 71 | 2752611 | 1 | Hose | |
| 72 | 2752476 | 1 | Hose | |
| 73 | 2752503 | 1 | Hose | |
| 74 | 2752255 | 2 | Hose | |
| 75 | 2220375 | 5 | Fitting, Straight | |
| 76 | 2751409 | 1 | Hose | |
| 77 | 2751010 | 1 | Hose | |
| 78 | 2220362 | 3 | Fitting, Tee | |
| 79 | 2752403 | 4 | Hose | |
| 80 | 2220618 | 1 | Fitting, Reducer | |
| 81 | 2752931 | 2 | Hose | |
| 82 | 2752935 | 1 | Hose | |
| 83 | 2752591 | 2 | Hose | |
| 84 | 2752445 | 1 | Hose | |
| 85 | 2752982 | 1 | Hose | |

SECTION 6 - HYDRAULICS

| ITEM | PART NUMBER | QTY | DESCRIPTION | REV |
|------|-------------|-----|--|-----|
| 86 | 2752983 | 2 | Hose | |
| 87 | 2752981 | 3 | Hose | |
| 88 | 2220582 | 5 | Fitting, Straight | |
| 89 | 2220240 | 1 | Fitting, Plug (Prior to SN 28820) | |
| 89 | 2220221 | 1 | Fitting, Plug (SN 28820 to Present) | |
| 90 | 2220408 | 1 | Fitting, Straight | |
| 91 | 2220372 | 1 | Fitting, Straight | |
| 92 | 2752404 | 1 | Hose | |
| 93 | 2220414 | 2 | Fitting, Straight | |
| 94 | 2220374 | 2 | Fitting, Straight | |
| 95 | 4640994 | 1 | Valve, Check | |
| 96 | 2752937 | 1 | Hose | |
| 97 | 2752938 | 1 | Hose | |
| 98 | 2752504 | 1 | Hose | |
| 99 | 2220385 | 1 | Fitting, Tee | |
| 100 | 2220383 | 1 | Fitting, Tee | |
| 101 | 2220386 | 1 | Fitting, 90 | |
| 102 | 0100038 | AR | Primer, Loctite | |
| 103 | 0100011 | AR | Loctite #242 | |

SECTION 7 - ELECTRICAL

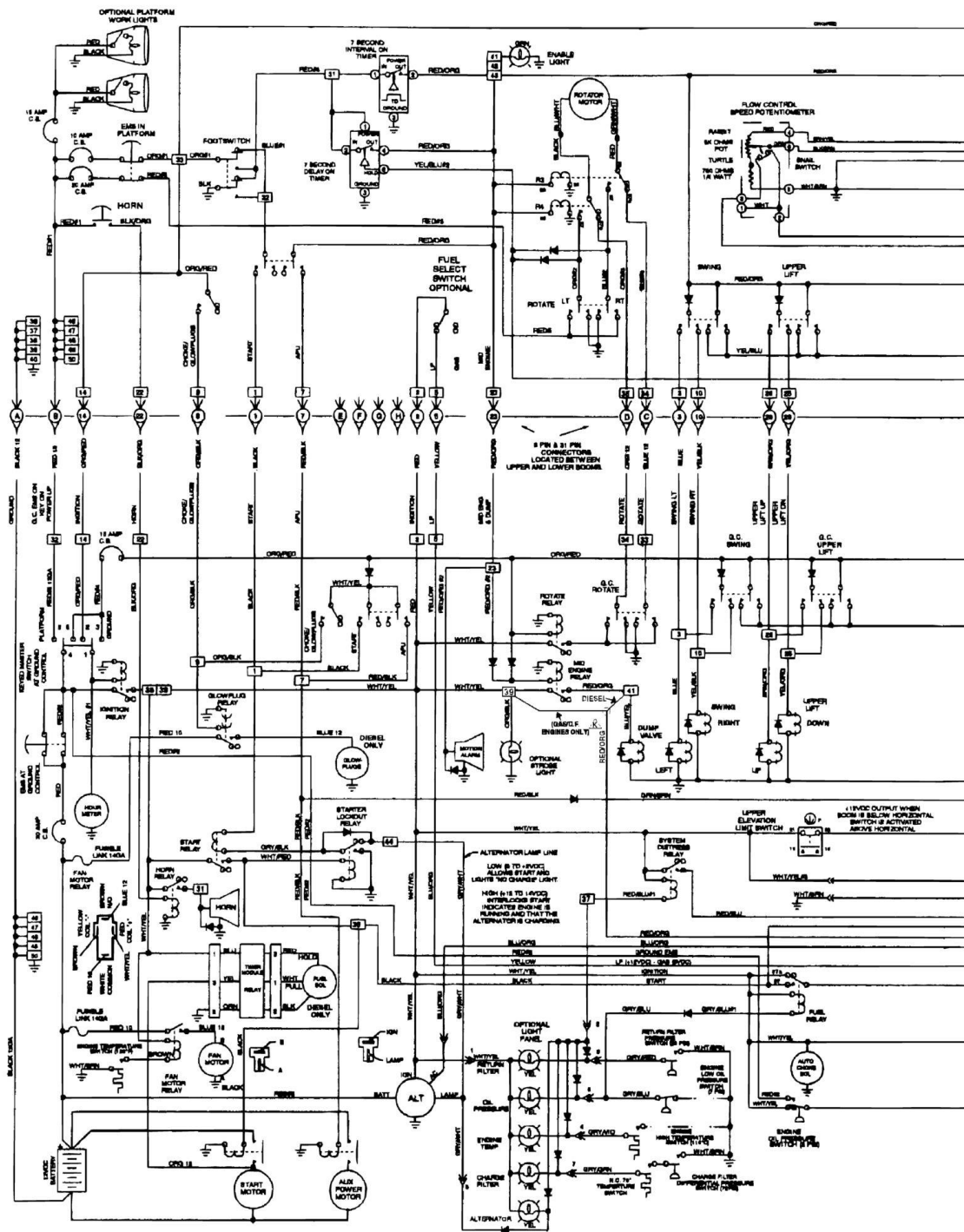
SECTION 7 - ELECTRICAL

FIGURE 7-1. ELECTRICAL DIAGRAMS AND DIAGRAM LIST

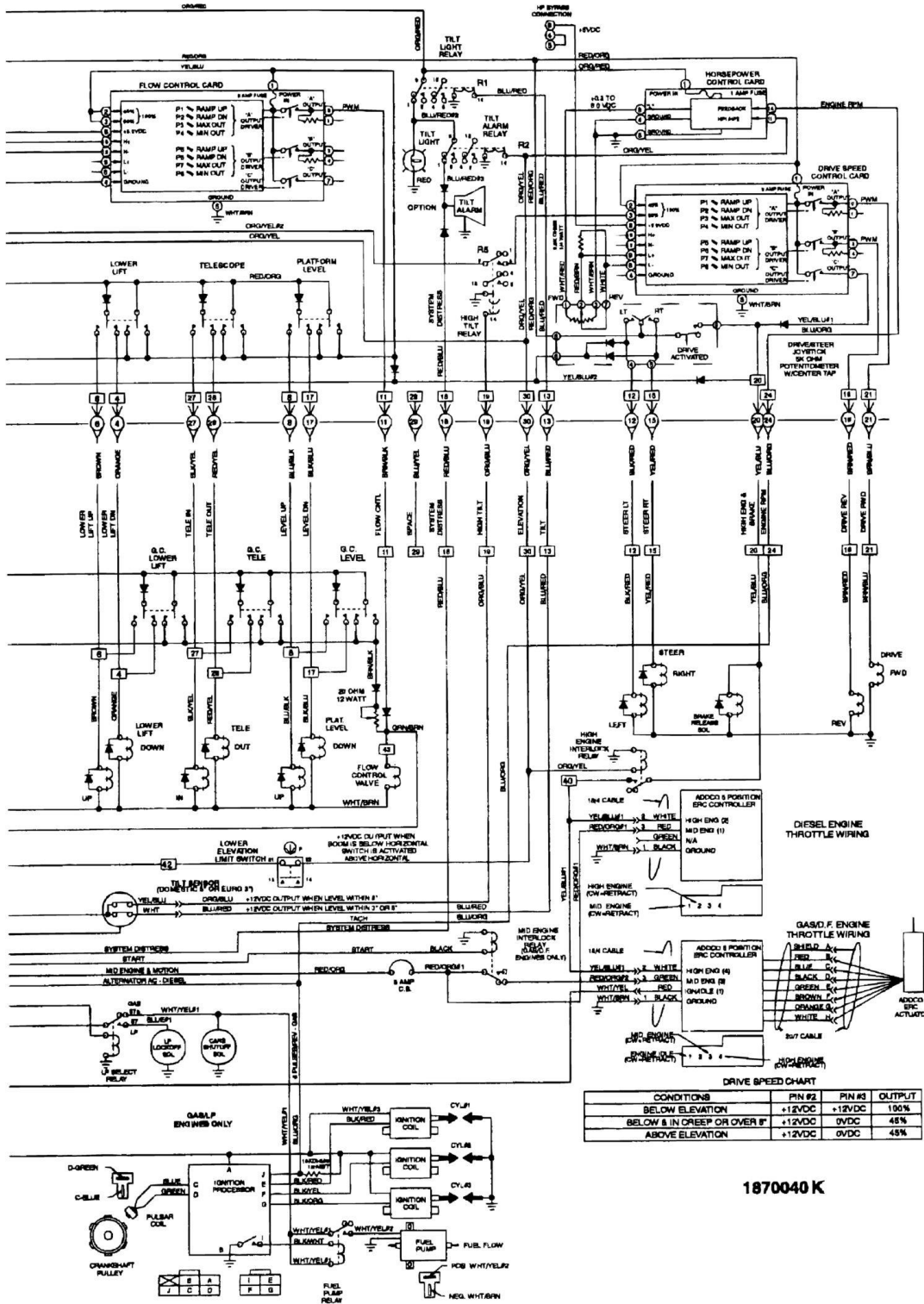
| ITEM | PART NUMBER | QTY | DESCRIPTION | REV |
|------|-------------|-----|---|-----|
| | | Ref | ELECTRICAL COMPONENTS AND DIAGRAMS LIST | |
| | | Ref | Note: All other electrical drawings are available from JLG Service Department upon request. | |
| | 2901249 | Ref | ALARM ELECTRICAL COMPONENTS (MOTION) (OPTIONAL - DOMESTIC AND LATIN AMERICA/STANDARD - JAPANESE) | - |
| | 4932338 | Ref | ALARM ELECTRICAL COMPONENTS (MOTION) (OPTIONAL - DOMESTIC AND LATIN AMERICA/STANDARD - JAPANESE) | - |
| | 0140026 | 1 | Alarm | |
| | 4932866 | Ref | ALARM ELECTRICAL COMPONENTS (TILT) (OPTIONAL - DOMESTIC AND LATIN AMERICA/STANDARD - JAPANESE) | - |
| | 1282596 | Ref | ALARM ELECTRICAL COMPONENTS (TILT) (OPTIONAL - DOMESTIC AND LATIN AMERICA/STANDARD - JAPANESE) | B |
| | 4921425 | 1 | Harness | |
| | 0140031 | 1 | Alarm | |
| | 4392338 | Ref | BEACON ELECTRICAL DIAGRAM | C |
| | 1282596 | Ref | DRIVE CUT-OUT ELECTRICAL DIAGRAMS | B |
| | 4932859 | Ref | ABOVE ELEVATION (B/M ONLY) | |
| | 4932860 | Ref | ABOVE ELEVATION TILT (B/M ONLY) | |
| | 4932838 | Ref | GROUND CONTROL BOX ELECTRICAL DIAGRAM | E-5 |
| | 3730099 | 1 | Resistor - 20 Ohm/12Watts | |
| | 3990010 | 12 | Diode 6 Amp | |
| | 0256524 | Ref | LIGHT PANEL ELECTRICAL DIAGRAM | A |
| | 4932868 | Ref | OVERLOAD WITHOUT OVERRIDE ELECTRICAL DIAGRAM (JAPANESE SPEC) | - |
| | 1282596 | Ref | OVERLOAD WITHOUT OVERRIDE ELECTRICAL DIAGRAM (JAPANESE SPEC) | B |
| | | Ref | Note: Additional Components Listed in SPECIAL OPTIONS SECTION. | |
| | 3740119 | 1 | Relay, Timer | |
| | 4120014 | 1 | Base, Relay | |
| | 4160114 | 1 | Spring, Relay | |
| | 3990010 | 3 | Diode | |
| | 4932844 | Ref | PLATFORM ELECTRICAL DIAGRAM | 8 |
| | 2901406 | Ref | PLATFORM WORKLIGHTS ELECTRICAL DIAGRAM | - |
| | 4921428 | 1 | Harness | |
| | 2920140 | 2 | Worklight | |
| | 4360070 | 1 | Breaker, Circuit - 15 Amp | |
| | 1870040 | Ref | STANDARD ELECTRICAL SCHEMATIC | K |

SECTION 7 - ELECTRICAL

FIGURE 7-2. ELECTRICAL DIAGRAM - STANDARD (SHEET 1 OF 2)



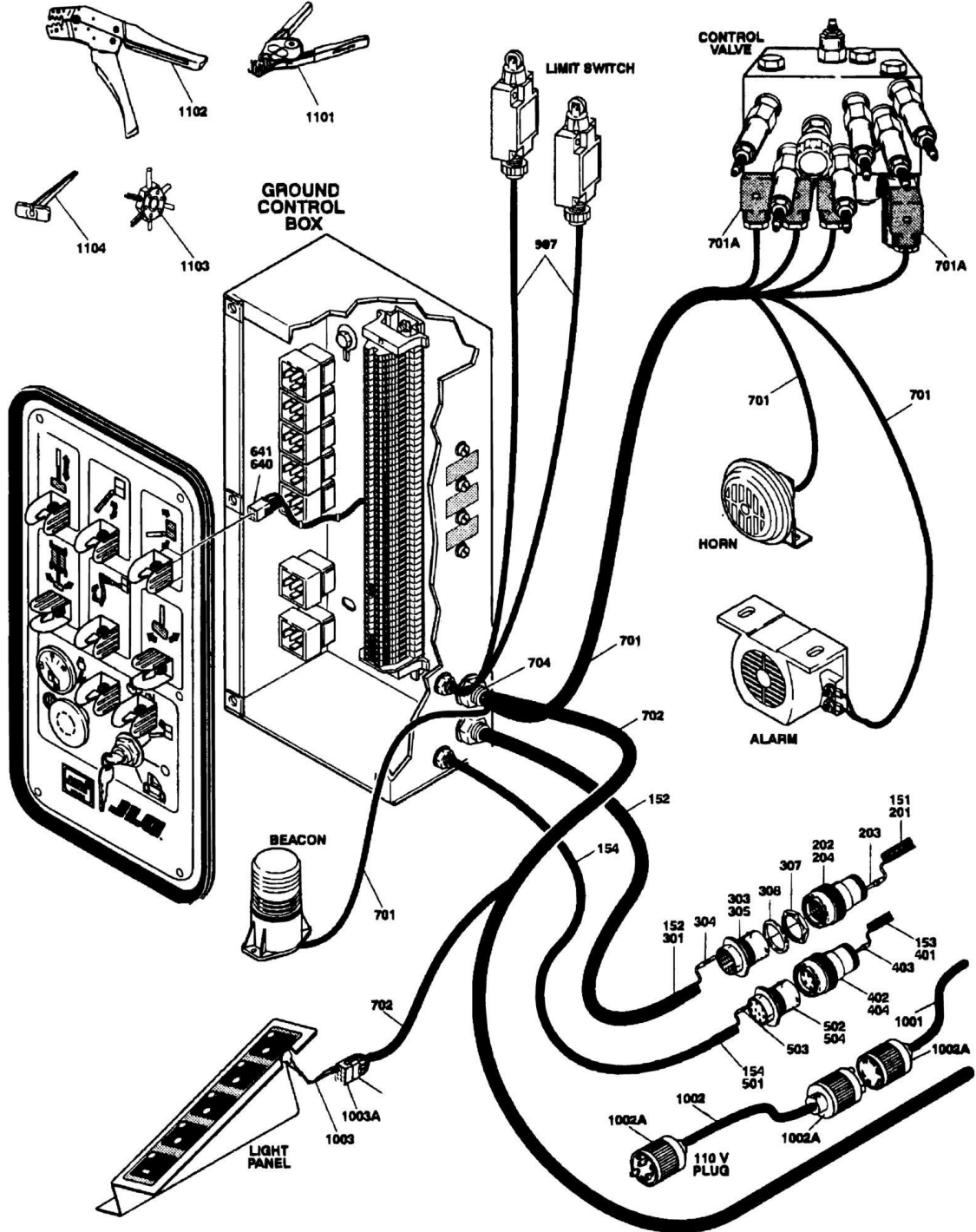
SECTION 7 - ELECTRICAL



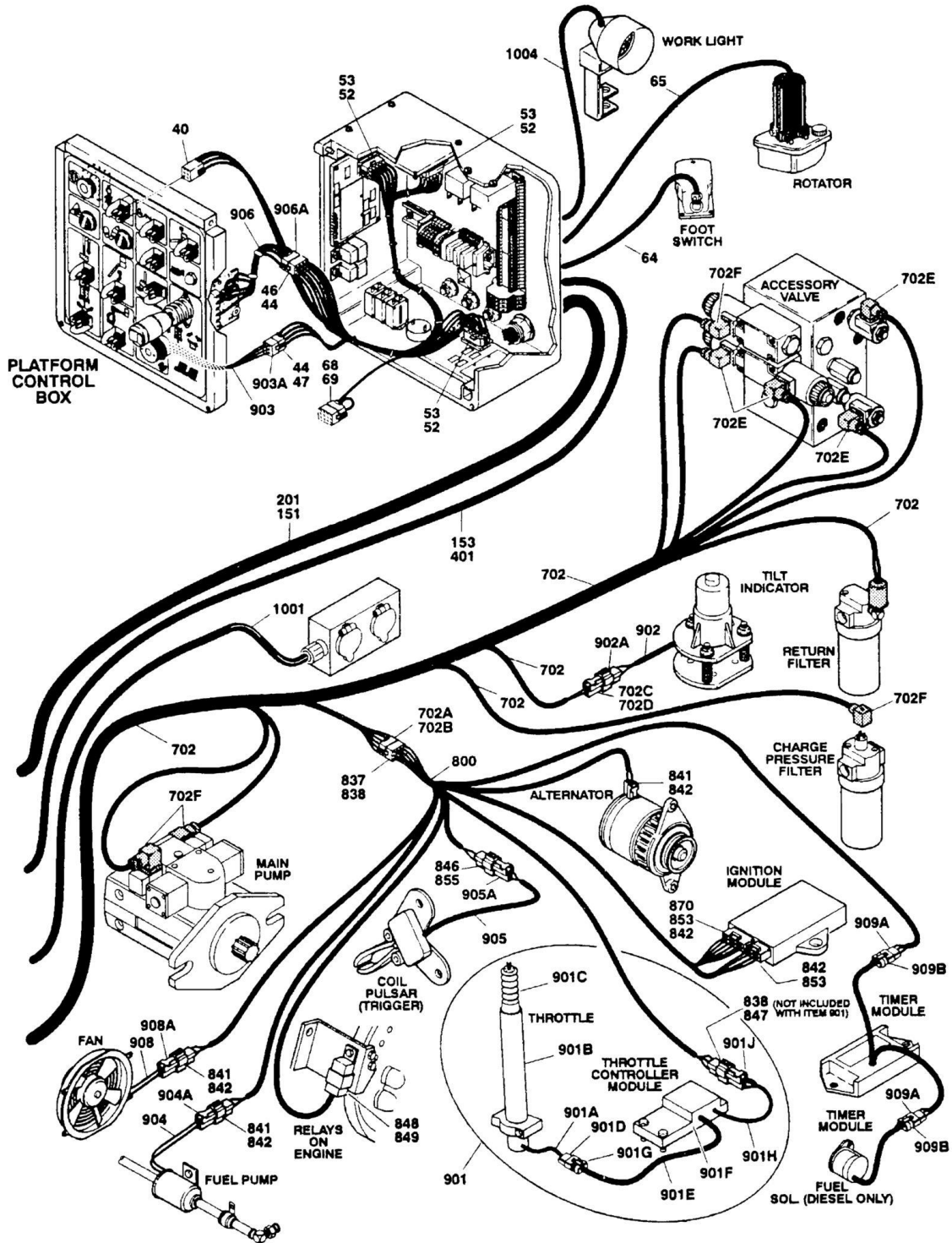
1870040 K

SECTION 7 - ELECTRICAL

FIGURE 7-3. HARNESS INSTALLATIONS



SECTION 7 - ELECTRICAL



SECTION 7 - ELECTRICAL

FIGURE 7-3. HARNESS INSTALLATIONS

| ITEM | PART NUMBER | QTY | DESCRIPTION | REV |
|------|-------------|------------------|--|-----|
| | 4932844 | Ref | PLATFORM ELECTRICAL DIAGRAM | 8-1 |
| 40 | 4460418 | 7 | Connector - (6 Pin (To Switches)) | |
| 41 | 4460419 | 40 | Terminal, Female | |
| 44 | 4460267 | 14 | Pin, Male | |
| 46 | 4460265 | 1 | Connector - 9 Pin | |
| 47 | 4460225 | 1 | Connector - 6 Pin | |
| 50 | 3990010 | 12 | Diode - 6 Amp (Not Shown) | |
| 52 | 4460620 | 3 | Connector - 15 Socket | |
| 53 | 4460621 | 25 | Socket, Female | |
| 64 | 1060515 | 7 ft/2.2m | Cable, Electrical - 12/4 | |
| 65 | 1060514 | 8 ft/2.5m | Cable, Electrical - 12/3 | |
| 68 | 4460652 | 1 | Connector - 15 Position | |
| 69 | 4460653 | 3 | Pin, Male | |
| 70 | 3730114 | 1 | Resistor - 6.8 Ohms 1/4 Watt (Not Shown) | |
| | | Ref | BOOM HARNESSES AND CLAMPS INSTALLATION (STANDARD PARTS) | |
| | 0256142 | Ref | Boom Harnesses and Clamps Installation - 40ic | 2 |
| | 0256138 | Ref | Boom Harnesses and Clamps Installation - 45ic | 2 |
| 104 | 0561090 | 2 | Block, Hose Clamp (Not Shown - Located on Main Boom) | |
| 105 | 0561091 | 1 | Block, Hose Clamp (Not Shown - Located on Upper Upright) | |
| 107 | 3536999 | 1 | Shield | |
| 115 | 4060805 | 3.58 ft/1.09m | Trim 1/4in (Not Shown - Located on Upper Upright) | |
| 116 | 4060808 | 7.74 ft/2.36m | Trim 1/2in (Not Shown - Located on Mid Boom) | |
| 117 | 4240099 | 26 | Tie-Strap (Not Shown - Located on Mid Boom) | |
| 121 | 4566243 | 1 | Roller (Not Shown - Located on Mid Boom) | |
| 124 | 1320205 | 1 | Clamp, Hose (Not Shown - Located on Lower Upright) | |
| 125 | 1670697 | 1 | Cover, Hose (Not Shown - Located on Upper Upright) | |
| 128 | 1320040 | 1 | Clamp, Cable (Not Shown - Located on Lower Boom) | |
| 132 | 1320195 | 1 | Cover, Clamp (Not Shown - Located on Main Boom) | |
| 133 | 1320199 | 1 | Clamp (Not Shown - Located on Main Boom) | |
| 151 | | Ref | Harness Assembly - 16/30 Options: (Main Boom) (Includes Items 101 to 104) | |
| 151 | 4921840 | 1 | Harness Assembly - 16/30 Model 40ic | |
| 151 | 4921841 | 1 | Harness Assembly - 16/30 Model 45ic | |
| 152 | | Ref | Harness Assembly - 16/30 Options: (Tower Boom) (Includes Items 201 to 210) | |
| 152 | 4921581 | 1 | Harness Assembly - 16/30 Model 40ic | |
| 152 | 4921591 | 1 | Harness Assembly - 16/30 Model 45ic | |
| 153 | | Ref | Harness Assembly - 12/4 Options: (Main Boom) (Includes Items 301 to 304) | |
| 153 | 4921846 | 1 | Harness Assembly - 12/4 Model 40ic | |
| 153 | 4921847 | 1 | Harness Assembly - 12/4 Model 45ic | |
| 154 | | Ref | Harness Assembly - 12/4 Options: (Tower Boom) (Includes Items 401 to 404) | |
| 154 | 4921844 | 1 | Harness Assembly - 12/4 Model 40ic | |
| 154 | 4921845 | 1 | Harness Assembly - 12/4 Model 45ic | |
| | 4921840 | Ref | HARNESS ASSEMBLY - 16/30 (MAIN BOOM) (40ic) | - |
| | 4921841 | Ref | HARNESS ASSEMBLY - 16/30 (MAIN BOOM) (45ic) | - |
| 201 | 1060516 | Ref | Cable, Electrical - 16/30 (Was P/N 1060229) | |

SECTION 7 - ELECTRICAL

| ITEM | PART NUMBER | QTY | DESCRIPTION | REV |
|------------|--------------|-----------------|--|-----|
| 201 | 1060516 | 26 ft/8m | Cable, Electrical - 16/30 Model 40ic | |
| 201 | 1060516 | 27.5 ft/8.4m | Cable, Electrical - 16/30 Model 45ic | |
| 202 | 4460501 | 1 | Connector - 31 Pin (Female) | |
| 203 | 4460464 | 30 | Pin, Male | |
| 204 | 4450466 | 1 | Seal, Terminal | |
| | 4921581 | Ref | HARNES ASSEMBLY - 16/30 (TOWER BOOM) (40ic) | A |
| | 4921591 | Ref | HARNES ASSEMBLY - 16/30 (TOWER BOOM) (45ic) | A |
| 301 | 1060516 | Ref | Cable, Electrical - 16/30 (Was P/N 1060229) | |
| 301 | 1060516 | 36 ft/11m | Cable, Electrical - 16/30 Model 40ic | |
| 301 | 1060516 | 42 ft/13m | Cable, Electrical - 16/30 Model 45ic | |
| 303 | 4460500 | 1 | Connector - 31 Pin (Male) | |
| 304 | 4460465 | 30 | Socket, Female | |
| 305 | 4460466 | 1 | Seal, Terminal | |
| 307 | 4460470 | 1 | Nut, Receptacle (Model 40ic Only) | |
| 308 | 4460471 | 1 | Lockwasher, Receptacle (Model 40ic Only) | |
| | 4921846 | Ref | HARNES ASSEMBLY - 12/4 (MAIN BOOM) (40ic) | A |
| | 4921847 | Ref | HARNES ASSEMBLY - 12/4 (MAIN BOOM) (45ic) | A |
| 401 | 1060515 | Ref | Cable, Electrical - 12/4 | |
| 401 | 1060515 | 26 ft/8m | Cable, Electrical - 12/4 Model 40ic | |
| 401 | 1060515 | 27.5 ft/8.4m | Cable, Electrical - 12/4 Model 45ic | |
| 402 | 4460505 | 1 | Connector - 8 Pin (Female) | |
| 403 | 4460508 | 4 | Pin, Male | |
| 404 | 4450466 | 4 | Seal, Terminal | |
| | 4921844 | Ref | HARNES ASSEMBLY - 12/4 (TOWER BOOM) (40ic) | A |
| | 4921845 | Ref | HARNES ASSEMBLY - 12/4 (TOWER BOOM) (45ic) | A |
| 501 | 1060515 | Ref | Cable, Electrical - 12/4 | |
| 501 | 1060515 | 34 ft/10.4m | Cable, Electrical - 12/4 Model 40ic | |
| 501 | 1060515 | 38 ft/11.6m | Cable, Electrical - 12/4 Model 45ic | |
| 502 | 4460504 | 1 | Connector - 8 Pin (Male) | |
| 503 | 4460509 | 4 | Socket, Female | |
| 504 | 4460466 | 4 | Seal, Terminal | |
| 505 to 508 | Not Required | 0 | Not Required | |
| | 4932838 | Ref | GROUND CONTROL BOX ELECTRICAL DIAGRAM | 5-E |
| 640 | 4460418 | 7 | Connector - (6 Pin (To Switches) | |
| 641 | 4460419 | 40 | Terminal, Female | |
| 646 | 3730099 | 1 | Resistor 20 Ohm 12 Watt (Not Shown) | |
| 650 | 3990010 | 12 | Diode 6 Amp (Not Shown) | |
| | 4921813 | Ref | HARNES ASSEMBLY - CHASSIS AND VALVE | B-2 |
| 701 | 4921794 | 1 | Valve Harness Assembly | 2-B |
| 701 | 3990001 | 2 | Diode - 3.5 Amp | |
| 701A | 4460499 | 10 | Connector, DIN | |
| 702 | 4921795 | 1 | Frame Harness Assembly | C |
| 702A | 4460268 | 9 | Socket, Female (To Engine Harness) | |
| 702B | 4460266 | 2 | Connector - 9 Pin (To Engine Harness/Light Panel) | |
| 702C | 4460267 | 11 | Pin, Male (To Light Panel and Tilt Sensor) | |
| 702D | 4460225 | 1 | Connector - 3 Pin (To Tilt Sensor) | |
| 702E | 4460499 | 4 | Connector, DIN with Diode | |
| 702F | 4460449 | 4 | Connector, DIN without Diode | |

SECTION 7 - ELECTRICAL

| ITEM | PART NUMBER | QTY | DESCRIPTION | REV |
|------------|---------------|-----|---|-----|
| 704 | 4460426 | 1 | Connector, Strain Relief | |
| 710 | 3990001 | 1 | Diode - 3.5 Amp (Not Shown) | |
| 800 | 4921852 | Ref | HARNESS ASSEMBLY - VANGUARD | 9-H |
| 832 | Not Required | 0 | Not Required | |
| 837 | 4460265 | 1 | Connector - 9 Pin | |
| 838 | 4460267 | 11 | Pin, Male | |
| 841 | 4460656 | 3 | Housing, Terminal - 2 Position | |
| 842 | 4460657 | 18 | Terminal | |
| 846 | 4460654 | 1 | Housing, Terminal - 2 Position | |
| 847 | 4460445 | 1 | Connector - 3 Position | |
| 848 | 4460374 | 4 | Plug, Weatherproof Relay | |
| 849 | 4460375 | 18 | Terminal | |
| 852 | 4460658 | 1 | Housing, Terminal - 4 Position | |
| 853 | 4460659 | 1 | Housing, Terminal - 6 Position | |
| 855 | 4460655 | 2 | Terminal - Male | |
| 870 | 3730113 | 1 | Resistor - 10K Ohms/1/2 Watt | |
| 872 | 3990010 | 1 | Diode - 6 Amp | |
| | 2901447 | | Terminal Kit (Includes Items 841, 842, 846, 852, 853 & 872) | |
| 800 | 4921853 | Ref | HARNESS ASSEMBLY - YANMAR | 7-G |
| 832 | 3740112 | 1 | Relay - 75 Amp SPST (Glow Plug Relay) (Not Shown) | |
| 837 | 4460265 | 1 | Connector - 9 Pin | |
| 838 | 4460267 | 16 | Pin, Male | |
| 839 to 842 | Not Required | 0 | Not Required | |
| 846 | Not Required | 0 | Not Required | |
| 847 | 4460445 | 2 | Connector - 3 Position | |
| 848 to 849 | Not Required | 0 | Not Required | |
| 852 to 853 | Not Required | 0 | Not Required | |
| 855 | Not Required | 0 | Not Required | |
| 870 | Not Required | 0 | Not Required | |
| 872 | Not Required | 0 | Not Required | |
| | | Ref | MISCELLANEOUS HARNESS AND CABLES | |
| 901 | Not Available | 1 | Throttle Actuator/Controller Harness (Deutz and Isuzu) | |
| 901 | 2910000 | 1 | Throttle Actuator and Controller Assembly (was p/n 0060037 / 0060038) | |
| 901 | 7008833 | 1 | Mounting Clamp Kit (Not Shown) | |
| 901 | 7008836 | 1 | Spring, Retract (Not Shown) | |
| 901A | Not Available | 1 | Throttle Actuator and Harness (Purchase p/n 2910000) | |
| 901A | 7016336 | 1 | Boot Kit | |
| 901B | Not Serviced | 9 | Pin, Male | |
| 901C | Not Serviced | 1 | Connector, Male | |
| 901D | 2910001 | 1 | Controller and Harnesses (Purchase p/n 2910000) | |
| 901E | Not Serviced | 9 | Socket, Female | |
| 901F | Not Serviced | 1 | Connector, Female | |
| 901G | Not Available | 1 | Connector - 4 Position | |
| 901G | 4460693 | 4 | Pin, Male | |
| 901G | 4460591 | 1 | Clip | |
| 901G | 4460608 | 4 | Seal, Terminal | |
| 902 | Not Available | 1 | Tilt Indicator Harness | |
| 902A | 4460205 | 1 | Connector - 6 Position | |
| 902A | 4460268 | 6 | Socket, Female | |
| 903 | Not Available | 1 | Potentiometer Harness | |
| 903A | 4460205 | 1 | Connector - 6 Position | |

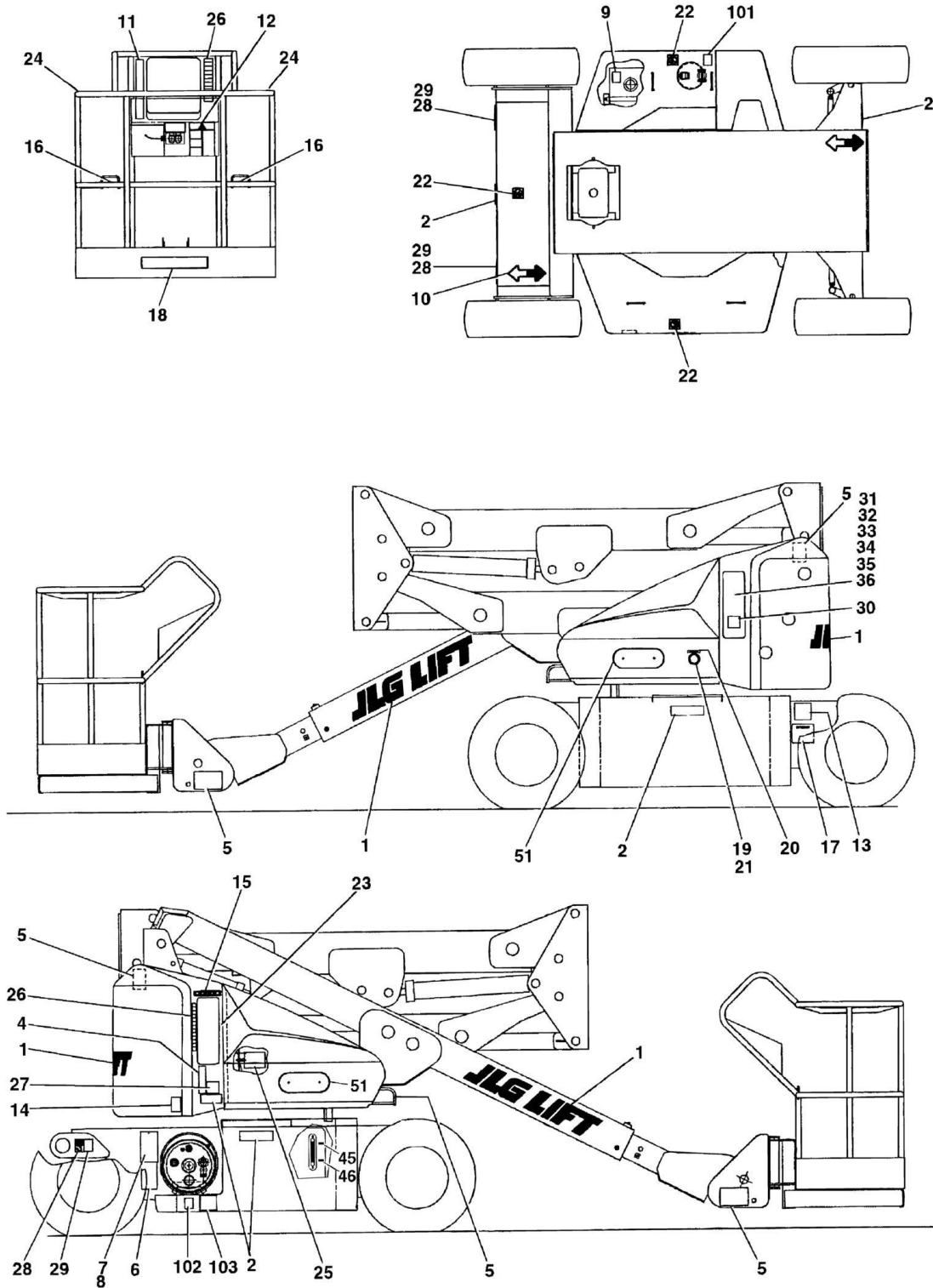
SECTION 7 - ELECTRICAL

| ITEM | PART NUMBER | QTY | DESCRIPTION | REV |
|-------|---------------|-----------|--|-----|
| 903A | 4460268 | 6 | Socket, Female | |
| 904 | Not Available | 1 | Fuel Pump Harness | |
| 904A | 4460654 | 1 | Connector - 2 Position | |
| 904A | 4460655 | 2 | Terminal | |
| 905 | Not Available | 1 | Trigger Harness | |
| 905A | 4460656 | 1 | Connector - 6 Position | |
| 905A | 4460326 | 3 | Terminal | |
| 906 | Not Available | 1 | Controller Harness | |
| 906A | 4460266 | 1 | Connector - 9 Position | |
| 906A | 4460268 | 9 | Socket, Female | |
| 907 | Not Available | 1 | Boom Limits Harness | |
| 907 | 1060341 | 49 ft/15m | Cable, Electrical - 16/2 | |
| 908 | Not Available | 1 | Fan Harness | |
| 908A | 4460654 | 1 | Connector - 2 Position | |
| 908A | 4460655 | 2 | Terminal | |
| 909 | Not Available | 1 | Timer Module Harness | |
| 909A | 4460445 | 1 | Connector - 3 Position | |
| 909A | 4460267 | 3 | Terminal | |
| 909B | 4460326 | 1 | Connector - 3 Position | |
| 909B | 4460268 | 3 | Socket, Female | |
| | | Ref | OPTIONAL HARNESS ASSEMBLIES | |
| 1001 | | Ref | Harness Options - 110V Receptacle (Main Boom): | |
| 1001 | 4921569 | 1 | Harness Options - 110V Receptacle (Main Boom) 40ic | |
| 1001 | 4921593 | 1 | Harness Options - 110V Receptacle (Main Boom) 45ic | |
| 1001A | 4460205 | 1 | Plug, Twistlock | |
| 1002 | | Ref | Harness Options - 110V Receptacle (Tower Boom): | |
| 1002 | 4921568 | 1 | Harness Options - 110V Receptacle (Tower Boom) 40ic | |
| 1002 | 1921592 | 1 | Harness Options - 110V Receptacle (Tower Boom) 45ic | |
| 1002A | 4460134 | 1 | Receptacle, Twistlock | |
| 1003 | Not Available | 1 | Harness, Light Panel | |
| 1003A | 4460265 | 1 | Plug, Connector | |
| 1003A | 4460268 | 7 | Socket, Female | |
| 1004 | Not Available | 1 | Harness, Worklights | |
| | | Ref | Tools for Service | |
| | 7002822 | 1 | Screwdriver, Potentiometer (To Adjust Drive Controllers) | |
| | 7016654 | 1 | Screwdriver, Magnetic | |
| | 4921850 | 1 | Harness For Controller, Service | |
| | 4922012 | 1 | Harness For Rexroth Control Cards, Service | |
| 1101 | 7002828 | 1 | Wire Stripper | |
| 1102 | 7002821 | 1 | Wire Crimper (To Install Wire Ends to Wires) | |
| 1103 | 7002823 | 1 | Pin/Socket Extractor - Universal (To Remove Pins/Sockets from Connectors) | |
| 1104 | 4460467 | 1 | Extractor - 16-18 Gauge (For Removal of Pins/Sockets for Deutsch Connectors) | |
| 1104 | 4460510 | 1 | Extractor - 12-14 Gauge (For Removal of Pins/Sockets for Deutsch Connectors) | |

SECTION 8 - DECALS

SECTION 8 - DECALS

FIGURE 8-1. DECALS INSTALLATION - ANSI SPEC



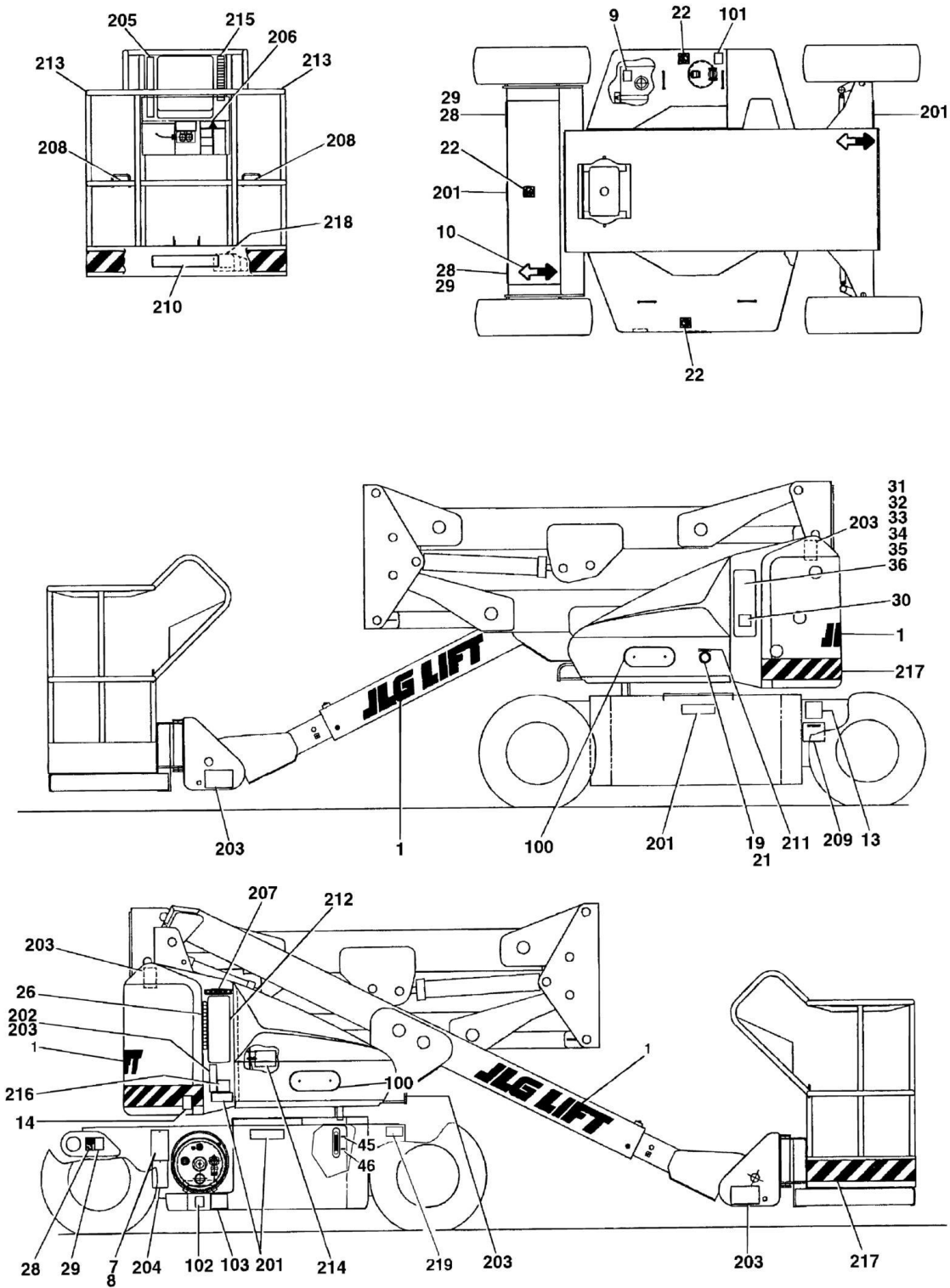
SECTION 8 - DECALS

FIGURE 8-1. DECALS INSTALLATION - ANSI SPEC

| ITEM | PART NUMBER | QTY | DESCRIPTION | REV |
|------|---------------|-----|---|-----|
| | 1282497 | Ref | DECALS INSTALLATION (STANDARD PARTS) | G |
| | 0255997 | Ref | Decal Installation - 40ic | 5-B |
| | 0255998 | Ref | Decal Installation - 45ic | 5-B |
| 1 | 1701892 | 3 | Decal - JLG Lift | |
| 2 | 1702292 | 5 | Decal - Electrocutation | |
| 4 | 1702278 | 1 | Decal - Crushing | |
| 5 | 1702284 | 5 | Decal - Crushing Hazard | |
| 6 | 1700584 | 1 | Decal - Patent | |
| 7 | Not Available | 1 | Nameplate - Manufacturer's Serial Number | |
| 8 | 3820001 | 4 | Rivet | |
| 9 | 1701504 | 1 | Decal - Hydraulic Oil | |
| 10 | 1701642 | 2 | Decal - Arrow | |
| 11 | 1702935 | 1 | Decal - Warning/Danger | |
| 12 | 1702936 | 1 | Decal - Warning/Daily CheckList | |
| 13 | 1702631 | 1 | Decal - Bar Code | |
| 14 | 3251813 | 1 | Decal - USA | |
| 15 | 1702688 | 2 | Decal - 500Lbs Max Cap | |
| 16 | 1702612 | 2 | Decal - Attach Lanyard | |
| 17 | 1702153 | 1 | Decal - Inspection | |
| 18 | 1701645 | 1 | Decal - 500Lbs Max Cap (Prior to SN 38576) | |
| 19 | 0961127 | 1 | Bushing, Snap | |
| 20 | 3251243 | 1 | Nameplate - 120V - 60Hz | |
| 21 | 0100010 | AR | Loctite | |
| 22 | 1701691 | 3 | Decal - No Step | |
| 23 | 1702048 | 1 | Decal - Manual Descent | |
| 24 | 1702294 | 2 | Decal - No Hands | |
| 25 | 1702265 | 1 | Decal - Synchronizing | |
| 26 | 1702937 | 2 | Decal - Legend | |
| 27 | 1702282 | 1 | Decal - Warning | |
| 28 | 1702300 | 4 | Decal - Tie Down | |
| 29 | 1701500 | 4 | Decal - Lift | |
| 30 | 1701640 | 1 | Decal - Manual | |
| 31 | 1580008 | 1 | Box, Manual Storage | |
| 32 | 1060279 | 1 | Lanyard | |
| 33 | 3941003 | 1 | Screw, Self-Tapping | |
| 34 | 3911408 | 1 | Screw, Round Head 1/4in-20NC x 1/2in | |
| 35 | 4711400 | 1 | Flatwasher 1/4in | |
| 36 | 3311401 | 1 | Nut 1/4in-20NC | |
| 45 | 1701502 | 1 | Decal - High (Hydraulic Oil Level) | |
| 46 | 1701503 | 1 | Decal - Low (Hydraulic Oil Level) | |
| 51 | | Ref | Decal - JLG Options: | |
| 51 | 1702934 | 2 | Decal - JLG Model 40ic | |
| 51 | 1702932 | 2 | Decal - JLG Model 45ic | |
| | | Ref | DECAL INSTALLATION (OPTIONAL PARTS) | |
| 101 | | Ref | Decal - Fuel | |
| 101 | 1701505 | 1 | Diesel | |
| 101 | 1701542 | 1 | Gas | |
| 102 | 1701543 | 1 | Decal - LP Gas | |
| 103 | 1700818 | 1 | Decal - LP Gas Liquid Withdrawal System | |

SECTION 8 - DECALS

FIGURE 8-2. DECALS INSTALLATION - JAPANESE AND LATIN AMERICA



SECTION 8 - DECALS

FIGURE 8-2. DECALS INSTALLATION - JAPANESE AND LATIN AMERICA

| ITEM | PART NUMBER | QTY | DESCRIPTION | REV |
|------|---------------|-----|--|-----|
| | 1282497 | Ref | DECALS INSTALLATION (STANDARD) | G |
| 1 | 1701892 | 3 | Decal - JLG Lift | |
| 7 | Not Available | 1 | Nameplate - Manufacturer's Serial Number | |
| 8 | 3820001 | 4 | Rivet | |
| 9 | 1701504 | 1 | Decal - Hydraulic Oil | |
| 10 | 1701642 | 2 | Decal - Arrow | |
| 13 | 1702631 | 1 | Decal - Bar Code | |
| 14 | 3251813 | 1 | Decal - USA | |
| 19 | 0961127 | 1 | Bushing, Snap | |
| 21 | 0100010 | AR | Loctite | |
| 22 | 1701691 | 3 | Decal - No Step | |
| 28 | 1702300 | 4 | Decal - Tie Down | |
| 29 | 1701500 | 4 | Decal - Lift | |
| 30 | 1701640 | 1 | Decal - Manual | |
| 31 | 1580008 | 1 | Box, Manual Storage | |
| 32 | 1060279 | 1 | Lanyard | |
| 33 | 3941003 | 1 | Screw, Self-Tapping | |
| 34 | 3911408 | 1 | Screw, Round Head 1/4in-20NC x 1/2in | |
| 35 | 4711400 | 1 | Flatwasher 1/4in | |
| 36 | 3311401 | 1 | Nut 1/4in-20NC | |
| 45 | 1701502 | 1 | Decal - High (Hydraulic Oil Level) | |
| 46 | 1701503 | 1 | Decal - Low (Hydraulic Oil Level) | |
| | | Ref | DECAL INSTALLATION (OPTIONAL PARTS) | |
| 100 | | Ref | Decal - Model | |
| 100 | 1702934 | 2 | JLG 40ic | |
| 100 | 1702932 | 2 | JLG 45ic | |
| 101 | | Ref | Decal - Fuel | |
| 101 | 1701505 | 1 | Diesel | |
| 101 | 1701542 | 1 | Gas | |
| 102 | 1701543 | 1 | Decal - LP Gas | |
| 103 | 1700818 | 1 | Decal - LP Gas Liquid Withdrawal System | |
| | 0256145 | Ref | DECALS INSTALLATION - LATIN AMERICA (40ic) | 2-A |
| | 0256146 | Ref | DECALS INSTALLATION - LATIN AMERICA (45ic) | 3-B |
| 201 | 1702585 | 5 | Decal - Electrocution | |
| 202 | 1702576 | 1 | Decal - Crushing | |
| 203 | 1702583 | 5 | Decal - Crushing Hazard | |
| 204 | 1702573 | 1 | Decal - Patent | |
| 205 | 1702582 | 1 | Decal - Warning/Danger | |
| 206 | 1702580 | 1 | Decal - Warning/Daily CheckList | |
| 207 | 1702689 | 2 | Decal - 230 KG Max Cap | |
| 208 | 1702690 | 2 | Decal - Attach Lanyard | |
| 209 | 1702552 | 1 | Decal - Inspection | |
| 210 | 1702574 | 1 | Decal - 500Lbs Max Cap (Prior to SN 38576) | |
| 211 | 1702590 | 1 | Nameplate - 220V - 50Hz (Prior to SN 29139) | |
| 211 | 1703453 | 1 | Nameplate - 220V - 50Hz (SN 29139 to Present) | |
| 212 | 1702588 | 1 | Decal - Manual Descent | |
| 213 | 1702586 | 2 | Decal - No Hands | |
| 214 | 1702617 | 1 | Decal - Synchronizing | |
| 215 | 1702584 | 2 | Decal - Legend | |
| 216 | 1702581 | 1 | Decal - Warning | |

SECTION 8 - DECALS

| ITEM | PART NUMBER | QTY | DESCRIPTION | REV |
|------------|--------------|------------|--|-----|
| 217 | Not Required | 0 | Not Required | |
| 218 | 1701791 | 1 | Decal - Footswitch | |
| 219 | Not Required | 0 | Not Required | |
| | 0256004 | Ref | DECALS INSTALLATION - JAPANESE (40ic) | 5 |
| | 0256036 | Ref | DECALS INSTALLATION - JAPANESE (45ic) | 5 |
| | 0256362 | Ref | DECALS INSTALLATION - JAPANESE SPEC | B |
| 201 | Not Required | 0 | Not Required | |
| 202 | Not Required | 0 | Not Required | |
| 203 | 1701518 | 6 | Decal - Crushing Hazard | |
| 204 | 1700584 | 1 | Decal - Patent | |
| 205 | 1702264 | 1 | Decal - Warning/Danger | |
| 206 | 1701824 | 1 | Decal - Warning/Daily CheckList | |
| 207 to 211 | Not Required | 0 | Not Required | |
| 212 | 1702049 | 1 | Decal - Manual Descent | |
| 213 | Not Required | 0 | Not Required | |
| 214 | 1702271 | 1 | Decal - Synchronizing | |
| 215 to 216 | Not Required | 0 | Not Required | |
| 217 | 4420052 | 16.5 ft/4m | Tape, Safety | |
| 218 | 3252220 | 1 | Nameplate - Footswitch | |
| 219 | 1703248 | 4 | Decal - Max Wheel Load | |

SECTION 9 - RECOMMENDED SERVICE PARTS STOCK

SECTION 9 - RECOMMENDED SERVICE PARTS STOCK

SECTION 9 - RECOMMENDED SERVICE PARTS STOCK

FIGURE 9-1. MODELS 40IC/45IC LIFTS STANDARD PARTS

| ITEM | PART NUMBER | QTY | DESCRIPTION | REV |
|------|-------------|-----|--|-----|
| | Note | Ref | Note: The following lists will service fleets of machines (built to current production per date on the front cover) with emergency repair parts which can be installed in the field. Parts from the list should be replaced when inventory is depleted to keep service parts stock supplied. For further information, contact your JLG dealer or the JLG Industries Parts Department. | |
| | | Ref | STANDARD PARTS | |
| | 3740067 | 1 | Relay, Continuous Duty (for fleets of 1 to 10) | |
| | 3740067 | 1 | Relay, Continuous Duty (for fleets of 10 to 20) | |
| | 3740067 | 1 | Relay, Continuous Duty (for fleets of 20 of more) | |
| | 7012944 | 1 | Coil - 4640969 Valve (for fleets of 1 to 10) | |
| | 7012944 | 1 | Coil - 4640969 Valve (for fleets of 10 to 20) | |
| | 7012944 | 1 | Coil - 4640969 Valve (for fleets of 20 of more) | |
| | 7012772 | 1 | Coil - 4640969 Valve (for fleets of 1 to 10) | |
| | 7012772 | 1 | Coil - 4640969 Valve (for fleets of 10 to 20) | |
| | 7012772 | 1 | Coil - 4640969 Valve (for fleets of 20 of more) | |
| | 7015004 | 12 | Element, Air Filter (for fleets of 1 to 10) | |
| | 7015004 | 12 | Element, Air Filter (for fleets of 10 to 20) | |
| | 7015004 | 12 | Element, Air Filter (for fleets of 20 of more) | |
| | 7014803 | 1 | Breather/Filler Assembly (for fleets of 1 to 10) | |
| | 7014803 | 2 | Breather/Filler Assembly (for fleets of 10 to 20) | |
| | 7014803 | 3 | Breather/Filler Assembly (for fleets of 20 of more) | |
| | 2120158 | 4 | Element, Hydraulic Filter (for fleets of 1 to 10) | |
| | 2120158 | 8 | Element, Hydraulic Filter (for fleets of 10 to 20) | |
| | 2120158 | 12 | Element, Hydraulic Filter (for fleets of 20 of more) | |
| | 3990001 | 2 | Diode - 3.5 Amp (for fleets of 1 to 10) | |
| | 3990001 | 2 | Diode - 3.5 Amp (for fleets of 10 to 20) | |
| | 3990001 | 2 | Diode - 3.5 Amp (for fleets of 20 of more) | |
| | 7017403 | 1 | Coil (for fleets of 1 to 10) | |
| | 7017403 | 1 | Coil (for fleets of 10 to 20) | |
| | 7017403 | 1 | Coil (for fleets of 20 of more) | |
| | 7012944 | 1 | Coil (for fleets of 1 to 10) | |
| | 7012944 | 1 | Coil (for fleets of 10 to 20) | |
| | 7012944 | 1 | Coil (for fleets of 20 of more) | |
| | 7012943 | 1 | Coil (for fleets of 1 to 10) | |
| | 7012943 | 1 | Coil (for fleets of 10 to 20) | |
| | 7012943 | 1 | Coil (for fleets of 20 of more) | |
| | 4360314 | 1 | Switch, Toggle (for fleets of 1 to 10) | |
| | 4360314 | 1 | Switch, Toggle (for fleets of 10 to 20) | |
| | 4360314 | 1 | Switch, Toggle (for fleets of 20 of more) | |
| | 4360289 | 1 | Switch, Emergency Stop (for fleets of 1 to 10) | |
| | 4360289 | 1 | Switch, Emergency Stop (for fleets of 10 to 20) | |
| | 4360289 | 1 | Switch, Emergency Stop (for fleets of 20 of more) | |
| | 4360315 | 1 | Switch, Key (for fleets of 1 to 10) | |
| | 4360315 | 1 | Switch, Key (for fleets of 10 to 20) | |
| | 4360315 | 1 | Switch, Key (for fleets of 20 of more) | |
| | 7012560 | 1 | Key, Replacement (for fleets of 1 to 10) | |
| | 7012560 | 1 | Key, Replacement (for fleets of 10 to 20) | |
| | 7012560 | 1 | Key, Replacement (for fleets of 20 of more) | |

SECTION 9 - RECOMMENDED SERVICE PARTS STOCK

| ITEM | PART NUMBER | QTY | DESCRIPTION | REV |
|------|-------------|-----|---|-----|
| | 4360282 | 1 | Block, Contact (for fleets of 1 to 10) | |
| | 4360282 | 1 | Block, Contact (for fleets of 10 to 20) | |
| | 4360282 | 1 | Block, Contact (for fleets of 20 of more) | |
| | 4360216 | 1 | Breaker, Circuit - 30 Amp (for fleets of 1 to 10) | |
| | 4360216 | 1 | Breaker, Circuit - 30 Amp (for fleets of 10 to 20) | |
| | 4360216 | 1 | Breaker, Circuit - 30 Amp (for fleets of 20 of more) | |
| | 4360232 | 1 | Breaker, Circuit - 15 Amp (for fleets of 1 to 10) | |
| | 4360232 | 1 | Breaker, Circuit - 15 Amp (for fleets of 10 to 20) | |
| | 4360232 | 1 | Breaker, Circuit - 15 Amp (for fleets of 20 of more) | |
| | 4360164 | 1 | Breaker, Circuit - 5 Amp (for fleets of 1 to 10) | |
| | 4360164 | 1 | Breaker, Circuit - 5 Amp (for fleets of 10 to 20) | |
| | 4360164 | 1 | Breaker, Circuit - 5 Amp (for fleets of 20 of more) | |
| | 3740049 | 1 | Relay (for fleets of 1 to 10) | |
| | 3740049 | 1 | Relay (for fleets of 10 to 20) | |
| | 3740049 | 1 | Relay (for fleets of 20 of more) | |
| | 2940006 | 1 | Latch (for fleets of 1 to 10) | |
| | 2940006 | 1 | Latch (for fleets of 10 to 20) | |
| | 2940006 | 1 | Latch (for fleets of 20 of more) | |
| | 4360407 | 1 | Potentiometer (for fleets of 1 to 10) | |
| | 4360407 | 1 | Potentiometer (for fleets of 10 to 20) | |
| | 4360407 | 1 | Potentiometer (for fleets of 20 of more) | |
| | 4360387 | 1 | Switch, Push Button (for fleets of 1 to 10) | |
| | 4360387 | 1 | Switch, Push Button (for fleets of 10 to 20) | |
| | 4360387 | 1 | Switch, Push Button (for fleets of 20 of more) | |
| | 3740057 | 1 | Relay - 2DPT (for fleets of 1 to 10) | |
| | 3740057 | 1 | Relay - 2DPT (for fleets of 10 to 20) | |
| | 3740057 | 1 | Relay - 2DPT (for fleets of 20 of more) | |
| | 4360069 | 1 | Breaker 10 Amp (for fleets of 1 to 10) | |
| | 4360069 | 1 | Breaker 10 Amp (for fleets of 10 to 20) | |
| | 4360069 | 1 | Breaker 10 Amp (for fleets of 20 of more) | |
| | 3740113 | 1 | Relay, Time Delay (for fleets of 1 to 10) | |
| | 3740113 | 1 | Relay, Time Delay (for fleets of 10 to 20) | |
| | 3740113 | 1 | Relay, Time Delay (for fleets of 20 of more) | |
| | 3740115 | 1 | Relay, Time Delay (for fleets of 1 to 10) | |
| | 3740115 | 1 | Relay, Time Delay (for fleets of 10 to 20) | |
| | 3740115 | 1 | Relay, Time Delay (for fleets of 20 of more) | |
| | 4360161 | 1 | Breaker 20 Amp (for fleets of 1 to 10) | |
| | 4360161 | 1 | Breaker 20 Amp (for fleets of 10 to 20) | |
| | 4360161 | 1 | Breaker 20 Amp (for fleets of 20 of more) | |
| | 7016379 | 2 | Fuse - 1 Amp (for fleets of 1 to 10) | |
| | 7016379 | 2 | Fuse - 1 Amp (for fleets of 10 to 20) | |
| | 7016379 | 2 | Fuse - 1 Amp (for fleets of 20 of more) | |
| | 7003961 | 1 | Switch, Micro - 1600245 Controller (for fleets of 1 to 10) | |
| | 7003961 | 1 | Switch, Micro - 1600245 Controller (for fleets of 10 to 20) | |
| | 7003961 | 1 | Switch, Micro - 1600245 Controller (for fleets of 20 of more) | |
| | 7003782 | 1 | Switch, Steer - 1600245 Controller (for fleets of 1 to 10) | |
| | 7003782 | 1 | Switch, Steer - 1600245 Controller (for fleets of 10 to 20) | |
| | 7003782 | 1 | Switch, Steer - 1600245 Controller (for fleets of 20 of more) | |
| | 7003974 | 1 | Potentiometer - 1600245 Controller (for fleets of 1 to 10) | |
| | 7003974 | 1 | Potentiometer - 1600245 Controller (for fleets of 10 to 20) | |
| | 7003974 | 1 | Potentiometer - 1600245 Controller (for fleets of 20 of more) | |

SECTION 9 - RECOMMENDED SERVICE PARTS STOCK

| ITEM | PART NUMBER | QTY | DESCRIPTION | REV |
|------|-------------|-----|--|-----|
| | 3990010 | 2 | Diode - 6 Amp (for fleets of 1 to 10) | |
| | 3990010 | 2 | Diode - 6 Amp (for fleets of 10 to 20) | |
| | 3990010 | 2 | Diode - 6 Amp (for fleets of 20 or more) | |

SECTION 9 - RECOMMENDED SERVICE PARTS STOCK

FIGURE 9-2. MODELS 40IC/45IC LIFTS VARIABLE PARTS

| ITEM | PART NUMBER | QTY | DESCRIPTION | REV |
|------|-------------|-----|--|-----|
| | Note | Ref | Note: The following lists will service fleets of machines (built to current production per date on the front cover) with emergency repair parts which can be installed in the field. Parts from the list should be replaced when inventory is depleted to keep service parts stock supplied. For further information, contact your JLG dealer or the JLG Industries Parts Department. | |
| | | Ref | VARIABLE PARTS | |
| | 7017600 | 12 | Filter, Oil (Vanguard Engine) (for fleets of 1 to 10) | |
| | 7017600 | 12 | Filter, Oil (Vanguard Engine) (for fleets of 10 to 20) | |
| | 7017600 | 12 | Filter, Oil (Vanguard Engine) (for fleets of 20 of more) | |
| | 7018103 | 12 | Filter, Oil (Yanmar Engine) (for fleets of 1 to 10) | |
| | 7018103 | 12 | Filter, Oil (Yanmar Engine) (for fleets of 10 to 20) | |
| | 7018103 | 12 | Filter, Oil (Yanmar Engine) (for fleets of 20 of more) | |
| | 3740080 | 1 | Relay (Vanguard Engine) (for fleets of 1 to 10) | |
| | 3740080 | 1 | Relay (Vanguard Engine) (for fleets of 10 to 20) | |
| | 3740080 | 1 | Relay (Vanguard Engine) (for fleets of 20 of more) | |
| | 3740112 | 1 | Relay (Yanmar Engine) (for fleets of 1 to 10) | |
| | 3740112 | 1 | Relay (Yanmar Engine) (for fleets of 10 to 20) | |
| | 3740112 | 1 | Relay (Yanmar Engine) (for fleets of 20 of more) | |
| | 7017500 | 1 | Solenoid (Duel Fuel Units) (for fleets of 1 to 10) | |
| | 7017500 | 1 | Solenoid (Duel Fuel Units) (for fleets of 10 to 20) | |
| | 7017500 | 1 | Solenoid (Duel Fuel Units) (for fleets of 20 of more) | |
| | 7017636 | 1 | Filter, Fuel (Vanguard Units) (for fleets of 1 to 10) | |
| | 7017636 | 1 | Filter, Fuel (Vanguard Units) (for fleets of 10 to 20) | |
| | 7017636 | 1 | Filter, Fuel (Vanguard Units) (for fleets of 20 of more) | |
| | 7017504 | 1 | Filter, Fuel (Duel Fuel Units) (for fleets of 1 to 10) | |
| | 7017504 | 1 | Filter, Fuel (Duel Fuel Units) (for fleets of 10 to 20) | |
| | 7017504 | 1 | Filter, Fuel (Duel Fuel Units) (for fleets of 20 of more) | |
| | 7018111 | 1 | Filter, Fuel (Yanmar Engines) (for fleets of 1 to 10) | |
| | 7018111 | 1 | Filter, Fuel (Yanmar Engines) (for fleets of 10 to 20) | |
| | 7018111 | 1 | Filter, Fuel (Yanmar Engines) (for fleets of 20 of more) | |
| | 4360336 | 1 | Switch, Toggle (Duel Fuel Units) (for fleets of 1 to 10) | |
| | 4360336 | 1 | Switch, Toggle (Duel Fuel Units) (for fleets of 10 to 20) | |
| | 4360336 | 1 | Switch, Toggle (Duel Fuel Units) (for fleets of 20 of more) | |
| | 4360330 | 1 | Switch, Toggle (Yanmar Engine - Glow Plugs) (for fleets of 1 to 10) | |
| | 4360330 | 1 | Switch, Toggle (Yanmar Engine - Glow Plugs) (for fleets of 10 to 20) | |
| | 4360330 | 1 | Switch, Toggle (Yanmar Engine - Glow Plugs) (for fleets of 20 of more) | |
| | 4360321 | 1 | Switch, Limit (for fleets of 1 to 10) | |
| | 4360321 | 1 | Switch, Limit (for fleets of 10 to 20) | |
| | 4360321 | 1 | Switch, Limit (for fleets of 20 of more) | |

SECTION 10 - SPECIAL OPTIONS

SECTION 10 - SPECIAL OPTIONS

FIGURE 10-1. SPECIAL OPTIONS LIST

| ITEM | PART NUMBER | QTY | DESCRIPTION | REV |
|------|-------------|-----|--|-----|
| | Note | Ref | Note: This list is to accommodate machines ordered with special equipment. Options may not be applicable to all models. For more specific parts information contact the JLG Parts Department. | |
| | | Ref | SPECIAL OPTIONS LIST | |
| | 0255027 | Ref | Airline Installation - 1/2in (40ic) | A |
| | 1282324 | Ref | Airline Installation - 1/2in (40ic) | B |
| | 0255015 | Ref | Airline Installation - 1/2in (45ic) | A |
| | 1282324 | Ref | Airline Installation - 1/2in (45ic) | B |
| | 0270723 | Ref | Amber Beacon Installation (Platform) | |
| | 0256789 | Ref | Camera Mounting Installation | - |
| | 1702788 | Ref | Decal - Biodegradeable | - |
| | 1703179 | Ref | Decal - Government Warranty | 1 |
| | 0253550 | Ref | Decal Installation - CSA | A |
| | 3252221 | 1 | Decal - CSA | |
| | 0257047 | Ref | Decal Installation - Lanyard Attach (GM Spec) | - |
| | 1282704 | Ref | Decal Installation - Lanyard Attach (GM Spec) | - |
| | 0256487 | Ref | Decal Installation - Prop 65 (Diesel) | - |
| | 1282593 | Ref | Decal Installation - Prop 65 (Diesel) | - |
| | 1702962 | 1 | Decal - Warning Prop 65 | |
| | 0256488 | Ref | Decal Installation - Prop 65 (Gas) | - |
| | 1282593 | Ref | Decal Installation - Prop 65 (Gas) | - |
| | 1702961 | 1 | Decal - Warning Prop 65 | |
| | 1282968 | Ref | Decal Installation - Sunbelt | - |
| | 1282975 | Ref | Decal Installation - Sunbelt | - |
| | | Ref | ELECTRICAL CONNECTOR KITS | |
| | 1001148902 | Ref | Amp Connector Kit | |
| | 1001148903 | Ref | Deutsch DT Connector Kit | |
| | 1001148904 | Ref | Deutsch HD Connector Kit | |
| | 1001148905 | Ref | Packard Connector Kit | |
| | 1001148906 | Ref | Various Connector Kit | |
| | | Ref | Filter Kits (Yanmar Engine) | |
| | 1001110988 | 1 | Combined Filter Kit (Hydraulic/Air and Fuel/Engine Oil Filter) | |
| | 1001109678 | 1 | Hydraulic/Air Filter Kit | |
| | 1001110134 | 1 | Fuel/Engine Oil Filter Kit | |
| | 0256406 | Ref | Overload Cutout With Override (Japanese Spec) | - |
| | 1282201 | Ref | Overload Cutout With Override (Japanese Spec) | A |
| | 4360344 | 1 | Switch, Pressure | |
| | 4360274 | 1 | Switch, Push Button | |
| | 1701805 | 1 | Decal - Override | |
| | 4460428 | 1 | Connector, Strain Relief | |
| | 4921601 | 1 | Harness | |
| | 4844570 | 1 | Shield, Pressure Switch | |
| | 0256829 | Ref | Platform Door (Spring Loaded) Installation (GM Spec) | - |
| | 0255167 | Ref | Platform Padding Installation - 26in x 48in Platform | - |
| | 0257059 | Ref | Rotator and Support With Overload Installation | - |
| | 1282544 | Ref | Rotator and Support With Overload Installation | E |
| | | Ref | Tools for Service | |
| | 8896941 | 1 | Wire Stripper | |

SECTION 10 - SPECIAL OPTIONS

| ITEM | PART NUMBER | QTY | DESCRIPTION | REV |
|------|-------------|-----|--|-----|
| | 7002821 | 1 | Wire Crimper (To install wire ends to wires) | |
| | 7002823 | 1 | Pin/Socket Extractor - Universal (To Remove Pins/Sockets from Connectors) | |
| | 4460467 | 1 | Extractor - 16-18 Gauge (For Removal of Pins/Sockets for Deutsch Connectors) | |
| | 4460510 | 1 | Extractor - 12-14 Gauge (For Removal of Pins/Sockets for Deutsch Connectors) | |
| | 7002822 | 1 | Screwdriver, Potentiometer (To Adjust Drive Controllers) | |
| | 7016654 | 1 | Screwdriver, Magnetic | |
| | 7004275 | 1 | Seal Installation Tool - 1in | |
| | 7004276 | 1 | Seal Installation Tool - 1 1/2in | |
| | 7002826 | 1 | Seal Installation Tool - 2in | |
| | 4921850 | 1 | Harness For Controller, Service | |
| | 4922012 | 1 | Harness For Rexroth Control Cards, Service | |
| | 0257728 | Ref | Tube Rack (Installation) | 2 |

PART NUMBER INDEX

SECTION 10 - SPECIAL OPTIONS

| | | | | | | | |
|---|--|--------------|---------|--|----------------|---|--------------|
| 0080221..... | 40 | 0256142..... | 132 | 0641404..... | 32, 53, 77 | 0920084..... | 13, 21 |
| 0080222..... | 39 | 0256144..... | 49 | 0641405.... | 25, 32, 37, 77 | 0920110..... | 13, 21 |
| 0080223..... | 31 | 0256145..... | 141 | 0641406.... | 25, 31, 40, 47 | 0940036..... | 49 |
| 0080225..... | 39 | 0256146..... | 141 | 0641408..... | 32, 82 | 0940048..... | 9, 73 |
| 0080241..... | 69 | 0256272..... | 47 | 0641414..... | 25, 82 | 0940049..... | 69 |
| 0100009..... | 77 | 0256307..... | 25 | 0641418..... | 53 | 0940070..... | 33, 40 |
| 0100010..... | 139, 141 | 0256362..... | 142 | 0641505..... | 32, 81 | 0940072..... | 49 |
| 0100011.... | 10, 13, 25, 31, 37, 39, 47, 53, 69, 73, 77, 81, 88, 95, 97, 98, 101, 102, 105, 109, 113, 124 | 0256404..... | 25 | 0641506.... | 25, 39, 53, 73 | 0961127..... | 139, 141 |
| 0100019..... | 13, 47, 59 | 0256406..... | 150 | 0641508... 25, 26, 32, 39, 53 | | 0961608..... | 81, 105, 109 |
| 0100020... 32, 40, 47, 109 | | 0256478..... | 69 | 0641509..... | 31, 39 | 0961621..... | 9 |
| 0100029..... | 88 | 0256487..... | 150 | 0641510..... | 9, 15, 63 | 0961726.... 73, 78, 95, 97, 98, 101, 102 | |
| 0100035.... 65, 88, 95, 97, 98, 101, 102, 105, 109, 111 | | 0256488..... | 150 | 0641512..... | 113 | 0961749..... | 81 |
| 0100038.. 95, 97, 98, 101, 102, 105, 109, 124 | | 0256524..... | 53, 126 | 0641514..... | 53 | 0962031..... | 32, 40 |
| 0100048..... | 65, 70 | 0256577..... | 53 | 0641516..... | 33, 81 | 0962068..... | 32, 39 |
| 0140001..... | 53 | 0256640..... | 13 | 0641518..... | 53 | 1001109678..... | 150 |
| 0140026..... | 88, 126 | 0256641..... | 13 | 0641520..... | 88 | 1001110134..... | 150 |
| 0140031..... | 53, 126 | 0256642..... | 13 | 0641526..... | 25 | 1001110988..... | 150 |
| 0181932..... | 41 | 0256643..... | 13 | 0641604..... | 113 | 1001148902..... | 150 |
| 0252408..... | 82 | 0256789..... | 150 | 0641605..... | 66, 69, 81 | 1001148903..... | 150 |
| 0252856..... | 9 | 0256829..... | 150 | 0641606..... | 25, 77 | 1001148904..... | 150 |
| 0253455..... | 73 | 0256832..... | 15 | 0641607..... | 81 | 1001148905..... | 150 |
| 0253508..... | 59 | 0256834..... | 13 | 0641608... 10, 31, 39, 40, 47, 73, 77, 81 | | 1001148906..... | 150 |
| 0253550..... | 150 | 0256835..... | 13 | 0641610..... | 10, 73, 81 | 1020005..... | 83 |
| 0253613..... | 9 | 0256836..... | 13 | 0641806..... | 73 | 1060221..... | 32, 40 |
| 0253687..... | 69 | 0256837..... | 13 | 0641810..... | 39, 73, 81 | 1060279..... | 139, 141 |
| 0253708..... | 53 | 0256855..... | 9 | 0641812..... | 32, 63, 73 | 1060329..... | 88 |
| 0253709..... | 69 | 0256910..... | 34, 41 | 0641814..... | 9 | 1060341..... | 74, 135 |
| 0253716..... | 82 | 0256919..... | 34, 41 | 0641818..... | 77 | 1060514..... | 132 |
| 0253864..... | 15 | 0256952..... | 13, 14 | 0641820... 31, 33, 39, 40 | | 1060515..... | 132, 133 |
| 0253984..... | 69 | 0256953..... | 13, 14 | 0642016..... | 9 | 1060516..... | 132, 133 |
| 0254028..... | 115 | 0256954..... | 13, 14 | 0681814..... | 59 | 1060584..... | 65 |
| 0254040..... | 73 | 0256955..... | 13, 14 | 0682026..... | 59 | 1060620..... | 26 |
| 0254042..... | 82 | 0256967..... | 13, 14 | 0682028..... | 59 | 1060623..... | 25 |
| 0254481..... | 14 | 0256968..... | 13, 14 | 0700605..... | 39 | 1060624..... | 26 |
| 0254484..... | 14 | 0257047..... | 150 | 0701012..... | 40 | 1120094..... | 101 |
| 0254590..... | 15 | 0257059..... | 150 | 0701014..... | 31, 40 | 1120108..... | 95, 97 |
| 0254851..... | 115 | 0257338..... | 65 | 0701015..... | 40 | 1120110..... | 105, 109 |
| 0254865..... | 14 | 0257341..... | 47 | 0721005..... | 49 | 1120305..... | 97, 101 |
| 0254866..... | 14 | 0257589..... | 41 | 0721008..... | 40 | 1120387..... | 111 |
| 0254874..... | 13, 14 | 0257728..... | 151 | 0731003..... | 88 | 1120457..... | 9 |
| 0254875..... | 74 | 0270723..... | 150 | 0741606..... | 69 | 1120477..... | 47 |
| 0254955..... | 83 | 0272507..... | 69 | 0760605..... | 32 | 1120485..... | 47 |
| 0255015..... | 150 | 0340045..... | 31, 39 | 0760812..... | 31, 39 | 1180302..... | 77 |
| 0255027..... | 150 | 0400002..... | 25 | 0800831..... | 73 | 1220038..... | 77 |
| 0255167..... | 150 | 0400003..... | 25 | 0800832..... | 73, 77 | 1220039..... | 77 |
| 0255993..... | 47 | 0440162..... | 9 | 0800833..... | 77 | 1220040..... | 77 |
| 0255994..... | 13, 25 | 0440203..... | 63 | 0800834..... | 78 | 1282201..... | 150 |
| 0255995..... | 81 | 0440339..... | 59, 63 | 0800852..... | 73 | 1282324..... | 150 |
| 0255996..... | 65 | 0460102..... | 115 | 0800853..... | 74, 77 | 1282497..... | 139, 141 |
| 0255997..... | 139 | 0460103..... | 115 | 0800854..... | 77 | 1282544..... | 150 |
| 0255998..... | 139 | 0460106..... | 81 | 0800855..... | 78 | 1282593..... | 150 |
| 0255999..... | 31 | 0460110..... | 115 | 0860038..... | 82 | 1282596..... | 126 |
| 0256000..... | 37 | 0460111..... | 115 | 0860883..... | 65 | 1282704..... | 150 |
| 0256002..... | 39 | 0460112..... | 115 | 0861027..... | 65 | 1282968..... | 150 |
| 0256003..... | 49 | 0460113..... | 115 | 0861028..... | 87 | 1282975..... | 150 |
| 0256004..... | 142 | 0460114..... | 115 | 0861029..... | 87 | 1320014..... | 32, 40 |
| 0256033..... | 53 | 0561076..... | 73 | 0861067..... | 87 | 1320016..... | 37 |
| 0256036..... | 142 | 0561090..... | 132 | 0901921..... | 69 | 1320017..... | 81 |
| 0256136..... | 49 | 0561091..... | 132 | 0901923..... | 69 | 1320022..... | 32, 39 |
| 0256138..... | 132 | 0630016..... | 9, 13 | 0902051..... | 53 | 1320026..... | 31, 40 |
| | | 0630399..... | 77 | 0902263..... | 39 | 1320031..... | 32, 40, 81 |
| | | 0630464..... | 65, 69 | 0902265..... | 39 | 1320033..... | 115 |
| | | 0630468..... | 69 | 0902270..... | 32 | 1320037..... | 115 |
| | | 0630487..... | 77 | 0902275..... | 47 | 1320040..... | 40, 132 |
| | | 0630491..... | 69 | 0902383..... | 33, 41 | 1320043..... | 53, 69 |
| | | 0630505..... | 25 | | | 1320050..... | 81 |
| | | 0630513..... | 15 | | | | |

SECTION 10 - SPECIAL OPTIONS

| | | | | | | | |
|--------------|----------|--------------|--------------|--------------|----------|--------------|------------------|
| 1320159..... | 81 | 1683506..... | 73, 95 | 1702932..... | 139, 141 | 2220504..... | 122 |
| 1320195..... | 132 | 1683512..... | 102 | 1702934..... | 139, 141 | 2220516..... | 113 |
| 1320199..... | 132 | 1683513..... | 98 | 1702935..... | 139 | 2220577..... | 122 |
| 1320202..... | 34, 41 | 1683514..... | 95 | 1702936..... | 139 | 2220578..... | 123 |
| 1320205..... | 132 | 1683515..... | 101 | 1702937..... | 139 | 2220582..... | 124 |
| 1320228..... | 47 | 1683516..... | 97 | 1702961..... | 150 | 2220584..... | 123 |
| 1320239..... | 33, 41 | 1683518..... | 74, 101 | 1702962..... | 150 | 2220600..... | 123 |
| 1320241..... | 41 | 1683519..... | 74, 97 | 1702963..... | 53 | 2220602..... | 123 |
| 1340057..... | 31, 39 | 1683520..... | 95 | 1703030..... | 25 | 2220603..... | 122 |
| 1380132..... | 53 | 1683521..... | 74, 101 | 1703179..... | 150 | 2220605..... | 123 |
| 1380138..... | 49 | 1683522..... | 74, 97 | 1703248..... | 142 | 2220606..... | 122 |
| 1580008..... | 139, 141 | 1683694..... | 111 | 1703453..... | 141 | 2220609..... | 122 |
| 1600218..... | 87 | 1683698..... | 111 | 1760160..... | 77 | 2220618..... | 123 |
| 1600229..... | 34 | 1700584..... | 139, 142 | 1780265..... | 82 | 2220619..... | 123 |
| 1600245..... | 87, 91 | 1700818..... | 37, 139, 141 | 1780289..... | 82 | 2220622..... | 122 |
| 1600251..... | 88 | 1701500..... | 139, 141 | 1780294..... | 49 | 2220628..... | 113 |
| 1600252..... | 88 | 1701502..... | 139, 141 | 1780299..... | 82 | 2220635..... | 122 |
| 1660220..... | 32, 40 | 1701503..... | 139, 141 | 1780300..... | 82 | 2220648..... | 40 |
| 1660222..... | 32, 40 | 1701504..... | 139, 141 | 1870040..... | 126 | 2220657..... | 122 |
| 1660228..... | 39 | 1701505..... | 40, 139, 141 | 1921592..... | 135 | 2220677..... | 123 |
| 1670678..... | 77 | 1701518..... | 142 | 2000140..... | 31, 33 | 2220684..... | 123 |
| 1670688..... | 83 | 1701542..... | 32, 139, 141 | 2000145..... | 39, 41 | 2220727..... | 123 |
| 1670690..... | 81 | 1701543..... | 37, 139, 141 | 2060027..... | 31, 39 | 2220738..... | 122 |
| 1670697..... | 132 | 1701640..... | 139, 141 | 2080040..... | 49 | 2220811..... | 123 |
| 1670698..... | 77 | 1701642..... | 139, 141 | 2120146..... | 25 | 2220873..... | 122 |
| 1670732..... | 83 | 1701645..... | 139 | 2120150..... | 25 | 2220883..... | 109, 113 |
| 1670808..... | 15 | 1701691..... | 139, 141 | 2120157..... | 47 | 2220885..... | 95, 97, 101, 102 |
| 1670810..... | 15 | 1701791..... | 142 | 2120158..... | 47, 144 | 2220899..... | 122 |
| 1670832..... | 74 | 1701805..... | 150 | 2160001..... | 63 | 2220934..... | 123 |
| 1680833..... | 74 | 1701812..... | 14 | 2160003..... | 63 | 2221010..... | 32 |
| 1681344..... | 95, 97 | 1701824..... | 142 | 2180117..... | 47 | 2221020..... | 123 |
| 1682154..... | 105, 109 | 1701892..... | 139, 141 | 2180348..... | 40 | 2360402..... | 9 |
| 1682209..... | 97, 101 | 1702048..... | 139 | 2180387..... | 37 | 2360403..... | 9 |
| 1682323..... | 101 | 1702049..... | 142 | 2180666..... | 40 | 2420047..... | 33, 41 |
| 1682364..... | 111 | 1702124..... | 123 | 2180812..... | 32 | 2420172..... | 65 |
| 1682530..... | 111 | 1702153..... | 139 | 2200213..... | 40 | 2420181..... | 66 |
| 1682855..... | 74, 101 | 1702264..... | 142 | 2200222..... | 109 | 2420185..... | 47 |
| 1682856..... | 102 | 1702265..... | 139 | 2200223..... | 32 | 2540016..... | 65 |
| 1682858..... | 101 | 1702271..... | 142 | 2220063..... | 33, 41 | 2540017..... | 33 |
| 1682861..... | 74, 97 | 1702278..... | 139 | 2220082..... | 37 | 2540021..... | 26 |
| 1682862..... | 98 | 1702282..... | 139 | 2220221..... | 124 | 2540031..... | 31, 39 |
| 1682864..... | 97 | 1702284..... | 139 | 2220237..... | 111 | 2560010..... | 82 |
| 1682868..... | 95 | 1702292..... | 139 | 2220240..... | 124 | 2560136..... | 87 |
| 1682870..... | 95 | 1702294..... | 139 | 2220250..... | 32, 40 | 2560147..... | 49 |
| 1682878..... | 109 | 1702300..... | 139, 141 | 2220317..... | 32 | 2600218..... | 49 |
| 1682879..... | 105 | 1702552..... | 141 | 2220362..... | 123 | 2680410..... | 69 |
| 1682887..... | 78, 113 | 1702573..... | 141 | 2220371..... | 122 | 2680411..... | 69 |
| 1682888..... | 113 | 1702574..... | 141 | 2220372..... | 124 | 2720015..... | 32 |
| 1682890..... | 113 | 1702576..... | 141 | 2220374..... | 124 | 2720058..... | 39 |
| 1682892..... | 113 | 1702580..... | 141 | 2220375..... | 123 | 2720175..... | 37 |
| 1682930..... | 81, 107 | 1702581..... | 141 | 2220383..... | 124 | 2720190..... | 37 |
| 1682947..... | 78, 113 | 1702582..... | 141 | 2220385..... | 124 | 2720271..... | 40 |
| 1682948..... | 113 | 1702583..... | 141 | 2220386..... | 124 | 2720423..... | 32 |
| 1682950..... | 113 | 1702584..... | 141 | 2220408..... | 124 | 2720428..... | 32 |
| 1683013..... | 74, 101 | 1702585..... | 141 | 2220414..... | 124 | 2720429..... | 32 |
| 1683014..... | 101 | 1702586..... | 141 | 2220415..... | 122 | 2720430..... | 40 |
| 1683016..... | 101 | 1702588..... | 141 | 2220416..... | 122 | 2720431..... | 40 |
| 1683018..... | 74, 97 | 1702590..... | 141 | 2220428..... | 122 | 2720433..... | 37 |
| 1683019..... | 97 | 1702612..... | 139 | 2220429..... | 122 | 2750058..... | 32 |
| 1683021..... | 97 | 1702617..... | 141 | 2220435..... | 123 | 2750763..... | 123 |
| 1683285..... | 81, 109 | 1702631..... | 139, 141 | 2220451..... | 123 | 2750834..... | 122 |
| 1683286..... | 105, 109 | 1702688..... | 139 | 2220466..... | 122 | 2750993..... | 122 |
| 1683325..... | 73, 105 | 1702689..... | 141 | 2220472..... | 122 | 2751010..... | 123 |
| 1683337..... | 73, 95 | 1702690..... | 141 | 2220473..... | 122 | 2751409..... | 123 |
| 1683487..... | 9 | 1702734..... | 87 | 2220481..... | 123 | 2752255..... | 123 |
| 1683504..... | 95 | 1702740..... | 14 | 2220497..... | 122 | 2752403..... | 123 |
| 1683505..... | 95 | 1702788..... | 150 | 2220502..... | 122 | 2752404..... | 124 |

SECTION 10 - SPECIAL OPTIONS

| | | | | | | | |
|--------------------------|----------|----------------------------|-----------------|--------------|---------------|---------------------------|--------------------|
| 2752433..... | 122 | 2901147..... | 105, 109 | 3311801..... | 13 | 3539484..... | 31 |
| 2752435..... | 123 | 2901178..... | 111 | 3311805..... | 9, 31, 39, 73 | 3539663..... | 32, 40 |
| 2752438..... | 123 | 2901242..... | 113 | 3312005..... | 9 | 3539681..... | 40 |
| 2752440..... | 123 | 2901249..... | 53, 126 | 3313003..... | 9 | 3539692..... | 39 |
| 2752441..... | 123 | 2901250..... | 53 | 3321001..... | 26 | 3539716..... | 25 |
| 2752445..... | 123 | 2901406..... | 82, 126 | 3321402..... | 32, 40 | 3539816..... | 32, 40 |
| 2752459..... | 122 | 2901447..... | 134 | 3321602..... | 40 | 3539929..... | 32 |
| 2752462..... | 122 | 2901456..... | 37 | 3321801..... | 13, 111 | 3570105..... | 34, 41 |
| 2752472..... | 123 | 2901496..... | 95 | 3322002..... | 9 | 3600179..... | 53 |
| 2752476..... | 123 | 2901497..... | 49 | 3322205..... | 113 | 3600199..... | 31, 39, 45 |
| 2752482..... | 122 | 2910000..... | 31, 39, 134 | 3322403..... | 9 | 3600208..... | 25 |
| 2752486..... | 122 | 2910001..... | 134 | 3340450..... | 10 | 3600253..... | 81, 85 |
| 2752488..... | 122 | 2910479..... | 25 | 3340644..... | 9 | 3600256..... | 31, 39, 43 |
| 2752503..... | 123 | 2920028..... | 53 | 3340663..... | 77 | 3620035..... | 31 |
| 2752504..... | 124 | 2920029..... | 53 | 3340666..... | 77 | 3620037..... | 39 |
| 2752522..... | 122 | 2920108..... | 87 | 3340679..... | 113 | 3620039..... | 34, 41 |
| 2752573..... | 123 | 2920120..... | 87 | 3340682..... | 78 | 3640834..... | 87 |
| 2752574..... | 123 | 2920140..... | 82, 126 | 3340820..... | 77 | 3640862..... | 65 |
| 2752575..... | 123 | 2920141..... | 87 | 3380426..... | 53 | 3640930..... | 87 |
| 2752579..... | 122 | 2920215..... | 70 | 3420156..... | 69 | 3720011..... | 37 |
| 2752580..... | 122 | 2940006..... | 82, 145 | 3421988..... | 9 | 3730099..... | 126, 133 |
| 2752581..... | 123 | 2940042..... | 69 | 3422170..... | 10 | 3730113..... | 134 |
| 2752585..... | 122 | 2940071..... | 69 | 3422175..... | 73 | 3730114..... | 132 |
| 2752591..... | 123 | 2940074..... | 82 | 3422176..... | 73, 81 | 3740049..... | 65, 87, 145 |
| 2752611..... | 123 | 2940080..... | 49 | 3422177..... | 73 | 3740057..... | 87, 145 |
| 2752614..... | 122 | 2940090..... | 49 | 3422178..... | 73 | 3740066..... | 87 |
| 2752619..... | 122 | 2940096..... | 49 | 3422179..... | 73 | 3740067..... | 26, 144 |
| 2752620..... | 122 | 3020022..... | 9, 73 | 3422180..... | 73, 81 | 3740080..... | 32, 148 |
| 2752621..... | 122 | 3020027..... | 59 | 3422181..... | 81 | 3740112..... | 134, 148 |
| 2752626..... | 122 | 3020029..... | 59 | 3422185..... | 78 | 3740113..... | 87, 145 |
| 2752648..... | 123 | 3020036..... | 59 | 3422191..... | 81 | 3740115..... | 87, 145 |
| 2752931..... | 123 | 3160158..... | 13, 19 | 3422426..... | 31, 39 | 3740119..... | 126 |
| 2752935..... | 123 | 3160182..... | 59, 61 | 3430816..... | 81 | 3760115..... | 77 |
| 2752937..... | 124 | 3200381..... | 31, 39 | 3430840..... | 69 | 3760141..... | 111 |
| 2752938..... | 124 | 3220109..... | 31, 39 | 3450405..... | 81 | 3760308..... | 49 |
| 2752981..... | 124 | 3250028..... | 88 | 3450506..... | 9 | 3760318..... | 113 |
| 2752982..... | 123 | 3251243..... | 139 | 3450810..... | 9 | 3780181..... | 73, 81 |
| 2752983..... | 124 | 3251813..... | 139, 141 | 3451210..... | 10 | 3780182..... | 9 |
| 2752984..... | 123 | 3252220..... | 142 | 3480102..... | 101 | 3780184..... | 73, 81 |
| 2753005..... | 123 | 3252221..... | 150 | 3480113..... | 97, 101 | 3790012..... | 37, 66, 87, 88 |
| 2753050..... | 122 | 3252490..... | 66 | 3480115..... | 95, 97 | 3790113..... | 113 |
| 2753113..... | 122 | 3252530..... | 66 | 3480153..... | 111 | 3790152..... | 40 |
| 2753114..... | 122 | 3300220..... | 26 | 3480170..... | 113 | 3820001..... | 139, 141 |
| 2753115..... | 122 | 3300279..... | 95, 97 | 3480217..... | 105, 109 | 3841143..... | 10, 31, 39, 73, 81 |
| 2753116..... | 122 | 3300281..... | 97, 101 | 3510498..... | 81 | 3841146..... | 9 |
| 2780201..... | 9 | 3300308..... | 105, 109 | 3510504..... | 81 | 3841203..... | 73, 81 |
| 2780219..... | 13, 17 | 3300356..... | 15 | 3510513..... | 82 | 3841307..... | 39 |
| 2792243..... | 118 | 3300365..... | 65, 69 | 3510584..... | 82 | 3841315..... | 31 |
| 2792244..... | 118, 122 | 3300371..... | 25, 49 | 3510596..... | 81 | 3860054..... | 111 |
| 2792277..... | 118, 122 | 3300396..... | 87 | 3510598..... | 82 | 3860080..... | 111 |
| 2820035..... | 83 | 3300401..... | 26 | 3510601..... | 82 | 3900097..... | 74 |
| 2820090..... | 49 | 3310601..... | 65, 88 | 3520026..... | 49 | 3900168..... | 74 |
| 2820091..... | 49 | 3311001..... | 65, 82, 88 | 3520028..... | 65, 87 | 3900170 95, 97, 101, 102, | |
| 2820092..... | 49 | 3311005..... | 40, 74 | 3520031..... | 87 | 105, 109 | |
| 2820093..... | 49 | 3311011..... | 65 | 3520034..... | 77 | 3900174..... | 49 |
| 2900062..... | 25 | 3311401 ... | 26, 53, 69, 77, | 3520054..... | 87 | 3900217..... | 32, 40 |
| 2900371..... | 95 | 82, 139, 141 | | 3535959..... | 49 | 3910606..... | 82 |
| 2900661..... | 17 | 3311405 ... | 25, 31, 40, 53, | 3536089..... | 82 | 3910608..... | 65, 88 |
| 2900708..... | 53 | 82 | | 3536491..... | 74 | 3910616..... | 87 |
| 2900714..... | 19 | 3311501 ... | 15, 33, 41, 53, | 3536691..... | 69 | 3910620..... | 88 |
| 2900766..... | 21 | 69 | | 3536999..... | 132 | 3911012..... | 65, 88 |
| 2900767..... | 22 | 3311505 9, 25, 26, 31, 39, | | 3537045..... | 74 | 3911016..... | 82 |
| 2900768..... | 21 | 53, 73, 81 | | 3539281..... | 69 | 3911024..... | 88 |
| 2900770 95, 97, 101, 113 | | 3311601..... | 47, 69 | 3539459..... | 31 | 3911040..... | 65 |
| 2900779..... | 53 | 3311602..... | 47, 77 | 3539460..... | 31 | 3911408..... | 139, 141 |
| 2900842..... | 9 | 3311605 ... | 31, 34, 39, 41, | 3539461..... | 31 | 3941003..... | 139, 141 |
| 2900859..... | 87 | 47, 73, 81 | | 3539477..... | 32 | | |

SECTION 10 - SPECIAL OPTIONS

| | | | | | | | |
|---------------|----------------------------|----------------------------------|-----------------------|---------------|-------------------------------------|---------------------------|---|
| 3941405 | 81 | 4392338 | 126 | 4460525 | 87 | 4740120 | 65, 69 |
| 3951402 | 95, 97, 113 | 4400275 | 47 | 4460526 | 87 | 4740171 | 59 |
| 3960389 | 33, 41 | 4400281 | 47 | 4460591 | 134 | 4740207 | 97, 101 |
| 3960422 | 82 | 4400371 | 47 | 4460598 | 83 | 4740247 | 10 |
| 3960433 | 33, 41, 49 | 4400383 | 47 | 4460608 | 134 | 4740274 | 31, 39 |
| 3960438 | 65, 69 | 4400395 | 32, 40 | 4460620 | 132 | 4740393 | 59 |
| 3960447 | 49 | 4400401 | 47 | 4460621 | 132 | 4740394 | 95, 97 |
| 3960453 | 69 | 4400420 | 47 | 4460652 | 132 | 4740397 | 40, 65 |
| 3960477 | 33, 41 | 4400421 | 47 | 4460653 | 132 | 4740413 | 77 |
| 3980003 | 25 | 4420008 | 33, 41, 65 | 4460654 | 134, 135 | 4740442 | 32, 40 |
| 3990001 | 53, 133, 134, 144 | 4420038 | 47 | 4460655 | 134, 135 | 4750600 | 65, 88 |
| 3990010 ... | 126, 132, 133, 134, 146 | 4420052 | 142 | 4460656 | 134, 135 | 4751000 ... | 32, 41, 65, 82, 88 |
| 4060092 | 82 | 4450466 | 133 | 4460657 | 134 | 4751400 ... | 26, 32, 40, 53, 69, 77, 81, 82 |
| 4060802 ... | 37, 40, 65, 66, 87, 88 | 4460071 | 82 | 4460658 | 134 | 47515009, 25, 31, 39, 53, | 69, 73, 81, 88 |
| 4060803 | 49, 82 | 4460134 | 135 | 4460659 | 134 | 4751600 ... | 10, 25, 31, 39, 47, 66, 69, 73, 77, 81 |
| 4060805 | 132 | 4460205 | 82, 134, 135 | 4460693 | 134 | 4751800 ... | 32, 33, 40, 69, 81 |
| 4060807 | 25, 33, 41 | 4460225 | 132, 133 | 4520159 | 13, 14 | 4760600 | 65, 82, 88 |
| 4060808 | 9, 132 | 4460234 | 70, 87 | 4520184 | 14 | 4761000 ... | 26, 49, 65, 82, 88 |
| 4060854 | 53 | 4460265 | 54, 132, 134, 135 | 4520190 | 14 | 4761400 ... | 26, 53, 77, 81 |
| 4060855 | 81 | 4460266 | 92, 133, 135 | 4520265 | 14 | 4761500 | 15, 88 |
| 4060907 | 70 | 4460267 ... | 132, 133, 134, 135 | 4565275 | 111 | 4761600 ... | 66, 69, 77, 113 |
| 4060918 | 33, 41 | 4460268 54, 92, 133, 134, 135 | | 4565992 | 101 | 4761800 | 13, 77 |
| 4070809 | 9 | 4460298 | 65 | 4565994 | 97 | 4771000 | 47 |
| 4070832 | 9 | 4460299 | 65, 88 | 4566009 | 95 | 4791500 | 26, 33 |
| 4070833 | 9 | 4460300 | 65, 66 | 4566023 | 105, 109 | 4791600 | 41 |
| 4070834 | 10 | 4460301 | 66, 88 | 4566027 | 113 | 4844302 | 73 |
| 4070835 | 10 | 4460305 | 65, 88 | 4566187 | 123 | 4844303 | 73 |
| 4070853 | 10 | 4460306 | 65, 88 | 4566188 | 123 | 4844304 | 73 |
| 4100026 | 123 | 4460307 | 65, 88 | 4566243 | 132 | 4844324 | 9 |
| 4120012 | 87 | 4460308 | 65 | 4566356 | 74 | 4844365 | 81 |
| 4120014 | 126 | 4460310 | 65 | 4566427 | 74 | 4844383 | 77 |
| 4130302 | 9 | 4460310 | 65 | 4566432 | 101 | 4844384 | 77 |
| 4130319 | 9 | 4460326 | 135 | 4566435 | 97 | 4844386 | 77 |
| 4160114 | 126 | 4460347 | 82 | 4566623 | 123 | 4844404 | 69 |
| 4160150 | 32 | 4460374 | 134 | 4566987 | 25, 39 | 4844427 | 73 |
| 4220162 | 69 | 4460375 | 134 | 4567058 | 88 | 4844465 | 81 |
| 4240032 | 69 | 4460387 | 87 | 4567086 | 32 | 4844466 | 81 |
| 4240099 | 82, 132 | 4460388 | 87 | 4567108 | 31 | 4844467 | 73 |
| 4240117 | 47 | 4460390 | 88 | 4567177 | 95 | 4844541 | 73 |
| 4240118 | 47 | 4460418 | 132, 133 | 4620088 | 69 | 4844570 | 150 |
| 4280295 | 47 | 4460419 | 132, 133 | 4640005 | 25 | 4844579 | 77 |
| 4300092 | 13 | 4460422 | 82 | 4640113 | 14 | 4844602 | 49 |
| 4300106 | 53 | 4460425 | 65 | 4640392 | 14 | 4845223 | 31, 39 |
| 4320002 | 33, 40 | 4460426 | 65, 134 | 4640634 | 97, 101 | 4845238 | 31, 39 |
| 4360031 | 82 | 4460428 | 74, 87, 150 | 4640709 | 113 | 4845305 | 49 |
| 4360069 | 87, 145 | 4460441 | 87 | 4640771 | 113 | 4845306 | 49 |
| 4360070 | 83, 88, 126 | 4460442 | 87 | 4640807 | 113 | 4845307 | 49 |
| 4360161 | 88, 145 | 4460445 | 134, 135 | 4640814 | 53 | 4845338 | 32 |
| 4360164 | 65, 145 | 4460449 | 133 | 4640816 | 97, 101 | 4845391 | 31, 39 |
| 4360216 | 65, 145 | 4460464 | 133 | 4640861 | 123 | 4845432 | 32 |
| 4360232 | 65, 145 | 4460465 | 133 | 4640866 | 53 | 4845433 | 40 |
| 4360274 | 150 | 4460466 | 133 | 4640932 | 109 | 4860137 | 14 |
| 4360282 | 65, 87, 145 | 4460467 | 135, 151 | 4640936 | 95 | 4860142 | 14 |
| 4360289 | 65, 87, 144 | 4460470 | 133 | 4640966 | 57 | 4860168 | 14 |
| 4360314 | 65, 87, 144 | 4460471 | 133 | 4640969 | 25, 29 | 4860169 | 14 |
| 4360315 | 65, 144 | 4460499 | 57, 133 | 4640974 | 25 | 4891500 | 63 |
| 4360321 | 74, 148 | 4460500 | 133 | 4640976 | 25 | 4891600 | 32 |
| 4360330 .. | 40, 66, 88, 148 | 4460501 | 133 | 4640994 | 124 | 4921425 | 126 |
| 4360336 | 37, 88, 148 | 4460504 | 133 | 4641023 | 53, 57 | 4921428 | 126 |
| 4360344 | 150 | 4460505 | 133 | 4711400 ... | 25, 32, 37, 47, 53, 82, 139, 141 | 4921568 | 82, 135 |
| 4360387 | 87, 145 | 4460508 | 133 | 4711500 | 53 | 4921569 | 82, 135 |
| 4360405 | 32, 34 | 4460509 | 133 | 4711600 | 34, 41, 47 | | |
| 4360407 | 87, 145 | 4460510 | 135, 151 | 4711800 | 13 | | |
| 4360443 | 25 | 4460522 | 87 | 4712200 | 25 | | |
| | | 4460524 | 87 | 4712400 | 9 | | |
| | | | | 4740007 | 81 | | |

SECTION 10 - SPECIAL OPTIONS

| | | | | | | | |
|---------------|----------|--------------|---------|--------------|-------------|--------------|-------------|
| 4921581..... | 132, 133 | 7003556..... | 85 | 7007979..... | 21 | 7013710..... | 25 |
| 4921591..... | 132, 133 | 7003557..... | 85 | 7007980..... | 21 | 7013711..... | 25 |
| 4921592..... | 82 | 7003562..... | 85 | 7007983..... | 21 | 7013712..... | 25 |
| 4921593..... | 82, 135 | 7003563..... | 85 | 7007985..... | 21 | 7013753..... | 25 |
| 4921601..... | 150 | 7003564..... | 85 | 7007986..... | 21 | 7014802..... | 47 |
| 4921794..... | 133 | 7003565..... | 85 | 7007987..... | 21 | 7014803..... | 47, 144 |
| 4921795..... | 133 | 7003566..... | 85 | 7008833..... | 134 | 7015004..... | 31, 39, 144 |
| 4921813..... | 66, 133 | 7003567..... | 85 | 7008836..... | 134 | 7015005..... | 31, 39 |
| 4921840..... | 132 | 7003568..... | 85 | 7010408..... | 17 | 7015006..... | 31, 39 |
| 4921841..... | 132 | 7003569..... | 85 | 7010474..... | 17 | 7015007..... | 31, 39 |
| 4921844..... | 132, 133 | 7003570..... | 85 | 7010486..... | 17 | 7016312..... | 25 |
| 4921845..... | 132, 133 | 7003571..... | 85 | 7010542..... | 29, 57 | 7016313..... | 47 |
| 4921846..... | 132, 133 | 7003572..... | 85 | 7010543..... | 29 | 7016336..... | 134 |
| 4921847..... | 132, 133 | 7003573..... | 85 | 7010652..... | 53 | 7016379..... | 88, 145 |
| 4921850..... | 135, 151 | 7003574..... | 85 | 7010953..... | 45 | 7016380..... | 69 |
| 4921852..... | 32, 134 | 7003575..... | 85 | 7010954..... | 45 | 7016606..... | 31 |
| 4921853..... | 40, 134 | 7003576..... | 85 | 7010955..... | 45 | 7016608..... | 88 |
| 4921976..... | 66 | 7003782..... | 145 | 7010956..... | 45 | 7016609..... | 88 |
| 4922012..... | 135, 151 | 7003935..... | 91 | 7010957..... | 45 | 7016617..... | 31 |
| 4932338..... | 126 | 7003946..... | 91 | 7010958..... | 45 | 7016654..... | 135, 151 |
| 4932838..... | 126, 133 | 7003950..... | 91 | 7010959..... | 45 | 7016673..... | 53 |
| 4932844..... | 126, 132 | 7003957..... | 91 | 7010960..... | 45 | 7016676..... | 63 |
| 4932859..... | 126 | 7003961..... | 91, 145 | 7010961..... | 45 | 7016682..... | 63 |
| 4932860..... | 126 | 7003966..... | 91 | 7010978..... | 45 | 7017001..... | 17 |
| 4932866..... | 126 | 7003967..... | 91 | 7011112..... | 109 | 7017401..... | 57 |
| 4932868..... | 126 | 7003968..... | 91 | 7011322..... | 53 | 7017402..... | 57 |
| 70000209..... | 33 | 7003972..... | 91 | 7011712..... | 21 | 7017403..... | 57, 144 |
| 70000865..... | 63 | 7003973..... | 91 | 7011713..... | 21 | 7017404..... | 25 |
| 70000868..... | 63 | 7003974..... | 91, 145 | 7011714..... | 21 | 7017405..... | 25 |
| 70001677..... | 63 | 7003978..... | 91 | 7011715..... | 21 | 7017406..... | 25 |
| 70001864..... | 63 | 7003981..... | 91 | 7011716..... | 21 | 7017410..... | 29 |
| 70001941..... | 69 | 7003982..... | 91 | 7011717..... | 21 | 7017419..... | 29 |
| 7000203..... | 17 | 7003984..... | 91 | 7011720..... | 21 | 7017429..... | 29 |
| 70002087..... | 33 | 7003985..... | 92 | 7012518..... | 29 | 7017433..... | 57 |
| 7000209..... | 17 | 7003986..... | 92 | 7012540..... | 29 | 7017500..... | 37, 148 |
| 7000214..... | 17 | 7004275..... | 151 | 7012560..... | 65, 144 | 7017501..... | 37 |
| 7000217..... | 17 | 7004276..... | 151 | 7012596..... | 63 | 7017504..... | 37, 148 |
| 7000232..... | 17 | 7004906..... | 19 | 7012597..... | 63 | 7017505..... | 37 |
| 7000241..... | 17 | 7004907..... | 19 | 7012611..... | 65, 87 | 7017508..... | 37 |
| 7000242..... | 17 | 7004908..... | 19 | 7012612..... | 65, 87 | 7017510..... | 37 |
| 7000246..... | 17 | 7004910..... | 19 | 7012654..... | 63 | 7017511..... | 37 |
| 7000255..... | 17 | 7004917..... | 19 | 7012655..... | 63 | 7017512..... | 37 |
| 7000256..... | 17 | 7004974..... | 19 | 7012665..... | 65 | 7017513..... | 37 |
| 7000257..... | 17 | 7005804..... | 61 | 7012772..... | 29, 144 | 7017514..... | 37 |
| 7000258..... | 17 | 7005809..... | 61 | 7012773..... | 29 | 7017517..... | 37 |
| 7000259..... | 17 | 7005811..... | 61 | 7012795..... | 29 | 7017518..... | 37 |
| 7000263..... | 17 | 7005812..... | 61 | 7012901..... | 57 | 7017519..... | 37 |
| 70003784..... | 87 | 7005821..... | 61 | 7012903..... | 57 | 7017520..... | 37 |
| 7000625..... | 82 | 7005874..... | 61 | 7012907..... | 29, 57 | 7017521..... | 37 |
| 7001608..... | 107 | 7005876..... | 61 | 7012912..... | 57 | 7017522..... | 37 |
| 7001609..... | 107 | 7005877..... | 61 | 7012914..... | 57 | 7017600..... | 33, 148 |
| 7001610..... | 107 | 7005878..... | 61 | 7012918..... | 57 | 7017602..... | 33 |
| 7001611..... | 107 | 7005879..... | 61 | 7012941..... | 29 | 7017603..... | 33 |
| 7001612..... | 107 | 7005880..... | 61 | 7012943..... | 144 | 7017604..... | 34 |
| 7001613..... | 107 | 7005881..... | 61 | 7012944..... | 29, 57, 144 | 7017605..... | 34 |
| 7001614..... | 107 | 7007642..... | 17 | 7012947..... | 57 | 7017606..... | 33 |
| 7001911..... | 17 | 7007643..... | 17 | 7012948..... | 57 | 7017607..... | 33 |
| 7001931..... | 17 | 7007875..... | 19 | 7012949..... | 57 | 7017609..... | 34 |
| 7001952..... | 17 | 7007876..... | 19 | 7012953..... | 29 | 7017610..... | 33 |
| 7001985..... | 17 | 7007878..... | 19 | 7012967..... | 29 | 7017611..... | 34 |
| 7002821..... | 135, 151 | 7007879..... | 19 | 7012968..... | 29 | 7017612..... | 33 |
| 7002822..... | 135, 151 | 7007880..... | 19 | 7012969..... | 29 | 7017613..... | 33 |
| 7002823..... | 135, 151 | 7007914..... | 21 | 7012981..... | 57 | 7017614..... | 33 |
| 7002826..... | 151 | 7007923..... | 21 | 7012993..... | 25 | 7017615..... | 34 |
| 7002828..... | 135 | 7007933..... | 21 | 7012997..... | 57 | 7017616..... | 33 |
| 7003551..... | 85 | 7007970..... | 21 | 7012998..... | 57 | 7017617..... | 33 |
| 7003554..... | 85 | 7007977..... | 21 | 7012999..... | 57 | 7017620..... | 33 |

SECTION 10 - SPECIAL OPTIONS

| | | | | | | | |
|---------------|---------|---------------|---------|--------------|----|---------------|-----|
| 7017621 | 33 | 7018102 | 41 | 7018609..... | 21 | 7019698 | 77 |
| 7017622 | 34 | 7018103 | 41, 148 | 7018902..... | 29 | 7019699 | 77 |
| 7017627 | 33 | 7018104 | 41 | 7018905..... | 29 | 7019932 | 33 |
| 7017629 | 33 | 7018105 | 41 | 7018912..... | 29 | 7023484 | 63 |
| 7017630 | 34 | 7018106 | 41 | 7018913..... | 29 | 7024016 | 43 |
| 7017632 | 33 | 7018107 | 41 | 7018916..... | 29 | 7026042 | 63 |
| 7017633 | 34 | 7018108 | 41 | 7018925..... | 43 | 7026043 | 63 |
| 7017634 | 34 | 7018111 | 41, 148 | 7018926..... | 43 | 7027350 | 63 |
| 7017635 | 34 | 7018112 | 41 | 7018927..... | 43 | 7027351 | 63 |
| 7017636 | 33, 148 | 7018113 | 41 | 7018929..... | 43 | 7027352 | 63 |
| 7017637 | 33 | 7018116 | 41 | 7018930..... | 43 | 7027353 | 63 |
| 7017638 | 33 | 7018117 | 41 | 7018931..... | 43 | 7027354 | 63 |
| 7017639 | 33 | 7018118 | 41 | 7018932..... | 43 | 7027356 | 63 |
| 7017640 | 33 | 7018119 | 41 | 7018933..... | 43 | 7027358 | 63 |
| 7017641 | 33 | 7018144 | 41 | 7018934..... | 43 | 7027359 | 63 |
| 7017642 | 34 | 7018145 | 41 | 7018935..... | 43 | 7027360 | 63 |
| 7017643 | 34 | 7018146 | 41 | 7018936..... | 43 | 7027361 | 63 |
| 7017644 | 33 | 7018147 | 41 | 7018937..... | 43 | 7027363 | 63 |
| 7017645 | 33 | 7018602 | 21 | 7018938..... | 43 | 7027730 | 63 |
| 7017646 | 34 | 7018603 | 21 | 7018939..... | 43 | 8896941 | 150 |
| 7017657 | 33 | 7018605 | 21 | 7018940..... | 43 | 90206369..... | 63 |
| 7017669 | 34 | 7018606 | 21 | 7018953..... | 43 | | |
| 7018100 | 41 | 7018607 | 21 | 7019161..... | 92 | | |
| 7018101 | 41 | 7018608 | 22 | 7019618..... | 31 | | |



**Corporate Office
JLG Industries, Inc.
1 JLG Drive
McConnellsburg, PA 17233-9533 USA**
☎ (717) 485-5161 (Corporate)
☎ (877) 554-5438 (Customer Support)
📠 (717) 485-6417

**Visit our website for JLG Worldwide Locations.
www.jlg.com**



OSHKOSH™