



Illustrated Parts Manual

Models
40ic
45ic

P/N
3120853

September 30 2011



REVISION LOG

August 1, 1996 - Original Issue of Manual

August 15, 1997 - Revised Manual

December 1, 2000 - Revised Manual (Edited to B/M 0010531 Revision 21 & B/M 0010530 Revision 22)

August 16, 2005 - Revised Manual

January 31, 2008 - Revised Manual

September 30, 2011 - Revised Manual (Revision 1)

TABLE OF CONTENTS

SECTION 1 - FRAME.....	7
FIGURE 1-1. FRAME AND STEERING INSTALLATIONS.....	8
FIGURE 1-2. TIRE AND WHEEL DRIVE INSTALLATIONS.....	12
FIGURE 1-3. DRIVE HUB ASSEMBLY.....	16
FIGURE 1-4. DRIVE MOTOR ASSEMBLY.....	18
FIGURE 1-5. DRIVE BRAKE ASSEMBLY.....	20
FIGURE 1-6. VALVES, BATTERY AND TILT INDICATOR INSTALLATIONS (FRAME MOUNTED).....	22
FIGURE 1-7. ACCESSORY VALVE ASSEMBLY.....	26
FIGURE 1-8. VANGUARD GAS ENGINE INSTALLATIONS.....	28
FIGURE 1-9. DUAL FUEL INSTALLATION (OPTION FOR VANGUARD GAS MACHINES).....	34
FIGURE 1-10. YANMAR DIESEL ENGINE INSTALLATION.....	36
FIGURE 1-11. PISTON PUMP ASSEMBLY.....	40
FIGURE 1-12. GEAR PUMP ASSEMBLY.....	42
FIGURE 1-13. TANK INSTALLATIONS.....	44
FIGURE 1-14. FRAME COVERS INSTALLATIONS.....	46
SECTION 2 - TURNTABLE.....	49
FIGURE 2-1. TURNTABLE MOUNTED COMPONENTS INSTALLATION.....	50
FIGURE 2-2. CONTROL VALVE ASSEMBLY.....	54
FIGURE 2-3. SWING DRIVE AND TURNTABLE BEARING INSTALLATIONS.....	56
FIGURE 2-4. SWING MOTOR ASSEMBLY.....	58
FIGURE 2-5. SWING BEARING ASSEMBLY.....	60
FIGURE 2-6. GROUND CONTROL COMPONENTS INSTALLATION.....	62
FIGURE 2-7. TURNTABLE AND HOODS INSTALLATIONS.....	66
SECTION 3 - BOOM.....	69
FIGURE 3-1. BOOM AND LIMIT SWITCHES INSTALLATIONS.....	70
FIGURE 3-2. MAIN BOOM COMPONENTS ASSEMBLY.....	74
SECTION 4 - PLATFORMS.....	77
FIGURE 4-1. PLATFORM COMPONENTS INSTALLATION.....	78
FIGURE 4-2. ROTATOR MOTOR/PUMP/TANK ASSEMBLY.....	82
FIGURE 4-3. PLATFORM CONSOLE ASSEMBLY.....	84
FIGURE 4-4. CONTROLLER ASSEMBLY - DRIVE/STEER.....	88
SECTION 5 - CYLINDER.....	91
FIGURE 5-1. UPPER LIFT CYLINDER ASSEMBLIES.....	92
FIGURE 5-2. MID LIFT CYLINDER ASSEMBLIES.....	94
FIGURE 5-3. LOWER LIFT CYLINDER ASSEMBLIES.....	98
FIGURE 5-4. MASTER CYLINDER ASSEMBLY.....	102
FIGURE 5-5. PLATFORM ROTATOR CYLINDER ASSEMBLY.....	104
FIGURE 5-6. SLAVE (PLATFORM LEVEL) CYLINDER ASSEMBLY.....	106
FIGURE 5-7. STEER CYLINDER ASSEMBLY.....	108
FIGURE 5-8. TELESCOPE CYLINDER ASSEMBLIES.....	110
FIGURE 5-9. OPTIONAL CYLINDER BELLOWS INSTALLATION.....	112

TABLE OF CONTENTS

SECTION 6 - HYDRAULIC	115
FIGURE 6-1. HYDRAULIC DIAGRAM	116
FIGURE 6-2. HYDRAULIC DIAGRAM - MANUAL ASCENT (DUTCH AND GERMAN SPEC).....	122
FIGURE 6-3. HYDRAULIC DIAGRAM LIST.....	124
SECTION 7 - ELECTRICAL.....	125
FIGURE 7-1. ELECTRICAL DIAGRAMS AND DIAGRAM LIST.....	126
FIGURE 7-2. ELECTRICAL DIAGRAM - STANDARD (SHEET 1 OF 4).....	128
FIGURE 7-3. HARNESS INSTALLATIONS	132
SECTION 8 - DECALS	139
FIGURE 8-1. DECALS INSTALLATION.....	140
SECTION 9 - RECOMMENDED SERVICE PARTS STOCK.....	143
FIGURE 9-1. MODELS 40IC/45IC LIFTS STANDARD PARTS	144
FIGURE 9-2. MODELS 40IC/45IC LIFTS VARIABLE PARTS	148
SECTION 10 - SPECIAL OPTIONS	149
FIGURE 10-1. SPECIAL OPTIONS LIST.....	150
PART NUMBER INDEX.....	151

SECTION 1 - FRAME

SECTION 1 - FRAME

FIGURE 1-1. FRAME AND STEERING INSTALLATIONS

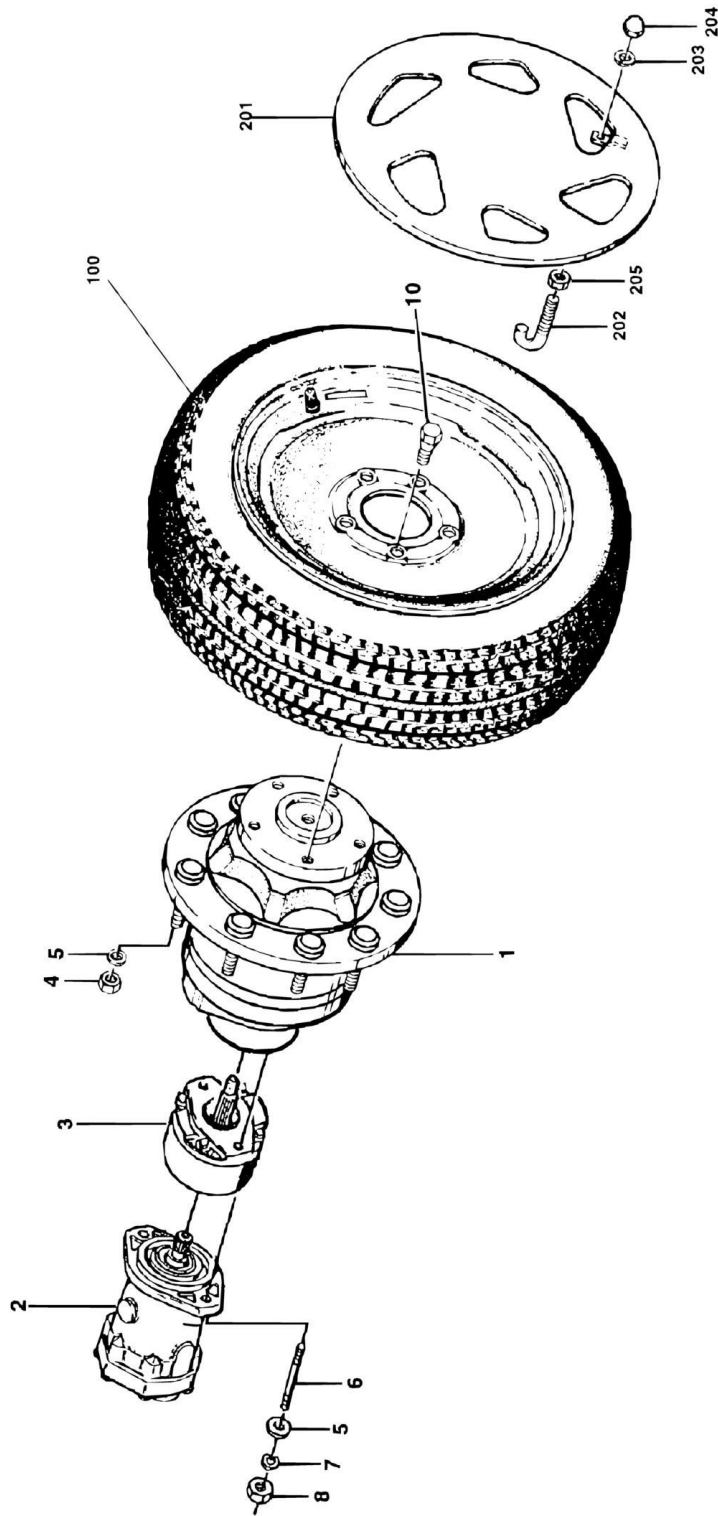
ITEM	PART NUMBER	QTY	DESCRIPTION	REV
		Ref	FRAME WELDMENT OPTIONS:	
	2360402	1	Frame Weldment Model 40ic	
	2360403	1	Frame Weldment Model 45ic	
	0256855	Ref	STEERING AND SPINDLES INSTALLATION	-/3
1	2780201	2	Hub Assembly (See Items 101-107 for Breakdown)	
2	4130319	2	Spindle Weldment (See Items 201-202 for Breakdown)	
3	3421988	2	Kingpin	
4	3450810	2	Pin, Cotter 1/4in x 2 1/3in	
5	3313003	2	Nut, Slotted 1 1/4 -7NC	
6	0440162	2	Washer, Thrust	
7	0642016	2	Bolt 5/8in-11NC x 2in	
8	3312005	2	Locknut 5/8in-11NC	
9	3841146	2	End, Rod	
10	3322002	2	Nut, Jam 5/8in-18NF	
11	1683698	1	Steer Cylinder Assembly (See CYLINDER SECTION for Breakdown) (Was P/N 1683487) (Prior to SN 37950)	
12	3340644	1	Pad, Wear	
13	3020022	AR	Grease	
14	4070809	AR	Shim	
15	4712400	2	Flatwasher 7/8in	
16	3450506	2	Pin, Cotter	
17	3780182	4	O-Ring	
18	0641510	1	Bolt 5/16in-18NC x 1 1/4in	
19	4751500	1	Flatwasher 5/16in	
20	3311505	1	Locknut 5/16in-18NC	
21	0630016	12	Bolt, Wheel 1/2in-20NF x 1in	
22	4060808	2 ft/.61m	Trim	
23	1120457	2	Cap, Dust	
	2780201	Ref	HUB ASSEMBLY	D
101	Kit	2	Cup, Bearing - Inner (1 Per Hub)	
102	Kit	2	Cone, Bearing - Inner (1 Per Hub)	
103	Kit	2	Cup, Bearing - Outer (1 Per Hub)	
104	Kit	2	Cone, Bearing - Outer (1 Per Hub)	
105	Kit	2	Seal (1 Per Hub)	
	2900842	2	Bearing Kit (Includes Item 101-105)	
		Ref	SPINDLE ASSEMBLY	
201	0961621	4	Bushing (2 Per Spindle)	
202	3322403	2	Nut, Slotted 7/8in-14NF (1 Per Spindle)	
	0253613	Ref	AXLE INSTALLATION	D
301	4844324	1	Axle Weldment (Includes Item 301A)	
301A	0961621	2	Bushing	
302	0940048	2	Bumper	
303	4070832	AR	Shim 1/2in-13mm	
304	4070833	AR	Shim 1/16in-1.6mm	
305	0641814	4	Bolt 1/2in-13NC x 1 3/4in	
306	3311805	4	Locknut 1/2in-13NC	
307	0641608	1	Bolt 3/8in-16NC x 1in	
308	3841143	1	Pin, Keeper	
309	3422170	1	Pin, Axle	
310	4740247	2	Washer, Thrust	

SECTION 1 - FRAME

ITEM	PART NUMBER	QTY	DESCRIPTION	REV
311	3451210	1	Pin, Cotter 3/8in x 2 1/2in	
312	3340450	2	Pad, Wear	
313	4070834	AR	Shim 1/4in-6.4mm	
314	4070835	AR	Shim 1/16in-1.6mm	
315	0641610	4	Bolt 3/8in-16NC x 1 1/4in	
316	4751600	4	Flatwasher 3/8in	
317	4070853	AR	Shim 1/32in-.8mm	
	0100011	AR	Loctite #242 (Not Shown)	

SECTION 1 - FRAME

FIGURE 1-2. TIRE AND WHEEL DRIVE INSTALLATIONS



SECTION 1 - FRAME

FIGURE 1-2. TIRE AND WHEEL DRIVE INSTALLATIONS

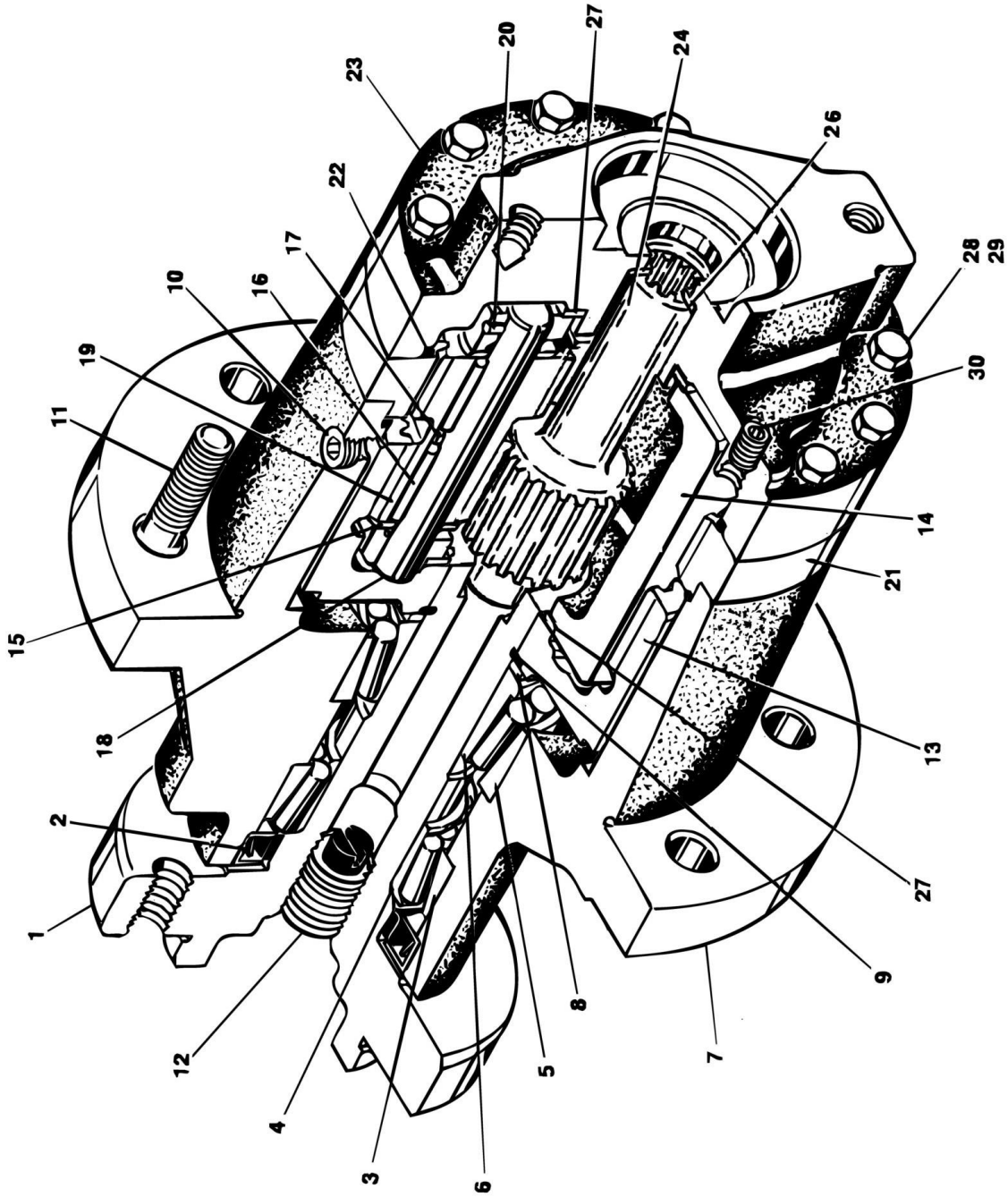
ITEM	PART NUMBER	QTY	DESCRIPTION	REV
	0255994	Ref	WHEEL DRIVE INSTALLATION	A
1	2780219	2	Drive Hub Assembly (See DRIVE HUB ASSEMBLY for Breakdown)	
2	3160158	2	Drive Motor Assembly (See DRIVE MOTOR ASSEMBLY for Breakdown)	
3	0920084	2	Drive Brake Assembly (See DRIVE BRAKE ASSEMBLY for Breakdown)	
4	3321801	18	Nut 1/2in-20NF	
5	4711800	22	Flatwasher 1/2in Narrow	
6	4300092	4	Stud 1/2in-13NC x 5 1/2in	
7	4761800	4	Lockwasher 1/2in	
8	3311801	8	Nut 1/2in-13NC	
9	0100019	AR	Loctite #271 (Not Shown)	
10	0630016	12	Bolt, Wheel	
11	0100011	AR	Loctite #242 (Not Shown)	
		Ref	TIRE AND WHEEL INSTALLATIONS - MODEL 40ic	
	0256837	Ref	G78-15 X28 FOAM-FILLED TIRE WITH 6IN WIDE RIM	-
	0256643	Ref	G78-15 X28 FOAM-FILLED TIRE WITH 8IN WIDE RIM	-
	0256968	Ref	10 X 16.5 FOAM-FILLED TIRE	-
	0254874	Ref	SOLID - NON-MARKING TIRE	-
		Ref	Note: Assemblies may require ballast/foam filling to manufacturer's specifications prior to installing on a machine. Refer to Operation and Safety or Service and Maintenance Manuals. Purchase individual tire and/or rim only if able to foam fill tire and wheel assembly, otherwise, purchase complete assembly.	
100	0256836	4	Tire and Wheel Assembly (G78-15 X28 Foam-Filled with 6in Wide Rim) (Sold As An Assembly Only)	
100	0256642	4	Tire and Wheel Assembly (G78-15 X28 Foam-Filled with 8in Wide Rim) (Sold As An Assembly Only)	
100	0256953	2	Tire and Wheel Assembly (10 X 16.5 Foam-Filled Right Side) (Sold As An Assembly Only)	
100	0256955	2	Tire and Wheel Assembly (10 X 16.5 Foam-Filled Left Side) (Sold As An Assembly Only)	
		Ref	TIRE AND WHEEL INSTALLATIONS - MODEL 45ic	
	0254866	Ref	LT215/85R16 FOAM-FILLED TIRE	-
	0256968	Ref	10 X 16.5 FOAM-FILLED TIRE	-
	0254874	Ref	SOLID - NON-MARKING TIRE (OPTIONAL)	-
		Ref	Note: Assemblies may require ballast/foam filling to manufacturer's specifications prior to installing on a machine. Refer to Operation and Safety or Service and Maintenance Manuals. Purchase individual tire and/or rim only if able to foam fill tire and wheel assembly, otherwise, purchase complete assembly.	
	0254865	4	Tire and Wheel Assembly (LT215/85R16 Foam-Filled) (Sold As An Assembly Only)	
	0256953	2	Tire and Wheel Assembly (10 X 16.5 Foam-Filled Right Side) (Sold As An Assembly Only)	
	0256955	2	Tire and Wheel Assembly (10 X 16.5 Foam-Filled Left Side) (Sold As An Assembly Only)	
	4520159	4	Tire and Wheel Assembly (Solid - Non-Marking) (Sold As An Assembly Only)	
	0256832	Ref	HUBCAP INSTALLATION - 40IC (G78-15 X28 TIRES) (OPTIONAL)	-

SECTION 1 - FRAME

ITEM	PART NUMBER	QTY	DESCRIPTION	REV
	0254590	Ref	HUBCAP INSTALLATION - 45IC (LT215/85RI6 TIRES) (OPTIONAL)	C
201		Ref	Hubcap Options:	
201	1670808	4	Hubcap Model 40ic	
201	1670810	4	Hubcap Model 45ic	
202		Ref	J-Bolt 5/16in-18NC Options:	
202	0630513	8	J-Bolt 5/16in-18NC Model 40ic	
202	0641510	8	J-Bolt 5/16in-18NC Model 45ic	
203	4761500	8	Lockwasher 5/16in	
204	3300356	8	Nut, Acorn 5/16in-18NC (40ic Only)	
205	3311501	8	Nut 5/16in-18NC (40ic Only)	

SECTION 1 - FRAME

FIGURE 1-3. DRIVE HUB ASSEMBLY



SECTION 1 - FRAME

FIGURE 1-3. DRIVE HUB ASSEMBLY

ITEM	PART NUMBER	QTY	DESCRIPTION	REV
	2780219	1	DRIVE HUB ASSEMBLY	
1	7010486	1	Spindle	
2	Kit	1	Seal, Lip	
3	7000255	1	Cup, Bearing (Outer)	
4	7000256	1	Cone, Bearing (Outer)	
5	7000257	1	Cup, Bearing (Inner)	
6	7000258	1	Cone, Bearing (Inner)	
7	7000259	1	Housing	
8	7000232	1	Washer, Thrust	
9	Kit	1	Ring, Retaining	
10	7000242	2	Plug, Pipe - 1/4in NPTF	
11	7000241	9	Stud, Wheel 1/2in-20NF	
12	7001952	1	Plug, Pipe 3/4in NPTF	
13	7000246	1	Gear, Internal	
		Ref	Carrier Assembly	
14	7001931	1	Carrier	
15	7001985	6	Washer, Tanged Thrust	
16	7010408	96	Bearing, Needle	
17	7000263	3	Spacer, Thrust	
18	7001911	3	Shaft, Planet	
19	7007643	3	Gear, Cluster	
20	7010474	3	Rollpin	
21	7000203	1	Gear, Ring	
22	Kit	2	O-Ring	
23	7000209	1	Cover, Input	
24	7017001	1	Gear, Sun	
26	7007642	1	Washer, Thrust	
27	Kit	2	Washer, Thrust	
28	7000217	8	Bolt, Hex	
29	7000214	4	Bolt, Shoulder	
30	7000242	1	Plug, Pipe 1/4in NPTF	
	2900661	1	Seal Kit (Includes Items 2, 9, 22 & 27)	

SECTION 1 - FRAME

FIGURE 1-4. DRIVE MOTOR ASSEMBLY

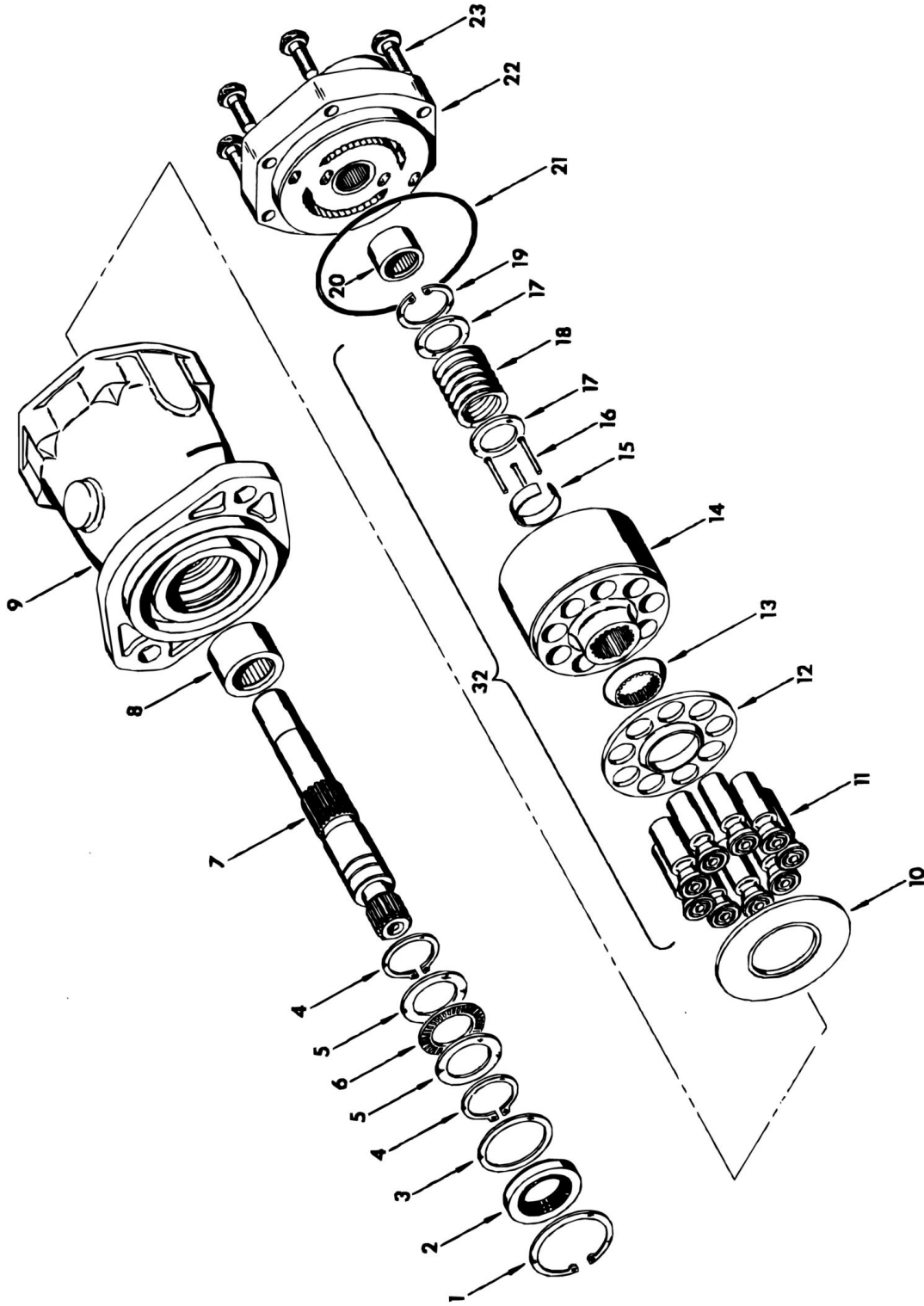
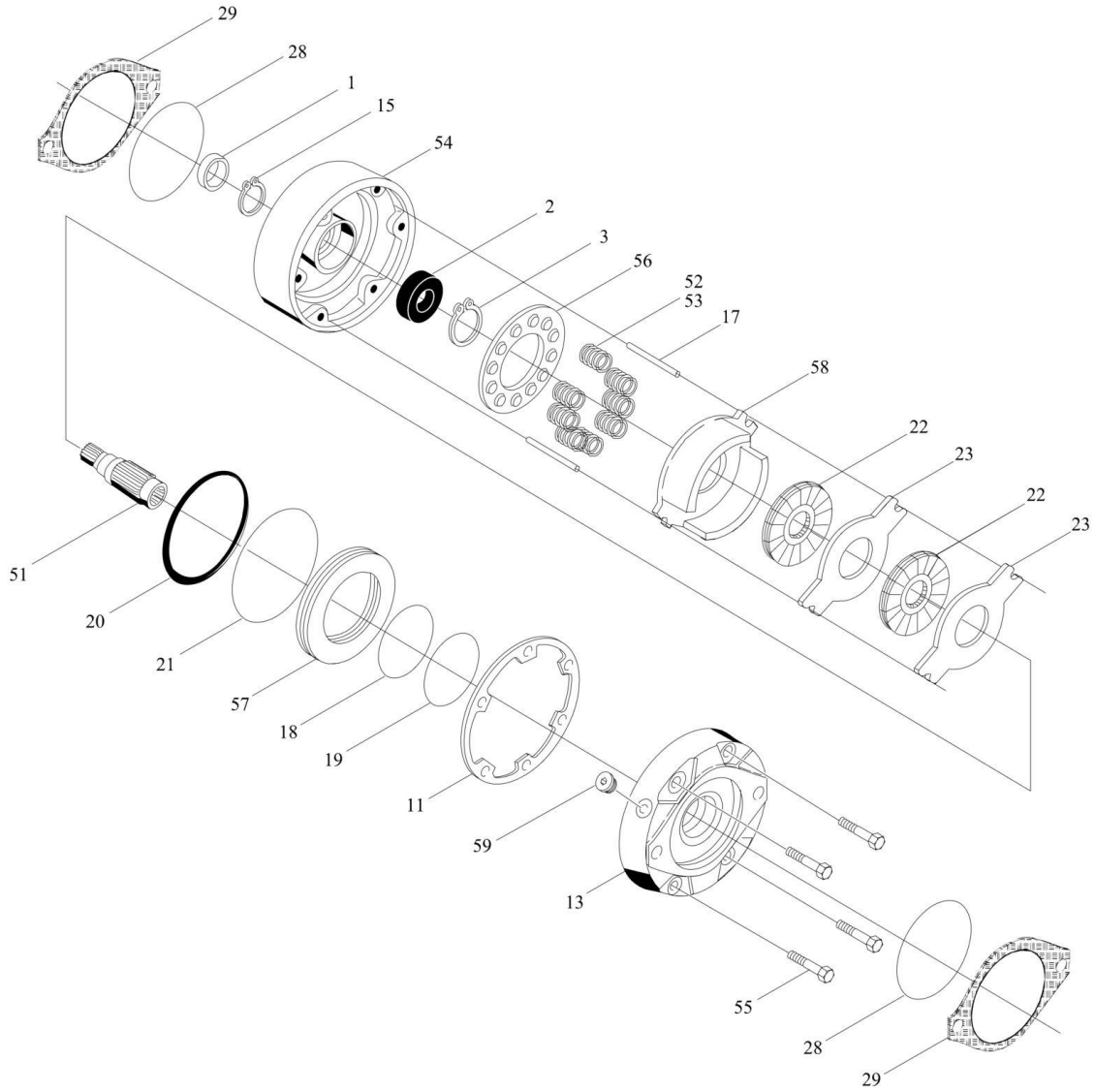


FIGURE 1-4. DRIVE MOTOR ASSEMBLY

ITEM	PART NUMBER	QTY	DESCRIPTION	REV
	3160158	Ref	DRIVE MOTOR ASSEMBLY	A
1	Kit	1	Ring, Retaining	
2	Kit	1	Seal, Shaft	
3	7004906	1	Washer	
4	Kit	2	Ring, Retaining	
5	7004907	2	Race, Thrust	
6	7004908	1	Bearing	
7	7004974	1	Shaft, Drive	
8	7004910	1	Bearing	
9	7007875	1	Housing Assembly (Includes Item 8)	
10	7007876	1	Camplate	
11	7007880	1	Rotating Kit Assembly	
12	7004917	1	Bearing	
13	Kit	1	O-Ring	
14	7007878	1	Backplate Assembly (Includes Item 12)	
15	7007879	6	Bolt	
	2900714	1	Repair Kit Includes Items (1, 2, 4 & 13)	

SECTION 1 - FRAME

FIGURE 1-5. DRIVE BRAKE ASSEMBLY



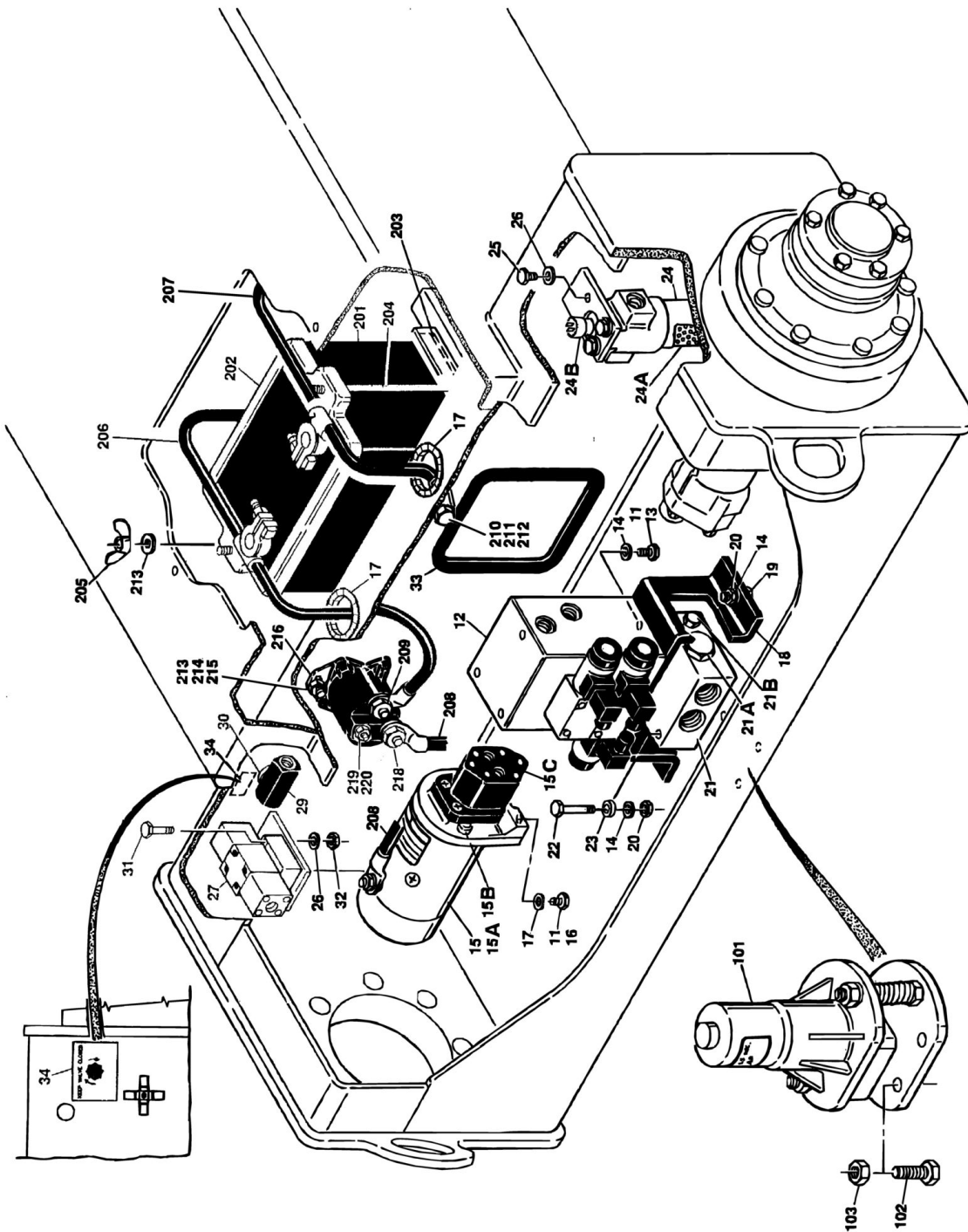
SECTION 1 - FRAME

FIGURE 1-5. DRIVE BRAKE ASSEMBLY

ITEM	PART NUMBER	QTY	DESCRIPTION	REV
1	Kit	1	Seal, Oil	
2	Kit	1	Bearing	
3	7007977	1	Ring, Retaining	
11	Kit	1	Seal, Case	
13	7007986	1	Cover	
15	7011716	1	Ring, Retainer	
17	7007987	2	Pin, Dowel	
18	Kit	1	Ring, Back-up	
19	Kit	1	O-Ring	
20	Kit	1	Ring, Back-up	
21	Kit	1	O-Ring	
22	Kit	2	Rotor	
23	Kit	2	Stator	
28	Kit	2	O-Ring	
29	7007933	2	Gasket	
	2900766	1	Seal Kit (Includes Items 1, 11, 18, 19, 20, 21, 28 & 29)	
	2900768	1	Bearing Kit (Includes Items 1, 2, 11, 28 & 29)	
	0920084	Ref	DRIVE BRAKE ASSEMBLY - MICO (Prior to SN 33476)	-
	0920110	Ref	DRIVE BRAKE ASSEMBLY - MICO (SN 33476 to Present)	A
51		Ref	Shaft Options:	
51	7011712	1	Shaft (Prior to SN 33476)	
51	7011720	1	Shaft (SN 33476 to Present)	
52		Ref	Spring (Inner) Options:	
52	7007979	6	Spring (Inner) (Prior to SN 33476)	
52	7007970	6	Spring (Inner) (SN 33476 to Present)	
53		Ref	Spring (Outer) Options:	
53	7007980	6	Spring (Outer) (Prior to SN 33476)	
53	7018602	6	Spring (Outer) (SN 33476 to Present)	
54		Ref	Housing Options:	
54	7011713	1	Housing (Prior to SN 33476)	
54	7018605	1	Housing (SN 33476 to Present)	
55		Ref	Bolt, Washer Head Options:	
55	7007985	4	Bolt, Washer Head (Prior to SN 33476)	
55	7018607	4	Bolt, Washer Head (SN 33476 to Present)	
56		Ref	Guide, Spring Options:	
56	7011717	1	Guide, Spring (Prior to SN 33476)	
56	7018606	1	Guide, Spring (SN 33476 to Present)	
57		Ref	Piston Options:	
57	7007923	1	Piston (Prior to SN 33476)	
57	7018603	1	Piston (SN 33476 to Present)	
58		Ref	Plate, Return	
58	Kit	1	Kit	
58	7011715	2	Separator Assembly	
58	7011714	4	Pin	
58	7007983	2	Separator	
59	7018609	1	Plug	
59	7018608	1	Lining Kit (Includes Items 58, 11, 22, 23, 28 & 29)	

SECTION 1 - FRAME

FIGURE 1-6. VALVES, BATTERY AND TILT INDICATOR INSTALLATIONS (FRAME MOUNTED)



SECTION 1 - FRAME

FIGURE 1-6. VALVES, BATTERY AND TILT INDICATOR INSTALLATIONS (FRAME MOUNTED)

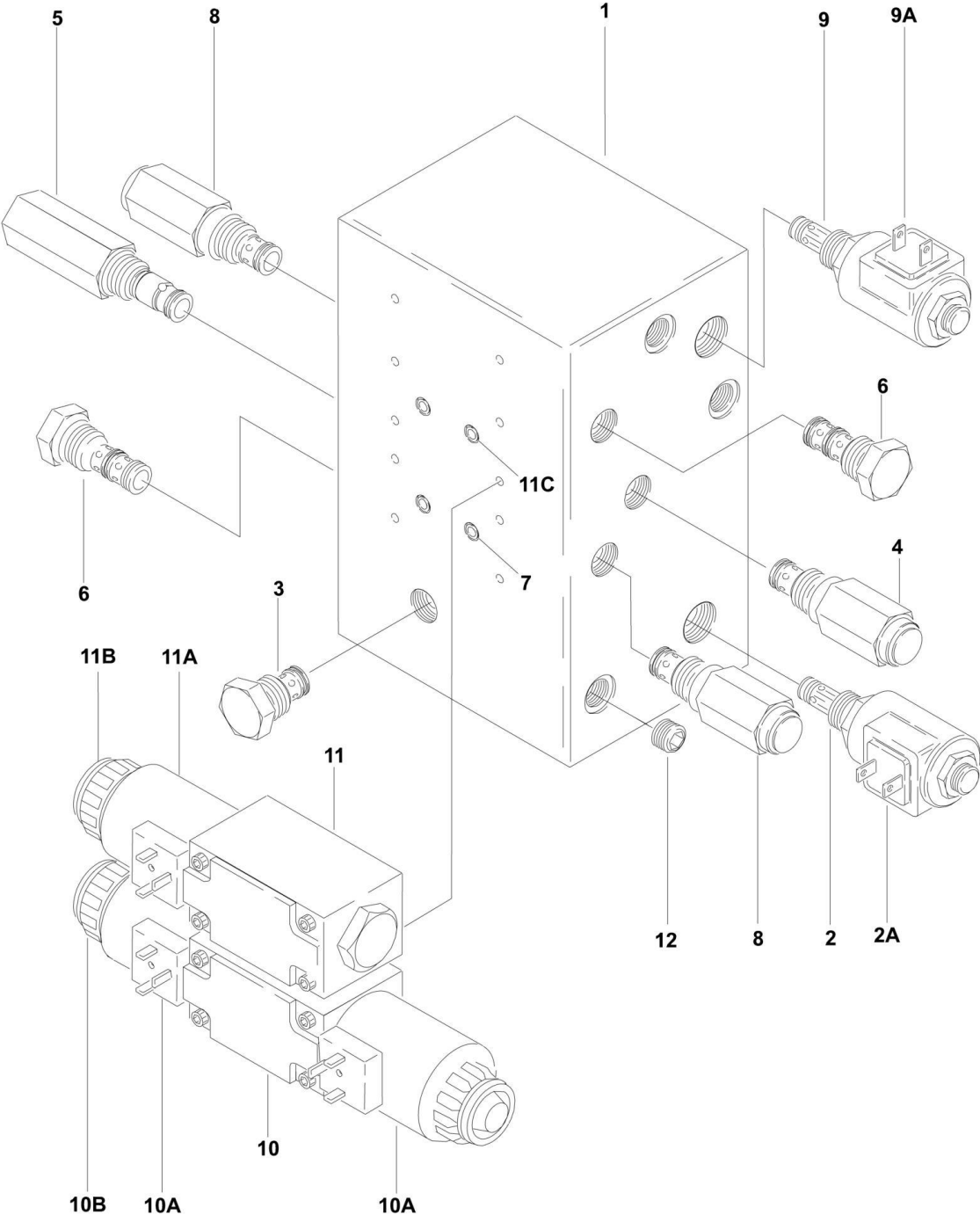
ITEM	PART NUMBER	QTY	DESCRIPTION	REV
	0255994	Ref	VALVES INSTALLATION	A
11	0100011	AR	Loctite #242 (Not Shown)	
12	4640969	1	Accessory Valve Assembly (See ACCESSORY VALVE ASSEMBLY for Breakdown)	
13	0641506	3	Bolt 5/16in-18NC x 3/4in	
14	4751500	7	Flatwasher 5/16in	
15	3600208	1	Auxiliary Pump Assembly	
15A	7013710	1	Motor, Replacment	
15A	7013753	1	Brush Kit - 7013710 Motor	
15B	7013711	1	Coupling	
15C	7013712	1	Pump, Replacement	
16	0641606	2	Bolt 3/8ft-16NC x 3/4in	
17	4751600	2	Flatwasher 3/8in	
18	3539716	1	Plate, Valve Mounting	
19	0641508	2	Bolt 5/16in-18NC x 1in	
20	3311505	4	Locknut 5/16in-18NC	
21	4640976	1	Flow Divider Valve Assembly	
21A	7017404	1	Cartridge, Flow Divider Valve	
21A	7017405	1	Seal Kit - 7017404 Valve	
21B	7017406	1	Plug, Check	
21B	7012993	1	Orifice	
22	0641526	2	Bolt 5/16in-18NC x 3 1/4in	
23	4566987	2	Spacer	
24	2120146	1	Filter Assembly	
24A	2120150	1	Element, Filter	
24B	7016312	1	Switch	
25	0641405	4	Bolt 1/4in-20NC x 5/8in	
26	4711400	6	Flatwasher 1/4in Narrow	
27	4640974	1	Brake Release Valve Assembly	
27	Not Available	1	Seal Kit - 4640974 Valve	
28	4640005	1	Valve, Needle	
29	2900062	1	Valve Mounting Kit	
30	4712200	1	Flatwasher 3/4in Narrow	
31	0641414	2	Bolt 1/4in-20NC x 1 3/4in	
32	3311405	2	Locknut 1/4in-20NC	
33	4060807	30	Flex-Trim	
		in/76cm		
34	1703030	1	Decal - Close (Tow Valve)	
	0256405	Ref	TILT INDICATOR INSTALLATION	B
101	4360442	1	Switch, Tilt Indicator	
102	0641406	2	Bolt 1/4in-20NC x 3/4in	
103	3311405	2	Locknut 1/4in-20NC	
	0256307	Ref	BATTERY AND CABLES INSTALLATION	C
201	0400003	1	Battery	
202	0400002	1	Hold-Down, Battery	
202A	2910479	4	Hold-down, Clips (Not Shown)	
203	3980003	1	Seat, Battery	
204	0630505	2	Bolt, Tie-down	
205	3300371	2	Wingnut 1/4in-20NC	
206	1060623	1	Cable, Battery (Positive)	

SECTION 1 - FRAME

ITEM	PART NUMBER	QTY	DESCRIPTION	REV
207	1060624	1	Cable, Battery (Negative)	
208	1060620	1	Cable, Battery (Auxiliary Pump)	
209	3300401	1	Nut, Brass	
210	0641508	1	Bolt 5/16in-18NC x 1in	
211	4791500	2	Starwasher 5/16in	
212	3311505	1	Locknut 5/16in-18NC	
213	4751400	4	Flatwasher 1/4in	
214	4761400	2	Lockwasher 1/4in	
215	3311401	2	Nut 1/4in-20NC	
216	3740067	1	Relay, Continuous Duty	
217	2540021	2	Grommet	
218	3300220	1	Nut, Special	
219	3321001	1	Nut #10-32NF	
220	4761000	1	Lockwasher #10	

SECTION 1 - FRAME

FIGURE 1-7. ACCESSORY VALVE ASSEMBLY



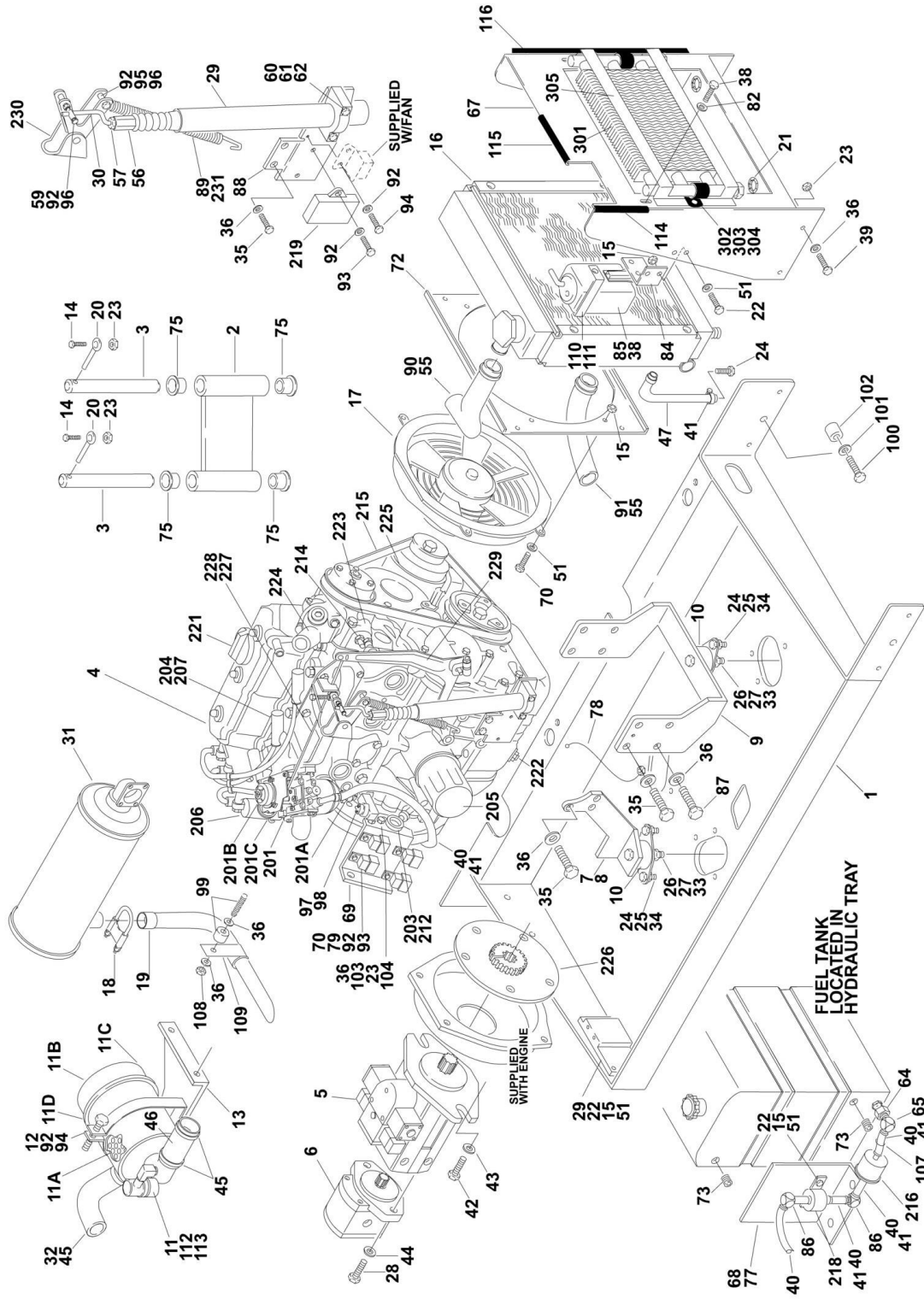
SECTION 1 - FRAME

FIGURE 1-7. ACCESSORY VALVE ASSEMBLY

ITEM	PART NUMBER	QTY	DESCRIPTION	REV
	4640969	Ref	ACCESSORY VALVE ASSEMBLY	E
1	Not Serviced	1	Block, Manifold	
2	7017410	1	Cartridge, Solenoid Valve (Less Coil)	
2	7012967	1	Seal Kit - 7017410 Valve	
2A	7012944	1	Coil, Solenoid	
3	7012969	1	Cartridge, Check Valve	
3	7012540	1	Seal Kit - 7012969 Valve	
4	7017419	1	Cartridge, Relief Valve	
4	7012953	1	Seal Kit - 7017419 Valve	
5	7012968	1	Cartridge, Pilot Valve	
5	7012518	1	Seal Kit - 7012968 Valve	
6	7010542	2	Cartridge, Shuttle Valve	
6	7010543	2	Seal Kit - 7010543 Valve	
7	7018902	2	Plug, Orifice - 1.5mm	
8	7017429	2	Cartridge, Relief Valve	
8	7012967	2	Seal Kit - 7017429 Valve	
9	7012941	1	Cartridge, Solenoid Valve (Less Coil)	
9	7012907	1	Seal Kit - 7012941 Valve	
9A	7012944	1	Coil, Solenoid	
10	7012795	1	Control Valve Assembly	
10	7012773	1	Seal Kit - 7012795 Valve	
10A	7012772	2	Coil, Solenoid	
10B	7018912	2	Nut, Coil	
11	7018913	1	Control Valve Assembly	
11	7012773	1	Seal Kit - 7018913 Valve	
11A	7012772	1	Coil, Solenoid	
11B	7018912	1	Nut, Coil	
11C	7018916	1	Plug, Orifice - 2mm	
12	7018905	1	Plug	

SECTION 1 - FRAME

FIGURE 1-8. VANGUARD GAS ENGINE INSTALLATIONS



SECTION 1 - FRAME

FIGURE 1-8. VANGUARD GAS ENGINE INSTALLATIONS

ITEM	PART NUMBER	QTY	DESCRIPTION	REV
	0255999	Ref	ENGINE ASSEMBLY AND INSTALLATION	12-N
1	4845223	1	Tray, Engine	
2	4845238	2	Arm, Swing-Out	
3	3422426	4	Pin	
4	2000140	1	Engine - Vanguard DM700G	
5	3600256	1	Piston Pump Assembly (See PISTON PUMP ASSEMBLY for Breakdown)	
6	3600199	1	Gear Pump Assembly (See GEAR PUMP ASSEMBLY for Breakdown)	
7	3539459	1	Plate, Mounting (Rear Right Side)	
8	3539460	1	Plate, Mounting (Rear Left Side)	
9	3539461	1	Plate, Mounting (Front)	
10	3200381	3	Mount, Motor	
11	1340057	1	Air Cleaner Assembly	
11A	7015004	1	Element, Filter	
11B	7015005	1	Cover Assembly	
11C	7015006	1	Valve, Vacuator	
11D	7015007	2	Latch	
12	0340045	1	Band, Mounting	
13	3539484	1	Plate, Mounting (Air Cleaner)	
14	0641509	4	Bolt 5/16in-18NC x 1 1/8in	
15	3311405	10	Locknut 1/4in-20NC	
16	3620035	1	Radiator	
16	7016606	1	Cap, Radiator	
16	7019618	1	Draincock	
17	2060027	1	Fan, Electric Cooling	
17	7016617	1	Control, Thermostatic	
18	1320026	1	Clamp, Exhaust	
19	4845391	1	Pipe, Exhaust (Use 4567108 and #109 as Replacement) (Prior to SN 33269)	
19	4567108	1	Pipe, Exhaust (SN 33269 to Present)	
20	3841143	4	Pin, Keeper	
21	2540031	2	Grommet	
22	0641406	6	Bolt 1/4in-20NC x 3/4in	
23	3311505	12	Locknut 5/16in-18NC	
24	0641608	6	Bolt 3/8in-16NC x 1in	
25	3311605	6	Locknut 3/8in-16NC	
26	0641820	3	Bolt 1/2in-13NC x 2 1/2in	
27	3311805	3	Locknut 1/2in-18NC	
28	0701014	2	Bolt, Metric M10-1.5 x 30mm	
29	2910000	1	Actuator Assembly (Was p/n 0060037) (See ELECTRICAL SECTION for Breakdown)	
30	3841315	1	Rod, Throttle	
31	3220109	1	Muffler	
32	0080223	1	Elbow, Air Intake	
33	4740274	3	Washer, Snubbing	
34	4751600	6	Flatwasher 3/8in	
35	0760812	15	Bolt, Metric 8mm x 25mm	
36	4751500	33	Flatwasher 5/16in	
37	0100011	AR	Loctite #242 (Not Shown)	

SECTION 1 - FRAME

ITEM	PART NUMBER	QTY	DESCRIPTION	REV
38	0760605	8	Bolt 6mm x 10mm	
39	0641508	4	Bolt 5/16in-18NC x 1in	
40	2720015	92 in/2.3m	Hose, Fuel Line (1/4in)	
41	1320022	10	Clamp, Hose	
42	0641812	2	Bolt 1/2in-13NC x 1 1/2in	
43	4751800	2	Flatwasher 1/2in	
44	4891600	2	Washer, Hardened	
45	1320031	3	Clamp, Hose	
46	2720423	3 in/8cm	Hose, Air Intake (1 3/4in)	
47	2750058	1 ft/30.5cm	Hose (5/16in)	
51	4751400	8	Flatwasher 1/4in	
55	1320014	4	Clamp, Hose	
56	1660222	1	Coupling, Throttle	
57	3321402	1	Nut, Jam 1/4in-28NF	
59	1660220	1	Swivel, Throttle	
60	4740442	1	Washer, Belleville	
61	3900217	1	Bolt, Socket Head Shoulder	
62	0962031	1	Bushing, Flanged	
64	2220250	1	Fitting, Reducer	
65	2220317	1	Fitting, 90	
67		Ref	Radiator Mounting Plate Options:	
67	3539477	1	Radiator Mounting Plate (Prior to SN 23060)	
67	4845432	1	Radiator Mounting Plate (SN 23060 to Present)	
68	0641505	2	Bolt 5/16in-18NC x 5/8in	
69	0902270	1	Bracket, Mounting (Throttle Control)	
70	0641408	4	Bolt 1/4in-20NC x 1in	
72	3539663	1	Plate, Mounting (Cooling Fan)	
73	2200223	2	Fitting	
74	0100020	AR	Sealant, Pipe (Not Shown)	
75	0962068	8	Bushing, Flanged	
76	1701542	1	Decal - Gas (Not Shown - Located on Hood)	
77	4845338	1	Mount, Fuel Pump	
78	1060221	1	Strap, Ground	
79	3740080	4	Relay	
82	4751000	6	Flatwasher #10	
83	4921852	1	Harness, Engine	
84	3539816	1	Plate, Mounting - Coolant Overflow Tank	
85	4400395	1	Tank, Coolant Overflow	
86	2221010	2	Fitting, Barbed	
88	3539929	1	Plate, Throttle Mounting	
89	4160150	1	Spring (Used - Recommend #231 as replacement) (Prior to SN 23060)	
90	2720428	1	Hose, Radiator (Top)	
91	2720429	1	Hose, Radiator (Bottom)	
92	4711400	13	Flatwasher 1/4in Narrow	
93	0641405	6	Bolt 1/4in-20NC x 5/8in	
94	0641404	4	Bolt 1/4in-20NC x 1/2in	
95	0641405	1	Bolt 1/4in-20NC x 5/8in	
96	4567086	2	Spacer, Throttle Tube	
97	2180812	1	Fitting, Adaptor	
98	4360405	1	Switch, Oil Pressure	

SECTION 1 - FRAME

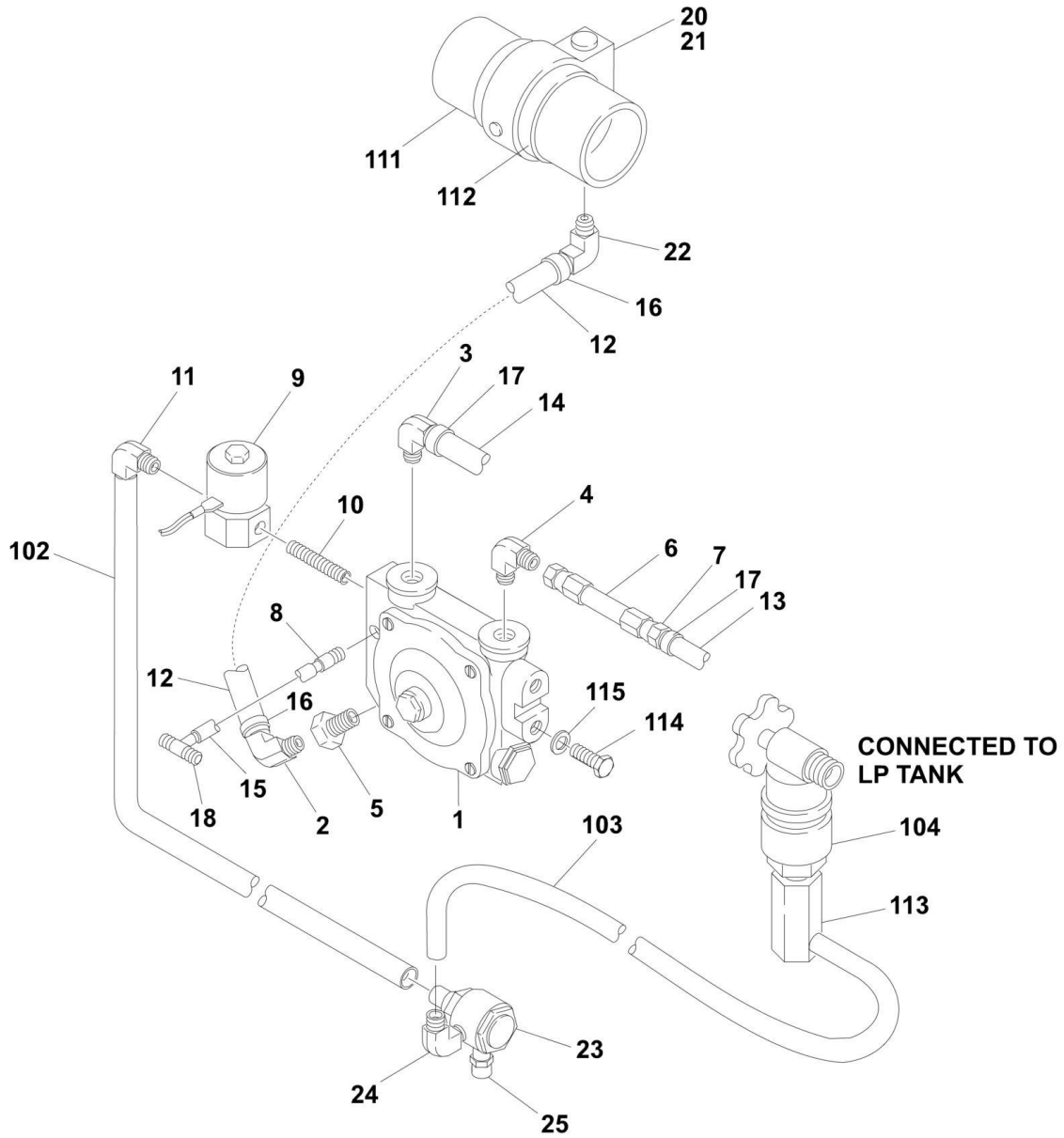
ITEM	PART NUMBER	QTY	DESCRIPTION	REV
99	4320002	1	Stud, Rubber Mounted	
100	0641820	2	Bolt 1/2in-13NC x2 1/2in	
101	4751800	2	Flatwasher 1/2in	
102	0940070	2	Bumper, Rubber	
103	0641516	1	Bolt 5/16in-18NC x 2in	
104	4791500	1	Starwasher 5/16in	
105	4060807	15 in/38cm	Flex-Trim (Not Shown - Located on Frame)	
106	4060918	10 in/25cm	Flex-Trim (Not Shown - Located on Frame)	
107	2540017	1	Grommet (SN 33269 to Present)	
108	3311501	2	Nut 5/16in-18NC	
109	1320239	1	Clamp, Loop (SN 33269 to Present)	
110	0902383	1	Bracket, Recovery Tank (SN 33269 to Present)	
111	4420008	7 in/18cm	Tape, Neoprene (SN 33269 to Present)	
112	2420047	1	Service Indicator Kit (SN 33269 to Present)	
113	2220063	1	Fitting, 90	
114	3960389	1.42 ft/0.44m	Seal (SN 33820 to Present)	
115	3960433	1.54 ft/0.47m	Seal (SN 33820 to Present)	
116	3960477	1	Seal Foam Gasket (SN 33820 to Present)	
	2000140	Ref	ENGINE COMPONENTS	D
201	7017617	1	Carburetor	
201	7017640	1	Rebuild Kit - 7017617 Carburetor	
201	7017641	1	Gasket - Air Intake to Carburetor	
201	70002087	1	Float Assembly	
201	70000209	1	Gasket - Carburetor Float Bowl	
201A	7017639	1	Solenoid, Fuel	
201B	7017637	1	Switch, Choke	
201C	7017638	1	Choke, Vacuum	
201C	7017632	1	Link, Choke	
201C	7017644	1	Shaft, Choke	
201C	7017645	1	Orifice, Vacuum Limiter	
202	7017620	1	Starter (Not Shown)	
203	7017603	1	Dipstick	
204	7019932	3	Plug, Spark (was p/n 7017608)	
205	7017600	1	Filter, Oil	
206	7017606	3	Coil, Ignition	
207	7017607	3	Boot, Spark Plug	
208	7017629	1	Gasket - Exhaust (Not Shown) (was p/n 7024414)	
209	7017612	1	Gasket - Outlet (Not Shown)	
210	7017613	1	Gasket - Inlet (Not Shown)	
211	7017614	1	Gasket - Water Pump (Not Shown)	
212	7017602	1	Tube, Dipstick	
213	7017641	1	Gasket -Carburetor to Intake (Not Shown) (was p/n 7017618)	
214	7017627	1	Switch, Water Temperature	
215	7017616	1	V-Belt	
216	7017636	1	Filter, Fuel	
217	7017610	1	Regulator (Not Shown)	
218	7017657	1	Pump, Fuel (was p/n 7017619)	
219	7017621	1	Module, Ignition	

SECTION 1 - FRAME

ITEM	PART NUMBER	QTY	DESCRIPTION	REV
220	7017622	1	Trigger, Ignition (Not Shown)	
221	7017605	1	Cap, Oil Fill	
222	7017604	1	Plug, Oil Drain	
223	7017615	1	Pump, Water	
224	7017611	1	Thermostat	
225	7017609	1	Alternator	
226	1600229	1	Coupling, Pump	
227	7017630	1	Link, Governor	
228	7017635	1	Spring, Link	
229	7017634	1	Lever, Governor	
230	7017633	1	Bracket, Control	
231	7017642	1	Spring, Governor	
232	4360405	1	Switch, Oil Pressure (Not Shown) (was p/n 7017601)	
233	7017643	1	Shaft, Throttle (Not Shown)	
234	7017646	1	Flywheel/Ring Gear Assembly (Not Shown)	
235	7017669	1	Elbow, Carburetor to Air Intake (Not Shown)	
	0256919	Ref	OIL COOLER INSTALLATION	C
	0256910	Ref	OIL COOLER INSTALLATION	C
301	3620039	1	Cooler, Oil	
302	1320202	2	Clamp	
303	3311605	2	Locknut 3/8in-16NC	
304	4711600	2	Flatwasher 3/8in	
305	3570105	1	Plate, Cover	

SECTION 1 - FRAME

FIGURE 1-9. DUAL FUEL INSTALLATION (OPTION FOR VANGUARD GAS MACHINES)



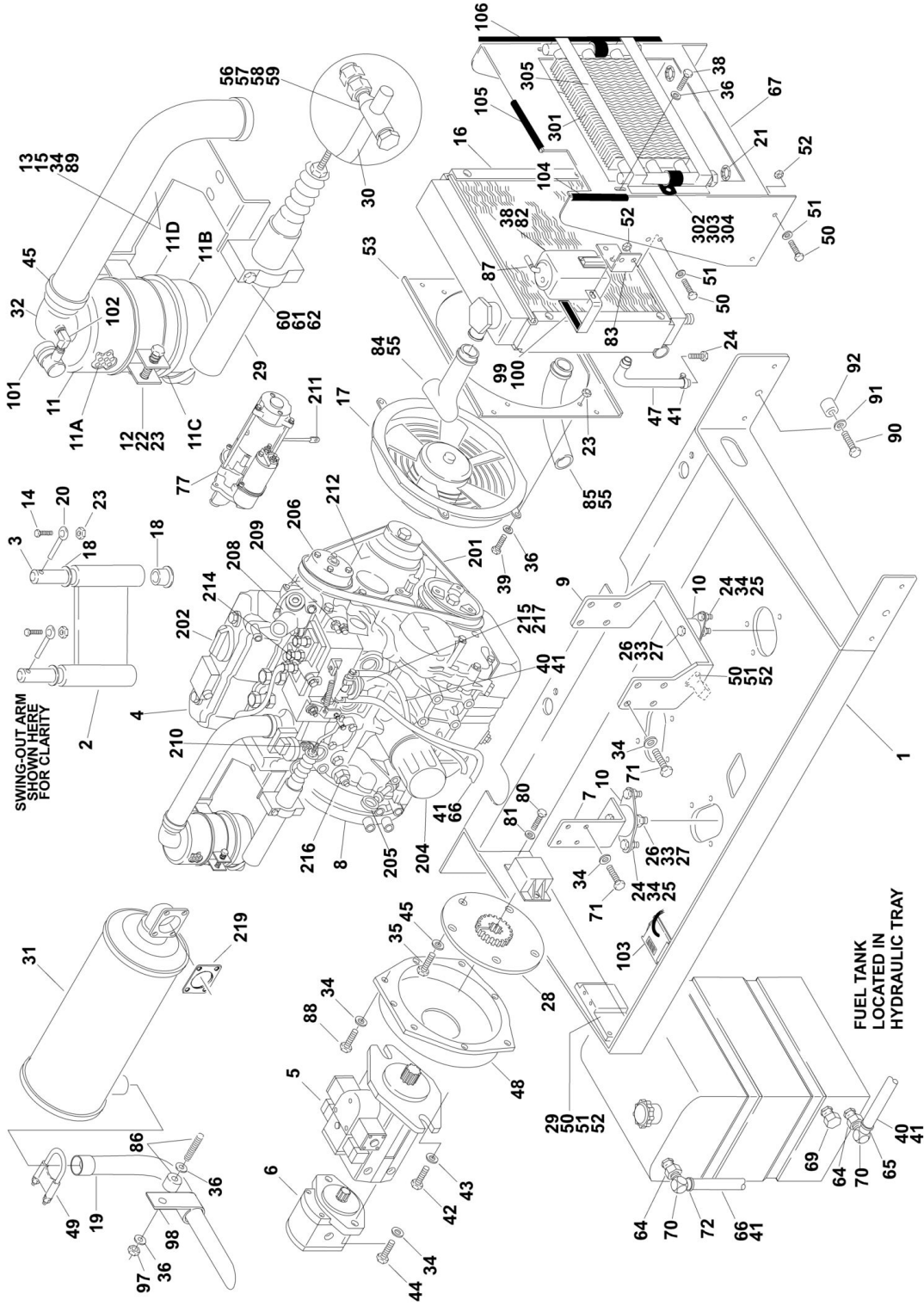
SECTION 1 - FRAME

FIGURE 1-9. DUAL FUEL INSTALLATION (OPTION FOR VANGUARD GAS MACHINES)

ITEM	PART NUMBER	QTY	DESCRIPTION	REV
	2901456	Ref	DUAL FUEL KIT ASSEMBLY	A
1	3720011	1	Regulator, Beam	
2	7017513	1	Fitting, 90	
3	7017517	1	Fitting, 90 Barbed	
4	7017518	1	Fitting, 90	
5	7017508	1	Bushing	
6	7017501	1	Thermostat	
7	7017519	1	Fitting, Straight Barbed	
8	7017514	1	Fitting, 90 (Prior to SN 37463)	
8	7017522	1	Fitting, 90 (SN 37463 to Present)	
9	7017500	1	Solenoid, Fuel Shut-Off	
10	7017520	1	Fitting, Straight Nipple	
11	7017521	3	Fitting, 90	
12	Not Available	12 in/30.5cm	Hose, Vapor	
13	Not Available	16 in/41cm	Hose, Water	
14	Not Available	22 in/59cm	Hose, Water	
15	Not Available	20 in/51cm	Hose, Vacuum	
16	Not Available	2	Clamp	
17	Not Available	4	Clamp	
18	7017512	1	Fitting, Tee	
19	Not Available	1	Tie-Strap	
20	7017511	1	Adapter	
21	7017510	1	Venturi	
22	7017513	1	Fitting, 90	
23	7017504	1	Filter, Fuel	
24	7017521	1	Fitting, 90	
25	7017505	1	Valve, Relief	
27	Not Available	2	Clamp (Not Shown)	
28	7017521	1	Fitting, 90 (Not Shown - Located at Oil Pressure Switch)	
	0256000	Ref	DUAL FUEL INSTALLATION	G
101	2901456	1	Dual Fuel Kit Assembly (Includes Items 1-28)	
102	2720175	1	Hose	
103	2720190	1	Hose	
104	2180387	1	Fitting, Tank Connector	
106	4360336	1	Switch, Toggle (Not Shown - Located at Platform Box)	
107	4060802	1	Guard, Switch (Not Shown - Located at Platform Box)	
108	3790012	1	O-Ring (Not Shown - Located at Platform Box)	
109	1701543	1	Decal - LP (Not Shown - Located near Tank)	
110	1700818	1	Decal - Liquid Withdrawal (Not Shown - Located near Tank)	
111	2720433	2	Hose	
112	1320016	2	Clamp	
113	2220082	1	Fitting, Adapter	
114	0641405	2	Bolt 1/4in-20NC x 5/8in	
115	4711400	2	Flatwasher 1/4in Narrow	
116	0100011	AR	Loctite #272 (Not Shown)	

SECTION 1 - FRAME

FIGURE 1-10. YANMAR DIESEL ENGINE INSTALLATION



SECTION 1 - FRAME

FIGURE 1-10. YANMAR DIESEL ENGINE INSTALLATION

ITEM	PART NUMBER	QTY	DESCRIPTION	REV
	0256002	Ref	ENGINE ASSEMBLY AND INSTALLATION	14-K
1	4845223	1	Tray, Engine	
2	4845238	2	Arm, Swing-Out	
3	3422426	4	Pin	
4	2000145	1	Engine, Yanmar 3TNE68	
5	3600256	1	Piston Pump Assembly (See PISTON PUMP ASSEMBLY for Breakdown)	
6	3600199	1	Gear Pump Assembly (See GEAR PUMP ASSEMBLY for Breakdown)	
7	0902263	1	Bracket, Mounting (Rear)	
8	0080222	1	Adapter, Spacer - Flywheel Housing	
9	0902265	1	Bracket, Mounting (Front)	
10	3200381	3	Mount, Motor	
11	1340057	1	Air Cleaner Assembly	
11A	7015004	1	Element, Filter	
11B	7015005	1	Cover Assembly	
11C	7015006	1	Valve, Vacuator	
11D	7015007	2	Latch	
12	0340045	1	Band, Mounting	
13	3539692	1	Plate, Mounting (Air Cleaner)	
14	0641509	4	Bolt 5/16in-18NC x 1 1/8in	
15	4566987	4	Tube, Spacer	
16	3620037	1	Radiator	
17	2060027	1	Fan, Electric Cooling	
18	0962068	8	Bushing, Flanged	
19	4845391	1	Pipe, Exhaust	
20	3841143	4	Pin, Keeper	
21	2540031	2	Grommet	
22	0641506	2	Bolt 5/16in-18NC x 3/4in	
23	3311505	12	Locknut 5/16in-18NC	
24	0641608	6	Bolt 3/8in-16NC x 1in	
25	3311605	6	Locknut 3/8in-16NC	
26	0641820	3	Bolt 1/2in-13NC x 2 1/2in	
27	3311805	3	Locknut 1/2in-18NC	
28	1660228	1	Coupling, Pump	
29	2910000	1	Actuator Assembly (Was p/n 0060038) (See ELECTRICAL SECTION for Breakdown)	
30	3841307	1	Rod, Throttle	
31	3220109	1	Muffler	
32	0080225	1	Elbow, Air Intake	
33	4740274	3	Washer, Snubbing	
34	4751600	33	Flatwasher 3/8in	
35	0760812	8	Bolt, Metric 8mm x 25mm	
36	4751500	6	Flatwasher 5/16in	
37	0100011	AR	Loctite #242 (Not Shown)	
38	0700605	8	Bolt 8mm x 10mm	
39	0641508	5	Bolt 5/16in-18NC x 1in	
40	2720058	7 ft/2.1m	Hose, Fuel Line (5/16in)	
41	1320022	6	Clamp, Hose	
42	0641810	2	Bolt 1/2in-13NC x 1 1/4in	

SECTION 1 - FRAME

ITEM	PART NUMBER	QTY	DESCRIPTION	REV
43	4751800	2	Flatwasher 1/2in	
44	0641608	2	Bolt 3/8in-16NC x 1in	
45	1320031	3	Clamp, Hose	
46	1701505	1	Decal - Diesel Fuel (Not Shown - Located on Hood)	
47	2720271	1	Hose	
		ft/30.5cm		
48	0080221	1	Adapter, Pump Mounting	
49	1320026	1	Clamp, U-Bolt	
50	0641406	12	Bolt 1/4in-20NC x 3/4in	
51	4751400	12	Flatwasher 1/4in	
52	3311405	12	Locknut 1/4in-20NC	
53	3539663	1	Plate, Mounting (Cooling Fan)	
55	1320014	4	Clamp, Hose	
56	1660222	1	Coupling, Throttle	
57	3321402	1	Nut, Jam 1/4in-28NF	
58	3321602	1	Nut, Jam 3/8in-24NF	
59	1660220	1	Swivel, Throttle	
60	4740442	1	Washer, Belleville	
61	3900217	1	Bolt, Socket Head Shoulder	
62	0962031	1	Bushing, Flanged	
64	2220250	2	Fitting, Reducer	
65	2180348	1	Fitting, Barbed	
66	2720271	10 ft/3m	Hose, Fuel (3/16in)	
67		Ref	Mounting Plate Options (Radiator):	
67	3539681	1	Mounting Plate (Prior to SN 23060)	
67	4845433	1	Mounting Plate (SN 23060 to Present)	
68	0100020	AR	Sealant, Pipe (Not Shown)	
69	2200213	1	Plug, Pipe	
70	2220648	2	Fitting, 90	
71	0701012	16	Bolt, Metric 10mm x 25mm	
72	2180666	1	Fitting, Barbed	
73	4360330	2	Switch, Toggle (Glow Plugs) (Not Shown - Located at Platform and Ground Control Boxes)	
74	4060802	2	Guard, Switch (Not Shown - Used with Item 73)	
75	3790152	2	O-Ring (Not Shown - Used with Item 73)	
76	4740397	1	Spacer	
77	1060221	1	Strap, Ground	
78	4921853	1	Harness, Engine (Not Shown - See ELECTRICAL SECTION for Breakdown)	
80	0721008	2	Bolt #10-24NC x 1/2in	
81	3311005	2	Locknut #10-24NC	
82	4400395	1	Tank, Coolant Overflow	
83	3539816	1	Plate, Overflow Tank	
84	2720430	1	Hose, Radiator (Top)	
85	2720431	1	Hose, Radiator (Bottom)	
86	4320002	1	Stud, Rubber Mounted	
87	1320040	1	Clamp	
88	0701015	8	Bolt, Metric M8 x 35mm	
89	0701014	4	Bolt, Metric M10 x 30MM	
90	0641820	2	Bolt 1/2in-13NC x 2 1/2in	
91	4751800	2	Flatwasher 1/2in	
92	0940070	2	Bumper, Rubber	

SECTION 1 - FRAME

ITEM	PART NUMBER	QTY	DESCRIPTION	REV
93	4751000	8	Flatwasher #10	
94	4791600	2	Starwasher 3/8in	
95	4060807	15	Flex-Trim (Not Shown - Located on Frame)	
		in/38cm		
96	4060918	15	Flex-Trim (Not Shown - Located on Frame)	
		in/38cm		
97	3311501	2	Nut 5/16in-18NC	
98	1320239	1	Clamp, Loop (SN 33269 to Present)	
99	0902383	1	Bracket, Recovery Tank (SN 33269 to Present)	
100	4420008	7 in/18cm	Tape, Neoprene (SN 33269 to Present)	
101	2420047	1	Service Indicator Kit (SN 33269 to Present)	
102	2220063	1	Fitting, 90	
103	0257589	1	Timer Module, Assy (See ELECTRICAL SECTION for Breakdown)	
104	3960389	1.42	Seal (SN 33820 to Present)	
		ft/0.44m		
105	3960433	1.54	Seal (SN 33820 to Present)	
		ft/0.47m		
106	3960477	1	Seal, Foam Gasket (SN 33820 to Present)	
107	0181932	1	Angle (Not Shown)	
108	1320241	1	Clamp (Not Shown)	
	2000145	Ref	ENGINES COMPONENTS	B
201	7018100	1	V-Belt	
202	7018101	1	Cap, Oil Fill	
203	7018102	1	Gasket, Valve Cover (Not Shown)	
204	7018103	1	Filter, Oil	
205	7018104	1	Dipstick, Engine Oil Level	
206	7018105	1	Pump, Water	
207	7018106	1	Gasket, Thermostat (Not Shown)	
208	7018107	1	Thermostat	
209	7018108	1	Switch, Water Temperature	
210	7018111	1	Element, Fuel Filter	
211	7018112	1	Starter	
212	7018113	1	Alternator - 40 Amp	
213	7018116	1	Solenoid, ETR Stop (Not Shown)	
214	7018117	1	Pump, Injector	
215	7018118	1	Pump, Fuel	
215	7018119	1	Lever	
216	7018145	1	Switch, Oil Pressure	
217	7018146	1	Fuel Strainer Assembly	
218	7018147	3	Plug, Glow (Not Shown)	
219	7018144	1	Gasket, Muffler	
220	7018119	1	Lever, Regulator (Not Shown)	
	0256919	Ref	OIL COOLER INSTALLATION	C
	0256910	Ref	OIL COOLER INSTALLATION	C
301	3620039	1	Cooler, Oil	
302	1320202	2	Clamp	
303	3311605	2	Locknut 3/8in-16NC	
304	4711600	2	Flatwasher 3/8in	
305	3570105	1	Plate, Cover	

SECTION 1 - FRAME

FIGURE 1-11. PISTON PUMP ASSEMBLY

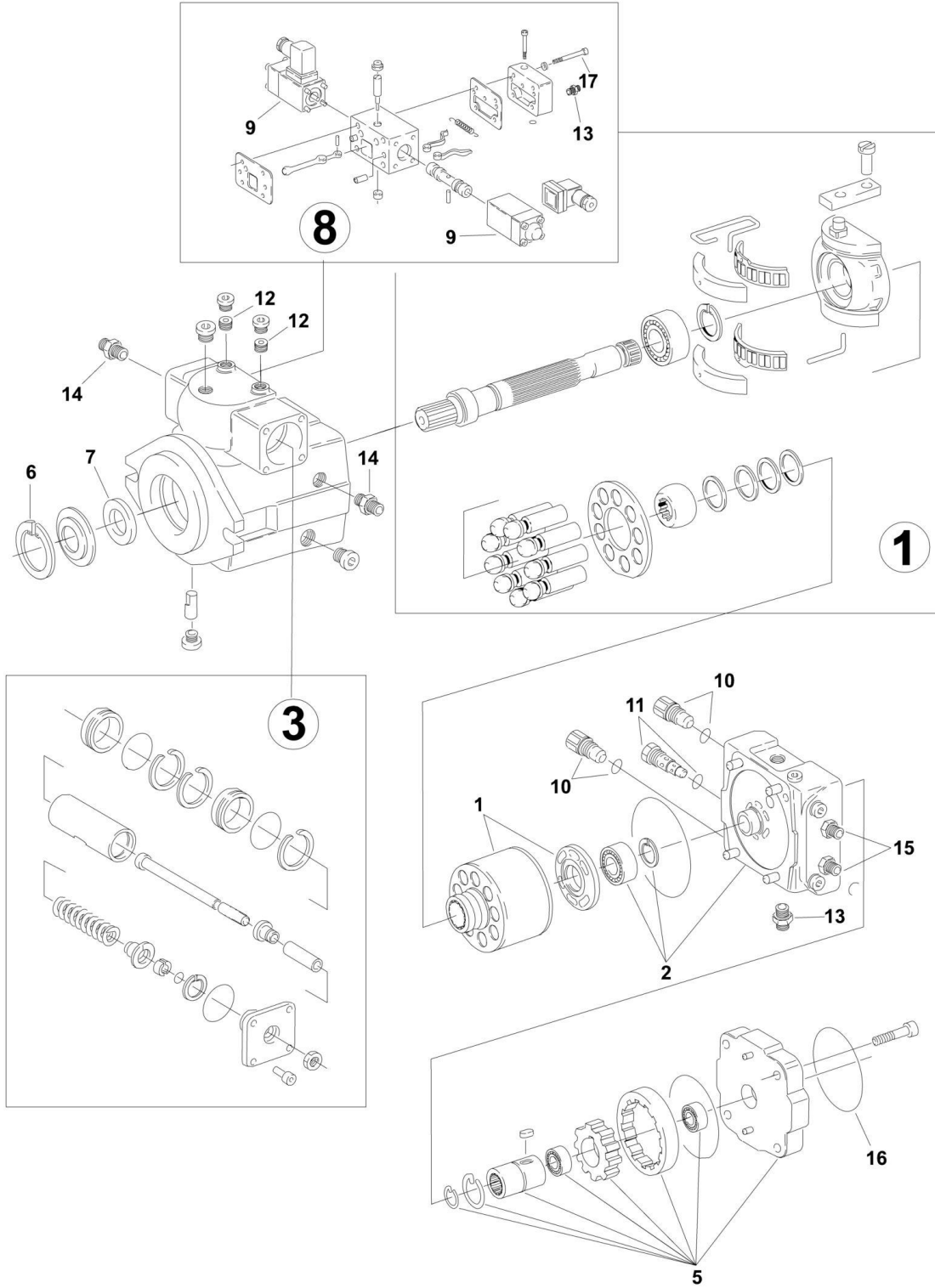


FIGURE 1-11. PISTON PUMP ASSEMBLY

ITEM	PART NUMBER	QTY	DESCRIPTION	REV
	3600256	Ref	PISTON PUMP ASSEMBLY	D
1	7018925	1	Rotary Group Assembly	
2	7018926	1	Port Plate Assembly (Includes Items 10 & 11)	
3	7018927	1	Stroking Cylinder Assembly	
5	7018929	1	Connecting Plate Assembly	
6	7018930	1	Ring, Retaining	
7	7018931	1	Seal, Shaft	
8	7018932	1	Proportional Valve Assembly (Includes Item 9)	
9	7018933	2	Coil, Solenoid	
10	7018934	2	Cartridge, Valve - High Pressure Relief	
11	7018935	1	Cartridge, Valve - Boost Oil Pressure Relief	
12	7018936	2	Orifice	
13	7018937	2	Fitting, Adapter	
14	7018938	2	Fitting, Adapter	
15	7018939	1	Fitting, Adapter	
16	7018953	1	O-Ring	
17	7024016	4	Screw M6 x 55	
	7018940	1	Seal Kit - Complete External	

SECTION 1 - FRAME

FIGURE 1-12. GEAR PUMP ASSEMBLY

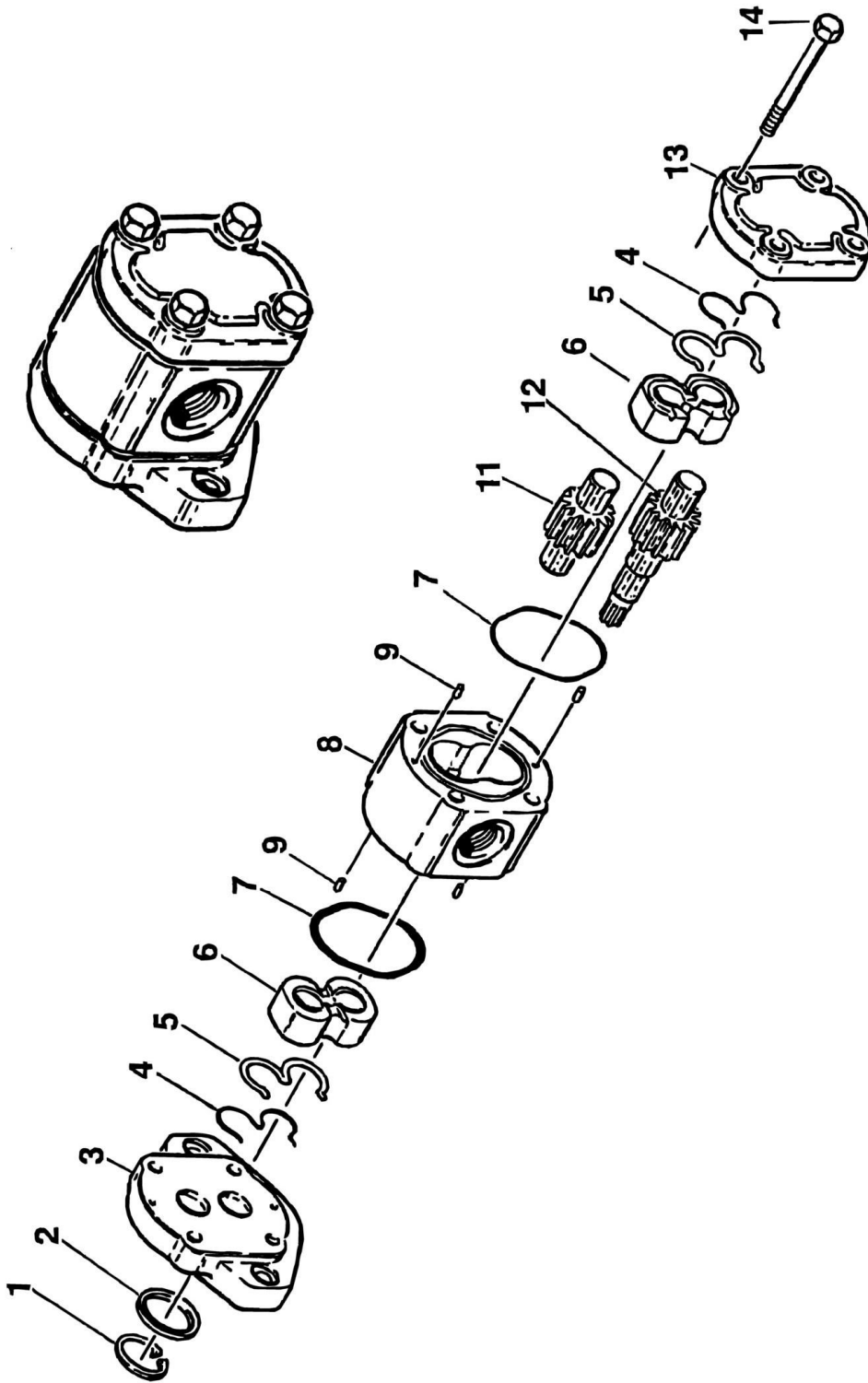
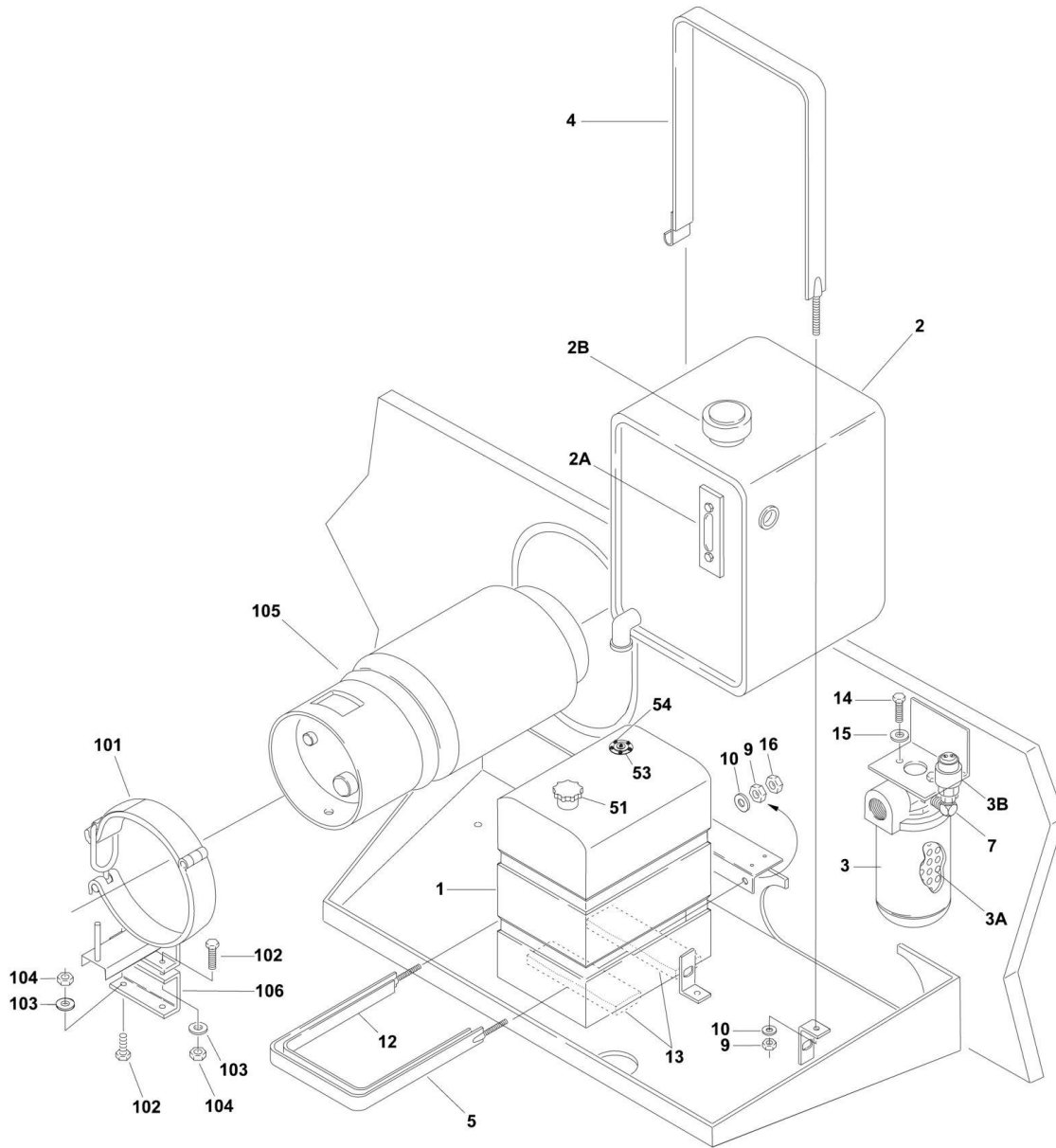


FIGURE 1-12. GEAR PUMP ASSEMBLY

ITEM	PART NUMBER	QTY	DESCRIPTION	REV
	3600199	Ref	GEAR PUMP ASSEMBLY	-
1	7010955	1	Ring, Retaining	
2	Kit	1	Seal, Shaft	
3	7010956	1	Flange, Mounting	
4	Kit	2	Ring, Backup	
5	Kit	2	E-Seal	
6	7010957	2	Bearing	
7	Kit	2	O-Ring	
8	7010958	1	Housing	
9	7010959	4	Pin, Dowel	
11	7010954	1	Gear, Idler	
12	7010978	1	Gear, Drive	
13	7010960	1	Cover, End	
14	7010961	4	Bolt	
	7010953	1	Seal Kit (Includes Items 2, 4, 5 & 7)	

SECTION 1 - FRAME

FIGURE 1-13. TANK INSTALLATIONS



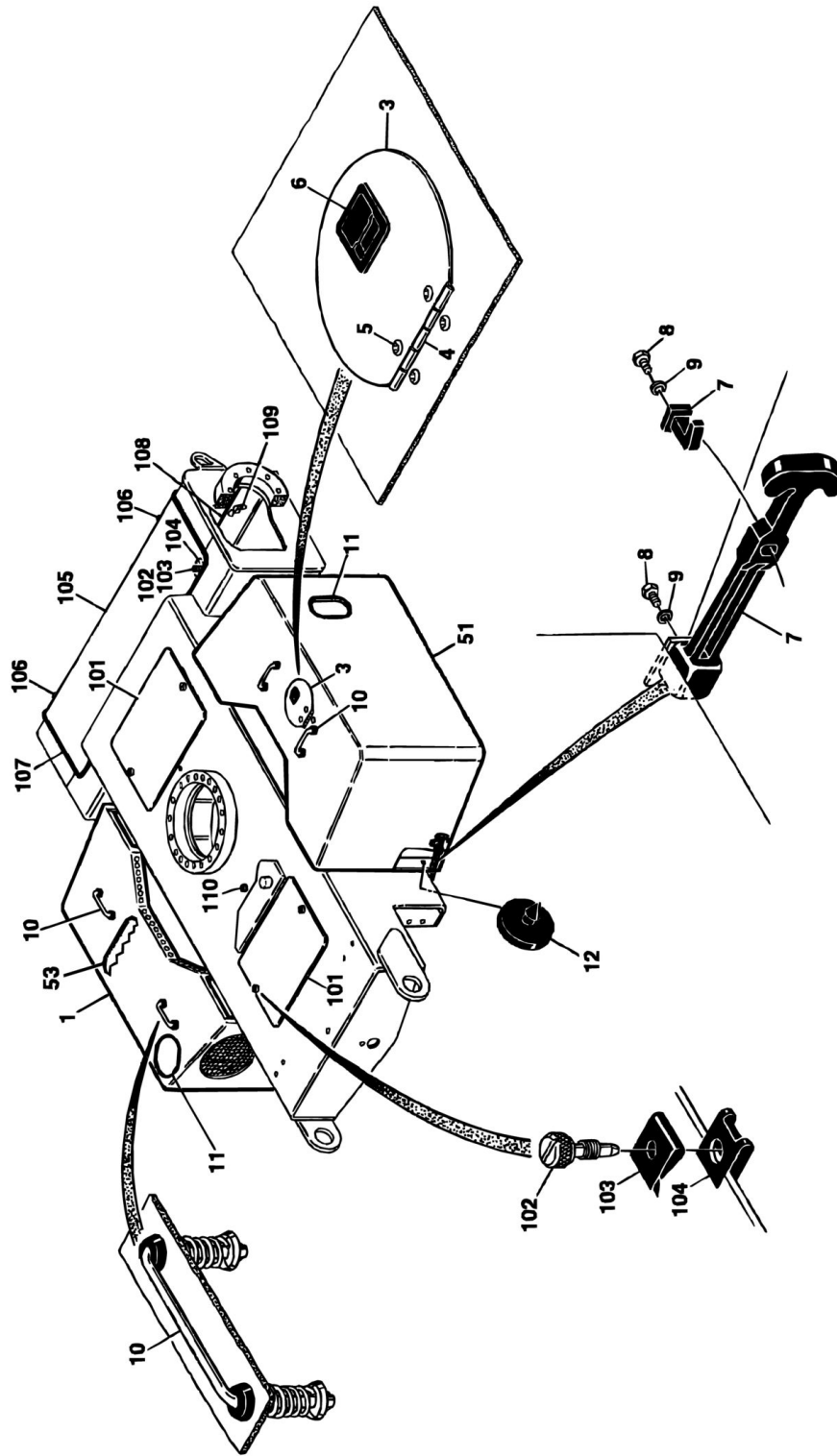
SECTION 1 - FRAME

FIGURE 1-13. TANK INSTALLATIONS

ITEM	PART NUMBER	QTY	DESCRIPTION	REV
		Ref	TANK INSTALLATIONS	
	0255993	Ref	Fuel and Hydraulic Tanks and Filter Installation (Without Locking Cap)	E-5
	0257341	Ref	Fuel and Hydraulic Tanks and Filter Installation (With Locking Cap)	B-2
1	4400371	1	Tank, Fuel (Prior to SN 30747)	
1	4400401	1	Tank, Fuel (SN 30747 to Present)	
1A	1120477	1	Cap, Fuel	
2	4400383	1	Tank, Hydraulic Oil	
2A	7014802	1	Gauge, Sight	
2B	7014803	1	Breather/Filler	
3	2120157	1	Hydraulic Oil Filter Assembly	
3A	2120158	1	Element, Filter	
3B	7016313	1	Switch, Electrical Pressure (Clogging Indicator)	
4	4240118	1	Strap, Hold-Down (Hydraulic Tank)	
5	4240117	1	Strap, Hold-Down (Fuel Tank)	
7	2180117	1	Fitting, 90	
8	0100020	AR	Sealant, Pipe (Not Shown)	
9	3311601	4	Nut 3/8in-16NC	
10	4711600	4	Flatwasher 3/8in Narrow	
11	0100011	AR	Loctite #242 (Not Shown)	
12	4280295	30	Strip, Bumper	
13	4420038	20	Moulding, Rubber	
14	0641406	2	Bolt 1/4in-20NC x 3/4in	
15	4711400	2	Flatwasher 1/4in Narrow	
16	3311602	2	Nut, Jam 3/8in-16NC	
51		Ref	Cap, Fuel Options:	
51	1120477	1	Without Locking Cap	
51	1120485	1	With Locking Cap (Self Closing)	
52	0100019	AR	Loctite #271 (Not Shown) (With Locking Cap Only)	
53	2420185	1	Sender, Fuel (With Locking Cap Only)	
54	4771000	1	Lockwasher, Star #10 (With Locking Cap Only)	
	0256272	Ref	LP TANK INSTALLATION (DUAL FUEL OPTION)	B
101	1320228	1	Clamp Kit	
102	0641608	4	Bolt 3/8in-16NC x 1in	
103	4751600	8	Flatwasher 3/8in	
104	3311605	4	Locknut 3/8in-16NC	
105		Ref	LP Tank Options:	
105	4400275	1	43.5 Lbs Tank (Alum)	
105	4400420	1	43.5 Lbs Tank (Steel)	
105	4400281	1	33.5 Lbs Tank (Alum)	
105	4400421	1	33.5 Lbs Tank (Steel)	
106	0902275	1	Bracket	

SECTION 1 - FRAME

FIGURE 1-14. FRAME COVERS INSTALLATIONS



SECTION 1 - FRAME

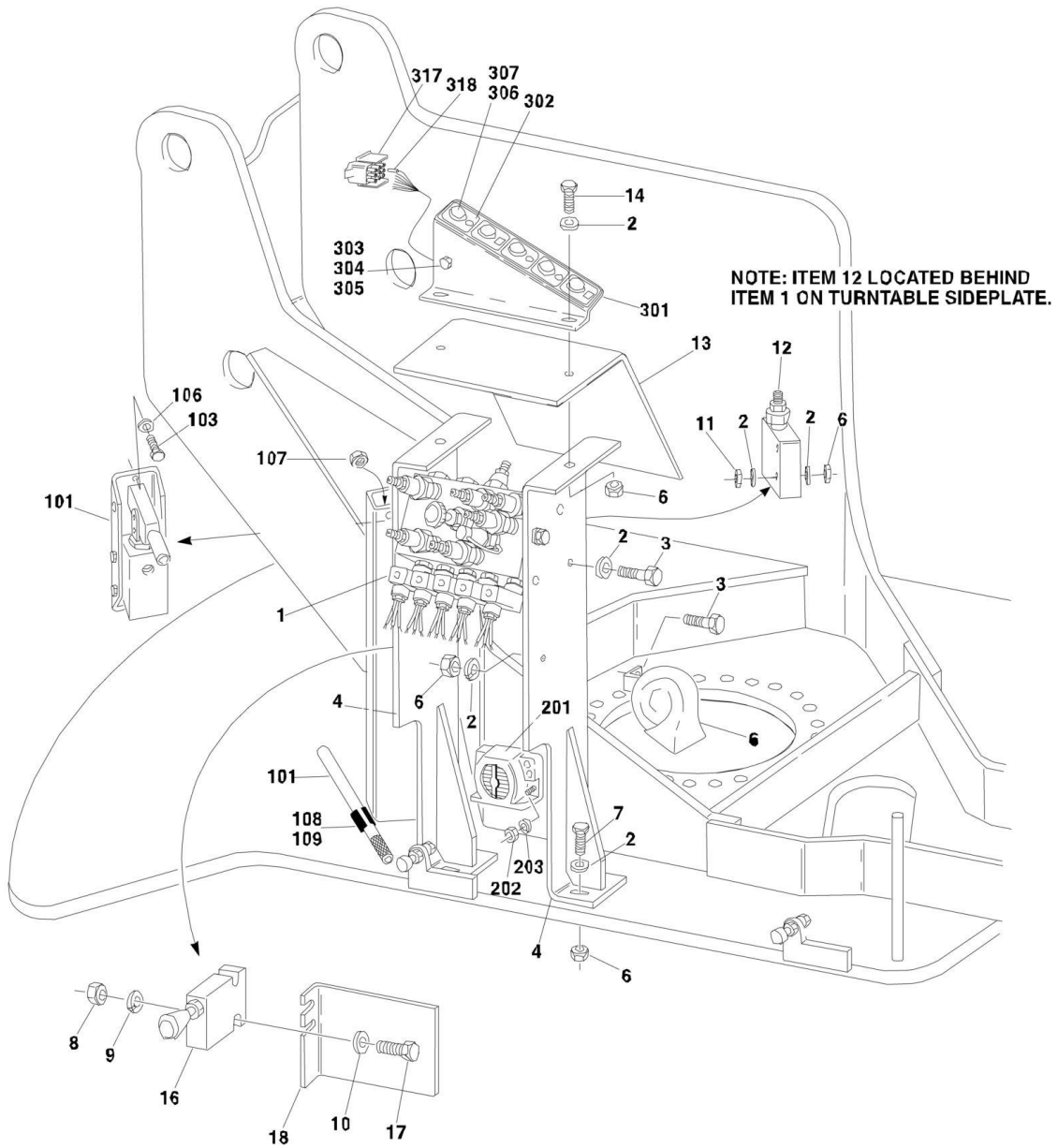
FIGURE 1-14. FRAME COVERS INSTALLATIONS

ITEM	PART NUMBER	QTY	DESCRIPTION	REV
		Ref	ENGINE TRAY AND TANK COVERS INSTALLATION	
	0256003	Ref	Engine Tray and Tank Covers Installation - Gas / Diesel	G-6
	0256144	Ref	Engine Tray and Tank Covers Installation - Duel Fuel	G
1	4845305	1	Cover, Engine Tray	
3	1780294	1	Door	
4	2600218	1	Hinge	
5	2080040	4	Fastener, Huck	
6	2940090	1	Latch, Paddle	
7	2940080	4	Latch, Draw	
8	0721005	12	Screw, Machine #10-24NC x 5/8in	
9	4761000	12	Lockwasher #10	
10	2560147	4	Handle, Retractable	
11	4060803	AR	Trim, Flexible	
12	0940072	4	Bumper	
51		Ref	Cover, Tank Tray Options:	
51	4845306	1	Standard Gas / Diesel	
51	4845307	1	Duel Fuel	
52	2940096	1	Catch, Magnetic (Not Shown - Located on #51) (Duel Fuel Only)	
53	2901497	1	Kit, Hood Insulation	
53	2820090	1	Insulation, Top	
53	2820091	1	Insulation, Drive Wheel Side	
53	2820092	1	Insulation, Steer Wheel Side	
53	2820093	1	Insulation, Front	
	0256136	Ref	REAR FRAME COVER INSTALLATION	-
101	3535959	2	Cover	
102	3900174	5	Screw, Special	
103	3760308	5	Retainer	
104	1380138	5	Cup, Receptacle	
105	4844602	1	Cover, Axle	
106	0940036	2	Bumper	
107	3960447	8 ft/2.5m	Seal, Self-Gripping	
108	3960433	3.7 ft/1.1m	Seal	
109	3300371	4	Wingnut, Locking	
110	3520026	3	Plug	

SECTION 2 - TURNTABLE

SECTION 2 - TURNTABLE

FIGURE 2-1. TURNTABLE MOUNTED COMPONENTS INSTALLATION



SECTION 2 - TURNTABLE

FIGURE 2-1. TURNTABLE MOUNTED COMPONENTS INSTALLATION

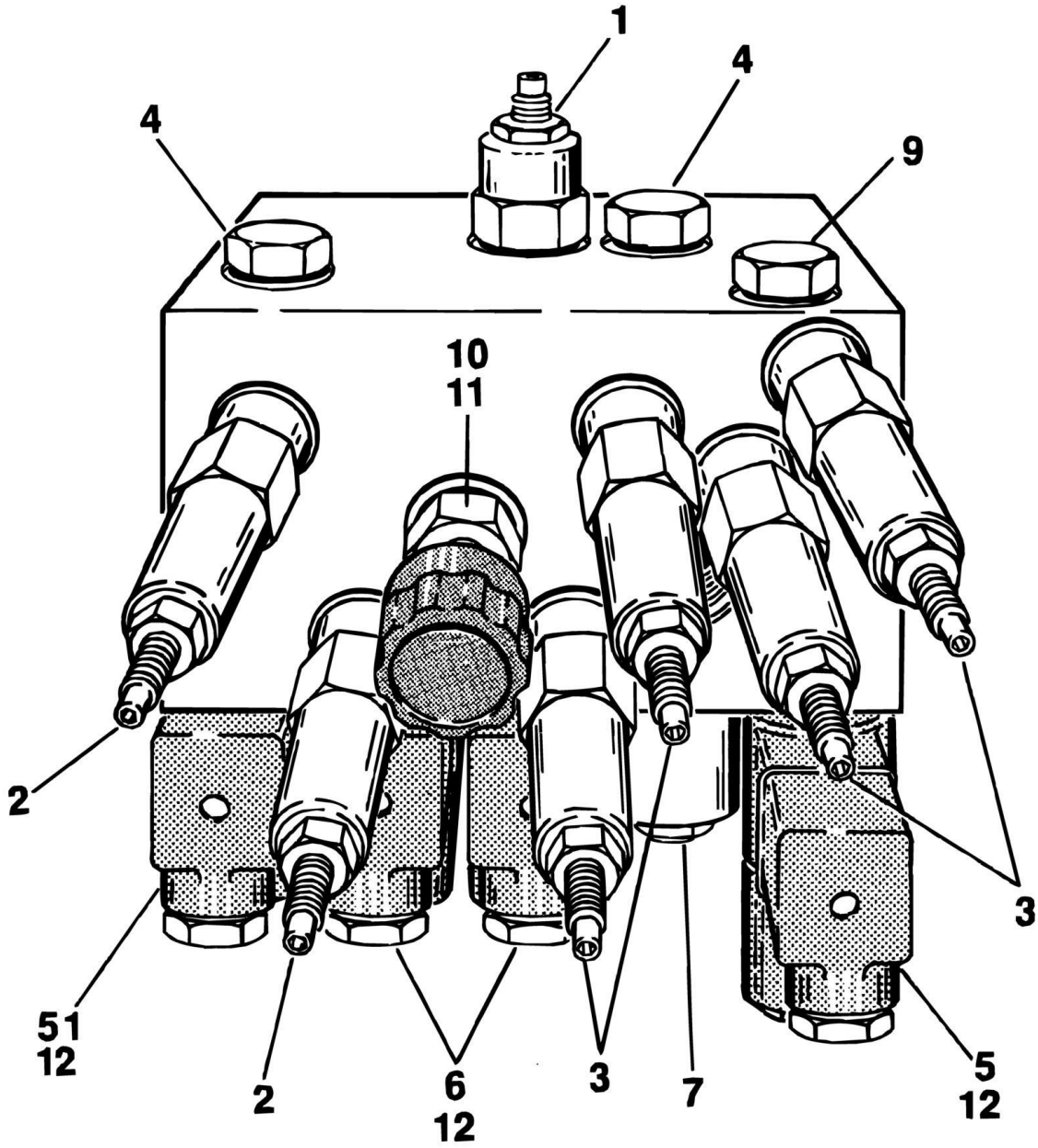
ITEM	PART NUMBER	QTY	DESCRIPTION	REV
	0256033	Ref	VALVES AND HORN INSTALLATION	B
1		Ref	Control Valve Assembly (See CONTROL VALVE ASSEMBLY for Breakdown)	
1	See Note	1	Control Valve Assembly (Note: Recommend using 4641023 in place of original 4640966) (Prior to SN 33963)	
1	4641023	1	Control Valve Assembly (SN 33963 to Present)	
2	4711500	14	Flatwasher 5/16in Narrow	
3	0641506	5	Bolt 5/16in-18NC x 3/4in	
4	4844365	2	Bracket, Valve Mounting	
5	0140001	1	Horn	
6	3311505	8	Locknut 5/16in-18NC	
7	0641514	4	Bolt 5/16in-18NC	
8	3311401	2	Nut 1/4in-20NC	
9	4761400	2	Lockwasher 1/4in	
10	4751400	4	Flatwasher 1/4in	
11	3311501	1	Nut 5/16in-18NC	
12	4640814	1	Relief Valve Assembly	
12	7011322	1	Cartridge, Valve (Was P/N 7011321)	
13	4060854	1	Shield, Valve	
14	0641508	2	Bolt 5/16in-18NC x 1in	
15	0100011	AR	Loctite #242 (Not Shown)	
16	4640866	1	Manual Valve Assembly	
16	2900708	1	Seal Kit - 4640866 Valve	
17	0641418	2	Bolt 1/4in-20NC x 2 1/4in	
18	0902051	1	Bracket, Decal Mounting	
	0253708	Ref	MANUAL DESCENT COMPONENTS INSTALLATION	C
101	3600179	1	Pump Assembly	
101	2900779	1	Seal Kit	
101	7010652	1	Handle	
101	7016673	NLA	Pump - W/O Handle (Note: Use p/n 3600179)	
103	0641518	2	Bolt 5/16in-18NC x 2 1/4in	
106	4751500	4	Flatwasher 5/16in	
107	3311501	2	Nut 5/16in-18NC	
108	1380132	1	Clip, Gripper	
109	4300106	1	Stud, Special	
	2901249	Ref	MOTION ALARM KIT	A
	2901250	Ref	TILT ALARM KIT	A
201	0140031	1	Alarm, Horn (Remove ground strap before installation)	
202	3311405	2	Locknut 1/4in-20NC	
203	4711400	4	Flatwasher 1/4in	
	0256577	Ref	LIGHT PANEL INSTALLATION	A
301	3380426	1	Panel, Mounting	
302	1702963	1	Decal - Light Panel	
303	0641404	1	Bolt 1/4in-20NC x 1/2in	
304	3311405	1	Locknut 1/4in-20NC	
305	1320043	1	Clamp	
306	2920028	5	Lamp, Indicator	
307	2920029	5	Bulb, Light	
308	3990001	6	Diode (Not Shown)	
317	4460265	1	Plug, Connector	

SECTION 2 - TURNTABLE

ITEM	PART NUMBER	QTY	DESCRIPTION	REV
318	4460268	7	Socket, Female	

SECTION 2 - TURNTABLE

FIGURE 2-2. CONTROL VALVE ASSEMBLY



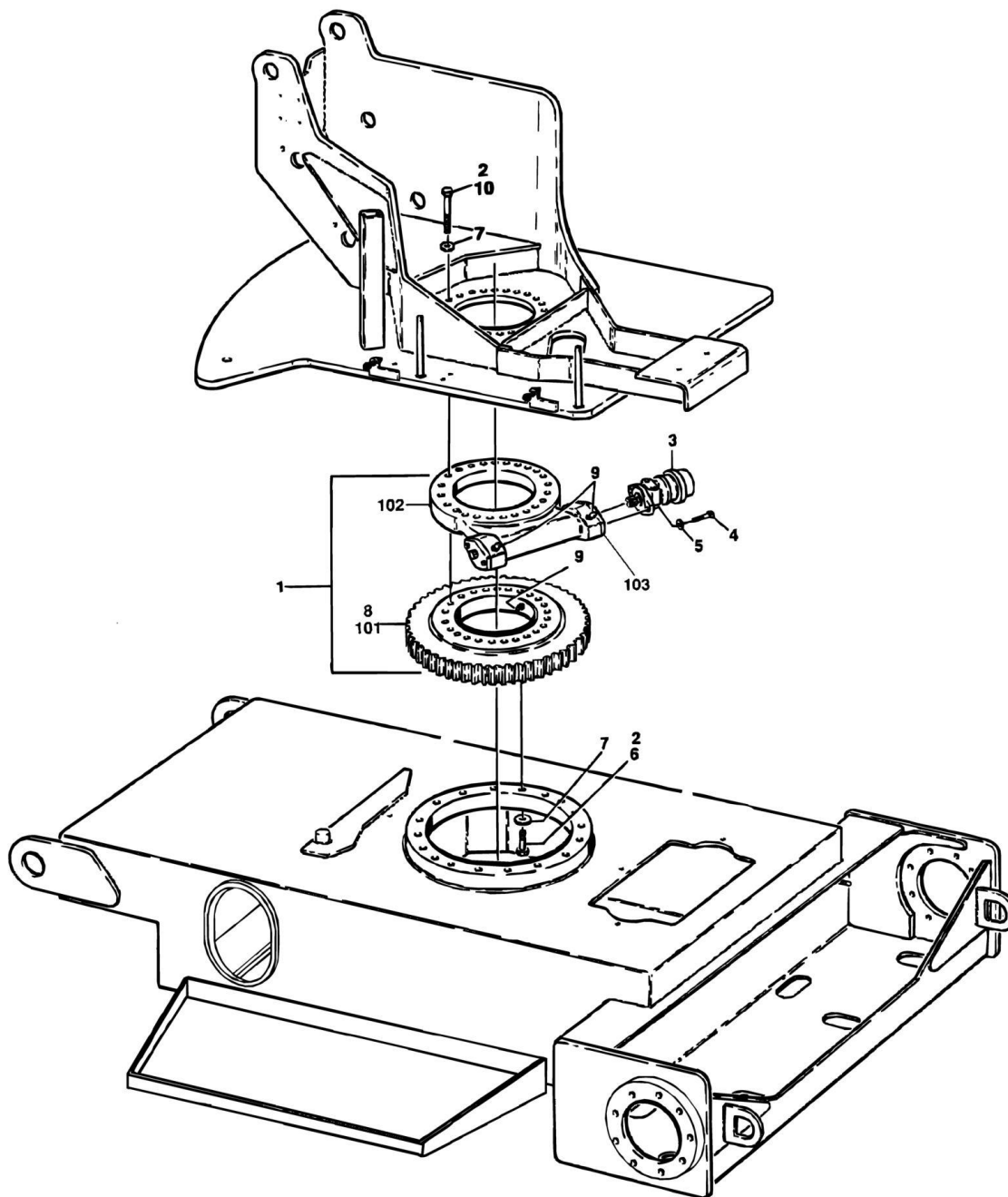
SECTION 2 - TURNTABLE

FIGURE 2-2. CONTROL VALVE ASSEMBLY

ITEM	PART NUMBER	QTY	DESCRIPTION	REV
		Ref	CONTROL VALVE ASSEMBLY (STANDARD PARTS)	
	4640966	Ref	Control Valve Assembly (Prior to SN 33963)	A
	4641023	Ref	Control Valve Assembly (SN 33963 to Present)	A
1	7012997	1	Cartridge, Flow Control Valve (Lower Lift Down)	
1	7012901	1	Seal Kit - 7012997 Valve	
2	7012981	2	Cartridge, Relief Valve (Upper Lift Down and Swing)	
2	7012998	2	Seal Kit - 7012981 Valve	
3	7012912	4	Cartridge, Relief Valve (Platform Level, Telescope and Lower Lift Down)	
3	7012998	4	Seal Kit - 7012912 Valve	
4	7010542	2	Cartridge, Shuttle Valve (Swing)	
4	7012907	2	Seal Kit - 7010542 Valve	
5	7017401	1	Cartridge, Solenoid Valve (Less Coils) (Platform Level)	
5	7017402	1	Seal Kit - 7017401 Valve	
5	7017403	1	Waterproofing Kit	
5	7012944	2	Coil	
6	7012948	2	Cartridge, Solenoid Valve (Less Coils) (Lift)	
6	7012903	2	Seal Kit - 7012948 Valve	
6	7017403	1	Waterproofing Kit	
6	7012944	4	Coil (2 Per Assembly)	
7	7012999	2	Cartridge, Solenoid Valve (Less Coil) (Telescope)	
7	7012907	2	Seal Kit - 7012999 Valve	
7	7017403	1	Waterproofing Kit	
7	7012944	2	Coil (1 Per Assembly)	
9	7012914	2	Cartridge, Check Valve (Platform Level)	
9	7012918	2	Seal Kit - 7012914 Valve	
10	7012947	1	Cartridge, Valve (Manual Descent)	
10	7012918	1	Seal Kit - 7012947 Valve	
11	7012949	1	Knob	
12	4460499	8	Connector, Electrical	
51		Ref	Cartridge, Solenoid Valve Options (Less Coils) (Swing):	
51	See Note	1	4640966 Valve (Note: Recommend using 7017433 in place of original 7017401) (Prior to SN 33963)	
51	7017433	1	4641023 Valve (SN 33963 to Present)	
51	7017402	1	Seal Kit - 7017433 Valve	
51	7017403	1	Waterproofing Kit	
51	7012944	2	Coil	

SECTION 2 - TURNTABLE

FIGURE 2-3. SWING DRIVE AND TURNTABLE BEARING INSTALLATIONS



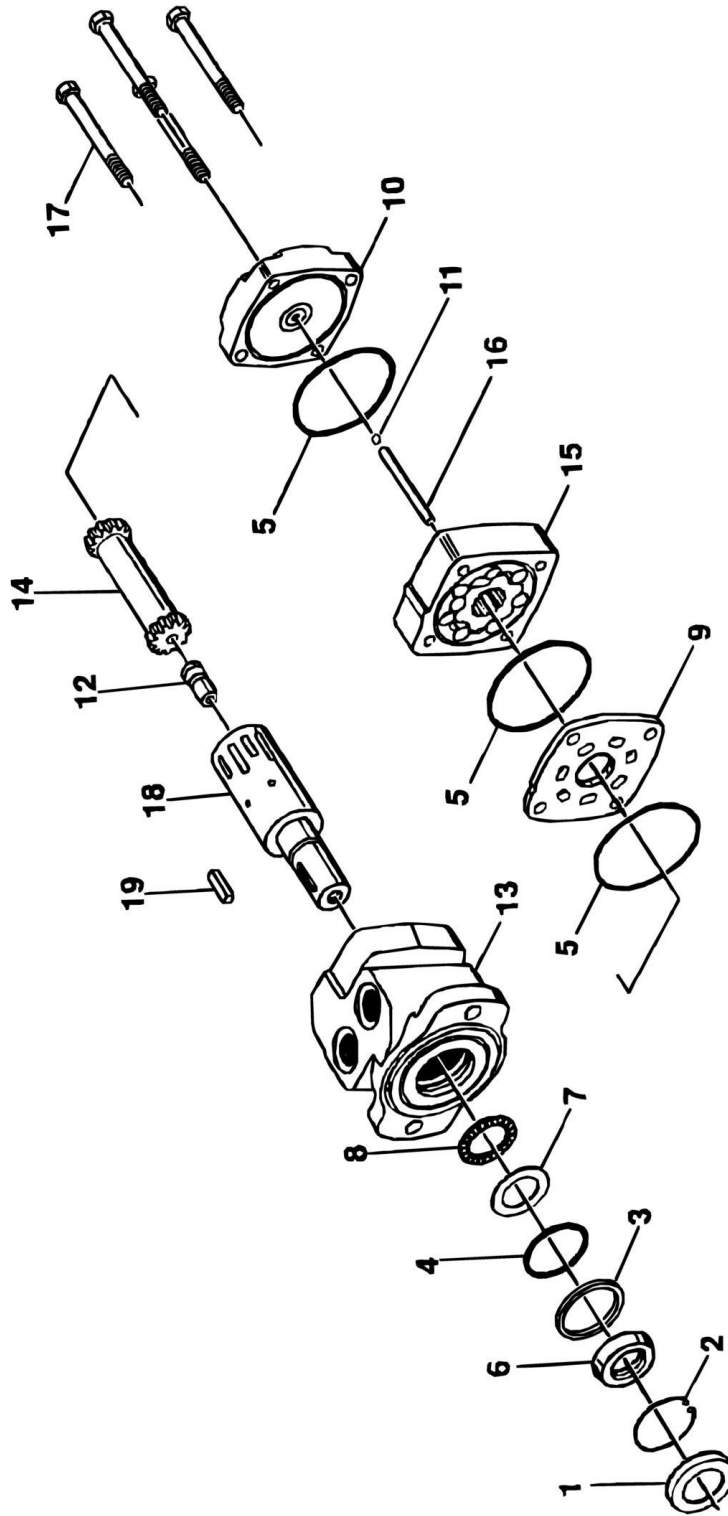
SECTION 2 - TURNTABLE

FIGURE 2-3. SWING DRIVE AND TURNTABLE BEARING INSTALLATIONS

ITEM	PART NUMBER	QTY	DESCRIPTION	REV
	0253508	Ref	SWING DRIVE INSTALLATION	B
1	0440339	1	Turntable Bearing and Rotation Box Assembly (See SWING BEARING ASSEMBLY for Breakdown) (was p/n 0440203)	
2	0100019	AR	Loctite	
3	3160182	1	Swing Motor Assembly (See SWING MOTOR ASSEMBLY for Breakdown)	
4	0681814	2	Bolt 1/2in-13NC x 1 3/4in (Grade 8)	
5	4740171	2	Washer, Hardened	
6	0682026	18	Bolt 5/8in-11NC x 3 1/4in	
7	4740393	42	Washer, Hardened	
8	3020027	AR	Grease, Bearing (5 gallon bucket) (Prior to SN 31641)	
8	3020036	AR	Grease, Bearing (SN 31641 to Present)	
9	3020029	AR	Grease, Bearing	
10	0682028	24	Bolt 5/8in-11NC x 3 1/2in Grade 8	

SECTION 2 - TURNTABLE

FIGURE 2-4. SWING MOTOR ASSEMBLY



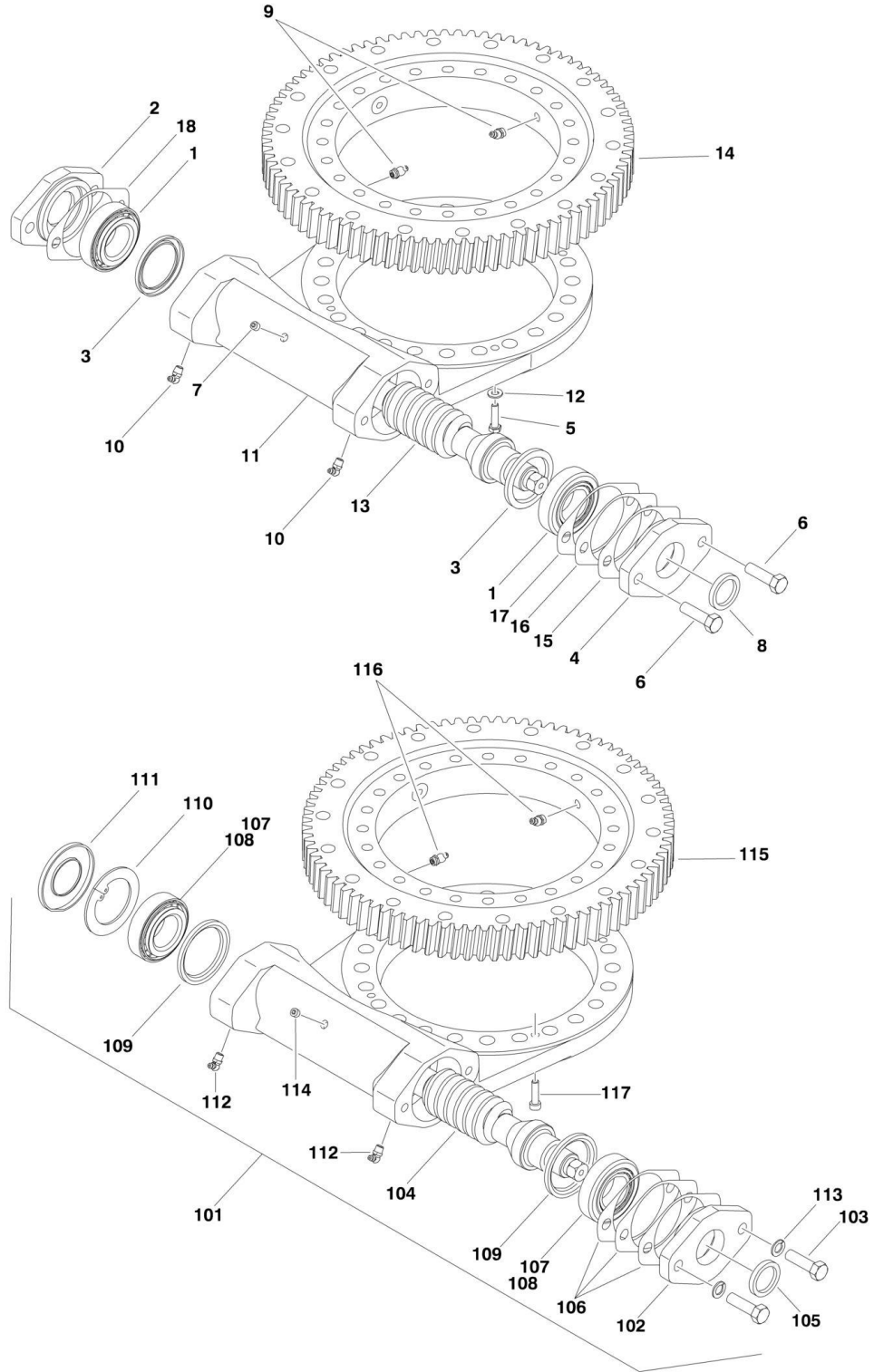
SECTION 2 - TURNTABLE

FIGURE 2-4. SWING MOTOR ASSEMBLY

ITEM	PART NUMBER	QTY	DESCRIPTION	REV
	3160182	Ref	SWING MOTOR ASSEMBLY	-
1	Kit	1	Seal, Dust	
2	Kit	1	Ring, Retainer	
3	Kit	1	Shim, Back-Up	
4	Kit	1	Seal, Housing	
5	Kit	3	Seal, Body	
6	Kit	1	Seal, Shaft	
6	Kit	1	Ring, Teflon Back-Up	
6	Kit	1	Shim, Back-Up	
7	Not Available	1	Washer, Thrust	
8	7005809	1	Bearing, Thrust	
9	7005812	1	Plate, Wear	
10	7005874	1	Cover, End	
11	Not Available	AR	Ball (Part of Item 10)	
12	7005876	1	Plug, Cooling	
13	7005804	1	Housing	
14	7005811	1	Link, Drive	
15	7005877	1	Rotor Set Assembly	
16	7005878	AR	Pin, Drive Link	
17	7005821	4	Bolt	
18	7005879	1	Shaft	
19	7005880	1	Key	
	7005881	1	Seal Kit (Includes Items 1-6)	

SECTION 2 - TURNTABLE

FIGURE 2-5. SWING BEARING ASSEMBLY



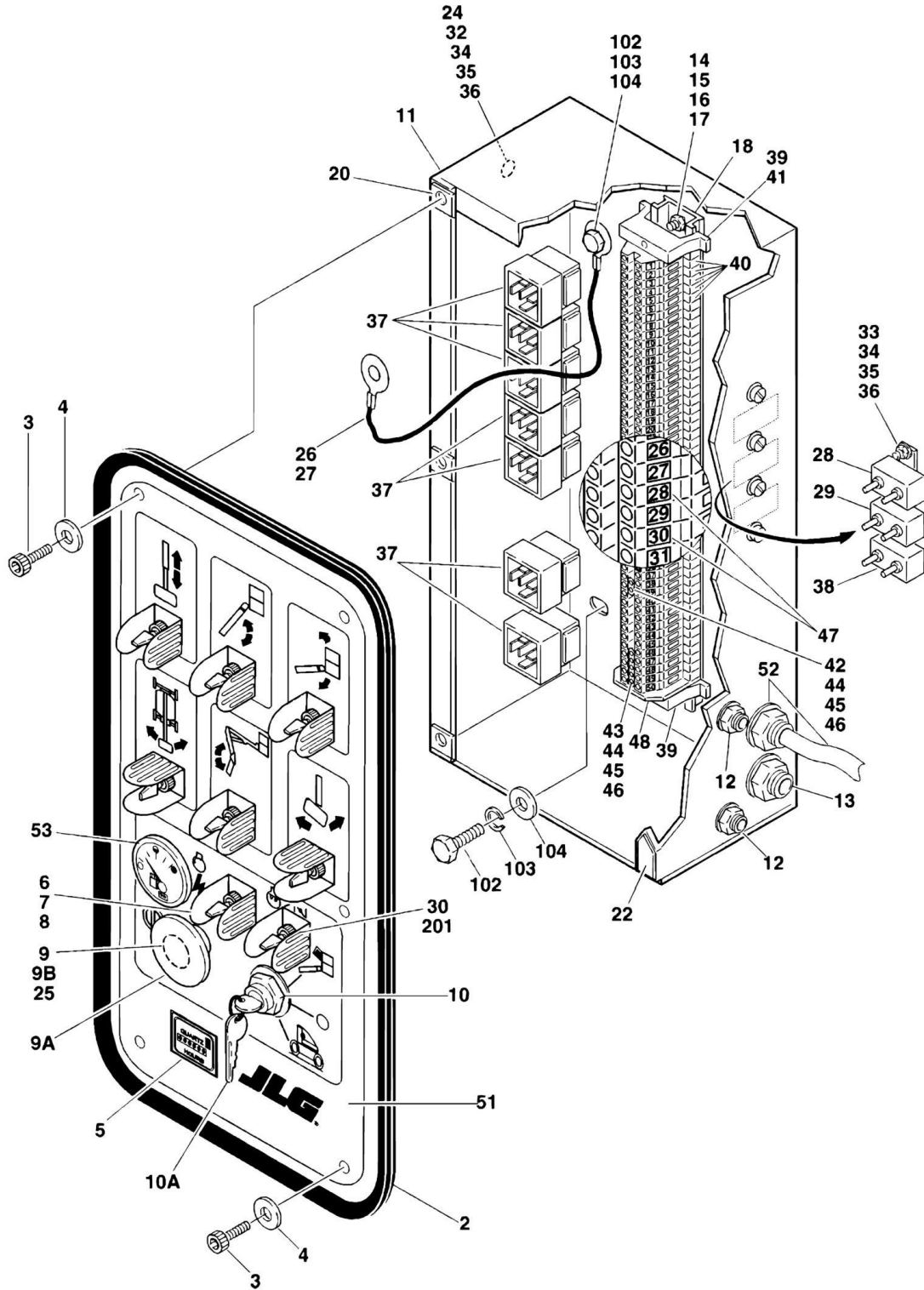
SECTION 2 - TURNTABLE

FIGURE 2-5. SWING BEARING ASSEMBLY

ITEM	PART NUMBER	QTY	DESCRIPTION	REV
		Ref	Note: Visually identify the brand before ordering replacement parts.	
	0440339	Ref	SWING BEARING ASSEMBLY (PERFECTION GEAR)	C
1	7026042	2	Bearing, Cup	
1	7026043	2	Bearing, Cone	
2	7027356	1	Adapter, Motor	
3	7027361	2	Seal	
4	7027354	1	Cap, End	
5	0641510	2	Bolt 5/16in-18NC x 1 1/4in	
6	0641812	2	Bolt 1/2in-13NC x 1 1/2in	
7	70000865	1	Plug	
8	7027360	1	Seal	
9	7027359	2	Straight Fitting, Grease	
9	2160003	2	Fitting, Grease - 45	
10	7027358	2	90 Fitting, Grease	
11	Not Available	1	Housing	
12	4891500	2	Flatwasher 5/16in (Hardened)	
13	7027363	1	Gear, Worm	
14	70000868	1	Ring, Bearing	
15	7027352	AR	Gasket (.010 - Brown)	
16	7027351	AR	Gasket (.0075 - Clear)	
17	7027350	AR	Gasket (.005 - Blue)	
18	7027353	1	Gasket (.020 - Yellow)	
	0440203	Ref	SWING BEARING ASSEMBLY (KAYDON)	G
		Ref	Note: When replacing major components, consider replacing with p/n 0440339 Complete Bearing Assembly.	
101	7012597	1	Swing Rotation Box Assembly	
102	7023484	1	Cap, End	
103	Not Available	2	Bolt 1/2in-13NC x 1 1/2in Grade 8	
104	Not Available	1	Gear, Worm	
105	7012654	1	Seal, Outer - Capped End (1.75 O.D.)	
105	7016676	1	Seal, Outer - Capped End (2.063 O.D.)	
106	7016682	1	Shims Kit (Includes Qty 3 each of .005, .0075 & .010 Shims)	
107	70001677	2	Cup, Bearing	
108	90206369	2	Cone, Bearing	
109	7027730	1	Seal, Inner	
110	70001864	1	Ring, Retaining	
111	7012655	1	Seal, Outer - Motor End	
112	2160001	2	Fitting, Grease - 90	
113	Not Available	2	Lockwasher 1/2in	
114		Ref	Component Options:	
114	Not Available		Plug, Pipe	
114	2160001	1	Fitting, Grease - 45	
115	7012596	1	Bearing, Turntable	
116	2160003	2	Fitting, Grease - 45	
117	Not Available	4	Capscrew, Socket Head 5/16in-18NC	
117	Not Available	4	Washer 5/16in (Not Shown)	

SECTION 2 - TURNTABLE

FIGURE 2-6. GROUND CONTROL COMPONENTS INSTALLATION



SECTION 2 - TURNTABLE

FIGURE 2-6. GROUND CONTROL COMPONENTS INSTALLATION

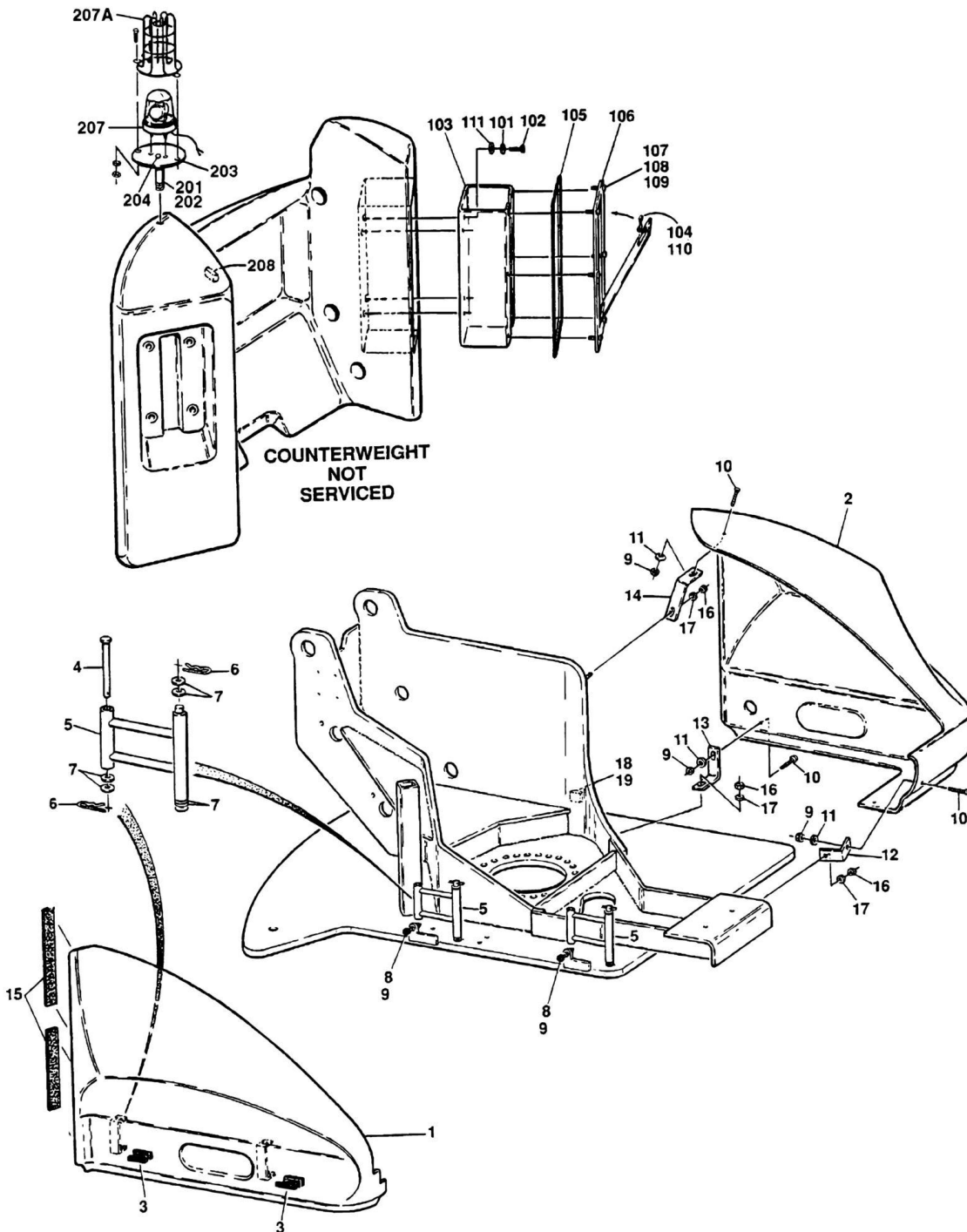
ITEM	PART NUMBER	QTY	DESCRIPTION	REV
	0861036	Ref	GROUND CONTROL BOX ASSEMBLY	A
1	3252490	1	Lid, Nameplate	
2	3960438	50 in/1.3m	Seal	
3	0630464	6	Screw #10-24NC x 1/2in	
4	4740120	6	Washer, Nylon	
5	2420172	1	Hourmeter	
5	7012665	1	Guard, Domed (Optional)	
6	4360314	7	Switch, Toggle	
7	4060802	7	Guard, Switch	
8	4740397	7	Spacer	
9	4360289	1	Switch, Push-Pull (Emergency Stop)	
9A	7012611	1	Mushroom Head	
9B	7012612	1	Boot	
10	4360319	1	Switch, Master Key (Select)	
10A	7012560	1	Key, Replacement	
11	0860883		Box	
12	4460425	2	Connector, Strain Relief	
13	4460426	1	Connector, Strain Relief	
14	3910608	2	Screw, Round Head #6-32NC x 1/2in	
15	4760600	2	Lockwasher #6	
16	4750600	2	Flatwasher #6	
17	3310601	2	Nut #6-32NC	
18	3640862	1	Rail	
20	3300365	6	Nut, Retainer	
21	4921813	1	Harness - Chassis and Valve (See ELECTRICAL SECTION for Breakdown)	
22	4420008	4 ft/1.2m	Tape, Seal	
23	0100048	AR	Silicone (Not Shown)	
24	2540016	1	Grommet	
25	4360282	1	Block, Contact	
26	1060584	1	Cable, Lanyard	
27	3311011	1	Nut, Push #10	
28	4360216	1	Breaker, Circuit - 30 Amp	
29	4360232	1	Breaker, Circuit - 15 Amp	
30	3520028	1	Plug, Hole	
31	0100035	AR	Loctite #272 (not Shown)	
32	3911040	1	Screw, Round Head #10-24NC x 2 1/2in	
33	3911012	12	Screw, Round Head #10-24NC x 3/4in	
34	4761000	13	Lockwasher #10	
35	4751000	26	Flatwasher #10	
36	3311001	13	Nut #10-24NC	
37	3740049	8	Relay	
38	4360164	1	Breaker, Circuit - 5 Amp	
39	4460299	2	Stop, Terminal	
40	4460298	50	Block, Terminal	
41	4460300	AR	Barrier, Terminal	
42	4460308	1	Bar, Buss - 2 Position	
43	4460310	1	Bar, Buss - 5 Position	
44	4460305	7	Screw, Terminal Strip	
45	4460306	7	Washer, Terminal Strip	

SECTION 2 - TURNTABLE

ITEM	PART NUMBER	QTY	DESCRIPTION	REV
46	4460307	7	Sleeve, Terminal Strip	
47	4460301	2	Strip, Marking	
48	4460300	1	Barrier, Terminal	
	0256035	Ref	GROUND CONTROL BOX INSTALLATION	-
102	0641605	4	Bolt 3/8in-16NC x 5/8in	
103	4761600	4	Lockwasher 3/8in	
104	4751600	4	Flatwasher 3/8in	
		Ref	GROUND CONTROL BOX OPTIONS	
201	4360330	1	Switch, Toggle - Glow Plugs (Diesel Only)	
201	4060802	1	Guard, Switch	
201	3790012	1	O-Ring	

SECTION 2 - TURNTABLE

FIGURE 2-7. TURNTABLE AND HOODS INSTALLATIONS



SECTION 2 - TURNTABLE

FIGURE 2-7. TURNTABLE AND HOODS INSTALLATIONS

ITEM	PART NUMBER	QTY	DESCRIPTION	REV
	4620088	1	TURNTABLE	
	0253709	Ref	HOODS INSTALLATION	E
		Ref	Note: Replacement decals must be ordered separately - See DECALS SECTION.	
1	2680410	1	Hood (Left Side)	
2	2680411	1	Hood (Right Side)	
3	2940071	2	Latch	
4	3430840	2	Pin, Clevis	
5	0253687	2	Swing Hinge Assembly	
6	3420156	4	Hairpin	
7	4751800	AR	Flatwasher 1/2in	
8	0940049	2	Bumper	
9	3311501	7	Nut 5/16in-18NC	
10	0630468	3	Screw, Button Head 5/16in-18NC x 1in	
11	4751500	3	Flatwasher 5/16in	
12	0901923	1	Bracket, Mounting - Right Front	
13	0901923	1	Bracket, Mounting - Right Side Bottom	
14	0901921	1	Bracket, Mounting - Right Side Top	
15	3960453	2.5 ft/.8m	Seal, Door	
16	3311601	3	Nut 3/8in-16NC	
17	4751600	3	Flatwasher 3/8in	
18	1320043	1	Clamp	
20	4751400	1	Flatwasher 1/4in	
21	3311401	1	Nut 1/4in-20NC	
	0253984	Ref	STORAGE COMPARTMENT INSTALLATION	B
101	4761600	4	Lockwasher 3/8in	
102	0641605	4	Bolt 3/8in-16NC x 5/8in	
103	3536691	1	Box, Storage	
104	2940042	1	Latch	
105	3960438	50 in/1.3m	Seal	
106	4844404	1	Door Front Weldment	
107	4740120	6	Washer, Nylon	
108	0630464	6	Screw, Button Head #10-24NC x 1/2in	
109	3300365	6	Retainer, Nut #10-24NC	
110	0100011	AR	Loctite #242	
111	4751600	4	Flatwasher	
	0256478	Ref	OPTIONAL STROBE LIGHT INSTALLATION	-
201	4220162	1	Spacer, Stop (Used with ECCO Model 6640 Only)	
202		Ref	Adapter Options:	
202	0630491	1	Adapter used with ECCO Model 6640	
202	0080241	1	Adapter used with ECCO Model 6650	
203	3539281	1	Plate, Mounting (Used with ECCO Model 6640 Only)	
204	0741606	1	Screw, Flathead 3/8in-16NC x 3/4in (Used with ECCO Model 6640 Only)	
205	0100011	AR	Loctite #242 (Not Shown)	
206	4240032	1	Tie-Strap (Not Shown)	
207	0272507	1	Strobe Light Assembly (was p/n 0255917)	
207		Ref	Bulb, Replacement Options:	
207	7016380	1	Bulb for ECCO Model 6640	
207	70001941	1	Bulb for ECCO Model 6650	

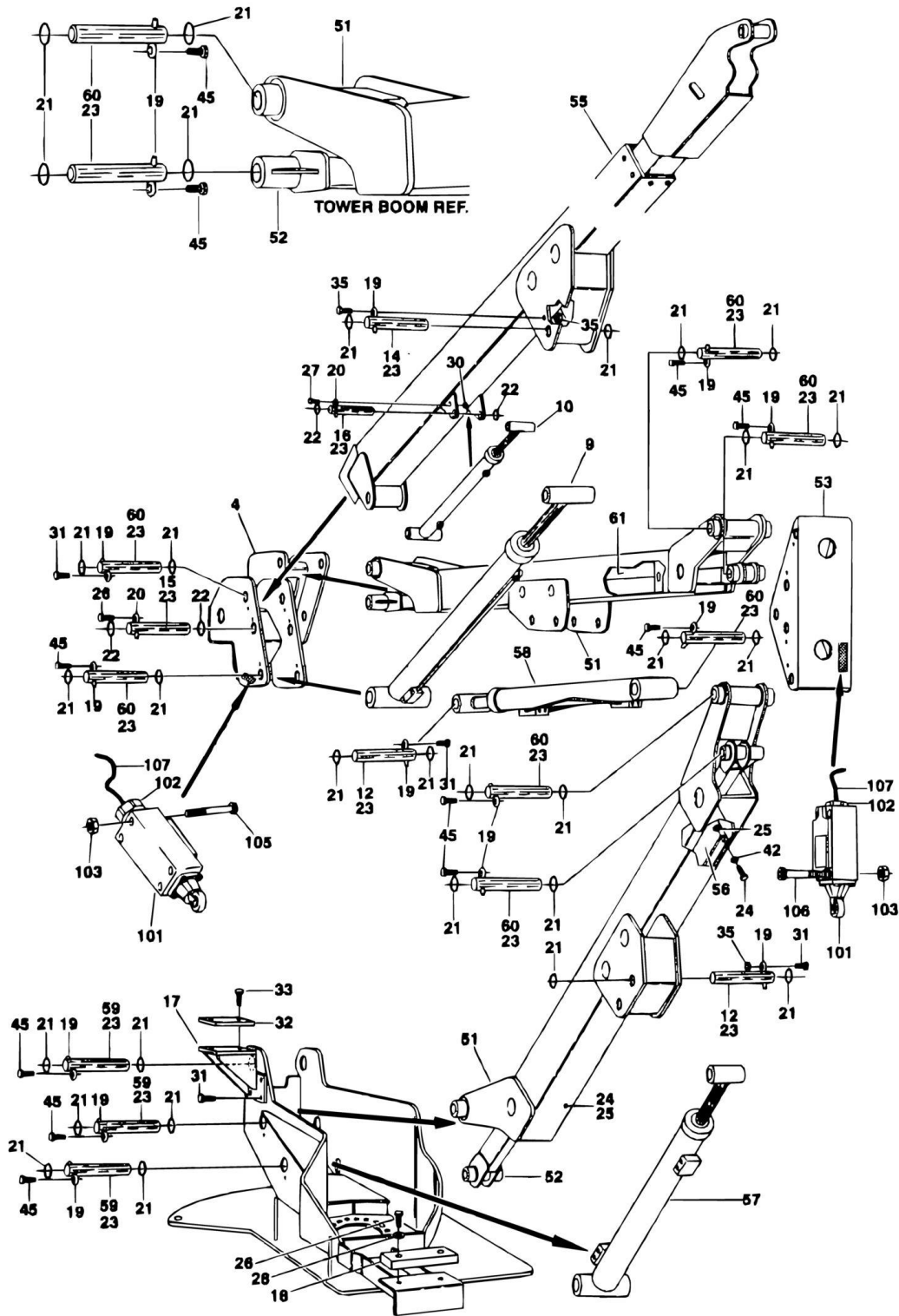
SECTION 2 - TURNTABLE

ITEM	PART NUMBER	QTY	DESCRIPTION	REV
207A		Ref	Guard, Strobe Options:	
207A	4060907	1	Guard used with ECCO Model 6640	
207A	2920215	1	Guard used with ECCO Model 6650	
208	4460234	1	Clamp	
209	0100048	AR	Sealant, Silicone (Not Shown)	

SECTION 3 - BOOM

SECTION 3 - BOOM

FIGURE 3-1. BOOM AND LIMIT SWITCHES INSTALLATIONS



SECTION 3 - BOOM

FIGURE 3-1. BOOM AND LIMIT SWITCHES INSTALLATIONS

ITEM	PART NUMBER	QTY	DESCRIPTION	REV
		Ref	BOOM INSTALLATION (STANDARD PARTS)	
	0253455	Ref	Booms Installation - Model 40ic	J
	0255587	Ref	Booms Installation - Model 45ic	3
4	4844304	1	Upright Weldment (Top)	
9	1683337	1	Cylinder Assembly - Upper Lift (See CYLINDER SECTION for Breakdown) (Prior to SN 29899)	
9	1683506	1	Cylinder Assembly - Upper Lift (See CYLINDER SECTION for Breakdown) (SN 29899 to Present)	
10	1683325	1	Cylinder Assembly - Master (See CYLINDER SECTION for Breakdown)	
12	3422176	2	Pin, Pivot	
14	3422178	1	Pin, Pivot	
15	3422179	1	Pin, Pivot	
16	3422180	1	Pin, Pivot	
17	4844467	1	Boom Rest Weldment	
18	0561076	1	Block, Boom Rest	
19	3841203	15	Keeper, Pin - 1/2in	
20	3841143	2	Keeper, Pin - 3/8in	
21	3780184	30	O-Ring - 2in	
22	3780181	4	O-Ring - 1in	
23	3020022	AR	Grease	
24	0641506	4	Bolt 5/16in-18NC x 3/4in	
25	3311505	4	Locknut 5/16in-18NC	
26	0641608	3	Bolt 3/8in-16NC x 1in	
27	0641610	1	Bolt 3/8in-16NC x 1 1/4in	
28	4751600	2	Flatwasher 3/8in	
30	3311605	1	Locknut 3/8in-16NC	
31	0641812	6	Bolt 1/2in-13NC x 1 1/2in	
32	0940048	1	Bumper	
33	0641806	2	Bolt 1/2in-13NC x 3/4in	
35	3311805	3	Locknut 1/2in-13NC	
42	4751500	4	Flatwasher 5/16in	
44	0100011	AR	Loctite #242 (Not Shown)	
45	0641810	12	Bolt 1/2in-13NC x 1 1/4in	
51		Ref	Tower Boom Weldment Options:	
51	0800831	2	Tower Boom Weldment Model 40ic	
51	0800852	2	Tower Boom Weldment Model 45ic	
51	0961726	8	Bushing, Teflon (4 Per Assembly)	
52		Ref	Link, Level (Base and Mid) Options:	
52	4844302	2	Link, Level (Base and Mid) Model 40ic	
52	4844541	2	Link, Level (Base and Mid) Model 45ic	
52	0961726	8	Bushing, Teflon (4 Per Assembly)	
53		Ref	Upright Weldment (Bottom) Options:	
53	4844303	1	Upright Weldment (Bottom) Model 40ic	
53	4844427	1	Upright Weldment (Bottom) Model 45ic	
55		Ref	Main Boom Assembly Options: (See MAIN BOOM COMPONENTS ASSEMBLY for Breakdown)	
55	0800832	1	Main Boom Assembly Model 40ic	
55	0800853	1	Main Boom Assembly Model 45ic	
56		Ref	Plate, Hose Guard Options:	

SECTION 3 - BOOM

ITEM	PART NUMBER	QTY	DESCRIPTION	REV
56	3536491	1	Plate, Hose Guard Model 40ic	
56	3537045	1	Plate, Hose Guard Model 45ic	
57		Ref	Cylinder Assembly - Lower Lift Options: (See CYLINDER SECTION for Breakdown) Model 40ic	
57	1682855	1	Cylinder Assembly - Lower Lift (Prior to SN 29899)	
57	1683518	1	Cylinder Assembly - Lower Lift (SN 29899 to Present)	
57		Ref	Cylinder Assembly - Lower Lift Options: (See CYLINDER SECTION for Breakdown) Model 45ic	
57	1683013	1	Cylinder Assembly - Lower Lift (Prior to SN 29899)	
57	1683521	1	Cylinder Assembly - Lower Lift (SN 29899 to Present)	
58		Ref	Cylinder Assembly - Mid Lift (See CYLINDER SECTION for Breakdown) Model 40ic	
58	1682861	1	Cylinder Assembly - Mid Lift (Prior to SN 29899)	
58	1683519	1	Cylinder Assembly - Mid Lift (SN 29899 to Present)	
58		Ref	Cylinder Assembly - Mid Lift (See CYLINDER SECTION for Breakdown) Model 45ic	
58	1683018	1	Cylinder Assembly - Mid Lift (Prior to SN 29899)	
58	1683522	1	Cylinder Assembly - Mid Lift (SN 29899 to Present)	
59		Ref	Pin, Pivot Options:	
59	3422175	3	Pin, Pivot Model 40ic	
59	3422481	3	Pin, Pivot Model 45ic	
60		Ref	Pin, Pivot Options:	
60	3422177	9	Pin, Pivot Model 40ic	
60	3422480	9	Pin, Pivot Model 45ic	
61		Ref	Tube Options:	
61	4566427	1	Tube Model 40ic	
61	4566356	1	Tube Model 45ic	
	0254875	Ref	BOOM LIMIT SWITCHES INSTALLATION	4
101	4360321	2	Switch, Limit	
102	4460428	2	Connector, Strain Relief	
103	3311005	4	Locknut #10-24NC	
105	3900168	2	Screw, Socket Head #10-24NC x 1 1/2in	
106	3900097	2	Screw, Socket Head #10-24NC x 2 1/8in	
107	1060341	48	Cable, Electrical - 16/2	
		in/14.7m		
108	1670832	1	Cover, Lower Switch	
109	1680833	1	Cover, Upper Switch	

SECTION 3 - BOOM

FIGURE 3-2. MAIN BOOM COMPONENTS ASSEMBLY

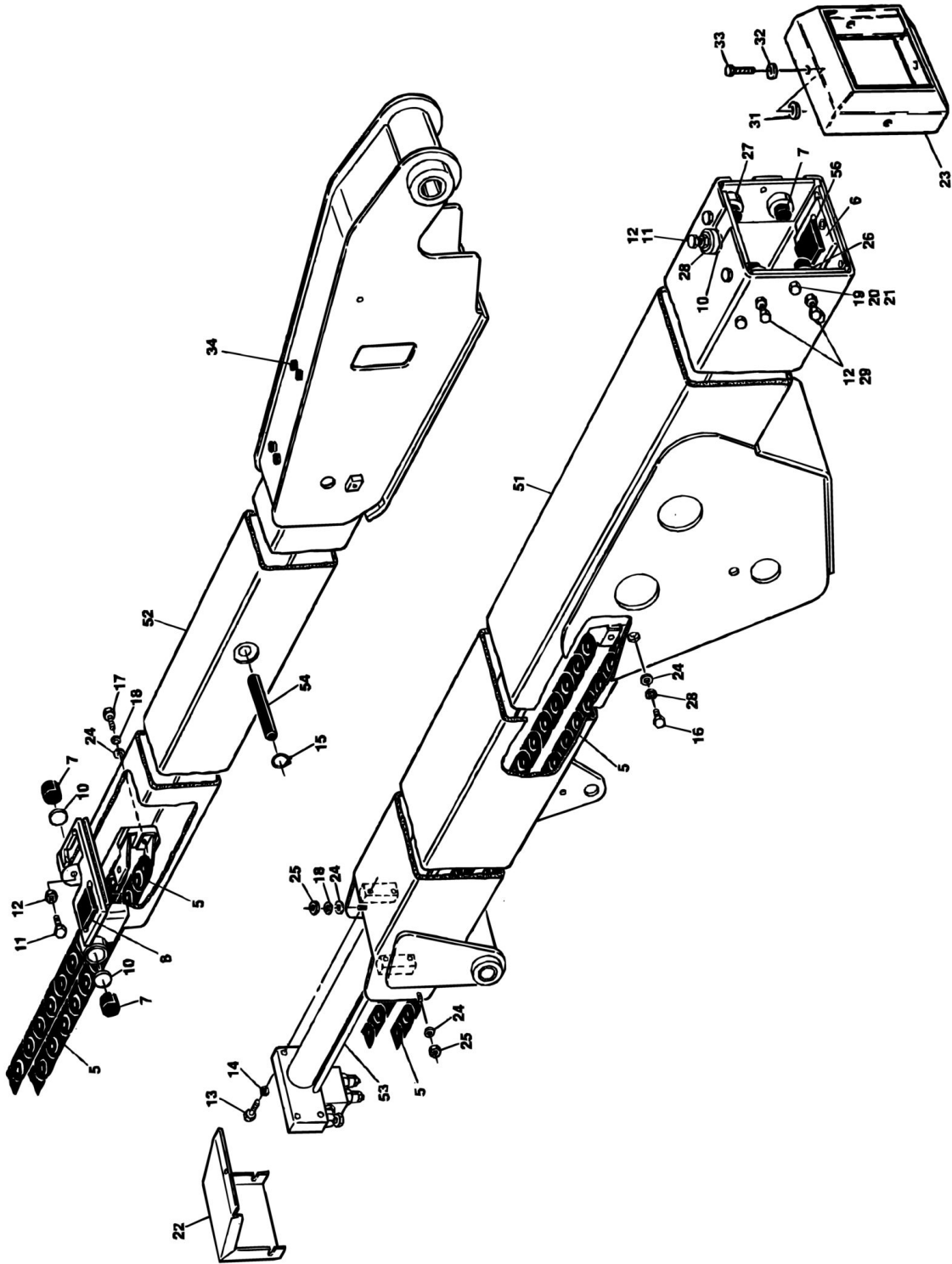


FIGURE 3-2. MAIN BOOM COMPONENTS ASSEMBLY

ITEM	PART NUMBER	QTY	DESCRIPTION	REV
		Ref	MAIN BOOM ASSEMBLY	
	0800832	Ref	Main Boom Assembly Model 40ic	O-12
	0800853	Ref	Main Boom Assembly Model 45ic	J-12
5	1180302	1	Power-Track	
5	7019698	40	Links	
5	7019699	1	Bracket, End (Sold in Pairs)	
6	4844579	1	Holder, Wear Pad (Base Front Bottom)	
7	3340663	8	Pad, Wear (Base Front Top and Sides/Fly Rear Sides and Bottom)	
8	3340666	2	Pad, Wear (Fly Rear Top)	
10	1760160	8	Disc	
11	0630487	6	Bolt, Special	
12	3311602	8	Nut, Jam 3/8in-16NC	
13	0641818	4	Bolt 1/2in-13NC x 2 1/4in	
14	4761800	4	Lockwasher 1/2in	
15	3760115	2	Ring, Retaining	
16	0641405	2	Bolt 1/4in-20NC x 5/8in	
17	0641404	2	Bolt 1/4in-20NC x 1/2in	
18	4761400	7	Lockwasher 1/4in	
19	0641606	7	Bolt 3/8in-16NC x 3/4in	
20	4761600	7	Lockwasher 3/8in	
21	0100011	AR	Loctite #242	
22	1670678	1	Cover, Boom	
23	1670698	1	Cover, Boom	
24	4751400	7	Flatwasher 1/4in	
25	3311401	3	Nut 1/4in-20NC	
26		Ref	Casting, Wear Pad Holder (Base Front Left Side) Options:	
26	4844383	1	Casting, Wear Pad Holder (Base Front Left Side) (Prior to SN 35014)	
26	1220038	1	Casting, Wear Pad Holder (Base Front Left Side) (SN 35014 to Present)	
27		Ref	Casting, Wear Pad Holder (Base Front Right Side) Options:	
27	4844384	1	Casting, Wear Pad Holder (Base Front Right Side) (Prior to SN 35014)	
27	1220039	1	Casting, Wear Pad Holder (Base Front Right Side) (SN 35014 to Present)	
28		Ref	Casting, Wear Pad Holder (Base Front Top) Options:	
28	4844386	1	Casting, Wear Pad Holder (Base Front Top) (Prior to SN 35014)	
28	1220040	1	Casting, Wear Pad Holder (Base Front Top) (SN 35014 to Present)	
29	0630399	2	Bolt 3/8in-16NC x 2 1/4in	
30	0100009	AR	Silicone (Not Shown)	
31	4740413	5	Spacer	
32	4751600	5	Flatwasher 3/8in	
33	0641608	5	Bolt 3/8in-16NC x 1in	
34	3520034	4	Plug, Hole	
51		Ref	Base Weldment Options:	
51	0800833	1	Base Weldment Model 40 ic	
51	0800854	1	Base Weldment Model 45 ic	
51	0961726	2	Bushing, Teflon	

SECTION 3 - BOOM

ITEM	PART NUMBER	QTY	DESCRIPTION	REV
52		Ref	Fly Weldment Options:	
52	0800834	1	Fly Weldment Model 40 ic	
52	0800855	1	Fly Weldment Model 45 ic	
52	0961726	2	Bushing, Teflon	
53		Ref	Telescope Cylinder Assembly Options: (See CYLINDER SECTION for Breakdown)	
53	1682887	1	Telescope Cylinder Assembly Model 40 ic	
53	1682947	1	Telescope Cylinder Assembly Model 45 ic	
54	3422185	1	Pin, Mounting	
56	3340682	1	Pad, Wear (Base Front Bottom)	

SECTION 4 - PLATFORMS

SECTION 4 - PLATFORMS

FIGURE 4-1. PLATFORM COMPONENTS INSTALLATION

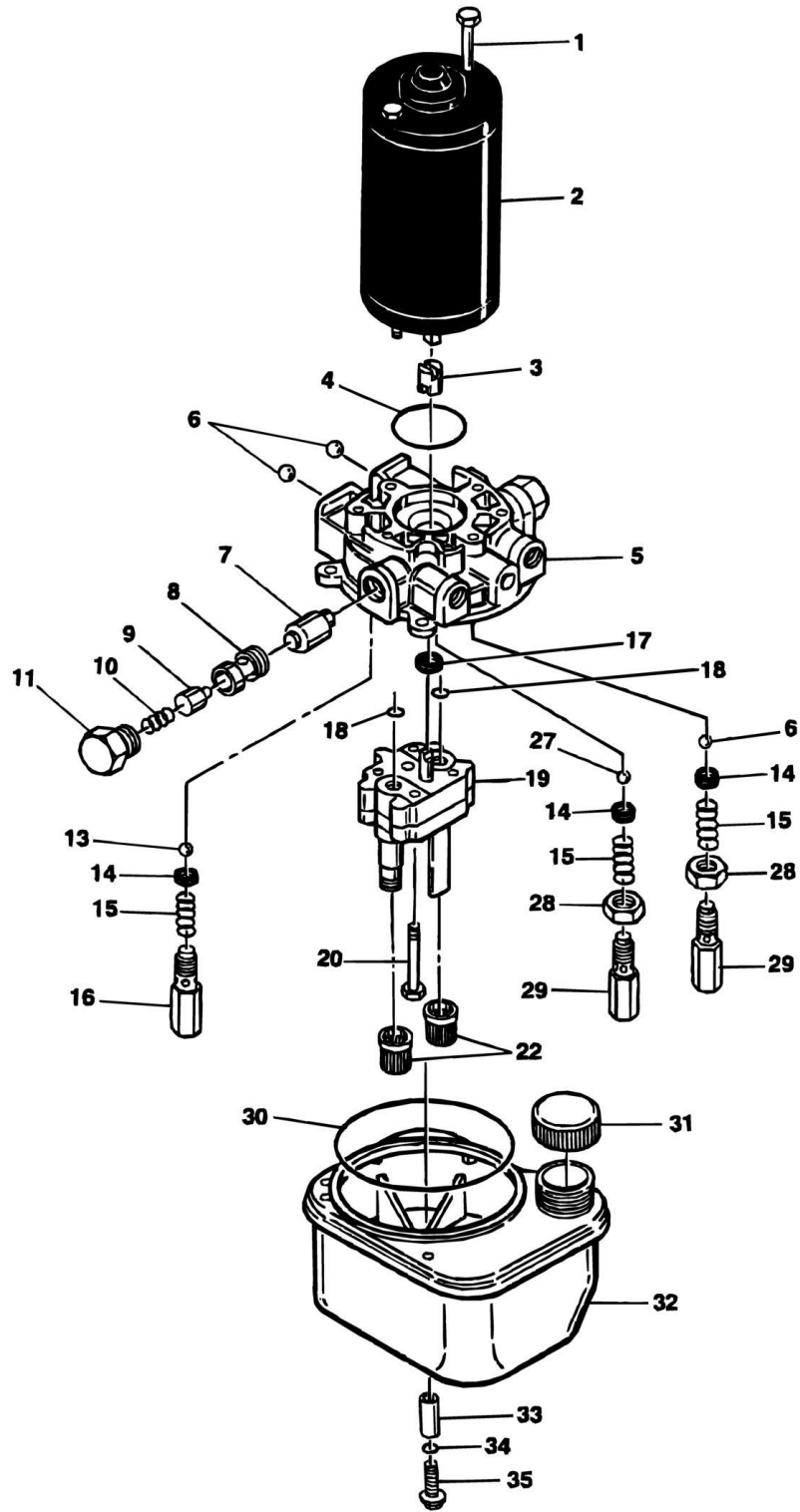
ITEM	PART NUMBER	QTY	DESCRIPTION	REV
	0255995	Ref	ROTATOR AND SUPPORT INSTALLATION	C
1	4844465	1	Support Weldment	
1A	0961608	2	Bushing, Bronze (Platform Pivot)	
1B	0961749	2	Bushing, Bronze (Rotator Cylinder Pivot)	
1C	1320050	2	Clamp, Hose	
2	4844466	1	Pivot Weldment	
2A	0961749	2	Bushing, Bronze (Rotator Cylinder Pivot)	
3	1683285	1	Slave Cylinder Assembly (See CYLINDER SECTION for Breakdown)	
4	1682930	1	Rotator Cylinder Assembly (See CYLINDER SECTION for Breakdown)	
5	3600253	1	Rotator Pump, Motor and Tank Assembly (See ROTATOR MOTOR/PUMP/TANK ASSEMBLY for Breakdown)	
6	3422176	1	Pin, Pivot	
7	3422180	1	Pin, Pivot	
8	3422181	1	Pin, Pivot	
9	3422191	1	Pin, Pivot	
10	3841143	3	Pin, Keeper	
11	3841203	1	Pin, Keeper	
12	4740007	1	Washer, Thrust	
13	0641607	8	Bolt 3/8in-16NC x 7/8in	
14	0641608	1	Bolt 3/8in-16NC x 1in	
15	0641810	1	Bolt 1/2in-13NC x 1 1/4in	
16	0641605	2	Bolt 3/8in-16NC x 5/8in	
19	4751600	9	Flatwasher 3/8in	
20	4751800	2	Flatwasher 1/2in	
21	3311605	9	Locknut 3/8in-16NC	
22	3430816	2	Pin, Clevis 1/2in x 2in	
23	3450405	2	Pin, Cotter	
24	3780181	6	O-Ring	
25	3780184	2	O-Ring	
26	0460106	1	Bellows	
27	1320017	1	Clamp, Hose	
28	1320031	1	Clamp, Hose	
29	1670690	1	Cover, Motor	
30	3941405	4	Screw, Self-Tapping 1/4in x 5/8in	
31	4751400	4	Flatwasher 1/4in	
32	4761400	4	Lockwasher 1/4in	
33	4060855	1	Shield	
34	0641505	1	Bolt 5/16in-18NC x 5/8in	
35	0641516	2	Bolt 5/16in-18NC x 2in	
36	4751500	6	Flatwasher 5/16in	
37	3311505	3	Locknut 5/16in-18NC	
38	0100011	AR	Loctite #242 (Not Shown)	
39	1320159	1	Clamp, Hose	
40	0641610	1	Bolt 3/8in-16NC x 1 1/4in	
101		Ref	PLATFORM WELDMENT OPTIONS:	
		Ref	Note: Replacement decals must be ordered separately - See DECALS SECTION.	
101	3510505	1	Platform - 26in x 48in (Prior to SN 33712)	-

SECTION 4 - PLATFORMS

ITEM	PART NUMBER	QTY	DESCRIPTION	REV
101	3510597	1	Platform - 26in x 48in (SN 33712 to Present)	A-1
101	3510501	1	Platform - 26in x 60in (Prior to SN 33712)	-
101	3510595	1	Platform - 26in x 60in (SN 33712 to Present)	A-1
	0252408	Ref	FOOTSWITCH INSTALLATION	D
201	4360031	1	Footswitch Assembly	
201	7000625	2	Block, Contact	
202	4460422	1	Connector	
203	0641408	3	Bolt 1/4in-20NC x 1in	
204	3311401	3	Nut 1/4in-20NC	
205	4751400	3	Flatwasher 1/4in	
207	4060803	2 in/5cm	Flex-Trim	
		Ref	OPTIONAL 110VAC RECEPTACLE BOX INSTALLATION	
		Ref	Optional 110VAC Receptacle Box Installation - Model 40ic	
	0254043	Ref	Optional 110VAC Receptacle Box Installation - Model 45ic	A
301	Not Available	1	Box, Electrical	
302	Not Available	1	Receptacle, Electrical	
303	Not Available	1	Cover, Receptacle	
304	Not Available	1	Connector, Strain Relief	
305	Not Available	1	Plug	
307	Not Available	4	Screw, Machine #6-32NC x 3/8in	
308	Not Available	4	Lockwasher #6	
309	Not Available	1	Gasket	
351		Ref	Harness (Main Boom) Options: (See ELECTRICAL SECTION for Breakdown)	
351	Not Available		Harness (Main Boom) Model 40ic	
351	4921595	1	Harness (Main Boom) Model 45ic	
352		Ref	Harness (Tower Boom) Options: (See ELECTRICAL SECTION for Breakdown)	
352	Not Available		Harness (Tower Boom) Model 40ic	
352	4921594	1	Harness (Tower Boom) Model 45ic	
	2901406	Ref	OPTIONAL PLATFORM WORKLIGHT KIT	-
401	3536089	2	Plate, Mounting	
402	0641414	4	Bolt 1/4in-20NC x 1 3/4in	
403	3311405	4	Locknut 1/4in-20NC	
404	4711400	4	Flatwasher 1/4in Narrow	
405	2920140	2	Floodlight	
406	4240099	10	Tie-Strap	
407	4360070	1	Breaker, Circuit - 15 Amp (Not Shown - Located in Platform Console Box)	
409	2820035	9 ft/2.7m	Loom, Vinyl (Not Shown)	
410	4460598	1	Connector, Strain Relief (Not Shown - Located in Platform Console Box)	
	0254955	Ref	OPTIONAL CONSOLE COVER KIT	A
501	1670732	1	Cover, Console	
501	1020005	AR	Button, Tear Away	
501	1670688	AR	Cover, Tear Away	

SECTION 4 - PLATFORMS

FIGURE 4-2. ROTATOR MOTOR/PUMP/TANK ASSEMBLY



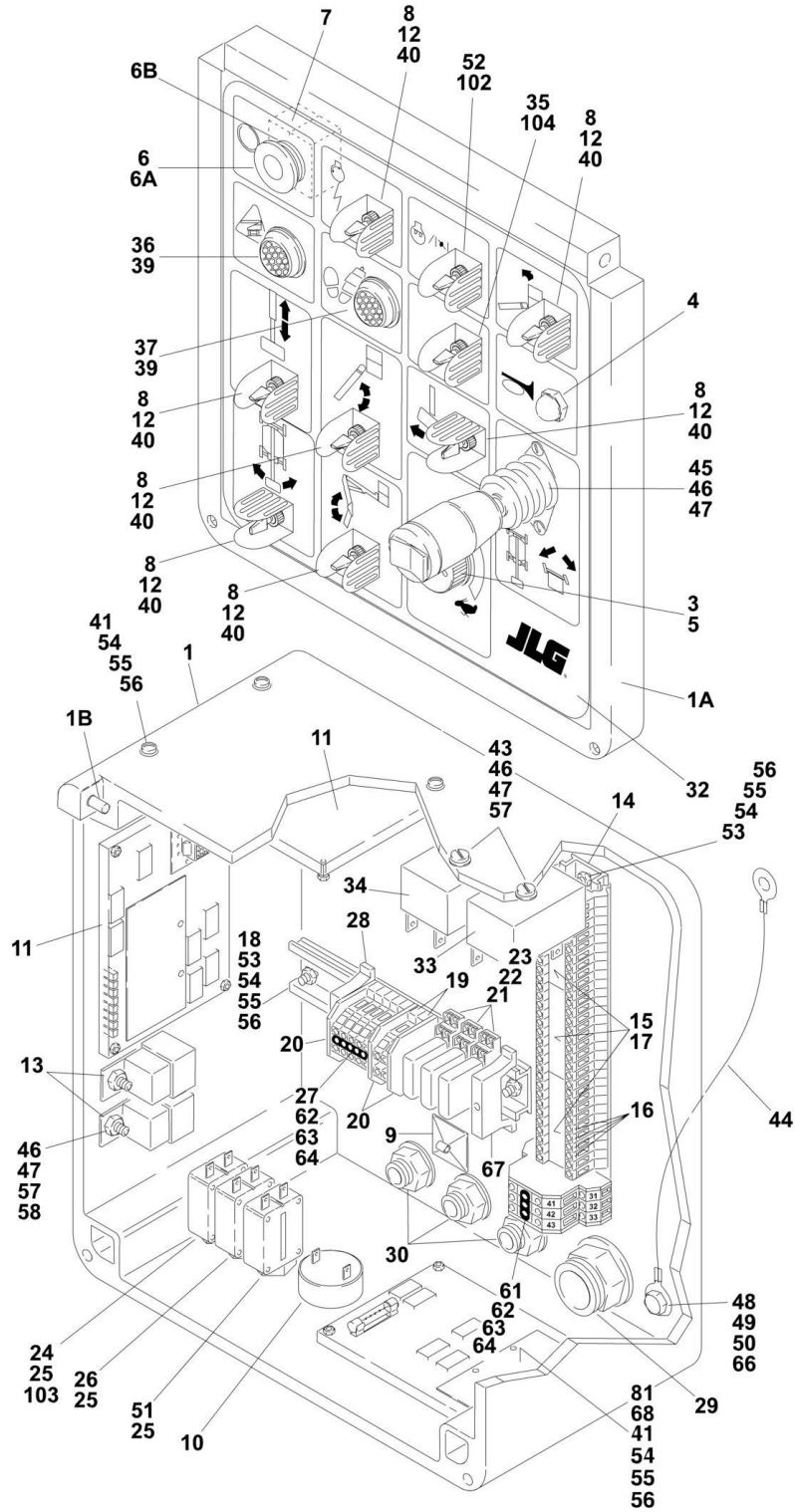
SECTION 4 - PLATFORMS

FIGURE 4-2. ROTATOR MOTOR/PUMP/TANK ASSEMBLY

ITEM	PART NUMBER	QTY	DESCRIPTION	REV
	3600253	Ref	ROTATOR MOTOR/PUMP/TANK ASSEMBLY	-
1	Not Serviced	2	Stud, Motor Mounting	
2	7003563	1	Motor (Includes Mounting Bolts)	
2	Not Available	1	Brush/Spring Kit	
3	7003551	1	Coupling	
4	Kit	1	O-Ring	
5	Not Serviced	1	Adapter	
6	7003576	3	Ball, Steel	
7	7003564	1	Spool	
8	7003565	1	Body, Check Valve (Includes O-Ring)	
9	7003566	2	Poppet Assembly	
10	7003567	2	Spring	
11	7003568	2	Retainer, Hex	
13	7003569	2	Ball	
14	7003570	4	Eyelet	
15	7003571	4	Spring	
16	7003572	2	Screw, Thermal Relief Adjusting	
17	Kit	1	Seal, Shaft	
18	Kit	1	O-Ring	
19	7003573	1	Pump	
20	Not Serviced	2	Capscrew, Torx	
22	7003554	2	Filter	
27	7003574	1	Ball, Steel	
28	Not Serviced	2	Nut 7/16in-20	
29	7003575	2	Screw, Relief Valve Adjusting	
30	Kit	1	Seal, Reservoir	
31	7003556	1	Cap, Reservoir	
32	7003557	1	Reservoir	
33	Not Serviced	1	Spacer	
34	Kit	1	O-Ring	
35	Not Serviced	1	Bolt, Self-Tapping	
	7003562	1	Seal Kit (Includes Items 4, 17, 18, 30, 34 and Pump Seals and O-Rings)	

SECTION 4 - PLATFORMS

FIGURE 4-3. PLATFORM CONSOLE ASSEMBLY



SECTION 4 - PLATFORMS

FIGURE 4-3. PLATFORM CONSOLE ASSEMBLY

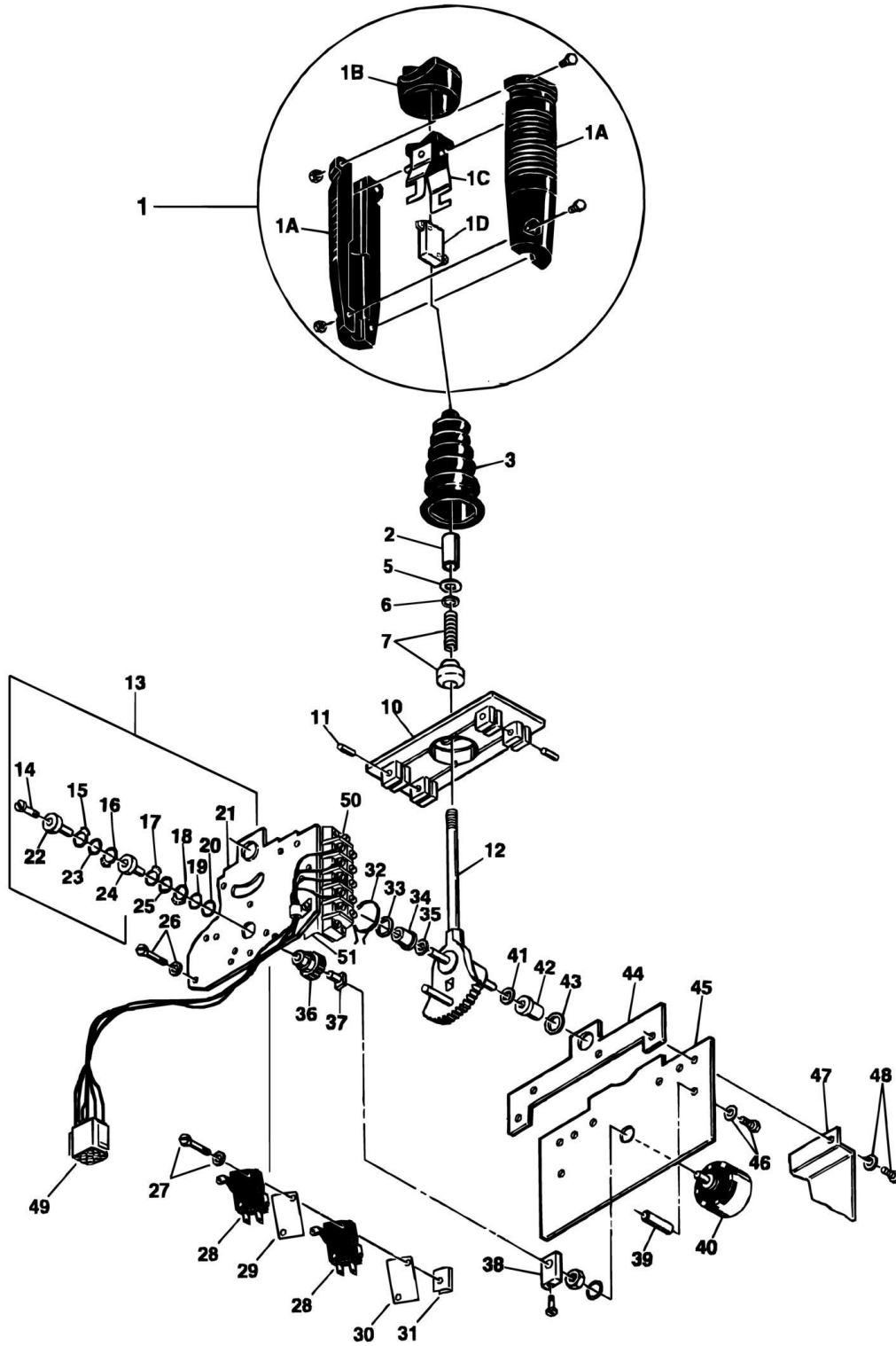
ITEM	PART NUMBER	QTY	DESCRIPTION	REV
		Ref	PLATFORM CONSOLE ASSEMBLY	
	0861049	Ref	Platform Console Assembly - Gas Machines	E
	0861068	Ref	Platform Console Assembly - Diesel Machines	B
1	0861028	1	Box Assembly	
1A	Not Available	1	Lid	
1B	2900859	1	Hinge Pin/Retainer/Gasket Kit	
2	1600245	1	Controller Assembly - Drive/Steer (See CONTROLLER ASSEMBLY - DRIVE/STEER for Breakdown)	
3	4360407	1	Potentiometer/Switch (Function Speed)	
3	See Note	1	Gasket "Top Hat" (Included with Switch) (Note: Not Available - Purchase Complete Controller)	
3	70003784	1	Seal	
4	4360387	1	Switch, Push Button	
5	2560136	1	Knob	
6	4360289	1	Switch, Push/Pull (Emergency Stop)	
6A	7012611	1	Head, Mushroom	
6B	7012612	1	Boot	
7	4360282	1	Block, Contact	
8	4360314	7	Switch, Toggle	
9	4460234	4	Mount, Cable Tie	
10	0140026	1	Alarm	
11	1600218	2	Card, Control	
12	4060802	7	Guard, Switch	
13	3740049	4	Relay	
14	3640930	1	Rail	
15	4460522	3	Block, Terminal	
16	4460525	1	Markers, Terminal	
17	4460524	3	Lock, Terminal	
18	3640834	1	Rail	
19	4460387	10	Strip, Terminal - 2 Level	
20	4460388	5	Barrier, Terminal	
21	4120012	3	Base, Relay	
22	3740057	3	Relay 2DPT	
23	3740066	6	Spring, Relay	
24	4360112	1	Breaker, Circuit - 5 Amp	
25	3300396	3	Nut, Special	
26	4360069	1	Breaker, Circuit - 10 Amp	
27	4460441	2	Bar, Buss - 5 Position	
28	4460442	2	Stop, Terminal	
29	4460526	1	Connector, Strain Relief	
30	4460428	3	Connector, Strain Relief	
32	1702734	1	Decal, Lid	
33	3740113	1	Relay, Time Delay	
34	3740115	1	Relay, Time Delay	
35	3520028	1	Plug, Hole	
36	2920120	1	Light, Indicator - Red	
37	2920141	1	Light, Indicator - Green	
39	2920108	2	Bulb	
40	3790012	7	O-Ring	
41	3910616	8	Screw #6-32NC x 1in	

SECTION 4 - PLATFORMS

ITEM	PART NUMBER	QTY	DESCRIPTION	REV
42	0100029	AR	Silicone (Not Shown)	
43	3911024	2	Screw #10-24NC x 1 1/2in	
44	1060329	1	Lanyard	
45	0731003	1	Bolt #10-28NF x 3/8in	
46	4751000	9	Flatwasher #10	
47	4761000	5	Lockwasher #10	
48	0641520	4	Bolt 5/16in-18NC x 2 1/2in	
49	4751500	4	Flatwasher 5/16in	
50	4761500	4	Lockwasher 5/16in	
51	4360161	1	Breaker, Circuit - 20 Amp	
52	3250028	1	Plug, Hole	
53	3910608	4	Screw #6-32NC x 1/2in	
54	4760600	16	Lockwasher #6	
55	4750600	36	Flatwasher #6	
56	3310601	20	Nut #6-32NC	
57	3311001	4	Nut #10-24NC	
58	3911012	2	Screw #10-24NC x 3/4in	
59	0100035	AR	Loctite #272 (not Shown)	
60	0100011	AR	Loctite #242 (Not Shown)	
61	4460390	1	Bar, Buss - 3 Position	
62	4460305	13	Screw, Terminal	
63	4460306	13	Washer, Terminal	
64	4460307	13	Sleeve, Terminal	
65	4460301	1	Number, Terminal Strip	
66	4567058	2	Spacer	
67	4460299	1	Stop, Terminal	
68	3910620	4	Screw #6-32NC x 1 1/4in	
81		Ref	Card, Control Options:	
81	1600251	1	Gas Machines	
81	1600252	1	Diesel Machines	
81	7016379	1	Fuse - 1 Amp	
81	7016608	1	Plug, Connector	
81	7016609	8	Pin	
		Ref	CONSOLE OPTIONS:	
102	4360330	1	Switch, Toggle - Glow Plugs (Diesel Only)	
102	4060802	1	Guard, Switch	
102	3790012	1	O-Ring	
103	4360112	1	Breaker, Circuit - 15 Amp (With Worklights)	
104	4360336	1	Switch, Toggle - Fuel Select (Dual Fuel Only)	
104	4060802	1	Guard, Switch	
104	3790012	1	O-Ring	

SECTION 4 - PLATFORMS

FIGURE 4-4. CONTROLLER ASSEMBLY - DRIVE/STEER



SECTION 4 - PLATFORMS

FIGURE 4-4. CONTROLLER ASSEMBLY - DRIVE/STEER

ITEM	PART NUMBER	QTY	DESCRIPTION	REV
	1600245	Ref	OEM CONTROLLER ASSEMBLY (DRIVE/STEER)	C
1	7003978	1	Handle Assembly	
1A	7003973	2	Half, Handle	
1B	7003972	1	Boot, Switch	
1C	7003981	1	Rocker	
1D	7003982	2	Switch, Micro (Not Shown)	
2	7003984	1	Coupling	
3	7003966	1	Boot	
5	7003957	1	Ring, Retainer	
6	7003967	1	Flatwasher	
7	7003968	1	Detent Assembly	
10	7003950	1	Plate, Base	
11	Not Serviced	1	Pin	
12	Not Serviced	1	Shaft/Gear Assembly	
13	Not Serviced	1	Micro Cam Assembly (Includes Items 14-25)	
14	Not Serviced	1	Screw	
15	Not Serviced	1	Cam, 4 Hole	
16	Not Serviced	1	Cam, 4 Hole	
17	Not Serviced	1	Cam, 4 Hole	
18	Not Serviced	1	Cam, 4 Hole	
19	Not Serviced	1	Spacer, Cam	
20	Not Serviced	1	Spacer, Cam	
21	Not Serviced	1	Plate, Cam - Left Side	
22	Not Serviced	1	Coupling, Cam	
23	Not Serviced	1	Spacer, Cam	
24	Not Serviced	1	Coupling, Cam	
25	Not Serviced	1	Spacer, Cam	
26	Not Serviced	4	Screw	
26	Not Serviced	4	Washer	
27	Not Serviced	4	Screw	
27	Not Serviced	4	Washer	
28	7003961	1	Micro-Switch	
29	Not Serviced	2	Insulator	
30	Not Serviced	2	Insulator, Black	
31	Not Serviced	4	Nut, Tinnerman	
32	7003946	1	Spring, Return	
33	Not Serviced	1	Spacer	
34	Not Serviced	1	Bearing	
35	Not Serviced	1	Washer, Cam Retainer	
36	7003935	1	Gear, Slave	
37	Not Serviced	1	Nut/Cam Assembly	
38	Not Serviced	1	Coupling, Potentiometer	
39	Not Serviced	2	Stand-Off	
40	7003974	1	Potentiometer	
41	Not Serviced	1	Washer, Cam Retainer	
42	Not Serviced	1	Bearing	
43	Not Serviced	1	Spacer	
44	Not Serviced	1	Plate, Mounting	
45	Not Serviced	1	Plate, Potentiometer	
46	Not Serviced	2	Screw	

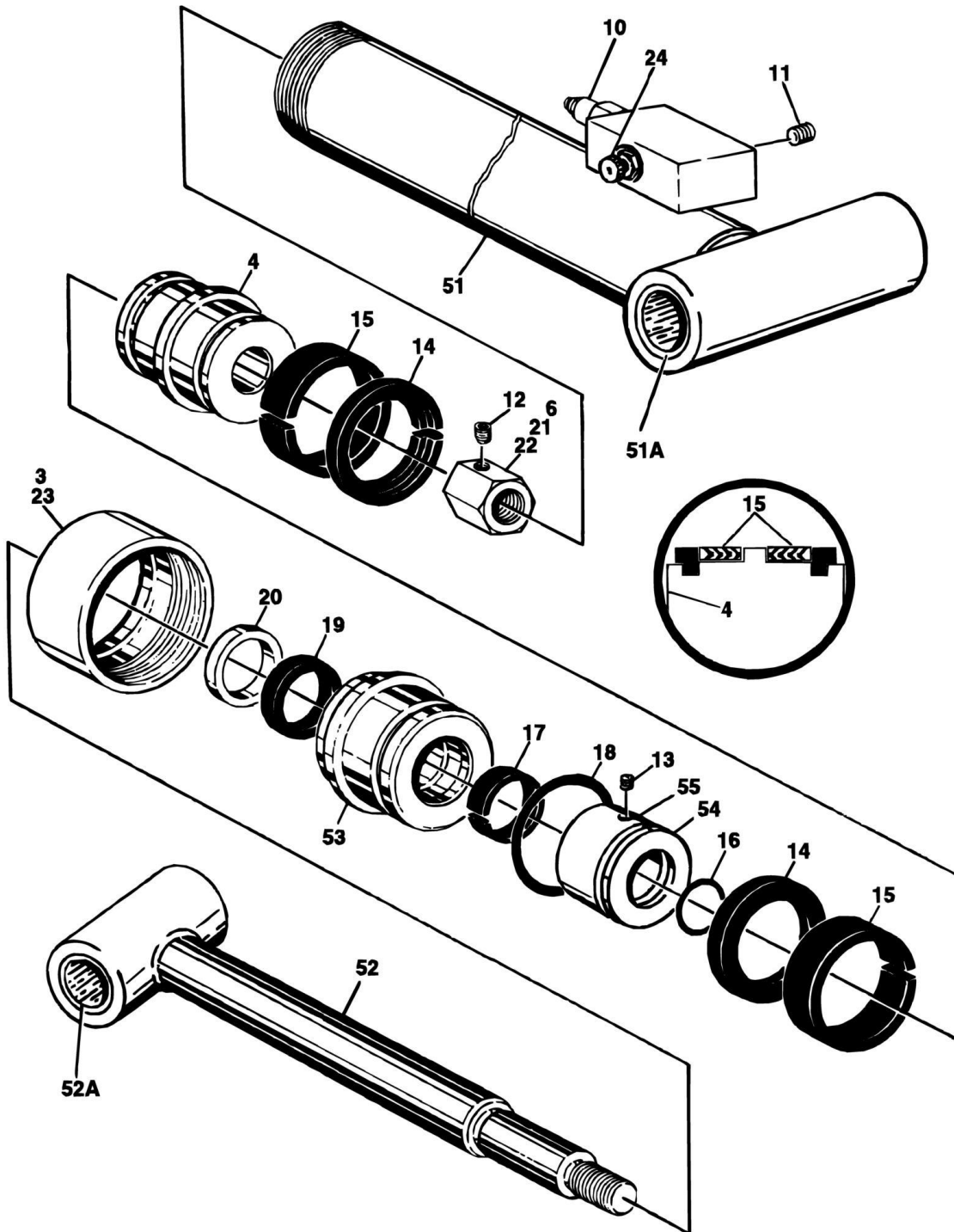
SECTION 4 - PLATFORMS

ITEM	PART NUMBER	QTY	DESCRIPTION	REV
46	Not Serviced	2	Washer	
47	Not Serviced	1	Heatsink	
48	Not Serviced	2	Screw	
48	Not Serviced	2	Washer	
49	4460266	1	Connector, AMP (9 Pin)	
49	4460268	9	Socket, Female (9 Pin)	
50	7003986	1	Strip, Terminal - 3 Position	
51	7003985	1	Brace	
52	7019161	1	Lever Lock	

SECTION 5 - CYLINDER

SECTION 5 - CYLINDER

FIGURE 5-1. UPPER LIFT CYLINDER ASSEMBLIES



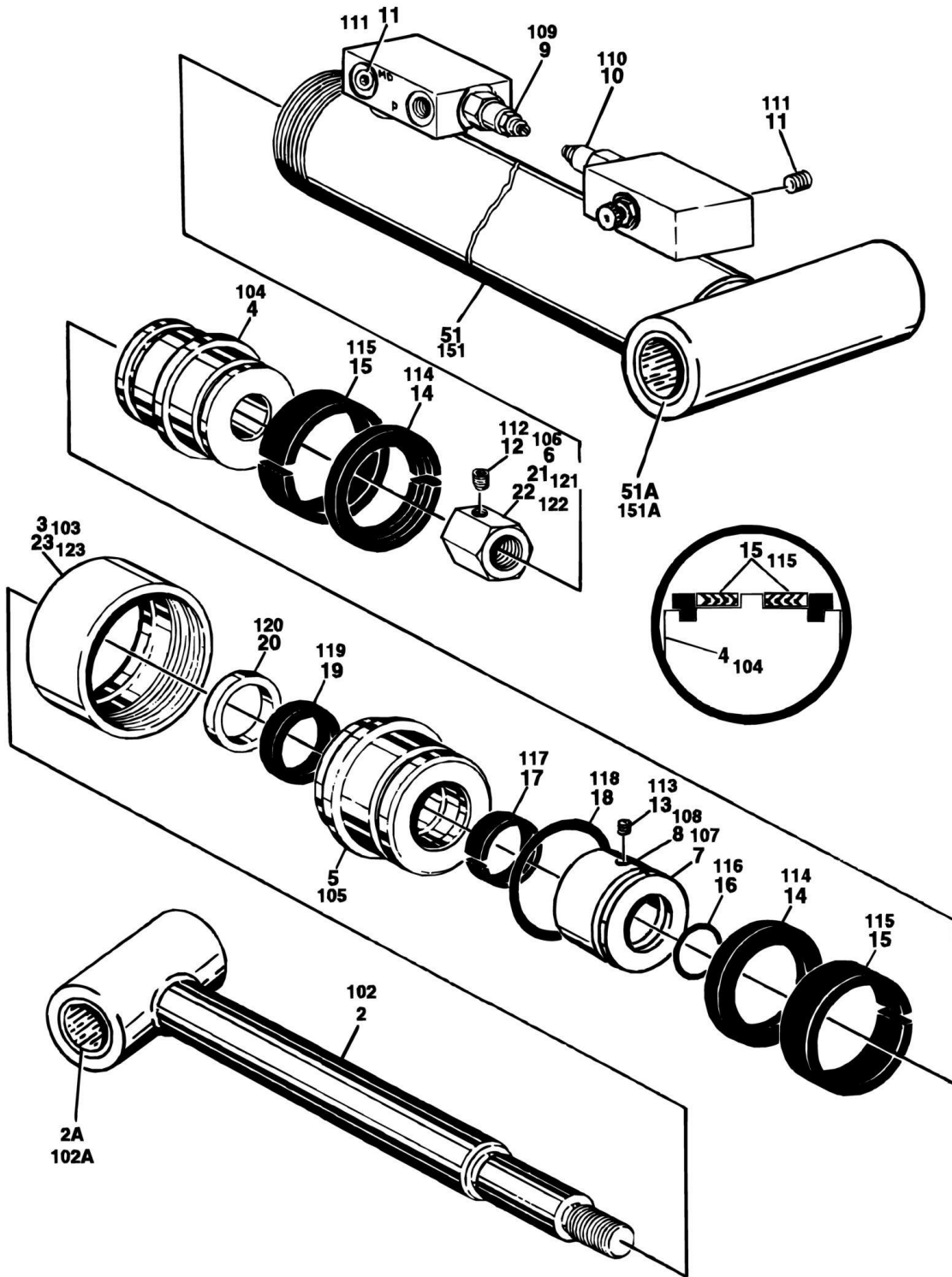
SECTION 5 - CYLINDER

FIGURE 5-1. UPPER LIFT CYLINDER ASSEMBLIES

ITEM	PART NUMBER	QTY	DESCRIPTION	REV
		Ref	UPPER LIFT CYLINDER ASSEMBLIES	
	1683337	Ref	Upper Lift Cylinder Assembly (Prior to SN 29899)	-
	1683506	Ref	Upper Lift Cylinder Assembly (SN 29899 through 33089)	-
	1683520	Ref	Upper Lift Cylinder Assembly (SN 33090 to Present)	1-A
3	1120108	1	Retainer	
4	3480115	1	Piston	
6	3300279	1	Nut, Hex	
10	4640936	1	Cartridge, Holding Valve	
10	2900770	1	Seal Kit - 4640936 Valves	
11	2220885	1	Plug	
12	3900170	1	Setscrew 3/8in-16NC x 3/8in	
13	3951402	1	Setscrew 1/4in-20NC x 1/4in	
14	Kit	2	Ring, Lock	
15	Kit	2	Seal, Piston	
16	Kit	1	O-Ring	
17	Kit	1	Ring, Wear	
18	Kit	1	O-Ring	
19	Kit	1	Seal, Rod	
20	Kit	1	Wiper Rod	
21	0100011	AR	Loctite #242	
22	0100038	AR	Primer, Locking	
23	0100035	AR	Loctite #222	
51		Ref	Barrel Weldment Options:	
51	1682868	1	Barrel Weldment (Prior to SN 29899)	
51	1683514	1	Barrel Weldment (SN 29899 to Present)	
51A	0961726	2	Bushing, Teflon	
52		Ref	Rod Weldment Options:	
52	1682870	1	Rod Weldment (Prior to SN 29899)	
52	1683505	1	Rod Weldment (SN 29899 to Present)	
52A	0961726	2	Bushing, Teflon	
53		Ref	Head Options:	
53	1681344	1	Head (Prior to SN 29899)	
53	1683504	1	Head (SN 29899 to Present)	
54	4740394	1	Washer	
55		Ref	Spacer Options:	
55	4566009	1	Spacer (Prior to SN 29899)	
55	4567177	1	Spacer (SN 29899 to Present)	
100		Ref	Seal Kit Options: (Not Shown)	
100	2900371	1	1683337 Cylinder (Prior to SN 29899)	
100	2901496	1	1683506 & 1683520 Cylinders (SN 29899 to Present)	

SECTION 5 - CYLINDER

FIGURE 5-2. MID LIFT CYLINDER ASSEMBLIES



SECTION 5 - CYLINDER

FIGURE 5-2. MID LIFT CYLINDER ASSEMBLIES

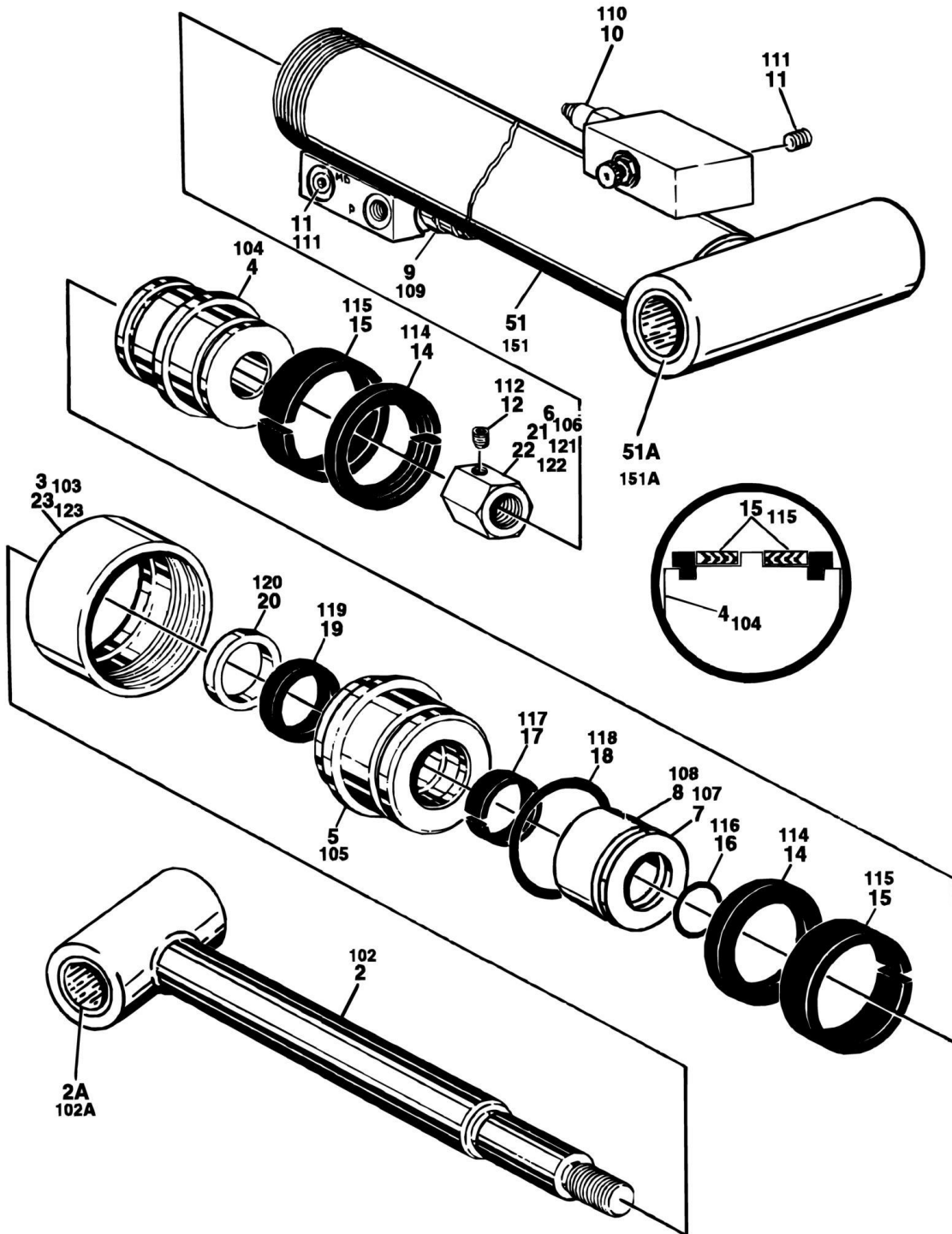
ITEM	PART NUMBER	QTY	DESCRIPTION	REV
		Ref	MID LIFT CYLINDER ASSEMBLY - MODEL 45IC	
	1683018	Ref	Mid Lift Cylinder Assembly - Model 45ic (Prior to SN 33090)	C
	1683522	Ref	Mid Lift Cylinder Assembly - Model 45ic (SN 33090 to Present)	1-A
2	1683021	1	Rod Weldment	
2A	0961726	2	Bushing, Teflon	
3	1120305	1	Retainer	
4	3480113	1	Piston	
5	1682209	1	Head	
6	3300281	1	Nut, Hex	
7	4740207	1	Washer	
8	4566435	1	Spacer	
9	4640634	1	Cartridge, Holding Valve	
9	2900770	1	Seal Kit - 4640634	
10	4640816	1	Cartridge, Holding Valve	
10	2900770	1	Seal Kit - 4640771 Valve	
11	2220885	2	Plug	
12	3900170	1	Setscrew 3/8in-16NC x 3/8in	
13	Not Required	0	Not Required	
14	Kit	2	Ring, Lock	
15	Kit	2	Seal, Piston	
16	Kit	1	O-Ring	
17	Kit	1	Ring, Wear	
18	Kit	1	O-Ring	
19	Kit	1	Seal, Rod	
20	Kit	1	Wiper Rod	
21	0100011	AR	Loctite #242	
22	0100038	AR	Primer, Locking	
23	0100035	AR	Loctite #222	
51		Ref	Barrel Weldment Options:	
51	1683019	1	Barrel Weldment (Prior to SN 33090)	
51	1683516	1	Barrel Weldment (SN 33090 to Present)	
51A	0961726	2	Bushing, Teflon	
		Ref	MID LIFT CYLINDER ASSEMBLY - MODEL 40IC	
	1682861	Ref	Mid Lift Cylinder Assembly - Model 40ic (Prior to SN 33090)	B
	1683519	Ref	Mid Lift Cylinder Assembly - Model 40ic (SN 33090 to Present)	1-A
102	1682864	1	Rod Weldment	
102A	0961726	2	Bushing, Teflon	
103	1120108	1	Retainer	
104	3480115	1	Piston	
105	1681344	1	Head	
106	3300279	1	Nut, Hex	
107	4740394	1	Washer	
108	4565994	1	Spacer	
109	4640634	1	Cartridge, Holding Valve	
109	2900770	1	Seal Kit - 4640634 Valve	
110	4640816	1	Cartridge, Holding Valve	
110	2900770	1	Seal Kit - 4640816 Valve	
111	2220885	2	Plug	
112	3900170	1	Setscrew 3/8in-16NC x 3/8in	
113	3951402	1	Setscrew 1/4in-20NC x 1/4in	

SECTION 5 - CYLINDER

ITEM	PART NUMBER	QTY	DESCRIPTION	REV
114	Kit	2	Ring, Lock	
115	Kit	2	Seal, Piston	
116	Kit	1	O-Ring	
117	Kit	1	Ring, Wear	
118	Kit	1	O-Ring	
119	Kit	1	Seal, Rod	
120	Kit	1	Wiper, Rod	
121	0100011	AR	Loctite #242	
122	0100038	AR	Primer, Locking	
123	0100035	AR	Loctite #222	
151		Ref	Barrel Weldment Options:	
151	1682862	1	Barrel Weldment (Prior to SN 33090)	
151	1683513	1	Barrel Weldment (SN 33090 to Present)	
151A	0961726	2	Bushing, Teflon	

SECTION 5 - CYLINDER

FIGURE 5-3. LOWER LIFT CYLINDER ASSEMBLIES



SECTION 5 - CYLINDER

FIGURE 5-3. LOWER LIFT CYLINDER ASSEMBLIES

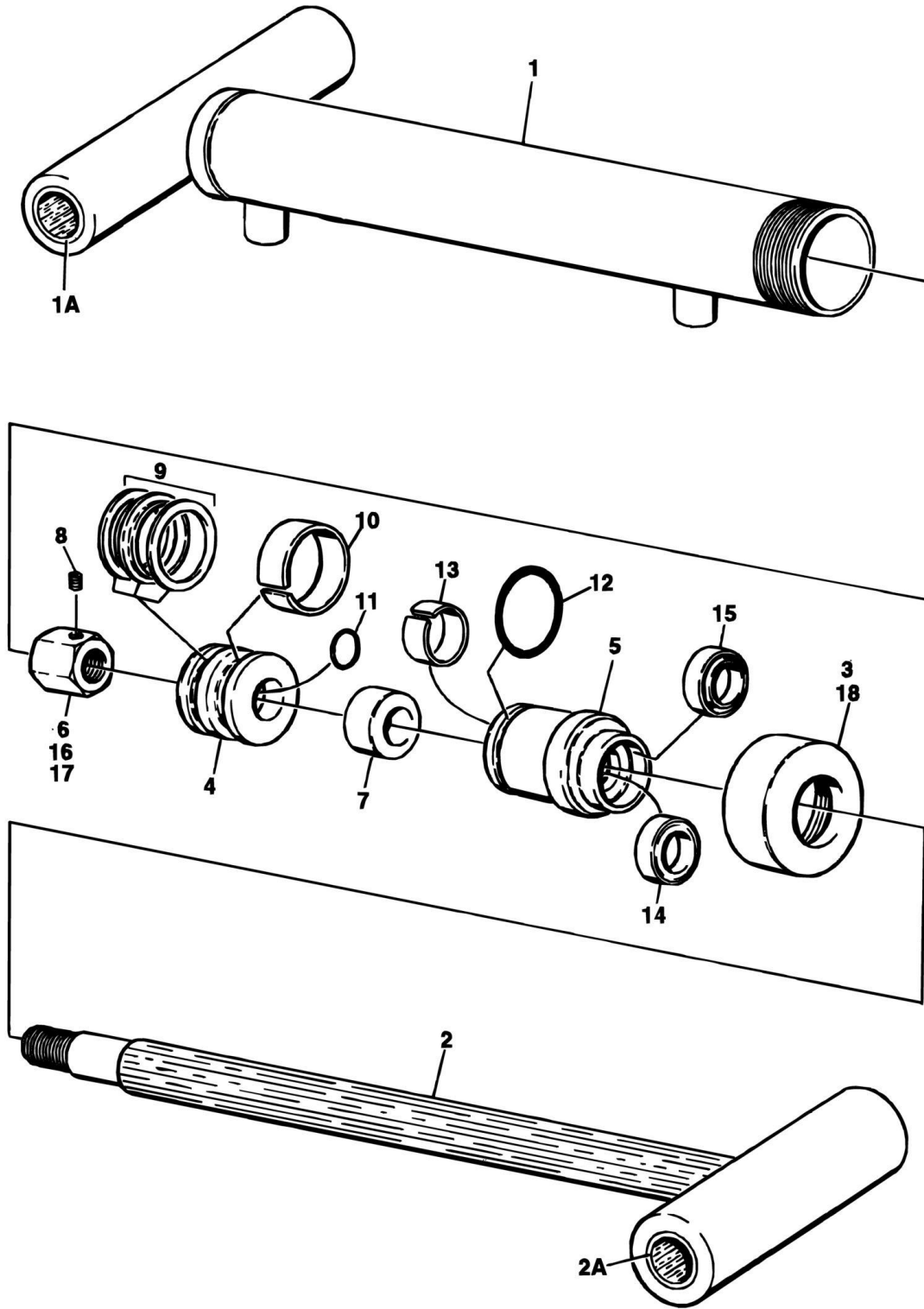
ITEM	PART NUMBER	QTY	DESCRIPTION	REV
		Ref	LOWER LIFT CYLINDER ASSEMBLY - MODEL 45ic	
	1683013	Ref	Lower Lift Cylinder Assembly - Model 45ic (Prior to SN 33090)	-
	1683521	Ref	Lower Lift Cylinder Assembly - Model 45ic (SN 33090 to Present)	1-A
2	1683016	1	Rod Weldment	
2A	0961726	2	Bushing, Teflon	
3	1120094	1	Retainer	
4	3480102	1	Piston	
5	1682323	1	Head	
6	3300281	1	Nut, Hex	
7	Not Required	0	Not Required	
8	4566432	1	Spacer	
9	4640634	1	Cartridge, Holding Valve	
9	2900770	1	Seal Kit - 4640634 Valve	
10	4640816	1	Cartridge, Holding Valve	
10	2900770	1	Seal Kit - 4640816 Valve	
11	2220885	2	Plug	
12	3900170	1	Setscrew 3/8in-16NC x 3/8in	
14	Kit	2	Ring, Lock	
15	Kit	2	Seal, Piston	
16	Kit	1	O-Ring	
17	Kit	1	Ring, Wear	
18	Kit	1	O-Ring	
19	Kit	1	Seal, Rod	
20	Kit	1	Wiper, Rod	
21	0100011	AR	Loctite #242	
22	0100038	AR	Primer, Locking	
23	0100035	AR	Loctite #222	
51		Ref	Barrel Weldment Options:	
51	1683014	1	Barrel Weldment (Prior to SN 33090)	
51	1683515	1	Barrel Weldment (SN 33090 to Present)	
51A	0961726	2	Bushing, Teflon	
		Ref	LOWER LIFT CYLINDER ASSEMBLY - MODEL 40ic	
	1682855	Ref	Lower Lift Cylinder Assembly - Model 40ic (Prior to SN 33090)	C
	1683518	Ref	Lower Lift Cylinder Assembly - Model 40ic (SN 33090 to Present)	1-A
102	1682858	1	Rod Weldment	
102A	0961726	2	Bushing, Teflon	
103	1120305	1	Retainer	
104	3480113	1	Piston	
105	1682209	1	Head	
106	3300281	1	Nut, Hex	
107	4740207	1	Washer	
108	4565992	1	Spacer	
109	4640634	1	Cartridge, Holding Valve	
109	2900770	1	Seal Kit - 4640634 Valve	
110	4640816	1	Cartridge, Holding Valve	
110	2900770	1	Seal Kit - 4640816 Valve	
111	2220885	2	Plug	
112	3900170	1	Setscrew 3/8in-16NC x 3/8in	

SECTION 5 - CYLINDER

ITEM	PART NUMBER	QTY	DESCRIPTION	REV
114	Kit	2	Ring, Lock	
115	Kit	2	Seal, Piston	
116	Kit	1	O-Ring	
117	Kit	1	Ring, Wear	
118	Kit	1	O-Ring	
118	Kit	1	Ring, Back-up	
119	Kit	1	Seal, Rod	
120	Kit	1	Wiper, Rod	
121	0100011	AR	Loctite #242	
122	0100038	AR	Primer, Locking	
123	0100035	AR	Loctite #222	
151		Ref	Barrel Weldment Options:	
151	1682856	1	Barrel Weldment (Prior to SN 33090)	
151	1683512	1	Barrel Weldment (SN 33090 to Present)	
151A	0961726	2	Bushing, Teflon	

SECTION 5 - CYLINDER

FIGURE 5-4. MASTER CYLINDER ASSEMBLY



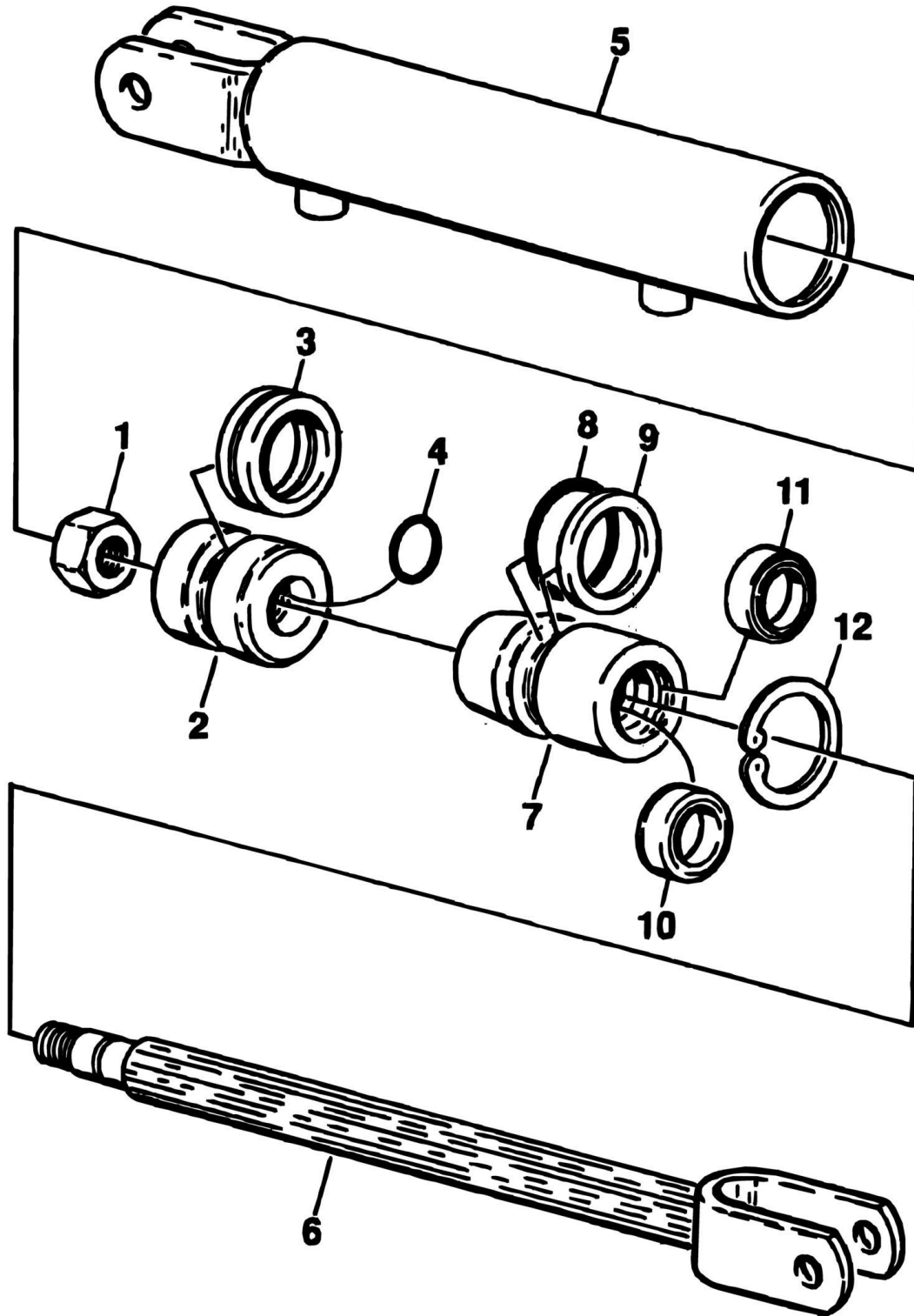
SECTION 5 - CYLINDER

FIGURE 5-4. MASTER CYLINDER ASSEMBLY

ITEM	PART NUMBER	QTY	DESCRIPTION	REV
	1683325	Ref	MASTER CYLINDER ASSEMBLY	-
1	1682879	1	Barrel Weldment	
1A	0961608	2	Bushing, Teflon	
2	1683286	1	Rod Weldment	
2A	0961608	2	Bushing, Teflon	
3	1120110	1	Retainer	
4	3480217	1	Piston	
5	1682154	1	Head	
6	3300308	1	Nut, Hex	
7	4566023	1	Spacer, Tube	
8	3900170	1	Setscrew 3/8in-16NC x 3/8in	
9	Kit	1	T-Seal	
10	Kit	1	Ring, Wear	
11	Kit	1	O-Ring	
12	Kit	1	O-Ring	
13	Kit	1	Ring, Wear	
14	Kit	1	Seal, Rod	
15	Kit	1	Wiper, Rod	
16	0100038	AR	Primer, Locking	
17	0100011	AR	Loctite #242	
18	0100035	AR	Loctite #222	
	2901147	1	Seal Kit (Includes Items 9-15)	

SECTION 5 - CYLINDER

FIGURE 5-5. PLATFORM ROTATOR CYLINDER ASSEMBLY



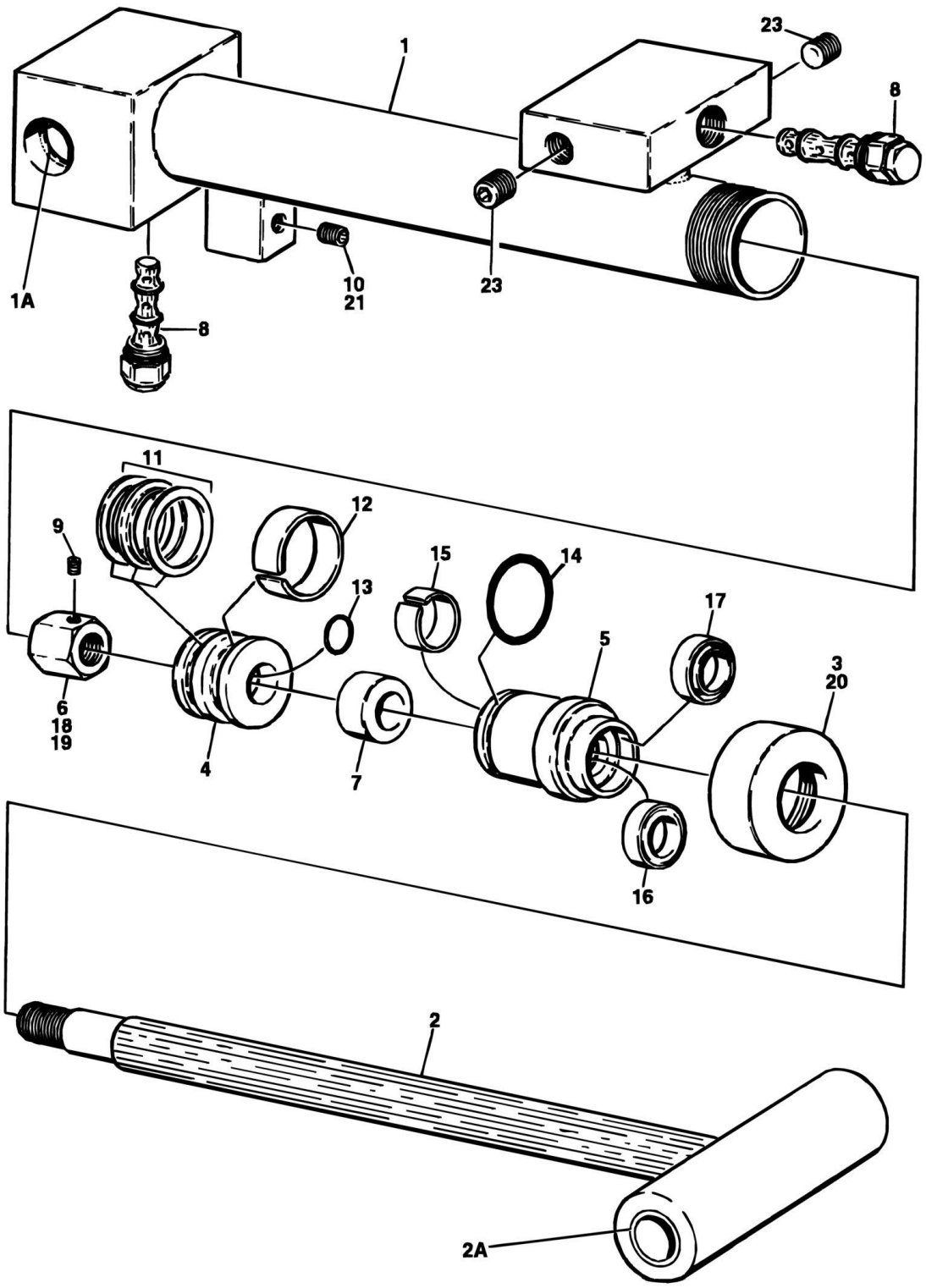
SECTION 5 - CYLINDER

FIGURE 5-5. PLATFORM ROTATOR CYLINDER ASSEMBLY

ITEM	PART NUMBER	QTY	DESCRIPTION	REV
	1682930	Ref	PLATFORM ROTATOR CYLINDER ASSEMBLY	-
1	7001609	1	Nut, Hex	
2	7001610	1	Piston	
3	Kit	1	Seal	
4	Kit	1	O-Ring	
5	7001611	1	Barrel Weldment	
6	7001612	1	Rod	
7	7001613	1	Head	
8	Kit	1	O-Ring	
9	Kit	1	Ring, Back-up	
10	Kit	1	Seal	
11	Kit	1	Wiper	
12	7001614	1	Ring, Retainer	
	7001608	1	Seal Kit - 1682930 Cylinder (Includes Items 3, 4 & 8-11)	

SECTION 5 - CYLINDER

FIGURE 5-6. SLAVE (PLATFORM LEVEL) CYLINDER ASSEMBLY



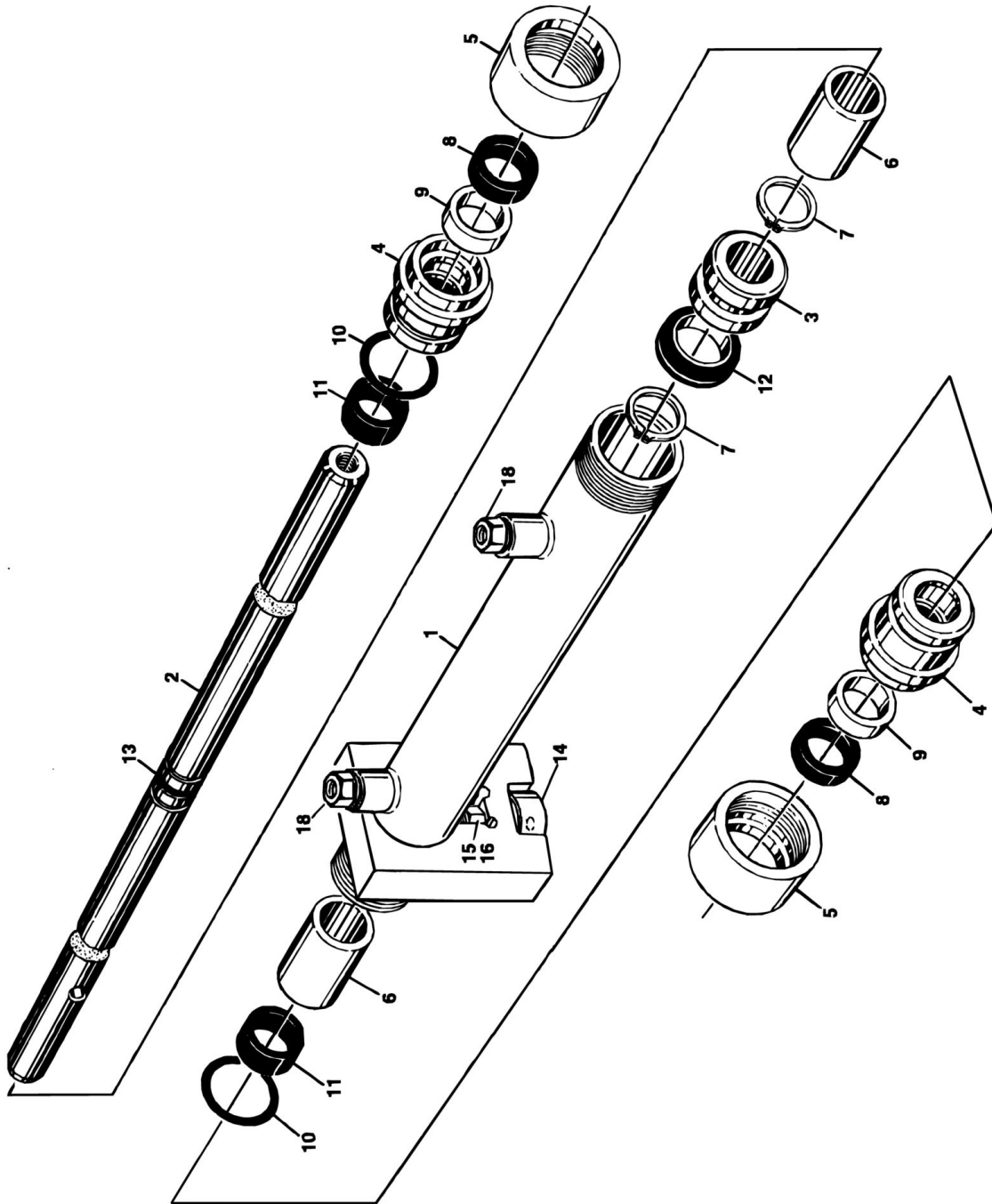
SECTION 5 - CYLINDER

FIGURE 5-6. SLAVE (PLATFORM LEVEL) CYLINDER ASSEMBLY

ITEM	PART NUMBER	QTY	DESCRIPTION	REV
	1683285	Ref	SLAVE (PLATFORM LEVEL) CYLINDER ASSEMBLY	-
1	1682878	1	Barrel Weldment	
1A	0961608	2	Bushing, Teflon	
2	1683286	1	Rod Weldment	
2A	0961608	2	Bushing, Teflon	
3	1120110	1	Retainer	
4	3480217	1	Piston	
5	1682154	1	Head	
6	3300308	1	Nut, Hex	
7	4566023	1	Spacer, Tube	
8	4640932	1	Cartridge, Holding Valve	
8	7011112	1	Seal Kit - 4640932 Valve	
9	3900170	1	Setscrew 3/8in-16NC x 3/8in	
10	2200222	1	Plug, Pipe	
11	Kit	1	T-Seal	
12	Kit	1	Ring, Wear	
13	Kit	1	O-Ring	
14	Kit	1	O-Ring	
15	Kit	1	Ring, Wear	
16	Kit	1	Seal, Rod	
17	Kit	1	Wiper, Rod	
18	0100038	AR	Primer, Locking	
19	0100011	AR	Loctite #242	
20	0100035	AR	Loctite #222	
21	0100020	AR	Sealant, Pipe	
23	2220883	2	Plug, Socket Hex	
	2901147	1	Seal Kit - 1683285 Cylinder (Includes Items 11-17)	

SECTION 5 - CYLINDER

FIGURE 5-7. STEER CYLINDER ASSEMBLY



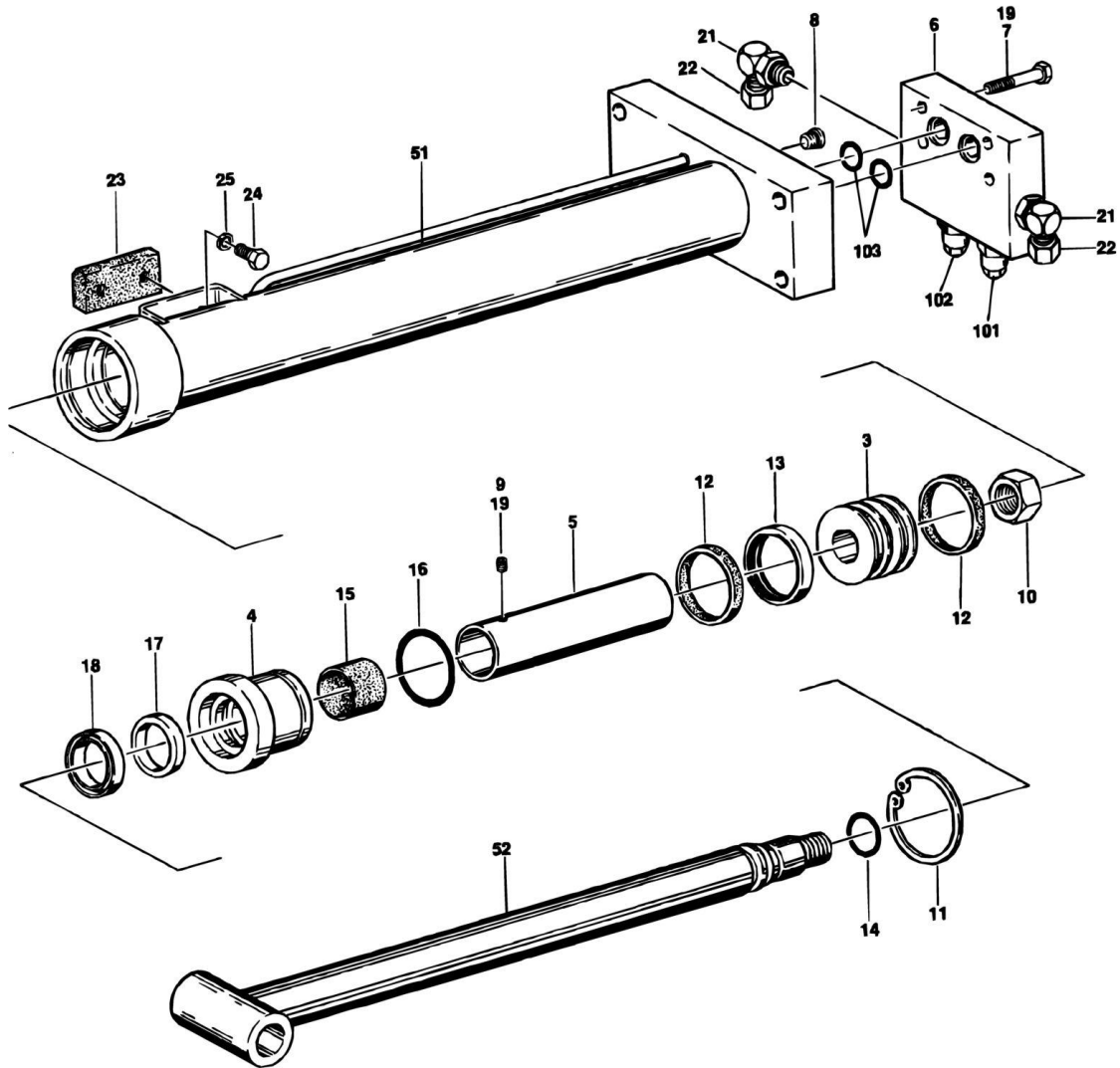
SECTION 5 - CYLINDER

FIGURE 5-7. STEER CYLINDER ASSEMBLY

ITEM	PART NUMBER	QTY	DESCRIPTION	REV
	1683698	Ref	STEER CYLINDER ASSEMBLY (Was P/N 1683487) (Prior to SN 37950)	2
1	1683694	1	Barrel Weldment (Was P/N 1682528) (Prior to SN 37950)	
2	1682530	1	Rod	
3	3480153	1	Piston	
4	1682364	2	Head	
5	1120387	2	Retainer	
6	4565275	2	Spacer	
7	3760141	2	Ring, Retaining	
8	Kit	2	Seal, Wiper	
9	Kit	2	Seal, Rod	
10	Kit	2	O-Ring	
11	Kit	2	Ring, Wear	
12	Kit	1	T-Seal	
13	Kit	1	O-Ring	
14	3860054	1	Follower, Cam (Prior to SN 31325)	
14	3860080	1	Follower, Cam (Was P/N 3860076) (Prior to SN 37950)	
15	3321801	1	Nut 1/2in-20NF	
16	0100035	AR	Loctite #222	
18	2220237	2	Fitting	
	2901178	1	Seal Kit (Includes Items 8-13)	

SECTION 5 - CYLINDER

FIGURE 5-8. TELESCOPE CYLINDER ASSEMBLIES



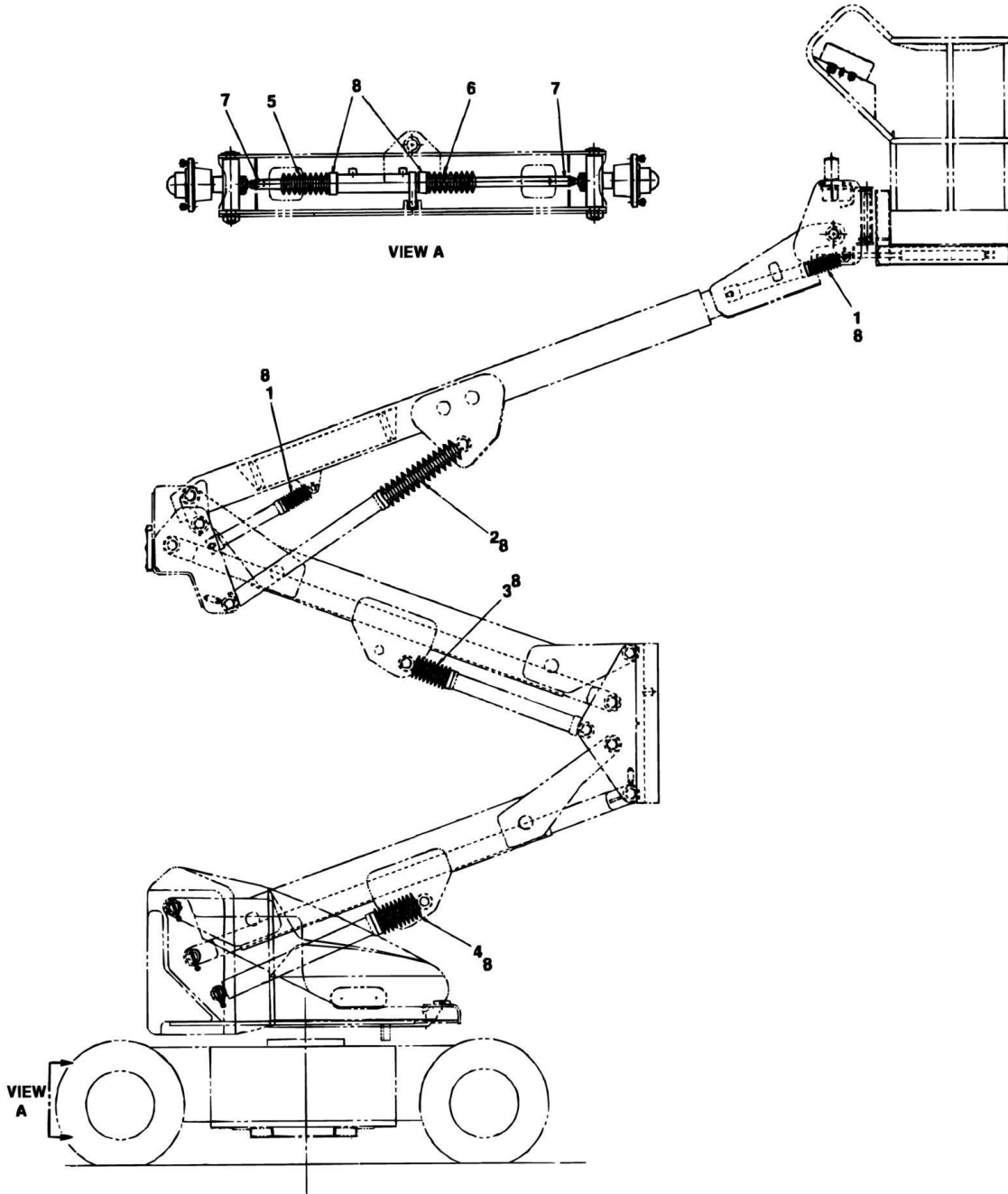
SECTION 5 - CYLINDER

FIGURE 5-8. TELESCOPE CYLINDER ASSEMBLIES

ITEM	PART NUMBER	QTY	DESCRIPTION	REV
		Ref	TELESCOPE CYLINDER ASSEMBLIES	
	1682947	Ref	Telescope Cylinder Assembly - 45ic	3-A
	1682887	Ref	Telescope Cylinder Assembly - 40ic	D
3	3480170	1	Piston	
4	1682892	1	Head	
5	4566027	1	Spacer, Tube	
6	4640807	1	Counterbalance Valve Assembly (See Items 101-103 for Breakdown)	
7	0641512	4	Bolt 5/16in-18NC x 1 1/2in	
8	2220883	2	Plug, O-Ring	
9	3951402	1	Setscrew 1/4in-20NC x 1/4in	
10	3322205	1	Locknut	
11	3760318	1	Ring, Retaining	
12	Kit	2	Ring, Wear	
13	Kit	1	Seal, Cap	
14	Kit	1	O-Ring	
15	Kit	1	Ring, Wear	
16	Kit	1	O-Ring	
17	Kit	1	Seal, Rod	
18	Kit	1	Wiper	
19	0100011	AR	Loctite #242	
21	2220628	2	Fitting, 90	
22	2220516	2	Fitting, Cap	
23	3340679	1	Wear Pad Assembly	
24	0641604	2	Bolt 3/8in-16NC x 1/2in	
25	4761600	2	Lockwasher 3/8in	
26	0100011	AR	Loctite #242	
51		Ref	Barrel Weldment Options:	
51	1682948	1	Barrel Weldment 45ic	
51	1682888	1	Barrel Weldment 40ic	
52		Ref	Rod Weldment Options:	
52	1682950	1	Rod Weldment 45ic	
52	1682890	1	Rod Weldment 40ic	
	4640807	Ref	COUNTERBALANCE VALVE ASSEMBLY	B
101	4640771	1	Cartridge, Counterbalance	
102	4640709	1	Cartridge, Vented Counterbalance	
103	3790113	2	O-Ring (Between Valve and Cylinder Block)	
	2900770		Seal Kit (1 Per Cartridge)	

SECTION 5 - CYLINDER

FIGURE 5-9. OPTIONAL CYLINDER BELLOWS INSTALLATION



SECTION 5 - CYLINDER

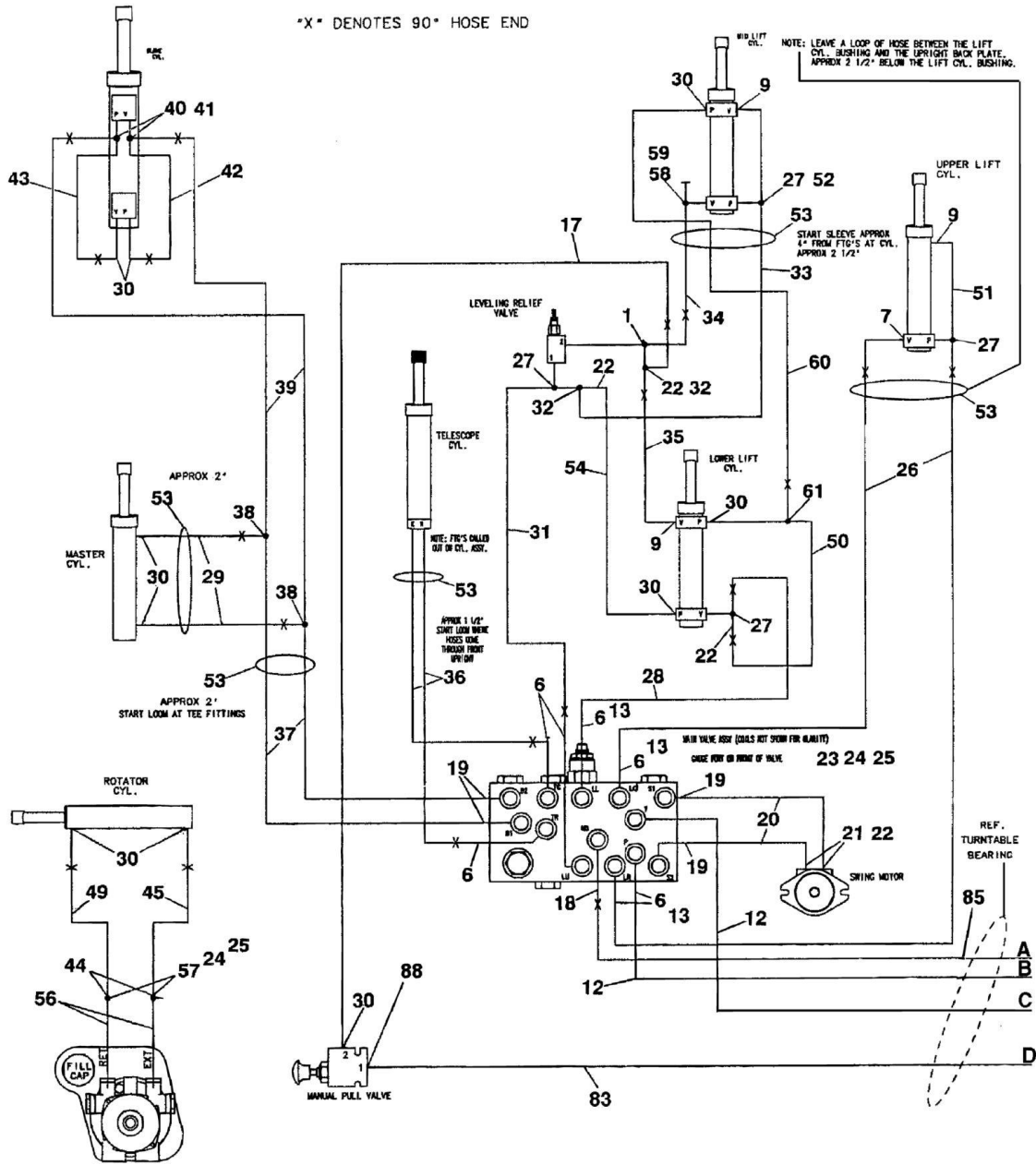
FIGURE 5-9. OPTIONAL CYLINDER BELLOWS INSTALLATION

ITEM	PART NUMBER	QTY	DESCRIPTION	REV
	0254851	Ref	OPTIONAL CYLINDER BELLOWS INSTALLATION - MODEL 45ic	-
	0254028	Ref	OPTIONAL CYLINDER BELLOWS INSTALLATION - MODEL 40ic	-
1	0460110	2	Bellows, Cylinders (Slave and Master Cylinders)	
2	0460111	1	Bellows, Cylinders (Upper Lift Cylinder)	
3		Ref	Bellows, Cylinders (Mid Lift Cylinder) Options:	
3	0460113	1	Bellows, Cylinders (Mid Lift Cylinder) Model 45ic	
3	0460112	1	Bellows, Cylinders (Mid Lift Cylinder) Model 40ic	
4		Ref	Bellows, Cylinders (Tower Lift Cylinder)	
4	0460114	1	Bellows, Cylinders (Tower Lift Cylinder) Model 45ic	
4	0460113	1	Bellows, Cylinders (Tower Lift Cylinder) Model 40ic	
5	0460102	1	Bellows, Cylinders (Steer Cylinder - Right Side)	
6	0460103	1	Bellows, Cylinders (Steer Cylinder - Left Side)	
7	1320033	2	Clamp	
8	1320037	7	Clamp	

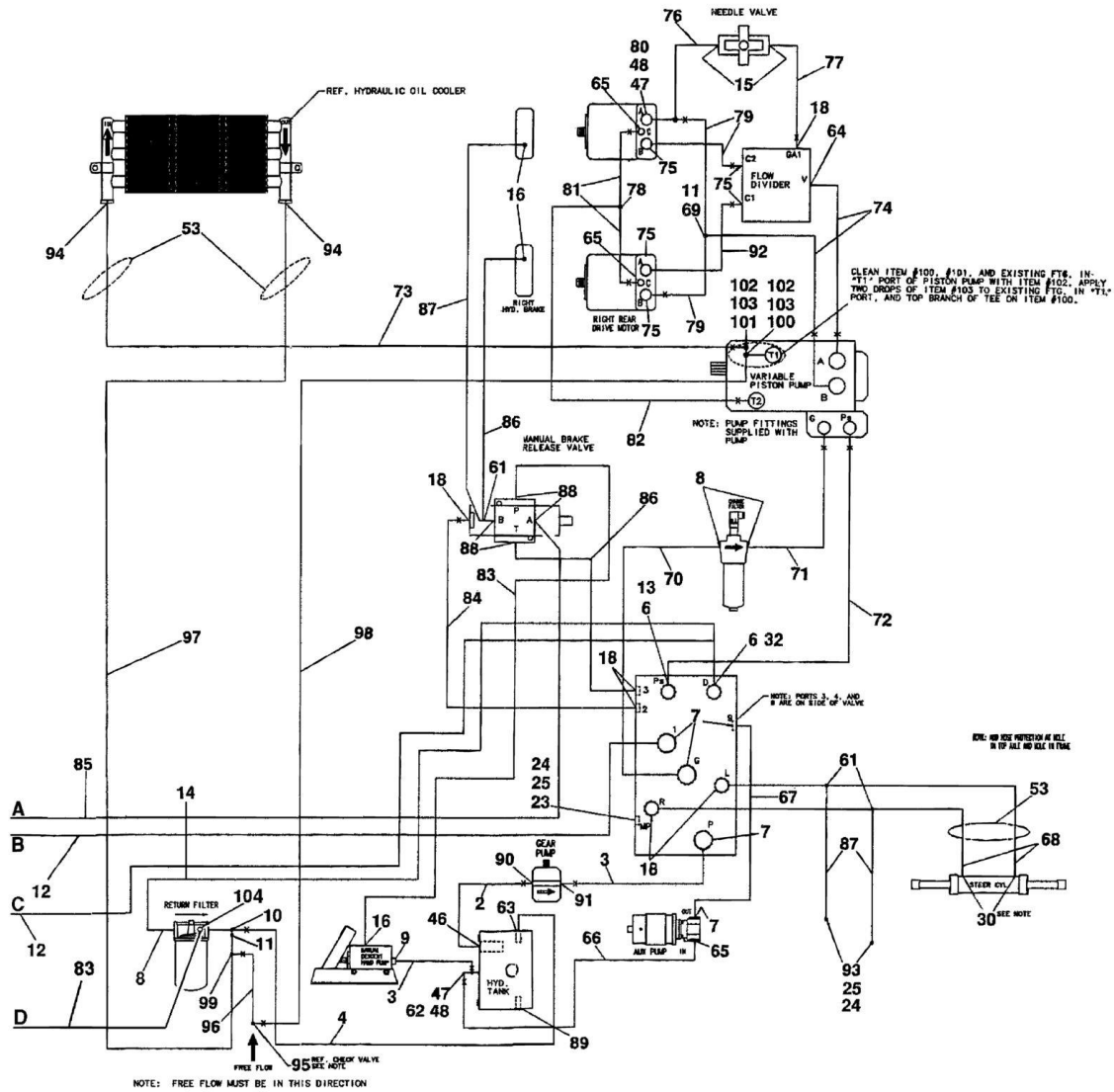
SECTION 6 - HYDRAULIC

SECTION 6 - HYDRAULIC

FIGURE 6-1. HYDRAULIC DIAGRAM



SECTION 6 - HYDRAULIC



SECTION 6 - HYDRAULIC

FIGURE 6-1. HYDRAULIC DIAGRAM

ITEM	PART NUMBER	QTY	DESCRIPTION	REV
	2792244	Ref	HYDRAULIC DIAGRAM (40IC)	11
	2792277	Ref	HYDRAULIC DIAGRAM (45IC)	I
1	2220606	1	Fitting, Tee	
2	2752522	1	Hose, Suction	
3	2752486	2	Hose	
4	2750834	1	Hose	
6	2220603	10	Fitting, Straight	
7	2220371	6	Fitting, Straight	
8	2220577	3	Fitting, Straight	
9	2220473	4	Fitting, 90	
10	2220738	1	Fitting, Tee	
11	2220622	3	Fitting, Reducer	
12	2752488	2	Hose	
13	2220657	6	Fitting, 45	
14	2750993	1	Hose	
15	2220416	2	Fitting, 90	
16	2220466	3	Fitting, 90	
17	2752433	1	Hose	
18	2220415	7	Fitting, Straight	
19	2220502	4	Fitting, 45	
20	2752459	2	Hose	
21	2220497	2	Fitting, Straight	
22	2220609	5	Fitting, Reducer	
23	2220873	2	Fitting, Pipe	
24	2220428	6	Fitting, Quick Disconnect	
25	2220429	6	Cap, Dust	
26		Ref	Hose Options:	
26	2752619	2	Hose 40ic	
26	2752482	2	Hose 45ic (Prior to SN 28755)	
26	2753050	2	Hose 45ic (SN 28755 to Present)	
27	2220899	4	Fitting, Tee	
28	2752620	1	Hose	
29	2752580	2	Hose	
30	2220472	13	Fitting, 90	
31	2752614	1	Hose	
32	2220635	3	Fitting, Tee	
33		Ref	Hose Options:	
33	2753115	1	Hose 40ic	
33	2753113	1	Hose 45ic	
34		Ref	Hose Options:	
34	2753116	1	Hose 40ic	
34	2753114	1	Hose 45ic	
35	2752462	1	Hose	
36		Ref	Hose Options:	
36	2752621	2	Hose 40ic	
36	2752626	2	Hose 45ic	
37		Ref	Hose Options:	
37	2752579	2	Hose 40ic	
37	2752585	2	Hose 45ic	
38	2220504	2	Fitting, Tee	

SECTION 6 - HYDRAULIC

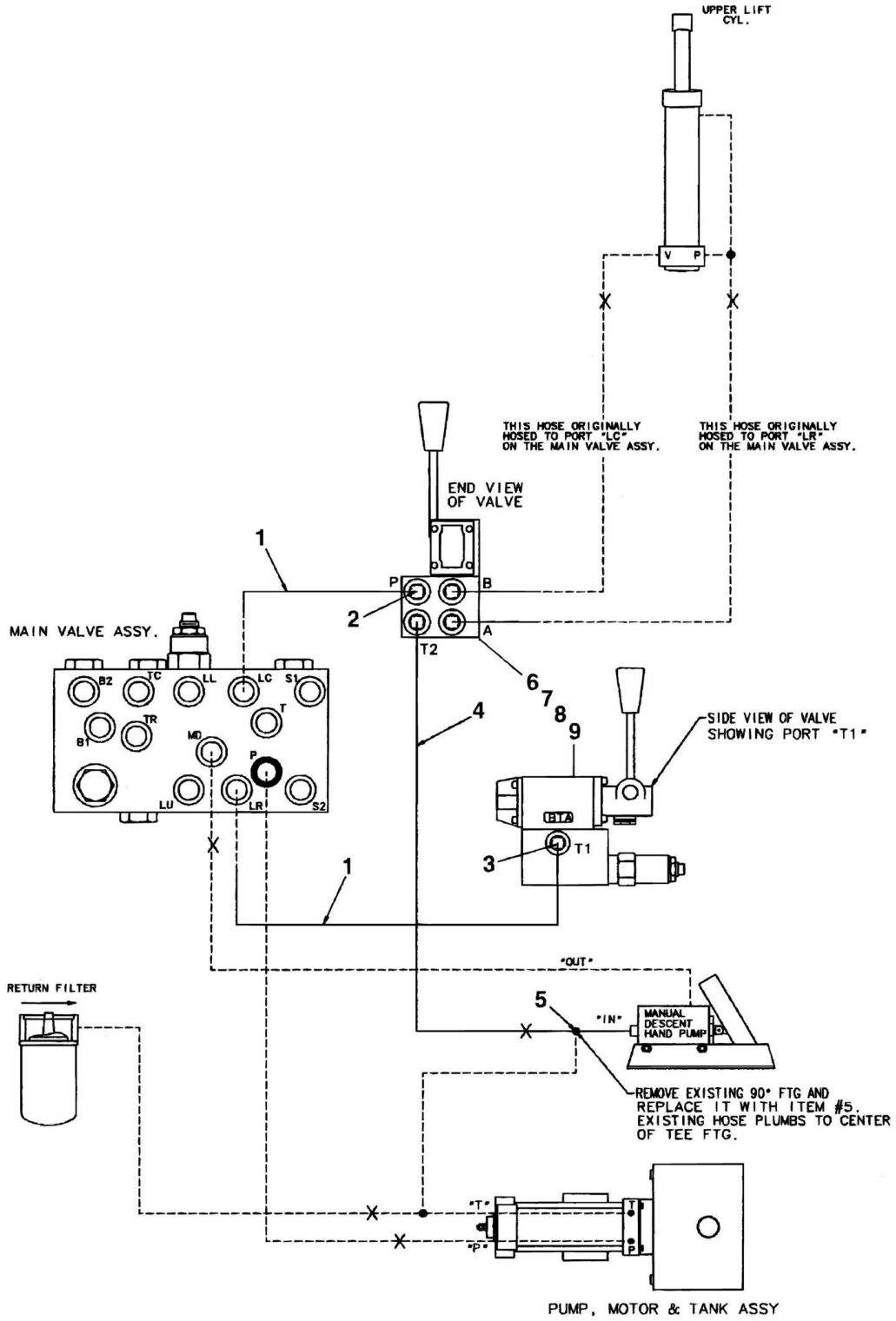
ITEM	PART NUMBER	QTY	DESCRIPTION	REV
39	2753005	2	Hose	
40	2220727	2	Fitting, Pipe	
41	2220684	2	Fitting, Tee	
42	2752435	1	Hose	
43	2752573	1	Hose	
44	2220677	2	Fitting, 45	
45	2752574	1	Hose	
46	2220435	1	Fitting, Straight	
47	2220811	2	Fitting, Reducer	
48	2220602	2	Fitting, Tee	
49	2752575	1	Hose	
50	2752581	1	Hose	
51	4566188	1	Tube	
52		Ref	Tube Options:	
52	4566187	1	Tube 40ic	
52	4566623	1	Tube 45ic	
53	4100026	4	Sleeve, Nylon	
54	2752438	1	Hose	
55	1702124	1	Tags, Hose (Not Shown)	
56	2221020	2	Fitting, Straight	
57	2220584	2	Fitting, Tee	
58	2220934	1	Fitting, Tee	
59	4640861	1	Bleeder Kit	
60		Ref	Hose Options:	
60	2752441	1	Hose 40ic	
60	2752440	1	Hose 45ic	
61	2220605	4	Fitting, Tee	
62	2220619	1	Fitting, Reducer	
63	2220578	1	Fitting, 90	
64	2220451	1	Fitting, Straight	
65	2220600	3	Fitting, Straight	
66	2750763	1	Hose	
67	2752472	1	Hose	
68	2752984	2	Hose	
69	2220481	1	Fitting, Tee	
70	2752648	1	Hose	
71	2752611	1	Hose	
72	2752476	1	Hose	
73	2752503	1	Hose	
74	2752255	2	Hose	
75	2220375	5	Fitting, Straight	
76	2751409	1	Hose	
77	2751010	1	Hose	
78	2220362	3	Fitting, Tee	
79	2752403	4	Hose	
80	2220618	1	Fitting, Reducer	
81	2752931	2	Hose	
82	2752935	1	Hose	
83	2752591	2	Hose	
84	2752445	1	Hose	
85	2752982	1	Hose	

SECTION 6 - HYDRAULIC

ITEM	PART NUMBER	QTY	DESCRIPTION	REV
86	2752983	2	Hose	
87	2752981	3	Hose	
88	2220582	5	Fitting, Straight	
89	2220240	1	Fitting, Plug (Prior to SN 28820)	
89	2220221	1	Fitting, Plug (SN 28820 to Present)	
90	2220408	1	Fitting, Straight	
91	2220372	1	Fitting, Straight	
92	2752404	1	Hose	
93	2220414	2	Fitting, Straight	
94	2220374	2	Fitting, Straight	
95	4640994	1	Valve, Check	
96	2752937	1	Hose	
97	2752938	1	Hose	
98	2752504	1	Hose	
99	2220385	1	Fitting, Tee	
100	2220383	1	Fitting, Tee	
101	2220386	1	Fitting, 90	
102	0100038	AR	Primer, Loctite	
103	0100011	AR	Loctite #242	

SECTION 6 - HYDRAULIC

FIGURE 6-2. HYDRAULIC DIAGRAM - MANUAL ASCENT (DUTCH AND GERMAN SPEC)



SECTION 6 - HYDRAULIC

FIGURE 6-2. HYDRAULIC DIAGRAM - MANUAL ASCENT (DUTCH AND GERMAN SPEC)

ITEM	PART NUMBER	QTY	DESCRIPTION	REV
	0255522	Ref	HYDRAULIC DIAGRAM - MANUAL ASCENT (DUTCH AND GERMAN SPEC)	A
1	2752478	2	Hose	
2	2220603	4	Fitting, Straight	
3	2220775	1	Fitting, 90	
4	2752461	1	Hose	
5	2220606	1	Fitting, Tee	
6	4640933	1	Valve, Manual Lift	
6	7012686	1	Valve Section - Manual Pump	
6	7012981	1	Valve, Cartridge - Relief	
6	7010541	1	Seal Kit - 7010541 Valve	
7	0641514	2	Bolt 5/16in-18NC x 1 3/4in	
8	4751500	2	Flatwasher 5/16in	
9	4761500	2	Lockwasher 5/16in	

SECTION 6 - HYDRAULIC

FIGURE 6-3. HYDRAULIC DIAGRAM LIST

ITEM	PART NUMBER	QTY	DESCRIPTION	REV
		Ref	Note: Diagrams not shown are available from JLG Service/Parts Departments.	
	2792244	Ref	Hydraulic Diagram - 40IC	
	2792277	Ref	Hydraulic Diagram - 45IC	
	2792243	Ref	Hydraulic Diagram - 45IC	
	0255522	Ref	Hydraulic Diagram - Manual Ascent (Dutch and German Spec)	

SECTION 7 - ELECTRICAL

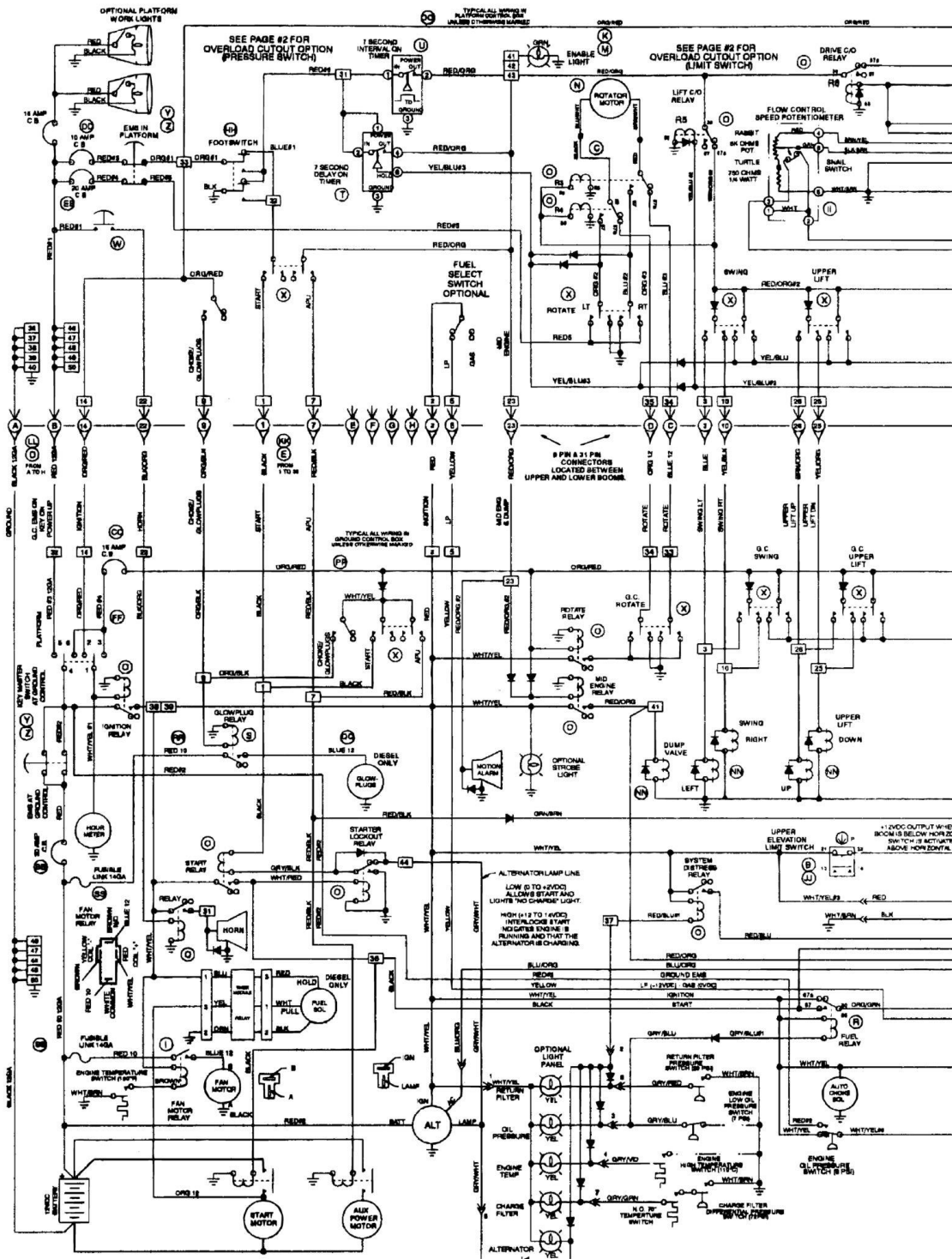
SECTION 7 - ELECTRICAL

FIGURE 7-1. ELECTRICAL DIAGRAMS AND DIAGRAM LIST

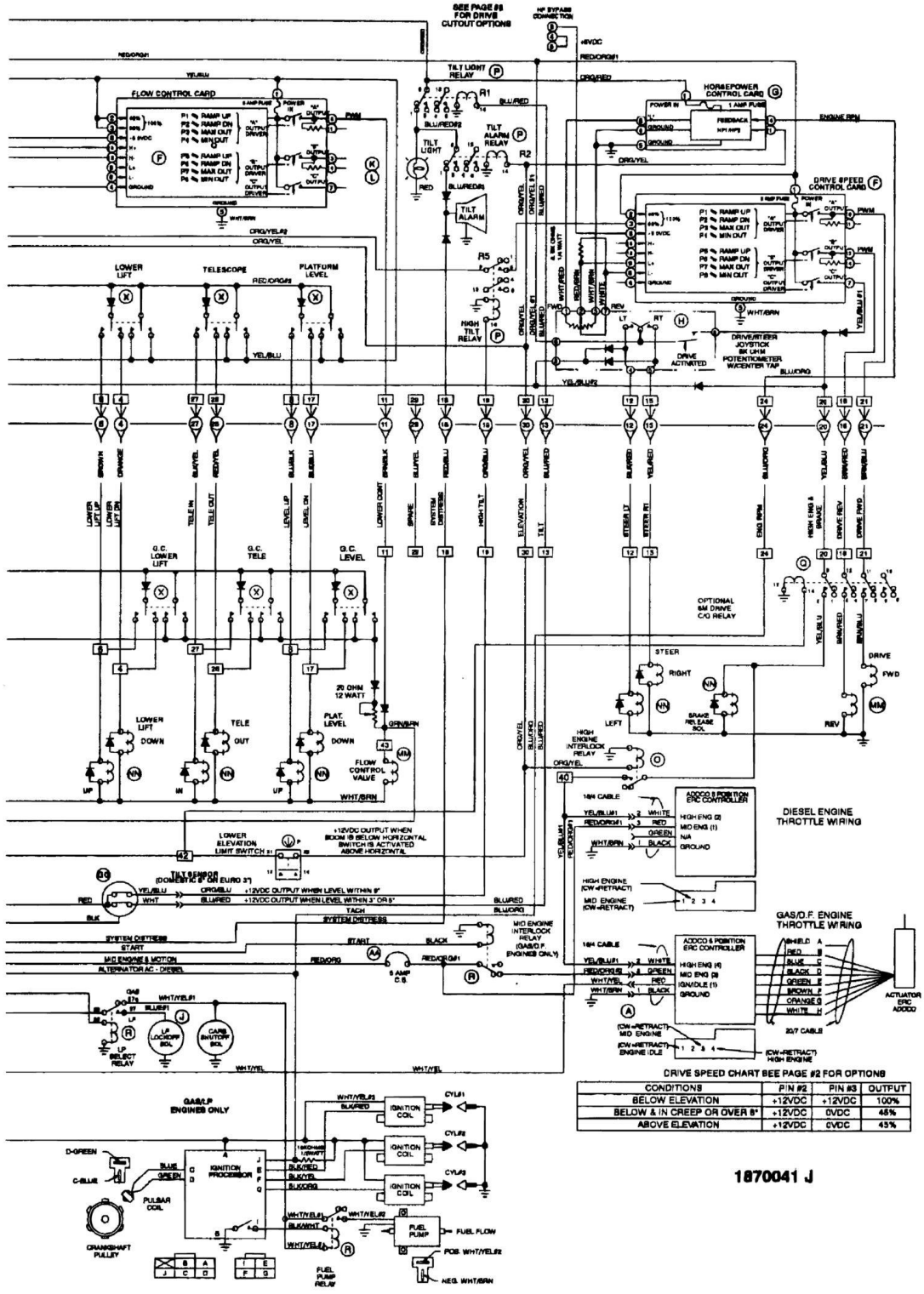
ITEM	PART NUMBER	QTY	DESCRIPTION	REV
		Ref	Note: Drawings are available from JLG Service Department upon request.	
	2901249	Ref	ALARM ELECTRICAL COMPONENTS (MOTION) (OPTIONAL - EURO SPEC/ STANDARD - AUSTRALIAN SPEC)	-
	4932338	Ref	ALARM ELECTRICAL COMPONENTS (MOTION) (OPTIONAL - EURO SPEC/ STANDARD - AUSTRALIAN SPEC)	-
	4921425	1	Harness	
	0140031	1	Alarm	
	4392338	Ref	BEACON ELECTRICAL DIAGRAM	C
		Ref	DRIVE CUT-OUT ELECTRICAL DIAGRAMS	
	4932859	Ref	ABOVE ELEVATION (B/M ONLY) (ITALIAN SPEC)	-
	1282596	Ref	ABOVE ELEVATION (B/M ONLY) (ITALIAN SPEC)	B
	4932860	Ref	ABOVE ELEVATION TILT (B/M ONLY) (FRENCH SPEC)	-
	1282596	Ref	ABOVE ELEVATION TILT (B/M ONLY) (FRENCH SPEC)	B
	4932865	Ref	8 METER (B/M ONLY) (DUTCH AND GERMAN SPEC)	-
	1282581	Ref	8 METER (B/M ONLY) (DUTCH AND GERMAN SPEC)	-
	4932838	Ref	GROUND CONTROL BOX ELECTRICAL DIAGRAM	E-5
	3730099	1	Resistor - 20 Ohm/12Watts	
	3990010	12	Diode 6 Amp	
	0256524	Ref	LIGHT PANEL ELECTRICAL DIAGRAM	A
	4932870	Ref	PLATFORM ELECTRICAL DIAGRAM	6
	2901406	Ref	PLATFORM WORKLIGHTS ELECTRICAL DIAGRAM	-
	4921428	1	Harness	
	2920140	2	Worklight	
	4360070	1	Breaker, Circuit - 15 Amp	
	1870041	Ref	STANDARD ELECTRICAL SCHEMATIC	J

SECTION 7 - ELECTRICAL

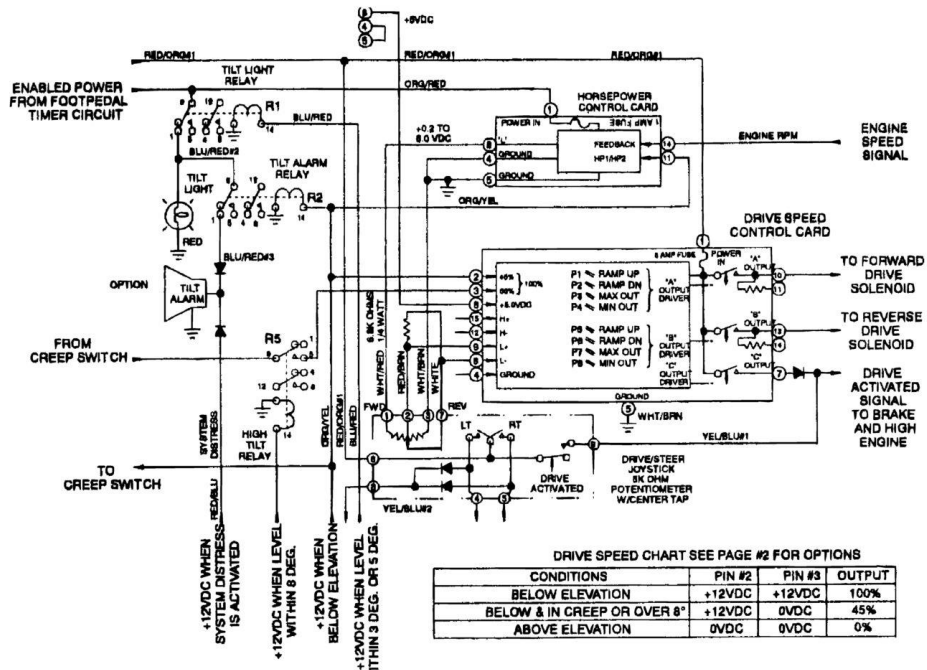
FIGURE 7-2. ELECTRICAL DIAGRAM - STANDARD (SHEET 1 OF 4)



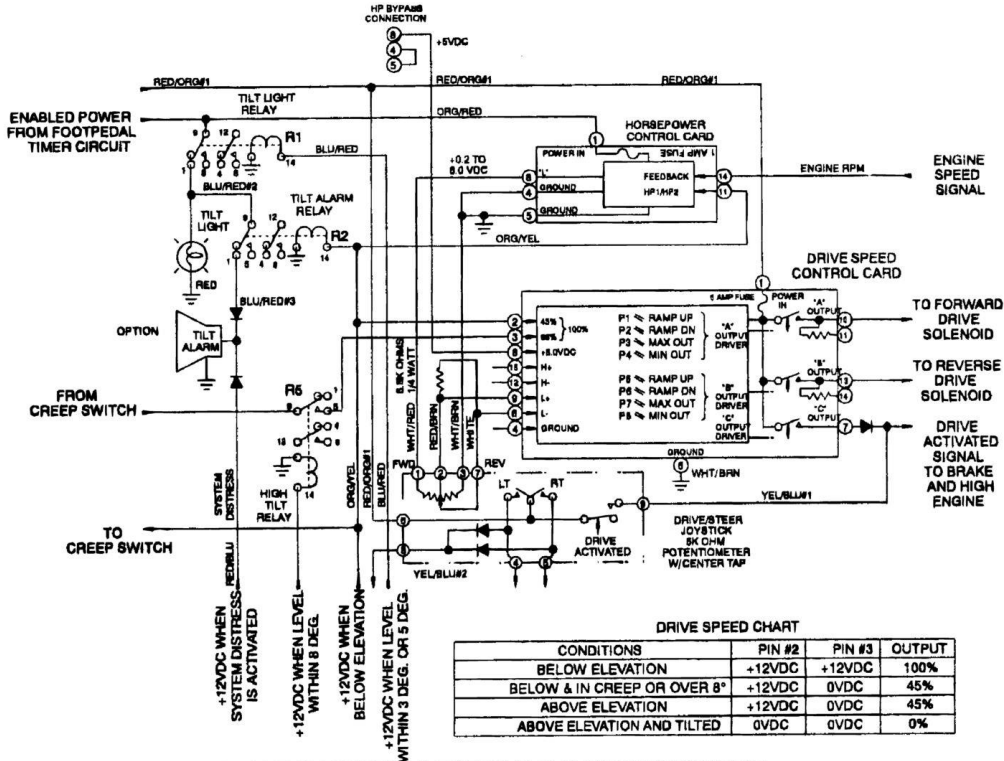
SECTION 7 - ELECTRICAL



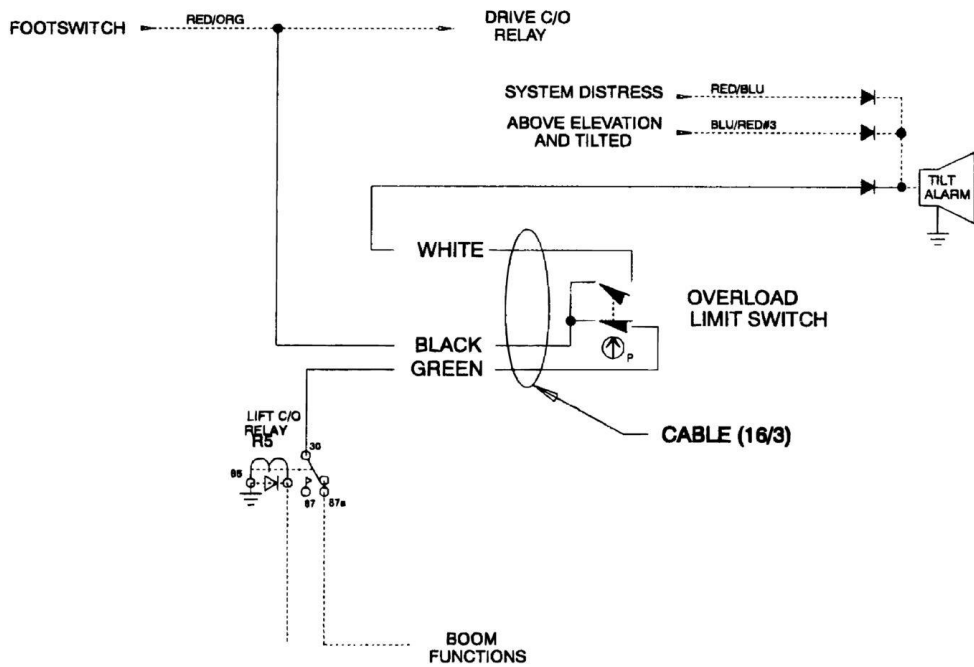
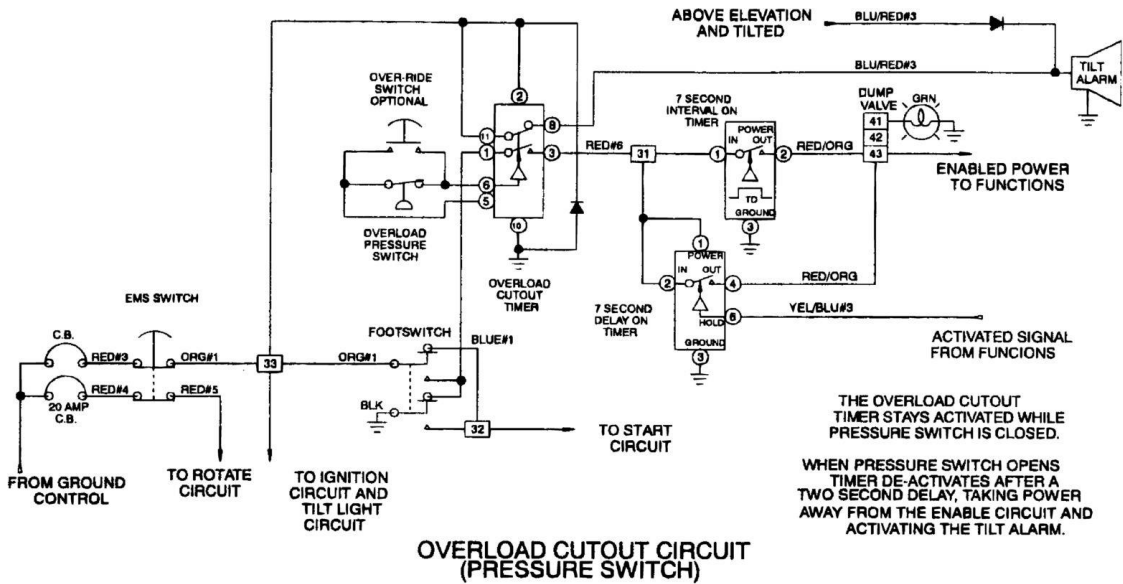
SECTION 7 - ELECTRICAL



ABOVE ELEVATION DRIVE CUTOFF CIRCUIT

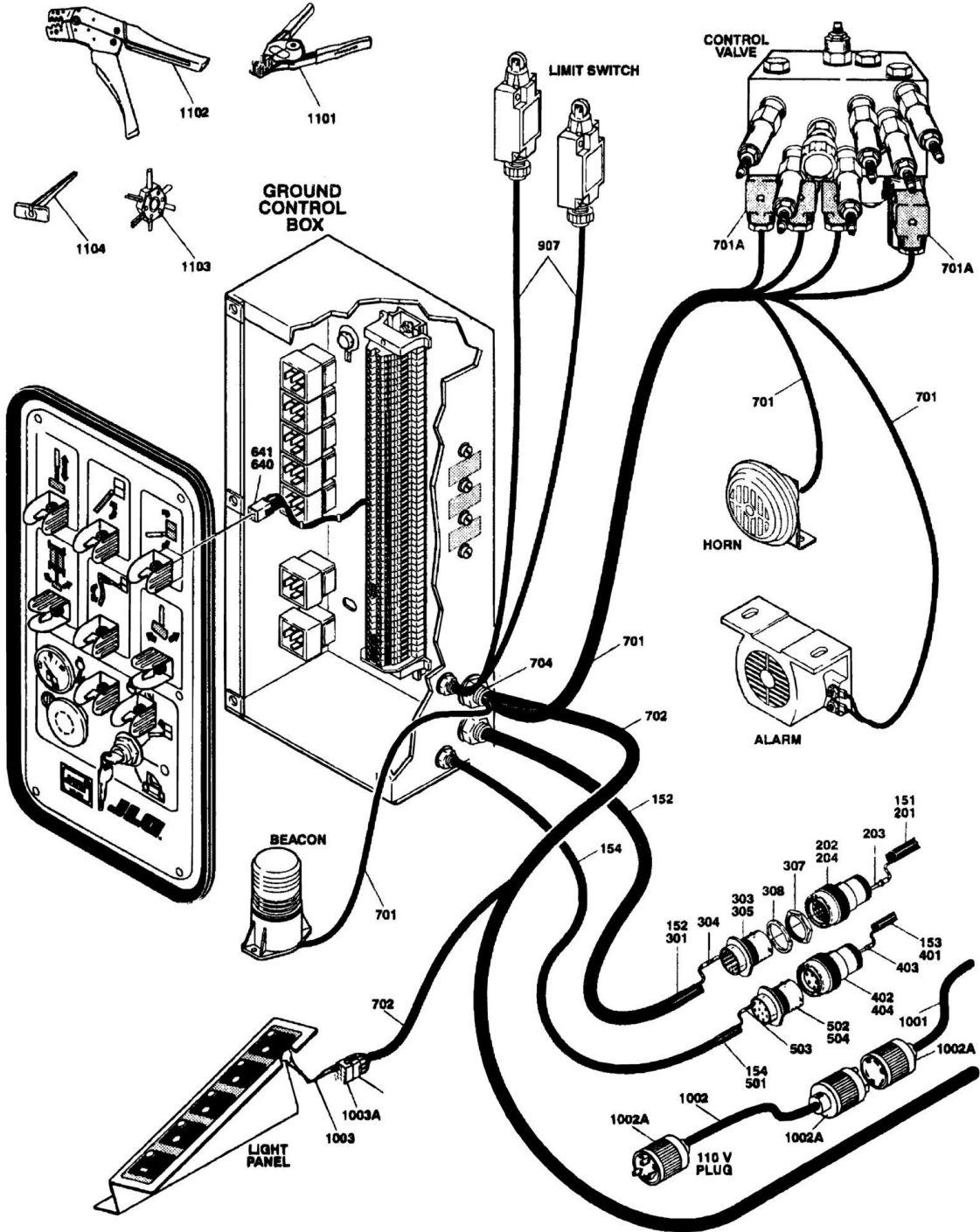


ABOVE ELEVATION & TILTED DRIVE CUTOFF CIRCUIT

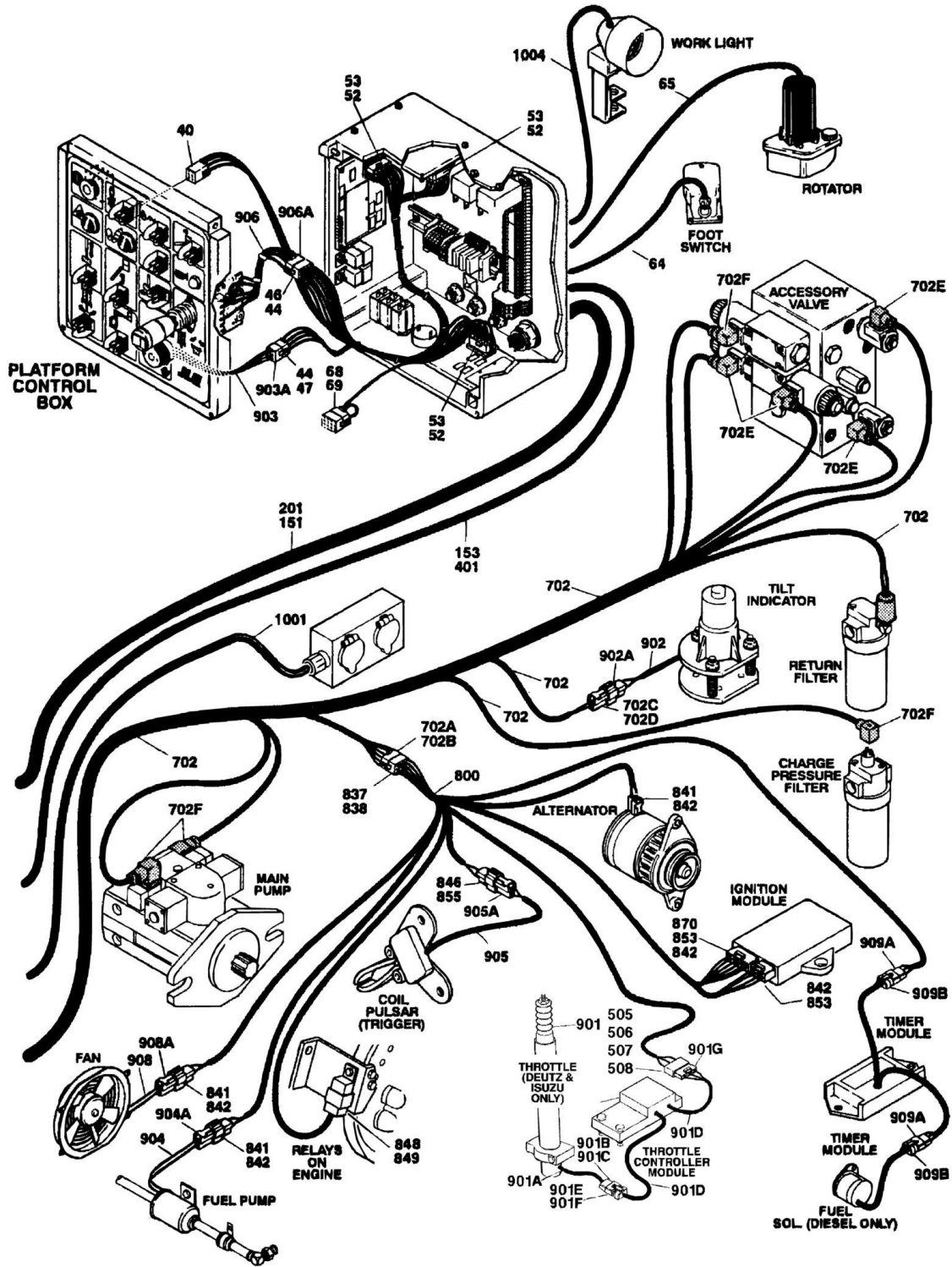


SECTION 7 - ELECTRICAL

FIGURE 7-3. HARNESS INSTALLATIONS



SECTION 7 - ELECTRICAL



SECTION 7 - ELECTRICAL

FIGURE 7-3. HARNESS INSTALLATIONS

ITEM	PART NUMBER	QTY	DESCRIPTION	REV
	4932870	Ref	PLATFORM ELECTRICAL DIAGRAM	6
40	4460418	7	Connector - (6 Pin) (To Switches)	
41	4460419	40	Terminal, Female	
44	4460267	14	Pin, Male	
46	4460265	1	Connector - 9 Pin	
47	4460225	1	Connector - 6 Pin	
50	3990010	12	Diode - 6 Amp (Not Shown)	
52	4460620	3	Connector - 15 Socket	
53	4460621	25	Socket, Female	
64	1060515	7 ft/2.2m	Cable, Electrical - 12/4	
65	1060514	8 ft/2.5m	Cable, Electrical - 12/3	
68	4460652	1	Connector - 15 Position	
69	4460653	3	Pin, Male	
70	3730114	1	Resistor - 6.8 Ohms 1/4 Watt (Not Shown)	
		Ref	BOOM HARNESSES AND CLAMPS INSTALLATION	
	0256142	Ref	Boom Harnesses and Clamps Installation Model - 40ic	2
	0256138	Ref	Boom Harnesses and Clamps Installation Model - 45ic	2
104	0561090	2	Block, Hose Clamp (Not Shown - Located on Main Boom)	
105	0561091	1	Block, Hose Clamp (Not Shown - Located on Upper Upright)	
107	3536999	1	Shield	
115	4060805	3.58 ft/1.09m	Trim 1/4in (Not Shown - Located on Upper Upright)	
116	4060808	7.74 ft/2.36m	Trim 1/2in (Not Shown - Located on Mid Boom)	
117	4240099	26	Tie-Strap (Not Shown - Located on Mid Boom)	
121	4566243	1	Roller (Not Shown - Located on Mid Boom)	
124	1320205	1	Clamp, Hose (Not Shown - Located on Lower Upright)	
125	1670697	1	Cover, Hose (Not Shown - Located on Upper Upright)	
128	1320040	1	Clamp, Cable (Not Shown - Located on Lower Boom)	
132	1320195	1	Cover, Clamp (Not Shown - Located on Main Boom)	
133	1320199	1	Clamp (Not Shown - Located on Main Boom)	
151		Ref	Harness Assembly - 16/30 Options: (Main Boom) (Includes Items 201 to 204)	
151	4921840	1	Harness Assembly - 16/30 Model - 40ic	
151	4921841	1	Harness Assembly - 16/30 Model - 45ic	
152		Ref	Harness Assembly - 16/30 Options: (Tower Boom) (Includes Items 301 to 308)	
152	4921581	1	Harness Assembly - 16/30 Model - 40ic	
152	4921591	1	Harness Assembly - 16/30 Model - 45ic	
153		Ref	Harness Assembly - 12/4 Options: (Main Boom) (Includes Items 401 to 404)	
153	4921846	1	Harness Assembly - 12/4 Model - 40ic	
153	4921847	1	Harness Assembly - 12/4 Model - 45ic	
154		Ref	Harness Assembly - 12/4 Options: (Tower Boom) (Includes Items 501 to 504)	
154	4921844	1	Harness Assembly - 12/4 Model - 40ic	
154	4921845	1	Harness Assembly - 12/4 Model - 45ic	
	4921840	Ref	HARNESS ASSEMBLY - 16/30 (MAIN BOOM) (40ic)	-
	4921841	Ref	HARNESS ASSEMBLY - 16/30 (MAIN BOOM) (45ic)	-
201	1060516	Ref	Cable, Electrical - 16/30 (Was P/N 1060229)	
201	1060516	26 ft/8m	Cable, Electrical - 16/30 (was P/N 1060229) Model 40ic	

SECTION 7 - ELECTRICAL

ITEM	PART NUMBER	QTY	DESCRIPTION	REV
201	1060516	27.5 ft/8.4m	Cable, Electrical - 16/30 (was P/N 1060229) Model 45ic	
202	4460501	1	Connector - 31 Pin (Female)	
203	4460464	30	Pin, Male	
204	4450466	1	Seal, Terminal	
	4921581	Ref	HARNES ASSEMBLY - 16/30 (TOWER BOOM) (40ic)	A
	4921591	Ref	HARNES ASSEMBLY - 16/30 (TOWER BOOM) (45ic)	A
301	1060516	Ref	Cable, Electrical - 16/30 (Was P/N 1060229)	
301	1060516	36 ft/11m	Cable, Electrical - 16/30 (was P/N 1060229) Model 40ic	
301	1060516	42 ft/13m	Cable, Electrical - 16/30 (was P/N 1060229) Model 45ic	
303	4460500	1	Connector - 31 Pin (Male)	
304	4460465	30	Socket, Female	
305	4460466	1	Seal, Terminal	
307	4460470	1	Nut, Receptacle (Model 40ic Only)	
308	4460471	1	Lockwasher, Receptacle (Model 40ic Only)	
	4921846	Ref	HARNES ASSEMBLY - 12/4 (MAIN BOOM) (40ic)	A
	4921847	Ref	HARNES ASSEMBLY - 12/4 (MAIN BOOM) (45ic)	A
401	1060515	Ref	Cable, Electrical - 12/4	
401	1060515	26 ft/8m	Cable, Electrical - 12/4 Model 40ic	
401	1060515	27.5 ft/8.4m	Cable, Electrical - 12/4 Model 45ic	
402	4460505	1	Connector - 8 Pin (Female)	
403	4460508	4	Pin, Male	
404	4450466	4	Seal, Terminal	
	4921844	Ref	HARNES ASSEMBLY - 12/4 (TOWER BOOM) (40ic)	A
	4921845	Ref	HARNES ASSEMBLY - 12/4 (TOWER BOOM) (45ic)	A
501	1060515	Ref	Cable, Electrical - 12/4	
501	1060515	34 ft/10.4m	Cable, Electrical - 12/4 Model 40ic	
501	1060515	38 ft/11.6m	Cable, Electrical - 12/4 Model 45ic	
502	4460504	1	Connector - 8 Pin (Male)	
503	4460509	4	Socket, Female	
504	4460466	4	Seal, Terminal	
505 to 508	Not Required	0	Not Required	
	4932838	Ref	GROUND CONTROL BOX ELECTRICAL DIAGRAM	5-E
640	4460418	7	Connector - (6 Pin (To Switches)	
641	4460419	40	Terminal, Female	
646	3730099	1	Resistor 20 Ohm 12 Watt (Not Shown)	
650	3990010	12	Diode 6 Amp (Not Shown)	
	4921813	Ref	HARNES ASSEMBLY - CHASSIS AND VALVE	B-2
701	4921794	1	Valve Harness Assembly	2-B
701	3990001	2	Diode - 3.5 Amp	
701A	4460499	10	Connector, DIN	
702	4921795	1	Frame Harness Assembly	C
702A	4460268	9	Socket, Female (To Engine Harness)	
702B	4460266	2	Connector - 9 Pin (To Engine Harness/Light Panel)	
702C	4460267	11	Pin, Male (To Light Panel and Tilt Sensor)	
702D	4460225	1	Connector - 3 Pin (To Tilt Sensor)	
702E	4460499	4	Connector, DIN with Diode	
702F	4460449	4	Connector, DIN without Diode	
704	4460426	1	Connector, Strain Relief	

SECTION 7 - ELECTRICAL

ITEM	PART NUMBER	QTY	DESCRIPTION	REV
710	3990001	1	Diode - 3.5 Amp (Not Shown)	
800	4921852	Ref	HARNESS ASSEMBLY - VANGUARD	9-H
832	Not Required	0	Not Required	
837	4460265	1	Connector - 9 Pin	
841	4460656	3	Housing, Terminal - 2 Position	
842	4460657	18	Terminal	
846	4460654	1	Housing, Terminal - 2 Position	
848	4460374	4	Plug, Weatherproof Relay	
849	4460375	18	Terminal	
852	4460658	1	Housing, Terminal - 4 Position	
853	4460659	1	Housing, Terminal - 6 Position	
855	4460655	2	Terminal - Male	
870	3730113	1	Resistor - 10K Ohms/1/2 Watt	
872	3990010	1	Diode - 6 Amp	
	2901447		Terminal Kit (Includes Items 841, 842, 846, 852 & 853)	
800	4921853	Ref	HARNESS ASSEMBLY - YANMAR	7-G
832	3740112	1	Relay - 75 Amp SPST (Glow Plug Relay) (Not Shown)	
837	4460265	1	Connector - 9 Pin	
838	4460267	16	Pin, Male	
839 to 842	Not Required	0	Not Required	
846	Not Required	0	Not Required	
847	4460445	2	Connector - 3 Position	
848 to 849	Not Required	0	Not Required	
852 to 853	Not Required	0	Not Required	
855	Not Required	0	Not Required	
870	Not Required	0	Not Required	
872	Not Required	0	Not Required	
		Ref	MISCELLANEOUS HARNESS AND CABLES	
901	Not Available	1	Throttle Actuator/Controller Harness (Deutz and Isuzu)	
901	2910000	1	Throttle Actuator and Controller Assembly (was p/n 0060037 / 0060038)	
901	7008833	1	Mounting Clamp Kit (Not Shown)	
901	7008836	1	Spring, Retract (Not Shown)	
901A	Not Available	1	Throttle Actuator and Harness (Purchase p/n 2910000)	
901A	7016336	1	Boot Kit	
901B	Not Serviced	9	Pin, Male	
901C	Not Serviced	1	Connector, Male	
901D	2910001	1	Controller and Harnesses (Purchase p/n 2910000)	
901E	Not Serviced	9	Socket, Female	
901F	Not Serviced	1	Connector, Female	
901G	Not Available	1	Connector - 4 Position	
901G	4460693	4	Pin, Male	
901G	4460591	1	Clip	
901G	4460608	4	Seal, Terminal	
902	Not Available	1	Tilt Indicator Harness	
902A	4460205	1	Connector - 6 Position	
902A	4460268	6	Socket, Female	
903	Not Available	1	Potentiometer Harness	
903A	4460205	1	Connector - 6 Position	
903A	4460268	6	Socket, Female	
904	Not Available	1	Fuel Pump Harness	
904A	4460654	1	Connector - 2 Position	

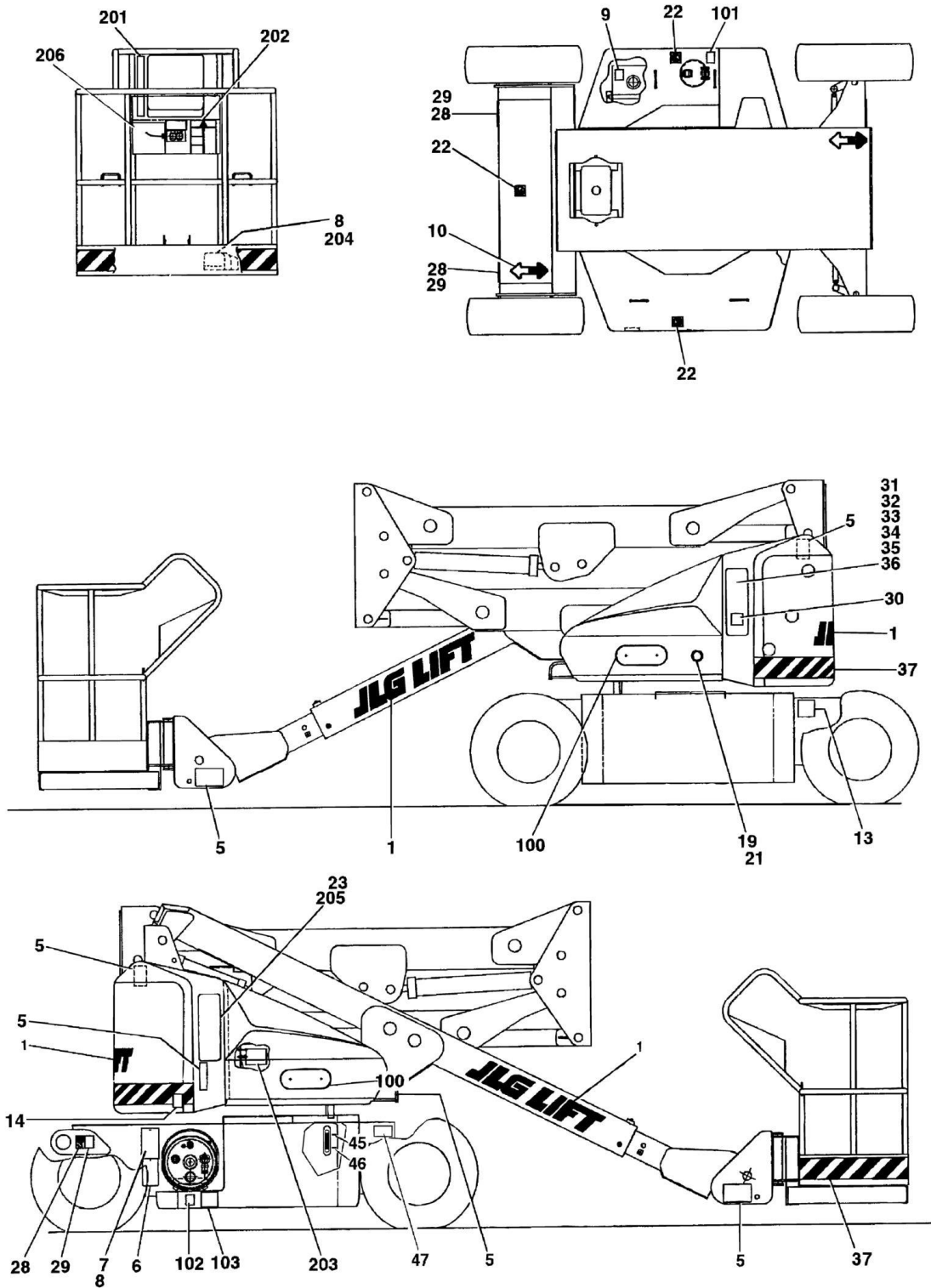
SECTION 7 - ELECTRICAL

ITEM	PART NUMBER	QTY	DESCRIPTION	REV
904A	4460655	2	Terminal	
905	Not Available	1	Trigger Harness	
905A	4460656	1	Connector - 6 Position	
905A	4460326	3	Terminal	
906	Not Available	1	Controller Harness	
906A	4460266	1	Connector - 9 Position	
906A	4460268	9	Socket, Female	
907	Not Available	1	Boom Limits Harness	
907	1060341	49 ft/15m	Cable, Electrical - 16/2	
908	Not Available	1	Fan Harness	
908A	4460654	1	Connector - 2 Position	
908A	4460655	2	Terminal	
909	Not Available	1	Timer Module Harness	
909A	4460445	1	Connector - 3 Position	
909A	4460267	3	Terminal	
909B	4460326	1	Connector - 3 Position	
909B	4460268	3	Socket, Female	
		Ref	OPTIONAL HARNESS ASSEMBLIES	
1001		Ref	Harness Options - 110V Receptacle (Main Boom):	
1001	4921569	1	Harness Options - 110V Receptacle (Main Boom) Model 40ic	
1001	4921593	1	Harness Options - 110V Receptacle (Main Boom) Model 45ic	
1001A	4460205	1	Plug, Twistlock	
1002		Ref	Harness Options - 110V Receptacle (Tower Boom):	
1002	4921568	1	Harness Options - 110V Receptacle (Tower Boom) Model 40ic	
1002	4921592	1	Harness Options - 110V Receptacle (Tower Boom) Model 45ic	
1002A	4460134	1	Receptacle, Twistlock	
1003	Not Available	1	Harness, Light Panel	
1003A	4460265	1	Plug, Connector	
1003A	4460268	7	Socket, Female	
1004	Not Available	1	Harness, Worklights	
		Ref	Tools for Service	
	7002822	1	Screwdriver, Potentiometer (To Adjust Drive Controllers)	
	7016654	1	Screwdriver, Magnetic	
	4921850	1	Harness For Controller, Service	
	4922012	1	Harness For Rexroth Control Cards, Service	
1101	7002828	1	Wire Stripper	
1102	7002821	1	Wire Crimper (To install wire ends to wires)	
1103	7002823	1	Pin/Socket Extractor - Universal (To Remove Pins/Sockets from Connectors)	
1104	4460467	1	Extractor - 16-18 Gauge (For Removal of Pins/Sockets for Deutsch Connectors)	
1104	4460510	1	Extractor - 12-14 Gauge (For Removal of Pins/Sockets for Deutsch Connectors)	

SECTION 8 - DECALS

SECTION 8 - DECALS

FIGURE 8-1. DECALS INSTALLATION.



SECTION 8 - DECALS

FIGURE 8-1. DECALS INSTALLATION.

ITEM	PART NUMBER	QTY	DESCRIPTION	REV
	1282497	Ref	DECALS INSTALLATION (STANDARD)	G
1	1701892	3	Decal - JLG Lift	
5	1701518	6	Decal - Crushing	
6	1700584	1	Decal - Patent	
7	Not Available	1	Nameplate - Manufacturer's Serial Number	
8	3820001	AR	Rivet	
9	1701504	1	Decal - Hydraulic Oil	
10	1701642	2	Decal - Arrow	
13	1702631	1	Decal - Bar Code	
14	1702928	1	Decal - CE	
19	0961127	1	Bushing, Snap	
21	0100010	AR	Loctite	
22	1701691	3	Decal - No Step	
23	1702049	1	Decal - Manual Descent	
28	1702300	4	Decal - Tie Down	
29	1701500	4	Decal - Lift	
30	1701640	1	Decal - Manual	
31	1580008	1	Box, Manual Storage	
32	1060279	1	Lanyard	
33	3941003	1	Screw, Self-Tapping	
34	3911408	1	Screw, Round Head 1/4in-20NC x 1/2in	
35	4711400	1	Flatwasher 1/4in	
36	3311401	1	Nut 1/4in-20NC	
37	4420052	16.5 ft/4m	Tape, Safety	
45	1701502	1	Decal - High (Hydraulic Oil Level)	
46	1701503	1	Decal - Low (Hydraulic Oil Level)	
47	1703248	4	Decal - Max Wheel Load	
		Ref	DECAL INSTALLATION (OPTIONAL PARTS)	
100		Ref	Decal - Model	
100	1702934	2	JLG 40ic	
100	1702932	2	JLG 45ic	
101		Ref	Decal - Fuel	
101	1701505	1	Diesel	
101	1701542	1	Gas	
102	1701543	1	Decal - LP Gas	
103	1700818	1	Decal - LP Gas Liquid Withdrawal System	
	0256363	Ref	DECALS INSTALLATION - AUSTRALIAN SPEC	5
201	1702258	1	Decal - Caution	
202	1701649	1	Decal - Capacity	
203	1702265	1	Decal	
204 to 205	Not Required	0	Not Required	
206	1701818	1	Decal - Access Forbidden (Prior to SN 33735)	
	0256359	Ref	DECALS INSTALLATION - DUTCH SPEC	4
201	1702261	1	Decal - Caution	
202	1701906	1	Decal - General Caution	
203	1702268	1	Decal	
204	1703518	1	Decal - Footswitch	
205	1702545	1	Decal - Manual Ascent (Prior to SN 32473)	
206	Not Required	0	Not Required	
	0256356	Ref	DECALS INSTALLATION - ENGLISH (UK) SPEC	3

SECTION 8 - DECALS

ITEM	PART NUMBER	QTY	DESCRIPTION	REV
201	1702258	1	Decal - Caution	
202	1701649	1	Decal - Capacity	
203	1702265	1	Decal	
204 to 206	Not Required	0	Not Required	
	0256357	Ref	DECALS INSTALLATION - FRENCH SPEC	4
201	1702259	1	Decal - Caution	
202	1701649	1	Decal - Capacity	
203	1702270	1	Decal	
204	1693292	1	Decal - Footswitch	
205 to 206	Not Required	0	Not Required	
	0256360	Ref	DECALS INSTALLATION - GERMAN SPEC	3
201	1702262	1	Decal - Caution	
202	1701649	1	Decal - Capacity	
203	1702267	1	Decal	
204	1693294	1	Decal - Footswitch	
205	Not Required	0	Not Required	
206	Not Required	0	Not Required	
	0256358	Ref	DECALS INSTALLATION - ITALIAN SPEC	3
201	1702260	1	Decal - Caution	
202	1701649	1	Decal - Capacity	
203	1702269	1	Decal	
204	1701600	1	Decal - Footswitch	
205 to 206	Not Required	0	Not Required	
	0256361	Ref	DECALS INSTALLATION - SPANISH SPEC	3
201	1702263	1	Decal - Caution	
202	1701649	1	Decal - Capacity	
203	1702266	1	Decal	
204	1701791	1	Decal - Footswitch	
205 to 206	Not Required	0	Not Required	

SECTION 9 - RECOMMENDED SERVICE PARTS STOCK

SECTION 9 - RECOMMENDED SERVICE PARTS STOCK

SECTION 9 - RECOMMENDED SERVICE PARTS STOCK

FIGURE 9-1. MODELS 40IC/45IC LIFTS STANDARD PARTS

ITEM	PART NUMBER	QTY	DESCRIPTION	REV
	Note	Ref	Note: The following lists will service fleets of machines (built to current production per date on the front cover) with emergency repair parts which can be installed in the field. Parts from the list should be replaced when inventory is depleted to keep service parts stock supplied. For further information, contact your JLG dealer or the JLG Industries Parts Department.	
		Ref	STANDARD PARTS	
	3740067	1	Relay, Continuous Duty, (for fleets of 1 to 10)	
	3740067	1	Relay, Continuous Duty, (for fleets of 10 to 20)	
	3740067	1	Relay, Continuous Duty, (for fleets of 20 of more)	
	7012944	1	Coil - 4640969 Valve, (for fleets of 1 to 10)	
	7012944	1	Coil - 4640969 Valve, (for fleets of 10 to 20)	
	7012944	1	Coil - 4640969 Valve, (for fleets of 20 of more)	
	7012772	1	Coil - 4640969 Valve, (for fleets of 1 to 10)	
	7012772	1	Coil - 4640969 Valve, (for fleets of 10 to 20)	
	7012772	1	Coil - 4640969 Valve, (for fleets of 20 of more)	
	7015004	12	Element, Air Filter, (for fleets of 1 to 10)	
	7015004	12	Element, Air Filter, (for fleets of 10 to 20)	
	7015004	12	Element, Air Filter, (for fleets of 20 of more)	
	7014803	1	Breather/Filler Assembly, (for fleets of 1 to 10)	
	7014803	2	Breather/Filler Assembly, (for fleets of 10 to 20)	
	7014803	3	Breather/Filler Assembly, (for fleets of 20 of more)	
	2120158	4	Element, Hydraulic Filter, (for fleets of 1 to 10)	
	2120158	8	Element, Hydraulic Filter, (for fleets of 10 to 20)	
	2120158	12	Element, Hydraulic Filter, (for fleets of 20 of more)	
	3990001	2	Diode - 3.5 Amp, (for fleets of 1 to 10)	
	3990001	2	Diode - 3.5 Amp, (for fleets of 10 to 20)	
	3990001	2	Diode - 3.5 Amp, (for fleets of 20 of more)	
	7017403	1	Coil, (for fleets of 1 to 10)	
	7017403	1	Coil, (for fleets of 10 to 20)	
	7017403	1	Coil, (for fleets of 20 of more)	
	7012944	1	Coil, (for fleets of 1 to 10)	
	7012944	1	Coil, (for fleets of 10 to 20)	
	7012944	1	Coil, (for fleets of 20 of more)	
	7012943	1	Coil, (for fleets of 1 to 10)	
	7012943	1	Coil, (for fleets of 10 to 20)	
	7012943	1	Coil, (for fleets of 20 of more)	
	4360314	1	Switch, Toggle, (for fleets of 1 to 10)	
	4360314	1	Switch, Toggle, (for fleets of 10 to 20)	
	4360314	1	Switch, Toggle, (for fleets of 20 of more)	
	4360289	1	Switch, Emergency Stop, (for fleets of 1 to 10)	
	4360289	1	Switch, Emergency Stop, (for fleets of 10 to 20)	
	4360289	1	Switch, Emergency Stop, (for fleets of 20 of more)	
	4360319	1	Switch, Key, (for fleets of 1 to 10)	
	4360319	1	Switch, Key, (for fleets of 10 to 20)	
	4360319	1	Switch, Key, (for fleets of 20 of more)	
	7012560	1	Key, Replacement, (for fleets of 1 to 10)	
	7012560	1	Key, Replacement, (for fleets of 10 to 20)	
	7012560	1	Key, Replacement, (for fleets of 20 of more)	

SECTION 9 - RECOMMENDED SERVICE PARTS STOCK

ITEM	PART NUMBER	QTY	DESCRIPTION	REV
	4360282	1	Block, Contact, (for fleets of 1 to 10)	
	4360282	1	Block, Contact, (for fleets of 10 to 20)	
	4360282	1	Block, Contact, (for fleets of 20 of more)	
	4360216	1	Breaker, Circuit - 30 Amp, (for fleets of 1 to 10)	
	4360216	1	Breaker, Circuit - 30 Amp, (for fleets of 10 to 20)	
	4360216	1	Breaker, Circuit - 30 Amp, (for fleets of 20 of more)	
	4360232	1	Breaker, Circuit - 15 Amp, (for fleets of 1 to 10)	
	4360232	1	Breaker, Circuit - 15 Amp, (for fleets of 10 to 20)	
	4360232	1	Breaker, Circuit - 15 Amp, (for fleets of 20 of more)	
	4360164	1	Breaker, Circuit - 5 Amp, (for fleets of 1 to 10)	
	4360164	1	Breaker, Circuit - 5 Amp, (for fleets of 10 to 20)	
	4360164	1	Breaker, Circuit - 5 Amp, (for fleets of 20 of more)	
	3740049	1	Relay, (for fleets of 1 to 10)	
	3740049	1	Relay, (for fleets of 10 to 20)	
	3740049	1	Relay, (for fleets of 20 of more)	
	2940006	1	Latch, (for fleets of 1 to 10)	
	2940006	1	Latch, (for fleets of 10 to 20)	
	2940006	1	Latch, (for fleets of 20 of more)	
	4360407	1	Potentiometer, (for fleets of 1 to 10)	
	4360407	1	Potentiometer, (for fleets of 10 to 20)	
	4360407	1	Potentiometer, (for fleets of 20 of more)	
	4360387	1	Switch, Push Button, (for fleets of 1 to 10)	
	4360387	1	Switch, Push Button, (for fleets of 10 to 20)	
	4360387	1	Switch, Push Button, (for fleets of 20 of more)	
	3740057	1	Relay - 2DPT, (for fleets of 1 to 10)	
	3740057	1	Relay - 2DPT, (for fleets of 10 to 20)	
	3740057	1	Relay - 2DPT, (for fleets of 20 of more)	
	4360069	1	Breaker 10 Amp, (for fleets of 1 to 10)	
	4360069	1	Breaker 10 Amp, (for fleets of 10 to 20)	
	4360069	1	Breaker 10 Amp, (for fleets of 20 of more)	
	3740113	1	Relay, Time Delay, (for fleets of 1 to 10)	
	3740113	1	Relay, Time Delay, (for fleets of 10 to 20)	
	3740113	1	Relay, Time Delay, (for fleets of 20 of more)	
	3740115	1	Relay, Time Delay, (for fleets of 1 to 10)	
	3740115	1	Relay, Time Delay, (for fleets of 10 to 20)	
	3740115	1	Relay, Time Delay, (for fleets of 20 of more)	
	4360161	1	Breaker 20 Amp, (for fleets of 1 to 10)	
	4360161	1	Breaker 20 Amp, (for fleets of 10 to 20)	
	4360161	1	Breaker 20 Amp, (for fleets of 20 of more)	
	7016379	2	Fuse - 1 Amp, (for fleets of 1 to 10)	
	7016379	2	Fuse - 1 Amp, (for fleets of 10 to 20)	
	7016379	2	Fuse - 1 Amp, (for fleets of 20 of more)	
	7003961	1	Switch, Micro - 1600245 Controller, (for fleets of 1 to 10)	
	7003961	1	Switch, Micro - 1600245 Controller, (for fleets of 10 to 20)	
	7003961	1	Switch, Micro - 1600245 Controller, (for fleets of 20 of more)	
	7003782	1	Switch, Steer - 1600245 Controller, (for fleets of 1 to 10)	
	7003782	1	Switch, Steer - 1600245 Controller, (for fleets of 10 to 20)	
	7003782	1	Switch, Steer - 1600245 Controller, (for fleets of 20 of more)	
	7003974	1	Potentiometer - 1600245 Controller, (for fleets of 1 to 10)	
	7003974	1	Potentiometer - 1600245 Controller, (for fleets of 10 to 20)	
	7003974	1	Potentiometer - 1600245 Controller, (for fleets of 20 of more)	

SECTION 9 - RECOMMENDED SERVICE PARTS STOCK

ITEM	PART NUMBER	QTY	DESCRIPTION	REV
	3990010	2	Diode - 6 Amp, (for fleets of 1 to 10)	
	3990010	2	Diode - 6 Amp, (for fleets of 10 to 20)	
	3990010	2	Diode - 6 Amp, (for fleets of 20 or more)	

SECTION 9 - RECOMMENDED SERVICE PARTS STOCK

FIGURE 9-2. MODELS 40IC/45IC LIFTS VARIABLE PARTS

ITEM	PART NUMBER	QTY	DESCRIPTION	REV
	Note	Ref	Note: The following list will service fleets of machines (built to current production per date on the front cover) with emergency repair parts which can be installed in the field. Parts from the list should be replaced when inventory is depleted to keep service parts stock supplied. For further information, contact your JLG dealer or the JLG Industries Parts Department.	
		Ref	VARIABLE PARTS	
	7017600	12	Filter, Oil (Vanguard Engine) (for fleets of 1 to 10)	
	7017600	12	Filter, Oil (Vanguard Engine), (for fleets of 10 to 20)	
	7017600	12	Filter, Oil (Vanguard Engine), (for fleets of 10 to 20)	
	7018103	12	Filter, Oil (Yanmar Engine), (for fleets of 1 to 10)	
	7018103	12	Filter, Oil (Yanmar Engine), (for fleets of 10 to 20)	
	7018103	12	Filter, Oil (Yanmar Engine), (for fleets of 20 or more)	
	3740080	1	Relay (Vanguard Engine), (for fleets of 1 to 10)	
	3740080	1	Relay (Vanguard Engine), (for fleets of 10 to 20)	
	3740080	1	Relay (Vanguard Engine), (for fleets of 20 or more)	
	3740112	1	Relay (Yanmar Engine), (for fleets of 1 to 10)	
	3740112	1	Relay (Yanmar Engine), (for fleets of 10 to 20)	
	3740112	1	Relay (Yanmar Engine), (for fleets of 20 or more)	
	7017500	1	Solenoid (Duel Fuel Units), (for fleets of 1 to 10)	
	7017500	1	Solenoid (Duel Fuel Units), (for fleets of 10 to 20)	
	7017500	1	Solenoid (Duel Fuel Units), (for fleets of 20 or more)	
	7017636	1	Filter, Fuel (Vanguard Units), (for fleets of 1 to 10)	
	7017636	1	Filter, Fuel (Vanguard Units), (for fleets of 10 to 20)	
	7017636	1	Filter, Fuel (Vanguard Units), (for fleets of 20 or more)	
	7017504	1	Filter, Fuel (Duel Fuel Units), (for fleets of 1 to 10)	
	7017504	1	Filter, Fuel (Duel Fuel Units), (for fleets of 10 to 20)	
	7017504	1	Filter, Fuel (Duel Fuel Units), (for fleets of 20 or more)	
	7018111	1	Filter, Fuel (Yanmar Engines), (for fleets of 1 to 10)	
	7018111	1	Filter, Fuel (Yanmar Engines), (for fleets of 10 to 20)	
	7018111	1	Filter, Fuel (Yanmar Engines), (for fleets of 20 or more)	
	4360336	1	Switch, Toggle (Duel Fuel Units), (for fleets of 1 to 10)	
	4360336	1	Switch, Toggle (Duel Fuel Units), (for fleets of 10 to 20)	
	4360336	1	Switch, Toggle (Duel Fuel Units), (for fleets of 20 or more)	
	4360330	1	Switch, Toggle (Yanmar Engine - Glow Plugs), (for fleets of 1 to 10)	
	4360330	1	Switch, Toggle (Yanmar Engine - Glow Plugs), (for fleets of 10 to 20)	
	4360330	1	Switch, Toggle (Yanmar Engine - Glow Plugs), (for fleets of 20 or more)	
	4360321	1	Switch, Limit, (for fleets of 1 to 10)	
	4360321	1	Switch, Limit, (for fleets of 10 to 20)	
	4360321	1	Switch, Limit, (for fleets of 20 or more)	

SECTION 10 - SPECIAL OPTIONS

SECTION 10 - SPECIAL OPTIONS

FIGURE 10-1. SPECIAL OPTIONS LIST

ITEM	PART NUMBER	QTY	DESCRIPTION	REV
	Note	Ref	Note: This list is to accomodate machines ordered with special equipment. Options may not be applicable to all models. For more specific parts information contact JLG Parts Department.	
		Ref	SPECIAL OPTIONS LIST	
	0255027	Ref	Airline Installation - 1/2in (40ic)	A
	1282324	Ref	Airline Installation - 1/2in (40ic)	B
	0255015	Ref	Airline Installation - 1/2in (45ic)	A
	1282324	Ref	Airline Installation - 1/2in (45ic)	B
	0270723	Ref	Amber Beacon Installation (Platform)	
	1703479	Ref	Biodegradable Hydraulic Fluid Decal (German)	1
	0256789	Ref	Camera Mounting Installation	-
		Ref	ELECTRICAL CONNECTOR KITS	
	1001148902	Ref	Amp Connector Kit	
	1001148903	Ref	Deutsch DT Connector Kit	
	1001148904	Ref	Deutsch HD Connector Kit	
	1001148905	Ref	Packard Connector Kit	
	1001148906	Ref	Various Connector Kit	
		Ref	Filter Kits (Yanmar Engine)	
	1001110988	1	Combined Filter Kit (Air, Fuel and Engine Oil Filters)	
	1001109678	1	Air Filter Kit	
	1001110134	1	Fuel/Engine Oil Filter Kit	
	0255167	Ref	Platform Padding Installation - 26in x 48in Platform	-
		Ref	Tools for Service	
	8896941	1	Wire Stripper	
	7002821	1	Wire Crimper (To install wire ends to wires)	
	7002823	1	Pin/Socket Extractor - Universal (To Remove Pins/Sockets from Connectors)	
	4460467	1	Extractor - 16-18 Gauge (For Removal of Pins/Sockets for Deutsch Connectors)	
	4460510	1	Extractor - 12-14 Gauge (For Removal of Pins/Sockets for Deutsch Connectors)	
	7002822	1	Screwdriver, Potentiometer (To Adjust Drive Controllers)	
	7016654	1	Screwdriver, Magnetic	
	7004275	1	Seal Installation Tool - 1in	
	7004276	1	Seal Installation Tool - 1 1/2in	
	7002826	1	Seal Installation Tool - 2in	
	4921850	1	Harness For Controller, Service	
	4922012	1	Harness For Rexroth Control Cards, Service	
	0257728	Ref	Tube Rack (Installation)	
	2900838	1	U.S. Standards Fastener (Hardware) Kit	
	7014676	1	U.S. Standards Tool Kit	

PART NUMBER INDEX

SECTION 10 - SPECIAL OPTIONS

0080221.....	38	0256361.....	142	0641605.....	64, 67, 79	1001148904.....	150
0080222.....	37	0256363.....	141	0641606.....	23, 75	1001148905.....	150
0080223.....	29	0256405.....	23	0641607.....	79	1001148906.....	150
0080225.....	37	0256478.....	67	0641608 9, 29, 37, 38, 45,		1020005.....	80
0080241.....	67	0256524.....	126	71, 75, 79		1060221.....	30, 38
0100009.....	75	0256577.....	51	0641610.....	10, 71, 79	1060279.....	141
0100010.....	141	0256642.....	13	0641806.....	71	1060329.....	86
0100011.....	10, 13, 23, 29,	0256643.....	13	0641810.....	37, 71, 79	1060341.....	72, 137
35, 37, 45, 51, 67, 71,		0256789.....	150	0641812.....	30, 61, 71	1060514.....	134
75, 79, 86, 93, 95, 96,		0256832.....	13	0641814.....	9	1060515.....	134, 135
99, 100, 103, 107, 111,		0256836.....	13	0641818.....	75	1060516.....	134, 135
120		0256837.....	13	0641820 ...	29, 31, 37, 38	1060584.....	63
0100019.....	13, 45, 57	0256855.....	9	0642016.....	9	1060620.....	24
0100020... 30, 38, 45, 107		0256910.....	32, 39	0681814.....	57	1060623.....	23
0100029.....	86	0256919.....	32, 39	0682026.....	57	1060624.....	24
0100035... 63, 86, 93, 95,		0256953.....	13	0682028.....	57	1120094.....	99
96, 99, 100, 103, 107,		0256955.....	13	0700605.....	37	1120108.....	93, 95
109		0256968.....	13	0701012.....	38	1120110.....	103, 107
0100038... 93, 95, 96, 99,		0257341.....	45	0701014.....	29, 38	1120305.....	95, 99
100, 103, 107, 120		0257589.....	39	0701015.....	38	1120387.....	109
0100048.....	63, 68	0257728.....	150	0721005.....	47	1120457.....	9
0140001.....	51	0270723.....	150	0721008.....	38	1120477.....	45
0140026.....	85	0272507.....	67	0731003.....	86	1120485.....	45
0140031.....	51, 126	0340045.....	29, 37	0741606.....	67	1180302.....	75
0181932.....	39	0400002.....	23	0760605.....	30	1220038.....	75
0252408.....	80	0400003.....	23	0760812.....	29, 37	1220039.....	75
0253455.....	71	0440162.....	9	0800831.....	71	1220040.....	75
0253508.....	57	0440203.....	61	0800832.....	71, 75	1282324.....	150
0253613.....	9	0440339.....	57, 61	0800833.....	75	1282497.....	141
0253687.....	67	0460102.....	113	0800834.....	76	1282581.....	126
0253708.....	51	0460103.....	113	0800852.....	71	1282596.....	126
0253709.....	67	0460106.....	79	0800853.....	71, 75	1320014.....	30, 38
0253984.....	67	0460110.....	113	0800854.....	75	1320016.....	35
0254028.....	113	0460111.....	113	0800855.....	76	1320017.....	79
0254043.....	80	0460112.....	113	0860883.....	63	1320022.....	30, 37
0254590.....	14	0460113.....	113	0861028.....	85	1320026.....	29, 38
0254851.....	113	0460114.....	113	0861036.....	63	1320031.....	30, 38, 79
0254865.....	13	0561076.....	71	0861049.....	85	1320033.....	113
0254866.....	13	0561090.....	134	0861068.....	85	1320037.....	113
0254874.....	13	0561091.....	134	0901921.....	67	1320040.....	38, 134
0254875.....	72	0630016.....	9, 13	0901923.....	67	1320043.....	51, 67
0254955.....	80	0630399.....	75	0902051.....	51	1320050.....	79
0255015.....	150	0630464.....	63, 67	0902263.....	37	1320159.....	79
0255027.....	150	0630468.....	67	0902265.....	37	1320195.....	134
0255167.....	150	0630487.....	75	0902270.....	30	1320199.....	134
0255522.....	123, 124	0630491.....	67	0902275.....	45	1320202.....	32, 39
0255587.....	71	0630505.....	23	0902383.....	31, 39	1320205.....	134
0255993.....	45	0630513.....	14	0920084.....	13, 21	1320228.....	45
0255994.....	13, 23	0641404.....	30, 51, 75	0920110.....	21	1320239.....	31, 39
0255995.....	79	0641405 ...	23, 30, 35, 75	0940036.....	47	1320241.....	39
0255999.....	29	0641406 ...	23, 29, 38, 45	0940048.....	9, 71	1340057.....	29, 37
0256000.....	35	0641408.....	30, 80	0940049.....	67	1380132.....	51
0256002.....	37	0641414.....	23, 80	0940070.....	31, 38	1380138.....	47
0256003.....	47	0641418.....	51	0940072.....	47	1580008.....	141
0256033.....	51	0641505.....	30, 79	0961127.....	141	1600218.....	85
0256035.....	64	0641506 ...	23, 37, 51, 71	0961608.....	79, 103, 107	1600229.....	32
0256136.....	47	0641508 ...	23, 24, 30, 37,	0961621.....	9	1600245.....	85, 89
0256138.....	134	51		0961726 ...	71, 75, 76, 93,	1600251.....	86
0256142.....	134	0641509.....	29, 37	95, 96, 99, 100		1600252.....	86
0256144.....	47	0641510.....	9, 14, 61	0961749.....	79	1660220.....	30, 38
0256272.....	45	0641512.....	111	0962031.....	30, 38	1660222.....	30, 38
0256307.....	23	0641514.....	51, 123	0962068.....	30, 37	1660228.....	37
0256356.....	141	0641516.....	31, 79	1001109678.....	150	1670678.....	75
0256357.....	142	0641518.....	51	1001110134.....	150	1670688.....	80
0256358.....	142	0641520.....	86	1001110988.....	150	1670690.....	79
0256359.....	141	0641526.....	23	1001148902.....	150	1670697.....	134
0256360.....	142	0641604.....	111	1001148903.....	150	1670698.....	75

SECTION 10 - SPECIAL OPTIONS

1670732.....	80	1701640.....	141	2220383.....	120	2720271.....	38
1670808.....	14	1701642.....	141	2220385.....	120	2720423.....	30
1670810.....	14	1701649.....	141, 142	2220386.....	120	2720428.....	30
1670832.....	72	1701691.....	141	2220408.....	120	2720429.....	30
1680833.....	72	1701791.....	142	2220414.....	120	2720430.....	38
1681344.....	93, 95	1701818.....	141	2220415.....	118	2720431.....	38
1682154.....	103, 107	1701892.....	141	2220416.....	118	2720433.....	35
1682209.....	95, 99	1701906.....	141	2220428.....	118	2750058.....	30
1682323.....	99	1702049.....	141	2220429.....	118	2750763.....	119
1682364.....	109	1702124.....	119	2220435.....	119	2750834.....	118
1682530.....	109	1702258.....	141, 142	2220451.....	119	2750993.....	118
1682855.....	72, 99	1702259.....	142	2220466.....	118	2751010.....	119
1682856.....	100	1702260.....	142	2220472.....	118	2751409.....	119
1682858.....	99	1702261.....	141	2220473.....	118	2752255.....	119
1682861.....	72, 95	1702262.....	142	2220481.....	119	2752403.....	119
1682862.....	96	1702263.....	142	2220497.....	118	2752404.....	120
1682864.....	95	1702265.....	141, 142	2220502.....	118	2752433.....	118
1682868.....	93	1702266.....	142	2220504.....	118	2752435.....	119
1682870.....	93	1702267.....	142	2220516.....	111	2752438.....	119
1682878.....	107	1702268.....	141	2220577.....	118	2752440.....	119
1682879.....	103	1702269.....	142	2220578.....	119	2752441.....	119
1682887.....	76, 111	1702270.....	142	2220582.....	120	2752445.....	119
1682888.....	111	1702300.....	141	2220584.....	119	2752459.....	118
1682890.....	111	1702545.....	141	2220600.....	119	2752461.....	123
1682892.....	111	1702631.....	141	2220602.....	119	2752462.....	118
1682930.....	79, 105	1702734.....	85	2220603.....	118, 123	2752472.....	119
1682947.....	76, 111	1702928.....	141	2220605.....	119	2752476.....	119
1682948.....	111	1702932.....	141	2220606.....	118, 123	2752478.....	123
1682950.....	111	1702934.....	141	2220609.....	118	2752482.....	118
1683013.....	72, 99	1702963.....	51	2220618.....	119	2752486.....	118
1683014.....	99	1703030.....	23	2220619.....	119	2752488.....	118
1683016.....	99	1703248.....	141	2220622.....	118	2752503.....	119
1683018.....	72, 95	1703479.....	150	2220628.....	111	2752504.....	120
1683019.....	95	1703518.....	141	2220635.....	118	2752522.....	118
1683021.....	95	1760160.....	75	2220648.....	38	2752573.....	119
1683285.....	79, 107	1780294.....	47	2220657.....	118	2752574.....	119
1683286.....	103, 107	1870041.....	126	2220677.....	119	2752575.....	119
1683325.....	71, 103	2000140.....	29, 31	2220684.....	119	2752579.....	118
1683337.....	71, 93	2000145.....	37, 39	2220727.....	119	2752580.....	118
1683504.....	93	2060027.....	29, 37	2220738.....	118	2752581.....	119
1683505.....	93	2080040.....	47	2220775.....	123	2752585.....	118
1683506.....	71, 93	2120146.....	23	2220811.....	119	2752591.....	119
1683512.....	100	2120150.....	23	2220873.....	118	2752611.....	119
1683513.....	96	2120157.....	45	2220883.....	107, 111	2752614.....	118
1683514.....	93	2120158.....	45, 144	2220885.....	93, 95, 99	2752619.....	118
1683515.....	99	2160001.....	61	2220899.....	118	2752620.....	118
1683516.....	95	2160003.....	61	2220934.....	119	2752621.....	118
1683518.....	72, 99	2180117.....	45	2221010.....	30	2752626.....	118
1683519.....	72, 95	2180348.....	38	2221020.....	119	2752648.....	119
1683520.....	93	2180387.....	35	2360402.....	9	2752931.....	119
1683521.....	72, 99	2180666.....	38	2360403.....	9	2752935.....	119
1683522.....	72, 95	2180812.....	30	2420047.....	31, 39	2752937.....	120
1683694.....	109	2200213.....	38	2420172.....	63	2752938.....	120
1683698.....	9, 109	2200222.....	107	2420185.....	45	2752981.....	120
1693292.....	142	2200223.....	30	2540016.....	63	2752982.....	119
1693294.....	142	2220063.....	31, 39	2540017.....	31	2752983.....	120
1700584.....	141	2220082.....	35	2540021.....	24	2752984.....	119
1700818.....	35, 141	2220221.....	120	2540031.....	29, 37	2753005.....	119
1701500.....	141	2220237.....	109	2560136.....	85	2753050.....	118
1701502.....	141	2220240.....	120	2560147.....	47	2753113.....	118
1701503.....	141	2220250.....	30, 38	2600218.....	47	2753114.....	118
1701504.....	141	2220317.....	30	2680410.....	67	2753115.....	118
1701505.....	38, 141	2220362.....	119	2680411.....	67	2753116.....	118
1701518.....	141	2220371.....	118	2720015.....	30	2780201.....	9
1701542.....	30, 141	2220372.....	120	2720058.....	37	2780219.....	13, 17
1701543.....	35, 141	2220374.....	120	2720175.....	35	2792243.....	124
1701600.....	142	2220375.....	119	2720190.....	35	2792244.....	118, 124

SECTION 10 - SPECIAL OPTIONS

2792277.....	118, 124	3311401 ...	24, 51, 67, 75,	3536691.....	67	3911024.....	86
2820035.....	80	80, 141		3536999.....	134	3911040.....	63
2820090.....	47	3311405 ...	23, 29, 38, 51,	3537045.....	72	3911408.....	141
2820091.....	47	80		3539281.....	67	3941003.....	141
2820092.....	47	3311501 ...	14, 31, 39, 51,	3539459.....	29	3941405.....	79
2820093.....	47	67		3539460.....	29	3951402.....	93, 95, 111
2900062.....	23	3311505 9,	23, 24, 29, 37,	3539461.....	29	3960389.....	31, 39
2900371.....	93	51, 71, 79		3539477.....	30	3960433.....	31, 39, 47
2900661.....	17	3311601.....	45, 67	3539484.....	29	3960438.....	63, 67
2900708.....	51	3311602.....	45, 75	3539663.....	30, 38	3960447.....	47
2900714.....	19	3311605 ...	29, 32, 37, 39,	3539681.....	38	3960453.....	67
2900766.....	21	45, 71, 79		3539692.....	37	3960477.....	31, 39
2900768.....	21	3311801.....	13	3539716.....	23	3980003.....	23
2900770... 93,	95, 99, 111	3311805.....	9, 29, 37, 71	3539816.....	30, 38	3990001.....	51, 135, 136,
2900779.....	51	3312005.....	9	3539929.....	30	144	
2900838.....	150	3313003.....	9	3570105.....	32, 39	3990010... 126,	134, 135,
2900842.....	9	3321001.....	24	3600179.....	51	136, 146	
2900859.....	85	3321402.....	30, 38	3600199.....	29, 37, 43	4060802... 35,	38, 63, 64,
2901147.....	103, 107	3321602.....	38	3600208.....	23	85, 86	
2901178.....	109	3321801.....	13, 109	3600253.....	79, 83	4060803.....	47, 80
2901249.....	51, 126	3322002.....	9	3600256.....	29, 37, 41	4060805.....	134
2901250.....	51	3322205.....	111	3620035.....	29	4060807.....	23, 31, 39
2901406.....	80, 126	3322403.....	9	3620037.....	37	4060808.....	9, 134
2901447.....	136	3340450.....	10	3620039.....	32, 39	4060854.....	51
2901456.....	35	3340644.....	9	3640834.....	85	4060855.....	79
2901496.....	93	3340663.....	75	3640862.....	63	4060907.....	68
2901497.....	47	3340666.....	75	3640930.....	85	4060918.....	31, 39
2910000.....	29, 37, 136	3340679.....	111	3720011.....	35	4070809.....	9
2910001.....	136	3340682.....	76	3730099.....	126, 135	4070832.....	9
2910479.....	23	3380426.....	51	3730113.....	136	4070833.....	9
2920028.....	51	3420156.....	67	3730114.....	134	4070834.....	10
2920029.....	51	3421988.....	9	3740049.....	63, 85, 145	4070835.....	10
2920108.....	85	3422170.....	9	3740057.....	85, 145	4070853.....	10
2920120.....	85	3422175.....	72	3740066.....	85	4100026.....	119
2920140.....	80, 126	3422176.....	71, 79	3740067.....	24, 144	4120012.....	85
2920141.....	85	3422177.....	72	3740080.....	30, 148	4130319.....	9
2920215.....	68	3422178.....	71	3740112.....	136, 148	4160150.....	30
2940006.....	145	3422179.....	71	3740113.....	85, 145	4220162.....	67
2940042.....	67	3422180.....	71, 79	3740115.....	85, 145	4240032.....	67
2940071.....	67	3422181.....	79	3760115.....	75	4240099.....	80, 134
2940080.....	47	3422185.....	76	3760141.....	109	4240117.....	45
2940090.....	47	3422191.....	79	3760308.....	47	4240118.....	45
2940096.....	47	3422426.....	29, 37	3760318.....	111	4280295.....	45
3020022.....	9, 71	3422480.....	72	3780181.....	71, 79	4300092.....	13
3020027.....	57	3422481.....	72	3780182.....	9	4300106.....	51
3020029.....	57	3430816.....	79	3780184.....	71, 79	4320002.....	31, 38
3020036.....	57	3430840.....	67	3790012 ...	35, 64, 85, 86	4360031.....	80
3160158.....	13, 19	3450405.....	79	3790113.....	111	4360069.....	85, 145
3160182.....	57, 59	3450506.....	9	3790152.....	38	4360070.....	80, 126
3200381.....	29, 37	3450810.....	9	3820001.....	141	4360112.....	85, 86
3220109.....	29, 37	3451210.....	10	3841143 9,	29, 37, 71, 79	4360161.....	86, 145
3250028.....	86	3480102.....	99	3841146.....	9	4360164.....	63, 145
3252490.....	63	3480113.....	95, 99	3841203.....	71, 79	4360216.....	63, 145
3300220.....	24	3480115.....	93, 95	3841307.....	37	4360232.....	63, 145
3300279.....	93, 95	3480153.....	109	3841315.....	29	4360282.....	63, 85, 145
3300281.....	95, 99	3480170.....	111	3860054.....	109	4360289.....	63, 85, 144
3300308.....	103, 107	3480217.....	103, 107	3860080.....	109	4360314.....	63, 85, 144
3300356.....	14	3510501.....	80	3900097.....	72	4360319.....	63, 144
3300365.....	63, 67	3510505.....	79	3900168.....	72	4360321.....	72, 148
3300371.....	23, 47	3510595.....	80	3900170 . 93,	95, 99, 103,	4360330... 38,	64, 86, 148
3300396.....	85	3510597.....	80	107		4360336.....	35, 86, 148
3300401.....	24	3520026.....	47	3900174.....	47	4360387.....	85, 145
3310601.....	63, 86	3520028.....	63, 85	3900217.....	30, 38	4360405.....	30, 32
3311001.....	63, 86	3520034.....	75	3910608.....	63, 86	4360407.....	85, 145
3311005.....	38, 72	3535959.....	47	3910616.....	85	4360442.....	23
3311011.....	63	3536089.....	80	3910620.....	86	4392338.....	126
		3536491.....	72	3911012.....	63, 86	4400275.....	45

SECTION 10 - SPECIAL OPTIONS

4400281	45	4460608	136	4740413.....	75	4921850.....	137, 150
4400371	45	4460620	134	4740442.....	30, 38	4921852.....	30, 136
4400383	45	4460621	134	4750600.....	63, 86	4921853.....	38, 136
4400395	30, 38	4460652	134	4751000.....	30, 39, 63, 86	4922012.....	137, 150
4400401	45	4460653	134	4751400.....	24, 30, 38, 51,	4932338.....	126
4400420	45	4460654	136, 137		67, 75, 79, 80	4932838.....	126, 135
4400421	45	4460655	136, 137	47515009, 23, 29, 37, 51,		4932859.....	126
4420008	31, 39, 63	4460656	136, 137		67, 71, 79, 86, 123	4932860.....	126
4420038	45	4460657	136	4751600.....	10, 23, 29, 37,	4932865.....	126
4420052	141	4460658	136		45, 64, 67, 71, 75, 79	4932870.....	126, 134
4450466	135	4460659	136	4751800.....	30, 31, 38, 67,	70000209.....	31
4460134	137	4460693	136		79	70000865.....	61
4460205	136, 137	4520159	13	4760600.....	63, 86	70000868.....	61
4460225	134, 135	4565275	109	4761000.....	24, 47, 63, 86	70001677.....	61
4460234	68, 85	4565992	99	4761400.....	24, 51, 75, 79	70001864.....	61
4460265	51, 134, 136,	4565994	95	4761500.....	14, 86, 123	70001941.....	67
	137	4566009	93	4761600.....	64, 67, 75, 111	7000203.....	17
4460266	90, 135, 137	4566023	103, 107	4761800.....	13, 75	70002087.....	31
4460267	134, 135, 136,	4566027	111	4771000.....	45	7000209.....	17
	137	4566187	119	4791500.....	24, 31	7000214.....	17
4460268 52, 90, 135, 136,		4566188	119	4791600.....	39	7000217.....	17
	137	4566243	134	4844302.....	71	7000232.....	17
4460298	63	4566356	72	4844303.....	71	7000241.....	17
4460299	63, 86	4566427	72	4844304.....	71	7000242.....	17
4460300	63, 64	4566432	99	4844324.....	9	7000246.....	17
4460301	64, 86	4566435	95	4844365.....	51	7000255.....	17
4460305	63, 86	4566623	119	4844383.....	75	7000256.....	17
4460306	63, 86	4566987	23, 37	4844384.....	75	7000257.....	17
4460307	64, 86	4567058	86	4844386.....	75	7000258.....	17
4460308	63	4567086	30	4844404.....	67	7000259.....	17
4460310	63	4567108	29	4844427.....	71	7000263.....	17
4460326	137	4567177	93	4844465.....	79	70003784.....	85
4460374	136	4620088	67	4844466.....	79	7000625.....	80
4460375	136	4640005	23	4844467.....	71	7001608.....	105
4460387	85	4640634	95, 99	4844541.....	71	7001609.....	105
4460388	85	4640709	111	4844579.....	75	7001610.....	105
4460390	86	4640771	111	4844602.....	47	7001611.....	105
4460418	134, 135	4640807	111	4845223.....	29, 37	7001612.....	105
4460419	134, 135	4640814	51	4845238.....	29, 37	7001613.....	105
4460422	80	4640816	95, 99	4845305.....	47	7001614.....	105
4460425	63	4640861	119	4845306.....	47	7001911.....	17
4460426	63, 135	4640866	51	4845307.....	47	7001931.....	17
4460428	72, 85	4640932	107	4845338.....	30	7001952.....	17
4460441	85	4640933	123	4845391.....	29, 37	7001985.....	17
4460442	85	4640936	93	4845432.....	30	7002821.....	137, 150
4460445	136, 137	4640966	55	4845433.....	38	7002822.....	137, 150
4460449	135	4640969	23, 27	4891500.....	61	7002823.....	137, 150
4460464	135	4640974	23	4891600.....	30	7002826.....	150
4460465	135	4640976	23	4921425.....	126	7002828.....	137
4460466	135	4640994	120	4921428.....	126	7003551.....	83
4460467	137, 150	4641023	51, 55	4921568.....	137	7003554.....	83
4460470	135	4711400	23, 30, 35, 45,	4921569.....	137	7003556.....	83
4460471	135		51, 80, 141	4921581.....	134, 135	7003557.....	83
4460499	55, 135	4711500.....	51	4921591.....	134, 135	7003562.....	83
4460500	135	4711600	32, 39, 45	4921592.....	137	7003563.....	83
4460501	135	4711800	13	4921593.....	137	7003564.....	83
4460504	135	4712200	23	4921594.....	80	7003565.....	83
4460505	135	4712400.....	9	4921595.....	80	7003566.....	83
4460508	135	4740007	79	4921794.....	135	7003567.....	83
4460509	135	4740120	63, 67	4921795.....	135	7003568.....	83
4460510	137, 150	4740171	57	4921813.....	63, 135	7003569.....	83
4460522	85	4740207	95, 99	4921840.....	134	7003570.....	83
4460524	85	4740247	9	4921841.....	134	7003571.....	83
4460525	85	4740274	29, 37	4921844.....	134, 135	7003572.....	83
4460526	85	4740393	57	4921845.....	134, 135	7003573.....	83
4460591	136	4740394	93, 95	4921846.....	134, 135	7003574.....	83
4460598	80	4740397	38, 63	4921847.....	134, 135	7003575.....	83

SECTION 10 - SPECIAL OPTIONS

7003576.....	83	7010955.....	43	7016380.....	67	7017641.....	31
7003782.....	145	7010956.....	43	7016606.....	29	7017642.....	32
7003935.....	89	7010957.....	43	7016608.....	86	7017643.....	32
7003946.....	89	7010958.....	43	7016609.....	86	7017644.....	31
7003950.....	89	7010959.....	43	7016617.....	29	7017645.....	31
7003957.....	89	7010960.....	43	7016654.....	137, 150	7017646.....	32
7003961.....	89, 145	7010961.....	43	7016673.....	51	7017657.....	31
7003966.....	89	7010978.....	43	7016676.....	61	7017669.....	32
7003967.....	89	7011112.....	107	7016682.....	61	7018100.....	39
7003968.....	89	7011322.....	51	7017001.....	17	7018101.....	39
7003972.....	89	7011712.....	21	7017401.....	55	7018102.....	39
7003973.....	89	7011713.....	21	7017402.....	55	7018103.....	39, 148
7003974.....	89, 145	7011714.....	21	7017403.....	55, 144	7018104.....	39
7003978.....	89	7011715.....	21	7017404.....	23	7018105.....	39
7003981.....	89	7011716.....	21	7017405.....	23	7018106.....	39
7003982.....	89	7011717.....	21	7017406.....	23	7018107.....	39
7003984.....	89	7011720.....	21	7017410.....	27	7018108.....	39
7003985.....	90	7012518.....	27	7017419.....	27	7018111.....	39, 148
7003986.....	90	7012540.....	27	7017429.....	27	7018112.....	39
7004275.....	150	7012560.....	63, 144	7017433.....	55	7018113.....	39
7004276.....	150	7012596.....	61	7017500.....	35, 148	7018116.....	39
7004906.....	19	7012597.....	61	7017501.....	35	7018117.....	39
7004907.....	19	7012611.....	63, 85	7017504.....	35, 148	7018118.....	39
7004908.....	19	7012612.....	63, 85	7017505.....	35	7018119.....	39
7004910.....	19	7012654.....	61	7017508.....	35	7018144.....	39
7004917.....	19	7012655.....	61	7017510.....	35	7018145.....	39
7004974.....	19	7012665.....	63	7017511.....	35	7018146.....	39
7005804.....	59	7012686.....	123	7017512.....	35	7018147.....	39
7005809.....	59	7012772.....	27, 144	7017513.....	35	7018602.....	21
7005811.....	59	7012773.....	27	7017514.....	35	7018603.....	21
7005812.....	59	7012795.....	27	7017517.....	35	7018605.....	21
7005821.....	59	7012901.....	55	7017518.....	35	7018606.....	21
7005874.....	59	7012903.....	55	7017519.....	35	7018607.....	21
7005876.....	59	7012907.....	27, 55	7017520.....	35	7018608.....	21
7005877.....	59	7012912.....	55	7017521.....	35	7018609.....	21
7005878.....	59	7012914.....	55	7017522.....	35	7018902.....	27
7005879.....	59	7012918.....	55	7017600.....	31, 148	7018905.....	27
7005880.....	59	7012941.....	27	7017602.....	31	7018912.....	27
7005881.....	59	7012943.....	144	7017603.....	31	7018913.....	27
7007642.....	17	7012944.....	27, 55, 144	7017604.....	32	7018916.....	27
7007643.....	17	7012947.....	55	7017605.....	32	7018925.....	41
7007875.....	19	7012948.....	55	7017606.....	31	7018926.....	41
7007876.....	19	7012949.....	55	7017607.....	31	7018927.....	41
7007878.....	19	7012953.....	27	7017609.....	32	7018929.....	41
7007879.....	19	7012967.....	27	7017610.....	31	7018930.....	41
7007880.....	19	7012968.....	27	7017611.....	32	7018931.....	41
7007923.....	21	7012969.....	27	7017612.....	31	7018932.....	41
7007933.....	21	7012981.....	55, 123	7017613.....	31	7018933.....	41
7007970.....	21	7012993.....	23	7017614.....	31	7018934.....	41
7007977.....	21	7012997.....	55	7017615.....	32	7018935.....	41
7007979.....	21	7012998.....	55	7017616.....	31	7018936.....	41
7007980.....	21	7012999.....	55	7017617.....	31	7018937.....	41
7007983.....	21	7013710.....	23	7017620.....	31	7018938.....	41
7007985.....	21	7013711.....	23	7017621.....	31	7018939.....	41
7007986.....	21	7013712.....	23	7017622.....	32	7018940.....	41
7007987.....	21	7013753.....	23	7017627.....	31	7018953.....	41
7008833.....	136	7014676.....	150	7017629.....	31	7019161.....	90
7008836.....	136	7014802.....	45	7017630.....	32	7019618.....	29
7010408.....	17	7014803.....	45, 144	7017632.....	31	7019698.....	75
7010474.....	17	7015004.....	29, 37, 144	7017633.....	32	7019699.....	75
7010486.....	17	7015005.....	29, 37	7017634.....	32	7019932.....	31
7010541.....	123	7015006.....	29, 37	7017635.....	32	7023484.....	61
7010542.....	27, 55	7015007.....	29, 37	7017636.....	31, 148	7024016.....	41
7010543.....	27	7016312.....	23	7017637.....	31	7026042.....	61
7010652.....	51	7016313.....	45	7017638.....	31	7026043.....	61
7010953.....	43	7016336.....	136	7017639.....	31	7027350.....	61
7010954.....	43	7016379.....	86, 145	7017640.....	31	7027351.....	61

SECTION 10 - SPECIAL OPTIONS

7027352	61	7027356	61	7027360.....	61	7027730	61
7027353	61	7027358	61	7027361.....	61	8896941	150
7027354	61	7027359	61	7027363.....	61	90206369.....	61



**Corporate Office
JLG Industries, Inc.
1 JLG Drive
McConnellsburg, PA 17233-9533 USA**
☎ **(717) 485-5161 (Corporate)**
☎ **(877) 554-5438 (Customer Support)**
📠 **(717) 485-6417**

**Visit our website for JLG Worldwide Locations.
www.jlg.com**



OSHKOSH™