



---

# Illustrated Parts Manual

## **Models** **450A** **450AJ**

PRIOR TO  
SN 0300065080

\*See Revision Log Page for exceptions

P/N  
3120870

June 20, 2018 - Rev M



An Oshkosh Corporation Company



# REVISION LOG

## NOTES:

List of SN exceptions:

Use Parts Manual 3121243 for these SNs:

0300062713, 0300062755, 0300064188, 0300064241, 0300064340, 0300064366, 0300064407,  
0300064430, 0300064580, 0300064581, 0300064583, 0300064605, 0300064606, 0300064607,  
0300064608, 0300064609, 0300064691, 0300064705, 0300064706, 0300064735, 0300064737,  
0300064753, 0300064754, 0300064774, 0300064775, 0300064792, 0300064794, 0300064806,  
0300064918, 0300064923, 0300064924, 0300064927, 0300064928, 0300064933, 0300064934,  
0300065012, 0300065014, 0300065015, 0300065028, 0300065031, 0300065032, 0300065046,  
0300065049, 0300065050, 0300065063, 0300065066, 0300065067, 0300065078

## REVISION LOG:

May 1998 - A - Original Issue Manual

November 18, 1998 - B - Revised (Edited to Top B/M Revision 7)

February 5, 1999 - C - Revised (Edited to Top B/M Revision 9)

August 15, 1999 - D - Revised (Edited to Top B/M Revision 14)

February 16, 2000 - D - Revised (Edited to Top B/M Revision 18)

February 7, 2001 - E - Revised (Edited to Top B/M Revision 23)

February 14, 2003 - F - Revised (Edited to Top B/M Revision 25)

December 16, 2004 - G - Revised (Edited to Top B/M Revision 25)

June 20, 2007 - H - Revised (Edited to Top B/M Revision 26)

January 28, 2011 - I - Revised Manual

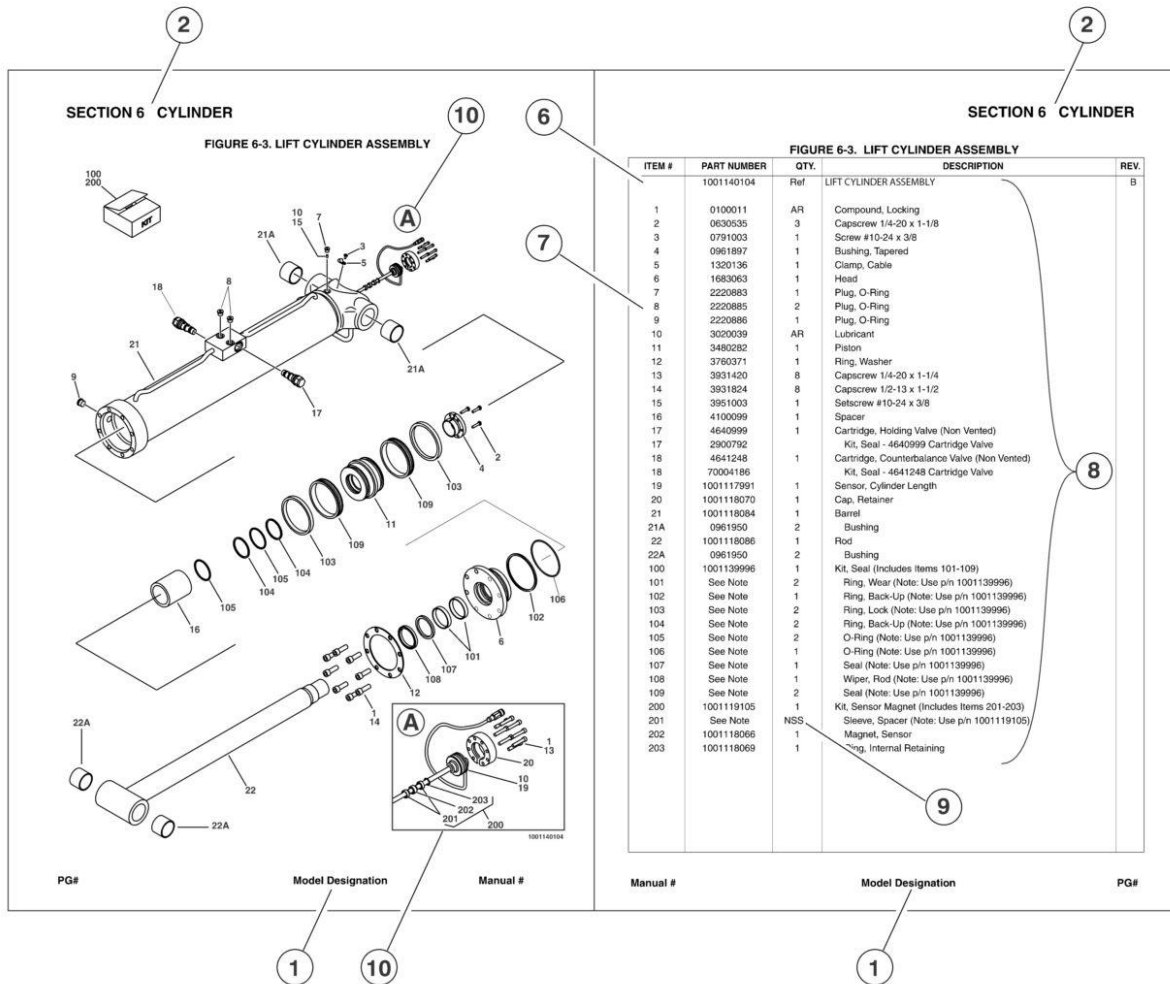
February 1, 2016 - J - Revised Manual

April 1, 2016 - K - Revised Manual

December 9, 2016 - L - Revised Manual

June 20, 2018 - M - Revised Manual

# GENERAL INFORMATION



## 1) MACHINE IDENTIFICATION

Machines are identified by model and in some cases a combination of models, serial number (SN) or regional standard (i.e. ANSI, CE, CSA). Components may also be identified by SN or manufacturer. Common components that may be identified by these characteristics are engines and hydraulic components.

## 2) PARTS MANUAL ORGANIZATION

Product information in this manual is organized under section titles. Frame, Cylinder, Hydraulic and Electrical are a few examples. Each section is organized by figure and page number. The information within the Figure is then organized by item number, part number, description and corresponding illustration(s).

## 3) TABLE OF CONTENTS

A table of contents is found toward the beginning of the manual. Figure number, description and page number are provided for quick reference to the page containing the related information.

## 4) RECOMMENDED SPARE PARTS

The Recommended Spare Parts, located near the end of the manual, reference most frequently used maintenance parts.

## 5) PART NUMBER INDEX

A numerical index listing all part numbers and the corresponding page number(s) appears at the back of the manual.

## GENERAL INFORMATION

### 6) NON-SERVICED PARTS

In some instances, it is necessary to display non-serviced parts, assemblies or installations. In the case of assemblies and installations there will be a Ref in the Qty column. In case of parts that are not available for service within assemblies or components, there will be a NSS (Not Sold Separately) or NLA (No Longer Available) listed in the Qty. column of the manual.

### 7) PARTS LIST ITEM NUMBERS

Numbers shown in the item# column correspond to numbers used in the associated illustration (s). Item numbers which are missing from the sequence in the parts list are not used on that page

### 8) INDENTED PARTS DESCRIPTION

An indented part description is included in the item under which it is indented.

### 9) ABBREVIATION AND SYMBOLS

AC.....	.. Alternating Current	LCD.....	.. Liquid Crystal Display
ADE.....	.. Advanced Design Electronics	LED.....	.. Light Emitting Diodes
ANSI.....	.. American National Standards Institute	LH.....	.. Left Hand
AR.....	.. As Required	LSS.....	.. Load Sensing System
ASSY.....	.. Assembly	M(m).....	.. Metric/Meter
AUX.....	.. Auxiliary	MM (mm).....	.. Milimeter
AWG.....	.. American Wire Gauge	mA.....	.. Milliamps
B/M.....	.. Bill of Material	NLA.....	.. No Longer Available
CE.....	.. European Conformity	NPT.....	.. National Pipe Threads
CCW.....	.. Counter Clockwise	NSS.....	.. Not Sold Separately
cm.....	.. Centimeter	OD.....	.. Outside Diameter
CW.....	.. Clockwise	ORB.....	.. O-Ring Boss
CSA.....	.. Canadian Standards Association	ORFS.....	.. O-Ring Face Seal
CYL.....	.. Cylinder	OZ (oz).....	.. Ounces
DIA.....	.. Diameter	PG.....	.. Page
DC.....	.. Direct Current	P/N.....	.. Part Number
EMS.....	.. Emergency Stop	qt.....	.. Quarts
ENG.....	.. Engine	QTY.....	.. Quantity
FT (ft).....	.. Feet	REF.....	.. Reference
GA (Ga).....	.. Gauge	REV.....	.. Revision Level
HYD.....	.. Hydraulic	RH.....	.. Right Hand
Hz.....	.. Hertz	SAE.....	.. Society of Automotive Engineers
ID.....	.. Inside Diameter	SN.....	.. Serial Number
in.....	.. inches	SPEC(S).....	.. Specifications
ISO.....	.. International Organization for Standards	T/T.....	.. Turntable
JIC.....	.. Joint Industry Council	UGM.....	.. Universal Ground Module
KG.....	.. Kilogram	V.....	.. Volts
L.....	.. Liter	W.....	.. Watts
LB.....	.. Pounds	#.....	.. Number

### 10) ILLUSTRATION REFERENCE LETTERS

When necessary, illustrations may contain reference letters that are intended to track information (i. e. hoses, harnesses) from one point to another or to track visual enlargement of components to show details that may be located in another area on the illustration.

*Note: Due to continuous product improvements, JLG Industries, Inc. reserves the right to make specification changes without prior notification. Contact JLG Industries, Inc. for updated information.*



# TABLE OF CONTENTS

SECTION 1 - FRAME.....	9
FIGURE 1-1. AXLE AND STEERING INSTALLATION - 2WD WITHOUT TOW BAR .....	10
FIGURE 1-2. AXLE AND STEERING INSTALLATION - 2WD WITH TOW BAR (SN 0300049971 through 0300065080).....	14
FIGURE 1-3. AXLE AND STEERING INSTALLATION - 4WD .....	18
FIGURE 1-4. TIRE AND WHEEL DRIVE INSTALLATIONS.....	22
FIGURE 1-5. DRIVE BRAKE ASSEMBLY.....	26
FIGURE 1-6. DRIVE HUB ASSEMBLY (Prior to SN 0300039594) .....	28
FIGURE 1-7. DRIVE HUB ASSEMBLY (SN 0300039594 through 0300065080).....	30
FIGURE 1-8. DRIVE MOTOR ASSEMBLY - REAR .....	34
FIGURE 1-9. DRIVE MOTOR ASSEMBLY - FRONT .....	36
FIGURE 1-10. DRIVE VALVES INSTALLATIONS .....	40
FIGURE 1-11. TOW BAR INSTALLATION - 2WD.....	44
FIGURE 1-12. SEMI-TRACK INSTALLATION .....	46
SECTION 2 - TURNTABLE .....	49
FIGURE 2-1. CONTROL VALVES INSTALLATIONS.....	50
FIGURE 2-2. MAIN CONTROL VALVE ASSEMBLY - PROPORTIONAL .....	52
FIGURE 2-3. TURNTABLE AND SWING DRIVE INSTALLATIONS .....	54
FIGURE 2-4. SWING MOTOR ASSEMBLY .....	56
FIGURE 2-5. SWING BEARING ASSEMBLY .....	58
FIGURE 2-6. DEUTZ ENGINE INSTALLATION.....	60
FIGURE 2-7. GENERATOR INSTALLATION - DEUTZ MACHINES (OPTIONAL).....	66
FIGURE 2-8. PISTON PUMP ASSEMBLY .....	70
FIGURE 2-9. TANK INSTALLATIONS.....	74
FIGURE 2-10. GROUND CONTROL BOX ASSEMBLY .....	76
FIGURE 2-11. ELECTRICAL OPTIONS INSTALLATION (TURNTABLE MOUNTED).....	80
FIGURE 2-12. HOODS INSTALLATION .....	82
SECTION 3 - BOOM.....	85
FIGURE 3-1. TOWER/MID BOOMS AND CYLINDERS INSTALLATION .....	86
FIGURE 3-2. MAIN BOOM AND CYLINDERS INSTALLATION - 450A .....	90
FIGURE 3-3. MAIN BOOM AND CYLINDERS INSTALLATION - 450AJ .....	94
FIGURE 3-4. MAIN BOOM ASSEMBLIES .....	98
FIGURE 3-5. BOOM COVERS, CABLES AND CLAMPS INSTALLATION .....	102
SECTION 4 - PLATFORM.....	105
FIGURE 4-1. PLATFORM INSTALLATION .....	106
FIGURE 4-2. PLATFORM CONSOLE ASSEMBLY.....	110
FIGURE 4-3. CONTROLLER ASSEMBLY (LIFT AND SWING) (Prior to SN 0300039857) .....	114
FIGURE 4-4. CONTROLLER ASSEMBLY (LIFT AND SWING) (SN 0300039857 through 0300065080).....	116
FIGURE 4-5. CONTROLLER ASSEMBLY (DRIVE AND STEER) (Prior to SN 0300039857).....	120
FIGURE 4-6. CONTROLLER ASSEMBLY (DRIVE AND STEER) (SN 0300039857 through 0300065080) .....	124
FIGURE 4-7. CONTROLLER ASSEMBLY (SPEED).....	126
FIGURE 4-8. SOFT TOUCH SYSTEM INSTALLATION (SN 0300049601 through 0300065080) .....	128
SECTION 5 - CYLINDER .....	131
FIGURE 5-1. AXLE LOCKOUT CYLINDER ASSEMBLY .....	132
FIGURE 5-2. PLATFORM LEVEL CYLINDER ASSEMBLY .....	134
FIGURE 5-3. LIFT CYLINDER ASSEMBLY - JIB (450AJ ONLY).....	138
FIGURE 5-4. LIFT CYLINDER ASSEMBLY - MAIN .....	140
FIGURE 5-5. LIFT CYLINDER ASSEMBLY - MID.....	144
FIGURE 5-6. LIFT CYLINDER ASSEMBLY - TOWER.....	146
FIGURE 5-7. ROTATOR CYLINDER ASSEMBLY - PLATFORM .....	148
FIGURE 5-8. STEER CYLINDER ASSEMBLY (ORIGINAL EQUIPMENT) .....	150
FIGURE 5-9. STEER CYLINDER ASSEMBLY (SERVICE REPLACEMENT).....	152
FIGURE 5-10. TELESCOPE CYLINDER ASSEMBLY .....	154
SECTION 6 - HYDRAULIC .....	157
FIGURE 6-1. AXLE LOCKOUT HYDRAULIC DIAGRAM - 2WD .....	158
FIGURE 6-2. TOW BAR HYDRAULIC DIAGRAM.....	160

# TABLE OF CONTENTS

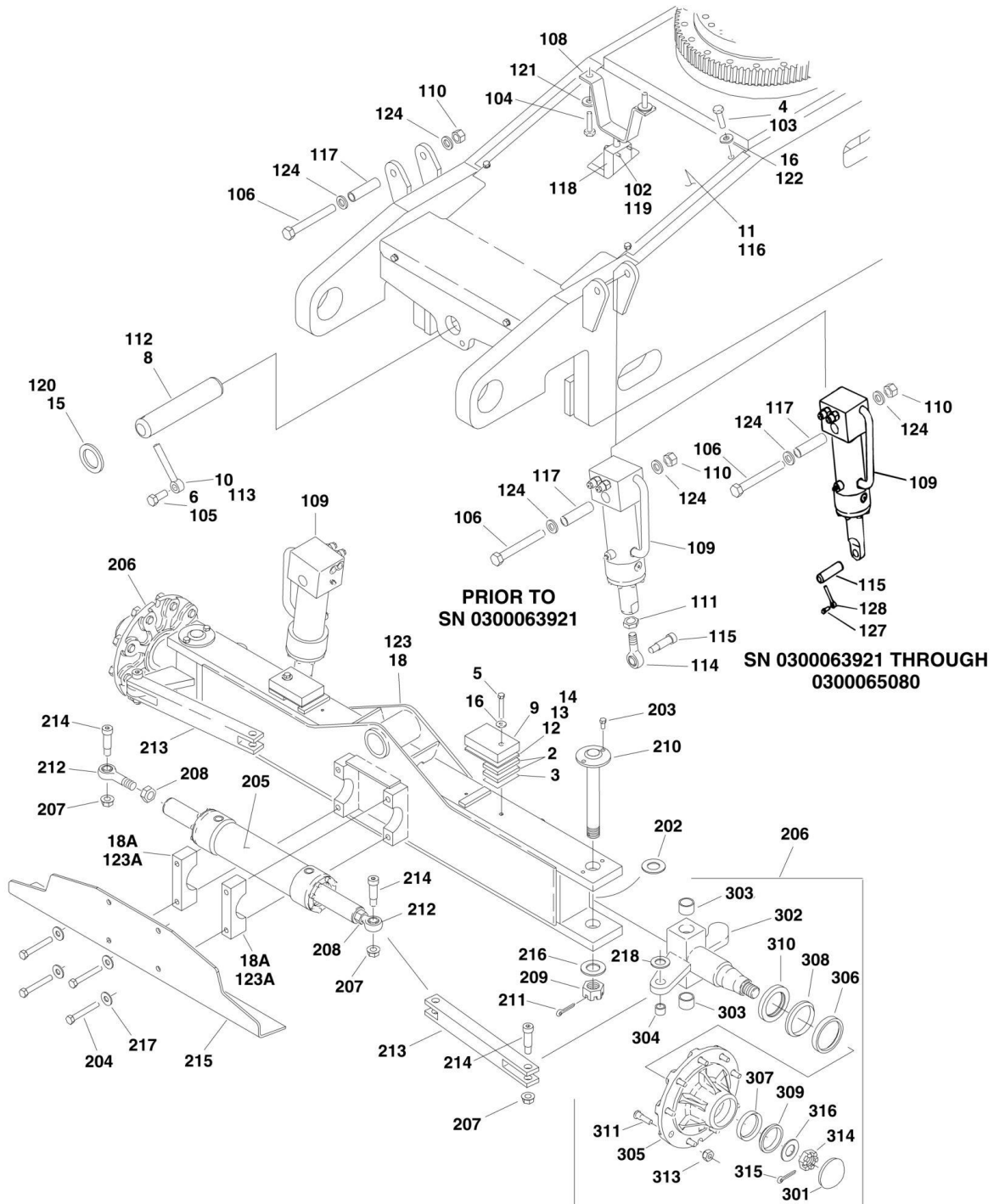
FIGURE 6-3. AXLE LOCKOUT HYDRAULIC DIAGRAM - 4WD.....	162
FIGURE 6-4. DRIVE HYDRAULIC DIAGRAM - 2WD .....	164
FIGURE 6-5. DRIVE HYDRAULIC DIAGRAM - 4WD .....	168
FIGURE 6-6. STANDARD HYDRAULIC DIAGRAM.....	172
FIGURE 6-7. HYDRAULIC DIAGRAM LIST.....	176
SECTION 7 - ELECTRICAL.....	177
FIGURE 7-1. ELECTRICAL DIAGRAM LIST .....	178
FIGURE 7-2. ELECTRICAL SCHEMATIC - DEUTZ ENGINE MACHINES.....	180
FIGURE 7-3. HARNESS COMPONENTS INSTALLATION .....	184
SECTION 8 - DECALS .....	193
FIGURE 8-1. DECALS INSTALLATION.....	194
SECTION 9 - RECOMMENDED SERVICE PARTS STOCK.....	197
FIGURE 9-1. MODELS 450A/450AJ WITH PROPORTIONAL CONTROLS STANDARD PARTS .....	198
FIGURE 9-2. MODELS 450A/450AJ WITH PROPORTIONAL CONTROLS VARIABLE PARTS .....	200
SECTION 10 - SPECIAL OPTIONS .....	201
FIGURE 10-1. SPECIAL OPTIONS .....	202
PART NUMBER INDEX.....	205



**SECTION 1 - FRAME**

# SECTION 1 - FRAME

## FIGURE 1-1. AXLE AND STEERING INSTALLATION - 2WD WITHOUT TOW BAR



## SECTION 1 - FRAME

**FIGURE 1-1. AXLE AND STEERING INSTALLATION - 2WD WITHOUT TOW BAR**

ITEM	PART NUMBER	QTY	DESCRIPTION	REV
	0258026	Ref	<b>FIXED AXLE INSTALLATION</b>	C
1	0100011	AR	Loctite #242 (Not Shown)	
2	0362763	4	Bar, Stop	
3	0362764	2	Bar, Stop	
4	0641606	6	Bolt 3/8in-16NC x 3/4in	
5	0641626	2	Bolt 3/8in-16NC x 3 1/4in	
6	0642012	1	Bolt 5/8in-11NC x 1 1/2in	
7	0961950	2	Bushing, Garmax	
8		Ref	Pin, Axle Pivot Options:	
8	3422431	NLA	Pin, Axle Pivot (Use p/n 3422592) <b>(Prior to SN 0300056275)</b>	
8	3422592	1	Pin, Axle Pivot <b>(SN 0300056275 through 0300065080)</b>	
9	3570901	2	Plate, Stop	
10	3841258	1	Keeper, Pin	
11	4060951	1	Shield, Frame	
12	4070972	AR	Shim 3/16in	
13	4070973	AR	Shim 1/8in	
14	4070974	AR	Shim 1/16in	
15	4740158	1	Thrustwasher	
16	4751600	8	Flatwasher 3/8in	
18	4845643	1	Axle Weldment	
18A	0561300	2	Steer Cylinder Mounting Block Assembly	
	0258024	Ref	<b>OSCILLATING AXLE INSTALLATION</b>	G
101	0100011	AR	Loctite #242 (Not Shown)	
102	0641414	4	Bolt 1/4in-20NC x 1 3/4in	
103	0641606	6	Bolt 3/8in-16NC x 3/4in	
104	0641812	2	Bolt 1/2in-13NC x 1 1/2in	
105	0642012	1	Bolt 5/8in-11NC x 1 1/2in	
106	0682248	2	Bolt 3/4in-10NC x 6in	
107	0961950	2	Bushing, Garmax	
108	1100107	1	Cam, Lockout	
109		Ref	Lockout Cylinder Assembly Options (See CYLINDER SECTION for Breakdown):	
109	1683575	2	Lockout Cylinder Assembly <b>(Prior to SN 0300063921)</b>	
109	1684139	2	Lockout Cylinder Assembly <b>(SN 0300063921 through 0300065080)</b>	
110	3272201	2	Nut 3/4in-10NC	
111	3322201	2	Nut 3/4in-16NF	
112		Ref	Pin, Axle Pivot Options:	
112	3422431	NLA	Pin, Axle Pivot (Use p/n 3422592) <b>(Prior to SN 0300056275)</b>	
112	3422592	1	Pin, Axle Pivot <b>(SN 0300056275 through 0300065080)</b>	
113	3841258	1	Keeper, Pin	
114	3841367	2	Rod-End with Grease Fitting	
114	7020180	1	Grease Fitting	
115		Ref	Hardware Options:	
115	3900109	2	Screw, Shoulder <b>(Prior to SN 0300063921)</b>	
115	3422936	2	Pin <b>(SN 0300063921 through 0300065080)</b>	
116	4060951	1	Shield, Frame	
117	4567462	2	Tube, Mounting	
118	4640871	1	Lockout Valve Assembly	
118	7012693	1	Seal Kit - 4640871 Valve	

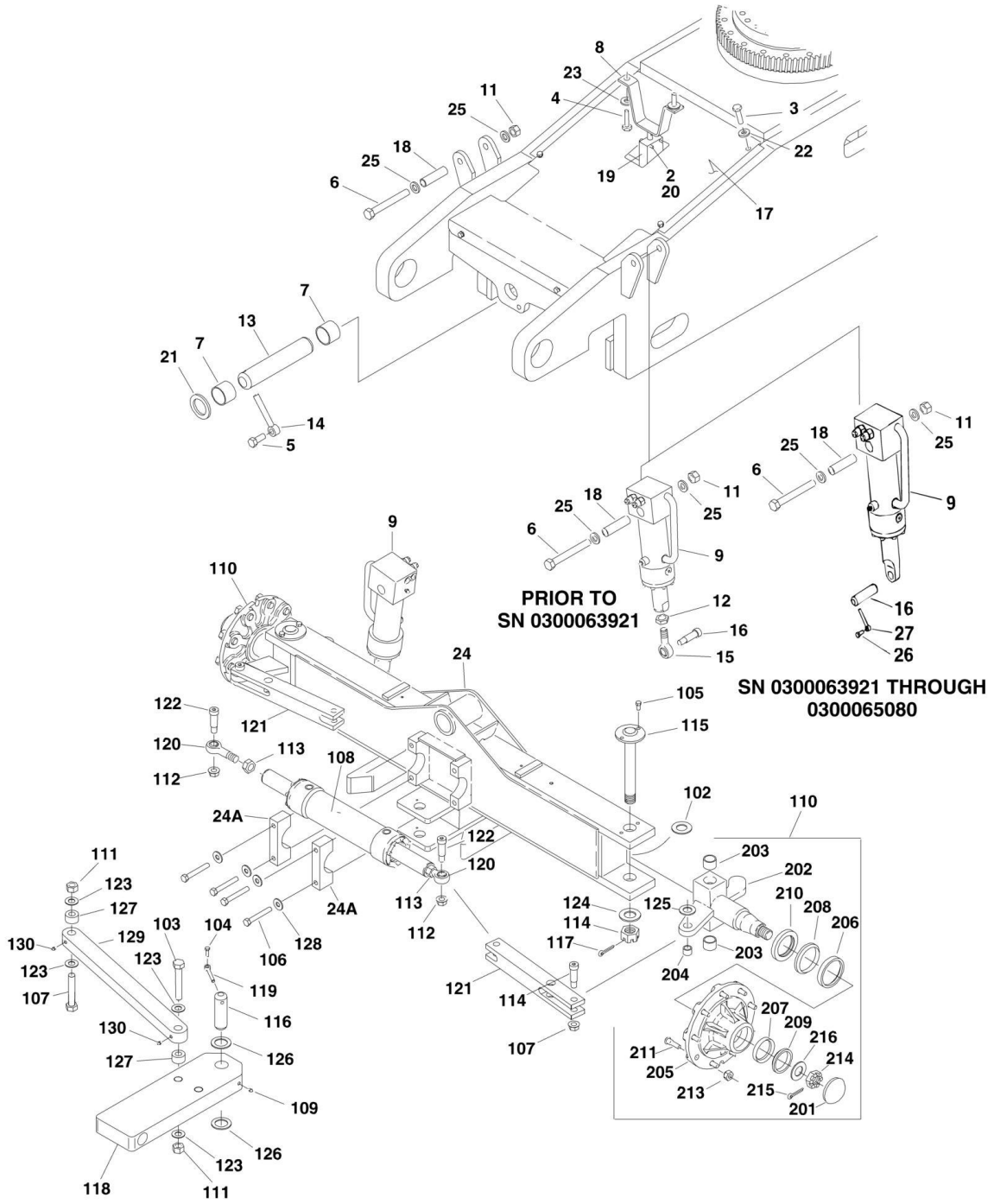
# SECTION 1 - FRAME

ITEM	PART NUMBER	QTY	DESCRIPTION	REV
118	7002840	1	Tool, Pin Removal (Not Shown)	
118	7002840	1	Anti-Rotation Pin Removal Tool	
119	4711400	4	Flatwasher 1/4in Narrow	
120	4740158	1	Thrustwasher	
121	4751800	4	Flatwasher 1/2in	
122	4751600	6	Flatwasher 3/8in	
123	4845643	1	Axle Weldment	
123A	0561300	2	Steer Cylinder Mounting Block Assembly	
124	4892200	4	Flatwasher 3/4in	
126	0100019	AR	Loctite #271 (Not Shown)	
127	0641607	2	Bolt 3/8in-16NC x 7/8 (SN 0300063921 through 0300065080)	
128	3841520	2	Keeper 3/8 (SN 0300063921 through 0300065080)	
	0258022	Ref	<b>STEERING INSTALLATION</b>	B
201	0100011	AR	Loctite #242 (Not Shown)	
202	0440162	2	Thrustwasher	
203	0641606	4	Bolt 3/8in-16NC x 3/4in	
204	0681828	4	Bolt 1/2in-13NC x 3 1/2in	
205	1683614	NLA	Steer Cylinder Assembly (Use p/n 1684412) (Original Equipment) (See CYLINDER SECTION for Breakdown)	
205	1684412	1	Steer Cylinder Assembly (Service Replacement) (See CYLINDER SECTION for Breakdown)	
206	2780230	2	Hub/Spindle Assembly (See 301 to 313 for Breakdown)	
207	3312008	4	Nut 5/8in-11NC	
208	3322201	2	Nut 3/4in-16NF	
209	3323003	2	Nut 1 1/4in-12NF	
210	3422692	2	Kingpin	
211	3450812	2	Pin, Cotter 1/4in x 3in	
212	3841367	2	Rod-End with Grease Fitting	
212	7020180	1	Grease Fitting	
213	3841377	2	Tie-Rod	
214	3900109	4	Screw, Shoulder	
215	4060950	1	Shield, Frame	
216	4713000	2	Flatwasher 1 1/4in	
217	4751800	4	Flatwasher 1/2in	
218	4740086	2	Washer, Thrust	
	2780230	Ref	<b>HUB ASSEMBLY</b>	A
301	7020033	2	Cap, Dust (1 per Assembly)	
302	7020034	2	Spindle Assembly (1 per Assembly)	
303	0961951	4	Bushing, Garmax (2 Per Assembly)	
304	0962140	2	Bearing, Garmax (1 per Assembly)	
305	7020035	2	Hub (1 per Assembly) (Includes 306 & 307)	
306	7020036	2	Cup, Bearing - Inner(1 per Assembly)	
307	7020038	2	Cup, Bearing - Outer (1 per Assembly)	
308	7020037	2	Cone, Bearing - Inner (1 per Assembly)	
309	7020039	2	Cone, Bearing - Outer (1 per Assembly)	
310	7020040	2	Seal (1 Per Assembly)	
311	7020041	18	Stud, Wheel (9 Per Assembly)	
313	7020042	18	Lugnut (9 per Assembly)	
314	7020054	2	Nut, Castle (1 per Assembly)	
315	3450608	2	Pin, Cotter (1 Per Assembly)	
316	7020055	2	Washer, Spindle (1 Per Assembly)	



# SECTION 1 - FRAME

FIGURE 1-2. AXLE AND STEERING INSTALLATION - 2WD WITH TOW BAR (SN 0300049971 through 0300065080)



## SECTION 1 - FRAME

**FIGURE 1-2. AXLE AND STEERING INSTALLATION - 2WD WITH TOW BAR (SN 0300049971 through 0300065080)**

ITEM	PART NUMBER	QTY	DESCRIPTION	REV
	0259967	Ref	<b>OSCILLATING AXLE INSTALLATION</b>	C
1	0100011	AR	Loctite #242 (Not Shown)	
2	0641414	4	Bolt 1/4in-20NC x 1 3/4in	
3	0641606	10	Bolt 3/8in-16NC x 3/4in	
4	0641812	2	Bolt 1/2in-13NC x 1 1/2in	
5	0642012	1	Bolt 5/8in-11NC x 1 1/2in	
6	0682248	2	Bolt 3/4in-10NC x 6in	
7	0961950	2	Bushing, Garmax	
8	1100107	1	Cam, Lockout	
9		Ref	Lockout Cylinder Assembly Options (See CYLINDER SECTION for Breakdown):	
9	1683575	2	Lockout Cylinder Assembly ( <b>Prior to SN 0300063921</b> )	
9	1684139	2	Lockout Cylinder Assembly ( <b>SN 0300063921 through 0300065080</b> )	
11	3272201	2	Nut 3/4in-10NC	
12	3322201	2	Nut 3/4in-16NF	
13	3422592	1	Pin, Axle Pivot	
14	3841258	1	Keeper, Pin	
15	3841367	2	Rod-End with Grease Fitting	
15	7020180	1	Grease Fitting	
16		Ref	Hardware Options:	
16	3900109	2	Screw, Shoulder ( <b>Prior to SN 0300063921</b> )	
16	3422936	2	Pin ( <b>SN 0300063921 through 0300065080</b> )	
17	4060951	1	Shield, Frame	
18	4567462	2	Tube, Mounting	
19	4640871	1	Lockout Valve Assembly	
19	7012693	1	Seal Kit - 4640871 Valve	
19	7002840	1	Tool, Pin Removal (Not Shown)	
19	7002840	1	Anti-Rotation Pin Removal Tool	
20	4711400	4	Flatwasher 1/4in Narrow	
21	4740158	1	Thrustwasher	
22	4751600	6	Flatwasher 3/8in	
23	4751800	4	Flatwasher 1/2in	
24	4846167	1	Axle Weldment	
24A	0561300	2	Steer Cylinder Mounting Block Assembly	
25	4892200	4	Flatwasher 3/4in	
26	0641607	2	Bolt 3/8in-16NC x 7/8 ( <b>SN 0300063921 through 0300065080</b> )	
27	3841520	2	Keeper 3/8 ( <b>SN 0300063921 through 0300065080</b> )	
	0259966	Ref	<b>STEERING INSTALLATION</b>	B
101	0100011	AR	Loctite #242 (Not Shown)	
102	0440162	2	Thrustwasher	
103	0630544	1	Bolt 1in-8NC x 6in	
104	0641508	1	Bolt 5/16in-18NC x 1in	
105	0641606	4	Bolt 3/8in-16NC x 3/4in	
106	0681828	4	Bolt 1/2in-13NC x 3 1/2in	
107	0682648	1	Bolt 1in-8NC x 6in	
108	1683614	NLA	Steer Cylinder Assembly (Use p/n 1684412) (Original Equipment) (See CYLINDER SECTION for Breakdown)	
108	1684412	1	Steer Cylinder Assembly (Service Replacement) (See CYLINDER SECTION for Breakdown)	

## SECTION 1 - FRAME

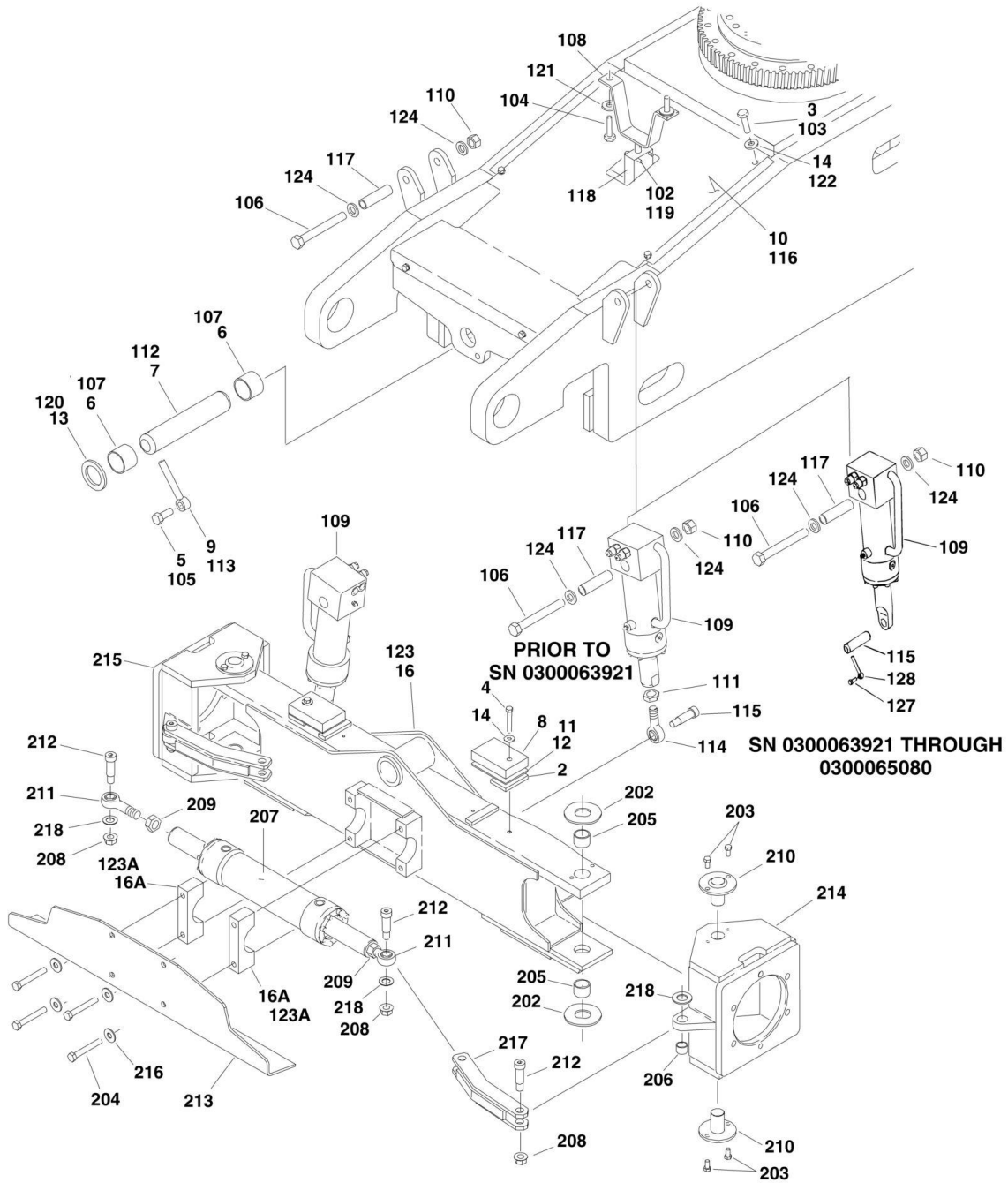
ITEM	PART NUMBER	QTY	DESCRIPTION	REV
109	2160002	1	Fitting, STR Grease	
110	2780230	2	Hub/Spindle Assembly (See 201 to 213 for Breakdown)	
111	3272605	2	Locknut 1in-8NC	
112	3312008	4	Nut 5/8in-11NC	
113	3322201	4	Nut 3/4in-16NF	
114	3323003	2	Nut 1 1/4in-12NF	
115	3422692	2	Kingpin	
116	3422848	1	Pin, Hitch	
117	3450812	2	Pin, Cotter 1/4in x 3in	
118	3571975	1	Plate, Tow Bar Pivot	
119	3841143	1	Keeper	
120	3841367	2	Rod-End with Grease Fitting	
120	7020180	1	Grease Fitting	
121	3841377	2	Tie-Rod	
122	3900109	6	Screw, Shoulder	
123	4712600	4	Flatwasher 1in	
124	4713000	2	Flatwasher 1 1/4in	
125	4740086	2	Washer, Thrust	
126	4740155	2	Washer, Thrust	
127	4740491	2	Washer, Thrust	
128	4751800	4	Flatwasher 1/2in	
129	4846162	1	Weldment, Link	
130	2160001	2	Fitting, Grease	
	2780230	Ref	<b>HUB ASSEMBLY</b>	A
201	7020033	2	Cap, Dust (1 per Assembly)	
202	7020034	2	Spindle Assembly (1 per Assembly)	
203	0961951	4	Bushing, Garmax (2 Per Assembly)	
204	0962140	2	Bearing, Garmax (1 per Assembly)	
205	7020035	2	Hub (1 per Assembly) (Includes 306 & 307)	
206	7020036	2	Cup, Bearing - Inner(1 per Assembly)	
207	7020038	2	Cup, Bearing - Outer (1 per Assembly)	
208	7020037	2	Cone, Bearing - Inner (1 per Assembly)	
209	7020039	2	Cone, Bearing - Outer (1 per Assembly)	
210	7020040	2	Seal (1 Per Assembly)	
211	7020041	18	Stud, Wheel (9 Per Assembly)	
213	7020042	18	Lugnut (9 per Assembly)	
214	7020054	2	Nut, Castle (1 per Assembly)	
215	3450608	2	Pin, Cotter (1 Per Assembly)	
216	7020055	2	Washer, Spindle (1 Per Assembly)	





# SECTION 1 - FRAME

## FIGURE 1-3. AXLE AND STEERING INSTALLATION - 4WD



# SECTION 1 - FRAME

## FIGURE 1-3. AXLE AND STEERING INSTALLATION - 4WD

ITEM	PART NUMBER	QTY	DESCRIPTION	REV
	0258027	Ref	<b>FIXED AXLE INSTALLATION</b>	C
1	0100011	AR	Loctite #242 (Not Shown)	
2	0362763	2	Bar, Stop	
3	0641606	6	Bolt 3/8in-16NC x 3/4in	
4	0641620	2	Bolt 3/8in-16NC x 2 1/4in	
5	0642012	1	Bolt 5/8in-11NC x 1 1/2in	
6	0961950	2	Bushing, Garmax	
7		Ref	Pin, Axle Pivot Options:	
7	3422431	NLA	Pin, Axle Pivot (Use p/n 3422592) <b>(Prior to SN 0300056275)</b>	
7	3422592	1	Pin, Axle Pivot <b>(SN 0300056275 through 0300065080)</b>	
8	3570901	2	Plate, Stop	
9	3841258	1	Keeper, Pin	
10	4060951	1	Shield, Frame	
11	4070973	AR	Shim 1/8in	
12	4070974	AR	Shim 1/16in	
13	4740158	1	Thrustwasher	
14	4751600	8	Flatwasher 3/8in	
16	4845700	1	Axle Weldment	
16A	0561300	2	Steer Cylinder Mounting Block Assembly	
	0258025	Ref	<b>OSCILLATING AXLE INSTALLATION</b>	F
101	0100011	AR	Loctite #242 (Not Shown)	
102	0641414	4	Bolt 1/4in-20NC x 1 3/4in	
103	0641606	6	Bolt 3/8in-16NC x 3/4in	
104	0641812	2	Bolt 1/2in-13NC x 1 1/2in	
105	0642012	1	Bolt 5/8in-11NC x 1 1/2in	
106	0682248	2	Bolt 3/4in-10NC x 6in	
107	0961950	2	Bushing, Garmax	
108	1100107	1	Cam, Lockout	
109		Ref	Lockout Cylinder Assembly Options (See CYLINDER SECTION for Breakdown):	
109	1683575	2	Lockout Cylinder Assembly <b>(Prior to SN 0300063921)</b>	
109	1684139	2	Lockout Cylinder Assembly <b>(SN 0300063921 through 0300065080)</b>	
110	3272201	2	Nut 3/4in-10NC	
111	3322201	2	Nut 3/4in-16NF	
112		Ref	Pin, Axle Pivot Options:	
112	3422431	NLA	Pin, Axle Pivot (Use p/n 3422592) <b>(Prior to SN 0300056275)</b>	
112	3422592	1	Pin, Axle Pivot <b>(SN 0300056275 through 0300065080)</b>	
113	3841258	1	Keeper, Pin	
114	3841367	2	Rod-End with Grease Fitting	
114	7020180	1	Grease Fitting	
115		Ref	Hardware Options:	
115	3900109	2	Screw, Shoulder <b>(Prior to SN 0300063921)</b>	
115	3422936	2	Pin <b>(SN 0300063921 through 0300065080)</b>	
116	4060951	1	Shield, Frame	
117	4567462	2	Tube, Mounting	
118	4640871	1	Lockout Valve Assembly	
118	7012693	1	Seal Kit - 4640871 Valve	
118	7002840	1	Tool, Pin Removal (Not Shown)	
118	7002840	1	Anti-Rotation Pin Removal Tool	

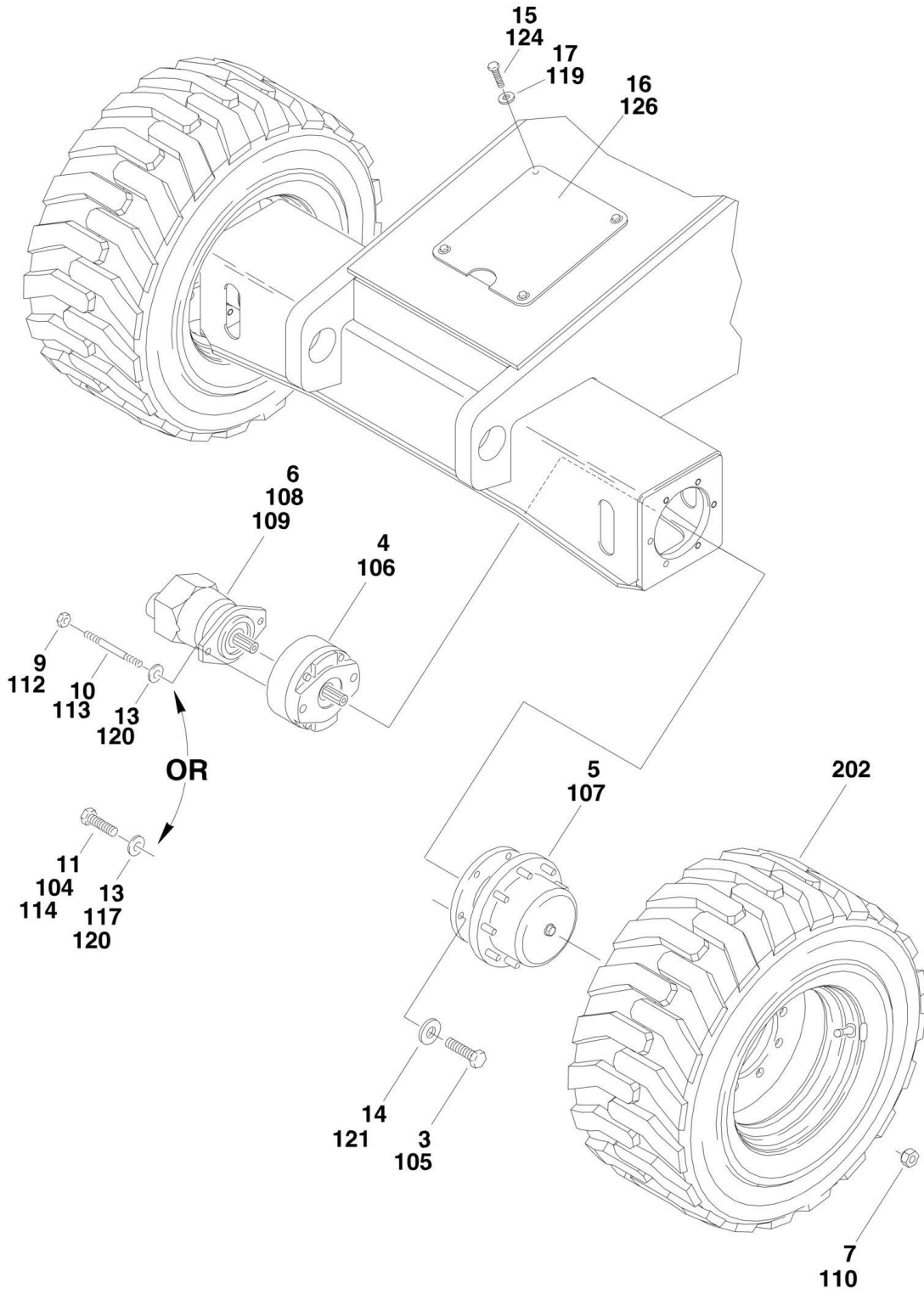
## SECTION 1 - FRAME

ITEM	PART NUMBER	QTY	DESCRIPTION	REV
119	4711400	4	Flatwasher 1/4in Narrow	
120	4740158	1	Thrustwasher	
121	4751800	4	Flatwasher 1/2in	
122	4751600	6	Flatwasher 3/8in	
123	4845700	1	Axle Weldment	
123A	0561300	2	Steer Cylinder Mounting Block Assembly	
124	4892200	4	Flatwasher 3/4in	
126	0100019	AR	Loctite #271 (Not Shown)	
127	0641607	2	Bolt 3/8in-16NC x 7/8 (SN 0300063921 through 0300065080)	
128	3841520	2	Keeper 3/8 (SN 0300063921 through 0300065080)	
	0258023	Ref	<b>STEERING INSTALLATION</b>	B
201	0100011	AR	Loctite #242 (Not Shown)	
202	0440161	4	Thrustwasher	
203	0641606	8	Bolt 3/8in-16NC x 3/4in	
204	0681828	4	Bolt 1/2in-13NC x 3 1/2in	
205	0961951	4	Bushing, Garmax	
206	0962140	2	Bearing, Garmax	
207	1683614	NLA	Steer Cylinder Assembly (Use p/n 1684412) (Original Equipment) (See CYLINDER SECTION for Breakdown)	
207	1684412	1	Steer Cylinder Assembly (Service Replacement) (See CYLINDER SECTION for Breakdown)	
208	3312008	4	Nut 5/8in-11NC	
209	3322201	2	Nut 3/4in-16NF	
210	3422716	4	Kingpin	
211	3841367	2	Rod-End with Grease Fitting	
211	7020180	1	Grease Fitting	
212	3900109	4	Screw, Shoulder	
213	4060950	1	Shield, Frame	
214	4130363	1	Spindle (Left Side)	
215	4130364	1	Spindle (Right Side)	
216	4751800	4	Flatwasher 1/2in	
217	4845711	2	Tie-Rod	
218	4740086	4	Thrustwasher	



# SECTION 1 - FRAME

## FIGURE 1-4. TIRE AND WHEEL DRIVE INSTALLATIONS



# SECTION 1 - FRAME

## FIGURE 1-4. TIRE AND WHEEL DRIVE INSTALLATIONS

ITEM	PART NUMBER	QTY	DESCRIPTION	REV
		Ref	<b>WHEEL DRIVE INSTALLATION (2WD)</b>	
	0258020	Ref	<b>Wheel Drive Installation (2WD) (Prior to SN 0300056958)</b>	E
	0270207	Ref	<b>Wheel Drive Installation (2WD) (SN 0300056958 through 0300065080)</b>	B
1	0100011	AR	Loctite #242 (Not Shown)	
3	0682014	12	Bolt 5/8in-11NC x 1 3/4in	
4		Ref	Drive Brake Assembly (See DRIVE BRAKE ASSEMBLY for Breakdown)	
4	0920112	2	Drive Brake Assembly ( <b>Prior to SN 0300056958</b> )	
4	0920117	2	Drive Brake Assembly ( <b>SN 0300056958 through 0300065080</b> )	
5		Ref	Drive Hub Assembly Options: (Note: Do NOT Mix Hub Assemblies on Machine!)	
5	2780224	2	Drive Hub Assembly (See DRIVE HUB ASSEMBLY for Breakdown) ( <b>Prior to SN 0300039594</b> )	
5	2780235	2	Drive Hub Assembly (See DRIVE HUB ASSEMBLY for Breakdown) ( <b>SN 0300039594 through 0300065080</b> )	
6	3160158	2	Drive Motor Assembly (See DRIVE MOTOR ASSEMBLY - REAR For Breakdown)	
7	3300106	18	Lugnut	
9	3311801	4	Nut 1/2in-13NC	
10	4300120	4	Stud	
11	0641836	4	Bolt 1/2in-13NC x 3in	
13	4891800	4	Flatwasher 1/2in	
14	4892000	12	Flatwasher 5/8in	
15	0641606	4	Bolt 3/8in-16NC x 3/4in	
16	4060970	1	Shield Only ( <b>SN 0300038566 through 0300065080</b> )	
17	4751600	4	Flatwasher 3/8in	
		Ref	<b>WHEEL DRIVE INSTALLATION (4WD)</b>	
	0258021	Ref	<b>Wheel Drive Installation (4WD) (Prior to SN 0300056958)</b>	F
	0270208	Ref	<b>Wheel Drive Installation (4WD) (SN 0300056958 through 0300065080)</b>	C
101	0100011	AR	Loctite #242 (Not Shown)	
104	0641810	4	Bolt 1/2in-13NC x 1 1/4in	
105	0642014	24	Bolt 5/8in-11NC x 1 3/4in	
106		Ref	Drive Brake Assembly (Rear Only) (See DRIVE BRAKE ASSEMBLY for Breakdown)	
106	0920112	2	Drive Brake Assembly (Rear Only) ( <b>Prior to SN 0300056958</b> )	
106	0920117	2	Drive Brake Assembly (Rear Only) ( <b>SN 0300056958 through 0300065080</b> )	
107		Ref	Drive Hub Assembly Options: (Note: Do NOT Mix Hub Assemblies on Machine!)	
107	2780224	NLA	Drive Hub Assembly (Use p/n 2780235) (See DRIVE HUB ASSEMBLY for Breakdown) ( <b>Prior to SN 0300039594</b> )	
107	2780235	4	Drive Hub Assembly (See DRIVE HUB ASSEMBLY for Breakdown) ( <b>SN 0300039594 through 0300065080</b> )	
108	3160158	1	Drive Motor Assembly - Rear (See DRIVE MOTOR ASSEMBLY - REAR For Breakdown)	
109	3160227	NLA	Drive Motor Assembly-Front (See DRIVE MOTOR ASSEMBLY - FRONT For Breakdown) (Use p/n 1001096417)	
110	3300106	36	Lugnut	
112	3311801	4	Nut 1/2in-13NC	
113	4300120	4	Stud	
114	0641836	4	Bolt 1/2in-13NC x 3in	

## SECTION 1 - FRAME

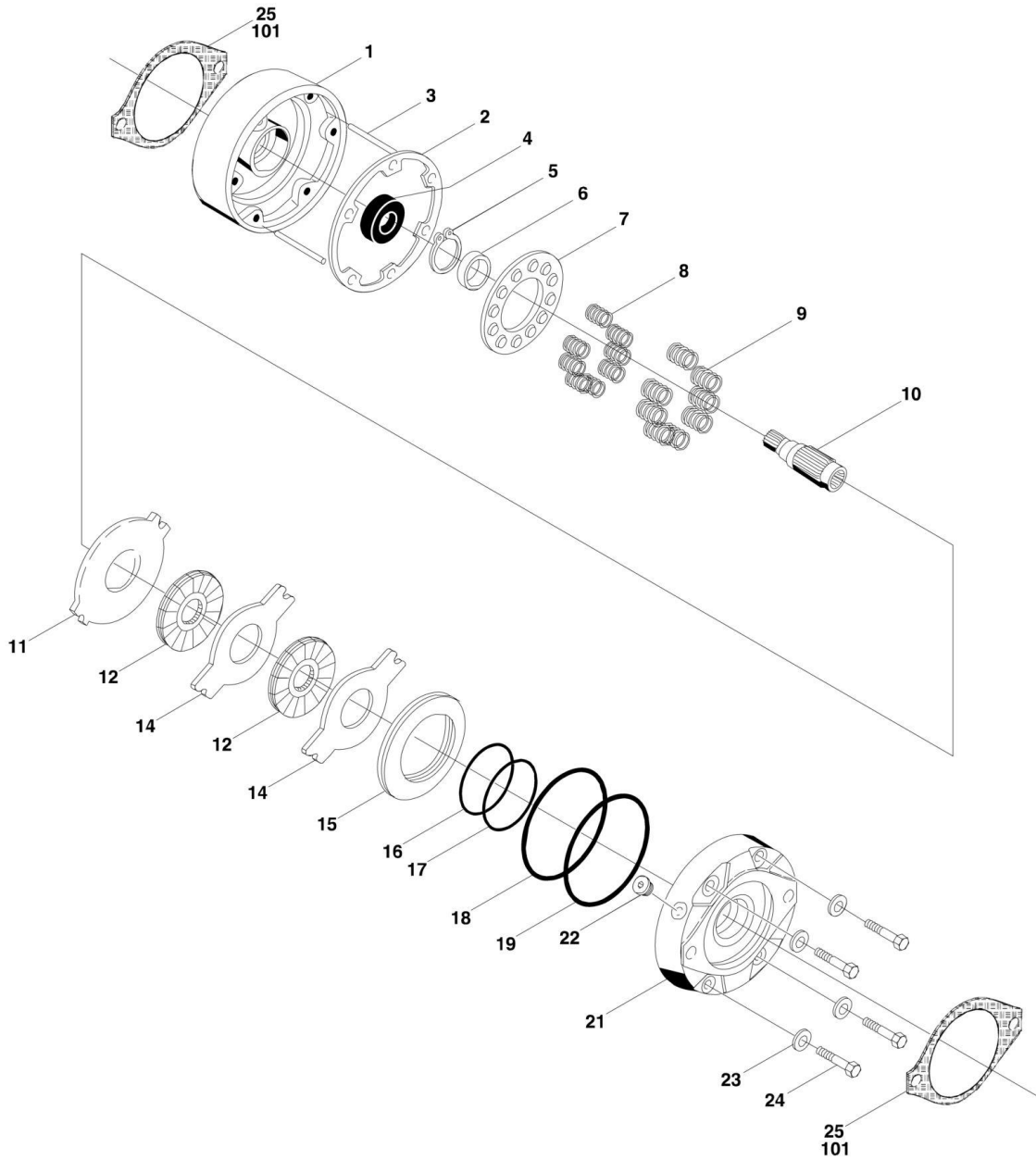
ITEM	PART NUMBER	QTY	DESCRIPTION	REV
117	4711800	4	Flatwasher 1/2in Narrow	
119	4751600	4	Flatwasher 3/8in	
120	4891800	4	Flatwasher 1/2in	
121	4892000	24	Flatwasher 5/8in	
124	0641606	4	Bolt 3/8in-16NC x 3/4in	
126	4060970	1	Shield Only <b>(SN 0300038566 through 1001096417)</b>	
129	3960526	2	Gasket, Brake (Not Shown - Located Between Drive Motor and Hub on Front of Machine)	
		Ref	<b>TIRE AND WHEEL INSTALLATIONS</b>	
	0258030	Ref	<b>12 x 16.5 Foam-Filled</b>	A
	0259643	Ref	<b>12 x 21.5 Foam-Filled</b>	A
	0258031	Ref	<b>33/1550 x 16.5 Foam-Filled</b>	A
	0259129	Ref	<b>33/16LL x 16.1 Foam-Filled (Requires special counterweighting)</b>	A
	0258009	2	12 x 16.5 Foam-Filled Right Side	C
	0258010	2	12 x 16.5 Foam-Filled Left Side	C
	0259638	2	12 x 21.5 Foam-Filled Right Side	A
	0259636	2	12 x 21.5 Foam-Filled Left Side	A
	0258011	2	33/1550 x 16.5 Foam-Filled Right Side	C
	0258012	2	33/1550 x 16.5 Foam-Filled Left Side	C
	0259128	4	33/16LL x 16.1 Foam-Filled (Requires special counterweighting)	
		Ref	<b>Note: Assemblies may require ballast/foam filling to manufacturer's specifications prior to installing on a machine. Refer to Operation and Safety or Service and Maintenance Manuals. Purchase individual tire and/or rim only if able to foam fill tire and wheel assembly, otherwise, purchase complete assembly,</b>	
202		Ref	Tire, Replacement Options:	
202	4520202	NLA	Tire, Replacement 12 x 16.5 NHS (Use p/n 4520216) <b>(Prior to SN 0300043177)</b>	
202	4520216	1	Tire, Replacement 12 x 16.5 NHS (OTR Brand) <b>(SN 0300043177 through 0300065080)</b>	
202	4520223	1	Tire, Replacement 12 x 21.5 NHS (OTR Brand)	
202	4520203	1	Tire, Replacement 33/1550 x 16.5 NHS (Use p/n 4520217) <b>(Prior to SN 0300043177)</b>	
202	4520217	1	Tire, Replacement 33/1550 x 16.5 NHS (OTR Brand) <b>(SN 0300043177 through 0300065080)</b>	
202	4520212	1	Tire, Replacement 33/16LL x 16.1	





# SECTION 1 - FRAME

## FIGURE 1-5. DRIVE BRAKE ASSEMBLY



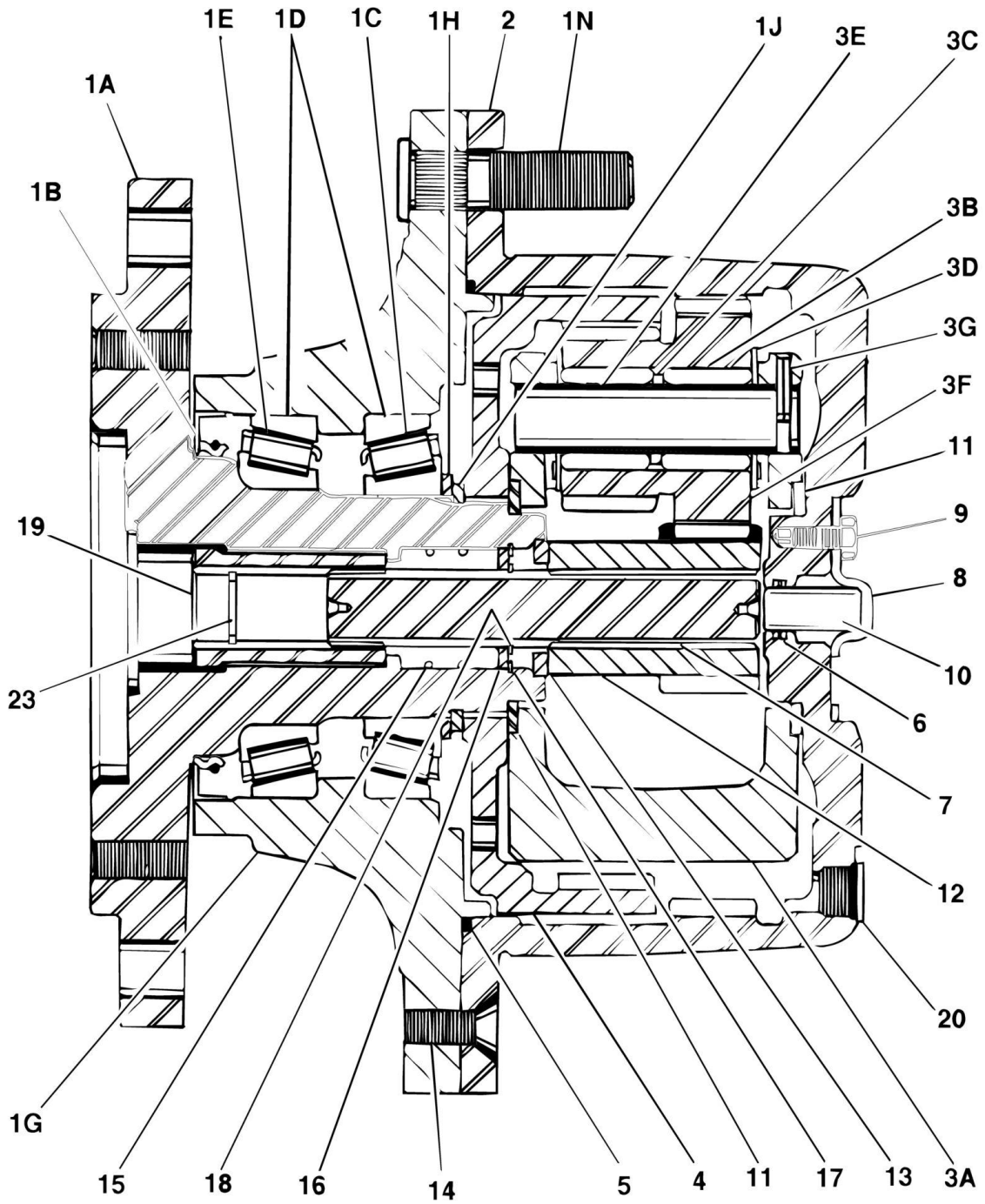
# SECTION 1 - FRAME

## FIGURE 1-5. DRIVE BRAKE ASSEMBLY

ITEM	PART NUMBER	QTY	DESCRIPTION	REV
	0920112	Ref	<b>DRIVE BRAKE ASSEMBLY (Prior to SN 0300056958)</b>	D
1	7003451	1	Housing	
2	7003452	1	Gasket	
3	7003094	2	Pin, Torque	
4	7003049	1	Bearing, Ball	
5	7003453	1	Ring, Retaining	
6	7003050	1	Seal	
7	7003454	1	Retainer, Spring	
8	7000798	10	Spring, Compression (Small)	
9	7000782	10	Spring, Compression (Large)	
10	7003455	1	Shaft	
11	7003456	1	Disc, Primary	
12	7003457	2	Disc, Rotating	
14	7003459	2	Disc, Stationary	
15	7003460	1	Piston	
16	7000722	1	Ring, Back-Up	
17	7000723	1	O-Ring	
18	7000724	1	Ring, Back-Up	
19	7000725	1	O-Ring	
21	7003461	1	Plate, Power	
22	7000728	1	Plug, Protective	
23	7003462	4	Flatwasher 1/2in	
24	7003463	4	Bolt 1/2in-13NC	
25	7000731	2	Gasket	
	Not Available	1	Seal Kit - 0920112 Brake	
	0920117	Ref	<b>DRIVE BRAKE ASSEMBLY (NOT SHOWN) (SN 0300056958 through 0300065080)</b>	B
101	7000731	2	Gasket (Located between Hub/Brake and Brake/Motor)	
101	7018612	1	Kit, Repair - 0920117 Brake	
101	7018613	2	Screw, Washer Head Cap (Securing Pressure Plate to Cover Plate)	
		Ref	<b>Note: No Other Serviceable Parts Available.</b>	

# SECTION 1 - FRAME

FIGURE 1-6. DRIVE HUB ASSEMBLY (Prior to SN 0300039594)



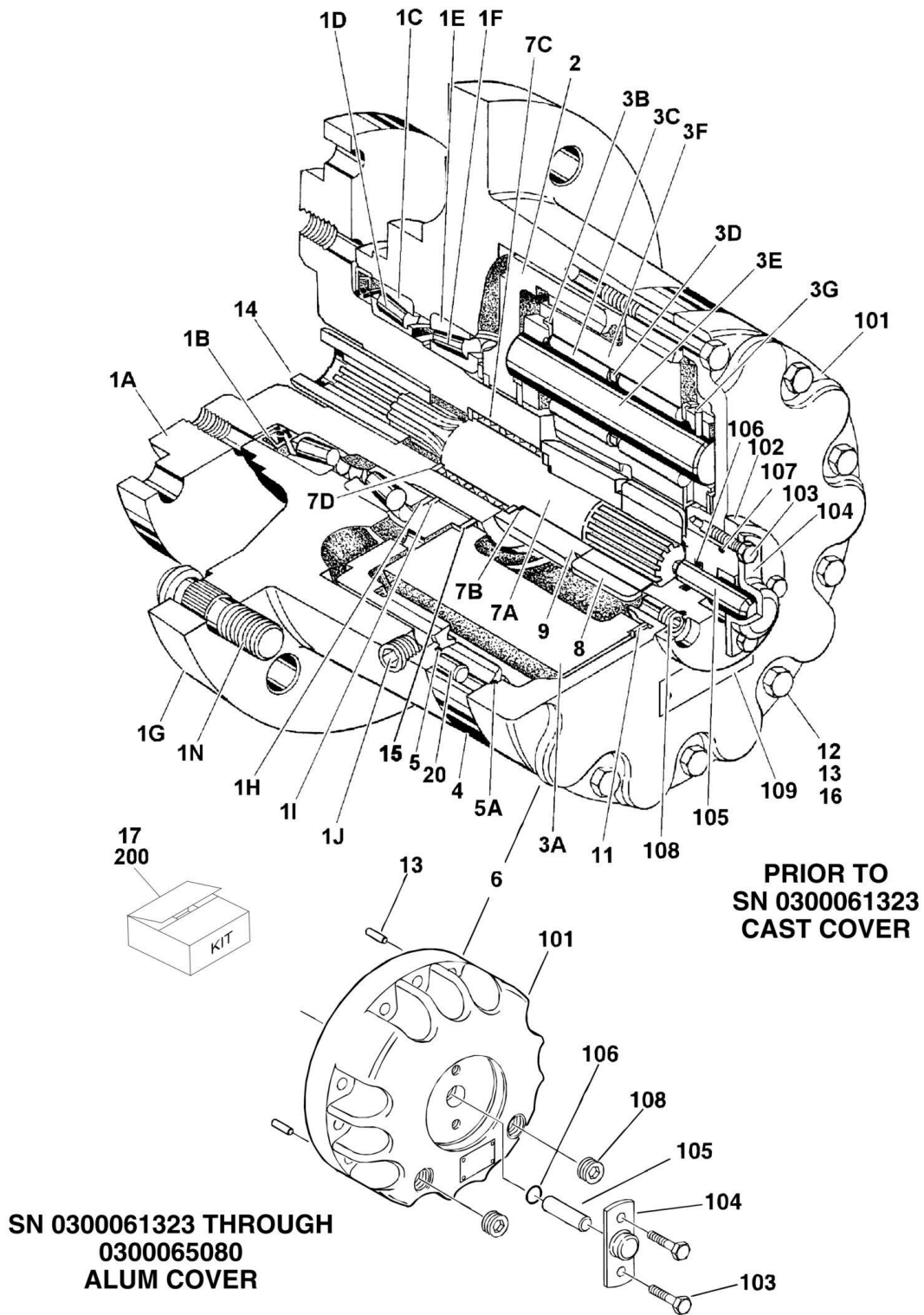
## SECTION 1 - FRAME

**FIGURE 1-6. DRIVE HUB ASSEMBLY (Prior to SN 0300039594)**

ITEM	PART NUMBER	QTY	DESCRIPTION	REV
	2780224	Ref	<b>DRIVE HUB ASSEMBLY</b>	A
1	See Note	1	Spindle/Housing Assembly (Includes Item 1A-1N) (Note: Purchase Individual Components)	
1A	7017004	1	Spindle	
1B	7017010	1	Seal	
1C	7017006	1	Cone, Bearing	
1D	7017007	2	Cup, Bearing	
1E	7017008	1	Cone, Bearing	
1G	7017005	1	Housing	
1H	7017009	1	Washer, Thrust	
1J	7017021	1	Ring, Retaining	
1N	7007640	9	Stud, Wheel	
2	7017018	1	Gear, Ring	
3	See Note	1	Carrier Assembly (Includes Items 3A-3G) (Note: Purchase Individual Components)	
3A	7017015	1	Carrier	
3B	7017019	96	Bearing, Needle	
3C	7000263	3	Spacer, Thrust	
3D	7017014	6	Flatwasher, Tanged	
3E	7017013	3	Shaft, Planet	
3F	7017016	3	Gear, Cluster	
3G	7010474	3	Rollpin	
4	7017017	1	Gear, Internal	
5	7017011	1	O-Ring	
6	7000213	1	O-Ring	
7	7017024	1	Shaft, Input	
8	7000211	1	Cap, Disengage	
9	0641404	2	Bolt 1/2in-20NC x 1/2in	
10	7017029	1	Rod, Disengage	
11	7000253	2	Washer, Thrust	
12	7017012	1	Gear, Sun	
13	7017020	1	Washer, Thrust	
14	7017022	3	Screw, Socket Head Countersunk 3/8in-16NC	
15	7017026	1	Spring	
16	7010421	1	Washer, Thrust	
17	7007620	1	Ring, Retaining	
18	7017027	1	Ring, Retaining	
19	7017025	1	Coupling	
20	7017023	2	Plug, Pipe	
21	See Note	NSS	Plate, ID (Not Shown) (Note: Not Available for Purchase)	
22	7000281	4	Screw, Drive (Not Shown - Installs Item 21)	
23	7017028	1	Ring, Retaining	

# SECTION 1 - FRAME

FIGURE 1-7. DRIVE HUB ASSEMBLY (SN 0300039594 through 0300065080)



## SECTION 1 - FRAME

**FIGURE 1-7. DRIVE HUB ASSEMBLY (SN 0300039594 through 0300065080)**

ITEM	PART NUMBER	QTY	DESCRIPTION	REV
	2780235	Ref	<b>DRIVE HUB ASSEMBLY</b>	B
1	See Note	1	Spindle/Housing Assembly (Includes Item 1A-1N) (Note: Purchase Individual Components)	
1A	7017059	1	Spindle	
1B	7001998	1	Seal	
1C	7010429	1	Cone and Cup, Bearing (Includes 1C & 1D)	
1D	7010429	1	Cone and Cup, Bearing (Includes 1C & 1D)	
1E	7000257	1	Cone, Bearing	
1F	7000258	1	Cup, Bearing	
1G	7007601	1	Housing	
1H	7000232	1	Washer, Thrust	
1I	7000229	1	Ring, Retaining	
1J	See Note	1	Plug, Pipe (Note: Not Available for Purchase)	
1N	7007640	9	Stud, Wheel	
2	7000246	1	Gear, Ring	
3	See Note	1	Carrier Assembly (Includes Item 3A-3G) (Note: Purchase Individual Components)	
3A	7001931	1	Carrier	
3B	7001985	6	Flatwasher, Tanged	
3C	7001909	96	Bearing, Needle	
3D	7000263	3	Spacer, Thrust	
3E	7001911	3	Shaft, Planet	
3F	7007643	3	Gear, Cluster	
3G	7010474	3	Rollpin	
4	7000203	1	Gear, Internal	
5	7000230	1	O-Ring	
5A	7000230	1	O-Ring (Black) <b>(Prior to SN 0300061323)</b>	
5A	7017070	1	O-Ring (White) <b>(SN 0300061323 through 0300065080)</b>	
6	See Note	1	Cover Assembly (Includes Items 101 - 109) (Note: Purchase Individual Components)	
7	See Note	1	Input Shaft Assembly (Includes Item 7A-7D) (Note: Purchase Individual Components)	
7A	7000250	1	Shaft, Input	
7B	7000261	1	Ring, Retaining	
7C	7000262	1	Spring	
7D	7000263	2	Spacer, Thrust	
8	7000201	1	Gear, Sun	
9	7000252	1	Spacer, Thrust	
11		Ref	Spacer, Thrust Options:	
11	7000253	2	Spacer, Thrust <b>(Prior to SN 0300061323)</b>	
11	7017096	1	Spacer, Thrust <b>(SN 0300061323 through 0300065080)</b>	
12		Ref	Bolt (Grade 8) Options:	
12	7000217	12	Bolt (Grade 8) <b>(Prior to SN 0300061323)</b>	
12	7017067	12	Bolt (Grade 8) <b>(SN 0300061323 through 0300065080)</b>	
13		Ref	Hardware Options:	
13	7000214	4	Bolt, Shoulder (Grade 8) <b>(Prior to SN 0300061323)</b>	
13	7017080	4	Dowel Pin <b>(SN 0300061323 through 0300065080)</b>	
14	7017060	1	Coupling	
16	7007603	12	Flatwasher	
17	7017063	1	Seal Kit	

## SECTION 1 - FRAME

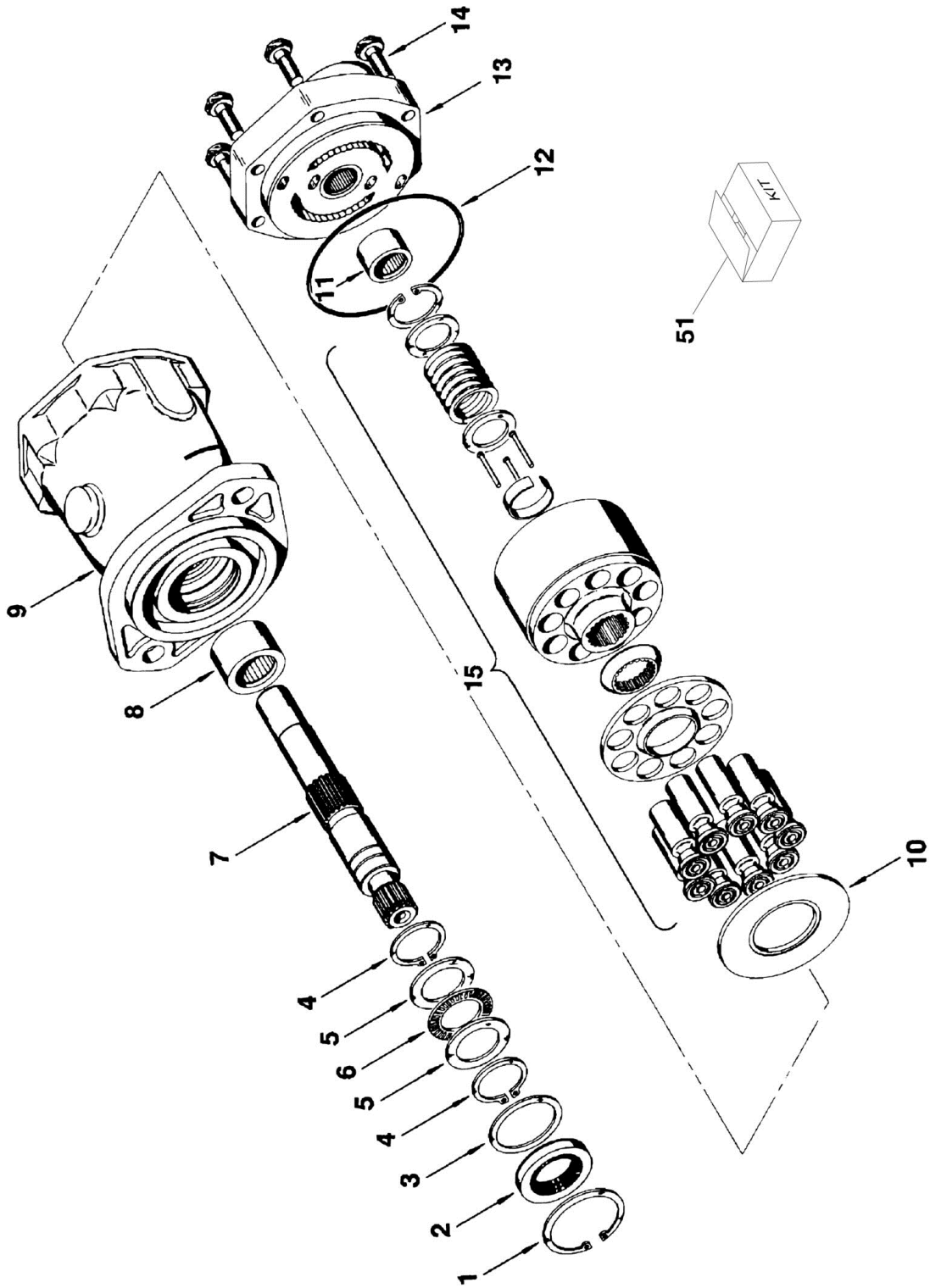
ITEM	PART NUMBER	QTY	DESCRIPTION	REV
		Ref	<b>COVER ASSEMBLIES</b>	
	See Note	Ref	<b>Cover Assembly Cast (Use Item 200 as Replacement) (Prior to SN 030061323)</b>	
	See Note	Ref	<b>Cover Assembly (Use Item 200 as Replacement) (SN 0300061323 through 0300065080)</b>	
101		Ref	Cover Options:	
101	See Note	1	Cover (Use Item 200) <b>(Prior to SN 0300061323)</b>	
101	7017091	NLA	Cover (Use Item 200) <b>(SN 0300061323 through 0300065080)</b>	
102		Ref	Cap Options:	
102	7000227	NLA	Cap <b>(Prior to SN 0300061323)</b>	
102	Not Required	0	Cap <b>(SN 0300061323 through 0300065080)</b>	
103		Ref	Bolt Options:	
103	7000220	4	Bolt 1/4in-20NC x 3/4 <b>(Prior to SN 0300061323)</b>	
103	7000216	2	Bolt 1/4in-20NC x 1/2 <b>(SN 0300061323 through 0300065080)</b>	
104		Ref	Cap, Disengage Options:	
104	7000211	NLA	Cap, Disengage <b>(Prior to SN 0300061323)</b>	
104	7017093	NLA	Cap, Disengage <b>(SN 0300061323 through 0300065080)</b>	
105		Ref	Rod, Disengage Options:	
105	7017062	NLA	Rod, Disengage <b>(Prior to SN 0300061323)</b>	
105	7017092	NLA	Rod, Disengage <b>(SN 0300061323 through 0300065080)</b>	
106		Ref	O-Ring Options:	
106	7000213	1	O-Ring <b>(Prior to SN 0300061323)</b>	
106	7017095	1	O-Ring <b>(SN 0300061323 through 0300065080)</b>	
107		Ref	O-Ring Options:	
107	7000215	1	O-Ring <b>(Prior to SN 0300061323)</b>	
107	Not Required	0	O-Ring <b>(SN 0300061323 through 0300065080)</b>	
108		Ref	Plug, Pipe	
108	7017048	1	Plug, Pipe <b>(Prior to SN 0300061323)</b>	
108	7017094	2	Plug, Pipe <b>(SN 0300061323 through 0300065080)</b>	
109	See Note	NSS	Plate, Identification (Note: Not Available for Purchase)	
		Ref	<b>COVER KIT OPTIONS:</b>	
200	See Note	1	Cast Cover (Note: Use p/n 7017099) <b>(Prior to SN 0300061323)</b>	
200	7017099	NLA	Aluminum Cover Replacement for Cast Cover (Includes Items 5, 5A, 11, 12, 13, 101, & 103-109) (Used p/n 70001111) <b>(Prior to SN 0300061323)</b>	
200	7017090	NLA	Aluminum Cover (Includes Items 5A & 101) (Use p/n 70001349) <b>(SN 0300061323 through 0300065080)</b>	





# SECTION 1 - FRAME

## FIGURE 1-8. DRIVE MOTOR ASSEMBLY - REAR



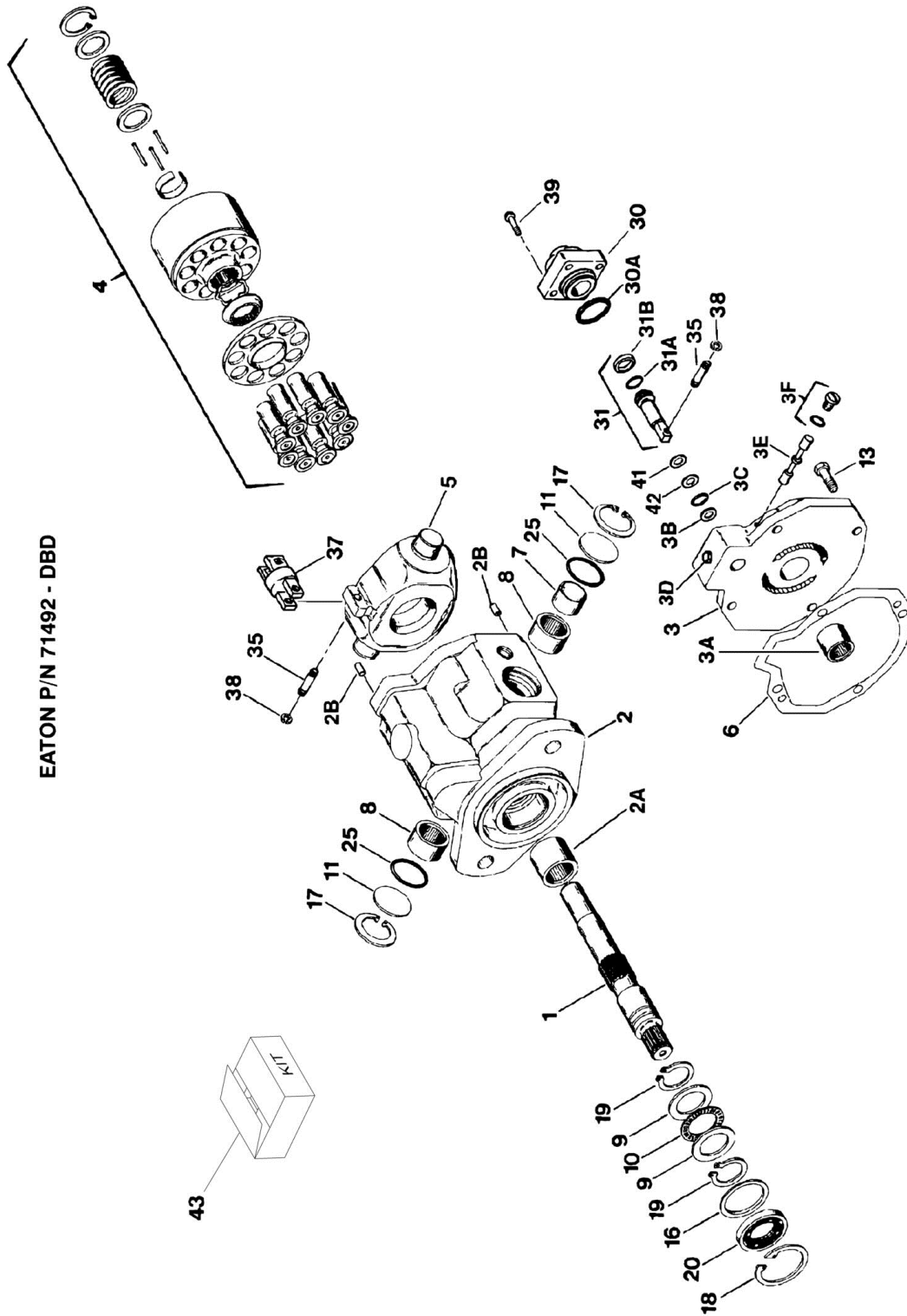
## SECTION 1 - FRAME

**FIGURE 1-8. DRIVE MOTOR ASSEMBLY - REAR**

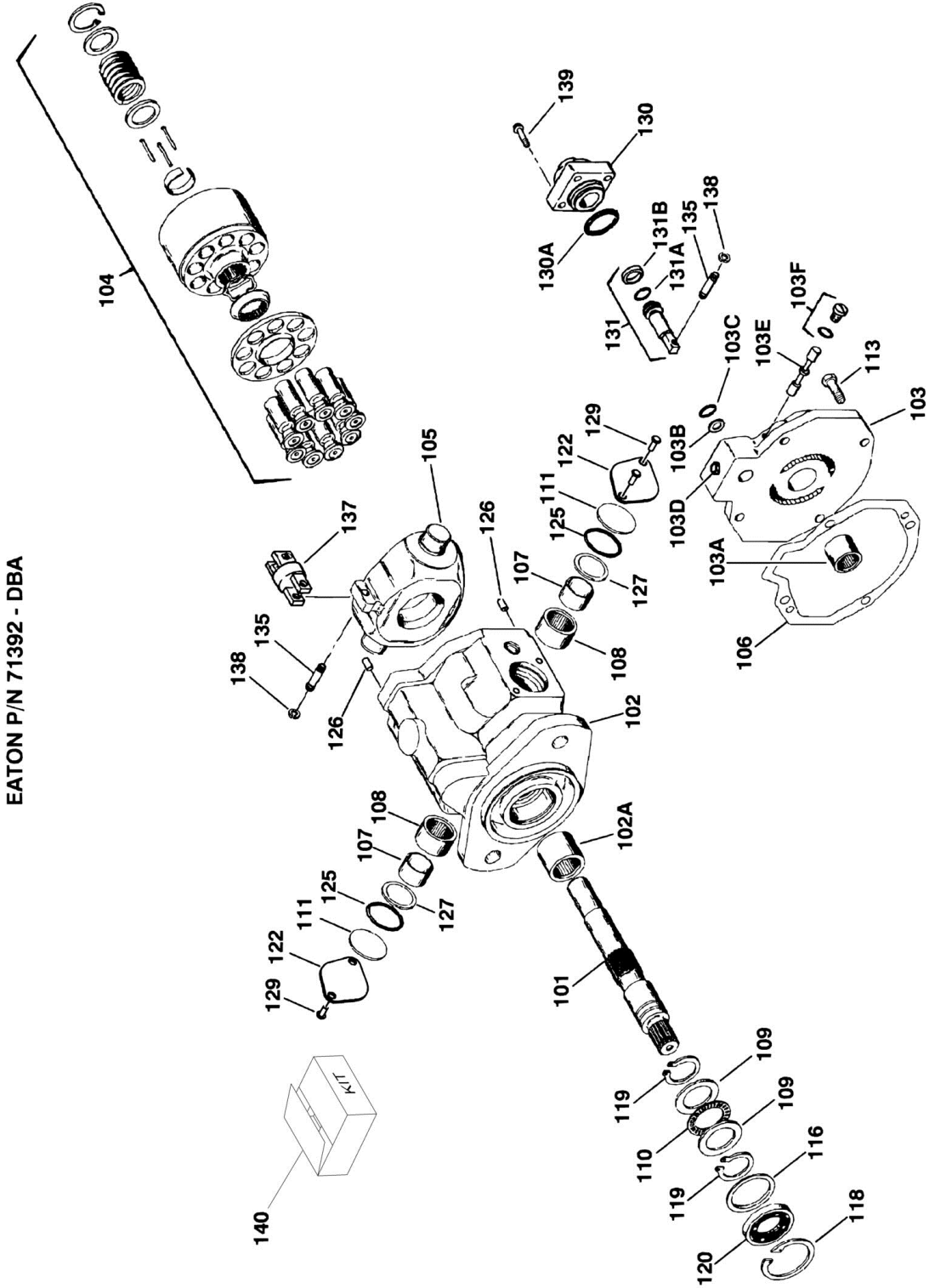
ITEM	PART NUMBER	QTY	DESCRIPTION	REV
	3160158	Ref	<b>DRIVE MOTOR ASSEMBLY - REAR</b>	-
1	See Note	NSS	Ring, Retaining (Note: Use Item 51)	
2	See Note	NSS	Seal, Shaft (Note: Use Item 51)	
3	7004906	1	Washer	
4	See Note	NSS	Ring, Retaining (Note: Use Item 51)	
5	7004907	2	Race, Thrust	
6	7004908	1	Bearing, Thrust	
7	7007874	1	Shaft, Splined	
8	7004910	1	Bearing	
9	7007875	1	Housing Assembly (Includes Item 8)	
10	7007876	1	Insert, Camplate	
11	7004917	1	Bearing	
12	See Note	NSS	O-Ring (Note: Use Item 51)	
13	7007878	1	Back Plate Assembly (Includes Item 11)	
14	7007879	6	Bolt	
15	7007880	1	Rotating Kit Assembly (Sold as an Assembly Only)	
51	2900714	1	Seal Kit (Includes Items 1, 2, 4 & 12)	

# SECTION 1 - FRAME

## FIGURE 1-9. DRIVE MOTOR ASSEMBLY - FRONT



SECTION 1 - FRAME



# SECTION 1 - FRAME

## FIGURE 1-9. DRIVE MOTOR ASSEMBLY - FRONT

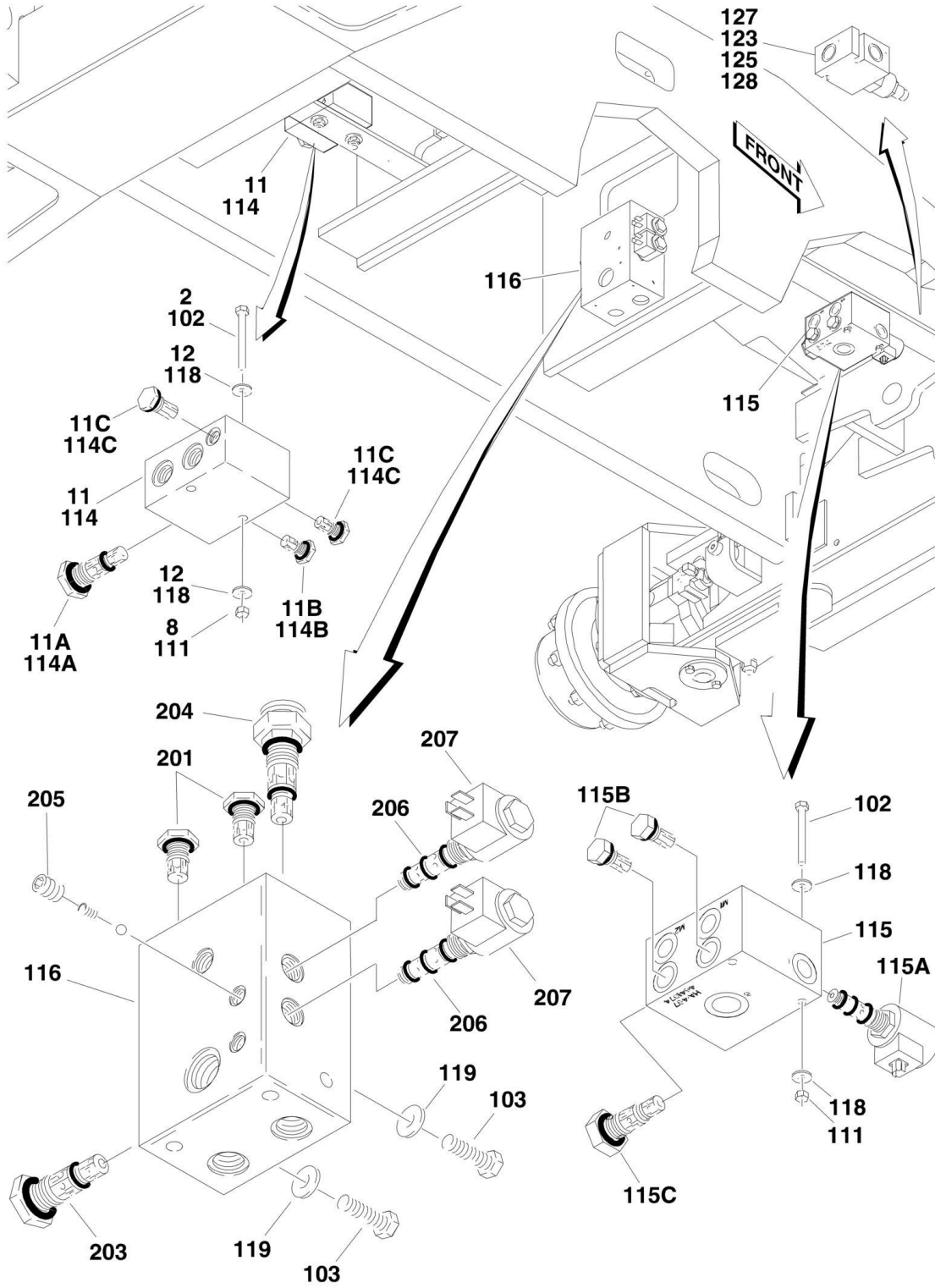
ITEM	PART NUMBER	QTY	DESCRIPTION	REV
		Ref	<b>Note: Drive Motor p/n 3160227 is no longer available. Replace complete drive motor with Service Replacement Drive Motor p/n 1001096417</b>	
		Ref	<b>Note: Visually identify the drive motor by Eaton part number before ordering replacement parts.</b>	
	3160227	Ref	<b>DRIVE MOTOR ASSEMBLY - FRONT (EATON P/N 71492 - DBD)</b>	B
1	7020313	1	Shaft, Splined	
2	7020314	1	Housing	
2A	7004910	1	Bearing	
2B	See Note	2	Rollpin (Note: Purchase Locally)	
3	7020344	1	Back Plate Assembly	
3A	7004917	1	Bearing	
3B	See Note	NSS	Washer (Note: Use Item 43)	
3C	See Note	NSS	O-Ring (Note: Use Item 43)	
3D	7020350	1	Plug	
3E	7020349	1	Spool, Shuttle	
3F	7020348	2	Plug	
4	7020315	1	Rotating Kit Assembly (Sold As An Assembly Only)	
5	7020316	1	Camplate	
6	7020317	1	Gasket	
7	7020318	1	Race, Inner	
8	7020319	2	Bearing, Needle	
9	7020320	2	Race, Thrust	
10	7020321	1	Bearing, Thrust	
11	7020322	2	Cover, Trunnion	
13	7020323	4	Bolt	
16	7020324	1	Washer	
17	7020325	2	Ring, Retaining	
18	7020326	1	Ring, Retaining	
19	7020327	2	Ring, Retaining	
20	7020328	1	Seal, Shaft	
25	7020329	2	O-Ring	
30	7020330	1	Housing, Control Piston	
30A	See Note	NSS	O-Ring (Note: Use Item 43)	
31	7020331	1	Piston Control	
31A	See Note	NSS	O-Ring (Note: Use Item 43)	
31B	See Note	NSS	Ring, Slipper (Note: Use Item 43)	
35	7020345	2	Pin, Connector	
37	7020332	2	Plate, Connector	
38	7020333	2	Ring, Retaining	
39	7020334	4	Bolt	
41	See Note	NSS	Washer (Note: Use Item 43)	
42	See Note	NSS	O-Ring (Note: Use Item 43)	
43	7020347	1	Seal Kit - Complete (Includes items 3B, 3C, 6, 16, 17, 18, 19, 20, 25, 30A, 31A, 31B, 38, 41 & 42)	
	1001096417	Ref	<b>DRIVE MOTOR ASSEMBLY - FRONT (EATON P/N 71392 - DBA)</b>	A
101	7004912	1	Shaft, Splined	
102	See Note	NSS	Housing (Note: Use p/n 1001096417)	
102A	7004910	1	Bearing	
103	70002542	1	Back Plate Assembly	

## SECTION 1 - FRAME

ITEM	PART NUMBER	QTY	DESCRIPTION	REV
103A	Not Available	1	Bearing	
103B	See Note	NSS	Washer (Note: Use Item 140)	
103C	See Note	NSS	O-Ring (Note: Use Item 140)	
103D	See Note	NSS	Plug (Note: Use p/n 70002542)	
103E	See Note	NSS	Spool, Shuttle (Note: Use p/n 70002542)	
103F	See Note	NSS	Plug (Note: Use p/n 70002542)	
104	7004916	1	Rotating Kit Assembly (Sold as an Assembly Only)	
105	70002534	1	Camplate	
106	See Note	NSS	Gasket (Note: Use Item 140)	
107	7004911	2	Race, Inner	
108	7004914	2	Bearing, Needle	
109	7004907	2	Race, Thrust	
110	7004908	1	Bearing, Thrust	
111	70002535	2	Cover, Trunnion	
113	7020323	4	Bolt	
116	7004906	1	Washer	
118	See Note	NSS	Ring, Retaining (Note: Use Item 140)	
119	See Note	NSS	Ring, Retaining (Note: Use Item 140)	
120	See Note	NSS	Seal, Shaft (Note: Use Item 140)	
122	70002536	2	Cover	
124	70002537	1	Plate, Valve (Not Shown - Located Between Items 102 & 103)	
125	See Note	NSS	O-Ring (Note: Use Item 140)	
126	70002538	2	Rollpin	
127	70002539	2	Washer	
129	70002540	4	Screw, Pan Head	
130	7004939	1	Housing, Control Piston	
130A	See Note	NSS	O-Ring (Note: Use Item 140)	
131	70002541	1	Piston Control	
131A	See Note	NSS	O-Ring (Note: Use Item 140)	
131B	See Note	NSS	Ring, Slipper (Note: Use Item 140)	
135	7004929	2	Pin, Connector	
137	7004928	2	Plate, Connector	
138	See Note	NSS	Ring, Retaining (Note: Use Item 140)	
139	7004938	4	Bolt	
140	7020347	1	Seal Kit - Complete (Includes items 103B, 103C, 106, 118, 119, 120, 125, 130A, 131A, 131B & 138)	

# SECTION 1 - FRAME

## FIGURE 1-10. DRIVE VALVES INSTALLATIONS





# SECTION 1 - FRAME

## FIGURE 1-10. DRIVE VALVES INSTALLATIONS

ITEM	PART NUMBER	QTY	DESCRIPTION	REV
		Ref	<b>DRIVE VALVES INSTALLATION - 2WD</b>	
	0258020	Ref	<b>Drive Valves Installation - 2WD (Prior to SN 0300056958)</b>	E
	0270207	Ref	<b>Drive Valves Installation - 2WD (SN 0300056958 through 0300065080)</b>	B
2	0641532	2	Bolt 5/16in-18NC x 4in	
8	3311505	2	Locknut 5/16in-18NC	
11		Ref	Flow Divider Valve Assembly Options:	
11	4640923	1	Valve (Not Shown) <b>(Prior to SN 0300037577)</b>	
11	7012992	1	Valve, Cartridge	
11	7021625	1	Seal Kit - 7012992 Cartridge	
11	7012993	1	Orifice	
11	4641041	1	Valve <b>(SN 0300037577 through 0300065080)</b>	C
11A	7022396	1	Valve, Cartridge (Flow Divider) (Was p/n 7017442)	
11A	7021625	1	Seal Kit - 7022396 Cartridge	
11B	7022398	1	Valve, Cartridge (Load Shuttle) (Was p/n 7010542)	
11B	7023900	1	Seal Kit - 7022398 Cartridge	
11C	7022397	2	Valve, Cartridge (Check) (Was p/n 7012930)	
11C	7022399	2	Seal Kit - 7022397 Cartridge	
11C	See Note	NSS	Orifice (Note: Not Available for Purchase)	
12	4751500	4	Flatwasher 5/16in	
		Ref	<b>DRIVE VALVES INSTALLATION - 4WD</b>	
	0258021	Ref	<b>Drive Valves Installation - 4WD (Prior to SN 0300056958)</b>	F
	0270208	Ref	<b>Drive Valves Installation - 4WD (SN 0300056958 through 0300065080)</b>	C
101	0100011	AR	Loctite #242 (Not Shown)	
102	0641532	4	Bolt 5/16in-18NC x 4in	
103	0641612	2	Bolt 3/8in-16NC x 1 1/2in	
111	3311505		Locknut 5/16in-18NC	
114		Ref	Flow Divider Valve Assembly Options:	
114	4640923	1	Valve (Not Shown) <b>(Prior to SN 0300037577)</b>	
114	7012992	1	Valve, Cartridge	
114	7021625	1	Seal Kit - 7012992 Cartridge	
114	7012993	1	Orifice	
114	4641041	1	Valve <b>(SN 0300037577 through 0300065080)</b>	C
114A	7022396	1	Valve, Cartridge (Flow Divider) (Was p/n 7017442)	
114A	7021625	1	Seal Kit - 7022396 Cartridge	
114B	7022398	1	Valve, Cartridge (Load Shuttle) (Was p/n 7010542)	
114B	7023900	1	Seal Kit - 7022398 Cartridge	
114C	7022397	2	Valve, Cartridge (Check) (Was p/n 7012930)	
114C	7022399	2	Seal Kit - 7022397 Cartridge	
114C	See Note	NSS	Orifice (Note: Not Available for Purchase)	
115		Ref	Flow Divider Valve Assembly Options:	
115	4640937	1	Valve (Not Shown) <b>(Prior to SN 0300037577)</b>	
115	7012993	1	Orifice	
115	7012978	1	Valve, Cartridge	
115	7021625	1	Seal Kit - 7012978 Cartridge	
115	4641074	1	Valve <b>(SN 0300037577 through 0300065080)</b>	B
115	7012994	1	Orifice	
115A	7012943	1	Coil	
115A	7017475	1	Valve, Cartridge (Solenoid)	

## SECTION 1 - FRAME

ITEM	PART NUMBER	QTY	DESCRIPTION	REV
115A	7012901	1	Seal Kit - 7017475 Cartridge	
115B	7012930	2	Valve, Cartridge (Check)	
115B	2900756	2	Seal Kit - 7012930 Cartridge	
115C	7021657	1	Valve, Cartridge (Flow Divider) (Was p/n 7012980)	
115C	7021625	1	Seal Kit - 7021657 Cartridge	
116	4641039	1	Valve Assembly (See Items 201 to 207 for Breakdown)	
118	4751500	8	Flatwasher 5/16in	
119	4751600	2	Flatwasher 3/8in	
123	0641418	1	Bolt 1/4in-20NC x 2 1/4in	
125	3311405	1	Locknut 1/4in-20NC	
127	4641073	1	Valve Assembly Only <b>(SN 0300038566 through 0300065080)</b>	
127	7012901	1	Seal Kit - 4641073 Valve	
128	4751400	2	Flatwasher 1/4in	
	4641039	Ref	<b>VALVE ASSEMBLY</b>	D
201	4641193	2	Valve, Cartridge (Check) (was p/n 7012930)	
201	7017496	2	Seal Kit - 7012930 & 4641193 Valves (1 per Cartridge)	
203		Ref	Valve, Cartridge Options (Fixed Flow Control):	
203	7021658	1	Valve - Was p/n 7017442 <b>(Prior to SN 0300037577)</b>	
203	7021658	1	Valve - Was p/n 7012979 <b>(SN 0300037577 through 0300065080)</b>	
203	7021625	1	Seal Kit - 7021658 Valve	
204	7017439	1	Valve, Cartridge (Flow Divider/Combiner)	
204	7012925	1	Seal Kit - 7017439 Valve	
205	7017440	1	Valve, Cartridge (Shuttle)	
205	7017441	1	Seal Kit - 7017440 Valve	
206	7021612	2	Valve, Cartridge Less Coil (Select and High Speed)	
206	7010543	2	Seal Kit - 7021612 Valve (1 per Cartridge)	
207	7012944	2	Coil	
207	7017403	1	Waterproof Kit	





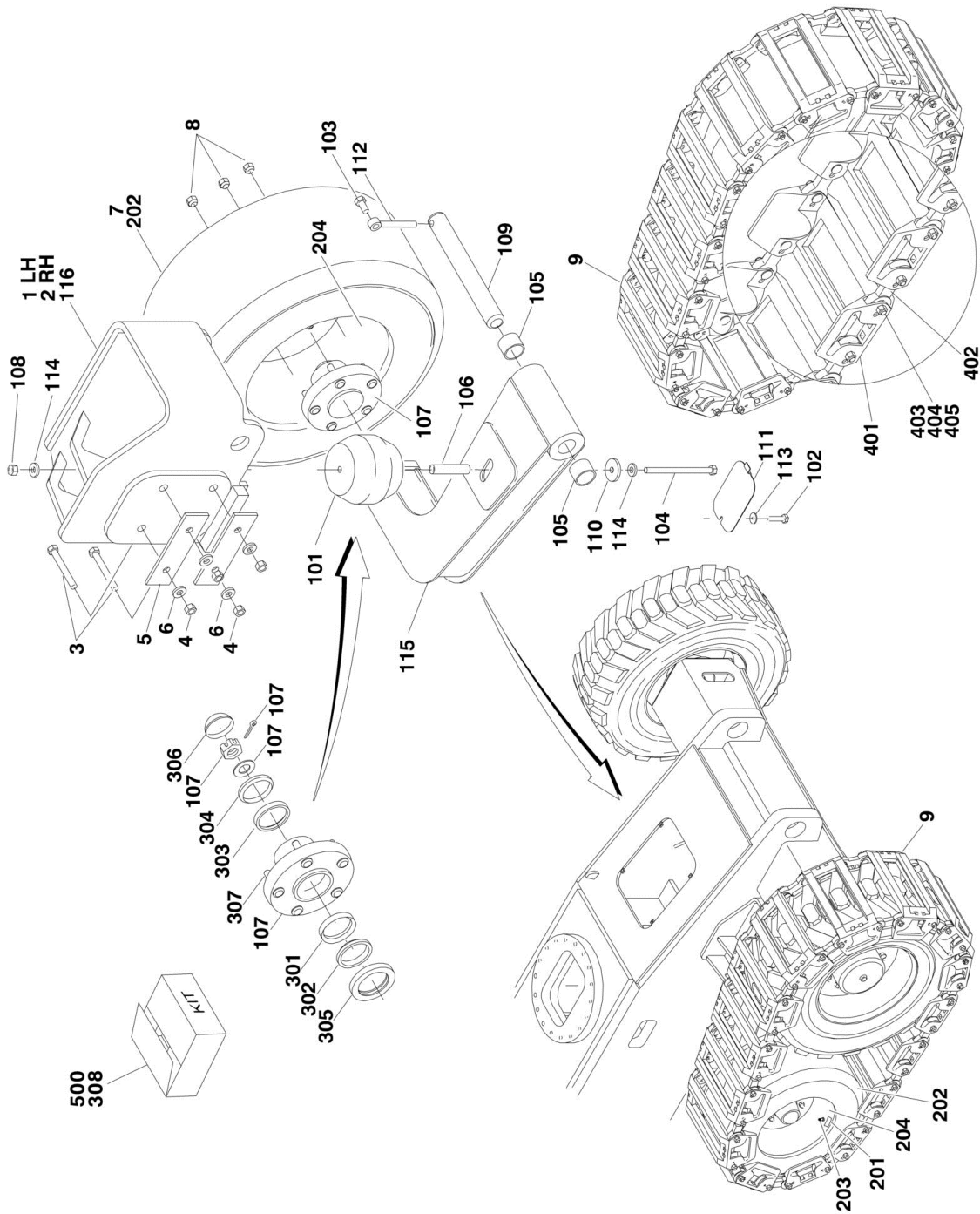
# SECTION 1 - FRAME

## FIGURE 1-11. TOW BAR INSTALLATION - 2WD

ITEM	PART NUMBER	QTY	DESCRIPTION	REV
	0259845	Ref	<b>TOW BAR INSTALLATION - 2WD</b>	B
2	0641505	2	Bolt 5/16in-18NC x 5/8in	
7	3572102	1	Plate (Weld on Part)	
9	3841329	1	Rod, Extension	
10	4640261	1	Steer/Tow Select Valve	
11	4711500	2	Flatwasher 5/16in	
12	4761600	1	Lockwasher 3/8in	
	0259853	Ref	<b>TOW BAR ASSEMBLY</b>	B
101	0362910	1	Pintle, Draw Eye	
102	0682016	4	Bolt 5/8in-11NC x 2in	
103	0741607	24	Flat Head Socket Screw 3/8in-16NC x 5/8in	
104	1060584	6	Cable, Lanyard	
105	3272005	4	Locknut 5/8in-11NC	
106	0100011	AR	Loctite #242 (Not Shown)	
107	3420372	2	Pin, Cotter	
108	3420447	1	Pin, Towing	
109	3421565	2	Pin, Snapper	
110	3422841	2	Pin	
111	3422847	1	Pin	
112	3572009	2	Plate, Slide Stop	
113	3572010	2	Plate, Slide Stop	
114	3572011	2	Plate, Slide Stop	
115	3572012	2	Plate, Slide Stop	
116	3760170	8	Ring, Split	
117	4568033	1	Tube, Tow Bar	
118	0721004	2	Screw #10-24NC x 1/2in	
119	4740036	1	Flatwasher	
120	4751000	2	Flatwasher #10 (Wide)	
121	4846168	1	Weldment, Tow Bar Attach	
122	4846169	1	Weldment, Pintle Attach	
	0270116	Ref	<b>TOW BAR DECAL INSTALLATION (SPANISH SPEC)</b>	1
	0270119	Ref	<b>TOW BAR DECAL INSTALLATION (SPANISH/ENGLISH SPEC)</b>	1
201		Ref	Decal - Tow Instructions Options: (Not Shown Located on Frame Shield)	
201	1704455	1	Spanish Spec	
201	1704457	1	Spanish/English Spec	
202		Ref	Decal - Crushing Options:	
202	1701518	3	Spanish Spec	
202	1704577	3	Spanish/English Spec	
203		Ref	Decal - Warning Options:	
203	1704456	1	Spanish Spec	
203	1704576	1	Spanish/English Spec	
204		Ref	Nameplate - Steer/Tow Select Valve Options:	
204	3252692	1	Spanish Spec	
204	3252693	1	Spanish/English Spec	
205	3820001	4	Rivet	
206	4420051	43	Tape	
		in/109.2cm		

# SECTION 1 - FRAME

## FIGURE 1-12. SEMI-TRACK INSTALLATION



# SECTION 1 - FRAME

## FIGURE 1-12. SEMI-TRACK INSTALLATION

ITEM	PART NUMBER	QTY	DESCRIPTION	REV
		Ref	<b>SEMI-TRACK INSTALLATIONS</b>	
	0270183	Ref	<b>IDLER INSTALLATION</b>	2
1	0259665	1	Mount, Idler (Left) (See Items 101-116 for Breakdown)	
2	0259674	1	Mount, Idler (Right) (See Items 101-116 for Breakdown)	
3	0681822	8	Bolt 1/2in-13NC x 2 3/4in (Grade 8)	
4	3271805	8	Locknut 1/2in-13NC (Grade 8)	
5	3571860	4	Plate, Spacer	
6	4891800	8	Flatwasher 1/2in Hardened	
		Ref	<b>TRACK INSTALLATIONS</b>	
	0270185	Ref	<b>12in Soft Track</b>	1
	0270184	Ref	<b>12in Steel Track</b>	1
	0270192	Ref	<b>14in Steel Track</b>	1
7		Ref	Wheel Assembly Options (See Items 201-204 for Breakdown):	
7	0270029	2	12in Track	
7	0270030	2	14in Track	
8	3300255	10	Nut	
9		Ref	Track Options:	
9	Not Available at Time of Printing		12in Soft Track	
9	0270086	2	12in Steel Track (See Items 401-405 for Breakdown)	
9	0270259	2	14in Steel Track (See Items 401-405 for Breakdown)	
		Ref	<b>IDLER MOUNT ASSEMBLIES</b>	
	0259665	Ref	<b>Left Side</b>	C
	0259674	Ref	<b>Right Side</b>	C
101	0020005	1	Absorber, Rubber Spring	
102	0641408	1	Bolt 1/4in-20NC x 1in	
103	0641808	1	Bolt 1/2in-13NC x 1in	
104	0681856	1	Bolt 1/2in-13NC x 7in (Grade 8)	
105	0961948	2	Bearing	
106	0962293	1	Bushing, Track Spring	
107	2780221	1	Hub Assembly (See Items 301-307 for Breakdown)	
108	3271805	1	Locknut 1/2in-13NC (Grade 8)	
109	3422786	1	Pin	
110	3571818	1	Plate	
111	3571833	1	Cover, Bottom	
112	3841203	1	Keeper, Pin	
113	4711400	1	Flatwasher 1/4in Narrow	
114	4891800	2	Flatwasher 1/2in Hardened	
115		Ref	Arm Weldment Options:	
115	4846113	1	Left Side	
115	4846112	1	Right Side	
116		Ref	Bracket Weldment Options:	
116	4846114	1	Left Side	
116	4846126	1	Right Side	
117	0100011	AR	Loctite #242 (Not Shown)	
		Ref	<b>WHEEL ASSEMBLIES</b>	
	0270029	Ref	<b>12in Track</b>	B
	0270030	Ref	<b>14in Track</b>	A
201	1704586	1	Decal, Tire Pressure	
202		Ref	Tire Options:	

## SECTION 1 - FRAME

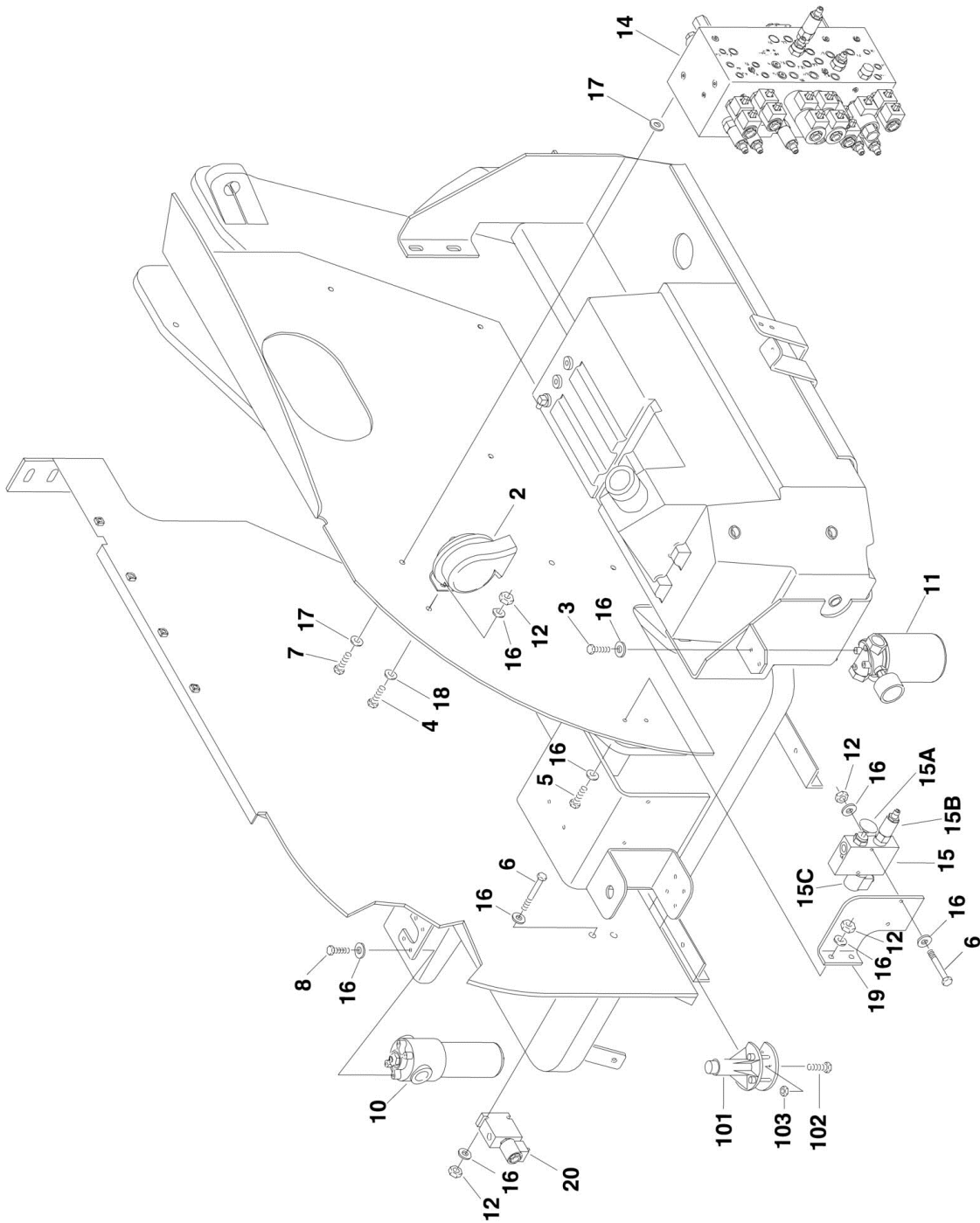
ITEM	PART NUMBER	QTY	DESCRIPTION	REV
202	4520224	1	12in Track	
202	4520234	1	14in Track	
203	4640113	1	Valve, Air	
204		Ref	Rim, Wheel Options:	
204	4860218	1	12in Track	
204	4860215	1	14in Track	
	2780221	Ref	<b>HUB ASSEMBLY</b>	-
301	7012519	1	Cup, Inner Bearing	
302	7012520	1	Cone, Inner Bearing	
303	7012521	1	Cup, Outer Bearing	
304	7012522	1	Cone, Outer Bearing	
305	7012523	1	Seal	
306	1001102354	1	Cap, Dust (Use p/n 7012524)	
307	7016360	5	Stud, Wheel 1/2in-20NF	
308	2900804	1	Bearing Kit (Includes Item 1 of Items 301-305)	
		Ref	<b>STEEL TRACK ASSEMBLY</b>	
	0270086	Ref	<b>12in Steel Track</b>	
	0270259	Ref	<b>14in Steel Track</b>	
401		Ref	Pad, Welded Options:	
401	7020279	30	12in Track Pad	
401	7020287	32	14in Track Pad	
401	7020280	30	12in Track Pad Complete with Links, Bushings and Hdw	
401	7020288	32	14in Track Pad Complete with Links, Bushings and Hdw	
402	7020281	AR	Link (2 Per Pad)	
403	7020282	AR	Bushing (4 Per Pad)	
404	7020283	AR	Bolt, Carriage 1/2inNF x 1 7/8in (4 Per Pad)	
405	7020284	AR	Nut 1/2inNF (4 Per Pad)	
500		Ref	Track Rebuild Kits Options:	
500	7020285	1	Hardware and Bushing Kit for 12in Steel Track	
500	7020289	1	Hardware and Bushing Kit for 14in Steel Track	
500	7020286	1	Link, Hardware and Bushing Kit for 12in Steel Track	
500	7020290	1	Link, Hardware and Bushing Kit for 14in Steel Track	
		Ref	<b>TREAD ACCESSORIES (NOT SHOWN)</b>	
	0270180	Ref	<b>Soft Puck</b>	A
	0240049	64	Puck, Soft	
	0270186	Ref	<b>Flotation Plate</b>	A
	0240050	64	Plate, Flotation	
	0270187	Ref	<b>Ice Pick</b>	A
	0240047	32	Plate, Flotation	



**SECTION 2 - TURNTABLE**

# SECTION 2 - TURNTABLE

## FIGURE 2-1. CONTROL VALVES INSTALLATIONS



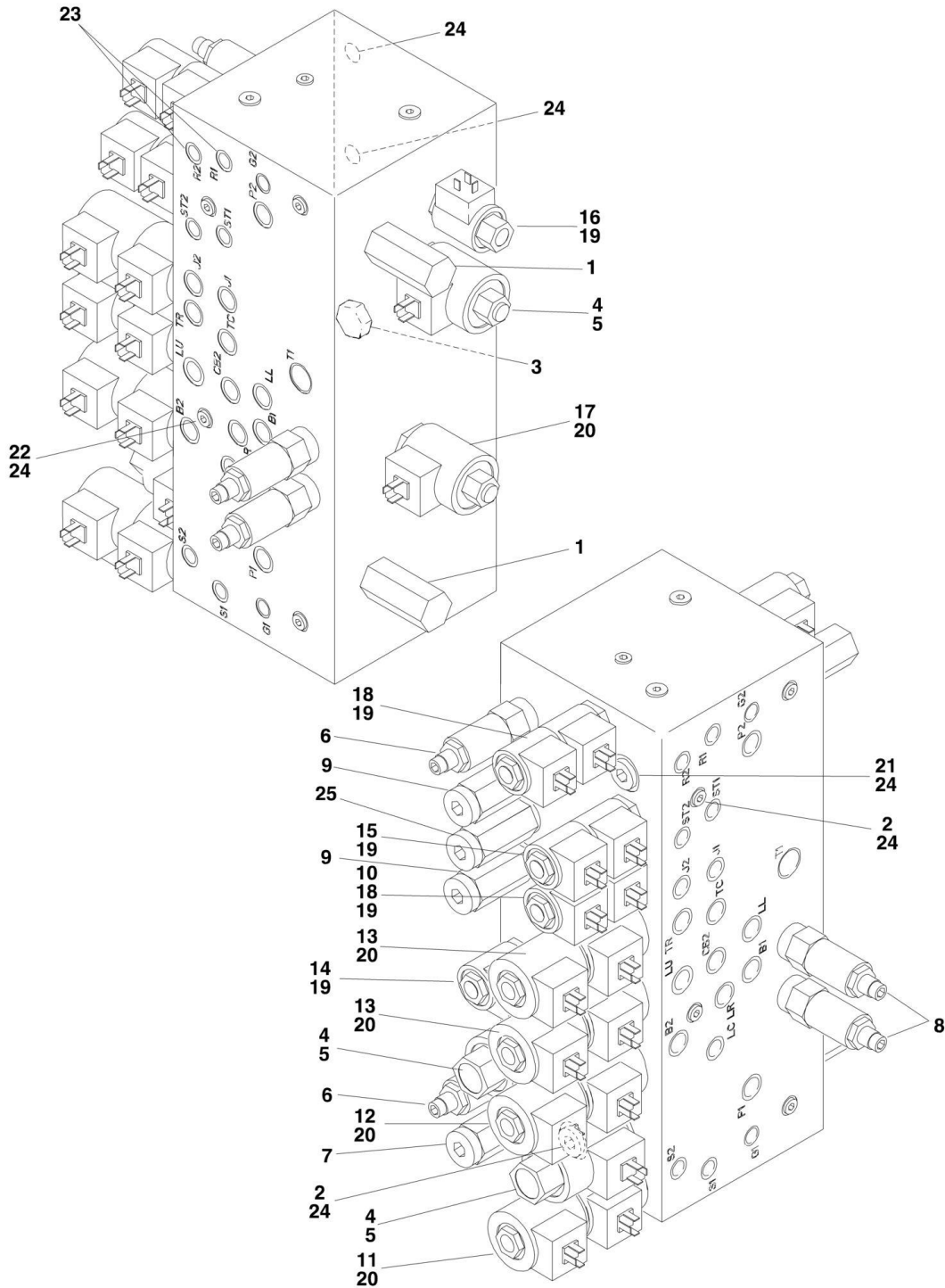
## SECTION 2 - TURNTABLE

### FIGURE 2-1. CONTROL VALVES INSTALLATIONS

ITEM	PART NUMBER	QTY	DESCRIPTION	REV
		Ref	<b>VALVES INSTALLATIONS</b>	
	0258388	Ref	<b>Valves Installations 450A with Proportional Valves</b>	A
	0258389	Ref	<b>Valves Installations 450AJ with Proportional Valves</b>	B
1	0100011	AR	Loctite #242 (Not Shown)	
2	0140001	1	Horn	
3	0641405	2	Bolt 1/4in-20NC x 5/8in	
4	0641406	1	Bolt 1/4in-20NC x 3/4in	
5	0641408	2	Bolt 1/4in-20NC x 1in	
6	0641416	4	Bolt 1/4in-20NC x 2in	
7	0641607	4	Bolt 3/8in-16NC x 7/8in	
8	0651406	4	Bolt 1/4in-24NF x 3/4in	
10	2120163	1	Pressure Filter Assembly	
10	2120150	1	Element, Filter	
10	7020020	1	Indicator	
10	7023206	1	O-Ring	
10	7023207	1	Ring, Back-up	
11	2120165	1	Hydraulic Oil Filter Assembly	
11	2120158	1	Element, Filter	
11	7020021	1	Indicator, Clogged	
12	3311405	6	Locknut 1/4in-20NC	
13	4921927	1	Harness, Jib (450AJ Only) (Not Shown - See ELECTRICAL SECTION for Breakdown)	
14		Ref	Main Control Valve Assembly Options:	
14	4641056	1	Main Control Valve Assembly 450A with Proportional Valve (See MAIN CONTROL VALVE ASSEMBLY - PROPORTIONAL for Breakdown)	
14	4641057	1	Main Control Valve Assembly 450AJ with Proportional Valve (See MAIN CONTROL VALVE ASSEMBLY - PROPORTIONAL for Breakdown)	
15	4641059	1	Valve Assembly - Level	
15A	7017466	1	Cartridge	
15A	2900708	1	Seal Kit - 7017466 Cartridge	
15A	7012959	1	Knob	
15B	7012981	1	Cartridge without Coil	
15B	7012998	1	Seal Kit - 7012981 Cartridge	
15C	7012944	1	Coil	
15C	7017467	1	Cartridge without Coil	
15C	7012967	1	Seal Kit - 7017467 Cartridge	
16	4711400	24	Flatwasher 1/4in Narrow	
17	4711600	8	Flatwasher 3/8in Narrow	
18	4791400	1	Starwasher 1/4in	
19	0902459	1	Bracket, Mounting - Leveling Valve	
20	4640907	1	Solenoid Valve Assembly (Brake)	
20	7012944	1	Coil	
20	7012941	1	Cartridge without Coil	
20	7012907	1	Seal Kit - 7012941 Cartridge	
	0254604	Ref	<b>TILT INDICATOR INSTALLATION</b>	
101	4360372	1	Sensor, Level	
102	0641406	2	Bolt 1/4in-20NC x 3/4in	
103	3311405	2	Locknut 1/4in-20NC	-/1

# SECTION 2 - TURNTABLE

## FIGURE 2-2. MAIN CONTROL VALVE ASSEMBLY - PROPORTIONAL



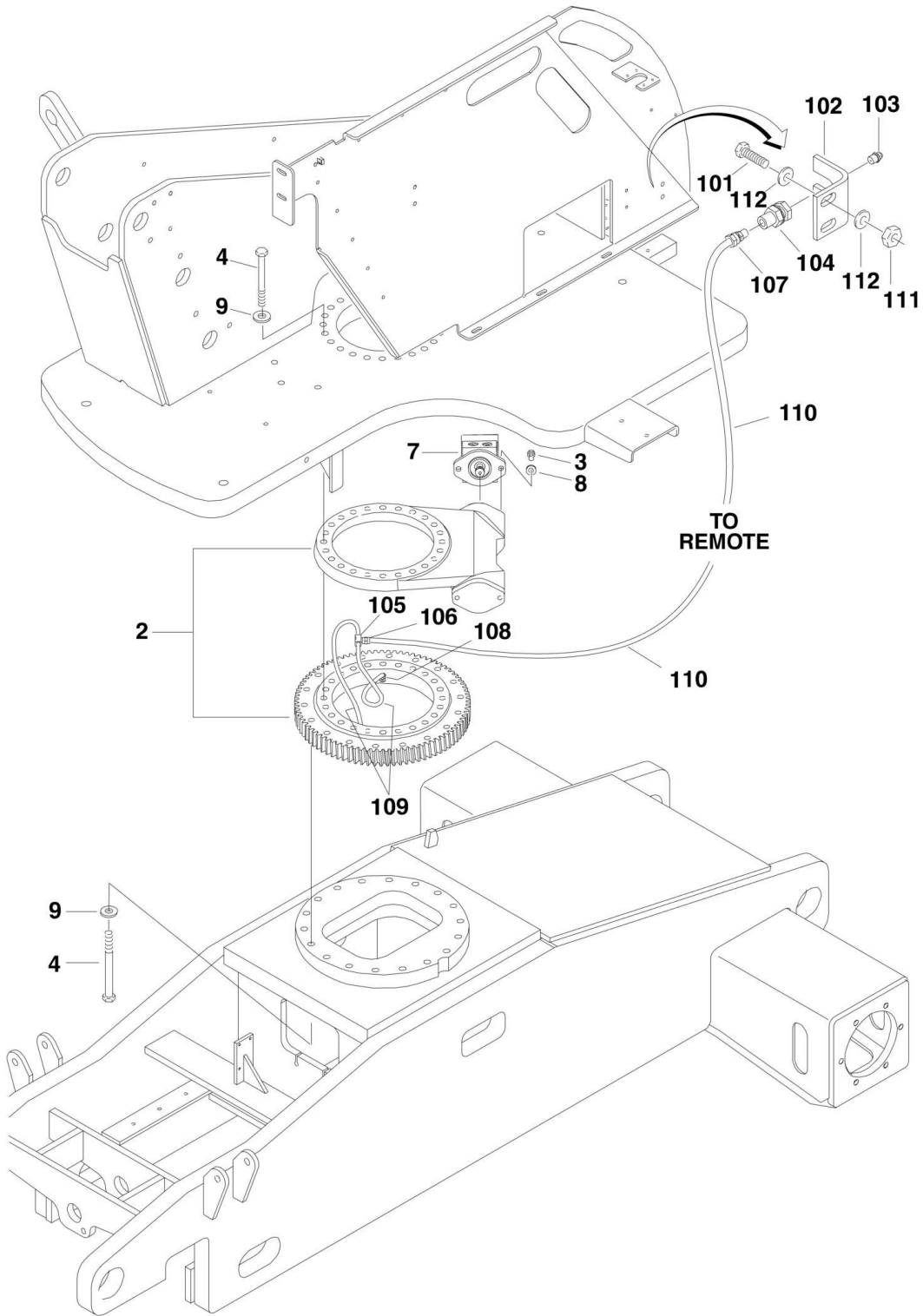
# SECTION 2 - TURNTABLE

**FIGURE 2-2. MAIN CONTROL VALVE ASSEMBLY - PROPORTIONAL**

ITEM	PART NUMBER	QTY	DESCRIPTION	REV
		Ref	<b>PROPORTIONAL VALVE ASSEMBLY</b>	
	4641056	Ref	<b>Proportional Valve Assembly 450A</b>	G
	4641057	Ref	<b>Proportional Valve Assembly 450AJ</b>	F
1	7022360	2	Cartridge, Sequence (Lift and Steer) (Was p/n 7017464)	
1	7022361	2	Seal Kit - 7022360 Cartridge	
2	7017440	2	Cartridge (Load Sensing Shuttle)	
2	7017441	2	Seal Kit - 7017440 Cartridge	
3	7012914	1	Cartridge	
3	7012918	1	Seal Kit - 7012914 Cartridge	
4	7022362	3	Cartridge without Coil (Lift and Swing) (Was p/n 7017450)	
4	7022363	3	Seal Kit - 7022362 Cartridge	
5	7017451	3	Coil	
6	7021613	2	Cartridge, Relief Valve (Main) (Was p/n 7017418)	
6	7012998	2	Seal Kit - 7021613 Cartridge	
7	7021614	1	Cartridge, Relief Valve (Swing) (Was p/n 7017460)	
7	7017461	1	Seal Kit - 7021614 Cartridge	
8	7017448	2	Cartridge, Relief Valve (Level)	
8	7012967	2	Seal Kit - 7017448 Cartridge	
9	7017468	2	Cartridge, Relief Valve (Steer and Telescope)	
9	7017461	2	Seal Kit - 7017468 Cartridge	
10	7017471	1	Cartridge (450A Only - Not Shown) <b>(Prior to SN 0300046672)</b>	
11	7017469	1	Cartridge without Coil (Swing)	
11	7012903	1	Seal Kit - 7017469 Cartridge	
12	7017470	1	Cartridge without Coil (Lift)	
12	7012903	1	Seal Kit - 7017470 Cartridge	
13	7017454	2	Cartridge without Coil (Telescope and Tower)	
13	7012903	2	Seal Kit - 7017454 Cartridge	
14	7017453	1	Cartridge without Coil (Level)	
14	7017402	1	Seal Kit - 7017453 Cartridge	
15	7017433	1	Cartridge without Coil (Steer)	
15	7017402	1	Seal Kit - 7017433 Cartridge	
16	7017410	1	Cartridge without Coil (Dump)	
16	7012967	1	Seal Kit - 7017410 Cartridge	
17	7017455	1	Cartridge without Coil (Level)	
17	7012967	1	Seal Kit - 7017455 Cartridge	
18	7017452	AR	Cartridge without Coil (Rotate and Jib)	
18	7017402	AR	Seal Kit - 7017452 Cartridge	
19	7012944	AR	Coil	
20	7012943	9	Coil	
21	7012994	1	Orifice	
22	7017457	2	Orifice	
23	7017458	2	Orifice	
24	Not Serviced	AR	Plug	
25	7017460	1	Cartridge, Relief Valve (Jib) (450AJ Only)	
25	7017461	1	Seal Kit - 7017460 Cartridge	

# SECTION 2 - TURNTABLE

## FIGURE 2-3. TURNTABLE AND SWING DRIVE INSTALLATIONS



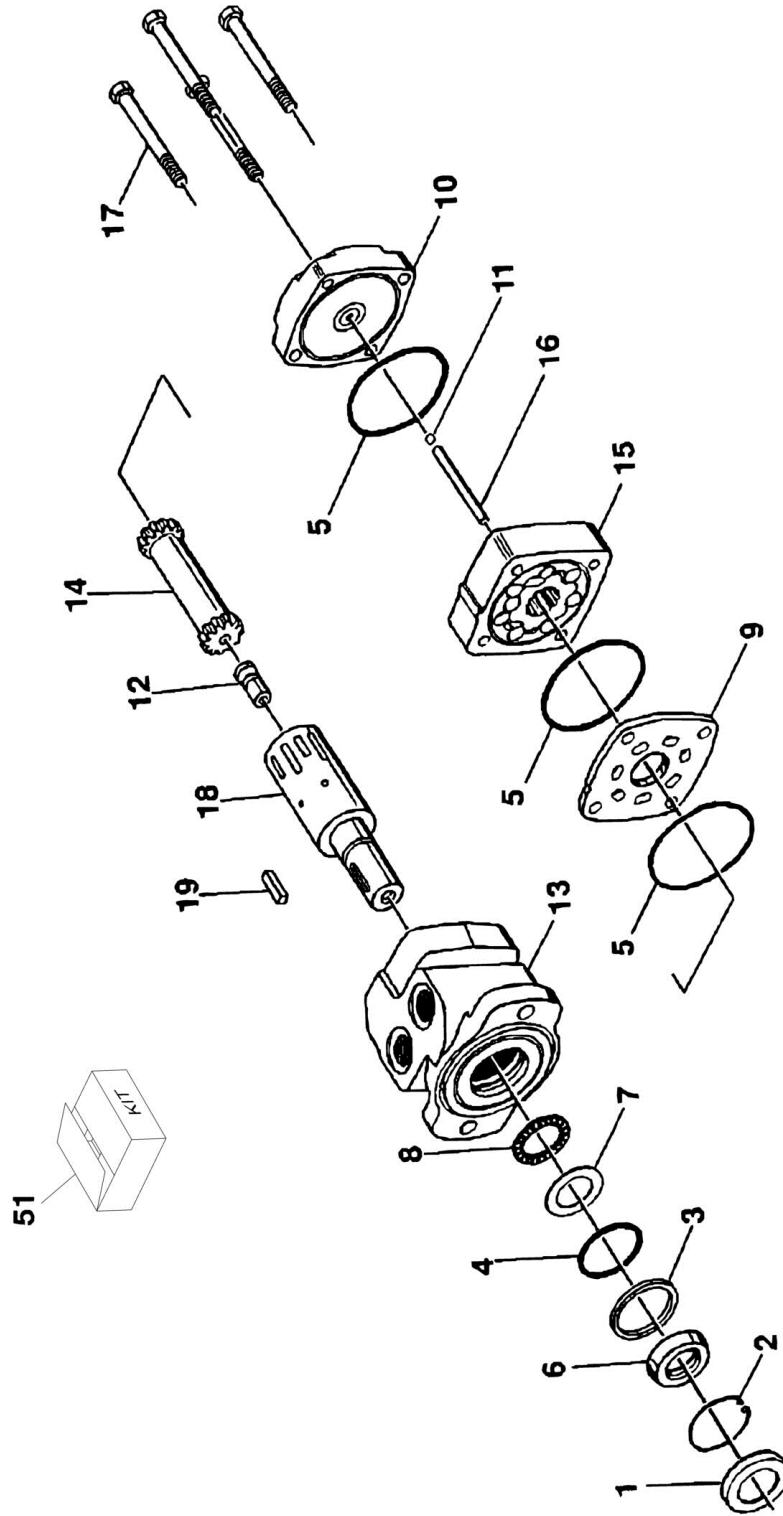
## SECTION 2 - TURNTABLE

### FIGURE 2-3. TURNTABLE AND SWING DRIVE INSTALLATIONS

ITEM	PART NUMBER	QTY	DESCRIPTION	REV
	0258032	Ref	<b>SWING DRIVE INSTALLATION</b>	A
1	0100019	AR	Loctite #271 (Not Shown)	
2	0440203	1	Swing Bearing and Rotation Box Assembly (See SWING BEARING ASSEMBLY for Breakdown)	
3	0681814	2	Bolt 1/2in-13NC x 1 3/4in	
4	0682038	42	Bolt 5/8in-11NC x 4 3/4in	
5	3020029	AR	Lube, Bearing Grease (Not Shown)	
6	3020036	AR	Gear, Lube (Not Shown)	
7	3160182	1	Swing Motor Assembly (See SWING MOTOR ASSEMBLY for Breakdown)	
8	4891800	2	Flatwasher 1/2in	
9	4892000	42	Flatwasher 5/8in	
	0258400	Ref	<b>REMOTE BEARING LUBE INSTALLATION</b>	B
101	0641609	2	Bolt 3/8in-16NC x 1 1/8in	
102	0902109	1	Bracket (Use p/n 0902520)	
103	2160002	1	Fitting, Grease	
104	2180344	1	Fitting, Bulkhead	
105	2180822	1	Fitting, Tee	
106	2200261	1	Fitting, Coupling	
107	2220001	1	Fitting, Straight	
108	2220124	2	Fitting, 45	
109	2750529	2	Hose	
110	2750807	1	Hose	
111	3311605	2	Locknut 3/8in-16NC	
112	4751600	4	Flatwasher 3/8in	

# SECTION 2 - TURNTABLE

## FIGURE 2-4. SWING MOTOR ASSEMBLY





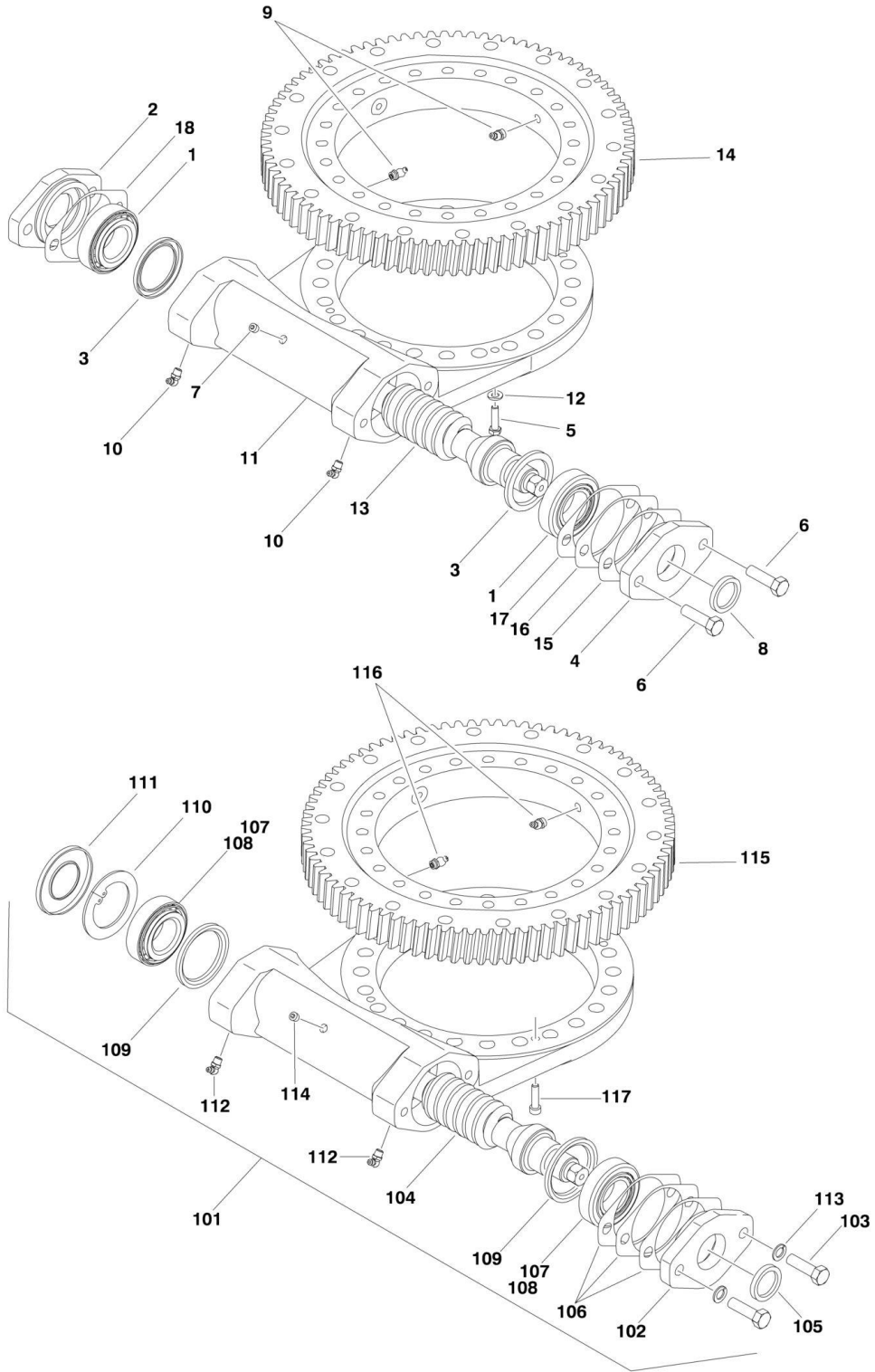
**SECTION 2 - TURNTABLE**

**FIGURE 2-4. SWING MOTOR ASSEMBLY**

ITEM	PART NUMBER	QTY	DESCRIPTION	REV
	3160182	Ref	<b>SWING MOTOR ASSEMBLY</b>	-
1	See Note	NSS	Seal, Dust (Note: Use Item 51)	
2	See Note	NSS	Ring, Retaining (Note: Use Item 51)	
3	See Note	NSS	Shim, Back-Up (Note: Use Item 51)	
4	See Note	NSS	Seal, Housing (Note: Use Item 51)	
5	See Note	NSS	Seal, Body (Note: Use Item 51)	
6	See Note	NSS	Seal, Shaft (Note: Use Item 51)	
6	See Note	NSS	Ring, Teflon Back-Up (Note: Use Item 51)	
6	See Note	NSS	Shim, Back-Up (Note: Use Item 51)	
7	See Note	NSS	Washer, Thrust (Note: Use Item 51)	
8	7005809	1	Bearing, Thrust	
9	7005812	1	Plate, Wear	
10	7005874	1	Cover, End	
11	See Note	AR	Ball (Part of Item 10) (Use p/n 7005874)	
12	7005876	1	Plug, Cooling	
13	7005804	1	Housing	
14	7005811	1	Link, Drive	
15	7005877	1	Rotor Set Assembly	
16	7005878	AR	Pin, Drive Link	
17	7005821	4	Bolt	
18	7005879	1	Shaft	
19	7005880	1	Key	
51	7005881	1	Seal Kit (Includes Items 1-6)	

# SECTION 2 - TURNTABLE

## FIGURE 2-5. SWING BEARING ASSEMBLY



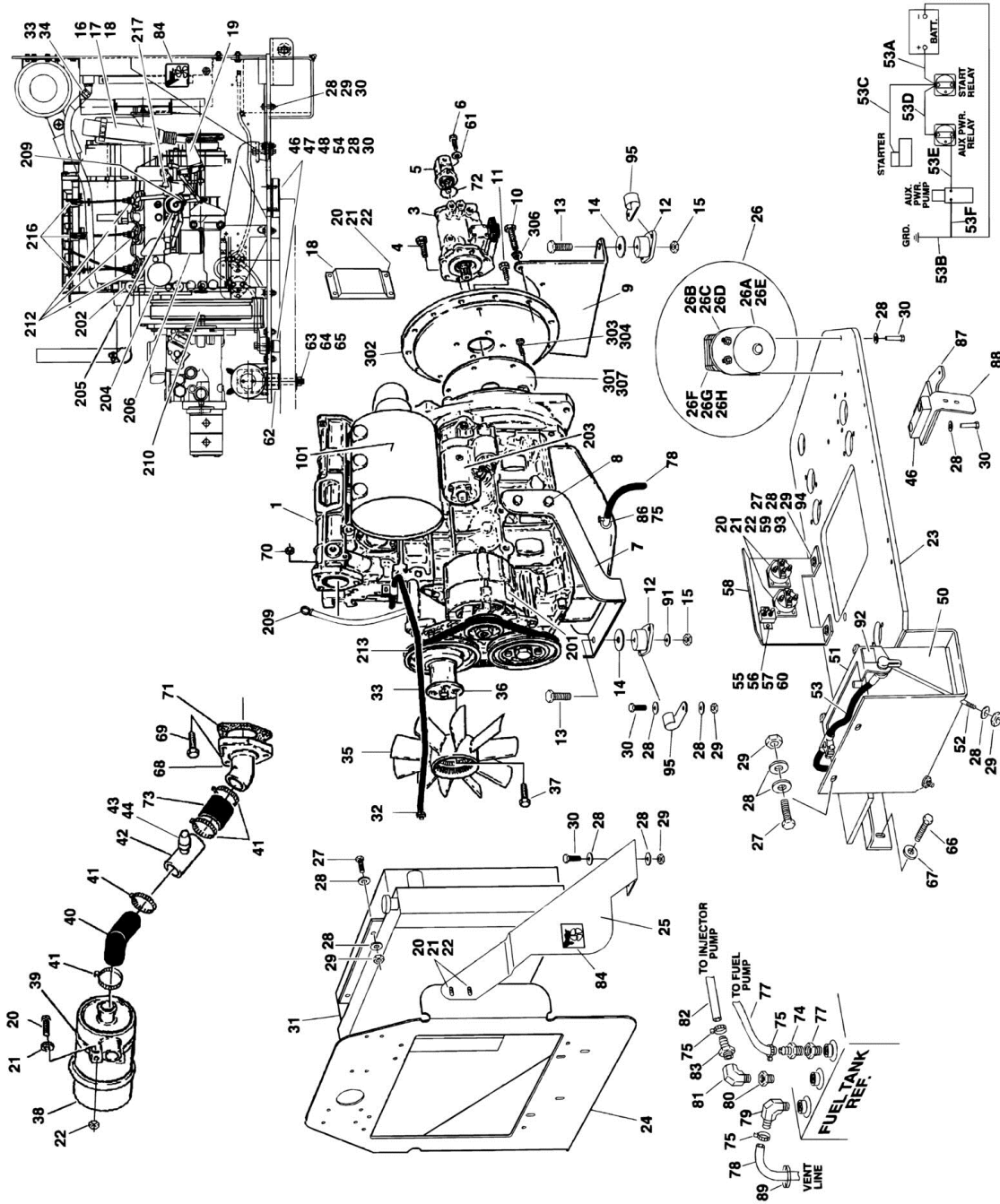
**SECTION 2 - TURNTABLE**

**FIGURE 2-5. SWING BEARING ASSEMBLY**

ITEM	PART NUMBER	QTY	DESCRIPTION	REV
		Ref	<b>Note: Visually identify the brand before ordering replacement parts.</b>	
	0440339	Ref	<b>SWING BEARING ASSEMBLY (PERFECTION GEAR) (SN 0300097888 through 0300065080)</b>	C
1	7026042	2	Bearing, Cup	
1	7026043	2	Bearing, Cone	
2	7027356	1	Adapter, Motor	
3	7027361	2	Seal	
4	7027354	1	Cap, End	
5	0641510	2	Bolt 5/16in-18NC x 1 1/4in	
6	0641812	2	Bolt 1/2in-13NC x 1 1/2in	
7	70000865	1	Plug	
8	7027360	1	Seal	
9	7027359	2	Straight Fitting, Grease	
9	2160003	2	Fitting, Grease - 45	
10	7027358	2	90 Fitting, Grease	
11	See Note	NSS	Housing (Note: Not Available - Use p/n 0440339)	
12	4891500	2	Flatwasher 5/16in (Hardened)	
13	7027363	1	Gear, Worm	
14	70000868	1	Ring, Bearing	
15	7027352	AR	Gasket (.010 - Brown)	
16	7027351	AR	Gasket (.0075 - Clear)	
17	7027350	AR	Gasket (.005 - Blue)	
18	7027353	1	Gasket (.020 - Yellow)	
	0440203	Ref	<b>SWING BEARING ASSEMBLY (KAYDON) (Note: When replacing major components, consider replacing with p/n 0440339 Complete Bearing Assembly.) (Prior to SN 0300097888)</b>	G
101	7012597	1	Swing Rotation Box Assembly	
102	7023484	1	Cap, End	
103	See Note	2	Bolt 1/2in-13NC x 1 1/2in Grade 8 (Note: Not Available for Purchase Locally)	
104	See Note	NSS	Gear, Worm (Note: Use p/n 0440339)	
105	7012654	1	Seal, Outer - Capped End (1.75 O.D.)	
105	7016676	1	Seal, Outer - Capped End (2.063 O.D.)	
106	7016682	1	Shims Kit (Includes Qty 3 each of .005, .0075 & .010 Shims)	
107	70001677	2	Cup, Bearing	
108	90206369	2	Cone, Bearing	
109	7027730	1	Seal Inner	
110	70001864	1	Ring, Retaining	
111	7012655	1	Seal, Outer - Motor End	
112	2160001	2	Fitting, Grease - 90	
113	See Note	2	Lockwasher 1/2in (Note: Not Available - Purchase Locally)	
114		Ref	Component Options:	
114	See Note	1	Plug, Pipe (Note: Not Available - Purchase Locally)	
114	2160001	1	Fitting, Grease - 45	
115	7012596	1	Bearing, Turntable	
116	2160003	2	Fitting, Grease - 45	
117	See Note	4	Capscrew, Socket Head 5/16in-18NC (Note: Not Available - Purchase Locally)	
117	See Note	4	Washer 5/16in (Not Shown) (Note: Not Available - Purchase Locally)	

# SECTION 2 - TURNTABLE

## FIGURE 2-6. DEUTZ ENGINE INSTALLATION



## SECTION 2 - TURNTABLE

### FIGURE 2-6. DEUTZ ENGINE INSTALLATION

ITEM	PART NUMBER	QTY	DESCRIPTION	REV
		Ref	<b>DEUTZ ENGINE INSTALLATIONS</b>	
	0257949	Ref	<b>Standard Machines</b>	11-G
1		Ref	Engine Assembly Options:	
1	2000154	1	Engine Assembly ( <b>Prior to SN 0300041036</b> )	
1	2000162	1	Engine Assembly ( <b>SN 0300041036 through 0300065080</b> )	
3		Ref	Piston Pump Assembly Options (See PISTON PUMP ASSEMBLY for Breakdown):	
3	3600260	1	Piston Pump Assembly ( <b>Prior to SN 0300043370</b> )	
3	3600290	1	Piston Pump Assembly ( <b>SN 0300043370 through 0300065080</b> )	
4	0641812	2	Bolt 1/2in-13NC x 1 1/2in	
5	3600271	1	Gear Pump Assembly	
5	7011046	1	Seal Kit - 3600271 Pump	
6	3931620	2	Capscrew, Socket Head 3/8in-16NC x 1 1/4in	
7	3570800	1	Plate, Front Mounting	
8	0701414	4	Bolt, Metric 14MM x 30MM	
9	3570801	1	Plate, Rear Mounting	
10	0701015	4	Bolt, Metric 10mm x 35mm	
11	0701012	4	Bolt, Metric 10mm x 25mm	
12	3200378	4	Mount, Rubber Motor	
13	0641820	4	Bolt 1/2in-13NC x 2 1/2in	
14	4740274	4	Washer, Snubbing	
15	3311805	4	Locknut 1/2in-13NC	
16	0902461	1	Bracket, Throttle Mount (Part of Item 17)	
17	2901637	1	Throttle Mounting Kit	
18	0060033	NLA	Actuator Assembly (Use p/n 2910000) (See ELECTRICAL SECTION for Breakdown)	
19	0902464	1	Bracket, Throttle Mounting (Part of Item 17)	
20	0641406	12	Bolt 1/4in-20NC x 3/4in	
21	4751400	20	Flatwasher 1/4in	
22	3311405	12	Locknut 1/4in-20NC	
23	4845613	1	Tray, Engine	
24	3570571	1	Plate, Radiator Mount	
25	3570607	1	Plate, Radiator Support	
26	3600279	1	Auxiliary Pump Assembly	
26A	7016768	1	Motor, Replacement	
26A	7013757	1	Brush Kit	
26B	7013711	1	Coupling, Drive	
26C	7016769	1	Bracket, Mounting	
26D	7016744	4	Screw 5/16in-18NC x 1in	
26E	7016745	2	Capscrew, Socket Head 5/16in-24NF x 4 3/4in	
26F	7016746	1	Adapter, Mounting	
26G	7013766	1	Pin	
26H	7013771	1	Pump, Replacement	
26H	7013701	1	Seal Kit	
27	0641609	8	Bolt 3/8in-16NC x 1 1/8in	
28	4751600	50	Flatwasher 3/8in	
29	3311605	22	Locknut 3/8in-16NC	
30	0641610	18	Bolt 3/8in-16NC x 1 1/4in	
31	3620033	1	Cooler, Oil	

## SECTION 2 - TURNTABLE

ITEM	PART NUMBER	QTY	DESCRIPTION	REV
32	2220451	2	Fitting, Straight	
33		Ref	Hose Options:	
33	2720398	2	Hose <b>(Prior to SN 0300058667)</b>	
33	2720467	2	Hose <b>(SN 0300058667 through 0300065080)</b>	
34	2220409	1	Fitting, 45	
35	2060025	1	Fan	
36	0080231	1	Spacer, Fan	
37	0700816	4	Bolt, Metric 8mm x 40mm	
38	1340060	1	Air Cleaner Assembly	
38	7012664	1	Element, Air Cleaner	
39	0340041	2	Band, Mounting	
40	2720434	1	Elbow	
41	1320016	4	Clamp, Hose	
42	4567495	1	Tube, Air Intake	
43	4360392	1	Switch, Restrictor Indicator	
44	2180798	1	Fitting	
45	0100020	AR	Sealant, Pipe (Not Shown)	
46	3340399	3	Pad, Wear	
47	4070497	4	Shim 1/8in	
48	4070498	2	Shim 1/16in	
49	0100011	AR	Loctite #242 (Not Shown)	
50		Ref	Battery Options:	
50	0400075	1	Battery (Wet)	
50	7016180	1	Battery (Dry)	
51	0181727	1	Tie-Down, Battery	
52	0630498	2	Bolt, Tie-Down	
53	2901575	1	Cable Kit - Battery	D
53A	7016817	1	Cable - Battery to Starter Relay	
53B	7016818	1	Cable - Battery and Auxiliary Pump to Ground	
53C	7016819	1	Cable - Starter Relay to Starter	
53D	7016803	1	Cable - Starter Relay to Auxiliary Relay	
53E	7016820	1	Cable - Auxiliary Relay to Auxiliary Pump	
54	0741610	2	Screw, Flathead 3/8in-16NC x 2in	
55	0721006	2	Bolt #10-24NC x 3/4in	
56	4751000	3	Flatwasher #10	
57	3311005	2	Locknut #10-24NC	
58		Ref	Plate, Relay Mounting Options:	
58	3570808	1	Plate, Relay Mounting <b>(Prior to SN 0300057566)</b>	
58	3572672	1	Plate, Relay Mounting <b>(SN 0300057566 through 0300058666)</b>	
58	3572728	1	Plate, Relay Mounting <b>(SN 0300058667 through 0300065080)</b>	
59	3740067	2	Relay	
60		Ref	Breaker, Circuit Options:	
60	4360294	1	Breaker, Circuit <b>(Prior to SN 0300058667)</b>	
60	4360501	1	Breaker, Circuit <b>(SN 0300058667 through 0300065080)</b>	
61	4891600	2	Washer, Hardened 3/8in	
62	0962172	1	Bushing, Flanged	
63	3900254	1	Bolt Shoulder 3/4in x 4in	
64	4752200	2	Flatwasher 3/4in	
65	3312005	1	Locknut 5/8in-11NC	
66	0642010	1	Bolt 5/8in-11NC x 1 1/4in	
67	4752000	1	Flatwasher 5/8in	

## SECTION 2 - TURNTABLE

ITEM	PART NUMBER	QTY	DESCRIPTION	REV
68	4845395	1	Air Intake Adapter Weldment	
69	0641510	3	Bolt 5/16in-18NC x 1 1/4in	
70	3311505	3	Locknut 5/16in-18NC	
71	3960407	1	Gasket	
72	3790152	1	O-Ring	
73	2720351	4 in/10cm	Coupling, Rubber	
74	2220794	1	Fitting, Barb	
75	1320022	6	Clamp, Hose	
76	2720058	12 ft/3.7m	Hose	
77	2220273	1	Fitting, Reducer	
78	2750532	7 ft/2.1m	Hose	
79	2220313	1	Fitting, 90	
80	2220250	1	Fitting, Reducer	
81	2220459	1	Fitting, 90	
82	2720271	12 ft/3.7m	Hose	
83	2180536	1	Fitting, Straight	
84	1703162	2	Decal - Fan	
85	1701505	1	Decal - Diesel Fuel (Not Shown)	
86	4640751	1	Valve, Oil Drain	
87	0902444	1	Bracket, Hood Support	
88	0902443	1	Bracket, Latch Mount	
89	4240099	1	Tie-Strap	
90	2200222	1	Plug, Pipe (Not Shown - Located at Bottom of Fuel Tank)	
91	4751800	4	Flatwasher 1/2in	
92	1703876	1	Decal - Engine Tray Swing	
93	4791400	4	Starwasher 1/4in	
94	4791600	2	Starwasher 3/8in	
95	1320222	4	J-Clamp (SN 0300045905 through 0300065080)	
		Ref	<b>MUFFLER INSTALLATION OPTIONS</b>	
101		Ref	Muffler Options:	
101	3220110	1	Standard	
101	3220112	1	Catalytic	
		Ref	<b>ENGINE COMPONENTS</b>	
	2000154	B	<b>Engine Components (Prior to SN 0300041036)</b>	
	2000162	B	<b>Engine Components (SN 0300041036 through 0300065080)</b>	
201	7020410	1	Alternator (was p/n 7016329)	
201	70000851	1	Bracket, Alternator Mounting	
202	7016330	1	Switch, Oil Pressure	
203	7016332	1	Starter	
204	7016331	1	Filter, Oil - Complete (was p/n 7016641)	
204	7016331	1	Element, Oil Filter	
205	7020463	1	Pump, Fuel Supply	
205	7020411	1	O-Ring (Pump to Engine)	
206	7020023	1	Filter, Fuel (was p/n 7012598)	
207	7020024	1	Breather, Crankcase (Not Shown)	
208	7016359	1	Solenoid, Shutdown (Not Shown) (was p/n 7020438)	
208	7027250	1	Spring, Tension	
209	7020026	1	Dipstick	
209	70001002	1	Housing, Dipstick	
210	7020027	1	Flywheel/Ring Gear Assembly	
210	7020477	1	Ring Gear	

## SECTION 2 - TURNTABLE

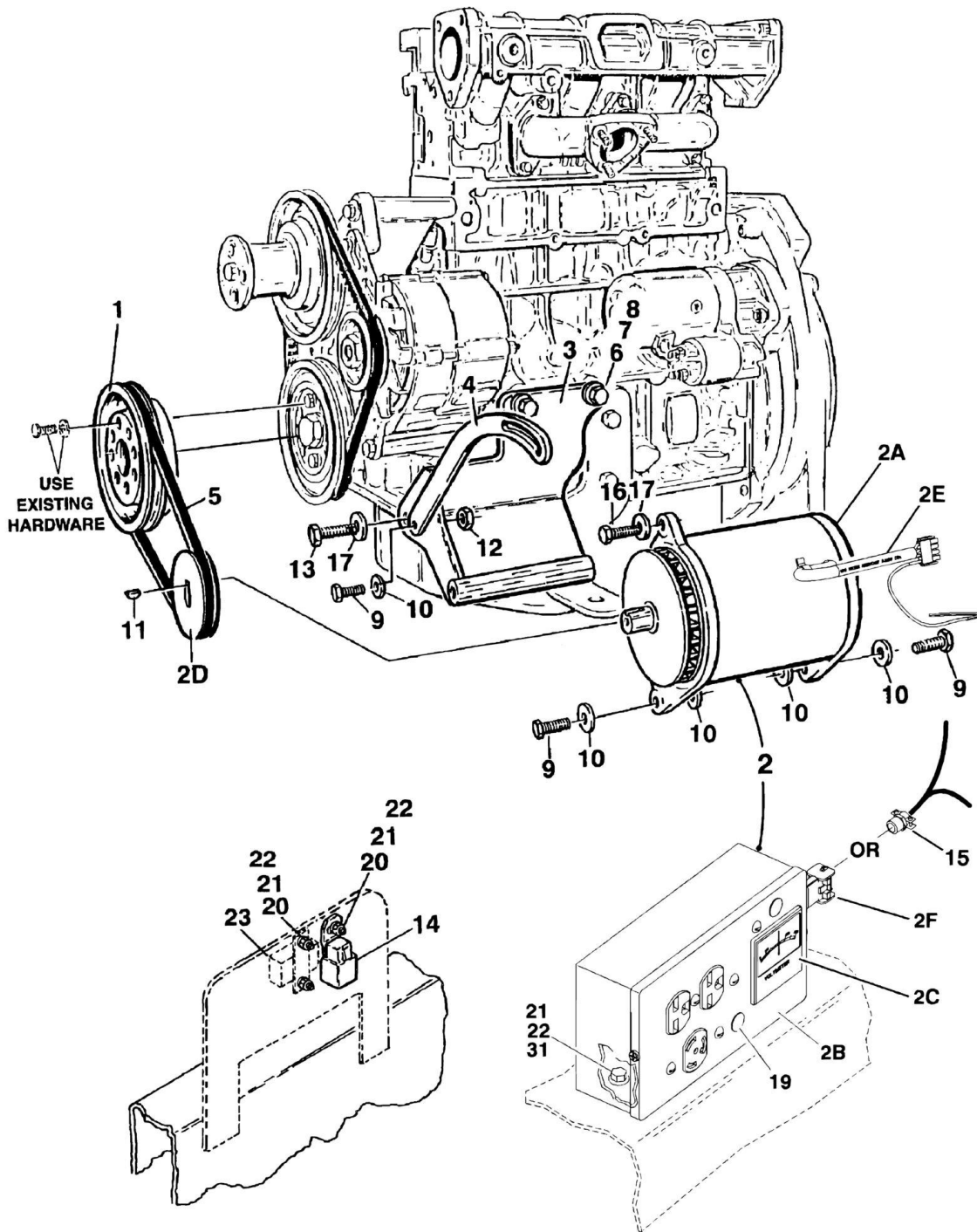
ITEM	PART NUMBER	QTY	DESCRIPTION	REV
211	7020025	1	Switch, Oil Temperature (Not Shown)	
212	7020022	3	Pump, Fuel Injection (Engine p/n 2000154)	
212	7024318	3	Pump, Fuel Injection (Engine p/n 2000162)	
213	7020408	1	V-Belt	
214	7020446	1	Timing Belt Kit (Not Shown)	
215		Ref	Gasket, Cylinder Head Options (Not Shown):	
215	70003039	1	1 Notch	
215	70003040	1	2 Notches	
215	70003041	1	3 Notches	
216	7026522	3	Injection, Fuel	
217	7020465	1	Cap, Filler	
218	7020471	3	Gasket, Exhaust Manifold (Not Shown)	
219	70000787	1	Support, Fan (Not Shown)	
	0256847	Ref	<b>PUMP COUPLING INSTALLATION</b>	
301	1660234	1	Coupling, Hayes	
302	0080163	1	Plate, Pump Adapter	
303	0700810	6	Bolt Metric 8mm x 20mm	
304	4831900	6	Lockwasher 8mm	
306	4832000	8	Lockwasher 10mm	
307	3020021	AR	Grease, Coupling (Not Shown)	





# SECTION 2 - TURNTABLE

## FIGURE 2-7. GENERATOR INSTALLATION - DEUTZ MACHINES (OPTIONAL)



# SECTION 2 - TURNTABLE

**FIGURE 2-7. GENERATOR INSTALLATION - DEUTZ MACHINES (OPTIONAL)**

ITEM	PART NUMBER	QTY	DESCRIPTION	REV
		Ref	<b>GENERATOR INSTALLATION OPTIONS:</b>	
	0258313	Ref	<b>110V Generator</b>	4-C
	0258315	Ref	<b>220V Generator</b>	3-B
1	3580158	1	Pulley	
2		Ref	Generator and Control Box Assembly Options:	
2	2460011	1	110Volt Assembly ( <b>Prior to SN 0300039711</b> )	
2	2460032	1	110Volt Assembly ( <b>SN 0300039711 through 0300065080</b> )	
2	2460034	1	220Volt Assembly (Use p/n 2460056)	
2A	7012558	1	Generator - 110V	
		Ref	<b>Note: Replacement Generator p/n 7012558 come standard with p/n 3580134 pulley. This pulley may not be correct for all applications. Refer to pulley options below.</b>	
2A	1001100321	1	Generator - 220V	
2A		Ref	Armature Options:	
2A	7026199	1	110Volt	
2A	70000123	1	220Volt	
2A	7020109	4	Holder, Brush	
2A	7020108	4	Brush	
2A	7012513	4	Cap, Brush Holder	
2A	7012514	1	Fan	
2A	7020110	1	Bell, Front	
2A	7020111	1	Bell, Rear	
2A	7020190	2	Bearing	
2B	7003657	1	Box, Control - 110V (Note: Replacement 110V Control Box comes with 2 std Receptacles p/n 4460190. Optional Industrial Twist Lock Receptacles p/n 4460027 must be ordered separately.)	
2B		Ref	Box, Control - 220V Options:	
2B	70002235	1	Generator 2460034	
2B	70000127	1	Generator 2460056	
2B		Ref	Breaker, Circuit Options:	
2B	4360542	1	110Volt	
2B	70000126	1	220Volt	
2B		Ref	Receptacle Options:	
2B	70000124	1	Receptacle, Double (220V/50Hz Only)	
2B	70000125	1	Receptacle, Single (220V/50Hz Only)	
2B		Ref	Lamp Options:	
2B	2920162	1	Generators 2460011, 2460032 & 2460034	
2B	Not Required	0	Generator 2460056	
2B		Ref	Switch, Toggle Options:	
2B	7020191	1	Generators 2460011, 2460032 & 2460034	
2B	Not Required	0	Generator 2460056	
2B	3520028	2	Plug, Hole	
2C		Ref	Voltmeter Options:	
2C	2420203	1	110Volt	
2C	7020192	1	220Volt	
2D		Ref	Pulley Options:	
2D	3580134	1	Generators 2460011 & 2460056	
2D	3580276	1	Generators 2460032 & 2460034	
2E	7020193	1	Cord, Power	
2F	4460961	1	Connector - 4 Position (Generator 2460056 Only)	

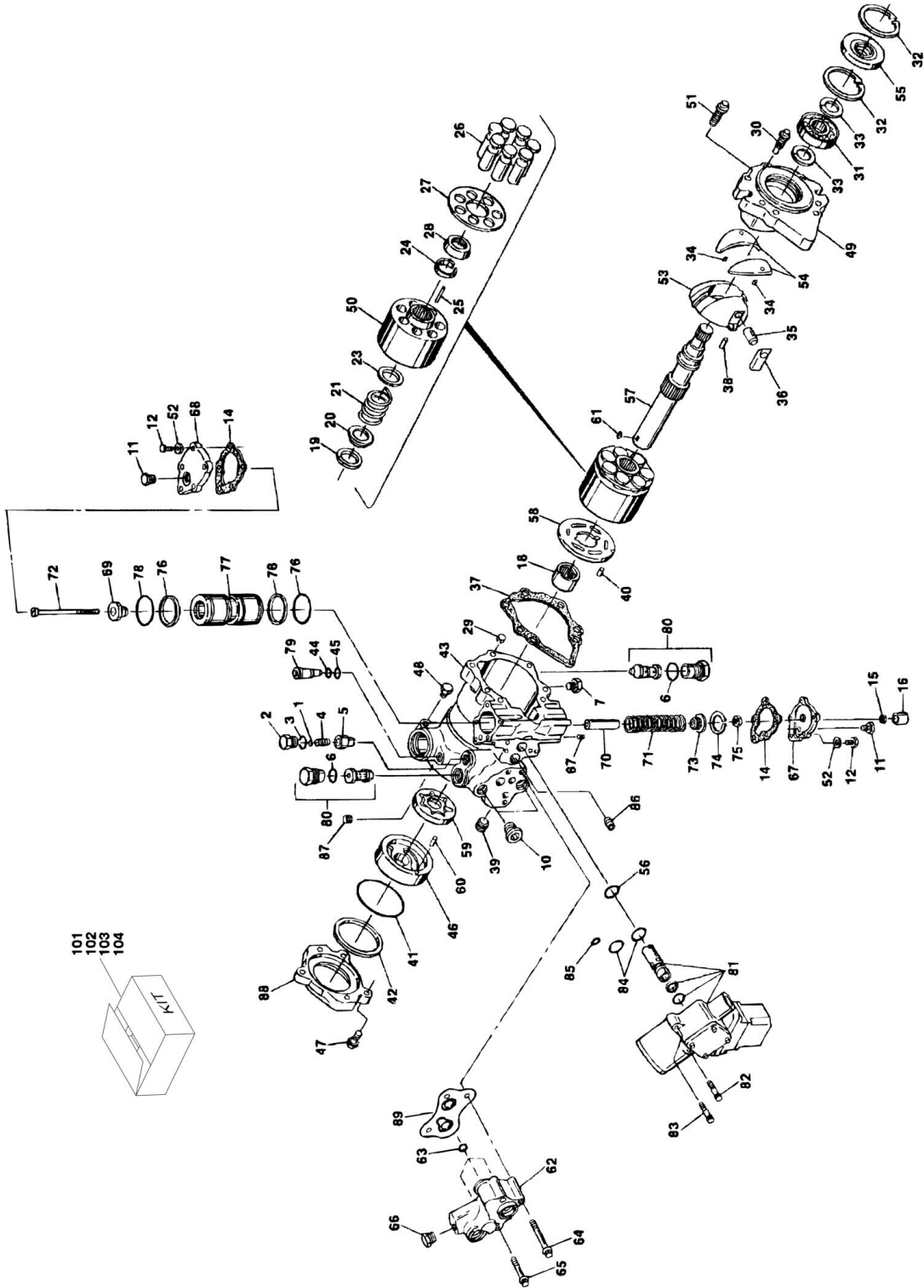
## SECTION 2 - TURNTABLE

ITEM	PART NUMBER	QTY	DESCRIPTION	REV
2F	4460705	4	Terminal, Male Pin (Generator 2460056 Only)	
3	4845531	1	Bracket, Generator Mounting	
4	0200530	1	Arm, Adjusting	
5	0480050	1	V-Belt <b>(Prior to SN 0300039711)</b>	
5	0480111	1	V-Belt <b>(SN 0300039711 through 0300065080)</b>	
6	0701414	2	Bolt, Metric 14MM x 30MM	
7	4751900	2	Flatwasher 9/16in	
8	0100011	AR	Loctite #242 (Not Shown)	
9	0681612	3	Bolt 3/8in-16NC x 1 1/2in (Grade 8)	
10	4751600	6	Flatwasher 3/8in	
11	2860012	1	Key, Woodruff	
12	3311605	1	Locknut 3/8in-16NC	
13	0700819	1	Bolt, Metric 8mm x 55mm	
14	3740080	1	Relay	
15	4460023	1	Connector, Strain Relief	
16	0641508	1	Bolt 5/16in-18NC x 1in	
17	4751500	2	Flatwasher 5/16in	
19	3520028	1	Plug, Hole	
20	0721006	AR	Bolt #10-24NC x 3/4in	
21	3311005	AR	Locknut #10-24NC	
22	4751000	AR	Flatwasher #10	
23		Ref	Breaker, Circuit - 30 Amp Options:	
23	4360294	1	Breaker, Circuit - 30 Amp <b>(Prior to SN 0300062239)</b>	
23	4360501	1	Breaker, Circuit - 30 Amp <b>(SN 0300062239 through 0300065080)</b>	
25	4360336	1	Switch, Toggle (Not Shown - Located at Platform)	
26	4740397	1	Washer (Not Shown - Located at Platform)	
27	4060802	1	Guard, Switch (Not Shown - Located at Platform)	
29	2820031	1	Heat Shrink (Not Shown - Located at Platform)	
30	3251102	1	Decal (Not Shown - Located at Platform)	
31	0721008	2	Bolt #10-24NC x 1in	



# SECTION 2 - TURNTABLE

## FIGURE 2-8. PISTON PUMP ASSEMBLY



## SECTION 2 - TURNTABLE

### FIGURE 2-8. PISTON PUMP ASSEMBLY

ITEM	PART NUMBER	QTY	DESCRIPTION	REV
		Ref	<b>PISTON PUMP ASSEMBLIES</b>	
	3600260	Ref	<b>Piston Pump Assemblies (Prior to SN 0300043370)</b>	1-A
	3600290	Ref	<b>Piston Pump Assemblies (SN 0300043370 through 0300065080)</b>	1-A
1	7007413	1	Shim Kit - Relief Valve	
2	7007414	1	Plug	
3	See Note	NSS	O-Ring (Note: Use Item 101)	
4	7007416	1	Spring, Relief Valve	
5	7007417	1	Valve, Relief	
6	See Note	NSS	O-Ring (Note: Use Item 101)	
7	7007419	2	Plug	
10	7007420	2	Plug	
11	7007208	2	Plug	
12	7007421	10	Screw	
14	See Note	NSS	Gasket, Servo Cover (Note: Use Item 101)	
15	7007423	1	Nut, Special	
16	7007424	1	Cover, Adjustment	
18	7007425	1	Bearing, Needle	
19	See Note	NSS	Ring, Retaining (Note: Use Item 104)	
20	See Note	NSS	Washer (Note: Use Item 104)	
21	See Note	NSS	Spring (Note: Use Item 104)	
23	See Note	NSS	Washer (Note: Use Item 104)	
24	See Note	NSS	Retainer (Note: Use Item 104)	
25	See Note	NSS	Pin, Slipper Holddown (Note: Use Item 104)	
26	See Note	NSS	Piston Assembly (Note: Use Item 104)	
27	See Note	NSS	Guide, Slipper (Note: Use Item 104)	
28	See Note	NSS	Guide, Retainer (Note: Use Item 104)	
29	7007435	1	Pin, Spring	
30	7007436	1	Screw, 12 Point Head	
31	7007437	1	Bearing, Ball	
32	7007438	2	Ring	
33	7007439	2	Ring	
34	7007440	2	Pin, Spring	
35	7007441	1	Handle, Pin	
36	7007442	1	Sleeve, Bearing	
37	See Note	NSS	Gasket, Front Cover (Note: Use Item 101)	
38	7007444	1	Pin	
39	7007445	1	Plug, Expansion	
40	See Note	NSS	Pin (Note: Use Item 104)	
41	See Note	1	O-Ring (Note: Use Items 101 or 103)	
42	See Note	1	Ring, Load Temper (Note: Use Items 101 or 103)	
43	7007449	1	Housing, Pump	
44	See Note	NSS	Ring, Back-Up (Note: Use Item 101)	
45	See Note	NSS	O-Ring (Note: Use Item 101)	
46	See Note	NSS	Cover, Gerotor (Note: Use Item 103)	
47	7007453	3	Bolt, Hex	
48	7007208	1	Plug	
49	7007454	1	Cover, Front	
50	See Note	NSS	Block, Cylinder (Note: Use Item 104)	
51	7007456	6	Screw, 12 Point Head	

## SECTION 2 - TURNTABLE

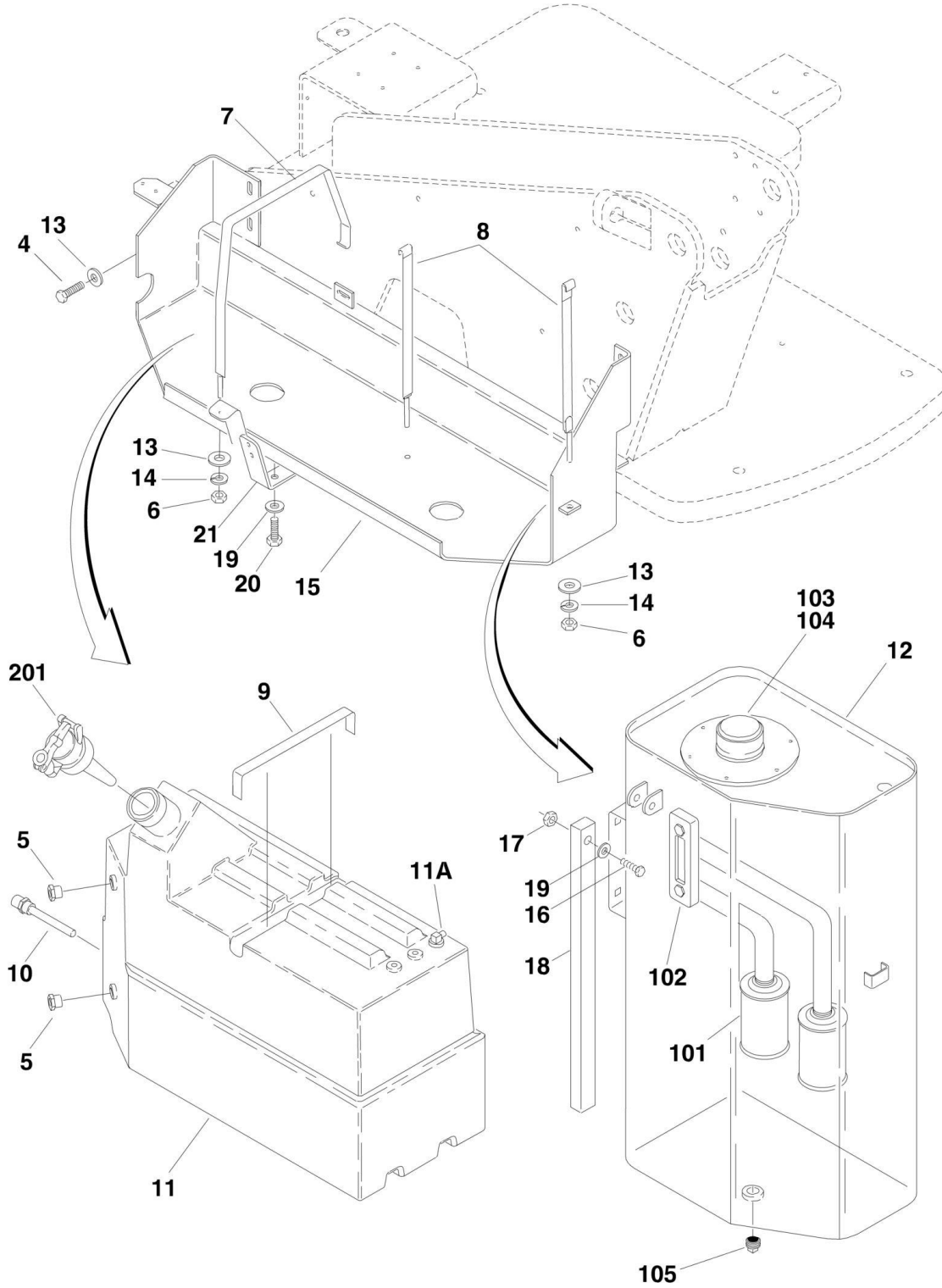
ITEM	PART NUMBER	QTY	DESCRIPTION	REV
52	7001438	10	Washer	
53	See Note	NSS	Swashplate (Note: Use Item 104)	
54	7007458	1	Journal, Bearing	
55	See Note	1	Seal, Lip (Note: Use Items 101 or 104)	
56	See Note	NSS	O-Ring (Note: Use Item 101)	
57	7010121	1	Shaft, Main Pump	
58	See Note	NSS	Plate, Valve (Note: Use Item 104)	
59	See Note	NSS	Gerotor Assembly (Note: Use Item 103)	
60	See Note	NSS	Pin (Note: Use Item 103)	
61	See Note	NSS	Key, Woodruff (Note: Use Item 103)	
62	7007466	1	Adaptor, Remote Filtration (Without Bypass)	
63	See Note	NSS	O-Ring (Note: Use Item 101)	
64	7007468	2	Screw	
65	7007469	2	Screw	
66	7007470	1	Plug	
67	7007471	1	Cover, Servo (With Adjuster)	
67	7007490	2	Stop, Servo (Not Shown)	
67	7007491	2	Nut, Special (Not Shown)	
67	7007492	2	Ring, External (Not Shown)	
68	7007482	1	Cover, Servo (Without Adjuster)	
69	7007483	1	Guide, Spring	
70	7007484	1	Stop, Servo	
71	7007485	1	Spring	
72	7007486	1	Screw	
73	7007487	1	Guide, Spring	
74	7007488	1	Ring, Retaining	
75	7007499	1	Locknut	
76	See Note	2	Ring, Piston (Note: Use Items 101 or 102)	
77	7007494	1	Piston, Servo	
78	See Note	2	O-Ring (Note: Use Items 101 or 102)	
79	7007472	1	Valve, Bypass	
80	7010122	2	Valve, Pressure Release (Includes Item 6) (Was P/N 7007473)	
81	7007474	1	Control, Dual Oil-Filled	
81	7007496	1	Coil Assembly (Pilot)	
81	7007497	1	Plug (Pump)	
81	7007498	1	Plug (Valve Harness)	
82	7007478	2	Screw	
83	7001498	2	Screw	
84	See Note	NSS	O-Ring (Note: Use Item 101)	
85	See Note	NSS	O-Ring (Note: Use Item 101)	
86	7007475	1	Plug, Orifice/Screen (.156)	
87		Ref	Plug, Orifice Options: (.37)	
87	7007477	2	.037 (3600260 Pump)	
87	7021226	2	.034 (3600290 Pump)	
88	7007476	1	Adapter, Auxiliary Pump	
89	7010120	1	Spacer/Gasket	
101	2900752	1	Seal Kit - Complete (Includes Items 3, 6, 14, 37, 41, 42, 44, 45, 55, 56, 63, 76, 78, 84 & 85)	
102	7007412	1	Seal Kit - Servo Piston (Includes Items 76 & 78)	
103	2900826	1	Charge Pump Kit (Includes Items 41, 42, 46, 59, 60 & 61)	
104	2900827	1	Cylinder Block Kit (Includes Items 19-28, 40-50, 53, 55 & 58)	





# SECTION 2 - TURNTABLE

## FIGURE 2-9. TANK INSTALLATIONS



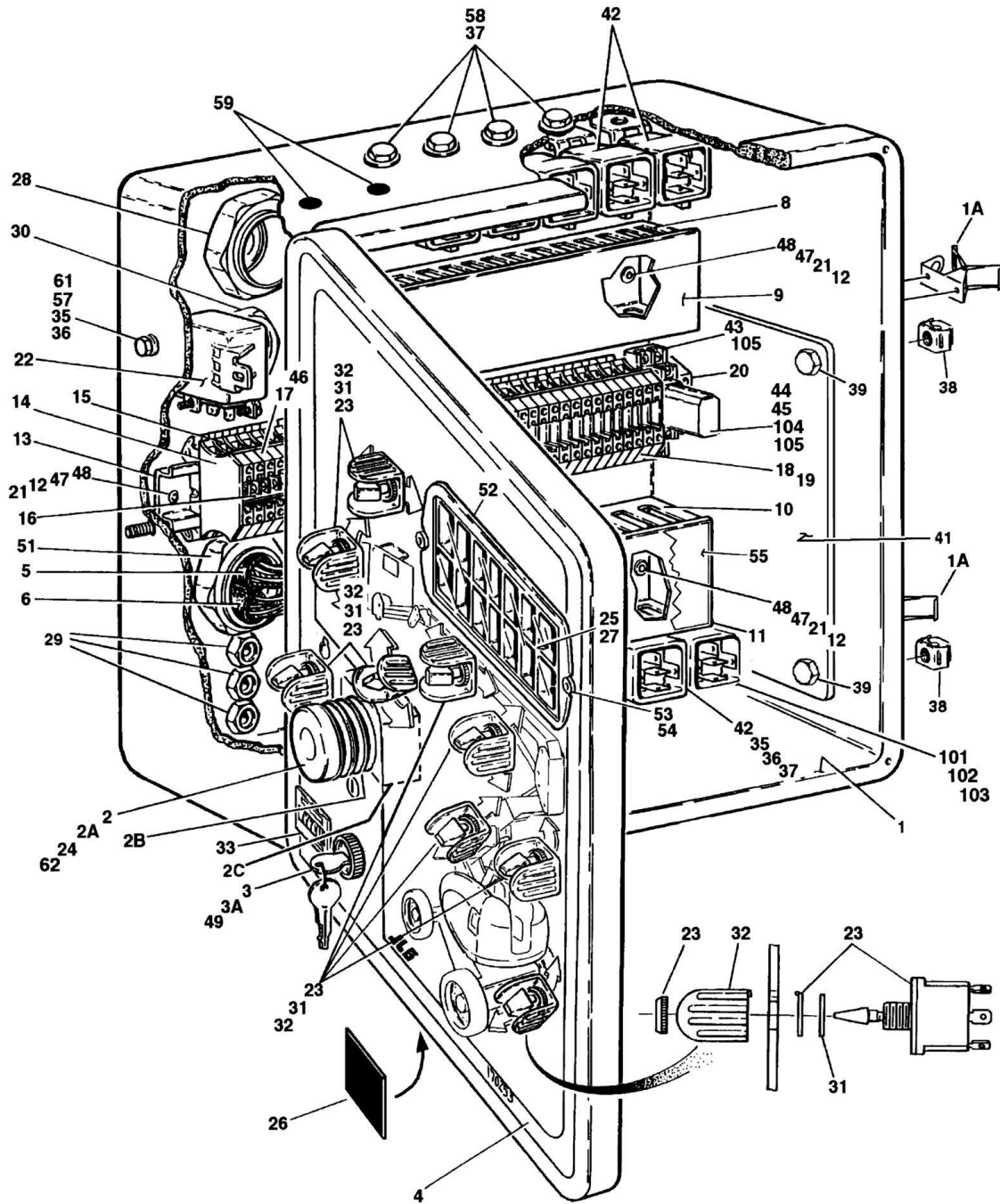
## SECTION 2 - TURNTABLE

### FIGURE 2-9. TANK INSTALLATIONS

ITEM	PART NUMBER	QTY	DESCRIPTION	REV
	0257757	Ref	<b>TANKS INSTALLATION</b>	F
1	0100011	AR	Loctite #242 (Not Shown)	
2	0100020	AR	Sealant, Pipe (Not Shown)	
3	0100079	AR	Permatex (Not Shown)	
4	0641608	4	Bolt 3/8in-16NC x 1in	
5	2420115	2	Gauge, Sight	
6	3311601	3	Nut 3/8in-16NC	
7	4240133	1	Strap, Tank Mount	
8	4240136	2	Strap, Tank Mount	
9	4280295	30	Strip, Bumper	
		in/76cm		
10	4360436	1	Switch, Fuel Level	
11	4400408	1	Tank, Fuel (Includes Cap p/n 7016314)	
11A	7020056	1	Fitting and Hose (Supply Line)	
12	4400409	1	Hydraulic Tank Assembly (See Items 101-102 for Breakdown)	
13	4751600	7	Flatwasher 3/8in	
14	4761600	3	Lockwasher 3/8in	
15		Ref	Tray Weldment Options:	
15	4845590	NLA	Tray Weldment (Use p/n 4846000) <b>(Prior to SN 0300041977)</b>	
15	4846000	1	Tray Weldment <b>(SN 0300041977 through 0300065080)</b>	
16	0641416	1	Bolt 1/4in-20NC x 2in	
17	3311405	1	Locknut 1/4in-20NC	
18	4567627	1	Tube, Hood Prop	
19	4751400	4	Flatwasher 1/4in	
20	0641405	2	Bolt 1/4in-20NC x 5/8in	
21		Ref	Bracket, Hood Latch Options:	
21	0902449	1	Bracket, Hood Latch <b>(Prior to SN 0300041977)</b>	
21	0902535	1	Bracket, Hood Latch <b>(SN 0300041977 through 0300065080)</b>	
	4400409	Ref	<b>HYDRAULIC TANK ASSEMBLY</b>	H
101	7014801	1	Strainer	
102	7014802	1	Gauge, Sight	
103	7014810	1	Filler	
103	7023495	1	O-Ring	
104	7014811	1	Breather	
105	7014813	1	Plug, Magnetic	
201		Ref	<b>FUEL CAP OPTIONS</b>	
201	7016314	Ref	Standard Non-Locking Cap	
201	1120484	Ref	Locking Cap (Red)	
201	1120487	Ref	Locking Cap (Blue)	

# SECTION 2 - TURNTABLE

## FIGURE 2-10. GROUND CONTROL BOX ASSEMBLY



## SECTION 2 - TURNTABLE

### FIGURE 2-10. GROUND CONTROL BOX ASSEMBLY

ITEM	PART NUMBER	QTY	DESCRIPTION	REV
		Ref	<b>GROUND CONTROL BOX ASSEMBLIES</b>	
	0861226	Ref	<b>Ground Control Box Assemblies 450A with Deutz Engine</b>	6
	0861227	Ref	<b>Ground Control Box Assemblies 450AJ with Deutz Engine</b>	6
1		Ref	Box, Fiberglass Options:	
1	0861162	1	Box, Fiberglass ( <b>Prior to SN 0300044666</b> )	
1	0861304	1	Box, Fiberglass ( <b>SN 0300044666 through 0300065080</b> )	
1A	7020246	2	Latch	
2		Ref	Switch, Emergency Stop Options:	
2	4360289	1	Switch, Emergency Stop ( <b>Prior to SN 0300044666</b> )	
2	4360475	1	Switch, Emergency Stop ( <b>SN 0300044666 through 0300065080</b> )	
2A	7012611	1	Cap, Mushroom Head ( <b>Prior to SN 0300044666</b> )	
2A	7020175	1	Cap, Mushroom Head ( <b>SN 0300044666 through 0300065080</b> )	
2B	7012612	1	Boot ( <b>Prior to SN 0300044666</b> )	
2C	7020176	1	Block, Contact ( <b>SN 0300044666 through 0300065080</b> )	
3		Ref	Switch, Key Options:	
3	4360315	1	Switch, Key ( <b>Prior to SN 0300044666</b> )	
3	4360470	1	Switch, Key (Common Key Style) ( <b>SN 0300044666 through 0300065080</b> )	
3A		Ref	Key Options:	
3A	7012560	1	Key ( <b>Prior to SN 0300044666</b> )	
3A	2860030	1	Key (Common Key Style) ( <b>SN 0300044666 through 0300065080</b> )	
4		Ref	Decal - Faceplate	
4	1703690	1	Decal - Faceplate 450A	
4	1703691	1	Decal - Faceplate 450AJ	
5	4922050	1	Engine Harness Assembly (See ELECTRICAL SECTION for Breakdown)	
6	4922048	1	Valve Harness Assembly (See ELECTRICAL SECTION for Breakdown)	
8	1840012	1	Duct, Wiring - 2in/5cm	
9	1840013	1	Duct, Cover - 2in/5cm	
10	1840014	1	Duct, Wiring - 3in/7.6cm	
11	1840015	1	Duct, Cover - 3in/7.6cm	
12	3910608	6	Screw #6-32NC x 1/2in	
13	3640970	1	Rail	
14	4460602	1	Barrier, Terminal	
15	4460601	10	Block, Terminal	
16	4460603	1	Bussbar - 10 Position (Requires being cut into (2) 5 position bussbars)	
17	4460631	1	Marker, Terminal (Negative)	
18	4460600	46	Block, Terminal	
19	4460628	2	Marker, Terminal (1-50)	
20	4460607	1	Stop, Terminal	
21	4750600	12	Flatwasher #6	
22	3740112	1	Relay, Bosch	
23	4360314	AR	Switch, Toggle	
24		Ref	Switch, Contact Block Options:	
24	4360282	1	Switch, Contact Block ( <b>Prior to SN 0300044666</b> )	
24	4360476	1	Switch, Contact Block ( <b>SN 0300044666 through 0300065080</b> )	

## SECTION 2 - TURNTABLE

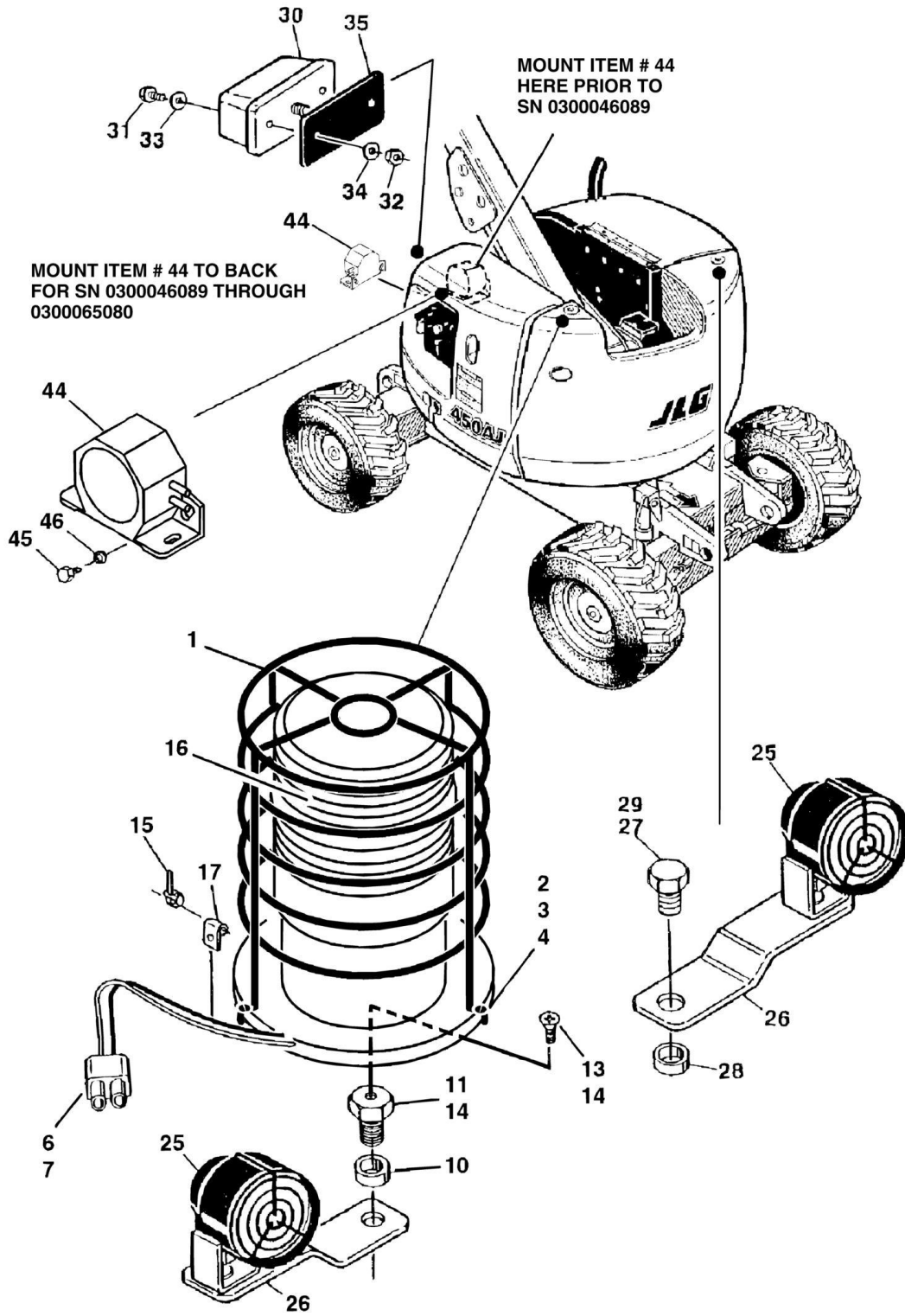
ITEM	PART NUMBER	QTY	DESCRIPTION	REV
25	2760105	1	Housing, Display Light	
26	4420038	4 in/10cm	Insulation, Adhesive Foam	
27	1702610	1	Decal - Ground Control Display	
28	4460526	1	Connector, Strain Relief	
29	4460428	3	Connector, Strain Relief	
30	4460426	1	Connector, Strain Relief	
31	4740444	AR	Washer, Special	
32	4060906	AR	Shield, Toggle Switch	
33	2420172	1	Gauge, Hourmeter	
34	0721005	1	Screw #10-24NC x 5/8in	
35	3311001	3	Nut #10-24NC	
36	4751000	5	Flatwasher #10	
37	0721004	9	Screw #10-24NC	
38	3300205	4	Nut, Retainer	
39	0641506	4	Bolt 5/16in-18NC x 3/4in	
40	0100011	AR	Loctite #242 (Not Shown)	
41	3539219	1	Plate, Reinforcement	
42	3740049	9	Relay - SPDT	
43	4120012	AR	Socket, Relay	
44	3740057	AR	Relay	
45	3740066	AR	Spring, Relay	
46	4460630	1	Marker, Terminal (Ignition)	
47	4760600	6	Lockwasher #6	
48	3310601	6	Nut #6-32NC	
49		Ref	Hardware Options:	
49	3300390	1	Nut with Weather Resistant Boot (Prior to SN 0300044666)	
49	4070987	AR	Shim, Switch (Common Key) (SN 0300044666 through 0300065080)	
51	4460711	1	Connector, Strain Relief	
52	1670829	1	Bezel	
53	0630518	2	Capscrew, Button Head	
54	3300408	2	Locknut, Plastic Insert	
55	1703622	1	Decal - Service Manual Reference	
56	4460234	6	Base, Tie-Strap (Not Shown)	
57	0721008	1	Screw #10-24NC x 1in	
58	3300408	9	Insert, Locknut	
59	3520174	3	Plug, Hole	
60	0100009	AR	Silicone (Not Shown)	
61	4761000	3	Lockwasher #10	
62	3910804	6	Screw #8-32NC x 1/4in	
	0258431	Ref	<b>2WD/4WD ELECTRICAL COMPONENTS INSTALLATION (NOT SHOWN)</b>	1
	3740118	1	Timer, Delay	
	4922140	1	Harness - 2WD/4WD (See ELECTRICAL SECTION for Breakdown)	
		Ref	<b>GENERATOR TIMER RELAY INSTALLATION (NOT SHOWN)</b>	
		Ref	<b>Note: Required SN 0300056107 through 0300065080 Only.</b>	
	4922432	1	Harness, Timer to Relay (See ELECTRICAL SECTION for Breakdown)	
	3740118	1	Timer, Delay	
	3911024	1	Screw #10-24NC x 1 1/2in	
	4751000	2	Flatwasher #10	

**SECTION 2 - TURNTABLE**

ITEM	PART NUMBER	QTY	DESCRIPTION	REV
	4761000	1	Lockwasher #10	
	3311001	1	Nut #10-24NC	
	0271483	Ref	<b>BPE LOAD SENSING DEVICE (LIFT DOWN) INSTALLATION</b>	2
101	3740049	1	Relay - SPDT	
102	3300408	1	Insert, Locknut	
103	0721006	1	Screw #10-24NC x 3/4in	
104	3740057	1	Relay	
105	4120012	1	Base, Relay	
106	3740066	1	Spring, Relay	

# SECTION 2 - TURNTABLE

## FIGURE 2-11. ELECTRICAL OPTIONS INSTALLATION (TURNTABLE MOUNTED)





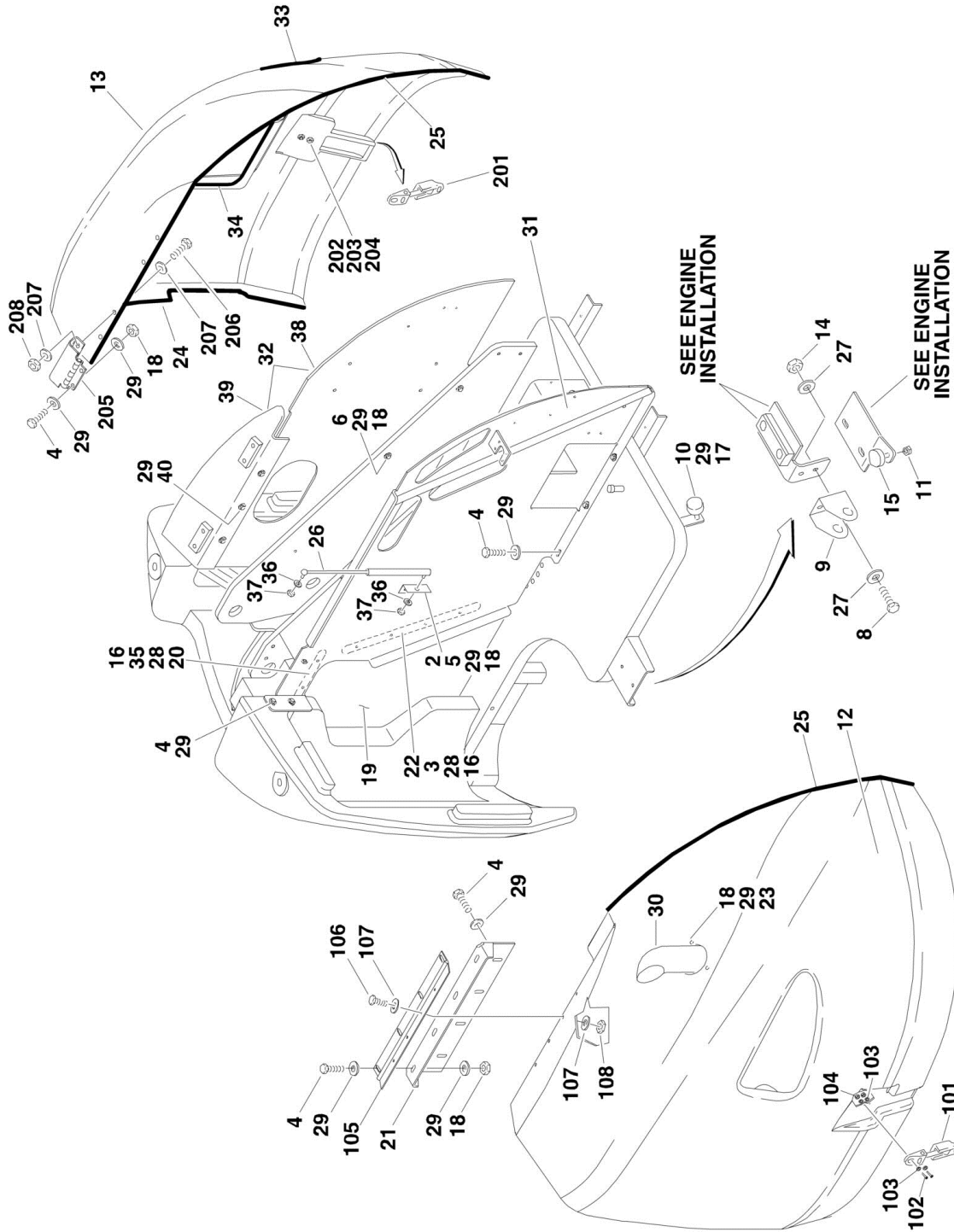
**SECTION 2 - TURNTABLE**

**FIGURE 2-11. ELECTRICAL OPTIONS INSTALLATION (TURNTABLE MOUNTED)**

ITEM	PART NUMBER	QTY	DESCRIPTION	REV
	0258307	Ref	<b>STROBE LIGHT INSTALLATIONS (AMBER) (OPTIONAL)</b>	2
1		Ref	Guard Options:	
1	4060907	1	Guard ( <b>Prior to SN 0300037923</b> )	
1	4060865	1	Guard ( <b>SN 0300037923 through 0300065080</b> )	
2	0721008	2	Screw, Machines #10-24NC x 1in	
3	4751000	4	Flatwasher #10	
4	3311005	2	Locknut #10-24NC	
5	2820035	12 ft/31cm	Loom (Not Shown)	
6	4460320	1	Plug, Terminal	
7	4460267	2	Pin, Male	
10	4220162	1	Spacer, Stop	
11	0630491	1	Bolt, Special	
12	3539281	1	Plate, Mounting	
13	0741606	1	Screw, Flathead Countersunk3/8in-16NC x 3/4in	
14	0100011	AR	Loctite #242 (Not Shown)	
15	4240032	1	Wire-Tile	
16		Ref	Strobe Light/Harness Assembly Options:	
16	0255917	1	Light Assembly (Includes Guard p/n 4060907) ( <b>Prior to SN 0300037923</b> )	
16	7016380	1	Bulb for ECCO Model 6640	
16	70001941	1	Bulb for ECCO Model 6650	
16	4060907	1	Guard for ECCO Model 6640	
16	2920215	1	Guard for ECCO Model 6650	
16	2920146	1	Light Assembly ( <b>SN 0300037923 through 0300065080</b> )	
16	7016319	1	Bulb, Replacement	
16	7016372	1	Lens	
17	4460234	1	Clamp	
18	0100048	AR	Sealant, Silicone (Not Shown)	
	0258306	Ref	<b>LIGHTS INSTALLATIONS (OPTIONAL)</b>	1
25	2920110	2	Headlight	
26	0902206	2	Bracket, Mounting	
27	0642612	1	Bolt 1in-8NC x 1 1/2in	
28	4220162	2	Spacer	
29	0100011	AR	Loctite#242	
30	2920113	2	Taillight	
31	3911040	4	Screw, Machine #10-24NC x 2 1/2in	
32	3311005	4	Nut #10-24NC	
33	4751000	4	Flatwasher #10	
34	4740362	4	Washer, Fender	
35	3960461	2	Gasket	
37	4240032	12	Tie-Strap (Not Shown)	
38	4460234	12	Mount, Tie-Strap (Not Shown)	
39	4360336	1	Switch, Toggle (Not Shown - Located on Console)	
40	3790012	1	O-Ring (Not Shown - Located on Console)	
	0258308	Ref	<b>ALARMS INSTALLATIONS</b>	2
44	0257887	1	Alarm/Harness Assembly	
45	0641406	2	Bolt 1/4in-20NC x 3/4in	
46	4711400	2	Flatwasher 1/4in	
47	0100048	AR	Sealant, Silicone (Not Shown)	

# SECTION 2 - TURNTABLE

## FIGURE 2-12. HOODS INSTALLATION



**SECTION 2 - TURNTABLE**

**FIGURE 2-12. HOODS INSTALLATION**

ITEM	PART NUMBER	QTY	DESCRIPTION	REV
	0258219	Ref	<b>HOODS INSTALLATION</b>	F
1	0100011	AR	Loctite #242 (Not Shown)	
2		Ref	Angle, Gas Spring Mounting Options:	
2	0181963	1	Angle, Gas Spring Mounting <b>(Prior to SN 0300038924)</b>	
2	0902504	1	Angle, Gas Spring Mounting <b>(SN 0300038924 through 0300065080)</b>	
3	0641410	4	Bolt 1/4in-20NC x 1 1/4in	
4	0641608	13	Bolt 3/8in-16NC x 1in	
5	0641610	2	Bolt 3/8in-16NC x 1 1/4in	
6	0641614	4	Bolt 3/8in-16NC x 1 3/4in	
7	0721004	4	Bolt #10-24NC x 1/2in	
8	0721006	4	Bolt #10-24NC x 3/4in	
9	0902465	2	Bracket, Lock Hasp Only <b>(Prior to SN 0300042043)</b>	
10	0940071	1	Bumper	
11	0940083	2	Bumper	
12	2680438	1	Hood (Engine Side) (See Items 101-108 for Breakdown)	
13	2680439	1	Hood (Tank Side) (See Items 201-208 for Breakdown)	
14	3311005	4	Locknut #10-24NC	
15	3311401	2	Nut 1/4in-20NC	
16	3311405	6	Locknut 1/4in-20NC	
17	3311601	2	Nut 3/8in-16NC	
18	3311605	13	Locknut 3/8in-16NC	
19	3380445	1	Panel, Rubber	
20	3539957	1	Plate, Hold-Down <b>(Prior to SN 0300038924)</b>	
20	0641408	6	Bolt 1/4in-20NC x 1in <b>(SN 0300038924 through 0300065080)</b>	
21	3570695	1	Plate, Hinge Mounting	
22	3570981	1	Plate, Hold-Down <b>(Prior to SN 0300049107)</b>	
23	3900232	3	Capscrew, Button Head 3/8in-16NC 1 1/4in	
24	3960462	9 ft/2.74m	Seal, Hood	
25	3960464	9 ft/2.74m	Seal, Hood	
26	4160170	1	Spring, Gas	
27	4750800	12	Flatwasher #8	
28	4751400	6	Flatwasher 1/4in	
29	4751600	39	Flatwasher 3/8in	
30	4845194	1	Exhaust Tube Weldment	
31	4845665	1	Hood Mounting Weldment	
32	4845789	1	Hood Mounting Weldment Only (Note: Items 38-40 may be used as an adjustable replacement) <b>(Prior to SN 0300044585)</b>	
33	3960438	4.4 ft/1.4m	Seal	
34	4060806	1.33 ft/41cm	Shield	
35	4740362	2	Washer, Fender	
36	4751500	2	Flatwasher 5/16in	
37	3311505	2	Locknut 5/16in-18NC	
38	4846038	1	Hood Mounting Weldment Only <b>(SN 0300044585 through 0300065080)</b>	
39	4846037	1	Hood Mounting Weldment Only <b>(SN 0300044585 through 0300065080)</b>	
40	0641606	3	Bolt 3/8in-16NC x 3/4in	
	2680438	Ref	<b>HOOD ASSEMBLY (ENGINE SIDE) (Note: Replacement Decals</b>	E

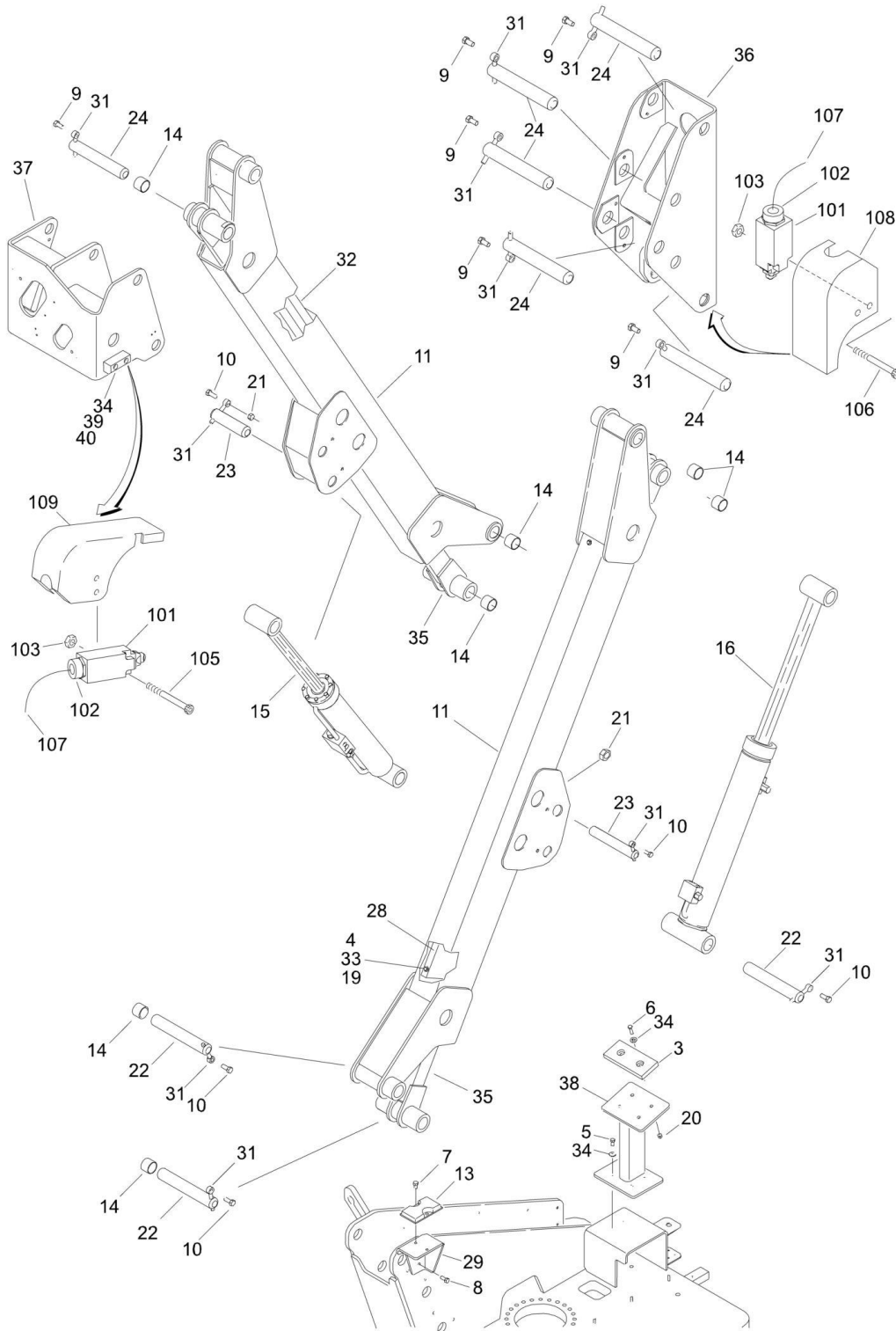
## SECTION 2 - TURNTABLE

ITEM	PART NUMBER	QTY	DESCRIPTION	REV
			<b>Must Be Ordered Separately- See DECALS SECTION.)</b>	
101	2940109	1	Latch	
102	0721008	2	Screw, Machine #10-24NC x 1in	
103	4750800	4	Flatwasher #10	
104	3311005	2	Locknut #10-24NC	
105	2600210	1	Hinge	
106	3900232	4	Screw, Button Head 3/8in-16NC x 1 1/4in	
107	4751600	8	Flatwasher 3/8in	
108	3311605	4	Locknut 3/8in-16NC	
	2680439	Ref	<b>HOOD ASSEMBLY (TANK SIDE) (Note: Replacement Decals Must Be Ordered Separately - See DECALS SECTION.)</b>	H
201	2940109	1	Latch	
202	0721008	2	Screw, Machine #10-24NC x 1in	
203	4750800	4	Flatwasher #8	
204	3311005	2	Locknut #10-24NC	
205	2600246	2	Hinge	
206	0721006	4	Screw, Machine #10-24NC x 3/4in	
207	4750800	8	Flatwasher #8	
208	3311005	4	Locknut #10-24NC	

**SECTION 3 - BOOM**

# SECTION 3 - BOOM

## FIGURE 3-1. TOWER/MID BOOMS AND CYLINDERS INSTALLATION



## SECTION 3 - BOOM

### FIGURE 3-1. TOWER/MID BOOMS AND CYLINDERS INSTALLATION

ITEM	PART NUMBER	QTY	DESCRIPTION	REV
		Ref	<b>BOOMS AND CYLINDERS INSTALLATIONS</b>	
	0257868	Ref	<b>Booms and Cylinders Installations 450A (Prior to SN 0300056176)</b>	D
	0259531	Ref	<b>Booms and Cylinders Installations 450A (SN 0300056176 through 0300065080)</b>	A
	0257869	Ref	<b>Booms and Cylinders Installations 450AJ (Prior to SN 0300056176)</b>	E
	0259532	Ref	<b>Booms and Cylinders Installations 450AJ (SN 0300056176 through 0300065080)</b>	A
1	0100011	AR	Loctite #242 (Not Shown)	
3	0561076	1	Block, Boom Rest	
4	0641507	4	Bolt 5/16in-18NC x 7/8in	
5	0641607	AR	Bolt 3/8in-16NC x 7/8in	
6	0641610	2	Bolt 3/8in-16NC x 1 1/4in	
7	0641806	2	Bolt 1/2in-13NC x 3/4in	
8	0641809	3	Bolt 1/2in-13NC x 1 1/8in	
9	0642010	6	Bolt 5/8in-11NC x 1 1/4in	
10	0642012	5	Bolt 5/8in-11NC x 1 1/2in	
11	0801128	2	Boom, Tower/Mid	
13	0940048	1	Bumper	
14	0961950	14	Bearing, Garmax	
15	1683563	1	Mid Lift Cylinder Assembly (See CYLINDER SECTION for Breakdown)	
16	1683568	1	Tower Lift Cylinder Assembly (See CYLINDER SECTION for Breakdown)	
19	3311505	4	Locknut 5/16in-18NC	
20	3311605	AR	Locknut 3/8in-16NC	
21	3312005	2	Locknut 5/8in-20NC	
22	3422664	3	Pin	
23	3422665	2	Pin	
24	3422666	6	Pin	
28	3570531	1	Plate, Hose Guard	
29	3570533	1	Bracket, Boom Rest	
31	3841258	11	Keeper, Pin	
32	4566356	1	Tube	
33	4751500	4	Flatwasher 5/16in	
34	4751600	AR	Flatwasher 3/8in	
35	4845566	2	Link Weldment	
36	4845575	1	Upright Weldment - Lower	
37	4845576	1	Upright Weldment - Upper	
38		Ref	Extension Weldment	
38	Not Required	0	Extension Weldment 450A	
38	4845681	1	Extension Weldment 450AJ	
39	3340843	2	Pad, Wear Only ( <b>SN 0300037698 through 0300065080</b> )	
40	0641608	4	Bolt 3/8inNC x 1in	
	0258300	Ref	<b>VALVES AND SWITCHES INSTALLATION</b>	4
101	4360321	2	Switch, Limit	
102	4460428	2	Connector, Strain Relief	
103	3311005	4	Locknut #10-24NC	
105	3900246	2	Capscrew, Socket Head #10-24NC x 1 3/4in	
106	3900104	2	Capscrew, Socket Head #10-24NC x 2 1/4in	

## SECTION 3 - BOOM

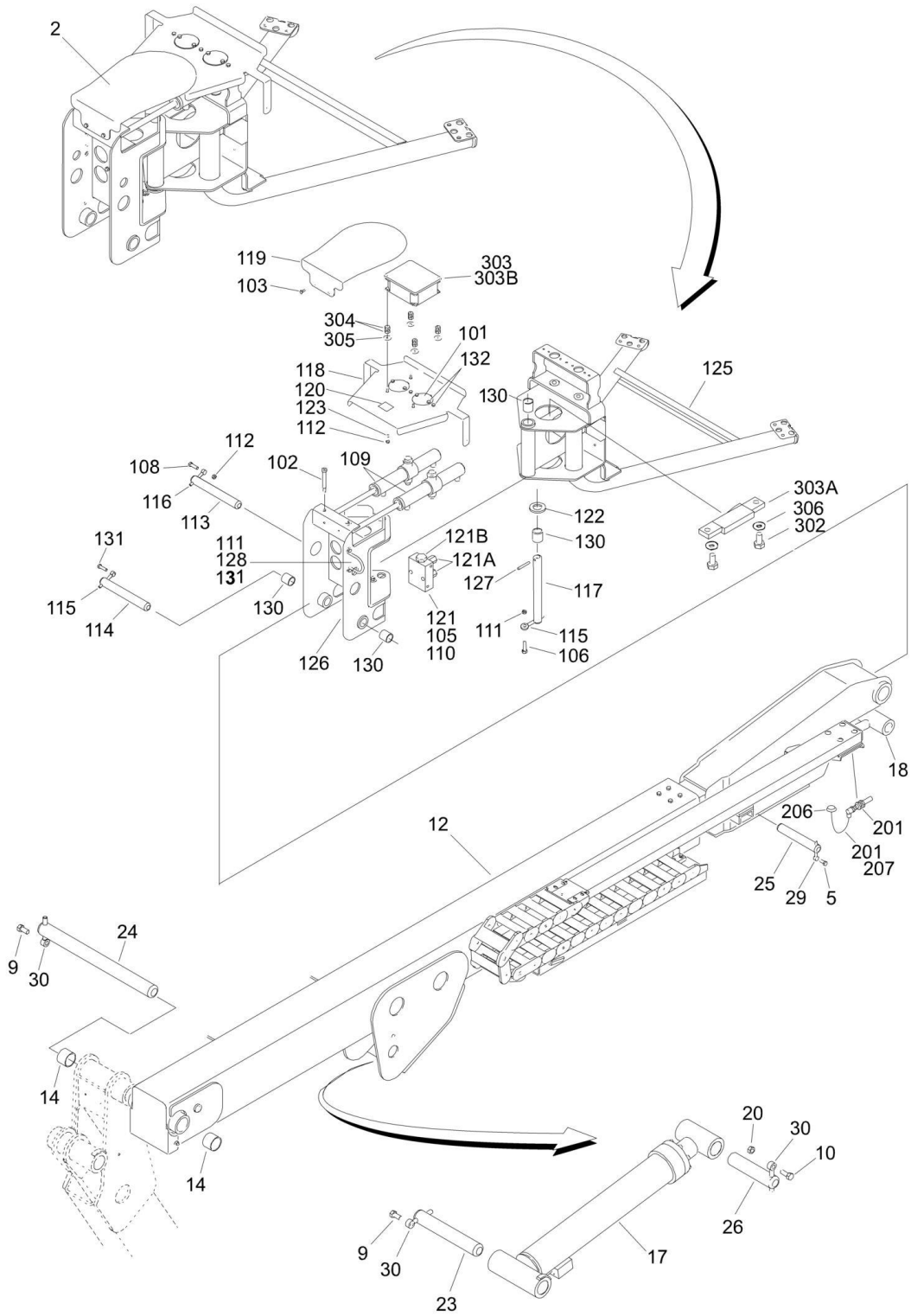
ITEM	PART NUMBER	QTY	DESCRIPTION	REV
107	1060341	66 ft/20.1m	Cable, Electrical 16/2	
108	1670832	1	Cover, Switch (Tower Boom)	
109		Ref	Cover, Switch Options (Main Boom):	
109	1670833	1	Cover, Switch <b>(Prior to SN 0300042510)</b>	
109	1670898	1	Cover, Switch <b>(SN 0300042510 through 0300065080)</b>	





# SECTION 3 - BOOM

## FIGURE 3-2. MAIN BOOM AND CYLINDERS INSTALLATION - 450A



## SECTION 3 - BOOM

**FIGURE 3-2. MAIN BOOM AND CYLINDERS INSTALLATION - 450A**

ITEM	PART NUMBER	QTY	DESCRIPTION	REV
		Ref	<b>BOOM AND CYLINDERS INSTALLATION - 450A</b>	
	0257868	Ref	<b>Boom and Cylinders Installation 450A (Prior to SN 0300056176)</b>	D
	0259531	Ref	<b>Boom and Cylinders Installation 450A (SN 0300056176 through 0300065080)</b>	A
1	0100011	AR	Loctite #242 (Not Shown)	
2		Ref	Platform Support and Rotator Assembly Options: (See Items 101-126)	
2	0257879	1	Platform Support and Rotator Assembly ( <b>Prior to SN 0300056176</b> )	
2	0259530	1	Platform Support and Rotator Assembly ( <b>SN 0300056176 through 0300065080</b> )	
5	0641607	1	Bolt 3/8in-16NC x 7/8in	
9	0642010	2	Bolt 5/8in-11NC x 1 1/4in	
10	0642012	1	Bolt 5/8in-11NC x 1 1/2in	
12	0801131	1	Main Boom Assembly (See MAIN BOOM ASSEMBLIES for Breakdown)	
14	0961950	2	Bearing, Garmax	
17		Ref	Main Lift Cylinder Assembly Options (See CYLINDER SECTION for Breakdown):	
17	1683588	NLA	Main Lift Cylinder Assembly (Use p/n 1683728) ( <b>Prior to SN 0300038944</b> )	
17	1683728	1	Main Lift Cylinder Assembly ( <b>SN 0300038944 through 0300065080</b> )	
18		Ref	Platform Level Cylinder Assembly Options (See CYLINDER SECTION for Breakdown):	
18	1683598	NLA	Platform Level Cylinder Assembly (Use p/n 1683730) ( <b>Prior to SN 0300038944</b> )	
18	1683730	1	Platform Level Cylinder Assembly ( <b>SN 0300038944 through 0300065080</b> )	
20	3312005	1	Locknut 5/8in-11NC	
23	3422666	1	Pin	
24	3422668	1	Pin	
25	3422669	1	Pin	
26	3422724	1	Pin	
29	3841143	1	Keeper, Pin	
30	3841258	3	Keeper, Pin	
		Ref	<b>PLATFORM SUPPORT AND ROTATOR ASSEMBLY</b>	
	0257879	Ref	<b>Platform Support and Rotator Assembly 450A (Prior to SN 0300056176)</b>	J
	0259530	Ref	<b>Platform Support and Rotator Assembly 450A (SN 0300056176 through 0300065080)</b>	B
101	0257826	2	Cap	
102	4040266	2	Pin	
103	0641406	AR	Bolt 1/4in-20NC x 3/4in	
105	0641420	2	Bolt 1/4in-20NC x 2 1/2in	
106	0641609	2	Bolt 3/8in-16NC x 1 1/8in	
108	0642012	1	Bolt 5/8in-11NC x 1 1/2in	
109	1683579	2	Rotator Cylinder Assembly (See CYLINDER SECTION for Breakdown)	
110	3311405	11	Locknut 1/4in-20NC	
111	3311605	4	Locknut 3/8in-16NC	
112	3312005	1	Locknut 5/8in-11NC	

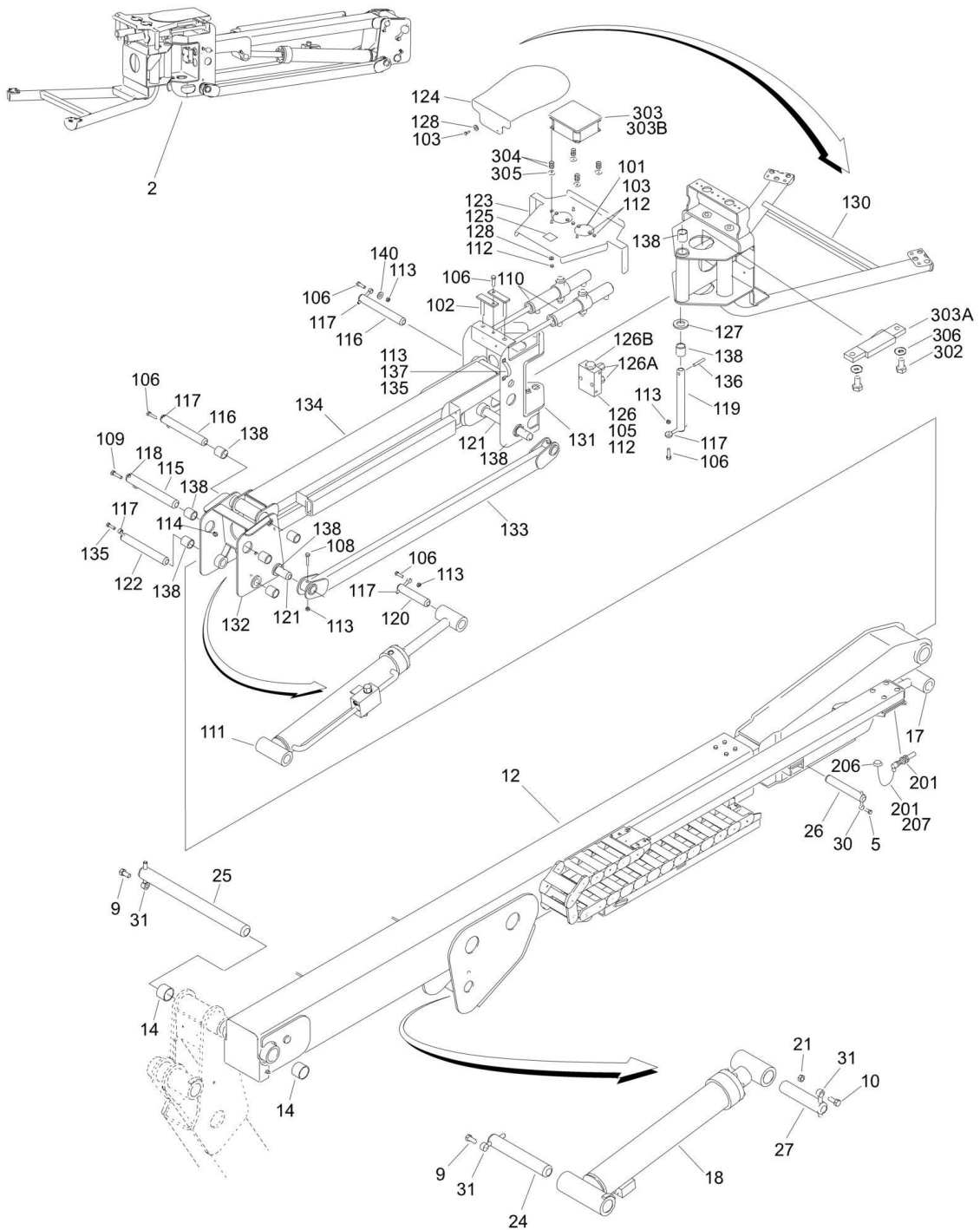
## SECTION 3 - BOOM

ITEM	PART NUMBER	QTY	DESCRIPTION	REV
113	3422667	1	Pin	
114	4040263	1	Pin	
115	3841143	2	Keeper, Pin	
116	3841258	1	Keeper, Pin	
117		Ref	Shaft, Pivot	
117	4040260	NLA	Shaft, Pivot (Use p/n 3422827) <b>(Prior to SN 0300050172)</b>	
117	3422827	1	Shaft, Pivot <b>(SN 0300050172 through 0300065080)</b>	
118	4060946	1	Guard	
119	4060947	1	Guard	
120	4420055	6 in/18cm	Tape	
121		Ref	Check Valve Assembly Options:	
121	4641058	NLA	Valve (Use p/n 4641080) <b>(Prior to SN 0300039031)</b>	
121	See Note		Cartridge Replacement for p/n 4641058 Valve (Note: Not Field Serviceable Use p/n 4641080)	
121	4641080	1	Valve <b>(SN 0300039031 through 0300065080)</b>	
121A	7012981	2	Cartridge, Relief	
121A	7012998	2	Seal Kit - 7012981 Cartridge	
121B	7012955	2	Cartridge, Check	
121B	7012967	2	Seal Kit - 7012955 Cartridge	
122	4740247	1	Thrustwasher	
123	4751400	5	Flatwasher 1/4in	
125		Ref	Support Weldment Options:	
125	4845609	1	Support Weldment <b>(Prior to SN 0300056176)</b>	
125	4846090	1	Support Weldment <b>(SN 0300056176 through 0300065080)</b>	
126		Ref	Level Weldment Options:	
126	4845610	1	Level Weldment (Use p/n 4845874) <b>(Prior to SN 0300038150)</b>	
126	4845874	1	Level Weldment <b>(SN 0300038150 through 0300065080)</b>	
127	3440636	1	Roll Pin <b>(Prior to SN 0300050172)</b>	
128	3841340	1	Hose Loop	
130	0962006	4	Bushing, Garmax	
131	0641607	3	Bolt 3/8in-16NC x 7/8in	
132	0641407	7	Bolt 1/4in-20NC x 7/8in	
	0258770	Ref	<b>PROXIMITY SWITCH INSTALLATION</b>	1-A
201	4360464	1	Proximity Switch/Harness Assembly	
202	4922197	1	Relay/Harness Assembly (Not Shown - See ELECTRICAL SECTION for Breakdown)	
206	2540022	1	Grommet	
207	2820036	AR	Loom	
		Ref	<b>LOAD SENSOR INSTALLATION</b>	
	0259523	Ref	<b>BPE Load Sensor</b>	B
	0271483	Ref	<b>BPE Load Sensing Device (Lift Down)</b>	2
301	0641408	4	Bolt 1/4in-20NC x 1in	
302	0701010	2	Bolt, Metric M10 x 20mm	
303	2901811	1	Load Sensor Kit	
303	7023331	1	Fuse	
303	7023333	1	Fuseholder	
303A	3990109	1	Cell, Load	
303B	7023332	1	Control, PC Board	
304	3311405	AR	Locknut 1/4in-20NC	
305	4751400	4	Flatwasher 1/4in	
306	4812000	2	Flatwasher Metric 10mm	



# SECTION 3 - BOOM

## FIGURE 3-3. MAIN BOOM AND CYLINDERS INSTALLATION - 450AJ



## SECTION 3 - BOOM

### FIGURE 3-3. MAIN BOOM AND CYLINDERS INSTALLATION - 450AJ

ITEM	PART NUMBER	QTY	DESCRIPTION	REV
		Ref	<b>BOOM AND CYLINDERS INSTALLATION - 450AJ</b>	
	0257869	Ref	<b>Boom and Cylinders Installation 450AJ (Prior to SN 0300056176)</b>	E
	0259532	Ref	<b>Boom and Cylinders Installation 450AJ (SN 0300056176 through 0300065080)</b>	A
1	0100011	AR	Loctite #242 (Not Shown)	
2		Ref	Platform Support and Rotator Assembly (See Items 101-134)	
2	0257880	1	Platform Support and Rotator Assembly 450AJ ( <b>Prior to SN 0300056176</b> )	
2	0259532	1	Platform Support and Rotator Assembly 450AJ ( <b>SN 0300056176 through 0300065080</b> )	
5	0641607	1	Bolt 3/8in-16NC x 7/8in	
9	0642010	2	Bolt 5/8in-11NC x 1 1/4in	
10	0642012	1	Bolt 5/8in-11NC x 1 1/2in	
12	0801148	1	Main Boom Assembly (See MAIN BOOM ASSEMBLIES for Breakdown)	
14	0961950	2	Bearing, Garmax	
17		Ref	Platform Level Cylinder Assembly Options (See CYLINDER SECTION for Breakdown):	
17	1683598	NLA	Platform Level Cylinder Assembly (Use p/n 1683731) ( <b>Prior to SN 0300038103</b> )	
17	1683726	NLA	Platform Level Cylinder Assembly (Use p/n 1683731) ( <b>SN 0300038103 through 0300038944</b> )	
17	1683731	1	Platform Level Cylinder Assembly ( <b>SN 0300038103 through 0300065080</b> )	
18		Ref	Main Lift Cylinder Assembly Options (See CYLINDER SECTION for Breakdown):	
18	1683637	NLA	Main Lift Cylinder Assembly (Use p/n 1683729) ( <b>Prior to SN 0300038944</b> )	
18	1683729	1	Main Lift Cylinder Assembly ( <b>SN 0300038944 through 0300065080</b> )	
21	3312005	1	Locknut 5/8in-11NC	
24	3422666	1	Pin	
25	3422668	1	Pin	
26	3422669	1	Pin	
27	3422724	1	Pin	
30	3841143	1	Keeper, Pin	
31	3841258	3	Keeper, Pin	
		Ref	<b>PLATFORM SUPPORT AND ROTATOR ASSEMBLY</b>	
	0257880	Ref	<b>Platform Support and Rotator Assembly 450AJ (Prior to SN 0300056176)</b>	F
	0259532	Ref	<b>Platform Support and Rotator Assembly 450AJ (SN 0300056176 through 0300065080)</b>	A
101	0257826	2	Cap	
102	4040266	2	Pin	
103	0641406	9	Bolt 1/4in-20NC x 3/4in	
105	0641420	2	Bolt 1/4in-20NC x 2 1/2in	
106	0641609	5	Bolt 3/8in-16NC x 1 1/8in	
108	0641618	4	Bolt 3/8in-16NC x 2 1/4in	
109	0642012	1	Bolt 5/8in-11NC x 1 1/2in	
110	1683579	2	Rotator Cylinder Assembly (See CYLINDER SECTION for Breakdown)	
111	1683617	2	Jib Lift Cylinder Assembly (See CYLINDER SECTION for	

## SECTION 3 - BOOM

ITEM	PART NUMBER	QTY	DESCRIPTION	REV
			Breakdown)	
112	3311405	11	Locknut 1/4in-20NC	
113	3311605	11	Locknut 3/8in-16NC	
114	3312005	1	Locknut 5/8in-11NC	
115	3422667	1	Pin	
116	3422670	1	Pin	
117	3841143	5	Keeper, Pin	
118	3841258	1	Keeper, Pin	
119		Ref	Shaft, Pivot	
119	4040260	NLA	Shaft, Pivot (Use p/n 3422827) <b>(Prior to SN 0300050172)</b>	
119	3422827	1	Shaft, Pivot <b>(SN 0300050172 through 0300065080)</b>	
120	4040261	1	Shaft	
121	4040262	2	Shaft	
122	4040263	1	Pin	
123	4060946	1	Guard	
124	4060947	1	Guard	
125	4420055	6 in/18cm	Tape	
126		Ref	Check Valve Assembly Options:	
126	4641058	NLA	Valve (Use p/n 4641080) <b>(Prior to SN 0300039031)</b>	
126	See Note		Cartridges, Replacement for p/n 4641058 Valve (Note: Not Field Serviceable Use p/n 4641080)	
126	4641080	1	Valve <b>(SN 0300039031 through 0300065080)</b>	
126A	7012981	2	Cartridge, Relief	
126A	7012998	2	Seal Kit - 7012981 Cartridge	
126B	7012955	2	Cartridge, Check	
126B	7012967	2	Seal Kit - 7012955 Cartridge	
127	4740247	1	Thrustwasher	
128	4751400	5	Flatwasher 1/4in	
130		Ref	Support Weldment Options:	
130	4845609	1	Support Weldment <b>(Prior to SN 0300056176)</b>	
130	4846090	1	Support Weldment <b>(SN 0300056176 through 0300065080)</b>	
131	4845610	1	Level Weldment	
132	4845637	1	Level Weldment	
133	4845638	2	Jib Tube Weldment (Lower)	
134	4845656	1	Jib Tube Weldment (Upper)	
134A	0962006	4	Bushing, Garmax	
135	0641608	3	Bolt 3/8in-16NC x 1in	
136	3440636	1	Roll Pin <b>(Prior to SN 0300050172)</b>	
137	3841340	1	Hose Loop	
138	0962006	10	Bushing, Garmax	
	0258770	Ref	<b>PROXIMITY SWITCH INSTALLATION</b>	1/A
201	4360464	1	Proximity Switch/Harness Assembly	
202	4922197	1	Relay/Harness Assembly (Not Shown - See ELECTRICAL SECTION for Breakdown)	
206	2540022	1	Grommet	
207	2820036	AR	Loom	
		Ref	<b>LOAD SENSOR INSTALLATION</b>	
	0259523	Ref	<b>BPE Load Sensor</b>	B
	0271483	Ref	<b>BPE Load Sensing Device (Lift Down)</b>	2
301	0641408	4	Bolt 1/4in-20NC x 1in	
302	0701010	2	Bolt, Metric M10 x 20mm	
303	2901811	1	Load Sensor Kit	



## SECTION 3 - BOOM

ITEM	PART NUMBER	QTY	DESCRIPTION	REV
303	7023331	1	Fuse	
303	7023333	1	Fuseholder	
303A	3990109	1	Cell, Load	
303B	7023332	1	Control, PC Board	
304	3311405	AR	Locknut 1/4in-20NC	
305	4751400	4	Flatwasher 1/4in	
306	4812000	2	Flatwasher Metric 10mm	

# SECTION 3 - BOOM

## FIGURE 3-4. MAIN BOOM ASSEMBLIES

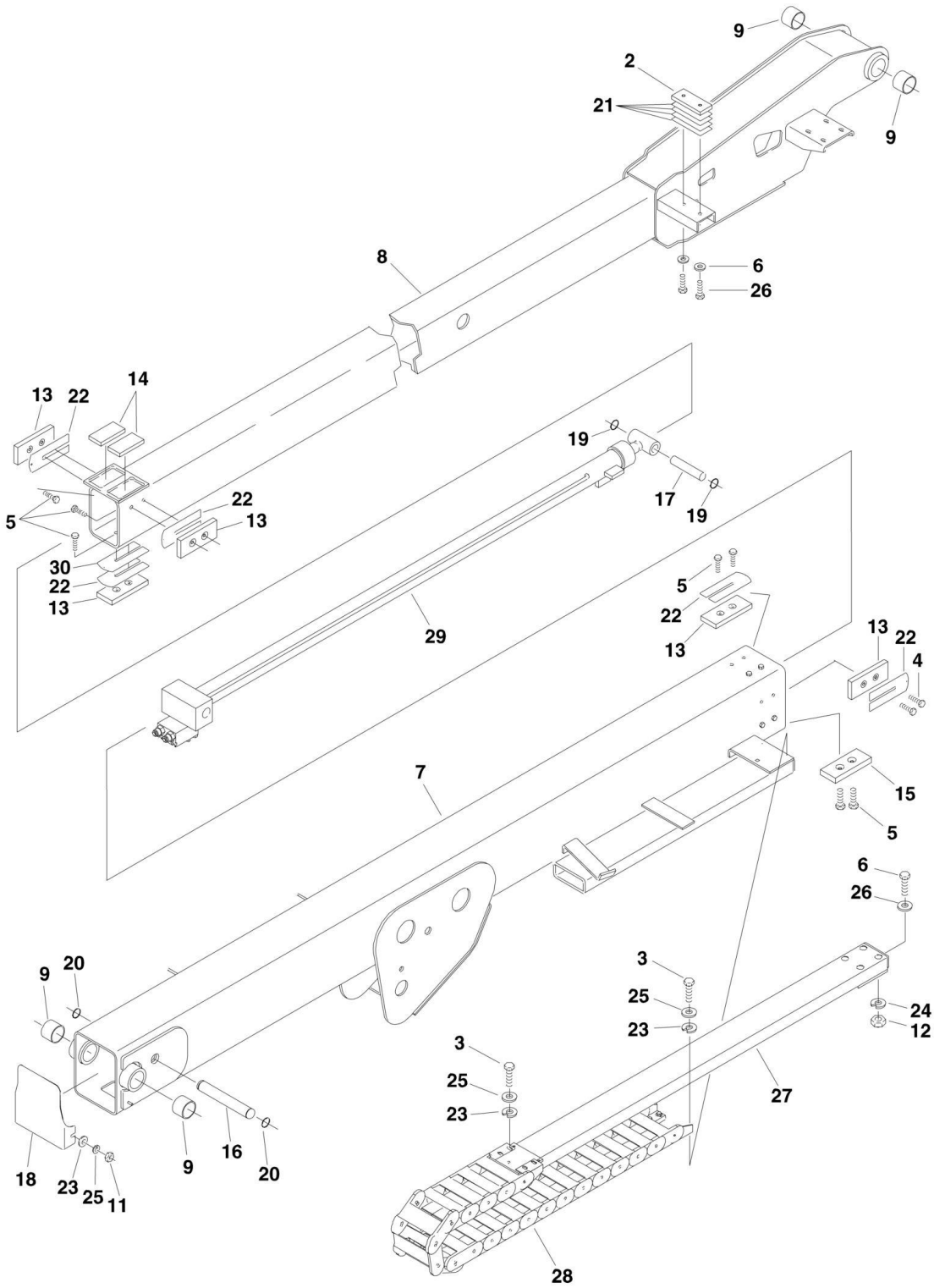


FIGURE 3-4. MAIN BOOM ASSEMBLIES

ITEM	PART NUMBER	QTY	DESCRIPTION	REV
		Ref	<b>MAIN BOOM ASSEMBLY OPTIONS:</b>	
	0801131	Ref	<b>Main Boom Assembly 450A</b>	D
	0801148	Ref	<b>Main Boom Assembly 450AJ</b>	D
1	0100011	AR	Loctite #242 (Not Shown)	
2	0560923	1	Block, Tube Support	
3	0641404	8	Bolt 1/4in-20NC x 1/2in	
4	0641606	8	Bolt 3/8in-16NC x 3/4in	
5	0641607	14	Bolt 3/8in-16NC x 7/8in	
6	0641608	6	Bolt 3/8in-16NC x 1in	
7		Ref	Base Weldment Options:	
7	0801129	1	Base Weldment 450A	
7	0801146	1	Base Weldment 450AJ	
8		Ref	Fly Weldment Options:	
8	0801130	NLA	Fly Weldment 450A (Use p/n 0801170) <b>(Prior to SN 0300037903)</b>	
8	0801170	1	Fly Weldment 450A <b>(SN 0300037903 through 0300065080)</b>	
8	0801147	1	Fly Weldment 450AJ	
9	0961950	4	Bushing, Garmax	
11	3311401	2	Nut 1/4in-20NC	
12	3311605	4	Locknut 3/8in-16NC	
13	3340756	9	Pad, Wear	
14	3340836	2	Pad, Wear	
15	3340837	2	Pad, Wear	
16	3422705	1	Pin	
17		Ref	Pin Options:	
17	3422706	1	Pin <b>(Prior to SN 0300037743)</b>	
17	3422745	1	Pin <b>(SN 0300037743 through 0300065080)</b>	
18	3570869	1	Cover, Boom End	
19	3760115	2	Ring, Retaining	
20	3760133	2	Ring, Retaining	
21	4070559	AR	Shim	
22	4070898	AR	Shim	
23	4751400	10	Flatwasher 1/4in	
24	4751600	4	Flatwasher 3/8in	
25	4761400	10	Lockwasher 1/4in	
26	4761600	6	Lockwasher 3/8in	
27		Ref	Cover, Hose	
27	4845767	1	Cover, Hose 450A	
27	4845696	1	Cover, Hose 450AJ	
28	1180227	1	Powertrack	
28	7006152	1	Kit, Pin (1 pin, 4 Different Size Washers and 1 Retaining Ring)	
28	7006151	1	Feet Mounting	
28	7006139	1	1ft Section	
28	7006156	1	Rod, Carrier	
29		Ref	Telescope Cylinder Assembly Options:	
29	1683582	NLA	Telescope Cylinder Assembly 450A (Use p/n 1683716) <b>(Prior to SN 0300038481)</b>	
29	1683716	1	Telescope Cylinder Assembly 450A <b>(SN 0300038481 through 0300065080)</b>	
29	1683653	NLA	Telescope Cylinder Assembly 450AJ (Use p/n 1683718) <b>(Prior</b>	

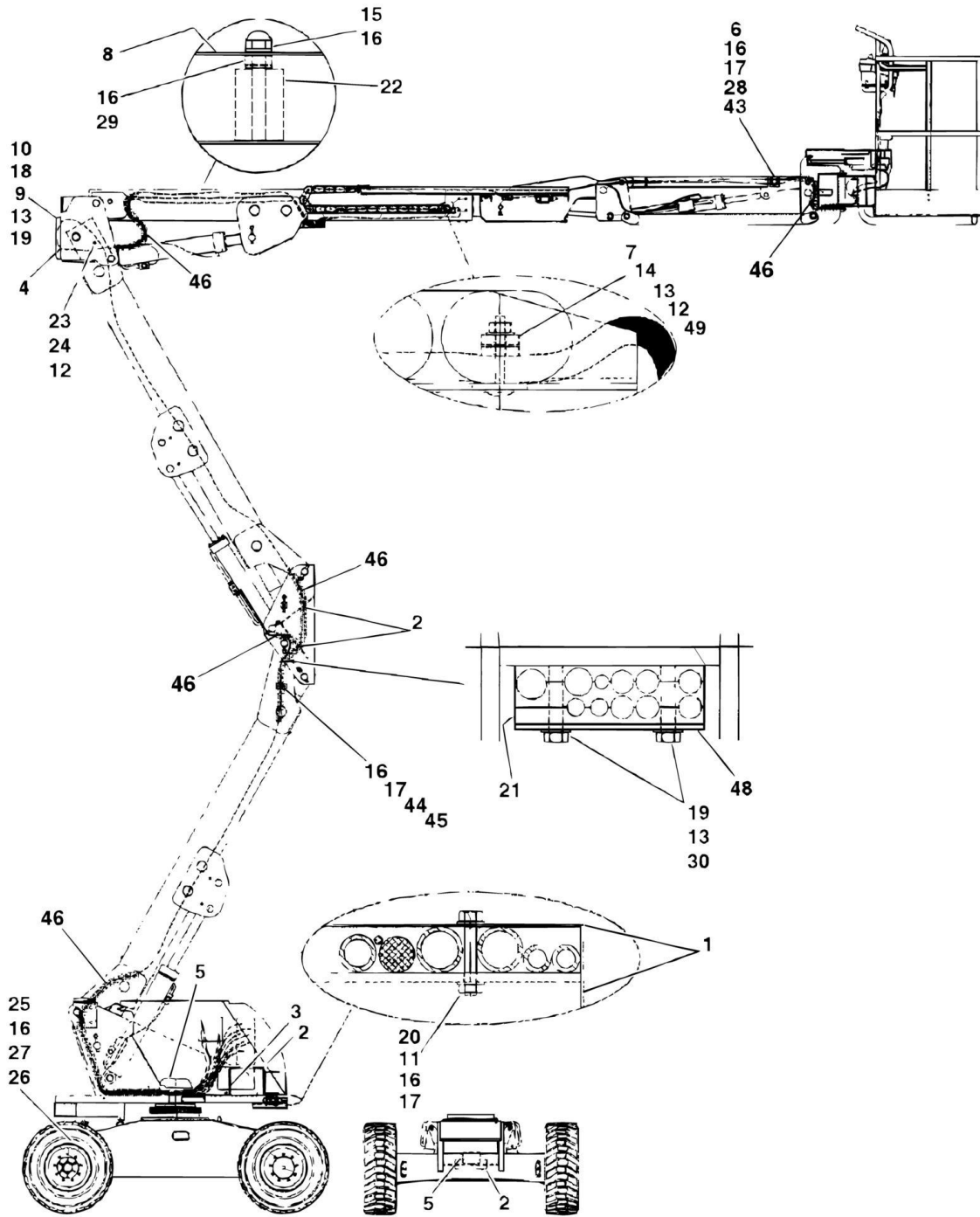
## SECTION 3 - BOOM

ITEM	PART NUMBER	QTY	DESCRIPTION	REV
29	1683718	1	<b>to SN 0300038481)</b> Telescope Cylinder Assembly 450AJ ( <b>SN 0300038481 through 0300065080)</b>	
30	4070897	AR	Shim ( <b>SN 0300047619 through 0300065080)</b>	



# SECTION 3 - BOOM

## FIGURE 3-5. BOOM COVERS, CABLES AND CLAMPS INSTALLATION



**SECTION 3 - BOOM**

**FIGURE 3-5. BOOM COVERS, CABLES AND CLAMPS INSTALLATION**

ITEM	PART NUMBER	QTY	DESCRIPTION	REV
		Ref	<b>CABLES AND CLAMPS INSTALLATIONS</b>	
	0258310	Ref	<b>Cables and Clamps Installations 450A</b>	9
	0258311	Ref	<b>Cables and Clamps Installations 450AJ</b>	8
1	4060803	20 in/50cm	Flex-Trim 1/8in	
2	4060805	10.6 ft/3.3m	Flex-Trim 1/4in	
3	4060807	8 in/20cm	Flex-Trim 3/8in	
4	4060808	6.53 ft/2m	Flex-Trim 1/2in	
5	4060919	7.4 ft/2.26m	Flex-Trim 3/4in	
6		Ref	Block, Clamp	
6	Not Required	0	Block, Clamp 450A	
6	0561320	1	Block, Clamp 450AJ	
7	3570958	3	Clamp, Plate	
8		Ref	Cover, Main Boom	
8	3570535	1	Cover, Main Boom 450A	
8	3570810	1	Cover, Main Boom 450AJ	
9	0561322	1	Block, Clamp	
10	1670697	1	Cover, Hose	
11	0641420	2	Bolt 1/4in-20NC x 2 1/2in	
12	3311505	3	Locknut 5/16in-18NC	
13	4751500	5	Flatwasher 5/16in	
14	0630401	2	Bolt, Carriage 5/16in-18NC	
15	3300151	6	Nut, Acorn 1/4in-20NC	
16	4751400	19	Flatwasher 1/4in	
17	3311405	3	Locknut 1/4in-20NC	
18	0630467	4	Screw, Button Head 5/16in-18NC x 1/2in	
19	0641518	5	Bolt 5/16in-18NC x 2 1/4in	
20	3570898	1	Cover, Hose	
21	0561323	1	Block, Clamp	
22	0561321	2	Block, Clamp	
23	4567606	1	Tube, Roller	
24	0641560	1	Bolt 5/16in-18NC x 7 1/2in	
25	1320070	1	Clamp	
26	0641406	2	Bolt 1/4in-20NC x 3/4in	
27	4761400	2	Lockwasher 1/4in	
28	0641420	AR	Bolt 1/4in-20NC x 2 1/2in	
29	3311401	6	Nut 1/4in-20NC	
30	0100011	AR	Loctite #242 (Not Shown)	
43		Ref	Cover Options:	
43	Not Required	0	Cover 450A	
43	3571056	1	Cover 450AJ	
44	1320070	1	Clamp	
45	0641412	1	Bolt 1/4in-20NC x 1 1/2in	
46	4100026	Ref	Sleeve, Nylon	
46	4100026	36 ft/11m	Sleeve, Nylon (450A)	
46	4100026	41 ft/12.5m	Sleeve, Nylon, (450AJ)	
48	3571621	1	Plate, Clamp Block	

## SECTION 3 - BOOM

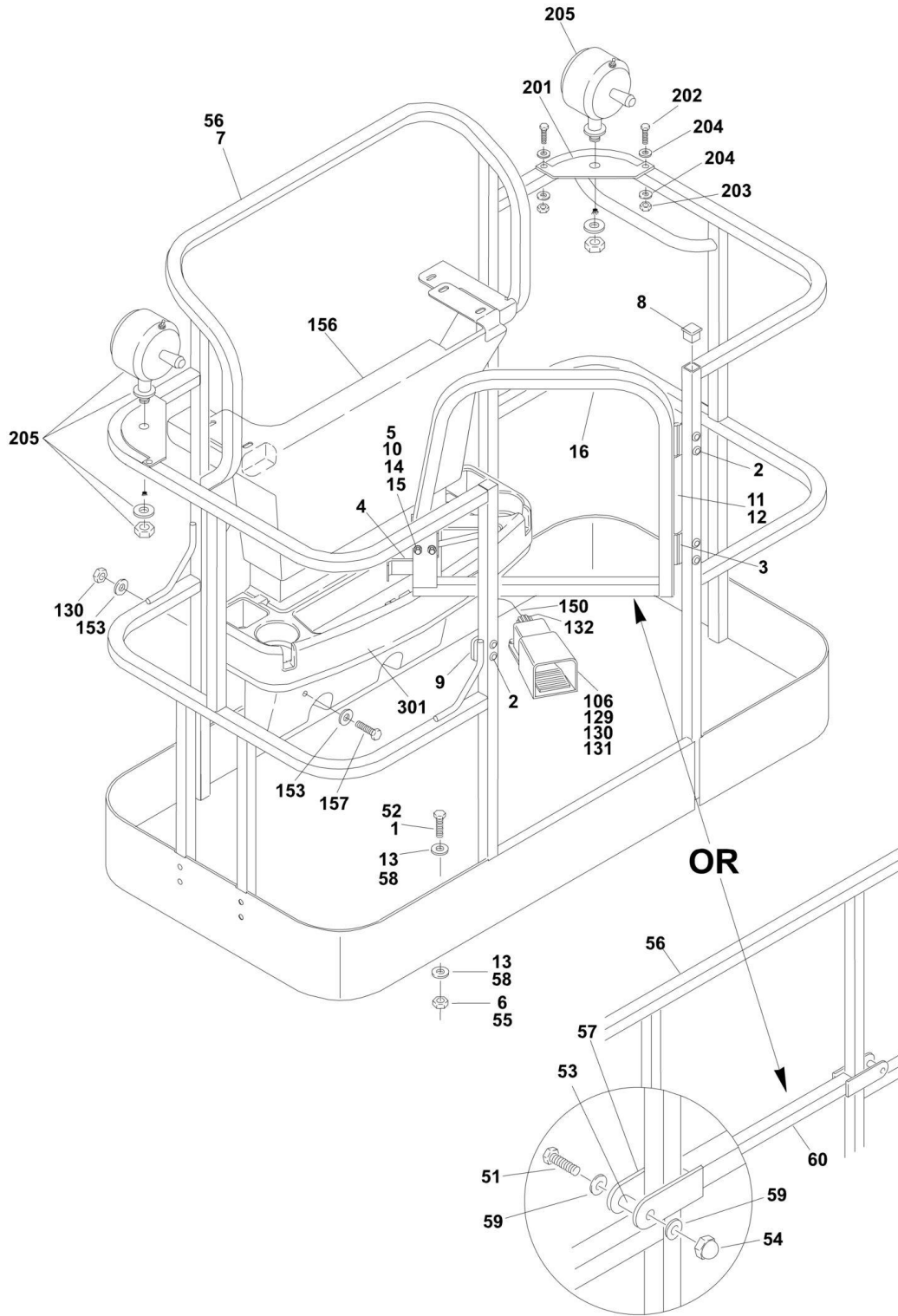
ITEM	PART NUMBER	QTY	DESCRIPTION	REV
49	3340859	2	Pad, Rubber	



**SECTION 4 - PLATFORM**

# SECTION 4 - PLATFORM

## FIGURE 4-1. PLATFORM INSTALLATION



## SECTION 4 - PLATFORM

### FIGURE 4-1. PLATFORM INSTALLATION

ITEM	PART NUMBER	QTY	DESCRIPTION	REV
		Ref	<b>PLATFORM ASSEMBLIES:</b>	
	3510632	Ref	<b>48in x 30in (1.22m x .76m) (Australian Spec)</b>	E
	3510631	Ref	<b>60in x 30in (1.52m x .76m) (Australian Spec)</b>	E
	3510680	Ref	<b>60in x 30in (1.52m x .76m) with Mesh to Top Rail (Australian Spec)</b>	C
	3510628	Ref	<b>60in x 30in (1.52m x .76m) with Mesh to Top Rail/ Standard Gate (CE Spec)</b>	C
	3510681	Ref	<b>60in x 30in (1.52m x .76m) with Mesh to Top Rail/ Self-Closing Gate (CE Spec)</b>	C
	3510630	Ref	<b>72in x 30in (1.83m x .76m) (Australian Spec)</b>	D
	3510679	Ref	<b>72in x 30in (1.83m x .76m) with Mesh to Top Rail (Australian Spec)</b>	C
	3510627	Ref	<b>72in x 30in (1.83m x .76m) with Mesh to Top Rail/ Standard Gate (CE Spec)</b>	B
	3510682	Ref	<b>72in x 30in (1.83m x .76m) with Mesh to Top Rail/ Self-Closing Gate (CE Spec) (Note: Replacement Decals Must Be Ordered Separately - See DECALS SECTION.)</b>	C
		Ref	<b>Note: Replacement Decals Must Be Ordered Separately - See DECALS SECTION.</b>	
1	0681610	6	Bolt 3/8in-16NC x 1 1/4in (Grade 8)	
2	2080040	13	Fastener, Huck	
2	7016652	1	Huck Fastener Tool	
3	2600219	2	Hinge	
4	2940074	1	Latch	
5	3311001	4	Nut #10-24NC	
6	3311605	6	Locknut 3/8in-16NC	
7	See Note	1	Platform Weldment (Note: Purchase Platform Assembly)	
8	3520072	3	Cap-Plug	
9	3539685	1	Plate, Latch	
10	3911008	4	Screw #10-24NC x 1in	
11	4060803	1	Trim	
12	4220165	1	Stop, Gate	
13	4711600	12	Flatwasher 3/8in Narrow	
14	4751000	4	Flatwasher #10	
15	4761000	4	Lockwasher 3/8in	
16		Ref	Gate Weldment Options:	
16	4845327	NLA	Standard (Use p/n 4845426) <b>(Prior to SN 0300040124)</b>	
16	4845426	1	Standard <b>(SN 0300040124 through 0300065080)</b>	
16	4845824	NLA	Mesh to Top Rail (Use p/n 4845951) <b>(Prior to SN 0300040124)</b>	
16	4845951	1	Mesh to Top Rail <b>(SN 0300040124 through 0300065080)</b>	
	3510629	Ref	<b>48in x 30in (1.22m x .76m) With Lift Bar (CE Spec)</b>	B
	3510628	Ref	<b>60in x 30in (1.52m x .76m) With Lift Bar (CE Spec)</b>	B
	3510627	Ref	<b>72in x 30in (1.83m x .76m) With Lift Bar (CE Spec)</b>	B
51	0641418	2	Bolt 1/4-20NC x 2 1/4in	
52	0681610	6	Bolt 3/8in-16NC x 1 1/4in (Grade 8)	
53	0961845	2	Bushing	
54	3300151	2	Nut, Acorn 1/4-20NC	
55	3311605	6	Lock Nut 3/8-16NC	
56	See Note	1	Platform Weldment (Note: Purchase Platform Assembly)	
57	4420055	4	Tape	
58	4711600	12	Flatwasher 3/8in Narrow	

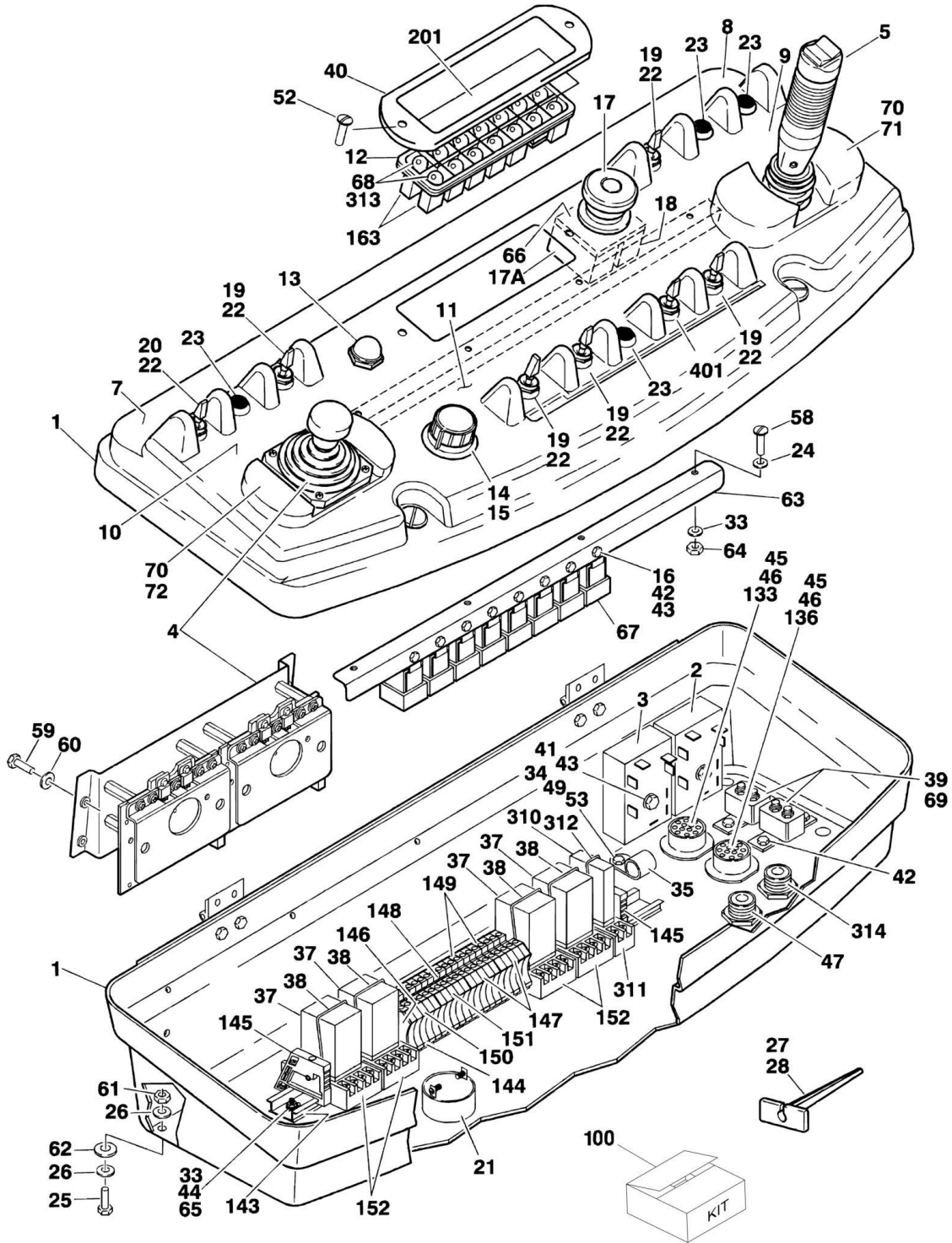
## SECTION 4 - PLATFORM

ITEM	PART NUMBER	QTY	DESCRIPTION	REV
59	4740411	4	Washer, Nylon	
60	4845288	1	Weldment, Slidebar	
		Ref	<b>FOOTSWITCH AND COVERS INSTALLATION</b>	
106	4360031	1	Footswitch	
106	7000625	2	Block, Contact	
129	0641408	3	Bolt 1/4in-20NC x 1in	
130	3311405	7	Locknut 1/4in-20NC	
131	4740362	5	Washer, Fender	
132	4460071	1	Terminal, Strain Relief	
150	1060012	7 ft/2.2m	Cable, Electrical - 12/4	
153	4751400	4	Flatwasher 1/4in	
156	3380434	1	Panel, Poly	
157	0641406	4	Bolt 1/4in-20NC x 3/4in	
	0258309	Ref	<b>WORKLIGHTS INSTALLATION (OPTIONAL)</b>	1
201	3536089	2	Plate, Mounting	
202	0641414	4	Bolt 1/4in-20NC x 1 3/4in	
203	3311405	4	Locknut 1/4in-20NC	
204	4711400	8	Flatwasher 1/4in Narrow	
205	2920140	2	Worklight	
206	4240099	10	Tie-Strap (Not Shown)	
207	2820035	9	Loom, Vinyl (Not Shown)	
209	4460598	1	Connector, Strain Relief (Not Shown - Located at Console Box)	
210	4920018	18	Wire, Black (Not Shown)	
		in/46cm		
		Ref	<b>TRAY INSTALLATIONS (OPTIONAL)</b>	
301	1580012	1	Tray, Storage (Center)	
302	1580013	1	Tray, Storage (Rail Mounted - Not Shown)	



# SECTION 4 - PLATFORM

## FIGURE 4-2. PLATFORM CONSOLE ASSEMBLY



## SECTION 4 - PLATFORM

**FIGURE 4-2. PLATFORM CONSOLE ASSEMBLY**

ITEM	PART NUMBER	QTY	DESCRIPTION	REV
		Ref	<b>CONSOLE BOX ASSEMBLY OPTIONS:</b>	
	0861167	Ref	<b>2WD Machines with Poly Box (Australian Spec)</b>	8
	0861238	Ref	<b>2WD Machine with Aluminum Box (Australian Spec)</b>	7
	0861171	Ref	<b>2WD Machines with Poly Box (CE Spec)</b>	8
	0861240	Ref	<b>2WD Machines with Aluminum Box (CE Spec)</b>	7
	0861168	Ref	<b>4WD Machines with Poly Box (Australian Spec)</b>	8
	0861239	Ref	<b>4WD Machine with Aluminum Box (Australian Spec)</b>	7
	0861172	Ref	<b>4WD Machines with Poly Box (CE Spec)</b>	8
	0861241	Ref	<b>4WD Machines with Aluminum Box (CE Spec)</b>	7
1		Ref	Box, Console Options:	
1	0861195	1	Poly Box	
1	7020099	1	Fastener	
1	7020100	1	Mounting Clip	
1	0860984	1	Aluminum Box	
1	3931664	1	Bolt 3/8in-16NC 4in	
1	3790109	1	O-Ring	
2	3740113	1	Relay, Time Delay	
3	3740115	1	Relay, Time Delay	
4		Ref	Controller and PC Board Assy Options (Lift and Swing):	
4	1600278	NLA	Controller and PC Board Assy (Use p/n 1600288) (See CONTROLLER ASSEMBLY (LIFT AND SWING) for Breakdown) ( <b>Prior to SN 0300039857</b> )	
4	1600288	1	Controller and PC Board Assy (See CONTROLLER ASSEMBLY (LIFT AND SWING) for Breakdown) ( <b>SN 0300039857 through 0300065080</b> )	
5		Ref	Controller Assembly Options (Drive and Steer):	
5	1600270	NLA	Controller Assembly (Use p/n 1600287) (See CONTROLLER ASSEMBLY (DRIVE AND STEER) for Breakdown) ( <b>Prior to SN 0300039857</b> )	
5	1600287	1	Controller Assembly (See CONTROLLER ASSEMBLY (DRIVE AND STEER) for Breakdown) ( <b>SN 0300039857 through 0300065080</b> )	
7		Ref	Decal (Horn/Drive Speed/Level) Options:	
7	1703689	1	2WD Machines	
7	1703678	1	4WD Machines	
8	1702564	1	Decal (Stop)	
9	1702565	1	Decal (Drive and Steer)	
10	1702566	1	Decal (Lift and Swing)	
11	1702567	1	Decal (Lower Lift/Tele/Rotate/Jib)	
12	2760105	1	Housing, Display Light	
13	4360387	1	Switch, Pushbutton	
14	2560136	1	Knob, Speed Control	
15	1600272	1	Speed Controller Assembly (See CONTROLLER ASSEMBLY (SPEED) for Breakdown)	
16	3311005	5	Locknut #10-24NC	
17		Ref	Switch, Emergency Stop Options:	
17	4360289	1	Switch, Emergency Stop ( <b>Prior to SN 0300044666</b> )	
17	4360475	1	Switch, Emergency Stop ( <b>SN 0300044666 through 0300065080</b> )	
17	7012611	1	Cap, Mushroom ( <b>Prior to SN 0300044666</b> )	
17	7020175	1	Cap, Mushroom ( <b>SN 0300044666 through 0300065080</b> )	
17	7012612	1	Boot Only ( <b>Prior to SN 0300044666</b> )	

## SECTION 4 - PLATFORM

ITEM	PART NUMBER	QTY	DESCRIPTION	REV
17A	7020176	1	Block, Contact (SN 0300044666 through 0300065080)	
18		Ref	Block, Contact Options:	
18	4360282	1	Block, Contact (Prior to SN 0300044666)	
18	4360476	1	Block, Contact (SN 0300044666 through 0300065080)	
19	4360314	5	Switch, Toggle	
20		Ref	Switch, Toggle Options:	
20	4360336	1	2WD Machines	
20	4360331	1	4WD Machines	
21	0140026	1	Alarm	
22	3790012	6	O-Ring	
23	3520028	5	Plug, Hole (For switch call-outs at these locations, refer to option installation)	
24	4740120	4	Washer, Nylon #10 (Poly Box Only)	
25	0641611	4	Bolt 3/8in-16NC x 1 3/8in	
26	4751600	8	Flatwasher 3/8in	
27	4460467	1	Tool, Pin Extraction (Blue 16-18 Gauge) (Not Shown)	
28	4460510	1	Tool, Pin Extraction (Yellow 12-14 Gauge) (Not Shown)	
33	4711000	6	Flatwasher #10 Narrow	
34	3311401	1	Nut 1/4in-20NC	
35	1320060	1	Clamp	
36	4460234	6	Mount, Tie-Strap (Not Shown)	
37	3740058	3	Relay - 4PDT	
38	3740063	6	Spring, Relay	
39	4360232	2	Breaker, Circuit - 15 Amp	
40	1670829	1	Bezel, Light Panel	
41	0721010	2	Screw, Machine #10-24NC x 1 1/4in	
42	0721003	7	Screw, Machine #10-24NC x 3/8in	
43	4751000	5	Flatwasher #10	
44	0731004	2	Screw, Machine #10-32NC x 1/2in	
45	4460470	2	Nut, Conduit	
46	4460471	2	Washer	
47	4460428	2	Connector, Strain Relief	
48	0100029	AR	Silicone (Not Shown)	
49	0641406	1	Bolt 1/4in-20NC x 3/4in	
50	4420038	6 in/15cm	Foam (Not Shown - Located on top of item 143)	
52	0630464	2	Screw, Button Head #10-24NC x 1/2in	
53	4751400	8	Flatwasher 1/4in	
54	0100011	AR	Loctite #242 (Not Shown)	
55	0100035	AR	Loctite #222 (Not Shown)	
58	0630518	4	Screw, Button Head #10-24NC x 3/4in	
59	3910812	4	Screw, Machine #8-32NC x 1/2in	
60	4750800	4	Flatwasher #8	
61	3311605	4	Nut 3/8in-16NC (Poly Box Only)	
62	4751800	4	Flatwasher 1/2in (Poly Box Only)	
63		Ref	Plate, Relay Mounting Options:	
63	3571222	1	Poly Box (Molded into Cover)	
63	3539275	1	Aluminum Box	
64	3300408	4	Locknut #10-24NC	
65	4761000	2	Lockwasher #10	
66	1704260	1	Decal - EMS Only (SN 0300044666 through 0300065080)	
67	3740049	5	Relay	
68	2920129	8	Bulb	

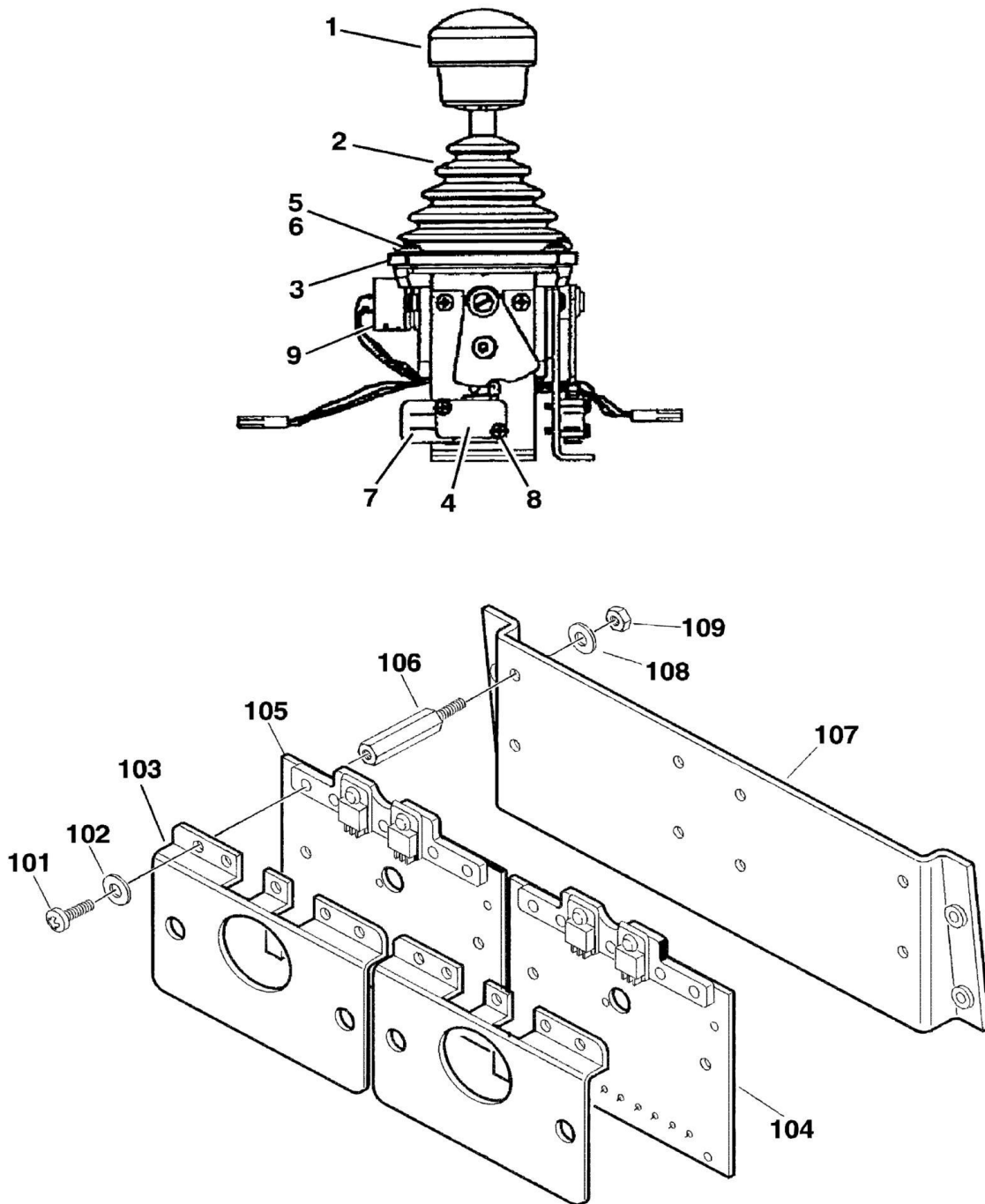


## SECTION 4 - PLATFORM

ITEM	PART NUMBER	QTY	DESCRIPTION	REV
69	3520138	4	Plug, Cap	
70	0641404	8	Bolt 1/4in-20NC x 1/2in (Aluminum Box Only)	
71		Ref	Support, Hand (Right Side)	
71	Not Required	0	Poly Box (Molded into Cover)	
71	4340684	1	Aluminum Box	
72		Ref	Support, Hand (Left Side)	
72	Not Required	0	Poly Box (Molded into Cover)	
72	4340678	1	Aluminum Box	
100	2910867	1	Decal Kit - Console Box (Includes Items 7, 8, 9, 10, 11, 66 & 201) (CE Spec Only)	
	4922053	Ref	<b>RELAY AND TERMINAL BLOCK INSTALLATIONS</b>	7-G
133	4460613	1	Connector - 21 Position	
136	4460503	1	Connector - 31 Position	
143	3641182	1	Track	
144	4460601	10	Block, Terminal	
145	4460607	2	Stop, End	
146	4460602	1	Barrier, Terminal	
147	4460629	2	Marker, Terminal (6-15)	
148	4460603	1	Bar, Buss - 10 Position (Cut into [2] 5 Position Bars)	
149	4460600	10	Block, Terminal	
150	4460631	1	Marker, Terminal (Negative)	
151	4460632	1	Marker, Terminal (1-5)	
152	4120013	4	Socket, Relay	
163	4120035	8	Base, Light	
	0256632	Ref	<b>LIGHT PANEL DECAL INSTALLATION</b>	-
201	1703084	1	Decal - Platform Display	
		Ref	<b>LOAD SENSOR COMPONENTS INSTALLATIONS</b>	
	0259523	Ref	<b>BPE Load Sensor</b>	B
	0271483	Ref	<b>BPE Load Sensing Device (Lift Down)</b>	2
310		Ref	Relay Options:	
310	3740057	1	Load Sensor	
310	3740058	1	Load Sensing Device (Lift Down)	
311		Ref	Base, Relay Options:	
311	4120012	1	Load Sensor	
311	4120013	1	Load Sensing Device (Lift Down)	
312		Ref	Spring, Relay Options:	
312	3740066	1	Load Sensor	
312	3740063	1	Load Sensing Device (Lift Down)	
313	2920129	1	Bulb, Light	
314	4460428	1	Connector, Strain Relief	
401	0258608	Ref	<b>JIB SWITCH INSTALLATIONS (OPTIONAL)</b>	A
401	4360314	1	Switch, Toggle	
401	3790012	1	O-Ring	

# SECTION 4 - PLATFORM

FIGURE 4-3. CONTROLLER ASSEMBLY (LIFT AND SWING) (Prior to SN 0300039857)



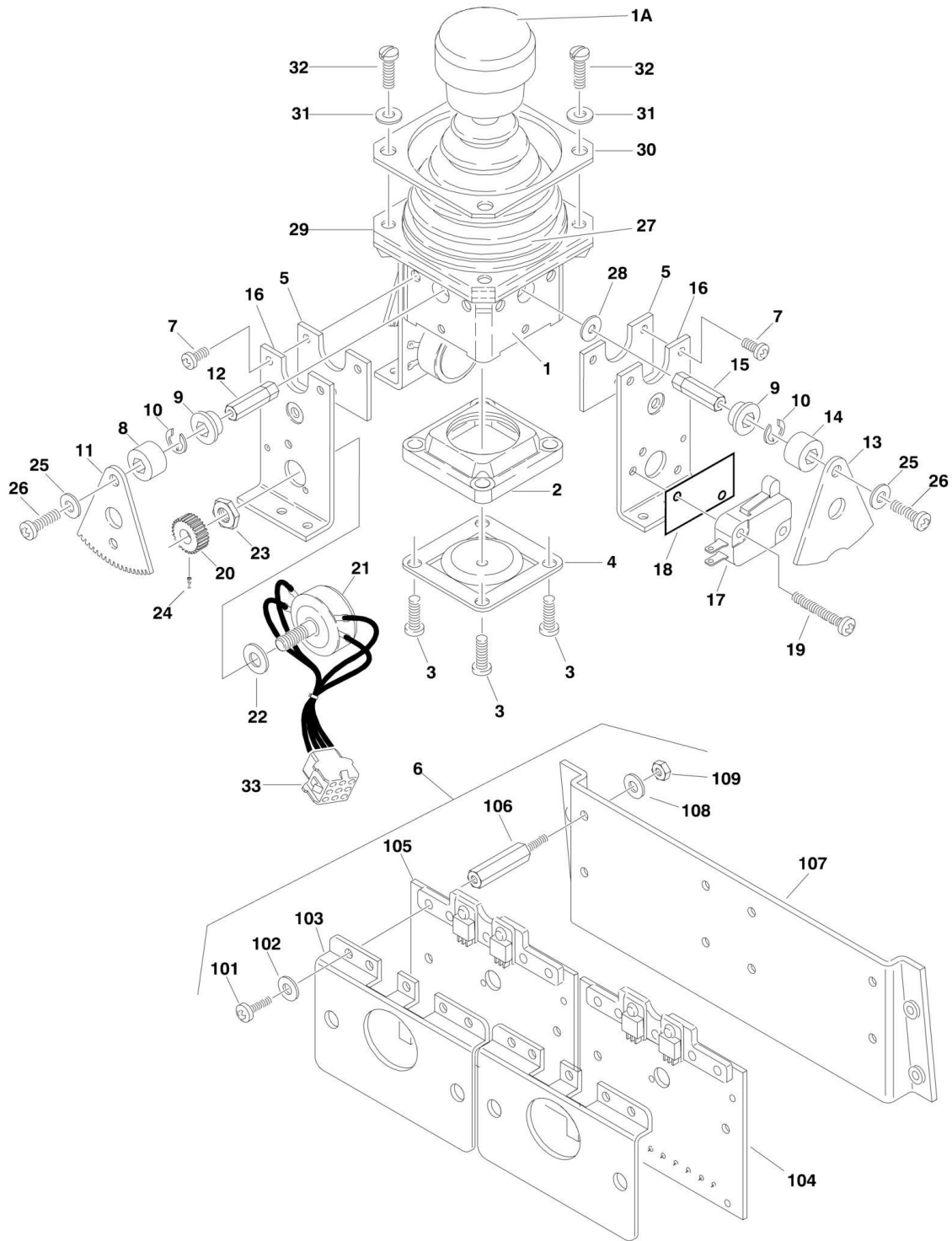
## SECTION 4 - PLATFORM

**FIGURE 4-3. CONTROLLER ASSEMBLY (LIFT AND SWING) (Prior to SN 0300039857)**

ITEM	PART NUMBER	QTY	DESCRIPTION	REV
		Ref	<b>Note: use p/n 1600288 when replacing complete controller</b>	
	1600278	Ref	<b>CONTROLLER ASSEMBLY</b>	C
		Ref	<b>CONTROLLER ASSEMBLY</b>	
1	7003951	1	Cap	
2	7022813	1	Boot (was p/n 7003955)	
3	7022813	1	Flange (was p/n 7003954)	
4	7003961	2	Microswitch	
5	7019137	4	Screw	
6	7003953	4	Flatwasher	
7	7019138	2	Insulator	
8	7019139	4	Screw	
9	7022809	2	Potentiometer	
10	7019122	1	Gimble (Inner) (Not Shown)	
11	7019123	1	Gimble (Outer) (Not Shown)	
		Ref	<b>PC BOARD ASSEMBLY</b>	
101	7019136	8	Screw 4mm x 12mm	
102	7019135	8	Washer, Wavy 4mm	
103	7019134	2	Cover, Heat Shrink	
104	7019133	1	PC Board Assembly (Lift)	
105	7019132	1	PC Board Assembly (Swing)	
106	7019131	8	Stand-Off	
107	7019130	1	Bracket	
108	7019129	8	Starwasher 4mm	
109	7019128	8	Nut 4mm	

# SECTION 4 - PLATFORM

FIGURE 4-4. CONTROLLER ASSEMBLY (LIFT AND SWING) (SN 0300039857 through 0300065080)



## SECTION 4 - PLATFORM

**FIGURE 4-4. CONTROLLER ASSEMBLY (LIFT AND SWING) (SN 0300039857 through 0300065080)**

ITEM	PART NUMBER	QTY	DESCRIPTION	REV
	1600288	Ref	<b>CONTROLLER ASSEMBLY</b>	C
1	7019141	1	Mechanical Assembly (Includes Base, Handle Stem and Items 1A, 1B, 1C & 27)	
1A	7019197	1	Handle Cap and Rod	
1B	7003928	1	Spring	
1C	7022808	1	Cap, Lift	
1D	7019123	1	Gimble (Upper) (Not Shown)	
1E	7019123	1	Gimble (Lower) (Not Shown)	
2	7019169	1	Gate	
3	7003952	4	Screw	
4	7019170	1	Center, Detent	
5	7019171	2	Plate	
6	7019172	1	PC Board Assembly (See Items 101-109 for Breakdown)	
7	7019173	4	Screw	
7	7022831	8	Screw Self Tapping	
8	7019174	1	Spacer, Cam	
9	7019111	4	Bearing, Gear	
10	7019145	4	E-Clip	
11	7003977	2	Gear, Drive	
12	7019147	2	Shaft	
13	7019175	2	Cam	
14	7019176	2	Spacer, Cam	
15	7019177	2	Shaft	
16	7019142	4	Plate	
17	7003961	2	Microswitch	
18	7019138	2	Insulator	
19	7019139	4	Screw	
20	7003976	2	Gear, Slave	
21	7022830	1	Potentiometer and Harness Assembly	
21	7019178	2	Potentiometer	
22	7003992	2	Washer	
23	7003993	2	Nut	
24	7019149	2	Setscrew	
25	7019144	2	Spacer	
26	7019143	2	Screw	
27	7022813	1	Boot and Flange Assembly (Was p/n 7003955)	
28	7019144	2	Spacer, Cam	
29	See Note	NSS	Plate, Plastic (Note: Use Item 27)	
30	7003956	1	O-Ring	
31	7003953	4	Washer	
32	7022811	4	Screw	
33	See Note	NSS	Harness, Controller (Note: Use p/n 7022830)	
33	4460266	1	Connector, Female - 9 Position	
33	4460267	9	Pin, Male	
33	7026614	2	Connector, Male - 4 Position	
33	7026615	8	Pin, Male	
33	7026612	2	Connector, Female - 4 Position	
33	7026613	8	Socket, Female	
33	7026610	2	Connector, Female - 3 Position	
33	7026611	6	Socket, Female	

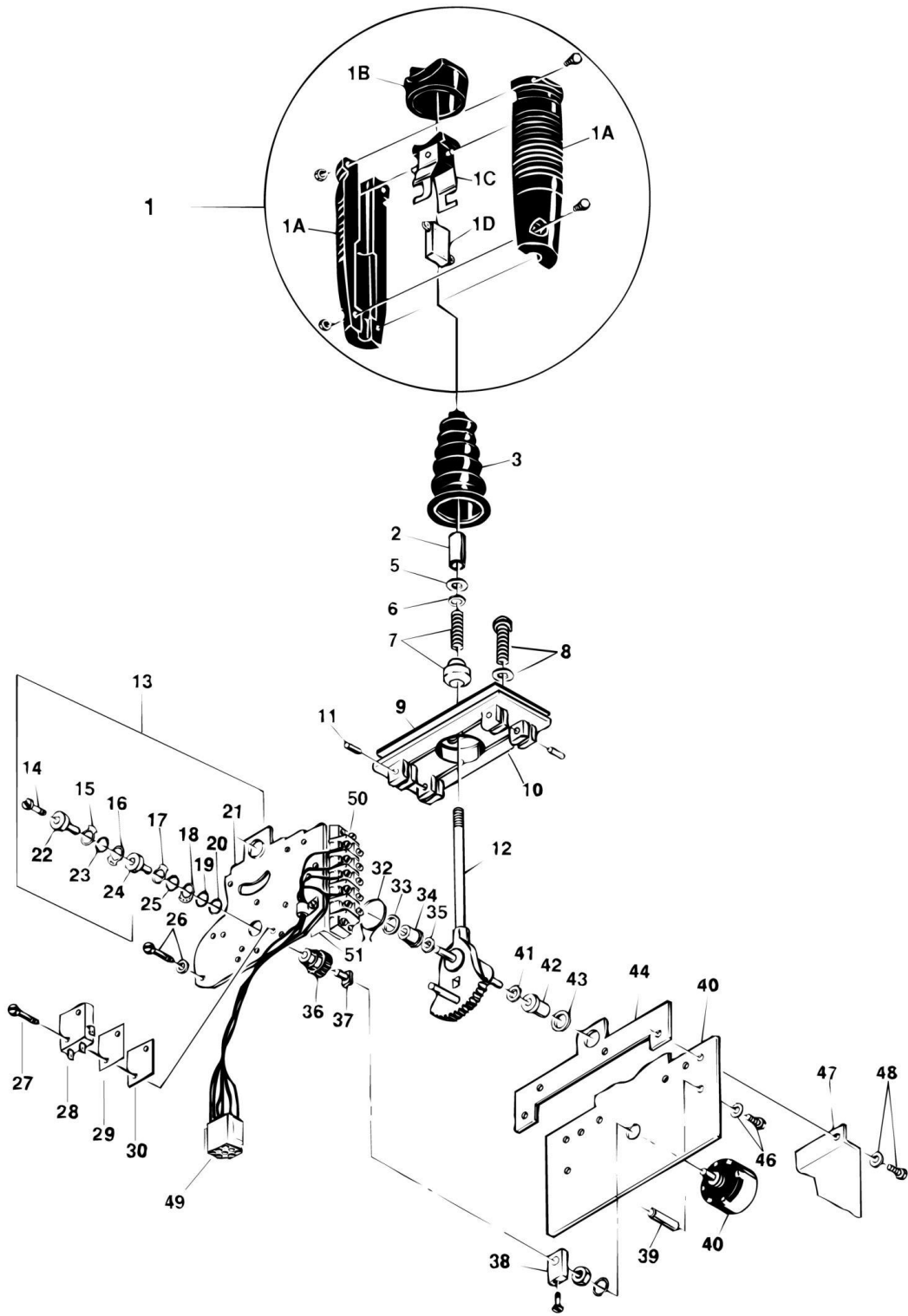
## SECTION 4 - PLATFORM

ITEM	PART NUMBER	QTY	DESCRIPTION	REV
33	4460265	1	Plug - 9 Pin (Part of Platform Wiring) (Not Shown)	
33	4460267	8	Pin, Male (Part of Platform Wiring) (Not Shown)	
34	7019122	1	Gimble (Inner) (Not Shown)	
35	7019123	1	Gimble (Outer) (Not Shown)	
	7019172	Ref	<b>PC BOARD ASSEMBLY</b>	
101	7019136	8	Screw 4mm x 12mm	
102	7019135	8	Washer, Wavy 4mm	
103	See Note	2	Cover, Heatshrink (Note: Use p/n 7019172)	
104	7019190	1	PC Board Assembly (Lift)	
105	7019189	1	PC Board Assembly (Swing)	
106	7019131	8	Stand-Off	
107	See Note	1	Bracket (Note: Use p/n 7019172)	
108	7019129	8	Starwasher 4mm	
109	7019128	8	Nut 4mm	
110	See Note	1	Harness, PC Board (Not Shown) (Note: Use p/n 7019172)	



# SECTION 4 - PLATFORM

FIGURE 4-5. CONTROLLER ASSEMBLY (DRIVE AND STEER) (Prior to SN 0300039857)





## SECTION 4 - PLATFORM

**FIGURE 4-5. CONTROLLER ASSEMBLY (DRIVE AND STEER) (Prior to SN 0300039857)**

ITEM	PART NUMBER	QTY	DESCRIPTION	REV
		Ref	<b>Note: use p/n 1600287 when replacing complete controller</b>	
	1600270	Ref	<b>CONTROLLER ASSEMBLY</b>	A
1	See Note	1	Handle Assembly (Note: Not Available - Purchase Individual Components)	
1A	7019126	1	Halves, Handle (Includes Both Halves and Hardware)	
1B	7019127	1	Boot, Switch	
1C	7003981	1	Rocker	
1D	7003982	1	Switch, Micro	
2	7003984	1	Coupling	
3	7003966	1	Boot	
4	7003938	1	Clamp, Boot (Not Shown)	
5	7003957	1	Ring, Retaining	
6	7003967	1	Flatwasher	
7	7003968	1	Detent Assembly	
8	7003969	2	Screw	
8	7003941	2	Washer	
9	7003933	1	Gasket	
10	7003950	1	Plate, Base	
11	7019103	1	Pin	
12	7019105	1	Shaft/Gear Assembly	
13	7019125	1	Micro Cam Assembly (Includes Items 14-25)	
14	See Note	NSS	Screw (Note: Use p/n 7019175)	
15	See Note	NSS	Cam, 4 Hole (Note: Use p/n 7019175)	
16	See Note	NSS	Cam, 4 Hole (Note: Use p/n 7019175)	
17	See Note	NSS	Cam, 4 Hole (Note: Use p/n 7019175)	
18	See Note	NSS	Cam, 4 Hole (Note: Use p/n 7019175)	
19	See Note	NSS	Spacer, Cam (Note: Use p/n 7019175)	
20	See Note	NSS	Spacer, Cam (Note: Use p/n 7019175)	
21	See Note	NSS	Plate, Cam - Left Side (Note: Use p/n 7019175)	
22	See Note	NSS	Coupling, Cam (Note: Use p/n 7019175)	
23	See Note	NSS	Spacer, Cam (Note: Use p/n 7019175)	
24	See Note	NSS	Coupling, Cam (Note: Use p/n 7019175)	
25	See Note	NSS	Spacer, Cam (Note: Use p/n 7019175)	
26	7003994	4	Screw	
26	See Note	4	Washer (Note: Not Available - Purchase Locally)	
27	7019106	2	Screw	
28	7003961	1	Microswitch	
29	7019107	1	Insulator	
30	7019108	1	Insulator, Black	
31	7019109	2	Nut, Tinnerman (Not Shown - Use with #27)	
32	7003946	1	Spring, Return	
33	7019110	1	Spacer	
34	7019111	1	Bearing	
35	7019112	1	Washer, Cam Retainer	
36	7003935	1	Gear, Slave	
37	7019113	1	Nut/Cam Assembly	
38	7019114	1	Coupling, Potentiometer	
39	7019115	2	Stand-Off	
40	7019124	1	Board, Circuit with Potentiometer	
41	7019112	1	Washer, Cam Retainer	

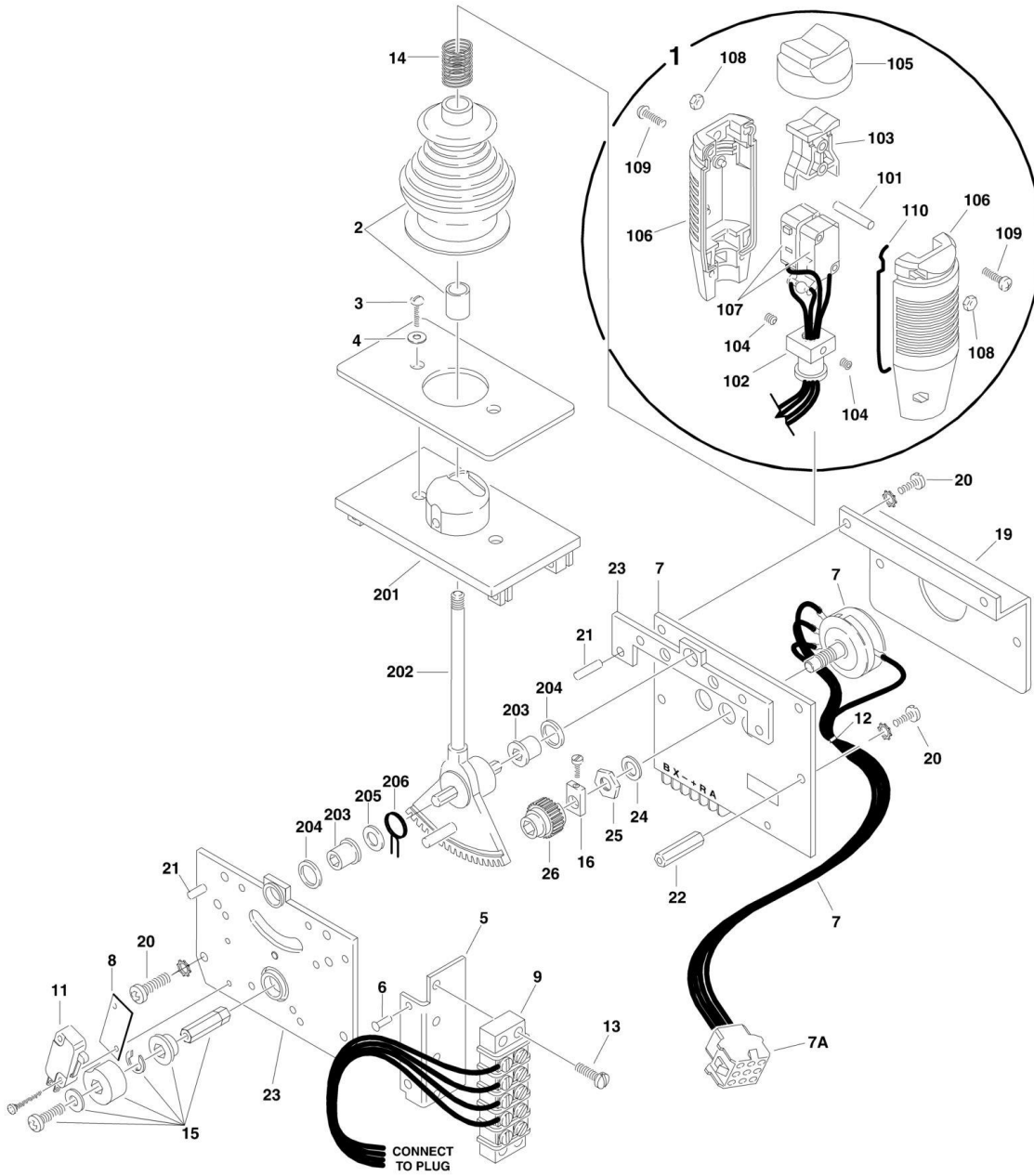
## SECTION 4 - PLATFORM

ITEM	PART NUMBER	QTY	DESCRIPTION	REV
42	7019111	1	Bearing	
43	7019110	1	Spacer	
44	7019116	1	Plate, Mounting	
46	7003994	2	Screw	
46	See Note	2	Washer (Note: Not Available - Purchase Locally)	
47	See Note	1	Heat Shrink (Note: Not Available for Purchase)	
48	7019117	2	Screw	
48	See Note	2	Washer (Note: Not Available - Purchase Locally)	
49	4460265	1	Plug - 9 Position (Part of Console Box Harness)	
49	4460268	9	Socket, Female (Part of Console Box Harness)	
49	4460266	1	Receptacle - 9 Position (Part of p/n 7019124)	
49	4460267	9	Pin, Male (Part of p/n 7019124)	
50	7019153	1	Strip, Terminal - 5 Position	
51	7003985	1	Brace	



# SECTION 4 - PLATFORM

## FIGURE 4-6. CONTROLLER ASSEMBLY (DRIVE AND STEER) (SN 0300039857 through 0300065080)



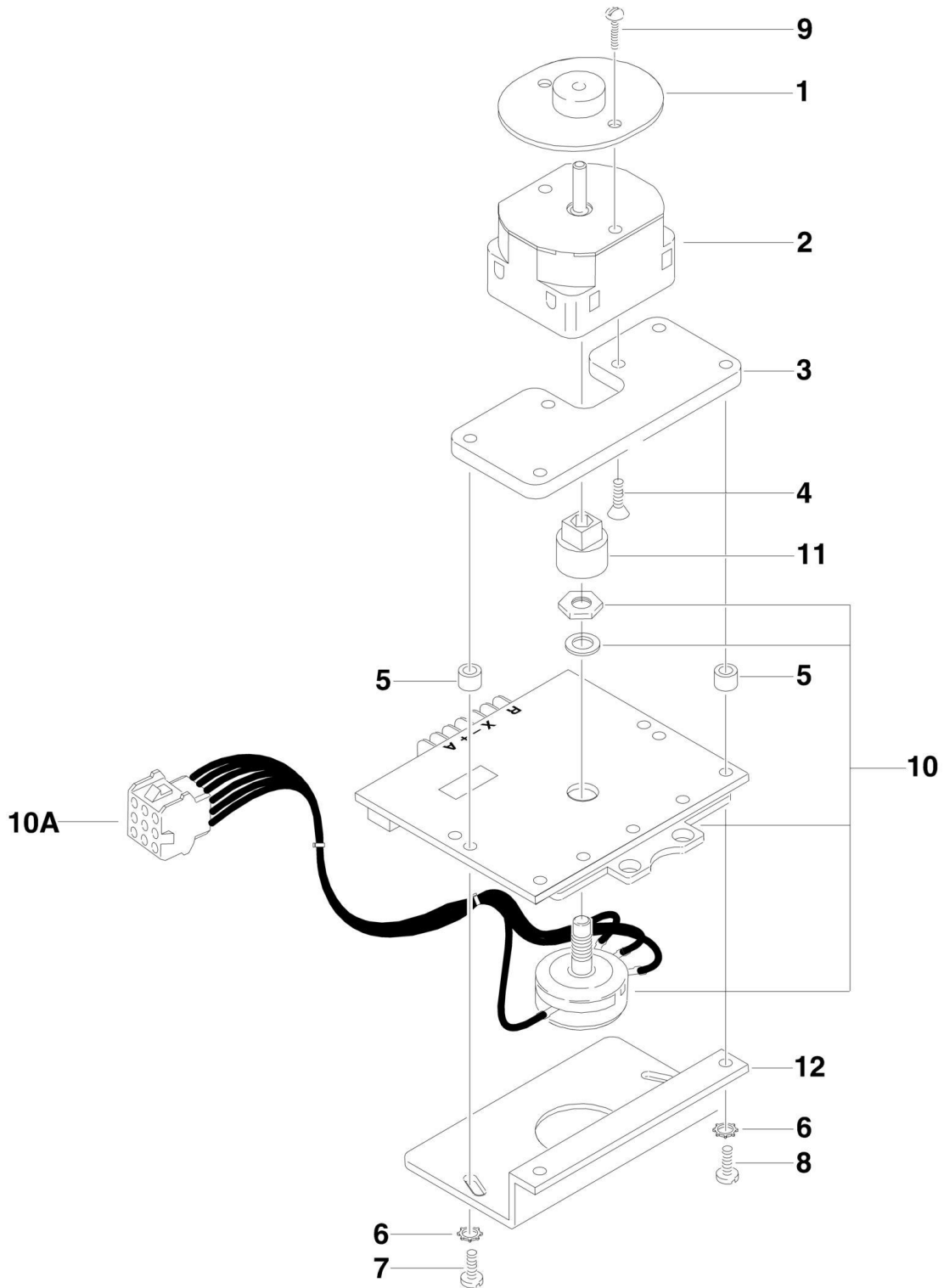
## SECTION 4 - PLATFORM

**FIGURE 4-6. CONTROLLER ASSEMBLY (DRIVE AND STEER) (SN 0300039857 through 0300065080)**

ITEM	PART NUMBER	QTY	DESCRIPTION	REV
	1600287	Ref	<b>CONTROLLER ASSEMBLY</b>	C
1	See Note	1	Handle Assembly (Includes Items 101-110) (Note: Not Available - Purchase Individual Components)	
2	7019161	1	Boot and Sleeve	
3	7003969	2	Screw	
4	7003941	2	Washer	
5	7019159	1	Bracket, Mounting	
6	See Note	1	Rivet (Note: Not Available - Purchase Locally)	
7	7019124	1	Board, Circuit with Potentiometer	
7A	4460265	1	Plug - 9 Position (Part of Console Box Harness)	
7A	4460268	9	Socket, Female (Part of Console Box Harness)	
7A	4460266	1	Receptacle - 9 Position (Part of p/n 7019124)	
7A	4460267	9	Pin, Male (Part of p/n 7019124)	
8	7019138	1	Insulator	
9	7019153	1	Strip, Terminal - 5 Position	
10	7003938	1	Clamp, Boot (Not Shown)	
11	7003961	1	Microswitch	
12	7019151	3	Tie-Strap	
13	7003994	2	Screw	
14	7019162	1	Spring	
15	7019179	1	Micro Cam Assembly	
16	7019163	1	Potentiometer Coupling Assembly	
19	See Note	1	Heat Shrink (Note: Not Available for Purchase)	
20	7019117	8	Screw	
21	7019103	4	Pin	
22	7019115	2	Stand-Off	
23	7019168	1	Plate, Mounting (Right Side)	
24	7003992	1	Washer	
25	7003993	1	Nut	
26	7003935	1	Gear, Slave	
		Ref	<b>HANDLE ASSEMBLY</b>	
101	7019164	1	Axle	
102	7019194	1	Coupling	
103	7019165	1	Rocker	
104	7003983	2	Setscrew	
105	7003972	1	Boot, Switch	
106	7003973	2	Half, Handle	
107	7019166	1	Micro Switch Assembly (Includes 2 Switches & Wiring)	
108	7019167	4	Nut	
109	7003980	4	Screw	
110	7003989	2	Gasket	
		Ref	<b>HANDLE ASSEMBLY</b>	
201	7019160	1	Cast Housing Assembly	
202	7019155	1	Shaft 8mm	
203	7019111	2	Bearing	
204	7019110	2	Spacer, Head Gear	
205	7019112	1	Washer	
206	7003946	1	Spring, Return	

# SECTION 4 - PLATFORM

## FIGURE 4-7. CONTROLLER ASSEMBLY (SPEED)



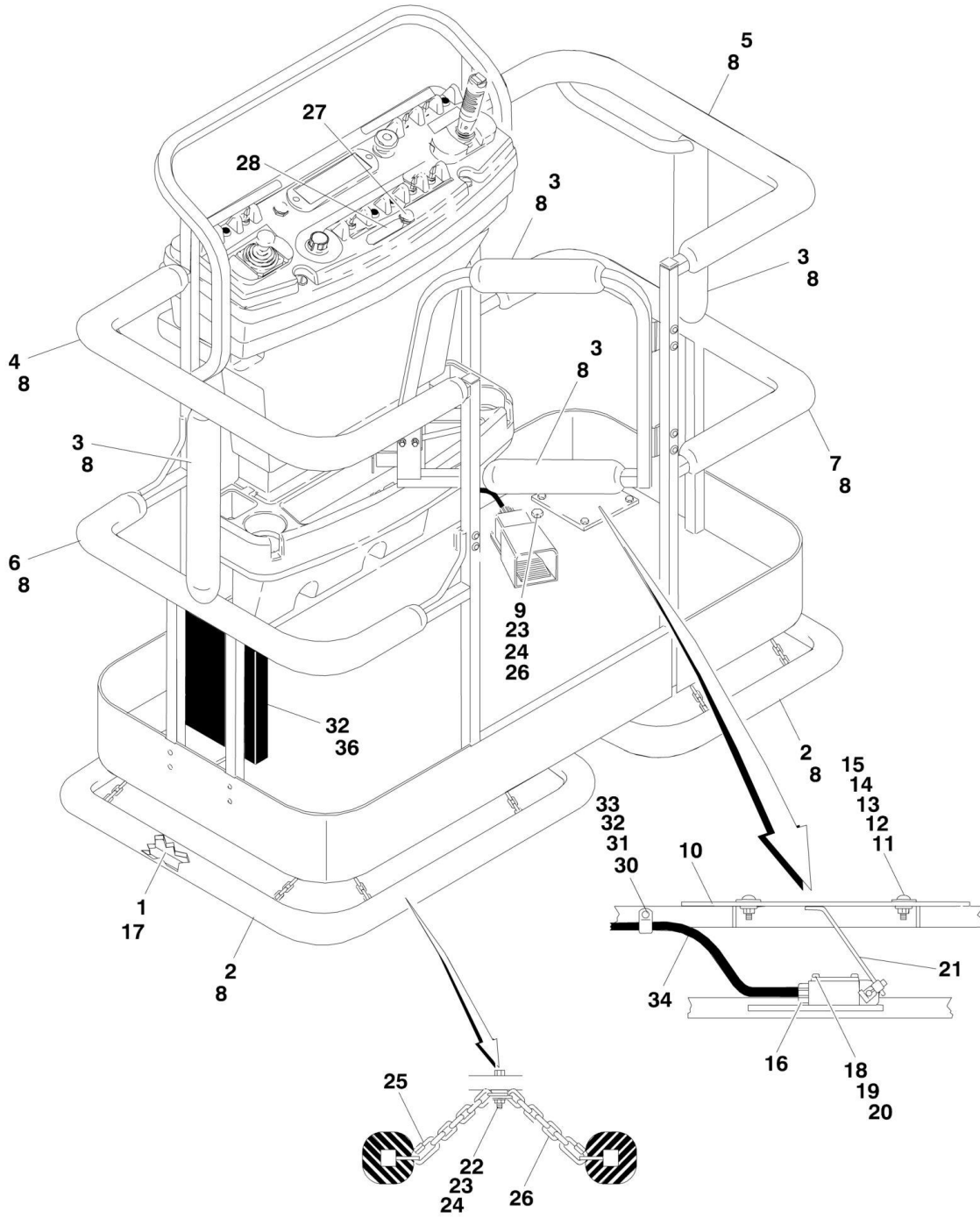
## SECTION 4 - PLATFORM

**FIGURE 4-7. CONTROLLER ASSEMBLY (SPEED)**

ITEM	PART NUMBER	QTY	DESCRIPTION	REV
	1600272	Ref	<b>CONTROLLER ASSEMBLY</b>	E
1	7019181	1	Seal	
2	7019182	1	Switch, Rotary	
3	See Note	NSS	Plate (Note: Use p/n 1600272)	
4	7019183	2	Screw, Flathead	
5	7019184	4	Spacer	
6	7019135	4	Washer	
7	7019185	2	Screw	
8	7019186	2	Screw	
9	7019136	2	Screw	
10	7019187	1	Board, Circuit with Potentiometer	
10A	4460265	1	Plug - 9 Position (Part of Console Box Harness)	
10A	4460268	9	Socket, Female (Part of Console Box Harness)	
10A	4460266	1	Receptacle - 9 Position (Part of p/n 7019187)	
10A	4460267	9	Pin, Male (Part of p/n 7019187)	
11	7019188	1	Coupling, Potentiometer	
12	See Note	NSS	Heat Shrink (Note: Not Available for Purchase)	

# SECTION 4 - PLATFORM

FIGURE 4-8. SOFT TOUCH SYSTEM INSTALLATION (SN 0300049601 through 0300065080)





## SECTION 4 - PLATFORM

**FIGURE 4-8. SOFT TOUCH SYSTEM INSTALLATION (SN 0300049601 through 0300065080)**

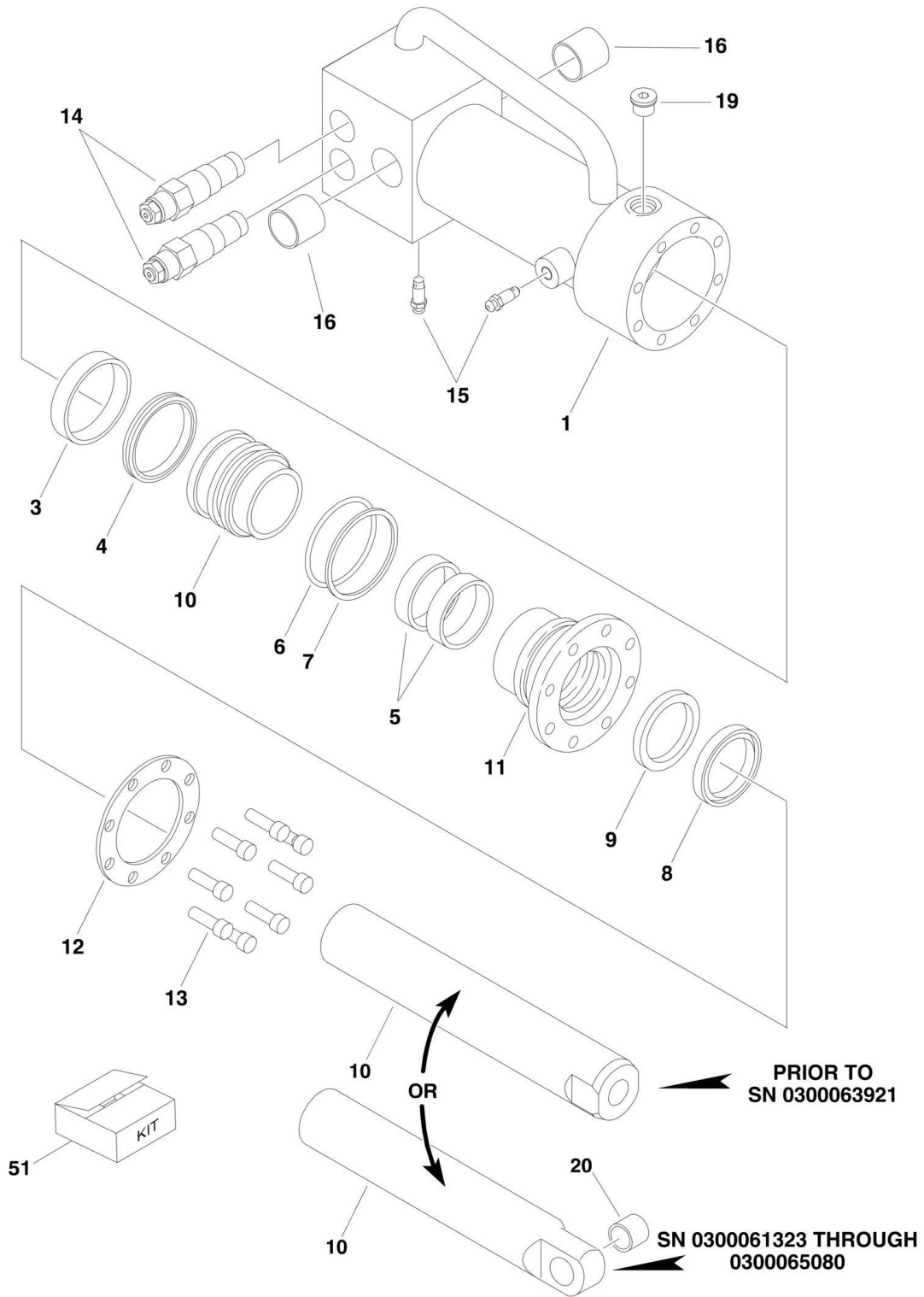
ITEM	PART NUMBER	QTY	DESCRIPTION	REV
	0259950	Ref	<b>SOFT TOUCH SYSTEM (6FT/1.8M PLATFORM)</b>	2
1	4846198	2	Rail, Soft Touch	
2	1670946	2	Cover, Touch Bar	
3	1670788	4	Cover, Gate and End Post	
4	1670947	1	Cover, Left End Top Rail	
5	1670948	1	Cover, Right End Top Rail	
6	1670949	1	Cover, Left Mid Rail	
7	1670950	1	Cover, Right Mid Rail	
8	0940038	70 ft/21.3m	Bumper, Padding	
9	0641613	2	Bolt 3/8in-18NC x 1 5/8in	
10	3539719	2	Plate	
11	0630462	8	Bolt, Carriage	
12	4761500	8	Lockwasher 5/16in	
13	4751800	8	Flatwasher 1/2in	
14	3311501	8	Nut 5/16in-18NC	
15	4751500	8	Flatwasher 5/16in	
16	4460049	2	Connector	
17	3520072	4	Plug, Cap	
18	4360057	2	Switch, Limit	
19	0731005	4	Bolt #10-32NC x 5/8in	
20	4761000	4	Lockwasher #10	
21	0200550	2	Arm, Switch	
22	0641622	6	Bolt 3/8in-16NC x 2 3/4in	
23	4751600	40	Flatwasher 3/8in	
24	3311605	8	Locknut 3/8in-16NC	
25	3010088	16	Link, Quick	
26	1260136	10 ft/3m	Chain	
27	4360387	1	Switch, Pushbutton	
28	1702938	1	Decal - Soft Touch Override	
30	1320040	4	Clamp	
31	0641406	4	Bolt 1/4in-20NC x 3/4in	
32	4711400	10	Flatwasher 1/4in	
33	3311405	4	Locknut 1/4in-20NC	
34	1060330	16 ft/4.9m	Cable, Electrical 16/3	
35	4460425	1	Strain Relief (Not Shown)	
36	3941405	2	Bolt Self Tapping 1/4in x 5/8in	



**SECTION 5 - CYLINDER**

# SECTION 5 - CYLINDER

## FIGURE 5-1. AXLE LOCKOUT CYLINDER ASSEMBLY



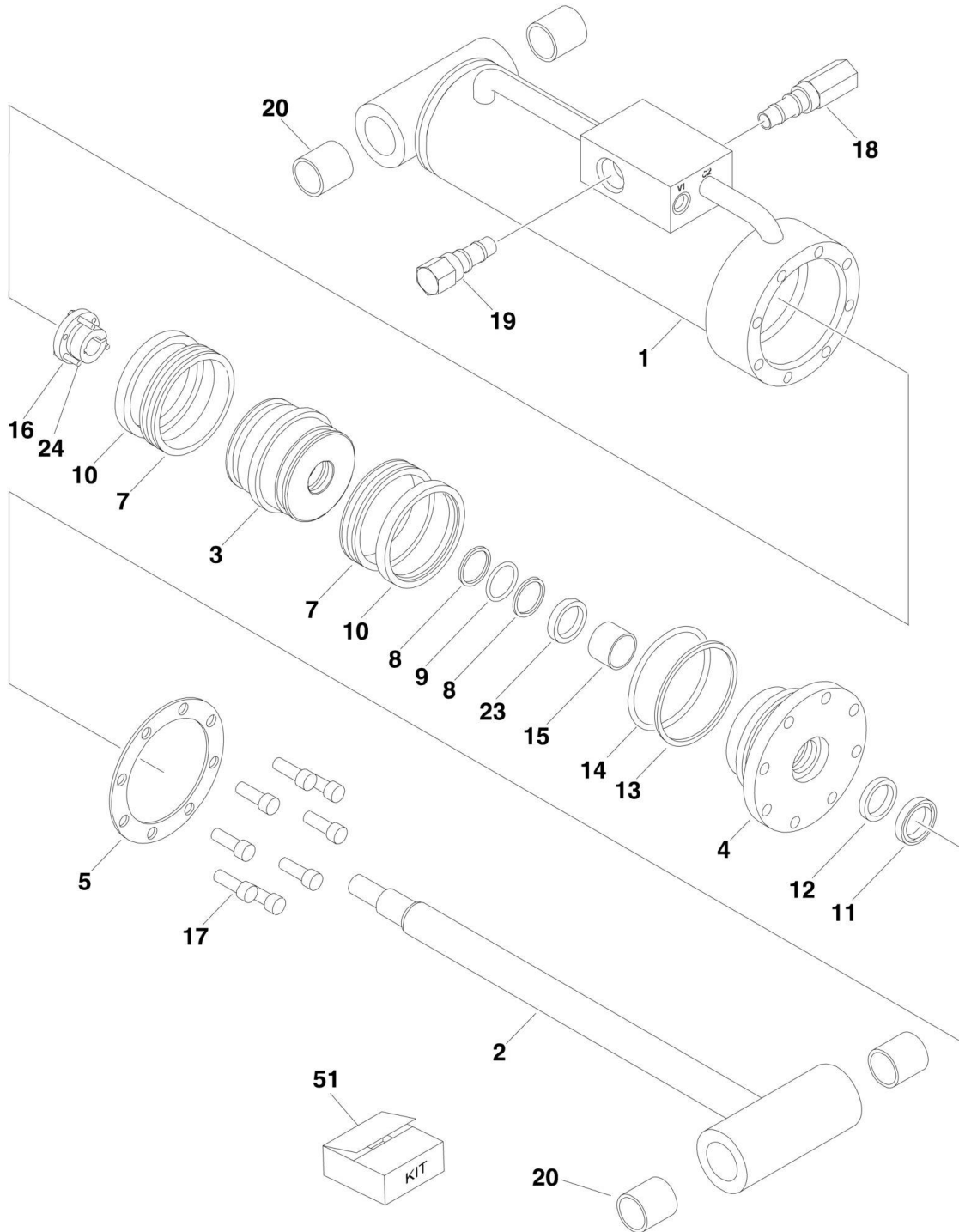
## SECTION 5 - CYLINDER

### FIGURE 5-1. AXLE LOCKOUT CYLINDER ASSEMBLY

ITEM	PART NUMBER	QTY	DESCRIPTION	REV
		Ref	<b>AXLE LOCKOUT CYLINDER ASSEMBLIES</b>	
	1683575	Ref	<b>Axle Lockout Cylinder Assemblies (Prior to SN 0300063921)</b>	D
	1684139	Ref	<b>Axle Lockout Cylinder Assemblies (SN 0300063921 through 0300065080)</b>	C
1	1683572	1	Barrel Weldment	
3	Item 51	1	Ring, Wear	
4	See Note	NSS	T-Seal (Note: Use Item 51)	
5	See Note	NSS	Ring, Wear (Note: Use Item 51)	
6	See Note	NSS	O-Ring (Note: Use Item 51)	
7	See Note	NSS	Ring, Back-Up (Note: Use Item 51)	
8	See Note	NSS	Wiper (Note: Use Item 51)	
9	See Note	NSS	Seal (Note: Use Item 51)	
10		Ref	Rod Weldment Options:	
10	1683574	1	Rod Weldment <b>(Prior to SN 0300063921)</b>	
10	1684138	1	Rod Weldment <b>(SN 0300063921 through 0300065080)</b>	
11	1683076	1	Cap	
12	3760367	1	Ring, Washer	
13	3931516	8	Bolt, Socket Head 5/16in-18NC x 2in	
14		Ref	Cartridge, Valve (Counterbalance) Options:	
14	4640525	NLA	Cartridge, Valve (Counterbalance) (Use p/n 4641162) <b>(Prior to SN 0300056898)</b>	
14	4641162	2	Cartridge, Valve (Counterbalance) <b>(SN 0300056898 through 0300065080)</b>	
14	2900770	2	Seal Kit - 4640525 & 4641162 Valve (1 Per Assy)	
15	4640858	2	Valve, Bleeder	
16		Ref	Bushing Options:	
16	0961890	2	Bushing (Use p/n 0962474) <b>(Prior to SN 0300063921)</b>	
16	0962474	2	Bushing <b>(SN 0300063921 through 0300065080)</b>	
17	0100011	AR	Loctite #242 (Not Shown)	
18	0100038	AR	Primer, Locking (Not Shown)	
19	2220885	1	Plug, O-Ring	
20	0962140	1	Bushing	
51	2901548	1	Seal Kit (Includes Items 3-9)	

# SECTION 5 - CYLINDER

## FIGURE 5-2. PLATFORM LEVEL CYLINDER ASSEMBLY



## SECTION 5 - CYLINDER

### FIGURE 5-2. PLATFORM LEVEL CYLINDER ASSEMBLY

ITEM	PART NUMBER	QTY	DESCRIPTION	REV
		Ref	<b>PLATFORM LEVEL CYLINDER ASSEMBLY</b>	
	1683598	Ref	<b>Platform Level Cylinder Assembly 450A (Prior to SN 0300038944)</b>	D
	1683730	Ref	<b>Platform Level Cylinder Assembly 450A (SN 0300038944 through 0300065080)</b>	D
	1683598	Ref	<b>Platform Level Cylinder Assembly 450AJ (Prior to SN 0300038103)</b>	D
	1683726	Ref	<b>Platform Level Cylinder Assembly 450AJ (SN 0300038103 through 0300038943)</b>	B
	1683731	Ref	<b>Platform Level Cylinder Assembly 450AJ (SN 0300038944 through 0300065080)</b>	E
1	1683599	1	Barrel Weldment	
2		Ref	Rod Weldment Options:	
2	1683600	NLA	Rod Weldment 450A (Use Qty 1 of p/ns 1683885 & 4567978) <b>(Prior to SN 0300045397)</b>	
2	1683885	1	Rod <b>(SN 0300045397 through 0300065080)</b>	
3	3480230	1	Piston	
4	1683058	1	Head	
5	3760370	1	Washer, Ring	
7	See Note	NSS	Seal, Piston (Note: Use Item 51)	
8	See Note	NSS	Ring, Back-Up (Note: Use Item 51)	
9	See Note	NSS	O-Ring (Note: Use Item 51)	
10	See Note	NSS	Ring, Lock (Note: Use Item 51)	
11	See Note	NSS	Wiper (Note: Use Item 51)	
12	See Note	NSS	Seal (Note: Use Item 51)	
13	See Note	NSS	Ring, Back-Up (Note: Use Item 51)	
14	See Note	NSS	O-Ring (Note: Use Item 51)	
15	See Note	NSS	Ring, Wear (Note: Use Item 51)	
16		Ref	Bushing, Tapered Options:	
16	0961900	NLA	Bushing, Tapered (Use p/n 0962185) <b>(Prior to SN 0300054193)</b>	
16	0962185	1	Bushing, Tapered <b>(SN 0300054193 through 0300065080)</b>	
17	3931720	8	Bolt, Socket Head 7/16in-14NC x 1 1/4in	
18	4640932	1	Cartridge, Valve (Counterbalance Vented)	
18	7011112	1	Seal Kit - 4640932 Valve	
19		Ref	Cartridge, Valve Options (Counterbalance Non-Vented):	
19	4640509	NLA	Cartridge, Valve 450A (Use p/n 4641086) <b>(Prior to SN 0300038944)</b>	
19	4641086	1	Cartridge, Valve 450A <b>(SN 0300038944 through 0300065080)</b>	
19	4640509	NLA	Cartridge, Valve 450AJ (Use p/n 4641086) <b>(Prior to SN 0300038103)</b>	
19	4640999	NLA	<b>Cartridge, Valve 450AJ (Use p/n 4641086) (SN 0300038103 through 0300038943)</b>	
19	4641086	1	Cartridge, Valve 450A <b>(SN 0300038944 through 0300065080)</b>	
19	2900792	1	Seal Kit - 4641086 Valve	
20	0962006	4	Bushing	
21	0100011	AR	Loctite #242 (Not Shown)	
22	0100038	AR	Primer, Locking (Not Shown)	
23		Ref	Tube, Spacer Options: <b>(SN 0300038944 through 0300065080)</b>	
23	4567761	1	Tube, Spacer 450A <b>(SN 0300038944 through 0300045396)</b>	
23	4567978	1	Tube, Spacer 450A <b>(SN 0300045397 through 0300065080)</b>	
23	4567760	1	Tube, Spacer 450AJ <b>(SN 0300038944 through 0300065080)</b>	

## SECTION 5 - CYLINDER

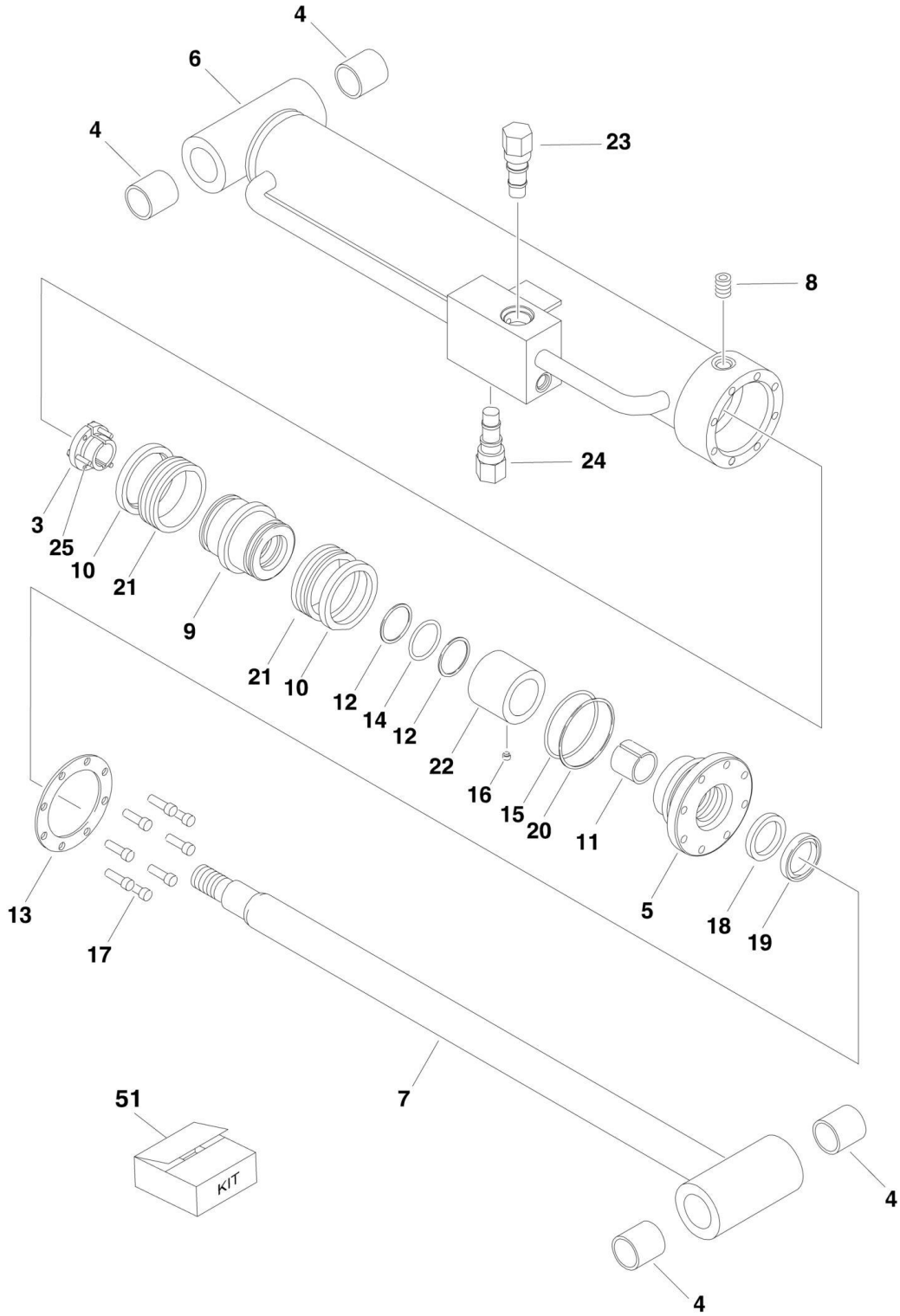
ITEM	PART NUMBER	QTY	DESCRIPTION	REV
23	4567979	1	Tube, Spacer 450AJ (SN 0300045397 through 0300065080)	
24	0630534	3	Capscrew #10-24NC x 1in	
51	2901543	1	Seal Kit (Includes Items 7-15)	





# SECTION 5 - CYLINDER

## FIGURE 5-3. LIFT CYLINDER ASSEMBLY - JIB (450AJ ONLY)



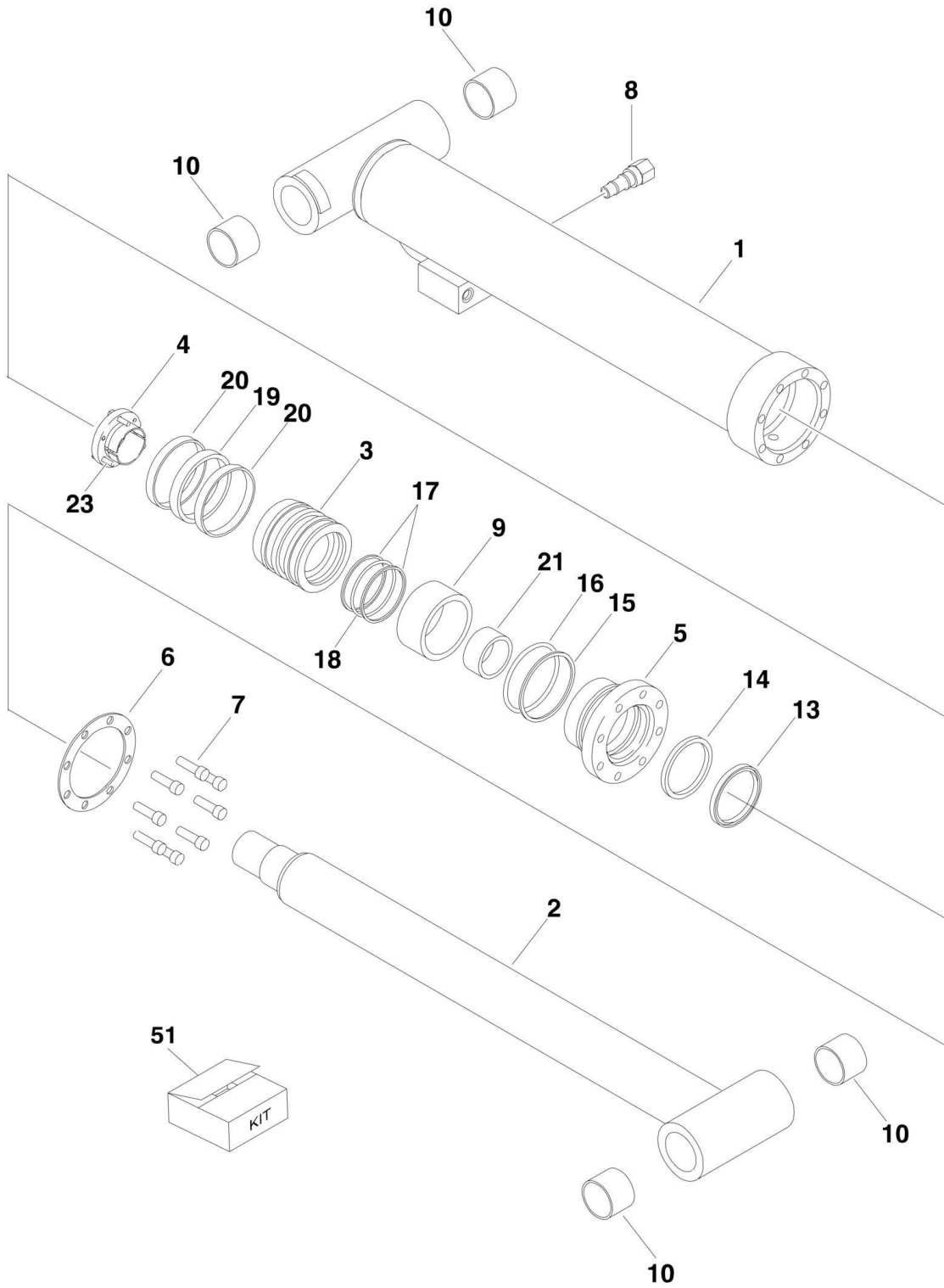
## SECTION 5 - CYLINDER

**FIGURE 5-3. LIFT CYLINDER ASSEMBLY - JIB (450AJ ONLY)**

ITEM	PART NUMBER	QTY	DESCRIPTION	REV
	1683617	Ref	<b>JIB LIFT CYLINDER ASSEMBLY (450AJ ONLY)</b>	D
1	0100011	AR	Loctite #242 (Not Shown)	
2	0100038	AR	Primer, Locking (Not Shown)	
3	0961893	1	Bushing, Tapered	
4	0962006	4	Bushing	
5	1683053	1	Head	
6	1683638	1	Barrel Weldment	
7	1683639	1	Rod Weldment	
8	2220885	1	Plug, O-Ring	
9	3480210	1	Piston	
10	See Note	NSS	Ring, Lock (Note: Use Item 51)	
11	See Note	NSS	Ring, Wear (Note: Use Item 51)	
12	See Note	NSS	Ring, Back-Up (Note: Use Item 51)	
13	3760368	1	Washer, Ring	
14	See Note	NSS	O-Ring (Note: Use Item 51)	
15	See Note	NSS	O-Ring (Note: Use Item 51)	
16	3900142	1	Setscrew 3/8in-16NC x 1/4in	
17	3931516	8	Bolt, Socket Head 5/16in-18NC x 2in	
18	See Note	NSS	Seal (Note: Use Item 51)	
19	See Note	NSS	Wiper (Note: Use Item 51)	
20	See Note	NSS	Ring, Back-Up (Note: Use Item 51)	
21	See Note	NSS	Seal, Piston (Note: Use Item 51)	
22	4567468	1	Spacer, Tube	
23	4640509	1	Cartridge, Valve (Counterbalance Non-Vented)	
23	2900792	1	Seal Kit - 4640509 Valve	
24	4640999	1	Cartridge, Valve (Counterbalance Non-Vented)	
24	7011185	1	Seal Kit - 4640999 Valve	
25	0630534	3	Capscrew #10-24NC x 1in	
51	2901303	1	Seal Kit (Includes Items 10-12, 14-15, 18-21)	

# SECTION 5 - CYLINDER

## FIGURE 5-4. LIFT CYLINDER ASSEMBLY - MAIN



## SECTION 5 - CYLINDER

**FIGURE 5-4. LIFT CYLINDER ASSEMBLY - MAIN**

ITEM	PART NUMBER	QTY	DESCRIPTION	REV
		Ref	<b>MAIN LIFT CYLINDER ASSEMBLY:</b>	
	1683588	Ref	<b>Main lift cylinder assembly 450A (Prior to SN 0300038944)</b>	E
	1683728	Ref	<b>Main lift cylinder assembly 450A (SN 0300038944 through 0300065080)</b>	B
	1683637	Ref	<b>Main lift cylinder assembly 450AJ (Prior to SN 0300038944)</b>	D
	1683729	Ref	<b>Main lift cylinder assembly 450AJ (SN 0300038944 through 0300065080)</b>	B
1		Ref	Barrel Weldment	
1	1683590	1	Barrel Weldment 450A	
1	1683659	1	Barrel Weldment 450AJ	
2		Ref	Rod Weldment	
2	1683589	1	Rod Weldment 450A	
2	1683660	1	Rod Weldment 450AJ	
3		Ref	Piston	
3	3480205	1	Piston 450A	
3	3480235	1	Piston 450AJ	
4	0961897	1	Bushing, Tapered	
5		Ref	Head	
5	1683057	1	Head 450A	
5	1683077	1	Head 450AJ	
6		Ref	Washer, Ring	
6	3760369	1	Washer, Ring 450A	
6	3760370	1	Washer, Ring 450AJ	
7		Ref	Bolt, Socket Head	
7	3931620	8	Bolt, Socket Head 450A (3/8in-16NC x 1 1/16in)	
7	3931724	8	Bolt, Socket Head 450AJ (7/16in-14NC x 1 1/2in)	
8		Ref	Cartridge, Valve Options (Counterbalance Non-Vented):	
8	4641075	NLA	Cartridge, Valve (Use p/n 4640999) <b>(Prior to SN 0300038103)</b>	
8	4640999	1	Cartridge, Valve <b>(SN 0300038103 through 0300065080)</b>	
8	7011185	1	Seal Kit - 4640999 Valve	
9		Ref	Spacer, Tube	
9	4567332	1	Spacer, Tube 450A <b>(Prior to SN 0300038944)</b>	
9	4567762	1	Spacer, Tube 450A <b>(SN 0300038944 through 0300065080)</b>	
9	4567469	1	Spacer, Tube 450AJ <b>(Prior to SN 0300038944)</b>	
9	4567763	1	Spacer, Tube 450AJ <b>(SN 0300038944 through 0300065080)</b>	
10	0961950	4	Bushing	
11	0100011	AR	Loctite #242 (Not Shown)	
12	0100038	AR	Primer, Locking (Not Shown)	
13	See Note	NSS	Wiper (Note: Use Item 51)	
14	See Note	NSS	Seal (Note: Use Item 51)	
15	See Note	NSS	Ring, Back-Up (Note: Use Item 51)	
16	See Note	NSS	O-Ring (Note: Use Item 51)	
17	See Note	NSS	Ring, Back-Up (Note: Use Item 51)	
18	See Note	NSS	O-Ring (Note: Use Item 51)	
19	See Note	NSS	Seal (Note: Use Item 51)	
20	See Note	NSS	Ring, Wear (Note: Use Item 51)	
21	See Note	NSS	Ring, Wear (Note: Use Item 51)	
23	0630535	3	Capscrew 1/4in-20NC x 1 1/8in	
51		Ref	Seal Kit Options (Includes Items 13-21):	
51	2901554	1	Seal Kit 1683637 & 1683729 Cylinders	

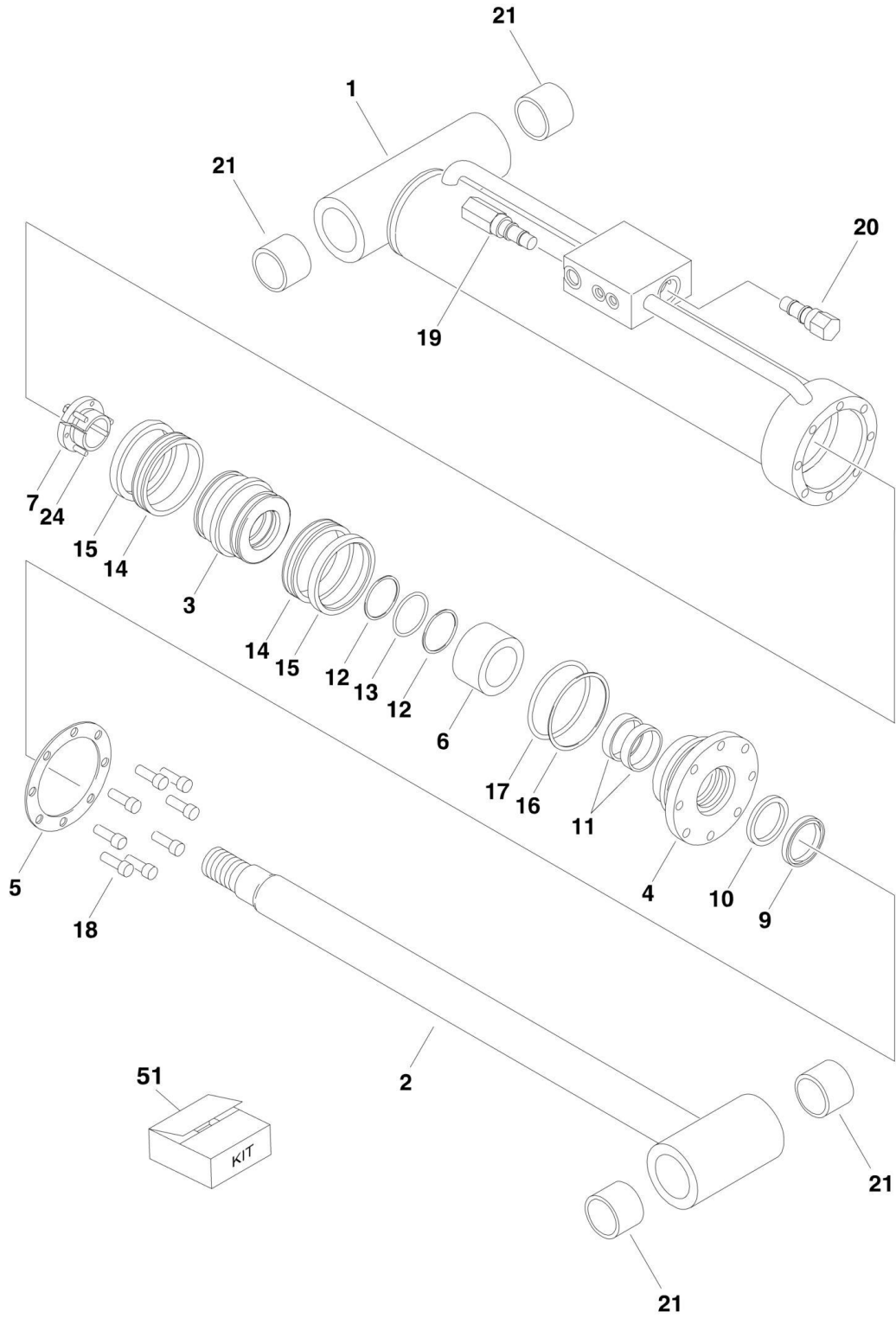
## SECTION 5 - CYLINDER

ITEM	PART NUMBER	QTY	DESCRIPTION	REV
51	2901284	1	Seal Kit 1683588 & 1683728 Cylinders	



# SECTION 5 - CYLINDER

## FIGURE 5-5. LIFT CYLINDER ASSEMBLY - MID





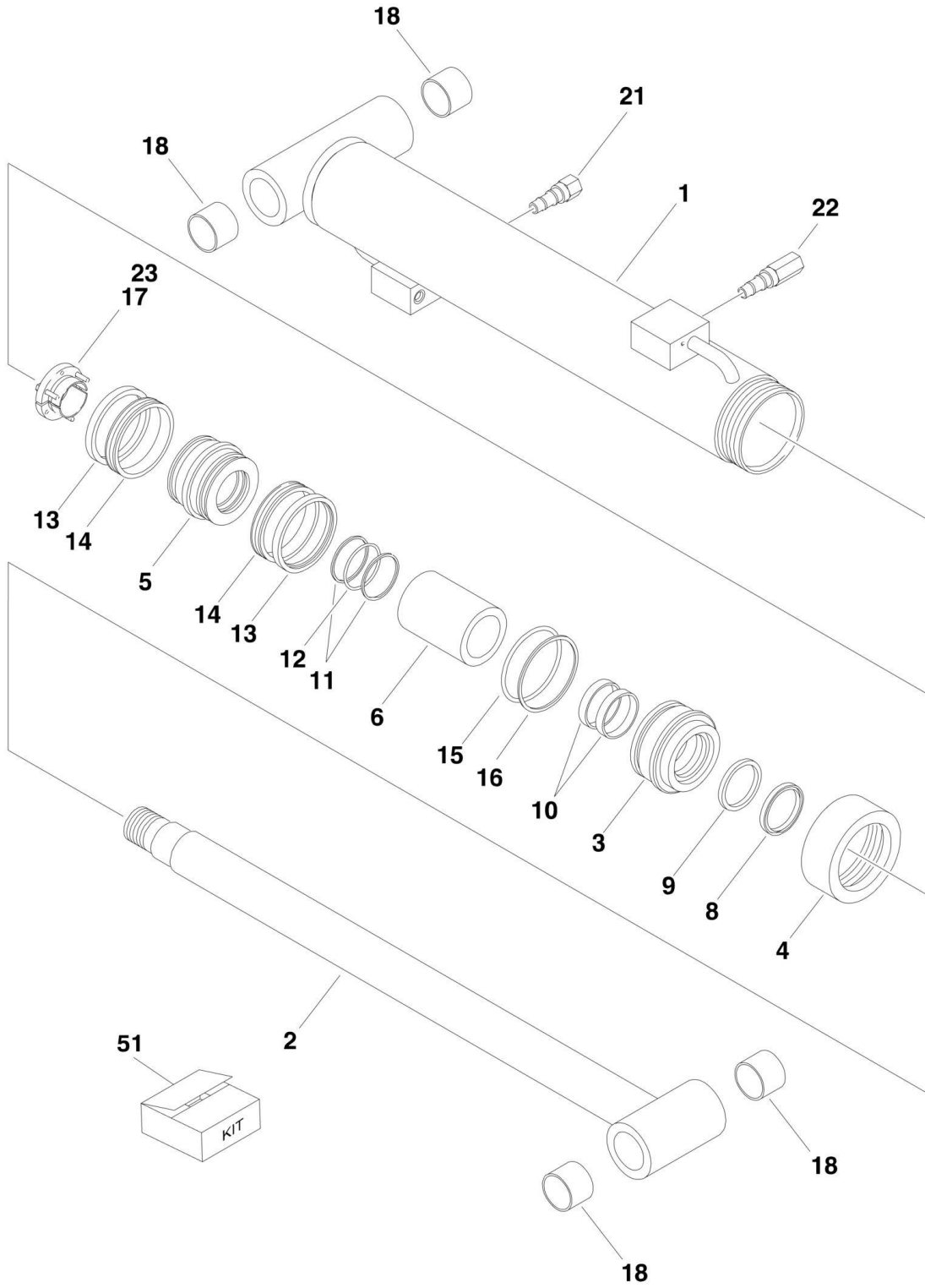
## SECTION 5 - CYLINDER

**FIGURE 5-5. LIFT CYLINDER ASSEMBLY - MID**

ITEM	PART NUMBER	QTY	DESCRIPTION	REV
	1683563	Ref	<b>MID LIFT CYLINDER ASSEMBLY</b>	E
1	1683565	1	Barrel Weldment	
2	1683564	1	Rod Weldment	
3	3480224	1	Piston	
4	1683060	1	Head	
5	3760370	1	Washer, Ring	
6	4567311	1	Spacer, Tube	
7	0961890	1	Bushing, Tapered	
9	See Note	NSS	Wiper (Note: Use Item 51)	
10	See Note	NSS	Seal (Note: Use Item 51)	
11	See Note	NSS	Ring, Wear (Note: Use Item 51)	
12	See Note	NSS	Ring, Back-Up (Note: Use Item 51)	
13	See Note	NSS	O-Ring (Note: Use Item 51)	
14	See Note	NSS	Seal (Note: Use Item 51)	
15	See Note	NSS	Ring, Lock (Note: Use Item 51)	
16	See Note	NSS	Ring, Back-Up (Note: Use Item 51)	
17	See Note	NSS	O-Ring (Note: Use Item 51)	
18	3931720	8	Bolt, Socket Head 7/16in-14NC x 1 1/4in	
19	4641077	1	Cartridge, Valve (Counterbalance Vented)	
19	2900792	1	Seal Kit - 4641077 Valve	
20	4640509	1	Cartridge, Valve (Counterbalance Non-Vented)	
20	2900792	1	Seal Kit - 4640509 Valve	
21	0961950	4	Bushing	
22	0100011	AR	Loctite #242 (Not Shown)	
23	0100038	AR	Primer, Locking (Not Shown)	
24	0630535	3	Capscrew 1/4in-20NC x 1 1/8in	
51	2901545	1	Seal Kit (Includes Items 9-17)	

# SECTION 5 - CYLINDER

## FIGURE 5-6. LIFT CYLINDER ASSEMBLY - TOWER



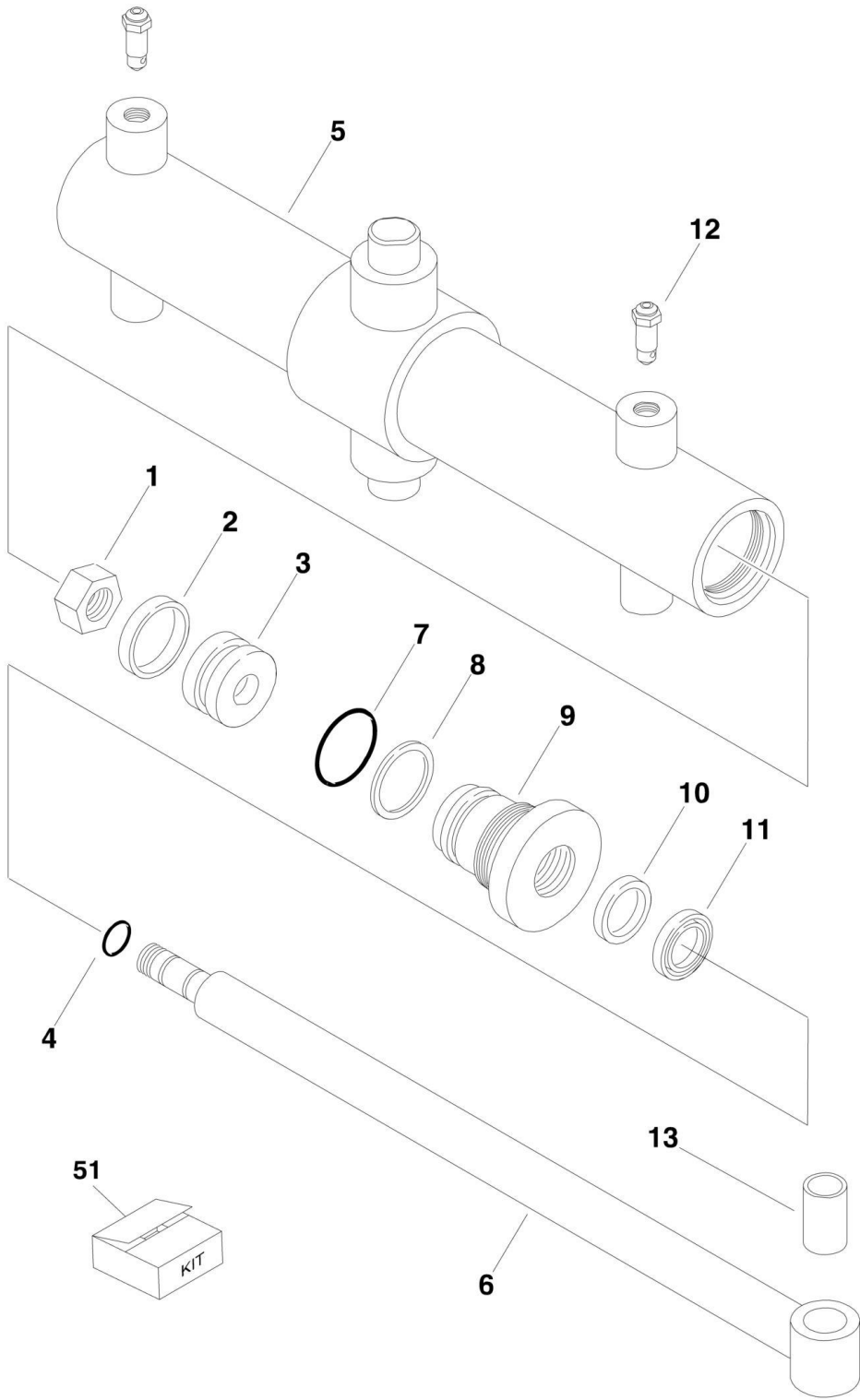
## SECTION 5 - CYLINDER

**FIGURE 5-6. LIFT CYLINDER ASSEMBLY - TOWER**

ITEM	PART NUMBER	QTY	DESCRIPTION	REV
	1683568	Ref	<b>TOWER LIFT CYLINDER ASSEMBLY</b>	C
1	1683569	1	Barrel Weldment	
2	1683570	1	Rod Weldment	
3	1683577	1	Head	
4	1120489	1	Cap, End	
5	3480226	1	Piston	
6	4567324	1	Spacer, Tube	
8	See Note	NSS	Wiper (Note: Use Item 51)	
9	See Note	NSS	Seal (Note: Use Item 51)	
10	See Note	NSS	Ring, Wear (Note: Use Item 51)	
11	See Note	NSS	Ring, Back-Up (Note: Use Item 51)	
12	See Note	NSS	O-Ring (Note: Use Item 51)	
13	See Note	NSS	Ring, Lock (Note: Use Item 51)	
14	See Note	NSS	Seal (Note: Use Item 51)	
15	See Note	NSS	O-Ring (Note: Use Item 51)	
16	See Note	NSS	Ring, Back-Up (Note: Use Item 51)	
17	0961897	1	Bushing, Tapered	
18	0961950	4	Bushing	
19	0100011	AR	Loctite #242 (Not Shown) <b>(Prior to SN 0300047073)</b>	
20	0100038	AR	Primer, Locking (Not Shown) <b>(Prior to SN 0300047073)</b>	
21	4641077	1	Cartridge, Valve (Counterbalance Vented)	
21	2900792	1	Seal Kit - 4641077 Valve	
22	4640605	1	Cartridge, Valve (Counterbalance Vented)	
22	2900792	1	Seal Kit - 4640605 Valve	
23	0630535	3	Capscrew 1/4in-20NC x 1 1/8in <b>(SN 0300047073 through 0300065080)</b>	
51	2901546	1	Seal Kit (Includes Items 8-16)	

# SECTION 5 - CYLINDER

FIGURE 5-7. ROTATOR CYLINDER ASSEMBLY - PLATFORM



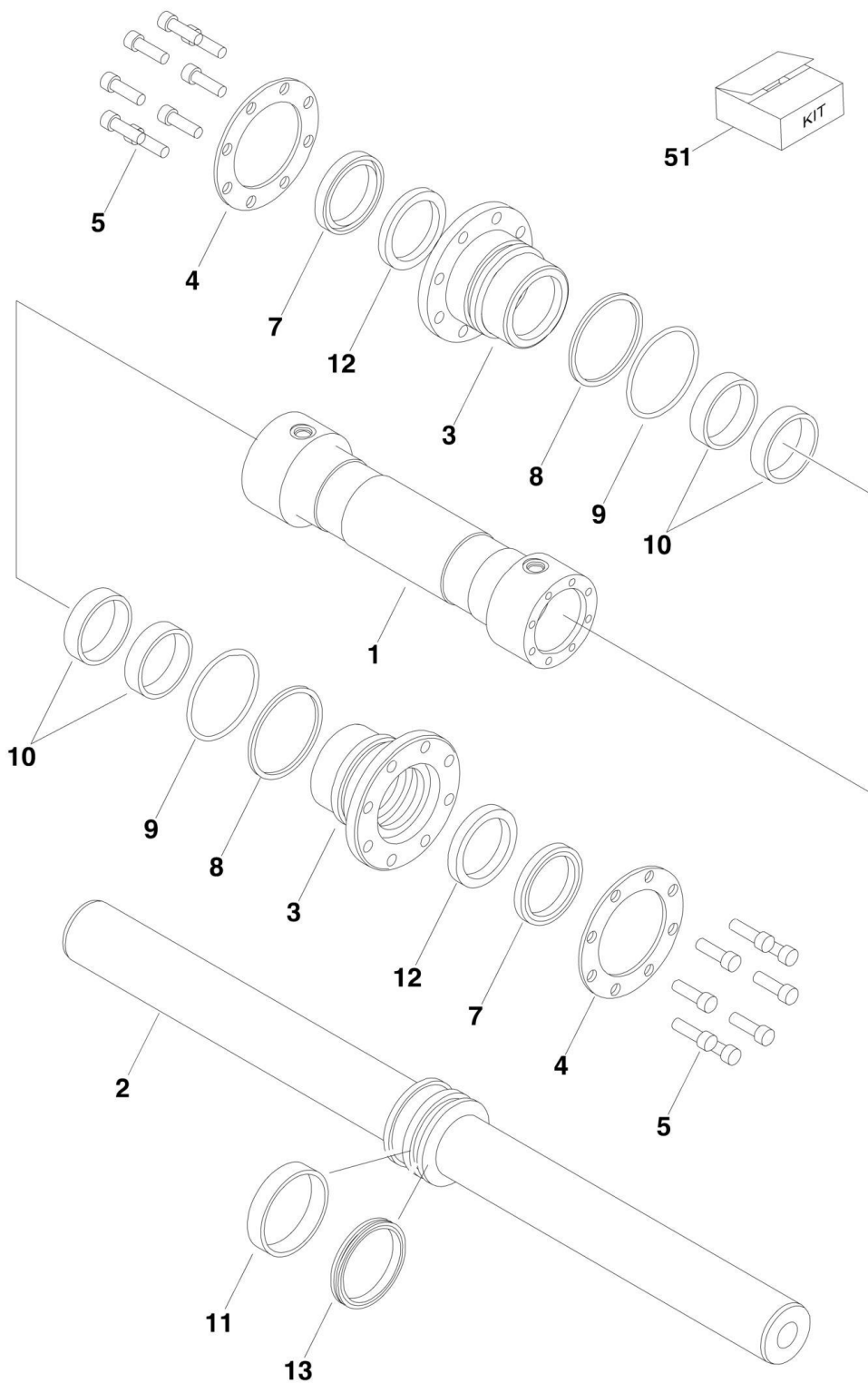
## SECTION 5 - CYLINDER

**FIGURE 5-7. ROTATOR CYLINDER ASSEMBLY - PLATFORM**

ITEM	PART NUMBER	QTY	DESCRIPTION	REV
	1683579	Ref	<b>PLATFORM ROTATOR CYLINDER ASSEMBLY</b>	A
1	7017226	1	Locknut	
2	See Note	NSS	Seal, Piston (Note: Use Item 51)	
3	7016708	1	Piston	
4	See Note	NSS	O-Ring (Note: Use Item 51)	
5	7017231	1	Barrel Weldment	
6	7017232	1	Rod Weldment	
7	See Note	NSS	O-Ring (Note: Use Item 51)	
8	See Note	NSS	Ring, Back-Up (Note: Use Item 51)	
9	7017207	1	Guide	
10	See Note	NSS	Seal, Lip (Note: Use Item 51)	
11	See Note	NSS	Wiper (Note: Use Item 51)	
12	7017233	2	Valve, Bleeder	
13	7017235	1	Bushing, Bronze	
51	7017227	1	Seal Kit (Includes Items 2,4,7,8,9,10 & 11)	

# SECTION 5 - CYLINDER

## FIGURE 5-8. STEER CYLINDER ASSEMBLY (ORIGINAL EQUIPMENT)



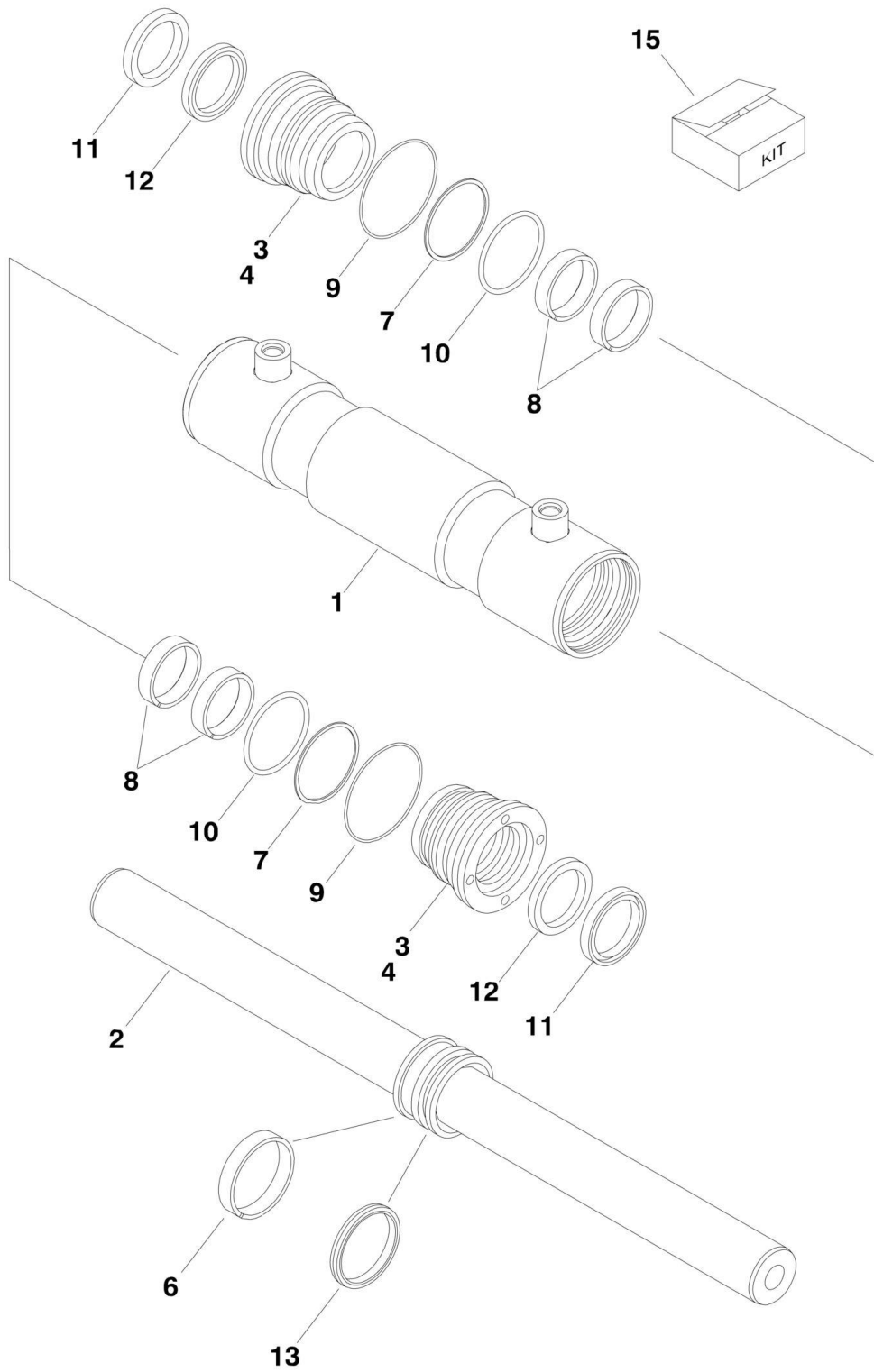
## SECTION 5 - CYLINDER

**FIGURE 5-8. STEER CYLINDER ASSEMBLY (ORIGINAL EQUIPMENT)**

ITEM	PART NUMBER	QTY	DESCRIPTION	REV
	1683614	Ref	<b>STEER CYLINDER ASSEMBLY (ORIGINAL EQUIPMENT)</b> <b>Note: Original Cylinder May Have Been Replaced with Service Replacement. Identify PN Stamped on Cylinder Before Ordering Parts.</b>	C
		Ref		
1	1683615	1	Barrel Weldment	
2	1683658	1	Rod Weldment	
3	1683076	2	Cap	
4	3760367	2	Washer, Ring	
5	3931516	16	Bolt, Socket Head 5/16in-18NC x 2in	
7	See Note	NSS	Wiper (Note: Use Item 51)	
8	See Note	NSS	Ring, Back-Up (Note: Use Item 51)	
9	See Note	NSS	O-Ring (Note: Use Item 51)	
10	See Note	NSS	Ring, Wear (Note: Use Item 51)	
11	See Note	NSS	Ring, Wear (Note: Use Item 51)	
12	See Note	NSS	Seal (Note: Use Item 51)	
13	See Note	NSS	T-Seal (Note: Use Item 51)	
14	0100011	AR	Loctite #242 (Not Shown)	
15	0100038	AR	Primer, Locking (Not Shown)	
51	2901547	1	Seal Kit (Includes Items 7-13)	

# SECTION 5 - CYLINDER

## FIGURE 5-9. STEER CYLINDER ASSEMBLY (SERVICE REPLACEMENT)





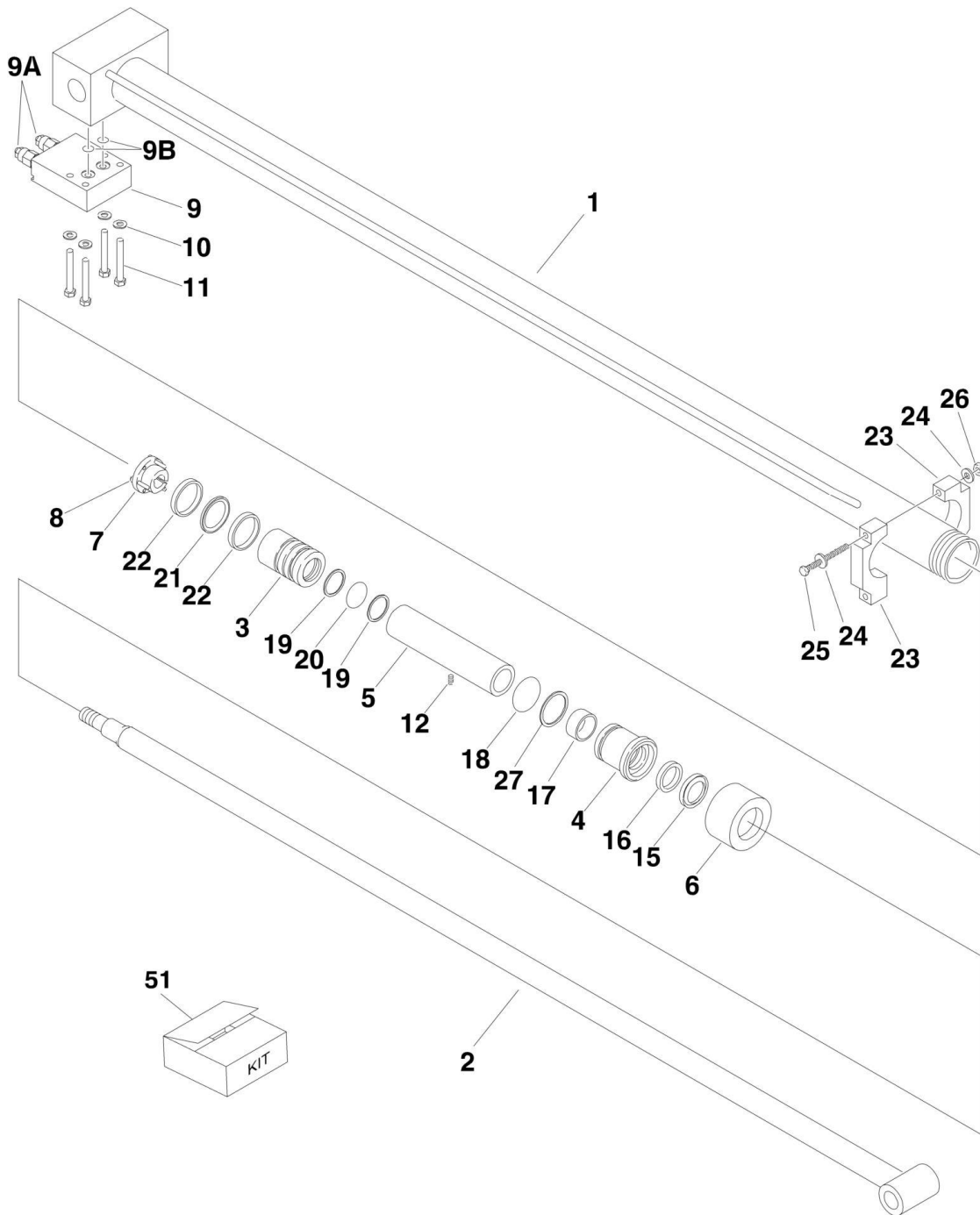
## SECTION 5 - CYLINDER

**FIGURE 5-9. STEER CYLINDER ASSEMBLY (SERVICE REPLACEMENT)**

ITEM	PART NUMBER	QTY	DESCRIPTION	REV
	1684412	Ref	<b>STEER CYLINDER ASSEMBLY (SERVICE REPLACEMENT)</b> <b>Note: Original Cylinder May Have Been Replaced with Service Replacement. Identify PN Stamped on Cylinder Before Ordering Parts.</b>	A
		Ref		
1	0370024	1	Barrel Weldment	
2	1683658	1	Rod Weldment	
3	2570008	2	Head, Cylinder	
4	3020043	1	Lube, Anti-Seize	
6	2902409	1	Ring, Wear	
7	2902409	2	Ring, Back-up	
8	2902409	4	Ring, Wear	
9	2902409	2	O-Ring	
10	2902409	2	O-Ring	
11	2902409	2	Wiper	
12	2902409	2	Seal	
13	2902409	1	T-Seal	
15	2902409	1	Seal Kit, Cylinder (Includes Items 6-13)	

# SECTION 5 - CYLINDER

## FIGURE 5-10. TELESCOPE CYLINDER ASSEMBLY



## SECTION 5 - CYLINDER

### FIGURE 5-10. TELESCOPE CYLINDER ASSEMBLY

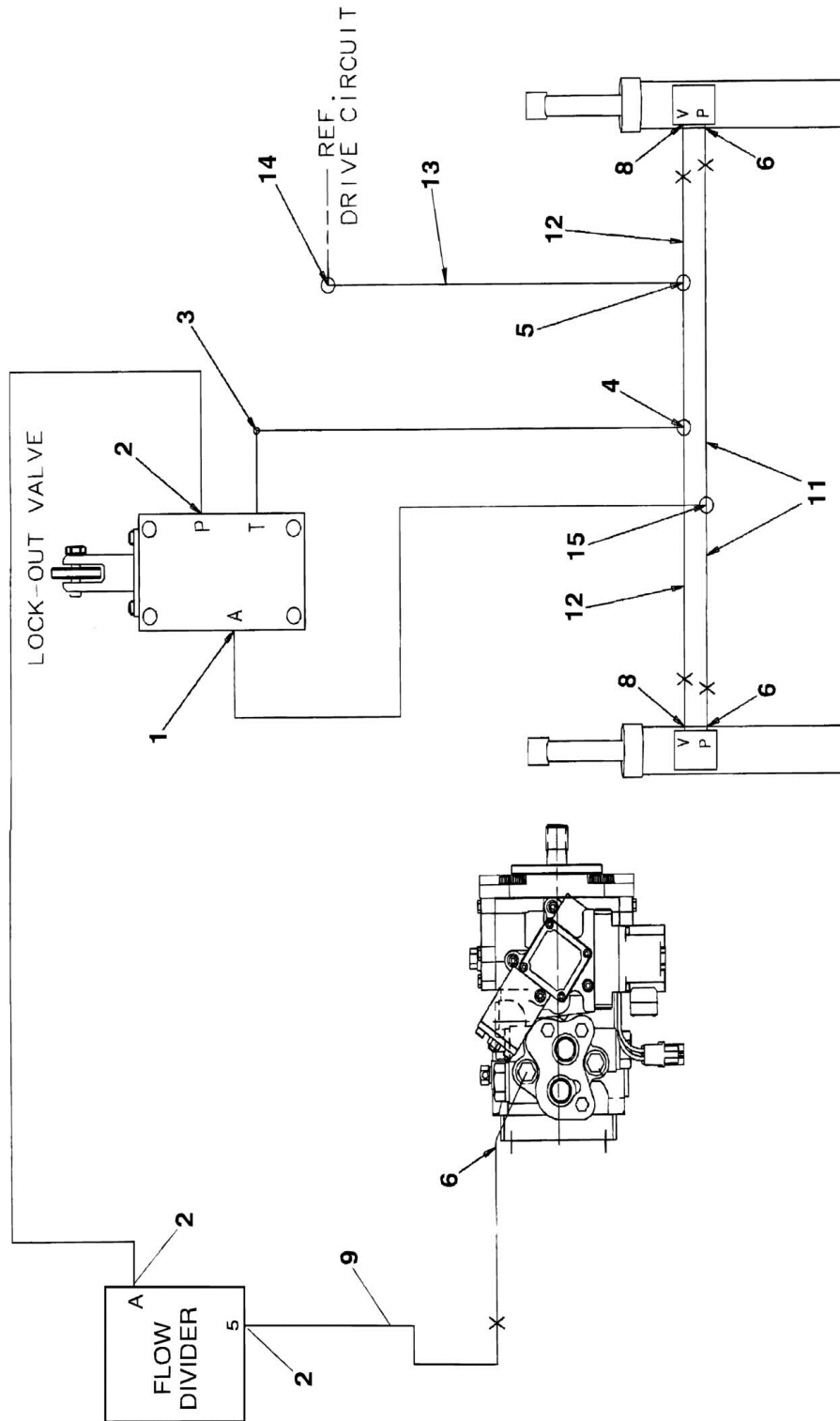
ITEM	PART NUMBER	QTY	DESCRIPTION	REV
		Ref	<b>TELESCOPE CYLINDER ASSEMBLY</b>	
	1683582	Ref	<b>Telescope Cylinder Assembly 450A (Prior to SN 0300038481)</b>	B
	1683716	Ref	<b>Telescope Cylinder Assembly 450A (SN 0300038481 through 0300065080)</b>	C
	1683653	Ref	<b>Telescope Cylinder Assembly 450AJ (Prior to SN 0300038481)</b>	B
	1683718	Ref	<b>Telescope Cylinder Assembly 450AJ (SN 0300038481 through 0300065080)</b>	C
1		Ref	Barrel Weldment	
1	1683580	1	Barrel Weldment 450A <b>(Prior to SN 0300038481)</b>	
1	1683715	1	Barrel Weldment 450A <b>(SN 0300038481 through 0300065080)</b>	
1	1683655	1	Barrel Weldment 450AJ <b>(Prior to SN 0300038481)</b>	
1	1683717	1	Barrel Weldment 450AJ <b>(SN 0300038481 through 00300065080)</b>	
2		Ref	Rod Weldment	
2	1683581	1	Rod Weldment 450A	
2	1683654	1	Rod Weldment 450AJ	
3	3480227	1	Piston	
4	1683584	1	Head	
5	4567331	1	Spacer, Tube	
6	1120110	1	Cap, End	
7	0962185	1	Bushing, Tapered	
8	0630534	3	Bolt, Socket Head #10-24NC x 1in	
9	4641055	1	Valve, Counterbalance	
9A	7011335	2	Valve, Cartridge	
9A	2900770	2	Seal Kit - 7011335 Valve (1 Per Cartridge)	
9B	3790110	2	O-Ring	
10	4711500	4	Flatwasher 5/16in Narrow	
11	0641520	4	Bolt 5/16in-18NC x 2 1/2in	
12	3900142	1	Setscrew 3/8in-16NC x1/4in	
13	0100011	AR	Loctite #242 (Not Shown)	
14	0100038	AR	Primer, Locking (Not Shown)	
15	See Note	NSS	Wiper (Note: Use Item 51)	
16	See Note	NSS	Seal (Note: Use Item 51)	
17	See Note	NSS	Ring, Wear (Note: Use Item 51)	
18	See Note	NSS	O-Ring (Note: Use Item 51)	
19	See Note	NSS	Ring, Back-Up (Note: Use Item 51)	
20	See Note	NSS	O-Ring (Note: Use Item 51)	
21	See Note	NSS	Seal (Note: Use Item 51)	
22	See Note	NSS	Ring, Wear (Note: Use Item 51)	
23	3340847	2	Pad, Support <b>(SN 0300038481 through 0300065080)</b>	
24	4751400	4	Flatwasher 1/4in <b>(SN 0300038481 through 0300065080)</b>	
25	0641424	2	Bolt 1/4in-20NC x 3in <b>(SN 0300038481 through 0300065080)</b>	
26	3311405	2	Locknut 1/4in-20NC <b>(SN 0300038481 through 0300065080)</b>	
27	See Note	NSS	Ring, Back-Up (Note: Use Item 51)	
51	2901544	1	Seal Kit (Includes Items 15-22 & 27)	



**SECTION 6 - HYDRAULIC**

# SECTION 6 - HYDRAULIC

## FIGURE 6-1. AXLE LOCKOUT HYDRAULIC DIAGRAM - 2WD



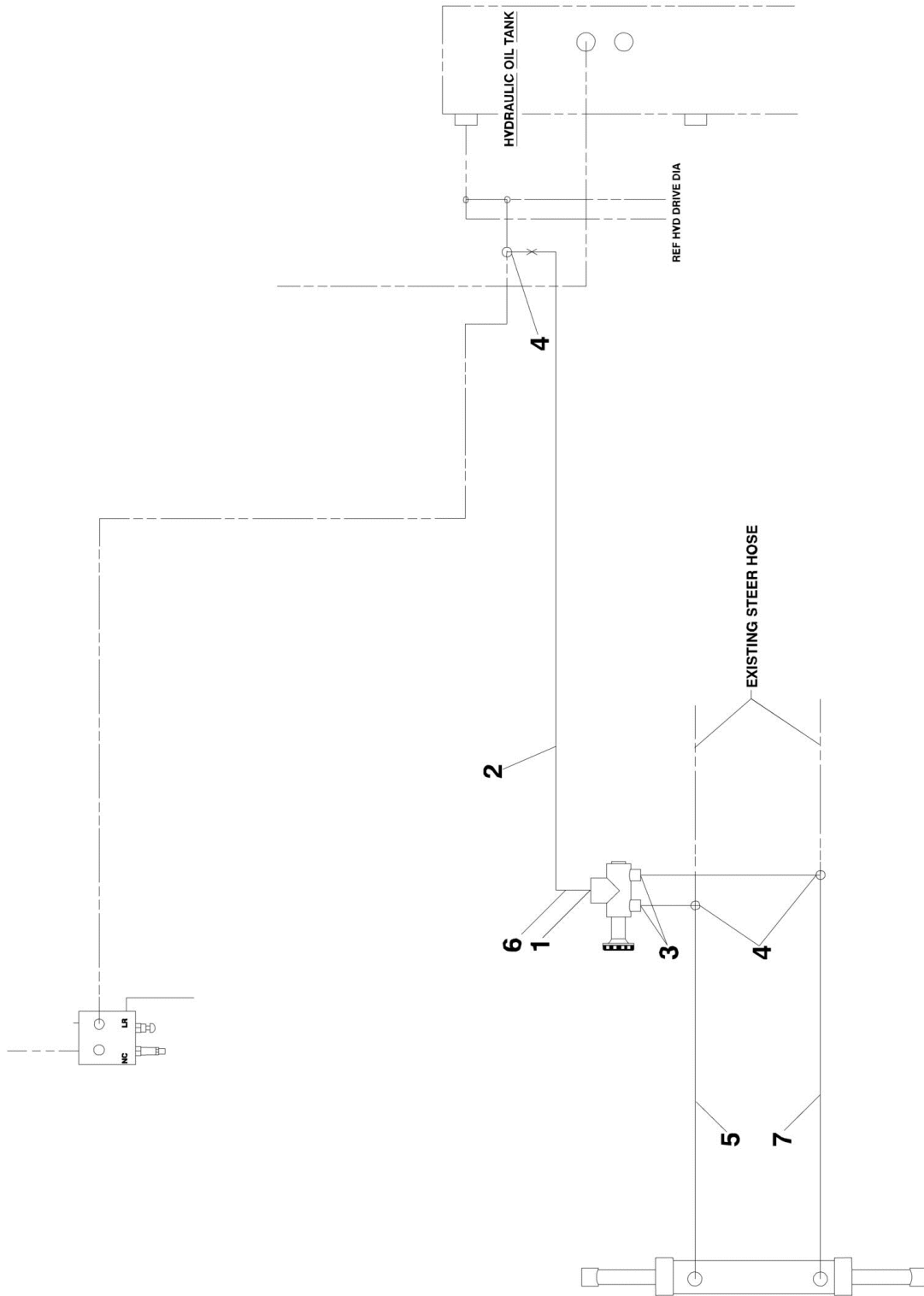
## SECTION 6 - HYDRAULIC

**FIGURE 6-1. AXLE LOCKOUT HYDRAULIC DIAGRAM - 2WD**

ITEM	PART NUMBER	QTY	DESCRIPTION	REV
		Ref	<b>AXLE LOCKOUT HYDRAULIC DIAGRAMS</b>	
	2792356	Ref	<b>2WD</b>	2-B
1	2220502	1	Fitting, 45	
2	2220415	3	Fitting, Straight	
3	2220603	1	Fitting, Straight	
4	2220579	1	Fitting, Tee	
5	2220635	1	Fitting, Tee	
6	2220582	3	Fitting, Straight	
8	2220371	2	Fitting, Straight	
9	2750895	1	Hose	
10	2751026	1	Hose	
11	2750888	2	Hose	
12	2753070	2	Hose	
13	2752648	1	Hose	
14	2220619	1	Fitting, Reducer	
15	2220861	1	Fitting, Tee	

# SECTION 6 - HYDRAULIC

## FIGURE 6-2. TOW BAR HYDRAULIC DIAGRAM





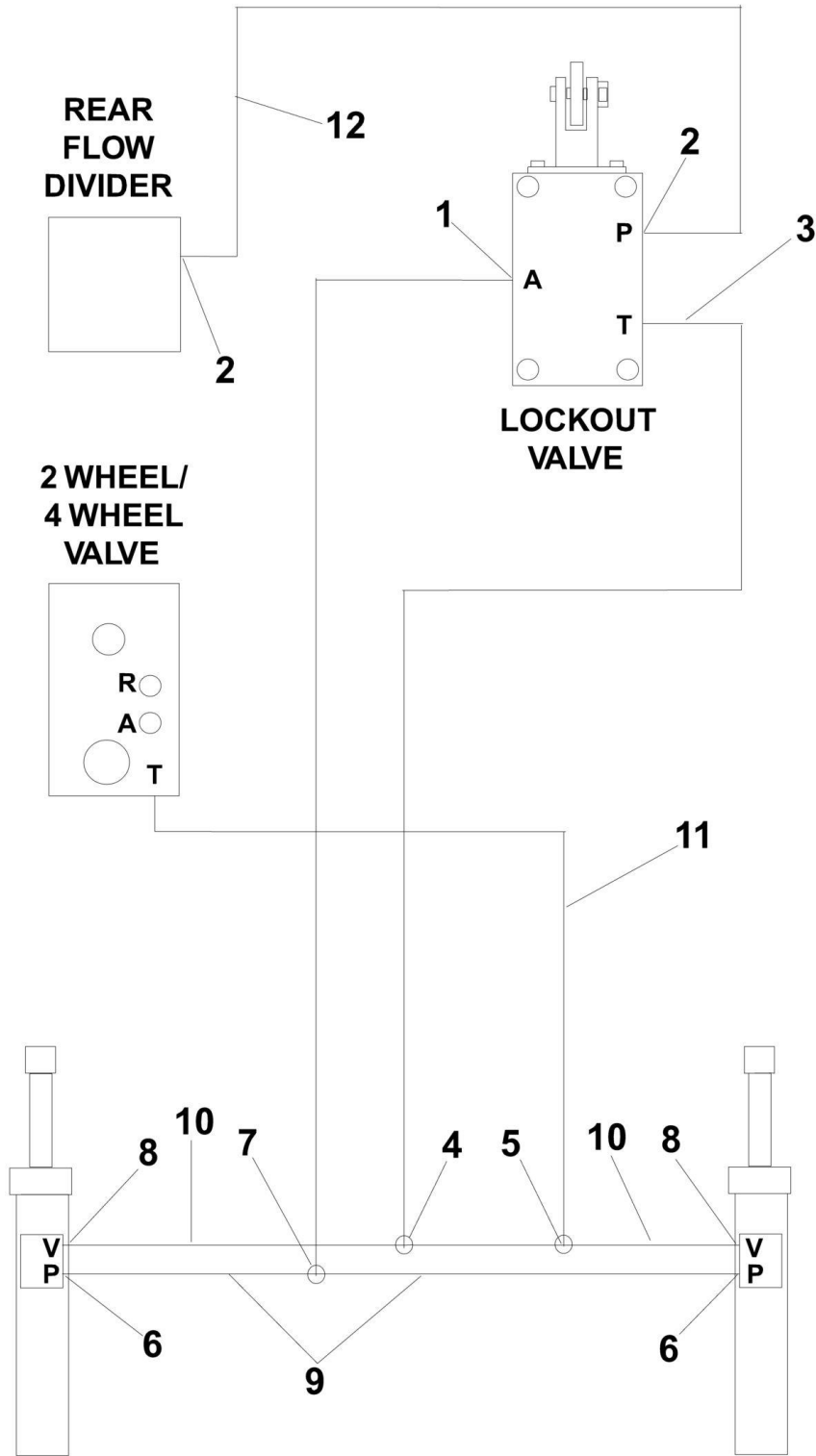
## SECTION 6 - HYDRAULIC

### FIGURE 6-2. TOW BAR HYDRAULIC DIAGRAM

ITEM	PART NUMBER	QTY	DESCRIPTION	REV
	2792414	Ref	<b>TOW BAR HYDRAULIC DIAGRAM</b>	1-B
1	2220628	1	Fitting, 90	
2	2752589	1	Hose	
3	2220468	2	Fitting, Straight	
4	2220605	3	Fitting, Tee	
5	2751426	1	Hose	
6	2220609	1	Fitting, Reducer	
7	2752590	1	Hose	

# SECTION 6 - HYDRAULIC

FIGURE 6-3. AXLE LOCKOUT HYDRAULIC DIAGRAM - 4WD



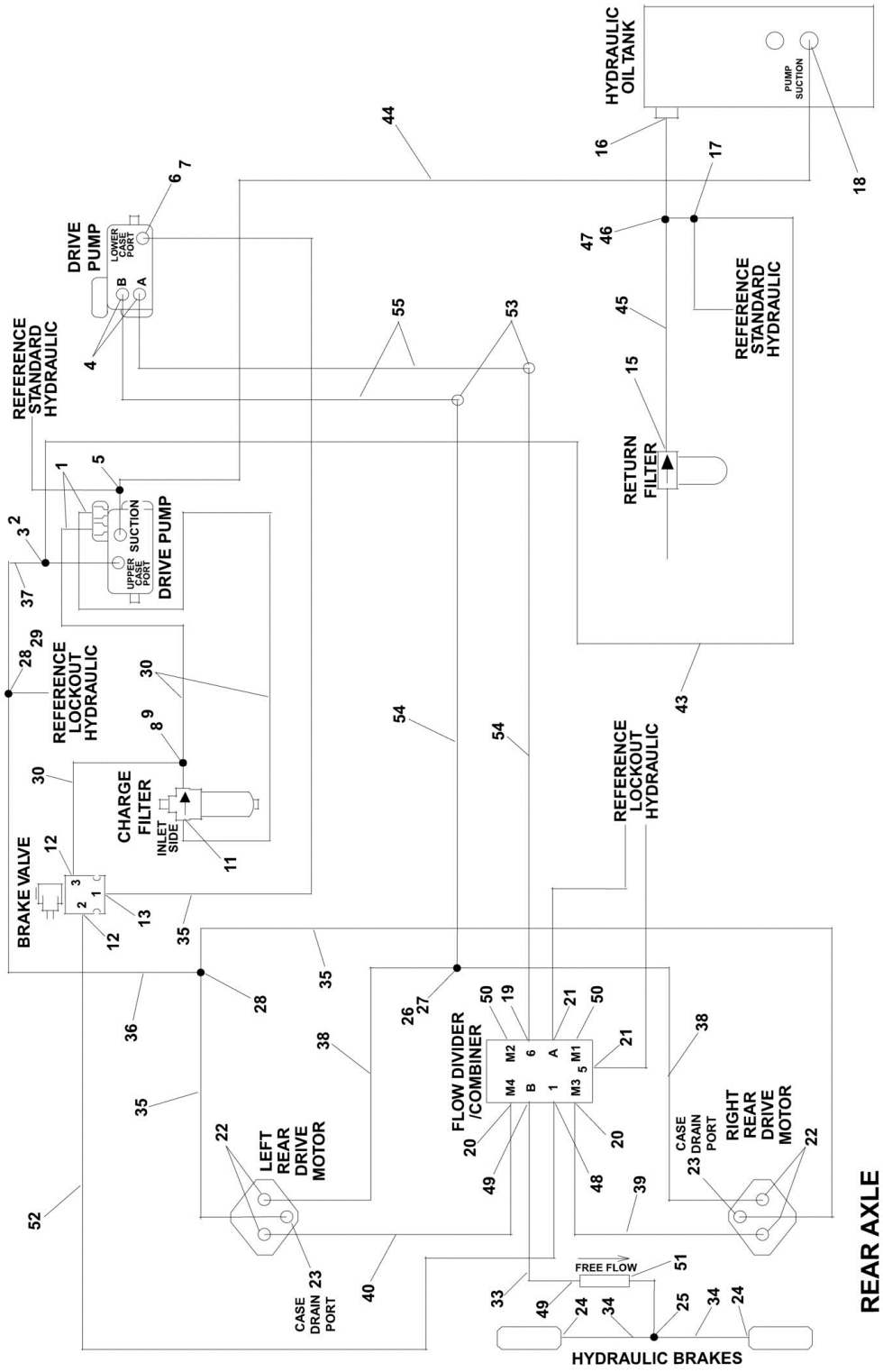
## SECTION 6 - HYDRAULIC

**FIGURE 6-3. AXLE LOCKOUT HYDRAULIC DIAGRAM - 4WD**

ITEM	PART NUMBER	QTY	DESCRIPTION	REV
		Ref	<b>AXLE LOCKOUT HYDRAULIC DIAGRAMS</b>	
	2792361	Ref	<b>4WD</b>	2-B
1	2220502	1	Fitting	
2	2220415	2	Fitting	
3	2220603	1	Fitting	
4	2220579	1	Fitting	
5	2220635	1	Fitting	
6	2220582	2	Fitting	
7	2220861	1	Fitting, Tee	
8	2220371	2	Fitting	
9	2750888	2	Hose	
10	2753070	2	Hose	
11	2752469	1	Hose	
12	2751026	1	Hose	

# SECTION 6 - HYDRAULIC

## FIGURE 6-4. DRIVE HYDRAULIC DIAGRAM - 2WD



REAR AXLE

## SECTION 6 - HYDRAULIC

**FIGURE 6-4. DRIVE HYDRAULIC DIAGRAM - 2WD**

ITEM	PART NUMBER	QTY	DESCRIPTION	REV
	2792358	Ref	<b>DRIVE HYDRAULIC DIAGRAM - 2WD</b>	6-C
1	2220374	2	Fitting, Straight	
2	2220738	1	Fitting, Tee	
3	2220622	1	Fitting, Reducer	
4	2220365	2	Fitting, 45	
5	2221026	1	Fitting, Tee	
6	2220375	1	Fitting, Straight	
7	2220618	1	Fitting, Reducer	
8	2220811	1	Fitting, Reducer	
9	2220602	1	Fitting, Tee	
11	2220366	1	Fitting, 90	
12	2220726	2	Fitting, 90	
13	2220582	1	Fitting, Straight	
15	2220664	1	Fitting, 90	
16	2220646	1	Fitting, 90	
17	2220700	2	Fitting, Tee	
18	2220379	1	Fitting, Straight	
19	2220646	1	Fitting, Straight	
20	2220451	2	Fitting, Straight	
21	2220235	2	Fitting, Plug	
22	2220451	4	Fitting, Straight	
23	2220600	2	Fitting, Straight	
24	2220466	2	Fitting, Tee	
25	2220711	1	Fitting, Tee	
26	2220363	1	Fitting, Tee	
27	2220710	2	Fitting, Reducer	
28	2220362	2	Fitting, Tee	
29	2220517	1	Fitting, Cap	
30	2752942	3	Hose	
32	2752433	1	Hose	
33	2752436	1	Hose	
34	2752581	2	Hose	
35	2752943	2	Hose	
36	2752944	1	Hose	
37	2752945	1	Hose	
38	2752240	2	Hose	
39	2752262	1	Hose	
40	2752262	1	Hose	
43	2752667	1	Hose	
44	2752726	1	Hose	
45	2752723	1	Hose	
46	2220642	1	Fitting, Tee	
47	2220710	1	Fitting, Reducer	
48	2220273	1	Fitting, Straight	
49	2220415	1	Fitting, Straight	
50	2220240	2	Fitting, Plug	
51	4641076	1	Valve, Restrictor	
52	2752357	1	Hose	
53	2221032	2	Fitting, Swivel	
53	7023480	1	Kit, Repair	

## SECTION 6 - HYDRAULIC

ITEM	PART NUMBER	QTY	DESCRIPTION	REV
54	2752325	2	Hose	
55	2752362	2	Hose	







## SECTION 6 - HYDRAULIC

**FIGURE 6-5. DRIVE HYDRAULIC DIAGRAM - 4WD**

ITEM	PART NUMBER	QTY	DESCRIPTION	REV
	2792359	Ref	<b>DRIVE HYDRAULIC DIAGRAM - 4WD</b>	6-E
1	2220374	2	Fitting, Straight	
2	2220738	1	Fitting, Tee	
3	2220622	1	Fitting, Reducer	
4	2221026	2	Fitting, Tee	
5	2220365	2	Fitting, 45	
6	2220375	1	Fitting, Straight	
7	2220618	2	Fitting, Reducer	
8	2220811	1	Fitting, Reducer	
9	2220602	2	Fitting, Tee	
10	2220366	1	Fitting, 90	
11	2220726	2	Fitting, 90	
12	2220582	2	Fitting, Straight	
14	2220646	1	Fitting, 90	
15	2220379	1	Fitting, Straight	
16	2752723	1	Hose	
17	2220700	1	Fitting, Tee	
18	2220664	1	Fitting, 90	
19	2220451	6	Fitting, Straight	
20	2220415	8	Fitting, Straight	
21	2220375	3	Fitting, Straight	
22	2220373	1	Fitting, Straight	
23	2220603	1	Fitting, Straight	
24	2220579	1	Fitting, Tee	
25	2220516	1	Fitting, Cap	
26	2220377	1	Fitting, Straight	
27	2220710	1	Fitting, Reducer	
28	2220407	1	Fitting, 90	
29	2220451	2	Fitting, Straight	
30	2220235	2	Fitting, Plug	
31	2220600	2	Fitting, Straight	
32	2220466	2	Fitting, Tee	
33	2220504	1	Fitting, Tee	
34	2220362	2	Fitting, Tee	
35	2220373	3	Fitting, Straight	
36	2220502	2	Fitting, 45	
37	2220600	2	Fitting, Straight	
38	2221068	4	Fitting	
39	2220500	4	Fitting, 45	
40	2220451	1	Fitting, Straight	
42	2220240	1	Fitting, Plug	
43	2220383	1	Fitting, Tee	
44	2752495	1	Hose	
45	2220469	1	Fitting, Tee	
46	2220619	1	Fitting, Reducer	
47	2752942	2	Hose	
48	2752667	1	Hose	
49	2752726	1	Hose	
50	2752433	1	Hose	
51	2752942	1	Hose	

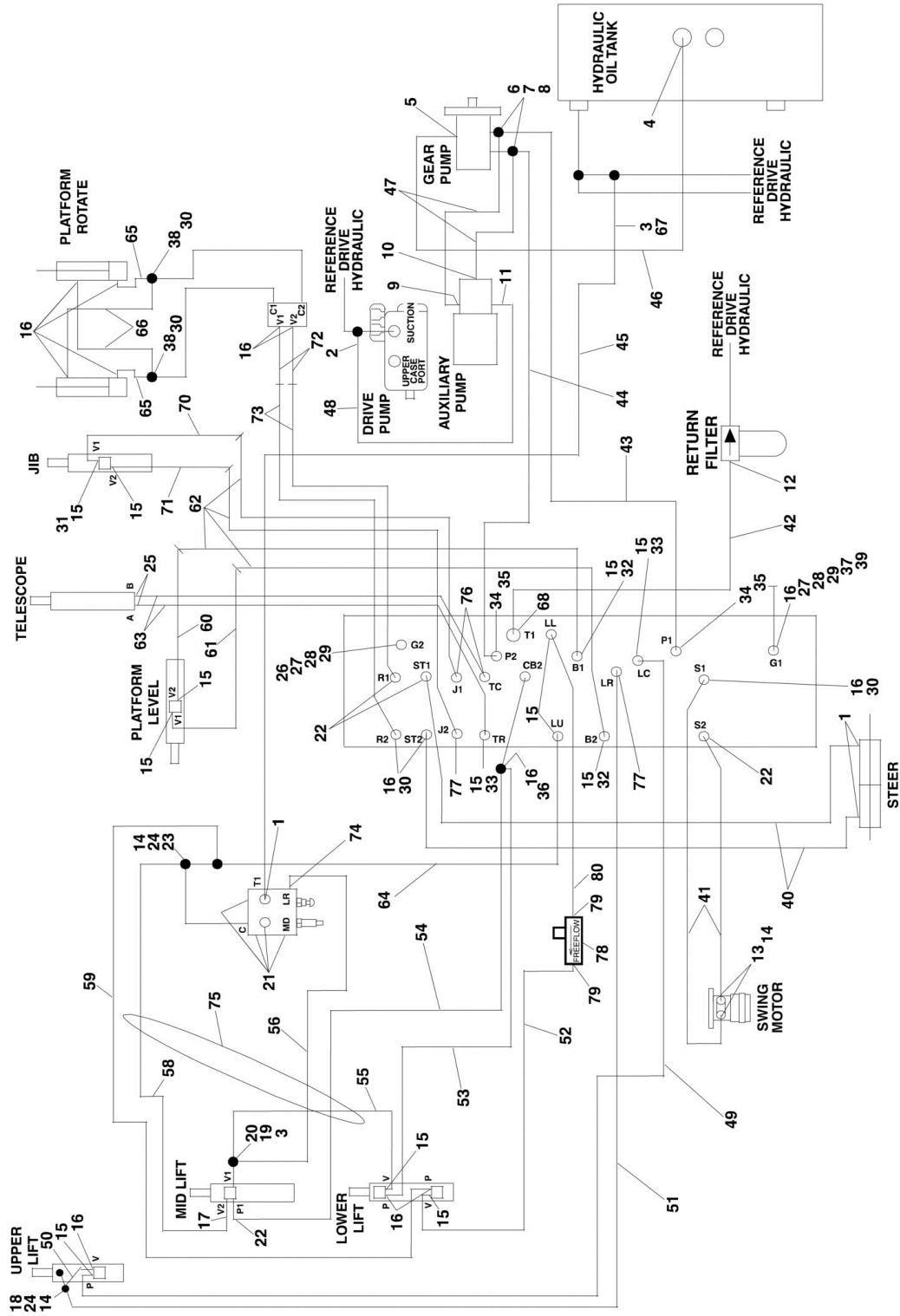
## SECTION 6 - HYDRAULIC

ITEM	PART NUMBER	QTY	DESCRIPTION	REV
52	2752928	1	Hose	
55	2752946	1	Hose	
56	2752263	2	Hose	
57	2752262	1	Hose	
58	2752261	1	Hose	
59	2752943	2	Hose	
60	2752944	2	Hose	
61	2752581	2	Hose	
62	2752436	1	Hose	
63	2752264	1	Hose	
64	2752648	1	Hose	
65	2753034	1	Hose	
66	2750760	1	Hose	
67	2752514	3	Hose	
68	2753088	2	Hose	
69	2753089	2	Hose	
70	2751015	1	Hose	
71	2750899	2	Hose	
72	4100026	7 ft/2.13m	Sleeve, Hose	
73	2220710	1	Fitting, Reducer	
74	2220642	1	Fitting, Tee	
76	4641076	1	Valve, Restrictor	
77	2220711	1	Fitting, Tee	
78	2220472	1	Fitting, 90	
79	2221032	2	Fitting, Swivel	
80	2752325	2	Hose	
81	2752362	2	Hose	



# SECTION 6 - HYDRAULIC

## FIGURE 6-6. STANDARD HYDRAULIC DIAGRAM



## SECTION 6 - HYDRAULIC

**FIGURE 6-6. STANDARD HYDRAULIC DIAGRAM**

ITEM	PART NUMBER	QTY	DESCRIPTION	REV
		Ref	<b>STANDARD HYDRAULIC DIAGRAM</b>	
	2792352	Ref	<b>Standard Hydraulic Diagram 450A</b>	5-F
	2792353	Ref	<b>Standard Hydraulic Diagram 450AJ</b>	6-G
1	2220582	3	Fitting, Straight	
2	2220710	1	Fitting, Reducer	
3	2220618	2	Fitting, Reducer	
4	2220379	1	Fitting, Straight	
5	2221025	1	Fitting, Straight	
6	4640744	2	Valve, Check	
7	2220385	2	Fitting, Tee	
8	2220619	2	Fitting, Reducer	
9	2220775	1	Fitting, 90	
10	2220603	1	Fitting, Straight	
11	2220567	1	Fitting, 90	
12	2220578	1	Fitting, 90	
13	2220497	2	Fitting, Straight	
14	2220609	4	Fitting, Reducer	
15	2220371	AR	Fitting, Straight	
16	2220415	14	Fitting, Straight	
17	2220628	1	Fitting, 90	
18		Ref	Fitting, 90 Options:	
18	2220628	1	Fitting, 90 450A	
18	2220473	1	Fitting, 90 450AJ	
19	2220619	1	Fitting, Reducer	
20	2220999	1	Fitting, Tee	
21	2220237	4	Fitting, Plug	
22	2220466	4	Fitting, 90	
23	2220606	1	Fitting, Tee	
24	2220635	2	Fitting, Tee	
25	2220501	2	Fitting, 45	
26	2220873	1	Fitting, Straight	
27	2220428	2	Fitting, Pressure Check	
28	2220429	2	Cap, Dust	
29	0100020	AR	Sealant, Pipe	
30	2220654	5	Fitting, 90	
31		Ref	Fitting Options:	
31	Not Required	0	Fitting 450A	
31	2220907	1	Fitting 450AJ	
32	2220509	2	Fitting, 90	
33	2220507	2	Fitting, 90	
34	2220600	2	Fitting, Straight	
35	2220386	2	Fitting, 90	
36	2220605	1	Fitting, Tee	
37	2220414	1	Fitting, Straight	
38	2221034	2	Fitting, Tee	
39	2752436	1	Hose	
40	2752996	2	Hose	
41	2752997	2	Hose	
42	2752669	1	Hose	
43	2752947	1	Hose	

## SECTION 6 - HYDRAULIC

ITEM	PART NUMBER	QTY	DESCRIPTION	REV
44	2752948	1	Hose	
45	2752434	1	Hose	
46	2752726	1	Hose	
47	2752479	2	Hose	
48	2752668	1	Hose	
49	2753072	1	Hose	
50		Ref	Hose Options:	
50	2752433	1	Hose 450A	
50	2752453	1	Hose 450AJ	
51	2753073	1	Hose	
52	2752627	1	Hose	
53	2752439	1	Hose	
54	2752998	1	Hose	
55	2753074	1	Hose	
56	2752583	1	Hose	
57	Not Required	0	Not Required	
58	2752623	1	Hose	
59	2752999	1	Hose	
60		Ref	Hose Options:	
60	2753081	1	Hose 450A	
60	2753077	1	Hose 450AJ	
61		Ref	Hose Options:	
61	2753082	1	Hose 450A	
61	2753078	1	Hose 450AJ	
62	2753075	AR	Hose	
63	2753076	2	Hose	
64	2752463	1	Hose	
65	2753000	2	Hose	
66	2752437	2	Hose	
67	2220622	1	Fitting, Reducer	
68	2220593	1	Fitting, Straight	
70		Ref	Hose Options	
70	Not Required	0	Hose 450A	
70	2753079	1	Hose 450AJ	
71		Ref	Hose Options	
71	Not Required	0	Hose 450A	
71	2753080	1	Hose 450AJ	
72		Ref	Hose Options	
72	2753004	2	Hose 450A	
72	2753003	2	Hose 450AJ	
73	2753001	2	Hose	
74	2220472	1	Fitting 90	
76		Ref	Fitting Options	
76	Not Required	0	Fitting 450A	
76	2220473	2	Fitting 450AJ	
77	2220819	2	Fitting, 90	
78	4640757	1	Valve, Colorflow	
79	2220372	2	Fitting, Straight	
80	2752463	1	Hose	
81	1704395	1	Hose Tag Kit (Not Shown)	



## SECTION 6 - HYDRAULIC

FIGURE 6-7. HYDRAULIC DIAGRAM LIST

ITEM	PART NUMBER	QTY	DESCRIPTION	REV
		Ref	<b>Note: Diagrams not shown are available from JLG service department.</b>	
		Ref	<b>Axle Lockout Hydraulic Diagrams:</b>	
	2792356	Ref	2WD Machines	
	2792361	Ref	4WD Machines	
	2792414	Ref	<b>Tow Bar Hydraulic Diagrams:</b>	
		Ref	<b>Drive Hydraulic Diagrams:</b>	
	2792358	Ref	2WD Machines	
	2792359	Ref	4WD Machines	
		Ref	<b>Standard Hydraulic Diagrams:</b>	
	2792352	Ref	Standard Hydraulic 450A	
	2792353	Ref	Standard Hydraulic 450AJ	
		Ref	<b>Standard Hydraulic Schematics:</b>	
	2792357	Ref	Bang-Bang Valves	
	2792372	Ref	Proportional Valves	



**SECTION 7 - ELECTRICAL**

# SECTION 7 - ELECTRICAL

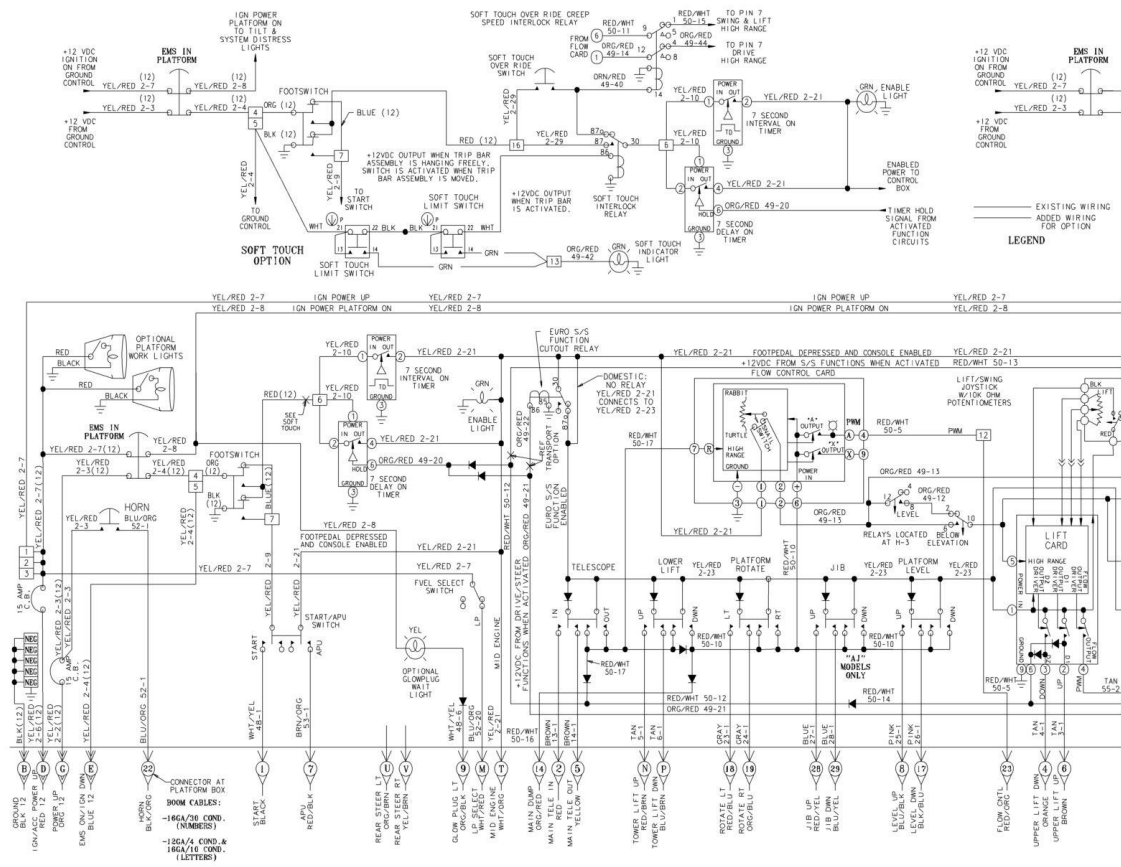
## FIGURE 7-1. ELECTRICAL DIAGRAM LIST

ITEM	PART NUMBER	QTY	DESCRIPTION	REV
		Ref	<b>Note: Diagrams not shown in manual are available from the JLG Service/parts Department.</b>	
		Ref	<b>ALARM ELECTRICAL DIAGRAMS</b>	
	4933021	Ref	<b>Motion Alarm</b>	1-A
	4933022	Ref	<b>Travel Alarm</b>	1-A
	0258921	Ref	<b>ETHER START ELECTRICAL DIAGRAM</b>	2
	1283002	Ref	<b>ETHER START ELECTRICAL DIAGRAM</b>	C
		Ref	<b>GENERATOR ELECTRICAL DIAGRAMS</b>	
	4932989	Ref	<b>220Volt (Prior to SN 0300056107)</b>	1-B
	4933149	Ref	<b>220Volt (SN 0300056107 through 0300065080)</b>	2-B
	4933070	Ref	<b>GLOW PLUG ELECTRICAL DIAGRAM (DEUTZ MACHINES) (Prior to SN 0300059303)</b>	1-A
	2400041	1	Fuse 200 Amp	
	2400044	1	Fuseholder	
	4922206	1	Harness, Wiring	
	4120035	2	Base, Light	
	2920129	2	Bulb, Light	
	3990010	1	Diode 6 Amp	
	2901691	1	Timer Relay, Glowplugs and Connector Kit	
	2901764	1	Battery Cable Kit	
	4933175	Ref	<b>GLOW PLUG ELECTRICAL DIAGRAM (DEUTZ MACHINES) (SN 0300059303 through 0300065080)</b>	1-B
	4922542	1	Harness, Wiring	
	4120035	2	Base, Light	
	2920129	2	Bulb, Light	
	3990010	1	Diode 6 Amp	
	2901691	1	Timer Relay, Glowplugs and Connector Kit	
	1060904	1	Battery Cable	
		Ref	<b>LIGHTS ELECTRICAL DIAGRAM</b>	
	4932917	Ref	<b>Headlight/Taillight</b>	3-D
	4933027	Ref	<b>Strobe Light</b>	1
	1282937	Ref	<b>Strobe Light</b>	A
		Ref	<b>PLATFORM ELECTRICAL DIAGRAMS</b>	
	4932999	Ref	Australian Spec	4-E
	4933001	Ref	CE Spec	4-D
		Ref	<b>PLATFORM LOAD SENSING ELECTRICAL DIAGRAM</b>	
	4933007	Ref	Without Platform Indicator Light	A
	0259523	Ref	With Platform - BPE Load Sensor	B
	0271483	Ref	With Platform - BPE Load Sensing Device	B
	0258770	Ref	<b>PROXIMITY SWITCH ELECTRICAL DIAGRAM</b>	1-A
	4933133	Ref	<b>SOFT TOUCH ELECTRICAL DIAGRAM</b>	1-A
	4933053	Ref	<b>STANDARD ELECTRICAL DIAGRAM</b>	4-G
	1870085	Ref	<b>STANDARD ELECTRICAL SCHEMATIC</b>	C
	0258431	Ref	<b>2WD/4WD ELECTRICAL DIAGRAM</b>	3-B

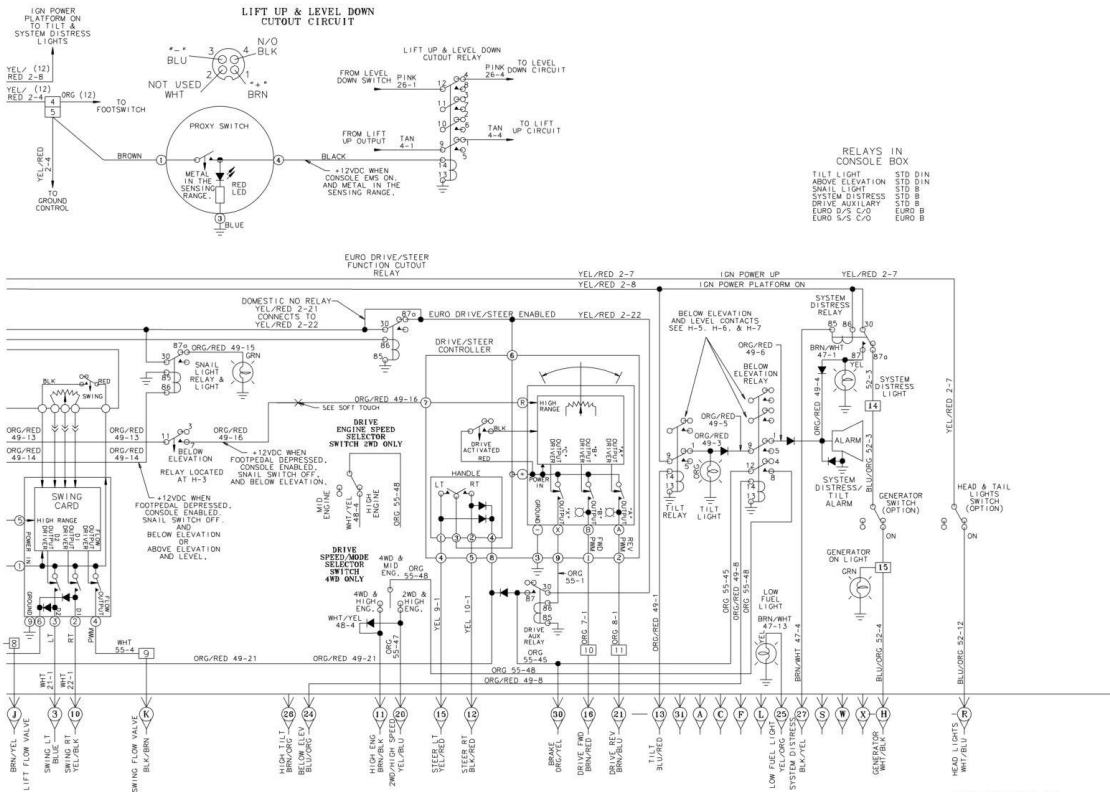


# SECTION 7 - ELECTRICAL

## FIGURE 7-2. ELECTRICAL SCHEMATIC - DEUTZ ENGINE MACHINES

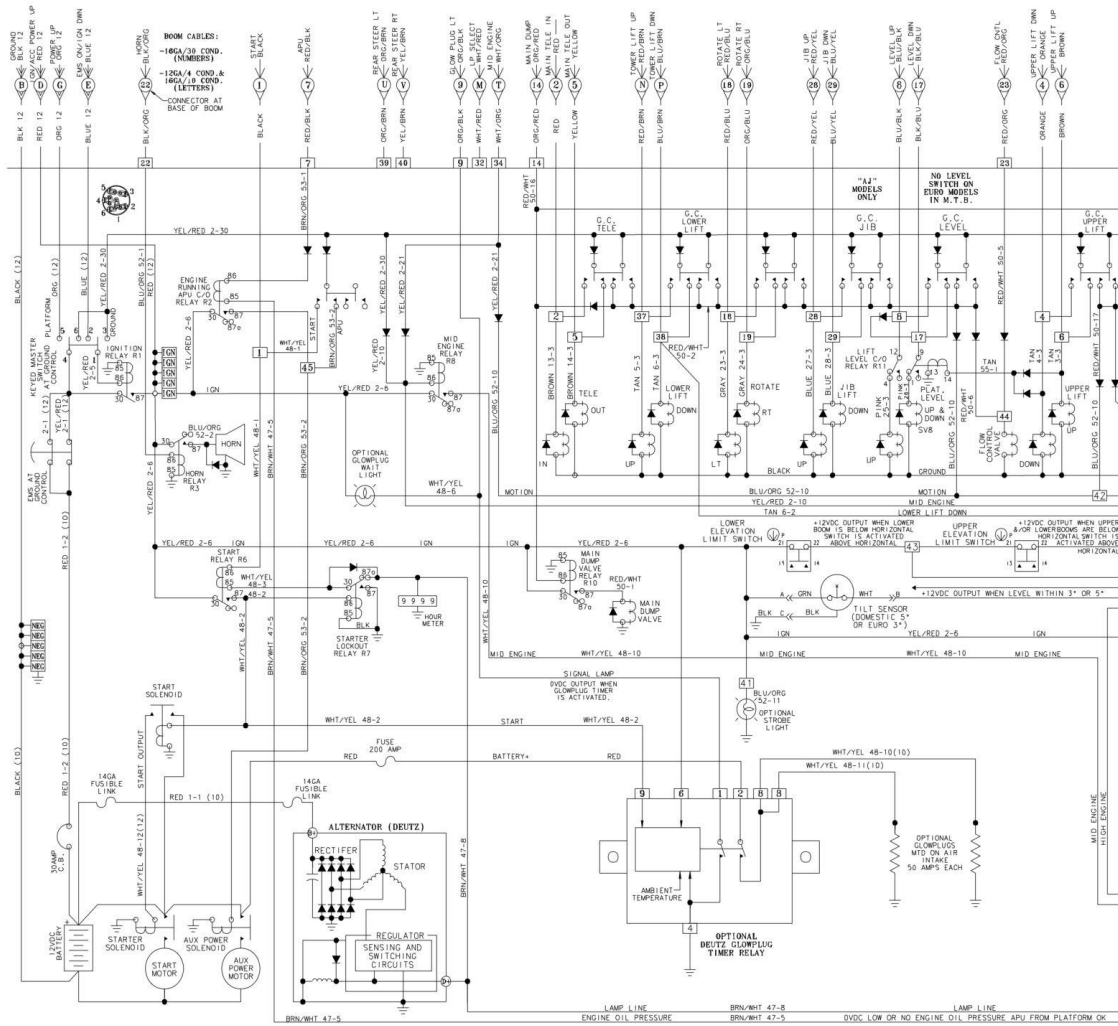


# SECTION 7 - ELECTRICAL

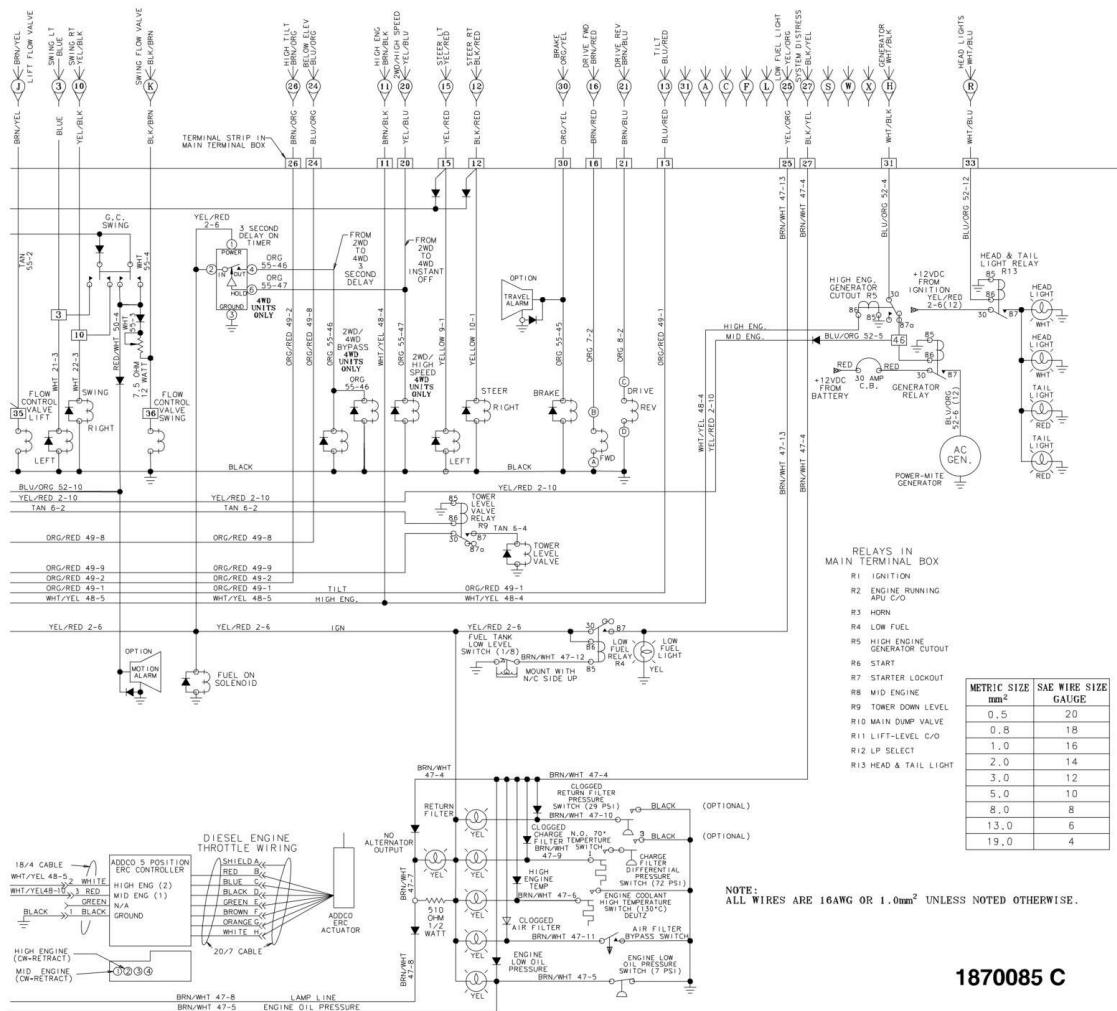


1870085 C

# SECTION 7 - ELECTRICAL

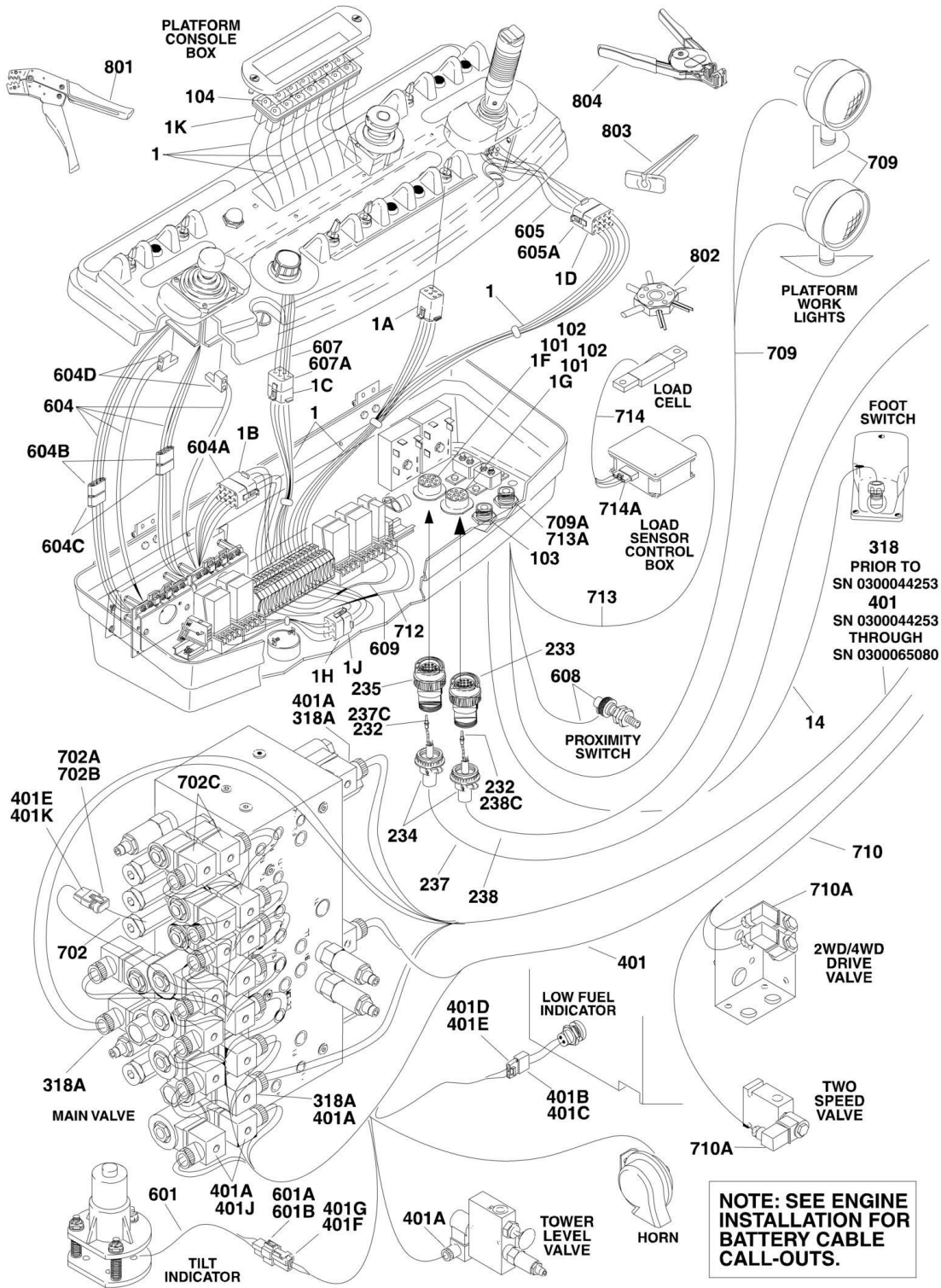


# SECTION 7 - ELECTRICAL



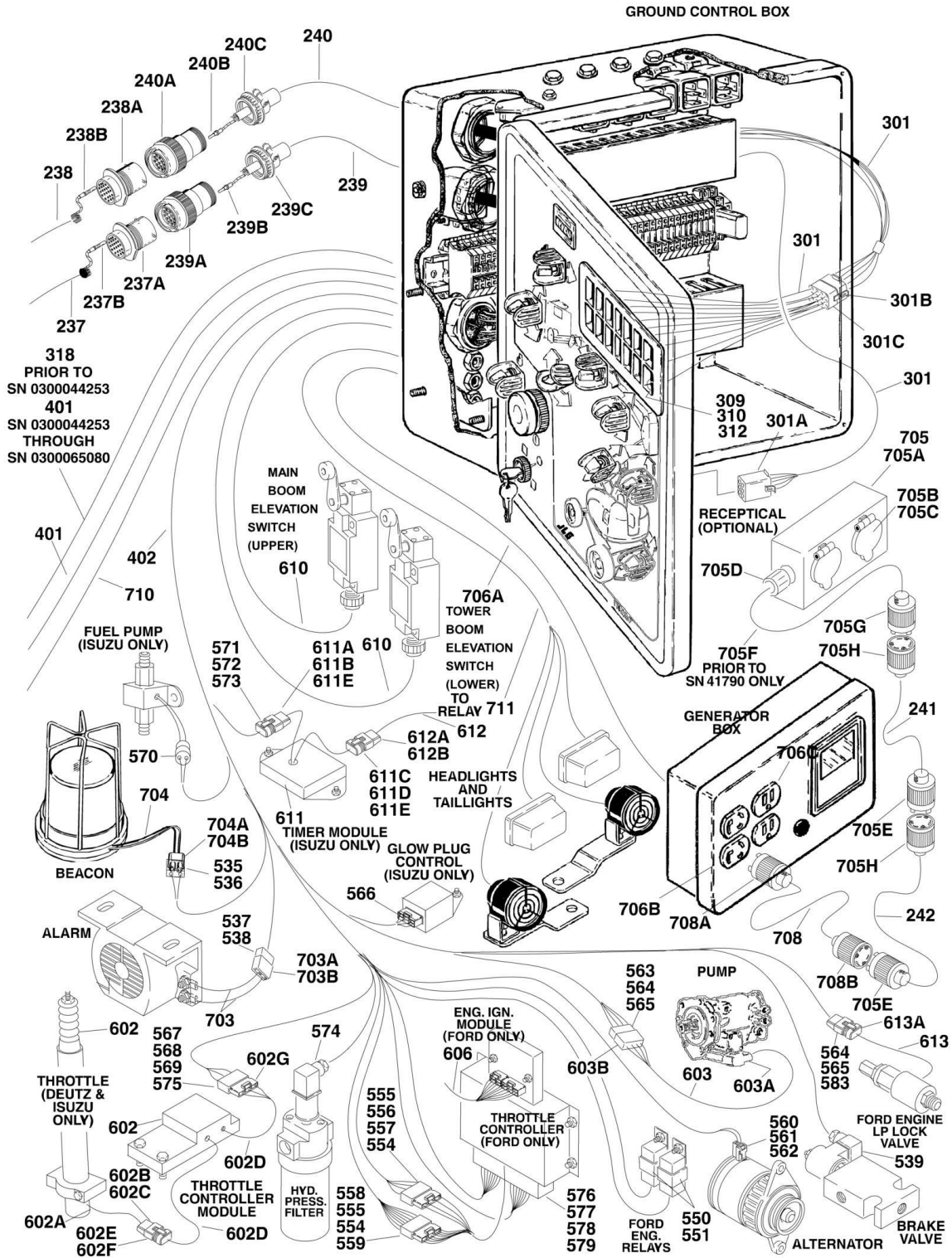
# SECTION 7 - ELECTRICAL

## FIGURE 7-3. HARNESS COMPONENTS INSTALLATION





# SECTION 7 - ELECTRICAL



# SECTION 7 - ELECTRICAL

## FIGURE 7-3. HARNESS COMPONENTS INSTALLATION

ITEM	PART NUMBER	QTY	DESCRIPTION	REV
		Ref	<b>HARNESS COMPONENTS INSTALLATION</b>	
		Ref	<b>PLATFORM BOX WIRING DIAGRAM</b>	
	4932999	Ref	<b>Australian Spec</b>	4-E
	4933001	Ref	<b>CE Spec</b>	4-D
1	4922053	1	Platform Box Harness (Also Includes Terminal Block/Rail Assembly - See PLATFORM SECTION for Breakdown)	7-G
1A	4460418	6	Connector - 6 Position	
1A	4460419	34	Terminal, Female	
1B	4460265	2	Connector - 9 Position	
1B	4460268	18	Socket, Female	
1C	4460266	1	Connector, Female - 9 Position	
1C	4460268	7	Socket, Female	
1D	4460266	1	Connector, Female - 9 Position	
1D	4460268	9	Socket, Female	
1E	3990010	10	Diode - 6 Amp (Not Shown)	
1F	4460613	1	Connector - 21 Position	
1F	4460508	4	Pin, Male (12 Gauge)	
1F	4460464	10	Pin, Male (16 Gauge)	
1F	4460466	1	Seal, Plug	
1G	4460503	1	Connector - 31 Position	
1G	4460464	30	Pin, Male (16 Gauge)	
1G	4460466	1	Seal, Plug	
1H	4460224	1	Connector - 6 Position Only <b>(SN 0300043370 through 0300065080)</b>	
1H	4460268	6	Socket, Female	
1J	4460225	1	Connector - 6 Position Only <b>(SN 0300043370 through 0300065080)</b>	
1J	4460267	6	Pin, Male	
1K	4120035	8	Bulb, Light	
1K	4460634	7	Terminal (16 Gauge)	
1K	4460635	8	Terminal (12 Gauge)	
4	3990010	8	Diode - 6 Amp (Not Shown)	
12	4460418	1	Connector - 6 Position (Not Shown - 2WD/4WD Switch)	
13	4460419	3	Terminal, Female (Not Shown - Used with item 12)	
14		Ref	Cable, Electrical - 12/4 Options:	
14	1060012	7 ft/2.13m	Cable, Electrical - 12/4 <b>(Prior to SN 0300060663)</b>	
14	1060515	7 ft/2.13m	Cable, Electrical - 12/4 <b>(SN 0300060663 through 0300065080)</b>	
		Ref	<b>PLATFORM BOX ASSEMBLY COMPONENTS</b>	
101	4460470	2	Nut, Conduit	
102	4460471	2	Washer	
103	4460428	1	Connector, Strain Relief	
104	2920129	8	Bulb, Light	
		Ref	<b>BOOM CABLES INSTALLATION</b>	
	0258310	Ref	<b>Boom Cables Installation 450A</b>	9
	0258311	Ref	<b>Boom Cables Installation 450AJ</b>	8
232	4460466	8	Seal, Plug	
233	4460502	1	Terminal - 31 Socket	
234	4460473	2	Clamp, Cable	
235	4460614	1	Terminal - 21 Socket	
237		Ref	Cable, Electrical - 12/4-16/10 (Upper) Options:	

## SECTION 7 - ELECTRICAL

ITEM	PART NUMBER	QTY	DESCRIPTION	REV
237	4922113	1	Cable, Electrical - 12/4-16/10 (Upper) 450AJ	3
237	4922113	1	Cable, Electrical - 12/4-16/10 (Upper) 450A <b>(Prior to SN 0300047619)</b>	3
237	4922316	1	Cable, Electrical - 12/4-16/10 (Upper) 450A <b>(SN 0300047619 through 0300065080)</b>	1
237	1060603	Ref	Cable, Electrical - 12/4-16/10 Options:	
237	1060603	40 ft/12.2m	Cable, Electrical - 12/4-16/10, (450AJ)	
237	1060603	40 ft/12.2m	Cable, Electrical - 12/4-16/10, (450A) <b>(Prior to SN 0300047619)</b>	
237	1060603	27.5 ft/8.4m	Cable, Electrical - 12/4-16/10, (450A) <b>(SN 0300047619 through 0300065080)</b>	
237A	4460613	1	Connector - 21 Position	
237A	4460466	7	Seal, Plug	
237B	4460508	4	Pin, Male (12 Gauge)	
237B	4460464	10	Pin, Male (16 Gauge)	
237C	4460465	10	Socket, Female	
237C	4460509	4	Socket, Female	
238		Ref	Cable, Electrical - 16/30 (Upper) Options:	
238	4922109	1	Cable, Electrical - 16/30 (Upper) 450AJ	3
238	4922109	1	Cable, Electrical - 16/30 (Upper) 450A <b>(Prior to SN 0300047619)</b>	3
238	4922317	1	Cable, Electrical - 16/30 (Upper) 450A <b>(SN 0300047619 through 0300065080)</b>	1
238	1060516	Ref	Cable, Electrical - 16/30 Options:	
238	1060516	40 ft/12.2m	Cable, Electrical - 16/30, (450AJ)	
238	1060516	40 ft/12.2m	Cable, Electrical - 16/30, (450A) <b>(Prior to SN 0300047619)</b>	
238	1060516	27.9 ft/8.5m	Cable, Electrical - 16/30, (450A) <b>(SN 0300047619 through 0300065080)</b>	
238A	4460503	1	Connector - 31 Position	
238A	4460466	1	Seal, Plug	
238B	4460464	30	Pin, Male (16 Gauge)	
238C	4460465	30	Socket, Female	
239	4922115	1	Cable, Electrical - 12/4-16/10 (Lower)	4
239	1060603	45 ft/13.7m	Cable, Electrical - 12/4-16/10	
239A	4460614	1	Terminal - 21 Socket	
239A	4460466	8	Seal, Plug	
239B	4460465	10	Socket, Female	
239B	4460509	4	Socket, Female	
239C	4460473	1	Clamp, Cable	
240	4922112	1	Cable, Electrical - 16/30 (Lower)	4
240	1060516	45 ft/13.7m	Cable, Electrical - 16/30	
240A	4460502	1	Terminal - 31 Socket	
240A	4460466	1	Seal, Plug	
240B	4460465	30	Socket, Female	
240C	4460473	1	Clamp, Cable	
241		Ref	Cable, Electrical - 12/3 (Upper)	
241	1060461	40 ft/12.2m	Cable, Electrical - 12/3 (Upper) <b>(Prior to SN 0300041790)</b>	
241	1060709	32 ft/9.8m	Cable, Electrical - 12/3 (Upper) <b>(SN 0300041790 through</b>	

## SECTION 7 - ELECTRICAL

ITEM	PART NUMBER	QTY	DESCRIPTION	REV
241	1060461	32 ft/9.8m	<b>0300043308)</b> Cable, Electrical - 12/3 (Upper) (SN 0300043309 through <b>0300065080)</b>	
242		Ref	Cable, Electrical - 12/3 (Lower)	
242	1060461	45 ft/13.7m	Cable, Electrical - 12/3 (Lower) (Prior to SN 0300041790)	
242	1060709	40 ft/12.2m	Cable, Electrical - 12/3 (Lower) (SN 0300041790 through <b>0300043308)</b>	
242	1060461	40 ft/12.2m	Cable, Electrical - 12/3 (Lower) (SN 0300043309 through <b>0300065080)</b>	
	4933053	Ref	<b>GROUND CONTROL BOX WIRING DIAGRAM</b>	5-F
301		Ref	Harness, Ground Control Box	
301	4922162	NLA	Harness, Ground Control Box (Use p/n 4922287) (Prior to SN <b>0300048629)</b>	1-A
301	4922287	1	Harness, Ground Control Box (SN 0300048629 through <b>0300065080)</b>	4-D
301	3990010	30	Diode - 6 Amp (Not Shown)	
301	3730115	1	Resistor 0-7.5 Ohms 12 Watts (Not Shown)	
301A	4460418	8	Connector - 6 Position	
301A	4460419	38	Terminal, Female	
301A	4460714	7	Terminal	
301B	4460224	1	Connector, Female - 6 Position	
301B	4460268	6	Socket, Female	
301C	4460225	1	Connector, Male - 6 Position	
301C	4460267	6	Pin, Male	
308	3990010	4	Diode 6 Amp (Not Shown)	
309	4120035	7	Base, Light	
310	2920129	7	Bulb, Light	
311	3730023	1	Resistor 510 Ohm 1/2 Watt (Not Shown)	
312	4460634	3	Terminal (Single Wire)	
313	4460635	11	Terminal (Double Wire)	
318	4922163	1	Harness, Proportional Control Only. After SN 0300044253, this harness combined with p/n 4922048 Valve Harness (Prior to <b>SN 0300044253)</b>	3-C
318A	4460449	3	DIN Connector without Diode	
		Ref	<b>GROUND CONTROL BOX ASSY COMPONENTS</b>	
401	4922048	1	Valve Harness Assembly	4-G
401A	4460499	19	DIN Connector with Diode	
401B	4460320	1	Connector - 2 Position	
401C	4460267	2	Pin, Male	
401D	4460424	1	Connector - 2 Position	
401E	4460268	5	Socket, Female	
401F	4460539	1	Housing, Terminal - 3 Position	
401G	4460465	3	Socket, Female	
401H	4460445	1	Connector - 3 Position (Not Shown)	
401J	4460449	1	DIN Connector without Diode	
402	4922050	1	Engine Harness Assembly Options (See Items 501-575 for Breakdown)	
	4922050	Ref	<b>ENGINE HARNESS ASSEMBLY - DEUTZ ENGINE MACHINES</b>	5-F
535	4460424	1	Connector - 2 Position	
536	4460268	AR	Socket, Female	
537	4460320	2	Connector - 2 Position	
538	4460267	AR	Pin, Male	

## SECTION 7 - ELECTRICAL

ITEM	PART NUMBER	QTY	DESCRIPTION	REV
539	4460499	AR	DIN Connector with Diode	
550 to 551	Not Required	0	Not Required	
554 to 562	Not Required	0	Not Required	
563	4460460	1	Connector, Male - 4 Position	
564	4460457	4	Terminal, Female	
565	4460458	4	Seal, Terminal	
566	Not Required	0	Not Required	
567	4460591	1	Lock, Terminal	
568	4460589	3	Socket, Female	
569	4460608	3	Seal, Terminal	
570 to 573	Not Required	0	Not Required	
574	4460449	1	DIN Connector without Diode	
575	4460777	1	Housing, Terminal	
576 to 583	Not Required	0	Not Required	
		Ref	<b>STANDARD HARNESS COMPONENTS</b>	
601	See Note	NSS	Tilt Indicator Harness (Note: Purchase Tilt Indicator)	
601A	4460268	6	Socket, Female	
601B	4460224	1	Connector, Female - 6 Position	
602	See Note	NSS	Throttle Actuator/Controller Harness (Deutz) (Note: Not Available for Purchase)	
602	0060033	NLA	Throttle Actuator and Controller Assembly (Use p/n 2910000)	
602	7008833	1	Mounting Clamp Kit (Not Shown)	
602	7008836	1	Spring, Retract (Not Shown)	
602A	See Note	NLA	Throttle Actuator and Harness (Note: Use p/n 2910000)	
602A	7016336	1	Boot Kit	
602B	See Note	9	Pin, Male (Note: Use p/n 2910000)	
602C	See Note	1	Connector, Male (Note: Use p/n 2910000)	
602D	2910000	NLA	Controller and Harnesses (Use p/n 2910000)	
602E	See Note	9	Socket, Female (Note: Use p/n 2910000)	
602F	See Note	1	Connector, Female (Note: Use p/n 2910000)	
602G	See Note	1	Connector - 4 Position (Note: Use p/n 2910000)	
602G	4460693	4	Pin, Male	
602G	4460591	1	Clip	
602G	4460608	4	Seal, Terminal	
603	See Note	1	Sunstrand Pump Harness (Note: Not Available for Purchase)	
603A	7007497	1	Plug (Pump End)	
603B	7007498	1	Plug (Engine Harness End)	
604	See Note	NSS	Controller Harness Assembly (Lift and Swing) (Note: See PLATFORM SECTION for Options)	
604A	4460266	1	Connector, Female - 9 Position	
604A	4460267	9	Pin, Male	
604B	See Note	2	Connector, Male - 4 Position (Note: Not Available for Purchase)	
604B	See Note	8	Pin, Male (Note: Not Available for Purchase)	
604C	See Note	2	Connector, Female - 4 Position (Note: Not Available for Purchase)	
604C	See Note	8	Socket, Female (Note: Not Available for Purchase)	
604C	See Note	2	Connector, Female - 3 Position (Note: Not Available for Purchase)	
604C	See Note	6	Socket, Female (Note: Not Available for Purchase)	
605	7019124	1	Controller Harness/Circuit Board Assembly (Drive and Steer)	
605A	4460265	1	Connector - 9 Position	
605A	4460268	9	Socket, Female	

## SECTION 7 - ELECTRICAL

ITEM	PART NUMBER	QTY	DESCRIPTION	REV
606	Not Required	0	Not Required	
607	See Note	NSS	Speed Controller Harness Assembly (Note: Purchase Complete Control)	
607A	4460265	1	Connector - 9 Position	
607A	4460267	9	Pin, Male	
608	4360464	1	Proximity Switch and Harness Assembly (Harness Not Sold Separately)	
609	4922197	1	Proximity Switch Relay and Harness Assembly (Harness Not Sold Separately/See Section 4 for Relay Components)	
610	See Note	1	Limit Switch Harness Assembly (Note: Not Available for Purchase)	
610	1060341	66 ft/20.1m	Cable, Electrical 16/2	
611 to 611	Not Required	0	Not Required	
612 to 612	Not Required	0	Not Required	
613 to 613	Not Required	0	Not Required	
		Ref	<b>OPTIONAL HARNESS COMPONENTS</b>	
702	4921927		Articulating Jib Valve Harness Options (450AJ Only)	
702A	4460326	1	Connector - 3 Position	
702B	4460267	3	Pin, Male	
702C	4460449	2	DIN Connector without Diode	
703	See Note	NSS	Alarm Harness (Note: Purchase Complete Alarm)	
703A	4460424	1	Connector - 2 Position	
703B	4460268	2	Socket, Female	
704	See Note	NSS	Strobe Light Harness (Note: Purchase Complete Light)	
704A	4460320	1	Connector, Female - 2 Position	
704B	4460267	2	Pin, Male	
705	0258304	Ref	AC to Platform Receptacle Components	3
705A	See Note	1	Box, Switch (Note: Purchase Locally)	
705A	See Note	1	Gasket (Note: Purchase Locally)	
705B	See Note	1	Receptacle (Note: Purchase Locally)	
705C	See Note	1	Shield, Cover (Note: Purchase Locally)	
705D	See Note	1	Connector, Strain Relief (Note: Purchase Locally)	
705E	4460709	2	Plug, Male	
705F	4921820	1	Harness-Receptacle Box to Boom Only ( <b>Prior to SN 0300041790</b> )	
705F	1060461	30 in/76cm	Cable, Electrical - 12/3	
705G	4460709	1	Plug, Male	
705H	4460710	2	Receptacle, Female	
706		Ref	Generator Electrical Components	
706	4932989		220Volt ( <b>Prior to SN 0300056107</b> )	1-B
706	4933149		220Volt ( <b>SN 0300056107 through 0300065080</b> )	2-B
706	3990010	1	Diode - 6 Amp (Not Shown)	
706A	4921938	1	Harness - On/Off Switch (Powermite Control Box to Ground Control Box)	
706B	4460125	1	Receptacle, Electrical	
706C	4460125	1	Receptacle, Electrical	
707	4922432	1	Harness - Generator Timer to Relay (Not Shown - Located in Ground Control Box) ( <b>SN 0300056107 through 0300065080</b> )	
708	4921957	1	Generator to Rear of Boom Harness (Note: Harness used to connect AC at platform harness to generator receptacle to power platform receptacle.)	
708	1060461	6 ft/1.8m	Cable, Electrical - 12/3	

## SECTION 7 - ELECTRICAL

ITEM	PART NUMBER	QTY	DESCRIPTION	REV
708A	See Note	1	Plug, Male (Note: Not Supplied With P/N 4921957-Purchase Locally)	
708B	4460710	1	Receptacle, Female (220V) (Note: Not Supplied With P/N 4921957)	
709	2920140	2	Platform Worklights Harness (Includes Light and Wire Only)	
709	2820035	9 ft/2.8m	Loom, Vinyl	
709A	4460598	1	Connector, Strain Relief	
709A	4460442	2	Terminal (Not Shown-Located in Platform Console)	
710	4922140	1	2WD/4WD Valve Harness Assembly	
710A	4460499	3	DIN Connector with Diode	
711	See Note	1	Lights Harness (Note: Not Available for Purchase)	
711	1060341	37 ft/11.3m	Cable, Electrical - 16/2	
712	4922304	1	Load Sensor Harness (Inside Platform Box)	
712	3990010	1	Diode 6 Amp	
713	Not Available	1	Load Sensor Harness (Platform Box to Load Control Box)	
713	1060079	6 ft/1.8m	Cable, Electrical - 16/4	
713A	4460428	1	Connector, Strain Relief	
714	Not Available	1	Load Cell Harness (Purchase Load Cell)	
714A	Not Available	1	Connector	
		Ref	<b>TOOLS</b>	
	4921850	1	Service Harness (For Setting Deutz Throttle Actuator)	
801	7002821	1	Crimper (For Wire to Pin/Socket Connections)	
802	7002823	1	Extractor (For Removal of Pin/Socket from Connectors)	
803	4460467	1	Extractor, Pin (Blue 16-18 Gauge) (For Removal of Pin/Socket from Connectors)	
803	4460510	1	Extractor, Pin (Yellow 12-14 Gauge) (For Removal of Pin/Socket from Connectors)	
804	7002828	1	Stripper, Wire	





**SECTION 8 - DECALS**

# SECTION 8 - DECALS

## FIGURE 8-1. DECALS INSTALLATION

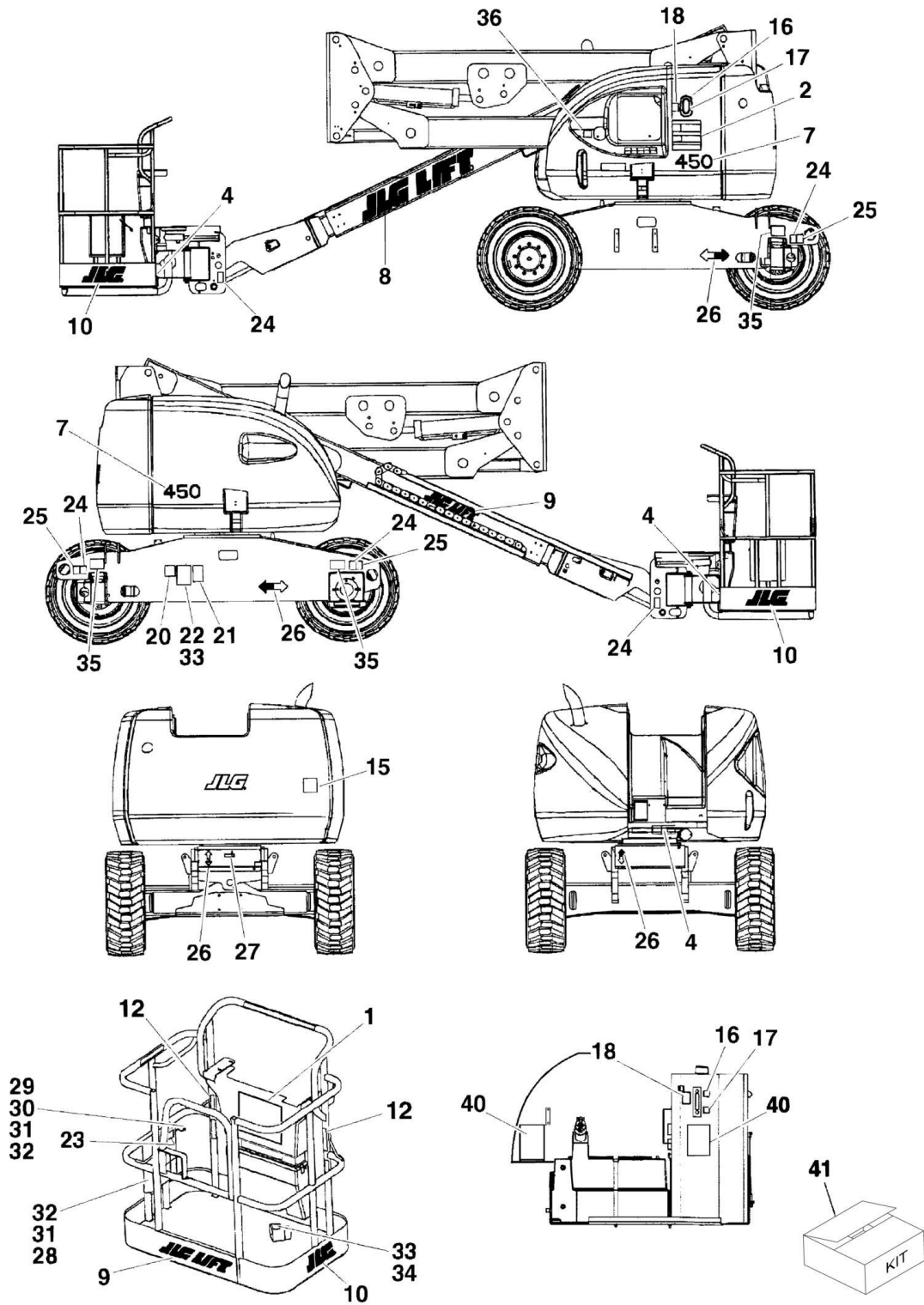


FIGURE 8-1. DECALS INSTALLATION

ITEM	PART NUMBER	QTY	DESCRIPTION	REV
		Ref	<b>DECAL INSTALLATIONS</b>	
	0258349	Ref	<b>Decal Installations 450A Australian Spec</b>	3
	0258355	Ref	<b>Decal Installations 450A Dutch Spec</b>	2
	0258359	Ref	<b>Decal Installations 450A French Spec</b>	2
	0258353	Ref	<b>Decal Installations 450A German Spec</b>	3
	0258357	Ref	<b>Decal Installations 450A Italian Spec</b>	2
	0258361	Ref	<b>Decal Installations 450A Spanish Spec</b>	2
	0258351	Ref	<b>Decal Installations 450A UK English Spec</b>	3
	0258350	Ref	<b>Decal Installations 450AJ Australian Spec</b>	4
	0258356	Ref	<b>Decal Installations 450AJ Dutch Spec</b>	2
	0258360	Ref	<b>Decal Installations 450AJ French Spec</b>	2
	0258354	Ref	<b>Decal Installations 450AJ German Spec</b>	3
	0258358	Ref	<b>Decal Installations 450AJ Italian Spec</b>	2
	0258362	Ref	<b>Decal Installations 450AJ Spanish Spec</b>	2
	0258352	Ref	<b>Decal Installations 450AJ UK English Spec</b>	3
	0271017	Ref	<b>JLG Logo Decals</b>	1
1		Ref	Decal - Danger/Warning Options:	
1	1703992	1	Australian Spec	
1	1703913	1	Dutch Spec	
1	1703917	1	French Spec	
1	1703799	1	German Spec	
1	1703915	1	Italian Spec	
1	1703919	1	Spanish Spec	
1	1703806	1	UK Spec	
2		Ref	Decal - Danger/Warning Options:	
2	1703807	1	Australian Spec	
2	1703914	1	Dutch Spec	
2	1703918	1	French Spec	
2	1703800	1	German Spec	
2	1703916	1	Italian Spec	
2	1703920	1	Spanish Spec	
2	1703807	1	UK Spec	
4	1701518	3	Decal - Warning/Crushing	
7		Ref	Decal - Model Options:	
7	1703774	2	Decal - Model 450A	
7	1703775	2	Decal - Model 450AJ	
8	1702860	1	Decal - JLG Lift (5 in)	
9	1702774	2	Decal - JLG Lift (3 1/2 in)	
10	1702773	2	Decal - JLG (5 in)	
12		Ref	Decal - Attach Lanyard Options:	
12	1702612	3	Australian Spec <b>(Prior to SN 0300061091)</b>	
12	1704277	3	Australian Spec <b>(SN 0300061091 through 0300065080)</b>	
12	Not Required	0	Dutch/ French/ German/ Italian/ Spanish/ UK Spec	
15		Ref	Decal - CE Options:	
15	Not Required	0	Australian Spec	
15	1702928	1	Dutch/ French/ German/ Italian/ Spanish/UK Spec	
16	1701502	2	Decal - High Oil Level	
17	1701503	2	Decal - Low Oil Level	
18	1701504	2	Decal - Hydraulic Oil	
20	See Note	1	Decal - Bar Code (Note: Not Available for Purchase)	

## SECTION 8 - DECALS

ITEM	PART NUMBER	QTY	DESCRIPTION	REV
21	1700584	1	Decal - Patent	
22	See Note	1	Nameplate - Serial Number (Note: Not Available for Purchase)	
23	1701509	2	Decal - Manual	
24	1702300	6	Decal - Tie Down /Lift	
25	1701500	4	Decal - Tie Down /Lift	
26	1701529	4	Decal- Arrow	
27		Ref	Decal - 240V-50HZ Options:	
27	3251242	3	Australian Spec	
27	Not Required	0	Dutch/ French/ German/ Italian/ Spanish/ UK Spec	
28	0860520	1	Box, Manual Storage	
29	1060279	1	Cable, Lanyard	
30	0641408	1	Bolt 1/4in-20NC x 1in	
31	4751400	6	Flatwasher 1/4in	
32	3311405	5	Locknut 1/4in-20NC	
33	3820001	AR	Rivet	
34		Ref	Decal - Footswitch	
34	3252347	1	Australian Spec	
34	1703518	1	Dutch Spec	
34	1693292	1	French Spec	
34	1693294	1	German Spec	
34	1701600	1	Italian Spec	
34	1701791	1	Spanish Spec	
34	3252347	1	UK Spec	
35	1703809	4	Decal - Maximum Tire Load	
36	1701505	1	Decal - Fuel	
40	1702265	1	Decal - Upright Level Override	
41		Ref	Decal Kit Options (Includes items 1, 2, 4, 7, 8, 9, 10, 12, 15, 16, 17, 18, 21, 23, 24, 25, 26, 27, 34, 35 & 40 when equipped with that spec):	
41	2910107	1	Australian Spec	
41	2910108	1	Dutch Spec	
41	2910110	1	French Spec	
41	2910063	1	German Spec	
41	2910109	1	Italian Spec	
41	2910111	1	Spanish Spec	
41	2910062	1	UK Spec	
100	0257733	Ref	<b>WARNING STRIPES INSTALLATION (NOT SHOWN)</b>	1
100	4420051	209 in/5.3m	Tape, Yellow/Black	

## **SECTION 9 - RECOMMENDED SERVICE PARTS STOCK**

## **SECTION 9 - RECOMMENDED SERVICE PARTS STOCK**

## SECTION 9 - RECOMMENDED SERVICE PARTS STOCK

FIGURE 9-1. MODELS 450A/450AJ WITH PROPORTIONAL CONTROLS STANDARD PARTS

ITEM	PART NUMBER	QTY	DESCRIPTION	REV
	Note	Ref	<b>Note: The following list will service machines (built to current production per date on the front cover) with emergency repair parts which can be installed in the field. Parts from the list should be replaced when inventory is depleted to keep service parts stock supplied. For further information, contact your JLG dealer or the JLG Industries Parts Department.</b>	
		Ref	<b>STANDARD PARTS</b>	
	7012944	1	Coil	
	7012943	1	Coil	
	2120150	4	Element, Filter	
	2120158	4	Element Filter	
	7017451	1	Coil	
	7012664	1 Dozen	Element, Air Cleaner	
	3740067	1	Relay	
	7016331	1 Dozen	Filter, Oil	
	7020023	1 Dozen	Filter, Fuel	
	4360501	1	Breaker, Circuit	
	7007496	1	Coil	
	7014811	1	Breather, Hydraulic Tank	
	4360475	1	Switch, Mushroom	
	4360470	1	Switch, Key	
	2860030	1	Key, Replacement	
	3740112	1	Relay	
	4360314	1	Switch, Toggle	
	4360476	1	Contact, Switch Block	
	3740049	1	Relay	
	3740057	1	Relay	
	3740113	1	Relay, Time Delay	
	3740115	1	Relay, Time Delay	
	4360387	1	Switch, Push Button	
	4360232	1	Breaker, Circuit	
	7003961	1	Microswitch	
	7019178	1	Potentiometer	
	7019190	1	PC Board Assembly (Lift)	
	7019189	1	PC Board Assembly (Swing)	
	7019124	1	Board, Circuit with Potentiometer	
	7019182	1	Switch, Rotary	
	7019187	1	Board, Circuit with Potentiometer	
	3990010	2	Diode	
	4360464	1	Switch, Proximity	



## SECTION 9 - RECOMMENDED SERVICE PARTS STOCK

FIGURE 9-2. MODELS 450A/450AJ WITH PROPORTIONAL CONTROLS VARIABLE PARTS

ITEM	PART NUMBER	QTY	DESCRIPTION	REV
	Note	Ref	<b>Note: The following list will service machines (built to current production per date on the front cover) with emergency repair parts which can be installed in the field. Parts from the list should be replaced when inventory is depleted to keep service parts stock supplied. For further information, contact your JLG dealer or the JLG Industries Parts Department.</b>	
		Ref	<b>VARIABLE PARTS</b>	
	3740080	1	Relay (Machines with Generator Option)	
	4360336	1	Switch, Toggle (Machines with Generator Option)	
	4360501	1	Breaker, Circuit (Machines with Generator Option)	
	3740118	1	Delay, Timer (Machines with 4WD)	
	4360321	1	Switch, Limit	
	2940074	1	Latch (Australian Spec)	
	4360336	1	Switch, Toggle (2WD Machines)	
	4360331	1	Switch, Toggle (4WD Machines)	
	4360057	1	Switch, Limit (Soft Touch System)	
	4360387	1	Switch, Push Button (Soft Touch System)	
	2900838	1	U.S. Standards Hardware Kit	
	7014676	1	U.S. Standards Tool Kit	



**SECTION 10 - SPECIAL OPTIONS**

# SECTION 10 - SPECIAL OPTIONS

## FIGURE 10-1. SPECIAL OPTIONS

ITEM	PART NUMBER	QTY	DESCRIPTION	REV
		Ref	<b>MISCELLANEOUS SPECIAL OPTIONS</b>	
	Note	Ref	<b>Note: This list is to accommodate machines ordered with special equipment. Options may not be applicable to all models. For more specific parts information contact JLG Parts Department.</b>	
	1340061	Ref	<b>Air Cleaner with Dust Evacuator Valve</b>	
	0270723	Ref	<b>Beacon Installation Mounted Under Platform</b>	
		Ref	<b>Bellows Installations</b>	
	0258807	Ref	<b>Bellows Installations 450A with Oscillating Axle</b>	
	0258808	Ref	<b>Bellows Installations 450A with Fixed Axle</b>	
	0258804	Ref	<b>Bellows Installations 450AJ with Oscillating Axle</b>	
	0258806	Ref	<b>Bellows Installations 450AJ with Fixed Axle</b>	
	0258443	Ref	<b>Boom Wiper Installation</b>	
	9983956	Ref	<b>Cable, Harmonized AC 12/3 (Guardaman Specs) (SN 0300039686 through 0300039689, Including 0300039302, 03000390303, 0300039305, 03000390307, 0300039325, 0300039329, 0300039330, 0300039707 and 0300039708)</b>	
	0256789	Ref	<b>Camera Mount Assembly</b>	
		Ref	<b>Cold Weather Start Kits</b>	
	0258921	Ref	<b>Deutz Engine Machines (Ether)</b>	
	0258920	Ref	<b>Deutz Engine Machines (Glow Plugs)</b>	
		Ref	<b>Decal Installations Options:</b>	
	1702788	1	Decal - Biodegradable Hydraulic Fluid (All except German Spec)	
	1703479	1	Decal - Biodegradable Hydraulic Fluid (German Spec Only)	
	1704150	1	Decal - Glow Plug Warning	
		Ref	<b>Electrical Connector Kit Options:</b>	
	1001148902	Ref	Electrical Connector Kit - Amp/Tyco Electrical Connector	
	1001148903	Ref	Electrical Connector Kit - Deutsch DT Electrical Connector	
	1001148904	Ref	Electrical Connector Kit - Deutsch HD Electrical Connector	
	1001148905	Ref	Electrical Connector Kit - Packard Electrical Connector	
	1001148906	Ref	Electrical Connector Kit - Various Electrical Connector	
	0258919	Ref	<b>Ether Start Installation (Deutz Engine Machines)</b>	
		Ref	<b>Footswitch Shield Installation</b>	
	4060959	1	Shield, Footswitch	
	0258835	Ref	<b>Glow Plug Installation (Deutz Engine Machines)</b>	
		Ref	<b>Lift Companion Components</b>	
		Ref	<b>Data Recorder Installations:</b>	
	0258584	Ref	<b>Lift Companion 5</b>	
	0258585	Ref	<b>Lift Companion 6</b>	
	2901662	Ref	<b>Start up Kit</b>	
		Ref	<b>Collection Box Kits:</b>	
	2901663	Ref	<b>Australian Spec</b>	
	2901659	Ref	<b>CE Spec</b>	
	0258430	Ref	<b>Noise Reduction Components Installation (Deutz Engine Machines)</b>	
	2820099	3	Insulation	
	2820100	2	Insulation	
	3580277	1	Pulley, Fan (Top Only) <b>(Prior to SN 0300041036)</b>	
	3580278	1	Pulley, Fan (Bottom Only) <b>(Prior to SN 0300041036)</b>	
	0258703	Ref	<b>Platform Cover Installation</b>	

## SECTION 10 - SPECIAL OPTIONS

ITEM	PART NUMBER	QTY	DESCRIPTION	REV
	1670870	1	Cover	
	0258427	Ref	<b>Platform Overload Installation</b>	
	2901557	1	Load Sensing Component Kit (Includes Amplifier, Display Unit and Load Cells)	
	0258918	Ref	<b>Platform Utility Rack Assembly (Michigan OSHA Spec)</b>	
		Ref	Service Kits (Note: For contents of kit, consult JLG Customer Service)	
		Ref	Deutz Engine Machines	
	2910927	Ref	600 Hour Filter Kit (Deutz Engines)	
	1001109679	Ref	Boom Filter Kit (Deutz Engines)	
	1001110989	Ref	Combined Filter Kit (Deutz Engines)	
	1001110138	Ref	Engine Filter Kit (Deutz Engines)	
		Ref	<b>Tools for Service</b>	
	8896941	1	Wire Stripper	
	7002821	1	Wire Crimper (To install wire ends to wires)	
	7002823	1	Pin/Socket Extractor - Universal (To Remove Pins/Sockets from Connectors)	
	4460467	1	Extractor - 16-18 Gauge (For Removal of Pin/Sockets from Deutsch Connectors)	
	4460510	1	Extractor - 12-14 Gauge (For Removal of Pin/Sockets from Deutsch Connectors)	
	7002822	1	Screwdriver, Potentiometer (To Adjust Drive Controllers)	
	7016654	1	Screwdriver, Magnetic	
	7004275	1	Seal Installation Tool - 1in	
	7004276	1	Seal Installation Tool - 1 1/2in	
	7002826	1	Seal Installation Tool - 2in	
	7016655	1	Wire Rope Sheave Gauge	
	4921850	1	Throttle Service Harness	
	4922012	1	Horsepower Card Service Harness	
	7002840		Anti-Rotation Pin Removal Tool (Use to Disassemble Lockout Valve)	
	2900838	1	U.S. Standards Hardware Kit	
	7014676	1	U.S. Standards Tool Kit	
	7016652	1	Huck Fastener Tool (For Small Huck Fastener Only)	
	0257728	Ref	<b>Tube Rack Installation</b>	



**PART NUMBER INDEX**

# PART NUMBER INDEX

0020005.....47	0258311 ..... 103, 186	0270207 ..... 23, 41	0641609..... 55, 61, 91, 95
0060033.....61, 189	0258313 ..... 67	0270208 ..... 23, 41	0641610..... 61, 83, 87
0080163.....64	0258315 ..... 67	0270259 ..... 47, 48	0641611.....112
0080231.....62	0258349 ..... 195	0270723 ..... 202	0641612.....41
0100009.....78	0258350 ..... 195	0271017 ..... 195	0641613.....129
0100011.... 11, 12, 15, 19, 20, 23, 41, 45, 47, 51, 62, 68, 75, 78, 81, 83, 87, 91, 95, 99, 103, 112, 133, 135, 139, 141, 145, 147, 151, 155	0258351 ..... 195	0271483 .79, 92, 96, 113, 178	0641614.....83
0100019.....12, 20, 55	0258352 ..... 195	0340041 ..... 62	0641618.....95
0100020.....62, 75, 173	0258353 ..... 195	0362763 ..... 11, 19	0641620.....19
0100029.....112	0258354 ..... 195	0362764 ..... 11	0641622.....129
0100035.....112	0258355 ..... 195	0362910 ..... 45	0641626.....11
0100038.... 133, 135, 139, 141, 145, 147, 151, 155	0258356 ..... 195	0370024 ..... 153	0641806.....87
0100048.....81	0258357 ..... 195	0400075 ..... 62	0641808.....47
0100079.....75	0258358 ..... 195	0440161 ..... 20	0641809.....87
0140001.....51	0258359 ..... 195	0440162 ..... 12, 15	0641810.....23
0140026.....112	0258360 ..... 195	0440203 ..... 55, 59	0641812.... 11, 15, 19, 59, 61
0181727.....62	0258361 ..... 195	0440339 ..... 59	0641820.....61
0181963.....83	0258362 ..... 195	0480050 ..... 68	0641836.....23
0200530.....68	0258388 ..... 51	0480111 ..... 68	0642010.... 62, 87, 91, 95
0200550.....129	0258389 ..... 51	0560923 ..... 99	0642012.... 11, 15, 19, 87, 91, 95
0240047.....48	0258400 ..... 55	0561076 ..... 87	0642014.....23
0240049.....48	0258427 ..... 203	0561300 ... 11, 12, 15, 19, 20	0642612.....81
0240050.....48	0258430 ..... 202	0561320 ..... 103	0651406.....51
0254604.....51	0258431 ..... 78, 178	0561321 ..... 103	0681610.....107
0255917.....81	0258443 ..... 202	0561322 ..... 103	0681612.....68
0256632.....113	0258584 ..... 202	0561323 ..... 103	0681814.....55
0256789.....202	0258585 ..... 202	0630401 ..... 103	0681822.....47
0256847.....64	0258608 ..... 113	0630462 ..... 129	0681828..... 12, 15, 20
0257728.....203	0258703 ..... 202	0630464 ..... 112	0681856.....47
0257733.....196	0258770 ..... 92, 96, 178	0630467 ..... 103	0682014.....23
0257757.....75	0258804 ..... 202	0630491 ..... 81	0682016.....45
0257826.....91, 95	0258806 ..... 202	0630498 ..... 62	0682038.....55
0257868.....87, 91	0258807 ..... 202	0630518 ..... 78, 112	0682248..... 11, 15, 19
0257869.....87, 95	0258808 ..... 202	0630534 .... 136, 139, 155	0682648.....15
0257879.....91	0258835 ..... 202	0630535 .... 141, 145, 147	0700810.....64
0257880.....95	0258918 ..... 203	0630544 ..... 15	0700816.....62
0257887.....81	0258919 ..... 202	0641404 ..... 29, 99, 113	0700819.....68
0257949.....61	0258920 ..... 202	0641405 ..... 51, 75	0701010.....92, 96
0258009.....24	0258921 ..... 178, 202	0641406 ... 51, 61, 81, 91, 95, 103, 108, 112, 129	0701012.....61
0258010.....24	0259128 ..... 24	0641407 ..... 92	0701015.....61
0258011.....24	0259129 ..... 24	0641408 ... 47, 51, 83, 92, 96, 108, 196	0701414.....61, 68
0258012.....24	0259523 .92, 96, 113, 178	0641410 ..... 83	0721003.....112
0258020.....23, 41	0259530 ..... 91	0641412 ..... 103	0721004..... 45, 78, 83
0258021.....23, 41	0259531 ..... 87, 91	0641414 .. 11, 15, 19, 108	0721005.....78
0258022.....12	0259532 ..... 87, 95	0641416 ..... 51, 75	0721006.... 62, 68, 79, 83, 84
0258023.....20	0259636 ..... 24	0641418 ..... 42, 107	0721008.... 68, 78, 81, 84
0258024.....11	0259638 ..... 24	0641420 ..... 91, 95, 103	0721010.....112
0258025.....19	0259643 ..... 24	0641424 ..... 155	0731004.....112
0258026.....11	0259665 ..... 47	0641505 ..... 45	0731005.....129
0258027.....19	0259674 ..... 47	0641506 ..... 78	0741606.....81
0258030.....24	0259845 ..... 45	0641507 ..... 87	0741607.....45
0258031.....24	0259853 ..... 45	0641508 ..... 15, 68	0741610.....62
0258032.....55	0259950 ..... 129	0641510 ..... 59, 63	0801128.....87
0258219.....83	0259966 ..... 15	0641518 ..... 103	0801129.....99
0258300.....87	0259967 ..... 15	0641520 ..... 155	0801130.....99
0258304.....190	0270029 ..... 47	0641532 ..... 41	0801131.....91, 99
0258306.....81	0270030 ..... 47	0641560 ..... 103	0801146.....99
0258307.....81	0270086 ..... 47, 48	0641606 ... 11, 12, 15, 19, 20, 23, 24, 83, 99	0801147.....99
0258308.....81	0270116 ..... 45	0641607 ... 12, 15, 20, 51, 87, 91, 92, 95, 99	0801148.....95, 99
0258309.....108	0270119 ..... 45	0641608 ... 75, 83, 87, 96, 99	0801170.....99
0258310..... 103, 186	0270180 ..... 48		0860520.....196
	0270183 ..... 47		0860984.....111
	0270184 ..... 47		0861162.....77
	0270185 ..... 47		0861167.....111
	0270186 ..... 48		
	0270187 ..... 48		
	0270192 ..... 47		

## PART NUMBER INDEX

0861168 .....	111	1100107 .....	11, 15, 19	1683637 .....	95, 141	1703914 .....	195
0861171 .....	111	1120110 .....	155	1683638 .....	139	1703915 .....	195
0861172 .....	111	1120484 .....	75	1683639 .....	139	1703916 .....	195
0861195 .....	111	1120487 .....	75	1683653 .....	99, 155	1703917 .....	195
0861226 .....	77	1120489 .....	147	1683654 .....	155	1703918 .....	195
0861227 .....	77	1180227 .....	99	1683655 .....	155	1703919 .....	195
0861238 .....	111	1260136 .....	129	1683658 .....	151, 153	1703920 .....	195
0861239 .....	111	1282937 .....	178	1683659 .....	141	1703992 .....	195
0861240 .....	111	1283002 .....	178	1683660 .....	141	1704150 .....	202
0861241 .....	111	1320016 .....	62	1683715 .....	155	1704260 .....	112
0861304 .....	77	1320022 .....	63	1683716 .....	99, 155	1704277 .....	195
0902109 .....	55	1320040 .....	129	1683717 .....	155	1704395 .....	174
0902206 .....	81	1320060 .....	112	1683718 .....	100, 155	1704455 .....	45
0902443 .....	63	1320070 .....	103	1683726 .....	95, 135	1704456 .....	45
0902444 .....	63	1320222 .....	63	1683728 .....	91, 141	1704457 .....	45
0902449 .....	75	1340060 .....	62	1683729 .....	95, 141	1704576 .....	45
0902459 .....	51	1340061 .....	202	1683730 .....	91, 135	1704577 .....	45
0902461 .....	61	1580012 .....	108	1683731 .....	95, 135	1704586 .....	47
0902464 .....	61	1580013 .....	108	1683885 .....	135	1840012 .....	77
0902465 .....	83	1600270 .....	111, 121	1684138 .....	133	1840013 .....	77
0902504 .....	83	1600272 .....	111, 127	1684139 .....	11, 15, 19, 133	1840014 .....	77
0902535 .....	75	1600278 .....	111, 115	1684412 .....	12, 15, 20, 153	1840015 .....	77
0920112 .....	23, 27	1600287 .....	111, 125	1693292 .....	196	1870085 .....	178
0920117 .....	23, 27	1600288 .....	111, 117	1693294 .....	196	2000154 .....	61, 63
0940038 .....	129	1660234 .....	64	1700584 .....	196	2000162 .....	61, 63
0940048 .....	87	1670697 .....	103	1701500 .....	196	2060025 .....	62
0940071 .....	83	1670788 .....	129	1701502 .....	195	2080040 .....	107
0940083 .....	83	1670829 .....	78, 112	1701503 .....	195	2120150 .....	51, 198
0961845 .....	107	1670832 .....	88	1701504 .....	195	2120158 .....	51, 198
0961890 .....	133, 145	1670833 .....	88	1701505 .....	63, 196	2120163 .....	51
0961893 .....	139	1670870 .....	203	1701509 .....	196	2120165 .....	51
0961897 .....	141, 147	1670898 .....	88	1701518 .....	45, 195	2160001 .....	16, 59
0961900 .....	135	1670946 .....	129	1701529 .....	196	2160002 .....	16, 55
0961948 .....	47	1670947 .....	129	1701600 .....	196	2160003 .....	59
0961950 .....	11, 15, 19, 87, 91, 95, 99, 141, 145, 147	1670948 .....	129	1701791 .....	196	2180344 .....	55
0961951 .....	12, 16, 20	1670949 .....	129	1702265 .....	196	2180536 .....	63
0962006 .....	92, 96, 135, 139	1670950 .....	129	1702300 .....	196	2180798 .....	62
0962140 .....	12, 16, 20, 133	1683053 .....	139	1702564 .....	111	2180822 .....	55
0962172 .....	62	1683057 .....	141	1702565 .....	111	2200222 .....	63
0962185 .....	135, 155	1683058 .....	135	1702566 .....	111	2200261 .....	55
0962293 .....	47	1683060 .....	145	1702567 .....	111	2220001 .....	55
0962474 .....	133	1683076 .....	133, 151	1702610 .....	78	2220124 .....	55
1001096417 .....	38	1683077 .....	141	1702612 .....	195	2220235 .....	165, 169
1001100321 .....	67	1683563 .....	87, 145	1702773 .....	195	2220237 .....	173
1001102354 .....	48	1683564 .....	145	1702774 .....	195	2220240 .....	165, 169
1001109679 .....	203	1683565 .....	145	1702778 .....	202	2220250 .....	63
1001110138 .....	203	1683568 .....	87, 147	1702860 .....	195	2220273 .....	63, 165
1001110989 .....	203	1683569 .....	147	1702928 .....	195	2220313 .....	63
1001148902 .....	202	1683570 .....	147	1702938 .....	129	2220362 .....	165, 169
1001148903 .....	202	1683572 .....	133	1703084 .....	113	2220363 .....	165
1001148904 .....	202	1683574 .....	133	1703162 .....	63	2220365 .....	165, 169
1001148905 .....	202	1683575 .....	11, 15, 19, 133	1703479 .....	202	2220366 .....	165, 169
1001148906 .....	202	1683577 .....	147	1703518 .....	196	2220371 .....	159, 163, 173
1060012 .....	108, 186	1683579 .....	91, 95, 149	1703622 .....	78	2220372 .....	174
1060079 .....	191	1683580 .....	155	1703678 .....	111	2220373 .....	169
1060279 .....	196	1683581 .....	155	1703689 .....	111	2220374 .....	165, 169
1060330 .....	129	1683582 .....	99, 155	1703690 .....	77	2220375 .....	165, 169
1060341 .....	88, 190, 191	1683584 .....	155	1703691 .....	77	2220377 .....	169
1060461 .....	187, 188, 190	1683588 .....	91, 141	1703774 .....	195	2220379 .....	165, 169, 173
1060515 .....	186	1683589 .....	141	1703775 .....	195	2220383 .....	169
1060516 .....	187	1683590 .....	141	1703799 .....	195	2220385 .....	173
1060584 .....	45	1683598 .....	91, 95, 135	1703800 .....	195	2220386 .....	173
1060603 .....	187	1683599 .....	135	1703806 .....	195	2220407 .....	169
1060709 .....	187, 188	1683600 .....	135	1703807 .....	195	2220409 .....	62
1060904 .....	178	1683614 .....	12, 15, 20, 151	1703809 .....	196	2220414 .....	173
		1683615 .....	151	1703876 .....	63	2220415 .....	159, 163, 165, 169, 173
		1683617 .....	95, 139	1703913 .....	195		

# PART NUMBER INDEX

2220428.....	173	2460034.....	67	2752999.....	174	2901691.....	178
2220429.....	173	2540022.....	92, 96	2753000.....	174	2901764.....	178
2220451.....	62, 165, 169	2560136.....	111	2753001.....	174	2901811.....	92, 96
2220459.....	63	2570008.....	153	2753003.....	174	2902409.....	153
2220466.....	165, 169, 173	2600210.....	84	2753004.....	174	2910000.....	189
2220468.....	161	2600219.....	107	2753034.....	170	2910062.....	196
2220469.....	169	2600246.....	84	2753070.....	159, 163	2910063.....	196
2220472.....	170, 174	2680438.....	83	2753072.....	174	2910107.....	196
2220473.....	173, 174	2680439.....	83, 84	2753073.....	174	2910108.....	196
2220497.....	173	2720058.....	63	2753074.....	174	2910109.....	196
2220500.....	169	2720271.....	63	2753075.....	174	2910110.....	196
2220501.....	173	2720351.....	63	2753076.....	174	2910111.....	196
2220502.....	159, 163, 169	2720398.....	62	2753077.....	174	2910867.....	113
2220504.....	169	2720434.....	62	2753078.....	174	2910927.....	203
2220507.....	173	2720467.....	62	2753079.....	174	2920110.....	81
2220509.....	173	2750529.....	55	2753080.....	174	2920113.....	81
2220516.....	169	2750532.....	63	2753081.....	174	2920129.....	112, 113, 178, 186, 188
2220517.....	165	2750760.....	170	2753082.....	174	2920140.....	108, 191
2220567.....	173	2750807.....	55	2753088.....	170	2920146.....	81
2220578.....	173	2750888.....	159, 163	2753089.....	170	2920162.....	67
2220579.....	159, 163, 169	2750895.....	159	2760105.....	78, 111	2920215.....	81
2220582.....	159, 163, 165, 169, 173	2750899.....	170	2780221.....	47, 48	2940074.....	107, 200
2220593.....	174	2751015.....	170	2780224.....	23, 29	2940109.....	84
2220600.....	165, 169, 173	2751026.....	159, 163	2780230.....	12, 16	3010088.....	129
2220602.....	165, 169	2751426.....	161	2780235.....	23, 31	3020021.....	64
2220603.....	159, 163, 169, 173	2752240.....	165	2792352.....	173, 176	3020029.....	55
2220605.....	161, 173	2752261.....	170	2792353.....	173, 176	3020036.....	55
2220606.....	173	2752262.....	165, 170	2792356.....	159, 176	3020043.....	153
2220609.....	161, 173	2752263.....	170	2792357.....	176	3160158.....	23, 35
2220618.....	165, 169, 173	2752264.....	170	2792358.....	165, 176	3160182.....	55, 57
2220619.....	159, 169, 173	2752325.....	166, 170	2792359.....	169, 176	3160227.....	23, 38
2220622.....	165, 169, 174	2752357.....	165	2792361.....	163, 176	3200378.....	61
2220628.....	161, 173	2752362.....	166, 170	2792372.....	176	3220110.....	63
2220635.....	159, 163, 173	2752433.....	165, 169, 174	2792414.....	161, 176	3220112.....	63
2220642.....	165, 170	2752434.....	174	2820031.....	68	3251102.....	68
2220646.....	165, 169	2752436.....	165, 170, 173	2820035.....	81, 108, 191	3251242.....	196
2220654.....	173	2752437.....	174	2820036.....	92, 96	3252347.....	196
2220664.....	165, 169	2752439.....	174	2820099.....	202	3252692.....	45
2220700.....	165, 169	2752453.....	174	2820100.....	202	3252693.....	45
2220710.....	165, 169, 170, 173	2752463.....	174	2860012.....	68	3271805.....	47
2220711.....	165, 170	2752469.....	163	2860030.....	77, 198	3272005.....	45
2220726.....	165, 169	2752479.....	174	2900708.....	51	3272201.....	11, 15, 19
2220738.....	165, 169	2752495.....	169	2900714.....	35	3272605.....	16
2220775.....	173	2752514.....	170	2900752.....	72	3300106.....	23
2220794.....	63	2752581.....	165, 170	2900756.....	42	3300151.....	103, 107
2220811.....	165, 169	2752583.....	174	2900770.....	133, 155	3300205.....	78
2220819.....	174	2752589.....	161	2900792.....	135, 139, 145, 147	3300255.....	47
2220861.....	159, 163	2752590.....	161	2900804.....	48	3300390.....	78
2220873.....	173	2752623.....	174	2900826.....	72	3300408.....	78, 79, 112
2220885.....	133, 139	2752627.....	174	2900827.....	72	3310601.....	78
2220907.....	173	2752648.....	159, 170	2900838.....	200, 203	3311001.....	78, 79, 107
2220999.....	173	2752667.....	165, 169	2901284.....	142	3311005.....	62, 68, 81, 83, 84, 87, 111
2221025.....	173	2752668.....	174	2901303.....	139	3311401.....	83, 99, 103, 112
2221026.....	165, 169	2752669.....	173	2901543.....	136	3311405.....	42, 51, 61, 75, 83, 91, 92, 96, 97, 103, 108, 129, 155, 196
2221032.....	165, 170	2752723.....	165, 169	2901544.....	155	3311501.....	129
2221034.....	173	2752726.....	165, 169, 174	2901545.....	145	3311505.....	41, 63, 83, 87, 103
2221068.....	169	2752928.....	170	2901546.....	147	3311601.....	75, 83
2400041.....	178	2752942.....	165, 169	2901547.....	151	3311605.....	55, 61, 68, 83, 84, 87, 91, 96, 99, 107, 112, 129
2400044.....	178	2752943.....	165, 170	2901548.....	133	3311801.....	23
2420115.....	75	2752944.....	165, 170	2901554.....	141	3311805.....	61
2420172.....	78	2752945.....	165	2901557.....	203		
2420203.....	67	2752946.....	170	2901575.....	62		
2460011.....	67	2752947.....	173	2901637.....	61		
2460032.....	67	2752948.....	174	2901659.....	202		
		2752996.....	173	2901662.....	202		
		2752997.....	173	2901663.....	202		
		2752998.....	174				



## PART NUMBER INDEX

3312005 ... 62, 87, 91, 95, 96	3539685 ..... 107	3790152.....63	4070972 ..... 11
3312008 ..... 12, 16, 20	3539719 ..... 129	3820001.....45, 196	4070973 ..... 11, 19
3322201 ... 11, 12, 15, 16, 19, 20	3539957 ..... 83	3841143.... 16, 91, 92, 95, 96	4070974 ..... 11, 19
3323003 ..... 12, 16	3570531 ..... 87	3841203.....47	4070987 ..... 78
3340399 ..... 62	3570533 ..... 87	3841258.... 11, 15, 19, 87, 91, 92, 95, 96	4100026 ..... 103, 170
3340756 ..... 99	3570535 ..... 103	3841329.....45	4120012 ..... 78, 79, 113
3340836 ..... 99	3570571 ..... 61	3841340.....92, 96	4120013 ..... 113
3340837 ..... 99	3570607 ..... 61	3841367 .... 11, 12, 15, 16, 19, 20	4120035 ... 113, 178, 186, 188
3340843 ..... 87	3570695 ..... 83	3841377..... 12, 16	4130363 ..... 20
3340847 ..... 155	3570800 ..... 61	3841520..... 12, 15, 20	4130364 ..... 20
3340859 ..... 104	3570801 ..... 61	3841377..... 12, 16	4160170 ..... 83
3380434 ..... 108	3570808 ..... 62	3841520..... 12, 15, 20	4220162 ..... 81
3380445 ..... 83	3570810 ..... 103	3900104.....87	4220165 ..... 107
3420372 ..... 45	3570869 ..... 99	3900109.... 11, 12, 15, 16, 19, 20	4240032 ..... 81
3420447 ..... 45	3570898 ..... 103	3900142..... 139, 155	4240099 ..... 63, 108
3421565 ..... 45	3570901 ..... 11, 19	3900232..... 83, 84	4240133 ..... 75
3422431 ..... 11, 19	3570958 ..... 103	3900246.....87	4240136 ..... 75
3422592 ..... 11, 15, 19	3570981 ..... 83	3900254.....62	4280295 ..... 75
3422664 ..... 87	3571056 ..... 103	3910608.....77	4300120 ..... 23
3422665 ..... 87	3571222 ..... 112	3910804.....78	4340678 ..... 113
3422666 ..... 87, 91, 95	3571621 ..... 103	3910812.....112	4340684 ..... 113
3422667 ..... 92, 96	3571818 ..... 47	3911008.....107	4360031 ..... 108
3422668 ..... 91, 95	3571833 ..... 47	3911024.....78	4360057 ..... 129, 200
3422669 ..... 91, 95	3571860 ..... 47	3911040.....81	4360232 ..... 112, 198
3422670 ..... 96	3571975 ..... 16	3931516.... 133, 139, 151	4360282 ..... 77, 112
3422692 ..... 12, 16	3572009 ..... 45	3931620.....61, 141	4360289 ..... 77, 111
3422705 ..... 99	3572010 ..... 45	3931664.....111	4360294 ..... 62, 68
3422706 ..... 99	3572011 ..... 45	3931720..... 135, 145	4360314 .... 77, 112, 113, 198
3422716 ..... 20	3572102 ..... 45	3931724.....141	4360315 ..... 77
3422724 ..... 91, 95	3572672 ..... 62	3941405..... 129	4360321 ..... 87, 200
3422745 ..... 99	3572728 ..... 62	3960407 ..... 63	4360331 ..... 112, 200
3422786 ..... 47	3580134 ..... 67	3960438 ..... 83	4360336 .68, 81, 112, 200
3422827 ..... 92, 96	3580158 ..... 67	3960461 ..... 81	4360372 ..... 51
3422841 ..... 45	3580276 ..... 67	3960462 ..... 83	4360387 ... 111, 129, 198, 200
3422847 ..... 45	3580277 ..... 202	3960464 ..... 83	4360392 ..... 62
3422848 ..... 16	3580278 ..... 202	3960526.....24	4360436 ..... 75
3422936 ..... 11, 15, 19	3600260 ..... 61, 71	3990010.... 178, 186, 188, 190, 191, 198	4360464 .92, 96, 190, 198
3440636 ..... 92, 96	3600271 ..... 61	3990109..... 92, 97	4360470 ..... 77, 198
3450608 ..... 12, 16	3600279 ..... 61	4040260.....92, 96	4360475 .... 77, 111, 198
3450812 ..... 12, 16	3600290 ..... 61, 71	4040261 ..... 96	4360476 .... 77, 112, 198
3480205 ..... 141	3620033 ..... 61	4040262 ..... 96	4360501 .62, 68, 198, 200
3480210 ..... 139	3640970 ..... 77	4040263 ..... 92, 96	4360542 ..... 67
3480224 ..... 145	3641182 ..... 113	4040266 ..... 91, 95	4400408 ..... 75
3480226 ..... 147	3730023 ..... 188	4060802 ..... 68	4400409 ..... 75
3480227 ..... 155	3730115 ..... 188	4060803 ..... 103, 107	4420038 ..... 78, 112
3480230 ..... 135	3740049 78, 79, 112, 198	4060805 ..... 103	4420051 ..... 45, 196
3480235 ..... 141	3740057 78, 79, 113, 198	4060806 ..... 83	4420055 ..... 92, 96, 107
3510627 ..... 107	3740058 ..... 112, 113	4060807 ..... 103	4460023 ..... 68
3510628 ..... 107	3740063 ..... 112, 113	4060808 ..... 103	4460049 ..... 129
3510629 ..... 107	3740066 ..... 78, 79, 113	4060865 ..... 81	4460071 ..... 108
3510630 ..... 107	3740067 ..... 62, 198	4060906 ..... 78	4460125 ..... 190
3510631 ..... 107	3740080 ..... 68, 200	4060907 ..... 81	4460224 .... 186, 188, 189
3510632 ..... 107	3740112 ..... 77, 198	4060919 ..... 103	4460225 ..... 186, 188
3510679 ..... 107	3740113 ..... 111, 198	4060946 ..... 92, 96	4460234 ..... 78, 81, 112
3510680 ..... 107	3740115 ..... 111, 198	4060947 ..... 92, 96	4460265 ... 118, 122, 125, 127, 186, 189, 190
3510681 ..... 107	3740118 ..... 78, 200	4060950 ..... 12, 20	4460266 ... 117, 122, 125, 127, 186, 189
3510682 ..... 107	3760115 ..... 99	4060951 ..... 11, 15, 19	4460267 .... 81, 117, 118, 122, 125, 127, 186, 188, 189, 190
3520028 ..... 67, 68, 112	3760133 ..... 99	4060959 ..... 202	4460268 ... 122, 125, 127, 186, 188, 189, 190
3520072 ..... 107, 129	3760170 ..... 45	4060970 ..... 23, 24	4460320 ..... 81, 188, 190
3520138 ..... 113	3760367 ..... 133, 151	4070497 ..... 62	
3520174 ..... 78	3760368 ..... 139	4070498 ..... 62	
3536089 ..... 108	3760369 ..... 141	4070559 ..... 99	
3539219 ..... 78	3760370 .... 135, 141, 145	4070897 ..... 100	
3539275 ..... 112	3790012 ..... 81, 112, 113	4070898 ..... 99	
3539281 ..... 81	3790109 ..... 111		
	3790110 ..... 155		

# PART NUMBER INDEX

4460326.....	190	4567332.....	141	4750800.....	83, 84, 112	4846198.....	129
4460418.....	186, 188	4567462.....	11, 15, 19	4751000 ...	45, 62, 68, 78, 81, 107, 112	4860215.....	48
4460419.....	186, 188	4567468.....	139	4751400 ...	42, 61, 75, 83, 92, 96, 97, 99, 103, 108, 112, 155, 196	4860218.....	48
4460424.....	188, 190	4567469.....	141	4751500 ...	41, 42, 68, 83, 87, 103, 129	4891500.....	59
4460425.....	129	4567495.....	62	4751600 ...	11, 12, 15, 19, 20, 23, 24, 42, 55, 61, 68, 75, 83, 84, 87, 99, 112, 129	4891600.....	62
4460426.....	78	4567606.....	103	4751800 ...	12, 15, 16, 20, 63, 112, 129	4891800.....	23, 24, 47, 55
4460428 78, 87, 112, 113, 186, 191		4567627.....	75	4751900.....	68	4892000.....	23, 24, 55
4460442.....	191	4567760.....	135	4752000.....	62	4892200.....	12, 15, 20
4460445.....	188	4567761.....	135	4760600.....	78	4920018.....	108
4460449.....	188, 189, 190	4567762.....	141	4761000 78, 79, 107, 112, 129		4921820.....	190
4460457.....	189	4567763.....	141	4761400.....	99, 103	4921850.....	191, 203
4460458.....	189	4567978.....	135	4761500.....	129	4921927.....	51, 190
4460460.....	189	4567979.....	136	4761600.....	68	4921938.....	190
4460464.....	186, 187	4568033.....	45	4761900.....	62	4921957.....	190
4460465.....	187, 188	4640113.....	48	4762000.....	62	4922012.....	203
4460466.....	186, 187	4640261.....	45	4752200.....	62	4922048.....	77, 188
4460467.....	112, 191, 203	4640509.....	135, 139, 145	4760600.....	78	4922050.....	77, 188
4460470.....	112, 186	4640525.....	133	4761000 78, 79, 107, 112, 129		4922053.....	113, 186
4460471.....	112, 186	4640605.....	147	4761400.....	99, 103	4922109.....	187
4460473.....	186, 187	4640744.....	173	4761500.....	129	4922112.....	187
4460499.....	188, 189, 191	4640751.....	63	4761600.....	45, 75, 99	4922113.....	187
4460502.....	186, 187	4640757.....	174	4791400.....	51, 63	4922115.....	187
4460503.....	113, 186, 187	4640858.....	133	4791600.....	63	4922140.....	78, 191
4460508.....	186, 187	4640871.....	11, 15, 19	4812000.....	92, 97	4922162.....	188
4460509.....	187	4640907.....	51	4831900.....	64	4922163.....	188
4460510.....	112, 191, 203	4640923.....	41	4832000.....	64	4922197.....	92, 96, 190
4460526.....	78	4640932.....	135	4845194.....	83	4922206.....	178
4460539.....	188	4640937.....	41	4845288.....	108	4922287.....	188
4460589.....	189	4640999.....	135, 139, 141	4845327.....	107	4922304.....	191
4460591.....	189	4641039.....	42	4845395.....	63	4922316.....	187
4460598.....	108, 191	4641041.....	41	4845426.....	107	4922317.....	187
4460600.....	77, 113	4641055.....	155	4845531.....	68	4922432.....	78, 190
4460601.....	77, 113	4641056.....	51, 53	4845566.....	87	4922542.....	178
4460602.....	77, 113	4641057.....	51, 53	4845575.....	87	4932917.....	178
4460603.....	77, 113	4641058.....	92, 96	4845576.....	87	4932989.....	178, 190
4460607.....	77, 113	4641059.....	51	4845590.....	75	4932999.....	178, 186
4460608.....	189	4641073.....	42	4845609.....	92, 96	4933001.....	178, 186
4460613.....	113, 186, 187	4641074.....	41	4845610.....	92, 96	4933007.....	178
4460614.....	186, 187	4641075.....	141	4845613.....	61	4933021.....	178
4460628.....	77	4641076.....	165, 170	4845637.....	96	4933022.....	178
4460629.....	113	4641077.....	145, 147	4845638.....	96	4933027.....	178
4460630.....	78	4641080.....	92, 96	4845643.....	11, 12	4933053.....	178, 188
4460631.....	77, 113	4641086.....	135	4845656.....	96	4933070.....	178
4460632.....	113	4641162.....	133	4845665.....	83	4933133.....	178
4460634.....	186, 188	4641193.....	42	4845681.....	87	4933149.....	178, 190
4460635.....	186, 188	4711000.....	112	4845696.....	99	4933175.....	178
4460693.....	189	4711400 ...	12, 15, 20, 47, 51, 81, 108, 129	4845700.....	19, 20	70000123.....	67
4460705.....	68	4711500.....	45, 155	4845711.....	20	70000124.....	67
4460709.....	190	4711600.....	51, 107	4845767.....	99	70000125.....	67
4460710.....	190, 191	4711800.....	24	4845789.....	83	70000126.....	67
4460711.....	78	4712600.....	16	4845824.....	107	70000127.....	67
4460714.....	188	4713000.....	12, 16	4845874.....	92	70000787.....	64
4460777.....	189	4740036.....	45	4845951.....	107	70000851.....	63
4460961.....	67	4740086.....	12, 16, 20	4846000.....	75	70000865.....	59
4520202.....	24	4740120.....	112	4846037.....	83	70000868.....	59
4520203.....	24	4740155.....	16	4846038.....	83	70001002.....	63
4520212.....	24	4740158 ...	11, 12, 15, 19, 20	4846090.....	92, 96	70001677.....	59
4520216.....	24	4740247.....	92, 96	4846112.....	47	70001864.....	59
4520217.....	24	4740274.....	61	4846113.....	47	70001941.....	81
4520223.....	24	4740362.....	81, 83, 108	4846114.....	47	7000201.....	31
4520224.....	48	4740397.....	68	4846126.....	47	7000203.....	31
4520234.....	48	4740411.....	108	4846162.....	16	7000211.....	29, 32
4566356.....	87	4740444.....	78	4846167.....	15	7000213.....	29, 32
4567311.....	145	4740491.....	16	4846168.....	45	7000214.....	31
4567324.....	147	4750600.....	77	4846169.....	45	7000215.....	32
4567331.....	155					7000216.....	32
						7000217.....	31

## PART NUMBER INDEX

7000220 .....	32	7003933 .....	121	7007417 .....	71	7010543 .....	42
70002235 .....	67	7003935 .....	121, 125	7007419 .....	71	7011046 .....	61
7000227 .....	32	7003938 .....	121, 125	7007420 .....	71	7011112 .....	135
7000229 .....	31	7003941 .....	121, 125	7007421 .....	71	7011185 .....	139, 141
7000230 .....	31	7003946 .....	121, 125	7007423 .....	71	7011335 .....	155
7000232 .....	31	7003950 .....	121	7007424 .....	71	7012513 .....	67
7000246 .....	31	7003951 .....	115	7007425 .....	71	7012514 .....	67
7000250 .....	31	7003952 .....	117	7007435 .....	71	7012519 .....	48
7000252 .....	31	7003953 .....	115, 117	7007436 .....	71	7012520 .....	48
7000253 .....	29, 31	7003956 .....	117	7007437 .....	71	7012521 .....	48
70002534 .....	39	7003957 .....	121	7007438 .....	71	7012522 .....	48
70002535 .....	39	7003961 .....	115, 117, 121,	7007439 .....	71	7012523 .....	48
70002536 .....	39		125, 198	7007440 .....	71	7012558 .....	67
70002537 .....	39	7003966 .....	121	7007441 .....	71	7012560 .....	77
70002538 .....	39	7003967 .....	121	7007442 .....	71	7012596 .....	59
70002539 .....	39	7003968 .....	121	7007444 .....	71	7012597 .....	59
70002540 .....	39	7003969 .....	121, 125	7007445 .....	71	7012611 .....	77, 111
70002541 .....	39	7003972 .....	125	7007449 .....	71	7012612 .....	77, 111
70002542 .....	38	7003973 .....	125	7007453 .....	71	7012654 .....	59
7000257 .....	31	7003976 .....	117	7007454 .....	71	7012655 .....	59
7000258 .....	31	7003977 .....	117	7007456 .....	71	7012664 .....	62, 198
7000261 .....	31	7003980 .....	125	7007458 .....	72	7012693 .....	11, 15, 19
7000262 .....	31	7003981 .....	121	7007466 .....	72	7012901 .....	42
7000263 .....	29, 31	7003982 .....	121	7007468 .....	72	7012903 .....	53
7000281 .....	29	7003983 .....	125	7007469 .....	72	7012907 .....	51
70003039 .....	64	7003984 .....	121	7007470 .....	72	7012914 .....	53
70003040 .....	64	7003985 .....	122	7007471 .....	72	7012918 .....	53
70003041 .....	64	7003989 .....	125	7007472 .....	72	7012925 .....	42
7000625 .....	108	7003992 .....	117, 125	7007474 .....	72	7012930 .....	42
7000722 .....	27	7003993 .....	117, 125	7007475 .....	72	7012941 .....	51
7000723 .....	27	7003994 .....	121, 122, 125	7007476 .....	72	7012943 .....	41, 53, 198
7000724 .....	27	7004275 .....	203	7007477 .....	72	7012944 .....	42, 51, 53, 198
7000725 .....	27	7004276 .....	203	7007478 .....	72	7012955 .....	92, 96
7000728 .....	27	7004906 .....	35, 39	7007482 .....	72	7012959 .....	51
7000731 .....	27	7004907 .....	35, 39	7007483 .....	72	7012967 .....	51, 53, 92, 96
7000782 .....	27	7004908 .....	35, 39	7007484 .....	72	7012978 .....	41
7000798 .....	27	7004910 .....	35, 38	7007485 .....	72	7012981 .....	51, 92, 96
7001438 .....	72	7004911 .....	39	7007486 .....	72	7012992 .....	41
7001498 .....	72	7004912 .....	38	7007487 .....	72	7012993 .....	41
7001909 .....	31	7004914 .....	39	7007488 .....	72	7012994 .....	41, 53
7001911 .....	31	7004916 .....	39	7007490 .....	72	7012998 .....	51, 53, 92, 96
7001931 .....	31	7004917 .....	35, 38	7007491 .....	72	7013701 .....	61
7001985 .....	31	7004928 .....	39	7007492 .....	72	7013711 .....	61
7001998 .....	31	7004929 .....	39	7007494 .....	72	7013757 .....	61
7002821 .....	191, 203	7004938 .....	39	7007496 .....	72, 198	7013766 .....	61
7002822 .....	203	7004939 .....	39	7007497 .....	72, 189	7013771 .....	61
7002823 .....	191, 203	7005804 .....	57	7007498 .....	72, 189	7014676 .....	200, 203
7002826 .....	203	7005809 .....	57	7007499 .....	72	7014801 .....	75
7002828 .....	191	7005811 .....	57	7007601 .....	31	7014802 .....	75
7002840 .....	12, 15, 19, 203	7005812 .....	57	7007603 .....	31	7014810 .....	75
7003049 .....	27	7005821 .....	57	7007620 .....	29	7014811 .....	75, 198
7003050 .....	27	7005874 .....	57	7007640 .....	29, 31	7014813 .....	75
7003094 .....	27	7005876 .....	57	7007643 .....	31	7016180 .....	62
7003451 .....	27	7005877 .....	57	7007874 .....	35	7016314 .....	75
7003452 .....	27	7005878 .....	57	7007875 .....	35	7016319 .....	81
7003453 .....	27	7005879 .....	57	7007876 .....	35	7016330 .....	63
7003454 .....	27	7005880 .....	57	7007878 .....	35	7016331 .....	63, 198
7003455 .....	27	7005881 .....	57	7007879 .....	35	7016332 .....	63
7003456 .....	27	7006139 .....	99	7007880 .....	35	7016336 .....	189
7003457 .....	27	7006151 .....	99	7008833 .....	189	7016359 .....	63
7003459 .....	27	7006152 .....	99	7008836 .....	189	7016360 .....	48
7003460 .....	27	7006156 .....	99	7010120 .....	72	7016372 .....	81
7003461 .....	27	7007208 .....	71	7010121 .....	72	7016380 .....	81
7003462 .....	27	7007412 .....	72	7010122 .....	72	7016652 .....	107, 203
7003463 .....	27	7007413 .....	71	7010421 .....	29	7016654 .....	203
7003657 .....	67	7007414 .....	71	7010429 .....	31	7016655 .....	203
7003928 .....	117	7007416 .....	71	7010474 .....	29, 31	7016676 .....	59

# PART NUMBER INDEX

7016682.....	59	7017441.....	42, 53	7019161.....	125	7020279.....	48
7016708.....	149	7017448.....	53	7019162.....	125	7020280.....	48
7016744.....	61	7017451.....	53, 198	7019163.....	125	7020281.....	48
7016745.....	61	7017452.....	53	7019164.....	125	7020282.....	48
7016746.....	61	7017453.....	53	7019165.....	125	7020283.....	48
7016768.....	61	7017454.....	53	7019166.....	125	7020284.....	48
7016769.....	61	7017455.....	53	7019167.....	125	7020285.....	48
7016803.....	62	7017457.....	53	7019168.....	125	7020286.....	48
7016817.....	62	7017458.....	53	7019169.....	117	7020287.....	48
7016818.....	62	7017460.....	53	7019170.....	117	7020288.....	48
7016819.....	62	7017461.....	53	7019171.....	117	7020289.....	48
7016820.....	62	7017466.....	51	7019172.....	117, 118	7020290.....	48
7017004.....	29	7017467.....	51	7019173.....	117	7020313.....	38
7017005.....	29	7017468.....	53	7019174.....	117	7020314.....	38
7017006.....	29	7017469.....	53	7019175.....	117	7020315.....	38
7017007.....	29	7017470.....	53	7019176.....	117	7020316.....	38
7017008.....	29	7017471.....	53	7019177.....	117	7020317.....	38
7017009.....	29	7017475.....	41	7019178.....	117, 198	7020318.....	38
7017010.....	29	7017496.....	42	7019179.....	125	7020319.....	38
7017011.....	29	7018612.....	27	7019181.....	127	7020320.....	38
7017012.....	29	7018613.....	27	7019182.....	127, 198	7020321.....	38
7017013.....	29	7019103.....	121, 125	7019183.....	127	7020322.....	38
7017014.....	29	7019105.....	121	7019184.....	127	7020323.....	38, 39
7017015.....	29	7019106.....	121	7019185.....	127	7020324.....	38
7017016.....	29	7019107.....	121	7019186.....	127	7020325.....	38
7017017.....	29	7019108.....	121	7019187.....	127, 198	7020326.....	38
7017018.....	29	7019109.....	121	7019188.....	127	7020327.....	38
7017019.....	29	7019110.....	121, 122, 125	7019189.....	118, 198	7020328.....	38
7017020.....	29	7019111.....	117, 121, 122, 125	7019190.....	118, 198	7020329.....	38
7017021.....	29	7019112.....	121, 125	7019194.....	125	7020330.....	38
7017022.....	29	7019113.....	121	7019197.....	117	7020331.....	38
7017023.....	29	7019114.....	121	7020020.....	51	7020332.....	38
7017024.....	29	7019115.....	121, 125	7020021.....	51	7020333.....	38
7017025.....	29	7019116.....	122	7020022.....	64	7020334.....	38
7017026.....	29	7019117.....	122, 125	7020023.....	63, 198	7020344.....	38
7017027.....	29	7019122.....	115, 118	7020024.....	63	7020345.....	38
7017028.....	29	7019123.....	115, 117, 118	7020025.....	64	7020347.....	38, 39
7017029.....	29	7019124.....	121, 125, 189, 198	7020026.....	63	7020348.....	38
7017048.....	32	7019125.....	121	7020027.....	63	7020349.....	38
7017059.....	31	7019126.....	121	7020033.....	12, 16	7020350.....	38
7017060.....	31	7019127.....	121	7020034.....	12, 16	7020408.....	64
7017062.....	32	7019128.....	115, 118	7020035.....	12, 16	7020410.....	63
7017063.....	31	7019129.....	115, 118	7020036.....	12, 16	7020411.....	63
7017067.....	31	7019130.....	115	7020037.....	12, 16	7020446.....	64
7017070.....	31	7019131.....	115, 118	7020038.....	12, 16	7020463.....	63
7017080.....	31	7019132.....	115	7020039.....	12, 16	7020465.....	64
7017090.....	32	7019133.....	115	7020040.....	12, 16	7020471.....	64
7017091.....	32	7019134.....	115	7020041.....	12, 16	7020477.....	63
7017092.....	32	7019135.....	115, 118, 127	7020042.....	12, 16	7021226.....	72
7017093.....	32	7019136.....	115, 118, 127	7020045.....	12, 16	7021612.....	42
7017094.....	32	7019137.....	115	7020055.....	12, 16	7021613.....	53
7017095.....	32	7019138.....	115, 117, 125	7020056.....	75	7021614.....	53
7017096.....	31	7019139.....	115, 117	7020099.....	111	7021625.....	41, 42
7017099.....	32	7019141.....	117	7020100.....	111	7021657.....	42
7017207.....	149	7019142.....	117	7020108.....	67	7021658.....	42
7017226.....	149	7019143.....	117	7020109.....	67	7022360.....	53
7017227.....	149	7019144.....	117	7020110.....	67	7022361.....	53
7017231.....	149	7019145.....	117	7020111.....	67	7022362.....	53
7017232.....	149	7019147.....	117	7020175.....	77, 111	7022363.....	53
7017233.....	149	7019149.....	117	7020176.....	77, 112	7022396.....	41
7017235.....	149	7019151.....	125	7020180.....	11, 12, 15, 16, 19, 20	7022397.....	41
7017402.....	53	7019153.....	122, 125	7020190.....	67	7022398.....	41
7017403.....	42	7019155.....	125	7020191.....	67	7022399.....	41
7017410.....	53	7019159.....	125	7020192.....	67	7022808.....	117
7017433.....	53	7019160.....	125	7020193.....	67	7022809.....	115
7017439.....	42			7020246.....	77	7022811.....	117
7017440.....	42, 53					7022813.....	115, 117

## PART NUMBER INDEX

7022830 .....	117	7023900 .....	41	7026614 .....	117	7027359 .....	59
7022831 .....	117	7024318 .....	64	7026615 .....	117	7027360 .....	59
7023206 .....	51	7026042 .....	59	7027250 .....	63	7027361 .....	59
7023207 .....	51	7026043 .....	59	7027350 .....	59	7027363 .....	59
7023331 .....	92, 97	7026199 .....	67	7027351 .....	59	7027730 .....	59
7023332 .....	92, 97	7026522 .....	64	7027352 .....	59	8896941 .....	203
7023333 .....	92, 97	7026610 .....	117	7027353 .....	59	90206369 .....	59
7023480 .....	165	7026611 .....	117	7027354 .....	59	9983956 .....	202
7023484 .....	59	7026612 .....	117	7027356 .....	59		
7023495 .....	75	7026613 .....	117	7027358 .....	59		



3120870



An Oshkosh Corporation Company

**Corporate Office**  
**JLG Industries, Inc.**  
**1 JLG Drive**  
**McConnellsburg, PA 17233-9533 USA**  
**☎ (717) 485-5161 (Corporate)**  
**☎ (877) 554-5438 (Customer Support)**  
**📠 (717) 485-6417**

**Visit our website for JLG Worldwide Locations.**  
**[www.jlg.com](http://www.jlg.com)**