



Illustrated Parts Manual

Models 450A & 450AJ Series II

**SN 0300160835 THROUGH
0300201990
&
SN E300001114 THROUGH
E300002832**

*See Revision Log Page for exceptions

3121291

May 19, 2020 - Rev M

ANSI

CE



An Oshkosh Corporation Company

REVISION LOG

NOTE: The 450A/AJ Series II may be manufactured by JLG Industries in the following countries: USA, Belgium or Romania. Refer to the Serial Number Tag to determine the country of manufacture. The country of manufacture may be determined by the Serial Number. Boom Lifts manufactured in the USA will have a serial number prefix of 03 (i.e 03XXXXXXXX), Boom Lifts manufactured in Belgium will have a prefix of 13 (i.e 13XXXXXXXX) and Boom Lifts manufactured in Romania will have a prefix of E3 (i.e E3XXXXXXXX)

NOTES:

List of SN exceptions:

Use Parts Manual 3121660 for these SNs:

0300199221, 0300199222, 0300199223, 0300199224, 0300200428, 0300201105, 0300201106, 0300201107, 0300201108, 0300201109, 0300201481, 0300201482, 0300201528, 0300201529, 0300201575, 0300201576, 0300201577, 0300201623, 0300201624, 0300201668, 0300201811, 0300201812, 0300201813, 0300201814, 0300201858, 0300201859, 0300201860, 0300201861, 0300201862, 0300201906, 0300201907, 0300201908, 0300201909, 0300201910, 0300201954, 0300201955, 0300201956, 0300201957, 0300201958

REVISION LOG:

June 15, 2012 - A - Original Issue (Edited to 1001142990 Revision B)

August 22, 2012 - B - Revised (Edited to 1001142990 Revision C)

November 6, 2012 - C - Revised (Edited to 1001142990 Revision C)

March 25, 2013 - D - Revised (Edited to 1001142990 Revision K & 1001142991 Revision B)

May 15, 2013 - E - Revised (Edited to 1001142990 Revision L & 1001142991 Revision B)

August 28, 2013 - F - Revised (Edited to 1001142990 Revision N & 1001142991 Revision B)

November 27, 2013 - G - Revised (Edited to 1001142990 Revision T & 1001142991 Revision E & 1001160070 Revision C)

November 1, 2014 - H - Revised Manual (Revision 2)

September 30, 2016 - I - Revised Manual (Edited to 1001142990 Revision U, 1001142991 Revision K & 1001160070 Revision J)

October 21, 2016 - J - Revised Manual (Edited to 1001142990 Revision U, 1001142991 Revision Y & 1001160070 Revision AA) (Revision 1)

July 28, 2017 - K - Revised Manual (Edited to 1001142990 Revision U, 1001142991 Revision Y & 1001160070 Revision AA) (Revision 1)

July 17, 2018 - L - Revised Manual (Edited to 1001142990 Revision U, 1001142991 Revision Y & 1001160070 Revision AA) (Revision 1)

May 19, 2020 - M - Revised Manual (Edited to 1001142990 Revision U, 1001142991 Revision Y & 1001160070 Revision AA)

GENERAL INFORMATION

SECTION 6 CYLINDER

FIGURE 6-3. LIFT CYLINDER ASSEMBLY

PG# Model Designation Manual #

ITEM #	PART NUMBER	QTY.	DESCRIPTION	REV.
	1001140104	Ref	LIFT CYLINDER ASSEMBLY	B
1	0100011	AR	Compound, Locking	
2	0630535	3	Capscrew 1/4-20 x 1-1/8	
3	0791003	1	Screw #10-24 x 3/8	
4	0961897	1	Bushing, Tapered	
5	1320136	1	Clamp, Cable	
6	1683063	1	Head	
7	2220683	1	Plug, O-Ring	
8	2220685	2	Plug, O-Ring	
9	2220686	1	Plug, O-Ring	
10	3020039	AR	Lubricant	
11	3480282	1	Piston	
12	3760371	1	Ring, Washer	
13	3931420	8	Capscrew 1/4-20 x 1-1/4	
14	3931824	8	Capscrew 1/2-13 x 1-1/2	
15	3951003	1	Setscrew #10-24 x 3/8	
16	4100099	1	Spacer	
17	4640999	1	Cartridge, Holding Valve (Non Vented)	
17	2900792	1	Kit, Seal - 4640999 Cartridge Valve	
18	4641248	1	Cartridge, Counterbalance Valve (Non Vented)	
18	70004186	1	Kit, Seal - 4641248 Cartridge Valve	
19	100117991	1	Sensor, Cylinder Length	
20	100118070	1	Cap, Retainer	
20	100118084	1	Barrel	
21A	0961950	2	Bushing	
22	100118086	1	Rod	
22A	0961950	2	Bushing	
100	1001139996	1	Kit, Seal (Includes Items 101-109)	
101	See Note	2	Ring, Wear (Note: Use p/n 1001139996)	
102	See Note	1	Ring, Back-Up (Note: Use p/n 1001139996)	
103	See Note	2	Ring, Lock (Note: Use p/n 1001139996)	
104	See Note	2	Ring, Back-Up (Note: Use p/n 1001139996)	
105	See Note	2	O-Ring (Note: Use p/n 1001139996)	
106	See Note	1	O-Ring (Note: Use p/n 1001139996)	
107	See Note	1	Seal (Note: Use p/n 1001139996)	
108	See Note	1	Wiper, Rod (Note: Use p/n 1001139996)	
109	See Note	2	Seal (Note: Use p/n 1001139996)	
200	100119105	1	Kit, Sensor Magnet (Includes Items 201-203)	
201	See Note		Sleeve, Spacer (Note: Use p/n 100119105)	
202	100118066	1	Magnet, Sensor	
203	100118069	1	Ring, Internal Retaining	

Manual # Model Designation PG#

1) MACHINE IDENTIFICATION

Machines are identified by model and in some cases a combination of models, serial number (SN) or regional standard (i.e. ANSI, CE, CSA). Components may also be identified by SN or manufacturer. Common components that may be identified by these characteristics are engines and hydraulic components.

2) PARTS MANUAL ORGANIZATION

Product information in this manual is organized under section titles. Frame, Cylinder, Hydraulic and Electrical are a few examples. Each section is organized by figure and page number. The information within the Figure is then organized by item number, part number, description and corresponding illustration(s).

3) TABLE OF CONTENTS

A table of contents is found toward the beginning of the manual. Figure number, description and page number are provided for quick reference to the page containing the related information.

4) RECOMMENDED SPARE PARTS

The Recommended Spare Parts, located near the end of the manual, reference most frequently used maintenance parts.

5) PART NUMBER INDEX

A numerical index listing all part numbers and the corresponding page number(s) appears at the back of the manual.

GENERAL INFORMATION

6) NON-SERVICED PARTS

In some instances, it is necessary to display non-serviced parts, assemblies or installations. In the case of assemblies and installations there will be a Ref in the Qty column. In case of parts that are not available for service within assemblies or components, there will be a NSS (Not Sold Separately) or NLA (No Longer Available) listed in the Qty. column of the manual.

7) PARTS LIST ITEM NUMBERS

Numbers shown in the item# column correspond to numbers used in the associated illustration (s). Item numbers which are missing from the sequence in the parts list are not used on that page

8) INDENTED PARTS DESCRIPTION

An indented part description is included in the item under which it is indented.

9) ABB REVIATION AND SYMBOLS

AC.....	.. Alternating Current	LCD.....	.. Liquid Crystal Display
ADE.....	..Advanced Design Electronics	LED.....	.. Light Emitting Diodes
ANSI.....	..American National Standards Institute	LH.....	.. Left Hand
AR.....	..As Required	LSS.....	..Load Sensing System
ASSY.....	.. Assembly	M(m).....	..Metric/Meter
AUX.....	..Auxiliary	MM (mm).....	..Milimeter
AWG.....	..American Wire Gauge	mA.....	..Miliamps
B/M.....	..Bill of Material	NLA.....	..No Longer Available
CE.....	..European Conformity	NPT.....	..National Pipe Threads
CCW.....	..Counter Clockwise	NSS.....	..Not Sold Separately
cm.....	..Centimeter	OD.....	..Outside Diameter
CW.....	..Clockwise	ORB.....	..O-Ring Boss
CSA.....	..Canadian Standards Association	ORFS.....	..O-Ring Face Seal
CYL.....	..Cylinder	OZ (oz).....	..Ounces
DIA.....	..Diameter	PG.....	..Page
DC.....	..Direct Current	P/N.....	..Part Number
EMS.....	..Emergency Stop	qt.....	..Quarts
ENG.....	..Engine	QTY.....	..Quantity
FT (ft).....	..Feet	REF.....	..Reference
GA (Ga).....	..Gauge	REV.....	..Revision Level
HYD.....	..Hydraulic	RH.....	..Right Hand
Hz.....	..Hertz	SAE.....	..Society of Automotive Engineers
ID.....	..Inside Diameter	SN.....	..Serial Number
in.....	..inches	SPEC(S).....	..Specifications
ISO.....	..International Organization for Standards	T/T.....	..Turntable
JIC.....	..Joint Industry Council	UGM.....	..Universal Ground Module
KG.....	..Kilogram	V.....	..Volts
L.....	..Liter	W.....	..Watts
LB.....	..Pounds	#.....	..Number

10) ILLUSTRATION REFERENCE LETTERS

When necessary, illustrations may contain reference letters that are intended to track information (i. e. hoses, harnesses) from one point to another or to track visual enlargement of components to show details that may be located in another area on the illustration.

Note: Due to continuous product improvements, JLG Industries, Inc. reserves the right to make specification changes without prior notification. Contact JLG Industries, Inc. for updated information.

TABLE OF CONTENTS

SECTION 1 - FRAME.....	11
FIGURE 1-1. AXLE AND STEERING INSTALLATION - 2WD WITHOUT TOW BAR	12
FIGURE 1-2. AXLE AND STEERING INSTALLATION - 2WD WITH TOW BAR.....	16
FIGURE 1-3. AXLE AND STEERING INSTALLATION - 4WD	20
FIGURE 1-4. TIRE AND WHEEL DRIVE INSTALLATION	24
FIGURE 1-5. DRIVE HUB/BRAKE ASSEMBLY (REAR).....	28
FIGURE 1-6. DRIVE HUB ASSEMBLY (FRONT) (4WD ONLY)	32
FIGURE 1-7. DRIVE MOTOR ASSEMBLY (2WD)	34
FIGURE 1-8. DRIVE MOTOR ASSEMBLY (4WD)	36
FIGURE 1-9. DRIVE VALVES AND FRAME SHIELDS INSTALLATION	38
FIGURE 1-10. TOW BAR (NON-FOLDING) INSTALLATION (OPTIONAL)	42
FIGURE 1-11. TOW BAR (FOLDING) INSTALLATION (OPTIONAL)	44
SECTION 2 - TURNTABLE	47
FIGURE 2-1. MAIN CONTROL VALVE AND ALARM INSTALLATIONS	48
FIGURE 2-2. MAIN CONTROL VALVE ASSEMBLY.....	50
FIGURE 2-3. TURNTABLE AND SWING DRIVE INSTALLATIONS	52
FIGURE 2-4. SWING MOTOR ASSEMBLY	54
FIGURE 2-5. SWING BEARING AND ROTATION BOX ASSEMBLY (ORIGINAL EQUIPMENT)	56
FIGURE 2-6. SWING BEARING AND ROTATION BOX ASSEMBLY (SERVICE REPLACEMENT)	58
FIGURE 2-7. CATERPILLAR ENGINE INSTALLATION (USA BUILT MACHINES).....	60
FIGURE 2-8. CATERPILLAR ENGINE INSTALLATION (ROMANIAN BUILT MACHINES).....	68
FIGURE 2-9. DEUTZ D2011 ENGINE INSTALLATION (USA BUILT MACHINES).....	76
FIGURE 2-10. DEUTZ D2011 ENGINE INSTALLATION (ROMANIAN BUILT MACHINES).....	84
FIGURE 2-11. DEUTZ TD2.9L4 ENGINE INSTALLATION (USA BUILT MACHINES).....	90
FIGURE 2-12. GM ENGINE INSTALLATION	100
FIGURE 2-13. PISTON PUMP ASSEMBLY	106
FIGURE 2-14. GEAR PUMP ASSEMBLY	110
FIGURE 2-15. AUXILIARY PUMP ASSEMBLY.....	112
FIGURE 2-16. TANK INSTALLATIONS.....	114
FIGURE 2-17. LP TANK INSTALLATION (GM ENGINE MACHINES ONLY)	118
FIGURE 2-18. GROUND CONTROL BOX ASSEMBLY (FIBERGLASS BOX)	120
FIGURE 2-19. GROUND CONTROL BOX ASSEMBLY (STEEL BOX).....	124
FIGURE 2-20. LIGHT INSTALLATIONS.....	130
FIGURE 2-21. HOODS INSTALLATION	134
FIGURE 2-22. 2500W GENERATOR INSTALLATION - CATERPILLAR MACHINES (OPTIONAL).....	140
FIGURE 2-23. 2500W GENERATOR INSTALLATION - DEUTZ MACHINES (OPTIONAL)	144
FIGURE 2-24. 2500W GENERATOR INSTALLATION - DEUTZ TD2.9L4 MACHINES (ANSI, CSA AND JAPANESE SPECS) (OPTIONAL)	148
FIGURE 2-25. 2500W GENERATOR INSTALLATION - GM MACHINES (ANSI, ANSI EXPORT AND CSA SPECS) (OPTIONAL)	152
FIGURE 2-26. 4000W GENERATOR INSTALLATION - DEUTZ D2011 ENGINES.....	156
FIGURE 2-27. 4000W/60HZ GENERATOR INSTALLATION - DEUTZ TD2.9L4 ENGINES.....	160
FIGURE 2-28. 4000W/60HZ GENERATOR INSTALLATION - GM ENGINES.....	164
FIGURE 2-29. 7500W/60HZ GENERATOR INSTALLATION - CATERPILLAR ENGINE MACHINES (USA BUILT MACHINES).....	168

TABLE OF CONTENTS

FIGURE 2-30. 7500W GENERATOR INSTALLATION - CATERPILLAR ENGINE MACHINES (ROMANIAN BUILT MACHINES)	172
FIGURE 2-31. 7500W GENERATOR INSTALLATION - DEUTZ D2011 ENGINES (USA BUILT MACHINES)	178
FIGURE 2-32. 7500W GENERATOR INSTALLATION - DEUTZ D2011 ENGINES (ROMANIAN BUILT MACHINES)	184
FIGURE 2-33. 7500W GENERATOR INSTALLATION - DEUTZ D2.9L4 ENGINE	190
FIGURE 2-34. 7500W GENERATOR INSTALLATION - GM ENGINE MACHINES	194
SECTION 3 - BOOM	199
FIGURE 3-1. TOWER/MID BOOMS AND CYLINDERS INSTALLATION (USA BUILT MACHINES)	200
FIGURE 3-2. TOWER/MID BOOMS AND CYLINDERS INSTALLATION (ROMANIAN BUILT MACHINES)	204
FIGURE 3-3. MAIN BOOM INSTALLATION - 450A SERIES II	208
FIGURE 3-4. MAIN BOOM INSTALLATION - 450AJ SERIES II (USA BUILT MACHINES)	212
FIGURE 3-5. MAIN BOOM INSTALLATION - 450AJ SERIES II (ROMANIAN BUILT MACHINES)	216
FIGURE 3-6. MAIN BOOM ASSEMBLIES	220
FIGURE 3-7. ROTATOR ASSEMBLIES	224
FIGURE 3-8. PLATFORM SUPPORT AND CONTROL VALVES INSTALLATIONS	228
FIGURE 3-9. PLATFORM SUPPORT INSTALLATION - WITH LSS	232
SECTION 4 - PLATFORM	235
FIGURE 4-1. PLATFORM INSTALLATION	236
FIGURE 4-2. FALL ARREST PLATFORM COMPONENTS INSTALLATION (OPTIONAL)	240
FIGURE 4-3. SOFT TOUCH SYSTEM INSTALLATION (OPTIONAL)	242
FIGURE 4-4. PLATFORM CONSOLE ASSEMBLY	244
FIGURE 4-5. CONTROLLER ASSEMBLY (LIFT AND SWING) (ORIGINAL EQUIPMENT)	250
FIGURE 4-6. CONTROLLER ASSEMBLY (LIFT AND SWING) (SERVICE REPLACEMENT)	252
FIGURE 4-7. CONTROLLER ASSEMBLY (DRIVE AND STEER) (ORIGINAL EQUIPMENT)	256
FIGURE 4-8. CONTROLLER ASSEMBLY (DRIVE AND STEER) (SERVICE REPLACEMENT)	258
FIGURE 4-9. SKYGUARD SYSTEM INSTALLATION	260
FIGURE 4-10. CROSS RAIL INSTALLATION	262
FIGURE 4-11. SKYGLAZIER INSTALLATION - WITHOUT LSS (ANSI, CSA AND AUSTRALIAN SPECS)	264
FIGURE 4-12. SKYGLAZIER INSTALLATION - WITH LSS (AUSTRALIAN SPECS)	266
FIGURE 4-13. SKYWELDER INSTALLATION (50HZ)	268
FIGURE 4-14. SKYWELDER INSTALLATION (60HZ)	270
FIGURE 4-15. WELDER ASSEMBLY	272
FIGURE 4-16. SKYCUTTER INSTALLATION	274
FIGURE 4-17. PLASMA CUTTER ASSEMBLY	276
SECTION 5 - CYLINDER	279
FIGURE 5-1. USA BUILT MACHINES/AXLE LOCKOUT CYLINDER	280
FIGURE 5-2. USA BUILT MACHINES/LEVEL (PLATFORM SLAVE) CYLINDER (450A SERIES II)	282
FIGURE 5-3. USA BUILT MACHINES/LEVEL (PLATFORM SLAVE) CYLINDER (450AJ SERIES II WITHOUT ARCTIC PACKAGE)	284
FIGURE 5-4. USA BUILT MACHINES/ LEVEL (PLATFORM SLAVE) CYLINDER (450AJ SERIES II WITH ARCTIC PACKAGE)	286
FIGURE 5-5. USA BUILT MACHINES/LIFT (JIB) CYLINDER (450AJ SERIES II WITHOUT ARCTIC PACKAGE)	288
FIGURE 5-6. USA BUILT MACHINES/LIFT (JIB) CYLINDER (450AJ SERIES II WITH ARCTIC PACKAGE)	290
FIGURE 5-7. USA BUILT MACHINES/LIFT (MAIN BOOM) CYLINDER	292

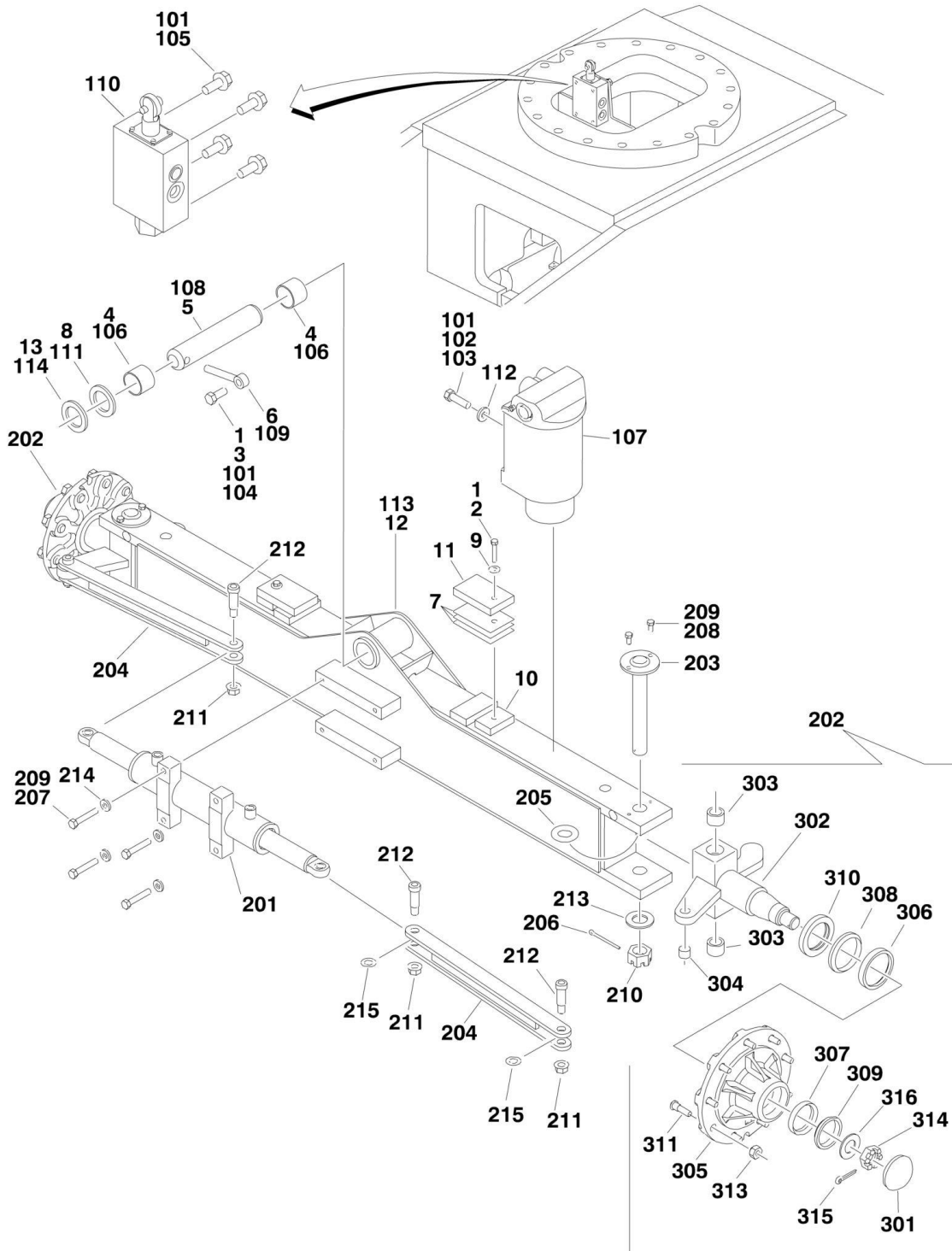
TABLE OF CONTENTS

FIGURE 5-8. USA BUILT MACHINES/LIFT (TOWER BOOM) CYLINDER.....	294
FIGURE 5-9. USA BUILT MACHINES/MASTER CYLINDER (450A SERIES II).....	296
FIGURE 5-10. USA BUILT MACHINES/MASTER CYLINDER (450AJ SERIES II WITHOUT ARCTIC PACKAGE).....	298
FIGURE 5-11. USA BUILT MACHINES/MASTER CYLINDER (450AJ SERIES II WITH ARCTIC PACKAGE).....	300
FIGURE 5-12. USA BUILT MACHINES/STEER CYLINDER.....	302
FIGURE 5-13. USA BUILT MACHINES/TELESCOPE CYLINDER (SN 0300160835 through 0300175028).....	304
FIGURE 5-14. USA BUILT MACHINES/TELESCOPE CYLINDER (SN 0300175029 through 0300201990).....	306
FIGURE 5-15. ROMANIAN BUILT MACHINES/AXLE LOCKOUT CYLINDER.....	308
FIGURE 5-16. ROMANIAN BUILT MACHINES/LEVEL (PLATFORM SLAVE) CYLINDER.....	310
FIGURE 5-17. ROMANIAN BUILT MACHINES/LIFT (JIB) CYLINDER.....	312
FIGURE 5-18. ROMANIAN BUILT MACHINES/LIFT (MAIN BOOM) CYLINDER.....	314
FIGURE 5-19. ROMANIAN BUILT MACHINES/LIFT (TOWER BOOM) CYLINDER.....	316
FIGURE 5-20. ROMANIAN BUILT MACHINES/MASTER CYLINDER.....	318
FIGURE 5-21. ROMANIAN BUILT MACHINES/STEER CYLINDER.....	320
FIGURE 5-22. ROMANIAN BUILT MACHINES/TELESCOPE CYLINDER.....	322
SECTION 6 - HYDRAULIC.....	325
FIGURE 6-1. AXLE LOCKOUT HYDRAULIC DIAGRAM - 2WD.....	326
FIGURE 6-2. AXLE LOCKOUT HYDRAULIC DIAGRAM - 4WD.....	328
FIGURE 6-3. DRIVE HYDRAULIC DIAGRAM - 2WD.....	330
FIGURE 6-4. DRIVE HYDRAULIC DIAGRAM - 4WD.....	332
FIGURE 6-5. STANDARD HYDRAULIC DIAGRAM.....	336
FIGURE 6-6. HYDRAULIC DIAGRAM LIST.....	340
SECTION 7 - ELECTRICAL.....	343
FIGURE 7-1. ELECTRICAL DIAGRAM LIST.....	344
FIGURE 7-2. HARNESS COMPONENTS INSTALLATION.....	346
SECTION 8 - DECALS.....	367
FIGURE 8-1. DECAL INSTALLATION - ANSI SPEC.....	368
FIGURE 8-2. DECAL INSTALLATION - ANSI EXPORT SPECS.....	372
FIGURE 8-3. DECALS INSTALLATION - AUSTRALIAN AND CE SPECS.....	376
SECTION 9 - RECOMMENDED SERVICE PARTS STOCK.....	379
FIGURE 9-1. MODEL 450A / 450AJ SERIES II STANDARD PARTS.....	380
FIGURE 9-2. MODEL 450A / 450AJ SERIES II VARIABLE PARTS.....	382
SECTION 10 - SPECIAL OPTIONS.....	383
FIGURE 10-1. SPECIAL OPTIONS.....	384
PART NUMBER INDEX.....	391

SECTION 1 - FRAME

SECTION 1 - FRAME

FIGURE 1-1. AXLE AND STEERING INSTALLATION - 2WD WITHOUT TOW BAR



SECTION 1 - FRAME

FIGURE 1-1. AXLE AND STEERING INSTALLATION - 2WD WITHOUT TOW BAR

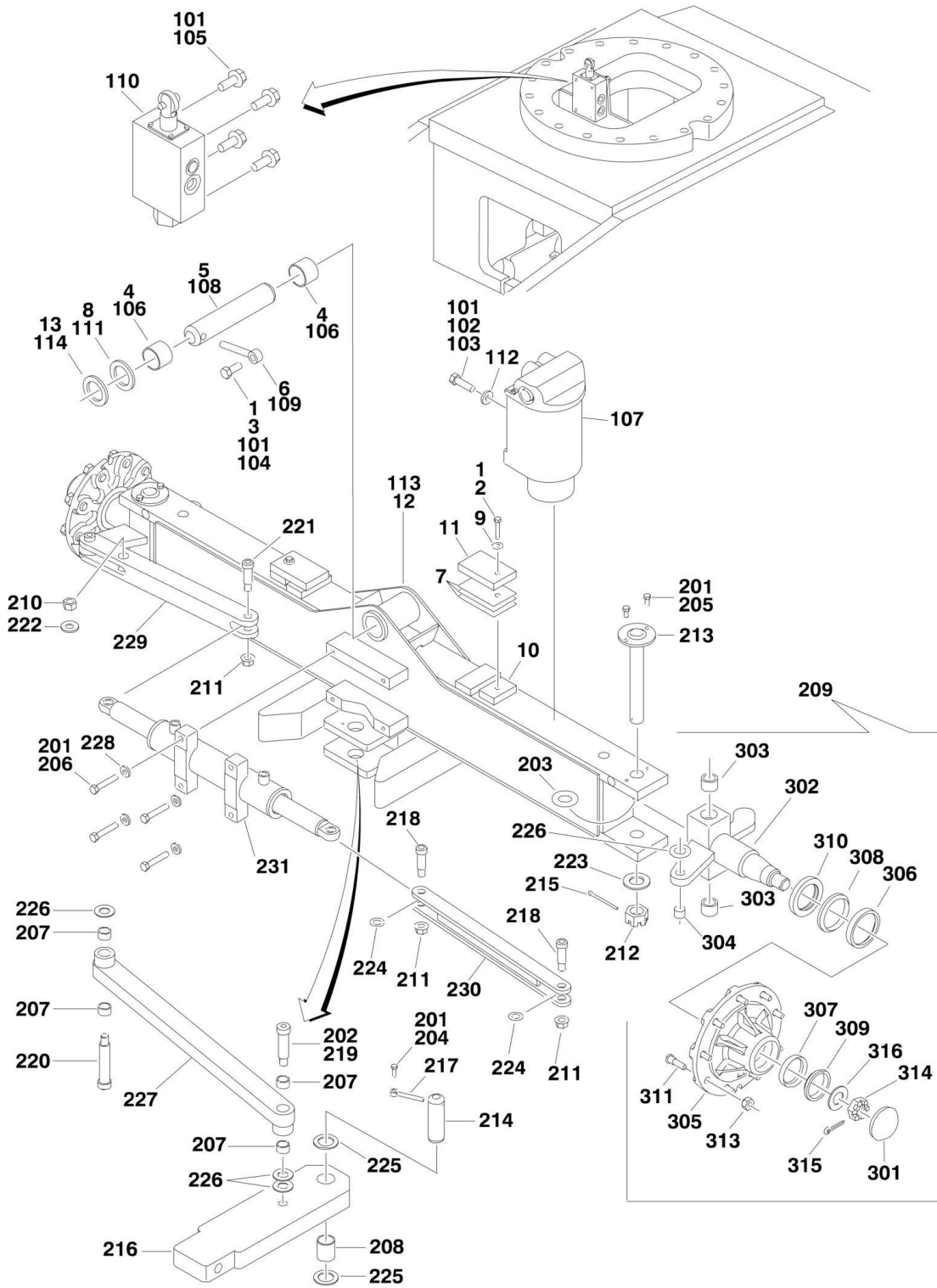
ITEM	PART NUMBER	QTY	DESCRIPTION	REV
		Ref	Note: 2WD Machines are USA Built Machines Only.	
	1001139695	Ref	FIXED AXLE INSTALLATION	D
1	0100011	AR	Compound, Locking	
2	0641616	2	Bolt 3/8in-16NC x 2in	
3	0642012	1	Bolt 5/8in-11NC x 1-1/2in	
4	0961950	2	Bushing	
5	3422592	1	Pin, Axle Pivot	
6	3841258	1	Keeper, Pin	
7	4071121	2	Shim	
8	4740229	1	Thrustwasher	
9	4751600	2	Flatwasher 3/8in Regular	
10	1001093846	2	Plate	
11	1001093851	2	Plate, Shim	
12	1001139704	1	Axle	
13	4071101	1	Shim	
	1001139690	Ref	OSCILLATING AXLE INSTALLATION	C
101	0100011	AR	Compound, Locking	
102	0100038	AR	Primer, Locking #7471	
103	0641814	8	Bolt 1/2in-13NC x 1-3/4in	
104	0642012	1	Bolt 5/8in-11NC x 1-1/2in	
105	0791506	4	Screw, 5/16in-18NC x 3/4in	
106	0961950	2	Bushing	
107	1684465	2	Lockout Cylinder Assembly (See CYLINDER SECTION for Breakdown)	
108	3422592	1	Pin, Axle Pivot	
109	3841258	1	Keeper, Pin	
110	4641265	1	Lockout Valve Assembly	
111	4740229	1	Thrustwasher	
112	4891800	8	Flatwasher, Hardened 1/2in	
113	1001139704	1	Axle	
114	4071101	1	Shim	
	1001139697	Ref	STEERING INSTALLATION	B
201	1001143434	1	Steer Cylinder Assembly (See CYLINDER SECTION for Breakdown)	
202	2780230	2	Hub/Spindle Assembly (See Items 301 to 316 for Breakdown)	
203	3422692	2	Kingpin	
204	1001140570	2	Tie-Rod	
205	0440162	2	Thrustwasher	
206	3450808	2	Pin, Cotter 1/4in x 2in	
207	0681822	4	Bolt 1/2in-13NC x 2-3/4in (Grade 8)	
208	0641606	4	Bolt 3/8in-16NC x 3/4in	
209	0100011	AR	Compound, Locking	
210	3323003	2	Nut 1-1/4in-12NF	
211	3312008	4	Nut 5/8in-11NC	
212	3900109	4	Screw, Shoulder	
213	4713000	2	Flatwasher 1-1/4in	
214	4891800	2	Flatwasher 1/2in Hardened	
215	4740086	2	Thrustwasher	
	2780230	Ref	HUB ASSEMBLY	A
301	7020033	2	Cap, Dust (1 per Assembly)	

SECTION 1 - FRAME

ITEM	PART NUMBER	QTY	DESCRIPTION	REV
302	7020034	2	Spindle Assembly (1 per Assembly)	
303	0961951	4	Bushing (2 per Assembly)	
304	0962140	2	Bearing (1 per Assembly)	
305	7020035	2	Hub (1 per Assembly) (Includes 306 & 307)	
306	7020036	2	Cup, Bearing - Inner (1 per Assembly)	
307	7020038	2	Cup, Bearing - Outer (1 per Assembly)	
308	7020037	2	Cone, Bearing - Inner (1 per Assembly)	
309	7020039	2	Cone, Bearing - Outer (1 per Assembly)	
310	7020040	2	Seal (1 Per Assembly)	
311	7020041	18	Stud, Wheel (9 Per Assembly)	
313	7020042	18	Lugnut (9 per Assembly)	
314	7020054	2	Nut, Castle (1 per Assembly)	
315	3450608	2	Pin, Cotter (1 Per Assembly)	
316	7020055	2	Flatwasher (1 Per Assembly)	

SECTION 1 - FRAME

FIGURE 1-2. AXLE AND STEERING INSTALLATION - 2WD WITH TOW BAR



SECTION 1 - FRAME

FIGURE 1-2. AXLE AND STEERING INSTALLATION - 2WD WITH TOW BAR

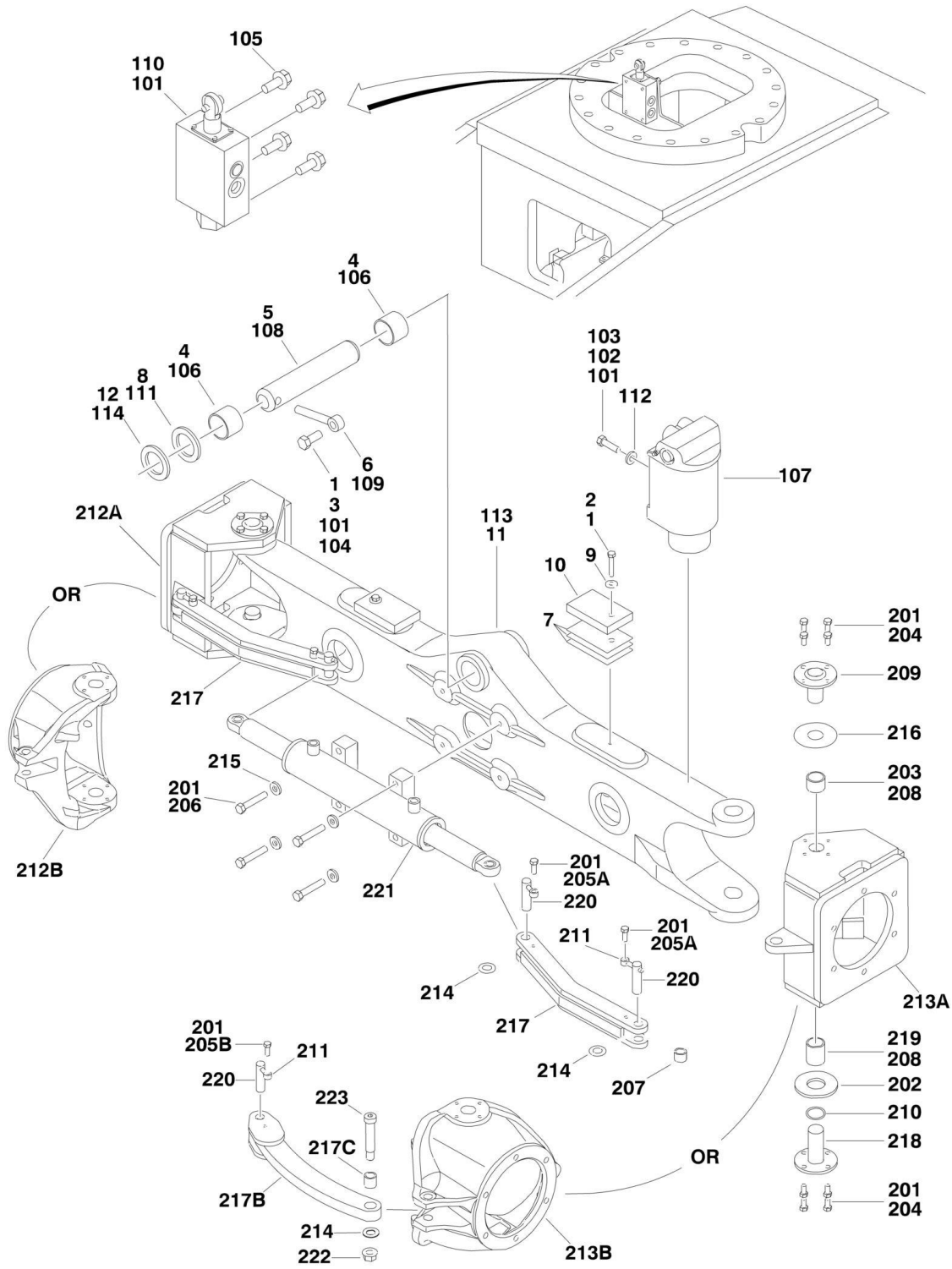
ITEM	PART NUMBER	QTY	DESCRIPTION	REV
		Ref	Note: 2WD Machines are USA Built Machines Only.	
	1001139694	Ref	FIXED AXLE INSTALLATION	C
1	0100011	AR	Compound, Locking	
2	0641616	2	Bolt 3/8in-16NC x 2in	
3	0642012	1	Bolt 5/8in-11NC x 1-1/2in	
4	0961950	2	Bushing	
5	3422592	1	Pin, Axle Pivot	
6	3841258	1	Keeper, Pin	
7	4071121	2	Shim	
8	4740229	1	Thrustwasher	
9	4751600	2	Flatwasher 3/8in Regular	
10	1001093846	2	Plate	
11	1001093851	2	Plate, Shim	
12	1001139705	1	Axle	
13	4071101	1	Shim	
	1001139693	Ref	OSCILLATING AXLE INSTALLATION	C
101	0100011	AR	Compound, Locking	
102	0100038	AR	Primer, Locking #7471	
103	0641814	8	Bolt 1/2in-13NC x 1-3/4in	
104	0642012	1	Bolt 5/8in-11NC x 1-1/2in	
105	0791506	4	Screw, 5/16in-18NC x 3/4in	
106	0961950	2	Bushing	
107	1684465	2	Lockout Cylinder Assembly (See CYLINDER SECTION for Breakdown)	
108	3422592	1	Pin, Axle Pivot	
109	3841258	1	Keeper, Pin	
110	4641265	1	Lockout Valve Assembly	
111	4740229	1	Thrustwasher	
112	4891800	8	Flatwasher, 1/2in Hardened	
113	1001139705	1	Axle	
114	4071101	1	Shim	
	1001139901	Ref	STEERING INSTALLATION	C
201	0100011	AR	Compound, Locking	
202	0100038	AR	Primer, Locking #7471	
203	0440162	2	Thrustwasher	
204	0641508	1	Bolt 5/16in-18NC x 1in	
205	0641606	4	Bolt 3/8in-16NC x 3/4in	
206	0681822	4	Bolt 1/2in-13NC x 2-3/4in (Grade 8)	
207	0962292	4	Bushing	
208	0962348	1	Bushing	
209	2780230	2	Hub/Spindle Assembly (See Items 301 to 316 for Breakdown)	
210	3272205	1	Locknut 1in-8NC (Grade 8)	
211	3312008	4	Nut 5/8in-11NC	
212	3323003	2	Nut 1-1/4in-12NF	
213	3422692	2	Kingpin	
214	3422848	1	Pin, Hitch	
215	3450808	2	Pin, Cotter 1/4in x 2in	
216	3574235	1	Plate, Tow Bar Pivot	
217	3841143	1	Keeper	
218	3900109	2	Screw, Shoulder 3/4in x 1-3/4in	

SECTION 1 - FRAME

ITEM	PART NUMBER	QTY	DESCRIPTION	REV
219	3900295	1	Screw, Shoulder 1in x 3in	
220	3900296	1	Screw, Shoulder 1in x 4-1/2in	
221	3900327	2	Screw, Shoulder 3/4in x 2in	
222	4712400	1	Flatwasher 7/8in Thin	
223	4713000	2	Flatwasher 1-1/4in Thin	
224	4740086	4	Thrustwasher	
225	4740155	2	Thrustwasher	
226	4740491	3	Thrustwasher	
227		Ref	Link Options:	
227	4846802	1	Link (SN 0300160835 through 0300173280)	
227	1001150315	1	Link (SN 0300173281 through 0300201990)	
228	4891800	4	Flatwasher 1/2in Hardened	
229		Ref	Tie-Rod Options:	
229	1001139877	1	Tie-Rod (SN 0300160835 through 0300173280)	
229	1001150314	1	Tie-Rod (SN 0300173281 through 0300201990)	
230	1001140570	1	Tie-Rod	
231	1001143434	1	Steer Cylinder Assembly (See CYLINDER SECTION for Breakdown):	
	2780230	Ref	HUB ASSEMBLY	A
301	7020033	2	Cap, Dust (1 per Assembly)	
302	7020034	2	Spindle Assembly (1 per Assembly)	
303	0961951	4	Bushing (2 per Assembly)	
304	0962140	2	Bearing (1 per Assembly)	
305	7020035	2	Hub (1 per Assembly) (Includes 306 & 307)	
306	7020036	2	Cup, Bearing - Inner(1 per Assembly)	
307	7020038	2	Cup, Bearing - Outer (1 per Assembly)	
308	7020037	2	Cone, Bearing - Inner (1 per Assembly)	
309	7020039	2	Cone, Bearing - Outer (1 per Assembly)	
310	7020040	2	Seal (1 Per Assembly)	
311	7020041	18	Stud, Wheel (9 Per Assembly)	
313	7020042	18	Lugnut (9 per Assembly)	
314	7020054	2	Nut, Castle (1 per Assembly)	
315	3450608	2	Pin, Cotter (1 Per Assembly)	
316	7020055	2	Flatwasher (1 Per Assembly)	

SECTION 1 - FRAME

FIGURE 1-3. AXLE AND STEERING INSTALLATION - 4WD



SECTION 1 - FRAME

FIGURE 1-3. AXLE AND STEERING INSTALLATION - 4WD

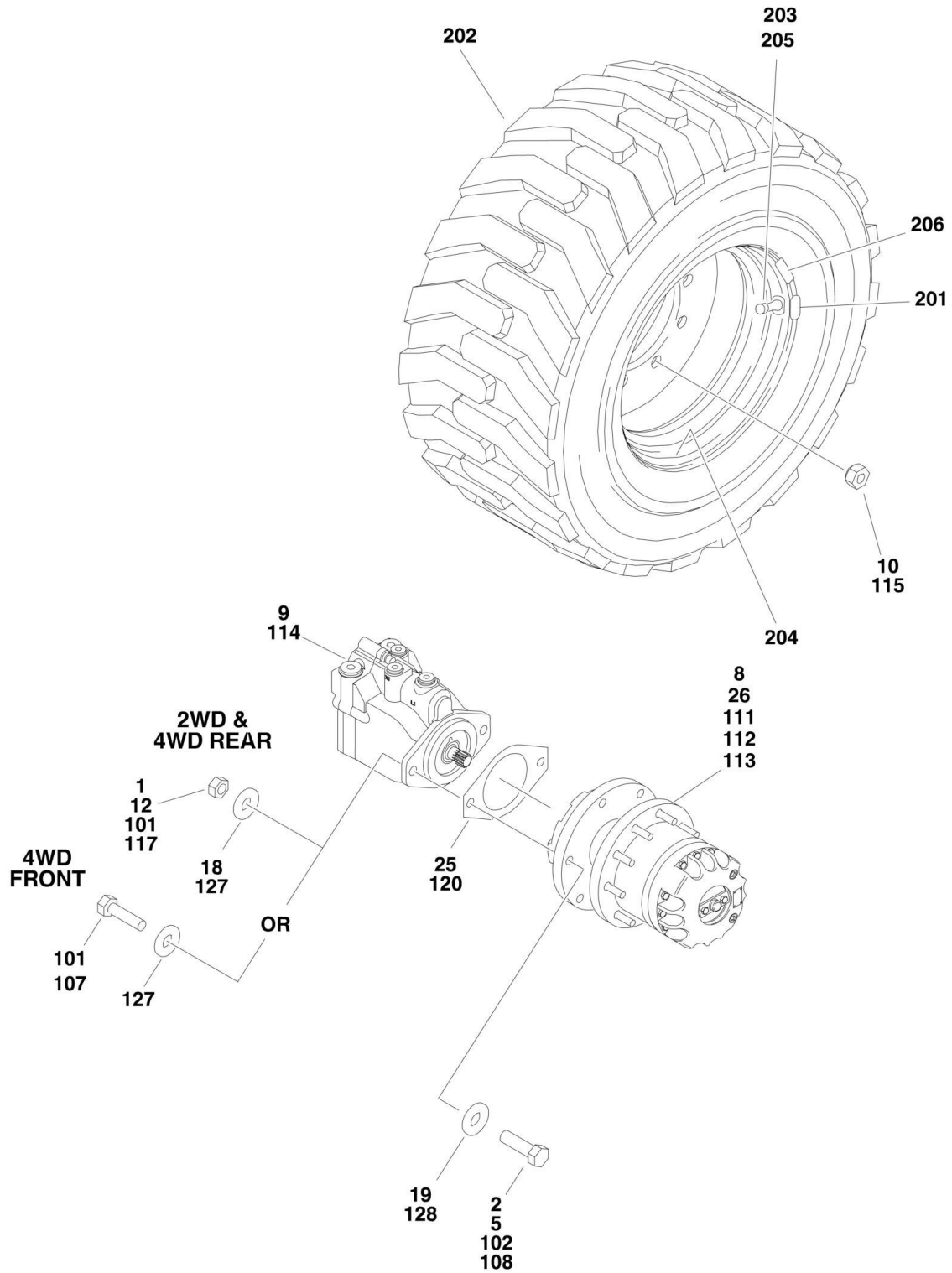
ITEM	PART NUMBER	QTY	DESCRIPTION	REV
	1001139495	Ref	FIXED AXLE INSTALLATION	C
		Ref	Note: 4WD Fixed Axle Machines are USA Built Machines Only.	
1	0100011	AR	Compound, Locking	
2	0641622	2	Bolt 3/8in-16NC x 2-3/4in	
3	0642012	1	Bolt 5/8in-11NC x 1-1/2in	
4	0961950	2	Bushing	
5	3422592	1	Pin, Axle Pivot	
6	3841258	1	Keeper, Pin	
7	4071121	2	Shim	
8	4740229	1	Thrustwasher	
9	4751600	2	Flatwasher 3/8in Regular	
10	1001093851	2	Plate, Stop	
11	1001098130	1	Axle	
12	4071101	1	Shim	
	1001139087	Ref	OSCILLATING AXLE INSTALLATION	D
101	0100011	AR	Compound, Locking	
102	0100019	AR	Primer, Locking	
103	0641814	8	Bolt 1/2in-13NC x 1-3/4in	
104	0642012	1	Bolt 5/8in-11NC x 1-1/2in	
105	0791506	4	Screw, 5/16in-18NC x 3/4in	
106	0961950	2	Bushing	
107	1684465	2	Lockout Cylinder Assembly (See CYLINDER SECTION for Breakdown)	
108	3422592	1	Pin, Axle Pivot	
109	3841258	1	Keeper, Pin	
110	4641265	1	Lockout Valve Assembly	
111	4740229	1	Thrustwasher	
112	4891800	8	Flatwasher, 1/2in Hardened	
113	1001098130	1	Axle	
114	4071101	1	Shim	
		Ref	STEERING INSTALLATION	
	1001139049	Ref	USA Built Machines (SN 0300160835 through 0300165398)	C
	1001139935	Ref	USA Built Machines (SN 0300165399 through 0300201990)	D
	1001139935	Ref	Romanian Built Machines (SN E300001114 through E300002832)	D
		Ref	Note: For Axle Bearing Kit, See SPECIAL OPTIONS SECTION.	
201	0100011	AR	Compound, Locking	
202	0440271	2	Thrustwasher	
203	0440291	2	Bushing	
204		Ref	Bolt Options:	
204	0641606	16	Bolt 3/8in-16NC x 3/4in	
204	0681607	16	Bolt 7/8in Grade 8	
205		Ref	Bolt Options:	
205A	0681608	4	Bolt 1in Grade 8	
205B	0681607	2	Bolt 7/8in Grade 8	
206	0681820	4	Bolt 1/2in-13NC x 2-1/2in (Grade 8)	
207	0962140	2	Bushing	
208	3020029	AR	Grease, Bearing (Not Shown)	
209		Ref	Kingpin Options:	

SECTION 1 - FRAME

ITEM	PART NUMBER	QTY	DESCRIPTION	REV
209	3423081	2	Kingpin (USA Built Machines) (SN 0300161285 through 0300165398)	
209	1001139141	2	Kingpin (USA Built Machines) (SN 0300165399 through 0300201990)	
209	1001139141	2	Kingpin (Romanian Built Machines) (SN E300001114 through E300002832)	
210	3780182	2	O-Ring	
211	3841520	4	Keeper	
212		Ref	Spindle (Left Side) Options:	
212A	4130405	1	USA Built Machines (SN 0300161285 through 0300165398)	
212B	1001139645	1	USA Built Machines (SN 0300165399 through 0300201990)	
212B	1001139645	1	Romanian Built Machines (SN E300001114 through E300002832)	
213		Ref	Spindle (Right Side) Options:	
213A	4130406	1	USA Built Machines (SN 0300161285 through 0300165398)	
213B	1001139645	1	USA Built Machines (SN 0300165399 through 0300201990)	
213B	1001139645	1	Romanian Built Machines (SN E300001114 through E300002832)	
214	4740086	4	Thrustwasher	
215	4891800	4	Flatwasher 1/2in Hardened	
216	1001138780	AR	Shim (USA Built Machines) (SN 0300161285 through 0300165399)	
217		Ref	Tie-Rod Options:	
217A	1001139048	2	Tie-Rod (USA Built Machines) (SN 0300161285 through 0300165398)	
217B	1001139892	2	Tie-Rod (USA Built Machines) (SN 0300165399 through 0300201990)	
217B	1001139892	2	Tie-Rod (Romanian Built Machines) (SN E300001114 through E300002832)	
217C	1001139943	2	Bushing for 1001139892 Tie-Rod (1 Per Tie-Rod)	
218	1001139141	2	Kingpin	
219	1001139476	2	Bearing	
220		Ref	Pin Options:	
220	1001139586	4	Pin (USA Built Machines) (SN 0300161285 through 0300165398)	
220	1001116867	2	Pin (USA Built Machines) (SN 0300165399 through 0300201990)	
220	1001116867	2	Pin (Romanian Built Machines) (SN E300001114 through E300002832)	
221	1001143434	1	Steer Cylinder Assembly (See CYLINDER SECTION for Breakdown)	
222	3312008	AR	Nut, Flanged 5/8in-11NC	
223	3900255	2	Screw, Shoulder	

SECTION 1 - FRAME

FIGURE 1-4. TIRE AND WHEEL DRIVE INSTALLATION



SECTION 1 - FRAME

FIGURE 1-4. TIRE AND WHEEL DRIVE INSTALLATION

ITEM	PART NUMBER	QTY	DESCRIPTION	REV
	0275853	Ref	WHEEL DRIVE INSTALLATION (2WD)	H
		Ref	Note: 2WD Machines are USA Built Machines Only.	
1	0100011	AR	Compound, Locking	
2	0100019	AR	Compound, Locking	
5	0682014	12	Bolt 5/8in-11NC x 1-3/4in (Grade 8)	
8	2780267	2	Drive Hub/Brake Assembly (See DRIVE HUB/BRAKE ASSEMBLY (REAR) For Breakdown)	
9	3160351	2	Drive Motor Assembly (See DRIVE MOTOR ASSEMBLY (2WD) for Breakdown)	
10	3300106	18	Lugnut	
12	3311801	4	Nut 1/2in-13NC	
18	4891800	4	Flatwasher 1/2in Hardened	
19	4892000	12	Flatwasher 5/8in Hardened	
25	3960526	2	Gasket	
26	3020008	AR	Lubricant 80W-90	
	0275854	Ref	WHEEL DRIVE INSTALLATIONS (4WD)	E
101	0100011	AR	Compound, Locking	
102	0100019	AR	Compound, Locking	
107	0681810	4	Bolt 1/2in-13NC x 1-1/4in (Grade 8) (Front Axle)	
108	0682014	12	Bolt 5/8in-11NC x 1-3/4in (Grade 8)	
111	2780267	2	Drive Hub/Brake Assembly (Rear) (See DRIVE HUB/BRAKE ASSEMBLY (REAR) For Breakdown)	
112	2780268	2	Drive Hub/Brake Assembly (Front) (See DRIVE HUB ASSEMBLY (FRONT) (4WD ONLY) For Breakdown)	
113	3020008	AR	Lubricant 80W-90	
114	3160348	4	Drive Motor Assembly (See FDRIVE MOTOR ASSEMBLY (4WD) for Breakdown)	
115	3300106	36	Lugnut	
117	3311801	4	Nut 1/2in-13NC (Rear Axle)	
120	3960526	4	Gasket	
127	4891800	8	Flatwasher 1/2in Hardened	
128	4892000	24	Flatwasher 5/8in Hardened	
		Ref	TIRE AND WHEEL INSTALLATIONS	
	0270091	Ref	12 x 16.5 Pneumatic (Available on ANSI, ANSI Export, CSA and Japanese Specs)	C
	0272310	Ref	12 x 16.5 Pneumatic TS (Available on ANSI, ANSI Export, CSA and Japanese Specs)	B
	0270650	Ref	12 x 16.5 Pneumatic Non-Marking (Available on ANSI, ANSI Export, CSA and Japanese Specs)	B
	0270092	Ref	12 x 16.5 Foam-Filled (Available on All Specs Except CE Specs)	C
	0270653	Ref	12 x 16.5 Foam-Filled Non-Marking (Available on All Specs Except CE Specs)	B
	0271995	Ref	14 x 17.5 Pneumatic (Available on ANSI, ANSI Export, CSA and Japanese Specs)	B
	0271998	Ref	14 x 17.5 Foam-Filled (Available on All Specs)	A
	0272311	Ref	14 x 17.5 Pneumatic TS (Available on ANSI, ANSI Export, CSA and Japanese Specs)	B
	0258029	Ref	33/1550 x 16.5 Pneumatic (Available on ANSI, ANSI Export, CSA and Japanese Specs)	B
	0272300	Ref	33/1550 x 16.5 Pneumatic TS (Available on ANSI, ANSI Export, CSA and Japanese Specs)	1
	0258031	Ref	33/1550 x 16.5 Foam-Filled (Available on All Specs)	B

SECTION 1 - FRAME

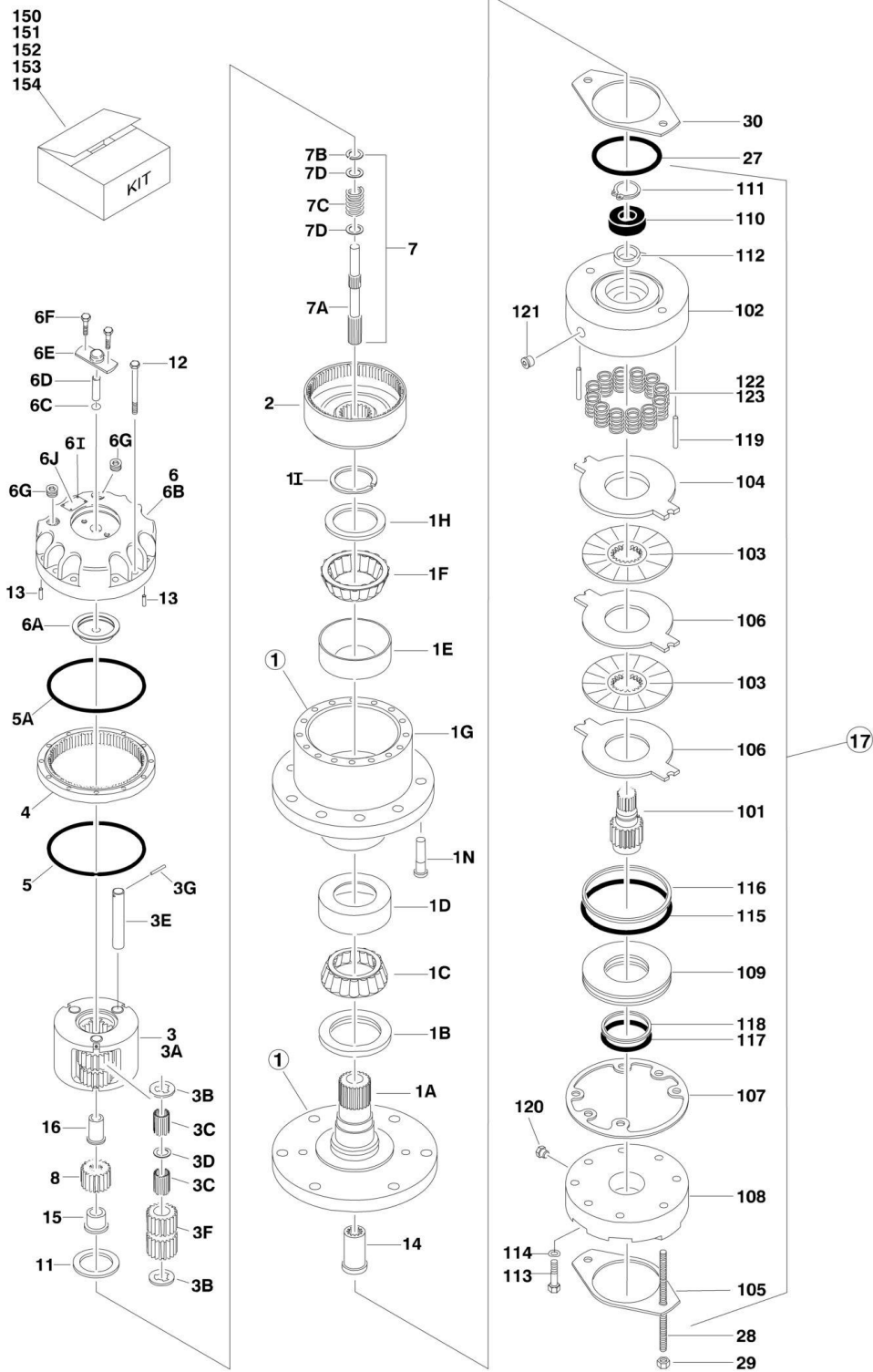
ITEM	PART NUMBER	QTY	DESCRIPTION	REV
	1001151030	Ref	33 x 16LL500 Pneumatic Turf and Sand (Available on 450AJ Series II ANSI, ANSI Export, CSA and Japanese Specs)	A
	0270074	NLA	12 x 16.5 Pneumatic Right Side (Use p/n 1001148863)	B-C
	0272336	NLA	12 x 16.5 Pneumatic Right Side (TS) (Use p/n 1001148871)	B-C
	0270651	NLA	12 x 16.5 Pneumatic Right Side (See Note) (Use p/n 1001148867)	B-C
	0270075	NLA	12 x 16.5 Pneumatic Left Side (Use p/n 1001148864)	B-C
	0272337	NLA	12 x 16.5 Pneumatic Left Side (TS) (Use p/n 1001148872)	B-C
	0270652	NLA	12 x 16.5 Pneumatic Left Side (See Note) (Use p/n 1001148868)	B-C
	0270076	NLA	12 x 16.5 Foam-Filled Right Side (See Note) (Use p/n 1001148865)	C-E
	0270654	NLA	12 x 16.5 Foam-Filled Right Side (Non-Marking) (See Note) (Use p/n 1001148869)	C-E
	0270077	NLA	12 x 16.5 Foam-Filled Left Side (See Note) (Use p/n 1001148866)	C-E
	0270655	NLA	12 x 16.5 Foam-Filled Left Side (Non-Marking) (See Note) (Use p/n 1001148870)	C-E
	0271993	NLA	14 x 17.5 Pneumatic Right Side (Use p/n 1001148873)	B-C
	0272352	NLA	14 x 17.5 Pneumatic Right Side (TS) (Use p/n 1001148877)	B-C
	0271994	NLA	14 x 17.5 Pneumatic Left Side (Use p/n 1001148874)	B-C
	0272353	NLA	14 x 17.5 Pneumatic Left Side (TS) (Use p/n 1001148878)	B-C
	0271997	NLA	14 x 17.5 Foam-Filled Right Side (See Note) (Use p/n 1001148875)	B-D
	0271996	NLA	14 x 17.5 Foam-Filled Left Side (See Note) (Use p/n 1001148876)	B-D
	0257755	2	33/1550 x 16.5 Pneumatic Right Side	C
	0272360	2	33/1550 x 16.5 Pneumatic TS Right Side	A
	0257756	2	33/1550 x 16.5 Pneumatic Left Side	C
	0272361	2	33/1550 x 16.5 Pneumatic TS Left Side	A
	0258011	2	33/1550 x 16.5 Foam-Filled Right Side	E
	0258012	2	33/1550 x 16.5 Foam-Filled Left Side	E
	1001151026	4	33 x 16LL500 Pneumatic Turf and Sand	B
		Ref	Note: Assemblies may require ballast/foam filling to manufacturer's specifications prior to installing on a machine. Refer to Operation and Safety or Service and Maintenance Manuals. Purchase individual tire and/or rim only if able to foam fill tire and wheel assembly, otherwise, purchase complete assembly.	
201		Ref	Decal Options:	
201	1702740	1	Decal - 90psi (Pneumatic Only except Turf and Sand Tire)	
201	1703067	1	Decal - 40psi (Turf and Sand Tire)	
202		Ref	Tire Options:	
202	4520216	1	12 x 16.5 NHS	
202	4520240	1	12 x 16.5 Non-Marking	
202	4520259	1	14 x 17.5 NHS	
202	4520217	1	33/1550 x 16.5 NHS	
202	4520262	1	33 x 16LL500 Turf and Sand	A
203		Ref	Valve Stem Options (Pneumatic Only):	
203	4640113	1	All except 33/1550 x 16.5 Foam-Filled Tire and Wheel Assembly	
203	8786514	1	33/1550 x 16.5 Foam-Filled Tire and Wheel Assembly Only	
203	1001149953	1	Cap, Valve Stem (Foam Filled Only)	
204		Ref	Rim, Wheel Options:	
204	4860213	NLA	16.5 x 9.75 (Use with 12 x 16.5 Tires) (Use p/n 1001147274)	

SECTION 1 - FRAME

ITEM	PART NUMBER	QTY	DESCRIPTION	REV
204	4860179	1	16.5 x 12 (Use with 33/1550 x 16.5 Tires)	
204	4860198	NLA	17.5 x 10.5 (Use with 14 x 17.5 Tires) (Use p/n 1001146397)	
204	4860237	1	19.5 x 14 (Use with 33 x 16LL500 Turf and Sand Tires)	
205	1120552	1	Cap, Valve Stem (TS Tire Only)	
206	1705364	1	Decal - Tire Sealant (TS Tire Only)	

SECTION 1 - FRAME

FIGURE 1-5. DRIVE HUB/BRAKE ASSEMBLY (REAR)



SECTION 1 - FRAME

FIGURE 1-5. DRIVE HUB/BRAKE ASSEMBLY (REAR)

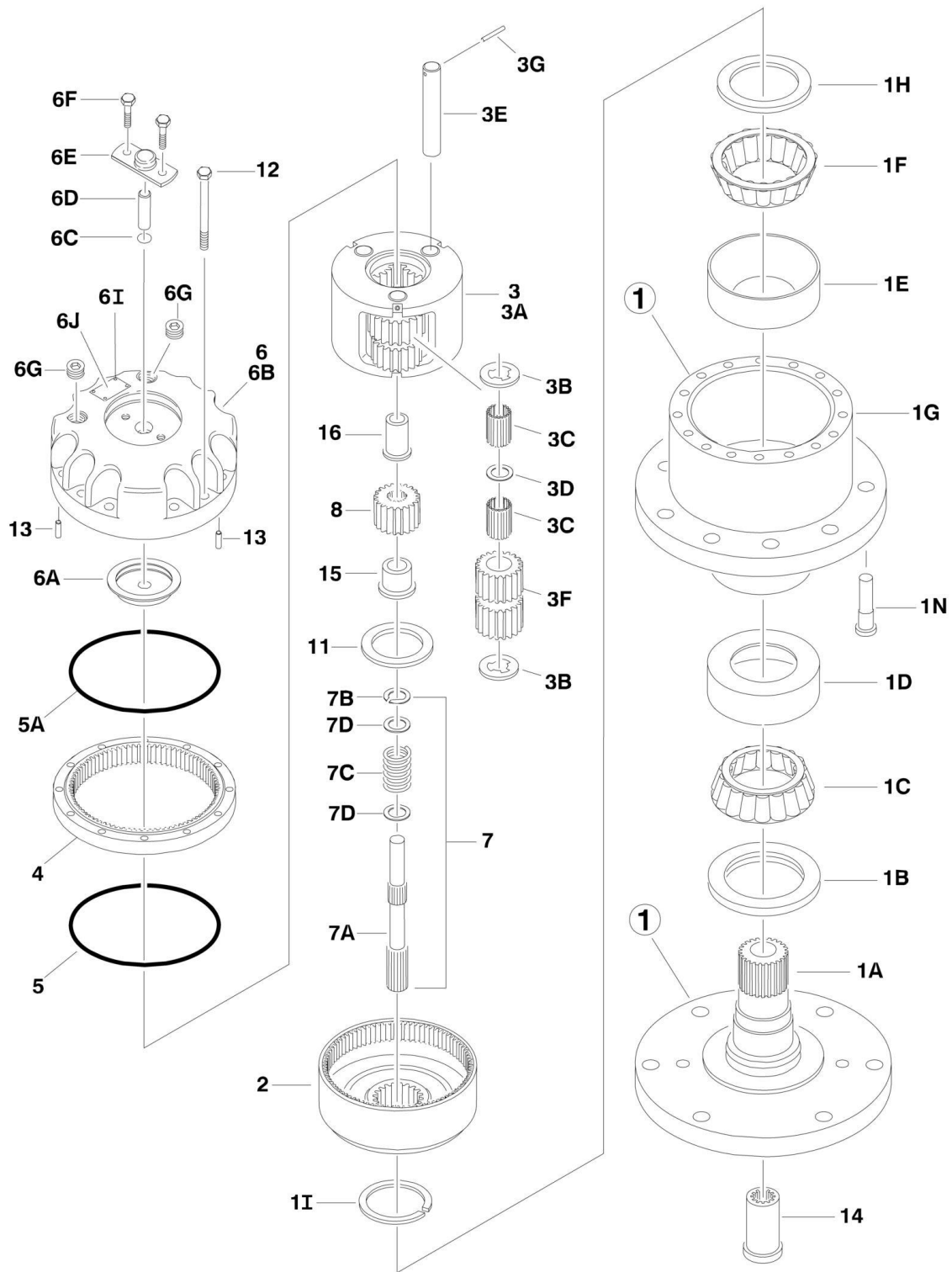
ITEM	PART NUMBER	QTY	DESCRIPTION	REV
	2780267	Ref	DRIVE HUB/BRAKE ASSEMBLY	F
1	See Note	1	Spindle/Housing Assembly (Note: Not Available - Individual Components)	
1A	7017059	1	Spindle	
1B	7001998	1	Seal	
1C	7010429	1	Cone, Bearing (Includes Item 1D)	
1D	7010429	1	Cup, Bearing (Includes Item 1C)	
1E	7000257	1	Cup, Bearing	
1F	7000258	1	Cone, Bearing	
1G	7007601	1	Housing/Ring Gear	
1H	7000232	1	Thrustwasher	
1I	7000229	1	Ring, Retaining	
1N	7007640	9	Stud, Wheel	
2	7000246	1	Gear, Internal	
3	7024712	1	Carrier Assembly	
3A	7024712	1	Carrier	
3B	7024712	6	Ring, Retaining	
3C	7024712	AR	Bearing, Needle	
3D	7024712	3	Thrustwasher	
3E	7024712	3	Shaft, Planet	
3F	7024712	3	Gear, Planet	
3G	7024712	3	Rollpin	
4	7000248	1	Ring Gear	
5	7000230	1	O-Ring	
5A	7017070	1	O-Ring	
6	70001349	1	Cover Assembly (was p/n 7017090)	
6A	70001349	1	Spacer, Thrust (was p/n 7017097)	
6B	70001349	1	Plate, Cover (was p/n 7017091)	
6C	70001349	1	O-Ring (was p/n 7017095)	
6D	70001349	1	Rod, Disconnect (was p/n 7017092)	
6E	70001349	1	Cap, Disengage (was p/n 7017093)	
6F	70001349	2	Bolt (was p/n 0641404)	
6G	7017094	1	Plug, Pipe	
6I	See Note	4	Rivet (Note: Not Available - Purchase Locally)	
6J	See Note	1	Plate, ID (Note: Not Available for Purchase)	
7		Ref	Input Shaft Assembly	
7A	7024714	1	Shaft	
7B	7000261	1	Ring, Retaining	
7C	7000262	1	Spring	
7D	7000263	2	Spacer, Thrust	
8	7024713	1	Gear, Sun	
11	7000253	1	Thrustwasher	
12	7017067	12	Bolt	
13	7017080	4	Pin, Dowell	
14	7000206	1	Coupling	
15	7024715	1	Spacer, Input	
16	7024716	1	Spacer, Input	
17	7024182	1	Brake Assembly (See Items 101-154 for Breakdown)	
27	7024705	1	O-Ring	
28	7024717	2	Rod, Threaded	

SECTION 1 - FRAME

ITEM	PART NUMBER	QTY	DESCRIPTION	REV
29	7024718	2	Nut 1/2in-13NC	
30	70005483	1	Gasket	
	7024182	Ref	BRAKE ASSEMBLY	
101	7024189	1	Shaft	
102	7024182	1	Housing	
103	7024193	2	Plate, Friction	
104	7024193	1	Plate, Pressure	
105	7000731	1	Gasket	
106	7024193	2	Plate, Outer	
107	See Note	1	Gasket (Note: Use Item 150, 153 or 154.)	
108	7024191	1	Cylinder	
109	7024192	1	Piston	
110	See Note	1	Bearing, Ball (Note: Use Item 154)	
111	See Note	1	Ring, Retaining (Note: Use Item 154)	
112	See Note	1	Seal, Shaft (Note: Use Item 154)	
113	See Note	6	Capscrew (Note: Not Available - Purchase Locally)	
114	See Note	6	Lockwasher (Note: Not Available - Purchase Locally)	
115	7024194	1	O-Ring	
116	7024194	1	Ring, Back-up	
117	7024194	1	O-Ring	
118	7024194	1	Ring, Back-up	
119	7024190	2	Pin, Dowel	
120	See Note	1	Plug (Note: Not Available - Purchase Locally)	
121	See Note	2	Plug (Note: Not Available - Purchase Locally)	
122	7024196	10	Spring Kit (Natural)	
123	7024196	2	Spring Kit (Blue)	
150	70006429	1	Seal Kit, Hub (Includes Items 1I, 5, 5A & 12)	
150	70006428	1	Seal & Bearing Kit, Hub (Includes Items 1C-1F, 1I, 5, 5A & 12)	
150	7024194	1	Seal Kit, Brake (Includes Items 105, 107 & 115-118)	
151	7024196	1	Spring Kit, Brake (Includes 12 Natural Colored Springs Item 122) (was p/n 7024195)	
152	7024196	1	Spring Kit, Brake (Includes 12 Natural Colored Springs Item 122 and 2 Blue Colored Springs Item 123)	
153	7024193	1	Friction Disc Kit, Brake (Includes Items 103, 104, 106 & 107)	
154	7024197	1	Bearing Kit - 7024182 Brake (Includes Items 107 & 110-112)	

SECTION 1 - FRAME

FIGURE 1-6. DRIVE HUB ASSEMBLY (FRONT) (4WD ONLY)



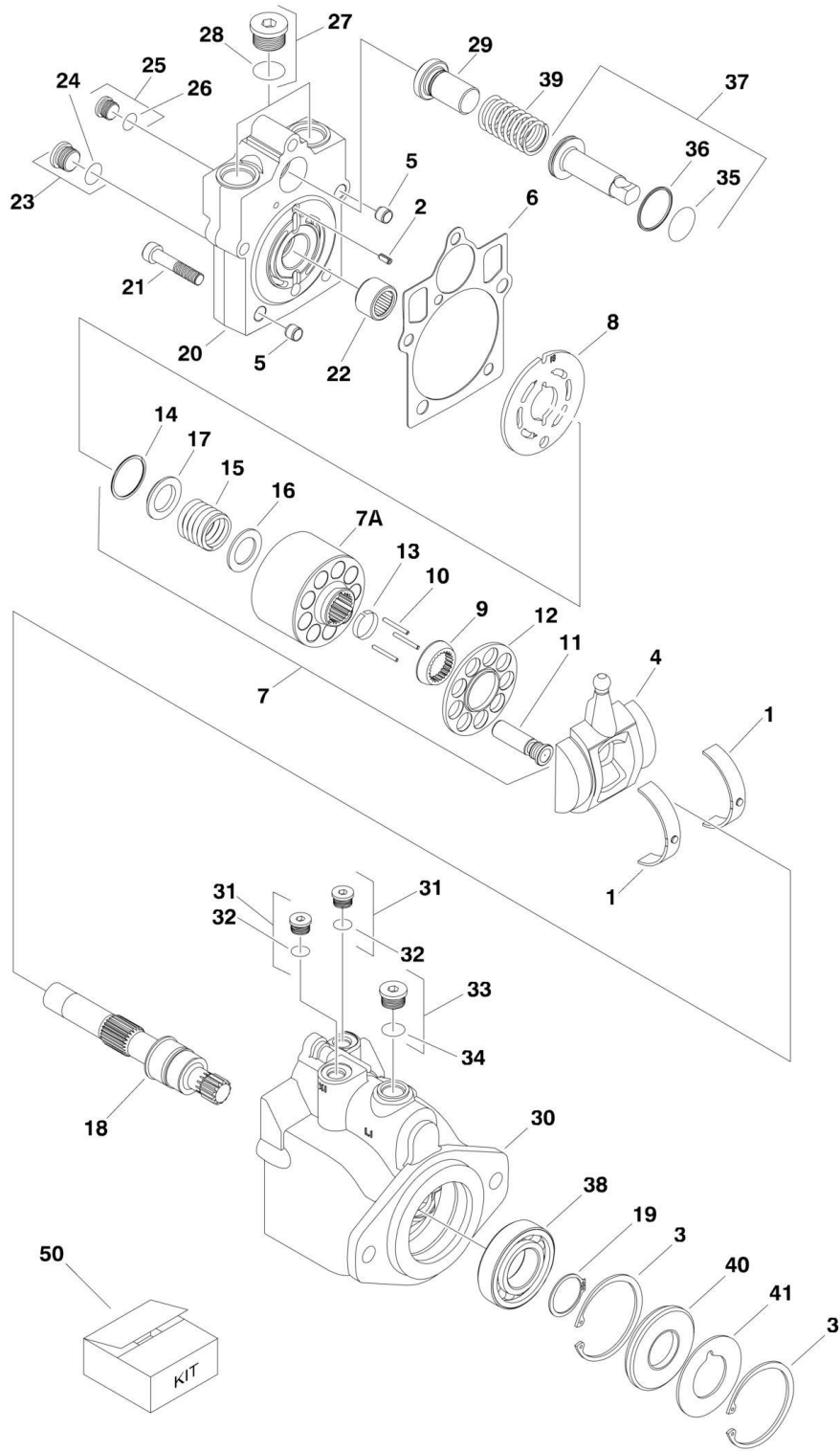
SECTION 1 - FRAME

FIGURE 1-6. DRIVE HUB ASSEMBLY (FRONT) (4WD ONLY)

ITEM	PART NUMBER	QTY	DESCRIPTION	REV
	2780268	Ref	DRIVE HUB ASSEMBLY	D
1	See Note	1	Spindle/Housing Assembly (Note: Not Available - Individual Components)	
1A	7017059	1	Spindle	
1B	7001998	1	Seal	
1C	7010429	1	Cone, Bearing (Includes Item 1D)	
1D	7010429	1	Cup, Bearing (Includes Item 1C)	
1E	7000257	1	Cup, Bearing	
1F	7000258	1	Cone, Bearing	
1G	7007601	1	Housing/Ring Gear	
1H	7000232	1	Thrustwasher	
1I	7000229	1	Ring, Retaining	
1N	7007640	9	Stud, Wheel	
2	7000246	1	Gear, Internal	
3	7024712	1	Carrier Assembly	
3A	7024712	1	Carrier	
3B	7024712	6	Ring, Retaining	
3C	7024712	AR	Bearing, Needle	
3D	7024712	3	Thrustwasher	
3E	7024712	3	Shaft, Planet	
3F	7024712	3	Gear, Planet	
3G	7024712	3	Rollpin	
4	7000248	1	Ring Gear	
5	7000230	1	O-Ring	
5A	7017070	1	O-Ring	
6	70001349	1	Cover Assembly (was p/n 7017090)	
6A	70001349	1	Spacer, Thrust (was p/n 7017097)	
6B	70001349	1	Plate, Cover (was p/n 7017091)	
6C	70001349	1	O-Ring (was p/n 7017095)	
6D	70001349	1	Rod, Disconnect (was p/n 7017092)	
6E	70001349	1	Cap, Disengage (was p/n 7017093)	
6F	70001349	2	Bolt (was p/n 0641404)	
6G	7017094	1	Plug, Pipe	
6I	See Note	4	Rivet (Note: Not Available - Purchase Locally)	
6J	See Note	1	Plate, ID (Note: Not Available for Purchase)	
7		Ref	Input Shaft Assembly	
7A	7024714	1	Shaft	
7B	7000261	1	Ring, Retaining	
7C	7000262	1	Spring	
7D	7000263	2	Spacer, Thrust	
8	7024713	1	Gear, Sun	
11	7000253	1	Thrustwasher	
12	7017067	12	Bolt	
13	7017080	4	Pin, Dowel	
14	7000206	1	Coupling	
15	7024715	1	Spacer, Input	
16	7024716	1	Spacer, Input	
150	70006429	1	Seal Kit, Hub (Includes Items 1I, 5, 5A & 12) (Not Shown)	
150	70006428	1	Seal & Bearing Kit, Hub (Includes Items 1C-1F, 1I, 5, 5A & 12) (Not Shown)	

SECTION 1 - FRAME

FIGURE 1-7. DRIVE MOTOR ASSEMBLY (2WD)



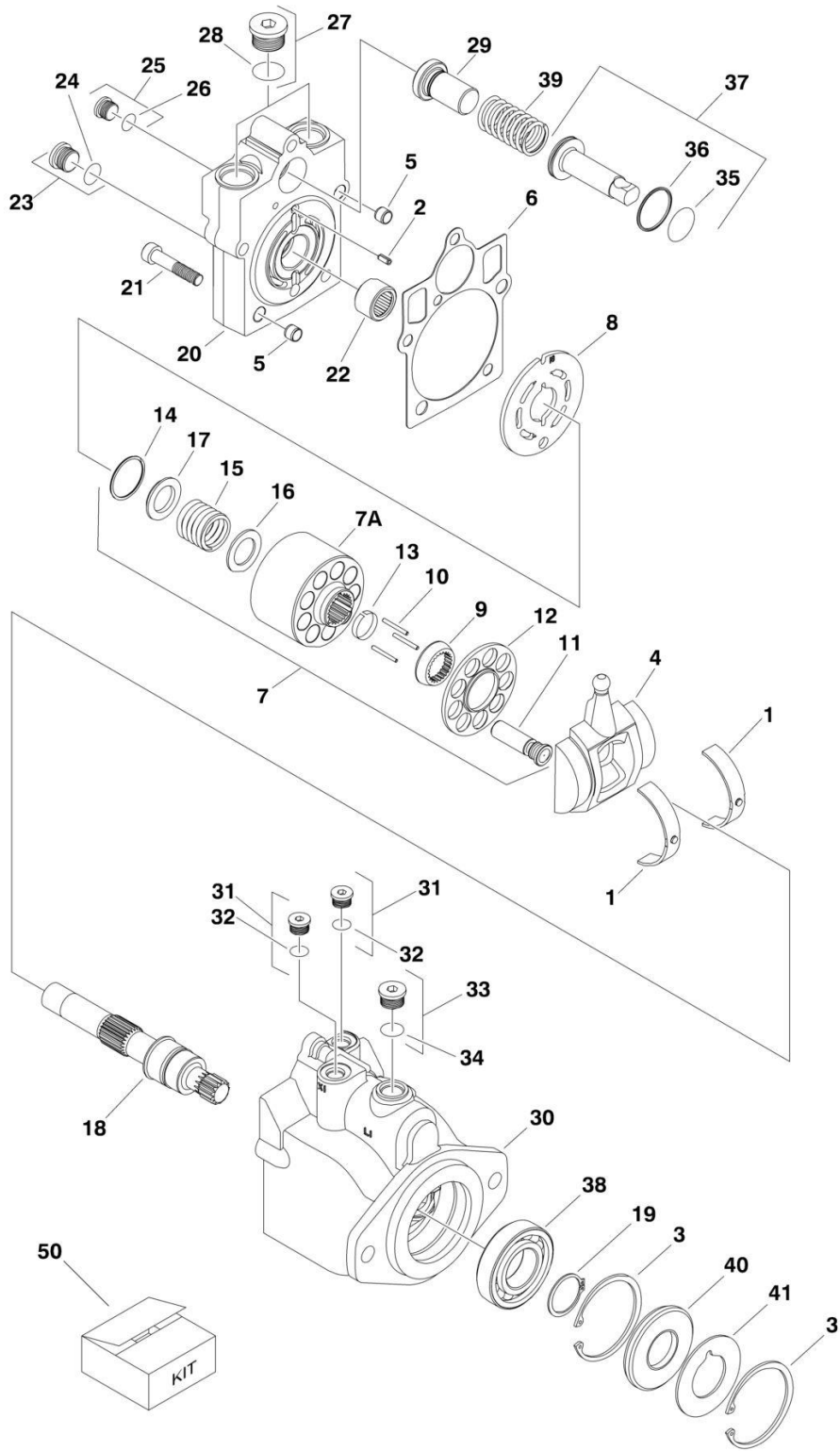
SECTION 1 - FRAME

FIGURE 1-7. DRIVE MOTOR ASSEMBLY (2WD)

ITEM	PART NUMBER	QTY	DESCRIPTION	REV
	3160351	Ref	DRIVE MOTOR ASSEMBLY (2WD)	B
1	7022302	2	Bearing, Journal	
2	7007446	1	Pin	
3	7007438	2	Ring, Retaining	
4	7022305	1	Swashplate	
5	See Note	2	Pin (Note: Not Available for Purchase)	
6	7022328	1	Gasket	
7	7023907	1	Cylinder Block Kit (Includes Items 7A & 9-17)	
7A	7023907	1	Block, Cylinder	
8	7023908	1	Plate, Valve	
9	7021277	1	Guide, Slipper Retainer	
10	7021275	3	Pin, Slipper Hold Down	
11	7023907	9	Piston Assembly	
12	7021276	1	Retainer, Hold Down Pin	
13	7023907	1	Retainer, Slipper	
14	7022311	1	Ring, Retaining	
15	7022312	1	Spring	
16	7024868	1	Washer	
17	7022314	1	Retainer, Spring	
18	7023910	1	Shaft	
19	7007439	1	Ring, Retaining	
20	70000797	1	Cap, End - Axial	
21	7022368	5	Screw	
22	7021249	1	Bearing, Needle	
23	2220886	1	Plug (Includes Item 24)	
24	7022328	1	O-Ring	
25	2220883	1	Plug (Includes Item 26)	
26	7022328	1	O-Ring	
27	7027419	2	Plug (Includes Item 28)	
28	7022328	2	O-Ring	
29	7024853	1	Seat, Spring	
30	3160351	1	Housing	
31	2220883	2	Plug (Includes Item 32)	
32	7022328	2	O-Ring	
33	2220886	1	Plug (Includes Item 34)	
34	7022328	1	O-Ring	
35	7022328	1	O-Ring	
36	7022328	1	Ring, Seal	
37	7024854	1	Piston, Servo (Includes Items 35 & 36)	
38	7007437	1	Bearing	
39	7022326	1	Spring	
40	7022328	1	Seal, Lip	
41	7022371	1	Washer, Support	
50	7022328	1	Seal Kit (Includes Items 6, 24, 26, 28, 32, 34, 35, 36 & 40)	

SECTION 1 - FRAME

FIGURE 1-8. DRIVE MOTOR ASSEMBLY (4WD)



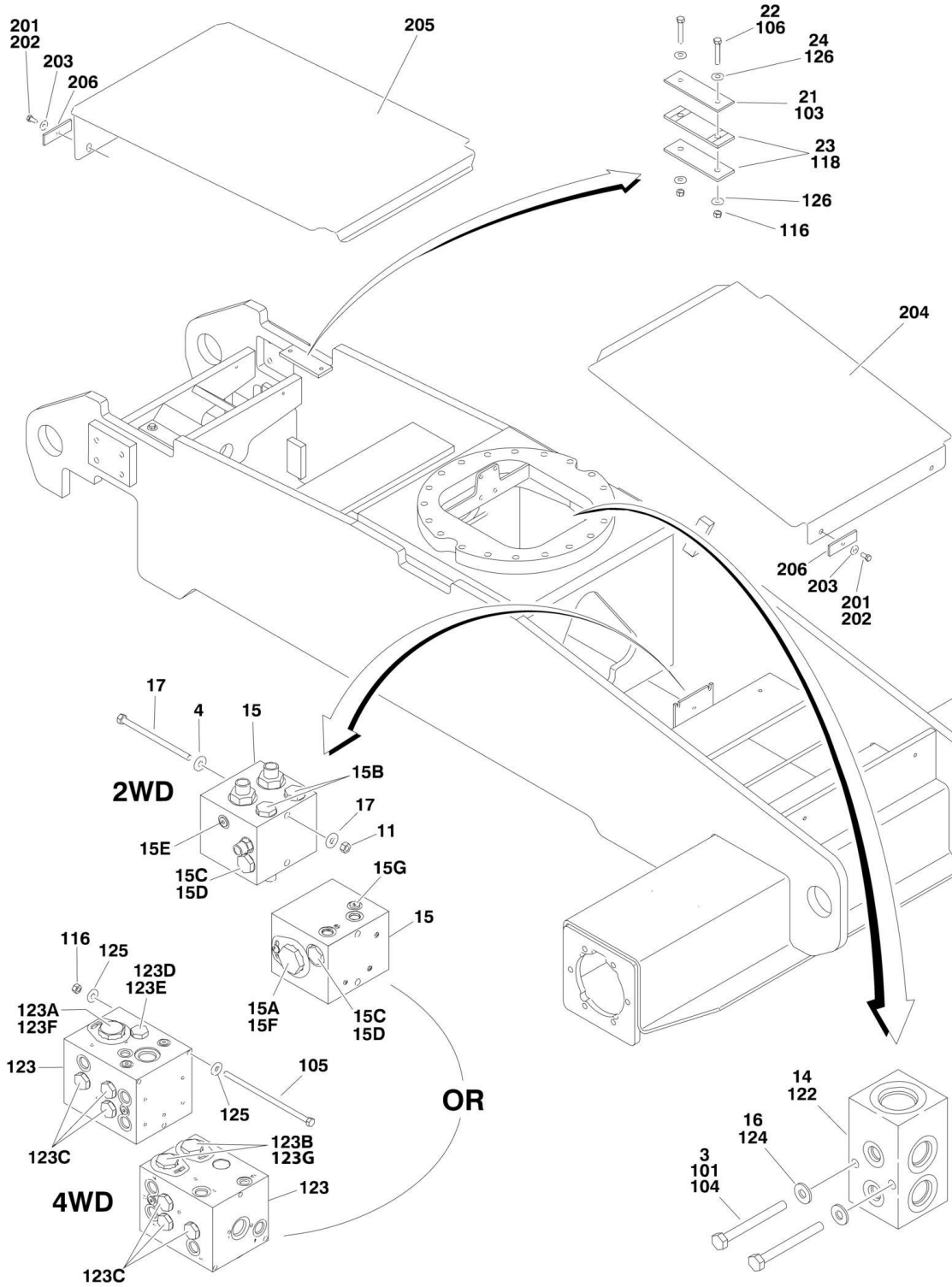
SECTION 1 - FRAME

FIGURE 1-8. DRIVE MOTOR ASSEMBLY (4WD)

ITEM	PART NUMBER	QTY	DESCRIPTION	REV
	3160348	Ref	DRIVE MOTOR ASSEMBLY (4WD)	D
1	7022302	2	Bearing, Journal	
2	7007446	1	Pin	
3	7007438	2	Ring, Retaining	
4	7022305	1	Swashplate	
5	See Note	2	Pin (Note: Not Available for Purchase)	
6	See Note	NSS	Gasket (Note: use Item 50)	
7	7023907	1	Cylinder Block Kit (Includes Items 7A & 9-17)	
7A	See Note	NSS	Block, Cylinder (Note: Use p/n 7023907)	
8	7023908	1	Plate, Valve	
9	7021277	1	Guide, Slipper Retainer	
10	7021275	3	Pin, Slipper Hold Down	
11	See Note	NSS	Piston Assembly (Note: Use p/n 7023907)	
12	7021276	1	Retainer, Hold Down Pin	
13	7022310	1	Retainer, Slipper	
14	7022311	1	Ring, Retaining	
15	7022312	1	Spring	
16	7024868	1	Washer	
17	7022314	1	Retainer, Spring	
18	7023910	1	Shaft	
19	7007439	1	Ring, Retaining	
20	70000797	1	Cap, End - Axial	
21	7022368	5	Screw	
22	7021249	1	Bearing, Needle	
23	2220886	1	Plug (Includes Item 24)	
24	See Note	NSS	O-Ring (Note: Use Item 23 or 50)	
25	2220883	1	Plug (Includes Item 26)	
26	See Note	NSS	O-Ring (Note: Use Item 25 or 50)	
27	2220888	2	Plug (Includes Item 28)	
28	See Note	NSS	O-Ring (Note: Use Item 27 or 50)	
29	7022372	1	Seat, Spring	
30	See Note	NSS	Housing (Note: Use p/n 3160248)	
31	2220883	2	Plug (Items Item 32)	
32	See Note	NSS	O-Ring (Note: Use Item 31 or 50)	
33	2220886	1	Plug (Items Item 34)	
34	See Note	NSS	O-Ring (Note: Use Item 33 or 50)	
35	See Note	NSS	O-Ring (Note: Use Item 50)	
36	See Note	NSS	Seal, Ring (Note: Use Item 50)	
37	7024854	1	Piston, Servo (Includes Items 35 & 36)	
38	7007437	1	Bearing	
39	7022326	1	Spring	
40	See Note	NSS	Seal, Lip (Note: Use Item 50)	
41	7022371	1	Washer, Support	
50	7022328	1	Seal Kit (Includes Items 6, 24, 26, 28, 32, 34, 35, 36 & 40)	

SECTION 1 - FRAME

FIGURE 1-9. DRIVE VALVES AND FRAME SHIELDS INSTALLATION



SECTION 1 - FRAME

FIGURE 1-9. DRIVE VALVES AND FRAME SHIELDS INSTALLATION

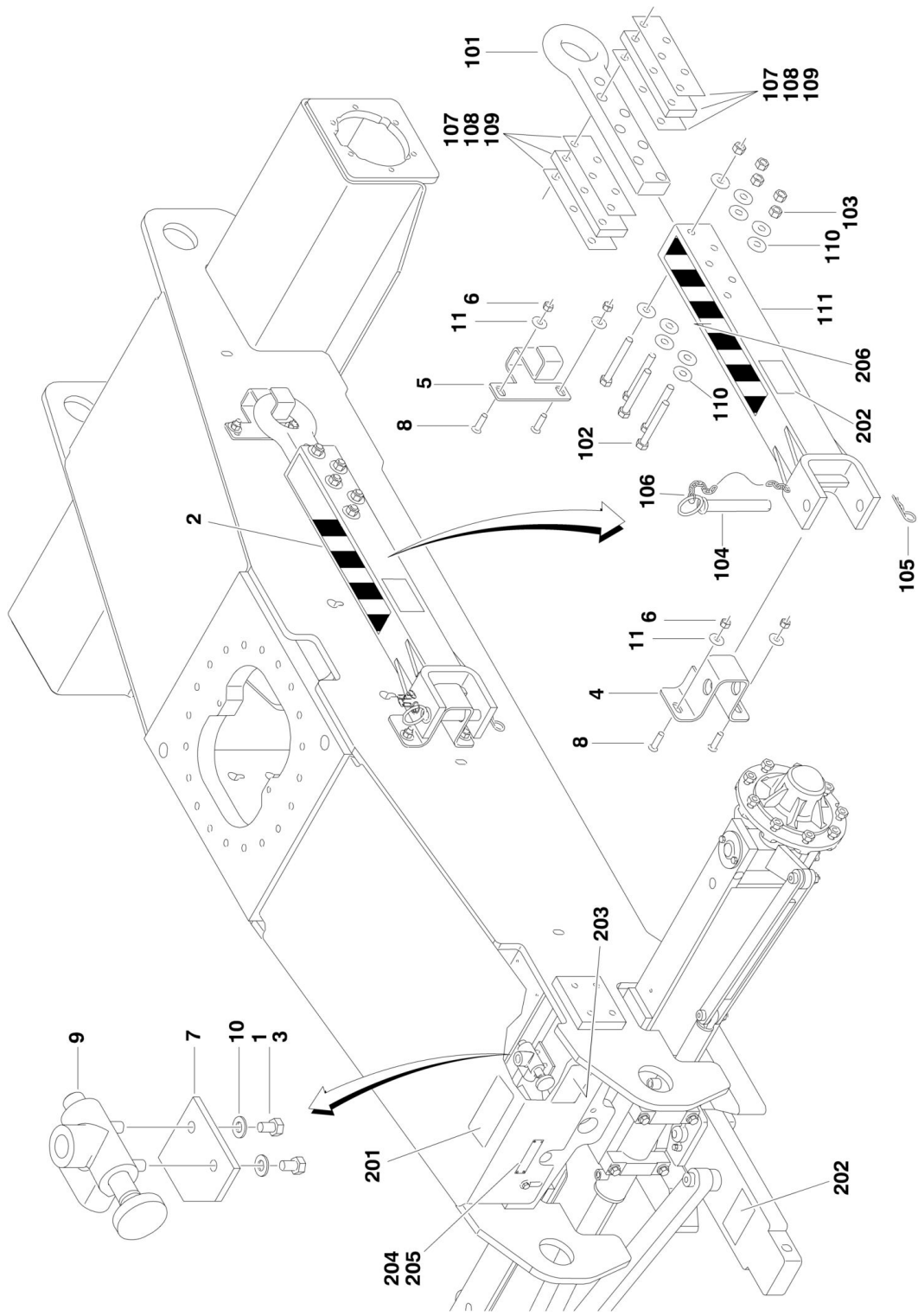
ITEM	PART NUMBER	QTY	DESCRIPTION	REV
	0275853	Ref	DRIVE VALVES INSTALLATION - 2WD	H
		Ref	Note: 2WD Machines are USA Built Machines Only.	
3	0641420	2	Bolt 1/4in-20NC x 2-1/2in	
4	0641542	2	Bolt 5/16in-18NC x 5-1/4in	
11	3311505	2	Locknut 5/16in-18NC	
14	4641155	1	Valve, Junction Manifold	B
15	1001099390	1	Valve, Flow Divider (2WD)	
15A	7023917	1	Valve, Cartridge	
15A	7021625	1	Seal Kit - 7023917 Cartridge	
15B	7022397	2	Valve, Cartridge	
15B	7022399	AR	Seal Kit - 7022397 Cartridge	
15C	70002390	2	Valve, Cartridge	
15C	7022399	AR	Seal Kit - 70002390 Cartridge	
15D	7024881	1	Piston	
15E	7024844	1	Plug	
15F	70000781	1	Lockdown Kit	
15G	7017406	1	Plug	
16	4711400	2	Flatwasher 1/4in Thin	
17	4751500	4	Flatwasher 5/16in Regular	
21	0363012	2	Bar, Clamping	
22	0641618	4	Bolt 3/8in-16NC x 2-1/4in	
23	3340911	4	Rubber, Clamp	
24	4751600	4	Flatwasher 3/8in Regular	
	0275854	Ref	DRIVE VALVES INSTALLATIONS - 4WD	E
101	0100011	AR	Compound, Locking	
103	0363012	2	Bar, Clamping	
104	0641420	2	Bolt 1/4in-20NC x 2-1/2in	
105	0641560	3	Bolt 5/16in-18NC x 7-1/2in	
106	0641618	4	Bolt 3/8in-16NC x 2-1/4in	
116	3311505	AR	Locknut 5/16in-18NC	
118	3340911	4	Rubber, Clamp	
122	4641155	1	Valve, Junction Manifold	B
123	4641510	1	Flow Divider Valve Assembly	D
123A	7023917	1	Valve, Cartridge (Flow Divider)	
123A	7021625	1	Seal Kit - 7023917 Flow Divider Cartridge	
123B	7023934	2	Valve, Cartridge (Flow Divider)	
123B	7021655	2	Seal Kit - 7023934 Flow Divider Cartridge	
123C	7022397	6	Valve, Cartridge (Check)	
123C	7022399	6	Seal Kit - 7022397 Check Cartridge	
123D	7021639	2	Valve, Cartridge (Check)	
123D	7017496	2	Seal Kit - 7021639 Check Cartridge (was p/n 2900756)	
123E	7024881	1	Piston, Pilot	
123F	70000781	1	Lockdown Kit (Port FD1)	
123G	70003962	2	Lockdown Kit (Ports FD2 & FD3)	
124	4711400	2	Flatwasher 1/4in Thin	
125	4751500	6	Flatwasher 5/16in Regular	
126	4751600	AR	Flatwasher 3/8in Regular	
		Ref	FRAME SHIELDS INSTALLATIONS	
	1001140666	Ref	Without Tow Bar	C
	1001150755	Ref	With Tow Bar	A

SECTION 1 - FRAME

ITEM	PART NUMBER	QTY	DESCRIPTION	REV
201	0100011	AR	Compound, Locking	
202		Ref	Bolt 3/8in-16NC Options:	
202	0641606	4	Bolt 3/8in-16NC x 3/4in	
202	0641612	4	Bolt 3/8in-16NC x 1-1/2in	
203	4751600	4	Flatwasher 3/8in Regular	
204	1001140381	1	Shield, Frame (Rear)	
205		Ref	Shield, Frame (Front) Options:	
205	1001140404	1	Without Tow Bar	
205	1001150713	1	With Tow Bar	
206	3340860	4	Pad, Rubber Only (SN 0300165138 through 0300201990)	

SECTION 1 - FRAME

FIGURE 1-10. TOW BAR (NON-FOLDING) INSTALLATION (OPTIONAL)



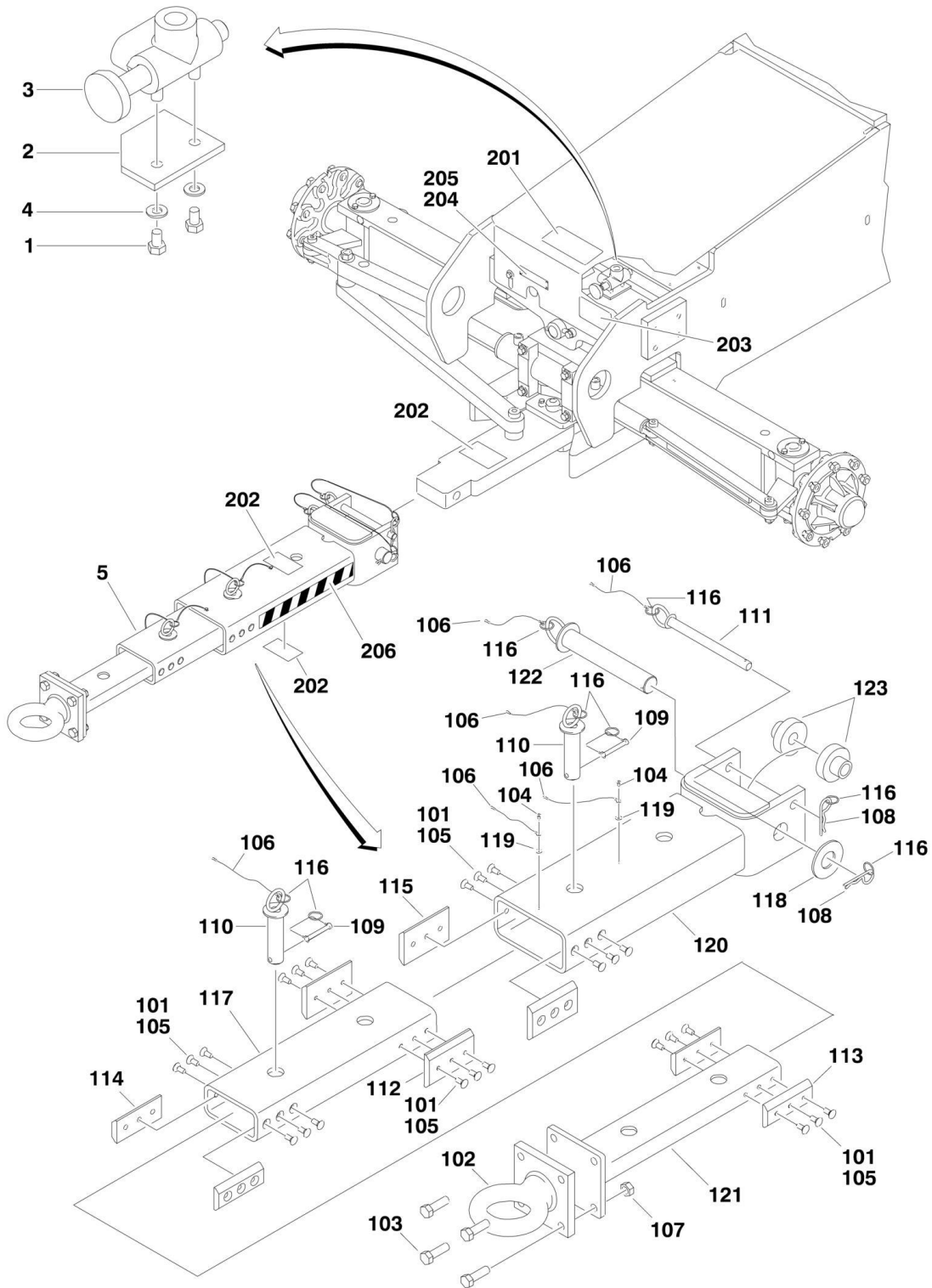
SECTION 1 - FRAME

FIGURE 1-10. TOW BAR (NON-FOLDING) INSTALLATION (OPTIONAL)

ITEM	PART NUMBER	QTY	DESCRIPTION	REV
		Ref	Note: Only Available on 2WD Machines.	
		Ref	Note: 2WD Machines are USA Built Machines Only.	
	1001093876	Ref	TOW BAR INSTALLATION - 2WD (OPTIONAL)	D
1	0100011	AR	Locking, Compound	
2	0363019	1	Tow Bar Assembly (See Item 101-111 for Breakdown)	
3	0641504	2	Bolt 5/16in-18NC x 1/2in	
4	0902733	1	Bracket, Storage (Front)	
5	0902734	1	Bracket, Storage (Rear)	
6	3311801	4	Nut 1/2in-13NC	
7	3539662	1	Plate, Valve Mounting (Welded on Plate):	
8	4300048	4	Stud (Welded on Plate)	
9	4640261	1	Steer/Tow Select Valve	
10	4711500	2	Flatwasher 5/16in Narrow	
11	4751800	4	Flatwasher 1/2in Regular	
	0363019	Ref	TOW BAR ASSEMBLY	B
101	0360406	1	Pintle, Draw Eye	
102	0682040	5	Bolt 5/8in-11NC x 5in	
103	3312005	5	Locknut 5/8in-11NC	
104	3420352	1	Pin, Towing	
105	3420372	1	Hairpin	
106	3760170	1	Ring, Split	
107	4070450	2	Shim (.07)	
108	4070560	2	Shim (.88)	
109	4070561	2	Shim (.12)	
110	4752000	10	Flatwasher 5/8in Regular	
111	0363019	1	Tow Bar (Note: Does not include Decals - Order Separately)	
		Ref	TOW BAR DECAL INSTALLATION	
	0270115	Ref	English Language (ANSI, ANSI Export, Australian and CE Specs)	1
	0270119	Ref	English/Spanish Language (Dual Language) (ANSI Export Specs)	1
	0270116	Ref	Spanish Language (CE Spec)	1
201		Ref	Decal - Tow Instructions	
201	1704482	1	0270115 English Language Installation	
201	1704457	1	0270119 English/Spanish Language Installation	
201	1704455	1	0270116 Spanish Language Installation	
202		Ref	Decal - Crushing	
202	1704578	3	0270115 English Language Installation	
202	1704577	3	0270119 English/Spanish Language Installation	
202	1701518	3	0270116 Spanish Language Installation	
203		Ref	Decal - Warning	
203	1703450	1	0270115 English Language Installation	
203	1704576	1	0270119 English/Spanish Language Installation	
203	1704456	1	0270116 Spanish Language Installation	
204		Ref	Nameplate - Steer/Tow Select Valve	
204	3250872	1	0270115 English Language Installation	
204	3252693	1	0270119 English/Spanish Language Installation	
204	3252692	1	0270116 Spanish Language Installation	
205	3820001	4	Rivet	
206	4420051	43 in/1.1m	Tape	

SECTION 1 - FRAME

FIGURE 1-11. TOW BAR (FOLDING) INSTALLATION (OPTIONAL)



SECTION 1 - FRAME

FIGURE 1-11. TOW BAR (FOLDING) INSTALLATION (OPTIONAL)

ITEM	PART NUMBER	QTY	DESCRIPTION	REV
		Ref	Note: Only Available on 2WD Machines.	
		Ref	Note: 2WD Machines are USA Built Machines Only.	
	1001154211	Ref	TOW BAR INSTALLATION - 2WD (OPTIONAL)	A
1	0641504	2	Bolt 5/16in-18NC x 1/2in	
2	3539662	1	Plate, Valve Mounting (Welded on Plate)	
3	4640261	1	Steer/Tow Select Valve	
4	4711500	2	Flatwasher 5/16in Narrow	
5	1001154212	1	Tow Bar Assembly (See Item 101-123 for Breakdown)	
	1001154212	Ref	TOW BAR ASSEMBLY	B
101	0100011	AR	Locking, Compound	
102	0362910	1	Pintle, Draw Eye	
103	068216	4	Bolt 5/8in-11NC x 2in	
104	0721004	2	Bolt 10-24 NC x 1/2in	
105	0741607	24	Screw, Countersunk 3/8in-16NC x 7/8in	
106	1060584	6	Cable, Lanyard	
107	3272005	4	Locknut 5/8in-11NC	
108	3420372	2	Hairpin	
109	3421565	2	Pin, Snap	
110	3422841	2	Pin	
111	3422847	1	Pin	
112	3572009	2	Plate, Slide Stop	
113	3572010	2	Plate, Slide Stop	
114	3572011	2	Plate, Slide Stop	
115	3572012	2	Plate, Slide Stop	
116	3760170	8	Ring, Split	
117	4568033	1	Tube, Tow Bar	
118	4740036	1	Flatwasher	
119	4751000	2	Flatwasher #10 Regular	
120	4846168	1	Tow Bar Attach Weldment	
121	4846169	1	Pintle Attach Weldment	
122	1001154031	1	Pin	
123	1001154032	2	Sleeve, Spacer	
		Ref	TOW BAR DECAL INSTALLATION	
	0270115	Ref	English Language (ANSI, ANSI Export, Australian and CE Specs)	1
	0270119	Ref	English/Spanish Language (Dual Language) (ANSI Export Specs)	1
	0270116	Ref	Spanish Language (CE Spec)	1
201		Ref	Decal - Tow Instructions	
201	1704482	1	0270115 English Language Installation	
201	1704457	1	0270119 English/Spanish Language Installation	
201	1704455	1	0270116 Spanish Language Installation	
202		Ref	Decal - Crushing	
202	1704578	3	0270115 English Language Installation	
202	1704577	3	0270119 English/Spanish Language Installation	
202	1701518	3	0270116 Spanish Language Installation	
203		Ref	Decal - Warning	
203	1703450	1	0270115 English Language Installation	
203	1704576	1	0270119 English/Spanish Language Installation	
203	1704456	1	0270116 Spanish Language Installation	

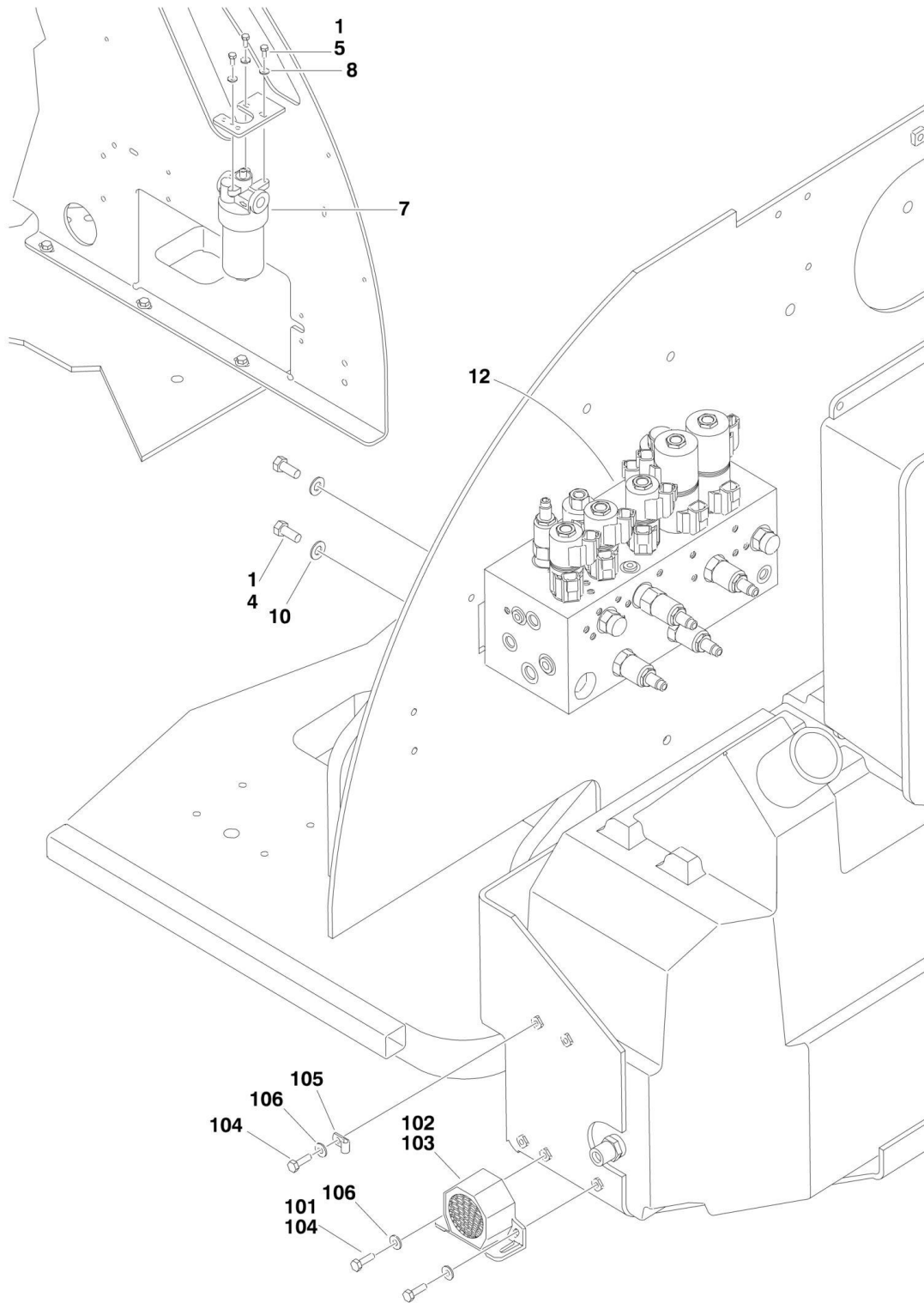
SECTION 1 - FRAME

ITEM	PART NUMBER	QTY	DESCRIPTION	REV
204		Ref	Nameplate - Steer/Tow Select Valve	
204	3250872	1	0270115 English Language Installation	
204	3252693	1	0270119 English/Spanish Language Installation	
204	3252692	1	0270116 Spanish Language Installation	
205	3820001	4	Rivet	
206	4420051	43 in/1.1m	Tape	

SECTION 2 - TURNTABLE

SECTION 2 - TURNTABLE

FIGURE 2-1. MAIN CONTROL VALVE AND ALARM INSTALLATIONS



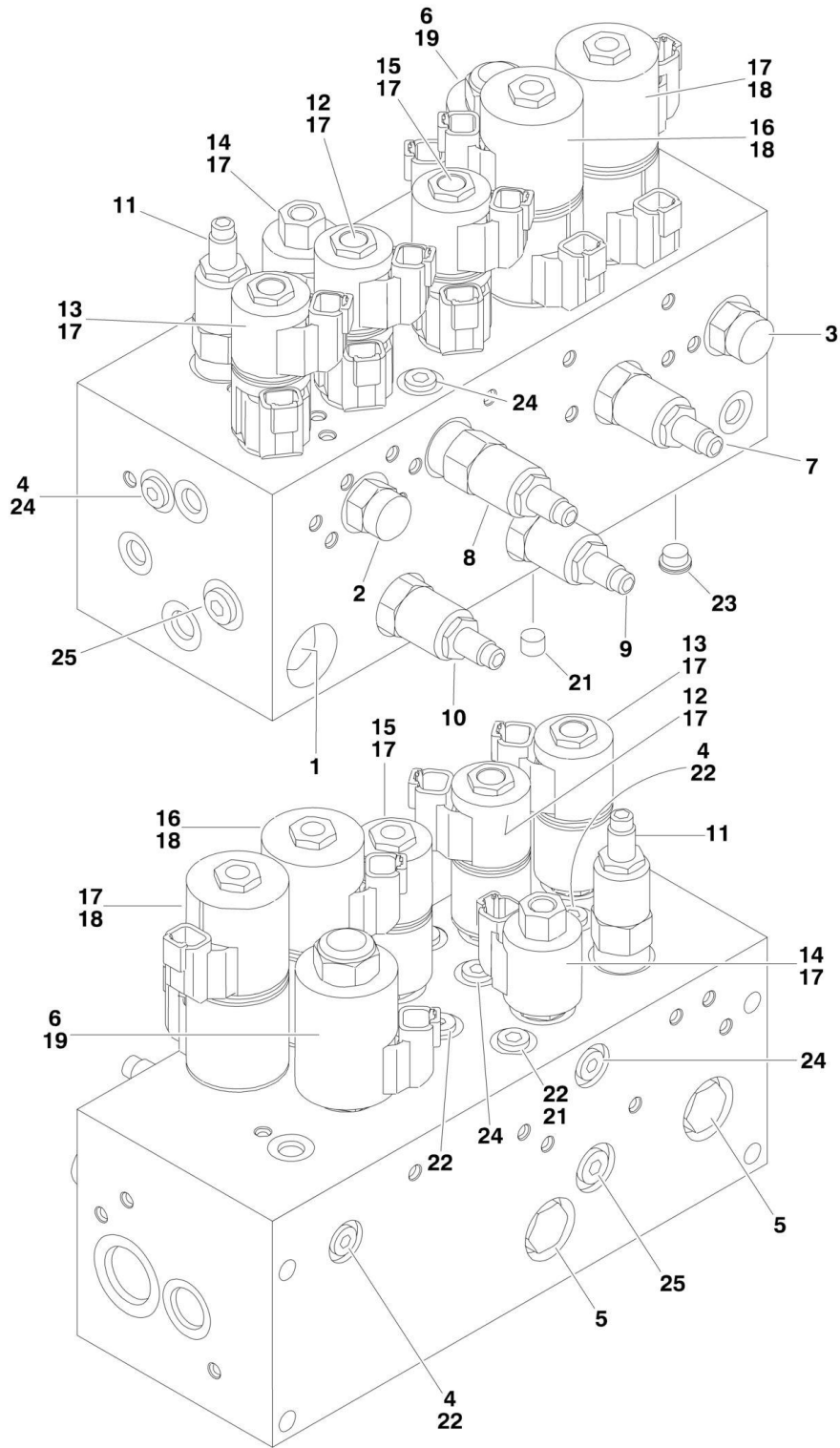
SECTION 2 - TURNTABLE

FIGURE 2-1. MAIN CONTROL VALVE AND ALARM INSTALLATIONS

ITEM	PART NUMBER	QTY	DESCRIPTION	REV
		Ref	VALVES INSTALLATIONS	
	1001141803	Ref	Valves Installations 450A Series II	B
	1001141804	Ref	Valves Installations 450AJ Series II	B
1	0100011	AR	Compound, Locking	
4	0641607	4	Bolt 3/8in-16NC x 7/8in	
5	0651405	3	Bolt 1/4in-24NF x 5/8in	
7	2120209	1	Pressure Filter Assembly	
7	2120210		Element, Filter	
7	7020020	1	Indicator	
7	70000934	1	O-Ring, Filter Bowl	
8	4751400	3	Flatwasher 1/4in Regular	
10	4711600	4	Flatwasher 3/8in Thin	
12	1001138771	1	Main Control Valve Assembly (See MAIN CONTROL VALVE ASSEMBLY for Breakdown)	
	1001142264	Ref	ALARM INSTALLATION	C
101	0100011	AR	Compound, Locking	
102	0100048	AR	Sealant, Silicone	
103	0140044	1	Alarm/Harness Assembly	
104	0641405	3	Bolt 1/4in-20NC x 5/8in	
105	1320136	1	Clamp	
106	4711400	3	Flatwasher 1/4in Thin	

SECTION 2 - TURNTABLE

FIGURE 2-2. MAIN CONTROL VALVE ASSEMBLY



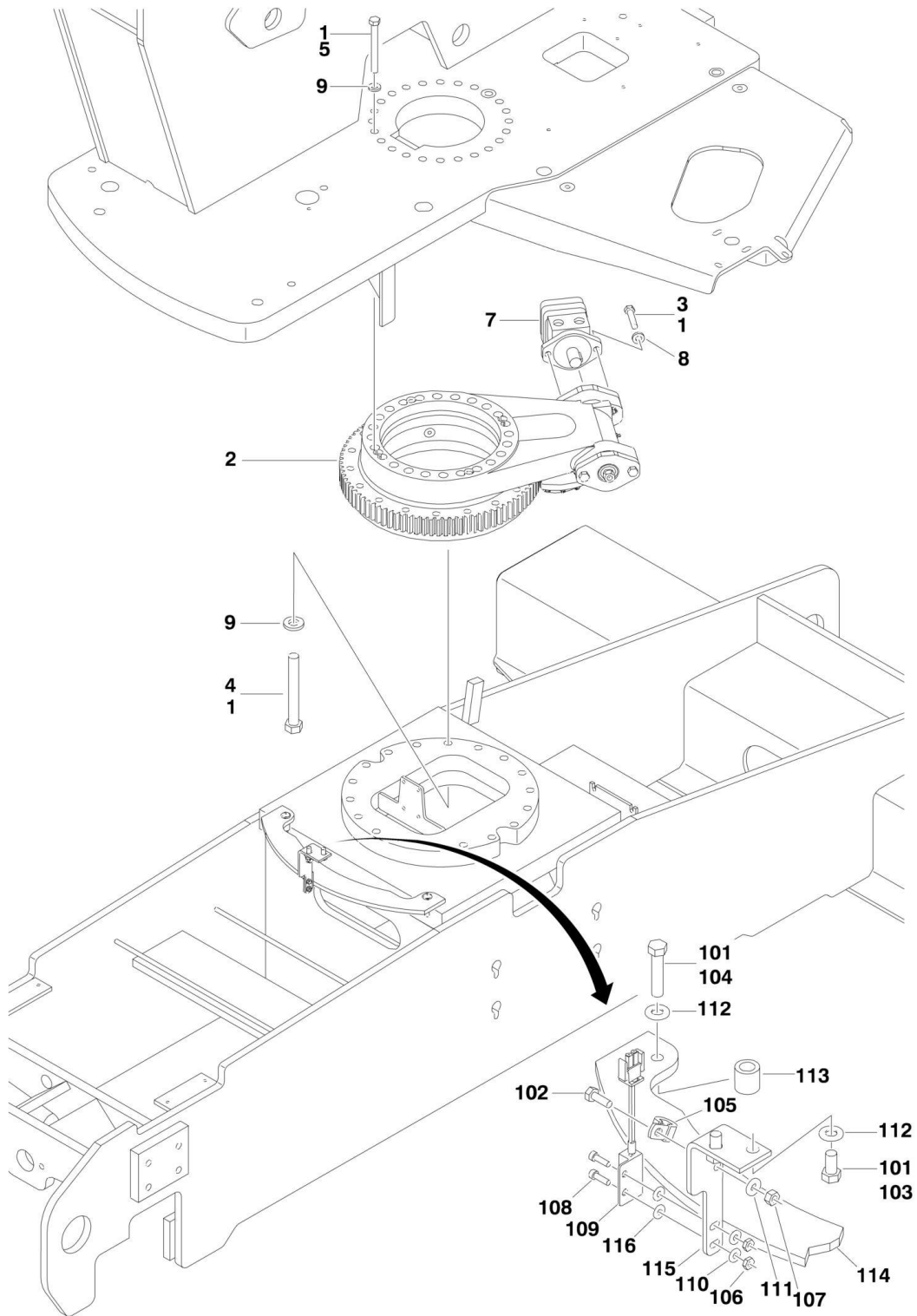
SECTION 2 - TURNTABLE

FIGURE 2-2. MAIN CONTROL VALVE ASSEMBLY

ITEM	PART NUMBER	QTY	DESCRIPTION	REV
	1001138771	Ref	PROPORTIONAL VALVE ASSEMBLY	C
1	7012975	1	Cartridge, Check	
1	7012540	1	Seal Kit - 7012975 Cartridge	
2	70003787	2	Cartridge	
2	7010543	2	Seal Kit - 70003787 Cartridge	
3	70002972	1	Cartridge, Flow Regulator	
3	7010543	1	Seal Kit - 70002972 Cartridge	
4	7017440	3	Cartridge, Load Shuttle	
4	7017441	3	Seal Kit - 7017440 Cartridge	
5	10837580	2	Cartridge, Load Shuttle	
5	7010543	2	Seal Kit - 10837580 Cartridge	
6	7021611	1	Cartridge (Proportional Dump)	
6	7012518	1	Seal Kit - 7021611 Cartridge	
7	7023971	1	Cartridge, Relief (Telescope)	
7	7012998	1	Seal Kit - 7023971 Cartridge	
8	7021613	1	Cartridge, Relief (Lower Lift)	
8	7012998	1	Seal Kit - 7021613 Cartridge	
9	7017422	1	Cartridge, Relief (Steer)	
9	7012998	1	Seal Kit - 7017422 Cartridge	
10	7017421	1	Cartridge, Relief (Upper Lift)	
10	7012998	1	Seal Kit - 7017421 Cartridge	
11	7017423	1	Cartridge, Relief (Swing)	
11	7012998	1	Seal Kit - 7017423 Cartridge	
12	7023922	1	Cartridge without Coil (Upper Lift)	
12	7017402	1	Seal Kit - 7023922 Cartridge	
13	7023914	1	Cartridge without Coil (Swing)	
13	7017402	1	Seal Kit - 7023914 Cartridge	
14	7017410	1	Cartridge without Coil (Proportional Dump)	
14	7012967	1	Seal Kit - 7017410 Cartridge	
15	7017433	1	Cartridge without Coil (Steer)	
15	7017402	1	Seal Kit - 7017433 Cartridge	
16	7017454	2	Cartridge without Coil (Lower Lift and Telescope)	
16	7012903	2	Seal Kit - 7017454 Cartridge	
17	70002386	7	Coil	
18	70003788	4	Coil	
19	70003789	1	Coil	
21	See Note	2	Orifice (Note: Not Available for Purchase)	
22	7017406	5	Plug	
23	7024844	1	Plug	
24	See Note	3	Plug (Note: Not Available for Purchase)	
25	See Note	2	Plug (Note: Not Available for Purchase)	

SECTION 2 - TURNTABLE

FIGURE 2-3. TURNTABLE AND SWING DRIVE INSTALLATIONS



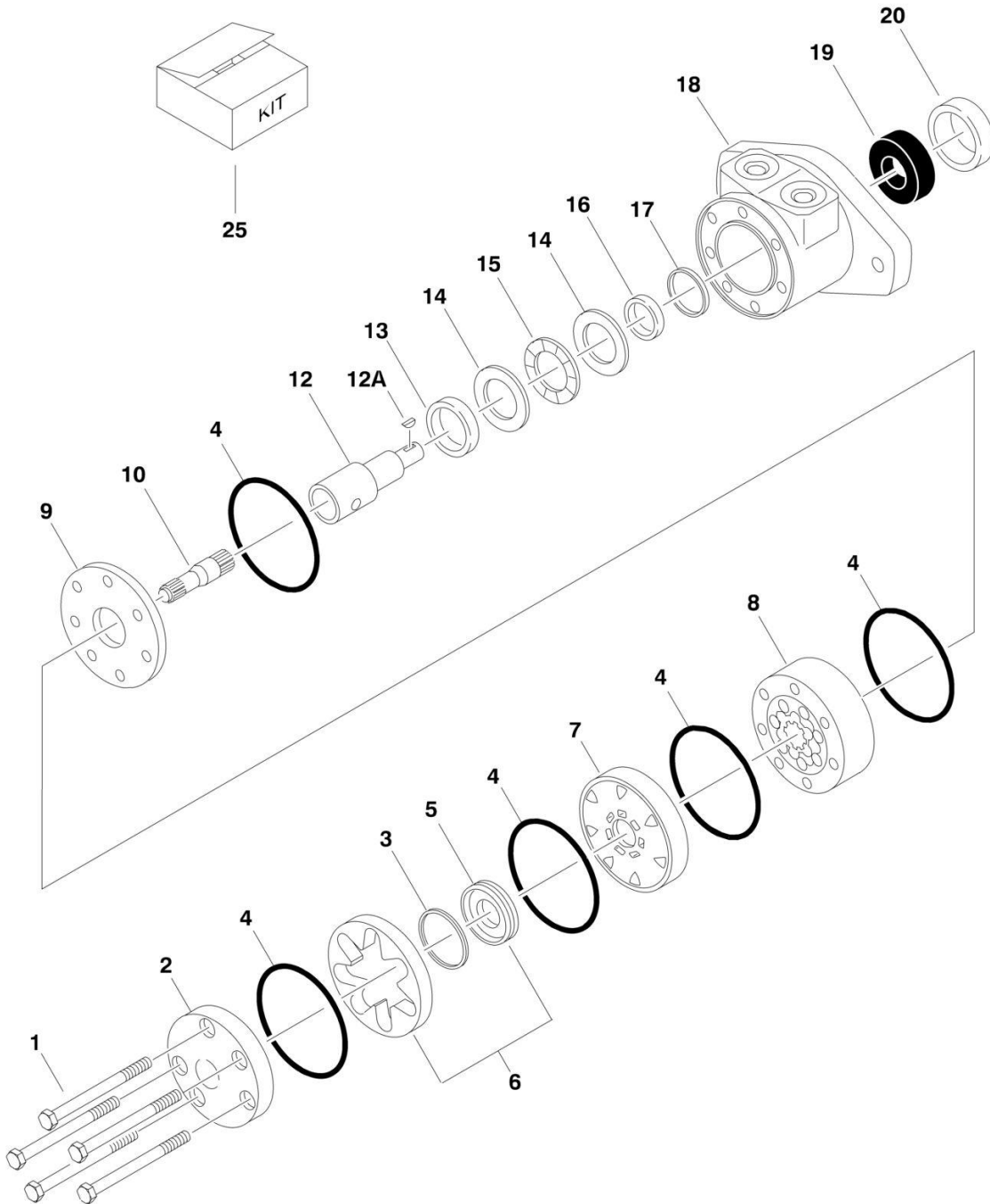
SECTION 2 - TURNTABLE

FIGURE 2-3. TURNTABLE AND SWING DRIVE INSTALLATIONS

ITEM	PART NUMBER	QTY	DESCRIPTION	REV
		Ref	SWING DRIVE INSTALLATIONS	
	0273358	Ref	SWING DRIVE INSTALLATION (DOHI)	D
	1001153365	Ref	SWING DRIVE INSTALLATION (JING WEI)	B
1	0100019	AR	Compound, Locking	
2		Ref	Swing Bearing and Rotation Box Assembly Options (See SWING BEARING AND ROTATION BOX ASSEMBLY for Breakdown):	
2	0440272	NLA	Swing Bearing and Rotation Box Assembly (DOHI) (Use p/n 1001231278)	
2	1001153016	NLA	Swing Bearing and Rotation Box Assembly (JING WEI) (Use p/n 1001231278)	
3	3931832	2	Bolt 1/2in-13NC x 2in	
4	0682040	18	Bolt 5/8in-11NC x 5in (Grade 8)	
5	0682048	24	Bolt 5/8in-11NC x 6in (Grade 8)	
6	2160001	2	Fitting, Grease	
7	1001104850	1	Swing Motor Assembly (See SWING MOTOR ASSEMBLY for Breakdown)	
8	4740171	2	Flatwasher 1/2in Special	
9	4892000	42	Flatwasher 5/8in Hardened	
	1001102695	Ref	DRIVE ORIENTATION INSTALLATION	D
101	0100011	AR	Compound, Locking	
102	0641406	1	Bolt 1/4in-20NC x 3/4in	
103	0641606	2	Bolt 3/8in-16NC x 3/4in	
104	88261039	2	Screw 3/8in-16NC x 2in	
105	1320041	1	Clamp	
106	3311005	2	Locknut #10	
107	3311405	1	Locknut 1/4in-20NC	
108	3931010	2	Screw #10-24 x 5/8in	
109	4360517	1	Switch, Proximity	
110	4711000	2	Flatwasher #10 Regular	
111	4711400	1	Flatwasher 1/4in Thin	
112	4711600	4	Flatwasher 3/8in Thin	
113	1001145163	2	Spacer (was p/n 7116691 & 1001114757)	
114	1001102526	1	Cam	
115	1001102527	1	Bracket, Switch	
116	4740120	2	Flatwasher, Special	

SECTION 2 - TURNTABLE

FIGURE 2-4. SWING MOTOR ASSEMBLY



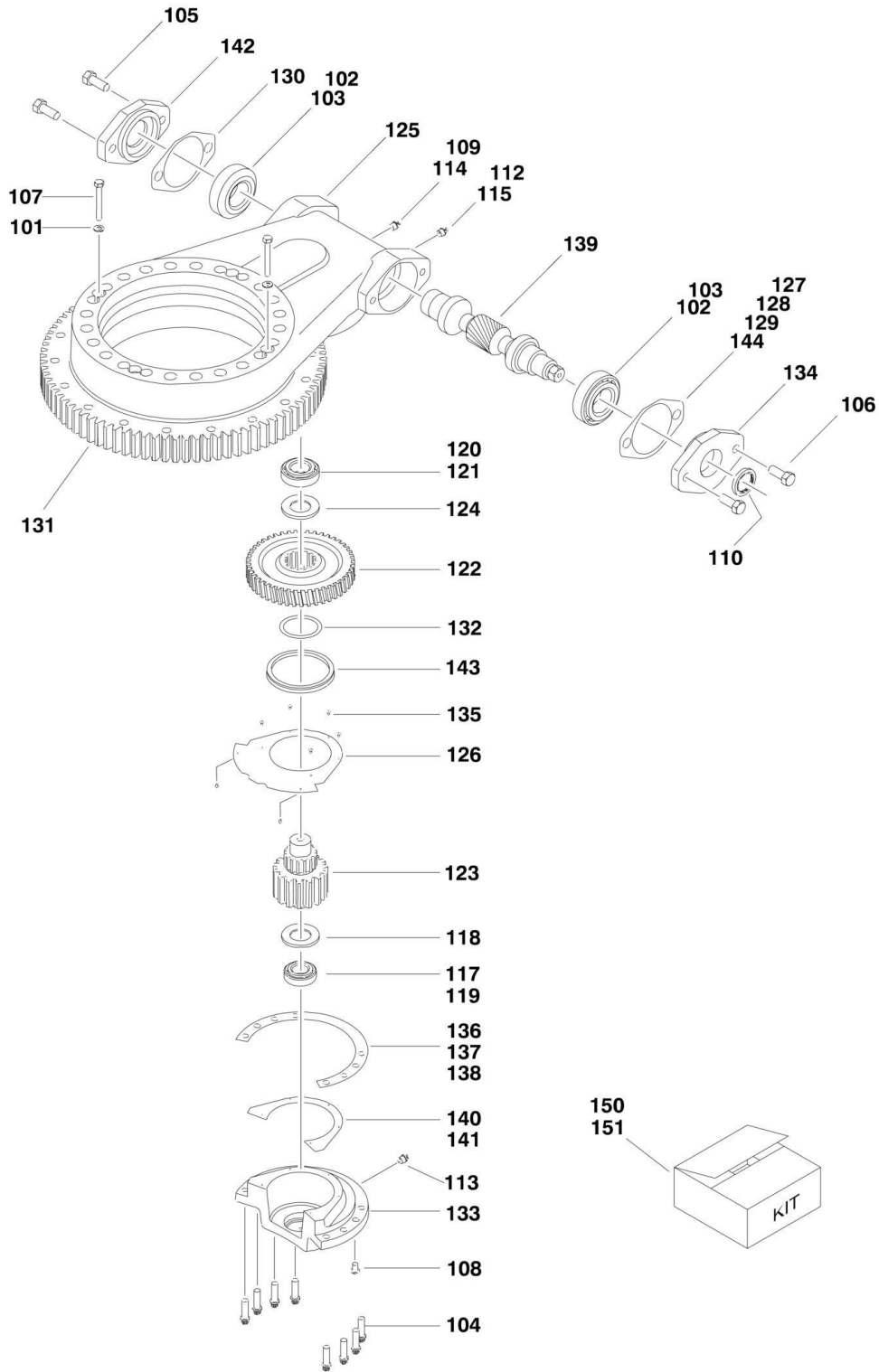
SECTION 2 - TURNTABLE

FIGURE 2-4. SWING MOTOR ASSEMBLY

ITEM	PART NUMBER	QTY	DESCRIPTION	REV
	1001104850	Ref	SWING MOTOR ASSEMBLY	A
1	See Note	5	Bolt (Note: Not Available for Purchase)	
2	7004035	1	Cover, End	
3	7023318	1	Seal, Commutator	
4	7004036	5	O-Ring	
5	See Note	NSS	Commutator (Note: - Use Item 6)	
6	7024453	1	Commutator and Ring Assembly (Includes Items 5)	
7	7024379	1	Manifold	
8	70002206	1	Rotor Set	
9	7024380	1	Plate, Wear	
10	70002207	1	Link, Drive	
12	70000088	1	Shaft, Coupling	
12A	70000089	1	Key	
13	7024381	1	Bushing, Inner	
14	7004043	1	Thrustwasher	
15	7004044	1	Bearing, Thrust	
16	7004049	1	Seal, Inner Shaft	
17	7004045	1	Ring, Backup	
18	See Note	1	Housing (Note: Not Available - Purchase Complete Motor)	
19	7024390	1	Bearing	
20	7004047	1	Seal, Outer Shaft	
25	7024389	1	Seal Kit (Includes Items 3, 4, 16, 17 & 20)	

SECTION 2 - TURNTABLE

FIGURE 2-5. SWING BEARING AND ROTATION BOX ASSEMBLY (ORIGINAL EQUIPMENT)



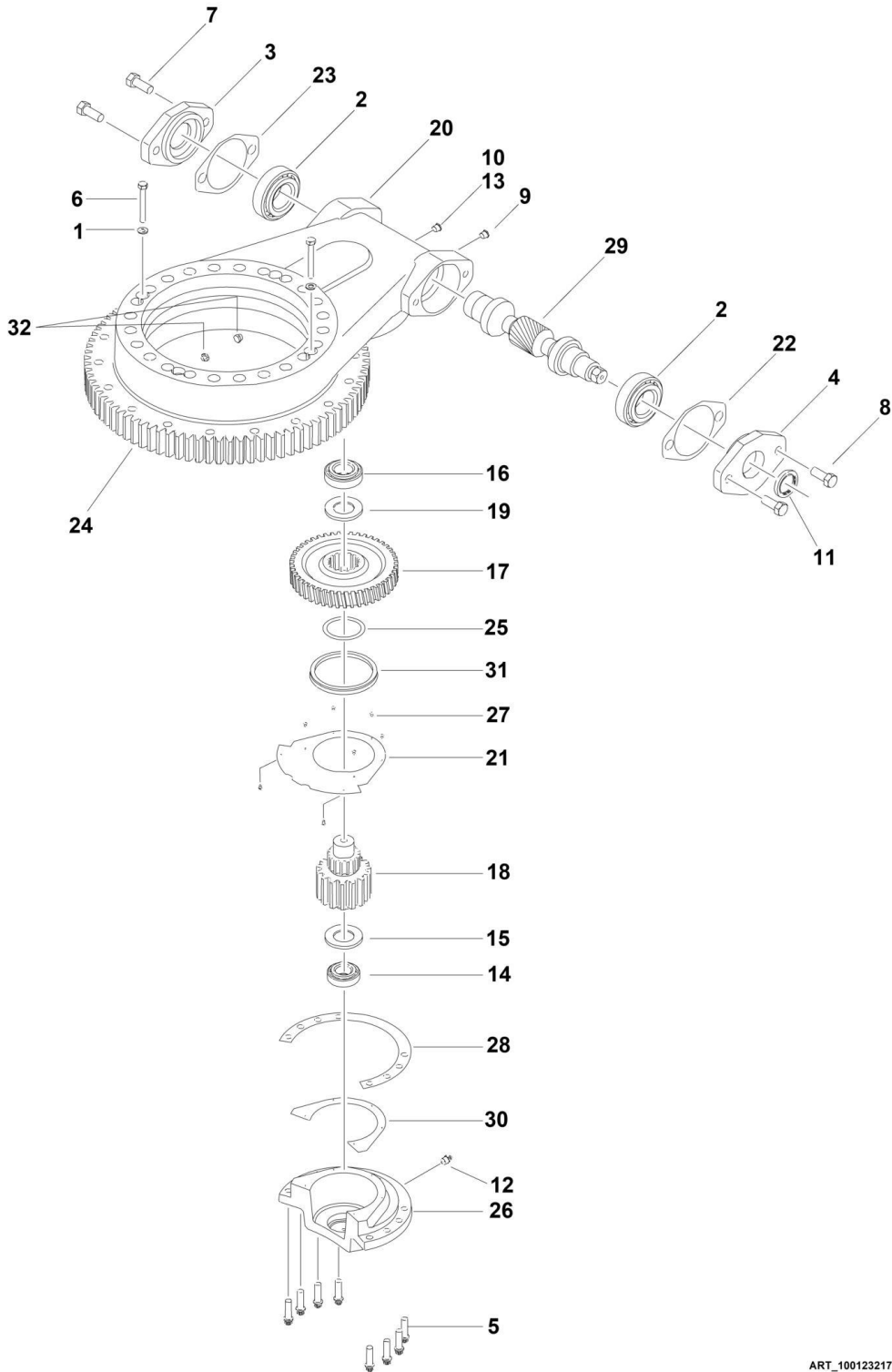
SECTION 2 - TURNTABLE

FIGURE 2-5. SWING BEARING AND ROTATION BOX ASSEMBLY (ORIGINAL EQUIPMENT)

ITEM	PART NUMBER	QTY	DESCRIPTION	REV
		Ref	SWING BEARING AND ROTATION BOX ASSEMBLIES	
	0440272	Ref	Swing Bearing and Rotation Box Assembly (DOHI)	D
	1001153016	Ref	Swing Bearing and Rotation Box Assembly (JING WEI)	B
101	4891500	2	Flatwasher 5/16in Hardened	
102	7026042	2	Cup, Bearing	
103	7026043	2	Cone, Bearing	
104	0681610	8	Bolt 3/8in-16NC x 1-1/4in (Grade 8)	
105	0641808	2	Bolt 1/2in-13NC x 1in	
106	0641810	2	Bolt 1/2in-13NC x 1-1/4in	
107	0641520	2	Bolt 5/16in-18NC x 2-1/2in	
108	See Note	1	Plug 1/8in (Note: Not Available - Purchase Locally)	
109	See Note	1	Plug (Note: Not Available - Purchase Locally)	
110	7026060	1	Seal, Oil	
112	See Note	2	Cap (Note: Not Available - Purchase Complete Assembly)	
113	See Note	1	Fitting, Grease (Note: Not Available - Purchase Locally)	
114	7026044	1	Bushing, Reducer	
115	7027358	1	Fitting, Grease	
117	7026045	1	Cup, Bearing	
118	7026046	1	Ring, Grease	
119	7026047	1	Cone, Bearing	
120	7026048	1	Cup, Bearing	
121	7026049	1	Cone, Bearing	
122	7026050	1	Worm-Gear	
123	7026051	1	Pinion, Output	
124	7026052	1	Spacer, Washer	
125	See Note	1	Housing (Note: Not Available - Purchase Complete Assembly)	
126	7026053	1	Cover, Gear	
127	7026059	AR	Shim, Brown (.010in)	
128	7026059	AR	Shim, Clear (.0075in)	
129	7026059	AR	Shim, Blue (.005in)	
130	7026059	AR	Shim, Yellow (.020in)	
131		Ref	Bearing, Turntable Options:	
131	70000042	1	DOHI Brand	
131	70004158	1	JING WEI Brand	
132	7026060	1	O-Ring	
133	7026055	1	Cap, Gear	
134	7027354	1	Cap, Worm	
135	70000681	8	Screw #6-32 x 3/8in	
136	7026059	AR	Shim, Natural (.0075)	
137	7026059	AR	Shim, Blue (.005)	
138	7026059	AR	Shim, Green (.003)	
139	7026057	1	Gear, Worm	
140	7026059	AR	Shim, Blue (.005)	
141	7026059	AR	Shim, Yellow (.020)	
142	7027356	1	Adapter, Motor	
143	7026060	1	Seal, Face	
144	7026059	AR	Shim, Green (.003)	
150	7026060	1	Seal Kit (Includes Items 110, 132 & 143)	
151	7026059	1	Shim Kit (Includes Items 127-130, 136-138, 140-141 & 144)	

SECTION 2 - TURNTABLE

FIGURE 2-6. SWING BEARING AND ROTATION BOX ASSEMBLY (SERVICE REPLACEMENT)



ART_1001232177

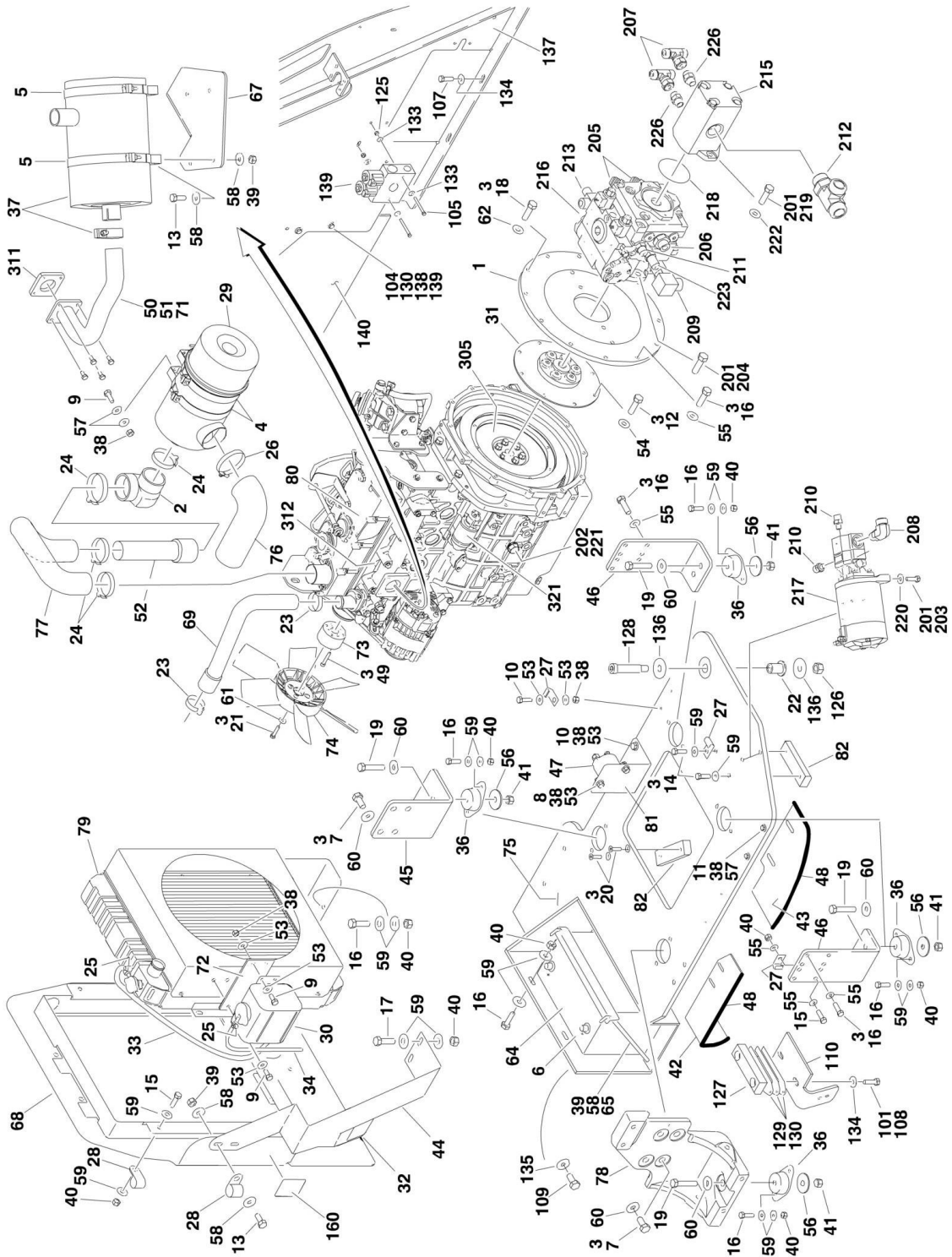
SECTION 2 - TURNTABLE

FIGURE 2-6. SWING BEARING AND ROTATION BOX ASSEMBLY (SERVICE REPLACEMENT)

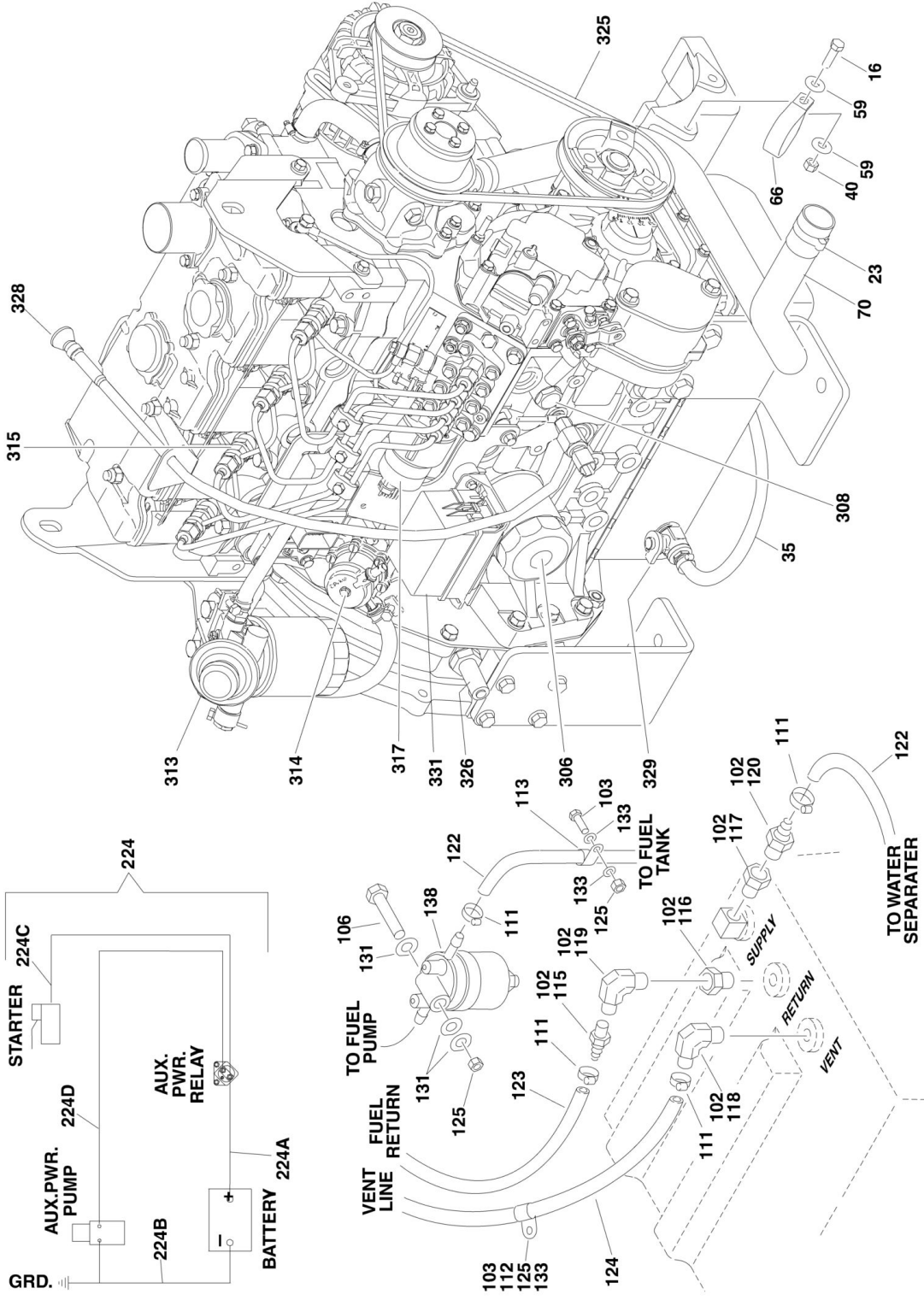
ITEM	PART NUMBER	QTY	DESCRIPTION	REV
	1001231277	Ref	SWING BEARING AND ROTATION BOX ASSEMBLY	B
1	7026041	2	Flatwasher 5/16	
2	7026042	2	Cup, Bearing	
2	7026043	2	Cone, Bearing	
3	7027356	1	Adapter, Motor	
4	7027354	1	Cap, Worm	
5	70006739	8	Bolt 3/8 x 1-1/4	
6	70003138	2	Bolt 5/16 x 2-1/2	
7	70002647	2	Bolt 1/2 x 1	
8	70002648	1	Bolt 1/2 x 1-1/4	
9	70000865	2	Plug	
10	70002649	1	Vent, Pressure	
11	7027360	1	Seal, Oil	
12	70002651	1	Fitting, Grease	
13	7026044	1	Bushing, Reducer	
14	7026045	1	Cup, Bearing	
14	7026047	1	Cone, Bearing	
15	7026046	1	Ring, Grease	
16	7026048	1	Cup, Bearing	
16	7026049	1	Cone, Bearing	
17	7026050	1	Worm-Gear	
18	7026051	1	Pinion, Output	
19	7026052	1	Spacer, Washer	
20	See Note	1	Housing (Note: Not Available - Purchase Complete Assy)	
21	7026053	1	Cover, Gear	
22	7027352	AR	Shim, Brown (.010)	
22	7027351	AR	Shim, Clear (.0075)	
22	7027350	AR	Shim, Blue (.005)	
23	70006740	1	Shim, Yellow(.020)	
24	70006741	1	Shim, Blue (.005)	
25	70004254	1	O-Ring	
26	7026055	1	Cap, Gear	
27	70000681	8	Screw #6 x 3/8	
28	70004259	AR	Shim, Natural (.0075)	
28	70004258	AR	Shim, Blue (.005)	
28	70004257	AR	Shim, Green (.003)	
29	7026057	1	Worm, Ground	
30	70004260	1	Shim, Blue (.005)	
30	70004261	1	Shim, Yellow (.020)	
31	70004262	1	Seal, Oil	
32	70006742	1	Plug	

SECTION 2 - TURNTABLE

FIGURE 2-7. CATERPILLAR ENGINE INSTALLATION (USA BUILT MACHINES)



SECTION 2 - TURNTABLE



SECTION 2 - TURNTABLE

FIGURE 2-7. CATERPILLAR ENGINE INSTALLATION (USA BUILT MACHINES)

ITEM	PART NUMBER	QTY	DESCRIPTION	REV
		Ref	USA Built Machines use SNs 03xxxxxxxx.	
		Ref	Romanian Built Machines use SNs E3xxxxxxxx.	
		Ref	CATERPILLAR ENGINE ASSEMBLY	
	1001141721	Ref	Machines without Arctic Package	A
	1001141723	Ref	Machines with Arctic Package	A
1	0080181	1	Adaptor, Pump Mounting Plate	
2	0080201	1	Elbow, Rubber	
3	0100011	AR	Compound, Locking	
4	0340041	2	Band, Air Cleaner Mounting	
5	0340046	2	Band, Muffler Mounting	
6	0400075	1	Battery, 12V	
7	0630569	8	Bolt M14 x 30mm	
8	0641405	2	Bolt 1/4in-20NC x 5/8in	
9	0641406	8	Bolt 1/4in-20NC x 3/4in	
10	0641408	4	Bolt 1/4in-20NC x 1in	
11	0641410	2	Bolt 1/4in-20NC x 1-1/4in	
12	0641506	8	Bolt 5/16in-18NC x 3/4in	
13	0641507	6	Bolt 5/16in-18NC x 7/8in	
14	0641608	2	Bolt 3/8in-16NC x 1in	
15	0641609	5	Bolt 3/8in-16NC x 1-1/8in	
16	0641610	32	Bolt 3/8in-16NC x 1-1/4in	
17	0641611	2	Bolt 3/8in-16NC x 1-3/8in	
18	0641614	2	Bolt 3/8in-16NC x 1-3/4in	
19	0641820	4	Bolt 1/2in-13NC x 2-1/2in	
20	0741608	2	Screw, Countersunk 3/8in-16NC x 1in	
21	0760815	4	Bolt M8 x 35mm	
22	0962172	1	Bushing, Flanged	
23	1320012	4	Clamp	
24	1320016	4	Clamp	
25	1320022	3	Clamp	
26	1320058	1	Clamp	
27	1320223	6	Clamp	
28	1320318	2	P-Clamp	
29	1340060	1	Air Cleaner Assembly	
29	7012664	1	Element, Air Cleaner	
30	1580011	1	Container, Coolant Overflow	
31	1660255	1	Coupling, Pump	
32	1703162	2	Decal - Caution Fan	
33	2720058	2.5 ft /0.8m	Hose	
34	2720271	1.3 ft /0.4m	Hose	
35	2720615	1.5 ft /0.5m	Hose	
36	3200378	4	Mount, Motor	
37		Ref	Muffler Options:	
37	3220113	1	Standard Spark Arresting Muffler	
37	70001017	1	Clamp	
37	1001107116	1	Optional Catalytic Muffler (Not Available on Arctic Machines)	
37	70002705	1	Clamp	

SECTION 2 - TURNTABLE

ITEM	PART NUMBER	QTY	DESCRIPTION	REV
37	70002706	1	Plug, Brass	
38	3311405	14	Locknut 1/4in-20NC	
39	3311505	8	Locknut 5/16in-18NC	
40	3311605	21	Locknut 3/8in-16NC	
41	3311805	4	Locknut 1/2in-13NC	
42	3571008	1	Plate, Air	
43	3571009	1	Plate, Baffle	
44	3573667	1	Plate, Radiator Support	
45	3574253	1	Plate, Engine Mounting (Front)	
46	3574259	2	Plate, Engine Mounting (Rear)	
47	3740067	1	Relay	
48	3960438	28 in /71cm	Seal, Self Gripping	
49	4031711	4	Bolt M6 x 35mm	
50	4100025	1.6 ft /0.5m	Sleeve, Fiberglass	
51	4568743	1	Pipe, Exhaust	
52	4569176	1	Tube, Air Intake	
53	4711400	18	Flatwasher, 1/4in Thin	
54	4711500	8	Flatwasher 5/16in Thin	
55	4711600	24	Flatwasher 3/8in Thin	
56	4740274	4	Washer, Snubbing	
57	4751400	12	Flatwasher 1/4in Regular	
58	4751500	14	Flatwasher 5/16in Regular	
59	4751600	38	Flatwasher 3/8in Regular	
60	4751800	12	Flatwasher 1/2in Regular	
61	4891500	4	Flatwasher 5/16in Hardened	
62	4891600	2	Flatwasher 3/8in Hardened	
63	8405006	1	Clamp, Gear	
64	91401281	1	Angle, Battery Hold-Down	
65	1001093382	2	J-Bolt	
66	1001097588	1	Clip, Tube	
67	1001098525	1	Plate, Muffler Support	
68	1001099442	1	Plate, Radiator Mount	
69	1001100577	1	Hose, Radiator (Top)	
70	1001100818	1	Hose, Radiator (Bottom)	
71	1001100825	2	Strap, Ties	
72	1001100837	1	Bracket, Bottle	
73	1001101201	1	Spacer, Fan	
74	1001101408	1	Fan	
75	1001101620	1	Tray, Engine	
76	1001101681	1	Elbow, Rubber	
77	1001101950	1	Tube, Air Intake	
78	1001102585	1	Mount, Motor/Generator	
79	1001102706	1	Radiator	
79	7027412	1	Cap, Radiator	
79	70004091	1	Shroud, Radiator	
79	70023056	1	Petcock	
80	1001106426	1	Caterpillar Engine Assembly	
81	1001121115	1	Mount, Relay	
82	1001138238	2	Pad, Wear	

SECTION 2 - TURNTABLE

ITEM	PART NUMBER	QTY	DESCRIPTION	REV
		Ref	Note: Arctic Package Items 90 - 94 Not Shown - Used on Arctic Machines Only	
90	1702941	1	Decal - Battery Heater	
91	1702942	1	Decal - Engine Block Heater	
92	2580024	1	Heater, Battery	
93	2580054	1	Heater, Engine Block	
94	3980007	1	Seat, Battery	
		Ref	CATERPILLAR ENGINE INSTALLATION	
	1001141485	Ref	Machines without Arctic Package	A
	1001141489	Ref	Machines with Arctic Package	A
101	0100011	AR	Compound, Locking	
102	0100020	AR	Sealant	
103	0641406	3	Bolt, 1/4in-20NC x 3/4in	
104	0641408	5	Bolt, 1/4in-20NC x 1in	
105	0641418	2	Bolt, 1/4in-20NC x 2-1/4in	
106	0641420	1	Bolt, 1/4in-20NC x 2-1/2in	
107	0641608	3	Bolt, 3/8in-16NC x 1in	
108	0641612	2	Bolt, 3/8in-16NC x 1-1/2in	
109	0642010	1	Bolt, 5/8in-11NC x 1-1/4in	
110	0902443	1	Bracket, Hood Latch Mount	
111	1320022	7	Clamp, Fuel Line	
112	1320223	AR	Clamp, J Clip 1/2in	
113	1320318	2	Clamp	
114	1701505	1	Decal, Diesel (Not Shown)	
115	2180536	1	Fitting, Barbed	
116	2220250	1	Fitting, Reducer	
117	2220273	1	Fitting, Reducer	
118	2220313	1	Fitting, Elbow Barbed	
119	2220459	1	Fitting, Elbow	
120	2220794	1	Fitting, Straight Barbed	
121		Ref	Coolant, Anti-Freeze Options (Not Shown):	
121	2300004	2.7 gal /10.2L	Without Arctic Package (ANSI/ANSI Export/CE Spec)	
121	2300041	2.7 gal /10.2L	With Arctic Package	
122	2720058	10 ft/3.0m	Hose	
123	2720271	8 ft/2.4m	Hose	
124	2750532	7 ft/2.1m	Hose	
125	3311405	11	Locknut 1/4in-20NC	
126	3312005	1	Locknut 5/8in-11NC	
127	3340399	1	Pad, Wear	
128	3900254	1	Screw, Shoulder	
129	4070497	2	Shim (11Ga)	
130	4070498	1	Shim (16Ga)	
131	4711400	3	Flatwasher 1/4in Thin	
132	4740362	5	Washer, Fender	
133	4751400	15	Flatwasher 1/4in Regular	
134	4751600	5	Flatwasher 3/8in Regular	
135	4752000	1	Flatwasher 5/8in Regular	
136	4752200	2	Flatwasher 3/4in Regular	
137	1001099364	1	Mount, Hood	
138	1001100857	1	Separator, Fuel-Water	

SECTION 2 - TURNTABLE

ITEM	PART NUMBER	QTY	DESCRIPTION	REV
138	70002377	1	Filter	
138	70002378	1	Seal, O-Ring	
139	1001139079	1	Valve Assembly	
139	7012974	2	Cartridge without Coil	
139	7010543	2	Seal Kit - 7012974 Cartridge	
139	70002386	2	Coil	
140	1001140674	1	Panel, Rubber	
		Ref	Note: Arctic Package Items 151-156 Not Shown - Used on Arctic Machines Only	
151	1060625	1	Cord, Immersion Heater (Located on Bottom of Hyd Oil Tank)	
152	1060626	1	Cord, 3 Way Extension (Located on Left Front of Engine)	
153	1702943	1	Decal - Hydraulic Tank Heater (Located on bottom of Hydraulic Oil Tank)	
154	1702944	1	Decal - Heater Cord (Located on Left Front of Engine)	
155	2580050	1	Heater, Hydraulic Tank (Located on Bottom of Hyd Oil Tank)	
156	4460488	3	Clamp (Located on Left Front of Engine)	
160		Ref	Decal - Warning Explosion/Fire Options :	
160	1704972	1	ANSI Spec	
160	1706098	1	ANSI Export, Australian and CE Specs	
160	1706059	1	Brazilian Spec	
160	1706060	1	Chinese Spec	
160	1706064	1	CSA Spec	
160	1706062	1	Japanese Spec	
160	1706061	1	Korean Spec	
160	1706063	1	Spanish Language	
		Ref	CATERPILLAR ENGINE SUB-ASSEMBLY OPTIONS:	
	1001141486	Ref	Machines without Arctic Package	A
	1001141490	Ref	Machines with Arctic Package	A
201	0100011	AR	Compound, Locking	
202	0630569	1	Bolt M14 x 30mm	
203	0641610	2	Bolt 3/8in-16NC x 1-1/4in	
204	0641812	2	Bolt 1/2in-13NC x 1-1/2in	
205	2151212	2	Fitting, Elbow	
206	2220376	1	Fitting, Straight	
207	2220383	2	Fitting, Tee	
208	2222567	1	Fitting, Elbow	
209	2222578	1	Fitting, Elbow	
210	2220603	2	Fitting, Straight	
211	2220947	1	Fitting, Straight	
212	2221026	1	Fitting, Tee	
213	2221041	1	Fitting, Tee	
214		Ref	Oil, Motor Options (Not Shown):	
214	3020016	2.5 gal /9.5L	Without Arctic Package	
214	3020044	2.5 gal /9.5L	With Arctic Package	
215	3600318	1	Gear Pump Assembly (See GEAR PUMP ASSEMBLY for Breakdown)	
216	3600385	1	Piston Pump Assembly (See PISTON PUMP ASSEMBLY for Breakdown)	
217	3600423	1	Auxiliary Pump Assembly (See AUXILIARY PUMP ASSEMBLY for Breakdown)	
218	3790152	1	O-Ring	

SECTION 2 - TURNTABLE

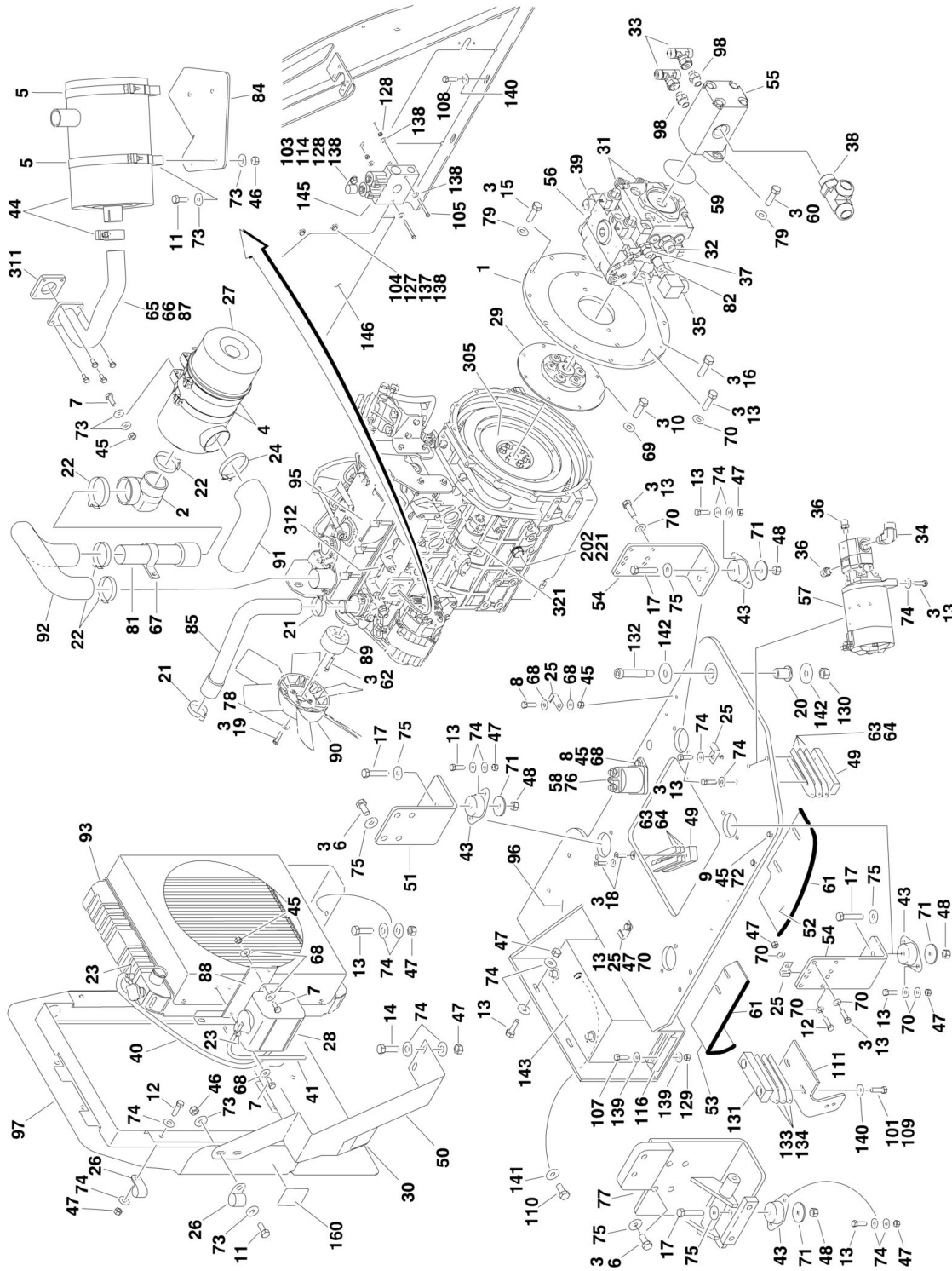
ITEM	PART NUMBER	QTY	DESCRIPTION	REV
219	3931620	2	Capscrew, Socket Head 3/8in-16NC x 1-1/4in	
220	4751600	2	Flatwasher 3/8in Regular	
221	4751800	1	Flatwasher 1/2in Regular	
222	4891600	2	Flatwasher 3/8in Hardened	
223	88662037	1	Fitting, Straight	
224	1001102860	1	Battery Cable Kit	A
224A	7027025	1	Cable - Battery to Auxiliary Relay	
224B	7027026	1	Cable - Battery and Auxiliary Pump to Ground	
224C	7027023	1	Cable - Auxiliary Relay to Starter	
224D	7027024	1	Cable - Auxiliary Relay to Auxiliary Pump	
226	1001141913	2	Valve, Check	
	1001106426	Ref	CATERPILLAR ENGINE COMPONENTS	C
301	7026848	1	Valve, Breather	
301	7026846	1	Gauze, Breather Valve	
302	7026847	4	Seal, Valve Cover Nut	
303	7026849	1	Gasket, Air Intake	
304	7026850	1	Seal, Valve Cover	
305	7026852	1	Flywheel with Starter Gear Set	
305	7026853	1	Gear, Rim	
305	7026851	1	Seal, Rear Main (Not Shown)	
306	70001403	1	Filter, Oil (was p/n 7026855)	
307	7026860	1	Cap, Oil Fill	
307	7026856	1	Seal, Oil Fill Cap	
308	7026858	1	Valve, Relief	
308	7026857	1	Seal	
309	7026864	1	Pump, Water	
309	7026863	1	Gasket, Water Pump (Fits Between Pump and Pump Rear Plate)	
309	7026865	1	Gasket, Water Pump (Fits Between Pump Rear Plate and Engine Block)	
310	7026867	1	Thermostat	
310	7026866	1	Gasket (Fits Between Regulator and Engine Block)	
310	7026868	1	Gasket (Fits Between Regulator and Hose Adapter)	
311	7026869	1	Gasket, Exhaust	
312	7026870	1	Gasket, Exhaust Manifold	
313	70003758	1	Filter Assembly	
313	70003791	1	Element, Fuel Filter (was p/n 7026871)	
313	7026872	1	Gasket, Fuel Filter Element	
314	7026873	1	Pump, Fuel Transfer	
314	7026874	1	Seal	
315	7026875	4	Injector, Fuel	
317	70003541	1	Actuator	
318	70003768	1	Alternator	
319	7026878	4	Glowplug	
320	70003759	1	Switch, Oil Pressure	
320	70003760	1	Adapter, Oil Pressure Switch	
321	70003769	1	Starter	
322	7026854	1	Seal, Front Main (Not Shown)	
323	7026859	1	Gasket, Oil Pan (Not Shown)	
324	7026862	1	Gasket, Valve Bracket (Not Shown - Located Between Valve Bracket and Cylinder Head)	
325	70003761	1	Belt	
326	70003762	1	Sensor, Speed	

SECTION 2 - TURNTABLE

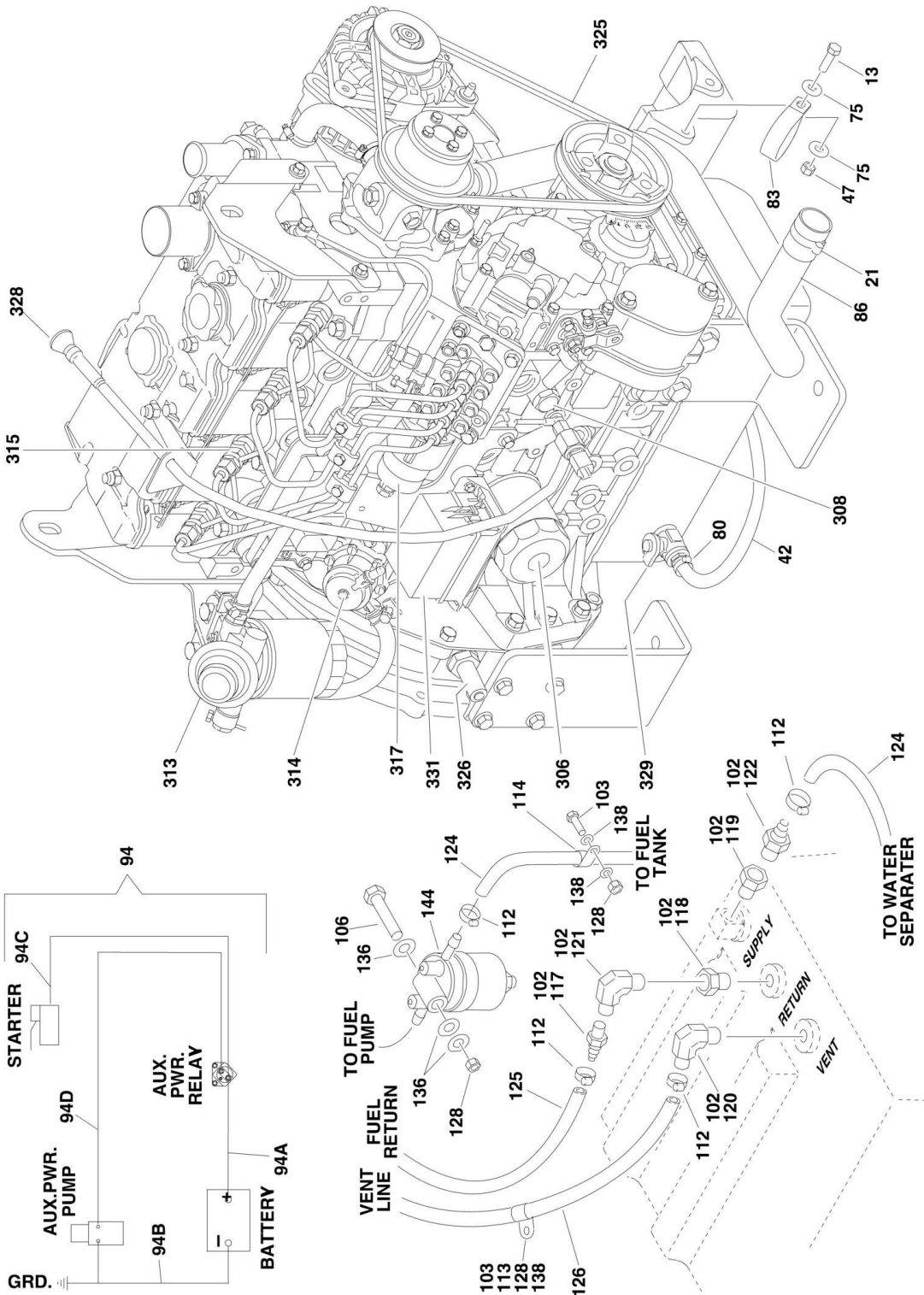
ITEM	PART NUMBER	QTY	DESCRIPTION	REV
326	70003766	1	Sensor, Speed	
327	70003765	1	Sensor, Temperature (Not Shown)	
328	70003763	1	Dipstick	
328	70003764	1	Tube, Dipstick	
329	4641272	1	Valve, Oil Drain	
329	7026861	1	Seal, Oil Drain Valve	
330	70003767	1	Harness, Engine (Not Shown)	
331	70003770	1	ECM	

SECTION 2 - TURNTABLE

FIGURE 2-8. CATERPILLAR ENGINE INSTALLATION (ROMANIAN BUILT MACHINES)



SECTION 2 - TURNTABLE



SECTION 2 - TURNTABLE

FIGURE 2-8. CATERPILLAR ENGINE INSTALLATION (ROMANIAN BUILT MACHINES)

ITEM	PART NUMBER	QTY	DESCRIPTION	REV
		Ref	USA Built Machines use SNs 03xxxxxxx.	
		Ref	Romanian Built Machines use SNs E3xxxxxxx.	
	1001141999	Ref	CATERPILLAR ENGINE ASSEMBLY	A
1	0080181	1	Adaptor, Pump Mounting Plate	
2	0080201	1	Elbow, Rubber	
3	0100011	AR	Compound, Locking	
4	0340041	2	Band, Air Cleaner Mounting	
5	0340046	2	Band, Muffler Mounting	
6	0630569	9	Bolt M14 x 30mm	
7	0641406	8	Bolt 1/4in-20NC x 3/4in	
8	0641408	3	Bolt 1/4in-20NC x 1in	
9	0641410	2	Bolt 1/4in-20NC x 1-1/4in	
10	0641506	8	Bolt 5/16in-18NC x 3/4in	
11	0641507	6	Bolt 5/16in-18NC x 7/8in	
12	0641609	5	Bolt 3/8in-16NC x 1-1/8in	
13	0641610	39	Bolt 3/8in-16NC x 1-1/4in	
14	0641611	2	Bolt 3/8in-16NC x 1-3/8in	
15	0641614	2	Bolt 3/8in-16NC x 1-3/4in	
16	0641812	2	Bolt 1/2in-13NC x 1-1/2in	
17	0641820	4	Bolt 1/2in-13NC x 2-1/2in	
18	0741610	2	Screw, Countersunk 3/8in-16NC x 1-1/4in	
19	0760815	4	Bolt M8 x 35mm	
20	0962172	1	Bushing, Flanged	
21	1320012	4	Clamp	
22	1320016	4	Clamp	
23	1320022	3	Clamp	
24	1320058	1	Clamp	
25	1320223	5	Clamp	
26	1320318	2	P-Clamp	
27	1340060	1	Air Cleaner Assembly	
27	7012664	1	Element, Air Cleaner	
28	1580011	1	Container, Coolant Overflow	
29	1660255	1	Coupling, Pump	
30	1703162	2	Decal - Caution Fan	
31	2151212	2	Fitting, Elbow	
32	2220376	1	Fitting, Straight	
33	2220383	2	Fitting, Tee	
34	2220567	1	Fitting, Elbow	
35	2220578	1	Fitting, Elbow	
36	2220603	2	Fitting, Straight	
37	2220947	1	Fitting, Straight	
38	2221026	1	Fitting, Tee	
39	2221041	1	Fitting, Tee	
40	2720058	2.5 ft /0.8m	Hose	
41	2720271	1.3 ft /0.4m	Hose	
42	2720615	1.5 ft /0.5m	Hose	
43	3200378	4	Mount, Motor	

SECTION 2 - TURNTABLE

ITEM	PART NUMBER	QTY	DESCRIPTION	REV
44		Ref	Muffler Options:	
44	3220113	1	Standard Spark Arresting Muffler	
44	70001017	1	Clamp	
44	1001107116	1	Optional Catalytic Muffler (Not Available on Arctic Machines)	
44	70002705	1	Clamp	
44	70002706	1	Plug, Brass	
45	3311405	11	Locknut 1/4in-20NC	
46	3311505	6	Locknut 5/16in-18NC	
47	3311605	22	Locknut 3/8in-16NC	
48	3311805	4	Locknut 1/2in-13NC	
49	3340399	2	Pad, Wear	
50	3573937	1	Plate, Radiator Support	
51	3577130	1	Plate, Engine Mounting (Front)	
52	3571032	1	Plate, Baffle	
53	3571033	1	Plate, Air	
54	3577135	2	Plate, Engine Mounting (Rear)	
55	3600318	1	Gear Pump Assembly (See GEAR PUMP ASSEMBLY for Breakdown)	
56	3600385	1	Piston Pump Assembly (See PISTON PUMP ASSEMBLY for Breakdown)	
57	3600423	1	Auxiliary Pump Assembly (See AUXILIARY PUMP ASSEMBLY for Breakdown)	
58	3740067	1	Relay	
59	3790152	1	O-Ring	
60	3931620	2	Capscrew, Socket Head 3/8in-16NC x 1-1/4in	
61	3960438	28 in /71cm	Seal, Self Gripping	
62	4031711	4	Bolt M6 x 35mm	
63	4070497	4	Shim (11Ga)	
64	4070498	2	Shim (16Ga)	
65	4100025	1.6 ft /0.5mm	Sleeve, Fiberglass	
66	4568743	1	Pipe, Exhaust	
67	4569176	1	Tube, Air Intake	
68	4711400	12	Flatwasher, 1/4in Thin	
69	4711500	8	Flatwasher 5/16in Thin	
70	4711600	26	Flatwasher 3/8in Thin	
71	4740274	4	Washer, Snubbing	
72	4751400	12	Flatwasher 1/4in Regular	
73	4751500	12	Flatwasher 5/16in Regular	
74	4751600	42	Flatwasher 3/8in Regular	
75	4751800	13	Flatwasher 1/2in Regular	
76	4791400	2	Starwasher 1/4in	
77	4846821	1	Mount, Motor/Generator	
78	4891500	4	Flatwasher 5/16in Hardened	
79	4891600	2	Flatwasher 3/8in Hardened	
80	8405006	1	Clamp, Gear	
81	85941018	1	P-Clamp	
82	88662037	1	Fitting, Straight	
83	1001097588	1	Clip, Tube	
84	1001098525	1	Plate, Muffler Support	
85	1001100577	1	Hose, Radiator (Top)	

SECTION 2 - TURNTABLE

ITEM	PART NUMBER	QTY	DESCRIPTION	REV
86	1001100818	1	Hose, Radiator (Bottom)	
87	1001100825	2	Tie-Strap	
88	1001100837	1	Bracket, Bottle	
89	1001101201	1	Spacer, Fan	
90	1001101408	1	Fan	
91	1001101681	1	Elbow, Rubber	
92	1001101950	1	Tube, Air Intake	
93	1001102706	1	Radiator	
93	7027412	1	Cap, Radiator	
93	70004091	1	Shroud, Radiator	
93	70023056	1	Petcock	
94	1001102860	1	Battery Cable Kit	A
94A	7027025	1	Cable - Battery to Auxiliary Relay	
94B	7027026	1	Cable - Battery and Auxiliary Pump to Ground	
94C	7027023	1	Cable - Auxiliary Relay to Starter	
94D	7027024	1	Cable - Auxiliary Relay to Auxiliary Pump	
95	1001106426	1	Caterpillar Engine Assembly	
96	1001106790	1	Tray, Engine	
97	1001106793	1	Support, Radiator	
98	1001141913	2	Valve, Check	
	1001141998	Ref	CATERPILLAR ENGINE INSTALLATION	A
101	0100011	AR	Compound, Locking	
102	0100020	AR	Sealant	
103	0641406	3	Bolt 1/4in-20NC x 3/4in	
104	0641408	5	Bolt 1/4in-20NC x 1in	
105	0641418	2	Bolt 1/4in-20NC x 2-1/4in	
106	0641420	1	Bolt 1/4in-20NC x 2-1/2in	
107	0641512	2	Bolt 5/16in-18NC x 1-1/2in	
108	0641608	3	Bolt 3/8in-16NC x 1in	
109	0641612	2	Bolt 3/8in-16NC x 1-1/2in	
110	0642010	1	Bolt 5/8in-11NC x 1-1/4in	
111	0902443	1	Bracket, Hood Latch Mount	
112	1320022	7	Clamp, Fuel Line	
113	1320223	AR	Clamp, J Clip 1/2in	
114	1320318	2	Clamp	
115	1701505	1	Decal, Diesel (Not Shown)	
116	1787217	1	Clamp, Battery Hold-Down	
117	2180536	1	Fitting, Barbed	
118	2220250	1	Fitting, Reducer	
119	2220273	1	Fitting, Reducer	
120	2220313	1	Fitting, Elbow Barbed	
121	2220459	1	Fitting, Elbow	
122	2220794	1	Fitting, Straight Barbed	
123	2300004	2.7 gal /10.2L	Coolant, Anti-Freeze Not Shown	
124	2720058	10 ft/3.0m	Hose	
125	2720271	8 ft/2.4m	Hose	
126	2750532	7 ft/2.1m	Hose	
127	3020016	2.5 gal /9.5L	Oil, Motor 15W-40 (Not Shown)	
128	3311405	11	Locknut 1/4in-20NC	
129	3311505	2	Locknut 5/16in-18NC	

SECTION 2 - TURNTABLE

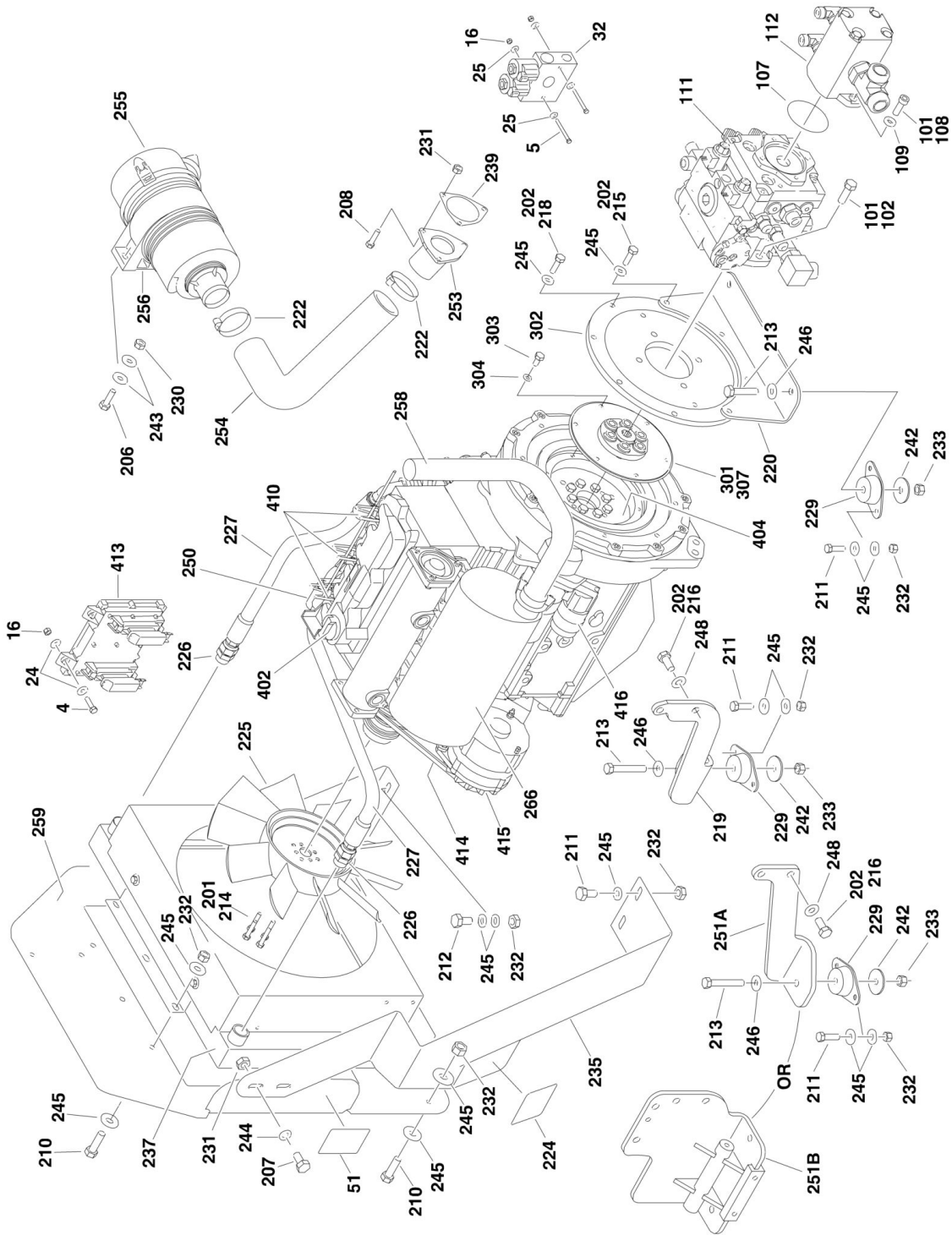
ITEM	PART NUMBER	QTY	DESCRIPTION	REV
130	3312005	1	Locknut 5/8in-11NC	
131	3340399	1	Pad, Wear	
132	3900254	1	Screw, Shoulder	
133	4070497	2	Shim (11Ga)	
134	4070498	1	Shim (16Ga)	
136	4711400	3	Flatwasher 1/4in Thin	
137	4740362	5	Washer, Fender	
138	4751400	15	Flatwasher 1/4in Regular	
139	4751400	4	Flatwasher 5/16in Regular	
140	4751600	5	Flatwasher 3/8in Regular	
141	4752000	1	Flatwasher 5/8in Regular	
142	4752200	2	Flatwasher 3/4in Regular	
143	8008750	1	Battery	
144	1001100857	1	Separator, Fuel-Water	
144	70002377	1	Filter	
144	70002378	1	Seal, O-Ring	
145	1001139079	1	Valve Assembly	
145	7012974	2	Cartridge without Coil	
145	7010543	2	Seal Kit - 7012974 Cartridge	
145	70002386	2	Coil	
146	1001140674	1	Panel, Rubber	
160		Ref	Decal - Warning Explosion/Fire Options :	
160	1704972	1	ANSI Spec	
160	1706098	1	ANSI Export, Australian and CE Specs	
160	1706059	1	Brazilian Spec	
160	1706060	1	Chinese Spec	
160	1706064	1	CSA Spec	
160	1706062	1	Japanese Spec	
160	1706061	1	Korean Spec	
160	1706063	1	Spanish Language	
	1001106426	Ref	CATERPILLAR ENGINE COMPONENTS	C
301	7026848	1	Valve, Breather	
301	7026846	1	Gauze, Breather Valve	
302	7026847	4	Seal, Valve Cover Nut	
303	7026849	1	Gasket, Air Intake	
304	7026850	1	Seal, Valve Cover	
305	7026852	1	Flywheel with Starter Gear Set	
305	7026853	1	Gear, Rim	
305	7026851	1	Seal, Rear Main (Not Shown)	
306	70001403	1	Filter, Oil (was p/n 7026855)	
307	7026860	1	Cap, Oil Fill	
307	7026856	1	Seal, Oil Fill Cap	
308	7026858	1	Valve, Relief	
308	7026857	1	Seal	
309	7026864	1	Pump, Water	
309	7026863	1	Gasket, Water Pump (Fits Between Pump and Pump Rear Plate)	
309	7026865	1	Gasket, Water Pump (Fits Between Pump Rear Plate and Engine Block)	
310	7026867	1	Thermostat	
310	7026866	1	Gasket (Fits Between Regulator and Engine Block)	
310	7026868	1	Gasket (Fits Between Regulator and Hose Adapter)	
311	7026869	1	Gasket, Exhaust	

SECTION 2 - TURNTABLE

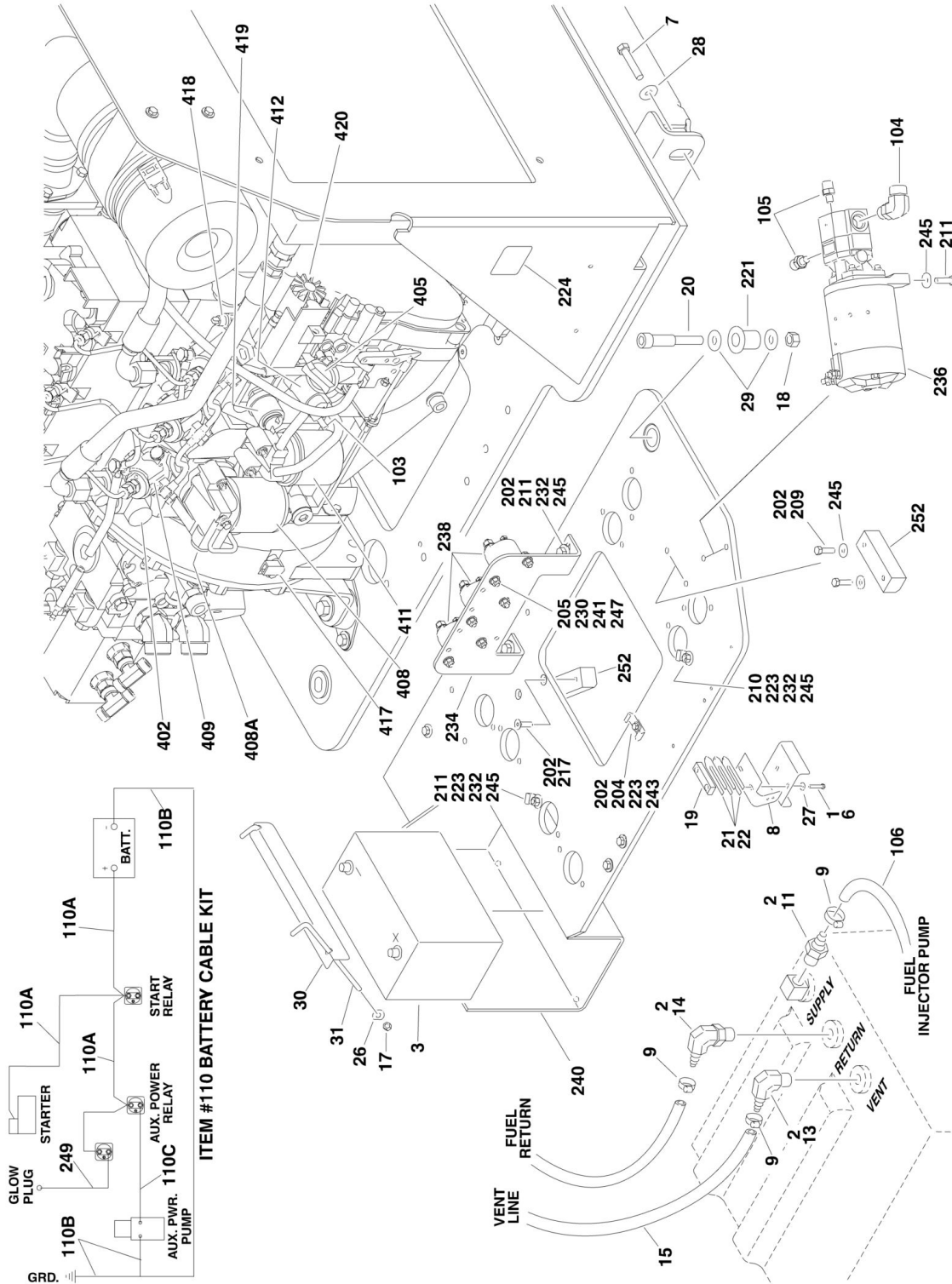
ITEM	PART NUMBER	QTY	DESCRIPTION	REV
312	7026870	1	Gasket, Exhaust Manifold	
313	70003758	1	Filter Assembly	
313	70003791	1	Element, Fuel Filter (was p/n 7026871)	
313	7026872	1	Gasket, Fuel Filter Element	
314	7026873	1	Pump, Fuel Transfer	
314	7026874	1	Seal	
315	7026875	4	Injector, Fuel	
317	70003541	1	Actuator	
318	70003768	1	Alternator	
319	7026878	4	Glowplug	
320	70003759	1	Switch, Oil Pressure	
320	70003760	1	Adapter, Oil Pressure Switch	
321	70003769	1	Starter	
322	7026854	1	Seal, Front Main (Not Shown)	
323	7026859	1	Gasket, Oil Pan (Not Shown)	
324	7026862	1	Gasket, Valve Bracket (Not Shown - Located Between Valve Bracket and Cylinder Head)	
325	70003761	1	Belt	
326	70003762	1	Sensor, Speed	
326	70003766	1	Sensor, Speed	
327	70003765	1	Sensor, Temperature (Not Shown)	
328	70003763	1	Dipstick	
328	70003764	1	Tube, Dipstick	
329	4641272	1	Valve, Oil Drain	
329	7026861	1	Seal, Oil Drain Valve	
330	70003767	1	Harness, Engine (Not Shown)	
331	70003770	1	ECM	

SECTION 2 - TURNTABLE

FIGURE 2-9. DEUTZ D2011 ENGINE INSTALLATION (USA BUILT MACHINES)



SECTION 2 - TURNTABLE



SECTION 2 - TURNTABLE

FIGURE 2-9. DEUTZ D2011 ENGINE INSTALLATION (USA BUILT MACHINES)

ITEM	PART NUMBER	QTY	DESCRIPTION	REV
		Ref	USA Built Machines use SNs 03xxxxxxx.	
		Ref	Romanian Built Machines use SNs E3xxxxxxx.	
		Ref	DEUTZ ENGINE INSTALLATIONS	
		Ref	Machines without Arctic Package:	
	1001141456	Ref	ANSI and CSA Specs (SN 0300160835 through 0300169764)	A
	1001137837	Ref	ANSI and CSA Specs (SN 0300169765 through 0300201990)	B
	1001141456	Ref	ANSI Export, Australian and CE Specs	A
	1001141456	Ref	Japanese Specs (SN 0300160835 through 0300200800)	A
		Ref	Machines with Arctic Package:	
	1001141487	Ref	ANSI and CSA Specs (SN 0300160835 through 0300169764)	A
	1001137840	Ref	ANSI and CSA Specs (SN 0300169765 through 0300201990)	B
	1001141487	Ref	ANSI Export Spec	A
1	0100011	AR	Compound, Locking	
2	0100020	AR	Sealant, Pipe	
3	0400075	1	Battery (Wet)	
4	0641410	4	Bolt 1/4in-20NC x 1-1/4in	
5	0641418	2	Bolt 1/4in-20NC x 2-1/4in	
6	0641612	2	Bolt 3/8in-16NC x 1-1/2in	
7	0642010	1	Bolt 5/8in-11NC x 1-1/4in	
8	0902443	1	Bracket, Hood Latch Mount	
9	1320022	3	Clamp, Fuel Line	
10	1701505	1	Decal, Diesel Fuel (Not Shown)	
11	2180348	1	Fitting, Barbed	
12	2200222	1	Plug, Pipe (Not Shown - Located on Bottom of Fuel Tank)	
13	2220313	1	Fitting, Elbow Barbed	
14	2221176	1	Fitting, Elbow	
15	2750532	6 ft/1.8m	Hose	
16	3311405	6	Locknut 1/4in-20NC	
17	3311505	2	Locknut 5/16in-18NC	
18	3312005	1	Locknut 5/8in-11NC	
19	3340399	1	Pad, Wear	
20	3900254	1	Screw, Shoulder	
21	4070497	2	Shim (11 Gauge)	
22	4070498	1	Shim (16 Gauge)	
23	4240099	1	Wire, Tie (Not Shown - Located on Vent Line)	
24	4711400	8	Flatwasher 1/4in Thin	
25	4751400	4	Flatwasher 1/4in Regular	
26	4751500	2	Flatwasher 5/16in Regular	
27	4751600	2	Flatwasher 3/8in Regular	
28	4752000	1	Flatwasher 5/8in Regular	
29	4752200	2	Flatwasher 3/4in Regular	
30	91401281	1	Angle, Battery Hold-Down	
31	1001093382	2	J-Bolt	
32	1001139079	1	Valve Assembly	
32	7012974	2	Cartridge without Coil	
32	7010543	2	Seal Kit - 7012974 Cartridge	
32	70002386	2	Coil	
		Ref	Note: Arctic Package Items 40 - 49 Not Shown - Used on Arctic Machines Only	

SECTION 2 - TURNTABLE

ITEM	PART NUMBER	QTY	DESCRIPTION	REV
40	1060625	1	Cable, Immersion Heater (Located on bottom of Hydraulic Oil Tank)	
41	1060626	1	Cord, 3 Way Extension (Located on Left Front of Engine)	
42	1320223	3	Clamp (Located on Left Front of Engine)	
43	1702941	1	Decal - Battery Heater (Located on Battery Heater)	
44	1702942	1	Decal - Engine Block Heater (Located on Right Side of Engine)	
45	1702943	1	Decal - Hydraulic Tank Heater (Located on bottom of Hydraulic Oil Tank)	
46	1702944	1	Decal - Heater Cord (Located on Left Front of Engine)	
47	2580024	1	Heater, Battery (Located on Battery)	
48	2580050	1	Heater, Hydraulic Tank (Located on bottom of Hydraulic Oil Tank)	
49	3980007	1	Seat, Battery (Located on Battery)	
51		Ref	Decal - Warning Explosion/Fire Options:	
51	1704972	1	ANSI Spec	
51	1706098	1	ANSI Export, Australian and CE Specs	
51	1706059	1	Brazilian Spec	
51	1706060	1	Chinese Spec	
51	1706064	1	CSA Spec	
51	1706062	1	Japanese Spec	
51	1706061	1	Korean Spec	
51	1706063	1	Spanish Language	
		Ref	ENGINE AND PUMPS SUB-ASSEMBLY	
		Ref	Machines without Arctic Package:	
	1001141455	Ref	ANSI and CSA Specs (SN 0300160835 through 0300169764)	A
	1001137836	Ref	ANSI and CSA Specs (SN 0300169765 through 0300201990)	B
	1001141455	Ref	ANSI Export, Australian and CE Specs	A
		Ref	Machines with Arctic Package:	
	1001141488	Ref	ANSI and CSA Specs (SN 0300160835 through 0300169764)	A
	1001137839	Ref	ANSI and CSA Specs (SN 0300169765 through 0300201990)	B
	1001141488	Ref	ANSI Export, Australian and CE Specs	A
101	0100011	AR	Compound, Locking	
102	0641812	2	Bolt 1/2in-13NC x 1-1/2in	
103	1320022	2	Clamp	
104	2220567	2	Fitting, Elbow	
105	2220603	1	Fitting, Straight	
106	2720058	24 ft /7.3m	Hose	
107	3790152	1	O-Ring	
108	3931620	2	Capscrew 3/8in-16NC x 1-1/4in	
109	4891600	2	Flatwasher, 3/8in Hardened	
110	1001122202	1	Battery Cable Kit	
110A	7027040	1	Cable (Battery + to Starter Relay/Starter/Auxiliary Relay)	
110B	7027041	1	Cable (Battery - to Auxiliary Pump)	
110C	7027014	1	Cable (Auxiliary Relay to Auxiliary Pump)	
111	1001141448	1	Piston Pump Assembly with Fittings (See PISTON PUMP ASSEMBLY for Breakdown)	
112	1001141449	1	Gear Pump Assembly with Fittings (See GEAR PUMP ASSEMBLY for Breakdown)	
		Ref	ENGINE ASSEMBLY	
		Ref	Machines without Arctic Package:	
	1001141680	Ref	ANSI and CSA Specs (SN 0300160835 through 0300169764)	F

SECTION 2 - TURNTABLE

ITEM	PART NUMBER	QTY	DESCRIPTION	REV
	1001137835	Ref	ANSI and CSA Specs (SN 0300169765 through 0300201990)	D
	1001141680	Ref	ANSI Export, Australian and CE Specs	F
		Ref	Machines with Arctic Package:	
	1001141755	Ref	ANSI and CSA Specs (SN 0300160835 through 0300169764)	E
	1001137838	Ref	ANSI and CSA Specs (SN 0300169765 through 0300201990)	C
	1001141755	Ref	ANSI Export, Australian and CE Specs	E
201	0080231	1	Adapter, Fan Spacer	
202	0100011	AR	Compound, Locking	
204	0641405	1	Bolt 1/4in-20NC x 5/8in	
205	0641406	6	Bolt 1/4in-20NC x 3/4in	
206	0641409	2	Bolt, 1/4in-20NC x 1-1/8in	
207	0641507	2	Bolt, 5/16in-10NC x 7/8in	
208	0641510	AR	Bolt, 5/16in-10NC x 1-1/4in	
209	0641608	2	Bolt 3/8in-16NC x 1in	
210	0641609	9	Bolt 3/8in-16NC x 1-1/8in	
211	0641610	15	Bolt 3/8in-16NC x 1-1/4in	
212	0641611	2	Bolt 3/8in-16NC x 1-3/8in	
213	0641820	4	Bolt 1/2in-13NC x 2-1/2in	
214	0700816	4	Bolt M8 x 40mm	
215		Ref	Bolt M10 Options:	
215	0701014	4	Bolt M10 x 30mm (Machines without Arctic Package)	
215	0701015	4	Bolt M10 x 35mm (Machines with Arctic Package)	
216	0711414	4	Bolt M10 x 35mm	
217	0741608	2	Screw, Countersunk 3/8in-16NC x 1in	
218		Ref	Bolt M10 Options:	
218	0771012	4	Bolt M10 x 25mm (Machines without Arctic Package)	
218	0701012	4	Bolt M10 x 25mm (Machines with Arctic Package)	
219	0902740	1	Bracket, Engine Mounting	
220	0903063	1	Plate, Engine Mounting	
221	0962172	1	Bushing, Flanged	
222	1320016	2	Clamp	
223	1320223	4	Clamp, J Clip	
224	1703162	2	Decal, Fan Blade	
225	2060025	1	Fan	
226	2220451	2	Fitting	
227	2720467	2	Hose, Oil Cooler	
228		Ref	Motor Oil Options (Not Shown):	
228	3020016	2.5 gal /9.5L	Without Arctic Package	
228	3020044	2.5 gal /9.5L	With Arctic Package	
229	3200406	4	Mount, Rubber	
230	3311405	8	Locknut 1/4in-20NC	
231	3311505	5	Locknut 5/16in-18NC	
232	3311605	24	Locknut 3/8in-16NC	
233	3311805	4	Locknut 1/2in-13NC	
234	3570808	1	Plate, Relay Mount	
235	3573667	1	Support, Radiator	
236	3600423	1	Auxiliary Pump Assembly (See AUXILIARY PUMP ASSEMBLY for Breakdown)	
237	3620033	NLA	Radiator (Use p/n 1001150998)	
238	3740067	3	Relay (Auxiliary Power)	

SECTION 2 - TURNTABLE

ITEM	PART NUMBER	QTY	DESCRIPTION	REV
239	3960407	1	Gasket, Air Intake	
240	4340745	1	Tray, Engine Mounting	
241	4711400	12	Flatwasher 1/4in Thin	
242	4740274	4	Washer, Snubbing	
243	4751400	5	Flatwasher 1/4in Regular	
244	4751500	4	Flatwasher 5/16in Regular	
245	4751600	60	Flatwasher 3/8in Regular	
246	4751800	4	Flatwasher 1/2in Regular	
247	4791400	6	Starwasher 1/4in	
248	4812200	4	Flatwasher, Metric 14mm	
249		Ref	Harness, Glow Plugs Options:	
249	4923451	1	Machines without Arctic Package	
249	4922642	1	Machines with Arctic Package	
250		Ref	Engine, Deutz Options (See Item 401-423 for Available Replacement Parts):	
250	1001144476	1	All Specs except CSA Spec	
250	1001144476	1	CSA Spec (SN 0300160835 through 0300169764)	
250	1001137828	1	CSA Spec (SN 0300169765 through 0300201990)	
251		Ref	Bracket, Motor Mount Options:	
251A	1001138135	1	Bracket without Generator Mounting Capabilities	
251B	4846567	1	Bracket with Generator Mounting Capabilities	
252	1001138238	2	Pad, Wear	
253	1001139819	1	Adapter, Air Intake	
254		Ref	Hose, Elbow Options:	
254	1001130041	1	All Specs except CSA Spec	
254	1001130041	1	CSA Spec (SN 0300160835 through 0300169764)	
254	1001140334	1	CSA Spec (SN 0300169765 through 0300201990)	
255	1001141693	1	Air Cleaner Assembly	
255	70003783	1	Element, Air Cleaner	
256	1001141694	1	Clamp, Air Cleaner	
258	1001141748	1	Pipe, Exhaust	
259	1001143300	1	Plate, Radiator Mount	
260	0641511	1	Bolt, 5/16-18NC x 1 3/8 in	
		Ref	Note: Arctic Package Item 265 Not Shown - Used on Arctic Machines Only	
265	2580062	1	Heater, Engine Block	
266		Ref	Muffler Options:	
266	7020455	1	Standard Non-Spark Arresting Muffler	
266	70001844	1	Clamp	
266	3220110	1	Optional Spark Arresting Muffler (Note: Discard exhaust pipe that comes with muffler and use item #258)	
266	1320176	1	Clamp	
266	3220112	1	Optional Catalytic Muffler (Note: Not Available on Arctic Machines) (Note: Discard exhaust pipe that comes with muffler and use item #258)	
266	1320176	1	Clamp	
	0256847	Ref	PUMP COUPLING INSTALLATION	2
301	1660234	1	Coupling, Hayes	
302	0080163	1	Plate, Pump Adapter	
303	0700810	6	Bolt M8 x 20mm	
304	4831900	6	Lockwasher M8	
307	3020021	AR	Grease, Coupling	

SECTION 2 - TURNTABLE

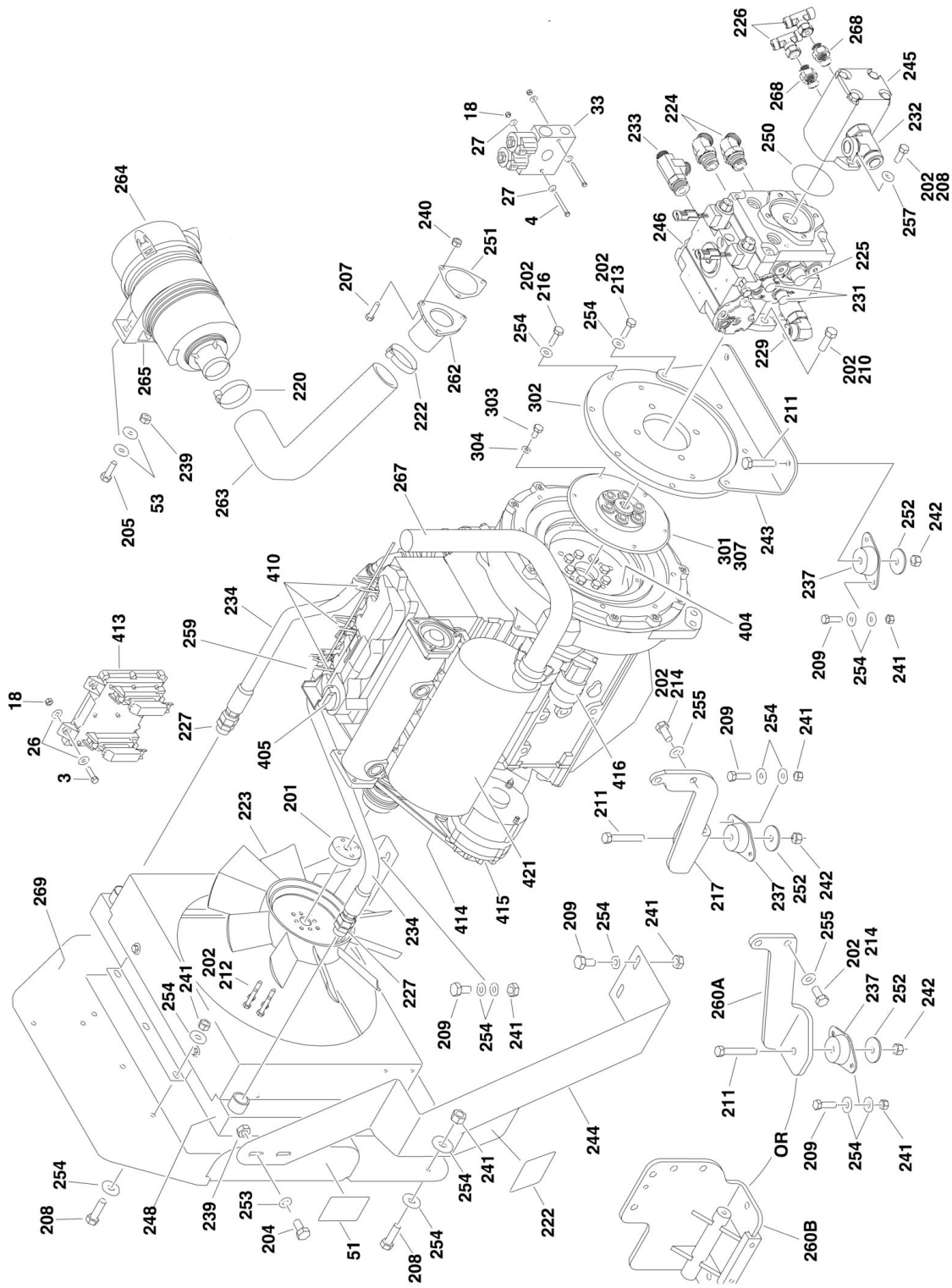
ITEM	PART NUMBER	QTY	DESCRIPTION	REV
		Ref	ENGINE COMPONENTS	
	1001144476	Ref	All Specs except CSA Spec	C
	1001144476	Ref	CSA Spec (SN 0300160835 through 0300169764)	C
	1001137828	Ref	CSA Spec (SN 0300169765 through 0300201990)	C
401	7020026	1	Dipstick (Not Shown)	
401	70001002	1	Tube, Dipstick (Not Shown)	
402	70003475	1	Thermostat	
402	7020460	1	Spring, Compression	
403		Ref	Seal and Gasket Options (Not Shown)	
403	70002718	1	Seal, Rear Main Crankshaft	
403	7020430	1	Gasket, Valve Cover	
403		Ref	Gasket, Cylinder Head Options:	
403	70003479	AR	Gasket (1 Notch)	
403	70003480	AR	Gasket (2 Notches)	
403	70003481	AR	Gasket (3 Notches)	
403	70001871	3	Gasket, Intake Manifold (Not Shown)	
403	7020471	3	Gasket, Exhaust (Not Shown)	
404	70000264	1	Flywheel	
404	7024579	1	Ring, Gear	
405	7020465	2	Cap, Filler	
406	70000800	1	Repair Kit for Timing Belt Tensioner (Not Shown)	
407	70001850	1	Pump, Oil Lube (Not Shown)	
407	7020468	1	Seal Between Oil Pump and Engine Block (Not Shown)	
408	7016331	1	Filter, Oil	
408	70003472	1	Bracket, Oil Filter	
408A	7027236	1	Sensor, Oil Temperature (Located in Rear Of Filter Mount)	
409		Ref	Pump, Injector Options:	
409	70000912	3	Series A Injector	
409	70000913	3	Series B Injector	
409	70000914	3	Series C Injector	
409	70000915	3	Series D Injector	
409	70003464	3	O-Ring, Injector Pump	
410	70003478	3	Injector, Fuel	
410	70003136	3	O-Ring, Injector Pump	
410	70000345	3	Plug, Glow	
411		Ref	Filter, Fuel Options:	
411	7020023	1	Standard	
411	70003463	1	RME Resistant (Note: Use with European Bio-Diesel Fuels)	
411	70001423	1	Bracket, Fuel Filter	
412	70000916	1	Pump Fuel Supply	
412	70001435	1	Repair Kit - Pump	
412	70000917	1	O-Seal Between Fuel Pump and Engine Block (Not Shown)	
412	70000918	1	Seal Between Fuel Pump and Hand Pump (Not Shown)	
412	70000919	1	Pump, Hand	
413	7027795	1	Module, EMR2	
413	7027796	1	Cable, Interconnection (Not Shown)	
413	70004059	1	Plug, Analyzer (Not Shown)	
413	70004060	1	Plug, Connector (Not Shown)	
413	70001872	1	Harness, Engine (Not Shown)	
414	70004102	1	V-Belt	
415	70004056	1	Alternator	

SECTION 2 - TURNTABLE

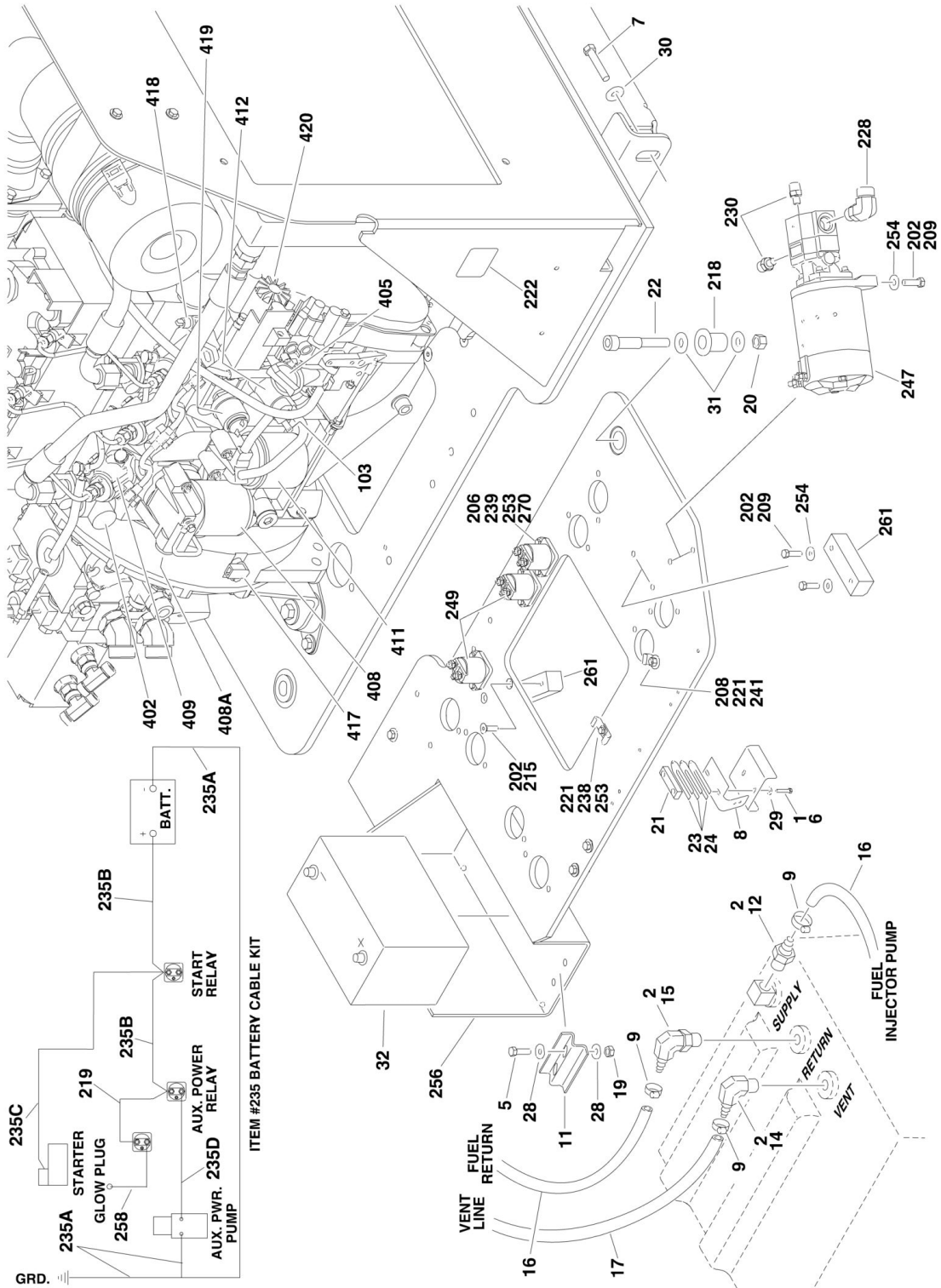
ITEM	PART NUMBER	QTY	DESCRIPTION	REV
415	70001868	1	Regulator, Voltage (Not Shown)	
415	70001866	1	Gasket Set for Regulator	
415	70004103	1	Cable, Alternator Interconnection (Not Shown)	
416	70004057	1	Starter	
416	70004058	1	Relay, Starter	
416	70004062	1	Cable, Starter Interconnection (Not Shown)	
417	7024565	1	Tacho-Generator	
417	70003932	1	Spacer, Sleeve	
418	7027791	1	Sensor, Temperature	
419	7027790	1	Sensor, Oil Pressure	
420	7027792	1	Actuator, Throttle	

SECTION 2 - TURNTABLE

FIGURE 2-10. DEUTZ D2011 ENGINE INSTALLATION (ROMANIAN BUILT MACHINES)



SECTION 2 - TURNTABLE



SECTION 2 - TURNTABLE

FIGURE 2-10. DEUTZ D2011 ENGINE INSTALLATION (ROMANIAN BUILT MACHINES)

ITEM	PART NUMBER	QTY	DESCRIPTION	REV
		Ref	USA Built Machines use SNs 03xxxxxxxx.	
		Ref	Romanian Built Machines use SNs E3xxxxxxxx.	
	1001141527	Ref	DEUTZ ENGINE INSTALLATION	B
1	0100011	AR	Compound, Locking	
2	0100020	AR	Sealant, Pipe	
3	0641410	4	Bolt 1/4in-20NC x 1-1/4in	
4	0641418	2	Bolt 1/4in-20NC x 2-1/4in	
5	0641512	2	Bolt 5/16in-18NC x 1-1/2in	
6	0641612	2	Bolt 3/8in-16NC x 1-1/2in	
7	0642010	1	Bolt 5/8in-11NC x 1-1/4in	
8	0902443	1	Bracket, Hood Latch Mount	
9	1320022	5	Clamp, Fuel Line	
10	1701505	1	Decal, Diesel Fuel (Not Shown)	
11	1787217	1	Clamp, Battery Hold-Down	
12	2180348	1	Fitting, Barbed	
13	2200222	1	Plug, Pipe (Not Shown - Located on Bottom of Fuel Tank)	
14	2220313	1	Fitting, Elbow Barbed	
15	2221176	1	Fitting, Elbow	
16	2720058	15 ft/4.6m	Hose	
17	2750532	7 ft/2.2m	Hose	
18	3311405	6	Locknut 1/4in-20NC	
19	3311505	2	Locknut 5/16in-18NC	
20	3312005	1	Locknut 5/8in-11NC	
21	3340399	1	Pad, Wear	
22	3900254	1	Screw, Shoulder	
23	4070497	2	Shim (11 Gauge)	
24	4070498	1	Shim (16 Gauge)	
25	4240099	1	Wire, Tie (Not Shown - Located on Vent Line)	
26	4711400	8	Flatwasher 1/4in Thin	
27	4751400	4	Flatwasher 1/4in Regular	
28	4751500	4	Flatwasher 5/16in Regular	
29	4751600	2	Flatwasher 3/8in Regular	
30	4752000	1	Flatwasher 5/8in Regular	
31	4752200	2	Flatwasher 3/4in Regular	
32	8008750	1	Battery	
33	1001139079	1	Valve Assembly	
33	7012974	2	Cartridge without Coil	
33	7010543	2	Seal Kit - 7012974 Cartridge	
33	70002386	2	Coil	
51		Ref	Decal - Warning Explosion/Fire Options:	
51	1704972	1	ANSI Spec	
51	1706098	1	ANSI Export, Australian and CE Specs	
51	1706059	1	Brazilian Spec	
51	1706060	1	Chinese Spec	
51	1706064	1	CSA Spec	
51	1706062	1	Japanese Spec	
51	1706061	1	Korean Spec	
51	1706063	1	Spanish Language	
	1001141528	Ref	ENGINE ASSEMBLY	F
201	0080231	1	Adapter, Fan Spacer	

SECTION 2 - TURNTABLE

ITEM	PART NUMBER	QTY	DESCRIPTION	REV
202	0100011	AR	Compound, Locking	
204	0641406	2	Bolt 1/4in-20NC x 3/4in	
205	0641409	2	Bolt, 1/4in-20NC x 1-1/8in	
206	0641410	6	Bolt, 1/4in-20NC x 1-1/4in	
207	0641510	3	Bolt, 5/16in-10NC x 1-1/4in	
208	0641608	11	Bolt 3/8in-16NC x 1in	
209	0641610	16	Bolt 3/8in-16NC x 1-1/4in	
210	0641812	2	Bolt 1/2in-13NC x 1-1/2in	
211	0641820	4	Bolt 1/2in-13NC x 2-1/2in	
212	0700816	4	Bolt M8 x 40mm	
213	0701014	4	Bolt M10 x 30mm	
214	0711414	4	Bolt M10 x 35mm	
215	0741610	2	Screw, Countersunk 3/8in-16NC x 1-1/4in	
216	0771012	4	Bolt M10 x 25mm	
217	0902740	1	Bracket, Engine Mounting (Left)	
218	0962172	1	Bushing, Flanged	
219	1060904	1	Cable, Jumper	
220	1320016	2	Clamp	
221	1320223	3	Clamp, J Clip	
222	1703162	2	Decal, Fan Blade	
223	2060025	1	Fan	
224	2151212	2	Fitting, Elbow	
225	2220376	1	Fitting, Straight	
226	2220383	2	Fitting, Tee	
227	2220451	2	Fitting, Straight	
228	2220567	1	Fitting, Elbow	
229	2220578	1	Fitting, Elbow	
230	2220603	2	Fitting, Straight	
231	2220947	2	Fitting, Straight	
232	2221026	2	Fitting, Tee	
233	2221041	1	Fitting, Tee	
234	2720467	2	Hose, Oil Cooler	
235	2902060	1	Battery Cable Kit	C
235A	7027041	1	Cable (Battery - to Ground) (was p/n 7016837)	
235B	7027050	1	Cable (Battery + to Relays)	
235C	7016820	1	Cable (Auxilliary Relay to Starter)	
235D	7016834	1	Cable (Auxilliary Relay to Auxilliary Pump)	
236	3020016	2.5 gal /9.5L	Motor Oil (Not Shown)	
237	3200406	4	Mount, Rubber	
238	3311401	1	Nut 1/4in-20NC	
239	3311405	10	Locknut 1/4in-20NC	
240	3311505	3	Locknut 5/16in-18NC	
241	3311605	21	Locknut 3/8in-16NC	
242	3311805	4	Locknut 1/2in-13NC	
243		Ref	Bracket, Engine Mounting (Rear) Options:	
243	3570801	1	Bracket for (SN E300001114 through E300001393)	
243	0903063	1	Bracket for (SN E300001394 through E300002832)	
244	3573937	1	Support, Radiator	
245	3600318	1	Gear Pump Assembly (See GEAR PUMP ASSEMBLY for Breakdown)	

SECTION 2 - TURNTABLE

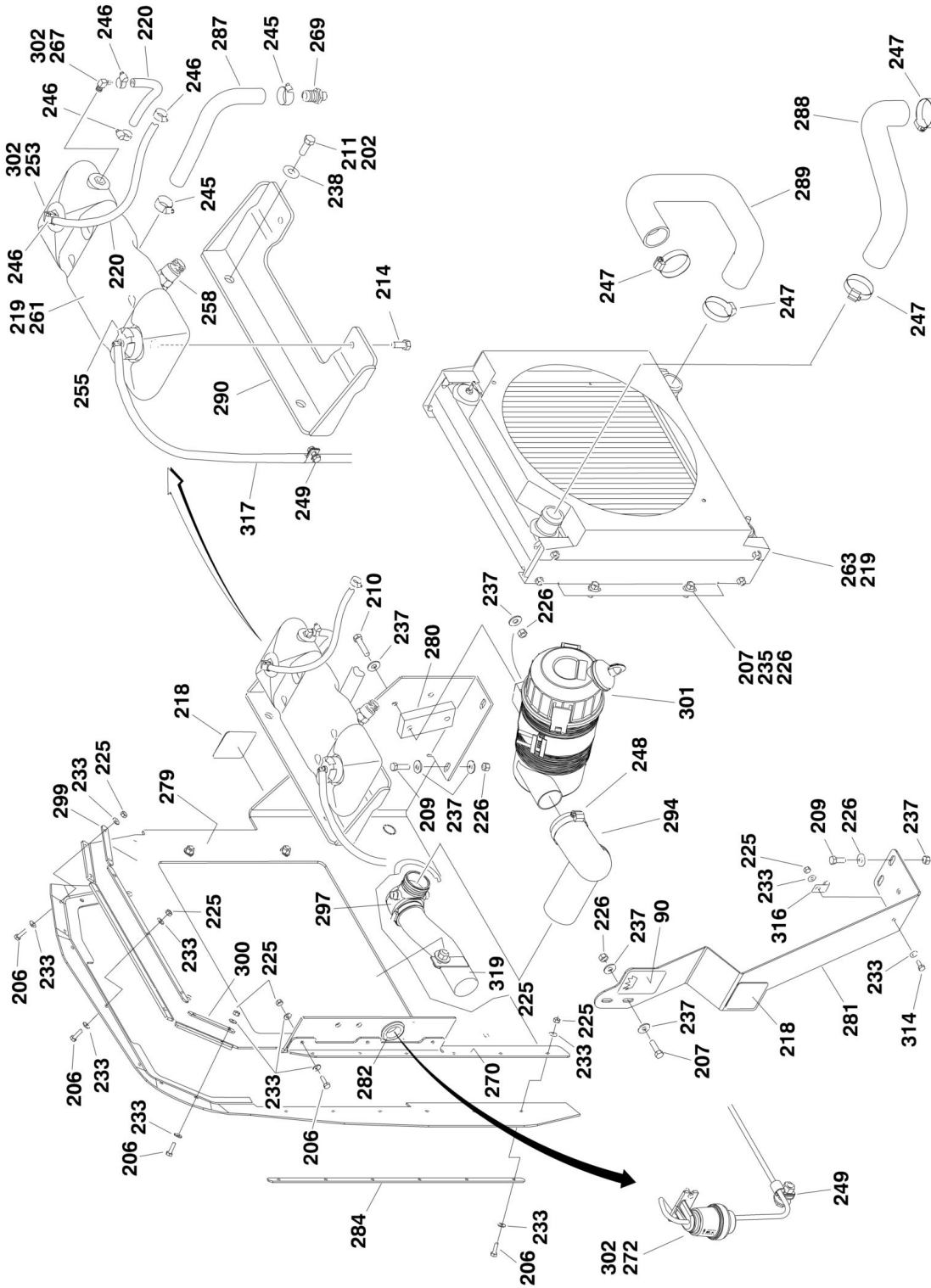
ITEM	PART NUMBER	QTY	DESCRIPTION	REV
246	3600385	1	Piston Pump Assembly (See PISTON PUMP ASSEMBLY for Breakdown)	
247	3600423	1	Auxiliary Pump Assembly (See AUXILIARY PUMP ASSEMBLY for Breakdown)	
248	1001150998	1	Radiator	
249	3740067	3	Relay (Auxiliary Power)	
250	3790152	1	O-Ring	
251	3960407	1	Gasket, Air Intake	
252	4740274	4	Washer, Snubbing	
253	4751400	21	Flatwasher 1/4in Regular	
254	4751600	44	Flatwasher 3/8in Regular	
255	4812200	4	Flatwasher, M4	
256	4846683	1	Tray, Engine Mounting	
257	4891600	2	Flatwasher, 3/8in Hardened	
258	4923451	1	Harness, Glow Plugs	
259	1001144476	1	Engine, Deutz	
260		Ref	Bracket, Motor Mount Options:	
260A	1001138135	1	Bracket without Generator Mounting Capabilities	
260B	4846567	1	Bracket with Generator Mounting Capabilities	
261	1001138238	2	Pad, Wear	
262	1001139819	1	Adapter, Air Intake	
263	1001140334	1	Hose, Air Intake	
264	1001141693	1	Air Cleaner Assembly	
264	70003783	1	Element, Air Cleaner	
265	1001141694	1	Clamp, Air Cleaner	
267	1001141748	1	Pipe, Exhaust	
268	1001141913	2	Fitting, Check Valve	
269	1001142230	1	Plate, Radiator Mount	
270	4791400	6	Starwasher 1/4in	
	0256847	Ref	PUMP COUPLING INSTALLATION	2
301	1660234	1	Coupling, Hayes	
302	0080163	1	Plate, Pump Adapter	
303	0700810	63	Bolt M8 x 20mm	
304	4831900	6	Lockwasher M8	
307	3020021	AR	Grease, Coupling	
	1001144476	Ref	ENGINE COMPONENTS	C
401	7020026	1	Dipstick (Not Shown)	
401	70001002	1	Tube, Dipstick (Not Shown)	
402	70003475	1	Thermostat	
402	7020460	1	Spring, Compression	
403		Ref	Seal and Gasket Options (Not Shown)	
403	70002718	1	Seal, Rear Main Crankshaft	
403	7020430	1	Gasket, Valve Cover	
403		Ref	Gasket, Cylinder Head Options:	
403	70003479	1	Gasket (1 Notch)	
403	70003480	1	Gasket (2 Notches)	
403	70003481	1	Gasket (3 Notches)	
403	70001871	3	Gasket, Intake Manifold (Not Shown)	
403	7020471	3	Gasket, Exhaust (Not Shown)	
404	70000264	1	Flywheel	
404	7024579	1	Ring, Gear	
405	7020465	2	Cap, Filler	

SECTION 2 - TURNTABLE

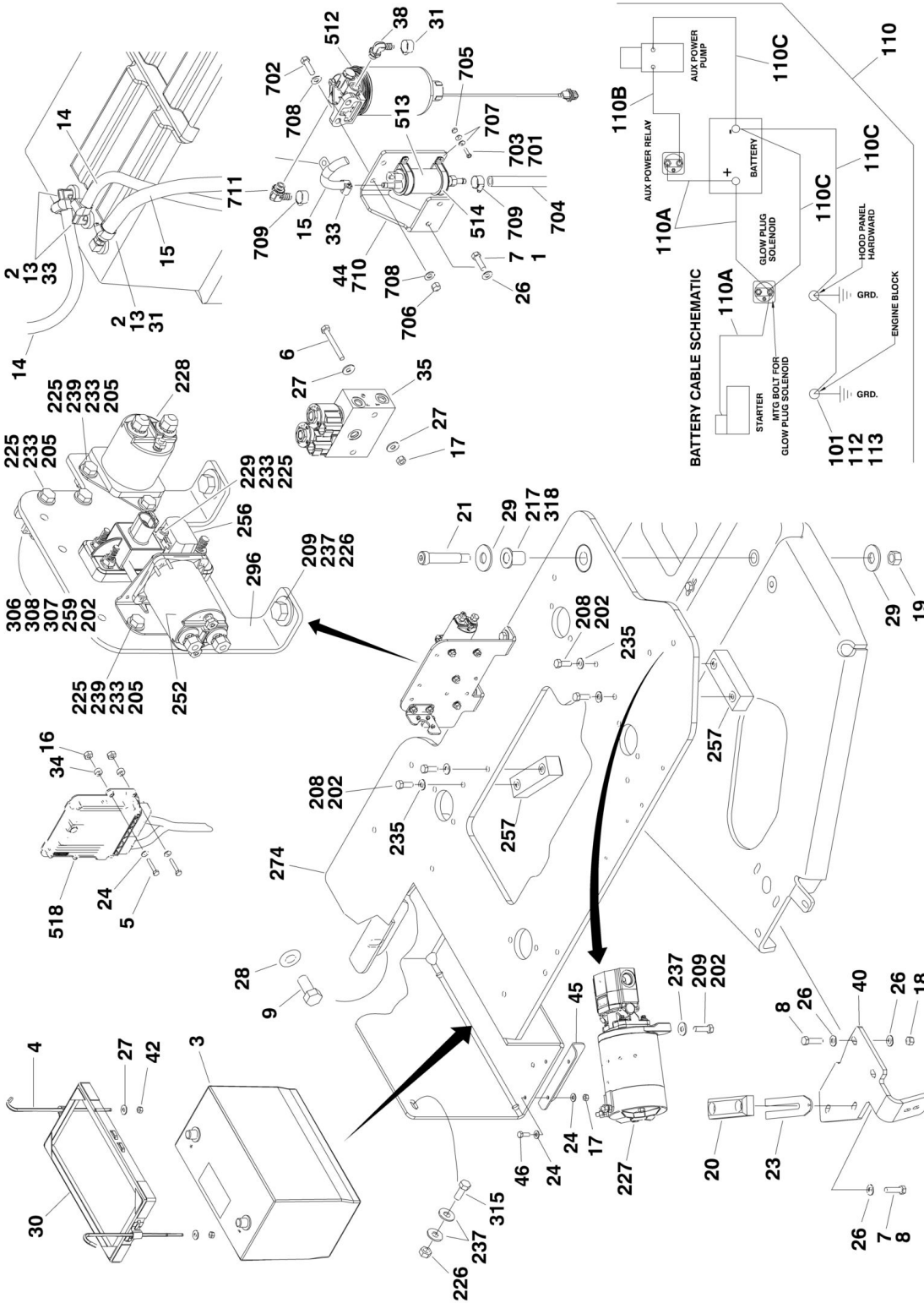
ITEM	PART NUMBER	QTY	DESCRIPTION	REV
406	70001850	1	Repair Kit for Timing Belt Tensioner (Not Shown)	
407	70001850	1	Pump, Oil Lube (Not Shown)	
407	7020468	1	Seal Between Oil Pump and Engine Block (Not Shown)	
408	7016331	1	Filter, Oil	
408	70003472	1	Bracket, Oil Filter	
408A	7027236	1	Sensor, Oil Temperature (Located in Rear Of Filter Mount)	
409		Ref	Pump, Injector Options:	
409	70000912	3	Series A Injector	
409	70000913	3	Series B Injector	
409	70000914	3	Series C Injector	
409	70000915	3	Series D Injector	
409	70003464	3	O-Ring, Injector Pump	
410	70003478	3	Injector, Fuel	
410	70003136	3	O-Ring, Injector Pump	
410	70000345	3	Plug, Glow	
411		Ref	Filter, Fuel Options:	
411	7020023	1	Standard	
411	70003463	1	RME Resistant (Note: Use with European Bio-Diesel Fuels)	
411	70001423	1	Bracket, Fuel Filter	
412	70000916	1	Pump Fuel Supply	
412	70001435	1	Repair Kit - Pump	
412	70000917	1	O-Seal Between Fuel Pump and Engine Block (Not Shown)	
412	70000918	1	Seal Between Fuel Pump and Hand Pump (Not Shown)	
412	70000919	1	Pump, Hand	
413	7027795	1	Module, EMR2	
413	7027796	1	Cable, Interconnection (Not Shown)	
413	70004059	1	Plug, Analyzer (Not Shown)	
413	70004060	1	Plug, Connector (Not Shown)	
413	70001872	1	Harness, Engine (Not Shown)	
414	70004102	1	V-Belt	
415	70004056	1	Alternator	
415	70001868	1	Regulator, Voltage (Not Shown)	
415	70001866	1	Gasket Set for Regulator	
415	70004103	1	Cable, Alternator Interconnection (Not Shown)	
416	70004057	1	Starter	
416	70004058	1	Relay, Starter	
416	70004062	1	Cable, Starter Interconnection (Not Shown)	
417	7024565	1	Tacho-Generator	
417	70003932	1	Spacer, Sleeve	
418	7027791	1	Sensor, Temperature	
419	7027790	1	Sensor, Oil Pressure	
420	7027792	1	Actuator, Throttle	
421		Ref	Muffler Options:	
421	7020455	1	Standard Non-Spark Arresting Muffler	
421	70001844	1	Clamp	
421	3220110	1	Optional Spark Arresting Muffler (Note: Discard exhaust pipe that comes with muffler and use item #267)	
421	1320176	1	Clamp	
421	3220112	1	Optional Catalytic Muffler (Note: Not Available on Arctic Machines) (Note: Discard exhaust pipe that comes with muffler and use item #267)	
421	1320176	1	Clamp	

SECTION 2 - TURNTABLE

FIGURE 2-11. DEUTZ TD2.9L4 ENGINE INSTALLATION (USA BUILT MACHINES)



SECTION 2 - TURNTABLE



SECTION 2 - TURNTABLE

FIGURE 2-11. DEUTZ TD2.9L4 ENGINE INSTALLATION (USA BUILT MACHINES)

ITEM	PART NUMBER	QTY	DESCRIPTION	REV
		Ref	USA Built Machines use SNs 03xxxxxxx.	
		Ref	Romanian Built Machines use SNs E3xxxxxxx.	
		Ref	DEUTZ TD2.9L4 ENGINE INSTALLATIONS	
	1001144513	Ref	Without Arctic Package	G
	1001144516	Ref	With Arctic Package	G
1	0100011	AR	Compound, Locking	
2	0100020	AR	Sealant, Pipe	
3	0400075	1	Battery	
4	0630552	2	Bolt	
5	0641412	4	Bolt 1/4in-20NC x 1-1/2in	
6	0641418	2	Bolt 1/4in-20NC x 2-1/4in	
7	0641608	3	Screw 3/8in-16NC x 1in	
8	0641611	3	Bolt 3/8in-16NC x 1-3/8in	
9	0642010	1	Bolt 5/8in-11NC x 1-1/4in	
11	0760807	2	Bolt M8 x 14mm	
12	2180832	1	Fitting, Straight Barbed	
13	2220313	2	Fitting, Elbow Barbed	
14	1001165035	24 ft/7.2m	Hose	
15	1001154405	5.5 ft /1.7m	Hose	
16	3300454	4	Nut 1/4in-20NC	
17	3311405	AR	Locknut 1/4in-20NC	
18	3311605	4	Locknut 3/8-16NC	
19	3312005	1	Locknut 5/8in-11NC	
20	3340399	1	Pad, Wear	
21	3900254	1	Screw 3/4in x 4in	
23	4070497	AR	Shim	
24	4711400	AR	Flatwasher 1/4in Thin	
25	4711500	2	Flatwasher 5/16in Thin	
26	4711600	8	Flatwasher 3/8inThin	
27	4751400	6	Flatwasher 1/4in Regular	
28	4752000	1	Flatwasher 5/8in Regular	
29	4752200	2	Flatwasher 3/4in Regular	
30	7138830	1	Hold-Down	
31	8405006	2	Clamp	
32	8406112	2	Clip	
33	8410013	5	Clamp	
34	1001110425	4	Spacer	
35	1001139079	1	Valve Assembly	
35	7012974	2	Cartridge without Coil	
35	7010543	2	Seal Kit - 7012974 Cartridge	
35	70002386	2	Coil	
36	1701505	1	Decal - Diesel Fuel (Not Shown - Located on Hood)	
38	1001142501	1	Fitting, Elbow Barbed	
40	1001145156	1	Plate, Latch	
41	1001138491	1	Harness, Fuel (Not Shown - See ELECTRICAL SECTION for Breakdown)	
42	3311401	4	Nut 1/4in-20NC	
43	10011455823	1	Fitting	

SECTION 2 - TURNTABLE

ITEM	PART NUMBER	QTY	DESCRIPTION	REV
44	1001162335	1	Bracket Assembly Less Filter/Pump (See Items 701-711 for Breakdown)	
45	1001186644	1	Angle (SN 0300200800 through 0300201990)	
46	0641406	2	Bolt 1/4in-20NC x 3/4in (SN 0300200800 through 0300201990)	
		Ref	Note: Arctic Package Items 72 - 82 (Used on Arctic Machines Only) Not Shown.	
72	1060625	1	Cable, Immersion Heater	
73	1320223	3	Clamp, Muffler	
74	1702941	1	Decal - Battery Heater	
75	1702942	1	Decal - Engine Block Heater	
76	1702943	1	Decal - Hydraulic Tank Heater	
77	1702944	1	Decal - Heater Cord	
78	2580050	1	Heater, Hydraulic Tank	
79	3980007	1	Seat, Battery	
81	1060626	1	Plug, 3 Way	
82	2580024	1	Heater, Battery	
90		Ref	Decal - Warning Explosion/Fire Options:	
90	1704972	1	ANSI Spec	
90	1706064	1	CSA Spec	
		Ref	ENGINE AND PUMP ASSEMBLIES	
	1001144512	Ref	Without Arctic Package	C
	1001144515	Ref	With Arctic Package	C
101	0100011	AR	Compound, Locking	
102	0641812	2	Bolt 1/2in-13NC x 1-1/2in	
103	3020037	AR	Grease, Pump Coupling	
104	3790152	1	O-Ring	
105	3931620	2	Bolt 3/8in-16NC x 1-1/4in	
106	4891600	2	Flatwasher 3/8in Hardened	
107	1001141448	1	Piston Pump Assembly with Fittings (See PISTON PUMP ASSEMBLY for Breakdown)	
108	1001141449	1	Gear Pump Assembly with Fittings (See GEAR PUMP ASSEMBLY for Breakdown)	
110	1001146880	1	Battery Cable Kit	D
110A	7027076	1	Cable (Red) (Battery + to Aux Relay/Power Module/Starter)	
110A	See Note	1	Boot, Red (Battery) (Note: Not Available for Purchase)	
110B	7027057	1	Cable (Red) (Aux Relay to Aux Pump)	
110B	See Note	1	Boot, Red (Battery) (Note: Not Available for Purchase)	
110C	7027058	1	Cable, Battery (Black) (Battery - to Relay/Aux Pump/Engine/Tray Pivot Ground)	
112	4812100	1	Flatwasher M12	
113	0761210	1	Bolt M12 x 20mm	
		Ref	ENGINE ASSEMBLIES	
	1001144511	Ref	Without Arctic Package	R
	1001144514	Ref	With Arctic Package	S
202	0100011	AR	Compound, Locking	
204	0256847	1	Pump Coupling Kit (See Items 401-407 for Breakdown)	
205	0641406	AR	Bolt 1/4in-20NC x 3/4in	
206	0641407	16	Bolt 1/4in-20NC x 7/8in	
207	0641607	6	Bolt 3/8in-16NC x 7/8in	
208	0641608	4	Bolt 3/8in-16NC x 1in	
209	0641610	16	Bolt 3/8in-16NC x 1-1/4in	
210	0641613	2	Bolt 3/8in-16NC x 1-5/8in	

SECTION 2 - TURNTABLE

ITEM	PART NUMBER	QTY	DESCRIPTION	REV
211	0641707	2	Bolt 7/16in-14NC x 7/8in	
212	0681822	4	Bolt 1/2in-13NC x 2-3/4in Grade 8	
213	0711214	8	Bolt M12 x 30mm Grade 10.9	
214	0741606	2	Screw, Flathead 3/8in-16NC x 3/4in	
215	0771012	8	Bolt M10 x 25mm Grade 10.9	
216	0771414	4	Bolt M14 x 30mm Grade 10.9	
217	0962172	2	Bushing, Flanged	
218	1703162	2	Decal - Caution Fan	
219		Ref	Anti-freeze Options:	
219	2300004	3.6 gal /13.6L	Without Arctic Package	
219	2300041	3.6 gal /13.6L	With Arctic Package	
220	2720015	27 in /69cm	Hose	
222	2720340	1 ft/31cm	Hose	
223	1001154405	18 in /46cm	Hose	
224	3271801	4	Nut 1/2in-13NC Grade 8	
225	3311405	AR	Locknut 1/4in-20NC	
226	3311605	24	Locknut 3/8in-16NC	
227	3600423	1	Auxiliary Pump Assembly (See AUXILIARY PUMP ASSEMBLY for Breakdown)	
228	3740067	1	Relay	
229	3931432	1	Capscrew 1/4in-20NC x 2in	
230	3931512	4	Capscrew 5/16in-18NC x 3/4in	
231	4031914	4	Capscrew M8 x 50mm	
232	4640751	1	Valve, Oil Drain	
233	4711400	AR	Flatwasher 1/4in Thin	
234	4711500	5	Flatwasher 5/16in Thin	
235	4711600	AR	Flatwasher 3/8in Thin	
236	4751400	4	Flatwasher 1/4in Regular	
237	4751600	AR	Flatwasher 3/8in Regular	
238	4751700	3	Flatwasher 7/16in Regular	
239	4791400	4	Starwasher 1/4in	
240	4811900	4	Flatwasher M8	
241	4812100	9	Flatwasher M12	
242	4812200	4	Flatwasher M14	
243	4891800	4	Flatwasher 1/2in Hardened	
244	8405006	2	Clamp	
245	8405007	2	Clamp	
246	8405009	4	Clamp	
247	8405104	4	Clamp	
248	8405202	4	Clamp	
249	8406109	4	Clip (SN 0300160835 through 0300195775)	
249	8406110	4	Clip (SN 0300195776 through 0300201990)	
250		Ref	Clamp Options:	
250	8410011	1	Clamp (SN 0300160835 through 0300187610)	
250	8405204	1	Clamp (SN 0300187611 through 0300201990)	
251	8410013	1	Clamp	
252	1001117308	1	Relay	
253	1001134488	1	Fitting, Elbow Barbed	

SECTION 2 - TURNTABLE

ITEM	PART NUMBER	QTY	DESCRIPTION	REV
254		Ref	Oil, Motor Options:	
254	1001136079	2.4 gal/9L	Without Arctic Package	
254	1001136172	2.4 gal/9L	With Arctic Package	
255	1001136834	1	Cap, Tank	
256	1001138228	1	Relay, Power Module	
256	70023593	1	30 Amp Fuse	
256	70023592	1	20 Amp Fuse	
257	1001138238	2	Pad, Wear	
258	1001138827	1	Sensor, Coolant Level	
259	1001139240	1	Bracket	
260	1001139409	4	Washer, Special	
261	1001140535	1	Tank, Surge	
262	1001140609	1	Engine, Deutz TD2.9L4	
263	1001155339	1	Radiator	
264	1001141304	1	Harness, Glow Plug (Not Shown - See ELECTRICAL SECTION for Breakdown)	
265	1001141546	1	Shim	
266	1001152489	1	Fitting, Elbow Barbed	
267	1001140564	1	Fitting, Elbow Barbed	
268	1001142501	1	Fitting, Elbow Barbed	
269	1001143797	1	Fitting, Straight Barbed	
270	1001144089	1	Grommet	
271	1001144112	4	Mount, Motor	
272	1001144115	1	Indicator, Service	
273	1001144116	1	Adapter	
274	1001144533	1	Tray	
275	1001144534	1	Support, Engine	
276	1001144535	1	Support, Engine	
277	1001144536	1	Support, Engine	
278	1001144537	1	Support, Engine	
279	1001155373	1	Support, Radiator	
280	1001144568	1	Shim	
281	1001144569	1	Bracket	
282	1001144571	1	Bracket	
283	1001144572	1	Plate	
284	1001144573	1	Plate	
285	1001155553	1	Baffle	
286	1001144664	1	Fan	
287	1001144687	1	Hose	
288	1001155554	1	Hose, Radiator (Upper)	
289	1001155555	1	Hose, Radiator (Lower)	
290	1001155367	1	Bracket	
291		Ref	Pipe, Exhaust Options:	
291	1001145001	NLA	Pipe, Exhaust (Use p/n 1001167170) (SN 0300160835 through 0300187610)	
291	1001167170	1	Pipe, Exhaust (SN 0300187611 through 0300201990)	
292	1001145006	1	Elbow	
293	1001145007	1	Elbow	
294	1001155370	1	Hose	
295	1001155371	1	Pipe, Intake	
296	1001145016	1	Plate	
297	1001146043	2	Elbow	

SECTION 2 - TURNTABLE

ITEM	PART NUMBER	QTY	DESCRIPTION	REV
298	1001146268	1	Engine Harness (Not Shown - See ELECTRICAL SECTION for Breakdown)	
299	1001146810	1	Plate	
300	1001155463	1	Plate	
301	1001144113	1	Air Cleaner Assembly Filter Element	
301	70003937	1	Element, Filter (Not Shown)	
302	0100020	AR	Sealant	
303	0760810	1	Bolt M8 x 20mm	
304	0761210	1	Bolt M12 x 20mm	
305	1321716	1	Clamp (SN 0300160835 through 0300195775)	
305	1001181899	1	Clamp (SN 0300195776 through 0300201990)	
306	3310401	3	Nut 1/4in-20NC	
307	3910408	3	Screw #4-40 x 1/2in	
308	4710400	6	Flatwasher #4 Thin	
309	8406102	1	Clip	
310	1001138717	1	Bracket	
311	1001148641	1	Bracket (SN 0300160835 through 0300195775)	
312	1001143907	1	Cable, Alternator Power (Not Shown - See ELECTRICAL SECTION for Breakdown)	
313	2420099	AR	Tie-Strap (Not Shown)	
314	0641405	2	Bolt 1/4in-20NC x 5/8in	
315	0641609	2	Bolt 3/8in-16NC x 1-1/8in	
316	1320223	1	Clip	
317	1001138248	4 ft/1.2m	Hose	
318	0100062	AR	Compound, Locking	
319	1001160742	1	Tube	
320	0641709	1	Bolt 7/16in-14NC x 1-1/8in	
321	3311705	1	Locknut 7/16in-14NC	
		Ref	Note: Arctic Package Item 351 (Used on Arctic Machines Only) Not Shown.	
351	1001140312	1	Heater, Engine Block	
352	1001181895	AR	Adhesive (Not Shown - Used on Item 351)	
	0256847	Ref	KIT PUMP COUPLING AND MOUNTING PLATE	2
401	1660234	1	Coupling	
402	0080163	1	Plate, Pump Adapter	
403	0700810	6	Bolt M8 x 20mm	
404	4831900	6	Lockwasher M8	
407	3020021	AR	Grease, Pump Coupling	
	1001140609	Ref	ENGINE COMPONENTS	
501	7000427	1	Dipstick (Not Shown - Located On Side Left Front)	
501	70024905	1	Seal	
502	7020465	2	Cap, Oil Fill	
503	70025088	1	Plug	
503	7020404	1	Seal	
504	7000264	1	Flywheel with Ring Gear	
504	7024579	1	Gear, Ring	
505		Ref	Gasket and Seal Options (Not Shown):	
505	70024906	1	Gasket, Head	
505	70025206	1	Gasket, Small Valve Cover	
505	70025207	1	Gasket, Large Valve Cover	
505	7002508	1	Gasket, Valve Cover to Air Charge Elbow	
505	70002718	1	Seal, Rear Main	

SECTION 2 - TURNTABLE

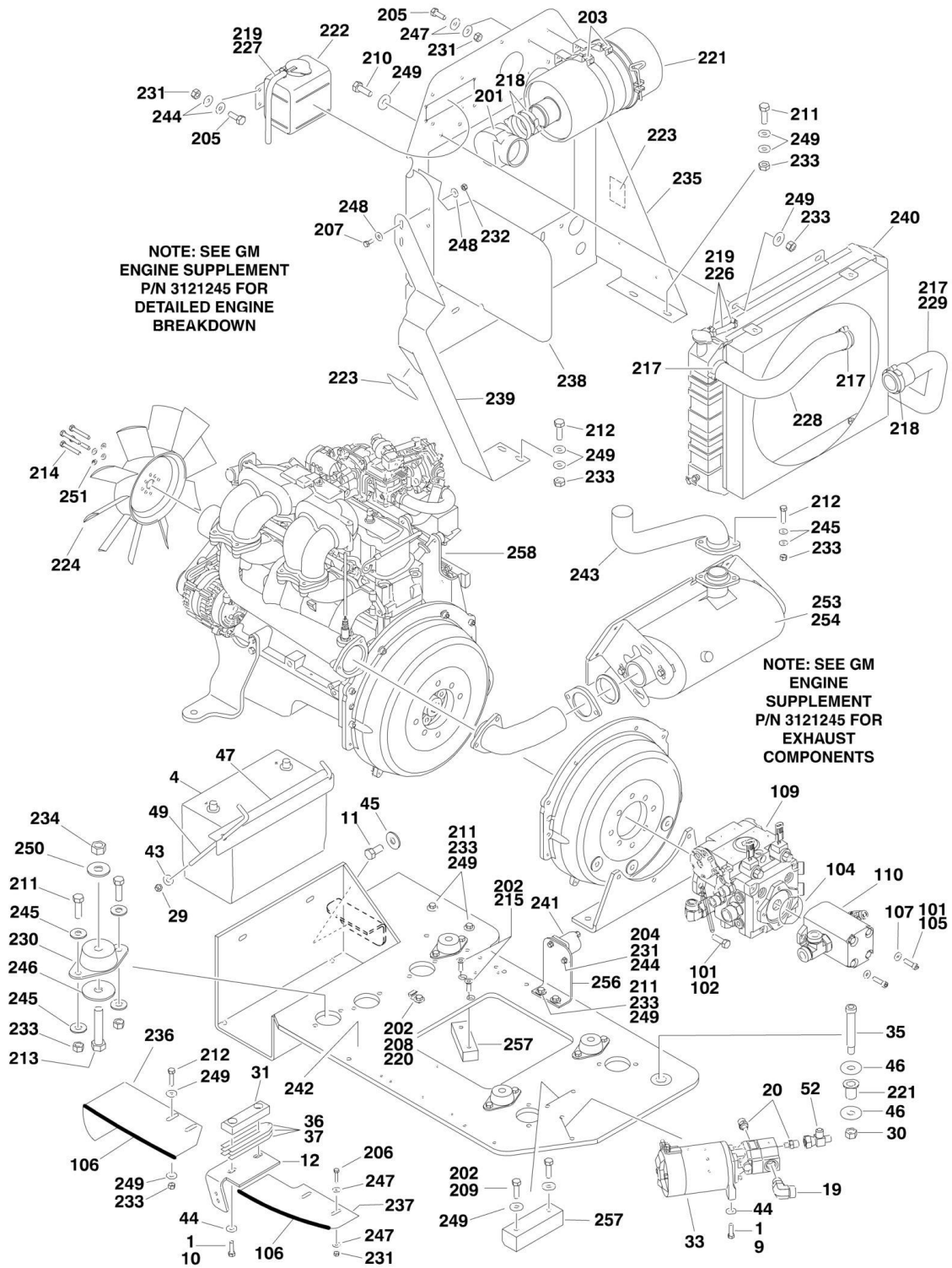
ITEM	PART NUMBER	QTY	DESCRIPTION	REV
505	70024907	1	Gasket, Front Cover	
505	70024912	1	Gasket, Exhaust Manifold	
505	70025164	1	Gasket, Exhaust Manifold to Head	
505	70025179	1	Gasket, Pipe/Line/Lead to EGR Module	
505	70025180	1	Gasket, Pipe/Line/Lead to EGR Module	
505	70004279	1	Gasket Kit	
506	70025091	1	Plug	
506	70025082	1	Seal	
506	70025176	1	Spring	
506	70025076	1	Valve	
507	70025202	1	Pump, Oil Lube (Not Shown - Located Front Left Side)	
507	70025135	1	O-Ring	
507	70025136	1	Seal	
508	7016331	1	Filter, Oil	
509	70004275	1	Cooler, Oil	
509	70024925	1	Gasket	
510	70024924	1	Pump, High Pressure (Not Shown - Located Front Left Side)	
510	70025152	1	O-Ring (Between Pump and Spacer)	
510	70024488	1	Spacer	
510	70025152	1	O-Ring (Between Spacer and Engine Block)	
511	70004281	4	Injector, Fuel	
511	70025140	4	Washer, Sealing	
511	70025146	4	Clamp (Top of Injector)	
511	70025416	4	O-Seal	
511	70025154	4	Shoe, Clamping	
511	70000345	4	Plug, Glow	
511	70025231	1	Harness, Glow Plug (Not Shown)	
512	70025153	1	Filter, Fuel	
512	70024513	1	Cable, Sensor	
512	70025239	1	Seal	
513	70024486	1	Pump, Fuel	
514	70025144	2	Clamp	
515	70025160	1	Filter with Head	
515	70025161	1	Filter, Fuel	
516	70024919	1	Sensor, Pressure	
516	70024920	1	Seal	
517	70025151	1	Rail, Fuel (Not Shown)	
517	70025235	1	Repair Kit	
518	70025210	1	ECU (Engine Control Unit)	
519	70024910	1	Pump, Water	
519	70025200	1	Seal	
519	70025084	2	Plug	
519	7020492	2	Seal	
520	70024473	1	Thermostat	
520	70025143	1	O-Seal	
520	70025142	1	Cover, Thermostat	
521	70025177	1	Pipe	
521	70025179	2	Gasket	
522	70004283	1	Module, EGR (Not Shown - Located on Left Side)	
523	70025477	1	Tensioner, Belt	
524	70004277	1	Belt, Drive	

SECTION 2 - TURNTABLE

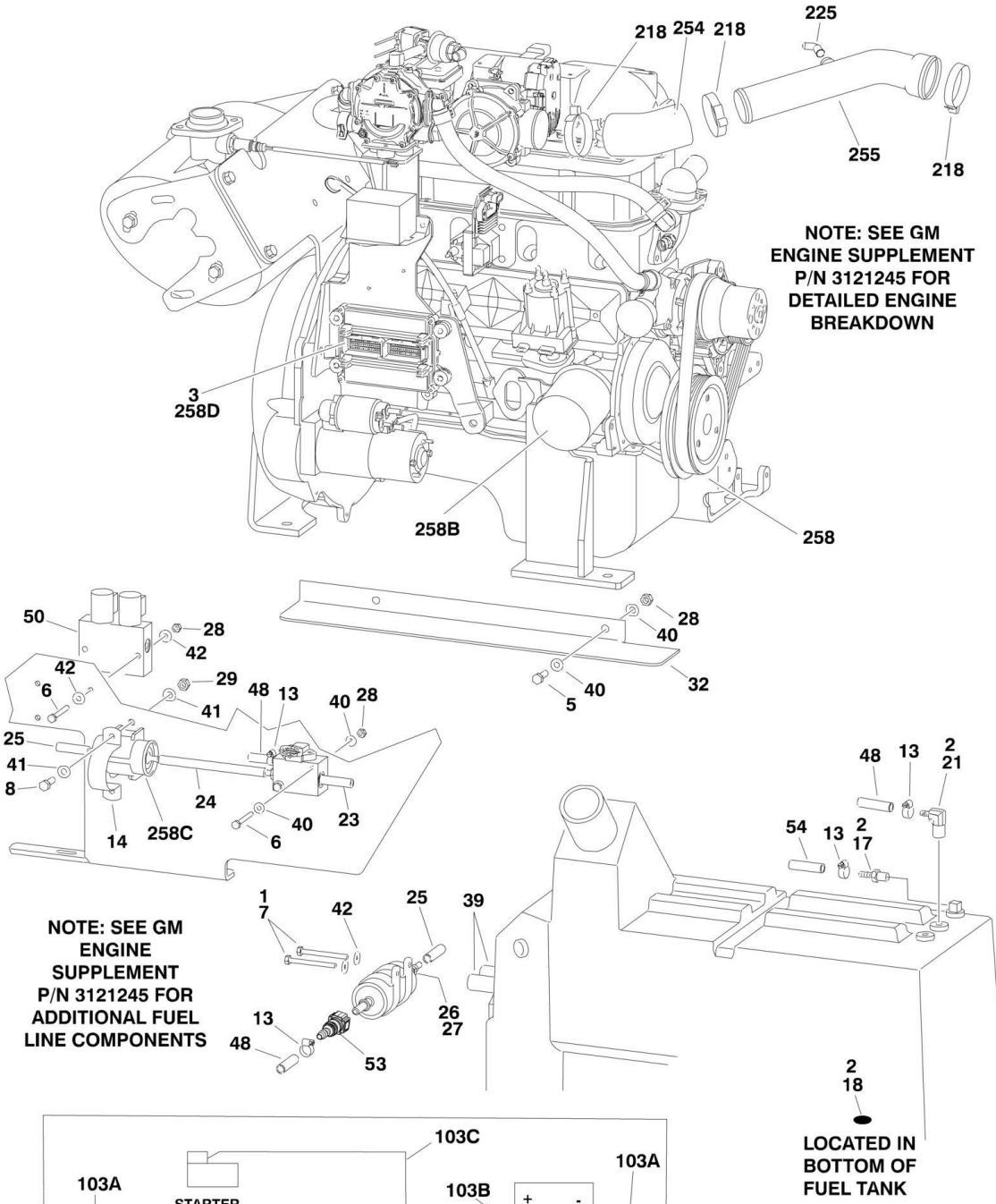
ITEM	PART NUMBER	QTY	DESCRIPTION	REV
525	70024914	1	Alternator	
525	70025149	1	Regulator, Voltage	
526	70024915	1	Starter (Not Shown - Located on Left Side)	
527	70004284	1	Harness, Engine (Not Shown)	
528	70024921	1	Sensor, Pressure	
528	70025120	1	Seal	
529	70024503	2	Sensor, Speed (Not Shown - Located Left Side Front and Flywheel Housing)	
529	70024917	2	Seal	
530	70024918	1	Sender, Temperature (Not Shown - Located Top Front)	
531	70024504	1	Sensor, Pressure (Not Shown - Located Left Side Front)	
531	70024920	1	Seal	
532	See Note	1	Muffler (Note: Not Available at Time of Printing)	
532	70004286	1	Outlet, Muffler	
533	70124530	1	Valve Pressure Relief (Not Shown – Located Left Side Rear)	
533	70124538	1	Spring	
533	70104570	1	Seal	
533	70025660	1	Plug	
	1001146715	Ref	SPARK ARRESTER INSTALLATION (OPTIONAL)	A
601	1001146714	1	Arrester, Spark	
	1001162335	Ref	BRACKET ASSEMBLY (LESS FUEL PUMP AND FILTER)	D
701	0100011	AR	Locking, Compound	
702	0641610	2	Bolt 3/8in-16NC x 1-1/4in	
703	0721006	4	Bolt #10-24NC x 3/4in	
704	1001154405	1.5 ft /0.4m	Hose	
705	3311001	4	Nut #10-20NC	
706	3311605	2	Locknut 3/8in-16NC	
707	4711000	8	Flatwasher #10 Thin	
708	4711600	4	Flatwasher 3/8in Thin	
709	8405006	2	Clamp	
710	1001141870	1	Plate, Fuel Pump Mount	
711	1001142501	1	Fitting, Elbow Barbed	

SECTION 2 - TURNTABLE

FIGURE 2-12. GM ENGINE INSTALLATION

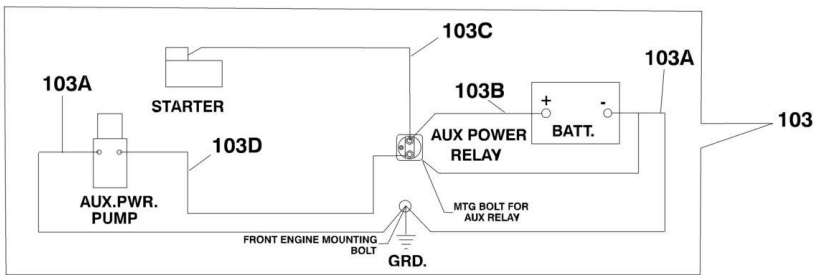


SECTION 2 - TURNTABLE



NOTE: SEE GM ENGINE SUPPLEMENT P/N 3121245 FOR DETAILED ENGINE BREAKDOWN

NOTE: SEE GM ENGINE SUPPLEMENT P/N 3121245 FOR ADDITIONAL FUEL LINE COMPONENTS



SECTION 2 - TURNTABLE

FIGURE 2-12. GM ENGINE INSTALLATION

ITEM	PART NUMBER	QTY	DESCRIPTION	REV
		Ref	GM ENGINE INSTALLATION	
	1001141481	Ref	Machines without Arctic Package	F
	1001141509	Ref	Machines with Arctic Package	F
1	0100011	AR	Compound, Locking	
2	0100020	AR	Sealant, Pipe	
3	0100048	AR	Grease, Dielectric	
4	0400075	1	Battery (Wet)	
5	0641407	2	Bolt 1/4in-20NC x 7/8in	
6	0641418	4	Bolt 1/4in-20NC x 2-1/4in	
7	0641420	2	Bolt 1/4in-20NC x 2-1/2in	
8	0641508	2	Bolt 5/16in-18NC x 1in	
9	0641610	2	Bolt 3/8in-16NC x 1-1/4in	
10	0641612	2	Bolt 3/8in-16NC x 1-1/2in	
11	0642010	1	Bolt 5/8in-11NC x 1-1/4in	
12	0902443	1	Bracket, Hood Latch Mount	
13	1001174486	AR	Clamp, Fuel Line	
14	1320323	1	Clamp	
15	1701542	1	Decal, Gas (Not Shown)	
16	1701543	1	Decal, LPG (Not Shown)	
17	2180348	1	Fitting, Barbed	
18	2200222	1	Plug, Pipe	
19		Ref	Fitting, Elbow Options:	
19	2220567	1	Machines without Arctic Package	
19	2131210	1	Machines with Arctic Package	
20		Ref	Fitting, Straight Options:	
20	2220603	2	Machines without Arctic Package	
20	2110604	2	Machines with Arctic Package	
21	2221176	1	Fitting, Elbow	
22		Ref	Coolant, Antifreeze Options (Not Shown):	
22	2300004	2.7 gal /10.2L	Machines without Arctic Package	
22	2300041	2.7 gal /10.2L	Machines with Arctic Package	
23		Ref	Hose (78in/2m Length) Options:	
23	2720565	1	Hose (78in/2m Length) (SN 0300160835 through 0300183253)	
23	1001156822	1	Hose (78in/2m Length) (SN 0300183254 through 0300201990)	
24		Ref	Hose (6in/15cm Length) Options:	
24	2720566	1	Hose (6in/15cm Length) (SN 0300160835 through 0300183253)	
24	1001156823	1	Hose (6in/15cm Length) (SN 0300183254 through 0300201990)	
25		Ref	Hose (48in/122cm Length) Options:	
25	2720567	1	Hose (48in/122cm Length) (SN 0300160835 through 0300183253)	
25	1001156824	1	Hose (48in/122cm Length) (SN 0300183254 through 0300201990)	
26	3290405	1	Locknut M4 x 0.7	
27	3290505	1	Locknut M5 x 0.8	
28	3311405	6	Locknut 1/4in-20NC	
29	3311505	4	Locknut 5/16in-18NC	
30	3312005	1	Locknut 5/8in-11NC	

SECTION 2 - TURNTABLE

ITEM	PART NUMBER	QTY	DESCRIPTION	REV
31	3340399	1	Pad, Wear	
32	3380694	1	Panel, Shield	
33	3600423	1	Auxiliary Pump Assembly (See PISTON PUMP ASSEMBLY for Breakdown):	
34	3790012	1	O-Ring (Not Shown - Located in Console Box)	
35	3900254	1	Screw, Shoulder	
36	4070497	2	Shim (11 Gauge)	
37	4070498	2	Shim (16 Gauge)	
38	4360336	1	Switch, Toggle (Not Shown - Located in Console Box)	
39	4568114	2	Tube, Spacer	
40	4711400	8	Flatwasher 1/4in Thin	
41	4711500	4	Flatwasher 5/16in Thin	
42	4751400	6	Flatwasher 1/4in Regular	
43	4751500	2	Flatwasher 5/16in Regular	
44	4751600	4	Flatwasher 3/8in Regular	
45	4752000	1	Flatwasher 5/8in Regular	
46	4752200	2	Flatwasher 3/4in Regular	
47	91401281	1	Angle, Battery Hold Down	
48		Ref	Hose Options:	
48	1001091587	8.5 ft /2.6m	Hose (SN 0300160835 through 0300183253)	
48	1001156819	8.5 ft /2.6m	Hose (SN 0300183254 through 0300196736)	
48	1001177158	1	Hose (SN 0300196737 through 0300201990)	
49	1001093382	2	J-Bolt	
50	1001139079	1	Valve Assembly	
50	7012974	2	Cartridge without Coil	
50	7010543	2	Seal Kit - 7012974 Cartridge	
50	70002386	2	Coil	
52	2220635	1	Fitting, Tee	
53	1001174093	1	Coupling, Quick Connect (SN 0300195642 through 0300196736)	
54	1001156819	64 in /163cm	Hose (SN 0300183254 through 0300196736)	
54	1001177166	1	Hose (SN 0300196737 through 0300201990)	
		Ref	Note: Items 60-70 are Not Shown - Used on Arctic Package Machines Only	
60	1060625	1	Cable, Immersion Heater	
61	1060626	1	Cord, 3-Way Extension	
62	1320223	3	J-Clip	
62	3311605	2	Locknut 3/8in-16NC	
62	0641608	2	Bolt 3/8in-16NC x 1in	
62	4711600	6	Flatwasher 3/8in Thin	
63	1702941	1	Decal - Battery Heater	
64	1702942	1	Decal - Engine Block Heater	
65	1702943	1	Decal - Hydraulic Tank Heater	
66	1702944	1	Decal - Heater Cord	
67	2580024	1	Heater, Battery	
68	2580050	1	Heater, Hydraulic Tank	
69	2580063	1	Heater, Engine Block	
70	3980007	1	Seat, Battery	
		Ref	GM ENGINE AND PUMP SUB-ASSEMBLY	
	1001141482	Ref	Machines without Arctic Package	B

SECTION 2 - TURNTABLE

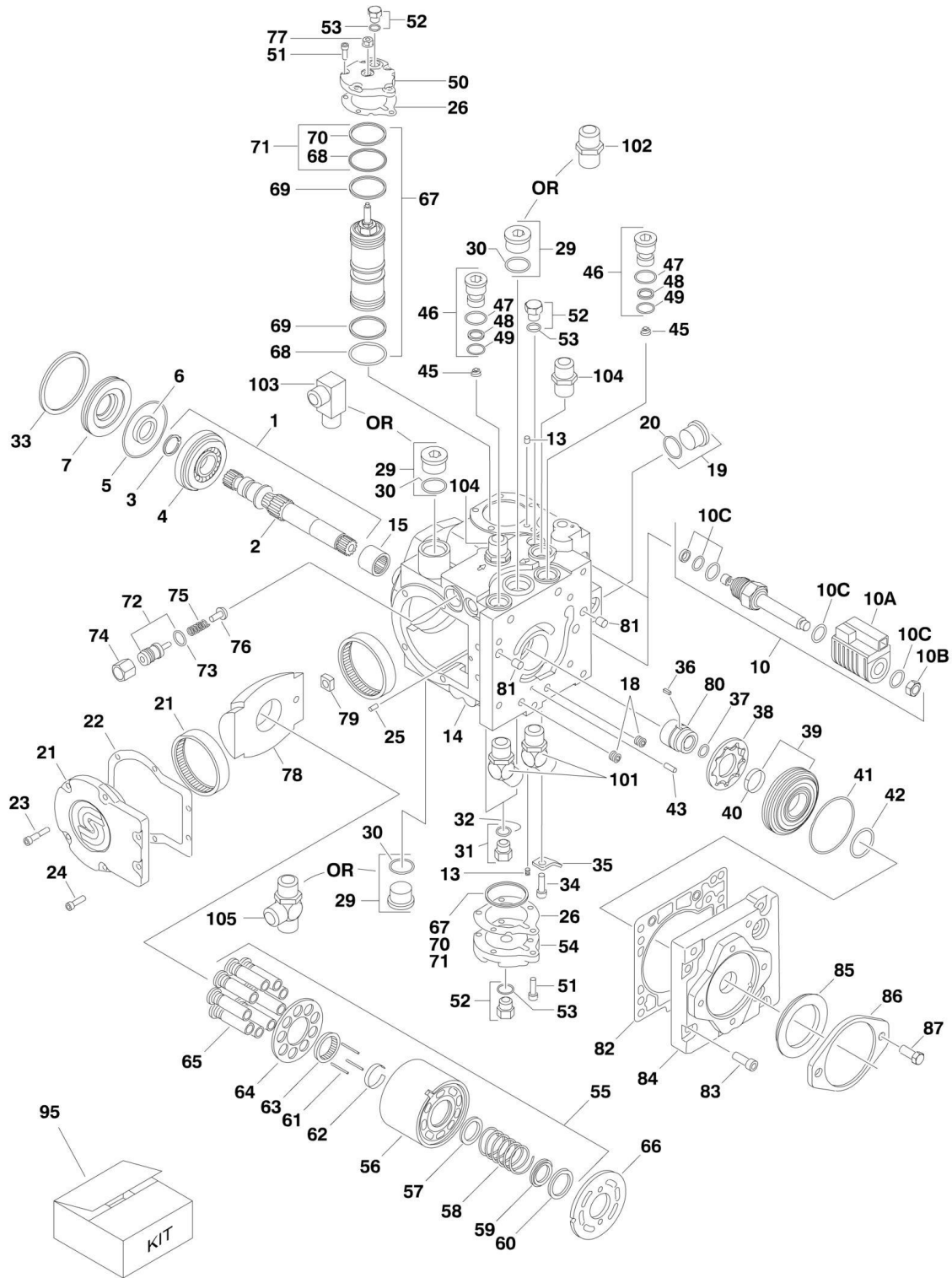
ITEM	PART NUMBER	QTY	DESCRIPTION	REV
	1001141506	Ref	Machines with Arctic Package	B
101	0100011	AR	Compound, Locking	
102	0641812	2	Bolt 1/2in-13NC x 1-1/2in	
103	2902510	1	Battery Cable Kit	D
103A	7016840	1	Cable (Battery - to Ground)	
103B	7016839	1	Cable (Battery + to Auxilliary Relay)	
103C	7027014	1	Cable (Auxilliary Relay to Starter)	
103D	7016841	1	Cable (Auxilliary Relay to Auxilliary Pump)	
104	3790152	1	O-Ring	
105	3931620	2	Capscrew, Socket Head 3/8in-16NC x 1-1/4in	
106	3960438	2.3 ft/.7m	Seal, Self Gripping	
107	4891600	2	Flatwasher 3/8in Hardened	
108		Ref	Oil, Motor Options (Not Shown):	
108	1001115930	4.5 qt /4.2L	Machines without Arctic Package	
108	1001115931	4.5 qt /4.2L	Machines with Arctic Package	
109	1001141448	1	Piston Pump Assembly with Fittings (See PISTON PUMP ASSEMBLY for Breakdown)	
110	1001141449	1	Gear Pump Assembly with Fittings (See GEAR PUMP ASSEMBLY for Breakdown)	
	1001141897	Ref	GM ENGINE ASSEMBLY	B
201	0080201		Fitting, Elbow	
202	0100011	AR	Compound, Locking	
203	0340041	2	Band, Mounting	
204	0641405	2	Bolt 1/4in-20NC x 5/8in	
205	0641406	8	Bolt 1/4in-20NC x 3/4in	
206	0641410	2	Bolt 1/4in-20NC x 1-1/4in	
207	0641506	2	Bolt 5/16in-18NC x 3/4in	
208	0641604	1	Bolt 3/8in-16NC x 1/2in	
209	0641608	2	Bolt 3/8in-16NC x 1in	
210	0641609	4	Bolt 3/8in-16NC x 1-1/8in	
211	0641610	12	Bolt 3/8in-16NC x 1-1/4in	
212	0641612	4	Bolt 3/8in-16NC x 1-1/2in	
213	0641820	4	Bolt 1/2in-13NC x 2-1/2in	
214	0700810	4	Bolt M8 x 20mm	
215	0741608	2	Screw, Flat Head 3/8in-16NC x 1in	
216	0962172	1	Bushing, Flanged	
217	1320012	3	Clamp	
218	1320016	5	Clamp	
219	1320022	3	Clamp	
220	1320223	1	J-Clip	
221	1340060	1	Air Cleaner Assembly	
221	7012664	1	Element, Air Cleaner	
222	1580011	1	Container, Coolant Overflow	
223	1703162	2	Decal - Caution Fan	
224	2060025	1	Fan	
225	2180877	1	Fitting, Elbow	
226	2720058	4 in/10cm	Hose	
227	2720271	18 in /47cm	Hose	
228	2720563	1	Hose, Radiator (Top)	

SECTION 2 - TURNTABLE

ITEM	PART NUMBER	QTY	DESCRIPTION	REV
229	2720564	1	Hose, Radiator (Bottom)	
230	3200406	4	Mount, Motor	
231	3311405	12	Locknut 1/4in-20NC	
232	3311505	2	Locknut 5/16in-18NC	
233	3311605	20	Locknut 3/8in-16NC	
234	3311805	4	Locknut 1/2in-13NC	
235	3570571	1	Plate, Radiator Mounting	
236	3571008	1	Plate, Air	
237	3571009	1	Plate, Baffle	
238	3571019	1	Plate, Air Panel	
239	3573667	1	Plate, Radiator Support	
240	3620040	1	Radiator	
240	8180311	1	Cap, Radiator (was p/n 7019656)	
241	3740067	1	Relay	
242	4340745	1	Tray, Engine	
243	4569345	1	Pipe, Exhaust	
244	4711400	12	Flatwasher 1/4in Thin	
245	4711600	20	Flatwasher 3/8in Thin	
246	4740274	4	Flatwasher, Snubbing	
247	4751400	12	Flatwasher 1/4in Regular	
248	4751500	4	Flatwasher 5/16in Regular	
249	4751600	22	Flatwasher 3/8in Regular	
250	4751800	4	Flatwasher 1/2in Regular	
251	4831900	4	Lockwasher M8	
252	4920385	10 ft/3m	Wire, Safety	
253	1001091794	1	Insulation, Muffler	
254	1001116544	1	Duct	
255	1001116545	1	Duct	
256	1001121115	1	Plate, Relay Mount	
257	1001138238	2	Pad, Wear	
258	1001141139	1	Engine, GM 3.0L (See GM Engine Supplement P/N 3121245 for Breakdown of Additional Components)	
258A	70000164	4	Plug, Spark (Not Shown)	
258B	7027965	1	Filter, Oil	
258C	7027972	1	Filter, Fuel	
258D	70003907	1	Module, Control (ECU)	

SECTION 2 - TURNTABLE

FIGURE 2-13. PISTON PUMP ASSEMBLY



SECTION 2 - TURNTABLE

FIGURE 2-13. PISTON PUMP ASSEMBLY

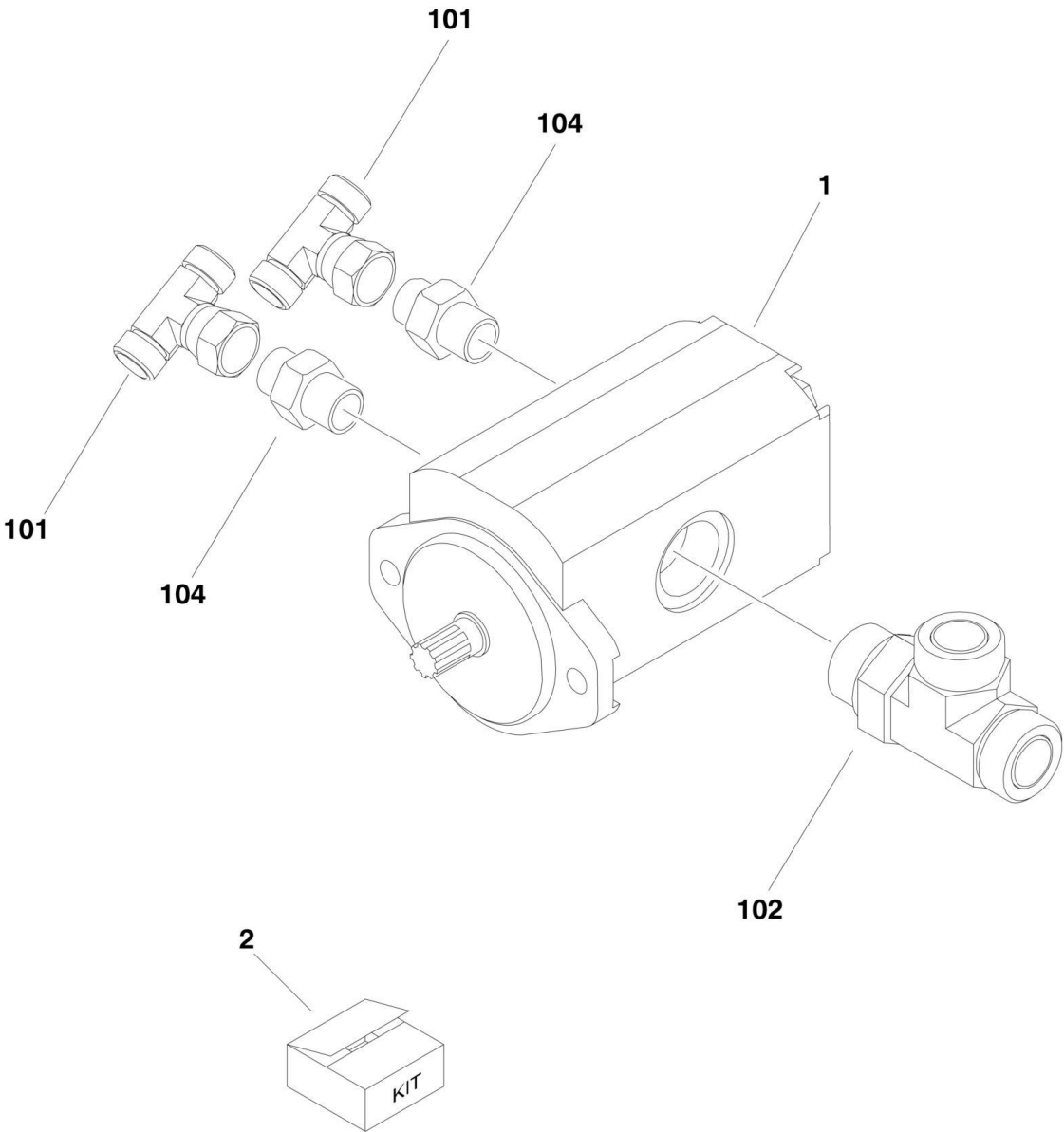
ITEM	PART NUMBER	QTY	DESCRIPTION	REV
		Ref	PISTON PUMP USAGE CHART:	
	3600385	Ref	Caterpillar Engine Machines (Pump Without Fittings)	A
	1001141448	Ref	Deutz and GM Engine Machines (Pump With Fittings)	A
1	7021240	1	Shaft Assembly (Includes Items 2-4)	
2	7021237	1	Shaft	
3	7021238	1	Ring, Retaining	
4	7021239	1	Bearing, Roller	
5	7021280	1	O-Ring	
6	7021242	1	Seal, Lip	
7	7021243	1	Carrier, Seal Shaft	
10	7024855	2	Solenoid Assembly	
10A	7024856	2	Coil (1 Per Assembly)	
10B	7024857	2	Nut (1 Per Assembly)	
10C	7024858	2	Seal Kit - 7024855 Cartridge (1 Per Assembly)	
13	7022377	2	Orifice	
14	7022378	1	Housing Assembly (Includes Items 15-20)	
15	7021249	1	Bearing, Needle	
18	7001485	2	Plug	
19	7022380	1	Plug (Includes Item 20)	
20	7022381	1	O-Ring	
21	7021248	1	Side Cover Assembly (Includes Item 22)	
22	7021280	1	Gasket	
23	7021255	4	Screw	
24	7021251	2	Screw	
25	7021250	1	Pin	
26	7021280	2	Gasket	
29	7007419	2	Plug Assembly	
30	7021280	2	O-Ring	
31	7007470	2	Plug Assembly	
32	7021280	2	O-Ring	
33	7021257	1	Ring, Retaining	
34	7021251	1	Screw	
35	7022342	1	Bracket, Lifting	
36	7022342	1	Key	
37	7022341	1	Ring, Retaining	
38	7021258	1	Gerotor	
39	7021260	1	Gerotor Cover Assembly	
40	7021259	1	Bearing, Journal	
42	7021280	1	O-Ring	
43	See Note	1	Pin (Note: Not Available for Purchase)	
45	7024800	1	Spring	
46	7021265	2	Bypass Valve Assembly (Includes Items 47-49)	
47	7021280	2	O-Ring	
48	7021280	2	Ring, Back Up	
49	7021280	2	O-Ring	
50	7022382	1	Cover, Servo	
51	7021255	10	Screw	
52	7007470	1	Plug Assembly	
53	7021280	1	O-Ring	
54	7021268	1	Cover, Servo	

SECTION 2 - TURNTABLE

ITEM	PART NUMBER	QTY	DESCRIPTION	REV
55	7021269	1	Cylinder Block Assembly (Includes Items 56-65)	
56	7021270	1	Cylinder Block	
57	7021271	1	Washer	
58	7021272	1	Spring	
59	7021273	1	Washer	
60	7021274	1	Ring, Retaining	
61	7021275	3	Pin, Slipper Hold Down	
62	7021276	1	Retainer, Hold Down Pin	
63	7021277	1	Guide, Slipper Retainer	
64	7021278	1	Retainer, Slipper	
65	7021279	9	Piston Assembly	
66	7021281	1	Plate, Valve	
67	7022385	1	Servo Piston Assembly (Includes Items 68-70)	
68	7021280	2	O-Ring	
69	7021280	2	Ring, Bearing	
70	7021280	2	Ring, Piston	
71	7007412	1	Servo Piston Ring Kit (Includes Items 68 & 70 Only)	
72	7022346	1	Plug Assembly	
73	7021280	1	O-Ring	
74	7021290	1	Nut	
75	7022347	1	Spring	
76	7024804	1	Poppet	
77	7021280	1	Nut, Seal	
78	7022386	1	Swashplate	
79	7022387	1	Slider, Block	
80	7021294	1	Coupling	
81	7001481	2	Pin	
82	70002257	1	Gasket	
83	7021296	7	Screw	
84	7021297	1	Cover, Charge Pump	
85	7021298	1	Seal	
86	7021299	1	Plate, Cover	
87	7007289	2	Screw	
88	7007470	1	Plug (Not Shown)	
89	7021256	1	O-Ring (Not Shown)	
95	7021280		Seal Kit (Includes Items 5-6, 22, 26, 30, 32, 42, 47-49, 53, 68-70, 73, 77, 82 & 89)	
		Ref	FITTING COMPONENTS	
		Ref	Caterpillar Engine Machines (Not Shown Here - See Engine Installation)	
		Ref	Deutz and GM Engine Machines	
101	2151212	2	Fitting, Elbow	
102	2220376	1	Fitting, Straight	
103	2220578	1	Fitting, Elbow	
104	2220947	2	Fitting, Straight	
105	2221041	1	Fitting, Tee	

SECTION 2 - TURNTABLE

FIGURE 2-14. GEAR PUMP ASSEMBLY



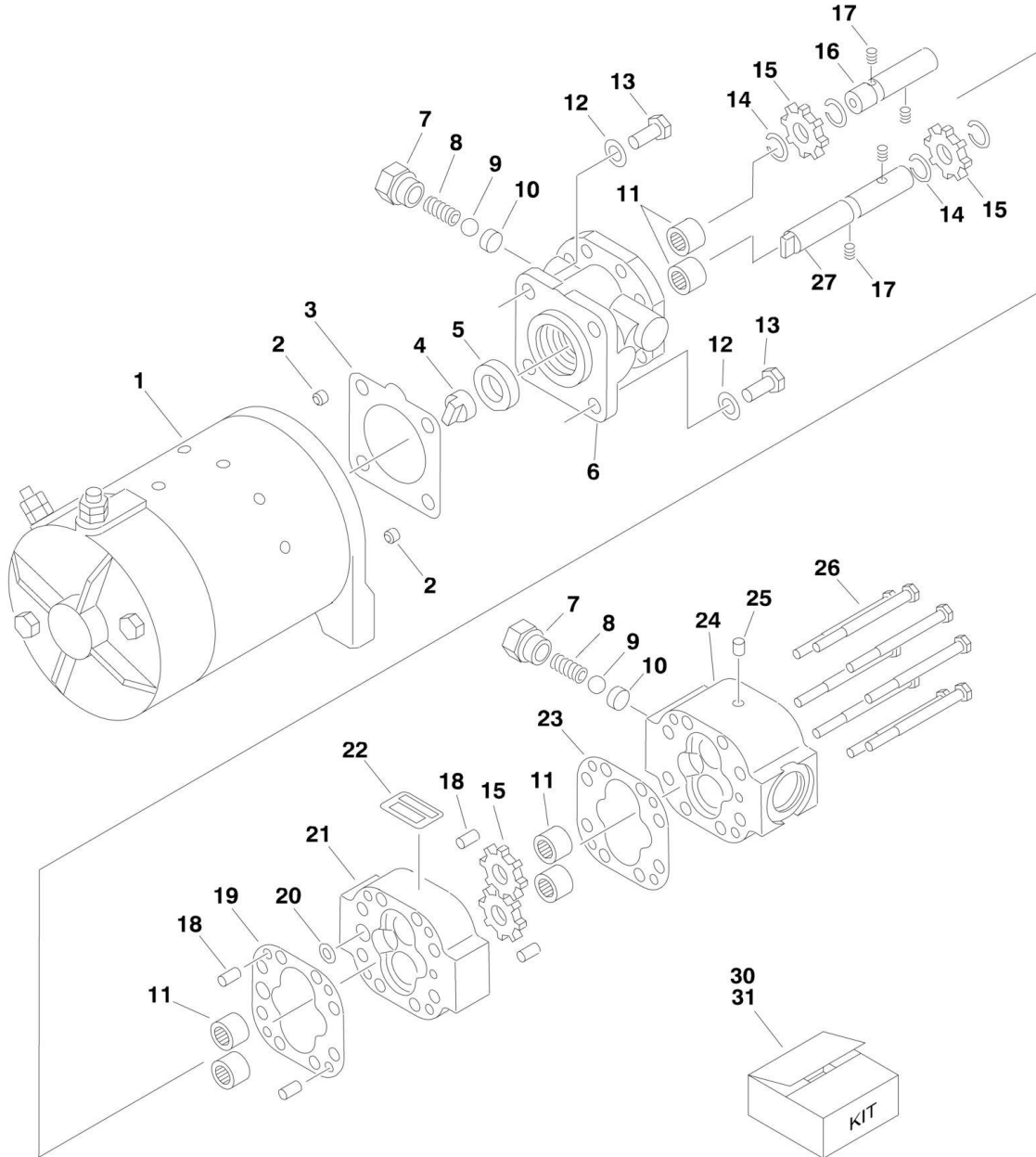
SECTION 2 - TURNTABLE

FIGURE 2-14. GEAR PUMP ASSEMBLY

ITEM	PART NUMBER	QTY	DESCRIPTION	REV
1		Ref	GEAR PUMP ASSEMBLY	
1	3600318	Ref	Caterpillar Engine Machines (Without Fittings)	B
1	1001141449	Ref	Deutz and GM Engine Machines	A
2	7023929	1	Seal Kit	
		Ref	Note: Seal Kit is Only Serviceable Part Available.	
		Ref	FITTING COMPONENTS	
		Ref	Caterpillar Engine Machines (Not Shown Here - See Engine Installation)	
		Ref	Deutz and GM Engine Machines	
101	2220383	2	Fitting, Tee	
102	2221026	1	Fitting, Tee	
104	1001141913	2	Valve, Check	

SECTION 2 - TURNTABLE

FIGURE 2-15. AUXILIARY PUMP ASSEMBLY



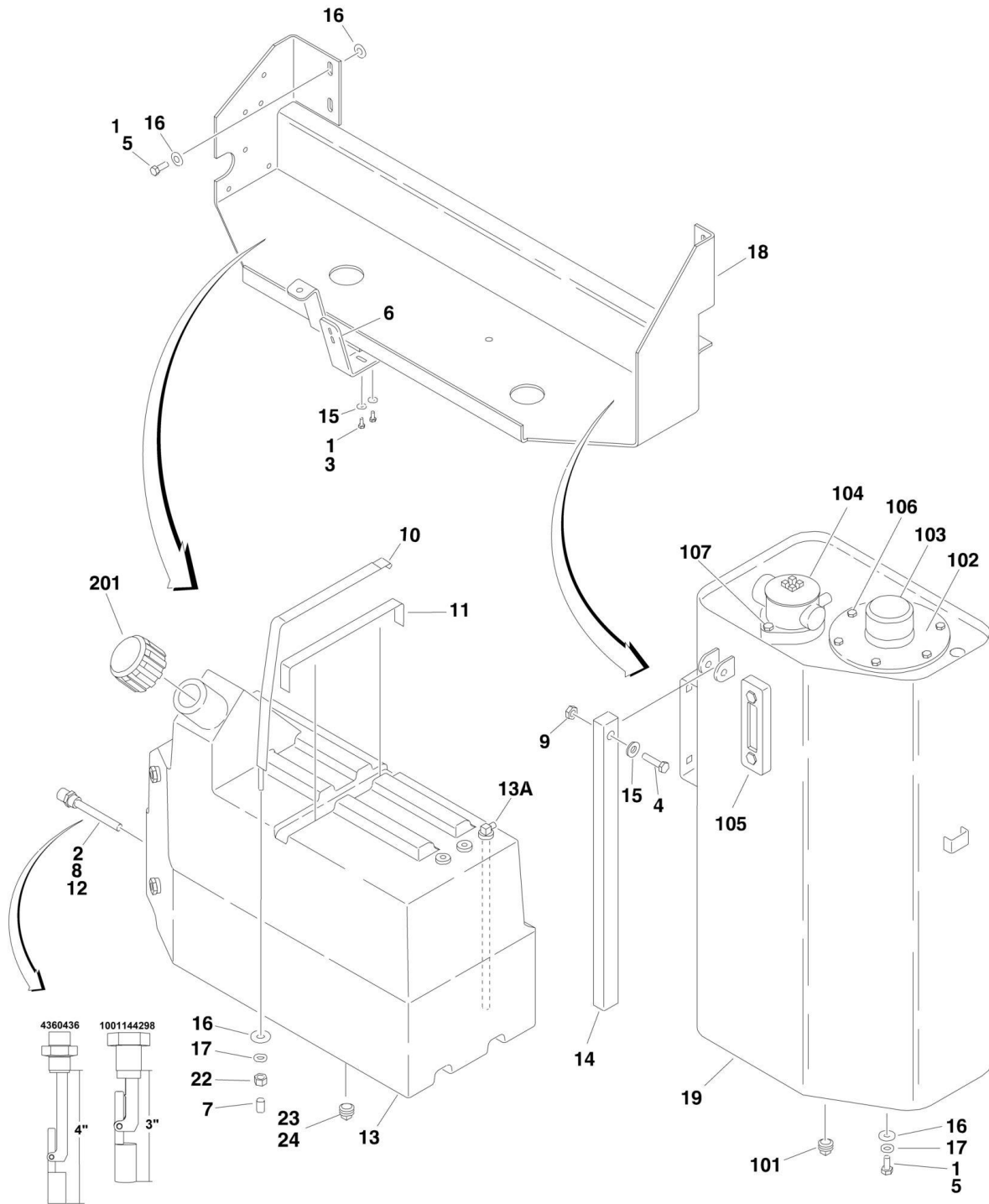
SECTION 2 - TURNTABLE

FIGURE 2-15. AUXILIARY PUMP ASSEMBLY

ITEM	PART NUMBER	QTY	DESCRIPTION	REV
	3600423	Ref	AUXILIARY PUMP ASSEMBLY	A
1	7011067	1	Motor and Adapter	
2	See Note	2	Setscrew (Note: Not Available - Purchase Locally)	
3	7011044	1	Gasket, Mounting	
4	7011016	1	Coupling	
5	70000969	1	Seal, Shaft	
6	70000978	1	Stator	
7	See Note	2	Cap Assembly (Note: Use Item 30 or 31.)	
8	70000978	2	Spring	
9	70000978	2	Ball	
10	70000978	2	Seat	
11	70000976	6	Bearing, Needle	
12	70000978	4	Washer	
13	70000978	4	Screw	
14	70000970	4	Ring, Retaining	
15	70000971	4	Gear	
16	70000972	1	Shaft, Idler	
17	70000978	4	Pin, Drive	
18	70000978	4	Pin, Dowel	
19	70000973	1	Gasket	
20	See Note	1	O-Ring (Note: Use Item 30 or 31.)	
21	70000978	1	Housing, Gear	
22	See Note	1	Label (Note: Not Available for Purchase)	
23	7000974	1	Gasket	
24	70000978	1	Housing, Gear	
25	70000978	1	Plug	
26	70000978	8	Screw	
27	70000975	1	Shaft, Drive	
30	70000977	1	Seal Kit (Includes Items 3, 5, 20 & Qty 2 O-Rings for Item 7)	
31	70000978	1	Replacement Pump Kit (Includes Items 3-21 & 23-27)	

SECTION 2 - TURNTABLE

FIGURE 2-16. TANK INSTALLATIONS



SECTION 2 - TURNTABLE

FIGURE 2-16. TANK INSTALLATIONS

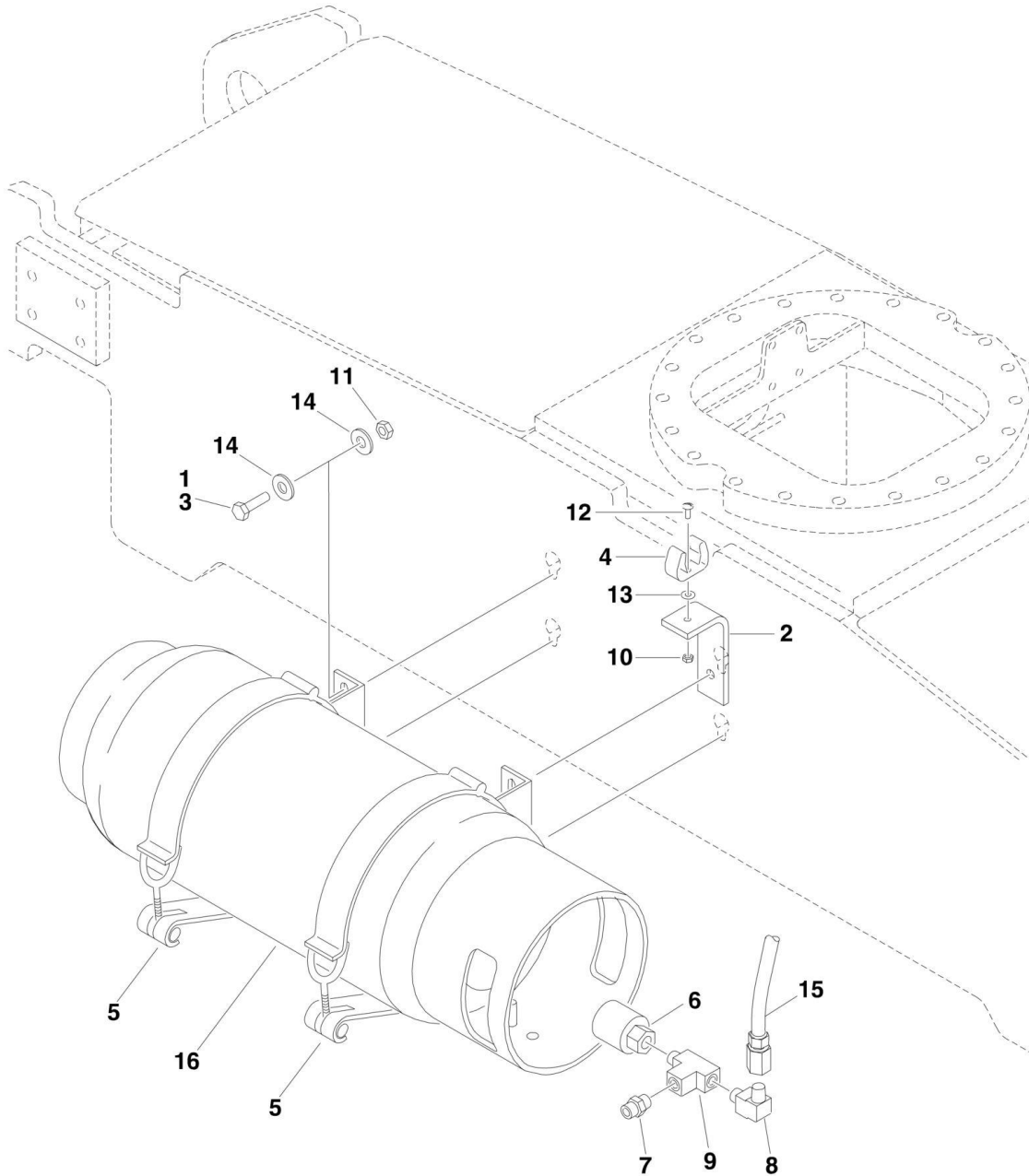
ITEM	PART NUMBER	QTY	DESCRIPTION	REV
		Ref	TANK INSTALLATIONS	
	0272669	Ref	Caterpillar and Deutz Engine USA Built Machines (SN 0300160835 through 0300161419)	G
	1001144401	Ref	Caterpillar and Deutz Engine USA Built Machines (SN 0300161420 through 0300201990)	G
	1001144403	Ref	Caterpillar and Deutz Engine Romanian Built Machines	F
	1001144402	Ref	GM Engine Machines	H
1	0100011	AR	Compound, Locking	
2	1001182997	AR	Adhesive	
3	0641405	2	Bolt 1/4in-20NC x 5/8in	
4	0641416	1	Bolt 1/4in-20NC x 2in	
5		Ref	Bolt 3/8in-16NC x 1in	
5	0641606	AR	Bolt 3/8in-16NC x 3/4in	
5	0641608	AR	Bolt 3/8in-16NC x 1in	
6	0902535	1	Bracket, Hood Latch	
7	1120532	1	Cap, Protective	
8	2820035	2 ft/.61m	Insulate, Tubing	
9	3311405	1	Locknut 1/4in-20NC	
10	4240145	1	Strap, Tank Mount	
11	4280295	2 ft/.61m	Strip, Bumper	
12	4360436	1	Switch, Fuel Level - 4in (Note: Identify the length of switch before ordering. Measure from threads to the float as shown in illustration.)	
12	1001144298	1	Switch, Fuel Level - 3in (Note: Identify the length of switch before ordering. Measure from threads to the float as shown in illustration.)	
13		Ref	Tank, Fuel Options (Includes Standard Non-Locking Cap):	
13		Ref	Caterpillar and Deutz Engine Machines Options:	
13	4400408	NLA	Caterpillar and Deutz Engine Machines (USA Built Machines) (Use p/n 1001160569) (SN 0300160835 through 0300189441)	
13	4400408	NLA	Caterpillar and Deutz Engine Machines (Romanian Built Machines) (Use p/n 1001160569) (SN E300001114 through E300002148)	
13	1001160569	1	Caterpillar and Deutz Engine Machines (USA Built Machines) (SN 0300189442 through 0300201990)	
13	1001160569	1	Caterpillar and Deutz Engine Machines (Romanian Built Machines) (SN E300002149 through E300002832)	
13		Ref	GM Engine Machines Options:	
13	1001091560	NLA	GM Engine Machines (Use p/n 1001160558) (SN 0300160835 through 0300185513)	
13	1001160558	1	GM Engine Machines (SN 0300185514 through 0300201990)	
13A		Ref	Fitting and Pick-up Tube (Supply Line) Options:	
	7020056	1	Fitting and Pick-up Tube (Supply Line) 1001160558 Tank	
	70004786	1	Fitting and Pick-up Tube (Supply Line) 1001160569 Tank	
14	4567627	1	Tube, Hood Prop	
15	4751400	4	Flatwasher 1/4in Regular	
16	4751600	10	Flatwasher 3/8in Regular	
17	4761600	4	Lockwasher 3/8in	
18		Ref	Tray Weldment Options:	
18	4846375	1	USA Built Machines	
18	4846665	1	Romanian Built Machines	

SECTION 2 - TURNTABLE

ITEM	PART NUMBER	QTY	DESCRIPTION	REV
19	1001141821	NLA	Hydraulic Tank Assembly (See Items 101-109 for Breakdown) (Use p/n 1001153619)	
22	3311601	1	Nut 3/8in-16NC	
23	0100020	AR	Sealant	
24	2200222	1	Plug	
		Ref	HYDRAULIC TANK ASSEMBLIES	
	1001141821	Ref	Original Equipment	C
	1001153619	Ref	Service Replacement	C
		Ref	Note: Original Equipment Tank may have been replaced with Service Replacement Tank p/n 1001153619. Identify p/n stamped on tank before ordering parts.	
101	7024446	1	Plug, Magnetic	
102	7024439	1	Cover	
103	7024444	1	Cap	
103	7024445	1	Strainer	
103		Ref	Neck, Fill Options:	
	7024443	1	Neck, Fill (USA Built Machines)	
	70004862	1	Neck, Fill (Romanian Built Machines)	
103	7024440	1	Gasket (Cover to Tank)	
104	70001959	1	Filter, Return	
104	70001960	1	Element, Filter	
104	7023347	1	Gasket (Filter Flange to Tank)	
104	7023306		Seal (Filter Cap to Filter Housing)	
105		Ref	Gauge, Sight Options:	
105	70003865	1	1001141821 Tank	
105	7024441	1	1001153619 Tank	
106	83304174	6	Nut 1/4in-20NC	
106	83304173	6	Flatwasher 1/4in Regular	
106	83304172	6	Stud 1/4in-20NC	
107	83304170	2	Bolt 3/8in-16NC x 1-1/4in	
107	4751600	2	Flatwasher 3/8in Regular	
201		Ref	FUEL CAP OPTIONS	
201	70004414	Ref	Caterpillar and Deutz Engine Machines (Standard Black)	
201	1120487	Ref	Caterpillar and Deutz Engine Machines (Optional Blue)	
201	70001103	Ref	GM Engine Machines	

SECTION 2 - TURNTABLE

FIGURE 2-17. LP TANK INSTALLATION (GM ENGINE MACHINES ONLY)



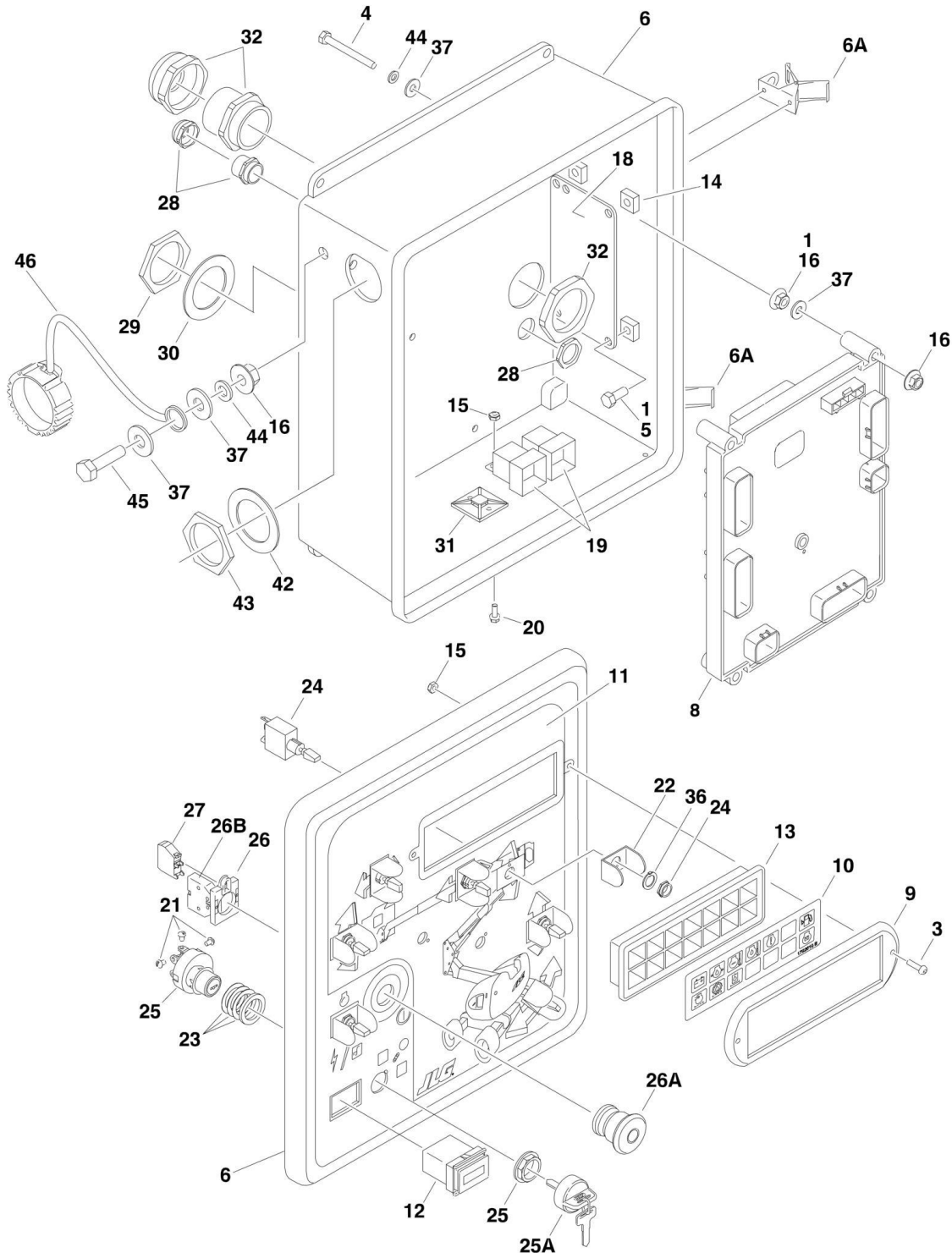
SECTION 2 - TURNTABLE

FIGURE 2-17. LP TANK INSTALLATION (GM ENGINE MACHINES ONLY)

ITEM	PART NUMBER	QTY	DESCRIPTION	REV
	1001139888	Ref	LP TANK AND BRACKETS INSTALLATIONS	A
1	0100011	AR	Compound, Locking	
2	0181949	AR	Angle, Support	
3	0641615	4	Bolt 3/8in-16NC x 1-7/8in	
4	1320218	1	Clamp, Spring	
5	1320220	1	Clamp Kit	
6	2180387	1	Fitting, LP	
7	2180389	1	Fitting	
8	2180504	1	Fitting, Elbow	
9	2220290	1	Fitting, Tee	
10	3310805	1	Locknut #8-32NC	
11	3311601	4	Nut 3/8in-16NC	
12	3910808	1	Screw #8-32NC x 1in	
13	4750800	1	Flatwasher #8 Regular	
14	4891600	8	Flatwasher 3/8in Hardened	
15	2720149	1	Hose	
16		Ref	Tank, LPG Options:	
16	4400275	1	Aluminum Tank	
16	4400420	1	Steel Tank	

SECTION 2 - TURNTABLE

FIGURE 2-18. GROUND CONTROL BOX ASSEMBLY (FIBERGLASS BOX)



SECTION 2 - TURNTABLE

FIGURE 2-18. GROUND CONTROL BOX ASSEMBLY (FIBERGLASS BOX)

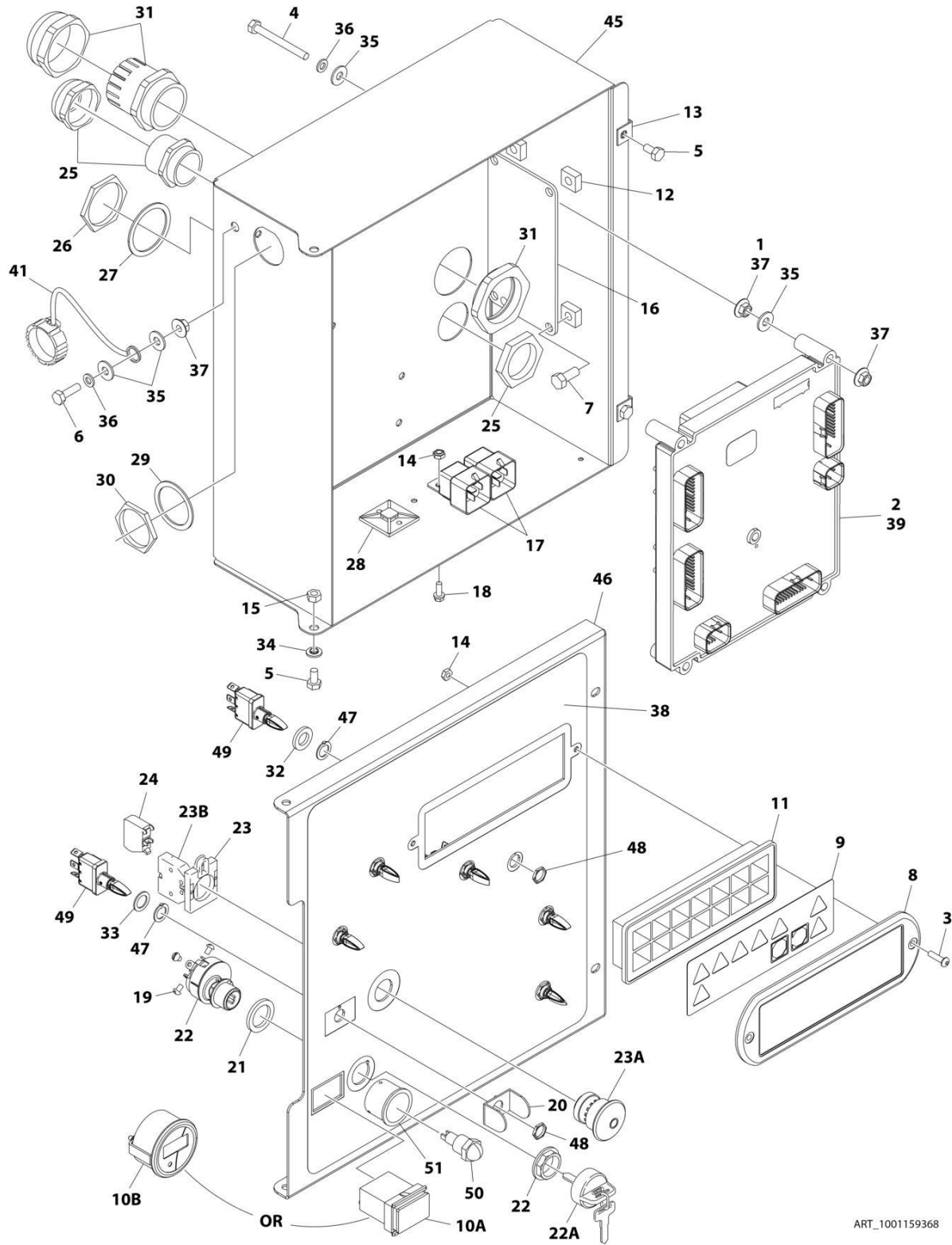
ITEM	PART NUMBER	QTY	DESCRIPTION	REV
		Ref	GROUND CONTROL BOX ASSEMBLIES (FIBERGLASS BOX)	
		Ref	Ground Control Box Assemblies 450A Series II	
		Ref	ANSI AND ANSI EXPORT SPECS	
	1001138763	Ref	Caterpillar Engine Machines	B
	1001138766	Ref	Deutz D2011 Engine Machines	C
	1001147000	Ref	Deutz TD2.9L4 Engine Machines	C
	1001138702	Ref	GM Engine Machines	C
	See Note	Ref	AUSTRALIAN SPECS (Note: Not Available)	
		Ref	CE SPECS	
	1001138665	Ref	Caterpillar Engine Machines	A
	1001138765	Ref	Deutz Engine Machines	C
		Ref	Ground Control Box Assemblies 450AJ Series II	
		Ref	ANSI AND ANSI EXPORT SPECS	
	1001138762	Ref	Caterpillar Engine Machines	B
	1001138764	Ref	Deutz D2011 Engine Machines (USA Built Machines)	C
	1001138676	Ref	Deutz D2011 Engine Machines (Romanian Built Machines)	C
	1001147002	Ref	Deutz TD2.9L4 Engine Machines	C
	1001138767	Ref	GM Engine Machines	C
		Ref	AUSTRALIAN SPECS	
	1001138762	Ref	Caterpillar Engine Machines	B
	1001138764	Ref	Deutz Engine Machines	C
		Ref	CE SPECS	
	1001138761	Ref	Caterpillar Engine Machines	B
	1001138676	Ref	Deutz Engine Machines	C
1	0100011	AR	Compound, Locking	
2	0100048	AR	Grease, Dielectric	
3	0630518	2	Screw, Button Head	
4	0630548	5	Bolt	
5	0641506	4	Bolt 5/16in-18NC x 3/4in	
6	1001105784	1	Box, Fiberglass	
6A	7020246	2	Latch	
8	1001103667	1	Module, Control (Note: Re-calibration Required when Replaced)	
9	1670829	1	Bezel	
10	1706712	1	Decal - Ground Control Display	
11		Ref	Decal - Faceplate	
11	1001102597	1	Decal - Faceplate 450A Series II	
11	1001102598	1	Decal - Faceplate 450AJ Series II	
12	2420172	1	Gauge, Hourmeter	
13	2760105	1	Housing, Display Light	
14	3300205	4	Nut, Retainer	
15	3300408	4	Locknut, Plastic Insert	
16	77143013	11	Locknut 1/4in-20NC	
18	3539219	1	Plate, Reinforcement	
19	3740049	2	Relay - SPDT	
20	3900268	2	Screw #10-24NC x 1/2in	
21	3910804	6	Screw #8-32NC x 1/4in	
22	4060906	1	Shield, Toggle Switch	
23		Ref	Shim Options:	
23	4070987	1	Shim (.015in)	

SECTION 2 - TURNTABLE

ITEM	PART NUMBER	QTY	DESCRIPTION	REV
23	1001151393	1	Shim(.063in)	
24	4360328	AR	Switch, Toggle	
25		Ref	Switch, Key Options:	
25	4360469	1	ANSI/ANSI Export/Australian/CSA Specs	
25	4360470	1	CE Specs	
25A	2860030	1	Key	
26	4360475	1	Switch, Emergency Stop	
26A	7020175	1	Cap, Mushroom Head	
26B	7020176	1	Block, Contact	
27	4360476	1	Switch, Contact Block	
28	4460426	1	Connector, Strain Relief	
29	4460470	1	Nut, Terminal	
30	4460471	1	Locknut, Terminal	
31	4460488	10	Base, Terminal Mounting	
32	4460526	1	Connector, Strain Relief	
36	4740444	AR	Washer, Special	
37	4751400	12	Flatwasher 1/4in Regular	
39	1001138588	1	Valve Harness Assembly (Not Shown - See ELECTRICAL SECTION for Breakdown)	
40		Ref	Ground Control Box Harness Assembly (Not Shown - See ELECTRICAL SECTION for Breakdown)	
40	1001105636	1	Caterpillar Engine Machines	
40	1001105636	1	Deutz D2011 Engine Machines	
40	1001147005	1	Deutz TD2.9L4 Engine Machines	
40	1001105636	1	GM Engine Machines	
41		Ref	Engine Harness Assembly (Not Shown - See ELECTRICAL SECTION for Breakdown)	
41	1001139084	1	Caterpillar Engine Machines	
41	1001139085	1	Deutz D2011 Engine Machines	
41	1001147004	1	Deutz TD2.9L4 Engine Machines	
41	1001139086	1	GM Engine Machines	
42	4460496	1	Lockwasher	
43	4460497	1	Nut	
44	4761400	6	Lockwasher 1/4in	
45	0641407	1	Bolt 1/4in-20NC x 7/8in	
46	1001106736	1	Cap, Dust	

SECTION 2 - TURNTABLE

FIGURE 2-19. GROUND CONTROL BOX ASSEMBLY (STEEL BOX)



ART_1001159368

SECTION 2 - TURNTABLE

FIGURE 2-19. GROUND CONTROL BOX ASSEMBLY (STEEL BOX)

ITEM	PART NUMBER	QTY	DESCRIPTION	REV
		Ref	GROUND CONTROL BOX ASSEMBLIES (STEEL BOX)	
		Ref	Ground Control Box Assemblies 450A Series II	
		Ref	ANSI, ANSI EXPORT, CSA AND JAPANESE SPECS	
	1001159368	Ref	Deutz D2011 Engine Machines	B
	1001164630	Ref	Deutz TD2.9L4 Engine Machines	B
	1001159365	Ref	GM Engine Machines	B
	See Note	Ref	AUSTRALIAN SPECS (Note: Not Available)	
		Ref	CE SPECS	
	1001159367	Ref	Deutz D2011 Engine Machines (SN 0300160835 through 0300200799)	B
	1001188017	Ref	Deutz D2011 Engine Machines (SN 0300200800 through 0300201990)	B
		Ref	Ground Control Box Assemblies 450AJ Series II	
		Ref	ANSI, ANSI EXPORT, CSA AND JAPANESE SPECS	
	1001159370	Ref	Deutz D2011 Engine Machines (USA Built Machines)	B
	1001159369	Ref	Deutz D2011 Engine Machines (Romanian Built Machines) (SN E300001114 through E300002413)	B
	1001188019	Ref	Deutz D2011 Engine Machines (Romanian Built Machines) (SN E300002414 through E300002832)	B
	1001164629	Ref	Deutz TD2.9L4 Engine Machines	B
	1001159366	Ref	GM Engine Machines	B
		Ref	AUSTRALIAN SPECS	
	1001159370	Ref	Deutz D2011 Engine Machines	B
		Ref	CE SPECS	
	1001159369	Ref	Deutz D2011 Engine Machines (USA Built Machines) (SN 0300160835 through 0300200799)	B
	1001188018	Ref	Deutz D2011 Engine Machines (USA Built Machines) (SN 0300200800 through 0300201990)	B
	1001159369	Ref	Deutz D2011 Engine Machines (Romanian Built Machines) (SN E300001114 through E300002413)	B
	1001188019	Ref	Deutz D2011 Engine Machines (Romanian Built Machines) (SN E300002414 through E300002832)	B
1	0100011	AR	Compound, Locking	
2	0100048	AR	Grease, Dielectric	
3	0630518	2	Screw, Button Head	
4	0630548	5	Bolt	
5	0641404	4	Bolt 1/4in-20NC x 1/2in	
6	0641407	1	Bolt 1/4in-20NC x 7/8in	
7	0641506	4	Bolt 5/16in-18NC x 3/4in	
8	1670829	1	Bezel	
9	1706712	1	Decal - Ground Control Display	
10A	2420172	1	Gauge, Hourmeter	
10B	1001109503	1	Gauge, Hourmeter	
11	2760105	1	Housing, Display Light	
12	3300205	4	Nut, Retainer	
13	3300353	2	Nut, Tinneman	
14	3300408	4	Locknut, Plastic Insert	
15	3311405	2	Locknut 1/4in-20NC	
16	3539219	1	Plate, Reinforcement	
17	3740049	2	Relay - SPDT	
18	3900268	2	Screw #10-24NC x 1/2in	

SECTION 2 - TURNTABLE

ITEM	PART NUMBER	QTY	DESCRIPTION	REV
19	3910804	6	Screw #8-32NC x 1/4in	
20	4060906	1	Shield, Toggle Switch	
21	4070987	1	Shim (.015in)	
21	4070991	1	Shim (.125in)	
22		Ref	Switch, Key Options:	
22	4360469	1	ANSI/ANSI Export/Australian/CSA Specs	
22	4360470	1	CE Specs	
22A	2860030	1	Key	
23	4360475	1	Switch, Emergency Stop	
23A	7020175	1	Cap, Mushroom Head	
23B	7020176	1	Block, Contact	
24	4360476	1	Switch, Contact Block	
25	4460426	1	Connector, Strain Relief	
26	4460470	1	Nut, Terminal	
27	4460471	1	Locknut, Terminal	
28	4460488	10	Base, Terminal Mounting	
29	4460496	1	Lockwasher	
30	4460497	1	Nut	
31	4460526	1	Connector, Strain Relief	
32	4740397	AR	Washer, Spacer	
33	4740444	1	Washer, Special	
34	4740518	2	Washer	
35	4751400	12	Flatwasher 1/4in Regular	
36	4761400	6	Lockwasher 1/4in	
37	77143013	11	Locknut 1/4in-20NC	
38		Ref	Decal - Faceplate	
38	1001102597	1	Decal - Faceplate 450A Series II (ANSI, ANSI Export, CSA and Japanese Specs)	
38	1001102597	1	Decal - Faceplate 450A Series II (CE Specs) (SN 0300160835 through 0300200799)	
38	1001180532	1	Decal - Faceplate 450A Series II (CE Specs) (SN 0300200800 through 0300201990)	
38	1001102598	1	Decal - Faceplate 450AJ Series II (USA Built Machines) (ANSI, ANSI Export, CSA and Japanese Specs)	
38	1001102598	1	Decal - Faceplate 450AJ Series II (CE Specs) (USA Built Machines) (SN 0300160835 through 0300200799)	
38	1001180533	1	Decal - Faceplate 450AJ Series II (CE Specs) (USA Built Machines) (SN 0300200800 through 0300201990)	
38	1001102598	1	Decal - Faceplate 450AJ Series II (ANSI, ANSI Export, CSA and Japanese Specs) (Romanian Built Machines) (SN E300001114 through E300002413)	
38	1001180533	1	Decal - Faceplate 450AJ Series II (ANSI, ANSI Export, CSA and Japanese Specs) (Romanian Built Machines) (SN E300002414 through E300002832)	
38	1001102598	1	Decal - Faceplate 450AJ Series II (CE Specs) (Romanian Built Machines) (SN E300001114 through E300002413)	
38	1001180533	1	Decal - Faceplate 450AJ Series II (CE Specs) (Romanian Built Machines) (SN E300002414 through E300002832)	
39	1001103667	1	Module, Control (Note: Re-calibration Required when Replaced)	
40		Ref	Ground Control Box Harness Assembly (Not Shown - See ELECTRICAL SECTION for Breakdown)	
40	1001105636	1	Deutz D2011 Engine Machines (USA Built Machines) (ANSI, ANSI Export, CSA and Japanese Specs)	

SECTION 2 - TURNTABLE

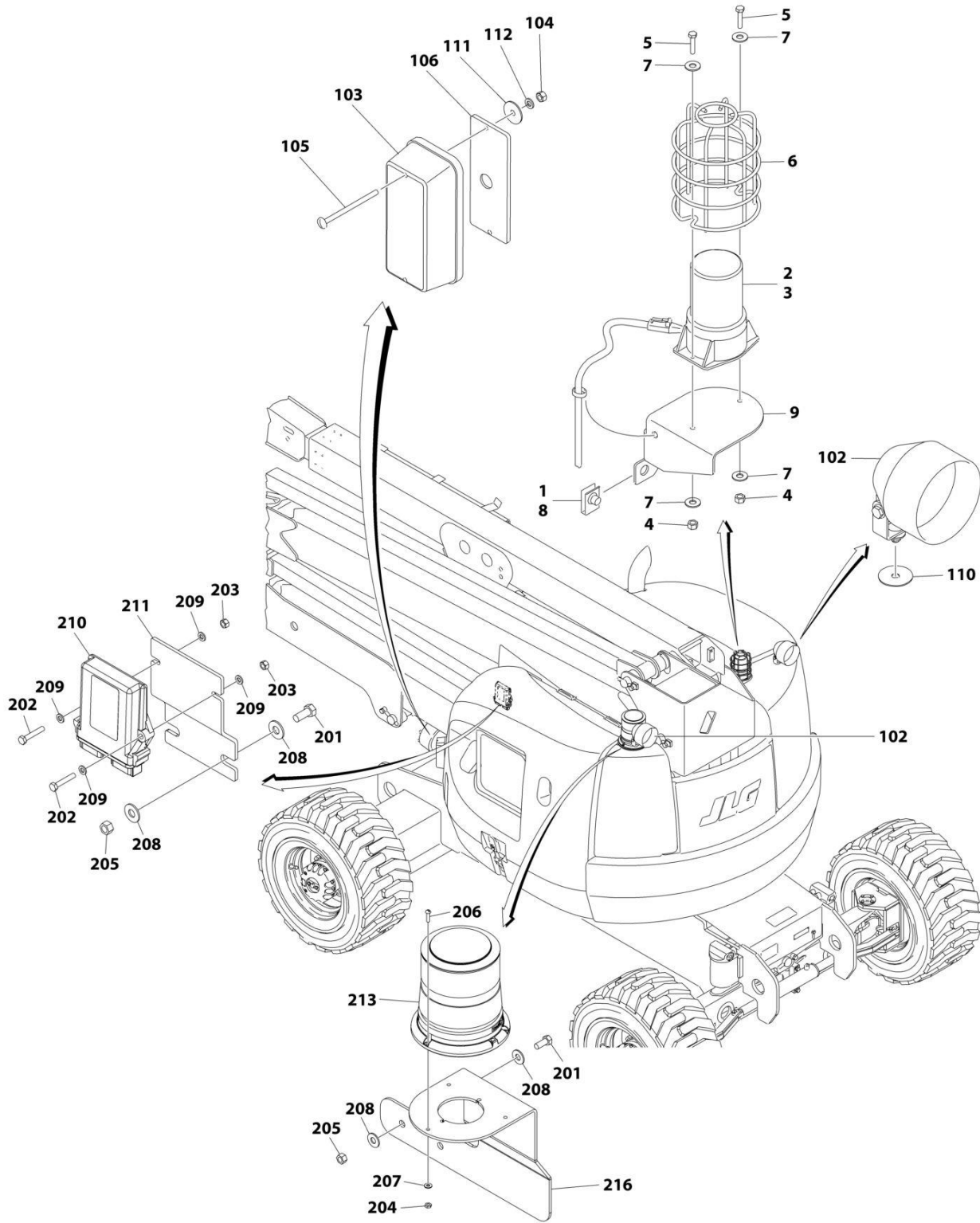
ITEM	PART NUMBER	QTY	DESCRIPTION	REV
40	1001105636	1	Deutz D2011 Engine Machines (CE Specs) (USA Built Machines) (SN 0300160835 through 0300200799)	
40	1001185890	1	Deutz D2011 Engine Machines (CE Specs) (USA Built Machines) (SN 0300200800 through 0300201990)	
40	1001105636	1	Deutz D2011 Engine Machines (ANSI, ANSI Export, CSA and Japanese Specs) (Romanian Built Machines) (SN E300001114 through E300002413)	
40	1001185890	1	Deutz D2011 Engine Machines (ANSI, ANSI Export, CSA and Japanese Specs) (Romanian Built Machines) (SN E300002414 through E300002832)	
40	1001105636	1	Deutz D2011 Engine Machines (CE Specs) (Romanian Built Machines) (SN E300001114 through E300002413)	
40	1001185890	1	Deutz D2011 Engine Machines (CE Specs) (Romanian Built Machines) (SN E300002414 through E300002832)	
40	1001147005	1	Deutz TD2.9L4 Engine Machines	
40	1001105636	1	GM Engine Machines	
41	1001106736	1	Cap, Dust	
42	1001138588	1	Valve Harness Assembly (Not Shown - See ELECTRICAL SECTION for Breakdown)	
43		Ref	Engine Harness Assembly (Not Shown - See ELECTRICAL SECTION for Breakdown)	
43	1001139085	1	Deutz D2011 Engine Machines	
43	1001147004	1	Deutz TD2.9L4 Engine Machines	
43	1001139086	1	GM Engine Machines	
44		Ref	Wiring Diagram Options (Not Shown - See ELECTRICAL SECTION for Breakdown):	
44	1001141932	1	Deutz D2011 Engine Machines	
44	1001147006	1	Deutz TD2.9L4 Engine Machines	
44	1001141933	1	GM Engine Machines	
45	1001145194	1	Ground Control Box (Base)	
46	1001152173	1	Ground Control Box (Lid) (USA Built Machines) (ANSI, ANSI Export, CSA and Japanese Specs)	
46	1001152173	1	Ground Control Box (Lid) (CE Specs) (USA Built Machines) (SN 0300160835 through 0300200799)	
46	1001188042	1	Ground Control Box (Lid) (CE Specs) (USA Built Machines) (SN 0300200800 through 0300201990)	
46	1001152173	1	Ground Control Box (Lid) (ANSI, ANSI Export, CSA and Japanese Specs) (Romanian Built Machines) (SN E300001114 through E300002413)	
46	1001188042	1	Ground Control Box (Lid) (ANSI, ANSI Export, CSA and Japanese Specs) (Romanian Built Machines) (SN E300002414 through E300002832)	
46	1001152173	1	Ground Control Box (Lid) (CE Specs) (Romanian Built Machines) (SN E300001114 through E300002413)	
46	1001188042	1	Ground Control Box (Lid) (CE Specs) (Romanian Built Machines) (SN E300002414 through E300002832)	
47	1001155043	AR	Washer	
48	1001155044	AR	Nut 15/32-32	
49	1001155045	AR	Switch, Toggle	
50	4360387	1	Switch, Pushbutton (CE Specs) (USA Built Machines) (SN 0300200800 through 0300201990)	
50	4360387	1	Switch, Pushbutton (ANSI, ANSI Export, CSA and Japanese Specs) (Romanian Built Machines) (SN E300002414 through E300002832)	
51	1001176469	1	Shroud (CE Specs) (USA Built Machines) (SN 0300200800 through 0300201990)	

SECTION 2 - TURNTABLE

ITEM	PART NUMBER	QTY	DESCRIPTION	REV
51	1001176469	1	Shroud (ANSI, ANSI Export, CSA and Japanese Specs) (Romanian Built Machines) (SN E300002414 through E300002832)	

SECTION 2 - TURNTABLE

FIGURE 2-20. LIGHT INSTALLATIONS



SECTION 2 - TURNTABLE

FIGURE 2-20. LIGHT INSTALLATIONS

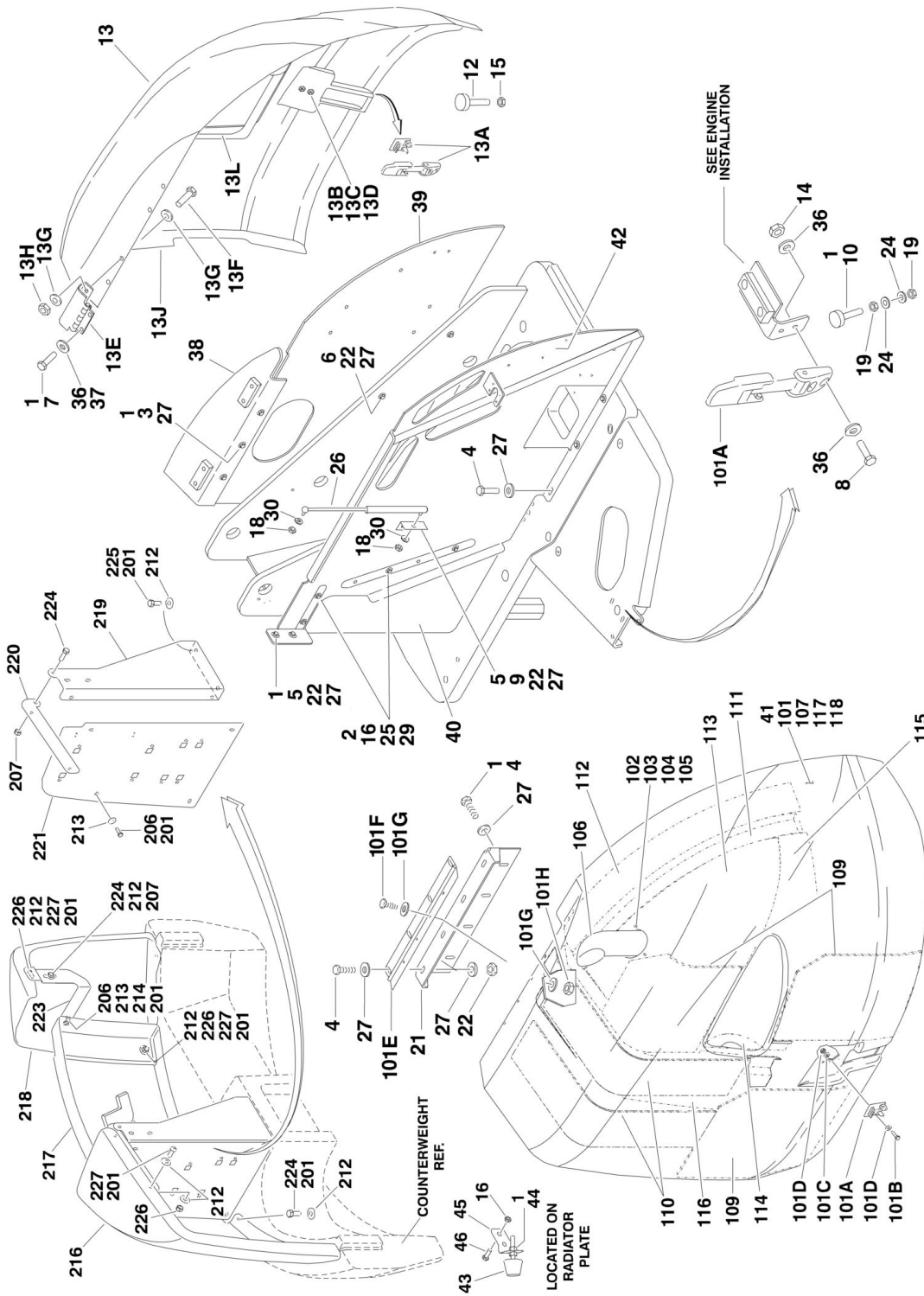
ITEM	PART NUMBER	QTY	DESCRIPTION	REV
	1001145514	Ref	STROBE LIGHT INSTALLATION (AMBER) (OPTIONAL)	B
		Ref	Note: If machine is equipped with BLUE Strobe Light, See SPECIAL OPTIONS SECTION SkyGuard Kit	
1	0100011	AR	Compound, Locking	
2	0100048	AR	Sealant, Silicone	
3	2920161	1	Strobe Light Assembly	
3	7016319	1	Bulb, Replacement	
3	7016372	1	Lens	
3	4460891	1	Plug, Male	
3	4460265	2	Socket, Female	
4	3290405	2	Nut M4	
5	0760410	2	Screw M4 x 20mm	
6	4060865	1	Guard	
7	1001091102	4	Flatwasher M4	
8	88662523	2	Nut, Tinnerman	
9	1001145564	1	Bracket	
		Ref	LIGHTS INSTALLATIONS (OPTIONAL)	
	1001145717	Ref	Headlights and Taillights	A
101	1705170	1	Decal, Lights (Not Shown - Located on Console)	
102	2920110	2	Headlight	
102	7016628	2	Bulb, Light (1 Per Light)	
103	2920113	2	Taillight	
104	3311005	4	Nut #10-24NC	
105	3911040	4	Screw, Machine #10-24NC x 2-1/2in	
106	3960461	2	Gasket	
107	4240032	12	Tie-Strap (Not Shown)	
108	4360522	1	Switch, Push Button (Not Shown - Located on Console):	
109	4460234	12	Mount, Tie-Strap (Not Shown)	
110	4740076	2	Washer, Fender	
111	4740362	4	Washer, Fender	
112	4751000	4	Flatwasher #10 Regular	
		Ref	STROBE LIGHT INSTALLATIONS (BLUE) (WITH SKYGUARD)	
	1001188650	Ref	USA Built Machines (SN 0300200800 through 0300201990)	A
	1001188650	Ref	Romanian Built Machines (SN E300002414 through E300002832)	A
201	0641607	4	Bolt 3/8 x 7/8	
202	0700615	2	Bolt M6 x 35	
203	3290607	2	Nut M6	
204	3311005	3	Nut #10	
205	3311605	4	Nut 3/8	
206	3911012	3	Screw #10 x 3/4	
207	4711000	3	Washer #10	
208	4751600	8	Washer 3/8	
209	4811700	4	Washer M6	
210	1001142683	1	Controller, Beacon Module	
211	1001142722	1	Bracket	
212	1001142736	1	Harness, Beacon Control (Not Shown)	F
212A	1001112796	1	Connector - 9 Position	
212A	4460465	6	Socket, Female	
212A	4460466	3	Plug, Terminal	

SECTION 2 - TURNTABLE

ITEM	PART NUMBER	QTY	DESCRIPTION	REV
212B	1001112612	1	Connector - 9 Position	
212B	4460464	6	Pin, Male	
212B	4460466	3	Plug, Terminal	
212C	1001116808	1	Plug, Male - 12 Position	
212C	4460928	3	Socket, Female	
212C	4460518	9	Plug, Terminal	
212D	1001116774	1	Plug, Male - 12 Position	
212D	4460928	3	Socket, Female	
212D	4460518	9	Plug, Terminal	
212E	4461095	1	Plug, Male - 3 Position	
212E	4460465	3	Socket, Female	
212E	4461070	1	Connector, Female with Resistor 3 Position	
212F	4460933	1	Plug, Male - 12 Position	
212F	4460465	12	Socket, Female	
212F	1001119020	1	Bussbar - 12 Position	
212G	4460891	1	Plug, Male - 2 Position	
212G	4460465	2	Socket, Female	
213	1001143431	NLA	Light, Beacon (Use p/n 1001210696 & 1001200910)	
213	4460897	1	Receptacle, Female - 2 Position	
213	4460943	2	Pin, Male	
214	1001150944	1	Harness, Beacon Control (Not Shown)	C
214A	1001116808	1	Plug, Male - 12 Position	
214A	1001126008	3	Socket, Female	
214A	4460518	9	Plug, Terminal	
214B	1001116774	1	Plug, Male - 12 Position	
214B	1001126008	2	Socket, Female	
214B	4460518	10	Plug, Terminal	
214C	1001113961	1	Plug, Male - 8 Position	
214C	4460871	5	Socket, Female	
214C	4460905	3	Plug, Terminal	
214D	4460536	1	Plug, Male - 3 Position	
214D	1001144147	1	Plug, Male - 3 Position	
214D	4460464	2	Pin, Male	
214D	4460466	1	Plug, Terminal	
214D	1001116815	1	Connector, Female - 3 Position	
214E	4460891	1	Plug, Male - 2 Position	
214E	4460465	2	Socket, Female	
214F	4460871	1	Socket, Female	
216	1001192896	1	Bracket	

SECTION 2 - TURNTABLE

FIGURE 2-21. HOODS INSTALLATION



SECTION 2 - TURNTABLE

FIGURE 2-21. HOODS INSTALLATION

ITEM	PART NUMBER	QTY	DESCRIPTION	REV
		Ref	HOODS INSTALLATION	
	1001137917	Ref	Caterpillar Engine USA Built Machines	C
	1001145955	Ref	Caterpillar Engine Romanian Built Machines	B
	1001137915	Ref	Deutz D2011 Engine ANSI and ANSI Export Spec Machines	E
	1001137916	Ref	Deutz D2011 Engine ANSI Export, Australian and CE Spec Machines	E
	1001146617	Ref	Deutz TD2.9L4 Engine	D
	1001137914	Ref	GM Engine Machines	B
1	0100011	AR	Compound, Locking	
2	0641408	4	Bolt 1/4in-20NC x 1in	
3	0641607	AR	Bolt 3/8in-16NC x 7/8in	
3	0641606	AR	Bolt 3/8in-16NC x 3/4in	
4	0641608	AR	Bolt 3/8in-16NC x 1in	
5	0641610	AR	Bolt 3/8in-16NC x 1-1/4in	
6	0641614	4	Bolt 3/8in-16NC x 1-3/4in	
7	0721004	4	Bolt #10-24NC x 1/2in	
8	0721006	4	Bolt #10-24NC x 3/4in	
9	0902504	1	Angle, Mounting (Caterpillar and Deutz D2011 Engines)	
9	0902504	1	Angle, Mounting (Deutz TD2,9L4 Engine Machines Only) (USA Built Machines) (SN 0300160835 through 0300192487)	
9	1001179157	1	Bracket (Deutz TD2,9L4 Engine Machines Only) (USA Built Machines) (SN 0300192488 through 0300201990, SN E300002036 through E300002832)	
9	0902504	1	Angle, Mounting (Deutz TD2,9L4 Engine Machines Only) (Romanian Built Machines) (SN E300001114 through E300002035)	
9	1001179157	1	Bracket (Deutz TD2,9L4 Engine Machines Only) (Romanian Built Machines) (SN 0300192488 through 0300201990, SN E300002036 through E300002832)	
10	0940049	1	Bumper	
12	0940083	1	Bumper	
13	2680439	1	Hood Kit (Tank Side) (Includes Items 13A-13H)	
		Ref	Note: Replacement Decals Must be Ordered Separately - See DECALS SECTION.	
13A	2940109	1	Latch	
13B	0721008	2	Screw, Machine #10-24NC x 1in	
13C	4751000	4	Flatwasher #10 Regular	
13D	3311005	2	Locknut #10-24NC	
13E	2600246	2	Hinge	
13F	0721006	4	Screw, Machine #10-24NC x 3/4in	
13G	4751000	8	Flatwasher #10 Regular	
13H	3311005	4	Locknut #10-24NC	
14	3311005	4	Locknut #10-24NC	
15	3311401	2	Nut 1/4in-20NC	
16	3311405	AR	Locknut 1/4in-20NC	
18	3311505	2	Nut 5/16in - 18NC	
19	3311502	10	Nut, Jam 5/16in - 18NC	
21		Ref	Plate, Hinge Mounting Options:	
21	3573024	1	All Machines except Machines with Deutz TD2.9L4 Engines	
21	1001163609	1	Machines with Deutz TD2.9L4 Engines	
22	3311605	AR	Locknut 3/8in-16NC	
24	4711500	2	Flatwasher 5/16in Thin	

SECTION 2 - TURNTABLE

ITEM	PART NUMBER	QTY	DESCRIPTION	REV
25	4740362	4	Washer, Fender	
26	4160170	1	Spring, Gas	
27	4751600	34	Flatwasher 3/8in Regular	
29	4751400	4	Flatwasher 1/4in Regular	
30	4751500	2	Flatwasher 5/16in Regular	
36	4750800	12	Flatwasher #8 Regular	
37	4751000	8	Flatwasher #10 Regular	
38	4846037	1	Hood Mounting Weldment	
39	4846424	1	Hood Mounting Weldment	
40		Ref	Panel Options:	
40	See Note	1	Caterpillar Engine Machines (Note: See CATERPILLAR ENGINE INSTALLATION for call-out)	
40	1001138444	1	Deutz D2011 and GM Engine Machines	
40	1001146691	1	Deutz TD2.9L4 Engine Machines	
41		Ref	Hood Kit (Engine Side) Options (See Items 101-112 for Breakdown):	
41	2680438	NLA	Caterpillar Engine (Use p/n 1001146953)	
41	1001138940	NLA	Caterpillar Engine (Use p/n 1001146953)	
41	1001145959	NLA	Caterpillar Engine (Use p/n 1001146953)	
41	2680438	NLA	Deutz D2011 Engine ANSI and ANSI Export Spec Machines (Use p/n 1001146953)	
41	1001138940	NLA	Deutz D2011 Engine ANSI and ANSI Export Spec Machines (Use p/n 1001146953)	
41	2680438	NLA	Deutz D2011 Engine Australian and CE Spec Machines (Use p/n 1001146954)	
41	1001138941	NLA	Deutz D2011 Engine Australian and CE Spec Machines (Use p/n 1001146954)	
41	1001146663	1	Deutz TD2.9L4 Engine	
41	1671169	NLA	GM Engine Machines (Use p/n 10011389064)	
		Ref	Note: Replacement Decals Must be Ordered Separately - See DECALS SECTION.	
42		Ref	Hood Mounting Weldment Options:	
42	1001099364	1	Caterpillar Engine Machines	
42	1001140647	1	Deutz Engine Machines (SN 0300160835 through 0300163169)	
42	1001140646	1	Deutz Engine Machines (SN 0300163170 through 0300201990)	
42	1001140646	1	GM Engine Machines	
43	0940088	AR	Bumper	
44	3321501	4	Nut 5/16in-24NF	
45	1001147782	1	Bracket	
46	0641406	2	Bolt 1/4in-20NC x 3/4in	
		Ref	ENGINE HOOD ASSEMBLY	
	1001146953	Ref	Caterpillar Engine Machines	B
	1001146953	Ref	Deutz D2011 Engine ANSI and ANSI Export Spec Machines	B
	1001146954	Ref	Deutz D2011 Engine Australian and CE Spec Machines	B
	1001146663	Ref	Deutz TD2.9L4 Engine (Note: Does Not include Exhaust Stack)	C
	1671169	Ref	GM Engine Machines (Use p/n 1001138906)	A
		Ref	Note: Replacement Decals Must be Ordered Separately - See DECALS SECTION.	
101	See Note	1	Hood (Note: Not Available - Purchase Hood Assembly)	
101A	2940109	1	Latch	
101B	0721008	2	Screw, Machine #10-24NC x 1in	
101C	4751000	4	Flatwasher #10 Regular	

SECTION 2 - TURNTABLE

ITEM	PART NUMBER	QTY	DESCRIPTION	REV
101D	3311005	2	Locknut #10-24NC	
101E		Ref	Hinge Options:	
101E	2600210	1	Caterpillar and Deutz D2011 Engine Machines	
101E	1001120042	1	Deutz TD2.9L4 Engine Machines	
101E	2600210	1	GM Engine Machines	
101F	3900232	4	Screw, Button Head 3/8in-16NC x 1-1/4in	
101G	4751600	8	Flatwasher 3/8in Regular	
101H	3311605	4	Locknut 3/8in-16NC	
102	3311601	3	Nut 3/8in-16NC	
103	3900232	3	Capscrew, Button Head 3/8in-16NC 1-1/4in	
104	4740500	3	Washer, Special	
105	4751600	34	Flatwasher 3/8in Regular	
106		Ref	Exhaust Tube Weldment Options:	
106	4845194	1	Caterpillar and Deutz D2011 Engine Machines	
106	1001146689	1	Deutz TD2.9L4 Engine Machines (Note: Not Included with Hood Assembly - Must be Purchased Separately)	
106	1001117038	1	GM Engine Machines	
107		Ref	Note: Items 107-110 are for Deutz D2011 and Caterpillar Engine Machines USA Built Machines SN 0300160835 to SN 0300176039 and Romanian Built Machines SN E300001114 to SN E300001317	
107	1001105272	AR	Insulation (Use p/n 1001117139) (USA Built Machines) (Note: Insulation must cover complete inside of hood) (SN 0300160835 through 0300176039)	
107	1001105273	AR	Insulation (Use p/n 1001117139) (USA Built Machines) (Note: Insulation must cover complete inside of hood) (SN 0300160835 through 0300176039)	
107	1001105275	AR	Insulation (Use p/n 1001117139) (USA Built Machines) (Note: Insulation must cover complete inside of hood) (SN 0300160835 through 0300176039)	
107	1001105276	AR	Insulation (Use p/n 1001117139) (USA Built Machines) (Note: Insulation must cover complete inside of hood) (SN 0300160835 through 0300176039)	
107	1001109495	AR	Insulation (Use p/n 1001117139) (USA Built Machines) (Note: Insulation must cover complete inside of hood) (SN 0300160835 through 0300176039)	
107	1001105272	NLA	Insulation (Use p/n 1001117139) (Romanian Built Machines) (Note: Insulation must cover complete inside of hood) (SN E300001114 through E300001317)	
107	1001105273	NLA	Insulation (Use p/n 1001117139) (Romanian Built Machines) (Note: Insulation must cover complete inside of hood) (SN E300001114 through E300001317)	
107	1001105275	NLA	Insulation (Use p/n 1001117139) (Romanian Built Machines) (Note: Insulation must cover complete inside of hood) (SN E300001114 through E300001317)	
107	1001105276	NLA	Insulation (Use p/n 1001117139) (Romanian Built Machines) (Note: Insulation must cover complete inside of hood) (SN E300001114 through E300001317)	
107	1001109495	NLA	Insulation (Use p/n 1001117139) (Romanian Built Machines) (Note: Insulation must cover complete inside of hood) (SN E300001114 through E300001317)	
108	1001117140	AR	Tape (Not Shown - Use to install Insulation)	
109	2820099	3	Insulation (Deutz Engine Australian and CE Spec Machines Only) (Note: Install over Item 107)	
110	2820100	2	Insulation (Deutz Engine Australian and CE Spec Machines Only) (Note: Install over Item 107)	

SECTION 2 - TURNTABLE

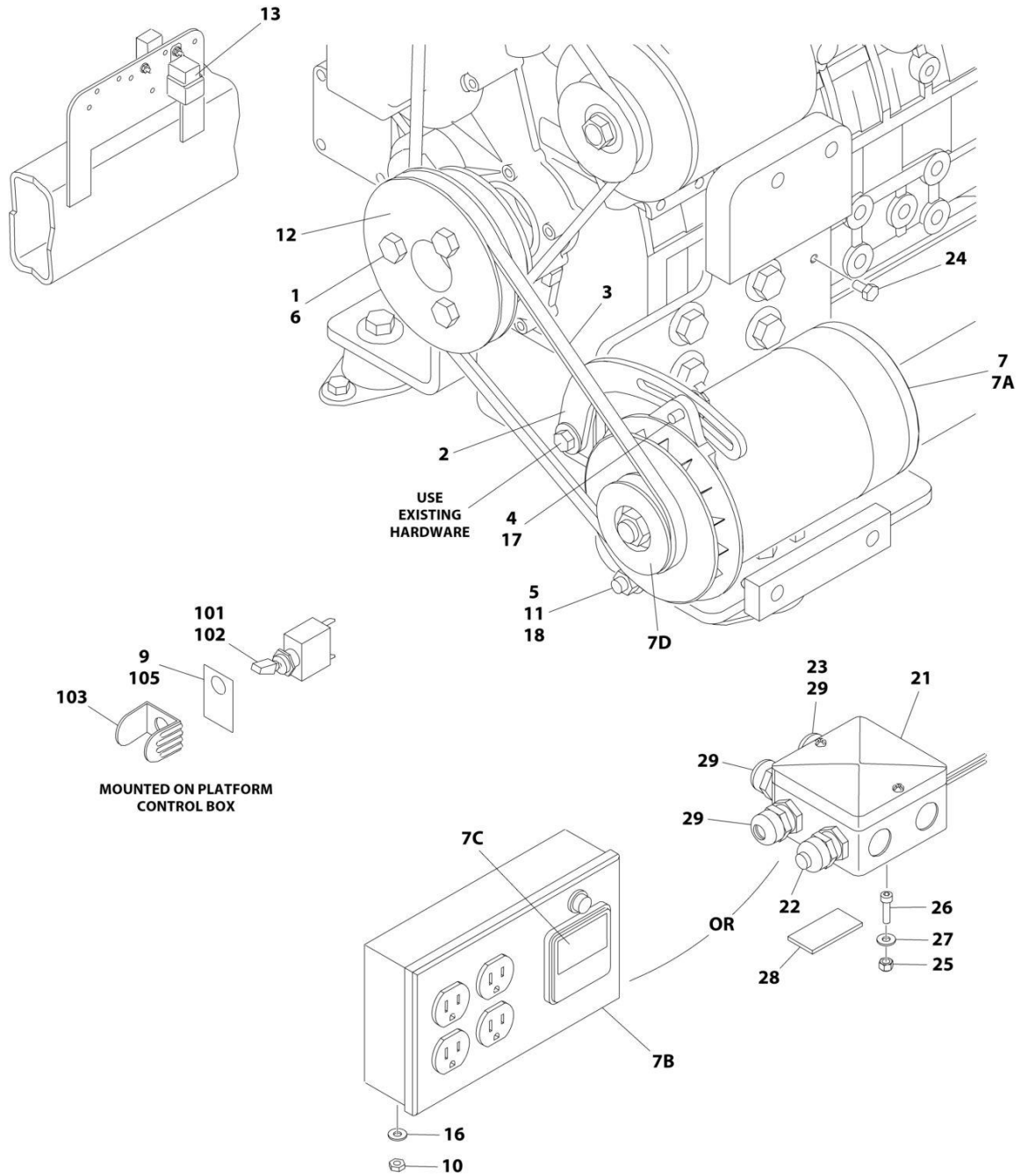
ITEM	PART NUMBER	QTY	DESCRIPTION	REV
111		Ref	Note: Items 111-116 are for Deutz D2011 & Caterpillar Engine Machines USA Built Machines SN 0300176039 through 0300201990 & Romanian Built Machines SN E300001317 through E300002832.	
111	1001153313	1	Insulation (Deutz Engine All Specs)	
112	1001153314	1	Insulation (Deutz Engine All Specs)	
113	1001153315	1	Insulation (Deutz Engine All Specs)	
114	1001153316	1	Insulation (Deutz Engine All Specs)	
115	1001153317	1	Insulation (Deutz Engine All Specs)	
116	1001153318	1	Insulation (Deutz Engine All Specs)	
117		Ref	Note: Items 117 is for Deutz TD2.9L4 Engine Machines	
117	1001152566	AR	Insulation (Deutz TD2.9L4 Engine Machines)	
		Ref	(Note: Insulation must cover complete inside of hood)	
117	1001117140	AR	Tape (Not Shown - Use to install Insulation)	
118		Ref	Note: Items 118 is for all GM Engine Machines	
118	1001105272	AR	Insulation (Use p/n 1001117139) (USA Built Machines) (Note: Insulation must cover complete inside of hood) (SN 0300160835 through 0300176039)	
118	1001105273	AR	Insulation (Use p/n 1001117139) (USA Built Machines) (Note: Insulation must cover complete inside of hood) (SN 0300160835 through 0300176039)	
118	1001105275	AR	Insulation (Use p/n 1001117139) (USA Built Machines) (Note: Insulation must cover complete inside of hood) (SN 0300160835 through 0300176039)	
118	1001105276	AR	Insulation (Use p/n 1001117139) (USA Built Machines) (Note: Insulation must cover complete inside of hood) (SN 0300160835 through 0300176039)	
118	1001109495	AR	Insulation (Use p/n 1001117139) (USA Built Machines) (Note: Insulation must cover complete inside of hood) (SN 0300160835 through 0300176039)	
118	1001105272	NLA	Insulation (Use p/n 1001117139) (Romanian Built Machines) (Note: Insulation must cover complete inside of hood) (SN E300001114 through E300001317)	
118	1001105273	NLA	Insulation (Use p/n 1001117139) (Romanian Built Machines) (Note: Insulation must cover complete inside of hood) (SN E300001114 through E300001317)	
118	1001105275	NLA	Insulation (Use p/n 1001117139) (Romanian Built Machines) (Note: Insulation must cover complete inside of hood) (SN E300001114 through E300001317)	
118	1001105276	NLA	Insulation (Use p/n 1001117139) (Romanian Built Machines) (Note: Insulation must cover complete inside of hood) (SN E300001114 through E300001317)	
118	1001109495	NLA	Insulation (Use p/n 1001117139) (Romanian Built Machines) (Note: Insulation must cover complete inside of hood) (SN E300001114 through E300001317)	
118	1001117140	AR	Tape (Not Shown - Use to install Insulation)	
		Ref	REAR COVERS INSTALLATION	
	1001140652	Ref	Rear Covers Installation 450A Series II 2WD FF tires & 4WD FF Tires/450AJ Series II 4WD FF Tires	E
	1001141868	Ref	Rear Covers Installation 450A Series II 2WD PN Tires/450AJ Series II 4WD PN Tires	E
	1001141867	Ref	Rear Covers Installation 450A Series II 4WD PN Tires/450AJ Series II 2WD FF Tires	E
	1001141869	Ref	Rear Covers Installation 450AJ Series II 2WD PN tires	E
201	0100011	AR	Compound, Locking	
206	0760812	5	Bolt M8 x 25mm	
207	3311605	2	Locknut M8	

SECTION 2 - TURNTABLE

ITEM	PART NUMBER	QTY	DESCRIPTION	REV
212	4751600	21	Flatwasher 3/8in	
213	4811902	5	Flatwasher M8	
214	1001118274	5	U-Nut M8	
216	1001140656	1	Hood, Front (Engine Side)	
217	1001140657	1	Cover, Front (Center)	
218	1001140658	1	Hood, Front (Tank Side)	
219	1001140659	1	Bracket	
220	1001140660	1	Bracket	
221	1001140662	1	Baffle	
223	1001145070	1	Bracket	
224	0641607	5	Bolt 3/8in-16NC x 7/8in	
225	0641609	2	Bolt 3/8in-16NC x 1-1/8in	
226	3311601	7	Nut 3/8in-16NC	
227	3900316	7	Screw 3/8in-16NC x 1in	

SECTION 2 - TURNTABLE

FIGURE 2-22. 2500W GENERATOR INSTALLATION - CATERPILLAR MACHINES (OPTIONAL)



ART_1001111285

SECTION 2 - TURNTABLE

FIGURE 2-22. 2500W GENERATOR INSTALLATION - CATERPILLAR MACHINES (OPTIONAL)

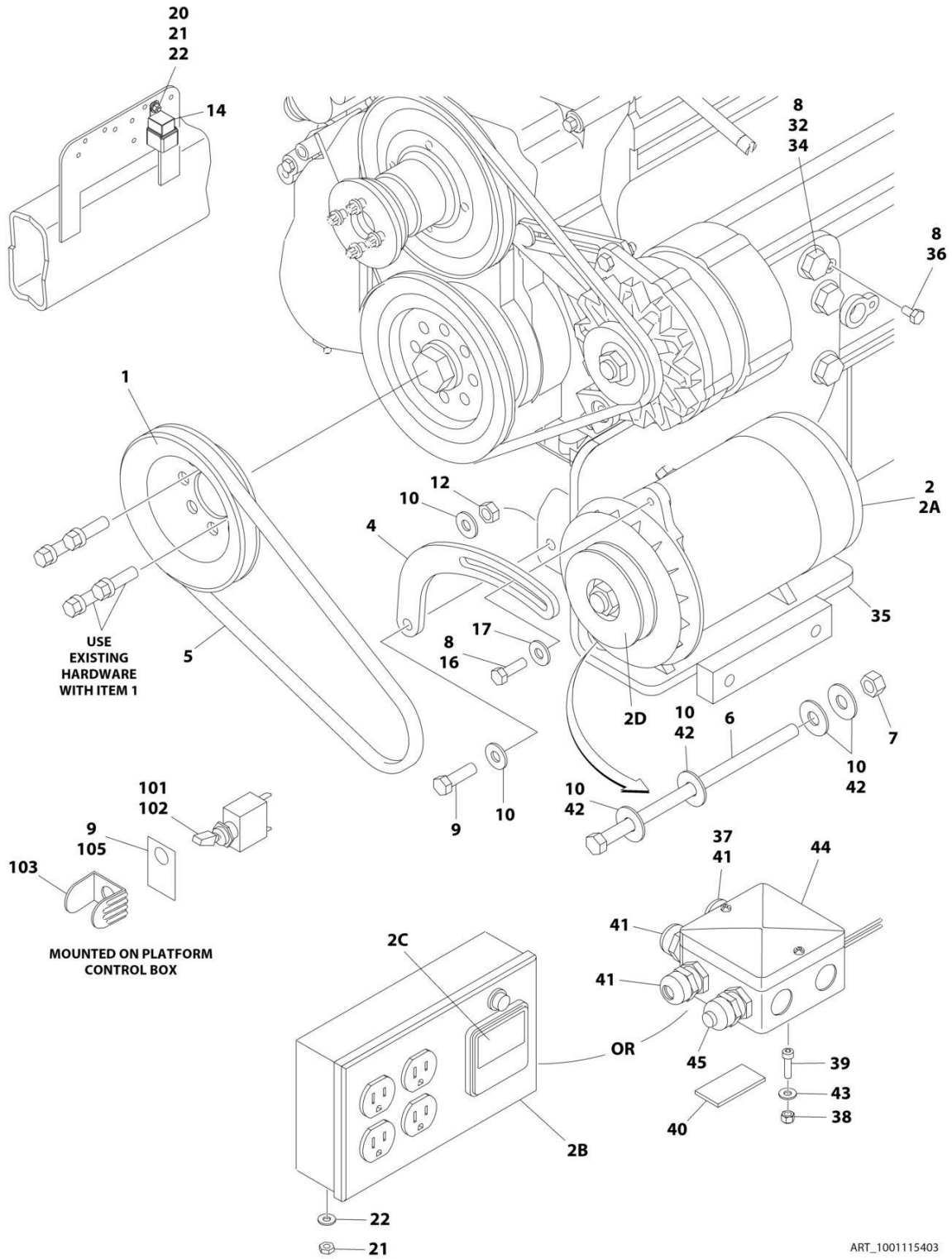
ITEM	PART NUMBER	QTY	DESCRIPTION	REV
		Ref	GENERATOR INSTALLATION	
	1001111285	Ref	110V/60Hz Generator (ANSI, ANSI Export and CSA Specs)	A
	1001100944	Ref	110V/50Hz Generator (CE Specs Only)	B
	1001100943	Ref	220V/50Hz Generator (CE Specs Only)	B
1	0100011	Ref	Compound, Locking	
2	0200742	1	Arm, Adjusting	
3		Ref	V-Belt Options:	
3	0480121	1	110V/60Hz	
3	0480120	1	110V/50Hz	
3	0480120	1	220V/50Hz	
4	0641508	1	Bolt 5/16 x 1	
5	0641772	1	Bolt 7/16 x 9	
6	0701217	3	Bolt M12 x 45	
7		Ref	Generator and Control Box Assembly Options:	
7	2460055	1	110V/60Hz	
7	2460049	1	110V/50Hz	
7	1001100321	1	220V/50Hz	
7A	7012558	1	Replacement Generator - 110V/60Hz	
7A	2460049	1	Replacement Generator - 110V/50Hz	
7A	1001100321	1	Replacement Generator - 220V/50Hz	
		Ref	Note: All Replacement Generators come standard with P/N 3580134 Pulley. This Pulley may not be correct for all applications. Refer to Pulley options below.	
7A	7026199	1	110V/60Hz Armature with Slip Rings	
7A	70000122	1	110V/50Hz Armature with Slip Rings	
7A	70000123	1	220V/50Hz Armature with Slip Rings	
7A	7020109	4	Holder, Brush	
7A	7020108	4	Brush	
7A	7012513	4	Cap, Brush Holder	
7A	7012514	1	Fan	
7A	7020190	2	Bearing	
7A	7020110	1	End Bell, Front	
7A	7020111	1	End Bell, Rear	
7A	7020193	1	Cord, Power	
7B	7019680	1	Replacement Control Box (Used with 2460055 Generator Only)	
7B	4360542	1	Circuit Breaker	
7B	4460190	1	Receptacle, Double (110V Box)	
7B	4460027	1	Receptacle, Double Twist Lock (110V Box)	
7B	3520028	1	Plug, Hole	
7C	2420203	1	Voltmeter (Used with 2460055 Generator Only)	
7D		Ref	Pulley Options:	
7D	3580276	1	110V/60Hz	
7D	3580134	1	110V/50Hz	
7D	3580134	1	220V/50Hz	
7D	7027887	1	Key, Woodruff	
8	2820031	AR	Heat Shrink (Not Shown)	
9	3251102	1	Nameplate	
10	3311005	2	Nut #10 (Used with 2460055 Generator Only)	
11	3311705	1	Nut 7/16	

SECTION 2 - TURNTABLE

ITEM	PART NUMBER	QTY	DESCRIPTION	REV
12	3580315	1	Pulley	
13	3740080	1	Relay	
16	4751000	8	Washer #10	
17	4751500	1	Washer 5/16	
18	4751700	AR	Washer 7/16	
20		Ref	Diagram, Wiring Options (Not Shown) (See ELECTRICAL SECTION for Breakdown):	
20	1001112588	1	110V/60Hz Generator	
20	1001112743	1	110V/50Hz Generator	
20	1001112743	1	220V/50Hz Generator	
		Ref	Note: Items 21-29 for CE Specs Only	
21	1001099869	1	Box, Junction (CE Specs Only)	
22		Ref	Light, Red (CE Specs Only) Options:	
22	1001100233	1	125V	
22	1001100234	1	250V	
23	0962449	1	Bushing (CE Specs Only)	
24	0641404	1	Bolt 1/4 x 1/2 (CE Specs Only)	
25	3290505	1	Locknut M5 (CE Specs Only)	
26	4031608	1	Bolt M5 x 20mm	
27	4811600	1	Washer M5	
28	4420060	3 in/8cm	Tape, Double Sided Foam Acrylic	
29	4460968	3	Connector, Strain Relief	
		Ref	PLATFORM COMPONENTS	
	1001111285	Ref	110V/60Hz Generator (ANSI, ANSI Export and CSA Specs)	A
	1001111815	Ref	110V/50Hz Generator (CE Specs Only)	A
	1001111814	Ref	220V/50Hz Generator (CE Specs Only)	A
101	4360336	1	Switch, Toggle	
102	4740397	1	Washer	
103	4060802	1	Guard, Switch	
104	2820031	1	Heat Shrink (Not Shown)	
105	3251102	1	Nameplate	

SECTION 2 - TURNTABLE

FIGURE 2-23. 2500W GENERATOR INSTALLATION - DEUTZ MACHINES (OPTIONAL)



ART_1001115403

SECTION 2 - TURNTABLE

FIGURE 2-23. 2500W GENERATOR INSTALLATION - DEUTZ MACHINES (OPTIONAL)

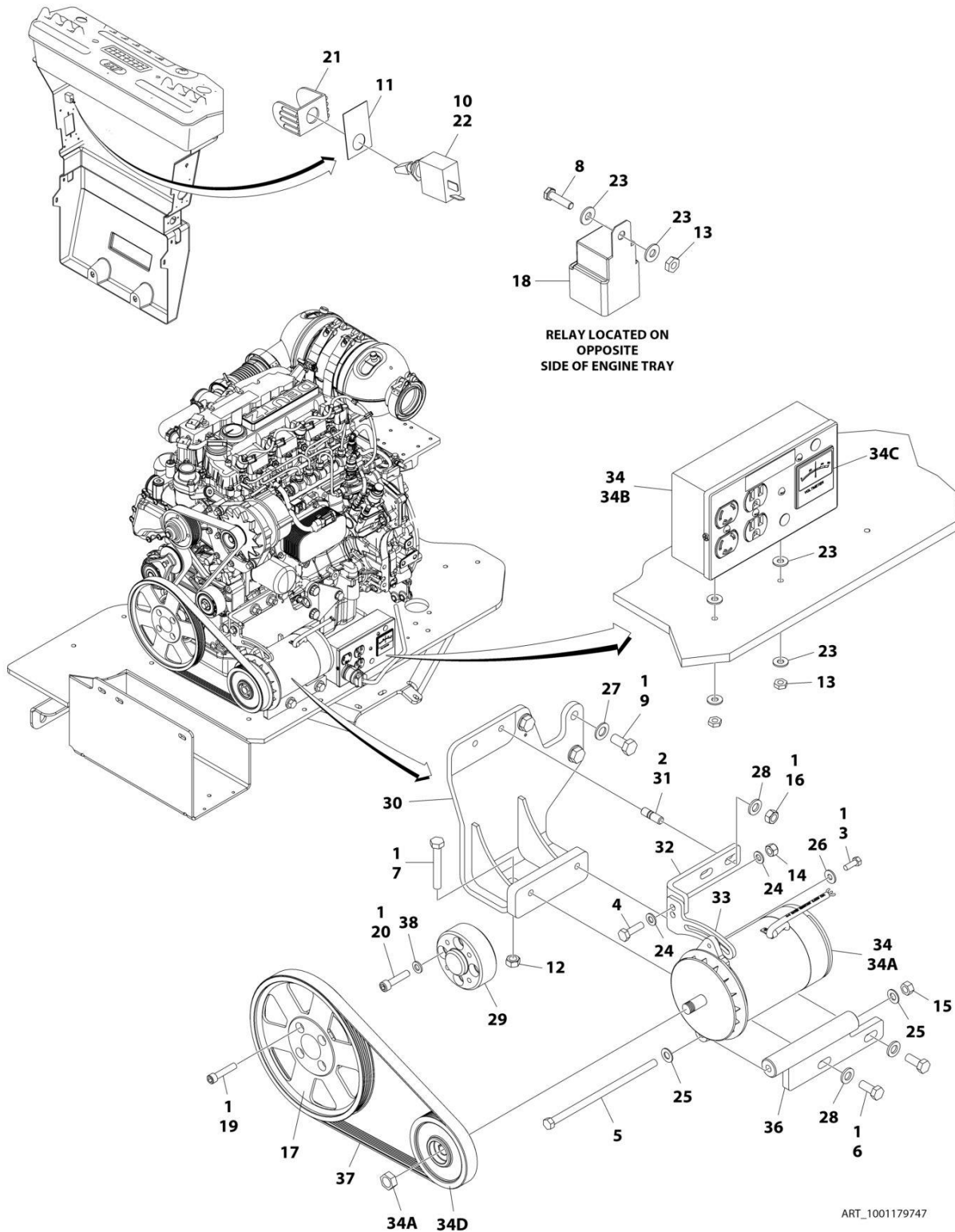
ITEM	PART NUMBER	QTY	DESCRIPTION	REV
		Ref	GENERATOR INSTALLATION OPTIONS:	
	1001115403	Ref	110V/60Hz Generator (ANSI, ANSI Export and CSA Specs)	A
	1001100732	Ref	110V/50Hz Generator (CE Specs Only)	C
	1001100749	Ref	220V/50Hz Generator (CE Specs Only)	C
1	3580158	1	Pulley	
2		Ref	Generator and Control Box Assembly Options:	
2	2460055	1	110V/60Hz Generator	
2	2460049	1	110V/50Hz Generator	
2	1001100321	1	220V/50Hz Generator	
2A		Ref	Generator Options:	
2A	7012558	1	Generator - 110V/60Hz	
2A	2460049	1	Generator - 110V/50Hz	
2A	1001100321	1	Generator - 220V/50Hz	
		Ref	Note: All Replacement Generators come standard with P/N 3580134 Pulley. This Pulley may not be correct for all applications. Refer to Pulley options below.	
2A	7026199	1	110V/60Hz Armature with Slip Rings	
2A	70000122	1	110V/50Hz Armature with Slip Rings	
2A	70000123	1	220V/50Hz Armature with Slip Rings	
2A	7020109	4	Holder, Brush	
2A	7020108	4	Brush	
2A	7012513	4	Cap, Brush Holder	
2A	7012514	1	Fan	
2A	7020190	2	Bearing	
2A	7020110	1	End Bell, Front	
2A	7020111	1	End Bell, Rear	
2A	7020193	1	Cord, Power	
2B		Ref	Control Box Options:	
2B	7019680	1	110V	
2B	70000127	1	220V	
2B		Ref	Breaker, Circuit Options:	
2B	4360542	1	110V	
2B	70000126	1	220V	
2B	4460190	1	Receptacle, Double (110V Box)	
2B	4460027	1	Receptacle, Double Twist Lock (110V Box)	
2B	70000124	1	Receptacle, Double (220V Box)	
2B	70000125	1	Receptacle, Single Twist Lock (220V Box)	
2B	3520028	1	Plug, Hole	
2C		Ref	Voltmeter Options:	
2C	2420203	1	110V	
2C	7020192	1	220V	
2D		Ref	Pulley Options:	
2D	3580276	1	110V/60Hz	
2D	3580134	1	110V/50Hz	
2D	3580134	1	220V/50Hz	
2D	7027887	1	Key, Woodruff	
4	0200742	1	Arm, Adjusting	
5		Ref	V-Belt Options:	
5	0480122	1	110V/60Hz	
5	0480120	1	110V/50Hz	

SECTION 2 - TURNTABLE

ITEM	PART NUMBER	QTY	DESCRIPTION	REV
5	0480120	1	220V/50Hz	
6	0641772	1	Bolt 7/16 x 9	
7	3311705	1	Nut 7/16	
8	0100011	AR	Compound, Locking	
9	0641610	1	Bolt 3/8 x 1-1/4	
10	4751600	AR	Washer 3/8	
12	3311605	1	Nut 3/8	
14	3740080	1	Relay	
16	0641508	1	Bolt 5/16 x 1	
17	4751500	1	Washer 5/16	
18		Ref	Diagram, Wiring Options (Not Shown) (See ELECTRICAL SECTION for Breakdown):	
18	1001112588	1	110V/60Hz Generator	
18	1001112743	1	110V/50Hz Generator	
18	1001112743	1	220V/50Hz Generator	
20	0721006	1	Bolt #10 x 3/4	
21	3311005	3	Nut #10	
22	4751000	6	Washer #10	
31	0641820	1	Bolt 1/2 x 2-1/2 (Not Shown - Attaches Item 35 to Engine Tray)	
32	0711414	4	Bolt M14 x 30	
33	3311805	1	Locknut 1/2in (Not Shown - Attaches Item 35 to Engine Tray)	
34	4812200	2	Washer M14	
35	4846567	1	Bracket, Motor Mounting	
		Ref	Note: Items 36-45 for CE Specs Only	
36	0641404	1	Bolt 1/4 x 1/2	
37	0962449	1	Bushing	
38	3290505	1	Nut M5	
39	4031608	1	Bolt M5 x 20	
40	4420060	3 in/8cm	Tape, Double Sided Foam Acrylic	
41	4460968	3	Connector, Strain Relief	
42	4751700	4	Washer 7/16	
43	4811600	1	Washer M5	
44	1001099869	1	Box, Junction	
45		Ref	Light, Red Options:	
45	1001100233	1	125V	
45	1001100234	1	250V	
		Ref	With UGM	
	1001115403	Ref	110V/60Hz Generator (ANSI, ANSI Export and CSA Specs)	A
	1001115411	Ref	110V/50Hz Generator (CE Specs Only)	A
	1001115412	Ref	220V/50Hz Generator (CE Specs Only)	A
101	4360336	1	Switch, Toggle	
102	4740397	1	Washer	
103	4060802	1	Guard, Switch	
104	2820031	AR	Heat Shrink (Not Shown)	
105	3251102	1	Nameplate	

SECTION 2 - TURNTABLE

FIGURE 2-24. 2500W GENERATOR INSTALLATION - DEUTZ TD2.9L4 MACHINES (ANSI, CSA AND JAPANESE SPECS) (OPTIONAL)



SECTION 2 - TURNTABLE

FIGURE 2-24. 2500W GENERATOR INSTALLATION - DEUTZ TD2.9L4 MACHINES (ANSI, CSA AND JAPANESE SPECS) (OPTIONAL)

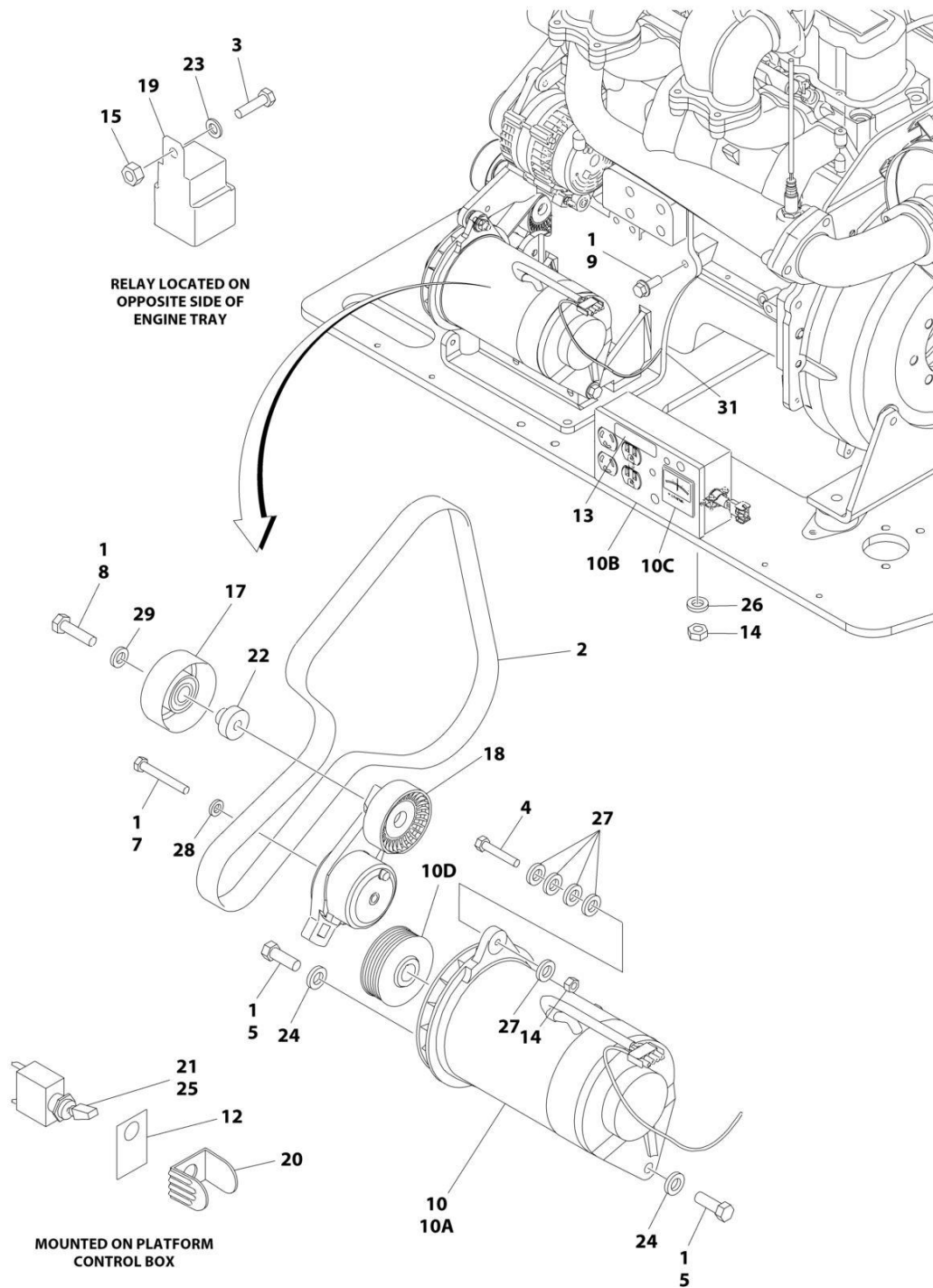
ITEM	PART NUMBER	QTY	DESCRIPTION	REV
	1001179747	Ref	2500W GENERATOR INSTALLATION - DEUTZ TD2.9L4 MACHINES (ANSI, CSA AND JAPANESE SPECS) (OPTIONAL)	B
1	0100011	AR	Compound, Locking	
2	0100019	AR	Compound, Locking	
3	0641508	1	Bolt 5/16 x 1	
4	0641610	1	Bolt 3/8 x 1-1/4	
5	0641772	1	Bolt 7/16 x 9	
6	0641812	2	Bolt 1/2 x 1-1/2	
7	0681822	1	Bolt 1/2 x 2-3/4 Grade 8	
8	0721006	1	Screw #10 x 3/4	
9	0771414	3	Bolt M14 x 30	
10	2820031	AR	Heat Shrink	
11	3251102	1	Nameplate - Generator On	
12	3311801	1	Nut 1/2	
13	3311005	3	Nut #10	
14	3311605	1	Nut 3/8	
15	3311705	1	Nut 7/16	
16	3311801	2	Nut 1/2	
17	3580320	1	Pulley	
18	3740080	1	Relay	
19	3931628	4	Capscrew 3/8 x 1-3/4	
20	4032014	4	Bolt M10 x 50	
21	4060802	1	Guard, Switch	
22	4360336	1	Switch, Toggle	
23	4711000	6	Washer #10	
24	4711600	2	Washer 3/8	
25	4711700	2	Washer 7/16	
26	4751500	1	Washer 5/16	
27	4812200	3	Washer M14	
28	4891800	4	Washer 1/2	
29	1001135679	1	Adapter	
30	1001146670	1	Bracket, Motor Mounting	
31	1001163599	2	Stud	
32	1001179836	1	Bracket	
33	1001179837	1	Arm, Adjustment	
34	1001180001	1	Generator and Control Box Assembly	
34A	7012558	1	Generator Only - 110V/60Hz	
34A		Ref	Note: Replacement Generators come standard with p/n 3580134 pulley. This pulley may not be correct for all applications. Refer to pulley options below.	
34A	7026199	1	Armature with Slip Rings	
34A	7012513	4	Cap, Brush Holder	
34A	7020108	4	Brush	
34A	7020109	4	Holder, Brush	
34A	7012514	1	Fan	
34A	7020110	1	Bell, Front	
34A	7020111	1	Bell, Rear	
34A	7020190	2	Bearing	
34B	7019680	1	Box, Control - 110V/60Hz	

SECTION 2 - TURNTABLE

ITEM	PART NUMBER	QTY	DESCRIPTION	REV
34B		Ref	Receptacle Options:	
34B	4460190	1	Receptacle, Standard (110V Only)	
34B	4460027	1	Receptacle, Twistlock (110V Only)	
34B	4360542	1	Breaker, Circuit	
34B	3520028	1	Plug, Hole	
34C	2420203	1	Voltmeter	
34D	3580276	1	Pulley	
34D	7027887	1	Key, Woodruff	
35	1001180050	1	Diagram, Wiring (Not Shown) (See ELECTRICAL SECTION for Breakdown)	
36	1001181243	1	Mount, Generator	
37	1001148138	1	V-Belt	
38	4812000	4	Washer M10	

SECTION 2 - TURNTABLE

FIGURE 2-25. 2500W GENERATOR INSTALLATION - GM MACHINES (ANSI, ANSI EXPORT AND CSA SPECS) (OPTIONAL)



ART_1001141445

SECTION 2 - TURNTABLE

FIGURE 2-25. 2500W GENERATOR INSTALLATION - GM MACHINES (ANSI, ANSI EXPORT AND CSA SPECS) (OPTIONAL)

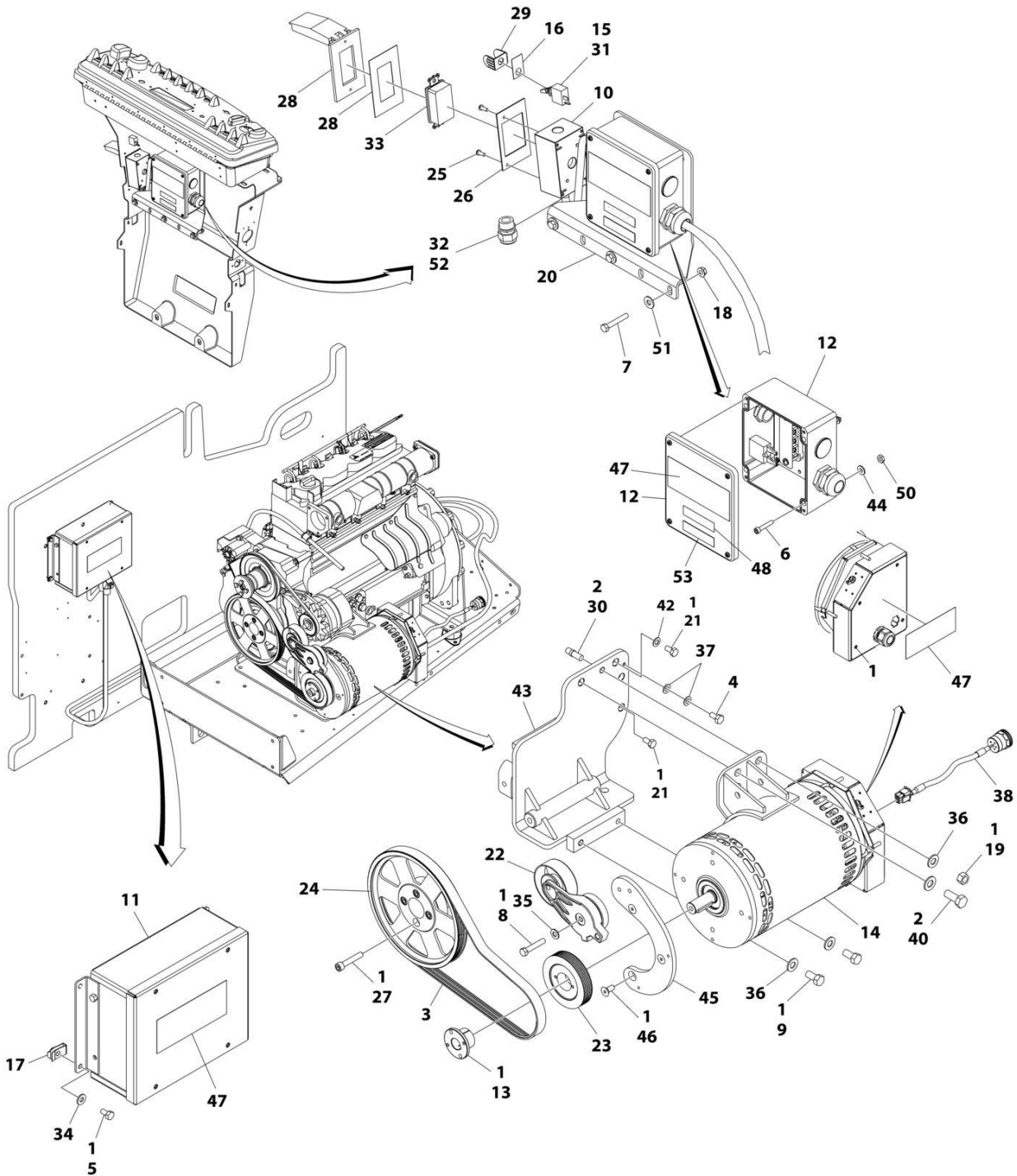
ITEM	PART NUMBER	QTY	DESCRIPTION	REV
	1001141445	Ref	GENERATOR INSTALLATION - GM MACHINES (ANSI, ANSI EXPORT AND CSA SPECS) (OPTIONAL)	A
1	0100011	AR	Compound, Locking	
2	0480142	1	V-Belt	
3	0641405	1	Bolt 1/4 x 5/8	
4	0641510	1	Bolt 5/16 x 1-1/4	
5	0641710	2	Bolt 7/16 x 1-1/4	
6	0641832	1	Bolt 1/2 x 4 (Not Shown - Attaches Item 31 to Engine Tray)	
7	0700820	1	Bolt M8 x 60	
8	0701016	1	Bolt M10 x 340	
9	0811608	4	Screw 3/8 x 1	
10	2460051	1	110V/60Hz Generator and Control Box Assembly	
10A	7012558	1	110V/60Hz Replacement Generator	
		Ref	Note: All Replacement Generators come standard with P/N 3580134 Pulley. This Pulley may not be correct for all applications. Refer to Pulley options below.	
10A	7026199	1	Armature with Slip Rings	
10A	7020109	4	Holder, Brush	
10A	7020108	4	Brush	
10A	7012513	4	Cap, Brush Holder	
10A	7012514	1	Fan	
10A	7020190	2	Bearing	
10A	7020110	1	End Bell, Front	
10A	7020111	1	End Bell, Rear	
10A	7020193	1	Cord, Power	
10B	7019680	1	110V/60Hz Control Box	
10B	4360542	1	Circuit Breaker	
10B	4460190	1	Receptacle, Double (110V)	
10B	4460027	1	Receptacle, Double Twist Lock (110V)	
10B	3520028	1	Plug, Hole	
10C	2420203	1	Voltmeter	
10D	3580324	1	Pulley	
10D	7027887	1	Key, Woodruff	
11	2820031	AR	Heat Shrink (Not Shown - Located at Platform)	
12	3251102	1	Nameplate - Generator	
13	3251243	1	Decal - 120V	
14	3311005	2	Nut #10	
15	3311405	1	Nut 1/4	
16	3311805	1	Nut 1/2 (Not Shown - Attaches Item 31 to Engine Tray)	
17	3580312	1	Pulley, Idler	
18	3580348	1	Tensioner, Belt	
19	3740080	1	Relay, Bosch	
20	4060802	1	Guard, Switch	
21	4360336	1	Switch, Toggle	
22	4568735	1	Spacer, Tube (Idler Pulley Grooved)	
23	4711400	1	Washer 1/4	
24	4711700	2	Washer 7/16	
25	4740397	1	Spacer	
26	4751000	2	Washer #10	

SECTION 2 - TURNTABLE

ITEM	PART NUMBER	QTY	DESCRIPTION	REV
27	4751500	4	Washer 5/16	
28	4811900	1	Washer M8	
29	4891600	1	Washer 3/8	
30	4933350	1	Diagram, Wiring (Not Shown) (See ELECTRICAL SECTION for Breakdown)	
31	1001141181	1	Bracket, Motor Mounting	

SECTION 2 - TURNTABLE

FIGURE 2-26. 4000W GENERATOR INSTALLATION - DEUTZ D2011 ENGINES



ART_1001153261

SECTION 2 - TURNTABLE

FIGURE 2-26. 4000W GENERATOR INSTALLATION - DEUTZ D2011 ENGINES

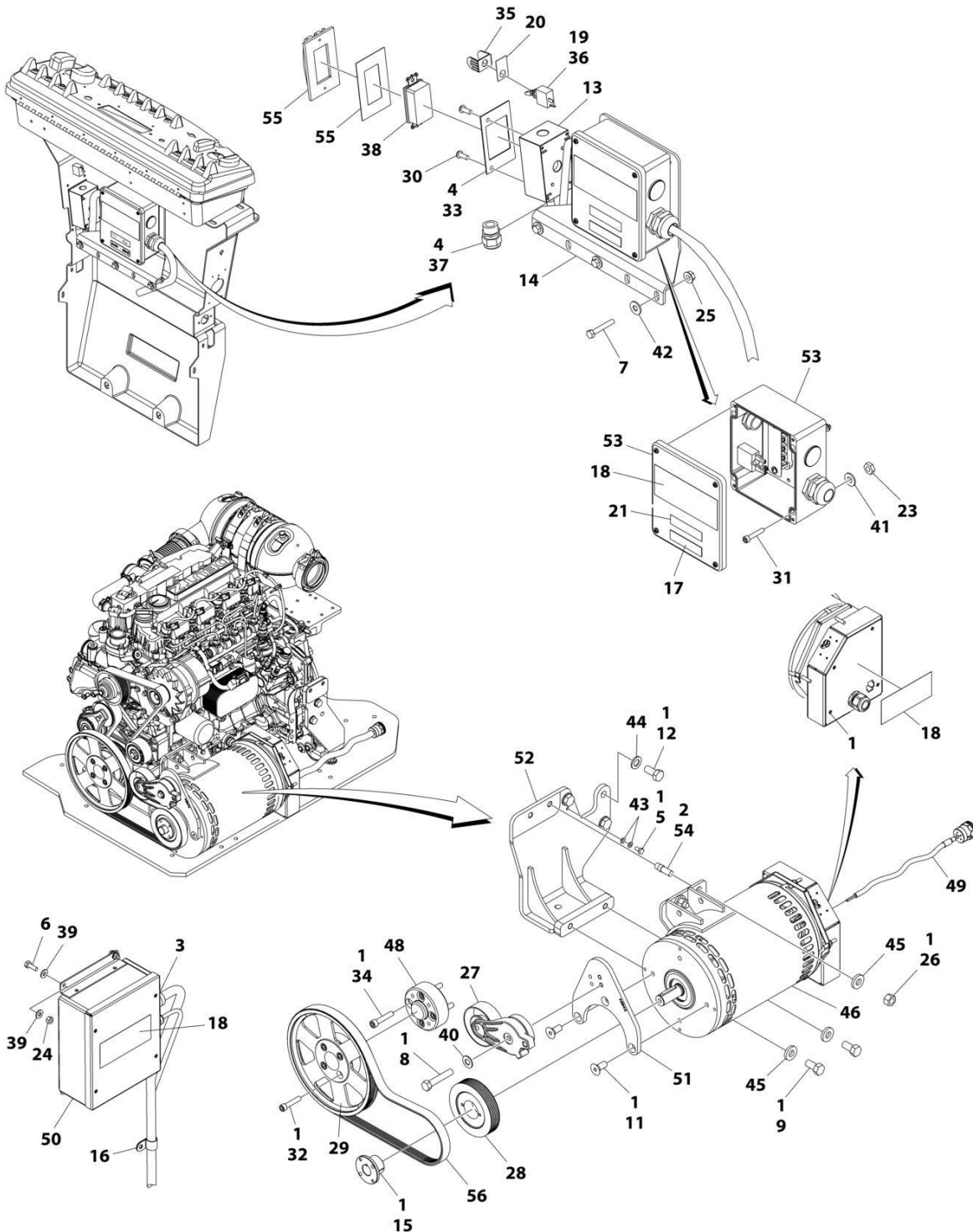
ITEM	PART NUMBER	QTY	DESCRIPTION	REV
		Ref	4000W GENERATOR INSTALLATION - DEUTZ D2011 ENGINES	
	1001153261	Ref	4000W/60Hz Generator Installation (USA Built Machines)	B
	1001153262	Ref	4000W/50Hz Generator Installation (USA Built Machines)	E
	1001153262	Ref	4000W/50Hz Generator Installation (Romanian Built Machines)	E
1	0100011	AR	Compound, Locking	
2	0100019	AR	Compound, Locking	
3	0480128	1	Belt, Generator (60Hz)	
3	0480129	1	Belt, Generator (50Hz)	
4	0641404	1	Bolt 1/4 x 1/2	
5	0641407	4	Bolt 1/4 x 7/8	
6	3931016	4	Capscrew #10 x 1 (60Hz)	
7	0641516	3	Bolt 5/16 x 2 (60Hz)	
8	0641616	1	Bolt 3/8 x 2	
9	0641808	2	Bolt 1/2 x 1	
10	0860038	1	Box, Switch - Weatherhead (60Hz)	
11	1001138566	1	Control Box Assembly	
11	70006552	1	Capacitor	
11	70006553	1	Relay	
12	1001152457	1	Junction Box Assembly (60Hz)	
12	3300396	1	Cover, Breaker	
12	4360070	1	Breaker, Circuit - 15Amp	
12	4460425	1	Connector, Strain Relief (LH Side)	
12	4460426	1	Connector, Strain Relief (RH Side)	
13	0962520	1	Bushing, Split	
14	1001129858	1	Generator Assembly (60Hz)	
14	1001138565	1	Generator Assembly (50Hz)	
14	70003709	1	Ring, Retaining (External)	
14	70003708	1	Ring, Retaining (Internal)	
14	70001966	1	Bearing	
14	70004092	1	Endbell (Shaft End)	
14	70004171	1	Key	
14	70004676	1	Rotor	
14	70004684	1	Stator (60Hz)	
14	70004677	1	Stator (50Hz)	
14	70004678	1	Endbell (Rear)	
14	70004679	1	Cover, Endbell (Rear)	
14	70004680	1	Enclosure, Wiring	
14	70004685	1	Cover, Enclosure (60Hz)	
14	70004681	1	Cover, Enclosure (50Hz)	
14	70004682	1	Switch, Reset (Located on Enclosure Cover)	
14	70004098	1	Connector, Strain Relief (60Hz) (Located on Enclosure Cover)	
14	70004683	1	Connector, Strain Relief (50Hz) (Located on Enclosure Cover)	
15	2820031	0.33 ft/ 0.1m	Heat Shrink	
16	3251102	1	Nameplate - Generator	
17	3300454	4	Nut 1/4	
18	3311508	3	Nut 5/16 (60Hz)	
19	3311801	1	Nut 1/2	
20	0902888	1	Bracket (60Hz)	
21	0711414	3	Bolt M14 x 30	

SECTION 2 - TURNTABLE

ITEM	PART NUMBER	QTY	DESCRIPTION	REV
22	3580317	1	Tensioner, Belt with Pulley	
23	3580318	1	Pulley, Generator (60Hz)	
23	3580319	1	Pulley, Generator (50Hz)	
24	3580320	1	Pulley, Engine	
25	3910606	4	Screw #6 x 3/8 (60Hz)	
26	3960422	1	Gasket (60Hz)	
27	4032015	4	Capscrew M10 x 55	
28	1001110873	1	Cover, Receptacle (60Hz)	
29	4060802	1	Guard, Switch	
30	4300157	1	Stud	
31	4360336	1	Switch, Toggle	
32	4460071	1	Connector (60Hz)	
33	4460346	1	Receptacle (60Hz)	
34	4711400	4	Washer 1/4	
35	4711600	1	Washer 3/8	
36	4711800	3	Washer 1/2	
37	4791400	2	Washer 1/4	
38	1001152532	1	Generator Harness (See ELECTRICAL SECTION for Breakdown)	
39	1001132055	1	Diagram, Wiring (Not Shown) (See ELECTRICAL SECTION for Breakdown)	
40	0771415	1	Bolt M14 x 35	
41	3311805	1	Nut 1/2 (Not Shown - Attaches Item 43 to Engine Tray)	
42	4812200	1	Washer M14	
43	4846567	1	Bracket, Motor Mounting	
44	4751000	4	Washer #10 (60Hz)	
45	1001139357	1	Mount, Tensioner	
46	0741607	3	Screw 3/8 x 7/8	
47	1705387	3	Decal - Hazardous Voltage (60Hz)	
47	1705489	2	Decal - Hazardous Voltage (50Hz)	
48	3251243	1	Decal - 120V-60Hz	
49	0641820	1	Bolt 1/2 x 2-1/2 (Not Shown - Attaches Item 43 to Engine Tray)	
50	3311005	4	Nut #10 (60Hz)	
51	4751500	3	Washer 5/16 (60Hz)	
52	0100020	AR	Sealant #567	
53	1705374	1	Decal - 240V-60Hz	
54	1001096070	1	Breaker Box Kit (Not Shown) (50Hz) (See ELECTRICAL SECTION for Breakdown)	
55	1001162445	1	Bracket (Attaches Item 54) (Not Shown) (50Hz)	

SECTION 2 - TURNTABLE

FIGURE 2-27. 4000W/60HZ GENERATOR INSTALLATION - DEUTZ TD2.9L4 ENGINES



ART_1001171128

SECTION 2 - TURNTABLE

FIGURE 2-27. 4000W/60HZ GENERATOR INSTALLATION - DEUTZ TD2.9L4 ENGINES

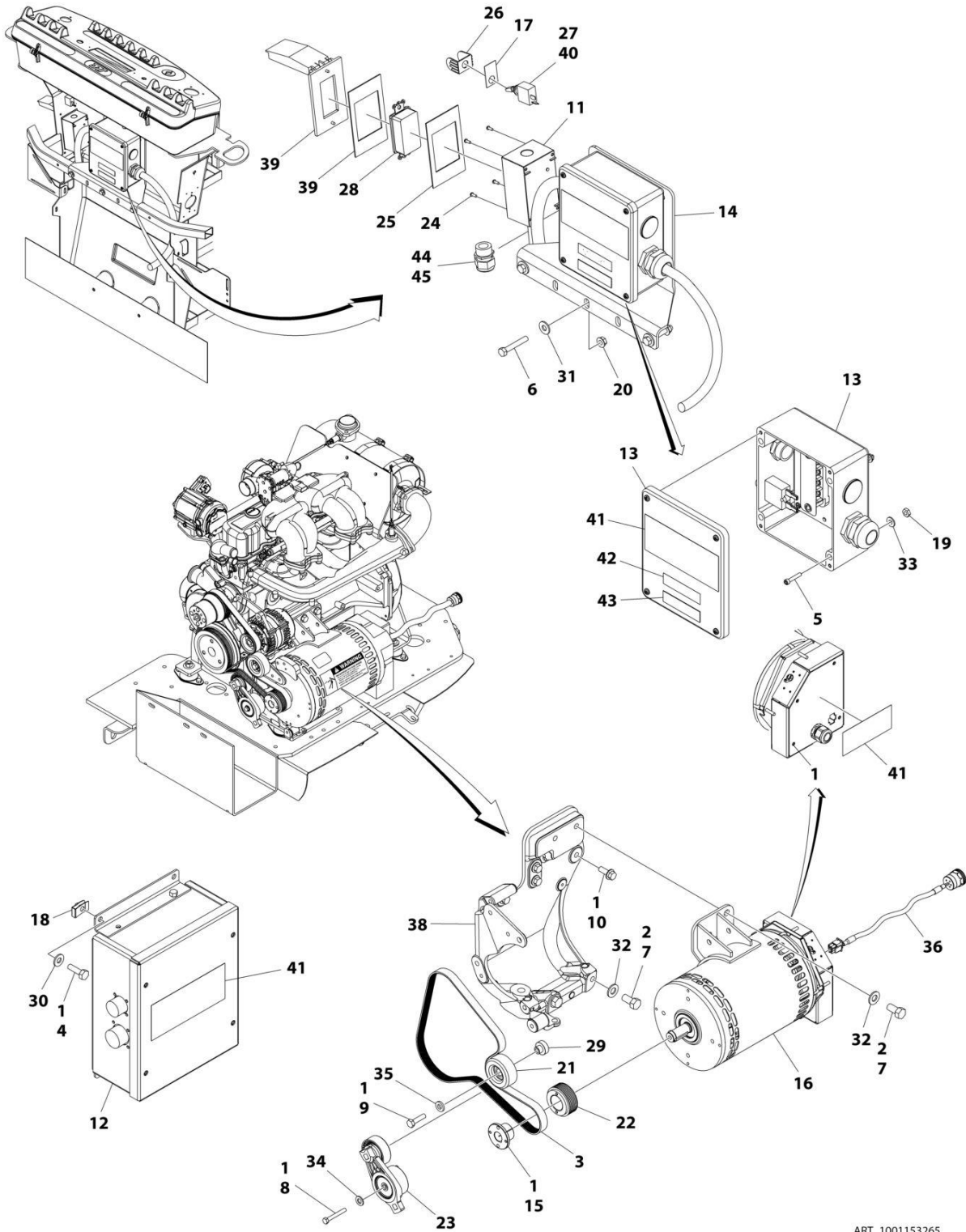
ITEM	PART NUMBER	QTY	DESCRIPTION	REV
	1001171128	Ref	4000W/60HZ GENERATOR INSTALLATION - DEUTZ TD2.9L4 ENGINES	B
1	0100011	AR	Compound, Locking	
2	0100019	AR	Compound, Locking	
3	0100048	AR	Grease Dielectric	
4	0100079	AR	Sealant	
5	0641404	1	Bolt 1/4 x 1/2	
6	0641406	4	Capscrew, 1/4 x 3/4	
7	0641516	3	Bolt 5/16 x 2	
8	0641616	1	Bolt 3/8 x 2	
9	0641808	2	Bolt 1/2 x 1	
10	0681822	1	Bolt 1/2 x 2-3/4 Grade 8 (Not Shown - Attaches Item 52 to Engine Tray)	
11	0741607	3	Screw 3/8 x 7/8	
12	0771414	3	Bolt M14 x 30	
13	0860038	1	Box, Switch	
14	0902888	1	Bracket, Junction Box	
15	0962520	1	Bushing, Split	
16	1320318	1	Clamp	
17	1705374	1	Decal - 240V	
18	1705387	3	Decal - Hazardous Voltage	
19	2820031	0.33 ft/ 0.1m	Heat Shrink	
20	3251102	1	Nameplate, Generator	
21	3251243	1	Decal - 120V	
22	3271801	1	Nut 1/2 Grade 8 (Not Shown - Attaches Item 52 to Engine Tray)	
23	3311005	4	Nut #10	
24	3311405	4	Nut 1/4	
25	3311508	3	Nut 5/16	
26	3311801	2	Nut 1/2	
27	3580317	1	Tensioner, Belt with Pulley	
28	3580318	1	Pulley, Generator	
29	3580320	1	Pulley	
30	3910606	4	Screw 6 x 3/8	
31	3931016	4	Capscrew #10 x 1	
32	3931628	4	Capscrew 3/8 x 1-3/4	
33	3960422	1	Gasket, AC Receptacle	
34	4032014	4	Bolt M10 x 50	
35	4060802	1	Guard, Switch	
36	4360336	1	Switch, Toggle	
37	4460071	1	Connector, Strain Relief	
38	4460346	1	Receptacle	
39	4711400	8	Washer 1/4	
40	4711600	1	Washer 3/8	
41	4751000	4	Washer #10	
42	4751500	3	Washer 5/16	
43	4791400	2	Washer 1/4	
44	4812200	3	Washer M14	
45	4891800	4	Washer 1/2	
46	1001140346	1	Generator Assembly	

SECTION 2 - TURNTABLE

ITEM	PART NUMBER	QTY	DESCRIPTION	REV
46	70003709	1	Ring, Retaining (External)	
46	70003708	1	Ring, Retaining (Internal)	
46	70001966	1	Bearing	
46	70004092	1	Endbell (Shaft End)	
46	70004099	1	Key	
46	70004676	1	Rotor	
46	70004687	1	Stator	
46	70004678	1	Endbell (Rear)	
46	70004679	1	Cover, Endbell (Rear)	
46	70004680	1	Enclosure, Wiring	
46	70004685	1	Cover, Enclosure	
46	70004682	1	Switch, Reset (Located on Enclosure Cover)	
46	70004098	1	Connector, Strain Relief (Located on Enclosure Cover)	
47	1001132055	1	Diagram, Wiring (Not Shown) (See ELECTRICAL SECTION for Breakdown)	
48	1001135679	1	Adapter	
49	1001152532	1	Generator Harness (See ELECTRICAL SECTION for Breakdown)	
50	1001138566	1	Control Box Assembly	
51	1001142643	1	Support, Tensioner	
52	1001146670	1	Bracket, Motor Mounting	
53	1001152457	1	Junction Box Assembly	
53	3300396	1	Cover, Breaker	
53	4360070	1	Breaker, Circuit - 15Amp	
53	4460425	1	Connector, Strain Relief (LH Side)	
53	4460426	1	Connector, Strain Relief (RH Side)	
54	1001163599	2	Stud	
55	1001110873	1	Cover, Receptacle	
56	1001142646	1	Belt, Generator	

SECTION 2 - TURNTABLE

FIGURE 2-28. 4000W/60HZ GENERATOR INSTALLATION - GM ENGINES



ART_1001153265

SECTION 2 - TURNTABLE

FIGURE 2-28. 4000W/60HZ GENERATOR INSTALLATION - GM ENGINES

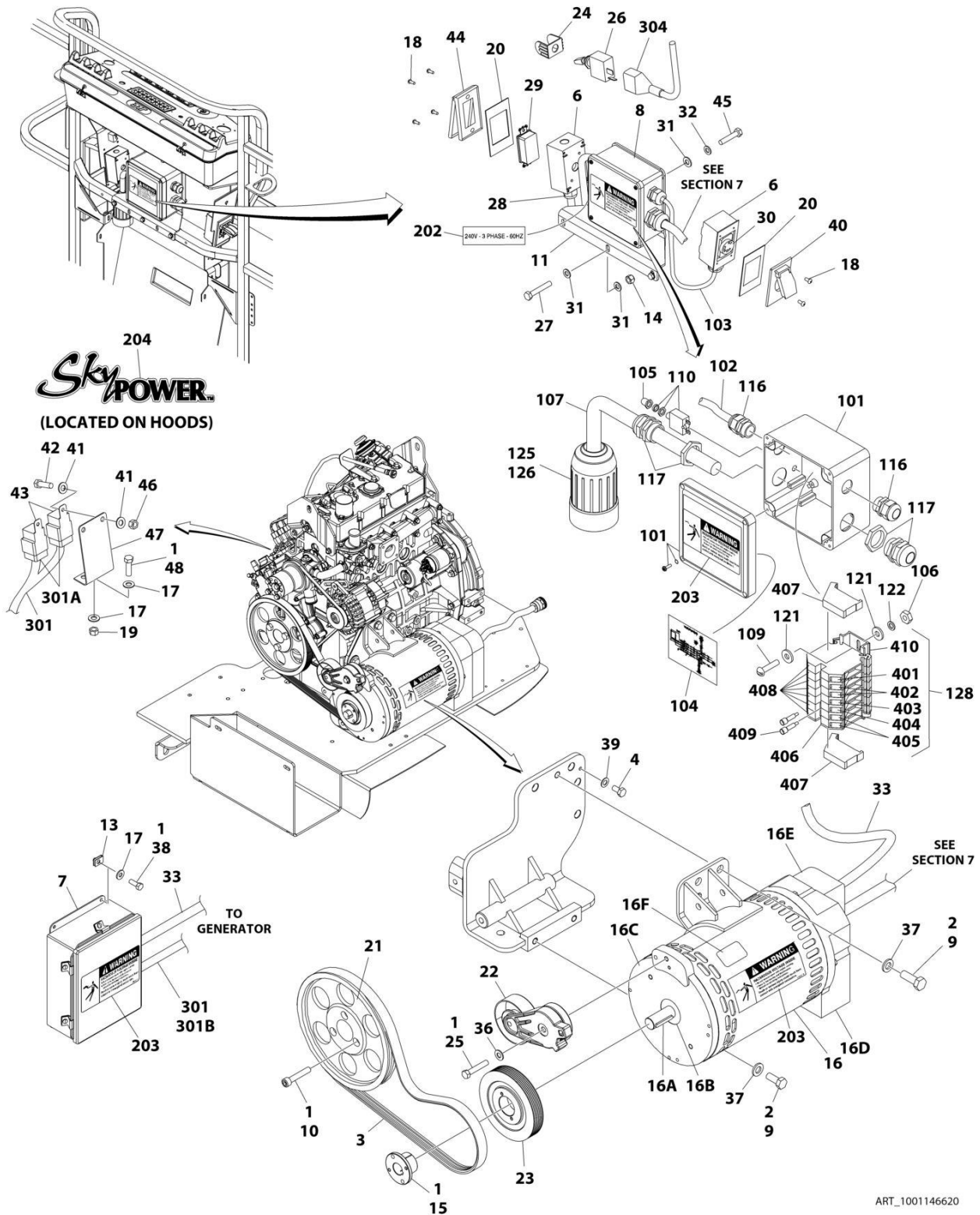
ITEM	PART NUMBER	QTY	DESCRIPTION	REV
	1001153265	Ref	4000W/60HZ GENERATOR INSTALLATION - GM ENGINES	B
1	0100011	AR	Compound, Locking	
2	0100019	AR	Compound, Locking	
3	0480142	1	Belt, Generator	
4	0641407	4	Bolt 1/4 x 7/8	
5	3931016	4	Capscrew #10 x 1	
6	0641516	3	Bolt 5/16 x 2	
7	0641808	4	Bolt 1/2 x 1	
8	0700820	1	Bolt M8 x 60	
9	0701016	1	Bolt M10 x 40	
10	0811608	4	Screw 3/8 x 1	
11	0860038	1	Box, Switch	
12	1001138566	1	Box, Control	
13	1001152457	1	Junction Box Assembly	
13	3300396	1	Cover, Breaker	
13	4360070	1	Breaker, Circuit - 15Amp	
13	4460425	1	Connector, Strain Relief (LH Side)	
13	4460426	1	Connector, Strain Relief (RH Side)	
14	0902888	1	Bracket, Junction Box	
15	0962520	1	Bushing, Split	
16	1001129858	1	Generator Assembly	
16	70003709	1	Ring, Retaining (External)	
16	70003708	1	Ring, Retaining (Internal)	
16	70001966	1	Bearing	
16	70004092	1	Endbell (Shaft End)	
16	70004171	1	Key	
16	70004676	1	Rotor	
16	70004684	1	Stator	
16	70004678	1	Endbell (Rear)	
16	70004679	1	Cover, Endbell (Rear)	
16	70004680	1	Enclosure, Wiring	
16	70004685	1	Cover, Enclosure	
16	70004682	1	Switch, Reset (Located on Enclosure Cover)	
16	70004098	1	Connector, Strain Relief (Located on Enclosure Cover)	
17	3251102	1	Nameplate, Generator	
18	3300454	4	Nut 1/4	
19	3311005	4	Nut #10	
20	3311508	3	Nut 5/16	
21	3580312	1	Pulley, Idler	
22	3580314	1	Pulley, Drive	
23	3580348	1	Tensioner, Belt with Pulley	
24	3910606	4	Screw #6 x 3/8	
25	3960422	1	Gasket	
26	4060802	1	Guard, Switch	
27	4360336	1	Switch, Toggle	
28	4460346	1	Receptacle	
29	4568735	1	Tube, Spacer	
30	4711400	4	Washer 1/4	
31	4751500	3	Washer 5/16	
32	4711800	4	Washer 1/2	

SECTION 2 - TURNTABLE

ITEM	PART NUMBER	QTY	DESCRIPTION	REV
33	4751000	4	Washer #10	
34	4811900	1	Washer M8	
35	4891600	1	Washer 3/8	
36	1001152532	1	Generator Harness (See ELECTRICAL SECTION for Breakdown)	
37	1001132055	1	Diagram, Wiring (Not Shown) (See ELECTRICAL SECTION for Breakdown)	
38	1001141181	1	Bracket, Motor Mounting	
39	1001110873	1	Cover	
40	2820031	33 ft/ 10.1m	Heat Shrink	
41	1705387	3	Decal - Hazardous Voltage	
42	3251243	1	Decal - 120V-60Hz	
43	1705374	1	Decal - 240V-60Hz	
44	0100020	AR	Sealant	
45	4460071	1	Connector, Strain Relief	

SECTION 2 - TURNTABLE

FIGURE 2-29. 7500W/60HZ GENERATOR INSTALLATION - CATERPILLAR ENGINE MACHINES (USA BUILT MACHINES)



ART_1001146620

SECTION 2 - TURNTABLE

FIGURE 2-29. 7500W/60HZ GENERATOR INSTALLATION - CATERPILLAR ENGINE MACHINES (USA BUILT MACHINES)

ITEM	PART NUMBER	QTY	DESCRIPTION	REV
	1001146620	Ref	7500W/60HZ GENERATOR INSTALLATION - CATERPILLAR ENGINE	A
1	0100011	AR	Compound, Locking	
2	0100019	AR	Compound, Locking	
3	0480129	1	Belt	
4	0641403	1	Bolt 1/4 x 3/8	
6	0860038	2	Box, Switch	
7	0861538	1	Control Box Assembly	
7	7024488	1	Card, Circuit - Generator Power	
7	See Note	NSS	Fuse (Note: Not Available - Purchase Locally)	
7	7024489	1	Card, Circuit - Control	
7	70000619	1	Harness, Circuit Card	
8	0861542	1	Junction Box Assembly (See Items 101-128 for Breakdown)	
9	0641808	4	Bolt 1/2 x 1	
10	0701217	3	Bolt M12 x 45	
11	0902888	1	Bracket	
12	2820031	AR	Heat Shrink (Not Shown)	
13	3300454	4	Nut 1/4	
14	3311505	3	Nut 5/16	
15	0962520	1	Bushing	
16	2460048	1	Generator Assembly	
16	70001100	1	Rotor (Includes p/n 70001384 & 70000863) (Not Shown)	
16	70001384	1	Bearing, Ball Radial (Not Shown)	
16	70000863	1	Fan (Not Shown)	
16	70002088	1	Stator (Not Shown)	
16	70002297	1	Stud	
16	70003631	1	Brushholder Assembly (Not Shown)	
16A	70004171	1	Key	
16B	70001966	1	Bearing, Ball Radial (Located in Belt Tensioner Endbell)	
16B	70003708	1	Ring, Internal Retaining (Located in Belt Tensioner Endbell)	
16B	70003709	1	Ring, External Retaining (Located in Belt Tensioner Endbell)	
16C	70001953	1	Endbell, Belt Tensioner	
16D	70004169	1	Endbell, Brush Block	
16E	70004169	1	Shroud	
16E	See Note	NSS	Insulator, Endbell (Note: Not Available for Purchase)	
16E	7027799	1	Block, Connector - 6 Position (Not Shown)	
16E	70002460	1	Nut, Brass (Attaches p/n 7027799 to Cover) (Not Shown)	
16E	7024485	1	Breaker, Circuit 30Amp (Not Shown)	
16E	70001696	1	Boot, Breaker (Not Shown)	
16E	7026626	1	Connector - 6 Position (Includes Seal) (Not Shown - Plugs into Item 39)	
16E	7026597	1	Connector, with Leads (Not Shown)	
16E	7026188	1	Clamp, Cable Options (Not Shown)	
16E	70004169	1	Plate, End Panel	
16E	70001974	1	Decal - Terminal Connections	
16F	70001973	1	Decal - Warning Moving Parts	
17	4711400	14	Washer 1/4	
18	3910606	8	Screw #6 x 3/8	
19	3311405	7	Nut 1/4	

SECTION 2 - TURNTABLE

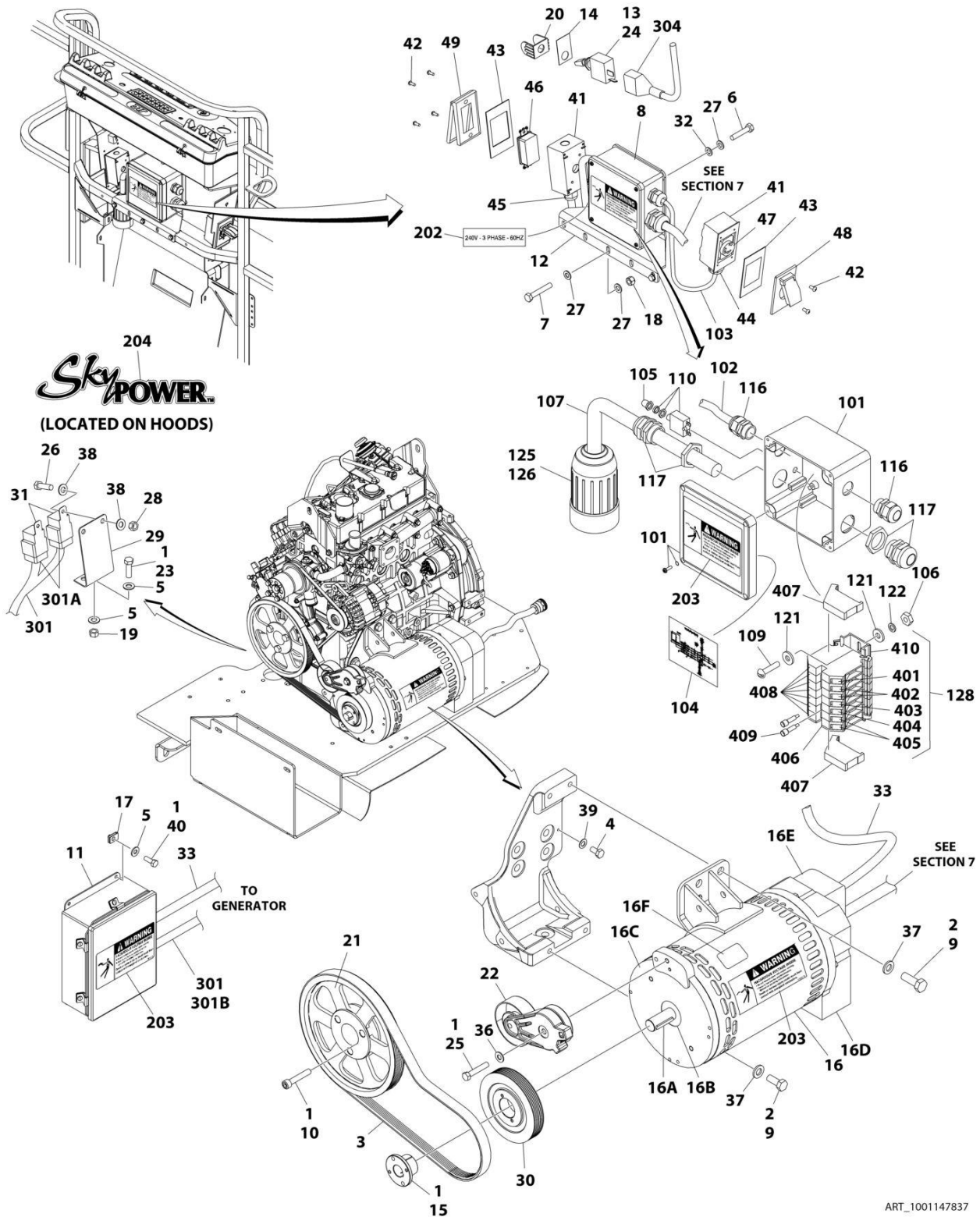
ITEM	PART NUMBER	QTY	DESCRIPTION	REV
20	3960422	2	Gasket	
21	3580316	1	Pulley	
22	3580317	1	Pulley	
23	3580318	1	Pulley	
24	4060802	1	Guard, Switch	
25	0641618	1	Bolt 3/8 x 2-1/4	
26	4360336	1	Switch, Toggle	
27	0641516	3	Bolt 5/16 x 2	
28	4460071	2	Connector, Strain Relief	
29	4460346	1	Receptacle	
30	4460958	1	Receptacle, Female Twist-Lock	
31	4711500	10	Washer 5/16	
32	4761500	4	Washer 5/16	
33	4922925	1	Harness, Generator	
33	4460225	1	Plug, Male - 6 Position (Plugs into Generator)	
33	See Note	NSS	Socket, Female (Use with 4460225)	
33	See Note	NSS	Seal, Plug (Use with 4460225)	
33	See Note	NSS	Seal, Interface (Use with 4460225)	
35	1001112586	1	Diagram, Wiring (Not Shown) (See Items 301-304 for Breakdown)	
36	4711600	5	Washer 3/8	
37	4711800	4	Washer 1/2	
38	0641407	4	Bolt 1/4 x 7/8	
39	4791400	1	Washer 1/4	
40	1001110872	1	Cover, Receptacle	
41	4751000	4	Washer #10	
42	0721004	2	Screw #10 x 1/2	
43	3740080	2	Relay	
44	1001110873	1	Cover, Receptacle	
45	0641508	4	Bolt 5/16 x 1	
46	3311005	2	Nut #10	
47	3574163	1	Bracket	
48	0641408	5	Bolt 1/4 x 1	
	0861542	Ref	JUNCTION BOX ASSEMBLY	D
101	0861541	1	Box, Junction	
102	1060494	2 ft/.6m	Cable, Electrical - 12/3	
103	1060708	2.5 ft/ 0.8m	Cable, Electrical - 10/3	
104	1705376	1	Decal - Wiring Schematic	
105	3300396	1	Cover, Fuse	
106	3310601	2	Nut #6-32NC	
107	1060343	1.5 ft/ 0.5m	Cable, Electrical - 10/4	
109	3910610	2	Bolt 6-32 x 5/8	
110	4360070	1	Circuit Breaker - 15Amp	
116	4460425	2	Strain Relief, Terminal	
117	4460426	2	Connector, Strain Relief	
121	4750600	4	Washer #6	
122	4760600	2	Washer #6	
125	1671092	1	Cover (60Hz Spec Only)	
126	4460963	1	Connector	
128	1001121340	1	Terminal Block Assembly (See Items 401-410 for Breakdown)	
	0273380	Ref	DECAL INSTALLATION	B

SECTION 2 - TURNTABLE

ITEM	PART NUMBER	QTY	DESCRIPTION	REV
202	1705375	1	Decal - 240V - 3 Phase - 60Hz	
203	1705387	3	Decal - Hazardous Voltage	
204	1705460	2	Decal - SkyPower	
	1001112586	Ref	ELECTRICAL DIAGRAM COMPONENTS	B
301	1001152429	Ref	Generator Harness	B
301A	4460375	7	Terminal	
301B	4460967	1	Plug, Male - 3 Position	
301B	4460465	3	Socket, Female	
301C		Ref	Component Options:	
301C	2400060	1	Fuseholder (Not Shown)	
301C	2400064	1	Fuse - 5Amp (Not Shown)	
301D	4460742	1	Connector - 2 Position (Not Shown)	
301D	4460743	2	Terminal (Not Shown)	
304	4922641	1	Switch Harness	
		Ref	TERMINAL BLOCK ASSEMBLY	
	NPN	Ref	Gray Terminal Block Assembly (Complete Assembly Not Available - Purchase Individual Components)	
	1001121340	Ref	Tan Terminal Block Assembly	A
401		Ref	Marker Strip #1 Options:	
401	4460411	2	Gray Terminal Block Assembly	
401	70002818	2	Tan Terminal Block Assembly	
402		Ref	Marker Strip #2 Options:	
402	4460412	AR	Gray Terminal Block Assembly	
402	70002819	4	Tan Terminal Block Assembly	
403		Ref	Marker Strip #3 Options:	
403	4460413	2	Gray Terminal Block Assembly	
403	70002820	2	Tan Terminal Block Assembly	
404		Ref	Marker Strip #4 Options:	
404	4460414	2	Gray Terminal Block Assembly	
404	70002821	2	Tan Terminal Block Assembly	
405		Ref	Marker Strip #5 Options:	
405	4460415	AR	Gray Terminal Block Assembly	
405	70002822	4	Tan Terminal Block Assembly	
406		Ref	Terminal, End Barrier Options:	
406	4460956	1	Gray Terminal Block Assembly	
406	70002823	1	Tan Terminal Block Assembly	
407		Ref	Terminal, End Block Options:	
407	4460607	2	Gray Terminal Block Assembly	
407	70002824	2	Tan Terminal Block Assembly	
408		Ref	Terminal, Block Options:	
408	4460957	AR	Gray Terminal Block Assembly	
408	70002825	7	Tan Terminal Block Assembly	
409		Ref	Terminal, Cross Connector Jumper Options:	
409	4461001	2	Gray Terminal Block Assembly	
409	70002826	2	Tan Terminal Block Assembly	
410	3641533	1	Rail, Relay	

SECTION 2 - TURNTABLE

FIGURE 2-30. 7500W GENERATOR INSTALLATION - CATERPILLAR ENGINE MACHINES (ROMANIAN BUILT MACHINES)



SECTION 2 - TURNTABLE

**FIGURE 2-30. 7500W GENERATOR INSTALLATION - CATERPILLAR ENGINE MACHINES
(ROMANIAN BUILT MACHINES)**

ITEM	PART NUMBER	QTY	DESCRIPTION	REV
		Ref	7500W GENERATOR INSTALLATION - CATERPILLAR ENGINE MACHINES (ROMANIAN BUILT MACHINES)	
	1001147837	Ref	50Hz Spec	A
	1001147838	Ref	50Hz 110/220V Spec	A
1	0100011	AR	Compound, Locking	
2	0100019	AR	Compound, Locking	
3	0480126	1	Belt	
4	0641403	1	Bolt 1/4 x 3/8	
5	4711400	4	Washer 1/4	
6	0641508	4	Bolt 5/16 x 1	
7	0641516	3	Bolt 5/16 x 2	
8	0861567	1	Junction Box Assembly (See Items 101-128 for Breakdown)	
9	0641808	4	Bolt 1/2 x 1	
10	0701217	3	Bolt M12 x 45	
11	0861572	1	Control Box Assembly	
11	7024488	1	Card, Circuit - Generator Power	
11	See Note	NSS	Fuse (Note: Not Available - Purchase Locally)	
11	7024489	1	Card, Circuit - Control	
11	70000619	1	Harness, Control Box (Internal)	
12	0902888	1	Bracket	
13	2820031	AR	Heat Shrink	
14	3252764	1	Nameplate	
15	0962520	1	Bushing	
16	2460048	1	Generator Assembly	
16	70001100	1	Rotor (Includes p/n 70001384 & 70000863) (Not Shown)	
16	70001384	1	Bearing, Ball Radial (Not Shown)	
16	70000863	1	Fan (Not Shown)	
16	70002088	1	Stator (Not Shown)	
16	70002297	1	Stud	
16	70003631	1	Brushholder Assembly (Not Shown)	
16A	70004171	1	Key	
16B	70001966	1	Bearing, Ball Radial (Located in Belt Tensioner Endbell)	
16B	70003708	1	Ring, Internal Retaining (Located in Belt Tensioner Endbell)	
16B	70003709	1	Ring, External Retaining (Located in Belt Tensioner Endbell)	
16C	70001953	1	Endbell, Belt Tensioner	
16D	70004169	1	Endbell, Brush Block	
16E	70004169	1	Shroud	
16E	See Note	NSS	Insulator, Endbell (Note: Not Available for Purchase)	
16E	7027799	1	Block, Connector - 6 Position (Not Shown)	
16E	70002460	1	Nut, Brass (Attaches p/n 7027799 to Cover) (Not Shown)	
16E	7024485	1	Breaker, Circuit 30Amp (Not Shown)	
16E	70001696	1	Boot, Breaker (Not Shown)	
16E	7026626	1	Connector - 6 Position (Includes Seal) (Not Shown - Plugs into Item 39)	
16E	7026597	1	Connector, with Leads (Not Shown)	
16E	7026188	1	Clamp, Cable Options (Not Shown)	
16E	70004169	1	Plate, End Panel	
16E	70001974	1	Decal - Terminal Connections	
16F	70001973	1	Decal - Warning Moving Parts	

SECTION 2 - TURNTABLE

ITEM	PART NUMBER	QTY	DESCRIPTION	REV
17	3300454	4	Nut 1/4	
18	3311505	3	Nut 5/16	
19	3311405	1	Nut 1/4	
20	4060802	1	Guard, Switch	
21	3580316	1	Pulley	
22	3580317	1	Pulley	
23	0641408	1	Bolt 1/4 x 1	
24	4360336	1	Switch, Toggle	
25	0641618	1	Bolt 3/8 x 2-1/4	
26	0721004	2	Screw #10 x 1/2	
27	4711500	10	Washer 5/16	
28	3311005	2	Nut #10	
29	3574163	1	Bracket	
30	3580319	1	Pulley	
31	3740080	2	Relay	
32	4761500	4	Washer 5/16	
33	4922925	1	Harness, Generator	
33	4460225	1	Plug, Male - 6 Position (Plugs into Generator)	
33	See Note	NSS	Socket, Female (Use with 4460225)	
33	See Note	NSS	Seal, Plug (Use with 4460225)	
33	See Note	NSS	Seal, Interface (Use with 4460225)	
35	1001112586	1	Diagram, Wiring (Not Shown) (See Items 301-304 for Breakdown)	
36	4711600	1	Washer 3/8	
37	4711800	4	Washer 1/2	
38	4751000	4	Washer #10	
39	4791400	1	Washer 1/4	
40	0641407	4	Bolt 1/4 x 7/8	
41		Ref	Box, Switch Options:	
41	0860038	2	50Hz (110/220V)	
41	See Note	2	50Hz (Supply Locally)	
42	3910606	8	Screw #6 x 3/8	
43	3960422	2	Gasket	
44		Ref	Connector, Strain Relief Options:	
44	4460051	1	50Hz (110/220V)	
44	See Note	1	50Hz (Supply Locally)	
45		Ref	Connector, Strain Relief Options:	
45	4460071	1	50Hz (110/220V)	
45	See Note	1	50Hz (Supply Locally)	
46		Ref	Receptacle Options:	
46	4460346	1	50Hz (110/220V)	
46	See Note	1	50Hz (Supply Locally)	
47		Ref	Receptacle, Female Twist-Lock Options:	
47	4460958	1	50Hz (110/220V)	
47	See Note	1	50Hz (Supply Locally)	
48		Ref	Shield, Cover Options:	
48	1001110872	1	50Hz (110/220V)	
48	See Note	1	50Hz (Supply Locally)	
49		Ref	Shield, Cover Options:	
49	1001110873	1	50Hz (110/220V)	
49	See Note	1	50Hz (Supply Locally)	
	0861542	Ref	JUNCTION BOX ASSEMBLY	D

SECTION 2 - TURNTABLE

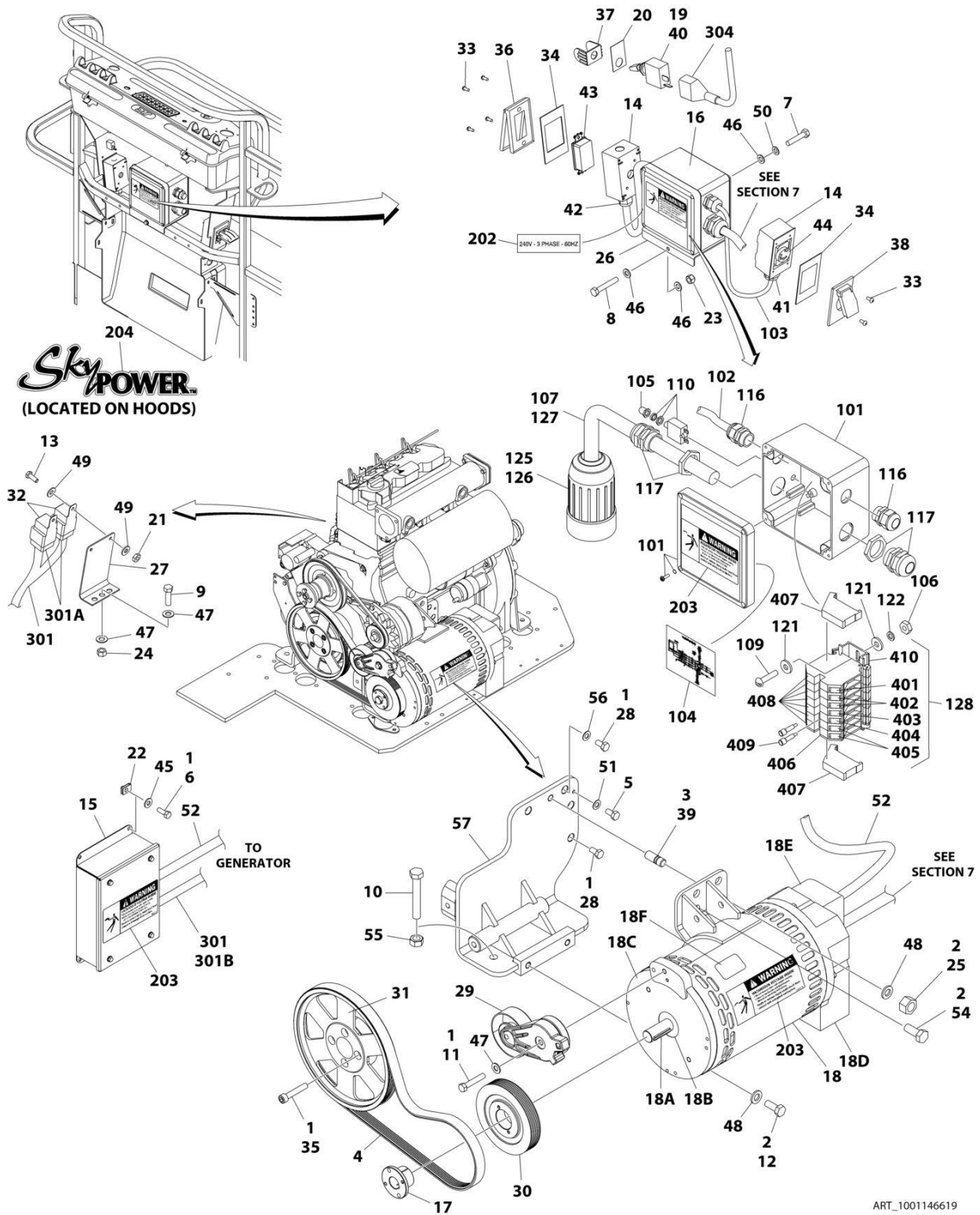
ITEM	PART NUMBER	QTY	DESCRIPTION	REV
101	0861541	1	Box, Junction	
102	1060494	2 ft/ 0.6m	Cable, Electrical - 12/3	
103	1060708	2.5 ft/ 0.8m	Cable, Electrical - 10/3	
104	1705376	1	Decal - Wiring Schematic	
105	3300396	1	Cover, Fuse	
106	3310601	2	Nut #6-32NC	
107	1060343	1.5 ft/ 0.5m	Cable, Electrical - 10/4	
109	3910610	2	Bolt 6-32 x 5/8	
110	4360070	1	Circuit Breaker - 15Amp	
116	4460425	2	Strain Relief, Terminal	
117	4460426	2	Connector, Strain Relief	
121	4750600	4	Washer #6	
122	4760600	2	Washer #6	
125	1671092	1	Cover (60Hz Spec Only)	
126	4460963	1	Connector	
128	1001121340	1	Terminal Block Assembly (See Items 401-410 for Breakdown)	
	0272589	Ref	DECAL INSTALLATION	A
202	1705461	1	Decal - 240V - 3 Phase	
203	1705489	3	Decal - Hazardous Voltage	
204	1705460	2	Decal - SkyPower	
	1001112586	Ref	ELECTRICAL DIAGRAM COMPONENTS	B
301	1001152429	Ref	Generator Harness	B
301A	4460375	7	Terminal	
301B	4460967	1	Plug, Male - 3 Position	
301B	4460465	3	Socket, Female	
301C		Ref	Component Options:	
301C	2400060	1	Fuseholder (Not Shown)	
301C	2400064	1	Fuse - 5Amp (Not Shown)	
301D	4460742	1	Connector - 2 Position (Not Shown)	
301D	4460743	2	Terminal (Not Shown)	
304	4922641	1	Switch Harness	
		Ref	TERMINAL BLOCK ASSEMBLY	
	NPN	Ref	Gray Terminal Block Assembly (Complete Assembly Not Available - Purchase Individual Components)	
	1001121340	Ref	Tan Terminal Block Assembly	A
401		Ref	Marker Strip #1 Options:	
401	4460411	2	Gray Terminal Block Assembly	
401	70002818	2	Tan Terminal Block Assembly	
402		Ref	Marker Strip #2 Options:	
402	4460412	AR	Gray Terminal Block Assembly	
402	70002819	4	Tan Terminal Block Assembly	
403		Ref	Marker Strip #3 Options:	
403	4460413	2	Gray Terminal Block Assembly	
403	70002820	2	Tan Terminal Block Assembly	
404		Ref	Marker Strip #4 Options:	
404	4460414	2	Gray Terminal Block Assembly	
404	70002821	2	Tan Terminal Block Assembly	
405		Ref	Marker Strip #5 Options:	
405	4460415	AR	Gray Terminal Block Assembly	
405	70002822	4	Tan Terminal Block Assembly	

SECTION 2 - TURNTABLE

ITEM	PART NUMBER	QTY	DESCRIPTION	REV
406		Ref	Terminal, End Barrier Options:	
406	4460956	1	Gray Terminal Block Assembly	
406	70002823	1	Tan Terminal Block Assembly	
407		Ref	Terminal, End Block Options:	
407	4460607	2	Gray Terminal Block Assembly	
407	70002824	2	Tan Terminal Block Assembly	
408		Ref	Terminal, Block Options:	
408	4460957	AR	Gray Terminal Block Assembly	
408	70002825	7	Tan Terminal Block Assembly	
409		Ref	Terminal, Cross Connector Jumper Options:	
409	4461001	2	Gray Terminal Block Assembly	
409	70002826	2	Tan Terminal Block Assembly	
410	3641533	1	Rail, Relay	

SECTION 2 - TURNTABLE

FIGURE 2-31. 7500W GENERATOR INSTALLATION - DEUTZ D2011 ENGINES (USA BUILT MACHINES)



SECTION 2 - TURNTABLE

FIGURE 2-31. 7500W GENERATOR INSTALLATION - DEUTZ D2011 ENGINES (USA BUILT MACHINES)

ITEM	PART NUMBER	QTY	DESCRIPTION	REV
		Ref	7500W GENERATOR INSTALLATION - DEUTZ D2011 ENGINES (USA BUILT MACHINES)	
	1001146619	Ref	7500W/60Hz Generator Installation	A
	1001146618	Ref	7500W/50Hz Generator Installation	A
1	0100011	AR	Compound, Locking	
2	0100019	AR	Compound, Locking	
3	0100062	AR	Compound, Locking	
4		Ref	Belt Options:	
4	0480128	1	60Hz	
4	0480129	1	50Hz	
5	0641403	1	Bolt 1/4 x 3/8	
6	0641407	4	Bolt 1/4 x 7/8	
7	0641505	4	Bolt 5/16 x 5/8	
8	0641516	AR	Bolt 5/16 x 2	
9	0641610	1	Bolt 3/8 x 1-1/4	
10	0641820	1	Bolt 1/2 x 2-1/2	
11	0641618	1	Bolt 3/8 x 2-1/4	
12	0641808	2	Bolt 1/2 x 1	
13	0721004	2	Screw #10 x 1/2	
14	0860038	2	Box, Switch	
15		Ref	Control Box Assembly Options:	
15	0861538	1	60Hz	
15	0861572	1	50Hz	
15	7024488	1	Card, Circuit - Generator Power	
15	See Note	NSS	Fuse (Note: Not Available - Purchase Locally)	
15	7024489	1	Card, Circuit - Control	
15	70000619	1	Harness, Control Box (Internal)	
16		Ref	Junction Box Assembly Options (See Items 101-128 for Breakdown):	
16	0861542	1	60Hz	
16	0861567	1	50Hz	
17	0962520	1	Bushing	
18	2460048	1	Generator Assembly	
18	70001100	1	Rotor (Includes p/n 70001384 & 70000863) (Not Shown)	
18	70001384	1	Bearing, Ball Radial (Not Shown)	
18	70000863	1	Fan (Not Shown)	
18	70002088	1	Stator (Not Shown)	
18	70002297	1	Stud	
18	70003631	1	Brushholder Assembly (Not Shown)	
18A	70004171	1	Key	
18B	70001966	1	Bearing, Ball Radial (Located in Belt Tensioner Endbell)	
18B	70003708	1	Ring, Internal Retaining (Located in Belt Tensioner Endbell)	
18B	70003709	1	Ring, External Retaining (Located in Belt Tensioner Endbell)	
18C	70001953	1	Endbell, Belt Tensioner	
18D	70004169	1	Endbell, Brush Block	
18E	70004169	1	Shroud	
18E	See Note	NSS	Insulator, Endbell (Note: Not Available for Purchase)	
18E	7027799	1	Block, Connector - 6 Position (Not Shown)	
18E	70002460	1	Nut, Brass (Attaches p/n 7027799 to Cover) (Not Shown)	

SECTION 2 - TURNTABLE

ITEM	PART NUMBER	QTY	DESCRIPTION	REV
18E	7024485	1	Breaker, Circuit 30Amp (Not Shown)	
18E	70001696	1	Boot, Breaker (Not Shown)	
18E	7026626	1	Connector, 6 - Position (Includes Seal) (Not Shown - Plugs into Item 39)	
18E	7026597	1	Connector, with Leads (Not Shown)	
18E	7026188	1	Clamp, Cable Options (Not Shown)	
18E	70004169	1	Plate, End Panel	
18E	70001974	1	Decal - Terminal Connections	
18F	70001973	1	Decal - Warning Moving Parts	
19	2820031	AR	Heat Shrink	
20	3252764	1	Nameplate	
21	3311005	2	Nut #10	
22	3300454	4	Nut 1/4	
23	3311505	3	Nut 5/16	
24	3311605	1	Nut 3/8	
25	3311801	1	Nut 1/2	
26		Ref	Bracket Options:	
26	0902888	1	60Hz	
26	3573668	1	50Hz	
27	3574163	1	Bracket	
28	0711414	3	Bolt M14 x 30	
29	3580317	1	Pulley	
30		Ref	Pulley Options:	
30	3580318	1	60Hz	
30	3580319	1	50Hz	
31	3580320	1	Pulley	
32	3740080	2	Relay	
33	3910606	AR	Screw #6 x 3/8	
34	3960422	2	Gasket	
35	4032015	4	Bolt M10 x 55	
36	1001110873	1	Shield, Cover	
37	4060802	1	Guard, Switch	
38	1001110872	1	Shield, Cover	
39	4300157	1	Stud	
40	4360336	1	Switch, Toggle	
41	4460051	1	Connector, Strain Relief	
42	4460071	1	Connector, Strain Relief	
43	4460346	1	Receptacle	
44	4460958	1	Receptacle, Female Twist-Lock	
45	4711400	4	Washer 1/4	
46	4711500	AR	Washer 5/16	
47	4711600	2	Washer 3/8	
48	4711800	3	Washer 1/2	
49	4751000	4	Washer #10	
50	4761500	4	Washer 5/16	
51	4791400	1	Washer 1/4	
52	4922925	1	Harness, Generator	
52	4460225	1	Plug, Male - 6 Position (Plugs into Generator)	
52	See Note	NSS	Socket, Female (Use with 4460225)	
52	See Note	NSS	Seal, Plug (Use with 4460225)	
52	See Note	NSS	Seal, Interface (Use with 4460225)	

SECTION 2 - TURNTABLE

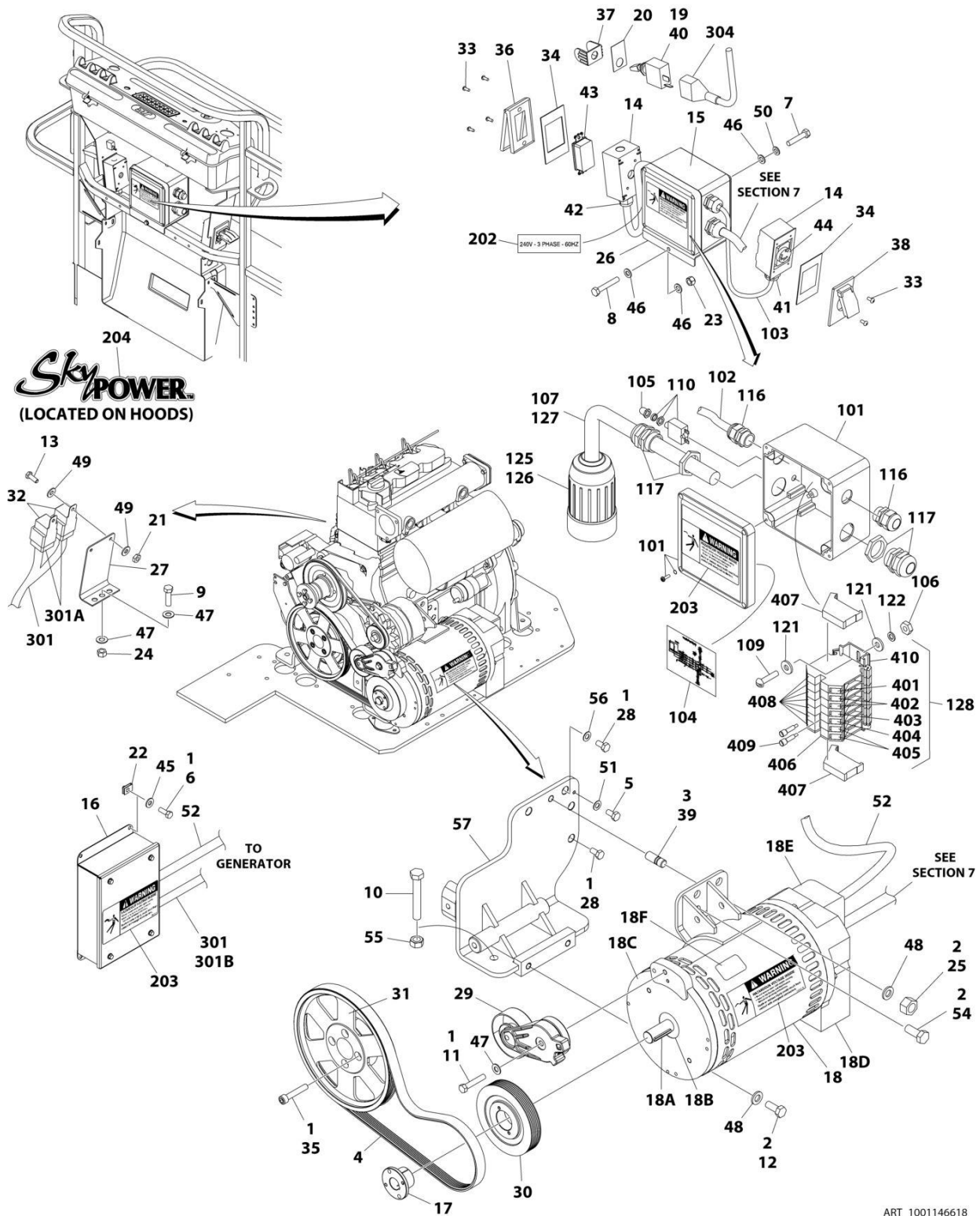
ITEM	PART NUMBER	QTY	DESCRIPTION	REV
53	1001112586	1	Diagram, Wiring (Not Shown) (See Items 301-304 for Breakdown)	
54	0771415	1	Bolt M14 x 35	
55	3311805	1	Nut 1/2	
56	4812200	1	Washer M14	
57	4846567	1	Bracket, Motor Mounting	
		Ref	JUNCTION BOX ASSEMBLY	
	0861542	Ref	60Hz	D
	0861567	Ref	50Hz	B
101	0861541	1	Box, Junction	
102		Ref	Cable, Electrical - 12/3 Options:	
102	1060494	2 ft/.6m	60Hz	
102	See Note	2 ft/.6m	50Hz (Note: Not Available - Purchase Locally)	
103		Ref	Cable, Electrical -10/3 Options:	
103	1060708	2.5 ft/.76m	60Hz and Deutz D2011 Engines	
103	See Note	NLA	50Hz (ANSI Export, Australian and CE Specs) (Note: Not Available - Purchase Locally)	
104	1705376	1	Decal - Wiring Schematic	
105	3300396	1	Cover, Fuse	
106	3310601	2	Nut #6-32NC	
107	1060343	AR	Cable, Electrical - 10/4 (60Hz Spec Only)	
109	3910610	2	Bolt #6-32NC x 5/8in	
110	4360070	1	Circuit Breaker - 15Amp	
116	4460425	2	Strain Relief, Terminal	
116	3520192	2	Plug (50Hz Spec Only)	
117	4460426	2	Connector, Strain Relief (60Hz Spec Only)	
121	4750600	4	Washer #6	
122	4760600	2	Washer #6	
125	1671092	1	Cover (60Hz Spec Only)	
126	4460963	1	Connector (60Hz Spec Only)	
127	3520189	1	Plug (50Hz Spec Only)	
128	1001121340	1	Terminal Block Assembly (See Items 401-410 for Breakdown)	
		Ref	DECAL INSTALLATIONS	
	0273380	Ref	60Hz	B
	0272589	Ref	50Hz	A
202	1705375	1	Decal - 240V - 3 Phase - 60Hz	
202	1705461	1	Decal - 240V - 3 Phase - 50Hz	
203	1705387	3	Decal - Hazardous Voltage - 60Hz	
203	1705489	3	Decal - Hazardous Voltage - 50Hz	
204	1705460	2	Decal - SkyPower	
	1001112586	Ref	ELECTRICAL DIAGRAM COMPONENTS	B
301	1001152429	Ref	Generator Harness	B
301A	4460375	7	Terminal	
301B	4460967	1	Plug, Male - 3 Position	
301B	4460465	3	Socket, Female	
301C		Ref	Component Options:	
301C	2400060	1	Fuseholder (Not Shown)	
301C	2400064	1	Fuse - 5Amp (Not Shown)	
301D	4460742	1	Connector - 2 Position (Not Shown)	
301D	4460743	2	Terminal (Not Shown)	
304	4922641	1	Switch Harness	

SECTION 2 - TURNTABLE

ITEM	PART NUMBER	QTY	DESCRIPTION	REV
	1001121340	Ref	TERMINAL BLOCK ASSEMBLY	A
401	70002818	2	Marker Strip #1	
402	70002819	4	Marker Strip #2	
403	70002820	2	Marker Strip #3	
404	70002821	2	Marker Strip #4	
405	70002822	4	Marker Strip #5	
406	70002823	1	Terminal, End Barrier	
407	70002824	2	Terminal, End Block	
408	70002825	7	Terminal, Block	
409	70002826	2	Terminal, Cross Connector Jumper	
410	3641533	1	Rail, Relay	

SECTION 2 - TURNTABLE

FIGURE 2-32. 7500W GENERATOR INSTALLATION - DEUTZ D2011 ENGINES (ROMANIAN BUILT MACHINES)



SECTION 2 - TURNTABLE

FIGURE 2-32. 7500W GENERATOR INSTALLATION - DEUTZ D2011 ENGINES (ROMANIAN BUILT MACHINES)

ITEM	PART NUMBER	QTY	DESCRIPTION	REV
		Ref	7500W GENERATOR INSTALLATION - DEUTZ D2011 ENGINES (ROMANIAN BUILT MACHINES)	
	1001146618	Ref	110V/50Hz Generator Installation	A
	1001147836	Ref	220V/50Hz Generator Installation	A
1	0100011	AR	Compound, Locking	
2	0100019	AR	Compound, Locking	
3	0100062	AR	Compound, Locking	
4	0480129	1	Belt	
5	0641403	1	Bolt 1/4 x 3/8	
6	0641407	4	Bolt 1/4 x 7/8	
7	0641505	4	Bolt 5/16 x 5/8	
8	0641516	AR	Bolt 5/16 x 2	
9	0641610	1	Bolt 3/8 x 1-1/4	
9	0641410	2	Bolt 1/4 x 1-1/4	
10	0641820	1	Bolt 1/2 x 2-1/2	
11	0641618	1	Bolt 3/8 x 2-1/4	
12	0641808	2	Bolt 1/2 x 1	
13	0721004	2	Screw #10 x 1/2	
14		Ref	Box, Switch Options:	
14	0860038	2	110V/50Hz Specs	
14	See Note	2	220V/50Hz Specs (Supply Locally)	
15	0861567	1	Junction Box Assembly (See Items 101-128 for Breakdown)	
16	0861572	1	Control Box Assembly	
16	7024488	1	Card, Circuit - Generator Power	
16	See Note	NSS	Fuse (Note: Not Available - Purchase Locally)	
16	7024489	1	Card, Circuit - Control	
16	70000619	1	Harness, Control Box (Internal)	
17	0962520	1	Bushing	
18	2460048	1	Generator Assembly	
18	70001100	1	Rotor (Includes p/n 70001384 & 70000863) (Not Shown)	
18	70001384	1	Bearing, Ball Radial (Not Shown)	
18	70000863	1	Fan (Not Shown)	
18	70002088	1	Stator (Not Shown)	
18	70002297	1	Stud	
18	70003631	1	Brushholder Assembly (Not Shown)	
18A	70004171	1	Key	
18B	70001966	1	Bearing, Ball Radial (Located in Belt Tensioner Endbell)	
18B	70003708	1	Ring, Internal Retaining (Located in Belt Tensioner Endbell)	
18B	70003709	1	Ring, External Retaining (Located in Belt Tensioner Endbell)	
18C	70001953	1	Endbell, Belt Tensioner	
18D	70004169	1	Endbell, Brush Block	
18E	70004169	1	Shroud	
18E	See Note	NSS	Insulator, Endbell (Note: Not Available for Purchase)	
18E	7027799	1	Block, Connector - 6 Position (Not Shown)	
18E	70002460	1	Nut, Brass (Attaches p/n 7027799 to Cover) (Not Shown)	
18E	7024485	1	Breaker, Circuit 30Amp (Not Shown)	
18E	70001696	1	Boot, Breaker (Not Shown)	
18E	7026626	1	Connector - 6 Position (Includes Seal) (Not Shown - Plugs into Item 39)	

SECTION 2 - TURNTABLE

ITEM	PART NUMBER	QTY	DESCRIPTION	REV
18E	7026597	1	Connector, with Leads (Not Shown)	
18E	7026188	1	Clamp, Cable Options (Not Shown)	
18E	70004169	1	Plate, End Panel	
18E	70001974	1	Decal - Terminal Connections	
18F	70001973	1	Decal - Warning Moving Parts	
19	2820031	AR	Heat Shrink	
20	3252764	1	Nameplate	
21	3311005	2	Nut #10	
22	3300454	4	Nut 1/4	
23	3311505	3	Nut 5/16	
24	3311605	1	Nut 3/8 (110V/50Hz Specs)	
24	3311405	2	Nut 1/4 (220V/50Hz Specs)	
25	3311801	1	Nut 1/2	
26		Ref	Bracket Options:	
26	3573668	1	110V/50Hz Specs	
26	0902888	1	220V/50Hz Specs	
27	3574163	1	Bracket	
28	0711414	3	Bolt M14 x 30	
29	3580317	1	Pulley	
30	3580319	1	Pulley	
31	3580320	1	Pulley	
32	3740080	2	Relay	
33	3910606	AR	Screw #6 x 3/8	
34		Ref	Gasket Options:	
34	3960422	2	110V/50Hz Specs	
34	See Note	2	220V/50Hz Specs (Supply Locally)	
35	4032015	4	Bolt M10 x 55	
36		Ref	Shield, Cover Options:	
36	1001110873	1	110V/50Hz Specs	
36	See Note	1	220V/50Hz Specs (Supply Locally)	
37	4060802	1	Guard, Switch	
38		Ref	Shield, Cover Options:	
38	1001110872	1	110V/50Hz Specs	
38	See Note	1	220V/50Hz Specs (Supply Locally)	
39	4300157	1	Stud	
40	4360336	1	Switch, Toggle	
41		Ref	Connector, Strain Relief Options:	
41	4460051	1	110V/50Hz Specs	
41	See Note	1	220V/50Hz Specs (Supply Locally)	
42		Ref	Connector, Strain Relief Options:	
42	4460071	1	110V/50Hz Specs	
42	See Note	1	220V/50Hz Specs (Supply Locally)	
43		Ref	Receptacle Options:	
43	4460346	1	110V/50Hz Specs	
43	See Note	1	220V/50Hz Specs (Supply Locally)	
44		Ref	Receptacle, Female Twist-Lock Options:	
44	4460958	1	110V/50Hz Specs	
44	See Note	1	220V/50Hz Specs (Supply Locally)	
45	4711400	4	Washer 1/4	
46	4711500	AR	Washer 5/16	
47	4711600	3	Washer 3/8	

SECTION 2 - TURNTABLE

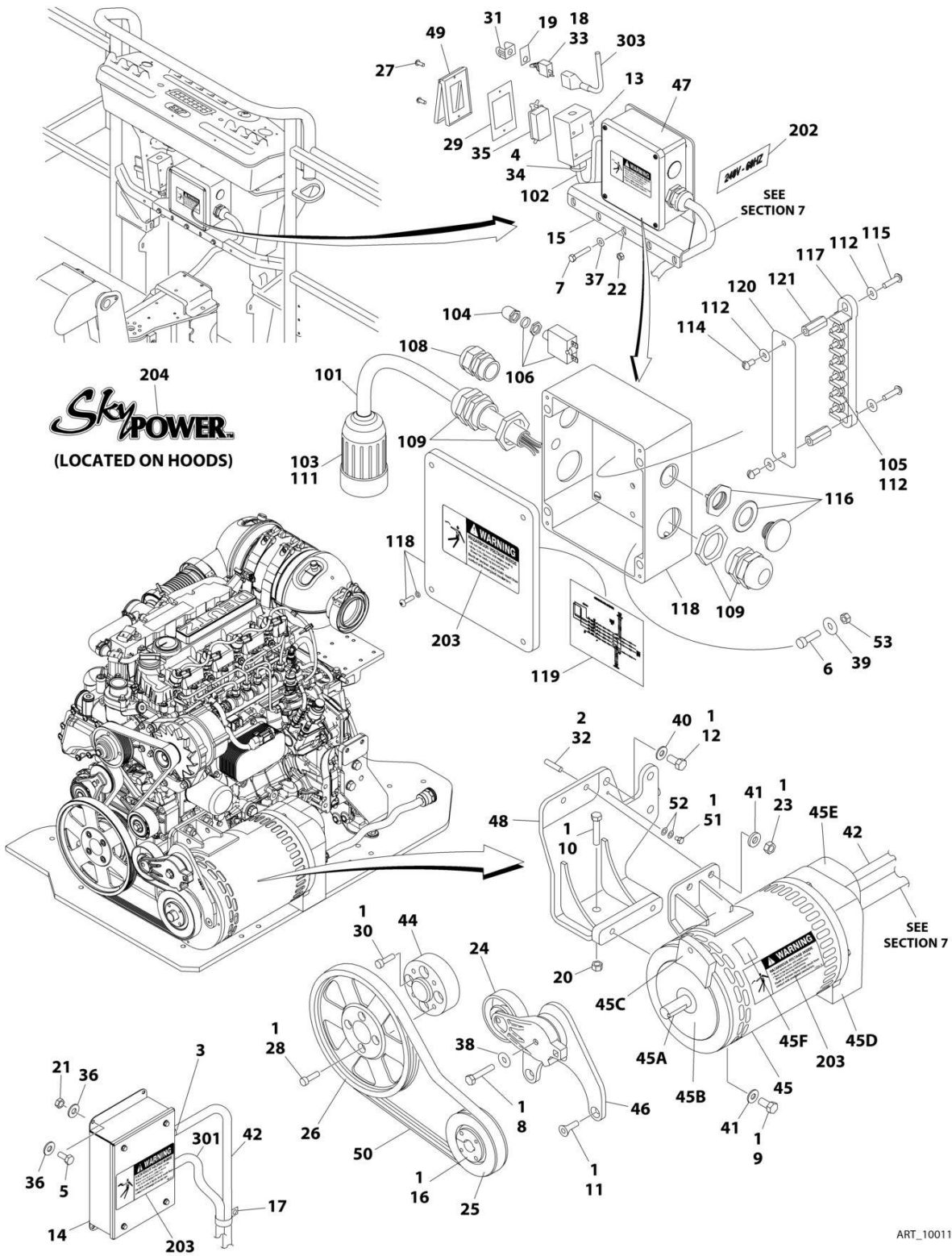
ITEM	PART NUMBER	QTY	DESCRIPTION	REV
47	4751400	4	Washer 1/4	
48	4711800	3	Washer 1/2	
49	4751000	4	Washer #10	
50	4761500	4	Washer 5/16	
51	4791400	1	Washer 1/4	
52	4922925	1	Harness, Generator	
52	4460225	1	Plug, Male - 6 Position (Plugs into Generator)	
52	See Note	NSS	Socket, Female (Use with 4460225)	
52	See Note	NSS	Seal, Plug (Use with 4460225)	
52	See Note	NSS	Seal, Interface (Use with 4460225)	
53	1001112586	1	Diagram, Wiring (Not Shown) (See Items 301-304 for Breakdown)	
54	0771415	1	Bolt M14 x 35	
55	3311805	1	Nut 1/2	
56	4812200	1	Washer M14	
57	4846567	1	Bracket, Motor Mounting	
		Ref	JUNCTION BOX ASSEMBLY	
	0861542	Ref	60Hz	D
	0861567	Ref	50Hz	B
101	0861541	1	Box, Junction	
102		Ref	Cable, Electrical - 12/3 Options:	
102	1060494	2 ft/0.6m	60Hz	
102	See Note	2 ft/0.6m	50Hz (Note: Not Available - Purchase Locally)	
103		Ref	Cable, Electrical - 10/3 Options:	
103	1060708	2.5 ft/ 0.8m	60Hz and Deutz D2011 Engines	
103	See Note	NLA	50Hz (ANSI Export, Australian and CE Specs) (Note: Not Available - Purchase Locally)	
104	1705376	1	Decal - Wiring Schematic	
105	3300396	1	Cover, Fuse	
106	3310601	2	Nut #6-32NC	
107	1060343	AR	Cable, Electrical - 10/4 (110V/50Hz Specs Only)	
109	3910610	2	Bolt #6-32NC x 5/8in	
110	4360070	1	Circuit Breaker - 15Amp	
116	4460425	2	Strain Relief, Terminal	
116	3520192	2	Plug (50Hz Spec Only)	
117	4460426	2	Connector, Strain Relief (110V/50Hz Specs Only)	
121	4750600	4	Washer #6	
122	4760600	2	Washer #6	
125	1671092	1	Cover (110V/50Hz Specs Only)	
126	4460963	1	Connector (110V/50Hz Specs Only)	
127	3520189	1	Plug (220V/50Hz Specs Only)	
128	1001121340	1	Terminal Block Assembly (See Items 401-410 for Breakdown)	
	0272589	Ref	DECAL INSTALLATION	A
202	1705461	1	Decal - 240V - 3 Phase	
203	1705489	3	Decal - Hazardous Voltage	
204	1705460	2	Decal - SkyPower	
	1001112586	Ref	ELECTRICAL DIAGRAM COMPONENTS	B
301	1001152429	Ref	Generator Harness	B
301A	4460375	7	Terminal	
301B	4460967	1	Plug, Male - 3 Position	
301B	4460465	3	Socket, Female	

SECTION 2 - TURNTABLE

ITEM	PART NUMBER	QTY	DESCRIPTION	REV
301C		Ref	Component Options:	
301C	2400060	1	Fuseholder (Not Shown)	
301C	2400064	1	Fuse - 5Amp (Not Shown)	
301D	4460742	1	Connector - 2 Position (Not Shown)	
301D	4460743	2	Terminal (Not Shown)	
304	4922641	1	Switch Harness	
	1001121340	Ref	TERMINAL BLOCK ASSEMBLY	A
401	70002818	2	Marker Strip #1	
402	70002819	4	Marker Strip #2	
403	70002820	2	Marker Strip #3	
404	70002821	2	Marker Strip #4	
405	70002822	4	Marker Strip #5	
406	70002823	1	Terminal, End Barrier	
407	70002824	2	Terminal, End Block	
408	70002825	7	Terminal, Block	
409	70002826	2	Terminal, Cross Connector Jumper	
410	3641533	1	Rail, Relay	

SECTION 2 - TURNTABLE

FIGURE 2-33. 7500W GENERATOR INSTALLATION - DEUTZ D2.9L4 ENGINE



ART_1001146637

SECTION 2 - TURNTABLE

FIGURE 2-33. 7500W GENERATOR INSTALLATION - DEUTZ D2.9L4 ENGINE

ITEM	PART NUMBER	QTY	DESCRIPTION	REV
	1001146637	Ref	7500W GENERATOR INSTALLATION - DEUTZ D2.9L4 ENGINE	E
1	0100011	AR	Compound, Locking	
2	0100019	AR	Compound, Locking	
3	0100048	AR	Grease, Dielectric	
4	0100079	AR	Sealant	
5	0641406	4	Bolt 1/4 x 3/4	
6	3931016	4	Capscrew #10 x 1	
7	0641516	3	Bolt 5/16 x 2	
8	0641616	1	Bolt 3/8 x 2	
9	0641808	2	Bolt 1/2 x 1	
10	0681822	1	Bolt 1/2 x 2-3/4 Grade 8	
11	0741607	3	Screw 3/8 x 7/8	
12	0771414	3	Bolt M14 x 30 Grade 10.9	
13	0860038	1	Box, Switch	
14	0861538	1	Control Box Assembly	
14	7024488	1	Card, Circuit - Generator Power	
14	See Note	NSS	Fuse (Note: Not Available - Purchase Locally)	
14	7024489	1	Card, Circuit - Control	
14	70000619	1	Harness, Control Box (Internal)	
15	0902888	1	Bracket	
16	0962520	1	Bushing	
17	1320318	1	Clamp	
18	2820031	AR	Heat Shrink	
19	3252764	1	Nameplate	
20	3271801	1	Nut 1/2	
21	3311405	4	Nut 1/4	
22	3311505	3	Nut 5/16	
23	3311801	2	Nut 1/2	
24	3580317	1	Pulley	
25	3580318	1	Pulley	
26	3580320	1	Pulley	
27	3910606	4	Screw #6 x 3/8	
28	3931628	4	Capscrew 3/8 x 1-3/4	
29	3960422	1	Gasket	
30	4032014	4	Bolt M10 x 50	
31	4060802	1	Guard, Switch	
32	1001163599	2	Stud	
33	4360336	1	Switch, Toggle	
34	4460071	1	Connector, Strain Relief	
35	4460346	1	Receptacle	
36	4711400	8	Washer 1/4	
37	4711500	6	Washer 5/16	
38	4711600	1	Washer 3/8	
39	4751000	4	Washer #10	
40	4812200	3	Washer M14	
41	4891800	4	Washer 1/2	
42	4922925	1	Harness, Generator	
42	4460225	1	Plug, Male - 6 Position (Plugs into Generator)	
42	See Note	NSS	Socket, Female (Use with 4460225)	
42	See Note	NSS	Seal, Plug (Use with 4460225)	

SECTION 2 - TURNTABLE

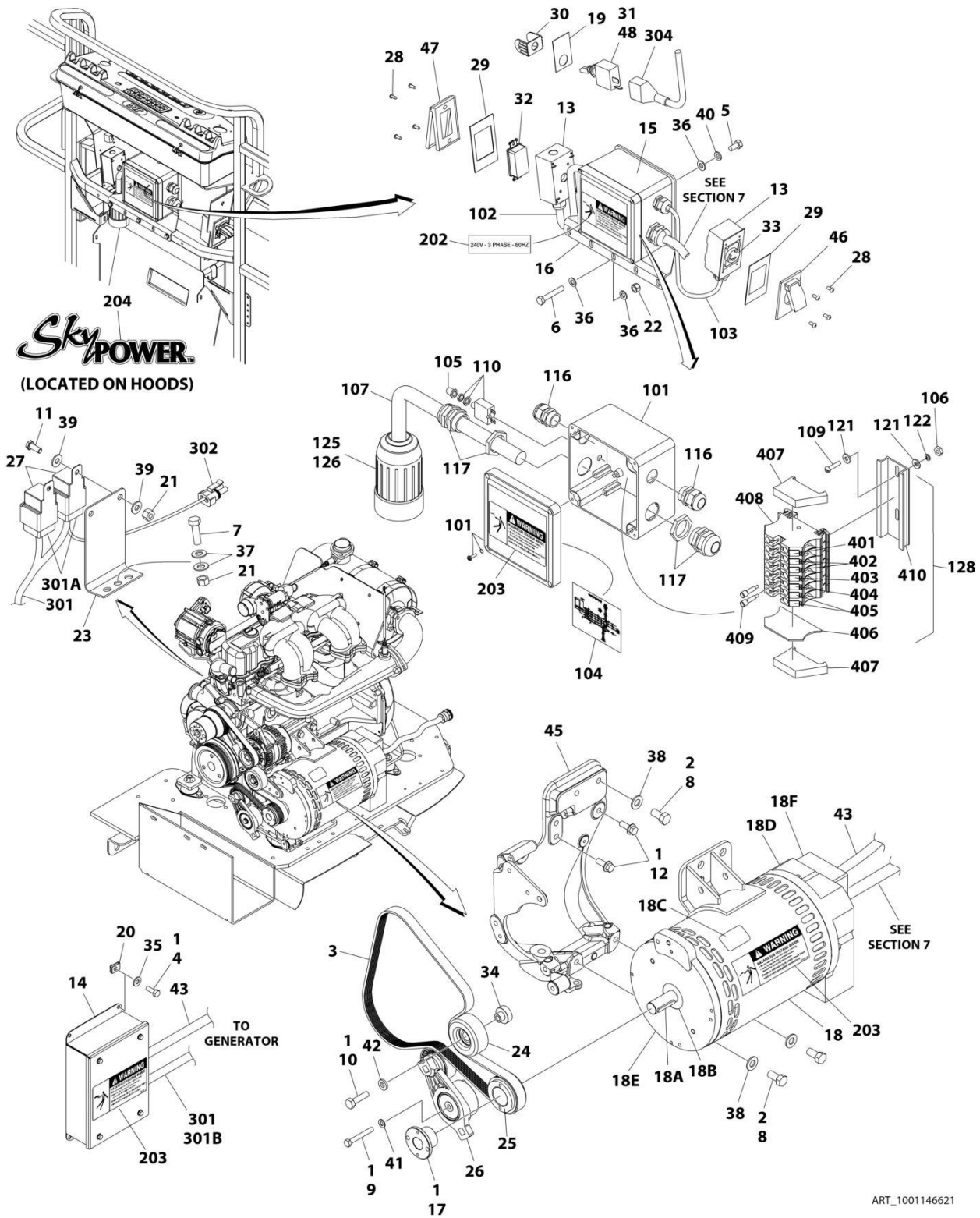
ITEM	PART NUMBER	QTY	DESCRIPTION	REV
42	See Note	NSS	Seal, Interface (Use with 4460225)	
43	1001157770	Ref	Generator Harness (Not Shown - See ELECTRICAL SECTION for Breakdown)	
44	1001135679	1	Adapter	
45	1001136988	1	Generator Assembly	
45	70001100	1	Rotor (Includes p/n 70001384 & 70000863) (Not Shown)	
45	70001384	1	Bearing, Ball Radial (Not Shown)	
45	70000863	1	Fan (Not Shown)	
45	70004093	1	Stator (Not Shown)	
45	70002297	1	Stud	
45	70003631	1	Brushholder Assembly (Not Shown)	
45A	70004099	1	Key	
45B	70001966	1	Bearing, Ball Radial (Located in Belt Tensioner Endbell)	
45B	70003708	1	Ring, Internal Retaining (Located in Belt Tensioner Endbell)	
45B	70003709	1	Ring, External Retaining (Located in Belt Tensioner Endbell)	
45C	70004092	1	Endbell, Belt Tensioner	
45D	70004094	1	Endbell, Brush Block	
45E	70004096	1	Shroud	
45E	70004097	1	Insulator, Endbell	
45E	7027799	1	Block, Connector - 6 Position (Not Shown)	
45E	70002460	1	Nut, Brass (Attaches p/n 7027799 to Cover) (Not Shown)	
45E	7024485	1	Breaker, Circuit 30Amp (Not Shown)	
45E	70001696	1	Boot, Breaker (Not Shown)	
45E	7026626	1	Connector - 6 Position (Includes Seal) (Not Shown)	
45E	7026597	1	Connector, with Leads (Not Shown)	
45E	70004098	1	Clamp, Cable (Not Shown)	
45E	70004095	1	Plate, End Panel	
45E	70001974	1	Decal - Terminal Connections	
45F	70001973	1	Decal - Warning Moving Parts	
46	1001142643	1	Support	
47	1001157592	1	Junction Box Assembly Options (See Items 101-121 for Breakdown)	
48	1001146670	1	Bracket, Motor Mounting	
49	1001110873	1	Shield, Cover	
50	1001142646	1	Belt	
51	0641404	1	Bolt 1/4 x 1/2	
52	4791400	2	Washer 1/4	
53	3311005	4	Nut #10	
	1001157592	Ref	JUNCTION BOX ASSEMBLY	C
101	1060343	1.5 ft/ 0.5m	Cable, Electrical - 10/4	
102	1001179154	2.5 ft/ 0.8m	Cable, Electrical - 12/3	
103	1671092	1	Cover	
104	3300396	1	Cover, Fuse	
105	3311001	6	Nut #10-24NC	
106	4360070	1	Circuit Breaker - 15Amp	
108	4460425	1	Connector, Strain Relief	
109	4460426	2	Connector, Strain Relief	
111	4460963	1	Connector	
112	4711000	10	Flatwasher, #10 Thin	
114	10702077	2	Screw #10-32NF x 3/8in	

SECTION 2 - TURNTABLE

ITEM	PART NUMBER	QTY	DESCRIPTION	REV
115	10702082	2	Screw #10-32NF x 3/4in	
116	1001152525	1	Plug	
117	1001157520	1	Block, Terminal	
118	1001157521	1	Box, Junction	
119	1001157528	1	Decal - Wiring Schematic	
120	1001158007	1	Cover, PVC	
121	1001158008	2	Stand-Off	
	0273380	Ref	DECAL INSTALLATION	B
202	1705375	1	Decal - 240V - 3 Phase - 60Hz	
203	1705387	3	Decal - Hazardous Voltage	
204	1705460	2	Decal - SkyPower	
	1001157770	Ref	ELECTRICAL DIAGRAM COMPONENTS	A
301	1001119968	Ref	Generator Harness (See ELECTRICAL SECTION for Breakdown)	
301	2400060	1	Fuseholder (Not Shown)	
301	2400064	1	Fuse - 5Amp (Not Shown)	
301	4460967	1	Plug, Male - 3 Position	
301	4460465	3	Socket, Female	
303	4922641	1	Switch Harness	

SECTION 2 - TURNTABLE

FIGURE 2-34. 7500W GENERATOR INSTALLATION - GM ENGINE MACHINES



ART_1001146621

SECTION 2 - TURNTABLE

FIGURE 2-34. 7500W GENERATOR INSTALLATION - GM ENGINE MACHINES

ITEM	PART NUMBER	QTY	DESCRIPTION	REV
	1001146621	Ref	7500W GENERATOR INSTALLATION - GM ENGINE MACHINES	A
1	0100011	AR	Compound, Locking	
2	0100019	AR	Compound, Locking	
3	0480142	1	Belt, Generator	
4	0641407	4	Bolt 1/4 x 7/8	
5	0641505	4	Bolt 5/16 x 5/8	
6	0641516	3	Bolt 5/16 x 2	
7	0641610	1	Bolt 3/8 x 1-1/4	
8	0641808	4	Bolt 1/2 x 1	
9	0700820	1	Bolt M8 x 60	
10	0701016	1	Bolt M10 x 40	
11	0721004	2	Bolt #10 x 1/2	
12	0811608	4	Screw 3/8 x 1	
13	0860038	2	Box, Switch	
14	0861538	1	Control Box Assembly	
14	7024488	1	Card, Circuit - Generator Power	
14	See Note	NSS	Fuse (Note: Not Available - Purchase Locally)	
14	7024489	1	Card, Circuit - Control	
14	70000619	1	Harness, Circuit Card	
15	0861542	1	Junction Box Assembly (See Items 101-128 for Breakdown)	
16	0902888	1	Bracket, Box Mounting	
17	0962520	1	Bushing, Split Taper	
18	2460048	1	Generator Assembly	
18	70003631	1	Brushholder Assembly (Not Shown) (was p/n 7024484)	
18	7024485	1	Breaker, Circuit 30Amp (Not Shown)	
18	70001696	1	Boot, Breaker (was p/n 7024486 - Not Shown)	
18	70001966	1	Bearing, Ball Radial (Located In Belt Tensioner Endbell - Not Shown)	
18	7027799	1	Block, Connector - 6 Position (Not Shown)	
18	7026626	1	Connector - 6 Position with Seal (Not Shown)	
18	70002460	6	Nut, Brass (Attaches p/n 7027799 to Cover) (Not Shown)	
18	7026188	1	Clamp, Cable (Not Shown)	
18	7026597	1	Connector, with Leads (Not Shown)	
18	70002088	1	Stator (Not Shown)	
18	70004169	1	Panel, End (Not Shown) (was p/n 70002255)	
18	70001974	1	Decal - Terminal Connections (Not Shown)	
18	70000863	1	Fan (Not Shown)	
18	70002297	4	Stud (Not Shown)	
18A	70004171	1	Key (was p/n 7024561)	
18A	70001100	1	Armature, Generator (Includes Radial Ball Bearing on End with Brushes and Fan)	
18A	70001384	1	Bearing, Ball Radial	
18B	70001966	1	Bearing, Radial Ball	
18B	70003708	1	Ring, Internal Retaining (Located in Belt Tensioner Endbell)	
18B	70003709	1	Ring, External Retaining (Located in Belt Tensioner Endbell)	
18C	70001973	1	Decal - Warning Moving Parts	
18D	70004169	1	Endbell, Brush Block (was p/n 70001385)	
18E	70001953	1	Endbell, Belt Tensioner	
18F	70004169	1	Endbell, Shroud Assembly (was p/n 70002290)	
19	3252764	1	Nameplate	

SECTION 2 - TURNTABLE

ITEM	PART NUMBER	QTY	DESCRIPTION	REV
20	3300454	4	Nut 1/4	
21	3311005	2	Nut #10	
22	3311505	3	Nut 5/16	
23	3574163	1	Bracket	
24	3580312	1	Pulley, Idler	
25	3580314	1	Pulley, Drive Grooved	
26	3580348	1	Tensioner, Belt with Pulley	
27	3740080	2	Relay	
28	3910606	8	Screw #6 x 3/8	
29	3960422	2	Gasket	
30	4060802	1	Guard, Switch	
31	4360336	1	Switch, Toggle	
32	4460346	1	Receptacle	
33	4460958	1	Receptacle, Female Twist-Lock	
34	4568735	1	Tube, Spacer Pulley Grooved	
35	4711400	4	Washer 1/4	
36	4711500	10	Washer 5/16	
37	4711600	1	Washer 3/8	
38	4711800	4	Washer 1/2	
39	4751000	4	Washer #10	
40	4761500	4	Washer 5/16	
41	4811900	1	Washer M8	
42	4891600	1	Washer 3/8 Hardened	
43	4922925	1	Harness, Generator	
43	4460225	1	Plug, Male - 6 Position (Plugs into Generator)	
43	See Note	NSS	Socket, Female (Use with 4460225)	
43	See Note	NSS	Seal, Plug (Use with 4460225)	
43	See Note	NSS	Seal, Interface (Use with 4460225)	
44	4933349	1	Diagram, Wiring (Not Shown) (See Items 301-304 for Breakdown)	
45	1001141181	1	Support	
46	1001110872	1	Cover, Receptacle	
47	1001110873	1	Cover, Receptacle	
48	2820031	AR	Heat Shrink	
	0861542	Ref	JUNCTION BOX ASSEMBLY	
101	0861541	1	Box, Junction	D
102	1060494	2 ft/0.6m	Cable, Electrical - 12/3	
103	1060708	2.5 ft/ 0.8m	Cable, Electrical - 10/3	
104	1705376	1	Decal - Wiring Schematic	
105	3300396	1	Cover, Fuse	
106	3310601	2	Nut #6-32NC	
107	1060343	1.5 ft/ 0.5m	Cable, Electrical 10/4	
109	3910610	2	Bolt #6 x 5/8	
110	4360070	1	Circuit Breaker - 15Amp	
116	4460425	2	Strain Relief, Terminal	
117	4460426	2	Connector, Strain Relief	
121	4750600	4	Washer #6	
122	4760600	2	Washer #6	
125	1671092	1	Cover	
126	4460963	1	Connector	

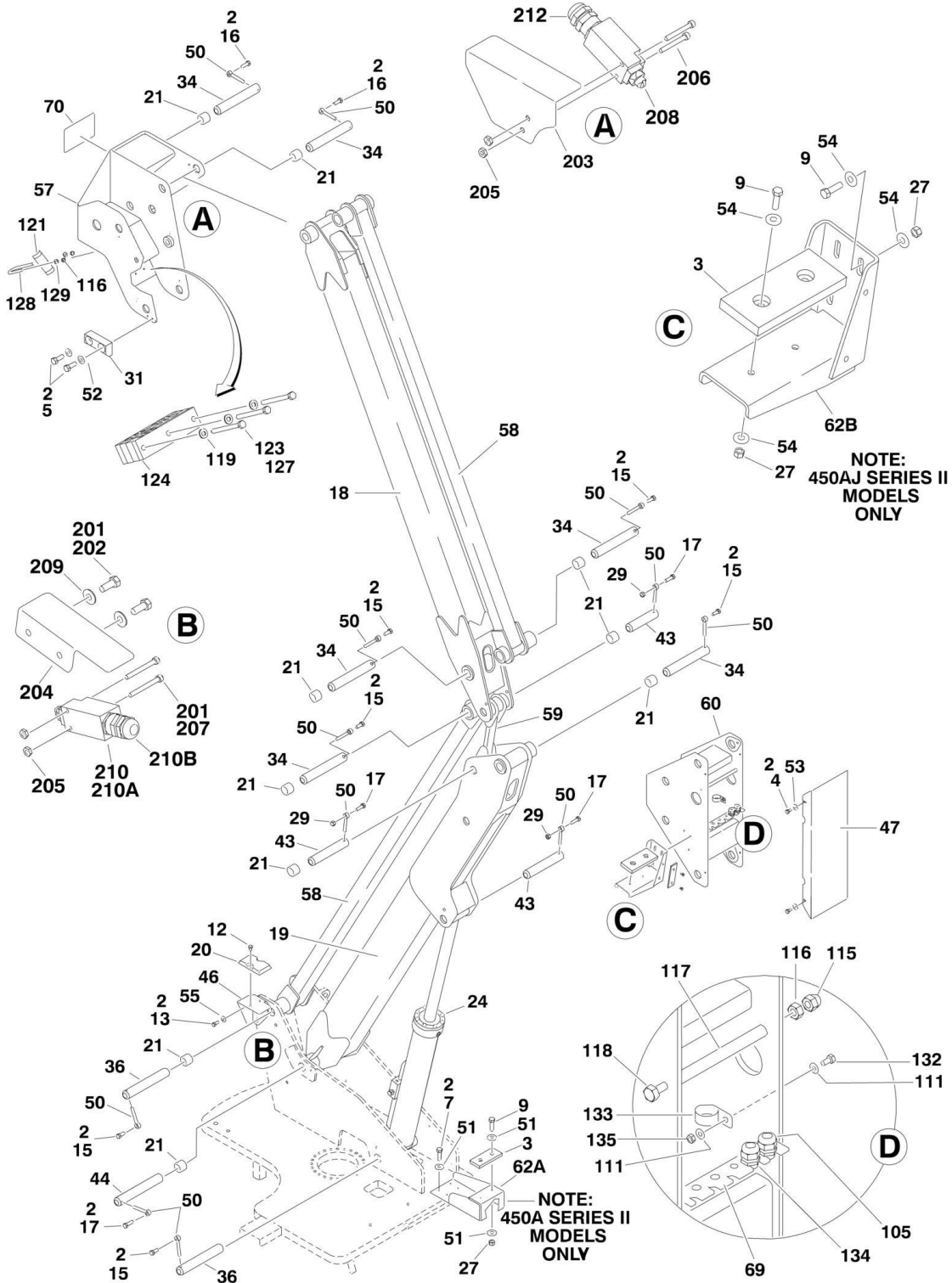
SECTION 2 - TURNTABLE

ITEM	PART NUMBER	QTY	DESCRIPTION	REV
128		Ref	Terminal Block Assembly Options (See Items 401-410 for Breakdown):	
128	NPN	1	Gray Terminal Block Assembly	
128	1001121340	1	Tan Terminal Block Assembly	
	0273380	Ref	DECAL INSTALLATION	B
202	1705375	1	Decal - 240V - 3 Phase - 60Hz	
203	1705387	3	Decal - Hazardous Voltage	
204	1705460	2	Decal - SkyPower	
	4933349	Ref	ELECTRICAL DIAGRAM COMPONENTS	B
301	4923420	1	Generator Harness	A
301A	4460374	1	Plug, Sealed Relay	
301A	4460375	8	Terminal	
301B	4460967	1	Plug, Male - 3 Position	
301B	4460465	3	Socket, Female	
301C	2400060	2	Fuseholder (Not Shown)	
301C	2400064	1	Fuse - 5Amp (Not Shown)	
302	4460742	1	Connector - 2 Position	
302	4460743	2	Socket, Female	
302	4460458	2	Seal	
304	4922641	1	Switch Harness	
		Ref	TERMINAL BLOCK ASSEMBLY	
	NPN	Ref	Gray Terminal Block Assembly (Complete Assembly Not Available - Purchase Individual Components)	
	1001121340	Ref	Tan Terminal Block Assembly	A
401		Ref	Marker Strip #1 Options	
401	4460411	2	Gray Terminal Block Assembly	
401	70002818	2	Tan Terminal Block Assembly	
402		Ref	Marker Strip #2 Options:	
402	4460412	AR	Gray Terminal Block Assembly	
402	70002819	4	Tan Terminal Block Assembly	
403		Ref	Marker Strip #3 Options:	
403	4460413	2	Gray Terminal Block Assembly	
403	70002820	2	Tan Terminal Block Assembly	
404		Ref	Marker Strip #4 Options:	
404	4460414	2	Gray Terminal Block Assembly	
404	70002821	2	Tan Terminal Block Assembly	
405		Ref	Marker Strip #5 Options:	
405	4460415	AR	Gray Terminal Block Assembly	
405	70002822	4	Tan Terminal Block Assembly	
406		Ref	Terminal, End Barrier Options:	
406	4460956	1	Gray Terminal Block Assembly	
406	70002823	1	Tan Terminal Block Assembly	
407		Ref	Terminal, End Block Options:	
407	4460607	2	Gray Terminal Block Assembly	
407	70002824	2	Tan Terminal Block Assembly	
408		Ref	Terminal, Block Options:	
408	4460957	AR	Gray Terminal Block Assembly	
408	70002825	7	Tan Terminal Block Assembly	
409		Ref	Terminal, Cross Connector Jumper Options:	
409	4461001	2	Gray Terminal Block Assembly	
409	70002826	2	Tan Terminal Block Assembly	
410	3641533	1	Rail, Relay	

SECTION 3 - BOOM

SECTION 3 - BOOM

FIGURE 3-1. TOWER/MID BOOMS AND CYLINDERS INSTALLATION (USA BUILT MACHINES)



SECTION 3 - BOOM

FIGURE 3-1. TOWER/MID BOOMS AND CYLINDERS INSTALLATION (USA BUILT MACHINES)

ITEM	PART NUMBER	QTY	DESCRIPTION	REV
		Ref	USA Built Machines use SNs 03xxxxxxx.	
		Ref	Romanian Built Machines use SNs E3xxxxxxx.	
		Ref	TOWER BOOMS AND CYLINDERS INSTALLATIONS	
	1001143921	Ref	Tower Booms and Cylinders Installations 450A Series II without Arctic Package	A
	1001143924	Ref	Tower Booms and Cylinders Installations 450A Series II with Arctic Package	A
	1001143922	Ref	Tower Booms and Cylinders Installations 450AJ Series II without Arctic Package	B
	1001143923	Ref	Tower Booms and Cylinders Installations 450AJ Series II with Arctic Package	A
2	0100011	AR	Compound, Locking	
3	0561076	1	Block, Boom Rest	
4	0641505	4	Bolt 5/16in-18NC x 5/8in	
5	0641507	2	Bolt 5/16in-18NC x 7/8in	
7	0641608	AR	Bolt 3/8in-16NC x 1in	
9	0641610	AR	Bolt 3/8in-16NC x 1-1/4in	
12	0641806	2	Bolt 1/2in-13NC x 3/4in	
13	0641810	3	Bolt 1/2in-13NC x 1-1/4in	
15	0642012	6	Bolt 5/8in-11NC x 1-1/2in	
16	0642014	2	Bolt 5/8in-11NC x 1-3/4in	
17	0642016	4	Bolt 5/8in-11NC x 2in	
18	0801272	1	Boom, Mid	
19	0801273	1	Boom, Tower	
20	0940048	1	Bumper	
21	0961950	20	Bearing	
24	1684070	1	Tower Lift Cylinder Assembly (See CYLINDER SECTION for Breakdown)	
27	3311605	AR	Locknut 3/8in-16NC	
29	3312005	3	Locknut 5/8in-11NC	
31	3340914	1	Pad	
34	3422568	6	Pin	
36	3422664	2	Pin	
43	3422912	3	Pin	
44	3422913	1	Pin	
46	3572691	1	Bracket, Boom Rest	
47	3572826	1	Cover	
50	3841258	12	Keeper, Pin	
51	4711600	AR	Flatwasher 3/8in Thin	
52	4711500	2	Flatwasher 5/16in Thin	
53	4751500	4	Flatwasher 5/16in Regular	
54	4751600	AR	Flatwasher 3/8in Regular	
55	4751800	3	Flatwasher 1/2in Regular	
57		Ref	Upright (Upper) Options:	
57	4846366	1	Upright (Upper) 450A Series II	
57	4846335	1	Upright (Upper) 450AJ Series II	
58	4846336	2	Link	
59	4846343	1	Link, Timing	
60	4846346	1	Upright (Lower)	
62		Ref	Rest, Boom Options:	
62A	3572750	1	Rest, Boom 450A Series II	

SECTION 3 - BOOM

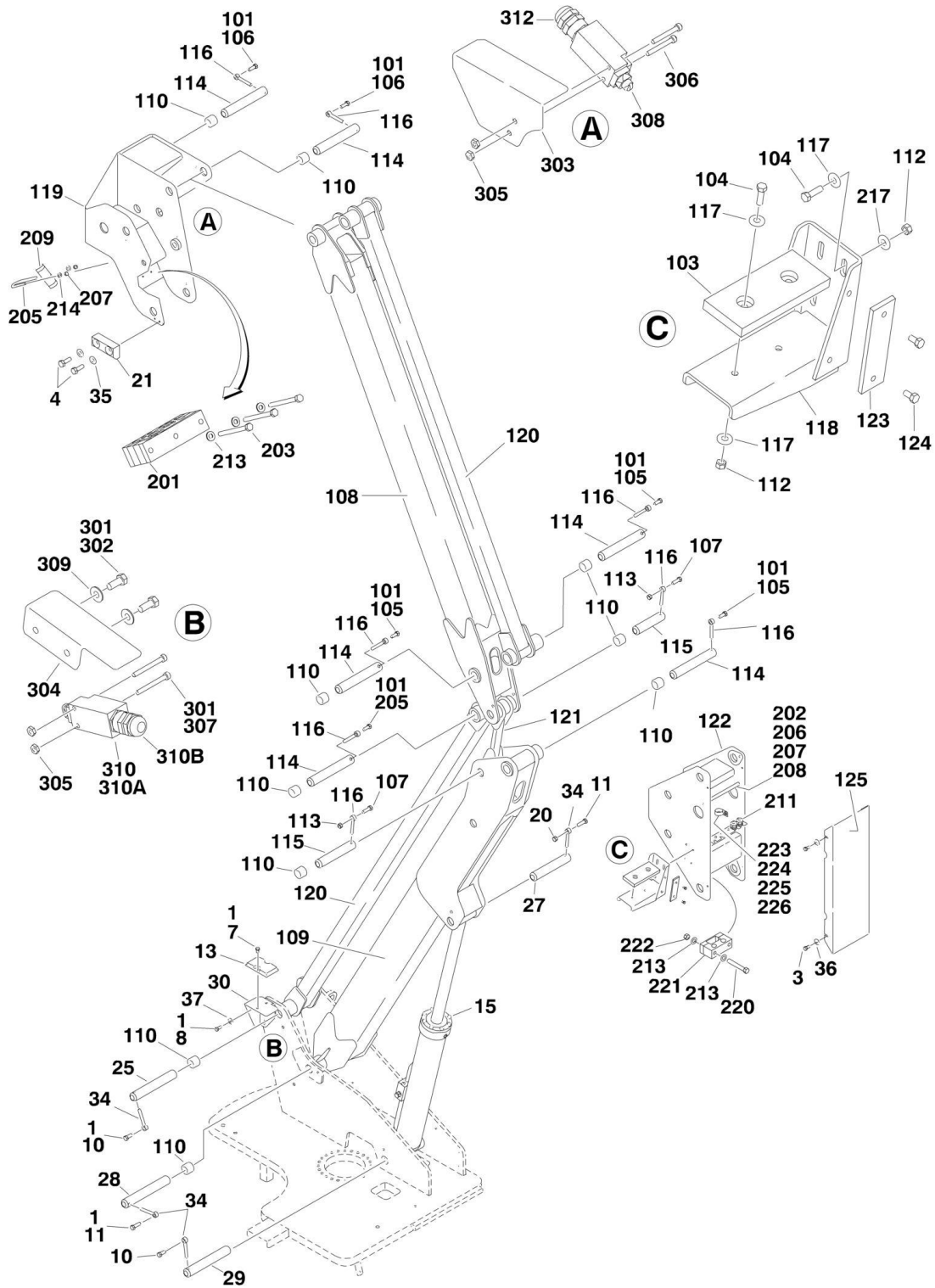
ITEM	PART NUMBER	QTY	DESCRIPTION	REV
62B	4846428	1	Rest, Boom 450AJ Series II	
63		Ref	Cable, Electrical 18/2 Options (Not Shown):	
63	4922770	1	Without Arctic Package	
63	4923469	1	With Arctic Package	
69	1001141014	1	Plate, Bulkhead Shim	
70	1671013	1	Cover (450A Series II with Arctic Package Only)	
		Ref	BOOM CABLES AND CLAMPS INSTALLATIONS	
		Ref	Note: See Section 10 for 4000W Generator Boom Cables and Clamps Installation.	
		Ref	Boom Cables and Clamps Installations 450A Series II:	
	0271311	Ref	ANSI/ANSI Export /CSA Specs without SkyPower	J
	0271310	Ref	Australian/CE Specs without SkyPower	J
	0273279	Ref	All Specs with SkyPower	C
	1001097502	Ref	All Specs with Arctic Package	A
	1001097503	Ref	All Specs with Arctic Package and SkyPower	B
		Ref	Boom Cables and Clamps Installations 450AJ Series II:	
	0271122	Ref	ANSI/ANSI Export /CSA Specs without SkyPower	J
	0271206	Ref	Australian/CE Specs without SkyPower	J
	0275116	Ref	All Specs without SkyPower with Arctic Package	D
	1001115917	Ref	ANSI Spec without SkyPower with Communication System	A
	0273280	Ref	All Specs with SkyPower	C
	0275786	Ref	All Specs with SkyPower with Arctic Package	C
	1001116516	Ref	ANSI Spec with SkyPower with Communication System	A
		Ref	Note: For Additional Components See ELECTRICAL SECTION	
105	4460425	1	Connector, Strain Relief (without SkyPower)	
111	4751400	2	Flatwasher 1/4in Regular	
113		Ref	Harness, Tower Boom Options (Not Shown - See ELECTRICAL SECTION):	
113	4922530	1	Without Arctic Package	
113	4923458	1	With Arctic Package	
115	3300420	1	Nut, Acorn 1/4in-20NC	
116	3311605	3	Locknut 3/8in-16NC	
117	3860096	1	Roller	
118	0630498	1	Bolt	
119	4711500	3	Flatwasher 5/16in Thin	
120		Ref	Tie-Strap Options (Not Shown):	
120	4240099	AR	Without Arctic Package	
120	4240018	AR	With Arctic Package	
120	4240018	AR	With Communication System	
121	4061032	2	Shield, Cable	
123	0641528	3	Bolt 5/16in-18NC x 3-1/2in	
124		Ref	Block, Clamp Options:	
124	0561460	1	All Machines Except Machines with Both Arctic Package and SkyPower	
124	1321695	1	Machines with Arctic Package Only	
124	1321695	1	Machines with SkyPower Only	
124	0561460	1	Machines with SkyPower with Communication System	
127	0100011	AR	Compound, Locking	
128	1320300	1	Clamp, Hose	
129	4711600	2	Flatwasher 3/8in Thin	
130		Ref	Cable, Electrical (Not Shown - See ELECTRICAL SECTION)	

SECTION 3 - BOOM

ITEM	PART NUMBER	QTY	DESCRIPTION	REV
130		Ref	Machines Without Artic Package or SkyPower (12/3 AC Power Cable):	
130	1060987	1	ANSI/ANSI Export /CSA Specs	
130	1060989	1	Australian /CE Specs	
130		Ref	Machines With SkyPower and/or Artic Package:	
130	4922929	AR	With SkyPower Only (8/5 AC Power Cable)	
130	4923460	AR	With Arctic Package Only (12/3 AC Power Cable)	
130	4922857	AR	With Arctic Package with Sky Power (8/5 AC Power Cable)	
130	4922857	AR	With Sky Power With Communication System (8/5 AC Power Cable)	
132	0641408	1	Bolt 1/4in-20NC x 1in	
133	1320061	1	Clamp, Hose	
134		Ref	Connector, Strain Relief	
134	1321692	1	Without Arctic Package	
134	1321692	1	With SkyPower Only	
134	1321692	1	With Arctic Package and Arctic Package with SkyPower (450A Series II)	
134	1321694	1	With Arctic Package and Arctic Package with SkyPower (450AJ Series II)	
134	1321692	1	With Communication System	
135	3311405	1	Locknut 1/4in-20NC	
136	1001115713	AR	Cable, Communication (with Communication System Only) (Not Shown)	
		Ref	LIMIT SWITCHES INSTALLATIONS	
	0272497	Ref	Limit Switches Installations 450A/AJ Series II without Arctic Package	E
	0275126	Ref	Limit Switches Installations 450A/AJ Series II with Arctic Package (Arctic Package)	C
201	0100011	AR	Compound, Locking	
202	0641406	2	Capscrew, 1/4in-20NC x 3/4in	
203	1001096617	1	Cover, Switch	
204	1671086	1	Cover, Switch	
205	3311005	4	Locknut #10-24NC	
206	3931024	2	Capscrew, Socket Head #10-24NC x 1-1/2in	
207	3931030	2	Capscrew, Socket Head #10-24NC x 1-7/8in	
208	4360548	1	Switch, Limit	
209	4751400	2	Flatwasher, 1/4in Regular	
210		Ref	Cable/Limit Switch Harness Assembly Options (See ELECTRICAL SECTION for Breakdown):	
210	4922714	1	Without Arctic Package	B
210	4923467	1	With Arctic Package	A
210A	4360548	1	Switch, Limit	
210B	4460968	1	Connector, Strain Relief	
211	4060803	8.5 in /217mm	Shield, Flex Trim (Not Shown)	
212	4460968	1	Connector, Strain Relief	

SECTION 3 - BOOM

FIGURE 3-2. TOWER/MID BOOMS AND CYLINDERS INSTALLATION (ROMANIAN BUILT MACHINES)



SECTION 3 - BOOM

FIGURE 3-2. TOWER/MID BOOMS AND CYLINDERS INSTALLATION (ROMANIAN BUILT MACHINES)

ITEM	PART NUMBER	QTY	DESCRIPTION	REV
		Ref	USA Built Machines use SNs 03xxxxxxx.	
		Ref	Romanian Built Machines use SNs E3xxxxxxx.	
		Ref	TOWER BOOMS AND CYLINDERS INSTALLATION	
	0272664	Ref	Tower Booms and Cylinders Installation 450AJ Series II Booms and Cylinders Installation	H
	1001098640	Ref	Tower Booms and Cylinders Installation 450AJ Series II Boom Assembly	F
	0275438	Ref	Tower Booms and Cylinders Installation 450AJ Series II with SkyPower	C
	1001107354	Ref	Tower Booms and Cylinders Installation 450AJ Series II Boom Assembly with SkyPower	E
1	0100011	AR	Compound, Locking	
3	0641505	4	Bolt 5/16in-18NC x 5/8in	
4	0641507	2	Bolt 5/16in-18NC x 7/8in	
7	0641806	2	Bolt 1/2in-13NC x 3/4in	
8	0641810	3	Bolt 1/2in-13NC x 1-1/4in	
10	0642012	2	Bolt 5/8in-11NC x 1-1/2in	
11	0642016	2	Bolt 5/8in-11NC x 2in	
13	0940048	1	Bumper	
15	1684239	1	Lower Lift Cylinder Assembly (See CYLINDER SECTION for Breakdown)	
20	3312005	1	Locknut 5/8in-11NC	
21	3340914	1	Pad	
25	3422664	1	Pin	
27	3422912	1	Pin	
28	3422913	1	Pin	
29	3422664	1	Pin	
30	3572691	1	Bracket, Boom Rest	
34	3841258	4	Keeper, Pin	
35	4711500	2	Flatwasher 5/16in Thin	
36	4751500	4	Flatwasher 5/16in Regular	
37	4751800	3	Flatwasher 1/2in Regular	
		Ref	TOWER BOOM ASSEMBLY	
	0272340	Ref	Tower Boom Assembly 450AJ Series II	J
	0801592	Ref	Tower Boom Assembly 450AJ Series II with SkyPower	H
101	0100011	AR	Compound, Locking	
103	0561076	1	Block, Boom Rest	
104	0641610	6	Bolt 3/8in-16NC x 1-1/4in	
105	0642012	4	Bolt 5/8in-11NC x 1-1/2in	
106	0642014	2	Bolt 5/8in-11NC x 1-3/4in	
107	0642016	2	Bolt 5/8in-11NC x 2in	
108	0801356	1	Boom, Mid	
109	0801357	1	Boom, Tower	
110	0961950	20	Bearing, Garmax	
112	3311605	6	Locknut 3/8in-16NC	
113	3312005	2	Locknut 5/8in-11NC	
114	3422568	6	Pin	
115	3422912	2	Pin	
116	3841258	8	Keeper, Pin	
117	4751600	14	Flatwasher 3/8in Regular	
118	4846905	1	Rest, Boom	

SECTION 3 - BOOM

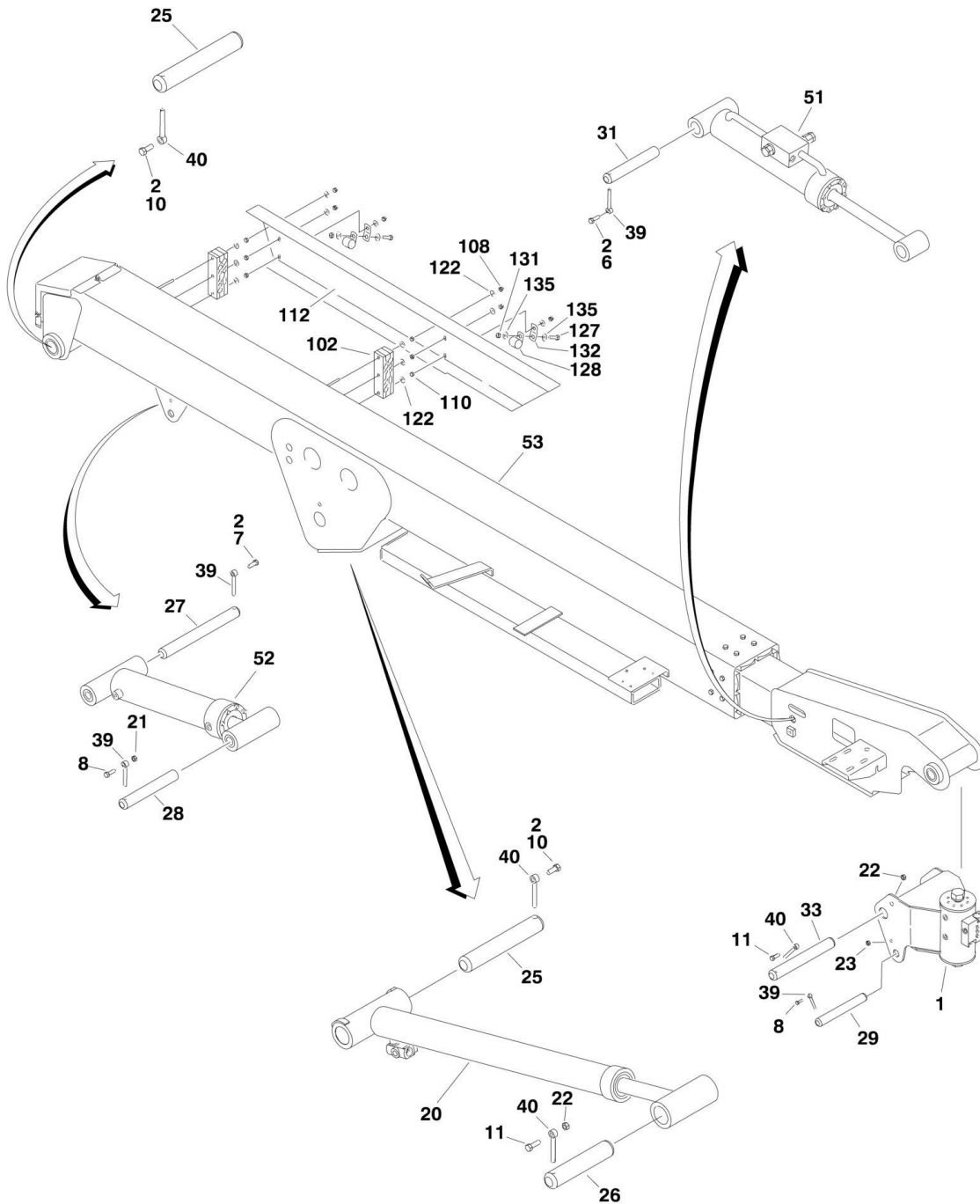
ITEM	PART NUMBER	QTY	DESCRIPTION	REV
119	4846697	1	Upright (Upper)	
120	3010140	2	Link	
121	4846701	1	Link, Timing	
122	1001145890	1	Upright (Lower)	
123	3340608	1	Pad, Wear	
124	0641605	2	Bolt, 3/8in-16NC x 3/8in	
125	3574066	1	Cover	
		Ref	BOOM CABLES AND CLAMPS INSTALLATIONS	
	0272594	Ref	Boom Cables and Clamps Installations 450AJ Series II	D
	0275436	Ref	Boom Cables and Clamps Installations 450AJ Series II with SkyPower	D
		Ref	Note: For Additional Components See ELECTRICAL SECTION	
201	0561460	1	Block, Clamp	
202	0630498	1	Bolt	
203	0641528	3	Bolt 5/16in-18NC x 3-1/2in	
204		Ref	Cable, Electrical Options (Not Shown - See ELECTRICAL SECTION):	
204	1060991	1	Without SkyPower (12/3 AC Power Cable)	
204	4922857	1	With SkyPower	
205	1320300	1	Clamp, Hose	
206	3300420	1	Nut, Acorn 1/4in-20NC	
207	3311605	3	Locknut 3/8in-16NC	
208	3860096	1	Roller	
209	4061032	2	Shield, Cable	
210	4240018	7	Tie-Strap (Not Shown)	
211		Ref	Connector, Strain Relief	
211	4460425	2	Without SkyPower	
211	1321692	1	With SkyPower	
213	4711500	AR	Flatwasher 5/16in Thin	
214	4711600	2	Flatwasher 3/8in Thin	
215	4922530	1	Harness, Tower Boom (Not Shown - See ELECTRICAL SECTION)	
216	4922770	1	Cable, Electrical (18/2 Limit Switch) (Not Shown - See ELECTRICAL SECTION)	
220	0641524	AR	Bolt 5/16in-18NC x 3in	
221	1321738	1	Clamp, Block (Machines with SkyPower Only)	
222	3311505	AR	Nut 5/16in-18NC	
223	0641408	1	Bolt 1/4in-20NC x 1in	
224	1320061	1	Clamp, Hose (Machines with SkyPower Only)	
225	3311405	1	Locknut 1/4in-20NC	
226	4751400	2	Flatwasher 1/4in Regular	
227	1320177	1	Clamp, Hose (Not Shown - Used on Airline) (Machines with SkyPower Only)	
228	2220829	1	Fitting, Plug (Not Shown - Used on Airline) (Machines with SkyPower Only)	
229	2221037	1	Fitting, Barbed (Not Shown - Used on Airline) (Machines with SkyPower Only)	
230	2720646	1	Hose, Airline (Not Shown) (Machines with SkyPower Only)	
	0272497	Ref	LIMIT SWITCHES INSTALLATION	E
301	0100011	AR	Compound, Locking	
302	0641406	2	Capscrew, 1/4in-20NC x 3/4in	
303	1001096617	1	Cover, Switch	

SECTION 3 - BOOM

ITEM	PART NUMBER	QTY	DESCRIPTION	REV
304	1671086	1	Cover, Switch	
305	3311005	4	Locknut #10-24NC	
306	3931024	2	Capscrew, Socket Head #10-24NC x 1-1/2in	
307	3931030	2	Capscrew, Socket Head #10-24NC x 1-7/8in	
308	4360548	1	Switch, Limit	
309	4751400	2	Flatwasher, 1/4in Regular	
310	4922714	1	Cable/Limit Switch Harness Assembly	
310	1060902	8.5 ft /2.6m	Cable, Electrical 18/2 (Not Shown - See ELECTRICAL SECTION)	
310	4460226	2	Socket, Contact (Not Shown)	
310A	4360548	1	Switch, Limit	
310B	4460968	1	Connector, Strain Relief	
311	4060803	8.5 in /217mm	Shield, Flex Trim (Not Shown)	
312	4460968	1	Connector, Strain Relief	

SECTION 3 - BOOM

FIGURE 3-3. MAIN BOOM INSTALLATION - 450A SERIES II



SECTION 3 - BOOM

FIGURE 3-3. MAIN BOOM INSTALLATION - 450A SERIES II

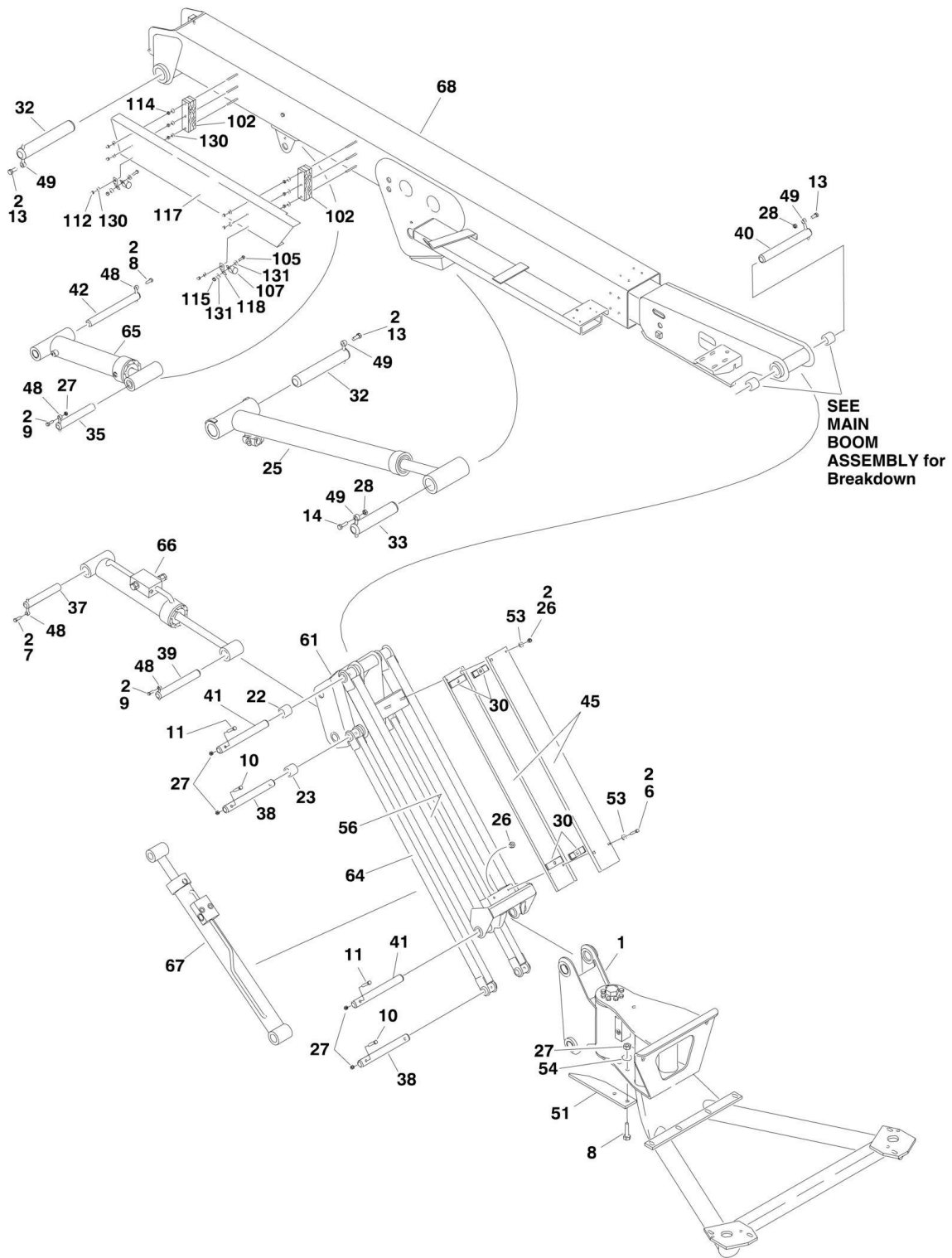
ITEM	PART NUMBER	QTY	DESCRIPTION	REV
		Ref	BOOM AND CYLINDERS INSTALLATION - 450A SERIES II	
	1001143921	Ref	Boom and Cylinders Installation 450A Series II without Arctic Package	B
	1001143924	Ref	Boom and Cylinders Installation 450A Series II with Arctic Package	B
		Ref	Rotator Assembly Options (See ROTATOR ASSEMBLIES for Breakdown):	
1	0060062	NLA	USA Built Machines (Note: Use p/n 1001181053) (SN 0300160835 through 0300201799)	
1	1001181053	1	USA Built Machines (SN 0300201800 through 0300201990)	
1	0060062	NLA	Romanian Built Machines (Note: Use p/n 1001181053) (SN E300001114 through E300002464)	
1	1001181053	1	Romanian Built Machines (SN E300002465 through E300002832)	
2	0100011	AR	Compound, Locking	
6	0641607	1	Bolt 3/8in-16NC x 7/8in	
7	0641608	1	Bolt 3/8in-16NC x 1in	
8	0641610	2	Bolt 3/8in-16NC x 1-1/4in	
10	0641810	2	Bolt 1/2in-13NC x 1-1/4in	
11	0641812	2	Bolt 1/2in-13NC x 1-1/2in	
20	1684155	1	Main Lift Cylinder Assembly (See CYLINDER SECTION for Breakdown)	
21	3311605	2	Locknut 3/8in-16NC	
22	3311805	2	Locknut 1/2in-13NC	
25	3422177	2	Pin	
26	3422178	1	Pin	
27	3422179	1	Pin	
28	3422180	1	Pin	
29	3422558	1	Pin	
31	3422578	1	Pin	
33	3422793	1	Pin	
39	3841143	4	Keeper, Pin	
40	3841203	4	Keeper, Pin	
51	1001140274	1	Level (Platform Slave) Cylinder Assembly (See CYLINDER SECTION for Breakdown)	
52	1001140276	1	Master Cylinder Assembly (See CYLINDER SECTION for Breakdown)	
53	1001143917	1	Main Boom Assembly (See MAIN BOOM ASSEMBLY for Breakdown)	
		Ref	BOOM CABLES AND CLAMPS INSTALLATIONS	
		Ref	Note: See Section 10 for 4000W Generator Boom Cables and Clamps Installation.	
	0271311	Ref	ANSI/ANSI Export/CSA Specs without SkyPower	J
	0271310	Ref	Australian/CE Specs without SkyPower	J
	0273279	Ref	All Specs with SkyPower	C
	1001097502	Ref	All Specs with Arctic Package	A
	1001097503	Ref	All Specs with Arctic Package and SkyPower	B
		Ref	Note: For Additional Components See ELECTRICAL SECTION	
102		Ref	Block, Clamp Options:	
102	0561459	2	Without Arctic Package	
102	1321696	2	With Arctic Package	

SECTION 3 - BOOM

ITEM	PART NUMBER	QTY	DESCRIPTION	REV
108	3300151	6	Nut, Acorn 1/4in-20NC	
110	3311401	6	Nut 1/4in-20NC	
112	3570535	1	Shield	
122	4751400	12	Flatwasher 1/4in Regular	
124		Ref	Harness, Main Boom Options (Not Shown - See ELECTRICAL SECTION):	
124	4922531	1	Without Arctic Package	
124	1001097504	1	With Arctic Package	
125		Ref	Cable, Electrical (Not Shown - See ELECTRICAL SECTION)	
125		Ref	Machines without Arctic Package or SkyPower (12/3 AC Power Cable):	
125	1060988	1	ANSI/ANSI Export/CSA Specs	
125	1060990	1	Australian/CE Specs	
125		Ref	Machines with Arctic Package or SkyPower:	
125	4922857	1	With SkyPower Only (8/5 AC Power Cable)	
125	4923461	1	With Arctic Package Only (12/3 AC Power Cable)	
125	4922857	1	With Both Arctic Package and Sky Power (8/5 AC Power Cable)	
127	0641506	2	Bolt 5/16in-18NC x 3/4in (With SkyPower Only)	
128	1320202	2	Clamp (With SkyPower Only)	
131	3311505	2	Locknut 5/16in-18NC (With SkyPower Only)	
132	3574532	2	Plate, Clamp Mounting (With SkyPower Only)	
135	4751500	4	Flatwasher 5/16in Regular (With SkyPower Only)	

SECTION 3 - BOOM

FIGURE 3-4. MAIN BOOM INSTALLATION - 450AJ SERIES II (USA BUILT MACHINES)



SECTION 3 - BOOM

FIGURE 3-4. MAIN BOOM INSTALLATION - 450AJ SERIES II (USA BUILT MACHINES)

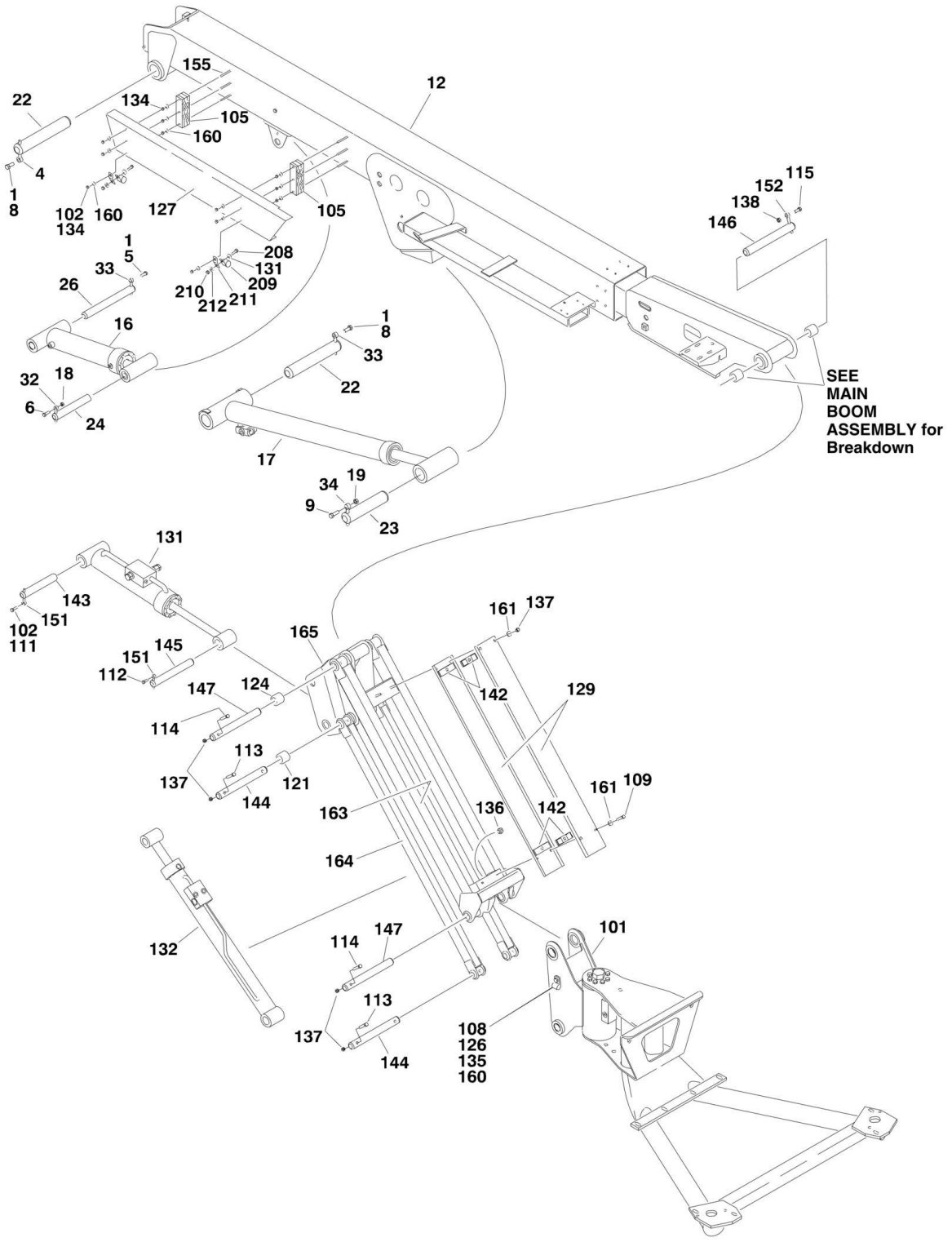
ITEM	PART NUMBER	QTY	DESCRIPTION	REV
		Ref	USA Built Machines use SNs 03xxxxxxx.	
		Ref	Romanian Built Machines use SNs E3xxxxxxx.	
		Ref	BOOM AND CYLINDERS INSTALLATION	
	1001143922	Ref	Boom and Cylinders Installation 450AJ Series II without Arctic Package	B
	1001143923	Ref	Boom and Cylinders Installation 450AJ Series II with Arctic Package	B
1		Ref	Rotator Assembly Options (See ROTATOR ASSEMBLIES for Breakdown):	
1	0060050	NLA	Without Arctic Package (Note: Use p/n 0030096) (SN 0300160835 through 0300201799)	
1	0060096	1	Without Arctic Package (SN 0300201800 through 0300201990)	
1	0060096	1	With Arctic Package	
2	0100011	AR	Compound, Locking	
6	0641518	2	Bolt 5/16in-18NC x 2-1/4in	
7	0641607	1	Bolt 3/8in-16NC x 7/8in	
8	0641608	3	Bolt 3/8in-16NC x 1in	
9	0641610	2	Bolt 3/8in-16NC x 1-1/4in	
10	0641616	4	Bolt 3/8in-16NC x 2in	
11	0641618	2	Bolt 3/8in-16NC x 2-1/4in	
13	0641810	3	Bolt 1/2in-13NC x 1-1/4in	
14	0641812	1	Bolt 1/2in-13NC x 1-1/2in	
22	0961951	2	Bushing	
23	0962292	2	Bushing	
25	1684154	1	Main Lift Cylinder Assembly (See CYLINDER SECTION for Breakdown)	
26	3311501	4	Locknut 5/16in-18NC	
27	3311605	9	Locknut 3/8in-16NC	
28	3311805	2	Locknut 1/2in-13NC	
30	3340860	4	Pad, Rubber	
32	3422177	2	Pin	
33	3422178	1	Pin	
35	3422582	1	Pin	
37	3422669	1	Pin	
38	3422791	2	Pin	
39	3422792	1	Pin	
40	3422793	1	Pin	
41	3422794	2	Pin	
42	3422806	1	Pin	
45	3572551	2	Channel, Hose Carrier	
48	3841143	4	Keeper, Pin	
49	3841203	4	Keeper, Pin	
51	4220244	1	Stop	
53	4751500	6	Flatwasher 5/16in Regular	
54	4751600	2	Flatwasher 3/8in Regular	
56	4846278	1	Link, Jib (Upper)	
61	4846356	1	Pivot, Jib	
63		Ref	Cable, Electrical 18/2 Options (Not Shown):	
63	4922770	1	Without Arctic Package	
63	4923469	1	With Arctic Package	

SECTION 3 - BOOM

ITEM	PART NUMBER	QTY	DESCRIPTION	REV
64	1001094670	2	Link, Jib (Lower)	
65		Ref	Master Cylinder Assembly Options (See CYLINDER SECTION for Breakdown):	
65	1001140278	1	Without Arctic Package	
65	1001138817	1	With Arctic Package	
66		Ref	Level (Platform Slave) Cylinder Assembly (See CYLINDER SECTION for Breakdown)	
66	1001140279	1	Without Arctic Package	
66	1001138815	1	With Arctic Package	
67		Ref	Jib Lift Cylinder Assembly (See CYLINDER SECTION for Breakdown)	
67	1001140282	1	Without Arctic Package	
67	1001138816	1	With Arctic Package	
68	1001143918	1	Main Boom Assembly (See MAIN BOOM ASSEMBLY for Breakdown)	
		Ref	BOOM CABLES AND CLAMPS INSTALLATIONS	
		Ref	Note: See Section 10 for 4000W Generator Boom Cables and Clamps Installation.	
	0271122	Ref	ANSI/ANSI Export /CSA Specs without SkyPower	J
	0271206	Ref	Australian/CE Specs without SkyPower	J
	0275116	Ref	Without SkyPower with Arctic Package	D
	1001115917	Ref	Without SkyPower with Communication System	A
	0273280	Ref	With SkyPower	C
	0275786	Ref	With SkyPower with Arctic Package	C
	1001116516	Ref	With SkyPower with Communication System	A
		Ref	Note: For Additional Components See ELECTRICAL SECTION	
102		Ref	Block, Clamp Options:	
102	0561459	2	Without Arctic Package	
102	1321696	2	With Arctic Package	
105	0641506	2	Bolt 5/16in-18NC x 3/4in (With SkyPower Only)	
107	1320202	2	Clamp (With SkyPower Only)	
112	3300151	6	Nut, Acorn 1/4in-20NC	
114	3311401	6	Nut 1/4in-20NC	
115	3311505	2	Locknut 5/16in-18NC (With SkyPower Only)	
117	3571462	1	Shield	
118	3574532	2	Plate, Clamp Mounting (With SkyPower Only)	
130	4751400	12	Flatwasher 1/4in Regular	
131	4751500	4	Flatwasher 5/16in Regular (With SkyPower Only)	
134		Ref	Harness, Main Boom Options (Not Shown - See ELECTRICAL SECTION):	
134	4922532	1	Without Arctic Package	
134	4923459	1	With Arctic Package	
135		Ref	Cable, Electrical (Not Shown - See ELECTRICAL SECTION)	
135	1060988	1	Without SkyPower (12/3 AC Power Cable)	
135	4923481	1	With Arctic Package (12/3 AC Power Cable)	
135	4922857	1	With SkyPower (8/5 AC Power Cable)	
135	4922929	1	With Arctic Package with SkyPower (8/5 AC Power Cable)	
135	4922929	1	With Communication System with SkyPower (8/5 AC Power Cable)	
136	1001115916	AR	Cable, Communication (with Communication System Only) (Not Shown)	

SECTION 3 - BOOM

FIGURE 3-5. MAIN BOOM INSTALLATION - 450AJ SERIES II (ROMANIAN BUILT MACHINES)



SECTION 3 - BOOM

FIGURE 3-5. MAIN BOOM INSTALLATION - 450AJ SERIES II (ROMANIAN BUILT MACHINES)

ITEM	PART NUMBER	QTY	DESCRIPTION	REV
		Ref	USA Built Machines use SNs 03xxxxxxx.	
		Ref	Romanian Built Machines use SNs E3xxxxxxx.	
		Ref	MAIN BOOM AND CYLINDERS INSTALLATION	
	0272664	Ref	Main Boom and Cylinders Installation 450AJ Series II Booms and Cylinders Installation	H
	1001098640	Ref	Main Boom and Cylinders Installation 450AJ Series II Boom Assembly	F
	0275438	Ref	Main Boom and Cylinders Installation 450AJ Series II Booms and Cylinders Installation with SkyPower	C
	1001107354	Ref	Main Boom and Cylinders Installation 450AJ Series II Boom Assembly with SkyPower	E
1	0100011	AR	Compound, Locking	
5	0641608	3	Bolt 3/8in-16NC x 1in	
6	0641610	1	Bolt 3/8in-16NC x 1-1/4in	
8	0641810	2	Bolt 1/2in-13NC x 1-1/4in	
9	0641812	1	Bolt 1/2in-13NC x 1-1/2in	
12		Ref	Main Boom Assembly Options (See MAIN BOOM ASSEMBLY and Items 101-165 for Breakdown):	
12	0801361	1	Without SkyPower	
12	0801593	1	With SkyPower	
16	1684241	1	Master Cylinder Assembly (See CYLINDER SECTION for Breakdown)	
17	1684244	1	Upper Lift Cylinder Assembly (See CYLINDER SECTION for Breakdown)	
18	3311605	3	Locknut 3/8in-16NC	
19	3311805	1	Locknut 1/2in-13NC	
22	3422177	2	Pin	
23	3422178	1	Pin	
24	3422582	1	Pin	
26	3422806	1	Pin	
32	3841143	2	Keeper, Pin	
33	3841203	3	Keeper, Pin	
34	3841258	4	Keeper, Pin	
39	4220244	1	Stop, Platform	
40	4751600	2	Flatwasher 3/8in Regular	
		Ref	JIB INSTALLATION	
	0801361	Ref	Without SkyPower	N
	0801593	Ref	With SkyPower	L
101		Ref	Rotator Assembly Options (See ROTATOR ASSEMBLIES for Breakdown):	
101	0060050	NLA	Rotator Assembly (Note: Use p/n 0060096) (SN E300001114 through E300002464)	
101	0060096	1	Rotator Assembly (SN E300002465 through E300002832)	
102	0100011	AR	Compound, Locking	
105	0561515	2	Clamp, Block	
109	0641518	2	Bolt 5/16in-18NC x 2-1/4in	
111	0641607	1	Bolt 3/8in-16NC x 7/8in	
112	0641610	1	Bolt 3/8in-16NC x 1-1/4in	
113	0641616	4	Bolt 3/8in-16NC x 2in	
114	0641618	2	Bolt 3/8in-16NC x 2-1/4in	
115	0641810	1	Bolt 1/2in-13NC x 1-1/4in	
121	0962292	2	Bushing	

SECTION 3 - BOOM

ITEM	PART NUMBER	QTY	DESCRIPTION	REV
124	0961951	2	Bushing	
127	3571462	1	Shield	
129	1671083	2	Cover, Jib Hose	
131	1001094789	1	Level (Platform Level) Cylinder Assembly (See CYLINDER SECTION for Breakdown)	
132	1684242	1	Jib Lift Cylinder Assembly (See CYLINDER SECTION for Breakdown)	
134	3311402	12	Nut, Jam 1/4in-20NC	
136	3311505	4	Locknut 5/16in-18NC	
137	3311605	12	Locknut 3/8in-16NC	
138	3311805	1	Locknut 1/2in-13NC	
142	3340943	4	Pad, Rubber	
143	3422669	1	Pin	
144	3422791	2	Pin	
145	3422792	1	Pin	
146	3422793	1	Pin	
147	3422794	2	Pin	
151	3841143	2	Keeper, Pin	
152	3841203	1	Keeper, Pin	
155	3951420	6	Setscrew 1/4in-20NC x 2-1/2in	
160	4751400	12	Flatwasher 1/4in Regular	
161	4751500	6	Flatwasher 5/16in Regular	
163	4846688	1	Link, Jib (Upper)	
164	4846689	2	Link, Jib (Lower)	
165	4846693	1	Pivot, Jib	
		Ref	BOOM CABLES AND CLAMPS INSTALLATION	
	0272665	Ref	Without SkyPower	C
	0275437	Ref	With SkyPower (Note: For Additional Components See ELECTRICAL SECTION)	B
201	1060996	1	Cable, Electrical (AC Cable) (Not Shown - See ELECTRICAL SECTION)	
203	4922532	1	Harness, Main Boom (Not Shown - See ELECTRICAL SECTION)	
207	4922929	1	Cable, Electrical (8/5 Generator Cable) (With SkyPower Only) (Not Shown - See ELECTRICAL SECTION):	
208	0641506	2	Bolt 5/16in-18NC x 3/4in (With SkyPower Only)	
209	1320202	2	Clamp (With SkyPower Only)	
210	3311505	2	Locknut 5/16in-18NC (With SkyPower Only)	
211	3574532	2	Plate, Clamp Mounting (With SkyPower Only)	
212	4751500	4	Flatwasher 5/16in Regular (With SkyPower Only)	
213	2820647	1	Hose, Air Line (With SkyPower Only) (Not Shown)	

FIGURE 3-6. MAIN BOOM ASSEMBLIES

ITEM	PART NUMBER	QTY	DESCRIPTION	REV
		Ref	USA Built Machines use SNs 03xxxxxxx.	
		Ref	Romanian Built Machines use SNs E3xxxxxxx.	
		Ref	MAIN BOOM ASSEMBLY (USA BUILT MACHINES)	
	1001143917	Ref	Main Boom Assembly (USA Built Machines) 450A Series II	C
	1001143918	Ref	Main Boom Assembly (USA Built Machines) 450AJ Series II	C
1	0100011	AR	Compound, Locking	
2	0100081	AR	Adhesive # 454	
3	0630401	2	Bolt, Carriage 5/16in-18NC x 2in	
4	0641605	8	Bolt 3/8in-16NC x 5/8in	
5	0641606	22	Bolt 3/8in-16NC x 3/4in	
6	0641607	4	Bolt 3/8in-16NC x 7/8in	
7	0641608	4	Bolt 3/8in-16NC x 1in	
8	0641818	4	Bolt 1/2in-13NC x 2-1/4in	
9		Ref	Base Weldment Options:	
9	0801289	1	Base Weldment 450A Series II (Note: Includes Item 9A)	
9	0801260	1	Base Weldment 450AJ Series II (Note: Does not includes Item 9A - Must be Purchased Separately)	
9A	0961950	2	Bearing	
10		Ref	Fly Weldment Options:	
10	0801290	1	Fly Weldment 450A Series II	
10	0801192	1	Fly Weldment 450AJ Series II	
11	0961948	2	Bearing	
12	1670679	1	Cover, Boom End	
13	3311401	2	Nut 1/4in-20NC	
14	3311505	4	Locknut 5/16in-18NC	
15	3311605	4	Locknut 3/8in-16NC	
16	3340837	4	Pad, Wear	
17	1001148652	8	Pad, Wear	
18	3340939	2	Pad, Rubber	
19	3422804	1	Pin	
20	3760115	2	Ring, Retaining	
21	4070897	AR	Shim (#18)	
22		Ref	Shim Options:	
22	4070898	AR	Shim (#11)	
22	4070982	AR	Shim (#16)	
23	4711500	2	Flatwasher 5/16in Thin	
24	4711600	12	Flatwasher 3/8in Thin	
25		Ref	Washer 1/4in Options:	
25	4751400	3	Flatwasher 1/4in Regular (450A Series II)	
25	4761400	3	Lockwasher 1/4in (450AJ Series II)	
26	4761800	4	Lockwasher 1/2in	
27		Ref	Tube, Carrier	
27	4845767	1	Tube, Carrier 450A Series II	
27	4846033	1	Tube, Carrier 450AJ Series II	
28		Ref	Powertrack Options:	
28	1001099838	NLA	Powertrack 450A Series II (Original Equipment) (Use p/n 1001225902)	
28	1001225902	1	Powertrack 450A Series II (Service Replacement)	
28	1001099833	1	Powertrack 450AJ Series II	

SECTION 3 - BOOM

ITEM	PART NUMBER	QTY	DESCRIPTION	REV
28	70001996	AR	Carrier Repair Section for p/n 1001099838 & 1001099833 (4 Links - Includes 1 Pin Assembly for each end)	
28	70001998	2 pr	Mounting Foot Kit for p/n 1001099838 & 1001099833 (Includes Both Pair of Feet)	
28	70006269	AR	Carrier Repair Section for p/n 1001225902 (4 Links - Includes 1 Pin Assembly for each end)	
28	70006280	2 pr	Mounting Foot Kit for p/n 1001225902 (Includes Both Pair of Feet)	
29	1001106757	3	Plate, Clamp	
30		Ref	Telescope Cylinder Assembly Options (See CYLINDER SECTION for Breakdown):	
30		Ref	Telescope Cylinder Assembly 450A Series II	
30	1001143915	1	Telescope Cylinder Assembly (SN 0300160835 through 0300175028)	
30	1001152384	1	Telescope Cylinder Assembly (SN 0300175029 through 0300201990)	
30		Ref	Telescope Cylinder Assembly 450AJ Series II	
30	1001143916	1	Telescope Cylinder Assembly (SN 0300160835 through 0300175028)	
30	1001152118	1	Telescope Cylinder Assembly (SN 0300175029 through 0300201990)	
31	1001149041	1	Pad, Wear	
		Ref	MAIN BOOM ASSEMBLY OPTIONS (ROMANIAN BUILT MACHINES)	
	0801361	Ref	Main Boom Assembly Options (Romanian Built Machines) 450AJ Series II without SkyPower	N
	0801593	Ref	Main Boom Assembly Options (Romanian Built Machines) 450AJ Series II with SkyPower	K
102	0100011	AR	Compound, Locking	
103	0100081	AR	Adhesive #454	
106	0630401	2	Bolt, Carriage 5/16in-18NC x 2in	
107	0641404	4	Bolt 1/4in-20NC x 1/2in	
110	0641604	4	Bolt 3/8in-16NC x 1/2in	
110	0641605	4	Bolt 3/8in-16NC x 5/8in	
116	0641818	4	Bolt 1/2in-13NC x 2-1/4in	
117	0791606	12	Screw 3/8in-16NC x 3/4in	
118	0791607	16	Screw 3/8in-16NC x 7/8in	
119	0801379	1	Base Weldment	
120	0801380	1	Fly Weldment	
122	0961948	2	Bearing	
123	0961950	2	Bearing	
125		Ref	Power Track Options:	
125	1180378	NLA	Power Track (Original Equipment) (Use p/n 1001225900)	
125	1001225900	1	Power Track (Service Replacement)	
125	7026120	AR	Repair Section (Used with 1180378)	
125	7026119	1	Feet, Mounting (Includes 4 Feet and Mounting Hardware) (Used with 1180378)	
125	70006267	AR	Repair Section (Used with 1001225900)	
125	70006275	1	Feet, Mounting (Includes 4 Feet and Mounting Hardware) (Used with 1001225900)	
128	1671111	1	Cover, Boom End	
130	1684262	1	Telescope Cylinder Assembly (See CYLINDER SECTION for Breakdown)	
136	3311505	2	Locknut 5/16in-18NC	
137	3311605	10	Locknut 3/8in-16NC	

SECTION 3 - BOOM

ITEM	PART NUMBER	QTY	DESCRIPTION	REV
139	3340837	4	Pad, Wear	
140	1001148652	10	Pad, Wear	
141	3340940	2	Pad, Rubber	
148	3422996	1	Pin	
149	3572448	2	Plate, Clamp	
150	3760115	2	Ring, Retaining	
153	3900283	4	Screw, Button Head 3/8in-16NC x 3/4in	
154	3900316	4	Screw, Button Head 3/8in-16NC x 1in	
155	3951420	6	Setscrew 1/4in-20NC x 2-1/2in	
156	4071056	10	Shim (1mm)	
157	4071057	10	Shim (3mm)	
158	4711400	4	Flatwasher 1/4in Thin	
159	4711600	4	Flatwasher 3/8in Thin	
162	4846734	1	Tube, Carrier	
166	4891800	4	Flatwasher 1/2in Hardened	
168	3941406	4	Screw, Self-Tapping 1/4in x 3/4in	
170	4891600	4	Flatwasher 3/8in Hardened	

SECTION 3 - BOOM

FIGURE 3-7. ROTATOR ASSEMBLIES

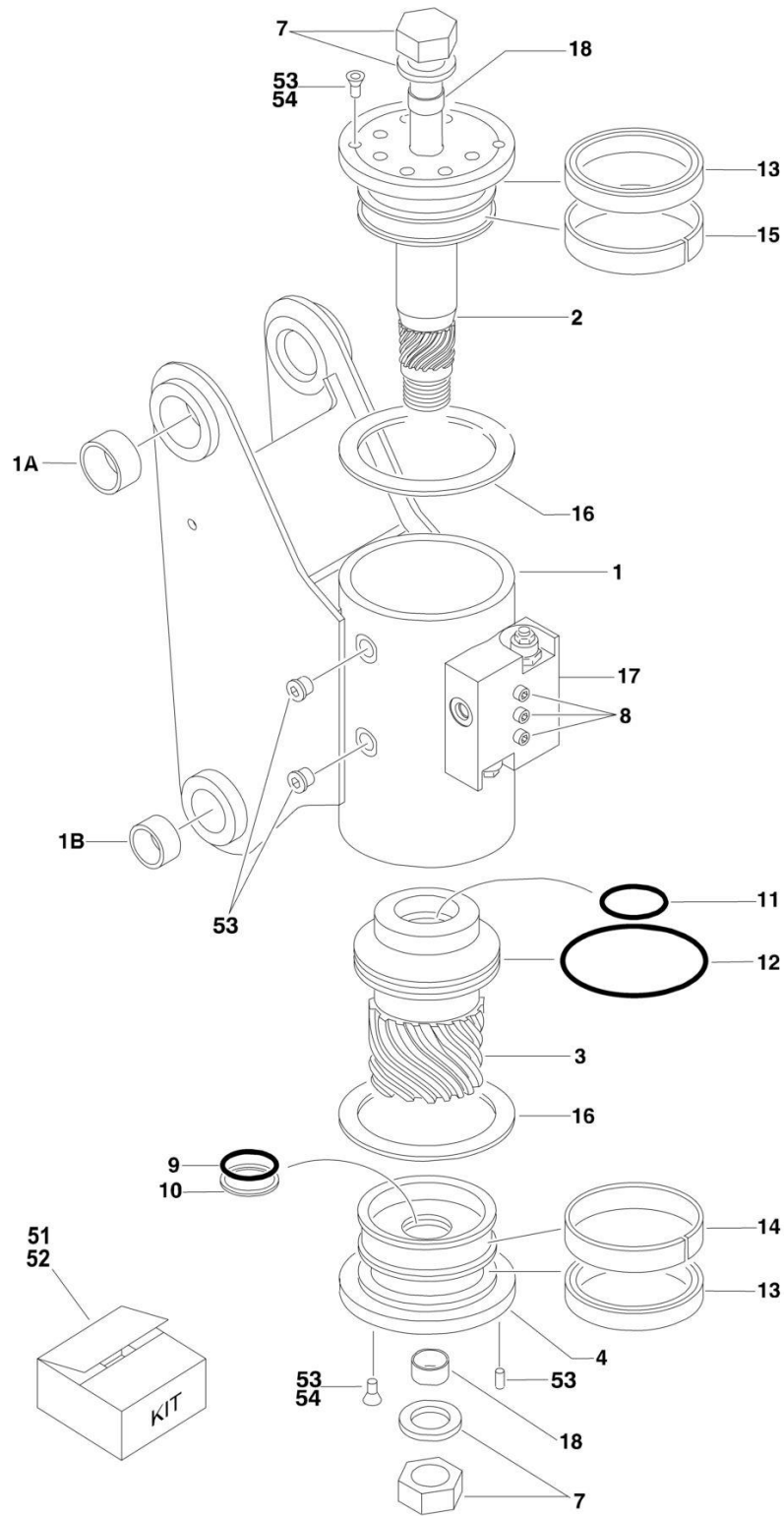


FIGURE 3-7. ROTATOR ASSEMBLIES

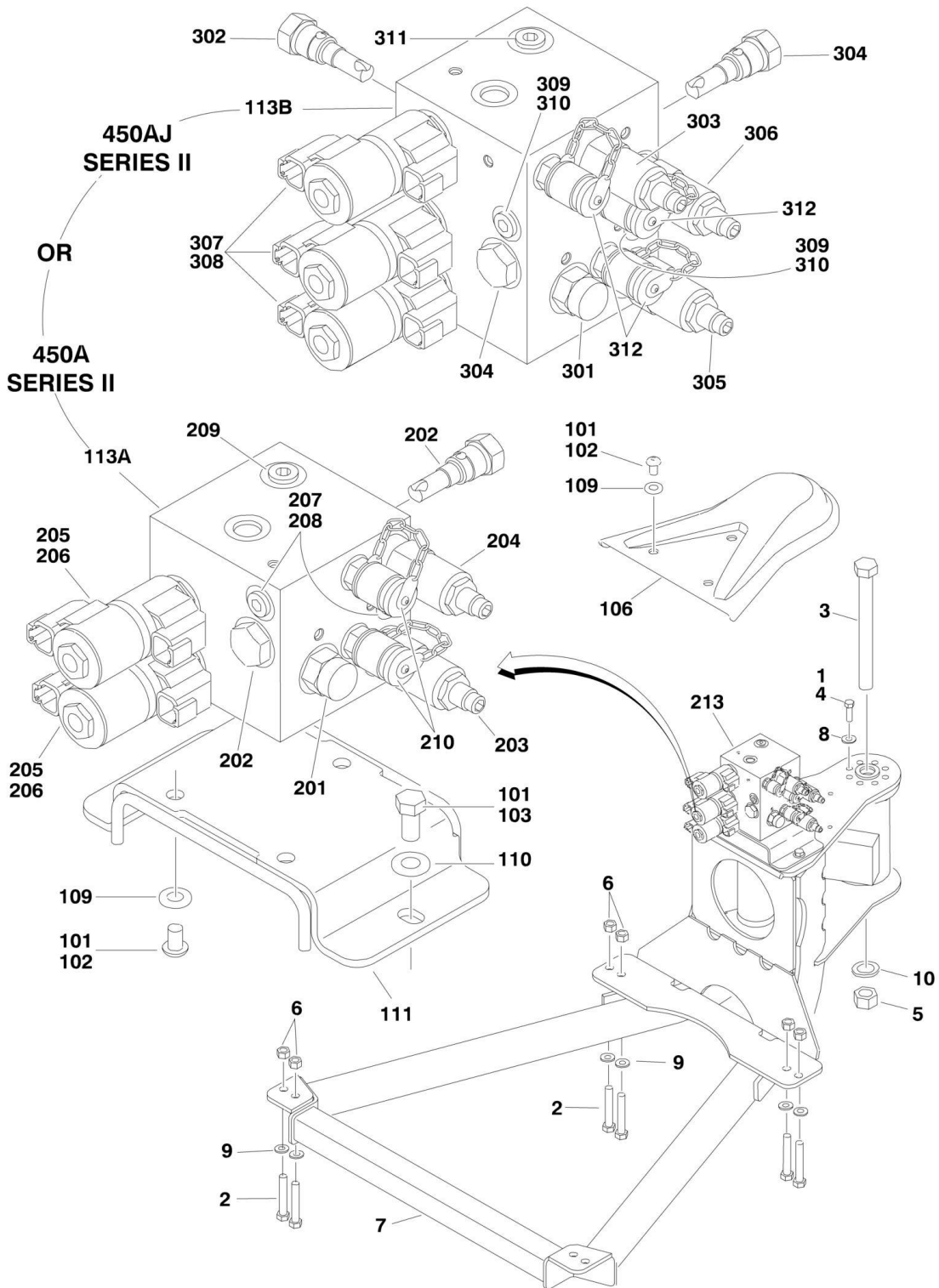
ITEM	PART NUMBER	QTY	DESCRIPTION	REV
		Ref	ROTATOR ASSEMBLIES	
	0060062	Ref	Rotator Assemblies 450A Series II	D
	1001181053	Ref	Rotator Assemblies 450A Series II	A
	0060050	Ref	Rotator Assemblies 450AJ Series II without Arctic Package	G
	0060096	Ref	Rotator Assemblies 450AJ Series II With Arctic Package	B
1	See Note	1	Case/Bracket Weldment (Note: Not Available - Purchase Complete Assembly)	
1A		Ref	Bushing Options: (Top)	
1A	Not Required	0	0060062/1001181053 Rotator	
1A	0962257	2	0060050 & 0060096 Rotators	
1B		Ref	Bushing Options: (Bottom)	
1B	Not Required	0	0060062/1001181053 Rotator	
1B	0961947	2	0060050 & 0060096 Rotators	
2		Ref	Shaft Options:	
2	7017162	1	0060062/1001181053 Rotator	
2	7017140	1	0060050 Rotator	
2	7017162	1	0060096 Rotator	
3		Ref	Sleeve, Piston Options:	
3	7017163	1	0060062/1001181053 Rotator	
3	7017139	1	0060050 Rotator	
3	7017163	1	0060096 Rotator	
4		Ref	Cap, End Options:	
4	7017164	1	0060062/1001181053 Rotator	
4	7017148	1	0060050 Rotator	
4	7017164	1	0060096 Rotator	
7	See Note	1	Tie Rod Assembly (Note: See Platform Support Installation for Components.)	
8	See Note	3	Bolt 1/4in-20NC x 1-1/2 (Grade 8) (Note: Not Available for Purchase)	
9	See Note	1	Seal, Cap (Note: Use Item 51)	
10	See Note	1	Ring, Back-Up Cap (Note: Use Item 51)	
11	See Note	1	Seal, Rod (Note: Use Item 51)	
12	See Note	1	Seal, Piston (Note: Use Item 51)	
13	See Note	2	Packing, Bearing (Note: Use Item 51)	
14	See Note	1	Bearing, Cap (Note: Use Item 52)	
15	See Note	1	Bearing, Shaft (Note: Use Item 52)	
16	See Note	2	Thrustwasher (Note: Use Item 52)	
17	7017172	1	Counterbalance Valve Assembly	
17	7017192	2	Cartridge (No Seal Kit Available)	
18		Ref	Bushing Options:	
18	7017195	2	0060062/1001181053 Rotator	
18	7017136	2	0060050 Rotator	
18	See Note	2	0060096 Rotator (Note: Not Available for Purchase)	
51		Ref	Seal Kit Options: (Includes Items 9-13)	
51	7017158	1	0060062 Rotator	
51	7017137	1	0060050 Rotator	
51	70000342	1	0060096/1001181053 Rotator	
52		Ref	Bearing Kit Options: (Includes Items 14-16)	
52	7017159	1	0060062/1001181053 Rotator	
52	7017138	1	0060050 Rotator	

SECTION 3 - BOOM

ITEM	PART NUMBER	QTY	DESCRIPTION	REV
52	7017159	1	0060096 Rotator	
53		Ref	Hardware Kit Options:	
53	See Note	1	0060050 Rotator (Note: Not Available for Purchase)	
53	7017142	1	0060062, 0060096 & 1001181053 Rotator	
54	70001697	4	Screw, Countersunk 1/4in-20NC x 3/8in (Grade 8)	

SECTION 3 - BOOM

FIGURE 3-8. PLATFORM SUPPORT AND CONTROL VALVES INSTALLATIONS



SECTION 3 - BOOM

FIGURE 3-8. PLATFORM SUPPORT AND CONTROL VALVES INSTALLATIONS

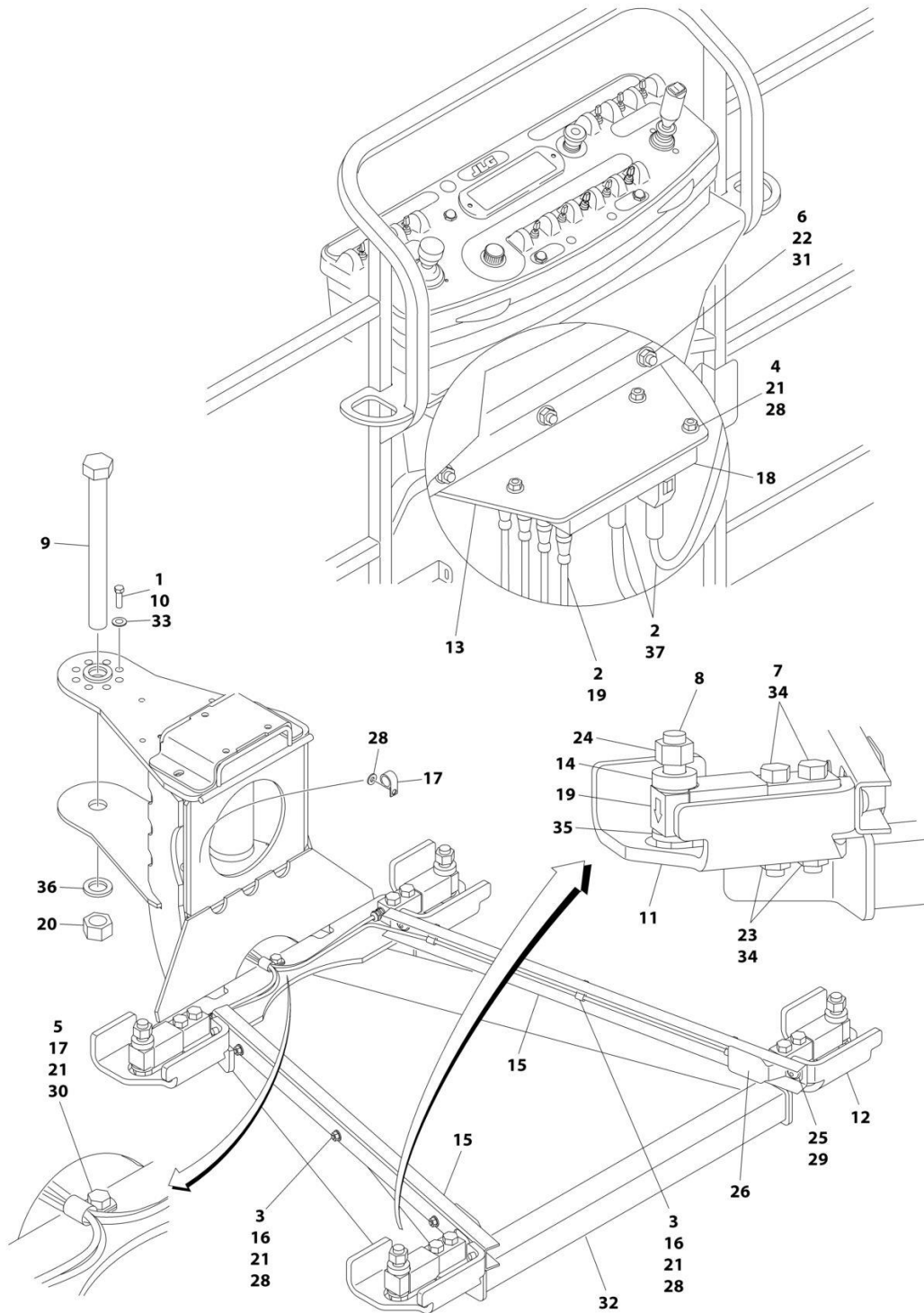
ITEM	PART NUMBER	QTY	DESCRIPTION	REV
		Ref	PLATFORM SUPPORT INSTALLATION	
	0272070	Ref	Machines without LSS	F
	See Note	Ref	Machines with LSS (Note: Refer to JLG Supplement p/n 3124287 for Components)	
1	0100011	AR	Compound, Locking	
2	0641812	8	Bolt 1/2in-13NC x 1-1/2in	
3	0642684	1	Bolt 1in-8NC x 10-1/2in	
4	0681608	8	Bolt 3/8in-16NC x 1in	
5	3300243	1	Locknut 1in-8NC	
6	3311805	8	Locknut 1/2in-13NC	
7	4846573	1	Support Weldment	
8	4891600	8	Flatwasher 3/8in Hardened	
9	4891800	8	Flatwasher 1/2in Hardened	
10	4892600	1	Flatwasher 1in Hardened	
		Ref	CONTROL VALVE INSTALLATIONS	
	1001141803	Ref	Control Valve Installations 450A Series II	B
	1001141804	Ref	Control Valve Installations 450AJ Series II	B
101	0100011	AR	Compound, Locking	
102	0630467	6	Screw, Button Head	
103	0641606	2	Bolt 3/8in-16NC x 3/4in	
106	1670964	1	Cover	
109	4711500	9	Flatwasher 5/16in Thin	
110	4711600	2	Flatwasher 3/8in Thin	
111	4846218	1	Plate, Valve Mounting	
113		Ref	Valve, Platform Options:	
113A	1001138950	1	Valve, Platform 450A Series II (See Items 201-210 for Breakdown)	
113B	1001138951	1	Valve, Platform 450AJ Series II (See Items 301-312 for Breakdown)	
	1001138950	Ref	PLATFORM VALVE ASSEMBLY (450A SERIES II)	B
201	7012989	1	Valve, Cartridge	
201	7012953	1	Seal Kit - 7012989 Valve	
202	7012914	2	Valve, Pressure Control	
202	7012918	2	Seal Kit - 7012914 Valve	
203	7023911	1	Valve, Relief	
203	7012967	1	Seal Kit - 7023911 Valve	
204	7023912	1	Valve, Relief	
204	7012967	1	Seal Kit - 7023912 Valve	
205	7017452	2	Valve, Solenoid	
205	7017402	2	Seal Kit - 7017452 Valve	
206	70002386	4	Coil	
207	See Note	2	Orifice (Note: Not available for purchase)	
208	7017406	2	Plug	
209	See Note	1	Plug (Note: Not Available for Purchase)	
210	2221086	2	Fitting, Diagnostic	
	1001138951	Ref	PLATFORM VALVE ASSEMBLY (450AJ SERIES II)	B
301	7012989	1	Valve, Cartridge	
301	7012953	1	Seal Kit - 7012989 Valve	
302	7023984	1	Valve, Cartridge	
302	7012953	1	Seal Kit - 7023984 Valve	

SECTION 3 - BOOM

ITEM	PART NUMBER	QTY	DESCRIPTION	REV
303	70003790	1	Valve, Cartridge	
303	7021653	1	Seal Kit - 70003790 Valve	
304	7012914	2	Valve, Pressure Control	
304	7012918	2	Seal Kit - 7012914 Valve	
305	7023911	1	Valve, Relief	
305	7012967	1	Seal Kit - 7023911 Valve	
306	7023912	1	Valve, Relief	
306	7012967	1	Seal Kit - 7023912 Valve	
307	7017452	2	Valve, Solenoid	
307	7017402	2	Seal Kit - 7017452 Valve	
308	70002386	6	Coil	
309	See Note	2	Orifice (Note: Not Available for Purchase)	
310	7017406	2	Plug	
311	See Note	1	Plug (Note: Not Available for Purchase)	
312	2221086	3	Fitting, Diagnostic	

SECTION 3 - BOOM

FIGURE 3-9. PLATFORM SUPPORT INSTALLATION - WITH LSS



ART_0272703

SECTION 3 - BOOM

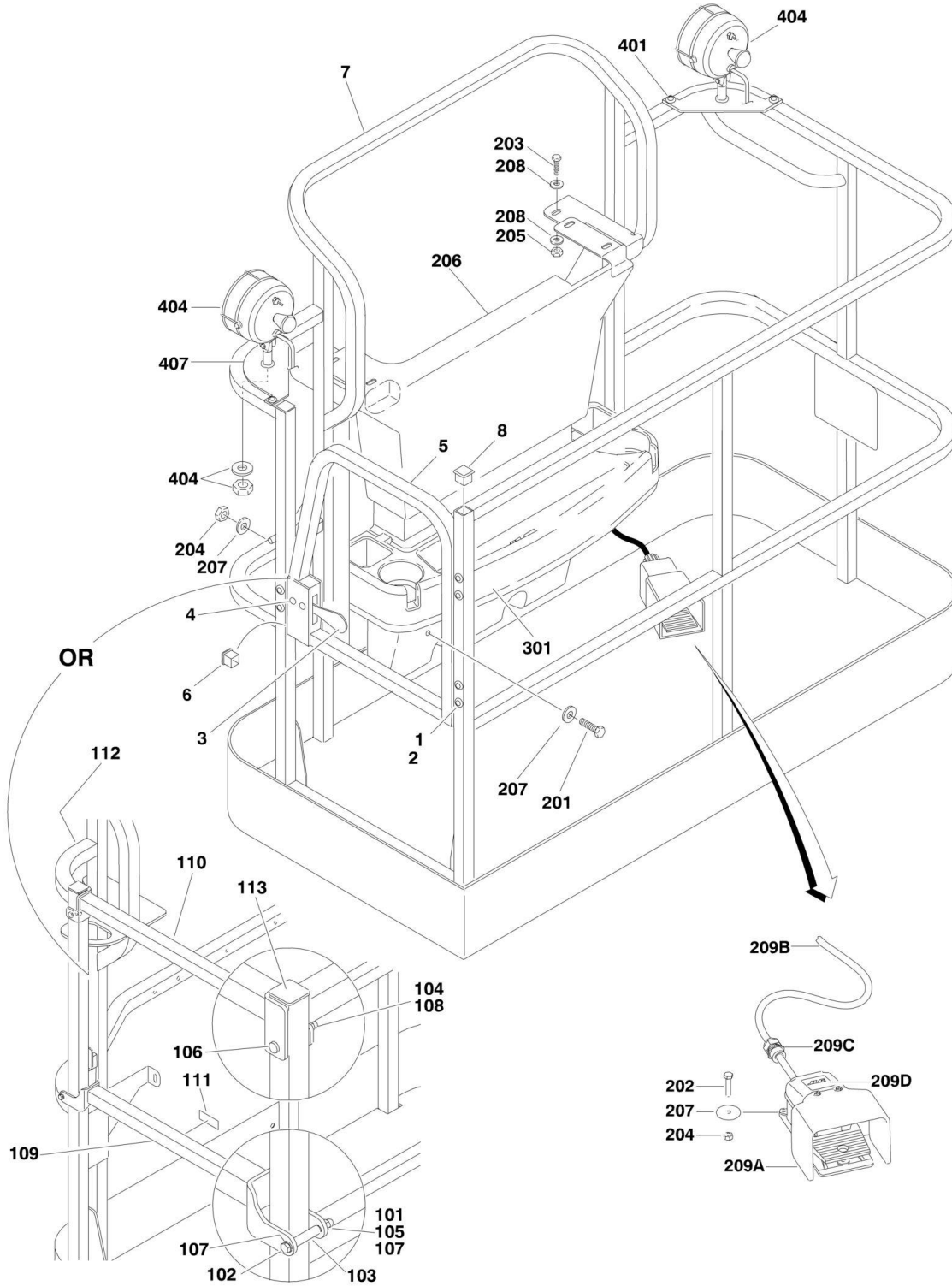
FIGURE 3-9. PLATFORM SUPPORT INSTALLATION - WITH LSS

ITEM	PART NUMBER	QTY	DESCRIPTION	REV
	0272703	Ref	PLATFORM SUPPORT INSTALLATION - WITH LSS	K
1	0100011	AR	Compound, Locking	
2	0100048	AR	Grease, Dielectric	
3	0641405	6	Bolt 1/4 x 5/8	
4	0641416	3	Bolt 1/4 x 2	
5	0641407	1	Bolt 1/4 x 7/8	
6	0641516	3	Bolt 5/16 x 2	
7	0641822	8	Bolt 1/2 x 2-3/4	
8	0642024	8	Bolt 5/8 x 3	
9	0642684	1	Bolt 1 x 10-1/2	
10	0681608	8	Bolt 3/8 x 1 Grade 8	
11	0902919	2	Bracket, Cell Guard	
12	0902920	2	Bracket, Cell Guard	
13	0902894	1	Bracket, Module Mount	
14	0962450	4	Bushing, Spacer	
15	1271538	2	Channel	
16	1320136	6	Clamp	
17	1320224	2	Clamp	
18	1600387	1	Module, Control - LSS (Note: Re-calibration Required when Replaced)	
19	2420202	4	Cell, Load (Includes Cable)	
20	3272605	1	Nut 1 Grade 8	
21	3311405	10	Nut 1/4	
22	3311508	3	Nut 5/16	
23	3311805	8	Nut 1/2	
24	3312005	4	Nut 5/8	
25	3900283	4	Screw 3/8 x 3/4	
26	4061054	2	Shield	
27	4240033	AR	Tie-Strap (Not Shown)	
28	4711400	10	Washer 1/4	
29	4711600	4	Washer 3/8	
30	4751400	1	Washer 1/4	
31	4751500	3	Washer 5/16	
32	4846573	1	Support, Platform	
33	4891600	8	Washer 3/8	
34	4891800	8	Washer 1/2	
35	4892000	4	Washer 5/8	
36	4892600	1	Washer 1	
37	4922869	1	LSS Harness	
37	4922705	1	Analyzer Harness (Not Shown)	
37	4460761	1	Receptacle, Female - 4 Position (Not Shown)	
37	4460226	2	Socket, Female	
37	4460836	1	Connector - 12 Position (Black) (J2)	
37	4460465	2	Socket, Female	
37	4460466	10	Plug, Terminal	
37	0840055	1	Boot	
37	4460933	1	Connector - 12 Position (Grey) (J1)	
37	4460465	3	Socket, Female	
37	4460466	9	Plug, Terminal	
37	0840055	1	Boot	

SECTION 4 - PLATFORM

SECTION 4 - PLATFORM

FIGURE 4-1. PLATFORM INSTALLATION



SECTION 4 - PLATFORM

FIGURE 4-1. PLATFORM INSTALLATION

ITEM	PART NUMBER	QTY	DESCRIPTION	REV
		Ref	PLATFORM ASSEMBLY WITH GATE	
		Ref	USA Built Machine Platforms	
	1001144025	Ref	6ft (1.83m) with No Mesh (SN 0300160835 through 0300200799)	D
	1001186385	Ref	6ft (1.83m) with No Mesh (SN 0300200800 through 0300201990)	C
	1001144026	Ref	5ft (1.52m) with No Mesh (SN 0300160835 through 0300200799)	D
	1001186386	Ref	5ft (1.52m) with No Mesh (SN 0300200800 through 0300201990)	B
	1001144027	Ref	4ft (1.22m) with No Mesh (SN 0300160835 through 0300200799)	D
	1001186387	Ref	4ft (1.22m) with No Mesh (SN 0300200800 through 0300201990)	B
		Ref	Romanian Built Machine Platforms	
	1001145407	Ref	6ft (1.83m) with No Mesh (SN E300001114 through E300002413)	E
	1001188312	Ref	6ft (1.83m) with No Mesh (SN E300002414 through E300002832)	C
	1001145409	Ref	5ft (1.52m) with No Mesh (SN E300001114 through E300002413)	E
	1001188315	Ref	5ft (1.52m) with No Mesh (SN E300002414 through E300002832)	C
	1001145411	Ref	4ft (1.22m) with No Mesh (SN E300001114 through E300002413)	E
	1001188319	Ref	4ft (1.22m) with No Mesh (SN E300002414 through E300002832)	B
		Ref	Note: Platform and Mesh must be ordered separately for Platforms with Mesh. See SPECIAL OPTIONS SECTION for Mesh Installations. Note: Replacement Decals Must Be Ordered Separately - See DECALS SECTION.	
1	2080040	16	Fastener, Huck	
2	2600281	2	Hinge, Self-Closing	
3	2940074	1	Latch	
4	3820020	2	Rivet, Pop	
5	1001144629	1	Gate Weldment	
6		Ref	Cap-Plug Options:	
6	3520072	1	USA Built Machines	
6	1001152037	AR	Romanian Built Machines (SN E300001114 through E300002414)	
7	See Note	NSS	Platform Weldment (Note: Not Available - Purchase Platform Assembly)	
8		Ref	Cap-Plug Options:	
8	3520072	2	USA Built Machines	
8	1001145781	AR	Romanian Built Machines	
9		Ref	Cap-Plug Options: (Not Shown - Located on platform mid rail)	
	3520072	2	USA Built Machines (SN 0300200800 through 0300201990)	
	1001152037	2	Romanian Built Machines (SN E300001114 through E300002413)	
	1001145781	2	Romanian Built Machines (SN E300002414 through E300002832)	
		Ref	PLATFORM ASSEMBLY WITH DROP-BAR	
		Ref	USA Built Machine Platforms	

SECTION 4 - PLATFORM

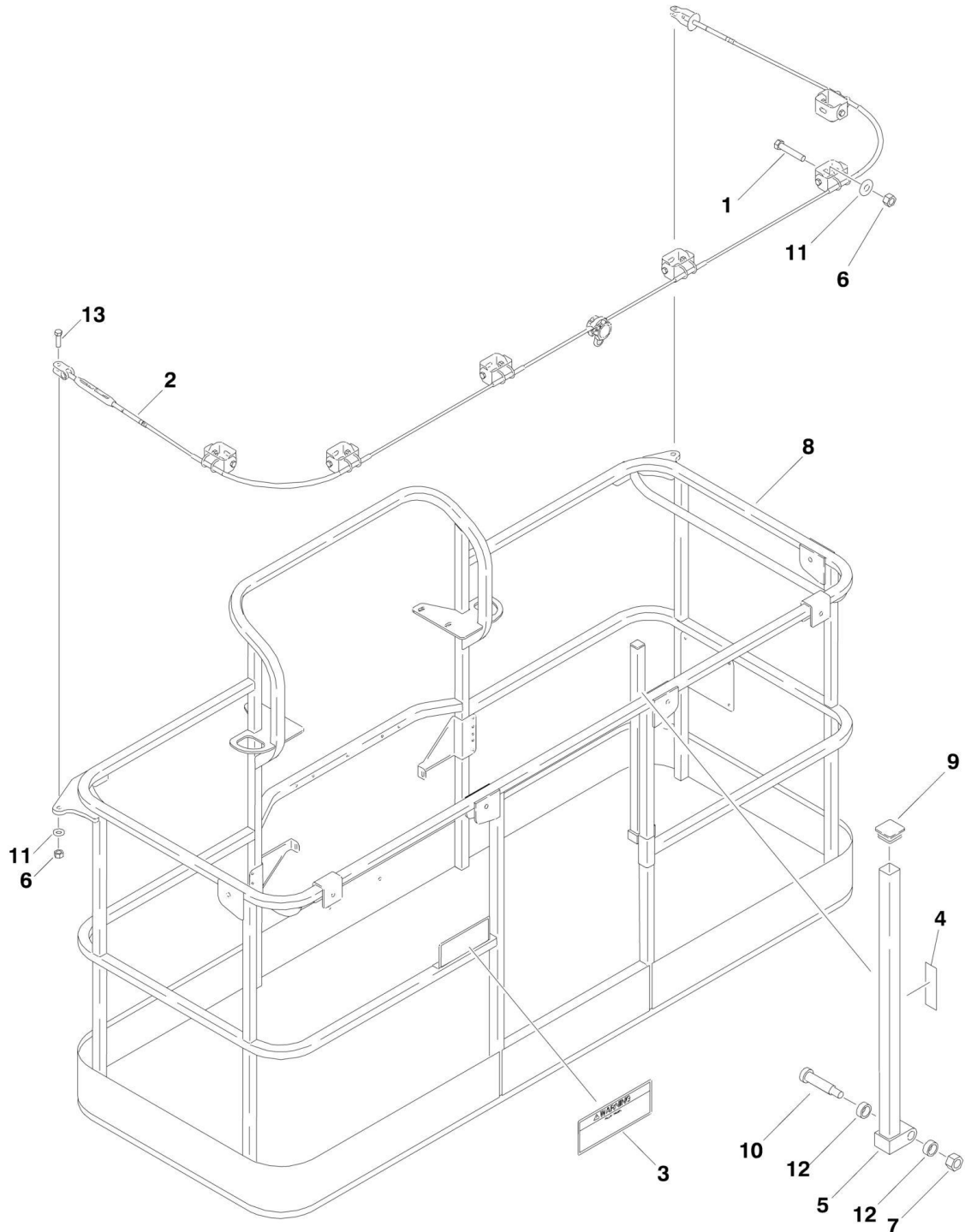
ITEM	PART NUMBER	QTY	DESCRIPTION	REV
	1001144020	Ref	6ft (1.83m) with No Mesh (SN 0300160835 through 0300200799)	D
	1001186378	Ref	6ft (1.83m) with No Mesh (SN 0300200800 through 0300201990)	C
	1001144019	Ref	5ft (1.52m) with No Mesh (SN 0300160835 through 0300200799)	D
	1001186377	Ref	5ft (1.52m) with No Mesh (SN 0300200800 through 0300201990)	B
	1001144018	Ref	4ft (1.22m) with No Mesh (SN 0300160835 through 0300200799)	D
	1001186375	Ref	4ft (1.22m) with No Mesh (SN 0300200800 through 0300201990)	B
		Ref	Romanian Built Machine Platforms	
	1001145406	Ref	6ft (1.83m) with No Mesh (SN E300001114 through E300002413)	E
	1001188311	Ref	6ft (1.83m) with No Mesh (SN E300002414 through E300002832)	B
	1001145408	Ref	5ft (1.52m) with No Mesh (SN E300001114 through E300002413)	E
	1001188314	Ref	5ft (1.52m) with No Mesh (SN E300002414 through E300002832)	B
	1001145410	Ref	4ft (1.22m) with No Mesh (SN E300001114 through E300002413)	E
	1001188318	Ref	4ft (1.22m) with No Mesh (SN E300002414 through E300002832)	B
		Ref	Note: Platform and Mesh must be ordered separately for Platforms with Mesh. See SPECIAL OPTIONS SECTION for Mesh Installations.	
		Ref	Note: Replacement Decals Must Be Ordered Separately - See DECALS SECTION.	
101	0100011	AR	Compound, Locking	
102	0641418	2	Bolt 1/4in-20NC x 2-1/4in	
103	0961845	2	Bushing	
104	3290606	2	Nut M6	
105	3300151	2	Nut, Acorn	
106	4010618	2	Screw M6 x 50mm	
107	4711400	4	Flatwasher 1/4in	
108	4811700	2	Flatwasher M6	
109	1001138494	1	Bar, Drop	
110	1001138514	1	Rail (Top)	
111	1001140429	1	Decal - Drop-Bar	
112	See Note	1	Platform Weldment (Note: Not Available - Purchase Platform Assembly)	
113		Ref	Cap-Plug Options:	
113	3520198	2	USA Built Machines	
113	1001145781	2	Romanian Built Machines	
114		Ref	Cap-Plug Options: (Not Shown - Located on platform mid rail)	
	3520072	2	USA Built Machines (SN 0300200800 through 0300201990)	
	1001145781	2	Romanian Built Machines (SN E300002414 through E300002832)	
	1001143630	Ref	CONSOLE BOX AND FOOTSWITCH INSTALLATION (WITHOUT SKYGUARD)	C
	1001190119	Ref	CONSOLE BOX AND FOOTSWITCH INSTALLATION (WITH SKYGUARD)	A
201	0641406	2	Bolt 1/4in-20NC x 3/4in	

SECTION 4 - PLATFORM

ITEM	PART NUMBER	QTY	DESCRIPTION	REV
202	0641408	3	Bolt 1/4in-20NC x 1in	
203	0641610	4	Bolt 3/8in-16NC x 1-1/4in	
204	3311405	5	Locknut 1/4in-20NC	
205	3311605	4	Locknut 3/8in-16NC	
206	3380434	1	Panel, Decal Mount	
207	4740362	1	Washer, Fender 1/4in	
208	4751600	8	Flatwasher 3/8in Regular	
209		Ref	Platform Console Assembly (Not Shown) See CONSOLE PLATFORM ASSEMBLY FOR BREAKDOWN	
	1001139202	NLA	Platform Console Assembly - USA Built Machines (Without SkyGuard) (Use p/n 1001166671) (SN 0300160835 through 0300188628)	D
	1001139202	NLA	Platform Console Assembly - Romanian Built Machines (Without SkyGuard) (Use p/n 1001166671) (SN E300001114 through E300001832)	D
	1001166671	Ref	Platform Console Assembly - USA Built Machines (Without SkyGuard) (SN 0300188629 through 0300201990)	A
	1001166671	Ref	Platform Console Assembly - Romanian Built Machines (Without SkyGuard) (SN E300001832 through E300002832)	A
	1001190095	Ref	Platform Console Assembly - USA Built Machines (With SkyGuard) (SN 0300200800 through 0300201990)	A
	1001190095	Ref	Platform Console Assembly - Romanian Built Machines (With SkyGuard) (SN E300002414 through E300002832)	A
209A	1001117174	1	Footswitch Assembly (Includes Footswitch and Items 209B-209E)	B
209A	70002902	1	Block, Contact	
209A	70002903	1	Gasket	
209A	70002905	1	Cover	
209A	70002904	1	Bolt Kit - Cover	
209B	1060918	7.5 ft /2.3m	Cable, Electrical - 18/3	
209C	4460071	1	Connector, Strain Relief	
209D	4460464	1	Pin, Male (Not Shown)	
209E	4460226	2	Socket, Female (Not Shown)	
		Ref	TRAY INSTALLATIONS (OPTIONAL)	
301	1580012	1	Tray, Storage (Center)	
	0273495	Ref	WORKLIGHTS INSTALLATIONS (OPTIONAL)	E
401	2080040	4	Fastener, Huck	
404	2920140	2	Worklight	
404	7016399	2	Bulb, Replacement (1 Per Worklight)	
407	3536089	2	Plate, Mounting	
413	4460426	1	Connector, Strain Relief (Not Shown - Located at Console Box)	
417	2820035	9	Loom, Vinyl (Not Shown)	
418	4240099	10	Tie-Strap (Not Shown)	

SECTION 4 - PLATFORM

FIGURE 4-2. FALL ARREST PLATFORM COMPONENTS INSTALLATION (OPTIONAL)



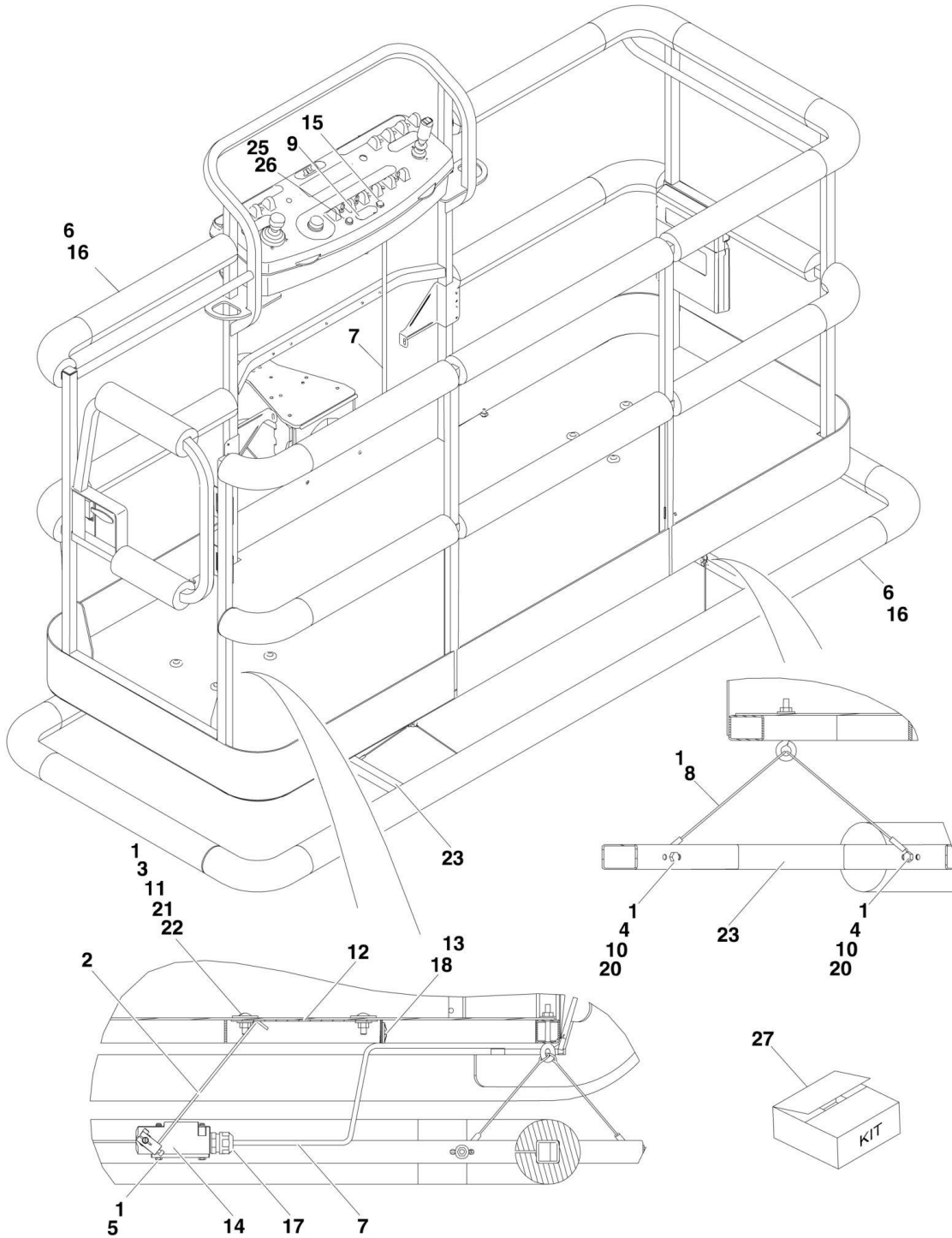
SECTION 4 - PLATFORM

FIGURE 4-2. FALL ARREST PLATFORM COMPONENTS INSTALLATION (OPTIONAL)

ITEM	PART NUMBER	QTY	DESCRIPTION	REV
		Ref	PLATFORM ASSEMBLY (FALL ARREST)	
	3510884	Ref	Platform Assembly (Fall Arrest) 450A Series II (SN 0300160835 through 0300185906)	E
	1001144597	Ref	Platform Assembly (Fall Arrest) 450A Series II (SN 0300185907 through 0300200799)	D
	1001186333	Ref	Platform Assembly (Fall Arrest) 450A Series II (SN 0300200800 through 0300201990)	B
	1001112103	Ref	Platform Assembly (Fall Arrest) 450AJ Series II (SN 0300160835 through 0300185906)	B
	1001186388	Ref	Platform Assembly (Fall Arrest) 450A/450AJ Series (SN 0300200800 through 0300201990)	A
		Ref	Note: Only Available on ANSI, ANSI Export and CSA Specs.	
1	0681822	4	Bolt 1/2in-13NC x 2-3/4in (Grade 8)	
2		Ref	Cable, Fall Arrest Options:	
2	1060919	1	Cable, Fall Arrest 450A Series II	
2	1001112943	1	Cable, Fall Arrest 450AJ Series II	
3	1705014	1	Decal - Safety	
4	1706385	1	Decal - Drop Bar	
5	2410014	1	Gate Weldment	
6	3271805	6	Locknut 1/2in-13NC (Grade 8)	
7	3311605	1	Locknut 3/8in-16NC	
8	See Note	1	Platform Weldment (Note: Purchase Platform Assembly)	
9	3520072	1	Cap-Plug	
10	3900054	1	Bolt 1/2in-13NC x 1-3/4in	
11	4751800	8	Flatwasher 1/2in Regular	
12	0962270	2	Bearing, Oilite	
13	0681814	4	Bolt 1/2in-13NC x 1-3/4in (Grade 8)	
14	4711800	2	Flatwasher 1/2in Narrow	

SECTION 4 - PLATFORM

FIGURE 4-3. SOFT TOUCH SYSTEM INSTALLATION (OPTIONAL)



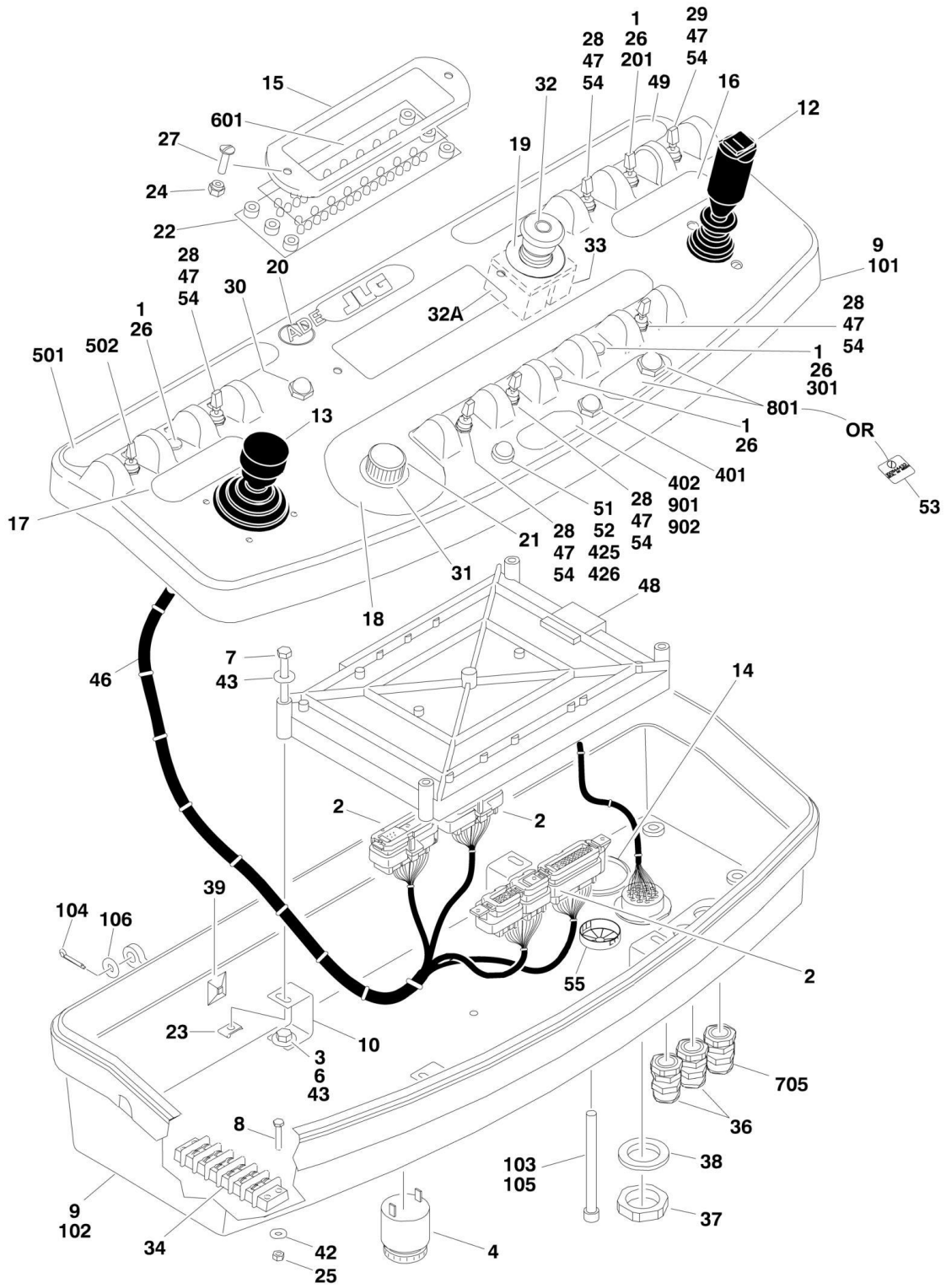
SECTION 4 - PLATFORM

FIGURE 4-3. SOFT TOUCH SYSTEM INSTALLATION (OPTIONAL)

ITEM	PART NUMBER	QTY	DESCRIPTION	REV
		Ref	SOFT TOUCH SYSTEM INSTALLATION	
	0274240	Ref	2.5ft/.7m x 6ft/1.83m Platform	C
	1001115639	Ref	2.5ft/.7m x 5ft/1.52m Fall Arrest Platform (Not Shown)	A
	1001108256	Ref	3ft/.9m x 6ft/1.83m Fall Arrest Platform (Not Shown)	A
		Ref	Note: Fall Arrest Platforms available on ANSI, ANSI Export and CSA Specs Only.	
1	0100011	AR	Compound, Locking	
2	0200048	2	Arm, Switch Activator	
3	0630462	8	Bolt, Carriage	
4	0641414	8	Bolt 1/4in-20NC x 1-3/4in	
5	0721005	4	Screw #10-32NF x 5/8in	
6	See Note	AR	Bumper, Soft Touch (Note: Use Item 27)	
7	1060341	Ref	Cable, Control - 16/2 Options:	
7	1060341	15 ft/4.6m	Cable, Control - 16/2, 2.5ft/.7m x 6ft/1.83m Platform	
7	1060341	15 ft/4.6m	Cable, Control - 16/2, 2.5ft/.7m x 5ft/1.52m Platform	
7	1060341	22.7 ft /6.9m	Cable, Control - 16/2, 3ft/.9m x 6ft/1.83mm Platform	
8	1060903	4	Wire Rope and Eyebolt Assembly	
9	1702938	1	Decal, Soft Touch Override	
10	3311401	8	Nut 1/4in-20NC	
11	3311501	8	Nut 5/16in-18NC	
12		Ref	Plate, Switch Strike Options:	
12	3575705	2	2.5ft/.7m x 6ft/1.83mm Platform	
12	3575705	2	2.5ft/.7m x 5ft/1.52mm Fall Arrest Platform	
12	3575359	2	3ft/.9m x 6ft/1.83mm Fall Arrest Platform	
13	4240099	1	Tie, Wire	
14	4360057	2	Switch, Limit	
15	4360387	1	Switch, Yellow Push Button	
16	4420068	1	Tape, Yellow Adhesive	
17	4460049	2	Connector, Strain Relief	
18	4460234	2	Terminal, Mount Cable Tie	
19	4460425	1	Terminal, Strain Relief (Not Shown)	
20	4751400	16	Flatwasher 1/4in Regular	
21	4751500	8	Flatwasher 5/16in Regular	
22	4751800	8	Flatwasher 1/2in Regular	
23		Ref	Weldment, Soft Touch Rail Options:	
23	4846370	1	2.5ft/.7m x 6ft/1.83mm Platform	
23	1001115641	1	2.5ft/.7m x 5ft/1.52mm Fall Arrest Platform	
23	3641569	1	3ft/.9m x 6ft/1.83mm Fall Arrest Platform	
25	2920028	1	Lamp, Indicator	
26	2920029	1	Bulb, Light	
27		Ref	Bumper Kit Options (Includes Corners and Enough Straight Material for One Platform):	
27	0940167	1	2.5ft/.7m x 6ft/1.83mm Platform	
27	1001115848	1	2.5ft/.7m x 5ft/1.52mm Fall Arrest Platform	
27	0940177	1	3ft/.9m x 6ft/1.83mm Fall Arrest Platform	

SECTION 4 - PLATFORM

FIGURE 4-4. PLATFORM CONSOLE ASSEMBLY



SECTION 4 - PLATFORM

FIGURE 4-4. PLATFORM CONSOLE ASSEMBLY

ITEM	PART NUMBER	QTY	DESCRIPTION	REV
		Ref	PLATFORM CONSOLE ASSEMBLY	
	1001139202	Ref	Platform Console Assembly - Without SkyGuard (USA Built Machines) (Use p/n 1001166671) (SN 0300160835 through 0300188628)	D
	1001139202	Ref	Platform Console Assembly - Without SkyGuard (Romanian Built Machines) (Use p/n 1001166671) (SN E300001114 through E300001831)	D
	1001166671	Ref	Platform Console Assembly - Without SkyGuard (USA Built Machines) (SN 0300188629 through 0300201990)	A
	1001166671	Ref	Platform Console Assembly - Without SkyGuard (Romanian Built Machines) (SN E300001832 through E300002832)	A
	1001190095	Ref	Platform Console Assembly - With SkyGuard (USA Built Machines) (SN 0300200800 through 0300201990)	A
	1001190095	Ref	Platform Console Assembly - With SkyGuard (Romanian Built Machines) (SN E300002416 through E300002832)	A
1	0100009	AR	Sealant	
2	0100048	AR	Grease, Dielectric	
3	0100081	AR	Adhesive #454	
4	0140011	1	Alarm	
6	0641406	4	Bolt 1/4in-20NC x 3/4in	
7	0641414	4	Bolt 1/4in-20NC x 1-3/4in	
8	0721006	2	Screw, Machine #10-24NC x 3/4in	
9	0861441	1	Box, Console (See Items 101-106 for Breakdown) (Without SkyGuard)	
9	1001190017	1	Box, Console (See Items 101-106 for Breakdown) (With SkyGuard)	
10		Ref	Bracket, Support Options:	
	0902751	4	Bracket, Support USA Built Machines (SN 0300160835 through 0300188628)	
	0902751	4	Bracket, Support Romanian Built Machines (SN E300001114 through E300001831)	
	1001172760	4	Bracket, Support USA Built Machines (SN 0300188629 through 0300201990)	
	1001172760	4	Bracket, Support Romanian Built Machines (SN E300001832 through E300002832)	
12		Ref	Controller Assembly (Drive and Steer) (See CONTROLLER ASSEMBLY (DRIVE AND STEER) for Breakdown)	
12	1001118416	NLA	Controller Assembly USA Built Machines (Drive and Steer) (Use p/n 1001212415) (SN 0300160835 through 0300188628)	
12	1001118416	NLA	Controller Assembly Romanian Built Machines (Drive and Steer) (Use p/n 1001212415) (SN E300001114 through E300001831)	
12	1001166538	NLA	Controller Assembly USA Built Machines (Drive and Steer) (Use p/n 1001212415) (SN 0300188629 through 0300201990)	
12	1001166538	NLA	Controller Assembly Romanian Built Machines (Drive and Steer) (Use p/n 1001212415) (SN E300001832 through E300002832)	
13		Ref	Controller Assembly (Lift and Swing) (See CONTROLLER ASSEMBLY (LIFT AND SWING) for Breakdown)	
13	1001118417	NLA	Controller Assembly USA Built Machines (Lift and Swing) (Use p/n 1001129555)	
13	1001118417	NLA	Controller Assembly Romanian Built Machines (Lift and Swing) (Use p/n 1001129555)	
13	1001166539	NLA	Controller Assembly USA Built Machines (Lift and Swing) (Use p/n 1001129555) (SN 0300188629 through 0300201990)	

SECTION 4 - PLATFORM

ITEM	PART NUMBER	QTY	DESCRIPTION	REV
13	1001166539	NLA	Controller Assembly Romanian Built Machines (Lift and Swing) (Use p/n 1001129555) (SN E300001832 through E300002832)	
14	1001110434	1	Cover	
15	1671176	1	Bezel	
16	1702565	1	Decal (Drive and Steer)	
17	1702566	1	Decal (Lift and Swing)	
18	1702567	1	Decal (Function Speed)	
19	1704260	1	Decal - EMS	
20	1705132	1	Decal - ADE Control USA Built Machines (SN 0300160835 through 0300188628)	
20	1705132	1	Decal - ADE Control Romanian Built Machines (SN E300001114 through E300001831)	
21	2560136	1	Handle, Knob	
22	2920154	1	Panel, LED Light	
23	3300353	4	Nut, Tinneman	
24	3300408	2	Insert, Nylon	
25	3311005	2	Locknut #10-24NC	
26	3520054	4	Plug, Hole	
27	3911018	2	Screw, Machine #10-24NC x 1-1/8in	
28		Ref	Switch, Toggle Options:	
28	4360328	5	Switch, Toggle USA Built Machines (SN 0300160835 through 0300188628)	
28	4360328	5	Switch, Toggle Romanian Built Machines (SN E300001114 through E300001831)	
28	1001155045	5	Switch, Toggle USA Built Machines (SN 0300188629 through 0300201990)	
28	1001155045	5	Switch, Toggle Romanian Built Machines (SN E300001832 through E300002832)	
29		Ref	Switch, Toggle Options:	
29	4360330	1	Switch, Toggle USA Built Machines (SN 0300160835 through 0300188628)	
29	4360330	1	Switch, Toggle Romanian Built Machines (SN E300001114 through E300001831)	
29	1001159256	1	Switch, Toggle USA Built Machines (SN 0300188629 through 0300201990)	
29	1001159256	1	Switch, Toggle Romanian Built Machines (SN E300001832 through E300002832)	
30	4360387	1	Switch, Pushbutton	
31	4360407	1	Controller, Speed	
31	See Note	1	Gasket "Top Hat" (Included with Switch) (Note: Not Available - Purchase Complete Controller.)	
31	70003784	1	Seal	
32	4360475	1	Switch, Emergency Stop	
32	7020175	1	Cap, Red	
32A	7020176	1	Contact Block	
33	4360476	1	Block, Contact	
34	4460007	1	Bussbar	
35	4460234	3	Base, Tie-Strap Mounting (Not Shown - Located on Item 101)	
36	4460428	2	Connector, Strain Relief	
37	4460470	1	Nut, Terminal	
38	4460471	1	Lockwasher, Terminal	
39	4460488	1	Base, Mounting	
40	4460708	2	Receptacle - 15 Position (Not Shown)	

SECTION 4 - PLATFORM

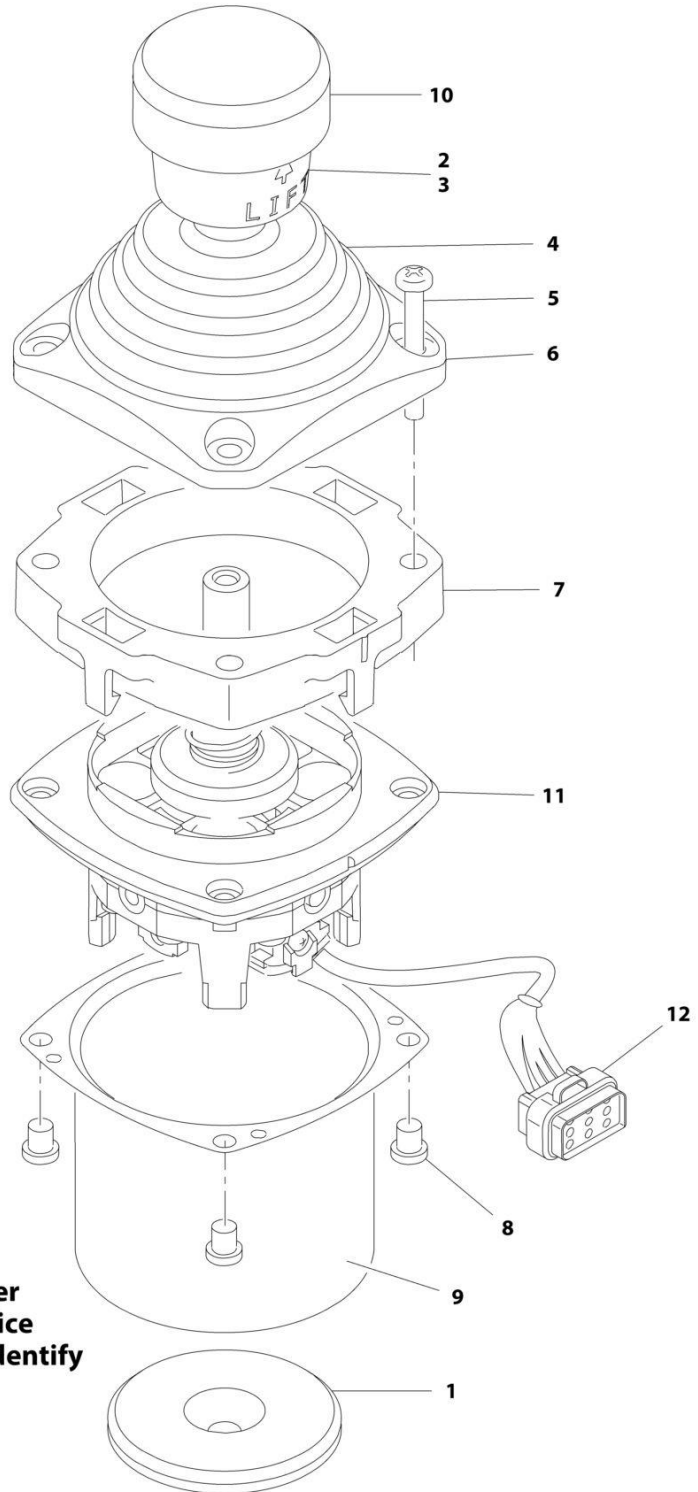
ITEM	PART NUMBER	QTY	DESCRIPTION	REV
41	4460905	5	Seal, Plug (Not Shown) USA Built Machines (SN 0300160835 through 0300177675)	
41	4460905	5	Seal, Plug (Not Shown) Romanian Built Machines (SN B300001114 through E300001356)	
42	4751000	2	Flatwasher #10 Regular	
43	4751400	8	Flatwasher 1/4in Regular	
44	1001139135	1	Harness, Upper Valve (Not Shown - See ELECTRICAL SECTION for Breakdown)	
45	4922666	1	Harness, Analyzer Cable (Not Shown - See ELECTRICAL SECTION for Breakdown)	
46	1001107007	1	Harness, Platform Box (Without SkyGuard) (See ELECTRICAL SECTION for Breakdown)	
46	1001185891	1	Harness, Platform Box (With SkyGuard) (See ELECTRICAL SECTION for Breakdown)	
47	3790012	6	O-Ring	
48	1001106938	1	Controller, Module (Note: Re-calibration Required when Replaced)	
49	1001131168	1	Decal (Stop)	
	1001119559	1	Decal Kit Options (Includes Items 16-20, 49, 501, & 601)	
50	4740397	AR	Washer, Spacer	
51	2920028	1	Light, Indicator (With SkyGuard)	
52	2920029	1	Bulb (With SkyGuard)	
53	1001144433	1	Decal - No Weight (With SkyGuard)	
54	1001155044	6	Nut 15/32 (With SkyGuard)	
55	1001185281	1	Plug (With SkyGuard)	
		Ref	CONSOLE BOX ASSEMBLIES	
	0861441	Ref	CONSOLE BOX ASSEMBLY (WITHOUT SKYGURAD)	F
	1001190017	Ref	CONSOLE BOX ASSEMBLY (WITH SKYGURAD)	B
101	See Note	NSS	Console Top (Note: Not Available for Purchase)	
102	See Note	NSS	Console Bottom (Note: Not Available for Purchase)	
103	3311601	1	Nut 3/8in-16NC	
104	3470003	2	Hair, Pin	
105	0630568	1	Screw 3/8in-16NC x 4-1/2in	
106	4711500	2	Flatwasher 5/16in Thin	
		Ref	DUAL FUEL SWITCH INSTALLATION (GM ENGINE MACHINES ONLY)	
201	4360336	1	Switch, Toggle	
201	3790012	1	O-Ring	
	0271340	Ref	JIB SWITCH INSTALLATION (450AJ SERIES II ONLY)	1-A
301	4360328	1	Switch, Toggle	
301	3790012	1	O-Ring	
		Ref	SOFT TOUCH SYSTEM COMPONENTS	
401	4360387	1	Switch, Pushbutton	
402	1702938	1	Decal - Soft Touch Override	
425	2920028	1	Lamp, Indicator	
426	2920029	1	Bulb, Light	
		Ref	DRIVE SWITCH INSTALLATION (FROM WHEEL DRIVE INSTALLATIONS)	
501	1702676	1	Decal	
502	4360331	1	Switch, Toggle	
502	3790012	1	O-Ring	
	1001108994	Ref	LIGHT PANEL DECAL INSTALLATIONS	A
601	1001107853	1	Decal - Display	

SECTION 4 - PLATFORM

ITEM	PART NUMBER	QTY	DESCRIPTION	REV
	0273495	Ref	PLATFORM WORKLIGHT INSTALLATION (OPTIONAL)	D
705	4460426	1	Connector, Strain Relief	
		Ref	LIGHT COMPONENTS (OPTIONAL)	
801	4360522	1	Switch, Pushbutton	
801	1705170	1	Decal, Lights	
		Ref	DECAL - SKYGUARD	
901	1001141300	1	Decal - SkyGuard Override	
902	1001141302	1	Decal - SkyGuard/Soft Touch Override	

SECTION 4 - PLATFORM

FIGURE 4-5. CONTROLLER ASSEMBLY (LIFT AND SWING) (ORIGINAL EQUIPMENT)



Note: Original Equipment controller may have been replaced with Service Replacement controller. Visually identify controller before ordering parts.

ART_1001118417

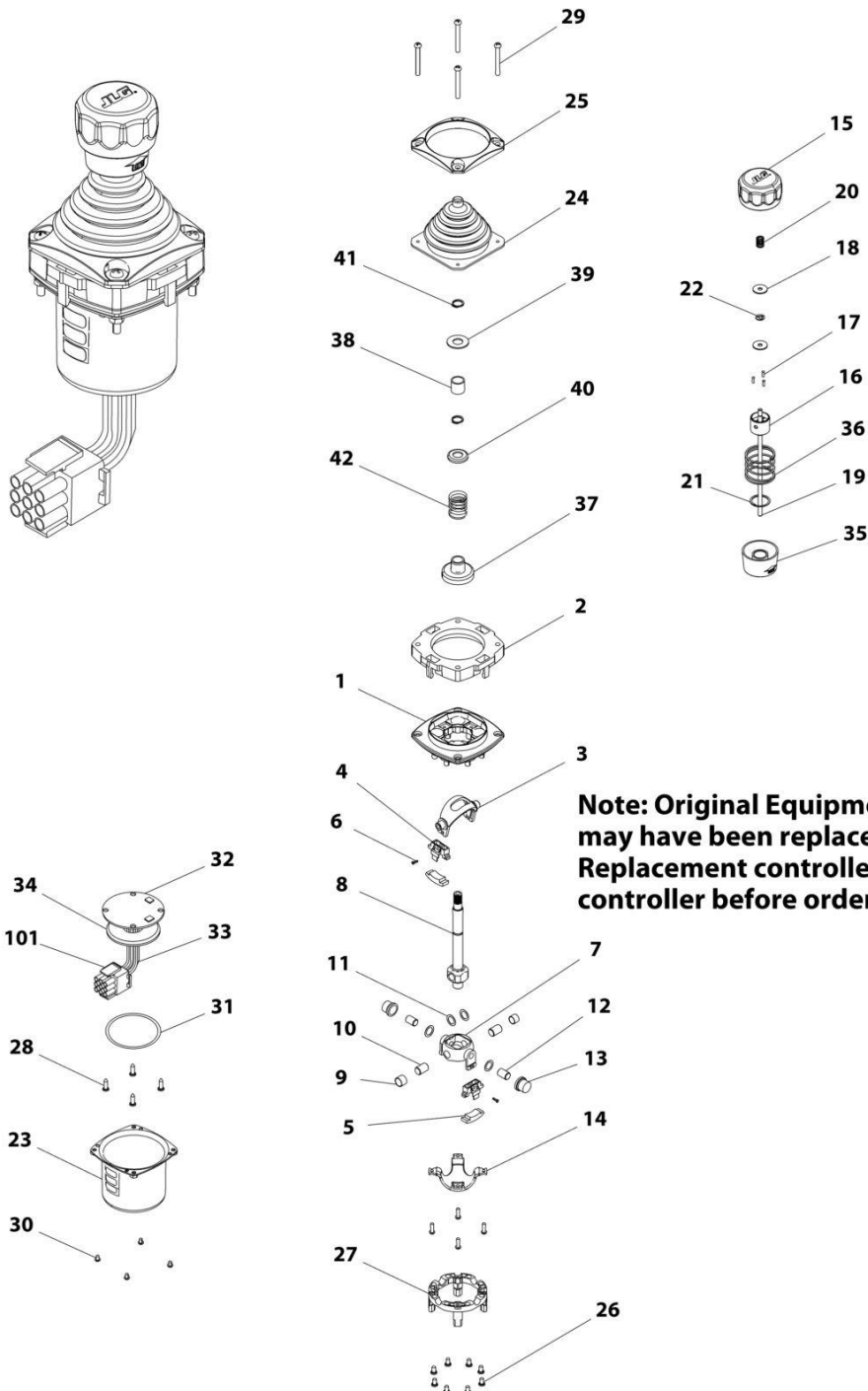
SECTION 4 - PLATFORM

FIGURE 4-5. CONTROLLER ASSEMBLY (LIFT AND SWING) (ORIGINAL EQUIPMENT)

ITEM	PART NUMBER	QTY	DESCRIPTION	REV
		Ref	Note: Original Equipment controller may have been replaced with Service Replacement controller. Visually Identify controller before ordering parts.	
	1001118417	Ref	CONTROLLER ASSEMBLY (LIFT AND SWING) (ORIGINAL EQUIPMENT)	E
		Ref	Note: Use p/n 1001129555 as Replacement.	
1	70002730	1	Gasket	
2	7003928	1	Spring	
3	7022808	1	Cap, Lift	
4	70002731	1	Boot	
5	70002732	4	Screw	
6	7022815	1	Bezel	
7	70002733	1	Adapter	
8	70002734	4	Screw	
9	70002735	1	Can, Enclosure	
10	70002906	1	Cap	
11	See Note	NSS	Mechanical Assembly (Note: Use p/n 1001129555)	
12	7022819	1	Plug, Male 8 Position (Natural) (Not Shown)	
12	4460871	6	Socket, Female	

SECTION 4 - PLATFORM

FIGURE 4-6. CONTROLLER ASSEMBLY (LIFT AND SWING) (SERVICE REPLACEMENT)



Note: Original Equipment controller may have been replaced with Service Replacement controller. Visually identify controller before ordering parts.

ART_1001166539

SECTION 4 - PLATFORM

FIGURE 4-6. CONTROLLER ASSEMBLY (LIFT AND SWING) (SERVICE REPLACEMENT)

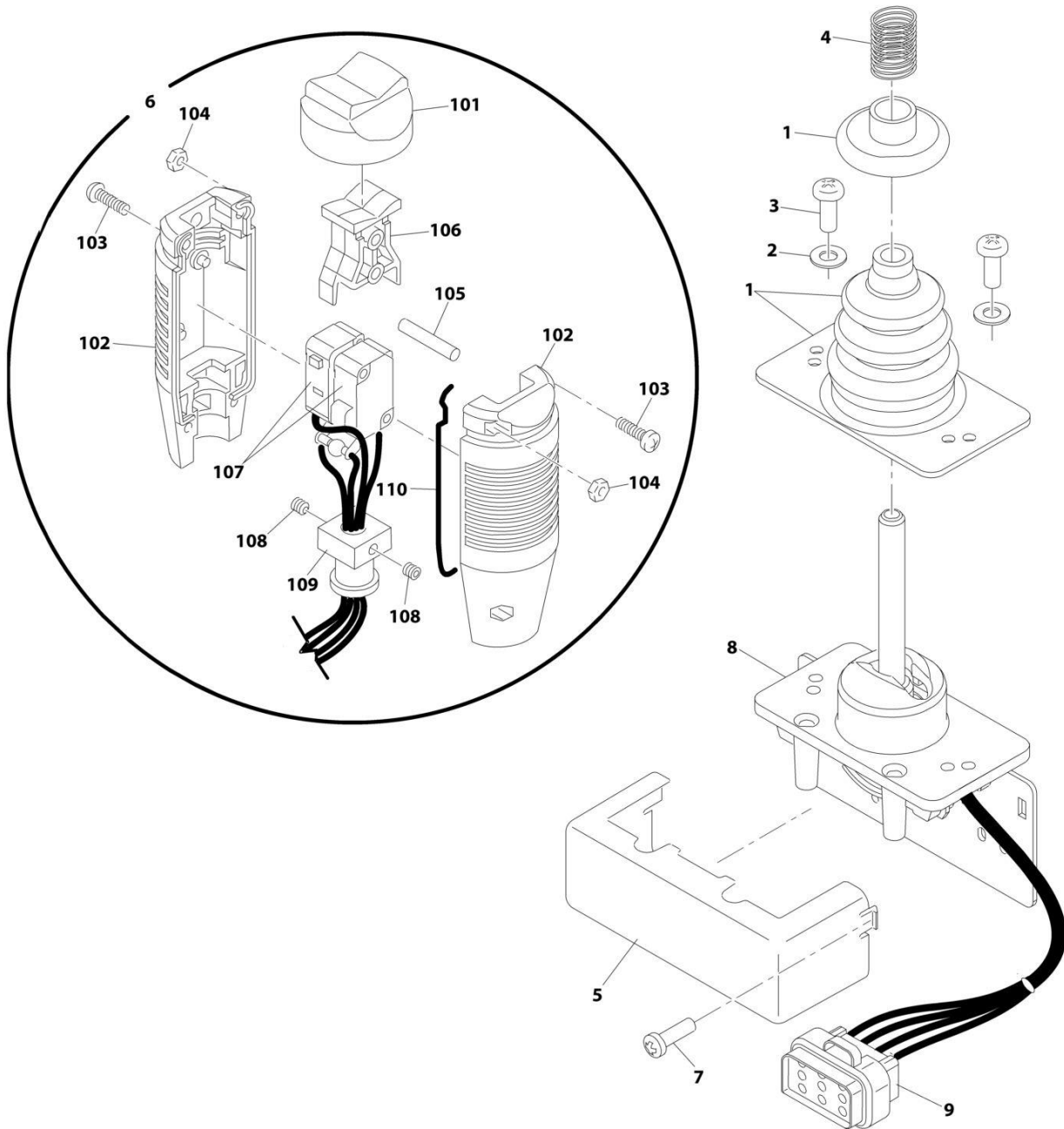
ITEM	PART NUMBER	QTY	DESCRIPTION	REV
		Ref	Note: Original Equipment controller may have been replaced with Service Replacement controller. Visually identify controller before ordering parts.	
	1001166539	Ref	CONTROLLER ASSEMBLY (LIFT AND SWING) (SERVICE REPLACEMENT)	D
		Ref	Note: Use p/n 1001129555 as Replacement.	
1	See Note	NSS	Main Cast Body (Note: Not Available - Purchase Complete Assembly)	
2	70004752	1	Adapter	
3	See Note	NSS	Pivot Arm, Plastic (Note: Not Available - Purchase Complete Assembly)	
4	See Note	NSS	Holder, Magnet (Note: Not Available - Purchase Complete Assembly)	
5	See Note	NSS	Arc, Magnet (Note: Not Available - Purchase Complete Assembly)	
6	See Note	NSS	Screw (Note: Not Available for Purchase)	
7	See Note	NSS	Pivot Arm, Cast (Note: Not Available - Purchase Complete Assembly)	
8	See Note	NSS	Shaft, Main (Note: Not Available - Purchase Complete Assembly)	
9	See Note	NSS	Bearing (Note: Not Available - Purchase Complete Assembly)	
10	See Note	NSS	Pin (Note: Not Available - Purchase Complete Assembly)	
11	See Note	NSS	Shim (Note: Not Available - Purchase Complete Assembly)	
12	See Note	NSS	Pin (Note: Not Available - Purchase Complete Assembly)	
13	See Note	NSS	Bearing (Note: Not Available - Purchase Complete Assembly)	
14	See Note	NSS	Dome, Centering (Note: Not Available - Purchase Complete Assembly)	
15	70004753	1	Cap	
16	70004754	1	Insert, Cap	
17	70004755	3	Pin	
18	70004756	2	Washer	
19	70004757	1	Pin, Centering	
20	70004758	1	Spring	
21	70004759	1	Ring, Retaining	
22	70004760	1	E-Ring	
23	70004761	1	Can, Enclosure	
24	70004762	1	Boot	
25	70004763	1	Bezel	
26	See Note	NSS	Screw (Note: Not Available for Purchase)	
27	See Note	NSS	Base Mounting (Note: Not Available - Purchase Complete Assembly)	
28	See Note	NSS	Screw (Note: Not Available for Purchase)	
29	70004764	4	Screw	
30	70004765	4	Screw	
31	70004766	1	O-Ring	
32	See Note	NSS	Plate (Note: Not Available - Purchase Complete Assembly)	
33	See Note	NSS	Harness (Note: Not Available - Purchase Complete Assembly)	
34	70004767	1	Grommet, Rubber	
35	70004768	1	Housing	
36	70004769	1	Spring	
37	70004770	1	Stopper	
38	70004771	1	Spacer	
39	70004772	1	Washer	

SECTION 4 - PLATFORM

ITEM	PART NUMBER	QTY	DESCRIPTION	REV
40	70004773	1	Disc	
41	70004774	2	Ring, Retaining	
42	70004775	1	Spring	
101	4460265	1	Connector - 9 Position	
101	4460226	6	Socket, Female	

SECTION 4 - PLATFORM

FIGURE 4-7. CONTROLLER ASSEMBLY (DRIVE AND STEER) (ORIGINAL EQUIPMENT)



Note: Original Equipment controller may have been replaced with Service Replacement controller. Visually identify controller before ordering parts.

ART_1001118416

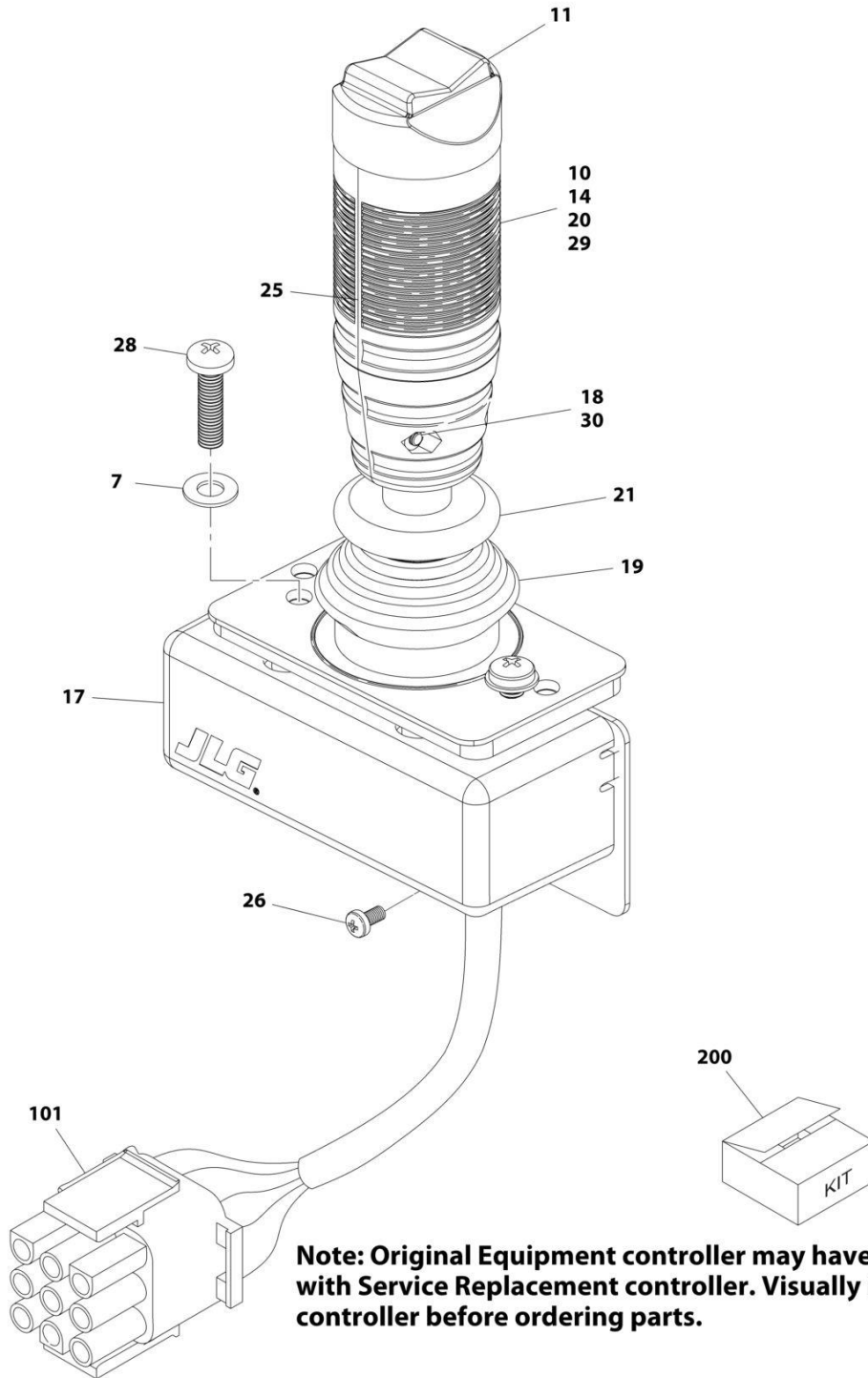
SECTION 4 - PLATFORM

FIGURE 4-7. CONTROLLER ASSEMBLY (DRIVE AND STEER) (ORIGINAL EQUIPMENT)

ITEM	PART NUMBER	QTY	DESCRIPTION	REV
		Ref	Note: Original Equipment controller may have been replaced with Service Replacement controller. Visually identify controller before ordering parts.	
	1001118416	Ref	CONTROLLER ASSEMBLY (DRIVE AND STEER) (ORIGINAL EQUIPMENT)	D
		Ref	Note: Use p/n 1001212415 as Replacement.	
1	70002724	1	Boot and Control Lock Assembly	
2	7003941	2	Washer	
3	70002725	2	Screw	
4	7019162	1	Spring	
5	70002726	1	Enclosure	
6	70002727	1	Handle Assembly (See Items 101-110 for Breakdown)	
7	70002728	1	Screw	
8	See Note	NSS	Mechanical Assembly (Note: Use p/n 1001212415)	
9	1001113961	1	Plug, Male - 8 Position (Black)	
9	4460871	7	Socket, Female	
	70002727	Ref	HANDLE ASSEMBLY	
101	7003972	1	Boot, Switch	
102	7003973	2	Half, Handle	
103	7003980	4	Screw	
104	7019167	4	Nut	
105	7019164	1	Axle	
106	7019165	1	Rocker	
107	70002729	1	Wiring Assembly	
107	7003982	2	Switch, Micro	
108	7003983	2	Setscrew	
109	7019194	1	Coupling	
110	7003989	2	Gasket	

SECTION 4 - PLATFORM

FIGURE 4-8. CONTROLLER ASSEMBLY (DRIVE AND STEER) (SERVICE REPLACEMENT)



Note: Original Equipment controller may have been replaced with Service Replacement controller. Visually identify controller before ordering parts.

ART_1001166538

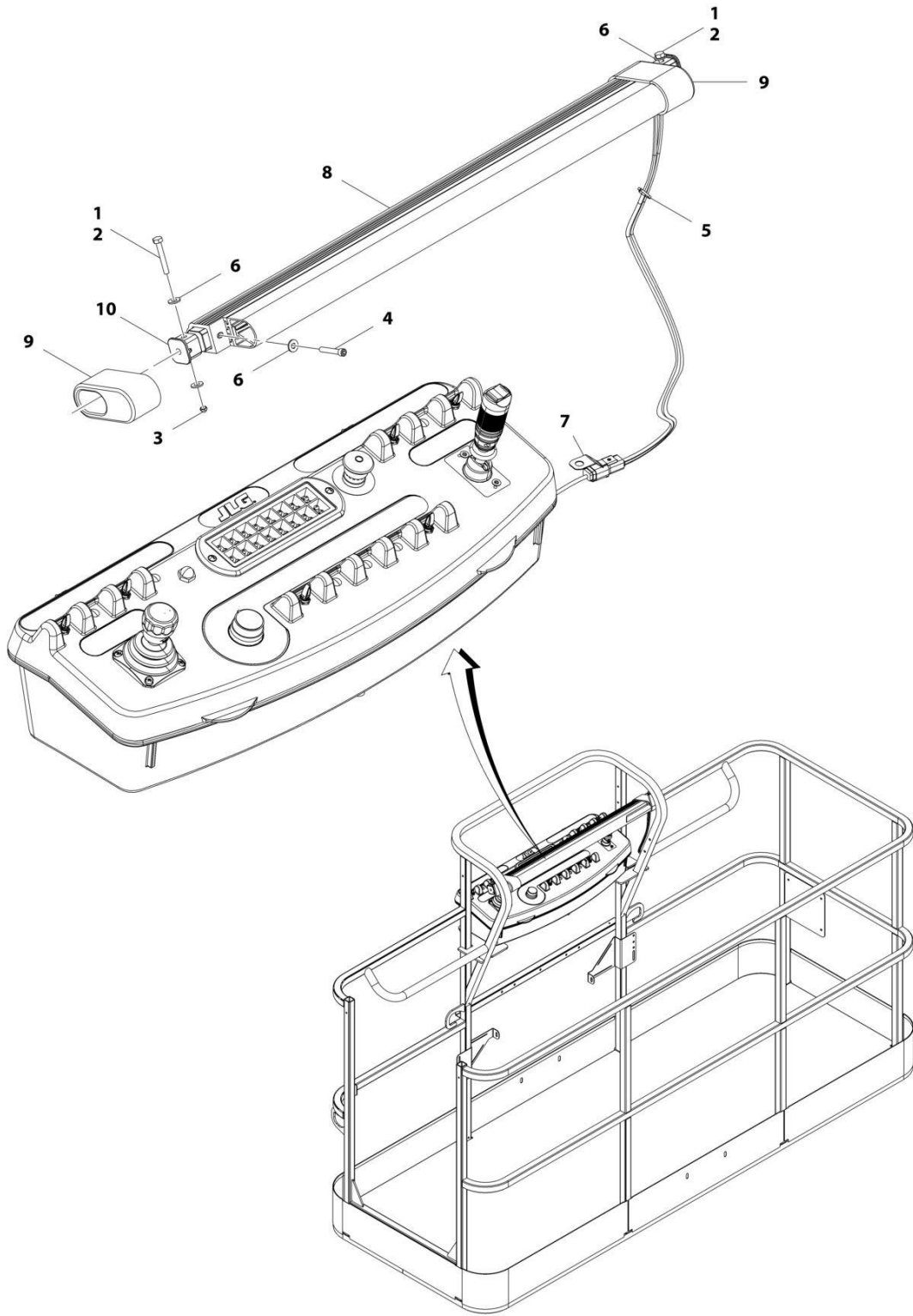
SECTION 4 - PLATFORM

FIGURE 4-8. CONTROLLER ASSEMBLY (DRIVE AND STEER) (SERVICE REPLACEMENT)

ITEM	PART NUMBER	QTY	DESCRIPTION	REV
		Ref	Note: Original Equipment controller may have been replaced with Service Replacement controller. Visually identify controller before ordering parts.	
	1001166538	Ref	CONTROLLER ASSEMBLY (DRIVE AND STEER) (SERVICE REPLACEMENT)	F
		Ref	Note: Use p/n 1001212415 as Replacement.	
7	70004738	2	Washer	
10	70004739	1	Roller	
11	70004740	1	Boot, Switch	
14	70004741	2	Half, Handle	
17	70004742	1	Enclosure	
18	70004743	4	Nut	
19	70004744	NLA	Boot, Controller (Note: Use Item 200)	
20	70004745	NLA	Tube, Locking (Note: Use Item 200)	
21	70004746	NLA	Disc, Locking (Note: Use Item 200)	
25	70004747	2	Seal, Rope	
26	70004748	1	Screw, M3 x 6mm	
28	70004749	2	Screw, M5 x 20mm	
29	70004750	1	Pin, Dowel	
30	70004751	4	Screw, M3 x 16mm	
101	4460265	1	Connector - 9 Position	
101	4460226	7	Socket, Female	
200	70005230	1	Boot Kit (Includes Items 19-21)	

SECTION 4 - PLATFORM

FIGURE 4-9. SKYGUARD SYSTEM INSTALLATION



ART_1001187508

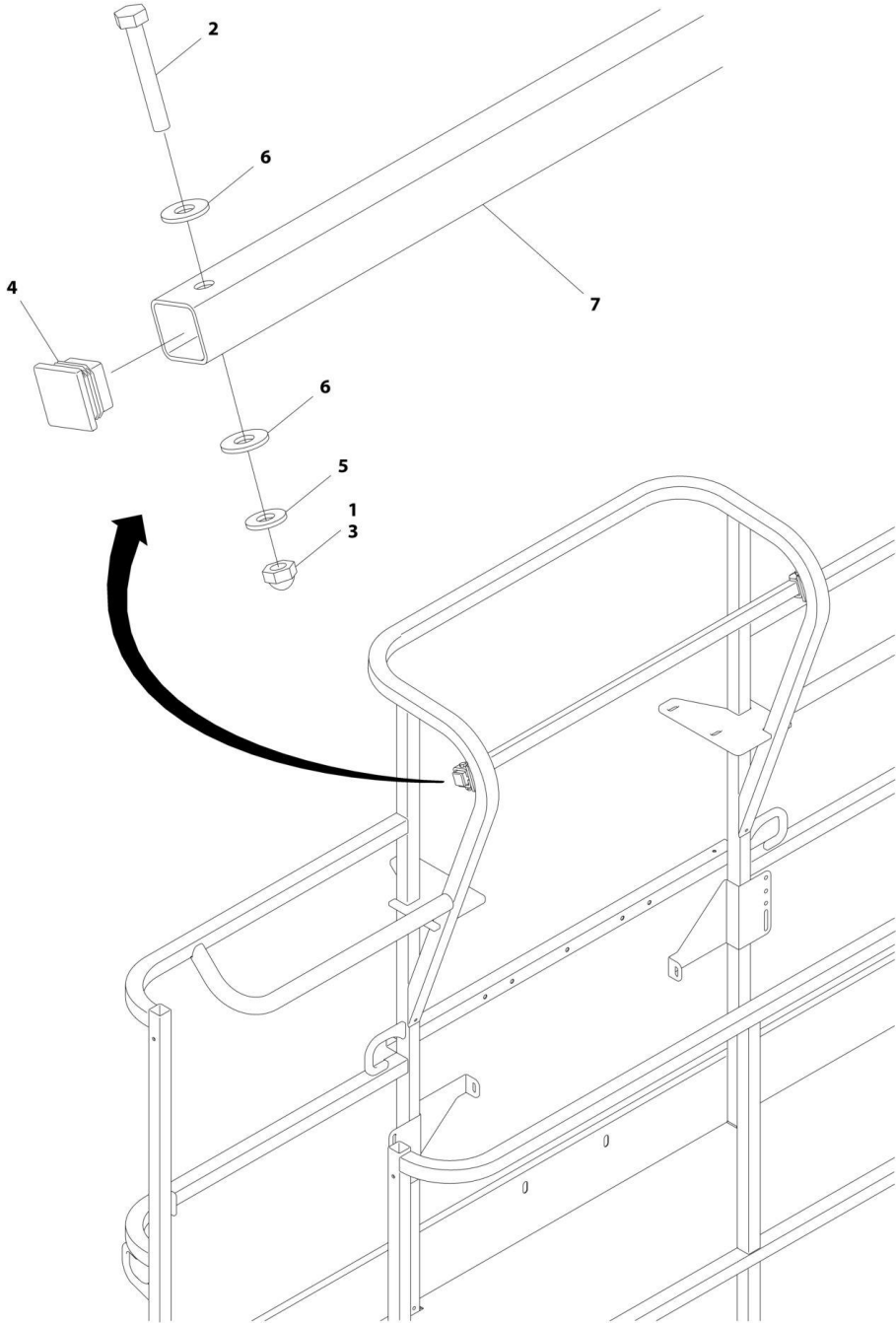
SECTION 4 - PLATFORM

FIGURE 4-9. SKYGUARD SYSTEM INSTALLATION

ITEM	PART NUMBER	QTY	DESCRIPTION	REV
	1001187508	Ref	SKYGUARD SYSTEM INSTALLATION	A
1	0100011	AR	Compound, Locking	
2	0641414	2	Bolt 1/4 x 1-3/4	
3	3300430	2	Nut 1/4	
4	3931424	2	Capscrew 1/4 x 1-1/2	
5	4240033	1	Tie-Strap	
6	4711400	6	Washer 1/4	
7	1001120328	1	Mount	
8	1001137673	1	Switch, SkyGuard Assembly	
9	1001186517	2	Cover, Platform Sensor	
10	1001188889	2	Support, Block	

SECTION 4 - PLATFORM

FIGURE 4-10. CROSS RAIL INSTALLATION



ART_1001182138

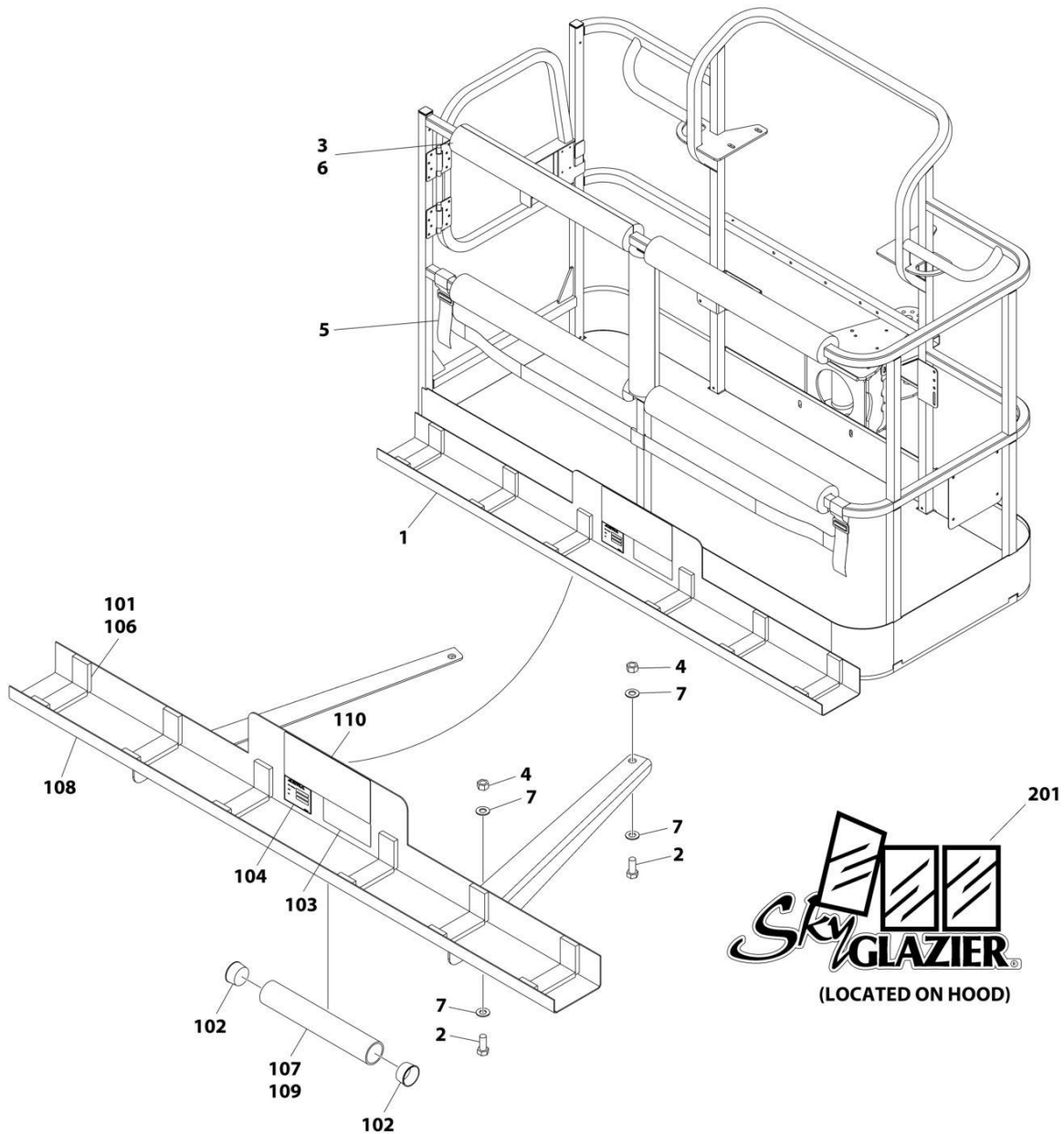
SECTION 4 - PLATFORM

FIGURE 4-10. CROSS RAIL INSTALLATION

ITEM	PART NUMBER	QTY	DESCRIPTION	REV
	1001182138	Ref	CROSS RAIL INSTALLATION	A
1	0100071	AR	Compound, Locking	
2	0641414	2	Bolt 1/4 x 1-3/4	
3	3300430	2	Nut 1/4	
4	3520182	2	Plug	
5	4711400	2	Washer 1/4	
6	4751400	4	Washer 1/4	
7	1001191708	1	Bar	

SECTION 4 - PLATFORM

FIGURE 4-11. SKYGLAZIER INSTALLATION - WITHOUT LSS (ANSI, CSA AND AUSTRALIAN SPECS)



ART_1001173975

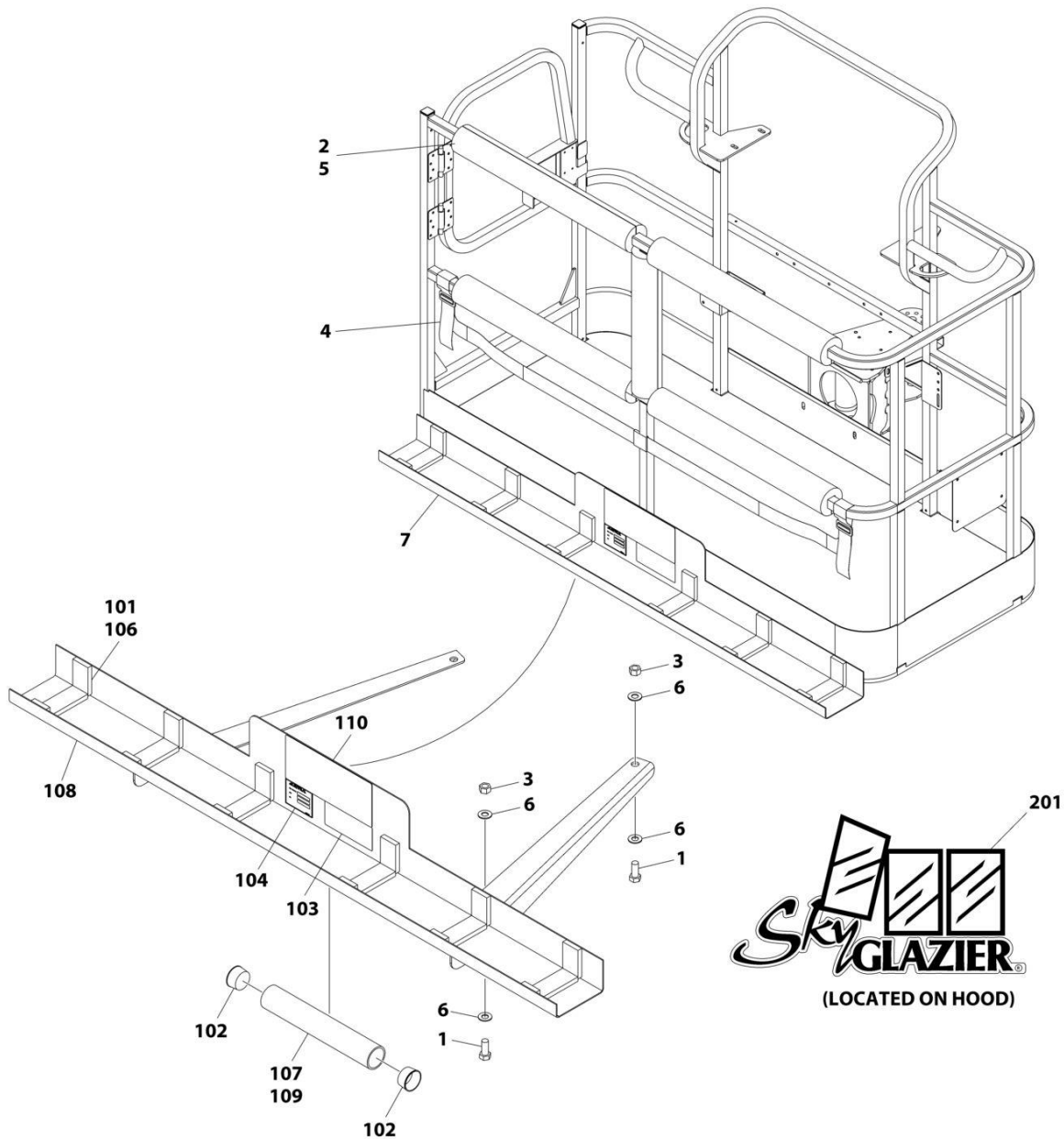
SECTION 4 - PLATFORM

FIGURE 4-11. SKYGLAZIER INSTALLATION - WITHOUT LSS (ANSI, CSA AND AUSTRALIAN SPECS)

ITEM	PART NUMBER	QTY	DESCRIPTION	REV
	1001101423	Ref	SKYGLAZIER INSTALLATION	A
1	1001101424	1	Tray Assembly (See Items 101-110 for Breakdown)	
2	0642012	4	Bolt 5/8 x 1-1/2	
3	0940199	1	Bumper Kit	
4	3312005	4	Nut 5/8	
5	4240149	1	Strap Kit	
6	4420014	AR	Tape	
7	4712000	8	Washer 5/8	
	1001101424	Ref	TRAY ASSEMBLY	A
101	0100081	AR	Adhesive	
102	1120555	2	Cap, Tube	
103	1701509	1	Decal - Manual	
104	See Note	NSS	Nameplate - Serial Number (Note: Not Available for Purchase)	
106	3340956	1	Pad Kit	
107	3460334	1	Tube	
108	4341415	1	Support	
109	4420066	AR	Tape, Double Sided	
110	1001102446	1	Decal - Glazier Capacity	
201	1705358	2	Decal - SkyGlazier	

SECTION 4 - PLATFORM

FIGURE 4-12. SKYGLAZIER INSTALLATION - WITH LSS (AUSTRALIAN SPECS)



ART_1001102648

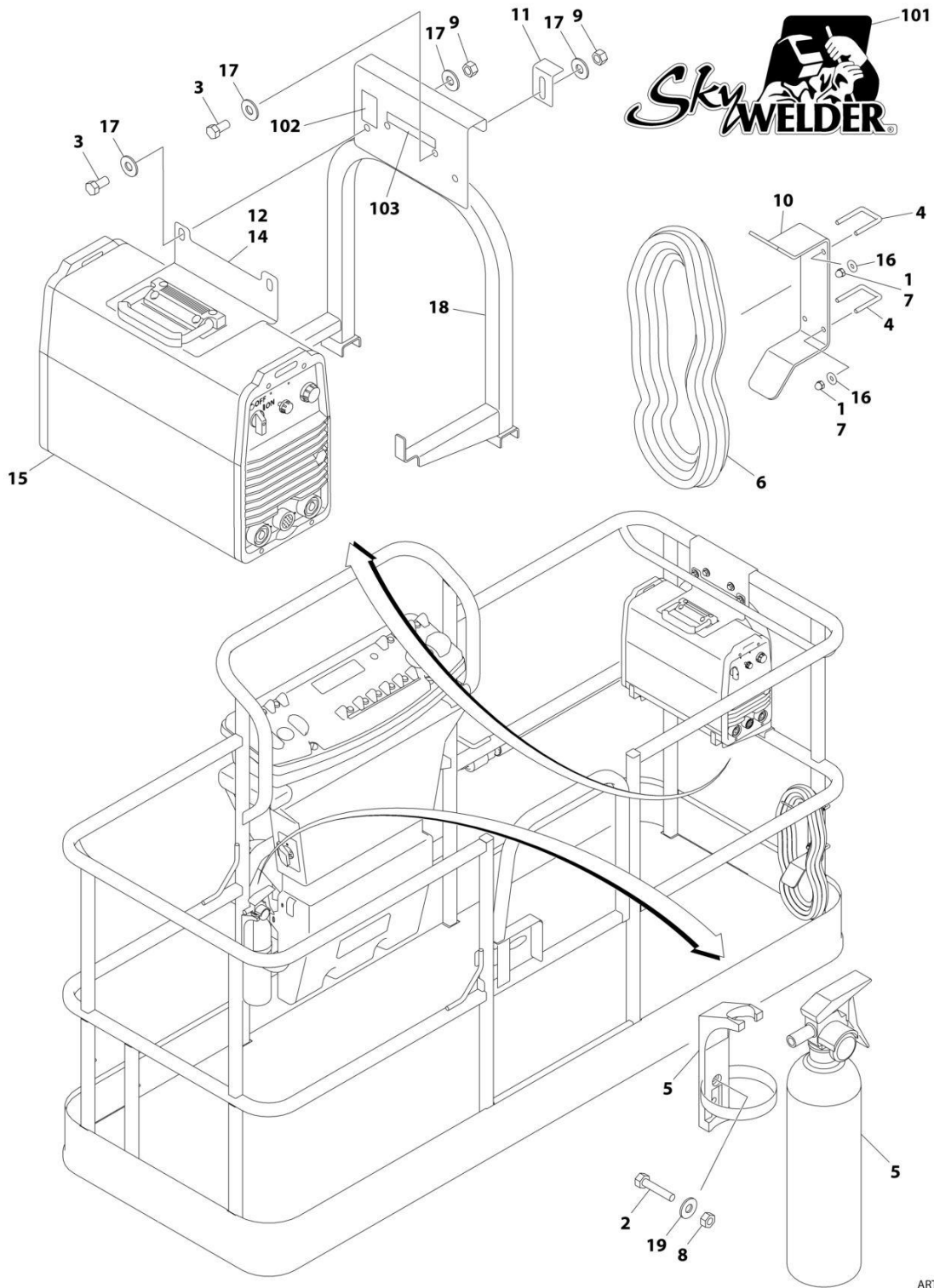
SECTION 4 - PLATFORM

FIGURE 4-12. SKYGLAZIER INSTALLATION - WITH LSS (AUSTRALIAN SPECS)

ITEM	PART NUMBER	QTY	DESCRIPTION	REV
	1001102648	Ref	SKYGLAZIER INSTALLATION	A
1	0642026	4	Bolt 5/8 x 3-1/4	
2	0940199	1	Bumper Kit	
3	3312005	4	Nut 5/8	
4	4240149	1	Strap Kit	
5	4420014	AR	Tape	
6	4712000	8	Washer 5/8	
7	1001101424	1	Tray Assembly (See Items 101-110 for Breakdown)	
	1001101424	Ref	TRAY ASSEMBLY	A
101	0100081	AR	Adhesive	
102	1120555	2	Cap, Tube	
103	1701509	1	Decal - Manual	
104	See Note	NSS	Nameplate - Serial Number (Note: Not Available for Purchase)	
106	3340956	1	Pad Kit	
107	3460334	1	Tube	
108	4341415	1	Support	
109	4420066	AR	Tape, Double Sided	
110	1001102446	2	Decal - Glazier Capacity	
201	1705358	2	Decal - SkyGlazier	

SECTION 4 - PLATFORM

FIGURE 4-13. SKYWELDER INSTALLATION (50HZ)



ART_0272521

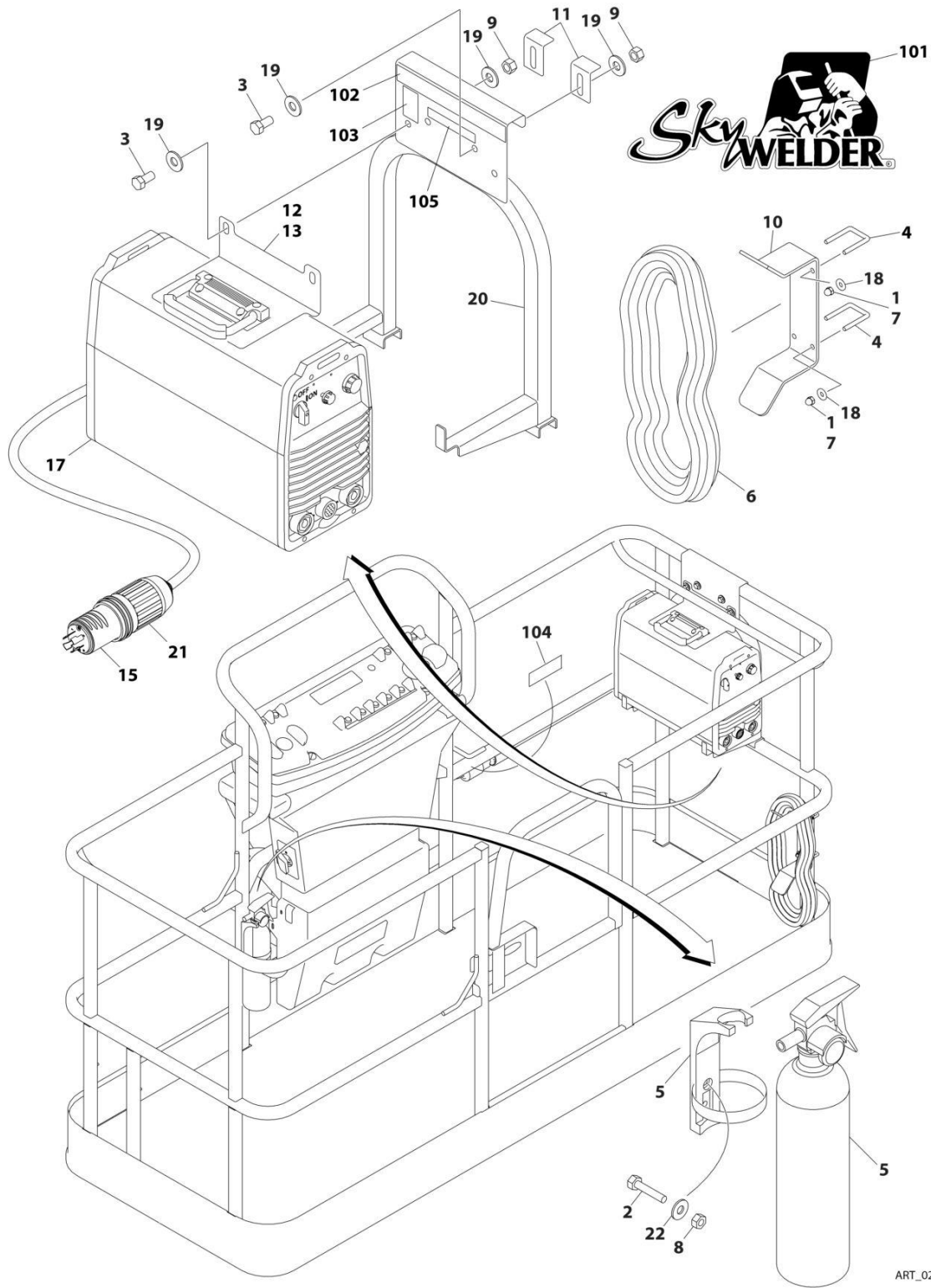
SECTION 4 - PLATFORM

FIGURE 4-13. SKYWELDER INSTALLATION (50HZ)

ITEM	PART NUMBER	QTY	DESCRIPTION	REV
	0272521	Ref	SKYWELDER INSTALLATION (50HZ)	F
1	0100011	AR	Compound, Locking	
2	0641406	2	Bolt 1/4 x 3/4	
2	0630518	2	Screw #10 x 3/4	
3	0641606	4	Bolt 3/8 x 3/4	
4	1320302	2	U-Clamp	
5	2030010	1	Extinguisher, Fire	
6	2902217	1	Weld Leads Kit	
7	3300151	4	Nut 1/4	
8	3311405	2	Nut 1/4	
8	3311005	2	Nut #10	
9	3311605	4	Nut 3/8	
10	3573400	1	Bracket	
11	3577121	2	Angle	
12	3573642	1	Plate	
13	4240099	AR	Tie-Strap (Not Shown)	
14	4420037	AR	Tape	
15	4530028	1	Welder Assembly (See WELDER ASSEMBLY for Breakdown)	
16	4751400	4	Washer 1/4	
17	4751600	8	Washer 3/8	
18	4846627	1	Support	
19	4751000	2	Washer #10	
	0272588	Ref	SKYWELDER DECAL INSTALLATION	A
101	1705355	2	Decal - SkyWelder	
102	1705305	1	Decal - Weld Lead	
103	1705466	1	Decal - Weight	

SECTION 4 - PLATFORM

FIGURE 4-14. SKYWELDER INSTALLATION (60HZ)



ART_0272254

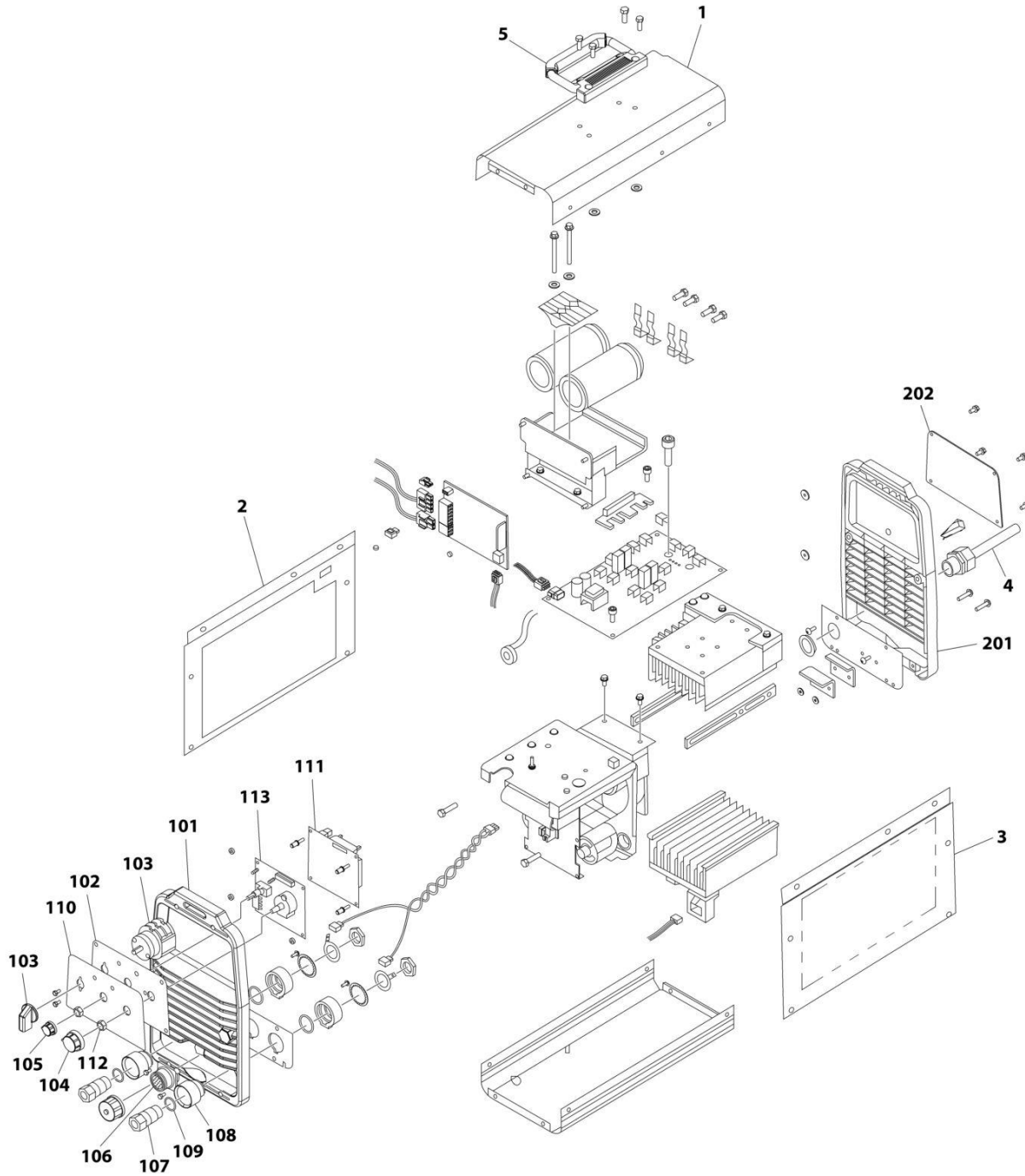
SECTION 4 - PLATFORM

FIGURE 4-14. SKYWELDER INSTALLATION (60HZ)

ITEM	PART NUMBER	QTY	DESCRIPTION	REV
	0272254	Ref	SKYWELDER INSTALLATION (60HZ)	H
1	0100011	AR	Compound, Locking	
2	0641406	2	Bolt 1/4 x 3/4	
2	0630518	2	Screw #10 x 3/4	
3	0641606	4	Bolt 3/8 x 3/4	
4	1320302	2	U-Clamp	
5	2030010	1	Extinguisher, Fire	
6	2902217	1	Weld Leads Kit	
7	3300151	4	Nut 1/4	
8	3311405	2	Nut 1/4	
8	3311005	2	Nut #10	
9	3311605	4	Nut 3/8	
10	3573400	1	Bracket	
11	3573641	NLA	Angle (Use p/n 3577121)	
12	3573642	1	Plate	
13	4420037	AR	Tape	
14	4240099	AR	Tie-Strap (Not Shown)	
15	4460962	1	Plug, Male Twistlock	
17	4530028	1	Welder Assembly (See WELDER ASSEMBLY for Breakdown)	
18	4751400	4	Washer 1/4	
19	4751600	8	Washer 3/8	
20	4846627	1	Support	
21	1671093	1	Cover, Plug	
22	4751000	2	Washer #10	
	0272448	Ref	SKYWELDER DECAL INSTALLATION	A
101	1705355	2	Decal - SkyWelder	
102	1702868	1	Decal - No Hands	
103	1705305	1	Decal - Weld Lead	
104	1705375	1	Decal - 240V - 3 Phase - 60Hz	
105	1705466	1	Decal - Weight	

SECTION 4 - PLATFORM

FIGURE 4-15. WELDER ASSEMBLY



ART_4530028

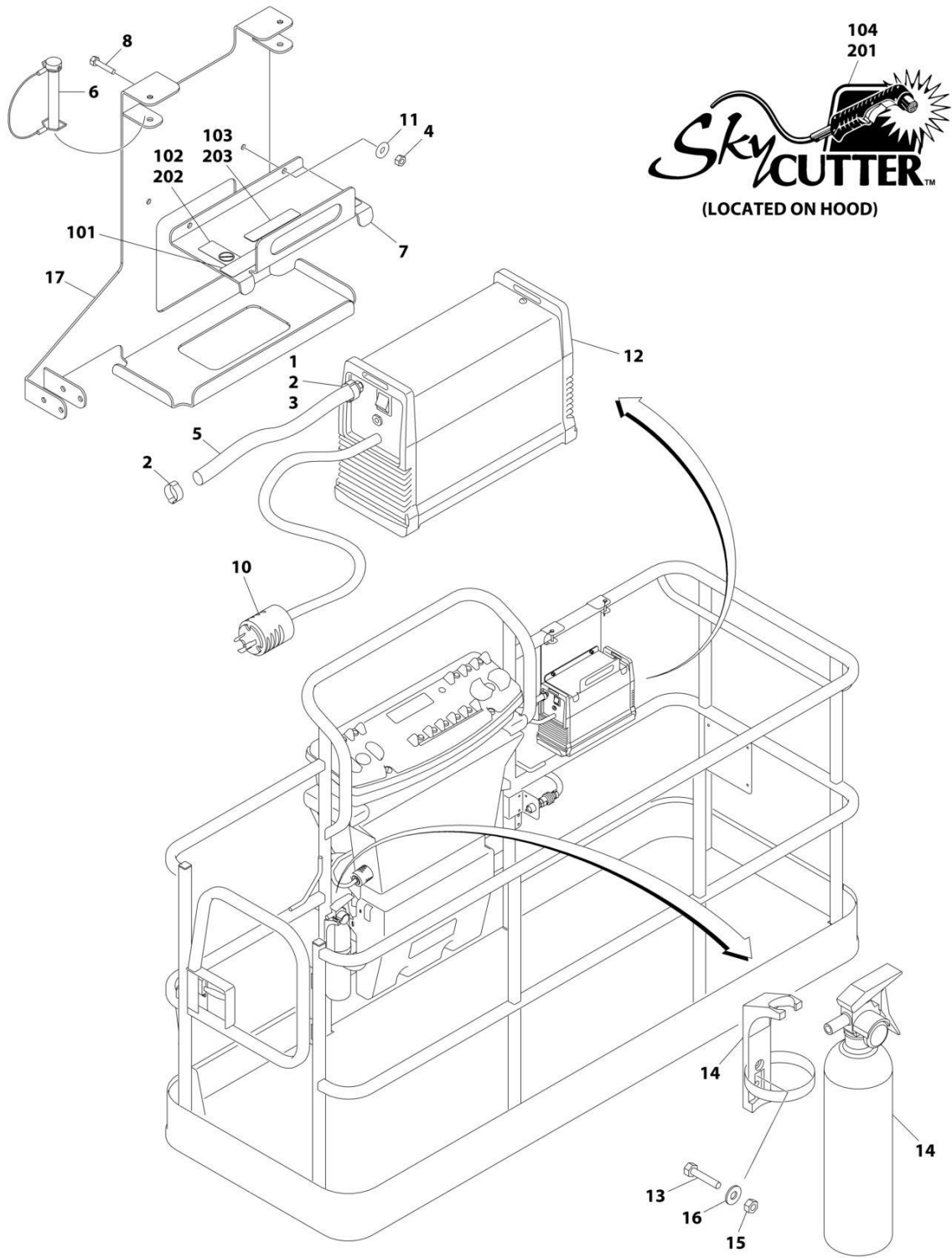
SECTION 4 - PLATFORM

FIGURE 4-15. WELDER ASSEMBLY

ITEM	PART NUMBER	QTY	DESCRIPTION	REV
	4530028	Ref	WELDER ASSEMBLY	B
		Ref	Note: For Other Components, contact your Miller Welder Dealer	
1	7027773	1	Cover, Top	
1	7027774	1	Decal - Static Precautionary Warning	
2	See Note	NSS	Panel, LH Side (Note: Part of Item 1. Purchase Item 1)	
3	See Note	NSS	Panel, RH Side (Note: Part of Item 1. Purchase Item 1)	
4	7024467	1	Cable, Power	
4	7027775	1	Decal - Electrical Shock Warning (Not Shown)	
5	7027776	1	Handle, Carrying	
101	7024462	1	Panel, Front	
102	7024463	1	Panel, Console	
103	7024469	1	Switch with Lead	
104	7024470	1	Knob	
105	7024471	1	Knob	
106	7024472	1	Receptacle with Leads and Plugs	
107	7024473	2	Receptacle, Twistlock Female	
108	7024474	2	Insulator	
109	7024475	2	O-Ring	
110	7027777	1	Nameplate	
111	7027779	1	Circuit Card Assembly (Process Control)	
112	7024478	2	Nut	
113	7027778	1	Circuit Card Assembly (Operator Interface)	
201	7024462	1	Panel, Rear	
202	7027780	1	Panel, Cover	

SECTION 4 - PLATFORM

FIGURE 4-16. SKYCUTTER INSTALLATION



ART_1001098149

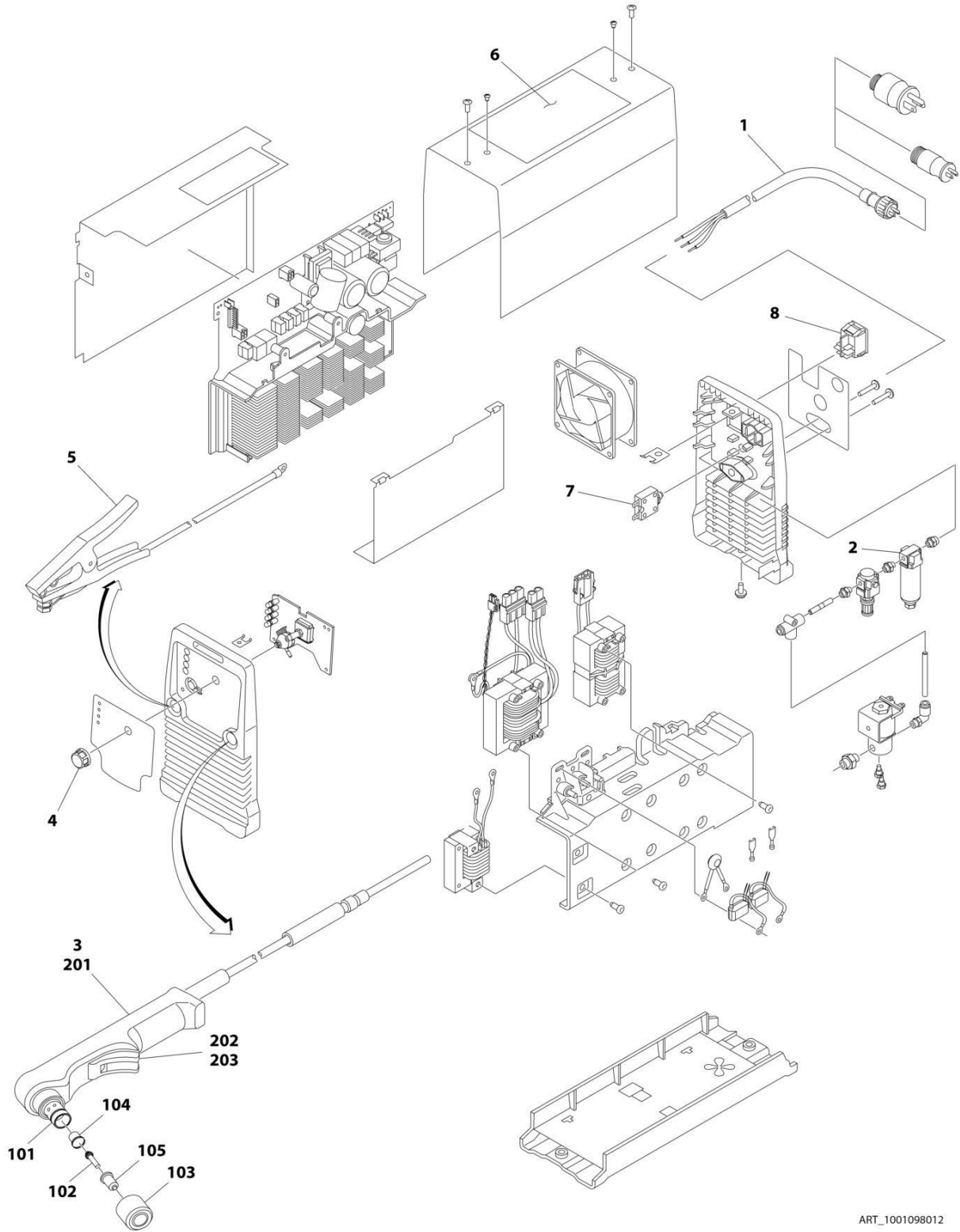
SECTION 4 - PLATFORM

FIGURE 4-16. SKYCUTTER INSTALLATION

ITEM	PART NUMBER	QTY	DESCRIPTION	REV
	1001098149	Ref	SKYCUTTER SPEC INSTALLATION	D
		Ref	Note: When replacing platform on machines with SkyCutter option, new bracket p/n 1001145405 must be purchased to accommodate SkyCutter components	
1	0100020	AR	Sealant	
2	1320177	2	Clamp, Hose	
3	2180832	1	Fitting, NPT/Barbed	
4	3290605	2	Nut M6	
5	2720160	3 ft/0.9m	Hose	
6	3421453	3	Pin	
7	3576799	1	Plate, Hold-Down	
8	4010608	2	Screw M6 x 16	
10	4460971	1	Plug, Twistlock	
11	4811700	2	Washer M6	
12	1001098012	1	Plasma Cutter Assembly (See PLASMA CUTTER ASSEMBLY for Breakdown)	
13	0641406	2	Bolt 1/4 x 3/4	
13	0630518	2	Screw #10 x 3/4	
14	2030010	1	Extinguisher, Fire	
15	3311405	2	Nut 1/4	
15	3311005	2	Nut #10	
16	4751400	2	Washer 1/4	
17	4751000	2	Washer #10	
17	4341301	NLA	Support (Use p/n 1001145405)	
	0272599	Ref	SKYCUTTER DECAL INSTALLATION (ANSI, ANSI EXPORT AND CSA SPECS)	A
101	1702868	1	Decal - No Hands	
102	1705305	1	Decal - Weld Lead	
103	1705466	1	Decal - Weight	
104	1705490	2	Decal - SkyCutter	
	0272607	Ref	SKYCUTTER DECAL INSTALLATION (JAPANESE SPECS)	A
201	1705490	2	Decal - SkyCutter	
202	1705305	1	Decal - Weld Lead	
203	1705466	1	Decal - Weight	

SECTION 4 - PLATFORM

FIGURE 4-17. PLASMA CUTTER ASSEMBLY



ART_1001098012

SECTION 4 - PLATFORM

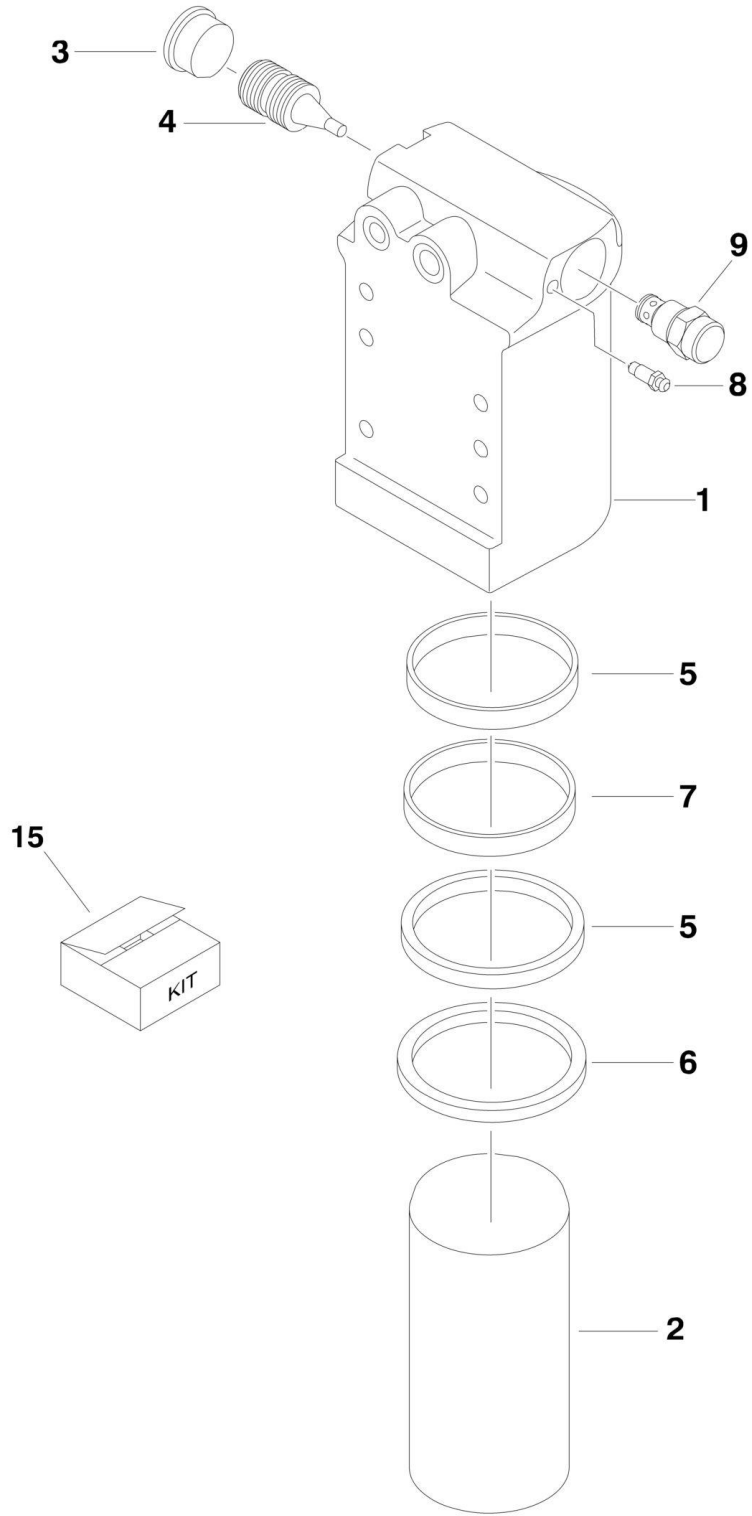
FIGURE 4-17. PLASMA CUTTER ASSEMBLY

ITEM	PART NUMBER	QTY	DESCRIPTION	REV
		Ref	PLASMA CUTTER ASSEMBLY	
	1001098012	Ref	Plasma Cutter Assembly - 50Hz/60Hz Power Supply	A
		Ref	Note: For Other Components, contact your Miller Welder Dealer	
1	70001424	1	Cable, Power	
1	70001425	1	Decal - Voltage Warning	
2	70001427	1	Filter, Regulator	
3	70001428	1	Torch Assembly (See Items 101-203 for Breakdown)	
4	7024471	1	Knob	
5	70001429	1	Clamp with Cable	
6	70001430	1	Decal - Caution	
7	70001431	1	Breaker, Circuit	
8	70001432	1	Switch, Rocker	
	70001428	Ref	TORCH ASSEMBLY	
101	7024530	1	O-Ring	
102	7024531	1	Electrode	
103	7024532	1	Cup, Retaining	
104	7024533	1	Swirl Ring	
105	7024534	1	Tip	
201	7024535	1	Handle, Torch	
202	7024536	1	Switch	
203	7024537	1	Trigger	

SECTION 5 - CYLINDER

SECTION 5 - CYLINDER

FIGURE 5-1. USA BUILT MACHINES/AXLE LOCKOUT CYLINDER



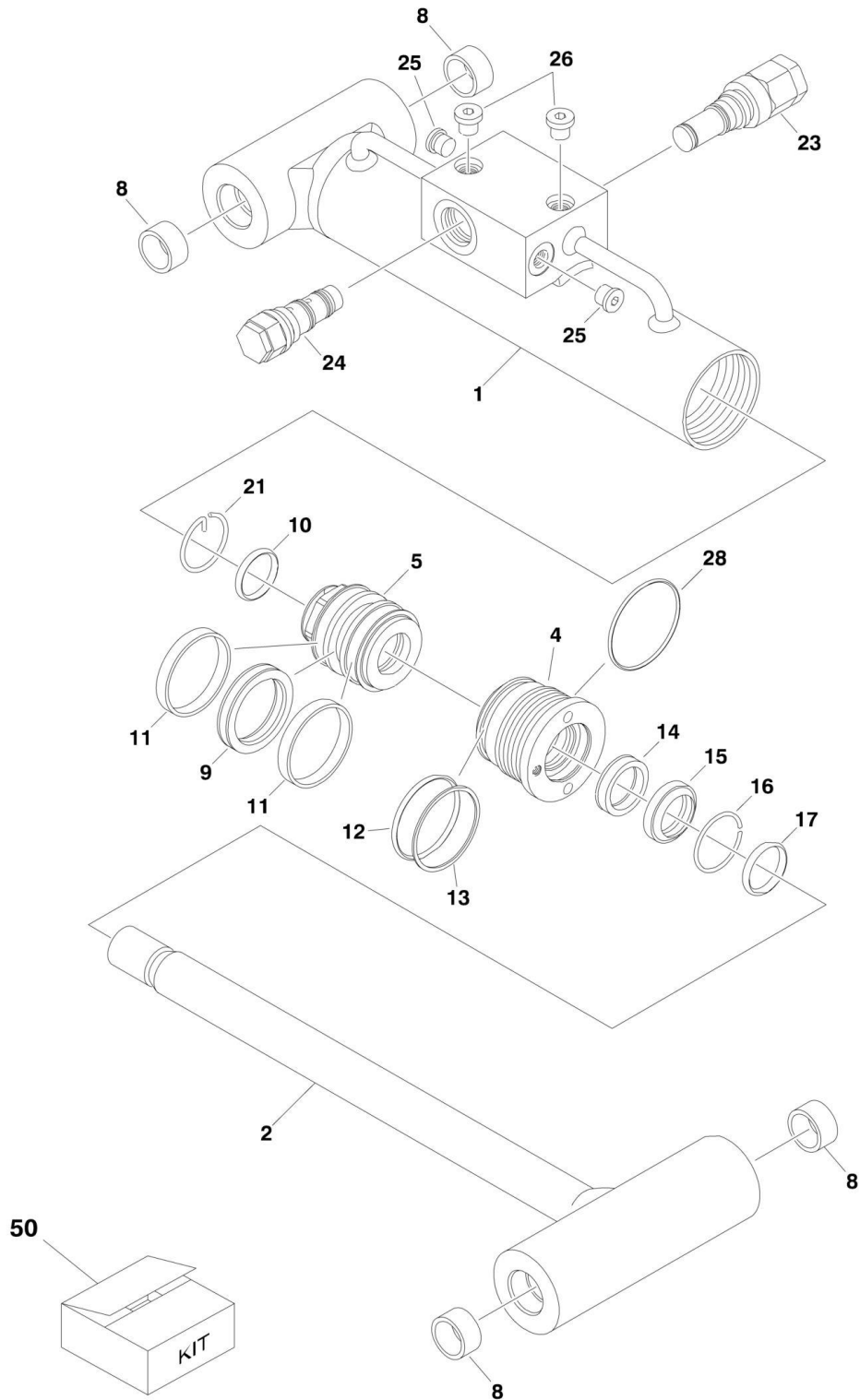
SECTION 5 - CYLINDER

FIGURE 5-1. USA BUILT MACHINES/AXLE LOCKOUT CYLINDER

ITEM	PART NUMBER	QTY	DESCRIPTION	REV
		Ref	USA Built Machines use SNs 03xxxxxxxx.	
		Ref	Romanian Built Machines use SNs E3xxxxxxxx.	
	1684465	Ref	AXLE LOCKOUT CYLINDER ASSEMBLY	H
1	0370026	1	Barrel	
2	1684290	1	Rod	
3	2220890	1	Plug	
4	3480288	1	Piston, Pilot	
5	2902266	2	Ring, Wear	
6	2902266	1	Wiper	
7	2902266	1	Seal, Rod	
8	4640858	1	Bleeder	
9	4641390	1	Cartridge, Valve	
9	7017496	1	Seal Kit	
15	2902266	1	Seal Kit, Cylinder (Includes Items 5-7)	

SECTION 5 - CYLINDER

FIGURE 5-2. USA BUILT MACHINES/LEVEL (PLATFORM SLAVE) CYLINDER (450A SERIES II)



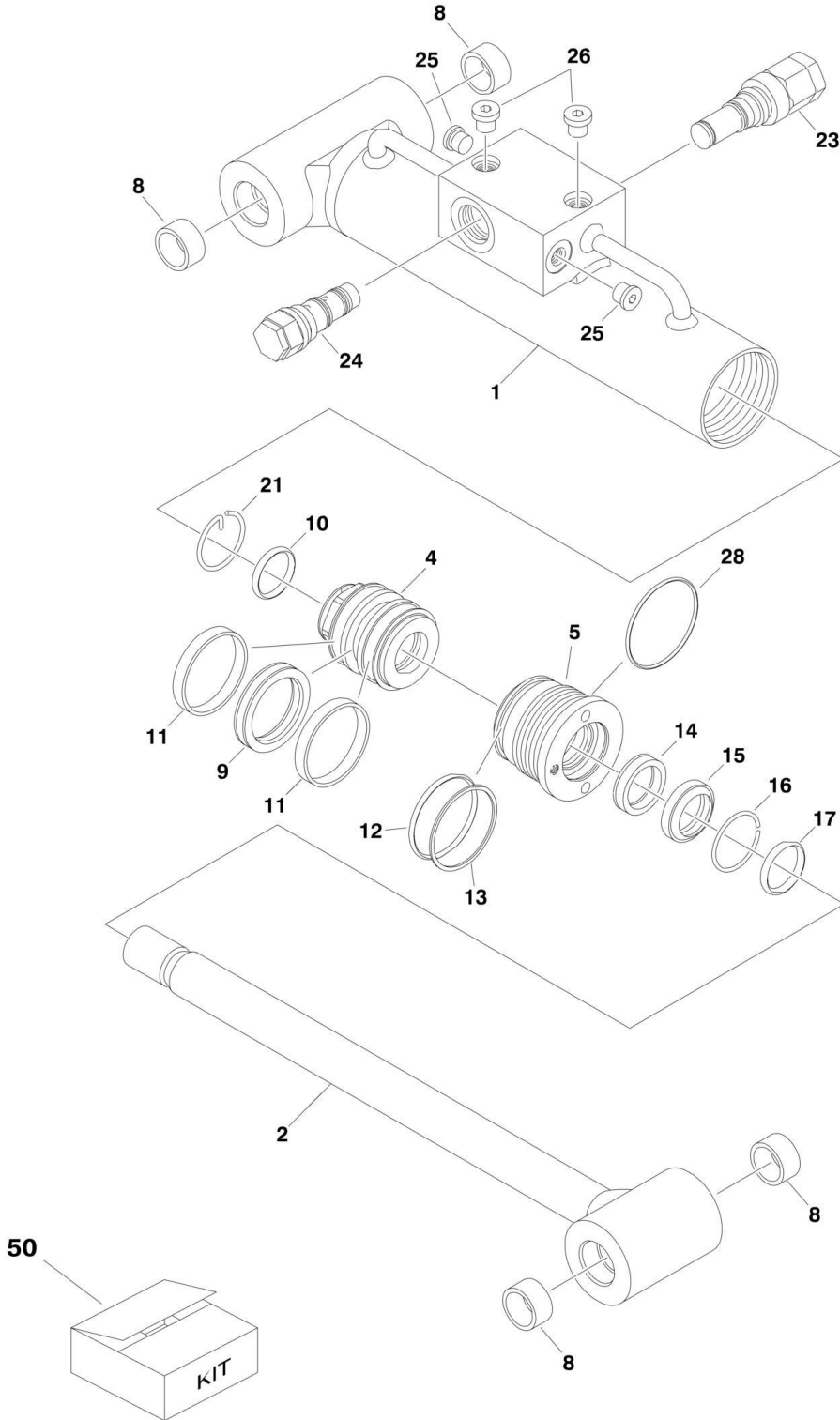
SECTION 5 - CYLINDER

FIGURE 5-2. USA BUILT MACHINES/LEVEL (PLATFORM SLAVE) CYLINDER (450A SERIES II)

ITEM	PART NUMBER	QTY	DESCRIPTION	REV
		Ref	USA Built Machines use SNs 03xxxxxxx.	
		Ref	Romanian Built Machines use SNs E3xxxxxxx.	
	1001140274	Ref	LEVEL (PLATFORM SLAVE) CYLINDER ASSEMBLY (450A SERIES II)	B
1	70003812	1	Barrel	
2	70003813	1	Rod	
4	70003809	1	Head	
5	70003810	1	Piston	
8	0961947	4	Bushing	
9	70003814	1	Seal	
10	70003814	1	O-Ring	
11	70003814	2	Ring, Wear	
12	70003814	1	O-Ring	
13	70003814	1	Ring, Back-up	
14	70003814	1	Seal	
15	70003814	1	Wiper	
16	70002217	1	Ring, Retaining	
17	7026084	1	O-Ring	
21	70002216	1	Retainer	
23	4640932	1	Cartridge, Counterbalance Valve	
23	7011112	1	Seal Kit - 4640932 Valve	
24	4641086	1	Cartridge, Counterbalance Valve	
24	2900792	1	Seal Kit - 4641086 Valve	
25	7024844	2	Plug	
26	See Note	2	Plug (Note: Not Available for Purchase)	
28	70003814	1	O-Ring	
50	70003814	1	Seal Kit (Includes Items 9-15 & 28)	

SECTION 5 - CYLINDER

FIGURE 5-3. USA BUILT MACHINES/LEVEL (PLATFORM SLAVE) CYLINDER (450AJ SERIES II WITHOUT ARCTIC PACKAGE)



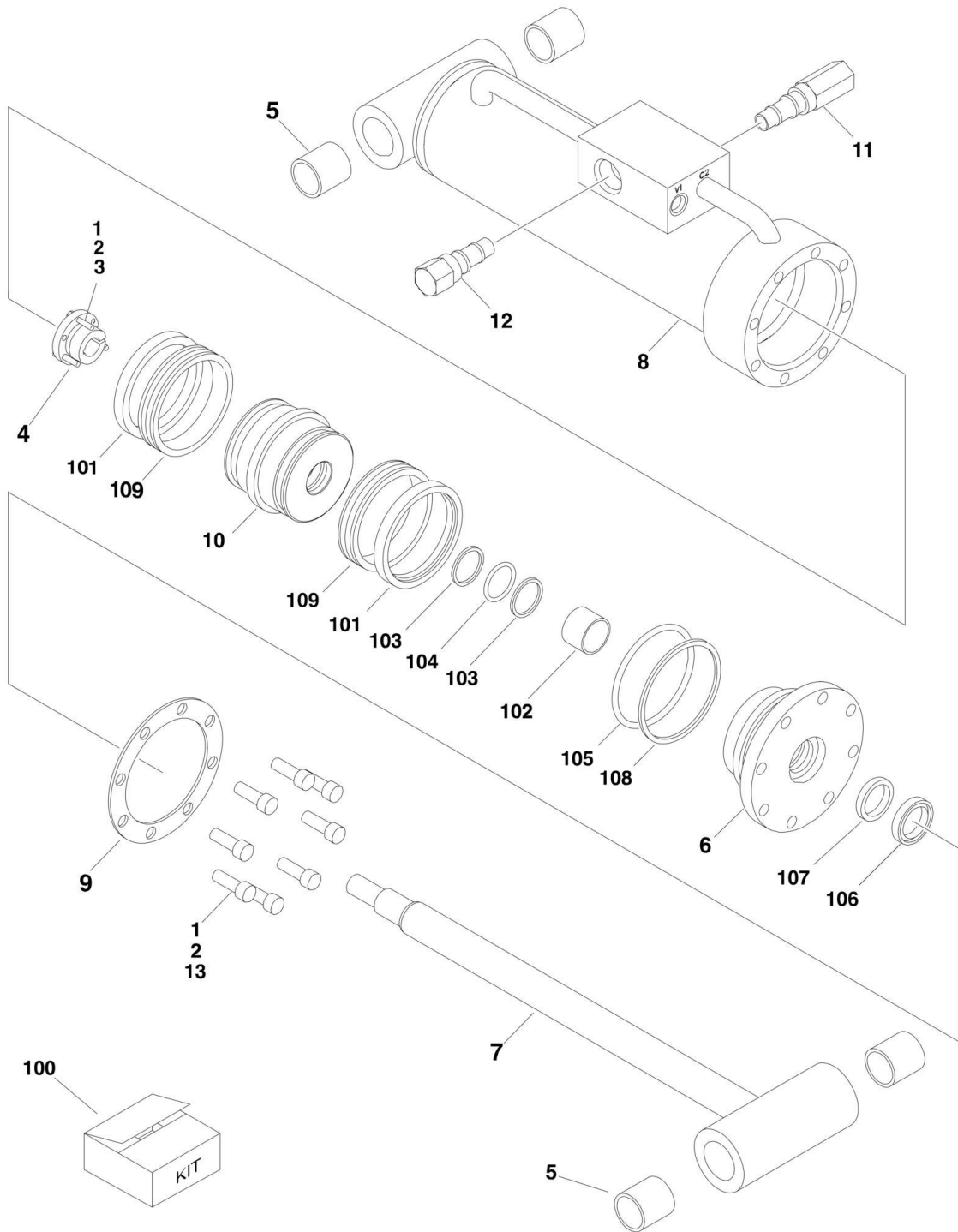
SECTION 5 - CYLINDER

FIGURE 5-3. USA BUILT MACHINES/LEVEL (PLATFORM SLAVE) CYLINDER (450AJ SERIES II WITHOUT ARCTIC PACKAGE)

ITEM	PART NUMBER	QTY	DESCRIPTION	REV
		Ref	USA Built Machines use SNs 03xxxxxxxx.	
		Ref	Romanian Built Machines use SNs E3xxxxxxxx.	
	1001140279	Ref	LEVEL (PLATFORM SLAVE) CYLINDER ASSEMBLY (450AJ SERIES II WITHOUT ARCTIC PACKAGE)	A
1	70003846	1	Barrel	
2	70003847	1	Rod	
4	70003819	1	Piston	
5	7026082	1	Head	
8	0961951	4	Bushing	
9	70003845	1	Seal	
10	70003845	1	O-Ring	
11	70003845	2	Ring, Wear	
12	70003845	1	O-Ring	
13	70003845	1	Ring, Back-up	
14	70003845	1	Seal	
15	70003845	1	Wiper	
16	70002217	1	Ring, Retaining	
17	7026084	1	O-Ring	
21	70002216	1	Retainer	
23	4640932	1	Cartridge, Counterbalance Valve	
23	7011112	1	Seal Kit - 4640932 Valve	
24	4641086	1	Cartridge, Counterbalance Valve	
24	2900792	1	Seal Kit - 4641086 Valve	
25	7024844	2	Plug	
26	See Note	2	Plug (Note: Not Available for Purchase)	
28	70003845	1	O-Ring	
50	70003845	1	Seal Kit (Includes Items 9-15 & 28)	

SECTION 5 - CYLINDER

FIGURE 5-4. USA BUILT MACHINES/ LEVEL (PLATFORM SLAVE) CYLINDER (450AJ SERIES II WITH ARCTIC PACKAGE)



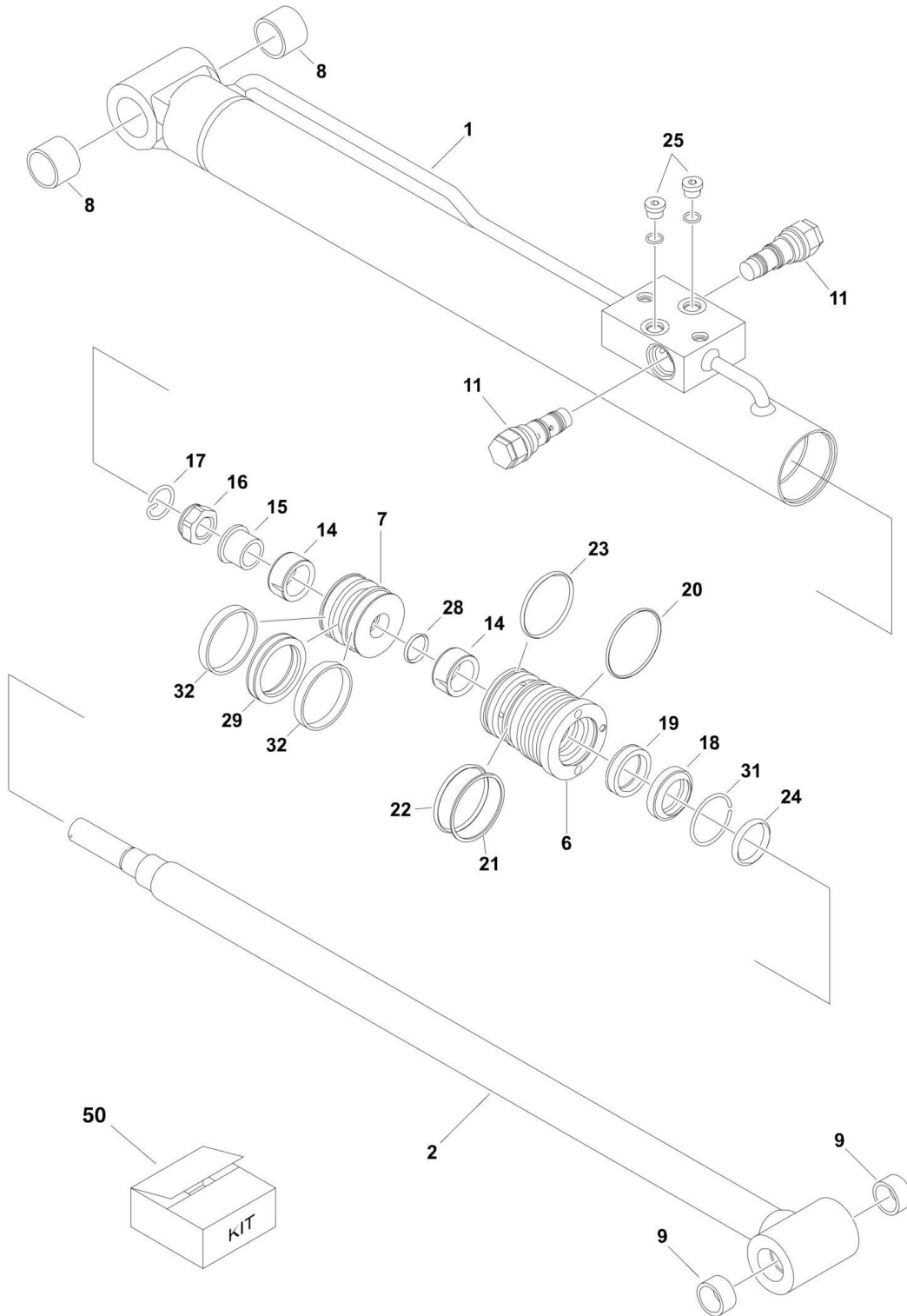
SECTION 5 - CYLINDER

FIGURE 5-4. USA BUILT MACHINES/ LEVEL (PLATFORM SLAVE) CYLINDER (450AJ SERIES II WITH ARCTIC PACKAGE)

ITEM	PART NUMBER	QTY	DESCRIPTION	REV
		Ref	USA Built Machines use SNs 03xxxxxxxx.	
		Ref	Romanian Built Machines use SNs E3xxxxxxxx.	
	1001138815	Ref	LEVEL (PLATFORM SLAVE) CYLINDER ASSEMBLY (450AJ WITH ARCTIC PACKAGE)	A
1	0100011	AR	Compound, Locking	
2	0100038	AR	Primer, Locking	
3	0630534	3	Bolt, Socket Head #10-24NC x 1in	
4	0962185	1	Tapered Bushing	
5	0961951	4	Bushing, Garmax	
6	1683052	1	Head	
7	1683759	1	Rod	
8	1683761	1	Barrel	
9	3760368	1	Washer, Ring	
10	3480247	1	Piston	
11	4640932	1	Cartridge, Valve (Counterbalance Vented)	
11	7011112	1	Seal Kit - 4640932 Valve	
12	4641086	1	Cartridge, Valve (Counterbalance Nonvented)	
12	2900792	1	Seal Kit - 4641086 Valve	
13	3931516	8	Bolt, Socket Head 5/16in-18NC x 1in	
100	1001138818	1	Seal Kit, Cylinder (Includes Items 101-109)	
101	1001138818	2	Ring, Lock	
102	1001138818	1	Ring, Wear	
103	1001138818	2	Ring, Back-Up	
104	1001138818	1	O-Ring	
105	1001138818	1	O-Ring	
106	1001138818	1	Wiper	
107	1001138818	1	Seal	
108	1001138818	1	Ring, Back-Up	
109	1001138818	2	Seal	

SECTION 5 - CYLINDER

FIGURE 5-5. USA BUILT MACHINES/LIFT (JIB) CYLINDER (450AJ SERIES II WITHOUT ARCTIC PACKAGE)



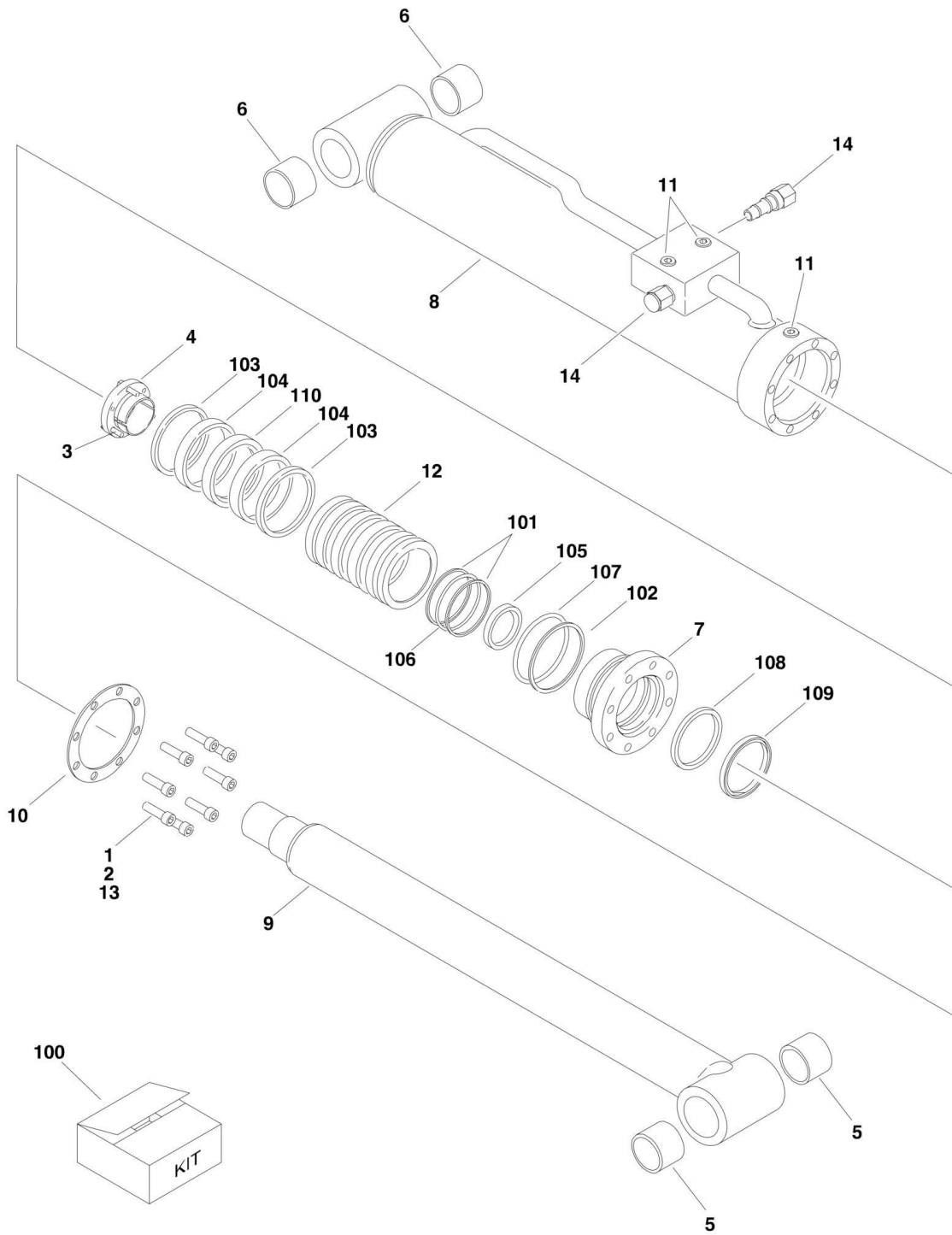
SECTION 5 - CYLINDER

FIGURE 5-5. USA BUILT MACHINES/LIFT (JIB) CYLINDER (450AJ SERIES II WITHOUT ARCTIC PACKAGE)

ITEM	PART NUMBER	QTY	DESCRIPTION	REV
		Ref	USA Built Machines use SNs 03xxxxxxxx.	
		Ref	Romanian Built Machines use SNs E3xxxxxxxx.	
	1001140282	Ref	LIFT (JIB) CYLINDER ASSEMBLY (450AJ SERIES II WITHOUT ARCTIC PACKAGE)	A
1	70003834	1	Barrel	
2	70003835	1	Rod	
6	7026088	1	Head	
7	70003833	1	Piston	
8	0961951	2	Bushing	
9	0961947	2	Bushing	
11	4640509	2	Cartridge, Counterbalance Valve	
11	2900792	2	Seal Kit - 4640509 Valve	
14	7026090	2	Bushing	
15	7026091	1	Sleeve	
16	7026092	1	Nut	
17	70002223	1	Retainer	
18	70003836	1	Wiper	
19	70003836	1	Seal	
20	70003836	1	O-Ring	
21	70003836	1	Ring, Backup	
22	70003836	1	O-Ring	
23	70003836	1	O-Ring	
24	7026068	1	O-Ring	
25	7024844	2	Plug	
28	70003836	1	O-Ring	
29	70003836	1	Seal	
31	70002220	1	Ring, Retaining	
32	70003836	2	Ring, Wear	
50	70003836	1	Seal Kit - 1001140282 Cylinder (Includes Items 18-23, 28, 29 & 32)	

SECTION 5 - CYLINDER

FIGURE 5-6. USA BUILT MACHINES/LIFT (JIB) CYLINDER (450AJ SERIES II WITH ARCTIC PACKAGE)



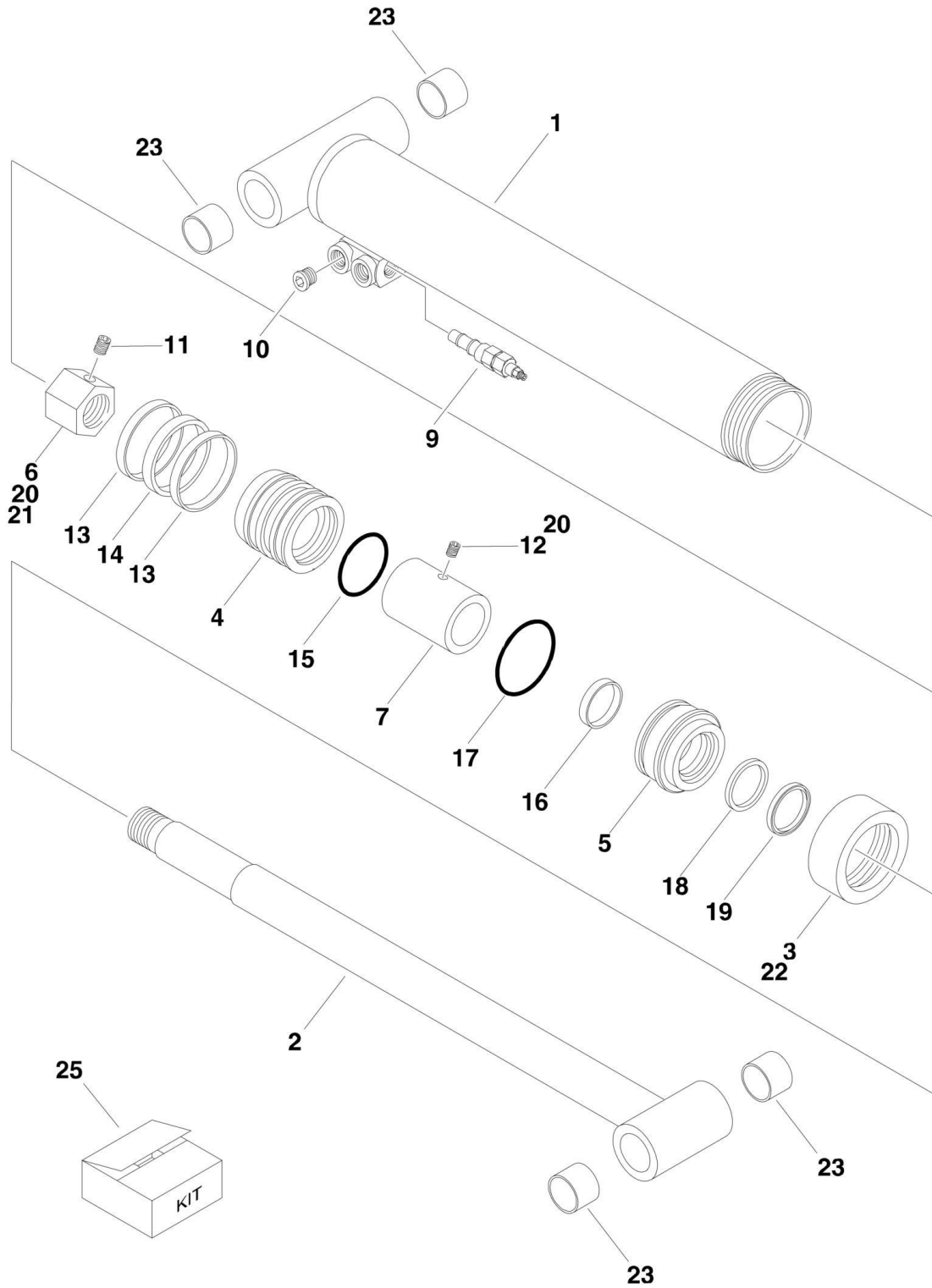
SECTION 5 - CYLINDER

FIGURE 5-6. USA BUILT MACHINES/LIFT (JIB) CYLINDER (450AJ SERIES II WITH ARCTIC PACKAGE)

ITEM	PART NUMBER	QTY	DESCRIPTION	REV
		Ref	USA Built Machines use SNs 03xxxxxxxx.	
		Ref	Romanian Built Machines use SNs E3xxxxxxxx.	
	1001138816	Ref	LIFT (JIB) CYLINDER ASSEMBLY (450AJ SERIES II WITH ARCTIC PACKAGE)	D
1	0100011	AR	Compound, Locking	
2	0100038	AR	Primer, Locking	
3	0630534	3	Bolt #10-24NC x 1in	
4	0961893	1	Bushing, Tapered	
5	0961947	2	Bushing	
6	0961951	2	Bushing	
7	1683051	1	Head	
8	1683960	1	Barrel Weldment	
9	1683961	1	Rod Weldment	
10	3760367	1	Washer, Ring	
11	2220885	3	Plug, O-Ring	
12	3480249	1	Piston	
13	3931516	8	Bolt, Socket Head 5/16in-18NC x 2in	
14	4640509	2	Cartridge, Valve (Counterbalance Non-Vented)	
14	2900792	2	Seal Kit - 4640509 Valve	
100	1001138819	1	Seal Kit, Cylinder (Includes Items 101-110)	
101	1001138819	2	Ring, Back-up	
102	1001138819	1	Ring, Back-up	
103	1001138819	2	Seal	
104	1001138819	2	Ring, Wear	
105	1001138819	1	Ring, Wear	
106	1001138819	1	O-Ring	
107	1001138819	1	O-Ring	
108	1001138819	1	Seal	
109	1001138819	1	Wiper	
110	1001138819	1	T-Seal	

SECTION 5 - CYLINDER

FIGURE 5-7. USA BUILT MACHINES/LIFT (MAIN BOOM) CYLINDER



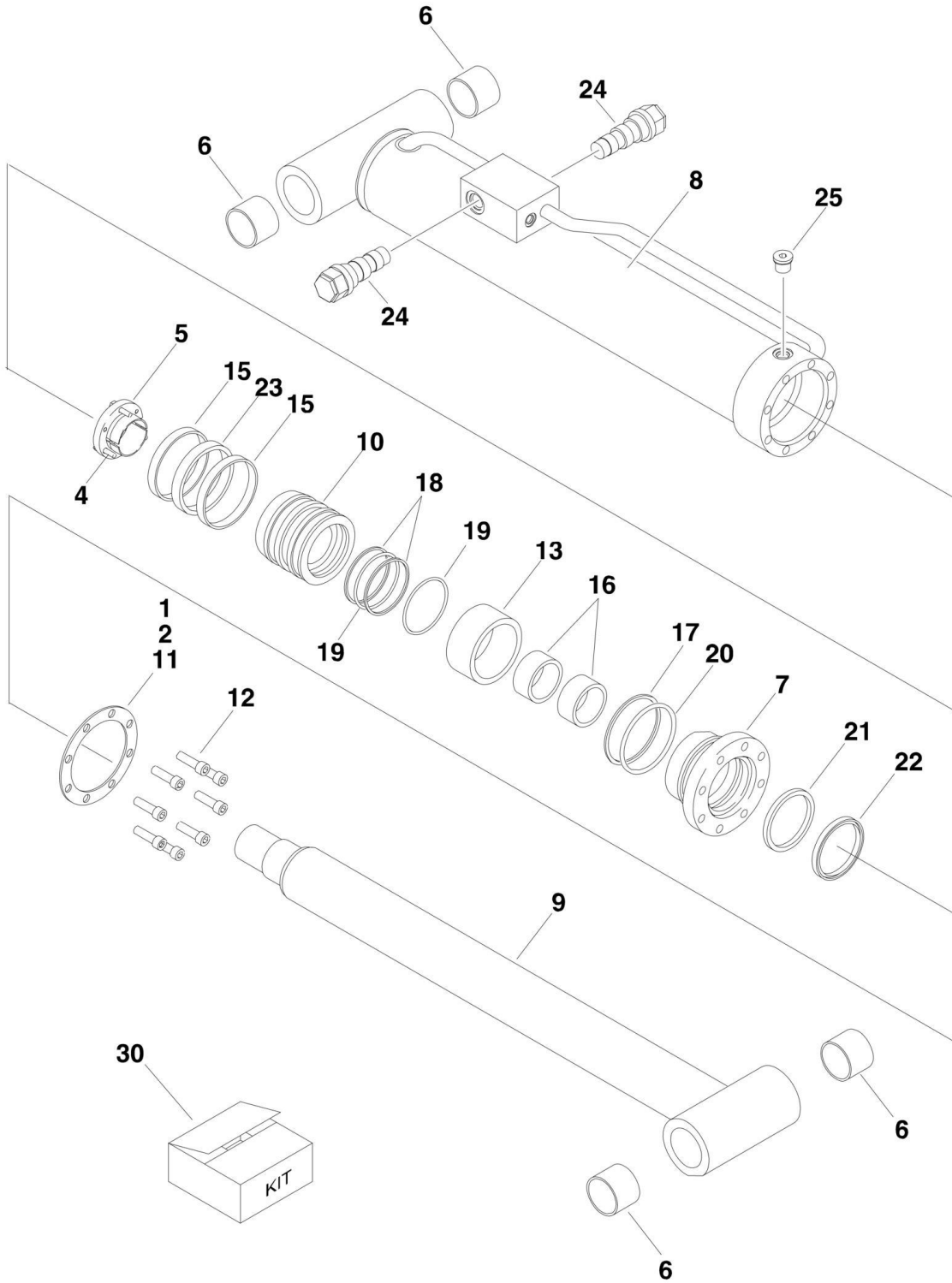
SECTION 5 - CYLINDER

FIGURE 5-7. USA BUILT MACHINES/LIFT (MAIN BOOM) CYLINDER

ITEM	PART NUMBER	QTY	DESCRIPTION	REV
		Ref	USA Built Machines use SNs 03xxxxxxx.	
		Ref	Romanian Built Machines use SNs E3xxxxxxx.	
		Ref	LIFT (MAIN BOOM) CYLINDER ASSEMBLY	
	1684155	Ref	Lift (Main Boom) Cylinder Assembly 450A SERIES II	2-D
	1684154	Ref	Lift (Main Boom) Cylinder Assembly 450AJ SERIES II	2-D
1		Ref	Barrel Weldment Options:	
1	1684060	1	1684155 Cylinder	
1	1683946	1	1684154 Cylinder	
2		Ref	Rod Weldment Options:	
2	1684059	1	1684155 Cylinder	
2	1683947	1	1684154 Cylinder	
3	1120108	1	Cap, End	
4	3480240	1	Piston	
5	1683504	1	Head	
6		Ref	Nut, Hex Options:	
6	3300315	1	1684155 Cylinder	
6	3300279	1	1684154 Cylinder	
7		Ref	Spacer, Tube Options:	
7	4567177	1	1684155 Cylinder	
7	4567908	1	1684154 Cylinder	
9	4640936	1	Cartridge, Valve	
9	2900770	1	Seal Kit - 4640936 Valve	
10	2220885	1	Plug, O-Ring	
11	3900170	1	Setscrew	
12		Ref	Setscrew Options:	
12	3951402	1	1684155 Cylinder	
12	3900142	1	1684154 Cylinder	
13	100118241	2	Ring, Wear	
14	100118241	1	Seal	
15	100118241	1	O-Ring	
16	100118241	1	Ring, Wear	
17	100118241	1	O-Ring	
18	100118241	1	Seal	
19	100118241	1	Wiper	
20	0100011	AR	Compound, Locking	
21	0100038	AR	Primer, Locking	
22	0100035	AR	Compound, Locking	
23	0961950	4	Bushing	
25	100118241	1	Seal Kit, Cylinder (Includes Items 13-19)	

SECTION 5 - CYLINDER

FIGURE 5-8. USA BUILT MACHINES/LIFT (TOWER BOOM) CYLINDER



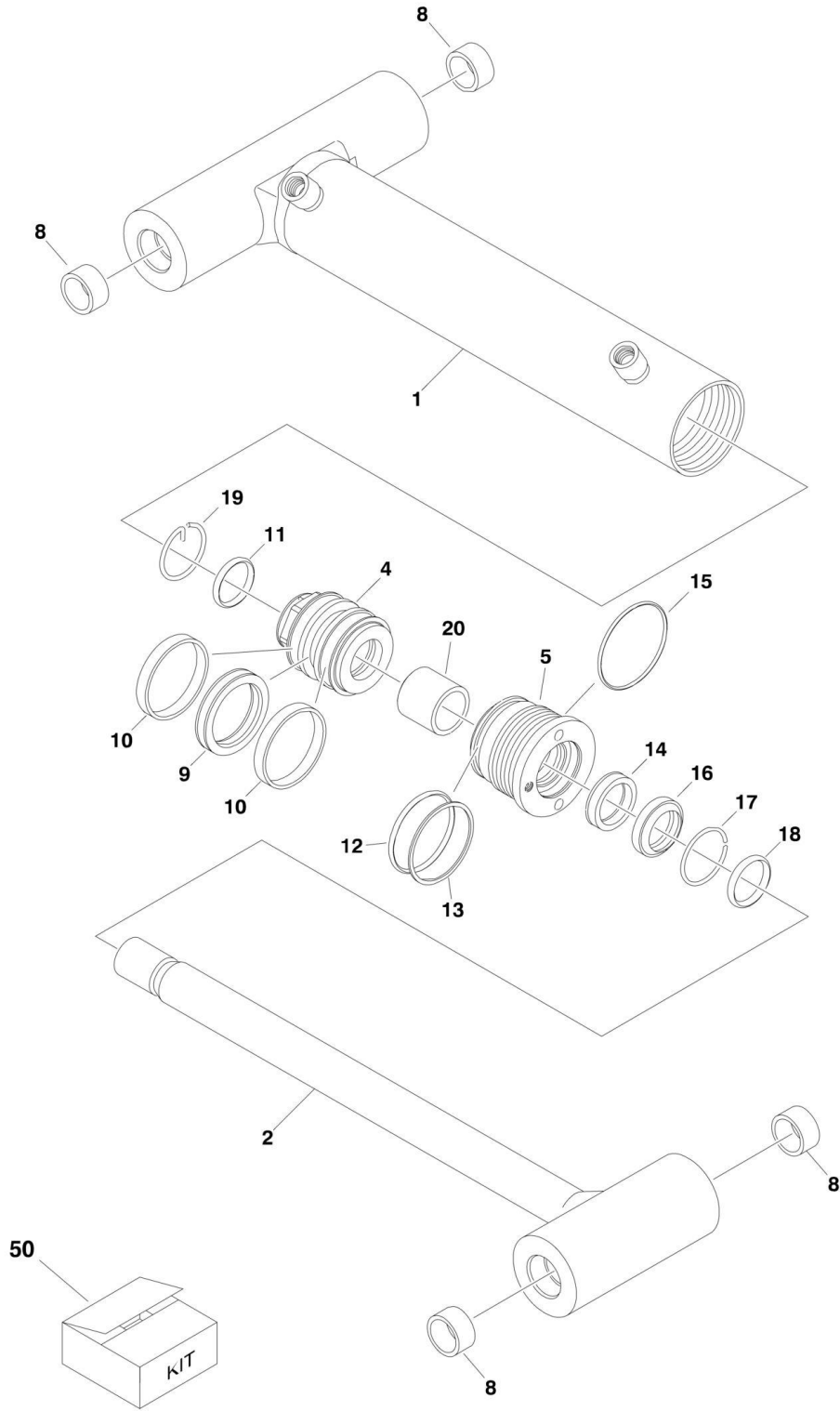
SECTION 5 - CYLINDER

FIGURE 5-8. USA BUILT MACHINES/LIFT (TOWER BOOM) CYLINDER

ITEM	PART NUMBER	QTY	DESCRIPTION	REV
		Ref	USA Built Machines use SNs 03xxxxxxxx.	
		Ref	Romanian Built Machines use SNs E3xxxxxxxx.	
	1684070	Ref	LIFT (TOWER BOOM) CYLINDER ASSEMBLY	G
1	0100011	AR	Compound, Locking	
2	0100038	AR	Primer, Locking	
4	0630535	3	Capscrew 1/4in-20NC x 1-1/8in	
5	0961897	1	Bushing, Tapered	
6	0961950	4	Bushing	
7	1683063	1	Head	
8	1684067	1	Barrel Weldment	
9	1684069	1	Rod Weldment	
10	3480253	1	Piston	
11	3760371	1	Washer, Ring	
12	3931824	8	Bolt, Socket Head 1/2in-13NC x 1-1/2in	
13	4100099	1	Spacer, Tube	
15	2902044	2	Ring, Wear	
16	2902044	2	Ring, Wear	
17	2902044	1	Ring, Back-up	
18	2902044	2	Ring, Back-up	
19	2902044	2	O-Ring	
20	2902044	1	O-Ring	
21	2902044	1	Seal	
22	2902044	1	Wiper	
23	2902044	1	T-Seal	
24	4640509	2	Cartridge, Valve (Counterbalance Non-Vented)	
24	2900792	2	Seal Kit - 4640509 Valve	
25	2220886	1	Plug, O-Ring	
30	2902044	1	Seal Kit, Cylinder (Includes Items 15-23)	

SECTION 5 - CYLINDER

FIGURE 5-9. USA BUILT MACHINES/MASTER CYLINDER (450A SERIES II)



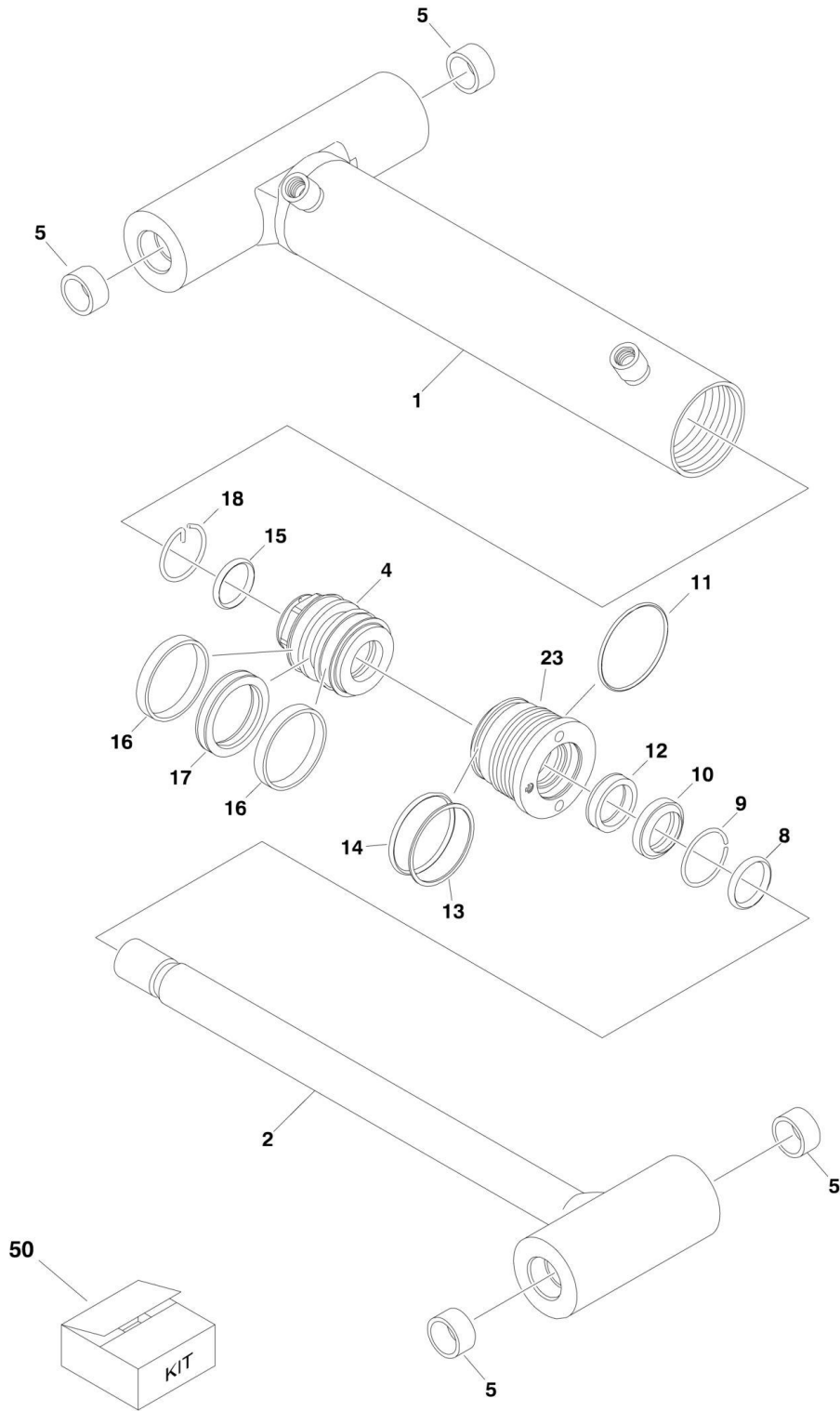
SECTION 5 - CYLINDER

FIGURE 5-9. USA BUILT MACHINES/MASTER CYLINDER (450A SERIES II)

ITEM	PART NUMBER	QTY	DESCRIPTION	REV
		Ref	USA Built Machines use SNs 03xxxxxxxx.	
		Ref	Romanian Built Machines use SNs E3xxxxxxxx.	
	1001140276	Ref	MASTER CYLINDER ASSEMBLY (450A SERIES II)	B
1	70003831	1	Barrel	
2	70003832	1	Rod	
4	70003810	1	Piston	
5	70003809	1	Head	
8	0961947	4	Bushing	
9	70003814	1	Seal	
10	70003814	2	Ring, Wear	
11	70003814	1	O-Ring	
12	70003814	1	O-Ring	
13	70003814	1	Ring, Back-up	
14	70003814	1	Seal	
15	70003814	1	O-Ring	
16	70003814	1	Wiper	
17	70002217	1	Ring, Retaining	
18	7026084	1	O-Ring	
19	70002216	1	Retainer	
20	70003830	1	Spacer	
50	70003814	1	Seal Kit (Includes Items 9-16)	

SECTION 5 - CYLINDER

FIGURE 5-10. USA BUILT MACHINES/MASTER CYLINDER (450AJ SERIES II WITHOUT ARCTIC PACKAGE)



SECTION 5 - CYLINDER

FIGURE 5-10. USA BUILT MACHINES/MASTER CYLINDER (450AJ SERIES II WITHOUT ARCTIC PACKAGE)

ITEM	PART NUMBER	QTY	DESCRIPTION	REV
		Ref	USA Built Machines use SNs 03xxxxxxxx.	
		Ref	Romanian Built Machines use SNs E3xxxxxxxx.	
	1001140278	Ref	MASTER CYLINDER ASSEMBLY (450A SERIES II WITHOUT ARCTIC PACKAGE)	A
1	70003843	1	Barrel	
2	70003844	1	Rod	
4	70003819	1	Piston	
5	0961951	4	Bushing	
8	7026084	1	O-Ring	
9	70002217	1	Ring, Retaining	
10	70003845	1	Wiper	
11	70003845	1	O-Ring	
12	70003845	1	Seal	
13	70003845	1	Ring, Back-up	
14	70003845	1	O-Ring	
15	70003845	1	O-Ring	
16	70003845	2	Ring, Wear	
17	70003845	1	Seal	
18	70002216	1	Retainer	
23	7026082	1	Head	
50	70003845	1	Seal Kit (Includes Items 10-17)	

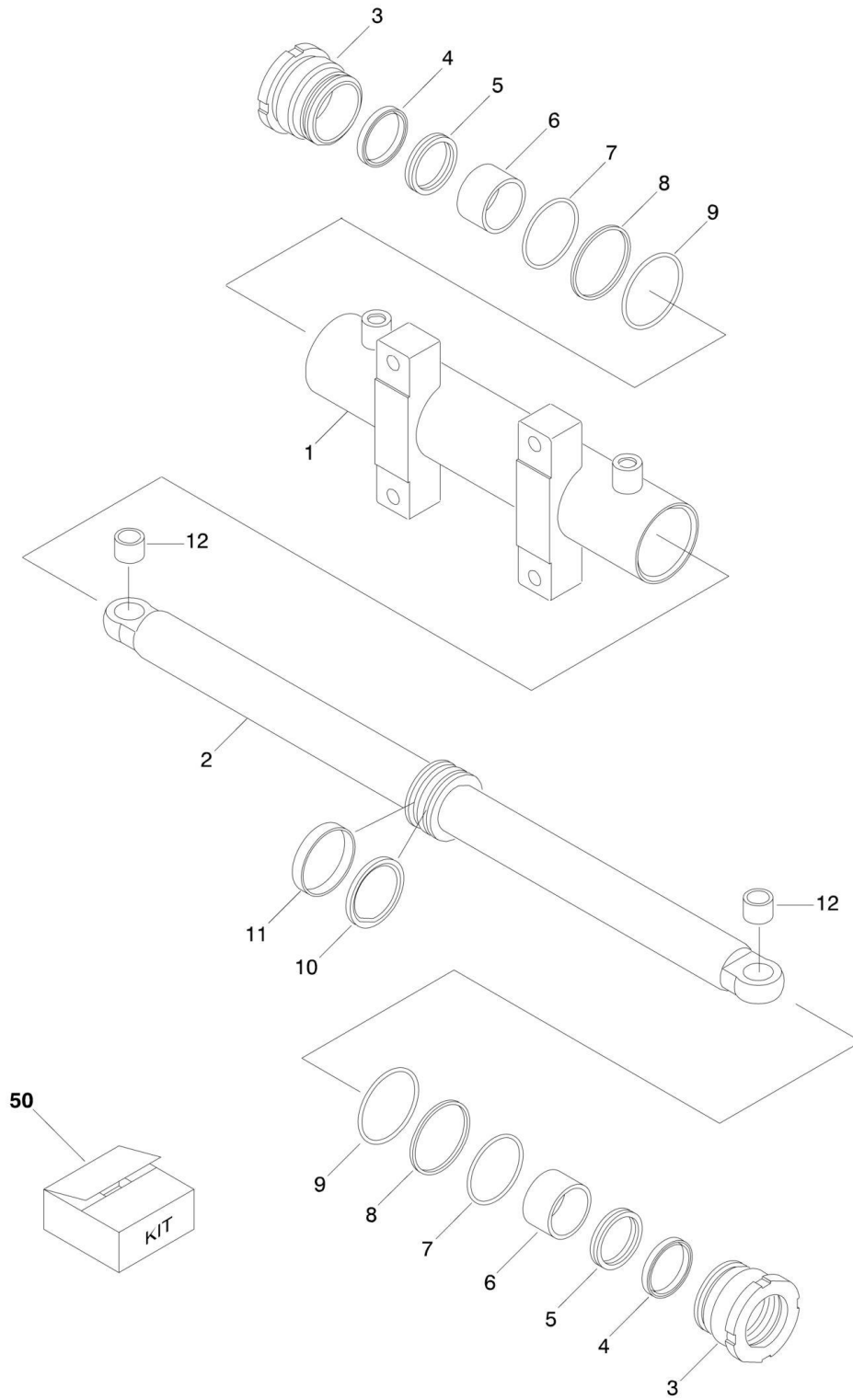
SECTION 5 - CYLINDER

FIGURE 5-11. USA BUILT MACHINES/MASTER CYLINDER (450AJ SERIES II WITH ARCTIC PACKAGE)

ITEM	PART NUMBER	QTY	DESCRIPTION	REV
		Ref	USA Built Machines use SNs 03xxxxxxxx.	
		Ref	Romanian Built Machines use SNs E3xxxxxxxx.	
	1001138817	Ref	MASTER CYLINDER ASSEMBLY (450AJ SERIES II WITH ARCTIC PACKAGE)	A
1	0100011	AR	Compound, Locking	
2	0100038	AR	Primer, Locking	
3	3931016	3	Bolt Socket Head #10-24NC x 1in	
4	0962185	1	Bushing, Tapered	
5	0961951	4	Bushing, Garmax	
6	3480247	1	Piston	
7	3760368	1	Washer, Ring	
8	1683052	1	Head	
9	1683756	1	Barrel	
10	1683772	1	Rod	
11	3931516	8	Bolt Socket Head 5/16in-18NC x 1in	
100	1001138818	1	Seal Kit, Cylinder (Includes Items 101-109)	
101	1001138818	2	Ring, Lock	
102	1001138818	1	Ring, Wear	
103	1001138818	2	Ring, Back-Up	
104	1001138818	1	O-Ring	
105	1001138818	1	O-Ring	
106	1001138818	1	Wiper	
107	1001138818	1	Seal	
108	1001138818	1	Ring, Back-Up	
109	1001138818	2	Seal	

SECTION 5 - CYLINDER

FIGURE 5-12. USA BUILT MACHINES/STEER CYLINDER



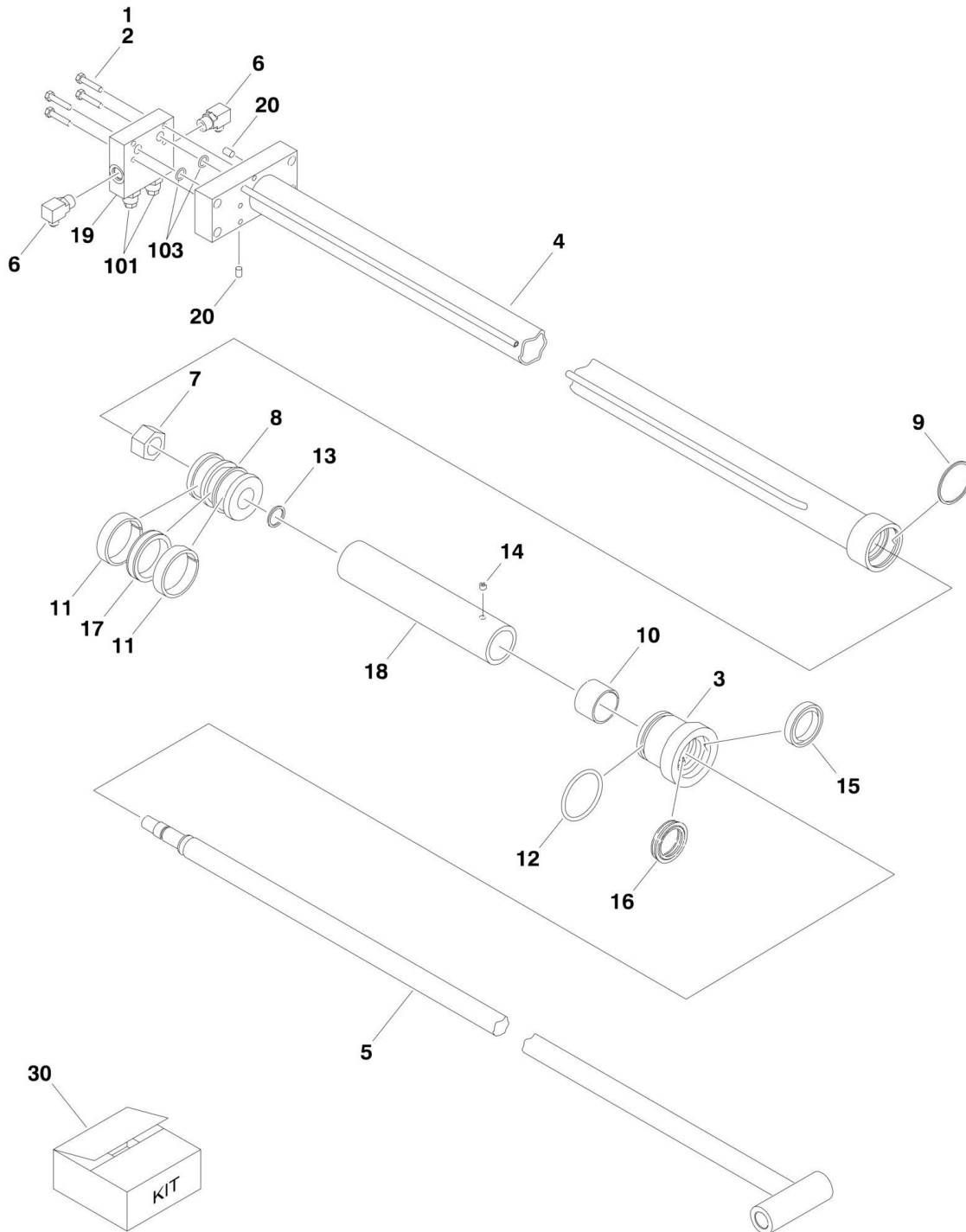
SECTION 5 - CYLINDER

FIGURE 5-12. USA BUILT MACHINES/STEER CYLINDER

ITEM	PART NUMBER	QTY	DESCRIPTION	REV
	1001143434	Ref	STEER CYLINDER ASSEMBLY	E
1	70003933	1	Barrel	
2	70003934	1	Rod	
3	70003098	2	Head	
4	See Note	NSS	Wiper (Note: Use Item 50)	
5	See Note	NSS	Seal, Rod (Note: Use Item 50)	
6	70004237	1	Bearing	
7	See Note	NSS	O-Ring (Note: Use Item 50)	
8	See Note	NSS	Ring, Back-up (Note: Use Item 50)	
9	See Note	NSS	O-Ring (Note: Use Item 50)	
10	See Note	NSS	Seal, Piston (Note: Use Item 50)	
11	See Note	NSS	Ring, Wear (Note: Use Item 50)	
12	70007474	2	Bearing	
50	70003099	1	Seal Kit - 1001143434 Cylinder (includes Items 4-12)	

SECTION 5 - CYLINDER

FIGURE 5-13. USA BUILT MACHINES/TELESCOPE CYLINDER (SN 0300160835 through 0300175028)



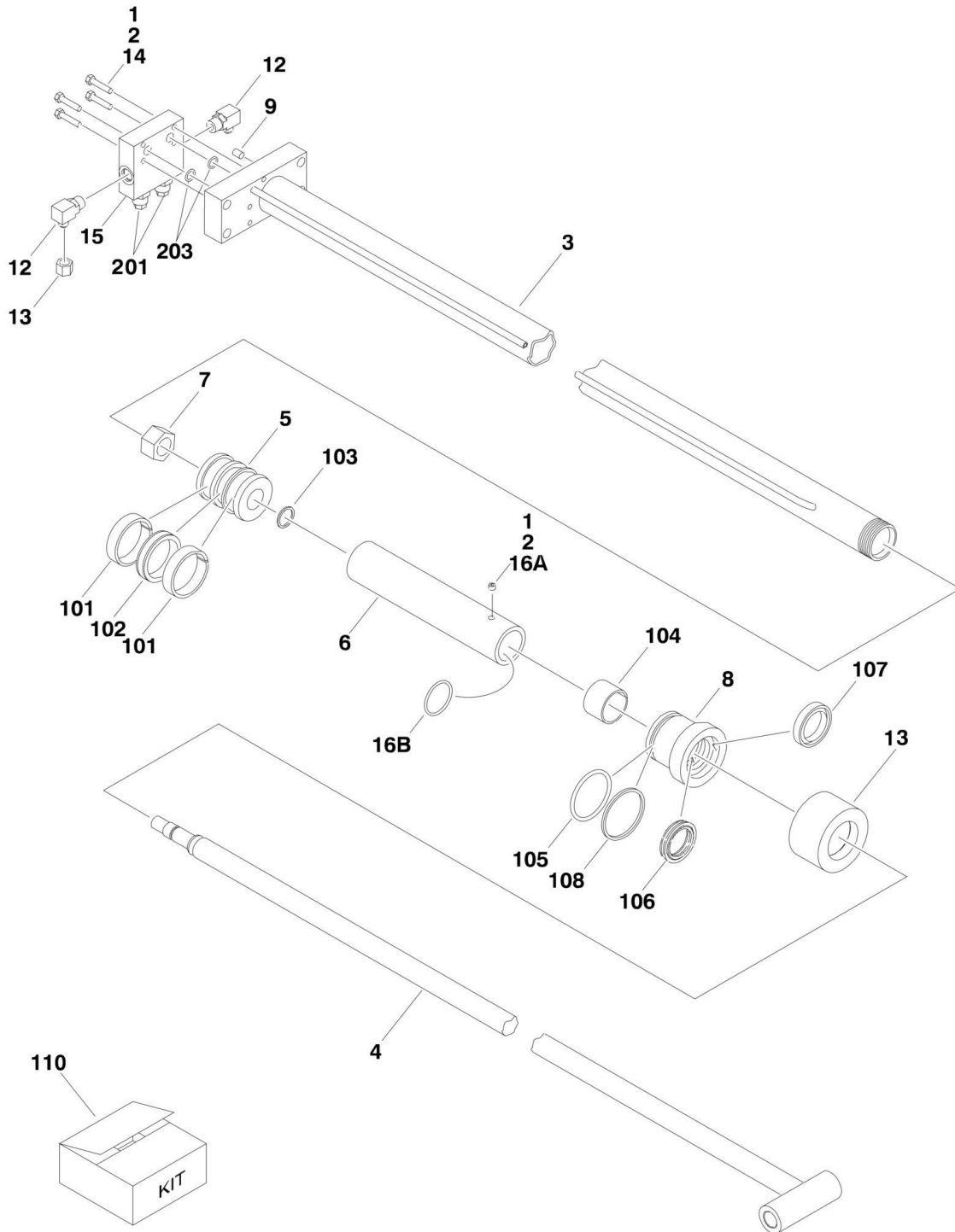
SECTION 5 - CYLINDER

FIGURE 5-13. USA BUILT MACHINES/TELESCOPE CYLINDER (SN 0300160835 through 0300175028)

ITEM	PART NUMBER	QTY	DESCRIPTION	REV
		Ref	USA Built Machines use SNs 03xxxxxxx.	
		Ref	Romanian Built Machines use SNs E3xxxxxxx.	
		Ref	TELESCOPE CYLINDER ASSEMBLY	
	1001143915	Ref	Telescope Cylinder Assembly 450A Series II	B
	1001143916	Ref	Telescope Cylinder Assembly 450AJ Series II	B
1	0100011	AR	Compound, Locking	
2	0641512	4	Bolt 5/16in-18NC x 1-1/2in	
3	1682892	1	Head	
4		Ref	Barrel Weldment Options:	
4	1684096	1	Barrel Weldment 450A Series II	
4	1683800	1	Barrel Weldment 450AJ Series II	
5		Ref	Rod Weldment Options:	
5	1684098	1	Rod Weldment 450A Series II	
5	1683802	1	Rod Weldment 450AJ Series II	
6	2220628	2	Adapter, Elbow	
7	3322205	1	Locknut 3/4in-16NC	
8	3480239	1	Piston	
9	3760318	1	Ring, Retaining	
10	2902073	1	Ring, Wear	
11	2902073	2	Ring, Wear	
12	2902073	1	O-Ring	
13	2902073	1	O-Ring	
14	3951402	1	Setscrew 1/4in-20NC x 1/4in	
15	2902073	1	Wiper	
16	2902073	1	Seal	
17	2902073	1	Seal	
18		Ref	Spacer, Tube Options:	
18	4568218	1	Spacer, Tube 450A Series II	
18	4566027	1	Spacer, Tube 450AJ Series II	
19	4641200	1	Counterbalance Valve Assembly (See Items 101-103 for Breakdown)	
20	2220883	2	Plug, O-Ring	
30	2902073	1	Seal Kit, Cylinder (Includes Items 10-13 & 15-17)	
	4641200	Ref	COUNTERBALANCE VALVE ASSEMBLY	C
101	7011347	2	Cartridge, Counterbalance	
101	2900770	2	Seal Kit - Cartridge (1 Per Cartridge)	
103	3790113	2	O-Ring (Between Valve and Cylinder Block)	

SECTION 5 - CYLINDER

FIGURE 5-14. USA BUILT MACHINES/TELESCOPE CYLINDER (SN 0300175029 through 0300201990)



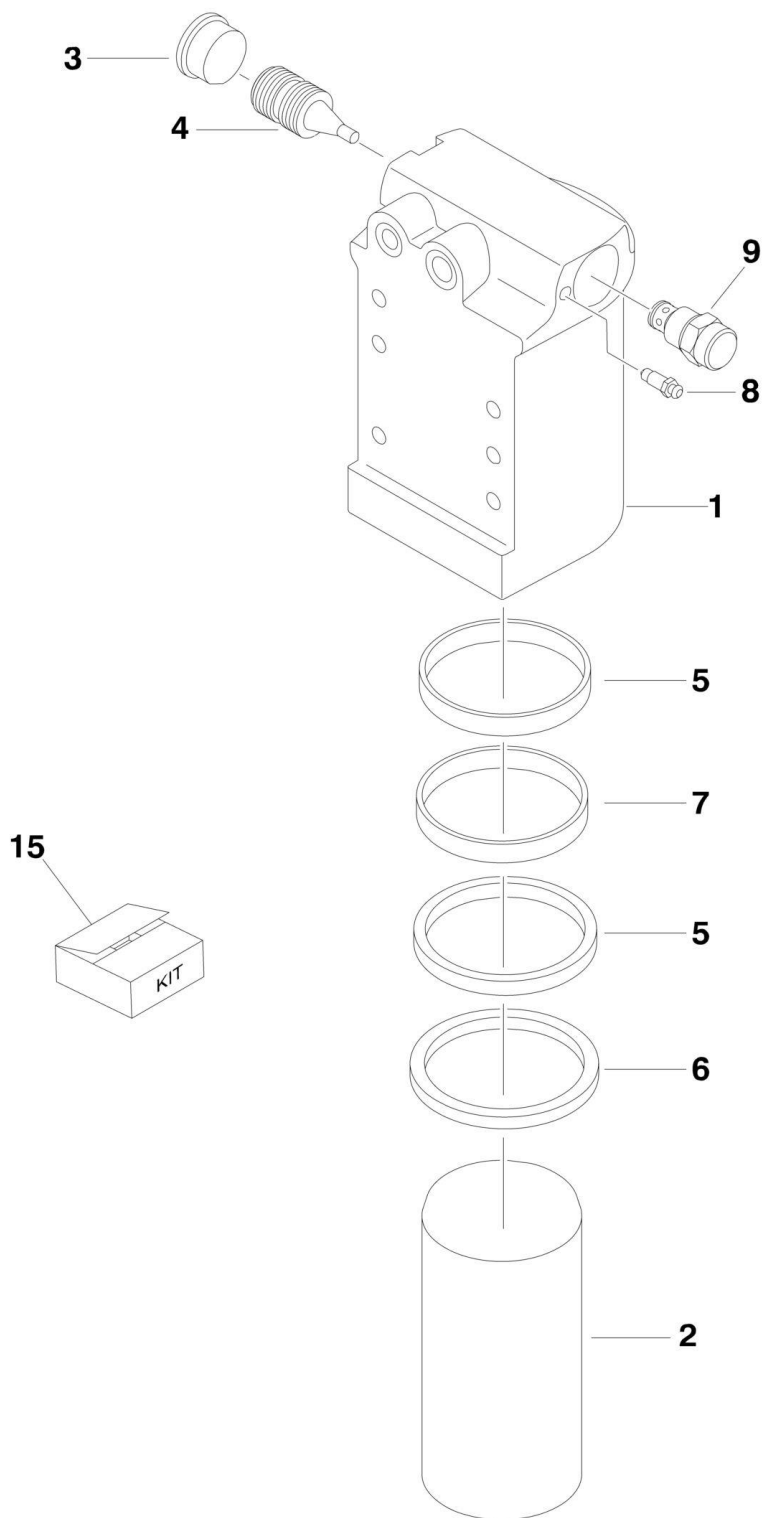
SECTION 5 - CYLINDER

FIGURE 5-14. USA BUILT MACHINES/TELESCOPE CYLINDER (SN 0300175029 through 0300201990)

ITEM	PART NUMBER	QTY	DESCRIPTION	REV
		Ref	USA Built Machines use SNs 03xxxxxxx.	
		Ref	Romanian Built Machines use SNs E3xxxxxxx.	
		Ref	TELESCOPE CYLINDER ASSEMBLY	
	1001152384	Ref	Telescope Cylinder Assembly 450A Series II	B
	1001152118	Ref	Telescope Cylinder Assembly 450AJ Series II	B
1	0100011	AR	Compound, Locking	
2	0100038	AR	Primer	
3		Ref	Barrel Weldment Options:	
3	1001152391	1	Barrel Weldment 450A Series II	
3	1001151386	1	Barrel Weldment 450AJ Series II	
4		Ref	Rod Weldment Options:	
4	1684098	1	Rod Weldment 450A Series II	
4	1683802	1	Rod Weldment 450AJ Series II	
5	3480239	1	Piston	
6		Ref	Spacer, Tube Options:	
6	4568218	1	Spacer, Tube 450A Series II	
6	4566027	1	Spacer, Tube 450AJ Series II	
7	3322205	1	Locknut 3/4in-16NC	
8	1683584	1	Head	
9	2220883	1	Plug, O-Ring	
12	2220628	2	Adapter, Elbow	
13	2220516	2	Adapter, Cap	
14	0641512	4	Bolt 5/16in-18NC x 1-1/2in	
15	4641200	1	Counterbalance Valve Assembly (See Items 201-203 for Breakdown)	
16		Ref	Hardware Options:	
16A	3951402	1	Hardware 450A Series II - Setscrew 1/4in-20NC x 1/4in	
16B	3780182	1	Hardware 450AJ Series II - O-Ring	
101	1001152230	1	Ring, Wear	
102	1001152230	1	Seal	
103	1001152230	1	O-Ring	
104	1001152230	2	Ring, Wear	
105	1001152230	1	O-Ring	
106	1001152230	1	Seal	
107	1001152230	1	Wiper	
108	1001152230	1	Ring, Backup	
110	1001152230	1	Seal Kit, Cylinder (Includes Items 101-108)	
	4641200	Ref	COUNTERBALANCE VALVE ASSEMBLY	C
201	7011347	2	Cartridge, Counterbalance	
201	2900770	2	Seal Kit - Cartridge (1 Per Cartridge)	
203	3790113	2	O-Ring (Between Valve and Cylinder Block)	

SECTION 5 - CYLINDER

FIGURE 5-15. ROMANIAN BUILT MACHINES/AXLE LOCKOUT CYLINDER



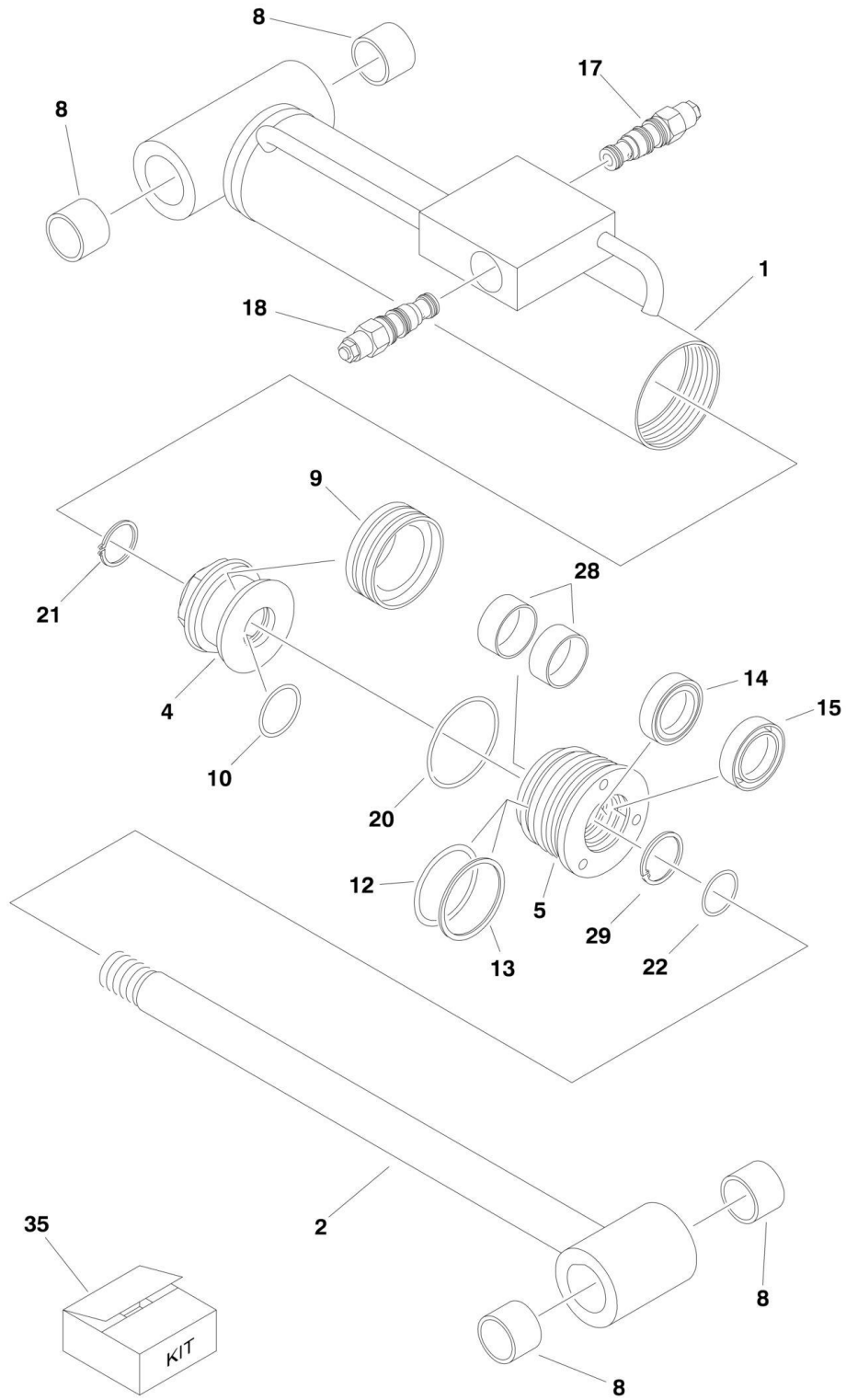
SECTION 5 - CYLINDER

FIGURE 5-15. ROMANIAN BUILT MACHINES/AXLE LOCKOUT CYLINDER

ITEM	PART NUMBER	QTY	DESCRIPTION	REV
		Ref	USA Built Machines use SNs 03xxxxxxxx.	
		Ref	Romanian Built Machines use SNs E3xxxxxxxx.	
	1684465	Ref	AXLE LOCKOUT CYLINDER ASSEMBLY	H
1	0370026	1	Barrel	
2	1684290	1	Rod	
3	2220890	1	Plug	
4	3480288	1	Piston, Pilot	
5	2902266	2	Ring, Wear	
6	2902266	1	Wiper	
7	2902266	1	Seal, Rod	
8	4640858	1	Bleeder	
9	4641390	1	Cartridge, Valve	
9	7017496	1	Seal Kit	
15	2902266	1	Seal Kit, Cylinder (Includes Items 5-7)	

SECTION 5 - CYLINDER

FIGURE 5-16. ROMANIAN BUILT MACHINES/LEVEL (PLATFORM SLAVE) CYLINDER



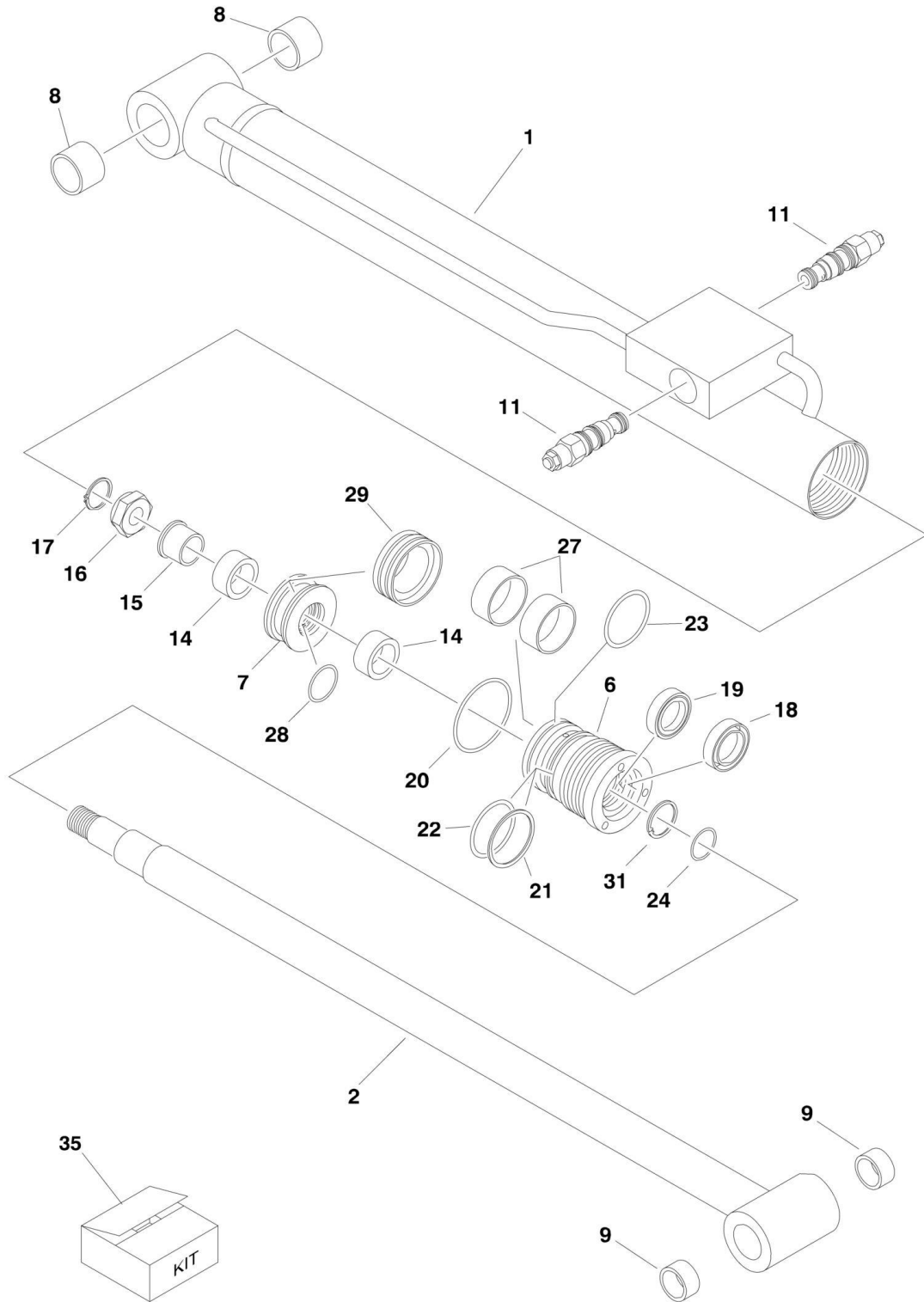
SECTION 5 - CYLINDER

FIGURE 5-16. ROMANIAN BUILT MACHINES/LEVEL (PLATFORM SLAVE) CYLINDER

ITEM	PART NUMBER	QTY	DESCRIPTION	REV
		Ref	USA Built Machines use SNs 03xxxxxxx.	
		Ref	Romanian Built Machines use SNs E3xxxxxxx.	
	1001094789	Ref	LEVEL (PLATFORM SLAVE) CYLINDER ASSEMBLY	B
1	7026117	1	Barrel	
2	7026118	1	Rod	
4	7026081	1	Piston	
5	70005580	1	Head	
8	0961951	4	Bearing	
9	7026087	1	Seal	
10	7026087	1	O-Ring	
12	7026087	1	O-Ring	
13	7026087	1	Ring, Back-up	
14	7026087	1	Seal	
15	7026087	1	Wiper	
17	70001086	1	Cartridge, Valve	
17	2900770	1	Seal Kit - 70001086 Valves	
18	7011377	1	Cartridge, Valve	
18	7011358	1	Seal Kit - 7011377 Valve	
20	7026087	1	O-Ring	
21	70002216	1	Ring, Retaining	
22	7026087	1	O-Ring	
28	7026087	2	Ring, Ware (SN E30001236 through E30002832)	
29	70002217	1	Ring, Retaining	
35	7026087	1	Seal Kit - Cylinder (Includes Items 9, 10, 12-15, 20, 22 & 28)	

SECTION 5 - CYLINDER

FIGURE 5-17. ROMANIAN BUILT MACHINES/LIFT (JIB) CYLINDER



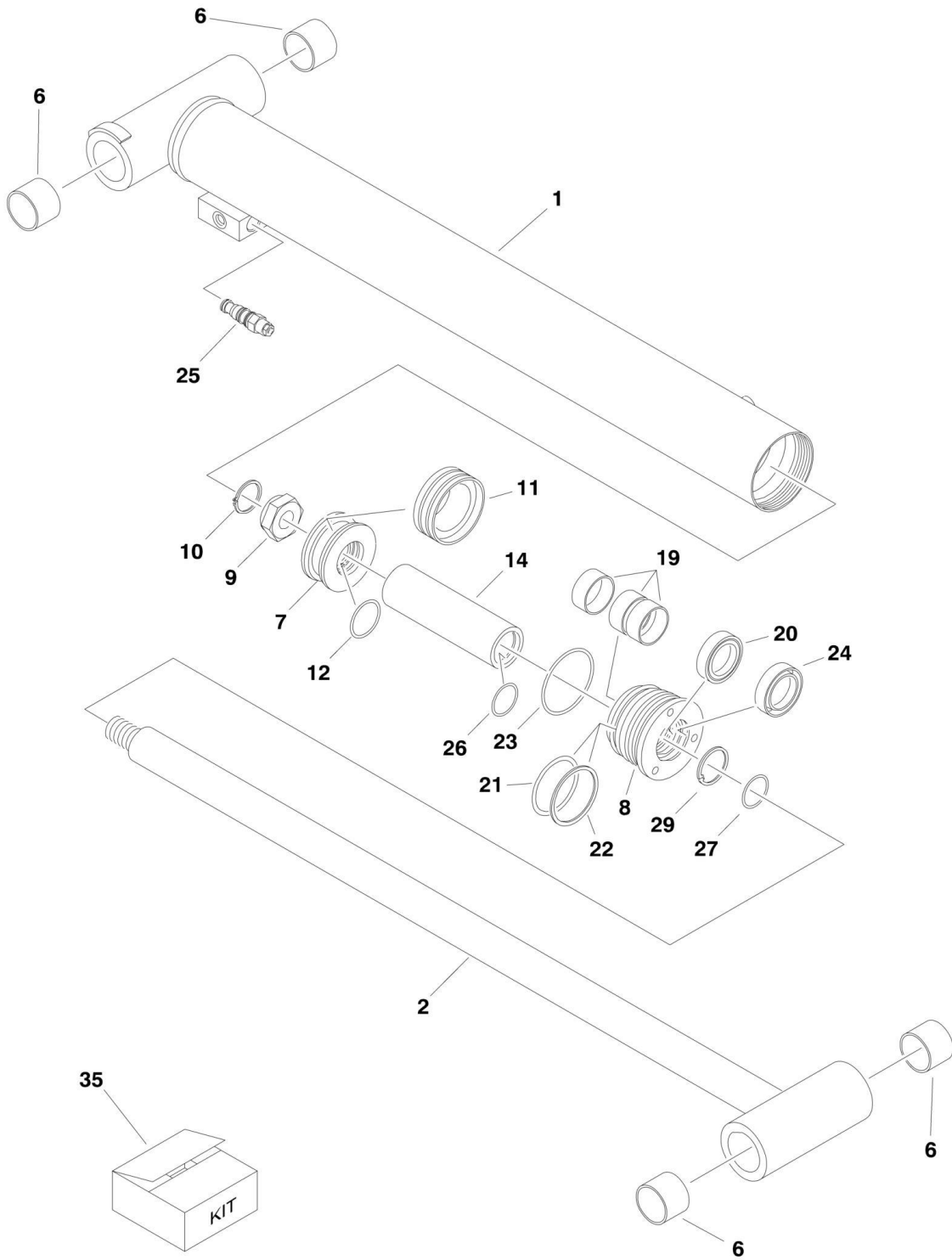
SECTION 5 - CYLINDER

FIGURE 5-17. ROMANIAN BUILT MACHINES/LIFT (JIB) CYLINDER

ITEM	PART NUMBER	QTY	DESCRIPTION	REV
		Ref	USA Built Machines use SNs 03xxxxxxxx.	
		Ref	Romanian Built Machines use SNs E3xxxxxxxx.	
	1684242	Ref	JIB LIFT CYLINDER ASSEMBLY	D
1	7026093	1	Barrel	
2	7026094	1	Rod	
6	7026088	NLA	Head (Use p/n 70005581)	
7	7026089	1	Piston	
8	0961951	2	Bearing	
9	0961947	2	Bearing	
11	7026096	2	Cartridge, Valve	
11	2900770	2	Seal Kit - 7026096 Valve (1 Per Cartridge)	
14	7026090	2	Bushing	
15	7026091	1	Sleeve	
16	7026092	1	Nut	
17	70002223	1	Ring, Retaining	
18	7026095	1	Wiper	
19	7026095	1	Seal	
20	7026095	1	O-Ring	
21	7026095	1	Ring, Back-up	
22	7026095	1	O-Ring	
23	7026095	1	O-Ring	
24	7026095	1	O-Ring	
27	7026095	2	Ring, Ware (SN E300001236 through E300002832)	
28	7026095	1	O-Ring	
29	7026095	1	Seal	
31	70002220	1	Ring, Retaining	
35	7026095	1	Seal Kit, Cylinder (Includes Items 18-24, 27 & 29)	

SECTION 5 - CYLINDER

FIGURE 5-18. ROMANIAN BUILT MACHINES/LIFT (MAIN BOOM) CYLINDER



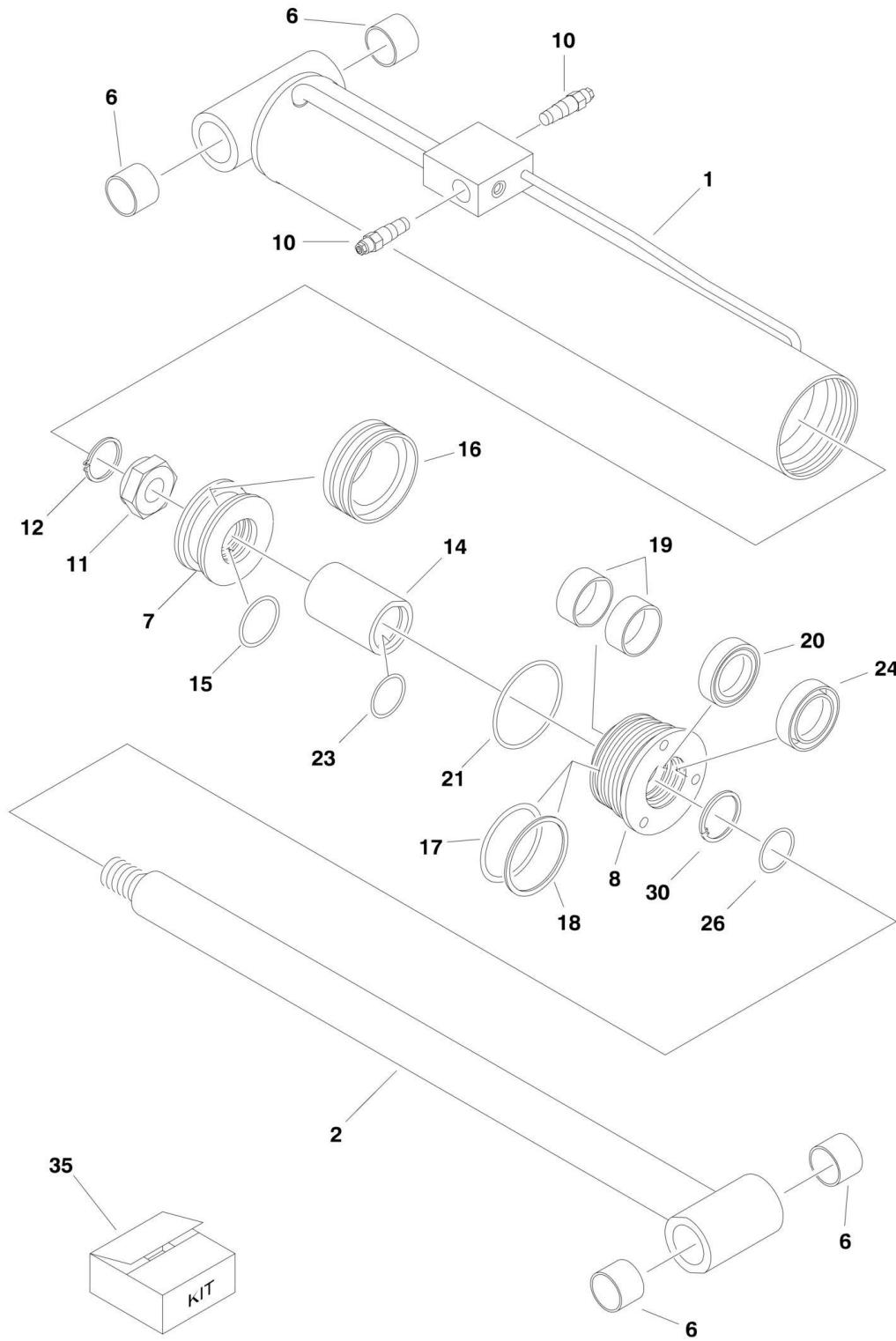
SECTION 5 - CYLINDER

FIGURE 5-18. ROMANIAN BUILT MACHINES/LIFT (MAIN BOOM) CYLINDER

ITEM	PART NUMBER	QTY	DESCRIPTION	REV
		Ref	USA Built Machines use SNs 03xxxxxxxx.	
		Ref	Romanian Built Machines use SNs E3xxxxxxxx.	
	1684244	Ref	MAIN LIFT CYLINDER ASSEMBLY	E
1	7026101	1	Barrel	
2	7026102	1	Rod	
6	0961950	4	Bearing	
7	7026097	1	Piston	
8	7026098	1	Head	
9	7026099	1	Nut	
10	70002224	1	Ring, Retaining	
11	70002225	1	Seal	
12	70002225	1	O-Ring	
14	See Note	1	Spacer (Note: Not Available for Purchase)	
19	70002225	3	Ring, Wear	
20	70002225	1	Seal	
21	70002225	1	O-Ring	
22	70002225	1	Ring, Back-up	
23	70002225	1	O-Ring	
24	70002225	1	Wiper	
25	4640936	1	Cartridge, Valve	
25	2900770	1	Seal Kit - 4640936 Valve	
26	70002225	1	O-Ring	
27	70002225	1	O-Ring	
29	70002219	1	Ring, Retaining	
35	70002225	1	Seal Kit, Cylinder (Includes Items 11, 12, 19-24, 26 & 27)	

SECTION 5 - CYLINDER

FIGURE 5-19. ROMANIAN BUILT MACHINES/LIFT (TOWER BOOM) CYLINDER



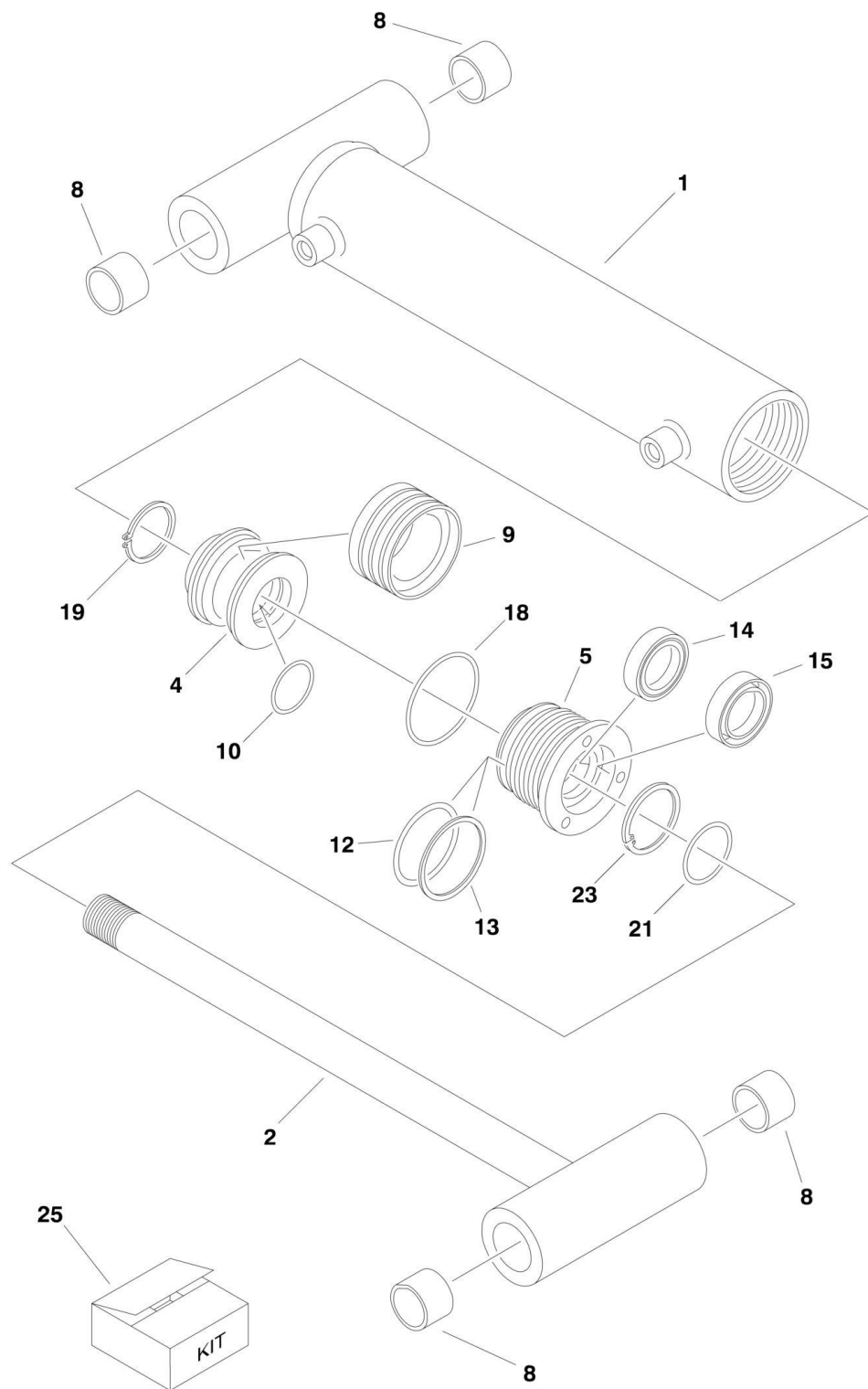
SECTION 5 - CYLINDER

FIGURE 5-19. ROMANIAN BUILT MACHINES/LIFT (TOWER BOOM) CYLINDER

ITEM	PART NUMBER	QTY	DESCRIPTION	REV
		Ref	USA Built Machines use SNs 03xxxxxxxx.	
		Ref	Romanian Built Machines use SNs E3xxxxxxxx.	
	1684239	Ref	TOWER LIFT CYLINDER ASSEMBLY	D
1	7026078	1	Barrel	
2	7026079	1	Rod	
6	0961950	4	Bearing	
7	7026073	1	Piston	
8	7026074	1	Head	
10	4641260	2	Cartridge, Valve	
10	2900770	2	Seal Kit - 4641260 Valve (1 Per Assembly)	
11	7026075	1	Nut	
12	70002221	1	Ring, Retaining	
14	7026076	1	Spacer	
15	7026080	1	O-Ring	
16	7026080	1	Seal	
17	7026080	1	O-Ring	
18	7026080	1	Ring, Back-up	
19	7026080	2	Ring, Wear	
20	7026080	1	Seal	
21	7026080	1	O-Ring	
23	7026080	1	O-Ring	
24	7026080	1	Wiper	
26	7026080	1	O-Ring	
30	70002222	1	Ring, Retaining	
35	7026080	1	Seal Kit, Cylinder (Includes Items 15-21, 23, 24 & 26)	

SECTION 5 - CYLINDER

FIGURE 5-20. ROMANIAN BUILT MACHINES/MASTER CYLINDER



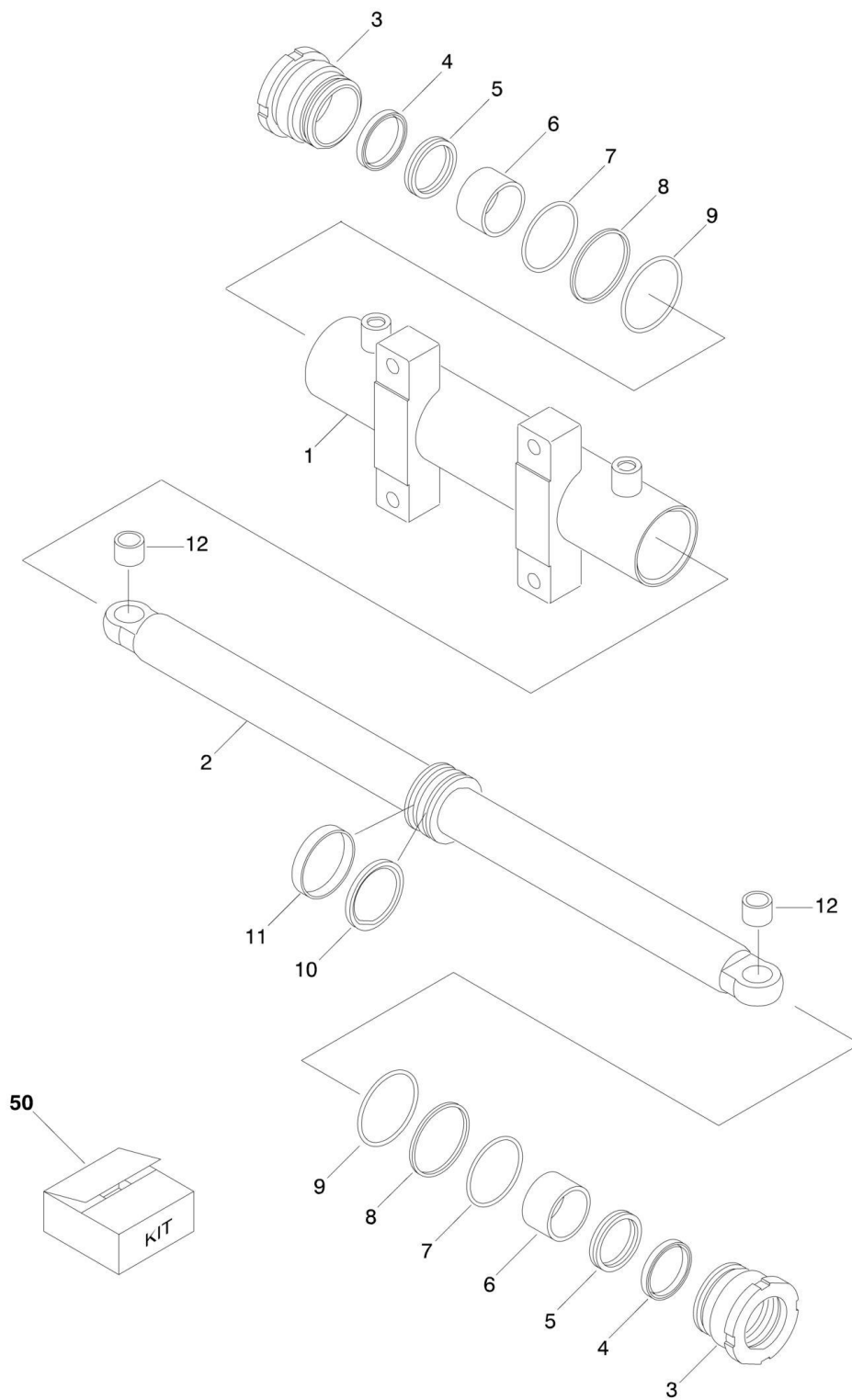
SECTION 5 - CYLINDER

FIGURE 5-20. ROMANIAN BUILT MACHINES/MASTER CYLINDER

ITEM	PART NUMBER	QTY	DESCRIPTION	REV
		Ref	USA Built Machines use SNs 03xxxxxxxx.	
		Ref	Romanian Built Machines use SNs E3xxxxxxxx.	
	1684241	Ref	MASTER CYLINDER ASSEMBLY	C
1	7026085	1	Barrel	
2	7026086	1	Rod	
4	7026081	1	Piston	
5	7026082	1	Head	
8	0961951	4	Bearing	
9	7026087	1	Seal	
10	7026087	1	O-Ring	
12	7026087	1	O-Ring	
13	7026087	1	Ring, Back-up	
14	7026087	1	Seal	
15	7026087	1	Wiper	
18	7026087	1	O-Ring	
19	70002216	1	Ring, Retaining	
21	7026087	1	O-Ring	
23	70002217	1	Ring, Retaining	
25	7026087	1	Seal Kit, Cylinder (Includes Items 9, 10, 12-15, 18 & 21)	

SECTION 5 - CYLINDER

FIGURE 5-21. ROMANIAN BUILT MACHINES/STEER CYLINDER



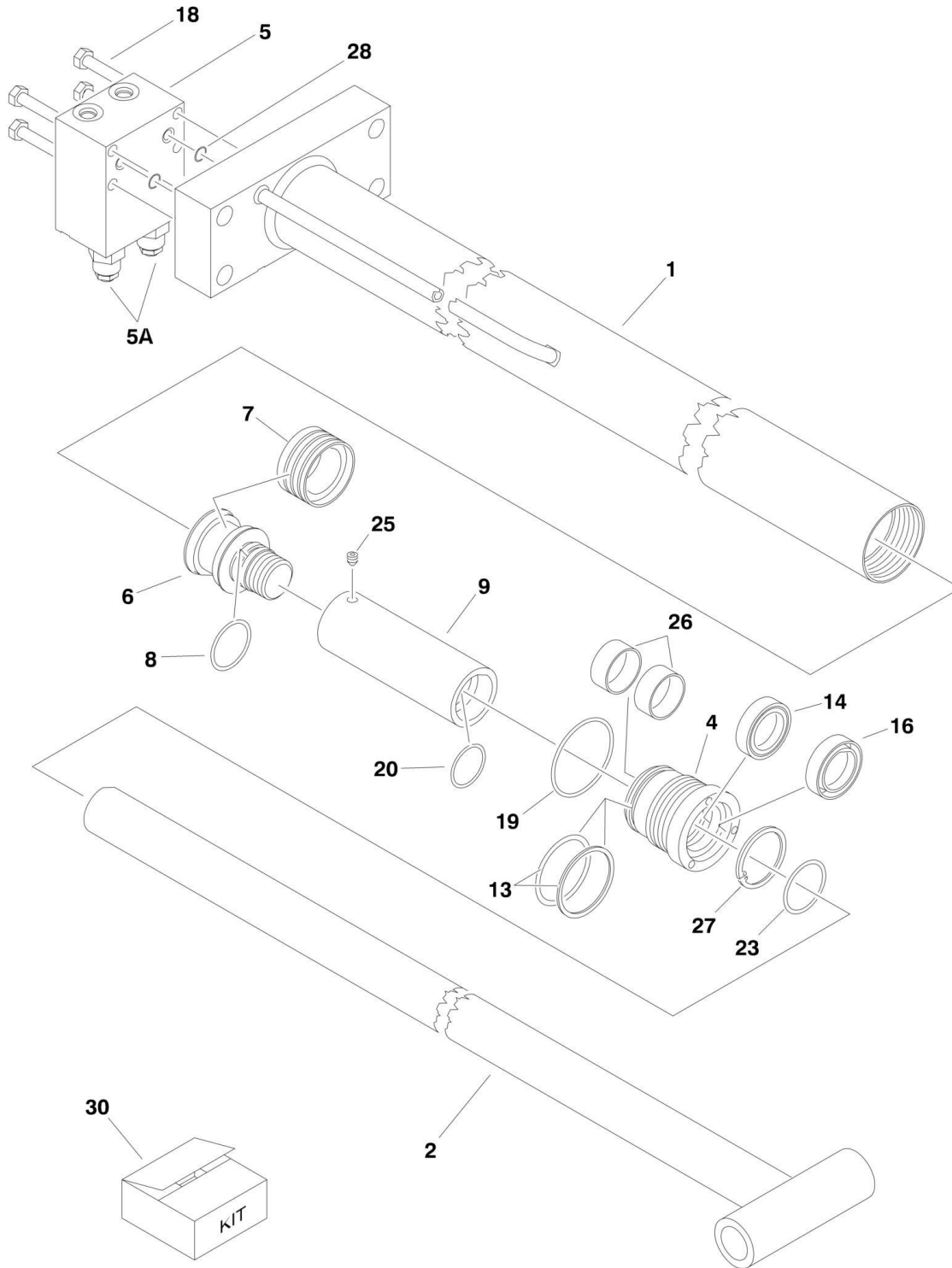
SECTION 5 - CYLINDER

FIGURE 5-21. ROMANIAN BUILT MACHINES/STEER CYLINDER

ITEM	PART NUMBER	QTY	DESCRIPTION	REV
	1001143434	Ref	STEER CYLINDER ASSEMBLY	E
1	70003933	1	Barrel	
2	70003934	1	Rod	
3	70003098	2	Head	
4	See Note	NSS	Wiper (Note: Use Item 50)	
5	See Note	NSS	Seal, Rod (Note: Use Item 50)	
6	70004237	1	Bearing	
7	See Note	NSS	O-Ring (Note: Use Item 50)	
8	See Note	NSS	Ring, Back-up (Note: Use Item 50)	
9	See Note	NSS	O-Ring (Note: Use Item 50)	
10	See Note	NSS	Seal, Piston (Note: Use Item 50)	
11	See Note	NSS	Ring, Wear (Note: Use Item 50)	
12	70007474	2	Bearing	
50	70003099	1	Seal Kit - 1001143434 Cylinder (includes Items 4-12)	

SECTION 5 - CYLINDER

FIGURE 5-22. ROMANIAN BUILT MACHINES/TELESCOPE CYLINDER



SECTION 5 - CYLINDER

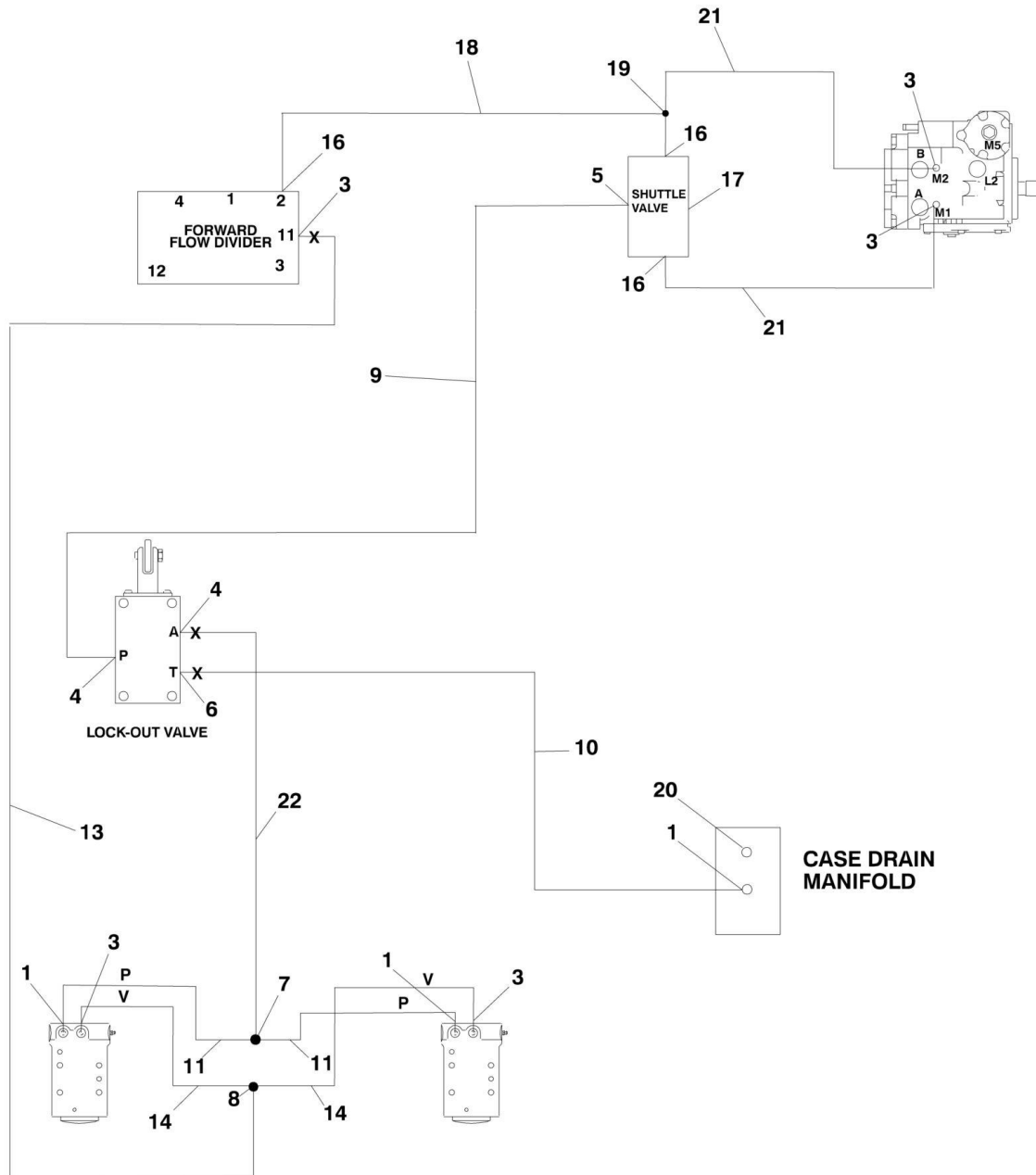
FIGURE 5-22. ROMANIAN BUILT MACHINES/TELESCOPE CYLINDER

ITEM	PART NUMBER	QTY	DESCRIPTION	REV
		Ref	USA Built Machines use SNs 03xxxxxxxx.	
		Ref	Romanian Built Machines use SNs E3xxxxxxxx.	
	1684262	Ref	TELESCOPE CYLINDER ASSEMBLY	B
1	7026108	1	Barrel	
2	7026109	1	Rod	
4	7026064	1	Head	
5	70001963	1	Valve Block Assembly w/Cartridges	
5A	7011347	2	Cartridge, Valve	
5A	2900770	2	Seal Kit - 7011347 Valve (1 Per Assembly)	
6	7026065	1	Piston	
7	7026072	1	Seal	
8	7026072	1	O-Ring	
9	7026066	1	Spacer	
13	7026072	1	O-Ring	
13	7026072	1	Ring, Back-up	
14	7026072	1	Seal	
16	7026072	1	Wiper	
18	7026067	4	Bolt	
19	7026072	1	O-Ring	
20	7026072	1	O-Ring	
23	7026072	1	O-Ring	
25	7026069	1	Setscrew	
26	7026072	2	Ring, Wear	
27	70002220	1	Ring, Retaining	
28	70000779	2	O-Ring	
30	7026072	1	Seal Kit, Cylinder (Includes Items 7, 8, 13, 14, 16, 19, 20, 23 & 26)	

SECTION 6 - HYDRAULIC

SECTION 6 - HYDRAULIC

FIGURE 6-1. AXLE LOCKOUT HYDRAULIC DIAGRAM - 2WD



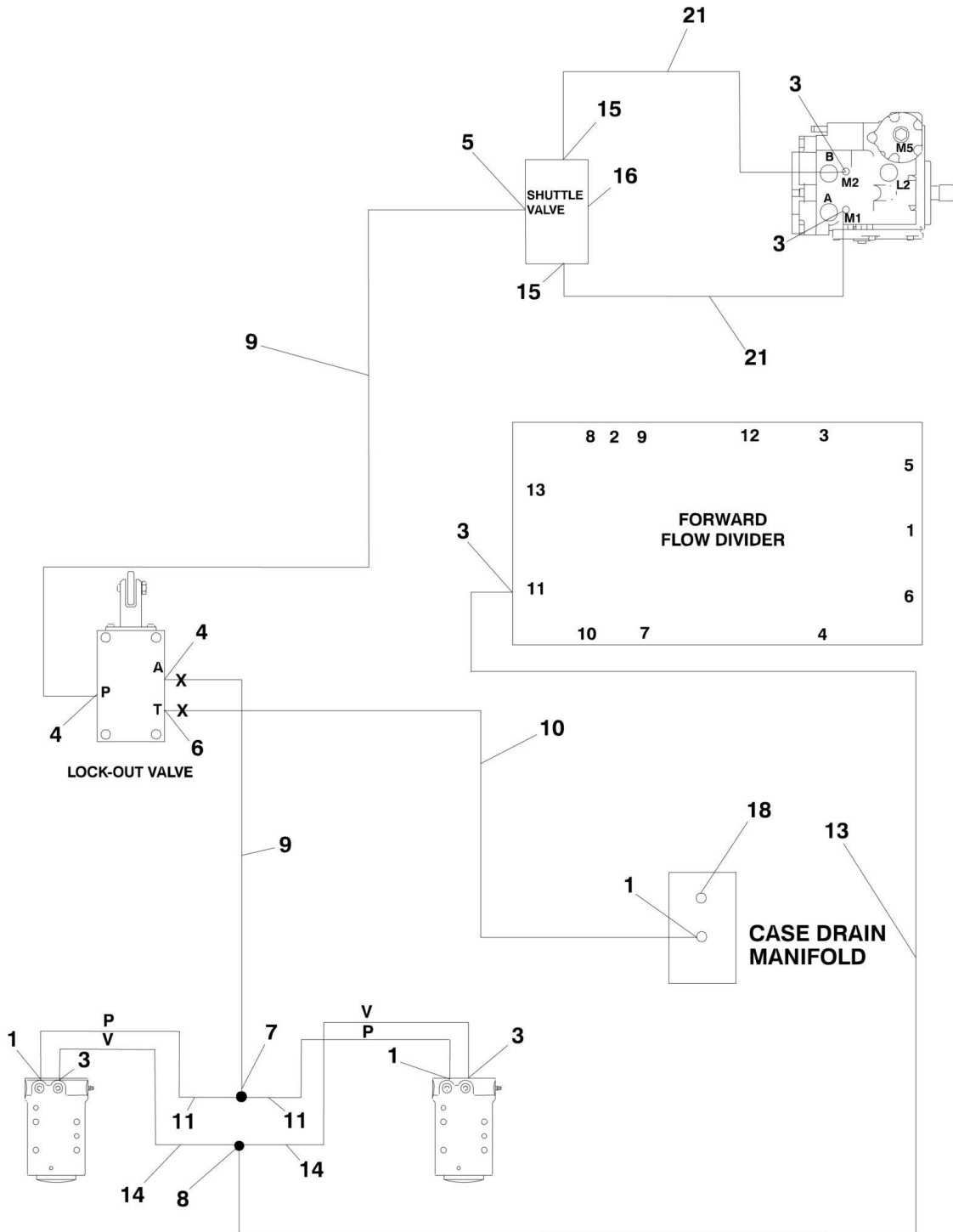
SECTION 6 - HYDRAULIC

FIGURE 6-1. AXLE LOCKOUT HYDRAULIC DIAGRAM - 2WD

ITEM	PART NUMBER	QTY	DESCRIPTION	REV
		Ref	AXLE LOCKOUT HYDRAULIC DIAGRAM	
	1001138684	Ref	2WD	B
1	2220415	3	Fitting, Straight	
3	2220371	5	Fitting, Straight	
4	2220466	2	Fitting, Elbow	
5	1001138697	1	Fitting, Straight	
6	2220502	1	Fitting, Elbow	
7	2220504	1	Fitting, Tee	
8	2220490	1	Fitting, Tee	
9	1001138688	1	Hose	
10	1001138689	1	Hose	
11	1001138690	2	Hose	
13	1001138422	1	Hose	
14	1001138691	2	Hose	
16	2220473	3	Fitting, Elbow	
17	8902175	1	Valve, Shuttle	
18	1001138692	1	Hose	
19	2220606	1	Fitting, Tee	
20	2220235	1	Plug #4	
21	1001143486	2	Hose	
22	1001140562	1	Hose	

SECTION 6 - HYDRAULIC

FIGURE 6-2. AXLE LOCKOUT HYDRAULIC DIAGRAM - 4WD



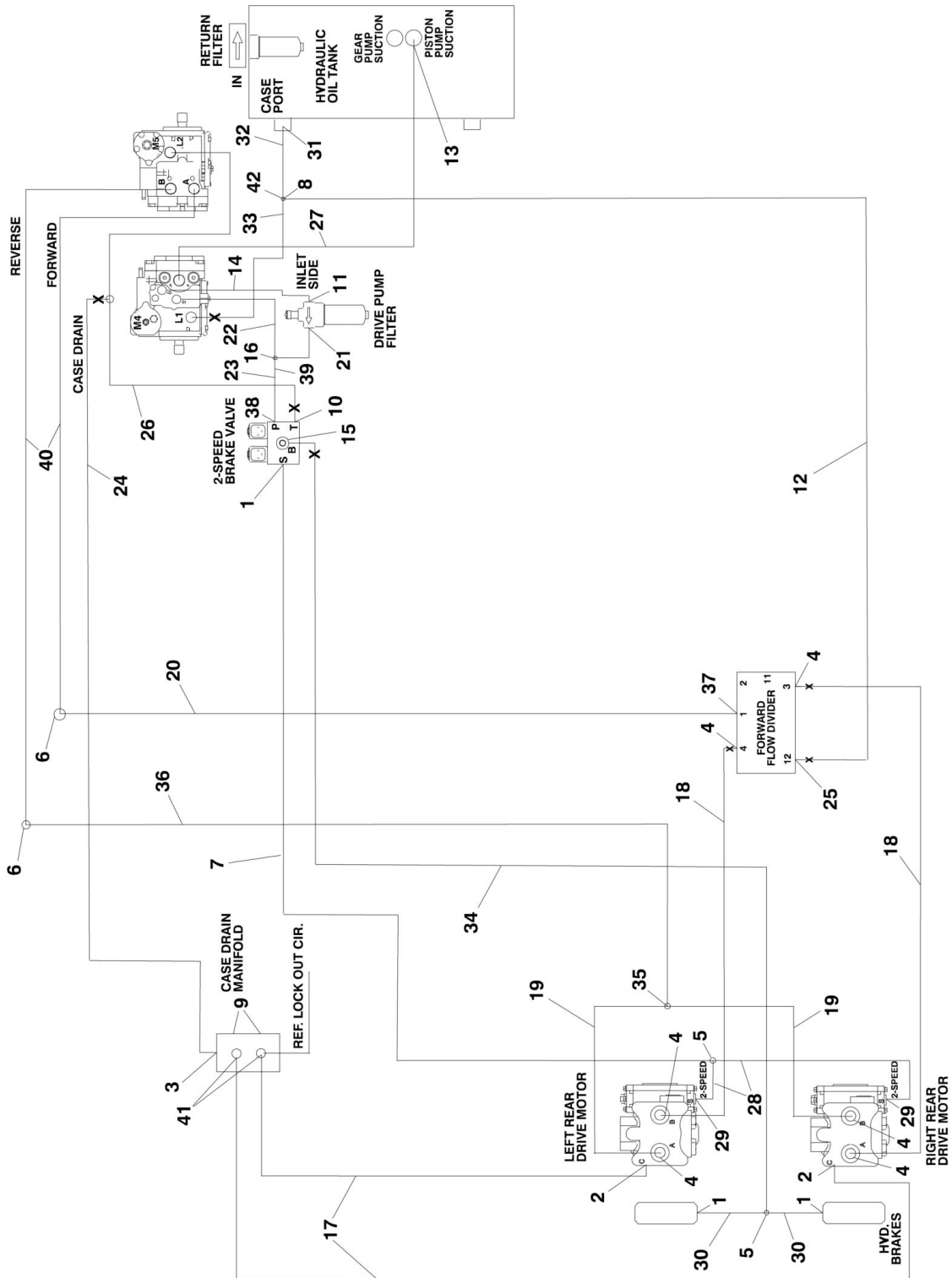
SECTION 6 - HYDRAULIC

FIGURE 6-2. AXLE LOCKOUT HYDRAULIC DIAGRAM - 4WD

ITEM	PART NUMBER	QTY	DESCRIPTION	REV
		Ref	USA Built Machines use SNs 03xxxxxxxx.	
		Ref	Romanian Built Machines use SNs E3xxxxxxxx.	
		Ref	AXLE LOCKOUT HYDRAULIC DIAGRAM	
	1001138685	Ref	USA Built Machines	B
	1001140559	Ref	Romanian Built Machines	B
1	2220415	3	Fitting, Straight	
3	2220371	5	Fitting, Straight	
4	2220466	2	Fitting, Elbow	
5	1001138697	1	Fitting, Straight	
6	2220502	1	Fitting, Elbow	
7	2220504	1	Fitting, Tee	
8	2220490	1	Fitting, Tee	
9	1001138688	1	Hose	
10	1001138689	1	Hose	
11		Ref	Hose Options:	
11	1001138690	2	USA Built Machines	
11	1001140537	2	Romanian Built Machines	
13		Ref	Hose Options:	
13	1001138694	1	USA Built Machines	
13	1001140692	1	Romanian Built Machines	
14		Ref	Hose Options:	
14	1001138691	2	USA Built Machines	
14	1001140693	2	Romanian Built Machines	
15	2220473	2	Fitting, Elbow	
16	8902175	1	Valve, Shuttle	
18	2220235	1	Plug	
21	1001143486	2	Hose	
22		Ref	Hose Options:	
22	1001140562	1	USA Built Machines	
22	1001138688	1	Romanian Built Machines	

SECTION 6 - HYDRAULIC

FIGURE 6-3. DRIVE HYDRAULIC DIAGRAM - 2WD



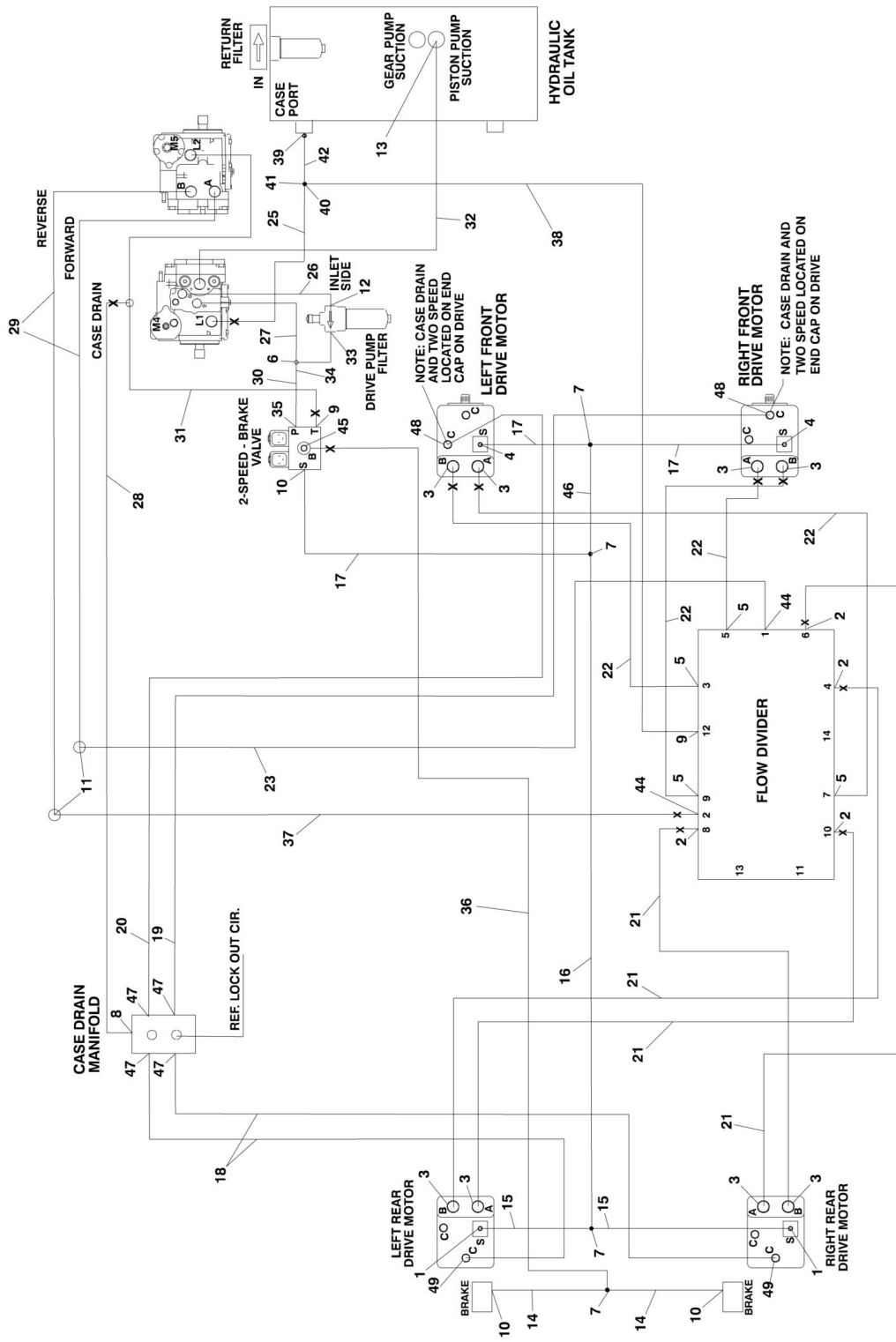
SECTION 6 - HYDRAULIC

FIGURE 6-3. DRIVE HYDRAULIC DIAGRAM - 2WD

ITEM	PART NUMBER	QTY	DESCRIPTION	REV
	1001138323	Ref	DRIVE HYDRAULIC DIAGRAM - 2WD	C
1	2220466	3	Fitting, Elbow	
2	2220373	AR	Fitting, Straight	
3	2220366	1	Fitting, Elbow	
4	2110812	6	Fitting, Straight	
5	2220504	2	Fitting, Tee	
6	2221085	2	Fitting, Elbow	
7	1001138595	1	Hose	
8	2220621	1	Fitting, Straight	
9	2220238	2	Plug	
10	2220603	1	Fitting, Straight	
11	2221042	1	Fitting, Elbow	
12	1001140692	1	Hose	
13	1001143501	1	Clamp	
14	1001138415	1	Hose	
15	4641282	1	Valve, Check	
16	2221063	1	Fitting, Tee	
17	1001138596	2	Hose	
18	1001143502	2	Hose	
19	1001143503	2	Hose	
20	2753605	1	Hose	
21	2221216	1	Fitting, Straight	
22		Ref	Hose Options:	
22	1001138416	1	Hose (SN 0300160835 through 0300164342)	
22	1001138597	1	Hose (SN 0300164343 through 0300201990)	
23	1001138418	1	Hose	
24	1001138417	1	Hose	
25	2220371	AR	Fitting, Straight	
26	1001138419	1	Hose	
27	1001143498	1	Hose	
28	1001143530	2	Hose	
29	2220582	2	Fitting, Straight	
30	1001143529	2	Hose	
31	2220465	1	Fitting, Elbow	
32	1001138423	1	Hose	
33	1001138414	1	Hose	
34	1001138421	1	Hose	
35	2170512	2	Fitting, Tee	
36	1001140682	1	Hose	
37	2111216	1	Fitting, Straight	
38	2220415	1	Fitting, Straight	
39	2220618	1	Fitting, Straight	
40	2753604	2	Hose	
41	2220500	2	Fitting, Elbow	
42	2220481	1	Fitting, Tee	

SECTION 6 - HYDRAULIC

FIGURE 6-4. DRIVE HYDRAULIC DIAGRAM - 4WD



SECTION 6 - HYDRAULIC

FIGURE 6-4. DRIVE HYDRAULIC DIAGRAM - 4WD

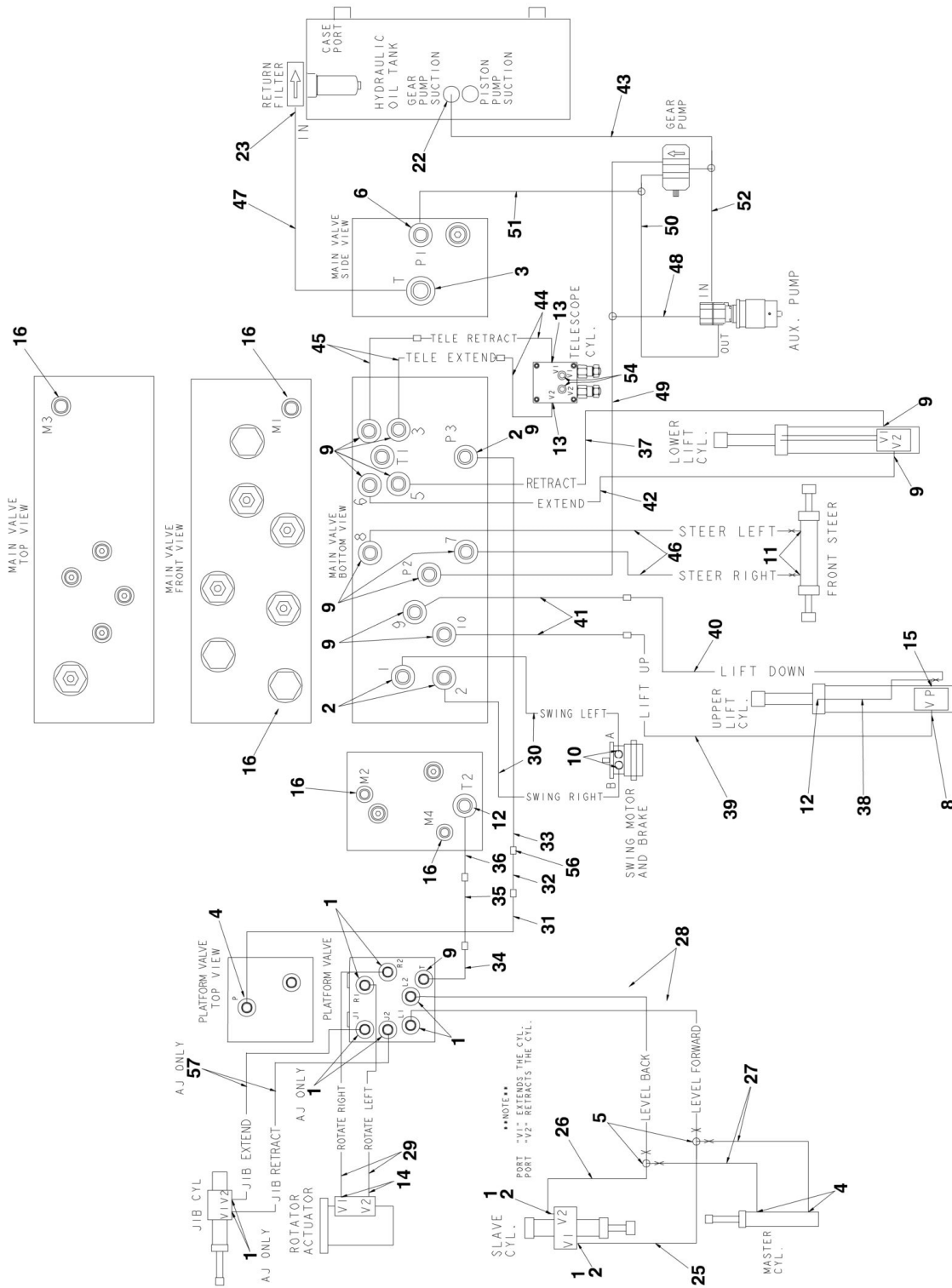
ITEM	PART NUMBER	QTY	DESCRIPTION	REV
		Ref	USA Built Machines use SNs 03xxxxxxx.	
		Ref	Romanian Built Machines use SNs E3xxxxxxx.	
		Ref	DRIVE HYDRAULIC DIAGRAM - 4WD	
		Ref	USA Built Machines without Arctic Package	
	1001138321	Ref	Caterpillar/Deutz/Perkins Engines	E
	1001138324	Ref	GM Engines	D
		Ref	USA Built Machines with Arctic Package:	
	1001138322	Ref	Caterpillar/Deutz/Perkins Engines	E
	1001138325	Ref	GM Engines	C
	1001140484	Ref	Romanian Built Machines	F
1	2220582	2	Fitting, Straight	
2	2110808	AR	Fitting, Straight	
3	2110812	8	Fitting, Straight	
4	2220472	AR	Fitting, Elbow	
5	2130808	4	Fitting, Elbow	
6	2221063	1	Fitting, Tee	
7	2220504	4	Fitting, Tee	
8	2220366	1	Fitting, Elbow	
9	2220603	2	Fitting, Straight	
10	2220466	3	Fitting, Elbow	
11	2221085	2	Fitting, Elbow	
12	2221042	1	Fitting, Elbow	
13	1001143501	1	Clamp	
14		Ref	Hose Options:	
14	1001143529	2	USA Built Machines	
14	1001140489	2	Romanian Built Machines	
15		Ref	Hose Options:	
15	1001143530	2	USA Built Machines	
15	1001140490	2	Romanian Built Machines	
16		Ref	Hose Options:	
16	1001138407	1	USA Built Machines	
16	1001140491	1	Romanian Built Machines	
17		Ref	Hose Options:	
17	1001143526	3	USA Built Machines without Arctic Package	
17	1001143496	3	USA Built Machines with Arctic Package	
17	1001140492	3	Romanian Built Machines	
18		Ref	Hose Options:	
18	1001143490	2	USA Built Machines	
18	1001140494	2	Romanian Built Machines	
19		Ref	Hose Options:	
19	1001143527	1	USA Built Machines without Arctic Package	
19	1001140542	NLA	USA Built Machines with Arctic Package (Use p/n 001143527)	
19	1001140495	1	Romanian Built Machines	
20		Ref	Hose Options:	
20	1001143527	1	USA Built Machines without Arctic Package	
20	1001140543	NLA	USA Built Machines with Arctic Package (Use p/n 001143527)	
20	1001140495	1	Romanian Built Machines	
21		Ref	Hose Options:	
21		Ref	USA Built Machines:	
21	1001143491	4	Without Arctic Package	

SECTION 6 - HYDRAULIC

ITEM	PART NUMBER	QTY	DESCRIPTION	REV
21	1001143491	4	Caterpillar/Deutz Engine Machines With Arctic Package	
21	1001140540	4	GM Engine Machines With Arctic Package	
21	1001103974	4	Romanian Built Machines:	
22		Ref	Hose Options:	
22		Ref	USA Built Machines:	
22	1001143528	4	Without Arctic Package	
22	1001143488	4	Caterpillar/Deutz Engine Machines With Arctic Package	
22	1001140541	4	GM Engine Machines With Arctic Package	
22	1001103975	4	Romanian Built Machines:	
23	2753605	1	Hose	
25	1001138414	1	Hose	
26	1001138415	1	Hose	
27	1001138416	NLA	Hose (Use p/n 1001138597)	
28	1001138417	1	Hose	
29	2753604	2	Hose	
30		Ref	Hose Options:	
30		Ref	USA Built Machines:	
30	1001138418	1	Without Arctic Package	
30	1001138418	1	Caterpillar/Deutz Engine Machines With Arctic Package	
30	1001138598	1	GM Engine Machines With Arctic Package	
30	1001138418	1	Romanian Built Machines:	
31	1001138419	1	Hose	
32	1001143498	1	Hose	
33	2221216	1	Fitting, Straight	
34	2220618	1	Fitting, Straight	
35	2220415	1	Fitting, Straight	
36		Ref	Hose Options:	
36	1001138421	1	USA Built Machines	
36	1001140499	1	Romanian Built Machines	
37	2753602	1	Hose	
38		Ref	Hose	
38	1001138422	1	USA Built Machines	
38	1001140692	1	Romanian Built Machines	
39		Ref	Fitting, Elbow Options:	
39		Ref	USA Built Machines:	
39	2220465	1	Caterpillar/Deutz Engine Machines Without Arctic Package	
39	2220415	1	GM Engine Machines With Arctic Package	
39	2220465	1	With Arctic Package	
39	2220465	1	Romanian Built Machines	
40	2220621	1	Fitting, Straight	
41	2220481	1	Fitting, Tee	
42	1001138423	1	Hose	
44	2111212	2	Fitting, Straight	
45		Ref	Valve, Check Options:	
45	4641281	1	USA Built Machines	
45	4641282	1	Romanian Built Machines	
46	1001138424	1	Hose	
47	2220500	4	Fitting, Elbow	
48	2220596	2	Fitting, Elbow	
49	2220373	2	Fitting, Straight	

SECTION 6 - HYDRAULIC

FIGURE 6-5. STANDARD HYDRAULIC DIAGRAM



SECTION 6 - HYDRAULIC

FIGURE 6-5. STANDARD HYDRAULIC DIAGRAM

ITEM	PART NUMBER	QTY	DESCRIPTION	REV
		Ref	USA Built Machines use SNs 03xxxxxxx.	
		Ref	Romanian Built Machines use SNs E3xxxxxxx.	
		Ref	STANDARD HYDRAULIC DIAGRAM	
		Ref	USA Built Machines	
	1001138317	Ref	USA Built Machines 450A Series II (Caterpillar/Deutz Engine Machines)	F
	1001138319	Ref	USA Built Machines 450A Series II (GM Engine Machines)	E
	1001138318	Ref	USA Built Machines 450AJ Series II (Caterpillar/Deutz Engine Machines)	F
	1001138320	Ref	USA Built Machines 450AJ Series II (GM Engine Machines)	E
		Ref	Romanian Built Machines	
	1001138897	Ref	Main Boom Hydraulics	C
	1001138894	Ref	Tower Boom Hydraulics	E
	1001138577	Ref	Turntable Hydraulics	E
1	2220415	AR	Fitting, Straight	
2	2220582	AR	Fitting, Straight	
3	2220451	1	Fitting, Straight	
4	2220472	AR	Fitting, Elbow	
5	2220504	2	Fitting, Tee	
6	2220500	1	Fitting, Elbow	
8	2220819	1	Fitting, Long Elbow	
9	2220371	AR	Fitting, Straight	
10	2221033	2	Fitting, Straight	
11	2220501	2	Fitting, Long Straight	
12	2220473	AR	Fitting, Elbow	
13	2220628	2	Fitting, Elbow (USA Built Machines Only - Part of Telescope Cylinder)	
14	2220502	2	Fitting, Elbow	
15	2220899	1	Fitting, Tee	
16	2221086	AR	Fitting, Pressure, Check	
22	1001143501	1	Clamp	
23	2220435	1	Fitting, Straight	
25		Ref	Hose Options:	
25	1001138282	1	Hose 450A Series II	
25	1001138607	1	USA Built 450AJ Series II	
25	1001138601	1	Romanian Built 450AJ Series II	
26		Ref	Hose Options:	
26	1001138283	1	Hose 450A Series II	
26	1001138601	1	Hose 450AJ Series II	
27		Ref	Hose Options:	
27	1001138284	2	Hose 450A Series II	
27	1001138608	2	Hose 450AJ Series II	
28		Ref	Hose Options:	
28	1001138285	2	Hose 450A Series II	
28	1001138609	2	Hose 450AJ Series II	
29	1001138286	2	Hose	
30		Ref	Hose Options:	
30	1001138287	AR	USA Built Machines	
30	1001138595	AR	Romanian Built Machines	
31		Ref	Hose Options:	

SECTION 6 - HYDRAULIC

ITEM	PART NUMBER	QTY	DESCRIPTION	REV
31		Ref	USA Built Machines	
31	1001138288	1	Hose 450A Series II (SN 0300160835 through 0300166431)	
31	1001146523	1	Hose 450A Series II (SN 0300166432 through 0300201990)	
31	1001138610	1	Hose 450AJ Series II (SN 0300160835 through 0300166431)	
31	1001146526	1	Hose 450AJ Series II (SN 0300166432 through 0300201990)	
31		Ref	Romanian Built Machines	
31	1001146526	1	Hose 450AJ Series II	
32		Ref	Hose Options:	
32	1001138289	1	USA Built Machines (SN 0300160835 through 0300166431)	
32	1001146524	1	USA Built Machines (SN 0300166432 through 0300201990)	
32	1001146524	1	Romanian Built Machines	
33		Ref	Hose Options:	
33	1001138290	1	USA Built Machines (SN 0300160835 through 0300166431)	
33	1001146808	1	USA Built Machines (SN 0300166432 through 0300201990)	
33	1001146808	1	Romanian Built Machines	
34		Ref	Hose Options:	
34	1001138291	1	Hose 450A Series II	
34	1001138611	1	Hose 450AJ Series II	
35	1001138292	1	Hose	
36	1001138293	1	Hose	
37	1001138294	1	Hose	
38		Ref	Tube Options:	
38	4566188	1	Tube 450A Series II	
38	4567946	1	Tube 450AJ Series II	
39	1001138296	1	Hose	
40	1001138297	1	Hose	
41	1001138298	1	Hose	
42	1001138299	1	Hose	
43		Ref	Hose Options:	
43	1001143497	1	USA Built Machines (SN 0300160835 through 0300198082)	
43	1001184647	1	USA Built Machines (SN 0300198083 through 0300201990)	
43	1001143499	1	Romanian Built Machines	
44	1001138301	1	Hose	
45	1001138302	1	Hose	
46		Ref	Hose Options:	
46	1001138303	1	USA Built Machines	
46	1001138605	1	Romanian Built Machines	
47	1001143485	1	Hose	
48	1001138305	1	Hose	
49	1001138306	1	Hose	
50	1001138307	1	Hose	
51	1001141595	1	Hose	
52	1001138309	1	Hose	
53	1705091	1	Decal, Hose Tags (Not Shown)	
54	2220473	2	Fitting, Elbow (Romanian Built Machines Only)	
55		Ref	Fitting, Tee Options (Not Shown):	
55	Not Required	0	Caterpillar/Deutz/Perkins Engines	
	2220635	1	GM Engines	
56	2230021	AR	Fitting, Adapter (SN 0300166432 through 0300201990)	
57	1001138287	AR	Hose (450AJ Series II Only)	

SECTION 6 - HYDRAULIC

FIGURE 6-6. HYDRAULIC DIAGRAM LIST

ITEM	PART NUMBER	QTY	DESCRIPTION	REV
		Ref	Note: Information on diagrams not shown is available from JLG Customer Service Department.	
		Ref	USA Built Machines use SNs 03xxxxxxx.	
		Ref	Romanian Built Machines use SNs E3xxxxxxx.	
		Ref	Axle (Fixed) Hydraulic Diagrams:	
	1001138686	Ref	2WD Machines	
	1001138579	Ref	2WD Machines	
	2792784	Ref	4WD Machines	
	1001138579	Ref	4WD Machines	
		Ref	Axle (Oscillating) Hydraulic Diagrams:	
	1001138684	Ref	2WD Machines	
	1001138579	Ref	2WD Machines	
	1001138685	Ref	4WD Machines	
	1001138579	Ref	4WD Machines	
	1001138897	Ref	Boom (Main) Hydraulic Diagram (Romanian Built Machines)	
	1001138579	Ref	Boom (Main) Hydraulic Diagram (Romanian Built Machines)	
	1001138894	Ref	Boom (Tower) Hydraulic Diagram (Romanian Built Machines)	
	1001138579	Ref	Boom (Tower) Hydraulic Diagram (Romanian Built Machines)	
		Ref	Drive Hydraulic Diagrams:	
		Ref	USA Built Machines	
	1001138323	Ref	2WD Machines	
	1001138579	Ref	2WD Machines	
		Ref	4WD Machines Without Arctic Package	
	1001138321	Ref	Caterpillar/Deutz/Perkins Engines	
	1001138579	Ref	Caterpillar/Deutz/Perkins Engines	
	1001138324	Ref	GM Engines	
	1001138579	Ref	GM Engines	
		Ref	4WD Machines With Arctic Package	
	1001138322	Ref	Caterpillar/Deutz/Perkins Engines	
	1001138579	Ref	Caterpillar/Deutz/Perkins Engines	
	1001138325	Ref	GM Engines	
	1001138579	Ref	GM Engines	
	1001140484	Ref	Romanian Built Machines	
	1001138579	Ref	Romanian Built Machines	
		Ref	Oil Cooler Hydraulic Diagrams:	
	1001142868	Ref	Caterpillar/Perkins Engines	
	1001142867	Ref	Deutz D2011/GM Engines	
	1001147052	Ref	Deutz D2011TD2.9L4 Engines	
		Ref	Standard Hydraulic Diagrams:	
		Ref	USA Built Machines	
	1001138317	Ref	Standard Hydraulic Diagrams 450A Series II (Caterpillar/Deutz Engine Machines)	
	1001138579	Ref	Standard Hydraulic Diagrams 450A Series II (Caterpillar/Deutz Engine Machines)	
	1001138319	Ref	Standard Hydraulic Diagrams 450A Series II (GM Engine Machines)	
	1001138579	Ref	Standard Hydraulic Diagrams 450A Series II (GM Engine Machines)	
	1001138318	Ref	Standard Hydraulic Diagrams 450AJ Series II (Caterpillar/Deutz Engine Machines)	

SECTION 6 - HYDRAULIC

ITEM	PART NUMBER	QTY	DESCRIPTION	REV
	1001138579	Ref	Standard Hydraulic Diagrams 450AJ Series II (Caterpillar/Deutz Engine Machines)	
	1001138320	Ref	Standard Hydraulic Diagrams 450AJ Series II (GM Engine Machines)	
	1001138579	Ref	Standard Hydraulic Diagrams 450AJ Series II (GM Engine Machines)	
	1001138577	Ref	Romanian Built Machines	
	1001138579	Ref	Romanian Built Machines	
	2792780	Ref	Standard Hydraulic Schematic	
	1001138687	Ref	Tow Hydraulic Diagram	
	1001138579	Ref	Tow Hydraulic Diagram	

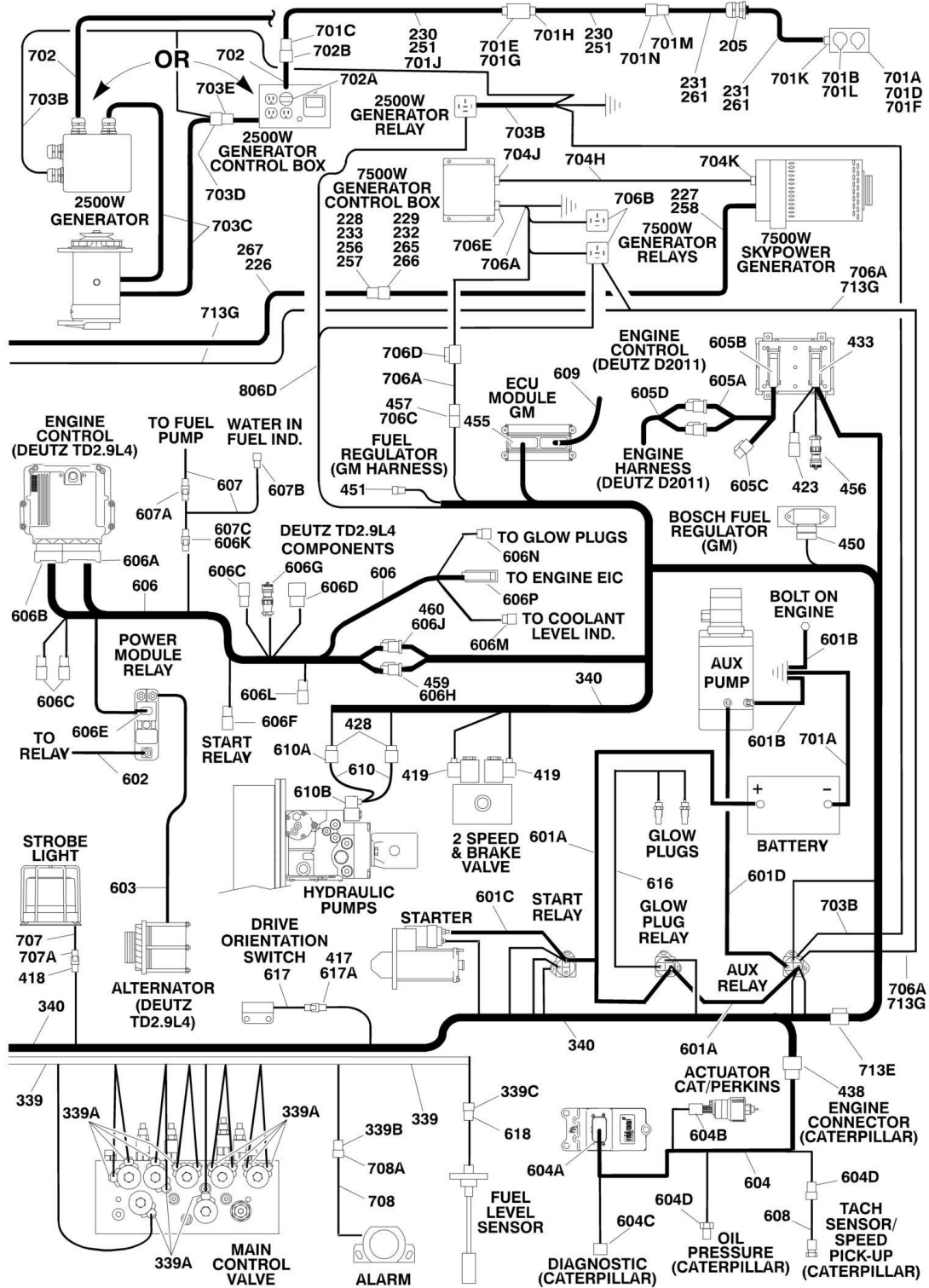
SECTION 7 - ELECTRICAL

SECTION 7 - ELECTRICAL

FIGURE 7-1. ELECTRICAL DIAGRAM LIST

ITEM	PART NUMBER	QTY	DESCRIPTION	REV
		Ref	GENERATOR ELECTRICAL DIAGRAM (2500W)	
		Ref	Note: For Diagram for Machines with 7500W SkyPower Generator, see JLG Supplement P/N 3124242.	
		Ref	Caterpillar/Deutz Engine Machines	
	1001112588	Ref	110V/60HZ	
	1001112743	Ref	110V/50HZ & 220V/50HZ	
	1001180050	Ref	Deutz TD2.9L4 Engine Machines	
	4933350	Ref	GM Engine Machines	
	1001132055	Ref	GENERATOR ELECTRICAL DIAGRAM - 4000W 60Hz	
	1001153025	Ref	GENERATOR ELECTRICAL DIAGRAM - 4000W 50Hz (ANSI Export, CE and Japanese Specs)	
	1001159648	Ref	GENERATOR ELECTRICAL DIAGRAM - 4000W 50Hz (Australian Specs)	
	1001160271	Ref	GENERATOR ELECTRICAL DIAGRAM - 4000W 50Hz (CE/UK Specs)	
		Ref	GROUND CONTROL BOX ELECTRICAL DIAGRAMS	
	1001141934	Ref	Caterpillar Engine Machines	
	1001141932	Ref	Deutz Engine Machines	
	1001141933	Ref	GM Engine Machines	
	4933219	Ref	HEADLIGHTS AND TAILLIGHTS ELECTRICAL DIAGRAM	
	0273495	Ref	PLATFORM WORKLIGHTS ELECTRICAL DIAGRAM	
	4933218	Ref	SOFT TOUCH ELECTRICAL DIAGRAM	
		Ref	STANDARD ELECTRICAL SCHEMATICS	
	1001141989	Ref	Caterpillar/Deutz/GM Engine Machines (USA Built Machines)	
	1001108879	Ref	Caterpillar/Deutz Engine Machine (Romanian Built Machines) (SN E300001114 through E300001277)	
	1001141989	Ref	Caterpillar/Deutz Engine Machine (Romanian Built Machines) (SN E300001278 through E300002832)	
	1001131992	Ref	GM Engine Machines (Engine Schematic Only. P/N 1001141989 is schematic for complete machine.)	

SECTION 7 - ELECTRICAL



SECTION 7 - ELECTRICAL

FIGURE 7-2. HARNESS COMPONENTS INSTALLATION

ITEM	PART NUMBER	QTY	DESCRIPTION	REV
		Ref	HARNESS COMPONENTS INSTALLATION	
		Ref	PLATFORM CONSOLE BOX COMPONENTS	
	1001139202	Ref	Platform Console Box Components - USA Built Machines (Use p/n 1001166671) (SN 0300160835 through 0300188628)	D
	1001139202	Ref	Platform Console Box Components - Romanian Built Machines (Use p/n 1001166671) (SN E300001114 through E300001831)	D
	1001166671	Ref	Platform Console Box Components - USA Built Machines (SN 0300188629 through 0300201990)	A
	1001166671	Ref	Platform Console Box Components - Romanian Built Machines (SN E300001832 through E300002832)	A
	1001190095	Ref	Platform Console Box Components - Romanian Built Machines (SN E300002414 through E300002832)	A
2	0100048	AR	Grease, Dielectric	
5	1001117174	Ref	Footswitch Components	B
5A	1060918	7.5 ft /2.3m	Cable, Electrical - 18/3	
5B	4460071	1	Connector, Strain Relief	
5C	4460226	2	Socket, Female	
5C	4460464	1	Pin, Male Deutsch	
12		Ref	Controller Harness/Circuit Board Assembly (Drive and Steer) Options:	
	7022824		Controller Harness/Circuit Board Assembly (Drive and Steer) – USA Built Machines (SN 0300160835 through 0300188628)	
	7022824		Controller Harness/Circuit Board Assembly (Drive and Steer) – Romanian Built Machines (SN E300001114 through E300001831)	
	See Note		Controller Harness/Circuit Board Assembly (Drive and Steer) – USA Built Machines (Note: Not Available - Purchase Complete Controller) (SN 0300188629 through 0300201990)	
	See Note		Controller Harness/Circuit Board Assembly (Drive and Steer) – Romanian Built Machines (Note: Not Available - Purchase Complete Controller) (SN E300001832 through E300002832)	
12A	1001113961	1	Connector - 8 Position (Black)	
12A	4460871	7	Socket, Female	
13	See Note	1	Controller Harness Assembly (Lift and Swing) (Note: Not Available - Purchase Complete Controller)	
13A	7022819	1	Connector - 8 Position (Natural)	
13A	4460871	8	Socket, Female	
31	See Note	1	Controller Harness Assembly (Speed Control) (Note: Not Available - Purchase Complete Controller)	
31A	4460224	1	Connector - 6 Position	
31A	4460226	8	Socket, Female	
36	4460428	2	Connector, Strain Relief	
37	4460470	1	Nut, Terminal	
38	4460471	1	Lockwasher, Terminal	
40	4460708	2	Connector - 15 Position	
41	4460905	5	Seal, Plug (USA Built Machines) (SN 0300160835 through 0300177675)	
41	4460905	5	Seal, Plug (Romanian Built Machines) (SN B300001114 through E300001356)	
44	1001139135	1	Harness, Upper Valve	A
44A	4460226	7	Socket, Female	
44B	4460891	6	Plug, Male - 2 Position	

SECTION 7 - ELECTRICAL

ITEM	PART NUMBER	QTY	DESCRIPTION	REV
44B	1001116692	12	Socket, Female	
45	4922666	1	Harness, Analyzer Cable	2-B
45A	4460226	4	Socket, Female	
45B	4460761	1	Connector, Female - 4 Position	
45B	4460227	4	Pin, Male	
46	1001107007	1	Harness, Platform Box (Without SkyGuard) (See Items 101-109 for Breakdown)	
46	1001185891	1	Harness, Platform Box (With SkyGuard) (See Items 101-109 for Breakdown)	
		Ref	PLATFORM BOX HARNESS ASSEMBLIES	
	1001107007	Ref	Platform Box Harness Assembly (Without SkyGuard)	E
	1001185891	Ref	Platform Box Harness Assembly (With SkyGuard)	C
101	4460866	1	Connector - 19 Position	
101	4460464	7	Pin, Male Deutsch 16 Ga	
101	4460508	3	Pin, Male Deutsch 12 Ga	
102	4460874	1	Connector - 35 Position (Natural)	
102	4460871	AR	Socket, Female	
103	4460875	1	Connector - 35 Position (Gray)	
103	4460871	26	Socket, Female	
104	4460873	1	Connector - 35 Position (Black)	
104	4460871	AR	Socket, Female	
105	4460879	1	Connector, Male 2 Position	
105	4460887	2	Terminal (12 Gauge)	
106	4460418	AR	Connector, Female - 6 Position	
106	4460419	AR	Socket, Female	
107	4460225	AR	Connector - 6 Position	
107	4460226	AR	Socket, Female	
108	4460225	1	Connector - 6 Position	
108	4460227	5	Pin, Male	
109	4460434	2	Connector - 15 Position	
109	4460227	25	Pin, Male	
110	4460708	1	Connector - 15 Position (Not Shown - With SkyGuard)	
110	4460226	3	Socket, Female	
111	4460884	1	Plug, Male - 4 Position (Not Shown - With SkyGuard)	
111	4460944	4	Terminal, Gold	
112	4460536	1	Connector, Female - 3 Position (Not Shown - With SkyGuard)	
112	4460943	3	Pin	
112	4460539	1	Plug, Male - 3 Position (Not Shown - With SkyGuard)	
112	4460944	3	Terminal, Gold	
		Ref	BOOM CABLES INSTALLATION (USA BUILT MACHINES)	
		Ref	Boom Cables Installation (USA Built Machines) 450A Series II:	
	0271311	Ref	Without SkyPower (ANSI, ANSI Export and CSA Specs)	J
	0271310	Ref	Without SkyPower (ANSI Export and CE Specs)	J
	0273279	Ref	With SkyPower	C
	1001097502	Ref	With Arctic Package	A
	1001097503	Ref	With Arctic Package with SkyPower	A
		Ref	Boom Cables Installation (USA Built Machines) 450AJ Series II (USA Built Machines):	
	0271122	Ref	Without SkyPower (ANSI, ANSI Export and CSA Specs)	J
	0271206	Ref	Without SkyPower (ANSI Export, Australian and CE Specs)	J
	1001115917	Ref	Without SkyPower with Communication Package	A

SECTION 7 - ELECTRICAL

ITEM	PART NUMBER	QTY	DESCRIPTION	REV
	0273280	Ref	With SkyPower	C
	1001116516	Ref	With SkyPower with Communication Package	A
	0275116	Ref	With Arctic Package	C
	0275786	Ref	With Arctic Package with SkyPower	C
205	4460425	1	Connector, Strain Relief (Without SkyPower Only)	
209	4460865	1	Connector - 19 Position	
209	2820031	AR	Heat Shrink	
210	4460866	1	Connector - 19 Position	
210	2820031	AR	Heat Shrink	
213		Ref	Harness Assembly - Tower Boom (12/4 - 18/8) Options:	
213	4922530	1	Without Arctic Package	3-D
213	4923458	1	With Arctic Package	1-A
213		Ref	Cable, Electrical - 12/4 & 18/8 Options:	
213	1060896	34 ft /10.4m	Without Arctic Package	
213	4923462	34 ft /10.4m	With Arctic Package Only	
213	2820118	6 in/15cm	Heat Shrink	
213A	4460865	1	Connector - 19 Position	
213A	4460465	11	Socket, Female 18 Gauge	
213A	4460509	4	Socket, Female 12 Gauge	
213A	4460466	4	Seal, Plug	
213B	4460473	1	Clamp, Cable	
213C	4460464	11	Pin, Male 18 Gauge	
213C	4460508	4	Pin, Male 12 Gauge	
214		Ref	Harness Assembly - Main Boom (12/4 -18/8) Options:	
214		Ref	Cable, Electrical - 12/4 & 18/8 Options:	
214	1060896	29 ft /8.8m	Without Arctic Package	
214	4923462	29 ft /8.8m	With Arctic Package	
214	2820118	6 in/15cm	Heat Shrink	
214A	4460865	2	Connector - 19 Position	
214A	4460465	22	Socket, Female 18 Gauge	
214A	4460509	8	Socket, Female 12 Gauge	
214A	4460466	4	Seal, Plug	
214B	4460473	1	Clamp, Cable	
225	4460473	1	Clamp, Cable	
226		Ref	Cable, Electrical 8/5 - SkyPower Main Boom Options:	
226	Not Required	0	Without SkyPower	
226	Not Required	0	With Arctic Package	
226	4922929	1	With SkyPower	
226	4922929	1	With Arctic Package and SkyPower	
227		Ref	Cable, Electrical 8/5 - SkyPower Tower Boom Options:	
227	Not Required	0	Without SkyPower	
227	4922857	1	With SkyPower	
228	1671092	1	Cover, Female Connector (With SkyPower Only)	
229	1671093	1	Cover, Male Plug (With SkyPower Only)	
230		Ref	Cable, Electrical 12/3 Options:	
230		Ref	Machines Without Arctic Package or SkyPower	
230	1060987	1	ANSI, ANSI Export and CSA Specs	
230	1060989	1	Australian and CE Specs	

SECTION 7 - ELECTRICAL

ITEM	PART NUMBER	QTY	DESCRIPTION	REV
230		Ref	Machines With Arctic Package and/ or SkyPower	
230	4923460	1	With Arctic Package	
230	Not Required	0	With Arctic Package with SkyPower	
230	Not Required	0	With SkyPower	
231		Ref	Cable, Electrical 12/3 Options:	
231		Ref	Machines Without Arctic Package or SkyPower	
231	1060988	1	ANSI, ANSI Export and CSA Specs	
231	1060990	1	Australian and CE Specs	
231		Ref	Machines With Arctic Package and/ or SkyPower	
231	4923461	1	With Arctic Package	
231	Not Required	0	With Arctic Package with SkyPower	
231	Not Required	0	With SkyPower	
232	4460960	1	Plug, Female (With SkyPower Only)	
233	4460959	1	Connector, Male (With SkyPower Only)	
234		Ref	Connector, Strain Relief	
234	1321692	1	Without Arctic Package	
234	1321692	1	With SkyPower Only	
234	1321692	1	Connector, Strain Relief 450A Series II With Arctic Package and Arctic Package with SkyPower	
234	1321694	1	Connector, Strain Relief 450AJ Series II With Arctic Package and Arctic Package with SkyPower	
234	1321692	1	Connector, Strain Relief 450AJ Series II With Communication Package	
234	1321694	1	Connector, Strain Relief 450AJ Series II With Communication Package with SkyPower	
235	1001115713	1	Cable, Communication (Tower Boom) (450AJ Series II With Communication Package Only) (Not Shown)	
236	1001115916	1	Cable, Communication (Main Boom) (450AJ Series II With Communication Package Only) (Not Shown)	
		Ref	BOOM CABLES INSTALLATION (MAIN BOOM) (ROMANIAN BUILT MACHINES)	
	0272594	Ref	Tower Boom Components without SkyPower	D
	0275436	Ref	Tower Boom Components with SkyPower	D
251	1060991	1	Cable, Electrical 12/3 (Without SkyPower Only)	
252		Ref	Connector, Strain Relief Options:	
252	4460425	2	Without SkyPower	
252	1321692	1	With SkyPower	
253	4460866	1	Connector - 19 Position	
253	2820031	AR	Heat Shrink	
254	4922530	1	Harness Assembly - Tower Boom (12/4 - 18/8)	3-D
254	1060896	34 ft /10.4m	Cable, Electrical - 12/4 & 18/8	
254	2820118	6 in/15cm	Heat Shrink	
254A	4460865	1	Connector - 19 Position	
254A	4460465	11	Socket, Female 18 Gauge	
254A	4460509	4	Socket, Female 12 Gauge	
254A	4460466	4	Seal, Plug	
254B	4460473	1	Clamp, Cable	
254C	4460464	11	Pin, Male 18 Gauge	
254C	4460508	4	Pin, Male 12 Gauge	
255	4922770	1	Cable, Electrical 18/2	
255A	4460226	2	Socket, Female	
256	1671093	1	Cover, Male Plug (With SkyPower Only)	

SECTION 7 - ELECTRICAL

ITEM	PART NUMBER	QTY	DESCRIPTION	REV
257	4460960	1	Plug, Female (With SkyPower Only)	
258		Ref	Cable, Electrical 8/5 - SkyPower Tower Boom Options:	
258	Not Required	0	Without SkyPower	
258	4922857	1	With SkyPower	
	0272665	Ref	Main Boom Components without SkyPower	C
	0275437	Ref	Main Boom Components with SkyPower	B
261	1060996	1	Cable, Electrical 12/3	
262	4460865	1	Connector - 19 Position	
263	4922532	1	Harness Assembly - Main Boom (12/4 -18/8)	B
263	1060896	29 ft /8.8m	Cable, Electrical - 12/4 & 18/8	
263	2820118	6 in/15cm	Heat Shrink	
263A	4460865	2	Connector - 19 Position	
263A	4460465	22	Socket, Female 18 Gauge	
263A	4460509	8	Socket, Female 12 Gauge	
263A	4460466	4	Seal, Plug	
263B	4460473	1	Clamp, Cable	
264	4460473	1	Clamp, Cable	
265	1671092	1	Cover, Female Connector (With SkyPower Only)	
266	4460959	1	Connector, Male (With SkyPower Only)	
267		Ref	Cable, Electrical 8/5 - SkyPower Main Boom Options:	
267	Not Required	0	Without SkyPower	
267	4922929	1	With SkyPower	
		Ref	GROUND CONTROL BOX COMPONENTS	
302	0100048	AR	Grease, Dielectric	
328	4460426	1	Connector, Strain Relief	
328	3520035	AR	Plug	
329	4460470	1	Nut, Terminal	
330	4460471	1	Locknut, Terminal	
332	4460526	1	Connector, Strain Relief	
339	1001138588	1	Valve Harness Assembly	D
339A	4460891	12	Plug, Male - 2 Position	
339A	1001116692	24	Socket, Female	
339B	4460539	1	Plug, Male - 3 Position	
339B	1001116692	2	Socket, Female	
339B	4460518	1	Seal, Plug	
339C	4460424	1	Connector, Female - 2 Position	
339C	4460268	2	Socket, Female	
339D	4460871	21	Socket, Female	
340		Ref	Engine Harness Assembly (See Items 401-460 for Breakdown)	
340	1001139084	1	Caterpillar Engine Machines	
340	1001139085	1	Deutz D2011 Engine Machines	
340	1001147004	1	Deutz TD2.9L4 Engine Machines	
340	1001139086	1	GM Engine Machines	
341		Ref	Ground Control Box Harness Assembly Options:	
341	1001105636	1	All Machines except Deutz TD2.9L4 Engines (USA Built Machines) (ANSI, ANSI Export, CSA and Japanese Specs)	E
341	1001105636	1	Deutz D2011 Engines (CE Specs) (USA Built Machines) (SN 0300160835 through 0300200799)	E
341	1001185890	1	Deutz D2011 Engines (CE Specs) (USA Built Machines) (SN 0300200800 through 0300201990)	D

SECTION 7 - ELECTRICAL

ITEM	PART NUMBER	QTY	DESCRIPTION	REV
341	1001105636	1	Deutz D2011 Engines (ANSI, ANSI Export, CSA and Japanese Specs) (Romanian Built Machines) (SN E300001114 through E300002413)	E
341	1001185890	1	Deutz D2011 Engines (ANSI, ANSI Export, CSA and Japanese Specs) (Romanian Built Machines) (SN E300002414 through E300002832)	D
341	1001105636	1	Deutz D2011 Engines (CE Specs) (Romanian Built Machines) (SN E300001114 through E300002413)	E
341	1001185890	1	Deutz D2011 Engines (CE Specs) (Romanian Built Machines) (SN E300002414 through E300002832)	D
341	1001147005	1	Deutz TD2.9L4 Engines	A
341	3990010	2	Diode 6 Amp (Not Shown)	
341A	4460418	9	Connector, Female - 6 Position	
341A	4460419	27	Socket, Female	
341B	4460876	1	Connector - 35 Position (Blue)	
341B	4460871	AR	Socket, Female	
341B	4460905	AR	Seal, Plug	
341C	4460866	1	Connector - 19 Pin	
341C	4460464	7	Pin, Male Deutsch 16 Ga	
341C	4460508	3	Pin, Male Deutsch 12 Ga	
341D	4460878	1	Housing, Terminal - 4 Position	
341D	4460887	3	Terminal (12 Gauge)	
341E	4120035	6	Base, Light	
341E	4460634	7	Terminal (16 Gauge)	
341E	4460635	5	Terminal (12 Gauge)	
341F	4460873	1	Connector - 35 Position (Black)	
341F	4460871	AR	Socket, Female	
341F	4460905	AR	Seal, Plug	
341G	4460875	1	Connector - 35 Position (Gray)	
341G	4460871	AR	Socket, Female	
341G	4460905	AR	Seal	
341H	4460434	2	Connector - 15 Position	
341H	4460227	22	Pin	
341J	4460761	1	Connector, Female - 4 Position	
341J	4460227	4	Pin, Male	
341K	4460536	1	Connector, Female - 3 Position	
341K	4460943	3	Pin	
341L	8229242	2	Fuse 5A	
341L	2400060	2	Holder, Fuse	
341M	4460874	1	Connector, Natural	
341M	4460871	8	Socket, Female	
341M	4460905	AR	Plug, Seal	
341N	1001106339	1	Connector, Male - 14 Position	
341N	4460871	2	Socket, Female	
341N	4460905	AR	Plug, Seal	
341P	1001112612	1	Connector - 9 Position	
341P	4460943	4	Socket, Female	
341Q	1001106340	1	Connector, Male - 14 Position	
341Q	4460871	AR	Socket, Female	
341Q	4460905	AR	Plug, Seal	
341R	4460884	1	Plug, Male - 4 Position (Not Shown) (SN E300002414 through E300002832)	
341R	1001192401	1	Connector, Dust Cap	

SECTION 7 - ELECTRICAL

ITEM	PART NUMBER	QTY	DESCRIPTION	REV
341R	4460465	4	Socket, Female	
341S	4460868	1	Connector - 6 Position (Not Shown) (SN E300002414 through E300002832)	
341S	4460877	4	Terminal	
341S	1001094105	1	Boot	
342		Ref	Ground Control Box Wiring Diagram (Not Shown - See Items 501 to 513 for Breakdown)	
342	1001141934	Ref	Caterpillar Engine Machines	
342	1001141932	Ref	Deutz D2011 Engine Machines	
342	1001147006	Ref	Deutz TD2.9L4 Engine Machines	
342	1001141933	Ref	GM Engine Machines	
343	4460497	1	Nut, Terminal	
344	4460496	1	Locknut, Terminal	
346	1001106736	1	Cap, Dust	
		Ref	ENGINE HARNESS ASSEMBLY	
	1001139084	Ref	Caterpillar Engine Machines	B
	1001139085	Ref	Deutz D2011 Engine Machines	B
	1001147004	Ref	Deutz TD2.9L4 Engine Machines	C
	1001139086	Ref	GM Engine Machines	B
417	4460424	1	Connector - 2 Position	
417	4460226	2	Socket, Female	
418	4460897	1	Connector - 2 Position	
418	4460464	2	Socket, Female	
419	4460891	2	Plug, Male - 2 Position	
419	1001116692	4	Socket, Female (All except Deutz DT2.9L4)	
419	1001116692	4	Socket, Female (Deutz DT2.9L4 Only)	
423	4461070	1	Receptacle with Resistor (Deutz D2011 Engine Machines Only)	
423	4460944	3	Terminal, Gold (Deutz D2011 Engine Machines Only)	
423	4461095	1	Connector - 3 Position (Deutz D2011 Engine Machines Only)	
425	4460539	1	Connector - 3 Position	
425	4460944	3	Terminal, Gold	
428	4460742	2	Connector - 2 Position	
428	4460457	4	Terminal, Female	
428	4460458	4	Seal, Terminal	
433	4461052	1	Connector - 25 Position (Deutz D2011 Engine Machines Only)	
433	4461005	5	Terminal 18-20 Gauge (Deutz D2011 Engine Machines Only)	
433	4461060	2	Terminal 14-16 Gauge (Deutz D2011 Engine Machines Only)	
433	4461006	5	Seal 18-20 Gauge (Deutz D2011 Engine Machines Only)	
433	4461054	2	Seal 14-16 Gauge (Deutz D2011 Engine Machines Only)	
433	4461008	18	Plug, Hole (Deutz D2011 Engine Machines Only)	
433	4461053	1	Cover, Plug (Deutz D2011 Engine Machines Only)	
438	4460899	1	Connector - 6 Position (Caterpillar Engine Machines Only)	
438	4460464	5	Pin, Male (Caterpillar Engine Machines Only)	
438	4460466	1	Seal, Plug (Caterpillar Engine Machines Only)	
439	4460871	AR	Socket, Female	
450	4461121	1	Connector - 4 Position (GM Engine Machines Only)	
450	4461122	4	Socket, Female (GM Engine Machines Only)	
450	4461123	4	Seal, Terminal (GM Engine Machines Only)	
451	4461124	1	Connector - 4 Position (GM Engine Machines Only)	
451	4460693	4	Pin, Male (GM Engine Machines Only)	
451	4460608	4	Seal, Terminal (GM Engine Machines Only)	
451	4461161	1	Lock, Terminal (GM Engine Machines Only)	

SECTION 7 - ELECTRICAL

ITEM	PART NUMBER	QTY	DESCRIPTION	REV
455	4461109	1	Connector - 16 Position (GM Engine Machines Only)	
455	4461111	7	Pin, Male (GM Engine Machines Only)	
455	4461113	7	Seal, Terminal (GM Engine Machines Only)	
455	4461222	9	Terminal, Cavity Plug (GM Engine Machines Only)	
456	2902443	1	Receptacle Kit (Deutz Engine Machines Only)	
456	4461071	8	Socket, Female (Gold)	
456	4461072	1	Receptacle 8 Position with Mounting Flange	
456	4461073	1	Cap, Dust	
456	4461074	1	Shell	
457	4461157	1	Connector - 2 Position	
457	4460979	2	Pin, Male	
457	4460458	2	Seal, Terminal	
459	4460899	1	Connector, Male - 6 Position (Deutz TD2.9L4 Engines Only)	
459	4460464	5	Pin, Male	
459	4460943	5	Pin, Male (Gold)	
459	4460466	1	Seal, Plug	
460	4460931	1	Connector, Male - 8 Position (Deutz TD2.9L4 Engines Only)	
460	4460464	4	Pin, Male	
460	4460466	4	Seal, Plug	
		Ref	GROUND CONTROL BOX WIRING DIAGRAM	
	1001141934	Ref	Caterpillar Engine Machines	A
	1001141932	Ref	Deutz D2011 Engine Machines	D
	1001147006	Ref	Deutz TD2.9L4 Engine Machines	C
	1001141933	Ref	GM Engine Machines	B
501	2920129	AR	Bulb, Light	
507	2400065	1	Fuse, 30Amp	
508	2400066	1	Fuse, Holder	
509	4460708	2	Connector - 15 Position	
509	4460226	4	Socket, Female (SN E300001114 through E300002559)	
509	4922637	1	Harness, Jumper (Not Shown)	
509	4460905	AR	Seal, Plug (USA Built Machines) (SN 0300160835 through 0300177675)	
509	4460905	1	Seal, Plug (Romanian Built Machines) (SN B300001114 through E300001356)	
513	4460894	1	Connector - 6 Position	
513	4460892	1	Connector, Bussbar - 6 Position	
514	1001173590	1	Fuse Assembly (Includes Items 507 & 508) (SN E300002687 through E300002832)	
		Ref	STANDARD HARNESS COMPONENTS	
601		Ref	Battery Cable Kit Options:	
601	1001122202	1	Deutz D2011 Engine Machines (USA Built Machines)	C
601	2902060	1	Deutz D2011 Engine Machines (Romanian Built Machines)	C
601	1001146880	1	Deutz TD2.9L4 Engine Machines	D
601	1001102860	1	Caterpillar Engine Machines	A
601	2902510	1	GM Engine Machines	B
601A		Ref	Cable, Battery (Red) Options:	
601A	7027040	1	Deutz D2011 Engine Machines (USA Built Machines) (Battery to Starter Relay)	
601A	7027050	1	Deutz D2011 Engine Machines (Romanian Built Machines) (Battery to Relays)	
601A	7027076	1	Deutz TD2.9L4 Engine Machines (Battery to Starter and Relays)	

SECTION 7 - ELECTRICAL

ITEM	PART NUMBER	QTY	DESCRIPTION	REV
601A	7027025	1	Caterpillar Engine Machines (Battery to Auxiliary Power Relay)	
601A	7016839	1	GM Engine Machines (Battery to Auxiliary Power Relay)	
601B		Ref	Cable, Battery (Battery – and Auxiliary Pump to Ground) (Black)	
601B	7027041	1	Deutz D2011 Engine Machines (was p/n 7016837)	
601B	7027058	1	Deutz TD2.9L4 Engine Machines	
601B	7027026	1	Caterpillar Engine Machines	
601B	7016840	1	GM Engine Machines	
601C		Ref	Cable, Battery (Red)	
601C	7027040	1	Deutz D2011 Engine Machines (USA Built Machines) (Starter Relay to Starter) (Part of 601A)	
601C	7016820	1	Deutz D2011 Engine Machines (Romanian Built Machines) (Auxiliary Relay to Starter)	
601C	7027076	1	Deutz TD2.9L4 Engine Machines (Starter Relay to Starter) (Part of 601A)	
601C	7027023	1	Caterpillar Engine Machines (Aux Power Relay to Starter)	
601C	7027014	1	GM Engine Machines (Auxiliary Power Relay to Starter)	
601D		Ref	Cable, Battery (Red) (Auxiliary Relay to Auxiliary Pump)	
601D	7027014	1	Deutz D2011 Engine Machines (USA Built Machines)	
601D	7016834	1	Deutz D2011 Engine Machines (Romanian Built Machines)	
601D	7027057	1	Deutz TD2.9L4 Engine Machines	
601D	7027024	1	Caterpillar Engine Machines	
601D	7016841	1	GM Engine Machines	
602	1001141304	1	Harness, Glow Plugs (Deutz DT2.9L4 Engine Machines Only)	
603	1001143907	1	Cable, Alternator Power (Deutz DT2.9L4 Engine Machines Only)	
604	70003767	AR	Caterpillar Engine Harness Components	
604A	70020808	1	Connector - 23 Position	
604A	4460871	16	Socket, Female	
604B	91503103	1	Connector - 6 Position	
604B	77363228	6	Terminal	
604B	91504107	1	Lock, Connector	
604B	4460466	AR	Plug	
604C	See Note	1	Connector - 8 Position (Note: Not Available for Purchase)	
604D	7026408	2	Connector - 2 Position	
604D	77363229	4	Terminal	
604D	80604018	2	Lock, Connector	
605		Ref	Deutz D2011 Engine Harness Components	
605A	7027796	1	Deutz Engine Harness	
605B	See Note	1	Connector (Note: Not Available - Purchase Item 605A)	
605C	7027793	1	Plug-In, Connector	
605C	70004060	1	Connector	
605D	70001872	1	Deutz Engine Harness (For other replacement parts refer to Deutz engine dealer)	
605E	70004103	1	Alternator Harness (Deutz Engine (Not Shown))	
605F	70004062	1	Starter with Resistor Harness (Deutz Engine (Not Shown))	
606	1001146268	1	Deutz TD2.9L4 Engine Harness	E
606A	1001133956	1	Connector (Includes Cover, Locks and Retention Plate)	
606A	1001126352	6	Terminal	
606A	1001126353	6	Seal, Terminal	
606A	1001126384	21	Terminal	
606A	1001126351	3	Terminal	
606A	1001126356	63	Plug, Seal	

SECTION 7 - ELECTRICAL

ITEM	PART NUMBER	QTY	DESCRIPTION	REV
606A	1001126357	2	Plug, Seal	
606B	1001133957	1	Connector (Includes Cover, Locks and Retention Plate)	
606B	1001126384	17	Terminal	
606B	1001126351	13	Terminal	
606B	1001126356	19	Plug, Seal	
606B	1001126357	11	Plug, Seal	
606C	4461070	3	Receptacle, Female With Resistor (3 Position)	
606C	4461095	6	Plug, Male - 3 Position	
606C	4460944	6	Socket, Female	
606C	4460466	2	Seal, Plug	
606D	80484084	1	Receptacle, Female - 8 Position	
606D	8229242	1	Fuse - 5A	
606D	80983191	1	Fuse - 10A	
606D	1001147264	1	Cap	
606D	1001116727	8	Plug	
606D	4460458	4	Seal	
606E	1001116952	1	Plug, Male - 2 Position	
606E	4460465	2	Socket, Female	
606F	1001138110	1	Plug, Male - 2 Position	
606F	1001138111	2	Socket, Female	
606F	1001138113	2	Seal	
606G	2902443	1	Kit, Receptacle	
606G	4461071	8	Terminal, Female (Gold)	
606G	4461072	1	Connector, Flange Mount	
606G	4461073	1	Connector, Dust Cap	
606G	4461074	1	Connector, Shell	
606H	4460894	1	Plug, Male - 6 Position	
606H	4460465	3	Socket, Female	
606H	4460944	2	Socket, Female	
606H	4460466	1	Seal, Plug	
606J	4460930	1	Plug, Male - 8 Position	
606J	4460465	1	Socket, Female	
606J	4460466	7	Seal, Plug	
606K	4460884	1	Plug, Male - 4 Position	
606K	4460465	2	Socket, Female	
606K	4460942	2	Socket, Female	
606K	4460932	1	Receptacle, Female - 4 Position (SN E300002581 through E300002832)	
606K	4460466	4	Seal, Plug (SN E300002581 through E300002832)	
606L	4460897	1	Receptacle, Female - 2 Position	
606L	4460941	2	Pin, Male	
606L	See Note	1	Resistor - 1.5K Ohm (Note: Not Available at Time of Printing)	
606L	4460891	1	Plug, Male - 2 Position	
606L	4460942	2	Socket, Female	
606M	1001133714	1	Plug, Male - 4 Position	
606M	1001133715	3	Terminal, Female	
606M	1001135650	3	Seal	
606M	1001135651	NLA	Plug, Cavity (Use p/n 4461008)	
606N	1001142938	1	Plug, Male - 2 Position	
606N	1001142940	2	Terminal, Female	
606N	1001142941	2	Seal	
606P	1001126362	1	Receptacle, Female - 62 Position	

SECTION 7 - ELECTRICAL

ITEM	PART NUMBER	QTY	DESCRIPTION	REV
606P	1001126363	33	Terminal	
606P	1001126364	33	Seal	
606P	1001126391	23	Plug	
606P	4461008	4	Plug, Cavity	
606P	1001126365	2	Terminal	
606P	4461054	2	Seal	
606P	1001151856	1	Conduit (SN E300002581 through E300002832)	
607	1001138491	1	Fuel Harness (Deutz TD2.9L4 Engines Only)	B
607A	4460897	1	Receptacle, Female - 2 Position	
607A	4460941	2	Pin, Male	
607A	4460891	1	Plug, Male - 2 Position	
607A	4460942	2	Socket, Female	
607B	1001116983	1	Receptacle, Female - 2 Position	
607B	1001116710	2	Terminal	
607B	4461054	2	Seal	
607C	4460932	1	Receptacle, Female - 4 Position	
607C	4460941	2	Pin, Male	
607C	4460464	2	Pin, Male	
608	70002455	1	Caterpillar Speed Sensor Harness (Includes Speed Sensor)	
609	See Note	1	GM Engine Harness (Note: For other replacement parts refer to GM industrial engine dealer)	
609	See Note	1	Connector - 10 Position (Note: Not Available for Purchase)	
610		Ref	Pump Harness Options:	
610	See Note	2	2WD (Note: Not Available for Purchase)	
610	7024830	2	4WD	
610A	7007498	1	Connector - Position (2WD)	
610A	4460867	2	Receptacle, Female - 2 Position (4WD)	
610A	4460850	4	Pin, Male (4WD)	
610B	7007497	1	Connector (2WD)	
610B	Not Required	0	4WD	
611		Ref	Limit Switch Harness Options (Does not include Limit Switch):	
611	4922770	1	Without Arctic Package	B
611	4923469	1	With Arctic Package	A
611A	4460226	2	Socket, Female	
612		Ref	Limit Switch Harness Options (Includes Limit Switch):	
612	4922714	1	Without Arctic Package	B
612	4923467	1	With Arctic Package	A
612		Ref	Cable, Electrical 18/2 Options:	
612	1060902	8.5 ft /2.6m	Without Arctic Package	
612	4923466	8.5 ft /2.6m	With Arctic Package	
612A	4460226	2	Socket, Female	
612B	4360548	1	Switch, Limit	
612C	4460968	1	Relief, Strain	
616		Ref	Harness, Glow Plugs Options:	
616	4923451	1	Machines without Arctic Package	
616	4922642	1	Machines with Arctic Package	
617	4360517	1	Drive Orientation Switch Harness (Includes Switch)	A
617A	4460320	1	Connector - 2 Position	
617A	4460227	2	Pin, Male	
618		Ref	Harness, Fuel Sender Components:	

SECTION 7 - ELECTRICAL

ITEM	PART NUMBER	QTY	DESCRIPTION	REV
618	4460320	1	Plug, Male - 2 Position	
618	4460267	2	Pin, Male	
		Ref	OPTIONAL HARNESS COMPONENTS	
701		Ref	AC to Platform Receptacle Components	
701	0258303	Ref	110V GFI Receptacle (ANSI, ANSI Export and CSA Specs)	B
701	0258305	Ref	220V GFI Receptacle (ANSI and CSA Specs)	B
701	0258304	Ref	110V/220V (Plug and Receptacle Supplied Locally) (ANSI Export and Australian)	C
701		Ref	110V/220V (CE Spec Only) Options:	
701		Ref	Without Generator:	
701	0258304	Ref	110V/220V (Plug and Receptacle Supplied Locally)	C
701	0275681	Ref	110V with IEC Yellow Receptacle and Plug and Circuit Breaker	B
701	0275678	Ref	220V with CEE 7 Post Ground Receptacle and Plug and Circuit Breaker (2x4 Box) (SN 0300160835 through 0300189035, SN E300001114 through E300001851)	C
701	1001162448	Ref	220V with CEE 7 Post Ground Receptacle and Plug and Circuit Breaker (2x4 Box) (SN 0300189036 through 0300201990, SN E300001852 through E300002832)	B
701	0275679	Ref	220V with CEE 7 Side Ground Receptacle and Plug and Circuit Breaker (2x4 Box) (SN 0300160835 through 0300189035, SN E300001114 through E300001851)	C
701	1001162451	Ref	220V with CEE 7 Side Ground Receptacle and Plug and Circuit Breaker (2x4 Box) (SN 0300189036 through 0300201990, SN E300001852 through E300002832)	B
701	0275683	Ref	220V with CEE 7 Post Ground Receptacle and Plug and Circuit Breaker (70mm x 70mm Box) (SN 0300160835 through 0300189036, SN E300001114 through E300001852)	B
701	0275684	Ref	220V with CEE 7 Side Ground Receptacle and Plug and Circuit Breaker (70mm x 70mm Box) (SN 0300160835 through 0300189036, SN E300001114 through E300001852)	B
701	0275680	Ref	220V with AFSINT 107 Keyed Ground Receptacle and Plug and Circuit Breaker (2x4 Box)	B
701	0275682	Ref	220V with IEC Blue Receptacle and Plug and Circuit Breaker	B
701		Ref	With Generator:	
701	1001101913	Ref	110V with IEC Yellow Receptacle and Plug and Circuit Breaker	C
701	1001101910	Ref	220V with CEE 7 Post Ground Receptacle and Plug and Circuit Breaker (2x4 Box)	C
701	1001101911	Ref	220V with CEE 7 Side Ground Receptacle and Plug and Circuit Breaker (2x4 Box)	C
701	1001101915	Ref	220V with CEE 7 Post Ground Receptacle and Plug and Circuit Breaker (70mm x 70mm Box) (SN E300001114 through E300002532)	C
701	1001101916	Ref	220V with CEE 7 Side Ground Receptacle and Plug and Circuit Breaker (70mm x 70mm Box) (SN E300001114 through E300002532)	C
701	1001101912	Ref	220V with AFSINT 107 Keyed Ground Receptacle and Plug and Circuit Breaker (2x4 Box)	C
701	1001101914	Ref	220V with IEC Blue Receptacle and Plug and Circuit Breaker	C
701A		Ref	Box Options:	
701A	0860038	1	0258303/0258305 Installations	
701A	See Note	1	0258304 Installation (Note: Not Available - Purchase Locally)	
701A	0861781	1	0275681/ 0275680/ 1001101913/ 1001101914 Installations	

SECTION 7 - ELECTRICAL

ITEM	PART NUMBER	QTY	DESCRIPTION	REV
701A	0861731	1	0275678/ 0275679/ 1001101910/ 1001101911/ 1001101912/1001162448/1001162451 Installations	
701A	See Note	1	0275683/ 0275684/ 1001101915/ 1001101916 Installations (Note: Was p/n 0861782 which is no longer available. Use p/n 100110034 CEE 7 Side Ground Service Kit or p/n 1001100343 CEE 7 Post Ground Service Kit. Kit includes Box p/n 1001141967 & Items 701B, 701C, 701L & 701N.)	
701A	0861781	1	0275682 Installation	
701A	1001141967	1	1001100343, 1001100344, 1001141970 & 1001141971 Kits	
701B		Ref	Receptacle Options:	
701B	4460346	1	0258303 Installations	
701B	4460125	1	0258305 Installations	
701B	See Note	1	0258304 Installation (Note: Not Available - Purchase Locally)	
701B	4461198	1	0275681/1001101913 Installations	
701B	4461244	1	0275678/1001101910/1001162448 Installations	
701B	4461245	1	0275679/1001101911/1001162451 Installations	
701B	4461204	NLA	0275683/1001101915 Installations (Use p/n 1001100343)	
701B	1001141971	NLA	0275683/1001101915 Installations (Use p/n 1001100343)	
701B	4461207	NLA	0275684/1001101916 Installations (Use p/n 1001100344)	
701B	1001141970	NLA	0275684/1001101916 Installations (Use p/n 1001100344)	
701B	4461246	1	0275680/1001101912 Installations	
701B	4461201	1	0275682/1001101914 Installations	
701B	1001141968	1	1001100343 & 1001141971 Kits	
701B	1001141969	1	1001100344 & 1001141970 Kits	
701C		Ref	Plug Options:	
701C	4460205	1	0258303 Installations	
701C	4460233	1	0258305 Installations	
701C	See Note	1	0258304 Installation (Note: Not Available - Purchase Locally)	
701C	4461196	1	0275681/1001101913 Installations	
701C	4461202	1	0275678/ 0275683/ 1001101910/ 1001101915 Installations & 1001100343 & 1001141971 Kits	
701C	4461205	1	0275679/ 0275684/ 1001101911/ 1001101916/1001162448/1001162451 Installations & 1001100344 & 1001141970 Kits	
701C	4461249	1	0275680/1001101912 Installation	
701C	4461199	1	0275682/1001101914 Installation	
701D	0903484	1	Bracket (All Installations except 0258303/ 0258304/ 0258305 Installations)	
701D	0903484	1	Bracket (1001101910, 1001101911, 1001101912, 1001101913, 1001101914, 1001101915 & 1001101916 Installations) (SN 0300160835 through 0300200799, SN E300001114 through E300002413)	
701D	1001193018	1	Bracket (1001101910, 1001101911, 1001101912, 1001101913, 1001101914, 1001101915 & 1001101916 Installations) (SN 0300200800 through 0300201990, SN E300002414 through E300002832)	
701E	0903612	1	Bracket (All Installations except 0258303/ 0258304/ 0258305/1001162448/1001162451 Installations)	
701E	1001162445	1	Bracket (1001162448/1001162451 Installations)	
701F		Ref	Decal Options:	
701F	1705325	1	110V	
701F	3252507	1	220V	

SECTION 7 - ELECTRICAL

ITEM	PART NUMBER	QTY	DESCRIPTION	REV
701G		Ref	Circuit Breaker Box Kit Options (All Installations except 0258303/ 0258304/ 0258305 Installations):	
701G	2902549	1	Without Generator	E
701G	1001152485	1	Without Generator	D
701G	1001096070	1	With Generator	E
701G		Ref	Breaker, Circuit Options:	
701G	1001109475	NLA	16 Amp (110/230VAC) (Note: Use p/n 1001181045) (SN E300001114 through E300002621)	
701G	1001109482	NLA	30mA (110/230VAC) (Note: Use p/n 1001181045) (SN E300001114 through E300002621)	
701G	1001181045	1	16 Amp/30mA (110/230VAC) (SN E300002622 through E300002832)	
701G	1001189172	1	16 Amp (Double 230/400V) (Kit 1001152485 Only)	
701G	1001189171	1	30mA (230/400V) (Kit 1001152485 Only)	
701G	0861880	1	Box, Breaker	
701G	1001152483	1	Box, Breaker (Kit 1001152485 Only)	
701G	4460956	1	Barrier, Terminal Block End	
701G	4460957	1	Block, Terminal	
701H		Ref	Connector, Strain Relief Options:	
701H	4460633	2	M20 Diameter	
701H	1001097150	2	M25 Diameter	
701J	1060908	Ref	Cable, Electrical 12/3 Options (All Installations except 0258303/ 0258304/ 0258305 Installations):	
701J	1060908	6 ft/1.8m	Cable, Electrical 12/3, Without Generator	
701J	1060908	12 ft/3.7m	Cable, Electrical 12/3, With Generator	
701K		Ref	Connector, Strain Relief	
701K	4460968	1	All Installations except 0258303/ 0258304/ 0258305	
701K	See Note	1	0258304 Installation (Note: Not Available - Purchase Locally)	
701K	4460071	1	0258303/0258305 Installations	
701L		Ref	Shield, Cover	
701L	Part of Item 701A	1	All Installations except 0258303/ 0258304/ 0258305 Installation	
701L		Ref	0258303 Installation Options	
701L	4060700	1	Side Hinged	
701L	1001110873	1	Top Hinged	
701L	Not Available		0258304 Installation (Purchase Locally)	
701L	4060092	1	0258305 Installation	
701L	3960422	1	Gasket, Cover (0258303/0258305 Installations)	
701M		Ref	Plug, Male Options:	
701M	4460709	1	All Installations Except 0258303 Installation	
701M	4460205	1	0258303 Installation	
701M	1671093	1	Cover, Plug (0258304 Installation Only) (SN E300001114 through E300002558)	
701M	1001156352	1	Cover, Plug (0258304 Installation Only) (SN E300002559 through E300002832)	
701N		Ref	Connector, Female Options:	
701N	4460710	1	All Installations Except 0258303/0258305 Installation	
701N	4460134	1	0258303 Installation	
701N	4460701	1	0258305 Installation	
701N	4461197	1	1001101913 Installation	
701N	4461200	1	1001101914 Installation	
701N	4461203	1	1001101910/ 1001101915 Installations & 1001100343/ 1001141971 Kits	

SECTION 7 - ELECTRICAL

ITEM	PART NUMBER	QTY	DESCRIPTION	REV
701N	4461206	1	1001101911/ 1001101916 Installations & 1001100344/ 1001141970 Kits	
701N	4461250	1	1001101912 Installation	
701N	1671092	1	Cover, Connector (0258304 Installation Only) (SN E300001114 through E300002558)	
701N	1001156351	1	Cover, Connector (0258304 Installation Only) (SN E300002559 through E300002832)	
		Ref	Kit, Plug and Socket Options:	
		Ref	Without Generator:	
	See Note	Ref	0258303 & 0258305 Installation (Note: Purchase Individual Components)	
	See Note	Ref	0258304 Installation (Note: Not Available - Purchase Locally)	
	0275216	Ref	110V with IEC Yellow (Includes Items 701A, 701B, 701C & 701L) (0275681 Installation)	A
	0275452	Ref	220V with CEE 7 Post Ground (2 x 4 Box) (Includes Items 701A, 701B, 701C & 701L) (0275678/1001162448 Installations)	A-B
	0275453	Ref	220V with CEE 7 Side Ground (2 x 4 Box) (Includes Items 701A, 701B, 701C & 701L) (0275679/1001162451 Installations)	A-B
	0275218	Ref	220V with CEE 7 Post Ground (70mm x 70mm Box) (Includes Items 701A-701C, 701L & 701N) (0275683 Installation) (Use p/n 1001100343)	B-2
	0275219	Ref	220V with CEE 7 Side Ground (70mm x 70mm Box) (Includes Items 701A-701C, 701L & 701N) (0275684 Installation) (Use p/n 1001100344)	B-A
	0275454	Ref	220V with AFSINT 107 Keyed Ground (Includes Items 701A, 701B, 701C & 701L) (0275680 Installation)	A
	0275217	Ref	220V with IEC Blue (Includes Items 701A, 701B, 701C & 701L) (0275682 Installation)	A
		Ref	With Generator:	
	1001100341	Ref	110V with IEC Yellow (Includes Items 701A - 701C, 701L & 701N) (1001101913 Installation)	2-A
	1001100345	Ref	220V with CEE 7 Post Ground (2 x 4 Box) (Includes Items 701A - 701C, 701L & 701N)(1001101910 Installation)	2-A
	1001100347	Ref	220V with CEE 7 Side Ground (2 x 4 Box) (Includes Items 701A - 701C, 701L & 701N) (1001101911 Installation)	3-A
	1001100346	Ref	220V with AFSINT 107 Keyed Ground (Includes Items 701A - 701C, 701L & 701N) (1001101912 Installation)	2-A
	1001100342	Ref	220V with IEC Blue (Includes Items 701A - 701C, 701L & 701N) (1001101914 Installation)	2-A
	1001091971	Ref	220V with CEE 7 Post Ground (70mm x 70mm Box) (Includes Items 701A - 701C, 701L & 701N) (1001101915 Installation) (Use p/n 1001100343 Kit)	B
	1001091970	Ref	220V with CEE 7 Side Ground (70mm x 70mm Box) (Includes Items 701A - 701C, 701L & 701N) (1001101916 Installation) (Use p/n 1001100344 Kit)	B
702	4921829	1	2500W Generator to Rear of Boom Harness (110V) (ANSI and CSA Specs)	2
		Ref	Note: Harness used to connect AC at platform harness to generator receptacle to power platform receptacle.	
702	1060494	6 ft/1.83m	110V CABLE, ELECTRICAL - 12/3 (ANSI and CSA SPECS)	
702A	4460205	1	Plug, Male (110V)	
702B		Ref	Receptacle, Female Options:	
702B	4460134	1	110V (ANSI and CSA Specs)	
702B	4460701	1	220V (ANSI and CSA Specs)	

SECTION 7 - ELECTRICAL

ITEM	PART NUMBER	QTY	DESCRIPTION	REV
702B	See Note	1	110V/220V (Machines with Locally Supplied Plug and Receptacle) (ANSI Export, Australian and CE Specs) (Note: Not Available - Purchase Locally)	
702B	4461197	1	110V with IEC Yellow Receptacle and Plug and Circuit Breaker (CE Specs Option)	
702B	4461203	1	220V with CEE 7 Post Ground Receptacle and Plug and Circuit Breaker (2x4 Box) (CE Specs Option)	
702B	4461206	1	220V with CEE 7 Side Ground Receptacle and Plug and Circuit Breaker (2x4 Box) (CE Specs Option)	
702B	4461203	1	220V with CEE 7 Post Ground Receptacle and Plug and Circuit Breaker (70mm x 70mm Box) (CE Specs Option)	
702B	4461206	1	220V with CEE 7 Side Ground Receptacle and Plug and Circuit Breaker (70mm x 70mm Box) (CE Specs Option)	
702B	4461250	1	220V with AFSINT 107 Keyed Ground Receptacle and Plug and Circuit Breaker (2x4 Box) (CE Specs Option)	
702B	4461200	1	220V with IEC Blue Receptacle and Plug and Circuit Breaker (CE Specs Option)	
703		Ref	2500W Generator Electrical Components	
703		Ref	Caterpillar/Deutz D2011 Engine Machines	
703	100112588	AR	110V/60HZ	A
703	100112743	AR	110V/50Hz & 220V/50Hz	B
703	1001180050	AR	Deutz TD2.9L4 Engine Machines	B
703	4933350	AR	GM Engine Machines	B
703A	4922641	1	Harness - On/Off Switch	1-A
703A	4460226	2	Socket, Female	
703B		Ref	Powermite Control Box to Relay	
703B	100112589	1	Caterpillar/Deutz D2011 Engine Machines	
703B	1001180052	1	Deutz TD2.9L4 Engine Machines	
703B	4923445	1	GM Engines	
703C	7020193	1	Harness, Generator Power	
		Ref	Note: Items 703D & 703E used on Following Applications:	
		Ref	Caterpillar Engine Machines - All	
		Ref	GM Engine Machines - All	
		Ref	Deutz D2011 Engine Machines - All with 110V/60Hz	
703D	4460321	1	Connector, Male - 4 Position	
703D	4460906	4	Socket, Female	
703E	4460961	1	Connector, Female - 4 Position	
703E	4460705	4	Pin, Male	
704		Ref	4000W Generator Electrical Components	
704	1001153261	AR	Deutz D2011 Engines Machines 60Hz	B
704	1001153262	AR	Deutz D2011 Engines Machines 50Hz	E
704	1001171128	AR	Deutz TD2.9L4 Engines Machines 60Hz	E
704		Ref	7500W Generator Electrical Components	
704	1001111404	AR	Caterpillar Engines Machines 60Hz	A
704	1001115395	AR	Deutz D2011 Engines Machines 60Hz	A
704	1001115396	AR	Deutz D2011 Engines Machines 50Hz	A
704	1001146637	AR	Deutz TD2.9L4 Engines Machines 60Hz	E
704A		Ref	Receptacle, Female Twist-Lock Options (Machines with Caterpillar, Deutz D2011 and GM Engines Only):	
704A	4460958	1	60Hz Spec	
704A	See Note	1	50Hz Spec (Note: Not Available - Purchase Locally.)	
704B		Ref	Gasket Options:	
704B	3960422	AR	60Hz Spec	
704B	See Note	AR	50Hz Spec (Note: Not Available - Purchase Locally.)	

SECTION 7 - ELECTRICAL

ITEM	PART NUMBER	QTY	DESCRIPTION	REV
704C		Ref	Cover, Receptacle Options:	
704C	1001110873	1	60Hz Spec	
704C	See Note	1	50Hz Spec (Note: Not Available - Purchase Locally.)	
704D		Ref	Cover, Receptacle Options (Machines with Caterpillar, Deutz D2011 and GM Engines Only):	
704D	1001110872	1	60Hz Spec	
704D	See Note	1	50Hz Spec (Note: Not Available - Purchase Locally.)	
704E		Ref	Receptacle Options:	
704E	4460346	1	60Hz Spec	
704E	See Note	1	50Hz Spec (Note: Not Available - Purchase Locally.)	
704F	4460051	1	Connector, Strain Relief (Machines with Caterpillar, Deutz D2011 and GM Engines Only)	
704G	4460071	1	Connector, Strain Relief	
704H	1001152532	1	4000W Generator Harness	
704H	4922925	1	7500W Generator Harness	
704J	77363233	1	Plug, Male - 6 Position (4000W Generator)	
704J	4460465	2	Socket, Female (4000W Generator)	
704J	See Note	1	Plug, Male - 6 Position (7500W Generator) (Note: Not Available - Purchase Locally.)	
704J	See Note	6	Socket, Female (7500W Generator) (Note: Not Available for Purchase.)	
704K	4460225	1	Plug, Male - 6 Position	
704K	4460268	2	Socket, Female	
705		Ref	7500W SkyPower Generator Junction Box Components	
705	0861542	Ref	60Hz Spec (All Machines except Deutz TD2.9L4 Engines)	E
705	1001157592	Ref	60Hz Spec (Deutz TD2.9L4 Engine Machines)	C
705	0861567	Ref	50Hz Specs	B
705A		Ref	Cable, Electrical 12/3	
705A	1060494	2 ft/.6m	60Hz Spec (All Machines except Deutz TD2.9L4 Engines)	
705A	1060494	2 ft/.6m	60Hz Spec (Machines with Deutz TD2.9L4 Engines Only) (SN E300001114 through E300002663)	
705A	1001179154	2.5 ft/.76m	60Hz Spec (Machines with Deutz TD2.9L4 Engines Only) (SN E300002664 through E300002832)	
705A	See Note	2 ft/.6m	50Hz Spec (Note: Not Available - Purchase Locally.)	
705B		Ref	Cable, Electrical 10/3	
705B	1060708	2.5 ft /.8m	60Hz Spec	
705B	See Note	2.5 ft /.8m	50Hz Spec (Note: Not Available - Purchase Locally.)	
705C	1060343	1.5 ft /.5m	Cable, Electrical 10/4 (60Hz Spec Only)	
705D	4460425	2	Connector, Strain Relief	
705D	3520192	1	Plug, Hole (Machines with Deutz TD2.9L4 Engines Only)	
705E		Ref	Component Options:	
705E	4460426	2	Connector, Strain Relief (60Hz Spec Only)	
705E	4460426	1	Connector, Strain Relief (50Hz Spec Only)	
705E	3520189	1	Plug (50Hz Spec Only)	
705F	1671092	1	Cover (60Hz Spec Only)	
705F	4460963	1	Connector (60Hz Spec Only)	
706		Ref	7500W Generator Electrical Diagram Components	
706	1001112586	Ref	Caterpillar/Deutz D2011 Engine Machines	B
706	1001157770	Ref	Deutz TD2.9L4 Engine Machines	A
706	4933349	Ref	GM Engine Machines	1-A
706A		Ref	Generator Harness Options:	
706A	1001112587	1	Deutz D2011 Engines (SN 0300160835 through 0300181890, SN E300001114 through E300001550)	B

SECTION 7 - ELECTRICAL

ITEM	PART NUMBER	QTY	DESCRIPTION	REV
706A	1001152429	1	Deutz D2011 Engines (SN 0300181891 through 0300201990, SN E300001551 through E300002832)	C
706A	1001119968	1	Deutz TD2.9L4 Engines	C
706A	4460465	3	Socket, Female (Deutz TD2.9L4 only)	
706B	4460374	2	Plug, Sealed Relay (Deutz D2011 Engines Only) (SN 0300160835 through 0300181890, SN E300001114 through E300001550)	
706B	4460375	7	Terminal (Deutz D2011 Engines Only) (SN 0300160835 through 0300181890, SN E300001114 through E300001550)	
706C	4460742	1	Plug, Male - 2 Position	
706C	4460743	2	Socket, Female	
706C	4460458	2	Seal	
706D		Ref	Component Options:	
706D	2400060	1	Fuseholder (Deutz D2011 Engines)	
706D	2400064	1	Fuse - 5 Amp (Deutz D2011 Engines)	
706D	1001117078	1	Fuseholder (Includes Fuse and Cap) (Deutz D2011 Engines)	
706D	See Note	1	Fuse - 5 Amp (Deutz D2011 Engines) (Note: Use 1001117078 Assembly or Purchase Fuse Locally)	
706D	1001096134	1	Cover, Fuseholder (Deutz D2011 Engines)	
706E	4460967	1	Plug, Male - 3 Position	
706E	4460465	3	Socket, Female	
706F	4922641	1	Switch Harness	1-A
706G	4460226	2	Socket, Female	
707	0255917	1	Strobe Light Harness (Includes Strobe Light)	
707A	4460320	1	Connector, Female - 2 Position	
707A	4460267	2	Pin, Male	
708	0257887	1	Alarm Harness (Includes Alarm)	
708A	4460424	1	Connector - 2 Position	
708A	4460268	2	Socket, Female	
709	See Note	1	Lights Harness (Note: Not Available for Purchase)	
709	1060341	37 ft /11.3m	Cable, Electrical - 16/2	
709A	3740049	1	Relay	
709A	4922643	1	Harness, Bag (Located at Ground Control Box) (Not Shown)	
710	See Note	1	Soft-Touch System Harness (Note: Not Available for Purchase)	
710A	1060341	Ref	Cable, Electrical - 16/2 Options:	
710A	1060341	15 ft/4.6m	Cable, Electrical - 16/2, 2.5ft/.7m x 6ft/8m Platform	
710A	1060341	22.7 ft /6.9m	Cable, Electrical - 16/2, 3ft/.9m x 6ft/8m Platform	
710B	4460871	2	Socket, Female	
713		Ref	Platform Worklights Components	
713A	2920140	2	Platform Worklights External Harness (Includes Light and Wire Only)	
713B	4460459	1	Connector - 3 Position	
713B	4460790	3	Socket, Female	
713B	4460789	3	Seal	
713C	4460476	1	Receptacle, Female	
713C	4460850	3	Pin, Male	
713C	4460790	3	Socket, Female	
713D	4460426	1	Connector, Strain Relief	
713E	2400070	1	Fuse	
713E	2400066	1	Holder, Fuse	

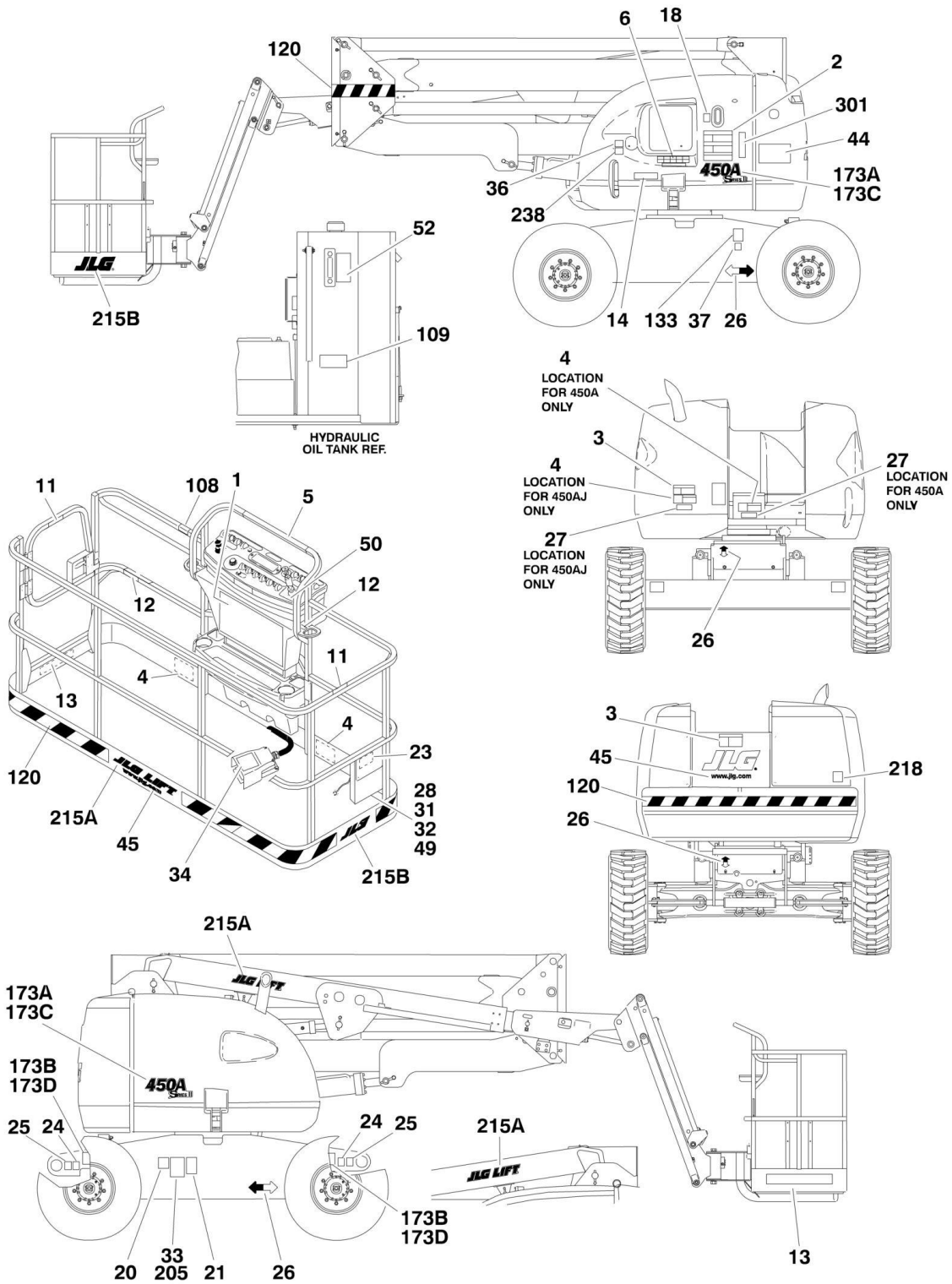
SECTION 7 - ELECTRICAL

ITEM	PART NUMBER	QTY	DESCRIPTION	REV
713F	1060988	1	Worklights Harness (Upper Boom to Worklights)	
713G	1060987	1	Worklights Harness (Tower Boom to Aux Power Solenoid)	
		Ref	TOOLS (NOT SHOWN)	
801	7002821	1	Crimper (For Wire to Pin/Socket Connections)	
802	7002823	1	Extractor (For Removal of Pin/Socket from Connectors)	
803	4460467	1	Extractor, Pin (Blue 16-18 Gauge) (For Removal of Pin/Socket from Connectors)	
804	4460510	1	Extractor, Pin (Yellow 12-14 Gauge) (For Removal of Pin/Socket from Connectors)	
805	7002828	1	Stripper, Wire	
806	2901443	1	Analyzer Kit	
806A	1600244	1	Analyzer	
806B	1060633	1	Cable, Analyzer	1-A
806C	4460321	2	Plug, Male	
806C	4460226	8	Socket, Female	
807	1001137005	1	Cable Kit, Software (Not Shown)	

SECTION 8 - DECALS

SECTION 8 - DECALS

FIGURE 8-1. DECAL INSTALLATION - ANSI SPEC



SECTION 8 - DECALS

FIGURE 8-1. DECAL INSTALLATION - ANSI SPEC

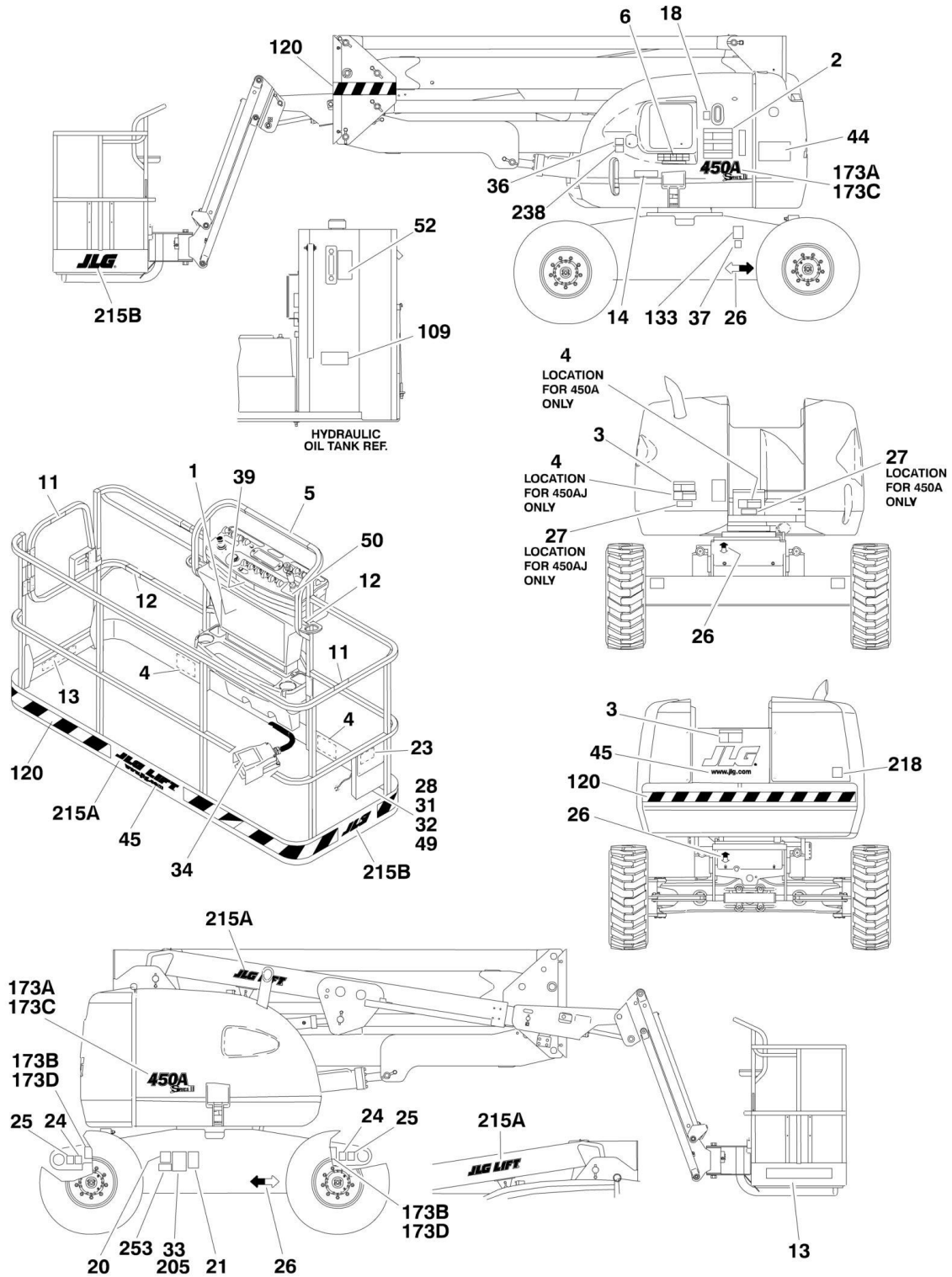
ITEM	PART NUMBER	QTY	DESCRIPTION	REV
	1001143099	Ref	STANDARD DECAL INSTALLATION	D
1	1703797	1	Decal - Danger/Warning	
2	1703798	1	Decal - Danger/Warning	
3	1703805	2	Decal - Danger/Electrocution	
4	1703804	3	Decal - Warning/Crushing	
5	1001108493	1	Decal - Legend	
6	1706941	1	Decal - Legend	
11	1702868	2	Decal - No Hands	
12	1704277	3	Decal - Attach Lanyard Here	
13	1001121801	1	Decal - Max Capacity	
14	1001121814	1	Decal - Max Capacity	
18	1701504	1	Decal - Hydraulic Oil	
20	See Note	1	Decal - Bar Code (Note: Not Available for Purchase)	
21		Ref	Decal - Patent Options:	
21	1700584	1	Decal - Patent (SN 0300160835 through 0300163014)	
21	1001131269	1	Decal - Patent (SN 0300163015 through 0300201990)	
23	1701509	1	Decal - Manual	
24	1702300	4	Decal - Tie Down /Lift	
25	1701500	4	Decal - Tie Down /Lift	
26	1701529	4	Decal - Arrow	
27	3251243	1	Nameplate 120V-60Hz	
28	0860520	1	Box, Manual Storage	
31	4751400	4	Flatwasher 1/4in Regular	
32	3311405	4	Locknut 1/4in-20NC	
33	3820001	2	Rivet	
34	3252347	1	Decal - Footswitch	
36		Ref	Decal - Fuel	
36	1701542	1	Gas Engine Machines	
36	1701505	1	Diesel Engine Machines	
37		Ref	Decal - LPG Gas (Dual Fuel Machines Only)	
37	1701243	1	Gas Engine Machines	
37	Not Required	0	Diesel Engine Machines	
44	1001143110	1	Decal - Lift Diagram	
45	1704885	AR	Decal - Website	
49	0641406	4	Bolt, 1/4in-20NC x 3/4in	
50	1705351	1	Decal, Drive/Steer	
52	1001143112	1	Decal - Hydraulic Fill (USA Built Machines) (SN 0300160835 through 0300172163)	
52	1001143112	1	Decal - Hydraulic Fill (Romanian Built Machines) (SN E300001114 through E300001163)	
	1001142990	Ref	DECAL OPTIONS	
108		Ref	Decal - Warning Prop Options:	
108	1702962		Diesel Machines	
108	1702961		Gas Machines	
109	1704412	1	Decal - Hydraulic Fluid	
120	0272165	Ref	Warning Stripe Decal Installation	
120	4420051	21.7 ft /6.6m	Decal - Warning Stripes	
133	1700818	1	Decal - LP (Gas Engine Machines Only)	
173		Ref	Model Designation Decal Installation Options	

SECTION 8 - DECALS

ITEM	PART NUMBER	QTY	DESCRIPTION	REV
173	1001143108	Ref	Model Designation Decal Installation 450A Series II	A
173B	1704752	4	Decal - Max Tire Load	
173	1001143109	Ref	Model Designation Decal Installation 450AJ Series II	A
173D	1704752	4	Decal - Max Tire Load	
205	See Note	1	Nameplate - Serial Number (Note: Not Available for Purchase)	
215	0272530	Ref	JLG Logo Decals	1
215A	1702774	3	Decal - JLG Lift (3 1/2in)	
215B	1702773	1	Decal - JLG (5in)	
218	3251813	1	Decal - USA	
238	1001108923	1	Decal - Low Sulfur Fuel (Diesel Machines Only)	
	0272341	Ref	TIRE SEALANT DECAL INSTALLATIONS	1
301	1705363	1	Decal - Tire Sealant	

SECTION 8 - DECALS

FIGURE 8-2. DECAL INSTALLATION - ANSI EXPORT SPECS



SECTION 8 - DECALS

FIGURE 8-2. DECAL INSTALLATION - ANSI EXPORT SPECS

ITEM	PART NUMBER	QTY	DESCRIPTION	REV
		Ref	DECAL INSTALLATIONS	
	1001143105	Ref	Decal Installations 450A/AJ Series II Brazil Spec (Spanish/Portuguese)	E
	1001143104	Ref	Decal Installations 450A/AJ Series II Chinese Spec (English/Chinese)	E
	1001143103	Ref	Decal Installations 450A/AJ Series II CSA Spec (English/French)	E
	1001143101	Ref	Decal Installations 450A/AJ Series II Japanese Spec	E
	1001143102	Ref	Decal Installations 450A/AJ Series II Korean Spec	E
	1001143107	Ref	Decal Installations 450A/AJ Series II Latin America Spec (English/Spanish)	E
1		Ref	Decal - Danger/Warning Options:	
1	1703928	1	Brazil Spec	
1	1703925	1	Chinese Spec	
1	1703924	1	CSA Spec	
1	1703926	1	Japanese Spec	
1	1703927	1	Korean Spec	
1	1703923	1	Latin American Spec	
2		Ref	Decal - Danger/Warning Options:	
2	1703934	1	Brazil Spec	
2	1703931	1	Chinese Spec	
2	1703930	1	CSA Spec	
2	1703932	1	Japanese Spec	
2	1703933	1	Korean Spec	
2	1703929	1	Latin American Spec	
3		Ref	Decal - Danger Electrocutation Options:	
3	1703940	2	Brazil Spec	
3	1703937	2	Chinese Spec	
3	1703936	2	CSA Spec	
3	1703938	2	Japanese Spec	
3	1703939	2	Korean Spec	
3	1703935	2	Latin American Spec	
4		Ref	Decal - Warning/Crushing	
4	1703952	3	Brazil Spec	
4	1703949	3	Chinese Spec	
4	1703948	3	CSA Spec	
4	1703950	3	Japanese Spec	
4	1703951	3	Korean Spec	
4	1703947	3	Latin American Spec	
5		Ref	Decal - Legend Options:	
5	Not Required	0	Brazil/ Chinese/ Japanese/ Korean Spec	
5	1001108493	1	CSA/Latin America Spec	
6		Ref	Decal - Legend Options:	
6	Not Required	0	Brazil/ Chinese/ Japanese/ Korean Spec	
6	1706941	AR	CSA/Latin America Spec	
11		Ref	Decal - No Hands Options:	
11	1704002	2	Brazil Spec	
11	Not Required	0	Chinese/ Japanese/ Korean Spec	
11	1704000	2	CSA Spec	
11	1704001	2	Latin American Spec	

SECTION 8 - DECALS

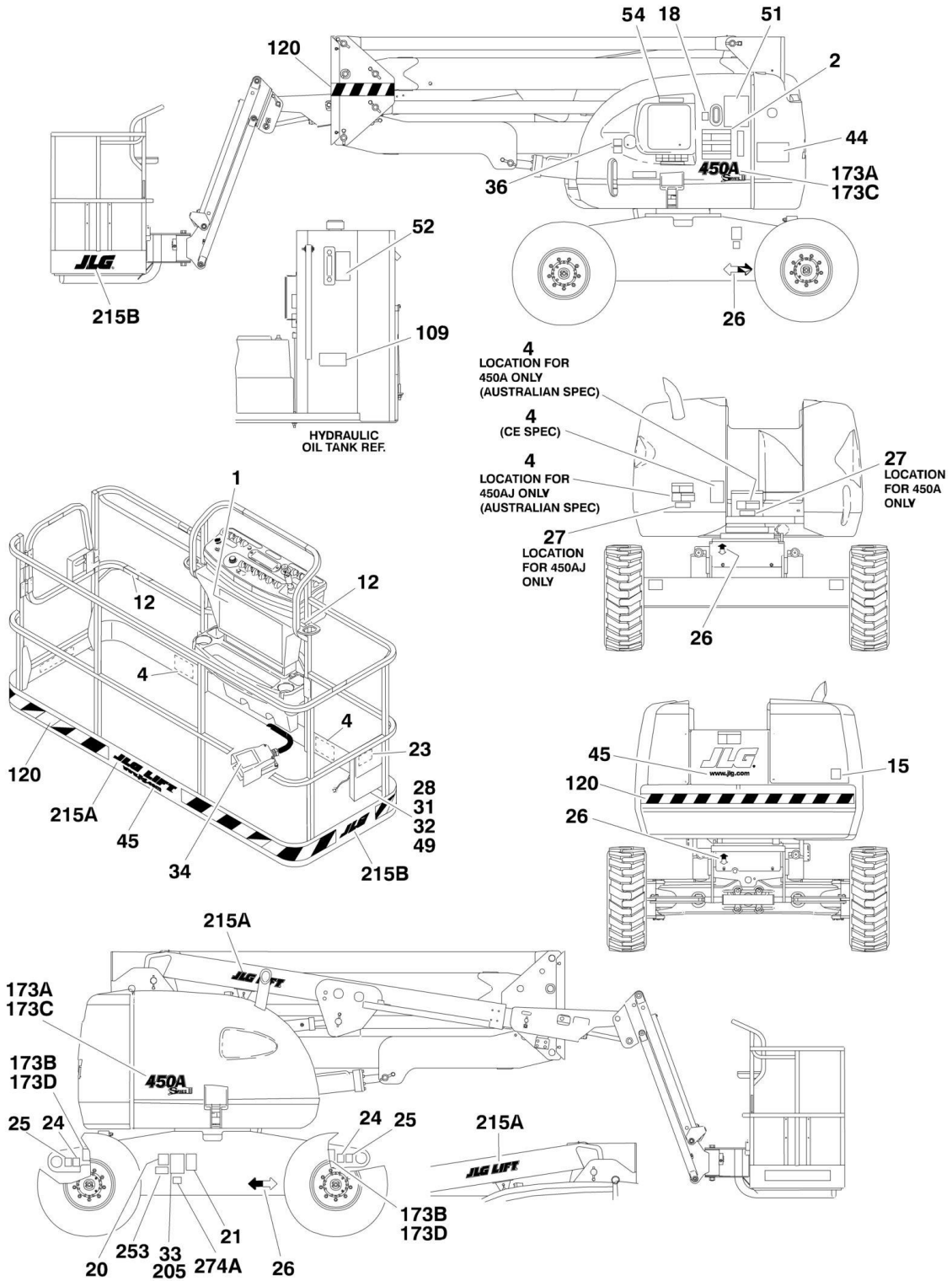
ITEM	PART NUMBER	QTY	DESCRIPTION	REV
12	1704277	3	Decal - Attach Lanyard	
13		Ref	Decal - Max Capacity Options:	
13	1001121920	2	Brazil Spec	
13	1001121810	2	Chinese Spec	
13	1001121803	2	CSA Spec	
13	1001121808	2	Japanese Spec	
13	1001121918	2	Korean Spec	
13	1001121805	2	Latin American Spec	
14		Ref	Decal - Max Capacity Options:	
14	1001121923	1	Brazil Spec	
14	1001121823	1	Chinese Spec	
14	1001121816	1	CSA Spec	
14	1001121821	1	Japanese Spec	
14	1001121921	1	Korean Spec	
14	1001121818	1	Latin American Spec	
18	1701504	AR	Decal - Hydraulic Oil	
19		Ref	Decal - Inspection Options (Not Shown):	
19	1704008	1	Brazil Spec	
19	1704006	1	CSA Spec	
19	1704007	1	Latin American Spec	
19	Not Required	0	Chinese/ Japanese/ Korean Spec	
20	See Note	1	Decal - Bar Code (Note: Not Available for Purchase)	
21	1700584	1	Decal - Patent Only (SN 0300160835 through 0300163015)	
23	1701509	1	Decal - Manual	
24	1702300	4	Decal - Tie Down /Lift	
25	1701500	4	Decal - Tie Down /Lift	
26	1701529	4	Decal - Arrow	
27		Ref	Decal Options:	
27	3251243	1	120V-60Hz - Brazil/CSA/Latin American Spec	
27	Not Required	0	Chinese/ Japanese/ Korean Spec	
28	0860520	1	Box, Manual Storage	
31	4751400	4	Flatwasher 1/4in Regular	
32	3311405	4	Locknut 1/4in-20NC	
33	3820001	4	Rivet	
34		Ref	Decal - Footswitch Options:	
34	1703985	1	Brazil Spec	
34	1703982	1	Chinese Spec	
34	1703984	1	CSA Spec	
34	1703980	1	Japanese Spec	
34	1703981	1	Korean Spec	
34	1703983	1	Latin American Spec	
36		Ref	Decal - Fuel Options:	
36	1701542	1	Gas Engine Machines	
36	1701505	1	Diesel Engine Machines	
37	1701543	1	Decal - LPG (Gas Machines Only)	
39		Ref	Decal - CSA Options:	
39	1705514	1	CSA Spec	
39	Not Required	0	Brazil/ Chinese/ Japanese/ Korean/ Latin American Spec	
44	1001143110	1	Decal - Lift Diagram	
45	1704885	AR	Decal - Website	
49	0641406	4	Bolt 1/4in-20NC x 3/4in9	

SECTION 8 - DECALS

ITEM	PART NUMBER	QTY	DESCRIPTION	REV
50		Ref	Decal, Drive/Steer Options	
50	1705905	1	Brazil Spec	
50	1705430	1	Chinese Spec	
50	1705429	1	CSA Spec	
50	1705426	1	Japanese Spec	
50	1705427	1	Korean Spec	
50	1705910	1	Latin American Spec	
52	1001143112	1	Decal - Hydraulic Fill (USA Built Machines) (SN 0300160835 through 0300172163)	
52	1001143112	1	Decal - Hydraulic Fill (Romanian Built Machines) (SN E300001114 through E300001163)	
	1001142990	Ref	DECAL OPTIONS	
109	1704412	1	Decal - Hydraulic Fluid	
120	0272165	Ref	Warning Stripe Decal Installation	
120	4420051	21.7 ft /6.6m	Decal - Warning Stripes	
133		Ref	Decal - LP Options (Gas Engine Machines Only):	
133	1704271	1	CSA Spec	
133	1702720	1	Latin American Spec	
173		Ref	Model Designation Decal Installation Options	
173	1001143108	Ref	Model Designation Decal Installation 450A Series II	A
173B	1704752	4	Decal - Max Tire Load	
173	1001143109	Ref	Model Designation Decal Installation 450AJ Series II	A
173D	1704752	4	Decal - Max Tire Load	
205	See Note	1	Nameplate - Serial Number (Note: Not Available for Purchase)	
215	0272530	Ref	JLG Logo Decals	1
215A	1702774	3	Decal - JLG Lift (3 1/2in)	
215B	1702773	1	Decal - JLG (5in)	
218	3251813	1	Decal - USA (ANSI Export and CSA Specs Only)	
238	1001108923	1	Decal - Low Sulfur Fuel (CSA Spec Diesel Machines Only)	
238	1001139654	1	Decal - Low Sulfur Fuel (Japanese Spec Diesel Machines Only)	
253	1001143852	1	Decal - Emissions Compliance (Diesel Machines Only) (USA Built Machines) (SN 0300166654 through 0300201990)	
253	1001143852	1	Decal - Emissions Compliance (Diesel Machines Only) (Romanian Built Machines) (SN E300001551 through E300002832)	

SECTION 8 - DECALS

FIGURE 8-3. DECALS INSTALLATION - AUSTRALIAN AND CE SPECS



SECTION 8 - DECALS

FIGURE 8-3. DECALS INSTALLATION - AUSTRALIAN AND CE SPECS

ITEM	PART NUMBER	QTY	DESCRIPTION	REV
		Ref	DECAL INSTALLATIONS	
	1001143100	Ref	Australian Spec	E
	1001143106	Ref	CE Spec	E
1		Ref	Decal - Danger/Warning Options:	
1	1703992	1	Australian Spec	
1	1705821	1	CE Spec	
2		Ref	Decal - Danger/Warning Options:	
2	1705332	1	Australian Spec	
2	1705822	1	CE Spec	
4	1701518	3	Decal - Warning/Crushing	
12	1704277	3	Decal - Attach Lanyard	
15		Ref	Decal - Sound Power Level Options:	
15	Not Required	0	Australian Spec	
15	1705084	1	CE Spec	
18	1701504	AR	Decal - Hydraulic Oil	
20	See Note	1	Decal - Bar Code (Note: Not Available for Purchase)	
21	1700584	1	Decal - Patent Only (SN 0300160835 through 0300163015)	
23	1701509	1	Decal - Manual	
24	1702300	4	Decal - Tie Down /Lift	
25	1701500	4	Decal - Tie Down /Lift	
26	1701529	4	Decal - Arrow	
27		Ref	Decal Options:	
27	3251242	1	240V-50Hz - Australian Spec	
27	Not Required	0	CE Spec	
28	0860520	1	Box, Manual Storage	
31	4751400	4	Flatwasher 1/4in Regular	
32	3311405	4	Locknut 1/4in-20NC	
33		Ref	Fastener Options:	
33	3820001	4	Australian Spec	
33	2080057	2	CE Spec	
34		Ref	Decal - Footswitch Options:	
34		Ref	Australian Spec Options;	
34	3252347	1	USA Built Machines (SN 0300160835 through 0300172162)	
34	3252347	1	Romanian Built Machines (SN E300001114 through E300001162)	
34	1705828	1	USA Built Machines (SN 0300172163 through 0300201990)	
34	1705828	1	Romanian Built Machines (SN E300001163 through E300002832)	
34	1705828	1	CE Spec	
36	1701505	1	Decal - Fuel	
44	1001143110	1	Decal - Lift Diagram	
45	1704885	AR	Decal - Website	
49	0641406	4	Bolt, 1/4in-20NC x 3/4in	
51		Ref	Decal - Emergency Controls Options:	
51	1001112551	1	Australian Spec	
51	Not Required	0	CE Spec	
52	1001143112	1	Decal - Hydraulic Fill (USA Built Machines) (SN 0300160835 through 0300172163)	
52	1001143112	1	Decal - Hydraulic Fill (Romanian Built Machines) (SN E300001114 through E300001163)	

SECTION 8 - DECALS

ITEM	PART NUMBER	QTY	DESCRIPTION	REV
54	1001197408	1	Decal – MSSO (CE Spec Only)	
	1001142990	Ref	DECAL OPTIONS	
109	1704412	1	Decal - Hydraulic Fluid	
120	0272165	Ref	Warning Stripe Decal Installation	
120	4420051	21.7 ft /6.6m	Decal - Warning Stripes	
173		Ref	Model Designation Decal Installation Options	
173	1001143108	Ref	Model Designation Decal Installation 450A Series II	A
173B	1704752	4	Decal - Max Tire Load	
173	1001143109	Ref	Model Designation Decal Installation 450AJ Series II	A
173D	1704752	4	Decal - Max Tire Load	
205	See Note	1	Nameplate - Serial Number (Note: Not Available for Purchase)	
215	0272530	Ref	JLG Logo Decals	1
215A	1702774	3	Decal - JLG Lift (3 1/2in)	
215B	1702773	1	Decal - JLG (5in)	
253	1001143852	1	Decal - Emissions Compliance (Diesel Machines Only) (USA Built Machines) (SN 0300166654 through 0300201990)	
253	1001143852	1	Decal - Emissions Compliance (Diesel Machines Only) (Romanian Built Machines) (SN E300001551 through E300002832)	
274	1001214029	1	Decal - EAC Installation (CIS and Russia Specs)	
274A	1001173703	1	Decal - EAC	

SECTION 9 - RECOMMENDED SERVICE PARTS STOCK

SECTION 9 - RECOMMENDED SERVICE PARTS STOCK

SECTION 9 - RECOMMENDED SERVICE PARTS STOCK

FIGURE 9-1. MODEL 450A / 450AJ SERIES II STANDARD PARTS

ITEM	PART NUMBER	QTY	DESCRIPTION	REV
		Ref	Note: The following list will service one machine (built to current production per date on the front cover) with emergency repair parts which can be installed in the field. Parts from the list should be replaced when inventory is depleted to keep service parts stock supplied. For further information, contact your JLG dealer or the JLG Industries Parts Department.	
		Ref	STANDARD PARTS	
	2120210	1	Element, Filter	
	70002386	1	Coil	
	70003788	1	Coil	
	70003789	1	Coil	
	4360517	1	Switch, Proximity	
	70002386	1	Coil	
	3740067	1	Relay	
	7024444	1	Breather, Hydraulic Tank	
	70001960	1	Element, Return Filter	
	3740049	1	Relay	
	4360328	1	Switch, Toggle	
	2860030	1	Key, Replacement	
	4360475	1	Switch, Mushroom	
	4360476	1	Contact, Switch Block	
	4360387	1	Switch, Push Button	
	1001212415	1	Controller (Drive and Steer)	
	1001129555	1	Controller (Lift and Swing)	
	4360407	1	Control, Speed	
	4360330	1	Switch, Toggle	
	4360331	1	Switch, Toggle	
	3990010	2	Diode 6 Amp	
	8229242	2	Fuse	
	2920129	2	Bulb, Light	
	2400065	2	Fuse	

SECTION 9 - RECOMMENDED SERVICE PARTS STOCK

FIGURE 9-2. MODEL 450A / 450AJ SERIES II VARIABLE PARTS

ITEM	PART NUMBER	QTY	DESCRIPTION	REV
		Ref	Note: The following list will service one machine (built to current production per date on the front cover) with emergency repair parts which can be installed in the field. Parts from the list should be replaced when inventory is depleted to keep service parts stock supplied. For further information, contact your JLG dealer or the JLG Industries Parts Department.	
		Ref	VARIABLE PARTS	
	7012664	1	Element, Air Cleaner (Caterpillar Engine Machines)	
	70002377	1	Filter, Fuel/Oil Separator, (Caterpillar Engine Machines)	
	70001403	1	Filter, Oil Element, (Caterpillar Engine Machines)	
	70003791	1	Filter, Fuel (Caterpillar Engine Machines)	
	70003770	1	Module, ECM Engine Control (Caterpillar Engine Machines)	
	70003783	1	Element, Air Cleaner (Deutz D2011 Engine Machines)	
	7016331	1	Filter, Oil Element, (Deutz D2011 Engine Machines)	
	7020023	1	Filter, Fuel (Standard) (Deutz D2011 Engine Machines)	
	70003463	1	Filter, Fuel (RME Resistant for Euro Bio-Diesel) (Deutz D2011 Engine Machines)	
	7027795	1	Module, Control (Deutz D2011 Engine Machines)	
	70003937	1	Element, Air Cleaner (Deutz TD2.9L4 Engine Machines)	
	7016331	1	Filter, Oil Element, (Deutz TD2.9L4 Engine Machines)	
	70025153	1	Filter, Fuel (Deutz TD2.9L4 Engine Machines)	
	70025161	1	Filter, Fuel (Deutz TD2.9L4 Engine Machines)	
	70025210	1	Module, Control (Deutz TD2.9L4 Engine Machines)	
	1001138228	1	Module, Power Relay (Deutz TD2.9L4 Engine Machines)	
	7012664	1	Element, Air Cleaner (GM Engine Machines)	
	7027965	1	Filter, Oil (GM Engine Machines)	
	7027972	1	Filter, Fuel (GM Engine Machines)	
	70003907	1	Module, ECU Engine Control (GM Engine Machines)	
	1001103667	1	Module, Ground Control	
	4360469	1	Switch, Key (All Specs Except CE Spec)	
	4360470	1	Switch, Key (CE Specs)	
	4360548	1	Switch, Limit	
	2940074	1	Latch (Machines with Gate)	
	4360057	1	Switch, Limit (Soft-Touch Option)	
	2920029	2	Bulb, Light (Soft-Touch Option)	
	1001106938	1	Module, Platform Control	
	4360336	1	Switch, Toggle (Dual Fuel) (GM Engine Machines)	
	4360057	1	Switch, Limit	
	8229242	2	Fuse - 5AMP (Deutz TD2.9L4 Engine Machines)	
	80983191	2	Fuse - 10AMP (Deutz TD2.9L4 Engine Machines)	

SECTION 10 - SPECIAL OPTIONS

SECTION 10 - SPECIAL OPTIONS

FIGURE 10-1. SPECIAL OPTIONS

ITEM	PART NUMBER	QTY	DESCRIPTION	REV
		Ref	Note: This list is to accommodate machines ordered with special equipment. Options may not be applicable to all models. For more specific parts information contact JLG Parts Department.	
		Ref	MISCELLANEOUS SPECIAL OPTIONS	
	1340061	Ref	Air Cleaner with Dust Evacuator Valve	
		Ref	Air Line at Platform Installations	
		Ref	USA Built Machines	
	0271527	Ref	USA Built Machines 450A/450AJ Machines without Arctic Package (All Specs)	
	0275789	Ref	USA Built Machines 450A/450AJ Machines with Arctic Package (ANSI and ANSI Export Specs)	
		Ref	Romanian Built Machines	
	0275402	Ref	Without SkyPower (CE Spec Only)	
	0275910	Ref	With SkyPower (CE Spec Only)	
	1001204999	Ref	Arctic Package Installation – 450A (Deutz TD2.9L4 Engines Without SkyPower)	
	1001204998	Ref	Arctic Package Installation – 450A (Deutz TD2.9L4 Engines With SkyPower)	
	1001205002	Ref	Arctic Package Installation – 450AJ (Deutz TD2.9L4 Engines Without SkyPower)	
	1001205001	Ref	Arctic Package Installation – 450AJ (Deutz TD2.9L4 Engines With SkyPower)	
	1001186763	Ref	Axle Bearing Kit	
		Ref	Bellows Installations	
	1001185077	Ref	Belt and Fan Shield Kit	
	0271310	Ref	Boom Cables and Clamps Installation - 4000W 50Hz Generator (450A Series II)	
	0271206	Ref	Boom Cables and Clamps Installation - 4000W 50Hz Generator (450AJ Series II)	
	1001153333	Ref	Boom Cables and Clamps Installation - 4000W 60Hz Generator (450A Series II)	
	1001220155	Ref	Boom Cables and Clamps Add-On Kit - 4000W 60Hz Generator (450A Series II)	
	1001153334	Ref	Boom Cables and Clamps Installation - 4000W 60Hz Generator (450AJ Series II)	
	1001188448	Ref	Boom Wear Pad Kit	
	0271315	Ref	Boom Wiper Installation	
	0256789	Ref	Camera Mount Assembly	
	1001152960	Ref	Chassis Counterweight Installation (Used with Turf/Sand Tires)	
		Ref	Clear Sky (Telematic) Installation	
		Ref	Note: Refer to Manual Supplement p/n 3128499 for available replacement parts.	
	1001112983	Ref	ANSI Spec	
	1001132727	Ref	Australian Spec	
	1001112985	Ref	CSA Spec	
	1001127090	Ref	Brazil and New Zealand Spec Only	
		Ref	Clear Sky (Telematic) Kit (Includes Installation, Decals, User Guide and Manual 3128499.)	
	1001119945	Ref	ANSI Spec	
	1001121614	Ref	ANSI Export and Japanese Specs	

SECTION 10 - SPECIAL OPTIONS

ITEM	PART NUMBER	QTY	DESCRIPTION	REV
	1001139146	Ref	Australian Specs	
	1001119950	Ref	CSA Spec	
	See Note	Ref	Brazil and New Zealand Spec Only (Note: Not Available for Purchase)	
		Ref	Cold Weather Start Kits	
	0273064	Ref	Caterpillar/Perkins Engine Machines	
	0271912	Ref	Deutz D2011 Engine Machines	
	1001151901	Ref	Deutz TD2.9L4 Engine Machines	
	0275054	Ref	GM Engine Machines	
	1001115476	Ref	Communication System (David Clark Intercom) Installation (ANSI Spec Only)	
		Ref	Container Transport Wheel Options (ANSI Export, Australian, CE and Japanese Specs Only)	
	0272031	Ref	2WD	
	0272031	Ref	4WD with 33/1550 x 16.5 Tires and Wheels	
	1001148145	Ref	4WD with 12 x 16.5 Tires and Wheels	
	1001148146	Ref	4WD with 14 x 17.5 Tires and Wheels	
		Ref	Decals Installations	
	1001196611	Ref	Decal - Ahern Rentals	
	1001196715	Ref	Decal - Blueline Rentals	
	1001127096	Ref	Decal - ClearSky	
	0274530	Ref	Decal - Head and Enquist Equipment	
	1001128983	Ref	Decal - Hertz	
	1001143074	Ref	Decal - Hewitt The Rental Store (English Language)	
	1001143509	Ref	Decal - Hewitt The Rental Store (French Language)	
	1702868	Ref	Decal - No Hands (English)	
	1704000	Ref	Decal - No Hands (English/French)	
	1704001	Ref	Decal - No Hands (English/Spanish)	
	1705969	Ref	Decal - No Hands (Korean)	
	1704002	Ref	Decal - No Hands (Portuguese/Spanish)	
	1001140620	Ref	Decal - Leavitt	
	0274245	Ref	Decal - National Equipment Services	
	1702962	Ref	Decal - Prop 65 Warning (Diesel Machines) (California Spec)	
	1702961	Ref	Decal - Prop 65 Warning (Gasoline Machines) (California Spec)	
	1001200131	Ref	Decal - Quick Start Reference (Loxam Rental) (Danish Spec)	
	1001200129	Ref	Decal - Quick Start Reference (Loxam Rental) (Dutch Spec)	
	1001181145	Ref	Decal - Quick Start Reference (Loxam Rental) (English Spec)	
	1001200128	Ref	Decal - Quick Start Reference (Loxam Rental) (French Spec)	
	1001200130	Ref	Decal - Quick Start Reference (Loxam Rental) (German Spec)	
	1001200134	Ref	Decal - Quick Start Reference (Loxam Rental) (Norwegians)	
	1001200133	Ref	Decal - Quick Start Reference (Loxam Rental) (Spanish Spec)	
	1001200132	Ref	Decal - Quick Start Reference (Loxam Rental) (Swedish Spec)	
	1001095408	Ref	Decal - RSC Equipment Rental	
	0272599	Ref	Decal - SkyCutter (ANSI, ANSI Export and CSA Specs)	
	0272607	Ref	Decal - SkyCutter (Japanese Specs)	
	1705358	Ref	Decal - SkyGlazier (ANSI and Australian Specs)	
	1705358	Ref	Decal - SkyGlazier (ANSI and Australian Specs)	
	0273380	Ref	Decal - SkyPower (ANSI, CSA and Japanese Specs)	
	0272589	Ref	Decal - SkyPower (ANSI Export, Australian and CE Specs)	
	0272448	Ref	Decal - SkyWelder (60Hz) (ANSI, CSA and Japanese Specs)	
	0272588	Ref	Decal - SkyWelder (50Hz) (ANSI Export, Australian and CE Specs)	

SECTION 10 - SPECIAL OPTIONS

ITEM	PART NUMBER	QTY	DESCRIPTION	REV
	0271628	Ref	Decal - Sunbelt	
	1001197848	Ref	Decal - Sunbelt	
	1001127096	Ref	Decal - Telematics (ClearSky)	
	1001151095	Ref	Decal - Titan	
	0271627	Ref	Decal - United Rentals	
	1001141472	Ref	Decal - Volvo	
	0272165	Ref	Decals - Warning Stripes	
		Ref	Decal Kits Options:	
	2910910	Ref	Decal Kit - Machine (ANSI Spec Only)	
	1001108725	Ref	Decal Kit - Platform	
	1001119559	Ref	Decal Kit - Platform Console Box	
		Ref	Electrical Connector Kits	
	1001148902	Ref	Amp/Tyco Electrical Connector Kit	
	1001148903	Ref	Deutsch DT Electrical Connector Kit	
	1001148904	Ref	Deutsch HD Electrical Connector Kit	
	1001148905	Ref	Packard Electrical Connector Kit	
	1001148906	Ref	Various Electrical Connectors Kit	
	0275055	Ref	Engine Block Heater Installation (GM Engine Machines)	
	1001139760	Ref	Engine Kit - Replace Perkins Tier II with Perkins Tier IVI	
		Ref	Filter Kits	
		Ref	Boom Hydraulic Air Filter Kit Options:	
	1001182238	Ref	Deutz D2011 Engine Machines	
	1001204451	Ref	Deutz TD2.9L4 Engine Machines	
		Ref	Combined Filter Kit Options:	
	1001156538	Ref	Caterpillar Engine Machines	
	1001156539	Ref	Deutz D2011 Engine Machines	
	1001181146	Ref	Deutz TD2.9L4 Engine Machines	
	1001114131	Ref	GM Engine Machines	
		Ref	Engine Fuel/Oil Filter Kit Options:	
	See Note	Ref	Deutz D2011 Engine Machines (Note: Not Available at Time of Printing)	
	1001204460	Ref	Deutz TD2.9L4 Engine Machines	
	1001145192	Ref	Fan Cover Installation (Deutz TD2.9L4 Only)	
	1001182598	Ref	Fan, Shield (Deutz D2011 Only)	
	1001139099	Ref	Fire Extinguisher Installation	
		Ref	Fluids	
	2300040	Ref	Conditioner, Diesel Fuel	
		Ref	Coolant, Antifreeze (Caterpillar/GM Engine Machines)	
	2300004	Ref	Machines without Arctic Package	
	2300041	Ref	Machines with Arctic Package	
	3020021	Ref	Engine Coupling Grease	
		Ref	Engine Oil	
	3020016	Ref	Motor Oil (Caterpillar/Deutz Engine Machines without Arctic Package)	
	3020044	Ref	Motor Oil (Caterpillar/Deutz Engine Machines with Arctic Package)	
	1001115930	Ref	Motor Oil 10W-30 (GM Engine Machines without Arctic Package)	
	1001115931	Ref	Motor Oil 5W-30 Synthetic (GM Engine Machines with Arctic Package)	
		Ref	Hydraulic Fluids:	
	2300014	Ref	Mobil 424	

SECTION 10 - SPECIAL OPTIONS

ITEM	PART NUMBER	QTY	DESCRIPTION	REV
	2300027	Ref	Mobil 224H Bio	
	2300029	Ref	Mobil EAL ISO 46 Bio	
	2300016	Ref	Mobil DTE 10 EXCEL 32	
	2300019	Ref	Quaker State Quintolubric 888-46 Fire Resistant	
	2300039	Ref	Exxon Univis Hvl 26 (Machines with Arctic Package)	
	1001117294	Ref	Footswitch Shield Installation (Arctic)	
		Ref	Generator Installations & Add-on Kits	
		Ref	Caterpillar Engine Machines	
		Ref	Deutz D2011 Engine Machines	
	1001213609	Ref	4000W - 60Hz Generator Add-on Kit (ANSI Export and Japanese Specs)	
		Ref	Deutz TD2.9L4 Engine Machines	
	1001213608	Ref	4000W - 60Hz Generator Add-on Kit (ANSI, ANSI Export, CSA and Japanese Specs)	
		Ref	GM Engine Machines	
	1001094475	Ref	Hourmeter for Generator Installation	
	1001166227	Ref	King Pin Replacement Installation	
	1001116419	Ref	Ladder Carrier Installation, 30" (76cm) Platform	
	1001116420	Ref	Ladder Carrier Installation, 36" (91cm) Platform	
	1001148971	Ref	Lanyard (Bolt-On) Kit Installation	
		Ref	Oil Cooler Installation	
	1001142868	Ref	Caterpillar Engines	
	1001142867	Ref	Deutz D2011 and GM Engines	
	1001147052	Ref	Deutz TD2.9L4 Engines	
	0274661	Ref	Pipe Jacks	
	0258703	Ref	Platform Console Cover Installation (USA Built Machines) (SN 0300200800 through 0300201990)	
	0258703	Ref	Platform Console Cover Installation (Romanian Built Machines) (SN E300001114 through E300002414)	
	1001195304	Ref	Platform Console Cover Installation (SN E300002532 through E300002832)	
	1001205175	Ref	Platform Console Cover Kit	
	2915227	Ref	Platform Conversion Kit (Side Entry)	
		Ref	Platform Entry Kits	
	1001142504	Ref	Drop Bar (Replacing Swing Gate with Drop Bar)	
	1001142505	Ref	Swing Gate (Replacing Drop Bar with Swing Gate)	
		Ref	Platform Mesh Installations (Side Entry Platforms) (ANSI, ANSI Export and CSA Specs)	
	1001145985	Ref	30in X 6ft (76cm x 1.83m) Mesh to Mid Rail	
	0273148	Ref	30in X 6ft (76cm x 1.83m) Mesh to Top Rail	
	1001140315	Ref	30in X 5ft (76cm x 1.52m) Mesh to Mid Rail	
	0273146	Ref	30in X 5ft (76cm x 1.52m) Mesh to Top Rail	
	1001140318	Ref	30in X 4ft (76cm x 1.22m) Mesh to Mid Rail	
	0273147	Ref	30in X 4ft (76cm x 1.22m) Mesh to Top Rail	
		Ref	Platform Mesh Installation Kits (Side Entry Platforms)	
	1001214524	Ref	30in X 6ft (76cm x 1.83m) Mesh to Mid Rail	
	1001214560	Ref	30in X 6ft (76cm x 1.83m) Mesh to Top Rail	
	1001214515	Ref	30in X 5ft (76cm x 1.52m) Mesh to Mid Rail	
	1001214559	Ref	30in X 5ft (76cm x 1.52m) Mesh to Top Rail	
	1001214478	Ref	30in X 4ft (76cm x 1.22m) Mesh to Mid Rail	
	1001214552	Ref	30in X 4ft (76cm x 1.22m) Mesh to Top Rail	
	0274095	Ref	Platform Top Rail Extension - 30in X 6ft (76cm x 1.83m)	
	1001103558	Ref	Platform Top Rail Extension - 30in X 5ft (76cm x 1.52m)	

SECTION 10 - SPECIAL OPTIONS

ITEM	PART NUMBER	QTY	DESCRIPTION	REV
	1001157964	Ref	RCD Kit Installation - 450A/450AJ	
	1001171017	Ref	RCD Kit Installation - 450A/450AJ (Brazil Specs Only)	
	1001194203	Ref	Receptacle (110V) IEC Yellow Receptacle (With 4000W Generator)	
	1001194197	Ref	Receptacle (220V) with CEE 7 Post Ground (2x4 Box) (With 4000W Generator)	
	1001194198	Ref	Receptacle (220V) with CEE 7 Side Ground (2x4 Box) (With 4000W Generator)	
	1001194200	Ref	Receptacle (220V) with AFSINT 107 Keyed Ground (2x4 Box) (With 4000W Generator)	
	1001194204	Ref	Receptacle (220V) IEC Blue Receptacle (With 4000W Generator)	
	1001194365	Ref	Receptacle (220V) Box W/Cover (2x4 Box) (With 4000W Generator)	
	1001171131	Ref	Receptacle (240V) with GFI (With 4000W Generator)	
	1001159121	Ref	Receptacle (240V) with GFI (With 7500W Generator)	
	1001099806	Ref	Security Lock (Programmable) (ANSI and CE Specs)	
		Ref	SkyPower Generator Add-on Kit Options:	
	1001210828	Ref	SkyPower Generator Add-on Kit - 60Hz (Deutz Engines)	
	1001227349	Ref	SkyPower Generator Add-on Kit (GM Engines)	
	1001128527	Ref	SkyWelder Prep Package Installation	
		Ref	SkyGuard Components	
	1001143669	NLA	SkyGuard Complete Add-On Kit (Blue Beacon) (UGM Equipped Machines) (USA Built Machines) (Note: Use p/n 1001206477) (SN 0300160835 through 0300200799)	
	1001143669	NLA	SkyGuard Complete Add-On Kit (Blue Beacon) (UGM Equipped Machines) (Romanian Built Machines) (Note: Use p/n 1001206477) (SN E300001114 through E300002413)	
	1001209159	Ref	SkyGuard Complete Add-On Kit (Blue Beacon)	
	1001210039	Ref	SkyGuard Complete Add-On Kit (Red Beacon)	
	1001205498	Ref	SkyGuard Beacon Add-On Kit (Blue Beacon)	
	1001210038	Ref	SkyGuard Beacon Add-On Kit (Red Beacon)	
	1001137672	Ref	SkyGuard Platform Sensor Installation Kit (UGM Equipped Machines)	
	1001207304	Ref	SkyGuard Beacon Add-On Kit (Red Beacon) (Romanian Built Machines)	
	1001143256	Ref	SkyGuard Optional Blue Beacon Light Installation Kit	
	1001176372	Ref	SkyGuard Removal Kit	
	1001200277	Ref	Telematics Installations (Customer Supplied)	
	1001195610	Ref	Telematics - United Rentals - M6	
	1001228964	Ref	Telematic Retrofit Harness Kit (Machines with UGM)	
		Ref	Tire Sealant Service (Pneumatic Tires Only)	
	0272307	Ref	12 x 16.5 Tires	
	0272308	Ref	33/1550 x 16.5 Tires	
		Ref	Tools for Service	
	2901443	Ref	Analyzer Kit	
	8896941	Ref	Wire Stripper	
	7002821	Ref	Wire Crimper (To install wire ends to wires)	
	7002823	Ref	Pin/Socket Extractor - Universal (To Remove Pins/ Sockets from Connectors)	
	4460467	Ref	Extractor - 16-18 Gauge (For Removal of Pin/Sockets from Deutsch Connectors)	
	4460510	Ref	Extractor - 12-14 Gauge (For Removal of Pin/Sockets from Deutsch Connectors)	
	7002822	Ref	Screwdriver, Potentiometer (To Adjust Drive Controllers)	

SECTION 10 - SPECIAL OPTIONS

ITEM	PART NUMBER	QTY	DESCRIPTION	REV
	7016654	Ref	Screwdriver, Magnetic	
	7004275	Ref	Seal Installation Tool - 1in	
	7004276	Ref	Seal Installation Tool - 1 1/2in	
	7002826	Ref	Seal Installation Tool - 2in	
	7016655	Ref	Wire Rope Sheave Gauge	
	7002840	Ref	Anti-Rotation Pin Removal Tool (Use to Disassemble Lockout Valve)	
	1001137005	1	Cable Kit, Software (Not Shown)	
	0274883	Ref	Transformer (Cold Weather Package) Installation (ANSI Export Spec Only)	
	1001231278	Ref	Turntable Bearing Kit (replaces 2915082 & 1001160532)	
	1001200409	Ref	Water/Fuel Separator Installation (Deutz D2011 Engines)	
	1001202281	1	Filter Element	
	1001204665	Ref	Water/Fuel Separator Kit	
	1001206735	Ref	White Noise Alarm	
	0271529	Ref	Weld Leads at Platform Installation	

PART NUMBER INDEX

SECTION 10 - SPECIAL OPTIONS

0060050.....213, 217, 225	0270116 43, 45	0273380 ... 170, 181, 193, 197, 385	0630535.....295
0060062.....209, 225	0270119 43, 45	0273495 239, 248, 344	0630548..... 121, 125
0060096.....213, 217, 225	0270650 25	0274095 387	0630552..... 93
0080163.....81, 88, 97	0270651 26	0274240 243	0630568.....247
0080181.....62, 70	0270652 26	0274245 385	0630569.....62, 65, 70
008020162, 70, 104	0270653 25	0274530 385	0641403.... 169, 173, 179, 185
0080231.....80, 86	0270654 26	0274661 387	0641404.... 125, 142, 146, 157, 161, 192, 222
0100009.....245	0270655 26	0274883 389	0641405....49, 62, 80, 97, 104, 115, 153, 233
0100011....13, 17, 21, 25, 39, 40, 43, 45, 49, 53, 62, 64, 65, 70, 72, 78, 79, 80, 86, 87, 93, 94, 99, 102, 104, 115, 119, 121, 125, 131, 135, 138, 141, 146, 149, 153, 157, 161, 165, 169, 173, 179, 185, 191, 195, 201, 202, 203, 205, 206, 209, 213, 217, 221, 222, 229, 233, 238, 243, 261, 269, 271, 287, 291, 293, 295, 301, 305, 307	0271122 202, 214, 349, 0271206 ... 202, 214, 349, 384 0271310 ... 202, 209, 349, 384 0271311 202, 209, 349	0275054 385 0275055 386 0275116 202, 214, 350 0275126 203 0275216 362 0275217 362 0275218 362 0275219 362 0275402 384 0275436 206, 351 0275437 218, 352 0275438 205, 217 0275452 362 0275453 362 0275454 362 0275678 359 0275679 359 0275680 359 0275681 359 0275682 359 0275683 359 0275684 359 0275786 202, 214, 350 0275789 384 0275853 25, 39 0275854 25, 39 0275910 384 0340041 62, 70, 104 0340046 62, 70 0360406 43 0362910 45 0363012 39 0363019 43 0370026 281, 309 0400075 .. 62, 78, 93, 102 0440162 13, 17 0440271 21 0440272 53, 57 0440291 21 0480120 ... 141, 145, 146 0480121 141 0480122 145 0480126 173 0480128 157, 179 0480129 ... 157, 169, 179, 185 0480142 ... 153, 165, 195 0561076 201, 205 0561459 209, 214 0561460 202, 206 0561515 217 0630401 221, 222 0630462 243 0630467 229 0630498 202, 206 0630518 ... 121, 125, 269, 271, 275 0630534 287, 291	0641406....53, 62, 64, 70, 72, 80, 87, 94, 104, 136, 161, 191, 203, 206, 238, 245, 269, 271, 275, 369, 374, 377 0641407.....94, 102, 122, 125, 157, 165, 170, 174, 179, 185, 195, 233 0641408....62, 64, 70, 72, 135, 170, 174, 203, 206, 239 0641409..... 80, 87 0641410....62, 70, 78, 86, 87, 104, 185 0641412..... 93 0641414.... 243, 245, 261, 263 0641416..... 115, 233 0641418....64, 72, 78, 86, 93, 102, 238 0641420...39, 64, 72, 102 0641504..... 43, 45 0641505.... 179, 185, 195, 201, 205 064150662, 70, 104, 121, 125, 210, 214, 218 0641507..62, 70, 80, 201, 205 0641508..... 17, 102, 141, 146, 149, 170, 173 0641510..... 80, 87, 153 0641511..... 81 0641512.72, 86, 305, 307 0641516....157, 161, 165, 170, 173, 179, 185, 191, 195, 233 0641518.....213, 217 0641520.....57 0641524.....206 0641528.....202, 206 0641542.....39 0641560.....39 0641604..... 104, 222 0641605....206, 221, 222 0641606.... 13, 17, 21, 40, 53, 115, 135, 221, 229, 269, 271 064160749, 94, 131, 135, 139, 209, 213, 217, 221 0641608....62, 64, 72, 80, 87, 93, 94, 103, 104, 115, 135, 201, 209, 213, 217, 221 0641609....62, 70, 80, 97, 104, 139
0100019..21, 25, 53, 149, 157, 161, 165, 169, 173, 179, 185, 191, 195	0271912 385 0271993 26 0271994 26 0271995 25 0271996 26 0271997 26 0271998 25 0272031 385 0272070 229 0272165 ... 369, 375, 378, 386 0272254 271 0272300 25 0272307 388 0272308 388 0272310 25 0272311 25 0272336 26 0272337 26 0272340 205 0272341 370 0272352 26 0272353 26 0272360 26 0272361 26 0272448 271, 385 0272497 203, 206 0272521 269 0272530 ... 370, 375, 378 0272588 269, 385 0272589 ... 175, 181, 187, 385 0272594 206, 351 0272599 275, 385 0272607 275, 385 0272664 205, 217 0272665 218, 352 0272669 115 0272703 233 0273064 385 0273146 387 0273147 387 0273148 387 0273279 202, 209, 349 0273280 202, 214, 350 0273358 53		
0100020....64, 72, 78, 86, 93, 97, 102, 116, 158, 166, 275			
0100035.....293			
010003813, 17, 287, 291, 293, 295, 301, 307			
0100048.....49, 102, 121, 125, 131, 161, 191, 233, 245, 348, 352			
0100062.....97, 179, 185			
0100071.....263			
0100079.....161, 191			
0100081....221, 222, 245, 265, 267			
0140011245			
0140044..... 49			
0181949.....119			
0200048.....243			
0200742..... 141, 145			
0255917.....365			
0256789.....384			
025684781, 88, 94, 97			
0257755.....26			
0257756.....26			
0257887.....365			
025801126			
0258012.....26			
0258029.....25			
0258031.....25			
0258303.....359			
0258304.....359			
0258305.....359			
0258703.....387			
0270074.....26			
0270075.....26			
0270076.....26			
0270077.....26			
0270091.....25			
0270092.....25			
0270115.....43, 45			

SECTION 10 - SPECIAL OPTIONS

0641610 ... 62, 65, 70, 80, 87, 94, 99, 102, 104, 135, 146, 149, 179, 185, 195, 201, 205, 209, 213, 217, 239	0711414 80, 87, 146, 157, 180, 186	0902888.... 157, 161, 165, 169, 173, 180, 186, 191, 195	1001098130 21
0641611 ... 62, 70, 80, 93	0721004 45, 135, 170, 174, 179, 185, 195	0902894.....233	1001098149 275
0641612 ... 40, 64, 72, 78, 86, 102, 104	0721005243	0902919.....233	1001098525 63, 71
0641613 94	0721006 99, 135, 146, 149, 245	0902920.....233	1001098640 205, 217
0641614 62, 70, 135	0721008 135, 136	0903063.....80, 87	1001099364 64, 136
0641615 119	074160695	0903484.....360	1001099390 39
0641616 13, 17, 157, 161, 191, 213, 217	0741607 45, 158, 161, 191	0903612.....360	1001099442 63
0641618 39, 170, 174, 179, 185, 213, 217	0741608 62, 80, 104	0940048.....201, 205	1001099806 388
0641622 21	0741610 70, 87	0940049.....135	1001099833 221
0641707 95	0760410 131	0940083.....135	1001099838 221
0641709 97	0760807 93	0940088.....136	1001099869 142, 146
0641710 153	0760810 97	0940167.....243	1001100233 142, 146
0641772 141, 146, 149	0760812 138	0940177.....243	1001100234 142, 146
0641806 201, 205	0760815 62, 70	0940199.....265, 267	1001100321 141, 145
0641808 57, 157, 161, 165, 169, 173, 179, 185, 191, 195	0761210 94, 97	0941845.....238	1001100341 362
0641810 57, 201, 205, 209, 213, 217	0771012 80, 87, 95	0961893.....291	1001100342 362
0641812 ... 65, 70, 79, 87, 94, 104, 149, 209, 213, 217, 229	0771414 95, 149, 161, 191	0961897.....295	1001100345 362
0641814 13, 17, 21	0771415 158, 181, 187	0961947225, 283, 289, 291, 297, 313	1001100346 362
0641818 221, 222	0791506 13, 17, 21	0961948.....221, 222	1001100577 63, 71
0641820 ... 62, 70, 80, 87, 104, 146, 158, 179, 185	0791606 222	0961950.. 13, 17, 21, 201, 205, 221, 222, 293, 295, 315, 317	1001100732 145
0641822 233	0791607 222	0961951 14, 18, 213, 218, 285, 287, 289, 291, 299, 301, 311, 313, 319	1001100749 145
0641832 153	0801192 221	0962140.....14, 18, 21	1001100818 63, 72
0642010 ... 64, 72, 78, 86, 93, 102	0801260 221	0962172....62, 70, 80, 87, 95, 104	1001100825 63, 72
0642012 . 13, 17, 21, 201, 205, 265	0801272 201	0962185.....287, 301	1001100837 63, 72
0642014 201, 205	0801273 201	0962257.....225	1001100857 64, 73
0642016 201, 205	0801289 221	0962270.....241	1001100943 141
0642024 233	0801290 221	0962292..... 17, 213, 217	1001100944 141
0642026 267	0801356 205	0962348.....17	1001101201 63, 72
0642684 229, 233	0801357 205	0962449.....142, 146	1001101408 63, 72
0651405 49	0801361 217, 222	0962450.....233	1001101423 265
0681607 21	0801379 222	0962520.... 157, 161, 165, 169, 173, 179, 185, 191, 195	1001101424 265, 267
0681608 21, 229, 233	0801380 222	1001091102.....131	1001101620 63
0681610 57	0801592 205	1001091560.....115	1001101681 63, 72
0681810 25	0801593 217, 222	1001091587.....103	1001101910 359
0681814 241	0811608 ... 153, 165, 195	1001091794.....105	1001101911 359
0681820 21	0840055 233	1001091970.....362	1001101912 359
0681822 . 13, 17, 95, 149, 161, 191, 241	0860038 ... 157, 161, 165, 169, 174, 179, 185, 191, 195, 359	1001091971.....362	1001101913 359
0682014 25	0860520 ... 369, 374, 377	1001093382...63, 78, 103	1001101914 359
0682040 43, 53	0861441 245, 247	1001093846..... 13, 17	1001101915 359
0682048 53	0861538 ... 169, 179, 191, 195	1001093851.... 13, 17, 21	1001101916 359
068216 45	0861541 ... 170, 175, 181, 187, 196	1001093876.....43	1001101950 63, 72
0700615 131	0861542 ... 169, 170, 174, 179, 181, 187, 195, 196, 364	1001094105.....354	1001102446 265, 267
0700810 .. 81, 88, 97, 104	0861567 ... 173, 179, 181, 185, 187, 364	1001094475.....387	1001102526 53
0700816 80, 87	0861572 173, 179, 185	1001094670.....214	1001102527 53
0700820 153, 165, 195	0861731 360	1001094789.....218, 311	1001102585 63
0701012 80	0861781 359, 360	1001095408.....385	1001102597 121, 126
0701014 80, 87	0861880 361	1001096070..... 158, 361	1001102598 121, 126
0701015 80	0902443 ... 64, 72, 78, 86, 102	1001096134.....365	1001102648 267
0701016 153, 165, 195	0902504 135	1001096617 203, 206	1001102695 53
0701217 141, 169, 173	0902535 115	1001097150.....361	1001102706 63, 72
0711214 95	0902733 43	1001097502.....202, 209, 349	1001102860 .. 66, 72, 355
	0902734 43	1001097503.....202, 209, 349	1001103558 387
	0902740 80, 87	1001097504.....210	1001103667 121, 126, 382
	0902751 245	1001097588.....63, 71	1001103974 334
		1001098012.....275, 277	1001103975 334
			1001104850 53, 55
			1001105272 137, 138
			1001105273 137, 138
			1001105275 137, 138
			1001105276 137, 138
			1001105636 122, 126, 127, 352, 353
			1001105784 121
			1001106339 353
			1001106340 353

SECTION 10 - SPECIAL OPTIONS

1001106426.....63, 66, 72, 73	1001116420 387	1001128983 385	1001138307.....338
1001106736.....122, 127, 354	1001116516 202, 214, 350	1001129555 380	1001138309.....338
1001106757222	1001116544 105	1001129858 157, 165	1001138317.....337, 340
1001106790.....72	1001116545 105	1001130041 81	1001138318.....337, 340
1001106793.....72	1001116692 349, 352, 354	1001131168 247	1001138319.....337, 340
1001106938.....247, 382	1001116710 358	1001131269 369	1001138320.....337, 341
1001107007.....247, 349	1001116727 357	1001131992 344	1001138321.....333, 340
1001107116.....62, 71	1001116774 132	1001132055 158, 162, 166, 344	1001138322.....331, 340
1001107354.....205, 217	1001116808 132	1001132727 384	1001138324.....333, 340
1001107853247	1001116815 132	1001133714 357	1001138325.....333, 340
1001108256243	1001116867 22	1001133715 357	1001138407.....333
1001108493.....369, 373	1001116952 357	1001133956 356	1001138414.....331, 334
1001108725386	1001116983 358	1001133957 357	1001138415.....331, 334
1001108879344	1001117038 137	1001134488 95	1001138416.....331, 334
1001108923.....370, 375	1001117078 365	1001135650 357	1001138417.....331, 334
1001108994.....247	1001117140 137, 138	1001135651 357	1001138418.....331, 334
1001109475361	1001117174 239, 348	1001135679 149, 162, 192	1001138419.....331, 334
1001109482361	1001117294 387	1001136079 96	1001138421.....331, 334
1001109495.....137, 138	1001117308 95	1001136172 96	1001138422.....327, 334
1001109503125	1001118241 293	1001136172 96	1001138423.....331, 334
100111042593	1001118274 139	1001136834 96	1001138424.....334
1001110434246	1001118416 245, 257	1001136988 192	1001138441.....136
1001110872.....170, 174, 180, 186, 196, 364	1001118417 245, 251	1001137005 366, 389	1001138491.....93, 358
1001110873.....158, 162, 166, 170, 174, 180, 186, 192, 196, 361, 364	1001119020 132	1001137672 388	1001138494.....238
1001111285 141, 142	1001119559 247, 386	1001137673 261	1001138514.....238
1001111404363	1001119945 384	1001137828 81, 82	1001138565.....157
1001111814142	1001119950 385	1001137835 80	1001138566.....157, 162, 165
1001111815142	1001119968 193, 365	1001137836 79	1001138577.....337, 341
1001112103241	1001120042 137	1001137837 78	1001138579.....340, 341
1001112551377	1001120328 261	1001137838 80	1001138588.....122, 127, 352
1001112586.....170, 171, 174, 175, 181, 187, 364	1001121115 63, 105	1001137839 79	1001138595.....331, 337
1001112587364	1001121340 170, 171, 175, 181, 182, 187, 188, 197	1001137840 78	1001138596.....331
1001112588.....142, 146, 344, 363	1001121614 384	1001137914 135	1001138597.....331
1001112589363	1001121801 369	1001137915 135	1001138598.....334
1001112612 132, 353	1001121803 374	1001137916 135	1001138599.....337
1001112743.....142, 146, 344, 363	1001121805 374	1001137917 135	1001138601.....337
1001112796131	1001121808 374	1001138110 357	1001138605.....338
1001112943241	1001121810 374	1001138111 357	1001138607.....337
1001112983384	1001121814 369	1001138113 357	1001138608.....337
1001112985384	1001121816 374	1001138135 81, 88	1001138609.....337
1001113961132, 257, 348	1001121818 374	1001138228 96, 382	1001138610.....338
1001114131386	1001121821 374	1001138238 63, 81, 88, 96, 105	1001138611.....338
1001115395363	1001121822 374	1001138248 97	1001138665.....121
1001115396363	1001121823 374	1001138282 337	1001138676.....121
1001115403.....145, 146	1001121825 374	1001138283 337	1001138684.....327, 340
1001115411146	1001121918 374	1001138284 337	1001138685.....329, 340
1001115412146	1001121920 374	1001138285 337	1001138686.....340
1001115476385	1001121921 374	1001138286 337	1001138687.....341
1001115639243	1001121923 374	1001138287 337, 338	1001138688.....327, 329
1001115641243	1001122202 79, 355	1001138288 338	1001138689.....327, 329
1001115713203, 351	1001126008 132	1001138289 338	1001138690.....327, 329
1001115848243	1001126351 356, 357	1001138290 338	1001138691.....327, 329
1001115916.....214, 351	1001126352 356	1001138291 338	1001138692.....327
1001115917202, 214, 349	1001126353 356	1001138292 338	1001138694.....329
1001115930.....104, 386	1001126356 356, 357	1001138293 338	1001138697.....327, 329
1001115931 104, 386	1001126357 357	1001138294 338	1001138702.....121
1001116419387	1001126362 357	1001138296 338	1001138717.....97
	1001126363 358	1001138297 338	1001138761.....121
	1001126364 358	1001138298 338	1001138762.....121
	1001126365 358	1001138299 338	1001138763.....121
	1001126384 356, 357	1001138301 338	1001138764.....121
	1001126391 358	1001138302 338	1001138765.....121
	1001127090 384	1001138303 338	1001138766.....121
	1001127096 385, 386	1001138305 338	1001138767.....121
	1001128527 388	1001138306 338	1001138771.....49, 51

SECTION 10 - SPECIAL OPTIONS

1001138780..... 22	1001140489..... 333	1001141723..... 62	1001143485..... 338
1001138815..... 214, 287	1001140490..... 333	1001141748..... 81, 88	1001143486..... 327, 329
1001138816..... 214, 291	1001140491..... 333	1001141755..... 80	1001143488..... 334
1001138817..... 214, 301	1001140492..... 333	1001141803..... 49, 229	1001143490..... 333
1001138818..... 287, 301	1001140494..... 333	1001141804..... 49, 229	1001143491..... 333, 334
1001138819..... 291	1001140495..... 333	1001141821..... 116	1001143496..... 333
1001138827..... 96	1001140499..... 334	1001141867..... 138	1001143497..... 338
1001138894..... 337, 340	1001140535..... 96	1001141868..... 138	1001143498..... 331, 334
1001138897..... 337, 340	1001140537..... 329	1001141869..... 138	1001143499..... 338
1001138940..... 136	1001140540..... 334	1001141870..... 99	1001143501..... 331, 333, 337
1001138941..... 136	1001140541..... 334	1001141897..... 104	1001143502..... 331
1001138950..... 229	1001140542..... 333	1001141913..... 66, 72, 88, 111	1001143503..... 331
1001138951..... 229	1001140543..... 333	1001141932..... 127, 344, 354, 355	1001143509..... 385
1001139048..... 22	1001140559..... 329	1001141933..... 127, 344, 354, 355	1001143526..... 333
1001139049..... 21	1001140562..... 327, 329	1001141934..... 344, 354, 355	1001143528..... 334
1001139079..... 65, 73, 78, 86, 93, 103	1001140564..... 96	1001141967..... 360	1001143529..... 331, 333
1001139084..... 122, 352, 354	1001140570..... 13, 18	1001141968..... 360	1001143530..... 331, 333
1001139085..... 122, 127, 352, 354	1001140609..... 96, 97	1001141969..... 360	1001143630..... 238
1001139086..... 122, 127, 352, 354	1001140620..... 385	1001141970..... 360	1001143669..... 388
1001139087..... 21	1001140646..... 136	1001141971..... 360	1001143797..... 96
1001139099..... 386	1001140647..... 136	1001141989..... 344	1001143852..... 375, 378
1001139135..... 247, 348	1001140652..... 138	1001141998..... 72	1001143907..... 97, 356
1001139141..... 22	1001140656..... 139	1001141999..... 70	1001143915..... 222, 305
1001139146..... 385	1001140657..... 139	1001142230..... 88	1001143916..... 222, 305
1001139202..... 239, 245, 348	1001140658..... 139	1001142264..... 49	1001143917..... 209, 221
1001139240..... 96	1001140659..... 139	1001142501..... 93, 96, 99	1001143921..... 201, 209
1001139357..... 158	1001140660..... 139	1001142504..... 387	1001143922..... 201, 213
1001139409..... 96	1001140662..... 139	1001142505..... 387	1001143923..... 201, 213
1001139476..... 22	1001140666..... 39	1001142643..... 162, 192	1001143924..... 201, 209
1001139495..... 21	1001140674..... 65, 73	1001142646..... 162, 192	1001144018..... 238
1001139586..... 22	1001140682..... 331	1001142683..... 131	1001144019..... 238
1001139645..... 22	1001140692..... 329, 331, 334	1001142722..... 131	1001144020..... 238
1001139654..... 375	1001140693..... 329	1001142736..... 131	1001144025..... 237
1001139690..... 13	1001141014..... 202	1001142867..... 340, 387	1001144027..... 237
1001139693..... 17	1001141139..... 105	1001142868..... 340, 387	1001144089..... 96
1001139694..... 17	1001141181..... 154, 166, 196	1001142938..... 357	1001144112..... 96
1001139695..... 13	1001141300..... 248	1001142940..... 357	1001144113..... 97
1001139697..... 13	1001141302..... 248	1001142941..... 357	1001144115..... 96
1001139704..... 13	1001141304..... 96, 356	1001142990..... 369, 375, 378	1001144116..... 96
1001139705..... 17	1001141445..... 153	1001143074..... 385	1001144147..... 132
1001139760..... 386	1001141448.. 79, 94, 104, 107	1001143099..... 369	1001144298..... 115
1001139819..... 81, 88	1001141449.. 79, 94, 104, 111	1001143100..... 377	1001144401..... 115
1001139877..... 18	1001141455..... 79	1001143101..... 373	1001144402..... 115
1001139888..... 119	1001141456..... 78	1001143102..... 373	1001144403..... 115
1001139892..... 22	1001141472..... 386	1001143103..... 373	1001144433..... 247
1001139901..... 17	1001141481..... 102	1001143104..... 373	1001144476..... 81, 82, 88
1001139935..... 21	1001141482..... 103	1001143105..... 373	1001144511..... 94
1001139943..... 22	1001141485..... 64	1001143106..... 377	1001144512..... 94
1001140274..... 209, 283	1001141486..... 65	1001143107..... 373	1001144513..... 93
1001140276..... 209, 297	1001141487..... 78	1001143108..... 370, 375, 378	1001144514..... 94
1001140278..... 214, 299	1001141488..... 79	1001143109..... 370, 375, 378	1001144515..... 94
1001140279..... 214, 285	1001141489..... 64	1001143110..... 369, 374, 377	1001144516..... 93
1001140282..... 214, 289	1001141490..... 65	1001143112..... 369, 375, 377	1001144533..... 96
1001140312..... 97	1001141506..... 104	1001143256..... 388	1001144534..... 96
1001140315..... 387	1001141509..... 102	1001143300..... 81	1001144536..... 96
1001140318..... 387	1001141527..... 86	1001143431..... 132	1001144537..... 96
1001140334..... 81, 88	1001141528..... 86	1001143434..... 13, 18, 22, 303, 321	1001144568..... 96
1001140346..... 161	1001141546..... 96		1001144569..... 96
1001140381..... 40	1001141595..... 338		1001144571..... 96
1001140404..... 40	1001141680..... 79, 80		1001144572..... 96
1001140429..... 238	1001141693..... 81, 88		1001144573..... 96
1001140484..... 333, 340	1001141694..... 81, 88		1001144597..... 241
	1001141721..... 62		

SECTION 10 - SPECIAL OPTIONS

1001144629.....237	1001148641..... 97	1001155371..... 96	1001179747..... 149
1001144664..... 96	1001148652..... 221, 223	1001155373..... 96	1001179836..... 149
1001144687..... 96	1001148902..... 386	1001155463..... 97	1001179837..... 149
1001145001..... 96	1001148903..... 386	1001155553..... 96	1001180001..... 149
1001145006..... 96	1001148904..... 386	1001155554..... 96	1001180050..... 150, 344, 363
1001145007..... 96	1001148905..... 386	1001155555..... 96	1001180052..... 363
1001145016..... 96	1001148906..... 386	1001156351..... 362	1001180532..... 126
1001145070..... 139	1001148971..... 387	1001156352..... 361	1001180533..... 126
1001145156..... 93	1001149041..... 222	1001156538..... 386	1001181045..... 361
1001145163..... 53	1001149953..... 26	1001156539..... 386	1001181053..... 209, 225
1001145192..... 386	1001150314..... 18	1001156819..... 103	1001181145..... 385
1001145194..... 127	1001150315..... 18	1001156822..... 102	1001181146..... 386
1001145406..... 238	1001150713..... 40	1001156823..... 102	1001181243..... 150
1001145407..... 237	1001150755..... 39	1001156824..... 102	1001181895..... 97
1001145408..... 238	1001150944..... 132	1001157520..... 193	1001181899..... 97
1001145409..... 237	1001150998..... 88	1001157521..... 193	1001182138..... 263
1001145410..... 238	1001151026..... 26	1001157528..... 193	1001182238..... 386
1001145411..... 237	1001151030..... 26	1001157592..... 192, 364	1001182598..... 386
1001145514..... 131	1001151095..... 386	1001157770..... 192, 193, 364	1001182997..... 115
1001145564..... 131	1001151386..... 307	1001157964..... 388	1001184647..... 338
10011455823..... 93	1001151393..... 122	1001158007..... 193	1001185077..... 384
1001145717..... 131	1001151856..... 358	1001158008..... 193	1001185281..... 247
1001145781..... 237, 238	1001151901..... 385	1001159121..... 388	1001185890..... 127, 352, 353
1001145890..... 206	1001152037..... 237	1001159256..... 246	1001185891..... 247, 349
1001145955..... 135	1001152118..... 222, 307	1001159365..... 125	1001186333..... 241
1001145959..... 136	1001152173..... 127	1001159366..... 125	1001186375..... 238
1001145985..... 387	1001152230..... 307	1001159367..... 125	1001186377..... 238
1001146043..... 96	1001152384..... 222, 307	1001159368..... 125	1001186378..... 238
1001146268..... 97, 356	1001152391..... 307	1001159369..... 125	1001186385..... 237
1001146523..... 338	1001152429..... 171, 175, 181, 187, 365	1001159370..... 125	1001186386..... 237
1001146524..... 338	1001152457..... 157, 162, 165	1001159648..... 344	1001186387..... 237
1001146526..... 338	1001152483..... 361	1001160271..... 344	1001186388..... 241
1001146617..... 135	1001152485..... 361	1001160558..... 115	1001186517..... 261
1001146618..... 179, 185	1001152488..... 96	1001160569..... 115	1001186644..... 94
1001146619..... 179	1001152489..... 96	1001160742..... 97	1001186763..... 384
1001146620..... 169	1001152525..... 193	1001162335..... 94, 99	1001187508..... 261
1001146621..... 195	1001152532..... 158, 162, 166, 364	1001162445..... 158, 360	1001188017..... 125
1001146637..... 191, 363	1001152566..... 138	1001162448..... 359	1001188018..... 125
1001146663..... 136	1001152960..... 384	1001162451..... 359	1001188019..... 125
1001146670..... 149, 162, 192	1001153016..... 53, 57	1001163599..... 149, 162, 191	1001188042..... 127
1001146689..... 137	1001153025..... 344	1001163609..... 135	1001188311..... 238
1001146691..... 136	1001153261..... 157, 363	1001164629..... 125	1001188312..... 237
1001146714..... 99	1001153262..... 157, 363	1001164630..... 125	1001188314..... 238
1001146715..... 99	1001153265..... 165	1001165035..... 93	1001188315..... 237
1001146808..... 338	1001153313..... 138	1001166227..... 387	1001188318..... 238
1001146810..... 97	1001153314..... 138	1001166538..... 245, 259	1001188319..... 237
1001146880..... 94, 355	1001153315..... 138	1001166539..... 245, 246, 253	1001188448..... 384
1001146953..... 136	1001153316..... 138	1001166671..... 239, 245, 348	1001188650..... 131
1001146954..... 136	1001153317..... 138	1001167170..... 96	1001188889..... 261
1001147000..... 121	1001153318..... 138	1001171017..... 388	1001189171..... 361
1001147002..... 121	1001153333..... 384	1001171128..... 161, 363	1001189172..... 361
1001147004..... 122, 127, 352, 354	1001153334..... 384	1001171131..... 388	1001190017..... 245, 247
1001147005..... 122, 127, 353	1001153365..... 53	1001172760..... 245	1001190095..... 239, 245, 348
1001147006..... 127, 354, 355	1001153619..... 116	1001173590..... 355	1001190119..... 238
1001147052..... 340, 387	1001154031..... 45	1001173703..... 378	1001191708..... 263
1001147264..... 357	1001154032..... 45	1001174093..... 103	1001192401..... 353
1001147782..... 136	1001154211..... 45	1001174486..... 102	1001192896..... 132
1001147836..... 185	1001154405..... 93, 95, 99	1001176372..... 388	1001193018..... 360
1001147837..... 173	1001155043..... 127	1001176469..... 127, 128	1001194197..... 388
1001147838..... 173	1001155044..... 127, 247	1001177158..... 103	1001194198..... 388
1001148138..... 150	1001155045..... 127, 246	1001177166..... 103	1001194200..... 388
1001148145..... 385	1001155339..... 96	1001179154..... 192, 364	1001194203..... 388
1001148146..... 385	1001155367..... 96	1001179157..... 135	1001194204..... 388
	1001155370..... 96		1001194365..... 388

SECTION 10 - SPECIAL OPTIONS

1001195304	387	1060988 ...	210, 214, 351, 366	1682892.....	305	1703450.....	43, 45
1001195610	388	1060989	203, 350	1683051.....	291	1703797	369
1001196611	385	1060990	210, 351	1683052.....	287, 301	1703798	369
1001196715	385	1060991	206, 351	1683063.....	295	1703804	369
1001197408	378	1060996	218, 352	1683504.....	293	1703805	369
1001197848	386	10702077	192	1683584.....	307	1703923	373
1001200128	385	10702082	193	1683756.....	301	1703924	373
1001200129	385	10837580	51	1683759.....	287	1703925	373
1001200130	385	1120108	293	1683761.....	287	1703926	373
1001200131	385	1120487	116	1683772.....	301	1703927	373
1001200132	385	1120532	115	1683800.....	305	1703928	373
1001200133	385	1120552	27	1683802.....	305, 307	1703929	373
1001200134	385	1120555	265, 267	1683946.....	293	1703930	373
1001200277	388	1180378	222	1683947.....	293	1703931	373
1001200409	389	1271538	233	1683960.....	291	1703932	373
1001202281	389	1320012	62, 70, 104	1683961.....	291	1703933	373
1001204451	386	1320016 ...	62, 70, 80, 87, 104	1684059.....	293	1703934	373
1001204460	386	1320022 ...	62, 64, 70, 72, 78, 79, 86, 104	1684060.....	293	1703935	373
1001204665	389	1320041	53	1684067.....	295	1703936	373
1001204998	384	1320058	62, 70	1684069.....	295	1703937	373
1001204999	384	1320061	203, 206	1684070.....	201, 295	1703938	373
1001205001	384	1320136	49, 233	1684096.....	305	1703939	373
1001205002	384	1320176	81, 89	1684098.....	305, 307	1703940	373
1001205175	387	1320177	206, 275	1684154.....	213, 293	1703947	373
1001205498	388	1320202 ...	210, 214, 218	1684155.....	209, 293	1703948	373
1001206735	389	1320218	119	1684239.....	205, 317	1703949	373
1001207304	388	1320220	119	1684241.....	217, 319	1703950	373
1001209159	388	1320223 ...	62, 64, 70, 72, 79, 80, 87, 94, 97, 103, 104	1684242.....	218, 313	1703951	373
1001210038	388	1320224	233	1684244.....	217, 315	1703952	373
1001210039	388	1320300	202, 206	1684262.....	222, 323	1703980	374
1001210828	388	1320302	269, 271	1684290.....	281, 309	1703981	374
1001212415	380	1320318 ...	62, 64, 70, 72, 161, 191	1684465..	13, 17, 21, 281, 309	1703982	374
1001213608	387	1320323	102	1700584.....	369, 374, 377	1703983	374
1001213609	387	1321692 ...	203, 206, 351	1700818.....	369	1703984	374
1001214029	378	1321694	203, 351	1701243.....	369	1703985	374
1001214478	387	1321695	202	1701500.....	369, 374, 377	1703992	377
1001214515	387	1321696	209, 214	1701504.....	369, 374, 377	1704000	373, 385
1001214524	387	1321716	97	1701505....	64, 72, 78, 86, 93, 369, 374, 377	1704001	373, 385
1001214552	387	1321738	206	1701509....	265, 267, 369, 374, 377	1704002	373, 385
1001214559	387	1340060	62, 70, 104	1701518.....	43, 45, 377	1704006	374
1001214560	387	1340061	384	1701529....	369, 374, 377	1704007	374
1001220155	384	1580011	62, 70, 104	1701542....	102, 369, 374	1704008	374
1001225900	222	1580012	239	1701543.....	102, 374	1704260	246
1001225902	221	1600244	366	1702300....	369, 374, 377	1704271	375
1001227349	388	1600387	233	1702565.....	246	1704277 ...	369, 374, 377
1001228964	388	1660234	81, 88, 97	1702566.....	246	1704412 ...	369, 375, 378
1001231277	59	1660255	62, 70	1702567.....	246	1704455	43, 45
1001231278	389	1670679	221	1702676.....	247	1704456	43, 45
1060341	243, 365	1670829	121, 125	1702720.....	375	1704457	43, 45
1060343 ...	170, 175, 181, 187, 192, 196, 364	1670964	229	1702740.....	26	1704482	43, 45
1060494 ...	170, 175, 181, 187, 196, 362, 364	1671013	202	1702773....	370, 375, 378	1704576	43, 45
1060584	45	1671083	218	1702774....	370, 375, 378	1704578	43, 45
1060625 ..	65, 79, 94, 103	1671086	203, 207	1702868....	271, 275, 369, 385	1704752 ...	370, 375, 378
1060626 ..	65, 79, 94, 103	1671092 ...	170, 175, 181, 187, 192, 196, 350, 352, 362, 364	1702938.....	243, 247	1704885 ...	369, 374, 377
1060633	366	1671093 ...	271, 350, 351, 361	1702941...	64, 79, 94, 103	1704972 ...	65, 73, 79, 86, 94
1060708 ...	170, 175, 181, 187, 196, 364	1671111	222	1702942...	64, 79, 94, 103	1705014	241
1060896	350, 351, 352	1671169	136	1702943...	65, 79, 94, 103	1705084	377
1060902	207, 358	1671176	246	1702944...	65, 79, 94, 103	1705091	338
1060903	243			1702961.....	369, 385	1705132	246
1060904	87			1702962.....	369, 385	1705170	131, 248
1060908	361			1703067.....	26	1705305 ...	269, 271, 275
1060918	239, 348			1703162....	62, 70, 80, 87, 95, 104	1705325	360
1060919	241					1705332	377
1060987	203, 350, 366					1705351	369
						1705355	269, 271

SECTION 10 - SPECIAL OPTIONS

1705358.....265, 267, 385	2220273 64, 72	2300019 387	2820100.....137
1705363.....370	2220290 119	2300027 387	2820118.....350, 351, 352
1705364.....27	2220313 ... 64, 72, 78, 86, 93	2300029 387	2820647.....218
1705374.....158, 161, 166	2220366 331, 333	2300039 387	2860030.....122, 126, 380
1705375.....171, 181, 193, 197, 271	2220371 ... 327, 329, 331, 337	2300040 386	2900770....293, 305, 307, 311, 313, 315, 317, 323
1705376....170, 175, 181, 187, 196	2220373 331, 334	2300041 64, 95, 102, 386	2900792....283, 285, 287, 289, 291, 295
1705387....158, 161, 166, 171, 181, 193, 197	2220376 ...65, 70, 87, 108	2400060 ... 171, 175, 181, 188, 193, 197, 353, 365	2901443.....366, 388
1705426.....375	2220383 ...65, 70, 87, 111	2400064 ... 171, 175, 181, 188, 193, 197, 365	2902044.....295
1705427375	2220415 ... 327, 329, 331, 334, 337	2400065 355, 380	2902060.....87, 355
1705429375	2220435 337	2400066 355, 365	2902073.....305
1705430375	2220451 80, 87, 337	2400070 365	2902217.....269, 271
1705460....171, 175, 181, 187, 193, 197	2220459 64, 72	2410014 241	2902266.....281, 309
1705461175, 181, 187	2220465 331, 334	2420099 97	2902443.....355, 357
1705466....269, 271, 275	2220466 ... 327, 329, 331, 333	2420172 121, 125	2902510.....104, 355
1705489....158, 175, 181, 187	2220472 333, 337	2420202 233	2902549.....361
1705490.....275	2220473 ... 327, 329, 337, 338	2420203 ... 141, 145, 150, 153	2910910.....386
1705514.....374	2220481 331, 334	2460048 ... 169, 173, 179, 185, 195	2915227.....387
1705821.....377	2220490 327, 329	2460049 141, 145	2920028.....243, 247
1705822.....377	2220500 ... 331, 334, 337	2460051 153	2920029....243, 247, 382
1705828.....377	2220501 337	2460055 141, 145	2920110.....131
1705905.....375	2220502 ... 327, 329, 337	2560136 246	2920113.....131
1705910.....375	2220504 ... 327, 329, 331, 333, 337	2580024 .. 64, 79, 94, 103	2920129.....355, 380
1705969.....385	2220516 307	2580050 .. 65, 79, 94, 103	2920140.....239, 365
1706059....65, 73, 79, 86	2220567 ...70, 79, 87, 102	2580054 64	2920154.....246
1706060....65, 73, 79, 86	2220578 70, 87, 108	2580062 81	2920161.....131
1706061....65, 73, 79, 86	2220582 ... 331, 333, 337	2580063 103	2940074.....237, 382
1706062....65, 73, 79, 86	2220596 334	2600210 137	2940109.....135, 136
1706063....65, 73, 79, 86	2220603 ... 65, 70, 79, 87, 102, 331, 333	2600246 135	3010140.....206
1706064....65, 73, 79, 86, 94	2220606 327	2600281 237	3020008.....25
1706098....65, 73, 79, 86	2220618 331, 334	2680438 136	3020016....65, 72, 80, 87, 386
1706385.....241	2220621 331, 334	2680439 135	3020021...81, 88, 97, 386
1706712.....121, 125	2220628 ... 305, 307, 337	2720015 95	3020029.....21
1706941369, 373	2220635 103, 338	2720058 ... 62, 64, 70, 72, 79, 86, 104	3020037.....94
178721772, 86	2220794 64, 72	2720149 119	3020044.....65, 80, 386
2030010....269, 271, 275	2220819 337	2720160 275	3160348.....25, 37
2060025.....80, 87, 104	2220829 206	2720271 ... 62, 64, 70, 72, 104	3160351.....25, 35
2080040.....237, 239	2220829 206	2720340 95	3200378.....62, 70
2080057.....377	2220883 35, 37, 305, 307	2720467 80, 87	3200406.....80, 87, 105
2110604.....102	2220885 291, 293	2720563 104	3220110.....81, 89
2110808.....333	2220886 35, 37, 295	2720564 105	3220112.....81, 89
2110812.....331, 333	2220888 37	2720565 102	3220113.....62, 71
2111212.....334	2220890 281, 309	2720566 102	3250872.....43, 46
2111216.....331	2220899 337	2720567 102	3251102....141, 142, 146, 149, 153, 157, 161, 165
2120209.....49	2220947 ...65, 70, 87, 108	2720615 62, 70	3251242.....377
2120210.....49, 380	2221026 ...65, 70, 87, 111	2720646 206	3251243....153, 158, 161, 166, 369, 374
2130808.....333	2221033 337	2750532 ... 64, 72, 78, 86	3251813.....370, 375
2131210.....102	2221037 206	2753602 334	3252347.....369, 377
2151212...65, 70, 87, 108	2221041 ...65, 70, 87, 108	2753604 331, 334	3252507.....360
2160001.....53	2221042 331, 333	2753605 331, 334	3252692.....43, 46
2170512.....331	2221063 331, 333	2760105 121, 125	3252693.....43, 46
2180348.....78, 86, 102	2221085 331, 333	2780230 13, 17, 18	3252764....173, 180, 186, 191, 195
2180387.....119	2221086 ... 229, 230, 337	2780267 25, 29	3271801.....95, 161, 191
2180389.....119	2221176 78, 86, 102	2780268 25, 33	3271805.....241
2180504.....119	2221216 331, 334	2792780 341	3272005.....45
2180536.....64, 72	2222567 65	2792784 340	3272205.....17
2180832.....93, 275	2222578 65	2820031 ... 141, 142, 146, 149, 153, 157, 161, 166, 169, 173, 180, 186, 191, 196, 350, 351	3272605.....233
2180877.....104	2230021 338	2820035 115, 239	3290405.....102, 131
2200222 78, 86, 102, 116	2300004 . 64, 72, 95, 102, 386	2820099 137	3290505....102, 142, 146
2220235.....327, 329	2300014 386		3290605.....275
2220238.....331	2300016 387		3290606.....238
2220250.....64, 72			3290607.....131

SECTION 10 - SPECIAL OPTIONS

3300106..... 25	3312005 ... 43, 64, 73, 78, 86, 93, 102, 201, 205, 233, 265, 267	3520192..... 181, 187, 364	3641533... 171, 176, 182, 188, 197
3300151 ... 210, 214, 238, 269, 271	3312008 13, 17, 22	3520198.....238	3641569..... 243
3300205 121, 125	3321501 136	3536089.....239	3740049... 121, 125, 365, 380
3300243 229	3322205 305, 307	3539219..... 121, 125	3740067 ... 63, 71, 80, 88, 95, 105, 380
3300279 293	3323003 13, 17	3539662.....43, 45	3740080... 142, 146, 149, 153, 170, 174, 180, 186, 196
3300315 293	3340399 ... 64, 71, 73, 78, 86, 93, 103	3570535.....210	3760115 221, 223
3300353 125, 246	3340608 206	3570571 105	3760170 43, 45
3300396 ... 157, 162, 165, 170, 175, 181, 187, 192, 196	3340837 221, 223	3570801.....87	3760318 305
3300408 121, 125, 246	3340860 40, 213	3570808.....80	3760367 291
3300420 202, 206	3340911 39	3571008.....63, 105	3760368 287, 301
3300430 261, 263	3340914 201, 205	3571009.....63, 105	3760371 295
3300454 93, 157, 165, 169, 174, 180, 186, 196	3340939 221	3571019.....105	3780182 22, 307
3310401 97	3340940 223	3571032.....71	3790012 103, 247
3310601 ... 170, 175, 181, 187, 196	3340943 218	3571033.....71	3790113 305, 307
3310805 119	3340956 265, 267	3571462.....214, 218	3790152... 65, 71, 79, 88, 94, 104
3311001 99, 192	3380434 239	3572009.....45	3820001 43, 46, 369, 374, 377
3311005 53, 131, 135, 137, 141, 146, 149, 153, 158, 161, 165, 170, 174, 180, 186, 192, 196, 203, 207, 246, 269, 271, 275	3380694 103	3572010.....45	3820020 237
3311401 87, 93, 135, 210, 214, 221, 243	3420352 43	3572011.....45	3841143 17, 209, 213, 217, 218
3311402 218	3420372 43, 45	3572012.....45	3841203 ... 209, 213, 217, 218
3311405 ... 53, 63, 64, 71, 72, 78, 80, 86, 87, 93, 95, 102, 105, 115, 125, 135, 153, 161, 169, 174, 186, 191, 203, 206, 233, 239, 269, 271, 275, 369, 374, 377	3421453 275	3572448.....223	3841258 . 13, 17, 21, 201, 205, 217
3311501 213, 243	3421565 45	3572551 213	3841520 22
3311502 135	3422177 ... 209, 213, 217	3572691.....201, 205	3860096 202, 206
3311505 ... 39, 63, 71, 72, 78, 80, 86, 87, 102, 105, 135, 169, 174, 180, 186, 191, 196, 206, 210, 214, 218, 221, 222	3422178 ... 209, 213, 217	3572750.....201	3900054 241
3311508 ... 157, 161, 165, 233	3422179 209	3572826.....201	3900109 13, 17
3311601 ... 116, 119, 137, 139, 247	3422558 209	3573024.....135	3900142 293
3311605 ... 63, 71, 80, 87, 93, 95, 99, 103, 105, 131, 135, 137, 138, 146, 149, 180, 186, 201, 202, 205, 206, 209, 213, 217, 218, 221, 222, 239, 241, 269, 271	3422568 201, 205	3573400.....269, 271	3900170 293
3311705 97, 141, 146, 149	3422578 209	3573641.....271	3900232 137
3311801 25, 43, 149, 157, 161, 180, 186, 191	3422582 213, 217	3573642.....269, 271	3900254 ... 64, 73, 78, 86, 93, 103
3311805 ... 63, 71, 80, 87, 105, 146, 153, 158, 181, 187, 209, 213, 217, 218, 229, 233	3422592 13, 17, 21	3573667.....63, 80, 105	3900255 22
	3422664 201, 205	3573668.....180, 186	3900268 121, 125
	3422669 213, 218	3573937.....71, 87	3900283 223, 233
	3422692 13, 17	3574066.....206	3900295 18
	3422791 213, 218	3574163... 170, 174, 180, 186, 196	3900296 18
	3422792 213, 218	3574235.....17	3900316 139, 223
	3422793 ... 209, 213, 218	3574253.....63	3900327 18
	3422794 213, 218	3574259.....63	3910408 97
	3422804 221	3574532... 210, 214, 218	3910606... 158, 161, 165, 169, 174, 180, 186, 191, 196
	3422806 213, 217	3575359.....243	3910610... 170, 175, 181, 187, 196
	3422841 45	3575705.....243	3910804 121, 126
	3422847 45	3576799.....275	3910808 119
	3422848 17	3577121 269	3911012 131
	3422912 201, 205	3577130.....71	3911018 246
	3422913 201, 205	3577135.....71	3911040 131
	3422996 223	3580134 141, 145	3931010 53
	3423081 22	3580158.....145	3931016... 157, 161, 165, 191, 301
	3450608 14, 18	3580276... 141, 145, 150	3931024 203, 207
	3450808 13, 17	3580312... 153, 165, 196	3931030 203, 207
	3460334 265, 267	3580314.....165, 196	3931424 261
	3470003 247	3580315.....142	3931432 95
	3480239 305, 307	3580316.....170, 174	3931512 95
	3480240 293	3580317... 158, 161, 170, 174, 180, 186, 191	3931516 287, 291, 301
	3480247 287, 301	3580318... 158, 161, 170, 180, 191	
	3480249 291	3580319... 158, 174, 180, 186	
	3480253 295	3580320... 149, 158, 161, 180, 186, 191	
	3480288 281, 309	3580324 153	
	3510884 241	3580348... 153, 165, 196	
	3520028 ... 141, 145, 150, 153	3600318... 65, 71, 87, 111	
	3520035 352	3600385... 65, 71, 88, 107	
	3520054 246	3600423... 65, 71, 80, 88, 95, 103, 113	
	3520072 ... 237, 238, 241	3620033.....80	
	3520182 263	3620040.....105	
	3520189 ... 181, 187, 364		

SECTION 10 - SPECIAL OPTIONS

3931620.....66, 71, 79, 94, 104	4300157 158, 180, 186	4460267 359, 365	4460701.....361, 362
3931628..... 149, 161, 191	4340745 81, 105	4460268 352, 364, 365	4460705.....363
3931824.....295	4341301 275	4460320 358, 359, 365	4460708....246, 348, 349, 355
3931832.....53	4341415 265, 267	4460321 363, 366	4460709.....361
3941406.....223	4360057 243, 382	4460346 ... 158, 161, 165, 170, 174, 180, 186, 191, 196, 360, 364	4460710.....361
3951402.....293, 305, 307	4360070 ... 157, 162, 165, 170, 175, 181, 187, 192, 196	4460374 197, 365	4460742.... 171, 175, 181, 188, 197, 354, 365
3951420.....218, 223	4360328 ... 122, 246, 247, 380	4460375 ... 171, 175, 181, 187, 197, 365	4460743.... 171, 175, 181, 188, 197, 365
3960407.....81, 88	4360330 246, 380	4460411 171, 175, 197	4460761.....233, 349, 353
3960422.... 158, 161, 165, 170, 174, 180, 186, 191, 196, 361, 363	4360331 247, 380	4460412 171, 175, 197	4460789.....365
3960438.....63, 71, 104	4360336 ... 103, 142, 146, 149, 153, 158, 161, 165, 170, 174, 180, 186, 191, 196, 247, 382	4460413 171, 175, 197	4460790.....365
3960461.....131	4360387 ... 127, 243, 246, 247, 380	4460414 171, 175, 197	4460836.....233
3960526.....25	4360407 246, 380	4460415 171, 175, 197	4460850.....358, 365
3980007...64, 79, 94, 103	4360436 115	4460418 349, 353	4460865.... 350, 351, 352
3990010.....353, 380	4360469 122, 126, 382	4460419 349, 353	4460866.... 349, 350, 351, 353
4010608.....275	4360470 122, 126, 382	4460424 352, 354, 365	4460867.....358
4010618.....238	4360475 ... 122, 126, 246, 380	4460425 ... 157, 162, 165, 170, 175, 181, 187, 192, 196, 202, 206, 243, 350, 351, 364	4460868.....354
4031608.....142, 146	4360476 ... 122, 126, 246, 380	4460426 ... 122, 126, 157, 162, 165, 170, 175, 181, 187, 192, 196, 239, 248, 352, 364, 365	4460871.... 132, 251, 257, 348, 349, 352, 353, 354, 356, 365
4031711.....63, 71	4360517 53, 358, 380	4460428 246, 348	4460873.....349, 353
4031914.....95	4360522 131, 248	4460434 349, 353	4460874.....349, 353
4032014.... 149, 161, 191	4360542 ... 141, 145, 150, 153	4460457 354	4460875.....349, 353
4032015.... 158, 180, 186	4360548 ... 203, 207, 358, 382	4460458 ... 197, 354, 355, 357, 365	4460876.....353
4060092.....361	4400275 119	4460459 365	4460877.....354
4060700.....361	4400408 115	4460464 ... 132, 239, 348, 349, 350, 351, 353, 354, 355, 358	4460878.....353
4060802.... 142, 146, 149, 153, 158, 161, 165, 170, 174, 180, 186, 191, 196	4400420 119	4460465 ... 131, 132, 171, 175, 181, 187, 193, 197, 233, 350, 351, 352, 354, 357, 364, 365	4460879.....349
4060803.....203, 207	4420014 265, 267	4460466 ... 131, 132, 233, 350, 351, 352, 354, 355, 356, 357	4460884.... 349, 353, 357
4060865.....131	4420037 269, 271	4460467 366, 388	4460887.....349, 353
4060906.....121, 126	4420051 43, 46, 369, 375, 378	4460470 ... 122, 126, 246, 348, 352	4460891.... 131, 132, 348, 352, 354, 357, 358
4061032.....202, 206	4420060 142, 146	4460471 ... 122, 126, 246, 348, 352	4460892.....355
4061054.....233	4420066 265, 267	4460473 350, 351, 352	4460894.....355, 357
4070450.....43	4420068 243	4460476 365	4460897.... 132, 354, 357, 358
4070497.... 64, 71, 73, 78, 86, 93, 103	4460007 246	4460488 65, 122, 126, 246	4460899.....354, 355
4070498.... 64, 71, 73, 78, 86, 103	4460027 ... 141, 145, 150, 153	4460496 122, 126, 354	4460905.... 132, 247, 348, 353, 355
4070560.....43	4460049 243	4460497 122, 126, 354	4460906.....363
4070561.....43	4460051 ... 174, 180, 186, 364	4460508 ... 349, 350, 351, 353	4460928.....132
4070897.....221	4460071 ... 158, 161, 166, 170, 174, 180, 186, 191, 239, 348, 361, 364	4460509 350, 351, 352	4460930.....357
4070898.....221	4460125 360	4460510 366, 388	4460931.....355
4070982.....221	4460134 361, 362	4460518 132, 352	4460932.....357, 358
4070987.....121, 126	4460190 ... 141, 145, 150, 153	4460526 122, 126, 352	4460933.....132, 233
4070991.....126	4460205 360, 361, 362	4460536 132, 349, 353	4460941.....357, 358
4071056.....223	4460224 348	4460539 349, 352, 354	4460942.....357, 358
4071057.....223	4460225 ... 170, 174, 180, 187, 191, 196, 349, 364	4460607 171, 176, 197	4460943.... 132, 349, 353, 355
4071101.....13, 17, 21	4460226 ... 207, 233, 239, 254, 259, 348, 349, 351, 354, 355, 358, 363, 365, 366	4460608 354	4460944.... 349, 354, 357
4071121.....13, 17, 21	4460227 349, 353, 358	4460633 361	4460956.... 171, 176, 197, 361
4100025.....63, 71	4460233 360	4460634 353	4460957.... 171, 176, 197, 361
4100099.....295	4460234 131, 243, 246	4460635 353	4460958.... 170, 174, 180, 186, 196, 363
4120035.....353	4460265 131, 254, 259	4460693 354	4460959.....351, 352
4130405.....22			4460960.....351, 352
4130406.....22			4460961.....363
4160170.....136			4460962.....271
4220244.....213, 217			4460963.... 170, 175, 181, 187, 192, 196, 364
4240018.....202, 206			4460967.... 171, 175, 181, 187, 193, 197, 365
4240032.....131			
4240033.....233, 261			
4240099 78, 86, 202, 239, 243, 269, 271			
4240145.....115			
4240149.....265, 267			
4280295.....115			
4300048.....43			

SECTION 10 - SPECIAL OPTIONS

4460968 ... 142, 146, 203, 207, 358, 361	4640751 95	4751400....49, 63, 64, 71, 73, 78, 81, 86, 88, 93, 95, 103, 105, 115, 122, 126, 136, 187, 202, 203, 206, 207, 210, 214, 218, 221, 233, 243, 247, 263, 269, 271, 275, 369, 374, 377	4846428 202
4460971 275	4640858 281, 309	4751500....39, 63, 71, 78, 81, 86, 103, 105, 136, 142, 146, 149, 154, 158, 161, 165, 201, 205, 210, 213, 214, 218, 233, 243	4846567 81, 88, 146, 158, 181, 187
4460979 355	4640932 283, 285, 287	4751600....13, 17, 21, 39, 40, 63, 64, 66, 71, 73, 78, 81, 86, 88, 95, 103, 105, 115, 116, 131, 136, 137, 139, 146, 201, 205, 213, 217, 239, 269, 271	4846573 229, 233
4461001 171, 176, 197	4640936 293, 315	4751700.....95, 142, 146	4846627 269, 271
4461005 354	4641086 283, 285, 287	4751800....43, 63, 66, 71, 81, 105, 201, 205, 241, 243	4846665 115
4461006 354	4641155 39	4752000....43, 64, 73, 78, 86, 93, 103	4846683 88
4461008 354, 358	4641200 305, 307	4752200....64, 73, 78, 86, 93, 103	4846688 218
4461052 354	4641260 317	4760600....170, 175, 181, 187, 196	4846689 218
4461053 354	4641265 13, 17, 21	4761400....122, 126, 221	4846693 218
4461054 354, 358	4641272 67, 74	4761500....170, 174, 180, 187, 196	4846697 206
4461060 354	4641281 334	4761600.....115	4846701 206
4461070 132, 354, 357	4641282 331, 334	4761800.....221	4846734 223
4461071 355, 357	4641282 331, 334	4791400....71, 81, 88, 95, 158, 161, 170, 174, 180, 187, 192	4846802 18
4461072 355, 357	4641390 281, 309	4811600.....142, 146	4846821 71
4461073 355, 357	4641510 39	4811700....131, 238, 275	4846905 205
4461074 355, 357	4710400 97	4811900.....95, 154, 166, 196	4860179 27
4461095 132, 354, 357	4711000 53, 99, 131, 149, 192	481902 139	4860198 27
4461109 355	4711400 ... 39, 49, 53, 63, 64, 71, 73, 78, 81, 86, 93, 95, 103, 105, 153, 158, 161, 165, 169, 173, 180, 186, 191, 196, 223, 233, 238, 261, 263	4812000.....150	4860213 26
4461111 355	4711500 ... 43, 45, 63, 71, 93, 95, 103, 135, 170, 174, 180, 186, 191, 196, 201, 202, 205, 206, 221, 229, 247	4812100.....94, 95	4860237 27
4461113 355	4711600 ... 49, 53, 63, 71, 93, 95, 99, 103, 105, 149, 158, 161, 170, 174, 180, 186, 191, 196, 201, 202, 206, 221, 223, 229, 233	4812200..81, 88, 95, 146, 149, 158, 161, 181, 187, 191	4891500 57, 63, 71
4461121 354	4711700 149, 153	4831900...81, 88, 97, 105	4891600... 63, 66, 71, 79, 88, 94, 104, 119, 154, 166, 196, 223, 229, 233
4461122 354	4711800 ... 158, 165, 170, 174, 180, 187, 196, 241	4845194.....137	4891800... 13, 17, 18, 21, 22, 25, 95, 149, 161, 191, 223, 229, 233
4461123 354	4712000 265, 267	4845767.....221	4892000 25, 53, 233
4461124 354	4712400 18	4846033.....221	4892600 229, 233
4461157 355	4713000 13, 18	4846037 136	4920385 105
4461161 354	4740036 45	4846168.....45	4921829 362
4461196 360	4740076 131	4846169.....45	4922530 ... 202, 206, 350, 351
4461197 361, 363	4740086 13, 18, 22	4846218.....229	4922531 210
4461198 360	4740120 53	4846278.....213	4922532 214, 218, 352
4461199 360	4740155 18	4846335.....213	4922637 355
4461200 361, 363	4740171 53	4846336.....201	4922641 ... 171, 175, 181, 188, 193, 197, 363, 365
4461201 360	4740229 13, 17, 21	4846343.....201	4922642 81, 358
4461202 360	4740274 ... 63, 71, 81, 88, 105	4846346.....201	4922643 365
4461203 361, 363	4740362 64, 73, 131, 136, 239	4846356.....213	4922666 247, 349
4461204 360	4740397 ... 126, 142, 146, 153, 247	4846366.....201	4922705 233
4461205 360	4740444 122, 126	4846370.....243	4922714 203, 207, 358
4461206 362, 363	4740491 18	4846375.....115	4922770 ... 202, 206, 213, 351, 358
4461207 360	4740500 137	4846424.....136	4922857 ... 203, 206, 210, 214, 350, 352
4461222 355	4740518 126		4922869 233
4461244 360	4750600 ... 170, 175, 181, 187, 196		4922925 ... 170, 174, 180, 187, 191, 196, 364
4461245 360	4750800 119, 136		4922929 ... 203, 214, 218, 350, 352
4461246 360	4751000 45, 131, 135, 136, 142, 146, 153, 158, 161, 166, 170, 174, 180, 187, 191, 196, 247, 269, 271, 275		4923420 197
4461249 360			4923445 363
4461250 362, 363			4923451 81, 88, 358
4520216 26			4923458 202, 350
4520217 26			4923459 214
4520240 26			4923460 203, 351
4520259 26			4923461 210, 351
4520262 26			4923462 350
4530028 269, 271, 273			4923466 358
4566027 305, 307			4923467 203, 358
4566188 338			4923469 202, 213, 358
4567177 293			4923481 214
4567627 115			4933218 344
4567908 293			4933219 344
4567946 338			4933349 196, 197, 364
4568033 45			
4568114 103			
4568218 305, 307			
4568735 153, 165, 196			
4568743 63, 71			
4569176 63, 71			
4569345 105			
4640113 26			
4640261 43, 45			
4640509 289, 291, 295			

SECTION 10 - SPECIAL OPTIONS

4933350.....	154, 344, 363	70001866.....	83, 89	70002726.....	257	70003770.....	67, 74, 382
70000042.....	57	70001868.....	83, 89	70002727.....	257	70003783.....	81, 88, 382
70000088.....	55	70001871.....	82, 88	70002728.....	257	70003784.....	246
70000089.....	55	70001872.....	82, 89, 356	70002729.....	257	70003787.....	51
70000122.....	141, 145	70001953.....	169, 173, 179, 185, 195	70002730.....	251	70003788.....	51, 380
70000123.....	141, 145	70001959.....	116	70002731.....	251	70003789.....	51, 380
70000124.....	145	70001960.....	116, 380	70002732.....	251	70003790.....	230
70000125.....	145	70001963.....	323	70002733.....	251	70003791.....	66, 74, 382
70000126.....	145	70001966.....	157, 162, 165, 169, 173, 179, 185, 192, 195	70002734.....	251	70003809.....	283, 297
70000127.....	145	70001973.....	169, 173, 180, 186, 192, 195	70002735.....	251	70003810.....	283, 297
70000164.....	105	70001974.....	169, 173, 180, 186, 192, 195	70002818.....	171, 175, 182, 188, 197	70003812.....	283
70000264.....	82, 88	70001996.....	222	70002819.....	171, 175, 182, 188, 197	70003813.....	283
70000342.....	225	70001998.....	222	70002820.....	171, 175, 182, 188, 197	70003814.....	283, 297
70000345.....	82, 89, 98	7000206.....	29, 33	70002821.....	171, 175, 182, 188, 197	70003819.....	285, 299
70000619.....	169, 173, 179, 185, 191, 195	70002088.....	169, 173, 179, 185, 195	70002822.....	171, 175, 182, 188, 197	70003830.....	297
70000681.....	57, 59	70002206.....	55	70002823.....	171, 175, 182, 188, 197	70003831.....	297
70000779.....	323	70002207.....	55	70002824.....	171, 176, 182, 188, 197	70003832.....	297
70000781.....	39	70002216.....	283, 285, 297, 299, 311, 319	70002825.....	171, 176, 182, 188, 197	70003833.....	289
70000797.....	35, 37	70002217.....	283, 285, 297, 299, 311, 319	70002826.....	171, 176, 182, 188, 197	70003834.....	289
70000800.....	82	70002219.....	315	70002902.....	239	70003835.....	289
70000863.....	169, 173, 179, 185, 192, 195	70002220.....	289, 313, 323	70002903.....	239	70003836.....	289
70000865.....	59	70002221.....	317	70002904.....	239	70003843.....	299
70000912.....	82, 89	70002222.....	317	70002905.....	239	70003844.....	299
70000913.....	82, 89	70002223.....	289, 313	70002906.....	251	70003845.....	285, 299
70000914.....	82, 89	70002224.....	315	70002972.....	51	70003846.....	285
70000915.....	82, 89	70002225.....	315	70002972.....	51	70003847.....	285
70000916.....	82, 89	70002257.....	108	70003098.....	303, 321	70003865.....	116
70000917.....	82, 89	7000229.....	29, 33	70003099.....	303, 321	70003907.....	105, 382
70000918.....	82, 89	70002297.....	169, 173, 179, 185, 192, 195	70003136.....	82, 89	70003932.....	83, 89
70000919.....	82, 89	7000230.....	29, 33	70003138.....	59	70003933.....	303, 321
70000934.....	49	7000232.....	29, 33	70003463.....	82, 89, 382	70003934.....	303, 321
70000969.....	113	70002377.....	65, 73, 382	70003464.....	82, 89	70003937.....	97, 382
70000970.....	113	70002378.....	65, 73	70003472.....	82, 89	70003962.....	39
70000971.....	113	70002386.....	51, 65, 73, 78, 86, 93, 103, 229, 230, 380	70003475.....	82, 88	70004056.....	82, 89
70000972.....	113	70002390.....	39	70003478.....	82, 89	70004057.....	83, 89
70000973.....	113	70002455.....	358	70003479.....	82, 88	70004058.....	83, 89
70000975.....	113	7000246.....	29, 33	70003480.....	82, 88	70004059.....	82, 89
70000976.....	113	70002460.....	169, 173, 179, 185, 192, 195	70003481.....	82, 88	70004060.....	82, 89, 356
70000977.....	113	7000248.....	29, 33	70003541.....	66, 74	70004062.....	83, 89, 356
70000978.....	113	7000253.....	29, 33	70003631.....	169, 173, 179, 185, 192, 195	70004091.....	63, 72
70001002.....	82, 88	7000257.....	29, 33	70003708.....	157, 162, 165, 169, 173, 179, 185, 192, 195	70004092.....	157, 162, 165, 192
70001017.....	62, 71	7000258.....	29, 33	70003709.....	157, 162, 165, 169, 173, 179, 185, 192, 195	70004093.....	192
70001086.....	311	7000261.....	29, 33	70003758.....	66, 74	70004094.....	192
70001100.....	169, 173, 179, 185, 192, 195	7000262.....	29, 33	70003759.....	66, 74	70004095.....	192
70001103.....	116	7000263.....	29, 33	70003760.....	66, 74	70004096.....	192
70001349.....	29, 33	7000264.....	97	70003761.....	66, 74	70004097.....	192
70001384.....	169, 173, 179, 185, 192, 195	70002647.....	59	70003762.....	66, 74	70004098.....	157, 162, 165, 192
70001403.....	66, 73, 382	70002648.....	59	70003763.....	67, 74	70004099.....	162, 192
70001423.....	82, 89	70002649.....	59	70003764.....	67, 74	70004102.....	82, 89
70001424.....	277	70002651.....	59	70003765.....	67, 74	70004103.....	83, 89, 356
70001425.....	277	70002705.....	62, 71	70003766.....	67, 74	70004158.....	57
70001427.....	277	70002706.....	63, 71	70003767.....	67, 74, 356	70004169.....	169, 173, 179, 180, 185, 186, 195
70001428.....	277	70002718.....	82, 88, 97	70003768.....	66, 74	70004171.....	157, 165, 169, 173, 179, 185, 195
70001429.....	277	70002724.....	257	70003769.....	66, 74	70004237.....	303, 321
70001430.....	277	70002725.....	257			70004254.....	59
70001431.....	277					70004257.....	59
70001432.....	277					70004258.....	59
70001435.....	82, 89					70004259.....	59
70001696.....	169, 173, 180, 185, 192, 195					70004260.....	59
70001697.....	226					70004261.....	59
70001844.....	81, 89					70004262.....	59
70001850.....	82, 89					7000427.....	97
						70004275.....	98

SECTION 10 - SPECIAL OPTIONS

70004277	98	70006552	157	70025231	98	7012967	51, 229, 230
70004279	98	70006553	157	70025235	98	7012974 ...	65, 73, 78, 86,
70004281	98	70006739	59	70025239	98	93, 103	
70004283	98	70006740	59	70025416	98	7012975	51
70004284	99	70006741	59	70025477	98	7012989	229
70004286	99	70006742	59	70025660	99	7012998	51
70004414	116	7000731	30	7002821	366, 388	7016319	131
70004676 ..	157, 162, 165	70007474	303, 321	7002822	388	7016331 ..	82, 89, 98, 382
70004677	157	7000974	113	7002823	366, 388	7016372	131
70004678 ..	157, 162, 165	7001481	108	7002826	389	7016399	239
70004679 ..	157, 162, 165	7001485	107	7002828	366	7016628	131
70004680 ..	157, 162, 165	7001998	29, 33	7002840	389	7016654	389
70004681	157	70020808	356	7003928	251	7016655	389
70004682 ..	157, 162, 165	70023056	63, 72	7003941	257	7016820	87, 356
70004683	157	70023592	96	7003972	257	7016834	87, 356
70004684	157, 165	70023593	96	7003973	257	7016839	104, 356
70004685 ..	157, 162, 165	70024473	98	7003980	257	7016840	104, 356
70004687	162	70024486	98	7003982	257	7016841	104, 356
70004738	259	70024488	98	7003983	257	7017059	29, 33
70004739	259	70024503	99	7003989	257	7017067	29, 33
70004740	259	70024504	99	7004035	55	7017070	29, 33
70004741	259	70024513	98	7004036	55	7017080	29, 33
70004742	259	70024905	97	7004043	55	7017094	29, 33
70004743	259	70024906	97	7004044	55	7017136	225
70004744	259	70024907	98	7004045	55	7017137	225
70004745	259	70024910	98	7004047	55	7017138	225
70004746	259	70024912	98	7004049	55	7017139	225
70004747	259	70024914	99	7004275	389	7017140	225
70004748	259	70024915	99	7004276	389	7017142	226
70004749	259	70024917	99	7007289	108	7017148	225
70004750	259	70024918	99	7007412	108	7017158	225
70004751	259	70024919	98	7007419	107	7017159	225, 226
70004752	253	70024920	98, 99	7007437	35, 37	7017162	225
70004753	253	70024921	99	7007438	35, 37	7017163	225
70004754	253	70024924	98	7007439	35, 37	7017164	225
70004755	253	70024925	98	7007446	35, 37	7017172	225
70004756	253	70025076	98	7007470	107, 108	7017192	225
70004757	253	7002508	97	7007497	358	7017195	225
70004758	253	70025082	98	7007498	358	7017402	51, 229, 230
70004759	253	70025084	98	7007601	29, 33	7017406 ..	39, 51, 229, 230
70004760	253	70025088	97	7007640	29, 33	7017410	51
70004761	253	70025091	98	7010429	29, 33	7017421	51
70004762	253	70025120	99	70104570	99	7017422	51
70004763	253	70025135	98	7010543 ...	51, 65, 73, 78,	7017423	51
70004764	253	70025136	98	86, 93, 103		7017433	51
70004765	253	70025140	98	7011016	113	7017440	51
70004766	253	70025142	98	7011044	113	7017441	51
70004767	253	70025143	98	7011067	113	7017452	229, 230
70004768	253	70025144	98	7011112	283, 285, 287	7017454	51
70004769	253	70025146	98	7011347	305, 307, 323	7017496	39, 281, 309
70004770	253	70025149	99	7011358	311	7019162	257
70004771	253	70025151	98	7011377	311	7019164	257
70004772	253	70025152	98	70124530	99	7019165	257
70004773	254	70025153	98, 382	70124538	99	7019167	257
70004774	254	70025154	98	7012513 ...	141, 145, 149,	7019194	257
70004775	254	70025160	98	153		7019680 ...	141, 145, 149,
70004786	115	70025161	98, 382	7012514 ...	141, 145, 149,	153	
70004862	116	70025164	98	153		7020020	49
70005230	259	70025176	98	7012518	51	7020023	82, 89, 382
70005483	30	70025177	98	7012540	51	7020026	82, 88
70005580	311	70025179	98	7012558 ...	141, 145, 149,	7020033	13, 18
70006267	222	70025180	98	153		7020034	14, 18
70006269	222	70025200	98	7012664 ..	62, 70, 104, 382	7020035	14, 18
70006275	222	70025202	98	7012903	51	7020036	14, 18
70006280	222	70025206	97	7012914	229, 230	7020037	14, 18
70006428	30, 33	70025207	97	7012918	229, 230	7020038	14, 18
70006429	30, 33	70025210	98, 382	7012953	229	7020039	14, 18

SECTION 10 - SPECIAL OPTIONS

7020040.....	14, 18	7021611.....	51	7024443.....	116	7026057.....	57, 59
7020041.....	14, 18	7021613.....	51	7024444.....	116, 380	7026059.....	57
7020042.....	14, 18	7021625.....	39	7024445.....	116	7026060.....	57
7020054.....	14, 18	7021639.....	39	7024446.....	116	7026064.....	323
7020055.....	14, 18	7021653.....	230	7024453.....	55	7026065.....	323
7020056.....	115	7021655.....	39	7024462.....	273	7026066.....	323
7020108.....	141, 145, 149, 153	7022302.....	35, 37	7024463.....	273	7026067.....	323
7020109.....	141, 145, 149, 153	7022305.....	35, 37	7024467.....	273	7026068.....	289
7020110.....	141, 145, 149, 153	7022310.....	37	7024469.....	273	7026069.....	323
7020111.....	141, 145, 149, 153	7022311.....	35, 37	7024470.....	273	7026072.....	323
7020175.....	122, 126, 246	7022312.....	35, 37	7024471.....	273, 277	7026073.....	317
7020176.....	122, 126, 246	7022314.....	35, 37	7024472.....	273	7026074.....	317
7020190.....	141, 145, 149, 153	7022326.....	35, 37	7024473.....	273	7026075.....	317
7020192.....	145	7022328.....	35, 37	7024474.....	273	7026076.....	317
7020193.....	141, 145, 153, 363	7022341.....	107	7024475.....	273	7026078.....	317
7020246.....	121	7022342.....	107	7024478.....	273	7026079.....	317
7020404.....	97	7022346.....	108	7024485 ...	169, 173, 180, 185, 192, 195	7026080.....	317
7020430.....	82, 88	7022347.....	108	7024488 ...	169, 173, 179, 185, 191, 195	7026081.....	311, 319
7020455.....	81, 89	7022368.....	35, 37	7024489 ...	169, 173, 179, 185, 191, 195	7026082.....	285, 299, 319
7020460.....	82, 88	7022371.....	35, 37	7024530.....	277	7026084.....	283, 285, 297, 299
7020465.....	82, 88, 97	7022372.....	37	7024531.....	277	7026085.....	319
7020468.....	82, 89	7022377.....	107	7024532.....	277	7026086.....	319
7020471.....	82, 88	7022378.....	107	7024533.....	277	7026087.....	311, 319
7020492.....	98	7022380.....	107	7024534.....	277	7026088.....	289, 313
7021237.....	107	7022381.....	107	7024535.....	277	7026089.....	313
7021238.....	107	7022382.....	107	7024536.....	277	7026090.....	289, 313
7021239.....	107	7022385.....	108	7024537.....	277	7026091.....	289, 313
7021240.....	107	7022386.....	108	7024565.....	83, 89	7026092.....	289, 313
7021242.....	107	7022387.....	108	7024579.....	82, 88, 97	7026093.....	313
7021243.....	107	7022397.....	39	7024705.....	29	7026095.....	313
7021248.....	107	7022399.....	39	7024712.....	29, 33	7026096.....	313
7021249.....	35, 37, 107	7022808.....	251	7024713.....	29, 33	7026097.....	315
7021250.....	107	7022815.....	251	7024714.....	29, 33	7026098.....	315
7021251.....	107	7022819.....	251, 348	7024715.....	29, 33	7026099.....	315
7021255.....	107	7022824.....	348	7024716.....	29, 33	7026101.....	315
7021256.....	108	7023306.....	116	7024717.....	29	7026102.....	315
7021257.....	107	7023318.....	55	7024718.....	30	7026108.....	323
7021258.....	107	7023347.....	116	7024800.....	107	7026109.....	323
7021259.....	107	7023907.....	35, 37	7024804.....	108	7026117.....	311
7021260.....	107	7023908.....	35, 37	7024830.....	358	7026118.....	311
7021265.....	107	7023910.....	35, 37	7024844.....	39, 51, 283, 285, 289	7026119.....	222
7021268.....	107	7023911.....	229, 230	7024853.....	35	7026120.....	222
7021269.....	108	7023912.....	229, 230	7024854.....	35, 37	7026188.....	169, 173, 180, 186, 195
7021270.....	108	7023914.....	51	7024855.....	107	7026199.....	141, 145, 149, 153
7021271.....	108	7023917.....	39	7024856.....	107	7026408.....	356
7021272.....	108	7023922.....	51	7024857.....	107	7026597.....	169, 173, 180, 186, 192, 195
7021273.....	108	7023929.....	111	7024858.....	107	7026626.....	169, 173, 180, 185, 192, 195
7021274.....	108	7023934.....	39	7024868.....	35, 37	7026846.....	66, 73
7021275.....	35, 37, 108	7023971.....	51	7024881.....	39	7026847.....	66, 73
7021276.....	35, 37, 108	7023984.....	229	7026041.....	59	7026848.....	66, 73
7021277.....	35, 37, 108	7024182.....	29, 30	7026042.....	57, 59	7026849.....	66, 73
7021278.....	108	7024189.....	30	7026043.....	57, 59	7026850.....	66, 73
7021279.....	108	7024190.....	30	7026044.....	57, 59	7026851.....	66, 73
7021280.....	107, 108	7024191.....	30	7026045.....	57, 59	7026852.....	66, 73
7021281.....	108	7024192.....	30	7026046.....	57, 59	7026853.....	66, 73
7021290.....	108	7024193.....	30	7026047.....	57, 59	7026854.....	66, 74
7021294.....	108	7024194.....	30	7026048.....	57, 59	7026855.....	66, 73
7021296.....	108	7024196.....	30	7026049.....	57, 59	7026857.....	66, 73
7021297.....	108	7024197.....	30	7026050.....	57, 59	7026858.....	66, 73
7021298.....	108	7024379.....	55	7026051.....	57, 59	7026859.....	66, 74
7021299.....	108	7024380.....	55	7026052.....	57, 59	7026860.....	66, 73
		7024381.....	55	7026053.....	57, 59		
		7024389.....	55	7026055.....	57, 59		
		7024390.....	55				
		7024439.....	116				
		7024440.....	116				
		7024441.....	116				

SECTION 10 - SPECIAL OPTIONS

7026861 67, 74	7027058 94, 356	7027795..... 82, 89, 382	8405006 ... 63, 71, 93, 95, 99
7026862 66, 74	7027076 94, 355, 356	7027796..... 82, 89, 356	8405007 95
7026863 66, 73	7027236 82, 89	7027799.... 169, 173, 179, 185, 192, 195	8405009 95
7026864 66, 73	7027350 59	7027887.... 141, 145, 150, 153	8405104 95
7026865 66, 73	7027351 59	7027965..... 105, 382	8405202 95
7026866 66, 73	7027352 59	7027972..... 105, 382	8405204 95
7026867 66, 73	7027354 57, 59	7138830..... 93	8406102 97
7026868 66, 73	7027356 57, 59	77143013..... 121, 126	8406109 95
7026869 66, 73	7027358 57	77363228..... 356	8406110 95
7026870 66, 74	7027360 59	77363229..... 356	8406112 93
7026872 66, 74	7027412 63, 72	77363233..... 364	8410011 95
7026873 66, 74	7027419 35	8008750..... 73, 86	8410013 93, 95
7026874 66, 74	7027773 273	80484084..... 357	85941018 71
7026875 66, 74	7027774 273	80604018..... 356	8786514 26
7026878 66, 74	7027775 273	80983191..... 357, 382	88261039 53
7027014 79, 104, 356	7027776 273	8180311 105	88662037 66, 71
7027023 66, 72, 356	7027777 273	8229242.... 353, 357, 380, 382	88662523 131
7027024 66, 72, 356	7027778 273	83304170..... 116	8896941 388
7027025 66, 72, 356	7027779 273	83304172..... 116	8902175 327, 329
7027026 66, 72, 356	7027780 273	83304173..... 116	91401281 63, 78, 103
7027040 79, 355, 356	7027790 83, 89	83304174..... 116	91503103 356
7027041 79, 87, 356	7027791 83, 89		91504107 356
7027050 87, 355	7027792 83, 89		
7027057 94, 356	7027793 356		



3121291



An Oshkosh Corporation Company

Corporate Office
JLG Industries, Inc.
1 JLG Drive
McConnellsburg, PA 17233-9533 USA
☎ (717) 485-5161 (Corporate)
☎ (877) 554-5438 (Customer Support)
☎ (717) 485-6417

Visit our website for JLG Worldwide Locations.
www.jlg.com