



Illustrated Parts Manual

Models **450A** **450AJ**

SN 0300201991 to SN 0300272317*
SN 1300007279 to SN 1300007373
SN B300000100 to SN B300005760*
SN E300002833 to SN E300007990*

*See Revision Log Page for exceptions

P/N
3121660

October 1, 2021 - Rev S

ANSI

CE



AS/NZS



An Oshkosh Corporation Company

REVISION LOG

NOTE: The 450AJ may be manufactured by JLG Industries in the following countries: USA & Romania. The country of manufacture may be determined by the serial number located on the serial number nameplate. Machines manufactured in the USA will have a prefix number of 03 (i. e. 03xxxxxxxx). Machines manufactured in the China will have a prefix number of B3 (i.e. B3xxxxxxxx). Machines manufactured in Romania will have a prefix number of E3 (i. e. E3xxxxxxxx or 13xxxxxxxx).

NOTES:

List of SN exceptions:

0300272185-0300272190,B300005569,E300007814

Use Parts Manual 3121660 for these SNs also:

0300199221, 0300199222, 0300199223, 0300199224, 0300200428, 0300201105, 0300201106, 0300201107, 0300201108, 0300201109, 0300201481, 0300201482, 0300201528, 0300201529, 0300201575, 0300201576, 0300201577, 0300201623, 0300201624, 0300201668, 0300201811, 0300201812, 0300201813, 0300201814, 0300201858, 0300201859, 0300201860, 0300201861, 0300201862, 0300201906, 0300201907, 0300201908, 0300201909, 0300201910, 0300201954, 0300201955, 0300201956, 0300201957, 0300201958

REVISION LOG:

February 1, 2015 - A - Original Issue Of Manual (Edited to B/M 1001166193 Revision D)

May 1, 2015 - B - Revised Manual (Edited to B/M 1001166193 Revision H)

August 1, 2015 - C - Revised Manual (Edited to B/M 1001166193 Revision K) (Revision 4)

November 30, 2015 - D - Revised Manual (Edited to B/M 1001166193 Revision M) (Revision 2)

February 5, 2016 - E - Revised Manual (Edited to B/M 1001166193 Revision N) (Revision 4)

May 9, 2016 - F - Revised Manual (Edited to B/M 1001166193 Revision N) (Revision 1)

August 1, 2016 - G - Revised Manual (Edited to B/M 1001166193 Revision AB) (Revision 3)

November 7, 2016 - H - Revised Manual (Edited to B/M 1001166193 Revision AC) (Revision 2)

February 15, 2017 - I - Revised Manual (Edited to B/M 1001166193 Revision AD) (Revision 2)

May 5, 2017 - J - Revised Manual (Edited to B/M 1001166193 Revision AD) (Revision 2)

August 11, 2017 - K - Revised Manual (Edited to B/M 1001166193 Revision AK) (Revision 3)

November 10, 2017 - L - Revised Manual (Edited to B/M 1001166193 Revision AL) (Revision 2)

February 28, 2018 - M - Revised Manual (Edited to B/M 1001166193 Revision AL) (Revision 2)

May 14, 2018 - N - Revised Manual (Edited to B/M 1001166193 Revision AN)

June 8, 2018 - O - Revised Manual (Edited to B/M 1001166193 Revision AN) (Revision 1)

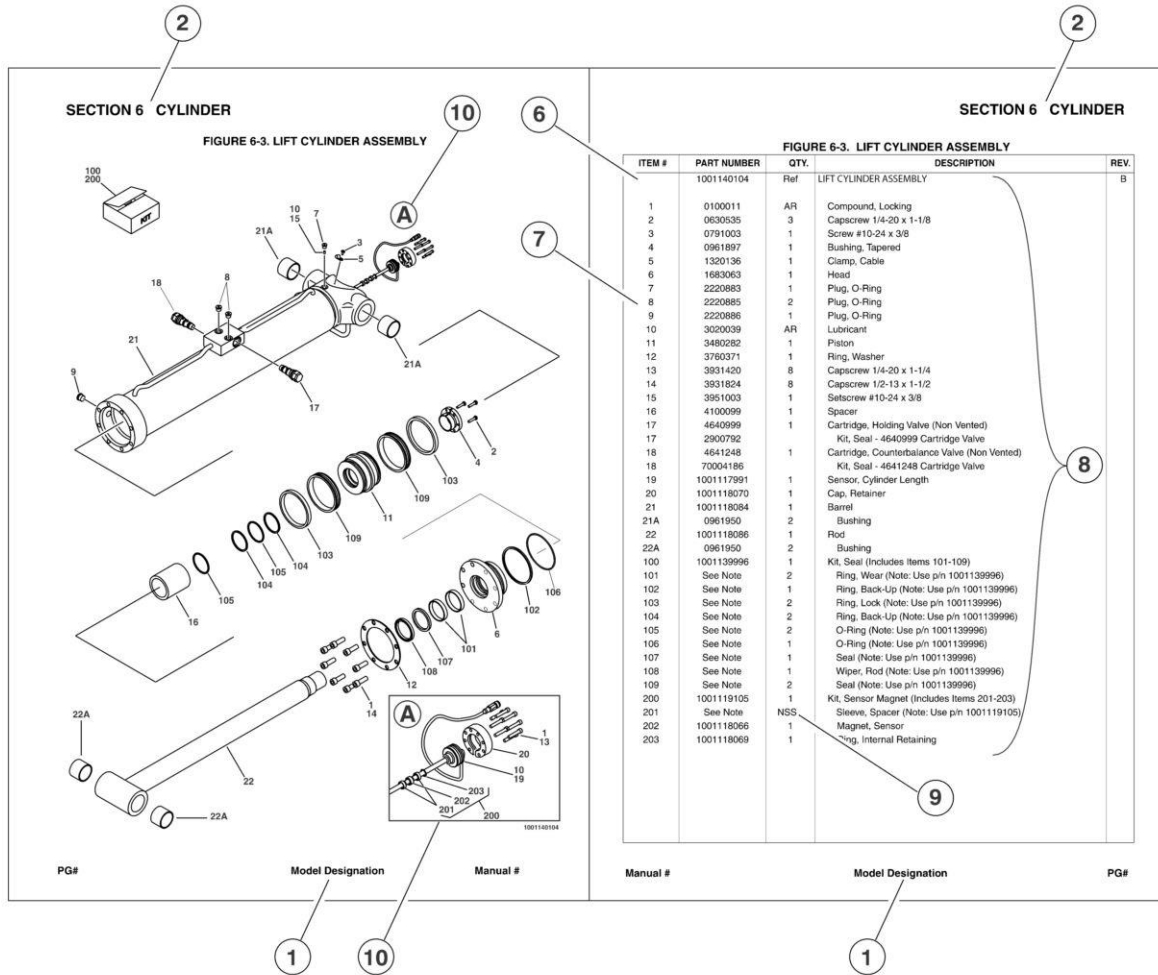
August 3, 2018 - P - Revised Manual (Edited to B/M 1001166193 Revision AN) (Revision 2)

November 16, 2018 - Q - Revised Manual (Edited to B/M 1001166193 Revision AW) (Revision 5)

April 7, 2020 - R - Revised Manual (Edited to B/M 1001166193 Revision AW) (Revision 5)

October 1, 2021 - S - Revised Manual (Edited to B/M 1001166193 Revision AW) (Revision 5)

GENERAL INFORMATION



1) MACHINE IDENTIFICATION

Machines are identified by model and in some cases a combination of models, serial number (SN) or regional standard (i.e ANSI, CE, CSA). Components may also be identified by SN or manufacturer. Common components that may be identified by these characteristics are engines and hydraulic components.

2) PARTS MANUAL ORGANIZATION

Product information in this manual is organized under section titles. Frame, Cylinder, Hydraulic and Electrical are a few examples. Each section is organized by figure and page number. The information within the Figure is then organized by item number, part number, description and corresponding illustration(s).

3) TABLE OF CONTENTS

A table of contents is found toward the beginning of the manual. Figure number, description and page number are provided for quick reference to the page containing the related information.

4) RECOMMENDED SPARE PARTS

The Recommended Spare Parts, located near the end of the manual, reference most frequently used maintenance parts.

5) PART NUMBER INDEX

A numerical index listing all part numbers and the corresponding page number(s) appears at the back of the manual.

GENERAL INFORMATION

6) NON-SERVICED PARTS

In some instances, it is necessary to display non-serviced parts, assemblies or installations. In the case of assemblies and installations there will be a Ref in the Qty column. In case of parts that are not available for service within assemblies or components, there will be a NSS (Not Sold Separately) or NLA (No Longer Available) listed in the Qty. column of the manual.

7) PARTS LIST ITEM NUMBERS

Numbers shown in the item# column correspond to numbers used in the associated illustration (s). Item numbers which are missing from the sequence in the parts list are not used on that page

8) INDENTED PARTS DESCRIPTION

An indented part description is included in the item under which it is indented.

9) ABBREVIATION AND SYMBOLS

AC.....	.. Alternating Current	LCD.....	.. Liquid Crystal Display
ADE.....	..Advanced Design Electronics	LED.....	.. Light Emitting Diodes
ANSI.....	..American National Standards Institute	LH.....	.. Left Hand
AR.....	..As Required	LSS.....	..Load Sensing System
ASSY.....	.. Assembly	M(m).....	.. Metric/Meter
AUX.....	..A uxiliary	MM (mm).....	..Milimeter
AWG.....	..American WireGauge	mA.....	.. Miliamps
B/M.....	.. Bill of Material	NLA.....No Longer Available
CE.....	..European Conformity	NPT.....	.. National Pipe Threads
CCW.....	..Counter Clockwise	NSS.....Not Sold Separately
cm.....	..Centimeter	OD.....	..Outside Diameter
CW.....	..Clockwise	ORB.....	.. O-Ring Boss
CSA.....	..Canadian Standards Association	ORFS.....	.. O-Ring Face Seal
CYL.....	..Cylinder	OZ (oz).....	..Ounces
DIA.....	..Diameter	PG.....	..Page
DC.....	..Direct Current	P/N.....	..Part Number
EMS.....	..Emergency Stop	qt.....	..Quarts
ENG.....	..Engine	QTY.....	..Quantity
FT (ft).....	..Feet	REF.....	..Reference
GA(Ga).....	..Gauge	REV.....	..Revision Level
HYD.....	..Hydraulic	RH.....	.. Right Hand
HZ.....	..Hertz	SAE.....	.. Society of Automotive Engineers
ID.....	..Inside Diameter	SN.....	..Serial Number
in.....	..inches	SPEC(S).....Specifications
ISO.....	..International Organization for Standards	T/T.....	..Turntable
JIC.....	..Joint Industry Council	UGM.....	..Univ ersal G round Module
KG.....	..Kilogram	V.....	..Volts
L.....	..Liter	W.....	..Watts
LB.....	..P ounds	#.....	.. Number

10) ILLUSTRATION REFERENCE LETTERS

When necessary, illustrations may contain reference letters that are intended to track information (i. e. hoses, harnesses) from one point to another or to track visual enlargement of components to show details that may be located in another area on the illustration.

Note: Due to continuous product improvements, JLG Industries, Inc. reserves the right to make specification changes without prior notification. Contact JLG Industries, Inc. for updated information.

TABLE OF CONTENTS

SECTION 1 - FRAME.....	15
FIGURE 1-1. AXLE INSTALLATION	16
FIGURE 1-2. STEER INSTALLATION WITHOUT TOW PACKAGE	18
FIGURE 1-3. STEER INSTALLATION WITH TOW PACKAGE	20
FIGURE 1-4. WHEEL DRIVE INSTALLATION (2WD)	22
FIGURE 1-5. WHEEL DRIVE INSTALLATION (4WD)	24
FIGURE 1-6. HUB - SPINDLE ASSEMBLY	26
FIGURE 1-7. DRIVE HUB AND BRAKE ASSEMBLY - REAR	28
FIGURE 1-8. DRIVE HUB ASSEMBLY - FRONT	32
FIGURE 1-9. DRIVE MOTOR ASSEMBLY (2WD)	34
FIGURE 1-10. DRIVE MOTOR ASSEMBLY (4WD)	36
FIGURE 1-11. FRAME SHIELD INSTALLATION	38
FIGURE 1-12. TIRE AND WHEEL INSTALLATION - 12 X 16.5 FOAM FILLED (AVAILABLE ON ANSI, ANSI EXPORT AND CSA SPECS)	40
FIGURE 1-13. TIRE AND WHEEL INSTALLATION - 12 X 16.5 FOAM FILLED NON MARKING (AVAILABLE ON ANSI, ANSI EXPORT AND CSA SPECS)	42
FIGURE 1-14. TIRE AND WHEEL INSTALLATION - 33 X 12-20 SOLID NON-MARKING (AVAILABLE ON AUSTRALIAN AND CE SPECS)	44
FIGURE 1-15. TIRE AND WHEEL INSTALLATION - 33 X 16LL500 PNEUMATIC TURF AND SAND (AVAILABLE ON ANSI AND ANSI EXPORT SPECS)	46
FIGURE 1-16. TIRE AND WHEEL INSTALLATION - 33/1550 X 16.5 PNEUMATIC (AVAILABLE ON ANSI, ANSI EXPORT AND CSA SPECS)	48
FIGURE 1-17. TIRE AND WHEEL INSTALLATION - 33/1550 X 16.5 PNEUMATIC WITH TIRE SEALANT (AVAILABLE ON ANSI, ANSI EXPORT AND CSA SPECS)	50
FIGURE 1-18. TIRE AND WHEEL INSTALLATION - 33/1550 X 16.5 FOAM-FILLED (AVAILABLE ON ALL SPECS)	52
FIGURE 1-19. TIRE AND WHEEL INSTALLATION - 315/55 D20 FOAM FILLED (AVAILABLE ON AUSTRALIAN, CE AND CHINA SPECS)	54
FIGURE 1-20. TIRE AND WHEEL INSTALLATION - 315/55 D20 FOAM FILLED NON-MARKING (AVAILABLE ON AUSTRALIAN, CE AND CHINA SPECS)	56
FIGURE 1-21. 2WD VALVES INSTALLATION - 450A FRAME MOUNTED	58
FIGURE 1-22. 2WD VALVES INSTALLATION - 450AJ FRAME MOUNTED	60
FIGURE 1-23. 4WD VALVES INSTALLATION - 450A FRAME MOUNTED	62
FIGURE 1-24. 4WD VALVES INSTALLATION - 450AJ FRAME MOUNTED	64
FIGURE 1-25. TRACTION VALVE ASSEMBLY - 2WD	66
FIGURE 1-26. TRACTION VALVE ASSEMBLY - 4WD	68
FIGURE 1-27. TOW PACKAGE INSTALLATION (OPTIONAL)	70
FIGURE 1-28. TOW BAR ASSEMBLY	72
SECTION 2 - TURNTABLE	75
FIGURE 2-1. 2WD VALVES INSTALLATION - 450A TURNTABLE MOUNTED	76
FIGURE 2-2. 2WD VALVES INSTALLATION - 450AJ TURNTABLE MOUNTED	78
FIGURE 2-3. 4WD VALVES INSTALLATION - 450A TURNTABLE MOUNTED	80
FIGURE 2-4. 4WD VALVES INSTALLATION - 450AJ TURNTABLE MOUNTED	82
FIGURE 2-5. MAIN VALVE ASSEMBLY	84
FIGURE 2-6. AUXILIARY PUMP ASSEMBLY	86
FIGURE 2-7. SWING DRIVE AND TURNTABLE BEARING INSTALLATION	88
FIGURE 2-8. SWING MOTOR ASSEMBLY	90
FIGURE 2-9. TURNTABLE BEARING ASSEMBLY	92
FIGURE 2-10. TURNTABLE COVERS INSTALLATION	94
FIGURE 2-11. TURNTABLE LOCK INSTALLATION	96
FIGURE 2-12. TANKS INSTALLATION - DIESEL MACHINES (SN 0300201991 through 0300225480, SN E300002833 through E300004226)	98
FIGURE 2-13. TANKS INSTALLATION - DIESEL MACHINES (SN 0300225481 through 0300272317, SN 1300007279 through 1300007373, SN B300003516 through B300005760, SN E300004227 through E300007990)	100
FIGURE 2-14. TANKS INSTALLATION - GAS MACHINES (SN 0300201991 through 0300225480)	102
FIGURE 2-15. TANKS INSTALLATION - GAS MACHINES (SN 0300225481 through 0300272317)	104
FIGURE 2-16. DRIVE ORIENTATION INSTALLATION	106
FIGURE 2-17. GROUND CONTROL ASSEMBLY - 450A WITH DEUTZ/GM ENGINES (ANSI SPECS)	108
FIGURE 2-18. GROUND CONTROL ASSEMBLY - 450AJ WITH DEUTZ/GM ENGINES (ALL SPECS EXCEPT CE SPECS)	110
FIGURE 2-19. GROUND CONTROL ASSEMBLY - 450AJ WITH DEUTZ ENGINE (CE SPECS ONLY)	112
FIGURE 2-20. GROUND CONTROL ASSEMBLY - 450A WITH KUBOTA ENGINE (ANSI SPECS ONLY)	114
FIGURE 2-21. GROUND CONTROL ASSEMBLY - 450AJ WITH KUBOTA ENGINE (ANSI AND CSA SPECS ONLY)	116
FIGURE 2-22. ELECTRICAL SYSTEM INSTALLATION	118
FIGURE 2-23. BEACON LIGHT INSTALLATION - AMBER	122

TABLE OF CONTENTS

FIGURE 2-24. BEACON LIGHT INSTALLATION - BLUE (SN 0300201991 through 0300202578)	124
FIGURE 2-25. BEACON LIGHT INSTALLATION - BLUE (SN 0300202579 through 0300259091, SN 1300007279 through 1300007373, SN B300003516 through B300005760, SN E300002833 through E300007540)	126
FIGURE 2-26. BEACON LIGHT INSTALLATION - BLUE (SN 0300259092 through 0300272317, SN E300007541 through E300007990)	128
FIGURE 2-27. BEACON LIGHT INSTALLATION - RED (SN 0300214537 through 0300272317, SN 1300007279 through 1300007373, SN B300003516 through B300005760, SN E300003246 through E300007540)	130
FIGURE 2-28. BEACON LIGHT INSTALLATION - RED (SN 0300259092 through 0300272317, SN E300007541 through E300007990)	132
FIGURE 2-29. BATTERY AND CABLE INSTALLATION - USA AND CHINA BUILT MACHINES	134
FIGURE 2-30. BATTERY AND CABLE INSTALLATION - ROMANIAN BUILT MACHINES	136
FIGURE 2-31. HOODS INSTALLATION - 450A WITH DEUTZ/GM ENGINES (SN 0300201991 through 0300222765)	138
FIGURE 2-32. HOODS INSTALLATION - 450A WITH DEUTZ/GM ENGINES (SN 0300222766 through 0300272317)	142
FIGURE 2-33. HOODS INSTALLATION - 450AJ WITH DEUTZ/GM/KUBOTA ENGINES (SN 0300201991 through 0300272317, SN B300003516 through B300005760, SN E300002833 through E300006670)	146
FIGURE 2-34. HOODS INSTALLATION - 450AJ WITH DEUTZ ENGINE (SN E300006671 through E300007990)	150
FIGURE 2-35. HOODS INSTALLATION - 450A WITH KUBOTA ENGINE	154
FIGURE 2-36. HOODS INSTALLATION - 450AJ WITH KUBOTA ENGINE	158
FIGURE 2-37. HOOD ASSEMBLY - TANK SIDE (SN 0300201991 through 0300272317, SN B300003516 through B300005760, SN E300002833 through E300006670)	162
FIGURE 2-38. HOOD ASSEMBLY - TANK SIDE (SN E300006671 through E300007990)	164
FIGURE 2-39. HOOD ASSEMBLY - ENGINE SIDE (SN 0300201991 through 0300272317, SN B300003516 through B300005760, SN E300002833 through E300006670)	166
FIGURE 2-40. HOOD ASSEMBLY - ENGINE SIDE (SN E30000667 through E300007990)	168
FIGURE 2-41. COVERS INSTALLATION - COUNTERWEIGHT (450AJ) (USED ON MACHINES WITH FOAM-FILLED TIRES FOR ANSI, ANSI EXPORT, CSA AND JAPANESE SPECS)	170
FIGURE 2-42. COVERS INSTALLATION - COUNTERWEIGHT (450AJ) (USED ON MACHINES WITH PNEUMATIC TIRES FOR ANSI EXPORT, AUSTRALIAN, CE AND JAPANESE SPECS)	172
FIGURE 2-43. COVERS INSTALLATION - COUNTERWEIGHT (450AJ) (USED ON MACHINES WITH TURF AND SAND TIRES FOR ANSI AND ANSI EXPORT SPECS)	174
 SECTION 3 - ENGINE	 177
FIGURE 3-1. ENGINE INSTALLATION - DEUTZ D2.9L4 ENGINE (WITHOUT ARCTIC PACKAGE) (ANSI, ANSI EXPORT, CSA AND JAPANESE SPECS)	178
FIGURE 3-2. ENGINE AND PUMP SUB-ASSEMBLY - DEUTZ D2.9L4 (WITHOUT ARCTIC PACKAGE) (ANSI, ANSI EXPORT, CSA AND JAPANESE SPECS)	184
FIGURE 3-3. ENGINE ASSEMBLY - DEUTZ D2.9L4 ENGINE (WITHOUT ARCTIC PACKAGE) (ANSI, ANSI EXPORT, CSA AND JAPANESE SPECS)	186
FIGURE 3-4. ENGINE INSTALLATION - DEUTZ D2.9L4 ENGINE (WITH ARCTIC PACKAGE) (ANSI AND CSA SPECS)	192
FIGURE 3-5. ENGINE AND PUMP SUB-ASSEMBLY - DEUTZ D2.9L4 (WITH ARCTIC PACKAGE) (ANSI AND CSA SPECS)	198
FIGURE 3-6. ENGINE ASSEMBLY - DEUTZ D2.9L4 ENGINE (WITH ARCTIC PACKAGE) (ANSI AND CSA SPECS)	200
FIGURE 3-7. ENGINE INSTALLATION - DEUTZ D2.9L4 ENGINE (CHINA SPEC)	206
FIGURE 3-8. ENGINE ASSEMBLY - DEUTZ D2.9L4 ENGINE (CHINA SPEC)	212
FIGURE 3-9. BRACKET ASSEMBLY - FUEL PUMP AND FILTER (DEUTZ D2.9L4 ENGINE)	218
FIGURE 3-10. BREATHER HEATER INSTALLATION - DEUTZ D2.9L4 ENGINE WITH ARCTIC PACKAGE	220
FIGURE 3-11. ENGINE COMPONENTS - DEUTZ D2.9L4 ENGINE (ANSI AND CSA SPECS)	222
FIGURE 3-12. ENGINE COMPONENTS - DEUTZ D2.9L4 ENGINE (CHINA SPEC)	226
FIGURE 3-13. ENGINE INSTALLATION - DEUTZ D2011 ENGINE (WITHOUT ARCTIC PACKAGE) (ANSI EXPORT, AUSTRALIAN, CE AND CHINA SPECS)	230
FIGURE 3-14. ENGINE AND PUMP SUB-ASSEMBLY - DEUTZ D2011 (WITHOUT ARCTIC PACKAGE) (ANSI EXPORT, AUSTRALIAN, CE AND CHINA SPECS)	234
FIGURE 3-15. ENGINE ASSEMBLY - DEUTZ D2011 ENGINE (WITHOUT ARCTIC PACKAGE) (ANSI EXPORT, AUSTRALIAN, CE AND CHINA SPECS)	236
FIGURE 3-16. ENGINE INSTALLATION - DEUTZ D2011 ENGINE (WITH ARCTIC PACKAGE) (ANSI EXPORT AND CHINA SPECS)	240
FIGURE 3-17. ENGINE AND PUMP SUB-ASSEMBLY - DEUTZ D2011 (WITH ARCTIC PACKAGE) (ANSI EXPORT AND CHINA SPECS)	246
FIGURE 3-18. ENGINE ASSEMBLY - DEUTZ D2011 ENGINE (WITH ARCTIC PACKAGE) (ANSI EXPORT AND CHINA SPECS)	248
FIGURE 3-19. ENGINE COMPONENTS - DEUTZ D2011	252
FIGURE 3-20. ENGINE INSTALLATION - DEUTZ D2011 ENGINE (STAGE V) (WITHOUT ARCTIC PACKAGE) (CE SPECS)	256
FIGURE 3-21. ENGINE AND PUMP SUB-ASSEMBLY - DEUTZ D2011 (STAGE V) (WITHOUT ARCTIC PACKAGE) (CE SPECS)	260
FIGURE 3-22. ENGINE ASSEMBLY - DEUTZ D2011 ENGINE (STAGE V) (WITHOUT ARCTIC PACKAGE) (CE SPECS)	262
FIGURE 3-23. ENGINE COMPONENTS - DEUTZ D2011 (STAGE V)	266

TABLE OF CONTENTS

FIGURE 3-24. ENGINE INSTALLATION - GM ENGINE (WITHOUT ARCTIC PACKAGE) (SN 0300201991 through 0300222052)	270
FIGURE 3-25. ENGINE INSTALLATION - GM ENGINE (WITHOUT ARCTIC PACKAGE) (SN 0300222053 through 0300272317)	276
FIGURE 3-26. ENGINE AND PUMP SUB-ASSEMBLY - GM ENGINE (WITHOUT ARCTIC PACKAGE) (SN 0300201991 through 0300222052)	282
FIGURE 3-27. ENGINE AND PUMP SUB-ASSEMBLY - GM ENGINE (WITHOUT ARCTIC PACKAGE) (SN 0300222053 through 0300272317)	284
FIGURE 3-28. ENGINE ASSEMBLY - GM ENGINE (WITHOUT ARCTIC PACKAGE) (SN 0300201991 through 0300222052)	286
FIGURE 3-29. ENGINE ASSEMBLY - GM ENGINE (WITHOUT ARCTIC PACKAGE) (SN 0300222053 through 0300272317)	290
FIGURE 3-30. ENGINE INSTALLATION - GM ENGINE (WITH ARCTIC PACKAGE) (SN 0300201991 through 0300222052)	294
FIGURE 3-31. ENGINE INSTALLATION - GM ENGINE (WITH ARCTIC PACKAGE) (SN 0300222053 through 0300272317)	300
FIGURE 3-32. ENGINE AND PUMP SUB-ASSEMBLY - GM ENGINE (WITH ARCTIC PACKAGE) (SN 0300201991 through 0300222052)	306
FIGURE 3-33. ENGINE AND PUMP SUB-ASSEMBLY - GM ENGINE (WITH ARCTIC PACKAGE) (SN 0300222053 through 0300272317)	308
FIGURE 3-34. ENGINE ASSEMBLY - GM ENGINE (WITH ARCTIC PACKAGE) (SN 0300201991 through 0300222052)	310
FIGURE 3-35. ENGINE ASSEMBLY - GM ENGINE (WITH ARCTIC PACKAGE) (SN 0300222053 through 0300272317)	314
FIGURE 3-36. PUMP COUPLING KIT - DEUTZ/GM ENGINES	318
FIGURE 3-37. ENGINE INSTALLATION - KUBOTA ENGINE (WITHOUT ARCTIC PACKAGE) (SN 0300201991 through 0300241743)	320
FIGURE 3-38. ENGINE INSTALLATION - KUBOTA ENGINE (WITHOUT ARCTIC PACKAGE) (SN 0300241744 through 0300272317)	326
FIGURE 3-39. ENGINE AND PUMP SUB-ASSEMBLY - KUBOTA ENGINE (WITHOUT ARCTIC PACKAGE) (SN 0300201991 through 0300241743)	332
FIGURE 3-40. ENGINE AND PUMP SUB-ASSEMBLY - KUBOTA ENGINE (WITHOUT ARCTIC PACKAGE) (SN 0300241744 through 0300272317)	334
FIGURE 3-41. ENGINE ASSEMBLY - KUBOTA ENGINE (WITHOUT ARCTIC PACKAGE) (SN 0300201991 through 0300241743)	336
FIGURE 3-42. ENGINE ASSEMBLY - KUBOTA ENGINE (WITHOUT ARCTIC PACKAGE) (SN 0300241744 through 0300272317)	342
FIGURE 3-43. ENGINE INSTALLATION - KUBOTA ENGINE (WITH ARCTIC PACKAGE) (SN 0300201991 through 0300241743)	348
FIGURE 3-44. ENGINE INSTALLATION - KUBOTA ENGINE (WITH ARCTIC PACKAGE) (SN 0300241744 through 0300272317)	354
FIGURE 3-45. ENGINE AND PUMP SUB-ASSEMBLY - KUBOTA ENGINE (WITH ARCTIC PACKAGE) (SN 0300201991 through 0300241743)	360
FIGURE 3-46. ENGINE AND PUMP SUB-ASSEMBLY - KUBOTA ENGINE (WITH ARCTIC PACKAGE) (SN 0300241744 through 0300272317)	362
FIGURE 3-47. ENGINE ASSEMBLY - KUBOTA ENGINE (WITH ARCTIC PACKAGE) (SN 0300201991 through 0300241743)	364
FIGURE 3-48. ENGINE ASSEMBLY - KUBOTA ENGINE (WITH ARCTIC PACKAGE) (SN 0300241744 through 0300272317)	370
FIGURE 3-49. ENGINE COMPONENTS - KUBOTA (SN 0300201991 through 0300241743)	376
FIGURE 3-50. ENGINE COMPONENTS - KUBOTA (SN 0300241744 through 0300272317)	380
FIGURE 3-51. PUMP COUPLING KIT - KUBOTA ENGINE	384
FIGURE 3-52. GEAR PUMP ASSEMBLY	386
FIGURE 3-53. PISTON PUMP ASSEMBLY	388
FIGURE 3-54. SPARK ARRESTOR INSTALLATION - DEUTZ D2.9L4 ENGINE	392
FIGURE 3-55. CATALYTIC SPARK ARRESTOR INSTALLATION - DEUTZ D2011 ENGINE	394
FIGURE 3-56. SPARK ARRESTOR INSTALLATION - DEUTZ D2011 ENGINE	396
FIGURE 3-57. SPARK ARRESTOR INSTALLATION - KUBOTA ENGINE	398
FIGURE 3-58. ENGINE BAFFLE INSTALLATION - WITH DEUTZ/GM ENGINES	400
FIGURE 3-59. ENGINE BAFFLE INSTALLATION - WITH KUBOTA ENGINE	402
FIGURE 3-60. GENERATOR INSTALLATION - 2500W/50HZ (DEUTZ D2011 ENGINE)	404
FIGURE 3-61. GENERATOR INSTALLATION - 2500W/60HZ (DEUTZ D2011 ENGINE)	408
FIGURE 3-62. GENERATOR INSTALLATION - 2500W/60HZ (DEUTZ D2.9L4 ENGINE)	412
FIGURE 3-63. GENERATOR INSTALLATION - 2500W/60HZ (GM ENGINE)	416
FIGURE 3-64. GENERATOR INSTALLATION - 2500W/60HZ (KUBOTA ENGINE)	420
FIGURE 3-65. GENERATOR INSTALLATION - 4000W/50HZ (DEUTZ D2011 ENGINE)	424
FIGURE 3-66. GENERATOR INSTALLATION - 4000W/60HZ (DEUTZ D2011 ENGINE)	428
FIGURE 3-67. GENERATOR INSTALLATION - 4000W/60HZ (DEUTZ D2.9L4 ENGINE)	432
FIGURE 3-68. GENERATOR INSTALLATION - 4000W/60HZ (GM ENGINE)	436
FIGURE 3-69. GENERATOR INSTALLATION - 7500W/50HZ (DEUTZ D2011 ENGINE)	440
FIGURE 3-70. GENERATOR INSTALLATION - 7500W/60HZ (DEUTZ D2011 ENGINE)	444
FIGURE 3-71. GENERATOR INSTALLATION - 7500W/60HZ (DEUTZ D2.9L4 ENGINE)	448
FIGURE 3-72. GENERATOR INSTALLATION - 7500W/60HZ (GM ENGINE)	452
FIGURE 3-73. GENERATOR INSTALLATION - 7500W/60HZ (KUBOTA ENGINE)	456

TABLE OF CONTENTS

SECTION 4 - BOOM.....	461
FIGURE 4-1. CYLINDERS INSTALLATION - 450A.....	462
FIGURE 4-2. CYLINDERS INSTALLATION - 450AJ (USA AND CHINA BUILT MACHINES)	464
FIGURE 4-3. CYLINDERS INSTALLATION - 450AJ (ROMANIAN BUILT MACHINES).....	466
FIGURE 4-4. BOOM INSTALLATION - 450A.....	468
FIGURE 4-5. BOOM INSTALLATION WITH AIRLINE - 450A	470
FIGURE 4-6. BOOM INSTALLATION WITH SKYPOWER AND AIRLINE - 450A.....	472
FIGURE 4-7. BOOM INSTALLATION WITH SKYPOWER - 450A	474
FIGURE 4-8. BOOM INSTALLATION KIT - 450A.....	476
FIGURE 4-9. BOOM INSTALLATION - 450AJ USA AND CHINA BUILT MACHINES	478
FIGURE 4-10. BOOM INSTALLATION - 450AJ ROMANIAN BUILT MACHINES	480
FIGURE 4-11. JIB INSTALLATION - USA AND CHINA BUILT MACHINES	482
FIGURE 4-12. JIB INSTALLATION - ROMANIAN BUILT MACHINES.....	484
FIGURE 4-13. MAIN BOOM ASSEMBLY - 450A.....	486
FIGURE 4-14. MAIN BOOM ASSEMBLY - 450AJ.....	488
FIGURE 4-15. TOWER BOOM ASSEMBLY - 450A	490
FIGURE 4-16. TOWER BOOM ASSEMBLY - 450AJ USA AND CHINA BUILT MACHINES	492
FIGURE 4-17. TOWER BOOM ASSEMBLY - 450AJ ROMANIAN BUILT MACHINES	494
FIGURE 4-18. ROTATOR ASSEMBLY (SN 0300201991 through 0300232742, SN E300002833 through E300004880)	496
FIGURE 4-19. ROTATOR ASSEMBLY (SN 0300232743 through 0300272317, SN B300003516 through B300005760, SN E300004881 through E300007990, SN 1300007279 through 1300007373)	498
FIGURE 4-20. PLATFORM SUPPORT INSTALLATION - WITHOUT LSS.....	500
FIGURE 4-21. PLATFORM SUPPORT INSTALLATION - WITH 4 CELL LSS (450AJ ONLY) (SN 0300201991 through 0300202578).....	502
FIGURE 4-22. PLATFORM SUPPORT INSTALLATION WITH 4 CELL LSS (450AJ ONLY) (SN 0300202579 through 0300272317, SN E300002833 through E300007990, SN 1300007279 through 1300007373)	506
FIGURE 4-23. PLATFORM SUPPORT INSTALLATION - WITH 1 CELL LSS	508
FIGURE 4-24. 2WD VALVES INSTALLATION - 450A BOOM MOUNTED.....	512
FIGURE 4-25. 2WD VALVES INSTALLATION - 450AJ BOOM MOUNTED.....	514
FIGURE 4-26. 4WD VALVES INSTALLATION - 450A BOOM MOUNTED.....	516
FIGURE 4-27. 4WD VALVES INSTALLATION - 450AJ BOOM MOUNTED.....	518
FIGURE 4-28. UPRIGHT VALVE ASSEMBLY.....	520
FIGURE 4-29. BOOM VALVE ASSEMBLY - 450A.....	522
FIGURE 4-30. BOOM VALVE ASSEMBLY - 450AJ	524
SECTION 5 - PLATFORM.....	527
FIGURE 5-1. PLATFORM ASSEMBLY - 30IN X 4FT (76CM X 1.22M) - SIDE GATE ENTRY (USA BUILT MACHINES)	528
FIGURE 5-2. PLATFORM ASSEMBLY - 30IN X 5FT (76CM X 1.52M) - SIDE GATE ENTRY (USA AND CHINA BUILT MACHINES).....	530
FIGURE 5-3. PLATFORM ASSEMBLY - 30IN X 6FT (76CM X 1.83M) - SIDE GATE ENTRY (USA AND CHINA BUILT MACHINES).....	532
FIGURE 5-4. PLATFORM ASSEMBLY - 30IN X 4FT (76CM X 1.22M) - SIDE GATE ENTRY (ROMANIAN BUILT MACHINES).....	534
FIGURE 5-5. PLATFORM ASSEMBLY - 30IN X 5FT (76CM X 1.52M) - SIDE GATE ENTRY (ROMANIAN BUILT MACHINES).....	536
FIGURE 5-6. PLATFORM ASSEMBLY - 30IN X 6FT (76CM X 1.83M) - SIDE GATE ENTRY (ROMANIAN BUILT MACHINES).....	538
FIGURE 5-7. PLATFORM ASSEMBLY - 30IN X 3FT (76CM X .91M) - DROP BAR ENTRY (USA BUILT MACHINES)	540
FIGURE 5-8. PLATFORM ASSEMBLY - 30IN X 4FT (76CM X 1.22M) - WITH DROP BAR (USA BUILT MACHINES)	542
FIGURE 5-9. PLATFORM ASSEMBLY - 30IN X 5FT (76CM X 1.52M) - WITH DROP BAR (USA AND CHINA BUILT MACHINES).....	544
FIGURE 5-10. PLATFORM ASSEMBLY - 30IN X 6FT (76CM X 1.83M) - WITH DROP BAR (USA AND CHINA BUILT MACHINES).....	546
FIGURE 5-11. PLATFORM ASSEMBLY - 30IN X 3FT (76CM X .91M) - DROP BAR ENTRY (ROMANIAN BUILT MACHINES).....	548
FIGURE 5-12. PLATFORM ASSEMBLY - 30IN X 4FT (76CM X 1.22M) - WITH DROP BAR (ROMANIAN BUILT MACHINES).....	550
FIGURE 5-13. PLATFORM ASSEMBLY - 30IN X 5FT (76CM X 1.52M) - WITH DROP BAR (ROMANIAN BUILT MACHINES).....	552
FIGURE 5-14. PLATFORM ASSEMBLY - 30IN X 6FT (76CM X 1.83M) - WITH DROP BAR (ROMANIAN BUILT MACHINES).....	554
FIGURE 5-15. PLATFORM ASSEMBLY - 30IN X 5FT (76CM X 1.52M) - FALL ARREST (ANSI, ANSI EXPORT AND CSA SPECS).....	556
FIGURE 5-16. CONSOLE BOX INSTALLATION - 450A WITHOUT SKYGUARD (SN 0300201991 through 0300226169)	558
FIGURE 5-17. CONSOLE BOX INSTALLATION - 450AJ WITHOUT SKYGUARD (SN 0300201991 through 0300226169)	560
FIGURE 5-18. CONSOLE BOX INSTALLATION - 450A WITH SKYGUARD (SN 0300201991 through 0300259091)	562
FIGURE 5-19. CONSOLE BOX INSTALLATION - 450A WITH SKYGUARD (SN 0300259092 through 0300272317)	564
FIGURE 5-20. CONSOLE BOX INSTALLATION - 450AJ WITH SKYGUARD (SN 0300201991 through 0300259091, SN B300003516 through B300005760, SN E300002833 through E300007540, SN 1300007279 through 1300007373).....	566
FIGURE 5-21. CONSOLE BOX INSTALLATION - 450AJ WITH SKYGUARD (SN 0300259092 through 0300272317, SN E300007541 through E300007990)	568

TABLE OF CONTENTS

FIGURE 5-22. PLATFORM CONSOLE BOX ASSEMBLY - 450A WITHOUT SKYGUARD (SN 0300201991 through 0300226169)	570
FIGURE 5-23. PLATFORM CONSOLE BOX ASSEMBLY - 450AJ WITHOUT SKYGUARD (SN 0300201991 through 0300219950)	574
FIGURE 5-24. PLATFORM CONSOLE BOX ASSEMBLY - 450AJ WITHOUT SKYGUARD (SN 0300219951 through 0300226169)	578
FIGURE 5-25. PLATFORM CONSOLE BOX ASSEMBLY - 450A WITH SKYGUARD (SN 0300201991 through 0300259091)	582
FIGURE 5-26. PLATFORM CONSOLE BOX ASSEMBLY - 450A WITH SKYGUARD (SN 0300259092 through 0300272317)	586
FIGURE 5-27. PLATFORM CONSOLE BOX ASSEMBLY - 450AJ WITH SKYGUARD (SN 0300201991 through 0300219950, SN E300002833 through E300003608)	590
FIGURE 5-28. PLATFORM CONSOLE BOX ASSEMBLY - 450AJ WITH SKYGUARD (SN 0300219951 through 0300259091, SN B300003516 through B300005760, SN E300003609 through E300007540, SN 1300007279 through 1300007373)	594
FIGURE 5-29. PLATFORM CONSOLE BOX ASSEMBLY - 450AJ WITH SKYGUARD (SN 0300259091 through 0300272317, SN E300007541 through E300007990)	598
FIGURE 5-30. CONTROLLER ASSEMBLY - DRIVE AND STEER	602
FIGURE 5-31. CONTROLLER ASSEMBLY - LIFT AND SWING	604
FIGURE 5-32. FOOTSWITCH ASSEMBLY	608
FIGURE 5-33. TRAY ASSEMBLY	610
FIGURE 5-34. SOFT TOUCH INSTALLATION - 6FT/1.8M PLATFORM (ANSI, ANSI EXPORT AND CSA SPECS) (SN 0300201991 through 0300211852)	612
FIGURE 5-35. SOFT TOUCH INSTALLATION - 6FT/1.8M PLATFORM (ANSI, ANSI EXPORT, CHINA, CSA AND JAPANESE SPECS) (SN 0300211853 through 0300272317, SN B300003516 through B300005760)	614
FIGURE 5-36. SOFT TOUCH INSTALLATION - 5FT/1.52M PLATFORM WITH FALL ARREST (ANSI, ANSI EXPORT AND CSA SPECS) (SN 0300201991 through 0300211852)	616
FIGURE 5-37. SOFT TOUCH INSTALLATION - 5FT/1.52M PLATFORM WITH FALL ARREST (ANSI, ANSI EXPORT, CHINA, CSA AND JAPANESE SPECS) (SN 0300211853 through 0300272317, SN B300003516 through B300005760)	618
FIGURE 5-38. SKYEYE INSTALLATION	620
FIGURE 5-39. SKYGUARD SYSTEM INSTALLATION (SN 0300201991 through 0300259091, SN B300003516 through B300005760, SN E300002833 through E300007540, SN 1300007279 through 1300007373)	622
FIGURE 5-40. SKYGUARD BAR INSTALLATION (SN 0300259092 through 0300272317, SN E300007541 through E300007990)	624
FIGURE 5-41. SKYLINE INSTALLATION	626
FIGURE 5-42. CROSS RAIL INSTALLATION	628
FIGURE 5-43. SKYGLAZIER INSTALLATION	630
FIGURE 5-44. SKYGLAZIER INSTALLATION	632
FIGURE 5-45. SKYWELDER INSTALLATION (50HZ)	634
FIGURE 5-46. SKYWELDER INSTALLATION (60HZ)	636
FIGURE 5-47. SKYWELDER PREP PACKAGE INSTALLATION	638
FIGURE 5-48. WELDER ASSEMBLY	640
FIGURE 5-49. PIPE RACK INSTALLATION (ALL SPECS EXCEPT AUSTRALIAN SPECS)	642
FIGURE 5-50. PIPE RACK INSTALLATION (AUSTRALIAN SPEC)	644
SECTION 6 - CYLINDER	647
FIGURE 6-1. AXLE LOCKOUT CYLINDER ASSEMBLY	648
FIGURE 6-2. LEVEL (PLATFORM SLAVE) CYLINDER ASSEMBLY	650
FIGURE 6-3. LIFT CYLINDER ASSEMBLY - JIB	652
FIGURE 6-4. LIFT CYLINDER ASSEMBLY - 450A MAIN BOOM (SN 0300201991 through 0300235624)	654
FIGURE 6-5. LIFT CYLINDER ASSEMBLY - 450A MAIN BOOM (SN 0300235625 through 0300272317)	656
FIGURE 6-6. LIFT CYLINDER ASSEMBLY - 450AJ MAIN BOOM (USA BUILT MACHINES) (SN 0300201991 through 0300229340)	658
FIGURE 6-7. LIFT CYLINDER ASSEMBLY - 450AJ MAIN BOOM (USA BUILT MACHINES) (SN 0300226835 through 0300234431)	660
FIGURE 6-8. LIFT CYLINDER ASSEMBLY - 450AJ MAIN BOOM (ROMANIAN BUILT MACHINES) (SN E300002833 through E300004190)	662
FIGURE 6-9. LIFT CYLINDER ASSEMBLY - 450AJ MAIN BOOM (SN 0300234432 through 0300272317, SN B300003516 through B300005760, SN E300004191 through E300007990, SN 1300007279 through 1300007373)	664
FIGURE 6-10. LIFT CYLINDER ASSEMBLY - TOWER BOOM	666
FIGURE 6-11. MASTER CYLINDER ASSEMBLY	668
FIGURE 6-12. STEER CYLINDER ASSEMBLY	670
FIGURE 6-13. TELESCOPE CYLINDER ASSEMBLY - 450A	672
FIGURE 6-14. TELESCOPE CYLINDER ASSEMBLY - 450AJ (USA BUILT MACHINES) (SN 0300201991 through 0300234431)	674
FIGURE 6-15. TELESCOPE CYLINDER ASSEMBLY - 450AJ (SN 0300234432 through 0300272317, SN B300003516 through B300005760, SN E300002833 through E300007990, SN 1300007279 through 1300007373)	676
SECTION 7 - HYDRAULIC	679

TABLE OF CONTENTS

FIGURE 7-1. 2WD HYDRAULIC SYSTEM INSTALLATION - 450A.....	680
FIGURE 7-2. 2WD HYDRAULIC SYSTEM INSTALLATION - 450AJ.....	686
FIGURE 7-3. 4WD HYDRAULIC SYSTEM INSTALLATION - 450A.....	692
FIGURE 7-4. 4WD HYDRAULIC SYSTEM INSTALLATION - 450AJ (SN 0300201991 through 0300225480, SN E300002833 through E300004226)	698
FIGURE 7-5. 4WD HYDRAULIC SYSTEM INSTALLATION - 450AJ (SN 0300225481 through 0300272317, SN B300003516 through B300005760, SN E300004227 through E300007990, SN 1300007279 through 1300007373).....	704
FIGURE 7-6. HYDRAULIC DIAGRAM LIST	710
 SECTION 8 - ELECTRICAL	 711
FIGURE 8-1. ELECTRICAL DIAGRAM LIST	712
FIGURE 8-2. AC BOX AT PLATFORM - LOCALLY SUPPLIED COMPONENTS FOR ANSI EXPORT, AUSTRALIAN AND CE SPECS (SN 0300201991 through 0300220578, SN E300002833 through E300003512)	714
FIGURE 8-3. AC BOX AT PLATFORM INSTALLATION - 110V - ANSI, ANSI EXPORT AND CSA SPECS (SN 0300201991 through 0300220578).....	716
FIGURE 8-4. AC BOX AT PLATFORM INSTALLATION - 110V - ANSI, ANSI EXPORT, CHINA, CSA AND JAPANESE SPECS (SN 0300220579 through 0300272317, SN B300003516 through B300005760)	718
FIGURE 8-5. AC BOX AT PLATFORM INSTALLATION - 110V IEC YELLOW (CE SPEC) (SN 0300201991 through 0300220578, SN E300002833 through E300003512)	720
FIGURE 8-6. AC BOX AT PLATFORM INSTALLATION - 110V IEC 60309 YELLOW WITHOUT 2500W GENERATOR (CE SPECS) (SN 0300220579 through 0300272317, SN E300003513 through E300007990, SN 1300007279 through 1300007373).....	722
FIGURE 8-7. AC BOX AT PLATFORM INSTALLATION - 220V - ANSI, ANSI EXPORT AND CSA SPECS (SN 0300201991 through 0300220578).....	724
FIGURE 8-8. AC BOX AT PLATFORM INSTALLATION - 220V IEC BLUE (CE SPEC) (SN 0300201991 through 0300220578, SN E300002833 through E300003512)	726
FIGURE 8-9. AC BOX AT PLATFORM INSTALLATION - 220V IEC 60309 BLUE WITHOUT 2500W GENERATOR (CE SPECS) (SN 0300220579 through 0300272317, SN E300003513 through E300007990, SN 1300007279 through 1300007373)	728
FIGURE 8-10. AC BOX AT PLATFORM INSTALLATION - 220V CEE7 POST GROUND WITH 70MM X 70MM BOX (CE SPEC) (SN 0300201991 through 0300210158, SN E300002833 through E300002763)	730
FIGURE 8-11. AC BOX AT PLATFORM INSTALLATION - 220V CEE7 SIDE GROUND WITH 70MM X 70MM BOX (CE SPEC) (SN 0300201991 through 0300210158, SN E300002833 through E300002763)	732
FIGURE 8-12. AC BOX AT PLATFORM INSTALLATION - 220V CEE7 POST GROUND WITH 2IN X 4IN BOX (CE SPEC) (SN 0300201991 through 0300210158, SN E300002833 through E300002763)	734
FIGURE 8-13. AC BOX AT PLATFORM INSTALLATION - 220V CEE7 POST GROUND WITH 2IN X 4IN BOX (CE SPEC) (SN 0300210159 through 0300220578, SN E300002764 through E300003512)	736
FIGURE 8-14. AC BOX AT PLATFORM INSTALLATION - 220V CEE7 POST GROUND (2X4 BOX) WITHOUT 2500W GENERATOR (CE SPECS) (SN 0300220579 through 0300272317, SN E300003513 through E300007990, SN 1300007279 through 1300007373).....	738
FIGURE 8-15. AC BOX AT PLATFORM INSTALLATION - 220V CEE7 SIDE GROUND WITH 2IN X 4IN BOX (CE SPEC) (SN 0300201991 through 0300210158, SN E300002833 through E300002763)	740
FIGURE 8-16. AC BOX AT PLATFORM INSTALLATION - 220V CEE7 SIDE GROUND WITH 2IN X 4IN BOX (CE SPEC) (SN 0300210159 through 0300220578, SN E300002764 through E300003512)	742
FIGURE 8-17. AC BOX AT PLATFORM INSTALLATION - 220V CEE7 SIDE GROUND (2X4 BOX) WITHOUT 2500W GENERATOR (CE SPECS) (SN 0300220579 through 0300272317, SN E300003513 through E300007990, SN 1300007279 through 1300007373).....	744
FIGURE 8-18. AC BOX AT PLATFORM INSTALLATION - 220V AFSINT 107 KEYED GROUND WITH 2IN X 4IN BOX (CE SPEC) (SN 0300201991 through 0300220578, SN E300002833 through E300003512)	746
FIGURE 8-19. AC BOX AT PLATFORM INSTALLATION - 220V AFSINT 107 KEYED GROUND (2X4 BOX) WITHOUT 2500W GENERATOR (CE SPECS) (SN 0300220579 through 0300272317, SN E300003513 through E300007990, SN 1300007279 through 1300007373).....	748
FIGURE 8-20. AC BOX AT PLATFORM INSTALLATION - 220V CUSTOMER SUPPLIED COMPONENTS (ANSI EXPORT, CE AND CHINA SPECS)	750
FIGURE 8-21. AC CABLE INSTALLATION - WITH TWO BREAKERS (CE SPECS) (SN 0300220579 through 0300272317, SN E300003513 through E300007990, SN 1300007279 through 1300007373)	752
FIGURE 8-22. AC CABLE INSTALLATION - WITH THREE BREAKERS (CE SPECS) (SN 0300220579 through 0300272317, SN E300003513 through E300007990, SN 1300007279 through 1300007373)	754
FIGURE 8-23. BATTERY DISCONNECT SWITCH	756
FIGURE 8-24. BEACON LIGHT HARNESS (BLUE BEACON ONLY) (SN 0300201991 through 0300202578)	758
FIGURE 8-25. BEACON LIGHT HARNESS (BLUE BEACON ONLY) (SN 0300202579 through 0300272317, SN B300003516 through B300005760, SN E300002833 through E300007990, SN 1300007279 through 1300007373)	760
FIGURE 8-26. BEACON EXTENSION HARNESS (SN 0300202579 through 0300221757, SN E300002833 through E300003881)	762
FIGURE 8-27. BOOM CABLES AND CLAMPS INSTALLATION - 450A (WITHOUT ARCTIC PACKAGE)	764
FIGURE 8-28. BOOM CABLES AND CLAMPS INSTALLATION - 450AJ (WITHOUT ARCTIC PACKAGE)	768
FIGURE 8-29. BOOM CABLES AND CLAMPS INSTALLATION - 450A (WITH ARCTIC PACKAGE)	772

TABLE OF CONTENTS

FIGURE 8-30. BOOM CABLES AND CLAMPS INSTALLATION - 450AJ (WITH ARCTIC PACKAGE)	776
FIGURE 8-31. BOOM HARNESS - 450A (MAIN BOOM) (WITHOUT ARCTIC PACKAGE)	780
FIGURE 8-32. BOOM HARNESS - 450AJ (MAIN BOOM) (WITHOUT ARCTIC PACKAGE)	782
FIGURE 8-33. BOOM HARNESS - 450A (MAIN BOOM) (WITH ARCTIC PACKAGE)	784
FIGURE 8-34. BOOM HARNESS - 450AJ (MAIN BOOM) (WITH ARCTIC PACKAGE)	786
FIGURE 8-35. BOOM HARNESS - 450A (MAIN BOOM AC CABLE) (WITHOUT ARCTIC PACKAGE)	788
FIGURE 8-36. BOOM HARNESS - 450AJ (MAIN BOOM AC CABLE) (WITHOUT ARCTIC PACKAGE)	790
FIGURE 8-37. BOOM HARNESS - 450A (MAIN BOOM AC CABLE) (WITH ARCTIC PACKAGE)	792
FIGURE 8-38. BOOM HARNESS - 450AJ (MAIN BOOM AC CABLE) (WITH ARCTIC PACKAGE)	794
FIGURE 8-39. BOOM HARNESS - TOWER BOOM (WITHOUT ARCTIC PACKAGE)	796
FIGURE 8-40. BOOM HARNESS - TOWER BOOM (WITH ARCTIC PACKAGE)	798
FIGURE 8-41. BOOM HARNESS - TOWER BOOM AC CABLE (WITHOUT ARCTIC PACKAGE)	800
FIGURE 8-42. BOOM HARNESS - TOWER BOOM AC CABLE (WITH ARCTIC PACKAGE)	802
FIGURE 8-43. BOOM VALVE HARNESS	804
FIGURE 8-44. BREAKER BOX KIT WITH TWO BREAKERS - CE SPEC	806
FIGURE 8-45. BREAKER BOX KIT WITH THREE BREAKERS - CE SPEC	808
FIGURE 8-46. BREAKER BOX KIT - 30MA/16 AMP	810
FIGURE 8-47. CHASSIS SOLENOID HARNESS	812
FIGURE 8-48. ENGINE HARNESS - DEUTZ D2011	814
FIGURE 8-49. ENGINE HARNESS - DEUTZ D2.9L4	816
FIGURE 8-50. ENGINE HARNESS - GM	820
FIGURE 8-51. ENGINE HARNESS - KUBOTA	822
FIGURE 8-52. FUEL HARNESS - DEUTZ D2.9L4 ENGINE	824
FIGURE 8-53. GENERATOR HARNESS - 2500W GENERATOR (60HZ)	826
FIGURE 8-54. GENERATOR HARNESS - 2500W GENERATOR (50HZ)	828
FIGURE 8-55. GENERATOR HARNESS - 4000W GENERATOR	830
FIGURE 8-56. GENERATOR ON/OFF SWITCH HARNESS	832
FIGURE 8-57. GROUND CONTROL PANEL HARNESS	834
FIGURE 8-58. KUBOTA D/F POWER HARNESS	836
FIGURE 8-59. LSS HARNESS	838
FIGURE 8-60. PLATFORM CONSOLE BOX HARNESS (SN 0300201991 through 0300259091, SN B300003516 through B300005760, SN E300002833 through E300007540, SN 1300007279 through 1300007373)	840
FIGURE 8-61. PLATFORM CONSOLE BOX HARNESS (SN 0300259091 through 0300272317, SN E300007541 through E300007990)	844
FIGURE 8-62. PLATFORM INTERFACE HARNESS	846
FIGURE 8-63. RECEPTACLE BOX KIT - 110V IEC YELLOW (CE SPEC)	848
FIGURE 8-64. RECEPTACLE BOX KIT - 220V IEC BLUE (CE SPEC)	850
FIGURE 8-65. RECEPTACLE BOX KIT - 220V CEE7 POST GROUND 2IN X 4IN BOX (CE SPEC)	852
FIGURE 8-66. RECEPTACLE BOX KIT - 220V CEE7 SIDE GROUND 2IN X 4IN BOX (CE SPEC)	854
FIGURE 8-67. RECEPTACLE BOX KIT - 220V CEE7 POST GROUND 70MM X 70MM BOX (CE SPEC)	856
FIGURE 8-68. RECEPTACLE BOX KIT - 220V CEE7 SIDE GROUND 70MM X 70MM BOX (CE SPEC)	858
FIGURE 8-69. RECEPTACLE BOX KIT - 220V AFSINT 107 (CE SPEC)	860
FIGURE 8-70. SKYEYE INTERMEDIATE HARNESS	862
FIGURE 8-71. SKYEYE RECEIVER HARNESS	864
FIGURE 8-72. SKYEYE EMITTER HARNESS	866
FIGURE 8-73. SKYLINE HARNESS	868
FIGURE 8-74. SKYGUARD HARNESS	870
FIGURE 8-75. TURNTABLE HARNESS	872
FIGURE 8-76. VALVE HARNESS - MAIN VALVE	876
FIGURE 8-77. VALVE HARNESS - PLATFORM VALVE	878
SECTION 9 - DECAL	881
FIGURE 9-1. DECAL INSTALLATION - ANSI, ANSI EXPORT AND CHINA SPECS (ENGLISH)	882
FIGURE 9-2. DECAL INSTALLATION - WITH KUBOTA ENGINE (ANSI SPECS) (ENGLISH)	886
FIGURE 9-3. DECAL INSTALLATION - AUSTRALIAN SPEC (ENGLISH)	888
FIGURE 9-4. DECAL INSTALLATION - BRAZIL SPEC (ENGLISH)	890
FIGURE 9-5. DECAL INSTALLATION - CE SPEC (ENGLISH)	892
FIGURE 9-6. DECAL INSTALLATION - CSA SPEC (FRENCH/ENGLISH)	894
FIGURE 9-7. DECAL INSTALLATION - WITH KUBOTA ENGINE (CSA SPEC) (FRENCH/ENGLISH)	896
FIGURE 9-8. DECAL INSTALLATION - CHINESE SPEC (CHINESE/ENGLISH)	898
FIGURE 9-9. DECAL INSTALLATION - JAPANESE SPEC (JAPANESE/ENGLISH)	900
FIGURE 9-10. DECAL INSTALLATION - KOREAN SPEC (KOREAN/ENGLISH)	902
FIGURE 9-11. DECAL INSTALLATION - LATIN AMERICA SPEC (SPANISH/ENGLISH)	904
FIGURE 9-12. DECAL INSTALLATION - OPTIONS	906
FIGURE 9-13. TOW BAR DECAL INSTALLATION - ENGLISH LANGUAGE (ANSI, ANSI EXPORT, CE, CHINA AND JAPANESE SPECS)	908

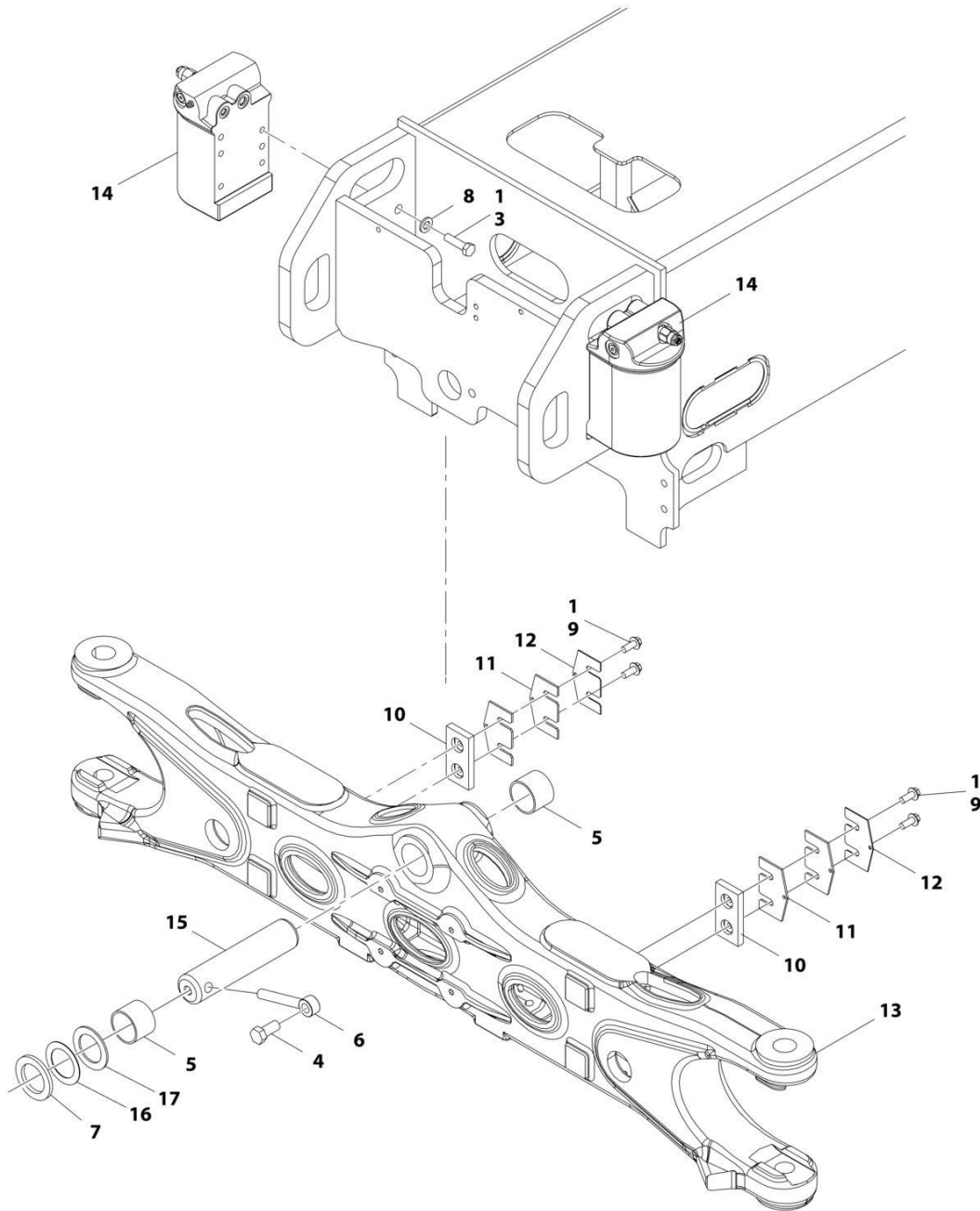
TABLE OF CONTENTS

FIGURE 9-14. TOW BAR DECAL INSTALLATION - ENGLISH/SPANISH LANGUAGE (ANSI EXPORT, CE AND CHINA SPECS)	910
FIGURE 9-15. TOW BAR DECAL INSTALLATION - SPANISH LANGUAGE (ANSI EXPORT AND CE SPECS)	912
SECTION 10 - RECOMMENDED SERVICE PARTS STOCK	915
FIGURE 10-1. RECOMMENDED SERVICE PARTS STOCK	916
SECTION 11 - SPECIAL OPTIONS	919
FIGURE 11-1. SPECIAL OPTIONS	920
PART NUMBER INDEX	925

SECTION 1 - FRAME

SECTION 1 - FRAME

FIGURE 1-1. AXLE INSTALLATION



ART_1001164093

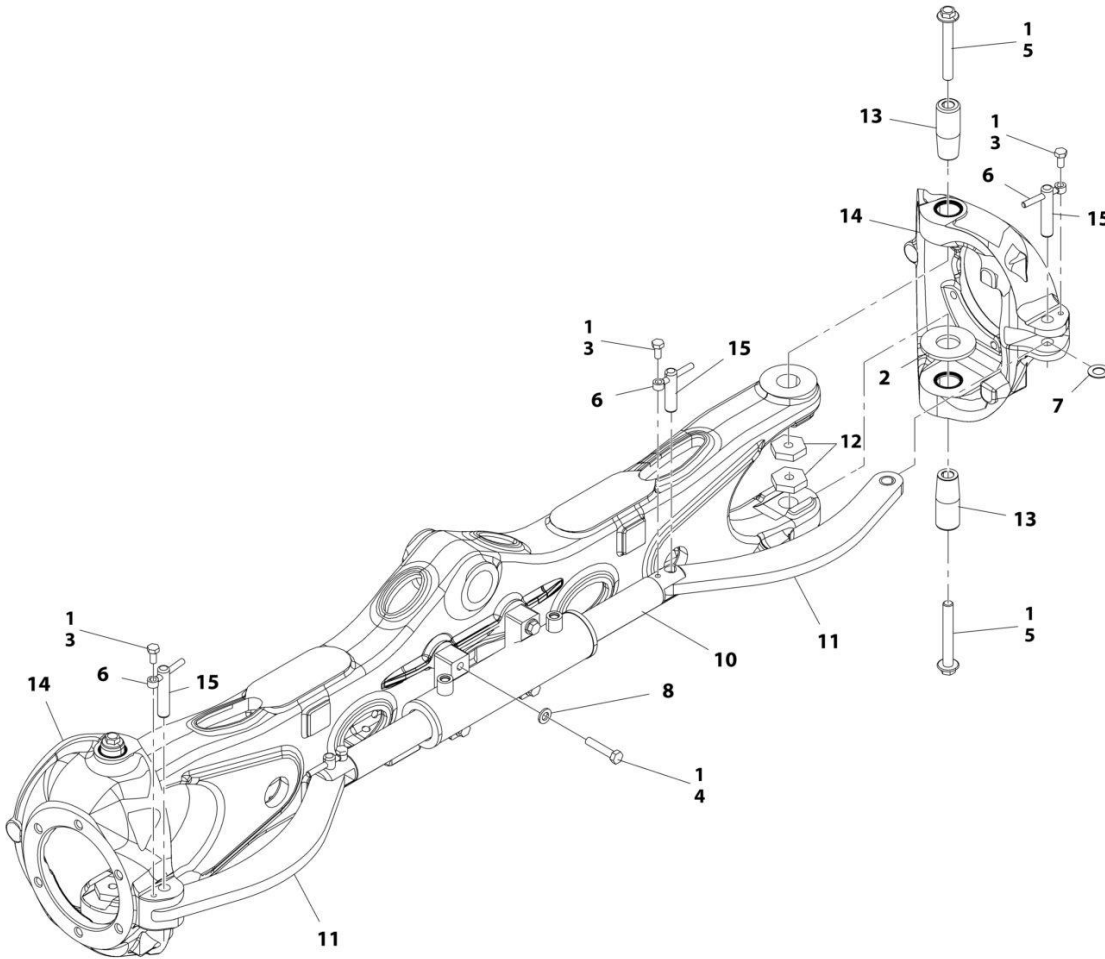
SECTION 1 - FRAME

FIGURE 1-1. AXLE INSTALLATION

ITEM	PART NUMBER	QTY	DESCRIPTION	REV
	1001164093	Ref	AXLE INSTALLATION	C
1	0100011	AR	Compound, Locking	
3	0701217	8	Bolt M12 x 45	
4	0761615	1	Bolt M16 x 35	
5	0961950	2	Bearing	
6	3841258	1	Keeper, Pin	
7	4740158	AR	Washer	
8	5241200	8	Washer M12	
9	5251012	4	Bolt M10 x 25	
10	1001118511	2	Pad, Wear	
11	1001118518	4	Shim 11Ga	
12	1001118519	2	Shim 16Ga	
13	1001162995	1	Axle	
14	1001163580	2	Axle Lockout Cylinder Assembly (See CYLINDER SECTION for Breakdown)	
15	1001164552	1	Pin	
16	4071101	AR	Shim (SN 0300236979 through 0300272317, SN B300003516 through B300005760, SN E300004913 through E300007990, Except SN 0300272185 through 0300272190, Excluding B300005569 and E300007814)	
17	4740229	AR	Washer (SN 0300236979 through 0300272317, SN B300003516 through B300005760, SN E300004913 through E300007990, Except SN 0300272185 through 0300272190, Excluding B300005569 and E300007814)	

SECTION 1 - FRAME

FIGURE 1-2. STEER INSTALLATION WITHOUT TOW PACKAGE



ART_1001164092

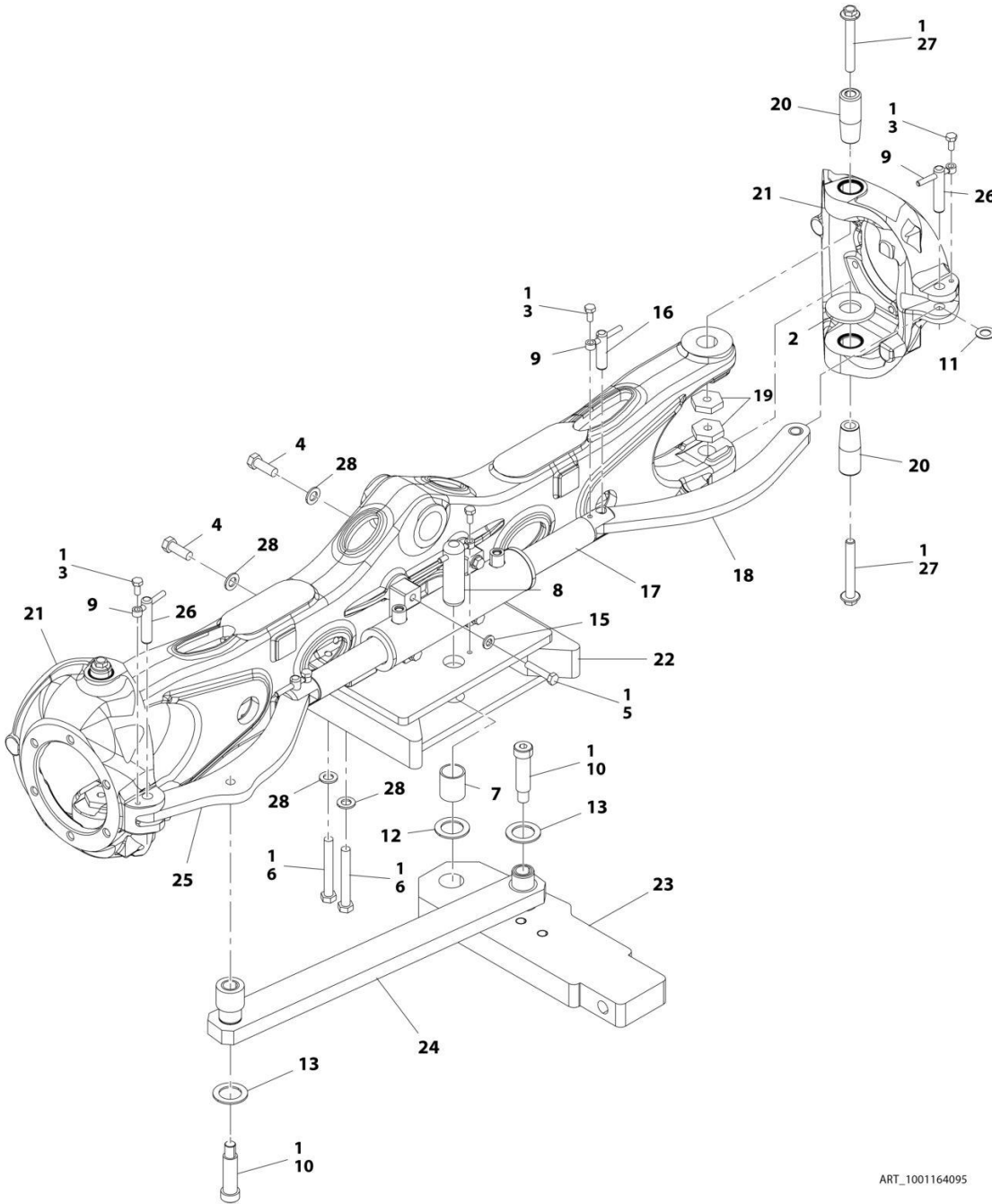
SECTION 1 - FRAME

FIGURE 1-2. STEER INSTALLATION WITHOUT TOW PACKAGE

ITEM	PART NUMBER	QTY	DESCRIPTION	REV
	1001164092	Ref	STEER INSTALLATION WITHOUT TOW PACKAGE	F
1	0100011	AR	Compound, Locking	
2	0440271	2	Bearing, Thrust (SN 0300201991 through 0300241084, SN 1300007279 through 1300007373, SN E300002833 through E300005304)	
2	1001233139	2	Bearing, Thrust (SN 0300241085 through 0300272317, SN B300003516 through B300005760, SN E300005305 through E300007990, Except SN 0300272185 through 0300272190, Excluding B300005569 and E300007814)	
3	0761011	4	Bolt M10 x 22	
4	0711220	4	Bolt M12 x 60 Grade 10.9	
5	1001190368	4	Bolt M16 x 120	
6	3841143	4	Keeper, Pin	
7	4740086	4	Washer	
8	5241200	4	Washer M12	
10	1001163178	1	Steer Cylinder Assembly (See CYLINDER SECTION for Breakdown)	
11	1001163179	2	Link	
11	1001164209	4	Bearing (2 Per Link)	
12	1001176848	4	Nut M16	
13	1001163405	4	Kingpin	
14	1001163715	2	Spindle	
14	0961948	4	Bearing (2 Per Spindle)	
14	1001163716	8	Seal (4 Per Spindle)	
15	3423304	4	Pin	

SECTION 1 - FRAME

FIGURE 1-3. STEER INSTALLATION WITH TOW PACKAGE



ART_1001164095

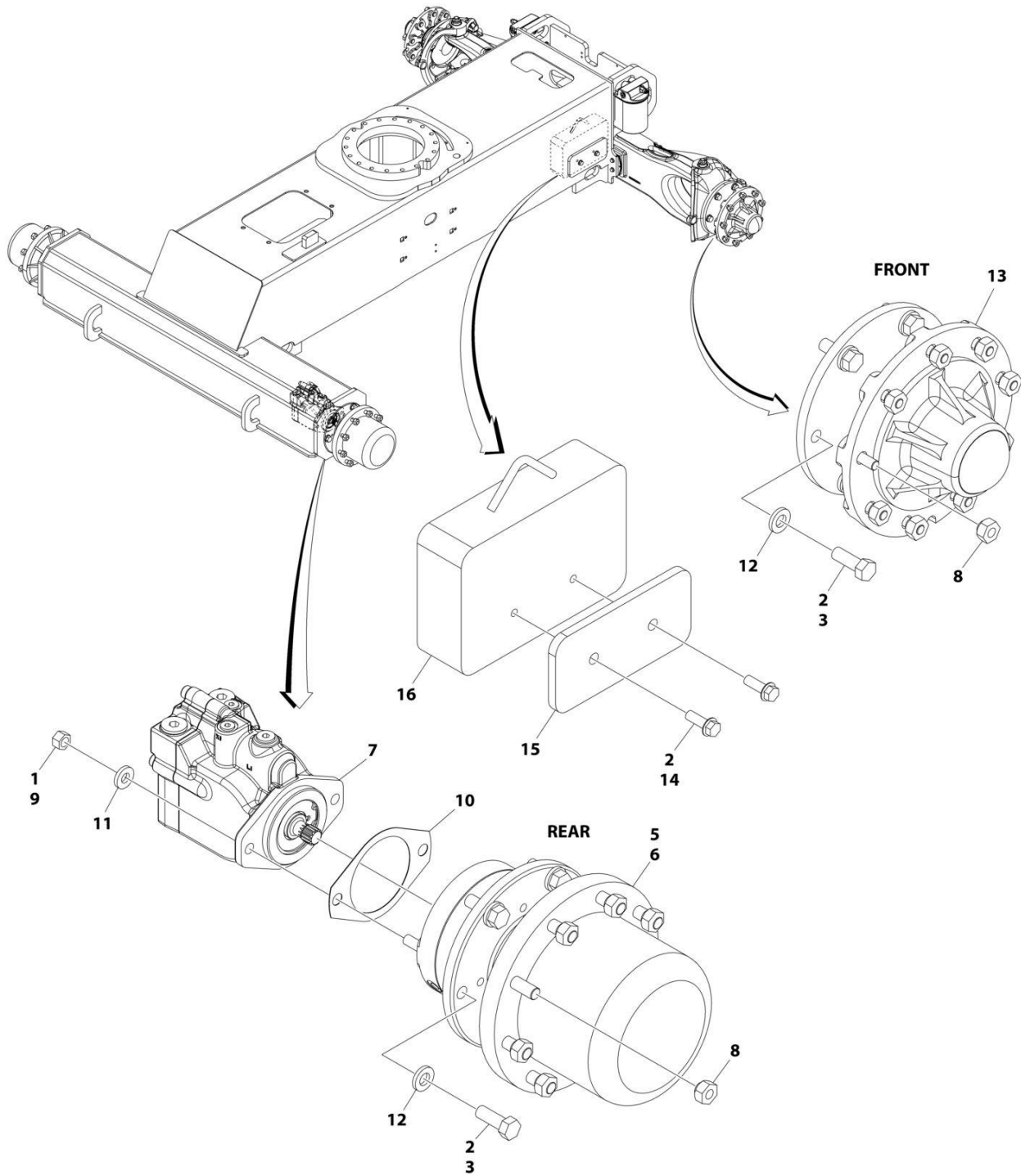
SECTION 1 - FRAME

FIGURE 1-3. STEER INSTALLATION WITH TOW PACKAGE

ITEM	PART NUMBER	QTY	DESCRIPTION	REV
	1001164095	Ref	STEER INSTALLATION WITH TOW PACKAGE	D
1	0100011	AR	Compound, Locking	
2	0440271	2	Bearing, Thrust	
3	0761011	5	Bolt M10 x 22	
4	0701617	2	Bolt M16 x 45	
5	0711220	4	Bolt M12 x 60 Grade 10.9	
6	0711629	4	Bolt M16 x 120 Grade 10.9	
7	0962348	1	Bearing	
8	3422848	1	Pin	
9	3841143	5	Keeper, Pin	
10	3900295	2	Bolt 1 x 3	
11	4740086	4	Washer	
12	4740155	1	Washer	
13	4740491	2	Washer	
15	5241200	4	Washer M12	
16	1001139586	2	Pin	
17	1001163178	1	Steer Cylinder Assembly (See CYLINDER SECTION for Breakdown)	
18	1001163179	1	Link	
18	1001164209	2	Bearing	
19	1001176848	4	Nut M16	
20	1001163405	4	Kingpin	
21	1001163715	2	Spindle	
21	0961948	4	Bearing (2 per Spindle)	
21	1001163716	8	Seal, Kingpin (4 per Spindle)	
22	1001163717	1	Bracket	
23	1001163722	1	Plate, Pivot	
24	1001163724	1	Link	
24	0962292	2	Bearing	
25	1001163726	1	Link	
25	1001164209	2	Bearing	
26	3423304	2	Pin	
27	1001190368	4	Bolt M16 x 120	
28	5241600	6	Washer M16	

SECTION 1 - FRAME

FIGURE 1-4. WHEEL DRIVE INSTALLATION (2WD)



ART_1001214159

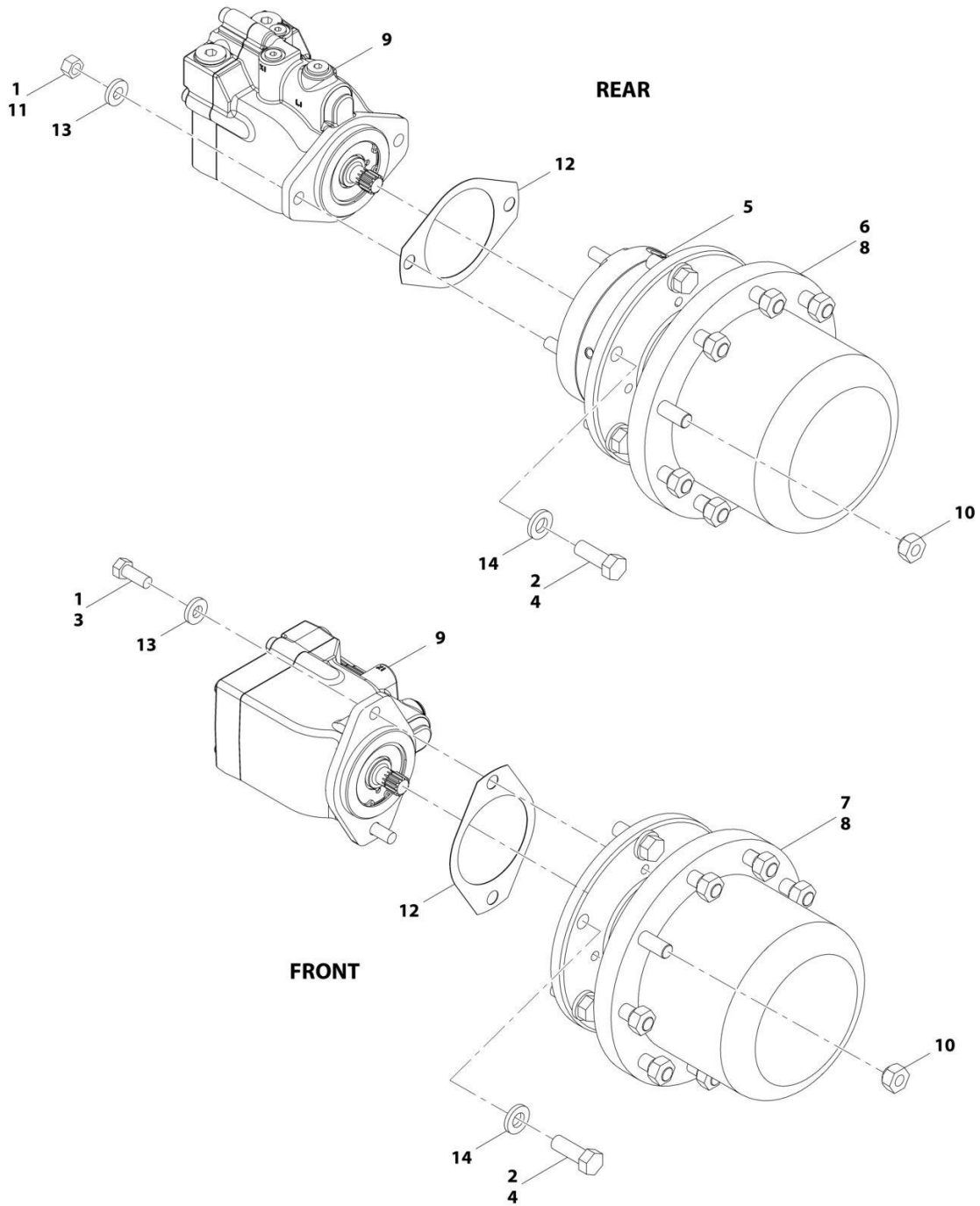
SECTION 1 - FRAME

FIGURE 1-4. WHEEL DRIVE INSTALLATION (2WD)

ITEM	PART NUMBER	QTY	DESCRIPTION	REV
	1001214159	Ref	WHEEL DRIVE INSTALLATION (2WD)	B
1	0100011	AR	Compound, Locking	
2	0100019	AR	Compound, Locking	
3	0682014	24	Bolt 5/8 x 1-3/4 Grade 8	
4	2300016	AR	Fluid, Hydraulic	
5	2780267	2	Drive Hub Assembly - Rear (See DRIVE HUB ASSEMBLY - REAR for Breakdown)	
6	3020008	AR	Lubricant	
7	3160351	2	Drive Motor Assembly (See DRIVE MOTOR ASSEMBLY for Breakdown)	
8	3300106	36	Lugnut	
9	3311801	4	Nut 1/2	
10	3960526	2	Gasket, Brake	
11	4891800	4	Washer 1/2	
12	4892000	24	Washer 5/8	
13	1001214174	2	Hub - Spindle Assembly (See HUB - SPINDLE ASSEMBLY for Breakdown)	
14	5251215	4	Bolt M12 x 35	
15	1001215503	2	Plate, Mounting	
16	1001215504	2	Weight, Counter	

SECTION 1 - FRAME

FIGURE 1-5. WHEEL DRIVE INSTALLATION (4WD)



ART_1001166239

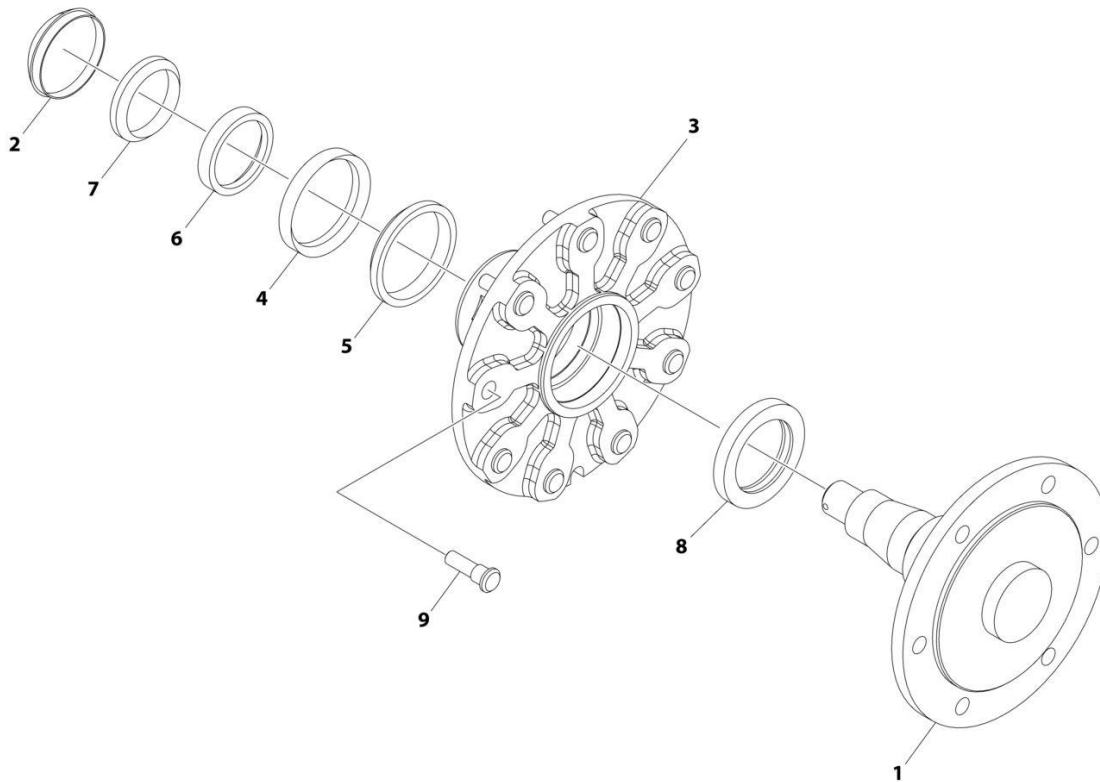
SECTION 1 - FRAME

FIGURE 1-5. WHEEL DRIVE INSTALLATION (4WD)

ITEM	PART NUMBER	QTY	DESCRIPTION	REV
	1001166239	Ref	WHEEL DRIVE INSTALLATION (4WD)	C
1	0100011	AR	Compound, Locking	
2	0100019	AR	Compound, Locking	
3	0681810	4	Bolt 1/2 x 1-1/4 Grade 8	
4	0682014	24	Bolt 5/8 x 1-3/4 Grade 8	
5	2300016	AR	Fluid, Hydraulic	
6	2780267	2	Drive Hub Assembly - Rear (See DRIVE HUB ASSEMBLY - REAR for Breakdown)	
7	2780268	2	Drive Hub Assembly - Front (See DRIVE HUB ASSEMBLY - FRONT for Breakdown)	
8	3020008	AR	Lubricant	
9	3160348	4	Drive Motor Assembly (See DRIVE MOTOR ASSEMBLY for Breakdown)	
10	3300106	36	Lugnut	
11	3311801	4	Nut 1/2	
12	3960526	4	Gasket, Brake	
13	4891800	8	Washer 1/2	
14	4892000	24	Washer 5/8	

SECTION 1 - FRAME

FIGURE 1-6. HUB - SPINDLE ASSEMBLY



ART_1001214174

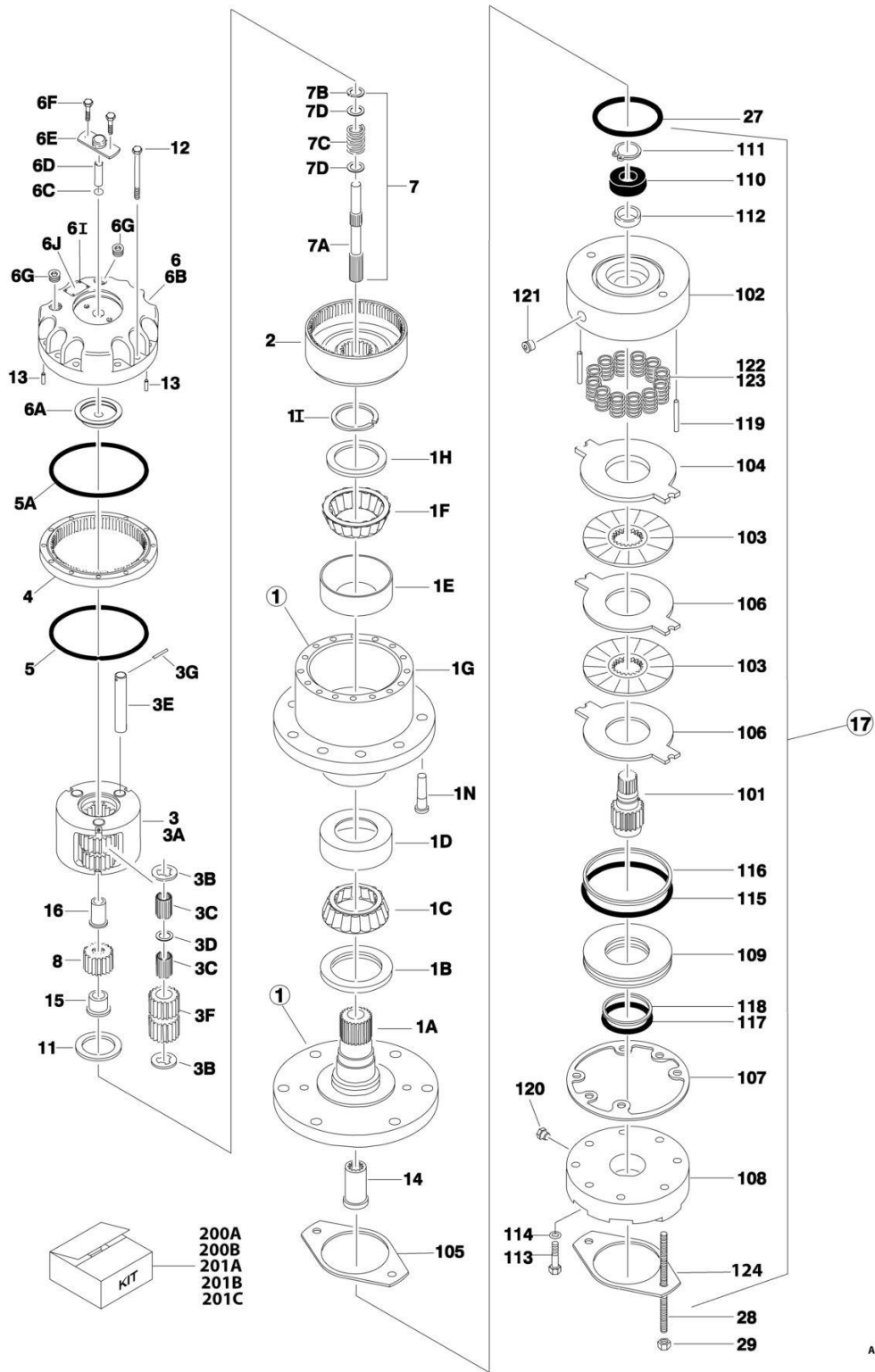
SECTION 1 - FRAME

FIGURE 1-6. HUB - SPINDLE ASSEMBLY

ITEM	PART NUMBER	QTY	DESCRIPTION	REV
	1001214174	Ref	HUB - SPINDLE ASSEMBLY	C
1	See Note	NSS	Spindle, Adapter (Note: Not available for Purchase)	
2	7020033	1	Cap, Dust	
3	7020035	1	Hub, Casting	
4	7020036	1	Cup, Bearing	
5	7020037	1	Cone, Bearing	
6	7020038	1	Cup, Bearing	
7	7020039	1	Cone, Bearing	
8	7020040	1	Seal	
9	7020041	9	Stud	

SECTION 1 - FRAME

FIGURE 1-7. DRIVE HUB AND BRAKE ASSEMBLY - REAR



SECTION 1 - FRAME

FIGURE 1-7. DRIVE HUB AND BRAKE ASSEMBLY - REAR

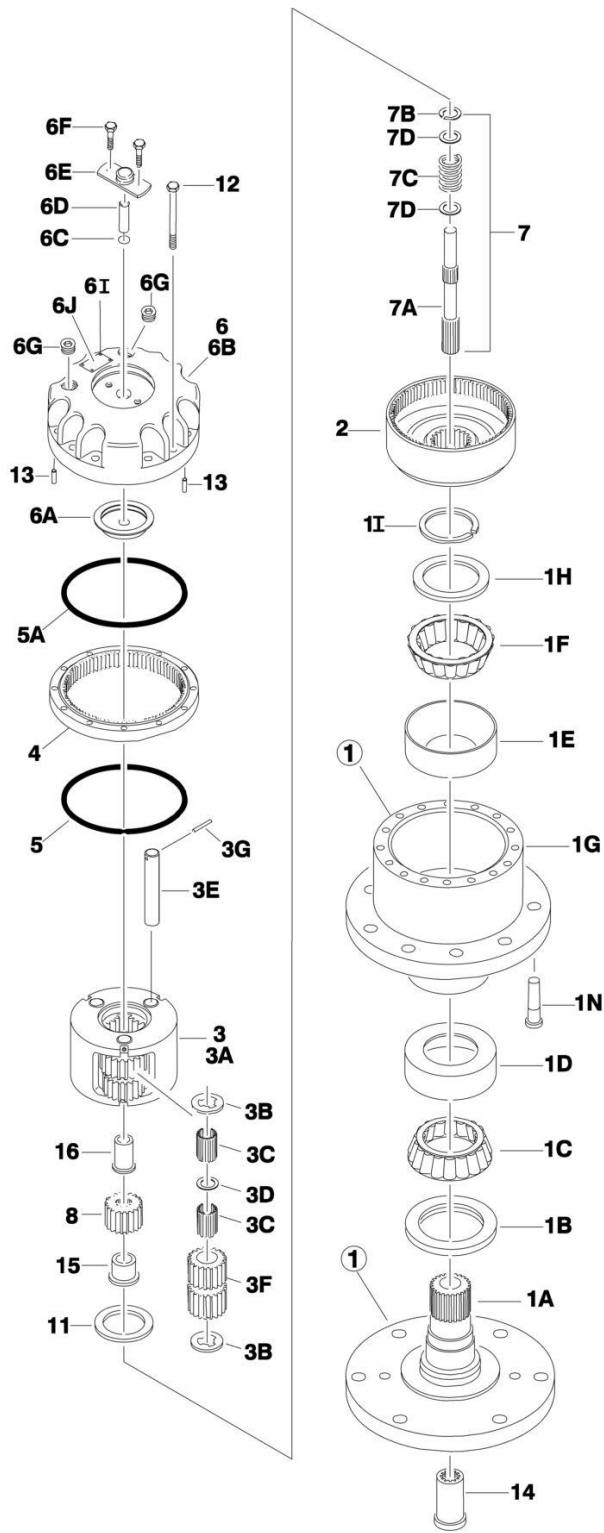
ITEM	PART NUMBER	QTY	DESCRIPTION	REV
	2780267	Ref	DRIVE HUB AND BRAKE ASSEMBLY - REAR	I
1	See Note	1	Spindle/Housing Assembly (Note: Purchase Individual Components)	
1A	7017059	1	Spindle	
1B	7001998	1	Seal	
1C	7010429	1	Cone, Bearing (Includes Item 1D)	
1D	7010429	1	Cup, Bearing (Includes Item 1C)	
1E	7000257	1	Cup, Bearing	
1F	7000258	1	Cone, Bearing	
1G	7007601	1	Housing/Ring Gear	
1H	7000232	1	Washer, Thrust	
1I	7000229	1	Ring, Retaining	
1N	7007640	9	Stud, Wheel	
2	7000246	1	Gear, Internal	
3	7024712	1	Carrier Assembly	
3A	See Note	1	Carrier (Note: Use p/n 7024712)	
3B	See Note	6	Ring, Retaining (Note: Use p/n 7024712)	
3C	See Note	AR	Bearing, Needle (Note: Use p/n 7024712)	
3D	See Note	3	Washer, Thrust (Note: Use p/n 7024712)	
3E	See Note	3	Shaft, Planet (Note: Use p/n 7024712)	
3F	See Note	3	Gear, Planet (Note: Use p/n 7024712)	
3G	See Note	3	Roll Pin (Note: Not Available for Purchase)	
4	7000248	1	Ring Gear	
5	7000230	1	O-Ring	
5A	7017070	1	O-Ring	
6	70001349	1	Cover assembly Kit	
6A	See Note	1	Spacer, Thrust (Note: Use p/n 70001349)	
6B	See Note	1	Plate, Cover (Note: Use p/n 70001349)	
6C	See Note	1	O-Ring (Note: Use p/n 70001349)	
6D	See Note	1	Rod, Disconnect (Note: Use p/n 70001349)	
6E	See Note	1	Cap, Disengage (Note: Use p/n 70001349)	
6F	See Note	2	Bolt (Note: Use p/n 70001349)	
6G	See Note	1	Plug, Pipe (Note: Use p/n 70001349)	
6I	See Note	4	Rivet (Note: Not Available for Purchase)	
6J	See Note	1	Plate, ID (Note: Not Available for Purchase)	
7		Ref	Input Shaft Assembly	
7A	7024714	1	Shaft	
7B	7000261	1	Ring, Retaining	
7C	7000262	1	Spring	
7D	7000263	2	Spacer, Thrust	
8	7024713	1	Gear, Sun	
11	7000253	1	Washer, Thrust	
12	7017067	12	Bolt	
13	7017080	4	Pin, Dowell	
14	7000206	1	Coupling	
15	7024715	1	Spacer, Input	
16	7024716	1	Spacer, Input	
17	7024182	1	Brake Assembly (See Items 101-123 for Breakdown)	
27	7024705	1	O-Ring	
28	7024717	2	Rod, Threaded	

SECTION 1 - FRAME

ITEM	PART NUMBER	QTY	DESCRIPTION	REV
29	7024718	2	Nut 1/2in-13NC	
	7024182	Ref	BRAKE ASSEMBLY	
101	7024189	1	Shaft	
102	See Note	1	Housing (Note: Use p/n 7024182)	
103	See Note	2	Plate, Friction (Note: Use p/n 7024193)	
104	See Note	1	Plate, Pressure (Note: Use p/n 7024193)	
105	70005483	1	Gasket	
106	See Note	2	Plate, Outer (Note: Use p/n 7024193)	
107	See Note	1	Gasket (Note: Use Item 200A, 201B or 201C)	
108	7024191	1	Cylinder	
109	7024192	1	Piston	
110	See Note	1	Bearing, Ball (Note: Use p/n 7024197)	
111	See Note	1	Ring, Retaining (Note: Use p/n 7024197)	
112	See Note	1	Seal, Shaft (Note: Use p/n 7024197)	
113	See Note	6	Capscrew (Note: Not Available for Purchase)	
114	See Note	6	Lockwasher (Note: Not Available for Purchase)	
115	See Note	1	O-Ring (Note: Not Available for Purchase)	
116	See Note	1	Ring, Back-up (Note: Not Available for Purchase)	
117	See Note	1	O-Ring (Note: Not Available for Purchase)	
118	See Note	1	Ring, Back-up (Note: Not Available for Purchase)	
119	7024190	2	Pin, Dowel	
120	See Note	1	Plug (Note: Not Available for Purchase)	
121	See Note	2	Plug (Note: Not Available for Purchase)	
122	See Note	12	Spring Kit (Natural) (Note: Use p/n 7024196)	
123	See Note	2	Spring Kit (Blue) (Note: Use p/n 7024196)	
124	70005483	1	Gasket	
		Ref	Kit Options	
200		Ref	Seal Kit Options:	
200A	See Note	1	Hub Seal Kit (Note: Purchase Individual Components)	
200B	7024194	1	Brake Seal Kit (Includes Items 105, 107 & 115-118)	
201		Ref	Repair Kit Options:	
201A	7024196	1	Brake Spring Kit (Includes 12 Natural Colored and 2 Blue Colored Springs Items 122 & 123)	
201B	7024193	1	Brake Friction Disc Kit (Includes Items 103, 104, 106 & 107)	
201C	7024197	1	Brake Bearing Kit (Includes Items 107 & 110-112)	

SECTION 1 - FRAME

FIGURE 1-8. DRIVE HUB ASSEMBLY - FRONT



ART_2780268

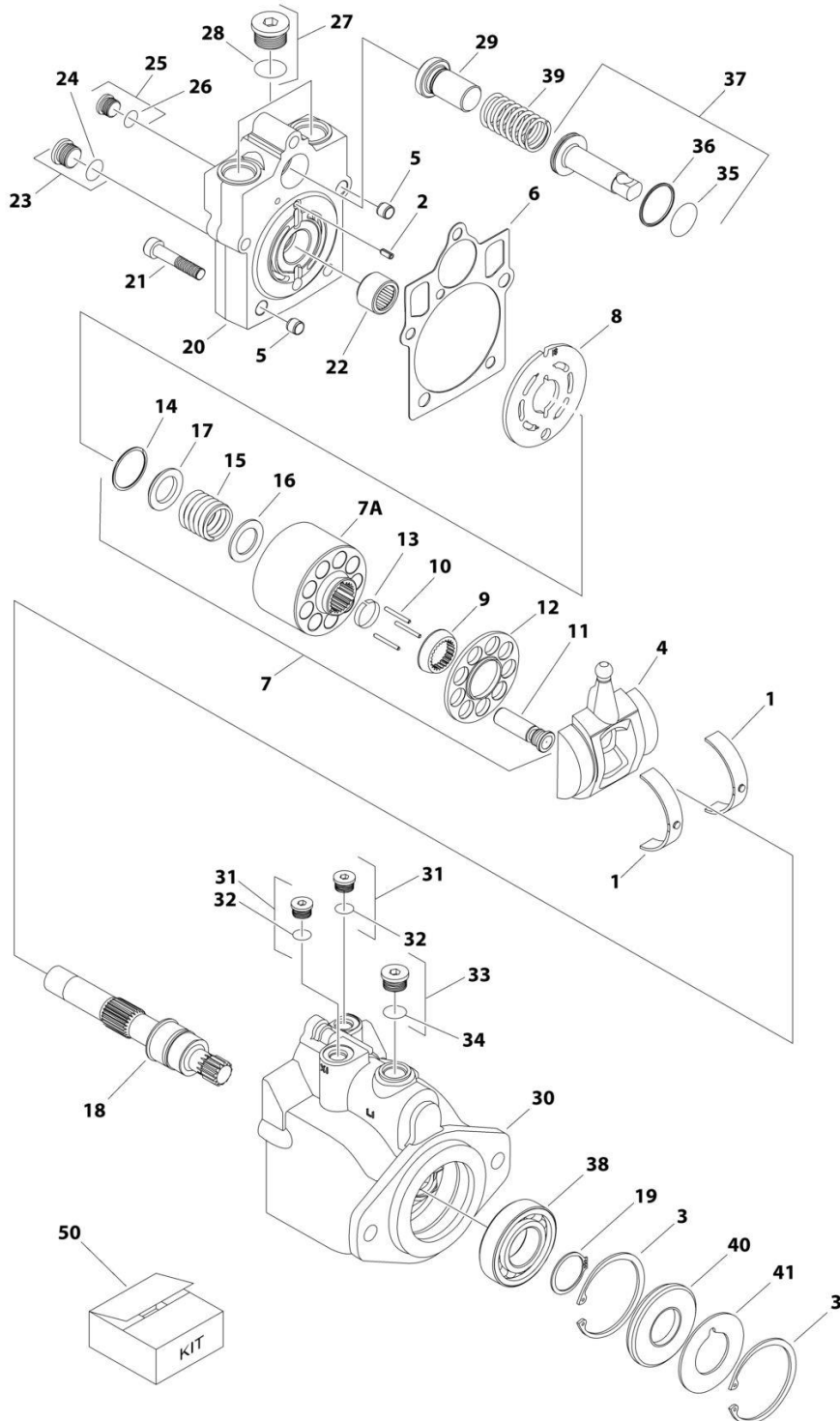
SECTION 1 - FRAME

FIGURE 1-8. DRIVE HUB ASSEMBLY - FRONT

ITEM	PART NUMBER	QTY	DESCRIPTION	REV
	2780268	Ref	DRIVE HUB ASSEMBLY - FRONT	A
1	See Note	1	Spindle/Housing Assembly (Note: Purchase Individual Components)	
1A	7017059	1	Spindle	
1B	7001998	1	Seal	
1C	7010429	1	Cone, Bearing (Includes Item 1D)	
1D	7010429	1	Cup, Bearing (Includes Item 1C)	
1E	7000257	1	Cup, Bearing	
1F	7000258	1	Cone, Bearing	
1G	7007601	1	Housing/Ring Gear	
1H	7000232	1	Washer, Thrust	
1I	7000229	1	Ring, Retaining	
1N	7007640	9	Stud, Wheel	
2	7000246	1	Gear, Internal	
3	7024712	1	Carrier Assembly	
3A	See Note	1	Carrier (Note: Use p/n 7024712)	
3B	See Note	6	Ring, Retaining (Note: Use p/n 7024712)	
3C	See Note	AR	Bearing, Needle (Note: Use p/n 7024712)	
3D	See Note	3	Washer, Thrust (Note: Use p/n 7024712)	
3E	See Note	3	Shaft, Planet (Note: Use p/n 7024712)	
3F	See Note	3	Gear, Planet (Note: Use p/n 7024712)	
3G	See Note	3	Roll Pin (Note: Not Available for Purchase)	
4	7000248	1	Ring Gear	
5	7000230	1	O-Ring	
5A	7017070	1	O-Ring	
6	70001349	1	Cover Assembly Kit	
6A	See Note	1	Spacer, Thrust (Note: Use p/n 70001349)	
6B	See Note	1	Plate, Cover (Note: Use p/n 70001349)	
6C	See Note	1	O-Ring (Note: Use p/n 70001349)	
6D	See Note	1	Rod, Disconnect (Note: Use p/n 70001349)	
6E	See Note	1	Cap, Disengage (Note: Use p/n 70001349)	
6F	See Note	2	Bolt (Note: Use p/n 70001349)	
6G	See Note	1	Plug, Pipe (Note: Use p/n 70001349)	
6I	See Note	4	Rivet (Note: Not Available for Purchase)	
6J	See Note	1	Plate, ID (Note: Not Available for Purchase)	
7		Ref	Input Shaft Assembly	
7A	7024714	1	Shaft	
7B	7000261	1	Ring, Retaining	
7C	7000262	1	Spring	
7D	7000263	2	Spacer, Thrust	
8	7024713	1	Gear, Sun	
11	7000253	1	Washer, Thrust	
12	7017067	12	Bolt	
13	7017080	4	Pin, Dowell	
14	7000206	1	Coupling	
15	7024715	1	Spacer, Input	
16	7024716	1	Spacer, Input	

SECTION 1 - FRAME

FIGURE 1-9. DRIVE MOTOR ASSEMBLY (2WD)



ART_3160351

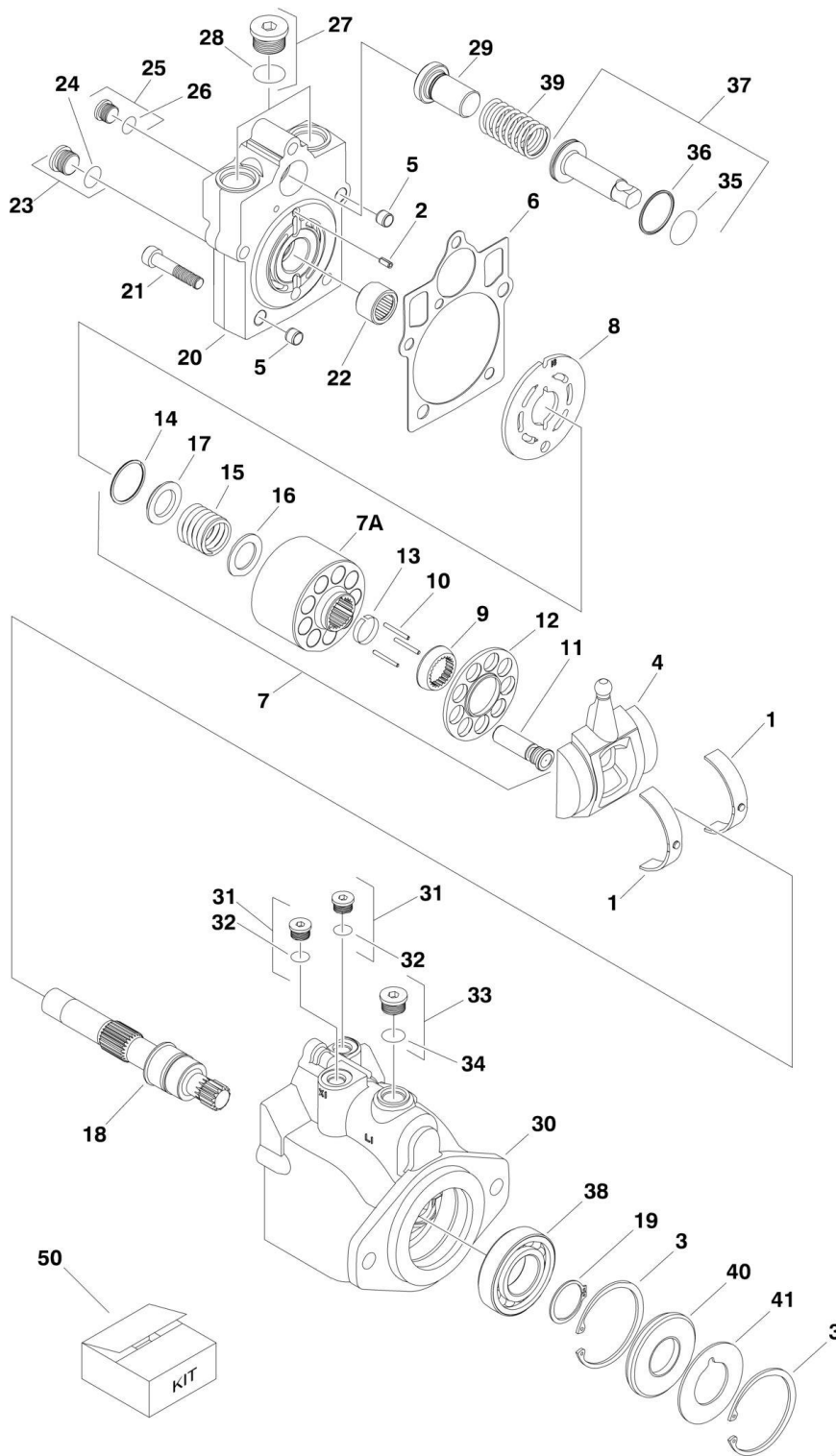
SECTION 1 - FRAME

FIGURE 1-9. DRIVE MOTOR ASSEMBLY (2WD)

ITEM	PART NUMBER	QTY	DESCRIPTION	REV
	3160351	Ref	DRIVE MOTOR ASSEMBLY (2WD)	B
1	7022302	2	Bearing, Journal	
2	7007446	1	Pin	
3	7007438	2	Ring, Retaining	
4	7022305	1	Swashplate	
5	See Note	2	Pin (Note: Not Available for Purchase)	
6	7022328	1	Gasket	
7	7023907	1	Cylinder Block Kit (Includes Items 7A & 9-17)	
7A	7023907	1	Block, Cylinder	
8	7023908	1	Plate, Valve	
9	7021277	1	Guide, Slipper Retainer	
10	7021275	3	Pin, Slipper Hold Down	
11	7023907	9	Piston Assembly	
12	7021276	1	Retainer, Hold Down Pin	
13	7023907	1	Retainer, Slipper	
14	7022311	1	Ring, Retaining	
15	7022312	1	Spring	
16	7024868	1	Washer	
17	7022314	1	Retainer, Spring	
18	7023910	1	Shaft	
19	7007439	1	Ring, Retaining	
20	70000797	1	Cap, End - Axial	
21	7022368	5	Screw	
22	7021249	1	Bearing, Needle	
23	2220886	1	Plug (Includes Item 24)	
24	7022328	1	O-Ring	
25	2220883	1	Plug (Includes Item 26)	
26	7022328	1	O-Ring	
27	7027419	2	Plug (Includes Item 28)	
28	7022328	2	O-Ring	
29	7024853	1	Seat, Spring	
30	3160351	1	Housing	
31	2220883	2	Plug (Includes Item 32)	
32	7022328	2	O-Ring	
33	2220886	1	Plug (Includes Item 34)	
34	7022328	1	O-Ring	
35	7022328	1	O-Ring	
36	7022328	1	Ring, Seal	
37	7024854	1	Piston, Servo (Includes Items 35 & 36)	
38	7007437	1	Bearing	
39	7022326	1	Spring	
40	7022328	1	Seal, Lip	
41	7022371	1	Washer, Support	
50	7022328	1	Seal Kit (Includes Items 6, 24, 26, 28, 32, 34, 35, 36 & 40)	

SECTION 1 - FRAME

FIGURE 1-10. DRIVE MOTOR ASSEMBLY (4WD)



ART_3160348

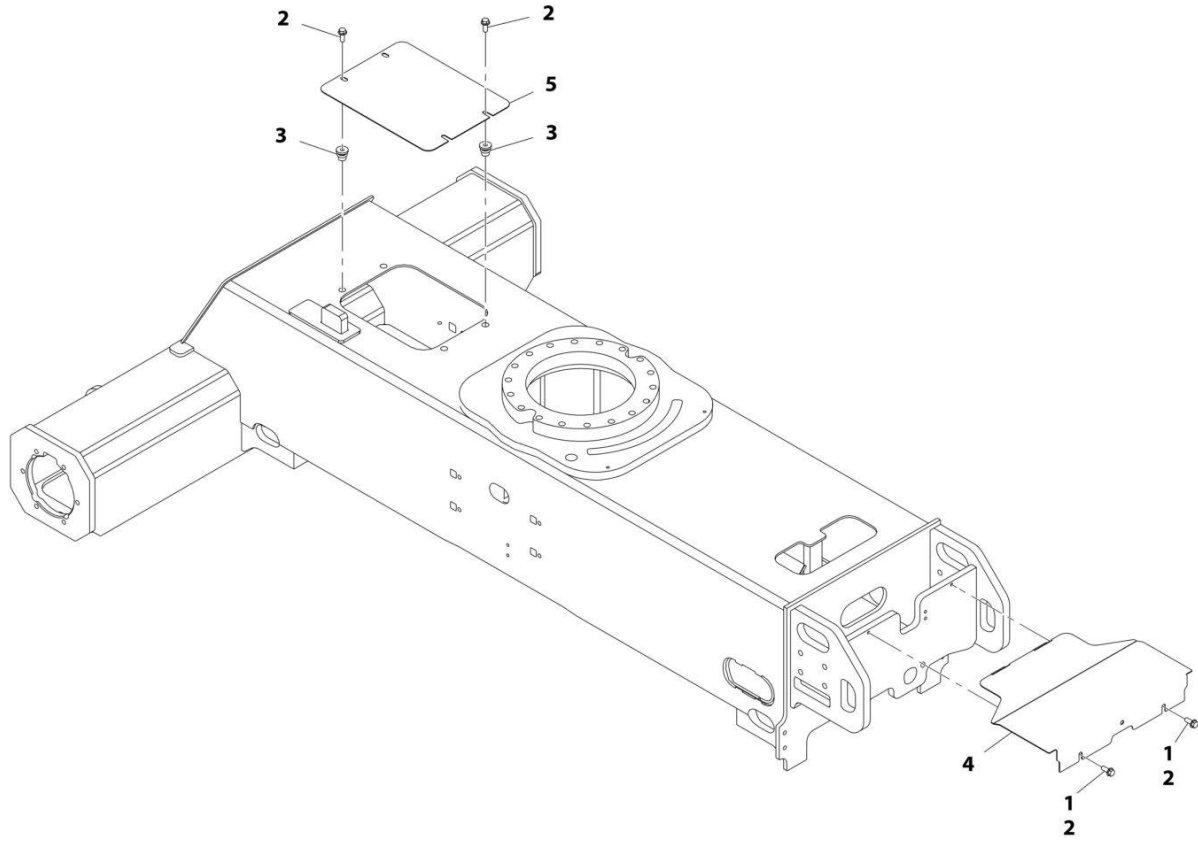
SECTION 1 - FRAME

FIGURE 1-10. DRIVE MOTOR ASSEMBLY (4WD)

ITEM	PART NUMBER	QTY	DESCRIPTION	REV
	3160348	Ref	DRIVE MOTOR ASSEMBLY (4WD)	C
1	7022302	2	Bearing, Journal	
2	7007446	1	Pin	
3	7007438	2	Ring, Retaining	
4	7022305	1	Swash Plate	
5	See Note	2	Pin (Note: Not Available for Purchase)	
6	See Note	NSS	Gasket (Note: use Item 50)	
7	7023907	1	Cylinder Block Kit (Includes Items 7A & 9-17)	
7A	See Note	NSS	Block, Cylinder (Note: Use p/n 7023907)	
8	7023908	1	Plate, Valve	
9	7021277	1	Guide, Slipper Retainer	
10	7021275	3	Pin, Slipper Hold Down	
11	See Note	NSS	Piston Assembly (Note: Use p/n 7023907)	
12	7021276	1	Retainer, Hold Down Pin	
13	7022310	1	Retainer, Slipper	
14	7022311	1	Ring, Retaining	
15	7022312	1	Spring	
16	7024868	1	Washer	
17	7022314	1	Retainer, Spring	
18	7023910	1	Shaft	
19	7007439	1	Ring, Retaining	
20	70000797	1	Cap, End - Axial	
21	7022368	5	Screw	
22	7021249	1	Bearing, Needle	
23	2220886	1	Plug (Includes Item 24)	
24	See Note	NSS	O-Ring (Note: Use Item 23 or 50)	
25	2220883	1	Plug (Includes Item 26)	
26	See Note	NSS	O-Ring (Note: Use Item 25 or 50)	
27	2220888	2	Plug (Includes Item 28)	
28	See Note	NSS	O-Ring (Note: Use Item 27 or 50)	
29	7022372	1	Seat, Spring	
30	See Note	NSS	Housing (Note: Use p/n 3160248)	
31	2220883	2	Plug (Includes Item 32)	
32	See Note	NSS	O-Ring (Note: Use Item 31 or 50)	
33	2220886	1	Plug (Includes Item 34)	
34	See Note	NSS	O-Ring (Note: Use Item 33 or 50)	
35	See Note	NSS	O-Ring (Note: Use Item 50)	
36	See Note	NSS	Seal, Ring (Note: Use Item 50)	
37	7024854	1	Piston, Servo (Includes Items 35 & 36)	
38	7007437	1	Bearing	
39	7022326	1	Spring	
40	See Note	NSS	Seal, Lip (Note: Use Item 50)	
41	7022371	1	Washer, Support	
50	7022328	1	Seal Kit (Includes Items 6, 24, 26, 28, 32, 34, 35, 36 & 40)	

SECTION 1 - FRAME

FIGURE 1-11. FRAME SHIELD INSTALLATION



ART_1001162105

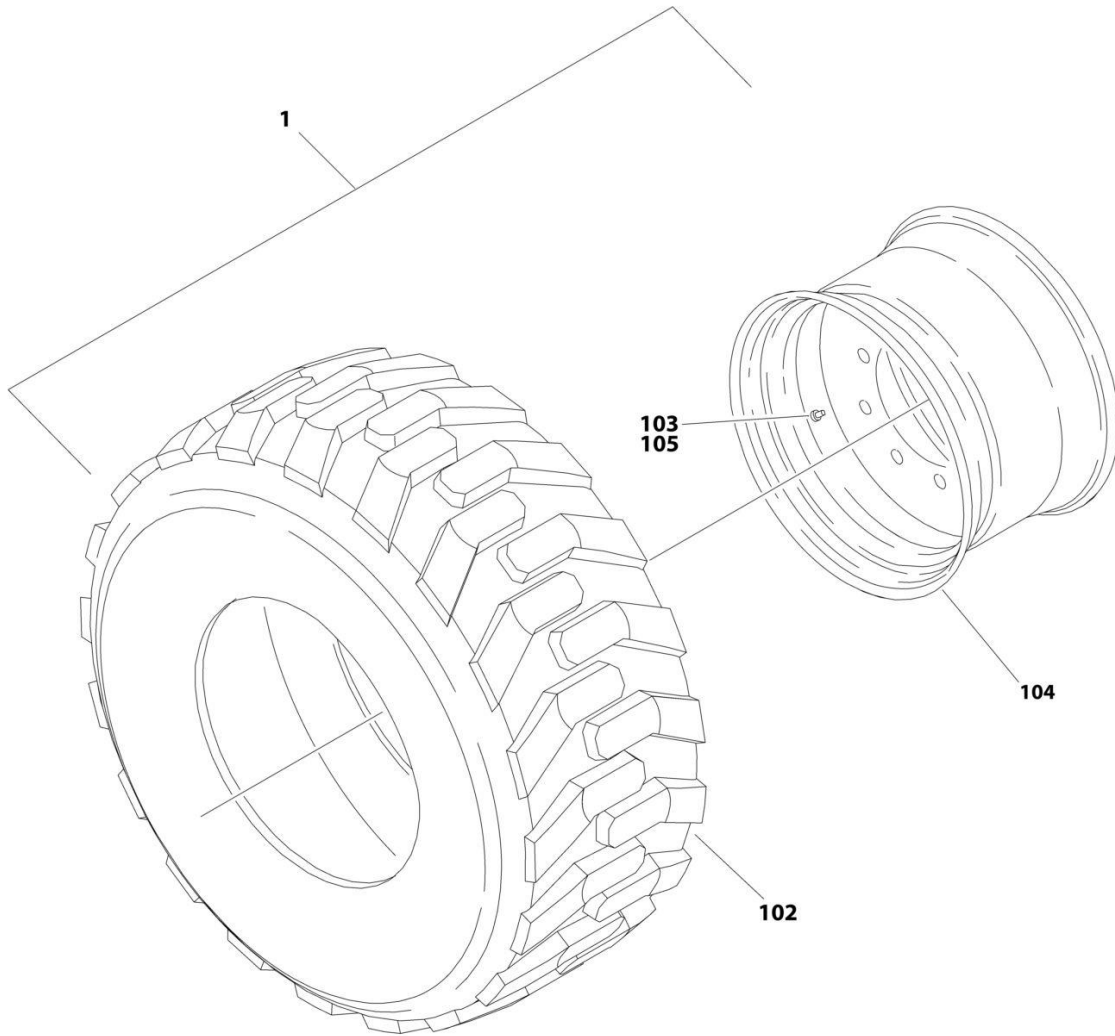
SECTION 1 - FRAME

FIGURE 1-11. FRAME SHIELD INSTALLATION

ITEM	PART NUMBER	QTY	DESCRIPTION	REV
	1001162105	Ref	FRAME SHIELD INSTALLATION	B
1	0100011	AR	Compound, Locking	
2	5251012	6	Bolt, M10 x 25	
3	1001180916	4	Nut	
4	1001162107	1	Plate, Valve Cover	
5	1001165968	1	Plate, Cover	

SECTION 1 - FRAME

FIGURE 1-12. TIRE AND WHEEL INSTALLATION - 12 X 16.5 FOAM FILLED (AVAILABLE ON ANSI, ANSI EXPORT AND CSA SPECS)



ART_0270092

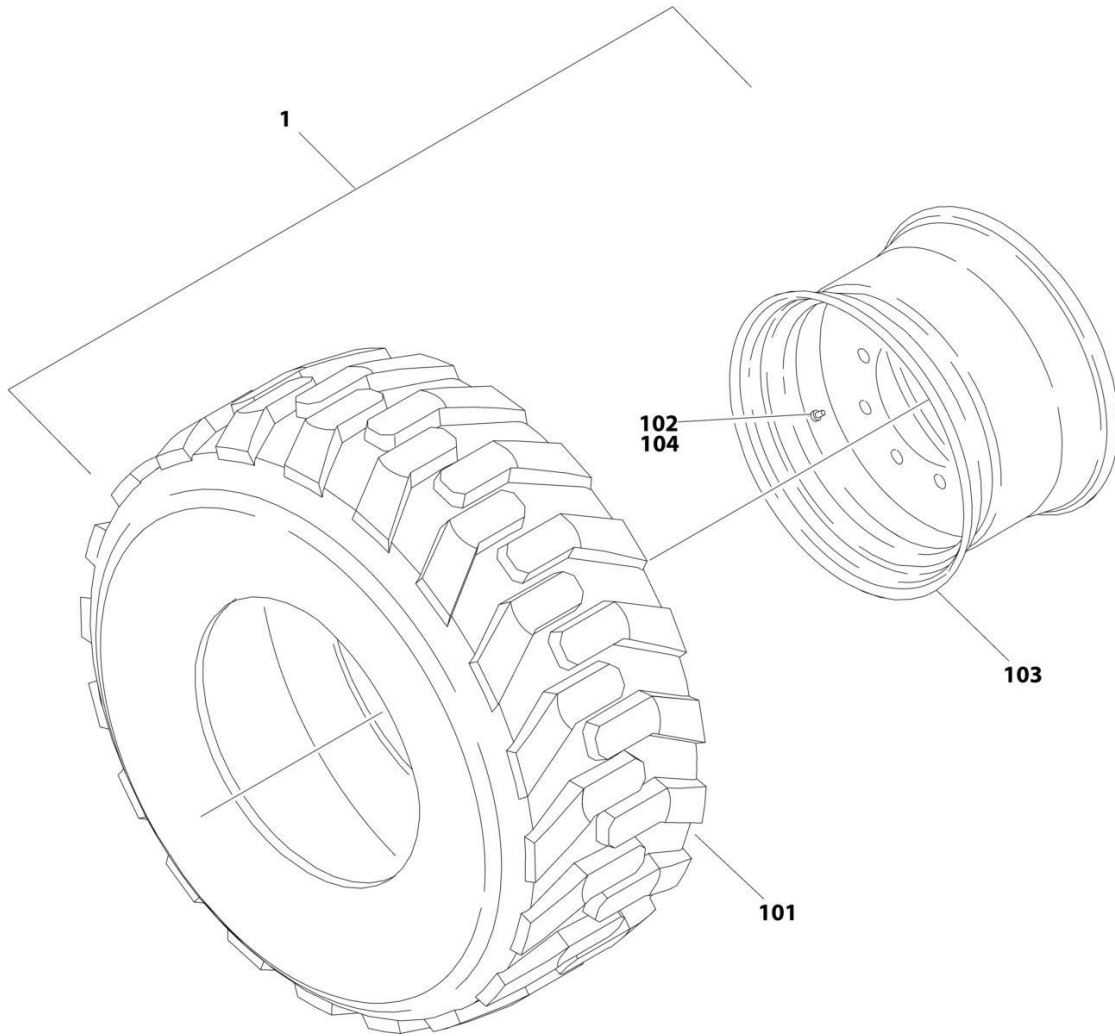
SECTION 1 - FRAME

FIGURE 1-12. TIRE AND WHEEL INSTALLATION - 12 X 16.5 FOAM FILLED (AVAILABLE ON ANSI, ANSI EXPORT AND CSA SPECS)

ITEM	PART NUMBER	QTY	DESCRIPTION	REV
	0270092	Ref	TIRE AND WHEEL INSTALLATION - 12 X 16.5 FOAM FILLED (AVAILABLE ON ANSI, ANSI EXPORT AND CSA SPECS)	C
		Ref	Note: Assemblies may require ballast/foam filling to manufacturer's specifications prior to installing on a machine. Refer to Operation and Safety or Service and Maintenance Manuals. Purchase individual tire and/or rim only if able to foam fill tire and wheel assembly, otherwise, purchase complete assembly.	
1	1001148865	2	Tire and Wheel Assembly - 12 x 16.5 (RH Side)	G
1	1001148866	2	Tire and Wheel Assembly - 12 x 16.5 (LH Side)	G
102	4520216	4	Tire - 12 x 16.5	
103	4641122	4	Valve	
104	1001147274	4	Rim, Wheel	
105	1001149953	4	Cap, Valve Stem	

SECTION 1 - FRAME

FIGURE 1-13. TIRE AND WHEEL INSTALLATION - 12 X 16.5 FOAM FILLED NON MARKING
(AVAILABLE ON ANSI, ANSI EXPORT AND CSA SPECS)



ART_0270653

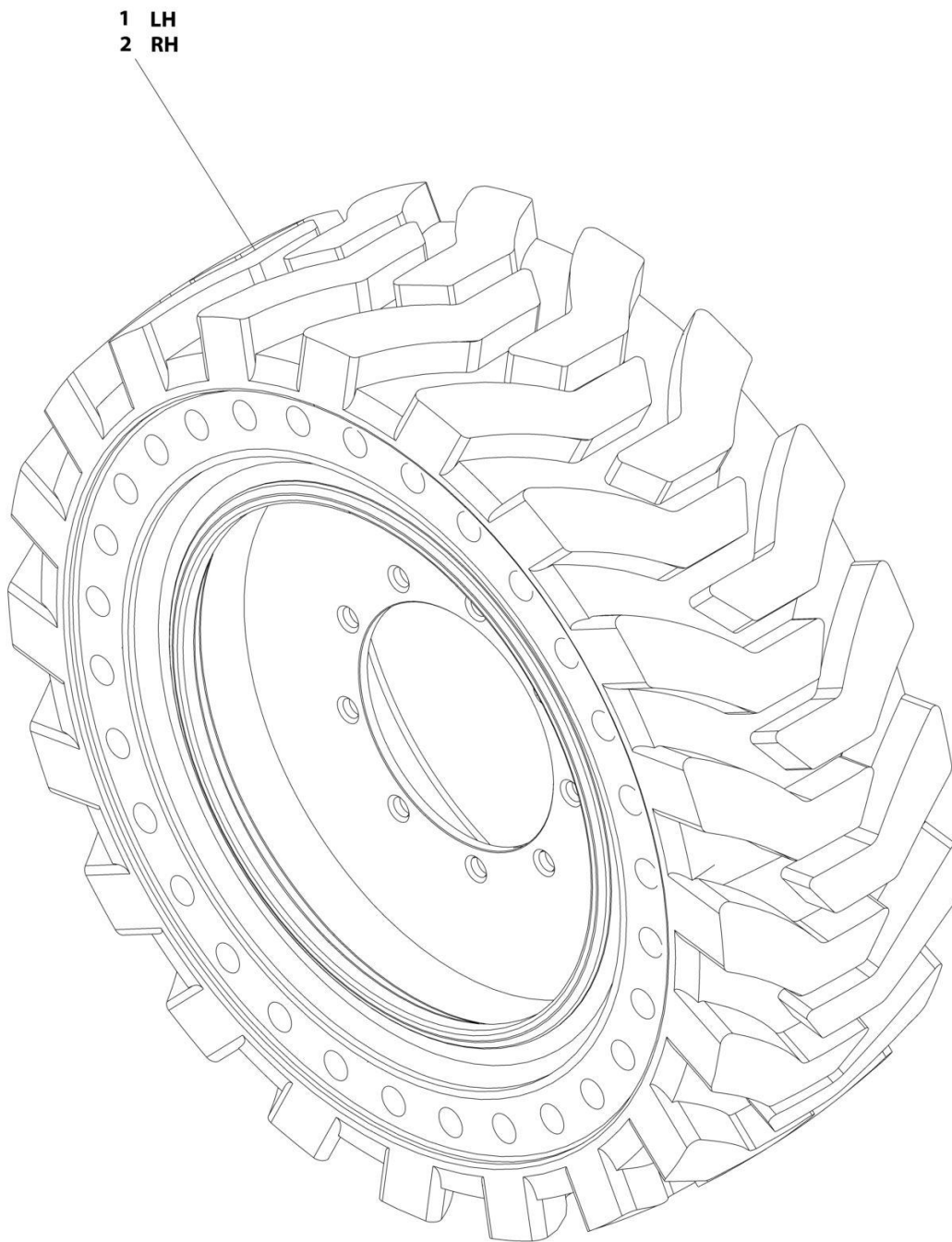
SECTION 1 - FRAME

**FIGURE 1-13. TIRE AND WHEEL INSTALLATION - 12 X 16.5 FOAM FILLED NON MARKING
(AVAILABLE ON ANSI, ANSI EXPORT AND CSA SPECS)**

ITEM	PART NUMBER	QTY	DESCRIPTION	REV
	0270653	Ref	TIRE AND WHEEL INSTALLATION - 12 X 16.5 FOAM FILLED NON MARKING (AVAILABLE ON ANSI, ANSI EXPORT AND CSA SPECS)	B
		Ref	Note: Assemblies may require ballast/foam filling to manufacturer's specifications prior to installing on a machine. Refer to Operation and Safety or Service and Maintenance Manuals. Purchase individual tire and/or rim only if able to foam fill tire and wheel assembly, otherwise, purchase complete assembly.	
1	1001148869	2	Tire and Wheel Assembly - 12 x 16.5 Non Marking (RH Side)	H
1	1001148870	2	Tire and Wheel Assembly - 12 x 16.5 Non Marking (LH Side)	H
101	4520240	4	Tire 12 x 16.5 Non-Marking	
102	4641122	4	Valve	
103	1001147274	4	Rim, Wheel	
104	1001149953	4	Cap, Valve Stem	

SECTION 1 - FRAME

FIGURE 1-14. TIRE AND WHEEL INSTALLATION - 33 X 12-20 SOLID NON-MARKING (AVAILABLE ON AUSTRALIAN AND CE SPECS)



ART_1001169062

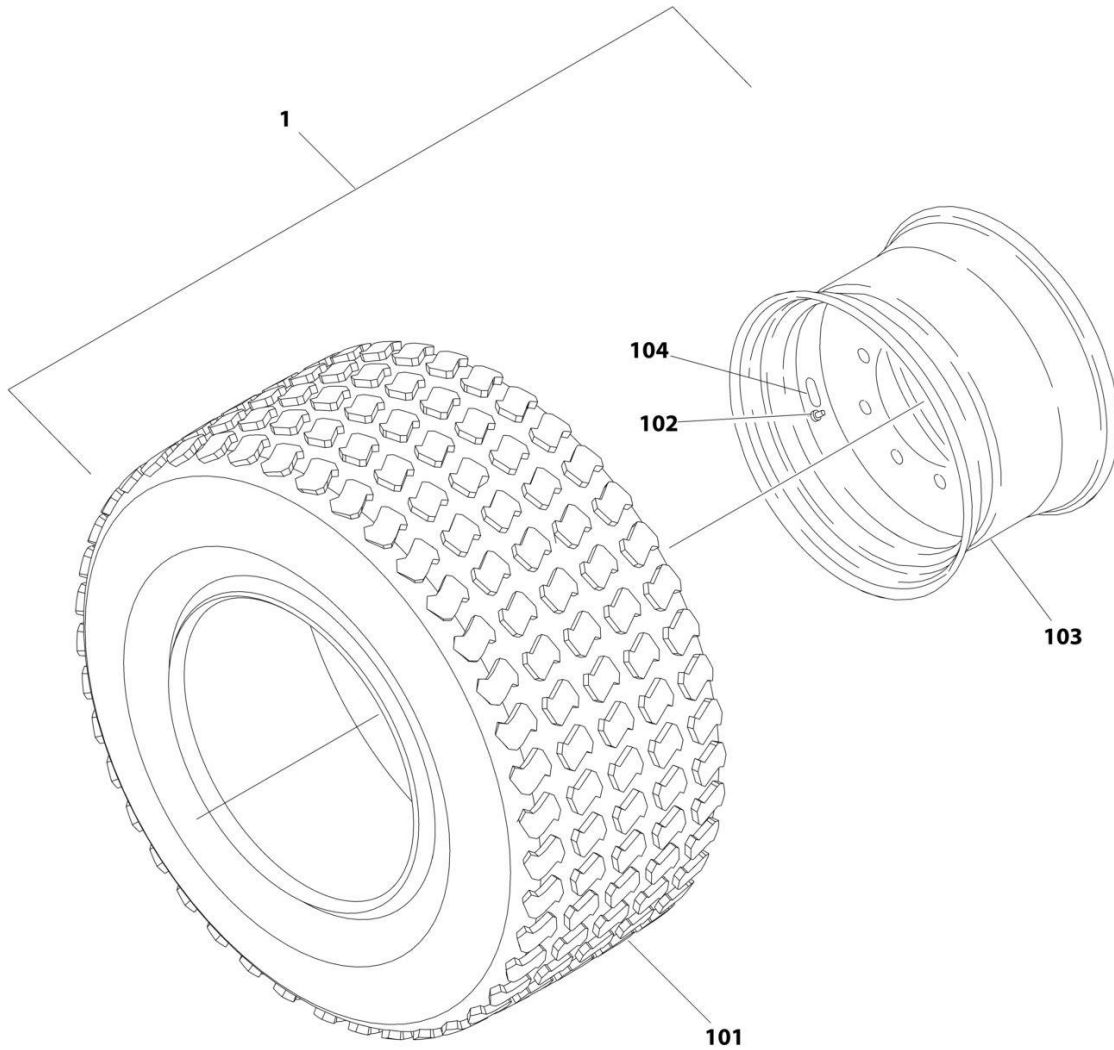
SECTION 1 - FRAME

FIGURE 1-14. TIRE AND WHEEL INSTALLATION - 33 X 12-20 SOLID NON-MARKING (AVAILABLE ON AUSTRALIAN AND CE SPECS)

ITEM	PART NUMBER	QTY	DESCRIPTION	REV
	1001169062	Ref	TIRE AND WHEEL INSTALLATION - 33 X 12-20 SOLID NON-MARKING (AVAILABLE ON AUSTRALIAN AND CE SPECS)	A
		Ref	Note: Due to critical stable weights, only replace tire and wheel assemblies with like components.	
1	1001170098	2	Tire and Wheel Assembly - 33 x 12-20 Solid Non-Marking (LH Side)	
2	1001170099	2	Tire and Wheel Assembly - 33 x 12-20 Solid Non-Marking (RH Side)	

SECTION 1 - FRAME

FIGURE 1-15. TIRE AND WHEEL INSTALLATION - 33 X 16LL500 PNEUMATIC TURF AND SAND
(AVAILABLE ON ANSI AND ANSI EXPORT SPECS)



ART_1001151030

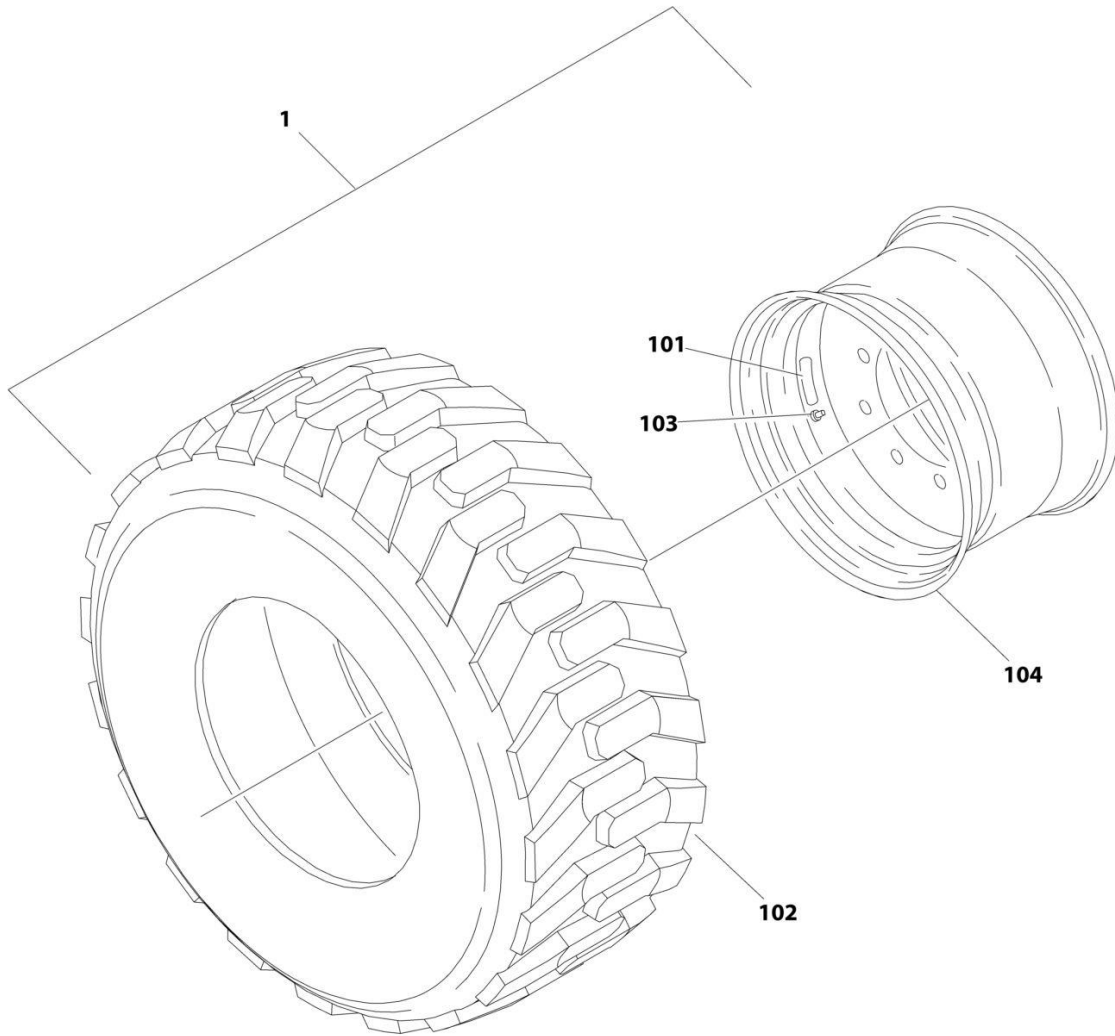
SECTION 1 - FRAME

**FIGURE 1-15. TIRE AND WHEEL INSTALLATION - 33 X 16LL500 PNEUMATIC TURF AND SAND
(AVAILABLE ON ANSI AND ANSI EXPORT SPECS)**

ITEM	PART NUMBER	QTY	DESCRIPTION	REV
	1001151030	Ref	TIRE AND WHEEL INSTALLATION - 33 X 16LL500 PNEUMATIC TURF AND SAND (AVAILABLE ON ANSI AND ANSI EXPORT SPECS)	B
1	1001151026	4	Tire and Wheel Assembly	C
101	4520262	4	Tire 33 x 16LL500	
102	4640113	4	Valve, Stem	
103	4860237	4	Rim, Wheel	
104	1703067	4	Decal - Air Pressure	

SECTION 1 - FRAME

FIGURE 1-16. TIRE AND WHEEL INSTALLATION - 33/1550 X 16.5 PNEUMATIC (AVAILABLE ON ANSI, ANSI EXPORT AND CSA SPECS)



ART_1001169073

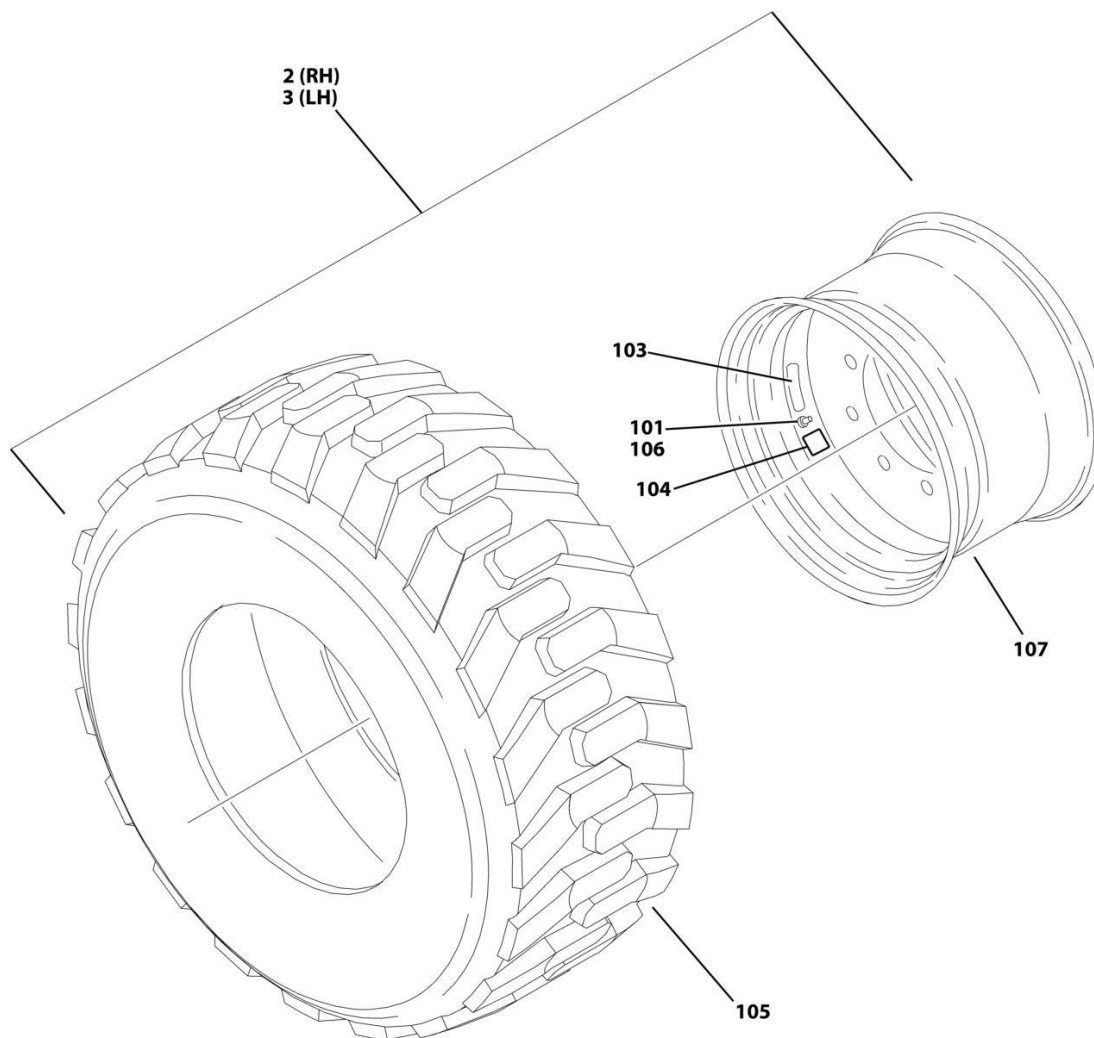
SECTION 1 - FRAME

FIGURE 1-16. TIRE AND WHEEL INSTALLATION - 33/1550 X 16.5 PNEUMATIC (AVAILABLE ON ANSI, ANSI EXPORT AND CSA SPECS)

ITEM	PART NUMBER	QTY	DESCRIPTION	REV
	1001169073	Ref	TIRE AND WHEEL INSTALLATION - 33/1550 X 16.5 PNEUMATIC (AVAILABLE ON ANSI, ANSI EXPORT AND CSA SPECS)	A
1	0257755	2	Tire and Wheel Assembly (RH Side)	E
1	0257756	2	Tire and Wheel Assembly (LH Side)	E
101	1702740	4	Decal - Tire Pressure	
102	4520217	4	Tire 33/1550 x 16.5	
103	4640113	4	Valve, Air	
104	4860179	4	Rim, Wheel	

SECTION 1 - FRAME

FIGURE 1-17. TIRE AND WHEEL INSTALLATION - 33/1550 X 16.5 PNEUMATIC WITH TIRE SEALANT
(AVAILABLE ON ANSI, ANSI EXPORT AND CSA SPECS)



ART_1001169074

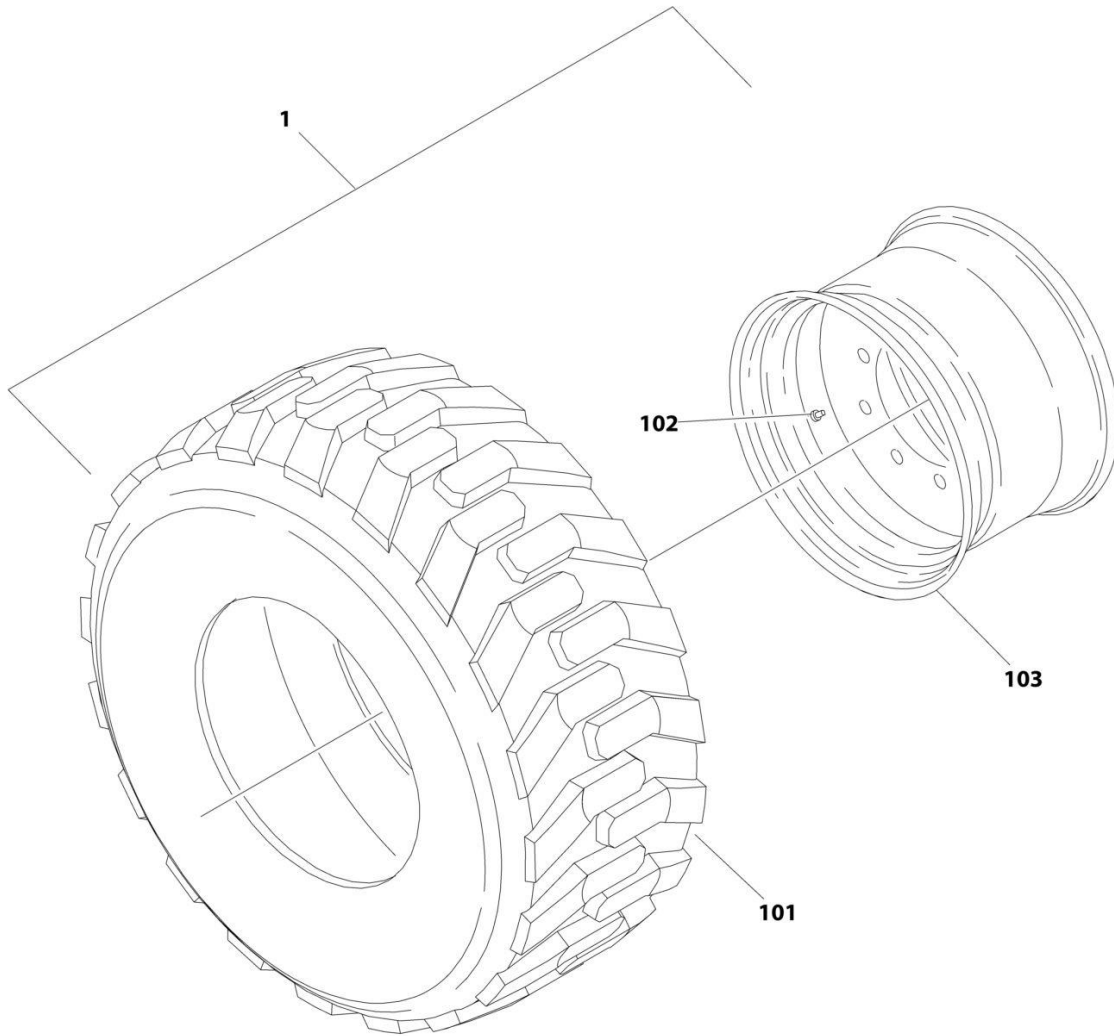
SECTION 1 - FRAME

**FIGURE 1-17. TIRE AND WHEEL INSTALLATION - 33/1550 X 16.5 PNEUMATIC WITH TIRE SEALANT
(AVAILABLE ON ANSI, ANSI EXPORT AND CSA SPECS)**

ITEM	PART NUMBER	QTY	DESCRIPTION	REV
	1001169074	Ref	TIRE AND WHEEL INSTALLATION - 33/1550 X 16.5 PNEUMATIC WITH TIRE SEALANT (AVAILABLE ON ANSI, ANSI EXPORT AND CSA SPECS)	B
1	0272341	1	Decal Kit - Tire Sealant (Not Shown) (SN 0300201991 through 0300211853)	1/A
1	1705363	1	Decal - Tire Sealant (Not Shown - Located near Ground Controls)	
2	0272360	2	Tire and Wheel Assembly (RH Side)	B
3	0272361	2	Tire and Wheel Assembly (LH Side)	B
101	1120552	4	Cap, Valve Stem (Green)	
103	1702740	4	Decal - Tire Pressure	
104	1705364	4	Decal - Tire Sealant	
105	4520217	4	Tire 33/1550 x 16.5	
106	4640113	4	Valve, Air	
107	4860179	4	Rim, Wheel	

SECTION 1 - FRAME

FIGURE 1-18. TIRE AND WHEEL INSTALLATION - 33/1550 X 16.5 FOAM-FILLED (AVAILABLE ON ALL SPECS)



ART_1001169075

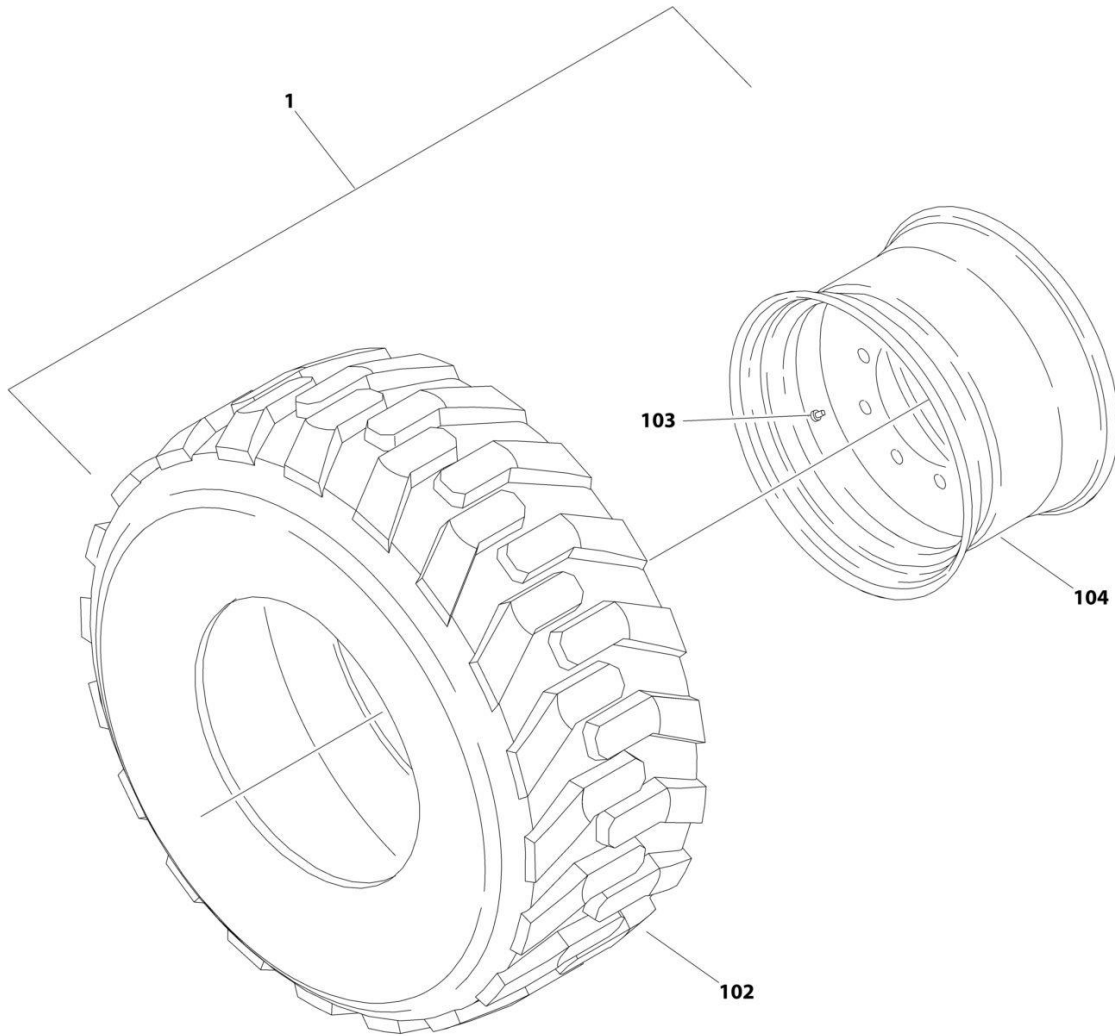
SECTION 1 - FRAME

FIGURE 1-18. TIRE AND WHEEL INSTALLATION - 33/1550 X 16.5 FOAM-FILLED (AVAILABLE ON ALL SPECS)

ITEM	PART NUMBER	QTY	DESCRIPTION	REV
	1001169075	Ref	TIRE AND WHEEL INSTALLATION - 33/1550 X 16.5 FOAM-FILLED (AVAILABLE ON ALL SPECS)	A
		Ref	Note: Assemblies may require ballast/foam filling to manufacturer's specifications prior to installing on a machine. Refer to Operation and Safety or Service and Maintenance Manuals. Purchase individual tire and/or rim only if able to foam fill tire and wheel assembly, otherwise, purchase complete assembly.	
1	0258011	2	Tire and Wheel Assembly (RH Side)	I
1	0258012	2	Tire and Wheel Assembly (LH Side)	I
101	4520217	4	Tire, 33/1550 x 16.5	
102	8786514	4	Valve, Stem	
103	4860179	4	Rim, Wheel	

SECTION 1 - FRAME

FIGURE 1-19. TIRE AND WHEEL INSTALLATION - 315/55 D20 FOAM FILLED (AVAILABLE ON AUSTRALIAN, CE AND CHINA SPECS)



ART_1001166157

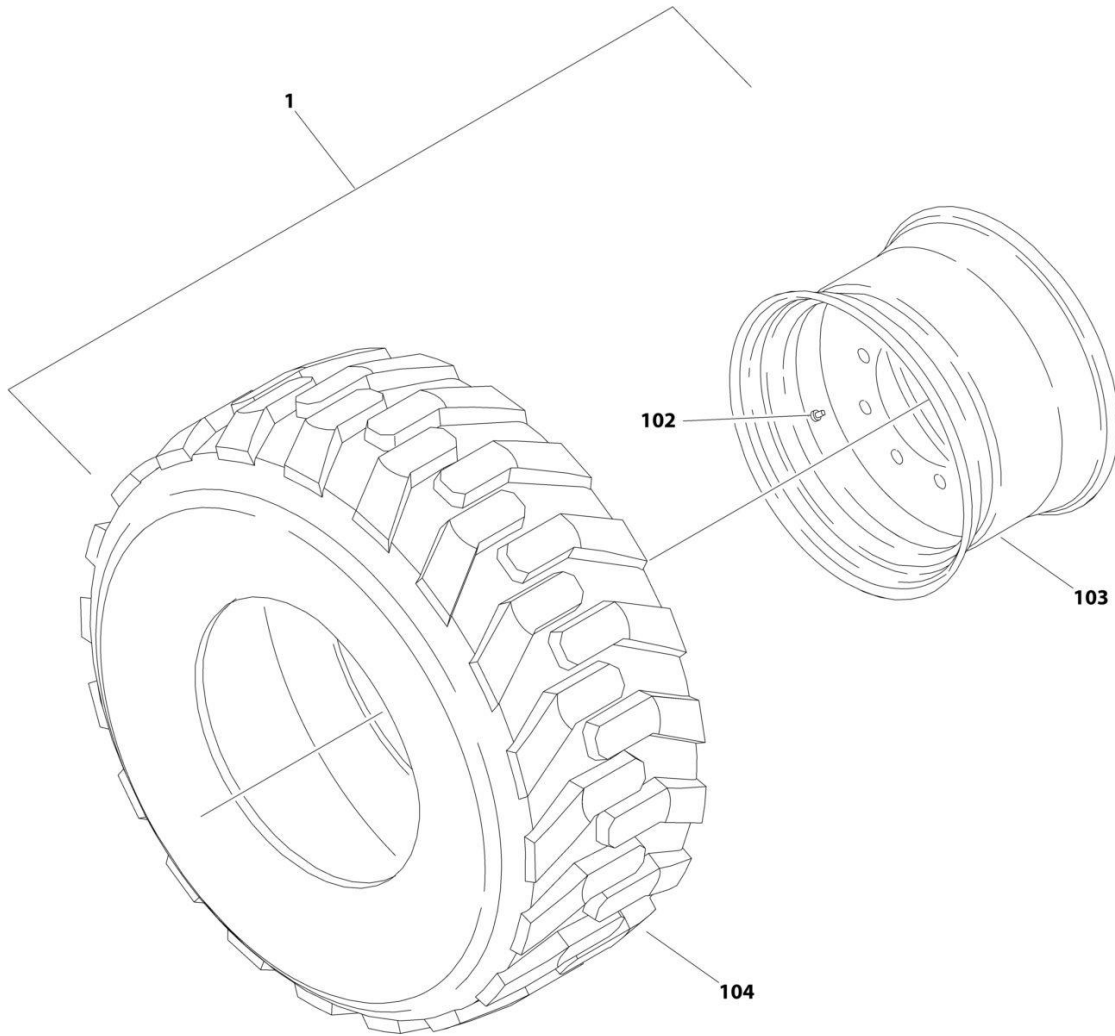
SECTION 1 - FRAME

FIGURE 1-19. TIRE AND WHEEL INSTALLATION - 315/55 D20 FOAM FILLED (AVAILABLE ON AUSTRALIAN, CE AND CHINA SPECS)

ITEM	PART NUMBER	QTY	DESCRIPTION	REV
	1001166157	Ref	TIRE AND WHEEL INSTALLATION - 315/55 D20 FOAM FILLED (AVAILABLE ON AUSTRALIAN, CE AND CHINA SPECS)	A
		Ref	Note: Assemblies may require ballast/foam filling to manufacturer's specifications prior to installing on a machine. Refer to Operation and Safety or Service and Maintenance Manuals. Purchase individual tire and/or rim only if able to foam fill tire and wheel assembly, otherwise, purchase complete assembly.	
1	1001166155	2	Tire and Wheel Assembly (LH Side)	I
1	1001166156	2	Tire and Wheel Assembly (RH Side)	I
102	4520608	4	Tire IN315/55/D20	
103	4641122	4	Valve, Stem	
104	1001166153	4	Rim, Wheel	

SECTION 1 - FRAME

FIGURE 1-20. TIRE AND WHEEL INSTALLATION - 315/55 D20 FOAM FILLED NON-MARKING
(AVAILABLE ON AUSTRALIAN, CE AND CHINA SPECS)



ART_1001169058

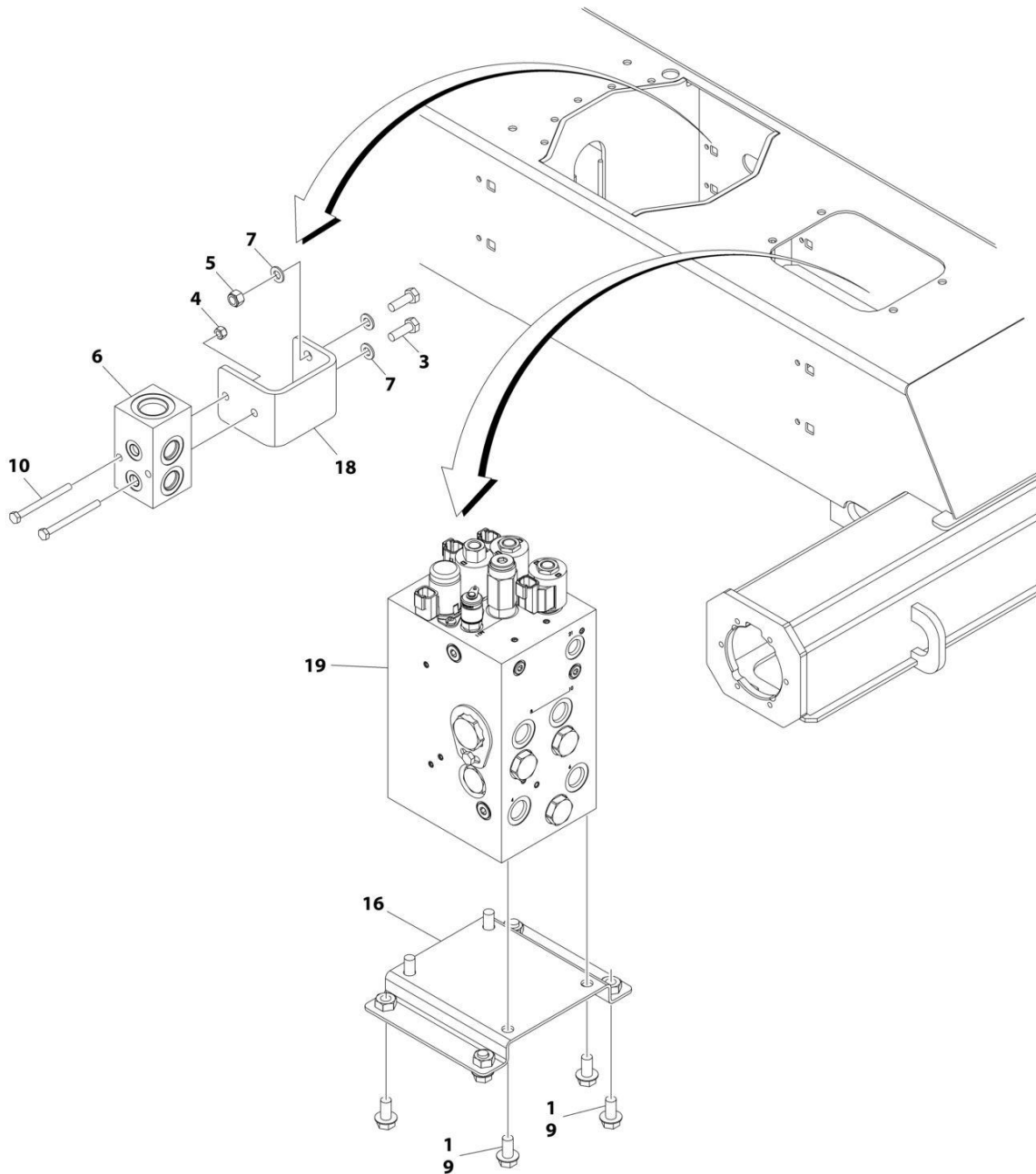
SECTION 1 - FRAME

**FIGURE 1-20. TIRE AND WHEEL INSTALLATION - 315/55 D20 FOAM FILLED NON-MARKING
(AVAILABLE ON AUSTRALIAN, CE AND CHINA SPECS)**

ITEM	PART NUMBER	QTY	DESCRIPTION	REV
	1001169058	Ref	TIRE AND WHEEL INSTALLATION - 315/55 D20 FOAM FILLED NON-MARKING (AVAILABLE ON AUSTRALIAN, CE AND CHINA SPECS)	A
		Ref	Note: Assemblies may require ballast/foam filling to manufacturer's specifications prior to installing on a machine. Refer to Operation and Safety or Service and Maintenance Manuals. Purchase individual tire and/or rim only if able to foam fill tire and wheel assembly, otherwise, purchase complete assembly.	
1	1001170459	2	Tire and Wheel Assembly (RH Side)	F
1	1001170460	2	Tire and Wheel Assembly (LH Side)	F
102	4641122	4	Valve, Stem	
103	1001166153	4	Rim, Wheel	
104	1001170458	4	Tire 315/55 D20 Non Marking	

SECTION 1 - FRAME

FIGURE 1-21. 2WD VALVES INSTALLATION - 450A FRAME MOUNTED



ART_1001215659_10F3

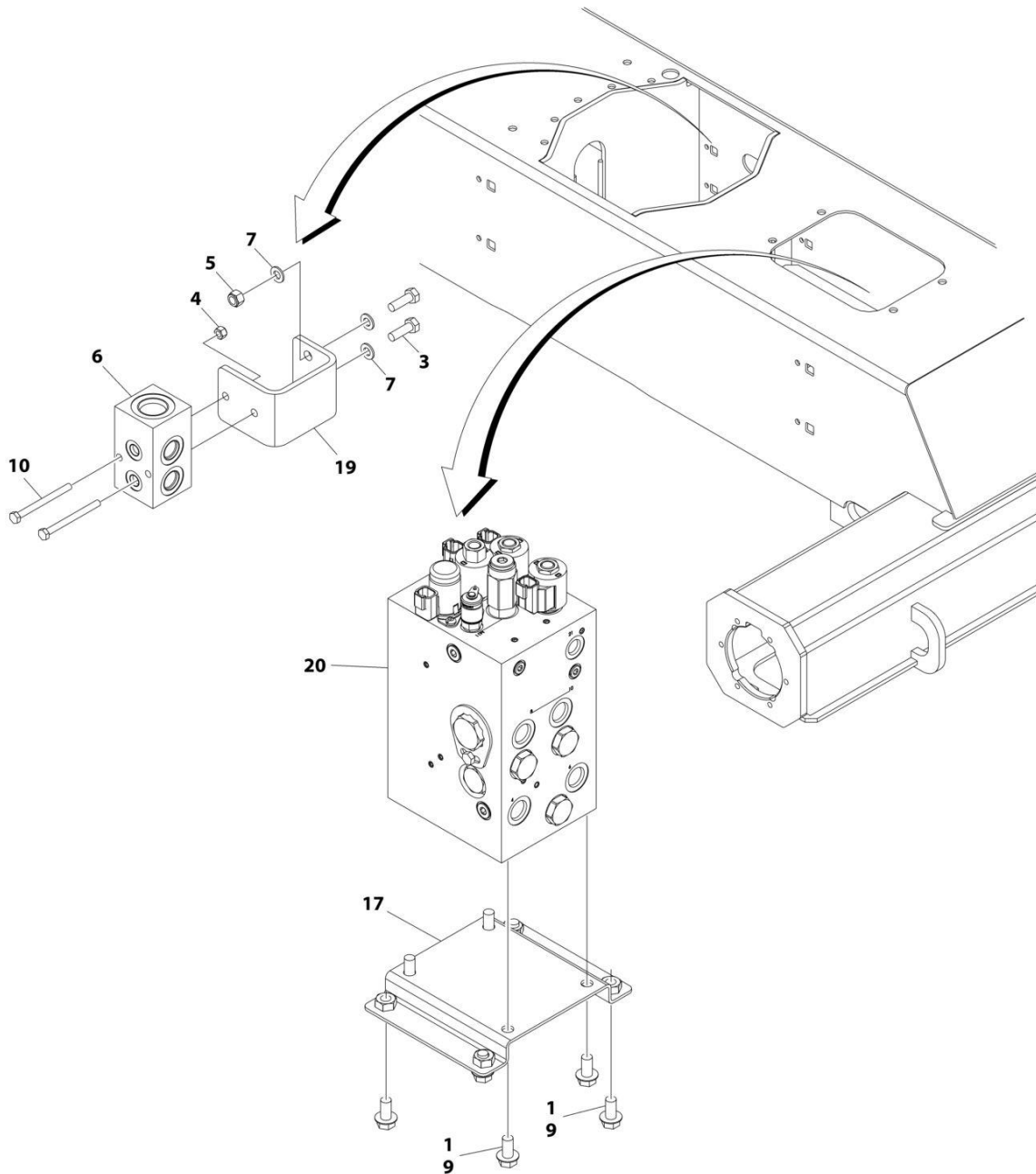
SECTION 1 - FRAME

FIGURE 1-21. 2WD VALVES INSTALLATION - 450A FRAME MOUNTED

ITEM	PART NUMBER	QTY	DESCRIPTION	REV
	1001215659	Ref	2WD VALVES INSTALLATION - 450A FRAME MOUNTED	C
1	0100011	AR	Compound, Locking	
3	0760812	2	Bolt M8 x 25	
4	3290605	2	Nut M6	
5	3290805	2	Nut M8	
6	4641155	1	Junction Valve Assembly	
7	4811900	4	Washer M8	
9	5251010	8	Bolt M10 x 20	
10	1001096653	2	Bolt M6 x 70	
16	1001179517	1	Bracket	
18	1001197221	1	Bracket	
19	1001214316	1	Traction Valve Assembly (See TRACTION VALVE ASSEMBLY - 2WD for Breakdown)	

SECTION 1 - FRAME

FIGURE 1-22. 2WD VALVES INSTALLATION - 450AJ FRAME MOUNTED



ART_1001214163_10F3

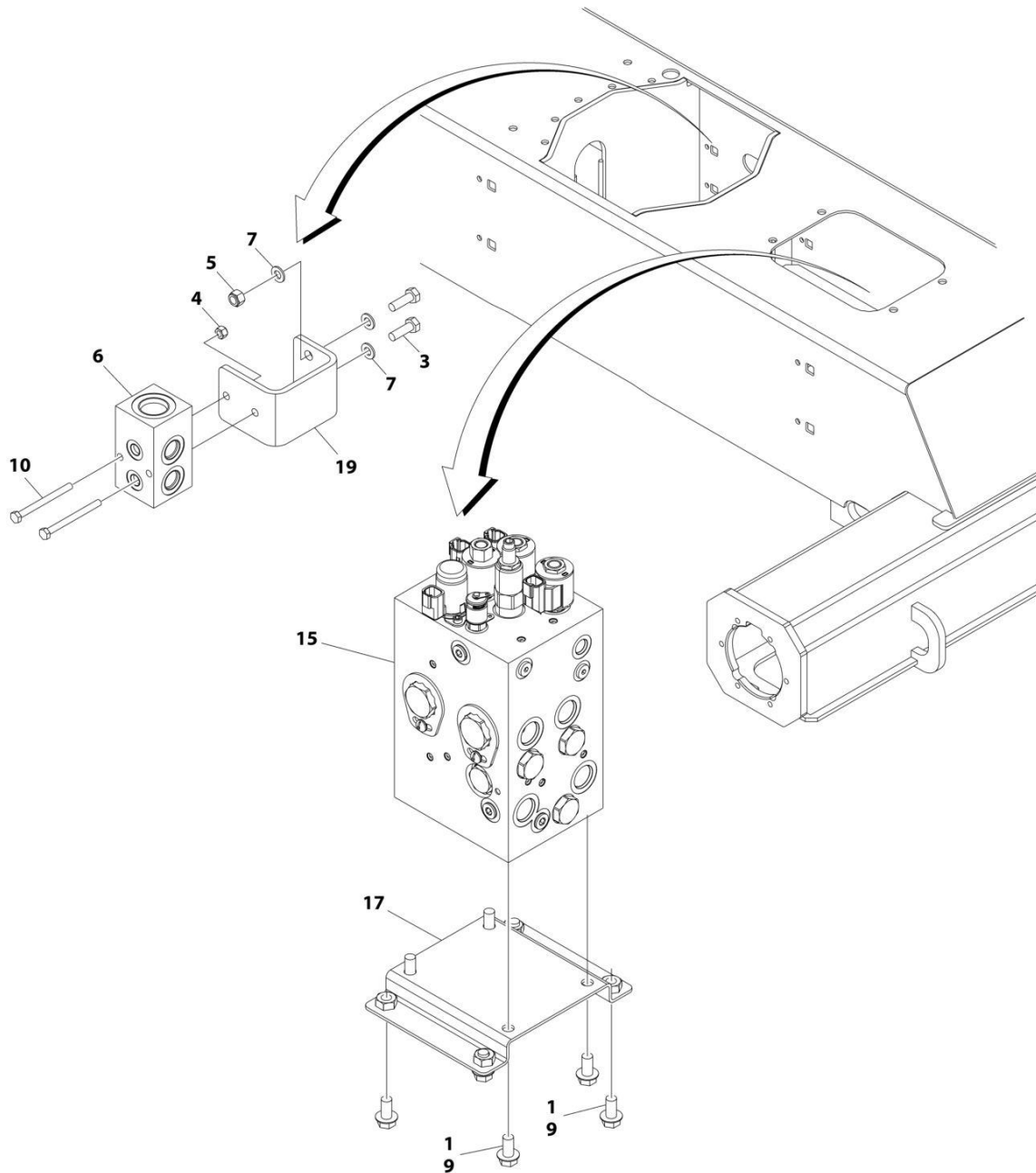
SECTION 1 - FRAME

FIGURE 1-22. 2WD VALVES INSTALLATION - 450AJ FRAME MOUNTED

ITEM	PART NUMBER	QTY	DESCRIPTION	REV
	1001214163	Ref	2WD VALVES INSTALLATION - 450AJ FRAME MOUNTED	B
1	0100011	AR	Compound, Locking	
3	0760812	2	Bolt M8 x 25	
4	3290605	2	Nut M6	
5	3290805	2	Nut M8	
6	4641155	1	Junction Valve Assembly	
7	4811900	4	Washer M8	
9	5251010	8	Bolt M10 x 20	
10	1001096653	2	Bolt M6 x 70	
17	1001179517	1	Bracket	
19	1001197221	1	Bracket	
20	1001214316	1	Traction Valve Assembly (See TRACTION VALVE ASSEMBLY - 2WD for Breakdown)	

SECTION 1 - FRAME

FIGURE 1-23. 4WD VALVES INSTALLATION - 450A FRAME MOUNTED



ART_1001215378_10F3

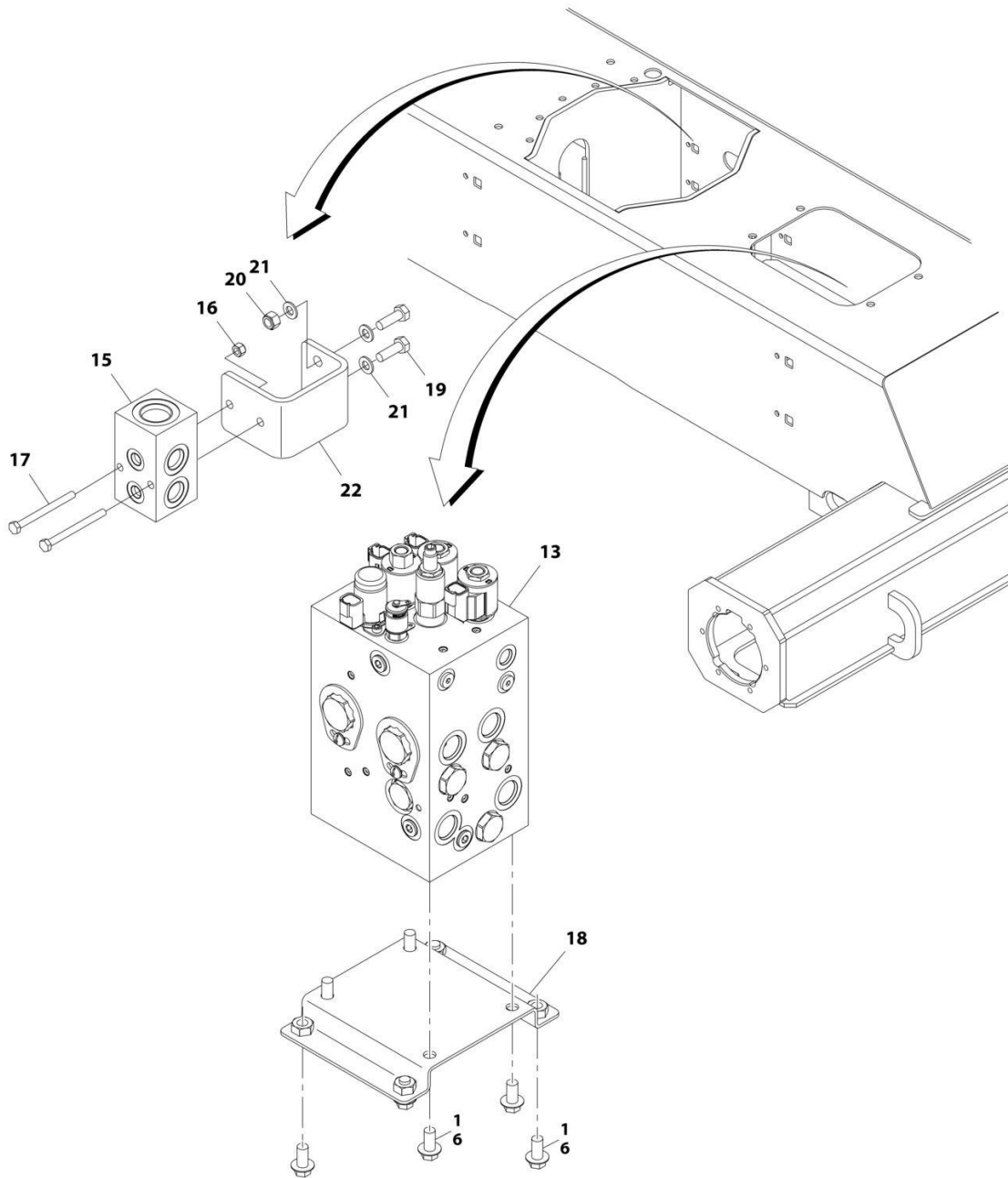
SECTION 1 - FRAME

FIGURE 1-23. 4WD VALVES INSTALLATION - 450A FRAME MOUNTED

ITEM	PART NUMBER	QTY	DESCRIPTION	REV
	1001215378	Ref	4WD VALVES INSTALLATION - 450A FRAME MOUNTED	C
1	0100011	AR	Compound, Locking	
3	0760812	2	Bolt M8 x 25	
4	3290605	2	Nut M6	
5	3290805	2	Nut M8	
6	4641155	1	Junction Valve Assembly	
7	4811900	4	Washer M8	
9	5251010	8	Bolt M10 x 20	
10	1001096653	2	Bolt M6 x 70	
15	1001162539	1	Traction Valve Assembly (See TRACTION VALVE ASSEMBLY - 4WD for Breakdown)	
17	1001179517	1	Bracket	
19	1001197221	1	Bracket	

SECTION 1 - FRAME

FIGURE 1-24. 4WD VALVES INSTALLATION - 450AJ FRAME MOUNTED



ART_1001165948_10F3

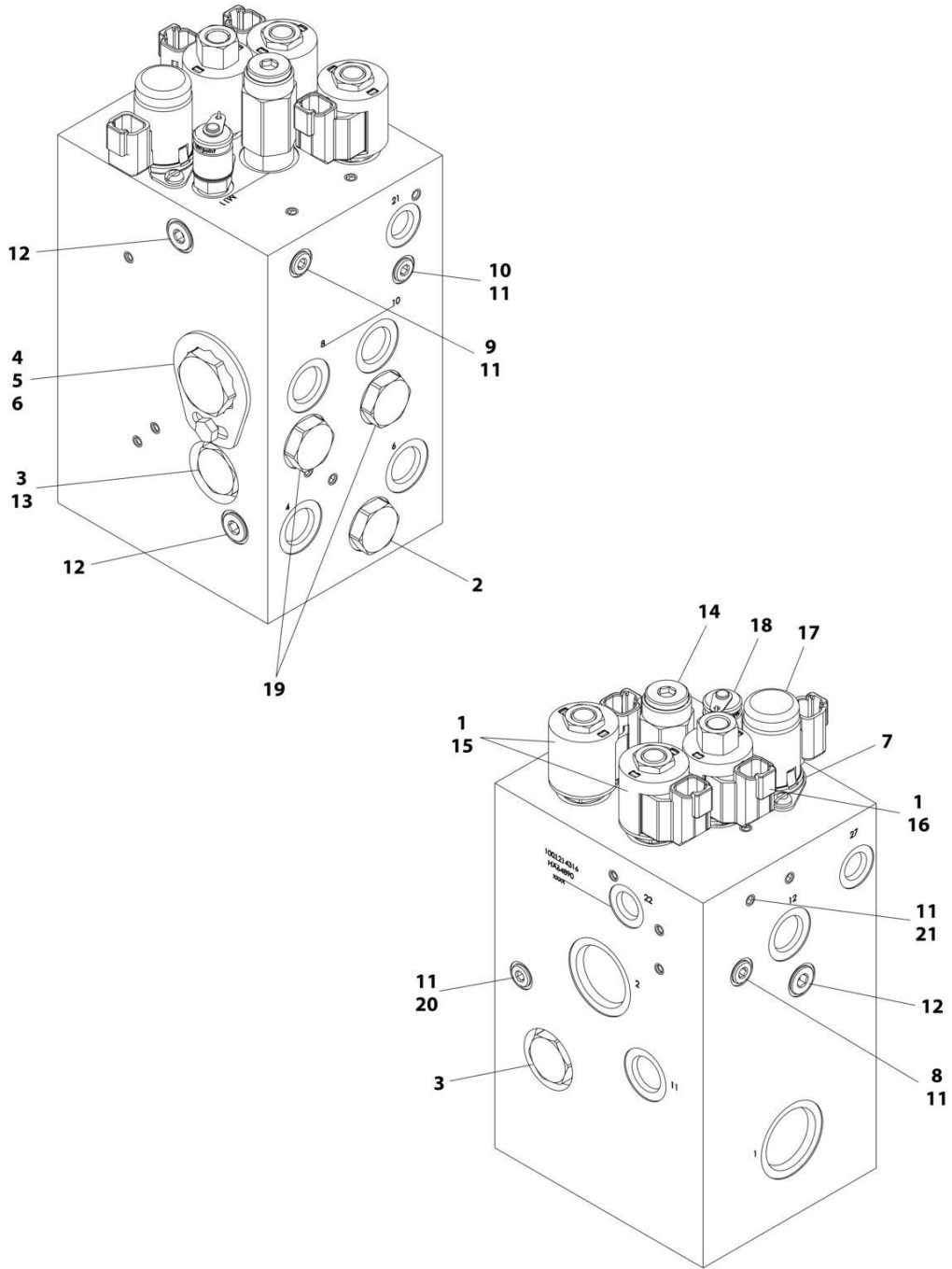
SECTION 1 - FRAME

FIGURE 1-24. 4WD VALVES INSTALLATION - 450AJ FRAME MOUNTED

ITEM	PART NUMBER	QTY	DESCRIPTION	REV
	1001165948	Ref	4WD VALVES INSTALLATION - 450AJ FRAME MOUNTED	H
1	0100011	AR	Compound, Locking	
3	0760812	1	Bolt M8 x 25	
6	5251010	4	Bolt M10 x 20	
13	1001162539	1	Traction Valve Assembly (See TRACTION VALVE ASSEMBLY - 4WD for Breakdown)	
15	4641155	1	Junction Valve Assembly	
16	3290605	2	Nut, M6	
17	1001096653	2	Bolt M6 x 70	
18	1001179517	1	Bracket	
19	0760812	1	Bolt M8 x 25	
20	3290805	1	Nut M8	
21	4811900	1	Washer M8	
22	1001197221	1	Bracket (SN 0300202585 through 0300272317, SN 1300007279 through 1300007373, SN B300003516 through B300005760, SN E300000100 through E300007990, Except SN 0300272185 through 0300272190, Excluding B300005569 and E300007814)	

SECTION 1 - FRAME

FIGURE 1-25. TRACTION VALVE ASSEMBLY - 2WD



ART_1001214316

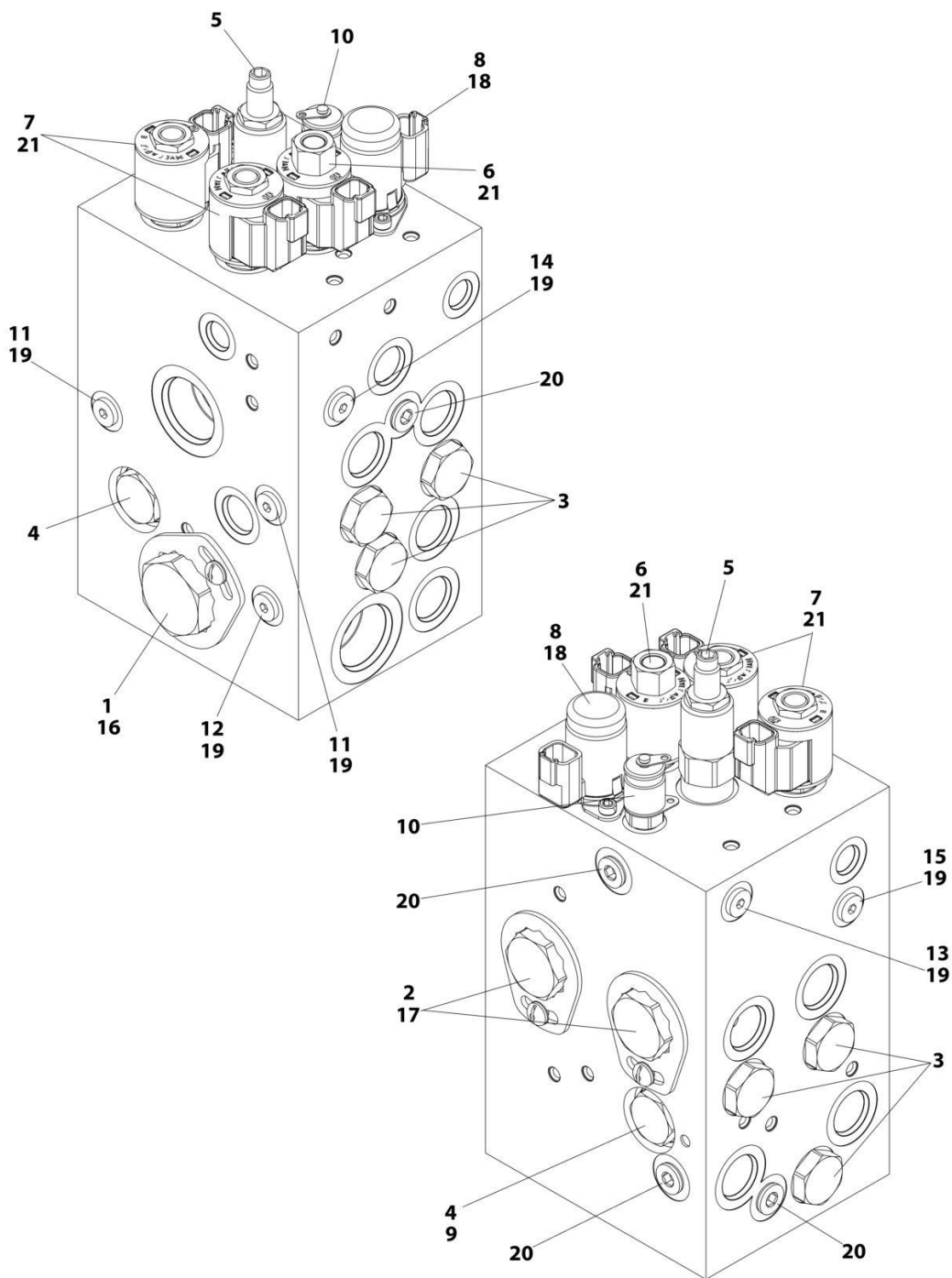
SECTION 1 - FRAME

FIGURE 1-25. TRACTION VALVE ASSEMBLY - 2WD

ITEM	PART NUMBER	QTY	DESCRIPTION	REV
	1001214316	Ref	TRACTION VALVE ASSEMBLY - 2WD	D
1	70002386	3	Coil	
2	7022397	1	Cartridge	
2	7022399	1	Seal Kit - 7022397 Valve	
3	70002390	2	Cartridge, Check Valve	
3	7022399	2	Seal Kit - 70002390 Valve	
4	70004885	1	Cartridge, Flow Divider (SN 0300201991 through 0300221764)	
4	70006000	1	Cartridge, Flow Divider (SN 0300221765 through 0300272317, Except SN 0300272185 through 0300272190)	
4	70004577	1	Seal Kit - 70004885 Valve	
5	70000781	1	Locking Kit	
6	70005827	1	Screw	
7	70004888	2	Screw	
8	7024810	1	Orifice	
9	70005828	1	Orifice	
10	70005829	1	Orifice	
11	2220883	5	Plug #4	
12	70005830	3	Plug #6	
13	7024881	1	Piston, Pilot	
14	70005831	1	Cartridge, Relief Valve	
14	7017496	1	Seal Kit - 70005831 Valve	
15	7012941	2	Cartridge, Solenoid Less Coil	
15	7010543	2	Seal Kit - 7012941 Valve	
15	7022390	2	Nut, Coil	
16	7017410	1	Cartridge, Solenoid Less Coil	
16	7012967	1	Seal Kit - 7017410 Valve	
16	70003978	1	Nut, Coil	
17	70004887	1	Cartridge, Solenoid Less Coil	
17	70023606	1	Seal Kit - 70004887 Valve	
17	7024885	1	Coil	
18	70005832	1	Fitting, Diagnostic	
19	7022397	2	Cartridge (SN 0300201991 through 0300221764)	
19	70026444	2	Cartridge (SN 0300221765 through 0300272317, Except SN 0300272185 through 0300272190)	
19	7022399	2	Seal Kit - 7022397 or 70026444 Valve	
20	7024810	1	Orifice (SN 0300201991 through 0300221764)	
20	70006001	1	Orifice (SN 0300221765 through 0300272317, Except SN 0300272185 through 0300272190)	
21	70006002	1	Orifice (SN 0300221765 through 0300272317, Except SN 0300272185 through 0300272190)	

SECTION 1 - FRAME

FIGURE 1-26. TRACTION VALVE ASSEMBLY - 4WD



ART_1001162539

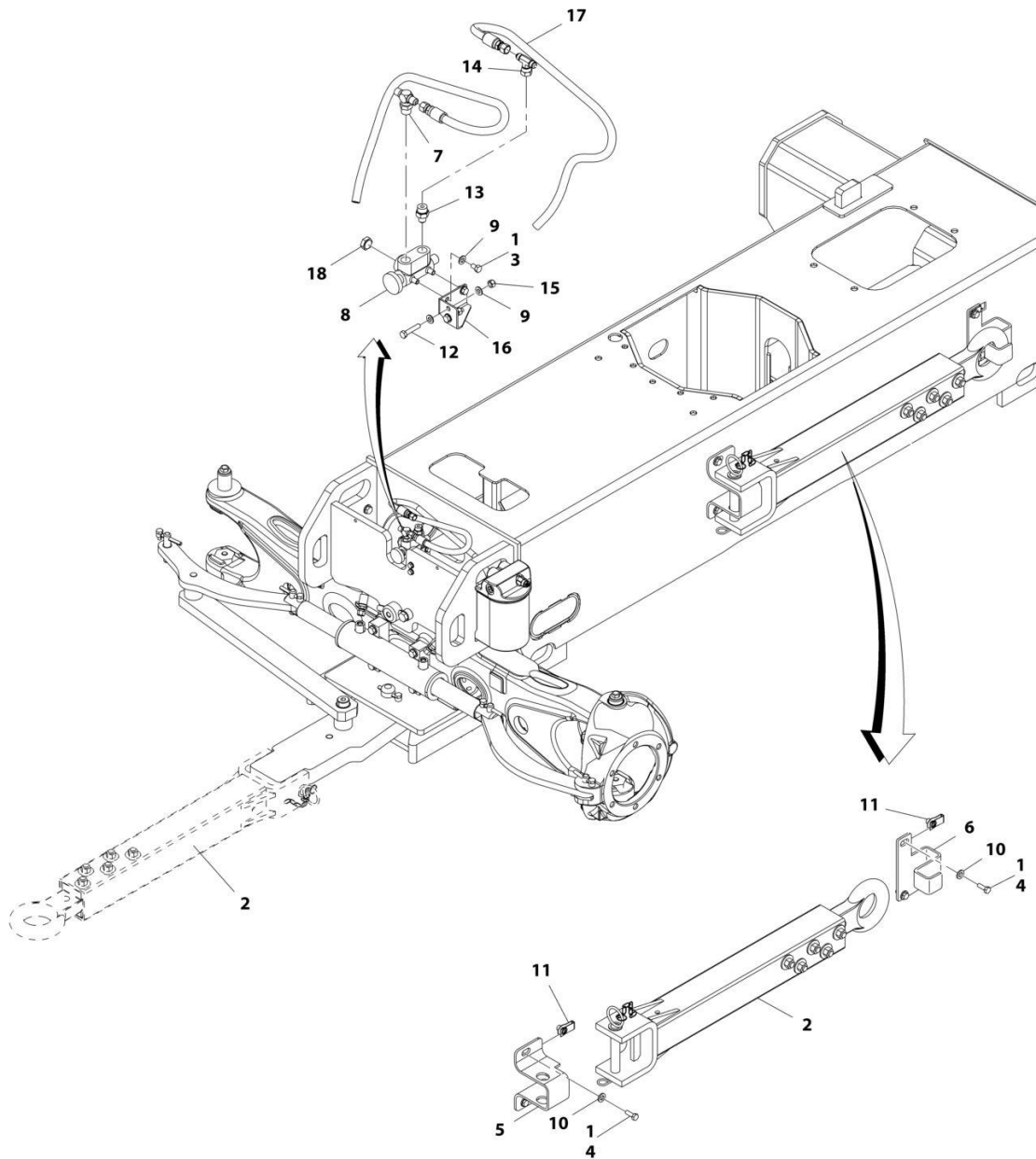
SECTION 1 - FRAME

FIGURE 1-26. TRACTION VALVE ASSEMBLY - 4WD

ITEM	PART NUMBER	QTY	DESCRIPTION	REV
	1001162539	Ref	TRACTION VALVE ASSEMBLY - 4WD	D
1	70004017	1	Cartridge, Flow Divider	
1	7021625	1	Seal Kit - 70004017 Valve	
2	70004885	2	Cartridge, Flow Divider	
2	70004577	2	Seal Kit - 70004885 Valve	
3	7022397	6	Cartridge, Check Valve	
3	7022399	6	Seal Kit - 7022397 Valve	
4	7021639	2	Cartridge, Check Valve	
4	2900756	2	Seal Kit - 7021639 Valve	
5	70004886	1	Cartridge, Relief Valve	
5	7017496	1	Seal Kit - 70004886 Valve	
6	7017410	1	Cartridge, Solenoid Less Coil	
6	7012967	1	Seal Kit - 7017410 Valve	
7	7012974	2	Cartridge, Solenoid Less Coil	
7	7010543	2	Seal Kit - 7012974 Valve	
8	70004887	1	Cartridge, Solenoid Less Coil	
8	70023606	1	Seal Kit - 70004887 Valve	
8	7024885	1	Coil	
9	7024881	1	Piston, Pilot	
10	2221086	1	Fitting, Diagnostic	
11	70003975	2	Orifice	
12	70002209	1	Orifice	
13	70002063	1	Orifice	
14	70004884	1	Orifice	
15	70004883	1	Orifice	
16	70000781	1	Locking Kit	
17	70002962	2	Locking Kit	
18	70004888	2	Screw	
19	2220883	6	Plug #4	
20	2220885	5	Plug #6	
21	70002386	3	Coil	

SECTION 1 - FRAME

FIGURE 1-27. TOW PACKAGE INSTALLATION (OPTIONAL)



ART_1001166232

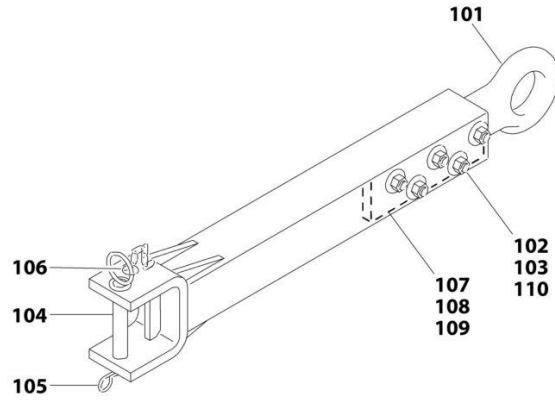
SECTION 1 - FRAME

FIGURE 1-27. TOW PACKAGE INSTALLATION (OPTIONAL)

ITEM	PART NUMBER	QTY	DESCRIPTION	REV
	1001166232	Ref	TOW PACKAGE INSTALLATION (OPTIONAL)	D
1	0100011	AR	Compound, Locking	
2	0363019	1	Tow Bar Assembly (See TOW BAR ASSEMBLY for Breakdown)	
3	0641504	2	Bolt 5/16 x 1/2	
4	0701014	4	Bolt M10 x 30	
5	0902733	1	Bracket	
6	0902734	1	Bracket	
7	2221052	1	Fitting, Tee JIC/ORB/JIC	
8	4640261	1	Steer/Tow Select Valve Assembly	
9	4711500	6	Washer 5/16	
10	5241200	4	Washer M12	
11	1001118972	4	Nut M10	
12	0700816	2	Bolt M8 x 40	
13	2220372	1	Fitting, Straight JIC/ORB	
14	2220579	1	Fitting, Tee JIC/FSJIC/JIC	
15	3290805	2	Nut M8	
16	1001181527	1	Bracket	
17	1001181913	2	Hose	
18	2220238	1	Plug	

SECTION 1 - FRAME

FIGURE 1-28. TOW BAR ASSEMBLY



ART_0363019

SECTION 1 - FRAME

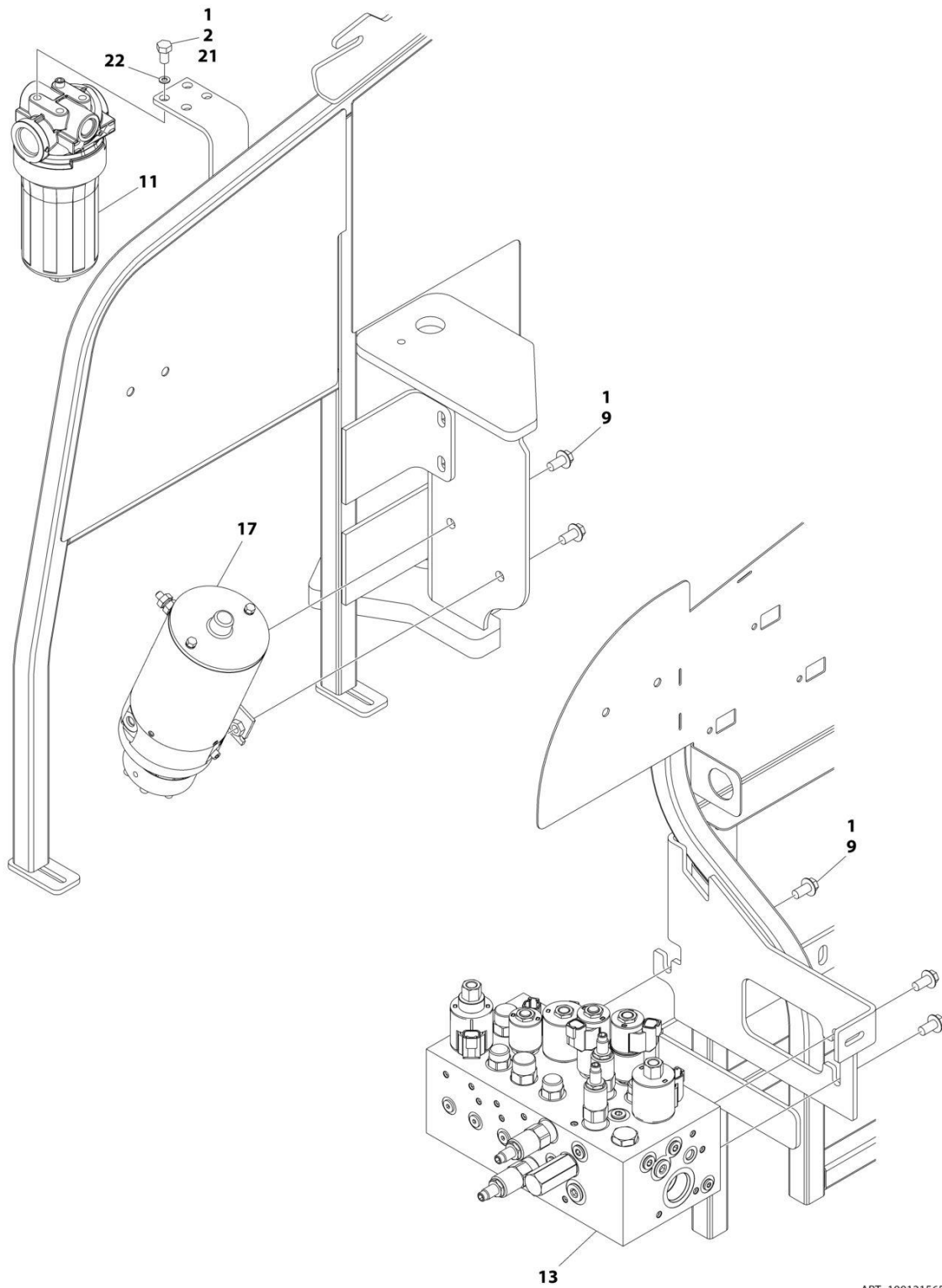
FIGURE 1-28. TOW BAR ASSEMBLY

ITEM	PART NUMBER	QTY	DESCRIPTION	REV
	0363019	Ref	TOW BAR ASSEMBLY	B
101	0360406	1	Pintle, Draw Eye	
102	0682040	5	Bolt 5/8 x 5	
103	3312005	5	Nut 5/8	
104	3420352	1	Pin, Towing	
105	3420372	1	Hairpin	
106	3760170	1	Ring, Split	
107	4070450	2	Shim (.07)	
108	4070560	2	Shim (.88)	
109	4070561	2	Shim (.12)	
110	4752000	10	Washer 5/8	

SECTION 2 - TURNTABLE

SECTION 2 - TURNTABLE

FIGURE 2-1. 2WD VALVES INSTALLATION - 450A TURNTABLE MOUNTED



ART_1001215659_20F3

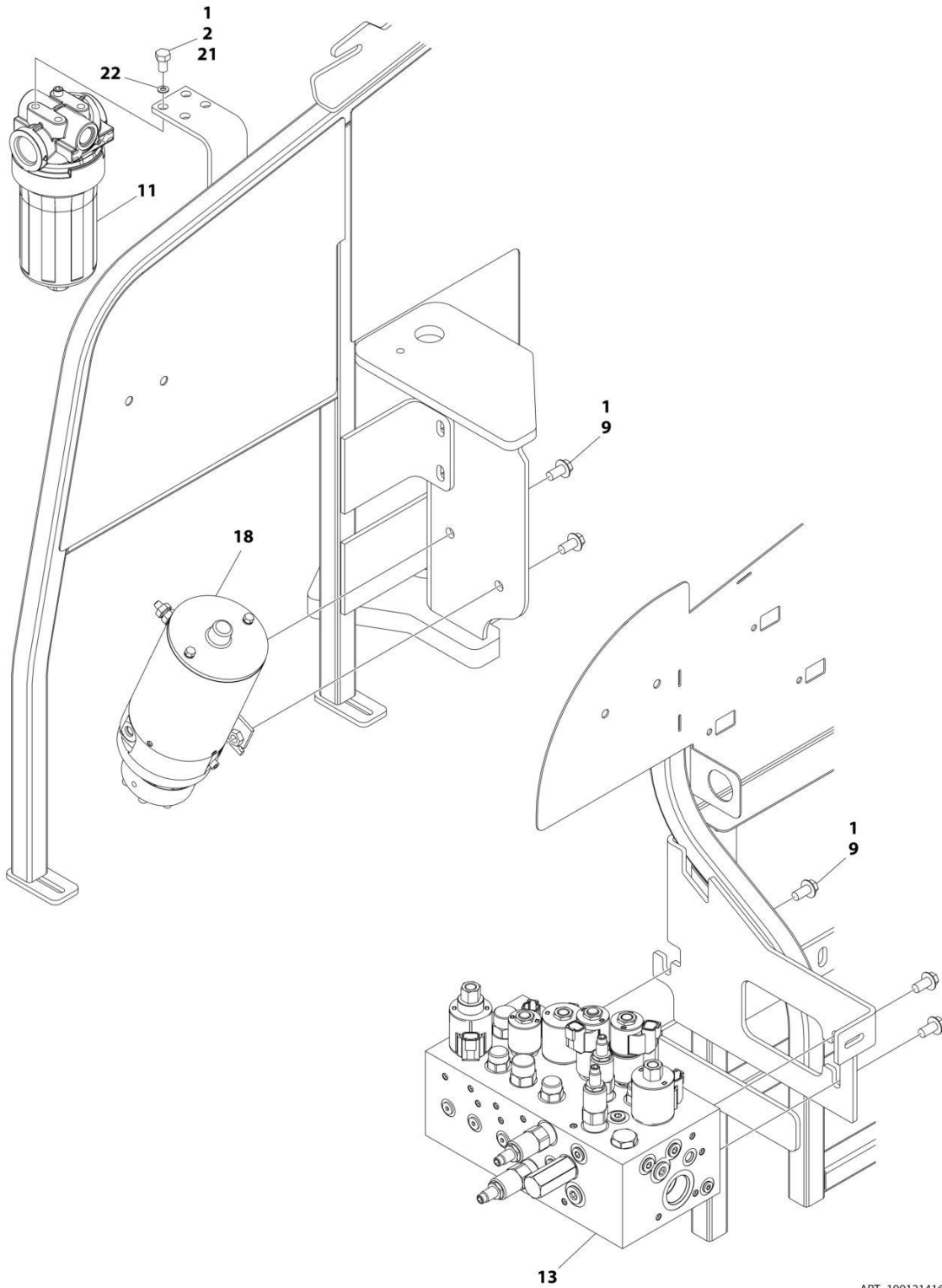
SECTION 2 - TURNTABLE

FIGURE 2-1. 2WD VALVES INSTALLATION - 450A TURNTABLE MOUNTED

ITEM	PART NUMBER	QTY	DESCRIPTION	REV
	1001215659	Ref	2WD VALVES INSTALLATION - 450A TURNTABLE MOUNTED	C
1	0100011	AR	Compound, Locking	
2	0641605	AR	Bolt 3/8 x 5/8	
9	5251010	5	Bolt M10 x 20	
11	1001102987	1	Filter, Charge Pump (SN 0300201991 through 0300237247)	
11	1001208874	1	Filter, Charge Pump (SN 0300237248 through 0300272317, Except SN 0300272185 through 0300272190)	
11	70010383	1	Element, Filter (Includes O-Ring)	
13	1001162534	1	Main Valve Assembly (See MAIN VALVE ASSEMBLY for Breakdown)	
17	1001185821	1	Auxiliary Pump Assembly (See AUXILIARY PUMP ASSEMBLY for Breakdown)	
21	0761010	3	Bolt M10 x 20	
22	4812000	3	Washer M10	

SECTION 2 - TURNTABLE

FIGURE 2-2. 2WD VALVES INSTALLATION - 450AJ TURNTABLE MOUNTED



ART_1001214163_20F3

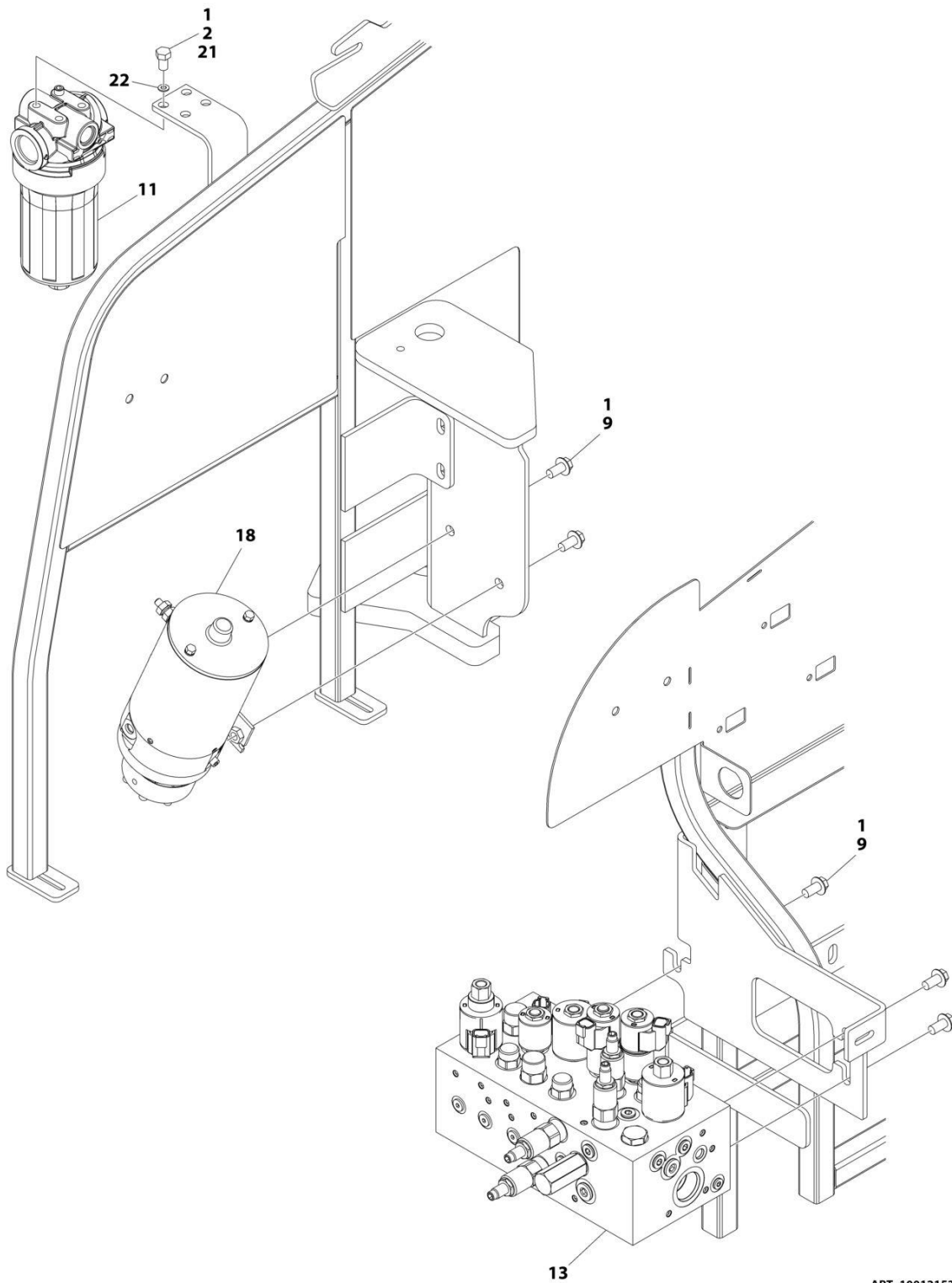
SECTION 2 - TURNTABLE

FIGURE 2-2. 2WD VALVES INSTALLATION - 450AJ TURNTABLE MOUNTED

ITEM	PART NUMBER	QTY	DESCRIPTION	REV
	1001214163	Ref	2WD VALVES INSTALLATION – 450AJ TURNTABLE MOUNTED	B
1	0100011	AR	Compound, Locking	
2	0641605	AR	Bolt 3/8 x 5/8	
9	5251010	5	Bolt M10 x 20	
11	1001102987	1	Filter, Charge Pump (SN 0300201991 through 0300237247)	
11	1001208874	1	Filter, Charge Pump (SN 0300237248 through 0300272317, Except SN 0300272185 through 0300272190)	
11	70010383	1	Element, Filter (Includes O-Ring)	
13	1001162534	1	Main Valve Assembly (See MAIN VALVE ASSEMBLY for Breakdown)	
18	1001185821	1	Auxiliary Pump Assembly (See AUXILIARY PUMP ASSEMBLY for Breakdown)	
21	0761010	3	Bolt M10 x 20	
22	4812000	3	Washer M10	

SECTION 2 - TURNTABLE

FIGURE 2-3. 4WD VALVES INSTALLATION - 450A TURNTABLE MOUNTED



ART_1001215378_20F3

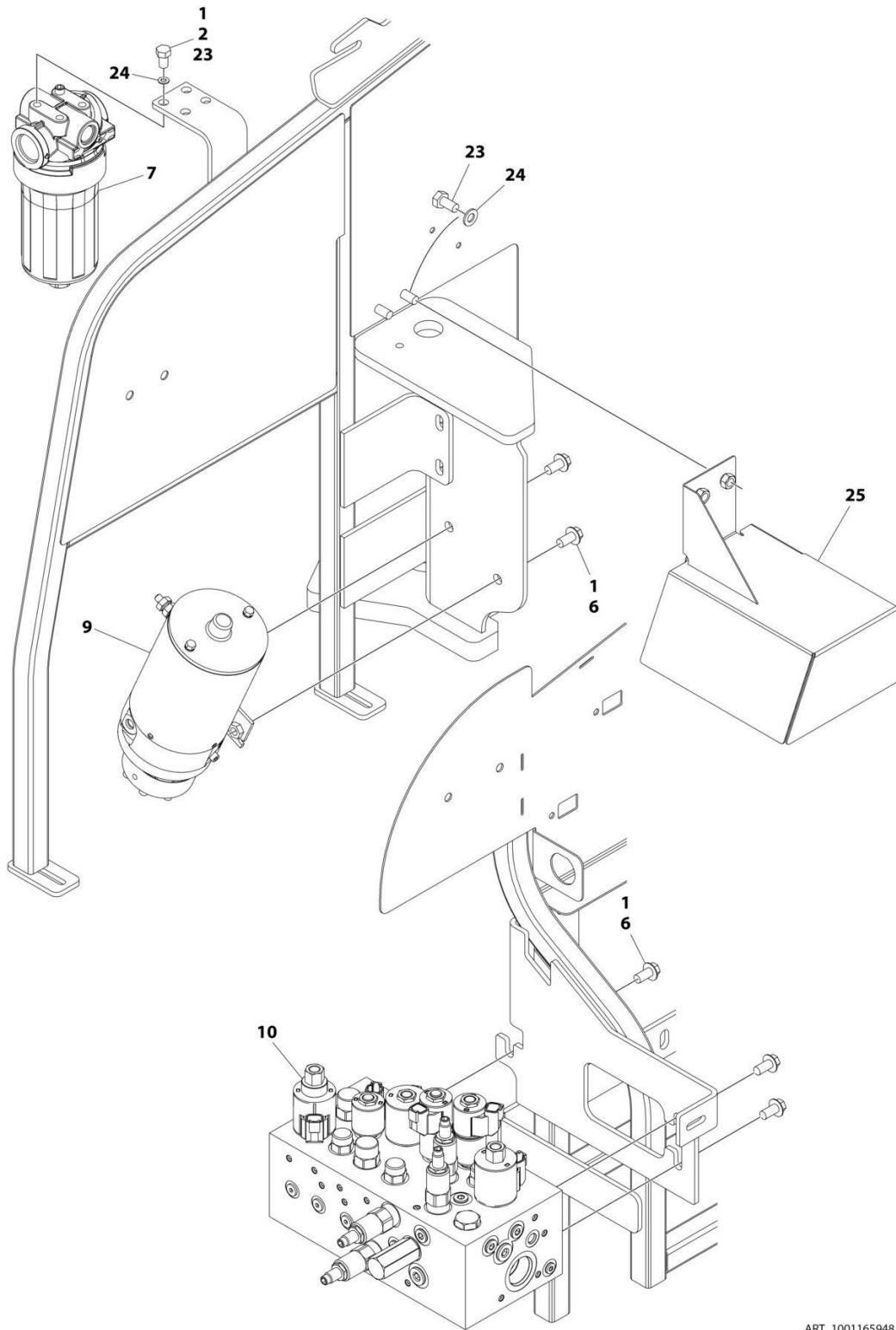
SECTION 2 - TURNTABLE

FIGURE 2-3. 4WD VALVES INSTALLATION - 450A TURNTABLE MOUNTED

ITEM	PART NUMBER	QTY	DESCRIPTION	REV
	1001215378	Ref	4WD VALVES INSTALLATION - 450A TURNTABLE MOUNTED	C
1	0100011	AR	Compound, Locking	
2	0641605	AR	Bolt 3/8 x 5/8	
9	5251010	5	Bolt M10 x 20	
11	1001102987	1	Filter, Charge Pump (SN 0300201991 through 0300237247)	
11	1001208874	1	Filter, Charge Pump (SN 0300237248 through 0300272317, Except SN 0300272185 through 0300272190)	
11	70010383	1	Element, Filter (Includes O-Ring)	
13	1001162534	1	Main Valve Assembly (See MAIN VALVE ASSEMBLY for Breakdown)	
18	1001185821	1	Auxiliary Pump Assembly (See AUXILIARY PUMP ASSEMBLY for Breakdown)	
21	0761010	3	Bolt M10 x 20	
22	4812000	3	Washer M10	

SECTION 2 - TURNTABLE

FIGURE 2-4. 4WD VALVES INSTALLATION - 450AJ TURNTABLE MOUNTED



ART_1001165948_2OF3

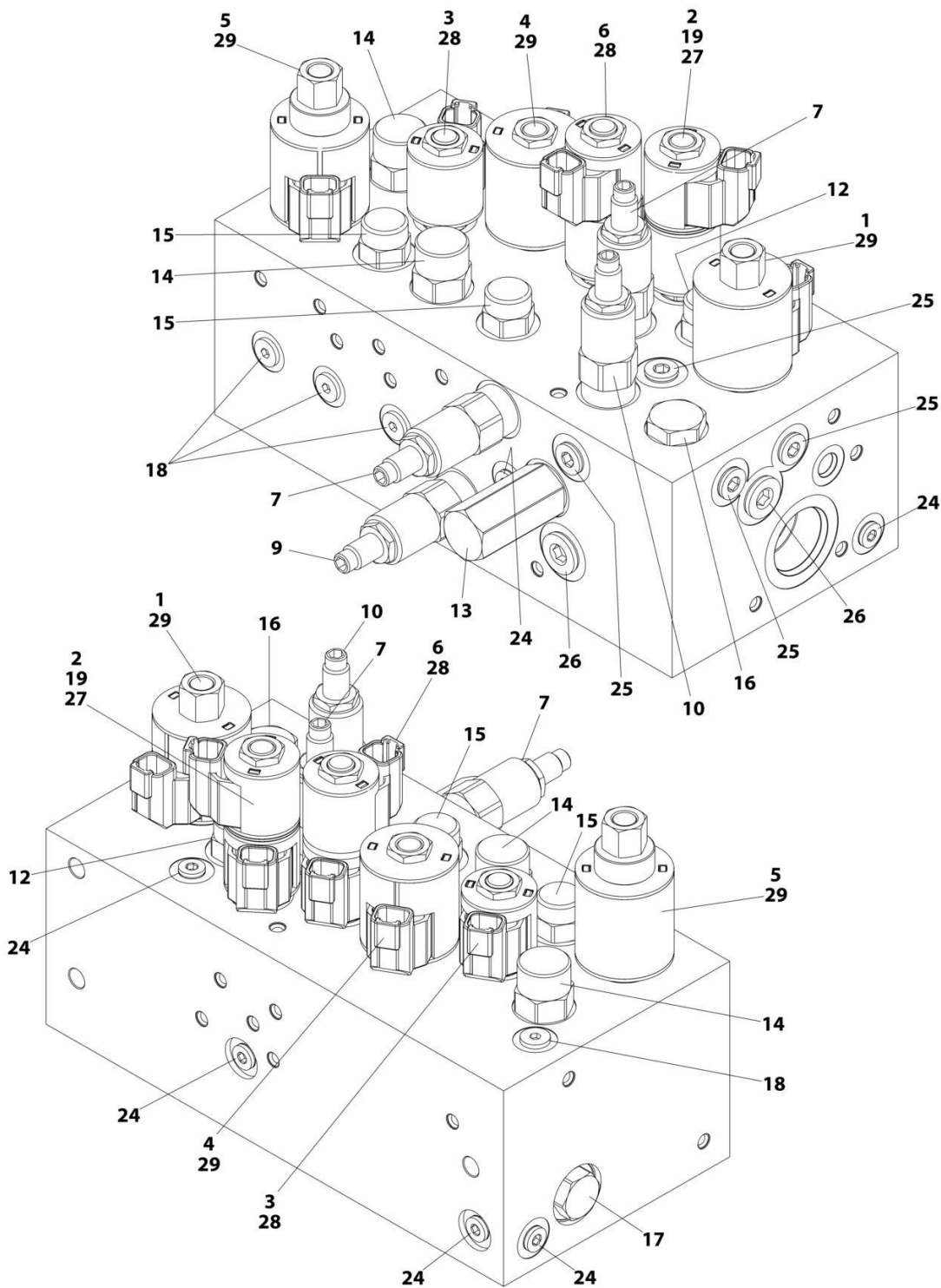
SECTION 2 - TURNTABLE

FIGURE 2-4. 4WD VALVES INSTALLATION - 450AJ TURNTABLE MOUNTED

ITEM	PART NUMBER	QTY	DESCRIPTION	REV
	1001165948	Ref	4WD VALVES INSTALLATION - 450AJ TURNTABLE MOUNTED	H
1	0100011	AR	Compound, Locking	
2	0641605	AR	Bolt 3/8 x 5/8	
6	5251010	15	Bolt M10 x 20	
7	1001102987	1	Filter, Charge Pump (SN 0300201991 through 0300237247, SN 1300007279 through 1300007373, SN E300002833 through E300004945)	
7	1001208874	1	Filter, Charge Pump (SN 0300237248 through 0300272317, SN B300003516 through B300005760, SN E300004946 through E300007990, Except SN 0300272185 through 0300272190, Excluding B300005569 and E300007814)	
7	70010383	1	Element, Filter (Includes O-Ring)	
9	1001185821	1	Auxiliary Pump Assembly (See AUXILIARY PUMP ASSEMBLY for Breakdown)	
10	1001162534	1	Main Valve Assembly (See MAIN VALVE ASSEMBLY for Breakdown)	
23	0761010	AR	Bolt M10 x 20	
24	4812000	AR	Washer M10	
25	1001234295	1	Cover (SN 0300253982 through 0300272317, SN B300003516 through B300005760, SN E300006373 through E300007990, Except SN 0300272185 through 0300272190, Excluding B300005569 and E300007814)	

SECTION 2 - TURNTABLE

FIGURE 2-5. MAIN VALVE ASSEMBLY



ART_1001162534

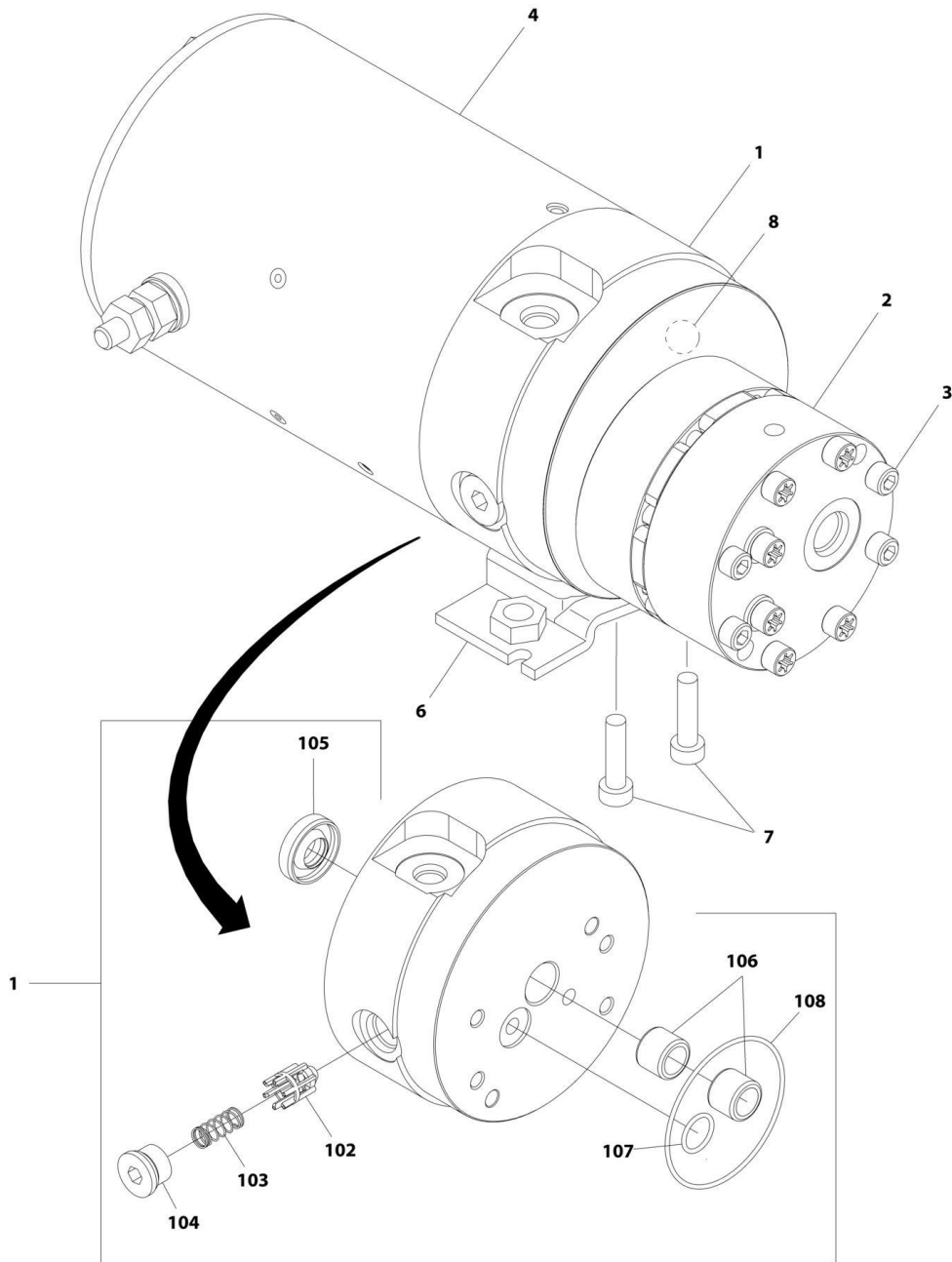
SECTION 2 - TURNTABLE

FIGURE 2-5. MAIN VALVE ASSEMBLY

ITEM	PART NUMBER	QTY	DESCRIPTION	REV
	1001162534	Ref	MAIN VALVE ASSEMBLY	F
1	70005069	1	Cartridge, Solenoid Less Coil (Main Dump)	
1	7022399	1	Seal Kit - 70005069 Valve	
1	70003977	1	Nut, Coil	
2	70005217	1	Cartridge, Solenoid Less Coil (Steer)	
2	70005071	1	Seal Kit - 70005217 Valve	
2	7022390	1	Nut, Coil	
3	70005094	1	Cartridge, Solenoid Less Coil (Main Lift Up)	
3	7023936	1	Seal Kit - 70005094 Valve	
3	7022390	1	Nut, Coil	
4	70005076	1	Cartridge, Solenoid Less Coil (Tower Lift Up)	
4	7022399	1	Seal Kit - 70005076 Valve	
4	7022390	1	Nut, Coil	
5	70005095	1	Cartridge, Solenoid Less Coil (Flow Control)	
5	7022399	1	Seal Kit - 70005095 Valve	
5	70003977	1	Nut, Coil	
6	70005096	1	Cartridge, Solenoid Less Coil (Swing)	
6	70005071	1	Seal Kit - 70005096 Valve	
7	70005097	1	Cartridge, Solenoid Less Coil	
7	70005082	2	Seal Kit - 70005097 Valve	
9	70005098	1	Cartridge, Relief Valve	
9	7023936	1	Seal Kit - 70005098 Valve	
10	70005080	1	Cartridge, Relief Valve	
10	7022399	1	Seal Kit - 70005080 Valve	
12	70005218	1	Cartridge, Valve	
12	70005082	1	Seal Kit - 70005218 Valve	
13	70005084	1	Cartridge, Valve	
13	70005085	1	Seal Kit - 70005084 Valve	
14	70005099	2	Cartridge, Valve	
14	70005087	2	Seal Kit - 70005099 Valve	
15	70005088	2	Cartridge, Valve	
15	7023900	2	Seal Kit - 70005088 Valve	
16	70005100	1	Cartridge, Check Valve	
16	7022399	1	Seal Kit - 70005100 Valve	
17	70005089	1	Cartridge, Check Valve	
17	7023936	1	Seal Kit - 70005089 Valve	
18	70005090	5	Cartridge, Check Valve	
18	70005092	5	Seal Kit - 70005092 Valve	
19	See Note	1	Disc, Check Valve (Note: Not Available for Purchase)	
24	91164059	7	Plug	
25	91164079	4	Plug	
26	91164057	2	Plug	
27	70005219	2	Coil	
28	70002386	3	Coil	
29	70003788	3	Coil	

SECTION 2 - TURNTABLE

FIGURE 2-6. AUXILIARY PUMP ASSEMBLY



ART_1001185821

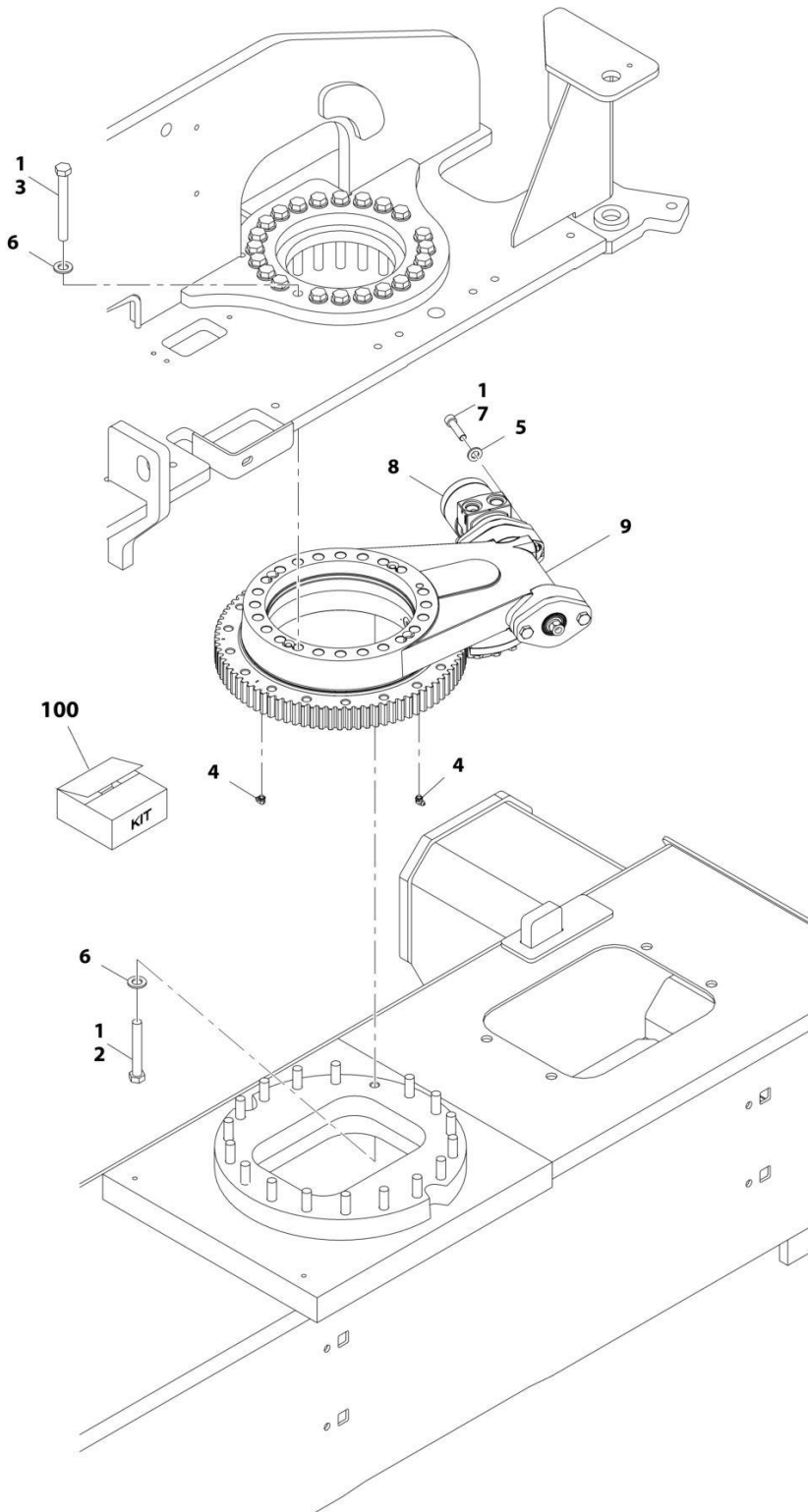
SECTION 2 - TURNTABLE

FIGURE 2-6. AUXILIARY PUMP ASSEMBLY

ITEM	PART NUMBER	QTY	DESCRIPTION	REV
	1001185821	Ref	AUXILIARY PUMP ASSEMBLY	B
1	70005065	1	Base Assembly (See Item 102-108 for Breakdown)	
2	70005066	1	Pump Assembly (Note: No Seal Kit or Internal Components are Available - Purchase Complete Pump Assembly)	
3	70005067	4	Capscrew 1/4 x 2-3/4	
4	70004013	1	Motor Assembly (Note: No Internal Components are Available - Purchase Complete Motor Assembly)	
6	70004014	1	Bracket	
7	70004000	2	Capscrew 3/8 x 1	
8	70005068	1	Relief Valve Assembly	
	70005065	Ref	BASE ASSEMBLY	
102	See Note	NSS	Poppet, Check (Note: Not Available - Purchase p/n 70005065)	
103	See Note	NSS	Spring (Note: Not Available - Purchase p/n 70005065)	
104	See Note	NSS	Plug (Note: Not Available - Purchase p/n 70005065)	
105	7026330	1	Seal, Shaft	
106	70005139	2	Bearing	
107	70003612	1	O-Ring	
108	70004267	1	O-Ring	

SECTION 2 - TURNTABLE

FIGURE 2-7. SWING DRIVE AND TURNTABLE BEARING INSTALLATION



ART_1001165946

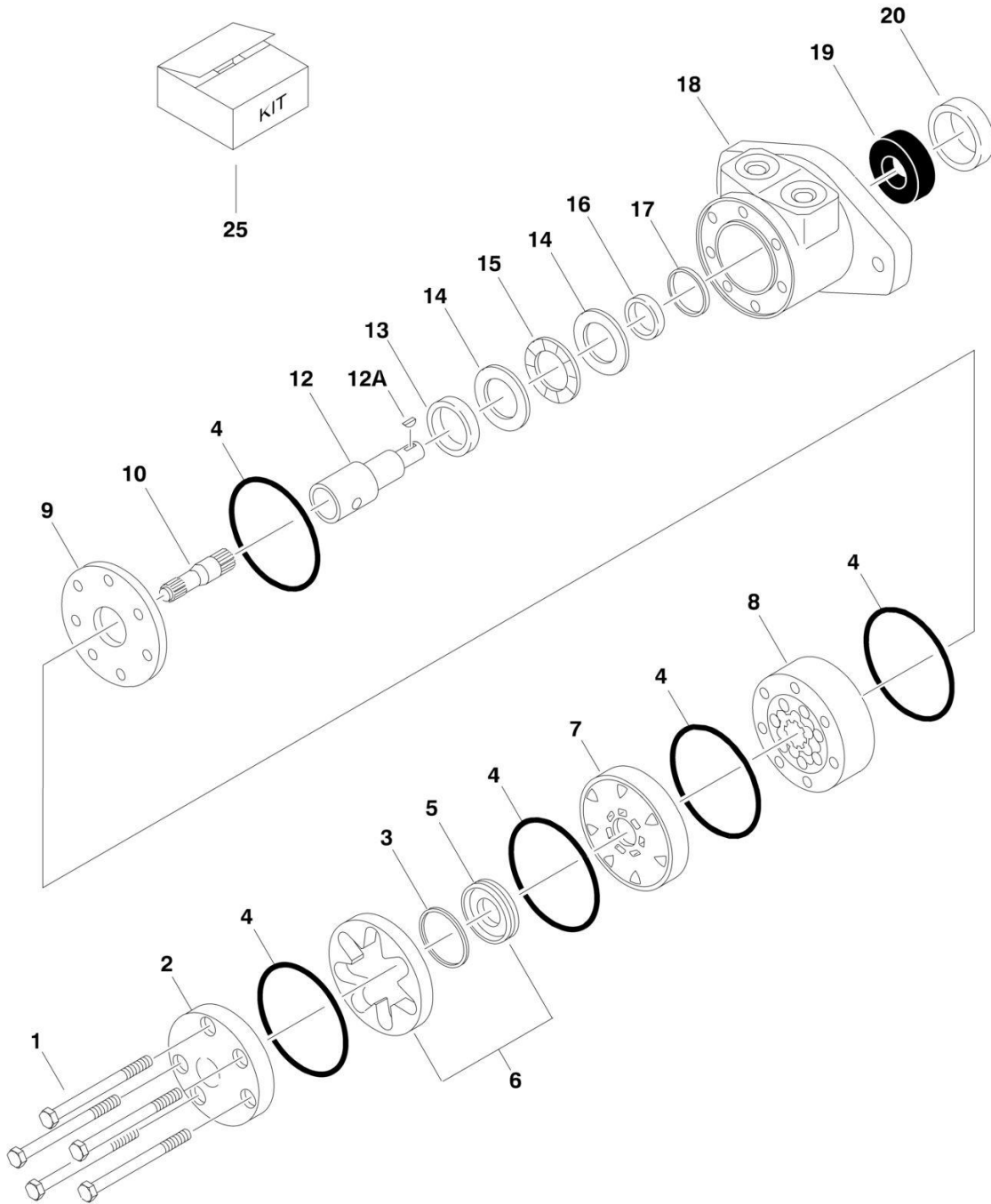
SECTION 2 - TURNTABLE

FIGURE 2-7. SWING DRIVE AND TURNTABLE BEARING INSTALLATION

ITEM	PART NUMBER	QTY	DESCRIPTION	REV
	1001165946	Ref	SWING DRIVE AND TURNTABLE BEARING INSTALLATION	B
1	0100019	AR	Compound, Locking	
2	0711628	18	Bolt M16 x 110 Grade 10.9	
3	0711631	23	Bolt M16 x 140	
4	2160001	2	Fitting, Grease 90	
5	5241200	2	Washer M12	
6	5241600	41	Washer M16	
7	5272114	2	Capscrew M12 x 50 Grade 12.9	
8	1001104850	1	Swing Motor Assembly (See SWING MOTOR ASSEMBLY for breakdown)	
9	1001133972	1	Turntable Bearing Assembly (See TURNTABLE BEARING ASSEMBLY for Breakdown)	
100	1001206436	1	Turntable Bearing Kit (Includes Items 2-7 & 9)	

SECTION 2 - TURNTABLE

FIGURE 2-8. SWING MOTOR ASSEMBLY



ART_1001104850

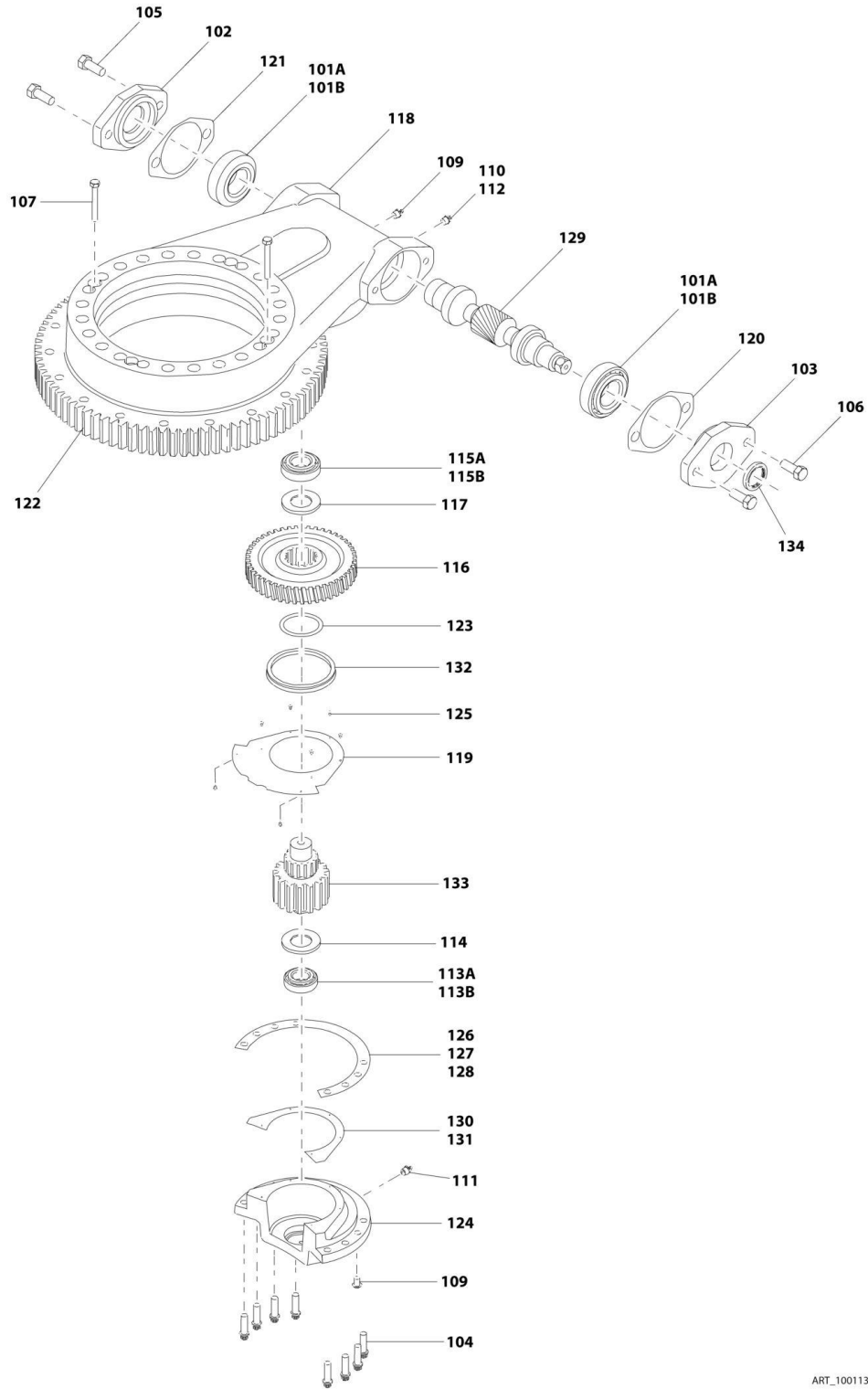
SECTION 2 - TURNTABLE

FIGURE 2-8. SWING MOTOR ASSEMBLY

ITEM	PART NUMBER	QTY	DESCRIPTION	REV
	1001104850	Ref	SWING MOTOR ASSEMBLY	A
1	See Note	5	Bolt (Note: Not Available for Purchase)	
2	7004035	1	Cover, End	
3	7023318	1	Seal, Commutator	
4	7004036	5	O-Ring	
5	See Note	NSS	Commutator (Note: Use Item 6)	
6	7024453	1	Commutator and Ring Assembly (Includes Item 5)	
7	7024379	1	Manifold	
8	70002206	1	Rotor Set	
9	7024380	1	Plate, Wear	
10	70002207	1	Link, Drive	
12	70000088	1	Shaft, Coupling	
12A	70000089	1	Key	
13	7024381	1	Bushing, Inner	
14	7004043	1	Thrustwasher	
15	7004044	1	Bearing, Thrust	
16	7004049	1	Seal, Inner Shaft	
17	7004045	1	Ring, Back-up	
18	See Note	NSS	Housing (Note: Not Available - Purchase Complete Motor)	
19	7024390	1	Bearing	
20	7004047	1	Seal, Outer Shaft	
25	7024389	1	Seal Kit (Includes Items 3, 4, 16, 17 & 20)	

SECTION 2 - TURNTABLE

FIGURE 2-9. TURNTABLE BEARING ASSEMBLY



ART_1001133972

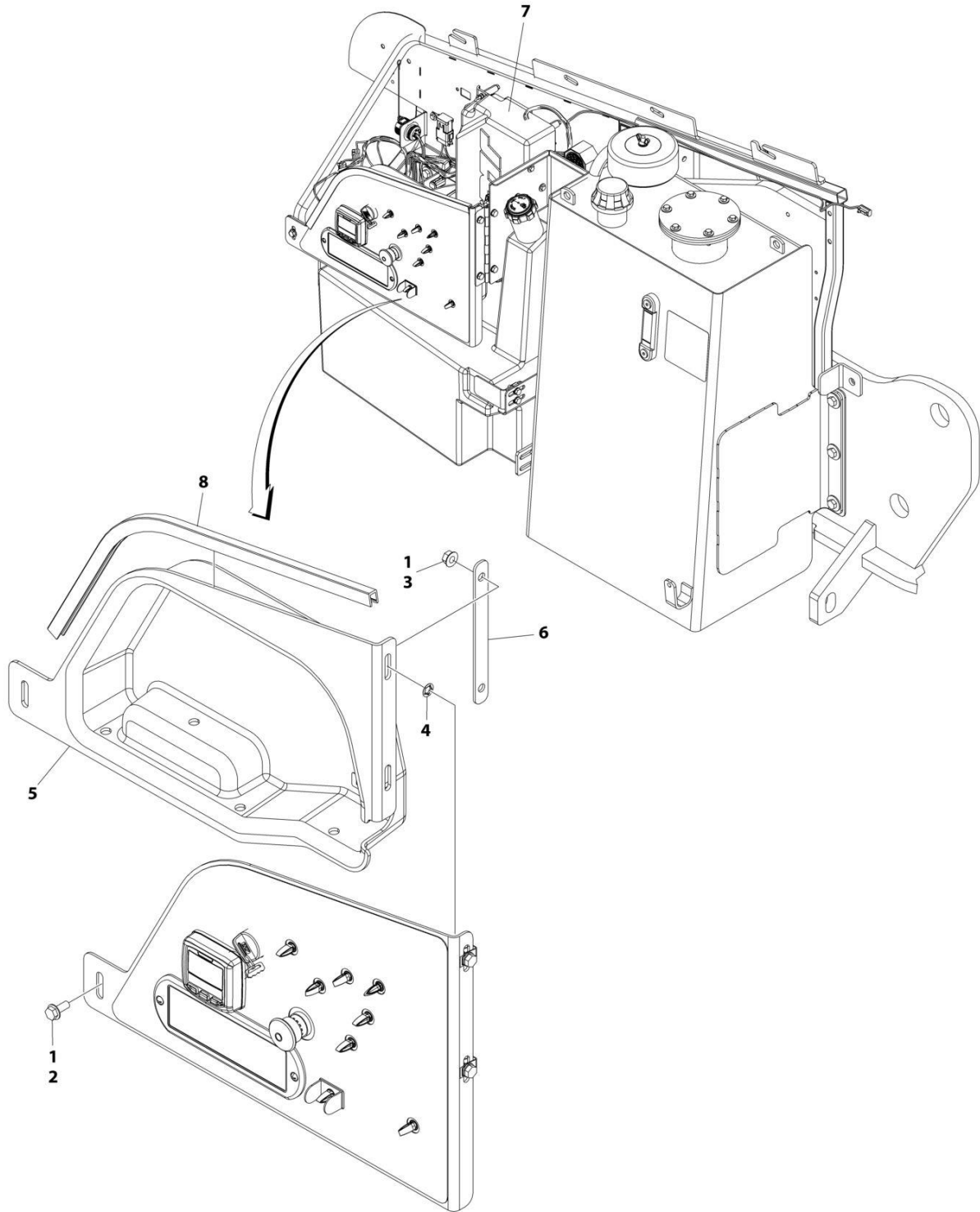
SECTION 2 - TURNTABLE

FIGURE 2-9. TURNTABLE BEARING ASSEMBLY

ITEM	PART NUMBER	QTY	DESCRIPTION	REV
	1001133972	Ref	TURNTABLE BEARING ASSEMBLY	D
101A	7026042	2	Cup, Bearing	
101B	7026043	2	Cone, Bearing	
102	7027356	1	Adapter, Motor	
103	7027354	1	Cap, Worm	
104	70004249	8	Bolt M10 x 35 Grade 10.9	
105	70004250	2	Bolt M12 x 30 Grade 10.9	
106	70004251	2	Bolt M12 x 40 Grade 10.9	
107	70004252	2	Bolt M8 x 65mm	
109	70000865	1	Plug	
110	70002649	1	Vent, Pressure	
111	70002651	1	Fitting, Grease	
112	7026044	1	Bushing, Reducer	
113A	7026045	1	Cup, Bearing	
113B	7026047	1	Cone, Bearing	
114	7026046	1	Ring, Grease	
115A	7026048	1	Cup, Bearing	
115B	7026049	1	Cone, Bearing	
116	7026050	1	Worm-Gear	
117	7026052	1	Spacer, Washer	
118	See Note	1	Housing (Note: Not Available - Purchase Complete Assembly)	
119	7026053	1	Cover, Gear	
120	7027350	AR	Shim, Blue (.005in)	
120	7027351	AR	Shim, Clear (.0075in)	
120	7027352	AR	Shim, Brown (.010in)	
121	7027353		Shim, Yellow (.020in)	
122	70004253	1	Bearing, Turntable	
123	70004254	1	O-Ring	
124	70004255	1	Cap, Gear	
125	70004256	8	Bolt M4 x 8	
126	70004257	AR	Shim, Green (.003)	
127	70004258	AR	Shim, Blue (.005)	
128	70004259	AR	Shim, Natural (.0075)	
129	7026057	1	Gear, Worm	
130	70004260	AR	Shim, Blue (.005)	
131	70004261	AR	Shim, Yellow (.020)	
132	70004262	1	Seal, Oil	
133	7026051	1	Pinion, Output	
134	70004263	1	Seal, Oil	

SECTION 2 - TURNTABLE

FIGURE 2-10. TURNTABLE COVERS INSTALLATION



ART_1001219129

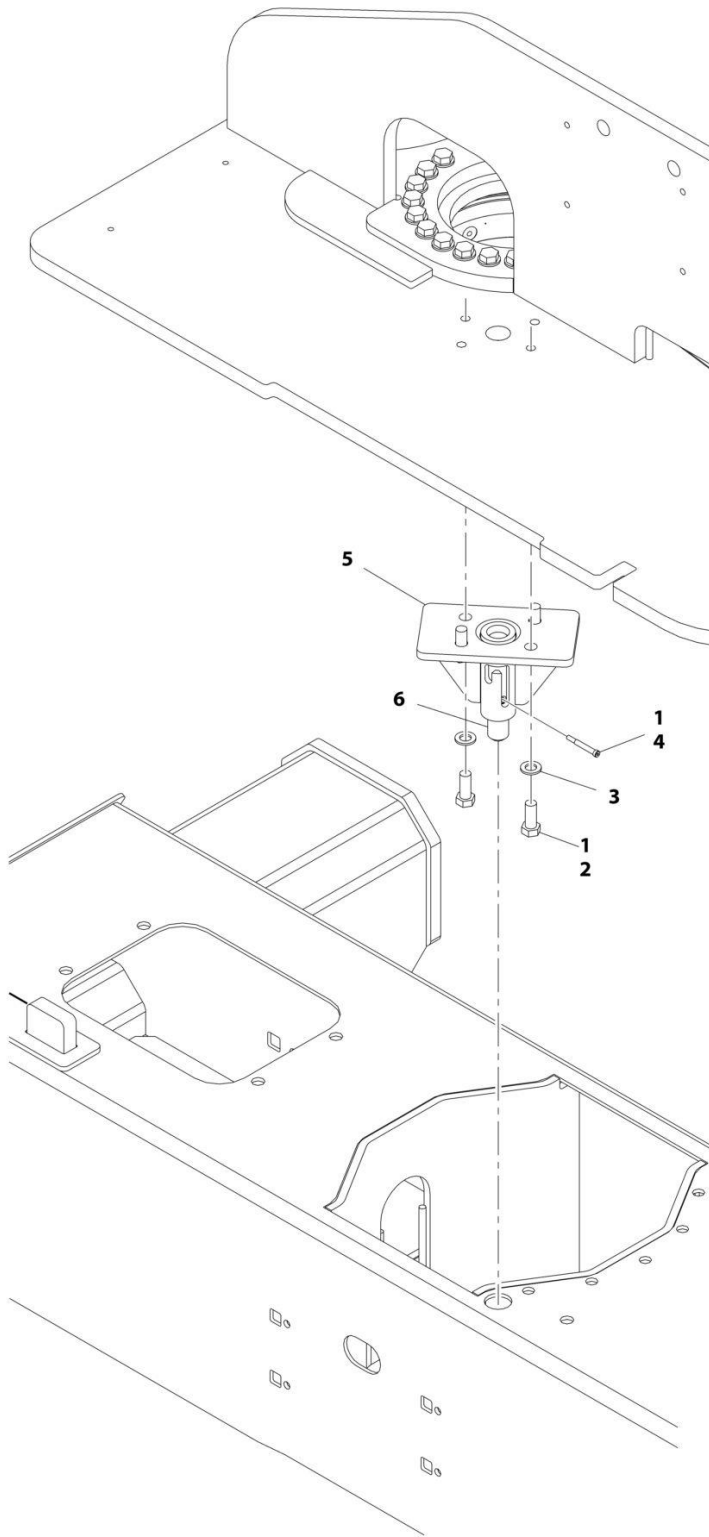
SECTION 2 - TURNTABLE

FIGURE 2-10. TURNTABLE COVERS INSTALLATION

ITEM	PART NUMBER	QTY	DESCRIPTION	REV
	1001219129	Ref	TURNTABLE COVERS INSTALLATION	A
1	0100011	AR	Compound, Locking	
2	5250812	1	Bolt M8 x 25	
3	5260800	2	Nut M8	
4	1001119228	2	Nut M8	
5	1001218533	1	Cover	
6	1001218535	1	Plate, Mounting	
7	1001218537	1	Cover	
8	4060806	2 ft/0.6m	Shield, Flex	

SECTION 2 - TURNTABLE

FIGURE 2-11. TURNTABLE LOCK INSTALLATION



ART_1001177820

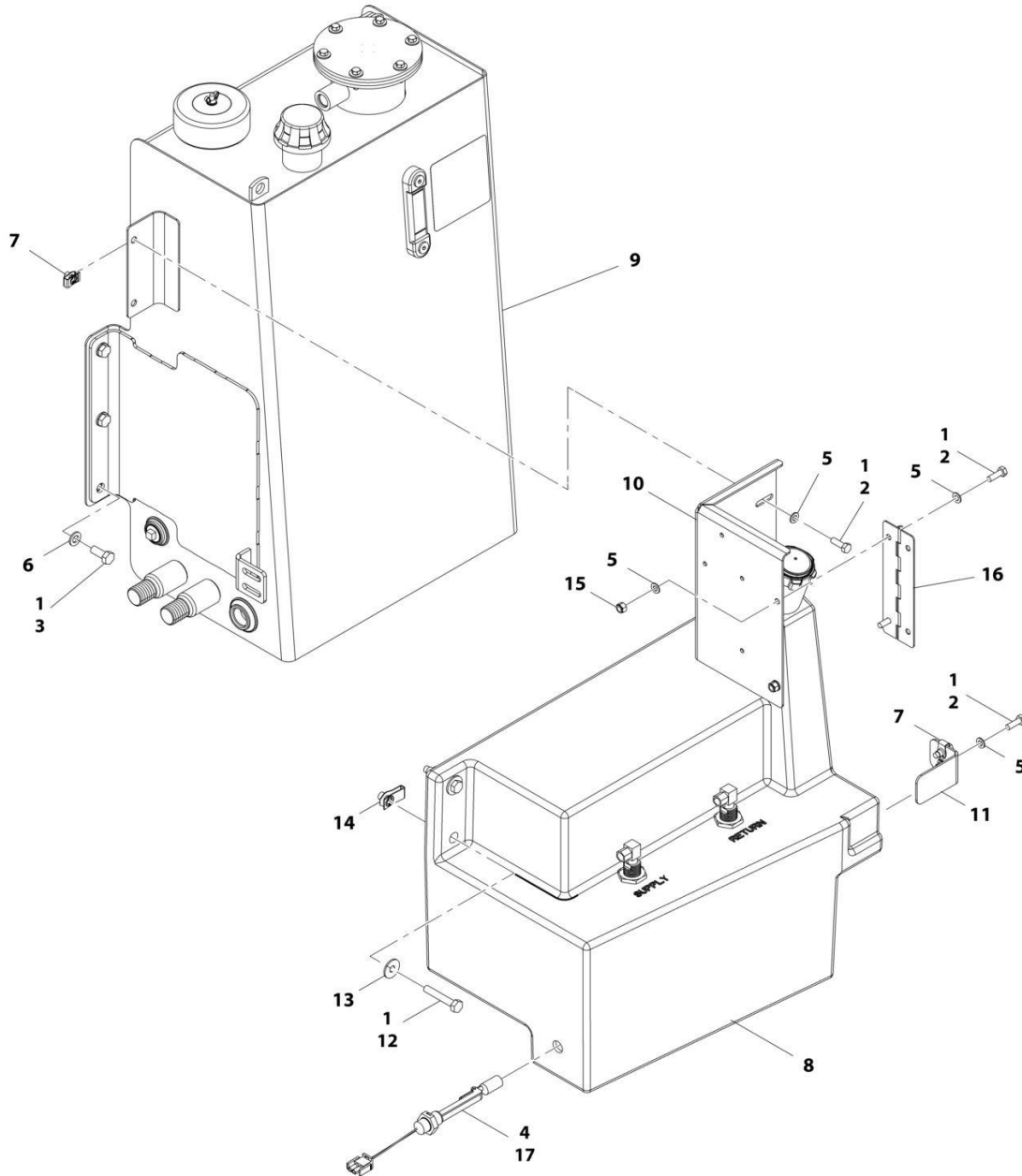
SECTION 2 - TURNTABLE

FIGURE 2-11. TURNTABLE LOCK INSTALLATION

ITEM	PART NUMBER	QTY	DESCRIPTION	REV
	1001177820	Ref	TURNTABLE LOCK INSTALLATION	B
1	0100011	AR	Compound, Locking	
2	0701616	4	Bolt M16 x 40	
3	4812300	4	Washer M16	
4	1001157466	1	Bolt M10 x 30	
5	1001177821	1	Support, Lock	
6	1001177834	1	Pin, Lock	
7	1001223118	1	Decal – Lift Diagram (Not Shown) (SN 0300226581 through 0300272317, SN 1300007279 through 1300007373, SN B300003516 through B300005760, SN E300004121 through E300007990, Except SN 0300272185 through 0300272190, Excluding B300005569 and E300007814)	

SECTION 2 - TURNTABLE

FIGURE 2-12. TANKS INSTALLATION - DIESEL MACHINES (SN 0300201991 through 0300225480, SN E300002833 through E300004226)



ART_1001165942

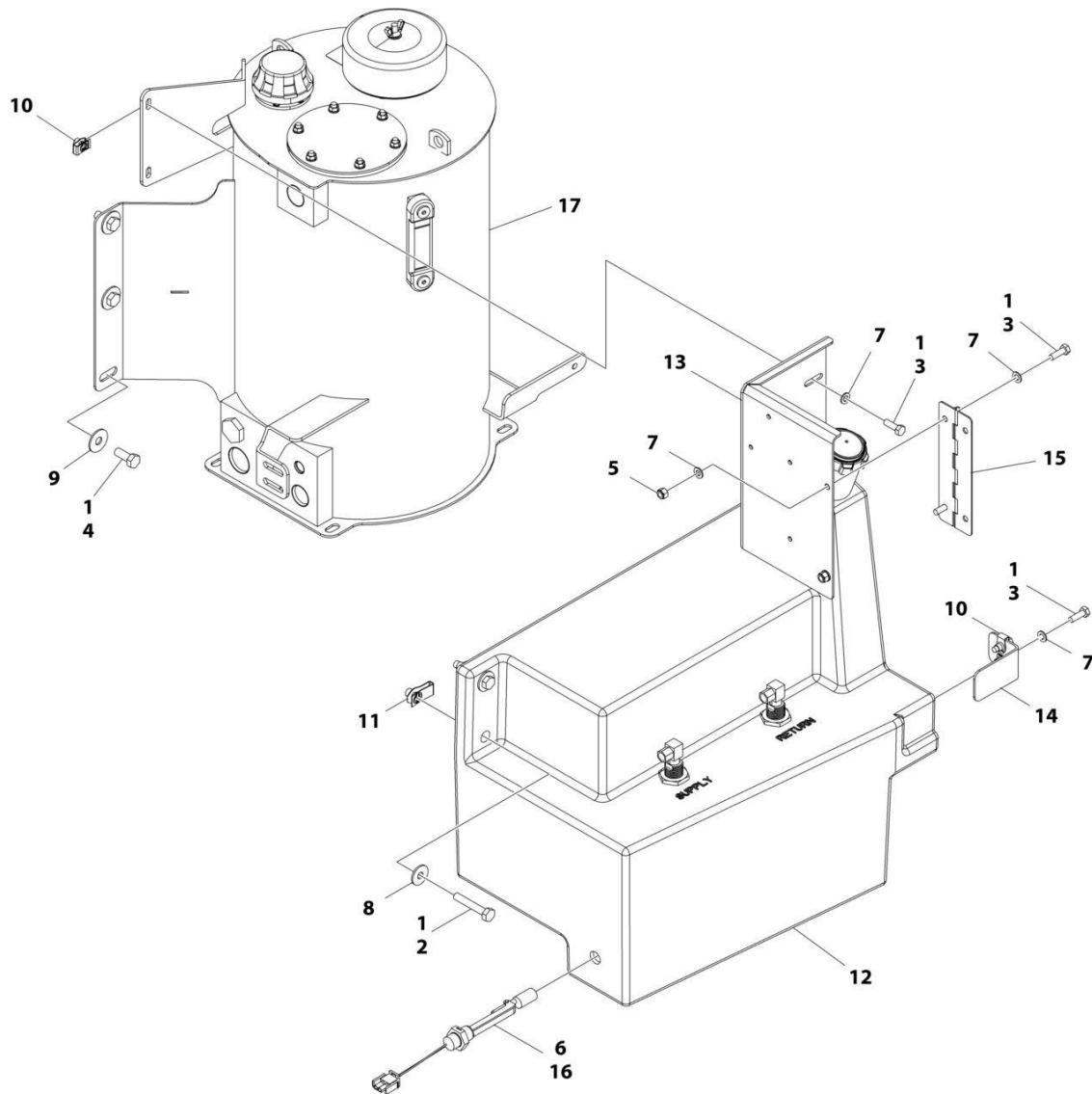
SECTION 2 - TURNTABLE

FIGURE 2-12. TANKS INSTALLATION - DIESEL MACHINES (SN 0300201991 through 0300225480, SN E300002833 through E300004226)

ITEM	PART NUMBER	QTY	DESCRIPTION	REV
	1001165942	Ref	TANKS INSTALLATION - DIESEL MACHINES (SN 0300201991 through 0300225480, SN E300002833 through E300004226)	G
1	0100011	AR	Compound, Locking	
2	0760812	6	Bolt M8 x 25	
3	0761214	6	Bolt M12 x 30	
4	4360436	1	Switch, Fuel Level	
4	4460320	1	Plug, Male - 2 Position	
4	4460267	1	Pin, Male	
5	4811900	8	Washer M8	
6	4812102	6	Washer M12	
7	1001118274	4	Nut M8	
8	1001163061	1	Fuel Tank Assembly	
8	1001188196	NLA	Cap, Fuel (Use p/n 1001193336)	
8	70004876	2	Tube, Pick-up	
8	0100020	AR	Compound, Locking	
9	1001165816	1	Hydraulic Tank Assembly	
9	70003614	1	Filter Kit (Includes Hydraulic Element, Breather Element and Gasket)	
9	70002838	1	Fill Cap Assembly (Includes Cap, Chain and Fill Basket)	
9	7024441	1	Gauge, Sight	
10	1001169898	1	Support, Ground Control	
11	1001170480	1	Support, Tank	
12	0701020	2	Bolt M10 x 60	
13	4812002	2	Washer M10	
14	1001118972	2	Nut M10	
15	3290805	2	Nut M8	
16	1001179339	1	Hinge	
17	1001182997	AR	Adhesive	

SECTION 2 - TURNTABLE

FIGURE 2-13. TANKS INSTALLATION - DIESEL MACHINES (SN 0300225481 through 0300272317, SN 1300007279 through 1300007373, SN B300003516 through B300005760, SN E300004227 through E300007990)



ART_1001207347

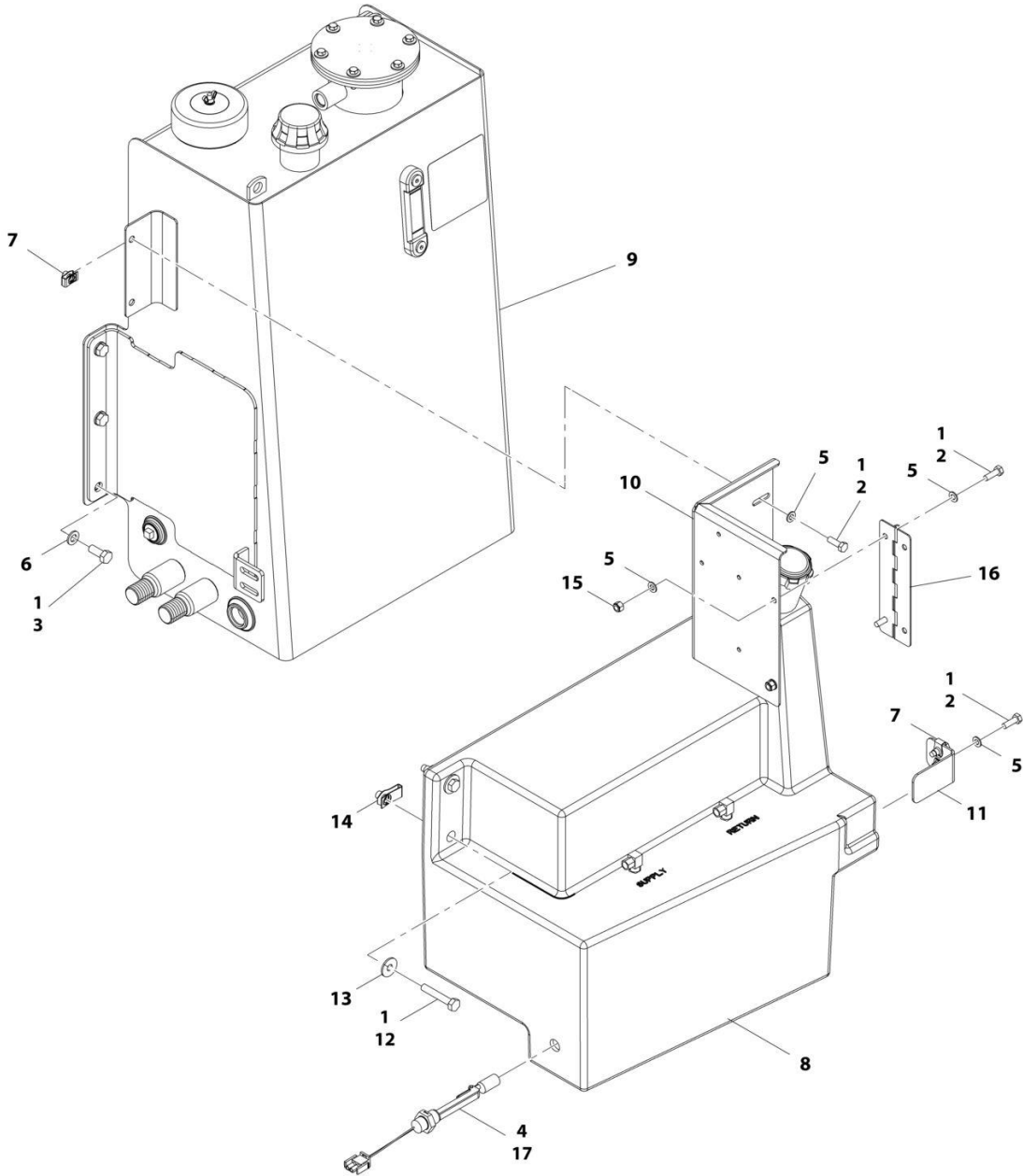
SECTION 2 - TURNTABLE

FIGURE 2-13. TANKS INSTALLATION - DIESEL MACHINES (SN 0300225481 through 0300272317, SN 1300007279 through 1300007373, SN B300003516 through B300005760, SN E300004227 through E300007990)

ITEM	PART NUMBER	QTY	DESCRIPTION	REV
	1001207347	Ref	TANKS INSTALLATION - DIESEL MACHINES	B
1	0100011	AR	Compound, Locking	
2	0701020	2	Bolt M10 x 60	
3	0760812	6	Bolt M8 x 25	
4	0761214	6	Bolt M12 x 30	
5	3290805	2	Nut M8	
6	4360436	1	Switch, Fuel Level	
6	4460320	1	Plug, Male - 2 Position	
6	4460267	1	Pin, Male	
7	4811900	8	Washer M8	
8	4812002	2	Washer M10	
9	4812102	6	Washer M12	
10	1001118274	4	Nut M8	
11	1001118972	2	Nut M10	
12	1001163061	1	Fuel Tank Assembly	
12	1001188196	NLA	Cap, Fuel (Use p/n 1001193336) (SN 0300225481 through 0300233722, SN E300004227 through E300004844)	
12	1001193336	1	Cap, Fuel (SN 0300233723 through 0300272317, SN 1300007279 through 1300007373, SN B300003516 through B300005760, SN E300004845 through E300007990, Except SN 0300272185 through 0300272190, Excluding B300005569 and E300007814)	
12	70004876	2	Tube, Pick-up	
12	0100020	AR	Compound, Locking	
13	1001169898	1	Support, Ground Control	
14	1001170480	1	Support, Tank	
15	1001179339	1	Hinge	
16	1001182997	AR	Adhesive	
17	1001206916	1	Hydraulic Tank Assembly	
17	70003614	1	Filter Kit (Includes Hydraulic Element, Breather Element and Gasket)	
17	70002838	1	Fill Cap Assembly (Includes Cap, Chain and Fill Basket)	
17	7024441	1	Gauge, Sight	
17	70002112	1	Plug, Drain	

SECTION 2 - TURNTABLE

FIGURE 2-14. TANKS INSTALLATION - GAS MACHINES (SN 0300201991 through 0300225480)



ART_1001165943

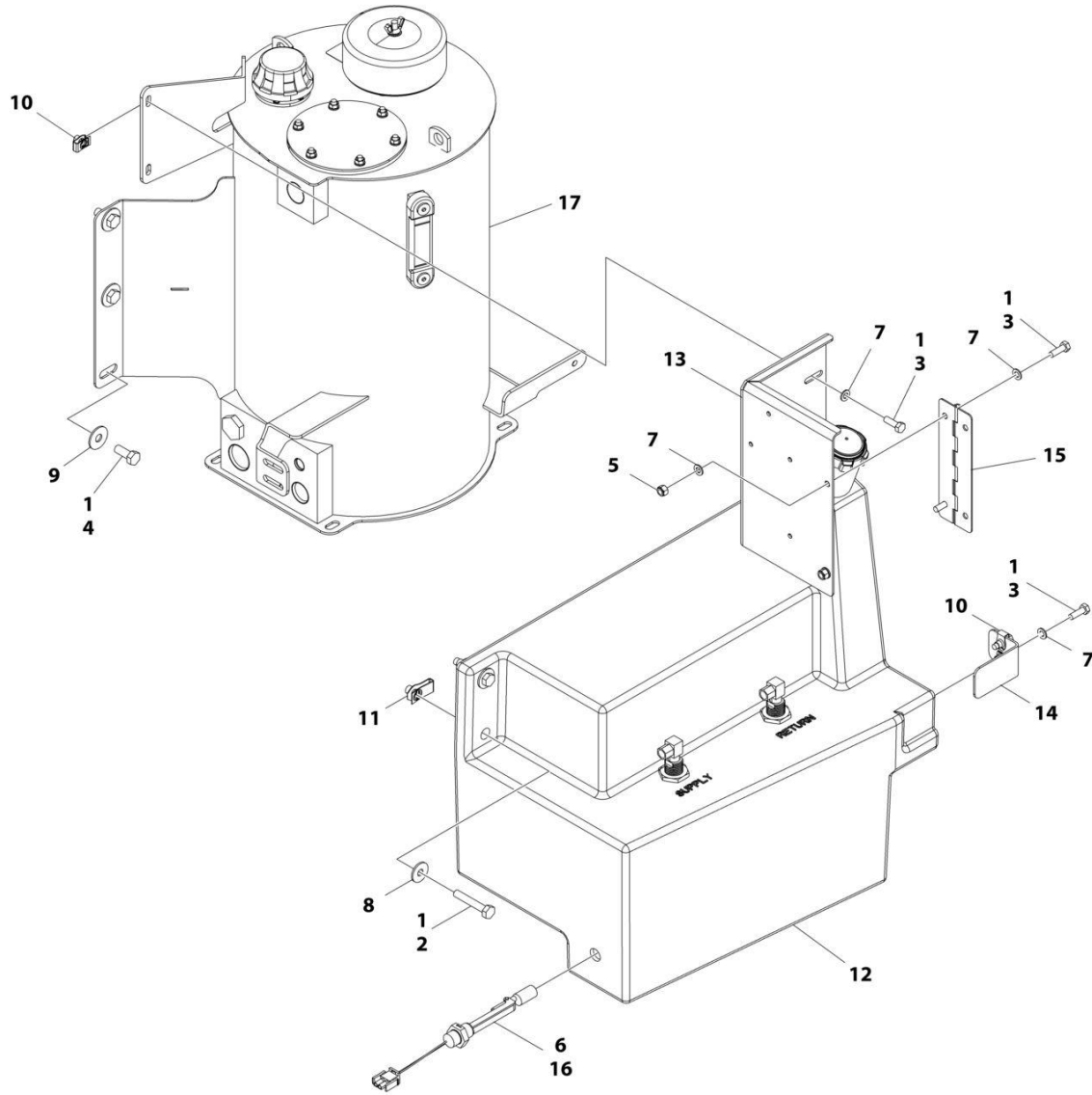
SECTION 2 - TURNTABLE

FIGURE 2-14. TANKS INSTALLATION - GAS MACHINES (SN 0300201991 through 0300225480)

ITEM	PART NUMBER	QTY	DESCRIPTION	REV
	1001165943	Ref	TANKS INSTALLATION - GAS MACHINES (SN 0300201991 through 0300225480)	H
1	0100011	AR	Compound, Locking	
2	0760812	6	Bolt M8 x 25	
3	0761214	6	Bolt M12 x 30	
4	4360436	1	Switch, Fuel Level	
4	4460320	1	Plug, Male - 2 Position	
4	4460267	1	Pin, Male	
5	4811900	8	Washer M8	
6	4812102	6	Washer M12	
7	1001118274	4	Nut M8	
8	1001163062	1	Fuel Tank Assembly	
8	1001188197	NLA	Cap, Tank (Use p/n 1001211336) (SN 0300201991 through 0300216295)	
8	1001211336	1	Cap, Tank (SN 0300216296 through 0300222765)	
8	70004877	2	Tube, Pick-up	
8	0100020	AR	Compound, Locking	
9	1001165816	1	Hydraulic Tank Assembly	
9	70003614	1	Filter Kit (Includes Hydraulic Element, Breather Element and Gasket)	
9	70002838	1	Fill Cap Assembly (Includes Cap, Chain and Fill Basket)	
9	7024441	1	Gauge, Sight	
10	1001169898	1	Support, Ground Control	
11	1001170480	1	Support, Tank	
12	0701020	2	Bolt M10 x 60	
13	4812002	2	Washer M10	
14	1001118972	2	Nut M10	
15	3290805	2	Nut M8	
16	1001179339	1	Hinge	
17	1001182997	AR	Adhesive	

SECTION 2 - TURNTABLE

FIGURE 2-15. TANKS INSTALLATION - GAS MACHINES (SN 0300225481 through 0300272317)



ART_1001207348

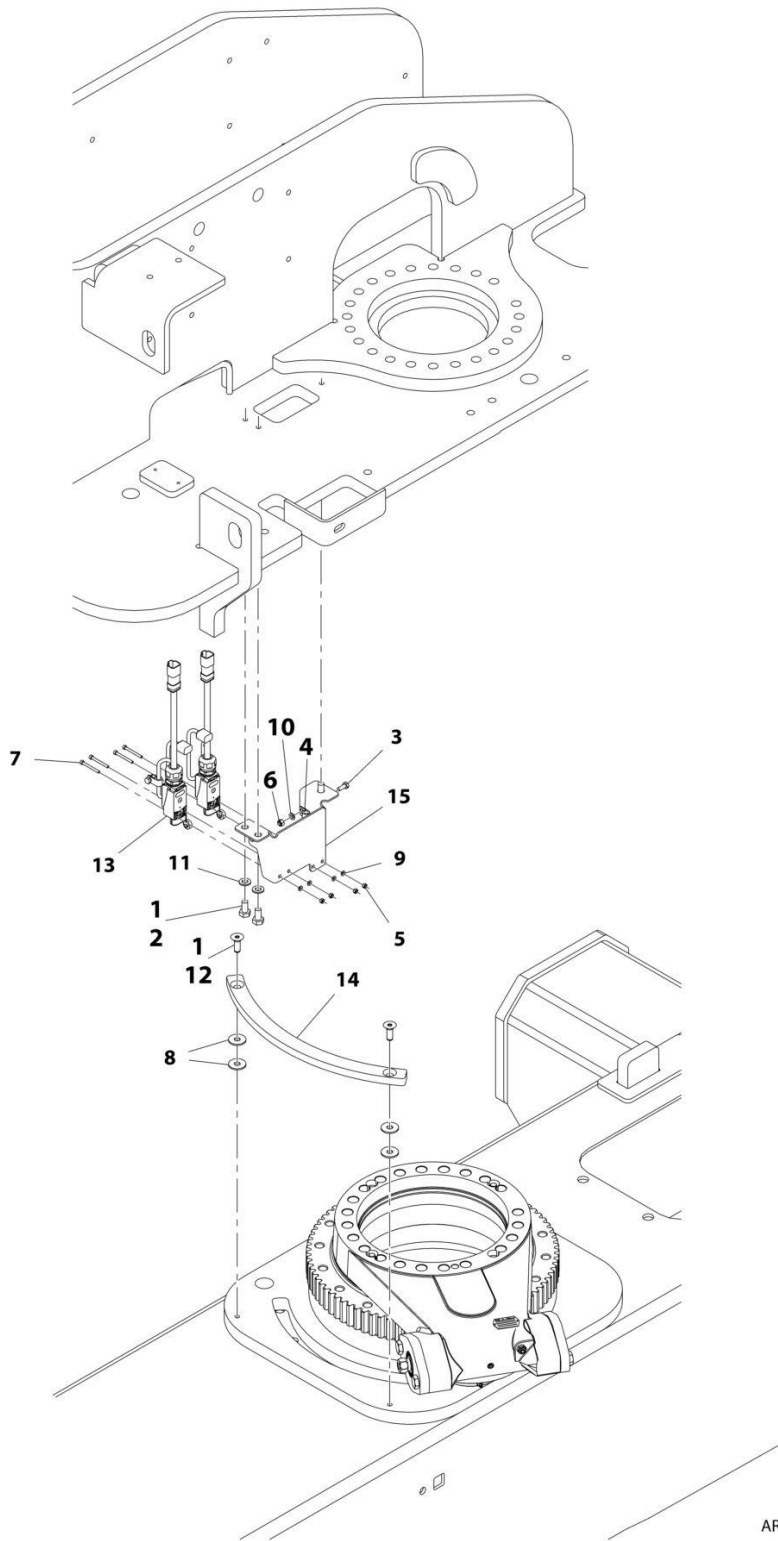
SECTION 2 - TURNTABLE

FIGURE 2-15. TANKS INSTALLATION - GAS MACHINES (SN 0300225481 through 0300272317)

ITEM	PART NUMBER	QTY	DESCRIPTION	REV
	1001207348	Ref	TANKS INSTALLATION - GAS MACHINES	B
1	0100011	AR	Compound, Locking	
2	0701020	2	Bolt M10 x 60	
3	0760812	6	Bolt M8 x 25	
4	0761214	6	Bolt M12 x 30	
5	3290805	2	Nut M8	
6	4360436	1	Switch, Fuel Level	
6	4460320	1	Plug, Male - 2 Position	
6	4460267	1	Pin, Male	
7	4811900	8	Washer M8	
8	4812002	2	Washer M10	
9	4812102	6	Washer M12	
10	1001118274	4	Nut M8	
11	1001118972	2	Nut M10	
12	1001163062	1	Fuel Tank Assembly	
12	1001211336	1	Cap, Tank	
12	70004877	2	Tube, Pick-up	
12	0100020	AR	Compound, Locking	
13	1001169898	1	Support, Ground Control	
14	1001170480	1	Support, Tank	
15	1001179339	1	Hinge	
16	1001182997	AR	Adhesive	
17	1001206916	1	Hydraulic Tank Assembly	
17	70003614	1	Filter Kit (Includes Hydraulic Element, Breather Element and Gasket)	
17	70002838	1	Fill Cap Assembly (Includes Cap, Chain and Fill Basket)	
17	7024441	1	Gauge, Sight	
17	70002112	1	Plug, Drain	

SECTION 2 - TURNTABLE

FIGURE 2-16. DRIVE ORIENTATION INSTALLATION



ART_1001166767

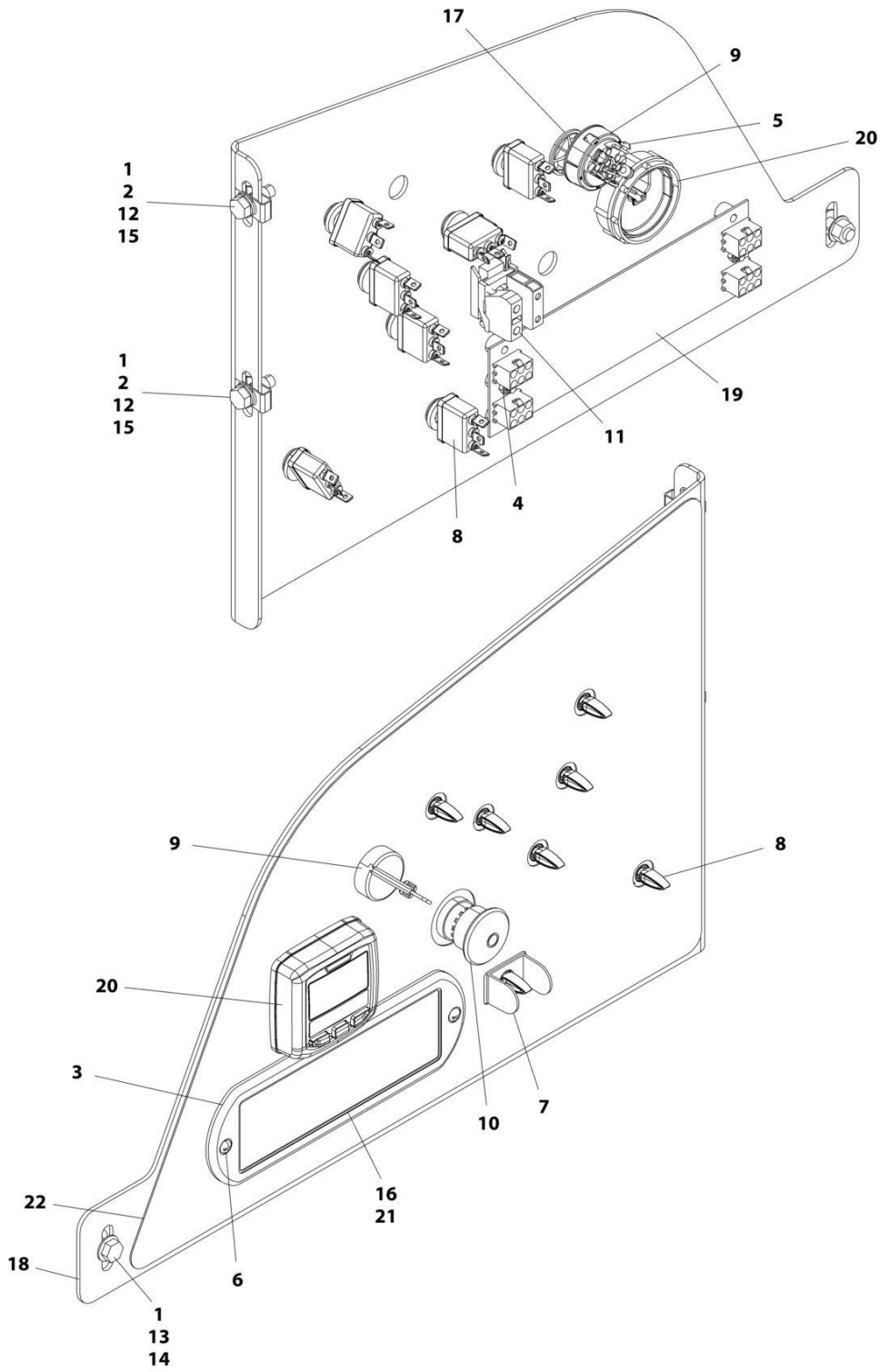
SECTION 2 - TURNTABLE

FIGURE 2-16. DRIVE ORIENTATION INSTALLATION

ITEM	PART NUMBER	QTY	DESCRIPTION	REV
	1001166767	Ref	DRIVE ORIENTATION INSTALLATION	F
1	0100011	AR	Compound, Locking	
2	0761010	3	Bolt M10 x 20	
3	0760608	2	Bolt M6 x 16	
4	1321293	2	Clamp, Cable	
5	3290405	4	Nut M4	
6	3290605	2	Nut M6	
7	4031512	4	Capscrew M4 x 40	
8	4812002	4	Washer M10	
9	4811400	4	Washer M4	
10	4811700	2	Washer M6	
11	4812000	3	Washer M10	
12	8310614	2	Screw M10 x 30	
13	1001119176	2	Switch, Limit	
13	1001129407	1	Receptacle, Female - 4 Position	
13	4460464	4	Pin, Male	
14	1001162106	1	Cam	
15	1001166768	1	Bracket	
16	8881800	AR	Tie-Strap (Not Shown)	

SECTION 2 - TURNTABLE

FIGURE 2-17. GROUND CONTROL ASSEMBLY - 450A WITH DEUTZ/GM ENGINES (ANSI SPECS)



ART_1001215728

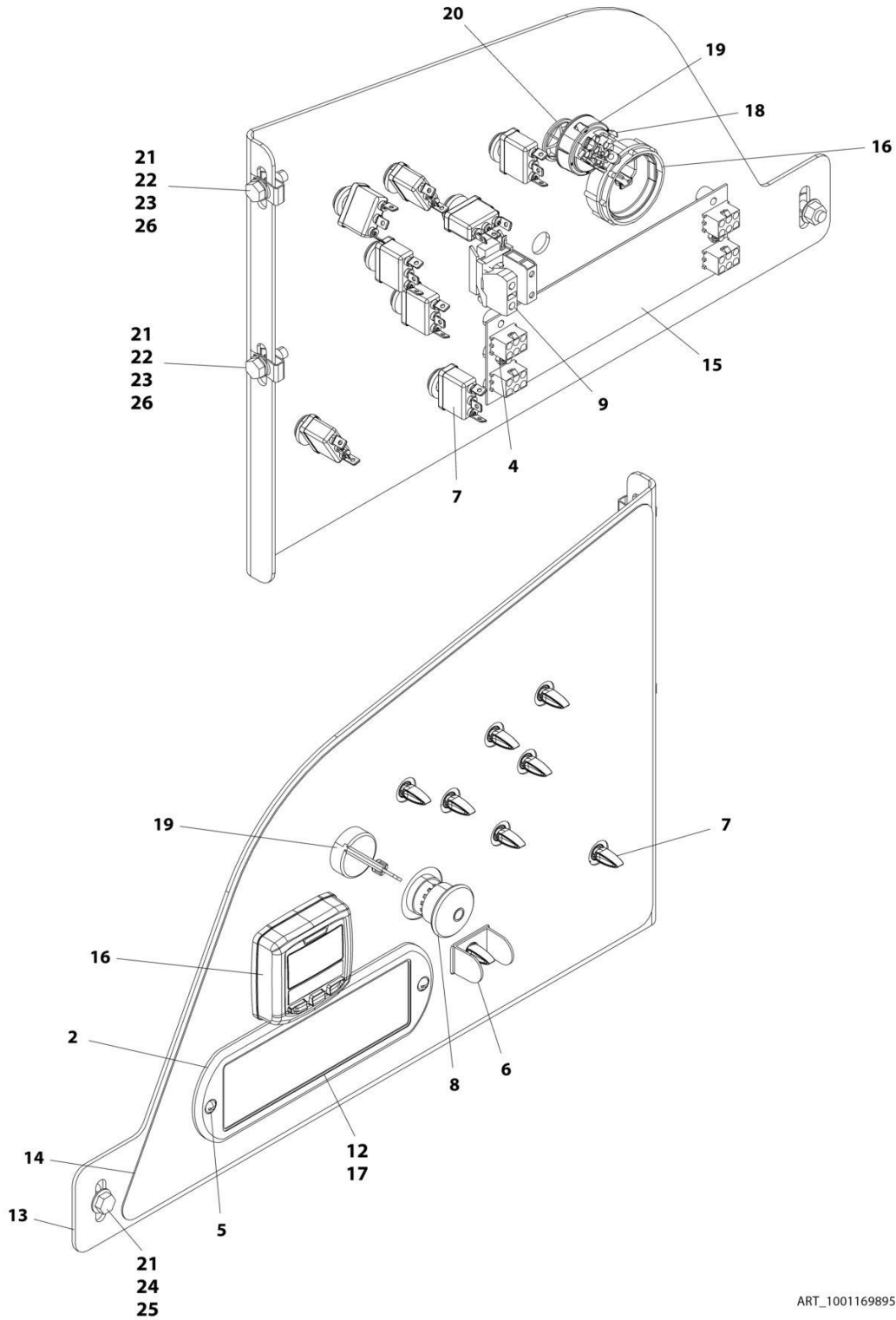
SECTION 2 - TURNTABLE

FIGURE 2-17. GROUND CONTROL ASSEMBLY - 450A WITH DEUTZ/GM ENGINES (ANSI SPECS)

ITEM	PART NUMBER	QTY	DESCRIPTION	REV
	1001215728	Ref	GROUND CONTROL ASSEMBLY - 450A WITH DEUTZ/GM ENGINES (ANSI SPECS)	B
1	0100011	AR	Compound, Locking	
2	0760812	2	Bolt M8 x 25	
3	1670829	1	Bezel, Front	
4	3300408	2	Nut	
5	3910804	3	Screw M8 x 1/4	
6	3911018	2	Screw #10 x 1-1/8	
7	4060906	1	Guard, Switch	
8	4360328	7	Switch, Toggle	
9	4360469	1	Switch, Key	
9	2860030	1	Key, Replacement	
10	4360475	1	Switch, Emergency	
10	7020175	1	Cap	
10	7020176	1	Block, Contact	
11	4360476	1	Block, Contact	
12	4811900	2	Washer M8	
13	5250810	1	Bolt M8 x 20	
14	5260800	1	Nut M8	
15	1001118274	2	Nut M8	
16	1001146220	1	Display, Light	
17	1001151393	1	Shim .063	
18	1001169896	1	Panel, Ground Control	
19	1001170838	1	PC Board, LED Light	
20	1001171482	1	Gauge, Display	
21	1001173529	1	Decal - Light Display	
22	1001215588	1	Decal - Ground Control	

SECTION 2 - TURNTABLE

FIGURE 2-18. GROUND CONTROL ASSEMBLY - 450AJ WITH DEUTZ/GM ENGINES (ALL SPECS EXCEPT CE SPECS)



ART_1001169895

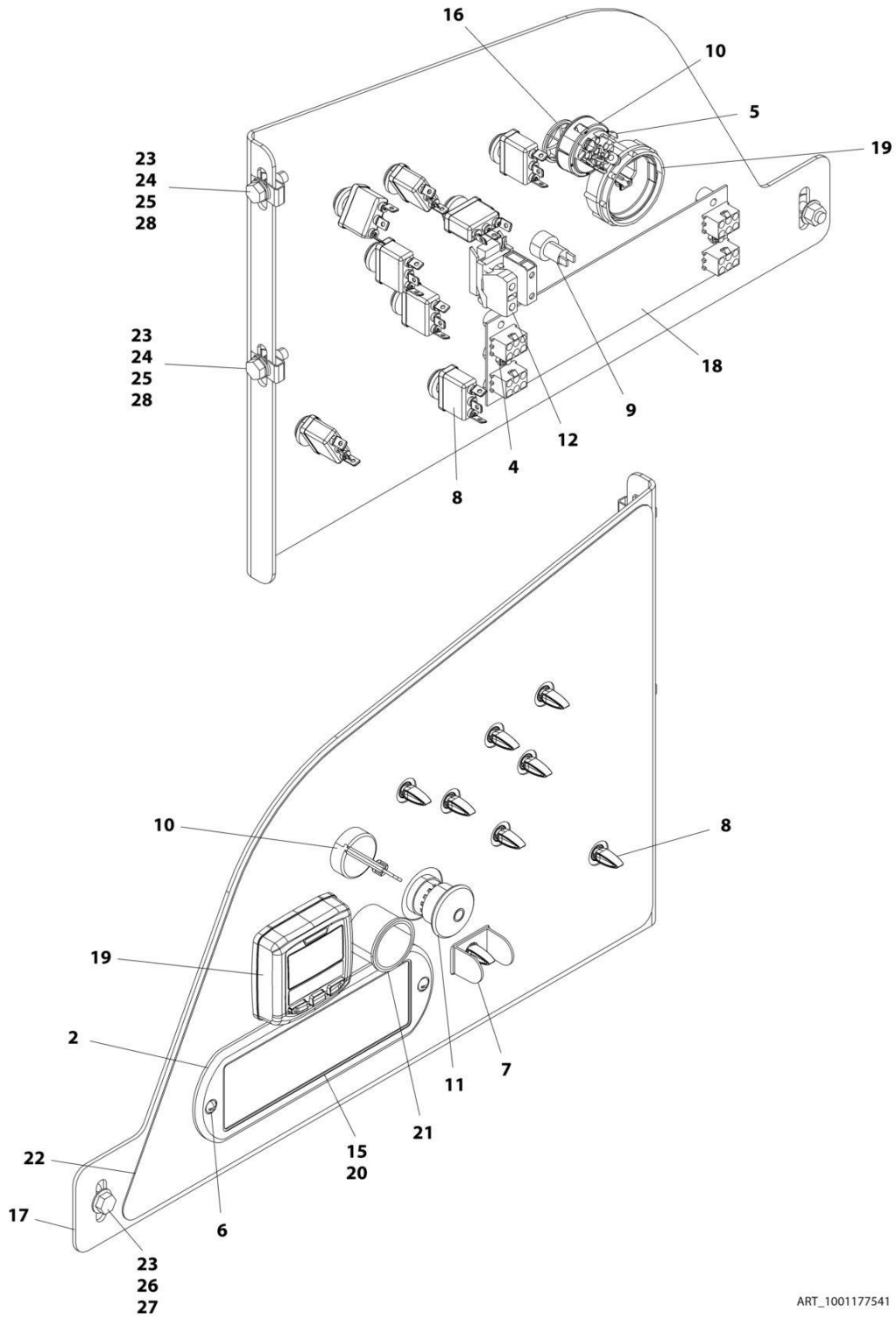
SECTION 2 - TURNTABLE

FIGURE 2-18. GROUND CONTROL ASSEMBLY - 450AJ WITH DEUTZ/GM ENGINES (ALL SPECS EXCEPT CE SPECS)

ITEM	PART NUMBER	QTY	DESCRIPTION	REV
	1001169895	Ref	GROUND CONTROL ASSEMBLY - 450AJ WITH DEUTZ/GM ENGINES (ALL SPECS EXCEPT CE SPECS)	E
2	1670829	1	Bezel, Front	
4	3300408	2	Nut	
5	3911018	2	Screw #10 x 1-1/8	
6	4060906	1	Guard, Switch	
7	4360328	8	Switch, Toggle	
8	4360475	1	Switch, Emergency	
8	7020175	1	Cap	
8	7020176	1	Block, Contact	
9	4360476	1	Block, Contact	
12	1001146220	1	Display, Light	
13	1001169896	1	Panel, Ground Control	
14	1001169897	1	Decal - Ground Control	
15	1001170838	1	PC Board, LED Light	
16	1001171482	1	Gauge, Display	
17	1001173529	1	Decal - Light Display	
18	3910804	3	Screw M8 x 1/4	
19	4360469	1	Switch, Key	
19	2860030	1	Key, Replacement	
20	1001151393	1	Shim .063	
21	0100011	AR	Compound, Locking	
22	0760812	2	Bolt M8 x 25	
23	4811900	2	Washer M8	
24	5250810	1	Bolt M8 x 20	
25	5260800	1	Nut M8	
26	1001118274	2	Nut M8	

SECTION 2 - TURNTABLE

FIGURE 2-19. GROUND CONTROL ASSEMBLY - 450AJ WITH DEUTZ ENGINE (CE SPECS ONLY)



ART_1001177541

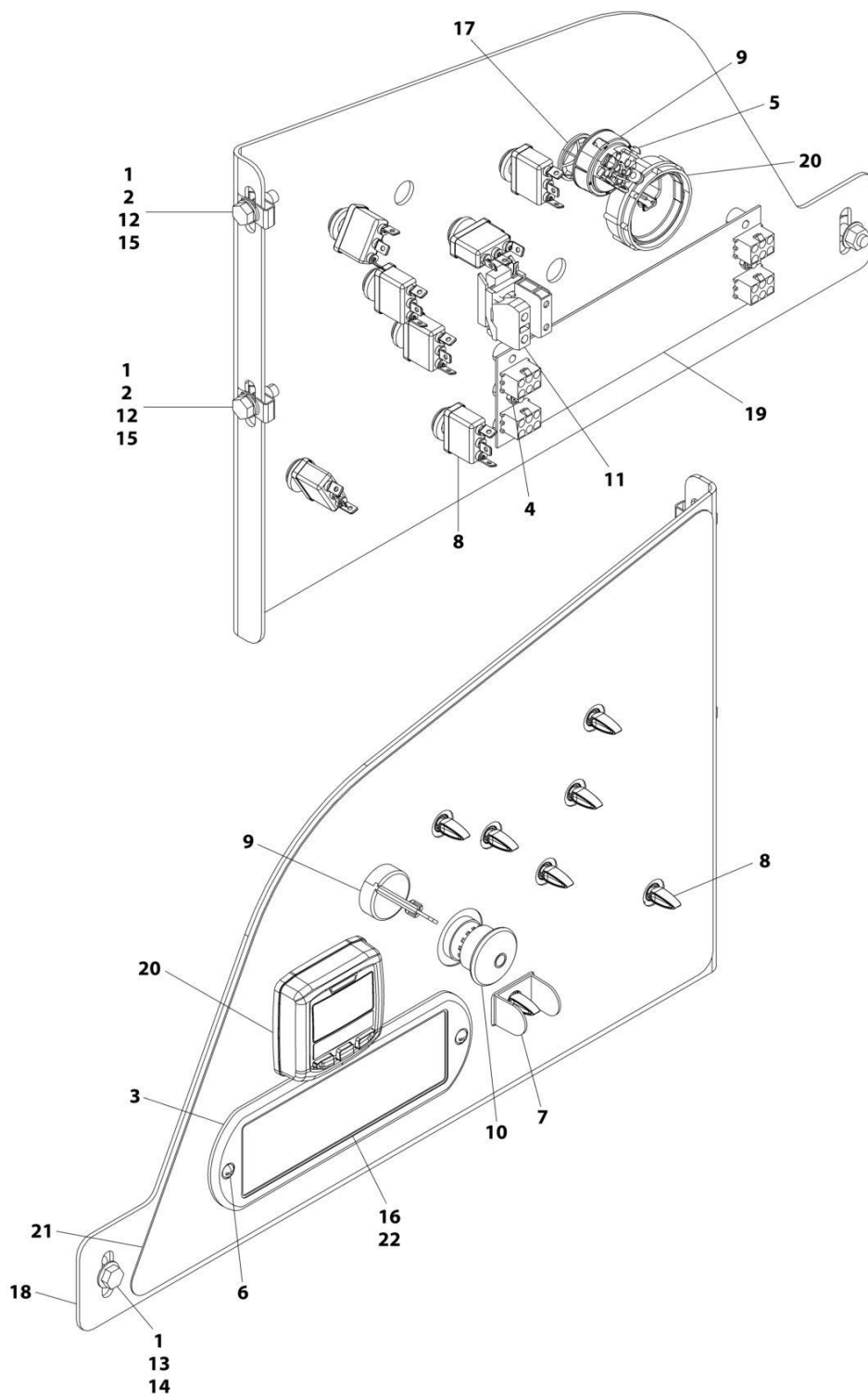
SECTION 2 - TURNTABLE

FIGURE 2-19. GROUND CONTROL ASSEMBLY - 450AJ WITH DEUTZ ENGINE (CE SPECS ONLY)

ITEM	PART NUMBER	QTY	DESCRIPTION	REV
	1001177541	Ref	GROUND CONTROL ASSEMBLY - 450AJ WITH DEUTZ ENGINE (CE SPECS ONLY)	E
2	1670829	1	Bezel, Front	
4	3300408	2	Nut	
5	3910804	3	Screw M8 x 1/4	
6	3911018	2	Screw #10 x 1-1/8	
7	4060906	1	Guard, Switch	
8	4360328	8	Switch, Toggle	
9	4360387	1	Switch, Push Button	
10	4360469	1	Switch, Key	
10	2860030	1	Key, Replacement	
11	4360475	1	Switch, Emergency	
11	7020175	1	Cap	
11	7020176	1	Block, Contact	
12	4360476	1	Block, Contact	
15	1001146220	1	Display, Light	
16	1001151393	1	Shim .063	
17	1001169896	1	Panel, Ground Control	
18	1001170838	1	PC Board, LED Light	
19	1001171482	1	Gauge, Display	
20	1001173529	1	Decal - Light Display	
21	1001176469	1	Shroud, Switch	
22	1001177543	1	Decal - Ground Control	
23	0100011	AR	Compound, Locking	
24	0760812	2	Bolt M8 x 25	
25	4811900	2	Washer M8	
24	5250810	1	Bolt M8 x 20	
27	5260800	1	Nut M8	
28	1001118274	2	Nut M8	

SECTION 2 - TURNTABLE

FIGURE 2-20. GROUND CONTROL ASSEMBLY - 450A WITH KUBOTA ENGINE (ANSI SPECS ONLY)



ART_1001219923

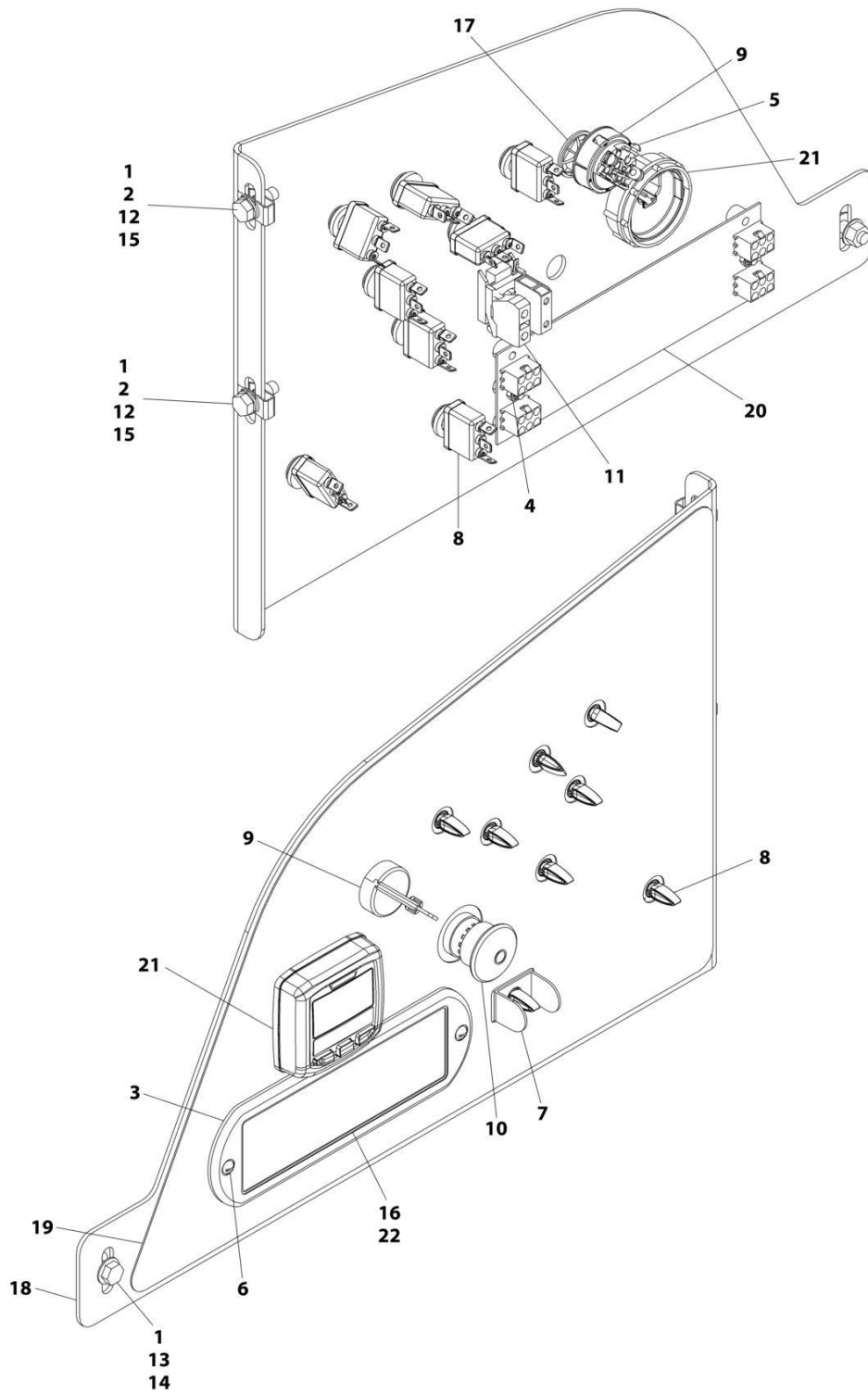
SECTION 2 - TURNTABLE

FIGURE 2-20. GROUND CONTROL ASSEMBLY - 450A WITH KUBOTA ENGINE (ANSI SPECS ONLY)

ITEM	PART NUMBER	QTY	DESCRIPTION	REV
	1001219923	Ref	GROUND CONTROL ASSEMBLY - 450A WITH KUBOTA ENGINE (ANSI SPECS ONLY)	B
1	0100011	AR	Compound, Locking	
2	0760812	2	Bolt M8 x 25	
3	1670829	1	Bezel, Front	
4	3300408	2	Nut	
5	3910804	3	Screw M8 x 1/4	
6	3911018	2	Screw #10 x 1-1/8	
7	4060906	1	Guard, Switch	
8	4360328	7	Switch, Toggle	
9	4360469	1	Switch, Key	
9	2860030	1	Key, Replacement	
10	4360475	1	Switch, Emergency	
10	7020175	1	Cap	
10	7020176	1	Block, Contact	
11	4360476	1	Block, Contact	
12	4811900	2	Washer M8	
13	5250810	1	Bolt M8 x 20	
14	5260800	1	Nut M8	
15	1001118274	2	Nut M8	
16	1001146220	1	Display, Light	
17	1001151393	1	Shim .063	
18	1001169896	1	Panel, Ground Control	
19	1001170838	1	PC Board, LED Light	
20	1001171482	1	Gauge, Display	
21	1001215588	1	Decal - Ground Control	
22	1001216407	1	Decal - Light Display	

SECTION 2 - TURNTABLE

FIGURE 2-21. GROUND CONTROL ASSEMBLY - 450AJ WITH KUBOTA ENGINE (ANSI AND CSA SPECS ONLY)



ART_1001216652

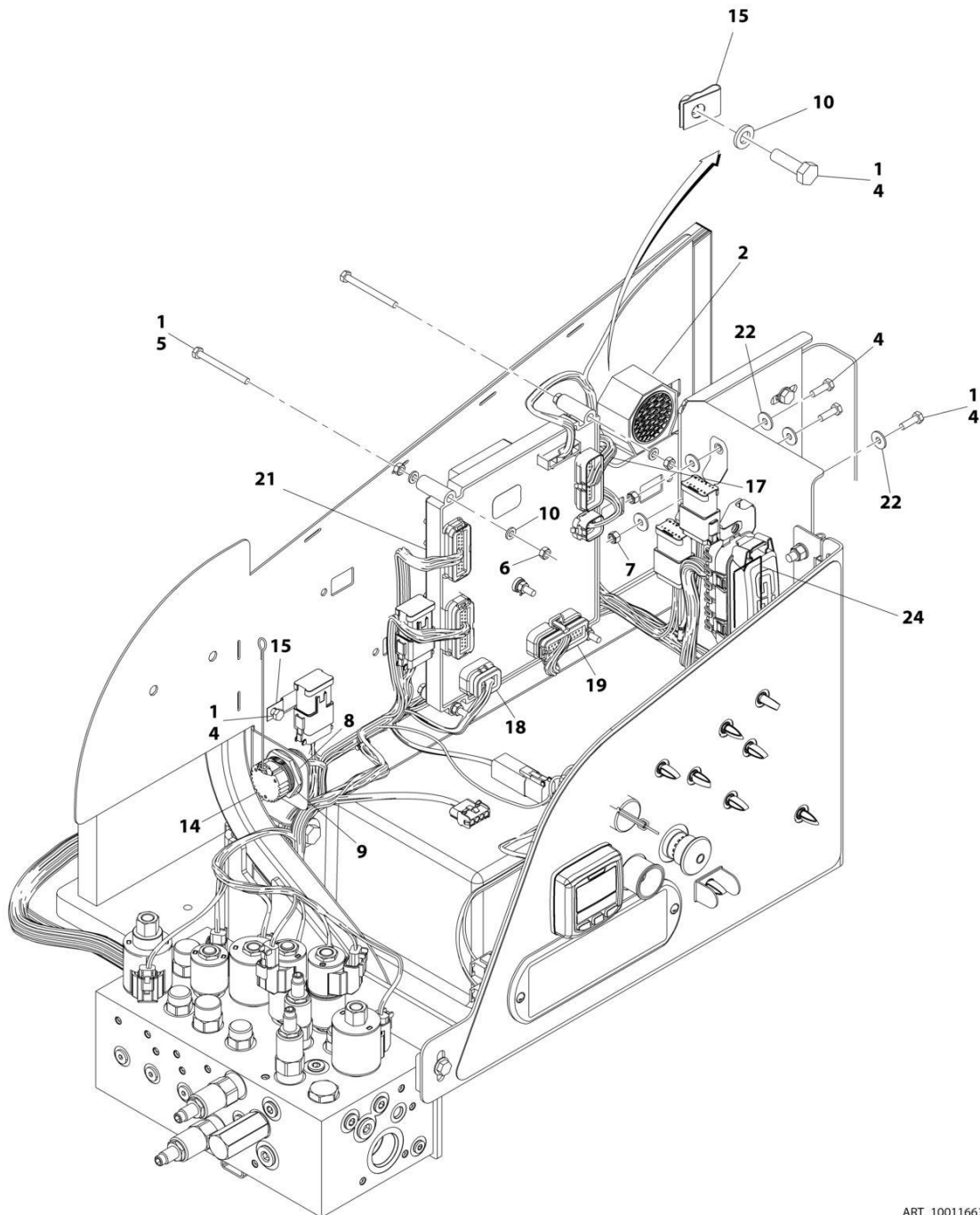
SECTION 2 - TURNTABLE

FIGURE 2-21. GROUND CONTROL ASSEMBLY - 450AJ WITH KUBOTA ENGINE (ANSI AND CSA SPECS ONLY)

ITEM	PART NUMBER	QTY	DESCRIPTION	REV
	1001216652	Ref	GROUND CONTROL ASSEMBLY - 450AJ WITH KUBOTA ENGINE (ANSI AND CSA SPECS ONLY)	B
1	0100011	AR	Compound, Locking	
2	0760812	2	Bolt M8 x 25	
3	1670829	1	Bezel, Front	
4	3300408	2	Nut	
5	3910804	3	Screw M8 x 1/4	
6	3911018	2	Screw #10 x 1-1/8	
7	4060906	1	Guard, Switch	
8	4360328	8	Switch, Toggle	
9	4360469	1	Switch, Key	
9	2860030	1	Key, Replacement	
10	4360475	1	Switch, Emergency	
10	7020175	1	Cap	
10	7020176	1	Block, Contact	
11	4360476	1	Block, Contact	
12	4811900	2	Washer M8	
13	5250810	1	Bolt M8 x 20	
14	5260800	1	Nut M8	
15	1001118274	2	Nut M8	
16	1001146220	1	Display, Light	
17	1001151393	1	Shim .063	
18	1001169896	1	Panel, Ground Control	
19	1001169897	1	Decal - Ground Control	
20	1001170838	1	PC Board, LED Light	
21	1001171482	1	Gauge, Display	
22	1001216407	1	Decal - Light Display	

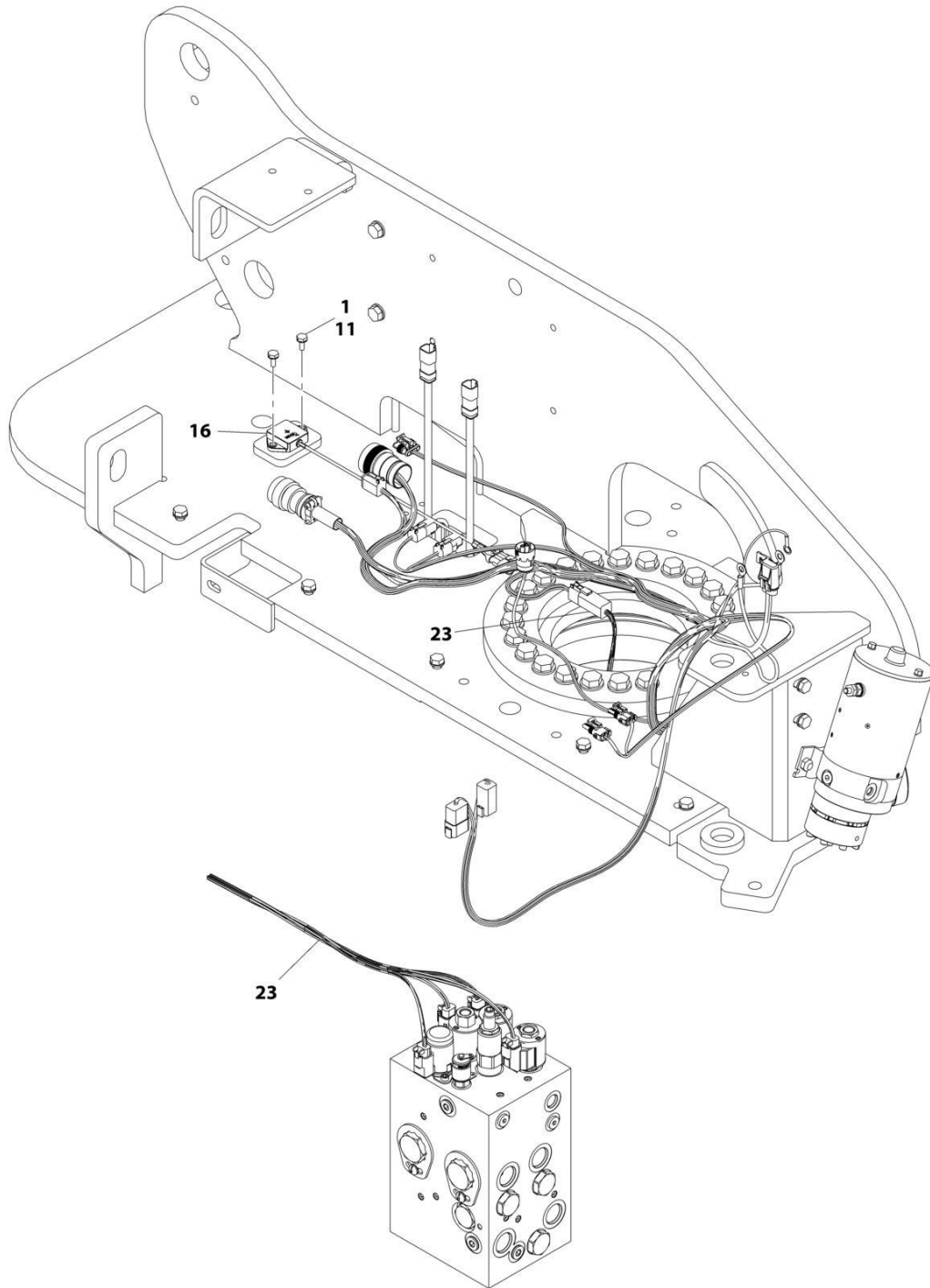
SECTION 2 - TURNTABLE

FIGURE 2-22. ELECTRICAL SYSTEM INSTALLATION



ART_1001166315_10F2

SECTION 2 - TURNTABLE



DETAIL OF TRACTION VALVE

ART_1001166315_20F2

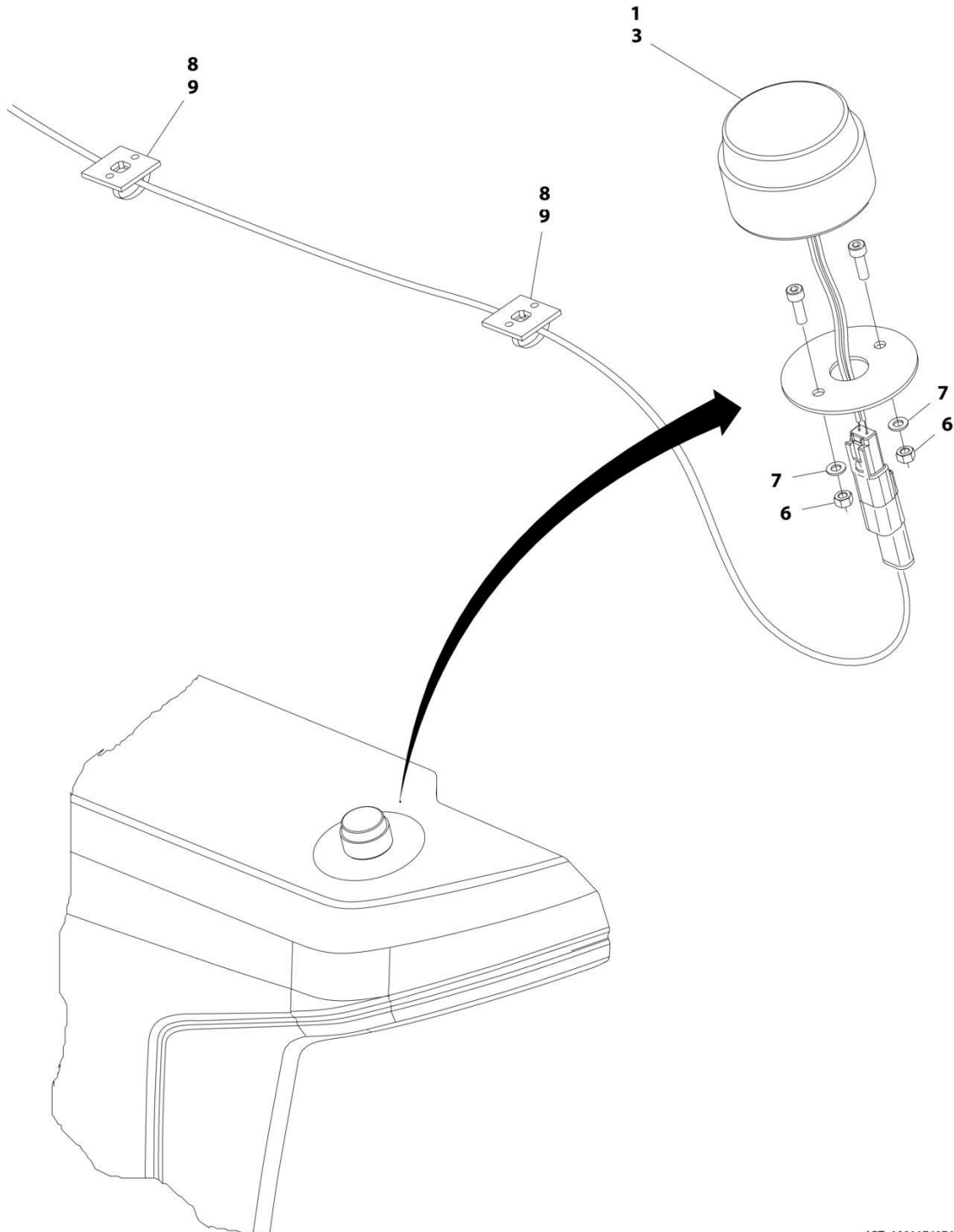
SECTION 2 - TURNTABLE

FIGURE 2-22. ELECTRICAL SYSTEM INSTALLATION

ITEM	PART NUMBER	QTY	DESCRIPTION	REV
	1001166315	Ref	ELECTRICAL SYSTEM INSTALLATION	H
1	0100011	AR	Compound, Locking	
2	0140043	1	Alarm	
2	4460536	1	Receptacle, Female - 3 Position	
2	4460943	3	Pin, Male	
4	0760610	7	Bolt M6 x 20	
5	0760621	5	Bolt M6 x 65	
6	3290601	10	Nut M6	
7	3290605	2	Nut M6	
8	4460496	1	Washer, Terminal	
9	4460497	1	Nut, Terminal	
10	4811700	12	Washer M6	
11	5250608	2	Bolt M6 x 16	
14	1001106736	1	Cap, Dust	
15	1001130220	3	Nut, Tinnerman M6	
16	1001181325	1	Sensor (SN 0300201991 through 0300243661, SN 1300007279 through 1300007373, SN E300002833 through E300005341)	
16	1001219601	1	Sensor (SN 0300243662 through 0300272317, SN B300003516 through B300005760, SN E300005342 through E300007990, Except SN 0300272185 through 0300272190, Excluding B300005569 and E300007814)	
16	See Note	1	Receptacle, Female - 4 Position (Note: Not Available for Purchase)	
16	See Note	4	Pin, Male (Note: Not Available for Purchase)	
17	1001186007	1	Turntable Harness (See ELECTRICAL SECTION for Breakdown)	
18	1001164736	1	Valve Harness - Main Valve (See ELECTRICAL SECTION for Breakdown)	
19	1001164737	1	Ground Control Panel Harness (See ELECTRICAL SECTION for Breakdown)	
21	1001170094	1	Module, Ground Control	
	See Note	Ref	Note: Re-calibration Required when Replaced	
22	4811702	7	Washer M6	
23	1001179236	1	Chassis Solenoid Harness (See ELECTRICAL SECTION for Breakdown)	
24	1001196637	1	Decal - Fuse Box	

SECTION 2 - TURNTABLE

FIGURE 2-23. BEACON LIGHT INSTALLATION - AMBER



ART_1001174976

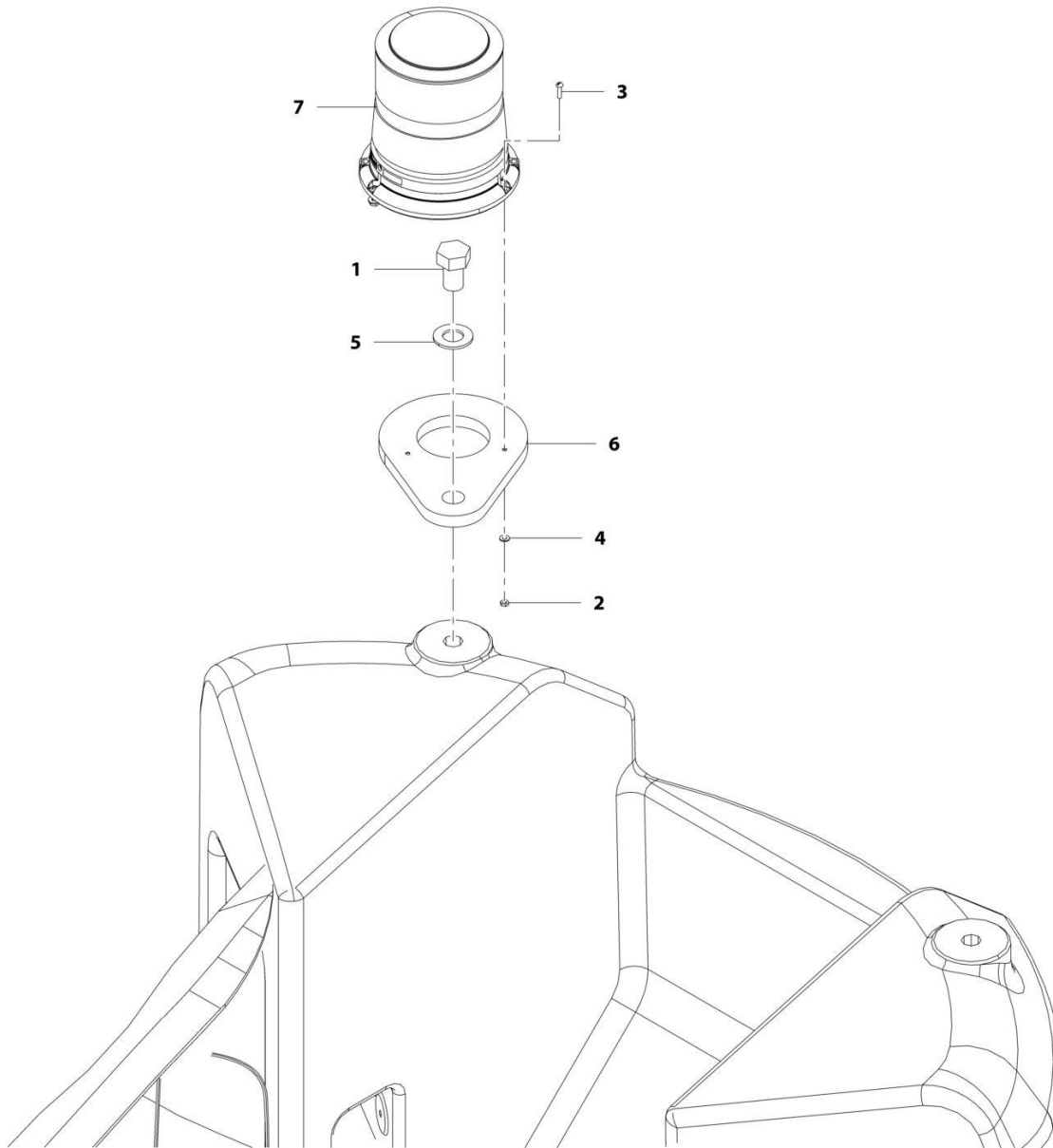
SECTION 2 - TURNTABLE

FIGURE 2-23. BEACON LIGHT INSTALLATION - AMBER

ITEM	PART NUMBER	QTY	DESCRIPTION	REV
	1001174976	Ref	BEACON LIGHT INSTALLATION - AMBER	D
1	0100048	AR	Compound, Silicone	
3	1001181405	1	Lamp, Strobe	
3	4460897	1	Receptacle, Female - 2 Position	
3	4460464	2	Pin, Male	
6	3290505	2	Nut M5	
7	4811600	2	Washer M5	
8	4240032	AR	Tie-Strap	
9	4460234	2	Mount, Tie-Strap	

SECTION 2 - TURNTABLE

FIGURE 2-24. BEACON LIGHT INSTALLATION - BLUE (SN 0300201991 through 0300202578)



ART_1001189194

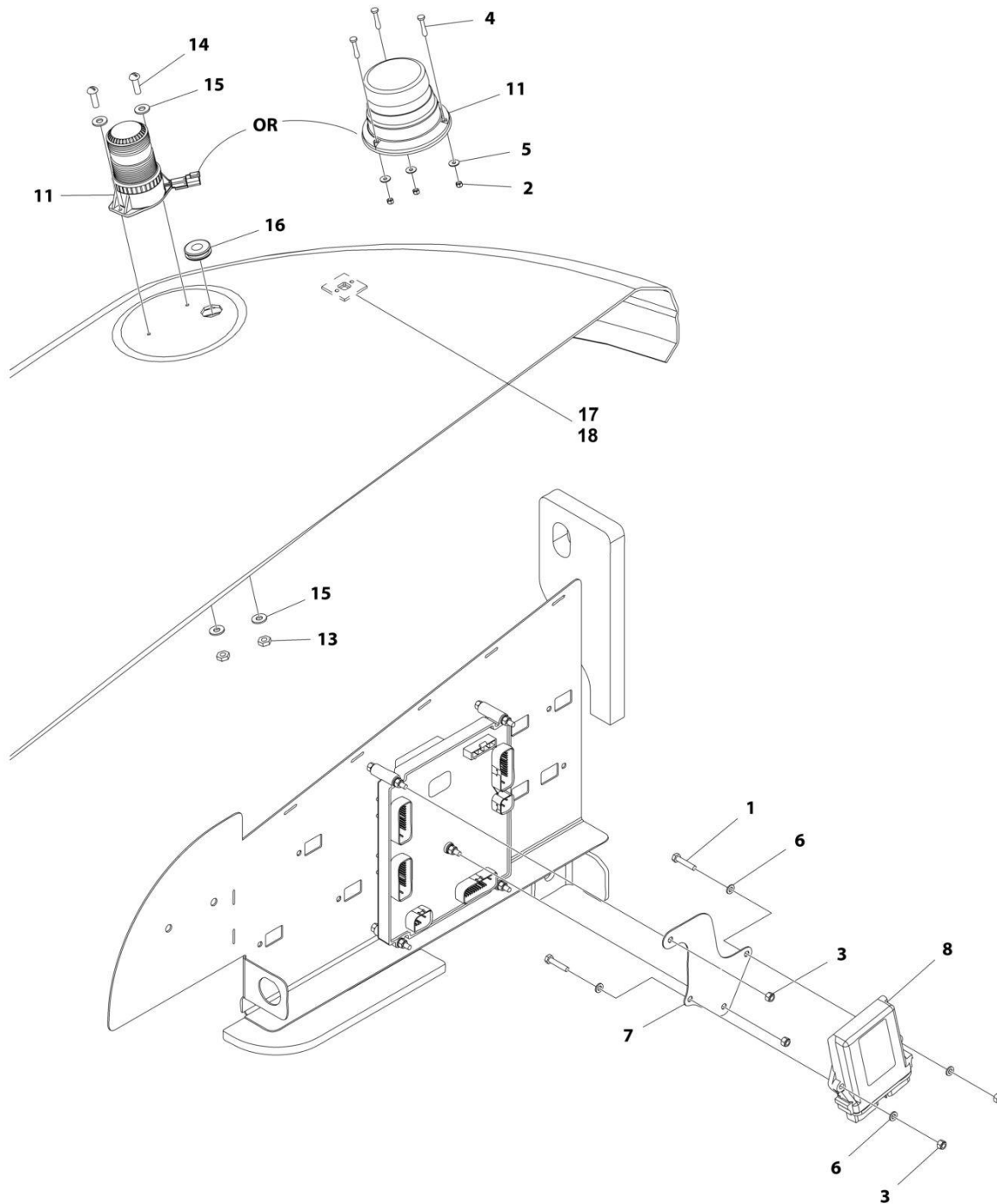
SECTION 2 - TURNTABLE

FIGURE 2-24. BEACON LIGHT INSTALLATION - BLUE (SN 0300201991 through 0300202578)

ITEM	PART NUMBER	QTY	DESCRIPTION	REV
	1001189194	Ref	BEACON LIGHT INSTALLATION - BLUE (SN 0300201991 through 0300202578)	C
1	0642612	1	Bolt 1 x 1-1/2	
2	3311005	3	Nut #10	
3	3911012	3	Screw #10 x 3/4	
4	4711000	3	Washer #10	
5	4712600	1	Washer 1	
6	1001142694	1	Bracket, Mounting	
7	1001143431	NLA	Light, Beacon (Use p/n 1001210696 and 1001200910)	
7	4460897	1	Receptacle, Female - 2 Position	
7	4460943	2	Pin, Male	
8	1001149570	1	Beacon Harness (Not Shown - See ELECTRICAL SECTION for Breakdown)	

SECTION 2 - TURNTABLE

FIGURE 2-25. BEACON LIGHT INSTALLATION - BLUE (SN 0300202579 through 0300259091, SN 1300007279 through 1300007373, SN B300003516 through B300005760, SN E300002833 through E300007540)



ART_1001193216

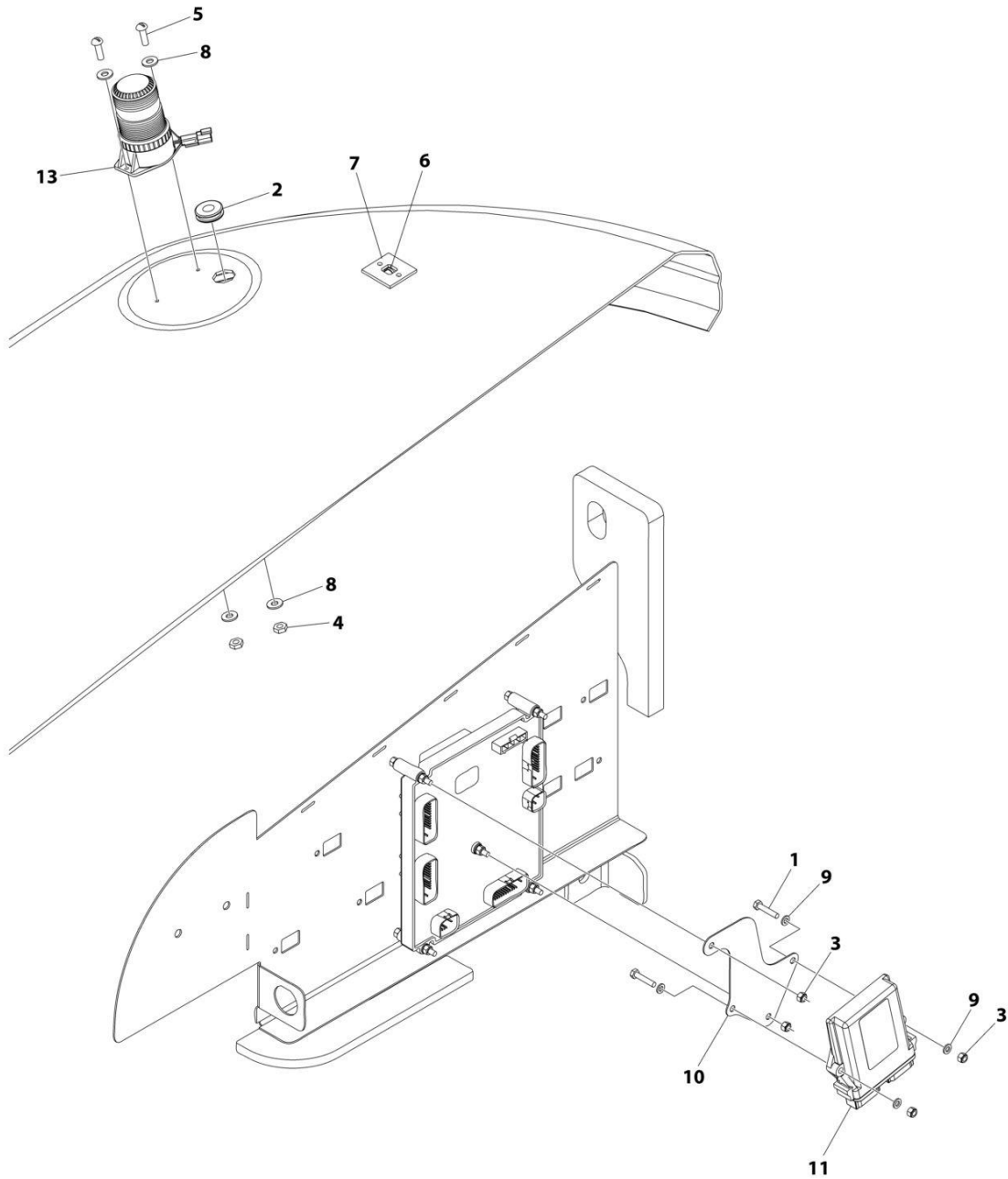
SECTION 2 - TURNTABLE

FIGURE 2-25. BEACON LIGHT INSTALLATION - BLUE (SN 0300202579 through 0300259091, SN 1300007279 through 1300007373, SN B300003516 through B300005760, SN E300002833 through E300007540)

ITEM	PART NUMBER	QTY	DESCRIPTION	REV
	1001193216	Ref	BEACON LIGHT INSTALLATION - BLUE	G
1	0760614	2	Bolt M6 x 30	
2	3290505	3	Nut M5	
3	3290605	4	Nut M6	
4	4010514	3	Screw M5 x 30	
5	4811602	3	Washer M5	
6	4811700	4	Washer M6	
7	1001100433	1	Mount, Module	
8	1001142683	1	Decal - Control	
9	1001142736	1	Beacon Harness (Not Shown - See ELECTRICAL SECTION for Breakdown)	
11	1001193061	NLA	Light, Beacon (Use p/n 1001210696 and 1001200910) (SN 0300202579 through 0300217211, SN E300002833 through E300003258)	
11	1001200910	1	Light, Beacon (SN 0300217212 through 0300259091, SN 1300007279 through 1300007373, SN B300003516 through B300005760, SN E300003259 through E300007540, Excluding B300005569)	
11	4460897	1	Receptacle, Female - 2 Position	
11	4460943	2	Pin, Male	
12	1001196458	1	Beacon Extension Harness (Not Shown - See ELECTRICAL SECTION for Breakdown) (SN 0300201991 through 0300221757, SN E300002833 through E300003881)	
13	3311005	2	Nut #10	
14	3911010	2	Screw #10 x 5/8	
15	4711000	4	Washer #10	
16	2540020	1	Grommet (SN 0300221757 through 0300259091, SN 1300007279 through 1300007373, SN B300003516 through B300005760, SN E300003609 through E300007540, Excluding B300005569)	
17	4240032	3	Tie-Strap	
18	4460488	3	Terminal, Mounting	

SECTION 2 - TURNTABLE

FIGURE 2-26. BEACON LIGHT INSTALLATION - BLUE (SN 0300259092 through 0300272317, SN E300007541 through E300007990)



ART_1001242855

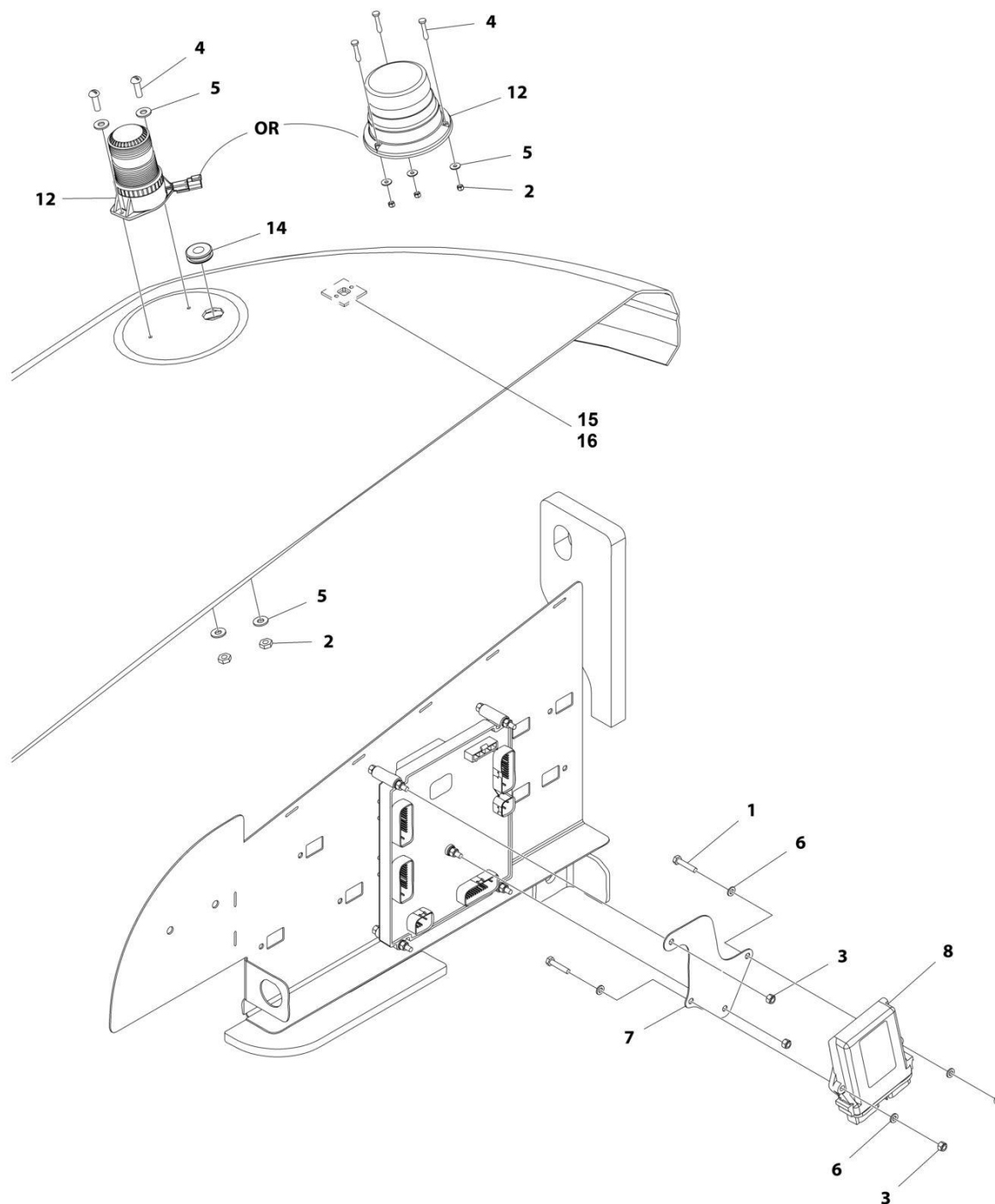
SECTION 2 - TURNTABLE

FIGURE 2-26. BEACON LIGHT INSTALLATION - BLUE (SN 0300259092 through 0300272317, SN E300007541 through E300007990)

ITEM	PART NUMBER	QTY	DESCRIPTION	REV
	1001242855	Ref	BEACON LIGHT INSTALLATION - BLUE	A
1	0760614	2	Bolt M6 x 30	
2	2540020	1	Grommet	
3	3290605	4	Nut M6	
4	3311005	2	Nut #10	
5	3911010	2	Screw #10 x 5/8	
6	4240032	AR	Tie-Strap	
7	4460488	AR	Terminal, Mounting	
8	4711000	4	Washer #10	
9	4811700	4	Washer M6	
10	1001100433	1	Mount, Module	
11	1001142683	1	Module, Control	
12	1001142736	1	Beacon Harness (Not Shown - See Separate Breakdown in ELECTRICAL SECTION)	
13	1001200910	1	Light, Beacon	
13	4460897	1	Receptacle, Female - 2 Position	
13	4460943	2	Pin, Male	

SECTION 2 - TURNTABLE

FIGURE 2-27. BEACON LIGHT INSTALLATION - RED (SN 0300214537 through 0300272317, SN 1300007279 through 1300007373, SN B300003516 through B300005760, SN E300003246 through E300007540)



ART_1001207315

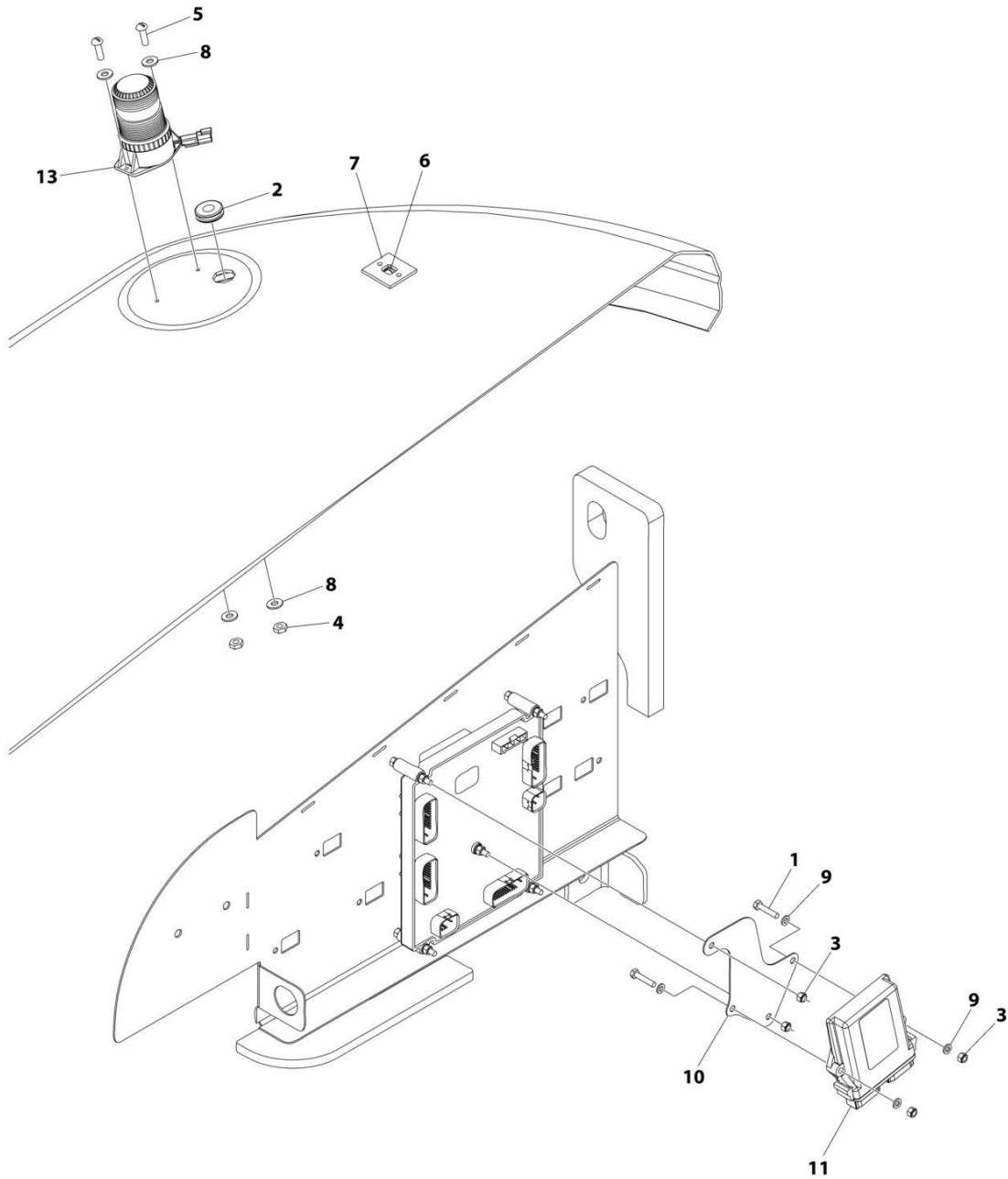
SECTION 2 - TURNTABLE

FIGURE 2-27. BEACON LIGHT INSTALLATION - RED (SN 0300214537 through 0300272317, SN 1300007279 through 1300007373, SN B300003516 through B300005760, SN E300003246 through E300007540)

ITEM	PART NUMBER	QTY	DESCRIPTION	REV
	1001207315	Ref	BEACON LIGHT INSTALLATION - RED	G
1	0760614	2	Bolt M6 x 30	
2	3290505	3	Nut M5	
2	3311005	2	Nut #10	
3	3290605	4	Nut M6	
4	4010514	3	Screw M5 x 30	
4	3911010	2	Screw #10 x 5/8	
5	4811602	3	Washer M5	
5	4711000	4	Washer #10	
6	4811700	4	Washer M6	
7	1001100433	1	Mount, Module	
8	1001142683	1	Decal - Control	
9	1001142736	1	Beacon Harness (Not Shown - See ELECTRICAL SECTION for Breakdown)	
11	1001196458	1	Beacon Extension Harness (Not Shown - See ELECTRICAL SECTION for Breakdown) (SN 0300201991 through 0300221757, SN E300002833 through E300003881)	
12	1001207302	NLA	Light, Beacon (Use p/n 1001210696 and 1001207004) (SN 0300201991 through 0300217226, SN E300002833 through E300003258)	
12	1001207004	1	Light, Beacon (SN 0300217227 through 0300259091, SN 1300007279 through 1300007373, SN B300003516 through B300005760, SN E300003259 through E300007540, Excluding B300005569)	
12	4460897	1	Receptacle, Female - 2 Position	
12	4460943	2	Pin, Male	
14	2540020	1	Grommet (SN 0300221757 through 0300259091, SN 1300007279 through 1300007373, SN B300003516 through 0300259091, SN E300003609 through E300007540)	
15	4240032	3	Tie-Strap	
16	4460488	3	Terminal, Mounting	

SECTION 2 - TURNTABLE

FIGURE 2-28. BEACON LIGHT INSTALLATION - RED (SN 0300259092 through 0300272317, SN E300007541 through E300007990)



ART_1001242856

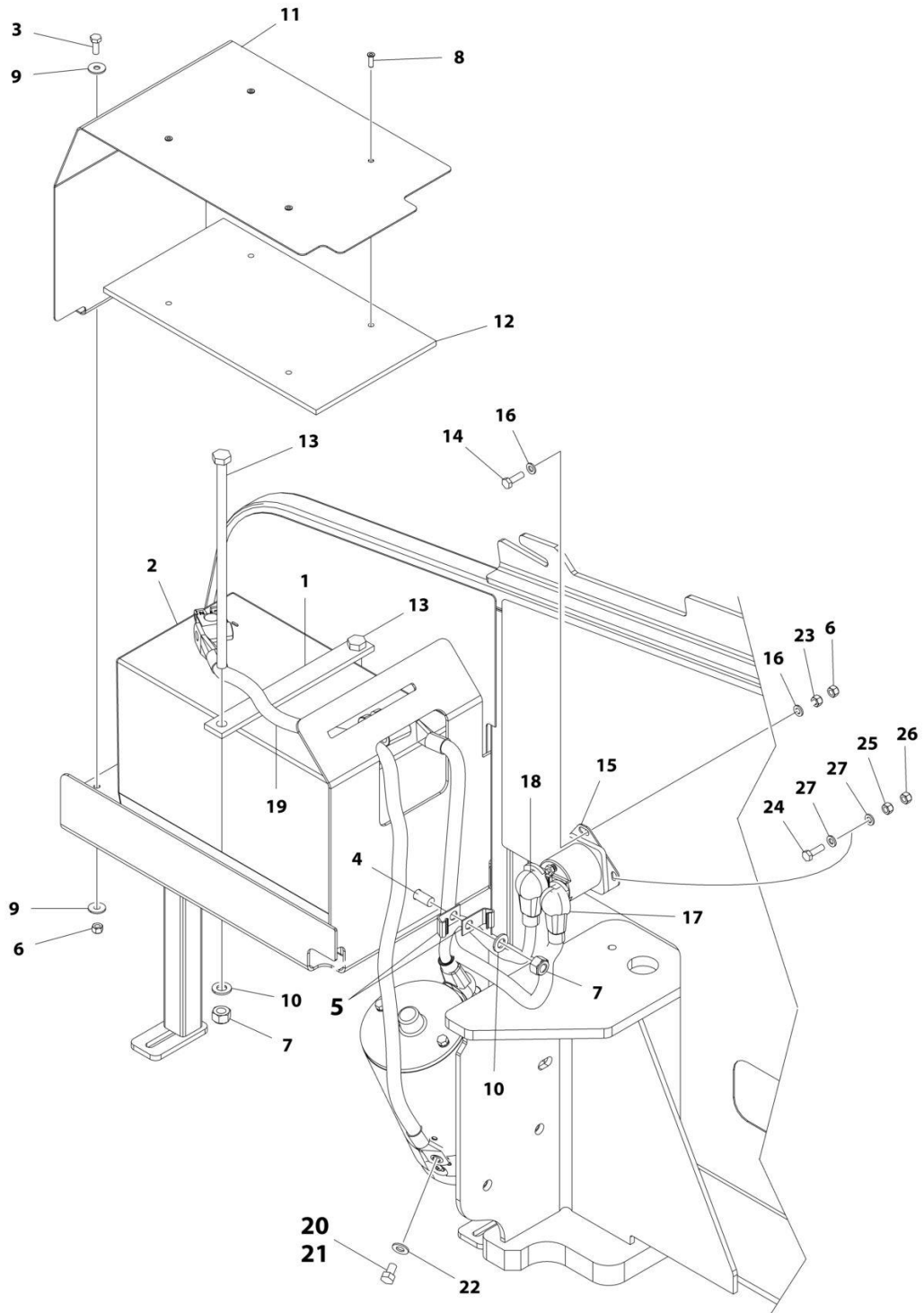
SECTION 2 - TURNTABLE

FIGURE 2-28. BEACON LIGHT INSTALLATION - RED (SN 0300259092 through 0300272317, SN E300007541 through E300007990)

ITEM	PART NUMBER	QTY	DESCRIPTION	REV
	1001242856	Ref	BEACON LIGHT INSTALLATION - RED	A
1	0760614	2	Bolt M6 x 30	
2	2540020	1	Grommet	
3	3290605	4	Nut M6	
4	3311005	2	Nut #10	
5	3911010	2	Screw #10 x 5/8	
6	4240032	AR	Tie-Strap	
7	4460488	AR	Terminal, Mounting	
8	4711000	4	Washer #10	
9	4811700	4	Washer M6	
10	1001100433	1	Mount, Module	
11	1001142683	1	Module, Control	
12	1001142736	1	Beacon Harness (Not Shown - See Separate Breakdown in ELECTRICAL Section)	
13	1001207004	1	Light, Beacon	
13	4460897	1	Receptacle, Female - 2 Position	
13	4460943	2	Pin, Male	

SECTION 2 - TURNTABLE

FIGURE 2-29. BATTERY AND CABLE INSTALLATION - USA AND CHINA BUILT MACHINES



ART_1001166316

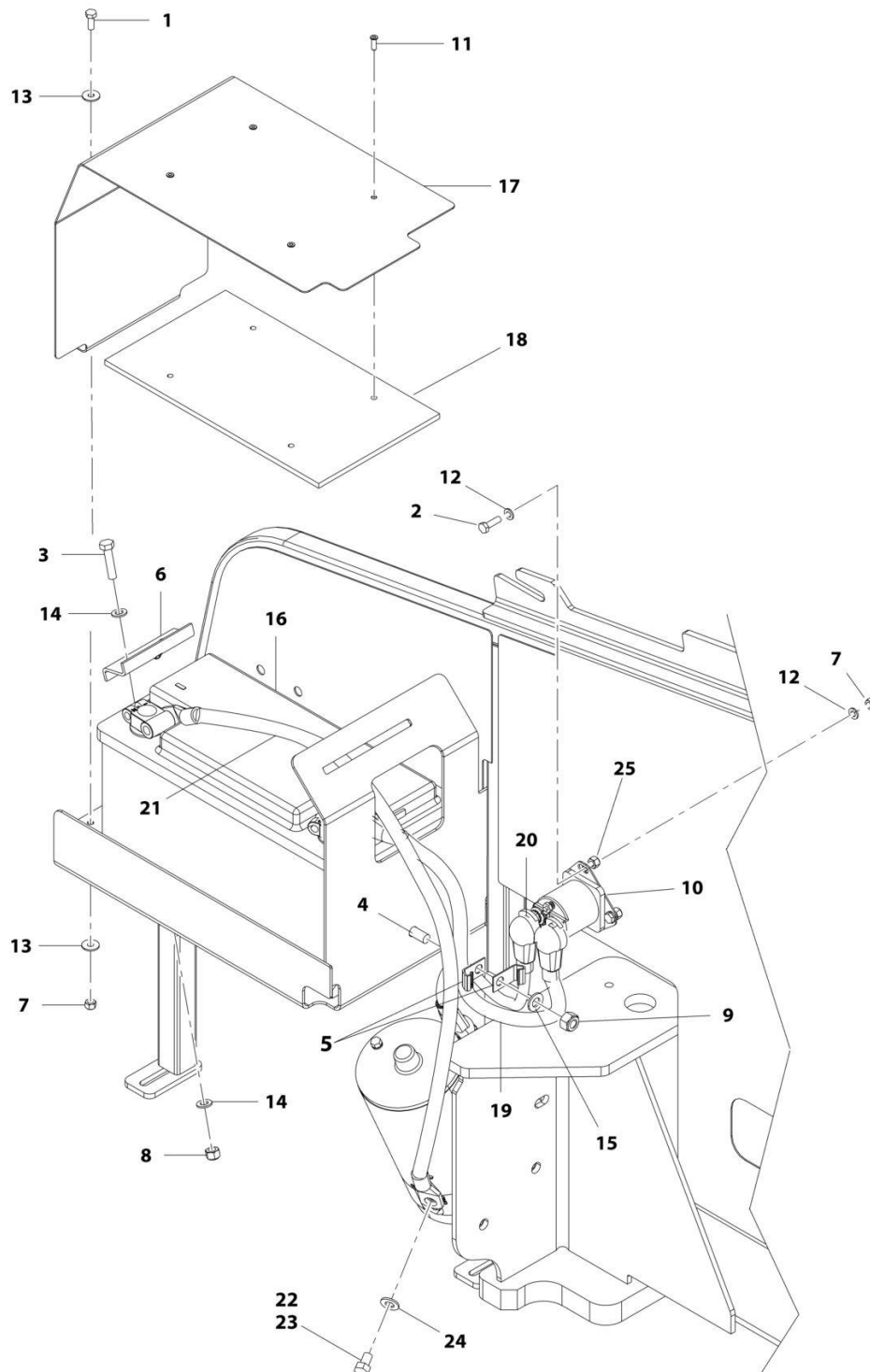
SECTION 2 - TURNTABLE

FIGURE 2-29. BATTERY AND CABLE INSTALLATION - USA AND CHINA BUILT MACHINES

ITEM	PART NUMBER	QTY	DESCRIPTION	REV
	1001166316	Ref	BATTERY AND CABLE INSTALLATION - USA AND CHINA BUILT MACHINES	G
1	0361810	1	Bar, Hold-down	
2	0400075	1	Battery	
3	0760608	2	Bolt M6 x 16	
3	0760610	2	Bolt M6 x 20	
4	0761012	1	Bolt M10 x 25	
5	1320223	2	J-Clip	
6	3290605	AR	Nut M6	
7	3291005	3	Nut M10	
8	3820032	4	Rivet	
9	4811702	4	Washer M6	
10	4812000	4	Washer M10	
11	1001117240	1	Cover	
12	1001119278	1	Insulation	
13	1001119280	2	Bolt M16 x 260	
14	0760612	AR	Bolt M6 x 25	
15	3740067	1	Relay	
15	3300220	2	Nut 3/8	
15	1001111424	2	Washer 3/8	
15	3321001	1	Nut #10	
15	4761000	1	Washer #10	
16	4811700	AR	Washer M6	
17	1001171678	1	Cable, Battery (Positive + to Aux Relay)	
18	1001171679	1	Cable, Battery (Aux Relay to Aux Pump)	
19	1001171680	1	Cable, Battery (Negative - to Aux Pump)	
20	0100011	AR	Compound, Locking	
21	0641504	1	Bolt 5/16 x 1/2	
22	4711500	1	Washer 5/16	
23	3290601	2	Nut M6	
24	0760512	1	Bolt M5 x 25	
25	3290501	1	Nut M5	
26	3290505	1	Nut M5	
27	4811600	2	Washer M5	

SECTION 2 - TURNTABLE

FIGURE 2-30. BATTERY AND CABLE INSTALLATION - ROMANIAN BUILT MACHINES



ART_1001166317

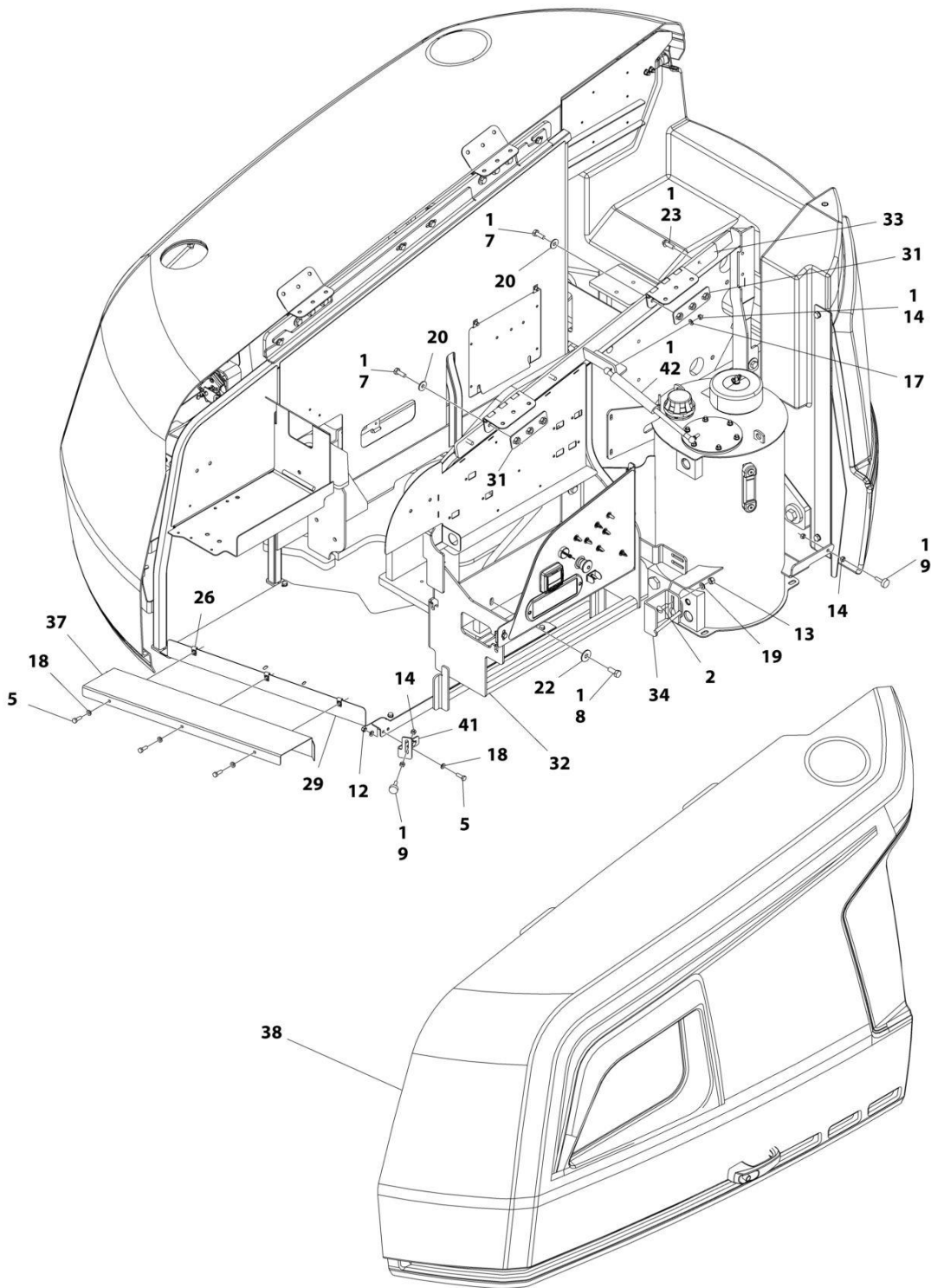
SECTION 2 - TURNTABLE

FIGURE 2-30. BATTERY AND CABLE INSTALLATION - ROMANIAN BUILT MACHINES

ITEM	PART NUMBER	QTY	DESCRIPTION	REV
	1001166317	Ref	BATTERY AND CABLE INSTALLATION - ROMANIAN BUILT MACHINES	F
1	0760608	2	Bolt M6 x 16	
1	0760610	2	Bolt M6 x 20	
2	0760612	2	Bolt M6 x 25	
3	0760815	2	Bolt M8 x 35	
4	0761012	1	Bolt M10 x 25	
5	1320223	2	J-Clip	
6	1787217	1	Clamp	
7	3290605	4	Nut M6	
8	3290805	2	Nut M8	
9	3291005	1	Nut M10	
10	3740067	1	Relay	
10	3300220	2	Nut 3/8	
10	1001111424	2	Washer 3/8	
10	3321001	1	Nut #10	
10	4761000	1	Washer #10	
11	3820032	4	Rivet	
12	4811700	4	Washer M6	
13	4811702	4	Washer M6	
14	4811900	4	Washer M8	
15	4812000	2	Washer M10	
16	8008750	1	Battery	
17	1001117240	1	Cover	
18	1001119278	1	Insulation	
19	1001171678	1	Cable, Battery (Positive + to Aux Relay) (SN E300002833 through E300002975)	
19	1001205752	1	Cable, Battery (Positive + to Aux Relay) (SN 1300007279 through 1300007373, SN E300002976 through E300007990, Excluding E300007814)	
20	1001171679	1	Cable, Battery (Aux Relay to Aux Pump)	
21	1001171680	1	Cable, Battery (Negative – to Aux Pump) (SN E300002833 through E300002975)	
21	1001205750	1	Cable, Battery (Negative – to Aux Pump) (SN 1300007279 through 1300007373, SN E300002976 through E300007990, Excluding E300007814)	
22	0100011	AR	Compound, Locking	
23	0641504	1	Bolt 5/16 x 1/2	
24	4711500	1	Washer 5/16	
25	3290601	2	Nut M6	

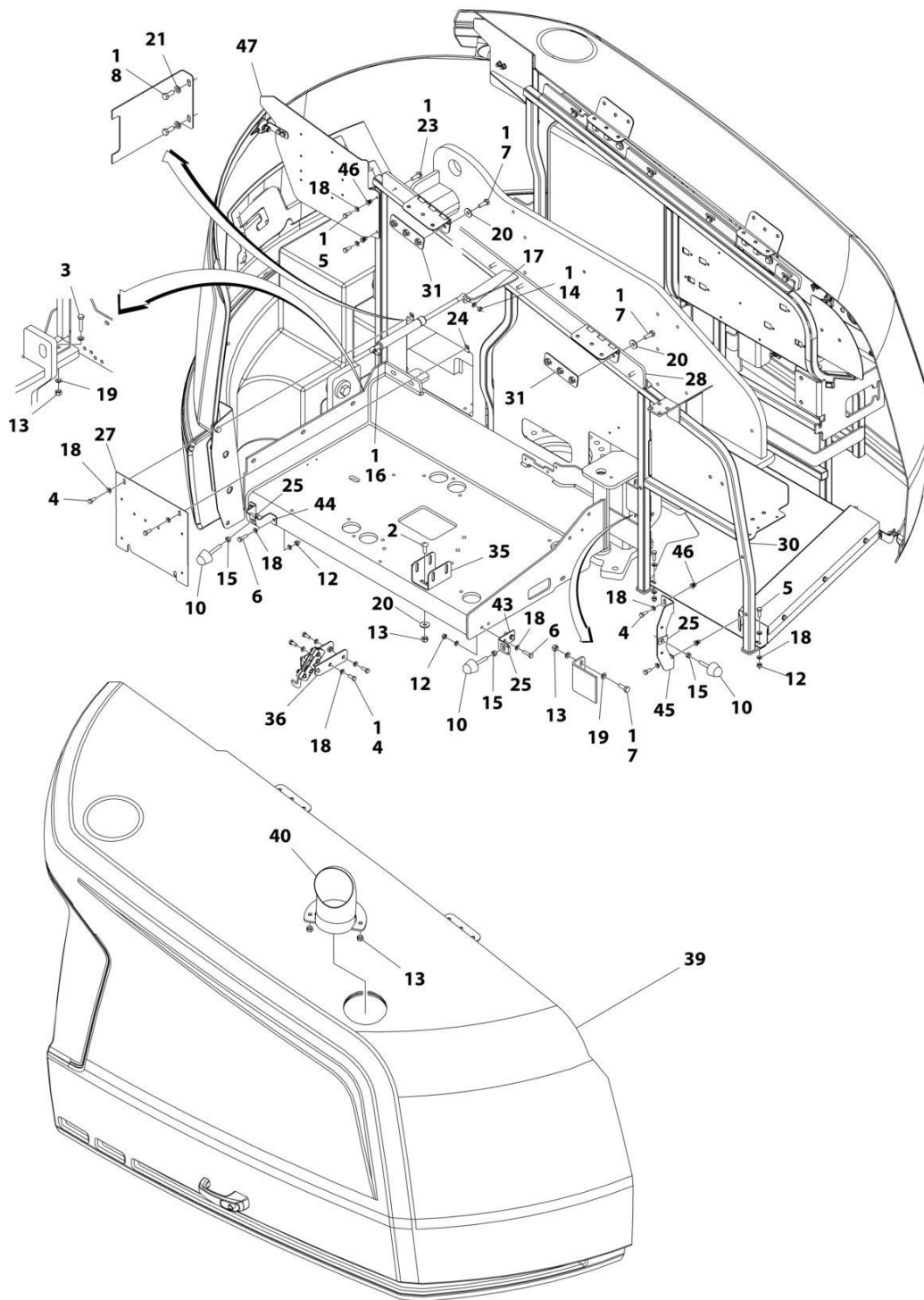
SECTION 2 - TURNTABLE

FIGURE 2-31. HOODS INSTALLATION - 450A WITH DEUTZ/GM ENGINES (SN 0300201991 through 0300222765)



ART_1001202450_1OF2

SECTION 2 - TURNTABLE



ART_1001202450_2OF2

SECTION 2 - TURNTABLE

FIGURE 2-31. HOODS INSTALLATION - 450A WITH DEUTZ/GM ENGINES (SN 0300201991 through 0300222765)

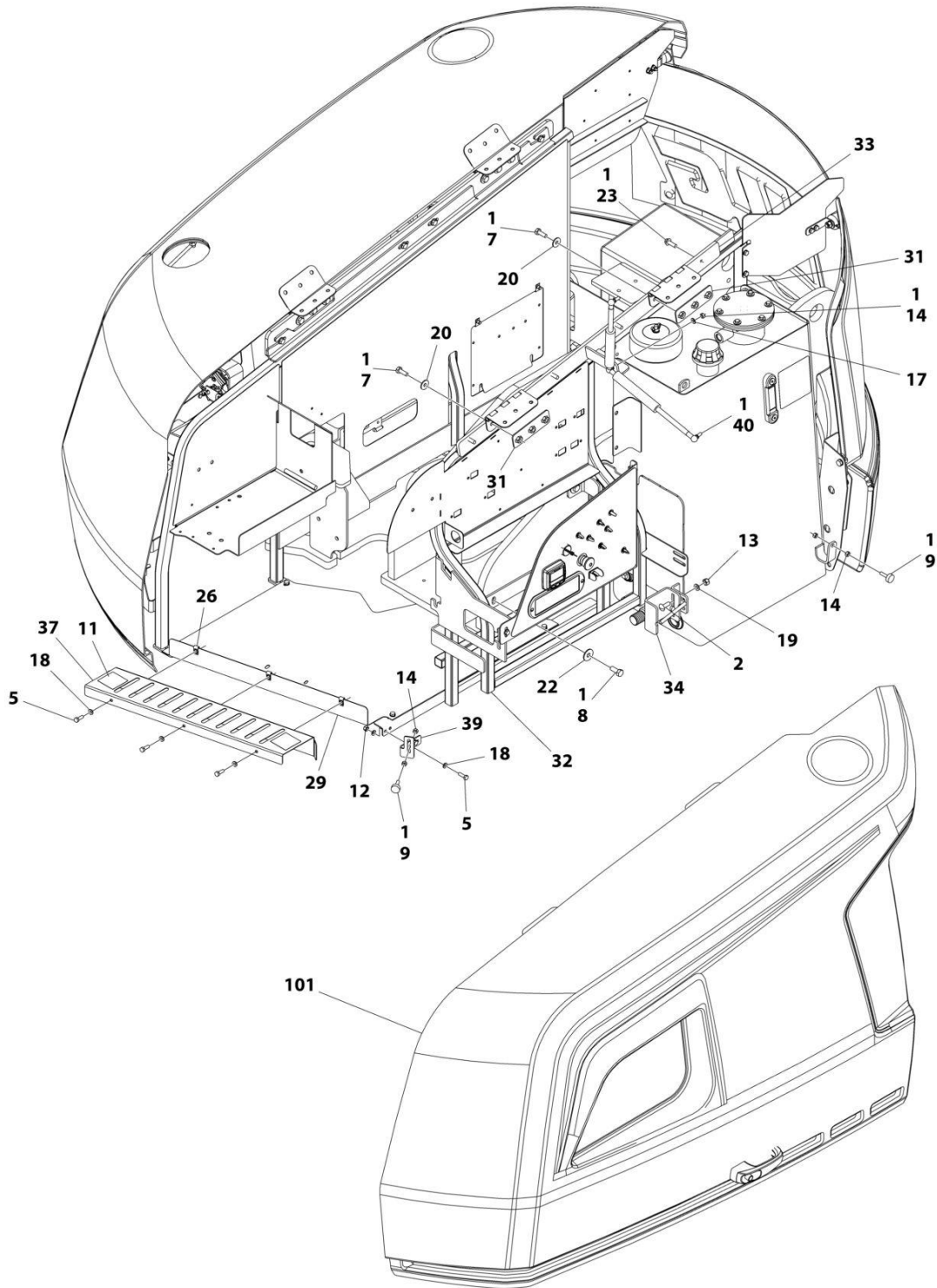
ITEM	PART NUMBER	QTY	DESCRIPTION	REV
	1001202450	Ref	HOODS INSTALLATION – 450A WITH DEUTZ/GM ENGINES (SN 0300201991 through 0300222765)	C
1	0100011	AR	Compound, Locking	
2	0630613	4	Bolt M10 x 30	
3	0701018	5	Bolt M10 x 50	
4	0760810	8	Bolt M8 x 20	
5	0760812	11	Bolt M8 x 25	
6	0760814	4	Bolt M8 x 30	
7	0761014	14	Bolt M10 x 30	
8	0761214	6	Bolt M12 x 30	
9	0940049	2	Bumper	
10	0940071	3	Bumper	
11	1701691	2	Decal - No Step	
12	3290805	10	Nut M8	
13	3291005	14	Nut M10	
14	3311501	6	Nut 5/16	
15	3311601	3	Nut 3/8	
16	4160182	1	Spring, Gas	
17	4711500	2	Washer 5/16	
18	4811900	33	Washer M8	
19	4812000	16	Washer M10	
20	4812002	14	Washer M10	
21	4812100	2	Washer M12	
22	4812102	4	Washer M12	
23	5251014	8	Bolt M10 x 30	
24	8310686	2	Nut, Retainer M8	
25	88662523	3	Nut, Tinnerman	
26	1001118274	3	Nut M8	
27	1001167149	1	Panel, Filler	
28	1001167159	1	Mount	
29	1001167163	1	Tray	
30	1001167169	1	Mount	
31	1001169046	4	Nut	
32	1001211716	1	Support, Hood	
33	1001170018	1	Mount	
34	1001170022	1	Mount	
35	1001170859	1	Mount	
36	1001170860	1	Support	
37	1001171216	1	Cover	
38	1001172282	1	Hood Assembly - Tank Side (See HOOD ASSEMBLY - TANK SIDE for Breakdown)	
39	1001172833	1	Hood Assembly - Engine Side (See HOOD ASSEMBLY - ENGINE SIDE for Breakdown)	
40	1001174098	1	Pipe, Exhaust	
41	1001179904	1	Mount	
42	1001182169	1	Spring, Gas	
43	1001182875	1	Mount	
44	1001182877	1	Mount	
45	1001182879	1	Mount	

SECTION 2 - TURNTABLE

ITEM	PART NUMBER	QTY	DESCRIPTION	REV
46	1001191832	4	Rivnut M8	
47	1001211717	1	Support	

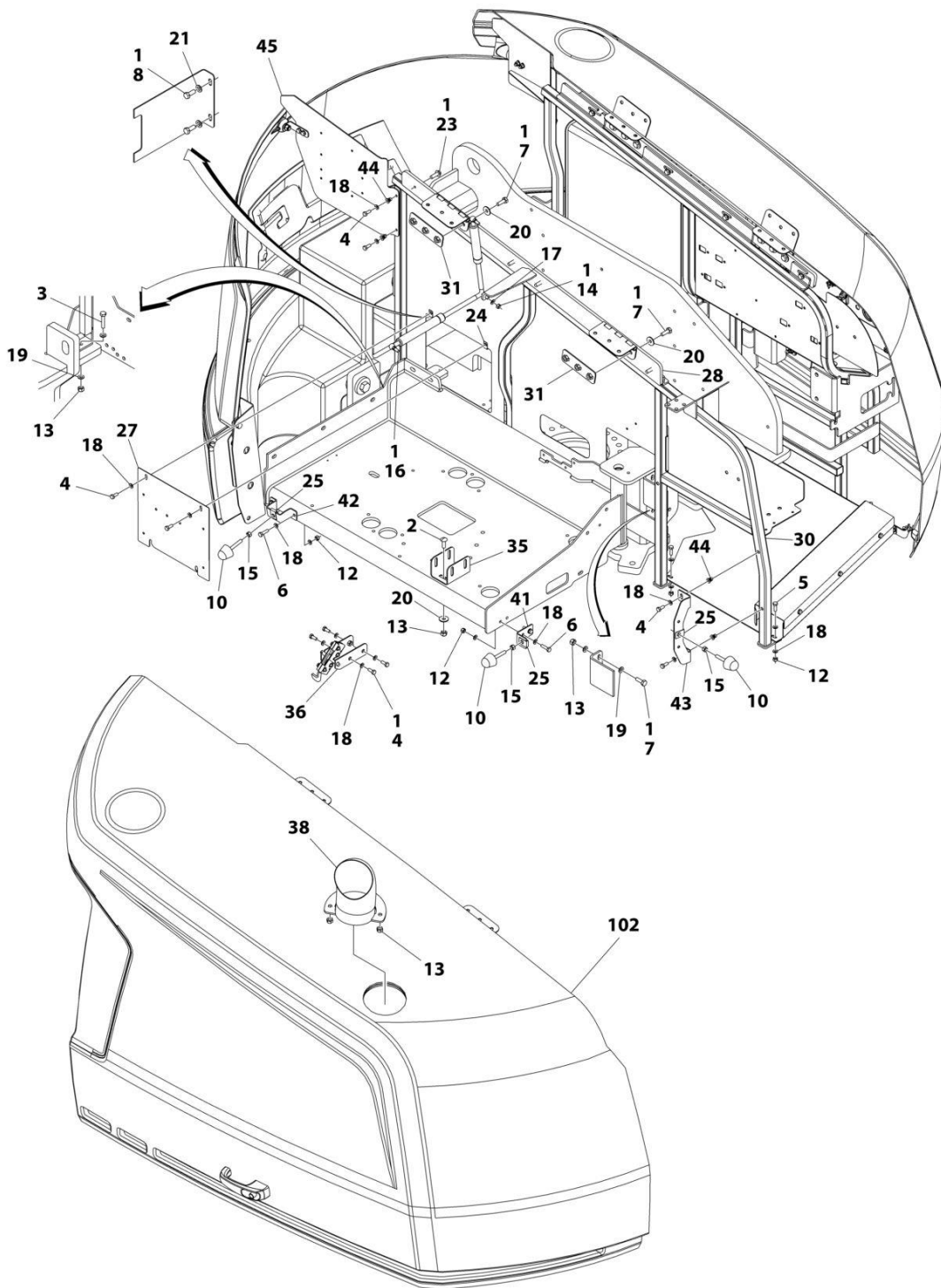
SECTION 2 - TURNTABLE

FIGURE 2-32. HOODS INSTALLATION - 450A WITH DEUTZ/GM ENGINES (SN 0300222766 through 0300272317)



ART_1001219201_1OF2

SECTION 2 - TURNTABLE



ART_1001219201_20F2

SECTION 2 - TURNTABLE

FIGURE 2-32. HOODS INSTALLATION - 450A WITH DEUTZ/GM ENGINES (SN 0300222766 through 0300272317)

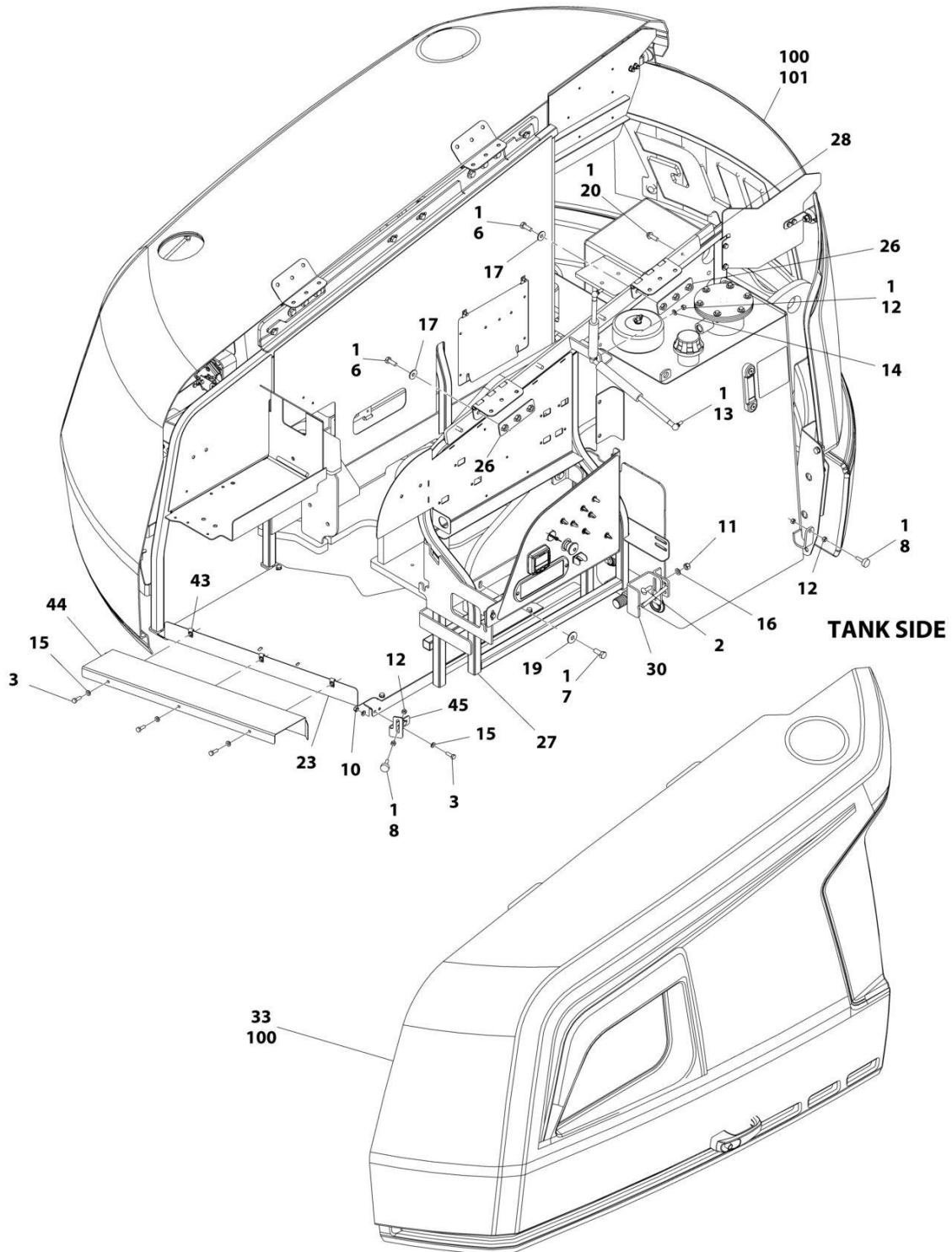
ITEM	PART NUMBER	QTY	DESCRIPTION	REV
	1001219201	Ref	HOODS INSTALLATION – 450A WITH DEUTZ/GM ENGINES	C
1	0100011	AR	Compound, Locking	
2	0630613	4	Bolt M10 x 30	
3	0701018	5	Bolt M10 x 50	
4	0760810	AR	Bolt M8 x 20	
5	0760812	AR	Bolt M8 x 25	
6	0760814	4	Bolt M8 x 30	
7	0761014	14	Bolt M10 x 30	
8	0761214	6	Bolt M12 x 30	
9	0940049	2	Bumper	
10	0940071	3	Bumper	
11	1701691	2	Decal - No Step	
12	3290805	10	Nut M8	
13	3291005	14	Nut M10	
14	3311501	6	Nut 5/16	
15	3311601	3	Nut 3/8	
16	4160182	1	Spring, Gas	
17	4711500	2	Washer 5/16	
18	4811900	33	Washer M8	
19	4812000	16	Washer M10	
20	4812002	14	Washer M10	
21	4812100	2	Washer M12	
22	4812102	4	Washer M12	
23	5251014	8	Bolt M10 x 30	
24	8310686	2	Nut, Retainer M8	
25	88662523	3	Nut, Tinnerman	
26	1001118274	3	Nut M8	
27	1001167149	1	Panel, Filler	
28	1001167159	1	Mount	
29	1001167163	1	Tray	
30	1001167169	1	Mount	
31	1001169046	4	Nut	
32	1001170001	1	Support, Hood (SN 0300222766 through 0300225644)	
32	1001211716	1	Support, Hood (SN 0300225645 through 0300272317, Except SN 0300272185 through 0300272190)	
33	1001170018	1	Mount	
34	1001170022	1	Mount	
35	1001170859	1	Mount	
36	1001170860	NLA	Support (Use p/n 1001223777) (SN 0300222766 through 0300226828)	
36	1001223777	1	Support (SN 0300226829 through 0300272317, Except SN 0300272185 through 0300272190)	
37	1001171216	1	Cover	
38	1001174098	1	Pipe, Exhaust	
39	1001179904	1	Mount	
40	1001182169	1	Spring, Gas	
41	1001182875	1	Mount	
42	1001182877	1	Mount	
43	1001182879	1	Mount	

SECTION 2 - TURNTABLE

ITEM	PART NUMBER	QTY	DESCRIPTION	REV
44	1001191832	4	Rivnut M8	
45	1001200086	1	Support (SN 0300222766 through 0300225644)	
45	1001211717	1	Support (SN 0300225645 through 0300272317, Except SN 0300272185 through 0300272190)	
100	1001219203	1	Hood Kit (Includes Items 101-102)	
101	1001172282	1	Hood Assembly - Tank Side (See HOOD ASSEMBLY - TANK SIDE for Breakdown)	
102	1001172833	1	Hood Assembly - Engine Side (See HOOD ASSEMBLY - ENGINE SIDE for Breakdown)	

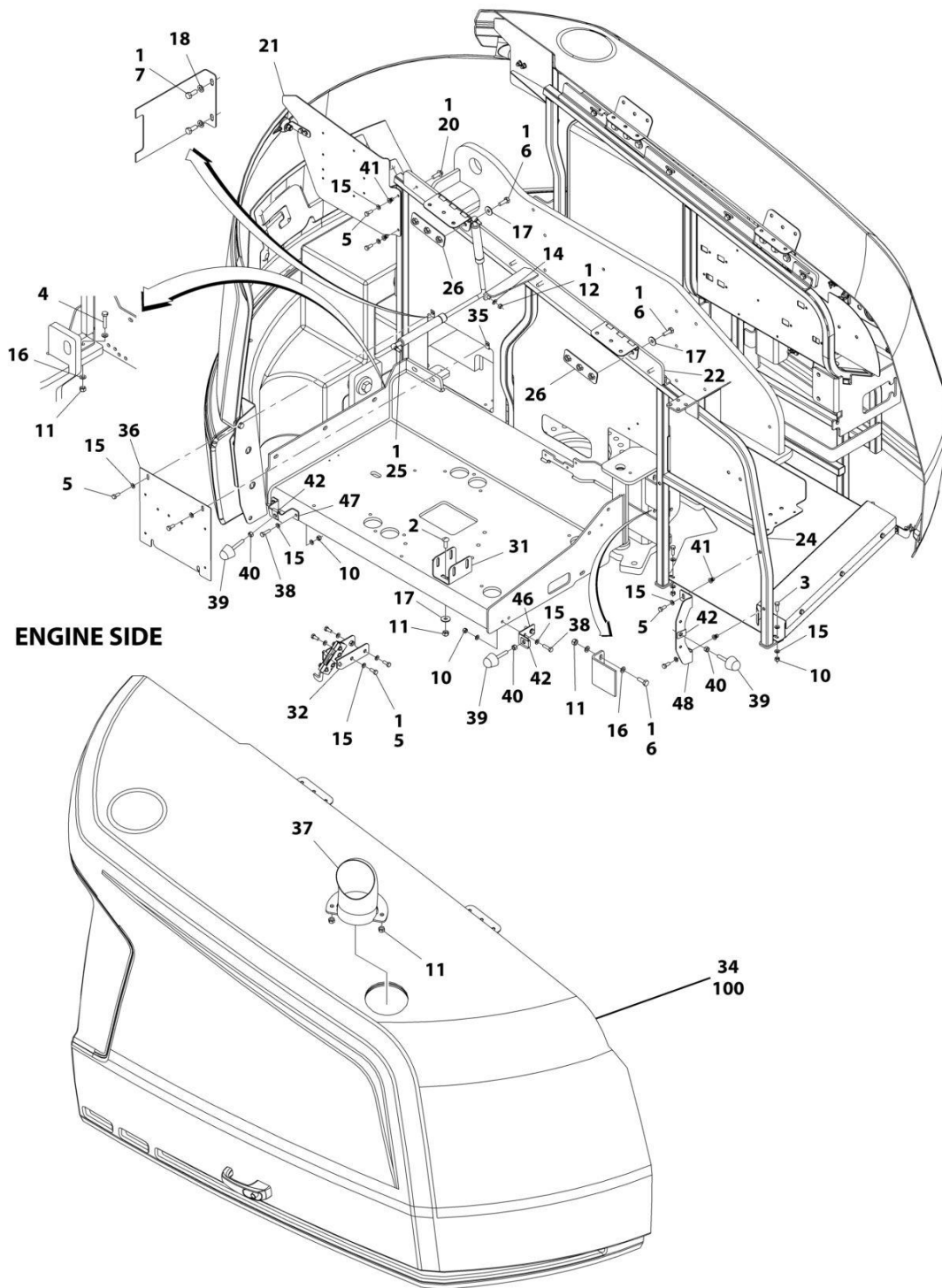
SECTION 2 - TURNTABLE

FIGURE 2-33. HOODS INSTALLATION - 450AJ WITH DEUTZ/GM/KUBOTA ENGINES (SN 0300201991 through 0300272317, SN B300003516 through B300005760, SN E300002833 through E300006670)



ART_1001165622_10F2

SECTION 2 - TURNTABLE



ART_1001165622_20F2

SECTION 2 - TURNTABLE

FIGURE 2-33. HOODS INSTALLATION - 450AJ WITH DEUTZ/GM/KUBOTA ENGINES (SN 0300201991 through 0300272317, SN B300003516 through B300005760, SN E300002833 through E300006670)

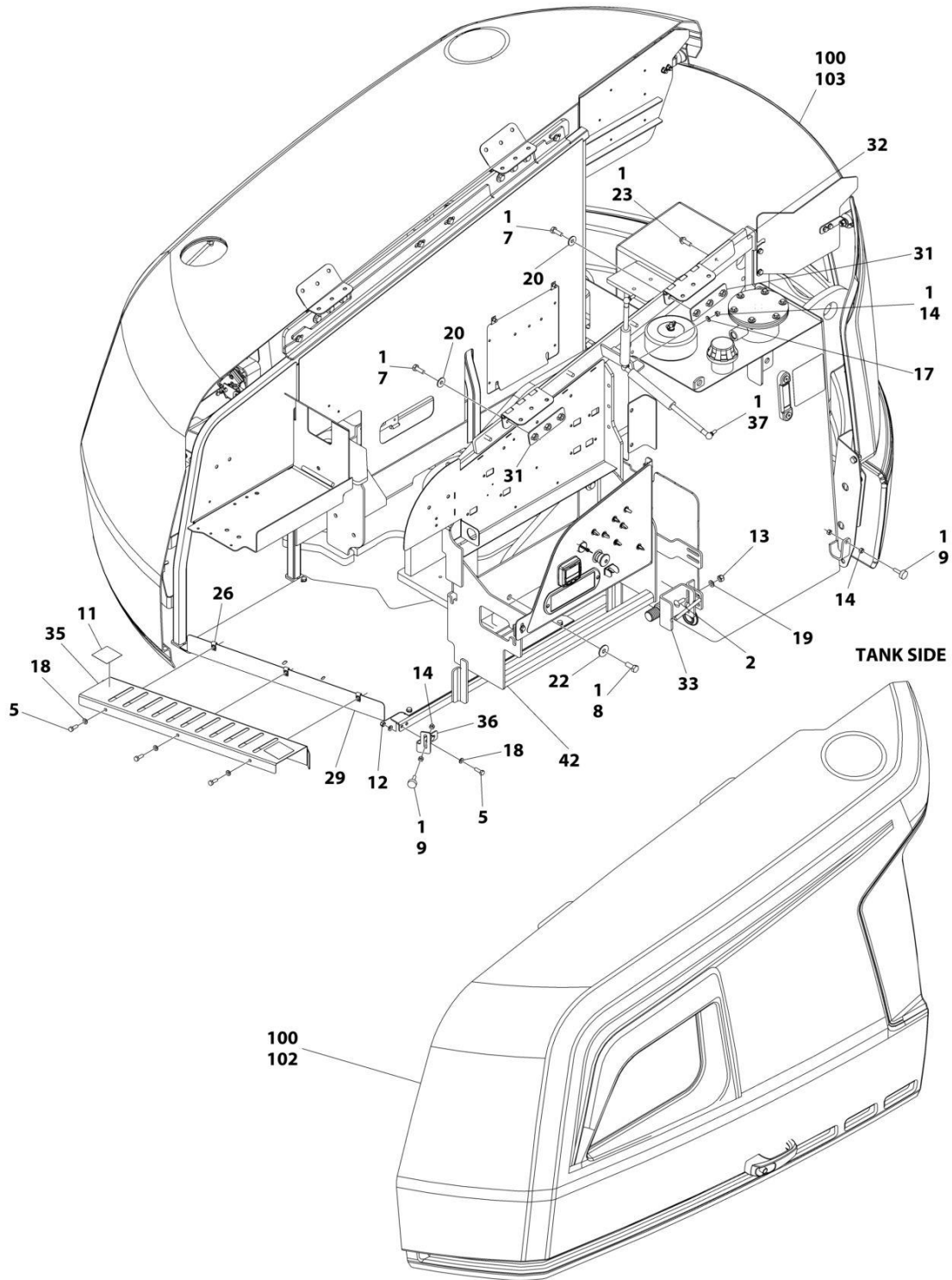
ITEM	PART NUMBER	QTY	DESCRIPTION	REV
	1001165622	Ref	HOODS INSTALLATION – 450AJ WITH DEUTZ/GM/KUBOTA ENGINES	L
1	0100011	AR	Compound, Locking	
2	0630613	4	Bolt M10 x 30	
3	0760812	AR	Bolt M8 x 25	
4	0701018	5	Bolt M10 x 50	
5	0760810	AR	Bolt M8 x 20	
6	0761014	14	Bolt M10 x 30	
7	0761214	6	Bolt M12 x 30	
8	0940049	2	Bumper	
10	3290805	10	Nut M8	
11	3291005	14	Nut M10	
12	3311501	6	Nut 5/16	
13	1001182169	1	Spring, Gas	
14	4711500	2	Washer 5/16	
15	4811900	33	Washer M8	
16	4812000	16	Washer M10	
17	4812002	14	Washer M10	
18	4812100	2	Washer M12	
19	4812102	4	Washer M12	
20	5251014	8	Bolt M10 x 30	
21	1001167153	NLA	Panel, Filler (Use p/n 1001211717) (SN 0300201991 through 0300205472)	
21	1001200086	NLA	Panel, Filler (Use p/n 1001211717) (SN 0300205473 through 0300223528, SN E300002833 through E300003753)	
21	1001211717	1	Panel, Filler (SN 0300223529 through 0300272317, SN 1300007279 through 1300007373, SN B300003516 through B300005760, SN E300003754 through E300006670, Except SN 0300272185 through 0300272190, Excluding B300005569)	
22	1001167159	1	Mount	
23	1001167163	1	Tray	
24	1001167169	1	Mount	
25	4160182	1	Spring, Gas	
26	1001169046	4	Nut	
27	1001170001	NLA	Support, Hood (Use p/n 1001211716) (SN 0300201991 through 0300223528, SN E300002833 through E300003753)	
27	1001211716	1	Support, Hood (SN 0300223529 through 0300272317, SN 1300007279 through 1300007373, SN B300003516 through B300005760, SN E300003754 through E300006670, Except SN 0300272185 through 0300272190, Excluding B300005569)	
28	1001170018	1	Mount	
30	1001170022	1	Mount	
31	1001170859	1	Mount	
32	1001170860	NLA	Support (Use p/n 1001223777) (SN 0300201991 through 0300226828, SN E300002833 through E300001783)	
32	1001223777	1	Support (SN 0300226829 through 0300272317, SN 1300007279 through 1300007373, SN B300003516 through B300005760, SN E300001784 through E300006670, Except SN 0300272185 through 0300272190, Excluding B300005569)	
33	1001172282	1	Hood Assembly - Tank Side (See HOOD ASSEMBLY - TANK SIDE for Breakdown)	
34	1001172833	1	Hood Assembly - Engine Side (See HOOD ASSEMBLY - ENGINE	

SECTION 2 - TURNTABLE

ITEM	PART NUMBER	QTY	DESCRIPTION	REV
			SIDE for Breakdown)	
35	8310686	2	Nut, Retainer M8	
36	1001167149	1	Panel, Filler	
37	1001174098	1	Pipe, Exhaust (SN 0300201991 through 0300249129, SN 1300007279 through 1300007373, SN E300002833 through E300006195)	
37	1001233899	1	Pipe, Exhaust (SN 0300249130 through 0300272317, SN B300003516 through B300005760, SN E300006196 through E300006670, Except SN 0300272185 through 0300272190, Excluding B300005569)	
38	0760814	4	Bolt M8 x 30	
39	0940071	3	Bumper	
40	3311601	3	Nut 3/8	
41	1001191832	4	Rivnut M8	
42	88662523	3	Nut, Tinnerman	
43	1001118274	3	Nut M8	
44	1001171216	1	Cover	
45	1001179904	1	Mount	
46	1001182875	1	Mount	
47	1001182877	1	Mount	
48	1001182879	1	Mount	
49	1701691	2	Decal - No Step	
100	1001202451	1	Hood Kit (Includes Items 33, 34 & 101) (SN 0300207381 through 0300272317, SN 1300007279 through 1300007373, SN B300003516 through B300005760, SN E300002834 through E300006670, Except SN 0300272185 through 0300272190, Excluding B300005569)	
101	1001169183	1	Hood, Front (SN 0300207381 through 0300272317, SN 1300007279 through 1300007373, SN B300003516 through B300005760, SN E300002834 through E300006670, Except SN 0300272185 through 0300272190, Excluding B300005569)	

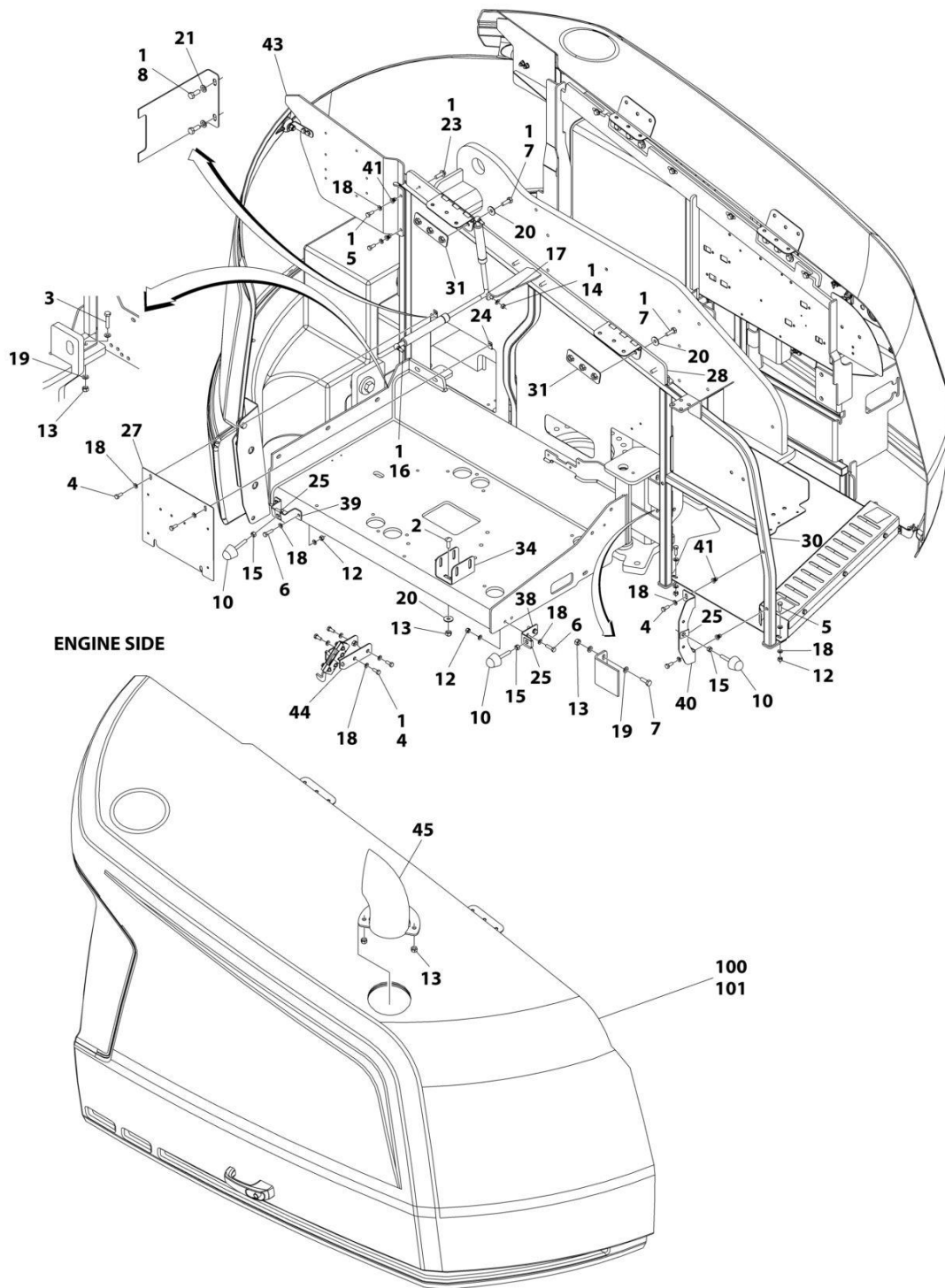
SECTION 2 - TURNTABLE

FIGURE 2-34. HOODS INSTALLATION - 450AJ WITH DEUTZ ENGINE (SN E300006671 through E300007990)



ART_1001241284_10F2

SECTION 2 - TURNTABLE



ART_1001241284_20F2

SECTION 2 - TURNTABLE

FIGURE 2-34. HOODS INSTALLATION - 450AJ WITH DEUTZ ENGINE (SN E300006671 through E300007990)

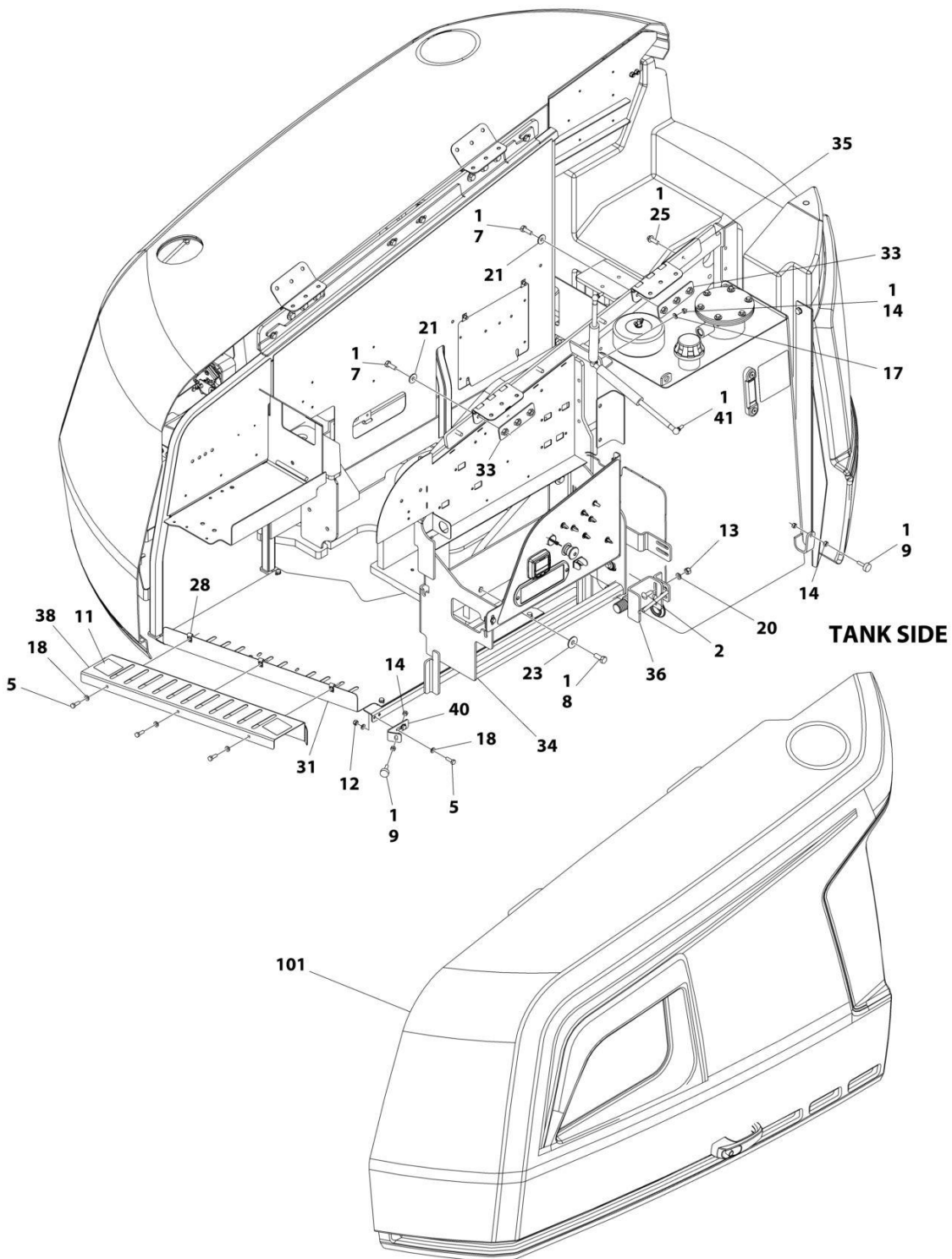
ITEM	PART NUMBER	QTY	DESCRIPTION	REV
	1001241284	Ref	HOODS INSTALLATION	A
1	0100011	AR	Compound, Locking	
2	0630613	4	Bolt M10 x 30	
3	0701018	5	Bolt M10 x 50	
4	0760810	8	Bolt M8 x 20	
5	0760812	11	Bolt M8 x 25	
6	0760814	4	Bolt M8 x 30	
7	0761014	14	Bolt M10 x 30	
8	0761214	6	Bolt M12 x 30	
9	0940049	2	Bumper	
10	0940071	3	Bumper	
11	1701691	2	Decal - No Step	
12	3290805	10	Nut M8	
13	3291005	14	Nut M10	
14	3311501	6	Nut 5/16	
15	3311601	3	Nut 3/8	
16	4160182	1	Spring, Gas	
17	4711500	2	Washer 5/16	
18	4811900	33	Washer M8	
19	4812000	16	Washer M10	
20	4812002	14	Washer M10	
21	4812100	2	Washer M12	
22	4812102	4	Washer M12	
23	5251014	8	Bolt M10 x 30	
24	8310686	2	Nut, Retainer M8	
25	88662523	3	Nut, Tinnerman	
26	1001118274	3	Nut M8	
27	1001167149	1	Panel, Filler	
28	1001167159	1	Mount	
29	1001167163	1	Tray	
30	1001167169	1	Mount	
31	1001169046	4	Nut	
32	1001170018	1	Mount	
33	1001170022	1	Mount	
34	1001170859	1	Mount	
35	1001171216	1	Cover	
36	1001179904	1	Mount	
37	1001182169	1	Spring, Gas	
38	1001182875	1	Mount	
39	1001182877	1	Mount	
40	1001182879	1	Mount	
41	1001191832	4	Rivnut M8	
42	1001211716	1	Support, Hood	
43	1001211717	1	Panel, Filler	
44	1001223777	1	Support	
45	1001233899	1	Pipe, Exhaust	
100	1001241289	Ref	Hood Kit (Includes Items 101-103)	
101	1001241295	1	Hood Assembly - Engine Side (See Separate Breakdown in this Section)	

SECTION 2 - TURNTABLE

ITEM	PART NUMBER	QTY	DESCRIPTION	REV
102	1001241296	1	Hood Assembly - Tank Side (See Separate Breakdown in this Section)	
103	1001241299	1	Hood Assembly - Front	

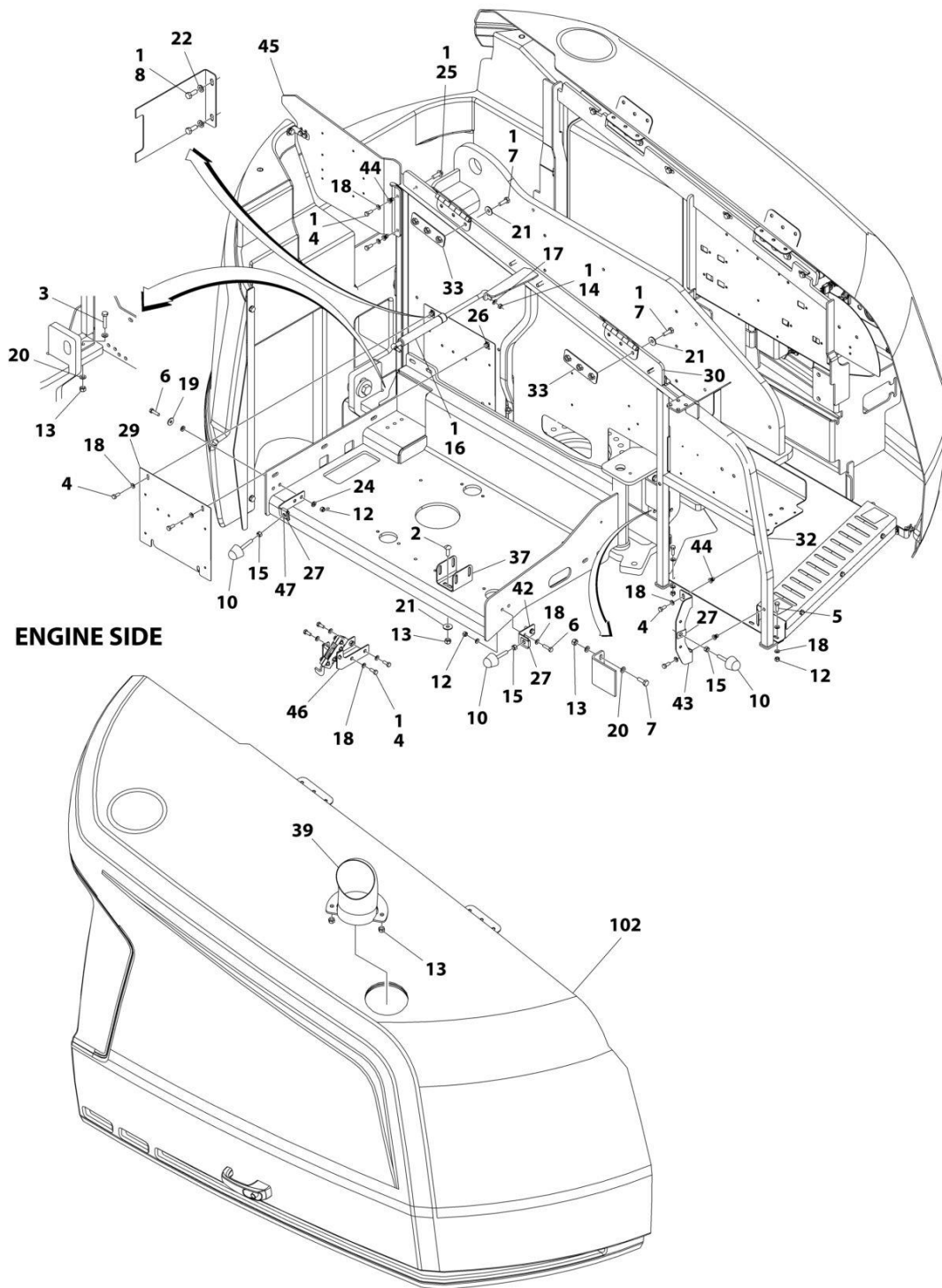
SECTION 2 - TURNTABLE

FIGURE 2-35. HOODS INSTALLATION - 450A WITH KUBOTA ENGINE



ART_1001219202_1OF2

SECTION 2 - TURNTABLE



ART_1001219202_20F2

SECTION 2 - TURNTABLE

FIGURE 2-35. HOODS INSTALLATION - 450A WITH KUBOTA ENGINE

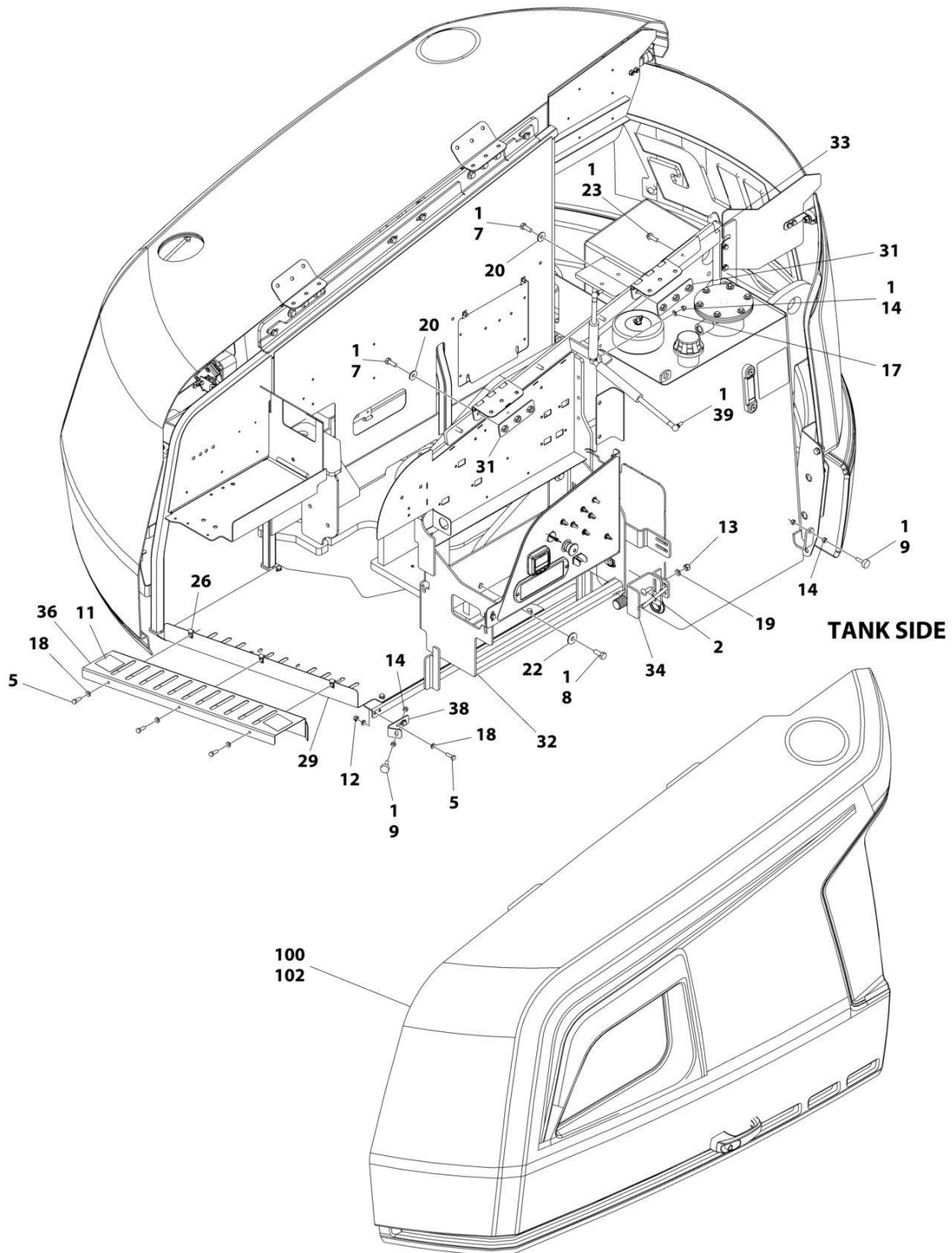
ITEM	PART NUMBER	QTY	DESCRIPTION	REV
	1001219202	Ref	HOODS INSTALLATION – 450A WITH KUBOTA ENGINE	B
1	0100011	AR	Compound, Locking	
2	0630613	4	Bolt M10 x 30	
3	0701018	5	Bolt M10 x 50	
4	0760810	10	Bolt M8 x 20	
5	0760812	AR	Bolt M8 x 25	
6	0760814	AR	Bolt M8 x 30	
7	0761014	14	Bolt M10 x 30	
8	0761214	6	Bolt M12 x 30	
9	0940049	2	Bumper	
10	0940071	3	Bumper	
11	1701691	2	Decal - No Step	
12	3290805	10	Nut M8	
13	3291005	14	Nut M10	
14	3311501	6	Nut 5/16	
15	3311601	3	Nut 3/8	
16	4160182	1	Spring, Gas	
17	4711500	2	Washer 5/16	
18	4811900	29	Washer M8	
19	4811902	2	Washer M8	
20	4812000	16	Washer M10	
21	4812002	14	Washer M10	
22	4812100	2	Washer M12	
23	4812102	4	Washer M12	
24	5240800	4	Washer M8	
25	5251014	8	Bolt M10 x 30	
26	8310686	2	Nut, Retainer M8	
27	88662523	3	Nut, Tinnerman	
28	1001118274	3	Nut M8	
29	1001167149	1	Panel, Filler	
30	1001167159	1	Mount	
31	1001167163	1	Tray	
32	1001167169	1	Mount	
33	1001169046	4	Nut	
34	1001170001	1	Support, Hood (SN 0300222766 through 0300225644)	
34	1001211716	1	Support, Hood (SN 0300225645 through 0300272317, Except SN 0300272185 through 0300272190)	
35	1001170018	1	Mount	
36	1001170022	1	Mount	
37	1001170859	1	Mount	
38	1001171216	1	Cover	
39	1001174098	1	Pipe, Exhaust	
40	1001179904	1	Mount	
41	1001182169	1	Spring, Gas	
42	1001182875	1	Mount	
43	1001182879	1	Mount	
44	1001191832	4	Rivnut M8	
45	1001200086	1	Support (SN 0300222766 through 0300225644)	
45	1001211717	1	Support (SN 0300225645 through 0300272317, Except SN 0300272185 through 0300272190)	

SECTION 2 - TURNTABLE

ITEM	PART NUMBER	QTY	DESCRIPTION	REV
46	1001215394	1	Support	
47	1001216677	1	Bracket	
100	1001219203	1	Hood Kit (Includes Items 101-102)	
101	1001172282	1	Hood Assembly - Tank Side (See HOOD ASSEMBLY - TANK SIDE for Breakdown)	
102	1001172833	1	Hood Assembly - Engine Side (See HOOD ASSEMBLY - ENGINE SIDE for Breakdown)	

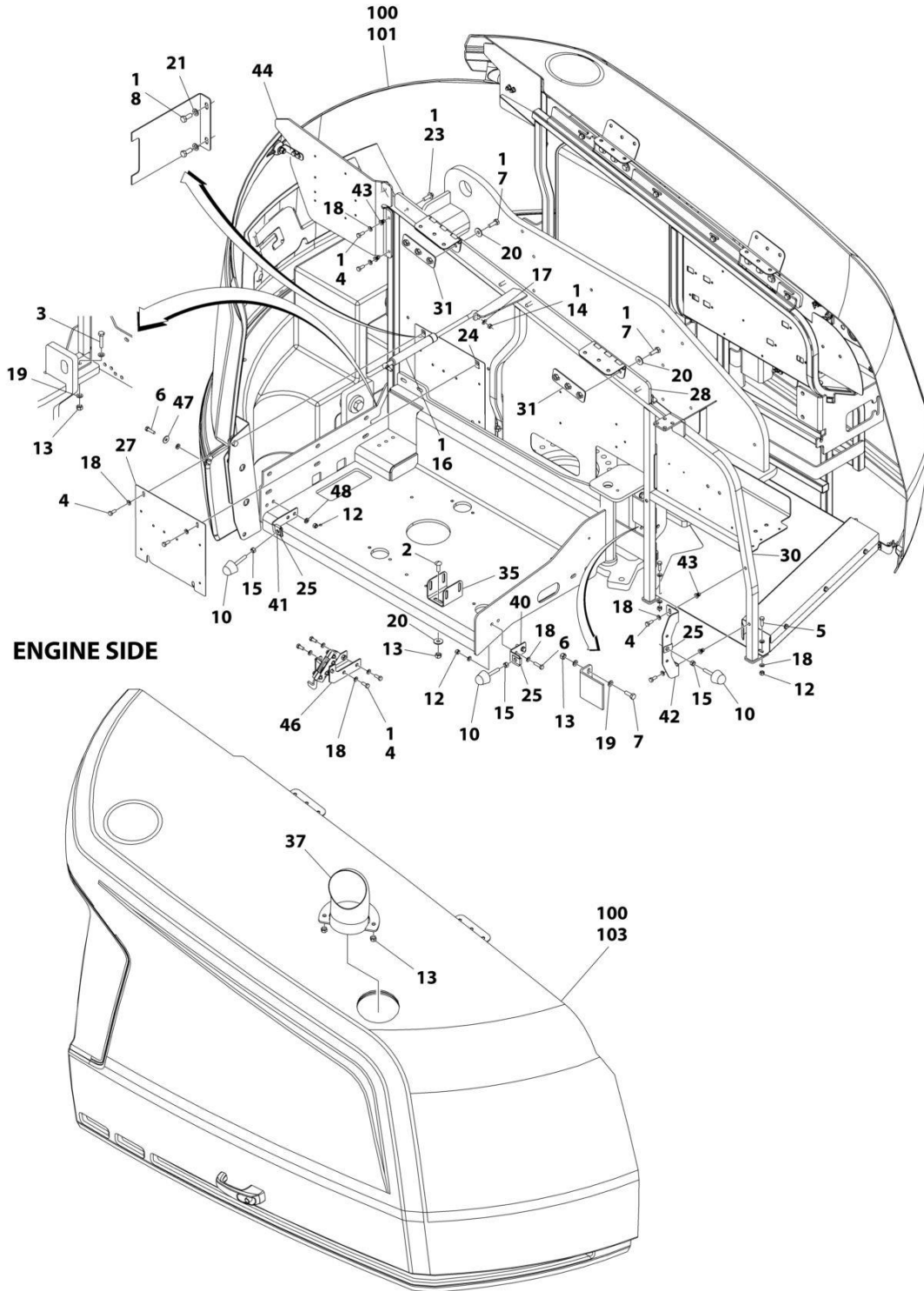
SECTION 2 - TURNTABLE

FIGURE 2-36. HOODS INSTALLATION - 450AJ WITH KUBOTA ENGINE



ART_1001216599_10F2

SECTION 2 - TURNTABLE



ART_1001216599_20F2

SECTION 2 - TURNTABLE

FIGURE 2-36. HOODS INSTALLATION - 450AJ WITH KUBOTA ENGINE

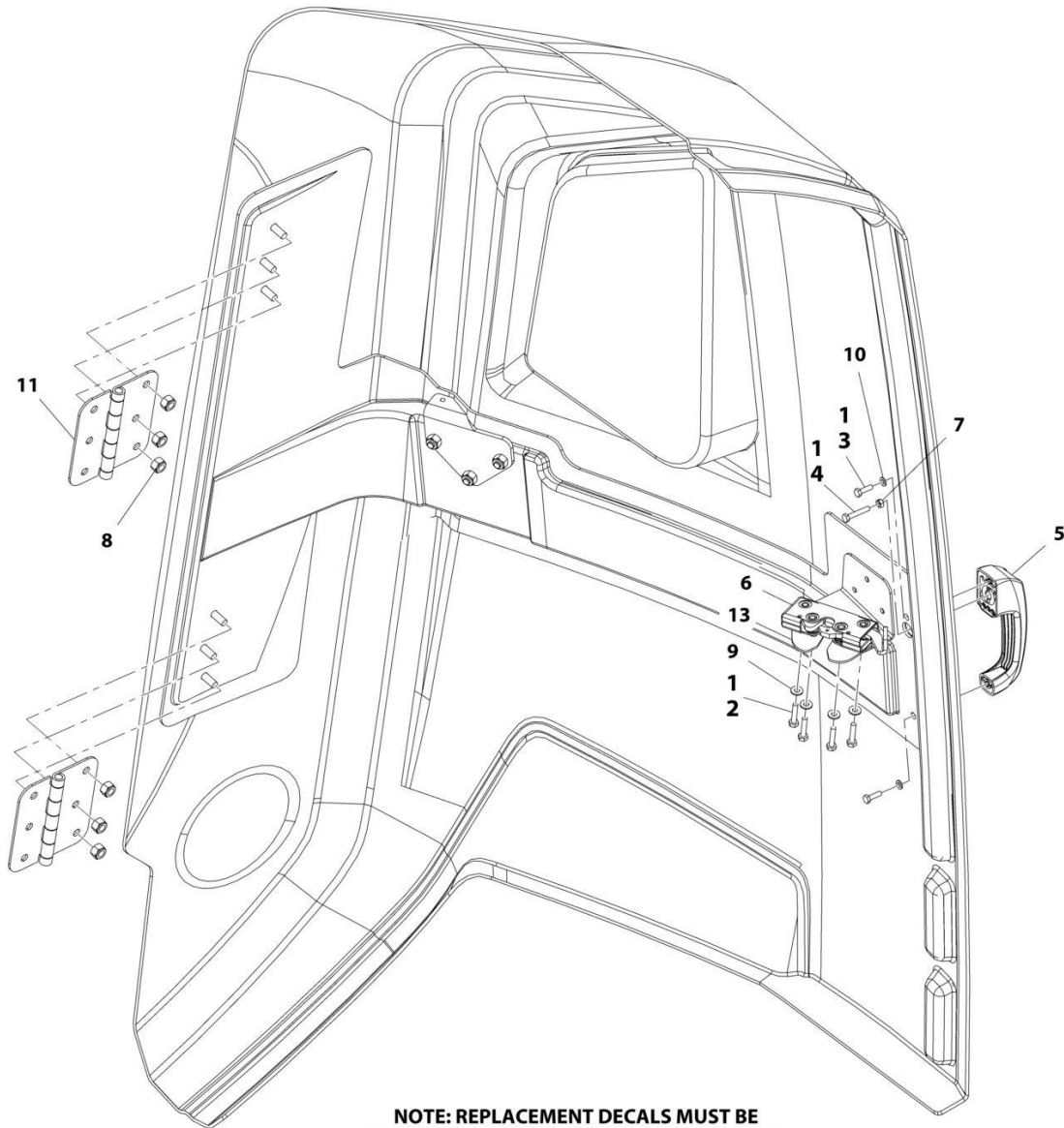
ITEM	PART NUMBER	QTY	DESCRIPTION	REV
	1001216599	Ref	HOODS INSTALLATION – KUBOTA ENGINE - 450AJ WITH KUBOTA ENGINE	C
1	0100011	AR	Compound, Locking	
2	0630613	4	Bolt M10 x 30	
3	0701018	5	Bolt M10 x 50	
4	0760810	AR	Bolt M8 x 20	
5	0760812	AR	Bolt M8 x 25	
6	0760814	4	Bolt M8 x 30	
7	0761014	14	Bolt M10 x 30	
8	0761214	6	Bolt M12 x 30	
9	0940049	2	Bumper	
10	0940071	6	Bumper	
11	1701691	2	Decal - No Step	
12	3290805	10	Nut M8	
13	3291005	14	Nut M10	
14	3311501	6	Nut 5/16	
15	3311601	3	Nut 3/8	
16	4160182	1	Spring, Gas	
17	4711500	2	Washer 5/16	
18	4811900	29	Washer M8	
19	4812000	19	Washer M10	
20	4812002	14	Washer M10	
21	4812100	2	Washer M12	
22	4812102	4	Washer M12	
23	5251014	8	Bolt M10 x 30	
24	8310686	2	Nut, Retainer M8	
25	88662523	3	Nut, Tinnerman	
26	1001118274	3	Nut M8	
27	1001167149	1	Panel, Filler	
28	1001167159	1	Mount	
29	1001167163	1	Tray	
30	1001167169	1	Mount	
31	1001169046	4	Nut	
32	1001170001	NLA	Support, Hood (Note: Use p/n 1001211716) (SN 0300201991 through 0300223528)	
32	1001211716	1	Support, Hood (SN 0300223529 through 0300272317, Except SN 0300272185 through 0300272190)	
33	1001170018	1	Mount	
34	1001170022	1	Mount	
35	1001170859	1	Mount	
36	1001171216	1	Cover	
37	1001174098	1	Pipe, Exhaust	
38	1001179904	1	Mount	
39	1001182169	1	Spring, Gas	
40	1001182875	1	Mount	
41	1001216677	1	Bracket	
42	1001182879	1	Mount	
43	1001191832	4	Rivnut M8	
44	1001200086	NLA	Support (Note: Use p/n 1001211717) (SN 0300201991 through 0300223528)	

SECTION 2 - TURNTABLE

ITEM	PART NUMBER	QTY	DESCRIPTION	REV
44	1001211717	1	Support (SN 0300223529 through 0300272317, Except SN 0300272185 through 0300272190)	
46	1001215394	1	Support	
47	4811702	2	Washer M6	
48	5240800	4	Washer M8	
100	1001202451	1	Hood Kit (Includes Items 101-103)	
101	1001169183	1	Hood, Front	
102	1001172282	1	Hood Assembly - Tank Side (See HOOD ASSEMBLY - TANK SIDE for Breakdown)	
103	1001172833	1	Hood Assembly - Engine Side (See HOOD ASSEMBLY - ENGINE SIDE for Breakdown)	

SECTION 2 - TURNTABLE

FIGURE 2-37. HOOD ASSEMBLY - TANK SIDE (SN 0300201991 through 0300272317, SN B300003516 through B300005760, SN E300002833 through E300006670)



NOTE: REPLACEMENT DECALS MUST BE ORDERED SEPARATELY - SEE DECAL SECTION.

ART_1001172282

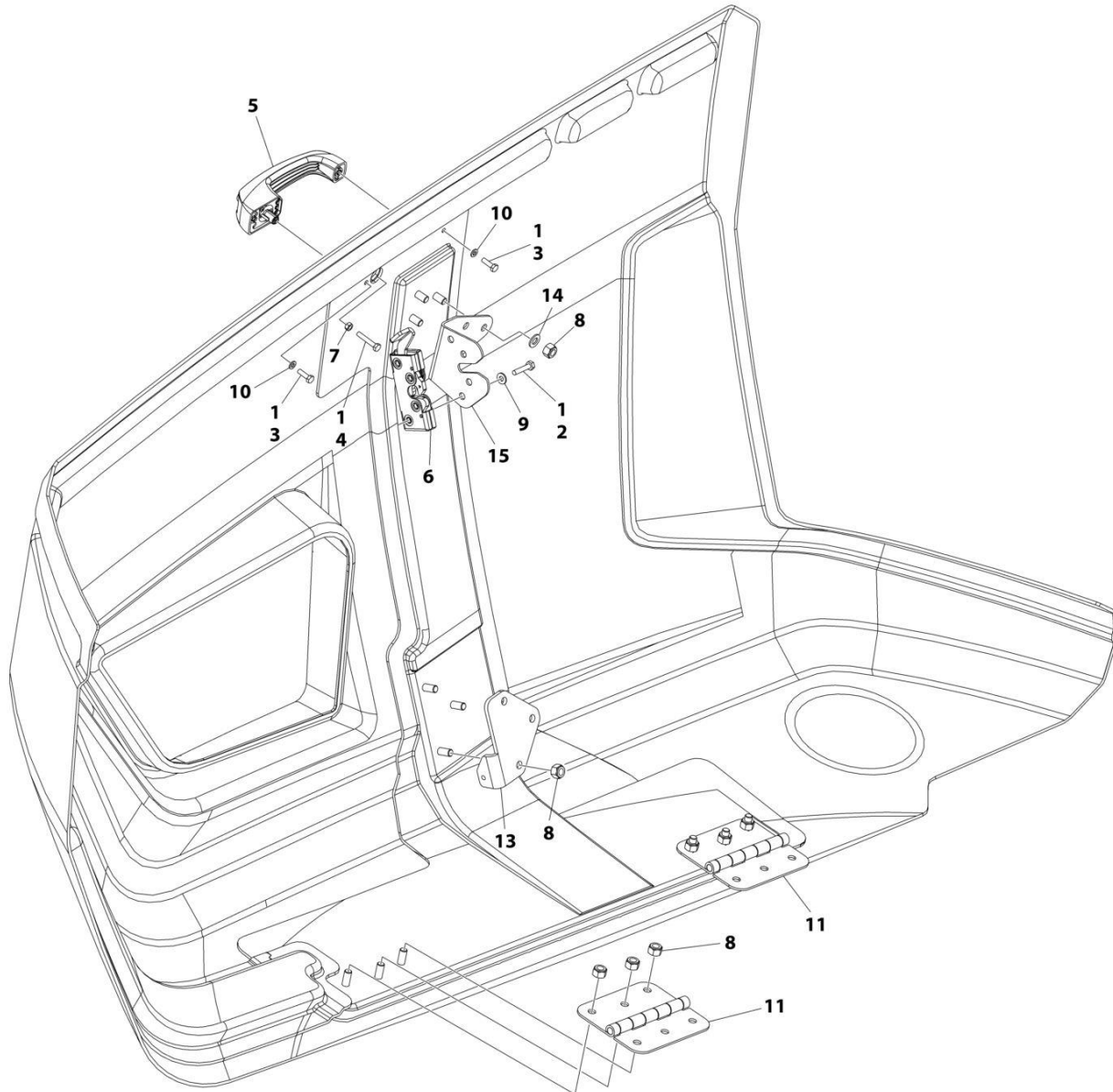
SECTION 2 - TURNTABLE

FIGURE 2-37. HOOD ASSEMBLY - TANK SIDE (SN 0300201991 through 0300272317, SN B300003516 through B300005760, SN E300002833 through E300006670)

ITEM	PART NUMBER	QTY	DESCRIPTION	REV
	1001172282	Ref	HOOD ASSEMBLY - TANK SIDE	C
1	0100011	AR	Compound, Locking	
2	0641410	4	Bolt 1/4 x 1-1/4	
3	0760610	2	Bolt M6 x 20	
4	0760615	1	Bolt M6 x 35	
5	2560187	1	Handle	
6	2940173	1	Latch	
7	3290601	1	Nut M6	
8	3291005	6	Nut M10	
9	4711400	4	Washer 1/4	
10	4811700	2	Washer M6	
11	1001139384	2	Hinge	
13	1001200458	1	Plate, Latch Guide	

SECTION 2 - TURNTABLE

FIGURE 2-38. HOOD ASSEMBLY - TANK SIDE (SN E300006671 through E300007990)



NOTE: REPLACEMENT DECALS MUST BE ORDERED SEPARATELY - SEE DECAL SECTION.

ART_1001241296

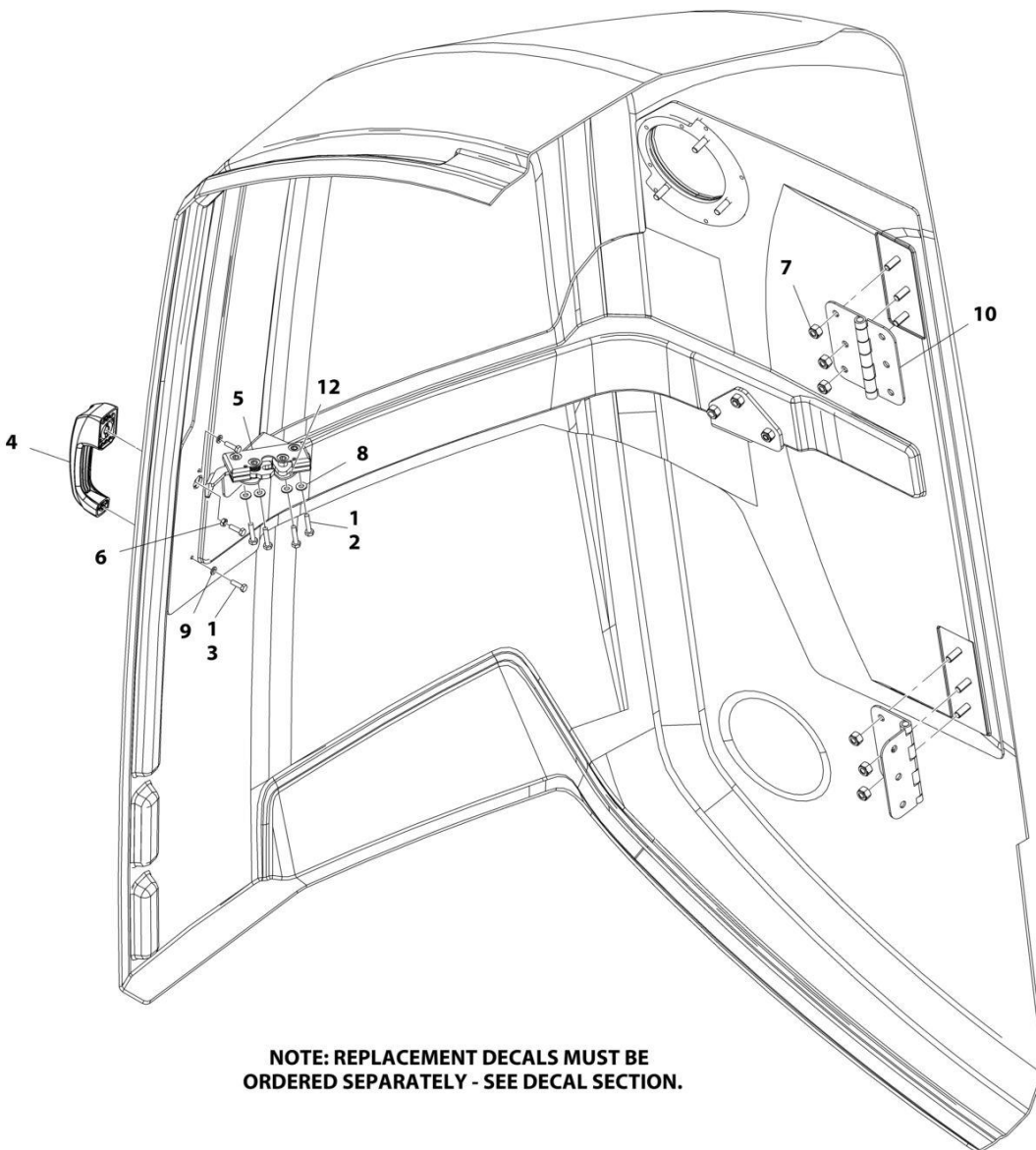
SECTION 2 - TURNTABLE

FIGURE 2-38. HOOD ASSEMBLY - TANK SIDE (SN E300006671 through E300007990)

ITEM	PART NUMBER	QTY	DESCRIPTION	REV
	1001241296	Ref	HOOD ASSEMBLY - TANK SIDE	B
1	0100011	AR	Compound, Locking	
2	0641410	4	Bolt 1/4 x 1-1/4	
3	0760610	2	Bolt M6 x 20	
4	0760615	1	Bolt M6 x 35	
5	2560187	1	Handle	
6	2940173	1	Latch	
7	3290601	1	Nut M6	
8	3291005	12	Nut M10	
9	4711400	4	Washer 1/4	
10	4811700	2	Washer M6	
11	1001259230	2	Hinge	
13	1001170475	1	Bracket	
14	4812000	3	Washer M10	
15	1001203322	1	Support	

SECTION 2 - TURNTABLE

FIGURE 2-39. HOOD ASSEMBLY - ENGINE SIDE (SN 0300201991 through 0300272317, SN B300003516 through B300005760, SN E300002833 through E300006670)



ART_1001172833

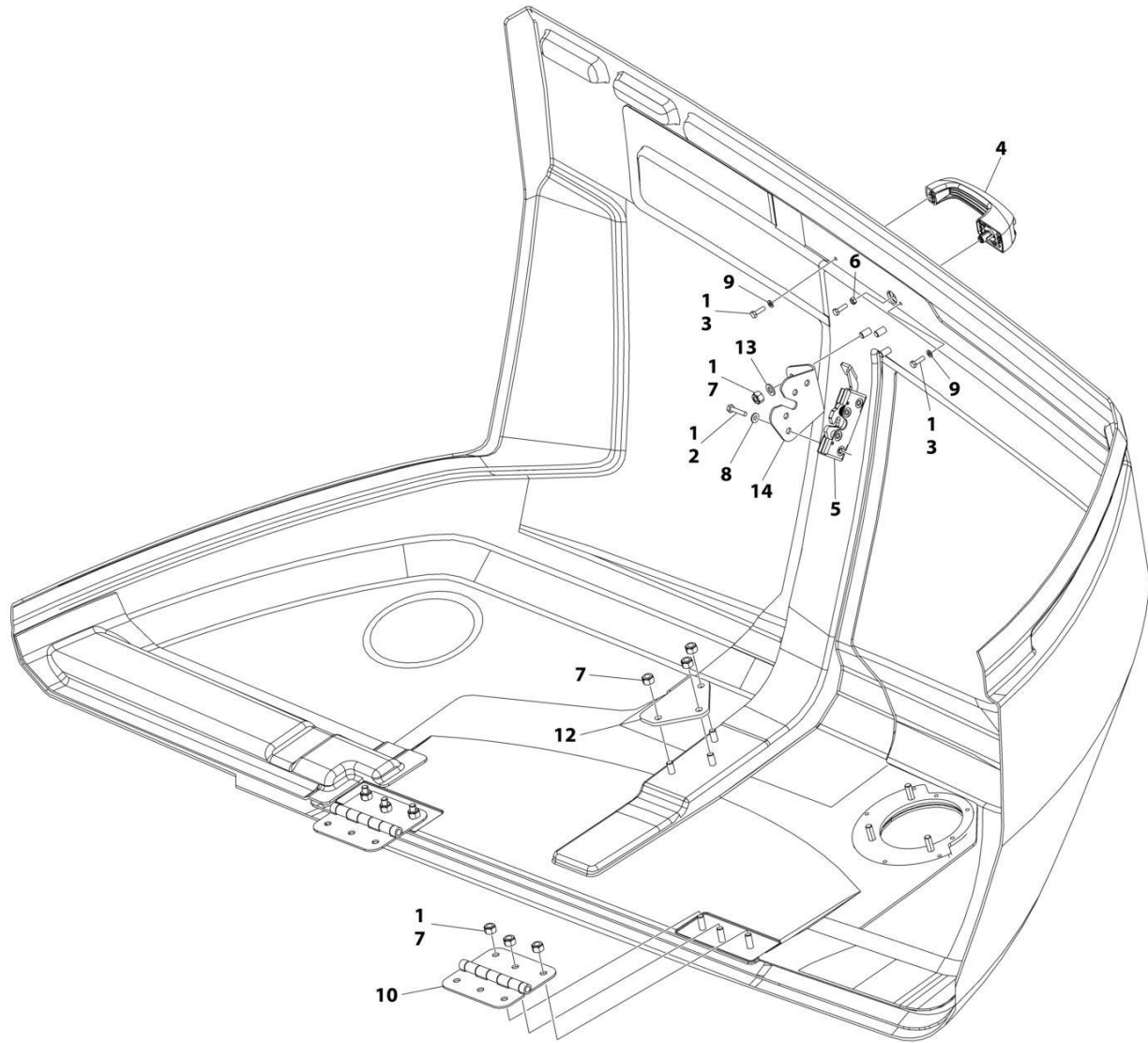
SECTION 2 - TURNTABLE

FIGURE 2-39. HOOD ASSEMBLY - ENGINE SIDE (SN 0300201991 through 0300272317, SN B300003516 through B300005760, SN E300002833 through E300006670)

ITEM	PART NUMBER	QTY	DESCRIPTION	REV
	1001172833	Ref	HOOD ASSEMBLY - ENGINE SIDE	C
1	0100011	AR	Compound, Locking	
2	0641410	4	Bolt 1/4 x 1-1/4	
3	0760610	3	Bolt M6 x 20	
4	2560187	1	Handle	
5	2940173	1	Latch	
6	3290601	1	Nut M6	
7	3291005	6	Nut M10	
8	4711400	4	Washer 1/4	
9	4811700	2	Washer M6	
10	1001139384	2	Hinge	
12	1001200458	1	Plate, Latch Guide	

SECTION 2 - TURNTABLE

FIGURE 2-40. HOOD ASSEMBLY - ENGINE SIDE (SN E30000667 through E300007990)



NOTE: REPLACEMENT DECALS MUST BE ORDERED SEPARATELY - SEE DECAL SECTION.

ART_1001241295

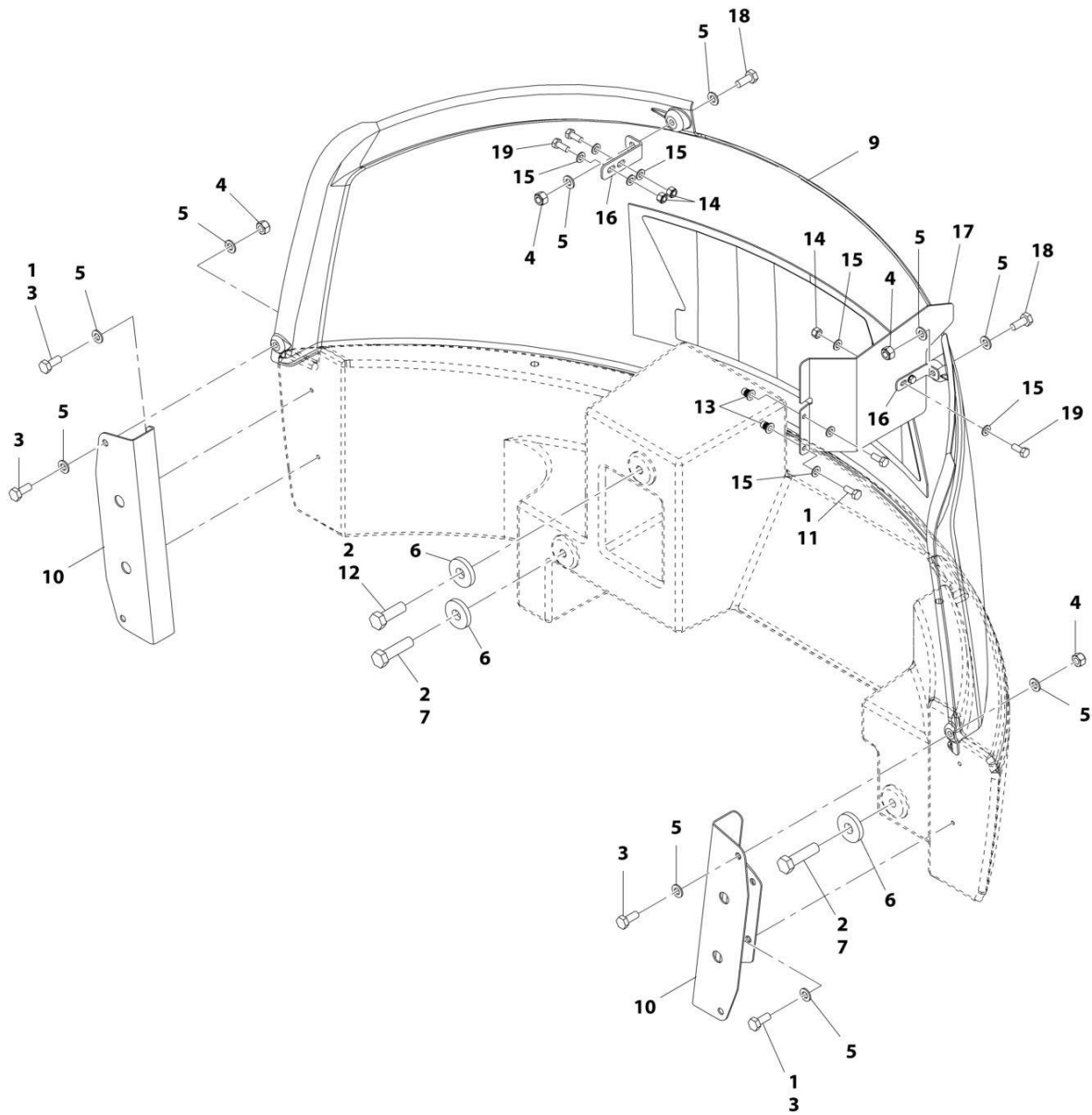
SECTION 2 - TURNTABLE

FIGURE 2-40. HOOD ASSEMBLY - ENGINE SIDE (SN E30000667 through E300007990)

ITEM	PART NUMBER	QTY	DESCRIPTION	REV
	1001241295	Ref	HOOD ASSEMBLY - ENGINE SIDE	C
1	0100011	AR	Compound, Locking	
2	0641410	4	Bolt 1/4 x 1-1/4	
3	0760610	3	Bolt M6 x 20	
4	2560187	1	Handle	
5	2940173	1	Latch	
6	3290601	1	Nut M6	
7	3291005	12	Nut M10	
8	4711400	4	Washer 1/4	
9	4811700	2	Washer M6	
10	1001259230	2	Hinge	
12	1001178228	1	Bracket	
13	4812000	3	Washer M10	
14	1001202830	1	Support	

SECTION 2 - TURNTABLE

FIGURE 2-41. COVERS INSTALLATION - COUNTERWEIGHT (450AJ) (USED ON MACHINES WITH FOAM-FILLED TIRES FOR ANSI, ANSI EXPORT, CSA AND JAPANESE SPECS)



ART_1001165944

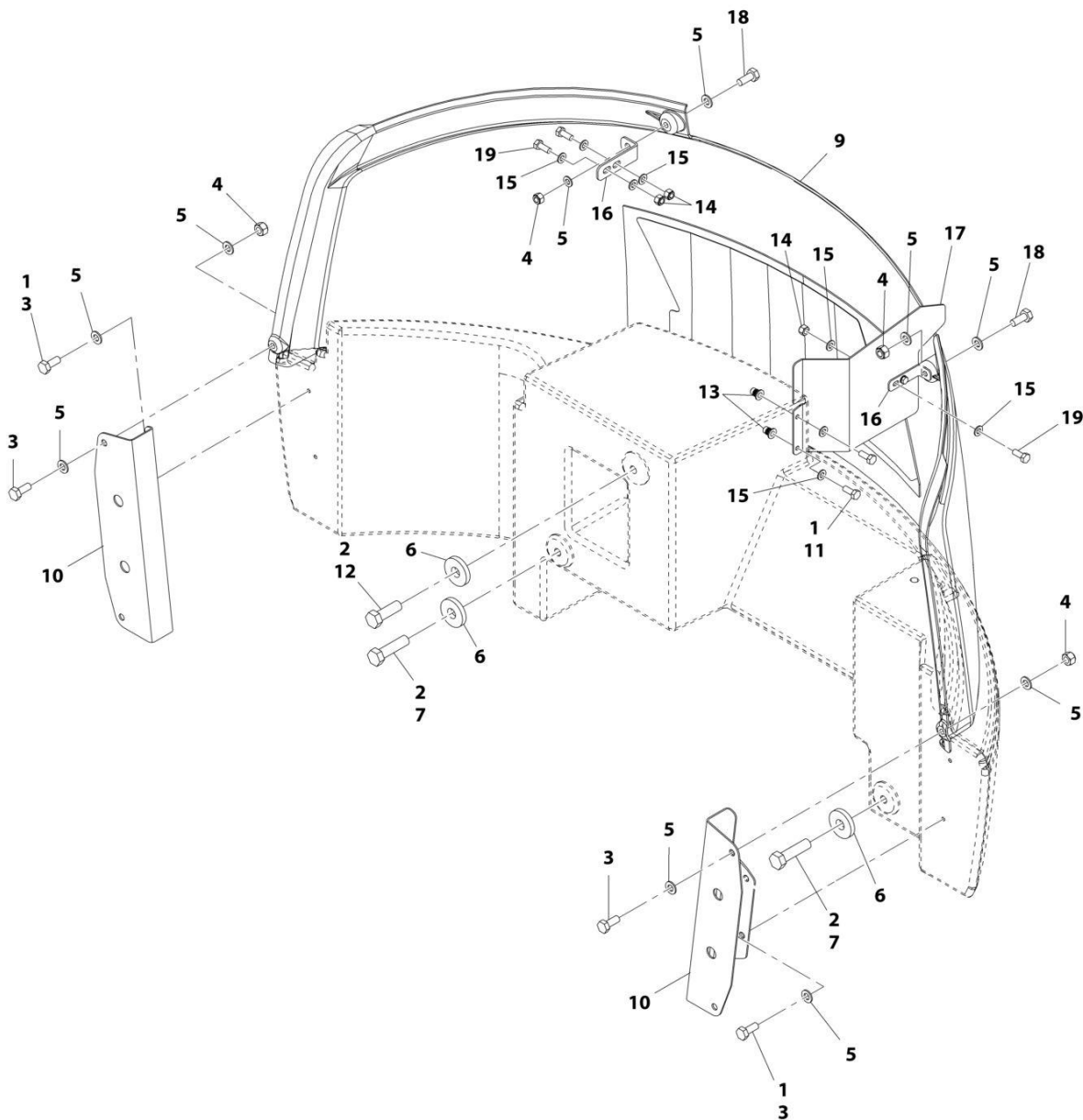
SECTION 2 - TURNTABLE

FIGURE 2-41. COVERS INSTALLATION - COUNTERWEIGHT (450AJ) (USED ON MACHINES WITH FOAM-FILLED TIRES FOR ANSI, ANSI EXPORT, CSA AND JAPANESE SPECS)

ITEM	PART NUMBER	QTY	DESCRIPTION	REV
	1001165944	Ref	COVERS INSTALLATION - COUNTERWEIGHT (450AJ) (USED ON MACHINES WITH FOAM-FILLED TIRES FOR ANSI, ANSI EXPORT, CSA AND JAPANESE SPECS)	H
1	0100011	AR	Compound, Locking	
2	0100019	AR	Compound, Locking	
3	0701012	6	Bolt M10 x 25	
4	3291005	4	Nut M10	
5	4812000	12	Washer M10	
6	1001119051	3	Washer	
7	1001119057	2	Bolt M20 x 75	
9	1001169183	1	Hood (SN 0300201991 through 0300207381)	
10	1001170131	2	Bracket	
11	0760810	2	Bolt M8 x 20	
11	0760812	2	Bolt M8 x 25	
11	0760815	2	Bolt M8 x 35	
12	0762020	1	Bolt M20 x 60	
13	1001191832	2	Rivnut M8	
13	3290805	2	Nut M8	
14	3290805	AR	Nut M8	
15	4811900	AR	Washer M8	
16	1001167825	2	Mount	
17	1001170025	NLA	Panel (Use p/n 1001212728) (SN 0300201991 through 0300205472)	
17	1001200088	NLA	Panel (Use p/n 1001212728) (SN 0300205473 through 0300223528)	
17	1001212728	1	Panel (SN 0300223529 through 0300272317, SN B300003516 through B300005760, Except SN 0300272185 through 0300272190, Excluding B300005569)	
18	0701012	AR	Bolt M10 x 25	
18	0701014	AR	Bolt M10 x 30	
19	0760810	AR	Bolt M8 x 20	
19	0760812	AR	Bolt M8 x 25	

SECTION 2 - TURNTABLE

FIGURE 2-42. COVERS INSTALLATION - COUNTERWEIGHT (450AJ) (USED ON MACHINES WITH PNEUMATIC TIRES FOR ANSI EXPORT, AUSTRALIAN, CE AND JAPANESE SPECS)



ART_1001165945

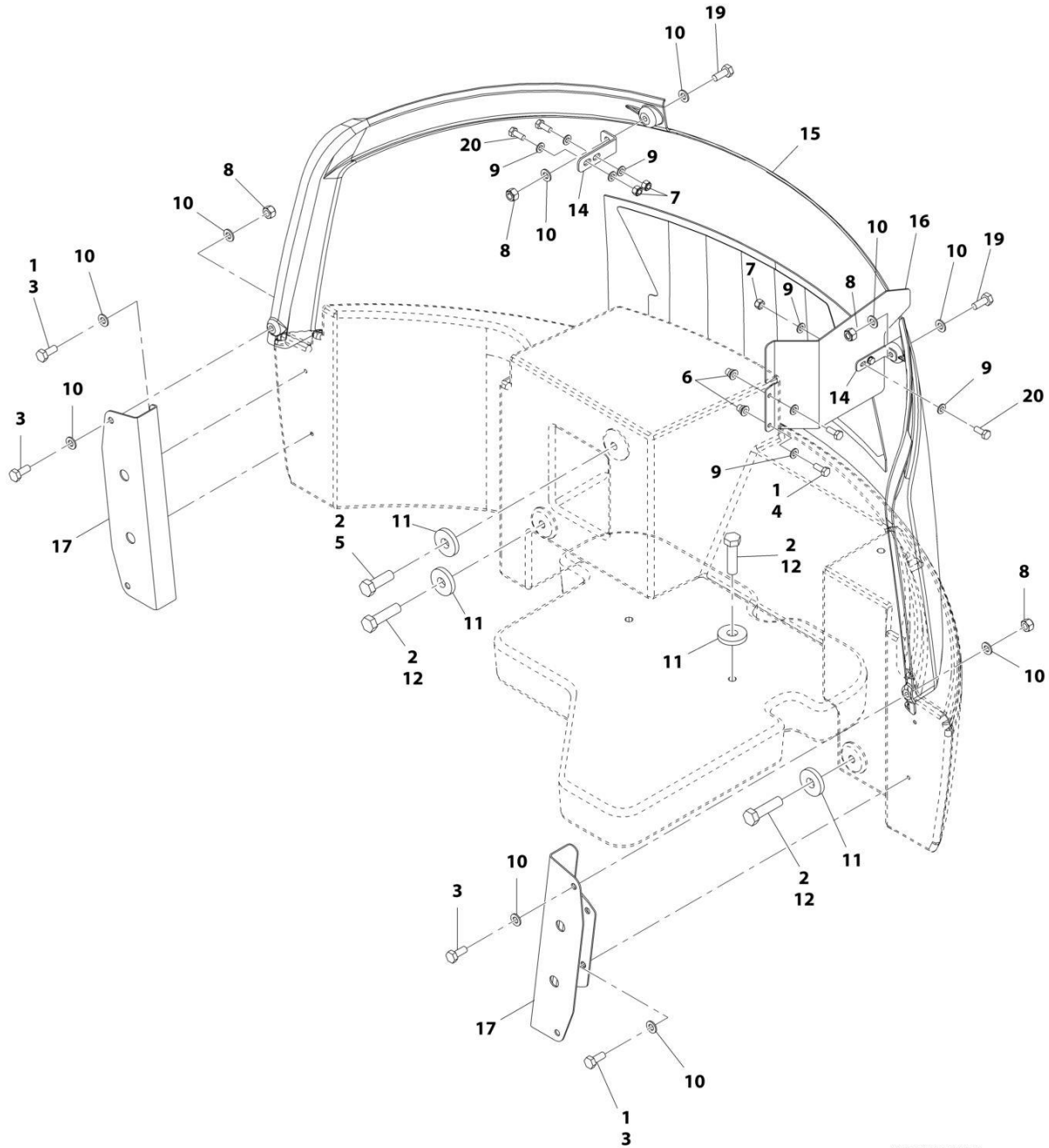
SECTION 2 - TURNTABLE

FIGURE 2-42. COVERS INSTALLATION - COUNTERWEIGHT (450AJ) (USED ON MACHINES WITH PNEUMATIC TIRES FOR ANSI EXPORT, AUSTRALIAN, CE AND JAPANESE SPECS)

ITEM	PART NUMBER	QTY	DESCRIPTION	REV
	1001165945	Ref	COVERS INSTALLATION - COUNTERWEIGHT (450AJ) (USED ON MACHINES WITH PNEUMATIC TIRES FOR ANSI EXPORT, AUSTRALIAN, CE AND JAPANESE SPECS)	H
1	0100011	AR	Compound, Locking	
2	0100019	AR	Compound, Locking	
3	0701012	6	Bolt M10 x 25	
4	3291005	4	Nut M10	
5	4812000	12	Washer M10	
6	1001119051	3	Washer	
7	1001119057	2	Bolt M20 x 75	
9	1001169183	1	Hood (SN 0300201991 through 0300207381)	
10	1001170131	2	Bracket	
11	0760810	2	Bolt M8 x 20	
11	0760812	2	Bolt M8 x 25	
11	0760815	2	Bolt M8 x 35	
12	0762020	1	Bolt M20 x 60	
13	1001191832	2	Rivnut M8	
13	3290805	2	Nut M8	
14	3290805	AR	Nut M8	
15	4811900	AR	Washer M8	
16	1001167825	2	Mount	
17	1001170025	NLA	Panel (Use p/n 1001212728) (SN 0300201991 through 0300205472)	
17	1001200088	NLA	Panel (Use p/n 1001212728) (SN 0300205473 through 0300223528)	
17	1001212728	1	Panel (SN 0300223529 through 0300272317, Except SN 0300272185 through 0300272190)	
18	0701012	AR	Bolt M10 x 25	
18	0701014	AR	Bolt M10 x 30	
19	0760810	AR	Bolt M8 x 20	
19	0760812	AR	Bolt M8 x 25	

SECTION 2 - TURNTABLE

FIGURE 2-43. COVERS INSTALLATION - COUNTERWEIGHT (450AJ) (USED ON MACHINES WITH TURF AND SAND TIRES FOR ANSI AND ANSI EXPORT SPECS)



ART_1001185373

SECTION 2 - TURNTABLE

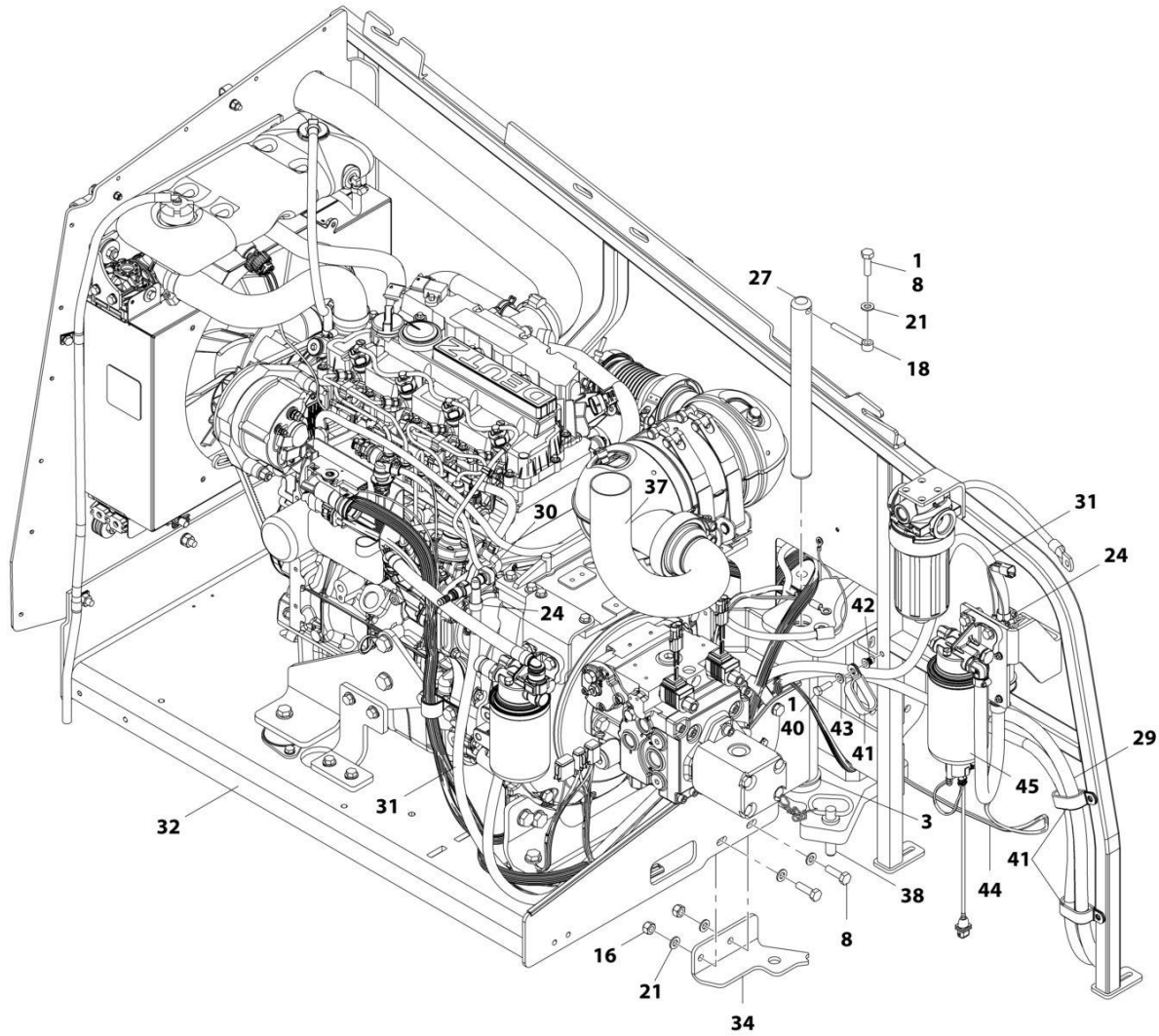
FIGURE 2-43. COVERS INSTALLATION - COUNTERWEIGHT (450AJ) (USED ON MACHINES WITH TURF AND SAND TIRES FOR ANSI AND ANSI EXPORT SPECS)

ITEM	PART NUMBER	QTY	DESCRIPTION	REV
	1001185373	Ref	COVERS INSTALLATION - COUNTERWEIGHT (450AJ) (USED ON MACHINES WITH TURF AND SAND TIRES FOR ANSI AND ANSI EXPORT SPECS)	G
1	0100011	AR	Compound, Locking	
2	0100019	AR	Compound, Locking	
3	0701012	6	Bolt M10 x 25	
4	0760810	2	Bolt M8 x 20	
4	0760812	2	Bolt M8 x 25	
4	0760815	2	Bolt M8 x 35	
5	0762020	1	Bolt M20 x 60	
6	1001191832	2	Rivnut M8	
6	3290805	2	Nut M8	
7	3290805	AR	Nut M8	
8	3291005	4	Nut M10	
9	4811900	AR	Washer M8	
10	4812000	12	Washer M10	
11	1001119051	5	Washer	
12	1001119057	4	Bolt M20 x 75	
14	1001167825	2	Mount	
15	1001169183	1	Hood (SN 0300201991 through 0300207381)	
16	1001170025	NLA	Panel (Use p/n 1001212728) (SN 0300201991 through 0300205472)	
16	1001200088	NLA	Panel (Use p/n 1001212728) (SN 0300205473 through 0300223528)	
16	1001212728	1	Panel (SN 0300223529 through 0300272317, Except SN 0300272185 through 0300272190)	
17	1001170131	2	Bracket	
19	0701012	AR	Bolt M10 x 25	
19	0701014	AR	Bolt M10 x 30	
20	0760810	AR	Bolt M8 x 20	
20	0760812	AR	Bolt M8 x 25	

SECTION 3 - ENGINE

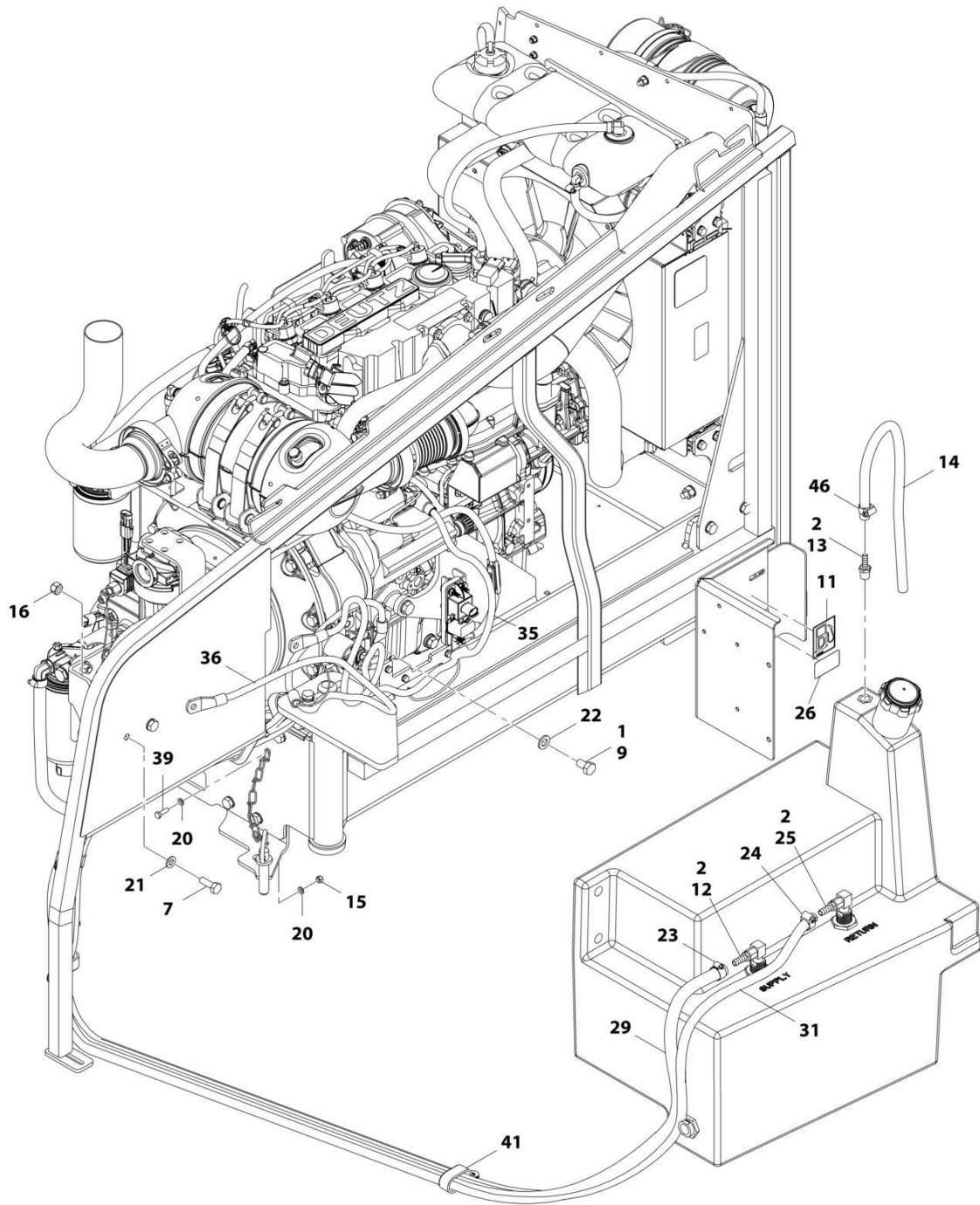
SECTION 3 - ENGINE

FIGURE 3-1. ENGINE INSTALLATION - DEUTZ D2.9L4 ENGINE (WITHOUT ARCTIC PACKAGE) (ANSI, ANSI EXPORT, CSA AND JAPANESE SPECS)



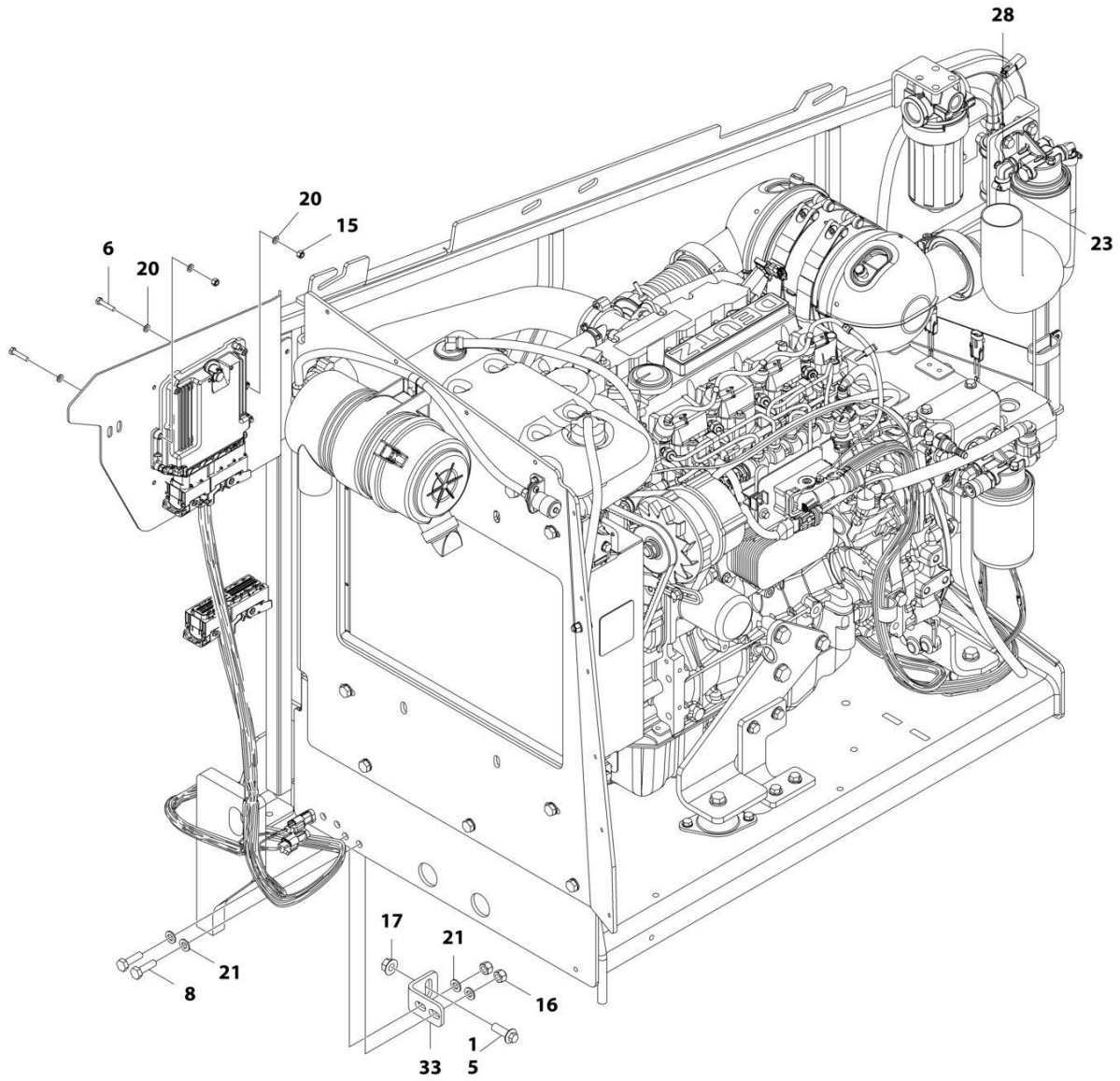
ART_1001166304_10F3

SECTION 3 - ENGINE



ART_1001166304_20F3

SECTION 3 - ENGINE



ART_1001166304_30F3

SECTION 3 - ENGINE

FIGURE 3-1. ENGINE INSTALLATION - DEUTZ D2.9L4 ENGINE (WITHOUT ARCTIC PACKAGE) (ANSI, ANSI EXPORT, CSA AND JAPANESE SPECS)

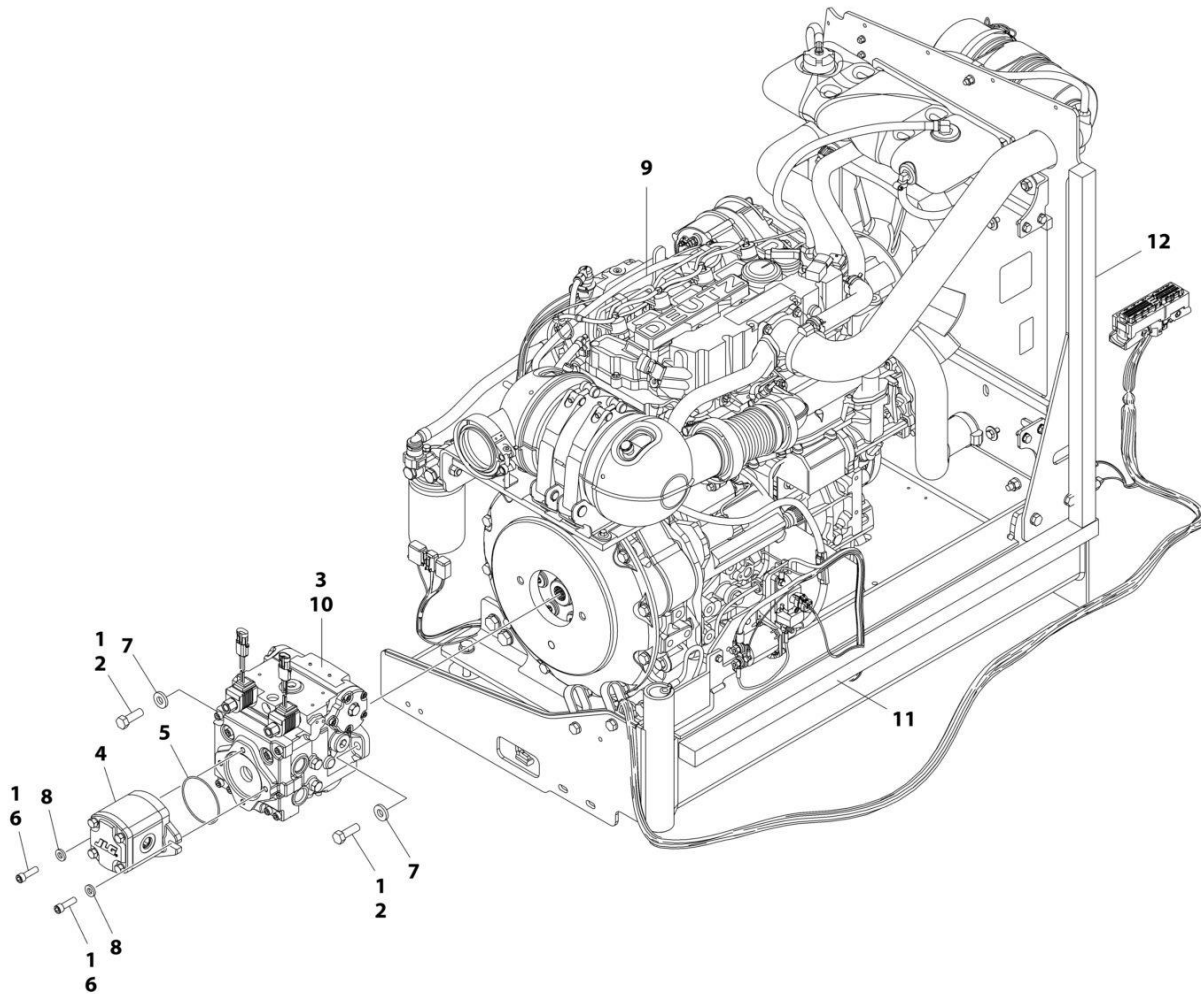
ITEM	PART NUMBER	QTY	DESCRIPTION	REV
	1001166304	Ref	ENGINE INSTALLATION - DEUTZ D2.9L4 ENGINE (WITHOUT ARCTIC PACKAGE) (ANSI, ANSI EXPORT, CSA AND JAPANESE SPECS)	F
1	0100011	AR	Compound, Locking	
2	0100020	AR	Sealant, Pipe	
3	0440162	1	Bearing	
5	5251215	1	Bolt, M12 x 35mm	
6	0760614	4	Bolt, M6 x 30mm	
7	0761014	2	Bolt, M10 x 30mm	
8	0761015	5	Bolt, M10 x 35mm	
9	0761210	1	Bolt, M12 x 20mm	
11	1701505	1	Decal - Diesel Fuel	
12	2180832	1	Fitting, Barbed	
13	2180876	1	Fitting, Barbed	
14	2720058	2 ft /0.6m	Hose	
15	3290605	5	Nut, Lock M6 x 1	
16	3291005	6	Nut, Lock M10 x 1.5	
17	5261200	1	Nut, Flange M12 Grade 10.9	
18	3841143	1	Keeper, Pin	
20	4811700	10	Washer, M6	
21	4812000	11	Washer, M10	
22	4812100	1	Washer, M12	
23	8405006	2	Clamp	
24	8410013	4	Clamp	
25	8430007	1	Coupling	
26	1001125387	1	Decal - Ultra Low Sulfur Diesel	
27	1001135196	1	Pin	
28	1001142501	1	Fitting, Barbed 90	
29	1001154405	7.25 ft /2.21m	Hose	
30	1001155823	1	Coupling, Quick Disconnect 90	
31	1001165035	17.25 ft /5.26m	Hose	
32	1001166001	1	Engine and Pump Sub-Assembly - Deutz D2.9L4 (Without Arctic Package) (ANSI, ANSI Export, CSA and Japanese Specs) (See ENGINE AND PUMP SUB-ASSEMBLY - DEUTZ D2.9L4 (WITHOUT ARCTIC PACKAGE) (ANSI, ANSI EXPORT, CSA AND JAPANESE SPECS) for Breakdown)	
33	1001167512	1	Bracket	
34	1001169823	1	Plate, Engine Lock	
35	1001171683	1	Cable, Battery (Red) (Battery Positive to Auxiliary Power Relay)	
36	1001171684	1	Cable, Battery (Black) (Battery Negative to Auxiliary Power Pump)	
37	1001172736	1	Pipe, Exhaust	
38	3422532	1	Pin	
39	0760610	1	Bolt, M6 x 20mm	
40	0760812	1	Bolt, M8 x 25mm	
41	1321716	4	Clamp	
42	1001191832	1	Nut, Rivet M8	
43	4811900	1	Washer, M8	
44	1001181358	1	Harness, Fuel Pump (See ELECTRICAL SECTION for Breakdown)	

SECTION 3 - ENGINE

ITEM	PART NUMBER	QTY	DESCRIPTION	REV
45	1001162335	1	Bracket Assembly - Fuel Pump/Filter (See BRACKET ASSEMBLY - FUEL PUMP AND FILTER (DEUTZ D2.9L4 ENGINE) for Breakdown)	
46	1320022	1	Clamp	

SECTION 3 - ENGINE

FIGURE 3-2. ENGINE AND PUMP SUB-ASSEMBLY - DEUTZ D2.9L4 (WITHOUT ARCTIC PACKAGE)
(ANSI, ANSI EXPORT, CSA AND JAPANESE SPECS)



ART_1001166001

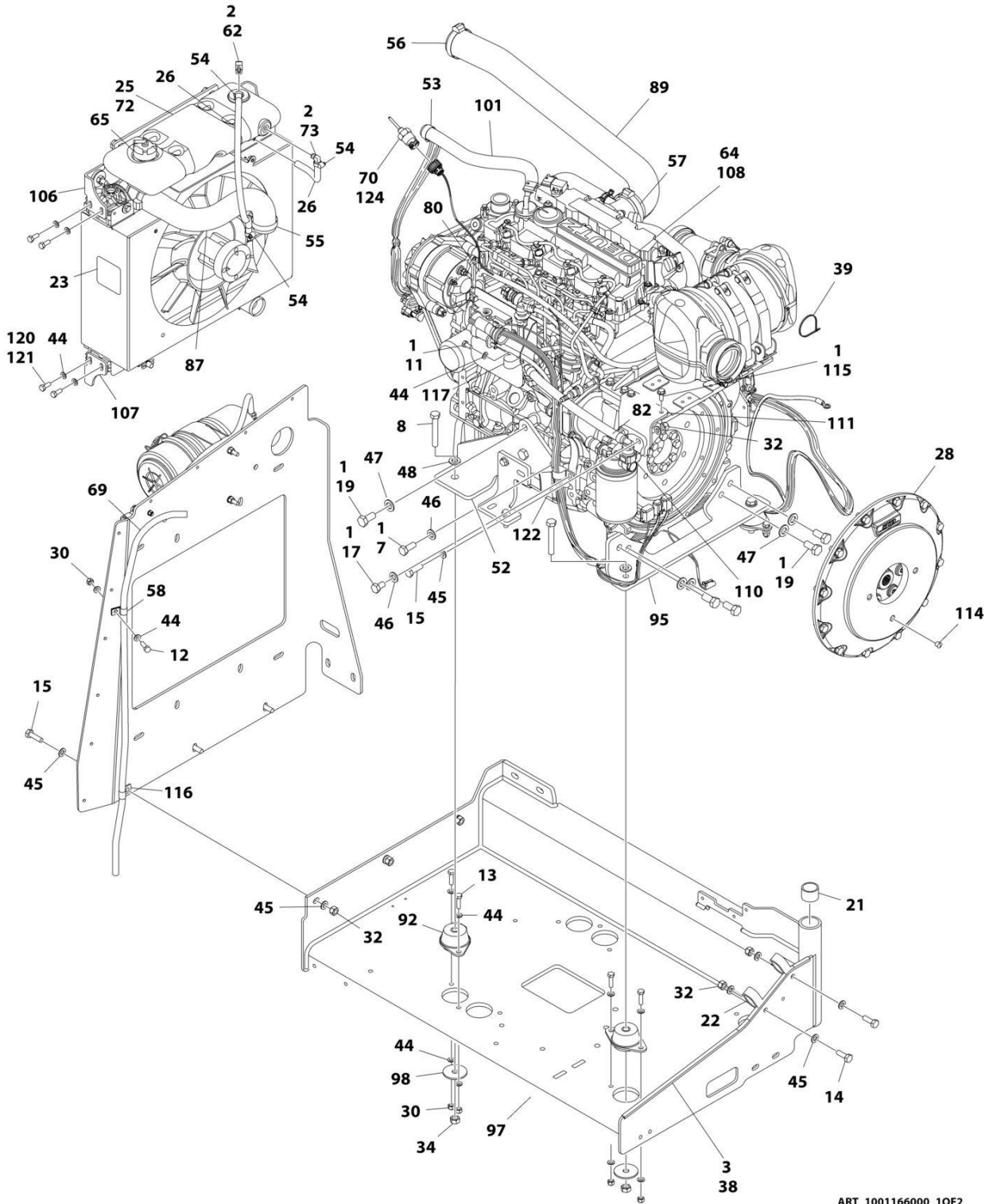
SECTION 3 - ENGINE

**FIGURE 3-2. ENGINE AND PUMP SUB-ASSEMBLY - DEUTZ D2.9L4 (WITHOUT ARCTIC PACKAGE)
(ANSI, ANSI EXPORT, CSA AND JAPANESE SPECS)**

ITEM	PART NUMBER	QTY	DESCRIPTION	REV
	1001166001	Ref	ENGINE AND PUMP SUB-ASSEMBLY - DEUTZ D2.9L4 (WITHOUT ARCTIC PACKAGE) (ANSI, ANSI EXPORT, CSA AND JAPANESE SPECS)	G
1	0100011	AR	Compound, Locking	
2	0641812	2	Bolt, 1/2-13 x 1-1/2	
3	3020037	AR	Lube	
4	3600242	1	Gear Pump Assembly (See GEAR PUMP ASSEMBLY for Breakdown) (SN 0300201991 through 0300233105)	
4	1001214207	1	Gear Pump Assembly (SN 0300233106 through 0300272317, SN B300003516 through B300005760, Except SN 0300272185 through 0300272190, Excluding B300005569)	
4	70006356	1	Seal Kit - 1001214207 Pump	
5	3790152	1	O-Ring	
6	3931620	2	Capscrew 3/8 x 1-1/4	
6	3931618	2	Capscrew 3/8 x 1-1/8	
7	4891800	2	Washer 1/2 Hardened	
8	4891600	2	Washer, 3/8 Hardened	
9	1001166000	1	Engine Assembly - Deutz D2.9L4 Engine (Without Arctic Package) (ANSI, ANSI Export, CSA and Japanese Specs) (See ENGINE ASSEMBLY - DEUTZ D2.9L4 ENGINE (WITHOUT ARCTIC PACKAGE) (ANSI, ANSI EXPORT, CSA AND JAPANESE SPECS) for Breakdown)	
10	1001167036	1	Piston Pump Assembly (See PISTON PUMP ASSEMBLY for Breakdown)	
11	1001171953	1	Seal	
12	1001171954	1	Seal	

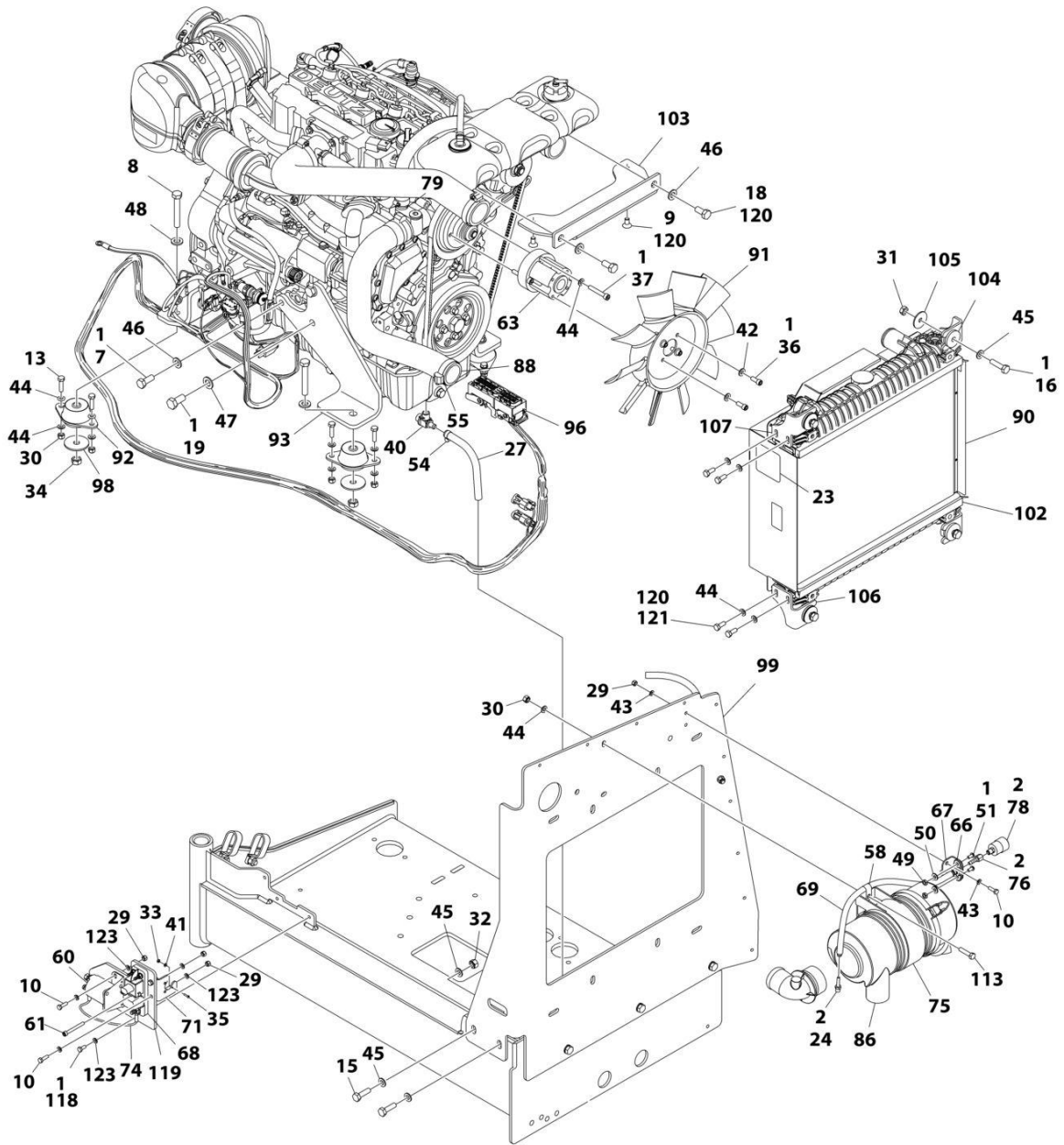
SECTION 3 - ENGINE

FIGURE 3-3. ENGINE ASSEMBLY - DEUTZ D2.9L4 ENGINE (WITHOUT ARCTIC PACKAGE) (ANSI, ANSI EXPORT, CSA AND JAPANESE SPECS)



ART_1001166000_10F2

SECTION 3 - ENGINE



ART_1001176000_20F2

SECTION 3 - ENGINE

FIGURE 3-3. ENGINE ASSEMBLY - DEUTZ D2.9L4 ENGINE (WITHOUT ARCTIC PACKAGE) (ANSI, ANSI EXPORT, CSA AND JAPANESE SPECS)

ITEM	PART NUMBER	QTY	DESCRIPTION	REV
	1001166000	Ref	ENGINE ASSEMBLY - DEUTZ D2.9L4 ENGINE (WITHOUT ARCTIC PACKAGE) (ANSI, ANSI EXPORT, CSA AND JAPANESE SPECS)	R
1	0100011	AR	Compound, Locking	
2	0100020	AR	Sealant, Pipe	
3	0100081	AR	Adhesive	
7	0711214	AR	Bolt, M12 x 30mm	
8	0711224	4	Bolt, M12 x 80mm Grade 10.9	
9	0741606	2	Screw, 3/8-16 x .75	
10	0760610	6	Bolt, M6 x 20mm	
11	0760808	1	Bolt, M8 x 16mm	
12	0760812	1	Bolt, M8 x 25mm	
13	0760814	8	Bolt, M8 x 30mm	
14	0761014	2	Bolt, M10 x 30mm	
15	0761015	7	Bolt, M10 x 35mm	
16	0761016	4	Bolt, M10 x 40mm	
17	0761210	1	Bolt, M12 x 20mm	
18	0761212	2	Bolt, M12 x 25mm	
19	0771414	8	Bolt, M14 x 30mm Grade 10.9	
21	0961951	2	Bushing	
22	1321716	2	Clamp	
23	1703162	2	Decal - Caution Fan	
24	2220315	1	Fitting, Straight Barbed	
25	2300004	3 gal/ 11.3L	Coolant	
26	2720015	2 ft/ 0.61m	Hose	
27	2720340	8 in/ 20.3cm	Hose	
28	2902065	1	Pump Coupling Kit (See PUMP COUPLING KIT for Breakdown)	
29	3290605	7	Nut, Lock, M6 x 1	
30	3290805	11	Nut, Lock, M8 x 1.25	
31	3291001	4	Nut, M10 x 1.5	
32	3291005	9	Nut, Lock, M10 x 1.5	
33	3310401	3	Nut, #4-40	
34	3331215	4	Nut, M12 x 1.75	
35	3910408	3	Screw, 4-40 x 1/2	
36	3931512	4	Capscrew, 5/16-18 x 3/4	
37	4031914	4	Bolt, M8 x 50mm	
38	4060805	2.25 ft/ 0.69m	Trim, Flex Shield	
39	4240099	AR	Tie-Strap	
40	4640751	1	Valve, Oil Drain	
41	4710400	3	Washer, #4	
42	4711500	4	Washer, 5/16	
43	4811700	16	Washer, M6	
44	4811900	35	Washer, M8	
45	4812000	22	Washer, M10	
46	4812100	AR	Washer, M12	
47	4812200	AR	Washer, M14	

SECTION 3 - ENGINE

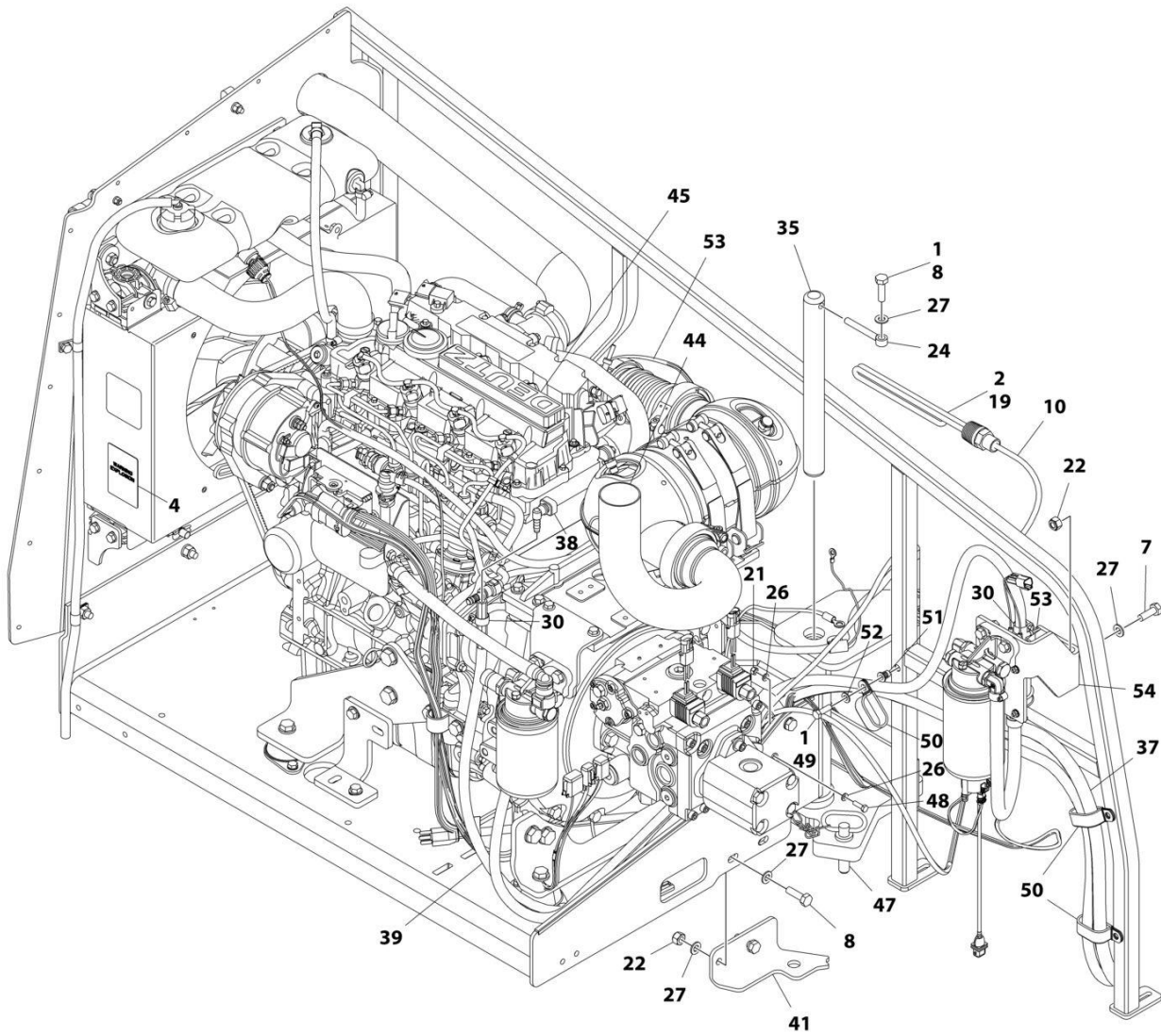
ITEM	PART NUMBER	QTY	DESCRIPTION	REV
48	5241200	4	Washer, M12 Hardened	
49	8305401	2	Nut, Jam, .250-20	
50	8307109	2	Washer, .250	
51	8310548	2	Screw, 1/4-20 x 1/2	
52	1001166922	1	Plate, Engine Mount	
53	8405007	2	Clamp	
54	8405009	5	Clamp	
55	8405104	4	Clamp	
56	8405202	1	Clamp	
57	8405204	1	Clamp	
58	8406109	2	Clip	
60	1001117308	1	Relay, 200Amp	
60	3300220	2	Nut	
60	3321001	2	Nut, #10-32	
60	4761000	2	Washer, Lock #10	
60	1001111424	2	Washer	
61	1001118878	1	Bolt, M6 x 55mm	
62	1001134488	1	Fitting, Barbed	
63	1001144116	1	Spacer, Fan	
64	1001136079	2.4 gal /9L	Oil Motor	
65	1001136834	1	Cap, Tank	
66	1001138173	1	Support, Service Indicator	
67	1001138175	1	Bracket, Service Indicator	
68	1001138228	1	Relay, Power Module	
68	70023592	1	Fuse 20Amp	
68	70023593	1	Fuse 30Amp	
69	1001138248	5.25 ft/ 1.6m	Tube	
70	1001138827	1	Sensor, Coolant Level	
71	1001139240	1	Bracket	
72	1001140535	1	Tank, Surge (SN 0300201991 through 0300241750)	
72	1001230635	1	Tank, Surge (Includes Items 2, 62, 70 & 73) (SN 0300241751 through 0300272317, SN B300003516 through B300005760, Except SN 0300272185 through 0300272190, Excluding B300005569)	
73	1001140564	1	Fitting, Barbed 90	
74	1001141304	1	Harness, Glow Plug	
75	1001141694	1	Clamp, Air Cleaner	
76	1001141995	1	Fitting, Barbed	
78	1001143390	1	Indicator	
79	1001143797	1	Fitting, Barbed	
80	1001178788	1	Cable, Alternator	
82	1001152489	1	Fitting, Barbed 90	
86	1001165388	1	Air Cleaner Assembly	
86	70003783	1	Element, Air Cleaner	
87	1001165405	1	Hose, Upper Radiator	
88	1001165406	1	Hose, Lower Radiator	
89	1001165721	1	Hose, Air Intake	
90	1001165722	1	Radiator	
91	1001165849	1	Fan	
92	1001166718	4	Mount, Motor	
93	1001166921	1	Plate, Engine Mount	

SECTION 3 - ENGINE

ITEM	PART NUMBER	QTY	DESCRIPTION	REV
95	1001166924	1	Plate, Engine Mount	
96	1001167108	1	Harness Engine - Deutz D2.9L4 (See ELECTRICAL SECTION for Breakdown)	
97	1001167520	1	Tray, Engine	
98	1001168018	4	Washer, Special	
99	1001168026	1	Plate, Radiator Mounting	
101	1001168099	1	Hose	
102	1001168166	2	Seal	
103	1001168950	1	Bracket	
104	1001169054	4	Isolator	
105	1001169138	4	Washer, Snubbing	
106	1001169967	2	Bracket	
107	1001170035	2	Bracket	
108	1001170617	1	Engine, Deutz D2.9L4 (See ENGINE COMPONENTS - DEUTZ D2.9L4 ENGINE for Breakdown)	
110	1001177359	1	Hose	
111	1001178876	1	Mount, Fuel Filter	
113	0760815	2	Bolt, M8 x 35mm	
114	3520054	1	Plug	
115	5250810	2	Bolt, M8 x 20mm	
116	8406110	1	Clip	
117	8406201	1	Clip	
118	0760607	3	Bolt, M6 x 14mm	
119	1001179903	1	Bracket	
120	1001180620	AR	Adhesive	
121	0760810	8	Bolt, M8 x 20mm	
122	1001191620	1	Clamp	
123	4811702	12	Washer, M6	
124	1001182997	AR	Adhesive, Permatex (SN 0300201991 through 0300241750)	

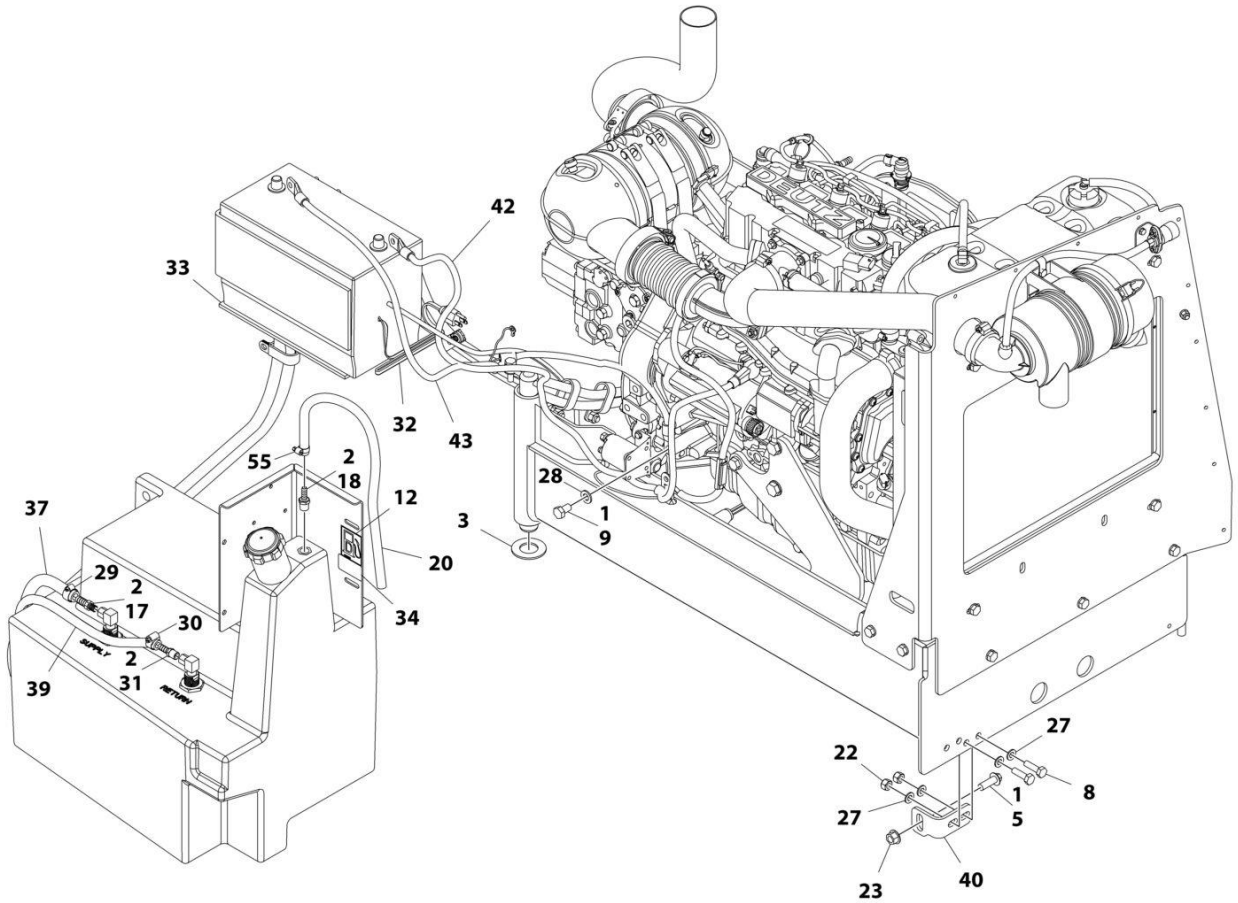
SECTION 3 - ENGINE

FIGURE 3-4. ENGINE INSTALLATION - DEUTZ D2.9L4 ENGINE (WITH ARCTIC PACKAGE) (ANSI AND CSA SPECS)



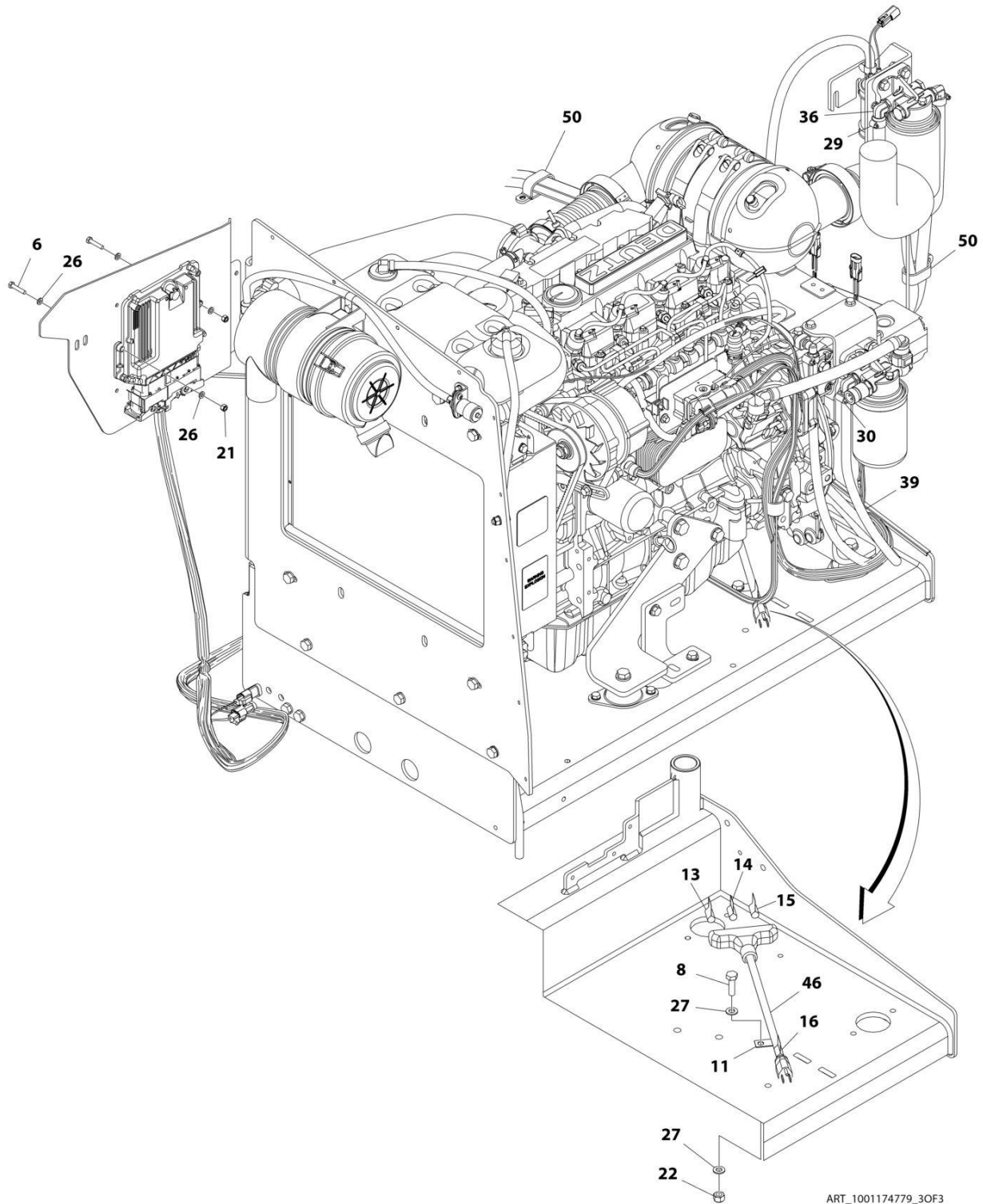
ART_1001174779_10F3

SECTION 3 - ENGINE



ART_1001174779_2OF3

SECTION 3 - ENGINE



ART_1001174779_30F3

SECTION 3 - ENGINE

FIGURE 3-4. ENGINE INSTALLATION - DEUTZ D2.9L4 ENGINE (WITH ARCTIC PACKAGE) (ANSI AND CSA SPECS)

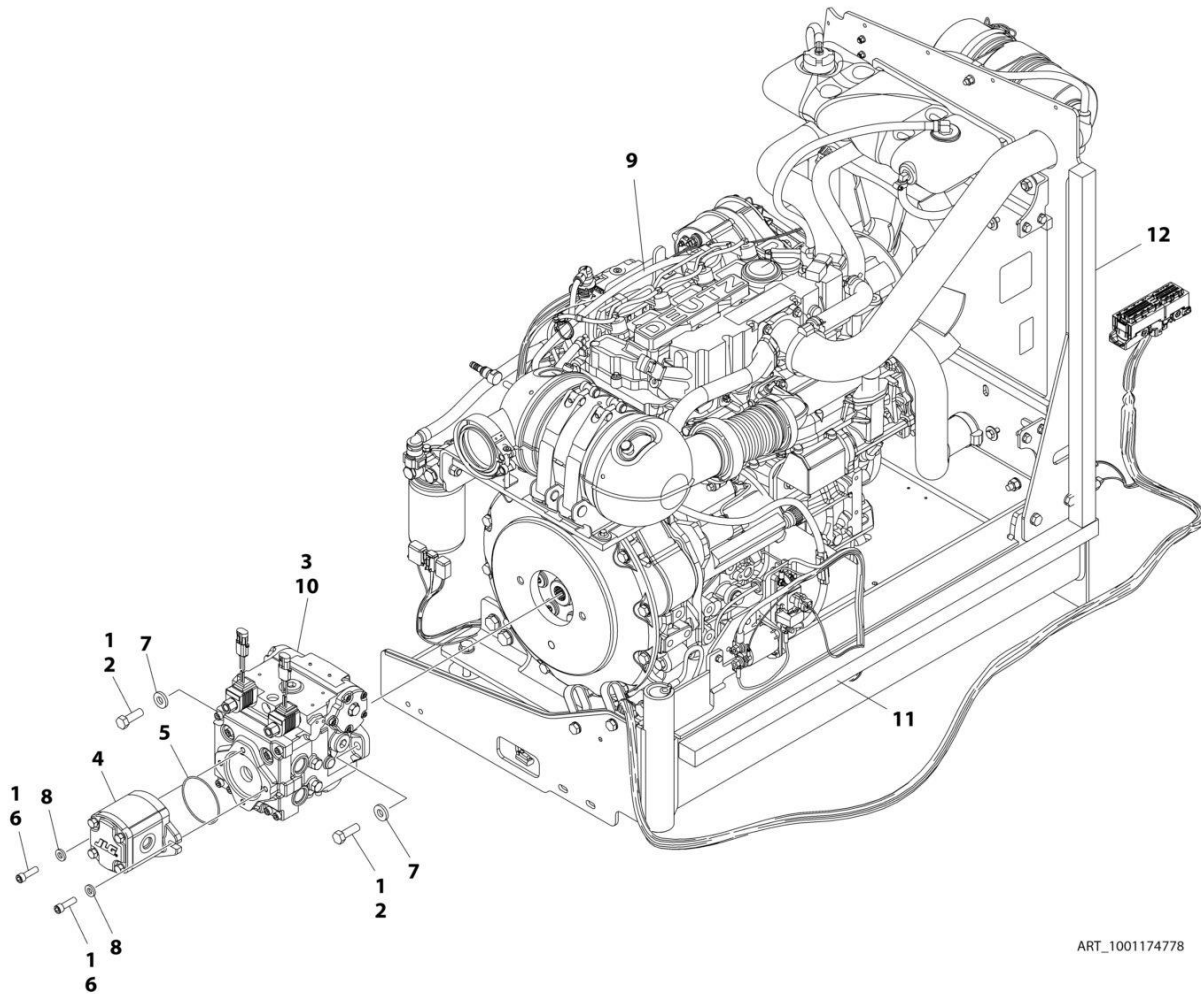
ITEM	PART NUMBER	QTY	DESCRIPTION	REV
	1001174779	Ref	ENGINE INSTALLATION - DEUTZ D2.9L4 ENGINE (WITH ARCTIC PACKAGE) (ANSI AND CSA SPECS)	G
1	0100011	AR	Compound, Locking	
2	0100020	AR	Sealant, Pipe	
3	0440162	1	Bearing	
4	1704972	1	Decal - Warning Explosion/Fire	
5	5251215	1	Bolt, M12 x 35mm	
6	0760614	4	Bolt, M6 x 30mm	
7	0761014	2	Bolt, M10 x 30mm	
8	0761015	6	Bolt, M10 x 35mm	
9	0761210	1	Bolt, M12 x 20mm	
10	1060625	1	Cable, Immersion Heater (SN 0300201991 through 0300206616)	
11	1320223	1	Clamp	
12	1701505	1	Decal - Diesel Fuel	
13	1702941	1	Decal - Battery Heater	
14	1702942	1	Decal - Engine Block Heater	
15	1702943	1	Decal - Hydraulic Tank Heater	
16	1702944	1	Decal - Heater Cord	
17	2180832	1	Fitting, Barbed	
18	2180876	1	Fitting, Barbed	
19	2580050	1	Heater, Hydraulic Tank (SN 0300201991 through 0300206616)	
19	1001188972	1	Heater, Hydraulic Tank (SN 0300206617 through 0300272317, Except SN 0300272185 through 0300272190)	
20	2720058	2 ft /0.61m	Hose	
21	3290605	5	Nut, Lock M6 x 1	
22	3291005	7	Nut, Lock M10 x 1.5	
23	5261200	1	Nut, Flange M12 Grade 10.9	
24	3841143	1	Keeper, Pin	
26	4811700	10	Washer, M6	
27	4812000	13	Washer, M10	
28	4812100	1	Washer, M12	
29	8405006	2	Clamp	
30	8410013	4	Clamp	
31	8430007	1	Coupling	
32	1001097000	1	Heater, Battery (SN 0300201991 through 0300206616)	
32	2580024	1	Heater, Battery (SN 0300206617 through 0300272317, Except SN 0300272185 through 0300272190)	
33	1001119278	1	Insulate	
34	1001125387	1	Decal - Ultra Low Sulfur Fuel	
35	1001135196	1	Pin	
36	1001142501	1	Fitting, Barbed 90	
37	1001154405	7.25 ft /2.21m	Hose	
38	1001155823	1	Coupling, Quick Disconnect 90	
39	1001165035	17.25 ft /5.26m	Hose	
40	1001167512	1	Bracket, Engine Tray	
41	1001169823	1	Plate, Engine Lock	
42	1001171683	1	Cable, Battery (Red) (Battery Positive to Auxiliary Power Relay)	

SECTION 3 - ENGINE

ITEM	PART NUMBER	QTY	DESCRIPTION	REV
43	1001171684	1	Cable, Battery (Black) (Battery Negative to Auxiliary Power Pump)	
44	1001172736	1	Pipe, Exhaust	
45	1001174778	1	Engine and Pump Sub-Assembly - Deutz D2.9L4 (With Arctic Package) (ANSI and CSA Specs) (See ENGINE AND PUMP SUB-ASSEMBLY - DEUTZ D2.9L4 (WITH ARCTIC PACKAGE) (ANSI AND CSA SPECS) for Breakdown)	
46	1060626	1	Plug, 3 Way	
47	3422532	1	Pin	
48	0760610	1	Bolt, M6 x 20mm	
49	0760812	1	Bolt, M8 x 25mm	
50	1321716	4	Clamp	
51	1001191832	1	Nut, Rivet M8	
52	4811900	1	Washer, M8	
53	1001181358	1	Harness, Fuel Pump (See ELECTRICAL SECTION for Breakdown)	
54	1001162335	1	Bracket Assembly - Fuel Pump/Filter (See BRACKET ASSEMBLY - FUEL PUMP AND FILTER (DEUTZ D2.9L4 ENGINE) for Breakdown)	
55	1320022	1	Clamp	
56	1001233763	Ref	Breather Heater Installation (Not Shown - See Separate Breakdown in this Section) (SN 0300245521 through 0300272317, Except SN 0300272185 through 0300272190)	
56	1001196634	1	Fuse, 2 Amp	
56	1001232842	1	Breather Heater Kit	
56	2400060	1	Holder, Fuse	

SECTION 3 - ENGINE

FIGURE 3-5. ENGINE AND PUMP SUB-ASSEMBLY - DEUTZ D2.9L4 (WITH ARCTIC PACKAGE) (ANSI AND CSA SPECS)



ART_1001174778

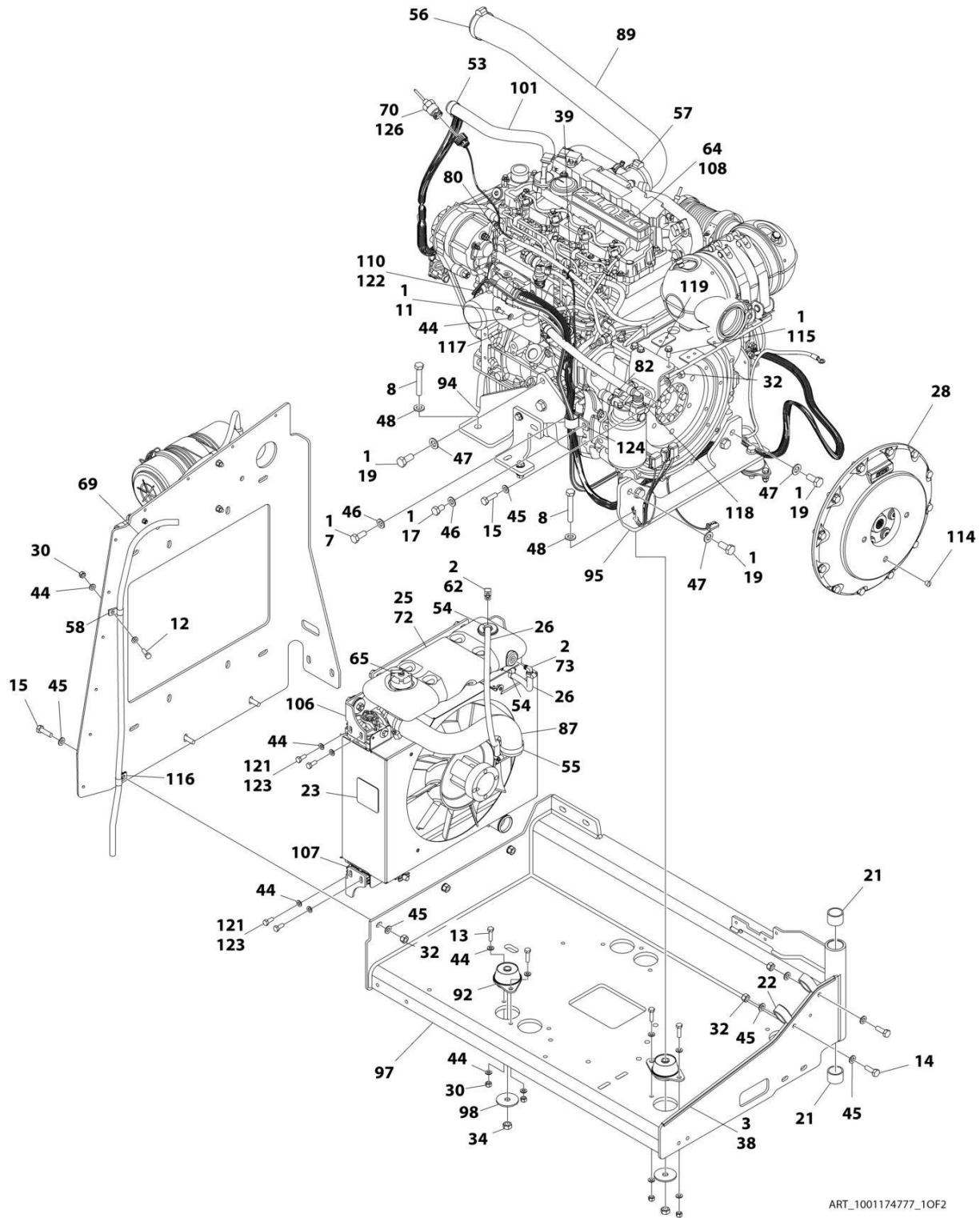
SECTION 3 - ENGINE

FIGURE 3-5. ENGINE AND PUMP SUB-ASSEMBLY - DEUTZ D2.9L4 (WITH ARCTIC PACKAGE) (ANSI AND CSA SPECS)

ITEM	PART NUMBER	QTY	DESCRIPTION	REV
	1001174778	Ref	ENGINE AND PUMP SUB-ASSEMBLY - DEUTZ D2.9L4 (WITH ARCTIC PACKAGE) (ANSI AND CSA SPECS)	F
1	0100011	AR	Compound, Locking	
2	0641812	2	Bolt, 1/2-13 x 1-1/2	
3	3020037	AR	Lube	
4	3600242	1	Gear Pump Assembly (See GEAR PUMP ASSEMBLY for Breakdown) (SN 0300201991 through 0300233105)	
4	1001214207	1	Gear Pump Assembly (SN 0300233106 through 0300272317, Except SN 0300272185 through 0300272190)	
4	70006356	1	Seal Kit - 1001214207 Pump	
5	3790152	1	O-Ring	
6	3931620	2	Capscrew 3/8 x 1-1/4	
6	3931618	2	Capscrew 3/8 x 1-1/8	
7	4891800	2	Washer, 1/2 Hardened	
8	4891600	2	Washer, 3/8 ID Hardened	
9	1001174777	1	Engine Assembly - Deutz D2.9L4 Engine (With Arctic Package) (ANSI and CSA Specs) (See ENGINE ASSEMBLY - DEUTZ D2.9L4 ENGINE (WITH ARCTIC PACKAGE) (ANSI AND CSA SPECS) for Breakdown)	
10	1001167036	1	Piston Pump Assembly (See PISTON PUMP ASSEMBLY for Breakdown)	
11	1001171953	1	Seal	
12	1001171954	1	Seal	

SECTION 3 - ENGINE

FIGURE 3-6. ENGINE ASSEMBLY - DEUTZ D2.9L4 ENGINE (WITH ARCTIC PACKAGE) (ANSI AND CSA SPECS)



ART_1001174777_1OF2

SECTION 3 - ENGINE

FIGURE 3-6. ENGINE ASSEMBLY - DEUTZ D2.9L4 ENGINE (WITH ARCTIC PACKAGE) (ANSI AND CSA SPECS)

ITEM	PART NUMBER	QTY	DESCRIPTION	REV
	1001174777	Ref	ENGINE ASSEMBLY - DEUTZ D2.9L4 ENGINE (WITH ARCTIC PACKAGE) (ANSI AND CSA SPECS)	Q
1	0100011	AR	Compound, Locking	
2	0100020	AR	Sealant, Pipe	
3	0100081	AR	Adhesive	
7	0711214	AR	Bolt, M12 x 30mm	
8	0711224	4	Bolt, M12 x 80mm	
9	0741606	2	Screw, 3/8-16 x .75	
10	0760610	6	Bolt, M6 x 20mm	
11	0760808	1	Bolt, M8 x 16mm	
12	0760812	1	Bolt, M8 x 25mm	
13	0760814	8	Bolt, M8 x 30mm	
14	0761014	2	Bolt, M10 x 30mm	
15	0761015	7	Bolt, M10 x 35mm	
16	0761016	4	Bolt, M10 x 40mm	
17	0761210	1	Bolt, M12 x 20mm	
18	0761212	2	Bolt, M12 x 25mm	
19	0771414	AR	Bolt, M14 x 30mm Grade 10.9	
21	0961951	2	Bushing	
22	1321716	2	Clamp	
23	1703162	2	Decal - Caution Fan	
24	2220315	1	Fitting, Barbed	
25	2300041	3 gal/ 11.3L	Coolant	
26	2720015	2 ft/ 0.61m	Hose	
27	2720340	8 in/0.2m	Hose	
28	2902065	1	Pump Coupling Kit (See PUMP COUPLING KIT for Breakdown)	
29	3290605	7	Nut, Lock M6 x 1	
30	3290805	11	Nut, Lock M8 x 1.25	
31	3291001	4	Nut, M10 x 1.5	
32	3291005	9	Nut, Lock M10 x 1.5	
33	3310401	3	Nut, #4-40	
34	3331215	4	Nut, M12 x 1.75	
35	3910408	3	Screw, 4-40 x 1/2	
36	3931512	4	Capscrew, 5/16-18 x 3/4	
37	4031914	4	Bolt, M8 x 50mm	
38	4060805	2.25 ft/ 0.69m	Trim, Flex Shield	
39	4240099	AR	Tie-Strap	
40	4640751	1	Valve, Oil Drain	
41	4710400	3	Washer, #4	
42	4711500	4	Washer, 5/16	
43	4811700	AR	Washer, M6	
44	4811900	35	Washer, M8	
45	4812000	22	Washer, M10	
46	4812100	AR	Washer, M12	
47	4812200	AR	Washer, M14	
48	5241200	4	Washer, M12 Hardened	
49	8305401	2	Nut, Jam .250-20	

SECTION 3 - ENGINE

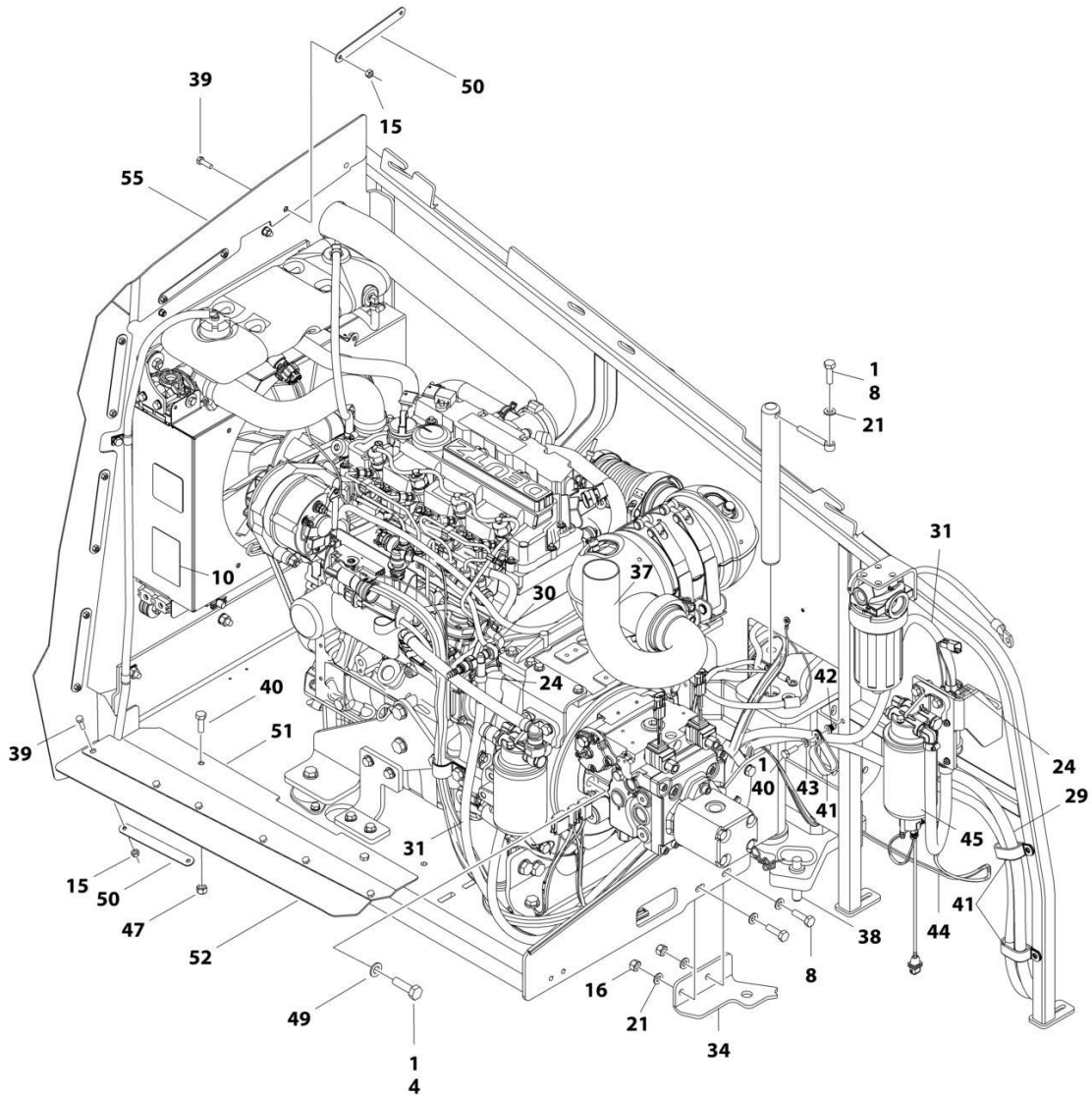
ITEM	PART NUMBER	QTY	DESCRIPTION	REV
50	8307109	2	Washer, .250	
51	8310548	2	Screw, 1/4 NC x 1/2	
53	8405007	2	Clamp	
54	8405009	5	Clamp	
55	8405104	4	Clamp	
56	8405202	1	Clamp	
57	8405204	1	Clamp	
58	8406109	2	Clip	
60	1001117308	1	Relay, 200Amp	
60	3300220	2	Nut	
60	3321001	2	Nut, #10-32	
60	4761000	2	Washer, Lock #10	
60	1001111424	2	Washer	
61	1001118878	1	Bolt, M6 x 55mm	
62	1001134488	1	Fitting, Barbed 90	
63	1001144116	1	Spacer, Fan	
64	1001136172	2.4 gal /9L	Oil, Motor	
65	1001136834	1	Cap, Tank	
66	1001138173	1	Support, Service Indicator	
67	1001138175	1	Bracket, Service Indicator	
68	1001138228	1	Relay, Power Module	
68	70023592	1	Fuse 20Amp	
68	70023593	1	Fuse 30Amp	
69	1001138248	5.25 ft/ 1.6m	Tube	
70	1001138827	1	Sensor, Coolant Level	
71	1001139240	1	Bracket	
72	1001140535	1	Tank, Surge (SN 0300201991 through 0300241750)	
72	1001230635	1	Tank, Surge (Includes Items 2, 62, 70 & 73) (SN 0300241751 through 0300272317, Except SN 0300272185 through 0300272190)	
73	1001140564	1	Fitting, Barbed 90	
74	1001141304	1	Harness, Glow Plug	
75	1001141694	1	Clamp, Air Cleaner	
76	1001141995	1	Fitting, Barbed	
78	1001143390	1	Indicator	
79	1001143797	1	Fitting, Barbed	
80	1001178788	1	Cable, Alternator	
82	1001152489	1	Fitting, Barbed 90	
86	1001165388	1	Air Cleaner Assembly	
86	70003783	1	Element, Air Cleaner	
87	1001165405	1	Hose, Upper Radiator	
88	1001165406	1	Hose, Lower Radiator	
89	1001165721	1	Hose, Air Intake	
90	1001165722	1	Radiator	
91	1001165849	1	Fan	
92	1001166718	4	Mount, Motor	
93	1001166921	1	Plate, Engine Mount	
94	1001166922	1	Plate, Engine Mount	
95	1001166924	1	Plate, Engine Mount	
96	1001167108	1	Harness Engine - Deutz D2.9L4 (See ELECTRICAL SECTION for Breakdown)	

SECTION 3 - ENGINE

ITEM	PART NUMBER	QTY	DESCRIPTION	REV
97	1001167520	1	Tray, Engine	
98	1001168018	4	Washer, Special	
99	1001168026	1	Plate, Radiator Mounting	
101	1001168099	1	Hose	
102	1001168166	2	Seal	
103	1001168950	1	Bracket	
104	1001169054	4	Isolator	
105	1001169138	4	Washer, Snubbing	
106	1001169967	2	Bracket	
107	1001170035	2	Bracket	
108	1001170617	1	Engine, Deutz D2.9L4 (See ENGINE COMPONENTS - DEUTZ D2.9L4 ENGINE for Breakdown)	
110	1001140312	1	Heater, Engine Block	
112	0760607	3	Bolt, M6 x 14mm	
113	0760815	2	Bolt, M8 x 35mm	
114	3520054	1	Plug	
115	5250810	2	Bolt, M8 x 20mm	
116	8406110	1	Clip	
117	8406201	1	Clip	
118	1001177359	1	Hose	
119	1001178876	1	Mount, Fuel Filter	
120	1001179903	1	Bracket	
121	1001180620	AR	Adhesive	
122	1001181895	AR	Adhesive	
123	0760810	8	Bolt, M8 x 20mm	
124	1001191620	1	Clamp	
125	4811702	12	Washer, M6	
126	1001182997	AR	Adhesive, Permatex (SN 0300201991 through 0300241750)	

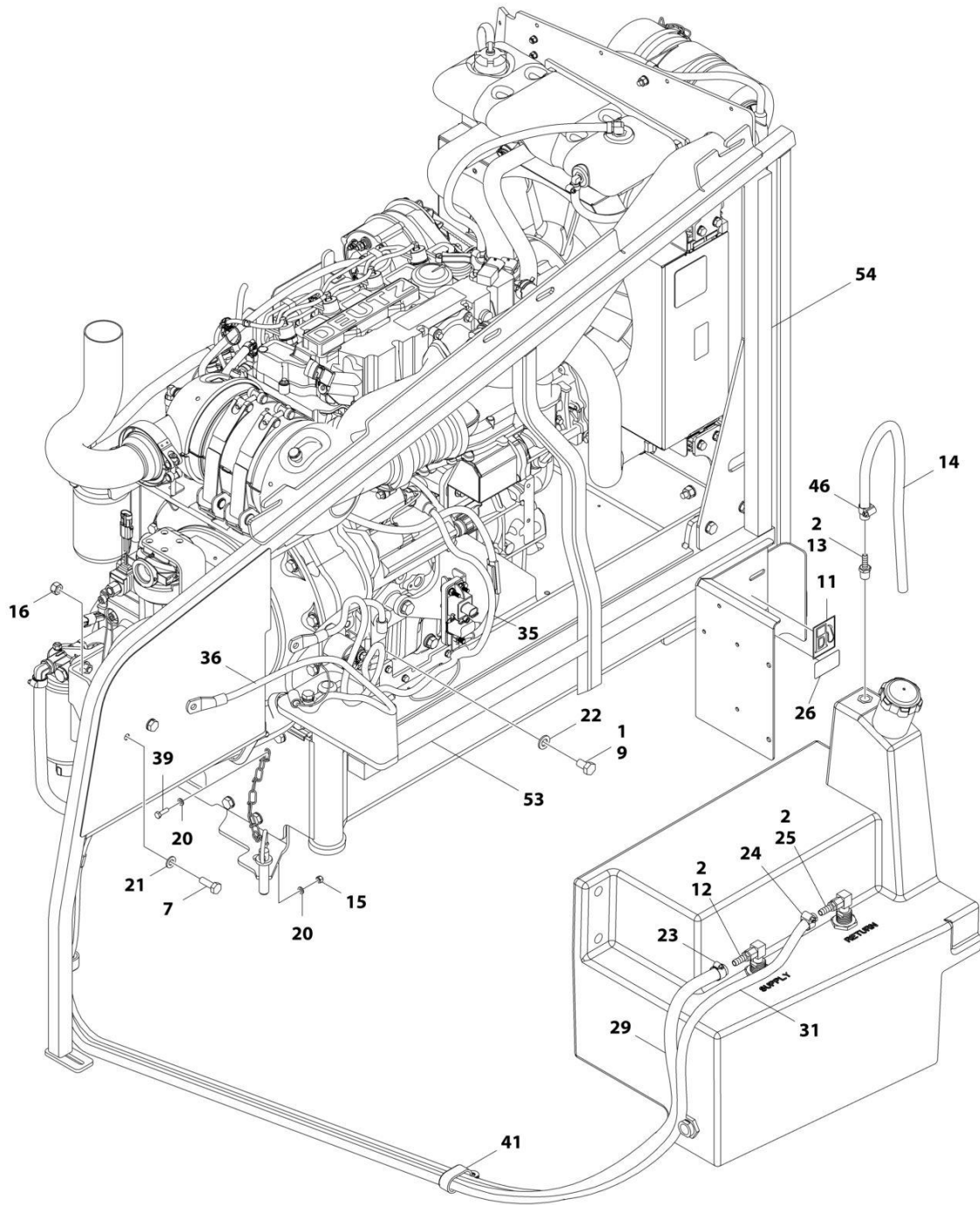
SECTION 3 - ENGINE

FIGURE 3-7. ENGINE INSTALLATION - DEUTZ D2.9L4 ENGINE (CHINA SPEC)



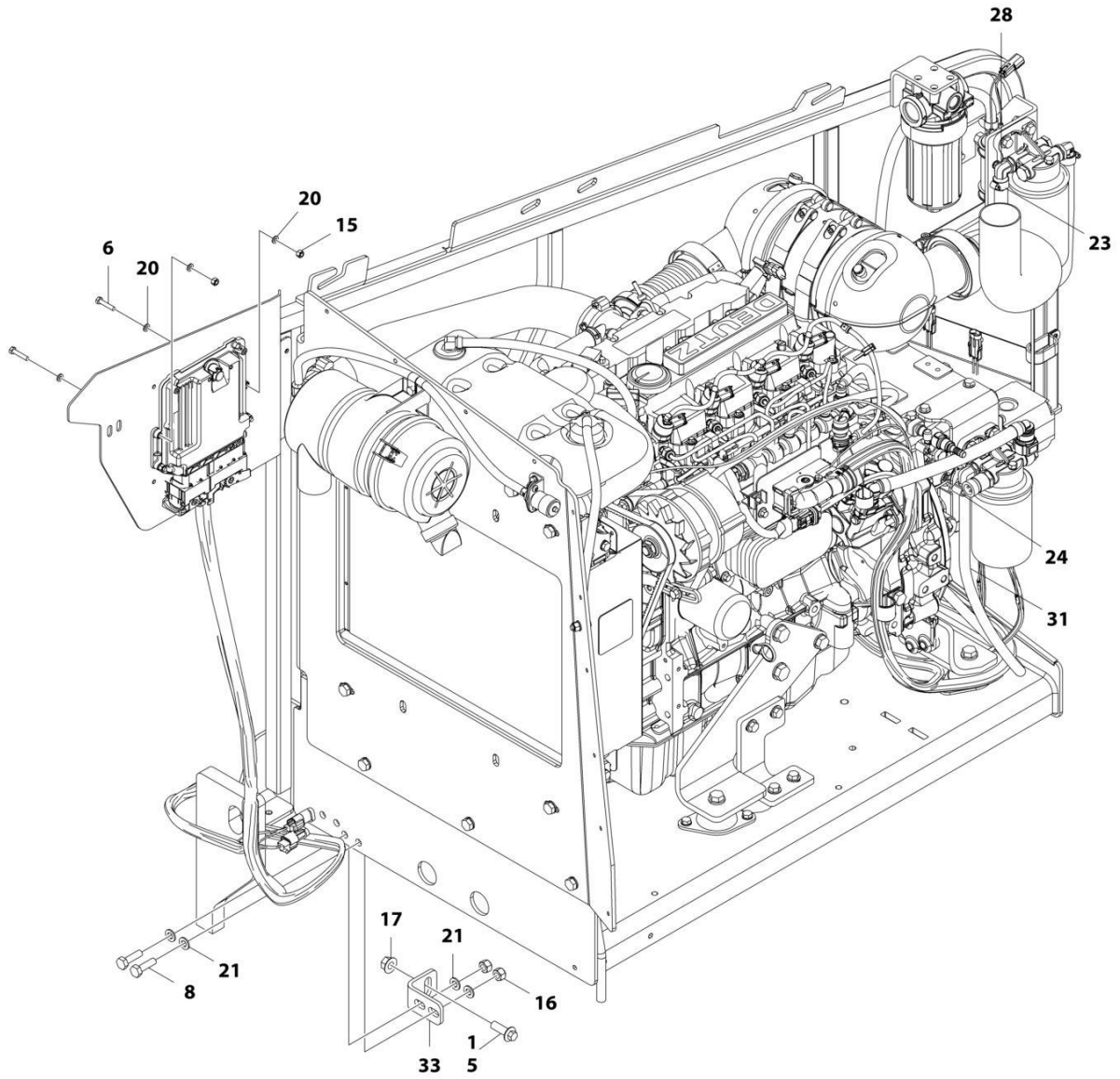
ART_1001215382_1OF3

SECTION 3 - ENGINE



ART_1001215382_20F3

SECTION 3 - ENGINE



ART_1001215382_30F3

SECTION 3 - ENGINE

FIGURE 3-7. ENGINE INSTALLATION - DEUTZ D2.9L4 ENGINE (CHINA SPEC)

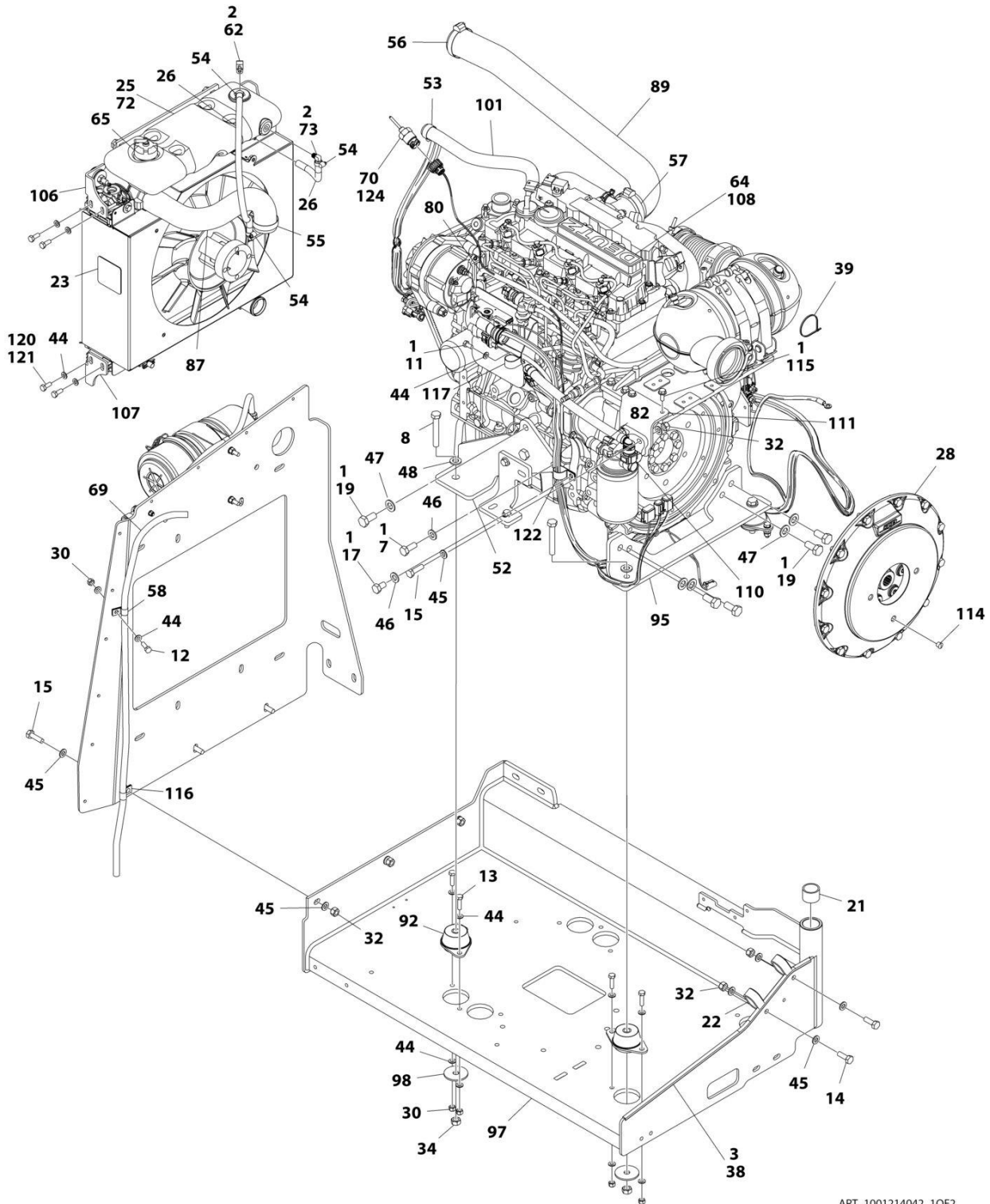
ITEM	PART NUMBER	QTY	DESCRIPTION	REV
	1001215382	Ref	ENGINE INSTALLATION - DEUTZ D2.9L4 ENGINE (CHINA SPEC)	A
		Ref	Note: For pump installation (See ENGINE AND PUMP SUB-ASSEMBLY - DEUTZ D2.9L4 (WITHOUT ARCTIC PACKAGE) (ANSI AND CSA SPECS)	
1	0100011	AR	Compound, Locking	
2	0100020	AR	Sealant, Pipe	
3	3020037	AR	Lube (Not Shown)	
4	0641812	2	Bolt, 1/2-13 x 1-1/2	
5	5251215	1	Bolt, M12 x 35mm	
6	0760614	4	Bolt, M6 x 30mm	
7	0761014	2	Bolt, M10 x 30mm	
8	0761015	5	Bolt, M10 x 35mm	
9	0761210	1	Bolt, M12 x 20mm	
10	1706060	1	Decal - Warning Explosion/Fire	
11	1701505	1	Decal - Diesel Fuel	
12	2180832	1	Fitting, Barbed	
13	2180876	1	Fitting, Barbed	
14	2720058	2 ft /0.6m	Hose	
15	3290605	22	Nut, Lock M6 x 1	
16	3291005	6	Nut, Lock M10 x 1.5	
17	5261200	1	Nut, Flange M12 Grade 10.9	
20	4811700	10	Washer, M6	
21	4812000	11	Washer, M10	
22	4812100	1	Washer, M12	
23	8405006	2	Clamp	
24	8410013	4	Clamp	
25	8430007	1	Coupling	
26	1001125387	1	Decal - Ultra Low Sulfur Diesel	
28	1001142501	1	Fitting, Barbed 90	
29	1001154405	7.25 ft /2.21m	Hose	
30	1001155823	1	Coupling, Quick Disconnect 90	
31	1001165035	17.25 ft /5.26m	Hose	
33	1001167512	1	Bracket	
34	1001169823	1	Plate, Engine Lock	
35	1001171683	1	Cable, Battery (Red) (Battery Positive to Auxiliary Power Relay)	
36	1001171684	1	Cable, Battery (Black) (Battery Negative to Auxiliary Power Pump)	
37	1001172736	1	Pipe, Exhaust	
38	3422532	1	Pin	
39	0760610	18	Bolt, M6 x 20mm	
40	0760812	3	Bolt, M8 x 25mm	
41	1321716	4	Clamp	
42	1001191832	1	Nut, Rivet M8	
43	4811900	1	Washer, M8	
44	1001181358	1	Harness, Fuel Pump (See ELECTRICAL SECTION for Breakdown)	
45	1001162335	1	Bracket Assembly - Fuel Pump/Filter (See BRACKET ASSEMBLY - FUEL PUMP AND FILTER (DEUTZ D2.9L4 ENGINE) for Breakdown)	

SECTION 3 - ENGINE

ITEM	PART NUMBER	QTY	DESCRIPTION	REV
46	1320022	1	Clamp	
47	3290805	2	Nut, Lock M8 x 1.25	
48	4811702	1	Washer, M6	
49	4891800	2	Washer, 1/2 Hardened	
50	1001167164	8	Plate, Support	
51	1001170663	1	Bracket	
52	1001170664	1	Seal	
53	1001171953	1	Seal	
54	1001171954	1	Seal	
55	1001172264	1	Seal	
56	1001214042	1	Engine Assembly - Deutz D2.9L4 (See ENGINE ASSEMBLY - DEUTZ D2.9L4 (CHINA SPEC) for Breakdown)	

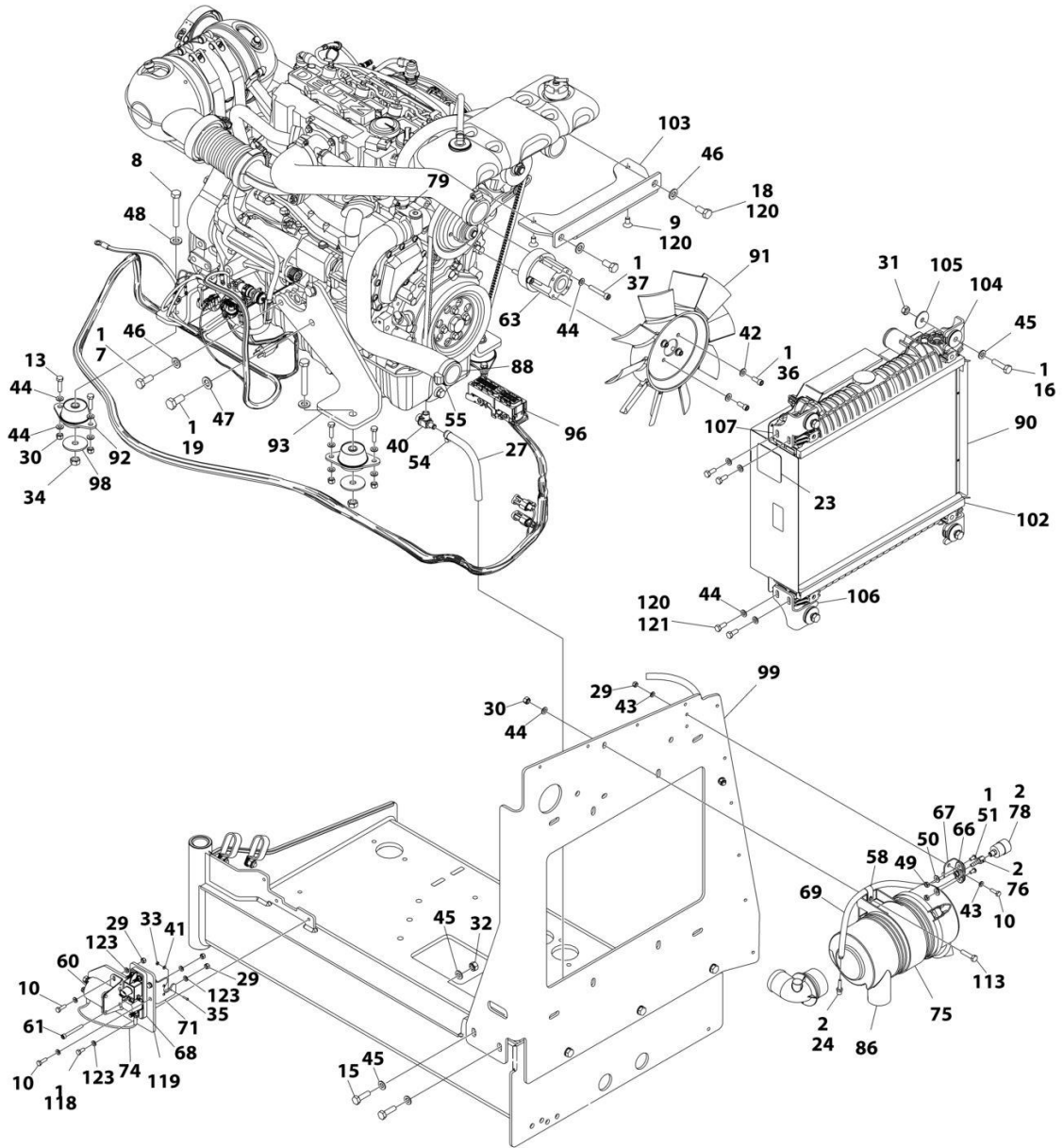
SECTION 3 - ENGINE

FIGURE 3-8. ENGINE ASSEMBLY - DEUTZ D2.9L4 ENGINE (CHINA SPEC)



ART_1001214042_10F2

SECTION 3 - ENGINE



ART_1001214042_20F2

SECTION 3 - ENGINE

FIGURE 3-8. ENGINE ASSEMBLY - DEUTZ D2.9L4 ENGINE (CHINA SPEC)

ITEM	PART NUMBER	QTY	DESCRIPTION	REV
	1001214042	Ref	ENGINE ASSEMBLY - DEUTZ D2.9L4 ENGINE (CHINA SPEC)	D
1	0100011	AR	Compound, Locking	
2	0100020	AR	Sealant, Pipe	
3	0100081	AR	Adhesive	
7	0711214	AR	Bolt, M12 x 30mm	
8	0711224	4	Bolt, M12 x 80mm Grade 10.9	
9	0741606	2	Screw, 3/8-16 x .75	
10	0760610	6	Bolt, M6 x 20mm	
11	0760808	1	Bolt, M8 x 16mm	
12	0760812	1	Bolt, M8 x 25mm	
13	0760814	8	Bolt, M8 x 30mm	
14	0761014	2	Bolt, M10 x 30mm	
15	0761015	7	Bolt, M10 x 35mm	
16	0761016	4	Bolt, M10 x 40mm	
17	0761210	1	Bolt, M12 x 20mm	
18	0761212	2	Bolt, M12 x 25mm	
19	0771414	9	Bolt, M14 x 30mm Grade 10.9	
21	0961951	2	Bushing	
22	1321716	2	Clamp	
23	1703162	2	Decal - Caution Fan	
24	2220315	1	Fitting, Straight Barbed	
25	2300004	3 gl/11.3L	Coolant	
26	2720015	2 ft/0.61m	Hose	
27	2720340	8 in/20.3cm	Hose	
28	2902065	1	Pump Coupling Kit (See PUMP COUPLING KIT for Breakdown)	
29	3290605	7	Nut, Lock, M6 x 1	
30	3290805	11	Nut, Lock, M8 x 1.25	
31	3291001	4	Nut, M10 x 1.5	
32	3291005	9	Nut, Lock, M10 x 1.5	
33	3310401	3	Nut, #4-40	
34	3331215	4	Nut, M12 x 1.75	
35	3910408	3	Screw, 4-40 x 1/2	
36	3931512	4	Capscrew, 5/16-18 x 3/4	
37	4031914	4	Bolt, M8 x 50mm	
38	4060805	2.25 ft /0.69m	Trim, Flex Shield	
39	4240099	AR	Tie-Strap	
40	4640751	1	Valve, Oil Drain	
41	4710400	3	Washer, #4	
42	4711500	4	Washer, 5/16	
43	4811700	4	Washer, M6	
44	4811900	35	Washer, M8	
45	4812000	22	Washer, M10	
46	4812100	AR	Washer, M12	
47	4812200	AR	Washer, M14	
48	5241200	4	Washer, M12 Hardened	
49	8305401	2	Nut, Jam, .250-20	
50	8307109	2	Washer, .250	
51	8310548	2	Screw, 1/4-20 x 1/2	

SECTION 3 - ENGINE

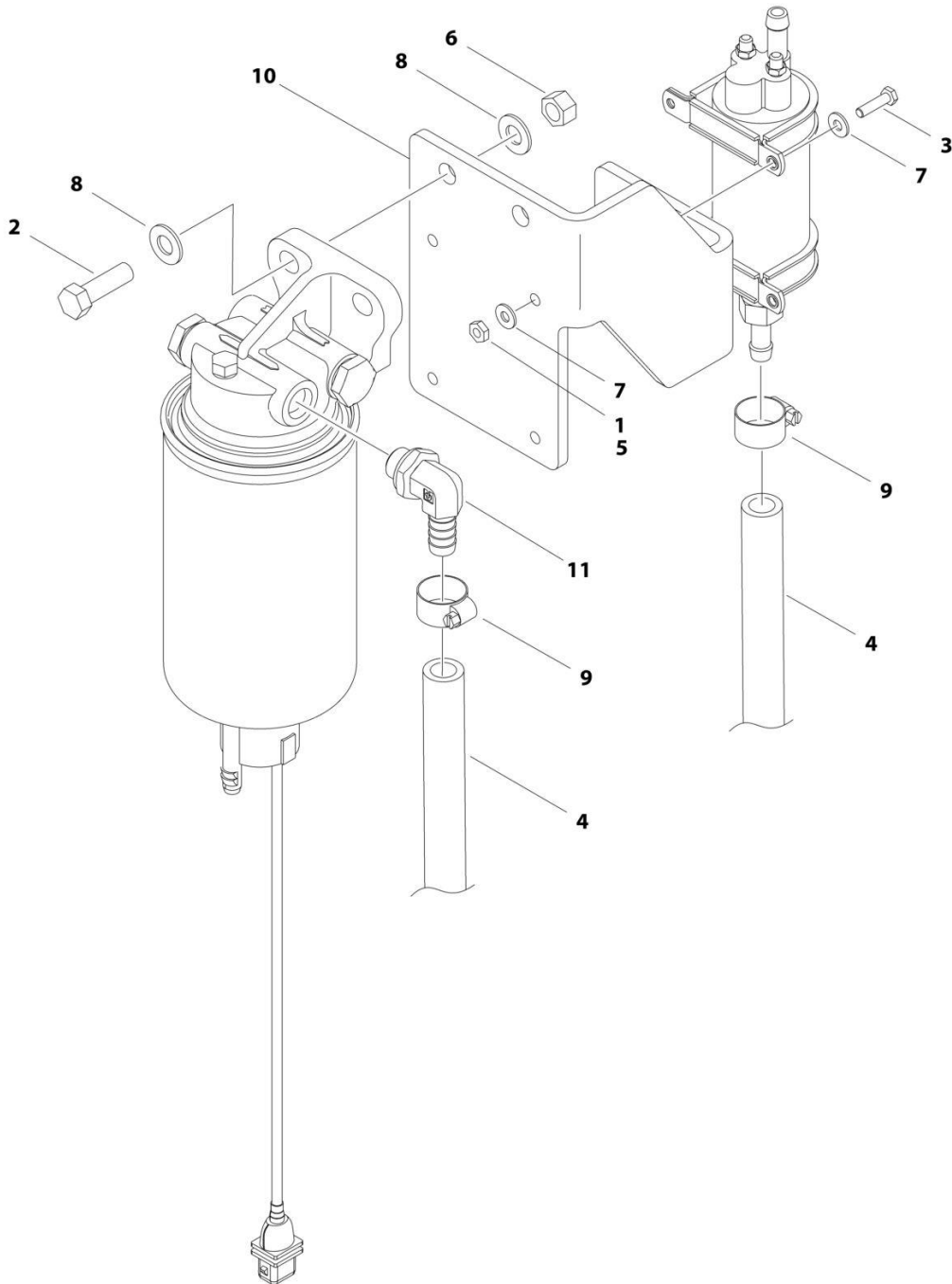
ITEM	PART NUMBER	QTY	DESCRIPTION	REV
52	1001166922	1	Plate, Engine Mount	
53	8405007	2	Clamp	
54	8405009	5	Clamp	
55	8405104	4	Clamp	
56	8405202	1	Clamp	
57	8405204	1	Clamp	
58	8406109	2	Clip	
60	1001117308	1	Relay, 200Amp	
60	3300220	2	Nut	
60	3321001	2	Nut, #10-32	
60	4761000	2	Washer, Lock #10	
60	1001111424	2	Washer	
61	1001118878	1	Bolt, M6 x 55mm	
62	1001134488	1	Fitting, Barbed	
63	1001144116	1	Spacer, Fan	
64	1001136079	2.4 gal /9L	Oil Motor	
65	1001136834	1	Cap, Tank	
66	1001138173	1	Support, Service Indicator	
67	1001138175	1	Bracket, Service Indicator	
68	1001138228	1	Relay, Power Module	
68	70023592	1	Fuse 20Amp	
68	70023593	1	Fuse 30Amp	
69	1001138248	5.25 ft /1.6m	Tube	
70	1001138827	1	Sensor, Coolant Level	
71	1001139240	1	Bracket	
72	1001140535	1	Tank, Surge	
73	1001140564	1	Fitting, Barbed 90	
74	1001141304	1	Harness, Glow Plug	
75	1001141694	1	Clamp, Air Cleaner	
76	1001141995	1	Fitting, Barbed	
78	1001143390	1	Indicator	
79	1001143797	1	Fitting, Barbed	
80	1001178788	1	Cable, Alternator	
82	1001152489	1	Fitting, Barbed 90	
86	1001165388	1	Air Cleaner Assembly	
86	70003783	1	Element, Air Cleaner	
87	1001165405	1	Hose, Upper Radiator	
88	1001165406	1	Hose, Lower Radiator	
89	1001165721	1	Hose, Air Intake	
90	1001165722	1	Radiator	
91	1001165849	1	Fan	
92	1001166718	4	Mount, Motor	
93	1001166921	1	Plate, Engine Mount	
95	1001166924	1	Plate, Engine Mount	
96	1001167108	1	Harness Engine - Deutz D2.9L4 (See ELECTRICAL SECTION for Breakdown)	
97	1001167520	1	Tray, Engine	
98	1001168018	4	Washer, Special	
99	1001168026	1	Plate, Radiator Mounting	
101	1001168099	1	Hose	
102	1001168166	2	Seal	

SECTION 3 - ENGINE

ITEM	PART NUMBER	QTY	DESCRIPTION	REV
103	1001168950	1	Bracket	
104	1001169054	4	Isolator	
105	1001169138	4	Washer, Snubbing	
106	1001169967	2	Bracket	
107	1001170035	2	Bracket	
108	1001214038	1	Engine, Deutz D2.9L4 (See ENGINE COMPONENTS - DEUTZ D2.9L4 ENGINE (CHINA SPEC) for Breakdown)	
110	1001177359	1	Hose	
111	1001178876	1	Mount, Fuel Filter	
113	0760815	2	Bolt, M8 x 35mm	
114	3520054	1	Plug	
115	5250810	2	Bolt, M8 x 20mm	
116	8406110	1	Clip	
117	8406201	1	Clip	
118	0760607	3	Bolt, M6 x 14mm	
119	1001179903	1	Bracket	
120	1001180620	AR	Adhesive	
121	0760810	8	Bolt, M8 x 20mm	
122	1001191620	1	Clamp	
123	4811702	12	Washer, M6	
124	1001182997	AR	Adhesive, Permatex	

SECTION 3 - ENGINE

FIGURE 3-9. BRACKET ASSEMBLY - FUEL PUMP AND FILTER (DEUTZ D2.9L4 ENGINE)



ART_1001162335

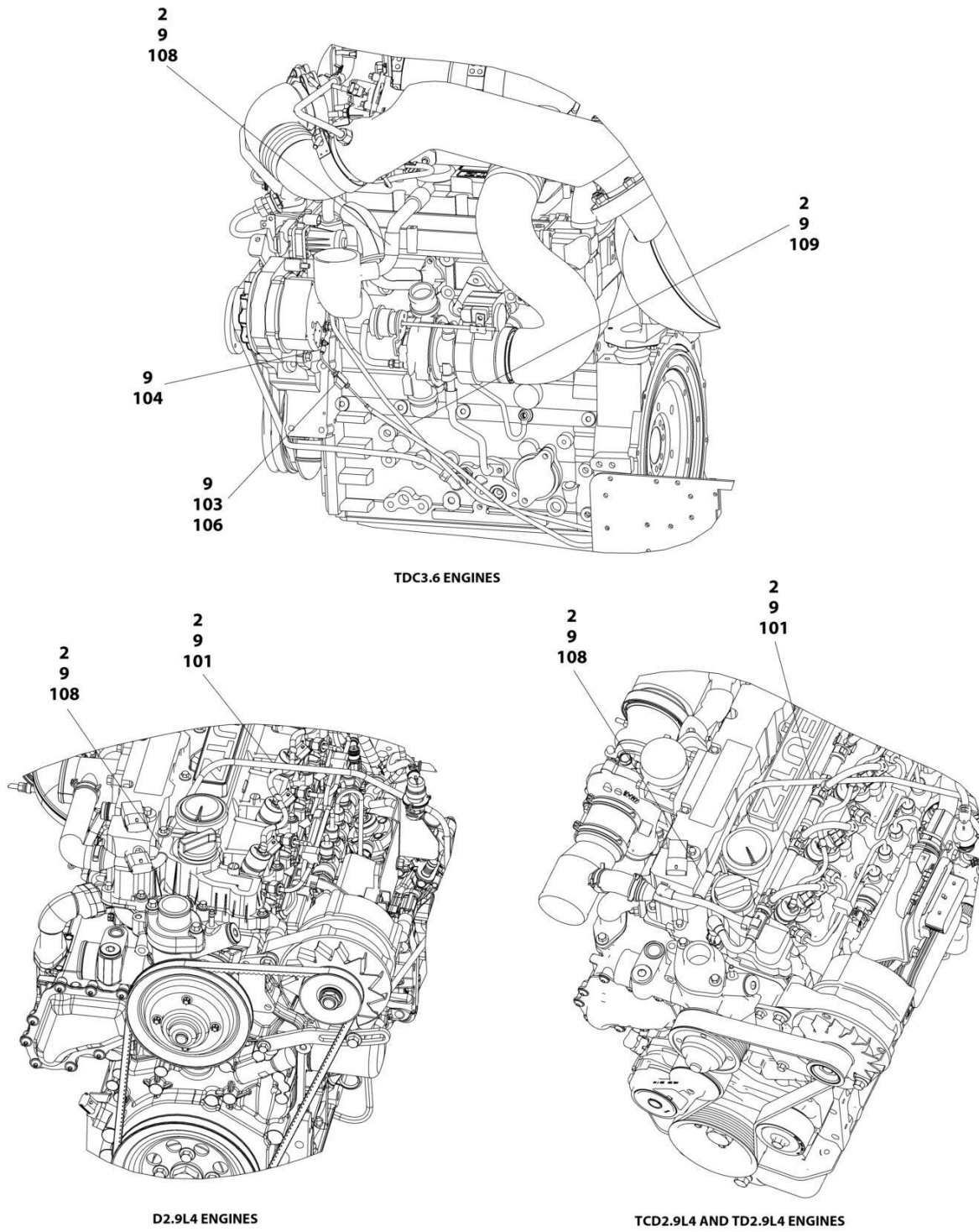
SECTION 3 - ENGINE

FIGURE 3-9. BRACKET ASSEMBLY - FUEL PUMP AND FILTER (DEUTZ D2.9L4 ENGINE)

ITEM	PART NUMBER	QTY	DESCRIPTION	REV
	1001162335	Ref	BRACKET ASSEMBLY - FUEL PUMP AND FILTER (DEUTZ D2.9L4 ENGINE)	D
1	0100011	AR	Compound, Locking	
2	0641610	2	Bolt, 3/8-16 x 1-1/4	
3	0721006	4	Bolt, #10-24 x 3/4	
4	1001154405	1.5 ft /0.4m	Hose	
5	3311001	4	Nut, #10-20	
6	3311605	2	Nut, Lock 3/8-16	
7	4711000	8	Washer #10	
8	4711600	4	Washer, 3/8	
9	8405006	2	Clamp	
10	1001141870	1	Plate, Fuel Pump Mounting	
11	1001142501	1	Fitting, Elbow Barbed	

SECTION 3 - ENGINE

FIGURE 3-10. BREATHER HEATER INSTALLATION - DEUTZ D2.9L4 ENGINE WITH ARCTIC PACKAGE



ART_1001233763

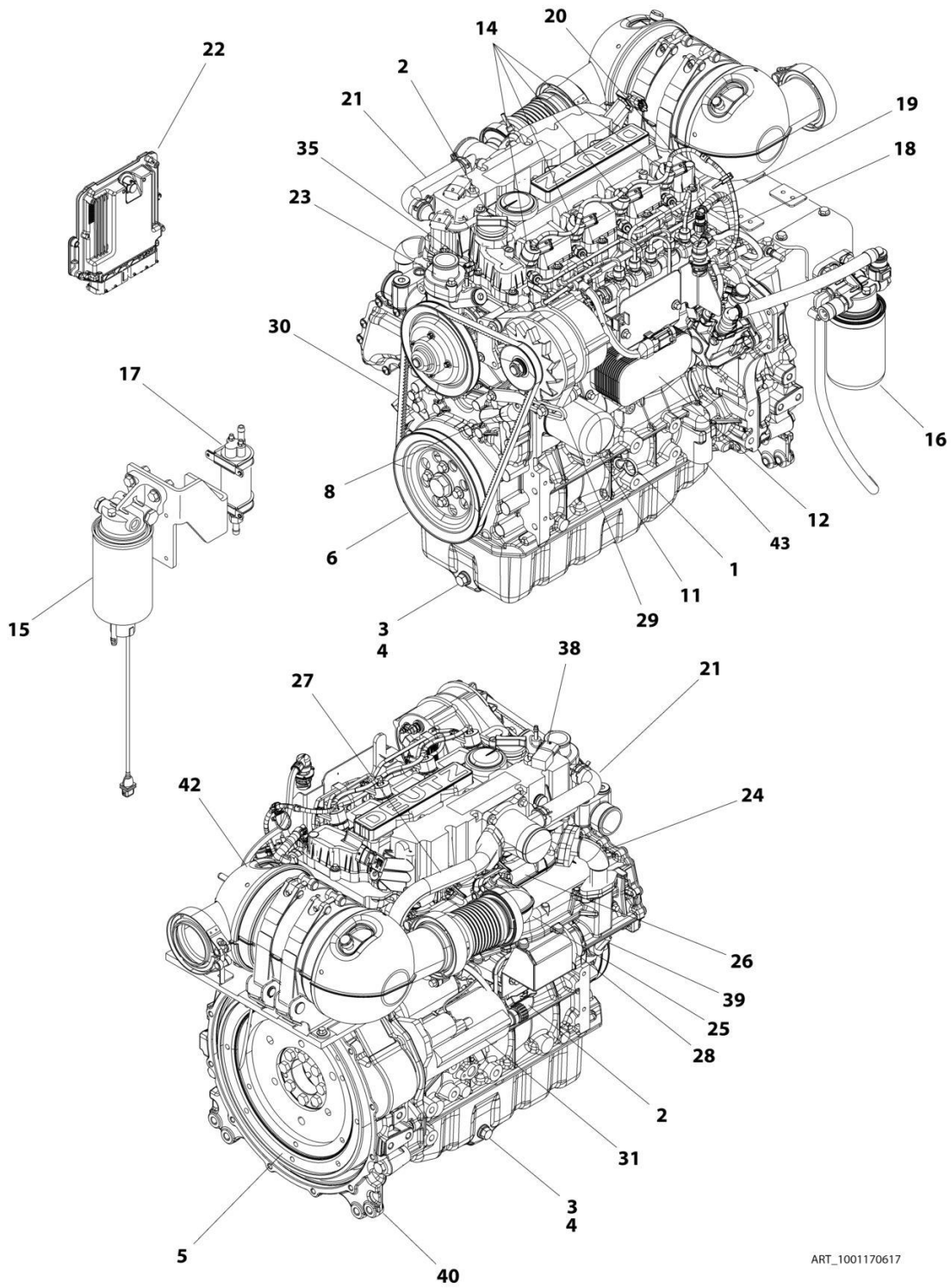
SECTION 3 - ENGINE

FIGURE 3-10. BREATHER HEATER INSTALLATION - DEUTZ D2.9L4 ENGINE WITH ARCTIC PACKAGE

ITEM	PART NUMBER	QTY	DESCRIPTION	REV
	1001233763	Ref	BREATHER HEATER INSTALLATION - DEUTZ ENGINES	D
2	4240099	AR	Tie-Strap	
9	1001243895	1	Breather Heater Harness	C
101	2820035	AR	Insulation	
103	2400060	1	Fuseholder with Cover	
104	4460043	1	Terminal, Ring	
105	4460722	1	Terminal, Ring (Not Shown)	
106	1001196634	1	Fuse - 2 Amp	
108	1001232842	1	Breather Heater Kit	

SECTION 3 - ENGINE

FIGURE 3-11. ENGINE COMPONENTS - DEUTZ D2.9L4 ENGINE (ANSI AND CSA SPECS)



ART_1001170617

SECTION 3 - ENGINE

FIGURE 3-11. ENGINE COMPONENTS - DEUTZ D2.9L4 ENGINE (ANSI AND CSA SPECS)

ITEM	PART NUMBER	QTY	DESCRIPTION	REV
	1001170617	Ref	ENGINE COMPONENTS - DEUTZ D2.9L4 ENGINE (ANSI AND CSA SPECS)	E
1	70024904	1	Dipstick	
1	70024905	1	O-Ring	
2	7020465	2	Cap, Filler	
3	70025088	2	Plug, Oil	
4	7020404	2	Ring, Sealing	
5	70001870	1	Flywheel	
5	7024579	1	Ring, Gear	
6	70025198	1	Pulley, Crank	
7	70024906	1	Gasket, Head (Not Shown)	
7	70025195	1	Gasket, Valve Cover (Not Shown)	
7	70005171	1	Gasket, Valve Cover (Not Shown)	
8	70025076	1	Valve	
8	70025091	1	Plug	
8	70025176	1	Spring	
8	70025082	1	Seal	
9	70004280	1	Seal, Crankshaft (Front) (Not Shown)	
9	70002718	1	Seal, Crankshaft (Rear) (Not Shown)	
10	70005172	1	Pump, Oil Lube (Not Shown)	
10	70025135	1	O-Ring (Not Shown)	
10	70005173	1	Gasket (Not Shown)	
11	7016331	1	Filter, Oil	
12	70004275	1	Cooler, Oil	
12	70024925	1	Gasket	
13	70025171	1	Pipe, Oil Suction (Not Shown)	
14	70004281	4	Injector, Fuel	
14	70025140	4	Washer, Sealing	
14	70025146	4	Clamp (Top of Injector)	
14	70025145	4	O-Ring	
14	70025154	4	Shoe, Clamping	
15	70024961	1	Bracket, Fuel Filter	
15	70025153	1	Filter, Fuel	
15	70024513	1	Cable, Sensor	
15	70025239	1	Seal	
16	70025160	1	Bracket, Fuel Filter	
16	70025161	1	Filter, Fuel	
16	70024504	1	Sensor, Pressure	
16	70024920	1	O-Ring	
16	70004513	2	Ring, Sealing	
17	70005174	NLA	Pump, Fuel (Use p/n 1001226098)	
17	70025144	2	Clamp	
18	70025151	1	Rail, Fuel	
18	70025235	1	Repair Kit	
18	70025240	1	O-Ring	
19	70025182	1	Line, Fuel (Cylinder 1 + 2)	
19	70025183	1	Line, Fuel (Cylinder 3 + 4)	
19	70025184	1	Line, Fuel (Fuel Rail to Pump)	
20	70024502	1	Fuel Return pipe	
20	70025185	1	Hose, Fuel	

SECTION 3 - ENGINE

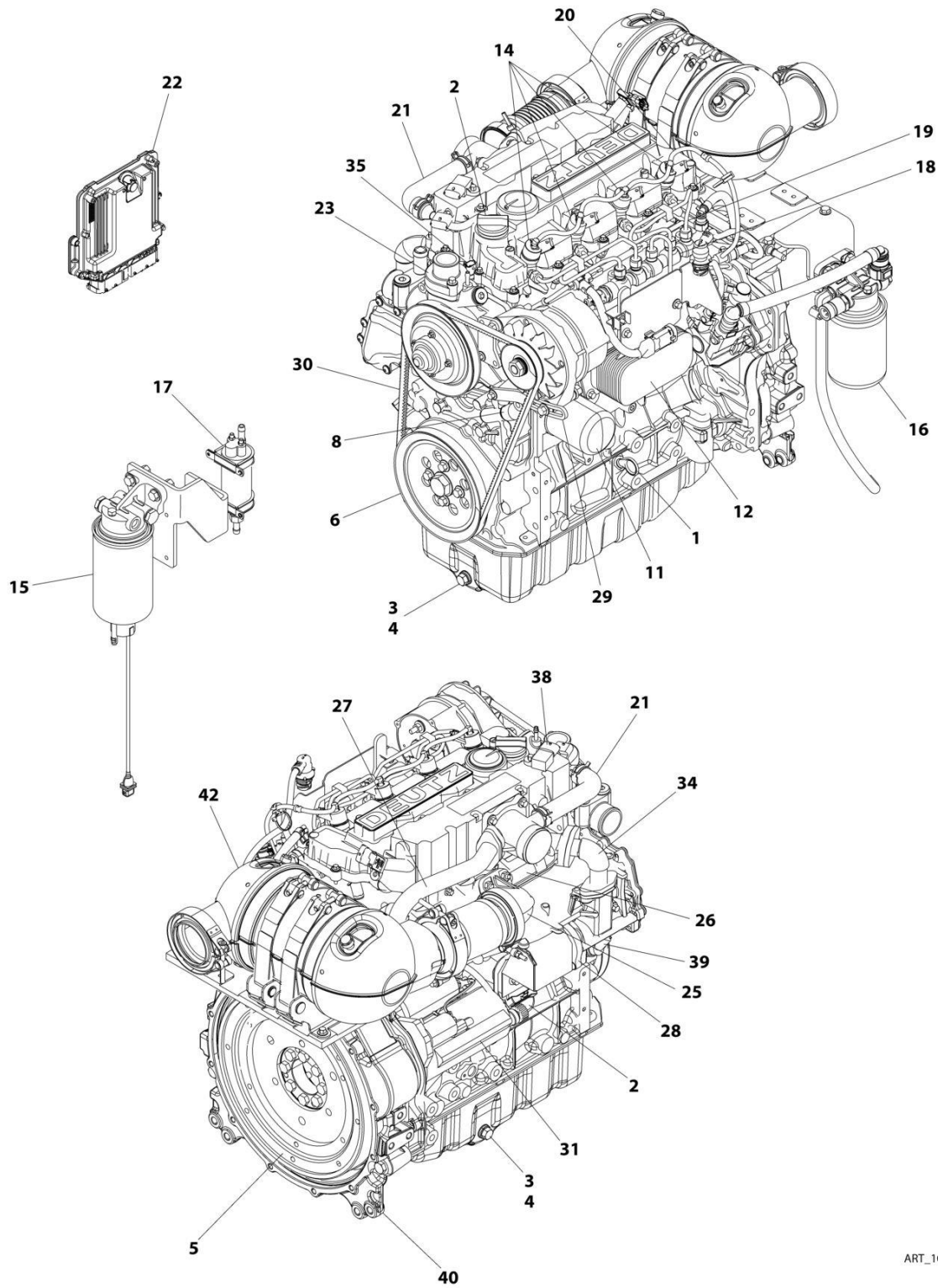
ITEM	PART NUMBER	QTY	DESCRIPTION	REV
20	70025101	2	Clamp	
20	70025109	2	Clamp	
20	70025115	1	Clamp, Pipe	
20	70025133	1	Hose	
20	70025148	1	Connector, Plug-in	
21	70005182	1	Elbow, Air Charger	
21	70005176	1	O-Ring	
21	70005177	1	Gasket	
21	70005180	1	Line, Breather	
21	70005181	1	O-Ring	
21	70005183	1	Line, Breather	
21	70025111	2	Clamp	
22	70025210	1	Module, ECU	
23	70024910	1	Pump, Water	
23	70025084	1	Plug	
23	7020492	1	O-Ring	
23	70025200	1	Seal	
23	70024473	1	Thermostat	
23	70005184	1	O-Ring (Thermostat)	
23	70025142	1	Cover, Thermostat	
23	70025159	1	Pulley, Water Pump	
24	70025177	1	Pipe	
24	70025179	1	Gasket	
25	70005185	1	Manifold	
25	70024912	1	Gasket	
26	70004282	1	Manifold, Exhaust	
26	70025164	1	Gasket, Exhaust Manifold	
27	70005186	1	Pipe	
27	70025179	1	Gasket (Two Hole)	
27	70025180	1	Gasket (Three Hole)	
28	70004283	1	Module, ERG	
28	70005188	1	Valve, Control	
28	70005189	1	Parts, Service	
29	70024914	1	Alternator	
29	70025149	1	Regulator	
29	70025131	1	Fan	
29	70025150	1	Pulley	
29	70025191	1	Plate, Retaining	
29	70025201	1	Bracket, Alternator	
30	70024913	1	V-Belt	
31	70024915	1	Starter	
32	70025231	1	Harness, Glow Plug (Not Shown)	
32	70025233	1	Connector (Not Shown)	
33	70025221	1	Connector, Plug-In (Not Shown)	
33	70025781	1	Connector, Plug-In (Not Shown)	
33	70025779	1	Ring, Fastening (Not Shown)	
34	70004284	1	Harness, Engine (Not Shown)	
34	70025165	1	Plate, Retaining (Not Shown)	
34	70025216	1	Adapter (Not Shown)	
34	70025215	1	Bracket, Fixing (Not Shown)	
34	70025228	2	Bracket (Not Shown)	

SECTION 3 - ENGINE

ITEM	PART NUMBER	QTY	DESCRIPTION	REV
34	70025226	1	Connector, Plug-In (Not Shown)	
34	70025220	5	Connector, Plug-In (Not Shown)	
34	70025222	3	Connector, Plug-In (Not Shown)	
34	70025223	1	Connector, Plug-In (Not Shown)	
34	70025219	1	Connector, Plug-In (Not Shown)	
34	70025238	1	Connector, Plug-In (Not Shown)	
34	70025221	2	Connector, Plug-In (Not Shown)	
34	70025217	8	Clamp (Not Shown)	
34	70025213	2	Clip (Not Shown)	
34	70025209	1	Bracket (Not Shown)	
34	70025225	1	Support (Not Shown)	
34	70025218	3	Clamp (Not Shown)	
34	70025237	1	Connector, Plug-In (Not Shown)	
34	70025214	1	Cap (Not Shown)	
34	70025224	2	Clamp (Not Shown)	
34	70025166	1	Support, Harness (Not Shown)	
34	70025211	1	Plate, Retaining (Not Shown)	
34	70025189	1	Plate, Retaining (Not Shown)	
34	70025236	1	Support, Harness (Not Shown)	
35	70024918	1	Sender, Temperature	
36	70024504	1	Sensor, Pressure (Not Shown - Located Left Side Front)	
36	70024920	1	O-Ring (Not Shown)	
37	70024503	1	Sensor, Speed (Not Shown)	
37	70005191	1	O-Ring	
38	70024507	1	Sensor, Pressure	
38	70025120	1	Seal	
39	70024503	1	Sensor, Speed	
39	70024917	1	Seal	
40	70025192	1	Housing	
40	70025113	2	Pin	
41	70000345	4	Plug, Glow (Not Shown)	
42	70005446	1	Outlet, Muffler	
42	70025241	1	Clip	
42	70025242	2	Gasket	
42	70004504	1	Compensator	
42	70024512	1	Clamp	
42	70025877	1	Clamp	
43	70124530	1	Valve, Relief	
43	70025660	1	Plug	
43	70124538	1	Spring	
43	70104570	1	Seal	

SECTION 3 - ENGINE

FIGURE 3-12. ENGINE COMPONENTS - DEUTZ D2.9L4 ENGINE (CHINA SPEC)



ART_1001214038

SECTION 3 - ENGINE

FIGURE 3-12. ENGINE COMPONENTS - DEUTZ D2.9L4 ENGINE (CHINA SPEC)

ITEM	PART NUMBER	QTY	DESCRIPTION	REV
	1001214038	Ref	ENGINE COMPONENTS - DEUTZ D2.9L4 ENGINE (CHINA SPEC)	B
1	70024904	1	Dipstick	
1	70024905	1	O-Ring	
2	7020465	2	Cap, Filler	
3	70005941	2	Plug, Oil	
4	70005942	2	Ring, Sealing	
5	70001870	1	Flywheel	
5	7024579	1	Ring, Gear	
6	70025198	1	Pulley, Crank	
7	70024906	1	Gasket, Head (Not Shown)	
7	70025205	1	Gasket, Valve Cover (Not Shown)	
7	70005171	1	Gasket, Valve Cover (Not Shown)	
8	70025076	1	Valve	
8	70025091	1	Plug	
8	70025176	1	Spring	
8	70025082	1	Seal	
9	70004280	1	Seal, Crankshaft (Front) (Not Shown)	
9	70002718	1	Seal, Crankshaft (Rear) (Not Shown)	
10	70005172	1	Pump, Oil Lube (Not Shown)	
10	70025135	1	O-Ring (Not Shown)	
10	70005173	1	Gasket (Not Shown)	
11	7016331	1	Filter, Oil	
12	70024494	1	Cooler, Oil	
12	70024925	1	Gasket	
13	70025171	1	Pipe, Oil Suction (Not Shown)	
14	70004281	4	Injector, Fuel	
14	70025140	4	Washer, Sealing	
14	70025146	4	Clamp (Top of Injector)	
14	70025145	4	O-Ring	
14	70025154	4	Shoe, Clamping	
15	70024961	1	Fuel Filter Assembly w/Filter	
15	70025153	1	Filter, Fuel	
15	70024513	1	Cable, Sensor	
15	70025239	1	Seal	
16	70025160	1	Fuel Filter Assembly w/Filter	
16	70025161	1	Filter, Fuel	
16	70024504	1	Sensor, Pressure	
16	70024920	1	O-Ring	
16	70004513	2	Ring, Sealing	
17	70005174	NLA	Pump, Fuel (Use p/n 1001226098)	
17	70025144	2	Clamp	
18	70025151	1	Rail, Fuel	
18	70025235	1	Repair Kit	
18	70025240	1	O-Ring	
19	70025182	1	Line, Fuel (Cylinder 1 + 2)	
19	70025183	1	Line, Fuel (Cylinder 3 + 4)	
19	70025184	1	Line, Fuel (Fuel Rail to Pump)	
20	70024502	1	Fuel Return pipe	
20	70025185	1	Hose, Fuel	
20	70025101	2	Clamp	

SECTION 3 - ENGINE

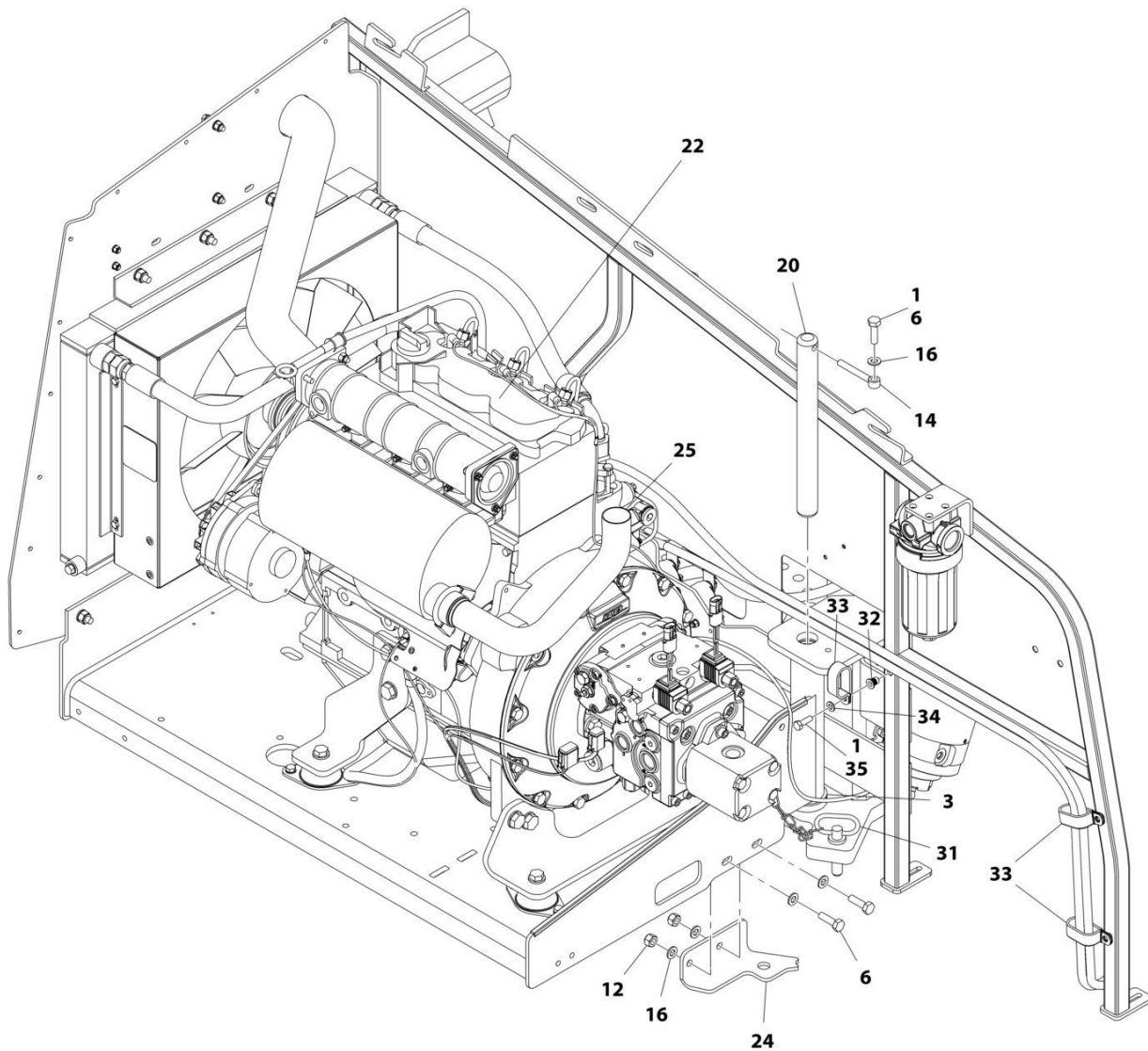
ITEM	PART NUMBER	QTY	DESCRIPTION	REV
20	70025109	2	Clamp	
20	70025115	1	Clamp, Pipe	
20	70025133	1	Hose	
20	70025148	1	Connector, Plug-in	
21	70005182	1	Elbow, Air Charger	
21	70005176	1	O-Ring	
21	70005177	1	Gasket	
21	70005180	1	Line, Breather	
21	70005181	1	O-Ring	
21	70005183	1	Line, Breather	
21	70025111	2	Clamp	
22	70025210	1	Module, ECU	
23	70024910	1	Pump, Water	
23	70025084	1	Plug	
23	7020492	1	O-Ring	
23	70025200	1	Seal	
23	70005929	1	Thermostat	
23	70005184	1	O-Ring (Thermostat)	
23	70025142	1	Cover, Thermostat	
23	70025159	1	Pulley, Water Pump	
24	70026995	1	Pipe	
24	70025179	1	Gasket	
25	70005185	1	Manifold	
25	70024912	1	Gasket	
26	70004282	1	Manifold, Exhaust	
26	70025164	1	Gasket, Exhaust Manifold	
27	70005186	1	Pipe	
27	70025179	1	Gasket (Two Hole)	
27	70025180	1	Gasket (Three Hole)	
28	70004283	1	Module, ERG	
28	70005188	1	Valve, Control	
28	70005189	1	Parts, Service	
29	70024914	1	Alternator	
29	70025149	1	Regulator	
29	70025131	1	Fan	
29	70025150	1	Pulley	
29	70025191	1	Plate, Retaining	
29	70025201	1	Bracket, Alternator	
30	70024913	1	V-Belt	
31	70024915	1	Starter	
31	70005647	1	Solenoid	
31	70005648	1	Relay	
32	70025231	1	Harness, Glow Plug (Not Shown)	
32	70025233	1	Connector (Not Shown)	
33	70025221	1	Connector, Plug-In (Not Shown)	
33	70025781	1	Connector, Plug-In (Not Shown)	
33	70025779	1	Ring, Fastening (Not Shown)	
34	70004284	1	Harness, Engine (Not Shown)	
34	70025165	1	Plate, Retaining (Not Shown)	
34	70025216	1	Adapter (Not Shown)	
34	70025215	1	Bracket, Fixing (Not Shown)	

SECTION 3 - ENGINE

ITEM	PART NUMBER	QTY	DESCRIPTION	REV
34	70025228	2	Bracket (Not Shown)	
34	70025226	1	Connector, Plug-In (Not Shown)	
34	70025220	5	Connector, Plug-In (Not Shown)	
34	70025222	3	Connector, Plug-In (Not Shown)	
34	70025223	1	Connector, Plug-In (Not Shown)	
34	70025219	1	Connector, Plug-In (Not Shown)	
34	70025238	1	Connector, Plug-In (Not Shown)	
34	70025221	2	Connector, Plug-In (Not Shown)	
34	70025217	8	Clamp (Not Shown)	
34	70025213	2	Clip (Not Shown)	
34	70025209	1	Bracket (Not Shown)	
34	70025225	1	Support (Not Shown)	
34	70025218	3	Clamp (Not Shown)	
34	70025237	1	Connector, Plug-In (Not Shown)	
34	70025214	1	Cap (Not Shown)	
34	70025224	2	Clamp (Not Shown)	
34	70025166	1	Support, Harness (Not Shown)	
34	70025211	1	Plate, Retaining (Not Shown)	
34	70025189	1	Plate, Retaining (Not Shown)	
34	70025236	1	Support, Harness (Not Shown)	
35	70024918	1	Sender, Temperature	
36	70024504	1	Sensor, Pressure (Not Shown - Located Left Side Front)	
36	70024920	1	O-Ring (Not Shown)	
37	70026210	1	Sensor, Speed (Not Shown)	
37	70005191	1	O-Ring	
38	70024507	1	Sensor, Pressure	
38	70025120	1	Seal	
39	70026210	1	Sensor, Speed	
39	70024917	1	Seal	
40	70025192	1	Housing	
40	70025113	2	Pin	
41	70000345	4	Plug, Glow (Not Shown)	
42	70005446	1	Outlet, Muffler	
42	70025877	1	Clamp	
42	70025242	2	Gasket	
42	70004504	1	Compensator	
42	70005527	1	Clamp	
42	70025877	1	Clamp	
42	70005940	1	Muffler	
43	70024924	1	High Pressure Fuel Pump	
43	70025152	1	O-Ring	
43	70004505	1	Valve, Overflow	
43	70004506	1	O-Ring	
43	70004507	1	O-Ring	
43	70004508	1	Valve, Controller	
43	70004509	1	O-Ring	
43	70004510	1	Gasket	
43	70024517	1	Seal	

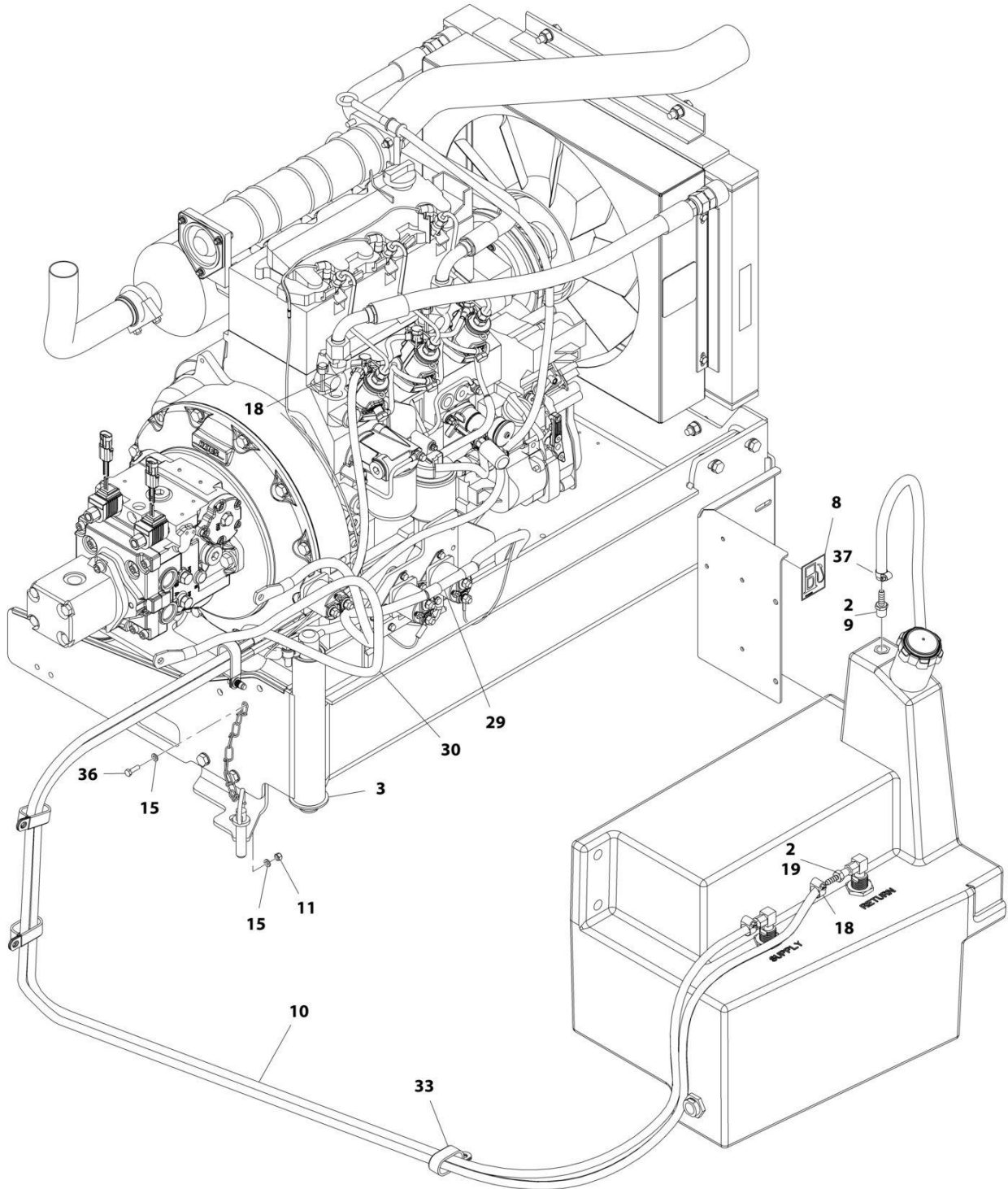
SECTION 3 - ENGINE

FIGURE 3-13. ENGINE INSTALLATION - DEUTZ D2011 ENGINE (WITHOUT ARCTIC PACKAGE) (ANSI EXPORT, AUSTRALIAN, CE AND CHINA SPECS)



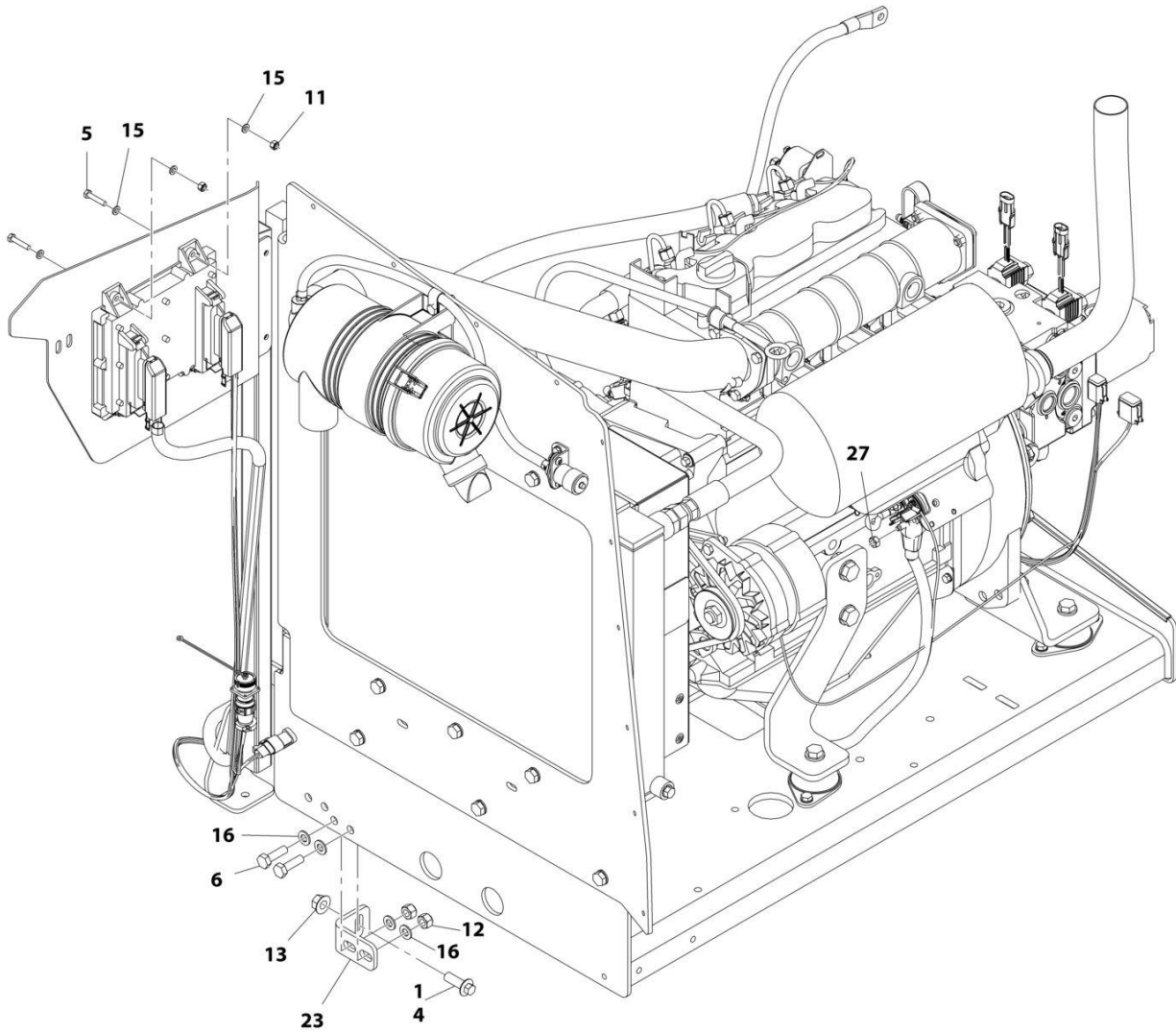
ART_1001166305_10F3

SECTION 3 - ENGINE



ART_1001166305_20F3

SECTION 3 - ENGINE



ART_1001166305_3OF3

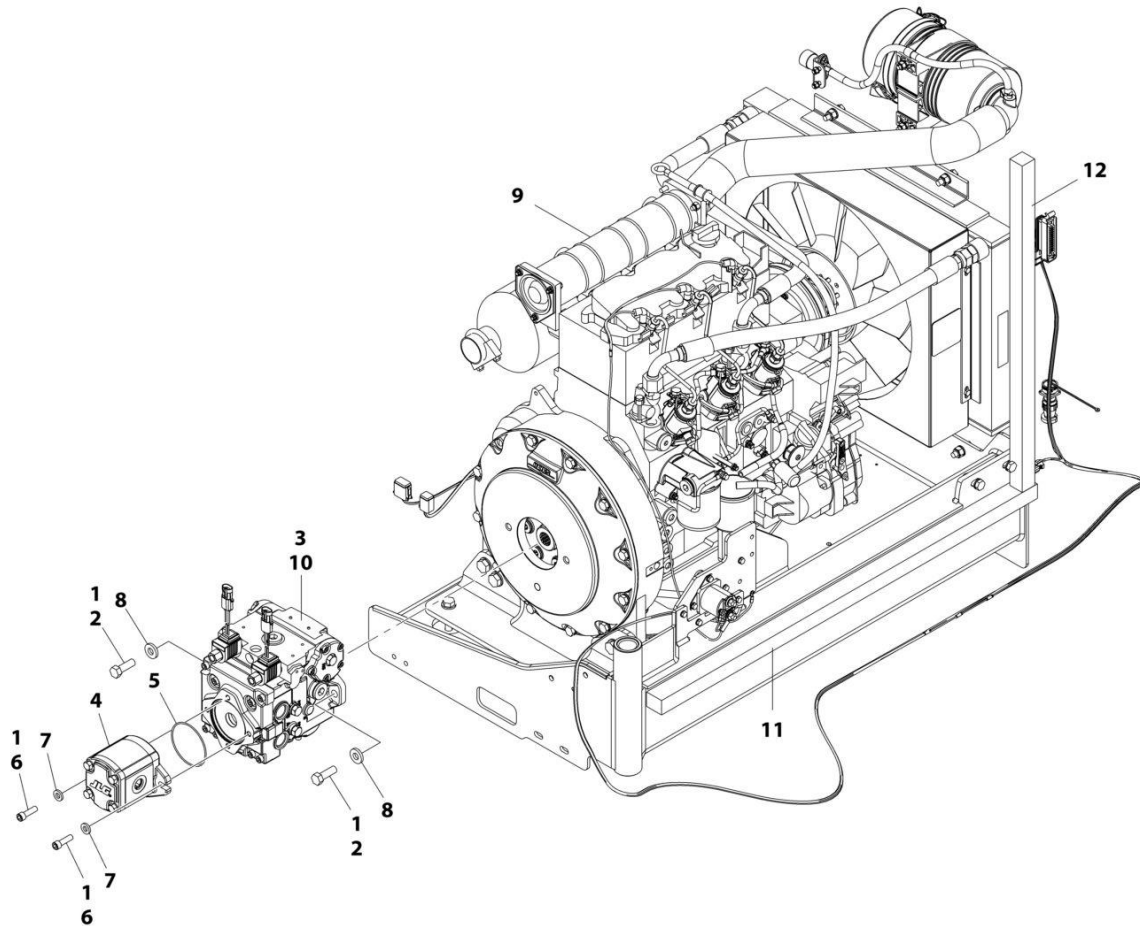
SECTION 3 - ENGINE

FIGURE 3-13. ENGINE INSTALLATION - DEUTZ D2011 ENGINE (WITHOUT ARCTIC PACKAGE) (ANSI EXPORT, AUSTRALIAN, CE AND CHINA SPECS)

ITEM	PART NUMBER	QTY	DESCRIPTION	REV
	1001166305	Ref	ENGINE INSTALLATION - DEUTZ D2011 ENGINE (WITHOUT ARCTIC PACKAGE) (ANSI EXPORT, AUSTRALIAN, CE AND CHINA SPECS)	F
1	0100011	AR	Compound, Locking	
2	0100020	AR	Sealant, Pipe	
3	0440162	1	Bearing	
4	5251215	1	Bolt, M12 x 35mm	
5	0760614	4	Bolt, M6 x 30mm	
6	0761015	5	Bolt, M10 x 35mm	
7	1704972	1	Decal - Warning Explosion/Fire	
8	1701505	1	Decal - Diesel Fuel	
9	2180876	1	Fitting, Barbed	
10	2720058	22 ft /6.7m	Hose	
11	3290605	5	Nut, Lock M6 x 1	
12	3291005	4	Nut, Lock M10 x 1.5	
13	5261200	1	Nut, Flange M12 Grade 10.9	
14	3841143	1	Keeper, Pin	
15	4811700	10	Washer, M6	
16	4812000	9	Washer, M10	
18	8410013	4	Clamp	
19	2180348	2	Fitting, Barbed	
20	1001135196	1	Pin	
22	1001166021	1	Engine and Pump Sub-Assembly - Deutz D2011 (Without Arctic Package) (ANSI Export, Australian, CE and China Specs) (See ENGINE AND PUMP SUB-ASSEMBLY - DEUTZ D2011 (WITHOUT ARCTIC PACKAGE) (ANSI EXPORT, AUSTRALIAN, CE AND CHINA SPECS) for Breakdown)	
23	1001167512	1	Bracket, Engine	
24	1001169823	1	Bracket, Engine	
25	1001172202	1	Pipe, Exhaust	
27	3290801	1	Nut, M8 x 1.25	
29	1001171681	1	Cable, Battery (Red) (Battery Positive to Auxiliary Power Relay)	
30	1001171682	1	Cable, Battery (Black) (Battery Negative to Auxiliary Power Pump)	
31	3422532	1	Pin	
32	1001191832	1	Nut, Rivet, M8	
33	1321716	4	Clamp	
34	4811900	1	Washer, M8	
35	0760812	1	Bolt, M8 x 25mm	
36	0760610	1	Bolt, M6 x 20mm	
37	1320022	1	Clamp	

SECTION 3 - ENGINE

FIGURE 3-14. ENGINE AND PUMP SUB-ASSEMBLY - DEUTZ D2011 (WITHOUT ARCTIC PACKAGE)
(ANSI EXPORT, AUSTRALIAN, CE AND CHINA SPECS)



ART_1001166021

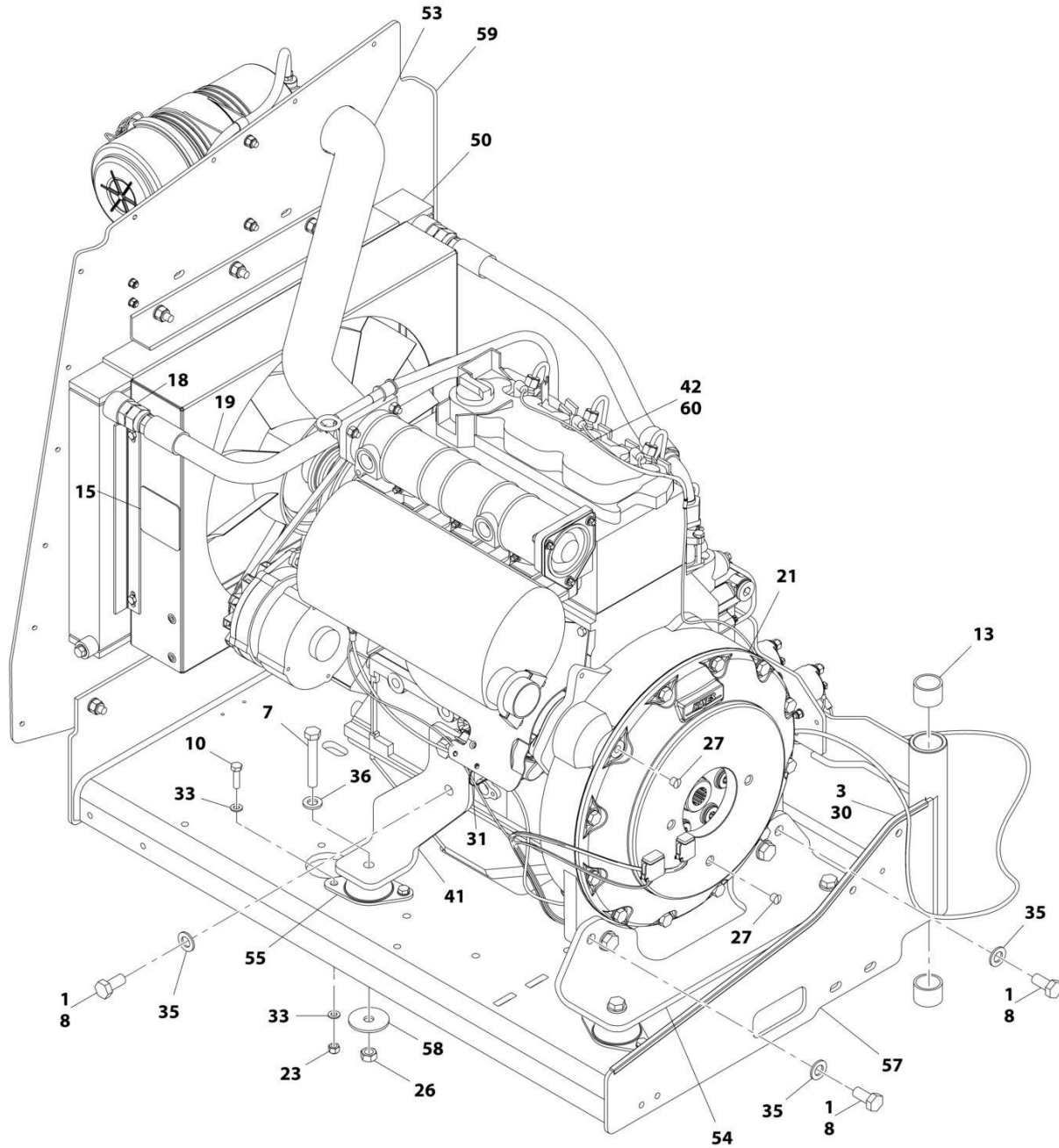
SECTION 3 - ENGINE

**FIGURE 3-14. ENGINE AND PUMP SUB-ASSEMBLY - DEUTZ D2011 (WITHOUT ARCTIC PACKAGE)
(ANSI EXPORT, AUSTRALIAN, CE AND CHINA SPECS)**

ITEM	PART NUMBER	QTY	DESCRIPTION	REV
	1001166021	Ref	ENGINE AND PUMP SUB-ASSEMBLY - DEUTZ D2011 (WITHOUT ARCTIC PACKAGE) (ANSI EXPORT, AUSTRALIAN, CE AND CHINA SPECS)	E
1	0100011	AR	Compound, Locking	
2	0641812	2	Bolt, 1/2-13 x 1-1/2	
3	3020037	AR	Lube	
4	3600242	1	Gear Pump Assembly (See GEAR PUMP ASSEMBLY for Breakdown) (SN 0300201991 through 0300233105, SN E300002833 through E300004770)	
4	1001214207	1	Gear Pump Assembly (SN 0300233106 through 0300272317, SN 1300007279 through 1300007373, SN B300003516 through B300005760, SN E300004771 through E300007990, Except SN 0300272185 through 0300272190, Excluding B300005569 and E300007814)	
4	70006356	1	Seal Kit - 1001214207 Pump	
5	3790152	1	O-Ring	
6	3931620	2	Capscrew 3/8 x 1-1/4	
6	3931618	2	Capscrew 3/8 x 1-1/8	
7	4891600	2	Washer, 3/8 Hardened	
8	4891800	2	Washer, 1/2 Hardened	
9	1001166020	1	Engine Assembly - Deutz D2011 Engine (Without Arctic Package) (ANSI Export, Australian, CE and China Specs) (See ENGINE ASSEMBLY - DEUTZ D2011 ENGINE (WITHOUT ARCTIC PACKAGE) (ANSI EXPORT, AUSTRALIAN, CE AND CHINA SPECS) for Breakdown)	
10	1001167036	1	Piston Pump Assembly (See PISTON PUMP ASSEMBLY for Breakdown)	
11	1001171953	1	Seal	
12	1001171954	1	Seal	

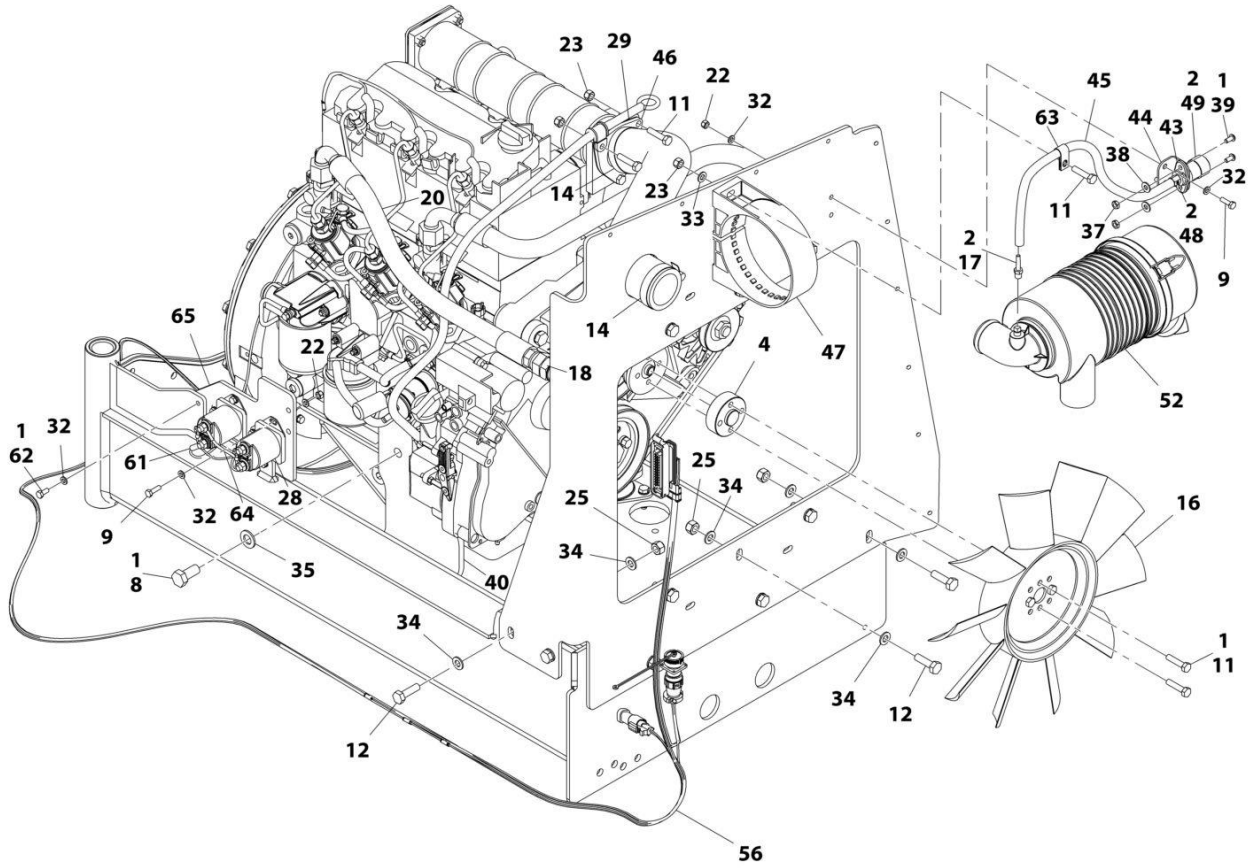
SECTION 3 - ENGINE

FIGURE 3-15. ENGINE ASSEMBLY - DEUTZ D2011 ENGINE (WITHOUT ARCTIC PACKAGE) (ANSI EXPORT, AUSTRALIAN, CE AND CHINA SPECS)



ART_1001166020_1OF2

SECTION 3 - ENGINE



ART_1001166020_2OF2

SECTION 3 - ENGINE

FIGURE 3-15. ENGINE ASSEMBLY - DEUTZ D2011 ENGINE (WITHOUT ARCTIC PACKAGE) (ANSI EXPORT, AUSTRALIAN, CE AND CHINA SPECS)

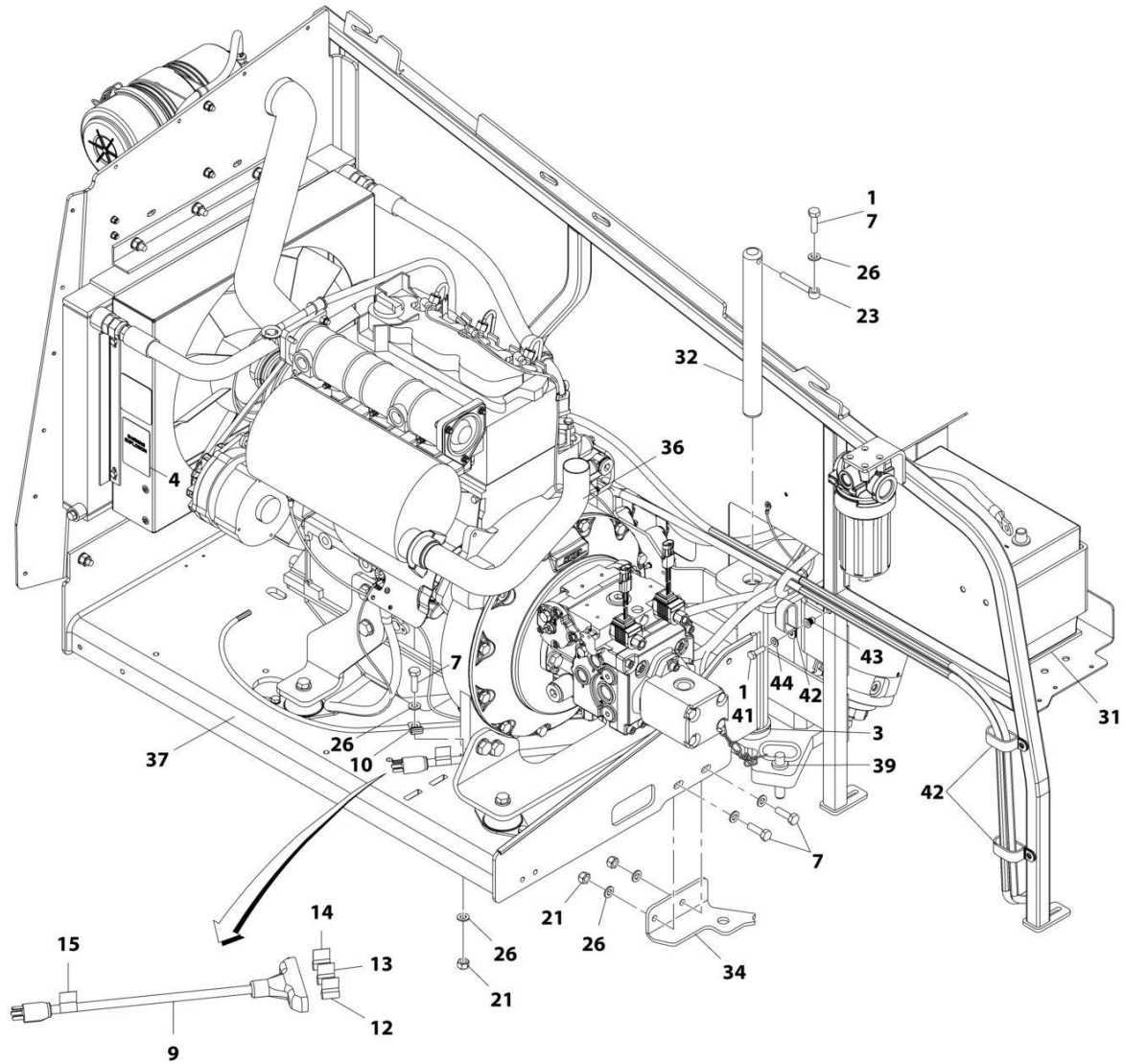
ITEM	PART NUMBER	QTY	DESCRIPTION	REV
	1001166020	Ref	ENGINE ASSEMBLY - DEUTZ D2011 ENGINE (WITHOUT ARCTIC PACKAGE) (ANSI EXPORT, AUSTRALIAN, CE AND CHINA SPECS)	K
1	0100011	AR	Compound, Locking	
2	0100020	AR	Sealant, Pipe	
3	0100081	AR	Adhesive	
4	0080231	1	Spacer, Fan	
7	0711224	4	Bolt, M12 x 80mm Grade 10.9	
8	0771414	8	Bolt, M14 x 30mm Grade 10.9	
9	0760610	6	Bolt, M6 x 20mm	
10	0760814	8	Bolt, M8 x 30mm	
11	0760815	9	Bolt, M8 x 35mm	
12	0761015	11	Bolt, M10 x 35mm	
13	0961951	2	Bushing	
14	1320016	2	Clamp	
15	1703162	2	Decal - Caution Fan	
16	2060025	1	Fan	
17	2220315	1	Fitting, Barbed	
18	2220451	2	Fitting, Straight JIC/ORB	
19	2720398	1	Hose	
20	2720447	1	Hose	
21	2902065	1	Pump Coupling Kit (See PUMP COUPLING KIT for Breakdown)	
22	3290605	6	Nut, Lock, M6 x 1	
23	3290805	13	Nut, Lock M8 x 1.25	
25	3291005	11	Nut, Lock M10 x 1.5	
26	3331215	4	Nut, M12 x 1.75	
27	3520054	2	Plug	
28	3740067	2	Relay Assembly	
28	3300220	2	Nut	
28	3321001	1	Nut, #10-32	
28	3740140	1	Relay	
28	4761000	1	Washer, Lock #10	
28	1001111424	2	Washer	
29	3960407	1	Gasket	
30	4060805	2.25 ft/ 0.69m	Trim, Flex Shield	
31	4240099	AR	Tie-Strap	
32	4811700	15	Washer, M6	
33	4811900	20	Washer, M8	
34	4812000	22	Washer, M10	
35	4812200	8	Washer, M14	
36	5241200	4	Washer, M12 Hardened	
37	8305401	2	Nut, Jam .250-20	
38	8307109	2	Washer, .250	
39	8310548	2	Screw, 1/4 NC x 1/2	
40	1001132195	1	Bracket, Engine Mount	
41	1001132196	1	Bracket, Engine Mount	
42	1001136079	3 gal/ 11.3L	Oil, Motor	
43	1001138173	1	Support, Service Indicator	

SECTION 3 - ENGINE

ITEM	PART NUMBER	QTY	DESCRIPTION	REV
44	1001138175	1	Bracket, Service Indicator	
45	1001138248	2 ft/ 0.61m	Tube	
46	1001139819	1	Adapter, Air Intake	
47	1001141694	1	Clamp, Air Cleaner	
48	1001141995	1	Fitting, Barbed	
49	1001143390	1	Indicator	
50	1001150998	1	Radiator	
52	1001165388	1	Air Cleaner Assembly	
52	70003783	1	Element, Air Cleaner	
53	1001165389	1	Hose	
54	1001166717	1	Bracket, Engine Mount	
55	1001166718	4	Isolator, Engine Mount	
56	1001167111	1	Harness Engine - Deutz D2011 (See ELECTRICAL SECTION for Breakdown)	
57	1001167520	1	Tray, Engine	
58	1001168018	4	Washer, Snubbing	
59	1001168059	1	Plate, Radiator Mounting	
60	1001170693	1	Engine, Deutz D2011 (See ENGINE COMPONENTS - DEUTZ D2011 ENGINE for Breakdown)	
61	4923451	1	Harness, Glow Plugs	
62	0760614	3	Bolt, M6 x 30	
63	8406109	1	Clip	
64	1001178859	1	Cable, Alternator	
65	1001179903	1	Bracket (SN 0300201991 through 0300216879, SN E300002833 through E300003245)	
65	1001214975	1	Bracket (SN 0300216880 through 0300272317, SN 1300007279 through 1300007373, SN B300003516 through B300005760, SN E300003246 through E300007990, Except SN 0300272185 through 0300272190, Excluding B300005569 and E300007814)	

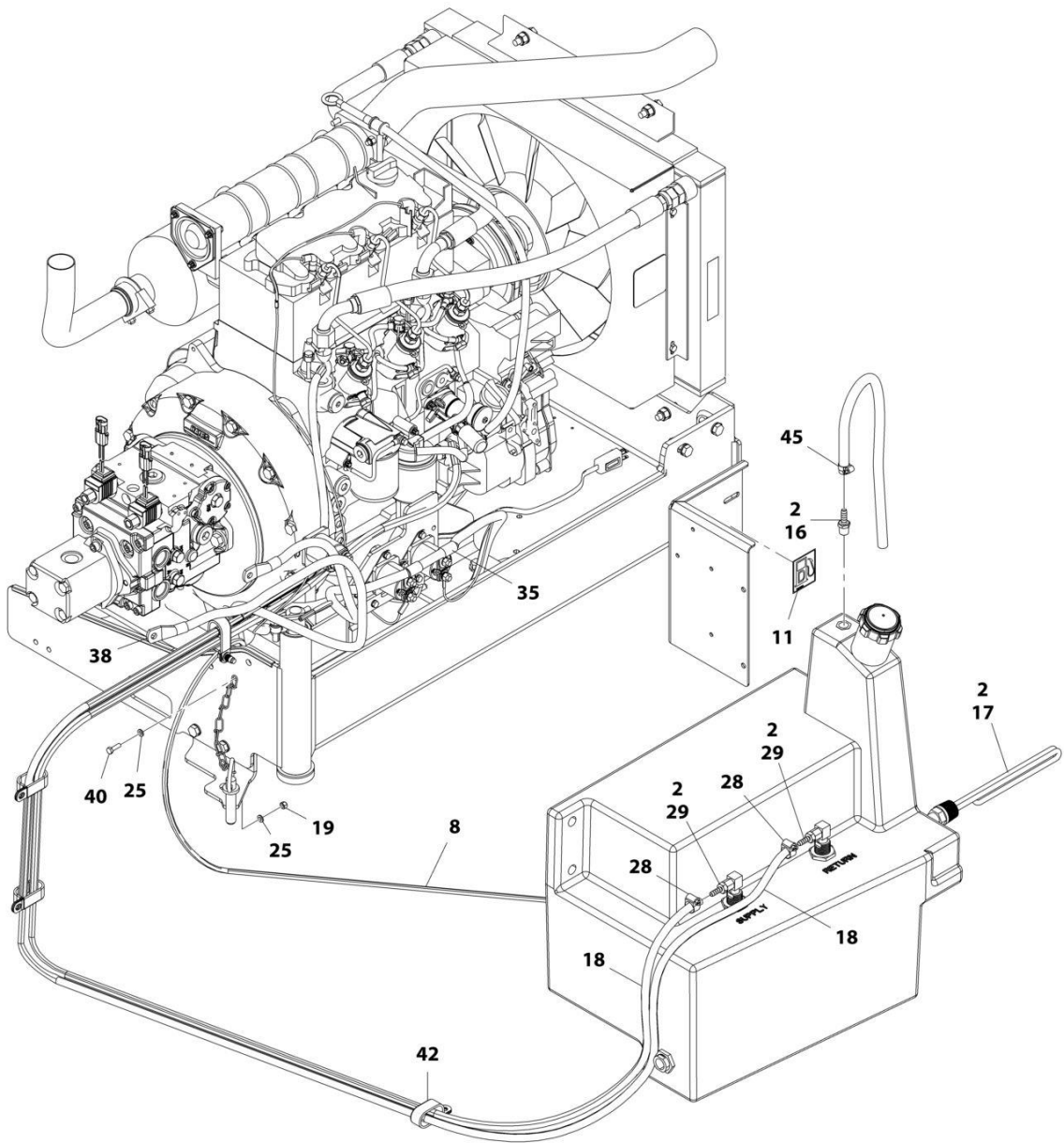
SECTION 3 - ENGINE

FIGURE 3-16. ENGINE INSTALLATION - DEUTZ D2011 ENGINE (WITH ARCTIC PACKAGE) (ANSI EXPORT AND CHINA SPECS)



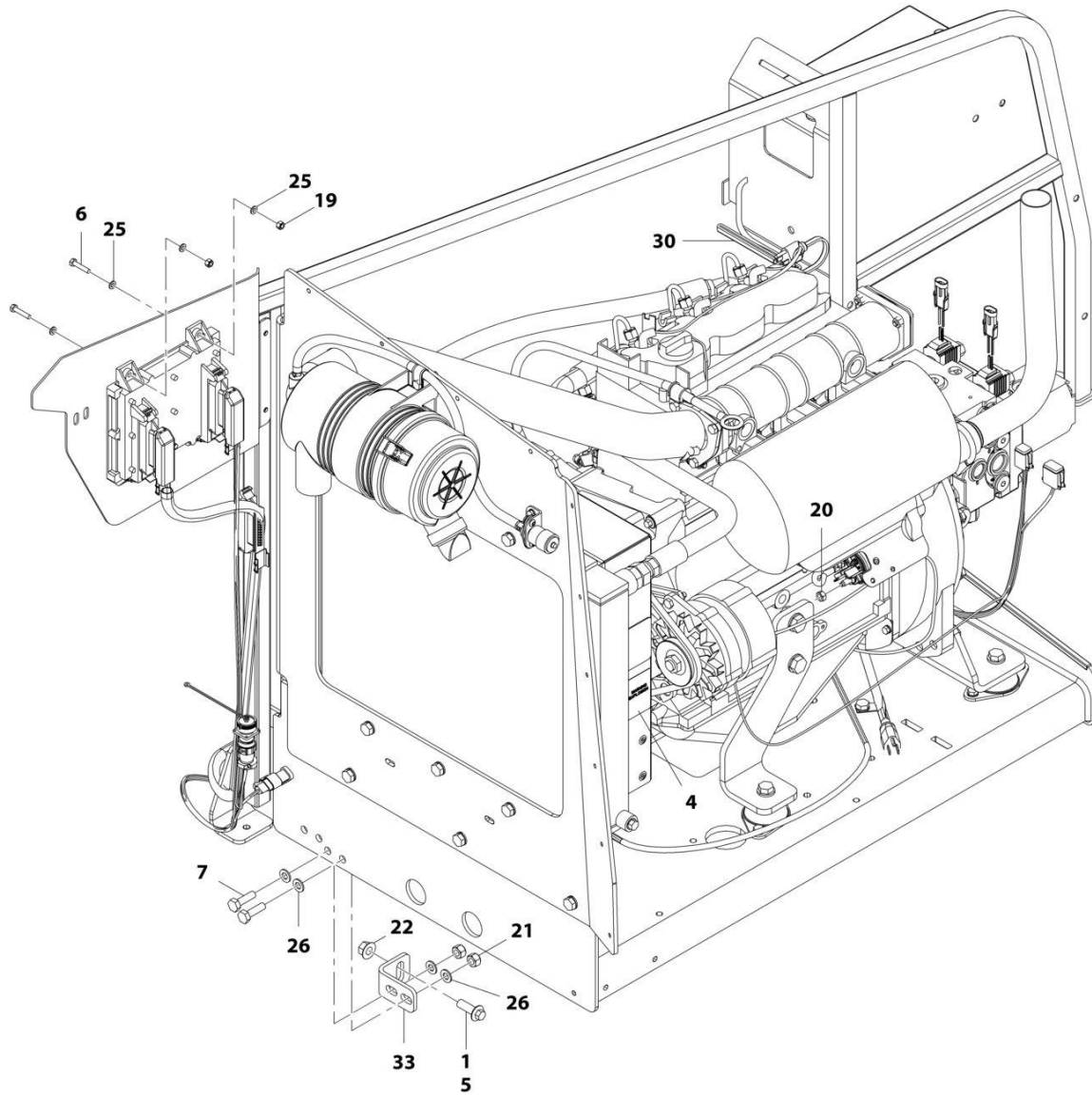
ART_1001174785_10F3

SECTION 3 - ENGINE



ART_1001174785_20F3

SECTION 3 - ENGINE



ART_1001174785_3OF3

SECTION 3 - ENGINE

FIGURE 3-16. ENGINE INSTALLATION - DEUTZ D2011 ENGINE (WITH ARCTIC PACKAGE) (ANSI EXPORT AND CHINA SPECS)

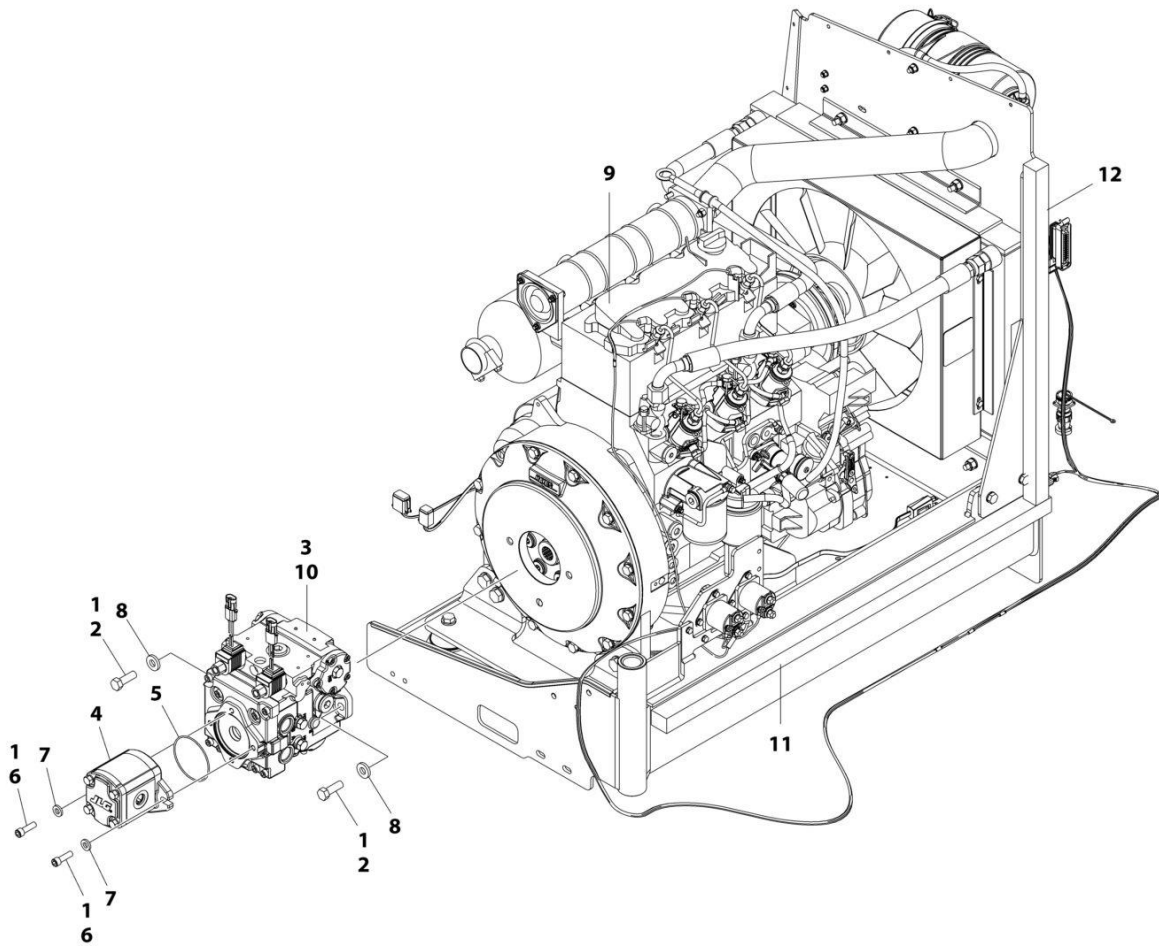
ITEM	PART NUMBER	QTY	DESCRIPTION	REV
	1001174785	Ref	ENGINE INSTALLATION - DEUTZ D2011 ENGINE (WITH ARCTIC PACKAGE) (ANSI EXPORT AND CHINA SPECS)	F
1	0100011	AR	Compound, Locking	
2	0100020	AR	Sealant, Pipe	
3	0440162	1	Bearing	
4	1704972	1	Decal - Warning Explosion/Fire	
5	5251215	1	Bolt, M12 x 35mm	
6	0760614	4	Bolt, M6 x 30mm	
7	0761015	6	Bolt, M10 x 35mm	
8	1060625	1	Cable, Immersion Heater (SN 0300201991 through 0300206616)	
9	1060626	1	Plug, 3 Way	
10	1320223	1	Clamp	
11	1701505	1	Decal - Diesel Fuel	
12	1702941	1	Decal - Battery Heater	
13	1702942	1	Decal - Engine Block Heater	
14	1702943	1	Decal - Hydraulic Tank Heater	
15	1702944	1	Decal - Heater Cord	
16	2180876	1	Fitting, Barbed	
17	2580050	1	Heater, Hydraulic Tank (SN 0300201991 through 0300206616)	
17	1001188972	1	Heater, Hydraulic Tank (SN 0300206617 through 0300272317, SN B300003516 through B300005760, Except SN 0300272185 through 0300272190, Excluding B300005569)	
18	2720058	22 ft /6.7m	Hose	
19	3290605	5	Nut, Lock M6 x 1	
20	3290801	1	Hex Nut, M8 x 1.25	
21	3291005	5	Nut, Lock M10 x 1.5	
22	5261200	1	Nut, Flange M12 Grade 10.9	
23	3841143	1	Keeper, Pin	
25	4811700	10	Washer, M6	
26	4812000	11	Washer, M10	
28	8410013	4	Clamp	
29	2180348	2	Fitting, Barbed	
30	1001097000	1	Heater, Battery (SN 0300201991 through 0300206616)	
30	2580024	1	Heater, Battery (SN 0300206617 through 0300272317, SN B300003516 through B300005760, Except SN 0300272185 through 0300272190, Excluding B300005569)	
31	1001119278	1	Insulate	
32	1001135196	1	Pin	
33	1001167512	1	Bracket, Engine	
34	1001169823	1	Plate, Engine Lock	
35	1001171681	1	Cable, Battery (Red) (Battery Positive to Auxiliary Power Relay)	
36	1001172202	1	Pipe, Exhaust	
37	1001174784	1	Engine and Pump Sub-Assembly - Deutz D2011 (With Arctic Package) (ANSI Export and China Specs) (See ENGINE AND PUMP SUB-ASSEMBLY - DEUTZ D2011 (WITH ARCTIC PACKAGE) (ANSI EXPORT AND CHINA SPECS) for Breakdown)	
38	1001171682	1	Cable, Battery (Black) (Battery Negative to Auxiliary Power Pump)	
39	3422532	1	Pin	
40	0760610	1	Bolt, M6 x 20mm	
41	0760812	1	Bolt, M8 x 25mm	

SECTION 3 - ENGINE

ITEM	PART NUMBER	QTY	DESCRIPTION	REV
42	1321716	4	Clamp	
43	1001191832	1	Nut, Rivet M8	
44	4811900	1	Washer, M8	
45	1320022	1	Clamp	

SECTION 3 - ENGINE

FIGURE 3-17. ENGINE AND PUMP SUB-ASSEMBLY - DEUTZ D2011 (WITH ARCTIC PACKAGE) (ANSI EXPORT AND CHINA SPECS)



ART_1001174784

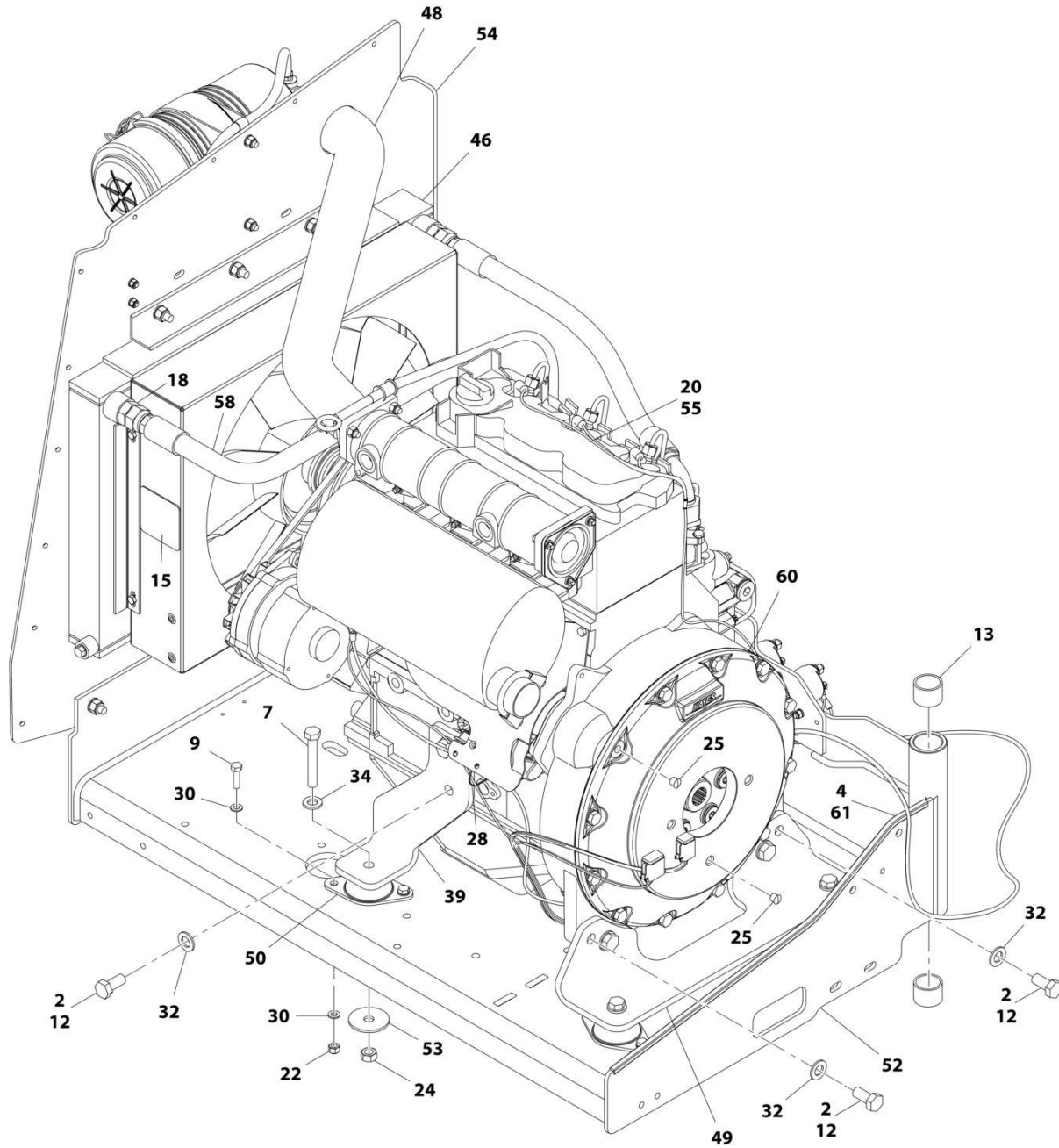
SECTION 3 - ENGINE

FIGURE 3-17. ENGINE AND PUMP SUB-ASSEMBLY - DEUTZ D2011 (WITH ARCTIC PACKAGE) (ANSI EXPORT AND CHINA SPECS)

ITEM	PART NUMBER	QTY	DESCRIPTION	REV
	1001174784	Ref	ENGINE AND PUMP SUB-ASSEMBLY - DEUTZ D2011 (WITH ARCTIC PACKAGE) (ANSI EXPORT AND CHINA SPECS)	E
1	0100011	AR	Compound, Locking	
2	0641812	2	Bolt, 1/2-13 x 1-1/2	
3	3020037	AR	Lube	
4	3600242	1	Gear Pump Assembly (See GEAR PUMP ASSEMBLY for Breakdown) (SN 0300201991 through 0300233105)	
4	1001214207	1	Gear Pump Assembly (SN 0300233106 through 0300272317, SN B300003516 through B300005760, Except SN 0300272185 through 0300272190, Excluding B300005569)	
4	70006356	1	Seal Kit - 1001214207 Pump	
5	3790152	1	O-Ring	
6	3931620	2	Capscrew 3/8 x 1-1/4	
6	3931618	2	Capscrew 3/8 x 1-1/8	
7	4891600	2	Washer, 3/8 Hardened	
8	4891800	2	Washer, 1/2 Hardened	
9	1001174783	1	Engine Assembly - Deutz D2011 Engine (With Arctic Package) (ANSI Export and China Specs) (See ENGINE ASSEMBLY - DEUTZ D2011 ENGINE (WITH ARCTIC PACKAGE) (ANSI EXPORT AND CHINA SPECS) for Breakdown)	
10	1001167036	1	Piston Pump Assembly (See PISTON PUMP ASSEMBLY for Breakdown)	
11	1001171953	1	Seal	
12	1001171954	1	Seal	

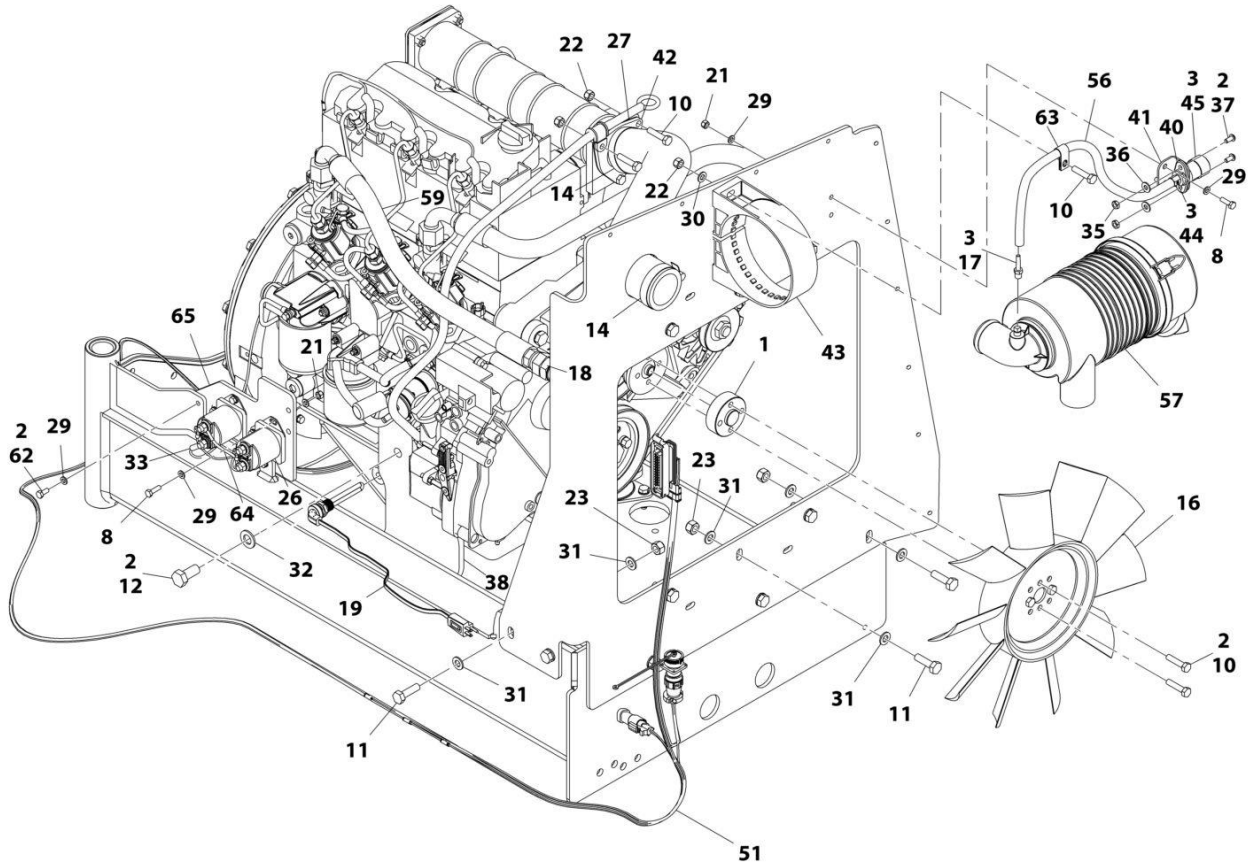
SECTION 3 - ENGINE

FIGURE 3-18. ENGINE ASSEMBLY - DEUTZ D2011 ENGINE (WITH ARCTIC PACKAGE) (ANSI EXPORT AND CHINA SPECS)



ART_1001174783_1OF2

SECTION 3 - ENGINE



ART_1001174783_20F2

SECTION 3 - ENGINE

FIGURE 3-18. ENGINE ASSEMBLY - DEUTZ D2011 ENGINE (WITH ARCTIC PACKAGE) (ANSI EXPORT AND CHINA SPECS)

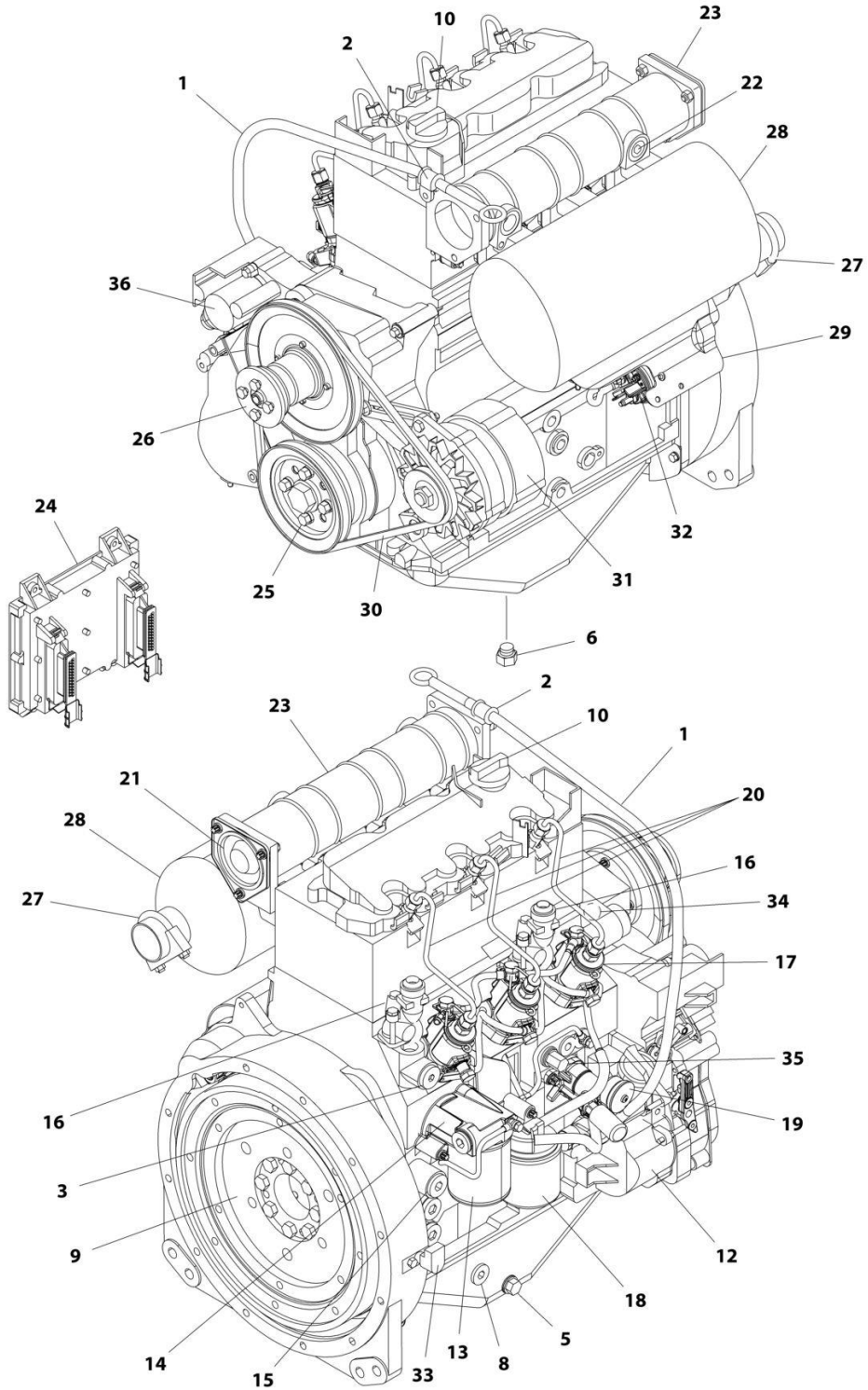
ITEM	PART NUMBER	QTY	DESCRIPTION	REV
	1001174783	Ref	ENGINE ASSEMBLY - DEUTZ D2011 ENGINE (WITH ARCTIC PACKAGE) (ANSI EXPORT AND CHINA SPECS)	J
1	0080231	1	Spacer, Fan	
2	0100011	AR	Compound, Locking	
3	0100020	AR	Sealant, Pipe	
4	0100081	AR	Adhesive	
7	0711224	4	Bolt, M12 x 80mm Grade 10.9	
8	0760610	6	Bolt, M6 x 20mm	
9	0760814	8	Bolt, M8 x 30mm	
10	0760815	9	Bolt, M8 x 35mm	
11	0761015	11	Bolt, M10 x 35mm	
12	0771414	8	Bolt, M14 x 30mm Grade 10.9	
13	0961951	2	Bushing	
14	1320016	2	Clamp	
15	1703162	2	Decal - Caution Fan	
16	2060025	1	Fan	
17	2220315	1	Fitting, Barbed	
18	2220451	2	Fitting, Straight JIC/ORB	
19	2580062	1	Heater, Engine Block	
20	3020044	3 gal/ 11.3L	Oil, Motor	
21	3290605	6	Nut, Lock M6 x 1	
22	3290805	13	Nut, Lock M8 x 1.25	
23	3291005	11	Nut, Lock M10 x 1.5	
24	3331215	4	Nut, M12 x 1.75	
25	3520054	2	Plug	
26	3740067	2	Relay Assembly	
26	3300220	2	Nut	
26	3321001	1	Nut, #10-32	
26	3740140	1	Relay	
26	4761000	1	Washer, Lock #10	
26	1001111424	2	Washer	
27	3960407	1	Gasket	
28	4240099	AR	Tie-Strap (Not Shown)	
29	4811700	15	Washer, M6	
30	4811900	20	Washer, M8	
31	4812000	22	Washer, M10	
32	4812200	8	Washer, M14	
33	4923451	1	Harness, Glow Plugs	
34	5241200	4	Washer, M12 Hardened	
35	8305401	2	Nut, Jam, .250-20	
36	8307109	2	Washer, .250	
37	8310548	2	Screw, 1/4 NC x 1/2	
38	1001132195	1	Bracket, Engine Mount	
39	1001132196	1	Bracket, Engine Mount	
40	1001138173	1	Support, Service Indicator	
41	1001138175	1	Bracket, Service Indicator	
42	1001139819	1	Adapter, Air Intake	
43	1001141694	1	Clamp, Air Cleaner	

SECTION 3 - ENGINE

ITEM	PART NUMBER	QTY	DESCRIPTION	REV
44	1001141995	1	Fitting, Barbed	
45	1001143390	1	Indicator	
46	1001150998	1	Radiator	
48	1001165389	1	Hose	
49	1001166717	1	Bracket, Engine Mount	
50	1001166718	4	Isolator, Engine Mount	
51	1001167111	1	Harness Engine - Deutz D2011 (See ELECTRICAL SECTION for Breakdown)	
52	1001167520	1	Tray, Engine	
53	1001168018	4	Washer, Snubbing	
54	1001168059	1	Plate, Radiator Mounting	
55	1001170693	1	Engine, Deutz D2011 (See ENGINE COMPONENTS - DEUTZ D2011 ENGINE for Breakdown)	
56	1001138248	2 ft/ 0.61m	Tube	
57	1001165388	1	Air Cleaner Assembly	
57	70003783	1	Element, Air Cleaner	
58	2720398	1	Hose	
59	2720447	1	Hose	
60	2902065	1	Pump Coupling Kit (See PUMP COUPLING KIT for Breakdown)	
61	4060805	2.25 ft/ 0.69m	Trim, Flex Shield	
62	0760614	3	Bolt, M6 x 30	
63	8406109	1	Clip	
64	1001178859	1	Cable, Alternator	
65	1001179903	1	Bracket (SN 0300201991 through 0300216879)	
65	1001214975	1	Bracket (SN 0300216880 through 0300272317, SN B300003516 through B300005760, Except SN 0300272185 through 0300272190, Excluding B300005569)	

SECTION 3 - ENGINE

FIGURE 3-19. ENGINE COMPONENTS - DEUTZ D2011



ART_1001170693

SECTION 3 - ENGINE

FIGURE 3-19. ENGINE COMPONENTS - DEUTZ D2011

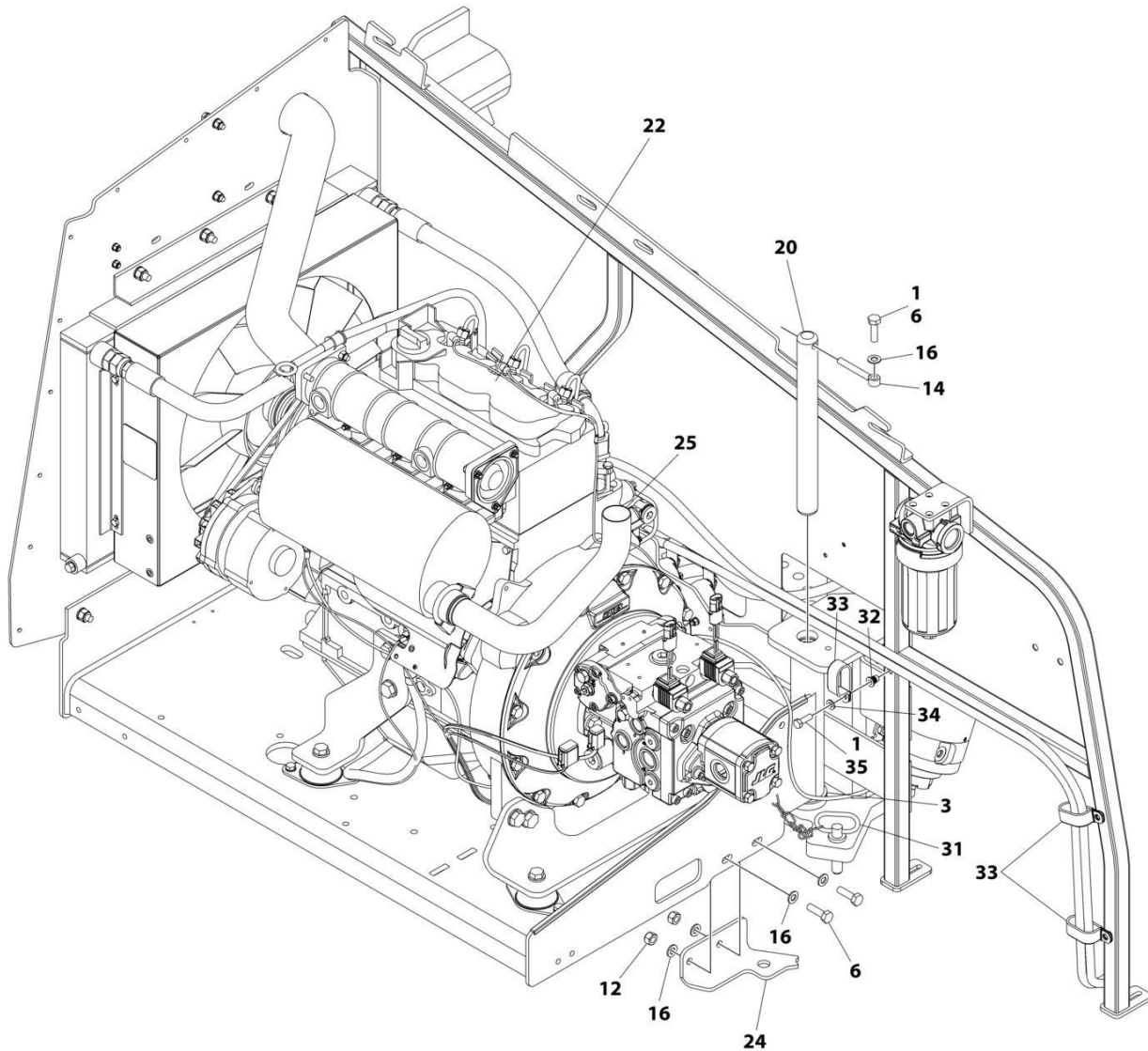
ITEM	PART NUMBER	QTY	DESCRIPTION	REV
	1001170693	Ref	ENGINE COMPONENTS - DEUTZ D2011	C
1	70001002	1	Tube, Dipstick	
1	7020403	1	Seal, Tube	
1	7020026	1	Dipstick	
2	70001654	1	Clamp	
2	70001655	1	Bolt	
3	70003475	1	Thermostat	
3	7020460	1	Spring	
4		Ref	Seal and Gasket Options (Not Shown):	
4	70002718	1	Seal, Rear Main	
4	7020430	1	Gasket, Valve Cover	
4	70003479	1	Gasket, Head - 1 Notch	
4	70003480	1	Gasket, Head - 2 Notch	
4	70003481	1	Gasket, Head - 3 Notch	
5	70025088	1	Plug	
6	70025667	1	Plug	
7	70025123	22	Bolt, Torx (Oil Pan Bolts) (Not Shown)	
8	7020492	1	Seal	
8	70025084	1	Plug	
9	70001870	1	Flywheel	
9	7024579	1	Ring Gear (Part of Flywheel)	
9	70025139	8	Bolt	
10	7020465	1	Cap, Oil Fill	
11	70000800	1	Timing Belt/Idler Kit (Includes Timing Belt, Tensioner and Tensioner Bolt) (Not Shown)	
12	70001850	1	Pump, Lubricating	
12	7020468	1	Seal, Pump to Engine Block (Not Shown)	
13	7016331	1	Filter, Oil	
14	70003472	1	Bracket, Oil Filter (Includes Plug with Seal, Temperature Sensor, Control Valve and Compression Spring)	
14	7027236	1	Sender, Temperature	
14	70025082	1	Seal, Plug	
14	70025091	1	Plug	
14	70003473	1	Gasket, Bracket to Engine Block (Not Shown)	
15	70001181	1	Valve	
15	70025091	1	Plug	
15	70025082	1	Seal, Plug	
16	70004268	2	Connector, Radiator Neck	
16	70004269	2	Seal, Radiator Neck to Engine Block	
17	70000912	3	Pump, Fuel Injector - A Spec	
17	70000913	3	Pump, Fuel Injector - B Spec	
17	70000914	3	Pump, Fuel Injector - C Spec	
17	70000915	3	Pump, Fuel Injector - D Spec	
17	70003464	3	O-Ring, Pump to Engine Block	
18	7020023	1	Filter, Fuel	
18	70003463	1	Filter, Fuel - RME Resistant	
18	70001423	1	Bracket, Fuel Filter	
19	70000916	1	Pump Fuel Supply	
19	70000917	1	O-Seal Between Fuel Pump and Engine Block	
19	70000918	1	Sealing Ring Between Hand Pump and Supply Pump	

SECTION 3 - ENGINE

ITEM	PART NUMBER	QTY	DESCRIPTION	REV
19	7000919	1	Pump, Hand	
19	70001435	1	Repair Kit	
19	70025694	2	Bolt, Torx	
20	70000931	3	Pipe, High Pressure	
21	70003469	1	Flange, Intake	
21	70003468	1	Seal	
22	70025084	1	Plug	
22	7020492	1	Seal, Plug	
23	7027903	1	Manifold, Air Intake	
23	70001871	3	Gasket Between Manifold and Engine Block	
24	See Note	1	Module, Engine Control (Note: Not Currently Available)	
24	7027796	1	Cable, Electrical Between Module and Engine Harness (Not Shown)	
24	70001872	1	Harness, Engine (Connects to p/n 70004060) (Not Shown)	
24	70004060	1	Plug, Connector Located on Cable Near Module (Not Shown)	
24	70004059	1	Plug, Analyzer (Not Shown)	
25	70025123	4	Bolt, Torx	
26	70000787	1	Support, Fan (Includes Support, Internal Shaft, Bearings and Circlip)	
27	70001844	1	Clamp	
28	See Note	1	Muffler (Note: See ENGINE ASSEMBLY)	
28	7020471	3	Gasket, Exhaust Between Muffler and Engine Block	
28	70004270	6	Stud, Muffler	
29	70001498	1	Shield, Starter	
29	70025693	3	Bolt	
30	70004102	1	V-Belt	
31	70004056	1	Alternator (Includes Voltage Regulator and Gaskets, Fan and Fan Mounting Hardware)	
31	70001868	1	Regulator, Voltage	
31	70001866	1	Gasket Set, Voltage Regulator	
31	70025131	1	Fan	
31	70025086	1	Nut, Fan	
31	70000851	1	Bracket, Alternator Mounting	
31	70002234	1	Bracket, Alternator Adjustment	
31	70004103	1	Harness, Alternator (Not Shown)	
32	7020479	1	Starter	
32	70025121	2	Bolt, Starter Mounting	
32	70004058	1	Relay	
32	70004062	1	Harness, Starter (Not Shown)	
33	7024565	1	Sensor, Speed	
33	70003931	1	Bolt	
33	70003932	1	Spacer, Sleeve	
34	7027791	1	Sender, Temperature	
35	7027790	1	Sensor, Oil Pressure	
36	7027792	1	Actuator	
37	70000345	3	Plug, Glow (Not Shown)	

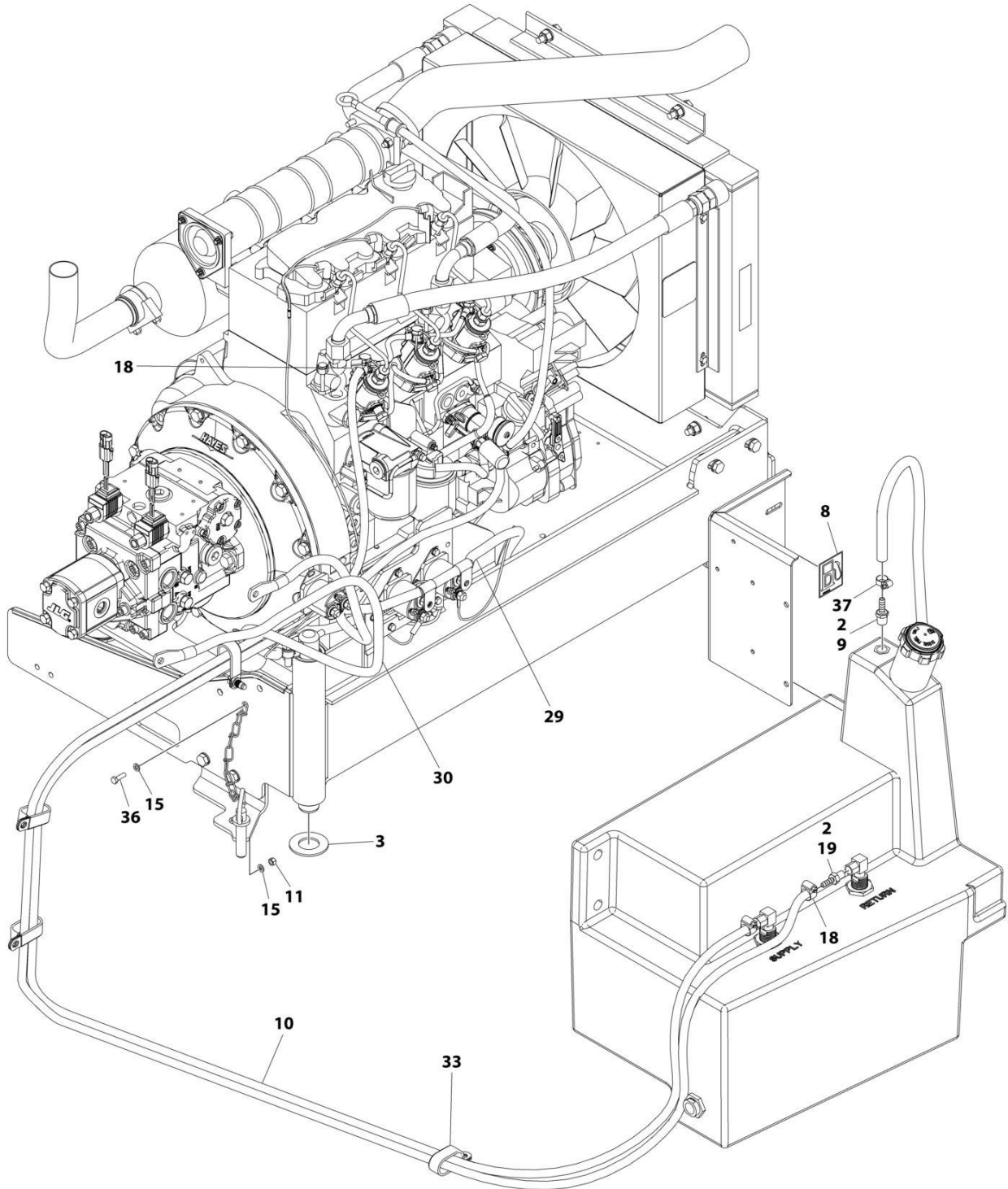
SECTION 3 - ENGINE

FIGURE 3-20. ENGINE INSTALLATION - DEUTZ D2011 ENGINE (STAGE V) (WITHOUT ARCTIC PACKAGE) (CE SPECS)



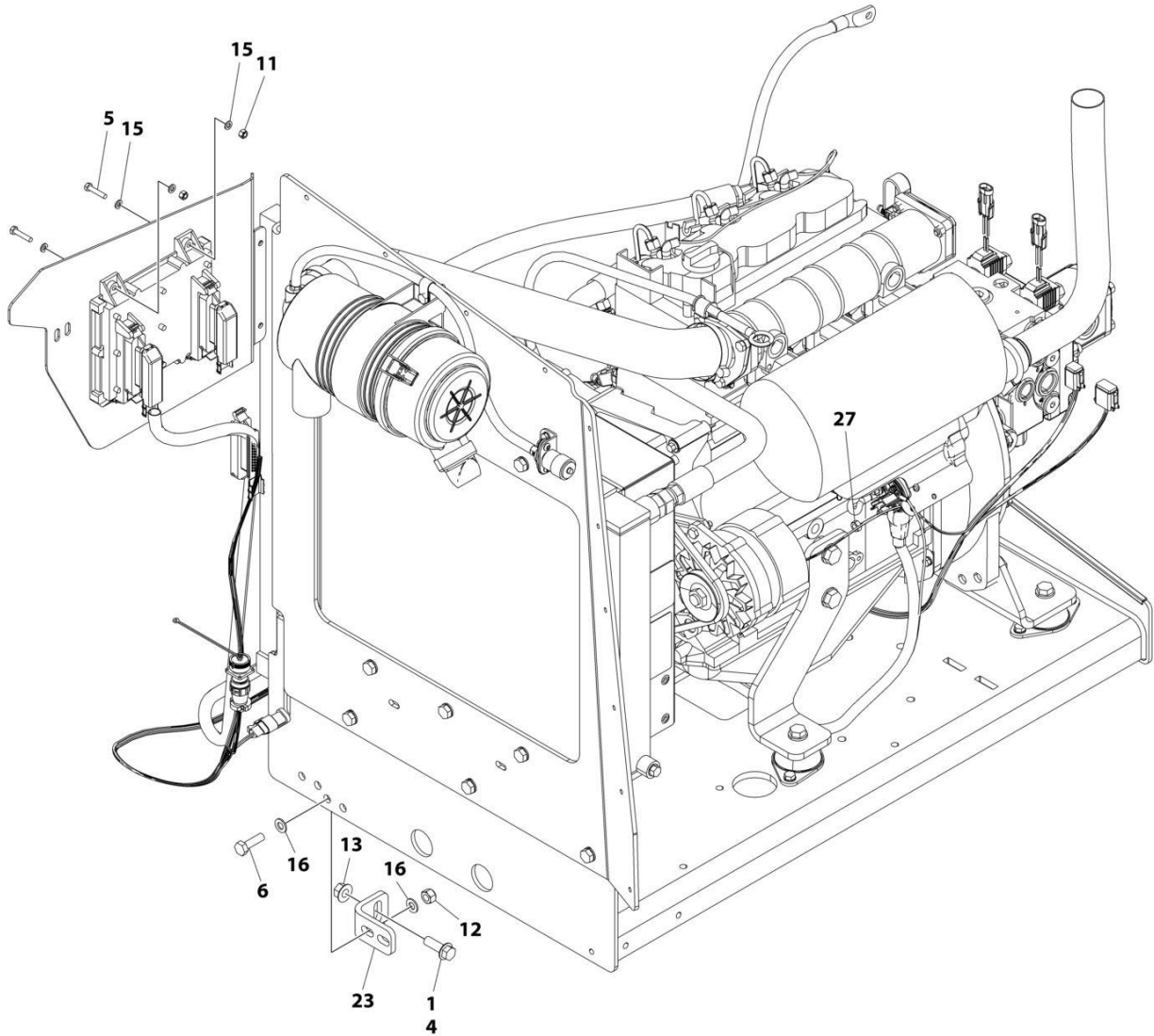
ART_1001235465_C_10F3

SECTION 3 - ENGINE



ART_1001235465_C_20F3

SECTION 3 - ENGINE



ART_1001235465_C_30F3

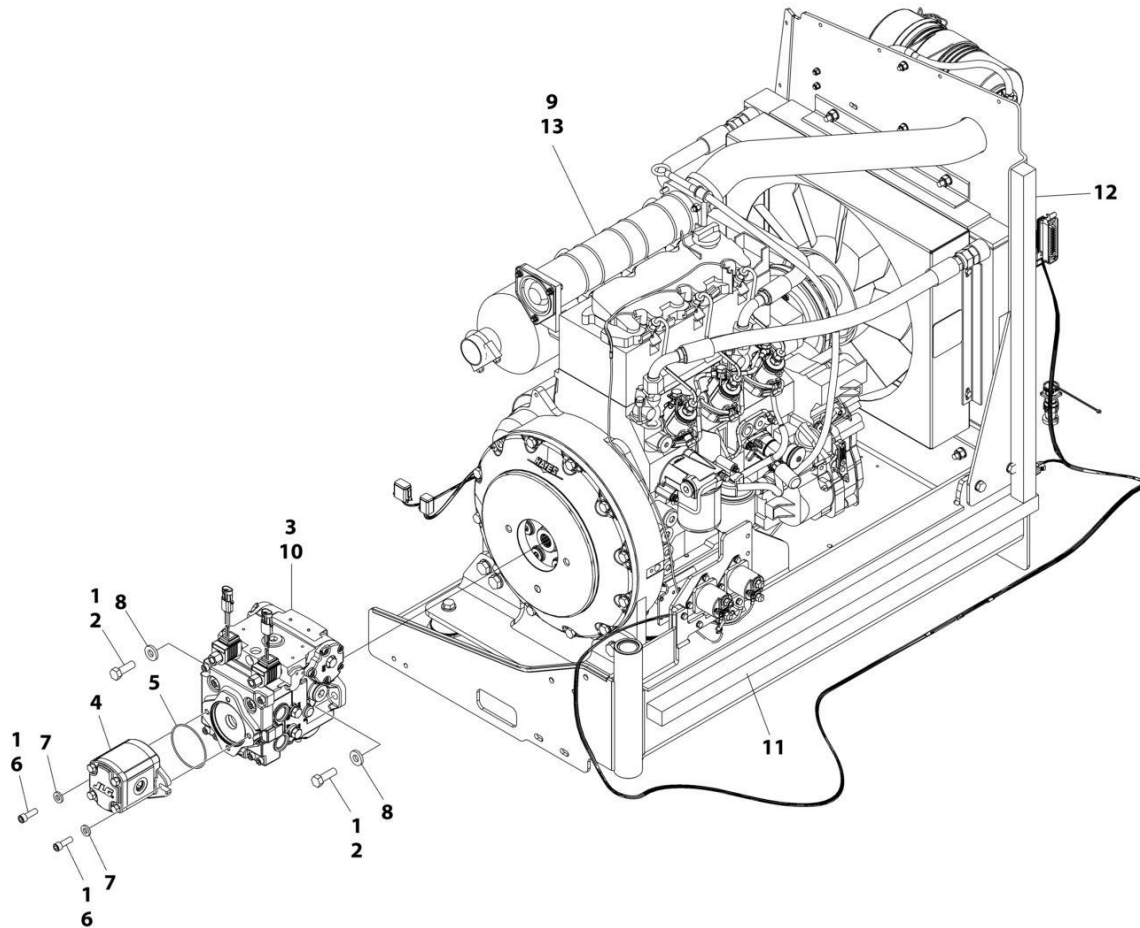
SECTION 3 - ENGINE

FIGURE 3-20. ENGINE INSTALLATION - DEUTZ D2011 ENGINE (STAGE V) (WITHOUT ARCTIC PACKAGE) (CE SPECS)

ITEM	PART NUMBER	QTY	DESCRIPTION	REV
	1001235465	Ref	ENGINE INSTALLATION - DEUTZ D2011 ENGINE (STAGE V) (WITHOUT ARCTIC PACKAGE)	C
1	0100011	AR	Compound, Locking	
2	0100020	AR	Sealant, Pipe	
3	0440162	1	Bearing	
4	5251215	1	Bolt M12 x 35	
5	0760614	4	Bolt M6 x 30	
6	0761015	5	Bolt M10 x 35	
8	1701505	1	Decal - Diesel Fuel	
9	2180876	1	Fitting, Barbed	
10	2720058	22 ft /6.7m	Hose	
11	3290605	5	Nut M6	
12	3291005	4	Nut M10	
13	5261200	1	Nut M12	
14	3841143	1	Keeper, Pin	
15	4811700	10	Washer M6	
16	4812000	9	Washer M10	
18	8410013	4	Clamp	
19	2180348	2	Fitting, Barbed	
20	1001135196	1	Pin	
22	1001235461	1	Engine and Pump Sub-Assembly - Deutz D2011 (Stage V) (Without Arctic Package) (See Separate Breakdown in this Section)	
23	1001167512	1	Bracket, Engine	
24	1001169823	1	Bracket, Engine	
25	1001172202	1	Pipe, Exhaust	
27	3290801	1	Nut M8	
29	1001171681	1	Cable, Battery (Red) (Battery Positive to Auxiliary Power Relay)	
30	1001171682	1	Cable, Battery (Black) (Battery Negative to Auxiliary Power Pump)	
31	3422532	1	Pin	
32	1001191832	1	Nut Rivet, M8	
33	1321716	4	Clamp	
34	4811900	1	Washer M8	
35	0760812	1	Bolt M8 x 25	
36	0760610	1	Bolt M6 x 20	
37	1320022	1	Clamp	

SECTION 3 - ENGINE

FIGURE 3-21. ENGINE AND PUMP SUB-ASSEMBLY - DEUTZ D2011 (STAGE V) (WITHOUT ARCTIC PACKAGE) (CE SPECS)



ART_1001235461

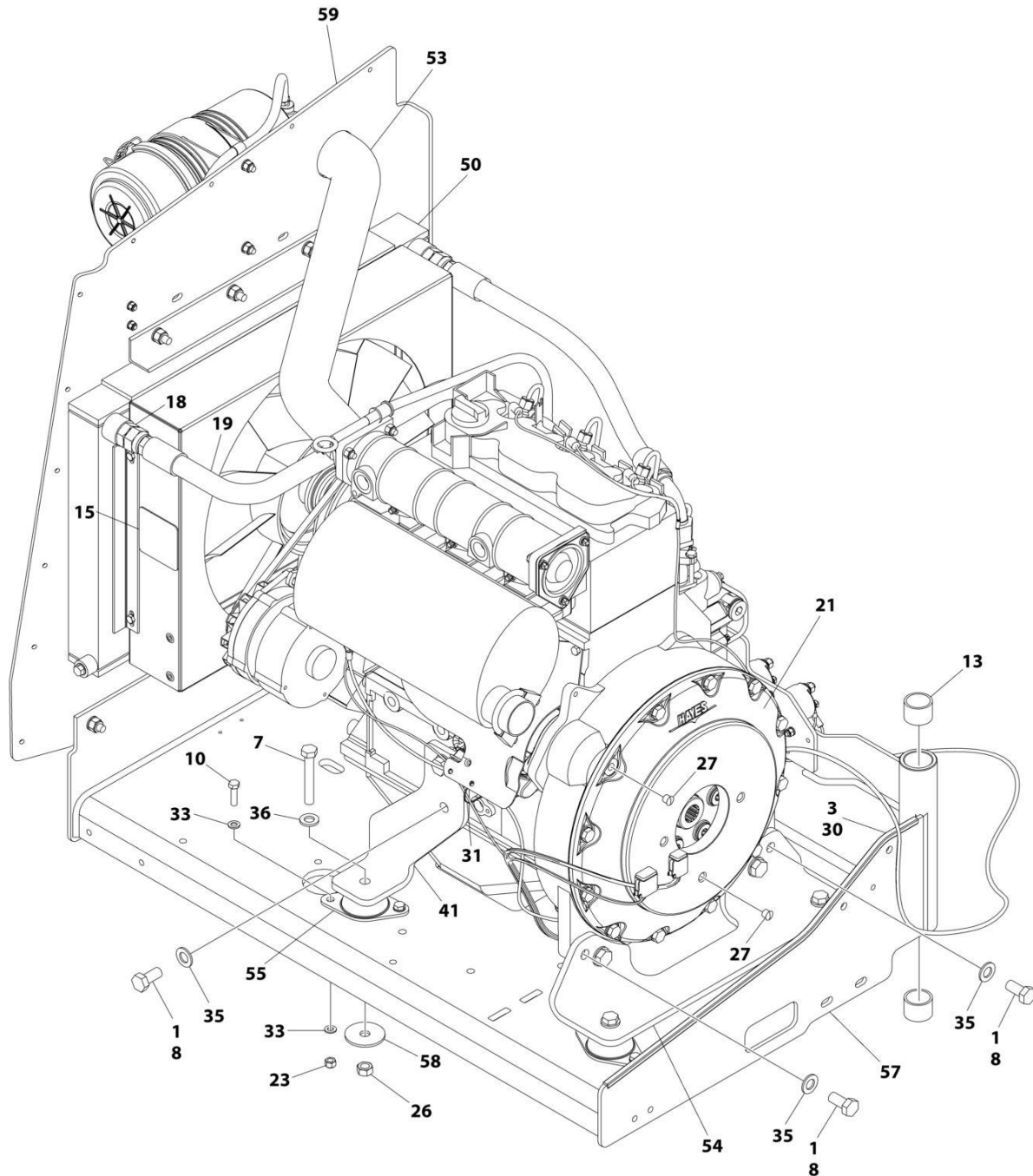
SECTION 3 - ENGINE

FIGURE 3-21. ENGINE AND PUMP SUB-ASSEMBLY - DEUTZ D2011 (STAGE V) (WITHOUT ARCTIC PACKAGE) (CE SPECS)

ITEM	PART NUMBER	QTY	DESCRIPTION	REV
	1001235461	Ref	ENGINE AND PUMP SUB-ASSEMBLY - DEUTZ D2011 (STAGE V) (WITHOUT ARCTIC PACKAGE)	B
1	0100011	AR	Compound, Locking	
2	0641812	2	Bolt 1/2 x 1-1/2	
3	3020037	AR	Lube	
4	1001214207	1	Gear Pump Assembly	
4	70006356	1	Seal Kit - 1001214207 Pump	
5	3790152	1	O-Ring	
6	3931618	2	Capscrew 3/8 x 1-1/8	
7	4891600	2	Washer 3/8	
8	4891800	2	Washer 1/2	
9	1001235462	1	Engine Assembly - Deutz D2011 Engine (Stage V) (Without Arctic Package) (CE Specs) (See ENGINE ASSEMBLY - DEUTZ D2011 (STAGE V) ENGINE (WITHOUT ARCTIC PACKAGE) (CE SPECS) for Breakdown)	
10	1001167036	1	Piston Pump Assembly (See PISTON PUMP ASSEMBLY for Breakdown)	
11	1001171953	1	Seal	
12	1001171954	1	Seal	
13	1001235455	1	Engine, Deutz D2011 (Stage V) (See ENGINE COMPONENTS - DEUTZ D2011 ENGINE (STAGE V) for Breakdown) (SN 0300255835 through 0300272317, SN E300006671 through E300007990, SN B300000100 through B300005760, Except SN 0300272185 through 0300272190, Excluding E300007814 and B300005569)	

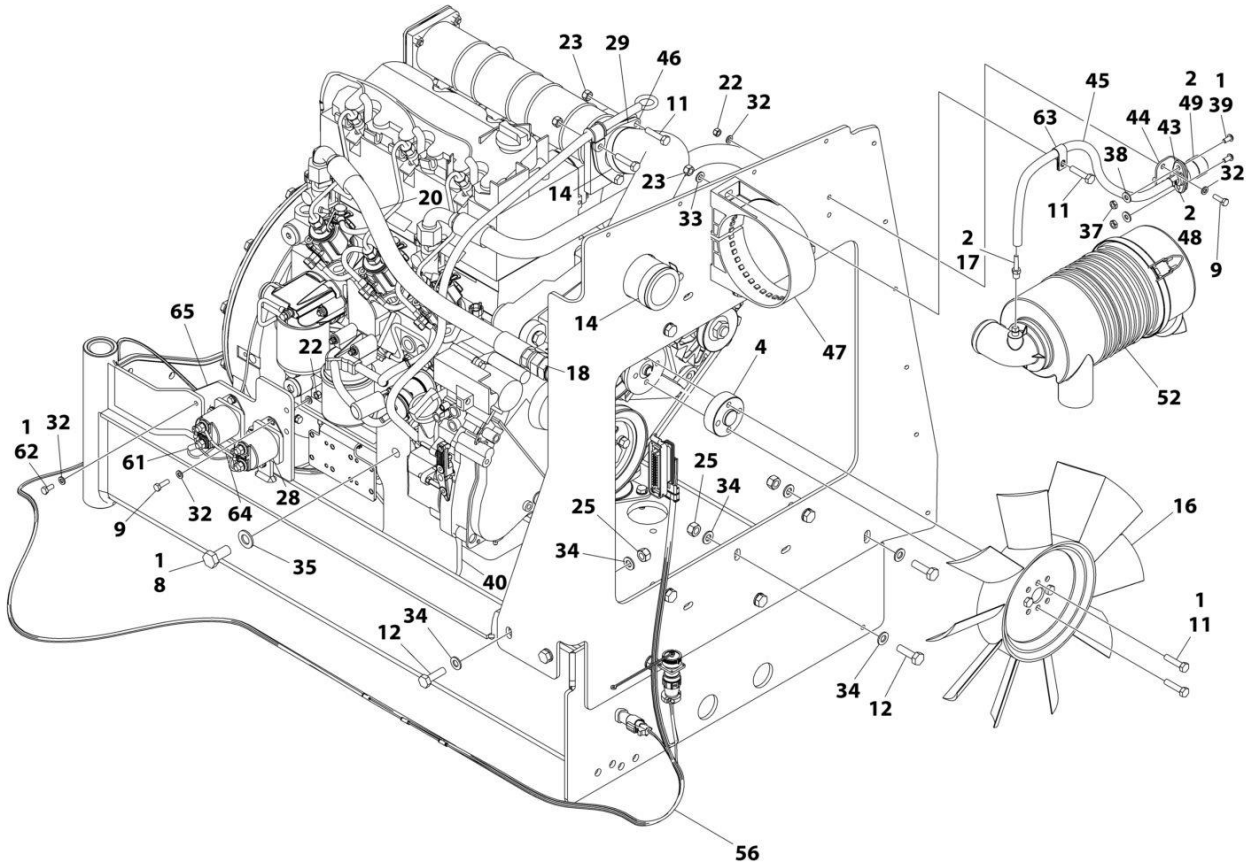
SECTION 3 - ENGINE

FIGURE 3-22. ENGINE ASSEMBLY - DEUTZ D2011 ENGINE (STAGE V) (WITHOUT ARCTIC PACKAGE) (CE SPECS)



ART_1001235462_C_10F2

SECTION 3 - ENGINE



ART_1001235462_C_2OF2

SECTION 3 - ENGINE

FIGURE 3-22. ENGINE ASSEMBLY - DEUTZ D2011 ENGINE (STAGE V) (WITHOUT ARCTIC PACKAGE) (CE SPECS)

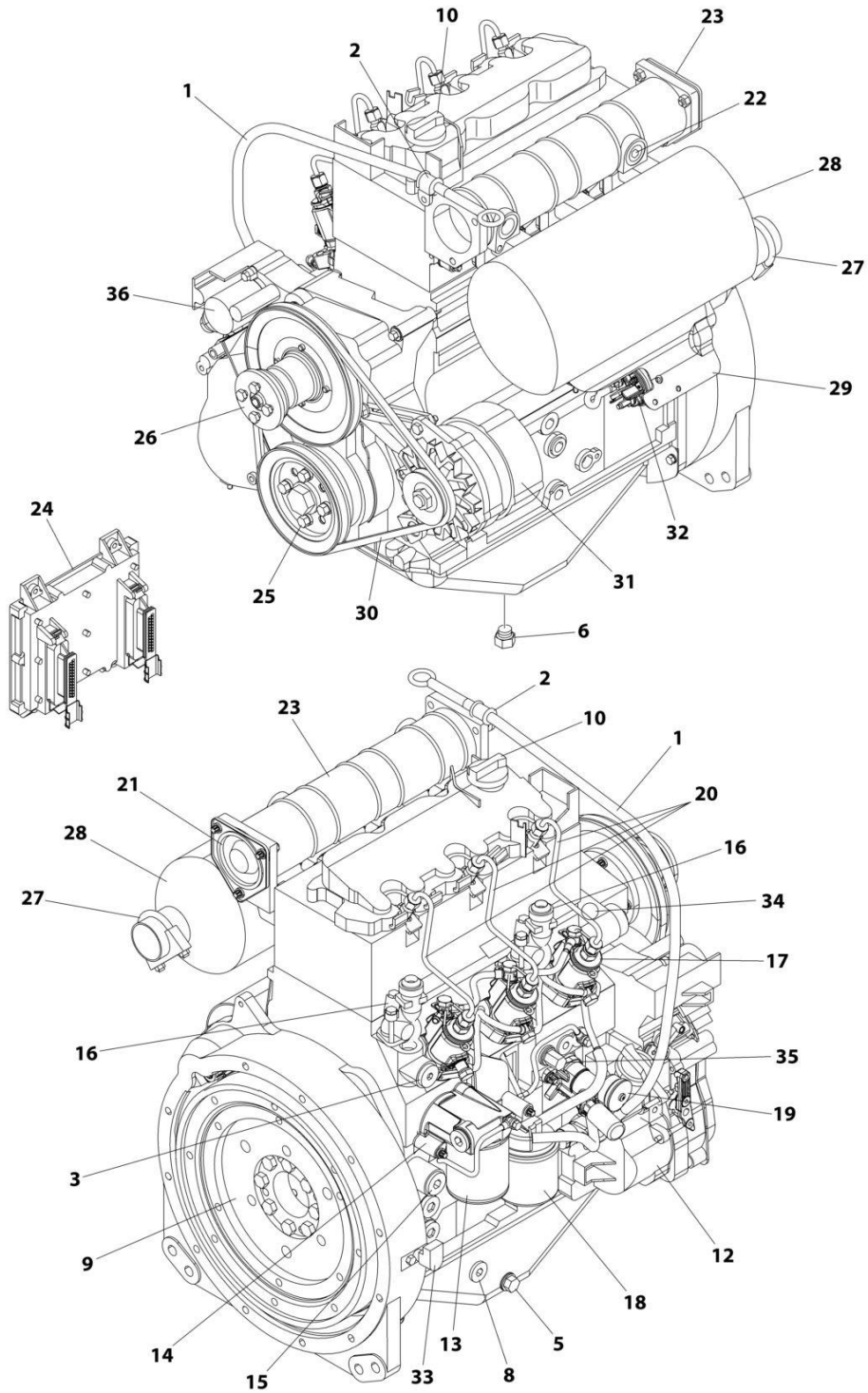
ITEM	PART NUMBER	QTY	DESCRIPTION	REV
	1001235462	Ref	ENGINE ASSEMBLY - DEUTZ D2011 ENGINE (STAGE V) (WITHOUT ARCTIC PACKAGE)	C
1	0100011	AR	Compound, Locking	
2	0100020	AR	Sealant, Pipe	
3	0100081	AR	Adhesive	
4	0080231	1	Spacer, Fan	
7	0711224	4	Bolt M12 x 80	
8	0771414	8	Bolt M14 x 30	
9	0760610	6	Bolt M6 x 20	
10	0760814	8	Bolt M8 x 30	
11	0760815	9	Bolt M8 x 35	
12	0761015	11	Bolt M10 x 35	
13	0961951	2	Bushing	
14	1320016	2	Clamp	
15	1703162	2	Decal - Caution Fan	
16	2060025	1	Fan	
17	2220315	1	Fitting, Barbed	
18	2220451	2	Fitting, Straight JIC/ORB	
19	2720398	1	Hose	
20	2720447	1	Hose	
21	2902065	1	Pump Coupling Kit (See Separate Breakdown in this Section)	
22	3290605	6	Nut M6	
23	3290805	13	Nut M8	
25	3291005	11	Nut M10	
26	3331215	4	Nut M12	
27	3520054	2	Plug	
28	3740067	2	Relay Assembly	
28	3300220	2	Nut	
28	3321001	1	Nut #10	
28	3740140	1	Relay	
28	4761000	1	Washer #10	
28	1001111424	2	Washer	
29	3960407	1	Gasket	
30	4060805	2.25 ft / 0.69m	Trim-Flex	
31	4240099	AR	Tie-Strap	
32	4811700	15	Washer M6	
33	4811900	20	Washer M8	
34	4812000	22	Washer M10	
35	4812200	8	Washer M14	
36	5241200	4	Washer M12	
37	8305401	2	Nut 1/4	
38	8307109	2	Washer 1/4	
39	8310548	2	Screw 1/4 NC x 1/2	
40	1001132195	1	Bracket, Engine Mount	
41	1001132196	1	Bracket, Engine Mount	
43	1001138173	1	Support, Service Indicator	
44	1001138175	1	Bracket, Service Indicator	
45	1001138248	2 ft	Tube	

SECTION 3 - ENGINE

ITEM	PART NUMBER	QTY	DESCRIPTION	REV
		/0.61m		
46	1001139819	1	Adapter, Air Intake	
47	1001141694	1	Clamp, Air Cleaner	
48	1001141995	1	Fitting, Barbed	
49	1001143390	1	Indicator	
50	1001150998	1	Radiator	
52	1001165388	1	Air Cleaner Assembly	
52	70003783	1	Element, Air Cleaner	
53	1001165389	1	Hose	
54	1001166717	1	Bracket, Engine Mount	
55	1001166718	4	Isolator, Engine Mount	
56	1001167111	1	Harness Engine - Deutz D2011 (See Separate Breakdown in ELECTRICAL SECTION)	
57	1001167520	1	Tray, Engine	
58	1001168018	4	Washer, Snubbing	
59	1001168059	1	Plate, Radiator Mounting	
61	4923451	1	Harness, Glow Plugs	
62	0760614	3	Bolt M6 x 30	
63	8406109	1	Clip	
64	1001178859	1	Cable, Alternator	
65	1001214975	1	Bracket	

SECTION 3 - ENGINE

FIGURE 3-23. ENGINE COMPONENTS - DEUTZ D2011 (STAGE V)



ART_1001235455

SECTION 3 - ENGINE

FIGURE 3-23. ENGINE COMPONENTS - DEUTZ D2011 (STAGE V)

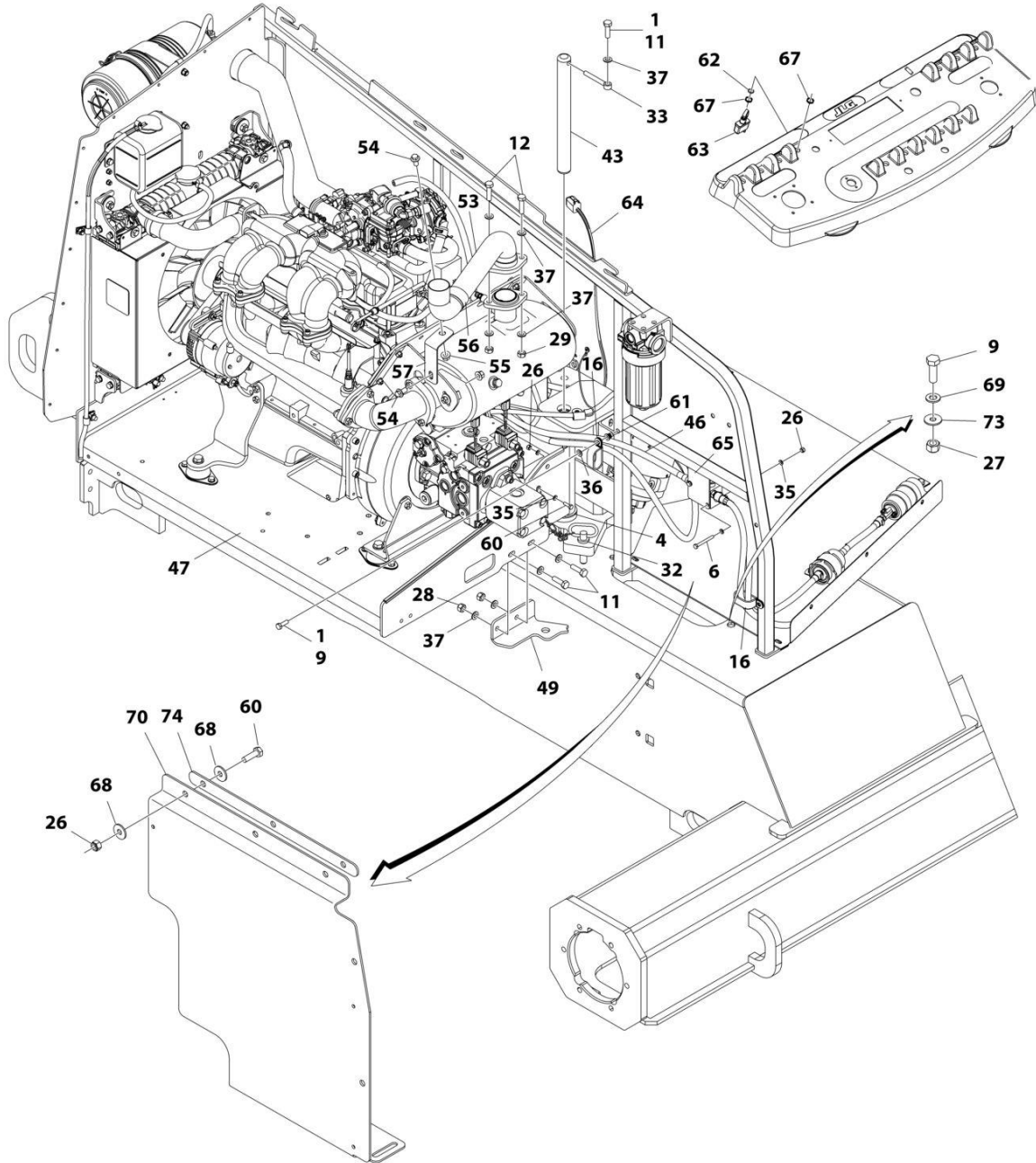
ITEM	PART NUMBER	QTY	DESCRIPTION	REV
	1001235455	Ref	ENGINE COMPONENTS - DEUTZ D2011 (STAGE V) ENGINE	B
1	70001002	1	Tube, Dipstick	
1	7020403	1	Seal, Tube	
1	7020026	1	Dipstick	
2	70001654	1	Clamp	
2	70001655	1	Bolt	
3	70003475	1	Thermostat	
3	7020460	1	Spring	
4		Ref	Seal and Gasket Options (Not Shown):	
4	70002718	1	Seal, Rear Main	
4	7020430	1	Gasket, Valve Cover	
4	70003479	1	Gasket, Head - 1 Notch	
4	70003480	1	Gasket, Head - 2 Notch	
4	70003481	1	Gasket, Head - 3 Notch	
5	70025088	1	Plug	
6	70025667	1	Plug	
7	70025123	22	Bolt, Torx (Oil Pan Bolts) (Not Shown)	
8	7020492	1	Seal	
8	70025084	1	Plug	
9	70001870	1	Flywheel	
9	7024579	1	Ring Gear (Part of Flywheel)	
9	70025139	8	Bolt	
10	7020465	1	Cap, Oil Fill	
11	70000800	1	Timing Belt/Idler Kit (Includes Timing Belt, Tensioner and Tensioner Bolt) (Not Shown)	
12	70001850	1	Pump, Lubricating	
12	7020468	1	Seal, Pump to Engine Block (Not Shown)	
13	7016331	1	Filter, Oil	
14	70003472	1	Bracket, Oil Filter (Includes Plug with Seal, Temperature Sensor, Control Valve and Compression Spring)	
14	7027236	1	Sender, Temperature	
14	70025082	1	Seal, Plug	
14	70025091	1	Plug	
14	70003473	1	Gasket, Bracket to Engine Block (Not Shown)	
15	70001181	1	Valve	
15	70025091	1	Plug	
15	70025082	1	Seal, Plug	
16	70004268	2	Connector, Radiator Neck	
16	70004269	2	Seal, Radiator Neck to Engine Block	
17	70000912	3	Pump, Fuel Injector - A Spec	
17	70000913	3	Pump, Fuel Injector - B Spec	
17	70000914	3	Pump, Fuel Injector - C Spec	
17	70000915	3	Pump, Fuel Injector - D Spec	
17	70003464	3	O-Ring, Pump to Engine Block	
18	7020023	1	Filter, Fuel	
18	70003463	1	Filter, Fuel - RME Resistant	
18	70001423	1	Bracket, Fuel Filter	
19	70000916	1	Pump Fuel Supply	
19	70000917	1	O-Seal Between Fuel Pump and Engine Block	
19	70000918	1	Sealing Ring Between Hand Pump and Supply Pump	

SECTION 3 - ENGINE

ITEM	PART NUMBER	QTY	DESCRIPTION	REV
19	7000919	1	Pump, Hand	
19	70001435	1	Repair Kit	
19	70025694	2	Bolt, Torx	
20	70000931	3	Pipe, High Pressure	
21	70003469	1	Flange, Intake	
21	70003468	1	Seal	
22	70025084	1	Plug	
22	7020492	1	Seal, Plug	
23	7027903	1	Manifold, Air Intake	
23	70001871	3	Gasket Between Manifold and Engine Block	
24	7027795	1	Module, Engine Control	
24	7027796	1	Cable, Electrical Between Module and Engine Harness (Not Shown)	
24	70001872	1	Harness, Engine (Connects to p/n 70004060) (Not Shown)	
24	70004060	1	Plug, Connector Located on Cable Near Module (Not Shown)	
24	70004059	1	Plug, Analyzer (Not Shown)	
25	70025123	4	Bolt, Torx	
26	70000787	1	Support, Fan (Includes Support, Internal Shaft, Bearings and Circlip)	
27	70001844	1	Clamp	
28	See Note	1	Muffler (Note: See ENGINE ASSEMBLY)	
28	7020471	3	Gasket, Exhaust Between Muffler and Engine Block	
28	70004270	6	Stud, Muffler	
29	70001498	1	Shield, Starter	
29	70025693	3	Bolt	
30	70004102	1	V-Belt	
31	70004056	1	Alternator (Includes Voltage Regulator and Gaskets, Fan and Fan Mounting Hardware)	
31	70001868	1	Regulator, Voltage	
31	70001866	1	Gasket Set, Voltage Regulator	
31	70025131	1	Fan	
31	70025086	1	Nut, Fan	
31	70000851	1	Bracket, Alternator Mounting	
31	70002234	1	Bracket, Alternator Adjustment	
31	70004103	1	Harness, Alternator (Not Shown)	
32	7020479	1	Starter	
32	70025121	2	Bolt, Starter Mounting	
32	70004058	1	Relay	
32	70004062	1	Harness, Starter (Not Shown)	
33	7024565	1	Sensor, Speed	
33	70003931	1	Bolt	
33	70003932	1	Spacer, Sleeve	
34	7027791	1	Sender, Temperature	
35	7027790	1	Sensor, Oil Pressure	
36	7027792	1	Actuator	
37	70000345	3	Plug, Glow (Not Shown)	

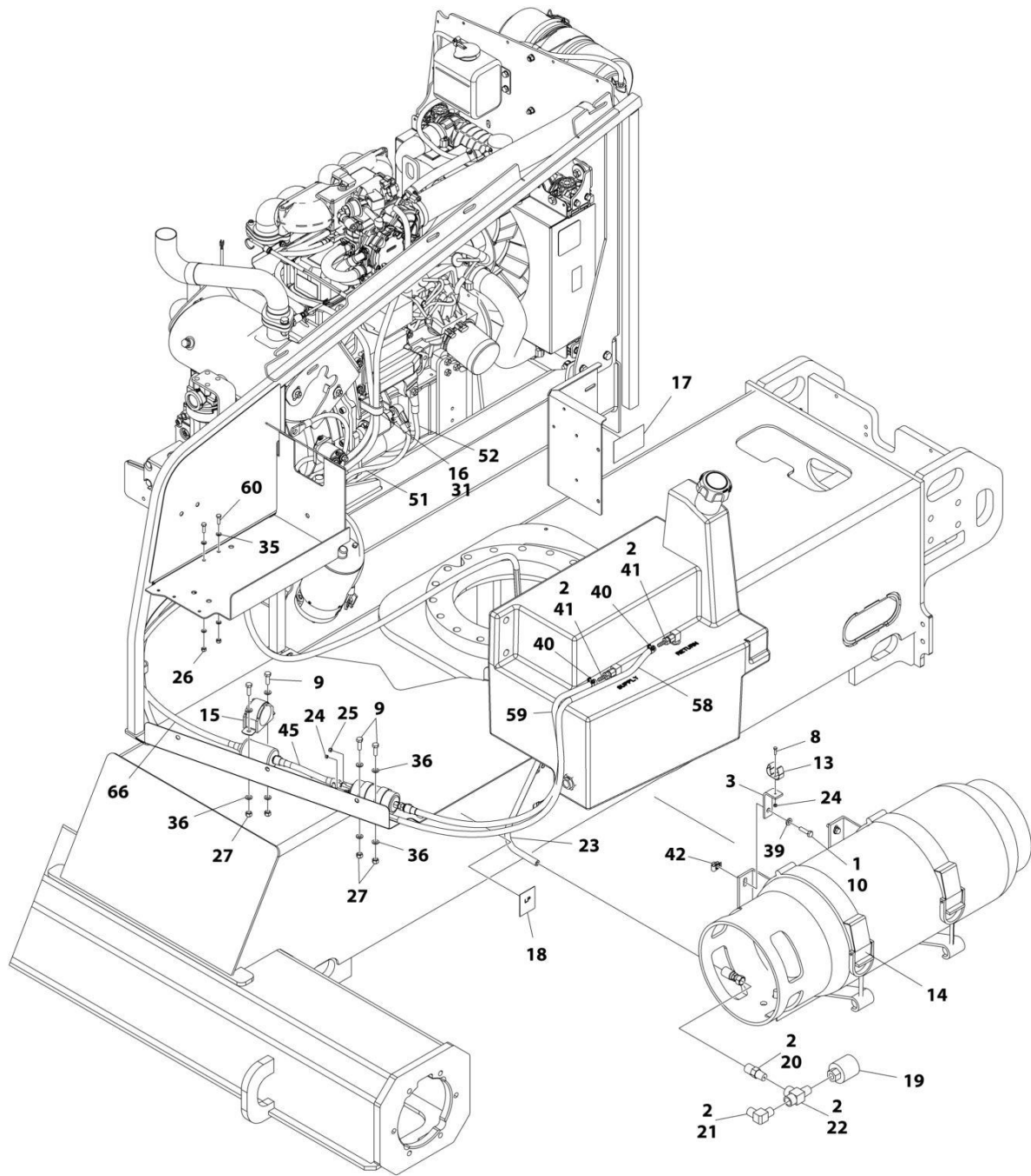
SECTION 3 - ENGINE

FIGURE 3-24. ENGINE INSTALLATION - GM ENGINE (WITHOUT ARCTIC PACKAGE) (SN 0300201991 through 0300222052)



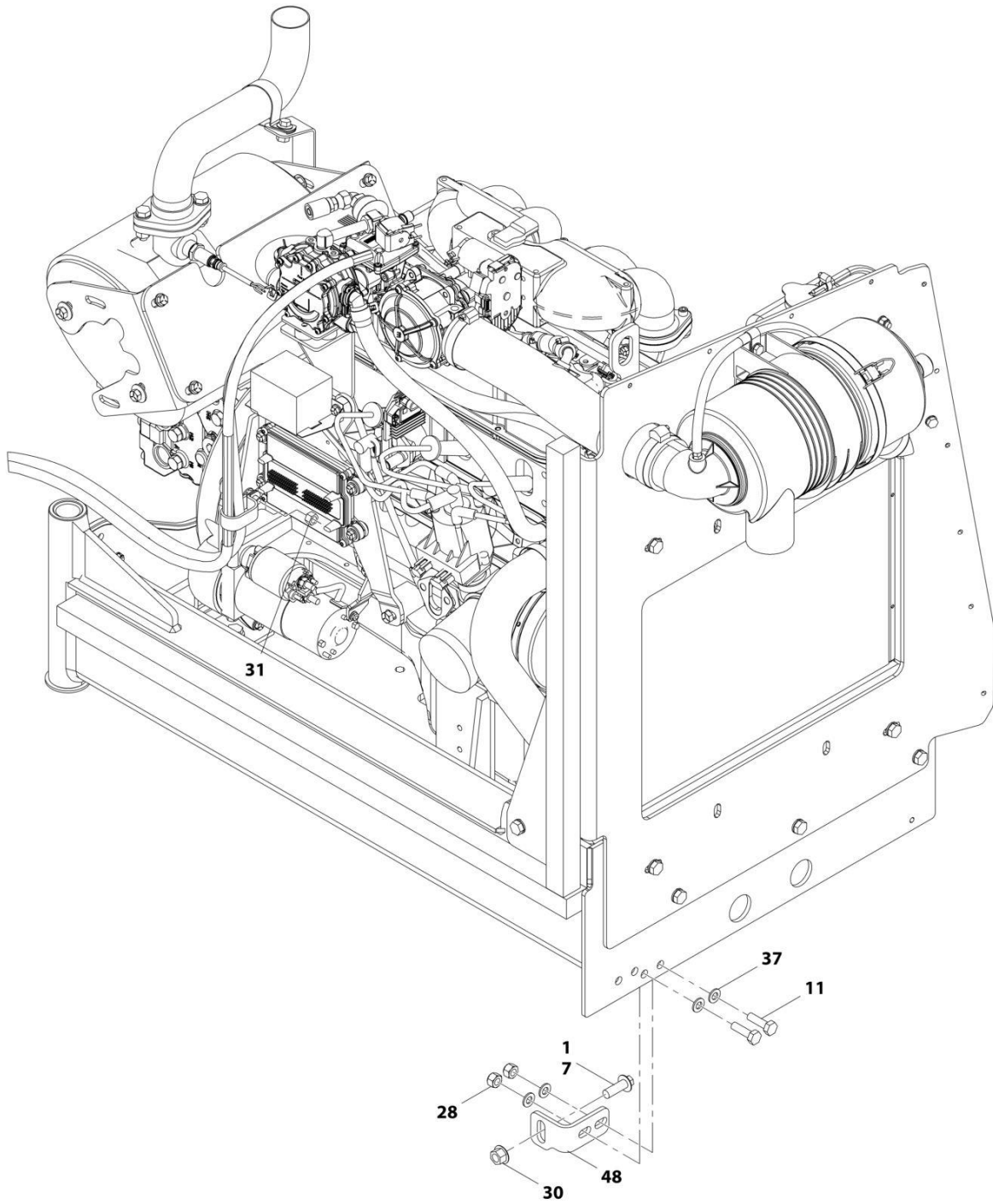
ART_1001166307_10F3

SECTION 3 - ENGINE



ART_1001166307_20F3

SECTION 3 - ENGINE



ART_1001166307_3OF3

SECTION 3 - ENGINE

FIGURE 3-24. ENGINE INSTALLATION - GM ENGINE (WITHOUT ARCTIC PACKAGE) (SN 0300201991 through 0300222052)

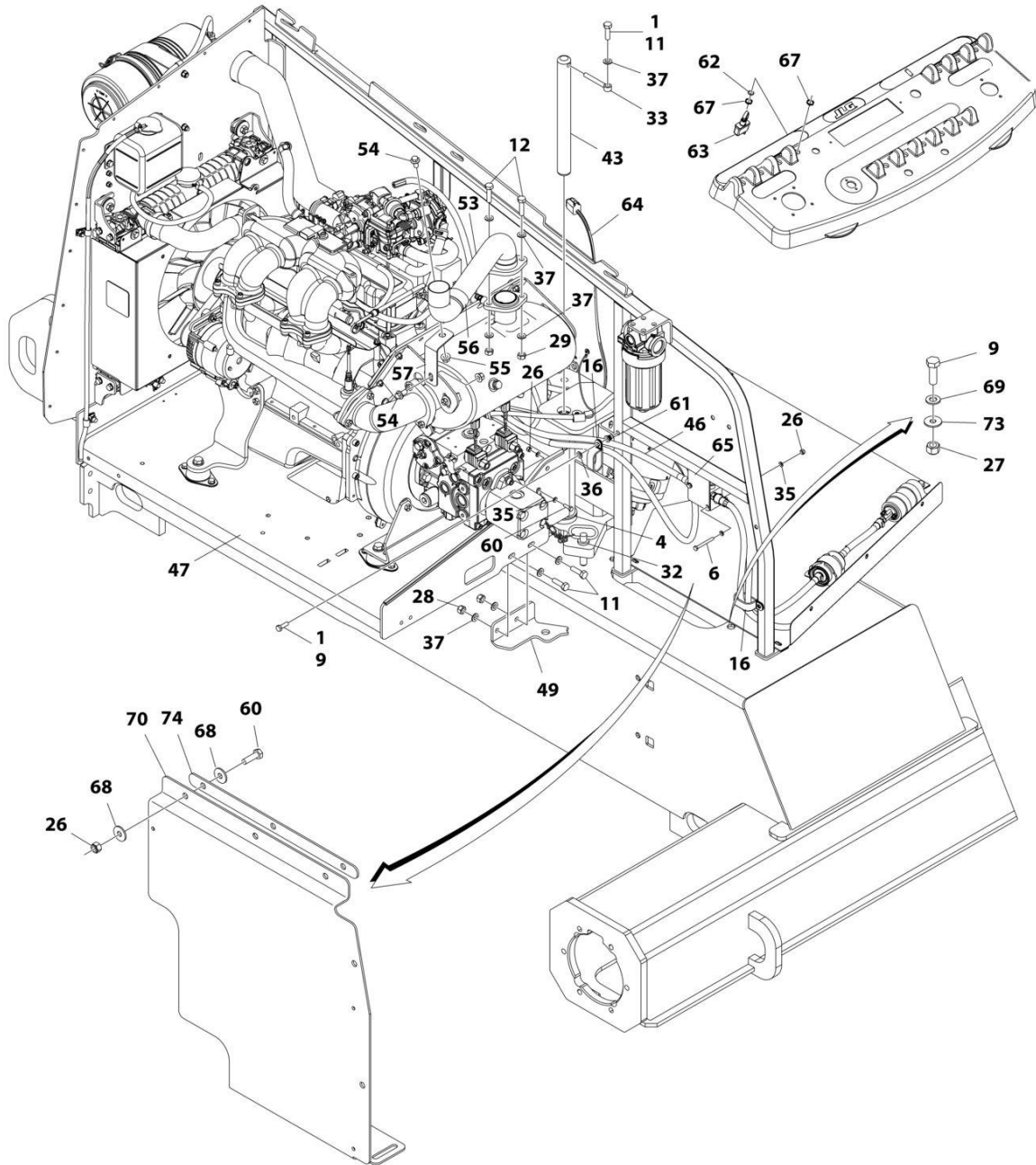
ITEM	PART NUMBER	QTY	DESCRIPTION	REV
	1001166307	Ref	ENGINE INSTALLATION - GM ENGINE (WITHOUT ARCTIC PACKAGE) (SN 0300201991 through 0300222052)	J
1	0100011	AR	Compound, Locking	
2	0100020	AR	Sealant, Pipe	
3	0181949	1	Angle	
4	0440162	1	Bearing	
6	0700619	2	Bolt, M6 x 55mm	
7	5251215	1	Bolt, M12 x 35mm	
8	0760408	1	Bolt, M4 x 16mm	
9	0760812	6	Bolt, M8 x 25mm	
10	0760814	4	Bolt, M8 x 30mm	
11	0761015	5	Bolt, M10 x 35mm	
12	0761016	2	Bolt, M10 x 40mm	
13	1320218	1	Clamp	
14	1320220	1	Clamp Kit - LP	
14	4400275	1	Tank, LPG (Aluminum Tank)	
14	4400420	1	Tank, LPG (Steel Tank)	
15	1320323	1	Clamp	
16	1321716	3	Clamp	
17	1701542	1	Decal - Gas	
18	1701543	1	Decal - LPG	
19	2180387	1	Fitting, LP	
20	2180389	1	Fitting	
21	2180504	1	Fitting, Barbed	
22	2220290	1	Fitting, Tee FNPTF/NPTF/FNPTF	
23	2720149	1	Hose	
24	3290405	2	Nut, Lock M4 x 0.7	
25	3290505	1	Nut, Lock M5 x 0.8	
26	3290605	8	Nut, Lock M6 x 1	
27	3290805	5	Nut, Lock M8 x 1.25	
28	3291005	4	Nut, Lock M10 x 1.5	
29	3291007	2	Nut, Lock M10 x 1.5	
30	5261200	1	Nut, 12mm Grade 10.9	
31	3311605	1	Nut, Lock 3/8-16 (SN 0300201991 through 0300214749)	
32	3422532	1	Pin	
33	3841143	1	Keeper, Pin	
35	4811700	10	Washer, M6	
36	4811900	9	Washer, M8	
37	4812000	13	Washer, M10	
39	5240800	4	Washer, M8 Hardened	
40	1001174486	2	Clamp	
41	2180348	2	Fitting, Barbed	
42	1001118274	4	Nut, Special M8 x 1.25	
43	1001135196	1	Pin	
45	1001156823	1	Hose	
46	1001182405	1	Hose	
47	1001166202	1	Engine and Pump Sub-Assembly - GM Engine (Without Arctic Package) (See ENGINE AND PUMP SUB-ASSEMBLY - GM ENGINE (WITHOUT ARCTIC PACKAGE) for Breakdown)	

SECTION 3 - ENGINE

ITEM	PART NUMBER	QTY	DESCRIPTION	REV
48	1001167512	1	Bracket, Engine Tray Stow	
49	1001169823	1	Plate, Engine Lock	
51	1001171685	1	Cable, Battery (Red) (Battery Positive to Auxiliary Power Relay)	
52	1001171686	1	Cable, Battery (Black) (Battery Negative to Pivot Pin to Engine Ground)	
53	1001172795	1	Pipe, Exhaust	
54	5251010	2	Bolt, M10 x 20mm	
55	5261018	2	Nut, Flange M10	
56	1001170719	1	Clamp	
57	1001172003	1	Support, Muffler	
58	1001177228	1	Hose	
59	1001177167	1	Hose	
60	0760610	6	Bolt, M6 x 20mm	
61	1001191832	1	Nut, Rivet M8	
62	3790012	1	O-Ring	
63	1001161710	1	Switch, Toggle	
64	1001180017	1	Harness Engine - GM Engine (See ELECTRICAL SECTION for Breakdown)	
65	1001182150	1	Bracket	
66	1001182404	1	Hose	
67	1001155044	2	Nut, Special 15/32-32	
68	4811702	6	Washer M6	
69	4811902	1	Washer M8	
70	1001196376	1	Seal, Rubber	
71	4460466	8	Terminal, Sealing Plug (Not Shown) (SN 0300206617 through 0300272317, Except SN 0300272185 through 0300272190)	
72	4460930	1	Plug (Not Shown) (SN 0300206617 through 0300272317, Except SN 0300272185 through 0300272190)	
73	4812002	2	Washer M10 (SN 0300206617 through 0300272317, Except SN 0300272185 through 0300272190)	
74	1001204123	1	Plate, Support (SN 0300210489 through 0300272317, Except SN 0300272185 through 0300272190)	

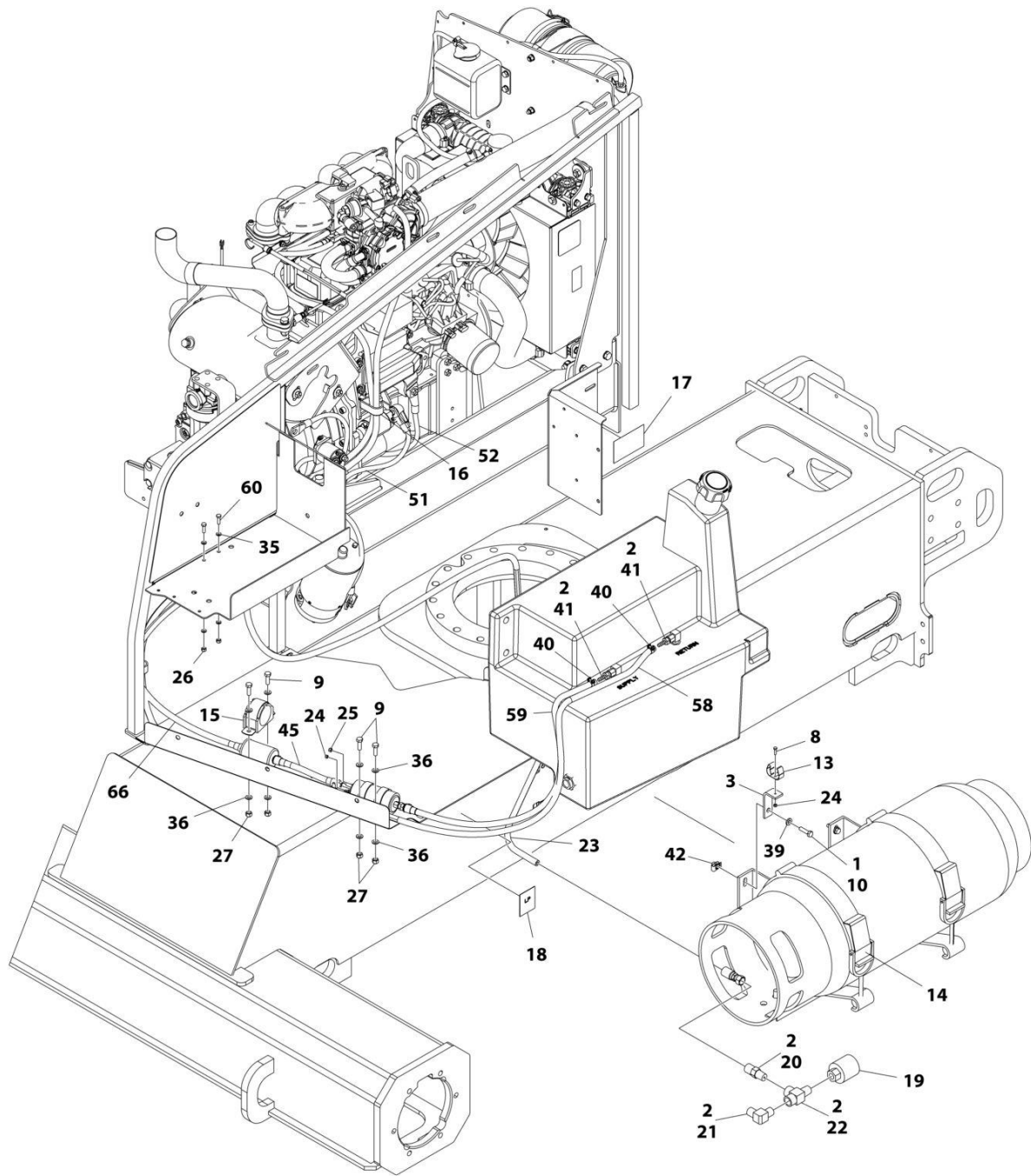
SECTION 3 - ENGINE

FIGURE 3-25. ENGINE INSTALLATION - GM ENGINE (WITHOUT ARCTIC PACKAGE) (SN 0300222053 through 0300272317)



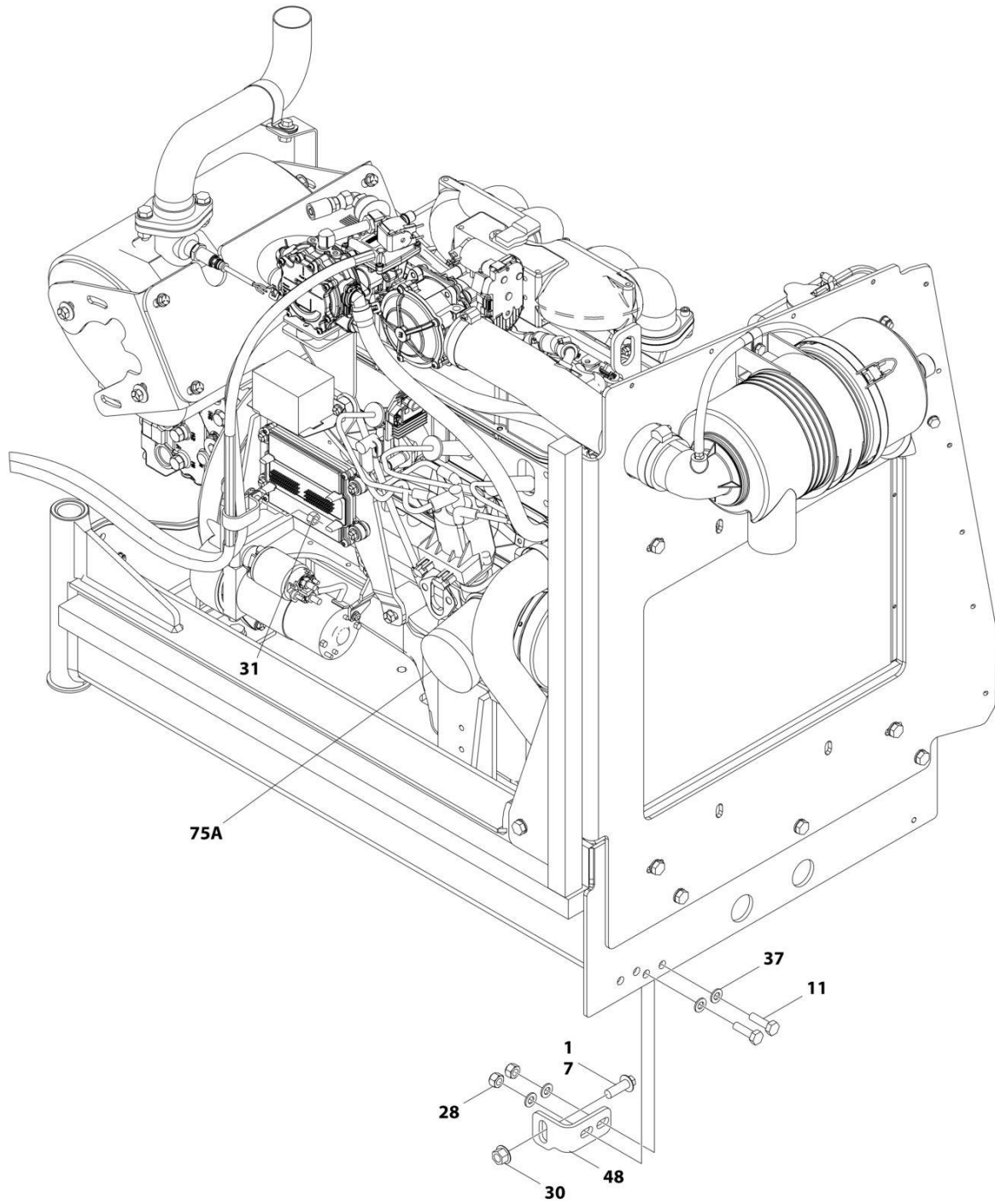
ART_1001216228_10F3

SECTION 3 - ENGINE



ART_1001216228_20F3

SECTION 3 - ENGINE



ART_1001216228_3OF3

SECTION 3 - ENGINE

FIGURE 3-25. ENGINE INSTALLATION - GM ENGINE (WITHOUT ARCTIC PACKAGE) (SN 0300222053 through 0300272317)

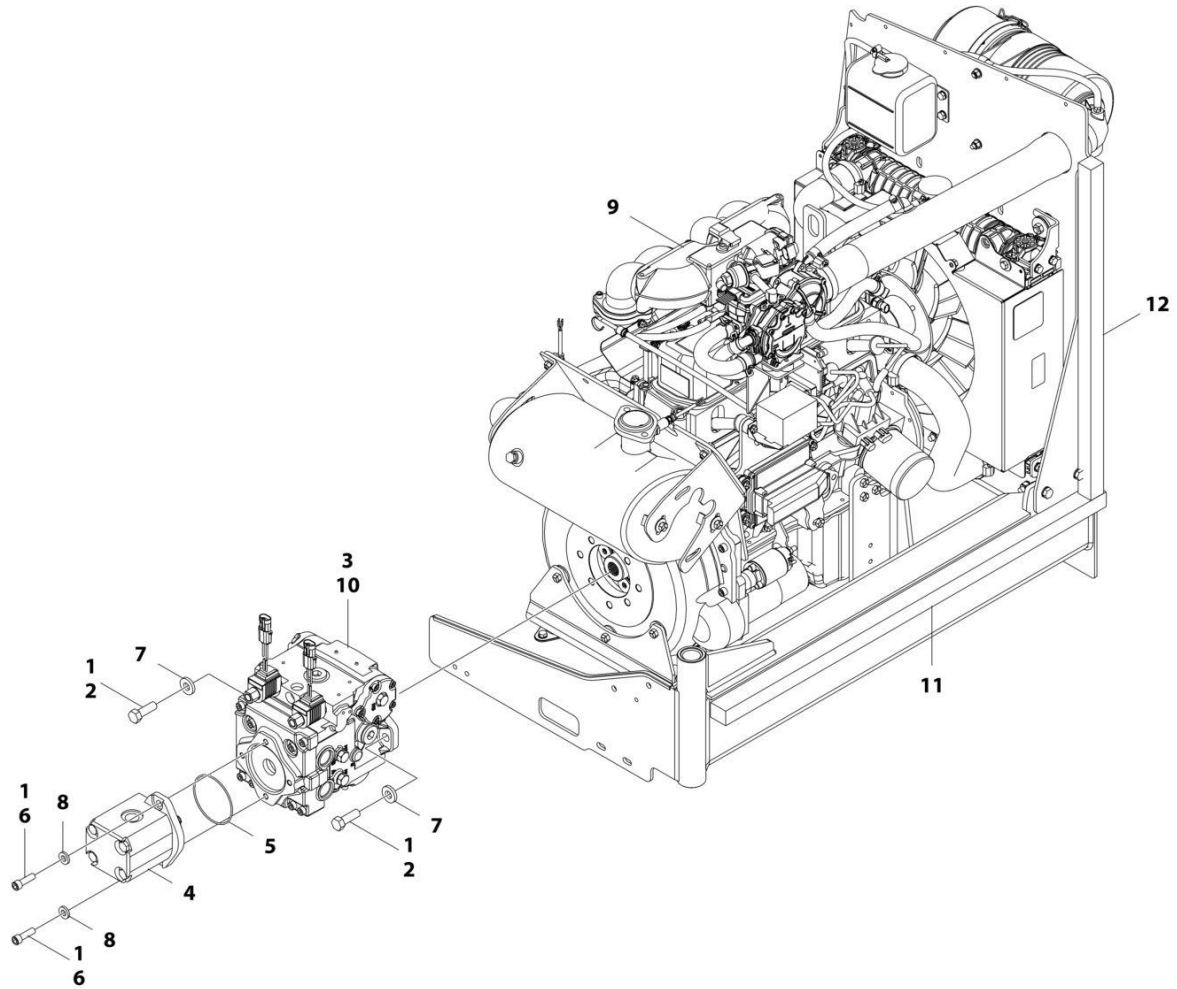
ITEM	PART NUMBER	QTY	DESCRIPTION	REV
	1001216228	Ref	ENGINE INSTALLATION - GM ENGINE (WITHOUT ARCTIC PACKAGE)	C
1	0100011	AR	Compound, Locking	
2	0100020	AR	Sealant, Pipe	
3	0181949	1	Angle	
4	0440162	1	Bearing	
6	0700619	2	Bolt, M6 x 55mm	
7	5251215	1	Bolt, M12 x 35mm	
8	0760408	1	Bolt, M4 x 16mm	
9	0760812	6	Bolt, M8 x 25mm	
10	0760814	4	Bolt, M8 x 30mm	
11	0761015	5	Bolt, M10 x 35mm	
12	0761016	2	Bolt, M10 x 40mm	
13	1320218	1	Clamp	
14	1320220	1	Clamp Kit - LP	
14	4400275	1	Tank, LPG (Aluminum Tank)	
14	4400420	1	Tank, LPG (Steel Tank)	
15	1320323	1	Clamp	
16	1321716	2	Clamp	
17	1701542	1	Decal - Gas	
18	1701543	1	Decal - LPG	
19	2180387	1	Fitting, LP	
20	2180389	1	Fitting	
21	2180504	1	Fitting, Barbed	
22	2220290	1	Fitting, Tee FNPTF/NPTF/FNPTF	
23	2720149	1	Hose	
24	3290405	2	Nut, Lock M4 x 0.7	
25	3290505	1	Nut, Lock M5 x 0.8	
26	3290605	8	Nut, Lock M6 x 1	
27	3290805	5	Nut, Lock M8 x 1.25	
28	3291005	4	Nut, Lock M10 x 1.5	
29	3291007	2	Nut, Lock M10 x 1.5	
30	5261200	1	Nut, 12mm Grade 10.9	
32	3422532	1	Pin	
33	3841143	1	Keeper, Pin	
35	4811700	10	Washer, M6	
36	4811900	9	Washer, M8	
37	4812000	13	Washer, M10	
39	5240800	4	Washer, M8 Hardened	
40	1001174486	2	Clamp	
41	2180348	2	Fitting, Barbed	
42	1001118274	4	Nut, Special M8 x 1.25	
43	1001135196	1	Pin	
45	1001156823	1	Hose	
46	1001182405	1	Hose	
47	1001216224	1	Engine and Pump Sub-Assembly - GM Engine (Without Arctic Package) (See ENGINE AND PUMP SUB-ASSEMBLY - GM ENGINE (WITHOUT ARCTIC PACKAGE) for Breakdown)	
48	1001167512	1	Bracket, Engine Tray Stow	

SECTION 3 - ENGINE

ITEM	PART NUMBER	QTY	DESCRIPTION	REV
49	1001169823	1	Plate, Engine Lock	
51	1001171685	1	Cable, Battery (Red) (Battery Positive to Auxiliary Power Relay)	
52	1001166970	1	Cable, Battery (Black) (Battery Negative to Pivot Pin to Engine Ground)	
53	1001172795	1	Pipe, Exhaust	
54	5251010	2	Bolt, M10 x 20mm	
55	5261018	2	Nut, Flange M10	
56	1001170719	1	Clamp	
57	1001172003	1	Support, Muffler	
58	1001177228	1	Hose	
59	1001177167	1	Hose	
60	0760610	6	Bolt, M6 x 20mm	
61	1001191832	1	Nut, Rivet M8	
62	3790012	1	O-Ring	
63	1001161710	1	Switch, Toggle	
64	1001180017	1	Harness Engine - GM Engine (See ELECTRICAL SECTION for Breakdown)	
65	1001182150	1	Bracket	
66	1001182404	1	Hose	
67	1001155044	2	Nut, Special 15/32-32	
68	4811702	6	Washer M6	
69	4811902	1	Washer M8	
70	1001196376	1	Seal, Rubber	
71	4460466	8	Terminal, Sealing Plug (Not Shown)	
72	4460930	1	Plug (Not Shown)	
73	4812002	2	Washer M10	
74	1001204123	1	Plate, Support	
75	1001216219	1	Engine, GM 3.0L (See GM Engine Supplement P/N 3121245 for Breakdown of Additional Components) (SN 0300222053 through 0300223920)	
75	1001214862	1	Engine, GM 3.0L (See GM Engine Supplement P/N 3121245 for Breakdown of Additional Components) (SN 0300223921 through 0300272317, Except SN 0300272185 through 0300272190)	
75A	7027965	1	Filter, Oil	

SECTION 3 - ENGINE

FIGURE 3-26. ENGINE AND PUMP SUB-ASSEMBLY - GM ENGINE (WITHOUT ARCTIC PACKAGE)
(SN 0300201991 through 0300222052)



ART_1001166202

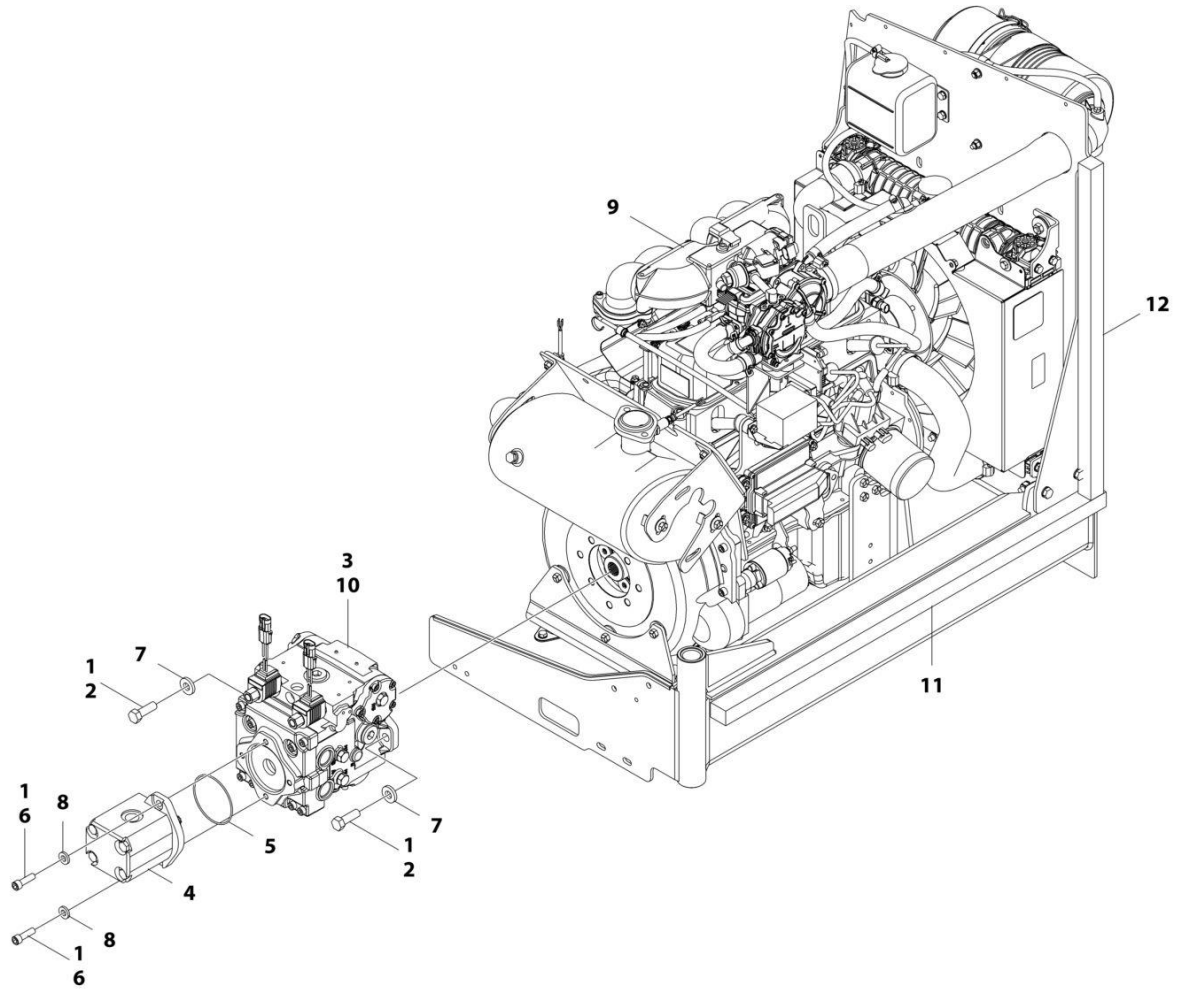
SECTION 3 - ENGINE

**FIGURE 3-26. ENGINE AND PUMP SUB-ASSEMBLY - GM ENGINE (WITHOUT ARCTIC PACKAGE)
(SN 0300201991 through 0300222052)**

ITEM	PART NUMBER	QTY	DESCRIPTION	REV
	1001166202	1	ENGINE AND PUMP SUB-ASSEMBLY - GM ENGINE (WITHOUT ARCTIC PACKAGE) (SN 0300201991 through 0300222052)	J
1	0100011	AR	Compound, Locking	
2	0641812	2	Bolt, 1/2-13 x 1-1/2	
3	3020037	AR	Lube	
4	3600242	1	Gear Pump Assembly (See GEAR PUMP ASSEMBLY for Breakdown)	
5	3790152	1	O-Ring	
6	3931620	2	Capscrew, 3/8-16 x 1-1/4	
7	4891800	2	Washer, 1/2 Hardened	
8	4891600	2	Washer, 3/8 Hardened	
9	1001166203	1	Engine Assembly - GM Engine (Without Arctic Package) (See ENGINE ASSEMBLY - GM ENGINE (WITHOUT ARCTIC PACKAGE) for Breakdown)	
10	1001167036	1	Piston Pump Assembly (See PISTON PUMP ASSEMBLY for Breakdown)	
11	1001171953	1	Seal	
12	1001171954	1	Seal	

SECTION 3 - ENGINE

FIGURE 3-27. ENGINE AND PUMP SUB-ASSEMBLY - GM ENGINE (WITHOUT ARCTIC PACKAGE)
(SN 0300222053 through 0300272317)



ART_1001216224

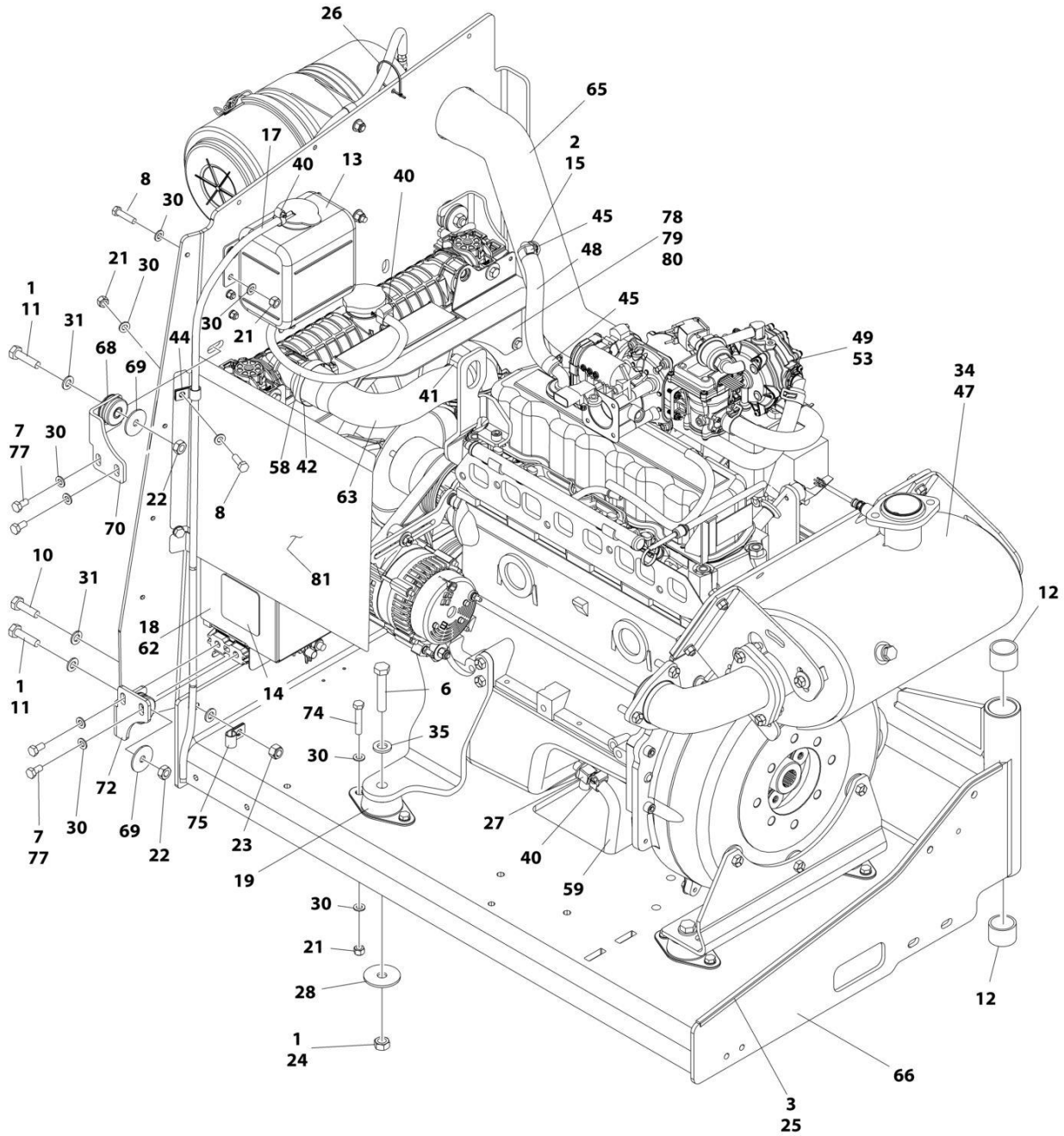
SECTION 3 - ENGINE

**FIGURE 3-27. ENGINE AND PUMP SUB-ASSEMBLY - GM ENGINE (WITHOUT ARCTIC PACKAGE)
(SN 0300222053 through 0300272317)**

ITEM	PART NUMBER	QTY	DESCRIPTION	REV
	1001216224	Ref	ENGINE AND PUMP SUB-ASSEMBLY - GM ENGINE (WITHOUT ARCTIC PACKAGE)	F
1	0100011	AR	Compound, Locking	
2	0641812	2	Bolt, 1/2-13 x 1-1/2	
3	3020037	AR	Lube	
4	3600242	1	Gear Pump Assembly (See GEAR PUMP ASSEMBLY for Breakdown) (SN 0300222053 through 0300236982)	
4	1001214207	1	Gear Pump Assembly (SN 0300236983 through 0300272317, Except SN 0300272185 through 0300272190)	
4	70006356	1	Seal Kit – 1001214207 Pump	
5	3790152	1	O-Ring	
6	3931620	2	Capscrew 3/8 x 1-1/4	
6	3931618	2	Capscrew 3/8 x 1-1/8	
7	4891800	2	Washer, 1/2 Hardened	
8	4891600	2	Washer, 3/8 Hardened	
9	1001216222	1	Engine Assembly - GM Engine (Without Arctic Package) (See ENGINE ASSEMBLY - GM ENGINE (WITHOUT ARCTIC PACKAGE) for Breakdown)	
10	1001167036	1	Piston Pump Assembly (See PISTON PUMP ASSEMBLY for Breakdown)	
11	1001171953	1	Seal	
12	1001171954	1	Seal	

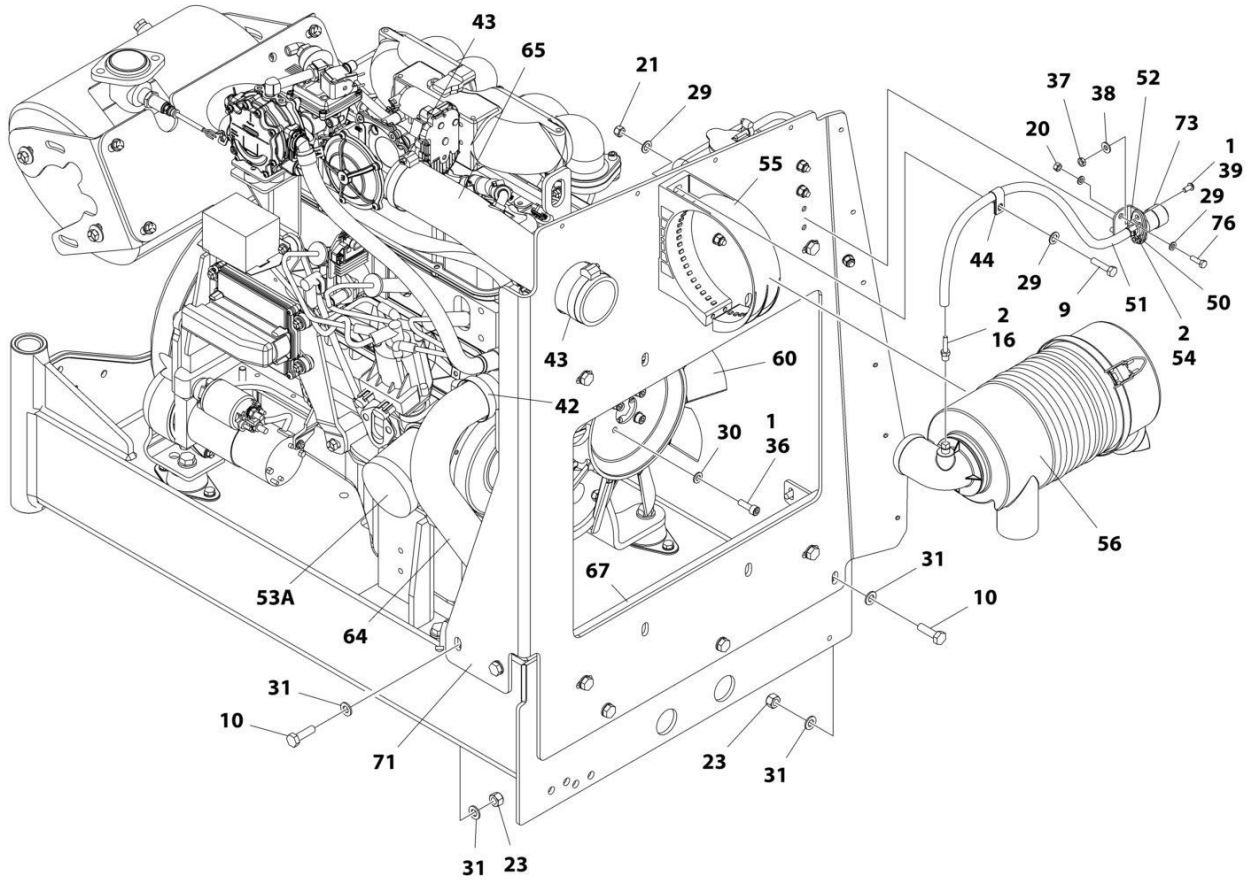
SECTION 3 - ENGINE

FIGURE 3-28. ENGINE ASSEMBLY - GM ENGINE (WITHOUT ARCTIC PACKAGE) (SN 0300201991 through 0300222052)



ART_1001166203_10F2

SECTION 3 - ENGINE



ART_1001166203_2OF2

SECTION 3 - ENGINE

FIGURE 3-28. ENGINE ASSEMBLY - GM ENGINE (WITHOUT ARCTIC PACKAGE) (SN 0300201991 through 0300222052)

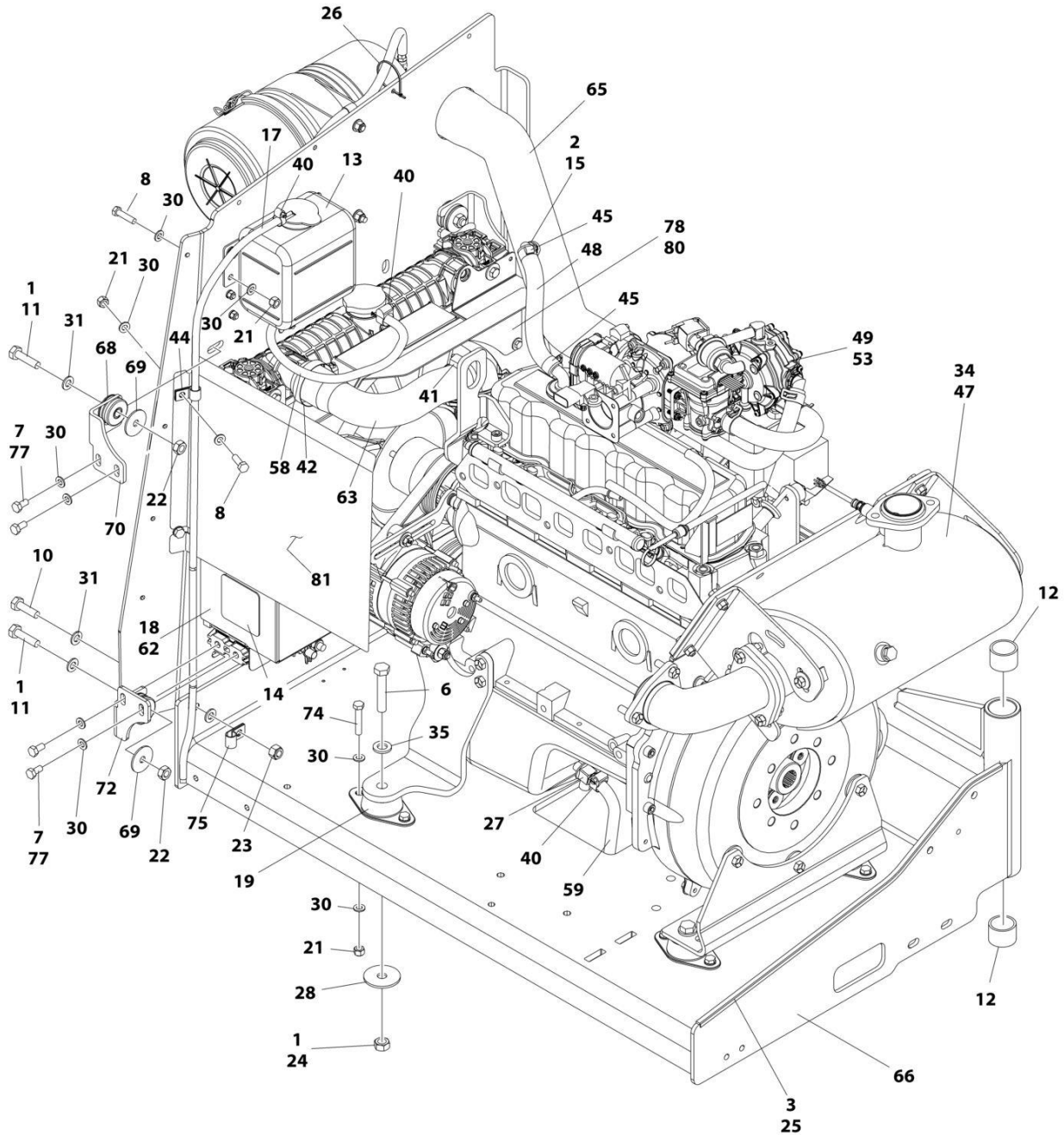
ITEM	PART NUMBER	QTY	DESCRIPTION	REV
	1001166203	Ref	ENGINE ASSEMBLY - GM ENGINE (WITHOUT ARCTIC PACKAGE) (SN 0300201991 through 0300222052)	J
1	0100011	AR	Compound, Locking	
2	0100020	AR	Sealant, Pipe	
3	0100081	AR	Adhesive	
6	0711221	4	Bolt, M12 x 65mm Grade 10.9	
7	0760808	8	Bolt, M8 x 16mm	
8	0760812	6	Bolt, M8 x 25mm	
9	0760815	2	Bolt, M8 x 35mm	
10	0761015	5	Bolt, M10 x 35mm	
11	0761016	4	Bolt, M10 x 40mm	
12	0961951	2	Bushing	
13	1580011	1	Container, Coolant Overflow	
14	1703162	2	Decal - Caution Fan	
15	2180877	1	Fitting, Barbed 90	
16	2220315	1	Fitting, Barbed	
17	2720271	38.5 in /97.8cm	Hose	
18	2300004	2.7 gal /10.2L	Coolant, Anti-Freeze	
19	3200406	4	Mount, Rubber	
20	3290607	2	Nut, Lock M6 x 1	
21	3290805	16	Nut, Lock M8 x 1.25	
22	3291001	4	Nut, Lock M10 x 1.5	
23	3291005	5	Nut, Lock M10 x 1.5	
24	3331211	4	Nut, Lock M12 x 1.75	
25	4060805	2.25 ft /0.69m	Trim, Flex Shield	
26	4240099	AR	Tie-Strap	
27	4640952	1	Valve, Oil Drain	
28	4740274	4	Washer, Snubbing	
29	4811700	4	Washer, M6	
30	4811900	44	Washer, M8	
31	4812000	14	Washer, M10	
34	4920385	10 ft	Wire, Safety	
35	5241200	4	Washer, M12 Hardened	
36	5271809	4	Bolt, M8 x 25mm	
37	8305401	2	Nut, Jam .250-20	
38	8307109	2	Washer, .250	
39	8310548	2	Screw, 1/4 NC x 1/2	
40	8405009	4	Clamp	
41	8405103	1	Clamp	
42	8405201	3	Clamp	
43	8405203	2	Clamp	
44	8406109	2	Clip	
45	8410009	2	Clamp	
47	1001091794	1	Insulation, Muffler	
48	1001091892	8 in /20cm	Hose	
49	1001190775	4.5 qt /4.3L	Oil, Engine	

SECTION 3 - ENGINE

ITEM	PART NUMBER	QTY	DESCRIPTION	REV
50	1001138173	1	Support, Service Indicator	
51	1001138248	2 ft /0.61m	Hose	
52	1001138175	1	Bracket, Service Indicator	
53	1001181430	1	Engine, GM 3.0L (See GM Engine Supplement P/N 3121245 for Breakdown of Additional Components)	
53A	7027965	1	Filter, Oil	
54	1001141995	1	Fitting, Barbed	
55	1001147812	1	Clamp, Air Cleaner	
56	1001147813	1	Air Cleaner Assembly Including Filter Element	
56	70004020	1	Element, Filter (Not Shown)	
58	1001156819	14.5 in /37cm	Hose	
59	1001165035	8 in /20.3cm	Hose	
60	2060025	1	Fan	
62	1001167193	1	Radiator	
63	1001167382	1	Hose, Upper Radiator	
64	1001167383	1	Hose, Lower Radiator	
65	1001167384	1	Hose, Air Intake	
66	1001167895	1	Tray, Engine	
67	1001168166	2	Seal	
68	1001169054	4	Isolator, Radiator	
69	1001169138	4	Washer, Snubbing	
70	1001169967	2	Bracket	
71	1001195714	1	Plate, Radiator Mounting	
72	1001170035	2	Bracket	
73	1001170981	1	Indicator	
74	0760814	8	Bolt, M8 x 30mm	
75	8406110	1	Clip	
76	0760610	2	Bolt, M6 x 20mm	
77	1001180620	AR	Adhesive	
78	0760606	2	Bolt M6 x 12 (SN 0300201991 through 0300211979)	
78	5250605	2	Bolt M6 x 10 (SN 0300211980 through 0300272317, Except SN 0300272185 through 0300272190)	
79	4811702	2	Washer M6 (SN 0300201991 through 0300211979)	
80	1001195699	1	Deflector, Air	
81	1001195700	1	Deflector, Air	

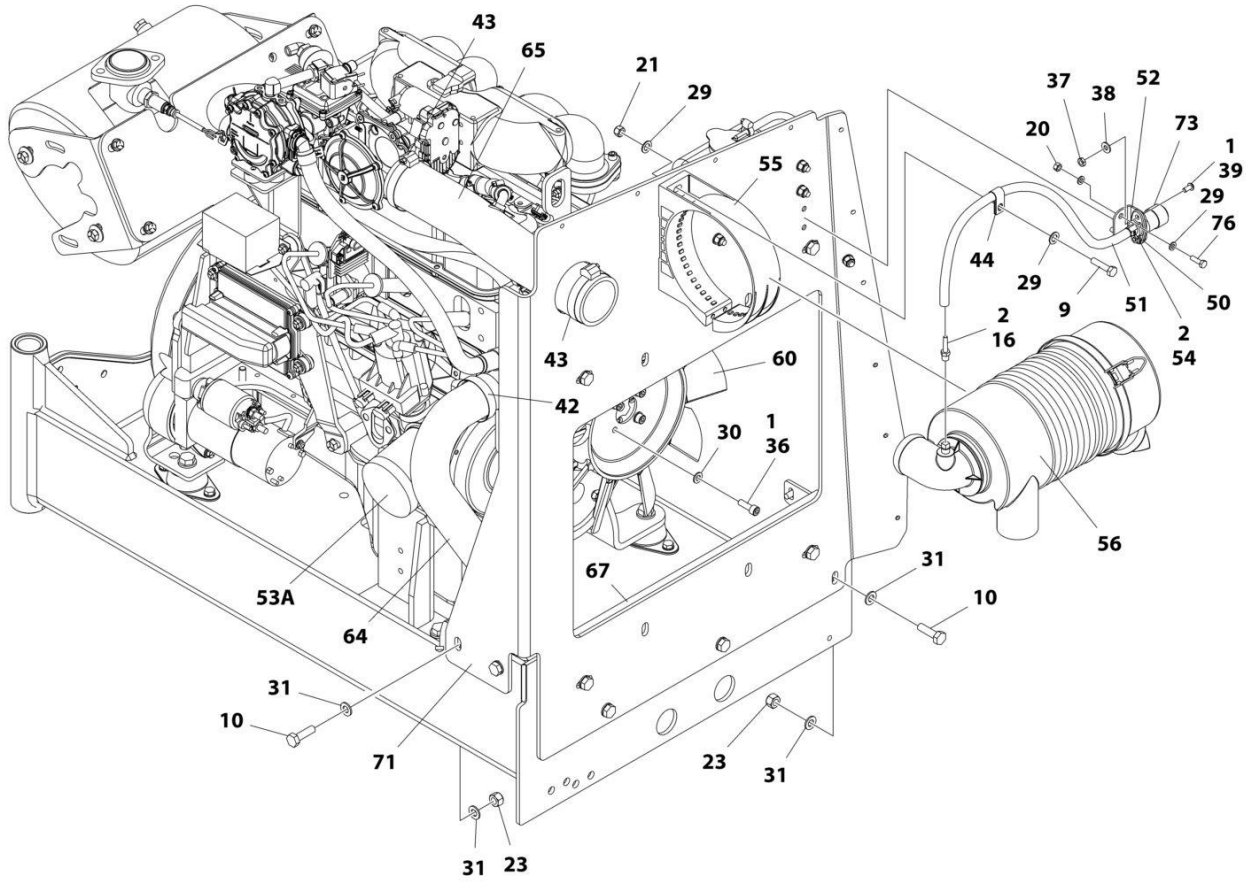
SECTION 3 - ENGINE

FIGURE 3-29. ENGINE ASSEMBLY - GM ENGINE (WITHOUT ARCTIC PACKAGE) (SN 0300222053 through 0300272317)



ART_1001216222_10F2

SECTION 3 - ENGINE



ART_1001216222_2OF2

SECTION 3 - ENGINE

FIGURE 3-29. ENGINE ASSEMBLY - GM ENGINE (WITHOUT ARCTIC PACKAGE) (SN 0300222053 through 0300272317)

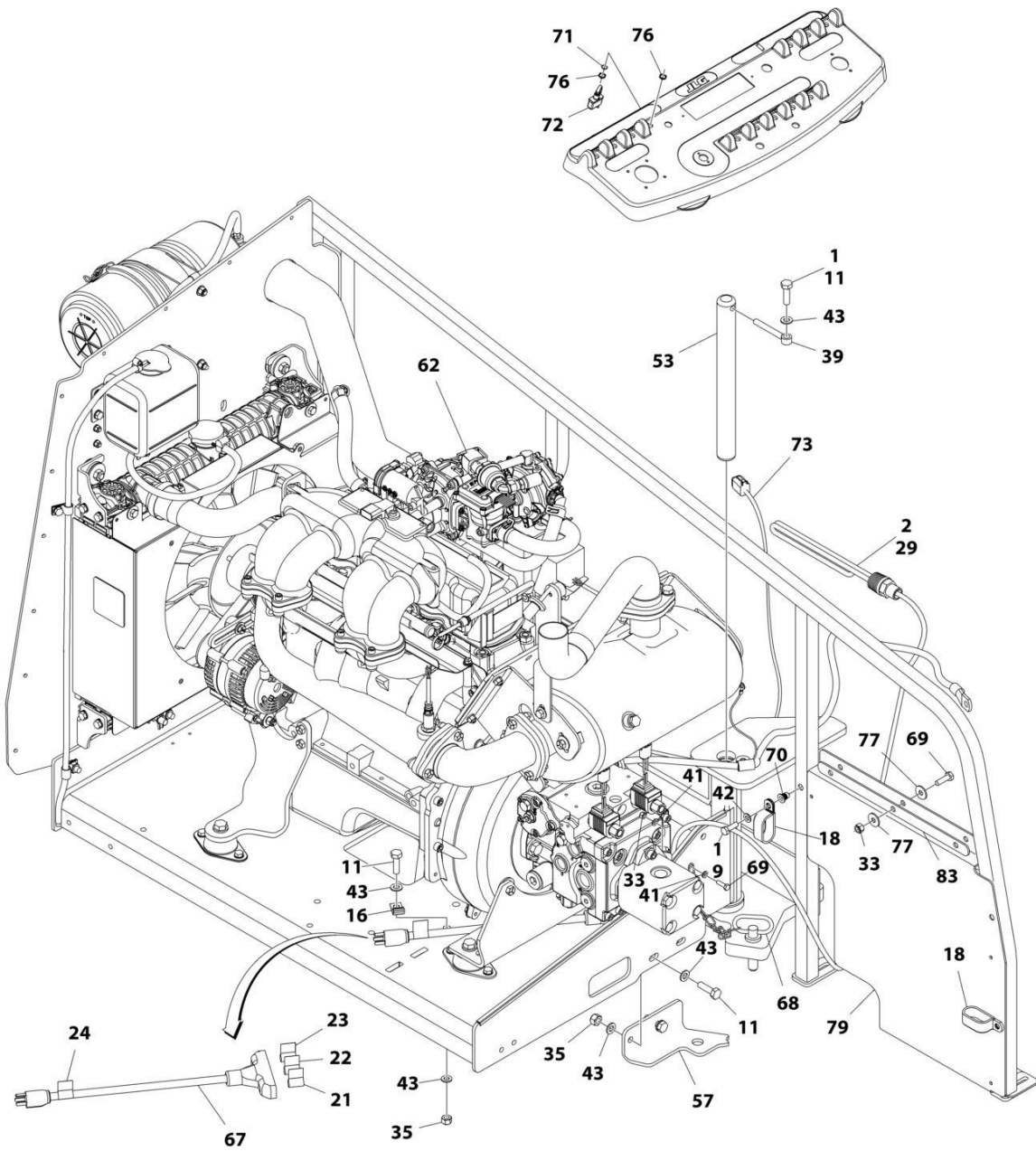
ITEM	PART NUMBER	QTY	DESCRIPTION	REV
	1001216222	Ref	ENGINE ASSEMBLY - GM ENGINE (WITHOUT ARCTIC PACKAGE)	C
1	0100011	AR	Compound, Locking	
2	0100020	AR	Sealant, Pipe	
3	0100081	AR	Adhesive	
6	0711221	4	Bolt, M12 x 65mm Grade 10.9	
7	0760808	8	Bolt, M8 x 16mm	
8	0760812	6	Bolt, M8 x 25mm	
9	0760815	2	Bolt, M8 x 35mm	
10	0761015	5	Bolt, M10 x 35mm	
11	0761016	4	Bolt, M10 x 40mm	
12	0961951	2	Bushing	
13	1580011	1	Container, Coolant Overflow	
14	1703162	2	Decal - Caution Fan	
15	2180877	1	Fitting, Barbed 90	
16	2220315	1	Fitting, Barbed	
17	2720271	38.5 in/ 97.8cm	Hose	
18	2300004	2.7 gal/ 10.2L	Coolant, Anti-Freeze	
19	3200406	4	Mount, Rubber	
20	3290607	2	Nut, Lock M6 x 1	
21	3290805	16	Nut, Lock M8 x 1.25	
22	3291001	4	Nut, Lock M10 x 1.5	
23	3291005	5	Nut, Lock M10 x 1.5	
24	3331211	4	Nut, Lock M12 x 1.75	
25	4060805	2.3 ft /0.7m	Trim, Flex Shield	
26	4240099	AR	Tie-Strap	
27	4640952	1	Valve, Oil Drain	
28	4740274	4	Washer, Snubbing	
29	4811700	4	Washer, M6	
30	4811900	44	Washer, M8	
31	4812000	14	Washer, M10	
34	4920385	10 ft/3.0m	Wire, Safety	
35	5241200	4	Washer, M12 Hardened	
36	5271809	4	Bolt, M8 x 25mm	
37	8305401	2	Nut, Jam .250-20	
38	8307109	2	Washer, .250	
39	8310548	2	Screw, 1/4 NC x 1/2	
40	8405009	4	Clamp	
41	8405103	1	Clamp	
42	8405201	3	Clamp	
43	8405203	2	Clamp	
44	8406109	2	Clip	
45	8410009	2	Clamp	
47	1001091794	1	Insulation, Muffler	
48	1001091892	8 in /20cm	Hose	
49	1001190775	4.5 qt/ 4.3L	Oil, Engine	

SECTION 3 - ENGINE

ITEM	PART NUMBER	QTY	DESCRIPTION	REV
50	1001138173	1	Support, Service Indicator	
51	1001138248	2 ft /0.6m	Hose	
52	1001138175	1	Bracket, Service Indicator	
53	1001216219	1	Engine, GM 3.0L (See GM Engine Supplement P/N 3121245 for Breakdown of Additional Components)	
53A	7027965	1	Filter, Oil	
54	1001141995	1	Fitting, Barbed	
55	1001147812	1	Clamp, Air Cleaner	
56	1001147813	1	Air Cleaner Assembly Including Filter Element	
56	70004020	1	Element, Filter (Not Shown)	
58	1001156819	14.5 in/ 37cm	Hose	
59	1001165035	8 in/ 20.3cm	Hose	
60	2060025	1	Fan	
62	1001167193	1	Radiator	
63	1001167382	1	Hose, Upper Radiator	
64	1001167383	1	Hose, Lower Radiator	
65	1001167384	1	Hose, Air Intake	
66	1001167895	1	Tray, Engine	
67	1001168166	2	Seal	
68	1001169054	4	Isolator, Radiator	
69	1001169138	4	Washer, Snubbing	
70	1001169967	2	Bracket	
71	1001195714	1	Plate, Radiator Mounting	
72	1001170035	2	Bracket	
73	1001170981	1	Indicator	
74	0760814	8	Bolt, M8 x 30mm	
75	8406110	1	Clip	
76	0760610	2	Bolt, M6 x 20mm	
77	1001180620	AR	Adhesive	
78	5250605	2	Bolt M6 x 10	
80	1001195699	1	Deflector, Air	
81	1001195700	1	Deflector, Air	

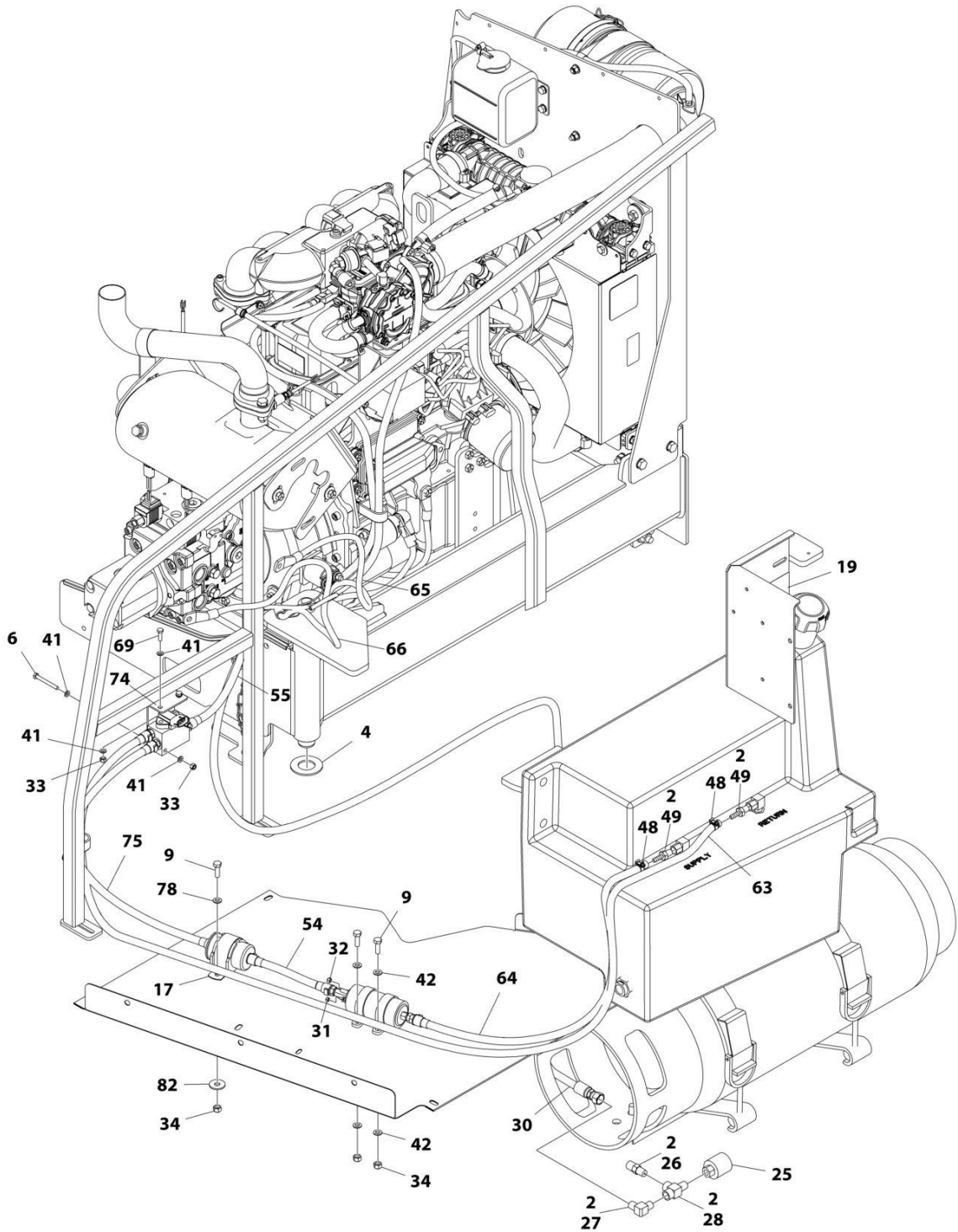
SECTION 3 - ENGINE

FIGURE 3-30. ENGINE INSTALLATION - GM ENGINE (WITH ARCTIC PACKAGE) (SN 0300201991 through 0300222052)



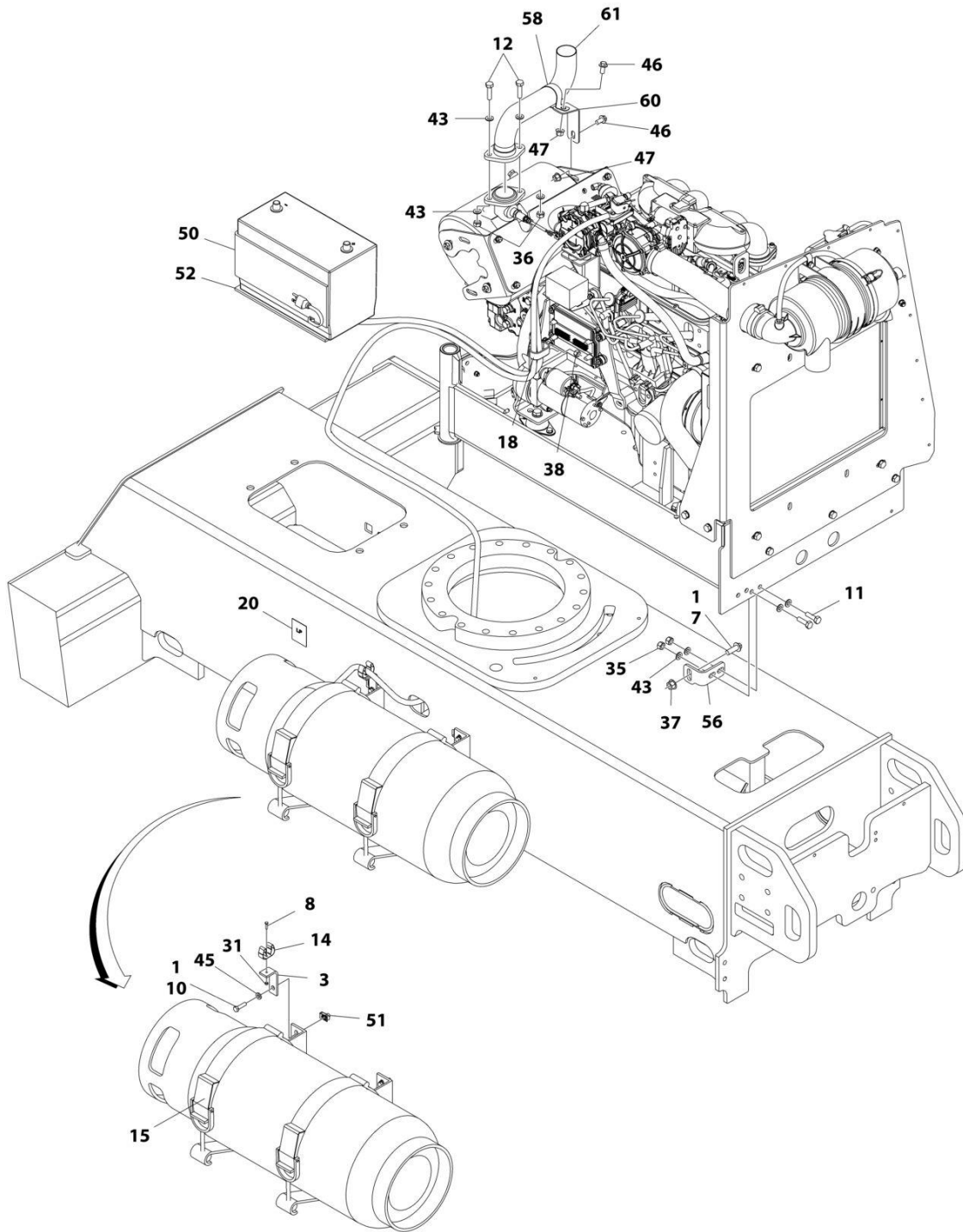
ART_1001174782_10F3

SECTION 3 - ENGINE



ART_1001174782_2OF3

SECTION 3 - ENGINE



ART_1001174782_3OF3

SECTION 3 - ENGINE

FIGURE 3-30. ENGINE INSTALLATION - GM ENGINE (WITH ARCTIC PACKAGE) (SN 0300201991 through 0300222052)

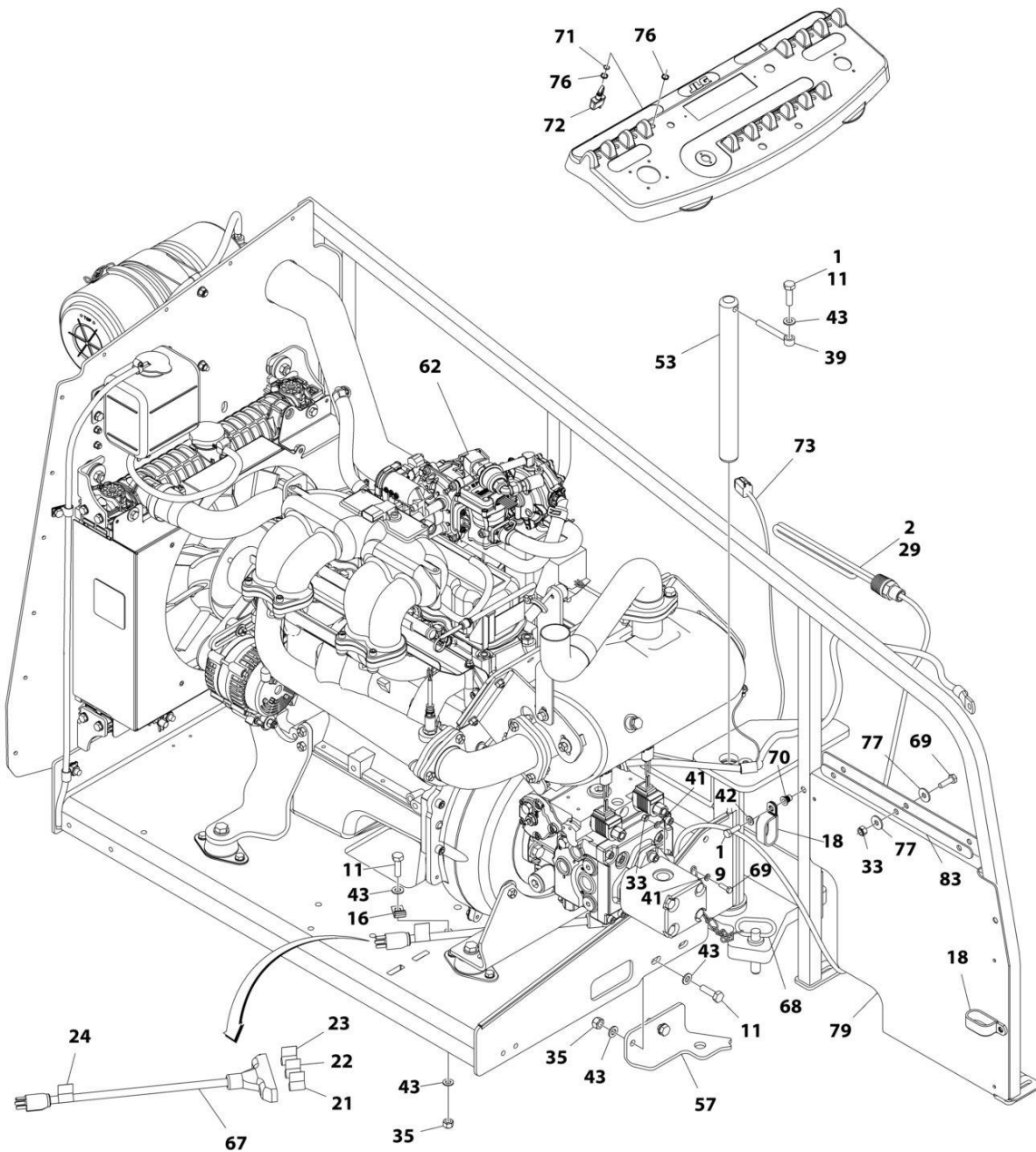
ITEM	PART NUMBER	QTY	DESCRIPTION	REV
	1001174782	Ref	ENGINE INSTALLATION - GM ENGINE (WITH ARCTIC PACKAGE) (SN 0300201991 through 0300222052)	I
1	0100011	AR	Compound, Locking	
2	0100020	AR	Sealant, Pipe	
3	0181949	1	Angle	
4	0440162	1	Bearing	
6	0700619	2	Bolt, M6 x 55mm	
7	5251215	1	Bolt, M12 x 35mm	
8	0760408	1	Bolt, M4 x 16mm	
9	0760812	6	Bolt, M8 x 25mm	
10	0760814	4	Bolt, M8 x 30mm	
11	0761015	6	Bolt, M10 x 35mm	
12	0761016	2	Bolt, M10 x 40mm	
13	1060625	1	Cable, Immersion Heater (SN 0300201991 through 0300206616)	
14	1320218	1	Clamp	
15	1320220	1	Clamp Kit - LP	
15	4400275	1	Tank, LPG (Aluminum Tank)	
15	4400420	1	Tank, LPG (Steel Tank)	
16	1320223	1	Clamp	
17	1320323	1	Clamp	
18	1321716	3	Clamp	
19	1701542	1	Decal - Gas	
20	1701543	1	Decal - LPG	
21	1702941	1	Decal - Battery Heater	
22	1702942	1	Decal - Engine Block Heater	
23	1702943	1	Decal - Hydraulic Tank Heater	
24	1702944	1	Decal - Heater Cord	
25	2180387	1	Fitting, LP	
26	2180389	1	Fitting	
27	2180504	1	Fitting, Elbow	
28	2220290	1	Fitting, Tee FNPTF/NPTF/FNPTF	
29	2580050	1	Heater, Hydraulic Tank (SN 0300201991 through 0300206616)	
29	1001188972	1	Heater, Hydraulic Tank (SN 0300206617 through 0300272317, Except SN 0300272185 through 0300272190)	
30	2720149	1	Hose	
31	3290405	2	Nut, Lock M4 x 0.7	
32	3290505	1	Nut, Lock M5 x 0.8	
33	3290605	8	Nut, Lock M6 x 1	
34	3290805	5	Nut, Lock M8 x 1.25	
35	3291005	5	Nut, Lock M10 x 1.5	
36	3291007	2	Nut, Lock M10 x 1.5	
37	5261200	1	Nut, Flange M12 Grade 10.9	
38	3311605	1	Nut, Lock 3/8-16 (SN 0300201991 through 0300214749)	
39	3841143	1	Keeper, Pin	
41	4811700	10	Washer, M6	
42	4811900	9	Washer, M8	
43	4812000	15	Washer, M10	
45	5240800	4	Washer, M8 Hardened	
46	5251010	2	Bolt, M10 x 20mm	

SECTION 3 - ENGINE

ITEM	PART NUMBER	QTY	DESCRIPTION	REV
47	5261018	2	Nut, Flange M10	
48	1001174486	2	Clamp	
49	2180348	2	Fitting, Barbed	
50	1001097000	1	Heater, Battery (SN 0300201991 through 0300206616)	
50	2580024	1	Heater, Battery (SN 0300206617 through 0300272317, Except SN 0300272185 through 0300272190)	
51	1001118274	4	Nut, Special M8 x 1.25	
52	1001119278	1	Insulate	
53	1001135196	1	Pin	
54	1001156823	1	Hose	
55	1001182405	1	Hose	
56	1001167512	1	Bracket	
57	1001169823	1	Plate, Engine Lock	
58	1001170719	1	Clamp	
60	1001172003	1	Support, Muffler	
61	1001172795	1	Pipe, Exhaust	
62	1001174781	1	Engine and Pump Sub-Assembly - GM Engine (With Arctic Package) (See ENGINE AND PUMP SUB-ASSEMBLY - GM ENGINE (WITH ARCTIC PACKAGE) for Breakdown)	
63	1001177228	1	Hose	
64	1001177167	1	Hose	
65	1001171685	1	Cable, Battery (Red) (Battery Positive to Auxiliary Power Relay)	
66	1001171686	1	Cable, Battery (Black) (Battery Negative to Pivot Pin to Engine Ground)	
67	1060626	1	Cord, 3 Way Extension	
68	3422532	1	Pin	
69	0760610	6	Bolt, M6 x 20mm	
70	1001191832	1	Nut, Rivet M8	
71	3790012	1	O-Ring	
72	1001161710	1	Switch, Toggle	
73	1001180017	1	Harness Engine - GM Engine (See ELECTRICAL SECTION for Breakdown)	
74	1001182150	1	Bracket	
75	1001182404	1	Hose	
76	1001155044	2	Nut, Special 15/32-32	
77	4811702	6	Washer M6	
78	4811902	1	Washer M8	
79	1001196376	1	Seal, Rubber	
80	4460466	8	Plug, Terminal (Not Shown) (SN 0300206617 through 0300272317, Except SN 0300272185 through 0300272190)	
81	4460930	1	Plug, Male - 8 Position (Not Shown) (SN 0300206617 through 0300272317, Except SN 0300272185 through 0300272190)	
82	4812002	2	Washer M10 (SN 0300206617 through 0300272317, Except SN 0300272185 through 0300272190)	
83	1001204123	1	Plate, Support (SN 0300210489 through 0300272317, Except SN 0300272185 through 0300272190)	

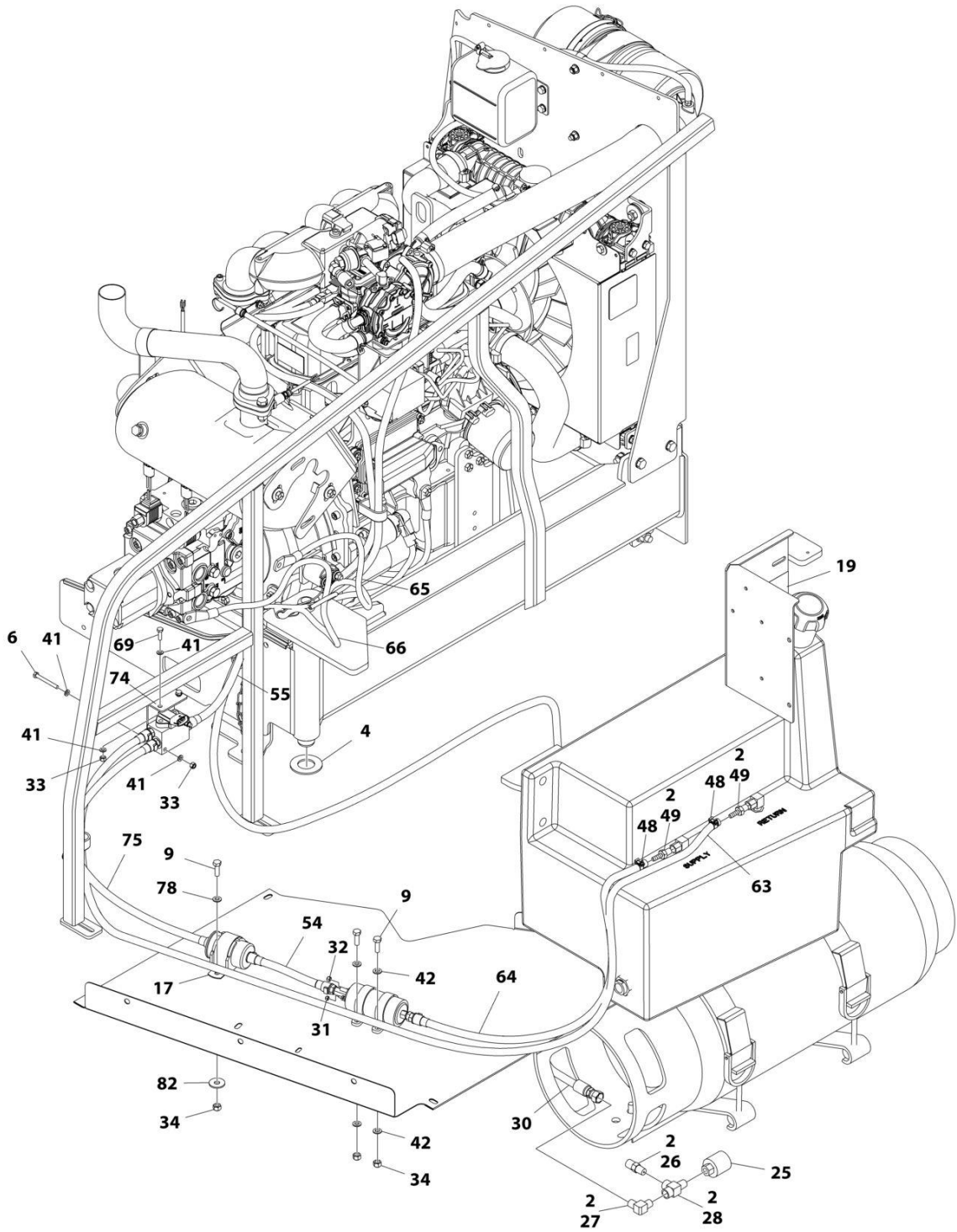
SECTION 3 - ENGINE

FIGURE 3-31. ENGINE INSTALLATION - GM ENGINE (WITH ARCTIC PACKAGE) (SN 0300222053 through 0300272317)



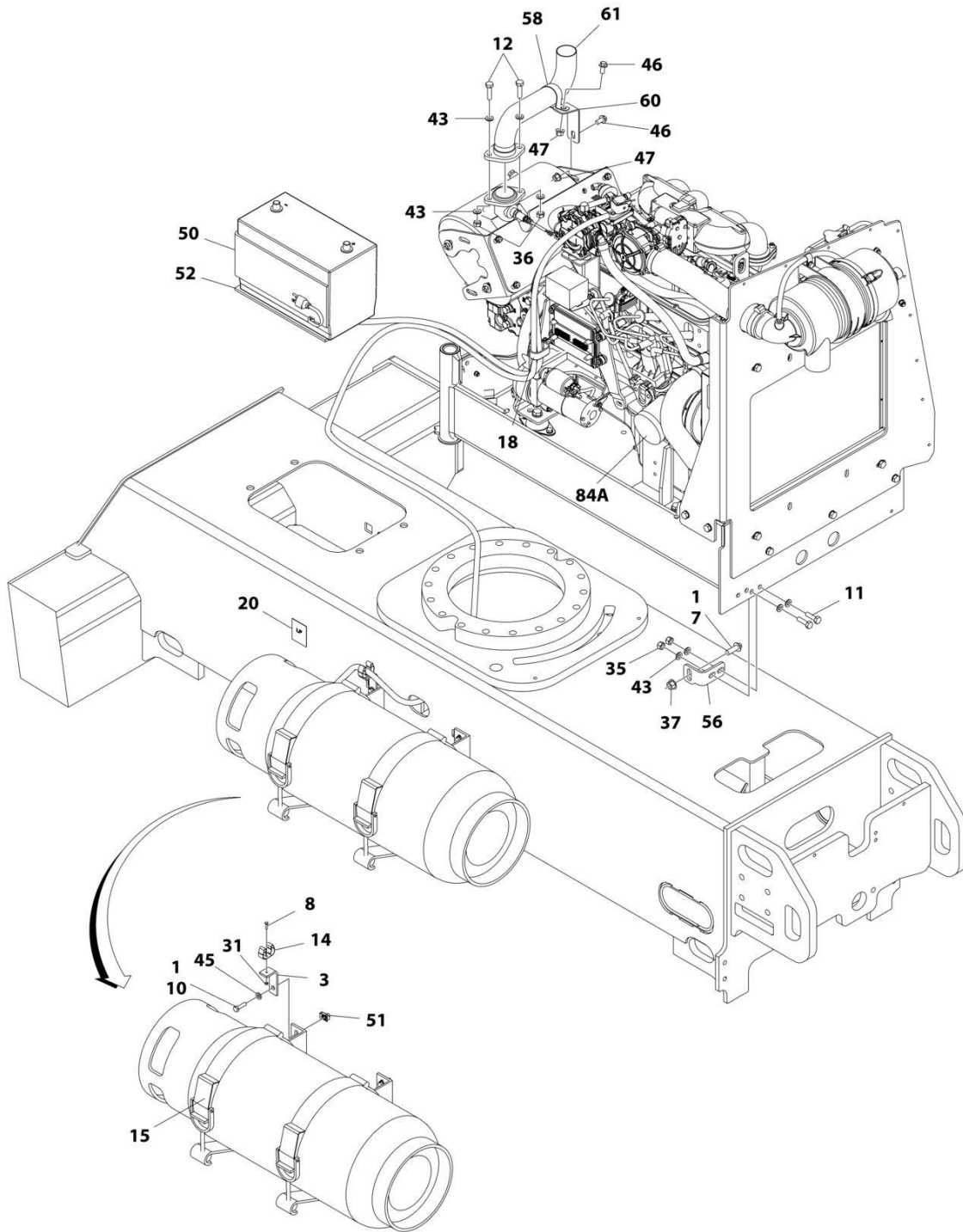
ART_1001216229_10F3

SECTION 3 - ENGINE



ART_1001216229_2OF3

SECTION 3 - ENGINE



ART_1001216229_30F3

SECTION 3 - ENGINE

FIGURE 3-31. ENGINE INSTALLATION - GM ENGINE (WITH ARCTIC PACKAGE) (SN 0300222053 through 0300272317)

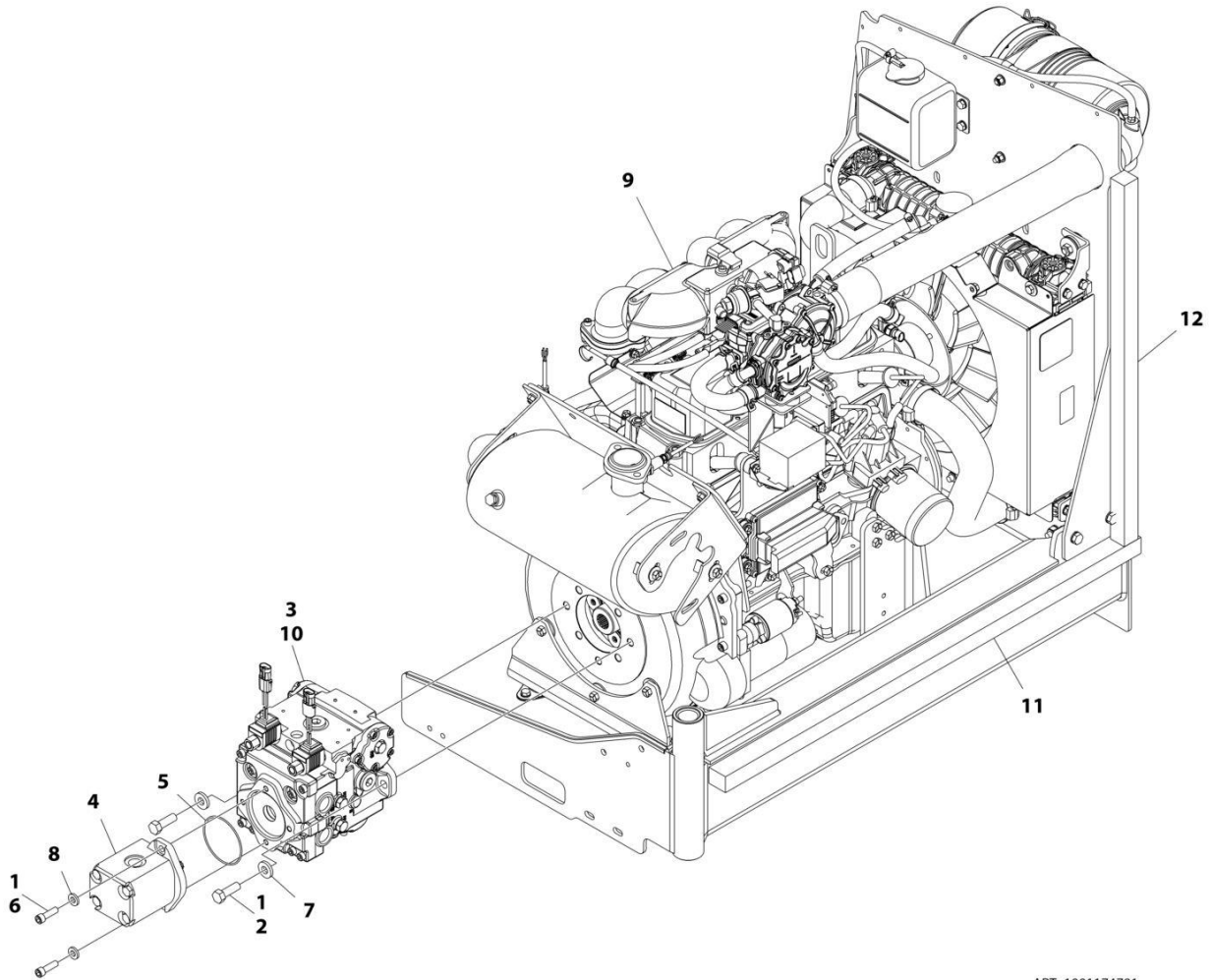
ITEM	PART NUMBER	QTY	DESCRIPTION	REV
	1001216229	Ref	ENGINE INSTALLATION - GM ENGINE (WITH ARCTIC PACKAGE)	C
1	0100011	AR	Compound, Locking	
2	0100020	AR	Sealant, Pipe	
3	0181949	1	Angle	
4	0440162	1	Bearing	
6	0700619	2	Bolt, M6 x 55mm	
7	5251215	1	Bolt, M12 x 35mm	
8	0760408	1	Bolt, M4 x 16mm	
9	0760812	6	Bolt, M8 x 25mm	
10	0760814	4	Bolt, M8 x 30mm	
11	0761015	6	Bolt, M10 x 35mm	
12	0761016	2	Bolt, M10 x 40mm	
14	1320218	1	Clamp	
15	1320220	1	Clamp Kit - LP	
15	4400275	1	Tank, LPG (Aluminum Tank)	
15	4400420	1	Tank, LPG (Steel Tank)	
16	1320223	1	Clamp	
17	1320323	1	Clamp	
18	1321716	3	Clamp	
19	1701542	1	Decal - Gas	
20	1701543	1	Decal - LPG	
21	1702941	1	Decal - Battery Heater	
22	1702942	1	Decal - Engine Block Heater	
23	1702943	1	Decal - Hydraulic Tank Heater	
24	1702944	1	Decal - Heater Cord	
25	2180387	1	Fitting, LP	
26	2180389	1	Fitting	
27	2180504	1	Fitting, Elbow	
28	2220290	1	Fitting, Tee FNPTF/NPTF/FNPTF	
29	1001188972	1	Heater, Hydraulic Tank	
30	2720149	1	Hose	
31	3290405	2	Nut, Lock M4 x 0.7	
32	3290505	1	Nut, Lock M5 x 0.8	
33	3290605	8	Nut, Lock M6 x 1	
34	3290805	5	Nut, Lock M8 x 1.25	
35	3291005	5	Nut, Lock M10 x 1.5	
36	3291007	2	Nut, Lock M10 x 1.5	
37	5261200	1	Nut, Flange M12 Grade 10.9	
39	3841143	1	Keeper, Pin	
41	4811700	10	Washer, M6	
42	4811900	9	Washer, M8	
43	4812000	15	Washer, M10	
45	5240800	4	Washer, M8 Hardened	
46	5251010	2	Bolt, M10 x 20mm	
47	5261018	2	Nut, Flange M10	
48	1001174486	2	Clamp	
49	2180348	2	Fitting, Barbed	
50	2580024	1	Heater, Battery	

SECTION 3 - ENGINE

ITEM	PART NUMBER	QTY	DESCRIPTION	REV
51	100118274	4	Nut, Special M8 x 1.25	
52	100119278	1	Insulate	
53	1001135196	1	Pin	
54	1001156823	1	Hose	
55	1001182405	1	Hose	
56	1001167512	1	Bracket	
57	1001169823	1	Plate, Engine Lock	
58	1001170719	1	Clamp	
60	1001172003	1	Support, Muffler	
61	1001172795	1	Pipe, Exhaust	
62	1001216225	1	Engine and Pump Sub-Assembly - GM Engine (With Arctic Package) (See ENGINE AND PUMP SUB-ASSEMBLY - GM ENGINE (WITH ARCTIC PACKAGE) for Breakdown)	
63	1001177228	1	Hose	
64	1001177167	1	Hose	
65	1001171685	1	Cable, Battery (Red) (Battery Positive to Auxiliary Power Relay)	
66	1001171686	1	Cable, Battery (Black) (Battery Negative to Pivot Pin to Engine Ground)	
67	1060626	1	Cord, 3 Way Extension	
68	3422532	1	Pin	
69	0760610	6	Bolt, M6 x 20mm	
70	1001191832	1	Nut, Rivet M8	
71	3790012	1	O-Ring	
72	1001161710	1	Switch, Toggle	
73	1001180017	1	Harness Engine - GM Engine (See ELECTRICAL SECTION for Breakdown)	
74	1001182150	1	Bracket	
75	1001182404	1	Hose	
76	1001155044	2	Nut, Special 15/32-32	
77	4811702	6	Washer M6	
78	4811902	1	Washer M8	
79	1001196376	1	Seal, Rubber	
80	4460466	8	Plug, Terminal (Not Shown)	
81	4460930	1	Plug, Male - 8 Position (Not Shown)	
82	4812002	2	Washer M10	
83	1001204123	1	Plate, Support	
84	1001216219	1	Engine, GM 3.0L (See GM Engine Supplement P/N 3121245 for Breakdown of Additional Components) (SN 0300222053 through 0300223920)	
84	1001214862	1	Engine, GM 3.0L (See GM Engine Supplement P/N 3121245 for Breakdown of Additional Components) (SN 0300223921 through 0300272317, Except SN 0300272185 through 0300272190)	
84A	7027965	1	Filter, Oil	

SECTION 3 - ENGINE

FIGURE 3-32. ENGINE AND PUMP SUB-ASSEMBLY - GM ENGINE (WITH ARCTIC PACKAGE) (SN 0300201991 through 0300222052)



ART_1001174781

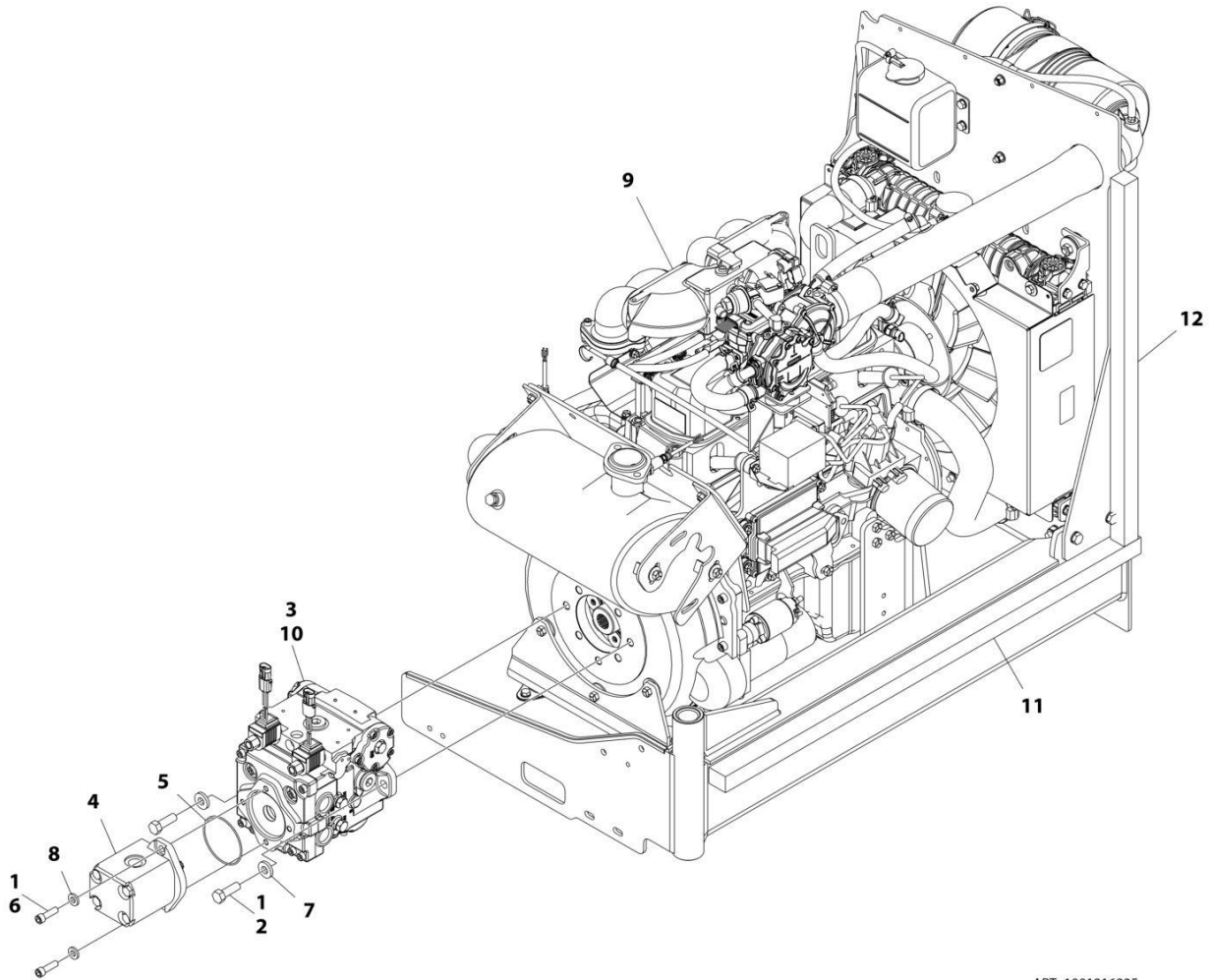
SECTION 3 - ENGINE

FIGURE 3-32. ENGINE AND PUMP SUB-ASSEMBLY - GM ENGINE (WITH ARCTIC PACKAGE) (SN 0300201991 through 0300222052)

ITEM	PART NUMBER	QTY	DESCRIPTION	REV
	1001174781	Ref	ENGINE AND PUMP SUB-ASSEMBLY - GM ENGINE (WITH ARCTIC PACKAGE) (SN 0300201991 through 0300222052)	J
1	0100011	AR	Compound, Locking	
2	0641812	2	Bolt, 1/2-13 x 1-1/2	
3	3020037	AR	Lube	
4	3600242	1	Gear Pump Assembly (See GEAR PUMP ASSEMBLY for Breakdown)	
5	3790152	1	O-Ring	
6	3931620	2	Capscrew, 3/8-16 x 1-1/4	
7	4891800	2	Washer, 1/2 Hardened	
8	4891600	2	Washer, 3/8 Hardened	
9	1001174780	1	Engine Assembly - GM Engine (With Arctic Package) (See ENGINE ASSEMBLY - GM ENGINE (WITH ARCTIC PACKAGE) for Breakdown)	
10	1001167036	1	Piston Pump Assembly (See PISTON PUMP ASSEMBLY for Breakdown)	
11	1001171953	1	Seal	
12	1001171954	1	Seal	

SECTION 3 - ENGINE

FIGURE 3-33. ENGINE AND PUMP SUB-ASSEMBLY - GM ENGINE (WITH ARCTIC PACKAGE) (SN 0300222053 through 0300272317)



ART_1001216225

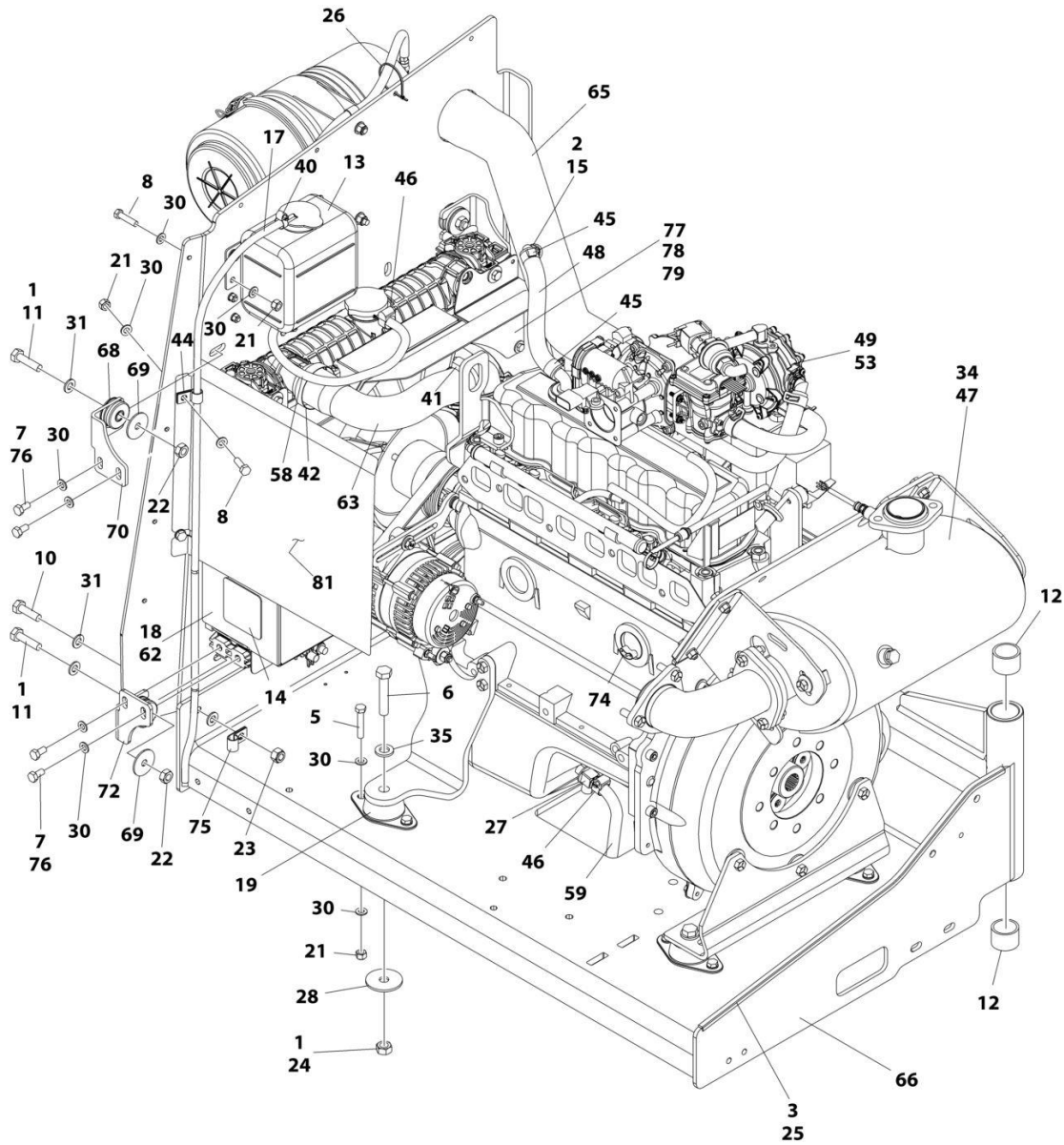
SECTION 3 - ENGINE

FIGURE 3-33. ENGINE AND PUMP SUB-ASSEMBLY - GM ENGINE (WITH ARCTIC PACKAGE) (SN 0300222053 through 0300272317)

ITEM	PART NUMBER	QTY	DESCRIPTION	REV
	1001216225	Ref	ENGINE AND PUMP SUB-ASSEMBLY - GM ENGINE (WITH ARCTIC PACKAGE)	F
1	0100011	AR	Compound, Locking	
2	0641812	2	Bolt, 1/2-13 x 1-1/2	
3	3020037	AR	Lube	
4	3600242	1	Gear Pump Assembly (See GEAR PUMP ASSEMBLY for Breakdown) (SN 0300222053 through 0300236982)	
4	1001214207	1	Gear Pump Assembly (SN 0300236983 through 0300272317, Except SN 0300272185 through 0300272190)	
4	70006356	1	Seal Kit – 1001214207 Pump	
5	3790152	1	O-Ring	
6	3931620	2	Capscrew 3/8 x 1-1/4	
6	3931618	2	Capscrew 3/8 x 1-1/8	
7	4891800	2	Washer, 1/2 Hardened	
8	4891600	2	Washer, 3/8 Hardened	
9	1001216223	1	Engine Assembly - GM Engine (With Arctic Package) (See ENGINE ASSEMBLY - GM ENGINE (WITH ARCTIC PACKAGE) for Breakdown)	
10	1001167036	1	Piston Pump Assembly (See PISTON PUMP ASSEMBLY for Breakdown)	
11	1001171953	1	Seal	
12	1001171954	1	Seal	

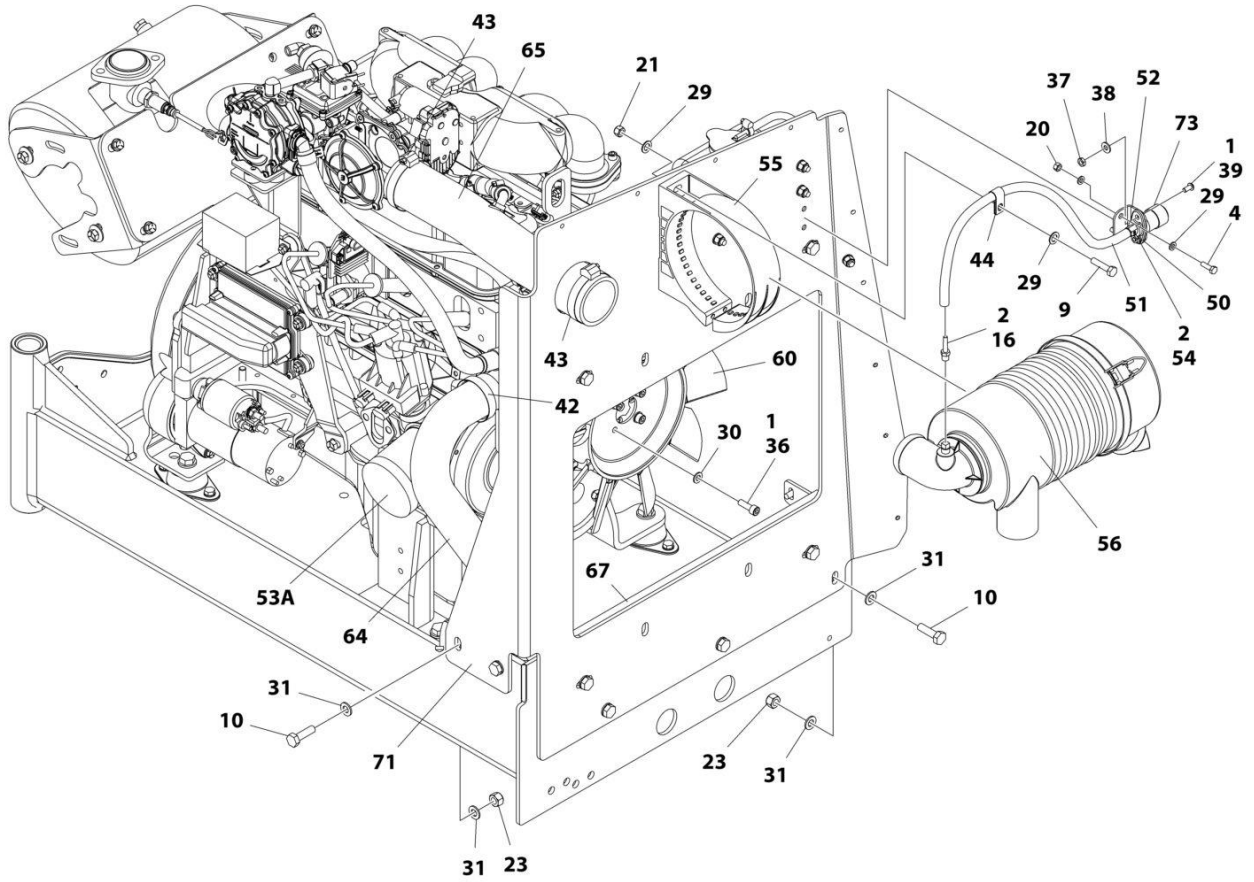
SECTION 3 - ENGINE

FIGURE 3-34. ENGINE ASSEMBLY - GM ENGINE (WITH ARCTIC PACKAGE) (SN 0300201991 through 030022052)



ART_1001174780_10F2

SECTION 3 - ENGINE



ART_1001174780_2OF2

SECTION 3 - ENGINE

FIGURE 3-34. ENGINE ASSEMBLY - GM ENGINE (WITH ARCTIC PACKAGE) (SN 0300201991 through 0300222052)

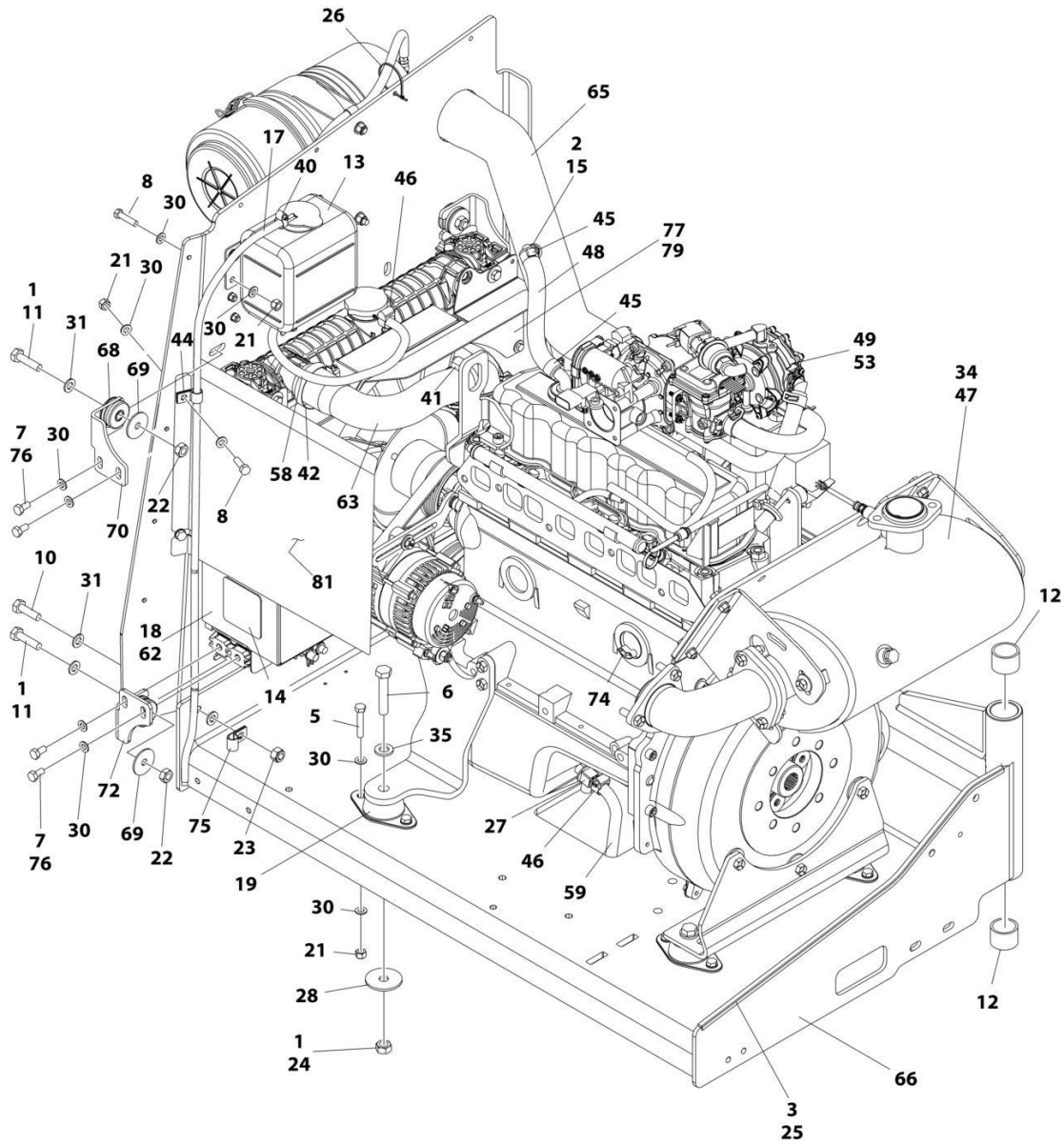
ITEM	PART NUMBER	QTY	DESCRIPTION	REV
	1001174780	Ref	ENGINE ASSEMBLY - GM ENGINE (WITH ARCTIC PACKAGE) (SN 0300201991 through 0300222052)	J
1	0100011	AR	Compound, Locking	
2	0100020	AR	Sealant, Pipe	
3	0100081	AR	Adhesive	
4	0760610	2	Bolt, M6 x 20mm	
5	0760814	8	Bolt, M8 x 30mm	
6	0711221	4	Bolt, M12 x 65mm Grade 10.9	
7	0760808	8	Bolt, M8 x 16mm	
8	0760812	6	Bolt, M8 x 25mm	
9	0760815	2	Bolt, M8 x 35mm	
10	0761015	5	Bolt, M10 x 35mm	
11	0761016	4	Bolt, M10 x 40mm	
12	0961951	2	Bushing	
13	1580011	1	Container, Coolant Overflow	
14	1703162	2	Decal - Caution Fan	
15	2180877	1	Fitting, Elbow	
16	2220315	1	Fitting, Barbed	
17	2720271	38.5 in /97.8cm	Hose	
18	2300041	2.7 gal /10.2L	Coolant, Anti-Freeze	
19	3200406	4	Mount, Rubber	
20	3290607	2	Nut, Lock M6 x 1	
21	3290805	16	Nut, Lock M8 x 1.25	
22	3291001	4	Nut, M10 x 1.5	
23	3291005	5	Nut, Lock M10 x 1.5	
24	3331211	4	Nut, M12 x 1.75	
25	4060805	2.25 ft /0.69m	Trim, Flex Shield	
26	4240099	AR	Tie-Strap	
27	4640952	1	Valve, Oil Drain	
28	4740274	4	Washer, Snubbing	
29	4811700	4	Washer, M6	
30	4811900	44	Washer, M8	
31	4812000	14	Washer, M10	
34	4920385	10 ft/3m	Wire, Safety	
35	5241200	4	Washer, M12 Hardened	
36	5271809	4	Bolt, M8 x 25mm	
37	8305401	2	Nut, Jam .250-20	
38	8307109	2	Washer, .250	
39	8310548	2	Screw, 1/4 NC x 1/2	
40	8405009	1	Clamp	
41	8405103	1	Clamp	
42	8405201	3	Clamp	
43	8405203	2	Clamp	
44	8406109	2	Clip	
45	8410009	2	Clamp	
46	8410013	3	Clamp	
47	1001091794	1	Insulation, Muffler	

SECTION 3 - ENGINE

ITEM	PART NUMBER	QTY	DESCRIPTION	REV
48	1001091892	8 in /20cm	Hose	
49	1001115931	4.5 qt /4.3L	Oil, Motor	
50	1001138173	1	Support, Service Indicator	
51	1001138248	2 ft /0.61m	Hose	
52	1001138175	1	Bracket, Service Indicator	
53	1001181430	1	Engine, GM 3.0L (See GM Engine Supplement P/N 3121245 for Breakdown of Additional Components)	
53	7027972	1	Filter, Fuel (Not Shown - Located on Tank of Machine)	
53	70002895	1	Module, ECU	
53A	7027965	1	Filter, Oil	
54	1001141995	1	Fitting, Barbed	
55	1001147812	1	Clamp, Air Cleaner	
56	1001147813	1	Air Cleaner Assembly Including Filter Element	
56	70004020	1	Element, Filter (Not Shown)	
58	1001156819	14.5 in /37cm	Hose	
59	1001165035	8 in /20.3cm	Hose	
60	2060025	1	Fan	
62	1001167193	1	Radiator	
63	1001167382	1	Hose, Upper Radiator	
64	1001167383	1	Hose, Lower Radiator	
65	1001167384	1	Hose, Air Intake	
66	1001167895	1	Tray, Engine	
67	1001168166	2	Seal	
68	1001169054	4	Isolator, Radiator	
69	1001169138	4	Washer, Snubbing	
70	1001169967	2	Bracket	
71	1001169974	1	Plate, Radiator Mounting	
72	1001170035	2	Bracket	
73	1001170981	1	Indicator	
74	2580063	1	Heater, Engine Block	
75	8406110	1	Clip	
76	1001180620	AR	Adhesive	
77	0760606	2	Bolt M6 x 12	
77	5250605	2	Bolt M6 x 10	
78	4811702	2	Washer M6	
79	1001195699	1	Deflector, Air	
80	1001195700	1	Deflector, Air	

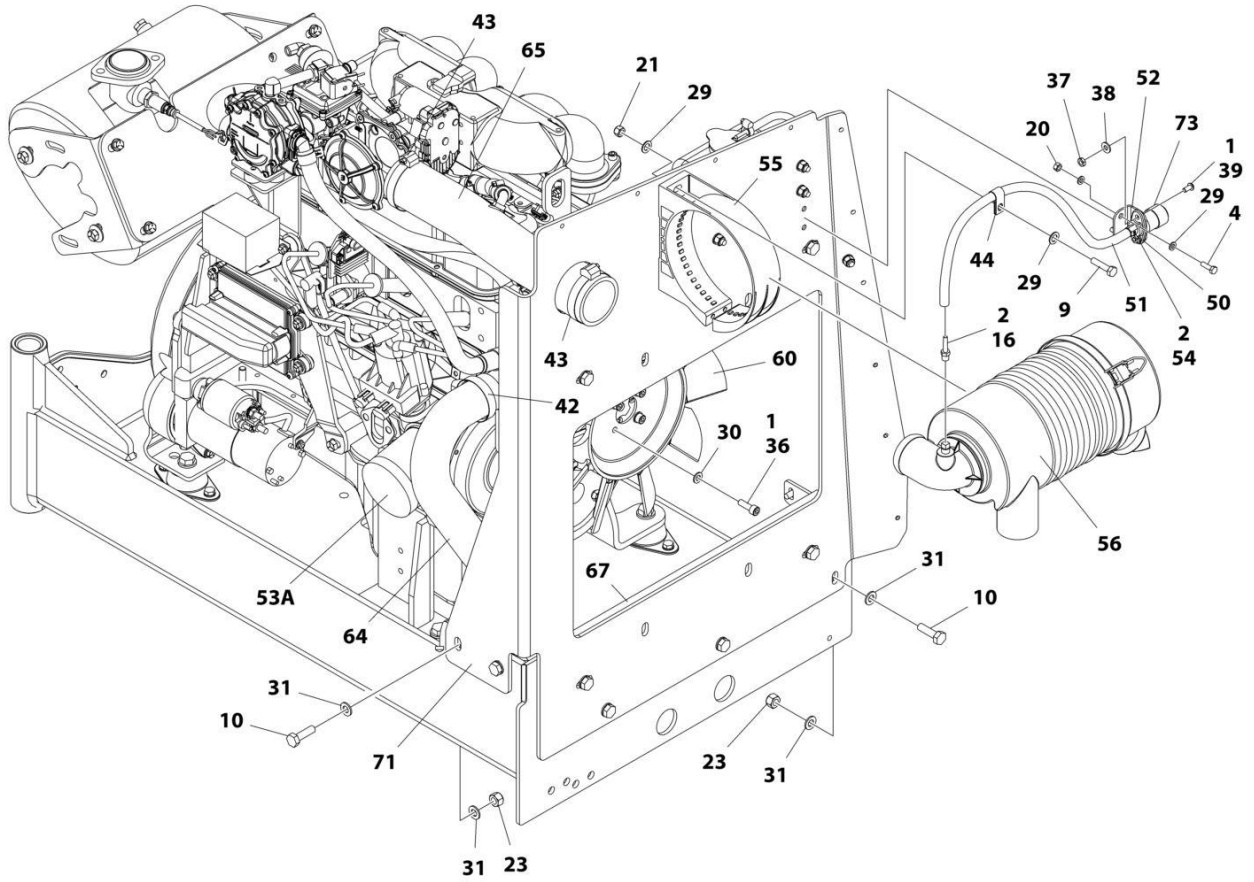
SECTION 3 - ENGINE

FIGURE 3-35. ENGINE ASSEMBLY - GM ENGINE (WITH ARCTIC PACKAGE) (SN 0300222053 through 0300272317)



ART_1001216223_10F2

SECTION 3 - ENGINE



ART_1001216223_2OF2

SECTION 3 - ENGINE

FIGURE 3-35. ENGINE ASSEMBLY - GM ENGINE (WITH ARCTIC PACKAGE) (SN 0300222053 through 0300272317)

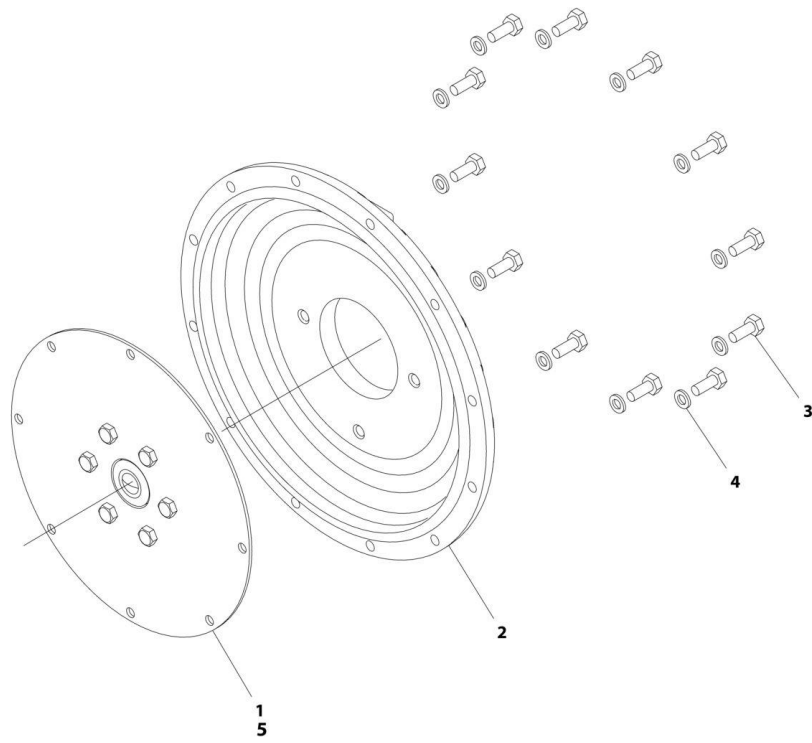
ITEM	PART NUMBER	QTY	DESCRIPTION	REV
	1001216223	Ref	ENGINE ASSEMBLY - GM ENGINE (WITH ARCTIC PACKAGE)	C
1	0100011	AR	Compound, Locking	
2	0100020	AR	Sealant, Pipe	
3	0100081	AR	Adhesive	
4	0760610	2	Bolt, M6 x 20mm	
5	0760814	8	Bolt, M8 x 30mm	
6	0711221	4	Bolt, M12 x 65mm Grade 10.9	
7	0760808	8	Bolt, M8 x 16mm	
8	0760812	6	Bolt, M8 x 25mm	
9	0760815	2	Bolt, M8 x 35mm	
10	0761015	5	Bolt, M10 x 35mm	
11	0761016	4	Bolt, M10 x 40mm	
12	0961951	2	Bushing	
13	1580011	1	Container, Coolant Overflow	
14	1703162	2	Decal - Caution Fan	
15	2180877	1	Fitting, Elbow	
16	2220315	1	Fitting, Barbed	
17	2720271	38.5 in/ 97.8cm	Hose	
18	2300041	2.7 gal/ 10.2L	Coolant, Anti-Freeze	
19	3200406	4	Mount, Rubber	
20	3290607	2	Nut, Lock M6 x 1	
21	3290805	16	Nut, Lock M8 x 1.25	
22	3291001	4	Nut, M10 x 1.5	
23	3291005	5	Nut, Lock M10 x 1.5	
24	3331211	4	Nut, M12 x 1.75	
25	4060805	2.25 ft/ 0.69m	Trim, Flex Shield	
26	4240099	AR	Tie-Strap	
27	4640952	1	Valve, Oil Drain	
28	4740274	4	Washer, Snubbing	
29	4811700	4	Washer, M6	
30	4811900	44	Washer, M8	
31	4812000	14	Washer, M10	
34	4920385	10 ft/3m	Wire, Safety	
35	5241200	4	Washer, M12 Hardened	
36	5271809	4	Bolt, M8 x 25mm	
37	8305401	2	Nut, Jam .250-20	
38	8307109	2	Washer, .250	
39	8310548	2	Screw, 1/4 NC x 1/2	
40	8405009	1	Clamp	
41	8405103	1	Clamp	
42	8405201	3	Clamp	
43	8405203	2	Clamp	
44	8406109	2	Clip	
45	8410009	2	Clamp	
46	8410013	3	Clamp	
47	1001091794	1	Insulation, Muffler	

SECTION 3 - ENGINE

ITEM	PART NUMBER	QTY	DESCRIPTION	REV
48	1001091892	8 in/20cm	Hose	
49	1001115931	4.5 qt/ 4.3L	Oil, Motor	
50	1001138173	1	Support, Service Indicator	
51	1001138248	2 ft/ 0.61m	Hose	
52	1001138175	1	Bracket, Service Indicator	
53	1001216219	1	Engine, GM 3.0L (See GM Engine Supplement P/N 3121245 for Breakdown of Additional Components)	
53A	7027965	1	Filter, Oil	
54	1001141995	1	Fitting, Barbed	
55	1001147812	1	Clamp, Air Cleaner	
56	1001147813	1	Air Cleaner Assembly Including Filter Element	
56	70004020	1	Element, Filter (Not Shown)	
58	1001156819	14.5 in/ 37cm	Hose	
59	1001165035	8 in/ 20.3cm	Hose	
60	2060025	1	Fan	
62	1001167193	1	Radiator	
63	1001167382	1	Hose, Upper Radiator	
64	1001167383	1	Hose, Lower Radiator	
65	1001167384	1	Hose, Air Intake	
66	1001167895	1	Tray, Engine	
67	1001168166	2	Seal	
68	1001169054	4	Isolator, Radiator	
69	1001169138	4	Washer, Snubbing	
70	1001169967	2	Bracket	
71	1001195714	1	Plate, Radiator Mounting	
72	1001170035	2	Bracket	
73	1001170981	1	Indicator	
74	2580063	1	Heater, Engine Block	
75	8406110	1	Clip	
76	1001180620	AR	Adhesive	
77	5250605	2	Bolt M6 x 10 (SN 0300211980 through 0300272317, Except SN 0300272185 through 0300272190)	
79	1001195699	1	Deflector, Air	
80	1001195700	1	Deflector, Air	

SECTION 3 - ENGINE

FIGURE 3-36. PUMP COUPLING KIT – DEUTZ/GM ENGINES



ART.2902065

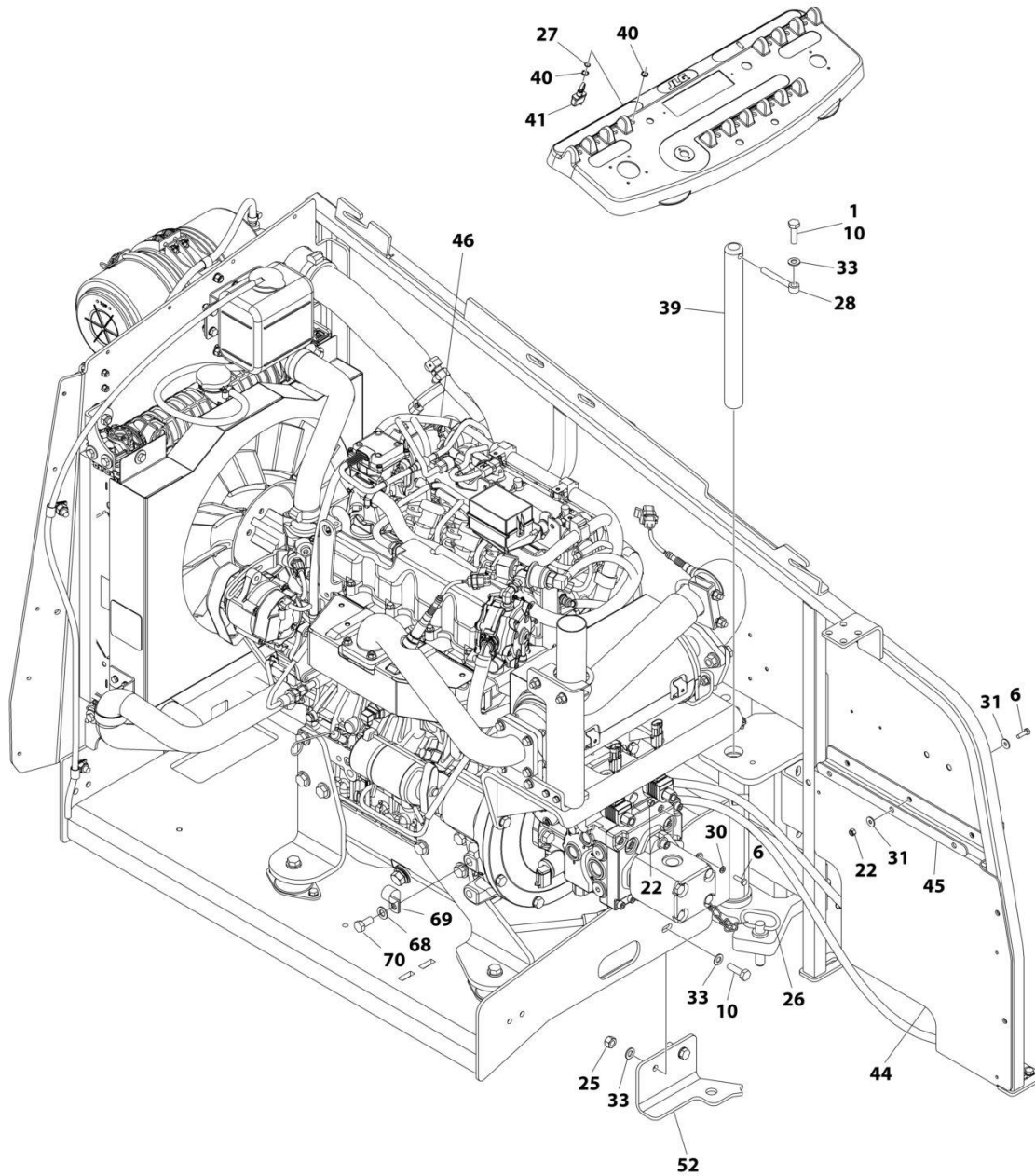
SECTION 3 - ENGINE

FIGURE 3-36. PUMP COUPLING KIT – DEUTZ/GM ENGINES

ITEM	PART NUMBER	QTY	DESCRIPTION	REV
	2902065	Ref	PUMP COUPLING KIT – DEUTZ/GM ENGINES	K
1	70000793	1	Coupling, Hayes	
2	See Note	NSS	Plate, Pump Adapter (Note: Purchase p/n 2902065)	
3	See Note	NSS	Bolt M10 x 30 (Note: Purchase p/n 2902065)	
4	See Note	NSS	Washer M10 (Note: Purchase p/n 2902065)	
5	3020021	AR	Grease, Coupling	

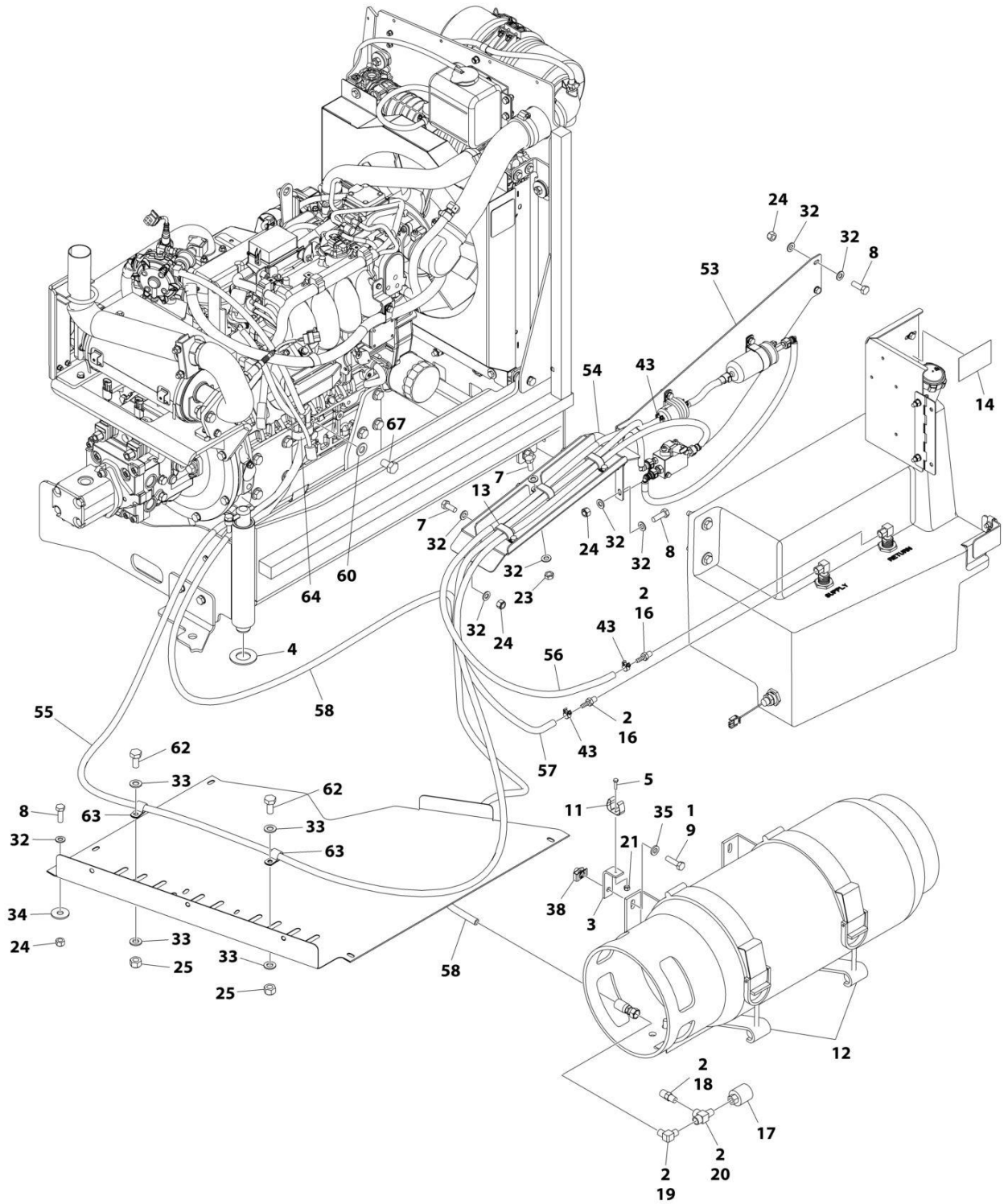
SECTION 3 - ENGINE

FIGURE 3-37. ENGINE INSTALLATION - KUBOTA ENGINE (WITHOUT ARCTIC PACKAGE) (SN 0300201991 through 0300241743)



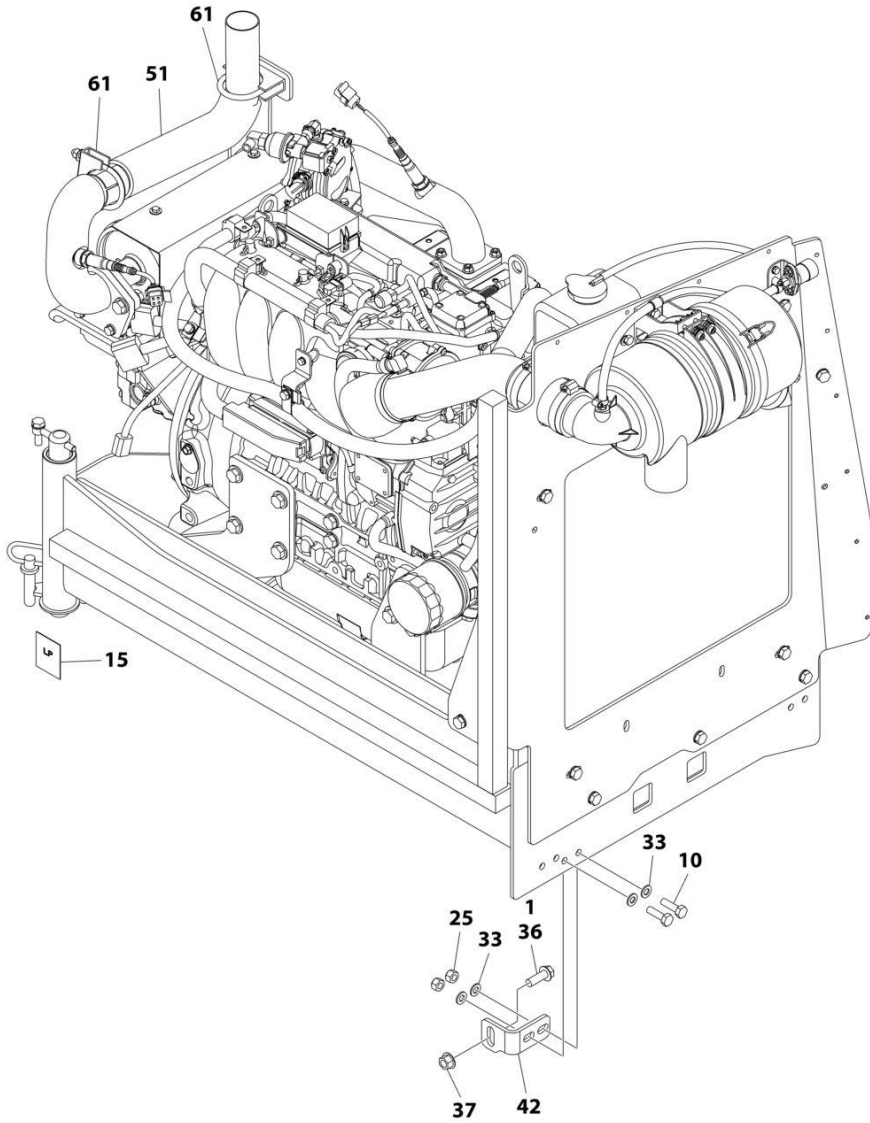
ART_1001210764_10F3

SECTION 3 - ENGINE



ART_1001210764_20F3

SECTION 3 - ENGINE



ART_1001210764_3OF3

SECTION 3 - ENGINE

FIGURE 3-37. ENGINE INSTALLATION - KUBOTA ENGINE (WITHOUT ARCTIC PACKAGE) (SN 0300201991 through 0300241743)

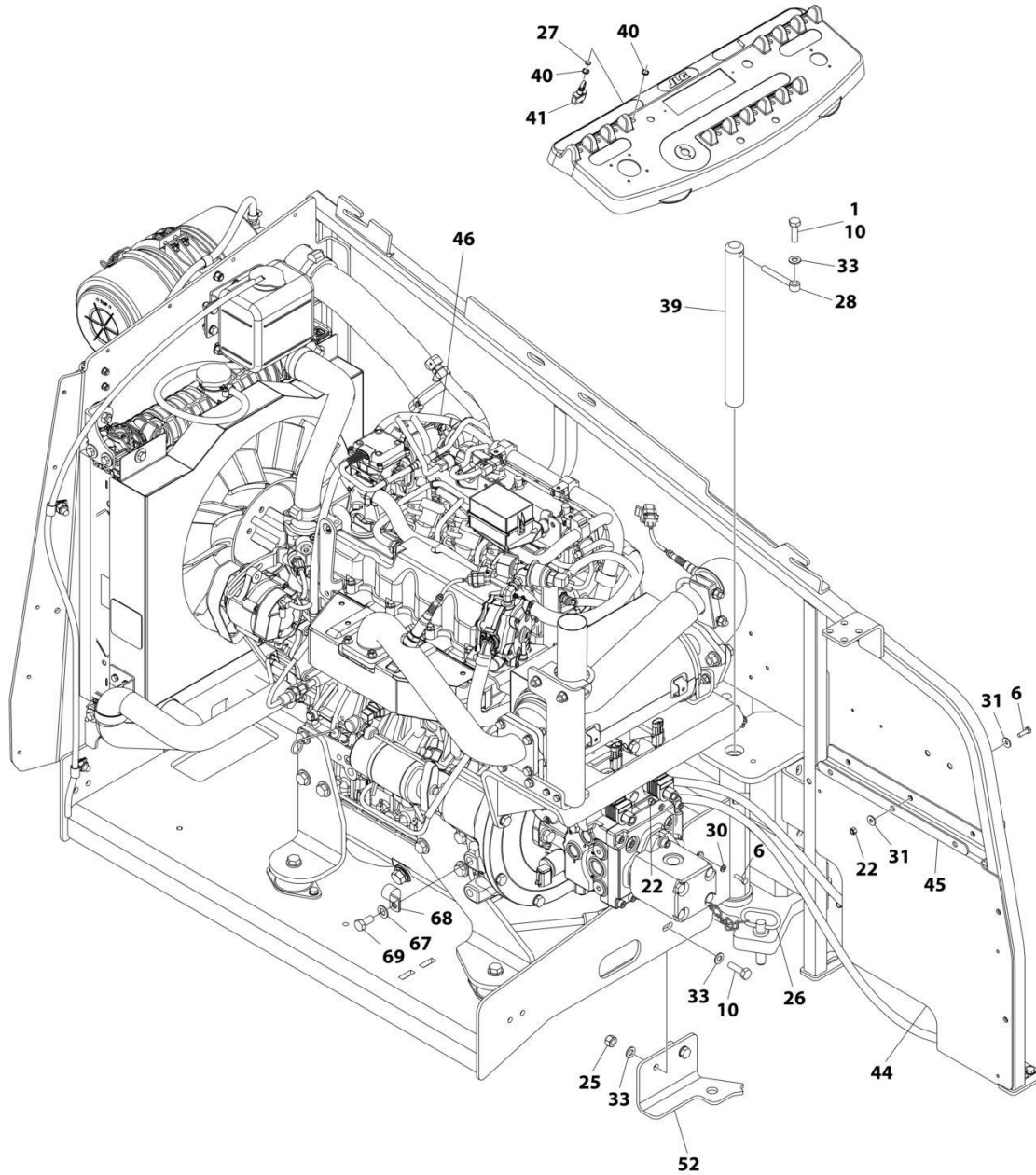
ITEM	PART NUMBER	QTY	DESCRIPTION	REV
	1001210764	Ref	ENGINE INSTALLATION - KUBOTA ENGINE (WITHOUT ARCTIC PACKAGE)	H
1	0100011	AR	Compound, Locking	
2	0100020	AR	Sealant, Pipe	
3	0181949	1	Angle	
4	0440162	1	Bearing	
5	0760408	1	Bolt, M4 x 16	
6	0760610	4	Bolt, M6 x 20	
7	0760810	6	Bolt, M8 x 20	
8	0760812	AR	Bolt, M8 x 25	
9	0760814	4	Bolt, M8 x 30	
10	0761015	5	Bolt, M10 x 35	
11	1320218	1	Clamp	
12	1320220	1	Clamp Kit - LP	
13	1321283	3	Clamp	
14	1701542	1	Decal - Gas	
15	1701543	1	Decal - LPG	
16	2180348	2	Fitting, Barbed	
17	2180387	1	Fitting, LP	
18	2180389	1	Fitting	
19	2180504	1	Fitting, Barbed	
20	2220290	1	Fitting, Tee FNPTF/NPTF/FNPTF	
21	3290405	1	Nut, Lock M4	
22	3290605	4	Nut, Lock M6	
23	3290801	3	Nut, M8	
24	3290805	AR	Nut, Lock M8	
25	3291005	6	Nut, Lock M10	
26	3422532	1	Pin	
27	3790012	1	O-Ring	
28	3841143	1	Keeper, Pin	
29	4240099	AR	Tie-Strap (Not Shown)	
30	4811700	2	Washer, M6	
31	4811702	6	Washer, M6	
32	4811900	AR	Washer, M8	
33	4812000	13	Washer, M10	
34	4812002	1	Washer, M10	
35	5240800	4	Washer, M8 Hardened	
36	5251215	1	Bolt, M12 x 35	
37	5261200	1	Nut, M12 Grade 10.9	
38	100118274	4	Nut, Special M8	
39	1001135196	1	Pin	
40	1001155044	2	Nut, Special 15/32-32	
41	1001161710	1	Switch, Toggle	
42	1001167512	1	Bracket, Engine Tray Stow	
43	1001174486	3	Clamp	
44	1001196376	1	Seal, Rubber	
45	1001204123	1	Plate, Support	
46	1001210765	1	Engine and Pump Sub-Assembly - Kubota Engine (Without Arctic Package) (See ENGINE AND PUMP SUB-ASSEMBLY - KUBOTA	

SECTION 3 - ENGINE

ITEM	PART NUMBER	QTY	DESCRIPTION	REV
			ENGINE (WITHOUT ARCTIC PACKAGE) for Breakdown)	
47	1001212257	1	Cable, Battery (Red) (Alternator Positive to Starter) (Not Shown)	
48	1001213060	1	Cable, Battery (Red) (Battery Positive to Auxiliary Power Relay) (Not Shown)	
49	1001213061	1	Cable, Battery (Black) (Battery Negative to Pivot Pin to Engine Ground) (Not Shown)	
50	1001213706	1	Harness Engine - Kubota Engine (Not Shown - See ELECTRICAL SECTION for Breakdown)	
51	1001214503	1	Pipe, Tail Pipe	
52	1001215259	1	Plate, Engine Lock	
53	1001215813	1	Mount, Fuel System	
54	1001216308	1	Support, Fuel Lines	
55	1001216400	1	Hose	
56	1001216401	1	Hose	
57	1001156819	4.5 ft/ 1.3m	Hose	
58	1001216405	1	Hose	
60	4812100	2	Washer M12	
61	1001217785	2	Clamp	
62	0761011	2	Bolt M10 x 22	
63	1320061	2	Clamp (SN 0300201991 through 0300228359)	
63	85841094	6	Clamp (SN 0300228360 through 0300272317, Except SN 0300272185 through 0300272190)	
64	1321716	1	Clamp (SN 0300201991 through 0300228359)	
64	1001195039	1	Clamp (SN 0300228360 through 0300272317, Except SN 0300272185 through 0300272190)	
65	4460466	8	Terminal, Sealing Plug (Not Shown)	
66	4460930	1	Plug (Not Shown)	
67	1001217494	2	Bolt M12 x 20	
68	4812200	1	Washer M14	
69	24431386	1	Clamp (SN 0300228360 through 0300272317, Except SN 0300272185 through 0300272190)	
70	1001217345	1	Bolt M14 x 30	
71	1001229797	1	Harness, Kubota D/F Power (Not Shown - See ELECTRICAL SECTION for Breakdown) (SN 0300237442 through 0300272317, Except SN 0300272185 through 0300272190)	

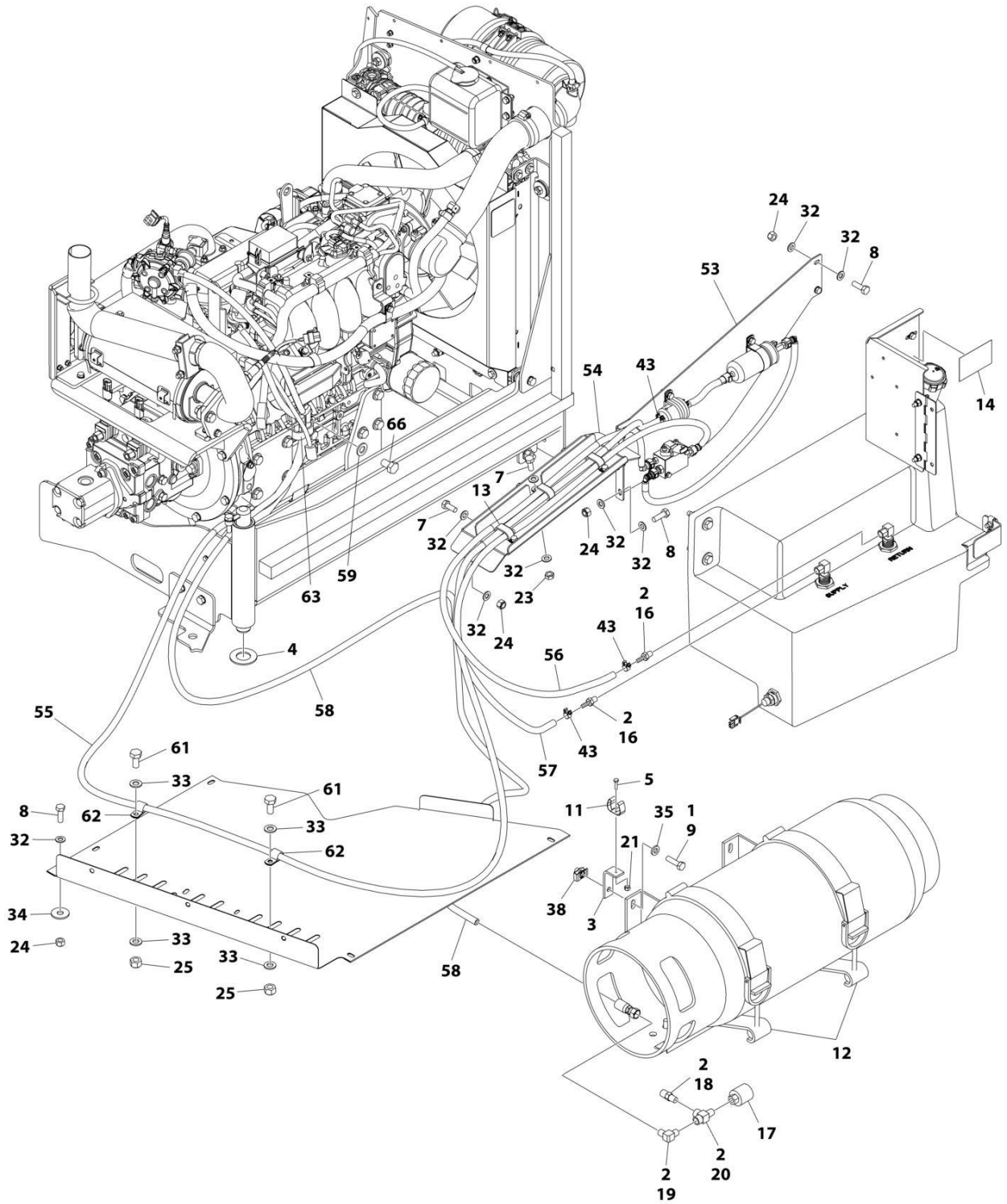
SECTION 3 - ENGINE

FIGURE 3-38. ENGINE INSTALLATION - KUBOTA ENGINE (WITHOUT ARCTIC PACKAGE) (SN 0300241744 through 0300272317)



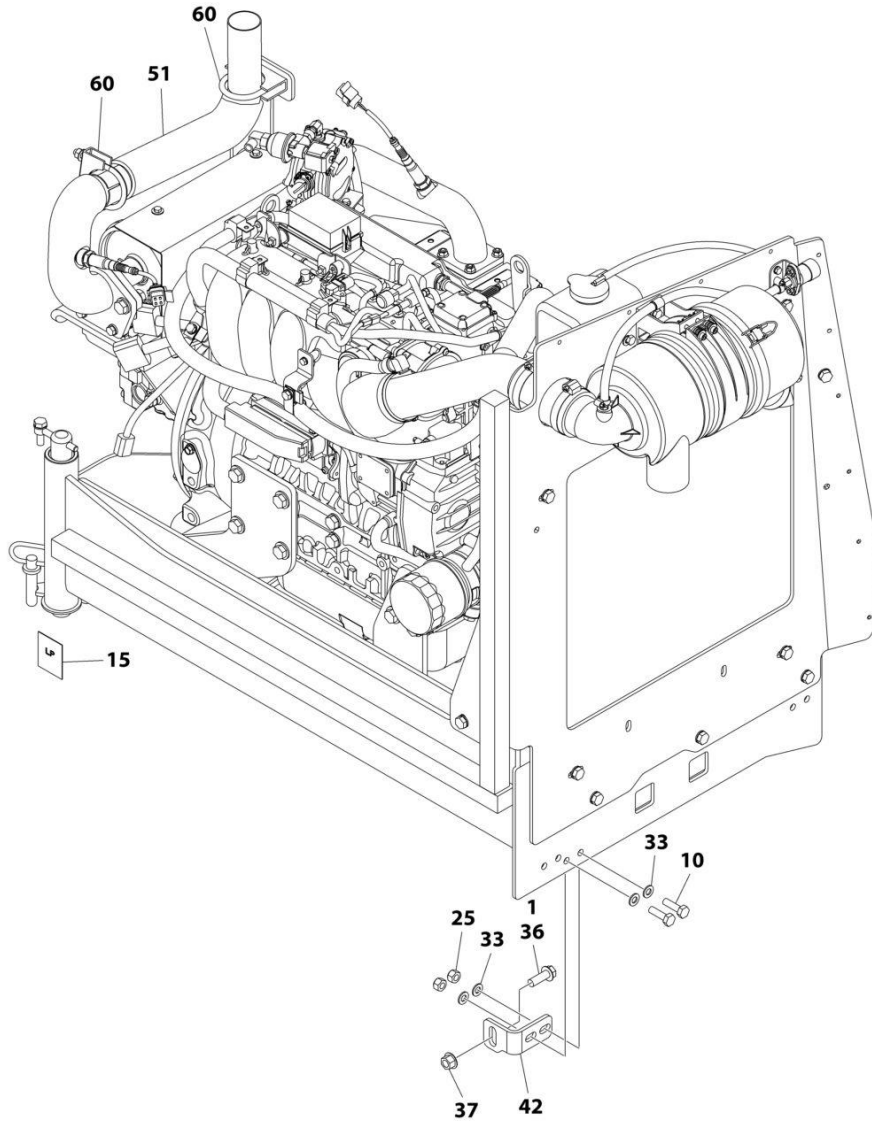
ART_1001236251_10F3

SECTION 3 - ENGINE



ART_1001236251_20F3

SECTION 3 - ENGINE



ART_1001236251_30F3

SECTION 3 - ENGINE

FIGURE 3-38. ENGINE INSTALLATION - KUBOTA ENGINE (WITHOUT ARCTIC PACKAGE) (SN 0300241744 through 0300272317)

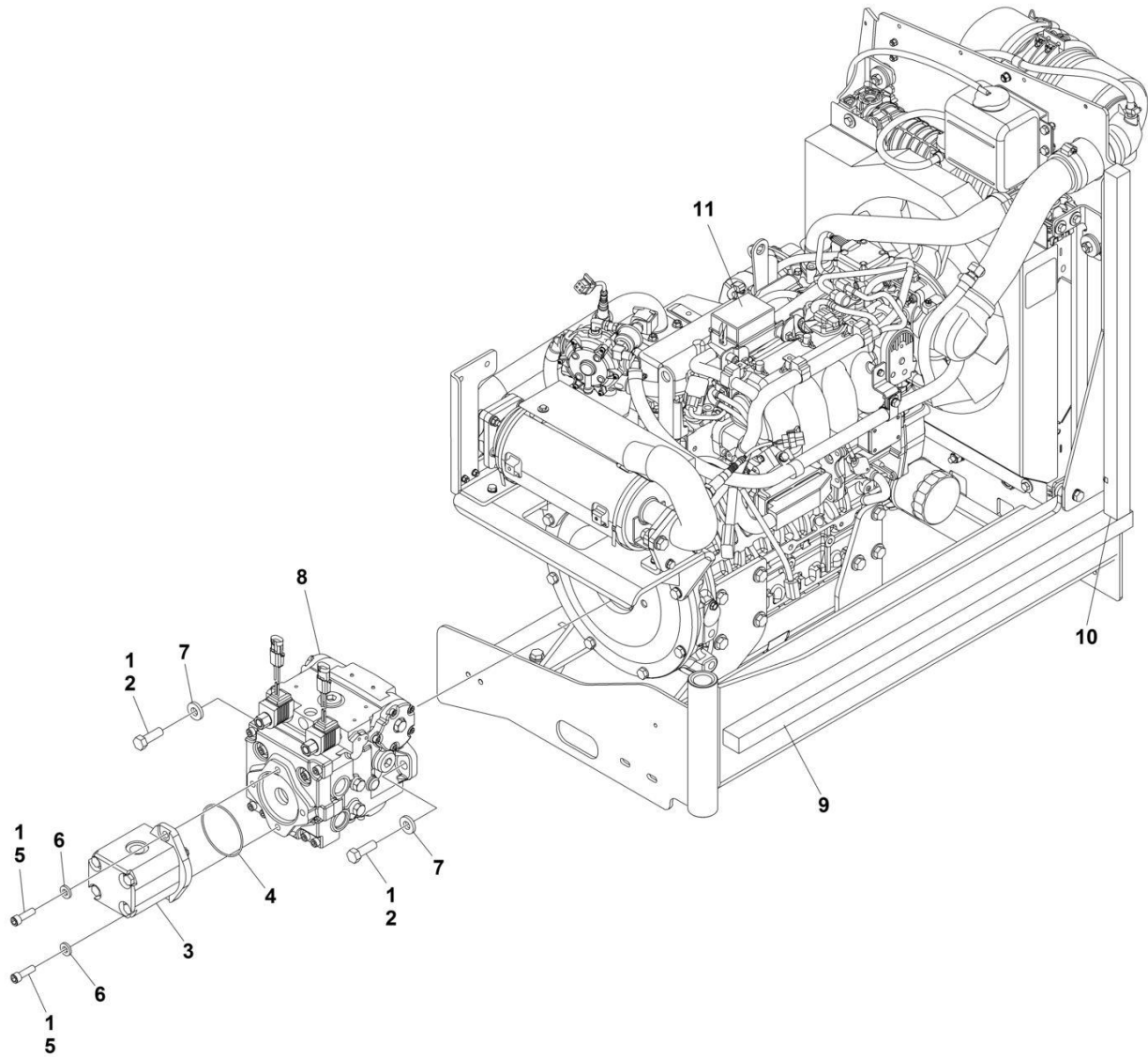
ITEM	PART NUMBER	QTY	DESCRIPTION	REV
	1001236251	Ref	ENGINE INSTALLATION - KUBOTA ENGINE (WITHOUT ARCTIC PACKAGE)	A
1	0100011	AR	Compound, Locking	
2	0100020	AR	Sealant, Pipe	
3	0181949	1	Angle	
4	0440162	1	Bearing	
5	0760408	1	Bolt M4 x 16	
6	0760610	4	Bolt M6 x 20	
7	0760810	6	Bolt M8 x 20	
8	0760812	4	Bolt M8 x 25	
9	0760814	4	Bolt M8 x 30	
10	0761015	5	Bolt M10 x 35	
11	1320218	1	Clamp	
12	1320220	1	Clamp Kit - LP	
13	1321283	3	Clamp	
14	1701542	1	Decal - Gas	
15	1701543	1	Decal - LPG	
16	2180348	2	Fitting, Barbed	
17	2180387	1	Fitting, LP	
18	2180389	1	Fitting	
19	2180504	1	Fitting, Barbed	
20	2220290	1	Fitting, Tee FNPTF/NPTF/FNPTF	
21	3290405	1	Nut Lock M4	
22	3290605	4	Nut Lock M6	
23	3290801	3	Nut M8	
24	3290805	7	Nut Lock M8	
25	3291005	8	Nut Lock M10	
26	3422532	1	Pin	
27	3790012	1	O-Ring	
28	3841143	1	Keeper, Pin	
29	4240099	AR	Tie-Strap (Not Shown)	
30	4811700	2	Washer M6	
31	4811702	6	Washer M6	
32	4811900	19	Washer M8	
33	4812000	17	Washer M10	
34	4812002	1	Washer M10	
35	5240800	4	Washer M8 Hardened	
36	5251215	1	Bolt M12 x 35	
37	5261200	1	Nut M12 Grade 10.9	
38	100118274	4	Nut Special M8	
39	1001135196	1	Pin	
40	1001155044	2	Nut Special 15/32	
41	1001161710	1	Switch, Toggle	
42	1001167512	1	Bracket, Engine Tray Stow	
43	1001174486	3	Clamp	
44	1001196376	1	Seal, Rubber	
45	1001204123	1	Plate, Support	
46	1001236254	1	Engine and Pump Sub-Assembly - Kubota Engine (Without Arctic Package) (See ENGINE AND PUMP SUB-ASSEMBLY - KUBOTA	

SECTION 3 - ENGINE

ITEM	PART NUMBER	QTY	DESCRIPTION	REV
			ENGINE (WITHOUT ARCTIC PACKAGE) for Breakdown)	
47	1001212257	1	Cable, Battery (Red) (Alternator Positive to Starter) (Not Shown)	
48	1001213060	1	Cable, Battery (Red) (Battery Positive to Auxiliary Power Relay) (Not Shown)	
49	1001213061	1	Cable, Battery (Black) (Battery Negative to Pivot Pin to Engine Ground) (Not Shown)	
50	1001213706	1	Harness Engine - Kubota Engine (Not Shown - See ELECTRICAL SECTION for Breakdown)	
51	1001214503	1	Pipe, Tail Pipe	
52	1001215259	1	Plate, Engine Lock	
53	1001215813	1	Mount, Fuel System	
54	1001216308	1	Support, Fuel Lines	
55	1001216400	1	Hose	
56	1001216401	1	Hose	
57	1001156819	4.5 ft/ 1.3m	Hose	
58	1001216405	1	Hose	
59	4812100	2	Washer M12	
60	1001217785	2	Clamp	
61	0761011	2	Bolt M10 x 22	
62	85841094	6	Clamp	
63	1001195039	1	Clamp	
64	4460466	8	Terminal, Sealing Plug (Not Shown)	
65	4460930	1	Plug (Not Shown)	
66	1001217494	2	Bolt M12 x 20	
67	4812200	1	Washer M14	
68	24431386	1	Clamp	
69	1001217345	1	Bolt M14 x 30	
70	1001229797	1	Harness, Kubota D/F Power (Not Shown - See ELECTRICAL SECTION for Breakdown)	

SECTION 3 - ENGINE

FIGURE 3-39. ENGINE AND PUMP SUB-ASSEMBLY - KUBOTA ENGINE (WITHOUT ARCTIC PACKAGE) (SN 0300201991 through 0300241743)



ART_1001210765

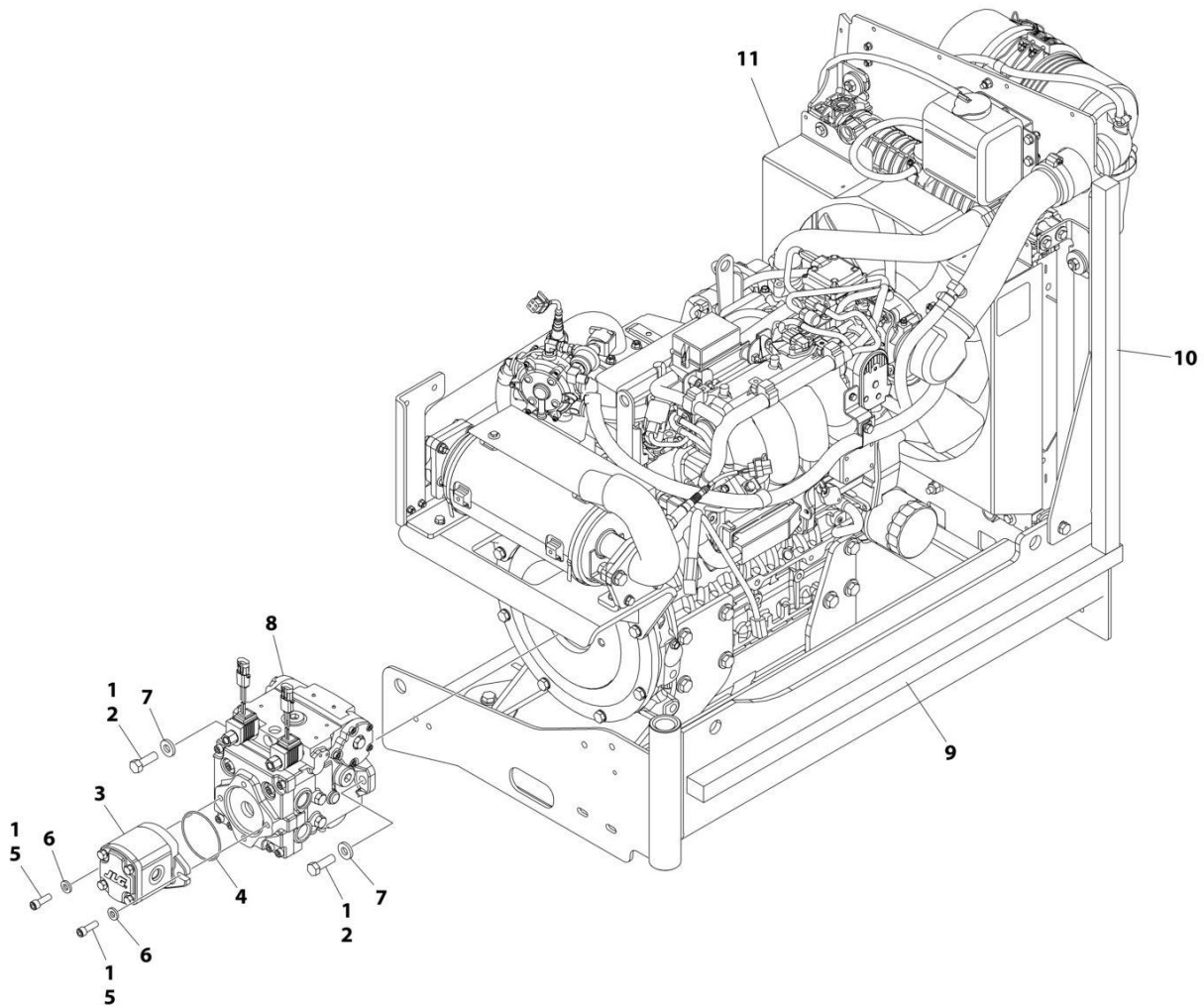
SECTION 3 - ENGINE

FIGURE 3-39. ENGINE AND PUMP SUB-ASSEMBLY - KUBOTA ENGINE (WITHOUT ARCTIC PACKAGE) (SN 0300201991 through 0300241743)

ITEM	PART NUMBER	QTY	DESCRIPTION	REV
	1001210765	Ref	ENGINE AND PUMP SUB-ASSEMBLY - KUBOTA ENGINE (WITHOUT ARCTIC PACKAGE)	E
1	0100011	AR	Compound, Locking	
2	0641812	2	Bolt, 1/2-13 x 1-1/2	
3	3600242	1	Gear Pump Assembly (See GEAR PUMP ASSEMBLY for Breakdown) (SN 0300201991 through 0300236982)	
3	1001214207	1	Gear Pump Assembly (SN 0300236983 through 0300272317, Except SN 0300272185 through 0300272190)	
3	70006356	1	Seal Kit – 1001214207 Pump	
4	3790152	1	O-Ring	
5	3931620	2	Capscrew 3/8 x 1-1/4	
5	3931618	2	Capscrew 3/8 x 1-1/8	
6	4891600	2	Washer, 3/8 Hardened	
7	4891800	2	Washer, 1/2 Hardened	
8	1001167036	1	Piston Pump Assembly (See PISTON PUMP ASSEMBLY for Breakdown)	
9	1001171953	1	Seal	
10	1001171954	1	Seal	
11	1001210421	1	Engine Assembly - Kubota Engine (Without Arctic Package) (See ENGINE ASSEMBLY - KUBOTA ENGINE (WITHOUT ARCTIC PACKAGE) for Breakdown)	

SECTION 3 - ENGINE

FIGURE 3-40. ENGINE AND PUMP SUB-ASSEMBLY - KUBOTA ENGINE (WITHOUT ARCTIC PACKAGE) (SN 0300241744 through 0300272317)



ART_1001236254

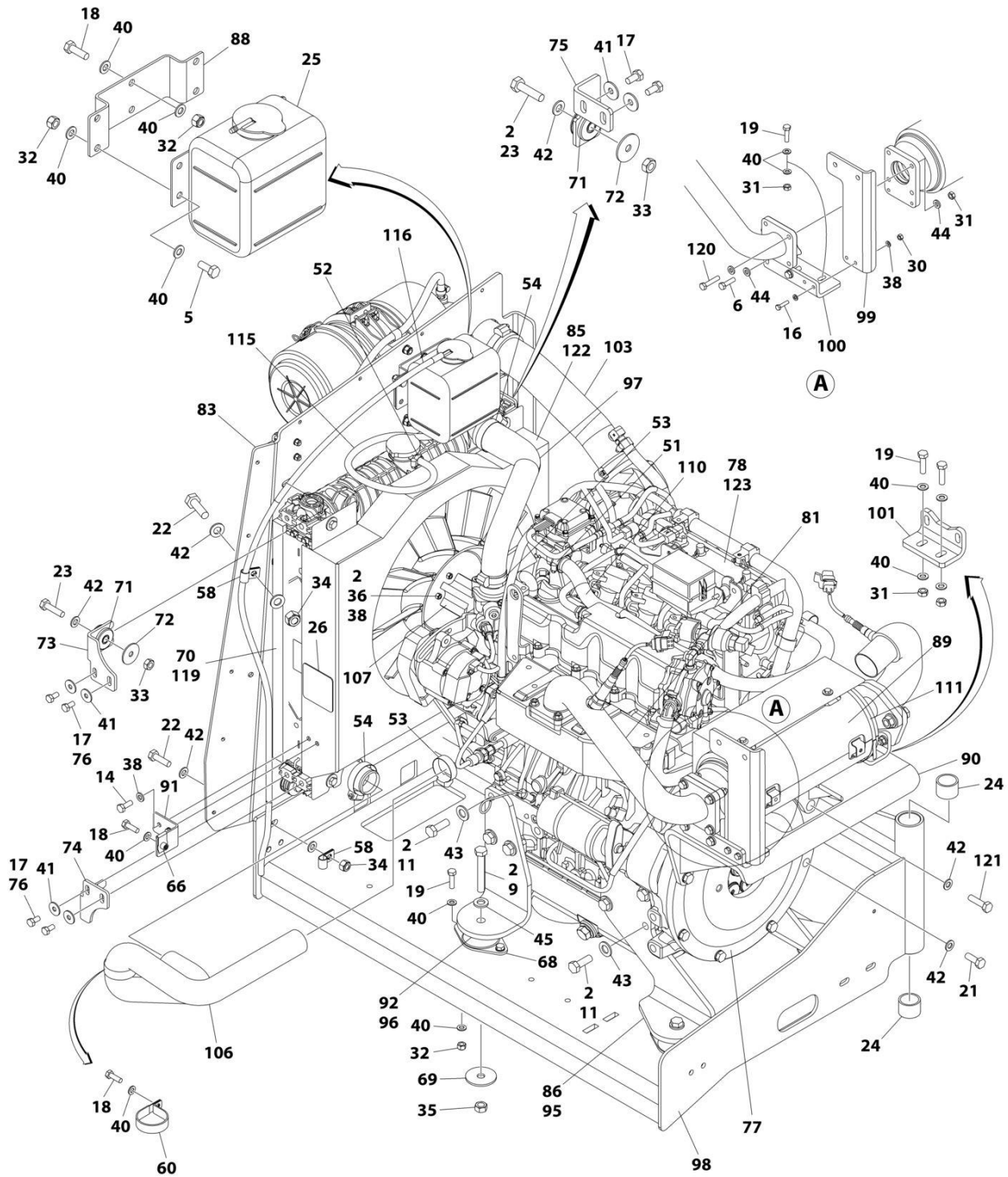
SECTION 3 - ENGINE

FIGURE 3-40. ENGINE AND PUMP SUB-ASSEMBLY - KUBOTA ENGINE (WITHOUT ARCTIC PACKAGE) (SN 0300241744 through 0300272317)

ITEM	PART NUMBER	QTY	DESCRIPTION	REV
	1001236254	Ref	ENGINE AND PUMP SUB-ASSEMBLY - KUBOTA ENGINE (WITHOUT ARCTIC PACKAGE)	A
1	0100011	AR	Compound, Locking	
2	0641812	2	Bolt 1/2 x 1-1/2	
3	1001214207	1	Gear Pump Assembly	
3	70006356	1	Seal Kit - 1001214207 Pump	
4	3790152	1	O-Ring	
5	3931618	2	Capscrew 3/8 x 1-1/8	
6	4891600	2	Washer 3/8 Hardened	
7	4891800	2	Washer 1/2 Hardened	
8	1001167036	1	Piston Pump Assembly (See PISTON PUMP ASSEMBLY for Breakdown)	
9	1001171953	1	Seal	
10	1001171954	1	Seal	
11	1001236256	1	Engine Assembly - Kubota Engine (Without Arctic Package) (See ENGINE ASSEMBLY - KUBOTA ENGINE (WITHOUT ARCTIC PACKAGE) for Breakdown)	

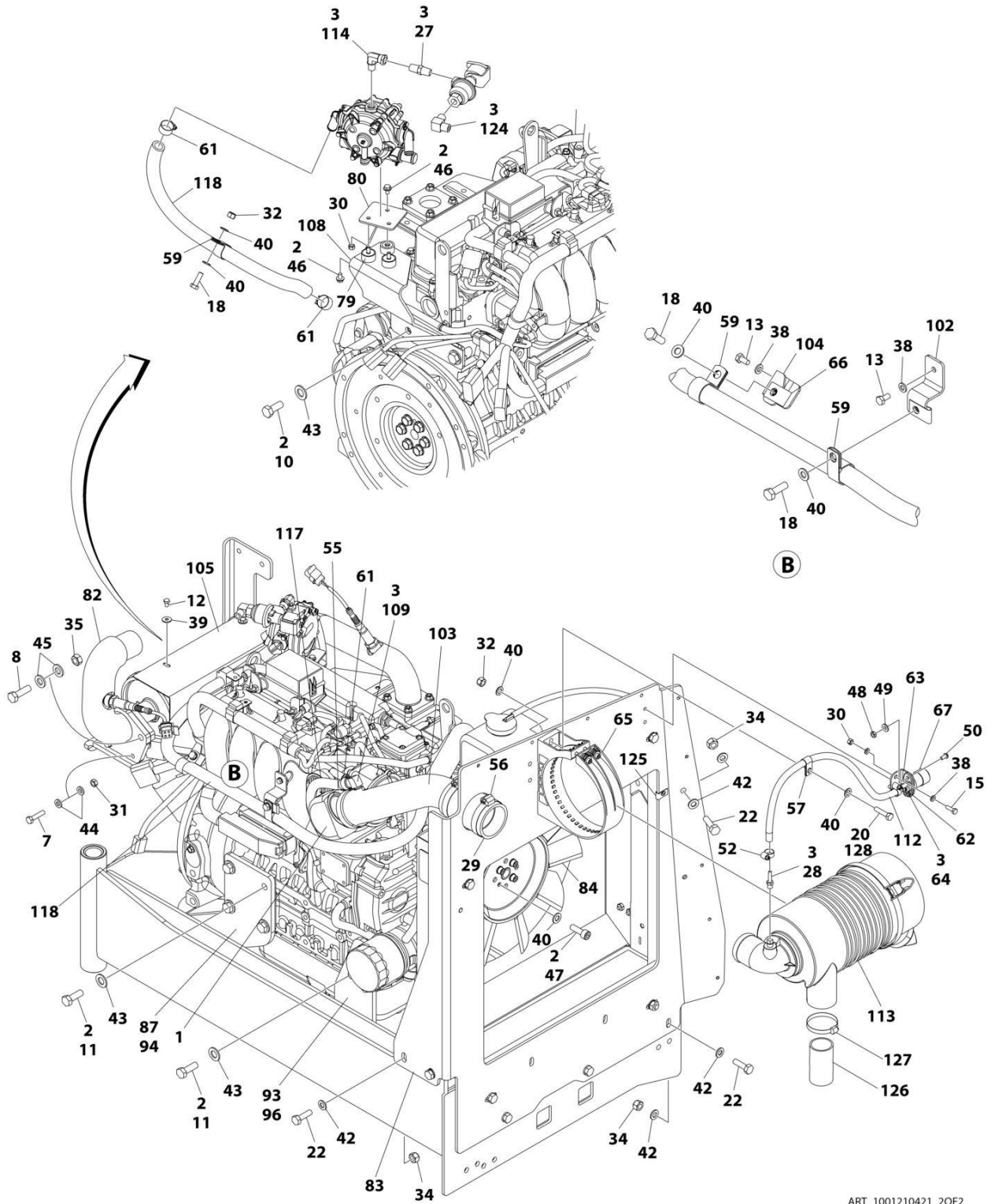
SECTION 3 - ENGINE

FIGURE 3-41. ENGINE ASSEMBLY - KUBOTA ENGINE (WITHOUT ARCTIC PACKAGE) (SN 0300201991 through 0300241743)



ART_1001210421_10F2

SECTION 3 - ENGINE



ART_1001210421_2OF2

SECTION 3 - ENGINE

FIGURE 3-41. ENGINE ASSEMBLY - KUBOTA ENGINE (WITHOUT ARCTIC PACKAGE) (SN 0300201991 through 0300241743)

ITEM	PART NUMBER	QTY	DESCRIPTION	REV
	1001210421	Ref	ENGINE ASSEMBLY - KUBOTA ENGINE (WITHOUT ARCTIC PACKAGE)	H
1	0080201	1	Adapter, 90	
2	0100011	AR	Compound, Locking	
3	0100020	AR	Sealant, Pipe	
5	0700810	4	Bolt M8 x 20	
6	0700814	2	Bolt M8 x 30	
7	0700815	2	Bolt M8 x 35	
8	0701216	2	Bolt M12 x 40	
9	0701224	4	Bolt M12 x 80	
10	0711214	2	Bolt M12 x 30	
10	1001217494	2	Bolt M12 x 20	
11	1001217343	14	Bolt M12 x 35	
12	0760605	4	Bolt M6 x 10	
13	0760606	2	Bolt M6 x 12	
14	0760608	2	Bolt M6 x 16	
15	0760610	2	Bolt M6 x 20	
16	0760612	2	Bolt M6 x 25	
17	0760808	8	Bolt M8 x 16	
18	0760812	6	Bolt M8 x 25	
19	0760814	12	Bolt M8 x 30	
20	0760815	1	Bolt M8 x 35	
21	0761014	4	Bolt M10 x 30	
22	0761015	6	Bolt M10 x 35	
23	0761016	4	Bolt M10 x 40	
24	0961951	2	Bushing	
25	1580011	1	Container, Coolant Overflow	
26	1703162	2	Decal - Caution Fan	
27	2220261	1	Fitting, Nipple NPTF/NPTF	
28	2220315	1	Fitting, Barbed	
29	2720644	1	Hose	
30	3290607	5	Nut, Lock M6 x 1	
31	3290801	10	Nut, M8	
32	3290805	17	Nut, Lock M8 x 1.25	
33	3291001	4	Nut, Lock M10 x 1.5	
34	3291005	6	Nut, Lock M10 x 1.5	
35	3291201	6	Nut M12	
36	4031711	4	Bolt M6 x 35	
37	4240099	AR	Tie-Strap (Not Shown)	
38	4811700	16	Washer, M6	
39	4811702	4	Washer, M6	
40	4811900	49	Washer, M8	
41	4811902	8	Washer, M8	
42	4812000	24	Washer, M10	
43	4812200	16	Washer, M14	
43	5241400	16	Washer, M14	
44	5240800	14	Washer, M8 Hardened	
45	5241200	8	Washer, M12 Hardened	
46	5250605	3	Bolt M6 x 10	

SECTION 3 - ENGINE

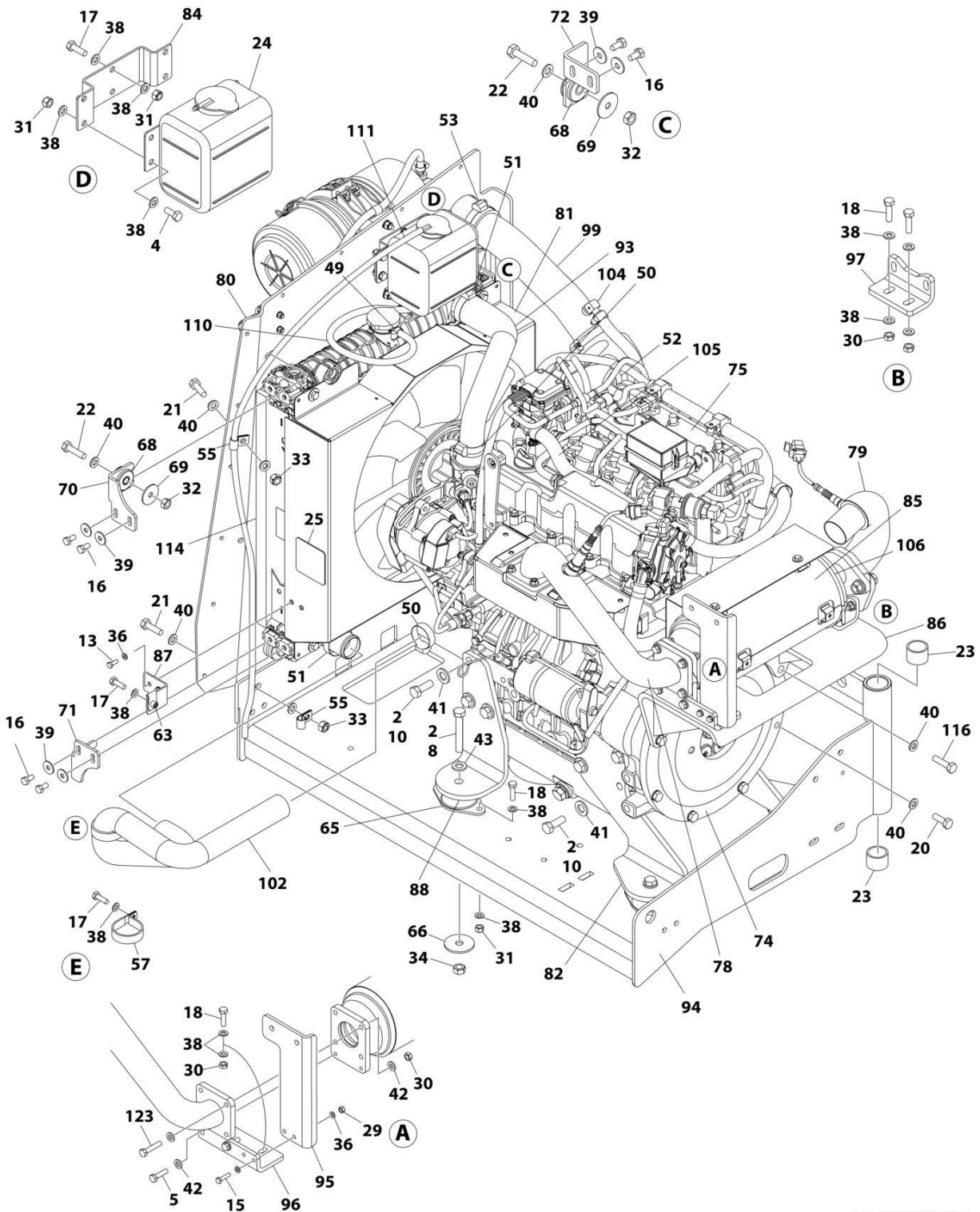
ITEM	PART NUMBER	QTY	DESCRIPTION	REV
47	5271809	4	Bolt, M8 x 25mm	
48	8305401	2	Nut, Jam .250-20	
49	8307109	2	Washer, .250	
50	8310548	2	Screw, 1/4 NC x 1/2	
51	8405007	2	Clamp (SN 0300201991 through 0300228359)	
51	1001173535	2	Clamp (SN 0300228360 through 0300272317, Except SN 0300272185 through 0300272190)	
52	8405009	4	Clamp	
53	8405102	2	Clamp	
54	8405104	2	Clamp	
55	8405202	1	Clamp	
56	8405203	3	Clamp	
57	8406109	1	Clip	
58	8406110	1	Clip	
59	8406201	3	Clip	
60	8410001	1	Clamp	
61	8410009	6	Clamp	
62	1001138173	1	Support, Service Indicator	
63	1001138175	1	Bracket, Service Indicator	
64	1001141995	1	Fitting, Barbed	
65	1001147812	1	Clamp, Air Cleaner	
66	1001149160	3	Nut M8	
67	1001149639	1	Indicator, Air Intake	
68	1001166718	4	Isolator, Engine Mount	
69	1001168018	4	Washer, Snubbing	
70	1001168166	2	Seal	
71	1001169054	4	Isolator, Radiator	
72	1001169138	4	Washer, Snubbing	
73	1001169967	2	Bracket	
74	1001170035	1	Bracket	
75	1001176330	1	Bracket	
76	1001180620	AR	Adhesive	
77	1001209844	1	Pump Coupling Kit (See PUMP COUPLING KIT for Breakdown)	
78	1001210763	1	Engine, Kubota	
79	1001211794	3	Mount	
80	1001211797	1	Mount	
81	1001212989	1	Pipe, Exhaust (Inlet)	
82	1001212993	1	Pipe Exhaust (Outlet)	
83	1001213305	1	Plate, Mounting	
84	1001213357	1	Fan	
85	1001213423	1	Radiator	
86	1001213425	1	Plate, Engine Mount (Left Rear)	
87	1001213426	1	Plate, Engine Mount (Right Rear)	
88	1001213482	1	Bracket	
89	1001213824	1	Insulation	
90	1001214138	1	Bracket	
91	1001214205	1	Support	
92	1001214233	1	Plate (Front Left)	
93	1001214234	1	Plate (Front Right)	
94	1001214276	1	Shim	
95	1001214277	1	Shim	
96	1001214278	2	Shim	

SECTION 3 - ENGINE

ITEM	PART NUMBER	QTY	DESCRIPTION	REV
97	1001214307	1	Hose	
98	1001214508	1	Support	
99	1001214553	1	Support	
100	1001214555	1	Bracket	
101	1001214556	1	Bracket	
102	1001214558	1	Bracket	
103	1001214598	1	Tube	
104	1001214599	1	Bracket	
105	1001214664	1	Cover	
106	1001214694	1	Hose	
107	1001214729	1	Spacer	
108	1001214841	1	Bracket	
109	1001215125	1	Fitting, 90	
110	1001215869	1	Hose	
111	1001137336	2	Strap	
112	1001138248	2 ft/ 0.61m	Tube	
113	1001147813	1	Air Cleaner Assembly Including Filter Element	
113	70004020	1	Element, Filter (Not Shown)	
114	2220064	1	Fitting, 90 FSNPSM/NPTF	
115	2720058	1.75 ft/ 0.53m	Hose	
116	2720271	4 ft/ 1.22m	Hose	
117	2720615	1.25 ft/ 0.38m	Hose	
118	82033995	5.5 ft/ 1.68m	Hose	
119	1001216825	2	Seal	
120	0700816	4	Bolt M8 x 40	
121	0701016	4	Bolt M10 x 40	
122	2300004	2.7 gal/ 10.2L	Coolant, Anti-Freeze	
123	1001190775	10 qt/ 9.4L	Oil, Engine	
124	2180504	1	Fitting, Barbed	
125	1001118274	1	Nut, Special M8	
126	1001001939	1	Tube, Flex	
127	8410011	1	Clamp	
128	0760815	1	Bolt M8 x 35	
128	0760816	1	Bolt M8 x 40	

SECTION 3 - ENGINE

FIGURE 3-42. ENGINE ASSEMBLY - KUBOTA ENGINE (WITHOUT ARCTIC PACKAGE) (SN 0300241744 through 0300272317)



ART_1001236256_10F2

SECTION 3 - ENGINE

FIGURE 3-42. ENGINE ASSEMBLY - KUBOTA ENGINE (WITHOUT ARCTIC PACKAGE) (SN 0300241744 through 0300272317)

ITEM	PART NUMBER	QTY	DESCRIPTION	REV
	1001236256	Ref	ENGINE ASSEMBLY - KUBOTA ENGINE (WITHOUT ARCTIC PACKAGE)	A
1	0080201	1	Adapter, 90	
2	0100011	AR	Compound, Locking	
3	0100020	AR	Sealant, Pipe	
4	0700810	4	Bolt M8 x 20	
5	0700814	2	Bolt M8 x 30	
6	0700815	2	Bolt M8 x 35	
7	0701216	2	Bolt M12 x 40	
8	0701224	4	Bolt M12 x 80	
9	1001217494	2	Bolt M12 x 20	
10	1001217343	14	Bolt M12 x 35	
11	0760605	4	Bolt M6 x 10	
12	0760606	2	Bolt M6 x 12	
13	0760608	2	Bolt M6 x 16	
14	0760610	2	Bolt M6 x 20	
15	0760612	2	Bolt M6 x 25	
16	0760808	8	Bolt M8 x 16	
17	0760812	6	Bolt M8 x 25	
18	0760814	12	Bolt M8 x 30	
19	0760815	1	Bolt M8 x 35	
20	0761014	4	Bolt M10 x 30	
21	0761015	6	Bolt M10 x 35	
22	0761016	4	Bolt M10 x 40	
23	0961951	2	Bushing	
24	1580011	1	Container, Coolant Overflow	
25	1703162	2	Decal - Caution Fan	
26	2220261	1	Fitting, Nipple NPTF/NPTF	
27	2220315	1	Fitting, Barbed	
28	2720644	1	Hose	
29	3290607	5	Nut Lock M6 x 1	
30	3290801	10	Nut M8	
31	3290805	17	Nut Lock M8 x 1.25	
32	3291001	4	Nut Lock M10 x 1.5	
33	3291005	6	Nut Lock M10 x 1.5	
34	3291201	6	Nut M12	
35	4240099	AR	Tie-Strap (Not Shown)	
36	4811700	12	Washer M6	
37	4811702	4	Washer M6	
38	4811900	45	Washer M8	
39	4811902	8	Washer M8	
40	4812000	24	Washer M10	
41	5241400	16	Washer M14	
42	5240800	14	Washer M8 Hardened	
43	5241200	8	Washer M12 Hardened	
44	5250605	3	Bolt M6 x 10	
45	8305401	2	Nut, Jam .250-20	
46	8307109	2	Washer, .250	
47	8310548	2	Screw 1/4 NC x 1/2	

SECTION 3 - ENGINE

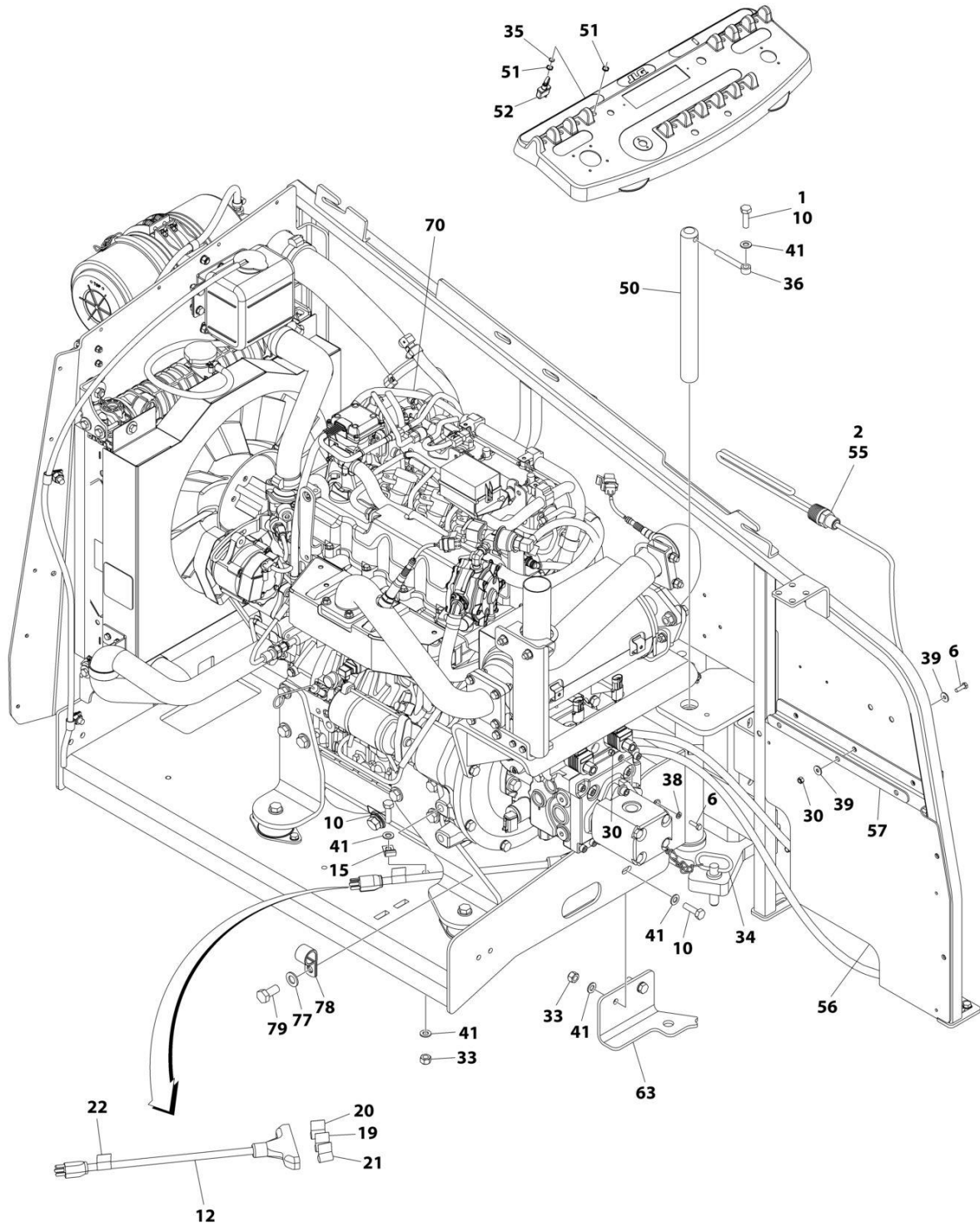
ITEM	PART NUMBER	QTY	DESCRIPTION	REV
48	1001173535	2	Clamp	
49	8405009	4	Clamp	
50	8405102	2	Clamp	
51	8405104	2	Clamp	
52	8405202	1	Clamp	
53	8405203	3	Clamp	
54	8406109	1	Clip	
55	8406110	2	Clip	
56	8406201	3	Clip	
57	8410001	1	Clamp	
58	8410009	6	Clamp	
59	1001138173	1	Support, Service Indicator	
60	1001138175	1	Bracket, Service Indicator	
61	1001141995	1	Fitting, Barbed	
62	1001147812	1	Clamp, Air Cleaner	
63	1001149160	3	Nut M8	
64	1001149639	1	Indicator, Air Intake	
65	1001166718	4	Isolator, Engine Mount	
66	1001168018	4	Washer, Snubbing	
67	1001168166	2	Seal	
68	1001169054	4	Isolator, Radiator	
69	1001169138	4	Washer, Snubbing	
70	1001169967	2	Bracket	
71	1001170035	1	Bracket	
72	1001176330	1	Bracket	
73	1001180620	AR	Adhesive	
74	1001209844	1	Pump Coupling Kit (See PUMP COUPLING KIT for Breakdown)	
75	1001236393	1	Engine, Kubota	
76	1001211794	3	Mount	
77	1001211797	1	Mount	
78	1001212989	1	Pipe, Exhaust (Inlet)	
79	1001212993	1	Pipe Exhaust (Outlet)	
80	1001213305	1	Plate, Mounting	
81	1001236257	1	Radiator	
82	1001213425	1	Plate, Engine Mount (Left Rear)	
83	1001213426	1	Plate, Engine Mount (Right Rear)	
84	1001213482	1	Bracket	
85	1001213824	1	Insulation	
86	1001214138	1	Bracket	
87	1001214205	1	Support	
88	1001214233	1	Plate (Front Left)	
89	1001214234	1	Plate (Front Right)	
90	1001214276	1	Shim	
91	1001214277	1	Shim	
92	1001214278	2	Shim	
93	1001214307	1	Hose	
94	1001214508	1	Support	
95	1001214553	1	Support	
96	1001214555	1	Bracket	
97	1001214556	1	Bracket	
98	1001214558	1	Bracket	

SECTION 3 - ENGINE

ITEM	PART NUMBER	QTY	DESCRIPTION	REV
99	1001214598	1	Tube	
100	1001214599	1	Bracket	
101	1001214664	1	Cover	
102	1001214694	1	Hose	
103	1001214841	1	Bracket	
104	1001215125	1	Fitting, 90	
105	1001215869	1	Hose	
106	1001137336	2	Strap	
107	1001138248	2 ft/ 0.61m	Tube	
108	1001147813	1	Air Cleaner Assembly Including Filter Element	
108	70004020	1	Element, Filter (Not Shown)	
109	2220064	1	Fitting, 90 FSNPSM/NPTF	
110	2720058	1.75 ft/ 0.53m	Hose	
111	2720271	4 ft/ 1.22m	Hose	
112	2720615	1.25 ft/ 0.38m	Hose	
113	82033995	5.5 ft/ 1.68m	Hose	
114	1001216825	2	Seal	
115	0700816	4	Bolt M8 x 40	
116	0701016	4	Bolt M10 x 40	
117	2300004	2.7 gal /10.2L	Coolant, Anti-Freeze	
118	1001190775	10 qt/ 9.4L	Oil, Engine	
119	2180504	1	Fitting, Barbed	
120	1001118274	1	Nut Special M8	
121	1001001939	1	Tube, Flex	
122	8410011	1	Clamp	
123	0760816	1	Bolt M8 x 40	

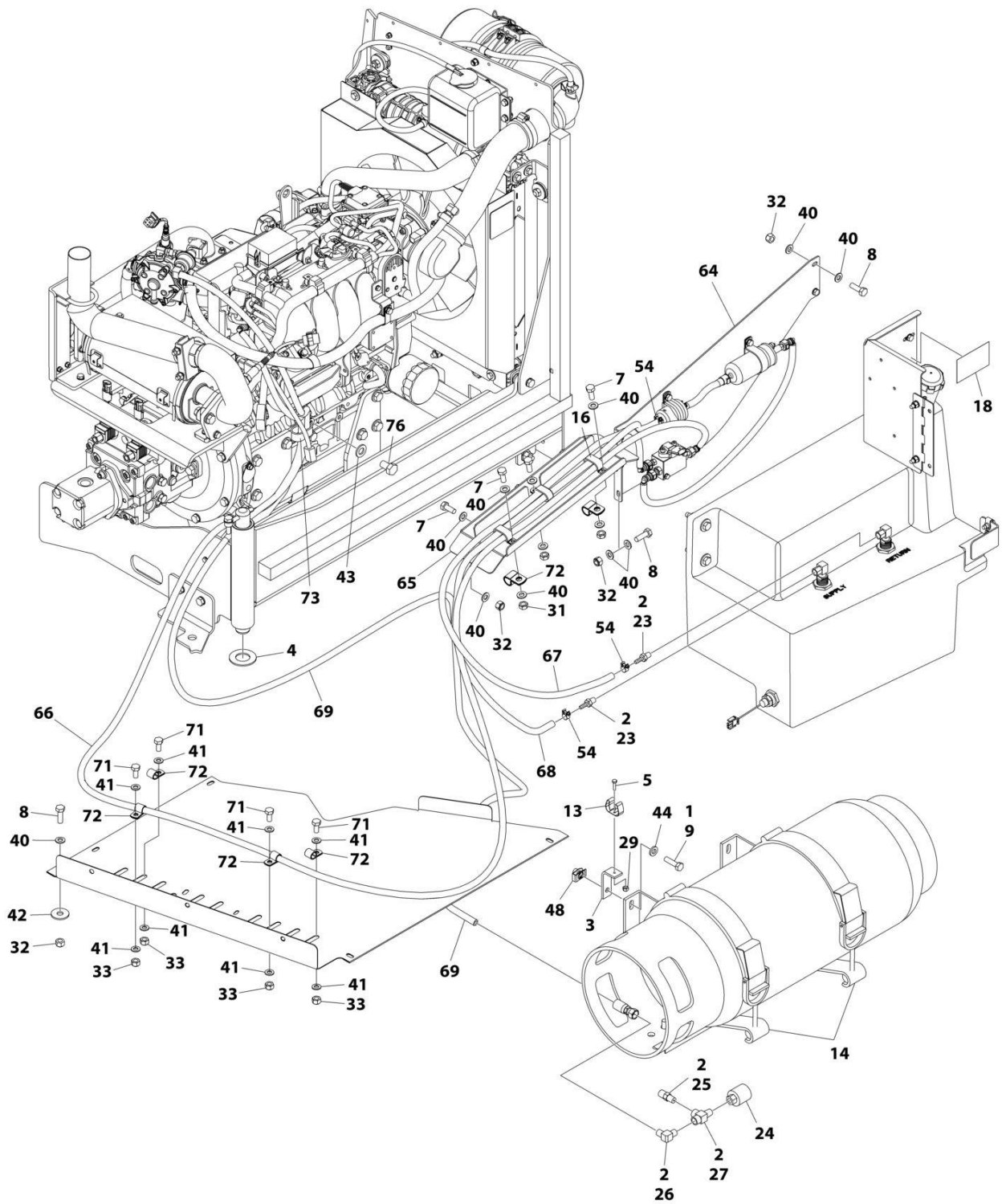
SECTION 3 - ENGINE

FIGURE 3-43. ENGINE INSTALLATION - KUBOTA ENGINE (WITH ARCTIC PACKAGE) (SN 0300201991 through 0300241743)



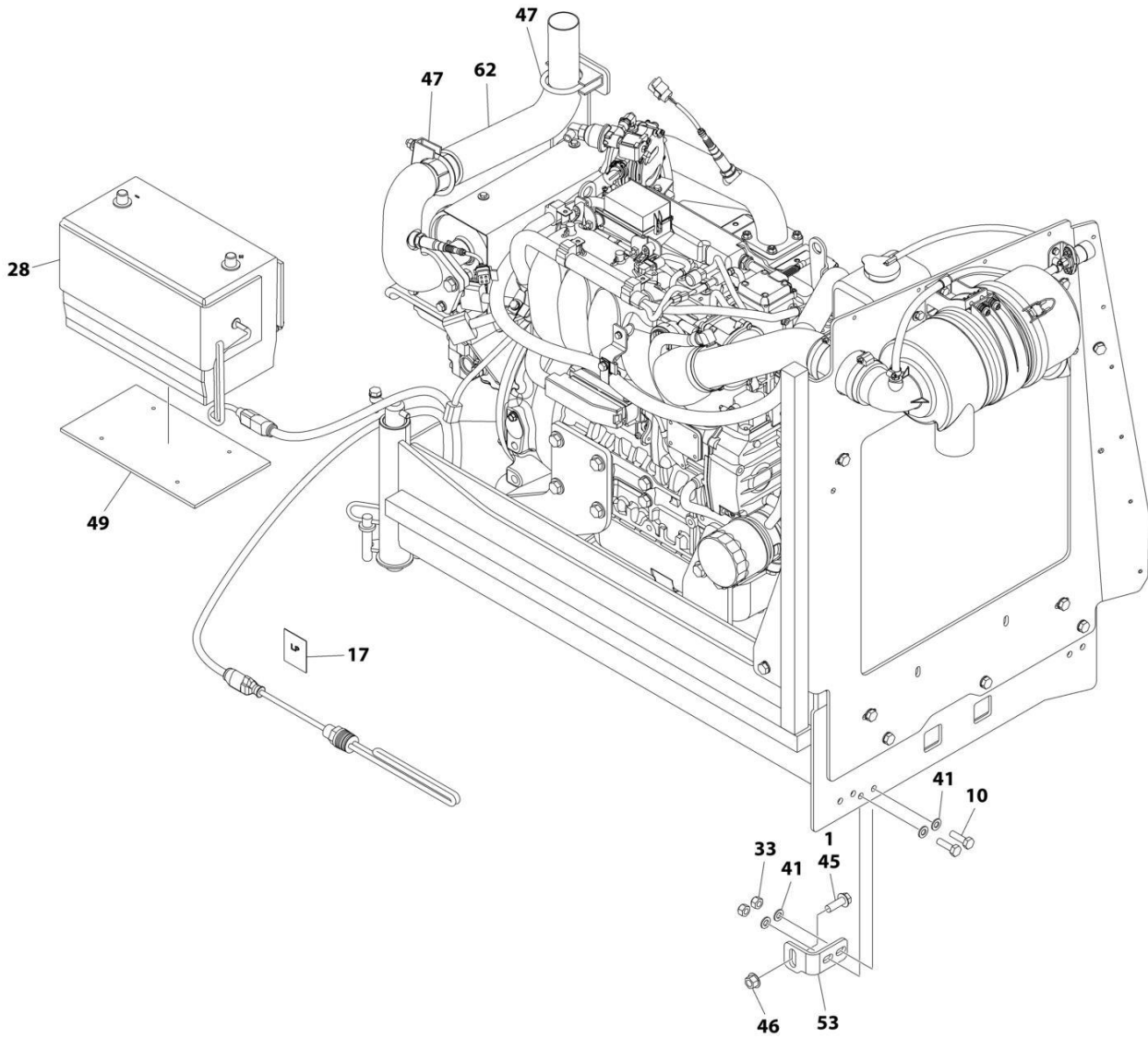
ART_1001216841_10F3

SECTION 3 - ENGINE



ART_1001216841_20F3

SECTION 3 - ENGINE



ART_1001216841_3OF3

SECTION 3 - ENGINE

FIGURE 3-43. ENGINE INSTALLATION - KUBOTA ENGINE (WITH ARCTIC PACKAGE) (SN 0300201991 through 0300241743)

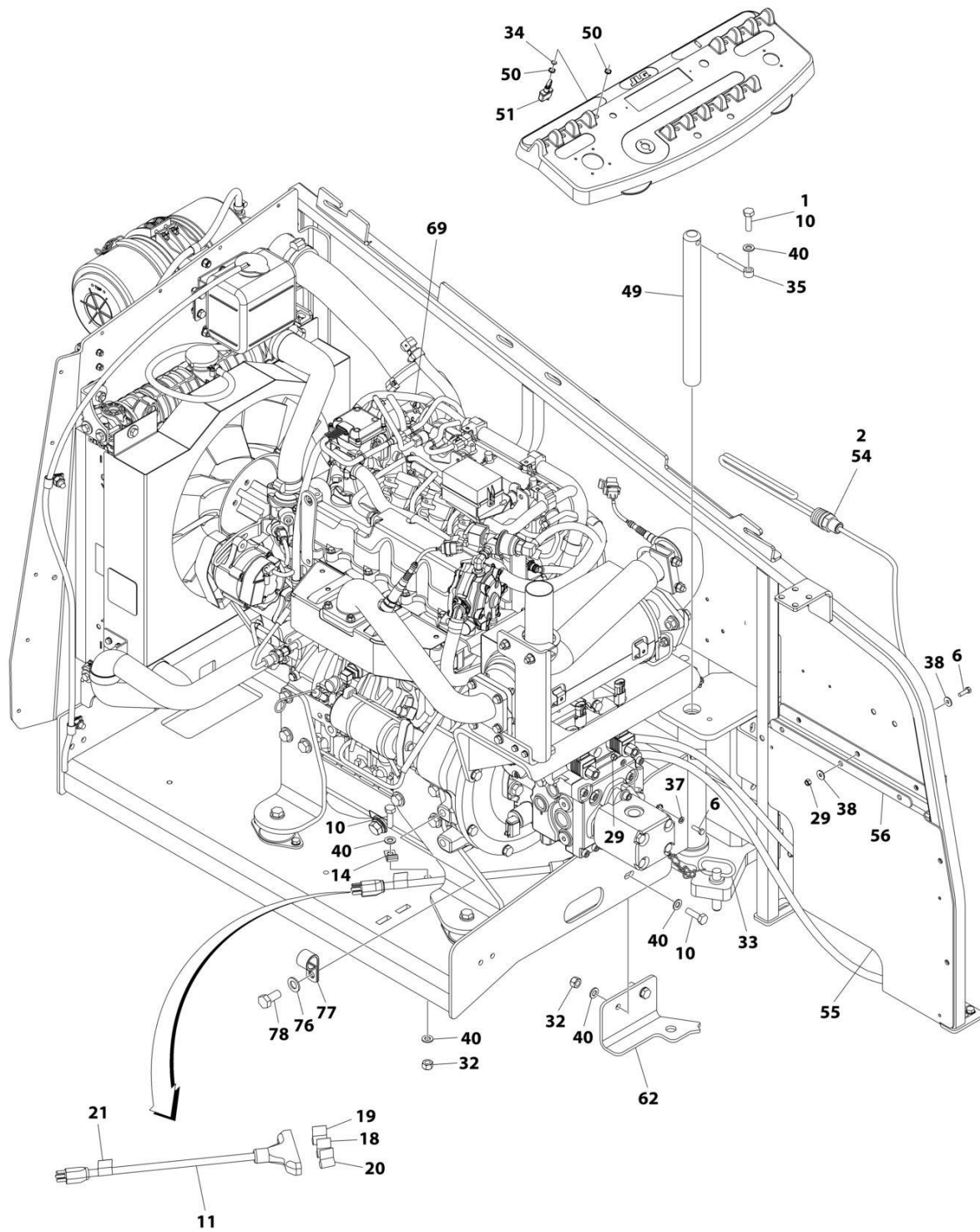
ITEM	PART NUMBER	QTY	DESCRIPTION	REV
	1001216841	Ref	ENGINE INSTALLATION - KUBOTA ENGINE (WITH ARCTIC PACKAGE)	F
1	0100011	AR	Compound, Locking	
2	0100020	AR	Sealant, Pipe	
3	0181949	1	Angle	
4	0440162	1	Bearing	
5	0760408	1	Bolt, M4 x 16	
6	0760610	4	Bolt, M6 x 20	
7	0760810	6	Bolt, M8 x 20	
8	0760812	AR	Bolt, M8 x 25	
9	0760814	4	Bolt, M8 x 30	
10	0761015	6	Bolt, M10 x 35	
12	1060626	1	Cord, 3 Way Extension	
13	1320218	1	Clamp	
14	1320220	1	Clamp Kit - LP	
15	1320223	1	Clamp	
16	1321283	3	Clamp	
17	1701543	1	Decal - LPG	
18	1701542	1	Decal - Gas	
19	1702941	1	Decal - Battery Heater	
20	1702942	1	Decal - Engine Block Heater	
21	1702943	1	Decal - Hydraulic Tank Heater	
22	1702944	1	Decal - Heater Cord	
23	2180348	2	Fitting, Barbed	
24	2180387	1	Fitting, LP	
25	2180389	1	Fitting	
26	2180504	1	Fitting, Barbed	
27	2220290	1	Fitting, Tee FNPTF/NPTF/FNPTF	
28	2580024	1	Heater, Battery	
29	3290405	1	Nut M4	
30	3290605	4	Nut M6	
31	3290801	3	Nut M8	
32	3290805	AR	Nut M8	
33	3291005	AR	Nut M10	
34	3422532	1	Pin	
35	3790012	1	O-Ring	
36	3841143	1	Keeper, Pin	
37	4240099	AR	Tie-Strap (Not Shown)	
38	4811700	2	Washer, M6	
39	4811702	6	Washer, M6	
40	4811900	AR	Washer, M8	
41	4812000	AR	Washer, M10	
42	4812002	1	Washer M10	
43	4812100	2	Washer M12	
44	5240800	4	Washer, M8	
45	5251215	1	Bolt, M12 x 35	
46	5261200	1	Nut, M12 Grade 10.9	
47	1001217785	2	Clamp	
48	1001118274	4	Nut, Special M8	

SECTION 3 - ENGINE

ITEM	PART NUMBER	QTY	DESCRIPTION	REV
49	1001119278	1	Insulate	
50	1001135196	1	Pin	
51	1001155044	2	Nut, Special 15/32	
52	1001161710	1	Switch, Toggle	
53	1001167512	1	Bracket, Engine Tray Stow	
54	1001174486	3	Clamp	
55	1001188972	1	Heater, Hydraulic Tank	
56	1001196376	1	Seal, Rubber	
57	1001204123	1	Plate, Support	
58	1001212257	1	Cable, Battery (Red) (Alternator Positive to Starter) (Not Shown)	
59	1001213060	1	Cable, Battery (Red) (Battery Positive to Auxiliary Power Relay) (Not Shown)	
60	1001213061	1	Cable, Battery (Black) (Battery Negative to Pivot Pin to Engine Ground) (Not Shown)	
61	1001213706	1	Harness Engine - Kubota Engine (Not Shown - See ELECTRICAL SECTION for Breakdown)	
62	1001214503	1	Pipe, Tail Pipe	
63	1001215259	1	Plate, Engine Lock	
64	1001215813	1	Mount, Fuel System	
65	1001216308	1	Support, Fuel Lines	
66	1001216400	1	Hose	
67	1001216401	1	Hose	
68	1001156819	4.5 ft/ 1.4m	Hose	
69	1001216405	1	Hose	
70	1001216827	1	Engine and Pump Sub-Assembly - Kubota Engine (With Arctic Package) (See ENGINE AND PUMP SUB-ASSEMBLY - KUBOTA ENGINE (WITH ARCTIC PACKAGE) for Breakdown)	
71	0761011	AR	Bolt M10 x 22	
72	1320061	2	Clamp (SN 0300201991 through 0300229317)	
72	85841094	6	Clamp (SN 0300229318 through 0300272317, Except SN 0300272185 through 0300272190)	
73	1321716	1	Clamp (SN 0300201991 through 0300229317)	
73	1001195039	1	Clamp (SN 0300229318 through 0300272317, Except SN 0300272185 through 0300272190)	
74	4460466	8	Seal, Terminal (Not Shown)	
75	4460930	1	Plug (Not Shown)	
76	1001217494	2	Bolt M12 x 20	
77	4812200	1	Washer M14	
78	24431386	1	Clamp (SN 0300229318 through 0300272317, Except SN 0300272185 through 0300272190)	
79	1001217345	1	Bolt M14 x 30	
80	1001229797	1	Harness, Kubota D/F Power (Not Shown - See ELECTRICAL SECTION for Breakdown) (SN 0300237442 through 0300272317, Except SN 0300272185 through 0300272190)	

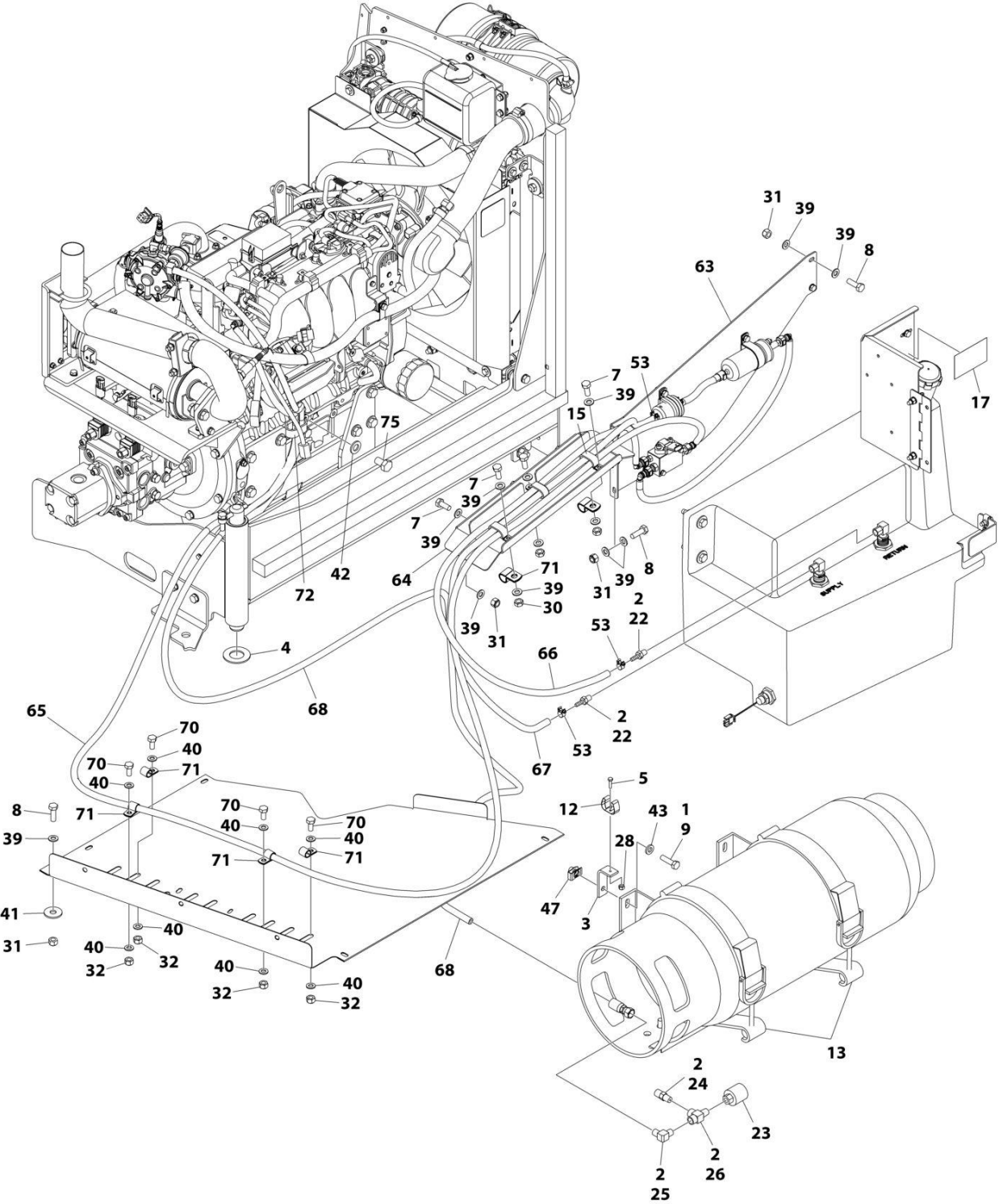
SECTION 3 - ENGINE

FIGURE 3-44. ENGINE INSTALLATION - KUBOTA ENGINE (WITH ARCTIC PACKAGE) (SN 0300241744 through 0300272317)



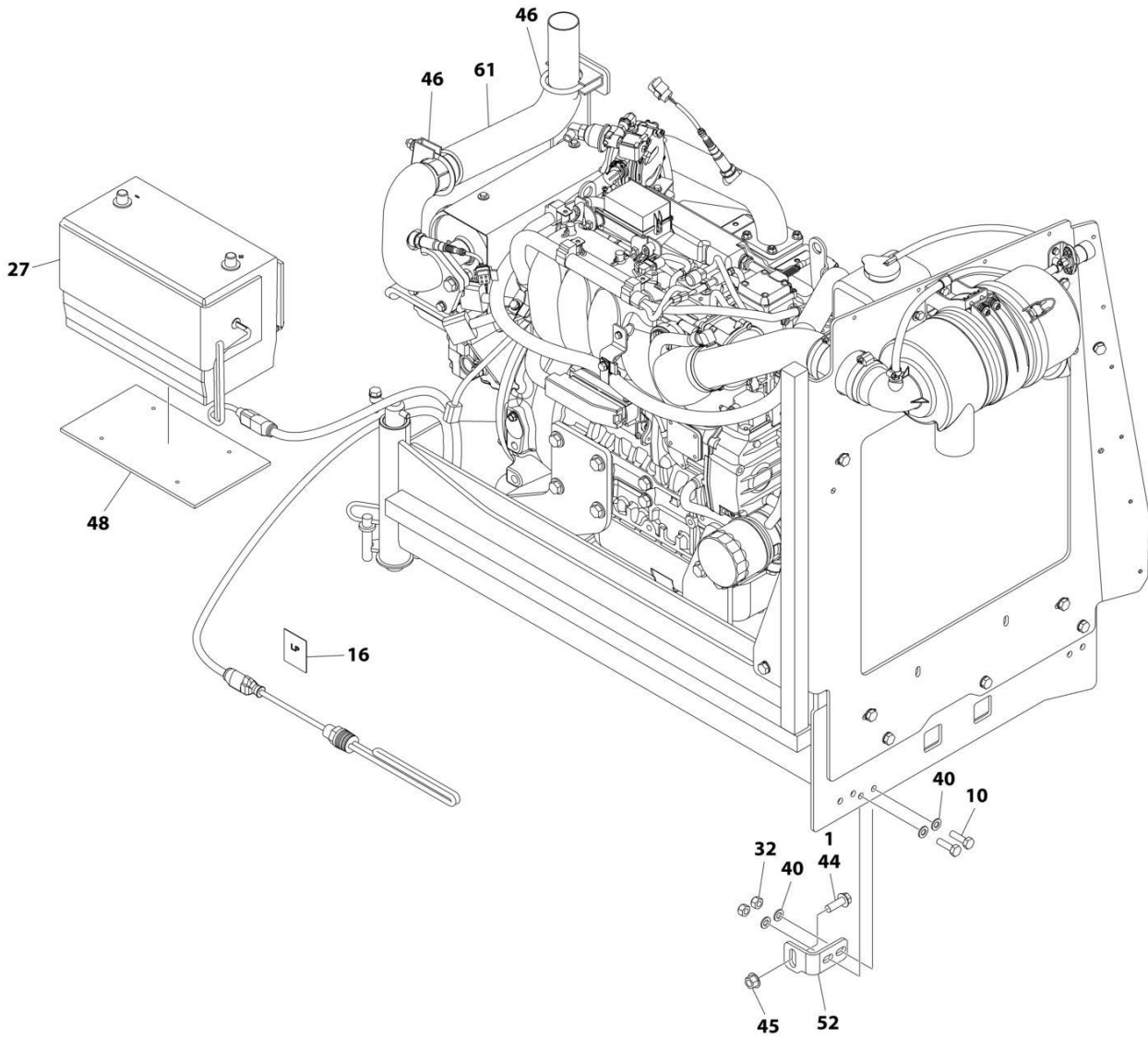
ART_1001236253_10F3

SECTION 3 - ENGINE



ART_1001236253_20F3

SECTION 3 - ENGINE



ART_1001236253_3OF3

SECTION 3 - ENGINE

FIGURE 3-44. ENGINE INSTALLATION - KUBOTA ENGINE (WITH ARCTIC PACKAGE) (SN 0300241744 through 0300272317)

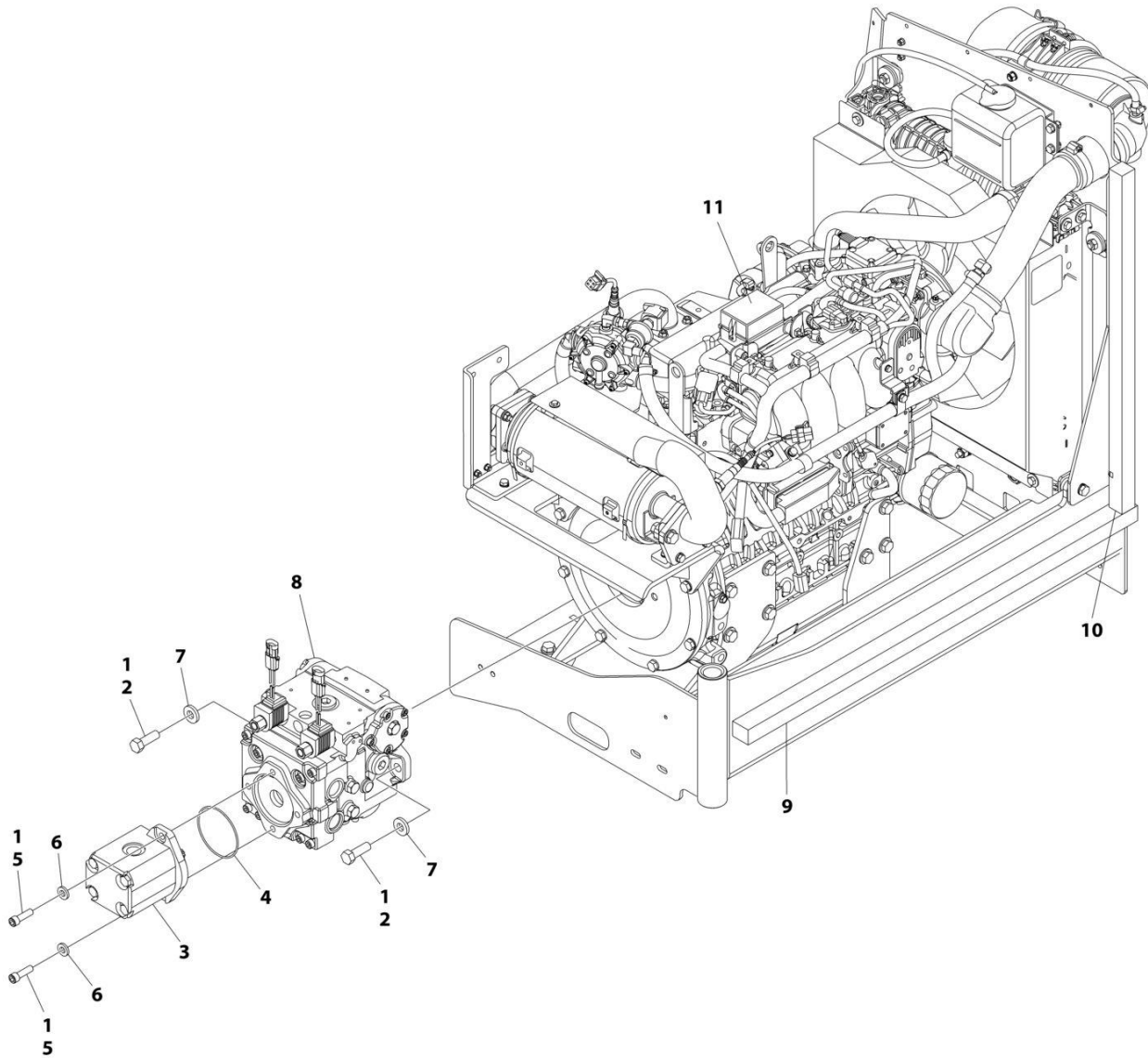
ITEM	PART NUMBER	QTY	DESCRIPTION	REV
	1001236253	Ref	ENGINE INSTALLATION - KUBOTA ENGINE (WITH ARCTIC PACKAGE)	A
1	0100011	AR	Compound, Locking	
2	0100020	AR	Sealant, Pipe	
3	0181949	1	Angle	
4	0440162	1	Bearing	
5	0760408	1	Bolt M4 x 16	
6	0760610	4	Bolt M6 x 20	
7	0760810	6	Bolt M8 x 20	
8	0760812	4	Bolt M8 x 25	
9	0760814	4	Bolt M8 x 30	
10	0761015	6	Bolt M10 x 35	
11	1060626	1	Cord, 3 Way Extension	
12	1320218	1	Clamp	
13	1320220	1	Clamp Kit - LP	
14	1320223	1	Clamp	
15	1321283	3	Clamp	
16	1701543	1	Decal - LPG	
17	1701542	1	Decal - Gas	
18	1702941	1	Decal - Battery Heater	
19	1702942	1	Decal - Engine Block Heater	
20	1702943	1	Decal - Hydraulic Tank Heater	
21	1702944	1	Decal - Heater Cord	
22	2180348	2	Fitting, Barbed	
23	2180387	1	Fitting, LP	
24	2180389	1	Fitting	
25	2180504	1	Fitting, Barbed	
26	2220290	1	Fitting, Tee FNPTF/NPTF/FNPTF	
27	2580024	1	Heater, Battery	
28	3290405	1	Nut M4	
29	3290605	4	Nut M6	
30	3290801	3	Nut M8	
31	3290805	7	Nut M8	
32	3291005	9	Nut M10	
33	3422532	1	Pin	
34	3790012	1	O-Ring	
35	3841143	1	Keeper, Pin	
36	4240099	AR	Tie-Strap (Not Shown)	
37	4811700	2	Washer M6	
38	4811702	6	Washer M6	
39	4811900	19	Washer M8	
40	4812000	19	Washer M10	
41	4812002	1	Washer M10	
42	4812100	2	Washer M12	
43	5240800	4	Washer M8	
44	5251215	1	Bolt M12 x 35	
45	5261200	1	Nut M12 Grade 10.9	
46	1001217785	2	Clamp	
47	1001118274	4	Nut Special M8	

SECTION 3 - ENGINE

ITEM	PART NUMBER	QTY	DESCRIPTION	REV
48	1001119278	1	Insulate	
49	1001135196	1	Pin	
50	1001155044	2	Nut, Special 15/32	
51	1001161710	1	Switch, Toggle	
52	1001167512	1	Bracket, Engine Tray Stow	
53	1001174486	3	Clamp	
54	1001188972	1	Heater, Hydraulic Tank	
55	1001196376	1	Seal, Rubber	
56	1001204123	1	Plate, Support	
57	1001212257	1	Cable, Battery (Red) (Alternator Positive to Starter) (Not Shown)	
58	1001213060	1	Cable, Battery (Red) (Battery Positive to Auxiliary Power Relay) (Not Shown)	
59	1001213061	1	Cable, Battery (Black) (Battery Negative to Pivot Pin to Engine Ground) (Not Shown)	
60	1001213706	1	Harness Engine - Kubota Engine (Not Shown - See ELECTRICAL SECTION for Breakdown)	
61	1001214503	1	Pipe, Tail Pipe	
62	1001215259	1	Plate, Engine Lock	
63	1001215813	1	Mount, Fuel System	
64	1001216308	1	Support, Fuel Lines	
65	1001216400	1	Hose	
66	1001216401	1	Hose	
67	1001156819	4.5 ft/ 1.4m	Hose	
68	1001216405	1	Hose	
69	1001236258	1	Engine and Pump Sub-Assembly - Kubota Engine (With Arctic Package) (See ENGINE AND PUMP SUB-ASSEMBLY - KUBOTA ENGINE (WITH ARCTIC PACKAGE) for Breakdown)	
70	0761011	4	Bolt M10 x 22	
71	85841094	6	Clamp	
72	1001195039	1	Clamp	
73	4460466	8	Seal, Terminal (Not Shown)	
74	4460930	1	Plug (Not Shown)	
75	1001217494	2	Bolt M12 x 20	
76	4812200	1	Washer M14	
77	24431386	1	Clamp	
78	1001217345	1	Bolt M14 x 30	
79	1001229797	1	Harness, Kubota D/F Power (Not Shown - See ELECTRICAL SECTION for Breakdown)	

SECTION 3 - ENGINE

FIGURE 3-45. ENGINE AND PUMP SUB-ASSEMBLY - KUBOTA ENGINE (WITH ARCTIC PACKAGE)
(SN 0300201991 through 0300241743)



ART_1001216827

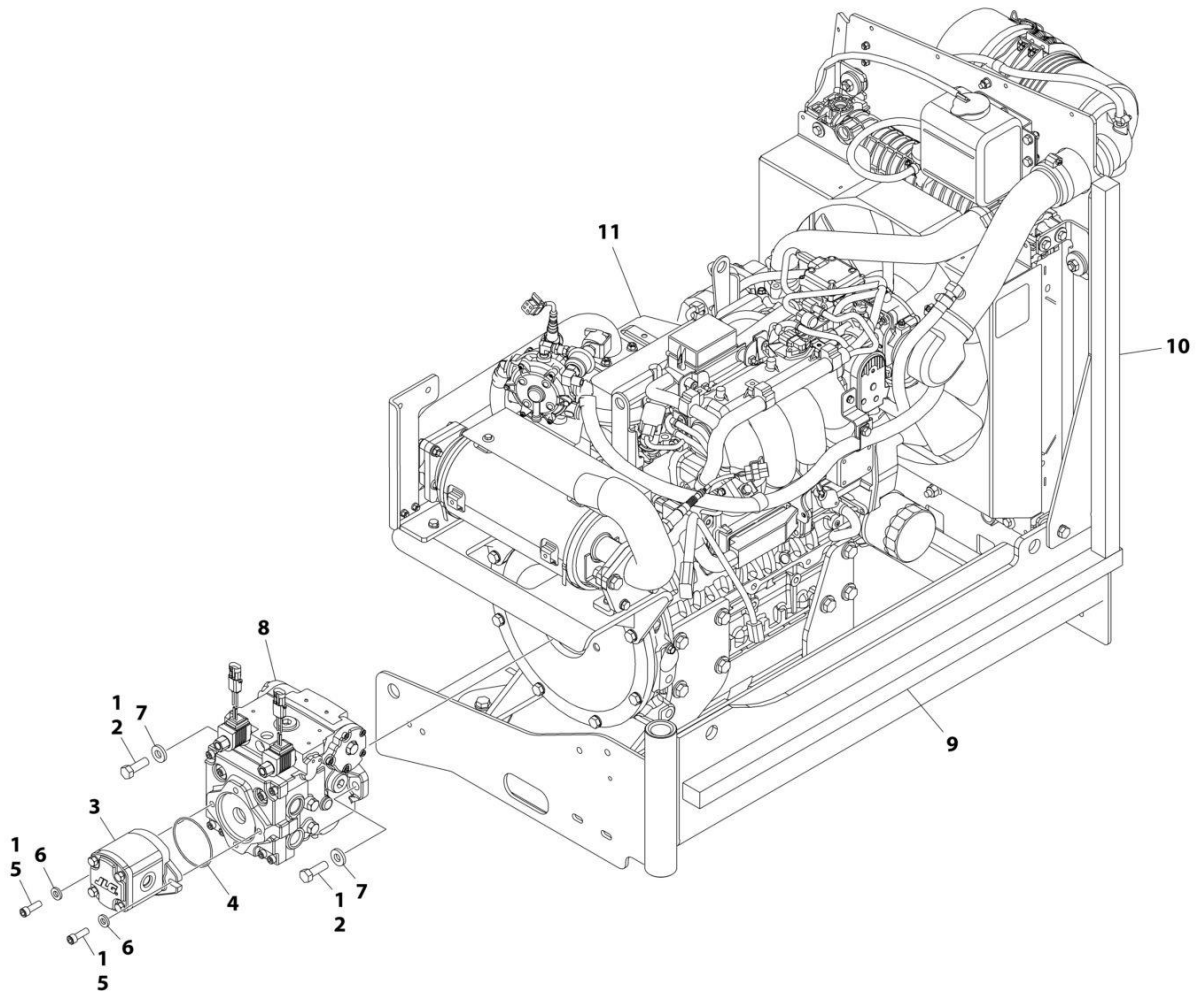
SECTION 3 - ENGINE

**FIGURE 3-45. ENGINE AND PUMP SUB-ASSEMBLY - KUBOTA ENGINE (WITH ARCTIC PACKAGE)
(SN 0300201991 through 0300241743)**

ITEM	PART NUMBER	QTY	DESCRIPTION	REV
	1001216827	Ref	ENGINE AND PUMP SUB-ASSEMBLY - KUBOTA ENGINE (WITH ARCTIC PACKAGE)	E
1	0100011	AR	Compound, Locking	
2	0641812	2	Bolt 1/2 x 1-1/2	
3	3600242	1	Gear Pump Assembly (See GEAR PUMP ASSEMBLY for Breakdown) (SN 0300201991 through 0300236982)	
3	1001214207	1	Gear Pump Assembly (SN 0300236983 through 0300272317, Except SN 0300272185 through 0300272190)	
3	70006356	1	Seal Kit – 1001214207 Pump	
4	3790152	1	O-Ring	
5	3931620	2	Capscrew 3/8 x 1-1/4	
5	3931618	2	Capscrew 3/8 x 1-1/8	
6	4891600	2	Washer 3/8	
7	4891800	2	Washer 1/2	
8	1001167036	1	Piston Pump Assembly (See PISTON PUMP ASSEMBLY for Breakdown)	
9	1001171953	1	Seal	
10	1001171954	1	Seal	
11	1001216826	1	Engine Assembly - Kubota Engine (With Arctic Package) (See ENGINE ASSEMBLY - KUBOTA ENGINE (WITH ARCTIC PACKAGE) for Breakdown)	

SECTION 3 - ENGINE

FIGURE 3-46. ENGINE AND PUMP SUB-ASSEMBLY - KUBOTA ENGINE (WITH ARCTIC PACKAGE)
(SN 0300241744 through 0300272317)



ART_1001236258

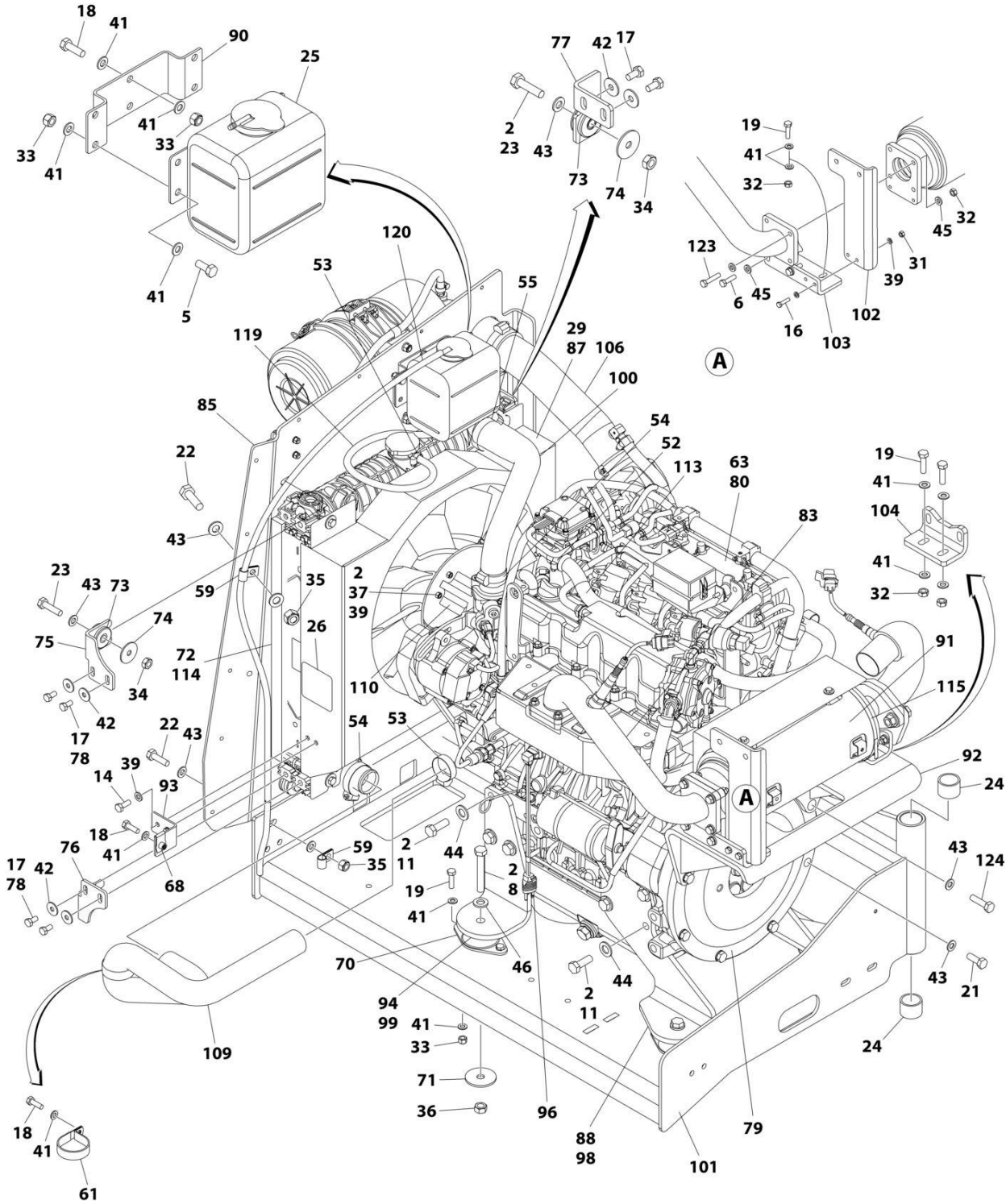
SECTION 3 - ENGINE

**FIGURE 3-46. ENGINE AND PUMP SUB-ASSEMBLY - KUBOTA ENGINE (WITH ARCTIC PACKAGE)
(SN 0300241744 through 0300272317)**

ITEM	PART NUMBER	QTY	DESCRIPTION	REV
	1001236258	Ref	ENGINE AND PUMP SUB-ASSEMBLY - KUBOTA ENGINE (WITH ARCTIC PACKAGE)	A
1	0100011	AR	Compound, Locking	
2	0641812	2	Bolt 1/2 x 1-1/2	
3	1001214207	1	Gear Pump Assembly	
3	70006356	1	Seal Kit - 1001214207 Pump	
4	3790152	1	O-Ring	
5	3931618	2	Capscrew 3/8 x 1-1/8	
6	4891600	2	Washer 3/8	
7	4891800	2	Washer 1/2	
8	1001167036	1	Piston Pump Assembly (See PISTON PUMP ASSEMBLY for Breakdown)	
9	1001171953	1	Seal	
10	1001171954	1	Seal	
11	1001236259	1	Engine Assembly - Kubota Engine (With Arctic Package) (See ENGINE ASSEMBLY - KUBOTA ENGINE (WITH ARCTIC PACKAGE) for Breakdown)	

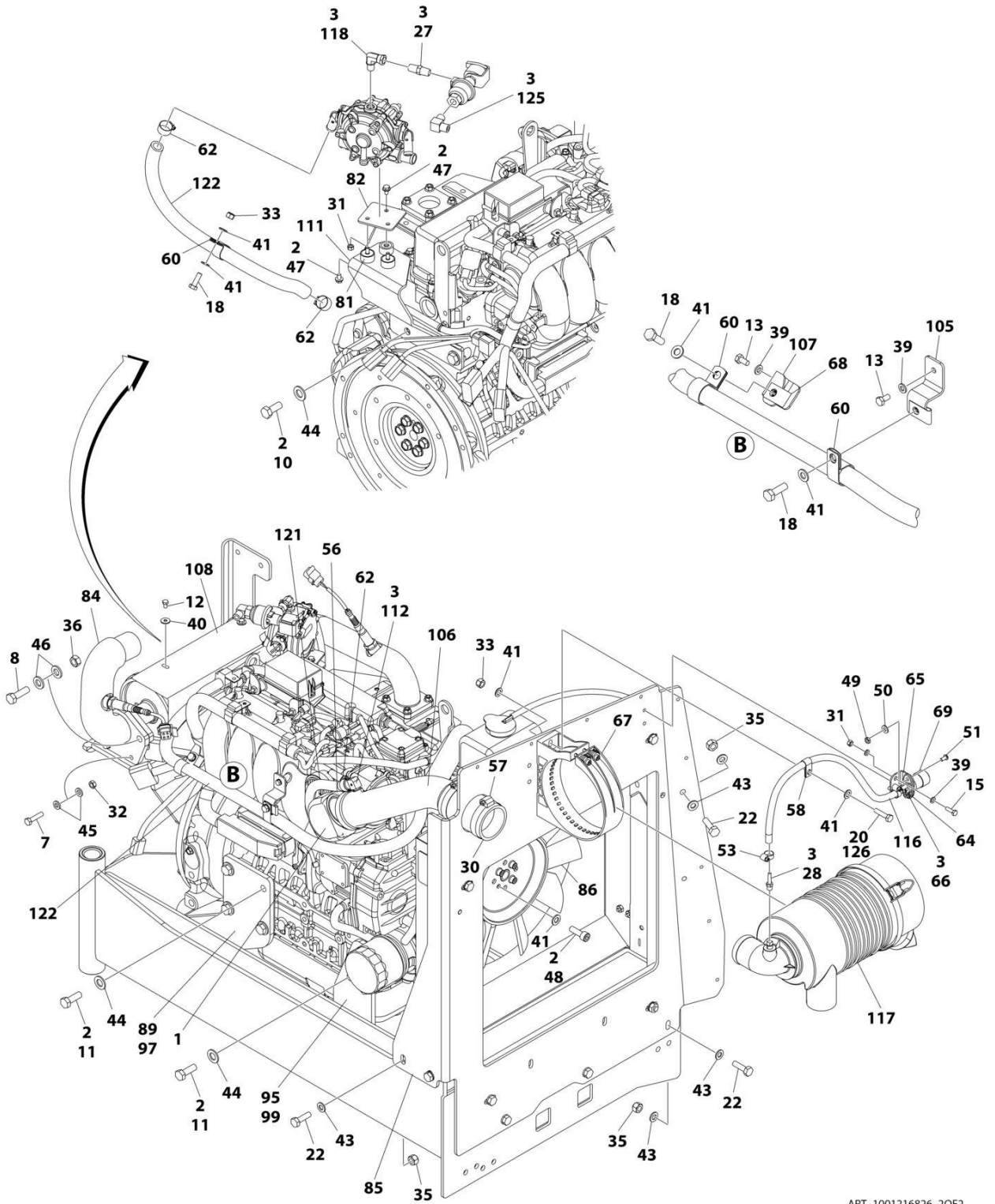
SECTION 3 - ENGINE

FIGURE 3-47. ENGINE ASSEMBLY - KUBOTA ENGINE (WITH ARCTIC PACKAGE) (SN 0300201991 through 0300241743)



ART_1001216826_10F2

SECTION 3 - ENGINE



ART_1001216826_2OF2

SECTION 3 - ENGINE

FIGURE 3-47. ENGINE ASSEMBLY - KUBOTA ENGINE (WITH ARCTIC PACKAGE) (SN 0300201991 through 0300241743)

ITEM	PART NUMBER	QTY	DESCRIPTION	REV
	1001216826	Ref	ENGINE ASSEMBLY - KUBOTA ENGINE (WITH ARCTIC PACKAGE)	E
1	0080201	1	Adapter, 90	
2	0100011	AR	Compound, Locking	
3	0100020	AR	Sealant, Pipe	
5	0700810	4	Bolt M8 x 20	
6	0700814	2	Bolt M8 x 30	
7	0700815	2	Bolt M8 x 35	
8	0701216	2	Bolt M12 x 40	
9	0701224	4	Bolt M12 x 80	
10	0711214	2	Bolt M12 x 30	
10	1001217494	2	Bolt M12 x 20	
11	1001217343	14	Bolt M12 x 35	
12	0760605	4	Bolt M6 x 10	
13	0760606	2	Bolt M6 x 12	
14	0760608	2	Bolt M6 x 16	
15	0760610	2	Bolt M6 x 20	
16	0760612	2	Bolt M6 x 25	
17	0760808	8	Bolt M8 x 16	
18	0760812	6	Bolt M8 x 25	
19	0760814	12	Bolt M8 x 30	
20	0760815	1	Bolt M8 x 35	
21	0761014	4	Bolt M10 x 30	
22	0761015	6	Bolt M10 x 35	
23	0761016	4	Bolt M10 x 40	
24	0961951	2	Bushing	
25	1580011	1	Container, Coolant Overflow	
26	1703162	2	Decal - Caution Fan	
27	2220261	1	Fitting, Nipple NPTF/NPTF	
28	2220315	1	Fitting, Barbed	
29	2300041	2.2 gal/ 8.5L	Coolant, Anti-Freeze	
30	2720644	1	Hose	
31	3290607	5	Nut M6 x 1	
32	3290801	10	Nut, M8	
33	3290805	17	Nut M8 x 1.25	
34	3291001	4	Nut M10 x 1.5	
35	3291005	6	Nut M10 x 1.5	
36	3291201	6	Nut M12	
37	4031711	4	Bolt M6 x 35	
38	4240099	AR	Tie-Strap (Not Shown)	
39	4811700	16	Washer, M6	
40	4811702	4	Washer, M6	
41	4811900	49	Washer, M8	
42	4811902	8	Washer, M8	
43	4812000	24	Washer, M10	
44	4812200	16	Washer, M14	
44	5241400	16	Washer, M14	
45	5240800	14	Washer, M8	

SECTION 3 - ENGINE

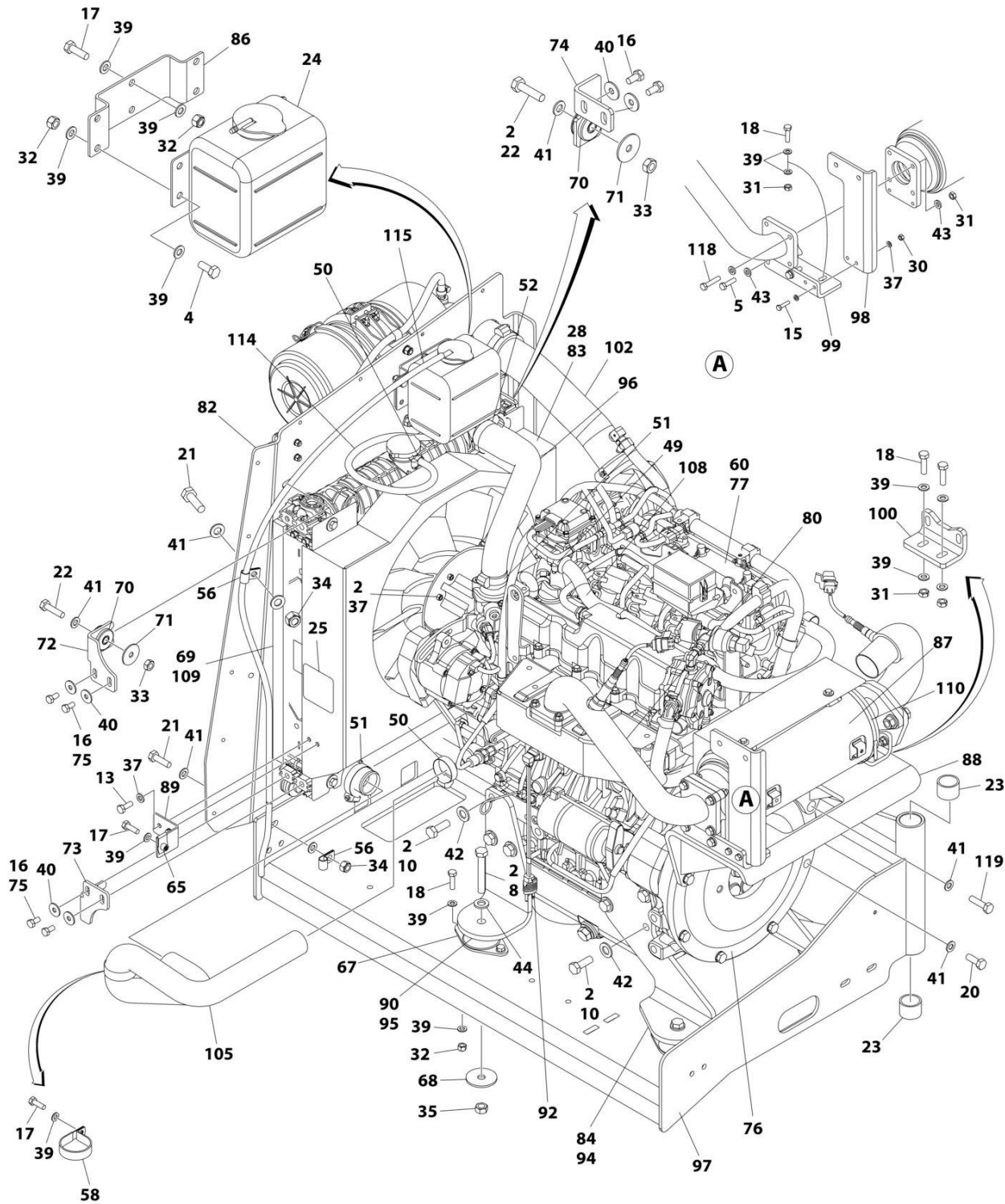
ITEM	PART NUMBER	QTY	DESCRIPTION	REV
46	5241200	8	Washer, M12	
47	5250605	3	Bolt M6 x 10	
48	5271809	4	Bolt M8 x 25	
49	8305401	2	Nut, Jam .250-20	
50	8307109	2	Washer, .250	
51	8310548	2	Screw 1/4 x 1/2	
52	8405007	2	Clamp (SN 0300201991 through 0300228359)	
52	1001173535	2	Clamp (SN 0300228360 through 0300272317, Except SN 0300272185 through 0300272190)	
53	8405009	4	Clamp	
54	8405102	2	Clamp	
55	8405104	2	Clamp	
56	8405202	1	Clamp	
57	8405203	3	Clamp	
58	8406109	1	Clip	
59	8406110	2	Clip	
60	8406201	3	Clip	
61	8410001	1	Clamp	
62	8410009	6	Clamp	
63	1001190775	10 qt/ 9.4L	Oil, Engine	
64	1001138173	1	Support, Service Indicator	
65	1001138175	1	Bracket, Service Indicator	
66	1001141995	1	Fitting, Barbed	
67	1001147812	1	Clamp, Air Cleaner	
68	1001149160	3	Nut M8	
69	1001149639	1	Indicator, Air Intake	
70	1001166718	4	Isolator, Engine Mount	
71	1001168018	4	Washer, Snubbing	
72	1001168166	2	Seal	
73	1001169054	4	Isolator, Radiator	
74	1001169138	4	Washer, Snubbing	
75	1001169967	2	Bracket	
76	1001170035	1	Bracket	
77	1001176330	1	Bracket	
78	1001180620	AR	Adhesive	
79	1001209844	1	Pump Coupling Kit (See PUMP COUPLING KIT for Breakdown)	
80	1001210763	1	Engine, Kubota	
81	1001211794	3	Mount	
82	1001211797	1	Mount	
83	1001212989	1	Pipe, Exhaust (Inlet)	
84	1001212993	1	Pipe, Exhaust (Outlet)	
85	1001213305	1	Plate, Mounting	
86	1001213357	1	Fan	
87	1001213423	1	Radiator	
88	1001213425	1	Plate, Engine Mount (Left Rear)	
89	1001213426	1	Plate, Engine Mount (Right Rear)	
90	1001213482	1	Bracket	
91	1001213824	1	Insulation	
92	1001214138	1	Bracket	
93	1001214205	1	Support	
94	1001214233	1	Plate (Front Left)	

SECTION 3 - ENGINE

ITEM	PART NUMBER	QTY	DESCRIPTION	REV
95	1001214234	1	Plate (Front Right)	
96	1001214269	1	Heater, Block	
97	1001214276	1	Shim	
98	1001214277	1	Shim	
99	1001214278	2	Shim	
100	1001214307	1	Hose	
101	1001214508	1	Support	
102	1001214553	1	Support	
103	1001214555	1	Bracket	
104	1001214556	1	Bracket	
105	1001214558	1	Bracket	
106	1001214598	1	Tube	
107	1001214599	1	Bracket	
108	1001214664	1	Cover	
109	1001214694	1	Hose	
110	1001214729	1	Spacer	
111	1001214841	1	Bracket	
112	1001215125	1	Fitting, 90	
113	1001215869	1	Hose	
114	1001216825	2	Seal	
115	1001137336	2	Strap	
116	1001138248	2 ft/0.6m	Tube	
117	1001147813	1	Air Cleaner Assembly Including Filter Element	
117	70004020	1	Element, Filter (Not Shown)	
118	2220064	1	Fitting, 90 FSNPSM/NPTF	
119	2720058	1.8 ft/ 0.5m	Hose	
120	2720271	4 ft/1.2m	Hose	
121	2720615	1.2 ft/ 0.4m	Hose	
122	82033995	5.5 ft/ 1.7m	Hose	
123	0700816	4	Bolt M8 x 40	
124	0701016	4	Bolt M10 x 40	
125	2180504	1	Fitting, Barbed	
126	0760815	1	Bolt M8 x 35	
126	0760816	1	Bolt M8 x 40	

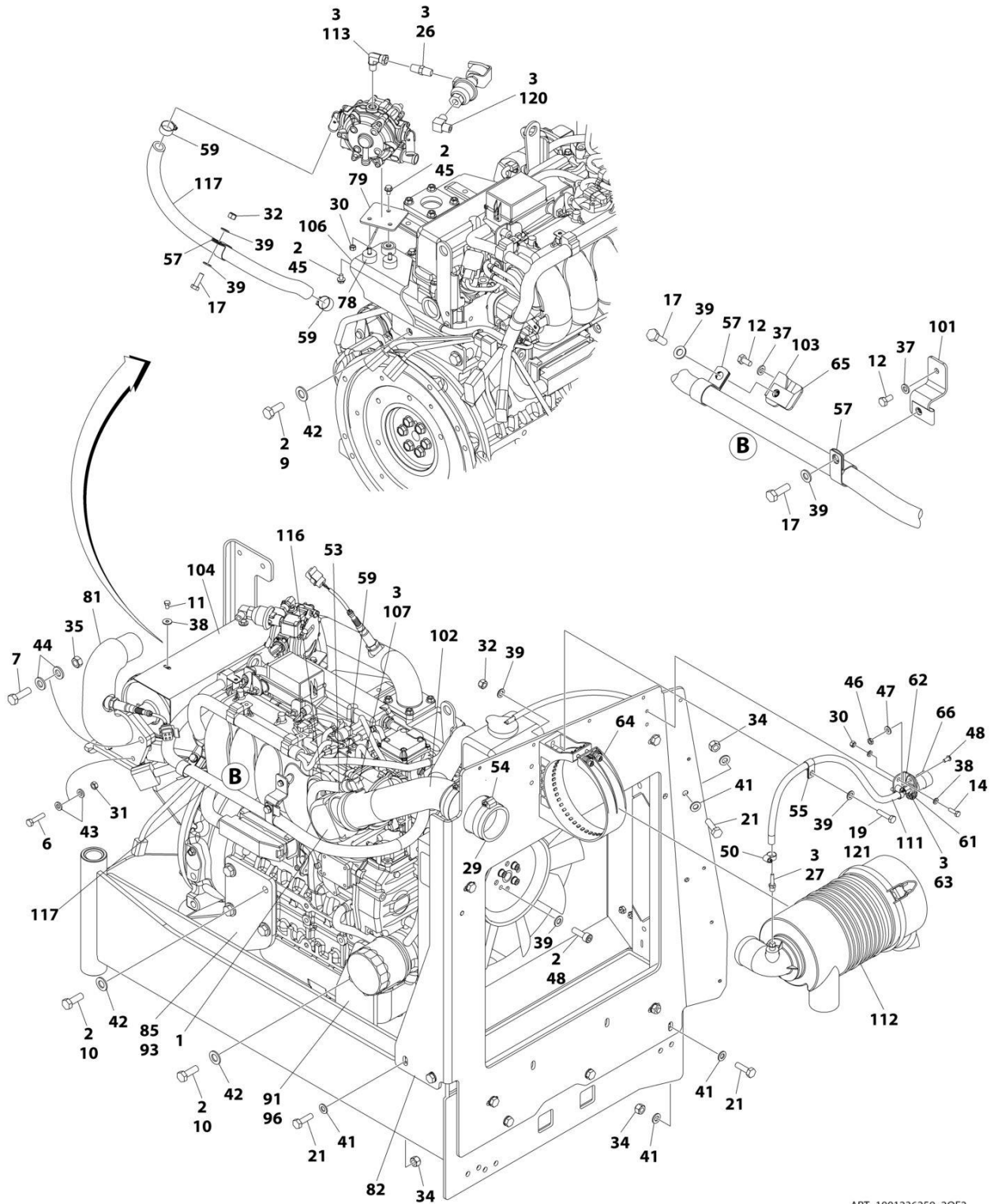
SECTION 3 - ENGINE

FIGURE 3-48. ENGINE ASSEMBLY - KUBOTA ENGINE (WITH ARCTIC PACKAGE) (SN 0300241744 through 0300272317)



ART_1001236259_10F2

SECTION 3 - ENGINE



ART_1001236259_2OF2

SECTION 3 - ENGINE

FIGURE 3-48. ENGINE ASSEMBLY - KUBOTA ENGINE (WITH ARCTIC PACKAGE) (SN 0300241744 through 0300272317)

ITEM	PART NUMBER	QTY	DESCRIPTION	REV
	1001236259	Ref	ENGINE ASSEMBLY - KUBOTA ENGINE (WITH ARCTIC PACKAGE)	A
1	0080201	1	Adapter, 90	
2	0100011	AR	Compound, Locking	
3	0100020	AR	Sealant, Pipe	
4	0700810	4	Bolt M8 x 20	
5	0700814	2	Bolt M8 x 30	
6	0700815	2	Bolt M8 x 35	
7	0701216	2	Bolt M12 x 40	
8	0701224	4	Bolt M12 x 80	
9	1001217494	2	Bolt M12 x 20	
10	1001217343	14	Bolt M12 x 35	
11	0760605	4	Bolt M6 x 10	
12	0760606	2	Bolt M6 x 12	
13	0760608	2	Bolt M6 x 16	
14	0760610	2	Bolt M6 x 20	
15	0760612	2	Bolt M6 x 25	
16	0760808	8	Bolt M8 x 16	
17	0760812	6	Bolt M8 x 25	
18	0760814	12	Bolt M8 x 30	
19	0760815	1	Bolt M8 x 35	
20	0761014	4	Bolt M10 x 30	
21	0761015	6	Bolt M10 x 35	
22	0761016	4	Bolt M10 x 40	
23	0961951	2	Bushing	
24	1580011	1	Container, Coolant Overflow	
25	1703162	2	Decal - Caution Fan	
26	2220261	1	Fitting, Nipple NPTF/NPTF	
27	2220315	1	Fitting, Barbed	
28	2300041	2.2 gal/ 8.5L	Coolant, Anti-Freeze	
29	2720644	1	Hose	
30	3290607	5	Nut M6 x 1	
31	3290801	10	Nut M8	
32	3290805	17	Nut M8 x 1.25	
33	3291001	4	Nut M10 x 1.5	
34	3291005	6	Nut M10 x 1.5	
35	3291201	6	Nut M12	
36	4240099	AR	Tie-Strap (Not Shown)	
37	4811700	16	Washer M6	
38	4811702	4	Washer M6	
39	4811900	45	Washer M8	
40	4811902	8	Washer M8	
41	4812000	24	Washer M10	
42	5241400	16	Washer M14	
43	5240800	14	Washer M8	
44	5241200	8	Washer M12	
45	5250605	3	Bolt M6 x 10	
46	8305401	2	Nut, Jam .250-20	

SECTION 3 - ENGINE

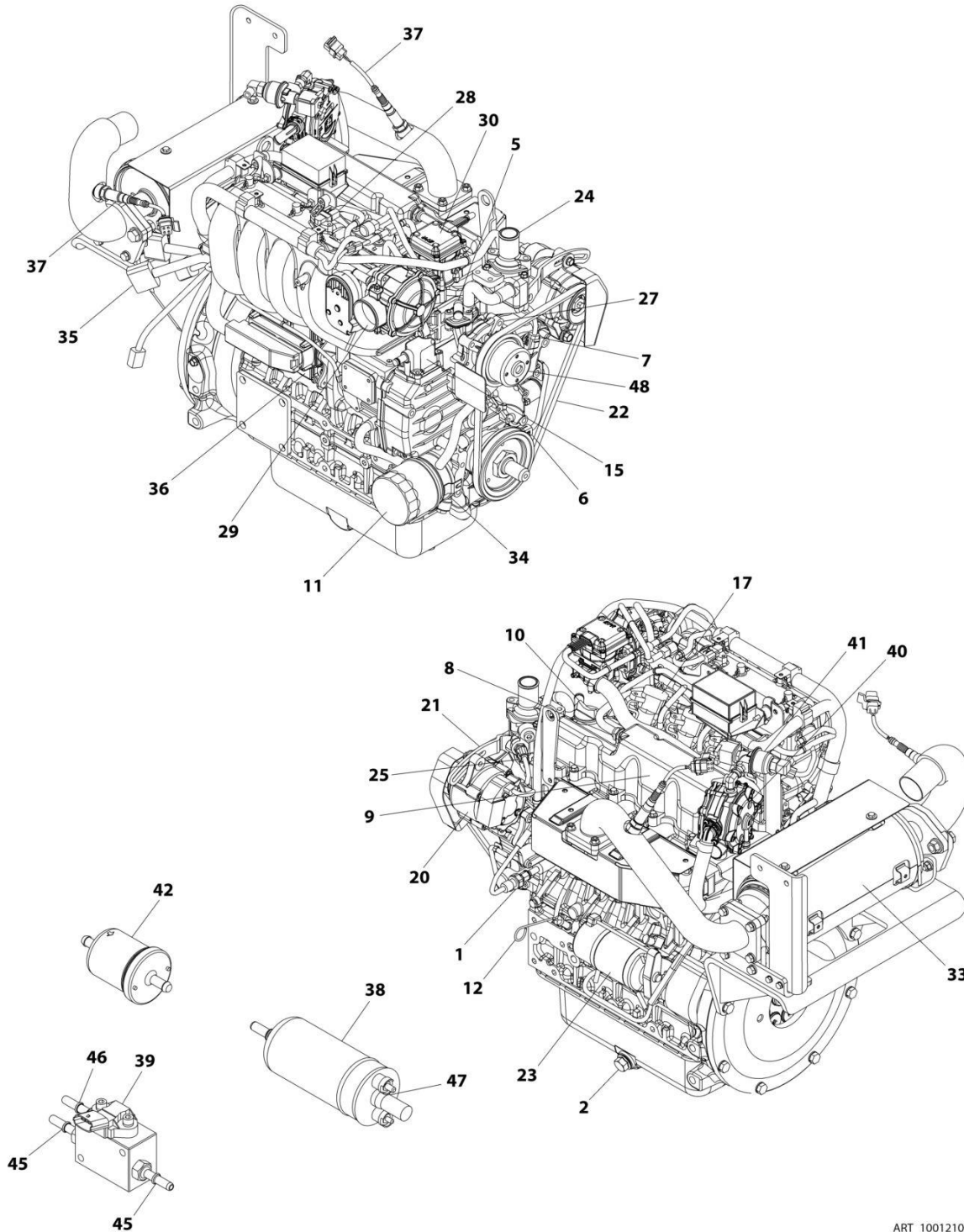
ITEM	PART NUMBER	QTY	DESCRIPTION	REV
47	8307109	2	Washer, .250	
48	8310548	2	Screw 1/4 x 1/2	
49	1001173535	2	Clamp	
50	8405009	4	Clamp	
51	8405102	2	Clamp	
52	8405104	2	Clamp	
53	8405202	1	Clamp	
54	8405203	3	Clamp	
55	8406109	1	Clip	
56	8406110	2	Clip	
57	8406201	3	Clip	
58	8410001	1	Clamp	
59	8410009	6	Clamp	
60	1001190775	10 qt/ 9.4L	Oil, Engine	
61	1001138173	1	Support, Service Indicator	
62	1001138175	1	Bracket, Service Indicator	
63	1001141995	1	Fitting, Barbed	
64	1001147812	1	Clamp, Air Cleaner	
65	1001149160	3	Nut M8	
66	1001149639	1	Indicator, Air Intake	
67	1001166718	4	Isolator, Engine Mount	
68	1001168018	4	Washer, Snubbing	
69	1001168166	2	Seal	
70	1001169054	4	Isolator, Radiator	
71	1001169138	4	Washer, Snubbing	
72	1001169967	2	Bracket	
73	1001170035	1	Bracket	
74	1001176330	1	Bracket	
75	1001180620	AR	Adhesive	
76	1001209844	1	Pump Coupling Kit (See PUMP COUPLING KIT for Breakdown)	
77	1001236393	1	Engine, Kubota (See ENGINE COMPONENTS - KUBOTA ENGINE for Breakdown)	
78	1001211794	3	Mount	
79	1001211797	1	Mount	
80	1001212989	1	Pipe, Exhaust (Inlet)	
81	1001212993	1	Pipe, Exhaust (Outlet)	
82	1001213305	1	Plate, Mounting	
83	1001236257	1	Radiator	
84	1001213425	1	Plate, Engine Mount (Left Rear)	
85	1001213426	1	Plate, Engine Mount (Right Rear)	
86	1001213482	1	Bracket	
87	1001213824	1	Insulation	
88	1001214138	1	Bracket	
89	1001214205	1	Support	
90	1001214233	1	Plate (Front Left)	
91	1001214234	1	Plate (Front Right)	
92	1001214269	1	Heater, Block	
93	1001214276	1	Shim	
94	1001214277	1	Shim	
95	1001214278	2	Shim	
96	1001214307	1	Hose	

SECTION 3 - ENGINE

ITEM	PART NUMBER	QTY	DESCRIPTION	REV
97	1001214508	1	Support	
98	1001214553	1	Support	
99	1001214555	1	Bracket	
100	1001214556	1	Bracket	
101	1001214558	1	Bracket	
102	1001214598	1	Tube	
103	1001214599	1	Bracket	
104	1001214664	1	Cover	
105	1001214694	1	Hose	
106	1001214841	1	Bracket	
107	1001215125	1	Fitting, 90	
108	1001215869	1	Hose	
109	1001216825	2	Seal	
110	1001137336	2	Strap	
111	1001138248	2 ft/ 0.6m	Tube	
112	1001147813	1	Air Cleaner Assembly Including Filter Element	
112	70004020	1	Element, Filter (Not Shown)	
113	2220064	1	Fitting, 90 FSNPSM/NPTF	
114	2720058	1.8 ft/ 0.5m	Hose	
115	2720271	4 ft/ 1.2m	Hose	
116	2720615	1.2 ft/ 0.4m	Hose	
117	82033995	5.5 ft/ 1.7m	Hose	
118	0700816	4	Bolt M8 x 40	
119	0701016	4	Bolt M10 x 40	
120	2180504	1	Fitting, Barbed	
121	0760816	1	Bolt M8 x 40	

SECTION 3 - ENGINE

FIGURE 3-49. ENGINE COMPONENTS - KUBOTA (SN 0300201991 through 0300241743)



ART_1001210763

SECTION 3 - ENGINE

FIGURE 3-49. ENGINE COMPONENTS - KUBOTA (SN 0300201991 through 0300241743)

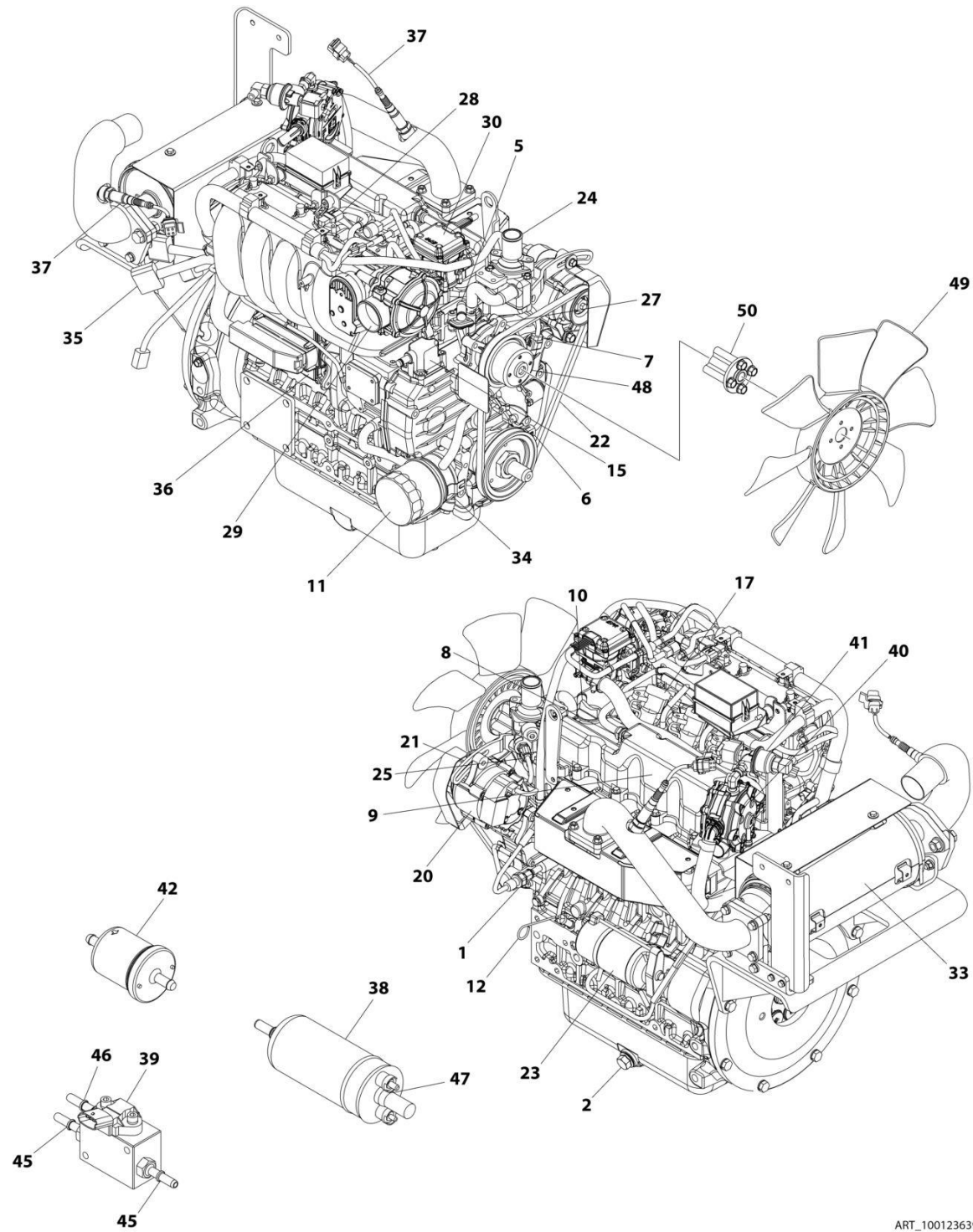
ITEM	PART NUMBER	QTY	DESCRIPTION	REV
	1001210763	Ref	ENGINE COMPONENTS - KUBOTA	D
1	70005745	1	Switch, Oil	
1	70006013	1	Adapter	
2	7023154	1	Plug, Drain	
2	7017904	1	Gasket, Oil Pan Drain	
3	70006014	1	Gasket, Cylinder Head (Not Shown)	
4	70006015	1	Sensor (Knock) (Not Shown – Located on Left Side of Engine)	
5	70006016	1	Flange Assembly (Water Return)	
5	70002316	1	Pipe	
5	70006017	1	Gasket	
6	70005737	1	Sensor Stick Assembly	
7	70006018	1	Sensor	
8	70006019	1	Valve (PCV)	
8	70006020	1	Seal	
9	7017932	3	Element, Breather	
9	70006021	1	Gasket	
10	70002318	1	Oil Filler Cap	
10	70006022	1	O-Ring	
11	70006023	1	Filter, Oil	
12	70006024	1	Dipstick	
13	70006025	1	Pump Assembly, Oil (Not Shown – Located Under Front Cover)	
13	70006026	1	Gasket	
13	70006027	1	Key	
14	70006028	1	Flywheel (Not Shown – Located Behind Coupling Plate)	
14	70006029	1	Ring Gear (Part of Flywheel)	
15	70006030	1	Flange Assembly (Breather)	
15	70002316	1	Pipe	
15	70006031	1	Gasket	
16	70006035	1	Pipe Assembly (Not Shown)	
16	70005727	1	Gasket	
17	70006034	4	Coil	
17	70006033	4	Spark Plug	
18	70006032	1	Gasket (Not Shown)	
19	70005751	4	Injector (Not Shown)	
20	70006036	1	Alternator (Includes Voltage Regulator and Gaskets, Fan and Fan Mounting Hardware)	
21	70006037	1	Bracket	
22	70006038	1	Belt	
23	70006039	1	Starter	
24	70006041	1	Thermostat	
24	70002326	1	Gasket	
25	70005726	1	Sensor	
25	70006042	1	O-Ring	
26	70006040	1	Gasket (Not Shown – Located Between Engine Head and Water Flange)	
27	70006043	1	Water Pump Assembly	
27	70004829	1	Pipe	
27	70006044	1	Gasket	
28	70005746	1	Sensor (TMAP)	
28	70005747	1	O-Ring	

SECTION 3 - ENGINE

ITEM	PART NUMBER	QTY	DESCRIPTION	REV
29	70006049	1	Mixer Assembly	
29	70006050	1	Seal, Rubber	
29	70006045	1	Throttle Body	
29	70006046	1	Gasket	
29	70006047	1	Adapter	
29	70006048	1	O-Ring	
30	70006051	1	Regulator Assembly	
30	70006052	1	Seal, Rubber	
30	70006053	1	Seal, Rubber	
30	70006054	1	Seal, Rubber	
31	70006055	1	Gasket (Not Shown – Located Between Intake Manifold and Engine Head)	
32	70006056	1	Gasket (Not Shown – Located Between Exhaust Manifold and Engine Head)	
33	70006057	1	Muffler	
33	70006065	1	Gasket	
33	70006066	1	Gasket	
33	70006072	1	Gasket	
34	70006058	1	Oil Cooler Assembly	
34	70006059	1	Seal	
34	7017959	2	Clamp	
35	70006060	1	Engine Harness	
36	70006061	1	Module, Engine Control	
37	70006062	2	Sensor (O2)	
38	70006063	1	Pump, Fuel	
39	70006064	1	Manifold (FPM)	
40	70006067	1	Regulator Assembly	
40	70006068	1	Connector	
40	70006069	3	Clip	
40	70006070	2	Connector	
41	70006071	1	Valve, Lockoff	
41	70006078	1	Valve, Lockoff Kit	
42	7017992	1	Filter, Fuel	
43	70006079	1	Gasket Kit (Upper) (Not Shown)	
44	70006080	1	Gasket Kit (Lower) (Not Shown)	
45	70006074	2	Joint (Includes O-Ring)	
46	70006075	1	Joint (Includes O-Ring)	
47	70006076	1	Joint (Includes O-Ring)	
47	70006077	1	Gasket	
48	70006379	1	Pulley	

SECTION 3 - ENGINE

FIGURE 3-50. ENGINE COMPONENTS - KUBOTA (SN 0300241744 through 0300272317)



ART_1001236393

SECTION 3 - ENGINE

FIGURE 3-50. ENGINE COMPONENTS - KUBOTA (SN 0300241744 through 0300272317)

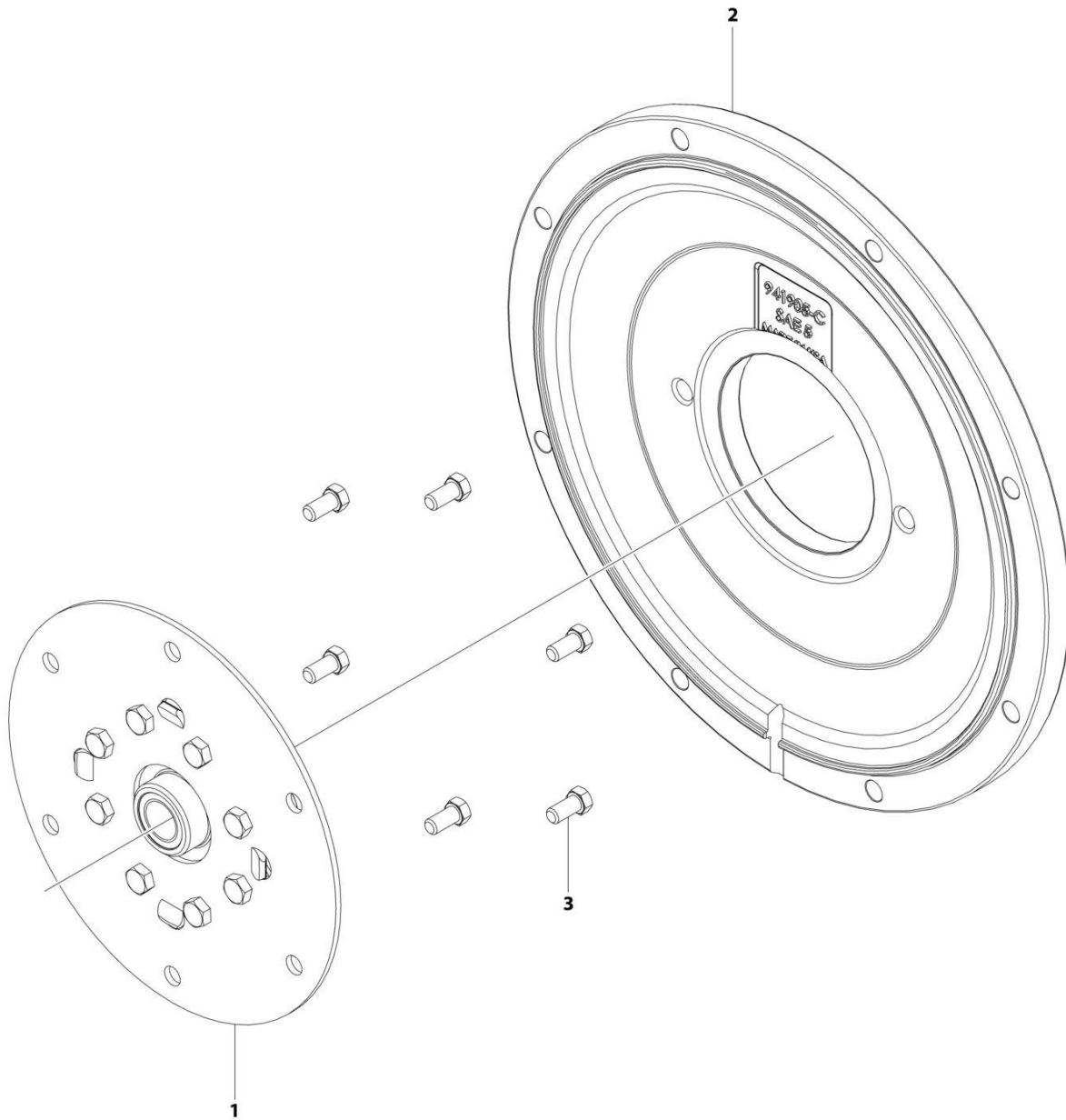
ITEM	PART NUMBER	QTY	DESCRIPTION	REV
	1001236393	Ref	ENGINE COMPONENTS - KUBOTA	A
1	70005745	1	Switch, Oil	
1	70006013	1	Adapter	
2	7023154	1	Plug, Drain	
2	7017904	1	Gasket, Oil Pan Drain	
3	70006014	1	Gasket, Cylinder Head (Not Shown)	
4	70006015	1	Sensor (Knock) (Not Shown - Located on Left Side of Engine)	
5	70006016	1	Flange Assembly (Water Return)	
5	70002316	1	Pipe	
5	70006017	1	Gasket	
6	70005737	1	Sensor Stick Assembly	
7	70006018	1	Sensor	
8	70006019	1	Valve (PCV)	
8	70006020	1	Seal	
9	7017932	3	Element, Breather	
9	70006021	1	Gasket	
10	70002318	1	Oil Filler Cap	
10	70006022	1	O-Ring	
11	70006023	1	Filter, Oil	
12	70006024	1	Dipstick	
13	70006025	1	Pump Assembly, Oil (Not Shown - Located Under Front Cover)	
13	70006026	1	Gasket	
13	70006027	1	Key	
14	70006028	1	Flywheel (Not Shown - Located Behind Coupling Plate)	
14	70006029	1	Ring Gear (Part of Flywheel)	
15	70006030	1	Flange Assembly (Breather)	
15	70002316	1	Pipe	
15	70006031	1	Gasket	
16	70006035	1	Pipe Assembly (Not Shown)	
16	70005727	1	Gasket	
17	70006034	4	Coil	
17	70006033	4	Spark Plug	
18	70006032	1	Gasket (Not Shown)	
19	70005751	4	Injector (Not Shown)	
20	70006036	1	Alternator (Includes Voltage Regulator and Gaskets, Fan and Fan Mounting Hardware)	
21	70006037	1	Bracket	
22	70006038	1	Belt	
23	70006039	1	Starter	
24	70006041	1	Thermostat	
24	70002326	1	Gasket	
25	70005726	1	Sensor	
25	70006042	1	O-Ring	
26	70006040	1	Gasket (Not Shown - Located Between Engine Head and Water Flange)	
27	70006043	1	Water Pump Assembly	
27	70004829	1	Pipe	
27	70006044	1	Gasket	
28	70005746	1	Sensor (TMAP)	
28	70005747	1	O-Ring	

SECTION 3 - ENGINE

ITEM	PART NUMBER	QTY	DESCRIPTION	REV
29	70006049	1	Mixer Assembly	
29	70006050	1	Seal, Rubber	
29	70006045	1	Throttle Body	
29	70006046	1	Gasket	
29	70006047	1	Adapter	
29	70006048	1	O-Ring	
30	70006051	1	Regulator Assembly	
30	70006052	1	Seal, Rubber	
30	70006053	1	Seal, Rubber	
30	70006054	1	Seal, Rubber	
31	70006055	1	Gasket (Not Shown - Located Between Intake Manifold and Engine Head)	
32	70006056	1	Gasket (Not Shown - Located Between Exhaust Manifold and Engine Head)	
33	70006057	1	Muffler	
33	70006065	1	Gasket	
33	70006066	1	Gasket	
33	70006072	1	Gasket	
34	70006058	1	Oil Cooler Assembly	
34	70006059	1	Seal	
34	7017959	2	Clamp	
35	70006060	1	Engine Harness	
36	70006061	1	Module, Engine Control	
37	70006062	2	Sensor (O2)	
38	70006063	1	Pump, Fuel	
39	70006064	1	Manifold (FPM)	
40	70006067	1	Regulator Assembly	
40	70006068	1	Connector	
40	70006069	3	Clip	
40	70006070	2	Connector	
41	70006071	1	Valve, Lockoff	
41	70006078	1	Valve, Lockoff Kit	
42	7017992	1	Filter, Fuel	
43	70006079	1	Gasket Kit (Upper) (Not Shown)	
44	70006080	1	Gasket Kit (Lower) (Not Shown)	
45	70006074	2	Joint (Includes O-Ring)	
46	70006075	1	Joint (Includes O-Ring)	
47	70006076	1	Joint (Includes O-Ring)	
47	70006077	1	Gasket	
48	70006379	1	Pulley	
49	70006639	1	Fan	
50	70006640	1	Collar, Fan	

SECTION 3 - ENGINE

FIGURE 3-51. PUMP COUPLING KIT - KUBOTA ENGINE



ART_1001209844

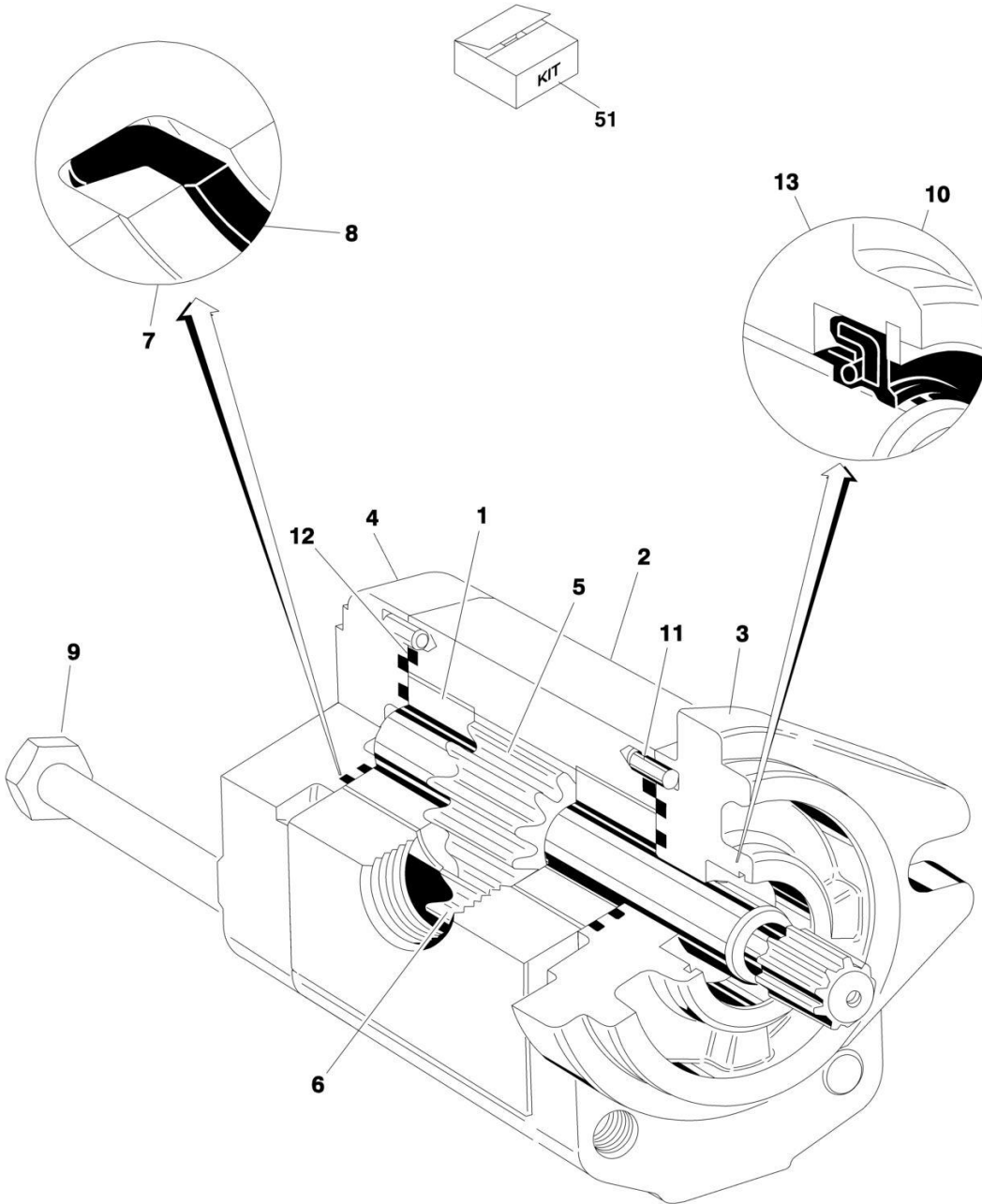
SECTION 3 - ENGINE

FIGURE 3-51. PUMP COUPLING KIT - KUBOTA ENGINE

ITEM	PART NUMBER	QTY	DESCRIPTION	REV
	1001209844	Ref	PUMP COUPLING KIT – KUBOTA ENGINE	B
1	70006010	1	Coupling Assembly, Hayes	
2	70006011	1	Plate, Pump Adapter	
3	70006012	1	Bolt Kit	

SECTION 3 - ENGINE

FIGURE 3-52. GEAR PUMP ASSEMBLY



ART_3600242

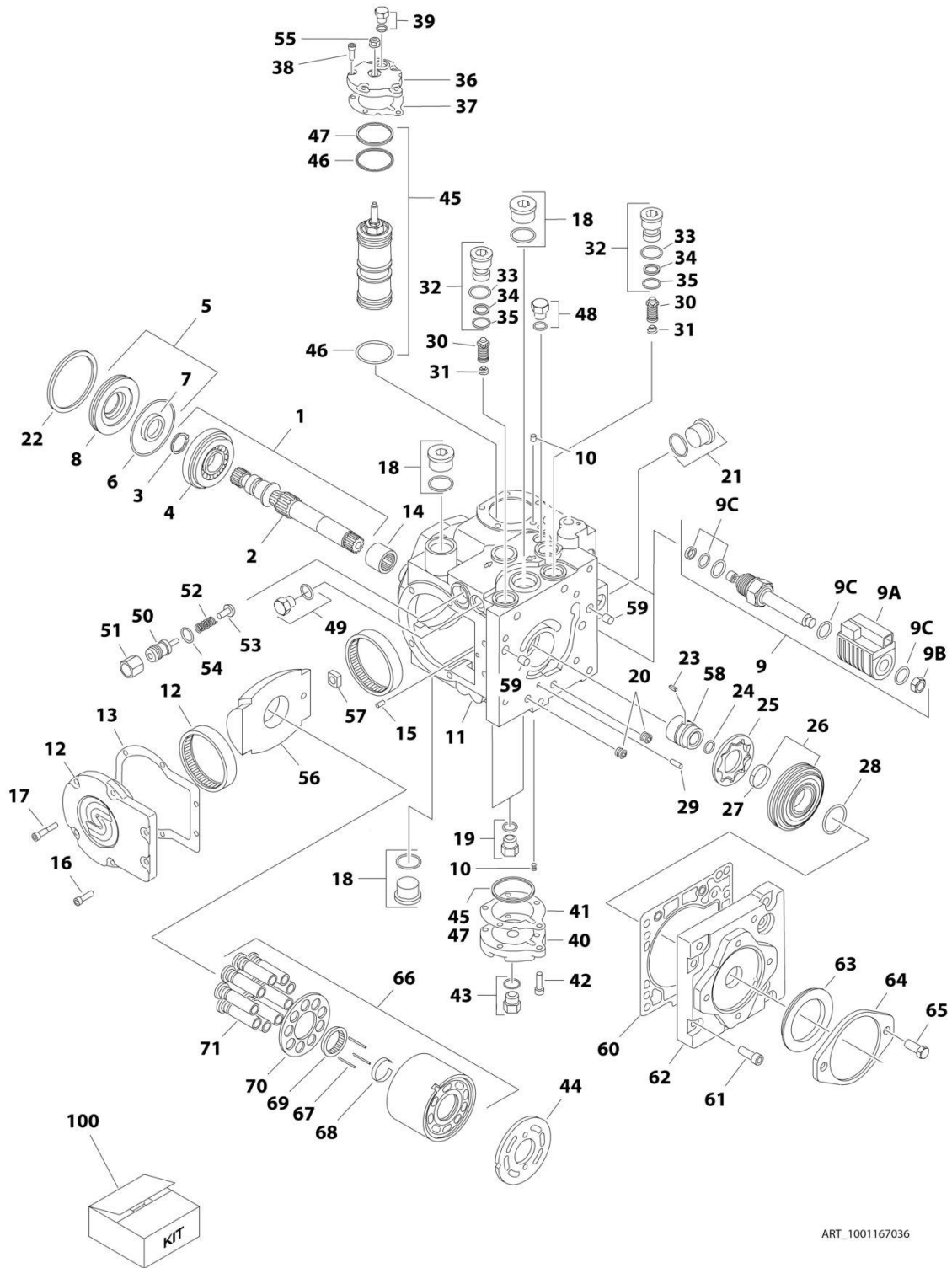
SECTION 3 - ENGINE

FIGURE 3-52. GEAR PUMP ASSEMBLY

ITEM	PART NUMBER	QTY	DESCRIPTION	REV
	3600242	Ref	GEAR PUMP ASSEMBLY	
1	7010105	2	Bearing/Bushing	
2	See Note	NSS	Housing (Note: Not Available - Purchase Complete Assembly)	
3	See Note	NSS	Flange (Note: Not Available - Purchase Complete Assembly)	
4	7010103	1	Cover	
5	7012987	1	Gear, Drive	
6	7012988	1	Gear, Idler	
7	7007489	2	Ring, Anti-Extrusion	
8	7007489	2	Seal	
9	See Note	4	Bolt (Note: Not Available for Purchase)	
10	7010104	1	Ring, Retaining	
11	See Note	4	Pin, Dowel (Note: Not Available for Purchase)	
12	7007489	2	Seal, O-Ring	
13	7007489	1	Seal, Shaft	
51	7007489	1	Seal Kit (Includes Items 7, 8, 12 & 13)	

SECTION 3 - ENGINE

FIGURE 3-53. PISTON PUMP ASSEMBLY



ART_1001167036

SECTION 3 - ENGINE

FIGURE 3-53. PISTON PUMP ASSEMBLY

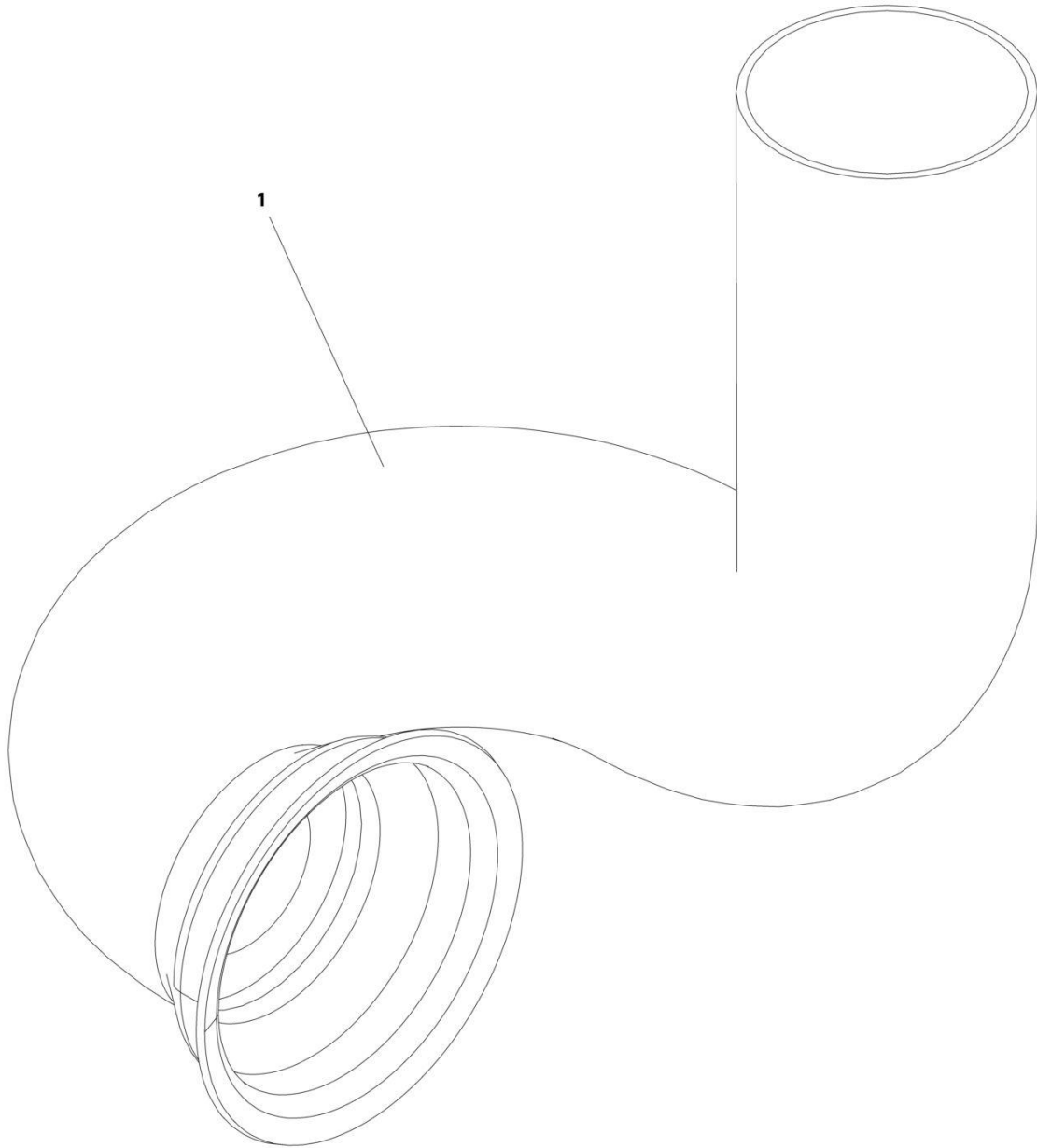
ITEM	PART NUMBER	QTY	DESCRIPTION	REV
	1001167036	Ref	PISTON PUMP ASSEMBLY	C
1	7021240	1	Shaft Assembly (Includes Items 2-4)	
2	7021237	1	Shaft	
3	7021238	1	Ring, Retaining	
4	7021239	1	Bearing, Roller	
5	70004896	1	Shaft Seal Kit (Includes Items 6-8)	
6	7021241	1	O-Ring	
7	7021242	1	Seal, Lip	
8	7021243	1	Carrier, Seal Shaft	
9	7024855	2	Solenoid Assembly	
9A	70004897	2	Coil (1 Per Assembly)	
9B	7024857	2	Nut (1 Per Assembly)	
9C	7024858	2	Seal Kit - 7024855 Cartridge (1 Per Assembly)	
10	70004889	2	Orifice	
11	See Note	1	Housing Assembly (Note: Not Available for Purchase)	
12	7021248	1	Side Cover Assembly (Includes Item 13)	
13	70004891	1	Gasket	
14	7021249	1	Bearing, Needle	
15	See Note	1	Pin (Note: Not Available for Purchase)	
16	70004890	2	Screw	
17	70004892	4	Screw	
18	7007419	2	Plug Assembly (Includes O-Ring)	
19	7007420	2	Plug Assembly (Includes O-Ring)	
20	See Note	2	Plug (Note: Not Available for Purchase)	
21	7007419	1	Plug Assembly (Includes O-Ring)	
22	7021257	1	Ring, Retaining	
23	70004893	1	Key	
24	7022341	1	Ring, Retaining	
25	7021258	1	Gerotor	
26	70004894	1	Gerotor Cover Assembly (Includes Item 27)	
27	7021259	1	Bearing, Journal	
28	7021262	1	O-Ring	
29	See Note	1	Pin (Note: Not Available for Purchase)	
30	7021263	2	Bypass Valve Assembly	
31	7024800	2	Spring	
32	7021265	2	Bypass Valve Assembly (Includes Items 32-34)	
33	7007415	2	O-Ring	
34	7021293	2	Ring, Back-up	
35	7022300	2	O-Ring	
36	70004895	1	Cover, Servo	
37	7021253	1	Gasket	
38	70004892	5	Screw	
39	7007420	1	Plug Assembly (Includes O-Ring)	
40	7021268	1	Cover, Servo	
41	7021253	1	Gasket	
42	70004892	5	Screw	
43	7007420	1	Plug Assembly (Includes O-Ring)	
44	7021281	1	Plate, Valve	
45	70004898	1	Servo Piston Kit (Includes Items 46 & 47)	
46	7007495	2	O-Ring	

SECTION 3 - ENGINE

ITEM	PART NUMBER	QTY	DESCRIPTION	REV
47	7007493	2	O-Ring	
48	7007420	1	Plug Assembly (Includes O-Ring)	
49	70004900	1	Plug Assembly (Includes O-Ring)	
50	7022346	1	Adjuster	
51	7021290	1	Nut	
52	7022347	1	Spring	
53	70004901	1	Poppet	
54	7007415	1	O-Ring	
55	70004902	1	Nut, Seal	
56	70004903	1	Swash Plate	
57	70004904	1	Bearing Assembly	
58	70004905	1	Coupling	
59	7001481	2	Pin	
60	70002257	1	Gasket	
61	70004906	8	Screw	
62	70004907	1	Cover, Charge Pump	
63	70004908	1	Seal	
64	7021299	1	Plate, Cover	
65	7007289	2	Screw	
66	70004909	1	Cylinder Block Assembly (Includes Items 67-71)	
67	70004910	3	Pin, Slipper Hold Down	
68	7021276	1	Retainer, Hold Down Pin	
69	7021277	1	Guide, Slipper Retainer	
70	7021278	1	Retainer, Slipper	
71	70004911	1	Piston Assembly	
100	70004899	1	Seal Kit (Includes Items 5-8, 33-35, 37, 41,46, 47 & 54)	

SECTION 3 - ENGINE

FIGURE 3-54. SPARK ARRESTOR INSTALLATION - DEUTZ D2.9L4 ENGINE



ART_1001174335

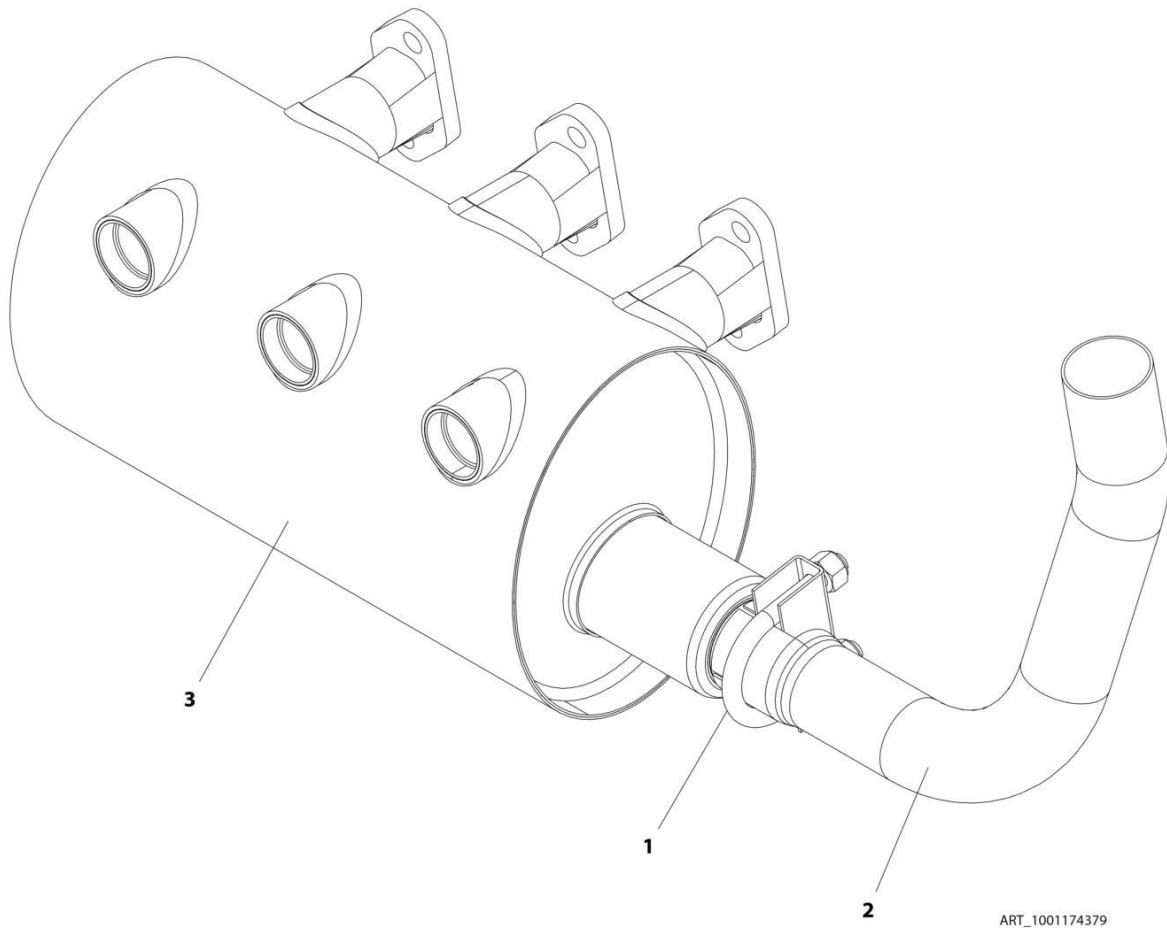
SECTION 3 - ENGINE

FIGURE 3-54. SPARK ARRESTOR INSTALLATION - DEUTZ D2.9L4 ENGINE

ITEM	PART NUMBER	QTY	DESCRIPTION	REV
1	1001174335	Ref	SPARK ARRESTOR INSTALLATION - DEUTZ D2.9L4 ENGINE	A
	1001172737	1	Muffler, Spark Arrestor	

SECTION 3 - ENGINE

FIGURE 3-55. CATALYTIC SPARK ARRESTOR INSTALLATION - DEUTZ D2011 ENGINE



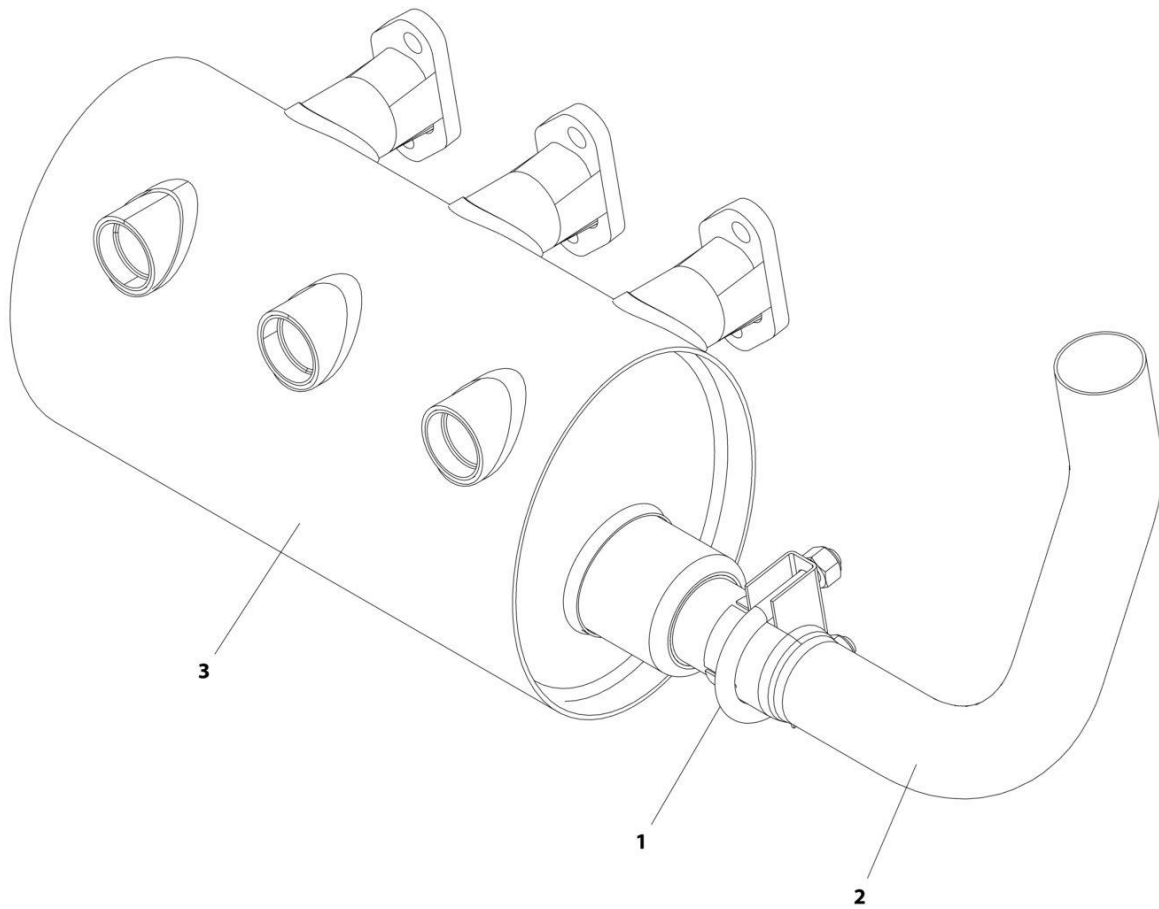
SECTION 3 - ENGINE

FIGURE 3-55. CATALYTIC SPARK ARRESTOR INSTALLATION - DEUTZ D2011 ENGINE

ITEM	PART NUMBER	QTY	DESCRIPTION	REV
	1001174379	Ref	CATALYTIC SPARK ARRESTOR INSTALLATION - DEUTZ D2011 ENGINE	A
1	1320176	1	Clamp	
2	1001169525	1	Pipe, Exhaust	
3	1001170225	1	Muffler, Catalytic Spark Arresting	

SECTION 3 - ENGINE

FIGURE 3-56. SPARK ARRESTOR INSTALLATION - DEUTZ D2011 ENGINE



ART_1001174378

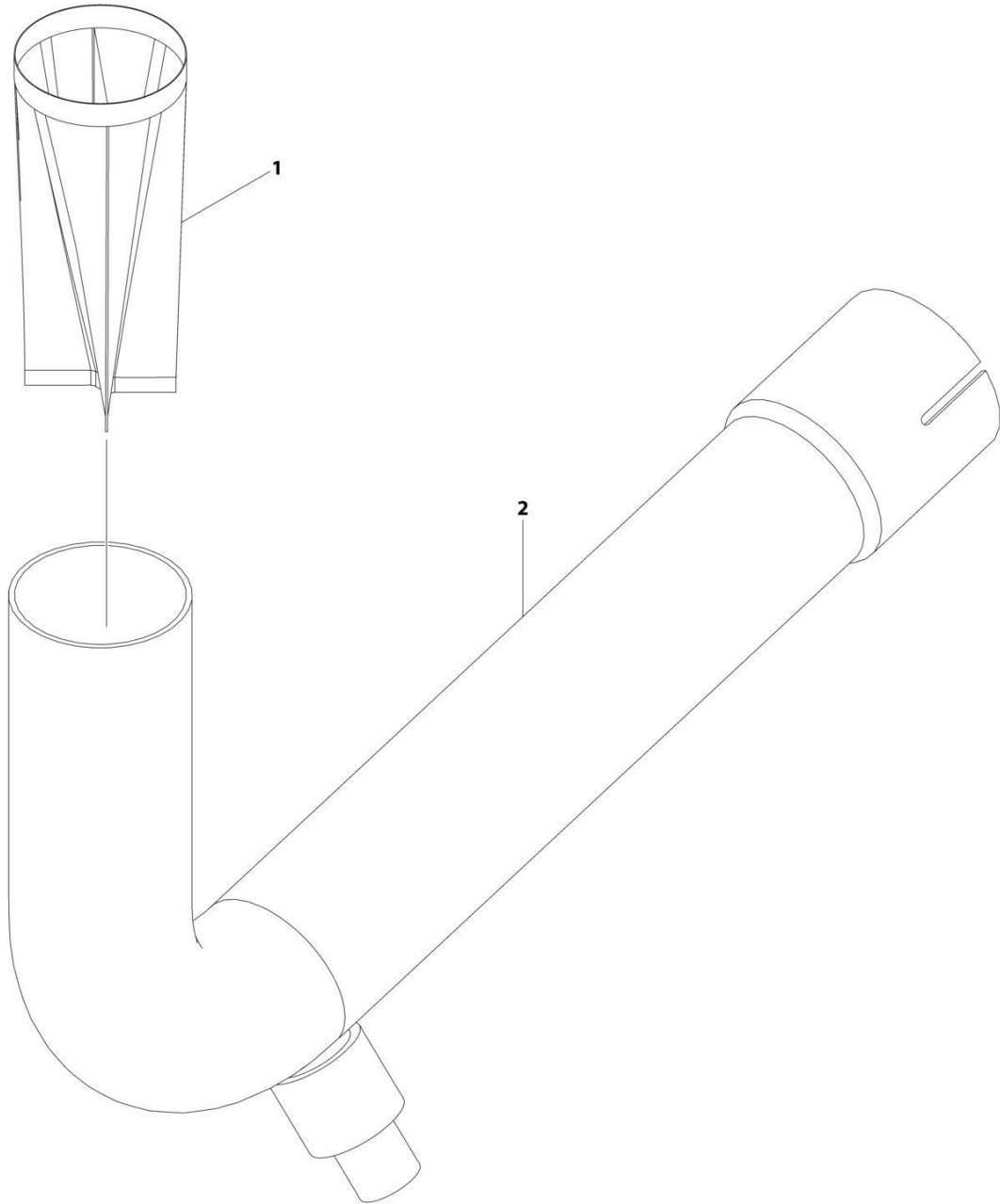
SECTION 3 - ENGINE

FIGURE 3-56. SPARK ARRESTOR INSTALLATION - DEUTZ D2011 ENGINE

ITEM	PART NUMBER	QTY	DESCRIPTION	REV
	1001174378	Ref	SPARK ARRESTOR INSTALLATION - DEUTZ D2011 ENGINE	A
1	1320176	1	Clamp	
2	1001169525	1	Pipe, Exhaust	
3	1001170224	1	Muffler, Spark Arresting	

SECTION 3 - ENGINE

FIGURE 3-57. SPARK ARRESTOR INSTALLATION - KUBOTA ENGINE



ART_1001214836

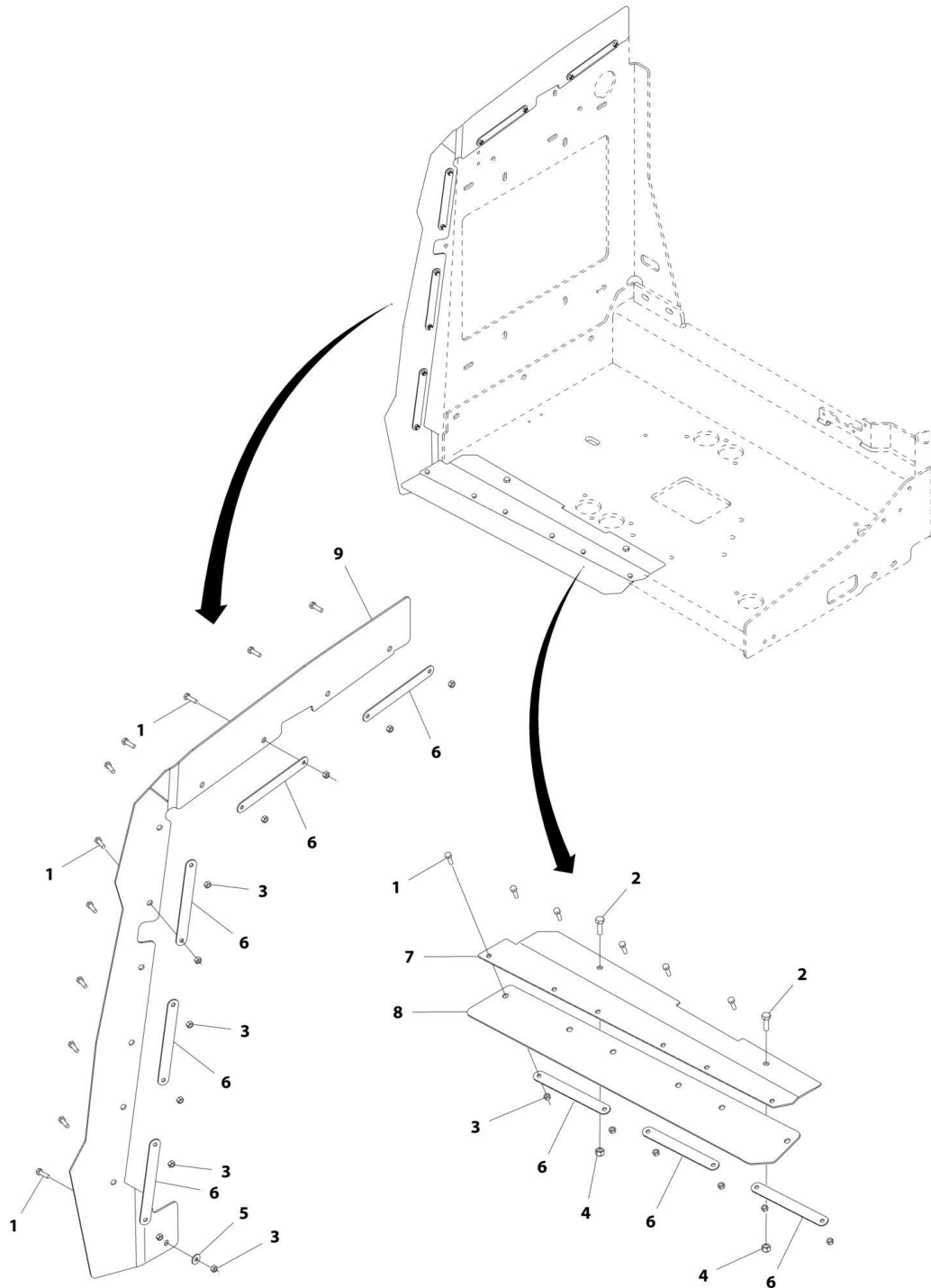
SECTION 3 - ENGINE

FIGURE 3-57. SPARK ARRESTOR INSTALLATION - KUBOTA ENGINE

ITEM	PART NUMBER	QTY	DESCRIPTION	REV
	1001214836	Ref	SPARK ARRESTOR INSTALLATION - KUBOTA ENGINE	D
1	1001214355	1	Muffler, Spark Arrestor	
2	1001216072	1	Pipe	

SECTION 3 - ENGINE

FIGURE 3-58. ENGINE Baffle INSTALLATION - WITH DEUTZ/GM ENGINES



ART_1001172265

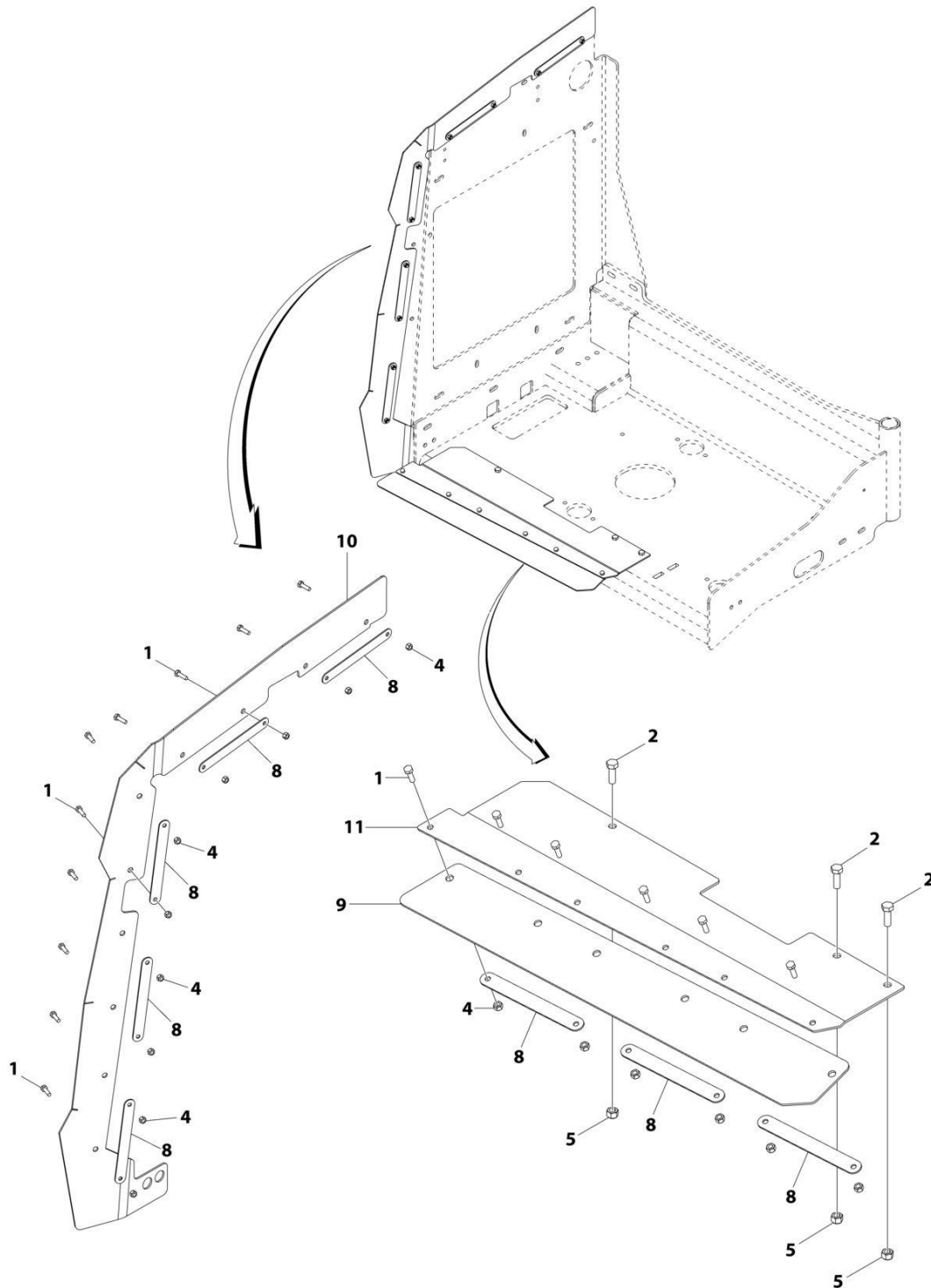
SECTION 3 - ENGINE

FIGURE 3-58. ENGINE BAFFLE INSTALLATION - WITH DEUTZ/GM ENGINES

ITEM	PART NUMBER	QTY	DESCRIPTION	REV
	1001172265	Ref	ENGINE BAFFLE INSTALLATION - WITH DEUTZ/GM ENGINES	B
1	0760610	17	Bolt, M6 x 20mm	
2	0760812	2	Bolt, M8 x 25mm	
3	3290605	17	Nut, Lock M6 x 1	
4	3290805	2	Nut, Lock M8 x 1.25	
5	4811702	1	Washer, M6	
6	1001167164	8	Plate, Support	
7	1001170663	1	Bracket	
8	1001170664	1	Seal	
9	1001172264	1	Seal	

SECTION 3 - ENGINE

FIGURE 3-59. ENGINE Baffle INSTALLATION – WITH KUBOTA ENGINE



ART_1001216415

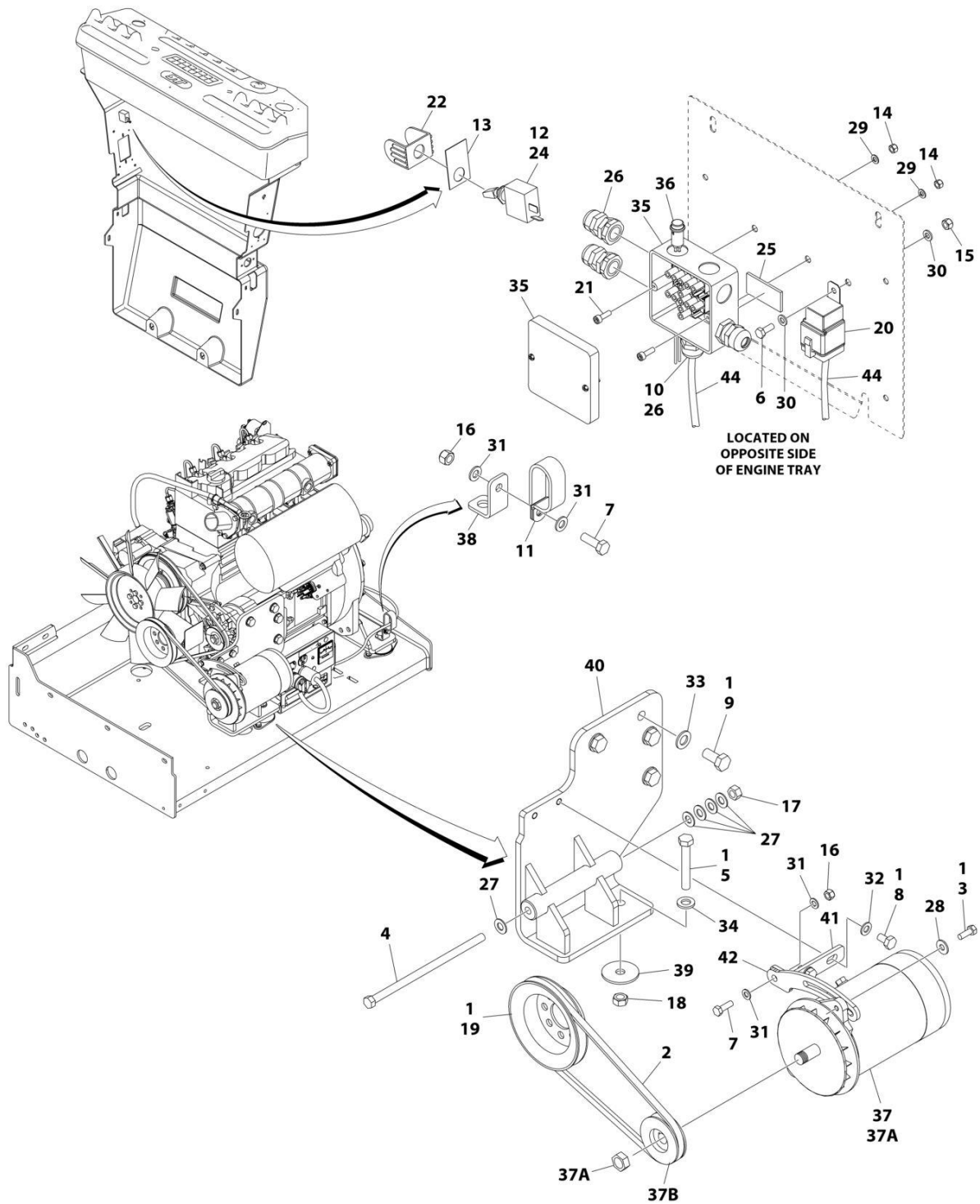
SECTION 3 - ENGINE

FIGURE 3-59. ENGINE BAFFLE INSTALLATION – WITH KUBOTA ENGINE

ITEM	PART NUMBER	QTY	DESCRIPTION	REV
	1001216415	Ref	ENGINE BAFFLE INSTALLATION – WITH KUBOTA ENGINE	C
1	0760610	16	Bolt, M6 x 20mm	
2	0760812	3	Bolt, M8 x 25mm	
4	3290605	16	Nut, Lock M6 x 1	
5	3290805	3	Nut, Lock M8 x 1.25	
8	1001167164	8	Plate, Support	
9	1001170664	1	Seal	
10	1001216416	1	Seal	
11	1001216512	1	Bracket	

SECTION 3 - ENGINE

FIGURE 3-60. GENERATOR INSTALLATION - 2500W/50HZ (DEUTZ D2011 ENGINE)



ART_1001185025

SECTION 3 - ENGINE

FIGURE 3-60. GENERATOR INSTALLATION - 2500W/50HZ (DEUTZ D2011 ENGINE)

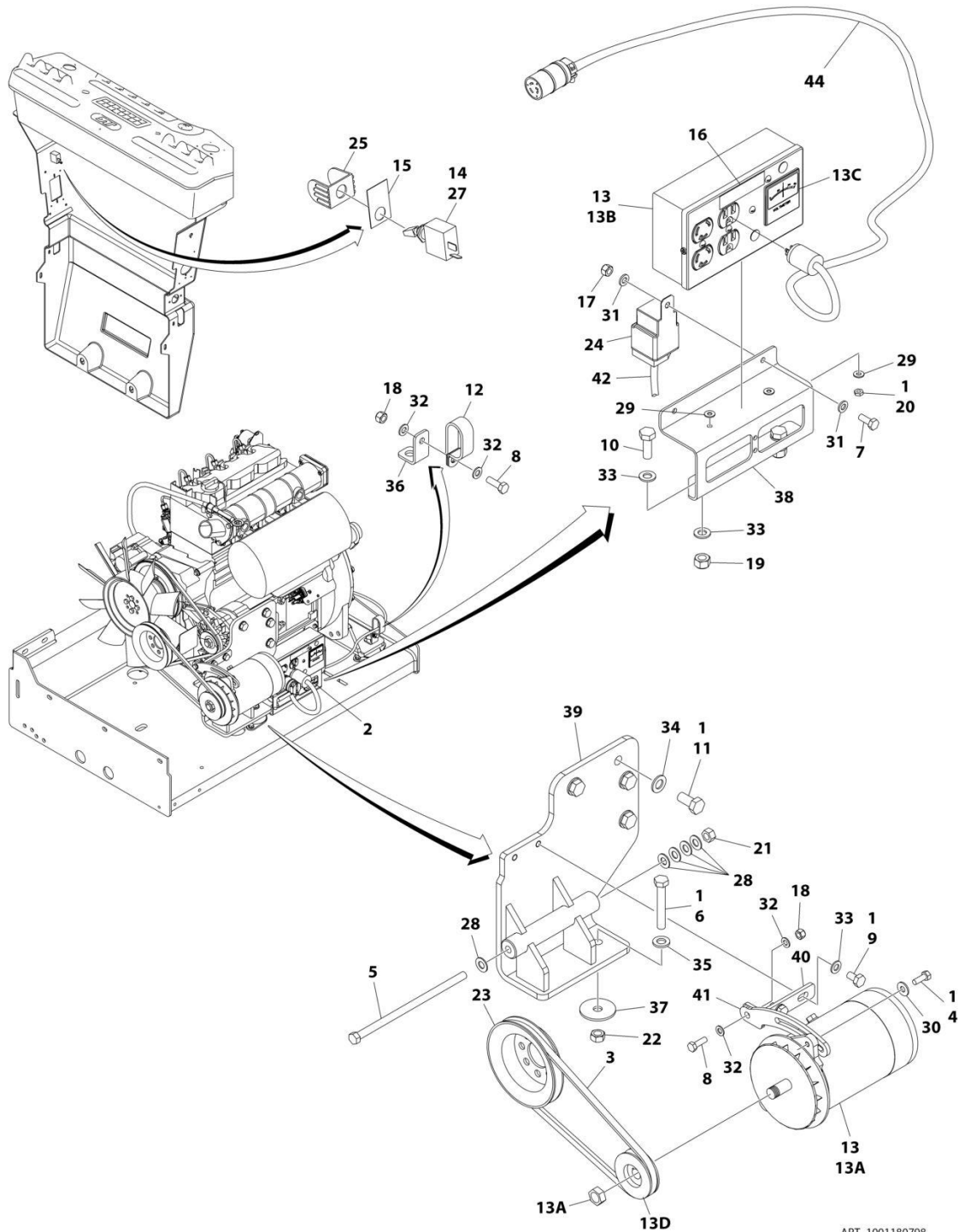
ITEM	PART NUMBER	QTY	DESCRIPTION	REV
	1001185025	Ref	GENERATOR INSTALLATION - 2500W/50Hz (DEUTZ D2011 ENGINE)	C
1	0100011	AR	Compound, Locking	
2	0480120	1	Belt	
3	0641507	1	Bolt 5/16 x 7/8	
4	0641772	1	Bolt 7/16 x 9	
5	0711224	1	Bolt M12 x 80 Grade 10.9	
6	0760608	1	Bolt M6 x 16	
7	0760812	2	Bolt M8 x 25	
8	0761009	2	Bolt M10 x 18	
9	0771414	4	Bolt M14 x 30 Grade 10.9	
10	0962449	1	Bushing	
11	1321716	1	Clamp	
12	2820031	AR	Heat Shrink	
13	See Note	1	Nameplate (Note: Not Available for Purchase)	
14	3290505	2	Nut M5	
15	3290605	1	Nut M6	
16	3290805	2	Nut M8	
17	3311705	1	Nut 7/16	
18	3331211	1	Nut M12	
19	3580158	1	Pulley	
20	3740080	1	Relay	
21	4031607	2	Bolt M5 x 16	
22	4060802	1	Guard, Switch	
23	4240099	AR	Tie-Strap (Not Shown)	
24	4360336	1	Switch, Toggle	
25	4420060	AR	Tape, Double Sided	
26	4460968	3	Connector, Strain Relief	
27	4711700	5	Washer 7/16	
28	4751500	1	Washer 5/16	
29	4811600	2	Washer M5	
30	4811700	2	Washer M6	
31	4811900	4	Washer M8	
32	4812000	2	Washer M10	
33	4812200	4	Washer M14	
34	5241200	1	Washer M12 Hardened	
35	1001099869	1	Box, Junction	
36	1001100233	1	Light Red	
37	1001100321	1	Generator and Control Box Assembly	
	See Note	Ref	Note: Replacement Generators come standard with p/n 3580134 pulley. This pulley may not be correct for all applications. Refer to pulley options below.	
37A	70000123	1	Armature with Slip Rings	
37A	7012513	4	Cap, Brush Holder	
37A	7020108	4	Brush	
37A	7020109	4	Holder, Brush	
37A	7012514	1	Fan	
37A	7020110	1	Bell, Front	
37A	7020111	1	Bell, Rear	
37A	7020190	2	Bearing	

SECTION 3 - ENGINE

ITEM	PART NUMBER	QTY	DESCRIPTION	REV
37B	7027887	1	Key, Woodruff	
38	1001148641	1	Bracket	
39	1001168018	1	Washer, Snubbing	
40	1001184637	1	Mount, Engine	
41	1001184644	1	Support	
42	1001184645	1	Bracket	
43	1001188732	1	Wiring Diagram (Not Shown - See ELECTRICAL SECTION for Breakdown)	
44	1001187352	1	Harness, Generator (See ELECTRICAL SECTION for Breakdown)	

SECTION 3 - ENGINE

FIGURE 3-61. GENERATOR INSTALLATION - 2500W/60HZ (DEUTZ D2011 ENGINE)



SECTION 3 - ENGINE

FIGURE 3-61. GENERATOR INSTALLATION - 2500W/60HZ (DEUTZ D2011 ENGINE)

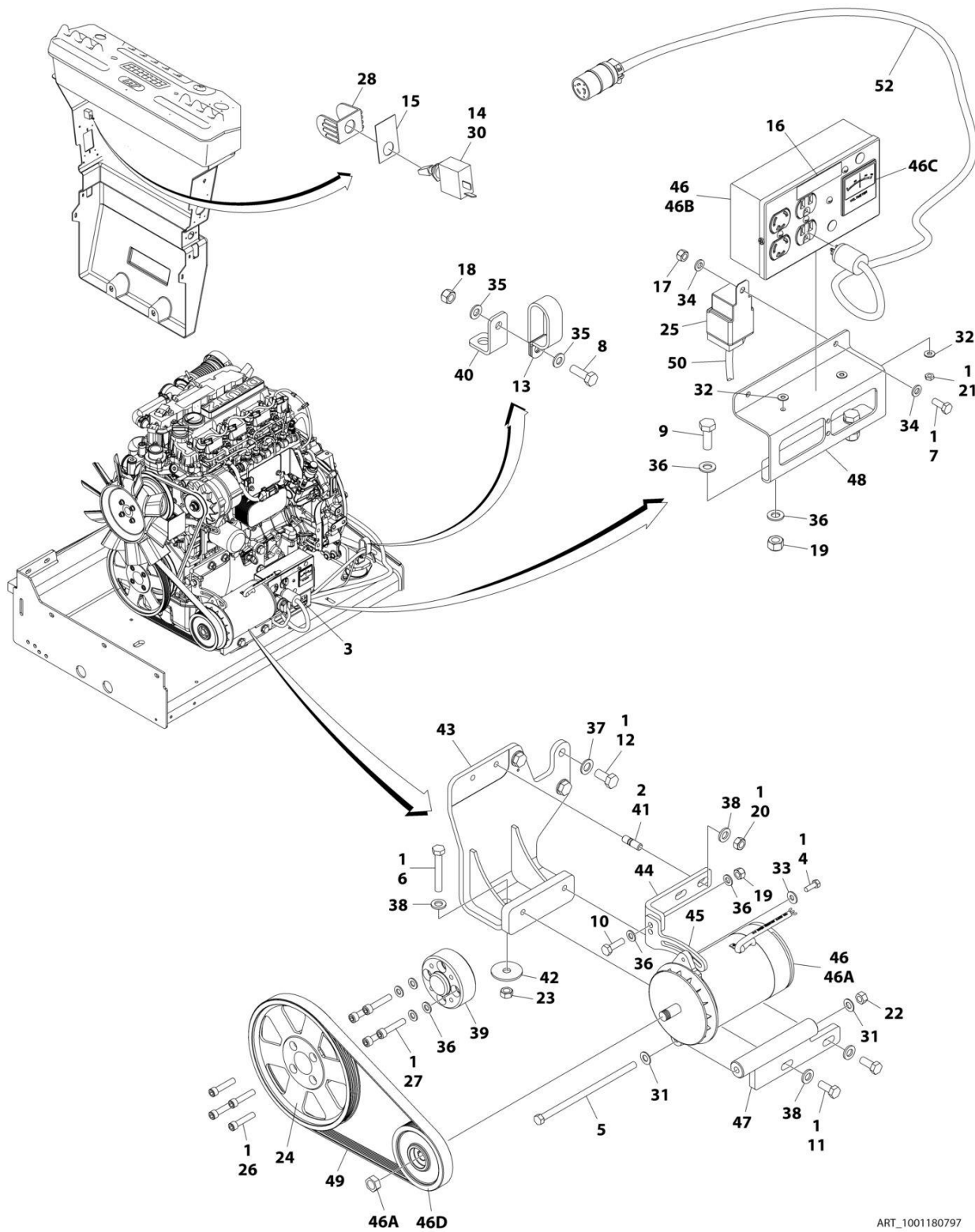
ITEM	PART NUMBER	QTY	DESCRIPTION	REV
	1001180798	Ref	GENERATOR INSTALLATION - 2500W/60Hz (DEUTZ D2011 ENGINE)	C
1	0100011	AR	Compound, Locking	
2	0100048	AR	Grease, Dielectric	
3	0480122	1	Belt	
4	0641507	1	Bolt 5/16 x 7/8	
5	0641772	1	Bolt 7/16 x 9	
6	0711224	1	Bolt M12 x 80 Grade 10.9	
7	0760608	1	Bolt M6 x 16	
8	0760812	2	Bolt M8 x 25	
9	0761009	2	Bolt M10 x 18	
10	0761014	2	Bolt M10 x 30	
11	0771414	4	Bolt M14 x 30 Grade 10.9	
12	1321716	1	Clamp	
13	2460055	1	Generator and Control Box Assembly	
13A	7012558	1	Generator	
	See Note	Ref	Note: Replacement Generators come standard with p/n 3580134 pulley. This pulley may not be correct for all applications. Refer to pulley options below.	
13A	7026199	1	Armature with Slip Rings	
13A	7012513	3	Cap, Brush Holder	
13A	7020108	4	Brush	
13A	7020109	4	Holder, Brush	
13A	7012514	1	Fan	
13A	7020110	1	Bell, Front	
13A	7020111	1	Bell, Rear	
13A	7020190	1	Bearing	
13B	7019680	1	Box, Control	
13B	4460190	1	Receptacle, Standard	
13B	4460027	1	Receptacle, Twistlock	
13B	4360542	1	Breaker, Circuit	
13B	3520028	1	Plug, Hole	
13B	4460961	1	Connector - 4 Position	
13B	4460705	4	Pin, Male	
13B	4460321	1	Connector - 4 Position (Note: Mate to p/n 4460961 Purchase Separately)	
13B	4460268	3	Socket, Female (Note: Mate to p/n 4460705 Purchase Separately)	
13C	2420203	1	Voltmeter	
13D	3580276	1	Pulley	
13D	7027887	1	Key, Woodruff	
14	2820031	AR	Heat Shrink	
15	See Note	1	Nameplate (Note: Not Available for Purchase)	
16	3251243	1	Nameplate 120V-60Hz	
17	3290605	1	Nut M6	
18	3290805	2	Nut M8	
19	3291005	2	Nut M10	
20	3311001	2	Nut #10	
21	3311705	1	Nut 7/16	
22	3331211	1	Nut M12	
23	3580158	1	Pulley	

SECTION 3 - ENGINE

ITEM	PART NUMBER	QTY	DESCRIPTION	REV
24	3740080	1	Relay	
25	4060802	1	Guard, Switch	
26	4240099	AR	Tie-Strap (Not Shown)	
27	4360336	1	Switch, Toggle	
28	4711700	5	Washer 7/16	
29	4751000	4	Washer #10	
30	4751500	1	Washer 5/16	
31	4811700	2	Washer M6	
32	4811900	4	Washer M8	
33	4812000	6	Washer M10	
34	4812200	4	Washer M14	
35	5241200	1	Washer M12 Hardened	
36	1001148641	1	Bracket	
37	1001168018	1	Washer, Snubbing	
38	1001183477	1	Support	
39	1001184637	1	Mount, Engine	
40	1001184644	1	Support	
41	1001184645	1	Bracket	
42	1001187522	1	Harness, Generator (See ELECTRICAL SECTION for Breakdown)	
43	1001188731	1	Wiring Diagram (Not Shown - See ELECTRICAL SECTION for Breakdown)	
44	1001182296	1	Harness, Inverter (SN 0300218673 through 0300272317, SN 1300007279 through 1300007373, SN B300003516 through B300005760, SN E300003358 through E300007990, Except SN 0300272185 through 0300272190, Excluding B300005569 and E300007814)	
44	1060494	10 ft/3.5m	Cable, Electrical - 12/3	
44	4460134	1	Receptacle, Female	
44	4460138	1	Plug, Male	

SECTION 3 - ENGINE

FIGURE 3-62. GENERATOR INSTALLATION - 2500W/60HZ (DEUTZ D2.9L4 ENGINE)



SECTION 3 - ENGINE

FIGURE 3-62. GENERATOR INSTALLATION - 2500W/60HZ (DEUTZ D2.9L4 ENGINE)

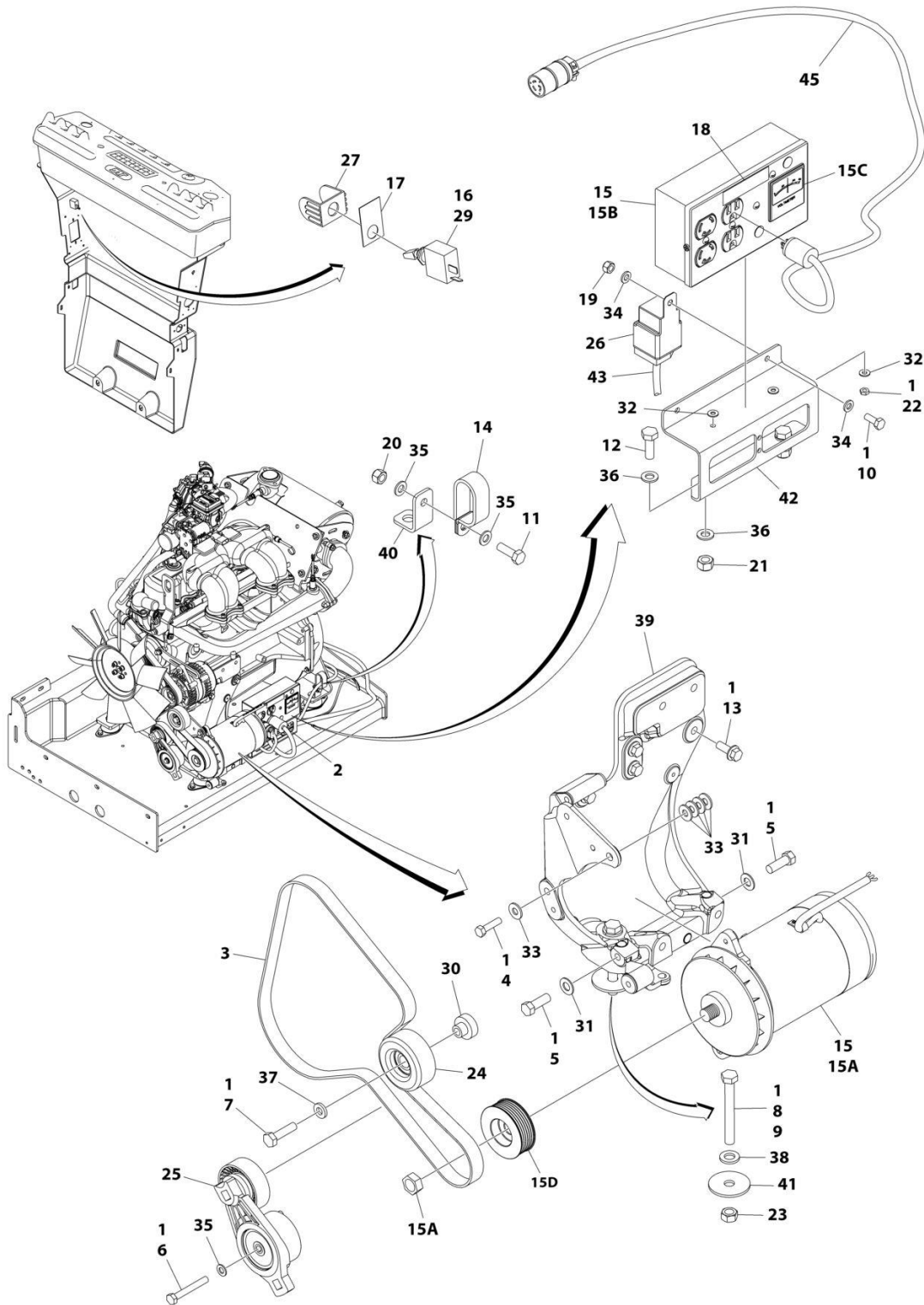
ITEM	PART NUMBER	QTY	DESCRIPTION	REV
	1001180797	Ref	GENERATOR INSTALLATION – 2500W/60Hz (DEUTZ D2.9L4 ENGINE)	E
1	0100011	AR	Compound, Locking	
2	0100019	AR	Compound, Locking	
3	0100048	AR	Grease, Dielectric	
4	0641507	1	Bolt 5/16 x 7/8	
5	0641772	1	Bolt 7/16 x 9	
6	0711224	1	Bolt M12 x 80 Grade 10.9	
7	0760608	1	Bolt M6 x 16	
8	0760812	1	Bolt M8 x 25	
9	0761014	2	Bolt M10 x 30	
10	0761015	1	Bolt M10 x 35	
11	0761214	2	Bolt M12 x 30	
12	0771414	3	Bolt M14 x 30 Grade 10.9	
13	1321716	1	Clamp	
14	2820031	AR	Heat Shrink	
15	See Note	1	Nameplate (Note: Not Available for Purchase)	
16	3251243	1	Nameplate 120V-60Hz	
17	3290605	1	Nut M6	
18	3290805	1	Nut M8	
19	3291005	3	Nut M10	
20	3291201	2	Nut M12	
21	3311001	2	Nut #10	
22	3311705	1	Nut 7/16	
23	3331211	1	Nut M12	
24	3580320	1	Pulley	
25	3740080	1	Relay	
26	3931628	4	Capscrew 3/8 x 1-3/4	
27	4032013	4	Bolt M10 x 45	
27	4032014	4	Bolt M10 x 50	
28	4060802	1	Guard, Switch	
29	4240099	AR	Tie-Strap (Not Shown)	
30	4360336	1	Switch, Toggle	
31	4711700	2	Washer 7/16	
32	4751000	4	Washer #10	
33	4751500	1	Washer 5/16	
34	4811700	2	Washer M6	
35	4811900	2	Washer M8	
36	4812000	AR	Washer M10	
37	4812200	3	Washer M14	
38	5241200	5	Washer M12 Hardened	
39	1001135679	1	Adapter	
40	1001148641	1	Bracket	
41	1001155041	2	Stud	
42	1001168018	1	Washer, Snubbing	
43	1001168207	1	Support	
44	1001179836	1	Mount, Upper Generator	
45	1001179837	1	Arm Adjustment	
46	1001180001	1	Generator	
46A	7026199	1	Armature with Slip Rings	

SECTION 3 - ENGINE

ITEM	PART NUMBER	QTY	DESCRIPTION	REV
46A	7012513	3	Cap, Brush Holder	
46A	7020108	4	Brush	
46A	7020109	4	Holder, Brush	
46A	7012514	1	Fan	
46A	7020110	1	Bell, Front	
46A	7020111	1	Bell, Rear	
46A	7020190	1	Bearing	
46B	7019680	1	Box, Control	
46B	4460190	1	Receptacle, Standard	
46B	4460027	1	Receptacle, Twistlock	
46B	4360542	1	Breaker, Circuit	
46B	3520028	1	Plug, Hole	
46B	4460961	1	Connector - 4 Position	
46B	4460705	4	Pin, Male	
46B	4460321	1	Connector - 4 Position (Note: Mate to p/n 4460961 Purchase Separately)	
46B	4460268	3	Socket, Female (Note: Mate to p/n 4460705 Purchase Separately)	
46C	2420203	1	Voltmeter	
46D	1001179893	1	Pulley	
46D	7027887	1	Key, Woodruff	
47	1001181243	1	Mount, Lower Generator	
48	1001183477	1	Support	
49	1001148138	1	Belt	
50	1001187522	1	Harness, Generator (See ELECTRICAL SECTION for Breakdown)	
51	1001188731	1	Wiring Diagram (Not Shown - See ELECTRICAL SECTION for Breakdown)	
52	1001182296	1	Harness, Inverter (SN 0300218673 through 0300272317, SN B300003516 through B300005760, Except SN 0300272185 through 0300272190, Excluding B300005569)	
52	1060494	10 ft/3.5m	Cable, Electrical - 12/3	
52	4460134	1	Receptacle, Female	
52	4460138	1	Plug, Male	

SECTION 3 - ENGINE

FIGURE 3-63. GENERATOR INSTALLATION - 2500W/60HZ (GM ENGINE)



ART_1001180800

SECTION 3 - ENGINE

FIGURE 3-63. GENERATOR INSTALLATION - 2500W/60HZ (GM ENGINE)

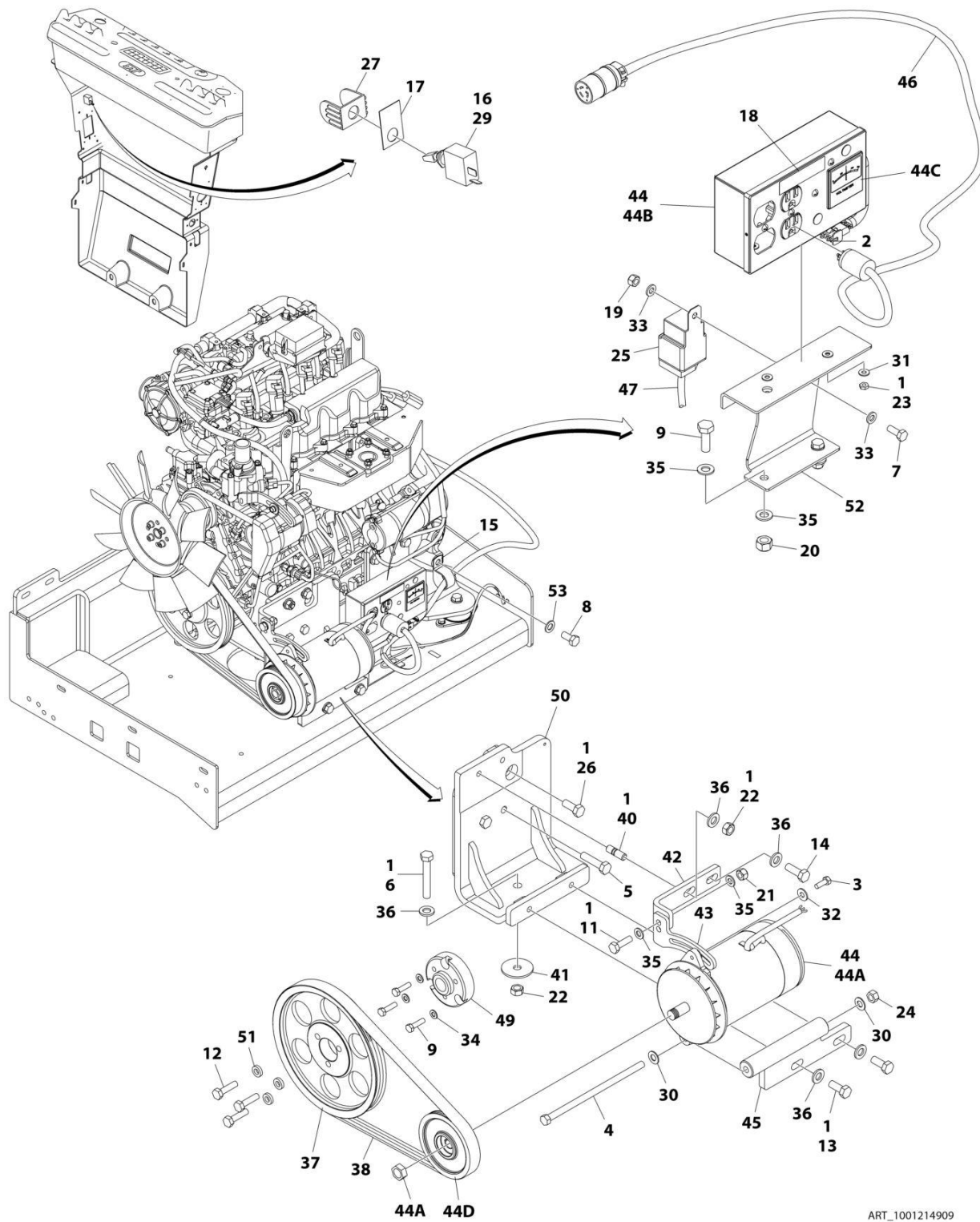
ITEM	PART NUMBER	QTY	DESCRIPTION	REV
	1001180800	Ref	GENERATOR INSTALLATION - 2500W/60Hz (GM ENGINE)	C
1	0100011	AR	Compound, Locking	
2	0100048	AR	Grease, Dielectric	
3	0480142	1	Belt	
4	0641510	1	Bolt 5/16 x 1-1/4	
5	0641710	2	Bolt 7/16 x 1-1/4	
6	0700820	1	Bolt M8 x 60	
7	0701016	1	Bolt M10 x 40	
8	0711221	1	Bolt M12 x 65 Grade 10.9	
9	0711227	1	Bolt M12 x 100	
10	0760608	1	Bolt M6 x 16	
11	0760812	1	Bolt M8 x 25	
12	0761014	2	Bolt M10 x 30	
13	0811608	4	Screw 3/8 x 1	
14	1321716	1	Clamp	
15	2460051	1	Generator and Control Box Assembly	
15A	7012558	1	Generator - 110V/60Hz	
15A	7026199	1	Armature with Slip Rings	
15A	7012513	4	Cap, Brush Holder	
15A	7020108	4	Brush	
15A	7020109	4	Holder, Brush	
15A	7012514	1	Fan	
15A	7020110	1	Bell, Front	
15A	7020111	1	Bell, Rear	
15A	7020190	2	Bearing	
15B	7019680	1	Box, Control - 110V/60Hz	
15B	4460190	1	Receptacle, Standard (110V Only)	
15B	4460027	1	Receptacle, Twistlock (110V Only)	
15B	4360542	1	Breaker, Circuit	
15B	3520028	1	Plug, Hole	
15B	4460961	1	Connector - 4 Position	
15B	4460705	4	Pin, Male	
15B	4460321	1	Connector - 4 Position (Note: Mate to p/n 4460961 Purchase Separately)	
15B	4460268	3	Socket, Female (Note: Mate to p/n 4460705 Purchase Separately)	
15C	2420203	1	Voltmeter	
15D	3580324	1	Pulley	
15D	7027887	1	Key, Woodruff	
16	2820031	AR	Heat Shrink	
17	See Note	1	Nameplate (Note: Not Available for Purchase)	
18	3251243	1	Nameplate 120V-60Hz	
19	3290605	1	Nut M6	
20	3290805	1	Nut M8	
21	3291005	2	Nut M10	
22	3311001	2	Nut #10	
23	3331211	1	Nut M12	
24	3580312	1	Pulley	
25	3580348	1	Pulley	
26	3740080	1	Relay	
27	4060802	1	Guard, Switch	

SECTION 3 - ENGINE

ITEM	PART NUMBER	QTY	DESCRIPTION	REV
28	4240099	AR	Tie-Strap (Not Shown)	
29	4360336	1	Switch, Toggle	
30	4568735	1	Spacer	
31	4711700	2	Washer 7/16	
32	4751000	4	Washer #10	
33	4751500	5	Washer 5/16	
34	4811700	2	Washer M6	
35	4811900	3	Washer M8	
36	4812000	4	Washer M10	
37	4891600	1	Washer 3/8	
38	5241200	1	Washer M12 Hardened	
39	1001141181	1	Support	
40	1001148641	1	Bracket	
41	1001168018	1	Washer, Snubbing	
42	1001183477	1	Support	
43	1001187522	1	Harness, Generator (See ELECTRICAL SECTION for Breakdown)	
44	1001188731	1	Wiring Diagram (Not Shown - See ELECTRICAL SECTION for Breakdown)	
45	1001182296	1	Harness, Inverter (SN 0300218673 through 0300272317, Except SN 0300272185 through 0300272190)	
45	1060494	10 ft/3.5m	Cable, Electrical - 12/3	
45	4460134	1	Receptacle, Female	
45	4460138	1	Plug, Male	

SECTION 3 - ENGINE

FIGURE 3-64. GENERATOR INSTALLATION - 2500W/60HZ (KUBOTA ENGINE)



ART_1001214909

SECTION 3 - ENGINE

FIGURE 3-64. GENERATOR INSTALLATION - 2500W/60HZ (KUBOTA ENGINE)

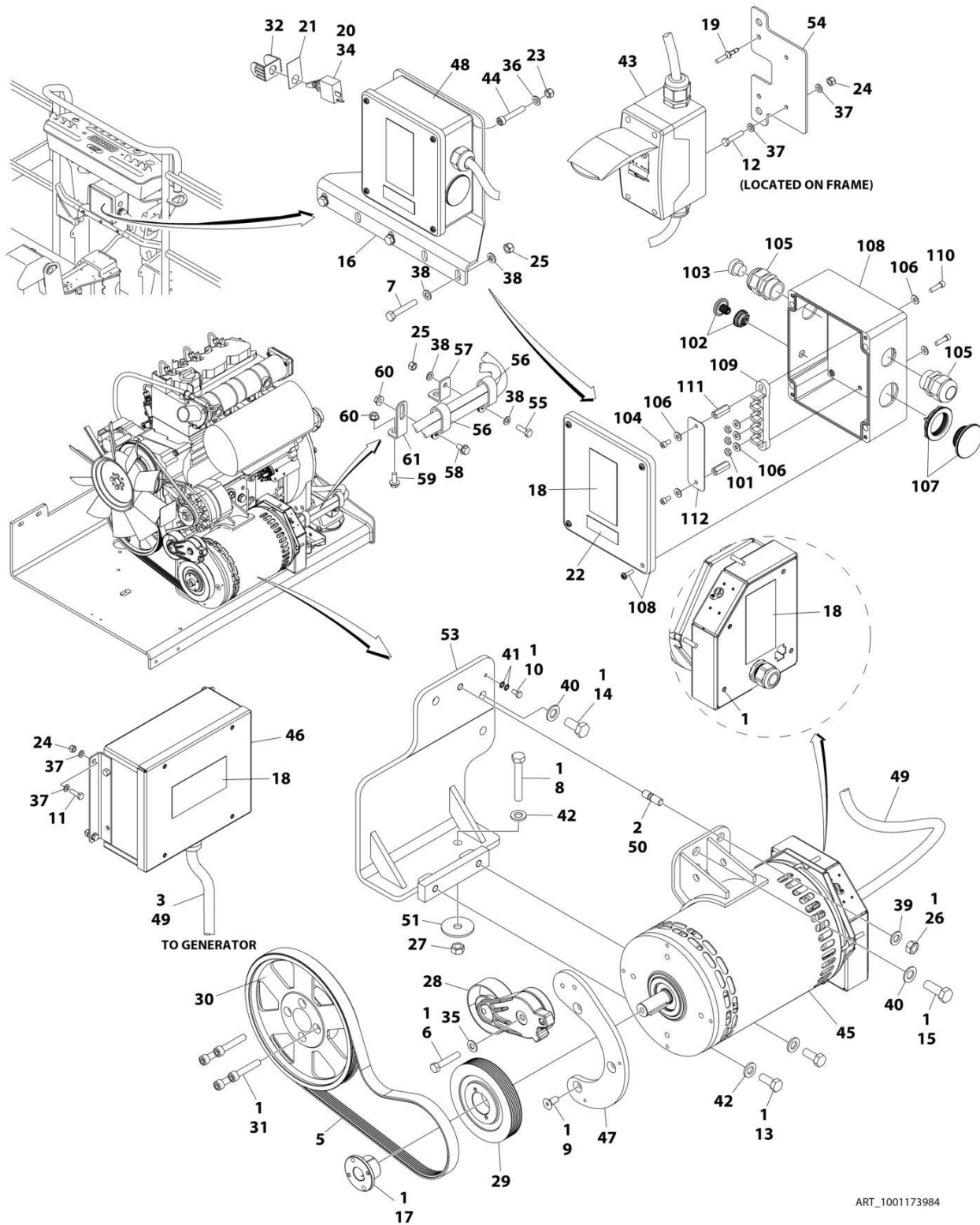
ITEM	PART NUMBER	QTY	DESCRIPTION	REV
	1001214909	Ref	GENERATOR INSTALLATION - 2500W/60Hz (KUBOTA ENGINE)	E
1	0100011	AR	Compound, Locking	
2	0100048	AR	Grease, Dielectric	
3	0641507	1	Bolt 5/16 x 7/8	
4	0641772	1	Bolt 7/16 x 9	
5	1001217344	2	Bolt M12 x 50	
6	0711224	1	Bolt M12 x 80 Grade 10.9	
6	0701224	1	Bolt M12 x 80	
7	0760608	1	Bolt M6 x 16	
8	1001217345	1	Bolt M14 x 30	
9	0760814	5	Bolt M8 x 30	
11	0761015	1	Bolt M10 x 35	
12	0761016	3	Bolt M10 x 40	
13	0761214	2	Bolt M12 x 30	
14	0761215	1	Bolt M12 x 35	
15	84521061	1	Clamp	
16	2820031	AR	Heat Shrink	
17	See Note	1	Nameplate (Note: Not Available for Purchase)	
18	3251243	1	Nameplate 120V-60Hz	
19	3290605	1	Nut M6	
20	3290805	2	Nut M8	
21	3291005	1	Nut M10	
22	3291201	2	Nut M12	
23	3311001	2	Nut #10	
24	3311705	1	Nut 7/16	
25	3740080	1	Relay	
26	1001217342	1	Bolt M12 x 30	
27	4060802	1	Guard, Switch	
28	4240099	AR	Tie-Strap (Not Shown)	
29	4360336	1	Switch, Toggle	
30	4711700	2	Washer 7/16	
31	4751000	4	Washer #10	
32	4751500	1	Washer 5/16	
33	4811700	2	Washer M6	
34	4811900	5	Washer M8	
35	4812000	4	Washer M10	
36	5241200	5	Washer M12 Hardened	
37	1001147233	1	Pulley	
38	1001148138	1	Belt	
40	1001155041	1	Stud	
41	1001168018	1	Washer, Snubbing	
42	1001179836	1	Mount, Upper Generator	
43	1001179837	1	Arm Adjustment	
44	1001180001	1	Generator	
44A	7026199	1	Armature with Slip Rings	
44A	7012513	3	Cap, Brush Holder	
44A	7020108	4	Brush	
44A	7020109	4	Holder, Brush	
44A	7012514	1	Fan	
44A	7020110	1	Bell, Front	

SECTION 3 - ENGINE

ITEM	PART NUMBER	QTY	DESCRIPTION	REV
44A	7020111	1	Bell, Rear	
44A	7020190	1	Bearing	
44B	7019680	1	Box, Control	
44B	4460190	1	Receptacle, Standard	
44B	4460027	1	Receptacle, Twistlock	
44B	4360542	1	Breaker, Circuit	
44B	3520028	1	Plug, Hole	
44B	4460961	1	Connector - 4 Position	
44B	4460705	4	Pin, Male	
44B	4460321	1	Connector - 4 Position (Note: Mate to p/n 4460961 Purchase Separately)	
44B	4460268	3	Socket, Female (Note: Mate to p/n 4460705 Purchase Separately)	
44C	2420203	1	Voltmeter	
44D	1001179893	1	Pulley	
44D	7027887	1	Key, Woodruff	
45	1001181243	1	Mount, Lower Generator	
46	1001182296	1	Harness, Inverter	
46	1060494	10 ft /3.5m	Cable, Electrical - 12/3	
46	4460134	1	Receptacle, Female	
46	4460138	1	Plug, Male	
47	1001187522	1	Harness, Generator (See ELECTRICAL SECTION for Breakdown)	
48	1001188731	1	Wiring Diagram (Not Shown - See ELECTRICAL SECTION for Breakdown)	
49	1001213029	1	Adapter, Pulley	
50	1001214546	1	Support	
51	1001216805	1	Spacer	
52	1001216840	1	Support	
53	4812200	1	Washer M14	

SECTION 3 - ENGINE

FIGURE 3-65. GENERATOR INSTALLATION - 4000W/50HZ (DEUTZ D2011 ENGINE)



SECTION 3 - ENGINE

FIGURE 3-65. GENERATOR INSTALLATION - 4000W/50HZ (DEUTZ D2011 ENGINE)

ITEM	PART NUMBER	QTY	DESCRIPTION	REV
	1001173984	Ref	GENERATOR INSTALLATION - 4000W/50Hz (DEUTZ D2011 ENGINE)	H
1	0100011	AR	Compound, Locking	
2	0100019	AR	Compound, Locking	
3	0100048	AR	Grease, Dielectric	
4	0100079	AR	Sealant (Not Shown)	
5	0480126	1	Belt	
6	0641616	1	Bolt 3/8 x 2	
7	0700818	AR	Bolt M8 x 50	
8	0711224	1	Bolt M12 x 80 Grade 10.9	
9	0741607	3	Screw 3/8 x 7/8	
10	0760606	1	Bolt M6 x 12	
11	0760610	4	Bolt M6 x 20	
12	0760614	2	Bolt M6 x 30	
13	0761214	2	Bolt M12 x 30	
14	0771414	2	Bolt M14 x 30 Grade 10.9	
15	0771416	1	Bolt M14 x 40	
16	0902888	1	Bracket (SN 0300201991 through 0300208597, SN E300002833 through E300002838)	
17	0962520	1	Bushing	
18	1705489	AR	Decal - Hazardous Voltage	
19	2080040	2	Fastener, Huck	
20	2820031	AR	Heat Shrink	
21	See Note	1	Nameplate (Note: Not Available for Purchase)	
22	3251242	1	Decal - 240V / 50Hz (SN 0300201991 through 0300208597, SN E300002833 through E300002838)	
23	3290505	AR	Nut M5	
24	3290605	6	Nut M6	
25	3290805	AR	Nut M8	
26	3291201	1	Nut M12	
27	3331211	1	Nut M12	
28	3580317	1	Pulley	
29	3580319	1	Pulley	
30	3580320	1	Pulley	
31	4032015	4	Bolt M10 x 55	
32	4060802	1	Guard, Switch	
33	4240099	AR	Tie-Strap (Not Shown)	
34	4360336	1	Switch, Toggle	
35	4711600	1	Washer 3/8	
36	4811600	AR	Washer M5	
37	4811700	12	Washer M6	
38	4811900	AR	Washer M8	
39	4812100	1	Washer M12	
40	4812200	3	Washer M14	
41	4871700	2	Washer M6	
42	5241200	3	Washer M12 Hardened	
43	1001096070	1	Breaker Box Kit (50Hz) (See ELECTRICAL SECTION for Breakdown)	
44	1001104029	AR	Screw M5 x 30	
45	1001138565	1	Generator Assembly	

SECTION 3 - ENGINE

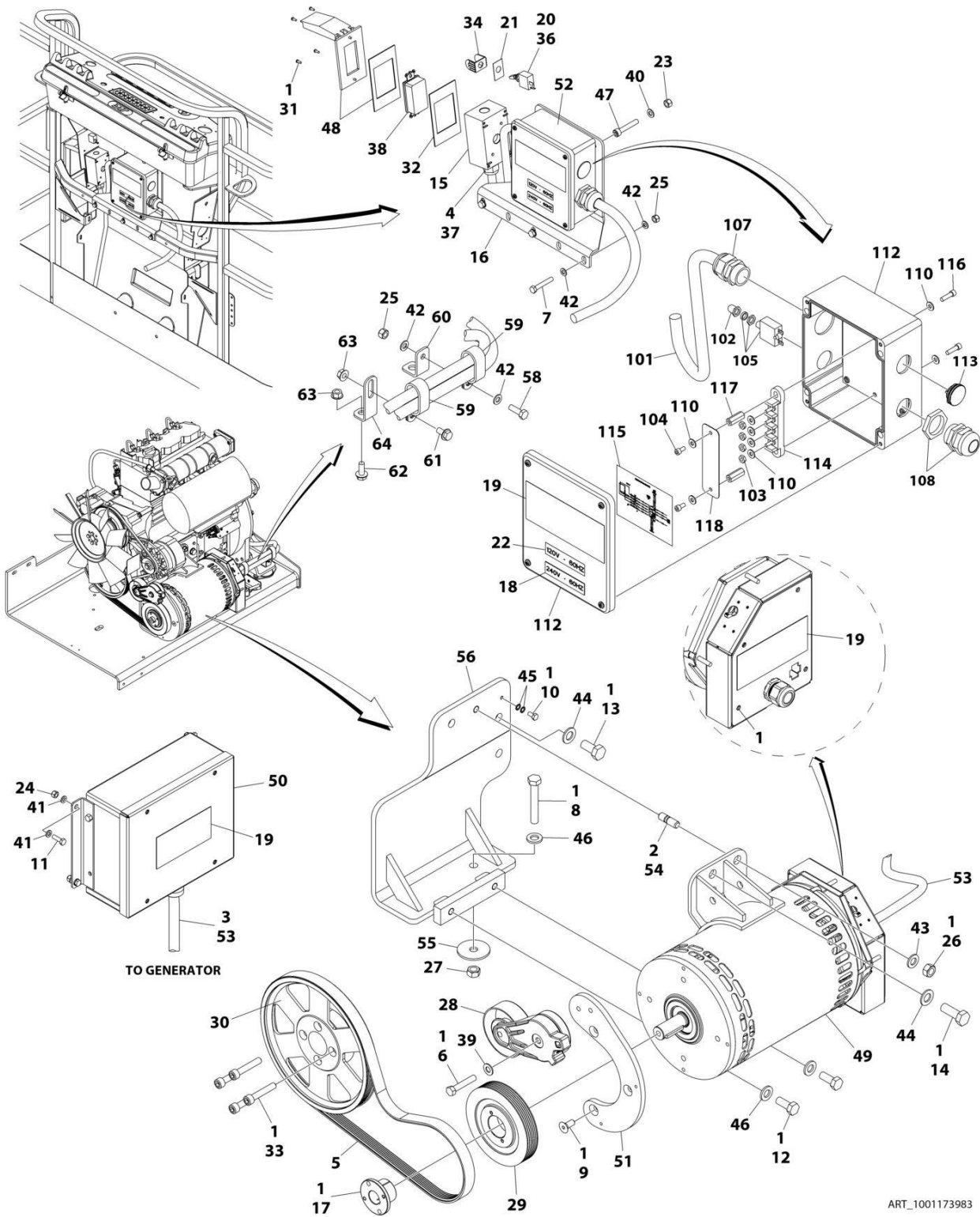
ITEM	PART NUMBER	QTY	DESCRIPTION	REV
45	70003709	1	Ring, Retaining (External)	
45	70003708	1	Ring, Retaining (Internal)	
45	70001966	1	Bearing	
45	70004092	1	Endbell (Shaft End)	
45	70004171	1	Key	
45	70004676	1	Rotor	
45	70004677	1	Stator	
45	70004678	1	Endbell (Rear)	
45	70004679	1	Cover, Endbell (Rear)	
45	70004680	1	Enclosure, Wiring	
45	70004681	1	Cover, Enclosure	
45	70004682	1	Switch, Reset (Located on Enclosure Cover)	
45	70004683	1	Connector, Strain Relief (Located on Enclosure Cover)	
46	1001138566	1	Box, Control	
46	70006552	1	Capacitor	
46	70006553	1	Relay	
47	1001139357	1	Mount, Tensioner	
48	1001152458	Ref	Generator Junction Box Components (See Items 101-112 for Breakdown) (SN 0300201991 through 0300208597, SN E300002833 through E300002838)	
49	1001152532	1	Harness, Generator (See ELECTRICAL SECTION for Breakdown)	
50	1001155041	1	Stud (SN 0300201991 through 0300218672, SN E300002833 through E300003357)	
50	1001196382	1	Stud (SN 0300218673 through 0300272317, SN 1300007279 through 1300007373, SN B300003516 through B300005760, SN E300003358 through E300007990, Except SN 0300272185 through 0300272190, Excluding B300005569 and E300007814)	
51	1001168018	1	Washer, Snubbing	
53	1001173925	1	Mount	
54	1001174158	1	Mount	
55	0760812	1	Bolt M8 x 25	
56	1321716	AR	Clamp	
57	1001148641	1	Bracket	
58	5250808	AR	Bolt M8 x 16	
59	5250810	AR	Bolt M8 x 20	
60	5260800	AR	Nut M8	
61	1001223122	1	Support (SN 0300226829 through 0300272317, SN 1300007279 through 1300007373, SN B300003516 through B300005760, SN E300004184 through E300007990, Except SN 0300272185 through 0300272190, Excluding B300005569 and E300007814)	
	1001152458	Ref	GENERATOR JUNCTION BOX COMPONENTS (SN 0300201991 through 0300208597, SN E300002833 through E300002838)	
101	3311001	3	Nut #10	
102	1001155813	1	Plug	
103	3520192	1	Plug	
104	3900300	2	Capscrew #10 x 3/8	
105	4460425	2	Connector, Strain Relief	
106	4711000	7	Washer #10	
107	1001148648	1	Plug	
108	1001152456	1	Box, Junction	
109	1001152530	1	Terminal, Block	
110	3900267	2	Screw	
111	1001158008	2	Stand-Off	

SECTION 3 - ENGINE

ITEM	PART NUMBER	QTY	DESCRIPTION	REV
112	1001158363	1	Cover, Terminal Block	

SECTION 3 - ENGINE

FIGURE 3-66. GENERATOR INSTALLATION - 4000W/60HZ (DEUTZ D2011 ENGINE)



ART_1001173983

SECTION 3 - ENGINE

FIGURE 3-66. GENERATOR INSTALLATION - 4000W/60HZ (DEUTZ D2011 ENGINE)

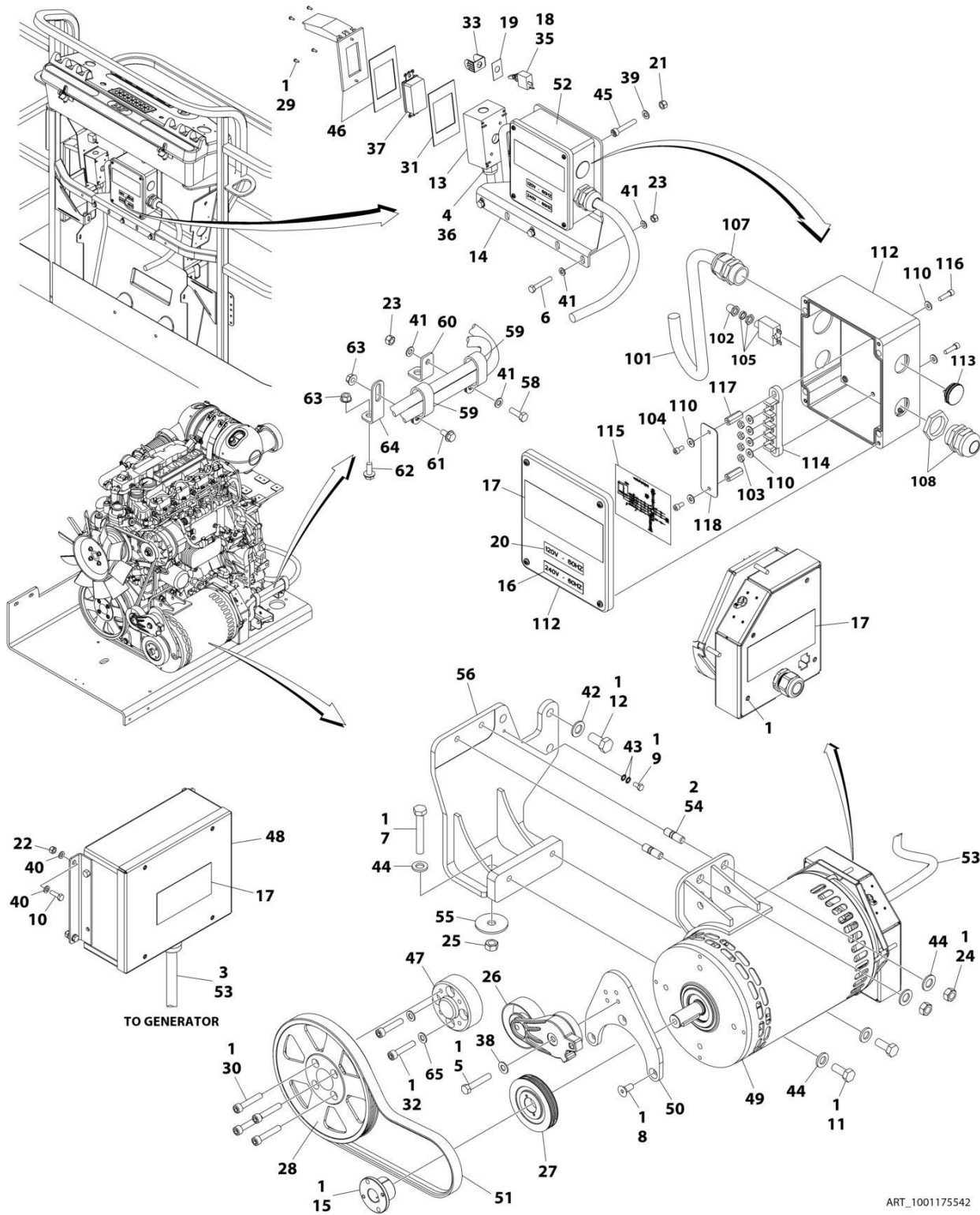
ITEM	PART NUMBER	QTY	DESCRIPTION	REV
	1001173983	Ref	GENERATOR INSTALLATION - 4000W/60Hz (DEUTZ D2011 ENGINE)	E
1	0100011	AR	Compound, Locking	
2	0100019	AR	Compound, Locking	
3	0100048	AR	Grease, Dielectric	
4	0100079	AR	Sealant	
5	0480128	1	Belt	
6	0641616	1	Bolt 3/8 x 2	
7	0700818	3	Bolt M8 x 50	
8	0711224	1	Bolt M12 x 80 Grade 10.9	
9	0741607	3	Screw 3/8 x 7/8	
10	0760606	1	Bolt M6 x 12	
11	0760610	4	Bolt M6 x 20	
12	0761214	2	Bolt M12 x 30	
13	0771414	2	Bolt M14 x 30 Grade 10.9	
14	0771416	1	Bolt M14 x 40	
15	0860038	1	Box, Switch	
16	0902888	1	Bracket	
17	0962520	1	Bushing	
18	1705374	1	Decal - 240V-60Hz	
19	1705387	3	Decal - Hazardous Voltage	
20	2820031	AR	Heat Shrink	
21	See Note	1	Nameplate (Note: Not Available for Purchase)	
22	3251243	1	Nameplate 120V-60Hz	
23	3290505	4	Nut M5	
24	3290605	4	Nut M6	
25	3290805	4	Nut M8	
26	3291201	2	Nut M12	
27	3331211	1	Nut M12	
28	3580317	1	Pulley	
29	3580318	1	Pulley	
30	3580320	1	Pulley	
31	3910606	4	Screw #6 x 3/8	
32	3960422	1	Gasket	
33	4032015	4	Bolt M10 x 55	
34	4060802	1	Guard, Switch	
35	4240099	AR	Tie-Strap (Not Shown)	
36	4360336	1	Switch, Toggle	
37	4460071	1	Connector, Strain Relief	
38	4460346	1	Receptacle	
39	4711600	1	Washer 3/8	
40	4811600	4	Washer M5	
41	4811700	8	Washer M6	
42	4811900	8	Washer M8	
43	4812100	1	Washer M12	
44	4812200	3	Washer M14	
45	4871700	2	Washer M6	
46	5241200	3	Washer M12 Hardened	
47	1001104029	4	Screw M5 x 30	
48	1001110873	1	Shield, Cover	

SECTION 3 - ENGINE

ITEM	PART NUMBER	QTY	DESCRIPTION	REV
49	1001129858	1	Generator	
49	70003709	1	Ring, Retaining (External)	
49	70003708	1	Ring, Retaining (Internal)	
49	70001966	1	Bearing	
49	70004092	1	Endbell (Shaft End)	
49	70004171	1	Key	
49	70004676	1	Rotor	
49	70004684	1	Stator	
49	70004678	1	Endbell (Rear)	
49	70004679	1	Cover, Endbell (Rear)	
49	70004680	1	Enclosure, Wiring	
49	70004685	1	Cover, Enclosure	
49	70004682	1	Switch, Reset (Located on Enclosure Cover)	
49	70004098	1	Connector, Strain Relief (Located on Enclosure Cover)	
50	1001138566	1	Box, Control	
50	70006552	1	Capacitor	
50	70006553	1	Relay	
51	1001139357	1	Mount, Tensioner	
52	1001152457	1	Generator Junction Box Assembly (See Items 101-118 for Breakdown)	
53	1001152532	1	Harness, Generator (See ELECTRICAL SECTION for Breakdown)	
54	1001196382	1	Stud	
55	1001168018	1	Washer, Snubbing	
56	1001173925	1	Mount	
57	1001175631	1	Wiring Diagram (Not Shown - See ELECTRICAL SECTION for Breakdown)	
58	0760812	1	Bolt M8 x 25	
59	1321716	AR	Clamp	
60	1001148641	1	Bracket	
61	5250808	AR	Bolt M8 x 16	
62	5250810	AR	Bolt M8 x 20	
63	5260800	AR	Nut M8	
64	1001223122	1	Support (SN 0300226829 through 0300272317, SN B300003516 through B300005760, Except SN 0300272185 through 0300272190, Excluding B300005569)	
	1001152457	Ref	GENERATOR JUNCTION BOX COMPONENTS	
101	1001179154	2.5 ft /0.76m	Cable, Electrical - 12/3	
102	3300396	1	Cover, Breaker	
103	3311001	4	Nut #10	
104	3900300	2	Screw	
105	4360070	1	Breaker, Circuit - 15Amp	
107	4460425	1	Connector, Strain Relief (LH Side)	
108	4460426	1	Connector, Strain Relief (RH Side)	
110	4711000	8	Washer #10	
112	1001152456	1	Box, Junction	
113	1001152525	1	Plug	
114	1001152530	1	Terminal, Block	
115	1001153260	1	Decal - Wiring Diagram	
116	3900267	2	Screw	
117	1001158008	2	Stand-Off	
118	1001158363	1	Cover, Terminal Block	

SECTION 3 - ENGINE

FIGURE 3-67. GENERATOR INSTALLATION - 4000W/60HZ (DEUTZ D2.9L4 ENGINE)



ART_1001175542

SECTION 3 - ENGINE

FIGURE 3-67. GENERATOR INSTALLATION - 4000W/60HZ (DEUTZ D2.9L4 ENGINE)

ITEM	PART NUMBER	QTY	DESCRIPTION	REV
	1001175542	Ref	GENERATOR INSTALLATION - 4000W/60Hz (DEUTZ D2.9L4 ENGINE)	H
1	0100011	AR	Compound, Locking	
2	0100019	AR	Compound, Locking	
3	0100048	AR	Grease, Dielectric	
4	0100079	AR	Sealant	
5	0641616	1	Bolt 3/8 x 2	
6	0700818	3	Bolt M8 x 50	
7	0711224	1	Bolt M12 x 80 Grade 10.9	
8	0741607	3	Screw 3/8 x 7/8	
9	0760606	1	Bolt M6 x 12	
10	0760610	4	Bolt M6 x 20	
11	0761212	2	Bolt M12 x 25	
12	0771414	3	Bolt M14 x 30 Grade 10.9	
13	0860038	1	Box, Switch	
14	0902888	1	Bracket	
15	0962520	1	Bushing	
16	1705374	1	Decal - 240V-60Hz	
17	1705387	3	Decal - Hazardous Voltage	
18	2820031	AR	Heat Shrink	
19	See Note	1	Nameplate (Note: Not Available for Purchase)	
20	3251243	1	Nameplate 120V-60Hz	
21	3290505	4	Nut M5	
22	3290605	4	Nut M6	
23	3290805	4	Nut M8	
24	3291201	2	Nut M12	
25	3331211	1	Nut M12	
26	3580317	1	Pulley	
27	3580318	1	Pulley	
28	3580320	1	Pulley	
29	3910606	4	Screw #6 x 3/8	
30	3931628	4	Capscrew 3/8 x 1-3/4	
31	3960422	1	Gasket	
32	4032013	4	Capscrew M10 x 45	
32	4032014	4	Capscrew M10 x 50	
33	4060802	1	Guard, Switch	
34	4240099	AR	Tie-Strap (Not Shown)	
35	4360336	1	Switch, Toggle	
36	4460071	1	Connector, Strain Relief	
37	4460346	1	Receptacle	
38	4711600	1	Washer 3/8	
39	4811600	4	Washer M5	
40	4811700	8	Washer M6	
41	4811900	8	Washer M8	
42	4812200	3	Washer M14	
43	4871700	2	Washer M6	
44	5241200	5	Washer M12 Hardened	
45	1001104029	4	Screw M5 x 30	
46	1001110873	1	Shield, Cover	
47	1001135679	1	Adapter	

SECTION 3 - ENGINE

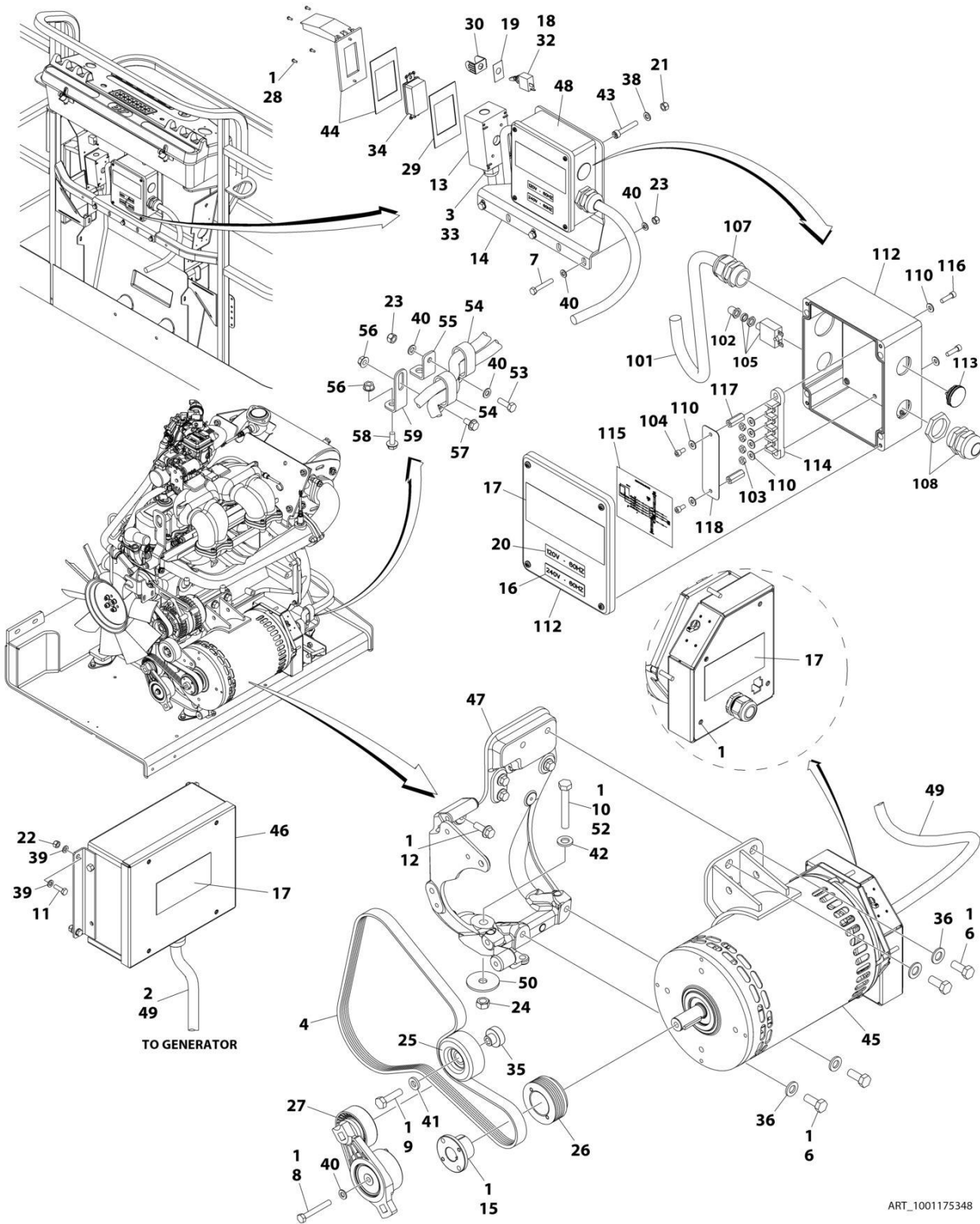
ITEM	PART NUMBER	QTY	DESCRIPTION	REV
48	1001138566	1	Box, Control	
48	70006552	1	Capacitor	
48	70006553	1	Relay	
49	1001140346	1	Generator Assembly	
49	70003709	1	Ring, Retaining (External)	
49	70003708	1	Ring, Retaining (Internal)	
49	70001966	1	Bearing	
49	70004092	1	Endbell (Shaft End)	
49	70004099	1	Key	
49	70004676	1	Rotor	
49	70004687	1	Stator	
49	70004678	1	Endbell (Rear)	
49	70004679	1	Cover, Endbell (Rear)	
49	70004680	1	Enclosure, Wiring	
49	70004685	1	Cover, Enclosure	
49	70004682	1	Switch, Reset (Located on Enclosure Cover)	
49	70004098	1	Connector, Strain Relief (Located on Enclosure Cover)	
50	1001142643	1	Support	
51	1001142646	1	Belt	
52	1001152457	1	Generator Junction Box Assembly (See Items 101-118 for Breakdown)	
53	1001152532	1	Harness, Generator (See ELECTRICAL SECTION for Breakdown)	
54	1001155041	2	Stud (SN 0300201991 through 0300208597)	
54	1001196382	2	Stud (SN 0300208598 through 0300272317, SN B300003516 through B300005760, Except SN 0300272185 through 0300272190, Excluding B300005569)	
55	1001168018	1	Washer, Snubbing	
56	1001168207	1	Support	
57	1001175631	1	Wiring Diagram (Not Shown - See ELECTRICAL SECTION for Breakdown)	
58	0760812	1	Bolt M8 x 25	
59	1321716	AR	Clamp	
60	1001148641	1	Bracket	
61	5250808	AR	Bolt M8 x 16	
62	5250810	AR	Bolt M8 x 20	
63	5260800	AR	Nut M8	
64	1001223122	1	Support (SN 0300226829 through 0300272317, SN B300003516 through B300005760, Except SN 0300272185 through 0300272190, Excluding B300005569)	
65	4812000	4	Washer M10	
	1001152457	Ref	GENERATOR JUNCTION BOX COMPONENTS	
101	1001179154	2.5 ft /0.8m	Cable, Electrical - 12/3	
102	3300396	1	Cover, Breaker	
103	3311001	4	Nut #10	
104	3900300	2	Screw	
105	4360070	1	Breaker, Circuit - 15Amp	
107	4460425	1	Connector, Strain Relief (LH Side)	
108	4460426	1	Connector, Strain Relief (RH Side)	
110	4711000	8	Washer #10	
112	1001152456	1	Box, Junction	
113	1001152525	1	Plug	
114	1001152530	1	Terminal, Block	

SECTION 3 - ENGINE

ITEM	PART NUMBER	QTY	DESCRIPTION	REV
115	1001153260	1	Decal - Wiring Diagram	
116	3900267	2	Screw	
117	1001158008	2	Stand-Off	
118	1001158363	1	Cover, Terminal Block	

SECTION 3 - ENGINE

FIGURE 3-68. GENERATOR INSTALLATION - 4000W/60HZ (GM ENGINE)



ART_1001175348

SECTION 3 - ENGINE

FIGURE 3-68. GENERATOR INSTALLATION - 4000W/60HZ (GM ENGINE)

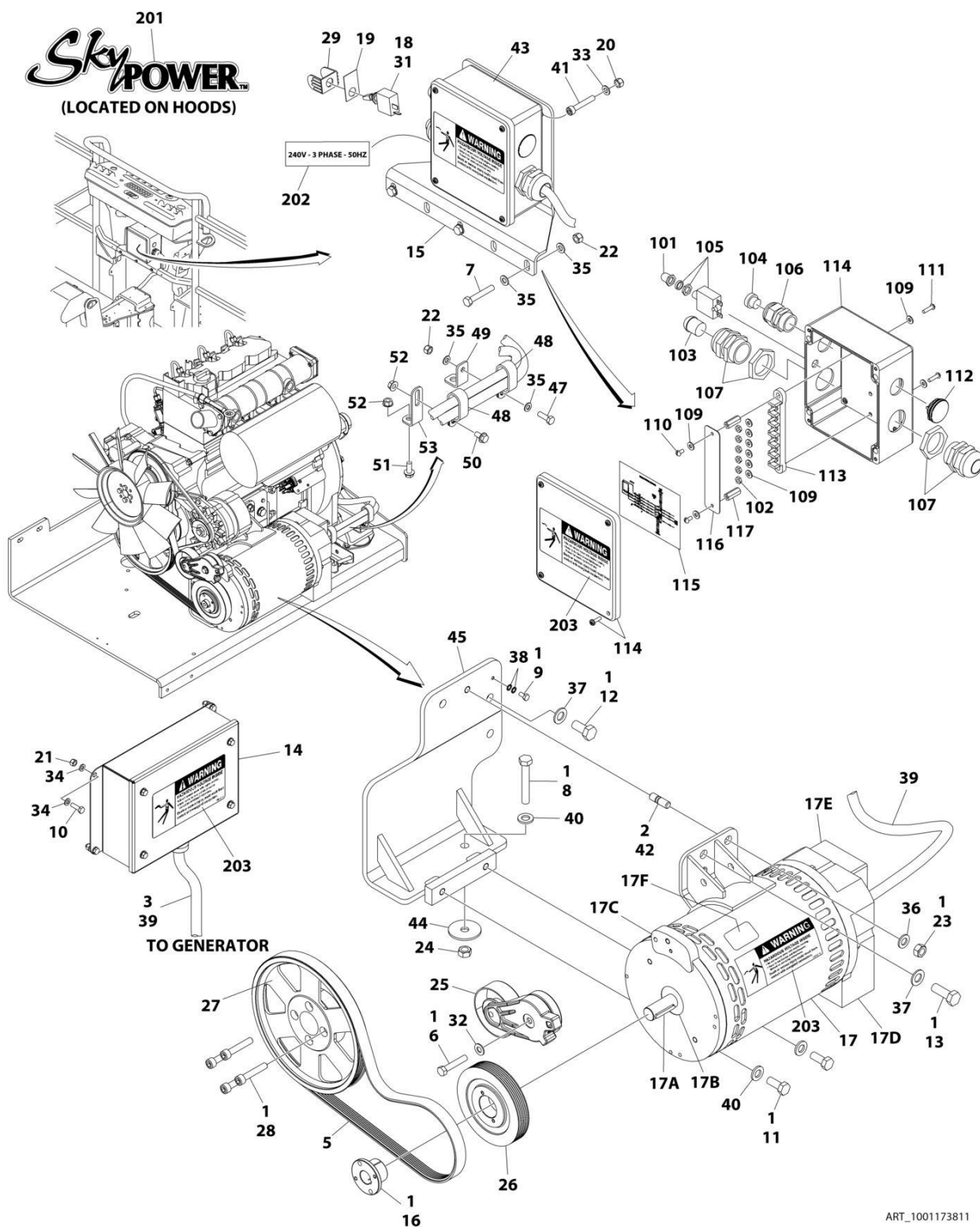
ITEM	PART NUMBER	QTY	DESCRIPTION	REV
	1001175348	Ref	GENERATOR INSTALLATION - 4000W/60Hz (GM ENGINE)	E
1	0100011	AR	Compound, Locking	
2	0100048	AR	Grease, Dielectric	
3	0100079	AR	Sealant	
4	0480142	1	Belt	
6	0641808	4	Bolt 1/2 x 1	
7	0700818	3	Bolt M8 x 50	
8	0700820	1	Bolt M8 x 60	
9	0701016	1	Bolt M10 x 40	
10	0711227	1	Bolt M12 x 100	
11	0760610	4	Bolt M6 x 20	
12	0811608	4	Screw 3/8 x 1	
13	0860038	1	Box, Switch	
14	0902888	1	Bracket	
15	0962520	1	Bushing	
16	1705374	1	Decal - 240V-60Hz	
17	1705387	3	Decal - Hazardous Voltage	
18	2820031	AR	Heat Shrink	
19	See Note	1	Nameplate (Note: Not Available for Purchase)	
20	3251243	1	Nameplate 120V-60Hz	
21	3290505	4	Nut M5	
22	3290605	4	Nut M6	
23	3290805	4	Nut M8	
24	3331211	1	Nut M12	
25	3580312	1	Pulley	
26	3580314	1	Pulley	
27	3580348	1	Pulley	
28	3910606	4	Screw #6 x 3/8	
29	3960422	1	Gasket	
30	4060802	1	Guard, Switch	
31	4240099	AR	Tie-Strap (Not Shown)	
32	4360336	1	Switch, Toggle	
33	4460071	1	Connector, Strain Relief	
34	4460346	1	Receptacle	
35	4568735	1	Spacer	
36	4711800	4	Washer 1/2	
38	4811600	4	Washer M5	
39	4811700	8	Washer M6	
40	4811900	9	Washer M8	
41	4891600	1	Washer 3/8	
42	5241200	1	Washer M12 Hardened	
43	1001104029	4	Screw M5 x 30	
44	1001110873	1	Shield, Cover	
45	1001129858	1	Generator	
45	70003709	1	Ring, Retaining (External)	
45	70003708	1	Ring, Retaining (Internal)	
45	70001966	1	Bearing	
45	70004092	1	Endbell (Shaft End)	
45	70004171	1	Key	
45	70004676	1	Rotor	

SECTION 3 - ENGINE

ITEM	PART NUMBER	QTY	DESCRIPTION	REV
45	70004684	1	Stator	
45	70004678	1	Endbell (Rear)	
45	70004679	1	Cover, Endbell (Rear)	
45	70004680	1	Enclosure, Wiring	
45	70004685	1	Cover, Enclosure	
45	70004682	1	Switch, Reset (Located on Enclosure Cover)	
45	70004098	1	Connector, Strain Relief (Located on Enclosure Cover)	
46	1001138566	1	Box, Control	
46	70006552	1	Capacitor	
46	70006553	1	Relay	
47	1001141181	1	Support	
48	1001152457	1	Generator Junction Box Assembly (See Items 101-118 for Breakdown)	
49	1001152532	1	Harness, Generator (See ELECTRICAL SECTION for Breakdown)	
50	1001168018	1	Washer, Snubbing	
51	1001175631	1	Wiring Diagram (Not Shown - See ELECTRICAL SECTION for Breakdown)	
52	0711221	1	Bolt M12 x 65 Grade 10.9	
53	0760812	1	Bolt M8 x 25	
54	1321716	AR	Clamp	
55	1001148641	1	Bracket	
56	5260800	AR	Nut M8	
57	5250808	AR	Bolt M8 x 16	
58	5250810	AR	Bolt M8 x 20	
59	1001223122	1	Support (SN 0300226829 through 0300272317, Except SN 0300272185 through 0300272190)	
	1001152457	Ref	GENERATOR JUNCTION BOX COMPONENTS	
101	1001179154	2.5 ft /0.8m	Cable, Electrical - 12/3	
102	3300396	1	Cover, Breaker	
103	3311001	4	Nut #10	
104	3900300	2	Screw	
105	4360070	1	Breaker, Circuit - 15Amp	
107	4460425	1	Connector, Strain Relief (LH Side)	
108	4460426	1	Connector, Strain Relief (RH Side)	
110	4711000	8	Washer #10	
112	1001152456	1	Box, Junction	
113	1001152525	1	Plug	
114	1001152530	1	Terminal, Block	
115	1001153260	1	Decal - Wiring Diagram	
116	3900267	2	Screw	
117	1001158008	2	Stand-Off	
118	1001158363	1	Cover, Terminal Block	

SECTION 3 - ENGINE

FIGURE 3-69. GENERATOR INSTALLATION - 7500W/50HZ (DEUTZ D2011 ENGINE)



SECTION 3 - ENGINE

FIGURE 3-69. GENERATOR INSTALLATION - 7500W/50HZ (DEUTZ D2011 ENGINE)

ITEM	PART NUMBER	QTY	DESCRIPTION	REV
	1001173811	Ref	GENERATOR INSTALLATION - 7500W/50Hz (DEUTZ D2011 ENGINE)	E
1	0100011	AR	Compound, Locking	
2	0100019	AR	Compound, Locking	
3	0100048	AR	Grease, Dielectric	
4	0100079	AR	Sealant (Not Shown)	
5	0480126	1	Belt	
6	0641616	1	Bolt 3/8 x 2	
7	0700818	3	Bolt M8 x 50	
8	0711224	1	Bolt M12 x 80 Grade 10.9	
9	0760606	1	Bolt M6 x 12	
10	0760610	4	Bolt M6 x 20	
11	0761214	2	Bolt M12 x 30	
12	0771414	2	Bolt M14 x 30 Grade 10.9	
13	0771416	1	Bolt M14 x 40	
14	0861572	1	Control Box Assembly	
14	7024488	1	Card, Circuit - Generator Power	
14	See Note	NSS	Fuse (Note: Not Available - Purchase Locally)	
14	7024489	1	Card, Circuit - Control	
14	70000619	1	Harness, Control Box (Internal)	
15	0902888	1	Bracket	
16	0962520	1	Bushing	
17	2460048	1	Generator Assembly	
17	70001100	1	Rotor (Includes p/n 70001384 & 70000863) (Not Shown)	
17	70001384	1	Bearing, Ball Radial (Not Shown)	
17	70000863	1	Fan (Not Shown)	
17	70002088	1	Stator (Not Shown)	
17	70002297	1	Stud	
17	70003631	1	Brushholder Assembly (Not Shown)	
17A	70004171	1	Key	
17B	70001966	1	Bearing, Ball Radial (Located in Belt Tensioner Endbell)	
17B	70003708	1	Ring, Internal Retaining (Located in Belt Tensioner Endbell)	
17B	70003709	1	Ring, External Retaining (Located in Belt Tensioner Endbell)	
17C	70001953	1	Endbell, Belt Tensioner	
17D	70004169	1	Endbell, Brush Block	
17E	70004169	1	Shroud	
17E	See Note	NSS	Insulator, Endbell (Note: Not Available for Purchase)	
17E	7027799	1	Block, Connector 6 Position (Not Shown)	
17E	70002460	1	Nut, Brass (Attaches p/n 7027799 to Cover) (Not Shown)	
17E	7024485	1	Breaker, Circuit 30Amp (Not Shown)	
17E	70001696	1	Boot, Breaker (Not Shown)	
17E	7026626	1	Connector, 6 Position (Includes Seal) (Not Shown - Plugs into Item 39)	
17E	7026597	1	Connector, with Leads (Not Shown)	
17E	7026188	1	Clamp, Cable Options (Not Shown)	
17E	70004169	1	Plate, End Panel	
17E	70001974	1	Decal - Terminal Connections	
17F	70001973	1	Decal - Warning Moving Parts	
18	2820031	AR	Heat Shrink	
19	3252764	1	Nameplate	

SECTION 3 - ENGINE

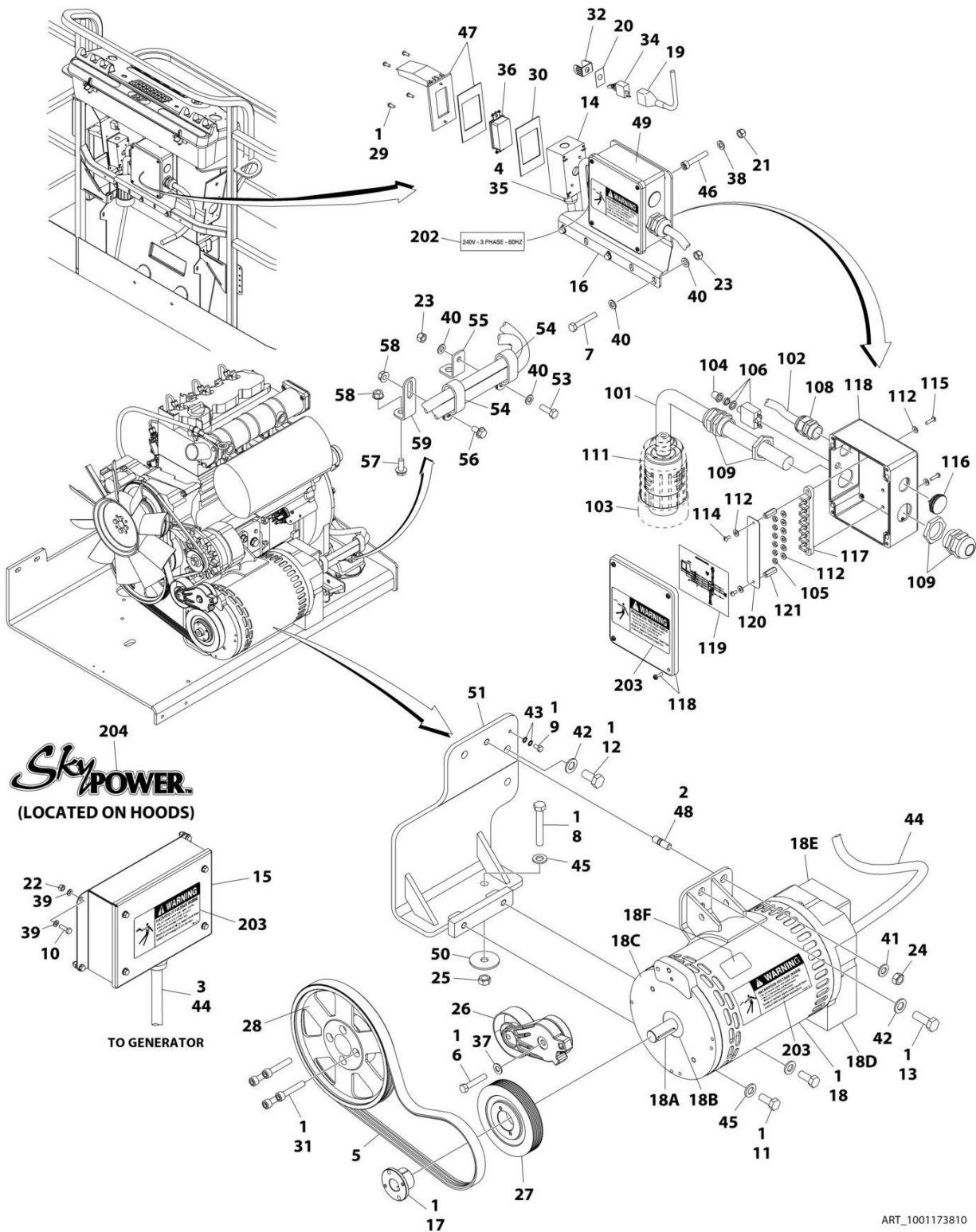
ITEM	PART NUMBER	QTY	DESCRIPTION	REV
20	3290505	4	Nut M5	
21	3290605	4	Nut M6	
22	3290805	4	Nut M8	
23	3291201	1	Nut M12	
24	3331211	1	Nut M12	
25	3580317	1	Pulley	
26	3580319	1	Pulley	
27	3580320	1	Pulley	
28	4032015	4	Bolt M10 x 55	
29	4060802	1	Guard, Switch	
30	4240099	AR	Tie-Strap (Not Shown)	
31	4360336	1	Switch, Toggle	
32	4711600	1	Washer 3/8	
33	4811600	4	Washer M5	
34	4811700	8	Washer M6	
35	4811900	8	Washer M8	
36	4812100	1	Washer M12	
37	4812200	3	Washer M14	
38	4871700	2	Washer M6	
39	4922925	1	Harness, Generator	
39	4460225	1	Plug, Male 6 Position (Plugs into Generator)	
39	See Note	NSS	Socket, Female (Use with 4460225)	
39	See Note	NSS	Seal, Plug (Use with 4460225)	
39	See Note	NSS	Seal, Interface (Use with 4460225)	
40	5241200	3	Washer M12 Hardened	
41	1001104029	4	Screw M5 x 30	
42	1001155041	1	Stud (SN 0300201991 through 0300208597, SN E300002833 through E300002838)	
42	1001196382	1	Stud (SN 0300208598 through 0300272317, SN 1300007279 through 1300007373, SN B300003516 through B300005760, SN E300002839 through E300007990, Except SN 0300272185 through 0300272190, Excluding B300005569 and E300007814)	
43	1001157525	1	Junction Box Assembly (See Items 101-117 for Breakdown)	
44	1001168018	1	Washer, Snubbing	
45	1001173925	1	Mount	
46	1001174675	1	Wiring Diagram (Not Shown - See ELECTRICAL SECTION for Breakdown)	
47	0760812	1	Bolt M8 x 25	
48	1321716	AR	Clamp	
49	1001148641	1	Bracket	
50	5250808	AR	Bolt M8 x 16	
51	5250810	AR	Bolt M8 x 20	
52	5260800	AR	Nut M8	
53	1001223122	1	Support (SN 0300226829 through 0300272317, SN 1300007279 through 1300007373, SN B300003516 through B300005760, SN E300004184 through E300007990, Except SN 0300272185 through 0300272190, Excluding B300005569 and E300007814)	
	1001157525	Ref	JUNCTION BOX ASSEMBLY	B
101	3300396	1	Cover, Fuse	
102	3311001	6	Nut #10-24NC	
103	3520189	1	Plug	
104	3520192	1	Plug	
105	4360070	1	Circuit Breaker - 15Amp	

SECTION 3 - ENGINE

ITEM	PART NUMBER	QTY	DESCRIPTION	REV
106	4460425	1	Connector, Strain Relief	
107	4460426	2	Connector, Strain Relief	
109	4711000	10	Flatwasher, #10 Thin	
110	10702077	2	Screw #10-32NF x 3/8in	
111	10702082	2	Screw #10-32NF x 3/4in	
112	1001152525	1	Plug	
113	1001157520	1	Block, Terminal	
114	1001157521	1	Box, Junction	
115	1001157528	1	Decal - Wiring Schematic	
116	1001158007	1	Cover, PVC	
117	1001158008	2	Stand-Off	
	0272589	Ref	DECAL INSTALLATION	A
201	1705460	2	Decal - SkyPower	
202	1705461	1	Decal - 240V - 3 Phase - 50Hz	
203	1705489	3	Decal - Hazardous Voltage	

SECTION 3 - ENGINE

FIGURE 3-70. GENERATOR INSTALLATION - 7500W/60HZ (DEUTZ D2011 ENGINE)



SECTION 3 - ENGINE

FIGURE 3-70. GENERATOR INSTALLATION - 7500W/60HZ (DEUTZ D2011 ENGINE)

ITEM	PART NUMBER	QTY	DESCRIPTION	REV
	1001173810	Ref	GENERATOR INSTALLATION - 7500W/60Hz (DEUTZ D2011 ENGINE)	E
1	0100011	AR	Compound, Locking	
2	0100019	AR	Compound, Locking	
3	0100048	AR	Grease, Dielectric	
4	0100079	AR	Sealant	
5	0480128	1	Belt	
6	0641616	1	Bolt 3/8 x 2	
7	0700818	3	Bolt M8 x 50	
8	0711224	1	Bolt M12 x 80 Grade 10.9	
9	0760606	1	Bolt M6 x 12	
10	0760610	4	Bolt M6 x 20	
11	0761214	2	Bolt M12 x 30	
12	0771414	2	Bolt M14 x 30 Grade 10.9	
13	0771416	1	Bolt M14 x 40	
14	0860038	1	Box, Switch	
15	0861538	1	Control Box Assembly	
15	7024488	1	Card, Circuit - Generator Power	
15	See Note	NSS	Fuse (Note: Not Available - Purchase Locally)	
15	7024489	1	Card, Circuit - Control	
15	70000619	1	Harness, Control Box (Internal)	
16	0902888	1	Bracket	
17	0962520	1	Bushing	
18	2460048	1	Generator Assembly	
18	70001100	1	Rotor (Includes p/n 70001384 & 70000863) (Not Shown)	
18	70001384	1	Bearing, Ball Radial (Not Shown)	
18	70000863	1	Fan (Not Shown)	
18	70002088	1	Stator (Not Shown)	
18	70002297	1	Stud	
18	70003631	1	Brushholder Assembly (Not Shown)	
18A	70004171	1	Key	
18B	70001966	1	Bearing, Ball Radial (Located in Belt Tensioner Endbell)	
18B	70003708	1	Ring, Internal Retaining (Located in Belt Tensioner Endbell)	
18B	70003709	1	Ring, External Retaining (Located in Belt Tensioner Endbell)	
18C	70001953	1	Endbell, Belt Tensioner	
18D	70004169	1	Endbell, Brush Block	
18E	70004169	1	Shroud	
18E	See Note	NSS	Insulator, Endbell (Note: Not Available for Purchase)	
18E	7027799	1	Block, Connector 6 Position (Not Shown)	
18E	70002460	1	Nut, Brass (Attaches p/n 7027799 to Cover) (Not Shown)	
18E	7024485	1	Breaker, Circuit 30Amp (Not Shown)	
18E	70001696	1	Boot, Breaker (Not Shown)	
18E	7026626	1	Connector, 6 Position (Includes Seal) (Not Shown - Plugs into Item 39)	
18E	7026597	1	Connector, with Leads (Not Shown)	
18E	7026188	1	Clamp, Cable Options (Not Shown)	
18E	70004169	1	Plate, End Panel	
18E	70001974	1	Decal - Terminal Connections	
18F	70001973	1	Decal - Warning Moving Parts	
19	2820031	AR	Heat Shrink	

SECTION 3 - ENGINE

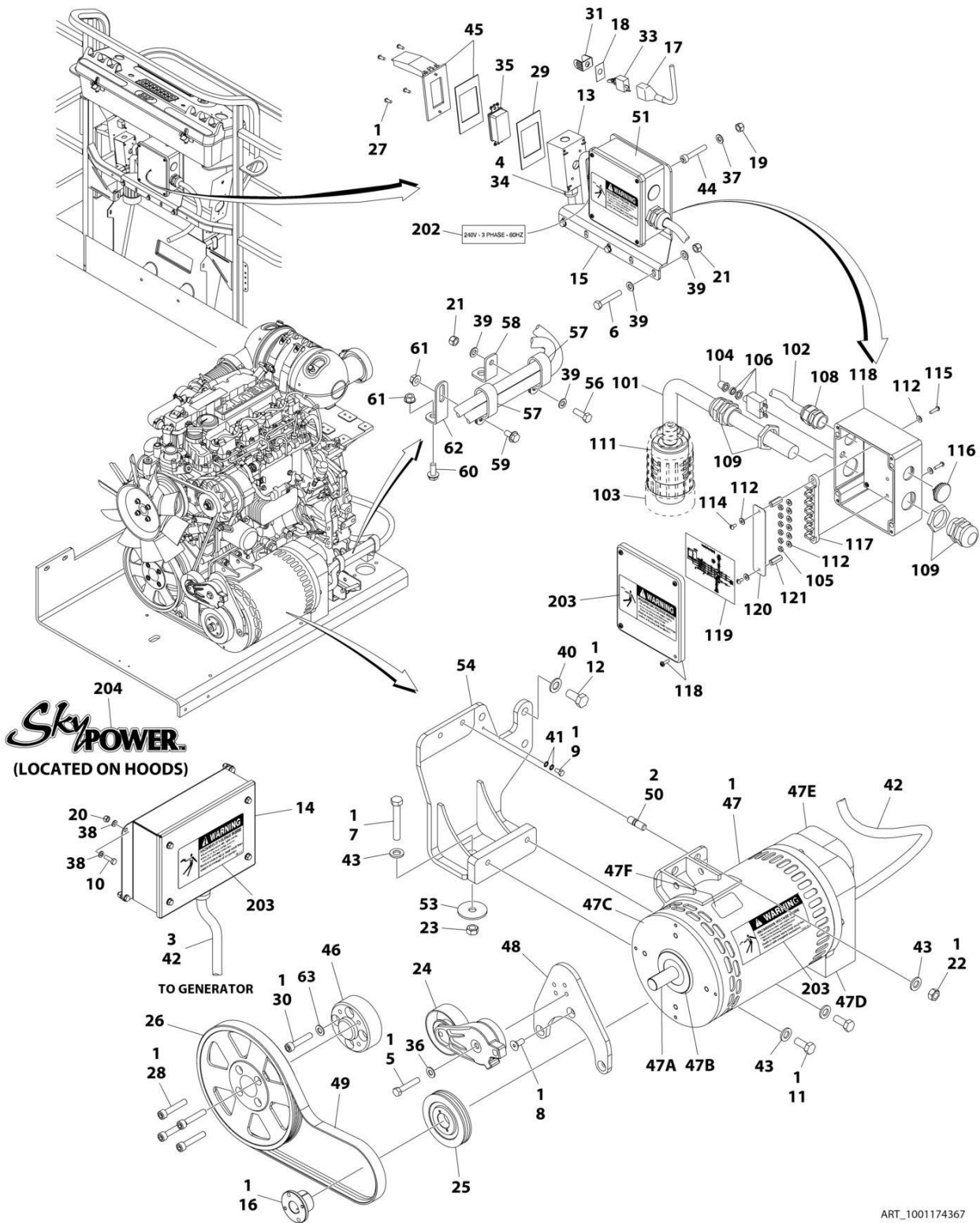
ITEM	PART NUMBER	QTY	DESCRIPTION	REV
20	3252764	1	Nameplate	
21	3290505	4	Nut M5	
22	3290605	4	Nut M6	
23	3290805	4	Nut M8	
24	3291201	1	Nut M12	
25	3331211	1	Nut M12	
26	3580317	1	Pulley	
27	3580318	1	Pulley	
28	3580320	1	Pulley	
29	3910606	4	Screw #6 x 3/8	
30	3960422	1	Gasket	
31	4032015	4	Bolt M10 x 55	
32	4060802	1	Guard, Switch	
33	4240099	AR	Tie-Strap (Not Shown)	
34	4360336	1	Switch, Toggle	
35	4460071	1	Connector, Strain Relief	
36	4460346	1	Receptacle	
37	4711600	1	Washer 3/8	
38	4811600	4	Washer M5	
39	4811700	8	Washer M6	
40	4811900	8	Washer M8	
41	4812100	1	Washer M12	
42	4812200	3	Washer M14	
43	4871700	2	Washer M6	
44	4922925	1	Harness, Generator	
44	4460225	1	Plug, Male 6 Position (Plugs into Generator)	
44	See Note	NSS	Socket, Female (Use with 4460225)	
44	See Note	NSS	Seal, Plug (Use with 4460225)	
44	See Note	NSS	Seal, Interface (Use with 4460225)	
45	5241200	3	Washer M12 Hardened	
46	1001104029	4	Screw M5 x 30	
47	1001110873	1	Shield, Cover	
48	1001155041	1	Stud (SN 0300201991 through 0300208597)	
48	1001196382	1	Stud (SN 0300208598 through 0300272317, SN B300003516 through B300005760, Except SN 0300272185 through 0300272190, Excluding B300005569)	
49	1001157592	1	Junction Box Assembly Options (See Items 101-121 for Breakdown)	
50	1001168018	1	Washer, Snubbing	
51	1001173925	1	Mount	
52	1001174675	1	Wiring Diagram (Not Shown - See ELECTRICAL SECTION for Breakdown)	
53	0760812	1	Bolt M8 x 25	
54	1321716	AR	Clamp	
55	1001148641	1	Bracket	
56	5250808	AR	Bolt M8 x 16	
57	5250810	AR	Bolt M8 x 20	
58	5260800	AR	Nut M8	
59	1001223122	1	Support (SN 0300226829 through 0300272317, SN B300003516 through B300005760, Except SN 0300272185 through 0300272190, Excluding B300005569)	
	1001157592	Ref	JUNCTION BOX ASSEMBLY	C
101	1060343	1.5 ft	Cable, Electrical 10/4	

SECTION 3 - ENGINE

ITEM	PART NUMBER	QTY	DESCRIPTION	REV
102	1001179154	/0.5m 2.5 ft /0.8m	Cable, Electrical 12/3	
103	1671092	1	Cover	
104	3300396	1	Cover, Fuse	
105	3311001	6	Nut #10-24NC	
106	4360070	1	Circuit Breaker - 15Amp	
108	4460425	1	Connector, Strain Relief	
109	4460426	2	Connector, Strain Relief	
111	4460963	1	Connector	
112	4711000	10	Flatwasher, #10 Thin	
114	10702077	2	Screw #10-32NF x 3/8in	
115	10702082	2	Screw #10-32NF x 3/4in	
116	1001152525	1	Plug	
117	1001157520	1	Block, Terminal	
118	1001157521	1	Box, Junction	
119	1001157528	1	Decal - Wiring Schematic	
120	1001158007	1	Cover, PVC	
121	1001158008	2	Stand-Off	
	0273380	Ref	DECAL INSTALLATION	B
202	1705375	1	Decal - 240V - 3 Phase - 60Hz	
203	1705387	3	Decal - Hazardous Voltage	
204	1705460	2	Decal - SkyPower	

SECTION 3 - ENGINE

FIGURE 3-71. GENERATOR INSTALLATION - 7500W/60HZ (DEUTZ D2.9L4 ENGINE)



SECTION 3 - ENGINE

FIGURE 3-71. GENERATOR INSTALLATION - 7500W/60HZ (DEUTZ D2.9L4 ENGINE)

ITEM	PART NUMBER	QTY	DESCRIPTION	REV
	1001174367	Ref	GENERATOR INSTALLATION - 7500W/60Hz (DEUTZ D2.9L4 ENGINE)	H
1	0100011	AR	Compound, Locking	
2	0100019	AR	Compound, Locking	
3	0100048	AR	Grease, Dielectric	
4	0100079	AR	Sealant	
5	0641616	1	Bolt 3/8 x 2	
6	0700818	3	Bolt M8 x 50	
7	0711224	1	Bolt M12 x 80 Grade 10.9	
8	0741607	3	Screw 3/8 x 7/8	
9	0760606	1	Bolt M6 x 12	
10	0760610	4	Bolt M6 x 20	
11	0761212	2	Bolt M12 x 25	
12	0771414	3	Bolt M14 x 30 Grade 10.9	
13	0860038	1	Box, Switch	
14	0861538	1	Control Box Assembly	
14	7024488	1	Card, Circuit - Generator Power	
14	See Note	NSS	Fuse (Note: Not Available - Purchase Locally)	
14	7024489	1	Card, Circuit - Control	
14	70000619	1	Harness, Control Box (Internal)	
15	0902888	1	Bracket	
16	0962520	1	Bushing	
17	2820031	AR	Heat Shrink	
18	3252764	1	Nameplate	
19	3290505	4	Nut M5	
20	3290605	4	Nut M6	
21	3290805	4	Nut M8	
22	3291201	2	Nut M12	
23	3331211	1	Nut M12	
24	3580317	1	Pulley	
25	3580318	1	Pulley	
26	3580320	1	Pulley	
27	3910606	4	Screw #6 x 3/8	
28	3931628	4	Capscrew 3/8 x 1-3/4	
29	3960422	1	Gasket	
30	4032013	4	Bolt M10 x 45	
30	4032014	4	Bolt M10 x 50	
31	4060802	1	Guard, Switch	
32	4240099	AR	Tie-Strap (Not Shown)	
33	4360336	1	Switch, Toggle	
34	4460071	1	Connector, Strain Relief	
35	4460346	1	Receptacle	
36	4711600	1	Washer 3/8	
37	4811600	4	Washer M5	
38	4811700	8	Washer M6	
39	4811900	8	Washer M8	
40	4812200	3	Washer M14	
41	4871700	2	Washer M6	
42	4922925	1	Harness, Generator	
42	4460225	1	Plug, Male 6 Position (Plugs into Generator)	

SECTION 3 - ENGINE

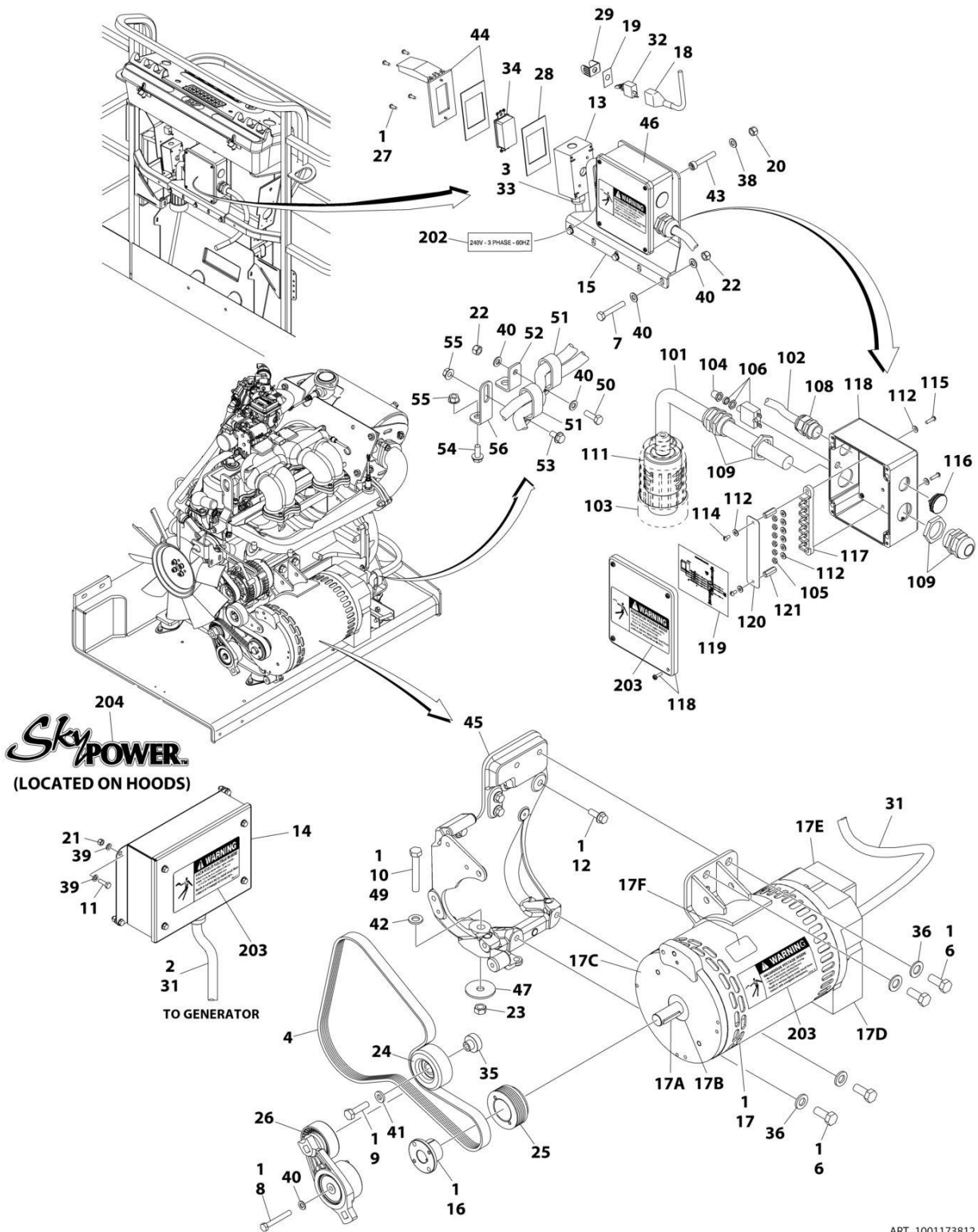
ITEM	PART NUMBER	QTY	DESCRIPTION	REV
42	See Note	NSS	Socket, Female (Use with 4460225)	
42	See Note	NSS	Seal, Plug (Use with 4460225)	
42	See Note	NSS	Seal, Interface (Use with 4460225)	
43	5241200	5	Washer M12 Hardened	
44	1001104029	4	Screw M5 x 30	
45	1001110873	1	Shield, Cover	
46	1001135679	1	Adapter	
47	1001136988	NLA	Generator Assembly (Use p/n 1001212223) (SN 0300201991 through 0300226168)	
47	1001212223	1	Generator Assembly (SN 0300226169 through 0300272317, SN B300003516 through B300005760, Except SN 0300272185 through 0300272190, Excluding B300005569)	
47	70001100	1	Rotor (Includes p/n 70001384 & 70000863) (Not Shown)	
47	70001384	1	Bearing, Ball Radial (Not Shown)	
47	70000863	1	Fan (Not Shown)	
47	70004093	1	Stator (Not Shown) (1001136988 Generator)	
47	70006093	1	Stator (Not Shown) (1001212223 Generator)	
47	70002297	1	Stud	
47	70003631	1	Brushholder Assembly (Not Shown)	
47A	70004099	1	Key	
47B	70001966	1	Bearing, Ball Radial (Located in Belt Tensioner Endbell)	
47B	70003708	1	Ring, Internal Retaining (Located in Belt Tensioner Endbell)	
47B	70003709	1	Ring, External Retaining (Located in Belt Tensioner Endbell)	
47C	70004092	1	Endbell, Belt Tensioner	
47D	70004094	1	Endbell, Brush Block	
47E	70004096	1	Shroud (1001136988 Generator)	
47E	70006094	1	Shroud (1001212223 Generator)	
47E	70004097	1	Insulator, Endbell (1001136988 Generator)	
47E	70002291	1	Insulator, Endbell (1001212223 Generator)	
47E	7027799	1	Block, Connector 6 Position (Not Shown)	
47E	70002460	1	Nut, Brass (Attaches p/n 7027799 to Cover) (Not Shown)	
47E	7024485	1	Breaker, Circuit 30Amp (Not Shown) (1001136988 Generator)	
47E	70006095	1	Breaker, Circuit 30Amp (Not Shown) (1001212223 Generator)	
47E	70001696	1	Boot, Breaker (Not Shown) (1001136988 Generator)	
47E	70006096	1	Guard, Breaker (Not Shown) (1001212223 Generator)	
47E	7026626	1	Connector, 6 Position (Includes Seal) (Not Shown - Plugs into Item 36)	
47E	7026597	1	Connector, with Leads (Not Shown)	
47E	70004098	1	Clamp, Cable (Not Shown)	
47E	70004095	1	Plate, End Panel (1001136988 Generator)	
47E	70006097	1	Plate, End Panel (1001212223 Generator)	
47E	70001974	1	Decal - Terminal Connections	
47F	70001973	1	Decal - Warning Moving Parts	
48	1001142643	1	Support	
49	1001142646	1	Belt	
50	1001155041	2	Stud (SN 0300201991 through 0300208597)	
50	1001196382	2	Stud (SN 0300208598 through 0300272317, SN B300003516 through B300005760, Except SN 0300272185 through 0300272190, Excluding B300005569)	
51	1001157592	1	Junction Box Assembly Options (See Items 101-121 for Breakdown)	
53	1001168018	1	Washer, Snubbing	
54	1001168207	1	Support	

SECTION 3 - ENGINE

ITEM	PART NUMBER	QTY	DESCRIPTION	REV
55	1001174675	1	Wiring Diagram (Not Shown - See ELECTRICAL SECTION for Breakdown)	
56	0760812	1	Bolt M8 x 25	
57	1321716	AR	Clamp	
58	1001148641	1	Bracket	
59	5250808	AR	Bolt M8 x 16	
60	5250810	AR	Bolt M8 x 20	
61	5260800	AR	Nut M8	
62	1001223122	1	Support (SN 0300226829 through 0300272317, SN B300003516 through B300005760, Except SN 0300272185 through 0300272190, Excluding B300005569)	
63	4812000	4	Washer M10	
	1001157592	Ref	JUNCTION BOX ASSEMBLY	C
101	1060343	1.5 ft/ 0.5m	Cable, Electrical 10/4	
102	1001179154	2.5 ft/ 0.8m	Cable, Electrical 12/3	
103	1671092	1	Cover	
104	3300396	1	Cover, Fuse	
105	3311001	6	Nut #10-24NC	
106	4360070	1	Circuit Breaker - 15Amp	
108	4460425	1	Connector, Strain Relief	
109	4460426	2	Connector, Strain Relief	
111	4460963	1	Connector	
112	4711000	10	Flatwasher, #10 Thin	
114	10702077	2	Screw #10-32NF x 3/8in	
115	10702082	2	Screw #10-32NF x 3/4in	
116	1001152525	1	Plug	
117	1001157520	1	Block, Terminal	
118	1001157521	1	Box, Junction	
119	1001157528	1	Decal - Wiring Schematic	
120	1001158007	1	Cover, PVC	
121	1001158008	2	Stand-Off	
	0273380	Ref	DECAL INSTALLATION	B
202	1705375	1	Decal - 240V - 3 Phase - 60Hz	
203	1705387	3	Decal - Hazardous Voltage	
204	1705460	2	Decal - SkyPower	

SECTION 3 - ENGINE

FIGURE 3-72. GENERATOR INSTALLATION - 7500W/60HZ (GM ENGINE)



SECTION 3 - ENGINE

FIGURE 3-72. GENERATOR INSTALLATION - 7500W/60HZ (GM ENGINE)

ITEM	PART NUMBER	QTY	DESCRIPTION	REV
	1001173812	Ref	GENERATOR INSTALLATION - 7500W/60HZ (GM ENGINE)	E
1	0100011	AR	Compound, Locking	
2	0100048	AR	Grease, Dielectric	
3	0100079	AR	Sealant	
4	0480142	1	Belt	
6	0641808	4	Bolt 1/2 x 1	
7	0700818	3	Bolt M8 x 50	
8	0700820	1	Bolt M8 x 60	
9	0701016	1	Bolt M10 x 40	
10	0711227	1	Bolt M12 x 100	
11	0760610	4	Bolt M6 x 20	
12	0811608	4	Screw 3/8 x 1	
13	0860038	1	Box, Switch	
14	0861538	1	Control Box Assembly	
14	7024488	1	Card, Circuit - Generator Power	
14	See Note	NSS	Fuse (Note: Not Available - Purchase Locally)	
14	7024489	1	Card, Circuit - Control	
14	70000619	1	Harness, Control Box (Internal)	
15	0902888	1	Bracket	
16	0962520	1	Bushing	
17	2460048	1	Generator Assembly	
17	70001100	1	Rotor (Includes p/n 70001384 & 70000863) (Not Shown)	
17	70001384	1	Bearing, Ball Radial (Not Shown)	
17	70000863	1	Fan (Not Shown)	
17	70002088	1	Stator (Not Shown)	
17	70002297	1	Stud	
17	70003631	1	Brushholder Assembly (Not Shown)	
17A	70004171	1	Key	
17B	70001966	1	Bearing, Ball Radial (Located in Belt Tensioner Endbell)	
17B	70003708	1	Ring, Internal Retaining (Located in Belt Tensioner Endbell)	
17B	70003709	1	Ring, External Retaining (Located in Belt Tensioner Endbell)	
17C	70001953	1	Endbell, Belt Tensioner	
17D	70004169	1	Endbell, Brush Block	
17E	70004169	1	Shroud	
17E	See Note	NSS	Insulator, Endbell (Note: Not Available for Purchase)	
17E	7027799	1	Block, Connector - 6 Position (Not Shown)	
17E	70002460	1	Nut, Brass (Attaches p/n 7027799 to Cover) (Not Shown)	
17E	7024485	1	Breaker, Circuit 30Amp (Not Shown)	
17E	70001696	1	Boot, Breaker (Not Shown)	
17E	7026626	1	Connector - 6 Position (Includes Seal) (Not Shown - Plugs into Item 39)	
17E	7026597	1	Connector, with Leads (Not Shown)	
17E	7026188	1	Clamp, Cable Options (Not Shown)	
17E	70004169	1	Plate, End Panel	
17E	70001974	1	Decal - Terminal Connections	
17F	70001973	1	Decal - Warning Moving Parts	
18	2820031	AR	Heat Shrink	
19	3252764	1	Nameplate	
20	3290505	4	Nut M5	
21	3290605	4	Nut M6	

SECTION 3 - ENGINE

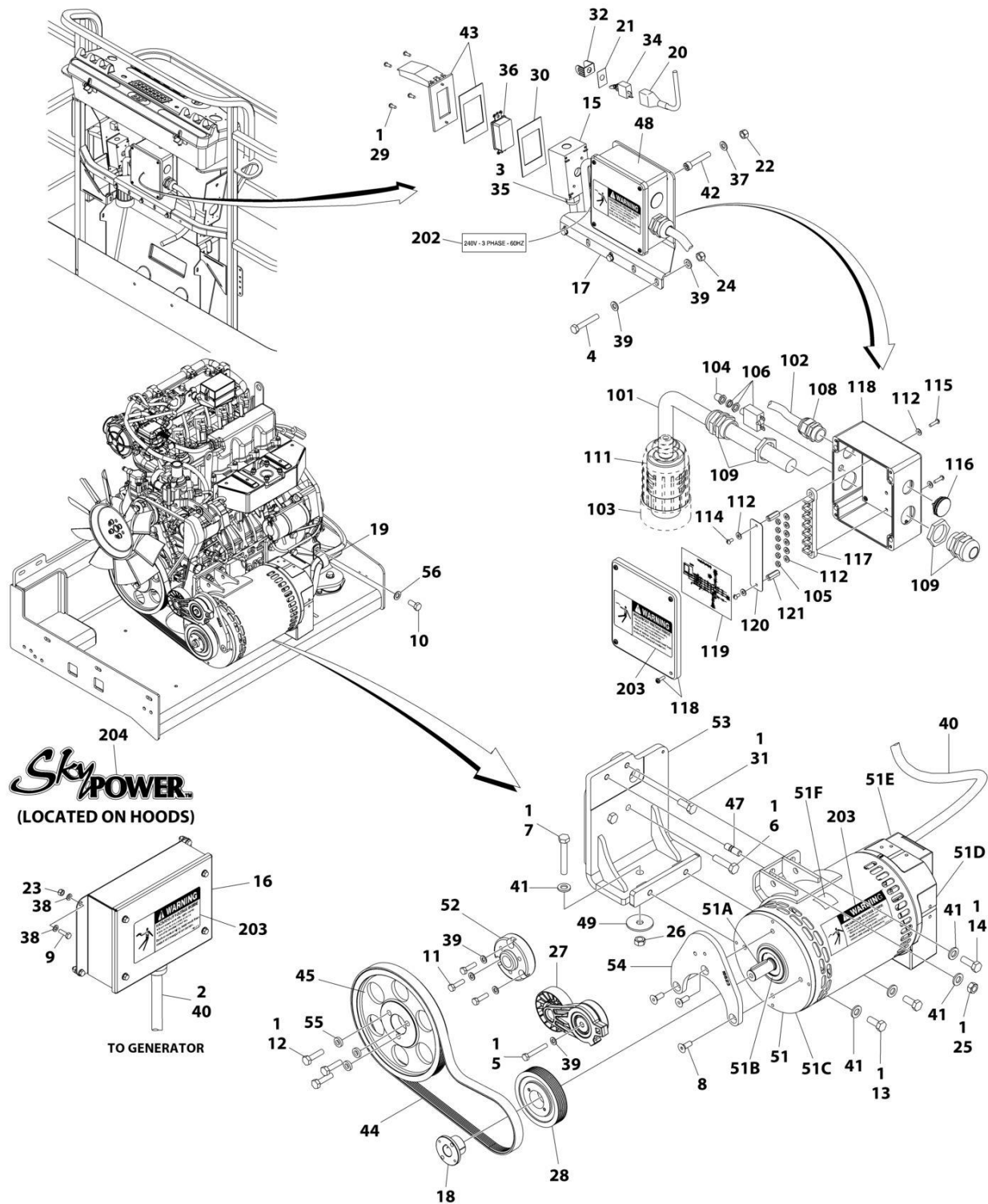
ITEM	PART NUMBER	QTY	DESCRIPTION	REV
22	3290805	4	Nut M8	
23	3331211	1	Nut M12	
24	3580312	1	Pulley	
25	3580314	1	Pulley	
26	3580348	1	Pulley	
27	3910606	4	Screw #6 x 3/8	
28	3960422	1	Gasket	
29	4060802	1	Guard, Switch	
30	4240099	AR	Tie-Strap (Not Shown)	
31	4922925	1	Harness, Generator	
31	4460225	1	Plug, Male - 6 Position (Plugs into Generator)	
31	See Note	NSS	Socket, Female (Use with 4460225)	
31	See Note	NSS	Seal, Plug (Use with 4460225)	
31	See Note	NSS	Seal, Interface (Use with 4460225)	
32	4360336	1	Switch, Toggle	
33	4460071	1	Connector, Strain Relief	
34	4460346	1	Receptacle	
35	4568735	1	Spacer	
36	4711800	4	Washer 1/2	
38	4811600	4	Washer M5	
39	4811700	8	Washer M6	
40	4811900	9	Washer M8	
41	4891600	1	Washer 3/8	
42	5241200	1	Washer M12 Hardened	
43	1001104029	4	Screw M5 x 30	
44	1001110873	1	Shield, Cover	
45	1001141181	1	Support	
46	1001157592	1	Junction Box Assembly (See Items 101-121 for Breakdown)	
47	1001168018	1	Washer, Snubbing	
48	1001174675	1	Wiring Diagram (Not Shown - See ELECTRICAL SECTION for Breakdown)	
49	0711221	1	Bolt M12 x 65 Grade 10.9	
50	0760812	1	Bolt M8 x 25	
51	1321716	AR	Clamp	
52	1001148641	1	Bracket	
53	5250808	AR	Bolt M8 x 16	
54	5250810	AR	Bolt M8 x 20	
55	5260800	AR	Nut M8	
56	1001223122	1	Support (SN 0300226829 through 0300272317, Except SN 0300272185 through 0300272190)	
	1001157592	Ref	JUNCTION BOX ASSEMBLY	C
101	1060343	1.5 ft /0.5m	Cable, Electrical 10/4	
102	1001179154	2.5 ft /0.8m	Cable, Electrical 12/3	
103	1671092	1	Cover	
104	3300396	1	Cover, Fuse	
105	3311001	6	Nut #10-24NC	
106	4360070	1	Circuit Breaker - 15Amp	
108	4460425	1	Connector, Strain Relief	
109	4460426	2	Connector, Strain Relief	
111	4460963	1	Connector	

SECTION 3 - ENGINE

ITEM	PART NUMBER	QTY	DESCRIPTION	REV
112	4711000	10	Flatwasher, #10 Thin	
114	10702077	2	Screw #10-32NF x 3/8in	
115	10702082	2	Screw #10-32NF x 3/4in	
116	1001152525	1	Plug	
117	1001157520	1	Block, Terminal	
118	1001157521	1	Box, Junction	
119	1001157528	1	Decal - Wiring Schematic	
120	1001158007	1	Cover, PVC	
121	1001158008	2	Stand-Off	
	0273380	Ref	DECAL INSTALLATION	B
202	1705375	1	Decal - 240V-3 Phase-60Hz	
203	1705387	3	Decal - Hazardous Voltage	
204	1705460	2	Decal - SkyPower	

SECTION 3 - ENGINE

FIGURE 3-73. GENERATOR INSTALLATION - 7500W/60HZ (KUBOTA ENGINE)



ART_1001214910

SECTION 3 - ENGINE

FIGURE 3-73. GENERATOR INSTALLATION - 7500W/60HZ (KUBOTA ENGINE)

ITEM	PART NUMBER	QTY	DESCRIPTION	REV
	1001214910	Ref	GENERATOR INSTALLATION - 7500W/60HZ (KUBOTA ENGINE)	C
1	0100011	AR	Compound, Locking	
2	0100048	AR	Grease, Dielectric	
3	0100079	AR	Sealant	
4	0700818	3	Bolt M8 x 50	
5	0700819	1	Bolt M8 x 55	
6	1001217344	2	Bolt M12 x 50	
7	0711224	1	Bolt M12 x 80 Grade 10.9	
7	0701224	1	Bolt M12 x 80	
8	0741608	3	Screw 3/8 x 1	
9	0760610	4	Bolt M6 x 20	
10	1001217345	1	Bolt M14 x 30	
11	0760814	3	Bolt M8 x 30	
12	0701016	3	Bolt M10 x 40	
13	0761214	2	Bolt M12 x 30	
14	0761215	1	Bolt M12 x 35	
15	0860038	1	Box, Switch	
16	0861538	1	Control Box Assembly	
16	7024488	1	Card, Circuit - Generator Power	
16	See Note	NSS	Fuse (Note: Not Available - Purchase Locally)	
16	7024489	1	Card, Circuit - Control	
16	70000619	1	Harness, Control Box (Internal)	
17	0902888	1	Bracket	
18	0962520	1	Bushing	
19	84521062	1	Clamp	
20	2820031	AR	Heat Shrink	
21	3252764	1	Nameplate	
22	3290505	4	Nut M5	
23	3290605	4	Nut M6	
24	3290805	3	Nut M8	
25	3291201	1	Nut M12	
26	3331211	1	Nut M12	
26	3291201	1	Nut M12	
27	3580317	1	Pulley	
28	3580318	1	Pulley	
29	3910606	4	Screw #6 x 3/8	
30	3960422	1	Gasket	
31	1001217342	1	Bolt M12 x 30	
32	4060802	1	Guard, Switch	
33	4240099	AR	Tie-Strap (Not Shown)	
34	4360336	1	Switch, Toggle	
35	4460071	1	Connector, Strain Relief	
36	4460346	1	Receptacle	
37	4811600	4	Washer M5	
38	4811700	8	Washer M6	
39	4811900	10	Washer M8	
40	4922925	1	Harness, Generator	
40	4460225	1	Plug, Male - 6 Position (Plugs into Generator)	
40	See Note	NSS	Socket, Female (Use with 4460225)	
40	See Note	NSS	Seal, Plug (Use with 4460225)	

SECTION 3 - ENGINE

ITEM	PART NUMBER	QTY	DESCRIPTION	REV
40	See Note	NSS	Seal, Interface (Use with 4460225)	
41	5241200	5	Washer M12 Hardened	
42	1001104029	4	Screw M5 x 30	
43	1001110873	1	Shield, Cover	
44	0480129	1	Belt	
45	1001147233	1	Pulley	
47	1001155041	1	Stud	
48	1001157592	1	Junction Box Assembly (See Items 101-121 for Breakdown)	
49	1001168018	1	Washer, Snubbing	
50	1001174675	1	Wiring Diagram (Not Shown - See ELECTRICAL SECTION for Breakdown)	
51	1001212223	1	Generator Assembly	
51	70001100	1	Rotor (Includes p/n 70001384 & 70000863) (Not Shown)	
51	70001384	1	Bearing, Ball Radial (Not Shown)	
51	70000863	1	Fan (Not Shown)	
51	70006093	1	Stator (Not Shown)	
51	70002297	1	Stud	
51	70003631	1	Brushholder Assembly (Not Shown)	
51A	70004099	1	Key	
51B	70001966	1	Bearing, Ball Radial (Located in Belt Tensioner Endbell)	
51B	70003708	1	Ring, Internal Retaining (Located in Belt Tensioner Endbell)	
51B	70003709	1	Ring, External Retaining (Located in Belt Tensioner Endbell)	
51C	70004092	1	Endbell, Belt Tensioner	
51D	70004094	1	Endbell, Brush Block	
51E	70006094	1	Shroud	
51E	70002291	1	Insulator, Endbell	
51E	7027799	1	Block, Connector 6 Position (Not Shown)	
51E	70002460	1	Nut, Brass (Attaches p/n 7027799 to Cover) (Not Shown)	
51E	70006095	1	Breaker, Circuit 30Amp (Not Shown)	
51E	70006096	1	Guard, Breaker (Not Shown)	
51E	7026626	1	Connector, 6 Position (Includes Seal) (Not Shown - Plugs into Item 36)	
51E	70004098	1	Clamp, Cable (Not Shown)	
51E	70006097	1	Plate, End Panel	
51E	70001974	1	Decal - Terminal Connections	
51F	70001973	1	Decal - Warning Moving Parts	
52	1001213029	1	Adapter, Pulley	
53	1001214546	1	Support	
54	1001215523	1	Support	
55	1001216805	3	Spacer	
56	4812200	1	Washer M14	
	1001157592	Ref	JUNCTION BOX ASSEMBLY	C
101	1060343	1.5 ft /0.5m	Cable, Electrical 10/4	
102	1001179154	2.5 ft /0.8m	Cable, Electrical 12/3	
103	1671092	1	Cover	
104	3300396	1	Cover, Fuse	
105	3311001	6	Nut #10	
106	4360070	1	Circuit Breaker - 15Amp	
108	4460425	1	Connector, Strain Relief	
109	4460426	2	Connector, Strain Relief	

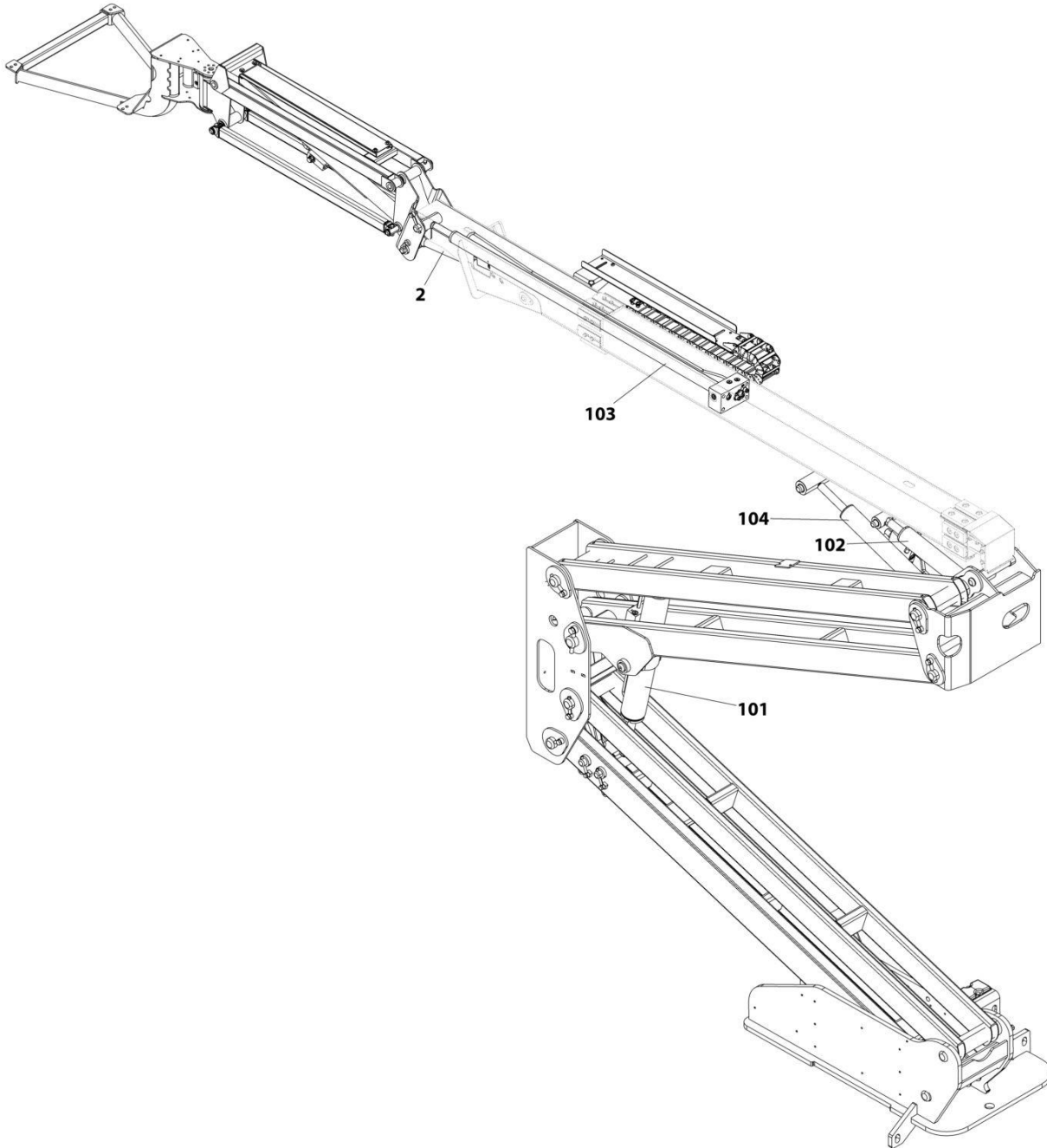
SECTION 3 - ENGINE

ITEM	PART NUMBER	QTY	DESCRIPTION	REV
111	4460963	1	Connector	
112	4711000	10	Washer #10	
114	10702077	2	Screw #10 x 3/8in	
115	10702082	2	Screw #10 x 3/4in	
116	1001152525	1	Plug	
117	1001157520	1	Block, Terminal	
118	1001157521	1	Box, Junction	
119	1001157528	1	Decal - Wiring Schematic	
120	1001158007	1	Cover, PVC	
121	1001158008	2	Stand-Off	
	0273380	Ref	DECAL INSTALLATION	B
202	1705375	1	Decal - 240V-3 Phase-60Hz	
203	1705387	3	Decal - Hazardous Voltage	
204	1705460	2	Decal - SkyPower	

SECTION 4 - BOOM

SECTION 4 - BOOM

FIGURE 4-1. CYLINDERS INSTALLATION - 450A



ART_1001215225

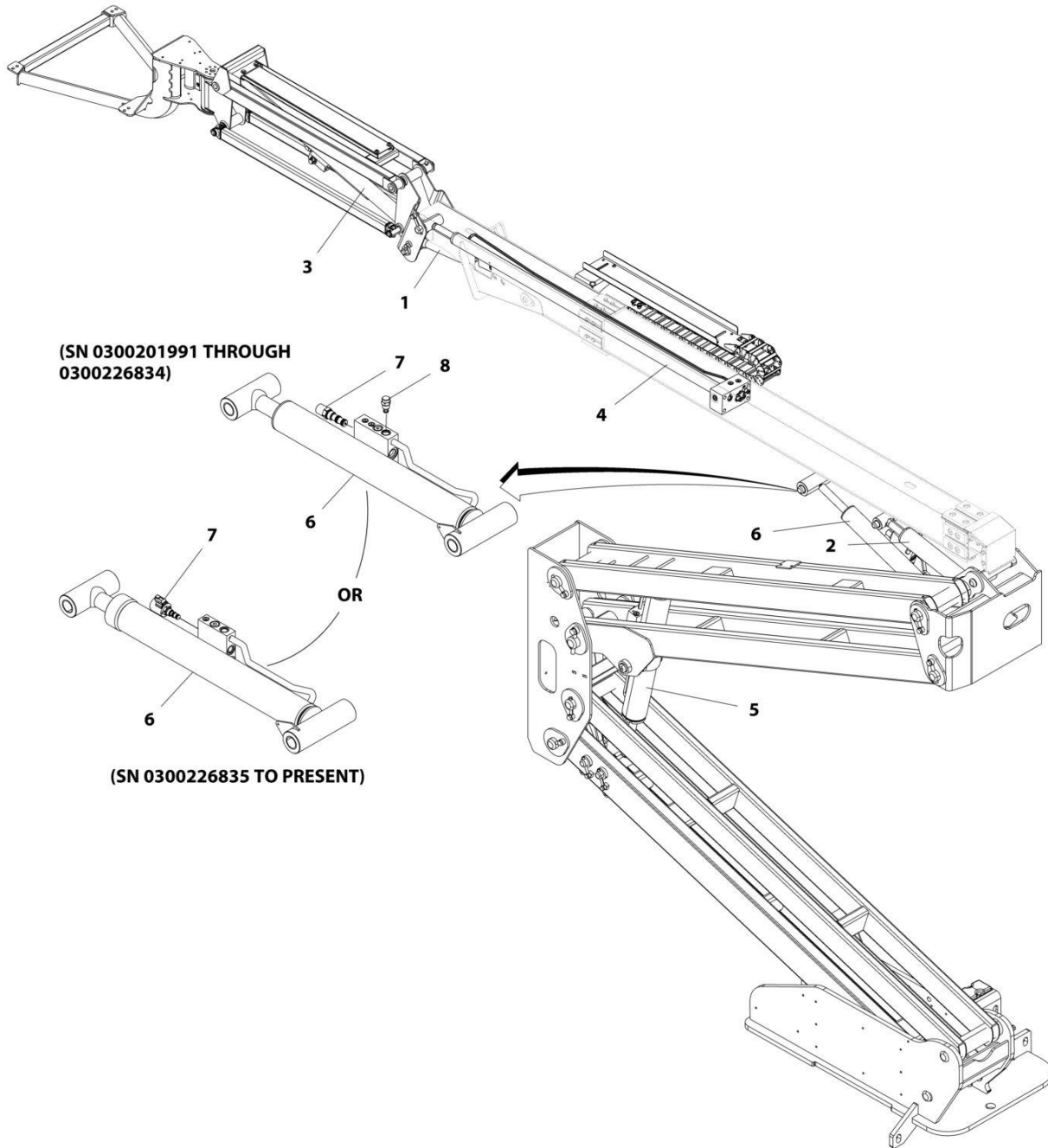
SECTION 4 - BOOM

FIGURE 4-1. CYLINDERS INSTALLATION - 450A

ITEM	PART NUMBER	QTY	DESCRIPTION	REV
	1001215225	Ref	CYLINDERS INSTALLATION - 450A	C
2	1001161716	1	Level (Platform Slave) Cylinder Assembly (See CYLINDER SECTION for Breakdown)	
100	1001219004	Ref	CYLINDER KIT INSTALLATION	B
101	1001161715	1	Lift Cylinder Assembly - Tower Boom (See CYLINDER SECTION for Breakdown)	
102	1001161717	1	Master Cylinder Assembly (See CYLINDER SECTION for Breakdown)	
103	1001161804	1	Telescope Cylinder Assembly (See CYLINDER SECTION for Breakdown)	
104	1001181706	1	Lift Cylinder Assembly - Main Boom (See CYLINDER SECTION for Breakdown) (SN 0300201991 through 0300235624)	
104	1001217681	1	Lift Cylinder Assembly - Main Boom (See CYLINDER SECTION for Breakdown) (SN 0300235625 through 0300272317, Except SN 0300272185 through 0300272190)	

SECTION 4 - BOOM

FIGURE 4-2. CYLINDERS INSTALLATION - 450AJ (USA AND CHINA BUILT MACHINES)



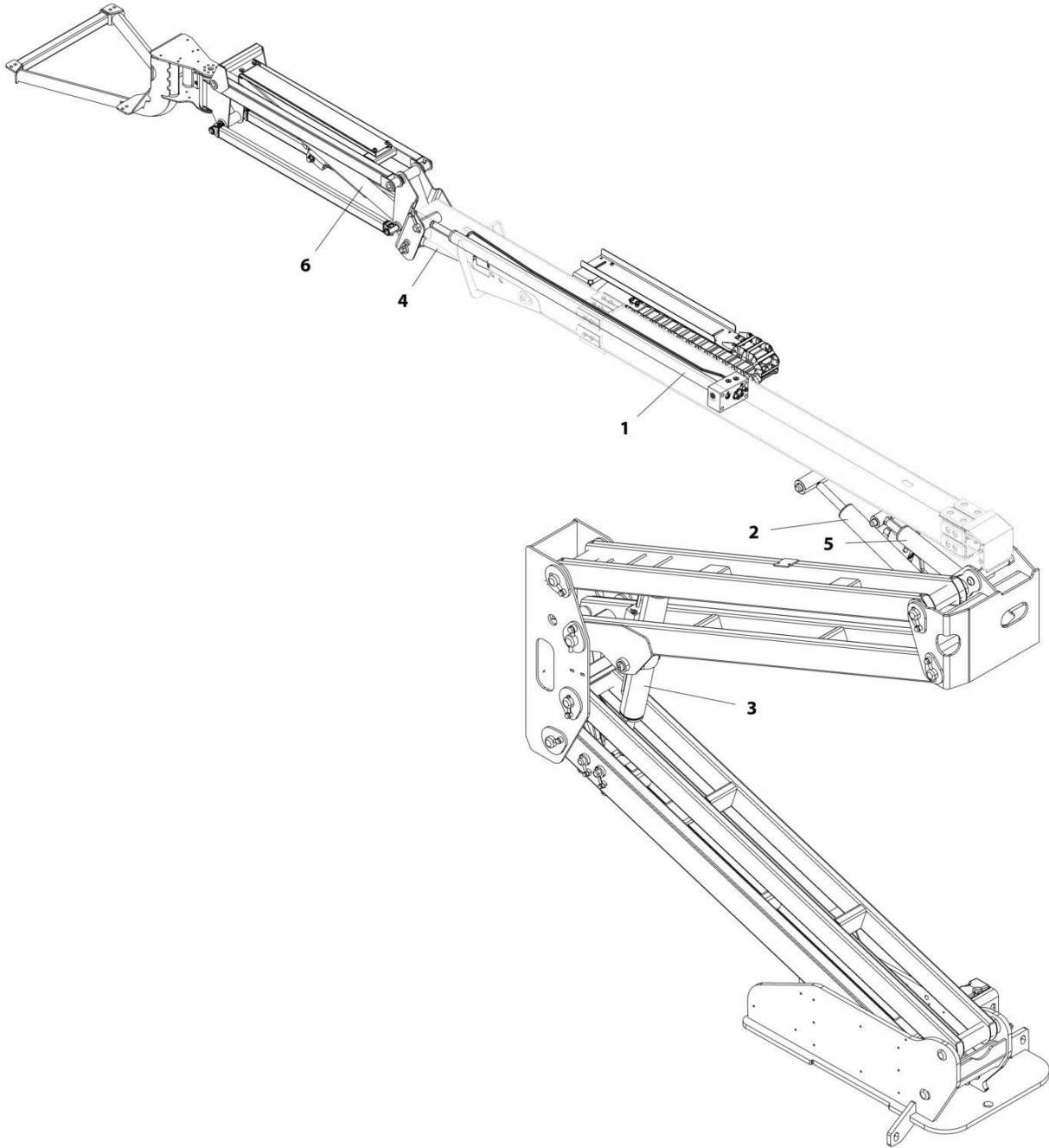
SECTION 4 - BOOM

FIGURE 4-2. CYLINDERS INSTALLATION - 450AJ (USA AND CHINA BUILT MACHINES)

ITEM	PART NUMBER	QTY	DESCRIPTION	REV
	1001163856	Ref	CYLINDERS INSTALLATION - 450AJ (USA AND CHINA BUILT MACHINES)	E
1	1001161716	1	Level (Platform Slave) Cylinder Assembly (See CYLINDER SECTION for Breakdown)	
2	1001161717	1	Master Cylinder Assembly (See CYLINDER SECTION for Breakdown)	
3	1001163767	1	Lift Cylinder Assembly - Jib (See CYLINDER SECTION for Breakdown)	
4	1001164523	1	Telescope Cylinder Assembly (See CYLINDER SECTION for Breakdown) (SN 0300201991 through 0300234431)	
4	1001161713	1	Telescope Cylinder Assembly (See CYLINDER SECTION for Breakdown) (SN 0300234432 through 0300272317, SN B300003516 through B300005760, Except SN 0300272185 through 0300272190, Excluding B300005569)	
5	1001161715	1	Lift Cylinder Assembly - Tower Boom (See CYLINDER SECTION for Breakdown)	
6	1001181705	1	Lift Cylinder Assembly - Main Boom (See CYLINDER SECTION for Breakdown) (SN 0300201991 through 0300226834)	
6	1001212069	1	Lift Cylinder Assembly - Main Boom (See CYLINDER SECTION for Breakdown) (SN 0300226835 through 0300234431)	
6	1001217676	1	Lift Cylinder Assembly - Main Boom (See CYLINDER SECTION for Breakdown) (SN 0300234432 through 0300272317, SN B300003516 through B300005760, Except SN 0300272185 through 0300272190, Excluding B300005569)	
7	1001148972	1	Valve, Solenoid Cartridge with Coil (SN 0300201991 through 0300226834)	
7	70002401	1	Valve, Solenoid Cartridge Less Coil	
7	7017496	1	Seal Kit - 70002401 and 1001148972 Valves	
7	70003788	1	Coil	
7	1001206625	1	Valve, Solenoid Cartridge with Coil (SN 0300226835 through 0300234431)	
7	70006104	1	Valve, Solenoid Cartridge Less Coil	
7	70006105	1	Seal Kit - 70006104 and 1001206625 Valves	
7	70003788	1	Coil	
7	7022390	1	Nut, Coil	
8	1001164709	1	Valve, Solenoid Cartridge with Coil (SN 0300226835 through 0300234431)	
8	7017467	1	Valve, Solenoid Cartridge Less Coil	
8	7012967	1	Seal Kit - 7017467 and 1001164709 Valves	
8	70002386	1	Coil	

SECTION 4 - BOOM

FIGURE 4-3. CYLINDERS INSTALLATION - 450AJ (ROMANIAN BUILT MACHINES)



ART_1001163857

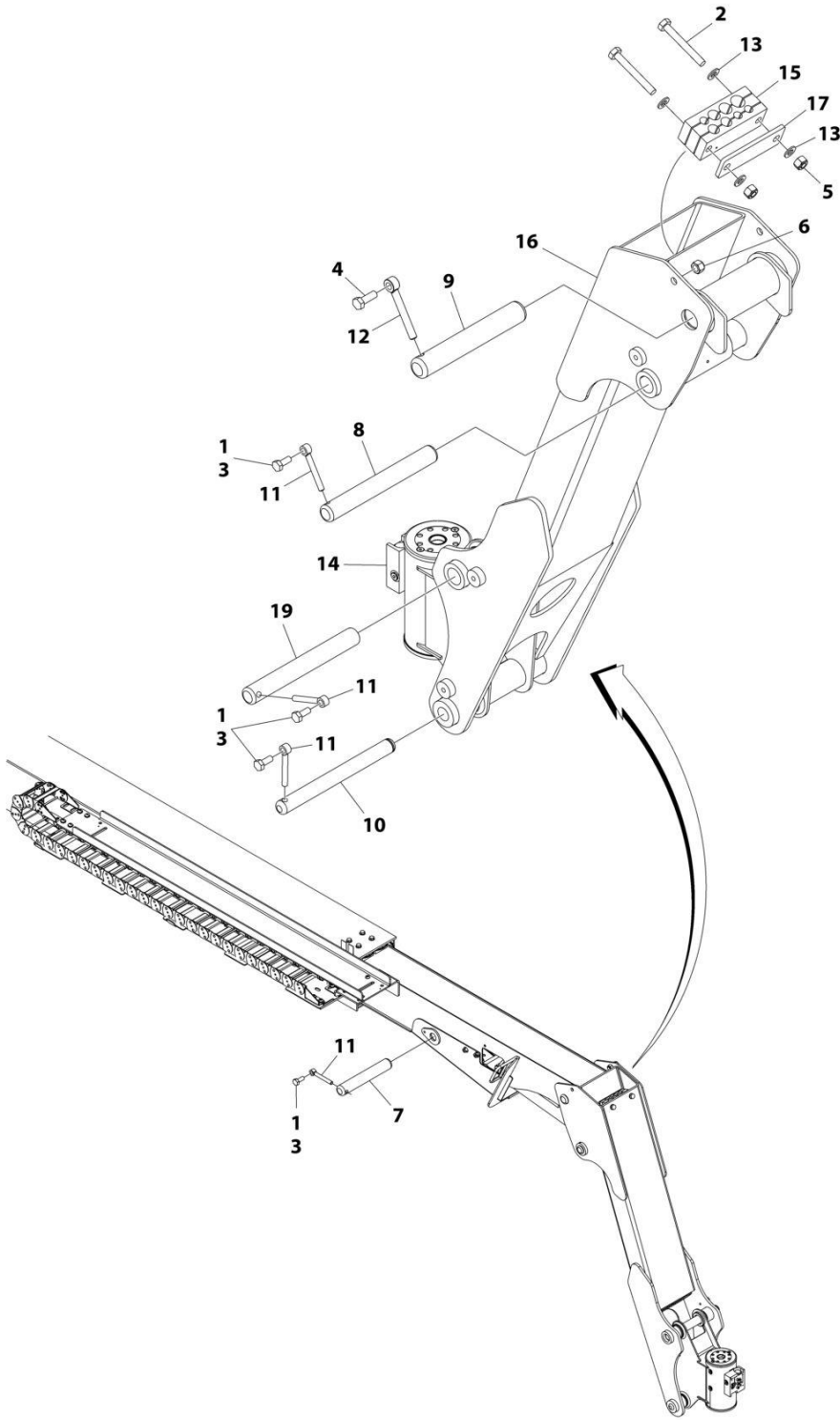
SECTION 4 - BOOM

FIGURE 4-3. CYLINDERS INSTALLATION - 450AJ (ROMANIAN BUILT MACHINES)

ITEM	PART NUMBER	QTY	DESCRIPTION	REV
	1001163857	Ref	CYLINDERS INSTALLATION - 450AJ (ROMANIAN BUILT MACHINES)	C
1	1001161713	1	Telescope Cylinder Assembly (See CYLINDER SECTION for Breakdown)	
2	1001181324	1	Lift Cylinder Assembly - Main Boom (See CYLINDER SECTION for Breakdown) (SN E300002833 through E300004225)	
2	1001217676	1	Lift Cylinder Assembly - Main Boom (See CYLINDER SECTION for Breakdown) (SN 1300007279 through 1300007373, SN E300004226 through E300007990, Excluding E300007814)	
3	1001161715	1	Lift Cylinder Assembly - Tower Boom (See CYLINDER SECTION for Breakdown)	
4	1001161716	1	Level (Platform Slave) Cylinder Assembly (See CYLINDER SECTION for Breakdown)	
5	1001161717	1	Master Cylinder Assembly (See CYLINDER SECTION for Breakdown)	
6	1001163767	1	Lift Cylinder Assembly - Jib (See CYLINDER SECTION for Breakdown)	

SECTION 4 - BOOM

FIGURE 4-4. BOOM INSTALLATION - 450A



ART_1001218940

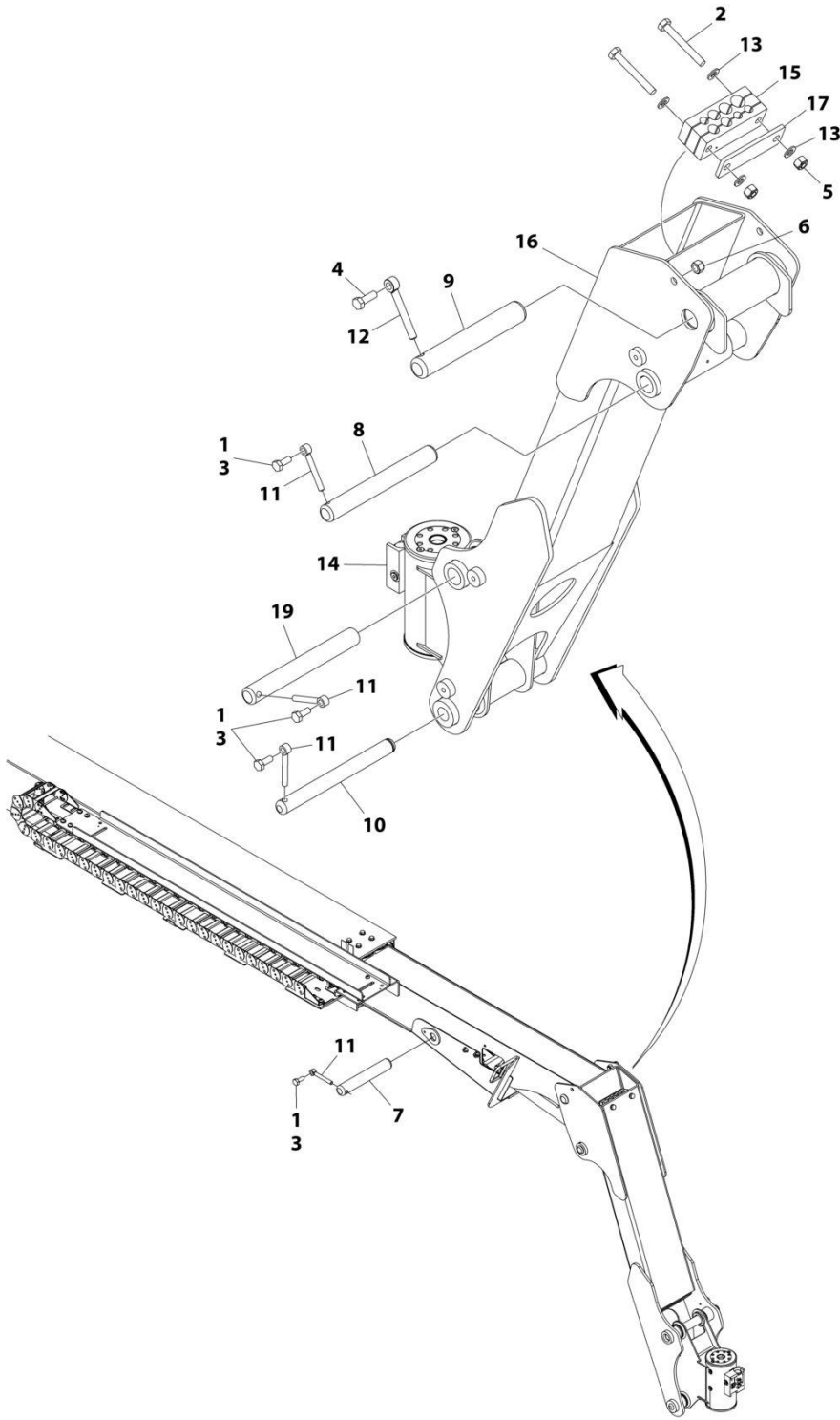
SECTION 4 - BOOM

FIGURE 4-4. BOOM INSTALLATION - 450A

ITEM	PART NUMBER	QTY	DESCRIPTION	REV
	1001218940	Ref	BOOM INSTALLATION - 450A	C
1	0100011	AR	Compound, Locking	
2	0761024	2	Bolt M10 x 80	
3	0761012	4	Bolt M10 x 25	
4	0761015	1	Bolt M10 x 35	
5	3291005	2	Nut M10 x 1.5 (Grade8)	
6	3291205	1	Nut M12 x 1.75 (Grade8)	
7	3422755	1	Pin	
8	3422792	1	Pin	
9	3422793	1	Pin	
10	3423105	1	Pin	
11	3841143	4	Keeper, Pin	
12	3841203	1	Keeper, Pin	
13	4812000	4	Washer, M10	
14	1001165302	NLA	Rotator Assembly (Use p/n 1001217779) (See ROTATOR ASSEMBLY for Breakdown) (SN 0300201991 through 0300232742)	
14	1001217779	1	Rotator Assembly (See ROTATOR ASSEMBLY for Breakdown) (SN 0300232743 through 0300272317, Except SN 0300272185 through 0300272190)	
15	1001166656	1	Block, Clamping	
16	1001215058	1	Link, Fixed Jib	
17	1001216639	1	Clamp	
19	3422792	1	Pin (SN 0300201991 through 0300235624)	
19	3422790	1	Pin (SN 0300235625 through 0300272317, Except SN 0300272185 through 0300272190)	
100	1001218943	Ref	BOOM INSTALLATION (Not Shown)	A
101	1001219001	1	Cables and Clamps Installation (Not Shown - See ELECTRICAL SECTION for Breakdown)	
102	1001219003	1	Boom Installation Kit (Not Shown - See BOOM INSTALLATION (450A) for Breakdown)	

SECTION 4 - BOOM

FIGURE 4-5. BOOM INSTALLATION WITH AIRLINE - 450A



ART_1001218941

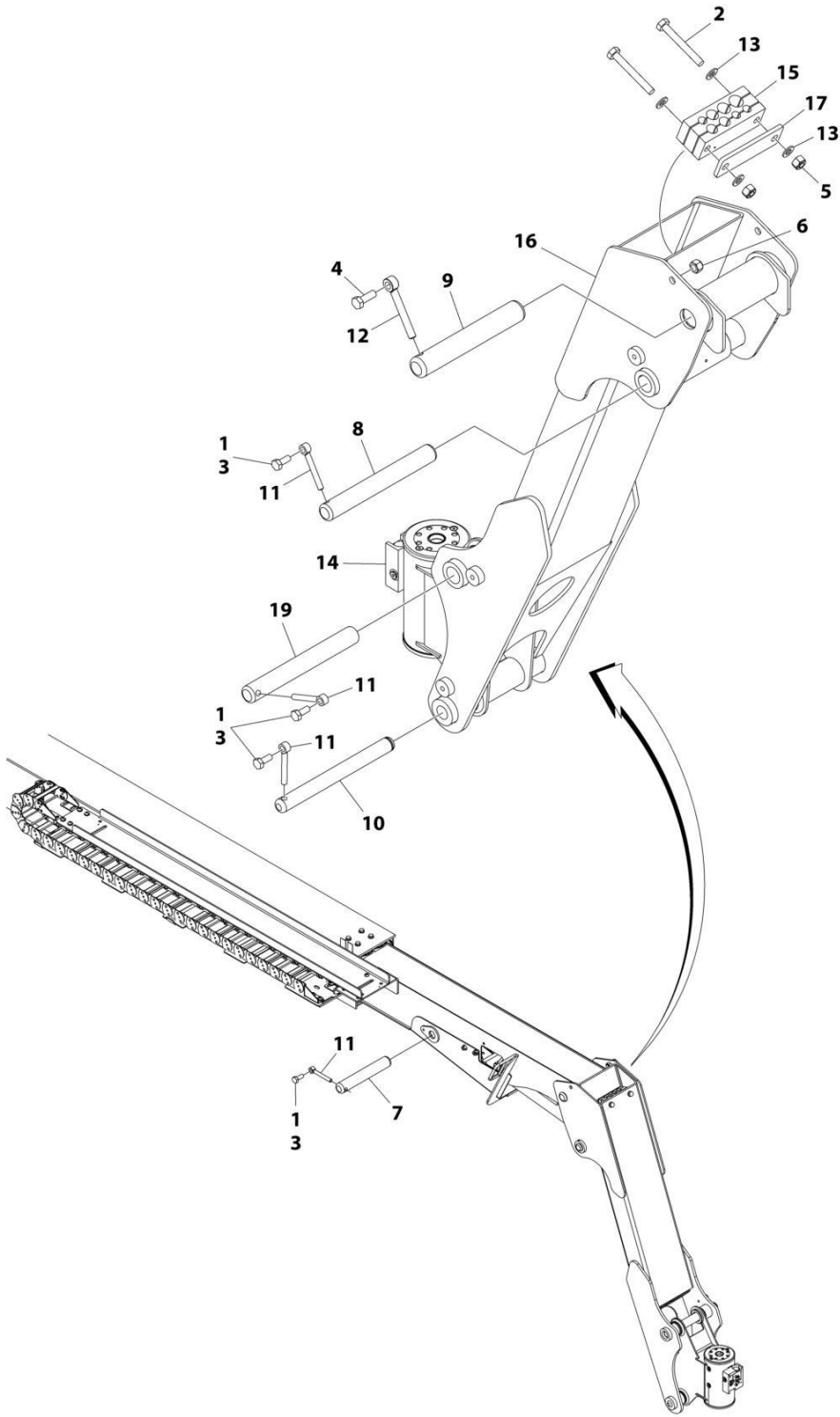
SECTION 4 - BOOM

FIGURE 4-5. BOOM INSTALLATION WITH AIRLINE - 450A

ITEM	PART NUMBER	QTY	DESCRIPTION	REV
	1001218941	Ref	BOOM INSTALLATION WITH AIRLINE- 450A	C
1	0100011	AR	Compound, Locking	
2	0761024	2	Bolt M10 x 80	
3	0761012	4	Bolt M10 x 25	
4	0761015	1	Bolt M10 x 35	
5	3291005	2	Nut M10 x 1.5 (Grade8)	
6	3291205	1	Nut M12 x 1.75 (Grade8)	
7	3422755	1	Pin	
8	3422792	1	Pin	
9	3422793	1	Pin	
10	3423105	1	Pin	
11	3841143	4	Keeper, Pin	
12	3841203	1	Keeper, Pin	
13	4812000	4	Washer, M10	
14	1001165302	NLA	Rotator Assembly (Use p/n 1001217779) (See ROTATOR ASSEMBLY for Breakdown) (SN 0300201991 through 0300232742)	
14	1001217779	1	Rotator Assembly (See ROTATOR ASSEMBLY for Breakdown) (SN 0300232743 through 0300272317, Except SN 0300272185 through 0300272190)	
15	1001166656	1	Block, Clamping	
16	1001215058	1	Link, Fixed Jib	
17	1001216639	1	Clamp	
19	3422792	1	Pin (SN 0300201991 through 0300235624)	
19	3422790	1	Pin (SN 0300235625 through 0300272317, Except SN 0300272185 through 0300272190)	
100	1001218946	Ref	BOOM INSTALLATION WITH AIRLINE (Not Shown)	A
101	1001219000	1	Airline Installation Kit (Not Shown - See SPECIAL OPTIONS)	
102	1001219001	1	Cables and Clamps Installation (Not Shown - See ELECTRICAL SECTION for Breakdown)	
103	1001219003	1	Boom Installation Kit (Not Shown - See BOOM INSTALLATION (450A) for Breakdown)	

SECTION 4 - BOOM

FIGURE 4-6. BOOM INSTALLATION WITH SKYPOWER AND AIRLINE - 450A



ART_1001218942

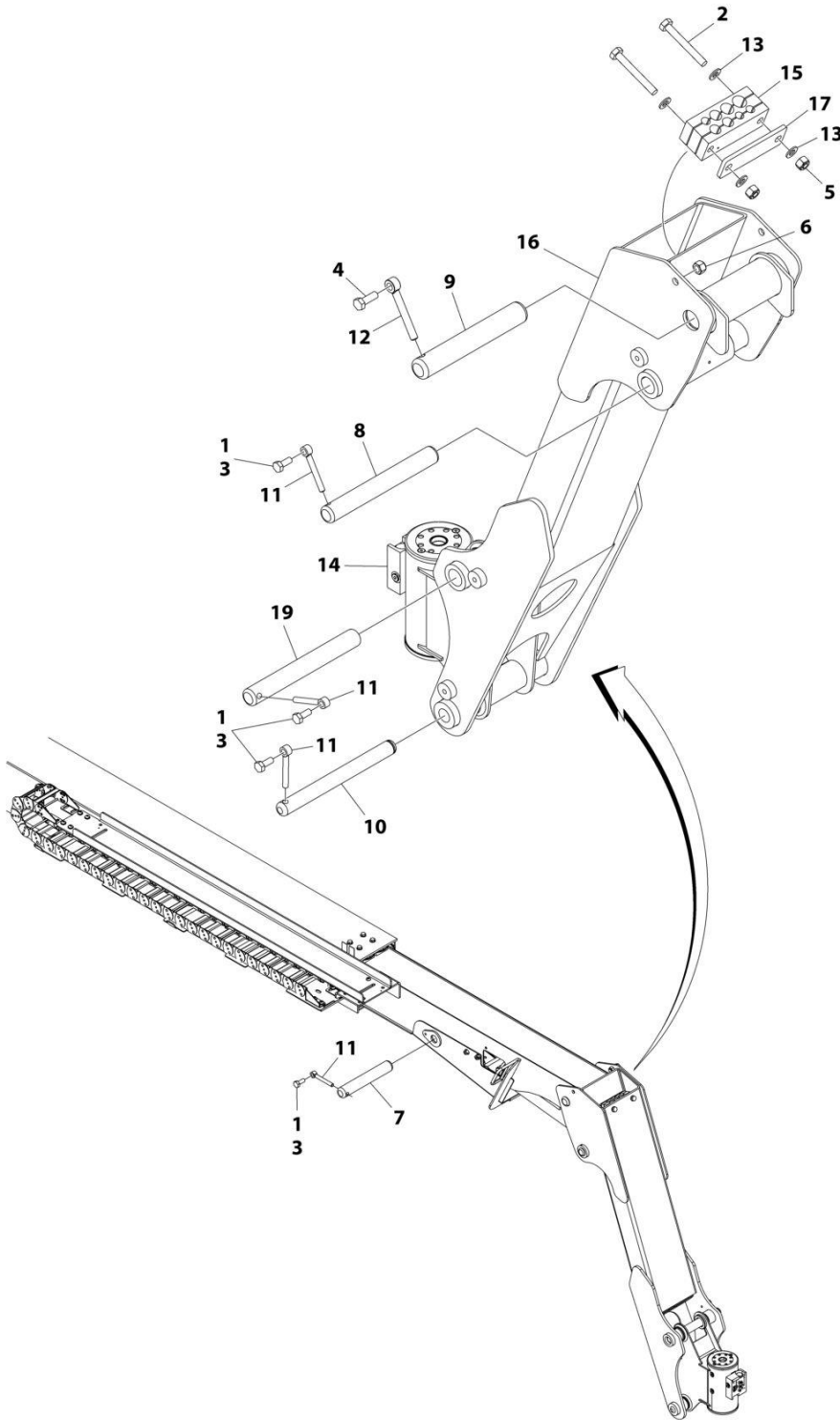
SECTION 4 - BOOM

FIGURE 4-6. BOOM INSTALLATION WITH SKYPOWER AND AIRLINE - 450A

ITEM	PART NUMBER	QTY	DESCRIPTION	REV
	1001218942	Ref	BOOM INSTALLATION WITH SKYPOWER AND AIRLINE- 450A	C
1	0100011	AR	Compound, Locking	
2	0761024	2	Bolt M10 x 80	
3	0761012	4	Bolt M10 x 25	
4	0761015	1	Bolt M10 x 35	
5	3291005	2	Nut M10 x 1.5 (Grade8)	
6	3291205	1	Nut M12 x 1.75 (Grade8)	
7	3422755	1	Pin	
8	3422792	1	Pin	
9	3422793	1	Pin	
10	3423105	1	Pin	
11	3841143	4	Keeper, Pin	
12	3841203	1	Keeper, Pin	
13	4812000	4	Washer, M10	
14	1001165302	NLA	Rotator Assembly (Use p/n 1001217779) (See ROTATOR ASSEMBLY for Breakdown) (SN 0300201991 through 0300232742)	
14	1001217779	1	Rotator Assembly (See ROTATOR ASSEMBLY for Breakdown) (SN 0300232743 through 0300272317, Except SN 0300272185 through 0300272190)	
15	1001166656	1	Block, Clamping	
16	1001215058	1	Link, Fixed Jib	
17	1001216639	1	Clamp	
19	3422792	1	Pin (SN 0300201991 through 0300235624)	
19	3422790	1	Pin (SN 0300235625 through 0300272317, Except SN 0300272185 through 0300272190)	
100	1001218947	Ref	BOOM INSTALLATION WITH AIRLINE (Not Shown)	A
101	1001219000	1	Airline Installation Kit (Not Shown - See SPECIAL OPTIONS)	
102	1001219002	1	Cables and Clamps Installation (Not Shown - See SPECIAL OPTIONS)	
103	1001219003	1	Boom Installation Kit (Not Shown - See BOOM INSTALLATION (450A) for Breakdown)	

SECTION 4 - BOOM

FIGURE 4-7. BOOM INSTALLATION WITH SKYPOWER - 450A



ART_1001235055

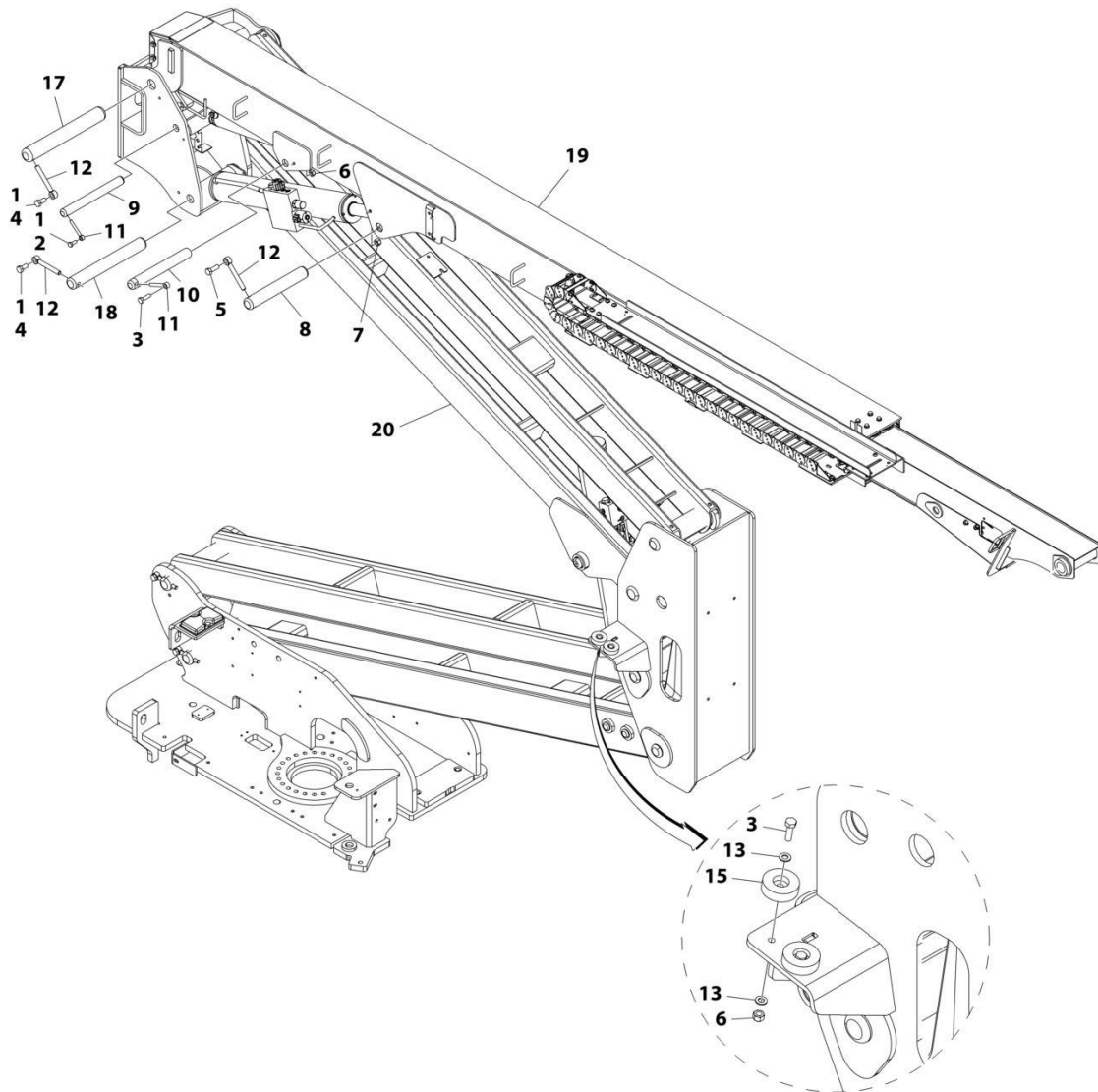
SECTION 4 - BOOM

FIGURE 4-7. BOOM INSTALLATION WITH SKYPOWER - 450A

ITEM	PART NUMBER	QTY	DESCRIPTION	REV
	1001235055	Ref	BOOM INSTALLATION WITH SKYPOWER	A
1	0100011	AR	Compound, Locking	
2	0761024	2	Bolt M10 x 80	
3	0761012	4	Bolt M10 x 25	
4	0761015	1	Bolt M10 x 35	
5	3291005	2	Nut M10 x 1.5 (Grade8)	
6	3291205	1	Nut M12 x 1.75 (Grade8)	
7	3422755	1	Pin	
8	3422792	1	Pin	
9	3422793	1	Pin	
10	3423105	1	Pin	
11	3841143	4	Keeper, Pin	
12	3841203	1	Keeper, Pin	
13	4812000	4	Washer, M10	
14	1001217779	1	Rotator Assembly (See ROTATOR ASSEMBLY for Breakdown) (SN 0300232743 through 0300272317, Except SN 0300272185 through 0300272190)	
15	1001166656	1	Block, Clamping	
16	1001215058	1	Link, Fixed Jib	
17	1001216639	1	Clamp	
19	3422790	1	Pin (SN 0300235625 through 0300272317, Except SN 0300272185 through 0300272190)	
100	1001235053	Ref	BOOM INSTALLATION WITH AIRLINE (Not Shown)	A
101	1001219002	1	Cables and Clamps Installation (Not Shown - See SPECIAL OPTIONS)	
102	1001219003	1	Boom Installation Kit (Not Shown - See BOOM INSTALLATION (450A) for Breakdown)	

SECTION 4 - BOOM

FIGURE 4-8. BOOM INSTALLATION KIT - 450A



ART_1001219003

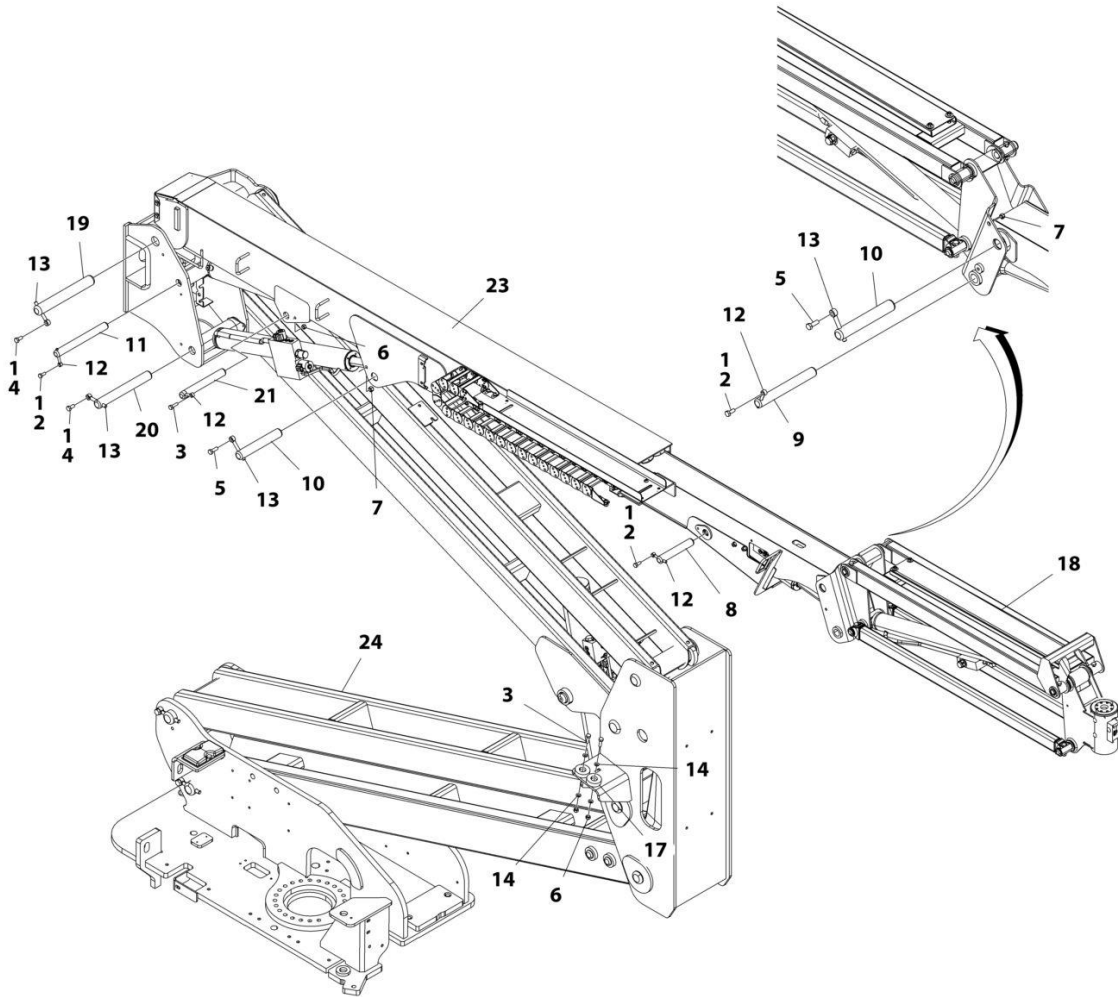
SECTION 4 - BOOM

FIGURE 4-8. BOOM INSTALLATION KIT - 450A

ITEM	PART NUMBER	QTY	DESCRIPTION	REV
	1001219003	Ref	BOOM INSTALLATION KIT - 450A	B
1	0100011	AR	Compound, Locking	
2	0761012	1	Bolt M10 x 25	
3	0761015	3	Bolt M10 x 35	
4	0761212	2	Bolt M12 x 25	
5	0761215	1	Bolt M12 x 35	
6	3291005	3	Nut M10 x 1.5 (Grade8)	
7	3291205	2	Nut M12 x 1.75 (Grade8)	
8	3422793	2	Pin	
9	3422806	1	Pin	
10	3423038	1	Pin	
11	3841143	2	Keeper, Pin	
12	3841203	3	Keeper, Pin	
13	4812000	4	Washer, M10	
14	5251010	2	Bolt M10 x 25	
15	1001112607	2	Block, Boom Rest	
16	1001162535	1	Upright Valve Assembly (Not Shown - See UPRIGHT VALVE ASSEMBLY for Breakdown)	
17	1001169246	1	Pin	
18	1001169247	1	Pin	
19	1001179626	1	Main Boom Assembly (See MAIN BOOM ASSEMBLY - 450A for Breakdown)	
20	1001180006	1	Tower Boom Assembly (See TOWER BOOM ASSEMBLY - 450A USA BUILT MACHINES for Breakdown)	
200	1001219004	1	Cylinder Installation (Not Shown - See CYLINDER INSTALLATION - 450A for Breakdown)	

SECTION 4 - BOOM

FIGURE 4-9. BOOM INSTALLATION - 450AJ USA AND CHINA BUILT MACHINES



ART_1001180872

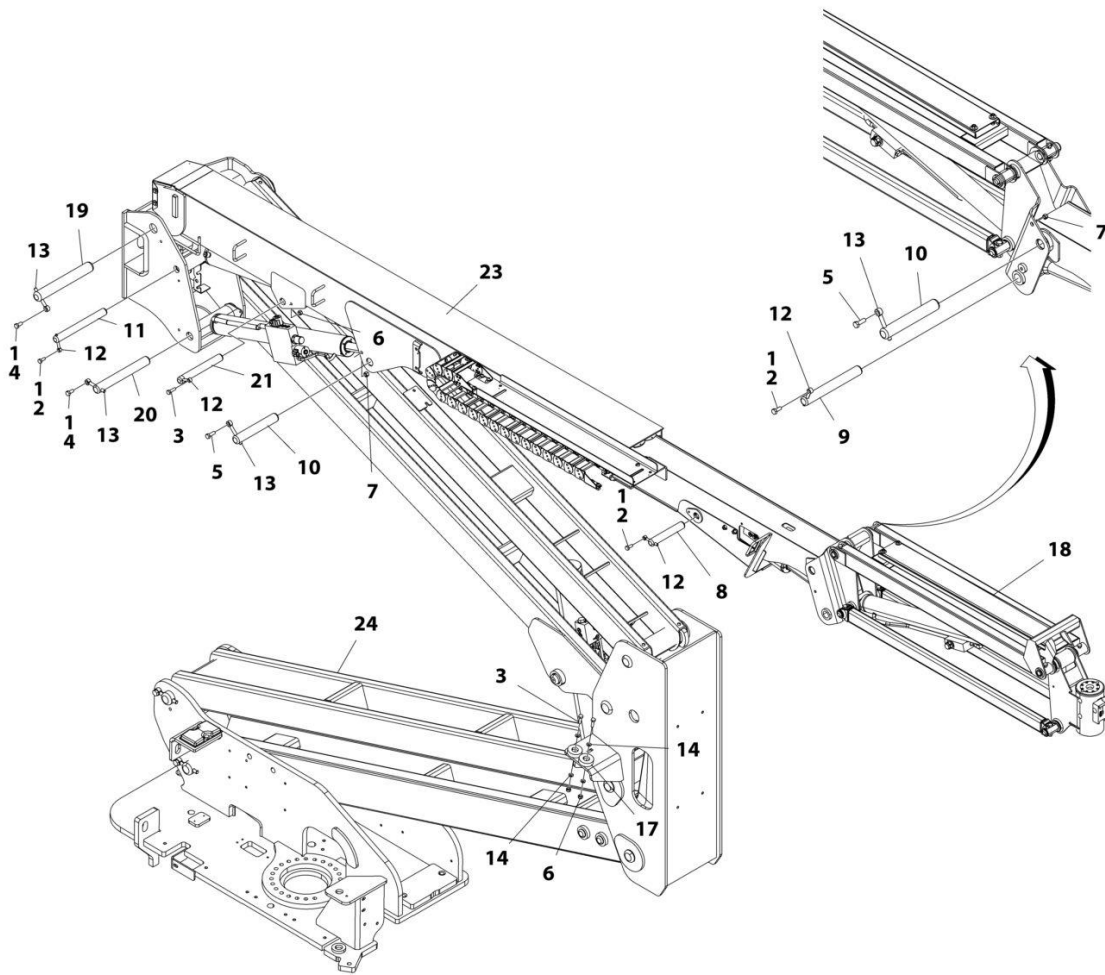
SECTION 4 - BOOM

FIGURE 4-9. BOOM INSTALLATION - 450AJ USA AND CHINA BUILT MACHINES

ITEM	PART NUMBER	QTY	DESCRIPTION	REV
	1001180872	Ref	BOOM INSTALLATION - 450AJ USA AND CHINA BUILT MACHINES	D
1	0100011	AR	Compound, Locking	
2	0761012	3	Bolt, M10 x 25mm	
3	0761015	3	Bolt, M10 x 35mm	
4	0761212	2	Bolt, M12 x 25mm	
5	0761215	2	Bolt, M12 x 35mm	
6	3291005	3	Nut, Lock M10 x 1.5 (Grade8)	
7	3291205	2	Nut, Lock M12 x 1.75 (Grade8)	
8	3422755	1	Pin	
9	3422792	1	Pin	
10	3422793	2	Pin	
11	3422806	1	Pin	
12	3841143	4	Keeper, Pin	
13	3841203	4	Keeper, Pin	
14	4812000	4	Washer, M10	
17	1001112607	2	Block, Boom Rest	
18	1001164016	1	Jib Installation (See JIB INSTALLATION - 450AJ USA AND CHINA BUILT MACHINES for Breakdown)	
19	1001169246	1	Pin	
20	1001169247	1	Pin	
21	3423038	1	Pin	
23	1001178636	1	Main Boom Assembly (See MAIN BOOM ASSEMBLY - 450AJ for Breakdown)	
24	1001180004	1	Tower Boom Assembly (See TOWER BOOM ASSEMBLY - 450AJ USA AND CHINA BUILT MACHINES for Breakdown)	

SECTION 4 - BOOM

FIGURE 4-10. BOOM INSTALLATION - 450AJ ROMANIAN BUILT MACHINES



ART_1001180873

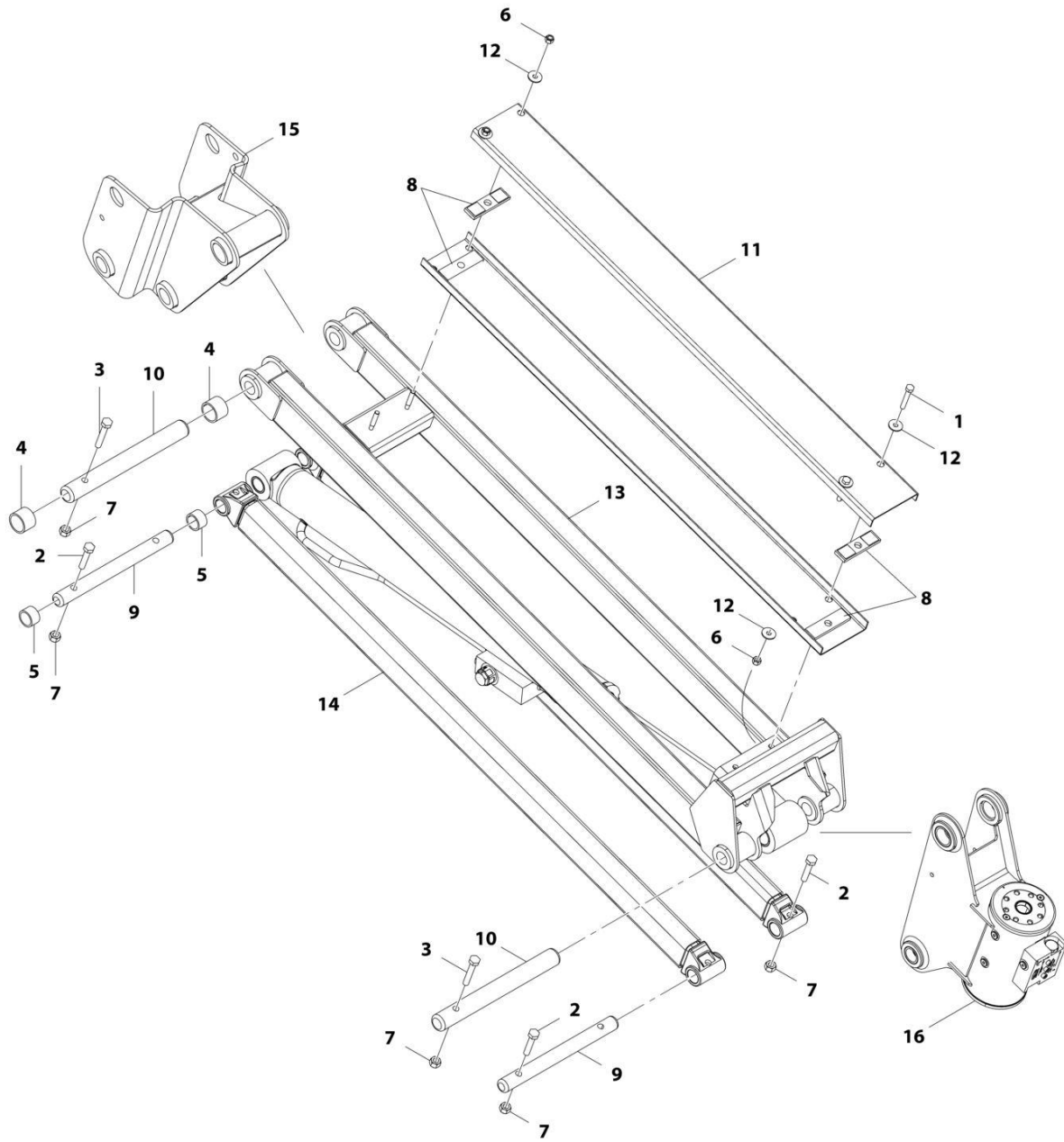
SECTION 4 - BOOM

FIGURE 4-10. BOOM INSTALLATION - 450AJ ROMANIAN BUILT MACHINES

ITEM	PART NUMBER	QTY	DESCRIPTION	REV
	1001180873	Ref	BOOM INSTALLATION - 450AJ ROMANIAN BUILT MACHINES	C
1	0100011	AR	Compound, Locking	
2	0761012	3	Bolt, M10 x 25mm	
3	0761015	3	Bolt, M10 x 35mm	
4	0761212	2	Bolt, M12 x 25mm	
5	0761215	2	Bolt, M12 x 35mm	
6	3291005	3	Nut, Lock M10 x 1.5	
7	3291205	2	Nut, Lock M12 x 1.75	
8	3422755	1	Pin	
9	3422792	1	Pin	
10	3422793	2	Pin	
11	3422806	1	Pin	
12	3841143	4	Keeper, Pin	
13	3841203	4	Keeper, Pin	
14	4812000	4	Washer, M10	
17	1001112607	2	Block, Boom Rest	
18	1001164017	1	Jib Installation (See JIB INSTALLATION - 450AJ ROMANIAN BUILT MACHINES for Breakdown)	
19	1001169246	1	Pin	
20	1001169247	1	Pin	
21	3423038	1	Pin	
23	1001178636	1	Main Boom Assembly (See MAIN BOOM ASSEMBLY - 450AJ for Breakdown)	
24	1001180005	1	Tower Boom Assembly (See TOWER BOOM ASSEMBLY - 450AJ ROMANIAN BUILT MACHINES for Breakdown)	

SECTION 4 - BOOM

FIGURE 4-11. JIB INSTALLATION - USA AND CHINA BUILT MACHINES



ART_1001164016

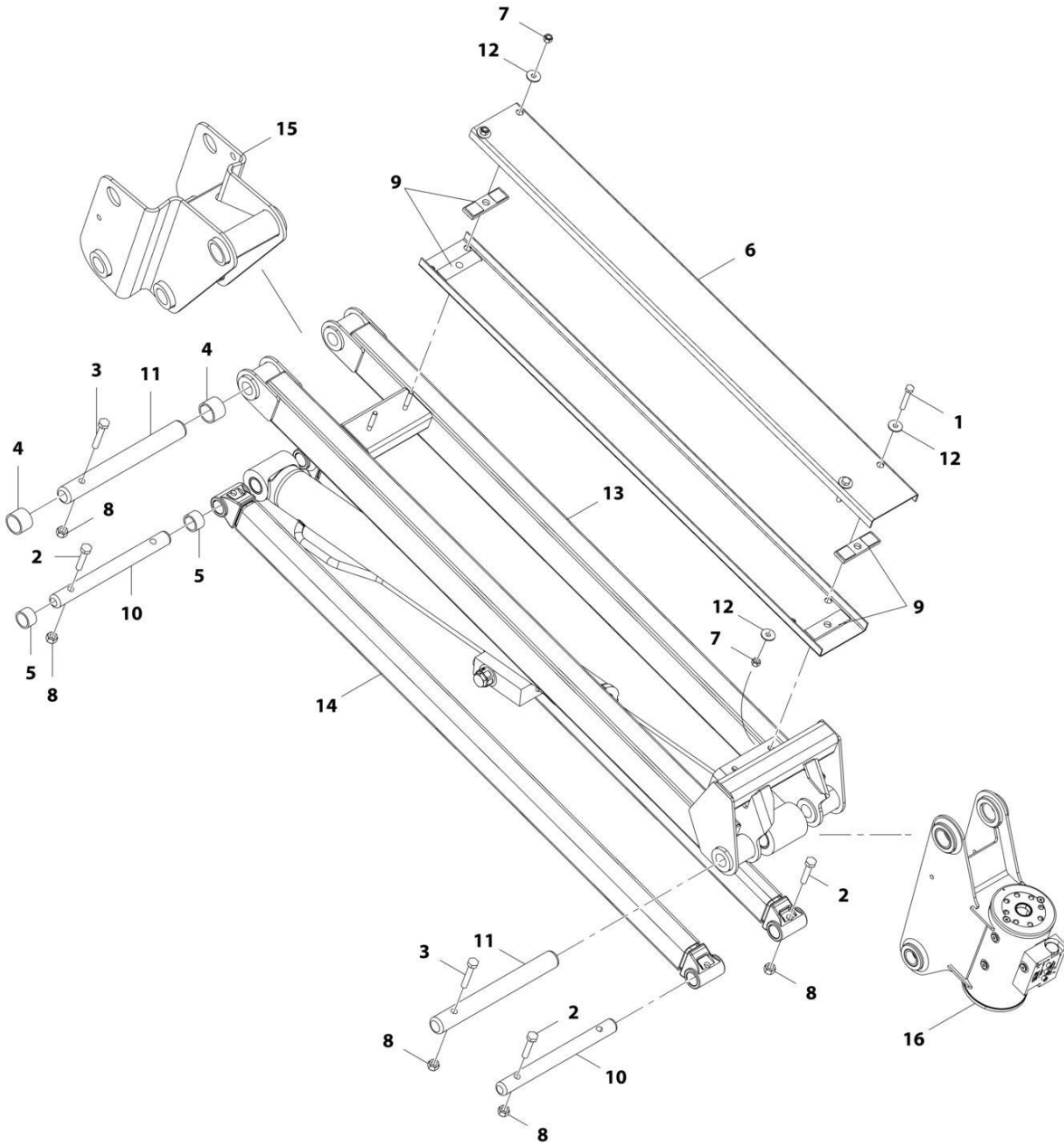
SECTION 4 - BOOM

FIGURE 4-11. JIB INSTALLATION - USA AND CHINA BUILT MACHINES

ITEM	PART NUMBER	QTY	DESCRIPTION	REV
	1001164016	Ref	JIB INSTALLATION - USA AND CHINA BUILT MACHINES	D
1	0700820	2	Bolt, M8 x 60	
2	0701019	4	Bolt, M10 x 55	
3	0701020	2	Bolt, M10 x 60	
4	0961951	2	Bushing	
5	0962292	2	Bearing	
6	3290805	4	Nut, M8	
7	3291005	6	Nut, M10	
8	3340860	4	Pad, Rubber	
9	3422791	2	Pin	
10	1001116550	2	Pin	
11	3572551	2	Channel	
12	4811902	6	Washer, M8	
13	1001118482	1	Link (Upper)	
14	1001094670	2	Link (Lower)	
15	1001163937	1	Pivot	
16	1001165302	NLA	Rotator Assembly (Use p/n 1001217779) (See ROTATOR ASSEMBLY for Breakdown) (SN 0300201991 through 0300232742)	
16	1001217779	1	Rotator Assembly (See ROTATOR ASSEMBLY for Breakdown) (SN 0300232743 through 0300272317, SN B300003516 through B300005760, Except SN 0300272185 through 0300272190, Excluding B300005569)	

SECTION 4 - BOOM

FIGURE 4-12. JIB INSTALLATION - ROMANIAN BUILT MACHINES



ART_1001164017

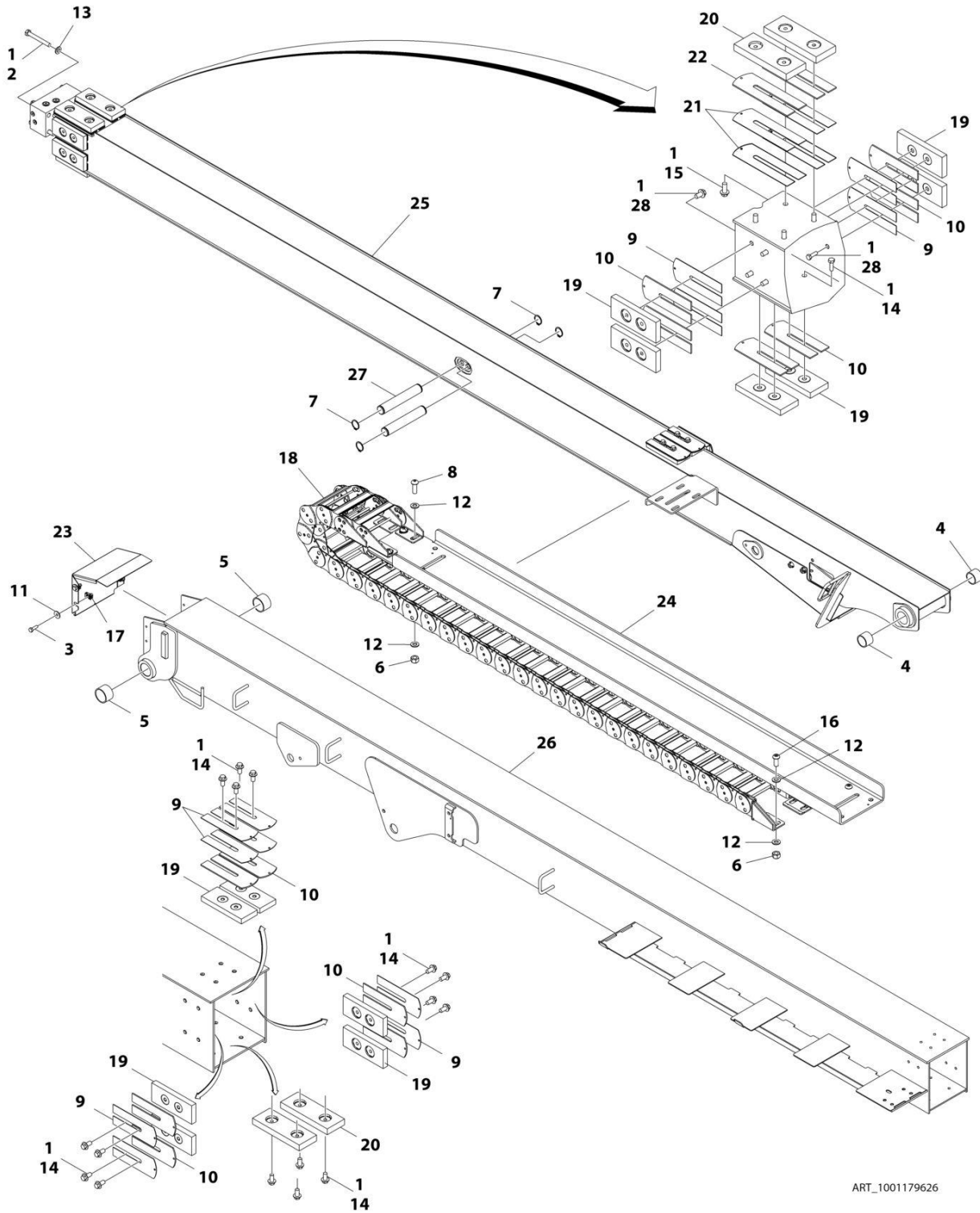
SECTION 4 - BOOM

FIGURE 4-12. JIB INSTALLATION - ROMANIAN BUILT MACHINES

ITEM	PART NUMBER	QTY	DESCRIPTION	REV
	1001164017	Ref	JIB INSTALLATION - ROMANIAN BUILT MACHINES	D
1	0700820	2	Bolt, M8 x 60	
2	0701019	4	Bolt, M8 x 55	
3	0701020	2	Bolt, M10 x 60	
4	0961951	2	Bushing	
5	0962292	2	Bearing	
6	3572551	2	Channel	
7	3290805	4	Nut, M8	
8	3291005	6	Nut, M10	
9	3340860	4	Pad, Rubber	
10	3422791	2	Pin	
11	1001116550	2	Pin	
12	4811902	6	Washer, M8	
13	1001183171	1	Link (Upper)	
14	4846689	2	Link (Lower)	
15	1001163937	1	Pivot	
16	1001165302	NLA	Rotator Assembly (Use p/n 1001217779) (See ROTATOR ASSEMBLY for Breakdown) (SN E300002833 through E300004880)	
16	1001217779	1	Rotator Assembly (See ROTATOR ASSEMBLY for Breakdown) (SN 1300007279 through 1300007373, SN E300004881 through E300007990, Excluding E300007814)	

SECTION 4 - BOOM

FIGURE 4-13. MAIN BOOM ASSEMBLY - 450A



ART_1001179626

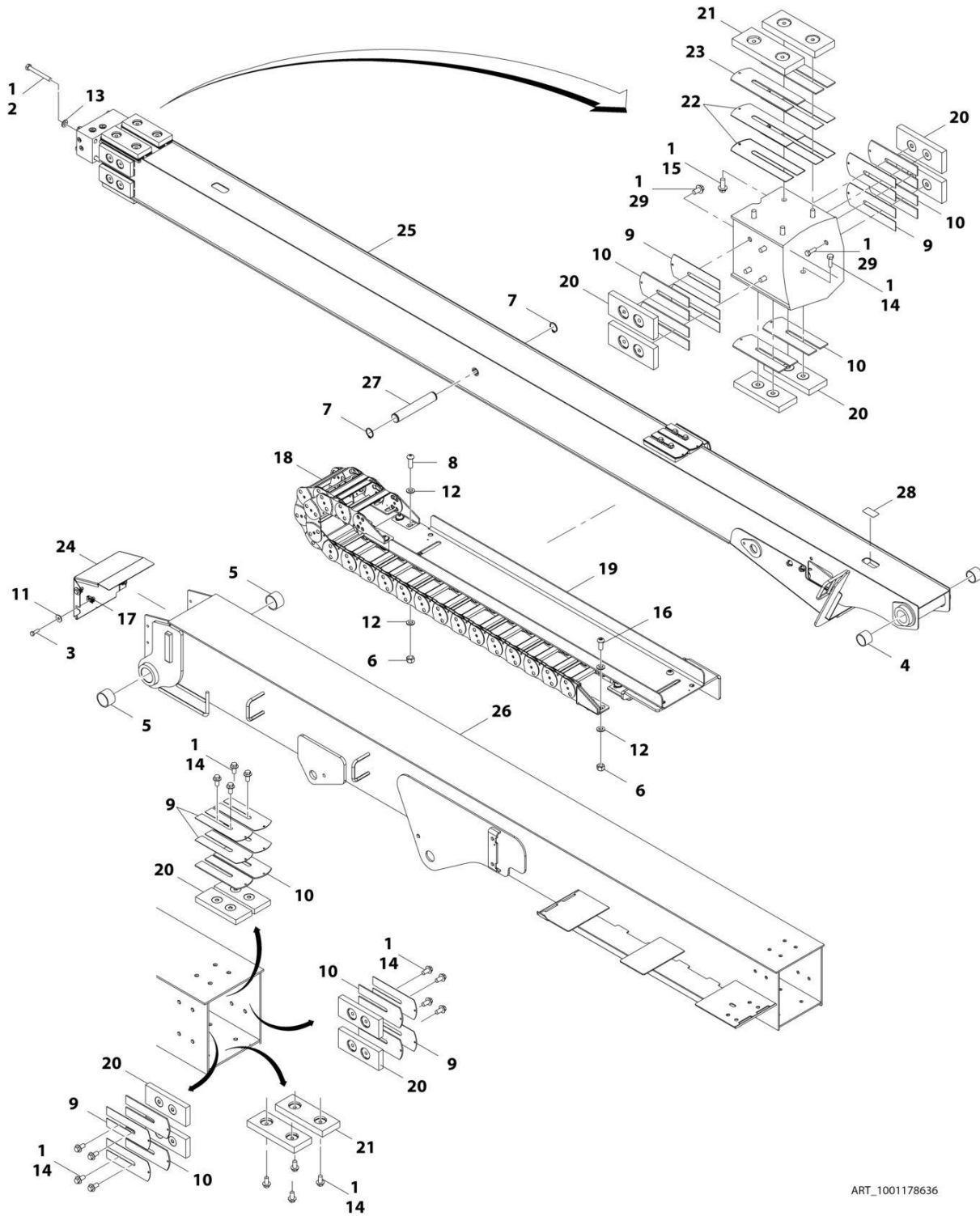
SECTION 4 - BOOM

FIGURE 4-13. MAIN BOOM ASSEMBLY - 450A

ITEM	PART NUMBER	QTY	DESCRIPTION	REV
	1001179626	Ref	MAIN BOOM ASSEMBLY - 450A	C
1	0100011	AR	Compound, Locking	
2	0711227	4	Bolt, M12 x 100mm	
3	0760812	4	Bolt, M8 x 25mm	
4	0961948	2	Bearing	
5	0961949	2	Bearing	
6	3291005	10	Nut, Lock M10 x 1.5	
7	3760351	4	Ring, Retaining	
8	3900351	4	Screw, M10 x 1.5 x 30mm	
9	4070897	12	Shim	
10	4070898	12	Shim	
11	4811902	4	Washer, M8	
12	4812000	18	Washer, M10	
13	5241200	4	Washer, M12 Hardened	
14	5251010	20	Bolt, M10 x 20mm	
15	5251012	4	Bolt, M10 x 25mm	
16	8310668	6	Screw, M10-1.5 x 25mm Grade 10.9	
17	1001118274	4	Nut, M8 x 1.25	
18	1001168190	1	Powertrack Assembly (Use p/n 1001224894) (SN 0300201991 through 0300229634, SN E300002833 through E300004534)	
18	70005104	1	Link, Repair	
18	70005105	1	Feet, Mounting	
18	1001224894	1	Powertrack Assembly (SN 0300229635 through 0300272317, SN 1300007279 through 1300007373, SN E300004535 through E300007990, Except SN 0300272185 through 0300272190, Excluding E300007814)	
18	70006256	1	Link, Repair	
18	70006272	1	Feet, Mounting	
19	1001169304	12	Pad, Wear	
20	1001169305	4	Pad, Wear	
21	1001169402	4	Shim	
22	1001169403	2	Shim	
23	1001170226	1	Cover, Boom End	
24	1001170334	1	Tube, Carrier	
25	1001178554	1	Fly, Boom	
26	1001178555	1	Base, Boom	
27	1001180541	2	Pin	
28	5251009	8	Bolt, M10 x 18mm	

SECTION 4 - BOOM

FIGURE 4-14. MAIN BOOM ASSEMBLY - 450AJ



ART_1001178636

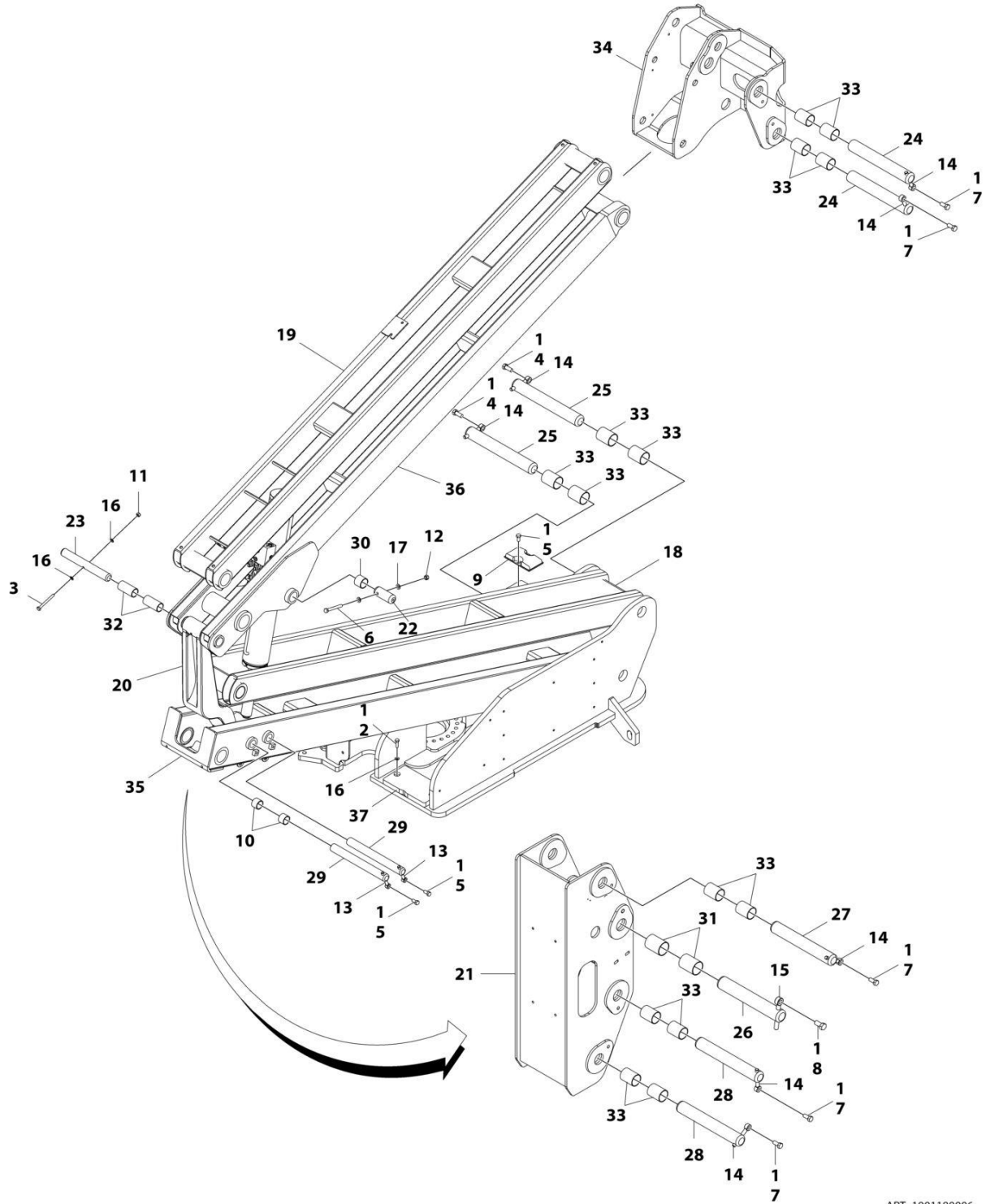
SECTION 4 - BOOM

FIGURE 4-14. MAIN BOOM ASSEMBLY - 450AJ

ITEM	PART NUMBER	QTY	DESCRIPTION	REV
	1001178636	Ref	MAIN BOOM ASSEMBLY - 450AJ	C
1	0100011	AR	Compound, Locking	
2	0711227	4	Bolt, M12 x 100mm	
3	0760812	4	Bolt, M8 x 25mm	
4	0961948	2	Bearing	
5	0961949	2	Bearing	
6	3291005	10	Nut, Lock M10 x 1.5	
7	3760115	2	Ring, Retaining	
8	3900351	4	Screw, M10 x 1.5 x 30mm	
9	4070897	12	Shim	
10	4070898	12	Shim	
11	4811902	4	Washer, M8	
12	4812000	18	Washer, M10	
13	5241200	4	Washer, M12 Hardened	
14	5251010	20	Bolt, M10 x 20mm	
15	5251012	4	Bolt, M10 x 25mm	
16	8310668	6	Screw, M10-1.5 x 25mm Grade 10.9	
17	1001118274	4	Nut, M8 x 1.25	
18	1001166646	NLA	Powertrack Assembly (Use p/n 1001224889) (SN 0300201991 through 0300229634, SN E300002833 through E300005434)	
18	70005102	1	Link, Repair	
18	70005103	1	Feet, Mounting	
18	1001224889	1	Powertrack Assembly (SN 0300229635 through 0300272317, SN 1300007279 through 1300007373, SN B300003516 through B300005760, SN E300004535 through E300007990, Except SN 0300272185 through 0300272190, Excluding B300005569 and E300007814)	
18	70006256	1	Link, Repair	
18	70006271	1	Feet, Mounting	
19	1001166651	1	Tube, Carrier	
20	1001169304	12	Pad, Wear	
21	1001169305	4	Pad, Wear	
22	1001169402	4	Shim	
23	1001169403	2	Shim	
24	1001170226	1	Cover, Boom End	
25	1001177896	1	Fly, Boom	
26	1001177897	1	Base, Boom	
27	1001180540	1	Pin	
28	1670836	1	Cover	
29	5251009	8	Bolt, M10 x 18mm	

SECTION 4 - BOOM

FIGURE 4-15. TOWER BOOM ASSEMBLY - 450A



ART_1001180006

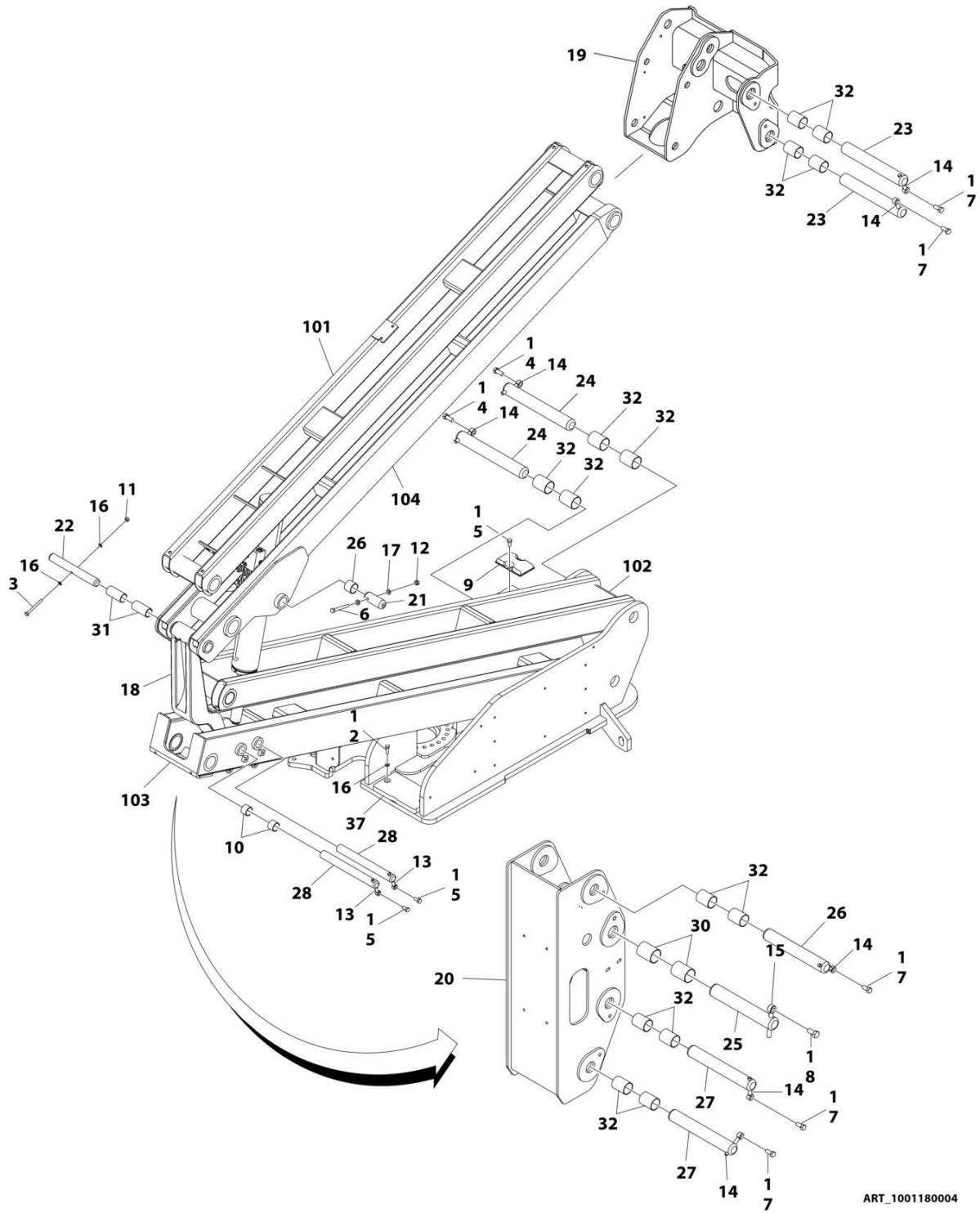
SECTION 4 - BOOM

FIGURE 4-15. TOWER BOOM ASSEMBLY - 450A

ITEM	PART NUMBER	QTY	DESCRIPTION	REV
	1001180006	Ref	TOWER BOOM ASSEMBLY - 450A	B
1	0100011	AR	Compound, Locking	
2	0701015	2	Bolt, M10 x 35mm	
3	0701027	1	Bolt, M10 x 100mm	
4	0701616	2	Bolt, M16 x 40mm	
5	0761212	4	Bolt, M12 x 25mm	
6	0761227	2	Bolt, M12 x 100mm	
7	0761615	5	Bolt, M16 x 35mm	
8	0762016	1	Bolt, M20 x 40mm	
9	0940048	1	Bumper	
10	0961948	2	Bearing	
11	3291005	1	Nut, Lock M10 x 1.5	
12	3291205	2	Nut, Lock M12 x 1.75	
13	3841203	2	Keeper, Pin	
14	3841258	7	Keeper, Pin	
15	3841287	1	Keeper, Pin	
16	4812000	4	Washer, M10	
17	4812100	4	Washer, M12	
18	1001160859	1	Link, Lower Tower Boom	
19	1001160872	1	Link, Upper Tower Boom	
20	1001166096	1	Link, Timing	
21	1001166853	1	Upright, Lower	
22	1001169240	2	Pin	
23	1001169241	1	Pin	
24	1001169242	2	Pin	
25	1001169249	2	Pin	
26	1001169295	1	Pin	
27	1001169296	1	Pin	
28	1001169297	2	Pin	
29	1001169298	2	Pin	
30	1001169299	2	Bearing	
31	1001169300	2	Bearing	
32	1001169301	2	Bearing	
33	1001169302	14	Bearing	
34	1001174065	1	Upright, Upper	
35	1001178133	1	Tower Boom (Lower)	
36	1001178135	1	Tower, Boom (Upper)	
37	1001180056	1	Pad, Wear	
38	1001227993	1	Tower Boom Kit (Not Shown – Includes Items 18, 19, 35 & 36)	

SECTION 4 - BOOM

FIGURE 4-16. TOWER BOOM ASSEMBLY - 450AJ USA AND CHINA BUILT MACHINES



ART_1001180004

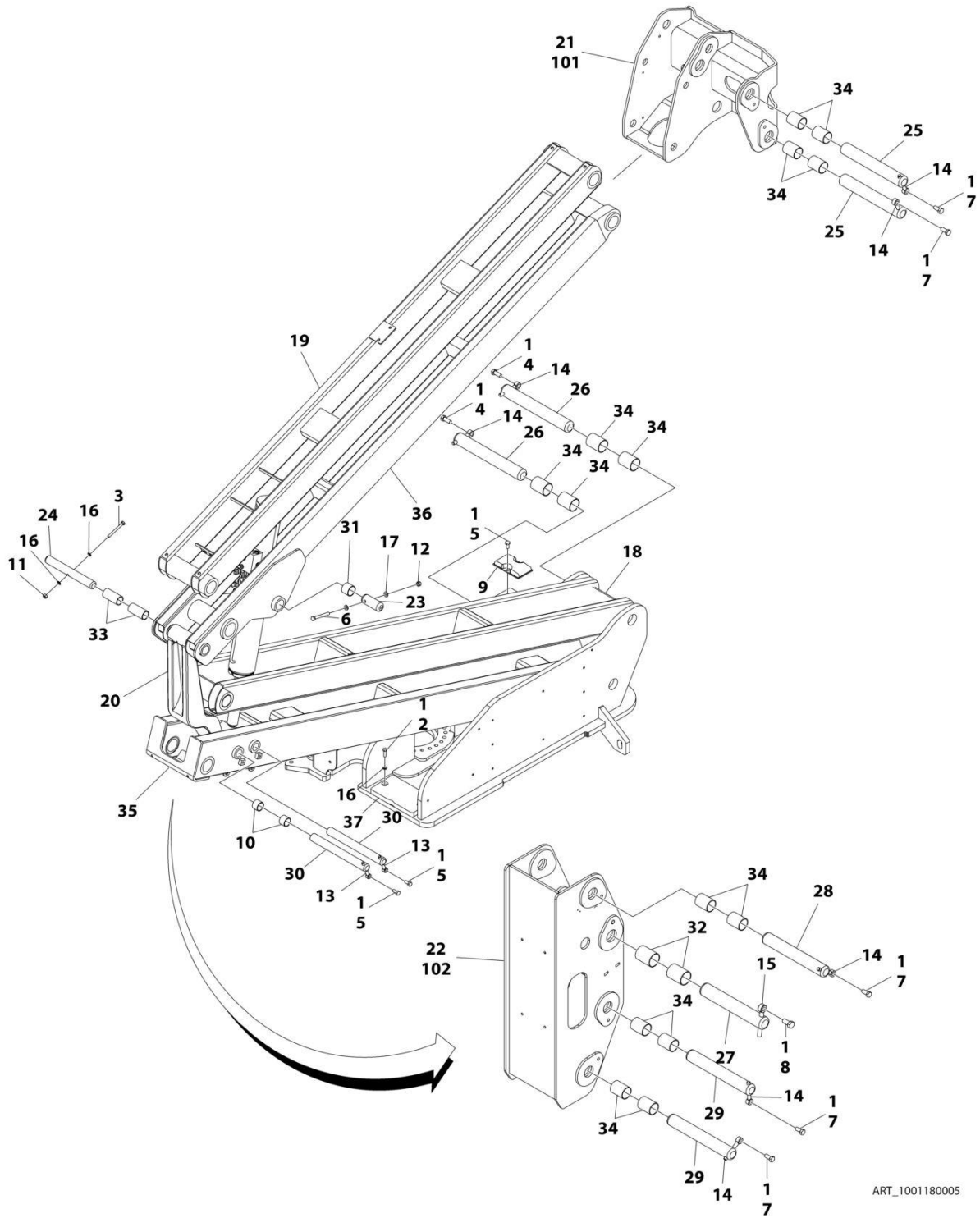
SECTION 4 - BOOM

FIGURE 4-16. TOWER BOOM ASSEMBLY - 450AJ USA AND CHINA BUILT MACHINES

ITEM	PART NUMBER	QTY	DESCRIPTION	REV
	1001180004	Ref	TOWER BOOM ASSEMBLY - 450AJ USA AND CHINA BUILT MACHINES	D
1	0100011	AR	Compound, Locking	
2	0701015	2	Bolt, M10 x 35mm	
3	0701027	1	Bolt, M10 x 100mm	
4	0701616	2	Bolt, M16 x 40mm	
5	0761212	4	Bolt, M12 x 25mm	
6	0761227	2	Bolt, M12 x 100mm	
7	0761615	5	Bolt, M16 x 35mm	
8	0762016	1	Bolt, M20 x 40mm	
9	0940048	1	Bumper	
10	0961948	2	Bearing	
11	3291005	1	Nut, Lock M10 x 1.5	
12	3291205	2	Nut, Lock M12 x 1.75	
13	3841203	2	Keeper, Pin	
14	3841258	7	Keeper, Pin	
15	3841287	1	Keeper, Pin	
16	4812000	4	Washer, M10	
17	4812100	4	Washer, M12	
18	1001166096	1	Link, Timing	
19	1001166852	1	Upright, Upper	
20	1001166853	1	Upright, Lower	
21	1001169240	2	Pin	
22	1001169241	1	Pin	
23	1001169242	2	Pin	
24	1001169249	2	Pin	
25	1001169295	1	Pin	
26	1001169296	1	Pin	
27	1001169297	2	Pin	
28	1001169298	2	Pin	
29	1001169299	2	Bearing	
30	1001169300	2	Bearing	
31	1001169301	2	Bearing	
32	1001169302	14	Bearing	
37	1001180056	1	Pad, Wear	
100	1001190633	Ref	Tower Boom Kit (Not Shown - Includes Items 101-104)	
101	1001174536	1	Link, Upper Tower Boom	
102	1001174537	1	Link, Lower Tower Boom	
103	1001178133	1	Tower Boom (Lower)	
104	1001178135	1	Tower, Boom (Upper)	

SECTION 4 - BOOM

FIGURE 4-17. TOWER BOOM ASSEMBLY - 450AJ ROMANIAN BUILT MACHINES



ART_1001180005

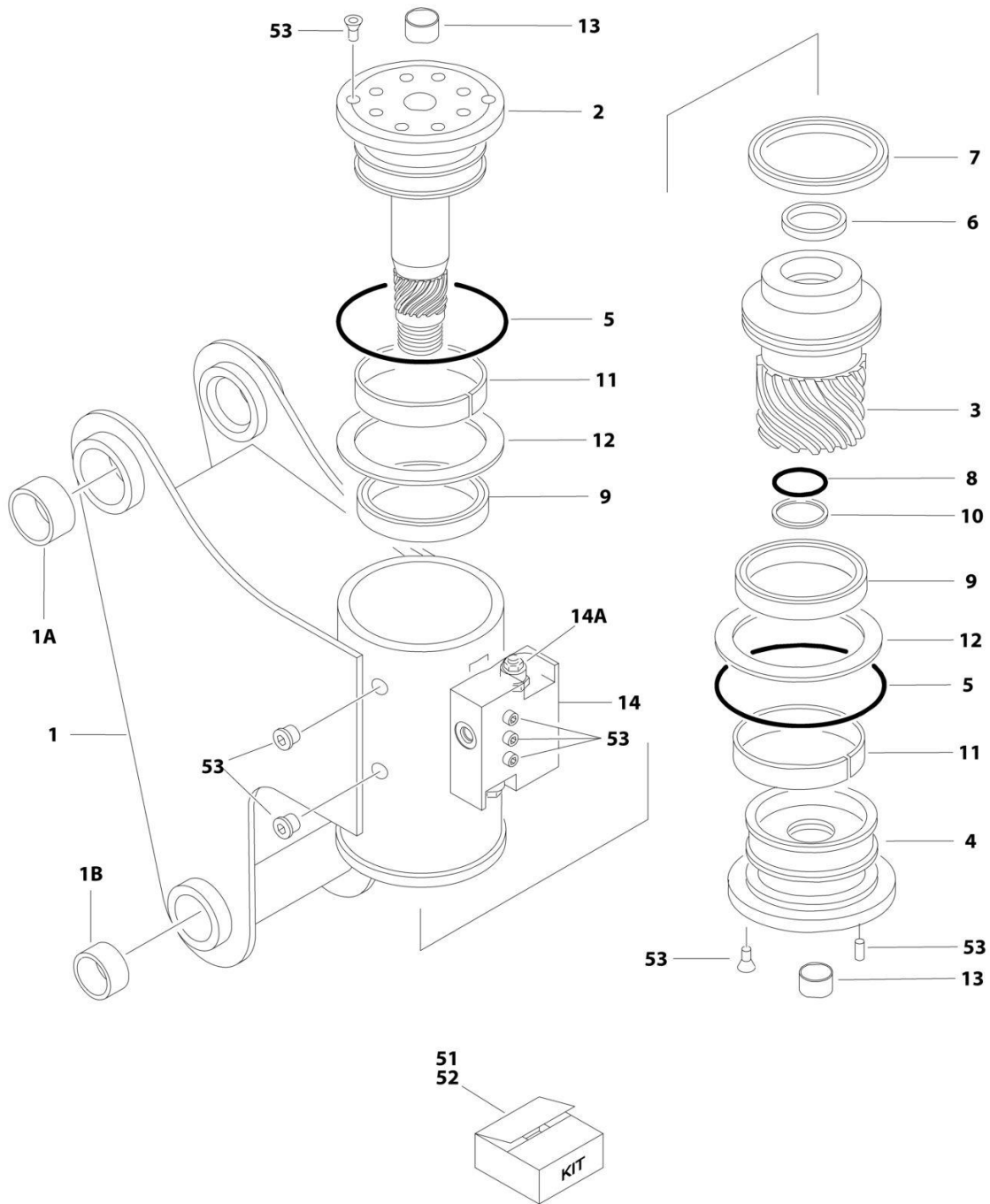
SECTION 4 - BOOM

FIGURE 4-17. TOWER BOOM ASSEMBLY - 450AJ ROMANIAN BUILT MACHINES

ITEM	PART NUMBER	QTY	DESCRIPTION	REV
	1001180005	Ref	TOWER BOOM ASSEMBLY - 450AJ ROMANIAN BUILT MACHINES	C
1	0100011	AR	Compound, Locking	
2	0701015	2	Bolt, M10 x 35mm	
3	0701027	1	Bolt, M10 x 100mm	
4	0701616	2	Bolt, M16 x 40mm	
5	0761212	4	Bolt, M12 x 25mm	
6	0761227	2	Bolt, M12 x 100mm	
7	0761615	5	Bolt, M16 x 35mm	
8	0762016	1	Bolt, M20 x 40mm	
9	0940048	1	Bumper	
10	0961948	2	Bearing	
11	3291005	1	Nut, Lock M10 x 1.5	
12	3291205	2	Nut, Lock M12 x 1.75	
13	3841203	2	Keeper, Pin	
14	3841258	7	Keeper, Pin	
15	3841287	1	Keeper, Pin	
16	4812000	4	Washer, M10	
17	4812100	4	Washer, M12	
18	1001160859	1	Link, Lower Tower Boom	
19	1001160872	1	Link, Upper Tower Boom	
20	1001166096	1	Link, Timing	
21	1001166852	1	Upright, Upper (SN 1300007279 through 1300007373, SN E300002833 through E300004945)	
22	1001166853	1	Upright, Lower (SN 1300007279 through 1300007373, SN E300002833 through E300004945)	
23	1001169240	2	Pin	
24	1001169241	1	Pin	
25	1001169242	2	Pin	
26	1001169249	2	Pin	
27	1001169295	1	Pin	
28	1001169296	1	Pin	
29	1001169297	2	Pin	
30	1001169298	2	Pin	
31	1001169299	2	Bearing	
32	1001169300	2	Bearing	
33	1001169301	2	Bearing	
34	1001169302	14	Bearing	
35	1001178133	1	Tower Boom (Lower)	
36	1001178135	1	Tower, Boom (Upper)	
37	1001180056	1	Pad, Wear	
100	1001233153_NOT _RELEASED	1	Upright Kit (Not Shown - Includes Items 101 & 102) (SN E300004946 through E300007990, Excluding E300007814)	
101	1001166852	1	Upright, Upper	
102	1001166853	1	Upright, Lower	

SECTION 4 - BOOM

FIGURE 4-18. ROTATOR ASSEMBLY (SN 0300201991 through 0300232742, SN E300002833 through E300004880)



ART_1001165302

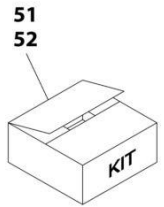
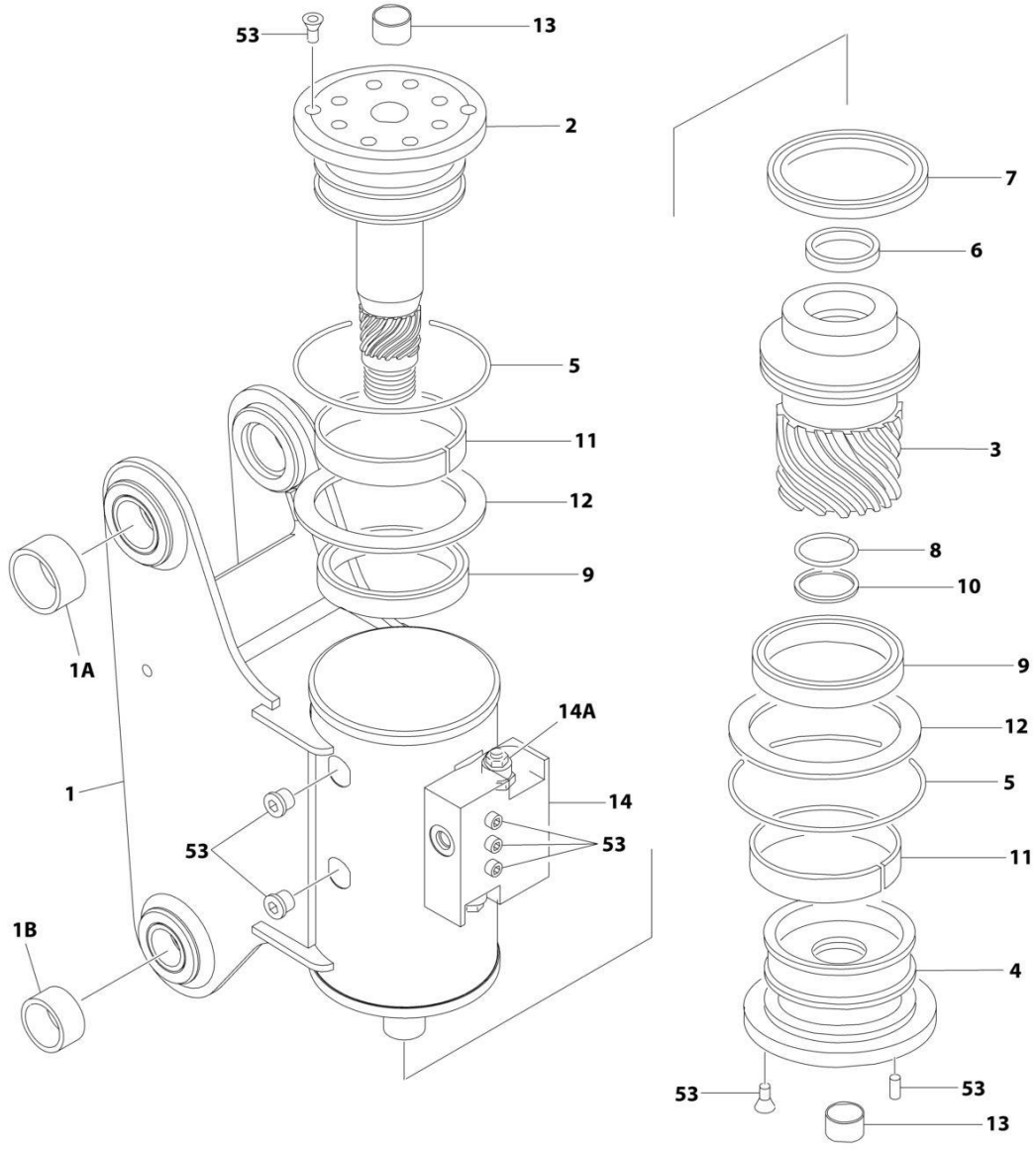
SECTION 4 - BOOM

FIGURE 4-18. ROTATOR ASSEMBLY (SN 0300201991 through 0300232742, SN E300002833 through E300004880)

ITEM	PART NUMBER	QTY	DESCRIPTION	REV
	1001165302	Ref	ROTATOR ASSEMBLY (SN 0300201991 through 0300232742, SN E300002833 through E300004880)	1
1	See Note	NSS	Housing (Note: Purchase Complete Assembly)	
1A	0962257	2	Bushing	
1B	0961947	2	Bushing	
2	7017162	1	Shaft	
3	7017163	1	Piston	
4	7017164	1	Cap, End	
5	See Note	NSS	O-Ring (Note: Use p/n 70000342)	
6	See Note	NSS	Seal, Rod (Note: Purchase p/n 70000342)	
7	See Note	NSS	Seal, Piston (Note: Purchase p/n 70000342)	
8	See Note	NSS	Seal, Cap (Note: Purchase p/n 70000342)	
9	See Note	NSS	Packing, Bearing (Note: Purchase p/n 70000342)	
10	See Note	NSS	Ring, Back-up (Note: Purchase p/n 70000342)	
11	See Note	NSS	Bearing, Shaft (Note: Purchase p/n 7017159)	
12	See Note	NSS	Washer, Thrust (Note: Purchase p/n 7017159)	
13	7017195	2	Bushing	
14	7017172	1	Counterbalance Valve Assembly	
14A	7017192	2	Valve Cartridge (No Seal Kit Available)	
51	70000342	1	Seal Kit (Includes Items 5-10)	
52	7017159	1	Bearing Kit (Includes Items 11 & 12)	
53	7017142	1	Hardware Kit	

SECTION 4 - BOOM

FIGURE 4-19. ROTATOR ASSEMBLY (SN 0300232743 through 0300272317, SN B300003516 through B300005760, SN E300004881 through E300007990, SN 1300007279 through 1300007373)



ART_1001217779

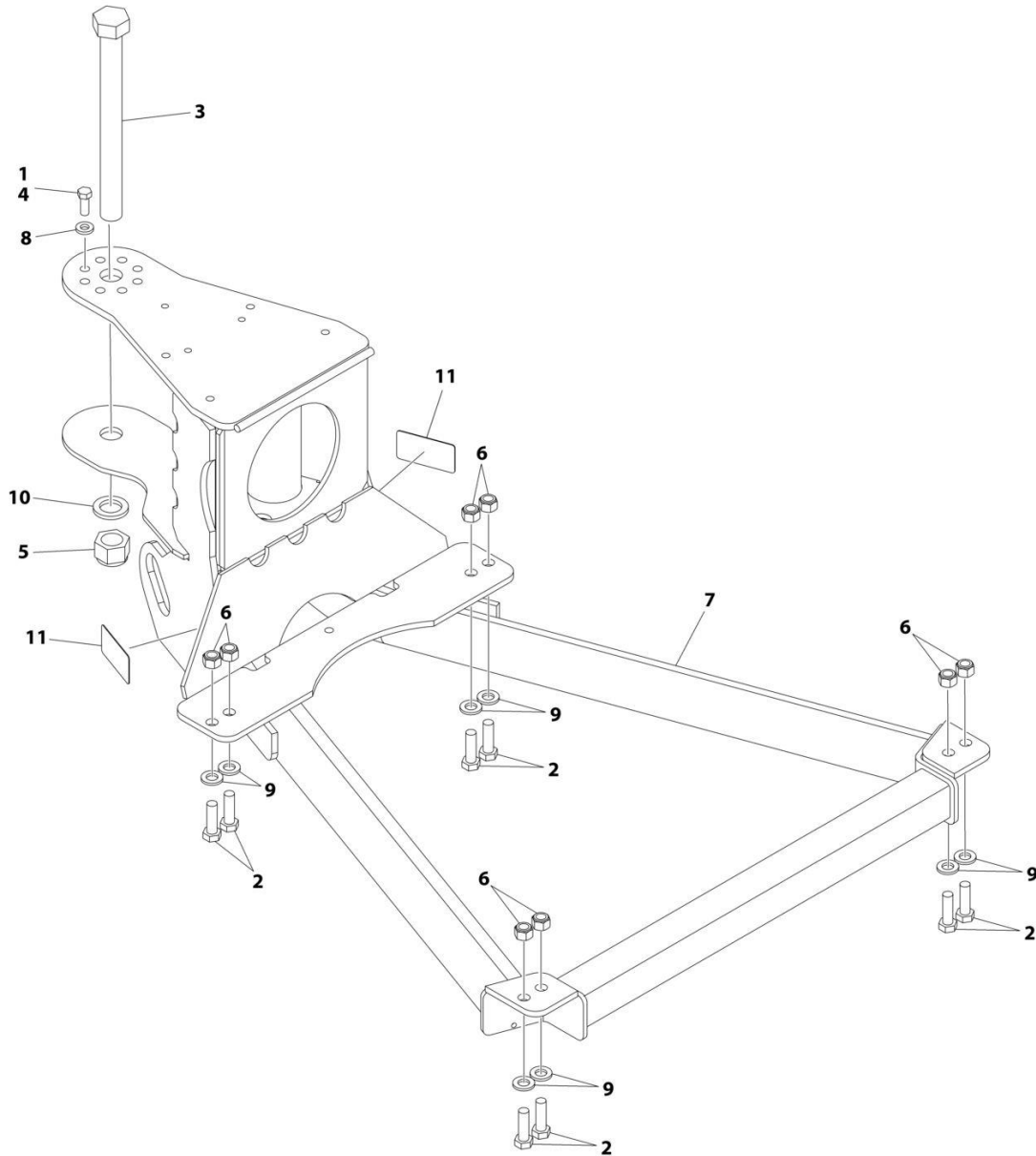
SECTION 4 - BOOM

FIGURE 4-19. ROTATOR ASSEMBLY (SN 0300232743 through 0300272317, SN B300003516 through B300005760, SN E300004881 through E300007990, SN 1300007279 through 1300007373)

ITEM	PART NUMBER	QTY	DESCRIPTION	REV
	1001217779	Ref	ROTATOR ASSEMBLY	B
1	See Note	NSS	Housing (Note: Purchase Complete Assembly)	
1A	0962257	2	Bushing	
1B	0961947	2	Bushing	
2	7017162	1	Shaft	
3	7017163	1	Piston	
4	7017164	1	Cap, End	
5	See Note	NSS	O-Ring (Note: Use p/n 70000342)	
6	See Note	NSS	Seal, Rod (Note: Purchase p/n 70000342)	
7	See Note	NSS	Seal, Piston (Note: Purchase p/n 70000342)	
8	See Note	NSS	Seal, Cap (Note: Purchase p/n 70000342)	
9	See Note	NSS	Packing, Bearing (Note: Purchase p/n 70000342)	
10	See Note	NSS	Ring, Back-up (Note: Purchase p/n 70000342)	
11	See Note	NSS	Bearing, Shaft (Note: Purchase p/n 7017159)	
12	See Note	NSS	Washer, Thrust (Note: Purchase p/n 7017159)	
13	7017195	2	Bushing	
14	7017172	1	Counterbalance Valve Assembly	
14A	7017192	2	Valve Cartridge (No Seal Kit Available)	
51	70000342	1	Seal Kit (Includes Items 5-10)	
52	7017159	1	Bearing Kit (Includes Items 11 & 12)	
53	7017142	1	Hardware Kit	

SECTION 4 - BOOM

FIGURE 4-20. PLATFORM SUPPORT INSTALLATION - WITHOUT LSS



ART_0272070

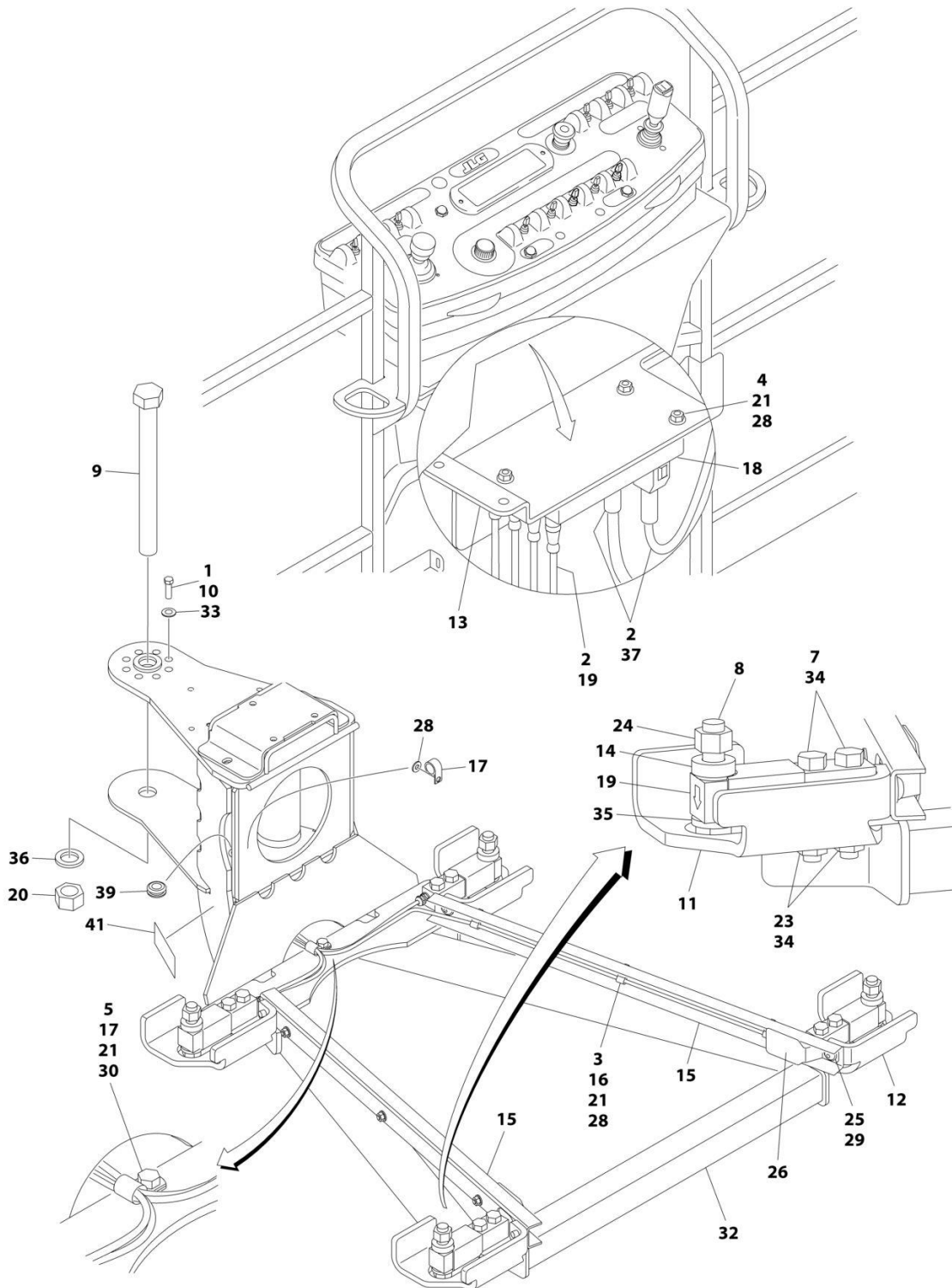
SECTION 4 - BOOM

FIGURE 4-20. PLATFORM SUPPORT INSTALLATION - WITHOUT LSS

ITEM	PART NUMBER	QTY	DESCRIPTION	REV
	0272070	Ref	PLATFORM SUPPORT INSTALLATION - WITHOUT LSS	I
1	0100011	AR	Compound, Locking	
2	0641812	8	Bolt 1/2 x 1-1/2	
2	0761216	8	Bolt M12 x 40	
3	0642684	1	Bolt 1 x 10-1/2	
4	0681608	8	Bolt 3/8 x 1	
5	3300243	1	Nut 1	
6	3311805	8	Nut 1/2	
6	3291205	8	Nut M12	
7	4846573	1	Support	
8	4891600	8	Washer 3/8	
9	4891800	8	Washer 1/2	
9	5241200	8	Washer M12	
10	4892600	1	Washer 1	
11	1001216630	1	Decal - Tie Down/No Lift	

SECTION 4 - BOOM

FIGURE 4-21. PLATFORM SUPPORT INSTALLATION - WITH 4 CELL LSS (450AJ ONLY) (SN 0300201991 through 0300202578)



ART_0272703

SECTION 4 - BOOM

FIGURE 4-21. PLATFORM SUPPORT INSTALLATION - WITH 4 CELL LSS (450AJ ONLY) (SN 0300201991 through 0300202578)

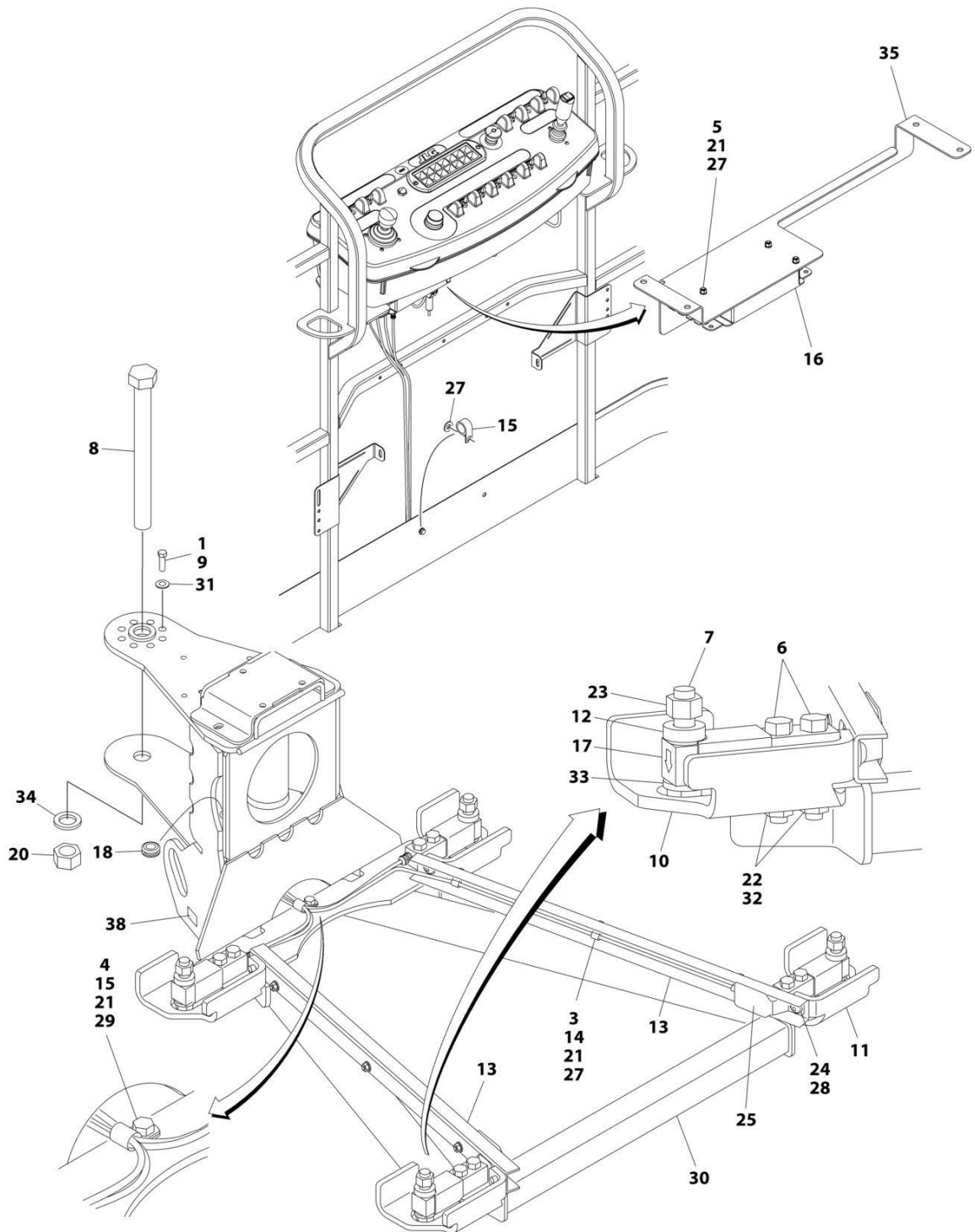
ITEM	PART NUMBER	QTY	DESCRIPTION	REV
	0272703	Ref	PLATFORM SUPPORT INSTALLATION - WITH 4 CELL LSS (450AJ ONLY) (SN 0300201991 through 0300202578)	Q
1	0100011	AR	Compound, Locking	
2	0100048	AR	Grease, Dielectric	
3	0641405	6	Bolt 1/4 x 5/8	
4	0641416	3	Bolt 1/4 x 2	
5	0641407	1	Bolt 1/4 x 7/8	
7	0641822	8	Bolt 1/2 x 2-3/4	
8	0642024	4	Bolt 5/8 x 3	
9	0642684	1	Bolt 1 x 10-1/2	
10	0681608	8	Bolt 3/8 x 1 Grade 8	
11	0902919	2	Bracket, Cell Guard	
12	0902920	2	Bracket, Cell Guard	
13	1001113483	1	Bracket, Module Mount	
14	0962450	4	Bushing, Spacer	
15	1271538	2	Channel	
16	1320136	6	Clamp	
17	1320224	2	Clamp	
18	1600387	1	Module, Control - LSS (Note: Recalibration Required When Replaced)	
19	2420202	4	Cell, Load (Includes Cable)	
20	3272605	1	Nut 1 Grade 8	
21	3311405	13	Nut 1/4	
23	3311805	8	Nut 1/2	
24	3312005	4	Nut 5/8	
25	3900283	4	Screw 3/8 x 3/4	
26	4061054	2	Shield	
27	4240033	AR	Tie-Strap (Not Shown)	
28	4711400	10	Washer 1/4	
29	4711600	4	Washer 3/8	
30	4751400	1	Washer 1/4	
32	4846573	1	Support, Platform	
33	4891600	8	Washer 3/8	
34	4891800	8	Washer 1/2	
35	4892000	4	Washer 5/8	
36	4892600	1	Washer 1	
37	4922869	1	LSS Harness	
37	4922705	1	Analyzer Harness (Not Shown)	
37	4460761	1	Receptacle, Female - 4 Position (Not Shown)	
37	4460226	1	Socket, Female	
37	4460836	1	Connector - 12 Position (Black) (J2)	
37	4460465	1	Socket, Female	
37	4460466	1	Plug, Terminal	
37	0840055	1	Boot	
37	4460933	1	Connector - 12 Position (Grey) (J1)	
37	4460465	1	Socket, Female	
37	4460466	1	Plug, Terminal	
37	0840055	1	Boot	
39	2540038	1	Grommet	

SECTION 4 - BOOM

ITEM	PART NUMBER	QTY	DESCRIPTION	REV
40	2920129	1	Bulb, Light (Not Shown - Located on Ground Control Box)	
41	1001216630	2	Decal - Tie Down/No Lift	

SECTION 4 - BOOM

FIGURE 4-22. PLATFORM SUPPORT INSTALLATION WITH 4 CELL LSS (450AJ ONLY) (SN 0300202579 through 0300272317, SN E300002833 through E300007990, SN 1300007279 through 1300007373)



ART_1001197036

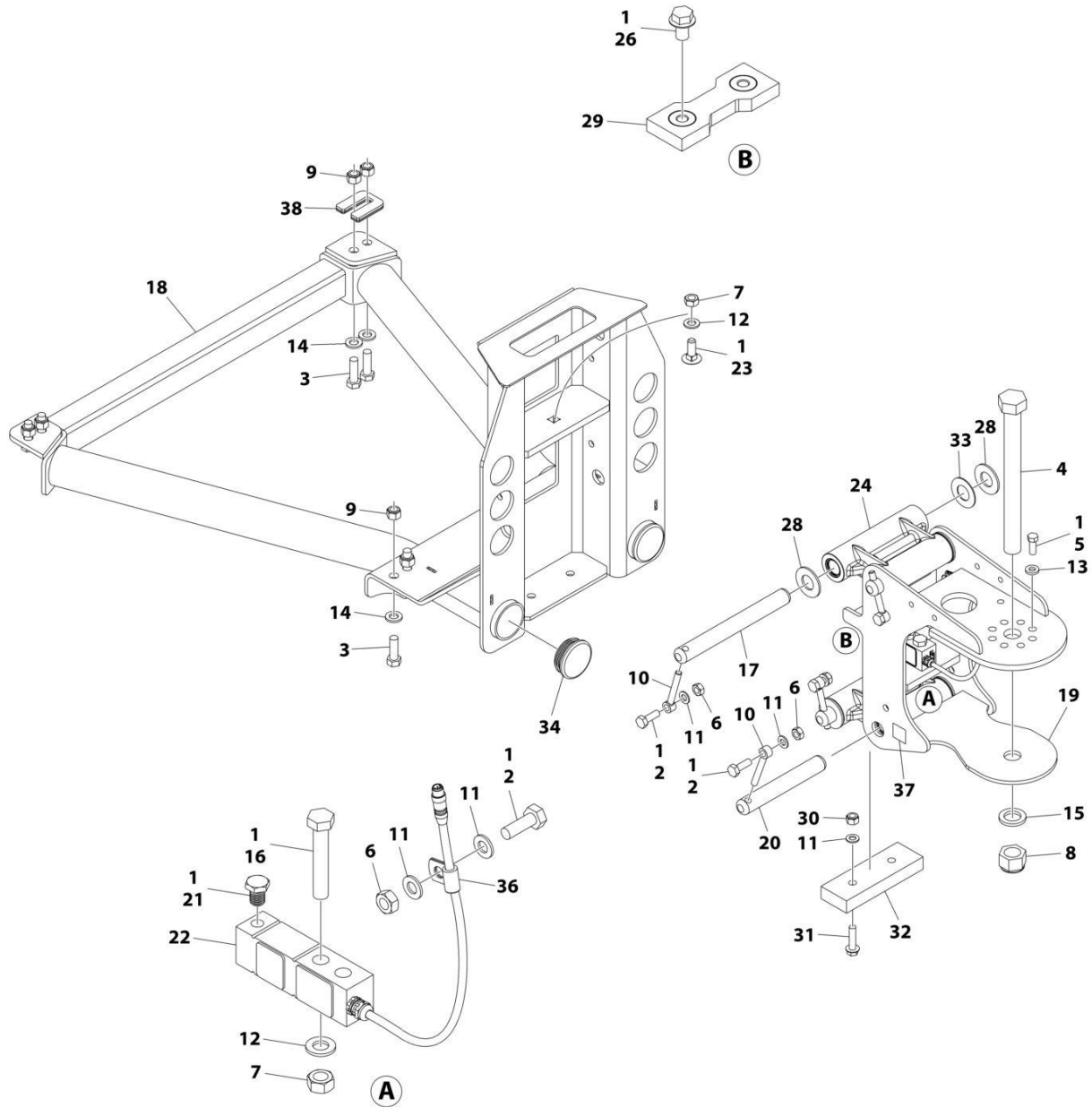
SECTION 4 - BOOM

FIGURE 4-22. PLATFORM SUPPORT INSTALLATION WITH 4 CELL LSS (450AJ ONLY) (SN 0300202579 through 0300272317, SN E300002833 through E300007990, SN 1300007279 through 1300007373)

ITEM	PART NUMBER	QTY	DESCRIPTION	REV
	1001197036	Ref	PLATFORM SUPPORT INSTALLATION WITH 4 CELL LSS (450AJ ONLY)	F
1	0100011	AR	Compound, Locking	
2	0100048	AR	Silicon, Compound (Not Shown)	
3	0641405	6	Bolt 1/4 x 5/8	
4	0641407	1	Bolt 1/4 x 7/8	
5	0641416	3	Bolt 1/4 x 2	
6	0641822	8	Bolt 1/2 x 2-3/4	
7	0642024	4	Bolt 5/8 x 3	
8	0642684	1	Bolt 1/8 x 10-1/2	
9	0681608	8	Bolt 3/8 x 1	
10	0902919	2	Bracket, LH	
11	0902920	2	Bracket, RH	
12	0962450	4	Bushing, Spacer	
13	1271538	2	Channel, Load Cell Wire	
14	1320136	6	Clamp, Cable	
15	1320224	2	Clamp, Cable	
16	1600387	1	Controller, Load Sense	
17	2420202	4	Gauge	
18	2540038	1	Grommet	
20	3272605	1	Nut 1	
21	3311405	10	Nut 1/4	
22	3311805	8	Nut 1/2	
23	3312005	4	Nut 5/8	
24	3900283	4	Screw 3/8 x 3/4	
25	4061054	2	Shield	
26	4240033	AR	Tie-Strap (Not Shown)	
27	4711400	13	Washer 1/4	
28	4711600	4	Washer 3/8	
29	4751400	1	Washer 1/4	
30	4846573	1	Weldment	
31	4891600	8	Washer 3/8	
32	4891800	8	Washer 1/2	
33	4892000	4	Washer 5/8	
34	4892600	1	Washer 1	
35	1001113483	1	Bracket	
36	1001120371	1	LSS Harness (Not Shown - See ELECTRICAL SECTION for Breakdown)	
37	4460428	1	Connector, Strain Relief (Not Shown)	
38	1001216630	2	Decal - Tie Down/No Lift	

SECTION 4 - BOOM

FIGURE 4-23. PLATFORM SUPPORT INSTALLATION - WITH 1 CELL LSS



ART_1001167596

SECTION 4 - BOOM

FIGURE 4-23. PLATFORM SUPPORT INSTALLATION - WITH 1 CELL LSS

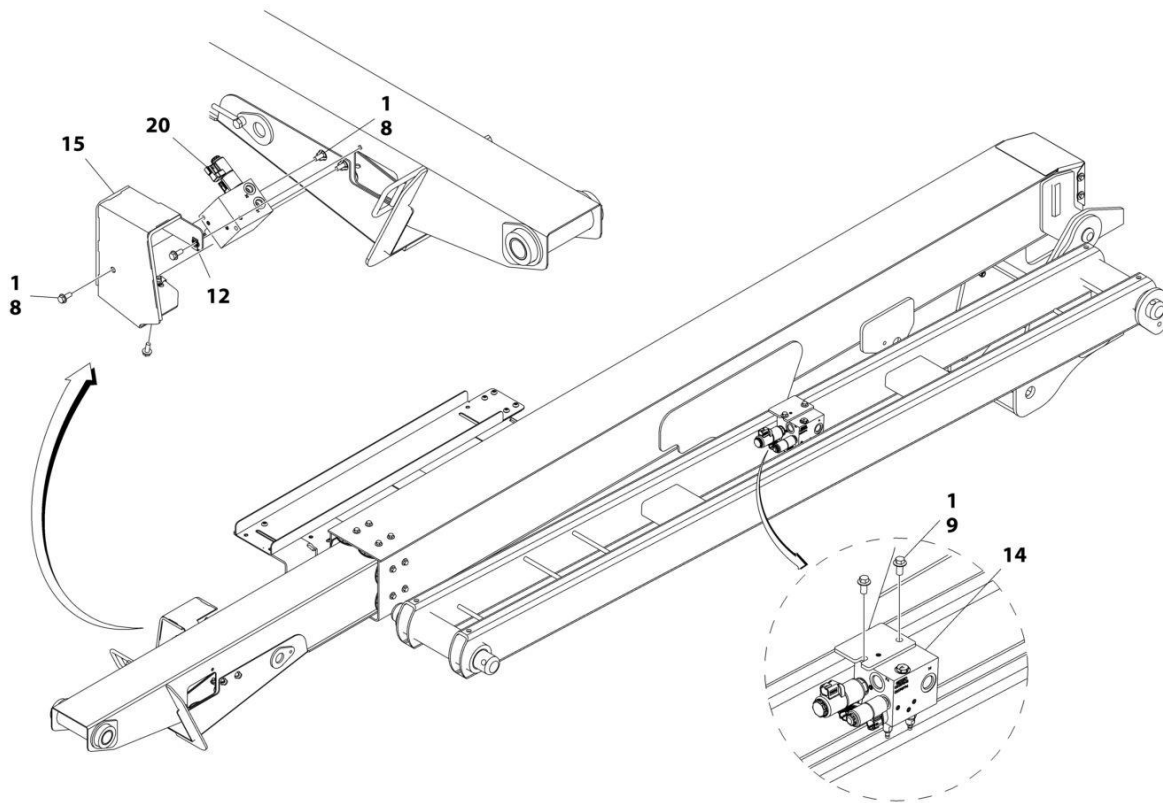
ITEM	PART NUMBER	QTY	DESCRIPTION	REV
	1001167596	Ref	PLATFORM SUPPORT INSTALLATION - WITH 1 CELL LSS	K
1	0100011	AR	Compound, Locking	
2	0761014	AR	Bolt M10 x 30	
3	0641812	8	Bolt 1/2 x 1-1/2	
3	0761216	8	Bolt M12 x 40	
4	0642684	1	Bolt 1 x 10-1/2	
5	0681608	8	Bolt 3/8 x 1	
6	3291001	AR	Nut M10	
7	3291201	3	Nut M12	
8	3300243	1	Nut 1	
9	3311805	8	Nut 1/2	
9	3291205	8	Nut M12	
10	3841143	4	Keeper	
11	4812000	AR	Washer M10	
12	4812100	3	Washer M12	
13	4891600	8	Washer 3/8	
14	4891800	8	Washer 1/2	
14	5241200	8	Washer M12	
15	4892600	1	Washer 1	
16	1001098828	2	Bolt M12 x 70 Grade 10.9	
17	1001167565	2	Pin	
18	1001200494	1	Support	
19	1001167567	1	Platform Support	
20	1001168402	2	Pin	
21	1001188622	1	Screw M12	
22	1001172663	1	Gauge, Load Sensing	
23	1001188844	1	Bolt M12 x 35	
24	1001201351	2	LSS Link Assembly	
24	1001187382	4	Bearing	
24	1001187383	4	Seal	
26	5251008	2	Bolt M10 x 16	
27	1001175244	1	Harness, LSS (Not Shown) (SN 0300201991 through 0300222765, SN E300003609 through E300003749)	
28	1001189002	8	Bearing	
29	1001190985	1	Pad, Wear	
30	3291005	2	Nut M10	
31	5251016	1	Bolt M10 x 40	
32	1001200491	1	Plate	
33	1001189001	4	Bearing	
34	1001204725	2	Plug	
35	4460428	1	Connector, Strain Relief (Not Shown) (SN 0300201991 through 0300222765, SN E300003609 through E300003749)	
36	91203039	1	Clamp (SN 0300222766 through 0300272317, SN 1300007279 through 1300007373, SN B300003516 through B300005760, SN E300003750 through E300007990, Except SN 0300272185 through 0300272190, Excluding B300005569 and E300007814)	
37	1001216630	2	Decal - Tie Down/No Lift (SN 0300222766 through 0300272317, SN 1300007279 through 1300007373, SN B300003516 through B300005760, SN E300003750 through E300007990, Except SN 0300272185 through 0300272190, Excluding B300005569 and E300007814)	
38	1001238421	AR	Platform Leveling Kit (SN 0300253993 through 0300272317, SN	

SECTION 4 - BOOM

ITEM	PART NUMBER	QTY	DESCRIPTION	REV
			B300003516 through B300005760, SN E300006362 through E300007990, Except SN 0300272185 through 0300272190, Excluding B300005569 and E300007814)	

SECTION 4 - BOOM

FIGURE 4-24. 2WD VALVES INSTALLATION - 450A BOOM MOUNTED



ART_1001215659_3OF3

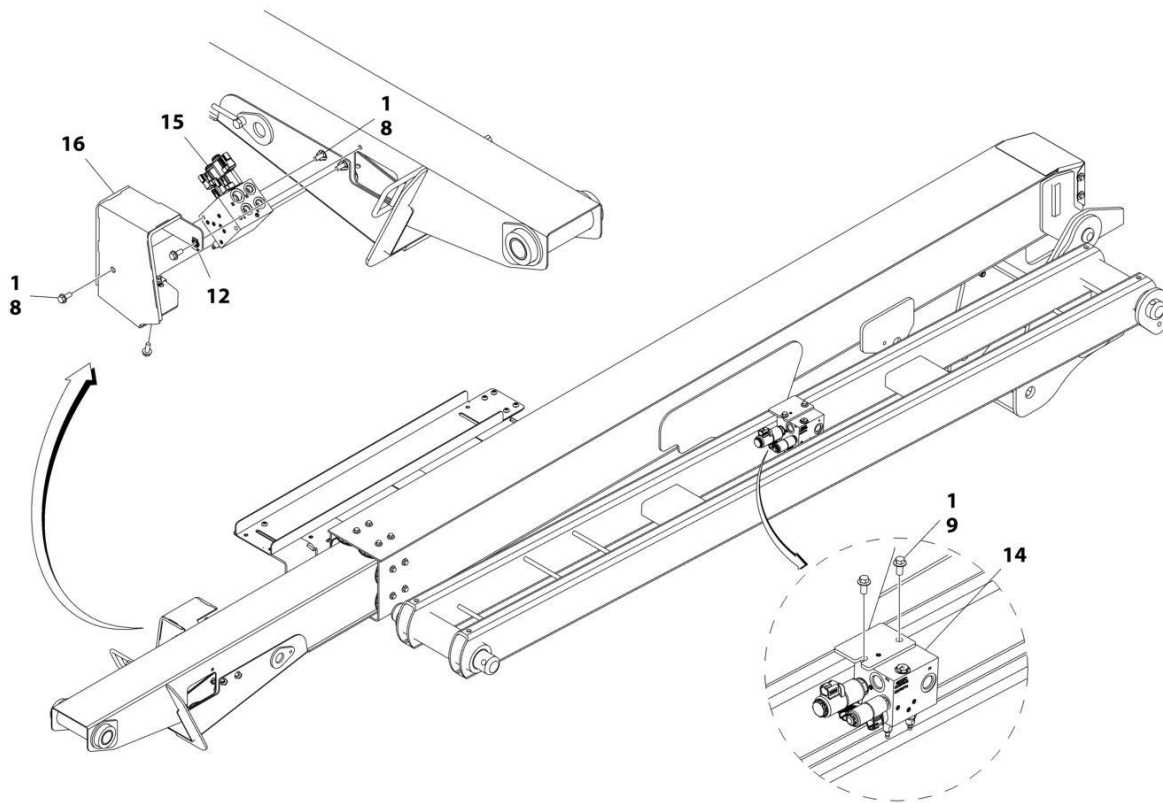
SECTION 4 - BOOM

FIGURE 4-24. 2WD VALVES INSTALLATION - 450A BOOM MOUNTED

ITEM	PART NUMBER	QTY	DESCRIPTION	REV
	1001215659	Ref	2WD VALVES INSTALLATION - 450A BOOM MOUNTED	C
1	0100011	AR	Compound, Locking	
8	5250810	5	Bolt M8 x 20	
9	5251010	2	Bolt M10 x 20	
12	1001118274	2	Nut M8	
14	1001162535	1	Upright Valve Assembly (See UPRIGHT VALVE ASSEMBLY for Breakdown)	
15	1001170375	1	Shield	
20	1001215105	1	Boom Valve Assembly - Fixed Jib (See BOOM VALVE ASSEMBLY - FIXED JIB for Breakdown)	

SECTION 4 - BOOM

FIGURE 4-25. 2WD VALVES INSTALLATION - 450AJ BOOM MOUNTED



ART_1001214163_30F3

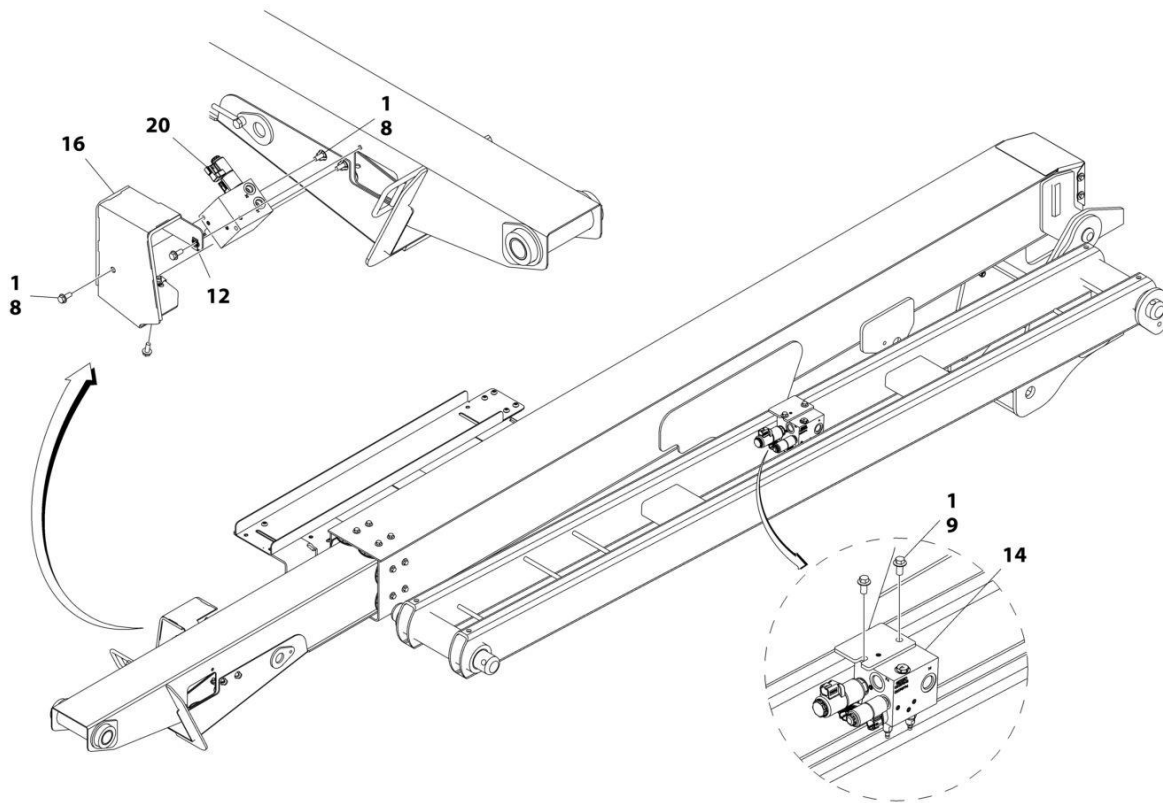
SECTION 4 - BOOM

FIGURE 4-25. 2WD VALVES INSTALLATION - 450AJ BOOM MOUNTED

ITEM	PART NUMBER	QTY	DESCRIPTION	REV
	1001214163	Ref	2WD VALVES INSTALLATION - 450AJ BOOM MOUNTED	B
1	0100011	AR	Compound, Locking	
8	5250810	3	Bolt M8 x 20	
9	5251010	2	Bolt M10 x 20	
12	1001118274	2	Nut M8	
14	1001162535	1	Upright Valve Assembly (See UPRIGHT VALVE ASSEMBLY for Breakdown)	
15	1001162536	1	Boom Valve Assembly (See BOOM VALVE ASSEMBLY for Breakdown)	
16	1001170375	1	Shield	

SECTION 4 - BOOM

FIGURE 4-26. 4WD VALVES INSTALLATION - 450A BOOM MOUNTED



ART_1001215378_3OF3

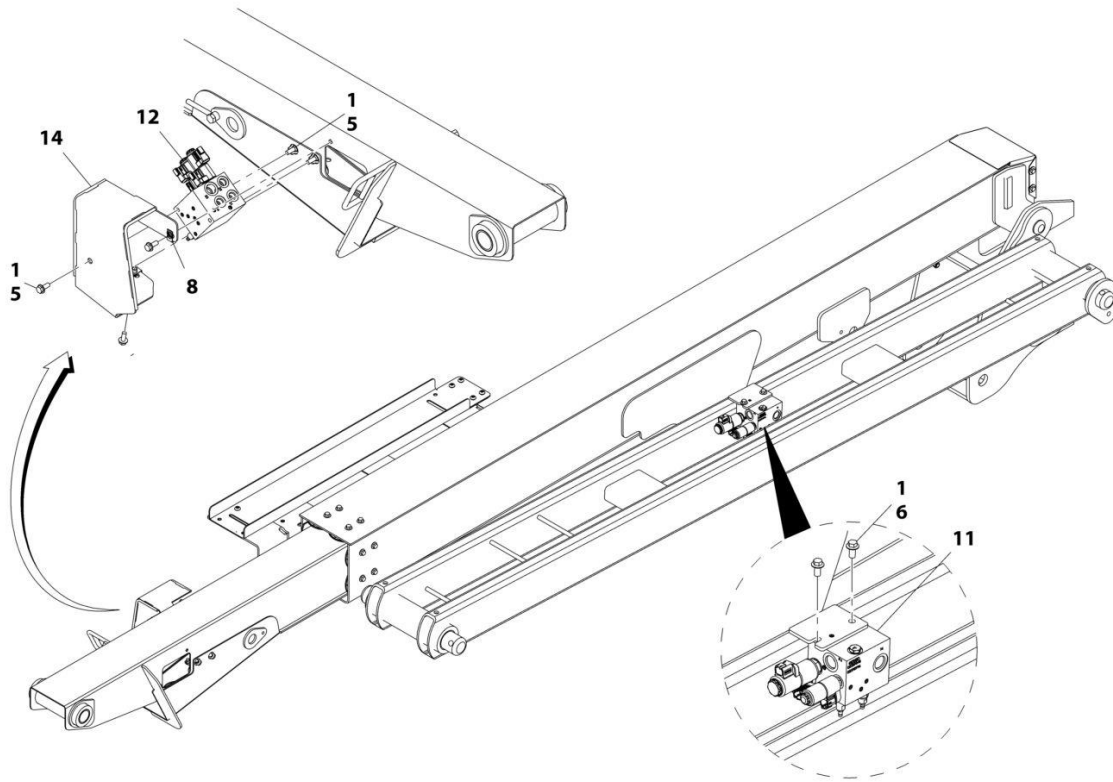
SECTION 4 - BOOM

FIGURE 4-26. 4WD VALVES INSTALLATION - 450A BOOM MOUNTED

ITEM	PART NUMBER	QTY	DESCRIPTION	REV
	1001215378	Ref	4WD VALVES INSTALLATION - 450A BOOM MOUNTED	C
1	0100011	AR	Compound, Locking	
8	5250810	5	Bolt M8 x 20	
9	5251010	2	Bolt M10 x 20	
12	1001118274	2	Nut M8	
14	1001162535	1	Upright Valve Assembly (See UPRIGHT VALVE ASSEMBLY for Breakdown)	
16	1001170375	1	Shield	
20	1001215105	1	Boom Valve Assembly - Fixed Jib (See BOOM VALVE ASSEMBLY - FIXED JIB for Breakdown)	

SECTION 4 - BOOM

FIGURE 4-27. 4WD VALVES INSTALLATION - 450AJ BOOM MOUNTED



ART_1001165948_30F3

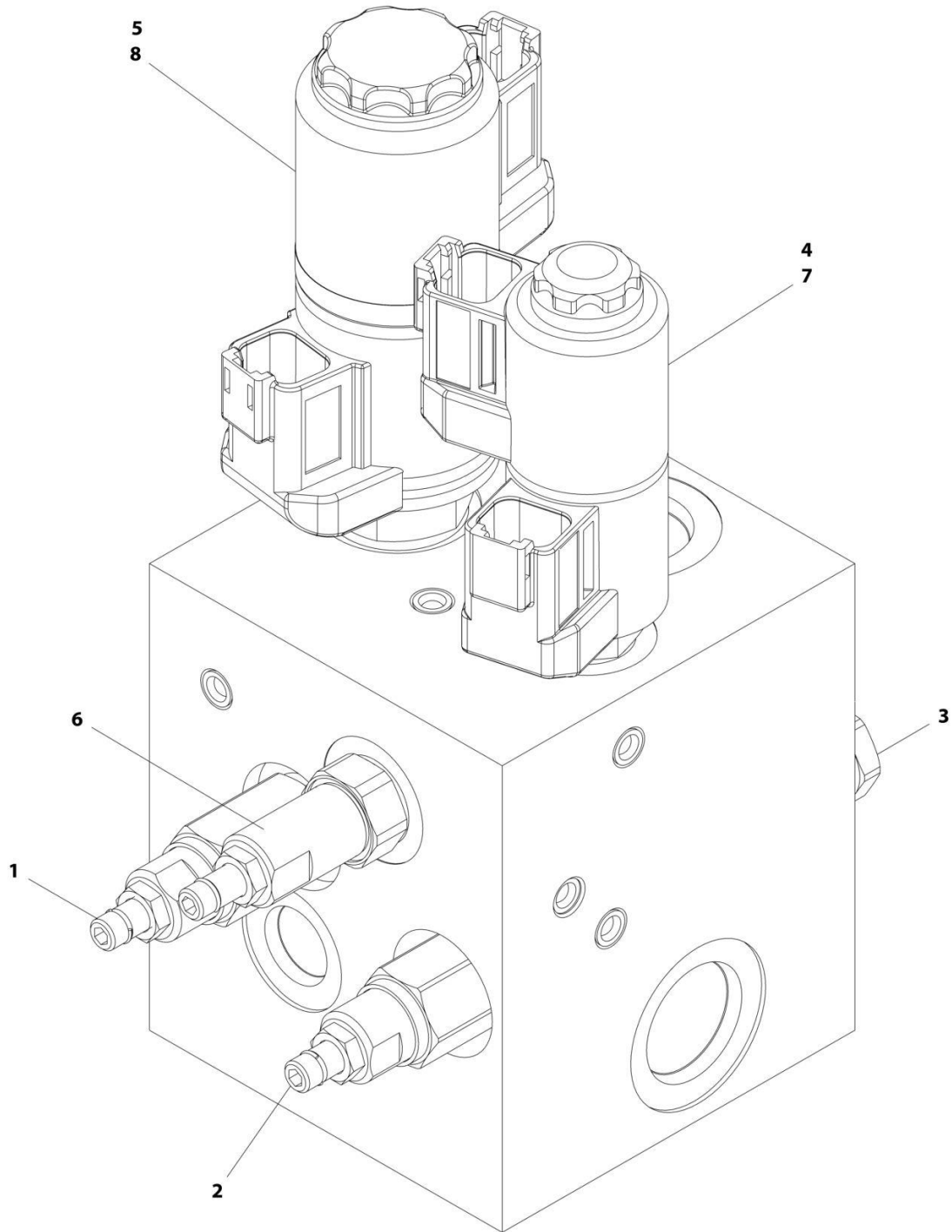
SECTION 4 - BOOM

FIGURE 4-27. 4WD VALVES INSTALLATION - 450AJ BOOM MOUNTED

ITEM	PART NUMBER	QTY	DESCRIPTION	REV
	1001165948	Ref	4WD VALVES INSTALLATION - 450AJ BOOM MOUNTED	H
1	0100011	AR	Compound, Locking	
5	5250810	5	Bolt M8 x 20	
6	5251010	2	Bolt M10 x 20	
8	1001118274	2	Nut M8	
11	1001162535	1	Upright Valve Assembly (See UPRIGHT VALVE ASSEMBLY for Breakdown)	
12	1001162536	1	Boom Valve Assembly (See BOOM VALVE ASSEMBLY for Breakdown)	
14	1001170375	1	Shield	

SECTION 4 - BOOM

FIGURE 4-28. UPRIGHT VALVE ASSEMBLY



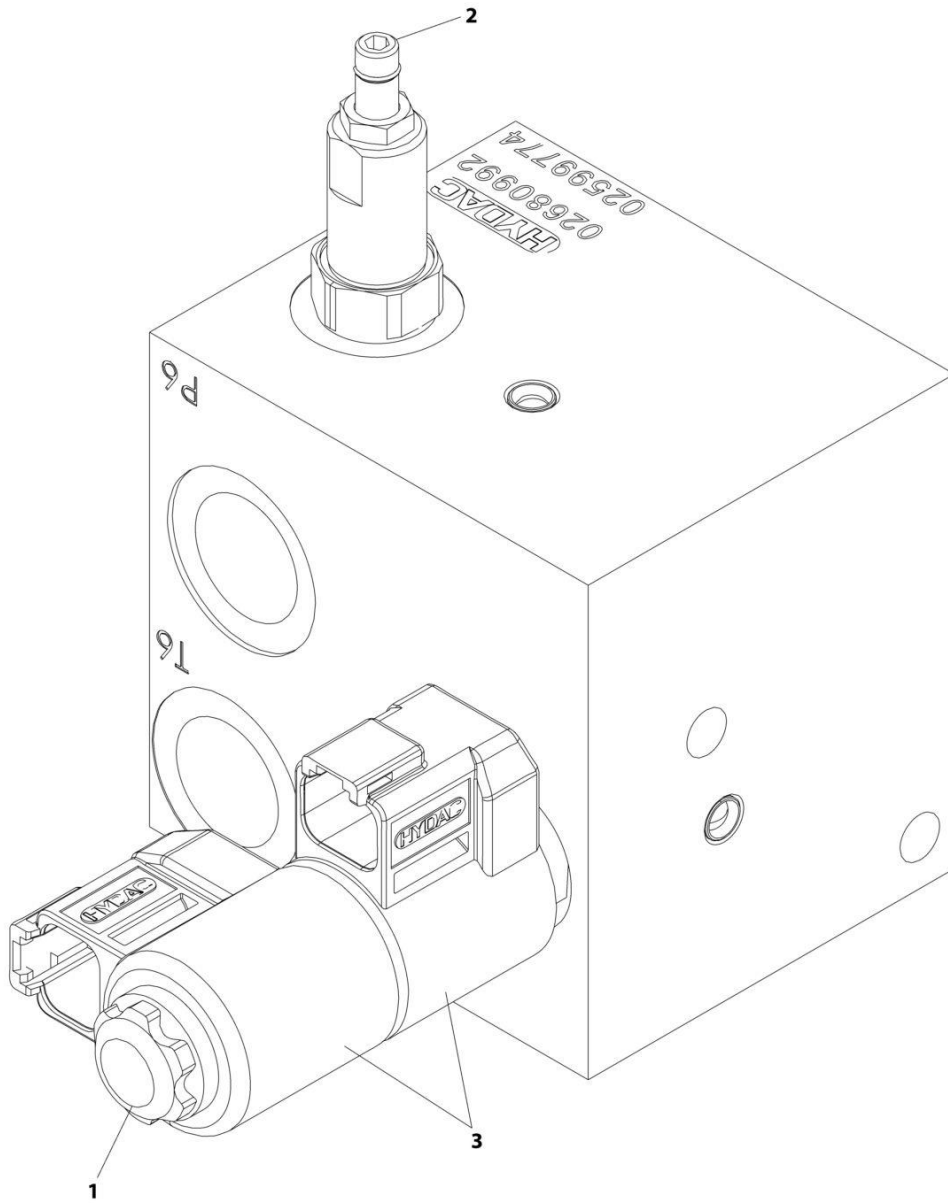
ART_1001162535

FIGURE 4-28. UPRIGHT VALVE ASSEMBLY

ITEM	PART NUMBER	QTY	DESCRIPTION	REV
	1001162535	Ref	UPRIGHT VALVE ASSEMBLY	D
1	70004864	1	Cartridge, Valve	
1	70004875	1	Seal Kit - 70004864 Valve	
2	70004865	1	Cartridge, Valve	
2	70004875	1	Seal Kit - 70004865 Valve	
3	70004866	1	Cartridge, Relief Valve	
3	70004867	1	Seal Kit - 70004866 Valve	
4	70004868	1	Cartridge, Solenoid Valve Less Coil	
4	70004869	1	Seal Kit - 70004868 Valve	
5	7027625	1	Cartridge, Solenoid Valve Less Coil	
5	70000100	1	Seal Kit - 7027625 Valve	
6	70004870	1	Cartridge, Valve (SN 0300201991 through 0300243197, SN 1300007279 through 1300007373, SN E300002833 through E300005519)	
6	70006660	1	Cartridge, Valve (SN 0300243198 through 0300272317, SN B300003516 through B300005760, SN E300005520 through E300007990, Except SN 0300272185 through 0300272190, Excluding B300005569 and E300007814)	
6	70004867	1	Seal Kit - 70004870/70006660 Valve	
7	70004871	2	Coil	
8	7027628	2	Coil	

SECTION 4 - BOOM

FIGURE 4-29. BOOM VALVE ASSEMBLY - 450A



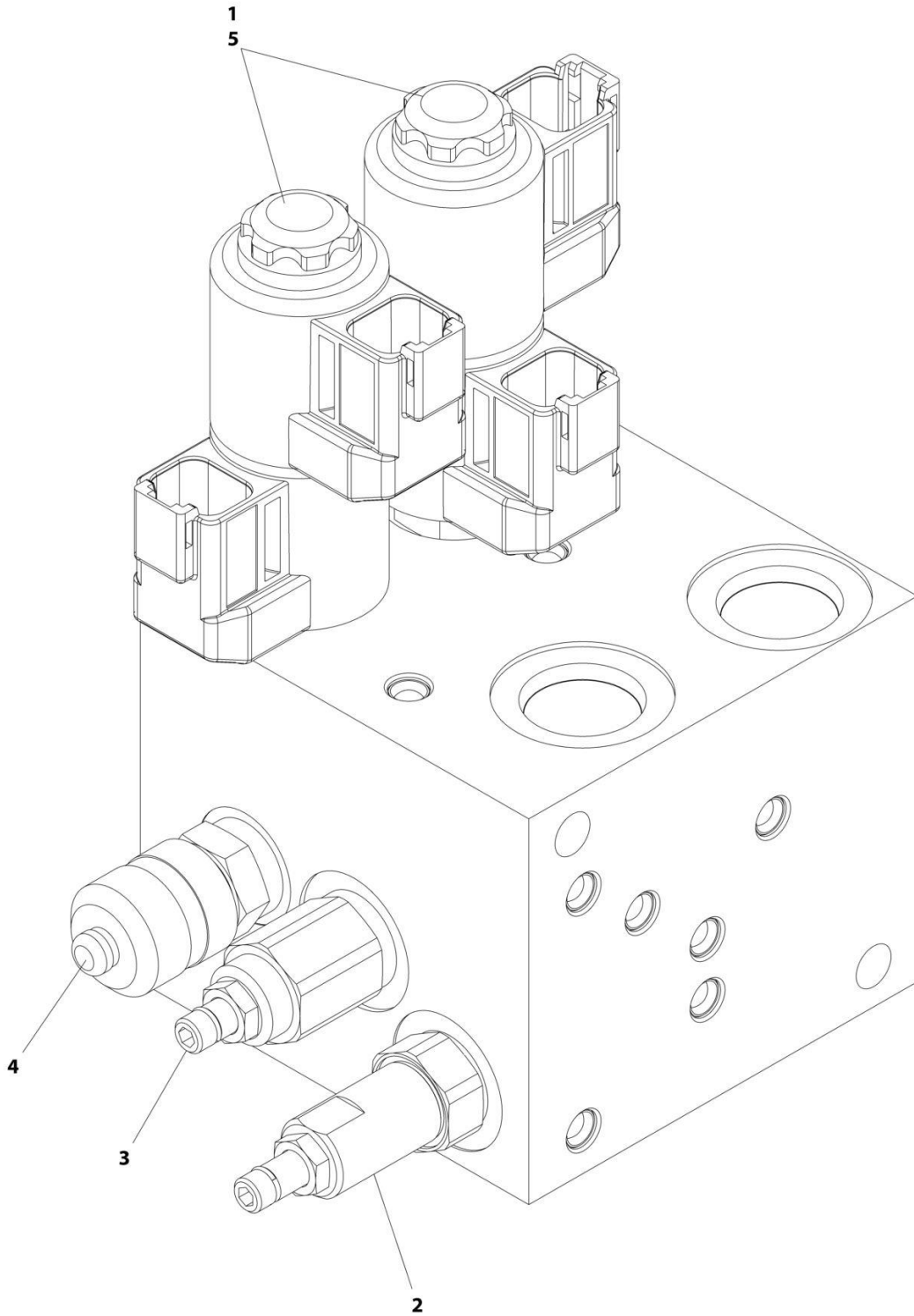
ART_1001215105

FIGURE 4-29. BOOM VALVE ASSEMBLY - 450A

ITEM	PART NUMBER	QTY	DESCRIPTION	REV
	1001215105	Ref	BOOM VALVE ASSEMBLY - 450A	A
1	70005243	1	Cartridge, Solenoid Valve Less Coil	
1	70004869	1	Seal Kit - 70005243 Valve	
2	70004873	1	Cartridge, Valve	
2	70004867	1	Seal Kit - 70004873 Valve	
3	70004871	2	Coil	

SECTION 4 - BOOM

FIGURE 4-30. BOOM VALVE ASSEMBLY - 450AJ



ART_1001162536

SECTION 4 - BOOM

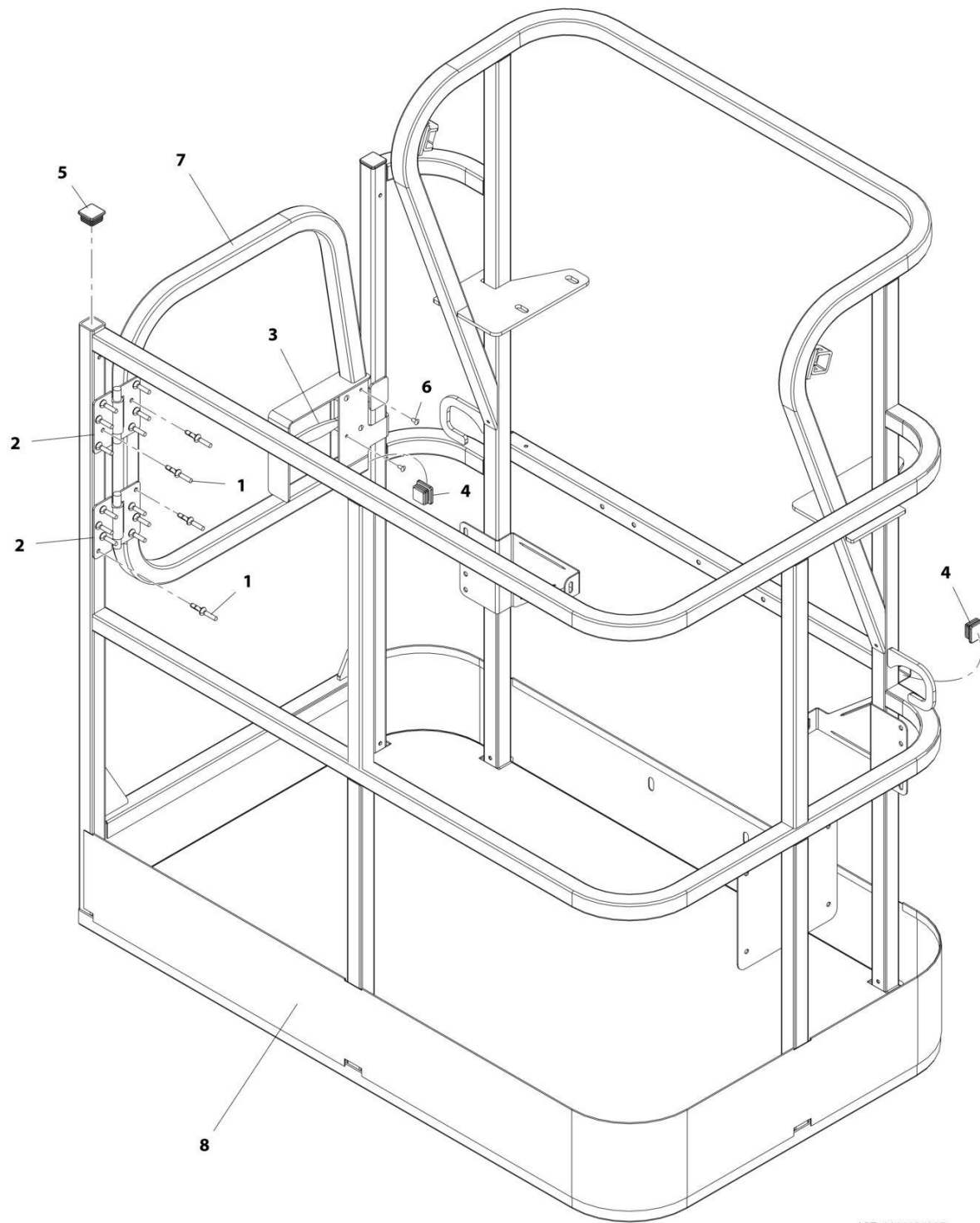
FIGURE 4-30. BOOM VALVE ASSEMBLY - 450AJ

ITEM	PART NUMBER	QTY	DESCRIPTION	REV
	1001162536	Ref	BOOM VALVE ASSEMBLY - 450AJ	F
1	70005243	2	Cartridge, Solenoid Valve Less Coil	
1	70004869	2	Seal Kit - 70005243 Valve	
2	70004873	1	Cartridge, Valve	
2	70004867	1	Seal Kit - 70004873 Valve	
3	70004874	1	Cartridge, Valve (SN 0300201991 through 0300250093, SN E300002833 through E300006401)	
3	70006970	1	Cartridge, Valve (SN 0300250094 through 0300272317, SN B300003516 through B300005760, SN E300006402 through E300007990, Except SN 0300272185 through 0300272190, Excluding B300005569 and E300007814)	
3	70004867	1	Seal Kit - 70004874 & 70006970 Valve	
4	2221086	1	Fitting, Test	
5	70004871	4	Coil	

SECTION 5 - PLATFORM

SECTION 5 - PLATFORM

FIGURE 5-1. PLATFORM ASSEMBLY - 30IN X 4FT (76CM X 1.22M) - SIDE GATE ENTRY (USA BUILT MACHINES)



ART_1001186387

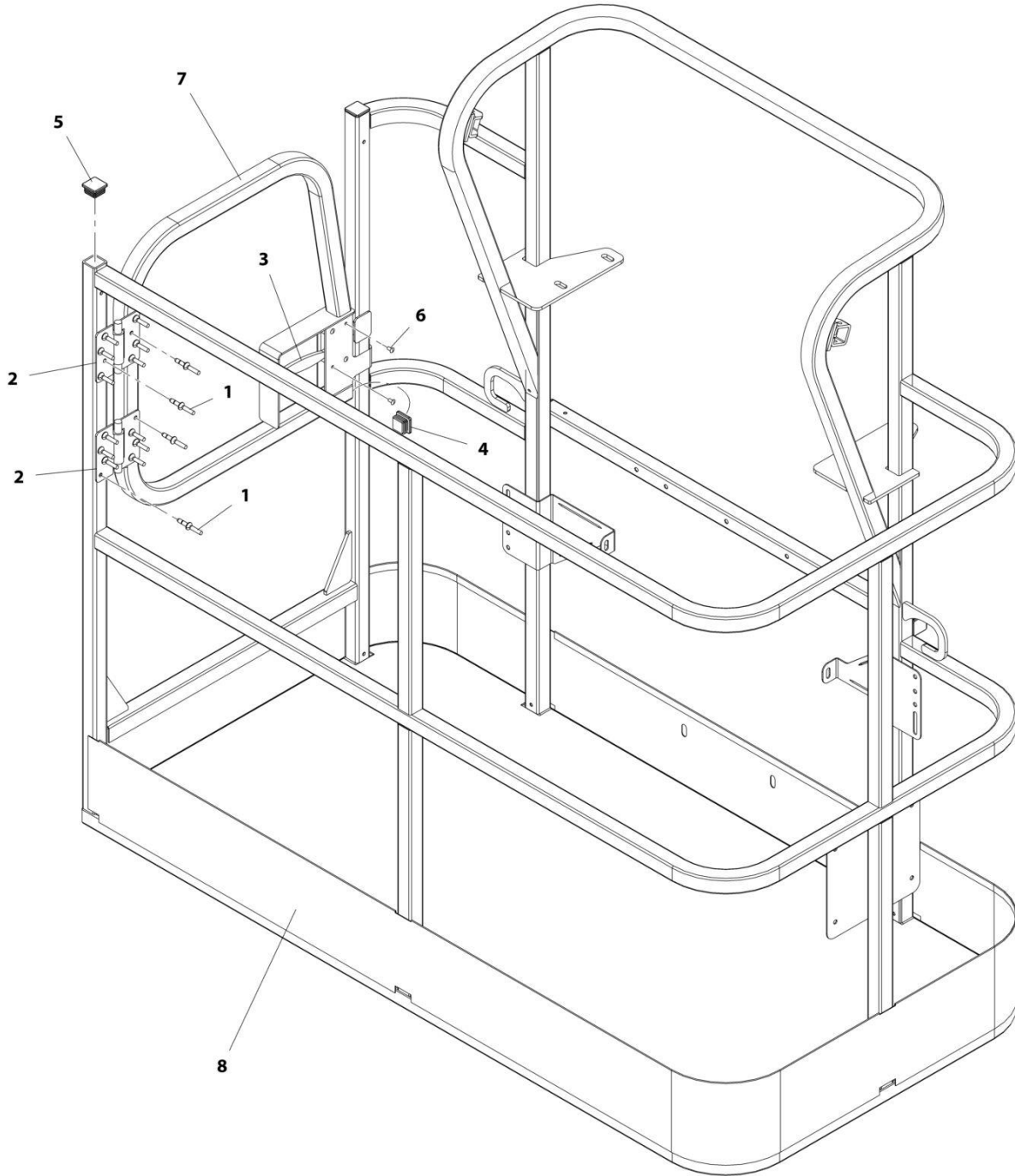
SECTION 5 - PLATFORM

FIGURE 5-1. PLATFORM ASSEMBLY - 30IN X 4FT (76CM X 1.22M) - SIDE GATE ENTRY (USA BUILT MACHINES)

ITEM	PART NUMBER	QTY	DESCRIPTION	REV
	1001186387	Ref	PLATFORM ASSEMBLY - 30IN X 4FT (76CM X 1.22M) - SIDE GATE ENTRY (USA BUILT MACHINES)	C
	See Note	Ref	Note: Platform and Mesh must be ordered separately for Platforms with Mesh. See SPECIAL OPTIONS SECTION for Mesh Installations.	
	See Note	Ref	Note: Replacement Decals Must be Ordered Separately - See DECALS SECTION.	
1	2080040	16	Fastener, Huck	
2	2600281	2	Hinge, Self-Closing	
3	2940074	1	Latch	
4	3520072	3	Cap, Plug	
5	3520198	2	Cap, Plug	
6	3820020	4	Rivet	
7	1001144629	1	Gate, Weldment	
8	See Note	1	Platform, Weldment (Note: Not Available - Purchase Platform Assembly)	

SECTION 5 - PLATFORM

FIGURE 5-2. PLATFORM ASSEMBLY - 30IN X 5FT (76CM X 1.52M) - SIDE GATE ENTRY (USA AND CHINA BUILT MACHINES)



ART_1001186386

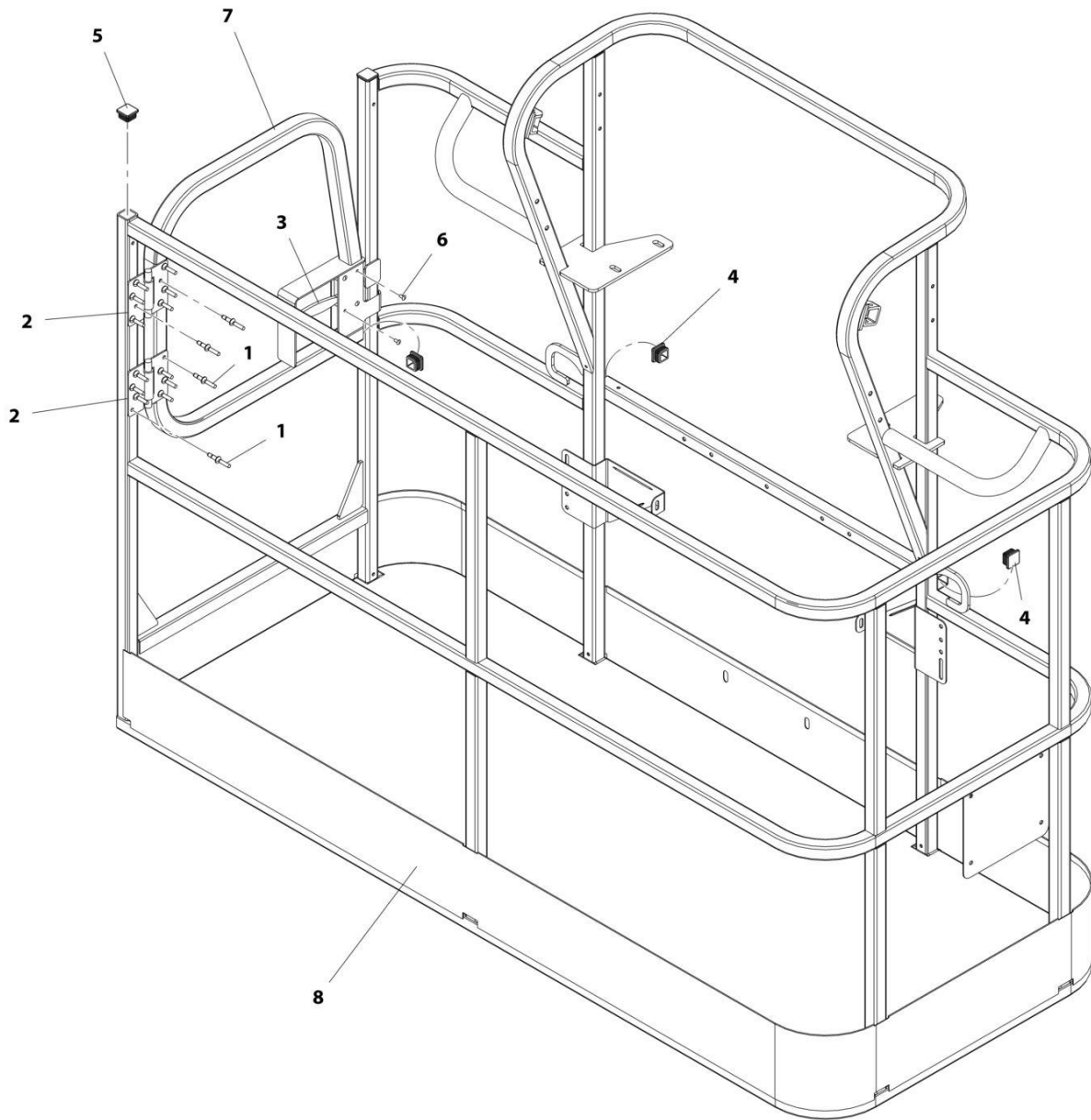
SECTION 5 - PLATFORM

FIGURE 5-2. PLATFORM ASSEMBLY - 30IN X 5FT (76CM X 1.52M) - SIDE GATE ENTRY (USA AND CHINA BUILT MACHINES)

ITEM	PART NUMBER	QTY	DESCRIPTION	REV
	1001186386	Ref	PLATFORM ASSEMBLY - 30IN X 5FT (76CM X 1.52M) - SIDE GATE ENTRY (USA AND CHINA BUILT MACHINES)	C
	See Note	Ref	Note: Platform and Mesh must be ordered separately for Platforms with Mesh. See SPECIAL OPTIONS SECTION for Mesh Installations.	
	See Note	Ref	Note: Replacement Decals Must be Ordered Separately - See DECALS SECTION.	
1	2080040	16	Fastener, Huck	
2	2600281	2	Hinge, Self-Closing	
3	2940074	1	Latch	
4	3520072	3	Cap, Plug	
5	3520198	2	Cap, Plug	
6	3820020	4	Rivet	
7	1001144629	1	Gate, Weldment	
8	See Note	1	Platform, Weldment (Note: Not Available - Purchase Platform Assembly)	

SECTION 5 - PLATFORM

FIGURE 5-3. PLATFORM ASSEMBLY - 30IN X 6FT (76CM X 1.83M) - SIDE GATE ENTRY (USA AND CHINA BUILT MACHINES)



ART_1001186385

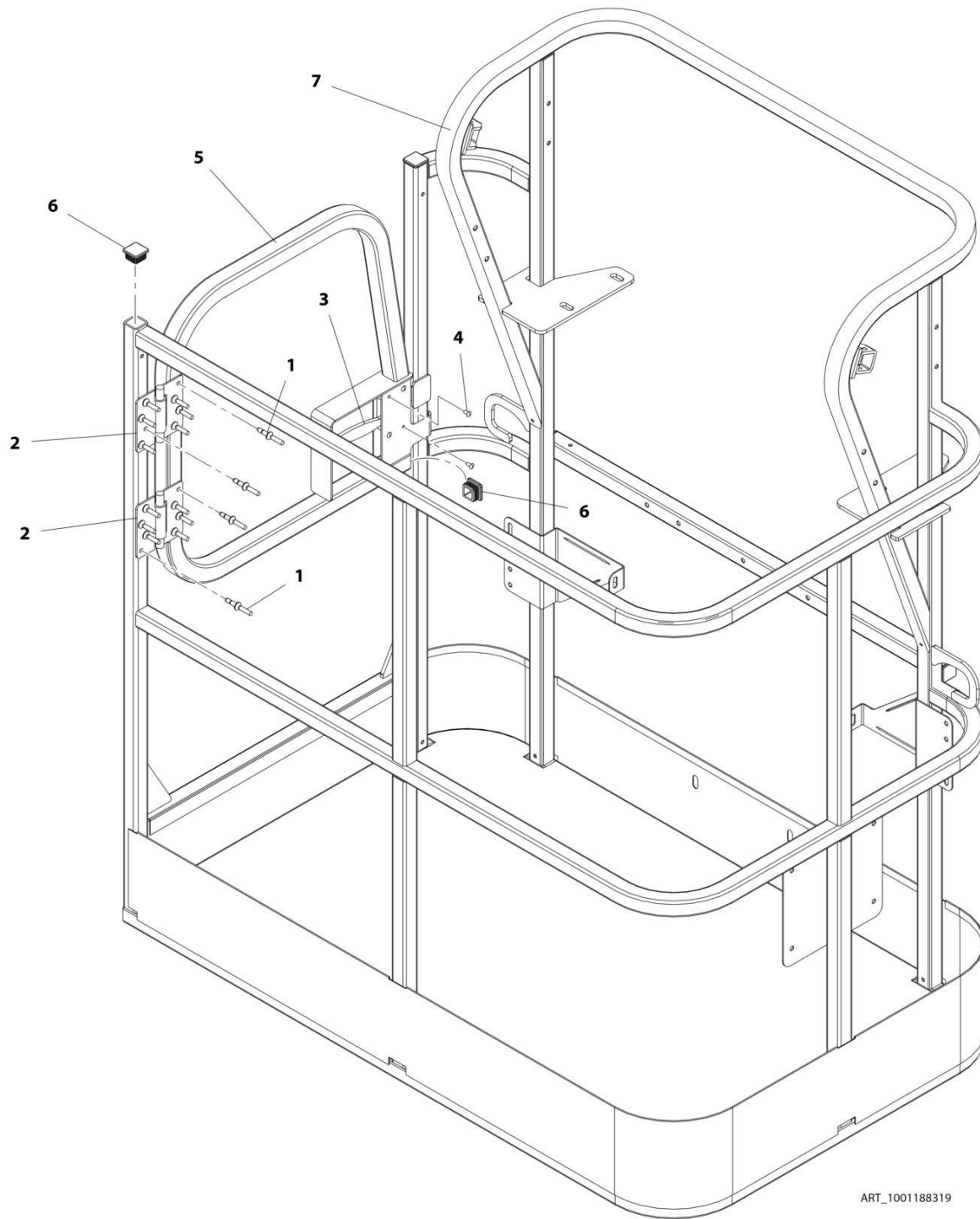
SECTION 5 - PLATFORM

FIGURE 5-3. PLATFORM ASSEMBLY - 30IN X 6FT (76CM X 1.83M) - SIDE GATE ENTRY (USA AND CHINA BUILT MACHINES)

ITEM	PART NUMBER	QTY	DESCRIPTION	REV
	1001186385	Ref	PLATFORM ASSEMBLY - 30IN X 6FT (76CM X 1.83M) - SIDE GATE ENTRY (USA AND CHINA BUILT MACHINES)	D
	See Note	Ref	Note: Platform and Mesh must be ordered separately for Platforms with Mesh. See SPECIAL OPTIONS SECTION for Mesh Installations.	
	See Note	Ref	Note: Replacement Decals Must be Ordered Separately - See DECALS SECTION.	
1	2080040	16	Fastener, Huck	
2	2600281	2	Hinge, Self-Closing	
3	2940074	1	Latch	
4	3520072	3	Cap, Plug	
5	3520198	2	Cap, Plug	
6	3820020	4	Rivet	
7	1001144629	1	Gate, Weldment	
8	See Note	1	Platform, Weldment (Note: Not Available - Purchase Platform Assembly)	

SECTION 5 - PLATFORM

FIGURE 5-4. PLATFORM ASSEMBLY - 30IN X 4FT (76CM X 1.22M) - SIDE GATE ENTRY (ROMANIAN BUILT MACHINES)



ART_1001188319

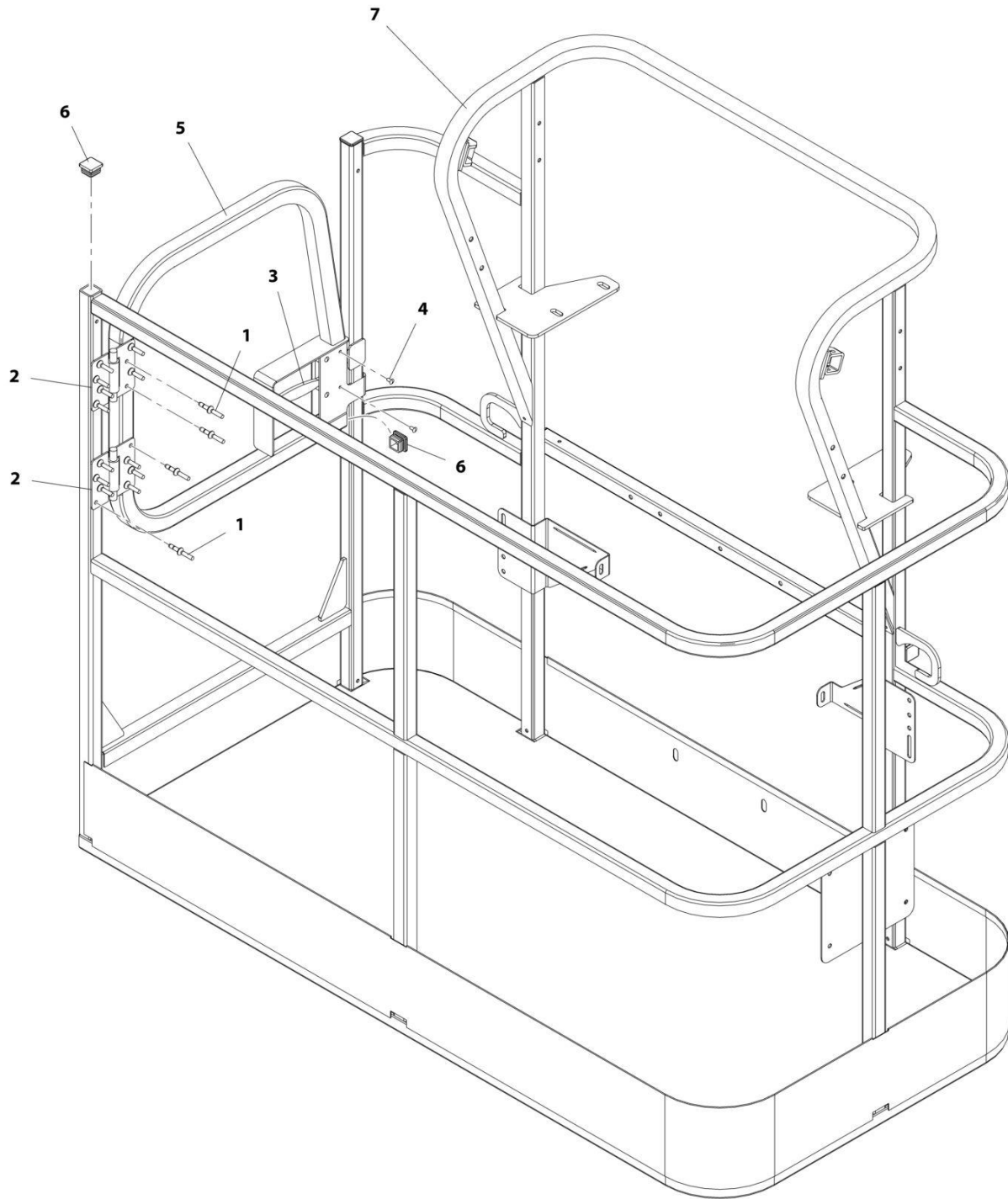
SECTION 5 - PLATFORM

FIGURE 5-4. PLATFORM ASSEMBLY - 30IN X 4FT (76CM X 1.22M) - SIDE GATE ENTRY (ROMANIAN BUILT MACHINES)

ITEM	PART NUMBER	QTY	DESCRIPTION	REV
	1001188319	Ref	PLATFORM ASSEMBLY - 30IN X 4FT (76CM X 1.22M) - SIDE GATE ENTRY (ROMANIAN BUILT MACHINES)	C
	See Note	Ref	Note: Platform and Mesh must be ordered separately for Platforms with Mesh. See SPECIAL OPTIONS SECTION for Mesh Installations.	
	See Note	Ref	Note: Replacement Decals Must be Ordered Separately - See DECALS SECTION.	
1	2080040	16	Fastener, Huck	
2	2600281	2	Hinge, Self-Closing	
3	2940074	1	Latch	
4	3820020	4	Rivet	
5	1001144629	1	Gate, Weldment	
6	1001145781	5	Cap, Plug	
7	See Note	1	Platform, Weldment (Note: Not Available - Purchase Platform Assembly)	

SECTION 5 - PLATFORM

FIGURE 5-5. PLATFORM ASSEMBLY - 30IN X 5FT (76CM X 1.52M) - SIDE GATE ENTRY (ROMANIAN BUILT MACHINES)



ART_100188315

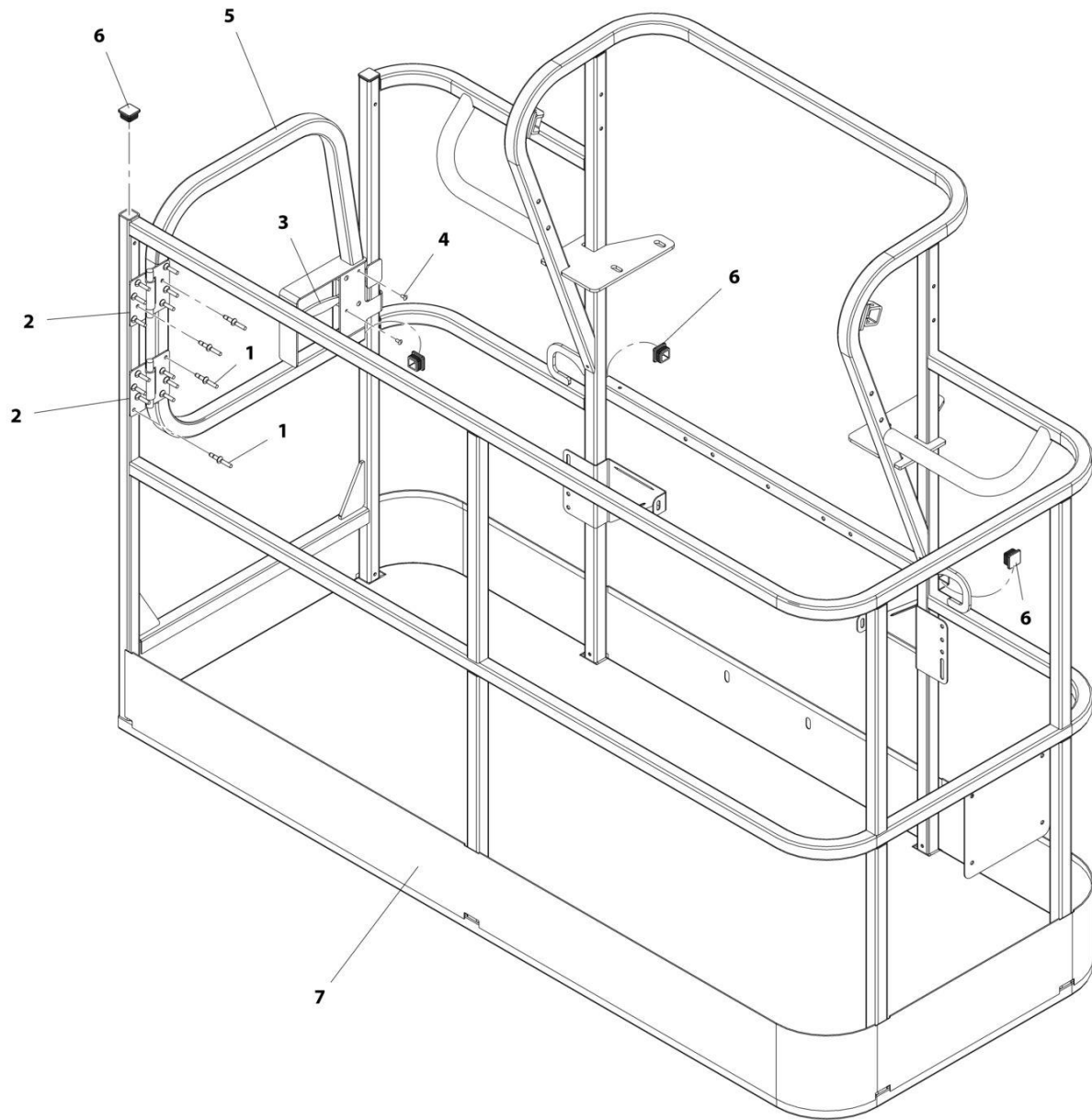
SECTION 5 - PLATFORM

FIGURE 5-5. PLATFORM ASSEMBLY - 30IN X 5FT (76CM X 1.52M) - SIDE GATE ENTRY (ROMANIAN BUILT MACHINES)

ITEM	PART NUMBER	QTY	DESCRIPTION	REV
	1001188315	Ref	PLATFORM ASSEMBLY - 30IN X 5FT (76CM X 1.52M) - SIDE GATE ENTRY (ROMANIAN BUILT MACHINES)	D
	See Note	Ref	Note: Platform and Mesh must be ordered separately for Platforms with Mesh. See SPECIAL OPTIONS SECTION for Mesh Installations.	
	See Note	Ref	Note: Replacement Decals Must be Ordered Separately - See DECALS SECTION.	
1	2080040	16	Fastener, Huck	
2	2600281	2	Hinge, Self-Closing	
3	2940074	1	Latch	
4	3820020	4	Rivet	
5	1001144629	1	Gate, Weldment	
6	1001145781	5	Cap, Plug	
7	See Note	1	Platform, Weldment (Note: Not Available - Purchase Platform Assembly)	

SECTION 5 - PLATFORM

FIGURE 5-6. PLATFORM ASSEMBLY - 30IN X 6FT (76CM X 1.83M) - SIDE GATE ENTRY (ROMANIAN BUILT MACHINES)



ART_1001188312

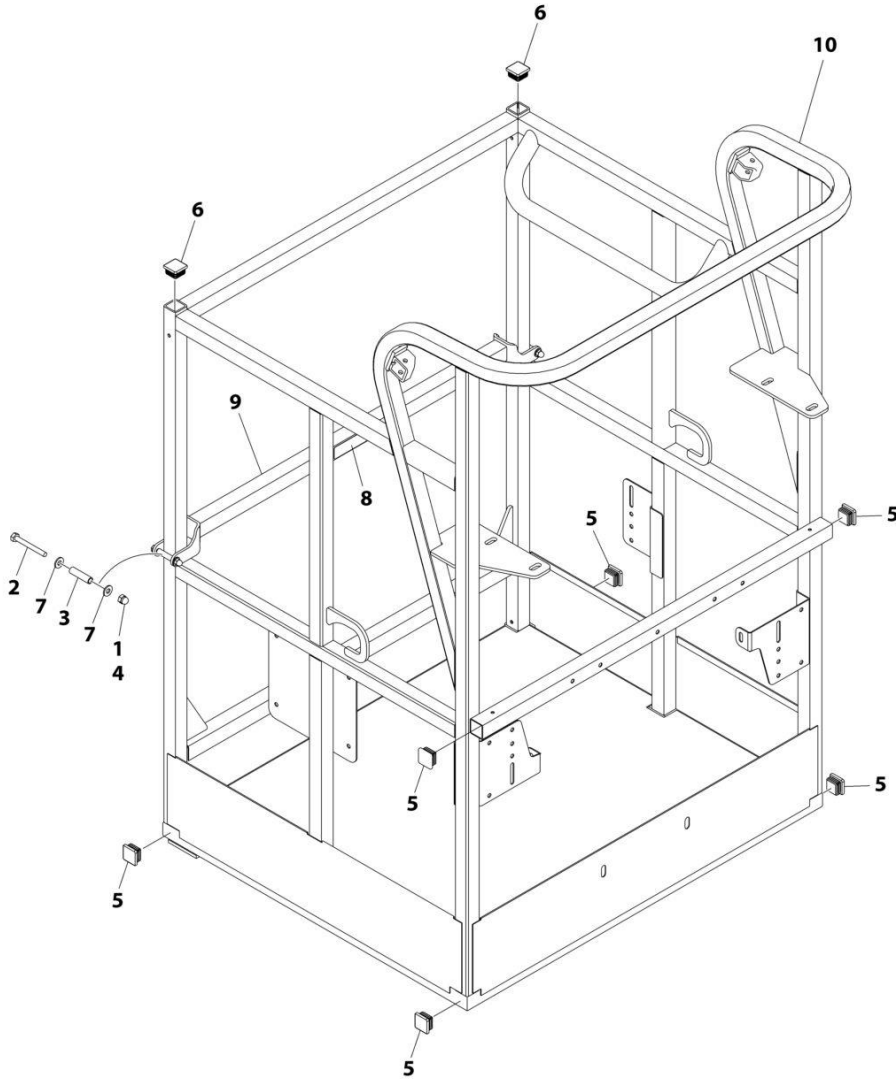
SECTION 5 - PLATFORM

FIGURE 5-6. PLATFORM ASSEMBLY - 30IN X 6FT (76CM X 1.83M) - SIDE GATE ENTRY (ROMANIAN BUILT MACHINES)

ITEM	PART NUMBER	QTY	DESCRIPTION	REV
	1001188312	Ref	PLATFORM ASSEMBLY - 30IN X 6FT (76CM X 1.83M) - SIDE GATE ENTRY (ROMANIAN BUILT MACHINES)	E
	See Note	Ref	Note: Platform and Mesh must be ordered separately for Platforms with Mesh. See SPECIAL OPTIONS SECTION for Mesh Installations.	
	See Note	Ref	Note: Replacement Decals Must be Ordered Separately - See DECALS SECTION.	
1	2080040	16	Fastener, Huck	
2	2600281	2	Hinge, Self-Closing	
3	2940074	1	Latch	
4	3820020	4	Rivet	
5	1001144629	1	Gate, Weldment	
6	1001145781	5	Cap, Plug	
7	See Note	1	Platform, Weldment (Note: Not Available - Purchase Platform Assembly)	

SECTION 5 - PLATFORM

FIGURE 5-7. PLATFORM ASSEMBLY - 30IN X 3FT (76CM X .91M) - DROP BAR ENTRY (USA BUILT MACHINES)



ART_1001228215

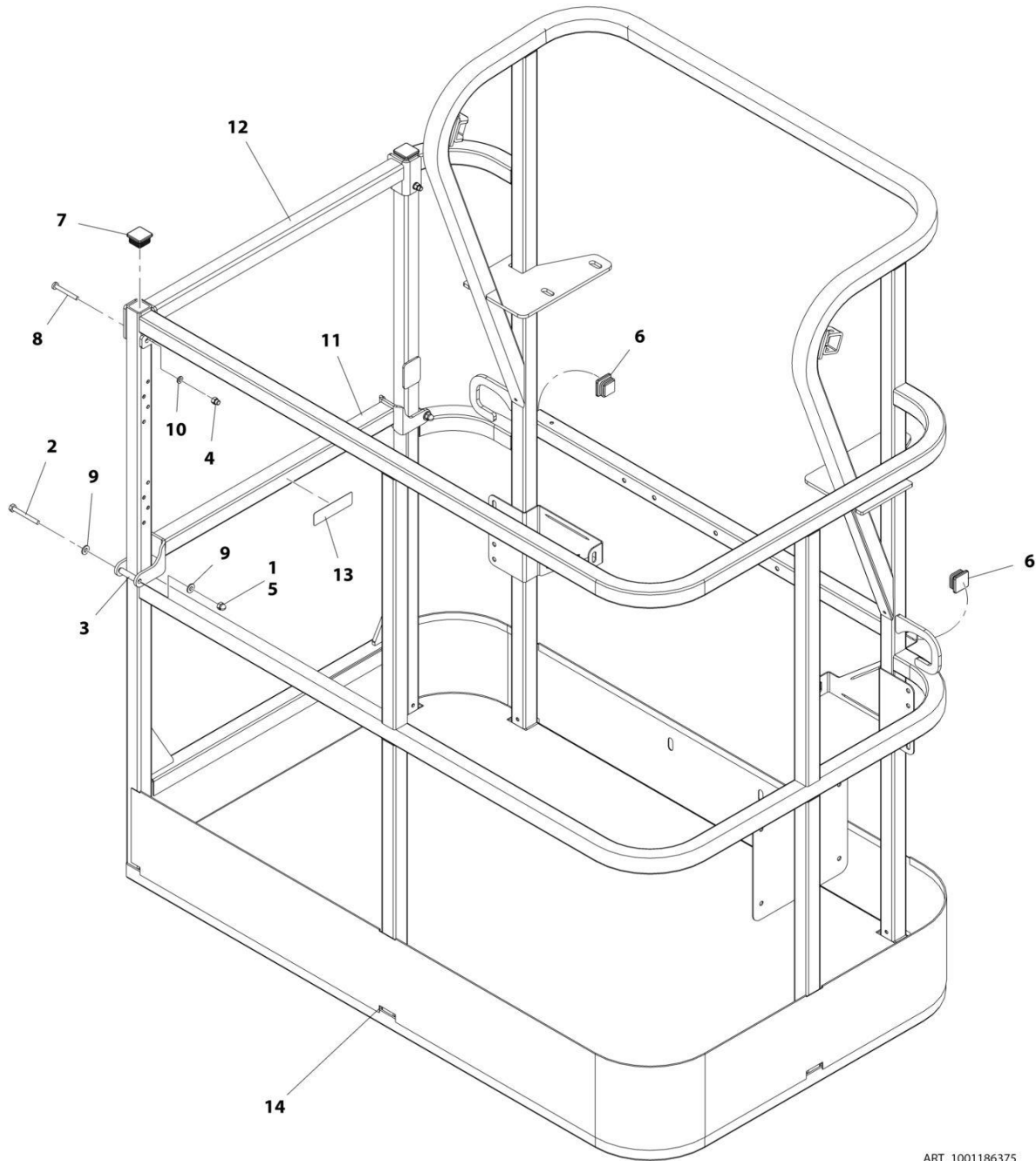
SECTION 5 - PLATFORM

FIGURE 5-7. PLATFORM ASSEMBLY - 30IN X 3FT (76CM X .91M) - DROP BAR ENTRY (USA BUILT MACHINES)

ITEM	PART NUMBER	QTY	DESCRIPTION	REV
	1001228215	Ref	PLATFORM ASSEMBLY - 30IN X 3FT (76CM X .91M) - DROP BAR ENTRY (USA BUILT MACHINES)	A
	See Note	Ref	Note: Platform and Mesh must be ordered separately for Platforms with Mesh. See SPECIAL OPTIONS SECTION for Mesh Installations.	
	See Note	Ref	Note: Replacement Decals Must be Ordered Separately - See DECAL SECTION.	
1	0100011	AR	Compound, Locking	
2	0641418	2	Bolt 1/4 x 2-1/4	
3	0961845	2	Bushing	
4	3300151	2	Nut, Acorn	
5	3520072	6	Plug	
6	3520198	2	Plug	
7	4711400	4	Washer 1/4	
8	1001140429	1	Decal - Drop Bar	
9	1001226872	1	Bar, Drop	
10	See Note	NSS	Platform, Weldment (Note: Not Available - Purchase Platform Assembly)	

SECTION 5 - PLATFORM

FIGURE 5-8. PLATFORM ASSEMBLY - 30IN X 4FT (76CM X 1.22M) - WITH DROP BAR (USA BUILT MACHINES)



ART_1001186375

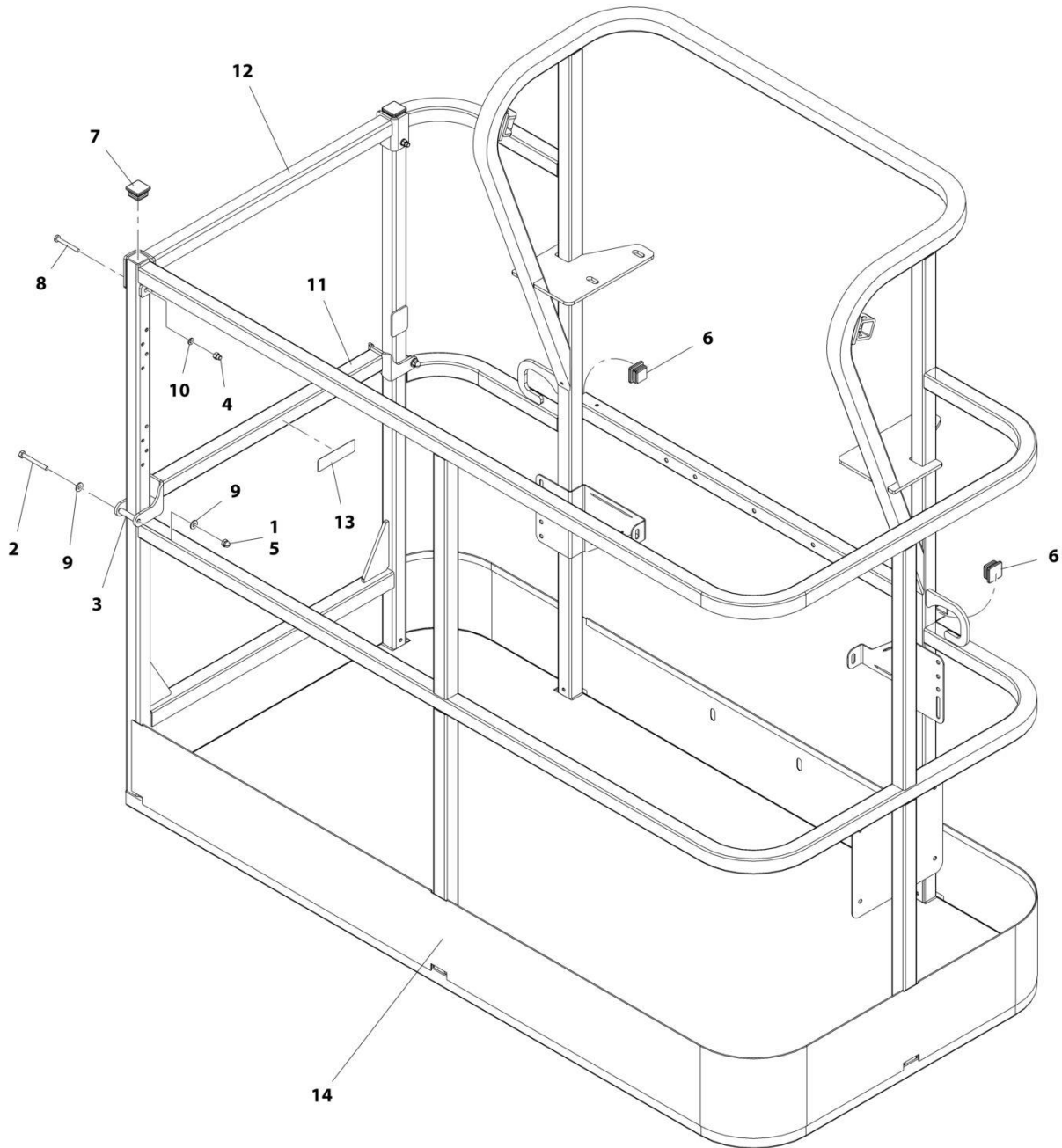
SECTION 5 - PLATFORM

FIGURE 5-8. PLATFORM ASSEMBLY - 30IN X 4FT (76CM X 1.22M) - WITH DROP BAR (USA BUILT MACHINES)

ITEM	PART NUMBER	QTY	DESCRIPTION	REV
	1001186375	Ref	PLATFORM ASSEMBLY - 30IN X 4FT (76CM X 1.22M) - WITH DROP BAR (USA BUILT MACHINES)	B
	See Note	Ref	Note: Platform and Mesh must be ordered separately for Platforms with Mesh. See SPECIAL OPTIONS SECTION for Mesh Installations.	
	See Note	Ref	Note: Replacement Decals Must be Ordered Separately - See DECALS SECTION.	
1	0100011	AR	Compound, Locking	
2	0641418	2	Bolt, 1/4-20 x 2-1/4	
3	0961845	2	Bushing	
4	3290606	2	Nut, M6 x 1	
5	3300151	2	Nut, Acorn 1/4-20	
6	3520072	2	Cap, Plug	
7	3520198	2	Cap, Plug	
8	4010618	2	Screw, M6 x 50mm	
9	4711400	4	Washer, 1/4	
10	4811700	2	Washer, M6	
11	1001138494	1	Bar, Drop	
12	1001138514	1	Rail (Top)	
13	1001140429	1	Decal - Drop Bar	
14	See Note	1	Platform, Weldment (Note: Not Available - Purchase Platform Assembly)	

SECTION 5 - PLATFORM

FIGURE 5-9. PLATFORM ASSEMBLY - 30IN X 5FT (76CM X 1.52M) - WITH DROP BAR (USA AND CHINA BUILT MACHINES)



ART_1001186377

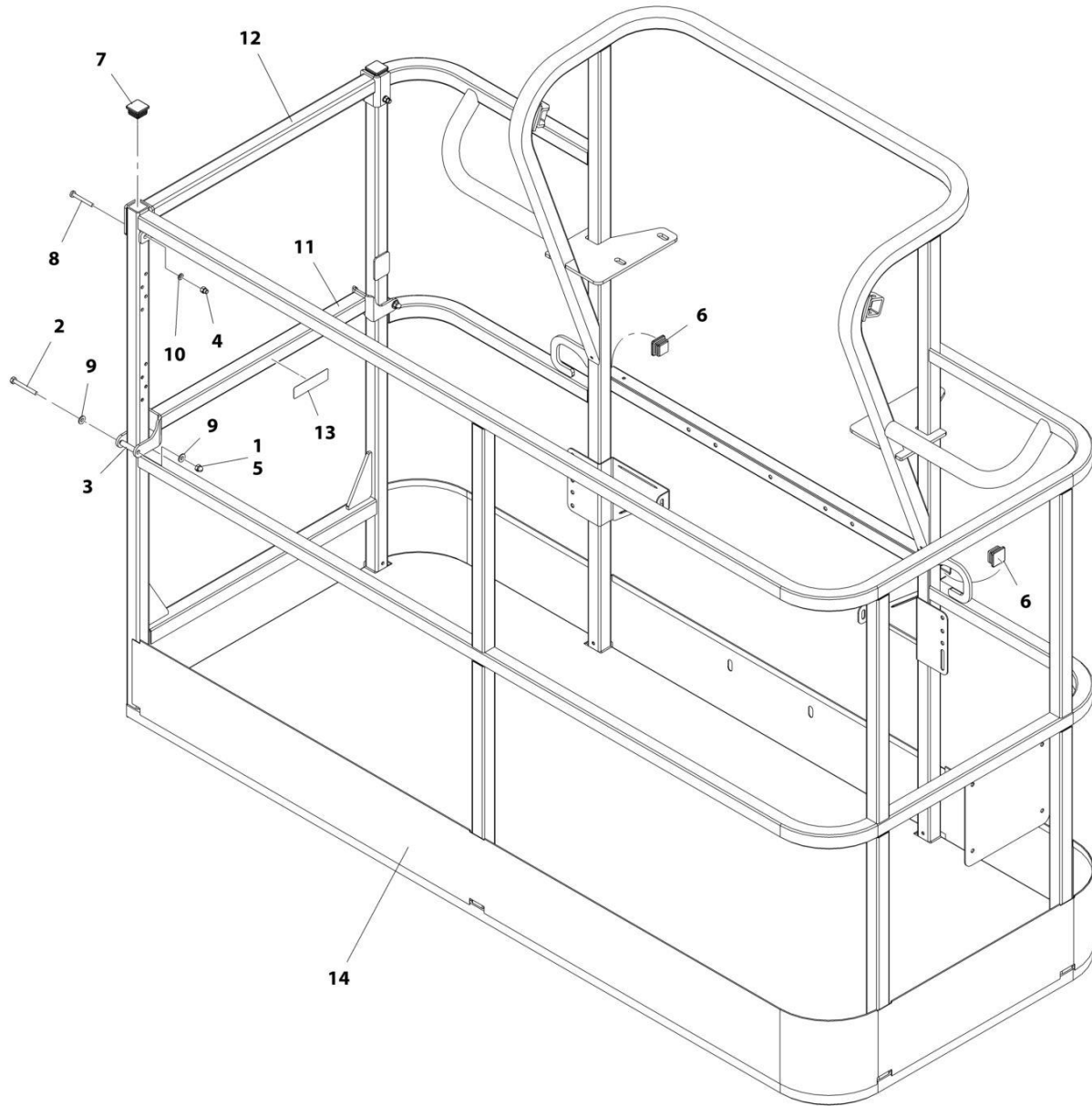
SECTION 5 - PLATFORM

FIGURE 5-9. PLATFORM ASSEMBLY - 30IN X 5FT (76CM X 1.52M) - WITH DROP BAR (USA AND CHINA BUILT MACHINES)

ITEM	PART NUMBER	QTY	DESCRIPTION	REV
	1001186377	Ref	PLATFORM ASSEMBLY - 30IN X 5FT (76CM X 1.52M) - WITH DROP BAR (USA AND CHINA BUILT MACHINES)	C
	See Note	Ref	Note: Platform and Mesh must be ordered separately for Platforms with Mesh. See SPECIAL OPTIONS SECTION for Mesh Installations.	
	See Note	Ref	Note: Replacement Decals Must be Ordered Separately - See DECALS SECTION.	
1	0100011	AR	Compound, Locking	
2	0641418	2	Bolt, 1/4-20 x 2-1/4	
2	0641420	2	Bolt, 1/4-20 x 2-1/2	
3	0961845	2	Bushing	
4	3290606	2	Nut, M6 x 1	
5	3300151	2	Nut, Acorn 1/4-20	
6	3520072	2	Cap, Plug	
7	3520198	2	Cap, Plug	
8	4010618	2	Screw, M6 x 50mm	
9	4711400	4	Washer, 1/4	
10	4811700	2	Washer, M6	
11	1001138494	1	Bar, Drop	
12	1001138514	1	Rail (Top)	
13	1001140429	1	Decal - Drop Bar	
14	See Note	1	Platform, Weldment (Note: Not Available - Purchase Platform Assembly)	

SECTION 5 - PLATFORM

FIGURE 5-10. PLATFORM ASSEMBLY - 30IN X 6FT (76CM X 1.83M) - WITH DROP BAR (USA AND CHINA BUILT MACHINES)



ART_1001186378

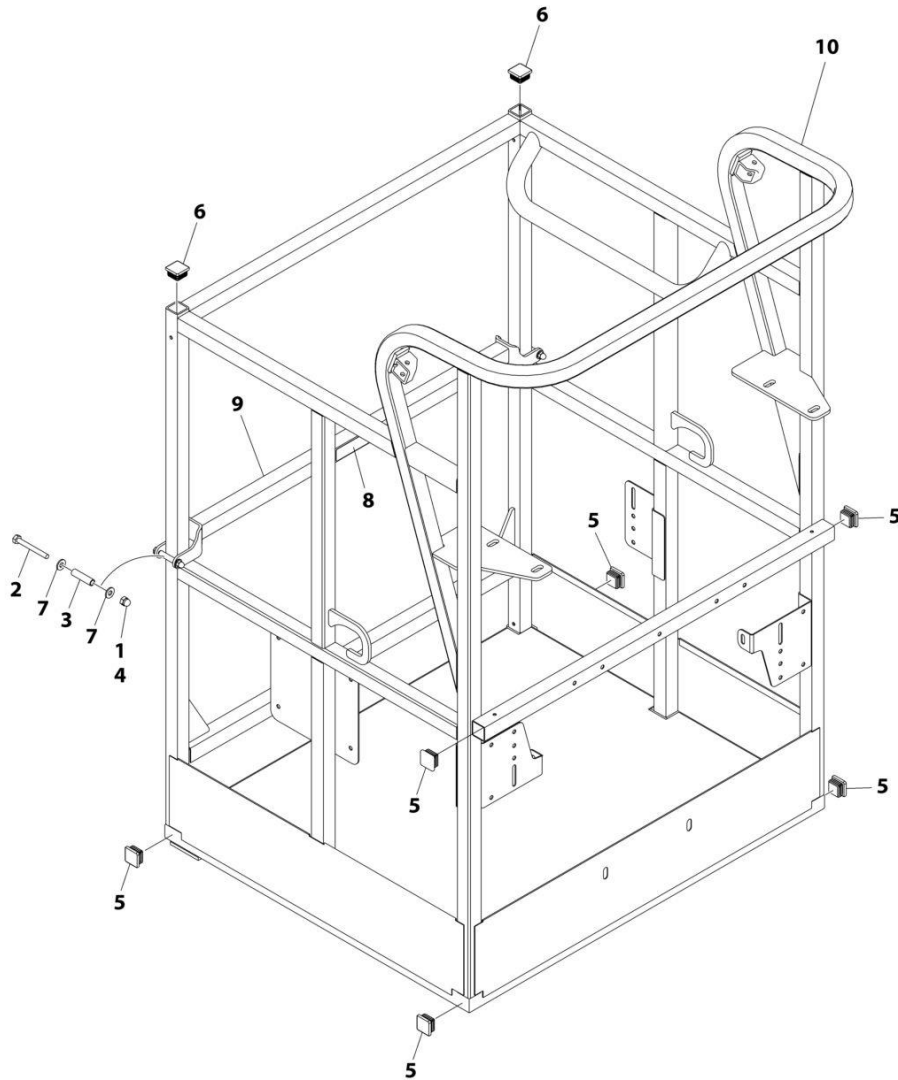
SECTION 5 - PLATFORM

FIGURE 5-10. PLATFORM ASSEMBLY - 30IN X 6FT (76CM X 1.83M) - WITH DROP BAR (USA AND CHINA BUILT MACHINES)

ITEM	PART NUMBER	QTY	DESCRIPTION	REV
	1001186378	Ref	PLATFORM ASSEMBLY - 30IN X 6FT (76CM X 1.83M) - WITH DROP BAR (USA AND CHINA BUILT MACHINES)	B
	See Note	Ref	Note: Platform and Mesh must be ordered separately for Platforms with Mesh. See SPECIAL OPTIONS SECTION for Mesh Installations.	
	See Note	Ref	Note: Replacement Decals Must be Ordered Separately - See DECALS SECTION.	
1	0100011	AR	Compound, Locking	
2	0641418	2	Bolt, 1/4-20 x 2-1/4	
3	0961845	2	Bushing	
4	3290606	2	Nut, M6 x 1	
5	3300151	2	Nut, Acorn 1/4-20	
6	3520072	2	Cap, Plug	
7	3520198	2	Cap, Plug	
8	4010618	2	Screw, M6 x 50mm	
9	4711400	4	Washer, 1/4	
10	4811700	2	Washer, M6	
11	1001138494	1	Bar, Drop	
12	1001138514	1	Rail (Top)	
13	1001140429	1	Decal - Drop Bar	
14	See Note	1	Platform, Weldment (Note: Not Available - Purchase Platform Assembly)	

SECTION 5 - PLATFORM

FIGURE 5-11. PLATFORM ASSEMBLY - 30IN X 3FT (76CM X .91M) - DROP BAR ENTRY (ROMANIAN BUILT MACHINES)



ART_1001228215

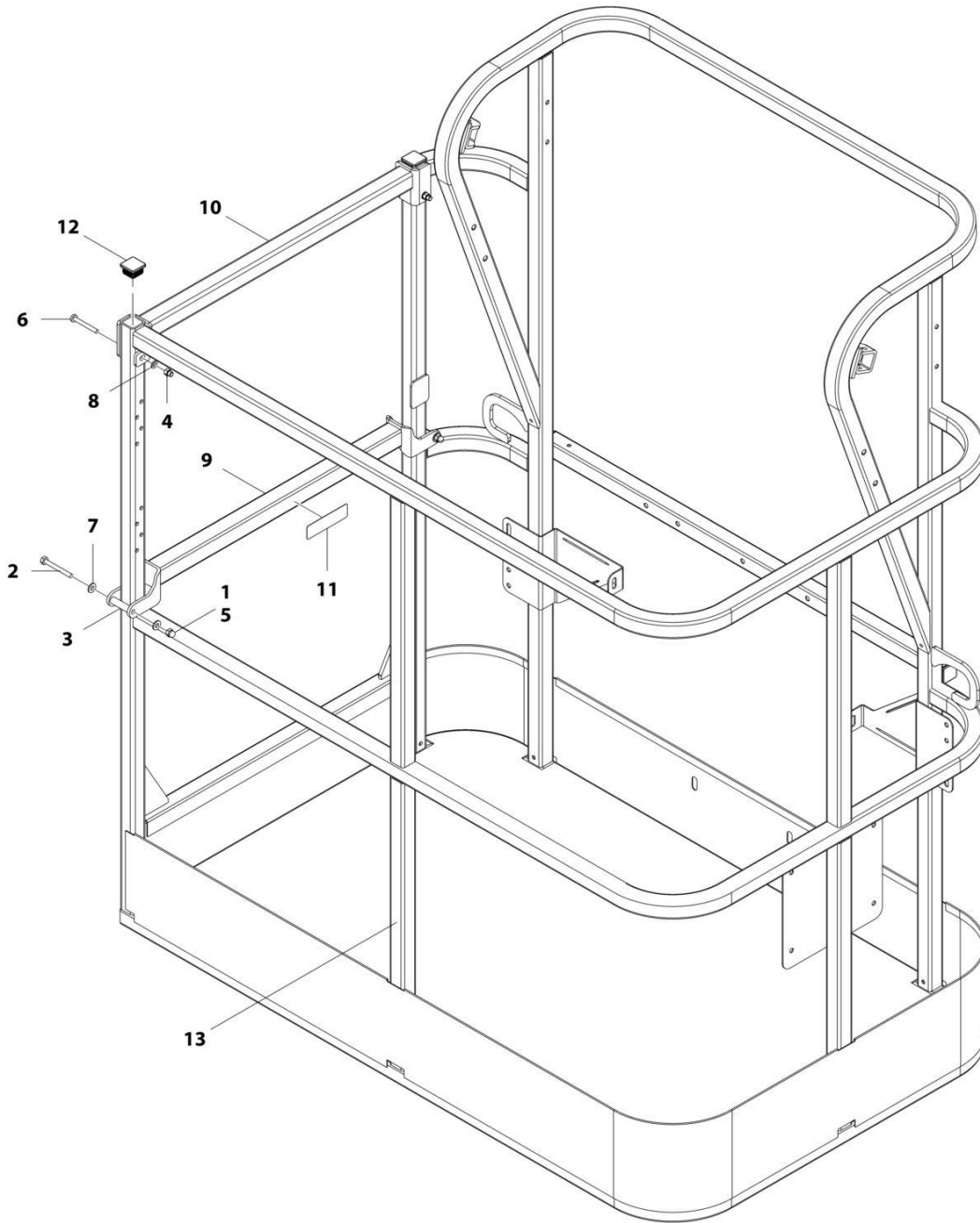
SECTION 5 - PLATFORM

FIGURE 5-11. PLATFORM ASSEMBLY - 30IN X 3FT (76CM X .91M) - DROP BAR ENTRY (ROMANIAN BUILT MACHINES)

ITEM	PART NUMBER	QTY	DESCRIPTION	REV
	1001228215	Ref	PLATFORM ASSEMBLY - 30IN X 3FT (76CM X .91M) - DROP BAR ENTRY (ROMANIAN BUILT MACHINES)	A
	See Note	Ref	Note: Platform and Mesh must be ordered separately for Platforms with Mesh. See SPECIAL OPTIONS SECTION for Mesh Installations.	
	See Note	Ref	Note: Replacement Decals Must be Ordered Separately - See DECAL SECTION.	
1	0100011	AR	Compound, Locking	
2	0641418	2	Bolt 1/4 x 2-1/4	
3	0961845	2	Bushing	
4	3300151	2	Nut, Acorn	
5	3520072	6	Plug	
6	3520198	2	Plug	
7	4711400	4	Washer 1/4	
8	1001140429	1	Decal - Drop Bar	
9	1001226872	1	Bar, Drop	
10	See Note	NSS	Platform, Weldment (Note: Not Available - Purchase Platform Assembly)	

SECTION 5 - PLATFORM

FIGURE 5-12. PLATFORM ASSEMBLY - 30IN X 4FT (76CM X 1.22M) - WITH DROP BAR (ROMANIAN BUILT MACHINES)



ART_1001188318

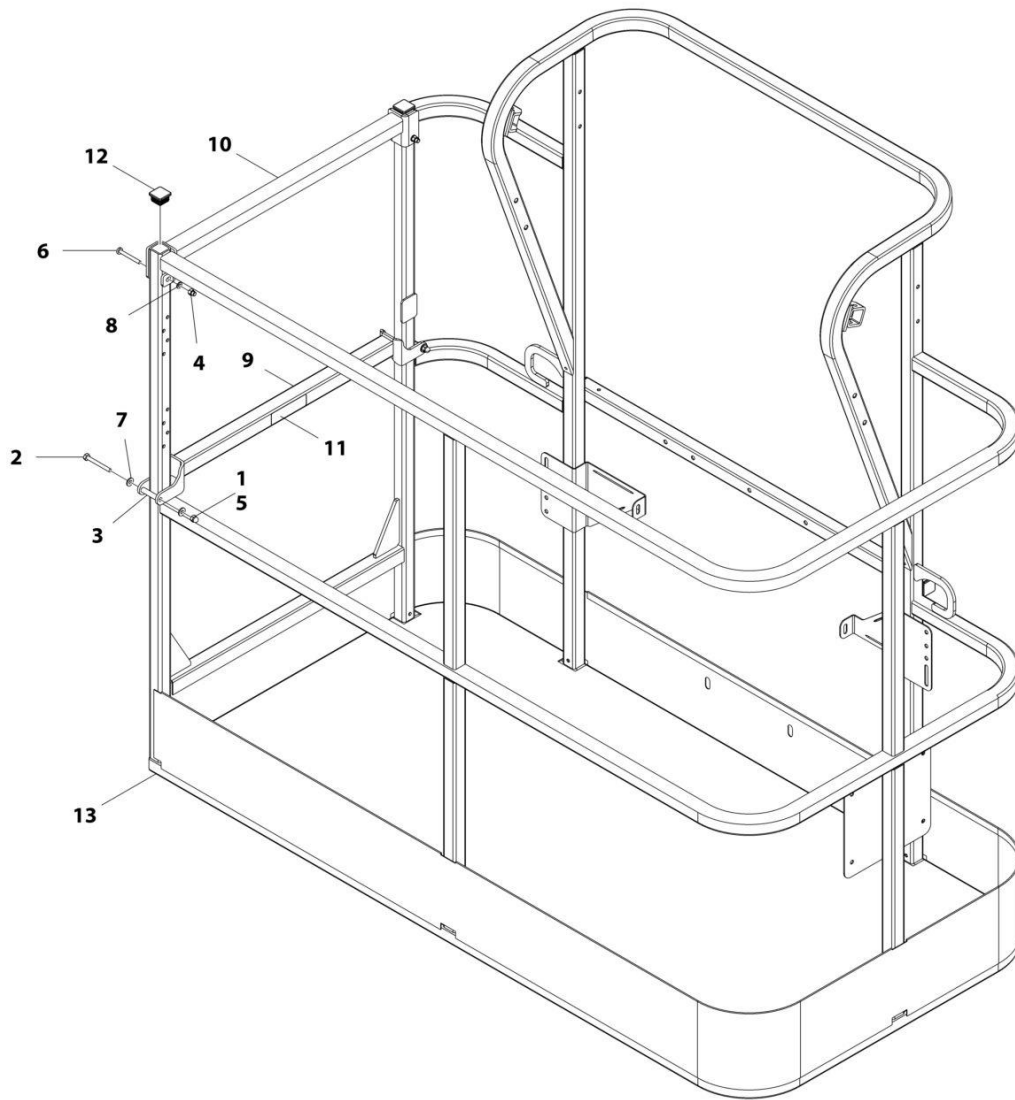
SECTION 5 - PLATFORM

FIGURE 5-12. PLATFORM ASSEMBLY - 30IN X 4FT (76CM X 1.22M) - WITH DROP BAR (ROMANIAN BUILT MACHINES)

ITEM	PART NUMBER	QTY	DESCRIPTION	REV
	1001188318	Ref	PLATFORM ASSEMBLY - 30IN X 4FT (76CM X 1.22M) - WITH DROP BAR (ROMANIAN BUILT MACHINES)	B
	See Note	Ref	Note: Platform and Mesh must be ordered separately for Platforms with Mesh. See SPECIAL OPTIONS SECTION for Mesh Installations.	
	See Note	Ref	Note: Replacement Decals Must be Ordered Separately - See DECALS SECTION.	
1	0100011	AR	Compound, Locking	
2	0641418	2	Bolt, 1/4-20 x 2-1/4	
3	0961845	2	Bushing	
4	3290606	2	Nut, M6 x 1	
5	3300151	2	Nut, Acorn 1/4-20	
6	4010618	2	Screw, M6 x 50mm	
7	4711400	4	Washer, 1/4	
8	4811700	2	Washer, M6	
9	1001138494	1	Bar, Drop	
10	1001138514	1	Rail (Top)	
11	1001140429	1	Decal - Drop Bar	
12	1001145781	4	Cap, Plug	
13	See Note	1	Platform, Weldment (Note: Not Available - Purchase Platform Assembly)	

SECTION 5 - PLATFORM

FIGURE 5-13. PLATFORM ASSEMBLY - 30IN X 5FT (76CM X 1.52M) - WITH DROP BAR (ROMANIAN BUILT MACHINES)



ART_1001188314

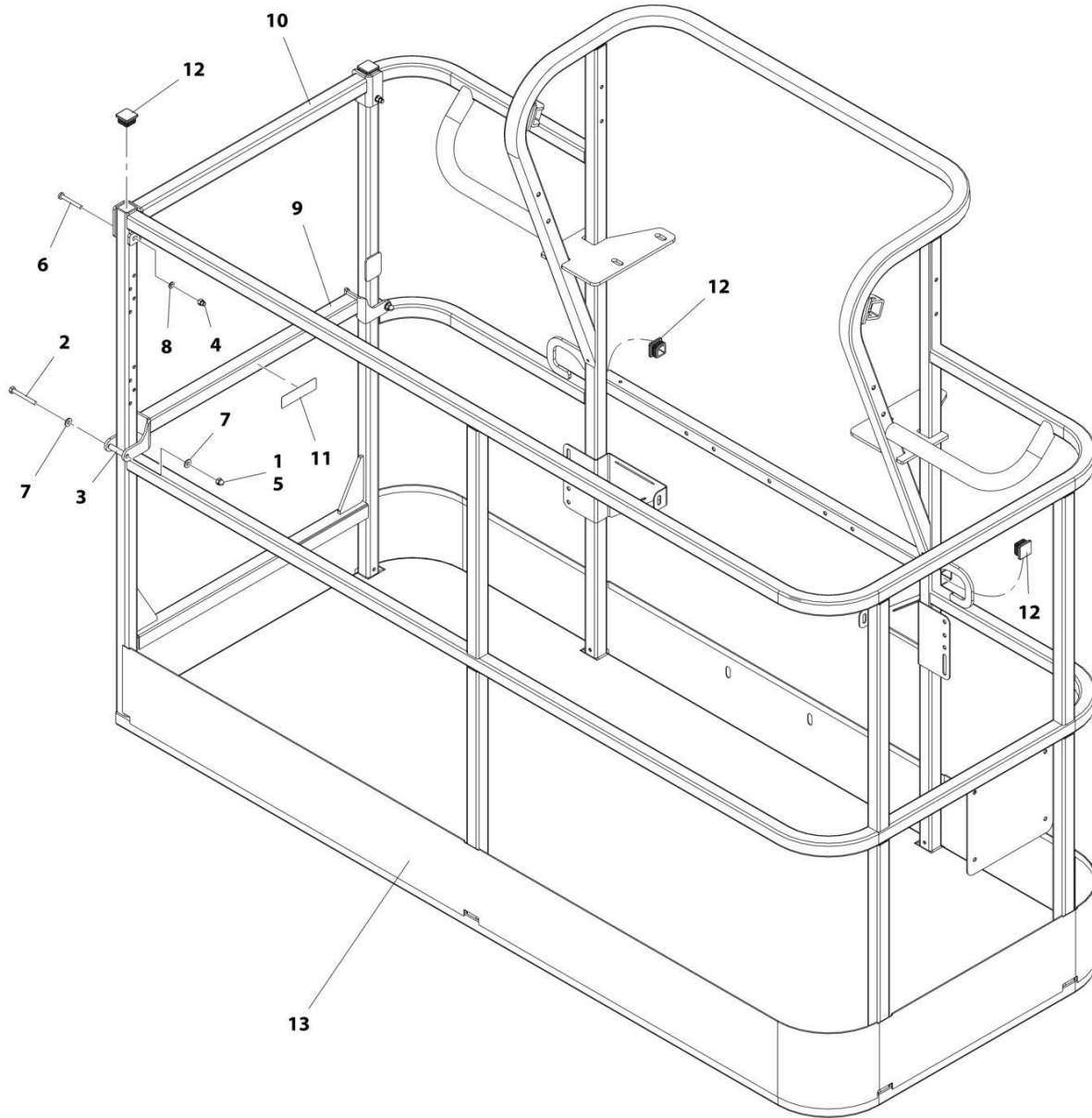
SECTION 5 - PLATFORM

FIGURE 5-13. PLATFORM ASSEMBLY - 30IN X 5FT (76CM X 1.52M) - WITH DROP BAR (ROMANIAN BUILT MACHINES)

ITEM	PART NUMBER	QTY	DESCRIPTION	REV
	1001188314	Ref	PLATFORM ASSEMBLY - 30IN X 5FT (76CM X 1.52M) - WITH DROP BAR (ROMANIAN BUILT MACHINES)	B
	See Note	Ref	Note: Platform and Mesh must be ordered separately for Platforms with Mesh. See SPECIAL OPTIONS SECTION for Mesh Installations.	
	See Note	Ref	Note: Replacement Decals Must be Ordered Separately - See DECALS SECTION.	
1	0100011	AR	Compound, Locking	
2	0641418	2	Bolt, 1/4-20 x 2-1/4	
3	0961845	2	Bushing	
4	3290606	2	Nut, M6 x 1	
5	3300151	2	Nut, Acorn 1/4-20	
6	4010618	2	Screw, M6 x 50mm	
7	4711400	4	Washer, 1/4	
8	4811700	2	Washer, M6	
9	1001138494	1	Bar, Drop	
10	1001138514	1	Rail (Top)	
11	1001140429	1	Decal - Drop Bar	
12	1001145781	4	Cap, Plug	
13	See Note	1	Platform, Weldment (Note: Not Available - Purchase Platform Assembly)	

SECTION 5 - PLATFORM

FIGURE 5-14. PLATFORM ASSEMBLY - 30IN X 6FT (76CM X 1.83M) - WITH DROP BAR (ROMANIAN BUILT MACHINES)



ART_1001188311

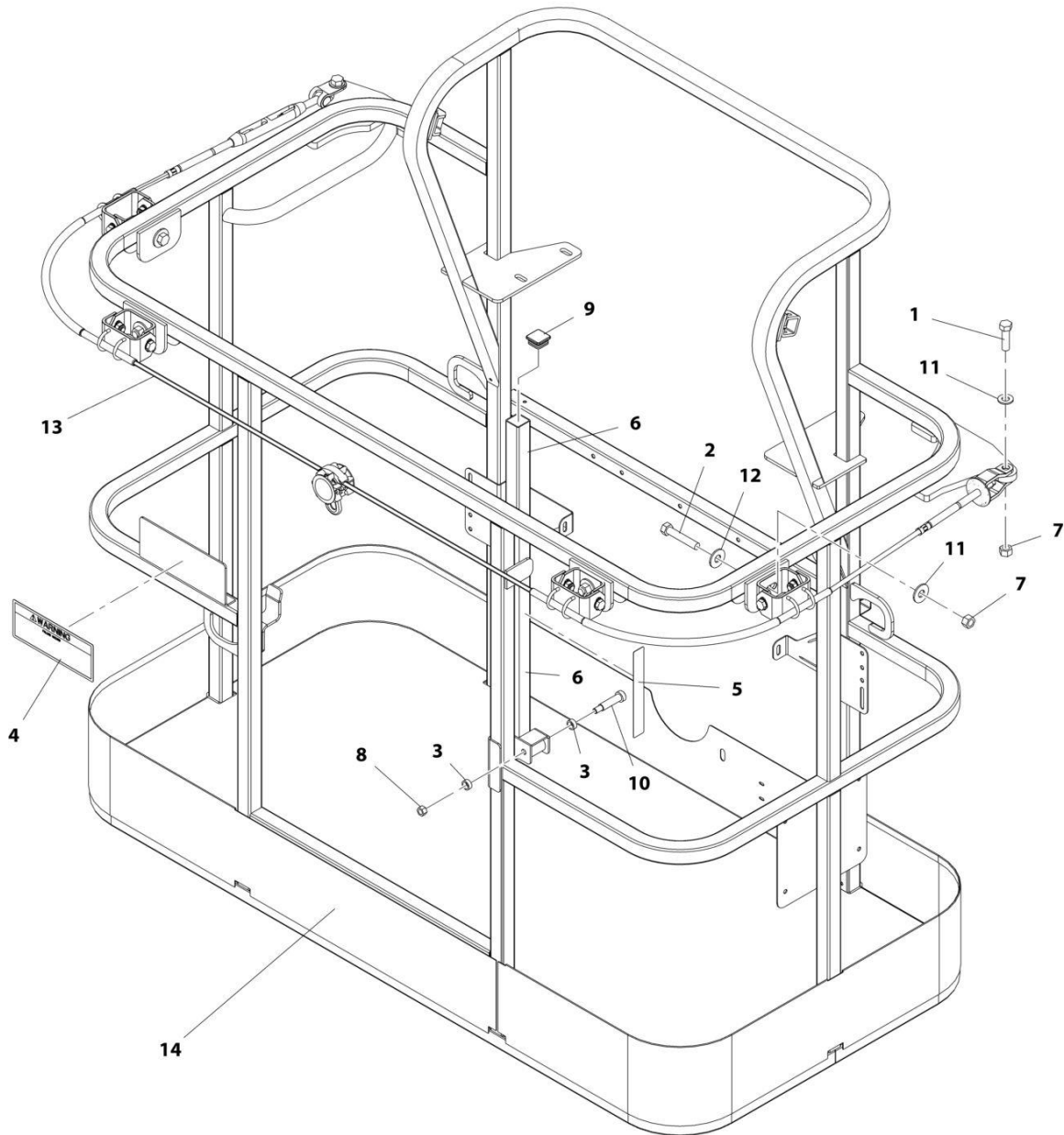
SECTION 5 - PLATFORM

FIGURE 5-14. PLATFORM ASSEMBLY - 30IN X 6FT (76CM X 1.83M) - WITH DROP BAR (ROMANIAN BUILT MACHINES)

ITEM	PART NUMBER	QTY	DESCRIPTION	REV
	1001188311	Ref	PLATFORM ASSEMBLY - 30IN X 6FT (76CM X 1.83M) - WITH DROP BAR (ROMANIAN BUILT MACHINES)	B
	See Note	Ref	Note: Platform and Mesh must be ordered separately for Platforms with Mesh. See SPECIAL OPTIONS SECTION for Mesh Installations.	
	See Note	Ref	Note: Replacement Decals Must be Ordered Separately - See DECALS SECTION.	
1	0100011	AR	Compound, Locking	
2	0641418	2	Bolt, 1/4-20 x 2-1/4	
3	0961845	2	Bushing	
4	3290606	2	Nut, M6 x 1	
5	3300151	2	Nut, Acorn 1/4-20	
6	4010618	2	Screw, M6 x 50mm	
7	4711400	4	Washer, 1/4	
8	4811700	2	Washer, M6	
9	1001138494	1	Bar, Drop	
10	1001138514	1	Rail (Top)	
11	1001140429	1	Decal - Drop Bar	
12	1001145781	4	Cap, Plug	
13	See Note	1	Platform, Weldment (Note: Not Available - Purchase Platform Assembly)	

SECTION 5 - PLATFORM

FIGURE 5-15. PLATFORM ASSEMBLY - 30IN X 5FT (76CM X 1.52M - FALL ARREST (ANSI, ANSI EXPORT AND CSA SPECS)



ART_1001186388

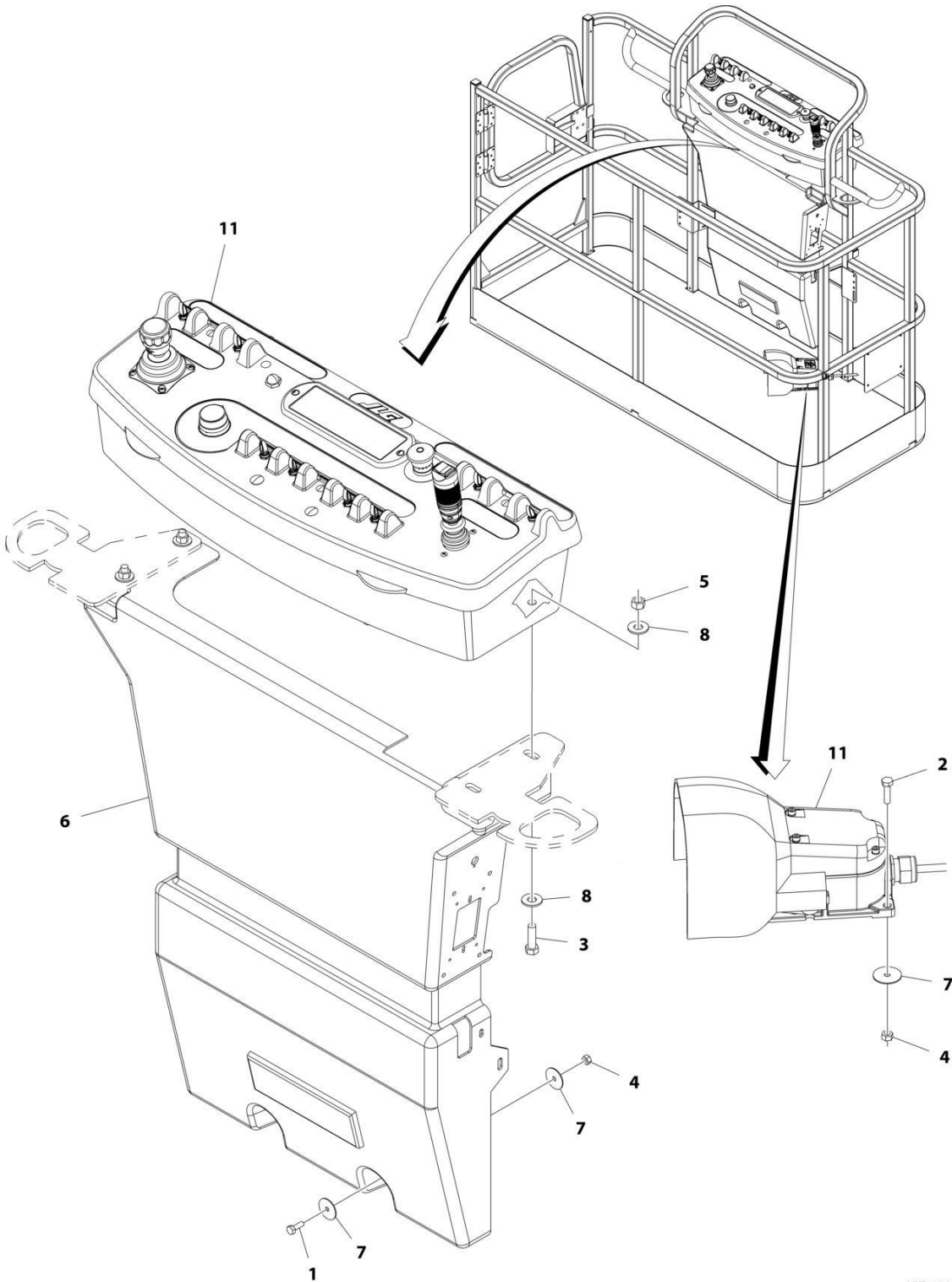
SECTION 5 - PLATFORM

FIGURE 5-15. PLATFORM ASSEMBLY - 30IN X 5FT (76CM X 1.52M - FALL ARREST (ANSI, ANSI EXPORT AND CSA SPECS)

ITEM	PART NUMBER	QTY	DESCRIPTION	REV
	1001186388	Ref	PLATFORM ASSEMBLY - 30IN X 5FT (76CM X 1.52M - FALL ARREST (ANSI, ANSI EXPORT AND CSA SPECS)	C
	See Note	Ref	Note: Fall Arrest Not Available on CE Spec Platform Assembly.	
	See Note	Ref	Note: Replacement Decals Must be Ordered Separately - See DECALS SECTION.	
1	0681814	2	Bolt, 1/2-13 x 1-3/4 (Grade 8)	
2	0681822	4	Bolt, 1/2-13 x 2-3/4 (Grade 8)	
3	0962270	2	Bearing	
4	1705014	1	Decal - Safety	
5	1706385	1	Decal - Drop Bar	
6	2410014	1	Gate, Weldment	
7	3271805	6	Nut, Lock 1/2-13	
8	3311605	1	Nut, Lock 3/8-16	
9	3520072	1	Cap, Plug	
10	3900054	1	Bolt, 1/2-13 x 1-3/4	
11	4711800	6	Washer, 1/2	
12	4751800	4	Washer, 1/2	
13	1001112943	1	Lanyard (SN 0300201991 through 0300213992)	
13	1001203654	1	Lanyard (SN 0300213993 through 0300272317, SN 1300007279 through 1300007373, SN B300003516 through B300005760, SN E300002833 through E300007990, Except SN 0300272185 through 0300272190, Excluding B300005569 and E300007814)	
14	See Note	1	Platform, Weldment (Note: Not Available - Purchase Platform Assembly)	

SECTION 5 - PLATFORM

FIGURE 5-16. CONSOLE BOX INSTALLATION - 450A WITHOUT SKYGUARD (SN 0300201991 through 0300226169)



ART_1001215873

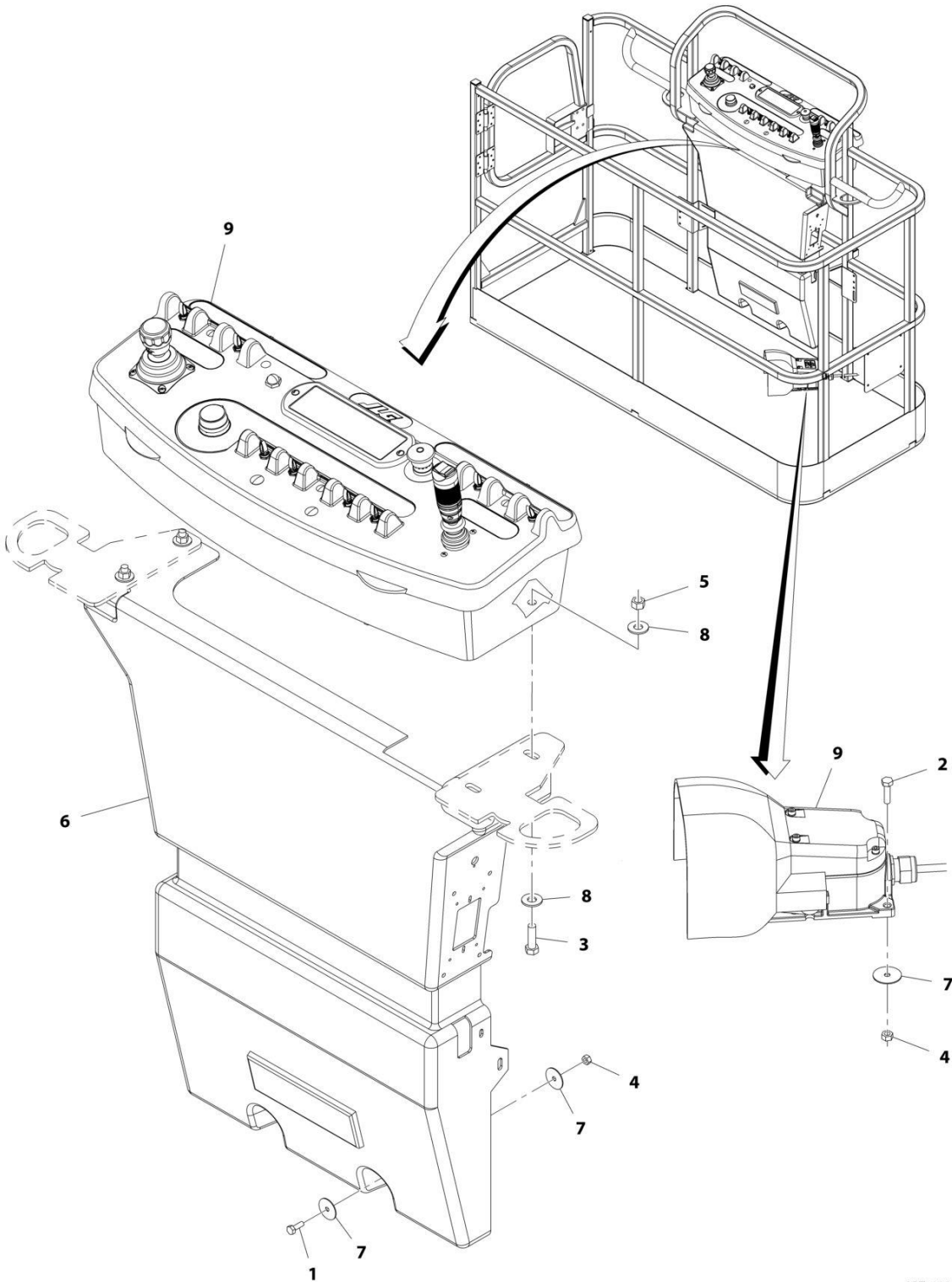
SECTION 5 - PLATFORM

FIGURE 5-16. CONSOLE BOX INSTALLATION - 450A WITHOUT SKYGUARD (SN 0300201991 through 0300226169)

ITEM	PART NUMBER	QTY	DESCRIPTION	REV
	1001215873	Ref	CONSOLE BOX INSTALLATION - 450A WITHOUT SKYGUARD (SN 0300201991 through 0300226169)	A
1	0641406	2	Bolt, 1/4-20 x 3/4	
2	0641408	3	Bolt, 1/4-20 x 1	
3	0641610	4	Bolt, 3/8-16 x 1-1/4	
4	3311405	5	Nut, Lock 1/4-20	
5	3311605	4	Nut, Lock 3/8-16	
6	3380434	1	Panel, Decal Mount	
7	4740362	7	Washer, 1/4	
8	4751600	8	Washer, 3/8	
9	1001144295	2	Cap, Connector (Not Shown)	
10	1001164728	1	Harness, Platform Valve (Not Shown - See ELECTRICAL SECTION for Breakdown)	
11	1001215872	1	Platform Console Box Assembly (See PLATFORM CONSOLE BOX ASSEMBLY - 450A WITHOUT SKYGUARD for Breakdown)	

SECTION 5 - PLATFORM

FIGURE 5-17. CONSOLE BOX INSTALLATION - 450AJ WITHOUT SKYGUARD (SN 0300201991 through 0300226169)



ART_1001166142

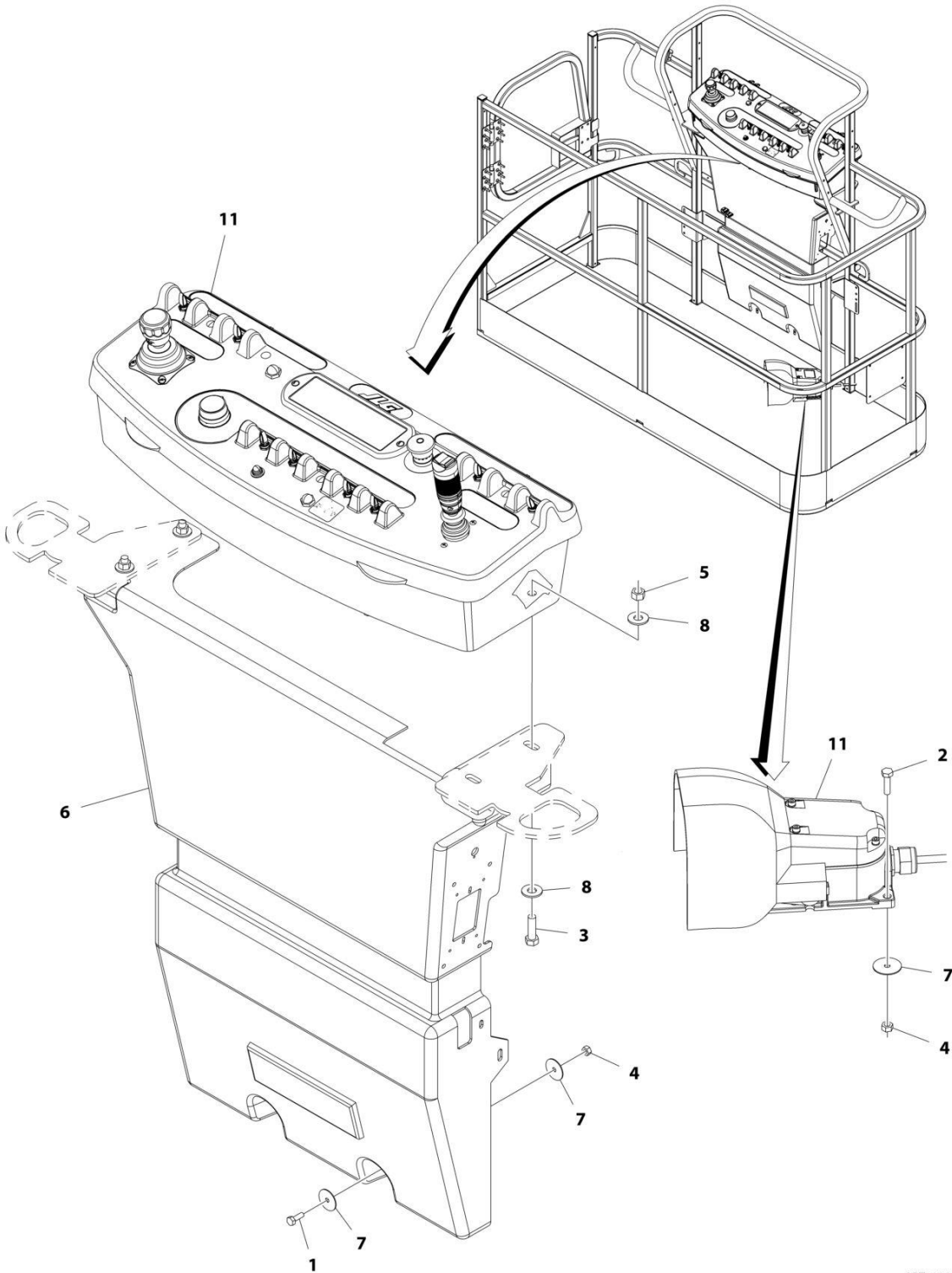
SECTION 5 - PLATFORM

FIGURE 5-17. CONSOLE BOX INSTALLATION - 450AJ WITHOUT SKYGUARD (SN 0300201991 through 0300226169)

ITEM	PART NUMBER	QTY	DESCRIPTION	REV
	1001166142	Ref	CONSOLE BOX INSTALLATION - 450AJ WITHOUT SKYGUARD (SN 0300201991 through 0300226169)	C
1	0641406	2	Bolt, 1/4-20 x 3/4	
2	0641408	3	Bolt, 1/4-20 x 1	
3	0641610	4	Bolt, 3/8-16 x 1-1/4	
4	3311405	5	Nut, Lock 1/4-20	
5	3311605	4	Nut, Lock 3/8-16	
6	3380434	1	Panel, Decal Mount	
7	4740362	7	Washer, 1/4	
8	4751600	8	Washer, 3/8	
9	1001167267	NLA	Platform Console Box Assembly (See PLATFORM CONSOLE BOX ASSEMBLY - 450AJ WITHOUT SKYGUARD for Breakdown) (Use p/n 1001202612) (SN 0300201991 through 0300219950)	
9	1001202612	1	Platform Console Box Assembly (See PLATFORM CONSOLE BOX ASSEMBLY - 450AJ WITHOUT SKYGUARD for Breakdown) (SN 0300219951 through 0300226169)	
10	1001164728	1	Harness, Platform Valve (Not Shown - See ELECTRICAL SECTION for Breakdown) (SN 0300212508 through 0300226169)	

SECTION 5 - PLATFORM

FIGURE 5-18. CONSOLE BOX INSTALLATION - 450A WITH SKYGUARD (SN 0300201991 through 0300259091)



ART_1001215875

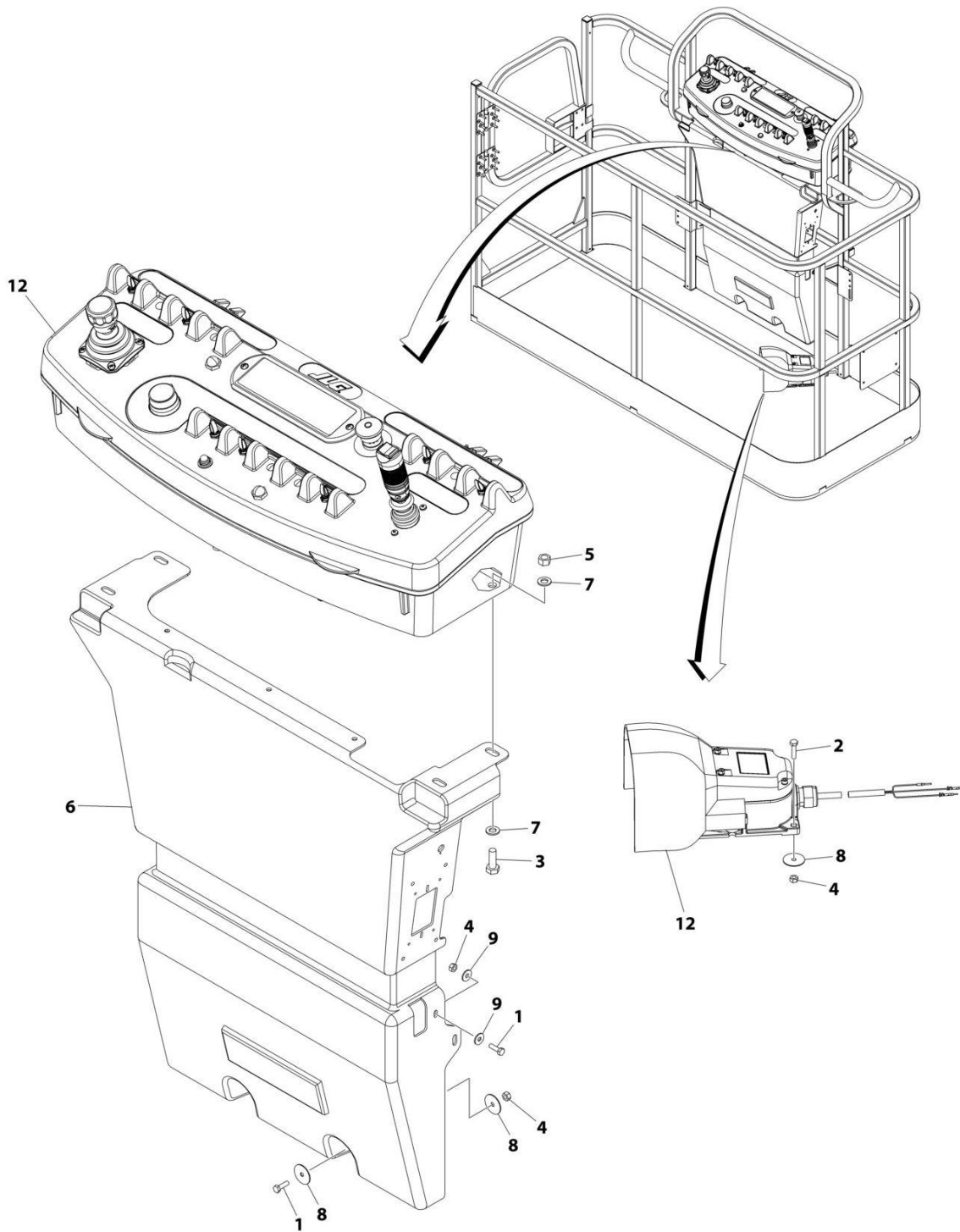
SECTION 5 - PLATFORM

FIGURE 5-18. CONSOLE BOX INSTALLATION - 450A WITH SKYGUARD (SN 0300201991 through 0300259091)

ITEM	PART NUMBER	QTY	DESCRIPTION	REV
	1001215875	Ref	CONSOLE BOX INSTALLATION - 450A WITH SKYGUARD	B
1	0641406	2	Bolt 1/4 x 3/4	
2	0641408	3	Bolt 1/4 x 1	
3	0641610	4	Bolt 3/8 x 1-1/4	
4	3311405	5	Nut Lock 1/4	
5	3311605	4	Nut Lock 3/8	
6	3380434	1	Panel, Decal Mount	
7	4740362	7	Washer 1/4	
8	4751600	8	Washer 3/8	
9	1001144295	2	Cap, Connector (Not Shown)	
10	1001164728	1	Harness, Platform Valve (Not Shown - See ELECTRICAL SECTION for Breakdown)	
11	1001215874	1	Platform Console Box Assembly (See PLATFORM CONSOLE BOX ASSEMBLY - 450A WITH SKYGUARD for Breakdown)	

SECTION 5 - PLATFORM

FIGURE 5-19. CONSOLE BOX INSTALLATION - 450A WITH SKYGUARD (SN 0300259092 through 0300272317)



ART_1001242843

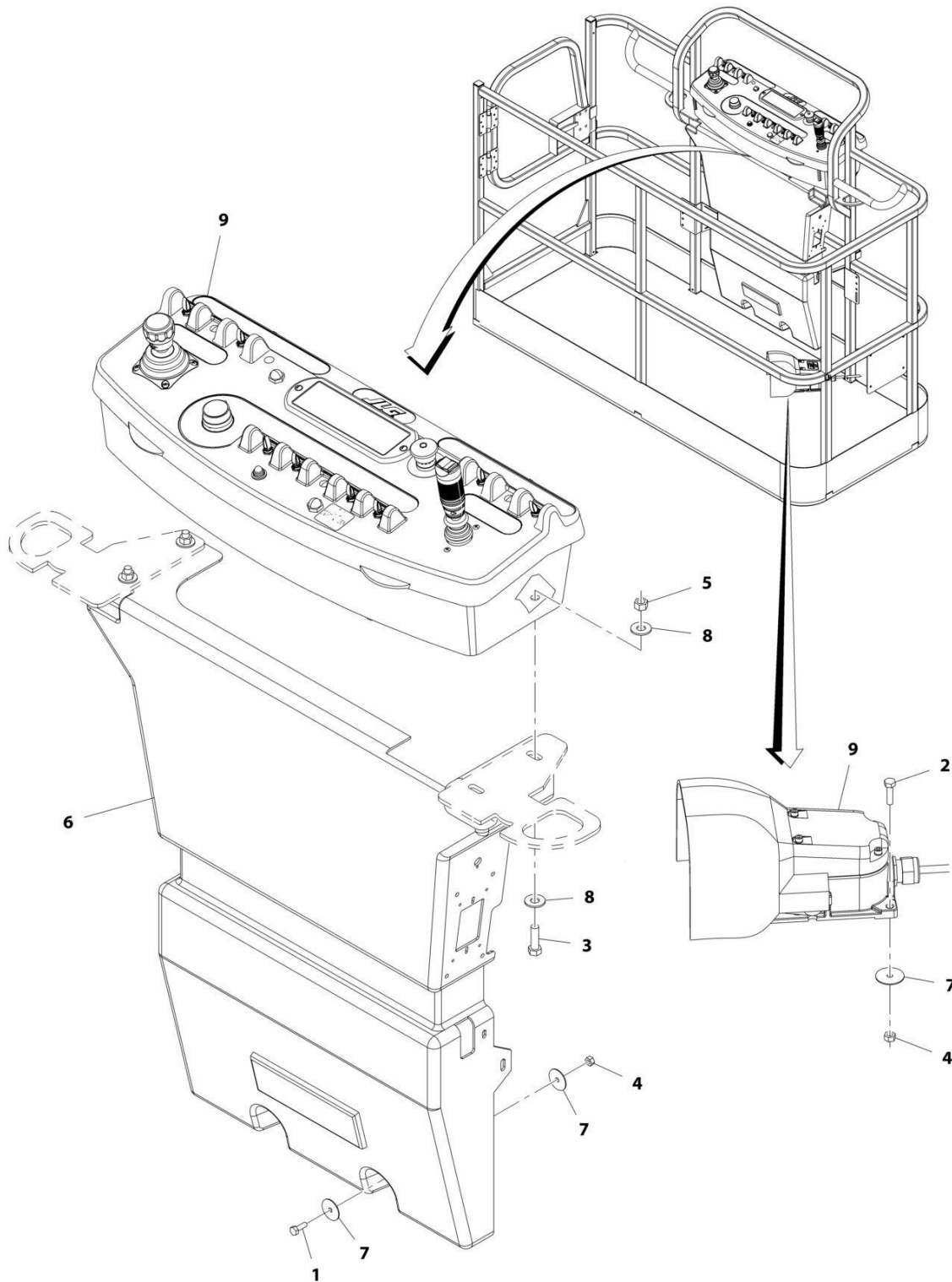
SECTION 5 - PLATFORM

FIGURE 5-19. CONSOLE BOX INSTALLATION - 450A WITH SKYGUARD (SN 0300259092 through 0300272317)

ITEM	PART NUMBER	QTY	DESCRIPTION	REV
	1001242843	Ref	CONSOLE BOX INSTALLATION - 450A WITH SKYGUARD	A
1	0641406	4	Bolt 1/4 x 3/4	
2	0641408	3	Bolt 1/4 x 1	
3	0641610	4	Bolt 3/8 x 1-1/4	
4	3311405	7	Nut Lock 1/4	
5	3311605	4	Nut Lock 3/8	
6	3380434	1	Panel, Decal Mount	
7	4751600	8	Washer 3/8	
8	4740362	7	Washer 1/4	
9	4751400	4	Washer 1/4	
10	1001144295	2	Cap, Connector (Not Shown)	
11	1001164728	1	Harness, Platform Valve (Not Shown - See ELECTRICAL SECTION for Breakdown)	
12	1001242848	1	Platform Console Box Assembly (See PLATFORM CONSOLE BOX ASSEMBLY - 450A WITH SKYGUARD for Breakdown)	

SECTION 5 - PLATFORM

FIGURE 5-20. CONSOLE BOX INSTALLATION - 450AJ WITH SKYGUARD (SN 0300201991 through 0300259091, SN B300003516 through B300005760, SN E300002833 through E300007540, SN 1300007279 through 1300007373)



ART_1001195446

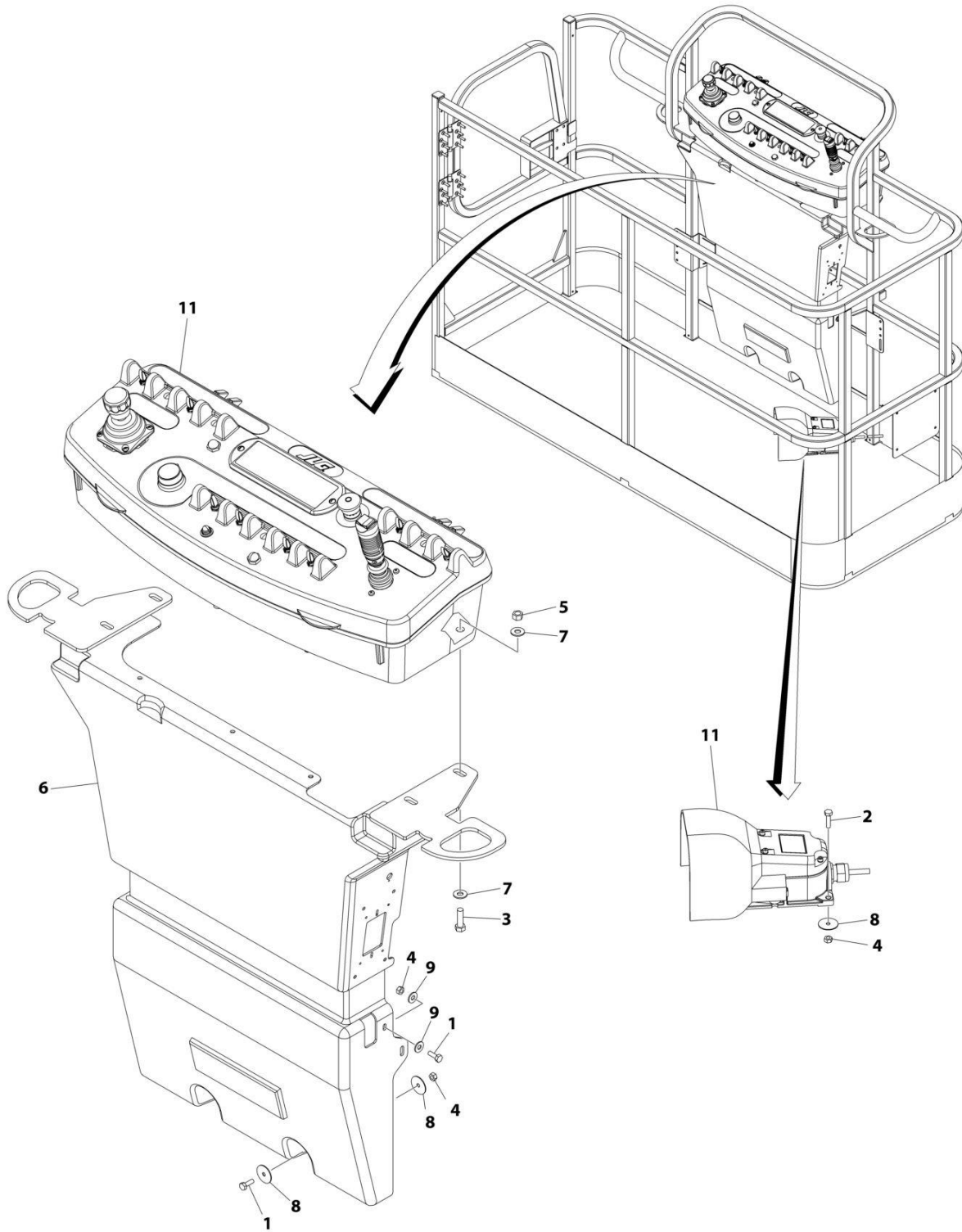
SECTION 5 - PLATFORM

FIGURE 5-20. CONSOLE BOX INSTALLATION - 450AJ WITH SKYGUARD (SN 0300201991 through 0300259091, SN B300003516 through B300005760, SN E300002833 through E300007540, SN 1300007279 through 1300007373)

ITEM	PART NUMBER	QTY	DESCRIPTION	REV
	1001195446	Ref	CONSOLE BOX INSTALLATION - 450AJ WITH SKYGUARD	D
1	0641406	2	Bolt, 1/4-20 x 3/4	
2	0641408	3	Bolt, 1/4-20 x 1	
3	0641610	4	Bolt, 3/8-16 x 1-1/4	
4	3311405	5	Nut, Lock 1/4-20	
5	3311605	4	Nut, Lock 3/8-16	
6	3380434	1	Panel, Decal Mount	
7	4740362	7	Washer, 1/4	
8	4751600	8	Washer, 3/8	
9	1001195444	NLA	Platform Console Box Assembly (See PLATFORM CONSOLE BOX ASSEMBLY - WITH SKYGUARD for Breakdown) (Use p/n 1001202611) (SN 0300201991 through 0300219950, SN E300002833 through E300003608)	
9	1001202611	1	Platform Console Box Assembly (See PLATFORM CONSOLE BOX ASSEMBLY - WITH SKYGUARD for Breakdown) (SN 0300219951 through 0300259091, SN 1300007279 through 1300007373, SN B300003516 through B300005760, SN E300003609 through E300007540, Excluding B300005569)	
10	1001164728	1	Harness, Platform Valve (Not Shown - See ELECTRICAL SECTION for Breakdown) (SN 0300212508 through 0300259091, SN 1300007279 through 1300007373, SN B300003516 through B300005760, SN E300003014 through E300007540, Excluding B300005569)	

SECTION 5 - PLATFORM

FIGURE 5-21. CONSOLE BOX INSTALLATION - 450AJ WITH SKYGUARD (SN 0300259092 through 0300272317, SN E300007541 through E300007990)



ART_1001242842

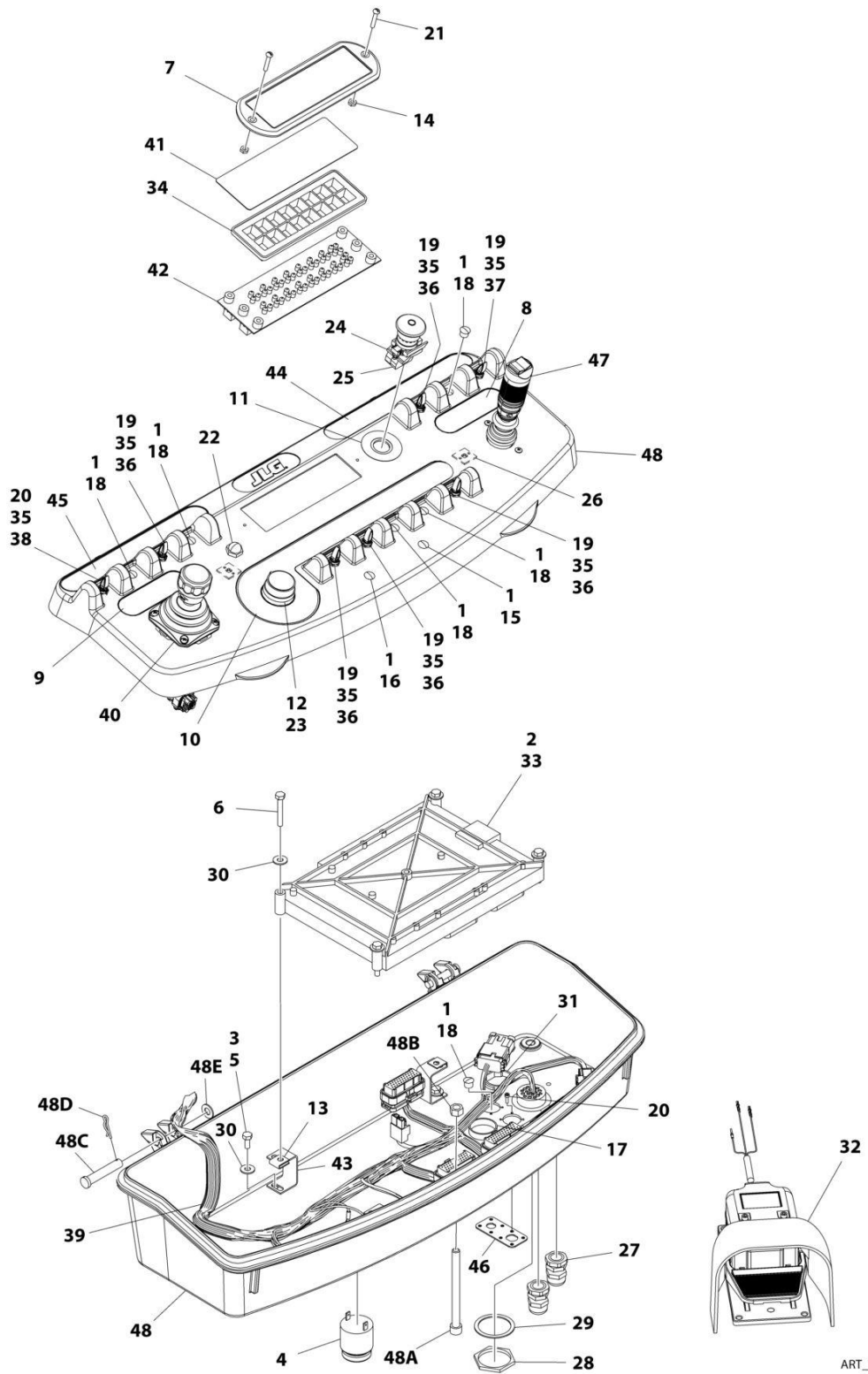
SECTION 5 - PLATFORM

FIGURE 5-21. CONSOLE BOX INSTALLATION - 450AJ WITH SKYGUARD (SN 0300259092 through 0300272317, SN E300007541 through E300007990)

ITEM	PART NUMBER	QTY	DESCRIPTION	REV
	1001242842	Ref	CONSOLE BOX INSTALLATION - 450AJ WITH SKYGUARD	A
1	0641406	4	Bolt 1/4 x 3/4	
2	0641408	3	Bolt 1/4 x 1	
3	0641610	4	Bolt 3/8 x 1-1/4	
4	3311405	7	Nut Lock 1/4	
5	3311605	4	Nut Lock 3/8	
6	3380434	1	Panel, Decal Mount	
7	4751600	8	Washer 3/8	
8	4740362	7	Washer 1/4	
9	4751400	4	Washer 1/4	
10	1001164728	1	Harness, Platform Valve (Not Shown - See ELECTRICAL SECTION for Breakdown)	
11	1001242847	1	Platform Console Box Assembly (See PLATFORM CONSOLE BOX ASSEMBLY - WITH SKYGUARD for Breakdown)	

SECTION 5 - PLATFORM

FIGURE 5-22. PLATFORM CONSOLE BOX ASSEMBLY - 450A WITHOUT SKYGUARD (SN 0300201991 through 0300226169)



ART_1001215872

SECTION 5 - PLATFORM

FIGURE 5-22. PLATFORM CONSOLE BOX ASSEMBLY - 450A WITHOUT SKYGUARD (SN 0300201991 through 0300226169)

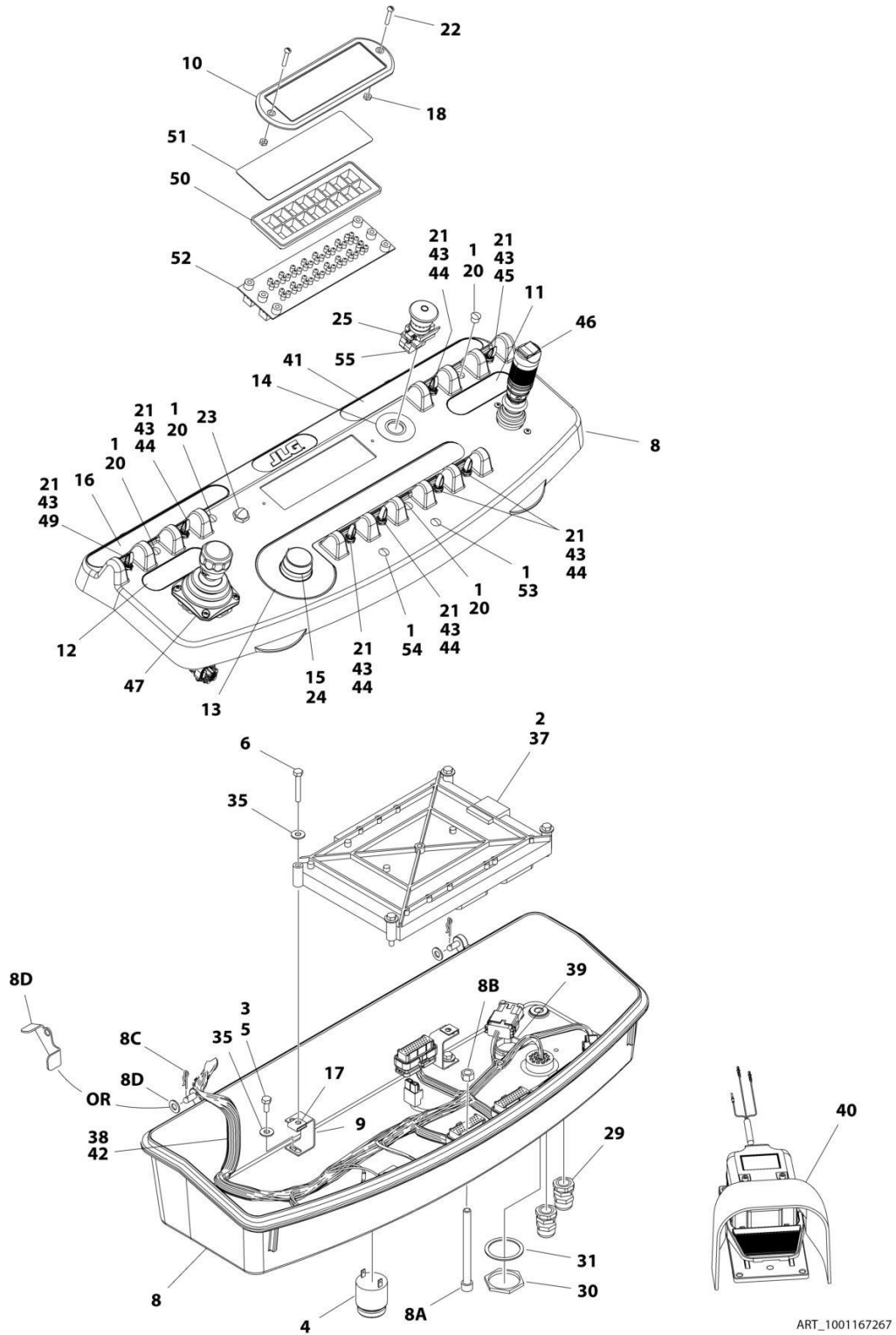
ITEM	PART NUMBER	QTY	DESCRIPTION	REV
	1001215872	Ref	PLATFORM CONSOLE BOX ASSEMBLY - 450A WITHOUT SKYGUARD (SN 0300201991 through 0300226169)	A
1	0100009	AR	Sealant	
2	0100048	AR	Grease, Dielectric	
3	0100081	AR	Adhesive	
4	0140011	1	Alarm	
5	0641405	4	Bolt 1/4 x 5/8	
6	0641414	4	Bolt 1/4 x 1-3/4	
7	1670829	1	Bezel	
8	1702565	1	Decal - Drive and Steer	
9	1702566	1	Decal - Lift and Swing	
10	1702567	1	Decal - Function Speed	
11	1704260	1	Decal - EMS	
12	2560136	1	Handle, Knob	
13	3300353	4	Nut	
14	3300408	2	Nut	
15	3520026	1	Plug	
16	3520027	1	Plug	
17	3520035	1	Plug	
18	3520054	6	Plug	
19	3790012	7	O-Ring	
20	3900349	8	Screw	
21	3911018	2	Screw 10 x 1-1/8	
22	4360387	1	Switch, Pushbutton	
23	4360407	1	Switch, Potentiometer	
24	4360475	1	Switch, Emergency	
24	7020175	1	Cap, Red	
24	7020176	1	Contact Block	
25	4360476	1	Switch, Contact	
26	4460234	2	Terminal	
27	4460428	2	Connector, Strain Relief	
28	4460470	1	Nut	
29	4460471	1	Washer	
30	4751400	8	Washer 1/4	
31	1001110434	1	Plug	
32	1001117174	1	Footswitch Assembly (See FOOTSWITCH ASSEMBLY for Breakdown)	
33	1001118412	1	Controller, Module (Note: Re-calibration Required when Replaced)	
34	1001146220	1	Housing, Display Light	
35	1001155044	7	Nut 15/32	
36	1001155045	5	Switch, Toggle	
37	1001159256	1	Switch, Toggle	
38	1001161709	1	Switch, Toggle	
39	1001164353	1	Harness, Platform Console Box (See ELECTRICAL SECTION for Breakdown)	
40	1001166539	NLA	Controller Assembly (Lift and Swing) (See CONTROLLER ASSEMBLY (LIFT AND SWING) for Breakdown) (Note: Use p/n 1001129555 as Replacement)	
41	1001170446	1	Decal - Platform Display	
42	1001170838	1	Gauge, Led Panel	

SECTION 5 - PLATFORM

ITEM	PART NUMBER	QTY	DESCRIPTION	REV
43	1001172760	4	Bracket	
44	1001184618	1	Decal - Stop	
45	1001184626	1	Decal - Horn	
46	1001213882	1	Mount	
47	1001166538	NLA	Controller Assembly (Drive and Steer) (Use p/n 1001212415) (See CONTROLLER ASSEMBLY (DRIVE AND STEER) for Breakdown)	
48	1001215228	1	Platform Console Box	
48A	0630568	1	Capscrew 3/8 x 4-1/2	
48B	3311601	1	Nut 3/8	
48C	3430616	2	Pin, Clevis	
48D	3470003	2	Hairpin	
48E	4711600	2	Washer 3/8	

SECTION 5 - PLATFORM

FIGURE 5-23. PLATFORM CONSOLE BOX ASSEMBLY - 450AJ WITHOUT SKYGUARD (SN 0300201991 through 0300219950)



SECTION 5 - PLATFORM

FIGURE 5-23. PLATFORM CONSOLE BOX ASSEMBLY - 450AJ WITHOUT SKYGUARD (SN 0300201991 through 0300219950)

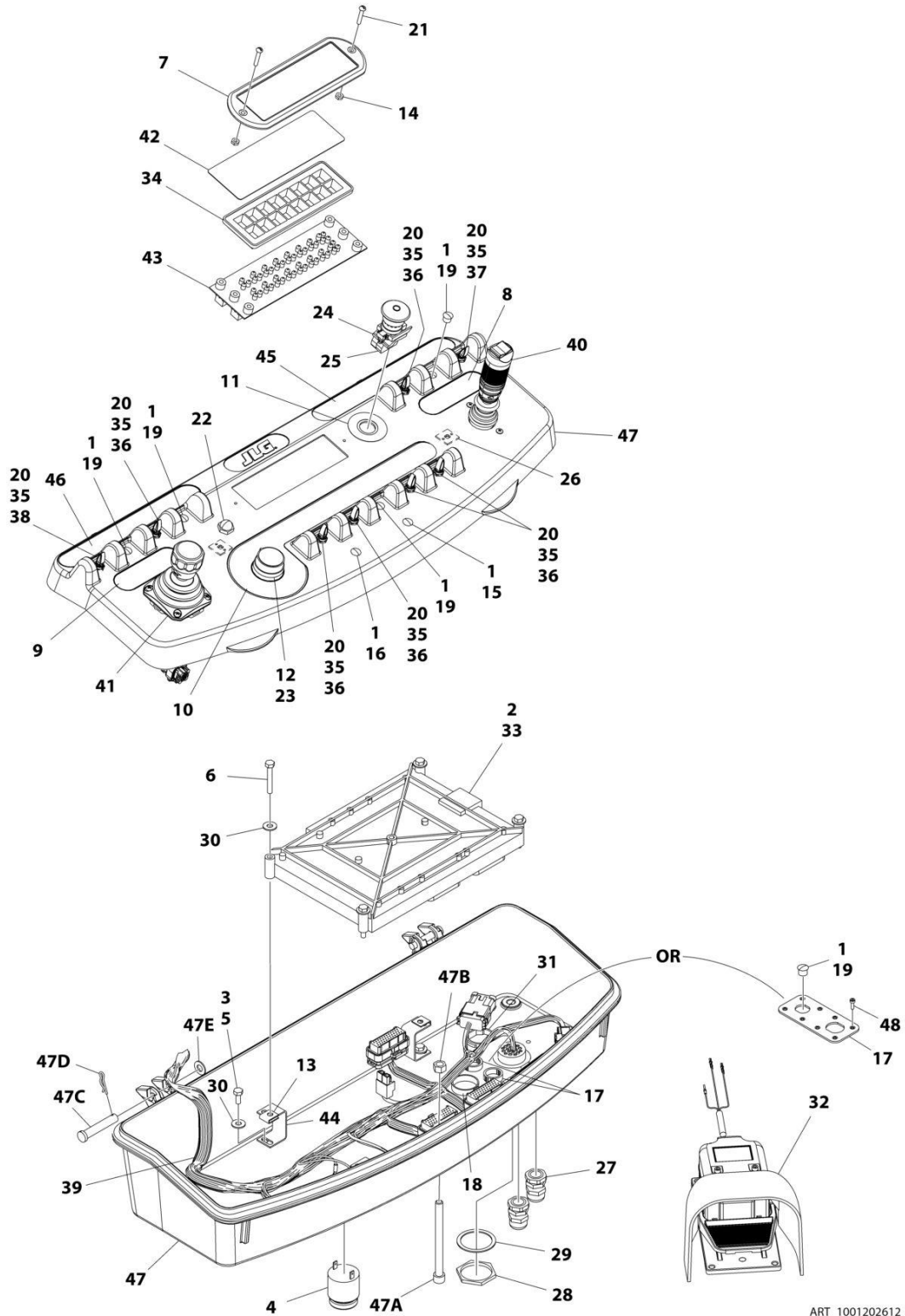
ITEM	PART NUMBER	QTY	DESCRIPTION	REV
	1001167267	Ref	PLATFORM CONSOLE BOX ASSEMBLY - 450AJ WITHOUT SKYGUARD (SN 0300201991 through 0300219950)	J
1	0100009	AR	Sealant	
2	0100048	AR	Grease, Dielectric	
3	0100081	AR	Adhesive	
4	0140011	1	Alarm	
5	0641404	4	Bolt, 1/4-20 x 1/2	
6	0641414	4	Bolt, 1/4-20 x 1-3/4	
8	1001184324	1	Platform Console Box	
8A	0630568	1	Capscrew, 3/8-16 x 4-1/2	
8B	3311601	1	Nut, 3/8-16	
8C	3470003	2	Hairpin	
8D	4711500	2	Washer, 5/16	
8D	1001200575	2	Bracket, Stop	
9	0902751	NLA	Bracket (Use p/n 1001172760) (SN 0300201991 through 0300207005)	
9	1001172760	4	Bracket (SN 0300207006 through 0300219950)	
10	1670829	1	Bezel	
11	1702565	1	Decal - Drive and Steer	
12	1702566	1	Decal - Lift and Swing	
13	1702567	1	Decal - Function Speed	
14	1704260	1	Decal - EMS	
15	2560136	1	Handle, Knob	
16	1001184626	1	Decal - Horn	
17	3300353	4	Nut, Tinnerman	
18	3300408	2	Nut, Lock	
20	3520054	4	Plug	
21	3790012	8	O-Ring	
22	3911018	2	Screw, 10-24 x 1-1/8	
23	4360387	1	Switch, Pushbutton	
24	4360407	1	Switch, Potentiometer	
25	4360475	1	Switch, Emergency	
25	7020175	1	Cap, Red	
25	7020176	1	Contact Block	
28	4460234	2	Terminal	
29	4460428	2	Connector, Strain Relief	
30	4460470	1	Nut, Terminal	
31	4460471	1	Washer, Lock	
35	4751400	8	Washer, 1/4	
37	1001118412	1	Controller, Module (Note: Re-calibration Required when Replaced)	
38	1001164353	1	Harness, Platform Console Box (See ELECTRICAL SECTION for Breakdown)	
39	1001110434	1	Plug	
40	1001117174	1	Footswitch Assembly (See FOOTSWITCH ASSEMBLY for Breakdown)	
41	1001184618	1	Decal - Stop	
42	1001164728	1	Harness, Platform Valve (See ELECTRICAL SECTION for Breakdown) (SN 0300201991 through 0300212508)	
43	1001155044	8	Nut, Special 15/32-32	
44	1001155045	6	Switch, Toggle	

SECTION 5 - PLATFORM

ITEM	PART NUMBER	QTY	DESCRIPTION	REV
45	1001159256	1	Switch, Toggle	
46	1001166538	NLA	Controller Assembly (Drive and Steer) (Use p/n 1001212415) (See CONTROLLER ASSEMBLY (DRIVE AND STEER) for Breakdown)	
47	1001166539	NLA	Controller Assembly (Lift and Swing) (See CONTROLLER ASSEMBLY (LIFT AND SWING) for Breakdown) (Note: Use p/n 1001129555 as Replacement)	
49	1001161709	1	Switch, Toggle	
50	1001146220	1	Housing, Display Light	
51	1001170446	1	Decal - Platform Display	
52	1001170838	1	Gauge, Led Panel	
53	3520026	1	Plug	
54	3520027	1	Plug	
55	4360476	1	Switch, Contact	

SECTION 5 - PLATFORM

FIGURE 5-24. PLATFORM CONSOLE BOX ASSEMBLY - 450AJ WITHOUT SKYGUARD (SN 0300219951 through 0300226169)



ART_1001202612

SECTION 5 - PLATFORM

FIGURE 5-24. PLATFORM CONSOLE BOX ASSEMBLY - 450AJ WITHOUT SKYGUARD (SN 0300219951 through 0300226169)

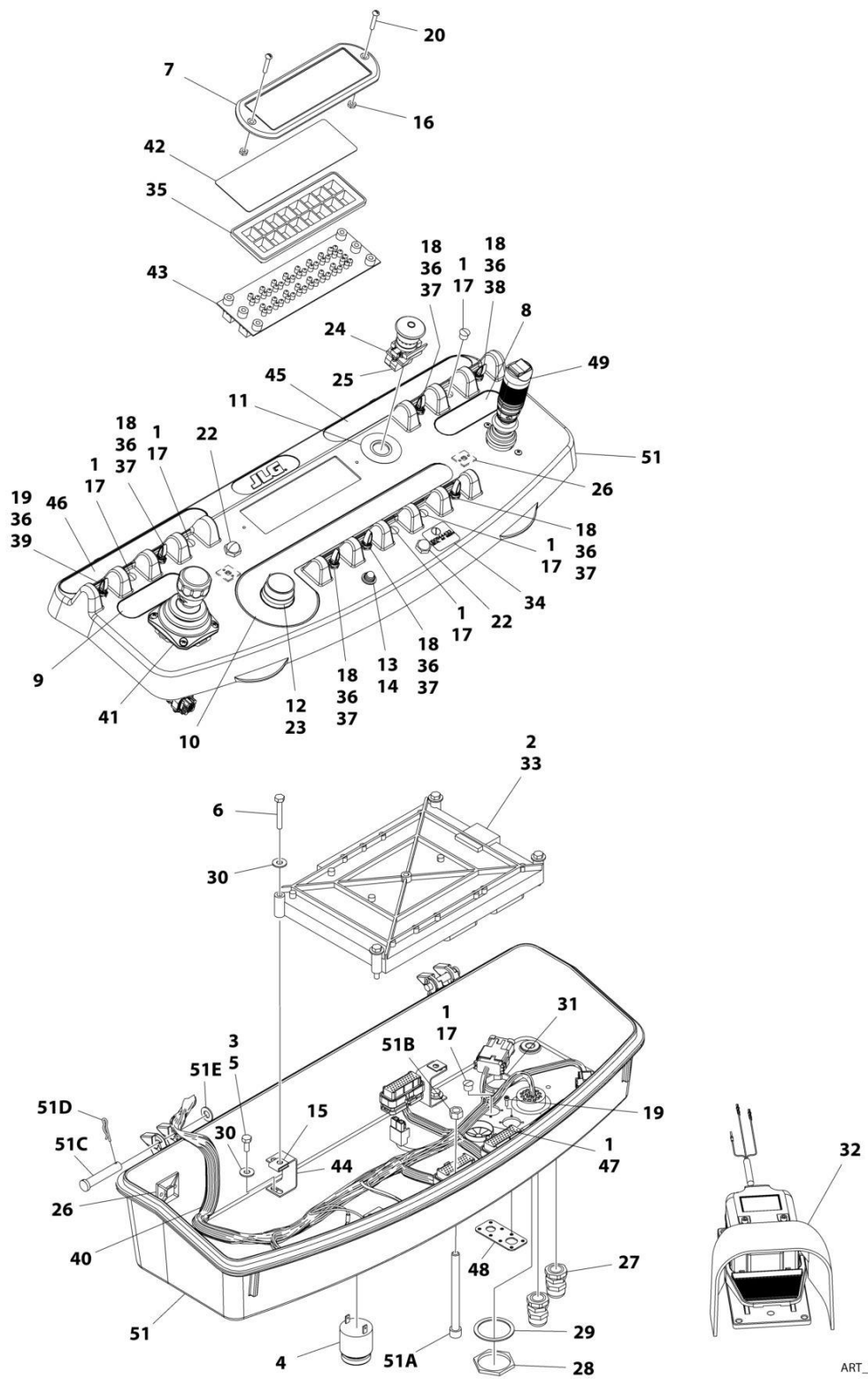
ITEM	PART NUMBER	QTY	DESCRIPTION	REV
	1001202612	Ref	PLATFORM CONSOLE BOX ASSEMBLY - 450AJ WITHOUT SKYGUARD (SN 0300219951 through 0300226169)	C
1	0100009	AR	Sealant	
2	0100048	AR	Grease, Dielectric	
3	0100081	AR	Adhesive	
4	0140011	1	Alarm	
5	0641405	4	Bolt 1/4 x 5/8	
6	0641414	4	Bolt 1/4 x 1-3/4	
7	1670829	1	Bezel	
8	1702565	1	Decal - Drive and Steer	
9	1702566	1	Decal - Lift and Swing	
10	1702567	1	Decal - Function Speed	
11	1704260	1	Decal - EMS	
12	2560136	1	Handle, Knob	
13	3300353	4	Nut	
14	3300408	2	Nut	
15	3520026	1	Plug	
16	3520027	1	Plug	
17	3520033	2	Plug (SN 0300219951 through 0300222765)	
17	1001213882	1	Connector, Mounting (SN 0300222766 through 0300226169)	
18	3520035	1	Plug	
19	3520054	AR	Plug	
20	3790012	8	O-Ring	
21	3911018	2	Screw 10 x 1-1/8	
22	4360387	1	Switch, Pushbutton	
23	4360407	1	Switch, Potentiometer	
24	4360475	1	Switch, Emergency	
24	7020175	1	Cap, Red	
24	7020176	1	Contact Block	
25	4360476	1	Switch, Contact	
26	4460234	2	Terminal	
27	4460428	2	Connector, Strain Relief	
28	4460470	1	Nut	
29	4460471	1	Washer	
30	4751400	8	Washer 1/4	
31	1001110434	1	Plug	
32	1001117174	1	Footswitch Assembly (See FOOTSWITCH ASSEMBLY for Breakdown)	
33	1001118412	1	Controller, Module (Note: Re-calibration Required when Replaced)	
34	1001146220	1	Housing, Display Light	
35	1001155044	8	Nut 15/32	
36	1001155045	6	Switch, Toggle	
37	1001159256	1	Switch, Toggle	
38	1001161709	1	Switch, Toggle	
39	1001164353	1	Harness, Platform Console Box (See ELECTRICAL SECTION for Breakdown)	
40	1001166538	NLA	Controller Assembly (Drive and Steer) (Use p/n 1001212415) (See CONTROLLER ASSEMBLY (DRIVE AND STEER) for Breakdown)	
41	1001166539	NLA	Controller Assembly (Lift and Swing) (See CONTROLLER ASSEMBLY (LIFT AND SWING) for Breakdown) (Note: Use p/n	

SECTION 5 - PLATFORM

ITEM	PART NUMBER	QTY	DESCRIPTION	REV
			1001129555 as Replacement)	
42	1001170446	1	Decal - Platform Display	
43	1001170838	1	Gauge, Led Panel	
44	1001172760	4	Bracket	
45	1001184618	1	Decal - Stop	
46	1001184626	1	Decal - Horn	
47	1001201891	1	Platform Console Box (SN 0300219951 through 0300222765)	
47	1001215228	1	Platform Console Box (SN 0300222766 through 0300226169)	
47A	0630568	1	Capscrew 3/8 x 4-1/2	
47B	3311601	1	Nut 3/8	
47C	3430616	2	Pin, Clevis	
47D	3470003	2	Hairpin	
47E	4711600	2	Washer 3/8	
48	3900349	8	Screw (SN 0300222766 through 0300226169)	

SECTION 5 - PLATFORM

FIGURE 5-25. PLATFORM CONSOLE BOX ASSEMBLY - 450A WITH SKYGUARD (SN 0300201991 through 0300259091)



ART_1001215874

SECTION 5 - PLATFORM

FIGURE 5-25. PLATFORM CONSOLE BOX ASSEMBLY - 450A WITH SKYGUARD (SN 0300201991 through 0300259091)

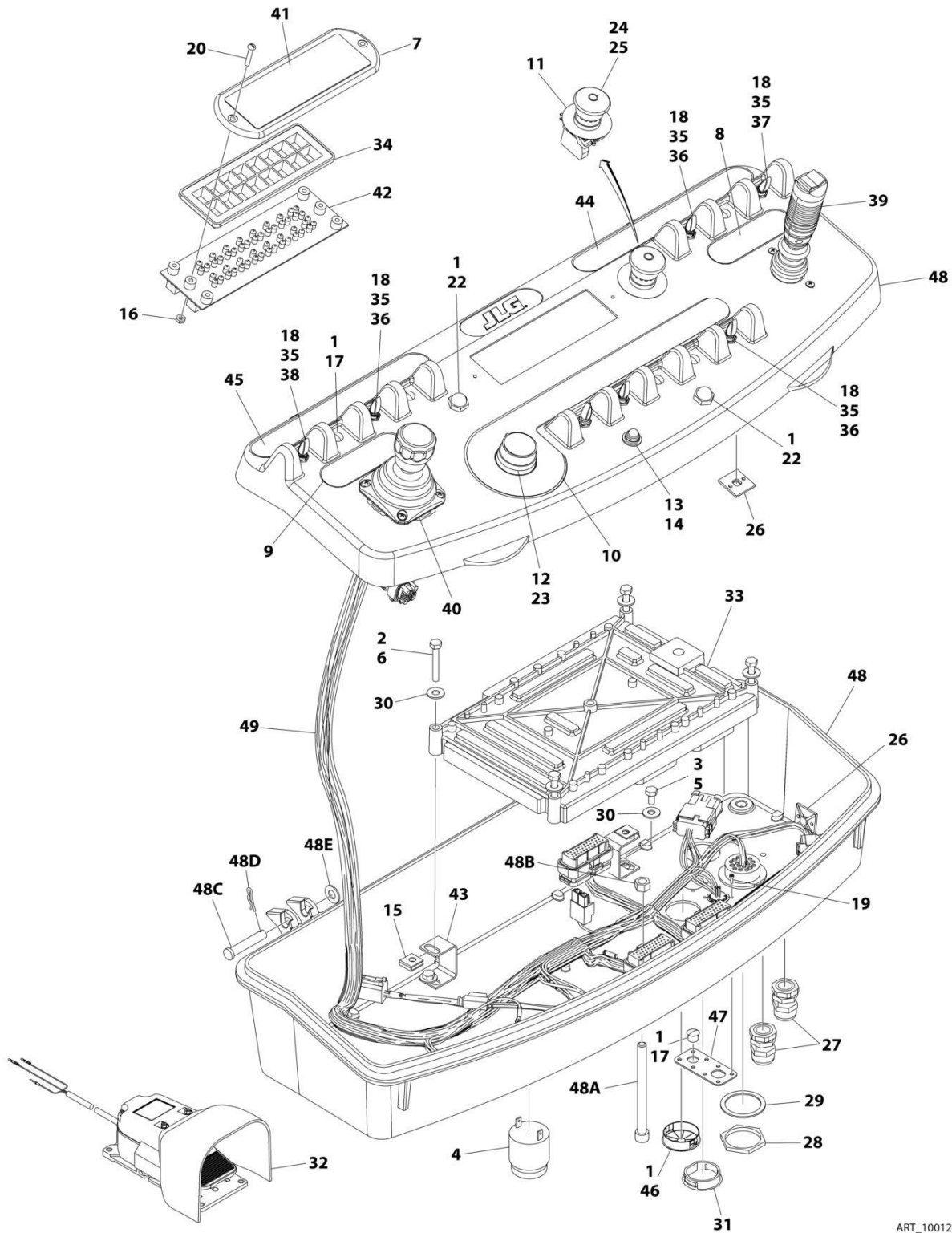
ITEM	PART NUMBER	QTY	DESCRIPTION	REV
	1001215874	Ref	PLATFORM CONSOLE BOX ASSEMBLY - 450A WITH SKYGUARD	B
1	0100009	AR	Sealant	
2	0100048	AR	Grease, Dielectric	
3	0100081	AR	Adhesive	
4	0140011	1	Alarm	
5	0641405	4	Bolt 1/4 x 5/8	
6	0641414	4	Bolt 1/4 x 1-3/4	
7	1670829	1	Bezel	
8	1702565	1	Decal - Drive and Steer	
9	1702566	1	Decal - Lift and Swing	
10	1702567	1	Decal - Function Speed	
11	1704260	1	Decal - EMS	
12	2560136	1	Handle, Knob	
13	2920028	1	Light, Indicator	
14	2920029	1	Bulb, Light	
15	3300353	4	Nut	
16	3300408	2	Nut	
17	3520054	6	Plug	
18	3790012	7	O-Ring	
19	3900349	8	Screw	
20	3911018	2	Screw 10 x 1-1/8	
21	4240099	AR	Tie-Strap (Not Shown)	
22	4360387	2	Switch, Pushbutton	
23	4360407	1	Switch, Potentiometer	
24	4360475	1	Switch, Emergency	
24	7020175	1	Cap, Red	
24	7020176	1	Contact Block	
25	4360476	1	Block, Contact	
26	4460234	4	Terminal	
27	4460428	2	Connector, Strain Relief	
28	4460470	1	Nut	
29	4460471	1	Washer	
30	4751400	8	Washer 1/4	
31	1001110434	1	Plug	
32	1001117174	1	Footswitch Assembly (See FOOTSWITCH ASSEMBLY for Breakdown)	
33	1001118412	1	Module, Control	
34	1001144433	1	Decal - No Weight SkyGuard	
35	1001146220	1	Housing, Display Light	
36	1001155044	7	Nut 15/32	
37	1001155045	5	Switch, Toggle	
38	1001159256	1	Switch, Toggle	
39	1001161709	1	Switch, Toggle	
40	1001164353	1	Harness, Platform Console Box (See ELECTRICAL SECTION for Breakdown)	
41	1001166539	NLA	Controller Assembly (Lift and Swing) (See CONTROLLER ASSEMBLY (LIFT AND SWING) for Breakdown) (Note: Use p/n 1001129555 as Replacement)	
42	1001170446	1	Decal - Platform Display	

SECTION 5 - PLATFORM

ITEM	PART NUMBER	QTY	DESCRIPTION	REV
43	1001170838	1	Gauge, Led Panel	
44	1001172760	4	Bracket	
45	1001184618	1	Decal - Stop	
46	1001184626	1	Decal - Horn	
47	1001185281	1	Plug	
48	1001213882	1	Mount	
49	1001166538	NLA	Controller Assembly (Drive and Steer) (Use p/n 1001212415) (See CONTROLLER ASSEMBLY (DRIVE AND STEER) for Breakdown)	
50	1001192292	1	Harness, SkyGuard (Not Shown - See ELECTRICAL SECTION for Breakdown)	
51	1001215228	1	Platform Console Box	
51A	0630568	1	Capscrew 3/8 x 4-1/2	
51B	3311601	1	Nut 3/8	
51C	3430616	2	Pin, Clevis	
51D	3470003	2	Hairpin	
51E	4711600	2	Washer 3/8	

SECTION 5 - PLATFORM

FIGURE 5-26. PLATFORM CONSOLE BOX ASSEMBLY - 450A WITH SKYGUARD (SN 0300259092 through 0300272317)



ART_1001242848

SECTION 5 - PLATFORM

FIGURE 5-26. PLATFORM CONSOLE BOX ASSEMBLY - 450A WITH SKYGUARD (SN 0300259092 through 0300272317)

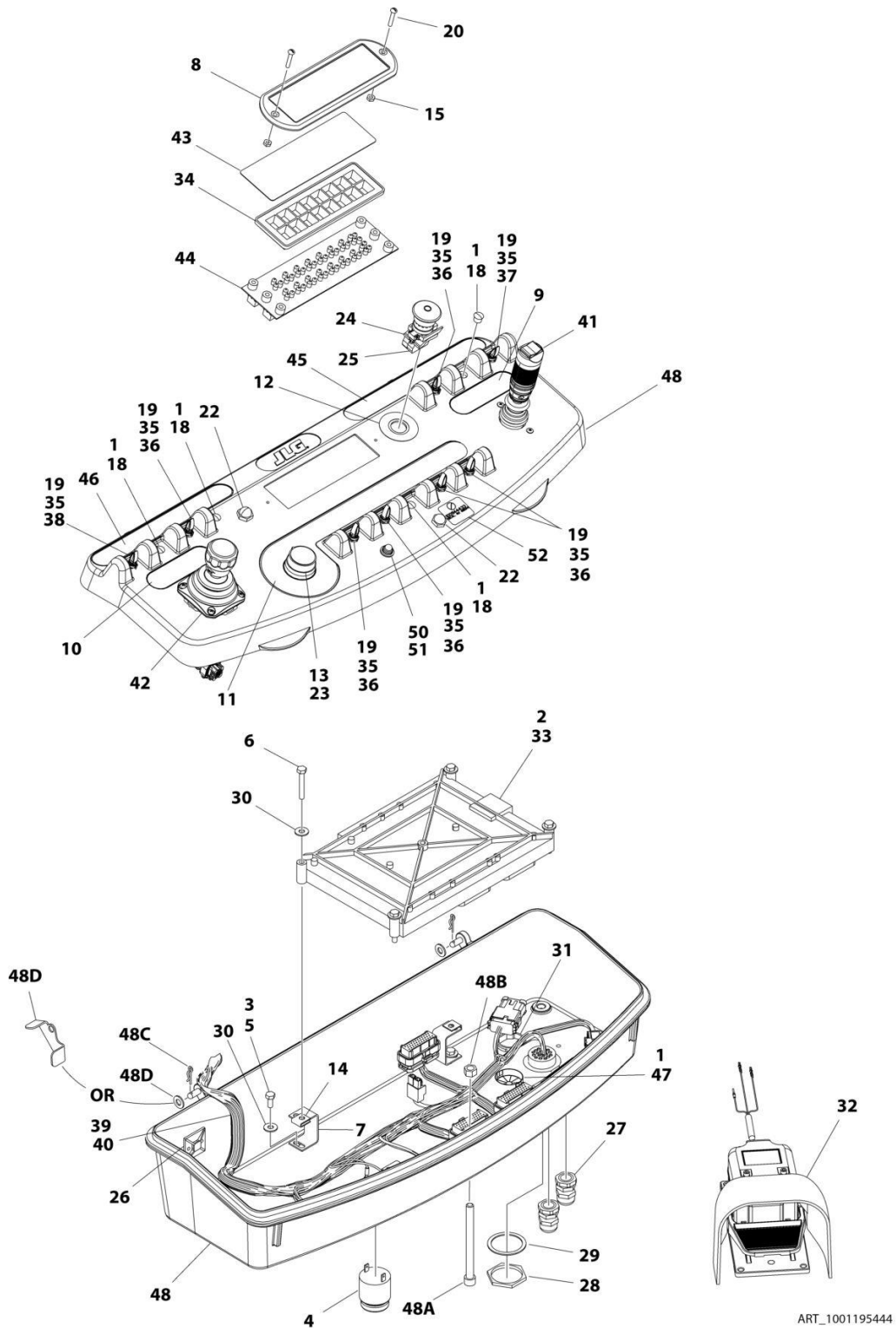
ITEM	PART NUMBER	QTY	DESCRIPTION	REV
	1001242848	Ref	PLATFORM CONSOLE BOX ASSEMBLY - 450A WITH SKYGUARD	A
1	0100009	AR	Sealant	
2	0100048	AR	Grease, Dielectric	
3	0100035	AR	Compound, Locking	
4	0140011	1	Alarm	
5	0641405	4	Bolt 1/4 x 5/8	
6	0641414	4	Bolt 1/4 x 1-3/4	
7	1670829	1	Bezel	
8	1702565	1	Decal - Drive and Steer	
9	1702566	1	Decal - Lift and Swing	
10	1702567	1	Decal - Function Speed	
11	1704260	1	Decal - EMS	
12	2560136	1	Handle, Knob	
13	2920028	1	Light, Indicator	
14	2920029	1	Bulb, Light	
15	3300353	4	Nut	
16	3300408	2	Nut	
17	3520054	6	Plug	
18	3790012	7	O-Ring	
19	3900349	8	Screw	
20	3911018	2	Screw 10 x 1-1/8	
21	4240099	AR	Tie-Strap (Not Shown)	
22	4360387	2	Switch, Pushbutton	
23	4360407	1	Switch, Potentiometer	
24	4360475	1	Switch, Emergency	
24	7020175	1	Cap, Red	
24	7020176	1	Contact Block	
25	4360476	1	Block, Contact	
26	4460234	4	Terminal	
27	4460428	2	Connector, Strain Relief	
28	4460470	1	Nut	
29	4460471	1	Washer	
30	4751400	8	Washer 1/4	
31	1001110434	1	Plug	
32	1001117174	1	Footswitch Assembly (See FOOTSWITCH ASSEMBLY for Breakdown)	
33	1001118412	1	Module, Control	
34	1001146220	1	Housing, Display Light	
35	1001155044	7	Nut 15/32	
36	1001155045	5	Switch, Toggle	
37	1001159256	1	Switch, Toggle	
38	1001161709	1	Switch, Toggle	
39	1001166538	NLA	Controller Assembly (Drive and Steer) (Use p/n 1001212415) (See CONTROLLER ASSEMBLY (DRIVE AND STEER) for Breakdown)	
40	1001166539	NLA	Controller Assembly (Lift and Swing) (See CONTROLLER ASSEMBLY (LIFT AND SWING) for Breakdown) (Note: Use p/n 1001129555 as Replacement)	
41	1001170446	1	Decal - Platform Display	
42	1001170838	1	Gauge, Led Panel	

SECTION 5 - PLATFORM

ITEM	PART NUMBER	QTY	DESCRIPTION	REV
43	1001172760	4	Bracket	
44	1001184618	1	Decal - Stop	
45	1001184626	1	Decal - Horn	
46	1001185281	1	Plug	
47	1001213882	1	Connector, Mounting	
48	1001215228	1	Platform Console Box	
48A	0630568	1	Capscrew 3/8 x 4-1/2	
48B	3311601	1	Nut 3/8	
48C	3430616	2	Pin, Clevis	
48D	3470003	2	Hairpin	
48E	4711600	2	Washer 3/8	
49	1001243168	1	Harness, Platform Console Box (See ELECTRICAL SECTION for Breakdown)	

SECTION 5 - PLATFORM

FIGURE 5-27. PLATFORM CONSOLE BOX ASSEMBLY - 450AJ WITH SKYGUARD (SN 0300201991 through 0300219950, SN E300002833 through E300003608)



SECTION 5 - PLATFORM

FIGURE 5-27. PLATFORM CONSOLE BOX ASSEMBLY - 450AJ WITH SKYGUARD (SN 0300201991 through 0300219950, SN E300002833 through E300003608)

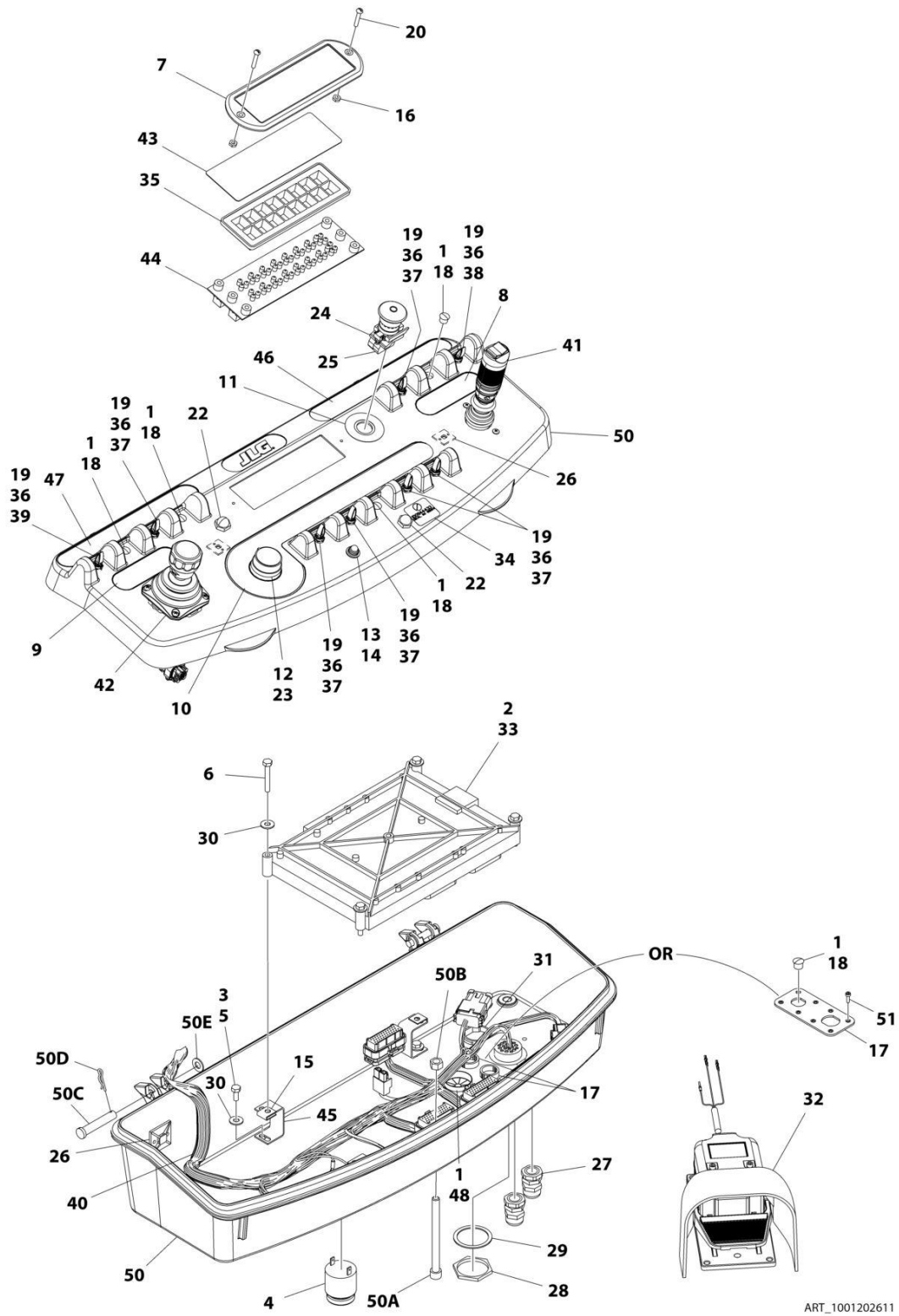
ITEM	PART NUMBER	QTY	DESCRIPTION	REV
	1001195444	Ref	PLATFORM CONSOLE BOX ASSEMBLY - 450AJ WITH SKYGUARD (SN 0300201991 through 0300219950, SN E300002833 through E300003608)	E
1	0100009	AR	Sealant	
2	0100048	AR	Grease, Dielectric	
3	0100081	AR	Adhesive	
4	0140011	1	Alarm	
5	0641405	4	Bolt, 1/4-20 x 5/8	
6	0641414	4	Bolt, 1/4-20 x 1-3/4	
7	0902751	NLA	Bracket (Use p/n 1001172760) (SN 0300201991 through 0300207005)	
7	1001172760	4	Bracket (SN 0300207006 through 0300219950, SN E300002833 through E300003608)	
8	1670829	1	Bezel	
9	1702565	1	Decal - Drive and Steer	
10	1702566	1	Decal - Lift and Swing	
11	1702567	1	Decal - Function Speed	
12	1704260	1	Decal - EMS	
13	2560136	1	Handle, Knob	
14	3300353	4	Nut, Tinnerman	
15	3300408	2	Nut, Lock	
18	3520054	4	Plug	
19	3790012	8	O-Ring	
20	3911018	2	Screw, 10-24 x 1-1/8LG	
21	4240099	AR	Tie-Strap (Not Shown)	
22	4360387	2	Switch, Pushbutton	
23	4360407	1	Switch, Potentiometer	
24	4360475	1	Switch, Emergency	
24	7020175	1	Cap, Red	
24	7020176	1	Contact Block	
25	4360476	1	Block, Contact	
26	4460234	4	Terminal	
27	4460428	2	Connector, Strain Relief	
28	4460470	1	Nut, Terminal	
29	4460471	1	Washer, Lock	
30	4751400	8	Washer, 1/4	
31	1001110434	1	Plug	
32	1001117174	1	Footswitch Assembly (See FOOTSWITCH ASSEMBLY for Breakdown)	
33	1001118412	1	Controller, Module (Note: Re-calibration Required when Replaced)	
34	1001146220	1	Housing, Display Light	
35	1001155044	8	Nut, Special 15/32-32	
36	1001155045	6	Switch, Toggle	
37	1001159256	1	Switch, Toggle	
38	1001161709	1	Switch, Toggle	
39	1001164353	1	Harness, Platform Console Box (See ELECTRICAL SECTION for Breakdown)	
40	1001164728	1	Harness, Platform Valve (See ELECTRICAL SECTION for Breakdown) (SN 0300201991 through 0300212508, SN E300002833 through E300003014)	

SECTION 5 - PLATFORM

ITEM	PART NUMBER	QTY	DESCRIPTION	REV
41	1001166538	NLA	Controller Assembly (Drive and Steer) (Use p/n 1001212415) (See CONTROLLER ASSEMBLY (DRIVE AND STEER) for Breakdown)	
42	1001166539	NLA	Controller Assembly (Lift and Swing) (See CONTROLLER ASSEMBLY (LIFT AND SWING) for Breakdown) (Note: Use p/n 1001129555 as Replacement)	
43	1001170446	1	Decal - Platform Display	
44	1001170838	1	Gauge, Led Panel	
45	1001184618	1	Decal - Stop	
46	1001184626	1	Decal - Horn	
47	1001185281	1	Plug	
48	1001193730	1	Platform Console Box	
48A	0630568	1	Capscrew 3/8 x 4 - 1/2	
48B	3311601	1	Nut 3/8	
48C	3470003	2	Hairpin	
48D	4711500	2	Washer 5/16	
48D	1001200575	2	Bracket, Stop	
49	1001192292	1	Harness, SkyGuard (Not Shown - See ELECTRICAL SECTION for Breakdown)	
50	2920028	1	Light, Indicator	
51	2920029	1	Bulb, Light	
52	1001144433	1	Decal - No Weight SkyGuard	

SECTION 5 - PLATFORM

FIGURE 5-28. PLATFORM CONSOLE BOX ASSEMBLY - 450AJ WITH SKYGUARD (SN 0300219951 through 0300259091, SN B300003516 through B300005760, SN E300003609 through E300007540, SN 1300007279 through 1300007373)



ART_1001202611

SECTION 5 - PLATFORM

FIGURE 5-28. PLATFORM CONSOLE BOX ASSEMBLY - 450AJ WITH SKYGUARD (SN 0300219951 through 0300259091, SN B300003516 through B300005760, SN E300003609 through E300007540, SN 1300007279 through 1300007373)

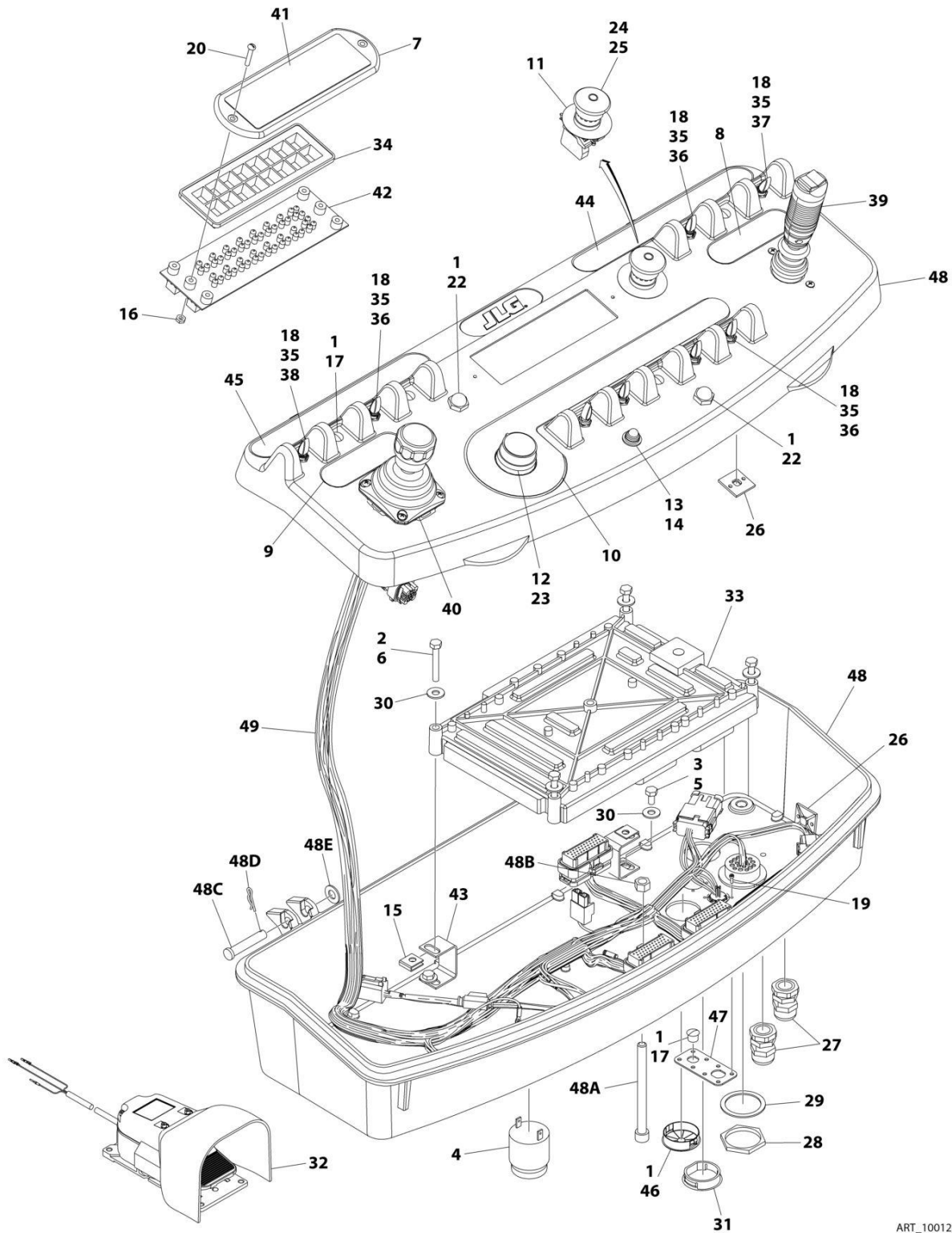
ITEM	PART NUMBER	QTY	DESCRIPTION	REV
	1001202611	Ref	PLATFORM CONSOLE BOX ASSEMBLY - 450AJ WITH SKYGUARD	D
1	0100009	AR	Sealant	
2	0100048	AR	Grease, Dielectric	
3	0100081	AR	Adhesive	
4	0140011	1	Alarm	
5	0641405	4	Bolt 1/4 x 5/8	
6	0641414	4	Bolt 1/4 x 1-3/4	
7	1670829	1	Bezel	
8	1702565	1	Decal - Drive and Steer	
9	1702566	1	Decal - Lift and Swing	
10	1702567	1	Decal - Function Speed	
11	1704260	1	Decal - EMS	
12	2560136	1	Handle, Knob	
13	2920028	1	Light, Indicator	
14	2920029	1	Bulb, Light	
15	3300353	4	Nut	
16	3300408	2	Nut	
17	3520033	2	Plug (SN 0300219951 through 0300222765, SN E300003609 through E300003749)	
17	1001213882	1	Connector, Mounting (SN 0300222766 through 0300272317, SN 1300007279 through 1300007373, SN B300003516 through B300005760, SN E300003750 through E300007540, Except SN 0300272185 through 0300272190, Excluding B300005569)	
18	3520054	AR	Plug	
19	3790012	8	O-Ring	
20	3911018	2	Screw 10 x 1-1/8	
21	4240099	AR	Tie-Strap (Not Shown)	
22	4360387	2	Switch, Pushbutton	
23	4360407	1	Switch, Potentiometer	
24	4360475	1	Switch, Emergency	
24	7020175	1	Cap, Red	
24	7020176	1	Contact Block	
25	4360476	1	Block, Contact	
26	4460234	4	Terminal	
27	4460428	2	Connector, Strain Relief	
28	4460470	1	Nut	
29	4460471	1	Washer	
30	4751400	8	Washer 1/4	
31	1001110434	1	Plug	
32	1001117174	1	Footswitch Assembly (See FOOTSWITCH ASSEMBLY for Breakdown)	
33	1001118412	1	Module, Control	
34	1001144433	1	Decal - No Weight SkyGuard	
35	1001146220	1	Housing, Display Light	
36	1001155044	8	Nut 15/32	
37	1001155045	6	Switch, Toggle	
38	1001159256	1	Switch, Toggle	
39	1001161709	1	Switch, Toggle	

SECTION 5 - PLATFORM

ITEM	PART NUMBER	QTY	DESCRIPTION	REV
40	1001164353	1	Harness, Platform Console Box (See ELECTRICAL SECTION for Breakdown)	
41	1001166538	NLA	Controller Assembly (Drive and Steer) (Use p/n 1001212415) (See CONTROLLER ASSEMBLY (DRIVE AND STEER) for Breakdown)	
42	1001166539	NLA	Controller Assembly (Lift and Swing) (See CONTROLLER ASSEMBLY (LIFT AND SWING) for Breakdown) (Note: Use p/n 1001129555 as Replacement)	
43	1001170446	1	Decal - Platform Display	
44	1001170838	1	Gauge, Led Panel	
45	1001172760	4	Bracket	
46	1001184618	1	Decal - Stop	
47	1001184626	1	Decal - Horn	
48	1001185281	1	Plug	
49	1001192292	1	Harness, SkyGuard (Not Shown - See ELECTRICAL SECTION for Breakdown)	
50	1001201891	1	Platform Console Box (SN 0300219951 through 0300222765, SN E300003609 through E300003749)	
50	1001215228	1	Platform Console Box (SN 0300222766 through 0300272317, SN 1300007279 through 1300007373, SN B300003516 through B300005760, SN E300003750 through E300007540, Except SN 0300272185 through 0300272190, Excluding B300005569)	
50A	0630568	1	Capscrew 3/8 x 4-1/2	
50B	3311601	1	Nut 3/8	
50C	3430616	2	Pin, Clevis	
50D	3470003	2	Hairpin	
50E	4711600	2	Washer 3/8	
51	3900349	8	Screw (SN 0300222766 through 0300272317, SN 1300007279 through 1300007373, SN B300003516 through B300005760, SN E300003750 through E300007540, Except SN 0300272185 through 0300272190, Excluding B300005569)	

SECTION 5 - PLATFORM

FIGURE 5-29. PLATFORM CONSOLE BOX ASSEMBLY - 450AJ WITH SKYGUARD (SN 0300259091 through 0300272317, SN E300007541 through E300007990)



ART_1001242847

SECTION 5 - PLATFORM

FIGURE 5-29. PLATFORM CONSOLE BOX ASSEMBLY - 450AJ WITH SKYGUARD (SN 0300259091 through 0300272317, SN E300007541 through E300007990)

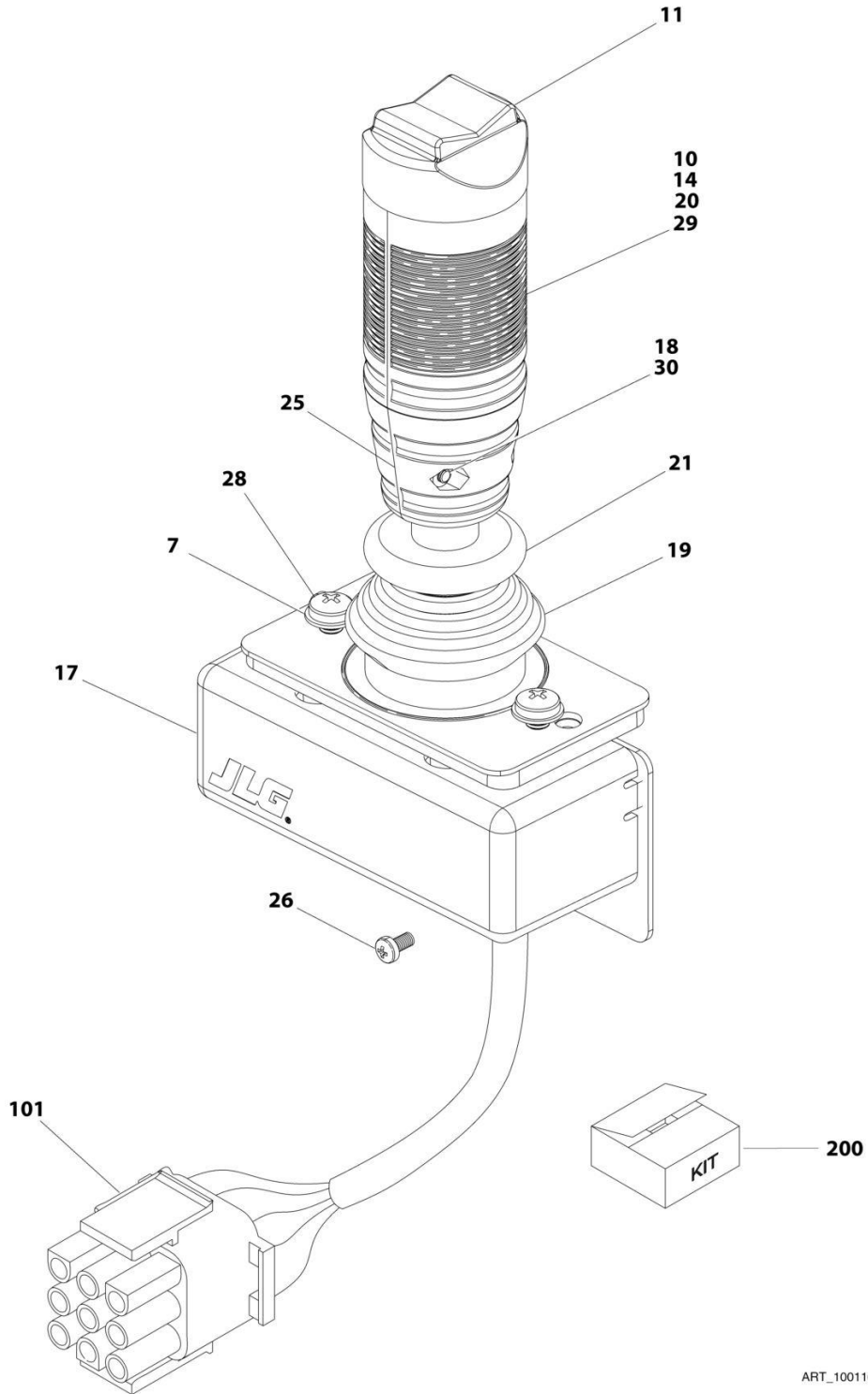
ITEM	PART NUMBER	QTY	DESCRIPTION	REV
	1001242847	Ref	PLATFORM CONSOLE BOX ASSEMBLY - MACHINES WITH SKYGUARD	A
1	0100009	AR	Sealant	
2	0100048	AR	Grease, Dielectric	
3	0100035	AR	Compound, Locking	
4	0140011	1	Alarm	
5	0641405	4	Bolt 1/4 x 5/8	
6	0641414	4	Bolt 1/4 x 1-3/4	
7	1670829	1	Bezel	
8	1702565	1	Decal - Drive and Steer	
9	1702566	1	Decal - Lift and Swing	
10	1702567	1	Decal - Function Speed	
11	1704260	1	Decal - EMS	
12	2560136	1	Handle, Knob	
13	2920028	1	Light, Indicator	
14	2920029	1	Bulb, Light	
15	3300353	4	Nut	
16	3300408	2	Nut	
17	3520054	5	Plug	
18	3790012	8	O-Ring	
19	3900349	8	Screw	
20	3911018	2	Screw 10 x 1-1/8	
21	4240099	AR	Tie-Strap (Not Shown)	
22	4360387	2	Switch, Pushbutton	
23	4360407	1	Switch, Potentiometer	
24	4360475	1	Switch, Emergency	
24	7020175	1	Cap, Red	
24	7020176	1	Contact Block	
25	4360476	1	Block, Contact	
26	4460234	4	Terminal	
27	4460428	2	Connector, Strain Relief	
28	4460470	1	Nut	
29	4460471	1	Washer	
30	4751400	8	Washer 1/4	
31	1001110434	1	Plug	
32	1001117174	1	Footswitch Assembly (See FOOTSWITCH ASSEMBLY for Breakdown)	
33	1001118412	1	Module, Control	
34	1001146220	1	Housing, Display Light	
35	1001155044	8	Nut 15/32	
36	1001155045	6	Switch, Toggle	
37	1001159256	1	Switch, Toggle	
38	1001161709	1	Switch, Toggle	
39	1001166538	NLA	Controller Assembly (Drive and Steer) (Use p/n 1001212415) (See CONTROLLER ASSEMBLY (DRIVE AND STEER) for Breakdown)	
40	1001166539	NLA	Controller Assembly (Lift and Swing) (See CONTROLLER ASSEMBLY (LIFT AND SWING) for Breakdown) (Note: Use p/n 1001129555 as Replacement)	
41	1001170446	1	Decal - Platform Display	
42	1001170838	1	Gauge, Led Panel	

SECTION 5 - PLATFORM

ITEM	PART NUMBER	QTY	DESCRIPTION	REV
43	1001172760	4	Bracket	
44	1001184618	1	Decal - Stop	
45	1001184626	1	Decal - Horn	
46	1001185281	1	Plug	
47	1001213882	1	Connector, Mounting	
48	1001215228	1	Platform Console Box	
48A	0630568	1	Capscrew 3/8 x 4-1/2	
48B	3311601	1	Nut 3/8	
48C	3430616	2	Pin, Clevis	
48D	3470003	2	Hairpin	
48E	4711600	2	Washer 3/8	
49	1001243168	1	Harness, Platform Console Box (See ELECTRICAL SECTION for Breakdown)	

SECTION 5 - PLATFORM

FIGURE 5-30. CONTROLLER ASSEMBLY - DRIVE AND STEER



ART_1001166538

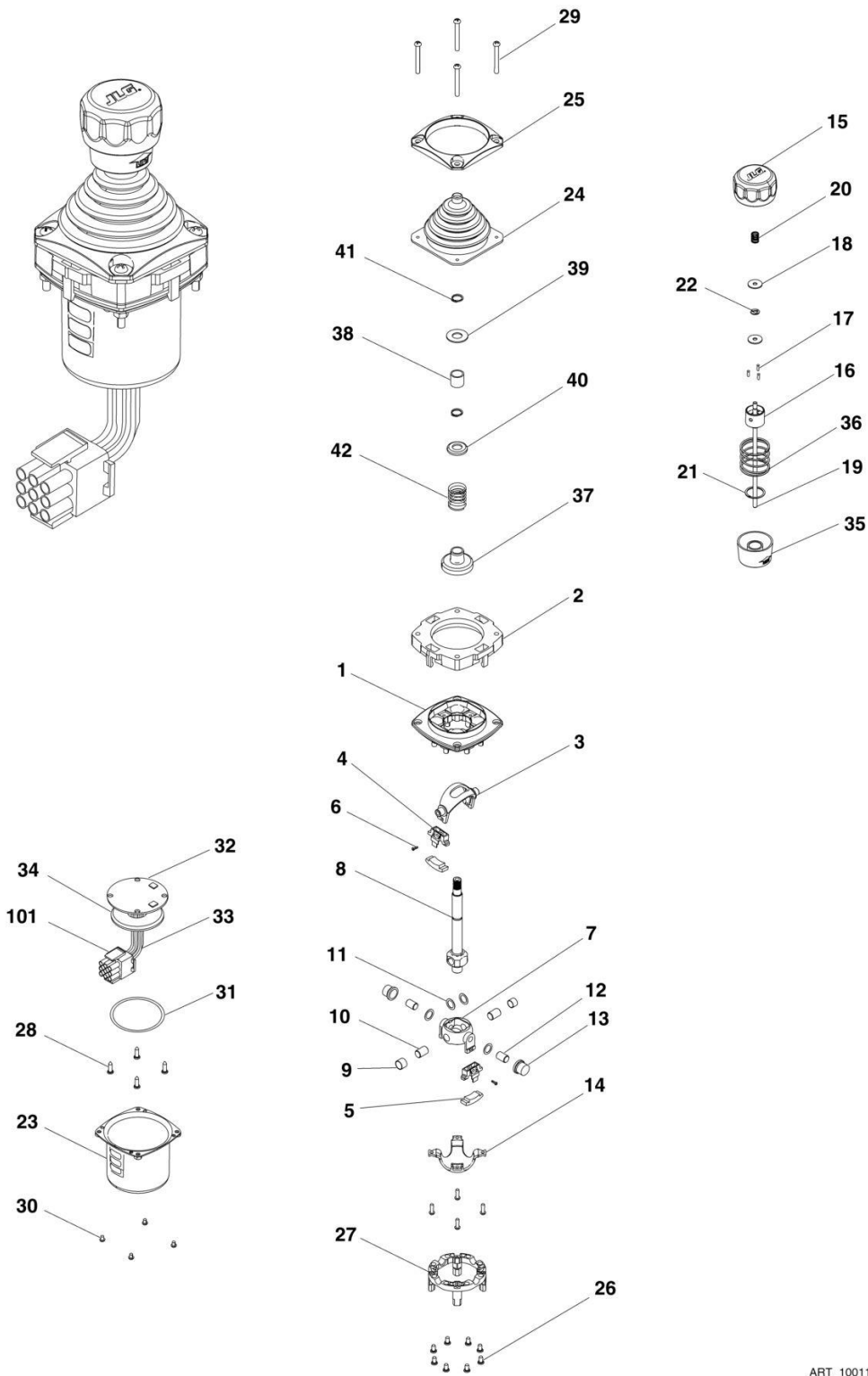
SECTION 5 - PLATFORM

FIGURE 5-30. CONTROLLER ASSEMBLY - DRIVE AND STEER

ITEM	PART NUMBER	QTY	DESCRIPTION	REV
	1001166538	1	CONTROLLER ASSEMBLY - DRIVE AND STEER	G
		Ref	Note: Use p/n 1001212415 as Replacement.	
7	70004738	2	Washer	
10	70004739	1	Roller	
11	70004740	1	Boot, Switch	
14	70004741	2	Half, Handle	
17	70004742	1	Enclosure	
18	70004743	4	Nut	
19	70004744	NLA	Boot, Controller (Use Item 200)	
20	70004745	NLA	Tube, Locking (Use Item 200)	
21	70004746	NLA	Disc, Locking (Use Item 200)	
25	70004747	2	Seal, Rope	
26	70004748	1	Screw, M3 x 6mm	
28	70004749	2	Screw, M5 x 20mm	
29	70004750	1	Pin, Dowel	
30	70004751	4	Screw, M3 x 16mm	
101	4460265	1	Connector - 9 Position	
101	4460226	7	Socket, Female	
200	70005230	1	Boot Kit (Includes Items 19-21)	

SECTION 5 - PLATFORM

FIGURE 5-31. CONTROLLER ASSEMBLY - LIFT AND SWING



ART_1001166539

SECTION 5 - PLATFORM

FIGURE 5-31. CONTROLLER ASSEMBLY - LIFT AND SWING

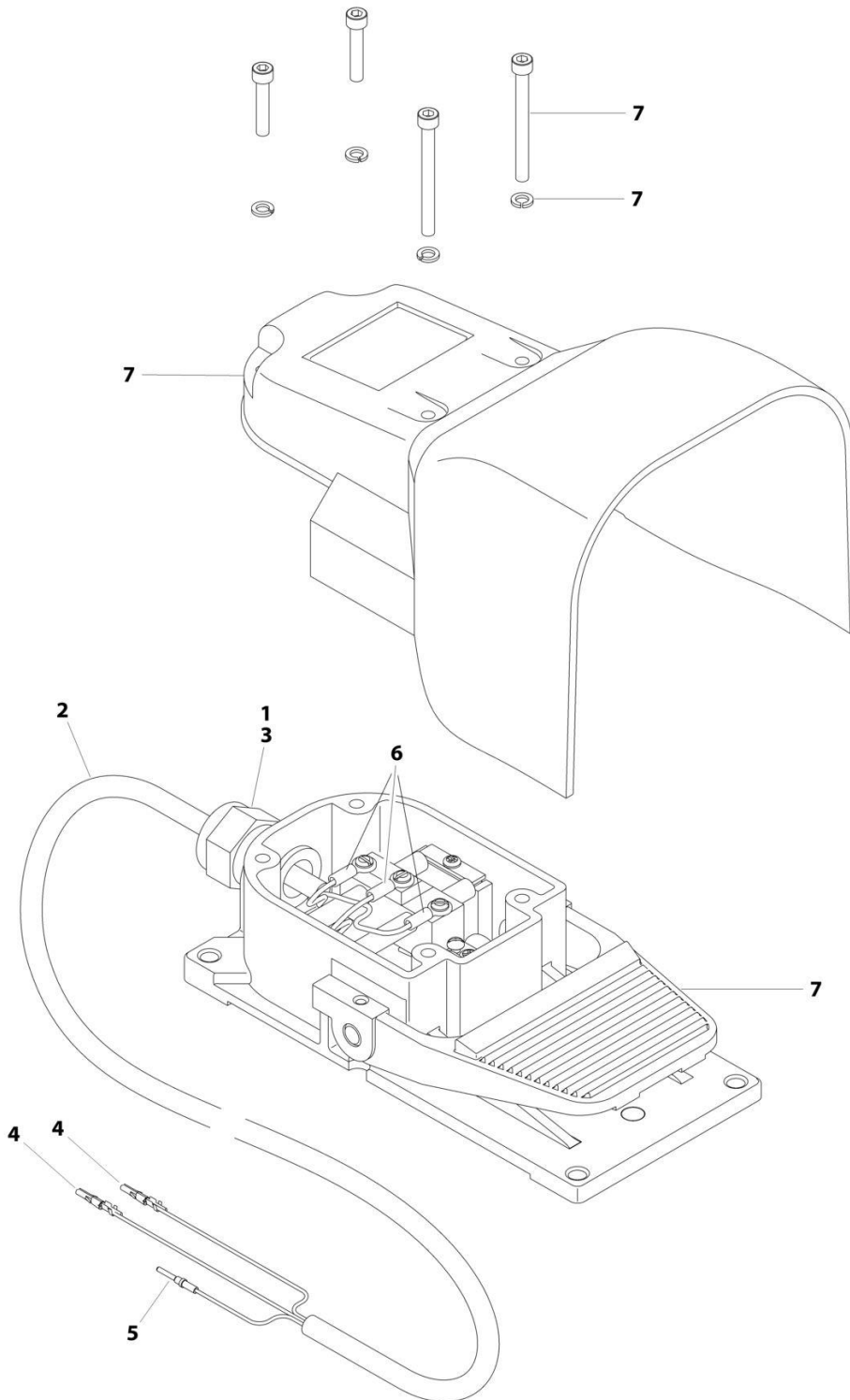
ITEM	PART NUMBER	QTY	DESCRIPTION	REV
	1001166539	Ref	CONTROLLER ASSEMBLY - LIFT AND SWING	D
	See Note	Ref	Note: Use p/n 1001129555 as Replacement	
1	See Note	1	Main Cast Body (Note: Not Available - Purchase Complete Assembly)	
2	70004752	1	Adapter	
3	See Note	NSS	Pivot Arm, Plastic (Note: Not Available - Purchase Complete Assembly)	
4	See Note	NSS	Holder, Magnet (Note: Not Available - Purchase Complete Assembly)	
5	See Note	NSS	Arc, Magnet (Note: Not Available - Purchase Complete Assembly)	
6	See Note	NSS	Screw (Note: Not Available for Purchase)	
7	See Note	NSS	Pivot Arm, Cast (Note: Not Available - Purchase Complete Assembly)	
8	See Note	NSS	Shaft, Main (Note: Not Available - Purchase Complete Assembly)	
9	See Note	NSS	Bearing (Note: Not Available - Purchase Complete Assembly)	
10	See Note	NSS	Pin (Note: Not Available - Purchase Complete Assembly)	
11	See Note	NSS	Shim (Note: Not Available - Purchase Complete Assembly)	
12	See Note	NSS	Pin (Note: Not Available - Purchase Complete Assembly)	
13	See Note	NSS	Bearing (Note: Not Available - Purchase Complete Assembly)	
14	See Note	NSS	Dome, Centering (Note: Not Available - Purchase Complete Assembly)	
15	70004753	1	Cap	
16	70004754	1	Insert, Cap	
17	70004755	3	Pin	
18	70004756	2	Washer	
19	70004757	1	Pin, Centering	
20	70004758	1	Spring	
21	70004759	1	Ring, Retaining	
22	70004760	1	E-Ring	
23	70004761	1	Can, Enclosure	
24	70004762	1	Boot	
25	70004763	1	Bezel	
26	See Note	NSS	Screw (Note: Not Available for Purchase)	
27	See Note	NSS	Base Mounting (Note: Not Available - Purchase Complete Assembly)	
28	See Note	NSS	Screw (Note: Not Available for Purchase)	
29	70004764	4	Screw	
30	70004765	4	Screw	
31	70004766	1	O-Ring	
32	See Note	NSS	Plate (Note: Not Available - Purchase Complete Assembly)	
33	See Note	NSS	Harness (Note: Not Available - Purchase Complete Assembly)	
34	70004767	1	Grommet, Rubber	
35	70004768	1	Housing	
36	70004769	1	Spring	
37	70004770	1	Stopper	
38	70004771	1	Spacer	
39	70004772	1	Washer	
40	70004773	1	Disc	
41	70004774	2	Ring, Retaining	
42	70004775	1	Spring	

SECTION 5 - PLATFORM

ITEM	PART NUMBER	QTY	DESCRIPTION	REV
101	4460265	1	Connector - 9 Position	
101	4460226	6	Socket, Female	

SECTION 5 - PLATFORM

FIGURE 5-32. FOOTSWITCH ASSEMBLY



ART_1001117174

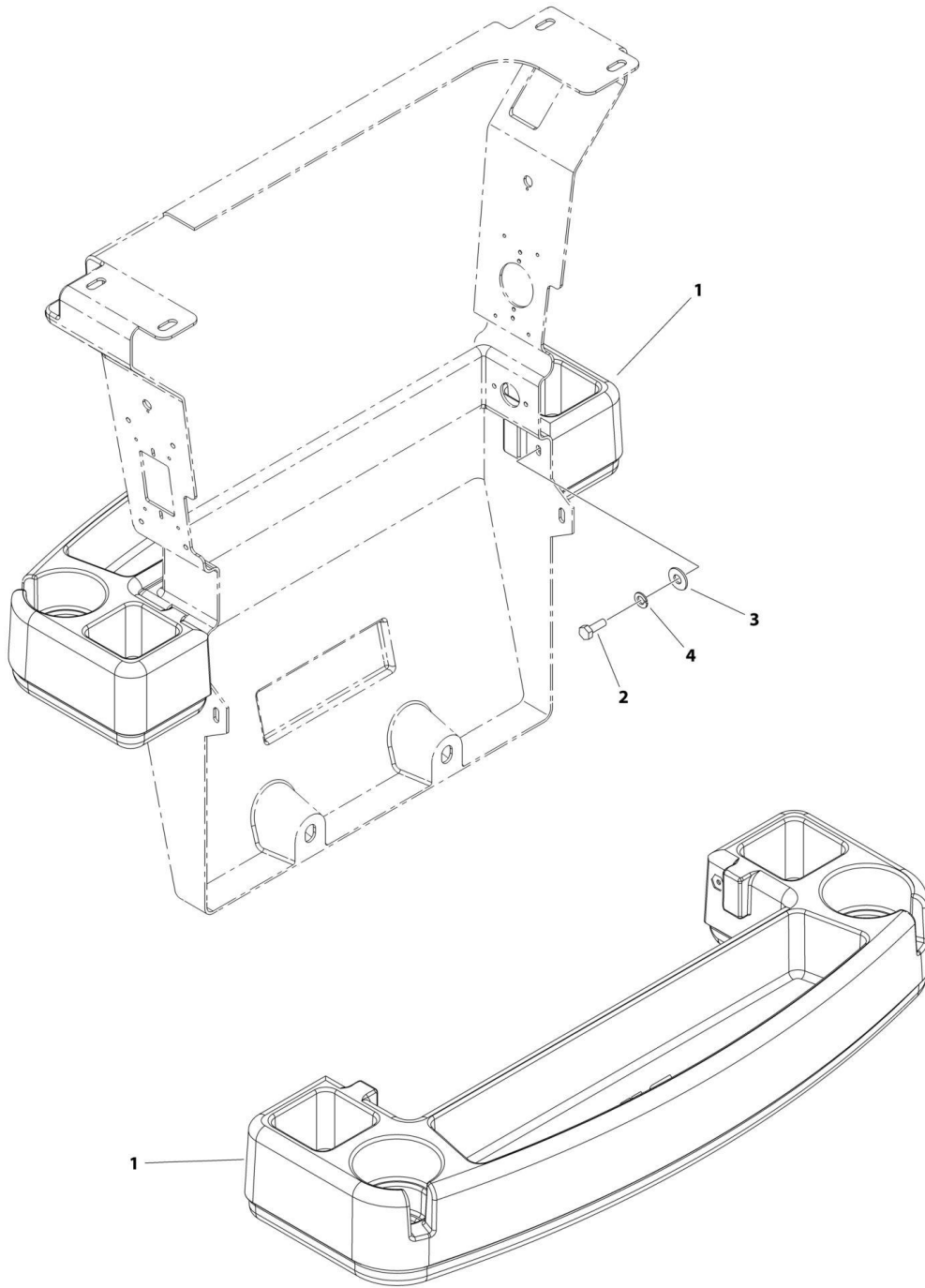
SECTION 5 - PLATFORM

FIGURE 5-32. FOOTSWITCH ASSEMBLY

ITEM	PART NUMBER	QTY	DESCRIPTION	REV
	1001117174	Ref	FOOTSWITCH ASSEMBLY	B
1	0100020	AR	Sealant	
2	1060918	7.5 ft /2.29m	Cable, Electrical - 18/3	
3	4460071	1	Connector, Strain Relief	
4	4460226	2	Socket, Female	
5	4460464	1	Pin, Male	
6	1001098122	3	Terminal	
7	1001117172	1	Footswitch	
7	70002902	1	Switch, 20Amp	
7	70002903	1	Gasket	
7	70002905	1	Cover	
7	70002904	1	Kit, Replacement Bolt	

SECTION 5 - PLATFORM

FIGURE 5-33. TRAY ASSEMBLY



ART_1580012

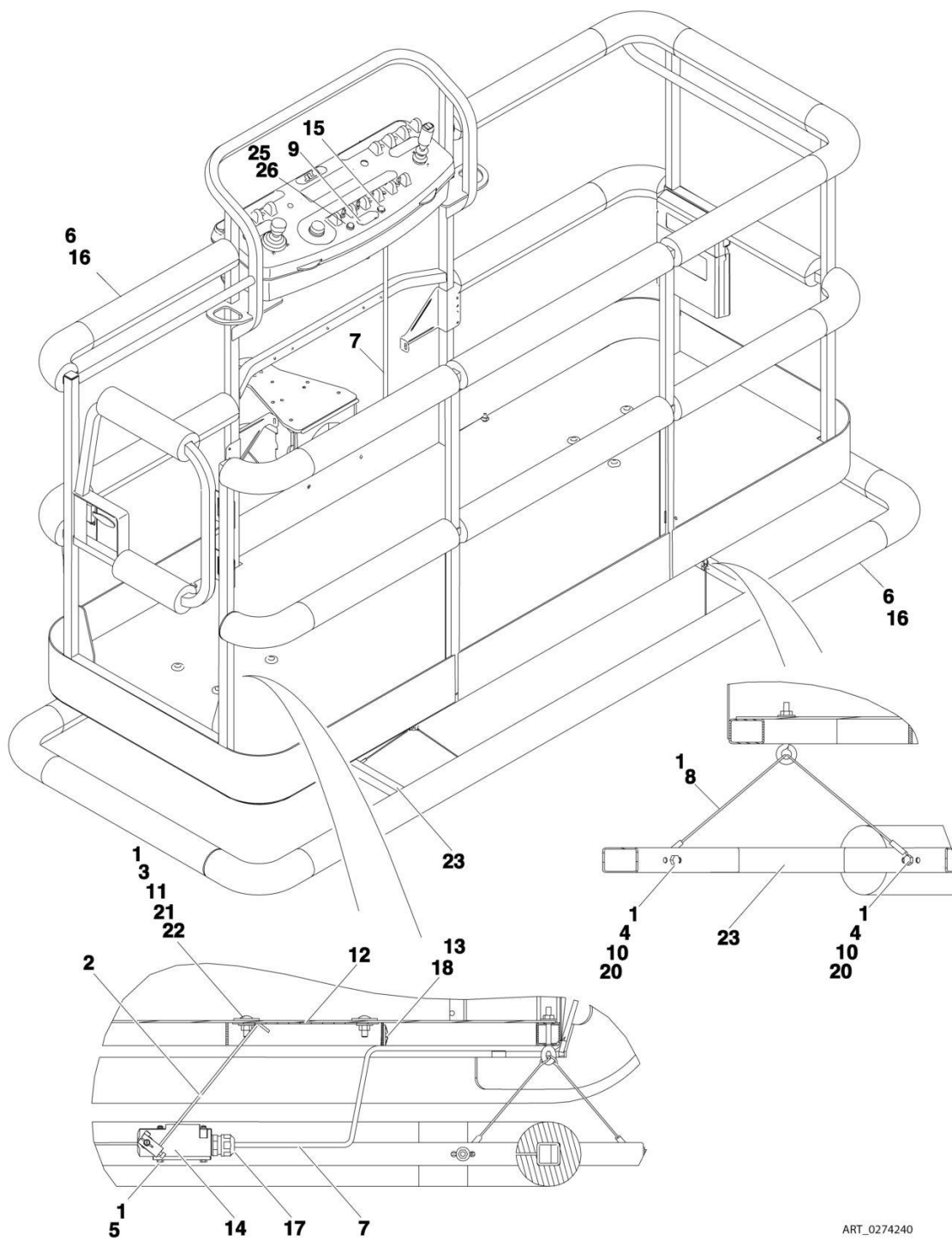
SECTION 5 - PLATFORM

FIGURE 5-33. TRAY ASSEMBLY

ITEM	PART NUMBER	QTY	DESCRIPTION	REV
	1580012	Ref	TRAY ASSEMBLY	C
1	See Note	1	Tray, Storage - Center (Note: Purchase p/n 1580012)	
2	0641406	2	Bolt, 1/4-20 x 3/4	
3	4751400	2	Washer, 1/4	
4	4761400	2	Washer, Locking, 1/4	

SECTION 5 - PLATFORM

FIGURE 5-34. SOFT TOUCH INSTALLATION - 6FT/1.8M PLATFORM (ANSI, ANSI EXPORT AND CSA SPECS) (SN 0300201991 through 0300211852)



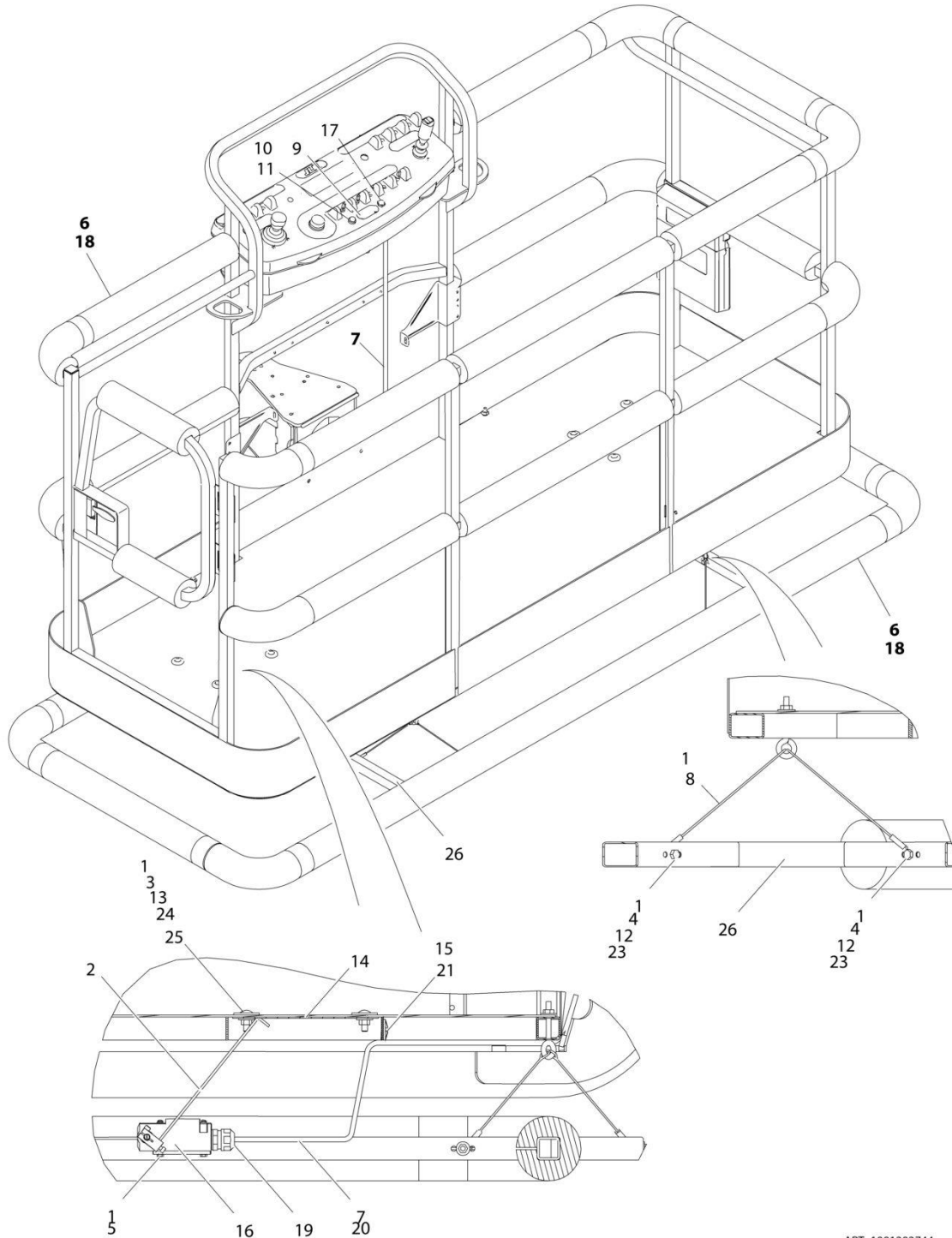
SECTION 5 - PLATFORM

FIGURE 5-34. SOFT TOUCH INSTALLATION - 6FT/1.8M PLATFORM (ANSI, ANSI EXPORT AND CSA SPECS) (SN 0300201991 through 0300211852)

ITEM	PART NUMBER	QTY	DESCRIPTION	REV
	0274240	Ref	SOFT TOUCH INSTALLATION - 6FT/1.8M PLATFORM (ANSI, ANSI EXPORT AND CSA SPECS) (SN 0300201991 through 0300211852)	C
1	0100011	AR	Compound, Locking	
2	0200048	2	Arm, Switch	
3	0630462	8	Bolt, Carriage	
4	0641414	8	Bolt, 1/4-20 x 1-3/4	
5	0721005	4	Bolt, #10-24 x 5/8	
6	0940167	1	Bumper Kits (Includes Corners and Enough Straight Material for One Platform)	
7	1060341	15 ft /4.57m	Cable, Electrical - 16/2	
8	1060903	4	Wire Rope and Eyebolt Assembly	
9	1702938	1	Decal - Soft Touch Override	
10	3311401	8	Nut, 1/4-20	
11	3311501	8	Nut, 5/16-18	
12	3575705	2	Plate, Switch Strike	
13	4240099	AR	Tie-Strap	
14	4360057	2	Switch, Limit	
15	4360387	1	Switch, Push Button	
16	4420068	1	Tape, Adhesive	
17	4460049	2	Connector, Strain Relief	
18	4460234	2	Tie-Strap Mount	
19	4460425	1	Connector, Strain Relief (Not Shown - Located on bottom of console box)	
20	4751400	16	Washer, 1/4	
21	4751500	8	Washer, 5/16	
22	4751800	8	Washer, 1/2	
23	4846370	1	Rail, Soft Touch	
24	4933218	1	Soft Touch Wiring Diagram (Not Shown - See ELECTRICAL SECTION for Breakdown)	
25	2920028	1	Lamp, Indicator	
26	2920029	1	Bulb, Light	

SECTION 5 - PLATFORM

FIGURE 5-35. SOFT TOUCH INSTALLATION - 6FT/1.8M PLATFORM (ANSI, ANSI EXPORT, CHINA, CSA AND JAPANESE SPECS) (SN 0300211853 through 0300272317, SN B300003516 through B300005760)



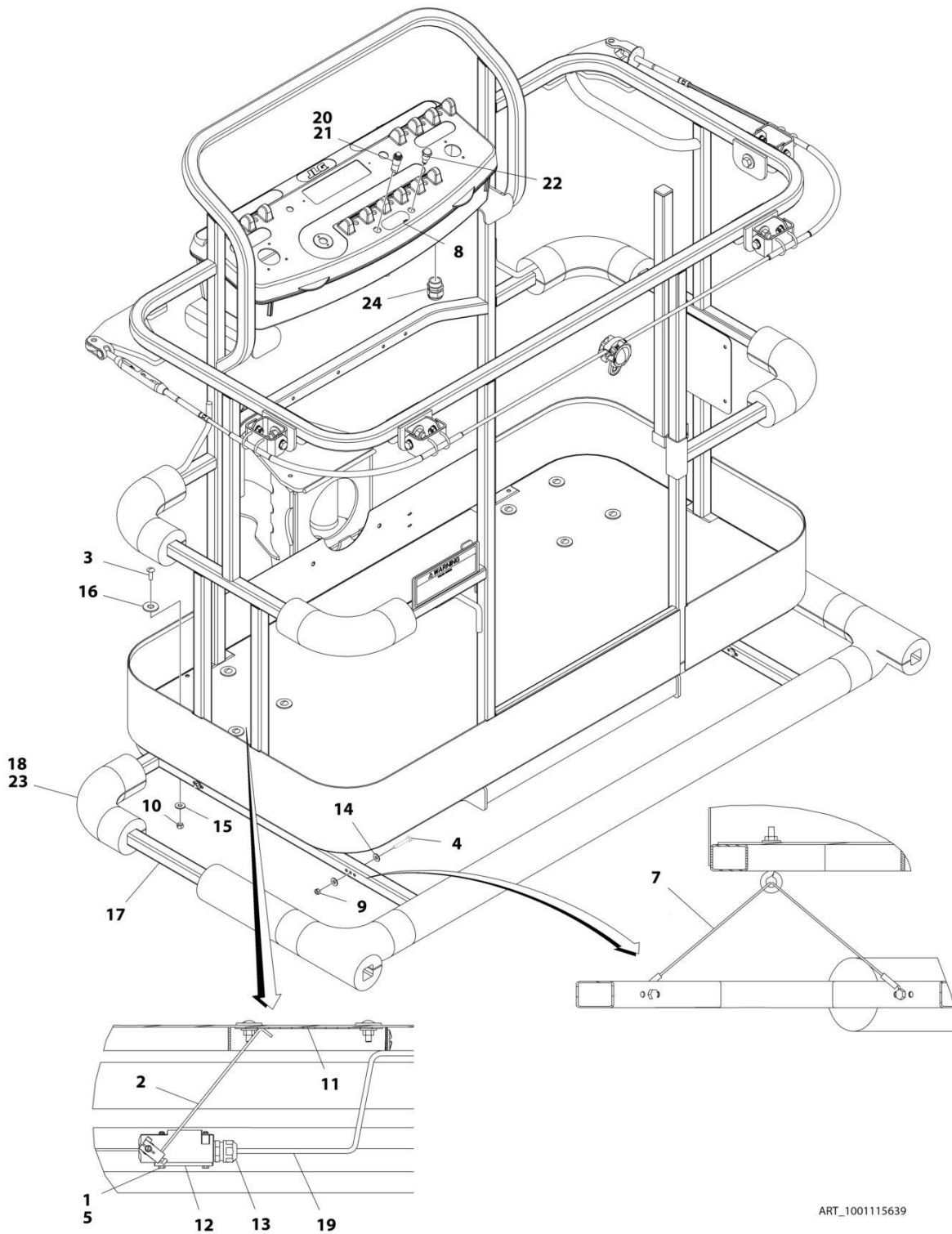
SECTION 5 - PLATFORM

FIGURE 5-35. SOFT TOUCH INSTALLATION - 6FT/1.8M PLATFORM (ANSI, ANSI EXPORT, CHINA, CSA AND JAPANESE SPECS) (SN 0300211853 through 0300272317, SN B300003516 through B300005760)

ITEM	PART NUMBER	QTY	DESCRIPTION	REV
	1001202744	Ref	SOFT TOUCH INSTALLATION - 6FT/1.8M PLATFORM (ANSI, ANSI EXPORT, CHINA, CSA AND JAPANESE SPECS)	B
1	0100011	AR	Compound, Locking	
2	0200048	2	Arm, Switch	
3	0630462	8	Bolt, Carriage	
4	0641414	8	Bolt, 1/4-20 x 1-3/4	
5	0721005	4	Bolt, #10-24 x 5/8	
6	0940167	1	Bumper Kits (Includes Corners and Enough Straight Material for One Platform)	
7	1060341	15 ft /4.57m	Cable, Electrical - 16/2	
8	1060903	4	Wire Rope and Eyebolt Assembly	
9	1702938	1	Decal - Soft Touch Override	
10	2920028	1	Lamp, Indicator	
11	2920029	1	Bulb, Light	
12	3311401	8	Nut, 1/4-20	
13	3311501	8	Nut, 5/16-18	
14	3575705	2	Plate, Switch Strike	
15	4240099	AR	Tie-Strap	
16	4360057	2	Switch, Limit	
17	4360387	1	Switch, Push Button	
18	4420068	1	Tape, Adhesive	
18	1001197017	AR	Tie-Strap	
19	4460049	2	Connector, Strain Relief	
20	4460226	4	Socket, Female	
21	4460234	2	Tie-Strap Mount	
22	4460425	1	Connector, Strain Relief (Not Shown - Located on bottom of console box)	
23	4751400	16	Washer, 1/4	
24	4751500	8	Washer, 5/16	
25	4751800	8	Washer, 1/2	
26	4846370	1	Rail, Soft Touch	

SECTION 5 - PLATFORM

FIGURE 5-36. SOFT TOUCH INSTALLATION - 5FT/1.52M PLATFORM WITH FALL ARREST (ANSI, ANSI EXPORT AND CSA SPECS) (SN 0300201991 through 0300211852)



ART_1001115639

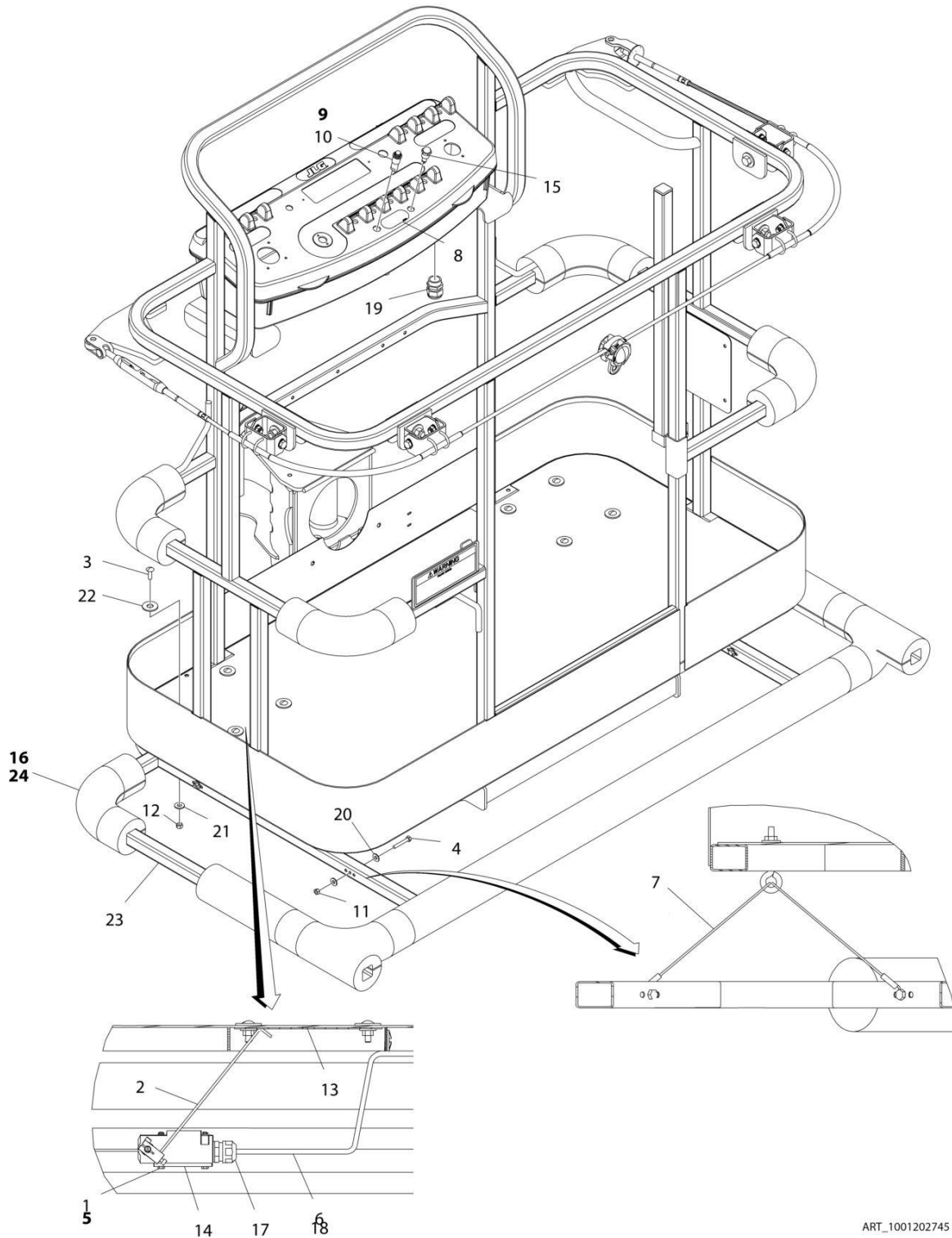
SECTION 5 - PLATFORM

FIGURE 5-36. SOFT TOUCH INSTALLATION - 5FT/1.52M PLATFORM WITH FALL ARREST (ANSI, ANSI EXPORT AND CSA SPECS) (SN 0300201991 through 0300211852)

ITEM	PART NUMBER	QTY	DESCRIPTION	REV
	1001115639	Ref	SOFT TOUCH INSTALLATION - 5FT/1.52M PLATFORM WITH FALL ARREST (ANSI, ANSI EXPORT AND CSA SPECS) (SN 0300201991 through 0300211852)	A
1	0100011	AR	Compound, Locking	
2	0200048	2	Arm, Switch	
3	0630462	8	Bolt, Carriage	
4	0641414	8	Bolt, 1/4-20 x 1-3/4	
5	0721005	4	Bolt, #10-24 x 5/8	
6	4933218	1	Soft Touch Wiring Diagram (Not Shown - See ELECTRICAL SECTION for Breakdown)	
7	1060903	4	Wire Rope and Eyebolt Assembly	
8	1702938	1	Decal - Soft Touch Override	
9	3311405	8	Nut, Lock 1/4-20	
10	3311501	8	Nut, 5/16-18	
11	3575705	2	Plate, Switch Strike	
12	4360057	2	Switch, Limit	
13	4460049	2	Connector, Strain Relief	
14	4751400	16	Washer, 1/4	
15	4751500	8	Washer, 5/16	
16	4751800	8	Washer, 1/2	
17	1001115641	1	Rail, Soft Touch	
18	1001115848	1	Bumper Kits (Includes Corners and Enough Straight Material for One Platform)	
19	1060341	15 ft /4.57m	Cable, Electrical - 16/2	
20	2920028	1	Lamp, Indicator	
21	2920029	1	Bulb, Light	
22	4360387	1	Switch, Push Button	
23	4420068	1	Tape, Adhesive	
24	4460425	1	Connector, Strain Relief	

SECTION 5 - PLATFORM

FIGURE 5-37. SOFT TOUCH INSTALLATION - 5FT/1.52M PLATFORM WITH FALL ARREST (ANSI, ANSI EXPORT, CHINA, CSA AND JAPANESE SPECS) (SN 030021853 through 0300272317, SN B300003516 through B300005760)



ART_1001202745

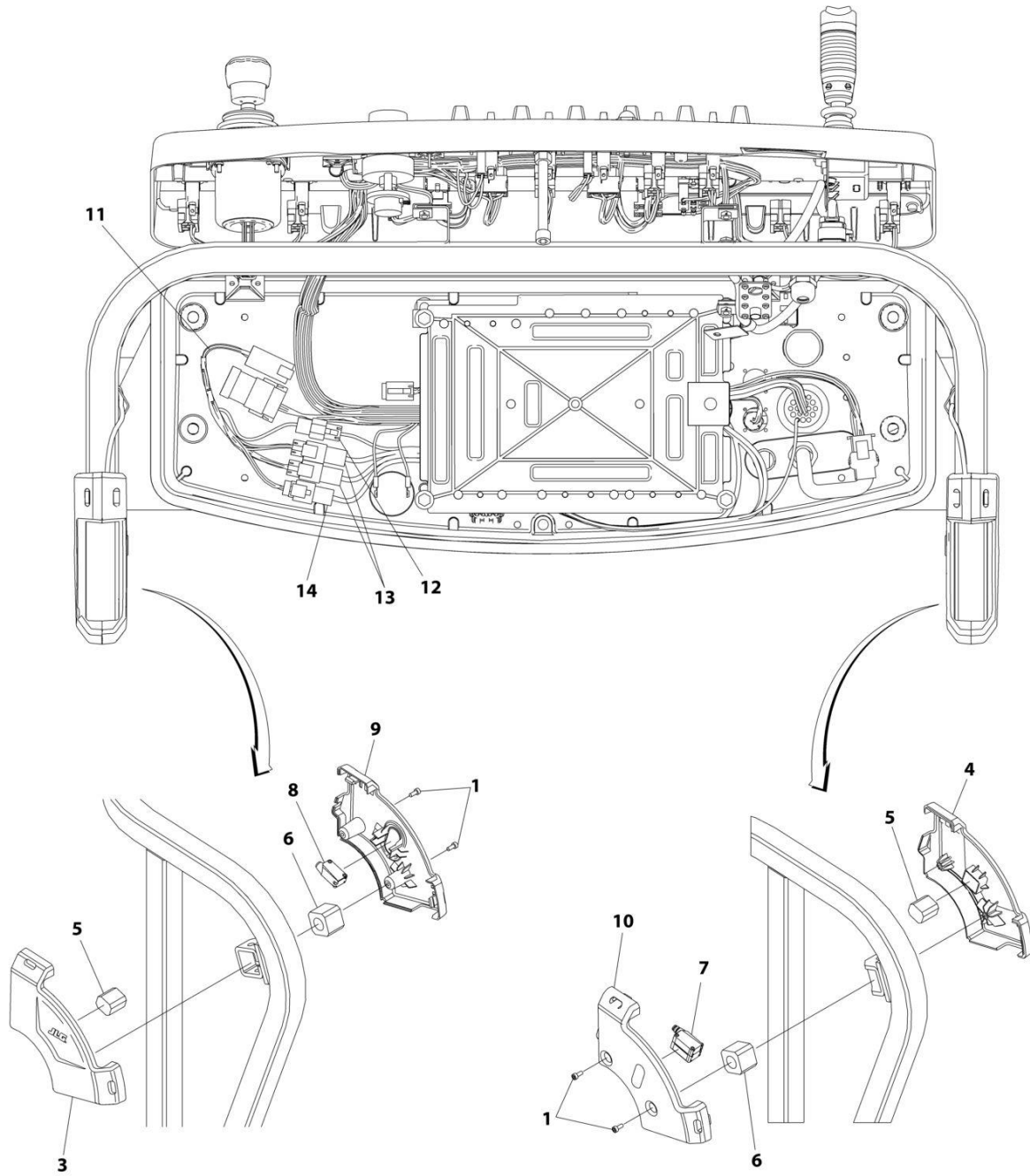
SECTION 5 - PLATFORM

FIGURE 5-37. SOFT TOUCH INSTALLATION - 5FT/1.52M PLATFORM WITH FALL ARREST (ANSI, ANSI EXPORT, CHINA, CSA AND JAPANESE SPECS) (SN 0300211853 through 0300272317, SN B300003516 through B300005760)

ITEM	PART NUMBER	QTY	DESCRIPTION	REV
	1001202745	Ref	SOFT TOUCH INSTALLATION - 5FT/1.52M PLATFORM WITH FALL ARREST (ANSI, ANSI EXPORT, CHINA, CSA AND JAPANESE SPECS)	B
1	0100011	AR	Compound, Locking	
2	0200048	2	Arm, Switch	
3	0630462	8	Bolt, Carriage	
4	0641414	8	Bolt, 1/4-20 x 1-3/4	
5	0721005	4	Bolt, #10-24 x 5/8	
6	1060341	15 ft /4.57m	Cable, Electrical - 16/2	
7	1060903	4	Wire Rope and Eyebolt Assembly	
8	1702938	1	Decal - Soft Touch Override	
9	2920028	1	Lamp, Indicator	
10	2920029	1	Bulb, Light	
11	3311405	8	Nut, Lock 1/4-20	
12	3311501	8	Nut, 5/16-18	
13	3575705	2	Plate, Switch Strike	
14	4360057	2	Switch, Limit	
15	4360387	1	Switch, Push Button	
16	4420068	1	Tape, Adhesive	
16	1001197017	AR	Tie-Strap	
17	4460049	2	Connector, Strain Relief	
18	4460226	4	Socket, Female	
19	4460425	1	Connector, Strain Relief	
20	4751400	16	Washer, 1/4	
21	4751500	8	Washer, 5/16	
22	4751800	8	Washer, 1/2	
23	1001115641	1	Rail, Soft Touch	
24	1001115848	1	Bumper Kits (Includes Corners and Enough Straight Material for One Platform)	

SECTION 5 - PLATFORM

FIGURE 5-38. SKYEYE INSTALLATION



ART_1001229341

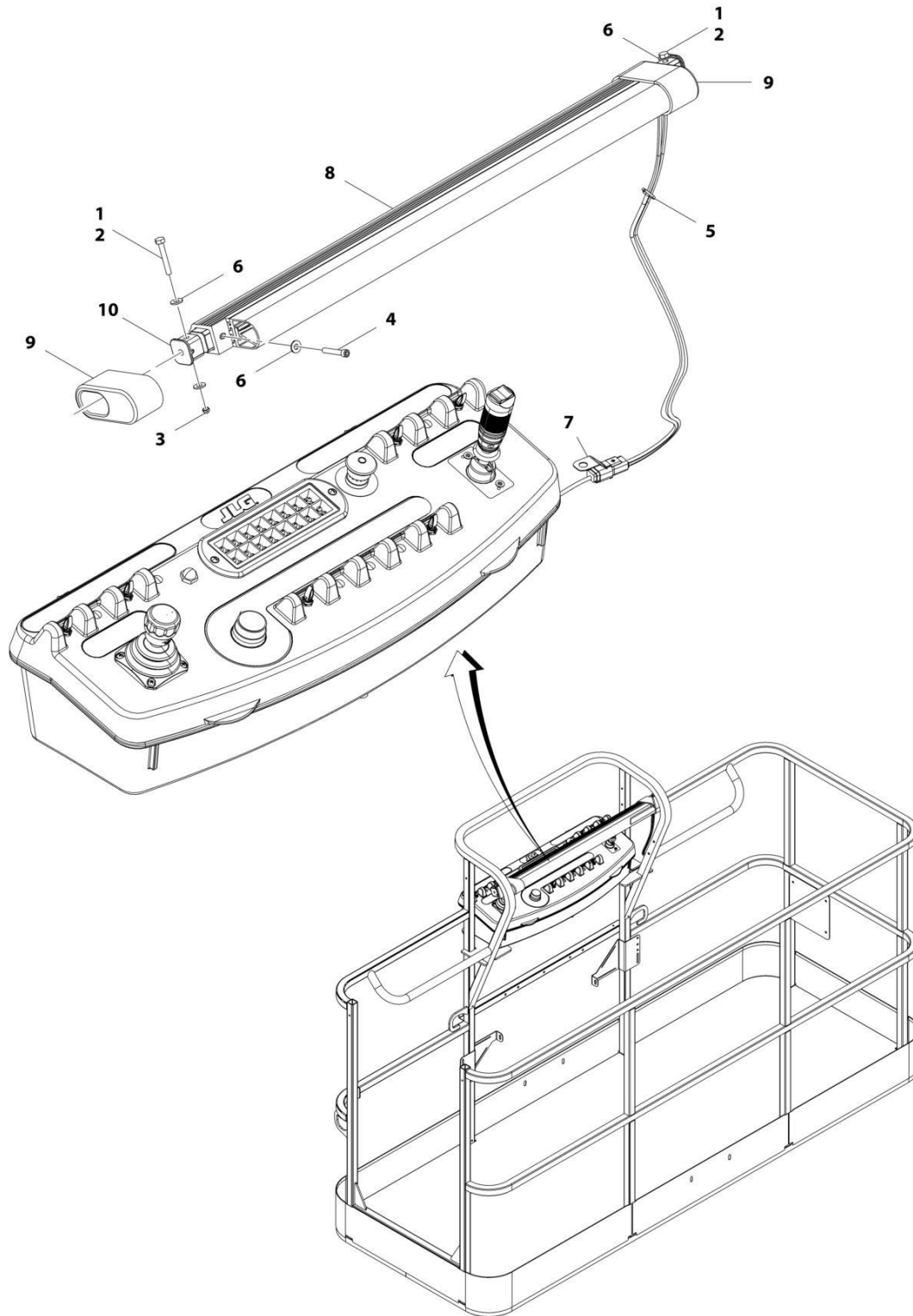
SECTION 5 - PLATFORM

FIGURE 5-38. SKYEYE INSTALLATION

ITEM	PART NUMBER	QTY	DESCRIPTION	REV
	1001229341	Ref	SKYEYE INSTALLATION	B
1	4031505	4	Bolt M4 x 10	
2	4240033	AR	Tie-Strap (Not Shown)	
3	1001227633	1	Housing, LH Outer	
4	1001227634	1	Housing, RH Outer	
5	1001227985	2	Shim	
6	1001227987	2	Shim	
7	1001228224	2	Sensor, Receiver	
8	1001228225	1	Sensor, Emitter	
9	1001232164	1	Housing, LH Inner	
10	1001232165	1	Housing, RH Inner	
11	1001237865	1	Harness, Skyeeye Intermediate (See Separate Breakdown in ELECTRICAL Section)	
12	1001238319	NLA	Harness, Skyeeye Drain Jumper	
12	1001187674	1	Plug, Male - 2 Position	
12	4460942	1	Terminal	
12	4460466	1	Plug, Terminal	
12	4460508	1	Pin, Male	
13	1001237863	2	Harness, Skyeeye Receiver (See Separate Breakdown in ELECTRICAL Section)	
14	1001237864	1	Harness, Skyeeye Emitter (See Separate Breakdown in ELECTRICAL Section)	

SECTION 5 - PLATFORM

FIGURE 5-39. SKYGUARD SYSTEM INSTALLATION (SN 0300201991 through 0300259091, SN B300003516 through B300005760, SN E300002833 through E300007540, SN 1300007279 through 1300007373)



ART_1001187508

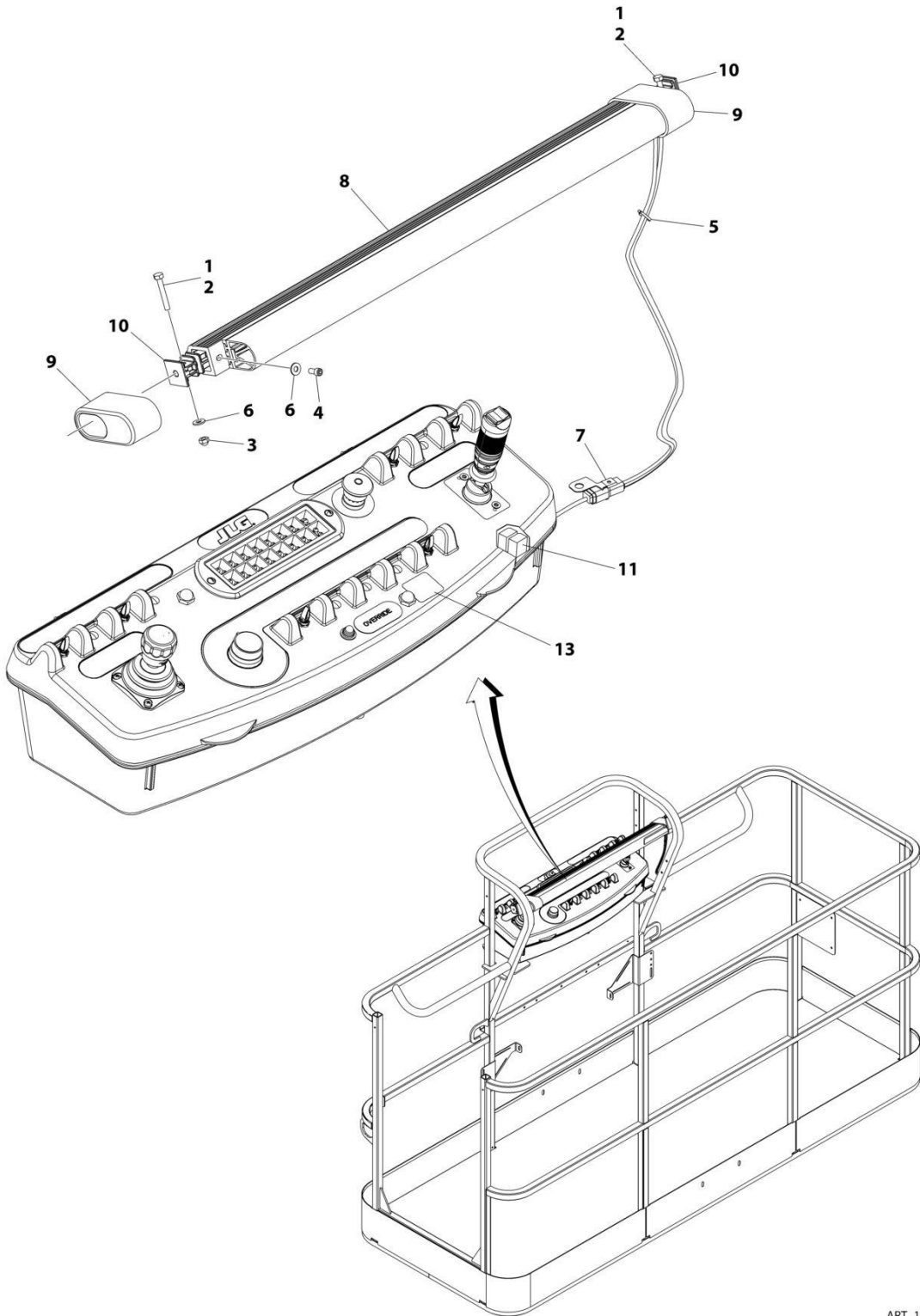
SECTION 5 - PLATFORM

FIGURE 5-39. SKYGUARD SYSTEM INSTALLATION (SN 0300201991 through 0300259091, SN B300003516 through B300005760, SN E300002833 through E300007540, SN 1300007279 through 1300007373)

ITEM	PART NUMBER	QTY	DESCRIPTION	REV
	1001187508	Ref	SKYGUARD SYSTEM INSTALLATION	C
1	0100011	AR	Compound, Locking	
2	0641414	2	Bolt, 1/4-20 x 1-3/4	
3	3300430	2	Nut, Acorn 1/4-20	
4	3931424	2	Capscrew, 1/4-20 x 1-1/2	
4	3931408	2	Capscrew, 1/4-20 x 1/2	
5	4240033	AR	Tie-Strap	
6	4711400	AR	Washer, 1/4	
7	1001120328	1	Mount	
8	1001137673	1	Switch, SkyGuard Assembly	
9	1001186517	2	Cover, Platform Sensor	
10	1001188889	NLA	Support, Block (Use p/n 1001209664) (SN 0300201991 through 0300243909, SN 1300007279 through 1300007373, SN B300003516 through B300003518, SN E300002833 through E300005618)	
10	1001209664	2	Support, Block (SN 0300243910 through 0300272317, SN B300003519 through B300005760, SN E300005619 through E300007540, Except SN 0300272185 through 0300272190, Excluding B300005569)	

SECTION 5 - PLATFORM

FIGURE 5-40. SKYGUARD BAR INSTALLATION (SN 0300259092 through 0300272317, SN E300007541 through E300007990)



ART_1001238495

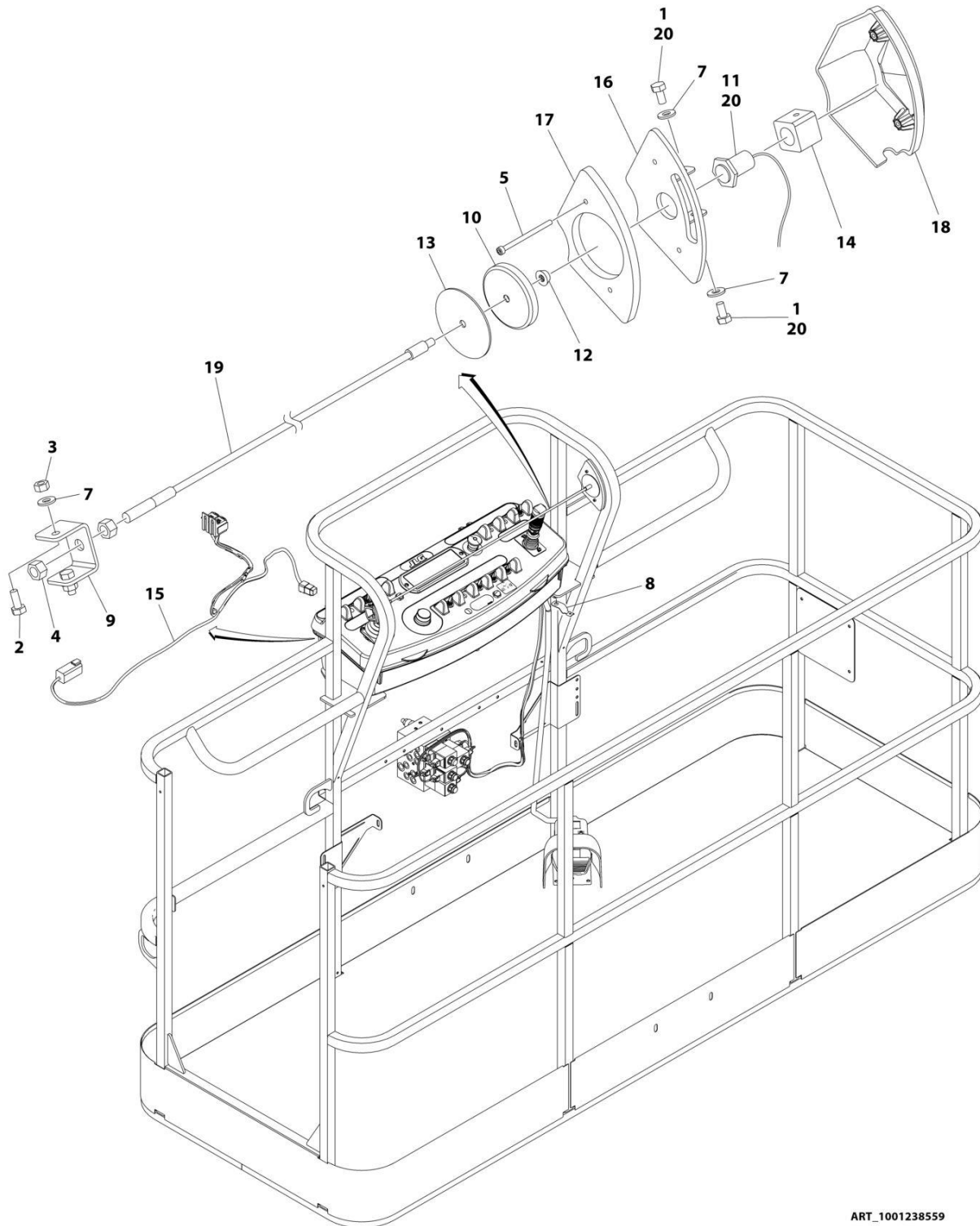
SECTION 5 - PLATFORM

FIGURE 5-40. SKYGUARD BAR INSTALLATION (SN 0300259092 through 0300272317, SN E300007541 through E300007990)

ITEM	PART NUMBER	QTY	DESCRIPTION	REV
	1001238495	Ref	SKYGUARD BAR INSTALLATION	A
1	0100011	AR	Compound, Locking	
2	0641414	2	Bolt 1/4 x 1-3/4	
3	3300430	2	Nut 1/4	
4	3931408	2	Capscrew 1/4 x 1/2	
5	4240033	8	Tie-Strap	
6	4711400	6	Washer 1/4	
7	1001120328	1	Mount	
8	1001137673	1	SkyGuard Switch Assembly	
9	1001186517	2	Cover, Platform Sensor	
10	1001209664	2	Support, Block	
11	1001186431	2	Relay	
12	1001225580	1	Interface Harness Assembly (Not Shown - Located Inside Console Box) (See Separate Breakdown in ELECTRICAL Section)	
13	1001144433	1	Decal - No Weight SkyGuard	

SECTION 5 - PLATFORM

FIGURE 5-41. SKYLINE INSTALLATION



ART_1001238559

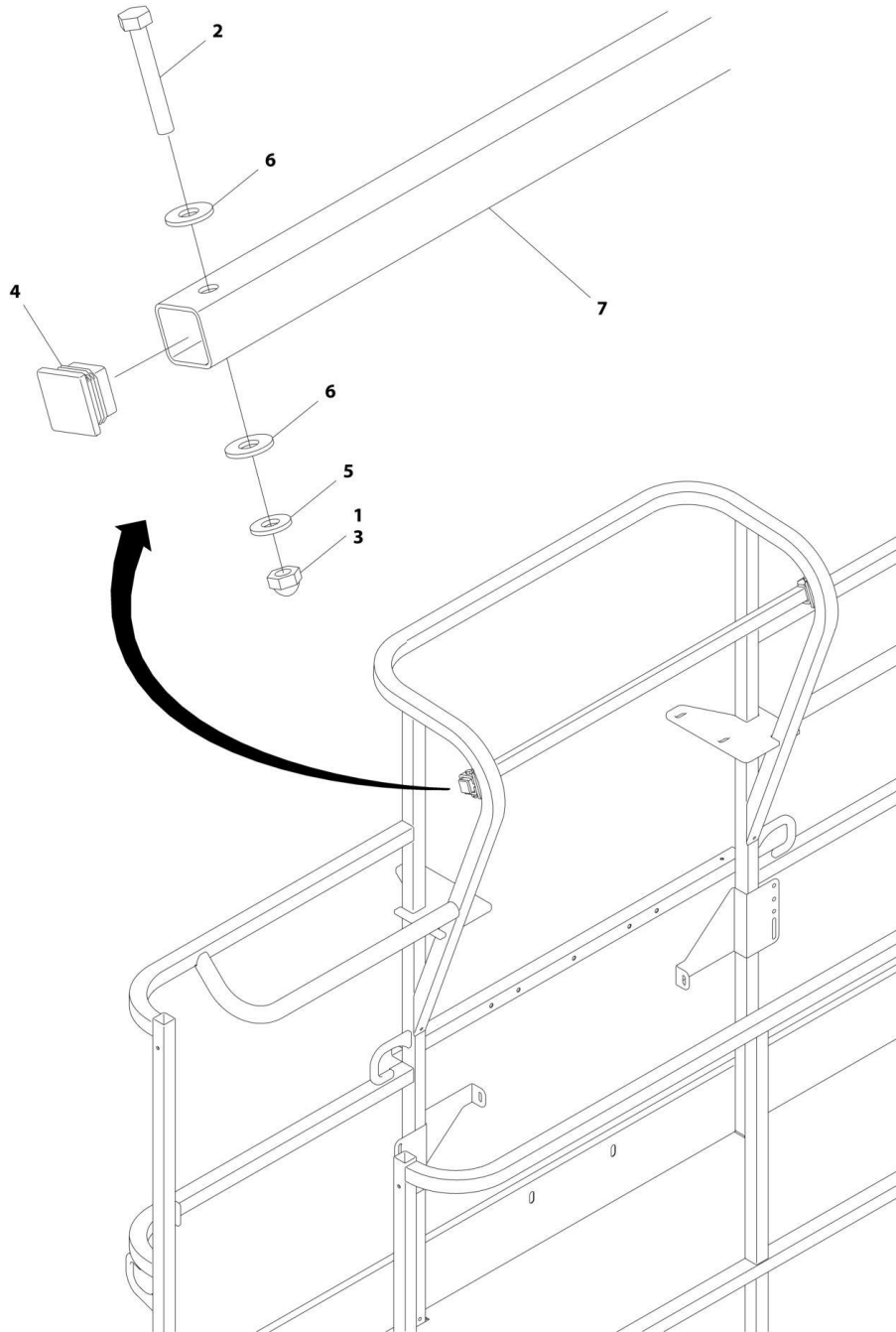
SECTION 5 - PLATFORM

FIGURE 5-41. SKYLINE INSTALLATION

ITEM	PART NUMBER	QTY	DESCRIPTION	REV
	1001238559	Ref	SKYLINE INSTALLATION	B
1	0641404	2	Bolt 1/4 x 1/2	
2	0641405	2	Bolt 1/4 x 5/8	
3	3311405	2	Nut 1/4	
4	3311601	2	Nut 3/8	
5	4031516	2	Capscrew M4 x 60	
6	4240033	AR	Tie-Strap (Not Shown)	
7	4711400	4	Washer 1/4	
8	1001120328	1	Mount	
9	1001232642	1	Bracket	
10	1001232650	1	Magnet	
11	1001232667	1	Sensor, Proximity	
12	1001235011	1	Nut	
13	1001235013	1	Washer	
14	1001236552	1	Block	
15	1001238418	1	Harness, Skyline (See Separate Breakdown in ELECTRICAL Section)	
16	1001238472	1	Mount	
17	1001238477	1	Housing, LH	
18	1001241965	1	Housing, RH	
19	1001238824	1	Rope	
20	0100011	AR	Compound, Locking	

SECTION 5 - PLATFORM

FIGURE 5-42. CROSS RAIL INSTALLATION



ART_1001182138

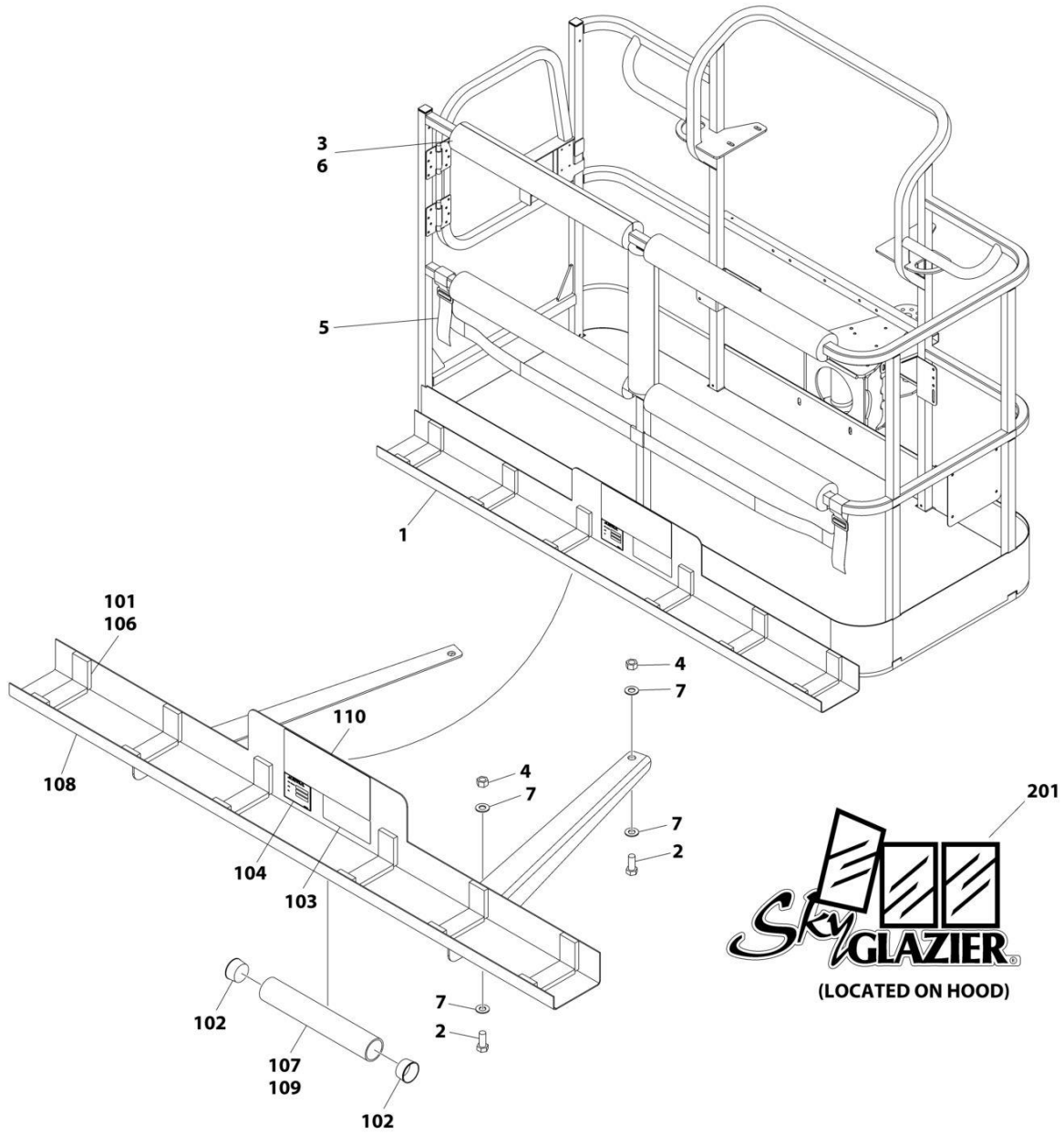
SECTION 5 - PLATFORM

FIGURE 5-42. CROSS RAIL INSTALLATION

ITEM	PART NUMBER	QTY	DESCRIPTION	REV
	1001182138	Ref	CROSS RAIL INSTALLATION	A
1	0100071	AR	Compound, Locking	
2	0641414	2	Bolt 1/4 x 1-3/4	
3	3300430	2	Nut 1/4	
4	3520182	2	Plug	
5	4711400	2	Washer 1/4	
6	4751400	4	Washer 1/4	
7	1001191708	1	Bar	

SECTION 5 - PLATFORM

FIGURE 5-43. SKYGLAZIER INSTALLATION



ART_1001173975

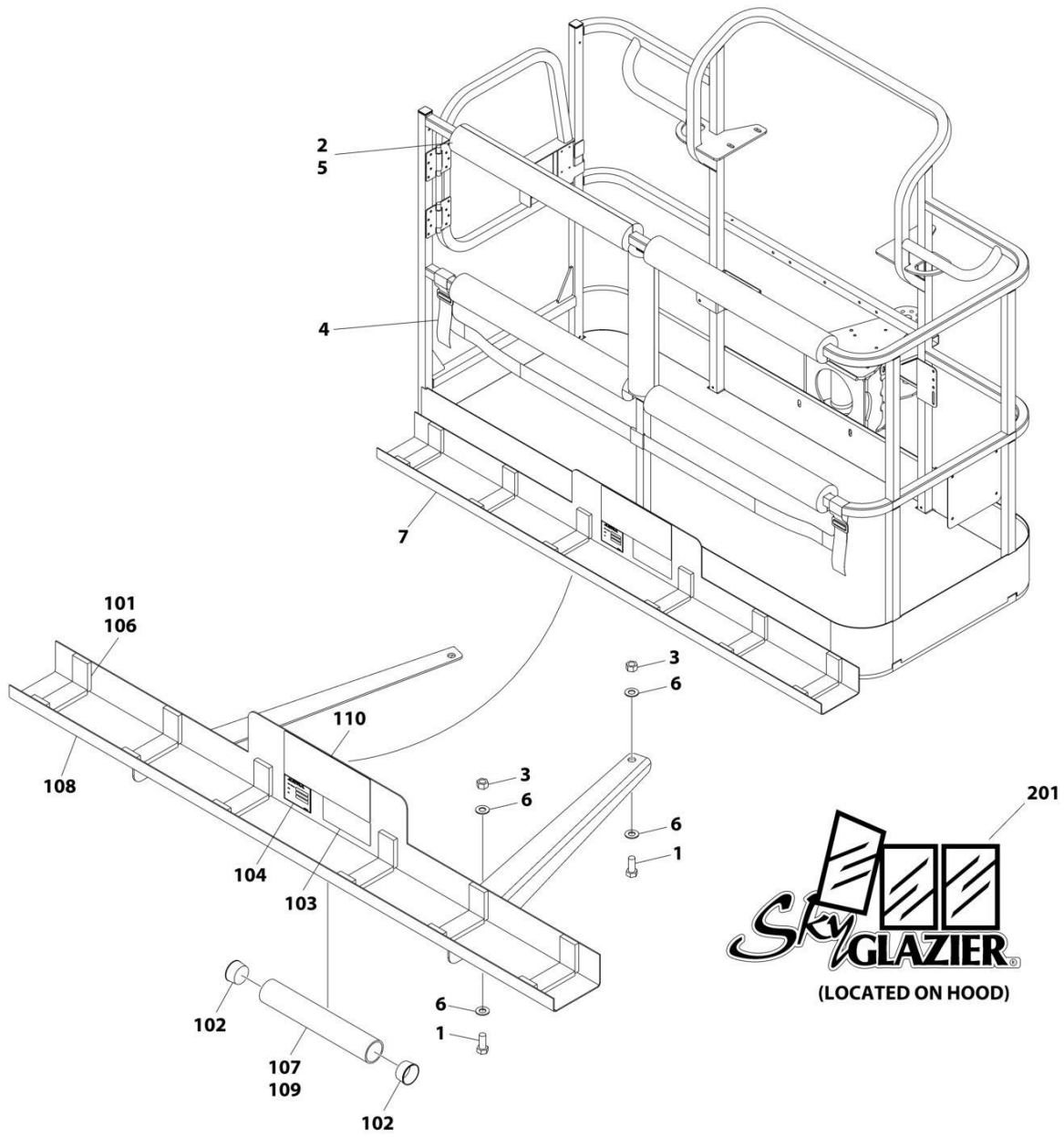
SECTION 5 - PLATFORM

FIGURE 5-43. SKYGLAZIER INSTALLATION

ITEM	PART NUMBER	QTY	DESCRIPTION	REV
		Ref	SKYGLAZIER INSTALLATION	
	1001173975	Ref	ANSI and CSA Specs	B
	1001173975	Ref	Australian Specs	B
1	1001173973	1	Tray Assembly (See Items 101-110 for Breakdown)	
2	0642012	4	Bolt 5/8 x 1-1/2	
3	0940199	1	Bumper Kit	
4	3312005	4	Nut 5/8	
5	4240149	1	Strap Kit	
6	4420014	AR	Tape	
7	4712000	8	Washer 5/8	
	1001173973	Ref	TRAY ASSEMBLY	A
101	0100081	AR	Adhesive	
102	1120555	2	Cap, Tube	
103	1701509	1	Decal - Manual	
104	See Note	NSS	Nameplate - Serial Number (Note: Not Available for Purchase)	
106	3340956	1	Pad Kit	
107	3460334	1	Tube	
108	4341415	1	Support	
109	4420066	AR	Tape, Double Sided	
110	1001173969	NLA	Decal - Glazier Capacity (Use p/n 1001229138) (SN 0300201991 through 0300241726, SN 1300007279 through 1300007373, SN E30002833 through E300005378)	
110	1001229138	1	Decal - Glazier Capacity (SN 300241727 through 0300272317, SN B300003516 through B300005760, SN E300005379 through E300007990, Except SN 0300272185 through 0300272190, Excluding B300005569 and E300007814)	
201	1705358	2	Decal - SkyGlazier	

SECTION 5 - PLATFORM

FIGURE 5-44. SKYGLAZIER INSTALLATION



ART_1001199314

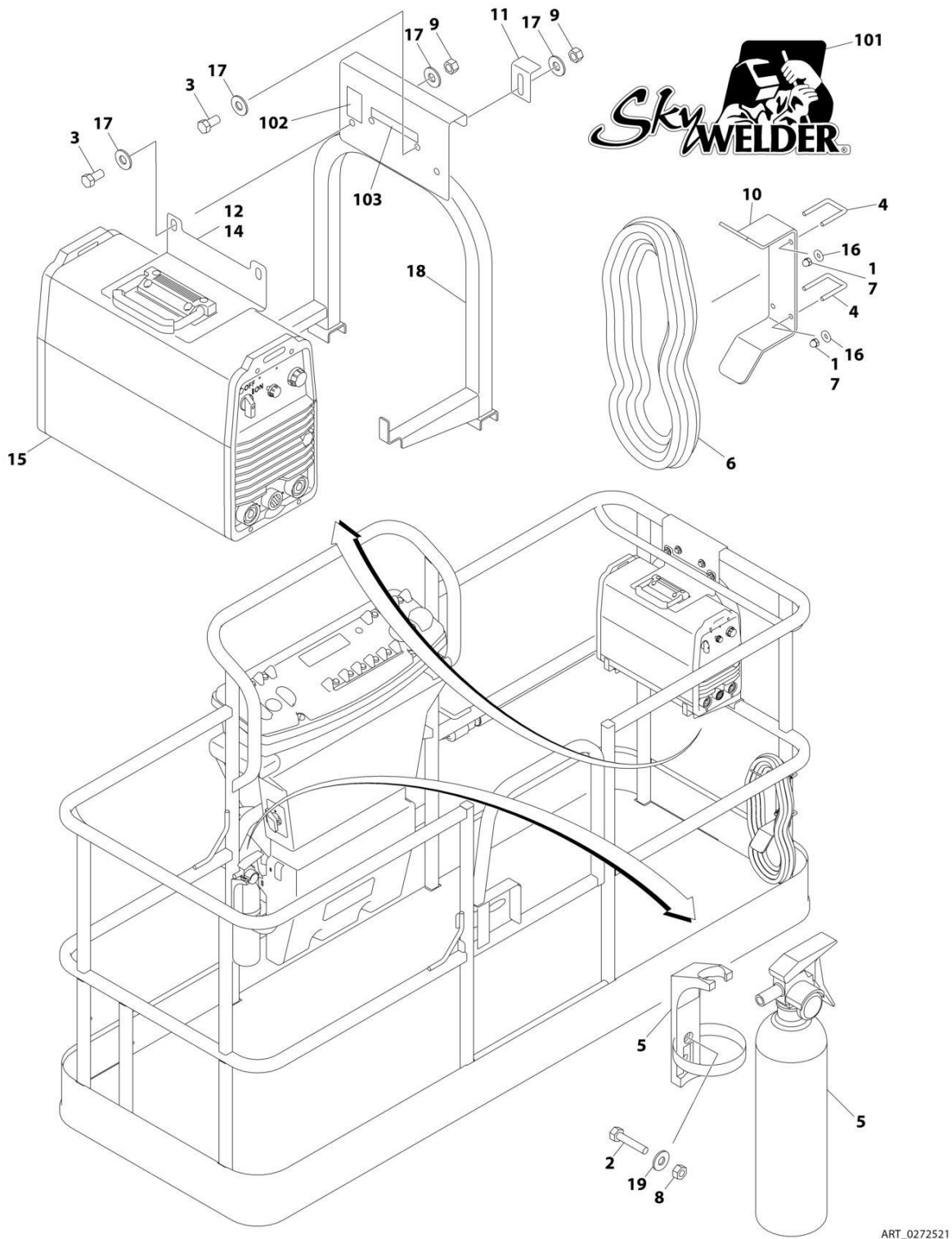
SECTION 5 - PLATFORM

FIGURE 5-44. SKYGLAZIER INSTALLATION

ITEM	PART NUMBER	QTY	DESCRIPTION	REV
	1001199314	Ref	SKYGLAZIER INSTALLATION (AUSTRALIAN SPECS) (SN 0300201991 through 0300235649, SN E300002833 through E300004873)	A
1	0642026	4	Bolt 5/8 x 3-1/4	
2	0940199	1	Bumper Kit	
3	3312005	4	Nut 5/8	
4	4240149	1	Strap Kit	
5	4420014	AR	Tape	
6	4712000	8	Washer 5/8	
7	1001173973	1	Tray Assembly (See Items 101-110 for Breakdown)	
	1001173973	Ref	TRAY ASSEMBLY	A
101	0100081	AR	Adhesive	
102	1120555	2	Cap, Tube	
103	1701509	1	Decal - Manual	
104	See Note	NSS	Nameplate - Serial Number (Note: Not Available for Purchase)	
106	3340956	1	Pad Kit	
107	3460334	1	Tube	
108	4341415	1	Support	
109	4420066	AR	Tape, Double Sided	
110	1001173969	NLA	Decal - Glazier Capacity (Use p/n 1001229138)	
201	1705358	2	Decal - SkyGlazier	

SECTION 5 - PLATFORM

FIGURE 5-45. SKYWELDER INSTALLATION (50HZ)



ART_0272521

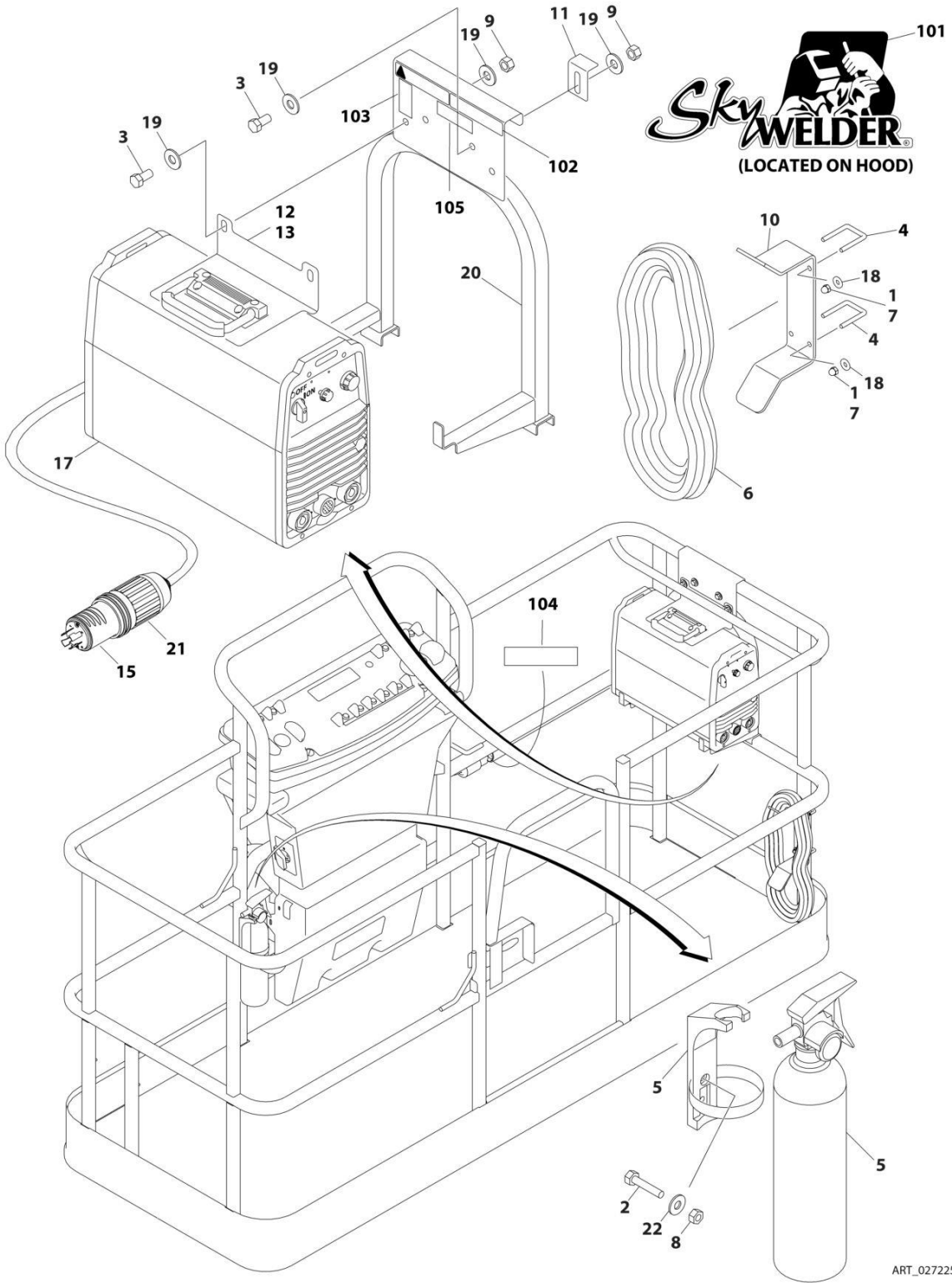
SECTION 5 - PLATFORM

FIGURE 5-45. SKYWELDER INSTALLATION (50HZ)

ITEM	PART NUMBER	QTY	DESCRIPTION	REV
	0272521	Ref	SKYWELDER INSTALLATION (50HZ)	F
		Ref	Note: Australian, CE, Chinese and Japanese Specs Only.	
1	0100011	AR	Compound, Locking	
2	0630518	2	Screw #10 x 3/4	
3	0641606	4	Bolt 3/8 x 3/4	
4	1320302	2	U-Clamp	
5	2030010	1	Extinguisher, Fire	
6	2902217	1	Weld Leads Kit	
7	3300151	4	Nut 1/4	
8	3311005	2	Nut #10	
9	3311605	4	Nut 3/8	
10	3573400	1	Bracket	
11	3577121	2	Angle	
12	3573642	1	Plate	
13	4240099	AR	Tie-Strap (Not Shown)	
14	4420037	AR	Tape	
15	4530028	1	Welder Assembly (See WELDER ASSEMBLY for Breakdown)	
16	4751400	4	Washer 1/4	
17	4751600	8	Washer 3/8	
18	4846627	1	Support	
19	4751000	2	Washer #10	
	0272588	Ref	DECAL INSTALLATION	B
101	1705355	2	Decal - SkyWelder	
102	1705305	1	Decal - Weld Lead	
103	1705466	NLA	Decal - Weight (Use p/n 1001228988) (SN 0300201991 through 0300233483)	
103	1001228988	1	Decal - Weight (SN 0300233484 through 0300272317, SN B300003516 through B300005760, Except SN 0300272185 through 0300272190, Excluding B300005569)	

SECTION 5 - PLATFORM

FIGURE 5-46. SKYWELDER INSTALLATION (60HZ)



ART_0272254

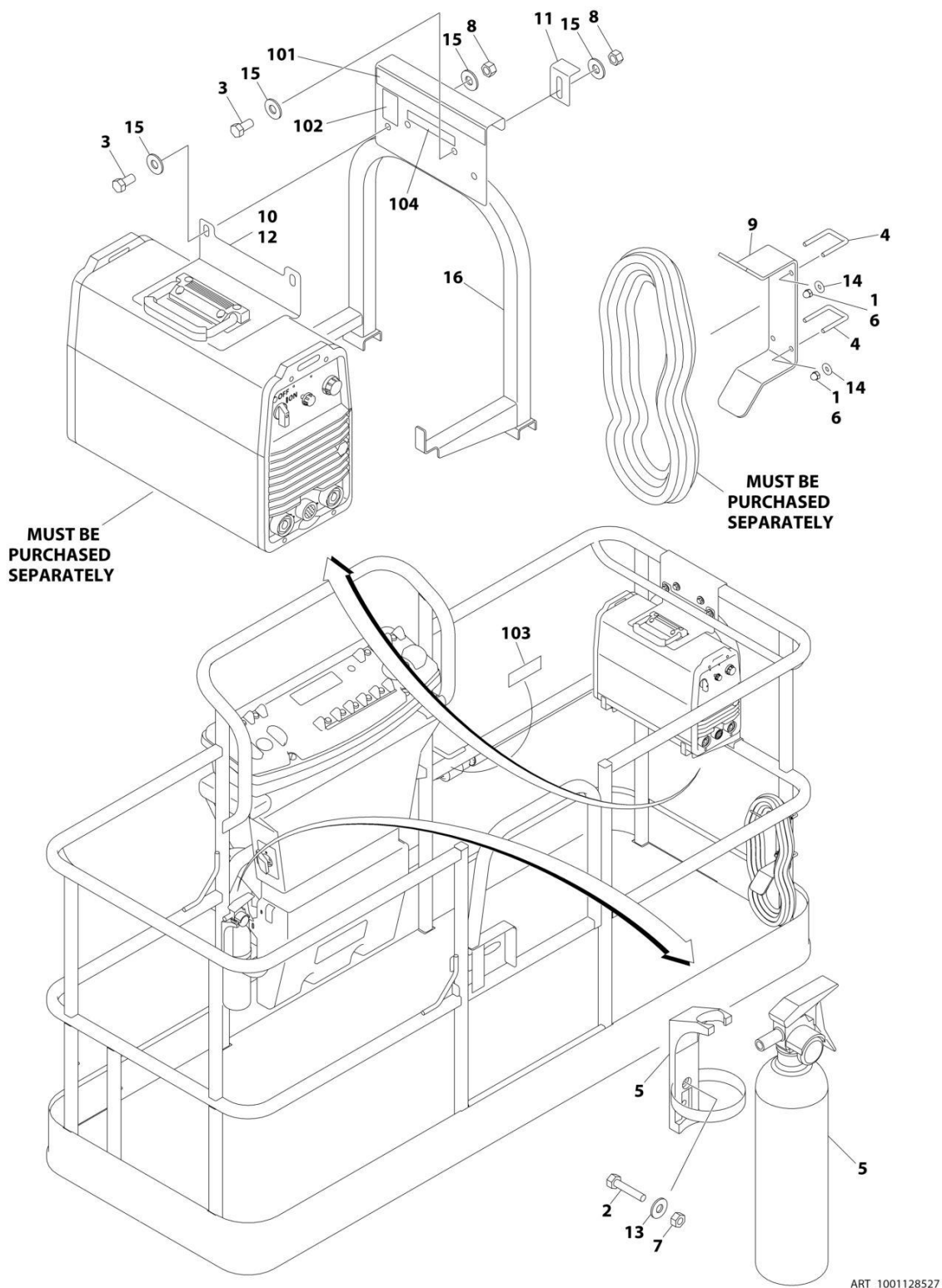
SECTION 5 - PLATFORM

FIGURE 5-46. SKYWELDER INSTALLATION (60HZ)

ITEM	PART NUMBER	QTY	DESCRIPTION	REV
	0272254	Ref	SKYWELDER INSTALLATION (60HZ)	I
		Ref	Note: ANSI, ANSI Export and CSA Specs Only.	
1	0100011	AR	Compound, Locking	
2	0630518	2	Screw #10 x 3/4	
3	0641606	4	Bolt 3/8 x 3/4	
4	1320302	2	U-Clamp	
5	2030010	1	Extinguisher, Fire	
6	2902217	1	Weld Leads Kit	
7	3300151	4	Nut 1/4	
8	3311005	2	Nut #10	
9	3311605	4	Nut 3/8	
10	3573400	1	Bracket	
11	3577121	2	Angle	
12	3573642	1	Plate	
13	4420037	AR	Tape	
14	4240099	AR	Tie-Strap (Not Shown)	
15	4460962	1	Plug, Male Twistlock	
17	4530028	1	Welder Assembly (See WELDER ASSEMBLY for Breakdown)	
18	4751400	4	Washer 1/4	
19	4751600	8	Washer 3/8	
20	4846627	1	Support	
21	1671093	1	Cover, Plug	
22	4751000	2	Washer #10	
	0272448	Ref	DECAL INSTALLATION	B
101	1705355	2	Decal - SkyWelder	
102	1702868	1	Decal - No Hands	
103	1705305	1	Decal - Weld Lead	
104	1705375	1	Decal - 240V - 3 Phase - 60Hz	
105	1705466	NLA	Decal - Weight (Use p/n 1001228988) (SN 0300201991 through 0300233483)	
105	1001228988	1	Decal - Weight (SN 0300233484 through 0300272317, Except SN 0300272185 through 0300272190)	

SECTION 5 - PLATFORM

FIGURE 5-47. SKYWELDER PREP PACKAGE INSTALLATION



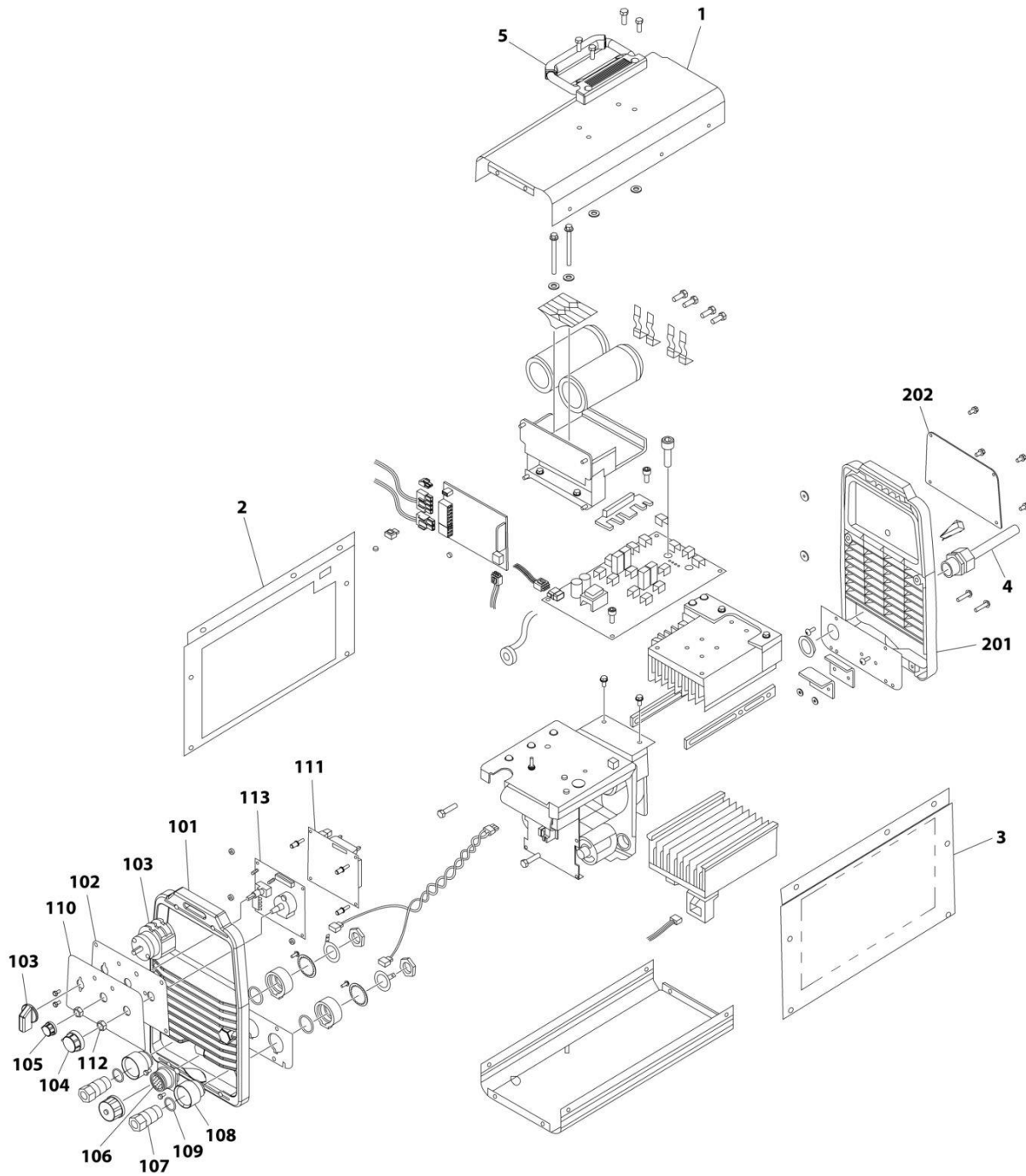
SECTION 5 - PLATFORM

FIGURE 5-47. SKYWELDER PREP PACKAGE INSTALLATION

ITEM	PART NUMBER	QTY	DESCRIPTION	REV
	1001128527	Ref	SKYWELDER PREP PACKAGE INSTALLATION	B
		Ref	Note: ANSI and CSA Specs Only.	
1	0100011	AR	Compound, Locking	
2	0630518	2	Screw #10 x 3/4	
3	0641606	4	Bolt 3/8 x 3/4	
4	1320302	2	U-Clamp	
5	2030010	1	Extinguisher, Fire	
6	3300151	4	Nut 1/4	
7	3311005	2	Nut #10	
8	3311605	4	Nut 3/8	
9	3573400	1	Bracket	
10	3573642	1	Plate, Clamp Top	
11	3577121	2	Plate, Clamp Back	
12	4420037	AR	Tape	
13	4751000	2	Washer #10	
14	4751400	4	Washer 1/4	
15	4751600	8	Washer 3/8	
16	4846627	1	Support	
	1001128556	Ref	DECAL INSTALLATION	B
101	1702868	1	Decal - No Hands	
102	1705305	1	Decal - Weld Lead	
103	1705375	1	Decal - 240V - 3 Phase - 60Hz	
104	1705466	NLA	Decal - Weight (Use p/n 1001228988) (SN 0300201991 through 0300233483)	
104	1001228988	1	Decal - Weight (SN 0300233484 through 0300272317, Except SN 0300272185 through 0300272190)	

SECTION 5 - PLATFORM

FIGURE 5-48. WELDER ASSEMBLY



ART_4530028

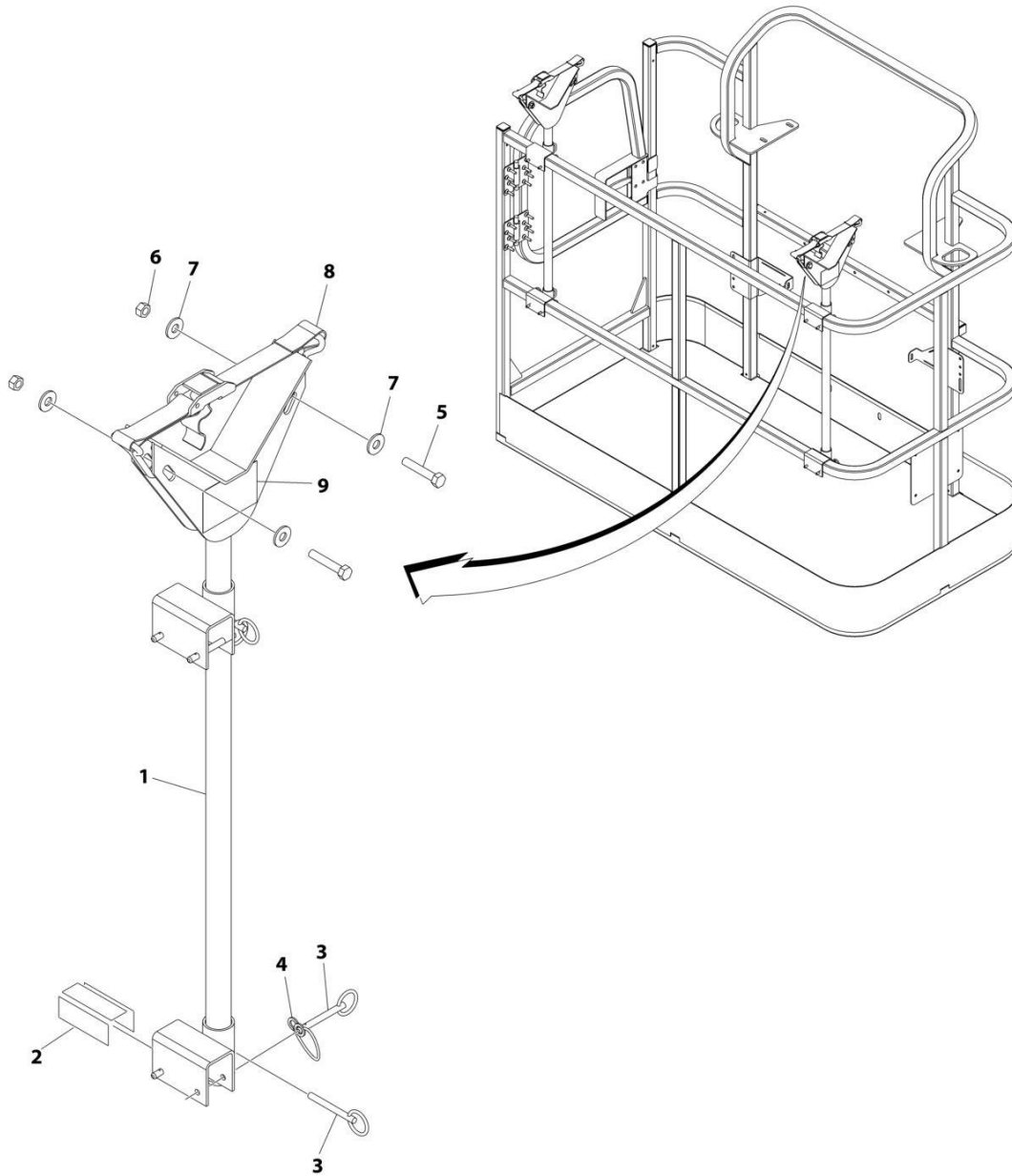
SECTION 5 - PLATFORM

FIGURE 5-48. WELDER ASSEMBLY

ITEM	PART NUMBER	QTY	DESCRIPTION	REV
	4530028	Ref	WELDER ASSEMBLY	B
		Ref	Note: For Other Components, contact your Miller Welder Dealer.	
1	7027773	1	Cover, Top	
1	7027774	1	Decal - Static Precautionary Warning	
2	See Note	NSS	Panel, LH Side (Note: Part of Item 1. Purchase Item 1)	
3	See Note	NSS	Panel, RH Side (Note: Part of Item 1. Purchase Item 1)	
4	7024467	1	Cable, Power	
4	7027775	1	Decal - Electrical Shock Warning	
5	7027776	1	Handle, Carrying	
101	7024462	1	Panel, Front	
102	7024463	1	Panel, Console	
103	7024469	1	Switch with Lead	
104	7024470	1	Knob	
105	7024471	1	Knob	
106	7024472	1	Receptacle with Leads and Plugs	
107	7024473	2	Receptacle, Twistlock Female	
108	7024474	2	Insulator	
109	7024475	2	O-Ring	
110	7027777	1	Nameplate	
111	7027779	1	Circuit Card Assembly (Process Control)	
112	7024478	2	Nut	
113	7027778	1	Circuit Card Assembly (Operator Interface)	
201	7024462	1	Panel, Rear	
202	7027780	1	Panel, Cover	

SECTION 5 - PLATFORM

FIGURE 5-49. PIPE RACK INSTALLATION (ALL SPECS EXCEPT AUSTRALIAN SPECS)



ART_0257728

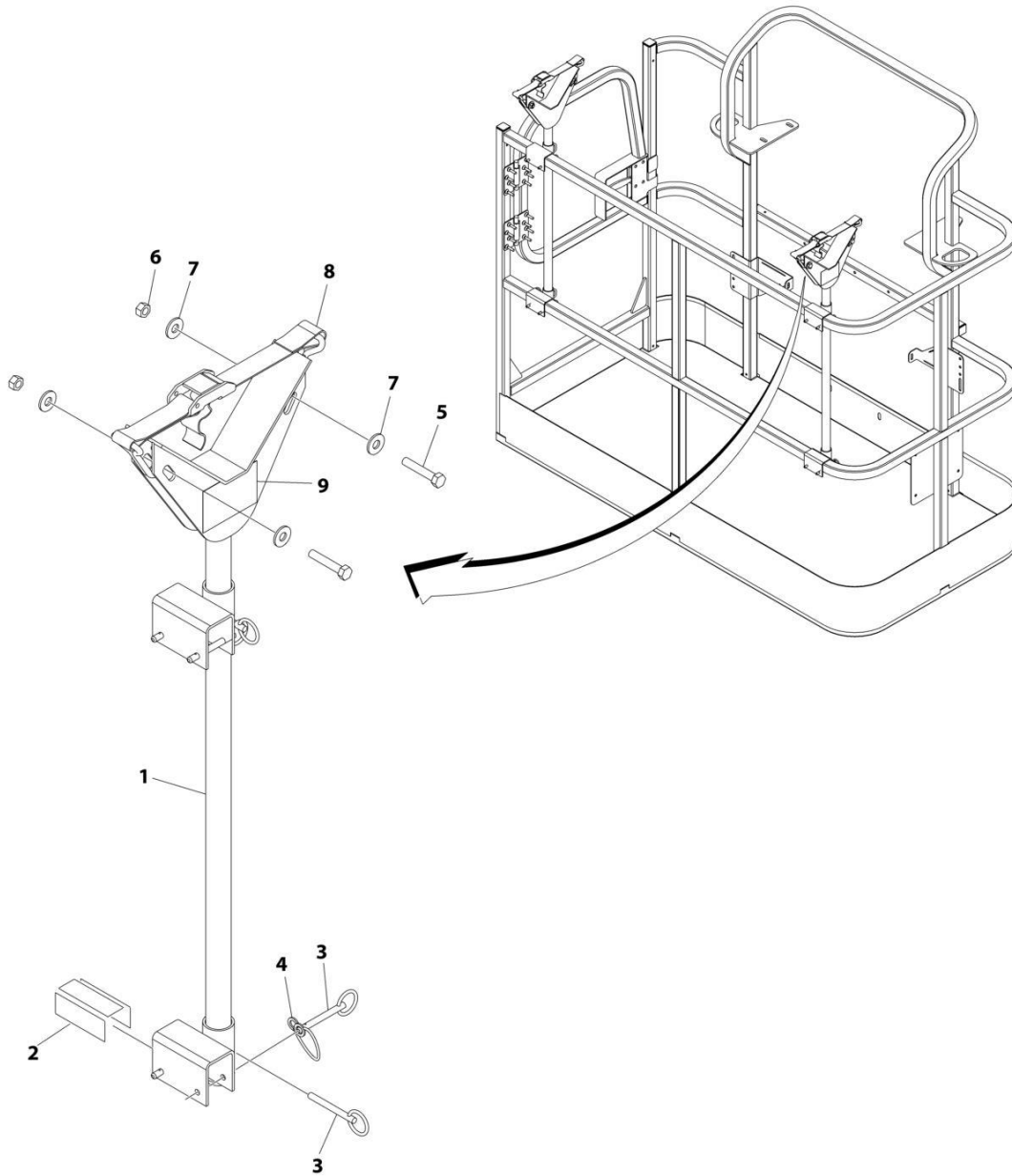
SECTION 5 - PLATFORM

FIGURE 5-49. PIPE RACK INSTALLATION (ALL SPECS EXCEPT AUSTRALIAN SPECS)

ITEM	PART NUMBER	QTY	DESCRIPTION	REV
	0257728	Ref	PIPE RACK INSTALLATION (ALL SPECS EXCEPT AUSTRALIAN SPECS)	2/C
1	4845582	2	Rack, Pipe	
2	4420062	AR	Tape	
3	3422661	10	Pin	
4	1060379	4	Lanyard	
5	0641514	4	Bolt 5/16 x 1-3/4	
6	3311505	4	Nut 5/16	
7	4751500	8	Washer 5/16	
8	0480100	2	Tie-Down	
9	1703683	2	Decal - Capacity	

SECTION 5 - PLATFORM

FIGURE 5-50. PIPE RACK INSTALLATION (AUSTRALIAN SPEC)



ART_0274661

SECTION 5 - PLATFORM

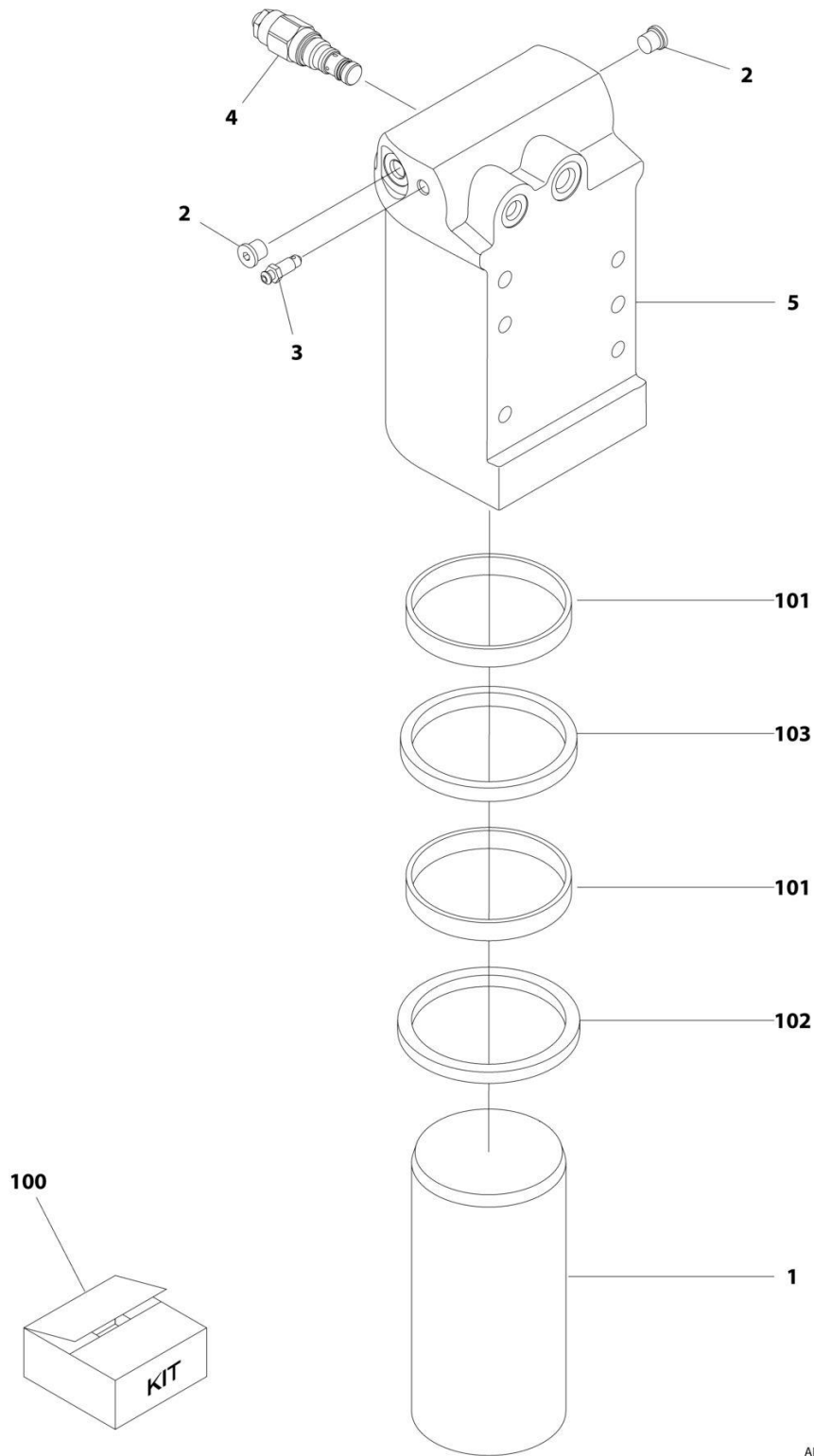
FIGURE 5-50. PIPE RACK INSTALLATION (AUSTRALIAN SPEC)

ITEM	PART NUMBER	QTY	DESCRIPTION	REV
	0274661	Ref	PIPE RACK INSTALLATION (AUSTRALIAN SPEC)	1/A
1	4845582	2	Rack, Pipe	
2	4420062	AR	Tape	
3	3422661	10	Pin	
4	1060379	4	Lanyard	
5	0641514	4	Bolt 5/16 x 1-3/4	
6	3311505	4	Nut 5/16	
7	4751500	8	Washer 5/16	
8	0480100	2	Tie-Down	
9	1706510	2	Decal - Capacity	

SECTION 6 - CYLINDER

SECTION 6 - CYLINDER

FIGURE 6-1. AXLE LOCKOUT CYLINDER ASSEMBLY



ART_1001163580

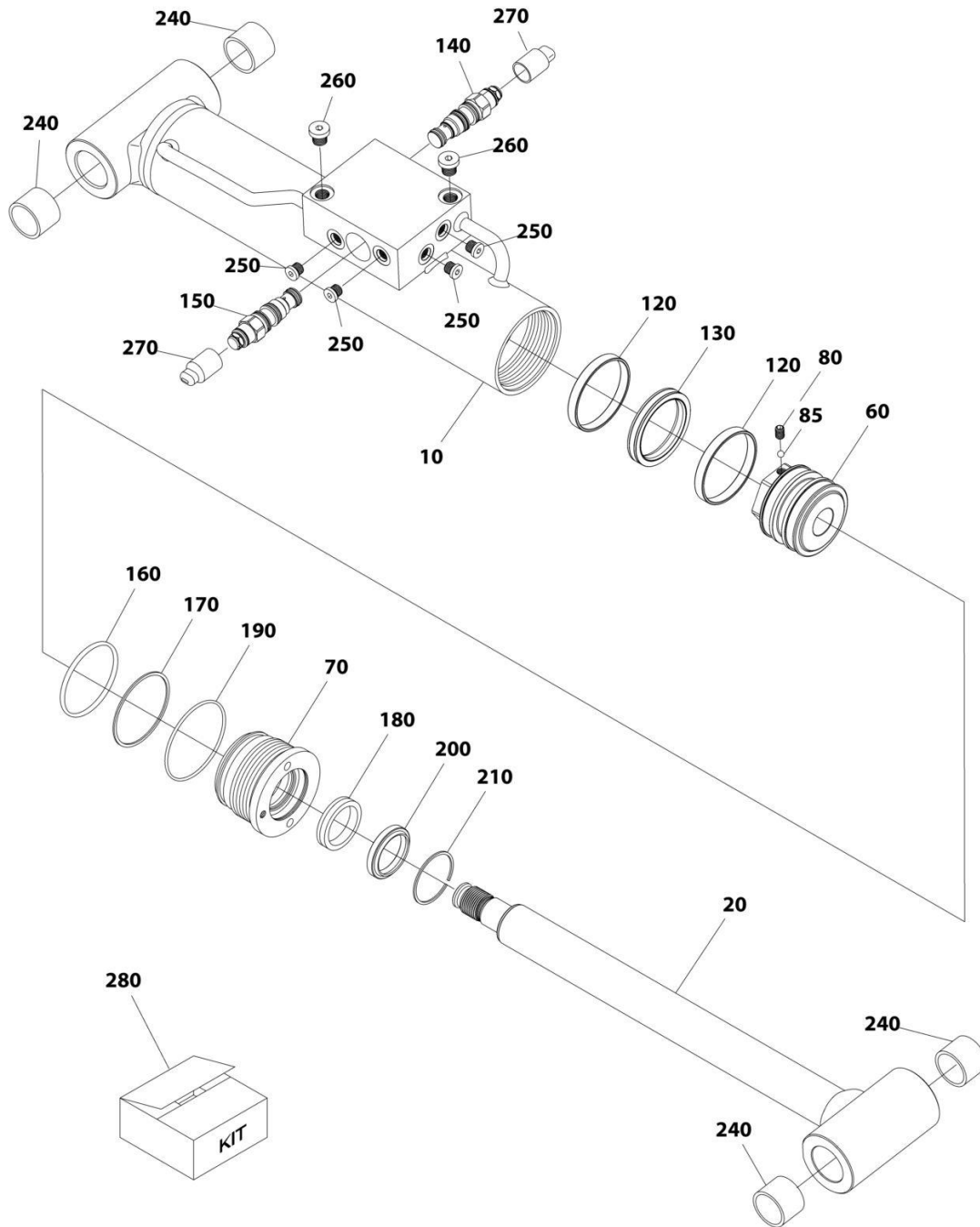
SECTION 6 - CYLINDER

FIGURE 6-1. AXLE LOCKOUT CYLINDER ASSEMBLY

ITEM	PART NUMBER	QTY	DESCRIPTION	REV
	1001163580	Ref	AXLE LOCKOUT CYLINDER ASSEMBLY	G
1	1684290	1	Rod	
2	2220883	2	Plug #4	
3	4640858	1	Valve, Bleeder	
4	1001117372	1	Cartridge, Valve	
4	70002842	1	Seal Kit - 1001117372 Valve	
5	1001164817	1	Barrel	
100	2902266	1	Seal Kit - 1001163590 Cylinder (Includes Items 101-103)	
101	See Note	2	Ring, Wear	
102	See Note	1	Seal	
103	See Note	1	Wiper	

SECTION 6 - CYLINDER

FIGURE 6-2. LEVEL (PLATFORM SLAVE) CYLINDER ASSEMBLY



ART_1001161716

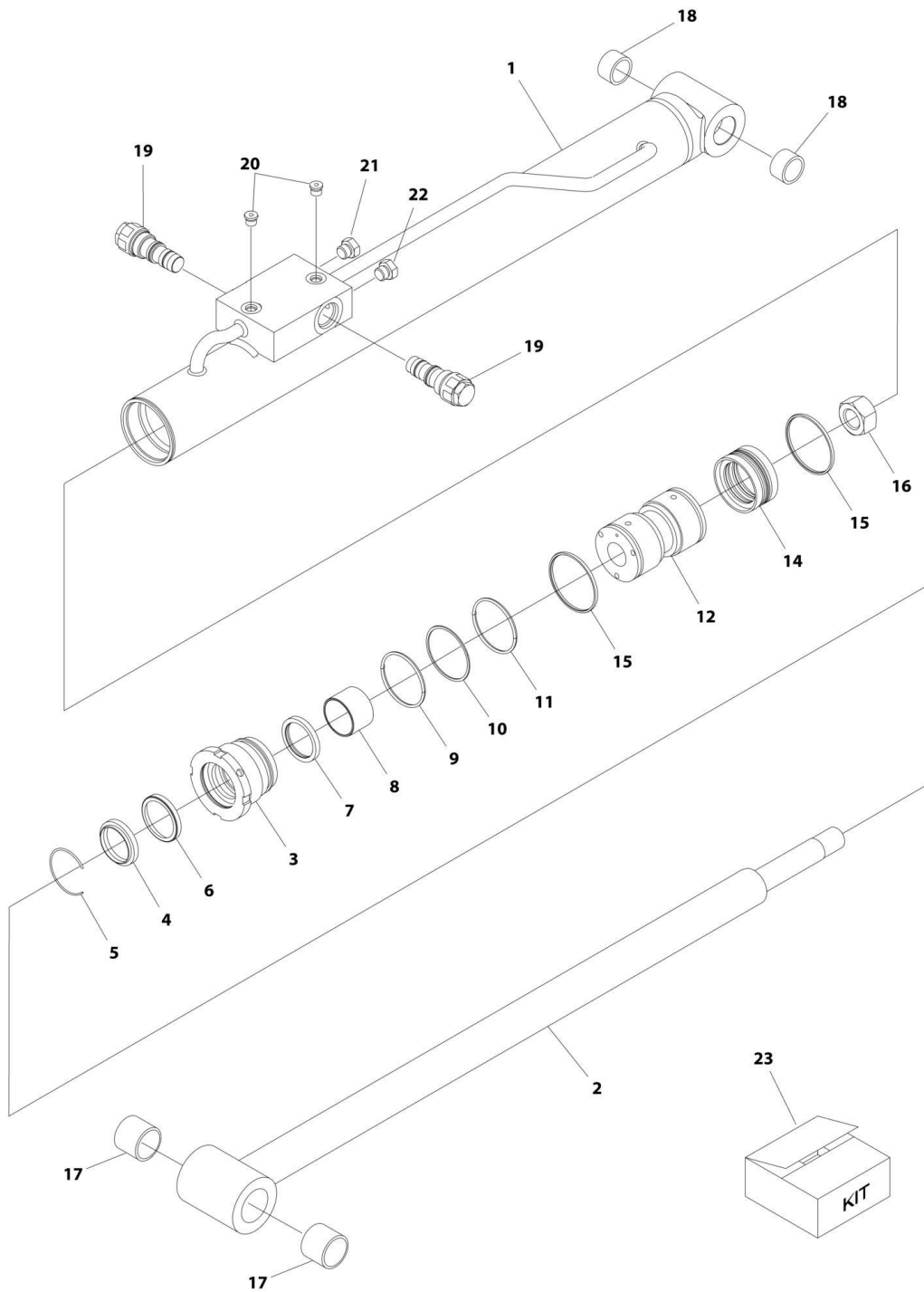
SECTION 6 - CYLINDER

FIGURE 6-2. LEVEL (PLATFORM SLAVE) CYLINDER ASSEMBLY

ITEM	PART NUMBER	QTY	DESCRIPTION	REV
	1001161716	Ref	LEVEL (PLATFORM SLAVE) CYLINDER ASSEMBLY	D
10	70005010	1	Barrel	
20	70005011	1	Rod	
60	70005012	1	Piston	
70	70003837	1	Head	
80	70005013	1	Setscrew	
85	70005014	1	Ball	
120	See Note	NSS	Ring, Bearing (Note: Use Item 280)	
130	See Note	NSS	Seal, Piston (Note: Use Item 280)	
140	70002413	1	Cartridge, Valve	
140	2900770	1	Seal Kit - 70002413 Valve	
150	1001168210	1	Cartridge, Valve	
150	2900770	1	Seal Kit - 1001168210 Valve	
160	See Note	NSS	O-Ring (Note: Use Item 280)	
170	See Note	NSS	Seal (Note: Use Item 280)	
180	See Note	NSS	Seal (Note: Use Item 280)	
190	See Note	NSS	O-Ring (Note: Use Item 280)	
200	See Note	NSS	Wiper (Note: Use Item 280)	
210	70003838	1	Ring, Retaining	
240	0961951	4	Bushing	
250	70025619	4	Plug 7/16	
260	70024262	2	Plug 1/4	
270	See Note	2	Plug, Shipping (Note: Not Available for Purchase)	
280	70005016	1	Seal Kit - 1001161716 Cylinder (Includes Items 120 ,130 & 160-200)	

SECTION 6 - CYLINDER

FIGURE 6-3. LIFT CYLINDER ASSEMBLY - JIB



ART_1001163767

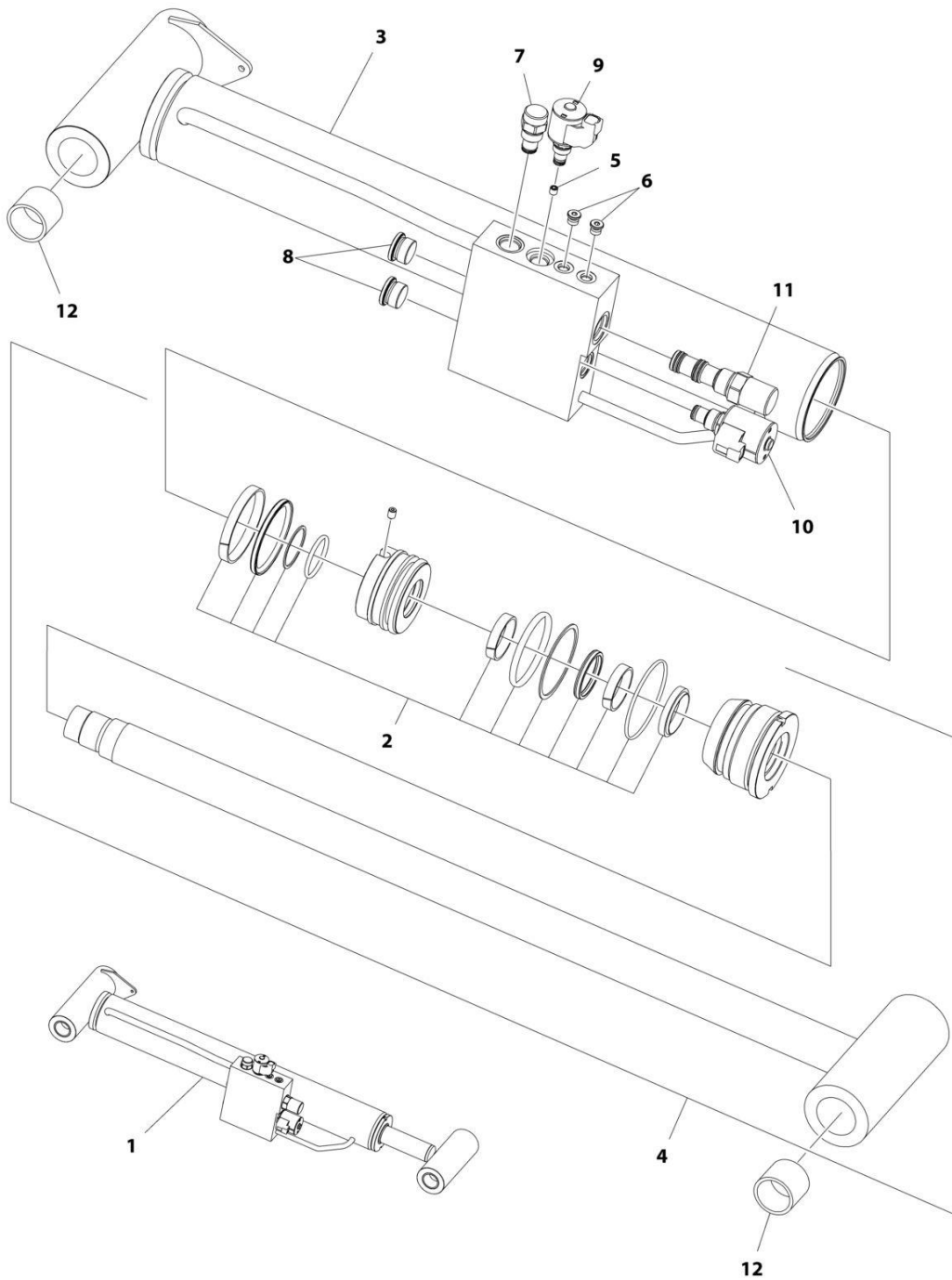
SECTION 6 - CYLINDER

FIGURE 6-3. LIFT CYLINDER ASSEMBLY - JIB

ITEM	PART NUMBER	QTY	DESCRIPTION	REV
	1001163767	Ref	LIFT CYLINDER ASSEMBLY - JIB	B
1	70005155	1	Barrel	
2	70005156	1	Rod	
3	70005157	1	Head	
4	See Note	NSS	Wiper (Note: Use Item 23)	
5	70002373	1	Ring, Retaining	
6	See Note	NSS	Seal, Rod (Note: Use Item 23)	
7	See Note	NSS	Ring, Back-up (Note: Use Item 23)	
8	70005143	1	Bearing, Dry	
9	See Note	NSS	O-Ring (Note: Use Item 23)	
10	See Note	NSS	Ring, Back-up (Note: Use Item 23)	
11	See Note	NSS	O-Ring (Note: Use Item 23)	
12	70002371	1	Piston	
13	See Note	NSS	O-Ring (Note: Use Item 23)	
14	See Note	NSS	Seal, Piston (Note: Use Item 23)	
15	See Note	NSS	Ring, Piston (Note: Use Item 23)	
16	70002335	2	Nut	
17	70005158	2	Bushing	
18	70005159	2	Bushing	
19	4640509	2	Cartridge, Valve	
19	2900792	2	Seal Kit - 4640509 Valve	
20	70023370	2	Plug 7/16	
21	See Note	1	Plug 7/16 (Note: Not Available for Purchase)	
22	See Note	1	Plug 9/16 (Note: Not Available for Purchase)	
23	70005160	1	Seal Kit - 1001163767 Cylinder (Includes Items 4, 6, 7, 9-11 & 13-15)	

SECTION 6 - CYLINDER

FIGURE 6-4. LIFT CYLINDER ASSEMBLY - 450A MAIN BOOM (SN 0300201991 through 0300235624)



ART_1001181706

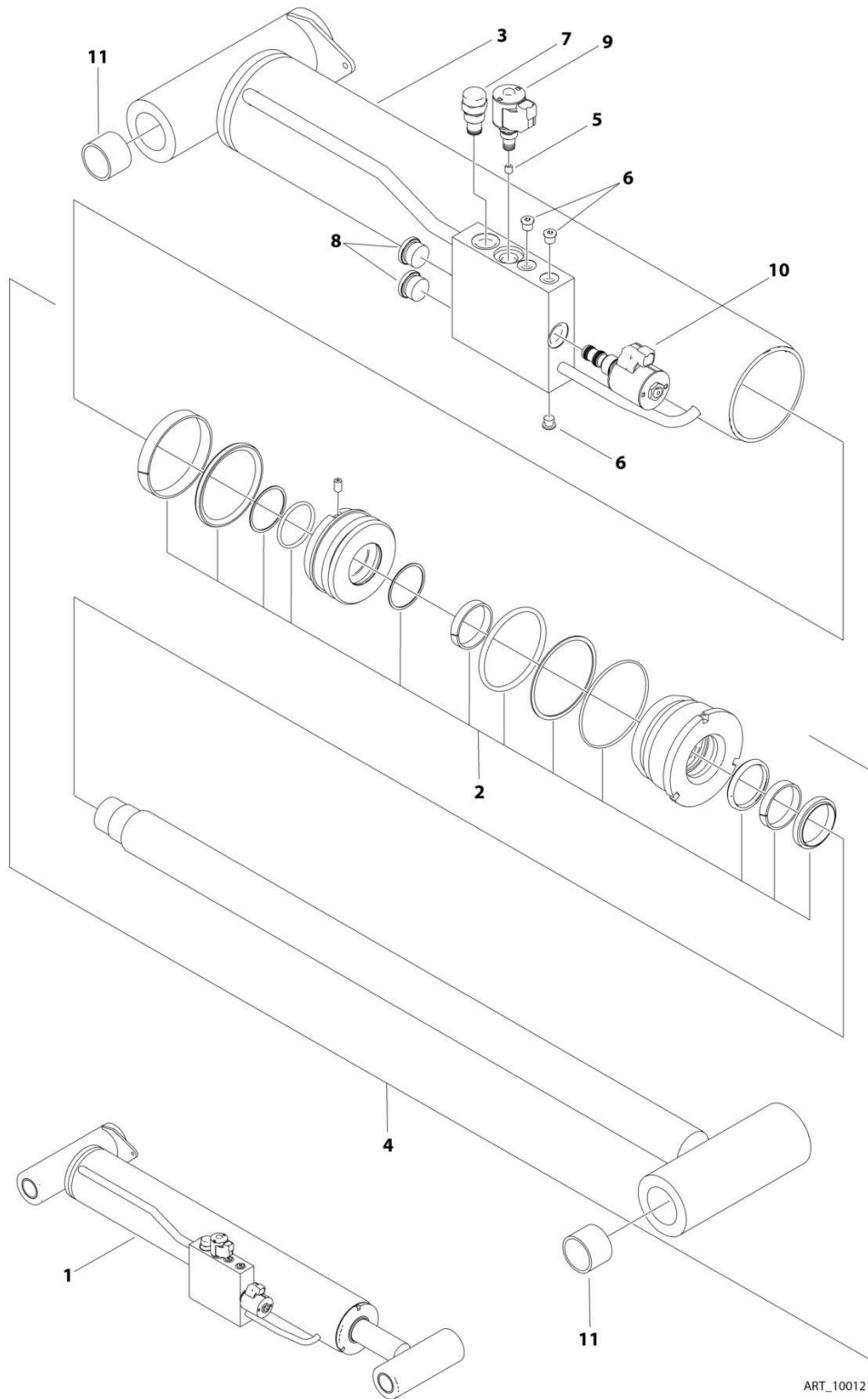
SECTION 6 - CYLINDER

FIGURE 6-4. LIFT CYLINDER ASSEMBLY - 450A MAIN BOOM (SN 0300201991 through 0300235624)

ITEM	PART NUMBER	QTY	DESCRIPTION	REV
1	1001181706	Ref	LIFT CYLINDER ASSEMBLY - 450A MAIN BOOM (SN 0300201991 through 0300235624)	B
2	70004969	1	Seal Kit - 1001181706 Cylinder	
3	70004968	1	Barrel	
4	70004967	1	Rod Assembly (Includes Item 2)	
5	2180736	1	Orifice	
6	2220883	2	Plug #4	
7	4641390	1	Cartridge, Check Valve	
7	7017496	1	Seal Kit - 4641390 Valve	
8	See Note	NSS	Plug (Note: Not Available for Purchase)	
9	1001164709	1	Cartridge, Solenoid Valve (Includes Coil)	
9	7017467	1	Cartridge, Solenoid Valve Less Coil	
9	7012998	1	Seal Kit - 1001164709 & 7017467 Valves	
9	70002386	1	Coil	
10	1001148972	1	Cartridge, Solenoid Valve (Includes Coil)	
10	70002401	1	Cartridge, Solenoid Valve Less Coil	
10	7017496	1	Seal Kit - 1001148972 & 70002401 Valves	
10	70003788	1	Coil	
11	1001203628	1	Cartridge, Compensator Valve	
11	7012925	1	Seal Kit - 1001203628 Valve	
12	0961948	4	Bushing	

SECTION 6 - CYLINDER

FIGURE 6-5. LIFT CYLINDER ASSEMBLY - 450A MAIN BOOM (SN 0300235625 through 0300272317)



ART_1001217681

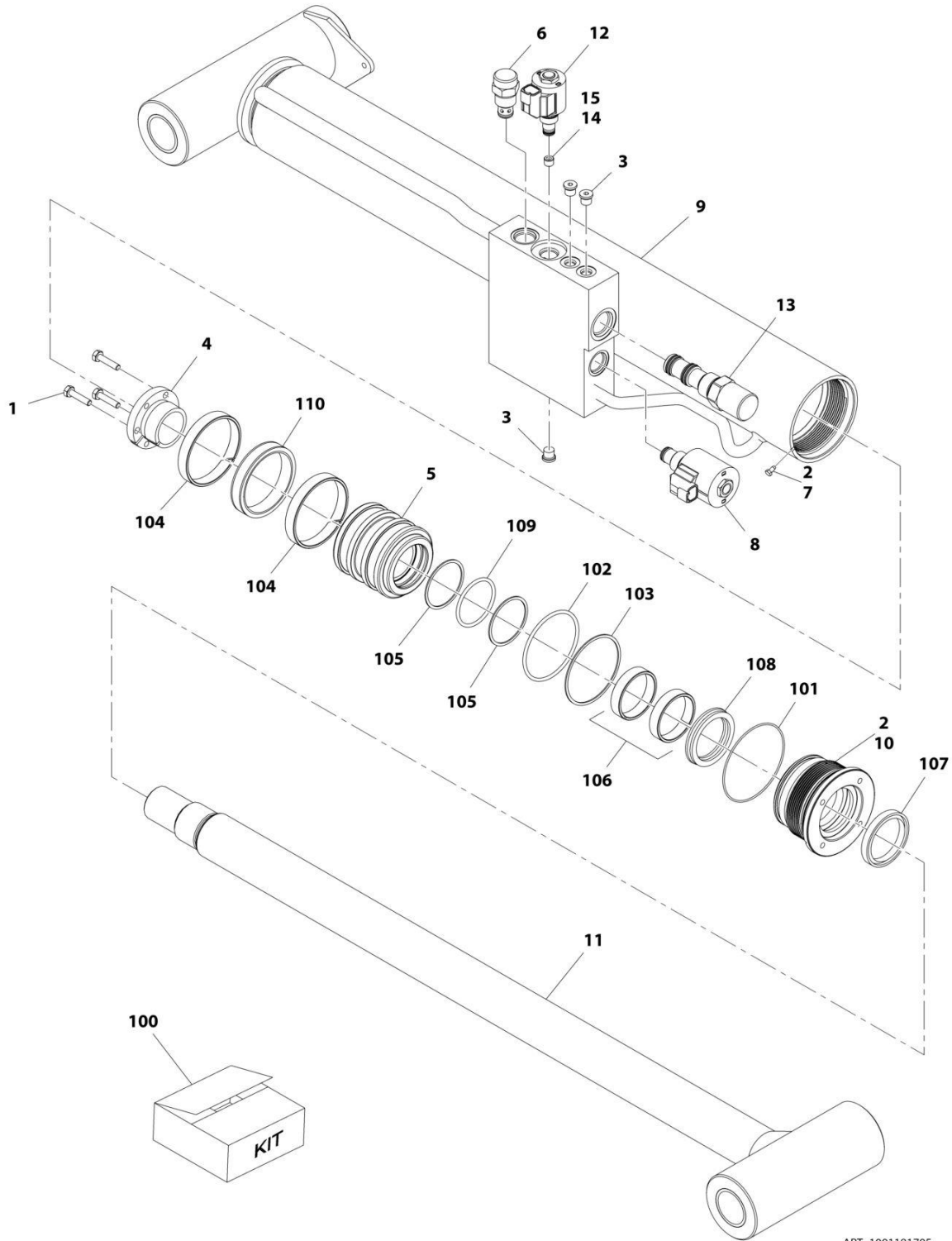
SECTION 6 - CYLINDER

FIGURE 6-5. LIFT CYLINDER ASSEMBLY - 450A MAIN BOOM (SN 0300235625 through 0300272317)

ITEM	PART NUMBER	QTY	DESCRIPTION	REV
1	1001217681	Ref	LIFT CYLINDER ASSEMBLY - 450A MAIN BOOM	A
2	70004969	1	Seal Kit - 1001217681 Cylinder	
3	See Note	NSS	Barrel (Note: Not Available for Purchase)	
4	70004967	1	Rod Assembly (Includes Item 2)	
5	2180736	1	Orifice	
6	2220883	3	Plug #4	
7	4641390	1	Cartridge, Check Valve	
7	7017496	1	Seal Kit - 4641390 Valve	
8	See Note	NSS	Plug (Note: Not Available for Purchase)	
9	1001164709	1	Cartridge, Solenoid Valve (Includes Coil)	
9	7012967	1	Cartridge, Solenoid Valve Less Coil	
9	7012998	1	Seal Kit - 1001164709 & 7017467 Valves	
9	70002386	1	Coil	
10	1001206625	1	Cartridge, Compensator Valve	
10	70006104	4	Cartridge, Solenoid Valve Less Coil	
10	70006105	1	Seal Kit - 70006104 Valve	
10	70003788	1	Coil	
10	7022390	1	Coil Nut	
11	0961948	1	Bushing	

SECTION 6 - CYLINDER

FIGURE 6-6. LIFT CYLINDER ASSEMBLY - 450AJ MAIN BOOM (USA BUILT MACHINES) (SN 0300201991 through 0300229340)



ART_1001181705

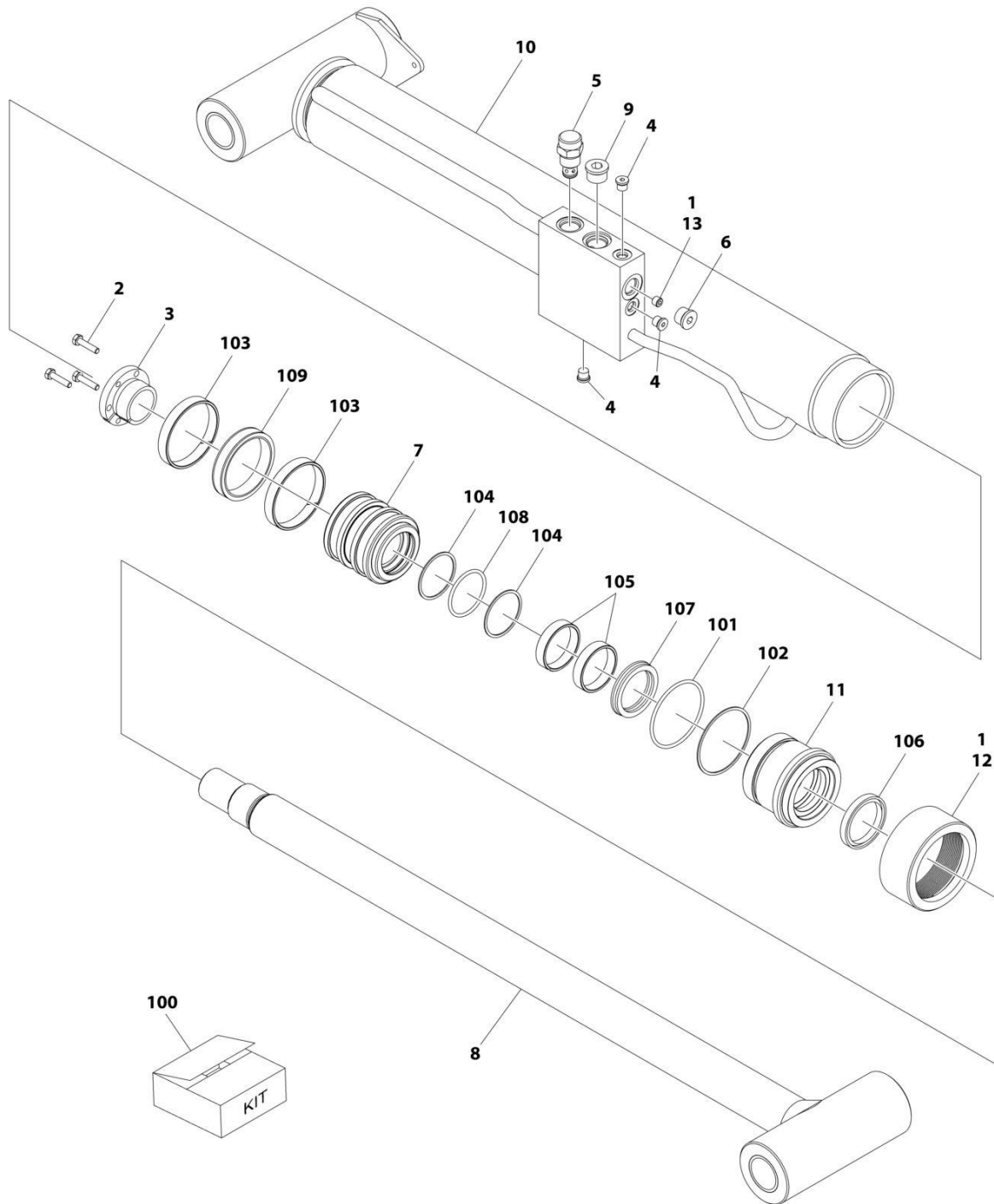
SECTION 6 - CYLINDER

FIGURE 6-6. LIFT CYLINDER ASSEMBLY - 450AJ MAIN BOOM (USA BUILT MACHINES) (SN 0300201991 through 0300229340)

ITEM	PART NUMBER	QTY	DESCRIPTION	REV
	1001181705	Ref	LIFT CYLINDER ASSEMBLY - 450AJ MAIN BOOM (USA BUILT MACHINES) (SN 0300201991 through 0300229340)	E
1	0630535	3	Capscrew 1/4 x 1-1/8	
2	3020043	AR	Lubricant	
3	2220883	3	Plug #4	
4	0961896	1	Bushing	
5	1001182017	1	Piston	
6	4641390	1	Cartridge, Check Valve	
6	7017496	1	Seal Kit - 4641390 Valve	
7	1001125137	1	Setscrew #8	
8	See Note	1	Valve, Cartridge (Note: See BOOM SECTION for Components)	
9	1001181995	1	Barrel	
9	0961948	2	Bushing	
10	1001182020	1	Head	
11	1001182018	1	Rod	
11	0961948	2	Bushing	
12	See Note	1	Valve, Cartridge (Note: See BOOM SECTION for Components)	
13	1001165131	1	Valve, Pressure Compensator (SN 0300201991 through 0300210494)	
13	1001203628	1	Valve, Pressure Compensator (SN 0300210495 through 0300229340)	
13	7012925	1	Seal Kit - 1001165131 & 1001203628 Valve	
14	1001170759	1	Orifice .047	
15	0100035	AR	Compound, Locking	
100	1001182021	1	Seal Kit - 1001181705 Cylinder (Includes Items 101-110)	
101	See Note	NSS	O-Ring (Note: Use Item 100)	
102	See Note	NSS	O-Ring (Note: Use Item 100)	
103	See Note	NSS	Ring, Back-up (Note: Use Item 100)	
104	See Note	NSS	Ring, Wear (Note: Use Item 100)	
105	See Note	NSS	Ring, Back-up (Note: Use Item 100)	
106	See Note	NSS	Ring, Wear (Note: Use Item 100)	
107	See Note	NSS	Wiper (Note: Use Item 100)	
108	See Note	NSS	Seal (Note: Use Item 100)	
109	See Note	NSS	O-Ring (Note: Use Item 100)	
110	See Note	NSS	O-Ring (Note: Use Item 100)	

SECTION 6 - CYLINDER

FIGURE 6-7. LIFT CYLINDER ASSEMBLY - 450AJ MAIN BOOM (USA BUILT MACHINES) (SN 0300226835 through 0300234431)



ART_1001212069

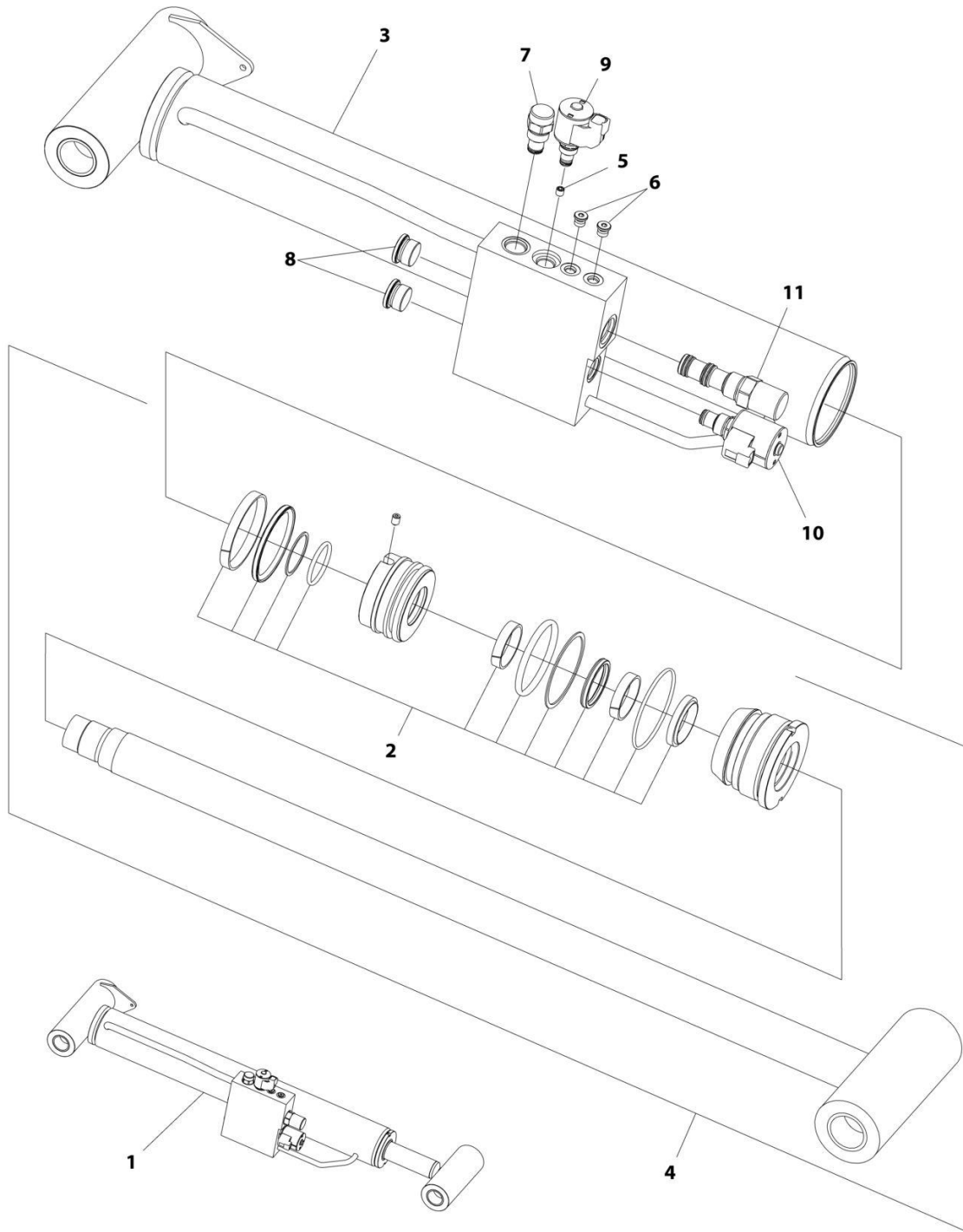
SECTION 6 - CYLINDER

FIGURE 6-7. LIFT CYLINDER ASSEMBLY - 450AJ MAIN BOOM (USA BUILT MACHINES) (SN 0300226835 through 0300234431)

ITEM	PART NUMBER	QTY	DESCRIPTION	REV
	1001212069	Ref	LIFT CYLINDER ASSEMBLY - 450AJ MAIN BOOM (USA BUILT MACHINES) (SN 0300226835 through 0300234431)	C
1	0100035	AR	Compound, Locking	
2	0630535	3	Capscrew 1/4 x 1-1/8	
3	0961896	1	Bushing	
4	2220883	3	Plug #4	
5	4641390	1	Cartridge, Check Valve	
5	7017496	1	Seal Kit - 4641390 Valve	
6	2220886	1	Plug #8	
7	1001182017	1	Piston	
8	1001182018	1	Rod	
8	0961948	2	Bushing	
9	2220887	1	Plug	
10	1001212071	1	Barrel	
10	0961948	2	Bushing	
11	1001212073	1	Head	
12	1001212075	1	Cap	
13	1001170759	1	Orifice .047	
100	1001212447	1	Seal Kit - 1001212069 Cylinder (Includes Items 101-110)	
101	See Note	NSS	O-Ring (Note: Use Item 100)	
102	See Note	NSS	Ring, Back-up (Note: Use Item 100)	
103	See Note	NSS	Ring, Wear (Note: Use Item 100)	
104	See Note	NSS	Ring, Back-up (Note: Use Item 100)	
105	See Note	NSS	Ring, Wear (Note: Use Item 100)	
106	See Note	NSS	Wiper (Note: Use Item 100)	
107	See Note	NSS	Seal (Note: Use Item 100)	
108	See Note	NSS	O-Ring (Note: Use Item 100)	
109	See Note	NSS	Seal (Note: Use Item 100)	

SECTION 6 - CYLINDER

FIGURE 6-8. LIFT CYLINDER ASSEMBLY - 450AJ MAIN BOOM (ROMANIAN BUILT MACHINES) (SN E300002833 through E300004190)



ART_1001181324

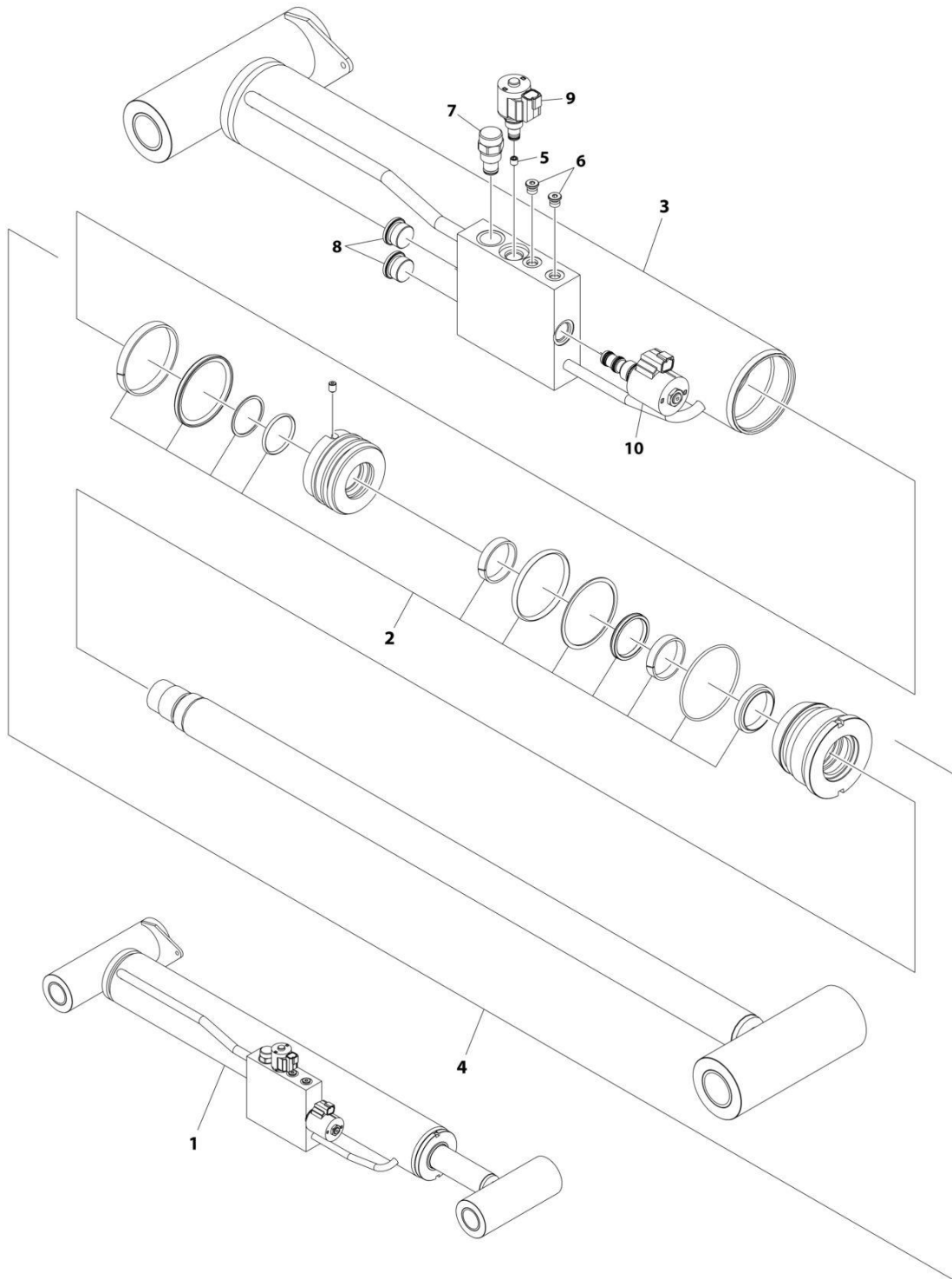
SECTION 6 - CYLINDER

FIGURE 6-8. LIFT CYLINDER ASSEMBLY - 450AJ MAIN BOOM (ROMANIAN BUILT MACHINES) (SN E300002833 through E300004190)

ITEM	PART NUMBER	QTY	DESCRIPTION	REV
1	1001181324	Ref	LIFT CYLINDER ASSEMBLY - 450AJ MAIN BOOM (ROMANIAN BUILT MACHINES) (SN E300002833 through E300004190)	C
2	70004963	1	Seal Kit - 1001181324 Cylinder (Part of Item 4)	
3	70004962	1	Barrel (Includes Bushings)	
3	0961948	1	Bushing	
4	70004961	1	Rod Assembly (Includes Seal Kit and Bushings)	
4	0961948	1	Bushing	
5	2180736	1	Orifice	
6	2220883	2	Plug #4	
7	4641390	1	Cartridge, Check Valve	
7	7017496	1	Seal Kit - 4641390 Valve	
8	See Note	NSS	Plug, Shipping (Note: Not Available for Purchase)	
9	1001164709	1	Cartridge, Solenoid Valve (Includes Coil)	
9	7017467	1	Cartridge, Solenoid Valve Less Coil	
9	7012998	1	Seal Kit - 1001164709 & 7017467 Valve	
9	70002386	1	Coil	
10	1001148972	1	Cartridge, Solenoid Valve (Includes Coil)	
10	70002401	1	Cartridge, Solenoid Valve Less Coil	
10	7017496	1	Seal Kit - 1001148972 & 70002401 Valves	
10	70003788	1	Coil	
11	1001165131	1	Cartridge, Compensator Valve (SN E300002833 through E300003031)	
11	1001203628	1	Cartridge, Compensator Valve (SN E300003032 through E300004190)	
11	7012925	1	Seal Kit - 1001165131 & 1001203628 Valve	

SECTION 6 - CYLINDER

FIGURE 6-9. LIFT CYLINDER ASSEMBLY - 450AJ MAIN BOOM (SN 0300234432 through 0300272317, SN B300003516 through B300005760, SN E300004191 through E300007990, SN 1300007279 through 1300007373)



ART_1001217676

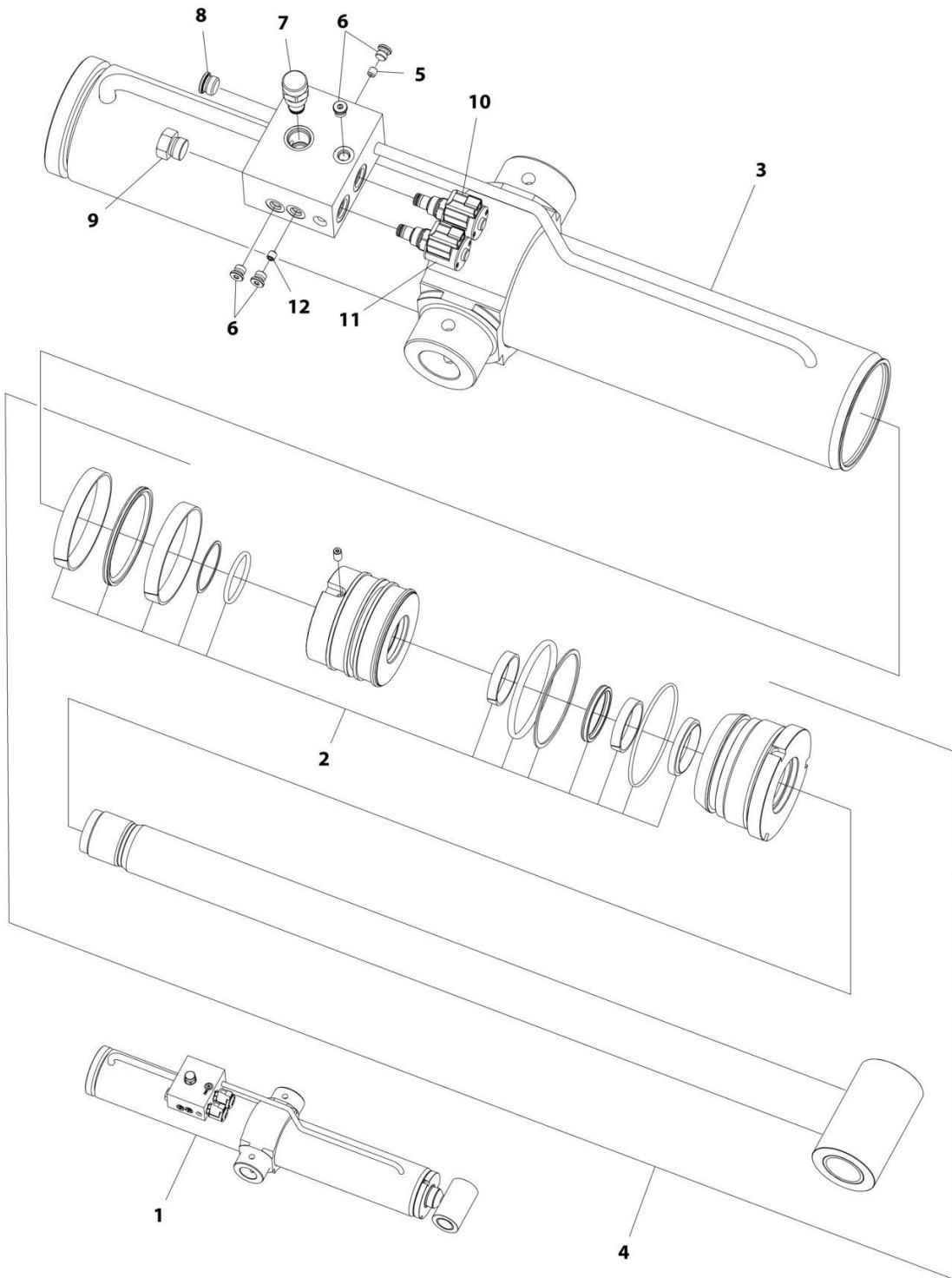
SECTION 6 - CYLINDER

FIGURE 6-9. LIFT CYLINDER ASSEMBLY - 450AJ MAIN BOOM (SN 0300234432 through 0300272317, SN B300003516 through B300005760, SN E300004191 through E300007990, SN 1300007279 through 1300007373)

ITEM	PART NUMBER	QTY	DESCRIPTION	REV
1	1001217676	Ref	LIFT CYLINDER ASSEMBLY - 450AJ MAIN BOOM	C
2	70004963	1	Seal Kit - 1001217676 Cylinder (Part of Item 4)	
3	70004962	NSS	Barrel (Includes Bushings) (Note: Not Available for Purchase)	
3	0961948	2	Bushing	
4	70004961	1	Rod Assembly (Includes Seal Kit and Bushings)	
4	0961948	2	Bushing	
5	2180736	1	Orifice	
6	2220883	3	Plug #4	
7	4641390	1	Cartridge, Check Valve	
7	7017496	1	Seal Kit - 4641390 Valve	
8	See Note	NSS	Plug, Shipping (Note: Not Available for Purchase)	
9	1001164709	1	Cartridge, Solenoid Valve (Includes Coil)	
9	7017467	1	Cartridge, Solenoid Valve Less Coil	
9	7012998	1	Seal Kit - 1001164709 & 7017467 Valve	
9	70002386	1	Coil	
10	1001206625	1	Cartridge, Solenoid Valve (Includes Coil)	
10	70006104	1	Cartridge, Solenoid Valve Less Coil	
10	70006105	1	Seal Kit - 1001206625 & 70006104 Valves	
10	70003788	1	Coil	
10	7022390	1	Nut, Coil	

SECTION 6 - CYLINDER

FIGURE 6-10. LIFT CYLINDER ASSEMBLY - TOWER BOOM



ART_1001161715

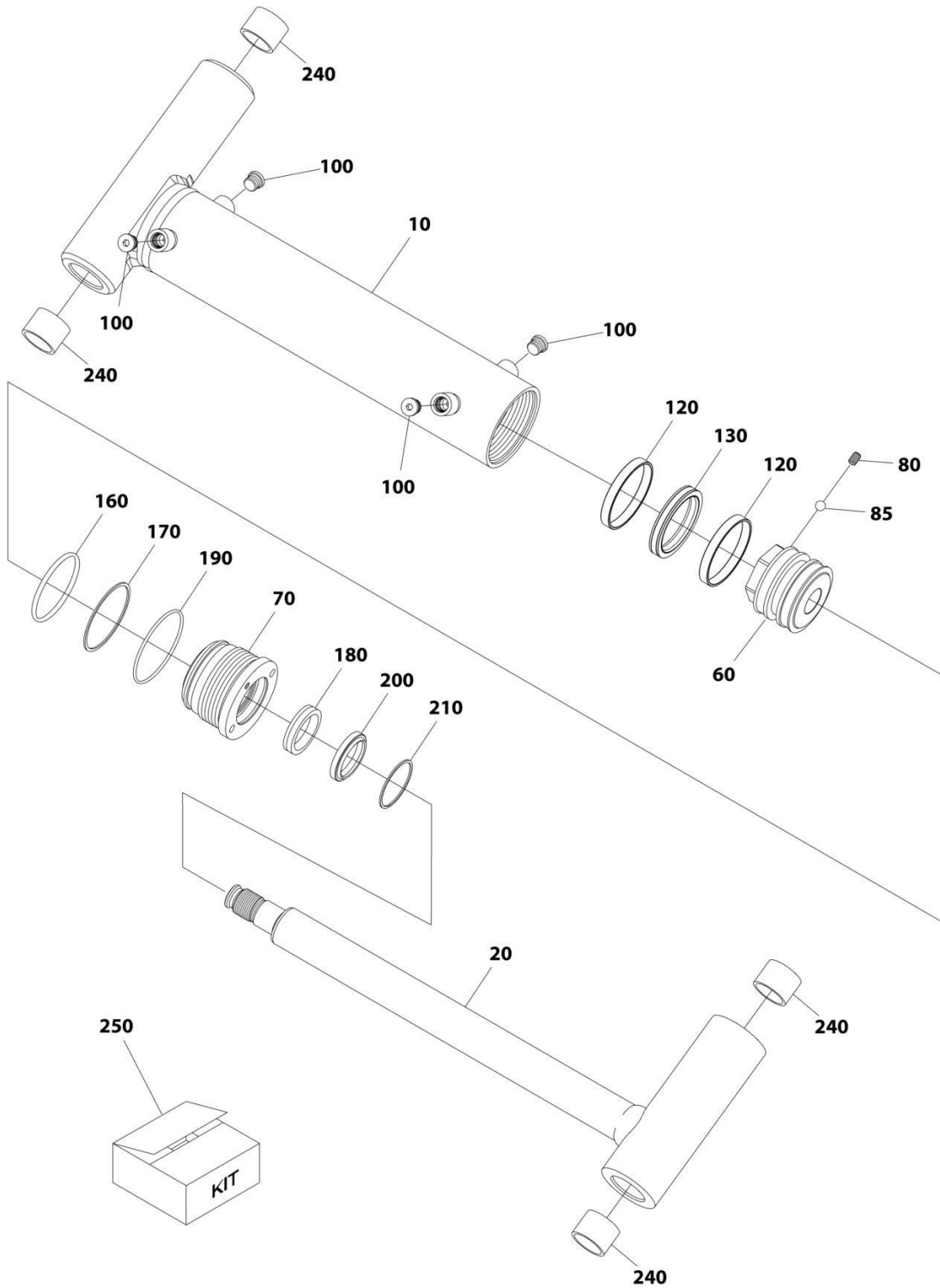
SECTION 6 - CYLINDER

FIGURE 6-10. LIFT CYLINDER ASSEMBLY - TOWER BOOM

ITEM	PART NUMBER	QTY	DESCRIPTION	REV
1	1001161715	1	LIFT CYLINDER ASSEMBLY - TOWER BOOM	G
2	70004966	1	Seal Kit - 1001161715 Cylinder	
3	70004965	1	Barrel	
4	70004964	1	Rod Assembly (Includes Seal Kit and Bushings)	
4	0961948	2	Bushing	
5	70005578	1	Plug, Orifice	
6	2220883	4	Plug #4	
7	4641390	1	Cartridge, Check Valve	
7	7017496	1	Seal Kit - 4641390 Valve	
8	2220886	1	Plug #8	
9	See Note	1	Plug, Shipping (Note: Not Available for Purchase)	
10	1001166208	1	Cartridge, Solenoid Valve (Includes Coil)	
10	7024884	1	Cartridge, Solenoid Valve Less Coil	
10	7012967	1	Seal Kit - 1001166208 & 7024884 Valves	
10	70002386	1	Coil	
11	1001164709	1	Cartridge, Solenoid Valve (Includes Coil)	
11	7017467	1	Cartridge, Solenoid Valve Less Coil	
11	7012998	1	Seal Kit - 1001164709 & 7017467 Valves	
11	70002386	1	Coil	
12	70005577	1	Plug, Orifice	

SECTION 6 - CYLINDER

FIGURE 6-11. MASTER CYLINDER ASSEMBLY



ART_1001161717

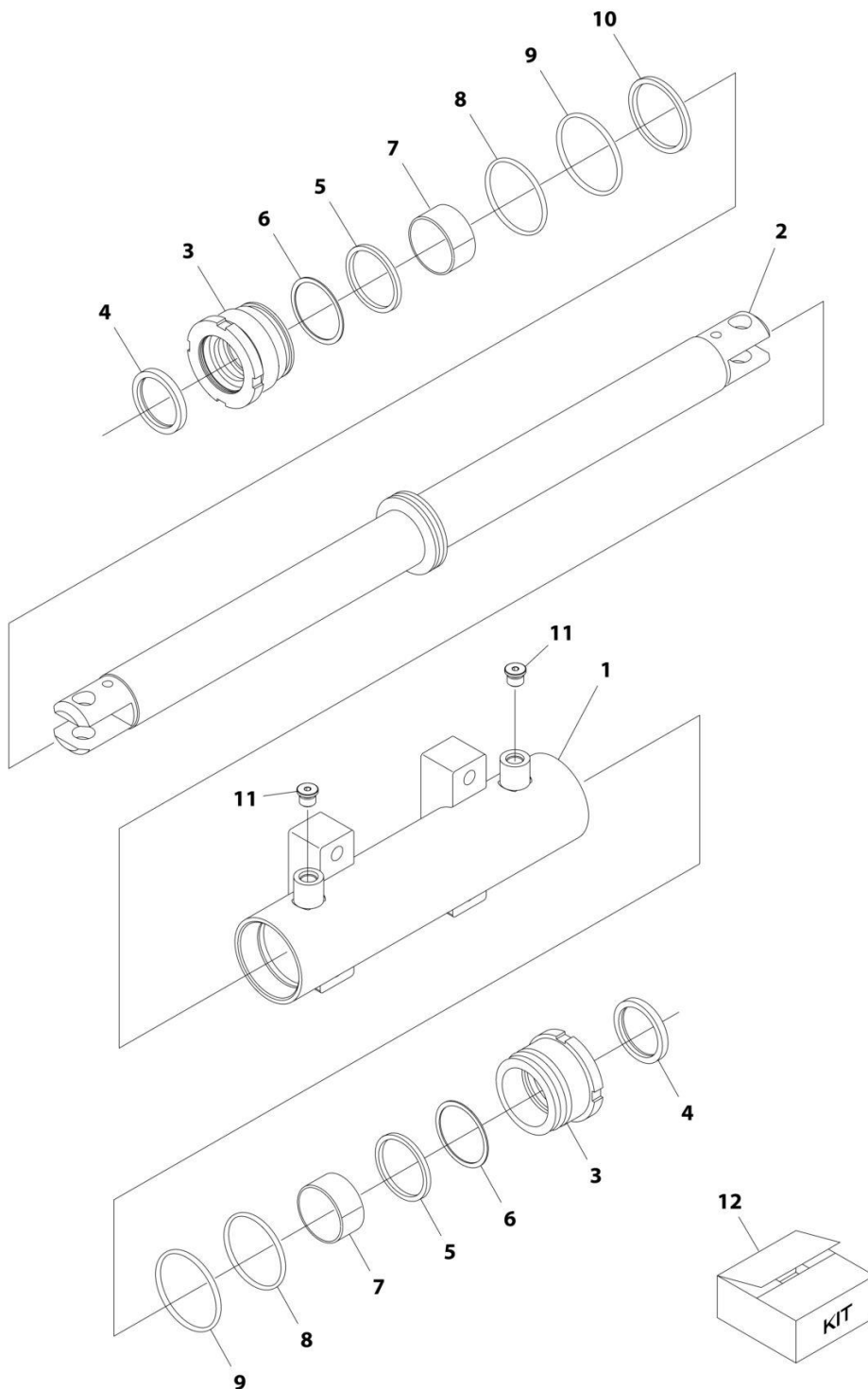
SECTION 6 - CYLINDER

FIGURE 6-11. MASTER CYLINDER ASSEMBLY

ITEM	PART NUMBER	QTY	DESCRIPTION	REV
	1001161717	Ref	MASTER CYLINDER ASSEMBLY	D
10	70005017	1	Barrel	
20	70005018	1	Rod	
60	70005012	1	Piston	
70	70003837	1	Head	
80	70005013	1	Setscrew	
85	70005014	1	Ball	
100	70025959	4	Plug 9/16	
120	See Note	NSS	Ring, Piston (Note: Use Item 250)	
130	See Note	NSS	Seal (Note: Use Item 250)	
160	See Note	NSS	O-Ring (Note: Use Item 250)	
170	See Note	NSS	Ring (Note: Use Item 250)	
180	See Note	NSS	Seal (Note: Use Item 250)	
190	See Note	NSS	O-Ring (Note: Use Item 250)	
200	See Note	NSS	Wiper (Note: Use Item 250)	
210	70003838	1	Ring, Retaining	
240	0961951	4	Bushing	
250	70005016	1	Seal Kit - 1001161717 Cylinder (Includes Items 120-200)	

SECTION 6 - CYLINDER

FIGURE 6-12. STEER CYLINDER ASSEMBLY



ART_1001163178

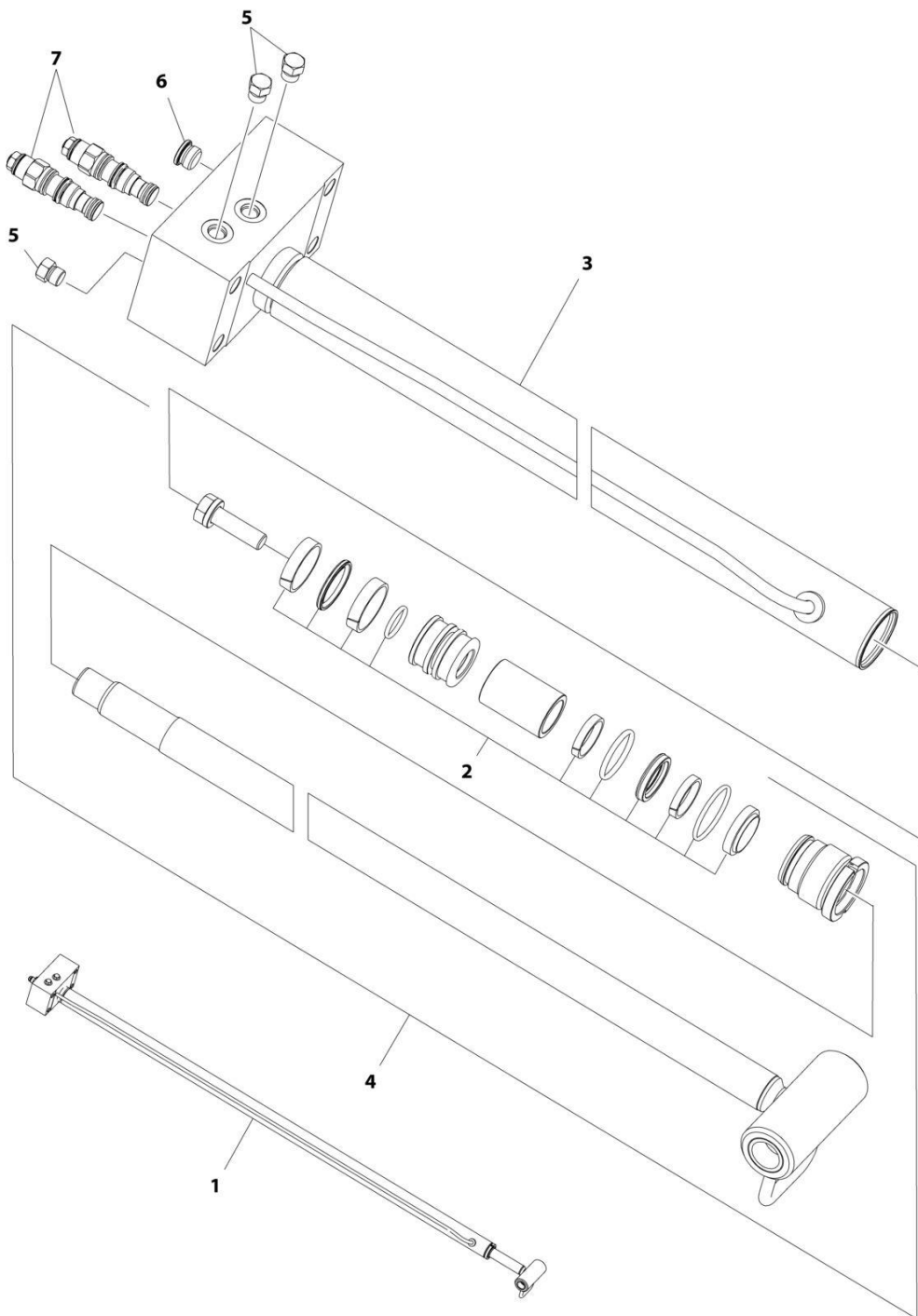
SECTION 6 - CYLINDER

FIGURE 6-12. STEER CYLINDER ASSEMBLY

ITEM	PART NUMBER	QTY	DESCRIPTION	REV
	1001163178	Ref	STEER CYLINDER ASSEMBLY	D
1	70005150	1	Barrel	
2	70005151	1	Rod	
3	70005152	2	Head	
4	See Note	NSS	Wiper (Note: Use Item 12)	
5	See Note	NSS	Seal, Rod (Note: Use Item 12)	
6	See Note	NSS	Ring, Back-up (Note: Use Item 12)	
7	70005153	2	Bearing, Dry	
8	See Note	NSS	O-Ring (Note: Use Item 12)	
9	See Note	NSS	O-Ring (Note: Use Item 12)	
10	See Note	NSS	Seal, Piston (Note: Use Item 12)	
11	See Note	2	Plug 9/16 (Note: Not Available for Purchase)	
12	70005154	1	Seal Kit - 1001163178 Cylinder (Includes Items 4-6 & 8-10)	

SECTION 6 - CYLINDER

FIGURE 6-13. TELESCOPE CYLINDER ASSEMBLY - 450A



ART_1001161804

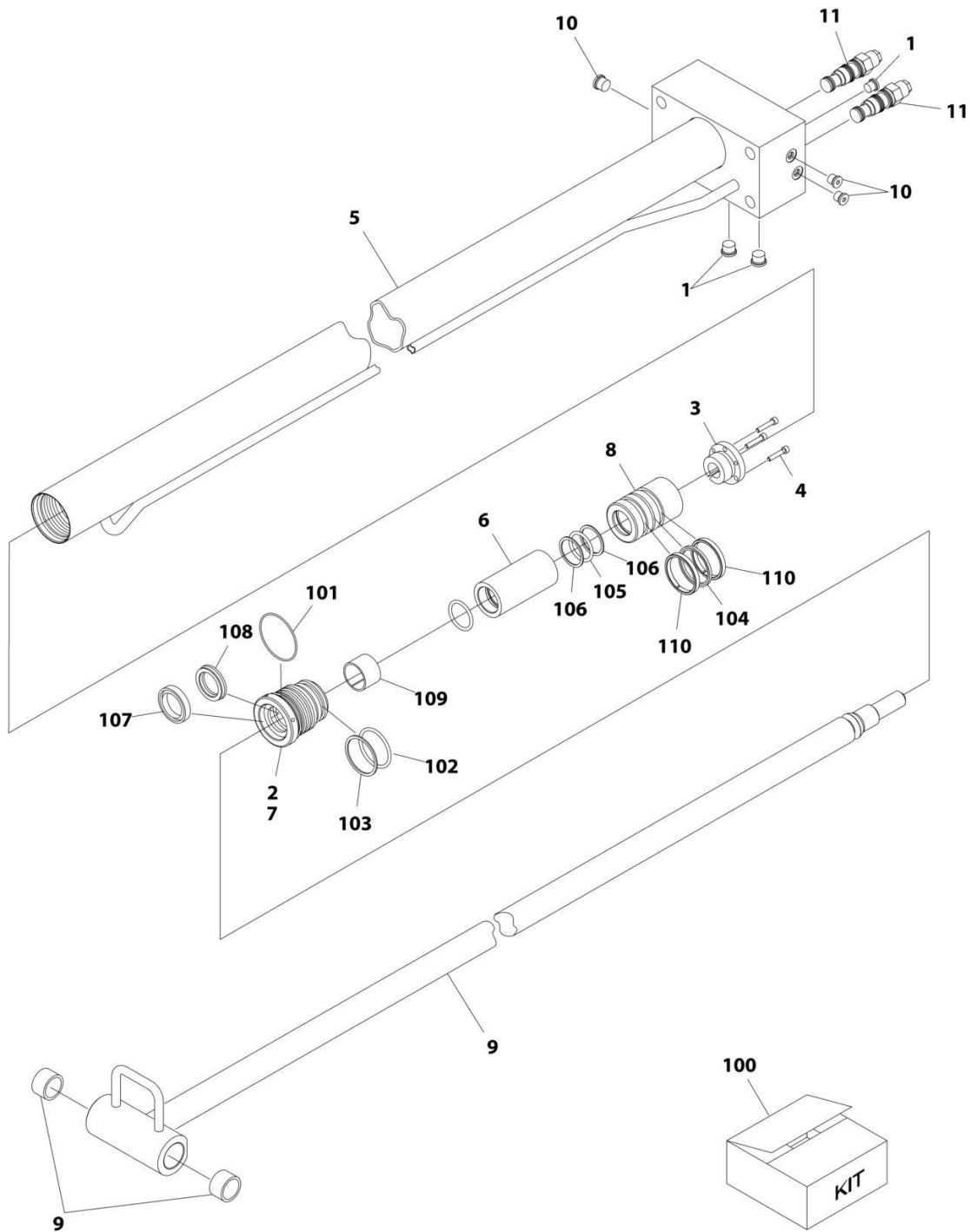
SECTION 6 - CYLINDER

FIGURE 6-13. TELESCOPE CYLINDER ASSEMBLY - 450A

ITEM	PART NUMBER	QTY	DESCRIPTION	REV
1	1001161804	Ref	TELESCOPE CYLINDER ASSEMBLY - 450A	E
2	70004960	1	Seal Kit - 1001161804 Cylinder (Part of Item 4)	
3	70004959	1	Barrel	
4	70004958	1	Rod Assembly (Includes Seal Kit)	
5	2220885	3	Plug #6wmellott	
6	2220886	1	Plug #8	
7	4640771	2	Cartridge, Valve	
7	2900770	2	Seal Kit - 4460771 Valve	

SECTION 6 - CYLINDER

FIGURE 6-14. TELESCOPE CYLINDER ASSEMBLY - 450AJ (USA BUILT MACHINES) (SN 0300201991 through 0300234431)



ART_1001164523

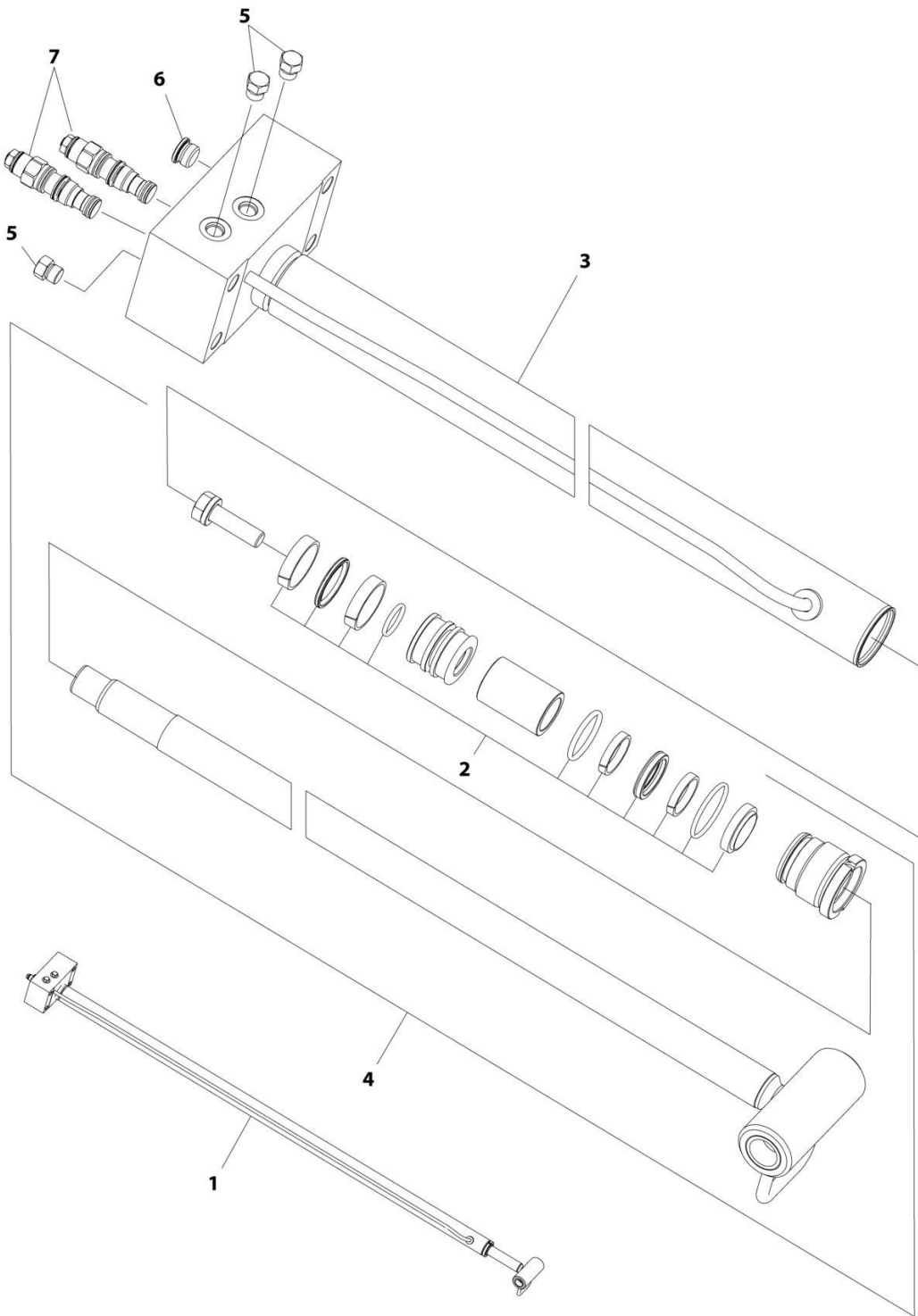
SECTION 6 - CYLINDER

FIGURE 6-14. TELESCOPE CYLINDER ASSEMBLY - 450AJ (USA BUILT MACHINES) (SN 0300201991 through 0300234431)

ITEM	PART NUMBER	QTY	DESCRIPTION	REV
	1001164523	Ref	TELESCOPE CYLINDER ASSEMBLY - 450AJ (USA BUILT MACHINES) (SN 0300201991 through 0300234431)	H
1	2220883	3	Plug #4	
2	3020043	AR	Lubricant	
3	0962185	1	Bushing, Tapered	
4	0630534	3	Capscrew 10 x 1	
5	1001164289	1	Barrel	
6	1001164295	1	Spacer	
7	1001164298	1	Head	
8	3480227	1	Piston	
9	1001164300	1	Rod	
9	0962292	2	Bushing	
10	2220885	3	Plug #6	
11	4640771	2	Cartridge, Valve	
11	2900770	2	Seal Kit - 4640771 Valve	
100	1001164297	1	Seal Kit - 1001164523 Cylinder (Includes Items 101-110)	
101	See Note	NSS	O-Ring (Note: Use Item 100)	
102	See Note	NSS	O-Ring (Note: Use Item 100)	
103	See Note	NSS	Ring, Back-up (Note: Use Item 100)	
104	See Note	NSS	Seal (Note: Use Item 100)	
105	See Note	NSS	O-Ring (Note: Use Item 100)	
106	See Note	NSS	Ring, Back-up (Note: Use Item 100)	
107	See Note	NSS	Wiper (Note: Use Item 100)	
108	See Note	NSS	Seal (Note: Use Item 100)	
109	See Note	NSS	Ring, Wear (Note: Use Item 100)	
110	See Note	NSS	Ring, Wear (Note: Use Item 100)	

SECTION 6 - CYLINDER

FIGURE 6-15. TELESCOPE CYLINDER ASSEMBLY - 450AJ (SN 0300234432 through 0300272317, SN B300003516 through B300005760, SN E300002833 through E300007990, SN 1300007279 through 1300007373)



ART_1001161713

SECTION 6 - CYLINDER

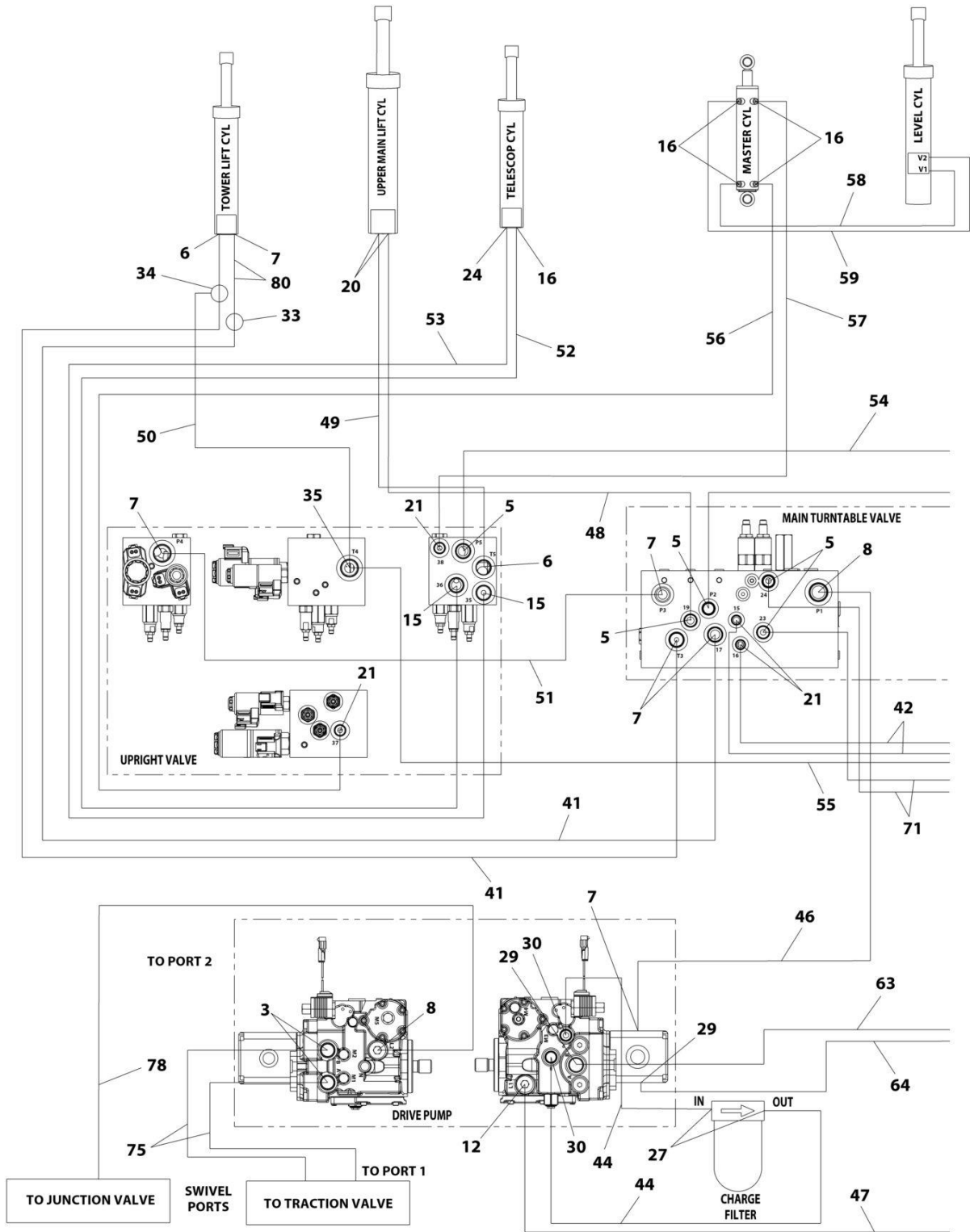
FIGURE 6-15. TELESCOPE CYLINDER ASSEMBLY - 450AJ (SN 0300234432 through 0300272317, SN B300003516 through B300005760, SN E300002833 through E300007990, SN 1300007279 through 1300007373)

ITEM	PART NUMBER	QTY	DESCRIPTION	REV
1	1001161713	Ref	TELESCOPE CYLINDER ASSEMBLY - 450AJ	E
2	70004957	1	Seal Kit - 1001161713 Cylinder (Part of Item 4)	
3	70004956	1	Barrel	
4	70004955	1	Rod Assembly (Includes Seal Kit and Bushings)	
4	0962292	2	Bushing	
5	2220237	3	Plug #6	
6	2220886	1	Plug #8	
7	4640771	2	Cartridge, Valve	
7	2900770	2	Seal Kit - 4640771 Valve	

SECTION 7 - HYDRAULIC

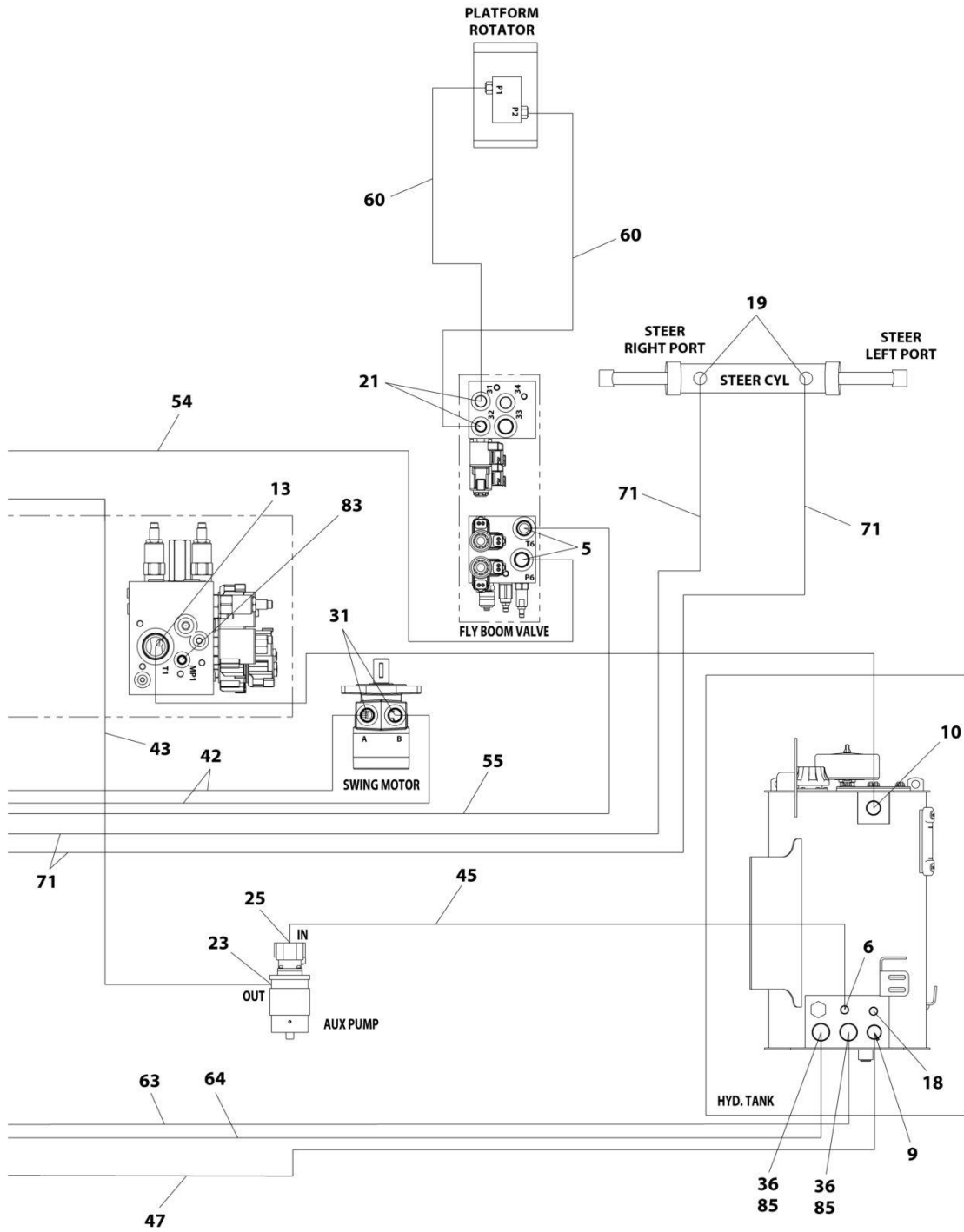
SECTION 7 - HYDRAULIC

FIGURE 7-1. 2WD HYDRAULIC SYSTEM INSTALLATION - 450A



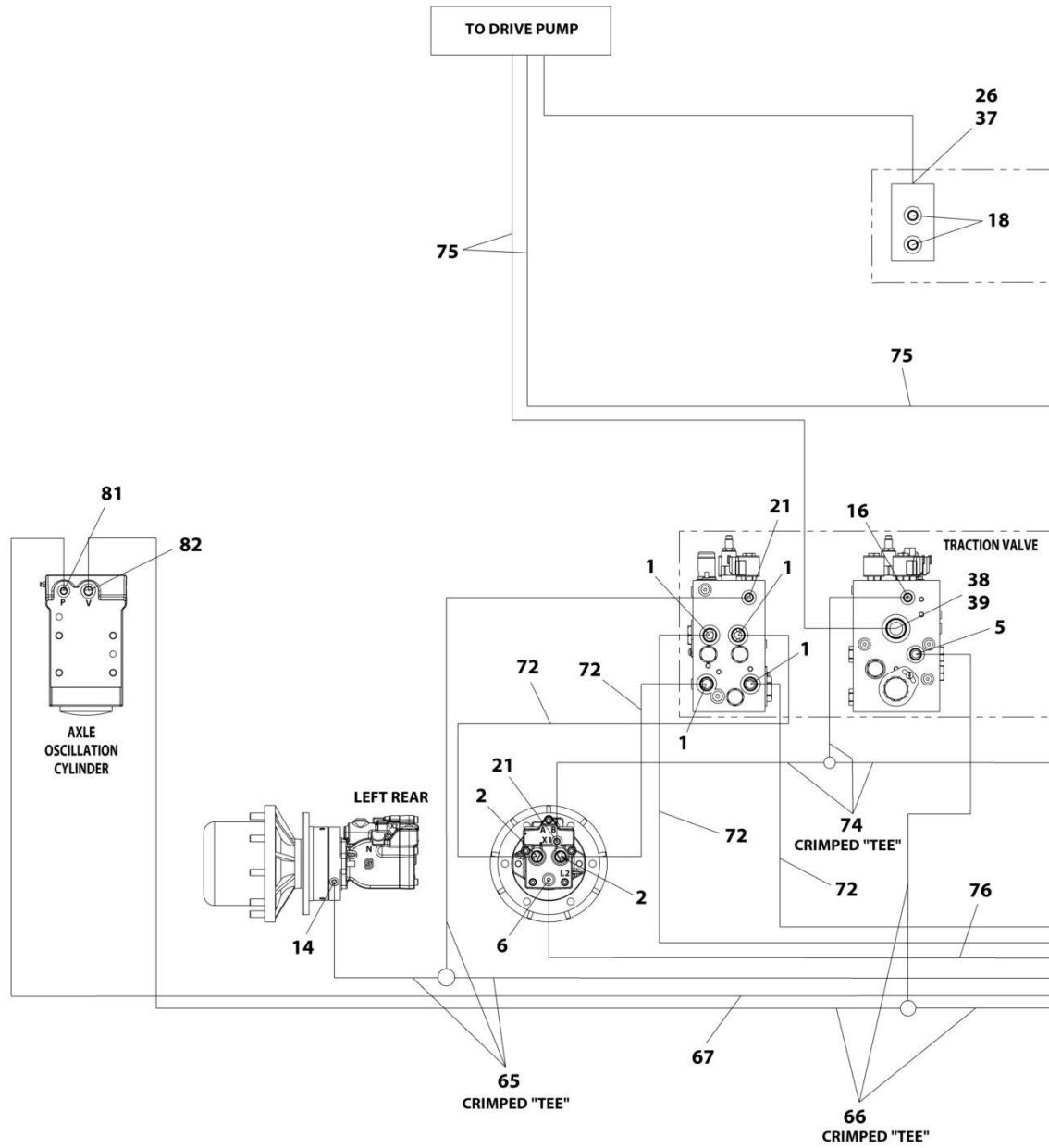
ART_1001217936_10F4

SECTION 7 - HYDRAULIC



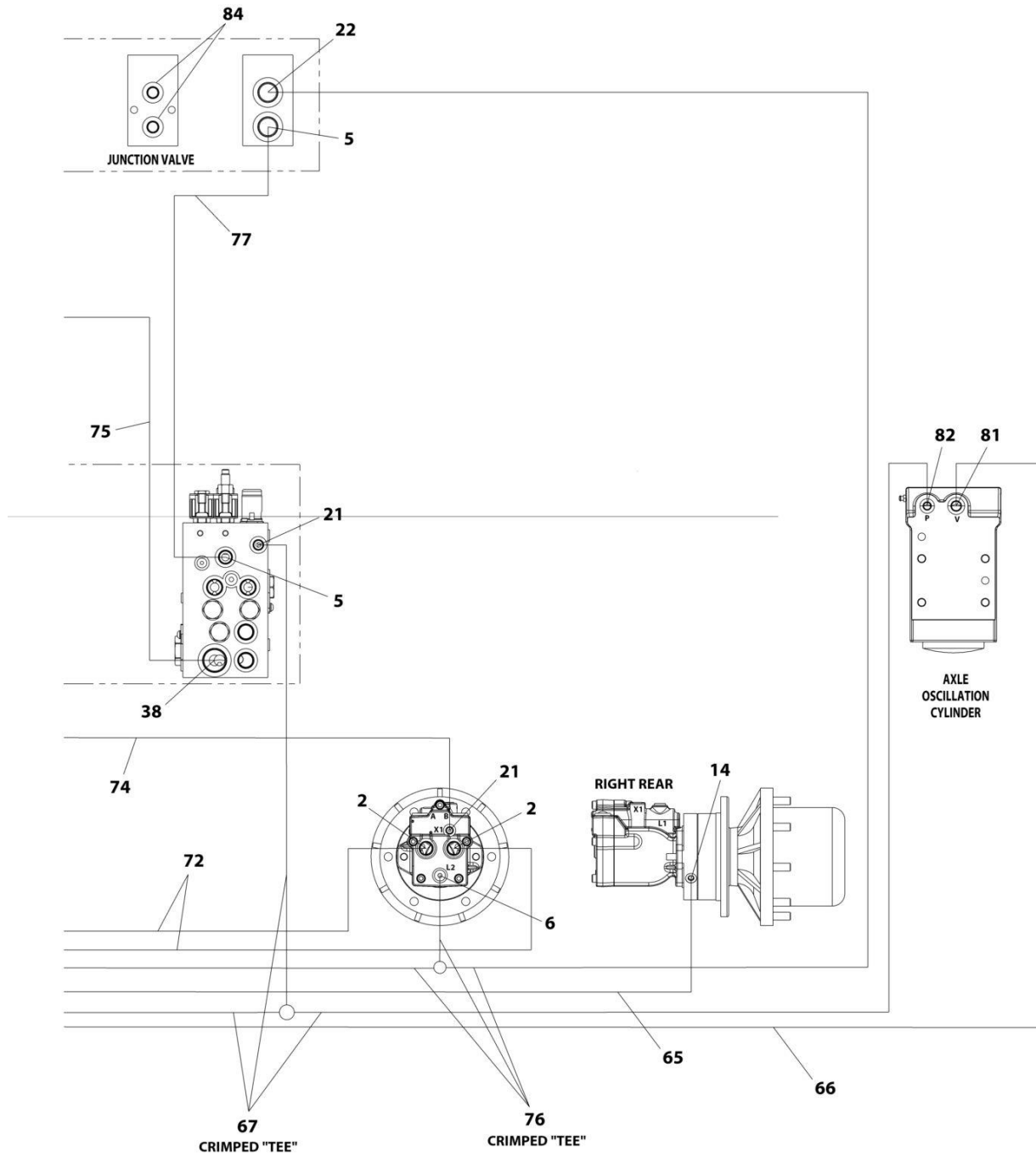
ART_1001217936_2OF4

SECTION 7 - HYDRAULIC



ART_1001217936_30F4

SECTION 7 - HYDRAULIC



ART_1001217936_4OF4

SECTION 7 - HYDRAULIC

FIGURE 7-1. 2WD HYDRAULIC SYSTEM INSTALLATION - 450A

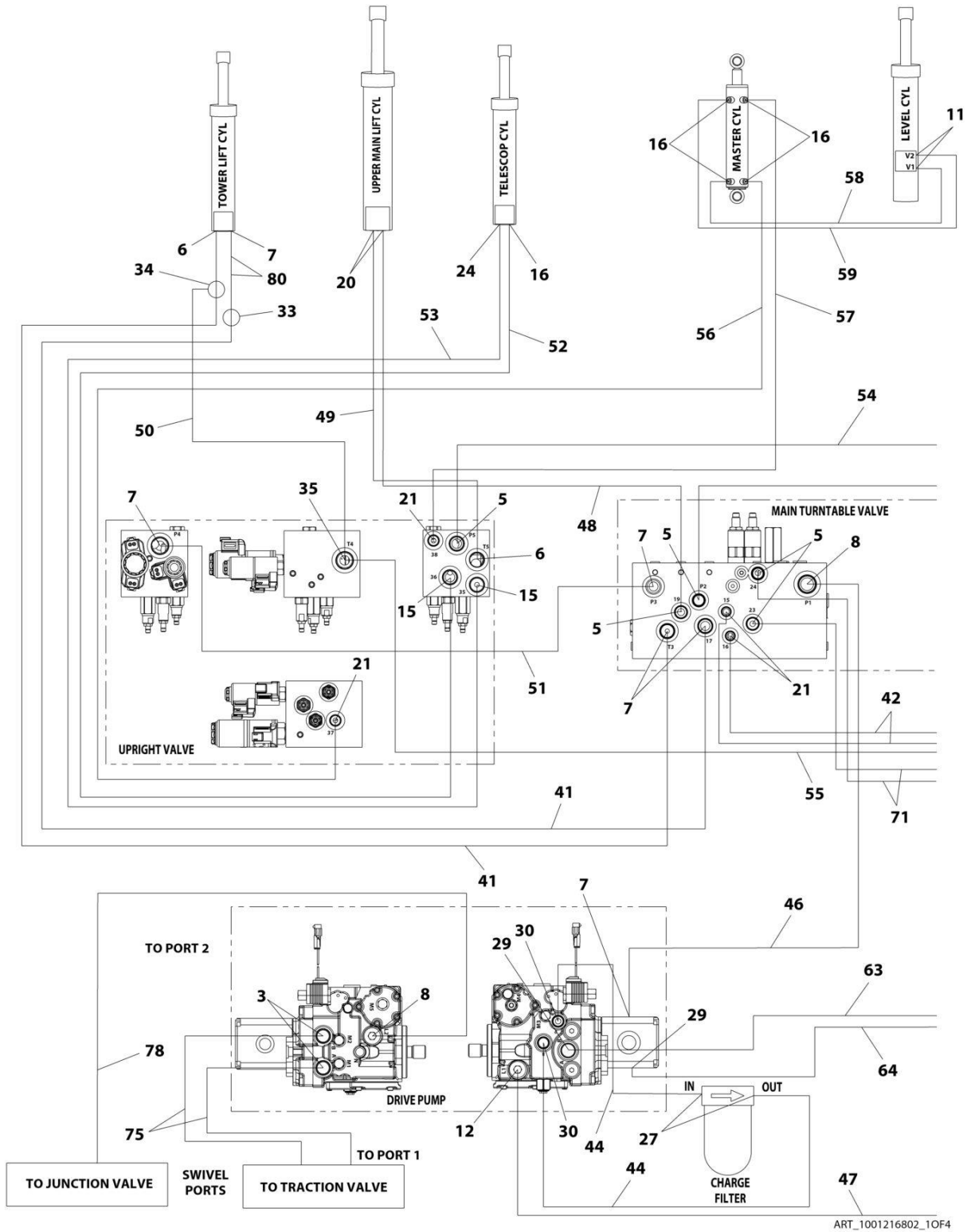
ITEM	PART NUMBER	QTY	DESCRIPTION	REV
	1001217936	Ref	2WD HYDRAULIC SYSTEM INSTALLATION - 450A	F
1	2110810	4	Fitting, Straight ORFS/ORB	
2	2110812	4	Fitting, Straight ORFS/ORB	
3	2151212	2	Fitting, 45 ORFS/ORB	
5	2220372	9	Fitting, Straight JIC/ORB	
6	2220373	3	Fitting, Straight JIC/ORB	
7	2220374	4	Fitting, Straight JIC/ORB	
8	2220375	2	Fitting, Straight JIC/ORB	
9	2220377	1	Fitting, Straight JIC/ORB	
10	2220435	1	Fitting, Straight JIC/ORB	
12	2220451	1	Fitting, Straight JIC/ORB	
13	2220465	1	Fitting, 90 JIC/ORB	
14	2220466	2	Fitting, 90 JIC/ORB	
15	2220468	2	Fitting, Straight JIC/ORB	
16	2220472	5	Fitting, 90 JIC/ORB	
18	2220238	3	Plug	
19	2220501	2	Fitting, 45 JIC/ORB	
20	2220577	2	Fitting, Straight JIC/ORB (SN 0300201991 through 0300235624)	
20	2220497	2	Fitting, Straight JIC/ORB (SN 0300235625 through 0300272317, Except SN 0300272185 through 0300272190)	
21	2220582	8	Fitting, Straight JIC/ORB	
22	2220596	1	Fitting, 90 JIC/ORB	
23	2220603	1	Fitting, Straight JIC/ORB	
24	2220628	1	Fitting, 90 JIC/ORB	
25	2220600	1	Fitting, Straight JIC/ORB	
26	2220811	1	Fitting, Straight FORB/ORB	
27	2220906	2	Fitting, 90 JIC/ORB	
29	2220946	2	Fitting, Straight JIC/ORB	
30	2220947	2	Fitting, Straight JIC/ORB	
31	2221033	2	Fitting, Straight JIC/ORB	
33	2230025	1	Fitting, Straight JIC/JIC	
34	8760477	1	Fitting, Tee JIC/JIC/JIC	
35	8770289	1	Fitting, Tee JIC/ORB/JIC	
36	80633030	2	Clamp, Hose	
37	1001119627	1	Fitting, Straight JIC/ORB	
38	1001142679	2	Fitting, Straight ORFS/ORB	
39	1001143936	1	Fitting, 90 FORB/ORB	
41	1001173006	2	Hose	
42	1001173027	1	Hose	
43	1001173028	1	Hose	
44	1001173029	1	Hose	
45	2752503	1	Hose (SN 0300201991 through 0300222765)	
45	2752519	1	Hose (SN 0300222766 through 0300272317, Except SN 0300272185 through 0300272190)	
46	1001173031	1	Hose (SN 0300201991 through 0300222765)	
46	2752504	1	Hose (SN 0300222766 through 0300272317, Except SN 0300272185 through 0300272190)	
47	1001207336	1	Hose	
48	1001173034	1	Hose	
49	1001173035	1	Hose	

SECTION 7 - HYDRAULIC

ITEM	PART NUMBER	QTY	DESCRIPTION	REV
50	1001173036	1	Hose	
51	1001173037	1	Hose	
52	1001173038	1	Hose	
53	1001173039	1	Hose	
54	1001176299	1	Hose	
55	1001176300	1	Hose	
56	1001173042	1	Hose	
57	1001173043	1	Hose	
58	1001176301	1	Hose	
59	1001176302	1	Hose	
60	1001215227	2	Hose	
63	1001207335	1	Hose	
64	1001207334	1	Hose (SN 0300201991 through 0300222765)	
64	1001207335	1	Hose (SN 0300222766 through 0300272317, Except SN 0300272185 through 0300272190)	
65	1001173052	1	Hose	
66	1001173053	1	Hose	
67	1001173054	1	Hose	
71	1001173058	1	Hose	
72	1001173059	1	Hose	
74	1001173061	1	Hose	
75	1001173062	1	Hose	
76	1001173063	1	Hose	
77	1001197039	1	Hose	
80	1001180035	2	Hose	
81	2220923	2	Fitting, Straight JIC/ORB	
82	2220998	2	Fitting, Straight JIC/ORB	
83	2221086	1	Fitting, Diagnostic	
84	2220883	2	Plug #4	
85	1001202910	2	Fitting, Straight MORB	

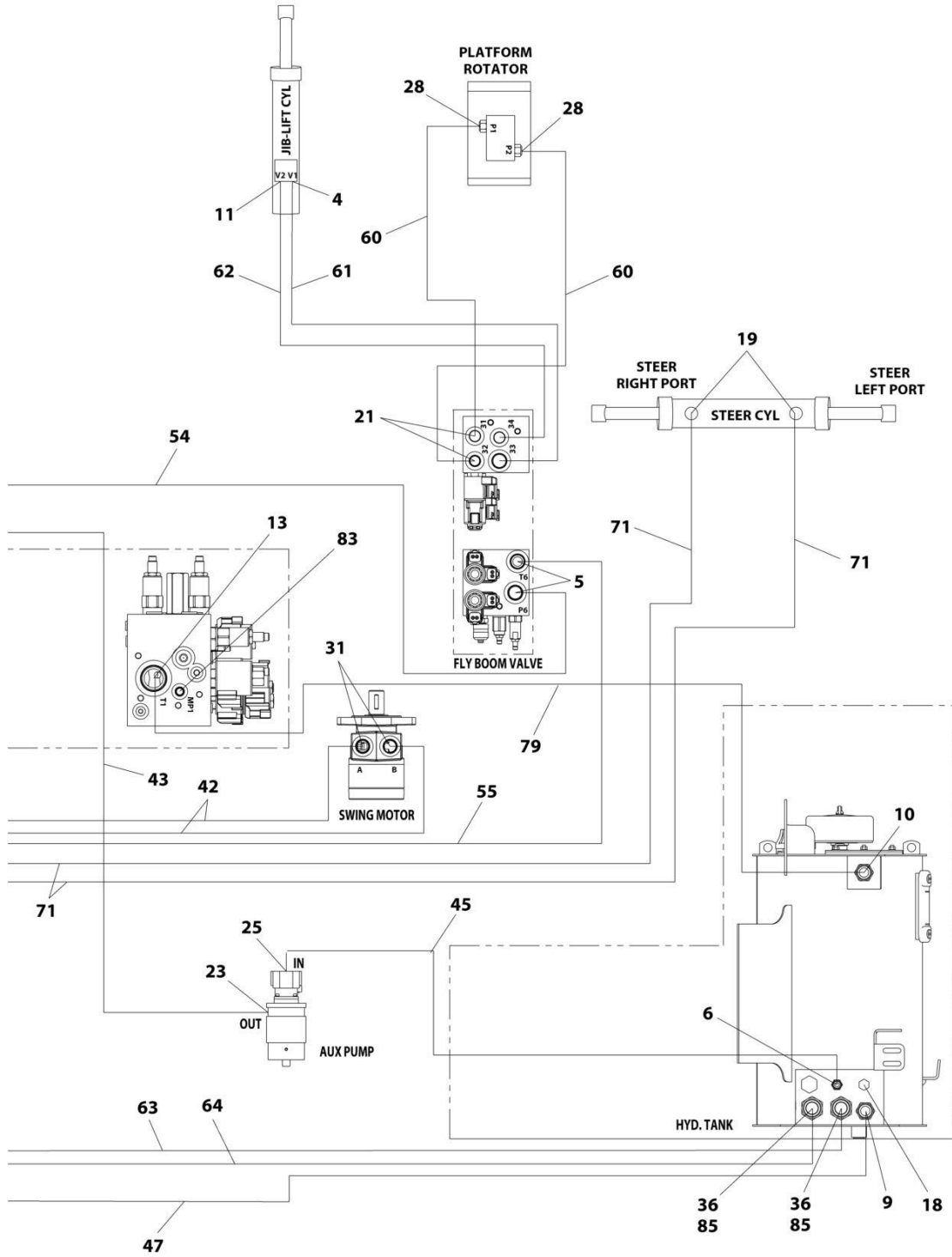
SECTION 7 - HYDRAULIC

FIGURE 7-2. 2WD HYDRAULIC SYSTEM INSTALLATION - 450AJ



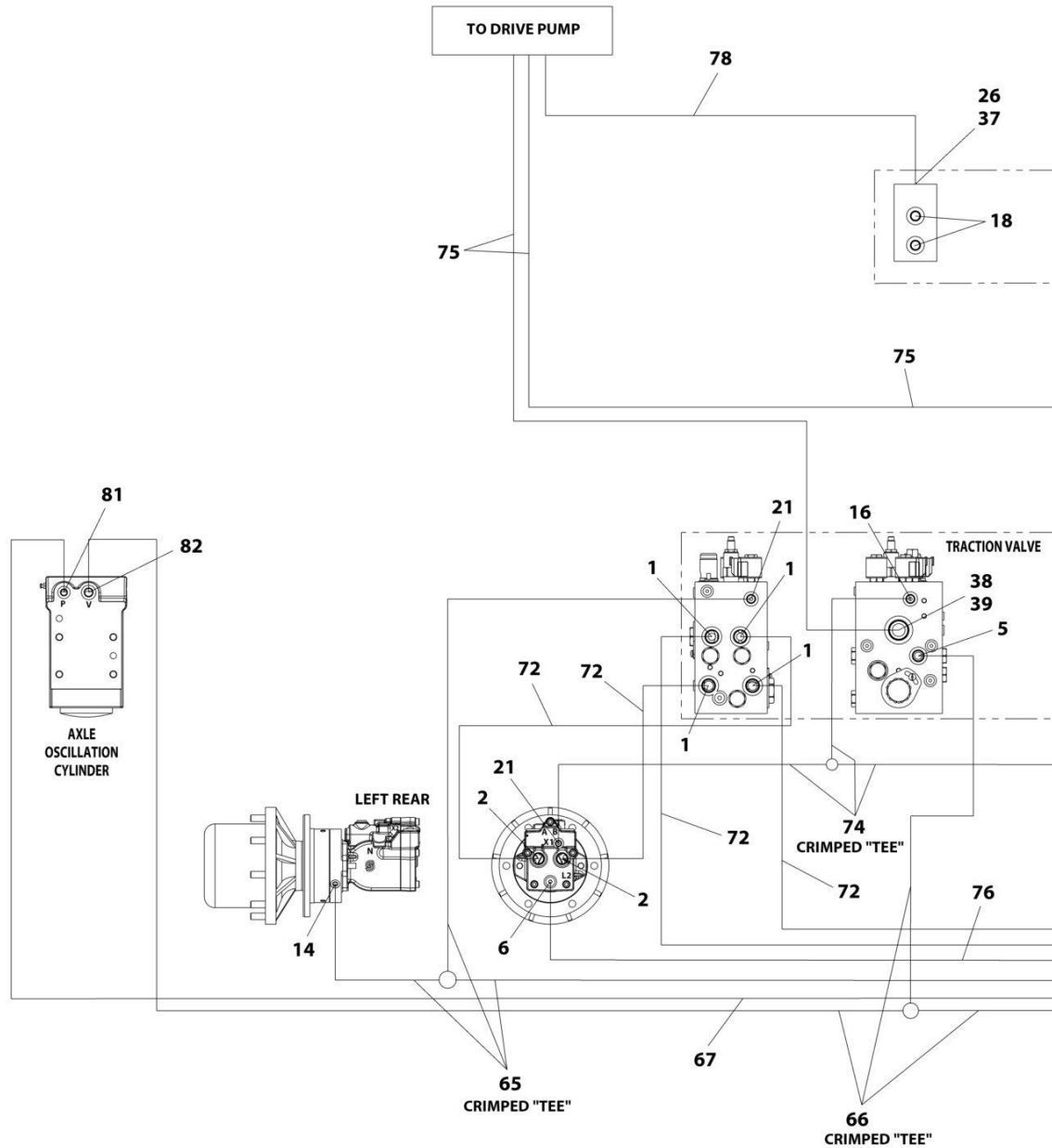
ART_1001216802_10F4

SECTION 7 - HYDRAULIC



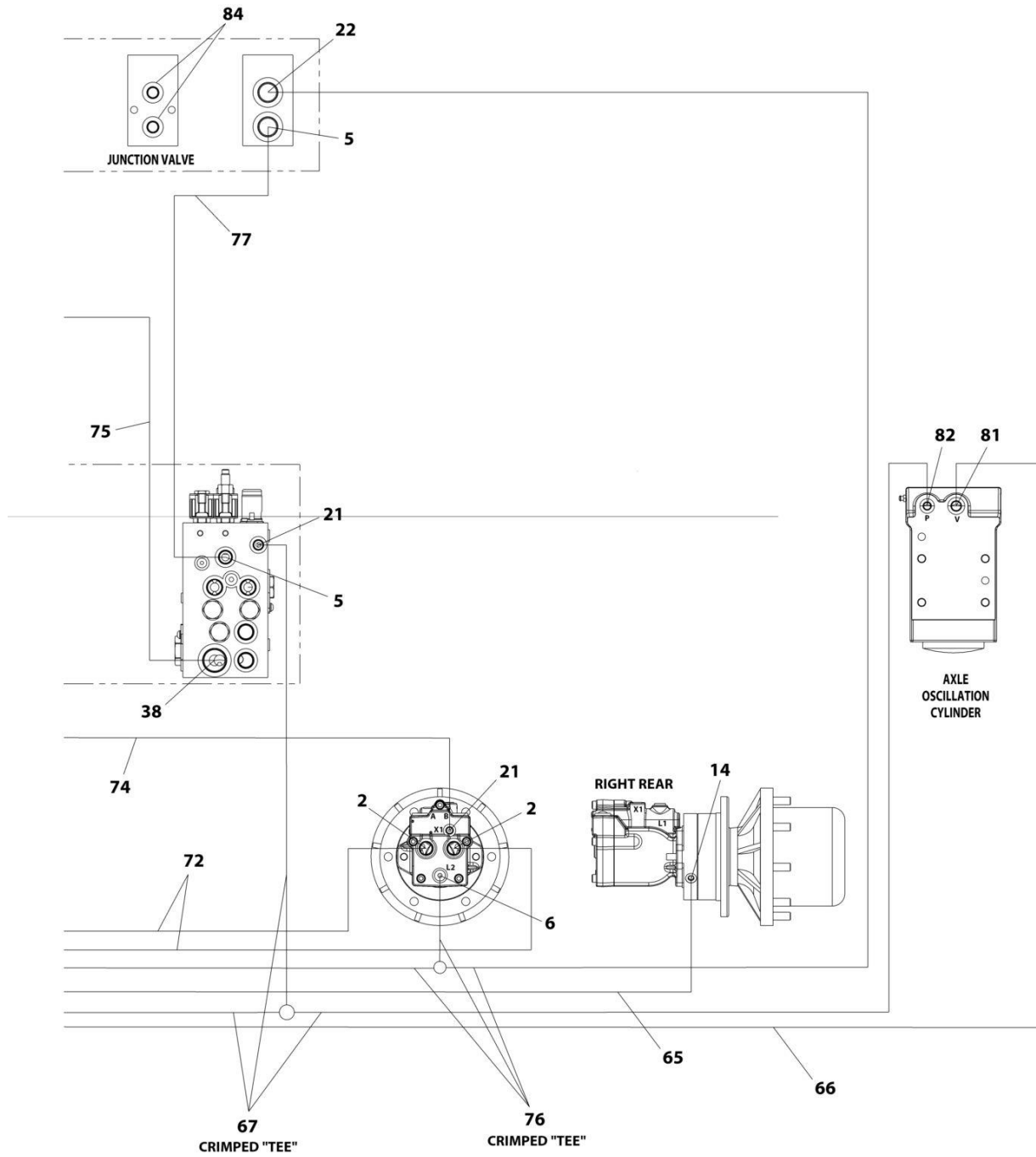
ART_1001216802_2OF4

SECTION 7 - HYDRAULIC



ART_1001216802_30F4

SECTION 7 - HYDRAULIC



ART_1001216802_4OF4

SECTION 7 - HYDRAULIC

FIGURE 7-2. 2WD HYDRAULIC SYSTEM INSTALLATION - 450AJ

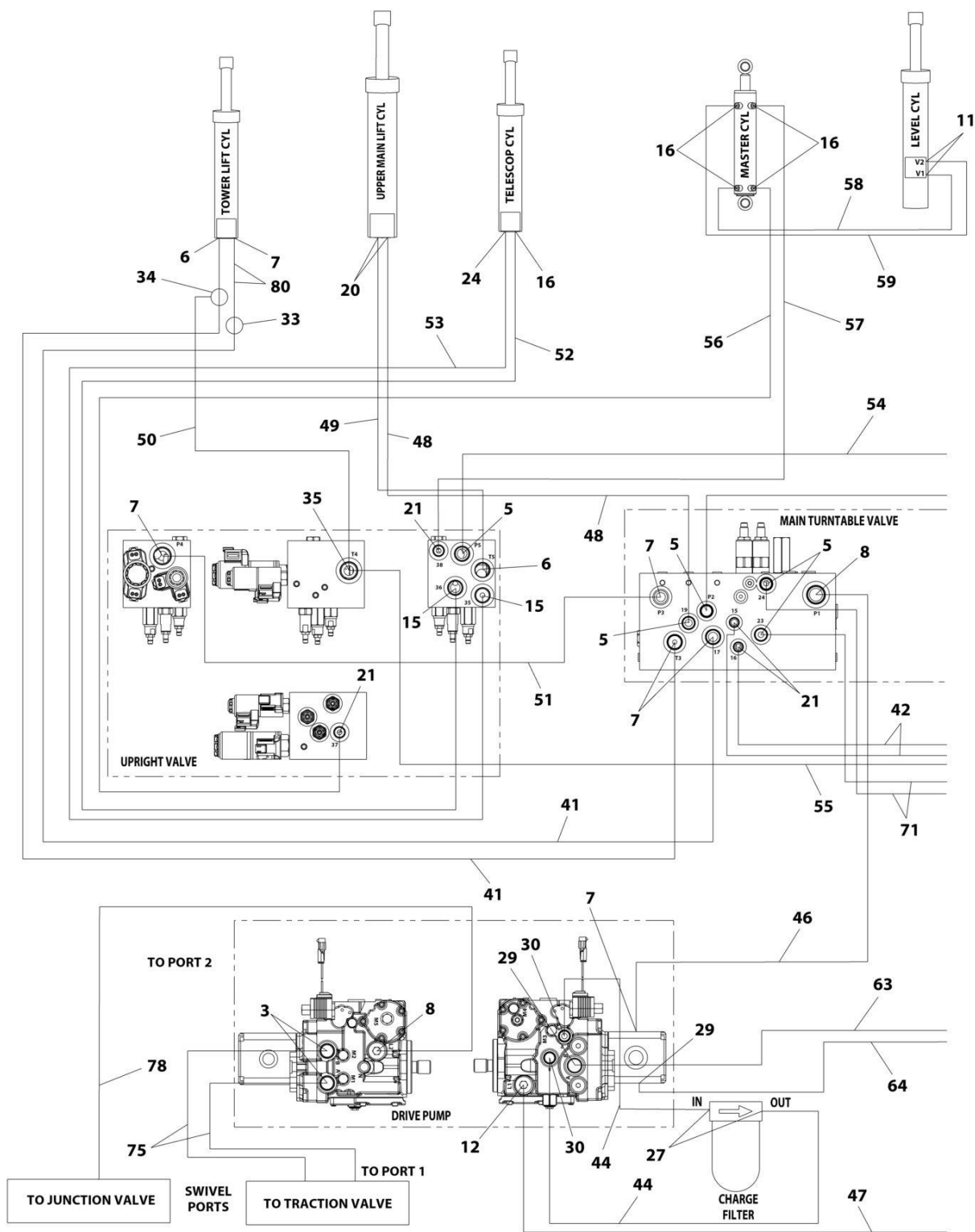
ITEM	PART NUMBER	QTY	DESCRIPTION	REV
	1001216802	Ref	2WD HYDRAULIC SYSTEM INSTALLATION - 450AJ	C
1	2110810	4	Fitting, Straight ORFS/ORB	
2	2110812	4	Fitting, Straight ORFS/ORB	
3	2151212	2	Fitting, 45 ORFS/ORB	
4	2220371	1	Fitting, Straight JIC/ORB	
5	2220372	11	Fitting, Straight JIC/ORB	
6	2220373	5	Fitting, Straight JIC/ORB	
7	2220374	6	Fitting, Straight JIC/ORB	
8	2220375	2	Fitting, Straight JIC/ORB	
9	2220377	1	Fitting, Straight JIC/ORB	
10	2220435	1	Fitting, Straight JIC/ORB	
11	2220415	3	Fitting, Straight JIC/ORB	
12	2220451	1	Fitting, Straight JIC/ORB	
13	2220465	1	Fitting, 90 JIC/ORB	
14	2220466	2	Fitting, 90 JIC/ORB	
15	2220468	2	Fitting, Straight JIC/ORB	
16	2220472	6	Fitting, 90 JIC/ORB	
18	2220238	3	Plug	
19	2220501	2	Fitting, 45 JIC/ORB	
20	2220577	2	Fitting, Straight JIC/ORB (SN 0300201991 through 0300226834)	
20	2220497	2	Fitting, Straight JIC/ORB (SN 0300226835 through 0300272317, Except SN 0300272185 through 0300272190)	
21	2220582	11	Fitting, Straight JIC/ORB	
22	2220596	1	Fitting, 90 JIC/ORB	
23	2220603	1	Fitting, Straight JIC/ORB	
24	2220628	1	Fitting, 90 JIC/ORB	
25	2220600	1	Fitting, Straight JIC/ORB	
26	2220811	1	Fitting, Straight FORB/ORB	
27	2220906	2	Fitting, 90 JIC/ORB	
28	2220940	2	Fitting, Elbow	
29	2220946	2	Fitting, Straight JIC/ORB	
30	2220947	2	Fitting, Straight JIC/ORB	
31	2221033	2	Fitting, Straight JIC/ORB	
33	2230025	1	Fitting, Straight JIC/JIC	
34	8760477	1	Fitting, Tee JIC/JIC/JIC	
35	8770289	1	Fitting, Tee JIC/ORB/JIC	
36	80633030	2	Clamp, Hose	
37	1001119627	1	Fitting, Straight JIC/ORB	
38	1001142679	2	Fitting, Straight ORFS/ORB	
39	1001143936	1	Fitting, 90 FORB/ORB	
41	1001173006	2	Hose	
42	1001173027	2	Hose	
43	1001173028	1	Hose	
44	1001173029	2	Hose	
45	2752503	1	Hose (SN 0300201991 through 0300222765)	
45	2752519	1	Hose (SN 0300222766 through 0300272317, Except SN 0300272185 through 0300272190)	
46	1001173031	1	Hose (SN 0300201991 through 0300222765)	
46	2752504	1	Hose (SN 0300222766 through 0300272317, Except SN 0300272185 through 0300272190)	

SECTION 7 - HYDRAULIC

ITEM	PART NUMBER	QTY	DESCRIPTION	REV
47	1001207336	1	Hose	
48	1001173034	1	Hose	
49	1001173035	1	Hose	
50	1001173036	1	Hose	
51	1001173037	1	Hose	
52	1001173038	1	Hose	
53	1001173039	1	Hose	
54	1001173040	1	Hose	
55	1001173041	1	Hose	
56	1001173042	1	Hose	
57	1001173043	1	Hose	
58	1001173044	1	Hose	
59	1001173045	1	Hose	
60	1001173046	2	Hose	
61	1001173048	1	Hose	
62	1001173049	1	Hose	
63	1001207335	1	Hose	
64	1001207334	1	Hose (SN 0300201991 through 0300222765)	
64	1001207335	1	Hose (SN 0300222766 through 0300272317, Except SN 0300272185 through 0300272190)	
65	1001173052	1	Hose	
66	1001173053	1	Hose	
67	1001173054	1	Hose	
71	1001173058	2	Hose	
72	1001173059	4	Hose	
74	1001173061	1	Hose	
75	1001173062	2	Hose	
76	1001173063	1	Hose	
77	1001197039	1	Hose	
78	1001173066	1	Hose	
79	1001210356	1	Tube	
80	1001180035	2	Hose	
81	2220923	2	Fitting, Straight JIC/ORB	
82	2220998	2	Fitting, Straight JIC/ORB	
83	2221086	1	Fitting, Diagnostic	
84	2220883	2	Plug #4	
85	1001202910	2	Fitting, Straight MORB	

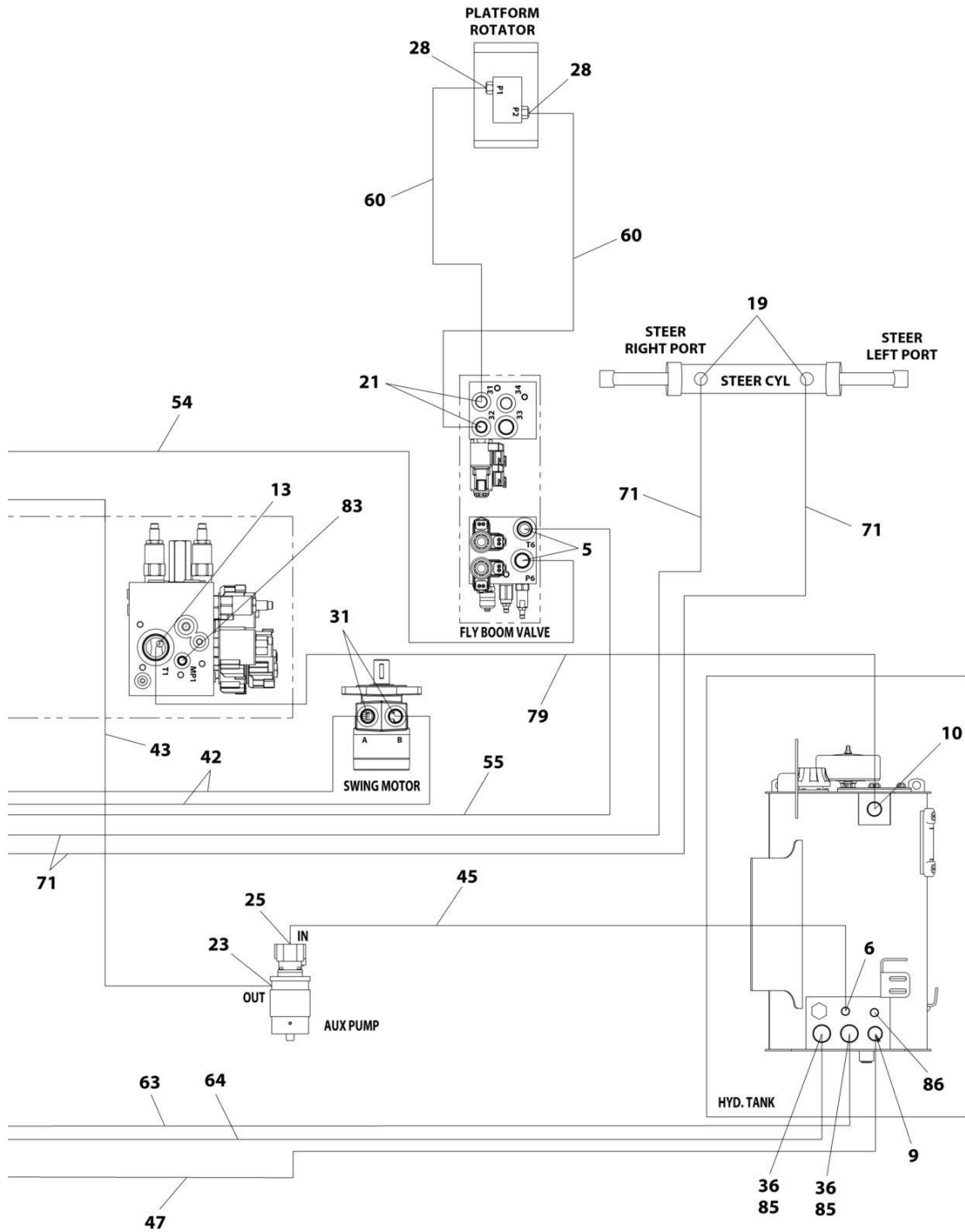
SECTION 7 - HYDRAULIC

FIGURE 7-3. 4WD HYDRAULIC SYSTEM INSTALLATION - 450A



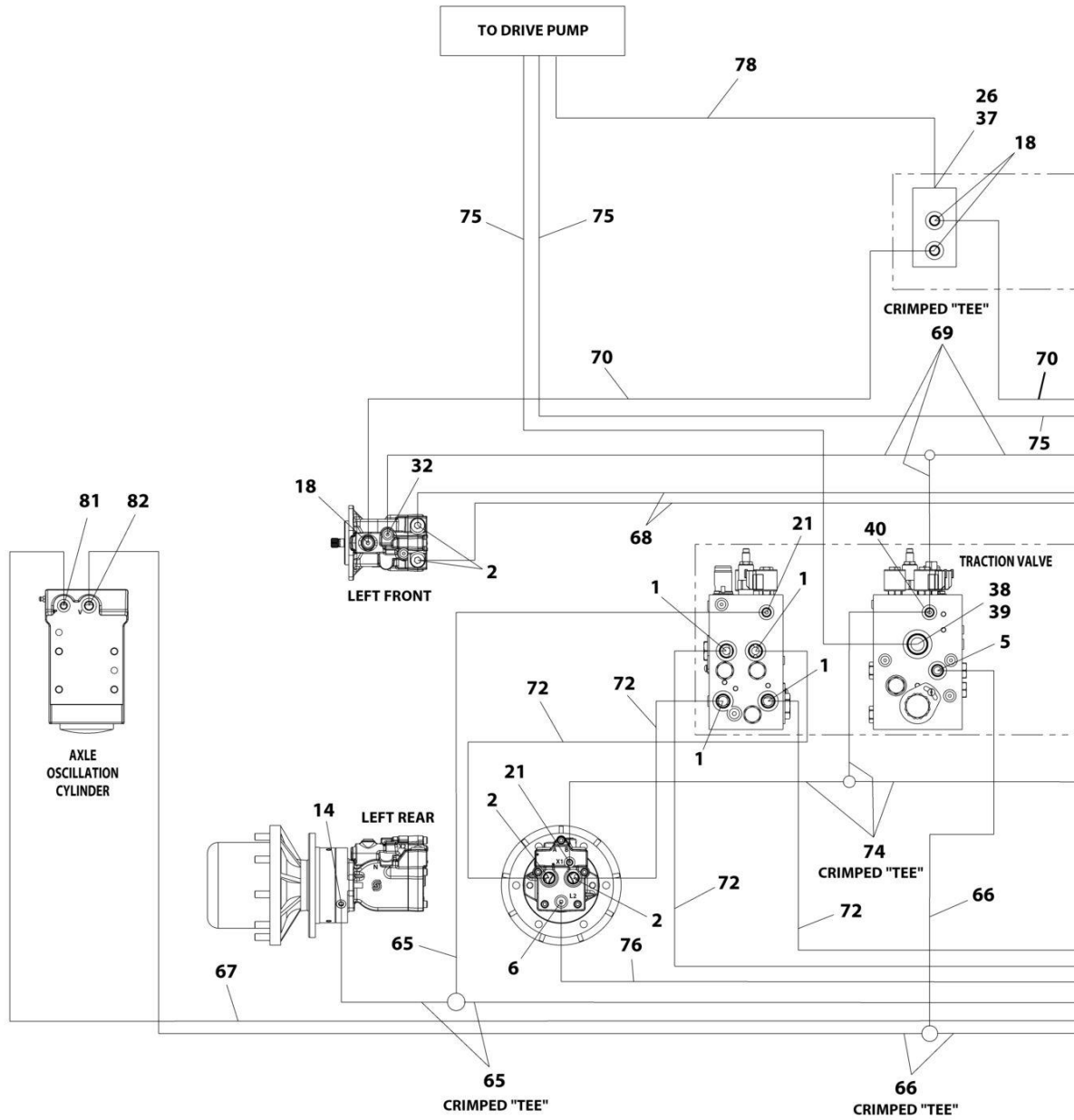
ART_1001217935_1OF4

SECTION 7 - HYDRAULIC



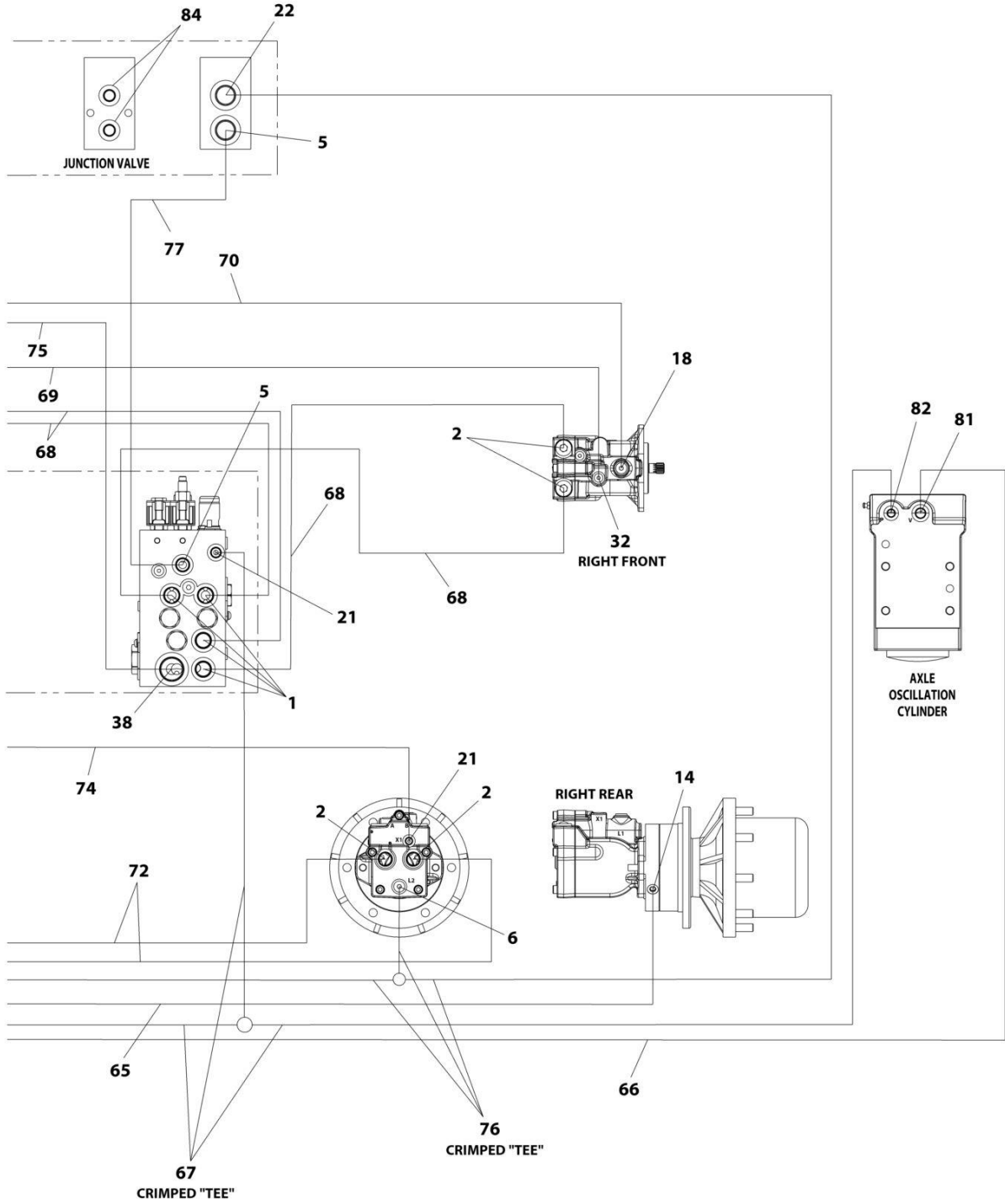
ART_1001217935_2OF4

SECTION 7 - HYDRAULIC



ART_1001217935_3OF4

SECTION 7 - HYDRAULIC



ART_1001217935_4OF4

SECTION 7 - HYDRAULIC

FIGURE 7-3. 4WD HYDRAULIC SYSTEM INSTALLATION - 450A

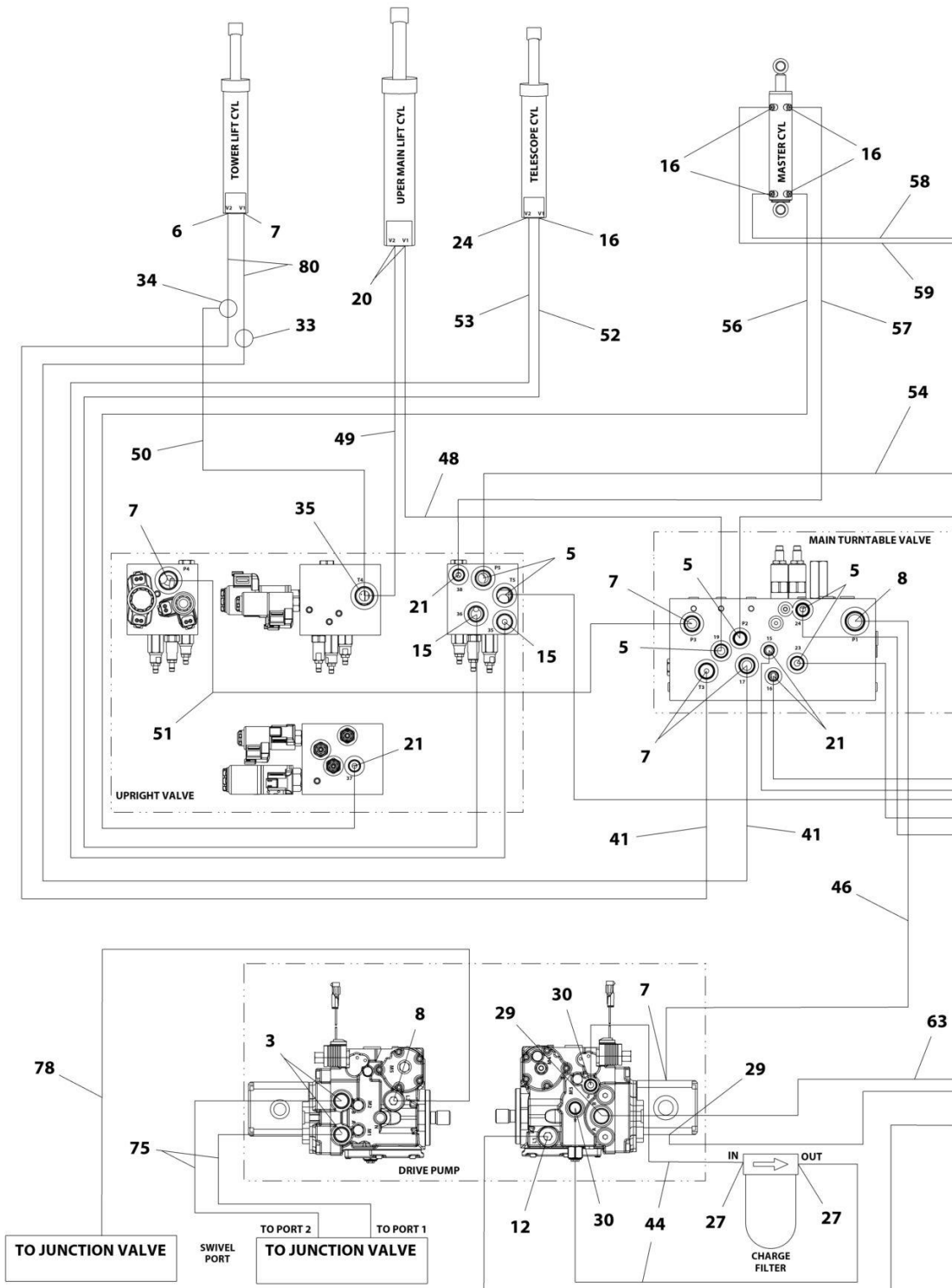
ITEM	PART NUMBER	QTY	DESCRIPTION	REV
	1001217935	Ref	4WD HYDRAULIC SYSTEM INSTALLATION - 450A	F
1	2110810	8	Fitting, Straight ORFS/ORB	
2	2110812	8	Fitting, Straight ORFS/ORB	
3	2151212	2	Fitting, 45 ORFS/ORB	
5	2220372	9	Fitting, Straight JIC/ORB	
6	2220373	3	Fitting, Straight JIC/ORB	
7	2220374	4	Fitting, Straight JIC/ORB	
8	2220375	2	Fitting, Straight JIC/ORB	
9	2220377	1	Fitting, Straight JIC/ORB	
10	2220435	1	Fitting, Straight JIC/ORB	
11	2220415	2	Fitting, Straight JIC/ORB	
12	2220451	1	Fitting, Straight JIC/ORB	
13	2220465	1	Fitting, 90 JIC/ORB	
14	2220466	2	Fitting, 90 JIC/ORB	
15	2220468	2	Fitting, Straight JIC/ORB	
16	2220472	5	Fitting, 90 JIC/ORB	
18	2220500	4	Fitting, 45 JIC/ORB	
19	2220501	2	Fitting, 45 JIC/ORB	
20	2220577	2	Fitting, Straight JIC/ORB (SN 0300201991 through 0300235624)	
20	2220497	2	Fitting, Straight JIC/ORB (SN 0300235625 through 0300272317, Except SN 0300272185 through 0300272190)	
21	2220582	8	Fitting, Straight JIC/ORB	
22	2220596	1	Fitting, 90 JIC/ORB	
23	2220603	1	Fitting, Straight JIC/ORB	
24	2220628	1	Fitting, 90 JIC/ORB	
25	2220600	1	Fitting, Straight JIC/ORB	
26	2220811	1	Fitting, Straight FORB/ORB	
27	2220906	2	Fitting, 90 JIC/ORB	
28	2220940	2	Fitting, Elbow	
29	2220946	2	Fitting, Straight JIC/ORB	
30	2220947	2	Fitting, Straight JIC/ORB	
31	2221033	2	Fitting, Straight JIC/ORB	
32	2221040	2	Fitting, 45 JIC/ORB	
33	2230025	1	Fitting, Straight JIC/JIC	
34	8760477	1	Fitting, Tee JIC/JIC/JIC	
35	8770289	1	Fitting, Tee JIC/ORB/JIC	
36	80633030	2	Clamp, Hose	
37	1001119627	1	Fitting, Straight JIC/ORB	
38	1001142679	2	Fitting, Straight ORFS/ORB	
39	1001143936	1	Fitting, 90 FORB/ORB	
40	1001175024	1	Fitting, Tee JIC/JIC/ORB	
41	1001173006	2	Hose	
42	1001173027	2	Hose	
43	1001173028	1	Hose	
44	1001173029	2	Hose	
45	2752503	1	Hose (SN 0300201991 through 0300222765)	
45	2752519	1	Hose (SN 0300222766 through 0300272317, Except SN 0300272185 through 0300272190)	
46	1001173031	1	Hose (SN 0300201991 through 0300222765)	
46	2752504	1	Hose (SN 0300222766 through 0300272317, Except SN	

SECTION 7 - HYDRAULIC

ITEM	PART NUMBER	QTY	DESCRIPTION	REV
			0300272185 through 0300272190)	
47	1001207336	1	Hose	
48	1001173034	1	Hose	
49	1001173035	1	Hose	
50	1001173036	1	Hose	
51	1001173037	1	Hose	
52	1001173038	1	Hose	
53	1001173039	1	Hose	
54	1001176299	1	Hose	
55	1001176300	1	Hose	
56	1001173042	1	Hose	
57	1001173043	1	Hose	
58	1001176301	1	Hose	
59	1001176302	1	Hose	
60	1001215227	2	Hose	
63	1001207335	1	Hose	
64	1001207334	1	Hose (SN 0300201991 through 0300222765)	
64	1001207335	1	Hose (SN 0300222766 through 0300272317, Except SN 0300272185 through 0300272190)	
65	1001173052	1	Hose	
66	1001173053	1	Hose	
67	1001173054	1	Hose	
68	1001173055	4	Hose	
69	1001173056	1	Hose	
70	1001173057	2	Hose	
71	1001173058	2	Hose	
72	1001173059	4	Hose	
74	1001173061	1	Hose	
75	1001173062	2	Hose	
76	1001173063	1	Hose	
77	1001197039	1	Hose	
78	1001173066	1	Hose	
79	1001210356	1	Tube Assembly	
80	1001180035	2	Hose	
81	2220923	2	Fitting, Straight JIC/ORB	
82	2220998	2	Fitting, Straight JIC/ORB	
83	2221086	1	Fitting, Diagnostic	
84	2220883	2	Plug #4	
85	1001202910	2	Fitting, Straight MORB	
86	2220238	1	Plug	

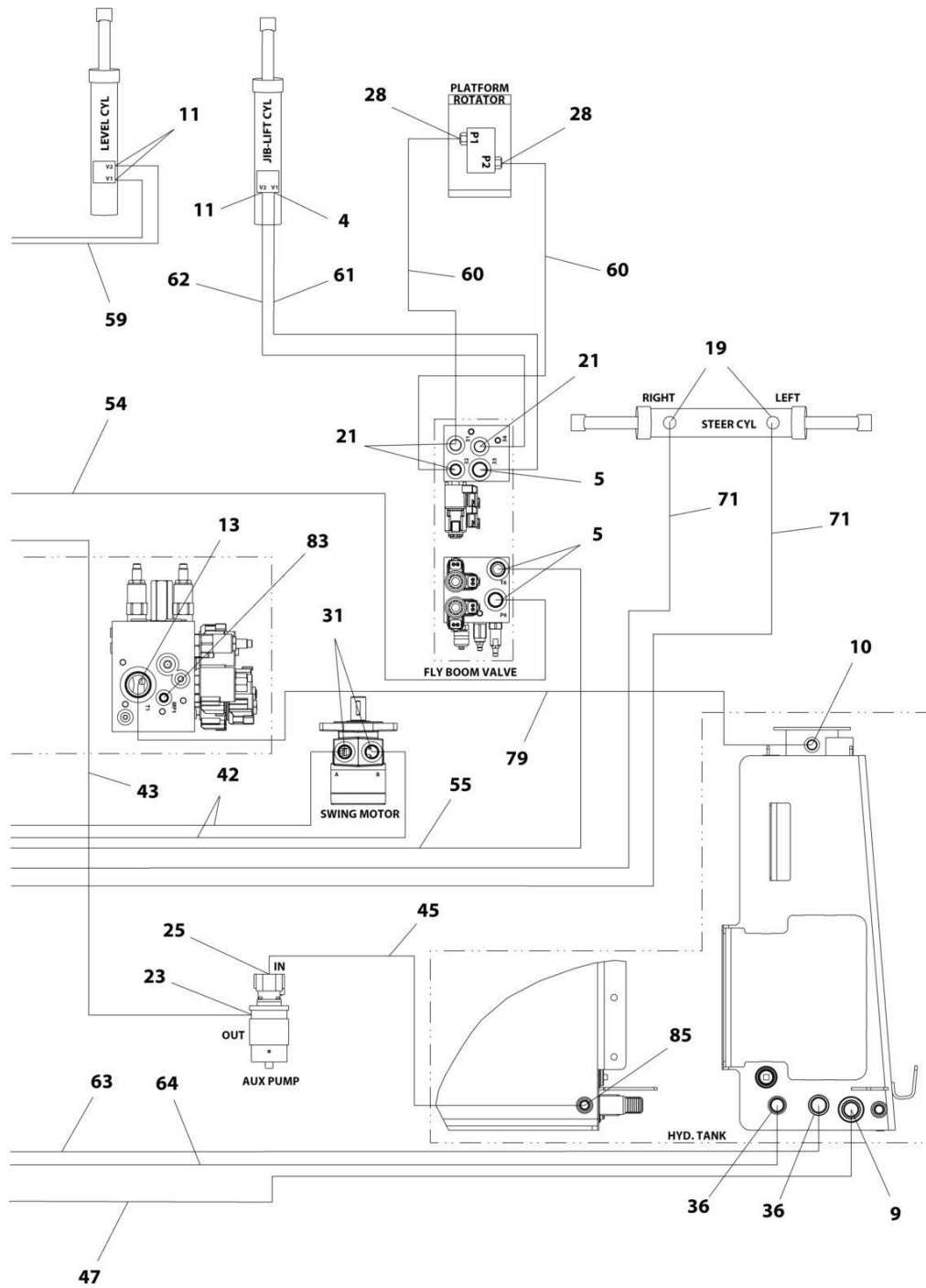
SECTION 7 - HYDRAULIC

FIGURE 7-4. 4WD HYDRAULIC SYSTEM INSTALLATION - 450AJ (SN 0300201991 through 0300225480, SN E300002833 through E300004226)



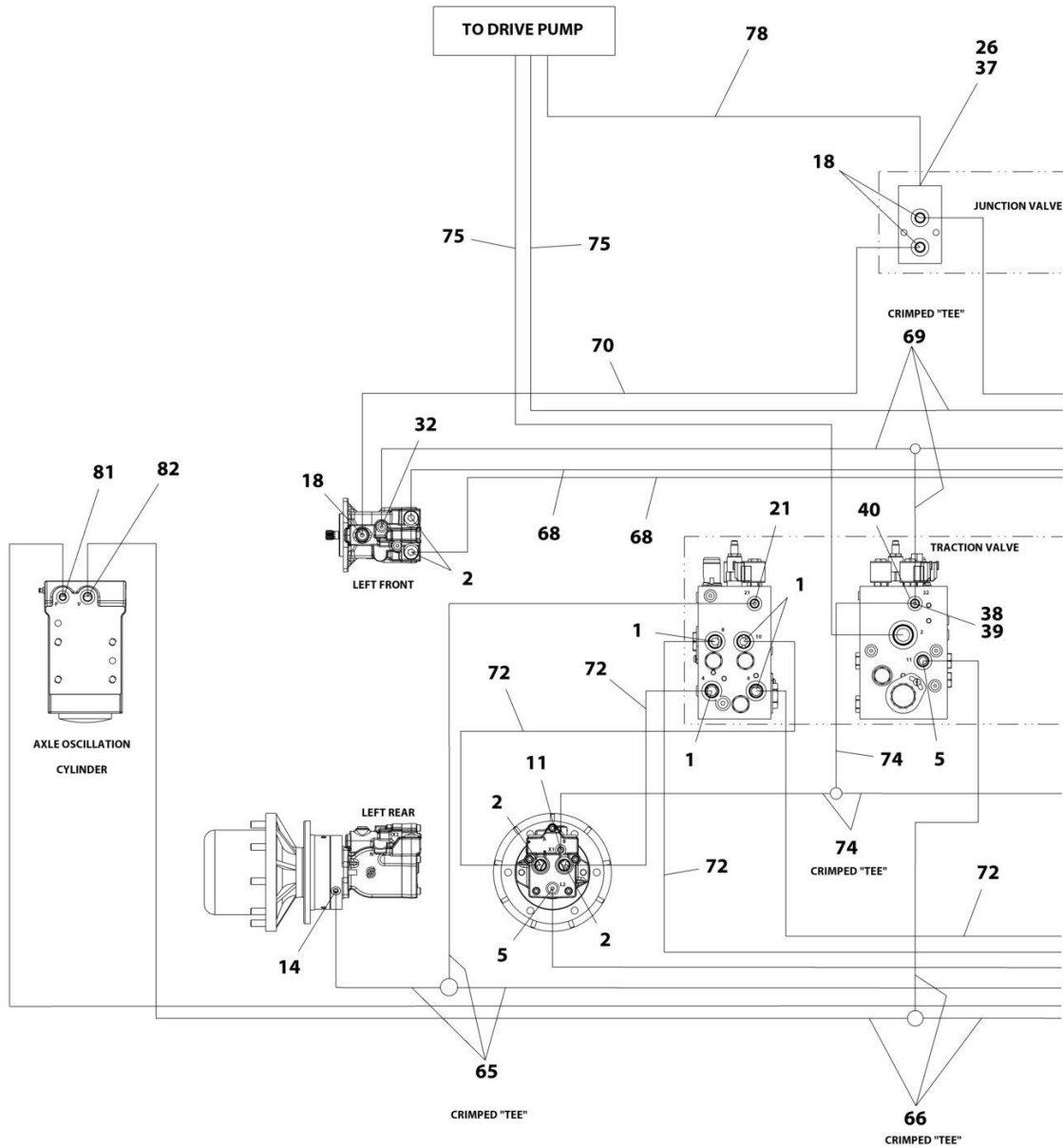
ART_1001165949_10F4

SECTION 7 - HYDRAULIC



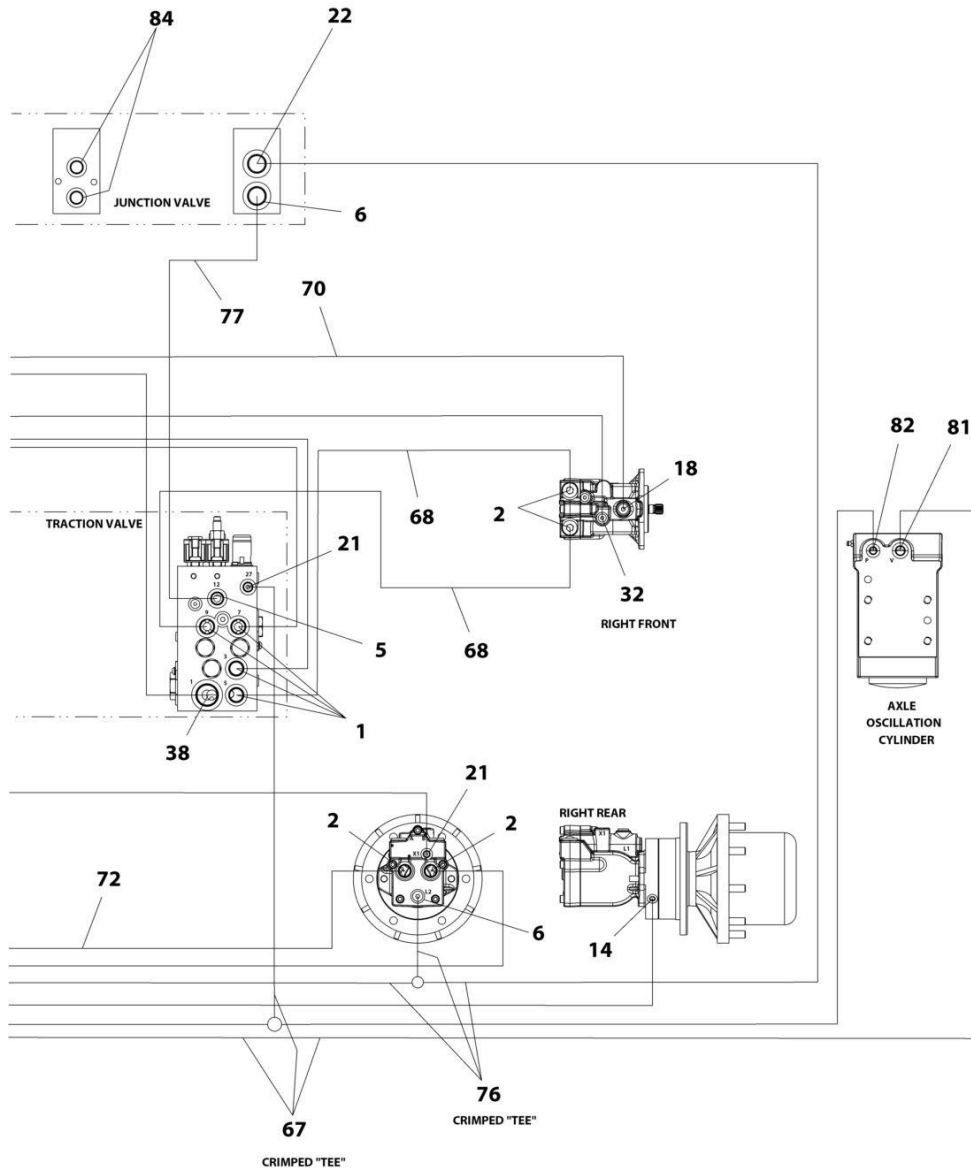
ART_1001165949_20F4

SECTION 7 - HYDRAULIC



ART_1001165949_30F4

SECTION 7 - HYDRAULIC



ART_1001165949_4OF4

SECTION 7 - HYDRAULIC

FIGURE 7-4. 4WD HYDRAULIC SYSTEM INSTALLATION - 450AJ (SN 0300201991 through 0300225480, SN E300002833 through E300004226)

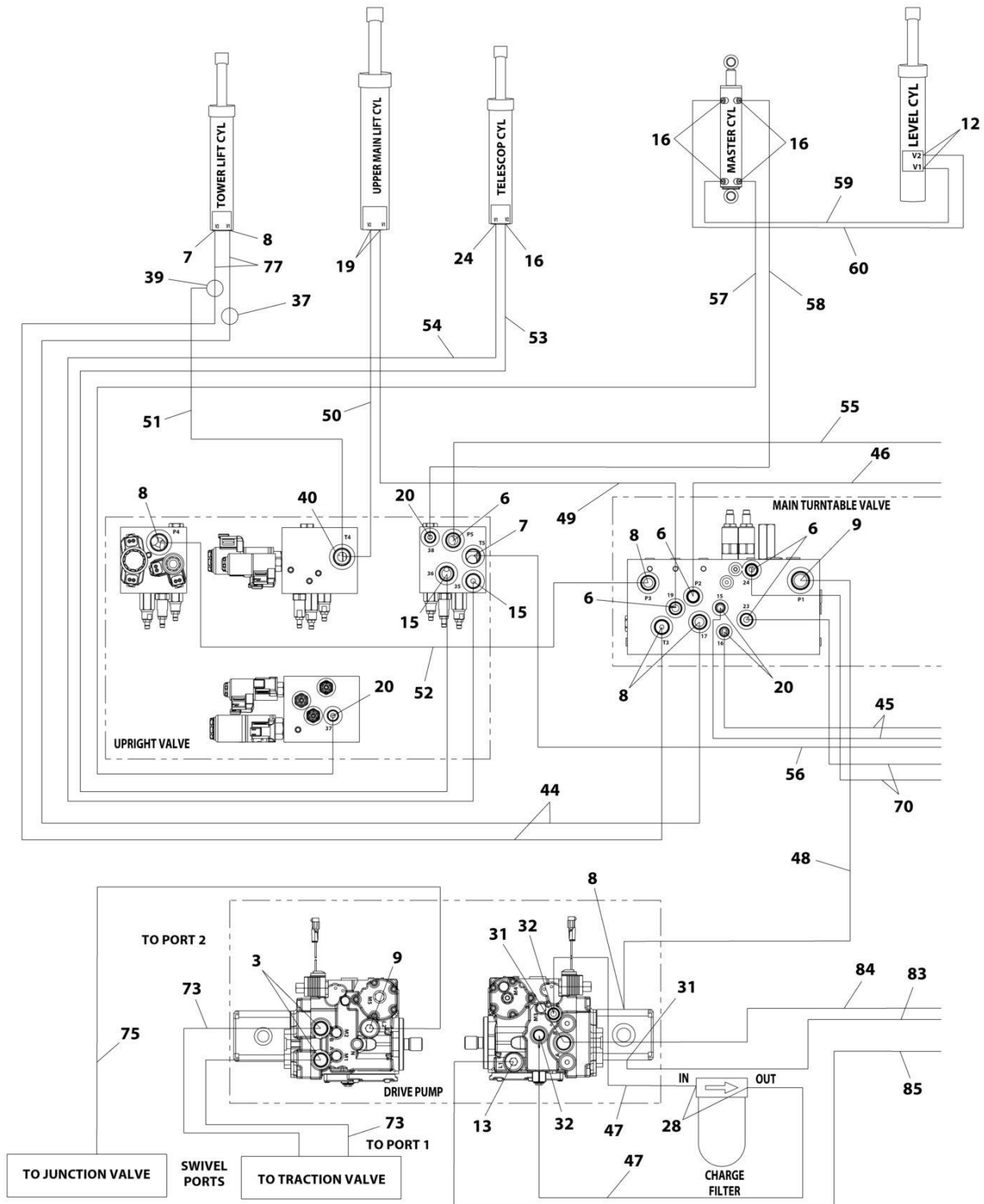
ITEM	PART NUMBER	QTY	DESCRIPTION	REV
	1001165949	Ref	4WD HYDRAULIC SYSTEM INSTALLATION - 450AJ (SN 0300201991 through 0300225480, SN E300002833 through E300004226)	H
1	2110810	8	Fitting, Straight ORFS/ORB	
2	2110812	8	Fitting, Straight ORFS/ORB	
3	2151212	2	Fitting, 45 ORFS/ORB	
4	2220371	1	Fitting, Straight JIC/ORB	
5	2220372	11	Fitting, Straight JIC/ORB	
6	2220373	5	Fitting, Straight JIC/ORB	
7	2220374	6	Fitting, Straight JIC/ORB	
8	2220375	2	Fitting, Straight JIC/ORB	
9	2220377	1	Fitting, Straight JIC/ORB	
10	2220408	1	Fitting, Straight JIC/ORB	
11	2220415	5	Fitting, Straight JIC/ORB	
12	2220451	1	Fitting, Straight JIC/ORB	
13	2220465	1	Fitting, 90 JIC/ORB	
14	2220466	2	Fitting, 90 JIC/ORB	
15	2220468	2	Fitting, Straight JIC/ORB	
16	2220472	5	Fitting, 90 JIC/ORB	
18	2220500	4	Fitting, 45 JIC/ORB	
19	2220501	2	Fitting, 45 JIC/ORB	
20	2220577	2	Fitting, Straight JIC/ORB	
21	2220582	11	Fitting, Straight JIC/ORB	
22	2220596	1	Fitting, 90 JIC/ORB	
23	2220603	1	Fitting, Straight JIC/ORB	
24	2220628	1	Fitting, 90 JIC/ORB	
25	2220726	1	Fitting, 90 JIC/ORB	
26	2220811	1	Fitting, Straight FORB/ORB	
27	2220906	2	Fitting, 90 JIC/ORB	
28	2220940	2	Fitting, Elbow	
29	2220946	2	Fitting, Straight JIC/ORB	
30	2220947	2	Fitting, Straight JIC/ORB	
31	2221033	2	Fitting, Straight JIC/ORB	
32	2221040	2	Fitting, 45 JIC/ORB	
33	2230025	1	Fitting, Straight JIC/JIC	
34	8760477	1	Fitting, Tee JIC/JIC/JIC	
35	8770289	1	Fitting, Tee JIC/ORB/JIC	
36	80633030	2	Clamp, Hose	
37	1001119627	1	Fitting, Straight JIC/ORB	
38	1001142679	2	Fitting, Straight ORFS/ORB	
39	1001143936	1	Fitting, 90 FORB/ORB	
40	1001175024	1	Fitting, Tee JIC/JIC/ORB	
41	1001173006	2	Hose	
42	1001173027	2	Hose	
43	1001173028	1	Hose	
44	1001173029	2	Hose	
45	1001173030	1	Hose	
46	1001173031	1	Hose	
47	1001173032	1	Hose	

SECTION 7 - HYDRAULIC

ITEM	PART NUMBER	QTY	DESCRIPTION	REV
48	1001173034	1	Hose	
49	1001173035	1	Hose	
50	1001173036	1	Hose	
51	1001173037	1	Hose	
52	1001173038	1	Hose	
53	1001173039	1	Hose	
54	1001173040	1	Hose	
55	1001173041	1	Hose	
56	1001173042	1	Hose	
57	1001173043	1	Hose	
58	1001173044	1	Hose	
59	1001173045	1	Hose	
60	1001173046	2	Hose	
61	1001173048	1	Hose	
62	1001173049	1	Hose	
63	1001173050	1	Hose	
64	1001173051	1	Hose	
65	1001173052	1	Hose	
66	1001173053	1	Hose	
67	1001173054	1	Hose	
68	1001173055	4	Hose	
69	1001173056	1	Hose	
70	1001173057	2	Hose	
71	1001173058	2	Hose	
72	1001173059	4	Hose	
74	1001173061	1	Hose	
75	1001173062	2	Hose	
76	1001173063	1	Hose	
77	1001197039	1	Hose	
78	1001173066	1	Hose	
79	1001173631	1	Tube Assembly	
80	1001180035	2	Hose	
81	2220923	2	Fitting, Straight JIC/ORB	
82	2220998	2	Fitting, Straight JIC/ORB	
83	2221086	1	Fitting, Diagnostic	
84	2220883	2	Plug #4	
85	8765204	1	Fitting, 90 JIC/FSJIC	

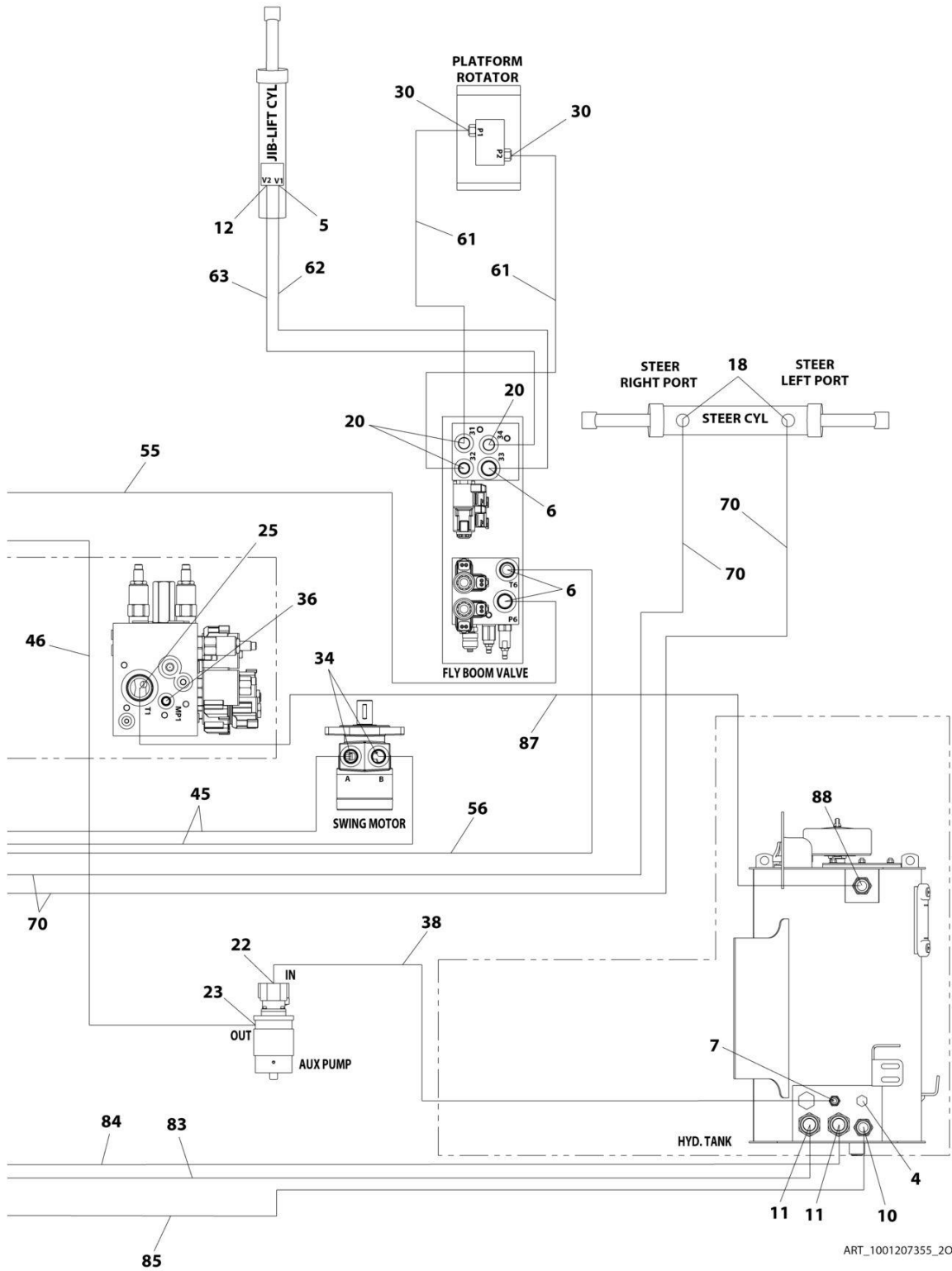
SECTION 7 - HYDRAULIC

FIGURE 7-5. 4WD HYDRAULIC SYSTEM INSTALLATION - 450AJ (SN 0300225481 through 0300272317, SN B300003516 through B300005760, SN E300004227 through E300007990, SN 1300007279 through 1300007373)



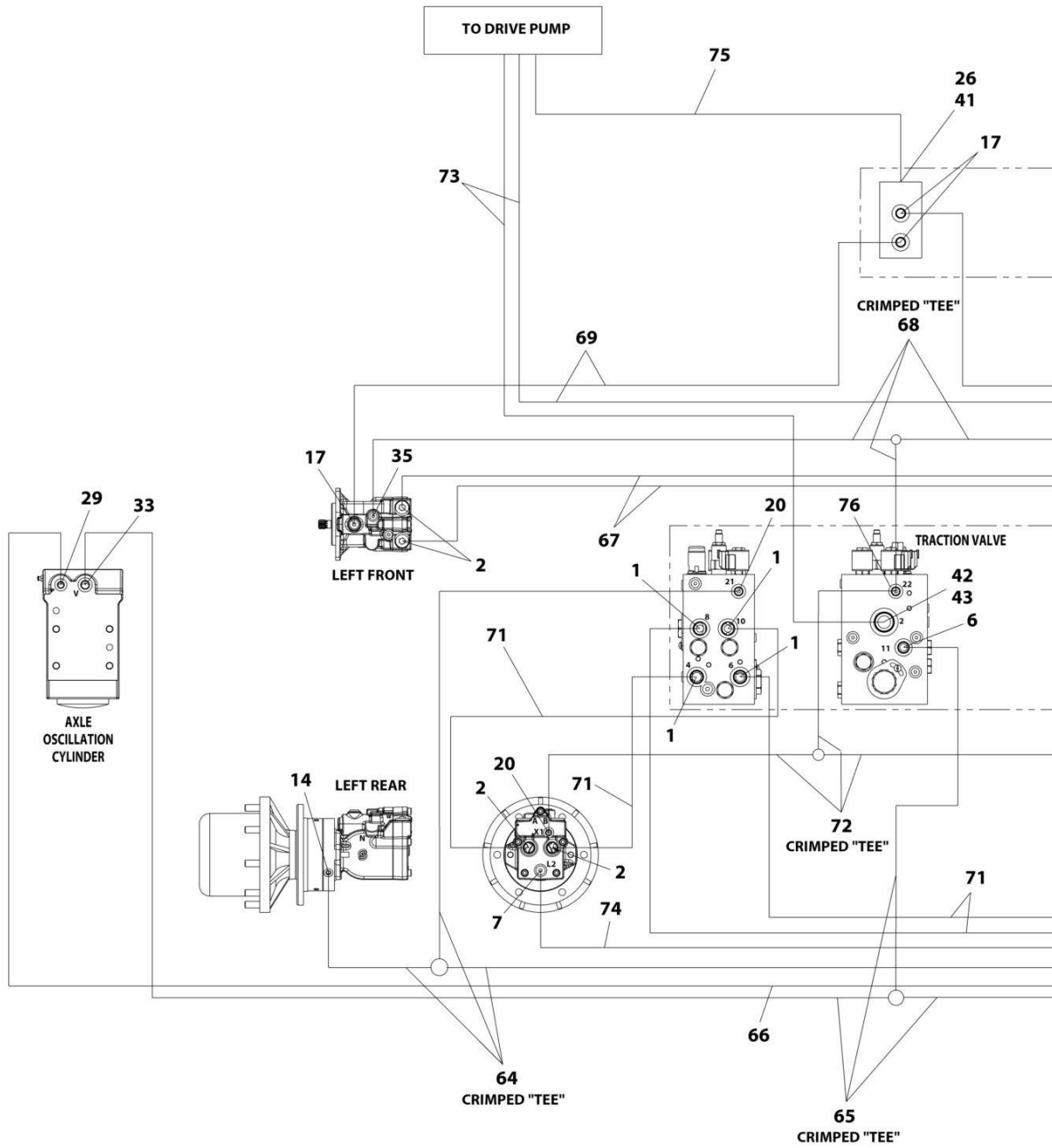
ART_1001207355_10F4

SECTION 7 - HYDRAULIC



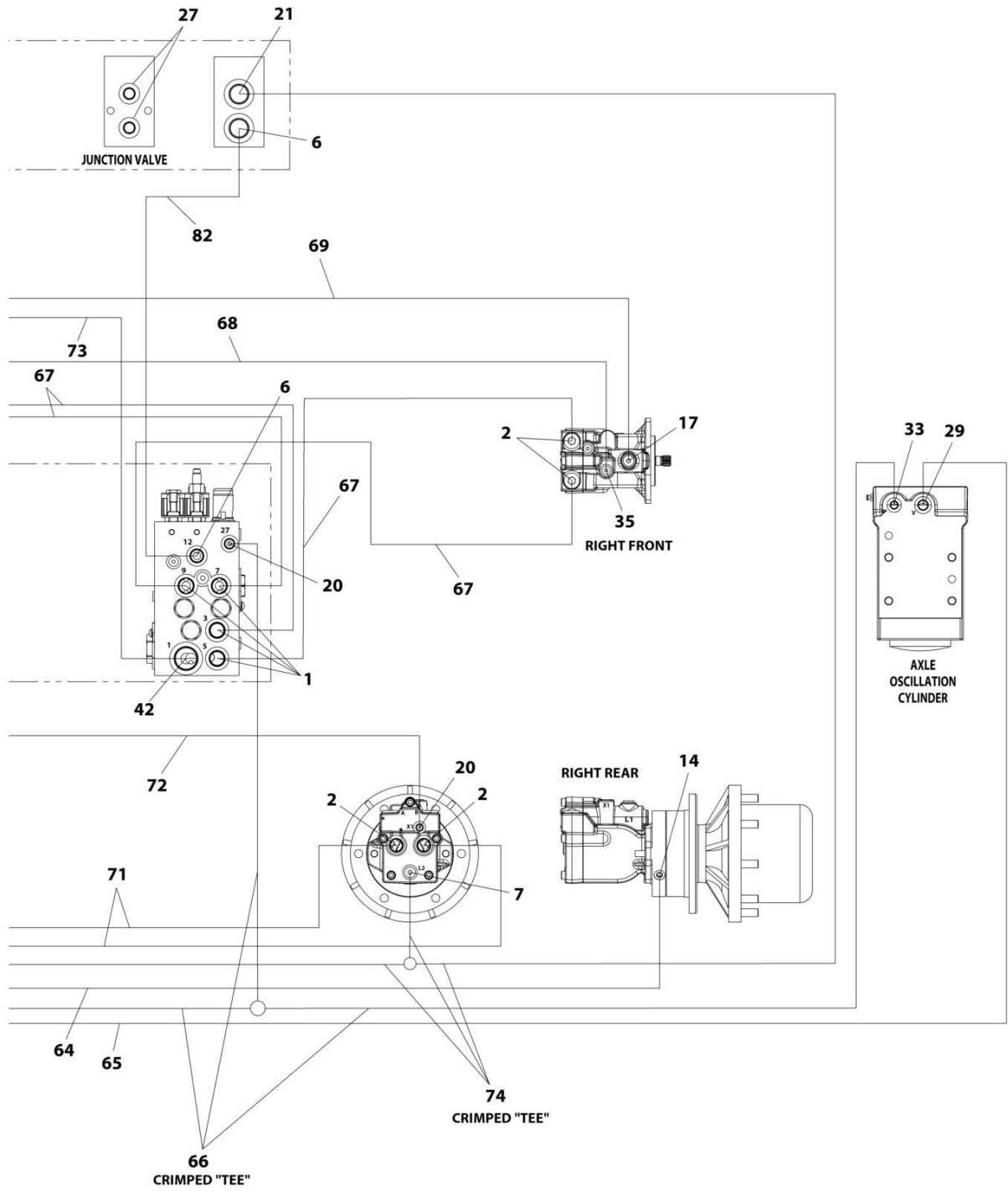
ART_1001207355_20F4

SECTION 7 - HYDRAULIC



ART_1001207355_30F4

SECTION 7 - HYDRAULIC



ART_1001207355_4OF4

SECTION 7 - HYDRAULIC

FIGURE 7-5. 4WD HYDRAULIC SYSTEM INSTALLATION - 450AJ (SN 0300225481 through 0300272317, SN B300003516 through B300005760, SN E300004227 through E300007990, SN 1300007279 through 1300007373)

ITEM	PART NUMBER	QTY	DESCRIPTION	REV
	1001207355	Ref	4WD HYDRAULIC SYSTEM INSTALLATION - 450AJ	C
1	2110810	8	Fitting, Straight ORFS/ORB	
2	2110812	8	Fitting, Straight ORFS/ORB	
3	2151212	2	Fitting, 45 ORFS/ORB	
4	2220238	1	Plug	
5	2220371	1	Fitting, Straight JIC/ORB	
6	2220372	11	Fitting, Straight JIC/ORB	
7	2220373	5	Fitting, Straight JIC/ORB	
8	2220374	6	Fitting, Straight JIC/ORB	
9	2220375	2	Fitting, Straight JIC/ORB	
10	2220377	1	Fitting, Straight JIC/ORB	
11	1001202910	2	Fitting, Straight MORB	
12	2220415	3	Fitting, Straight JIC/ORB	
13	2220451	1	Fitting, Straight JIC/ORB	
14	2220466	2	Fitting, 90 JIC/ORB	
15	2220468	2	Fitting, Straight JIC/ORB	
16	2220472	5	Fitting, 90 JIC/ORB	
17	2220500	4	Fitting, 45 JIC/ORB	
18	2220501	2	Fitting, 45 JIC/ORB	
19	2220577	2	Fitting, Straight JIC/ORB (SN 0300225481 through 0300226834, SN E300004227 through E300004380)	
19	2220497	2	Fitting, Straight JIC/ORB (SN 0300226835 through 0300272317, SN 1300007279 through 1300007373, SN B300003516 through B300005760, SN E300004381 through E300007990, Except SN 0300272185 through 0300272190, Excluding B300005569 and E300007814)	
20	2220582	11	Fitting, Straight JIC/ORB	
21	2220596	1	Fitting, 90 JIC/ORB	
22	2220600	1	Fitting, Straight JIC/ORB	
23	2220603	1	Fitting, Straight JIC/ORB	
24	2220628	1	Fitting, 90 JIC/ORB	
25	2220465	1	Fitting, 90 JIC/ORB	
26	2220811	1	Fitting, Straight FORB/ORB	
27	2220883	2	Plug #4	
28	2220906	2	Fitting, 90 JIC/ORB	
29	2220923	2	Fitting, Straight JIC/ORB	
30	2220940	2	Fitting, Elbow	
31	2220946	2	Fitting, Straight JIC/ORB	
32	2220947	2	Fitting, Straight JIC/ORB	
33	2220998	2	Fitting, Straight JIC/ORB	
34	2221033	2	Fitting, Straight JIC/ORB	
35	2221040	2	Fitting, 45 JIC/ORB	
36	2221086	1	Fitting, Diagnostic	
37	2230025	1	Fitting, Straight JIC/JIC	
38	2752519	1	Hose	
39	8760477	1	Fitting, Tee JIC/JIC/JIC	
40	8770289	1	Fitting, Tee JIC/ORB/JIC	
41	1001119627	1	Fitting, Straight JIC/ORB	
42	1001142679	2	Fitting, Straight ORFS/ORB	

SECTION 7 - HYDRAULIC

ITEM	PART NUMBER	QTY	DESCRIPTION	REV
43	1001143936	1	Fitting, 90 FORB/ORB	
44	1001173006	2	Hose	
45	1001173027	2	Hose	
46	1001173028	1	Hose	
47	1001173029	2	Hose	
48	2752504	1	Hose	
49	1001173034	1	Hose	
50	1001173035	1	Hose	
51	1001173036	1	Hose	
52	1001173037	1	Hose	
53	1001173038	1	Hose	
54	1001173039	1	Hose	
55	1001173040	1	Hose	
56	1001173041	1	Hose	
57	1001173042	1	Hose	
58	1001173043	1	Hose	
59	1001173044	1	Hose	
60	1001173045	1	Hose	
61	1001173046	2	Hose	
62	1001173048	1	Hose	
63	1001173049	1	Hose	
64	1001173052	1	Hose	
65	1001173053	1	Hose	
66	1001173054	1	Hose	
67	1001173055	4	Hose	
68	1001173056	1	Hose	
69	1001173057	2	Hose	
70	1001173058	2	Hose	
71	1001173059	4	Hose	
72	1001173061	1	Hose	
73	1001173062	2	Hose	
74	1001173063	1	Hose	
75	1001173066	1	Hose	
76	1001175024	1	Fitting, Tee JIC/JIC/ORB	
77	1001180035	2	Hose	
82	1001197039	1	Hose	
83	1001207335	1	Hose	
84	1001207335	1	Hose	
85	1001207336	1	Hose	
87	1001210356	1	Tube	
88	2220435	1	Fitting, Straight JIC/ORB	
89	80633030	2	Clamp, Hose	

SECTION 7 - HYDRAULIC

FIGURE 7-6. HYDRAULIC DIAGRAM LIST

ITEM	PART NUMBER	QTY	DESCRIPTION	REV
		Ref	HYDRAULIC DIAGRAM LIST	
	1001217936	Ref	2WD HYDRAULIC SYSTEM INSTALLATION - 450A	F
	1001216802	Ref	2WD HYDRAULIC SYSTEM INSTALLATION - 450AJ	C
	1001217935	Ref	4WD HYDRAULIC SYSTEM INSTALLATION - 450A	F
	1001165949	Ref	4WD HYDRAULIC SYSTEM INSTALLATION - 450AJ (SN 0300201991 through 0300225480, SN E300002833 through E300004226)	G
	1001207355	Ref	4WD HYDRAULIC SYSTEM INSTALLATION - 450AJ (SN 0300225481 through 0300272317, SN 1300007279 through 1300007373, SN B300003516 through B300005760, SN E300004227 through E300007990, Except SN 0300272185 through 0300272190, Excluding B300005569 and E300007814)	C
	1001175260	Ref	HYDRAULIC SCHEMATIC (Not Shown - See Service Manual)	C

SECTION 8 - ELECTRICAL

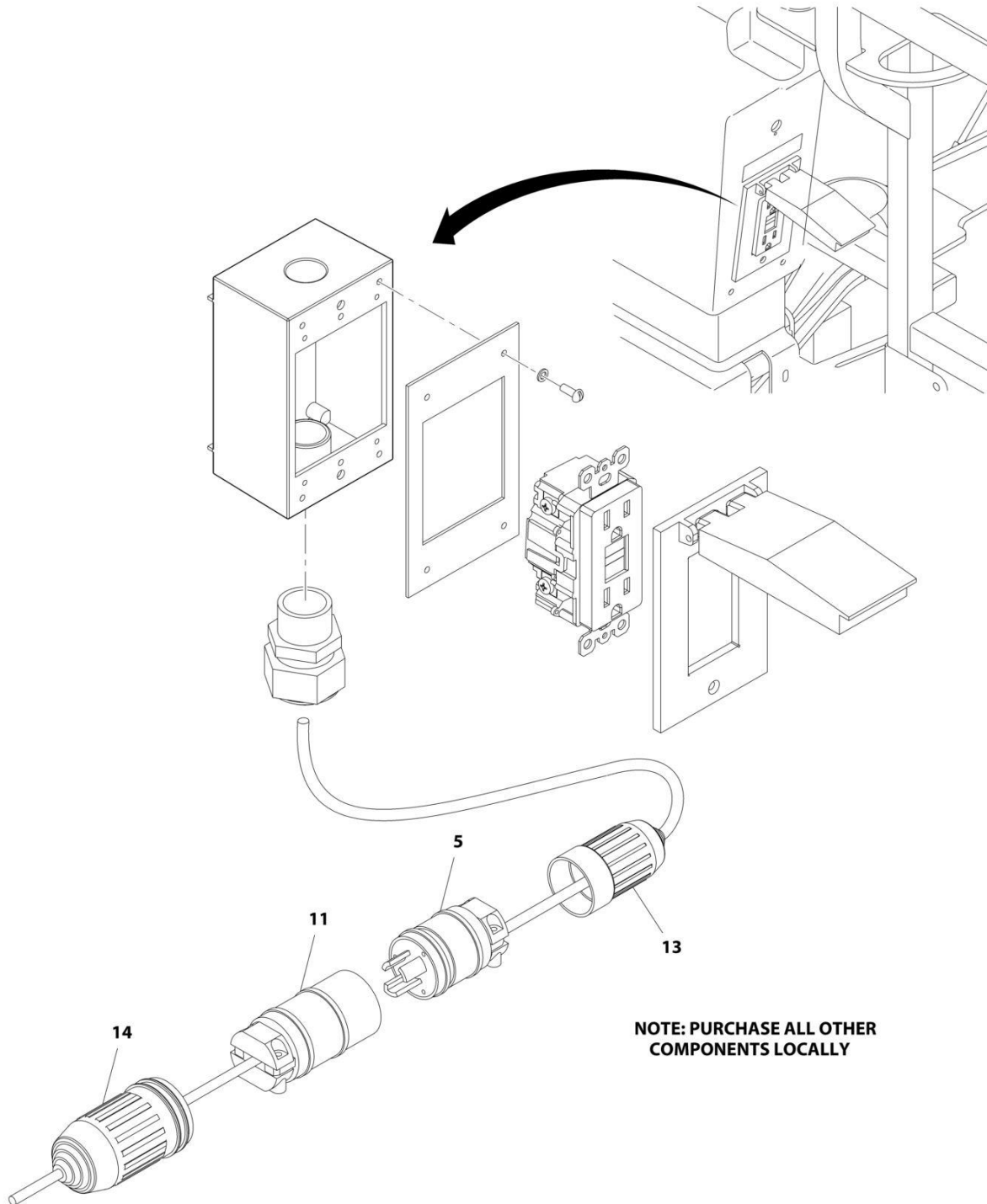
SECTION 8 - ELECTRICAL

FIGURE 8-1. ELECTRICAL DIAGRAM LIST

ITEM	PART NUMBER	QTY	DESCRIPTION	REV
		Ref	Note: Diagrams not shown are available from the JLG Service Department. Schematics shown in the Service and Maintenance Manual.	
		Ref	ELECTRICAL DIAGRAM LIST	
	1001157930	Ref	Electrical Schematic - 450AJ	
	1001188731	Ref	Generator Electrical Diagram - 2500W Generator - 60Hz	
	1001188732	Ref	Generator Electrical Diagram - 2500W Generator - 50Hz	
	1001175632	Ref	Generator Electrical Diagram - 4000W Generator - 50Hz (ANSI Export, CE and China Specs)	
	1001175634	Ref	Generator Electrical Diagram - 4000W Generator - 50Hz (Australian Specs)	
	1001175633	Ref	Generator Electrical Diagram - 4000W Generator - 50Hz (UK Specs)	
	1001175631	Ref	Generator Electrical Diagram - 4000W Generator - 60Hz (ANSI, ANSI Export and CSA Specs)	
	1001174675	Ref	Generator Electrical Diagram - 7500W SkyPower Generator	
	4933218	Ref	Soft Touch Electrical Diagram (SN 0300201991 through 0300211835)	

SECTION 8 - ELECTRICAL

FIGURE 8-2. AC BOX AT PLATFORM - LOCALLY SUPPLIED COMPONENTS FOR ANSI EXPORT, AUSTRALIAN AND CE SPECS (SN 0300201991 through 0300220578, SN E300002833 through E300003512)



ART_0258304

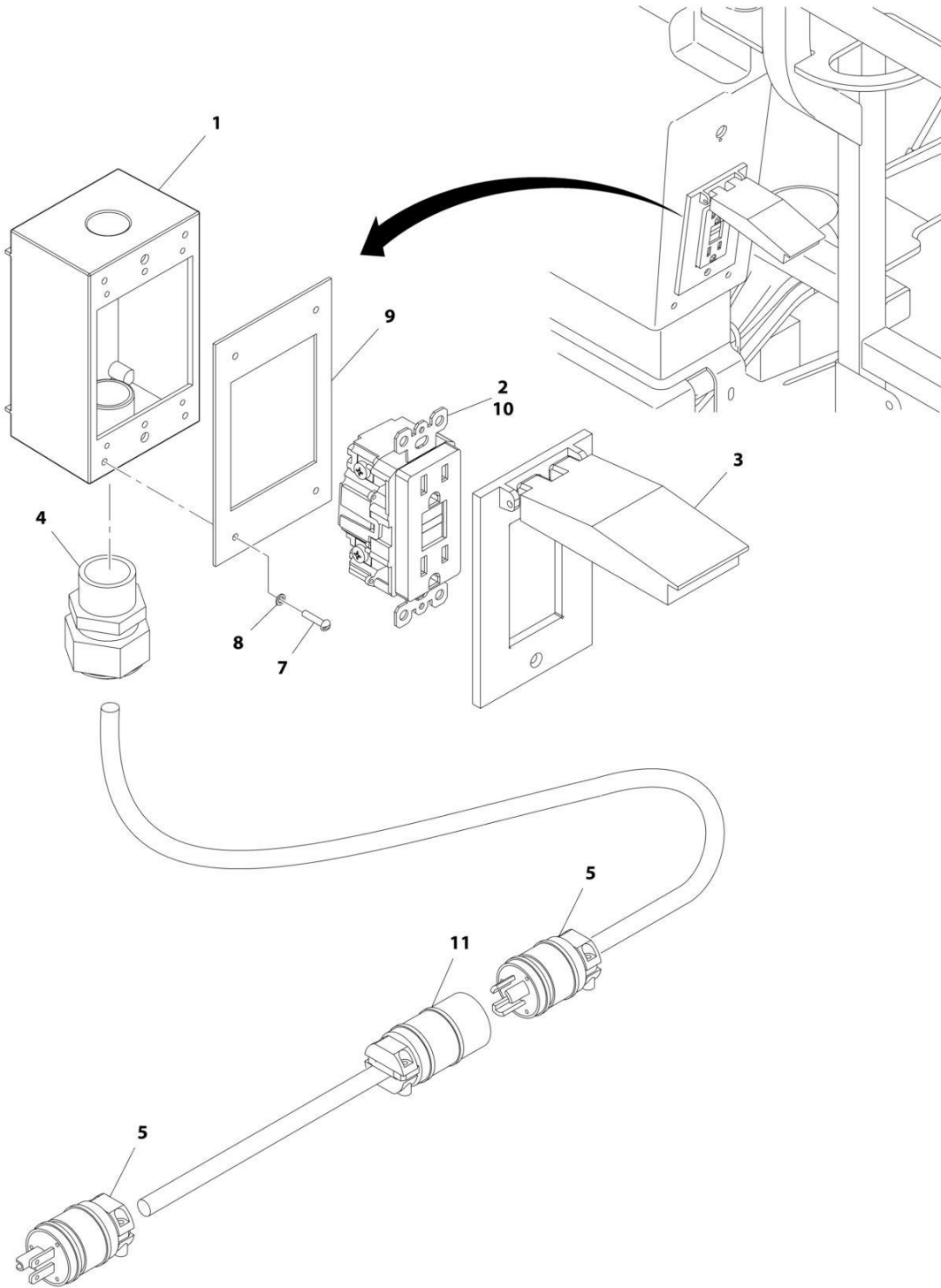
SECTION 8 - ELECTRICAL

FIGURE 8-2. AC BOX AT PLATFORM - LOCALLY SUPPLIED COMPONENTS FOR ANSI EXPORT, AUSTRALIAN AND CE SPECS (SN 0300201991 through 0300220578, SN E300002833 through E300003512)

ITEM	PART NUMBER	QTY	DESCRIPTION	REV
	0258304	Ref	AC BOX AT PLATFORM - LOCALLY SUPPLIED COMPONENTS FOR ANSI EXPORT, AUSTRALIAN AND CE SPECS (SN 0300201991 through 0300220578, SN E300002833 through E300003512)	C
5	4460709	1	Plug	
11	4460710	1	Receptacle	
13	1001156351	1	Cover, Female Connector	
14	1001156352	1	Cover, Male Connector	

SECTION 8 - ELECTRICAL

FIGURE 8-3. AC BOX AT PLATFORM INSTALLATION - 110V - ANSI, ANSI EXPORT AND CSA SPECS
(SN 0300201991 through 0300220578)



ART_0258303

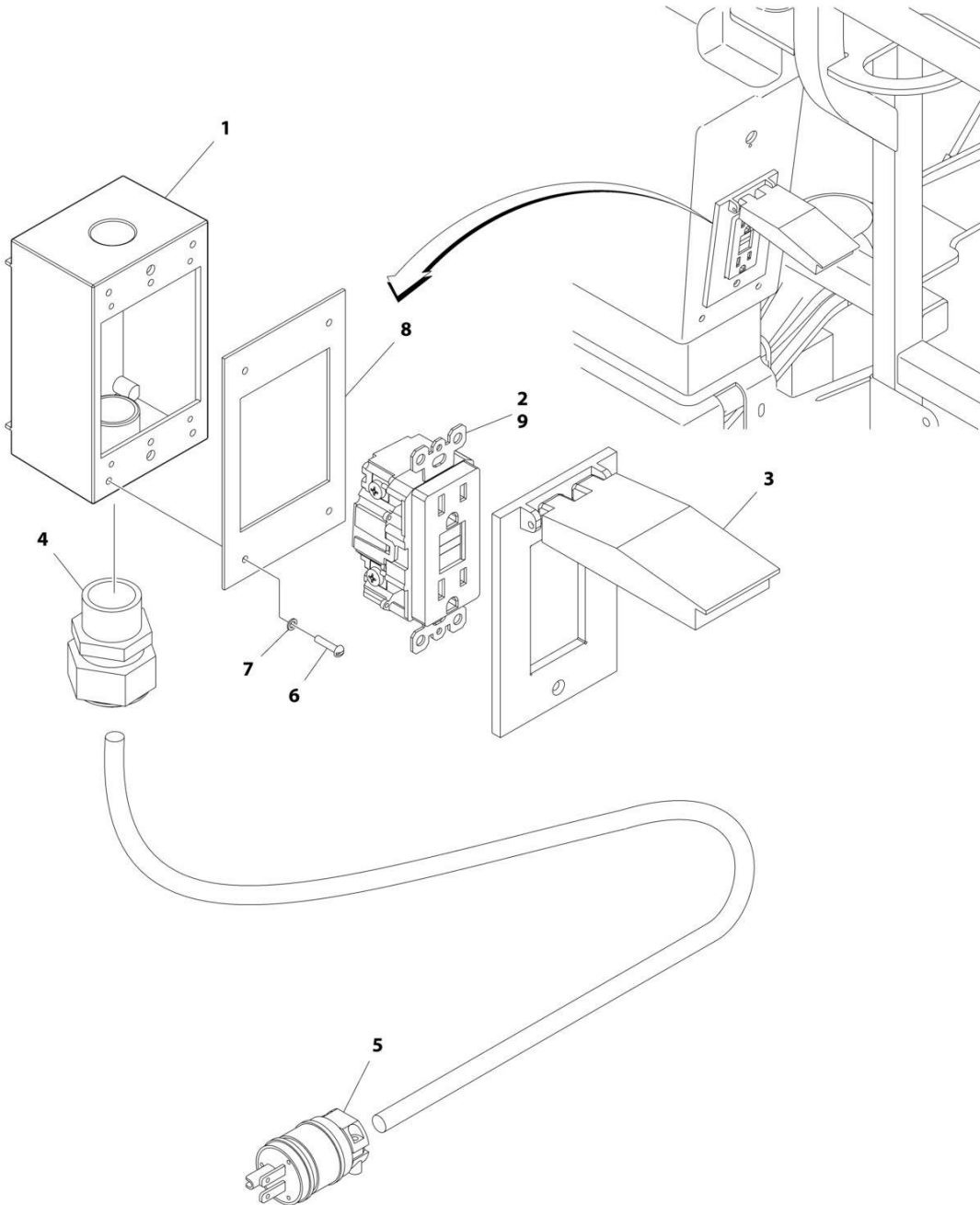
SECTION 8 - ELECTRICAL

**FIGURE 8-3. AC BOX AT PLATFORM INSTALLATION - 110V - ANSI, ANSI EXPORT AND CSA SPECS
(SN 0300201991 through 0300220578)**

ITEM	PART NUMBER	QTY	DESCRIPTION	REV
	0258303	Ref	AC BOX AT PLATFORM INSTALLATION - 110V - ANSI, ANSI EXPORT AND CSA SPECS (SN 0300201991 through 0300220578)	6
1	0860038	1	Box, Switch	
2	4460346	1	Receptacle	
3	1001110873	1	Shield, Cover	
4	4460071	1	Connector, Strain Relief	
5	4460205	1	Plug, Male	
7	3910610	4	Screw #6 x 5/8	
8	4760600	4	Washer #6	
9	3960422	1	Gasket	
10	4460315	3	Terminal, Spade	
11	4460134	1	Receptacle, Female	

SECTION 8 - ELECTRICAL

FIGURE 8-4. AC BOX AT PLATFORM INSTALLATION - 110V - ANSI, ANSI EXPORT, CHINA, CSA AND JAPANESE SPECS (SN 0300220579 through 0300272317, SN B300003516 through B300005760)



ART_0270022

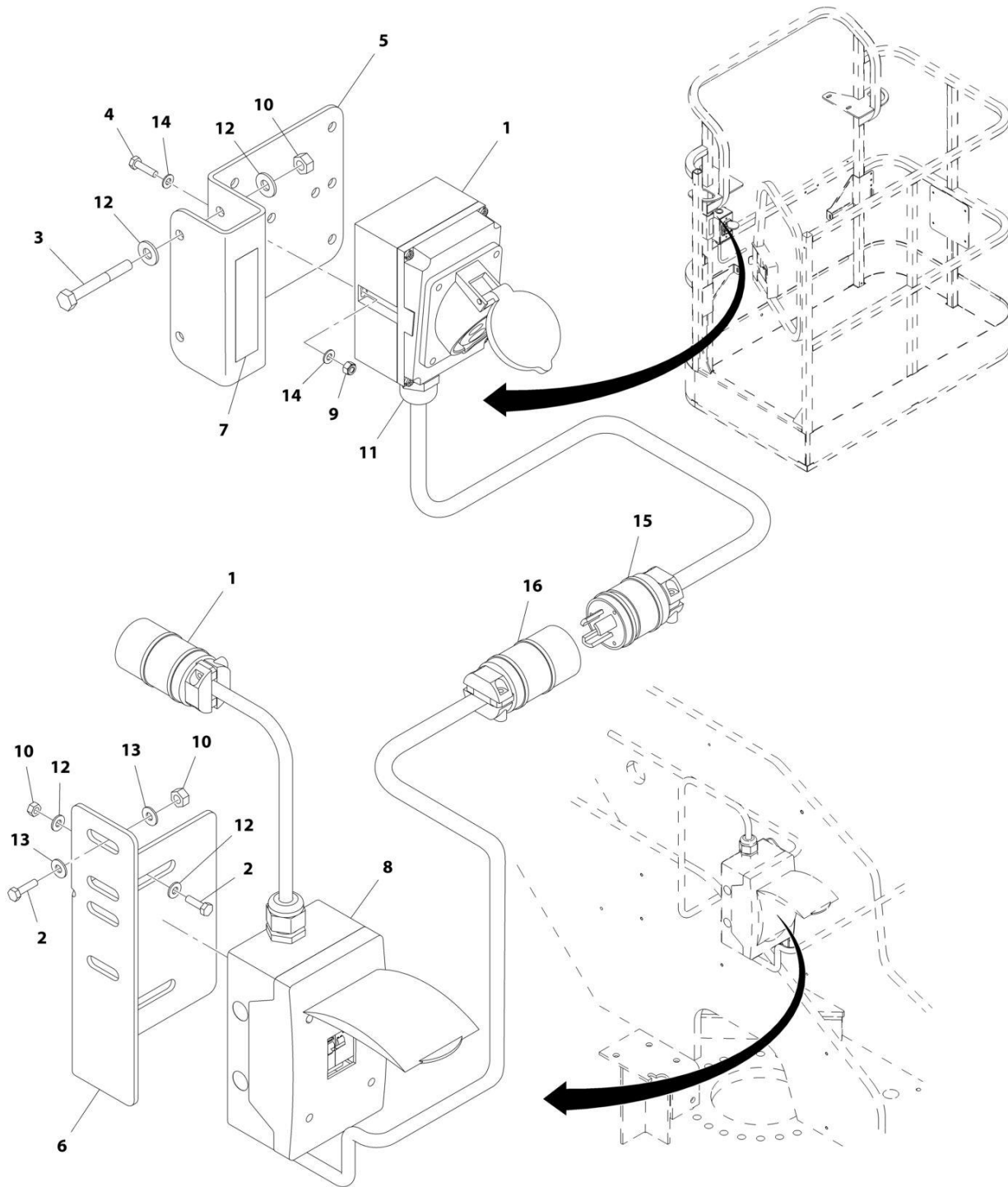
SECTION 8 - ELECTRICAL

FIGURE 8-4. AC BOX AT PLATFORM INSTALLATION - 110V - ANSI, ANSI EXPORT, CHINA, CSA AND JAPANESE SPECS (SN 0300220579 through 0300272317, SN B300003516 through B300005760)

ITEM	PART NUMBER	QTY	DESCRIPTION	REV
	0270022	Ref	AC BOX AT PLATFORM INSTALLATION - 110V - ANSI, ANSI EXPORT, CHINA, CSA AND JAPANESE SPECS	4
1	0860038	1	Box, Switch	
2	4460346	1	Receptacle	
3	1001110873	1	Shield, Cover	
4	4460071	1	Connector, Strain Relief	
5	4460205	1	Plug, Male	
6	3910610	4	Screw #6 x 5/8	
7	4760600	4	Washer #6	
8	3960422	1	Gasket	
9	4460315	1	Terminal, Spade	

SECTION 8 - ELECTRICAL

FIGURE 8-5. AC BOX AT PLATFORM INSTALLATION - 110V IEC YELLOW (CE SPEC) (SN 0300201991 through 0300220578, SN E300002833 through E300003512)



ART_0275681

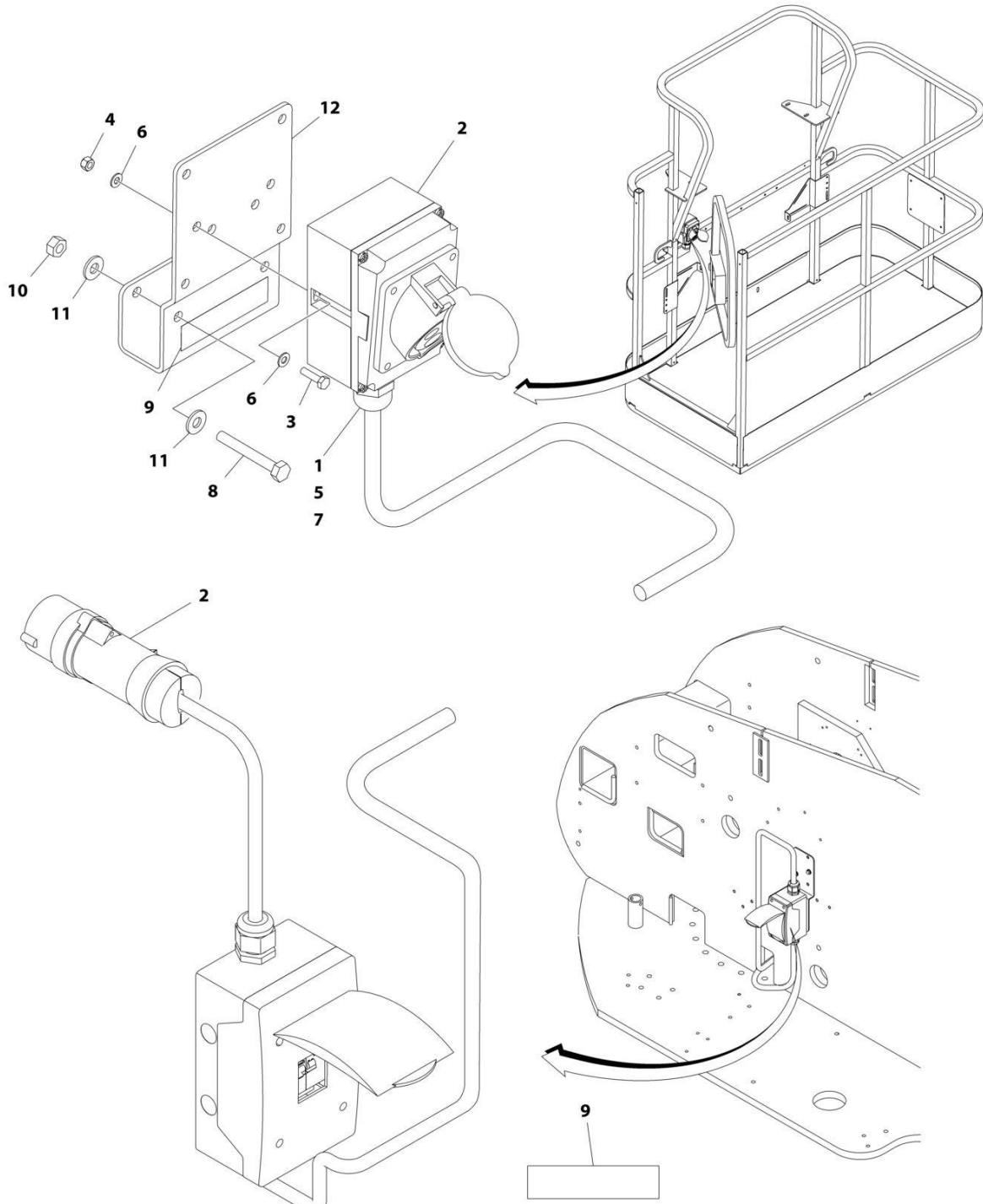
SECTION 8 - ELECTRICAL

FIGURE 8-5. AC BOX AT PLATFORM INSTALLATION - 110V IEC YELLOW (CE SPEC) (SN 0300201991 through 0300220578, SN E300002833 through E300003512)

ITEM	PART NUMBER	QTY	DESCRIPTION	REV
	0275681	Ref	AC BOX AT PLATFORM INSTALLATION - 110V IEC YELLOW (CE SPEC) (SN 0300201991 through 0300220578, SN E300002833 through E300003512)	B
		Ref	Note: For Machines equipped with 4000W Generator, see SPECIAL OPTIONS SECTION.	
1	0275216	1	Receptacle Box Kit (See RECEPTACLE BOX KIT - 110V IEC YELLOW (CE SPEC) for Breakdown)	
2	0641407	4	Bolt, 1/4 x 7/8	
3	0641416	2	Bolt, 1/4 x 2	
4	0700408	2	Bolt, M4 x 16	
5	0903484	1	Bracket	
6	0903612	1	Bracket	
7	1705325	2	Decal - 120V - 50 Hz	
8	2902549	1	Breaker Box Kit - CE Spec (See BREAKER BOX KIT WITH TWO BREAKERS - CE SPEC for Breakdown)	
9	3290405	2	Nut M4	
10	3311405	6	Nut 1/4	
11	4460968	1	Connector, Strain Relief	
12	4711400	8	Washer 1/4	
13	4751400	4	Washer 1/4	
14	4811400	4	Washer M4	
15	4460709	1	Plug, Male	
16	4460710	1	Receptacle, Female	

SECTION 8 - ELECTRICAL

FIGURE 8-6. AC BOX AT PLATFORM INSTALLATION - 110V IEC 60309 YELLOW WITHOUT 2500W GENERATOR (CE SPECS) (SN 0300220579 through 0300272317, SN E300003513 through E300007990, SN 1300007279 through 1300007373)



(REF. LOCATED ON ENGINE SIDE HOOD)

ART_1001091969

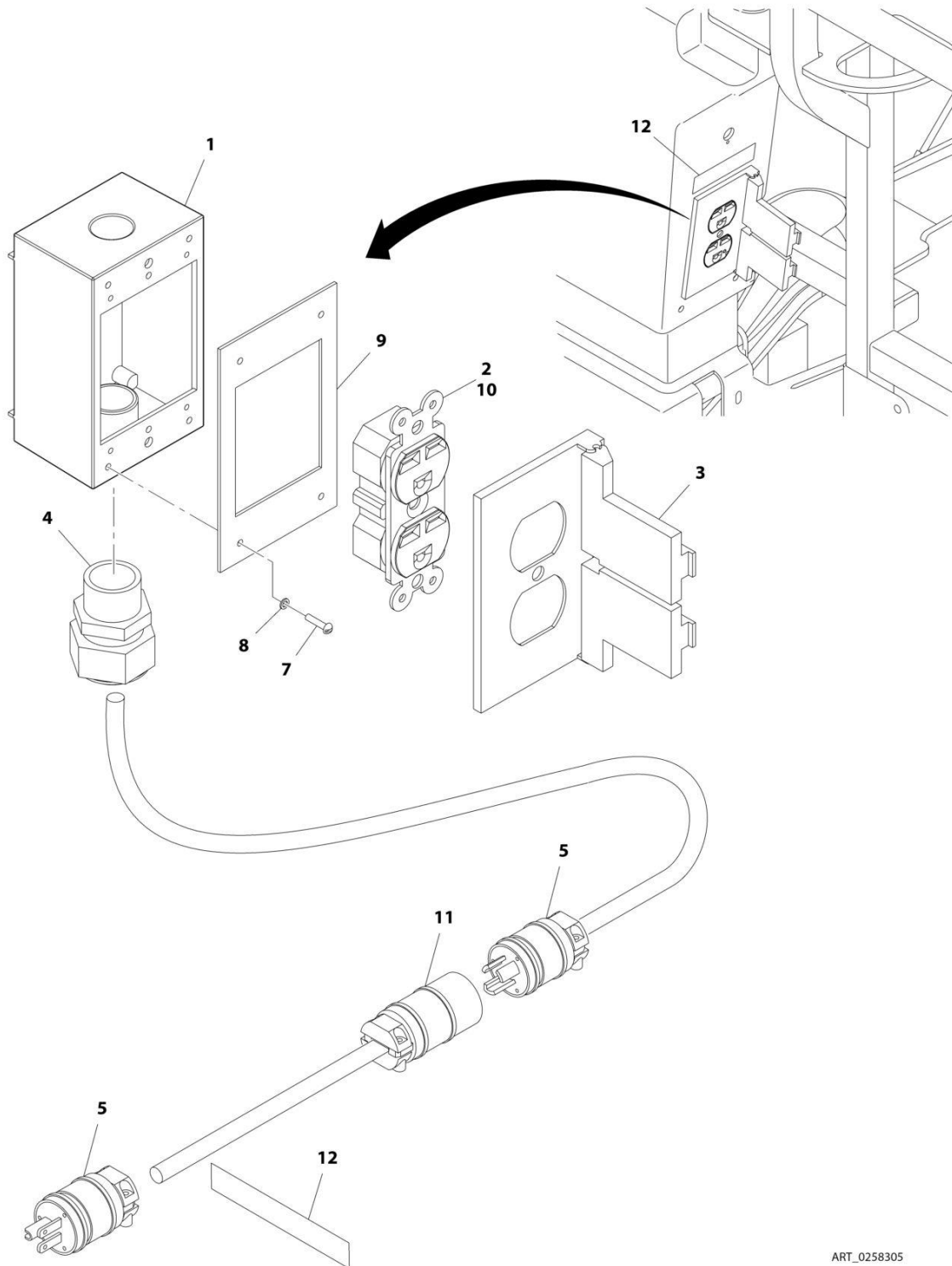
SECTION 8 - ELECTRICAL

FIGURE 8-6. AC BOX AT PLATFORM INSTALLATION - 110V IEC 60309 YELLOW WITHOUT 2500W GENERATOR (CE SPECS) (SN 0300220579 through 0300272317, SN E300003513 through E300007990, SN 1300007279 through 1300007373)

ITEM	PART NUMBER	QTY	DESCRIPTION	REV
	1001091969	Ref	AC BOX AT PLATFORM INSTALLATION - 110V IEC 60309 YELLOW WITHOUT 2500W GENERATOR (CE SPECS)	D
		Ref	Note: For Machines equipped with 4000W Generator, see SPECIAL OPTIONS SECTION.	
1	0100020	AR	Sealant, Pipe	
2	0275216	1	Receptacle Box Kit (See RECEPTACLE BOX KIT - 110V IEC YELLOW WITHOUT 2500W GENERATOR (CE SPECS) for Breakdown)	
3	0700408	2	Bolt M4 x 16	
4	3290405	2	Nut M4	
5	1001101196	1	Adapter	
6	4811400	4	Washer M4	
7	1001101191	1	Connector, Strain Relief	
8	0641416	2	Bolt 1/4 x 2	
9	1705325	AR	Decal - 110V	
10	3311405	2	Nut 1/4	
11	4711400	4	Washer 1/4	
12	1001193018	1	Bracket	

SECTION 8 - ELECTRICAL

FIGURE 8-7. AC BOX AT PLATFORM INSTALLATION - 220V - ANSI, ANSI EXPORT AND CSA SPECS
(SN 0300201991 through 0300220578)



ART_0258305

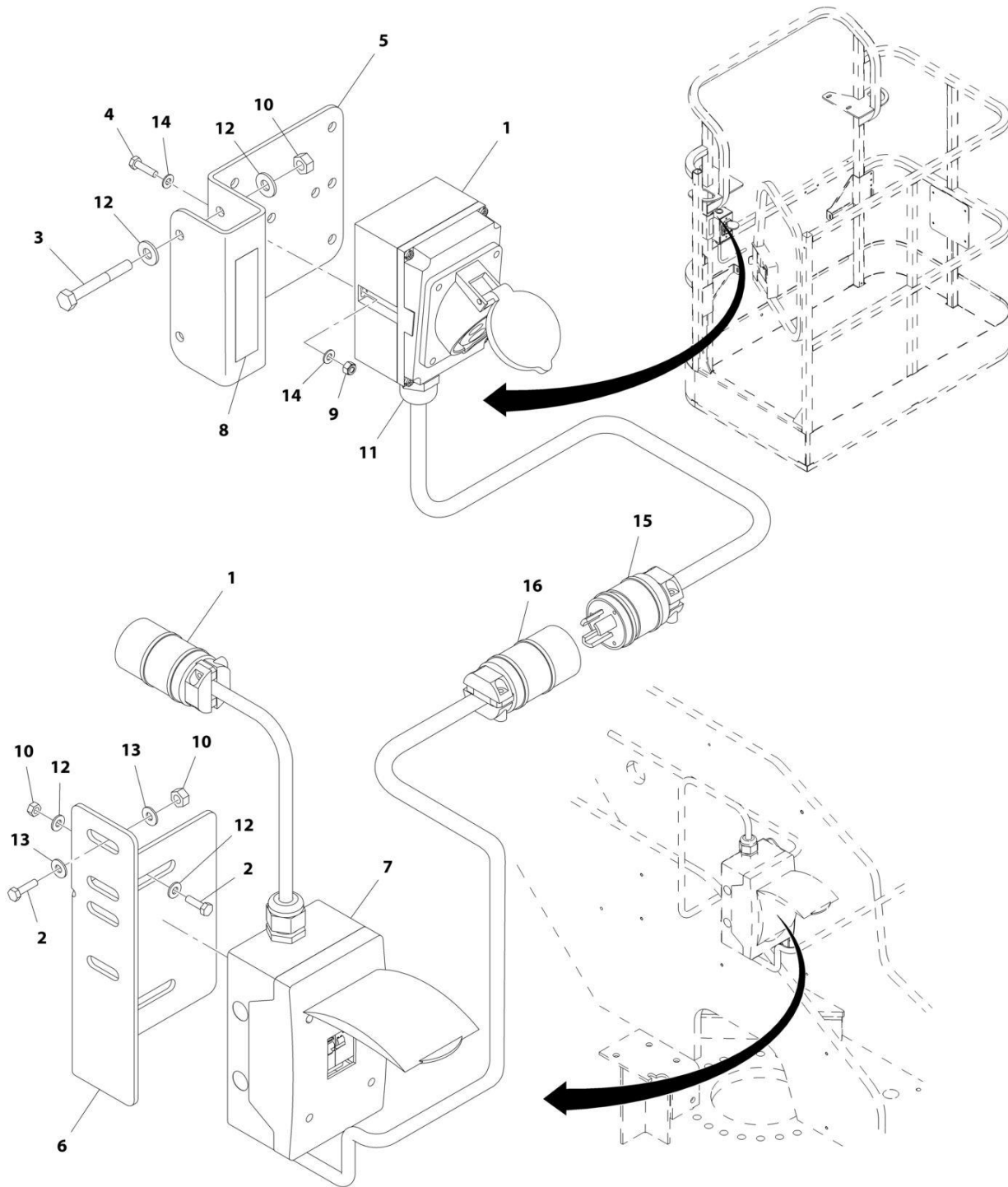
SECTION 8 - ELECTRICAL

**FIGURE 8-7. AC BOX AT PLATFORM INSTALLATION - 220V - ANSI, ANSI EXPORT AND CSA SPECS
(SN 0300201991 through 0300220578)**

ITEM	PART NUMBER	QTY	DESCRIPTION	REV
	0258305	Ref	AC BOX AT PLATFORM INSTALLATION - 220V - ANSI, ANSI EXPORT AND CSA SPECS (SN 0300201991 through 0300220578)	B
1	0860038	1	Box, Switch	
2	4460125	1	Receptacle	
3	4060092	1	Shield	
4	4460071	1	Connector, Strain Relief	
5	4460233	2	Plug, Male	
7	3910610	4	Screw #6 x 5/8	
8	4760600	4	Washer #6	
9	3960422	1	Gasket	
10	4460315	1	Terminal, Spade	
11	4460701	1	Receptacle, Female	
12	3252507	2	Decal - Voltage	

SECTION 8 - ELECTRICAL

FIGURE 8-8. AC BOX AT PLATFORM INSTALLATION - 220V IEC BLUE (CE SPEC) (SN 0300201991 through 0300220578, SN E300002833 through E300003512)



ART_0275682

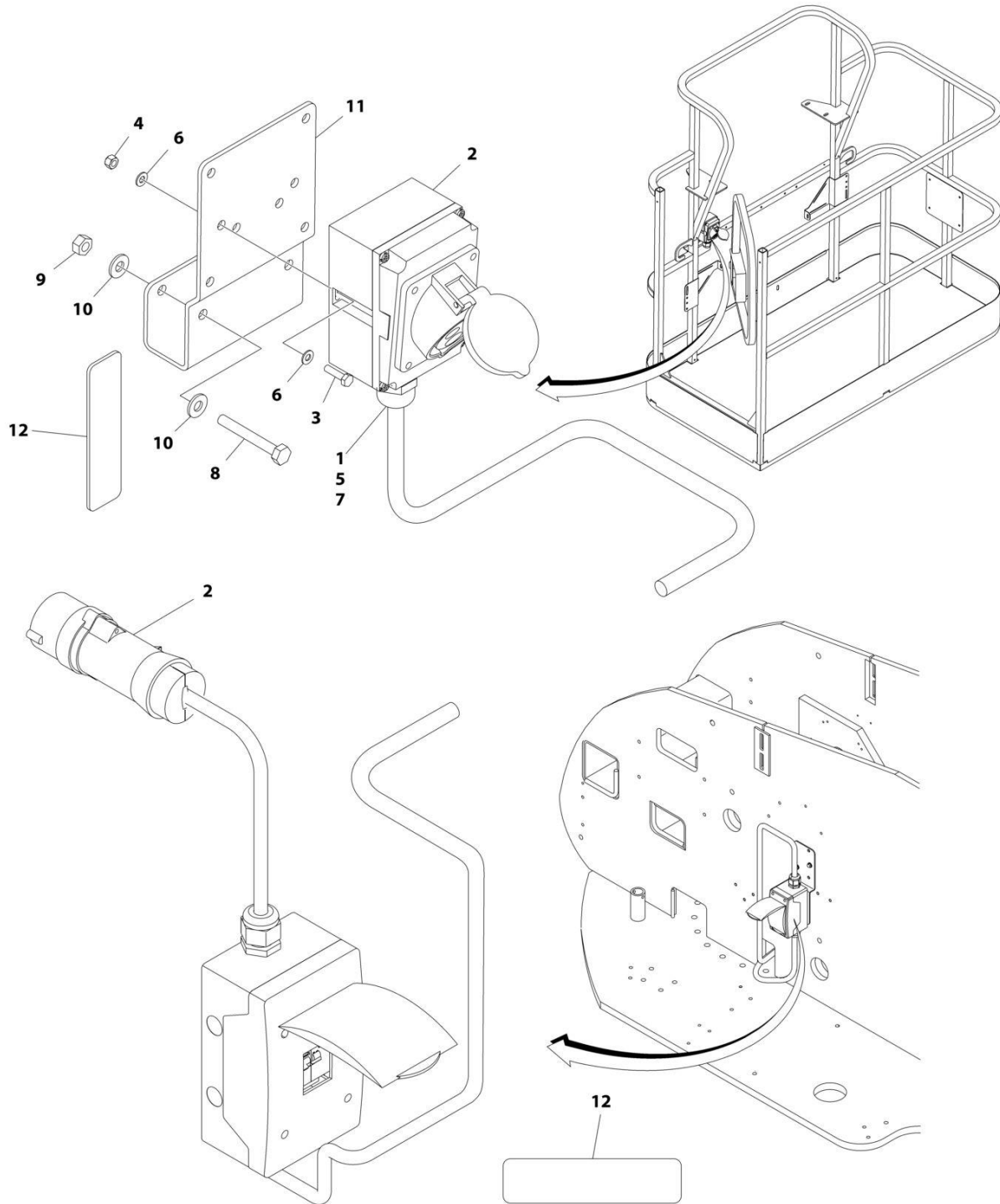
SECTION 8 - ELECTRICAL

FIGURE 8-8. AC BOX AT PLATFORM INSTALLATION - 220V IEC BLUE (CE SPEC) (SN 0300201991 through 0300220578, SN E300002833 through E300003512)

ITEM	PART NUMBER	QTY	DESCRIPTION	REV
	0275682	Ref	AC BOX AT PLATFORM INSTALLATION - 220V IEC BLUE (CE SPEC) (SN 0300201991 through 0300220578, SN E300002833 through E300003512)	B
		Ref	Note: For Machines equipped with 4000W Generator, see SPECIAL OPTIONS SECTION.	
1	0275217	1	Receptacle Box Kit (See RECEPTACLE BOX KIT - 220V IEC BLUE (CE SPEC) for Breakdown)	
2	0641407	4	Bolt, 1/4 x 7/8	
3	0641416	2	Bolt, 1/4 x 2	
4	0700408	2	Bolt, M4 x 16	
5	0903484	1	Bracket	
6	0903612	1	Bracket	
7	3252507	2	Decal - Voltage	
8	2902549	1	Breaker Box Kit - CE Spec (See BREAKER BOX KIT WITH TWO BREAKERS - CE SPEC for Breakdown)	
9	3290405	2	Nut M4	
10	3311405	6	Nut 1/4	
11	4460968	1	Connector, Strain Relief	
12	4711400	8	Washer 1/4	
13	4751400	4	Washer 1/4	
14	4811400	4	Washer M4	
15	4460709	1	Plug, Male	
16	4460710	1	Receptacle, Female	

SECTION 8 - ELECTRICAL

FIGURE 8-9. AC BOX AT PLATFORM INSTALLATION - 220V IEC 60309 BLUE WITHOUT 2500W GENERATOR (CE SPECS) (SN 0300220579 through 0300272317, SN E300003513 through E300007990, SN 1300007279 through 1300007373)



(REF. LOCATED ON ENGINE SIDE HOOD)

ART_1001091970

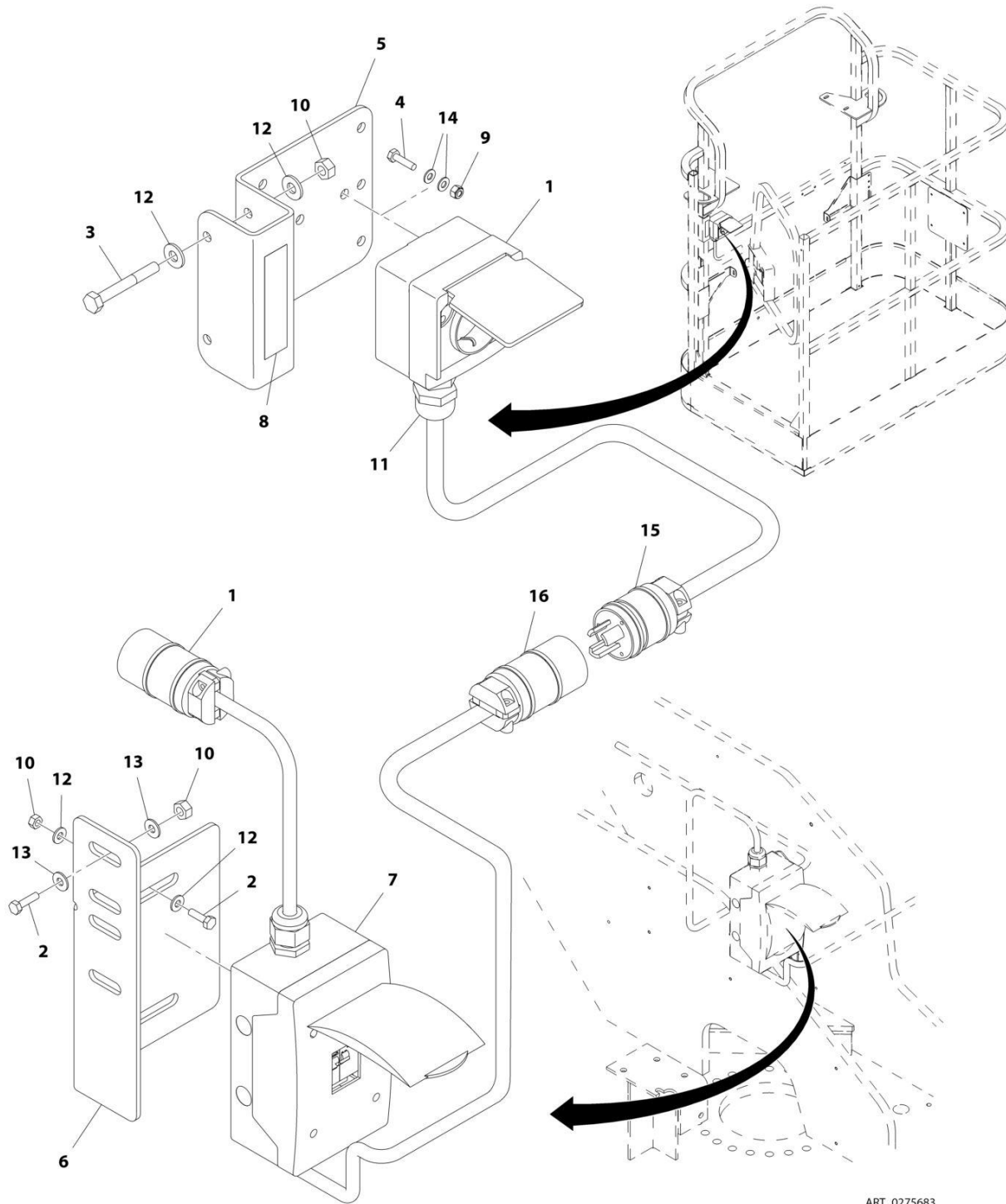
SECTION 8 - ELECTRICAL

FIGURE 8-9. AC BOX AT PLATFORM INSTALLATION - 220V IEC 60309 BLUE WITHOUT 2500W GENERATOR (CE SPECS) (SN 0300220579 through 0300272317, SN E300003513 through E300007990, SN 1300007279 through 1300007373)

ITEM	PART NUMBER	QTY	DESCRIPTION	REV
	1001091970	Ref	AC BOX AT PLATFORM INSTALLATION - 220V IEC 60309 BLUE WITHOUT 2500W GENERATOR (CE SPECS)	D
		Ref	Note: For Machines equipped with 4000W Generator, see SPECIAL OPTIONS SECTION.	
1	0100020	AR	Sealant, Pipe	
2	0275217	1	Receptacle Box Kit (See RECEPTACLE BOX KIT - 220V IEC BLUE WITHOUT 2500W GENERATOR (CE SPECS) for Breakdown)	
3	0700408	2	Bolt M4 x 16	
4	3290405	2	Nut M4	
5	1001101196	1	Adapter	
6	4811400	4	Washer M4	
7	1001101191	1	Connector, Strain Relief	
8	0641416	2	Bolt 1/4 x 2	
9	3311405	2	Nut 1/4	
10	4711400	4	Washer 1/4	
11	1001193018	1	Bracket	
12	3251242	2	Decal - 240V/50Hz (SN 0300235097 through 0300272317, SN 1300007279 through 1300007373, SN E300004872 through E300007990, Except SN 0300272185 through 0300272190, Excluding E300007814)	

SECTION 8 - ELECTRICAL

FIGURE 8-10. AC BOX AT PLATFORM INSTALLATION - 220V CEE7 POST GROUND WITH 70MM X 70MM BOX (CE SPEC) (SN 0300201991 through 0300210158, SN E300002833 through E300002763)



ART_0275683

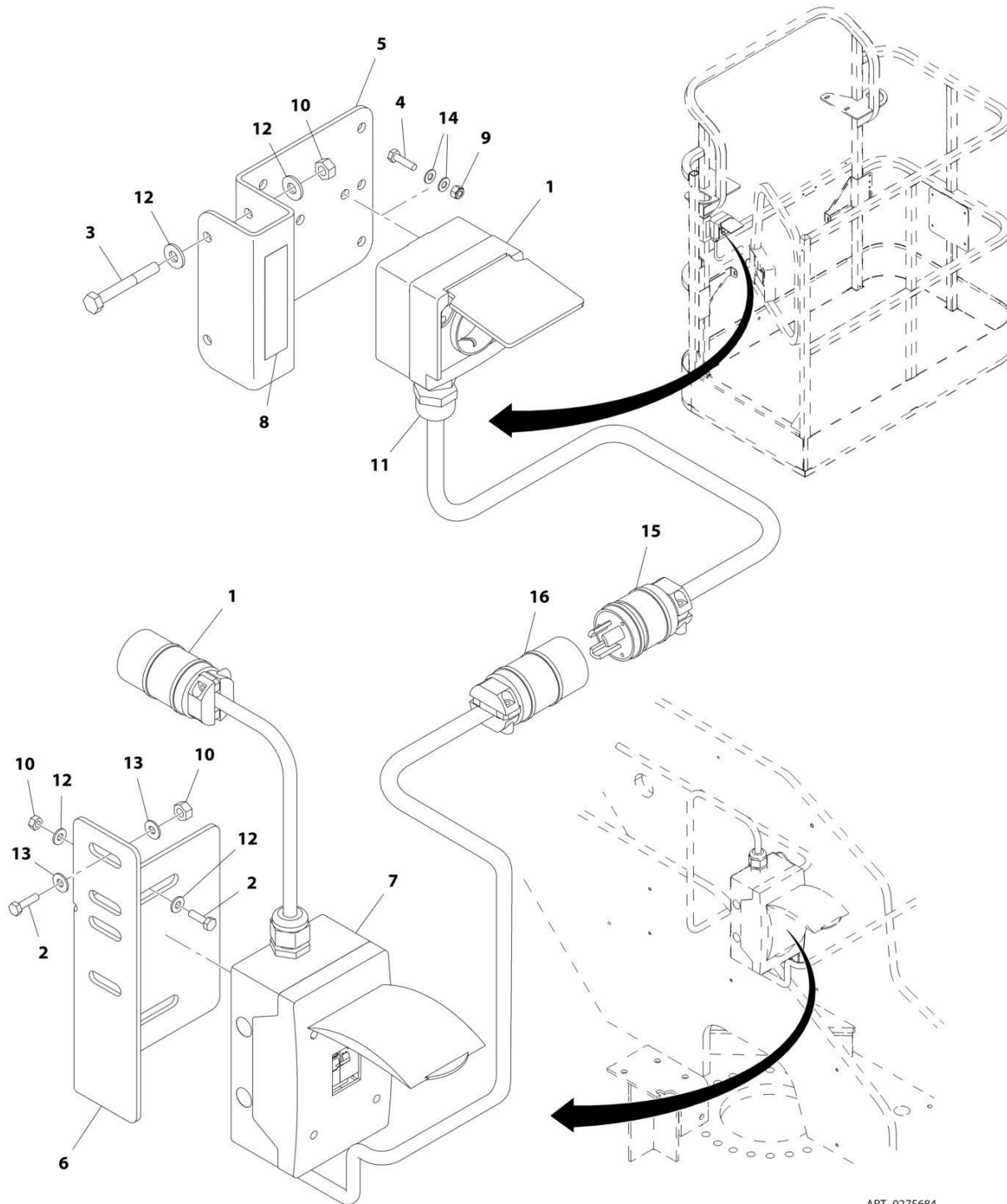
SECTION 8 - ELECTRICAL

FIGURE 8-10. AC BOX AT PLATFORM INSTALLATION - 220V CEE7 POST GROUND WITH 70MM X 70MM BOX (CE SPEC) (SN 0300201991 through 0300210158, SN E300002833 through E300002763)

ITEM	PART NUMBER	QTY	DESCRIPTION	REV
	0275683	Ref	AC BOX AT PLATFORM INSTALLATION - 220V CEE7 POST GROUND WITH 70MM X 70MM BOX (CE SPEC) (SN 0300201991 through 0300210158, SN E300002833 through E300002763)	B
		Ref	Note: For Machines equipped with 4000W Generator, see SPECIAL OPTIONS SECTION.	
1	0275218	1	Receptacle Box Kit (See RECEPTACLE BOX KIT- 220V CEE7 POST GROUND WITH 70MM X 70MM BOX (CE SPEC) for Breakdown)	
2	0641407	4	Bolt, 1/4 x 7/8	
3	0641416	2	Bolt, 1/4 x 2	
4	0700408	2	Bolt, M4 x 16	
5	0903484	1	Bracket	
6	0903612	1	Bracket	
7	2902549	1	Breaker Box Kit - CE Spec (See BREAKER BOX KIT WITH TWO BREAKERS - CE SPEC for Breakdown)	
8	3252507	2	Decal - Voltage	
9	3290405	2	Nut M4	
10	3311405	6	Nut 1/4	
11	4460968	1	Connector, Strain Relief	
12	4711400	8	Washer 1/4	
13	4751400	4	Washer 1/4	
14	4811400	4	Washer M4	
15	4460709	1	Plug, Male	
16	4460710	1	Receptacle, Female	

SECTION 8 - ELECTRICAL

FIGURE 8-11. AC BOX AT PLATFORM INSTALLATION - 220V CEE7 SIDE GROUND WITH 70MM X 70MM BOX (CE SPEC) (SN 0300201991 through 0300210158, SN E300002833 through E300002763)



ART_0275684

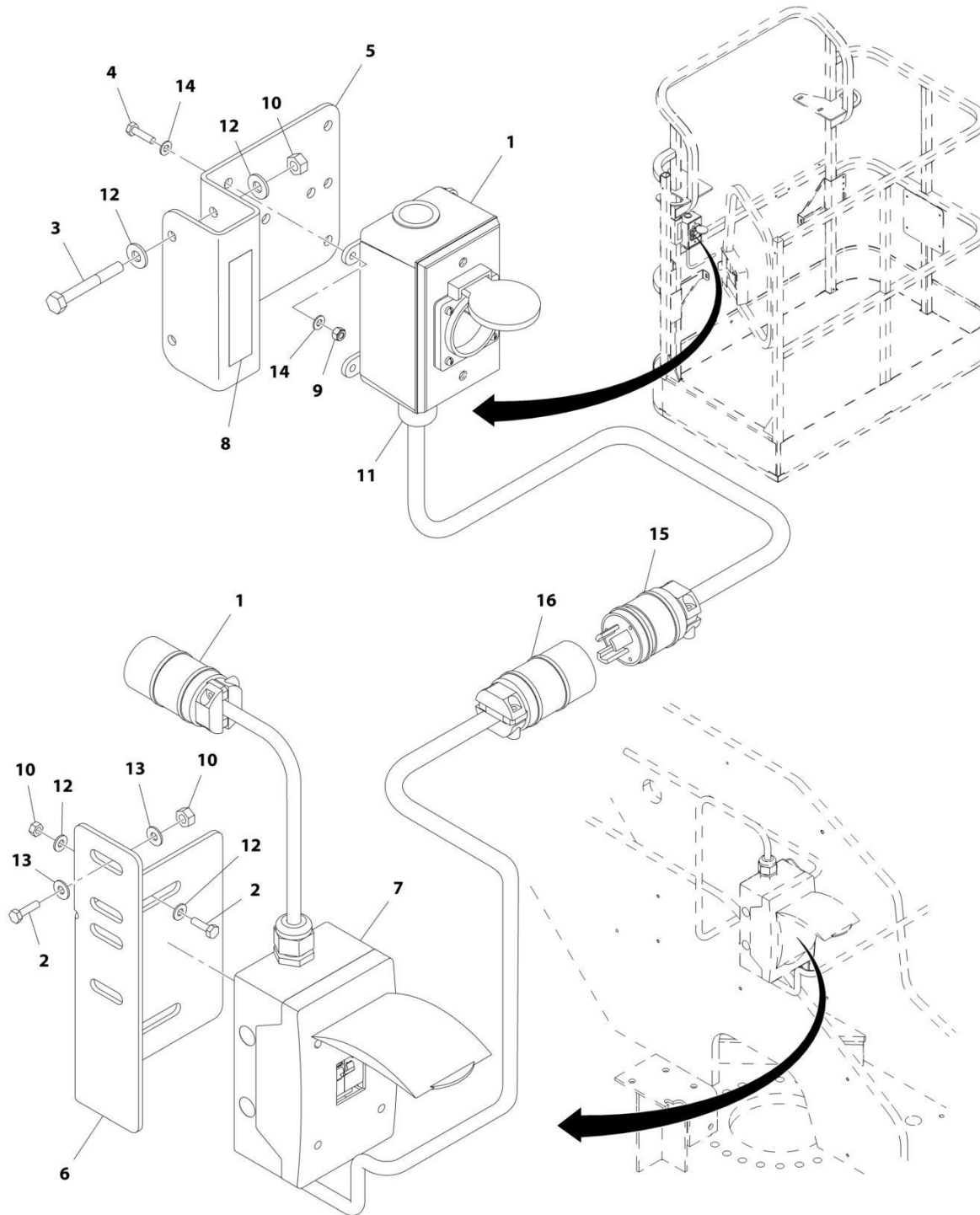
SECTION 8 - ELECTRICAL

FIGURE 8-11. AC BOX AT PLATFORM INSTALLATION - 220V CEE7 SIDE GROUND WITH 70MM X 70MM BOX (CE SPEC) (SN 0300201991 through 0300210158, SN E300002833 through E300002763)

ITEM	PART NUMBER	QTY	DESCRIPTION	REV
	0275684	Ref	AC BOX AT PLATFORM INSTALLATION - 220V CEE7 SIDE GROUND WITH 70MM X 70MM BOX (CE SPEC) (SN 0300201991 through 0300210158, SN E300002833 through E300002763)	B
		Ref	Note: For Machines equipped with 4000W Generator, see SPECIAL OPTIONS SECTION.	
1	0275219	1	Receptacle Box Kit (See RECEPTACLE BOX KIT- 220V CEE7 SIDE GROUND WITH 70MM X 70MM BOX (CE SPEC) for Breakdown)	
2	0641407	4	Bolt, 1/4 x 7/8	
3	0641416	2	Bolt, 1/4 x 2	
4	0700408	2	Bolt, M4 x 16	
5	0903484	1	Bracket	
6	0903612	1	Bracket	
7	2902549	1	Breaker Box Kit - CE Spec (See BREAKER BOX KIT WITH TWO BREAKERS - CE SPEC for Breakdown)	
8	3252507	2	Decal - Voltage	
9	3290405	2	Nut M4	
10	3311405	6	Nut 1/4	
11	4460968	1	Connector, Strain Relief	
12	4711400	8	Washer 1/4	
13	4751400	4	Washer 1/4	
14	4811400	4	Washer M4	
15	4460709	1	Plug, Male	
16	4460710	1	Receptacle, Female	

SECTION 8 - ELECTRICAL

FIGURE 8-12. AC BOX AT PLATFORM INSTALLATION - 220V CEE7 POST GROUND WITH 2IN X 4IN BOX (CE SPEC) (SN 0300201991 through 0300210158, SN E300002833 through E300002763)



ART_0275679

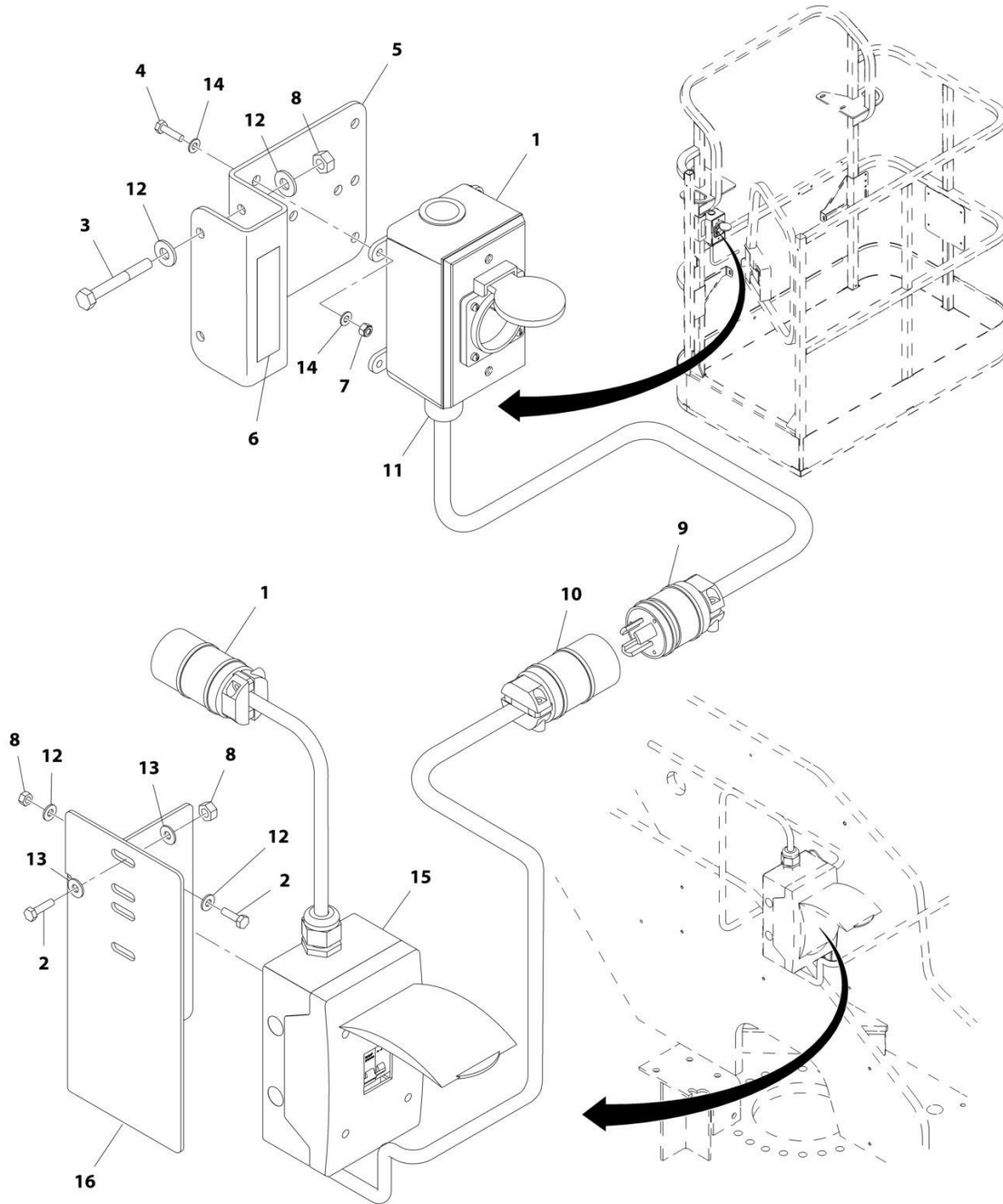
SECTION 8 - ELECTRICAL

FIGURE 8-12. AC BOX AT PLATFORM INSTALLATION - 220V CEE7 POST GROUND WITH 2IN X 4IN BOX (CE SPEC) (SN 0300201991 through 0300210158, SN E300002833 through E300002763)

ITEM	PART NUMBER	QTY	DESCRIPTION	REV
	0275679	Ref	AC BOX AT PLATFORM INSTALLATION - 220V CEE7 POST GROUND WITH 2IN X 4IN BOX (CE SPEC) (SN 0300201991 through 0300210158, SN E300002833 through E300002763)	D
		Ref	Note: For Machines equipped with 4000W Generator, see SPECIAL OPTIONS SECTION.	
1	0275453	1	Receptacle Box Kit (See RECEPTACLE BOX KIT- 220V CEE7 POST GROUND WITH 2INX 4IN BOX (CE SPEC) for Breakdown)	
2	0641407	4	Bolt, 1/4 x 7/8	
3	0641416	2	Bolt, 1/4 x 2	
4	0700408	2	Bolt, M4 x 16	
5	0903484	1	Bracket	
6	0903612	1	Bracket	
7	2902549	1	Breaker Box Kit - CE Spec (See BREAKER BOX KIT WITH TWO BREAKERS - CE SPEC for Breakdown)	
8	3252507	2	Decal - Voltage	
9	3290405	2	Nut M4	
10	3311405	6	Nut 1/4	
11	4460968	1	Connector, Strain Relief	
11	4460662	1	Connector, Strain Relief	
12	4711400	8	Washer 1/4	
13	4751400	4	Washer 1/4	
14	4811400	4	Washer M4	
15	4460709	1	Plug, Male	
16	4460710	1	Receptacle, Female	

SECTION 8 - ELECTRICAL

FIGURE 8-13. AC BOX AT PLATFORM INSTALLATION - 220V CEE7 POST GROUND WITH 2IN X 4IN BOX (CE SPEC) (SN 0300210159 through 0300220578, SN E300002764 through E300003512)



ART_1001162448

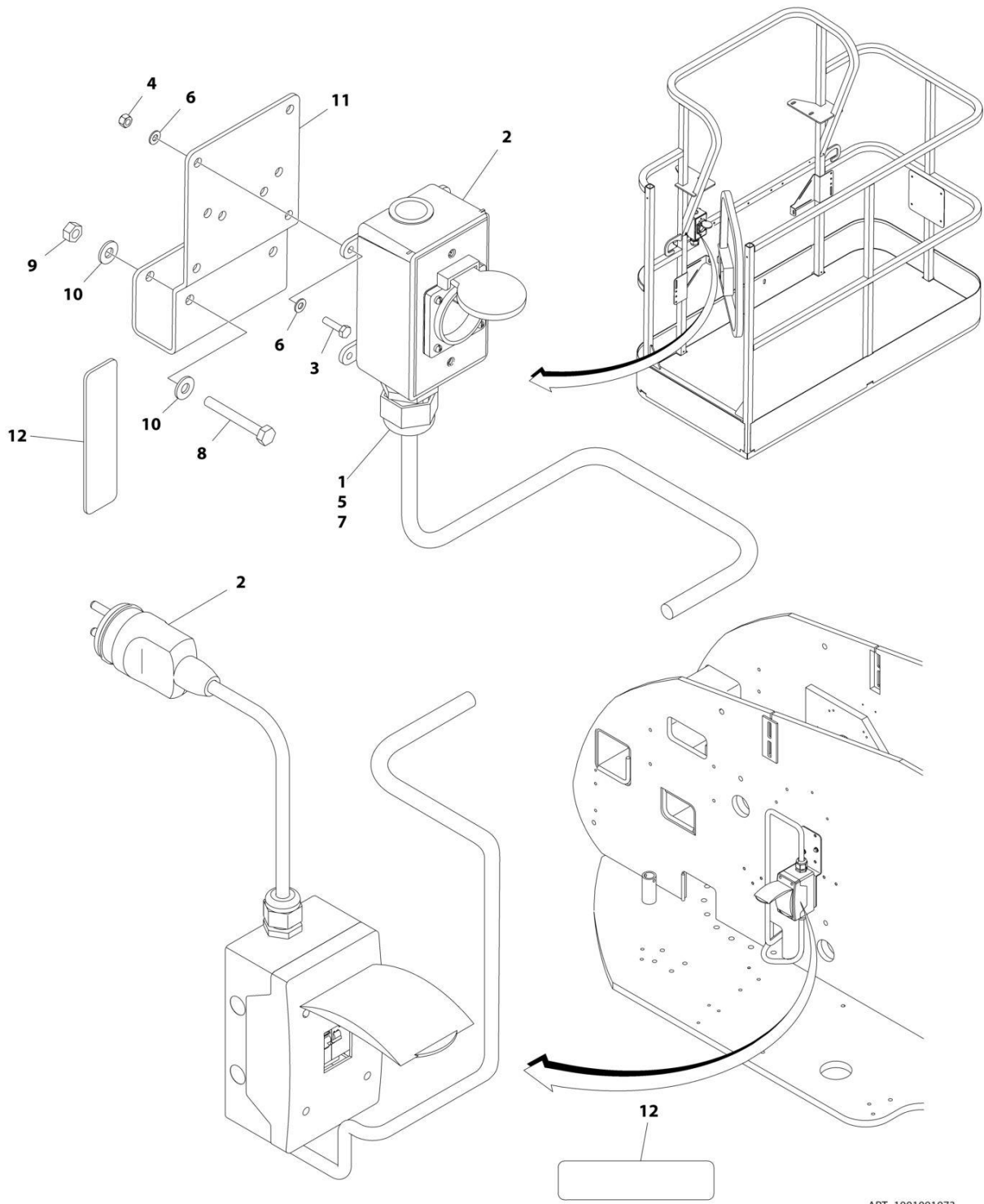
SECTION 8 - ELECTRICAL

FIGURE 8-13. AC BOX AT PLATFORM INSTALLATION - 220V CEE7 POST GROUND WITH 2IN X 4IN BOX (CE SPEC) (SN 0300210159 through 0300220578, SN E300002764 through E300003512)

ITEM	PART NUMBER	QTY	DESCRIPTION	REV
	1001162448	Ref	AC BOX AT PLATFORM INSTALLATION - 220V CEE7 POST GROUND WITH 2IN X 4IN BOX (CE SPEC) (SN 0300210159 through 0300220578, SN E300002764 through E300003512)	B
		Ref	Note: For Machines equipped with 4000W Generator, see SPECIAL OPTIONS SECTION.	
1	0275452	1	Receptacle Box Kit (See RECEPTACLE BOX KIT- 220V CEE7 POST GROUND WITH 2INX 4IN BOX (CE SPEC) for Breakdown)	
2	0641407	4	Bolt, 1/4 x 7/8	
3	0641416	2	Bolt, 1/4 x 2	
4	0700408	4	Bolt, M4 x 16	
5	0903484	1	Bracket	
6	3252507	2	Decal - Voltage	
7	3290405	4	Nut M4	
8	3311405	6	Nut 1/4	
9	4460709	1	Plug, Male	
10	4460710	1	Receptacle, Female	
11	4460968	1	Connector, Strain Relief	
11	4460662	1	Connector, Strain Relief	
12	4711400	8	Washer 1/4	
13	4751400	4	Washer 1/4	
14	4811400	8	Washer M4	
15	1001152485	1	Breaker Box Kit - CE Spec (See BREAKER BOX KIT WITH THREE BREAKERS - CE SPEC for Breakdown)	
16	1001162445	1	Bracket	

SECTION 8 - ELECTRICAL

**FIGURE 8-14. AC BOX AT PLATFORM INSTALLATION - 220V CEE7 POST GROUND (2X4 BOX)
WITHOUT 2500W GENERATOR (CE SPECS) (SN 0300220579 through 0300272317, SN E300003513
through E300007990, SN 1300007279 through 1300007373)**



(REF. LOCATED ON ENGINE SIDE HOOD)

ART_1001091973

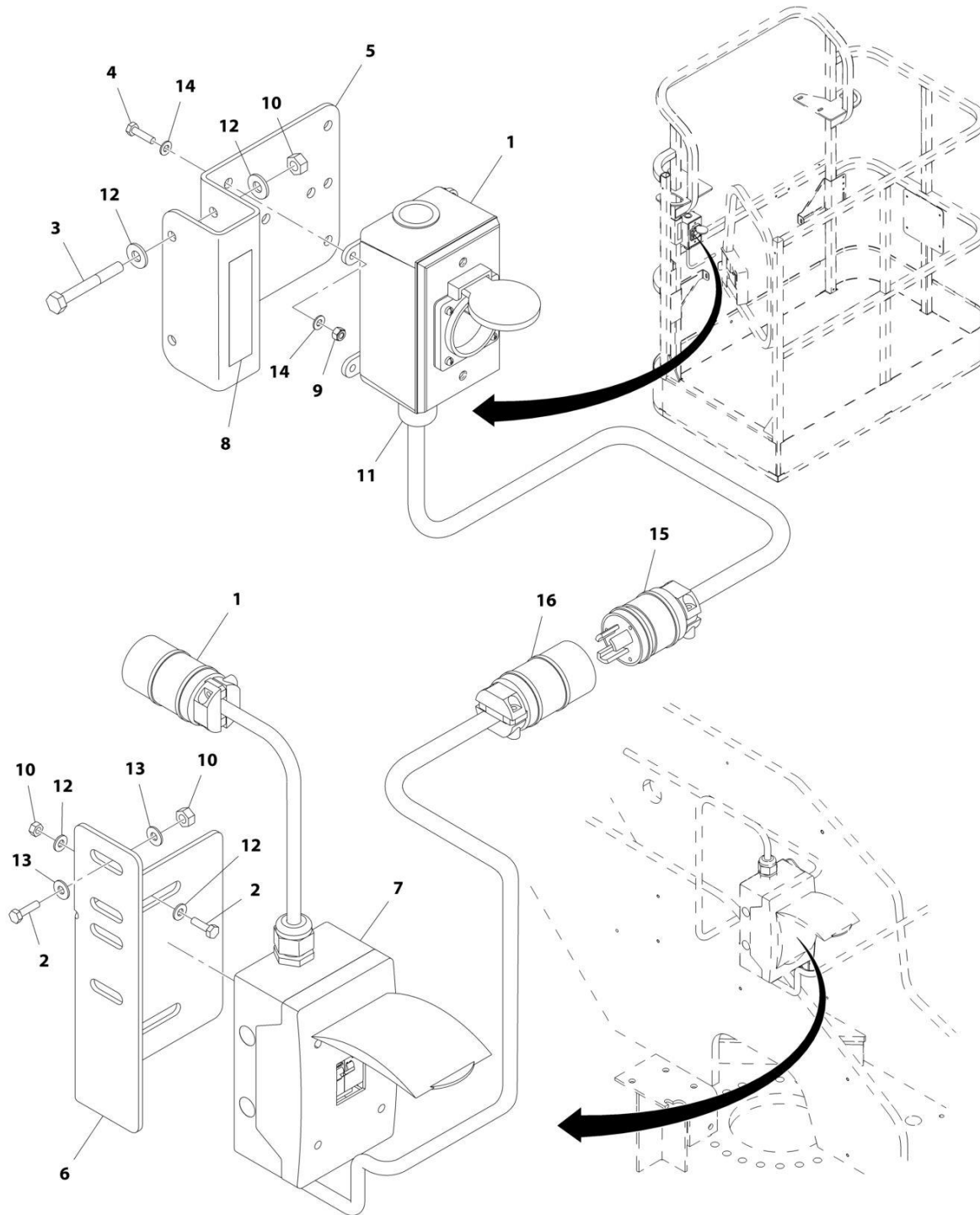
SECTION 8 - ELECTRICAL

FIGURE 8-14. AC BOX AT PLATFORM INSTALLATION - 220V CEE7 POST GROUND (2X4 BOX) WITHOUT 2500W GENERATOR (CE SPECS) (SN 0300220579 through 0300272317, SN E300003513 through E300007990, SN 1300007279 through 1300007373)

ITEM	PART NUMBER	QTY	DESCRIPTION	REV
	1001091973	Ref	AC BOX AT PLATFORM INSTALLATION - 220V CEE7 POST GROUND (2X4 BOX) WITHOUT 2500W GENERATOR (CE SPECS)	F
1	0100020	AR	Sealant, Pipe	
2	0275452	1	Receptacle Box Kit (See RECEPTACLE BOX KIT - 220V CEE7 POST GROUND WITHOUT 2500W GENERATOR (2X4 BOX) (CE SPECS) for Breakdown)	
3	0700408	4	Bolt M4 x 16	
4	3290405	4	Nut M4	
5	1001101197	1	Adapter	
6	4811400	8	Washer M4	
7	1001101191	1	Connector, Strain Relief	
8	0641416	2	Bolt 1/4 x 2	
9	3311405	2	Nut 1/4	
10	4711400	4	Washer 1/4	
11	1001193018	1	Bracket	
12	3251242	2	Decal - 240V/50Hz (SN 0300235097 through 0300272317, SN 1300007279 through 1300007373, SN E300004872 through E300007990, Except SN 0300272185 through 0300272190, Excluding E300007814)	
13	4460806	2	Terminal, Fork (Not Shown – Located inside Receptacle Box)	
14	1001205958	1	Terminal (Not Shown – Located inside Receptacle Box)	

SECTION 8 - ELECTRICAL

FIGURE 8-15. AC BOX AT PLATFORM INSTALLATION - 220V CEE7 SIDE GROUND WITH 2IN X 4IN BOX (CE SPEC) (SN 0300201991 through 0300210158, SN E300002833 through E300002763)



ART_0275678

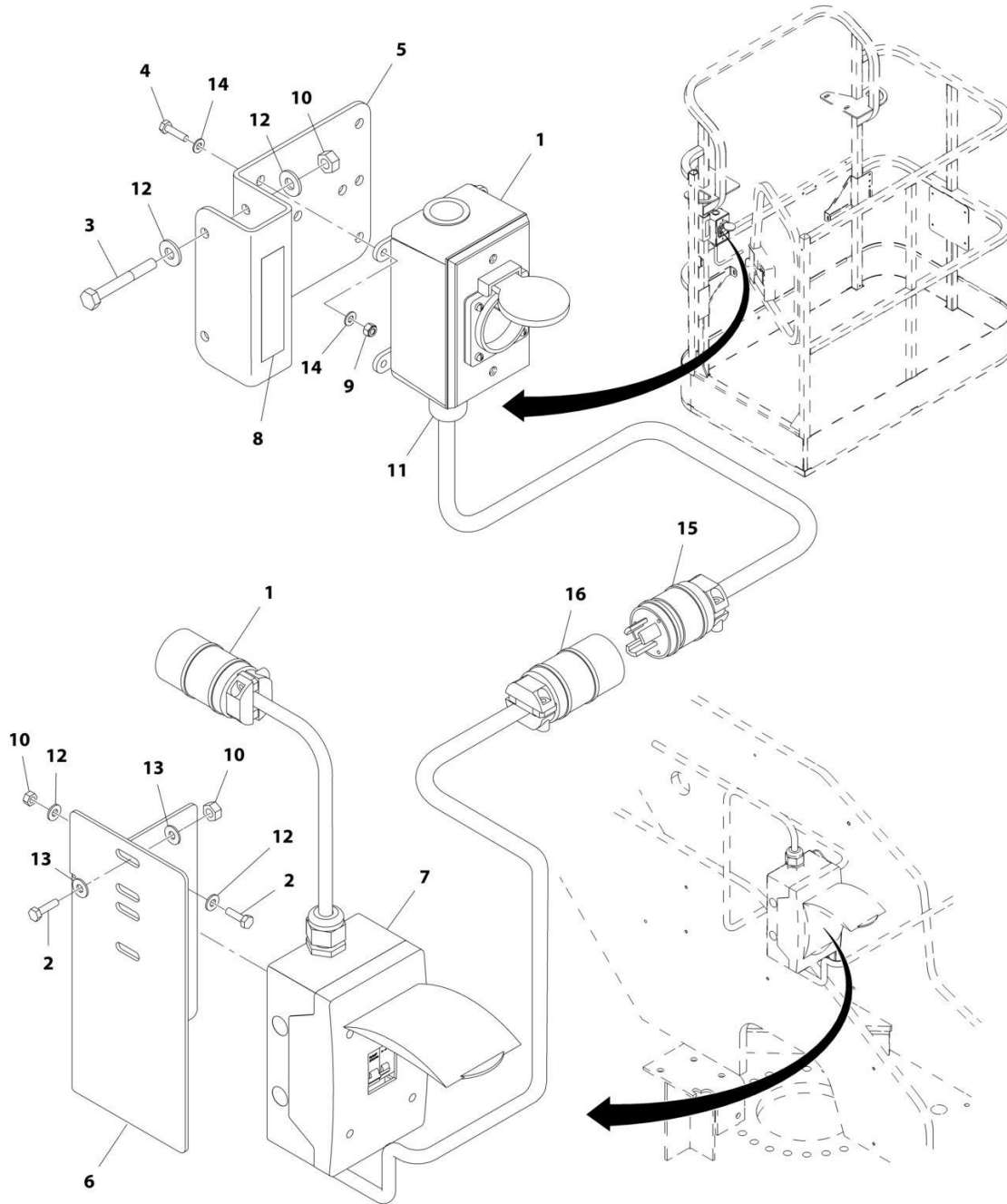
SECTION 8 - ELECTRICAL

FIGURE 8-15. AC BOX AT PLATFORM INSTALLATION - 220V CEE7 SIDE GROUND WITH 2IN X 4IN BOX (CE SPEC) (SN 0300201991 through 0300210158, SN E300002833 through E300002763)

ITEM	PART NUMBER	QTY	DESCRIPTION	REV
	0275678	Ref	AC BOX AT PLATFORM INSTALLATION - 220V CEE7 SIDE GROUND WITH 2IN X 4IN BOX (CE SPEC) (SN 0300201991 through 0300210158, SN E300002833 through E300002763)	D
		Ref	Note: For Machines equipped with 4000W Generator, see SPECIAL OPTIONS SECTION.	
1	0275452	1	Receptacle Box Kit (See RECEPTACLE BOX KIT- 220V CEE7 SIDE GROUND WITH 2INX 4IN BOX (CE SPEC) for Breakdown)	
2	0641407	4	Bolt, 1/4 x 7/8	
3	0641416	2	Bolt, 1/4 x 2	
4	0700408	2	Bolt, M4 x 16	
5	0903484	1	Bracket	
6	0903612	1	Bracket	
7	2902549	1	Breaker Box Kit - CE Spec (See BREAKER BOX KIT WITH TWO BREAKERS - CE SPEC for Breakdown)	
8	3252507	2	Decal - Voltage	
9	3290405	2	Nut M4	
10	3311405	6	Nut 1/4	
11	4460968	1	Connector, Strain Relief	
11	4460662	1	Connector, Strain Relief	
12	4711400	8	Washer 1/4	
13	4751400	4	Washer 1/4	
14	4811400	4	Washer M4	
15	4460709	1	Plug, Male	
16	4460710	1	Receptacle, Female	

SECTION 8 - ELECTRICAL

FIGURE 8-16. AC BOX AT PLATFORM INSTALLATION - 220V CEE7 SIDE GROUND WITH 2IN X 4IN BOX (CE SPEC) (SN 0300210159 through 0300220578, SN E300002764 through E300003512)



ART_1001162451

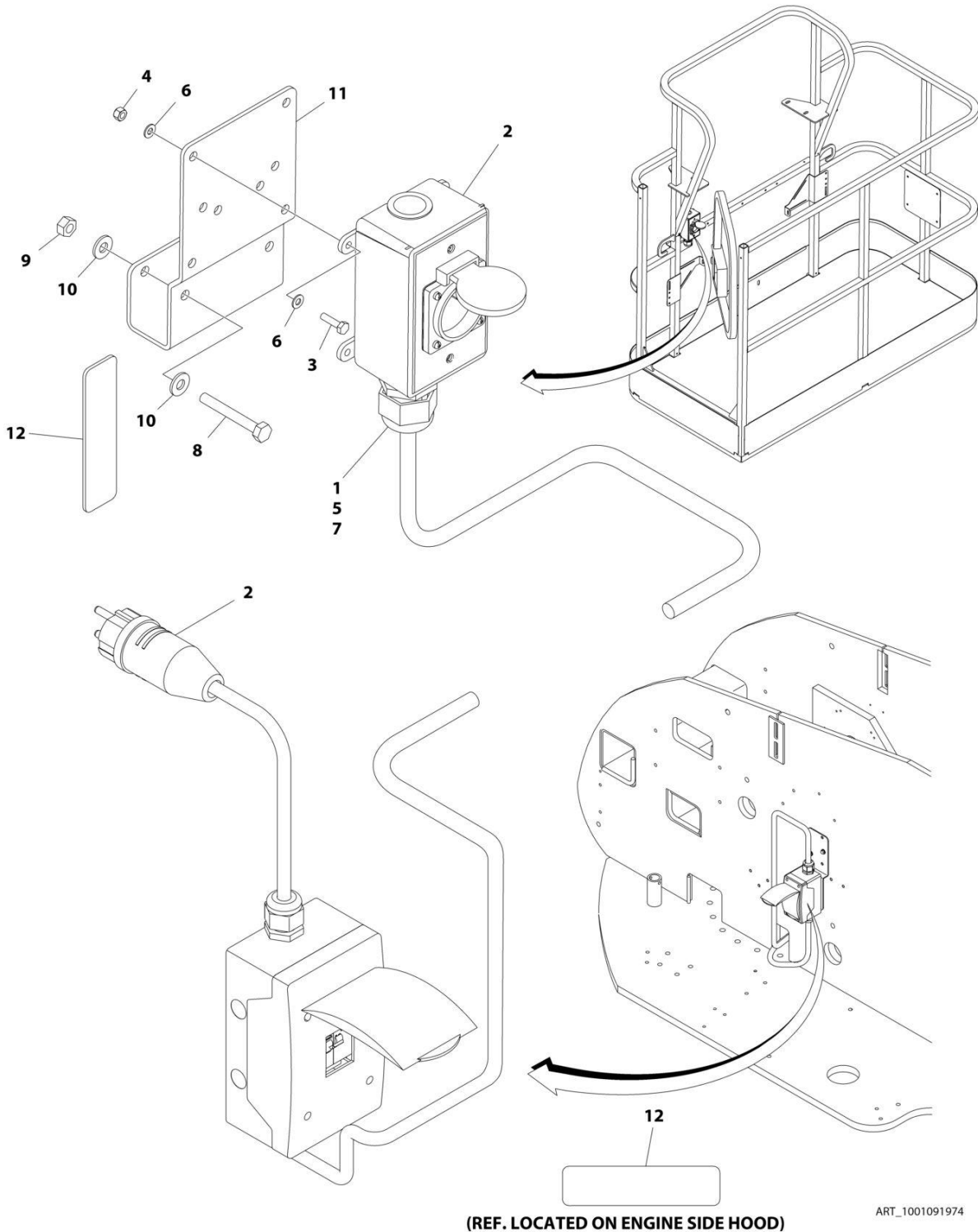
SECTION 8 - ELECTRICAL

FIGURE 8-16. AC BOX AT PLATFORM INSTALLATION - 220V CEE7 SIDE GROUND WITH 2IN X 4IN BOX (CE SPEC) (SN 0300210159 through 0300220578, SN E300002764 through E300003512)

ITEM	PART NUMBER	QTY	DESCRIPTION	REV
	1001162451	Ref	AC BOX AT PLATFORM INSTALLATION - 220V CEE7 SIDE GROUND WITH 2IN X 4IN BOX (CE SPEC) (SN 0300210159 through 0300220578, SN E300002764 through E300003512)	B
		Ref	Note: For Machines equipped with 4000W Generator, see SPECIAL OPTIONS SECTION.	
1	0275453	1	Receptacle Box Kit (See RECEPTACLE BOX KIT- 220V CEE7 SIDE GROUND WITH 2IN X 4IN BOX (CE SPEC) for Breakdown)	
2	0641407	4	Bolt, 1/4 x 7/8	
3	0641416	2	Bolt, 1/4 x 2	
4	0700408	4	Bolt, M4 x 16	
5	0903484	1	Bracket	
6	1001162445	1	Bracket	
7	1001152485	1	Breaker Box Kit - CE Spec (See BREAKER BOX KIT WITH THREE BREAKERS - CE SPEC for Breakdown)	
8	3252507	2	Decal - Voltage	
9	3290405	4	Nut M4	
10	3311405	6	Nut 1/4	
11	4460968	1	Connector, Strain Relief	
11	4460662	1	Connector, Strain Relief	
12	4711400	8	Washer 1/4	
13	4751400	4	Washer 1/4	
14	4811400	8	Washer M4	
15	4460709	1	Plug, Male	
16	4460710	1	Receptacle, Female	

SECTION 8 - ELECTRICAL

**FIGURE 8-17. AC BOX AT PLATFORM INSTALLATION - 220V CEE7 SIDE GROUND (2X4 BOX)
WITHOUT 2500W GENERATOR (CE SPECS) (SN 0300220579 through 0300272317, SN E300003513
through E300007990, SN 1300007279 through 1300007373)**



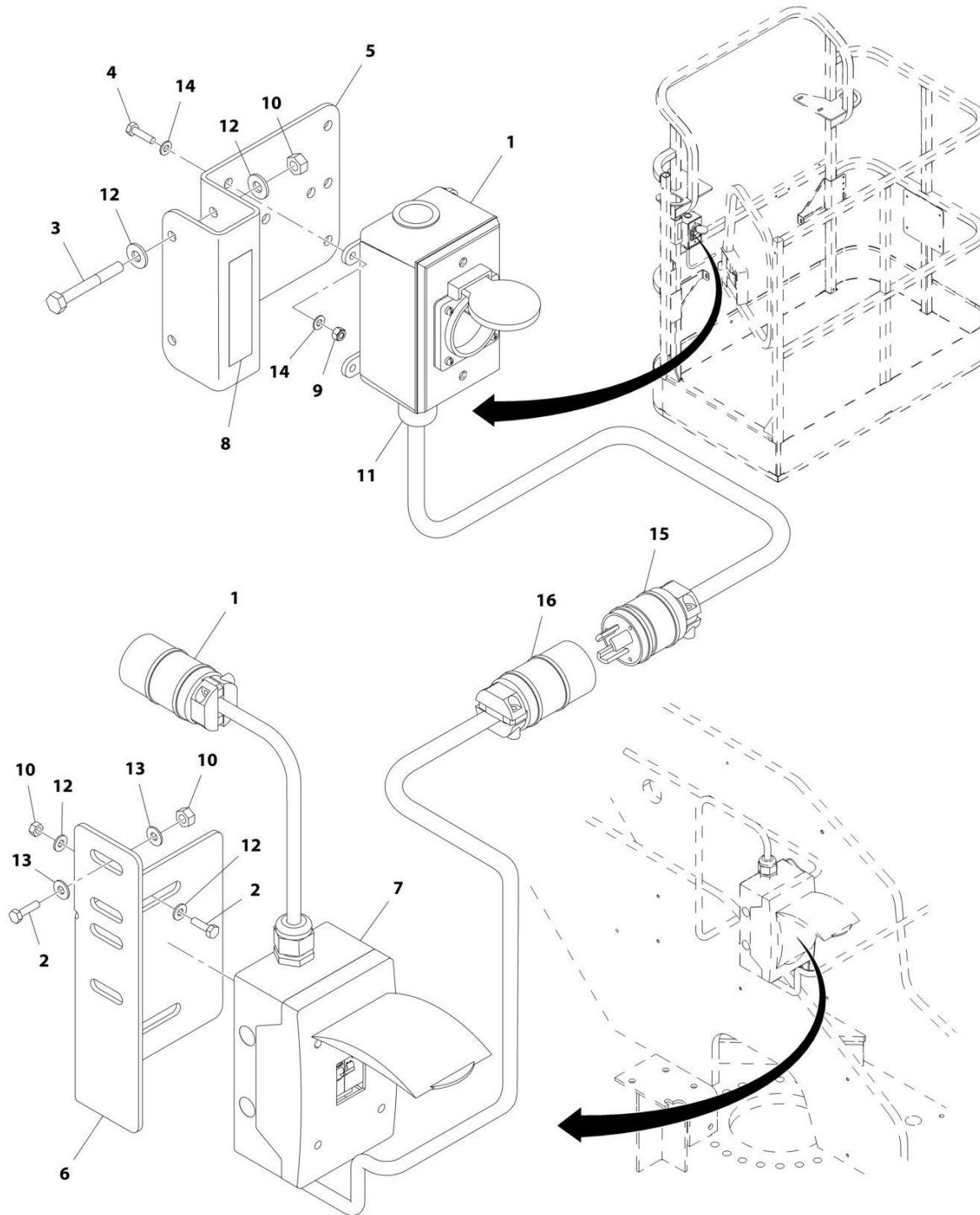
SECTION 8 - ELECTRICAL

FIGURE 8-17. AC BOX AT PLATFORM INSTALLATION - 220V CEE7 SIDE GROUND (2X4 BOX) WITHOUT 2500W GENERATOR (CE SPECS) (SN 0300220579 through 0300272317, SN E300003513 through E300007990, SN 1300007279 through 1300007373)

ITEM	PART NUMBER	QTY	DESCRIPTION	REV
	1001091974	Ref	AC BOX AT PLATFORM INSTALLATION - 220V CEE7 SIDE GROUND (2X4 BOX) WITHOUT 2500W GENERATOR (CE SPECS)	F
1	0100020	AR	Sealant, Pipe	
2	0275453	1	Receptacle Box Kit (See RECEPTACLE BOX KIT - 220V CEE7 SIDE GROUND WITHOUT 2500W GENERATOR (2X4 BOX) (CE SPECS) for Breakdown)	
3	0700408	4	Bolt M4 x 16	
4	3290405	4	Nut M4	
5	1001101197	1	Adapter	
6	4811400	8	Washer M4	
7	1001101191	1	Connector, Strain Relief	
8	0641416	2	Bolt 1/4 x 2	
9	3311405	2	Nut 1/4	
10	4711400	4	Washer 1/4	
11	1001193018	1	Bracket	
12	3251242	2	Decal - 240V/50Hz (SN 0300235097 through 0300272317, SN 1300007279 through 1300007373, SN E300004872 through E300007990, Except SN 0300272185 through 0300272190, Excluding E300007814)	
13	4460806	2	Terminal, Fork (Not Shown – Located inside Receptacle Box)	
14	1001205958	1	Terminal (Not Shown – Located inside Receptacle Box)	

SECTION 8 - ELECTRICAL

FIGURE 8-18. AC BOX AT PLATFORM INSTALLATION - 220V AFSINT 107 KEYED GROUND WITH 2IN X 4IN BOX (CE SPEC) (SN 0300201991 through 0300220578, SN E300002833 through E300003512)



ART_0275680

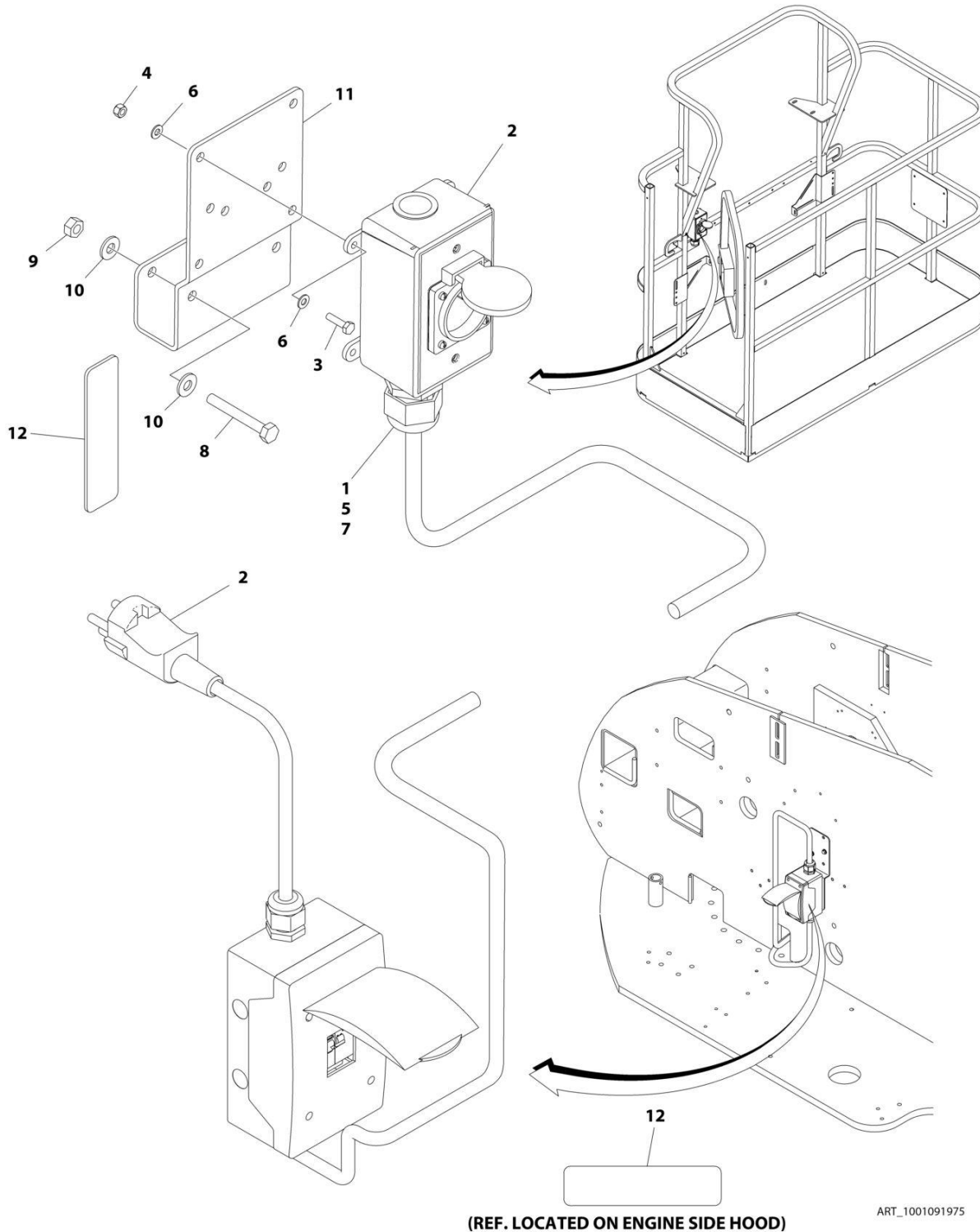
SECTION 8 - ELECTRICAL

FIGURE 8-18. AC BOX AT PLATFORM INSTALLATION - 220V AFSINT 107 KEYED GROUND WITH 2IN X 4IN BOX (CE SPEC) (SN 0300201991 through 0300220578, SN E300002833 through E300003512)

ITEM	PART NUMBER	QTY	DESCRIPTION	REV
	0275680	Ref	AC BOX AT PLATFORM INSTALLATION - 220V AFSINT 107 KEYED GROUND WITH 2IN X 4IN BOX (CE SPEC) (SN 0300201991 through 0300220578, SN E300002833 through E300003512)	C
		Ref	Note: For Machines equipped with 4000W Generator, see SPECIAL OPTIONS SECTION.	
1	0275454	1	Receptacle Box Kit (See RECEPTACLE BOX KIT- 220V AFSINT 107 KEYED GROUND WITH 2IN X 4IN BOX (CE SPEC) for Breakdown)	
2	0641407	4	Bolt, 1/4 x 7/8	
3	0641416	2	Bolt, 1/4 x 2	
4	0700408	2	Bolt, M4 x 16	
5	0903484	1	Bracket	
6	0903612	1	Bracket	
7	2902549	1	Breaker Box Kit - CE Spec (See BREAKER BOX KIT WITH TWO BREAKERS - CE SPEC for Breakdown)	
8	3252507	2	Decal - Voltage	
9	3290405	2	Nut M4	
10	3311405	6	Nut 1/4	
11	4460968	1	Connector, Strain Relief	
11	4460662	1	Connector, Strain Relief	
12	4711400	8	Washer 1/4	
13	4751400	4	Washer 1/4	
14	4811400	4	Washer M4	
15	4460709	1	Plug, Male	
16	4460710	1	Receptacle, Female	

SECTION 8 - ELECTRICAL

FIGURE 8-19. AC BOX AT PLATFORM INSTALLATION - 220V AFSINT 107 KEYED GROUND (2X4 BOX) WITHOUT 2500W GENERATOR (CE SPECS) (SN 0300220579 through 0300272317, SN E300003513 through E300007990, SN 1300007279 through 1300007373)



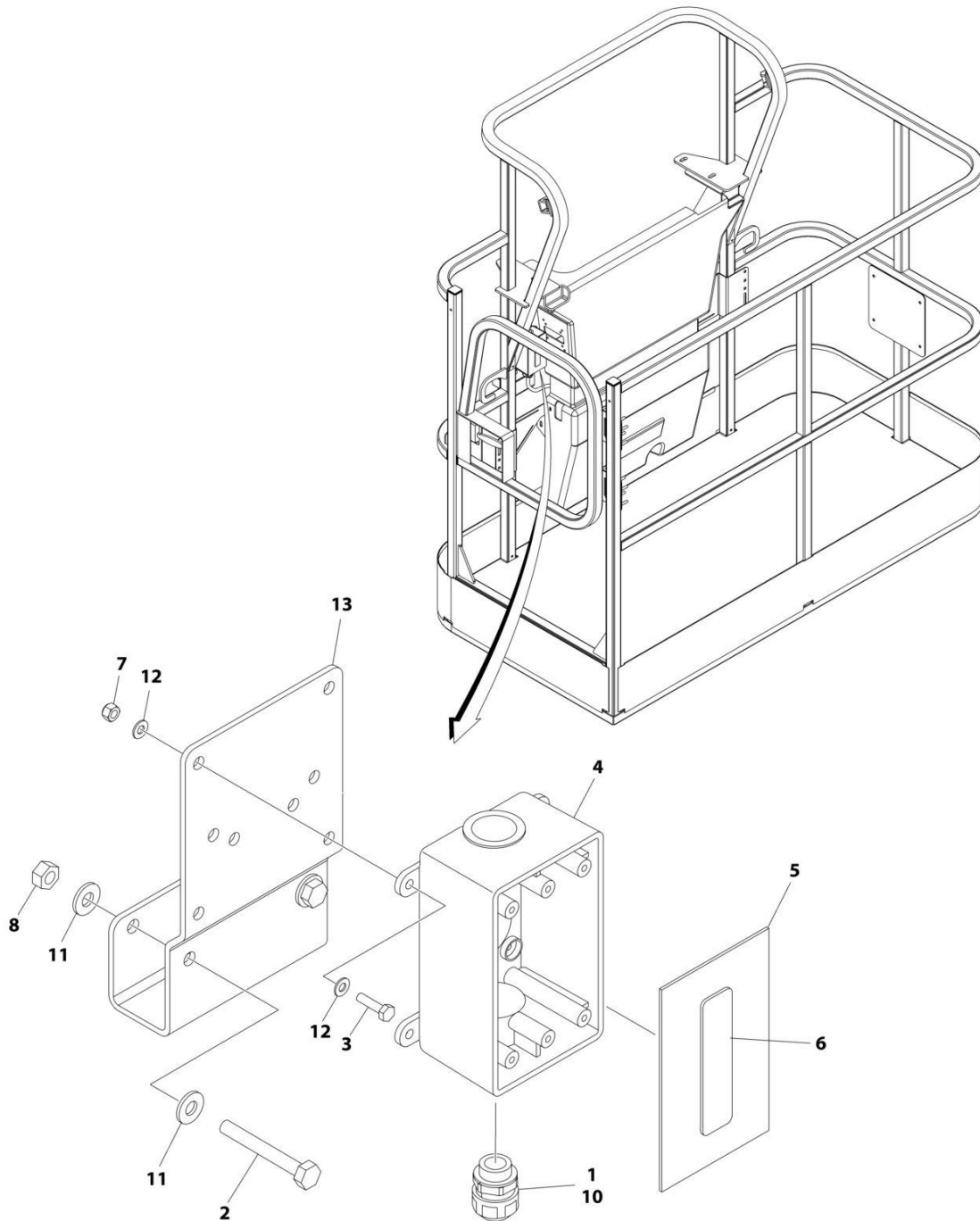
SECTION 8 - ELECTRICAL

FIGURE 8-19. AC BOX AT PLATFORM INSTALLATION - 220V AFSINT 107 KEYED GROUND (2X4 BOX) WITHOUT 2500W GENERATOR (CE SPECS) (SN 0300220579 through 0300272317, SN E300003513 through E300007990, SN 1300007279 through 1300007373)

ITEM	PART NUMBER	QTY	DESCRIPTION	REV
	1001091975	Ref	AC BOX AT PLATFORM INSTALLATION - 220V AFSINT 107 KEYED GROUND (2X4 BOX) WITHOUT 2500W GENERATOR (CE SPECS)	F
		Ref	Note: For Machines equipped with 4000W Generator, see SPECIAL OPTIONS SECTION.	
1	0100020	AR	Sealant, Pipe	
2	0275454	1	Receptacle Box Kit (See RECEPTACLE BOX KIT - 220V AFSINT 107 KEYED GROUND WITHOUT 2500W GENERATOR (2X4 BOX) (CE SPECS) for Breakdown)	
3	0700408	4	Bolt M4 x 16	
4	3290405	4	Nut M4	
5	1001101197	1	Adapter	
6	4811400	8	Washer M4	
7	1001101191	1	Connector, Strain Relief	
8	0641416	2	Bolt 1/4 x 2	
9	3311405	2	Nut 1/4	
10	4711400	4	Washer 1/4	
11	1001193018	1	Bracket	
12	3251242	2	Decal - 240V/50Hz (SN 0300235097 through 0300272317, SN 1300007279 through 1300007373, SN E300004872 through E300007990, Except SN 0300272185 through 0300272190, Excluding E300007814)	
13	1001205958	3	Terminal (Not Shown – Located inside Receptacle Box)	

SECTION 8 - ELECTRICAL

FIGURE 8-20. AC BOX AT PLATFORM INSTALLATION - 220V CUSTOMER SUPPLIED COMPONENTS
(ANSI EXPORT, CE AND CHINA SPECS)



ART_1001194365

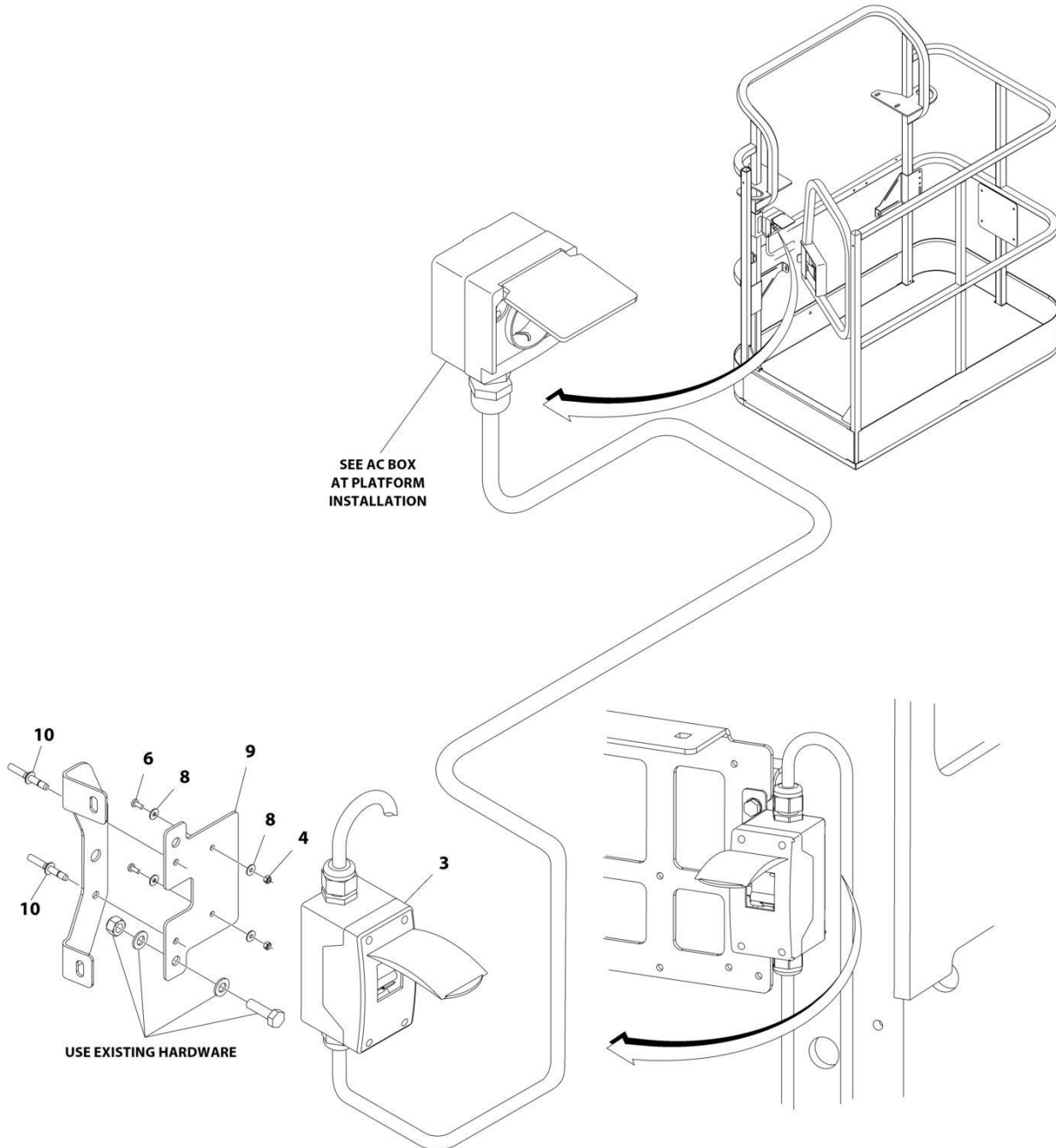
SECTION 8 - ELECTRICAL

**FIGURE 8-20. AC BOX AT PLATFORM INSTALLATION - 220V CUSTOMER SUPPLIED COMPONENTS
(ANSI EXPORT, CE AND CHINA SPECS)**

ITEM	PART NUMBER	QTY	DESCRIPTION	REV
	1001194365	Ref	AC BOX AT PLATFORM INSTALLATION - BOX WITH COVER (2X4 BOX)	A
1	0100020	AR	Sealant	
2	0641416	2	Bolt 1/4 x 2	
3	0700408	4	Bolt M4 x 16	
4	0861731	1	Box, Switch	
5	1670603	1	Cover	
6	3251242	1	Decal - 240V/50Hz	
7	3290405	4	Nut M4	
8	3311405	2	Nut 1/4	
9	4460384	3	Terminal (Not Shown)	
10	4460662	1	Connector, Strain Relief	
11	4711400	4	Washer 1/4	
12	4811400	8	Washer M4	
13	1001193018	1	Bracket, AC Receptacle	

SECTION 8 - ELECTRICAL

FIGURE 8-21. AC CABLE INSTALLATION - WITH TWO BREAKERS (CE SPECS) (SN 0300220579 through 0300272317, SN E300003513 through E300007990, SN 1300007279 through 1300007373)



ART_1001167312

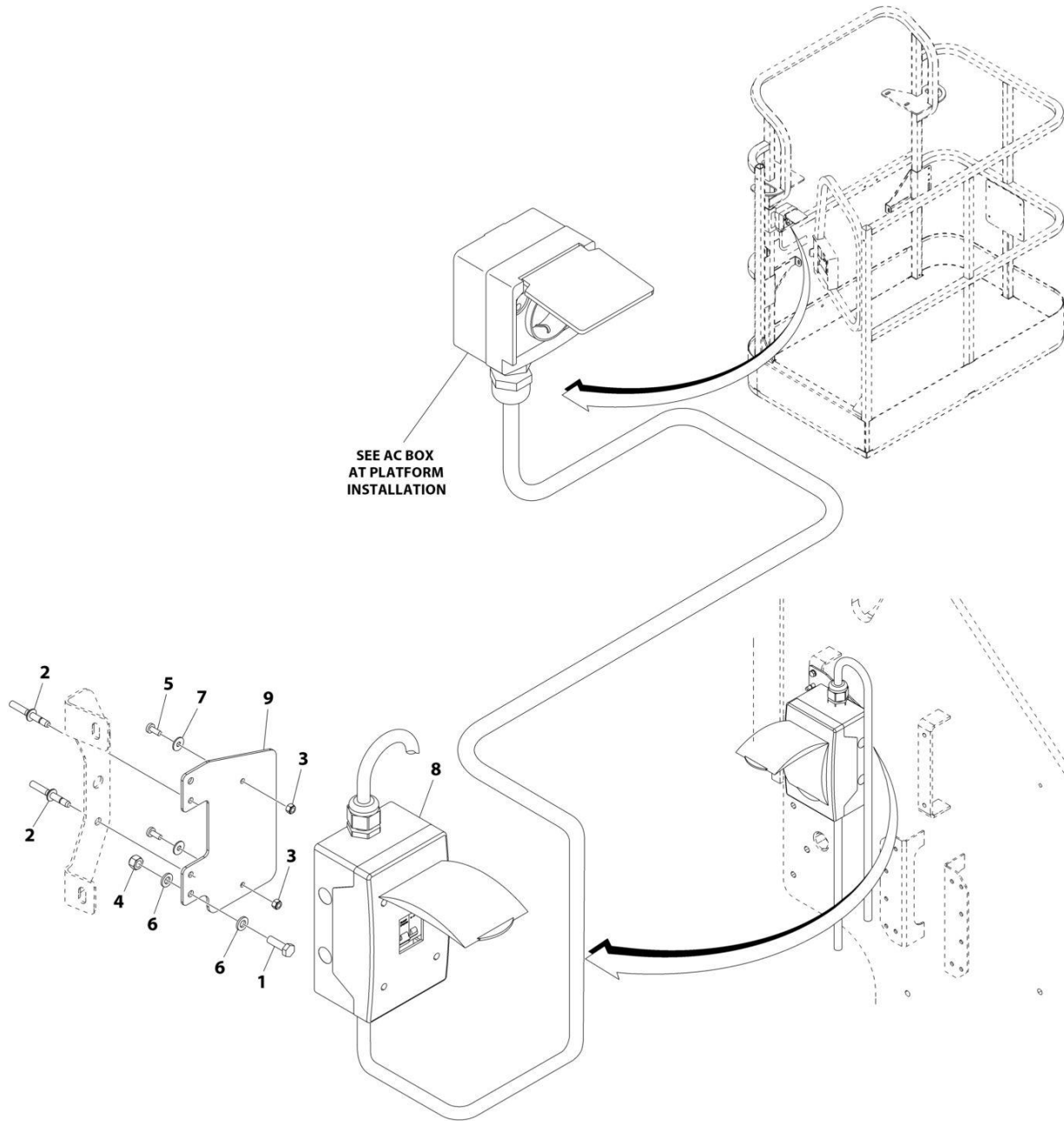
SECTION 8 - ELECTRICAL

FIGURE 8-21. AC CABLE INSTALLATION - WITH TWO BREAKERS (CE SPECS) (SN 0300220579 through 0300272317, SN E300003513 through E300007990, SN 1300007279 through 1300007373)

ITEM	PART NUMBER	QTY	DESCRIPTION	REV
	1001167312	Ref	AC CABLE INSTALLATION - WITH TWO BREAKERS (CE SPECS)	F
3	2902549	1	Breaker Box Kit - CE Spec (See BREAKER BOX KIT WITH TWO BREAKERS - CE SPEC for Breakdown)	
4	3290405	2	Nut M4	
4	3290605	2	Nut M6	
6	4010405	2	Screw M4 x 10	
6	0760614	2	Screw M6 x 30	
8	1001091102	2	Washer M4	
8	4811700	4	Washer M6	
9	1001174158	1	Bracket	
10	2080040	2	Fastener, Huck	

SECTION 8 - ELECTRICAL

FIGURE 8-22. AC CABLE INSTALLATION - WITH THREE BREAKERS (CE SPECS) (SN 0300220579 through 0300272317, SN E300003513 through E300007990, SN 1300007279 through 1300007373)



ART_1001209677

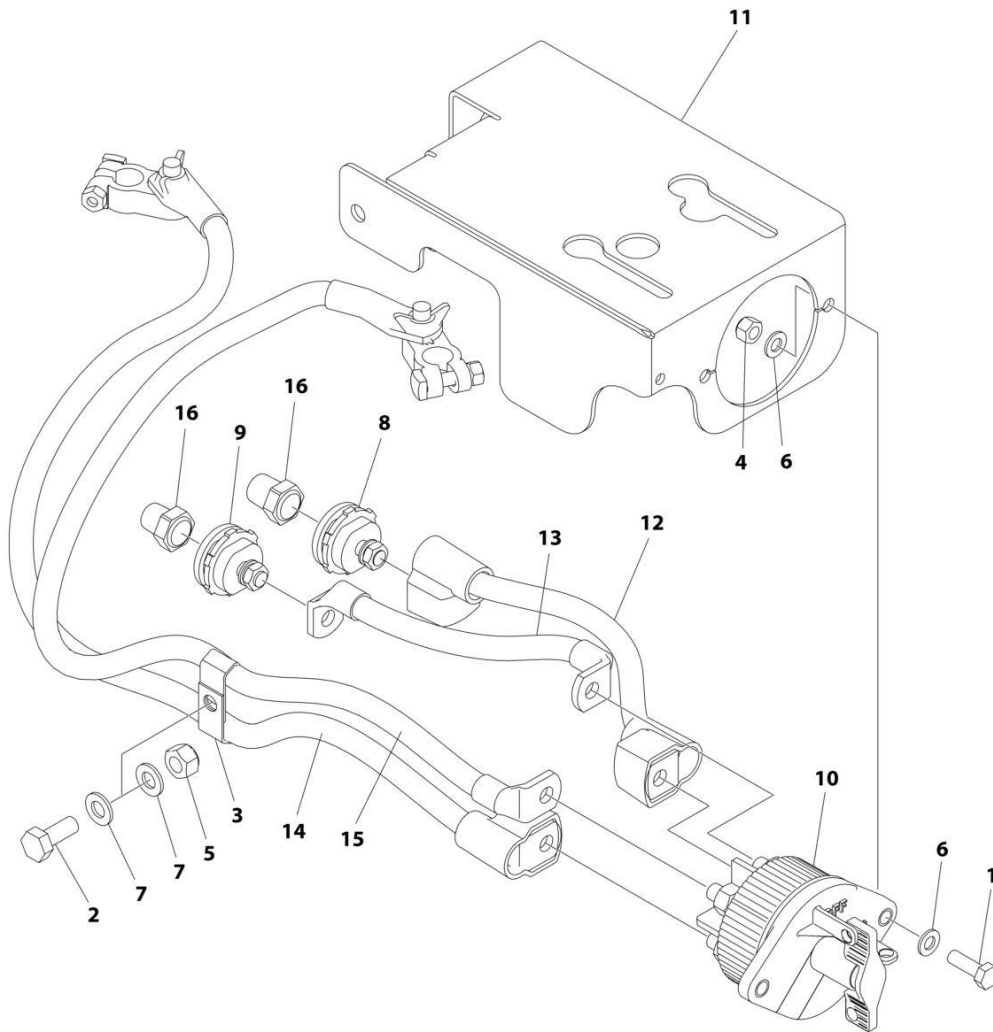
SECTION 8 - ELECTRICAL

FIGURE 8-22. AC CABLE INSTALLATION - WITH THREE BREAKERS (CE SPECS) (SN 0300220579 through 0300272317, SN E300003513 through E300007990, SN 1300007279 through 1300007373)

ITEM	PART NUMBER	QTY	DESCRIPTION	REV
	1001209677	Ref	AC CABLE INSTALLATION - WITH THREE BREAKERS (CE SPECS)	A
1	0760610	2	Bolt M6 x 20	
2	2080040	2	Fastener, Huck	
3	3290405	2	Nut M4	
4	3290605	2	Nut M6	
5	4010405	2	Screw M4 x 10	
6	4811700	4	Washer M6	
7	1001091102	2	Washer M4	
8	1001152485	1	Breaker Box Kit - CE Spec (See BREAKER BOX KIT WITH THREE BREAKERS - CE SPEC for Breakdown)	
9	1001209832	1	Bracket	

SECTION 8 - ELECTRICAL

FIGURE 8-23. BATTERY DISCONNECT SWITCH



ART_1001214397

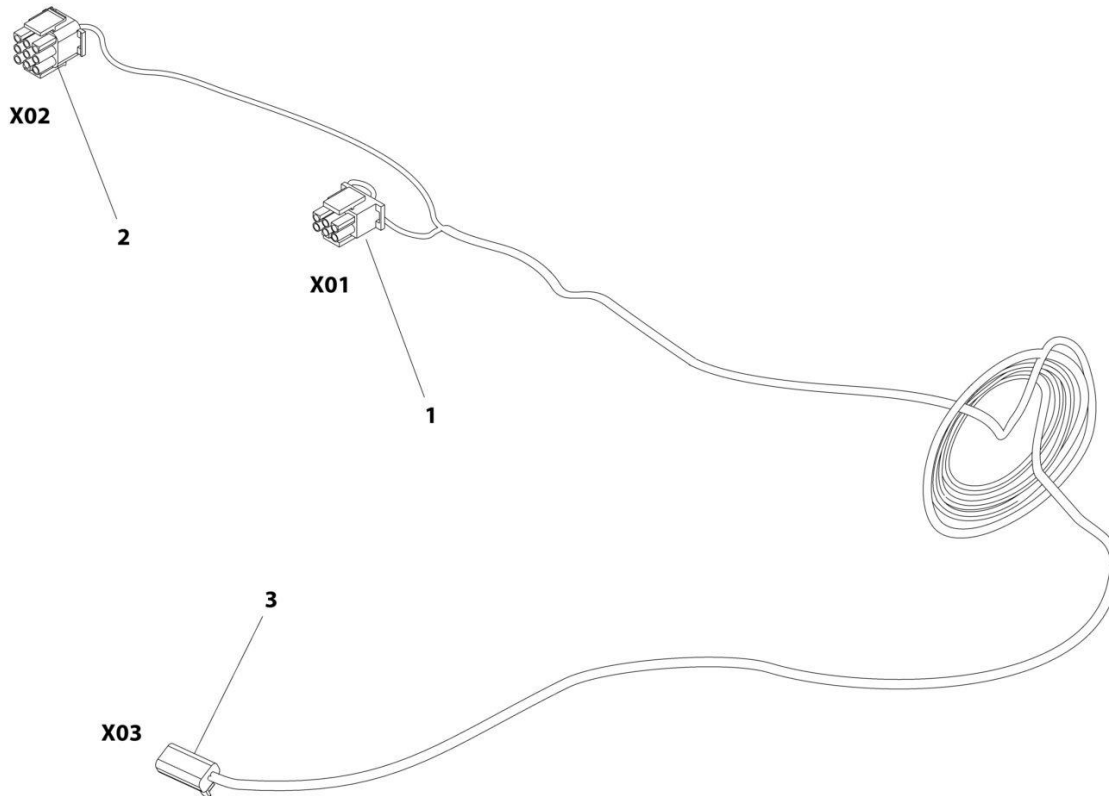
SECTION 8 - ELECTRICAL

FIGURE 8-23. BATTERY DISCONNECT SWITCH

ITEM	PART NUMBER	QTY	DESCRIPTION	REV
	1001214397	Ref	BATTERY DISCONNECT SWITCH	A
1	0760812	2	Bolt M8 x 25	
2	0761012	1	Bolt M10 x 25	
3	1320223	2	Clamp	
4	3290805	2	Nut M8	
5	3291005	1	Nut M10	
6	4811900	4	Washer M8	
7	4812000	2	Washer M10	
8	1001214570	1	Connector (Red)	
9	1001214571	1	Connector (Black)	
10	1001225346	1	Switch	
11	1001226530	1	Mount	
12	1001237878	1	Cable, Battery Disconnect (Positive)	
13	1001237879	1	Cable, Battery Disconnect (Negative)	
14	1001237880	1	Cable (Positive)	
15	1001237881	1	Cable (Negative)	
16	1001206476	1	Connector	

SECTION 8 - ELECTRICAL

FIGURE 8-24. BEACON LIGHT HARNESS (BLUE BEACON ONLY) (SN 0300201991 through 0300202578)



ART_1001149570

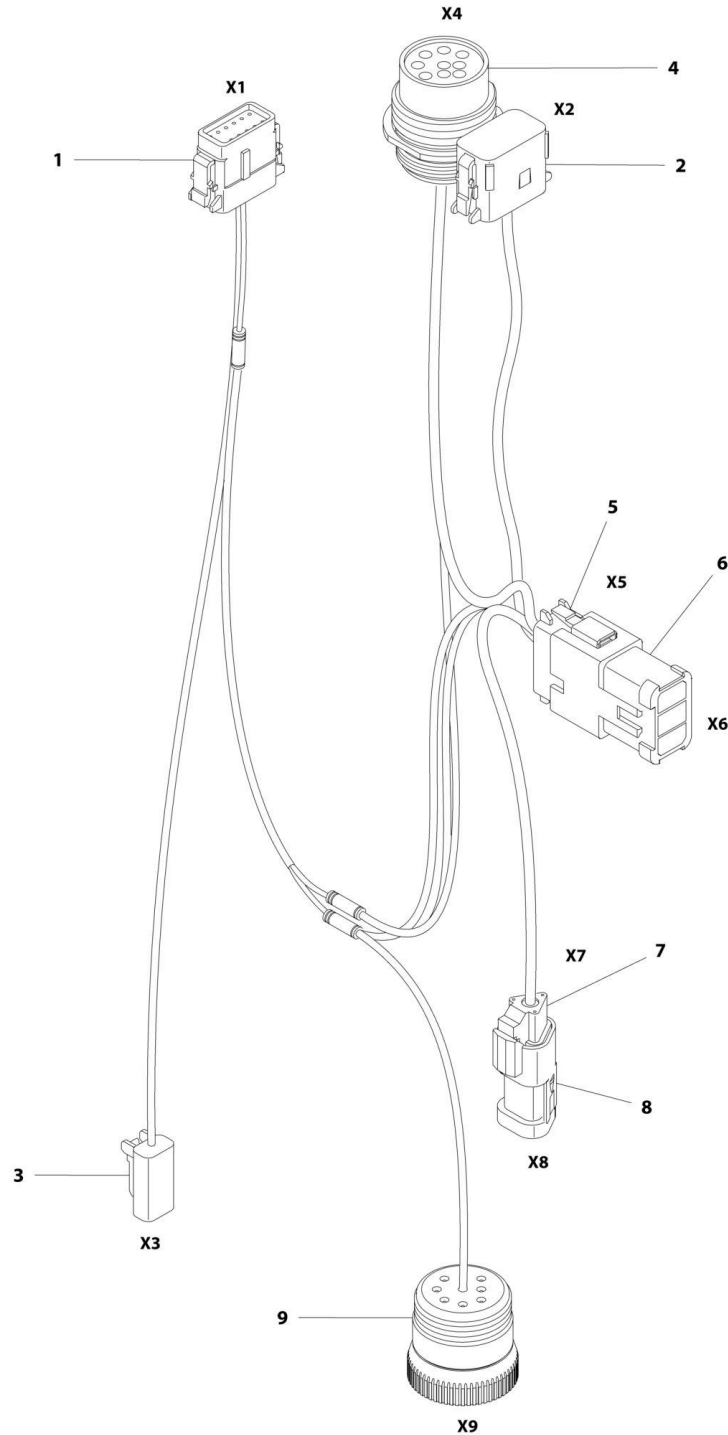
SECTION 8 - ELECTRICAL

FIGURE 8-24. BEACON LIGHT HARNESS (BLUE BEACON ONLY) (SN 0300201991 through 0300202578)

ITEM	PART NUMBER	QTY	DESCRIPTION	REV
	1001149570	Ref	BEACON LIGHT HARNESS (BLUE BEACON ONLY) (SN 0300201991 through 0300202579)	C
1	4460225	1	Plug, Male - 6 Position	
1	4460268	1	Socket, Female	
2	4460265	1	Plug, Male - 9 Position	
2	4460267	1	Pin, Male	
3	4460891	1	Plug, Male - 2 Position	
3	4460465	2	Socket, Female	

SECTION 8 - ELECTRICAL

FIGURE 8-25. BEACON LIGHT HARNESS (BLUE BEACON ONLY) (SN 0300202579 through 0300272317, SN B300003516 through B300005760, SN E300002833 through E300007990, SN 1300007279 through 1300007373)



ART_1001142736

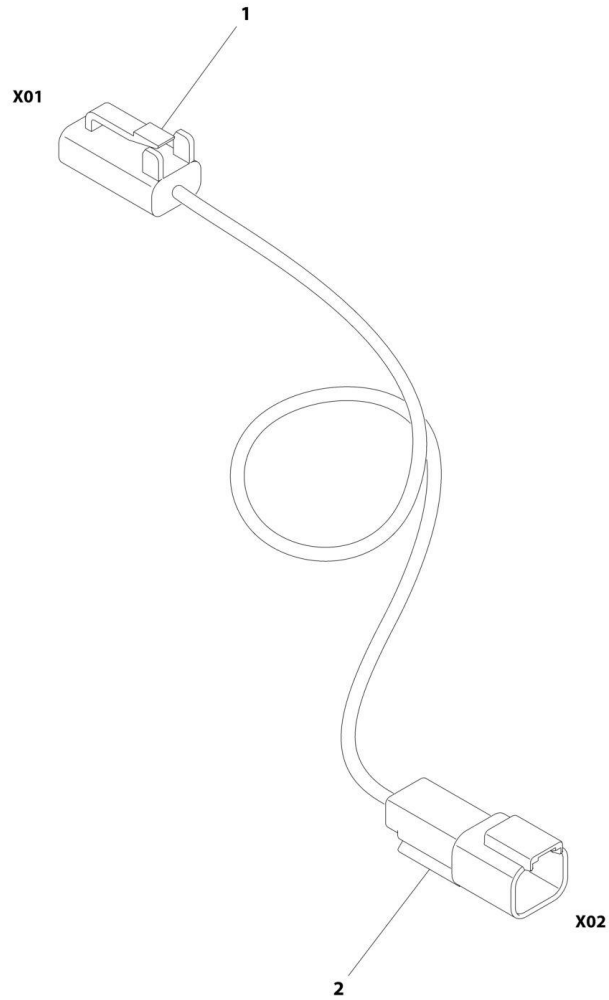
SECTION 8 - ELECTRICAL

FIGURE 8-25. BEACON LIGHT HARNESS (BLUE BEACON ONLY) (SN 0300202579 through 0300272317, SN B300003516 through B300005760, SN E300002833 through E300007990, SN 1300007279 through 1300007373)

ITEM	PART NUMBER	QTY	DESCRIPTION	REV
	1001142736	Ref	BEACON HARNESS (BLUE BEACON LIGHT ONLY)	F
1	1001116808	1	Plug, Male - 12 Position	
1	4460928	3	Socket, Female	
1	4460518	9	Plug, Terminal	
2	1001116774	1	Plug, Male - 12 Position	
2	4460928	3	Socket, Female	
2	4460518	9	Plug, Terminal	
3	4460891	1	Plug, Male - 2 Position	
3	4460465	2	Socket, Female	
4	1001112612	1	Connector - 9 Position	
4	4460464	6	Pin, Male	
4	4460466	3	Plug, Terminal	
5	4460933	1	Plug, Male - 12 Position	
5	4460465	12	Socket, Female	
6	1001119020	1	Bussbar - 12 Position	
7	4461095	1	Plug, Male - 3 Position	
7	4460465	3	Socket, Female	
8	4461070	1	Bussbar - 3 Position	
9	1001112796	1	Connector - 9 Position	
9	4460465	6	Socket, Female	
9	4460466	3	Plug, Terminal	

SECTION 8 - ELECTRICAL

FIGURE 8-26. BEACON EXTENSION HARNESS (SN 0300202579 through 0300221757, SN E300002833 through E300003881)



ART_1001196458

SECTION 8 - ELECTRICAL

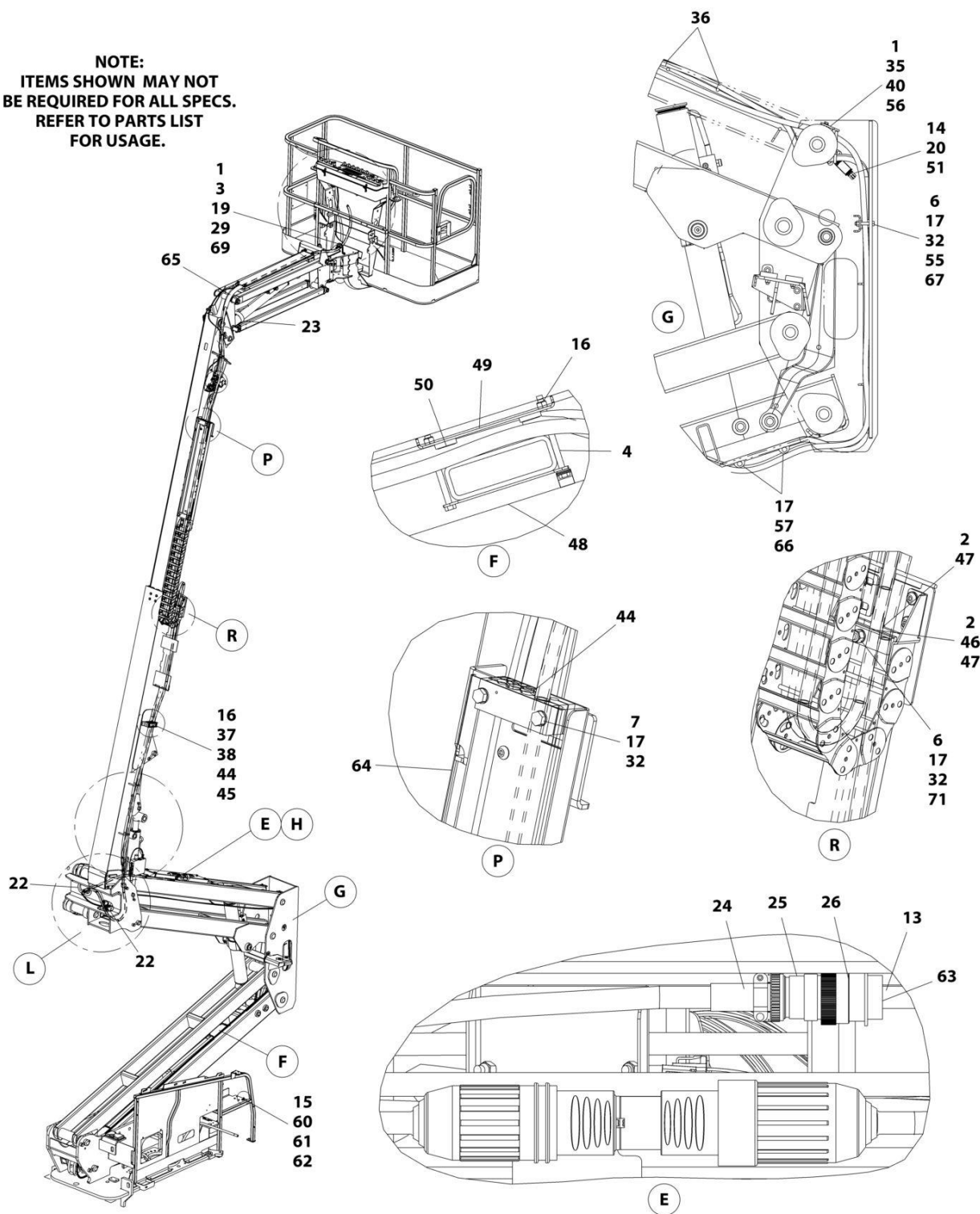
FIGURE 8-26. BEACON EXTENSION HARNESS (SN 0300202579 through 0300221757, SN E300002833 through E300003881)

ITEM	PART NUMBER	QTY	DESCRIPTION	REV
	1001196458	Ref	BEACON EXTENSION HARNESS (SN 0300202579 through 0300221757, SN E300002833 through E300003881)	A
1	4460891	1	Plug, Male -2 Position	
1	4460465	2	Socket, Female	
2	4460897	1	Receptacle, Female	
2	4460464	2	Pin, Male	

SECTION 8 - ELECTRICAL

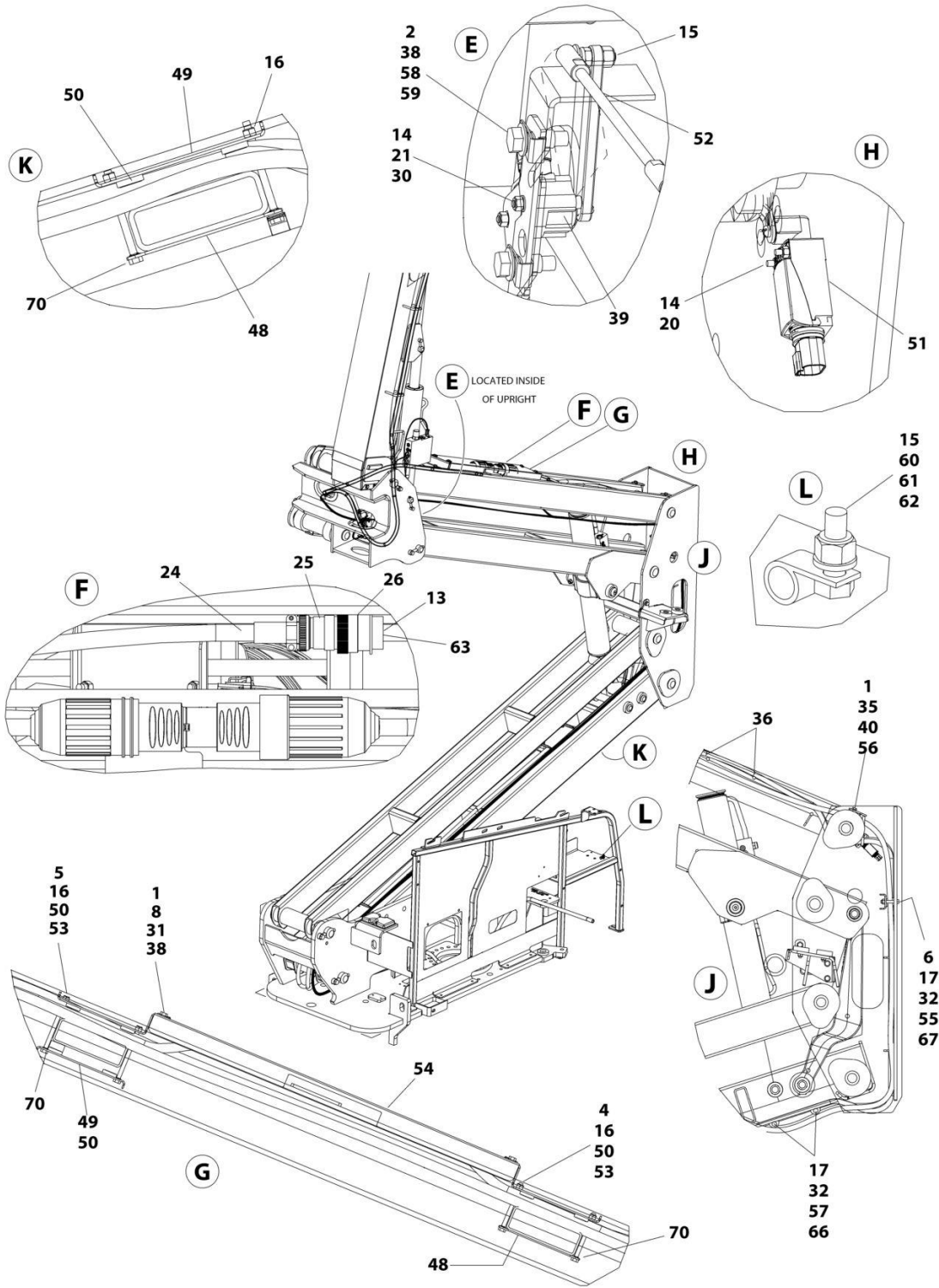
FIGURE 8-27. BOOM CABLES AND CLAMPS INSTALLATION - 450A (WITHOUT ARCTIC PACKAGE)

NOTE:
ITEMS SHOWN MAY NOT
BE REQUIRED FOR ALL SPECS.
REFER TO PARTS LIST
FOR USAGE.



ART_1001218979_10F2

SECTION 8 - ELECTRICAL



ART_1001218979_2OF2

SECTION 8 - ELECTRICAL

FIGURE 8-27. BOOM CABLES AND CLAMPS INSTALLATION - 450A (WITHOUT ARCTIC PACKAGE)

ITEM	PART NUMBER	QTY	DESCRIPTION	REV
	1001179228	Ref	BOOM CABLES AND CLAMPS INSTALLATION - REFERENCE CHART	N
	1001218979	Ref	BOOM CABLES AND CLAMPS INSTALLATION - 450A (WITHOUT ARCTIC PACKAGE)	A
	1001219001	Ref	BOOM CABLES AND CLAMPS INSTALLATION KIT - 450A (WITHOUT ARCTIC PACKAGE)	D
		Ref	Note: For Machines with Generator Option, See SPECIAL OPTIONS SECTION for Components.	
1	0100011	AR	Compound, Locking	
2	0100081	AR	Adhesive	
3	0641509	2	Bolt 5/16 x 1-1/8	
4	0700827	6	Bolt M8 x 100	
5	0700828	2	Bolt M8 x 110	
6	0701021	3	Bolt M10 x 65	
7	0701024	4	Bolt M10 x 80	
8	0760812	4	Bolt M8 x 25	
13	2820031	AR	Heat Shrink	
14	3290405	4	Nut M4	
15	3290605	3	Nut M6	
16	3290805	10	Nut M8	
17	3291005	9	Nut M10	
19	3841340	1	Loop, Hose	
20	4010417	2	Screw M4 x 45	
20	4010418	2	Screw M4 x 50	
21	4031511	2	Capscrew M4 x 35	
22	4060808	27.5 in /8.4m	Flex-Trim	
23	4240156	1	Strap, Clinch	
24	4460473	AR	Clamp, Cable	
25	4460865	1	Connector - 19 Position	
26	4460866	1	Connector - 19 Position	
29	4711500	1	Washer 5/16	
30	4811400	2	Washer M4	
31	4811902	4	Washer M8	
32	4812000	13	Washer M10	
33	1001176951	1	Harness, Tower Boom (Not Shown - See BOOM HARNESS - TOWER BOOM for Breakdown)	
34	1001174749	1	Harness, Tower Boom AC Cable (Not Shown - See BOOM HARNESS - TOWER BOOM AC CABLE for Breakdown)	
35	5251014	2	Bolt M10 x 30	
36	8881800	AR	Tie-Strap	
37	5281920	2	Screw M8 x 80	
38	1001118274	8	Nut M8	
39	1001118971	1	Sensor, Angle	
39	70005667	1	Arm	
40	1001118972	2	Nut M10	
41	1001172335	1	Harness, Main Boom (Not Shown - See BOOM HARNESS - 450A (MAIN BOOM) for Breakdown)	
42	1001172336	1	Harness, Main Boom AC Cable (Not Shown - See BOOM HARNESS - 450A (MAIN BOOM AC CABLE) for Breakdown)	
43	1001164738	1	Harness, Boom Valve (Not Shown - See BOOM VALVE HARNESS for Breakdown)	

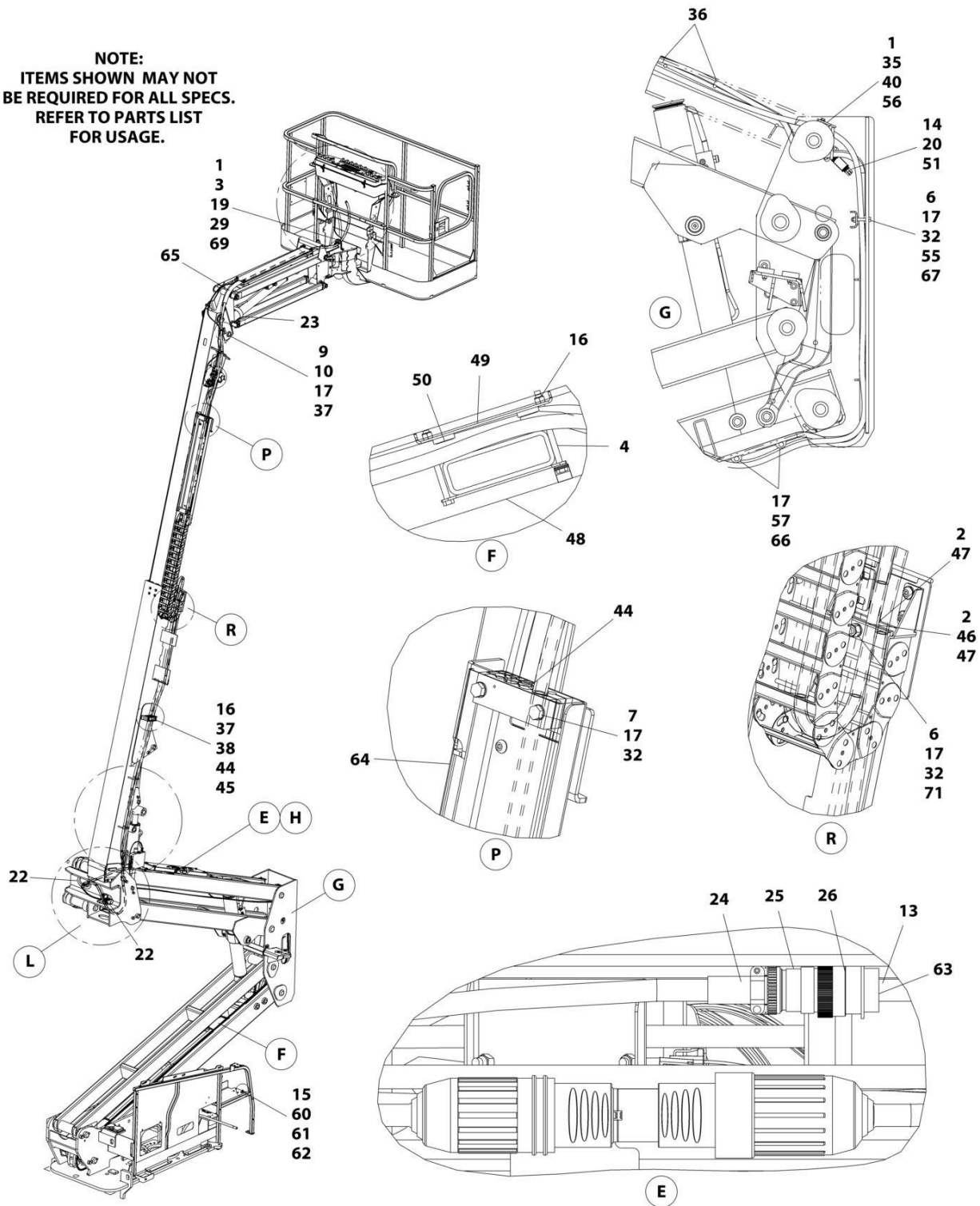
SECTION 8 - ELECTRICAL

ITEM	PART NUMBER	QTY	DESCRIPTION	REV
44	1001166656	3	Block, Clamping	
45	1001166662	1	Plate	
46	1001168472	1	Plate, Clamping	
47	1001168473	2	Clamp, Rubber	
48	1001171553	3	Plate, Clamping	
49	1001171555	3	Plate, Clamping	
50	1001171559	10	Pad	
51	1001172271	1	Switch, Limit	
52	1001172796	NLA	Link, Sensor (Use p/n 1001238466) (Note: Sold as Assembly Only) (SN 0300201991 through 0300252886)	
52	1001238466	1	Link, Sensor (Note: Sold as Assembly Only) (SN 0300252887 through 0300272317, Except SN 0300272185 through 0300272190)	
53	1001178448	2	Plate, Clamping	
54	1001178449	1	Cover	
55	1001178644	1	Plate	
56	1001178958	1	Bracket	
57	1001182561	2	Roller	
58	5250812	2	Bolt M8 x 25	
59	1001179266	1	Plate, Mounting	
60	0760610	1	Bolt M6 x 20	
61	1320043	1	Clamp	
62	4811700	1	Washer M6	
63	4460466	AR	Plug, Terminal	
64	1001181875	1	Cover	
65	1001181923	1	Shield, Hose	
66	1001119280	2	Bolt M10 x 260	
67	1001185747	2	Pad	
69	88521205	2	Nut 5/16	
70	1001119228	8	Nut M8	
71	8310070	1	Pushnut 3/8	

SECTION 8 - ELECTRICAL

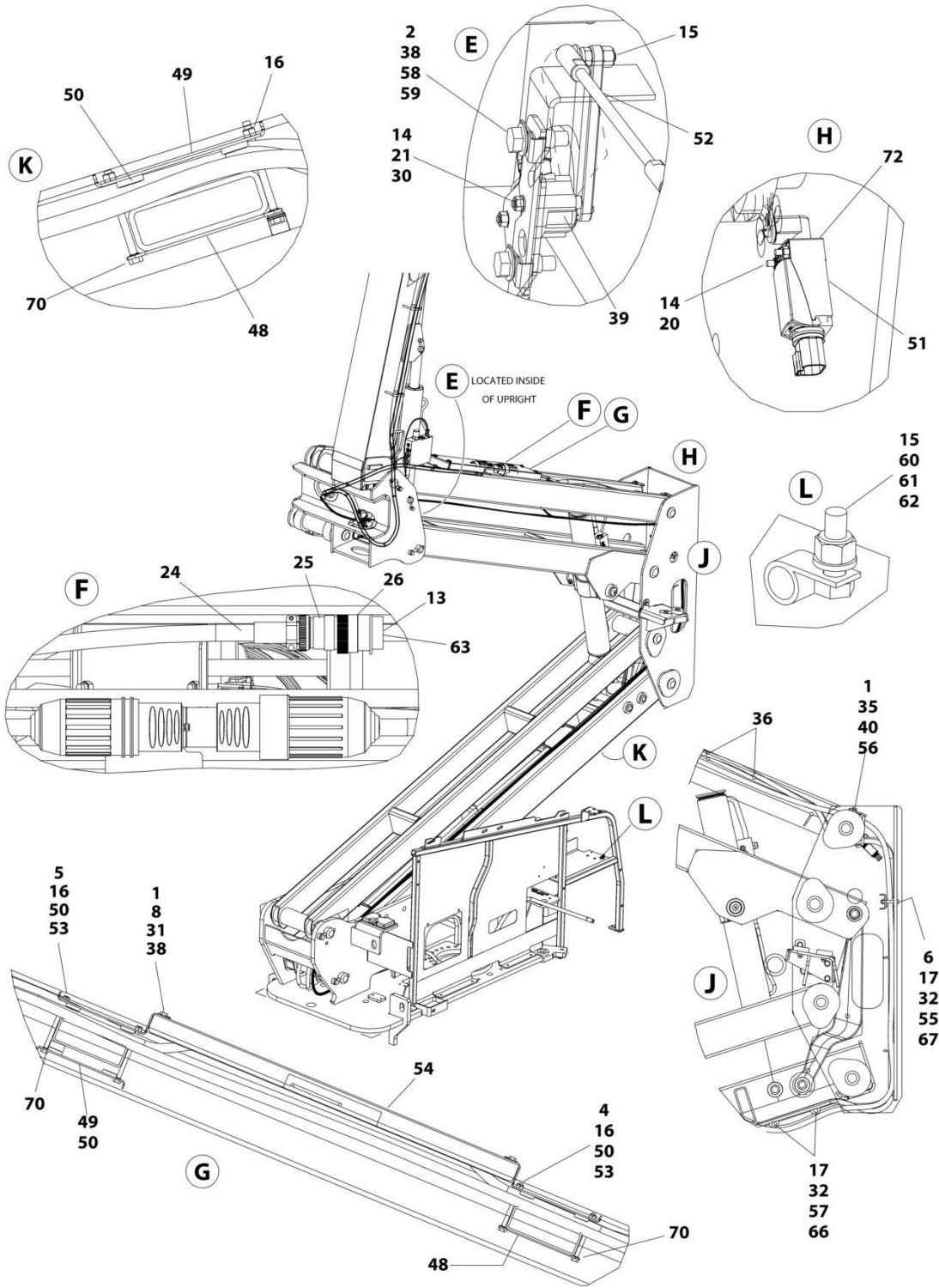
FIGURE 8-28. BOOM CABLES AND CLAMPS INSTALLATION - 450AJ (WITHOUT ARCTIC PACKAGE)

NOTE:
ITEMS SHOWN MAY NOT
BE REQUIRED FOR ALL SPECS.
REFER TO PARTS LIST
FOR USAGE.



ART_1001179738_10F2

SECTION 8 - ELECTRICAL



ART_1001179738_20F2

SECTION 8 - ELECTRICAL

FIGURE 8-28. BOOM CABLES AND CLAMPS INSTALLATION - 450AJ (WITHOUT ARCTIC PACKAGE)

ITEM	PART NUMBER	QTY	DESCRIPTION	REV
	1001179228	Ref	BOOM CABLES AND CLAMPS INSTALLATION - REFERENCE CHART	N
	1001179738	Ref	BOOM CABLES AND CLAMPS INSTALLATION - 450AJ (WITHOUT ARCTIC PACKAGE)	K
		Ref	Note: For Machines with Generator Option, See SPECIAL OPTIONS SECTION for Components.	
1	0100011	AR	Compound, Locking	
2	0100081	AR	Adhesive	
3	0641509	2	Bolt 5/16 x 1-1/8	
4	0700827	6	Bolt M8 x 100	
5	0700828	2	Bolt M8 x 110	
6	0701021	3	Bolt M10 x 65	
7	0701024	4	Bolt M10 x 80	
8	0760812	4	Bolt M8 x 25	
9	0761012	1	Bolt M10 x 25	
10	1320130	1	Clamp	
13	2820031	AR	Heat Shrink	
14	3290405	4	Nut M4	
15	3290605	3	Nut M6	
16	3290805	10	Nut M8	
17	3291005	10	Nut M10	
19	3841340	1	Loop, Hose	
20	4010417	2	Screw M4 x 45	
20	4010418	2	Screw M4 x 50	
21	4031511	2	Capscrew M4 x 35	
22	4060808	27.5 in/ 8.38m	Flex-Trim	
23	4240156	2	Strap, Clinch	
24	4460473	AR	Clamp, Cable	
25	4460865	1	Connector - 19 Position	
26	4460866	1	Connector - 19 Position	
29	4711500	4	Washer 5/16	
30	4811400	2	Washer M4	
31	4811902	4	Washer M8	
32	4812000	13	Washer M10	
33	1001176951	1	Harness, Tower Boom (Not Shown - See BOOM HARNESS - TOWER BOOM for Breakdown)	
34	1001174749	1	Harness, Tower Boom AC Cable (Not Shown - See BOOM HARNESS - TOWER BOOM AC CABLE for Breakdown)	
35	5251014	2	Bolt M10 x 30	
36	8881800	AR	Tie-Strap	
37	5281920	2	Screw M8 x 80	
38	1001118274	8	Nut M8	
39	1001118971	1	Sensor, Angle	
39	70005667	1	Arm	
40	1001118972	2	Nut M10	
41	1001164730	1	Harness, Main Boom (Not Shown - See BOOM HARNESS - 450AJ (MAIN BOOM) for Breakdown)	
42	1001164731	1	Harness, Main Boom AC Cable (Not Shown - See BOOM HARNESS - 450AJ (MAIN BOOM AC CABLE) for Breakdown)	
43	1001164738	1	Harness, Boom Valve (Not Shown - See BOOM VALVE HARNESS for Breakdown)	

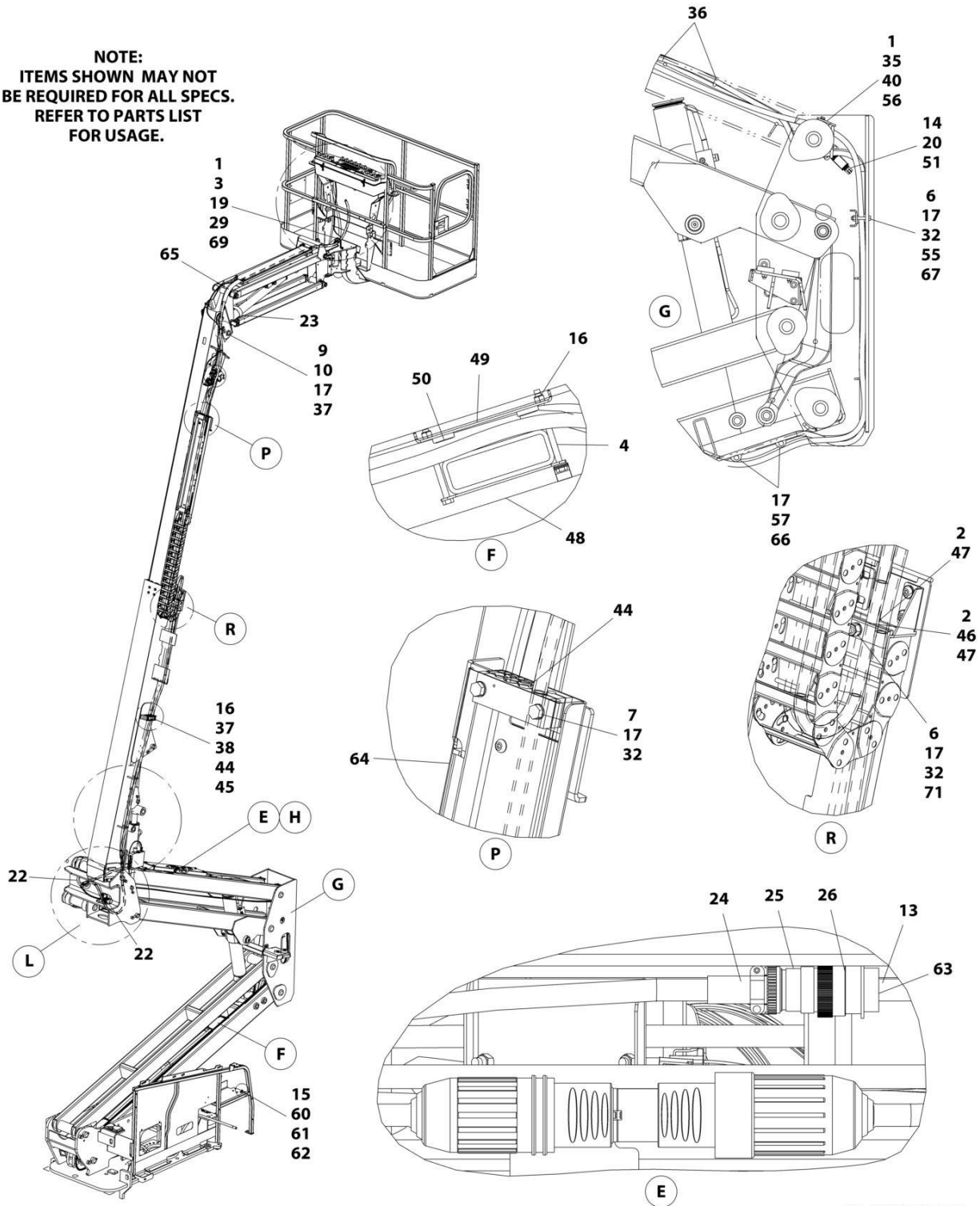
SECTION 8 - ELECTRICAL

ITEM	PART NUMBER	QTY	DESCRIPTION	REV
44	1001166656	3	Block, Clamping	
45	1001166662	1	Plate	
46	1001168472	1	Plate, Clamping	
47	1001168473	2	Clamp, Rubber	
48	1001171553	3	Plate, Clamping	
49	1001171555	3	Plate, Clamping	
50	1001171559	10	Pad	
51	1001172271	1	Switch, Limit	
52	1001172796	NLA	Link, Sensor (Use p/n 1001238466) (Note: Sold as Assembly Only) (SN 0300201991 through 0300252886, SN E300002833 through E300006260)	
52	1001238466	1	Link, Sensor (Note: Sold as Assembly Only) (SN 0300252887 through 0300272317, SN B300003516 through B300005760, SN E300006261 through E300007990, Except SN 0300272185 through 0300272190, Excluding B300005569 and E300007814)	
53	1001178448	2	Plate, Clamping	
54	1001178449	1	Cover	
55	1001178644	1	Plate	
56	1001178958	1	Bracket	
57	1001182561	2	Roller	
58	5250812	2	Bolt M8 x 25	
59	1001179266	1	Plate, Mounting	
60	0760610	1	Bolt M6 x 20	
61	1320043	1	Clamp	
62	4811700	1	Washer M6	
63	4460466	AR	Plug, Terminal	
64	1001181621	1	Cover	
65	1001181923	1	Shield, Hose	
66	1001119280	2	Bolt M10 x 260	
67	1001185747	2	Pad	
69	88521205	2	Nut 5/16	
70	1001119228	8	Nut M8	
71	8310070	1	Pushnut 3/8	
72	4750800	AR	Washer #8 (SN 0300223307 through 0300272317, SN 1300007279 through 1300007373, SN B300003516 through B300005760, SN E300003720 through E300007990, Except SN 0300272185 through 0300272190, Excluding B300005569 and E300007814)	

SECTION 8 - ELECTRICAL

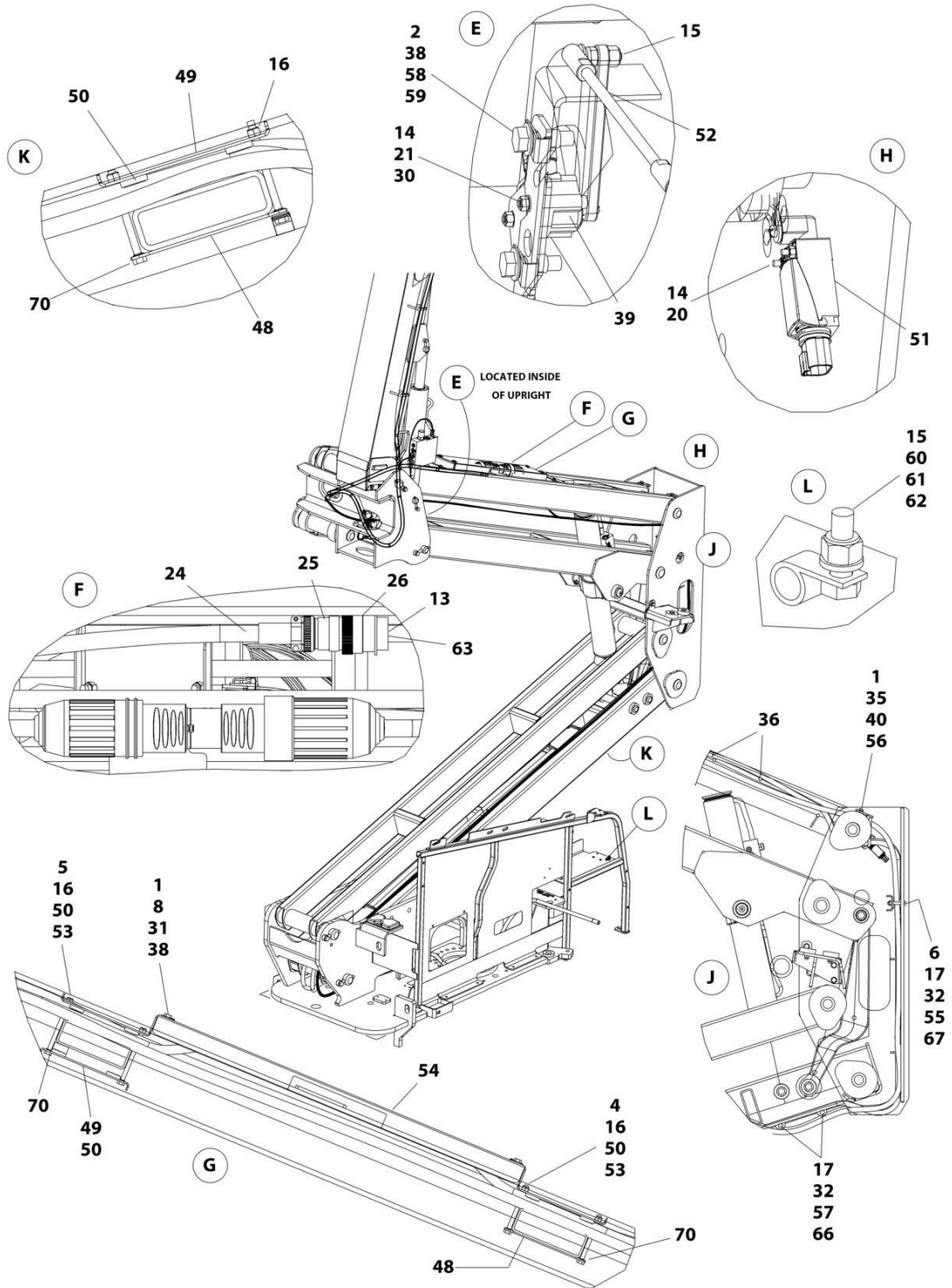
FIGURE 8-29. BOOM CABLES AND CLAMPS INSTALLATION - 450A (WITH ARCTIC PACKAGE)

NOTE:
ITEMS SHOWN MAY NOT
BE REQUIRED FOR ALL SPECS.
REFER TO PARTS LIST
FOR USAGE.



ART_1001217443_10F2

SECTION 8 - ELECTRICAL



ART_1001217443_20F2

SECTION 8 - ELECTRICAL

FIGURE 8-29. BOOM CABLES AND CLAMPS INSTALLATION - 450A (WITH ARCTIC PACKAGE)

ITEM	PART NUMBER	QTY	DESCRIPTION	REV
	1001179228	Ref	BOOM CABLES AND CLAMPS INSTALLATION - REFERENCE CHART	N
	1001217443	Ref	BOOM CABLES AND CLAMPS INSTALLATION - 450A (WITH ARCTIC PACKAGE)	D
		Ref	Note: For Machines with Generator Option, See SPECIAL OPTIONS SECTION for Components.	
1	0100011	AR	Compound, Locking	
2	0100081	AR	Adhesive	
3	0641509	2	Bolt 5/16 x 1-1/8	
4	0700827	6	Bolt M8 x 100	
5	0700828	2	Bolt M8 x 110	
6	0701021	3	Bolt M10 x 65	
7	0701024	4	Bolt M10 x 80	
8	0760812	4	Bolt M8 x 25	
9	0761012	1	Bolt M10 x 25	
10	1320130	1	Clamp	
13	2820031	AR	Heat Shrink	
14	3290405	4	Nut M4	
15	3290605	3	Nut M6	
16	3290805	10	Nut M8	
17	3291005	10	Nut M10	
19	3841340	1	Loop, Hose	
20	4010417	2	Screw M4 x 45	
20	4010418	2	Screw M4 x 50	
21	4031511	2	Capscrew M4 x 35	
22	4060808	27.5 in /8.4m	Flex-Trim	
23	4240156	2	Strap, Clinch	
24	4460473	AR	Clamp, Cable	
25	4460865	1	Connector - 19 Position	
26	4460866	1	Connector - 19 Position	
29	4711500	4	Washer 5/16	
30	4811400	2	Washer M4	
31	4811902	4	Washer M8	
32	4812000	13	Washer M10	
33	1001179439	1	Harness, Tower Boom (Not Shown - See BOOM HARNESS - TOWER BOOM for Breakdown)	
34	1001174754	1	Harness, Tower Boom AC Cable (Not Shown - See BOOM HARNESS - TOWER BOOM AC CABLE for Breakdown)	
35	5251014	2	Bolt M10 x 30	
36	8881800	AR	Tie-Strap	
37	5281920	2	Screw M8 x 80	
38	1001118274	8	Nut M8	
39	1001118971	1	Sensor, Angle	
39	70005667	1	Arm	
40	1001118972	2	Nut M10	
41	1001217441	1	Harness, Main Boom (Not Shown - See BOOM HARNESS - 450A (MAIN BOOM) for Breakdown)	
42	1001217440	1	Harness, Main Boom AC Cable (Not Shown - See BOOM HARNESS - 450A (MAIN BOOM AC CABLE) for Breakdown)	
43	1001164738	1	Harness, Boom Valve (Not Shown - See BOOM VALVE HARNESS for Breakdown)	

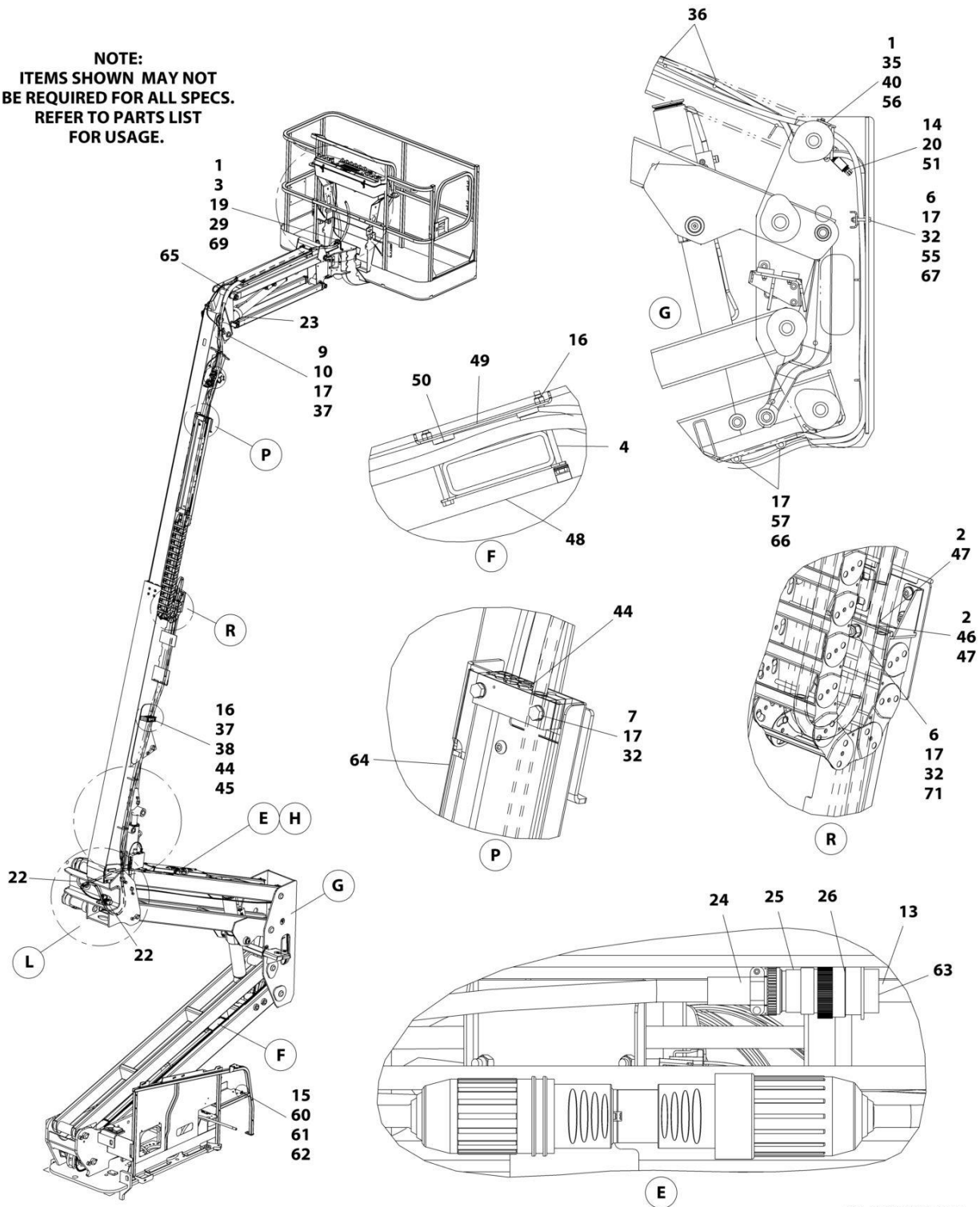
SECTION 8 - ELECTRICAL

ITEM	PART NUMBER	QTY	DESCRIPTION	REV
44	1001166678	3	Block, Clamping	
45	1001166662	1	Plate	
46	1001168472	1	Plate, Clamping	
47	1001168473	2	Clamp, Rubber	
48	1001171553	3	Plate, Clamping	
49	1001171555	3	Plate, Clamping	
50	1001171559	10	Pad	
51	1001172271	1	Switch, Limit	
52	1001172796	NLA	Link, Sensor (Use p/n 1001238466) (Note: Sold as Assembly Only) (SN 0300201991 through 0300252886)	
52	1001238466	1	Link, Sensor (Note: Sold as Assembly Only) (SN 0300252887 through 0300272317, Except SN 0300272185 through 0300272190)	
53	1001178448	2	Plate, Clamping	
54	1001178449	1	Cover	
55	1001178644	1	Plate	
56	1001178958	1	Bracket	
57	1001182561	2	Roller	
58	5250812	2	Bolt M8 x 25	
59	1001179266	1	Plate, Mounting	
60	0760610	1	Bolt M6 x 20	
61	1320043	1	Clamp	
62	4811700	1	Washer M6	
63	4460466	AR	Plug, Terminal	
64	1001181875	1	Cover	
65	1001181923	1	Shield, Hose	
66	1001119280	2	Bolt M10 x 260	
67	1001185747	2	Pad	
69	88521205	2	Nut 5/16	
70	1001119228	8	Nut M8	
71	8310070	1	Pushnut 3/8	

SECTION 8 - ELECTRICAL

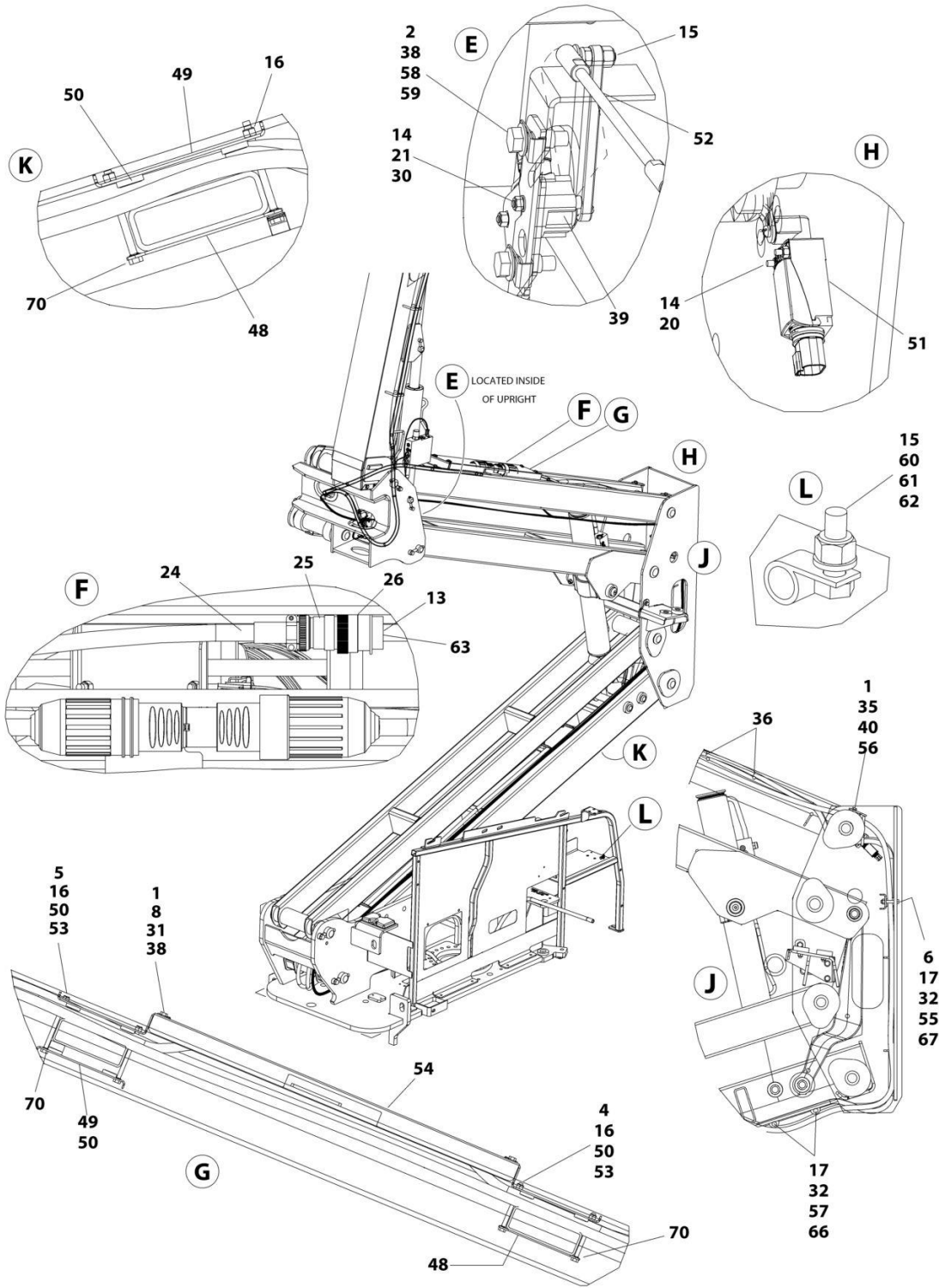
FIGURE 8-30. BOOM CABLES AND CLAMPS INSTALLATION - 450AJ (WITH ARCTIC PACKAGE)

NOTE:
ITEMS SHOWN MAY NOT
BE REQUIRED FOR ALL SPECS.
REFER TO PARTS LIST
FOR USAGE.



ART_1001179737_10F2

SECTION 8 - ELECTRICAL



ART_1001179737_20F2

SECTION 8 - ELECTRICAL

FIGURE 8-30. BOOM CABLES AND CLAMPS INSTALLATION - 450AJ (WITH ARCTIC PACKAGE)

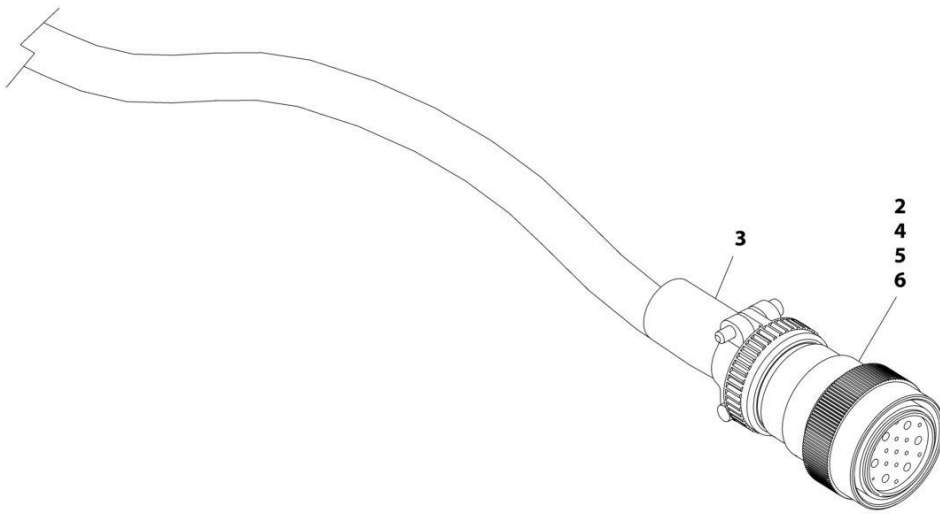
ITEM	PART NUMBER	QTY	DESCRIPTION	REV
	1001179228	Ref	BOOM CABLES AND CLAMPS INSTALLATION - REFERENCE CHART	N
	1001179737	Ref	BOOM CABLES AND CLAMPS INSTALLATION - 450AJ (WITH ARCTIC PACKAGE)	J
		Ref	Note: For Machines with Generator Option, See SPECIAL OPTIONS SECTION for Components.	
1	0100011	AR	Compound, Locking	
2	0100081	AR	Adhesive	
3	0641509	2	Bolt 5/16 x 1-1/8	
4	0700827	6	Bolt M8 x 100	
5	0700828	2	Bolt M8 x 110	
6	0701021	3	Bolt M10 x 65	
7	0701024	4	Bolt M10 x 80	
8	0760812	4	Bolt M8 x 25	
9	0761012	1	Bolt M10 x 25	
10	1320130	1	Clamp	
13	2820031	AR	Heat Shrink	
14	3290405	4	Nut M4	
15	3290605	3	Nut M6	
16	3290805	10	Nut M8	
17	3291005	10	Nut M10	
19	3841340	1	Loop, Hose	
20	4010417	2	Screw M4 x 45	
20	4010418	2	Screw M4 x 50	
21	4031511	2	Capscrew M4 x 35	
22	4060808	27.5 in/ 8.38m	Flex-Trim	
23	4240156	2	Strap, Clinch	
24	4460473	AR	Clamp, Cable	
25	4460865	1	Connector - 19 Position	
26	4460866	1	Connector - 19 Position	
29	4711500	4	Washer 5/16	
30	4811400	2	Washer M4	
31	4811902	4	Washer M8	
32	4812000	13	Washer M10	
33	1001179439	1	Harness, Tower Boom (Not Shown - See BOOM HARNESS - TOWER BOOM for Breakdown)	
34	1001174754	1	Harness, Tower Boom AC Cable (Not Shown - See BOOM HARNESS - TOWER BOOM AC CABLE for Breakdown)	
35	5251014	2	Bolt M10 x 30	
36	8881800	AR	Tie-Strap	
37	5281920	2	Screw M8 x 80	
38	1001118274	8	Nut M8	
39	1001118971	1	Sensor, Angle	
39	70005667	1	Arm	
40	1001118972	2	Nut M10	
41	1001174748	1	Harness, Main Boom (Not Shown - See BOOM HARNESS - 450AJ (MAIN BOOM) for Breakdown)	
42	1001174750	1	Harness, Main Boom AC Cable (Not Shown - See BOOM HARNESS - 450AJ (MAIN BOOM AC CABLE) for Breakdown)	
43	1001164738	1	Harness, Boom Valve (Not Shown - See BOOM VALVE HARNESS for Breakdown)	

SECTION 8 - ELECTRICAL

ITEM	PART NUMBER	QTY	DESCRIPTION	REV
44	1001166678	1	Block, Clamping	
45	1001166662	1	Plate	
46	1001168472	1	Plate, Clamping	
47	1001168473	2	Clamp, Rubber	
48	1001171553	3	Plate, Clamping	
49	1001171555	3	Plate, Clamping	
50	1001171559	10	Pad	
51	1001172271	1	Switch, Limit	
52	1001172796	NLA	Link, Sensor (Use p/n 1001238466) (Note: Sold as Assembly Only) (SN 0300201991 through 0300252886)	
52	1001238466	1	Link, Sensor (Note: Sold as Assembly Only) (SN 0300252887 through 0300272317, SN B300003516 through B300005760, Except SN 0300272185 through 0300272190, Excluding B300005569)	
53	1001178448	2	Plate, Clamping	
54	1001178449	1	Cover	
55	1001178644	1	Plate	
56	1001178958	1	Bracket	
57	1001182561	2	Roller	
58	5250812	2	Bolt M8 x 25	
59	1001179266	1	Plate, Mounting	
60	0760610	1	Bolt M6 x 20	
61	1320043	1	Clamp	
62	4811700	1	Washer M6	
63	4460466	AR	Plug, Terminal	
64	1001181621	1	Cover	
65	1001181923	1	Shield, Hose	
66	1001119280	2	Bolt M10 x 260	
67	1001185747	2	Pad	
69	88521205	2	Nut 5/16	
70	1001119228	8	Nut M8	
71	8310070	1	Pushnut 3/8	

SECTION 8 - ELECTRICAL

FIGURE 8-31. BOOM HARNESS - 450A (MAIN BOOM) (WITHOUT ARCTIC PACKAGE)



ART_1001172335

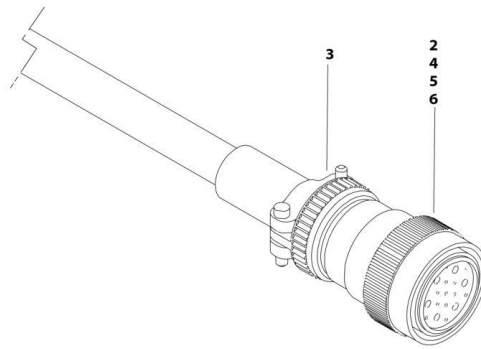
SECTION 8 - ELECTRICAL

FIGURE 8-31. BOOM HARNESS - 450A (MAIN BOOM) (WITHOUT ARCTIC PACKAGE)

ITEM	PART NUMBER	QTY	DESCRIPTION	REV
	1001172335	Ref	BOOM HARNESS - 450A (MAIN BOOM) (WITHOUT ARCTIC PACKAGE)	E
2	4460865	1	Connector - 19 Position	
3	4460473	1	Clamp	
4	4460465	20	Socket, Female	
5	4460509	8	Socket, Female	
6	4460466	5	Plug, Socket	

SECTION 8 - ELECTRICAL

FIGURE 8-32. BOOM HARNESS - 450AJ (MAIN BOOM) (WITHOUT ARCTIC PACKAGE)



ART_1001164730

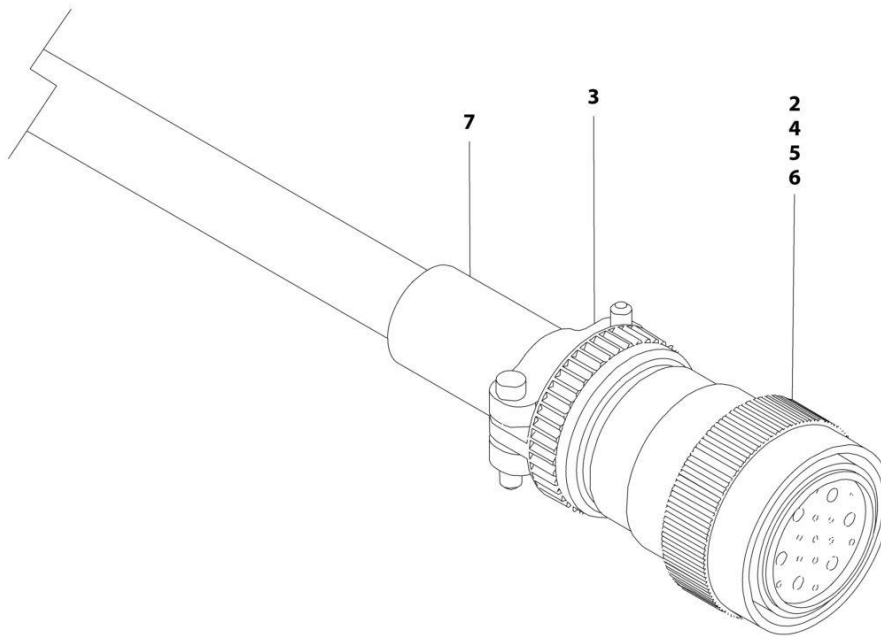
SECTION 8 - ELECTRICAL

FIGURE 8-32. BOOM HARNESS - 450AJ (MAIN BOOM) (WITHOUT ARCTIC PACKAGE)

ITEM	PART NUMBER	QTY	DESCRIPTION	REV
	1001164730	Ref	BOOM HARNESS - 450AJ (MAIN BOOM) (WITHOUT ARCTIC PACKAGE)	D
2	4460865	1	Connector - 19 Position	
3	4460473	1	Clamp	
4	4460465	20	Socket, Female	
5	4460509	8	Socket, Female	
6	4460466	5	Plug, Socket	

SECTION 8 - ELECTRICAL

FIGURE 8-33. BOOM HARNESS - 450A (MAIN BOOM) (WITH ARCTIC PACKAGE)



ART_1001217441

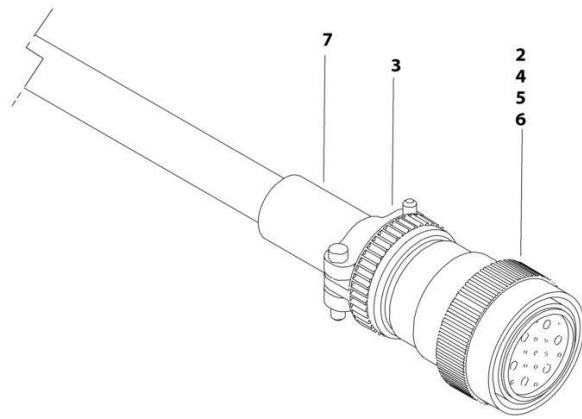
SECTION 8 - ELECTRICAL

FIGURE 8-33. BOOM HARNESS - 450A (MAIN BOOM) (WITH ARCTIC PACKAGE)

ITEM	PART NUMBER	QTY	DESCRIPTION	REV
	1001217441	Ref	BOOM HARNESS - 450A (MAIN BOOM) (WITH ARCTIC PACKAGE)	A
2	4460865	1	Connector - 19 Position	
3	4460473	1	Clamp	
4	4460465	22	Socket, Female	
5	4460509	8	Socket, Female	
6	4460466	4	Plug, Socket	
7	2820118	AR	Heat Shrink	

SECTION 8 - ELECTRICAL

FIGURE 8-34. BOOM HARNESS - 450AJ (MAIN BOOM) (WITH ARCTIC PACKAGE)



ART_1001174748

SECTION 8 - ELECTRICAL

FIGURE 8-34. BOOM HARNESS - 450AJ (MAIN BOOM) (WITH ARCTIC PACKAGE)

ITEM	PART NUMBER	QTY	DESCRIPTION	REV
	1001174748	Ref	BOOM HARNESS - 450AJ (MAIN BOOM) (WITH ARCTIC PACKAGE)	C
2	4460865	1	Connector - 19 Position	
3	4460473	1	Clamp	
4	4460465	20	Socket, Female	
5	4460509	8	Socket, Female	
6	4460466	5	Plug, Socket	

SECTION 8 - ELECTRICAL

FIGURE 8-35. BOOM HARNESS - 450A (MAIN BOOM AC CABLE) (WITHOUT ARCTIC PACKAGE)



ART_1001172336

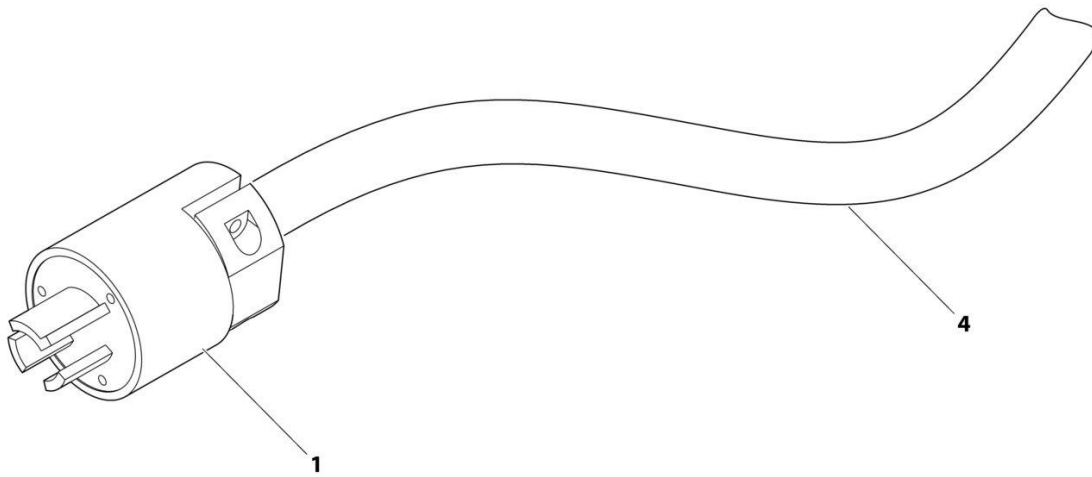
SECTION 8 - ELECTRICAL

FIGURE 8-35. BOOM HARNESS - 450A (MAIN BOOM AC CABLE) (WITHOUT ARCTIC PACKAGE)

ITEM	PART NUMBER	QTY	DESCRIPTION	REV
	1001172336	Ref	BOOM HARNESS - 450A (MAIN BOOM AC CABLE) (WITHOUT ARCTIC PACKAGE)	C
1	1001120204	1	Plug, Male	
4	1060461	494 in /12.6m	Cable, Electrical - 12/3	

SECTION 8 - ELECTRICAL

FIGURE 8-36. BOOM HARNESS - 450AJ (MAIN BOOM AC CABLE) (WITHOUT ARCTIC PACKAGE)



ART_1001164731

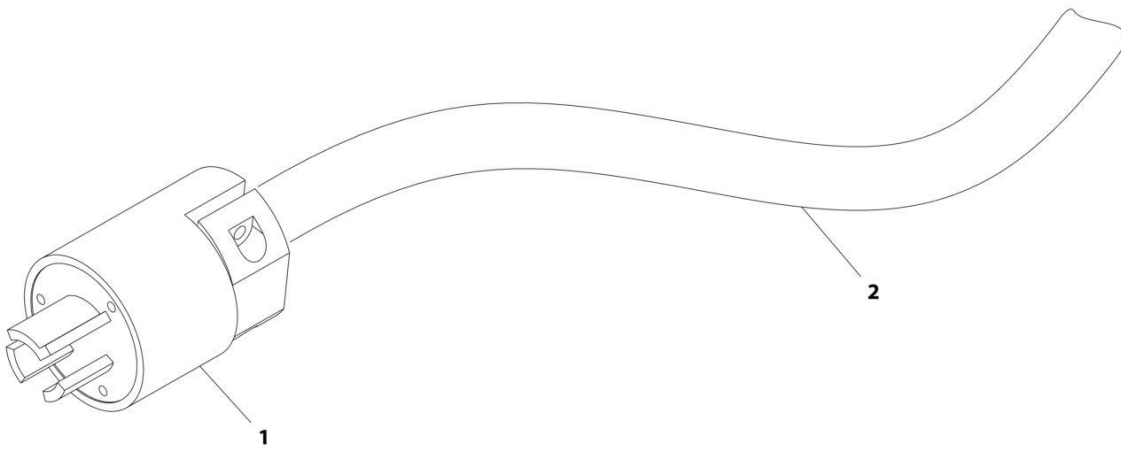
SECTION 8 - ELECTRICAL

FIGURE 8-36. BOOM HARNESS - 450AJ (MAIN BOOM AC CABLE) (WITHOUT ARCTIC PACKAGE)

ITEM	PART NUMBER	QTY	DESCRIPTION	REV
	1001164731	Ref	BOOM HARNESS - 450AJ (MAIN BOOM AC CABLE) (WITHOUT ARCTIC PACKAGE)	C
1	1001120204	1	Plug, Male	
4	1060461	494 in/ 12.6m	Cable, Electrical - 12/3	

SECTION 8 - ELECTRICAL

FIGURE 8-37. BOOM HARNESS - 450A (MAIN BOOM AC CABLE) (WITH ARCTIC PACKAGE)



ART_1001217440

SECTION 8 - ELECTRICAL

FIGURE 8-37. BOOM HARNESS - 450A (MAIN BOOM AC CABLE) (WITH ARCTIC PACKAGE)

ITEM	PART NUMBER	QTY	DESCRIPTION	REV
	1001217440	Ref	BOOM HARNESS - 450A (MAIN BOOM AC CABLE) (WITH ARCTIC PACKAGE)	A
1	1001120204	1	Plug, Male	
2	4923463	494 in /12.6m	Cable, Electrical - 12/3	

SECTION 8 - ELECTRICAL

FIGURE 8-38. BOOM HARNESS - 450AJ (MAIN BOOM AC CABLE) (WITH ARCTIC PACKAGE)



ART_1001174750

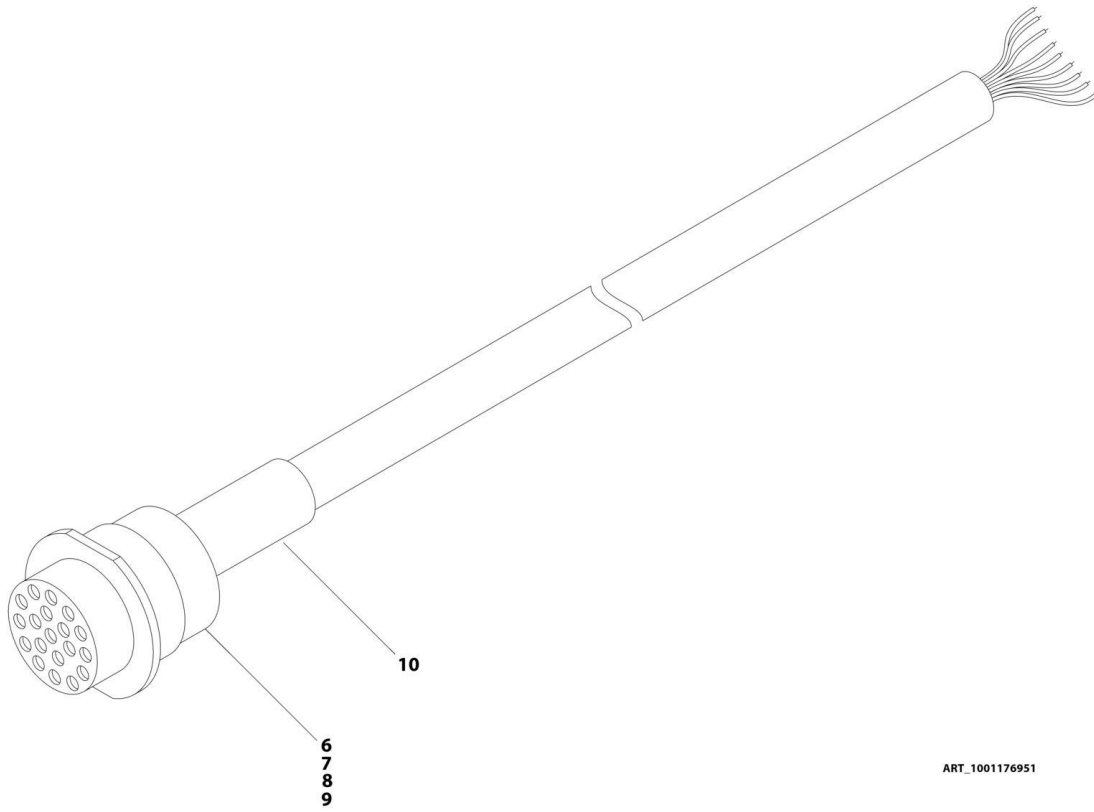
SECTION 8 - ELECTRICAL

FIGURE 8-38. BOOM HARNESS - 450AJ (MAIN BOOM AC CABLE) (WITH ARCTIC PACKAGE)

ITEM	PART NUMBER	QTY	DESCRIPTION	REV
	1001174750	Ref	BOOM HARNESS - 450AJ (MAIN BOOM AC CABLE) (WITH ARCTIC PACKAGE)	B
1	1001120204	1	Plug, Male	
4	4923463	494 in/ 12.6m	Cable, Electrical - 12/3	

SECTION 8 - ELECTRICAL

FIGURE 8-39. BOOM HARNESS - TOWER BOOM (WITHOUT ARCTIC PACKAGE)



ART_1001176951

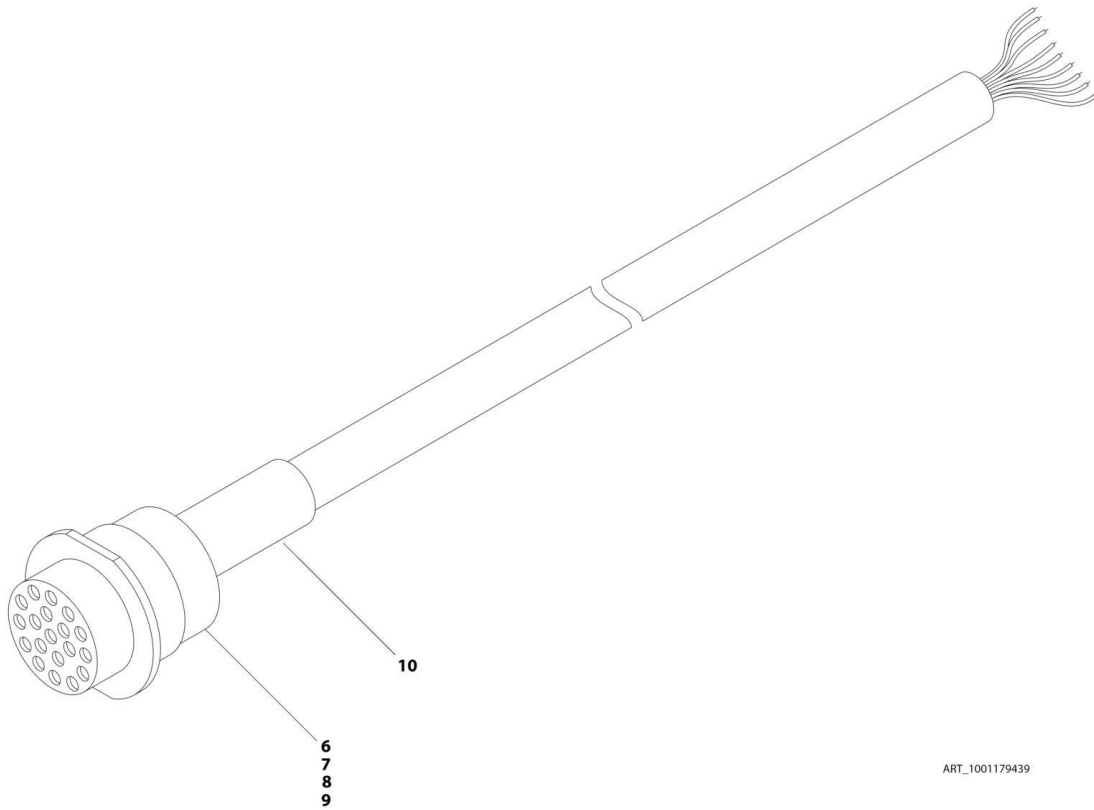
SECTION 8 - ELECTRICAL

FIGURE 8-39. BOOM HARNESS - TOWER BOOM (WITHOUT ARCTIC PACKAGE)

ITEM	PART NUMBER	QTY	DESCRIPTION	REV
	1001176951	Ref	BOOM HARNESS - TOWER BOOM (WITHOUT ARCTIC PACKAGE)	E
6	4460466	5	Plug, Terminal	
7	4460464	20	Pin, Male	
8	4460508	8	Pin, Male	
9	4460866	1	Connector - 19 Position	
10	2820031	AR	Heat Shrink	

SECTION 8 - ELECTRICAL

FIGURE 8-40. BOOM HARNESS - TOWER BOOM (WITH ARCTIC PACKAGE)



ART_1001179439

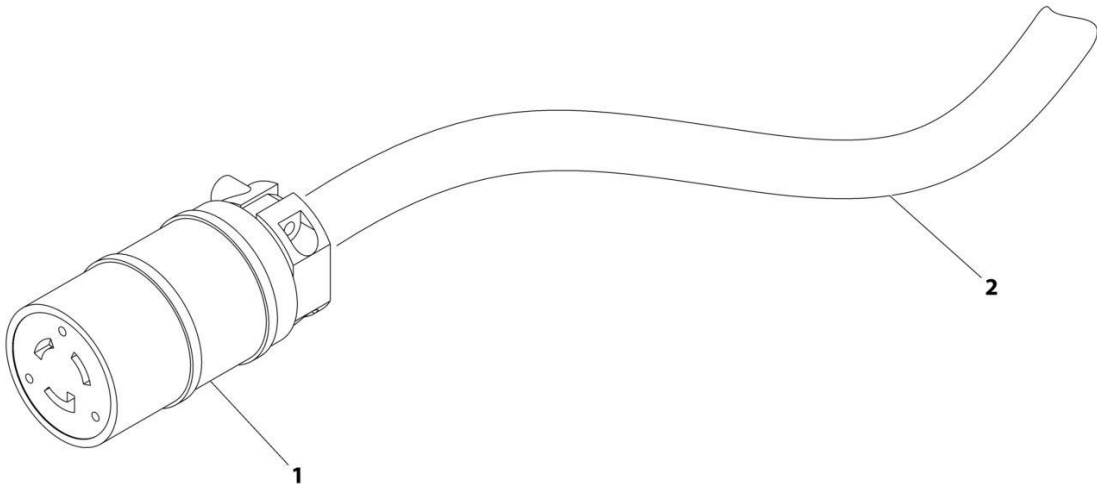
SECTION 8 - ELECTRICAL

FIGURE 8-40. BOOM HARNESS - TOWER BOOM (WITH ARCTIC PACKAGE)

ITEM	PART NUMBER	QTY	DESCRIPTION	REV
	1001179439	Ref	BOOM HARNESS - TOWER BOOM (WITH ARCTIC PACKAGE)	D
6	4460466	4	Plug, Terminal	
7	4460464	22	Pin, Male	
8	4460508	8	Pin, Male	
9	4460866	1	Connector - 19 Position	
10	2820031	AR	Heat Shrink	

SECTION 8 - ELECTRICAL

FIGURE 8-41. BOOM HARNESS - TOWER BOOM AC CABLE (WITHOUT ARCTIC PACKAGE)



ART_1001174749

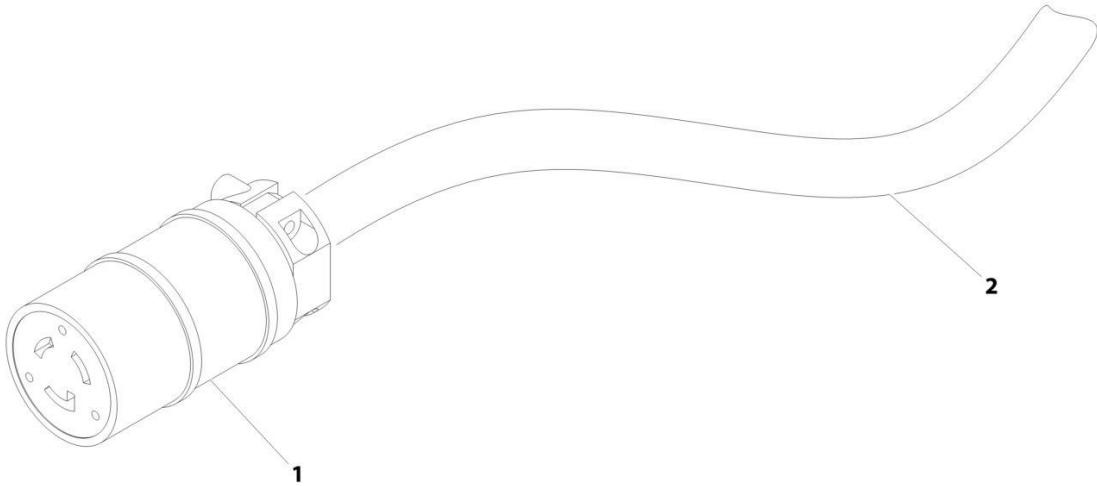
SECTION 8 - ELECTRICAL

FIGURE 8-41. BOOM HARNESS - TOWER BOOM AC CABLE (WITHOUT ARCTIC PACKAGE)

ITEM	PART NUMBER	QTY	DESCRIPTION	REV
	1001174749	Ref	BOOM HARNESS - TOWER BOOM AC CABLE (WITHOUT ARCTIC PACKAGE)	C
1	1001120205	1	Connector, Female	
2	1060461	28 ft/ 8.5m	Electrical Cable, 12/3	

SECTION 8 - ELECTRICAL

FIGURE 8-42. BOOM HARNESS - TOWER BOOM AC CABLE (WITH ARCTIC PACKAGE)



ART_1001174754

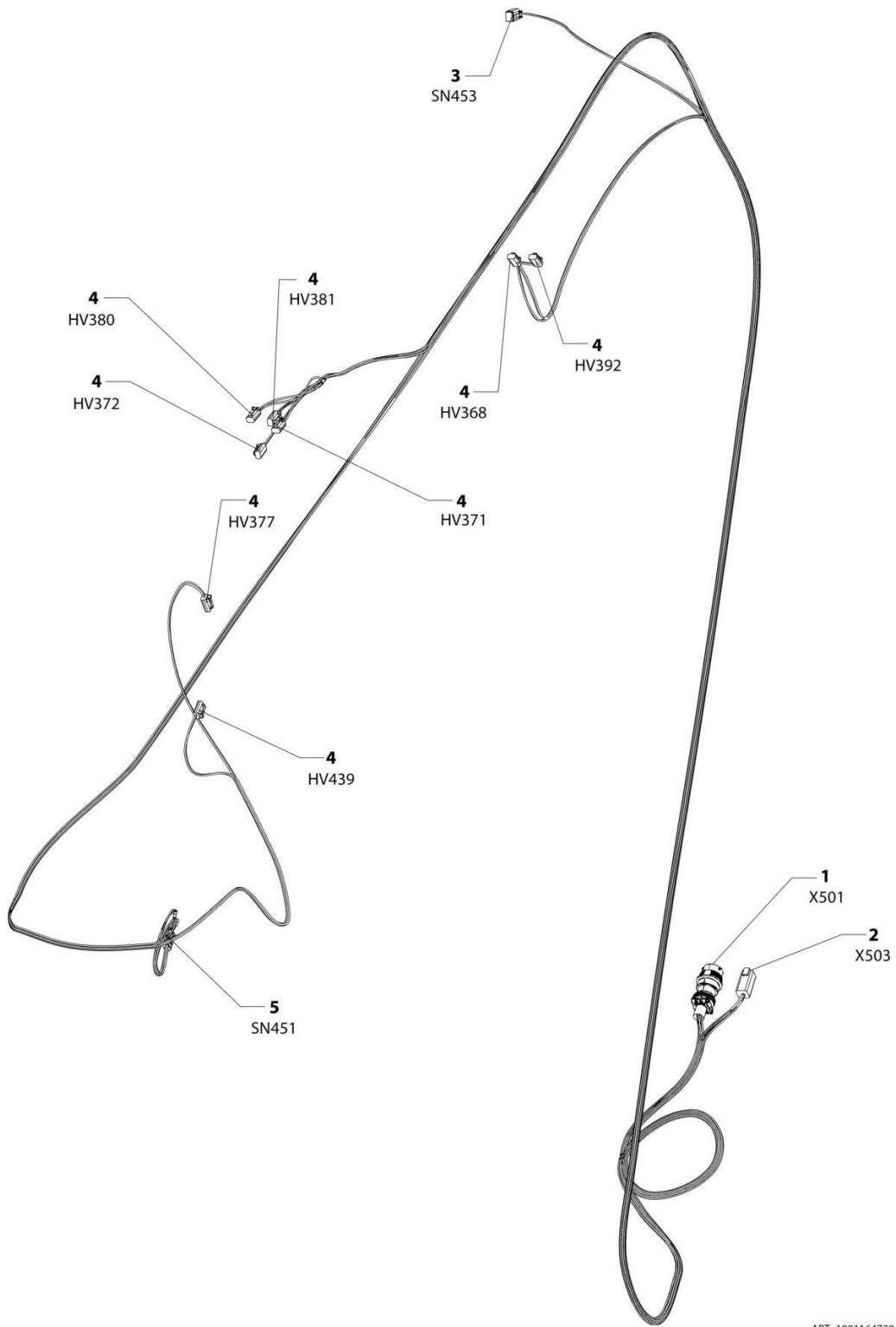
SECTION 8 - ELECTRICAL

FIGURE 8-42. BOOM HARNESS - TOWER BOOM AC CABLE (WITH ARCTIC PACKAGE)

ITEM	PART NUMBER	QTY	DESCRIPTION	REV
	1001174754	Ref	BOOM HARNESS - TOWER BOOM AC CABLE (WITH ARCTIC PACKAGE)	B
1	1001120205	1	Connector, Female	
2	4920463	28 ft/ 8.5m	Cable, Electrical - 12/3	

SECTION 8 - ELECTRICAL

FIGURE 8-43. BOOM VALVE HARNESS



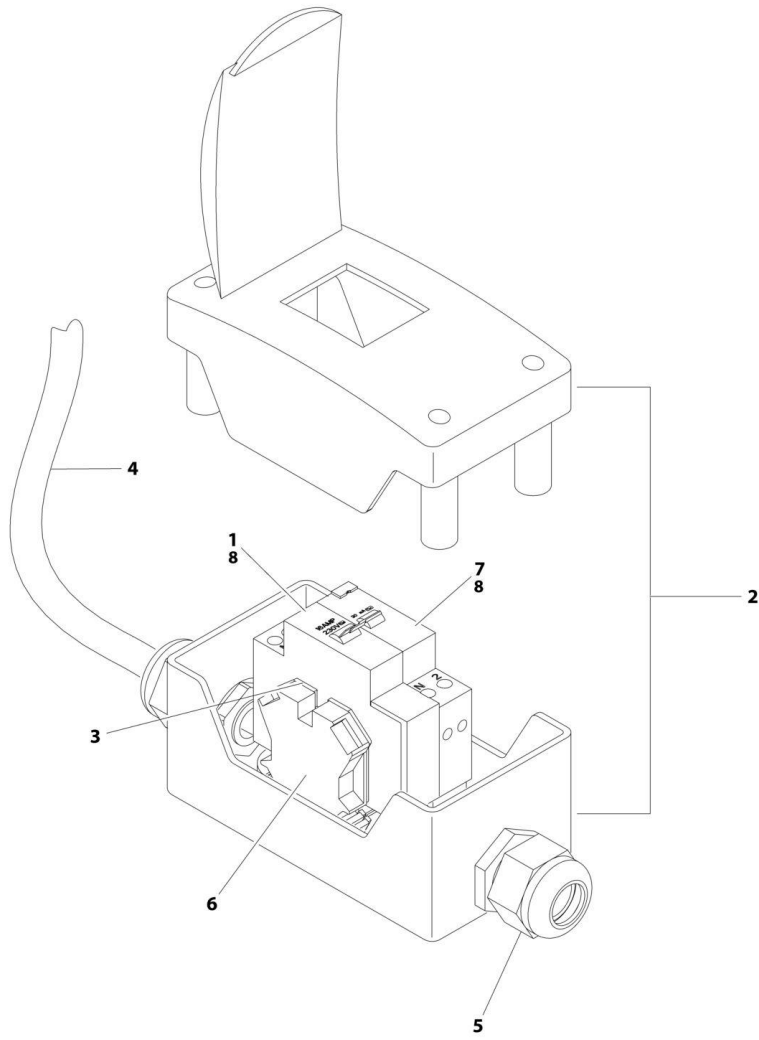
SECTION 8 - ELECTRICAL

FIGURE 8-43. BOOM VALVE HARNESS

ITEM	PART NUMBER	QTY	DESCRIPTION	REV
	1001164738	Ref	BOOM VALVE HARNESS	H
1	1001156541	1	Connector - 19 Position	
1	4460464	13	Pin, Male	
1	4460466	1	Plug, Terminal	
2	4460899	1	Connector - 6 Position	
2	4460464	6	Pin, Male	
3	4460884	1	Plug, Male - 4 Position	
3	4460465	2	Socket, Female	
3	4460466	2	Plug, Terminal	
4	4460891	8	Plug, Male - 2 Position	
4	4460465	16	Socket, Female	
5	1001117064	1	Plug, Male - 6 Position (SN 0300201991 through 0300237446, SN 1300007279 through 1300007373, SN E300002833 through E300004982)	
5	91554014	6	Terminal (SN 0300201991 through 0300237446, SN 1300007279 through 1300007373, SN E300002833 through E300004982)	
5	1001230931	1	Plug, Male - 6 Position (SN 0300237447 through 0300272317, SN B300003516 through B300005760, SN E300004983 through E300007990, Except SN 0300272185 through 0300272190, Excluding B300005569 and E300007814)	
5	1001116748	6	Terminal (SN 0300237447 through 0300272317, SN B300003516 through B300005760, SN E300004983 through E300007990, Except SN 0300272185 through 0300272190, Excluding B300005569 and E300007814)	

SECTION 8 - ELECTRICAL

FIGURE 8-44. BREAKER BOX KIT WITH TWO BREAKERS - CE SPEC



ART_2902549

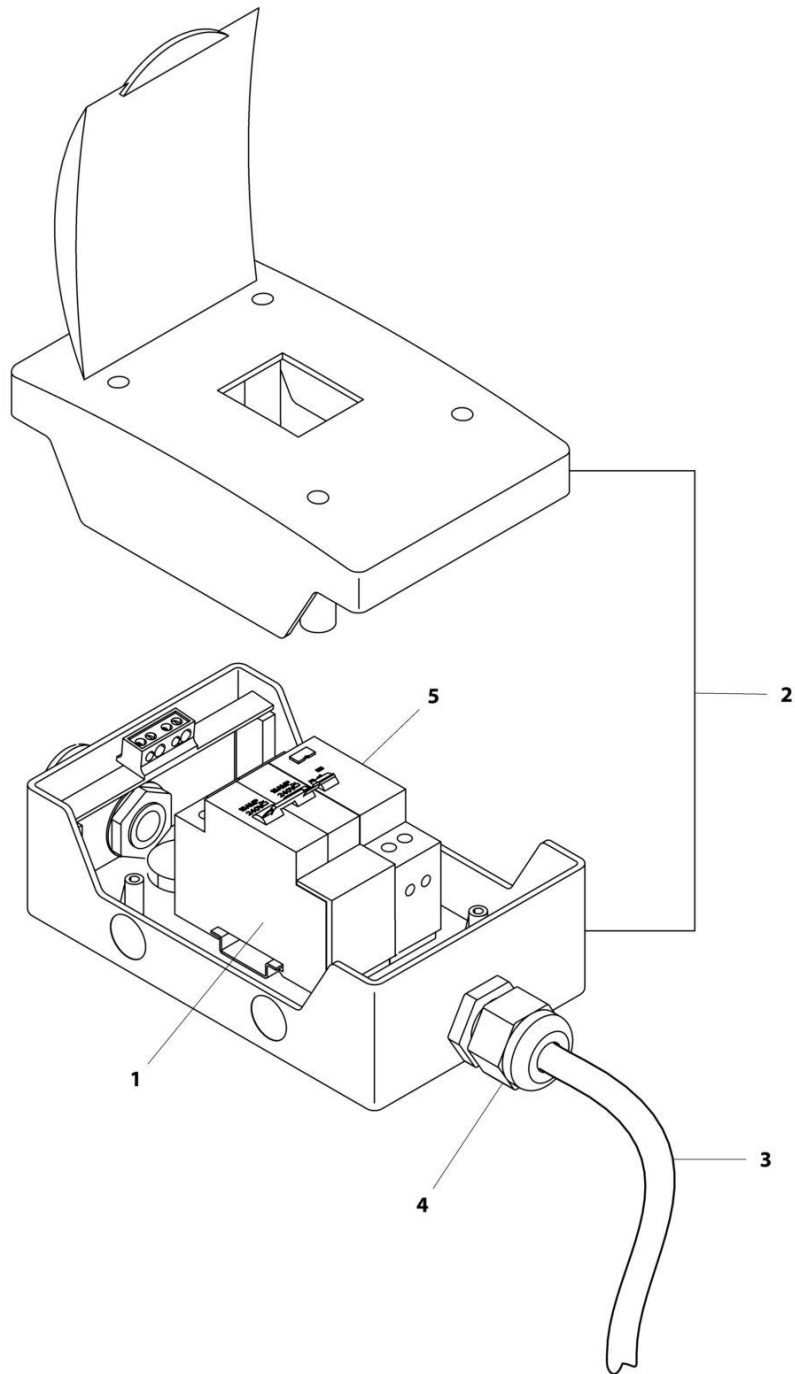
SECTION 8 - ELECTRICAL

FIGURE 8-44. BREAKER BOX KIT WITH TWO BREAKERS - CE SPEC

ITEM	PART NUMBER	QTY	DESCRIPTION	REV
	2902549	Ref	BREAKER BOX KIT WITH TWO BREAKERS - CE SPEC	E
1	1001109475	NLA	Breaker, 16 Amp (Use p/n 1001181045) (SN 0300201991 through 0300203565)	
2	0861880	1	Box	
3	4460956	1	Barrier, Terminal	
4	1060908	6 ft/1.8m	Cable, 12/3	
5	1001097150	2	Connector, Strain Relief	
6	4460957	1	Block, Terminal	
7	1001109482	NLA	Breaker, 30mA (Use p/n 1001181045) (SN 0300201991 through 0300203565)	
8	1001181045	1	Breaker, Double 30mA/16Amp (SN 0300203566 through 0300272317, SN 1300007279 through 1300007373, SN E300002833 through E300007990, Except SN 0300272185 through 0300272190, Excluding E300007814)	

SECTION 8 - ELECTRICAL

FIGURE 8-45. BREAKER BOX KIT WITH THREE BREAKERS - CE SPEC



ART_1001152485

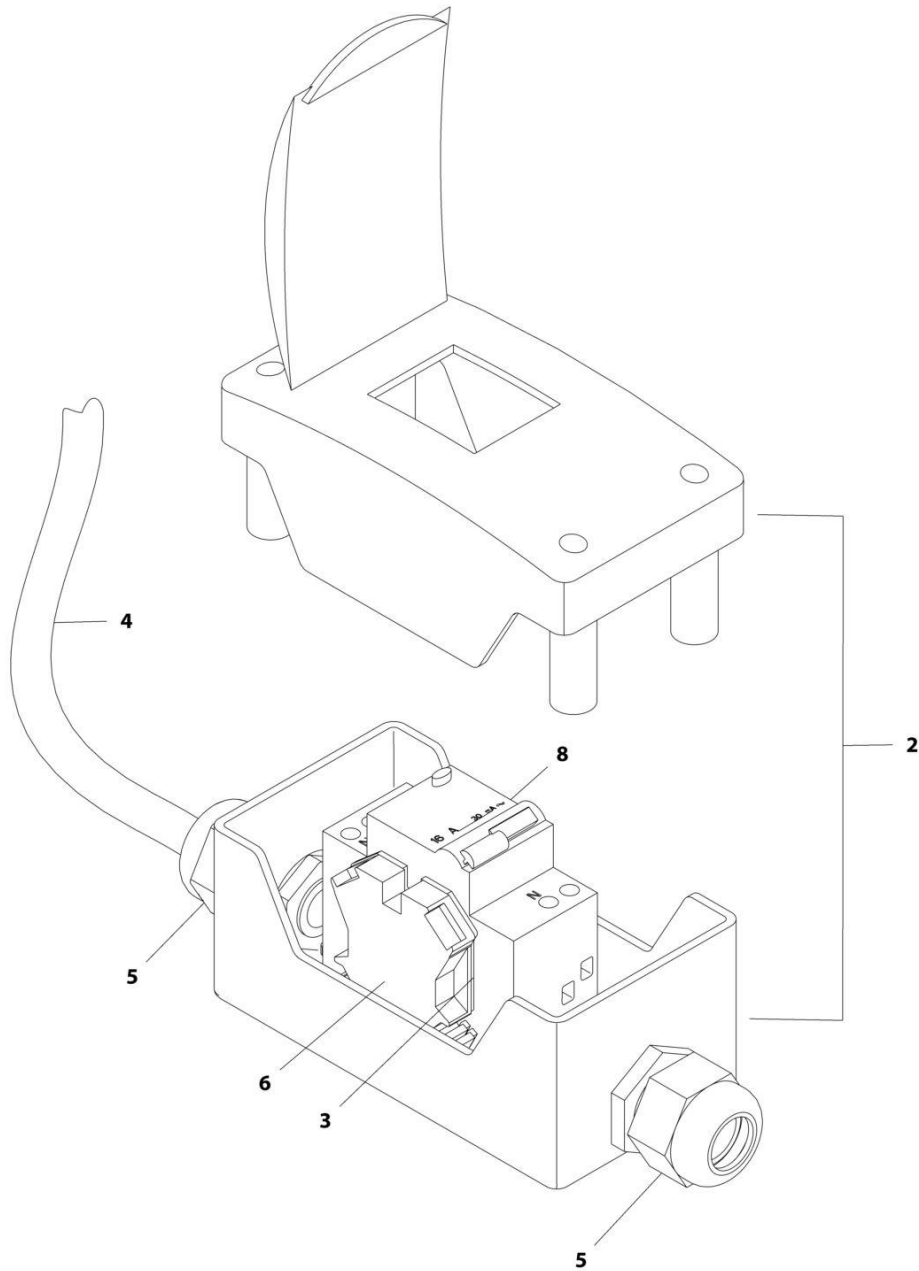
SECTION 8 - ELECTRICAL

FIGURE 8-45. BREAKER BOX KIT WITH THREE BREAKERS - CE SPEC

ITEM	PART NUMBER	QTY	DESCRIPTION	REV
	1001152485	Ref	BREAKER BOX KIT WITH THREE BREAKERS - CE SPEC	A
1	1001152479	1	Breaker, 16 Amp, (Double)	
2	1001152483	1	Box	
3	1060908	6 ft/1.8m	Cable, 12/3	
4	1001097150	1	Connector, Strain Relief	
5	1001152482	1	Breaker, 30mA	

SECTION 8 - ELECTRICAL

FIGURE 8-46. BREAKER BOX KIT - 30MA/16 AMP



ART_1001096070

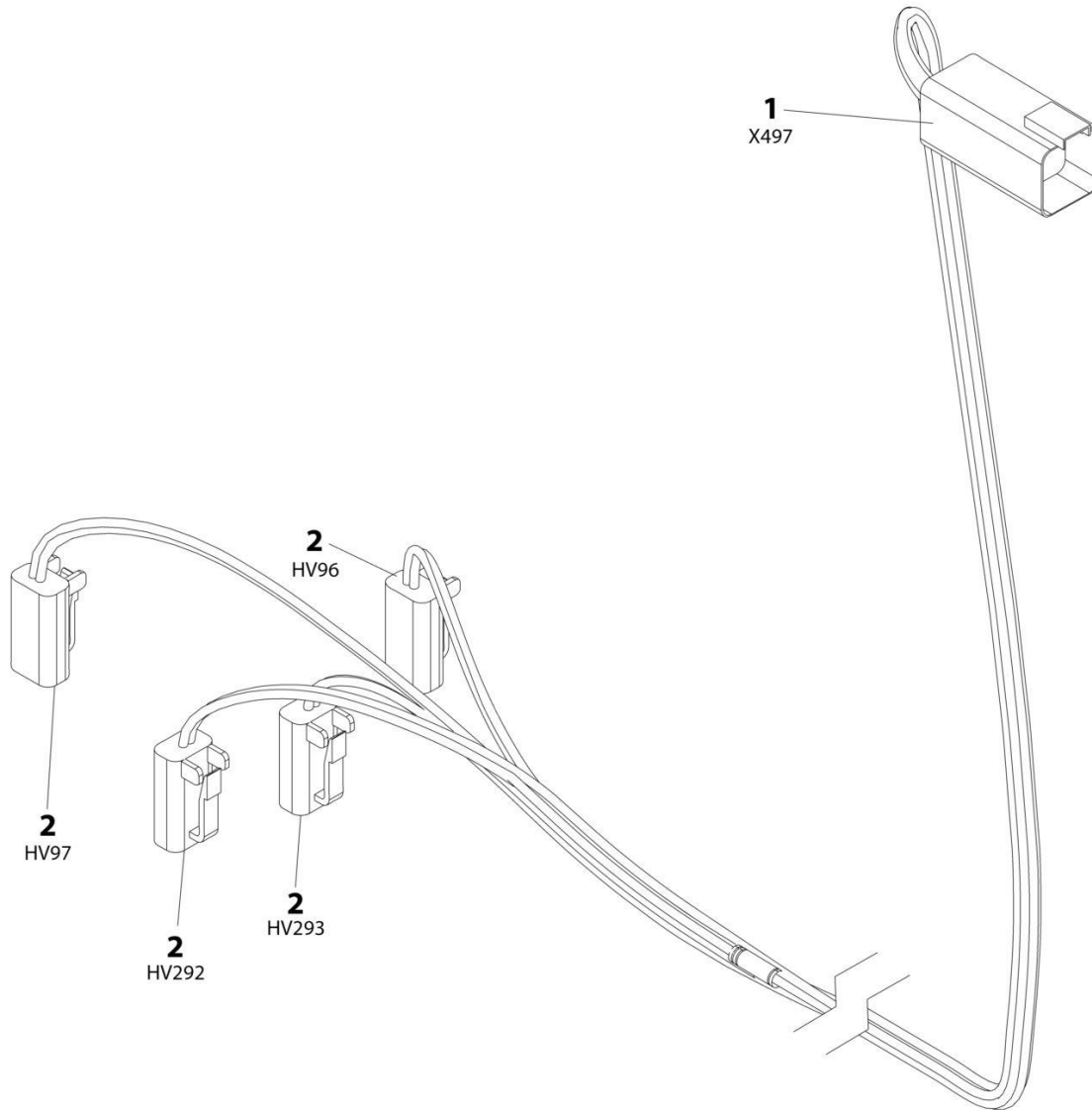
SECTION 8 - ELECTRICAL

FIGURE 8-46. BREAKER BOX KIT - 30MA/16 AMP

ITEM	PART NUMBER	QTY	DESCRIPTION	REV
	1001096070	Ref	BREAKER BOX KIT - 30mA/16 AMP	E
2	0861880	1	Box, Breaker	
3	4460956	1	Barrier, Terminal Block End	
4	1060908	12 ft/3.6m	Cable, Electrical 12/3	
5	1001097150	2	Connector, Strain Relief	
6	4460957	1	Block, Terminal	
8	1001181045	1	Breaker, Double 30mA/16Amp	

SECTION 8 - ELECTRICAL

FIGURE 8-47. CHASSIS SOLENOID HARNESS



ART_1001179236

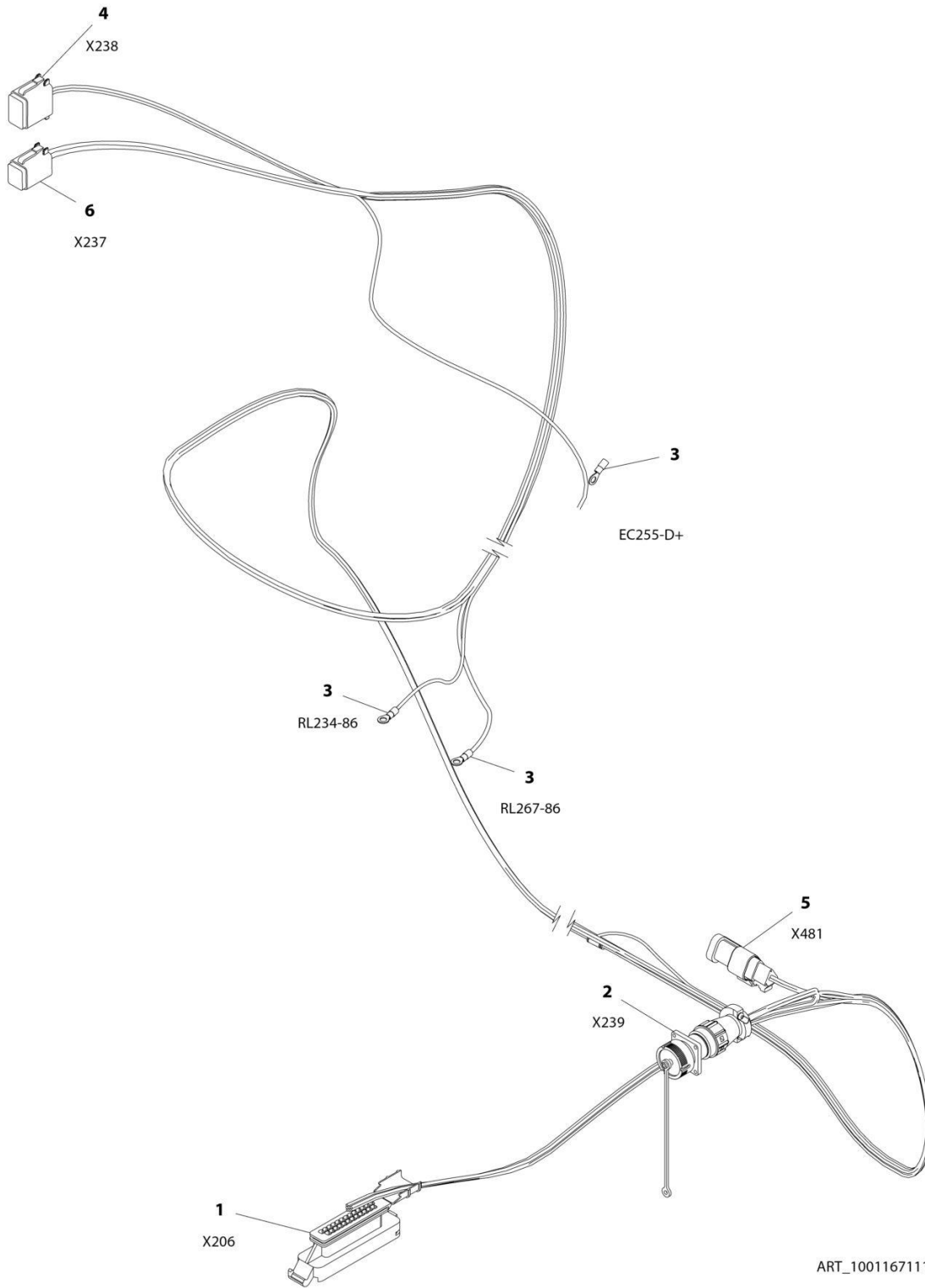
SECTION 8 - ELECTRICAL

FIGURE 8-47. CHASSIS SOLENOID HARNESS

ITEM	PART NUMBER	QTY	DESCRIPTION	REV
	1001179236	Ref	CHASSIS SOLENOID HARNESS	A
1	4460899	1	Receptacle, Female - 6 Position	
1	4460464	6	Pin, Male	
2	4460891	4	Plug, Male - 2 Position	
2	4460465	8	Socket, Female	

SECTION 8 - ELECTRICAL

FIGURE 8-48. ENGINE HARNESS - DEUTZ D2011



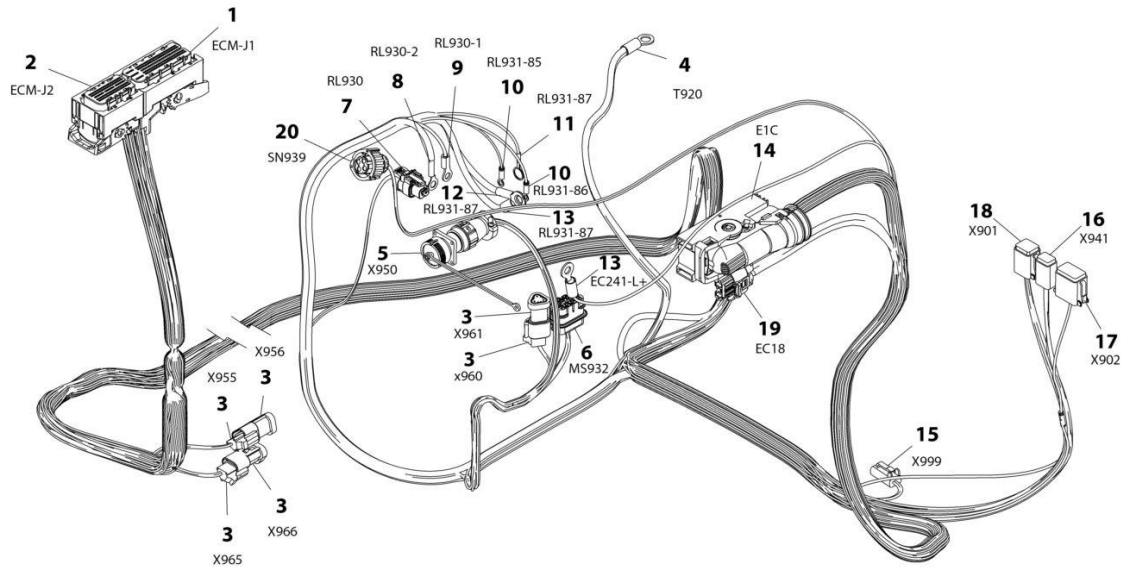
SECTION 8 - ELECTRICAL

FIGURE 8-48. ENGINE HARNESS - DEUTZ D2011

ITEM	PART NUMBER	QTY	DESCRIPTION	REV
	1001167111	Ref	ENGINE HARNESS - DEUTZ D2011	B
1	4461052	1	Connector - 25 Position	
1	4461005	7	Terminal	
1	4461008	18	Plug, Terminal	
2	2902443	1	Receptacle Kit	
2	4461071	8	Socket, Female	
2	4461072	1	Receptacle with Flange - 8 Position	
2	4461073	1	Cap, Dust	
2	4461074	1	Shell, Black	
3	4460313	3	Terminal, Ring	
4	4460930	1	Plug, Male - 8 Position	
4	4460465	2	Socket, Female	
4	4460466	6	Seal, Terminal	
5	4461095	1	Plug, Male - 3 Position	
5	4460465	3	Socket, Female	
6	4460894	1	Plug, Male - 6 Position	
6	4460465	6	Socket, Female	

SECTION 8 - ELECTRICAL

FIGURE 8-49. ENGINE HARNESS - DEUTZ D2.9L4



ART_1001167108

SECTION 8 - ELECTRICAL

FIGURE 8-49. ENGINE HARNESS - DEUTZ D2.9L4

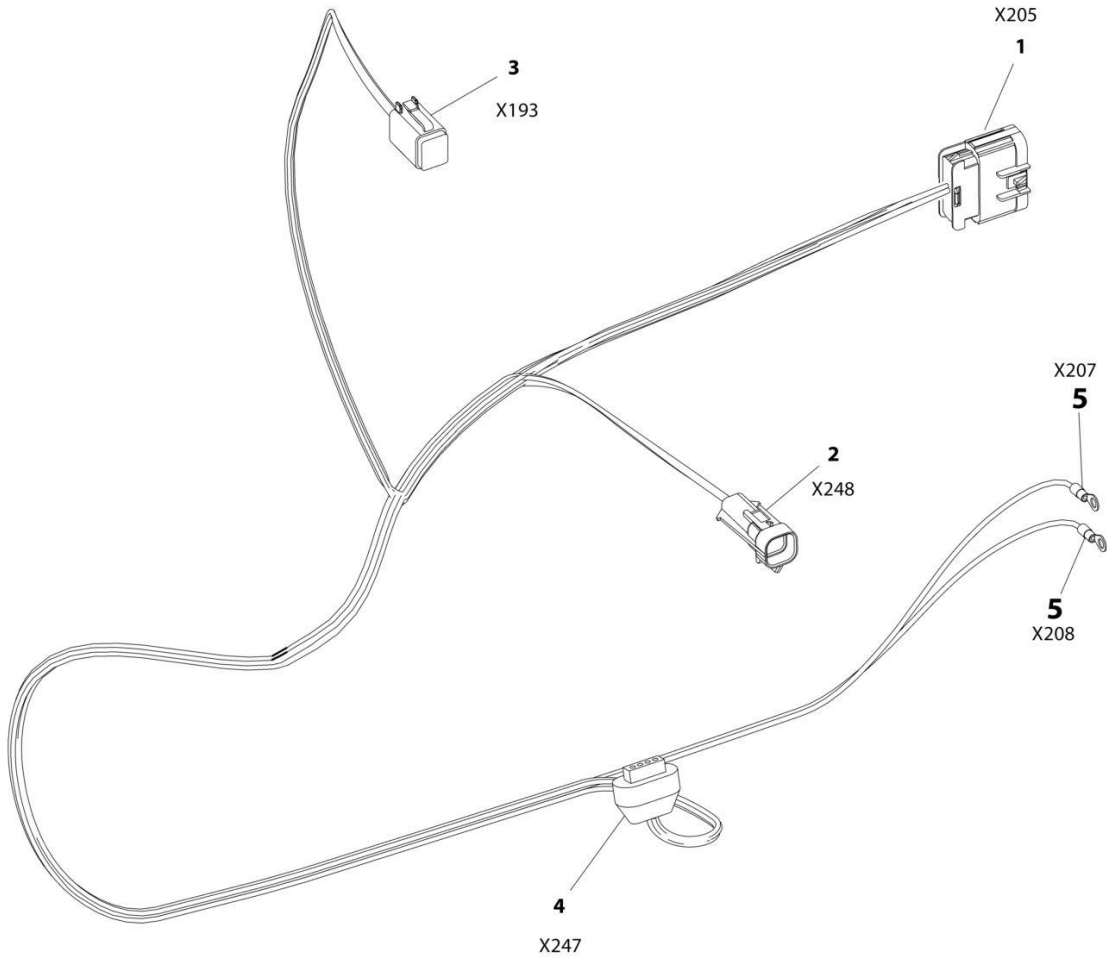
ITEM	PART NUMBER	QTY	DESCRIPTION	REV
	1001167108	Ref	ENGINE HARNESS - DEUTZ D2.9L4	I
1	1001133956	1	Connector, 94 Position	
1	1001126352	6	Terminal	
1	1001126357	2	Seal, Terminal	
1	1001126356	63	Seal, Terminal	
1	1001126384	21	Terminal	
1	1001126351	2	Terminal	
2	1001133957	1	Connector - 60 Position	
2	1001126357	11	Seal, Terminal	
2	1001126351	13	Terminal	
2	1001126356	19	Seal, Terminal	
2	1001126384	17	Terminal	
3	4461095	3	Plug, Male - 3 Position	
3	4460944	6	Socket, Female	
3	4460466	3	Plug, Terminal	
3	4461070	3	Connector, Female with Resistor 3 Position	
4	8220115	1	Terminal, Ring	
5	2902443	1	Receptacle Kit	
5	4461071	8	Socket, Female	
5	4461072	1	Receptacle with Flange - 8 Position	
5	4461073	1	Cap, Dust	
5	4461074	1	Shell, Black	
6	80484084	1	Connector - 8 Position	
6	1001116727	4	Plug, Terminal	
6	1001116728	4	Terminal	
6	8229242	1	Fuse - 5Amp	
6	80983191	1	Fuse - 10Amp	
6	1001147264	1	Cap	
7	1001116952	1	Plug, Male - 2 Position	
7	4460465	2	Socket, Female	
8	1001117106	1	Terminal, Ring	
9	4460043	1	Terminal, Ring	
10	4460247	2	Terminal, Ring	
11	4460703	1	Terminal, Ring	
12	8220164	1	Terminal, Ring	
13	1001117107	2	Terminal, Ring	
14	1001126362	1	Connector - 62 Position	
14	1001126363	33	Terminal	
14	1001126391	23	Seal, Terminal	
14	4461008	4	Seal, Terminal	
14	1001126365	2	Terminal	
15	4460891	1	Plug, Male - 2 Position	
15	4460465	2	Socket, Female	
15	1001171403	1	Resistor Assembly (SN 0300214749 through 0300272317, Except SN 0300272185 through 0300272190)	
16	4460884	1	Plug, Male - 4 Position (SN 0300201991 through 0300224601)	
16	1001220379	1	Plug, Male - 4 Position (SN 0300224602 through 0300272317, Except SN 0300272185 through 0300272190)	
16	4460465	4	Socket, Female	
16	4460932	1	Receptacle, Female - 4 Position (SN 0300214749 through	

SECTION 8 - ELECTRICAL

ITEM	PART NUMBER	QTY	DESCRIPTION	REV
16	4460466	4	0300272317, Except SN 0300272185 through 0300272190) Seal, Terminal (SN 0300214749 through 0300272317, Except SN 0300272185 through 0300272190)	
17	4460930	1	Plug, Male - 8 Position	
17	4460465	1	Socket, Female	
17	4460466	7	Seal, Terminal	
18	4460894	1	Plug, Male - 6 Position	
18	4460465	6	Socket, Female	
19	1001142938	1	Connector - 2 Position	
19	1001142940	2	Terminal	
20	1001133714	1	Plug, Male - 4 Position	
20	1001133715	3	Terminal	
20	1001135651	1	Plug, Terminal	

SECTION 8 - ELECTRICAL

FIGURE 8-50. ENGINE HARNESS - GM



ART_1001180017

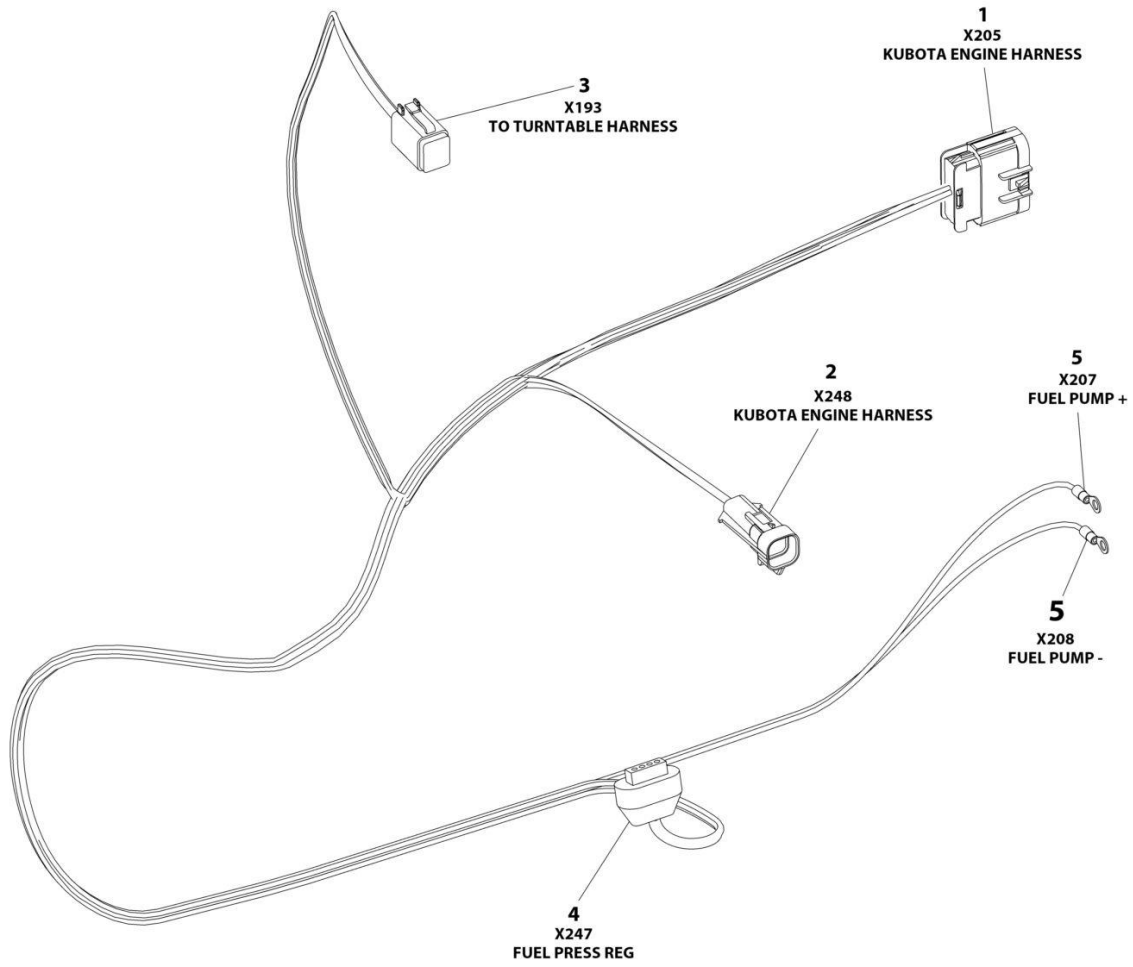
SECTION 8 - ELECTRICAL

FIGURE 8-50. ENGINE HARNESS - GM

ITEM	PART NUMBER	QTY	DESCRIPTION	REV
	1001180017	Ref	ENGINE HARNESS - GM	A
1	4461109	1	Plug, Male - 16 Position	
1	4461111	7	Pin, Male	
2	4461124	1	Connector - 4 Position	
2	4460693	4	Terminal	
3	4460894	1	Plug, Male - 6 Position	
3	4460465	5	Socket, Female	
3	4460466	1	Plug, Terminal	
4	4461121	1	Plug, Male - 4 Position	
4	4461122	4	Terminal	
5	4460313	2	Terminal, Ring	

SECTION 8 - ELECTRICAL

FIGURE 8-51. ENGINE HARNESS - KUBOTA



ART_1001213706

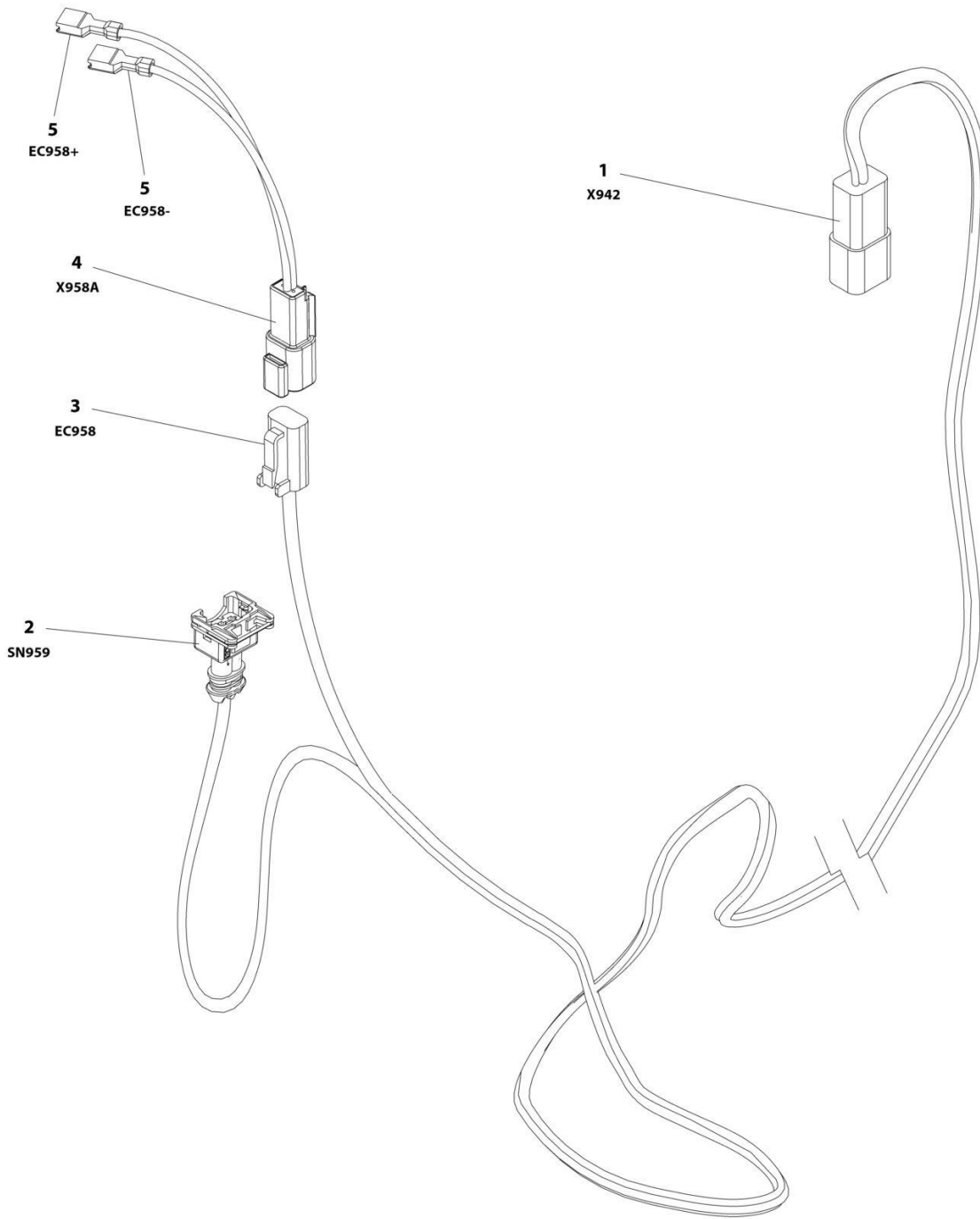
SECTION 8 - ELECTRICAL

FIGURE 8-51. ENGINE HARNESS - KUBOTA

ITEM	PART NUMBER	QTY	DESCRIPTION	REV
	1001213706	Ref	ENGINE HARNESS - KUBOTA	D
1	4461109	1	Plug, Male - 16 Position	
1	4461111	AR	Pin, Male	
1	4461113	AR	Seal	
1	4461222	AR	Plug	
2	4461124	1	Connector - 4 Position	
2	4460693	4	Terminal	
2	4461123	4	Seal	
3	4460894	1	Plug, Male - 6 Position	
3	4460465	5	Socket, Female	
3	4460466	1	Plug, Terminal	
4	4461121	1	Plug, Male - 4 Position	
4	4461122	4	Terminal	
4	4461006	4	Seal	
5	4460042	2	Terminal, Ring	

SECTION 8 - ELECTRICAL

FIGURE 8-52. FUEL HARNESS - DEUTZ D2.9L4 ENGINE



ART_1001181358

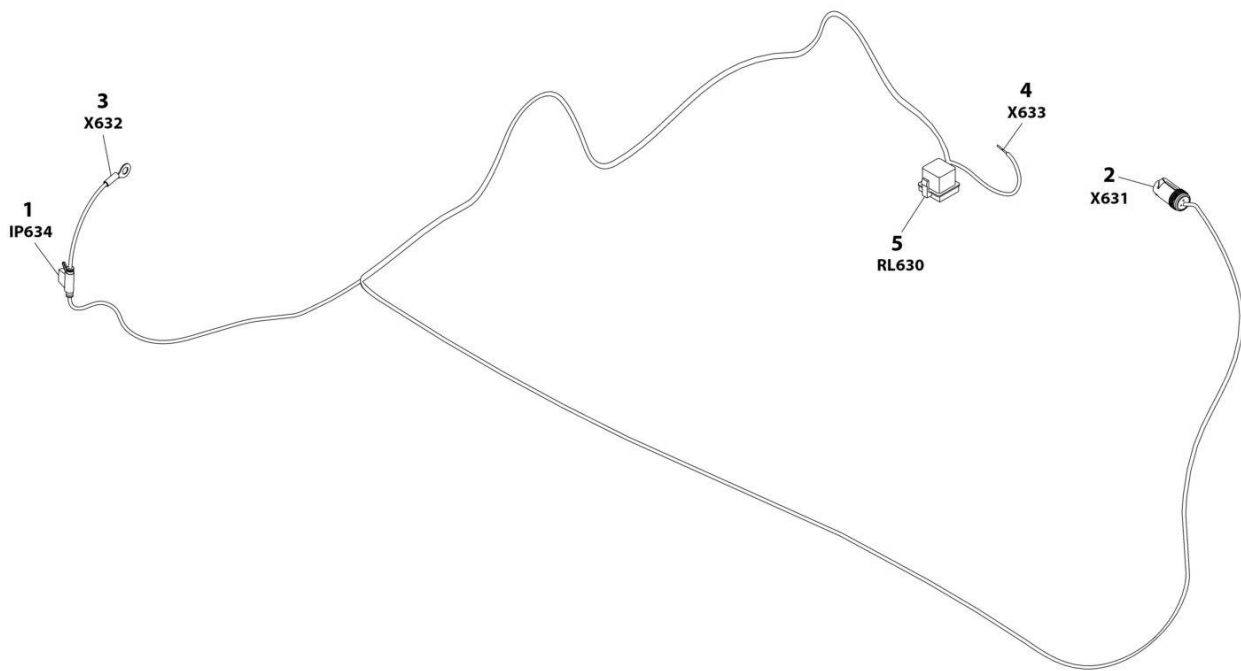
SECTION 8 - ELECTRICAL

FIGURE 8-52. FUEL HARNESS - DEUTZ D2.9L4 ENGINE

ITEM	PART NUMBER	QTY	DESCRIPTION	REV
	1001181358	Ref	FUEL HARNESS - DEUTZ D2.9L4 ENGINE	D
1	4460932	1	Receptacle, Female - 4 Position	
1	4460464	2	Pin, Male	
1	4460941	2	Pin, Male	
2	1001116983	1	Plug, Male - 2 Position	
2	1001116710	2	Socket, Female (SN 0300201991 through 0300240426, SN E300240427 through E300007990, Excluding E300007814)	
2	4461060	2	Socket, Female (SN 0300240427 through 0300272317, SN B300003516 through B300005760, Except SN 0300272185 through 0300272190, Excluding B300005569)	
2	4461054	2	Seal (SN 0300240427 through 0300272317, SN B300003516 through B300005760, Except SN 0300272185 through 0300272190, Excluding B300005569)	
3	4460891	1	Plug, Male - 2 Position	
3	4460942	2	Socket, Female	
4	4460897	1	Receptacle, Female - 2 Position	
4	4460941	2	Pin, Male	
5	4460042	2	Terminal, Ring (SN 0300201991 through 0300234431)	
5	8220051	2	Coupler, Female (SN 0300234432 through 0300272317, SN B300003516 through B300005760, Except SN 0300272185 through 0300272190, Excluding B300005569)	

SECTION 8 - ELECTRICAL

FIGURE 8-53. GENERATOR HARNESS - 2500W GENERATOR (60HZ)



ART_1001187522

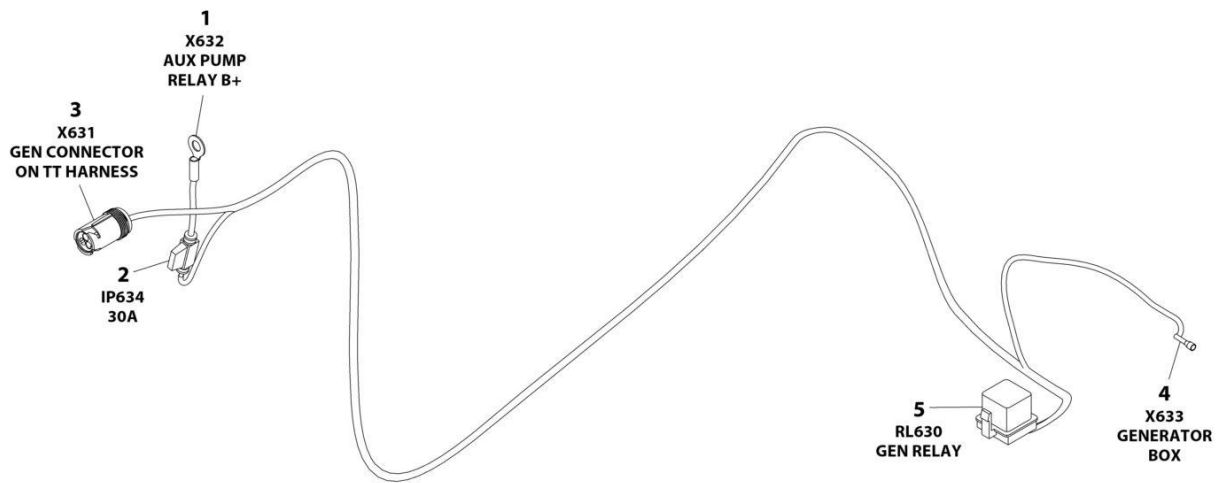
SECTION 8 - ELECTRICAL

FIGURE 8-53. GENERATOR HARNESS - 2500W GENERATOR (60HZ)

ITEM	PART NUMBER	QTY	DESCRIPTION	REV
	1001187522	Ref	GENERATOR HARNESS - 2500W GENERATOR (60HZ)	B
1	2400060	1	Holder, Fuse (SN 0300201991 through 0300243197)	
1	2400066	1	Holder, Fuse (SN 0300243198 through 0300272317, SN B300003516 through B300005760, Except SN 0300272185 through 0300272190, Excluding B300005569)	
1	8229245	1	Fuse 30Amp	
2	1001154726	1	Connector - 3 Position	
2	4460464	2	Pin, Male	
2	4460466	1	Plug, Terminal	
3	8220045	1	Terminal, Ring	
4	4460906	1	Socket, Female	
5	1001117057	1	Plug, Relay	
5	1001116734	2	Terminal	
5	1001116732	2	Terminal	

SECTION 8 - ELECTRICAL

FIGURE 8-54. GENERATOR HARNESS - 2500W GENERATOR (50HZ)



ART_1001187352

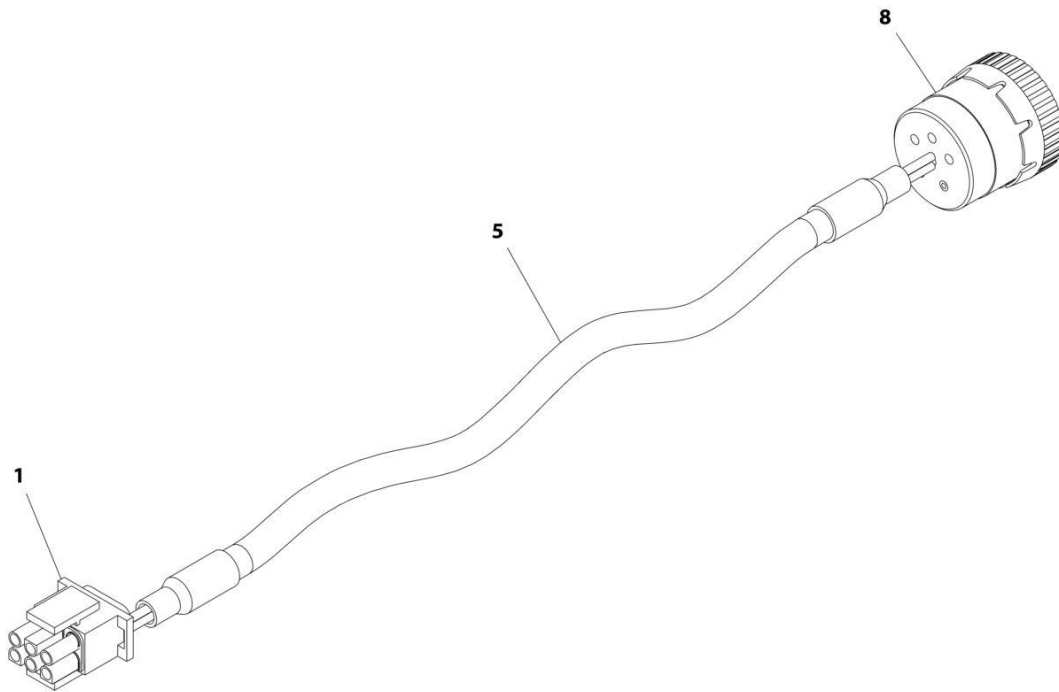
SECTION 8 - ELECTRICAL

FIGURE 8-54. GENERATOR HARNESS - 2500W GENERATOR (50HZ)

ITEM	PART NUMBER	QTY	DESCRIPTION	REV
	1001187352	Ref	GENERATOR HARNESS - 2500W GENERATOR (50HZ)	A
1	8220045	1	Terminal, Ring	
2	2400060	1	Holder, Fuse	
2	8229245	1	Fuse 30Amp	
3	1001154726	1	Connector - 3 Position	
3	4460464	2	Pin, Male	
3	4460466	1	Plug, Terminal	
4	1001100231	1	Terminal	
5	1001117057	1	Plug, Relay	
5	1001116734	2	Terminal	
5	1001116732	2	Terminal	

SECTION 8 - ELECTRICAL

FIGURE 8-55. GENERATOR HARNESS - 4000W GENERATOR



ART_1001152532

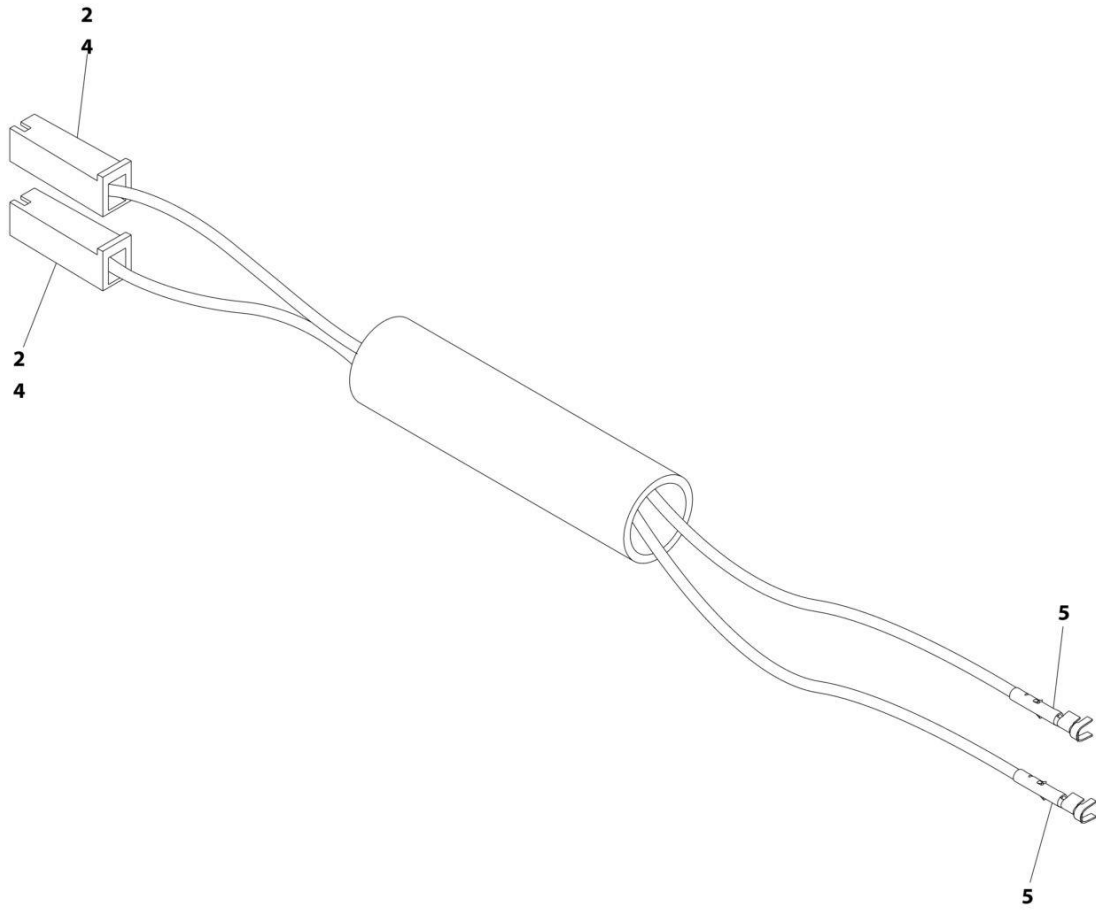
SECTION 8 - ELECTRICAL

FIGURE 8-55. GENERATOR HARNESS - 4000W GENERATOR

ITEM	PART NUMBER	QTY	DESCRIPTION	REV
	1001152532	Ref	GENERATOR HARNESS - 4000W GENERATOR	A
1	4460225	1	Connector - 6 Position	
1	4460268	2	Socket, Female	
1	4460807	1	Seal, Plug	
1	4460808	1	Seal, Plug	
5	1060341	13 ft/4m	Cable, 16/2	
8	77363233	1	Connector - 6 Position	
8	4460465	2	Socket, Female	

SECTION 8 - ELECTRICAL

FIGURE 8-56. GENERATOR ON/OFF SWITCH HARNESS



ART_4922641

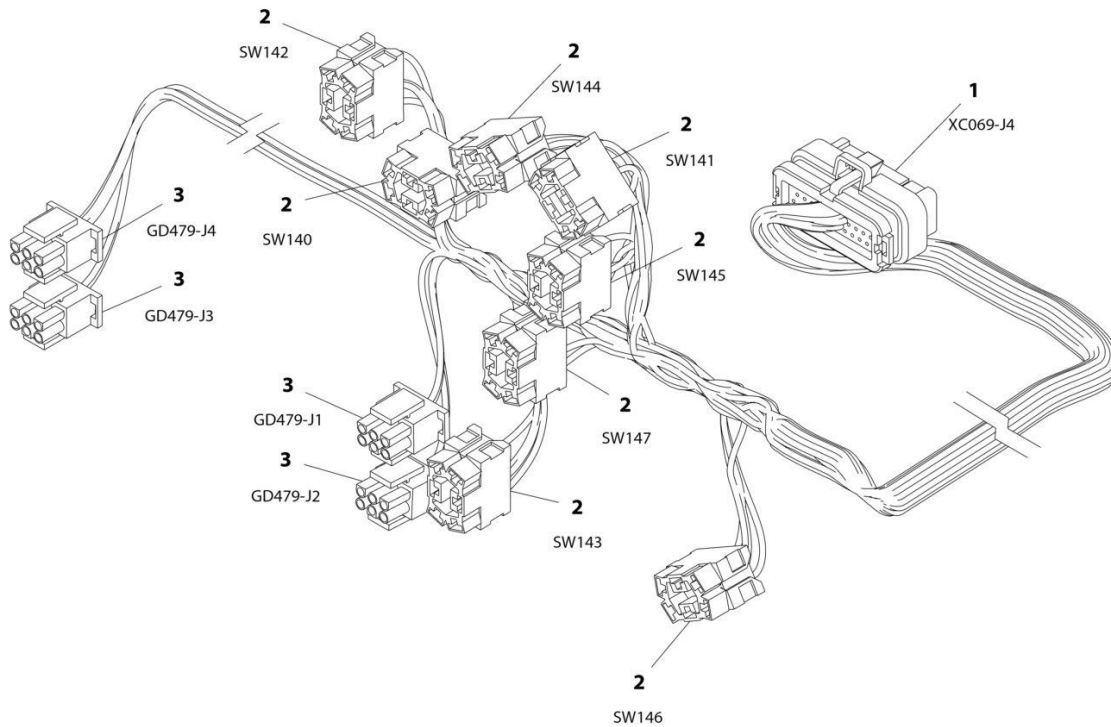
SECTION 8 - ELECTRICAL

FIGURE 8-56. GENERATOR ON/OFF SWITCH HARNESS

ITEM	PART NUMBER	QTY	DESCRIPTION	REV
	4922641	Ref	GENERATOR ON/OFF SWITCH HARNESS	D
2	4460260	2	Terminal, Housing	
4	4460259	2	Terminal	
5	4460268	2	Socket, Female	

SECTION 8 - ELECTRICAL

FIGURE 8-57. GROUND CONTROL PANEL HARNESS



ART_1001164737

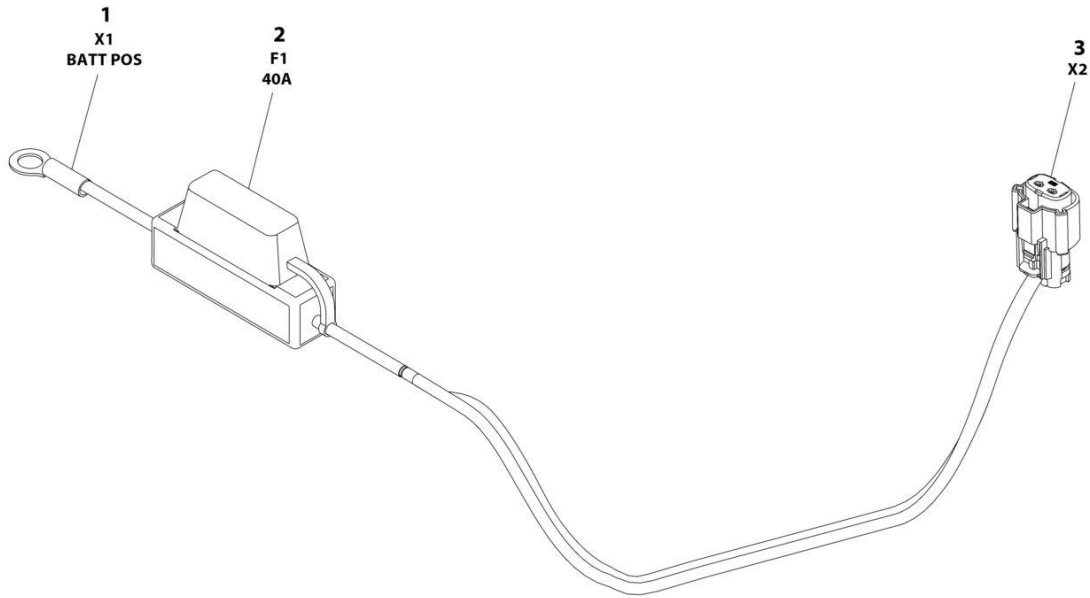
SECTION 8 - ELECTRICAL

FIGURE 8-57. GROUND CONTROL PANEL HARNESS

ITEM	PART NUMBER	QTY	DESCRIPTION	REV
	1001164737	Ref	GROUND CONTROL PANEL HARNESS	D
1	4460876	1	Connector - 35 Position	
1	4460871	27	Socket, Female	
1	4460905	8	Plug, Terminal	
2	4460418	1	Connector - 6 Position	
2	4460419	14	Terminal	
2	1001159186	17	Terminal	
3	4460225	4	Connector - 6 Position	
3	4460226	10	Socket, Female	

SECTION 8 - ELECTRICAL

FIGURE 8-58. KUBOTA D/F POWER HARNESS



ART_1001229797

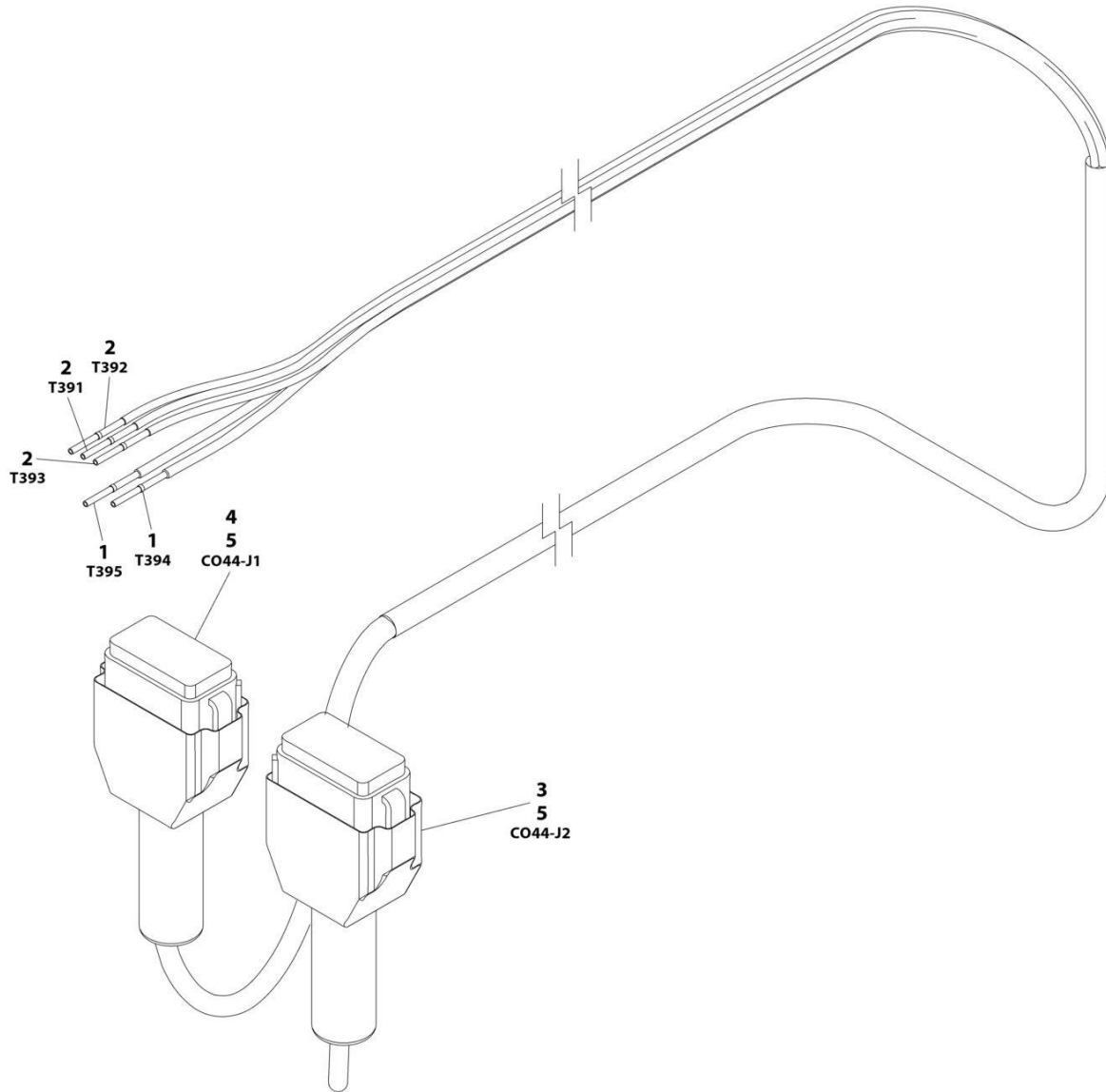
SECTION 8 - ELECTRICAL

FIGURE 8-58. KUBOTA D/F POWER HARNESS

ITEM	PART NUMBER	QTY	DESCRIPTION	REV
	1001229797	Ref	KUBOTA D/F POWER HARNESS	A
1	4460977	1	Terminal, Ring	
2	2400082	1	Fuse 40Amp	
3	1001229795	1	Connector - 2 Position	
3	1001229796	2	Socket, Female	

SECTION 8 - ELECTRICAL

FIGURE 8-59. LSS HARNESS



ART_1001120371

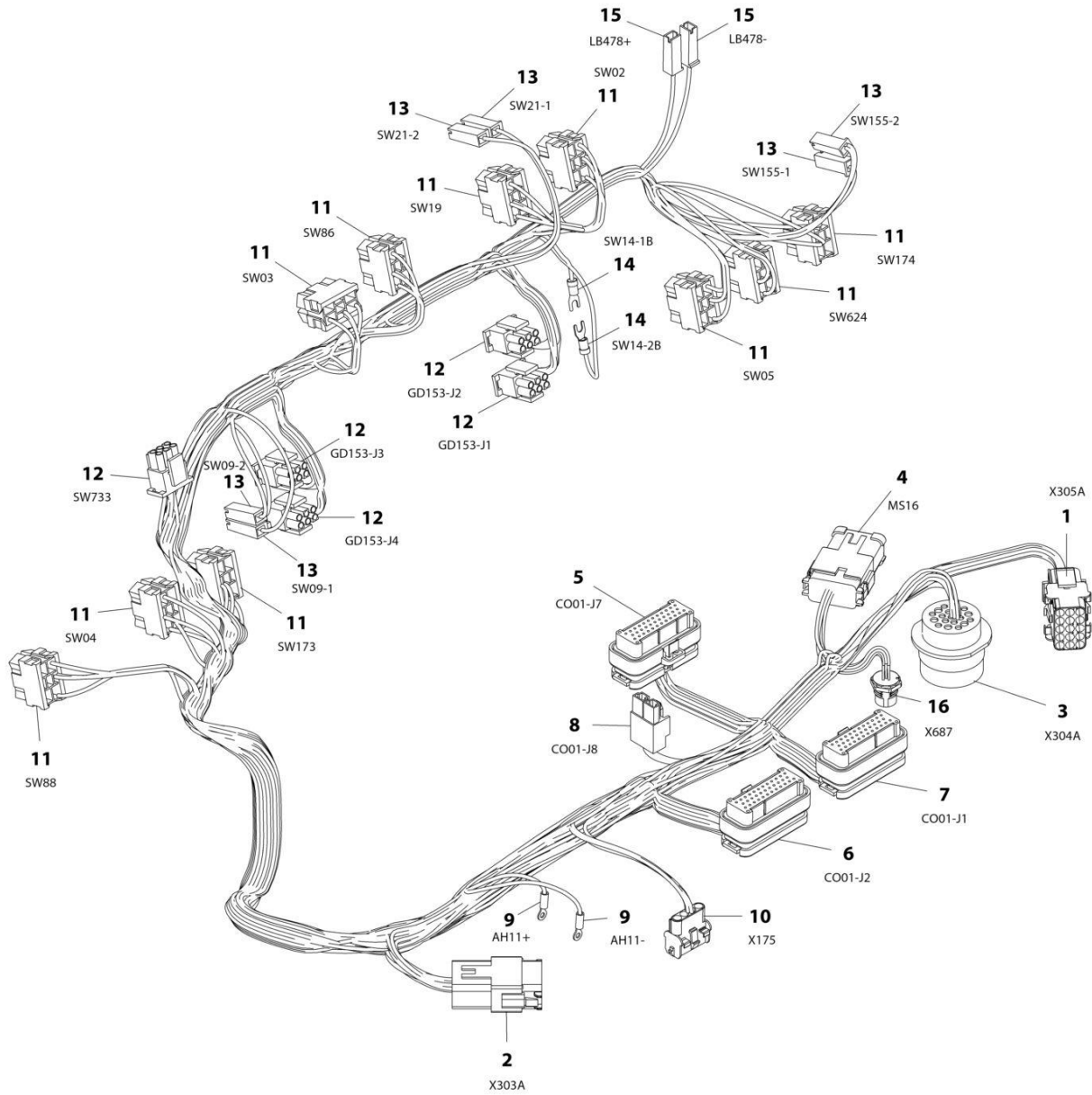
SECTION 8 - ELECTRICAL

FIGURE 8-59. LSS HARNESS

ITEM	PART NUMBER	QTY	DESCRIPTION	REV
	1001120371	Ref	LSS HARNESS	B
1	4460465	2	Socket, Female	
2	4460944	3	Socket, Female	
3	4460836	1	Connector - 12 Position	
3	4460944	3	Socket, Female	
3	4460466	9	Plug, Terminal	
3	0840055	1	Boot	
4	4460933	1	Connector - 12 Position	
4	4460465	2	Socket, Female	
4	4460466	10	Plug, Terminal	
4	0840055	1	Boot	
5	2820030	AR	Heat Shrink	

SECTION 8 - ELECTRICAL

FIGURE 8-60. PLATFORM CONSOLE BOX HARNESS (SN 0300201991 through 0300259091, SN B300003516 through B300005760, SN E300002833 through E300007540, SN 1300007279 through 1300007373)



ART_1001164353

SECTION 8 - ELECTRICAL

FIGURE 8-60. PLATFORM CONSOLE BOX HARNESS (SN 0300201991 through 0300259091, SN B300003516 through B300005760, SN E300002833 through E300007540, SN 1300007279 through 1300007373)

ITEM	PART NUMBER	QTY	DESCRIPTION	REV
	1001164353	Ref	PLATFORM CONSOLE BOX HARNESS	J
1	4460434	1	Connector - 15 Position	
1	4460267	12	Pin, Male	
2	4460970	1	Receptacle, Female - 12 Position	
2	1001116693	11	Pin, Male	
2	4460466	1	Plug, Terminal	
2	4460933	1	Plug, Male - 12 Position	
3	4460866	1	Connector - 19 Position	
3	4460464	7	Pin, Male	
3	4460466	12	Plug, Terminal	
4	4460933	1	Plug, Male - 12 Position	
4	4460465	6	Socket, Female	
4	4460466	6	Plug, Terminal	
4	1001119020	1	Bussbar - 12 Position (SN 0300201991 through 0300222768, SN E300002833 through E300003749)	
4	1001125677	1	Bussbar - 12 Position (SN 0300223769 through 0300259091, SN 1300007279 through 1300007373, SN B300003516 through B300005760, SN E300003750 through E300007540, Excluding B300005569)	
5	4460873	1	Connector - 35 Position	
5	4460871	21	Socket, Female	
5	4460905	14	Plug, Terminal	
6	4460875	1	Connector - 35 Position	
6	4460871	23	Socket, Female	
6	4460905	8	Plug, Terminal	
7	4460874	1	Connector - 35 Position	
7	4460871	25	Socket, Female	
7	4460905	10	Plug, Terminal	
8	4460879	1	Plug, Male - 2 Position	
8	4460887	2	Terminal	
9	1001098122	2	Terminal, Ring	
10	4460761	1	Receptacle, Female - 4 Position	
10	4460267	4	Pin, Male	
11	4460418	10	Connector - 6 Position	
11	4460419	35	Terminal	
11	4460259	6	Terminal (Note: Used only on Fuel Select)	
12	4460225	1	Plug, Male - 6 Position	
12	4460227	5	Pin, Male (Note: Used on Pump Potentiometer Connection Only)	
12	4460226	19	Socket, Female	
13	4460260	6	Housing, Terminal	
13	4460259	8	Terminal	
14	4460183	2	Terminal, Fork	
15	4460260	2	Housing, Terminal (SN 0300201991 through 0300208916)	
15	4460259	2	Terminal (SN 0300201991 through 0300208916)	
15	4460016	2	Terminal, Receptacle (SN 0300208917 through 0300259091, SN B300003516 through B300005760, Excluding B300005569)	
15	4460260	2	Housing, Terminal (SN E300002833 through E300002846)	
15	4460259	2	Terminal (SN E300002833 through E300002846)	
15	4460016	2	Terminal, Receptacle (SN 1300007279 through 1300007373, SN	

SECTION 8 - ELECTRICAL

ITEM	PART NUMBER	QTY	DESCRIPTION	REV
16	1001213447	1	E300002847 through E300007540) Connector - 5 Position (SN 0300223769 through 0300259091, SN 1300007279 through 1300007373, SN B300003516 through B300005760, SN E300003750 through E300007540, Excluding B300005569)	

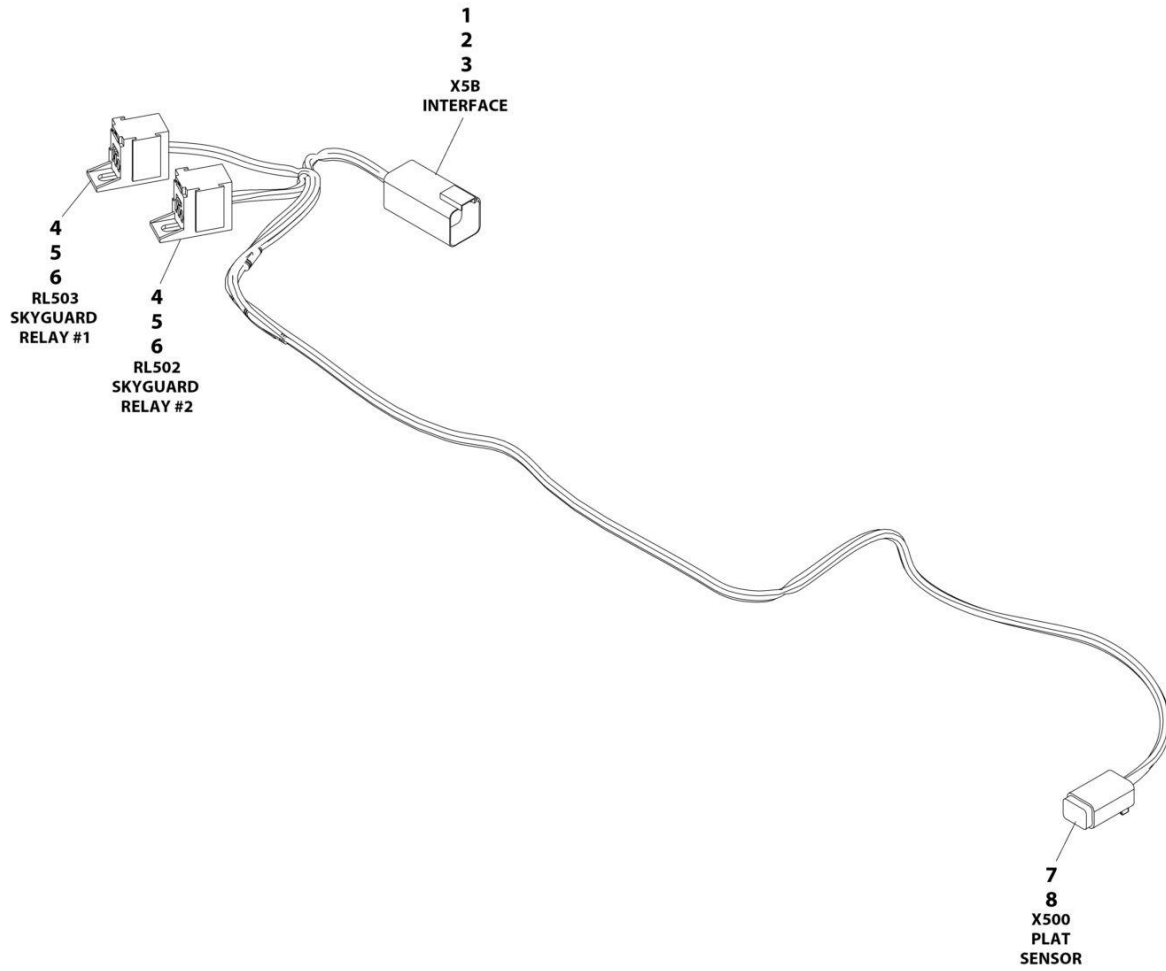
SECTION 8 - ELECTRICAL

FIGURE 8-61. PLATFORM CONSOLE BOX HARNESS (SN 0300259091 through 0300272317, SN E300007541 through E300007990)

ITEM	PART NUMBER	QTY	DESCRIPTION	REV
	1001243168	Ref	PLATFORM CONSOLE BOX HARNESS	A
1	4460434	1	Connector - 15 Position	
1	4460267	8	Pin, Male	
1	4460708	1	Connector - 15 Position	
2	4460866	1	Connector - 19 Position	
2	4460464	7	Pin, Male	
2	4460466	12	Plug, Terminal	
3	4460933	1	Plug, Male - 12 Position	
3	4460465	8	Socket, Female	
3	4460466	4	Plug, Terminal	
3	1001125677	1	Bussbar - 12 Position	
4	1001213447	1	Connector - 5 Position	
5	4460873	1	Connector - 35 Position	
5	4460871	21	Socket, Female	
5	4460905	14	Plug, Terminal	
6	4460875	1	Connector - 35 Position	
6	4460871	23	Socket, Female	
6	4460905	8	Plug, Terminal	
7	4460874	1	Connector - 35 Position	
7	4460871	26	Socket, Female	
7	4460905	9	Plug, Terminal	
8	4460879	1	Plug, Male - 2 Position	
8	4460887	2	Terminal	
9	4460260	1	Housing, Terminal	
9	8229242	1	Fuse 5Amp	
10	4460894	1	Plug, Male - 6 Position	
10	4460465	6	Socket, Female	
11	4460761	1	Receptacle, Female - 4 Position	
11	4460267	4	Pin, Male	
12	1001098122	2	Terminal, Ring	
13	4460970	1	Receptacle, Female - 12 Position	
13	1001116693	11	Pin, Male	
13	4460466	1	Plug, Terminal	
13	4460933	1	Plug, Male - 12 Position	
14	4460418	6	Connector - 6 Position	
14	4460419	22	Terminal	
14	4460259	6	Terminal (Note: Used only on Fuel Select)	
15	4460225	3	Plug, Male - 6 Position	
15	4460227	4	Pin, Male (Note: Used on Pump Potentiometer Connection Only)	
15	4460226	11	Socket, Female	
16	4460260	5	Housing, Terminal	
16	4460259	7	Terminal	
17	4460016	2	Terminal, Receptacle	
18	4460183	2	Terminal, Fork	

SECTION 8 - ELECTRICAL

FIGURE 8-62. PLATFORM INTERFACE HARNESS



ART_1001225580

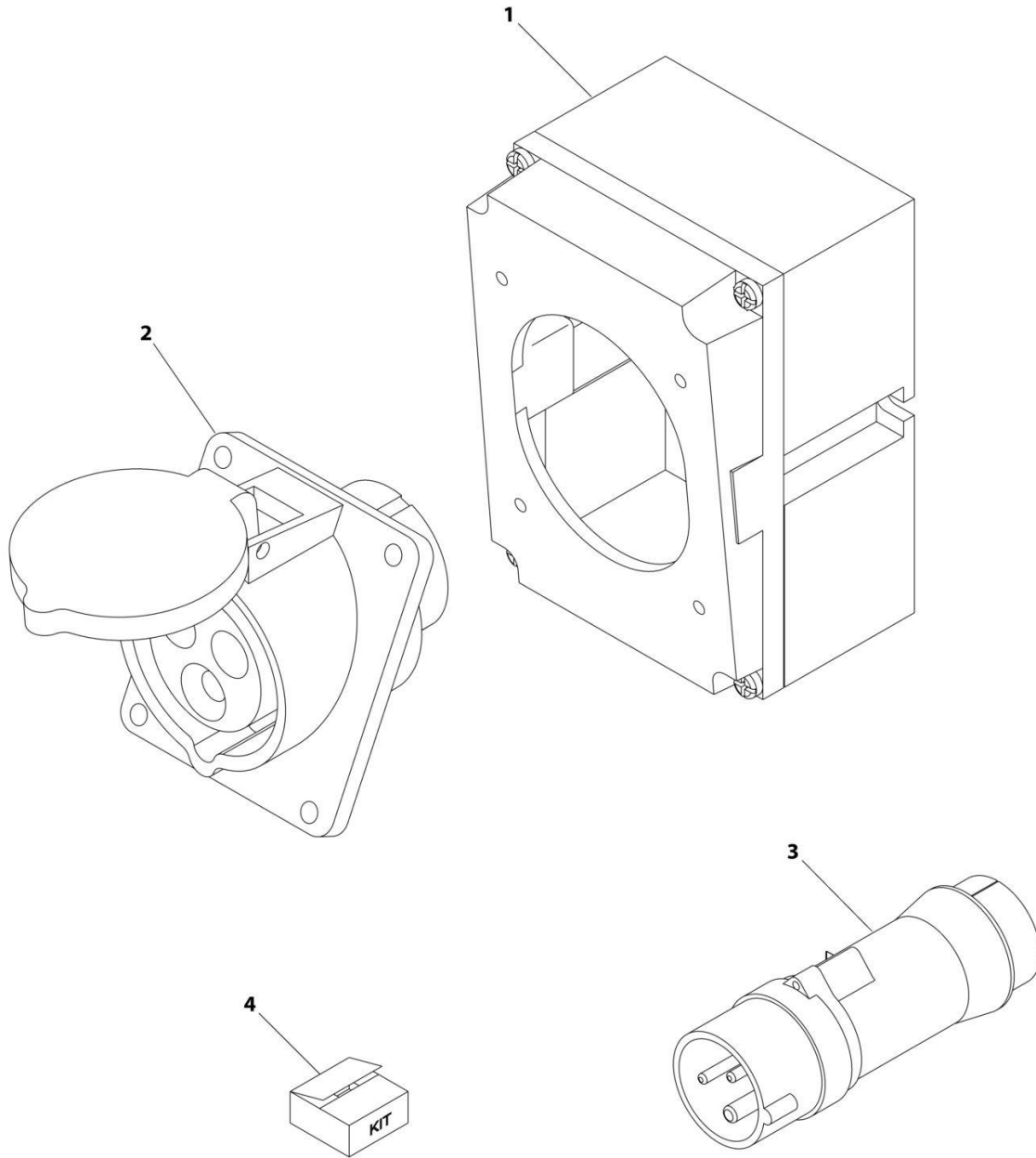
SECTION 8 - ELECTRICAL

FIGURE 8-62. PLATFORM INTERFACE HARNESS

ITEM	PART NUMBER	QTY	DESCRIPTION	REV
	1001225580	Ref	INTERFACE HARNESS - WITH 1 CELL LSS	D
1	4460899	1	Connector	
2	4460464	4	Terminal	
3	4460466	2	Plug	
4	1001186432	2	Connector	
5	1001116720	4	Terminal	
6	1001118388	4	Terminal	
7	4460884	1	Connector	
8	4460465	4	Terminal	

SECTION 8 - ELECTRICAL

FIGURE 8-63. RECEPTACLE BOX KIT - 110V IEC YELLOW (CE SPEC)



ART_0275216

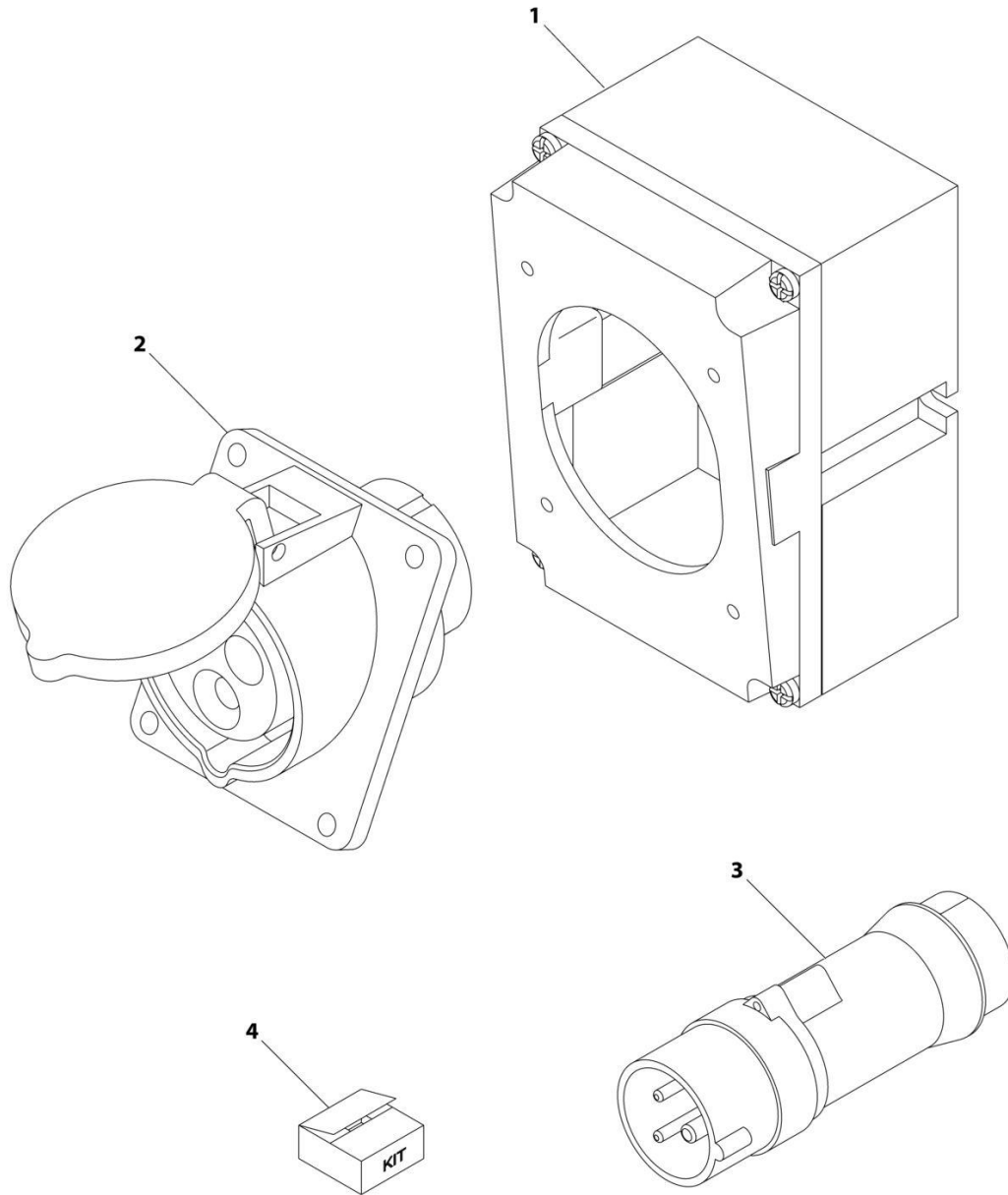
SECTION 8 - ELECTRICAL

FIGURE 8-63. RECEPTACLE BOX KIT - 110V IEC YELLOW (CE SPEC)

ITEM	PART NUMBER	QTY	DESCRIPTION	REV
	0275216	Ref	RECEPTACLE BOX KIT - 110V IEC YELLOW (CE SPEC)	1
1	0861781	1	Box, Switch	
2	4461198	1	Receptacle	
3	4461196	1	Plug, Male	
4	1001100341	1	Plug and Socket Kit (Includes Items 1-3 and Female Plug p/n 4461197)	

SECTION 8 - ELECTRICAL

FIGURE 8-64. RECEPTACLE BOX KIT - 220V IEC BLUE (CE SPEC)



ART_0275217

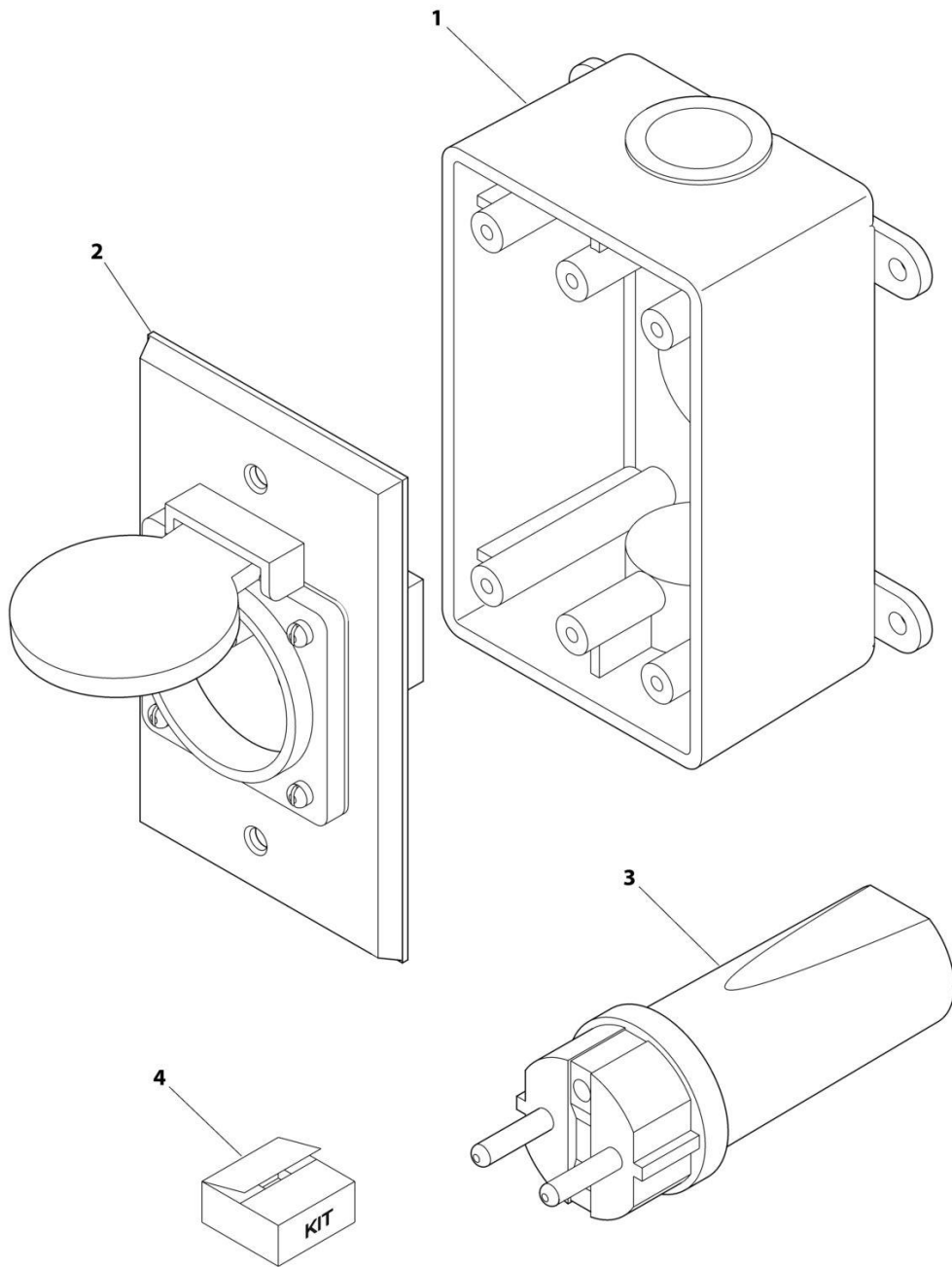
SECTION 8 - ELECTRICAL

FIGURE 8-64. RECEPTACLE BOX KIT - 220V IEC BLUE (CE SPEC)

ITEM	PART NUMBER	QTY	DESCRIPTION	REV
	0275217	Ref	RECEPTACLE BOX KIT - 220V IEC BLUE (CE SPEC)	1
1	0861781	1	Box, Switch	
2	4461201	1	Receptacle	
3	4461199	1	Plug, Male	
4	1001100342	1	Plug and Socket Kit (Includes Items 1-3 and Female Plug p/n 4461200)	

SECTION 8 - ELECTRICAL

FIGURE 8-65. RECEPTACLE BOX KIT - 220V CEE7 POST GROUND 2IN X 4IN BOX (CE SPEC)



ART_0275452

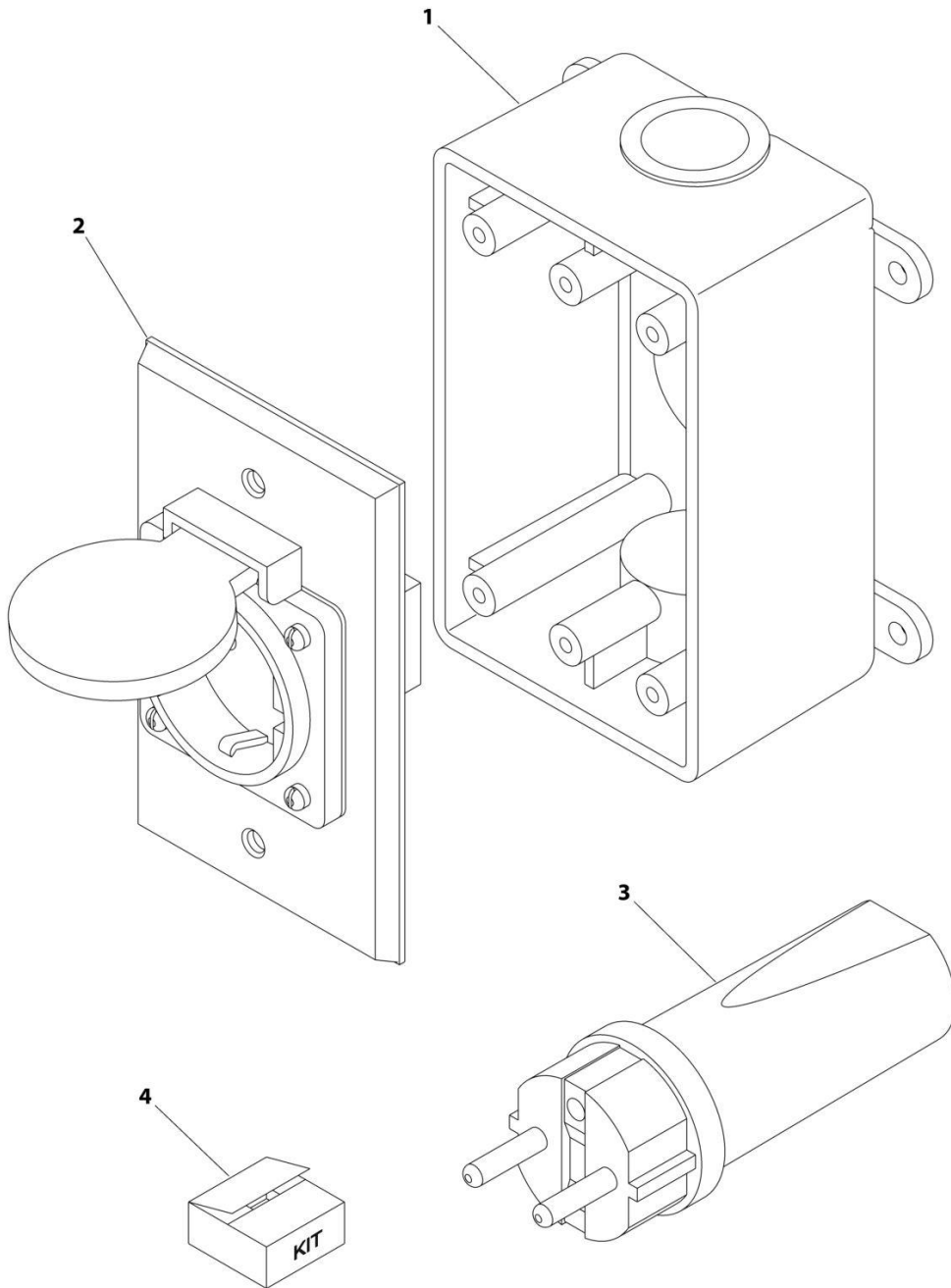
SECTION 8 - ELECTRICAL

FIGURE 8-65. RECEPTACLE BOX KIT - 220V CEE7 POST GROUND 2IN X 4IN BOX (CE SPEC)

ITEM	PART NUMBER	QTY	DESCRIPTION	REV
	0275452	Ref	RECEPTACLE BOX KIT - 220V CEE7 POST GROUND 2IN X 4IN BOX (CE SPEC)	1
1	0861731	1	Box, Switch	
2	4461244	1	Receptacle	
3	4461202	1	Plug, Male	
4	1001100345	1	Plug and Socket Kit (Includes Items 1-3 and Female Plug p/n 4461206)	

SECTION 8 - ELECTRICAL

FIGURE 8-66. RECEPTACLE BOX KIT - 220V CEE7 SIDE GROUND 2IN X 4IN BOX (CE SPEC)



ART_0275453

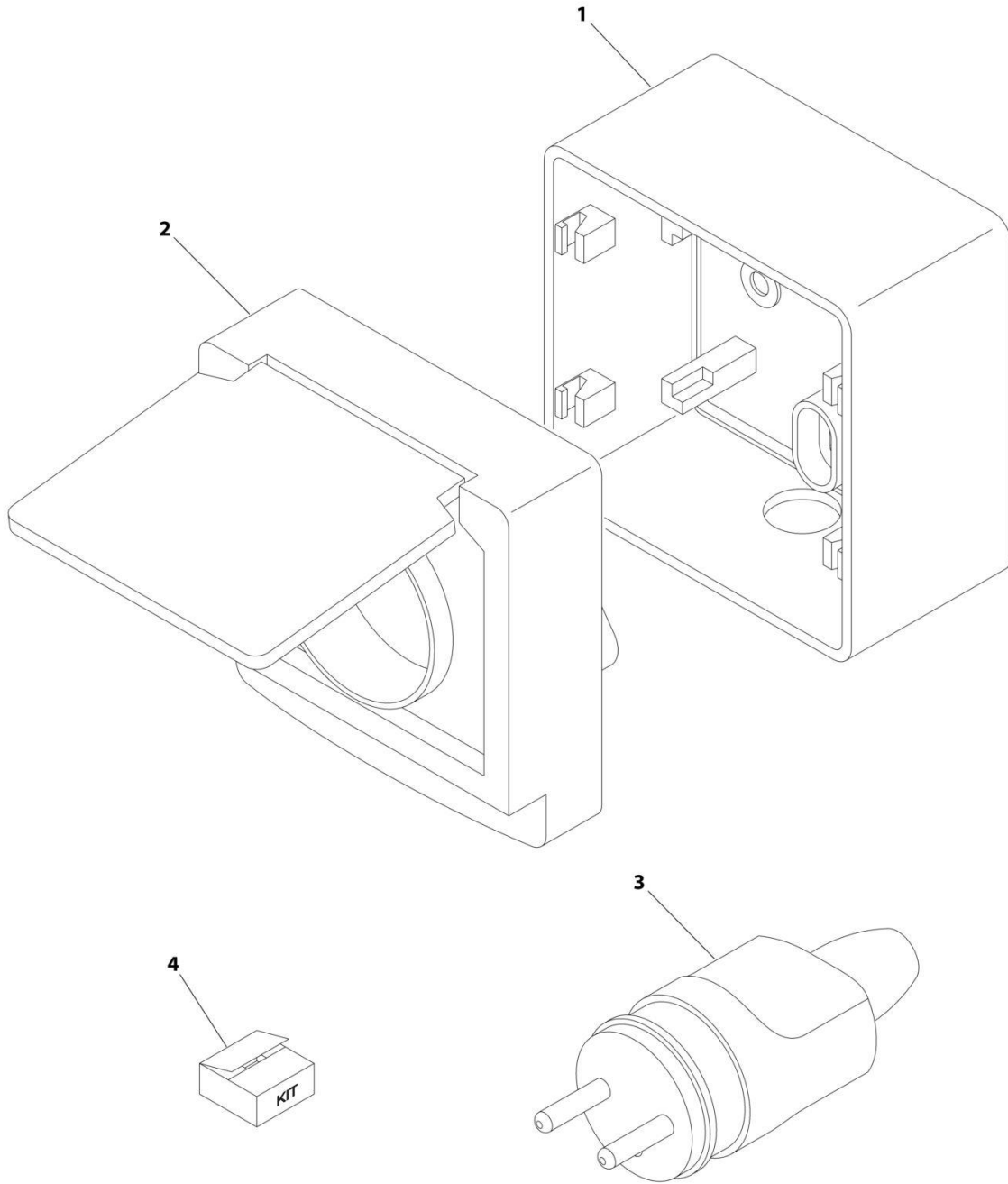
SECTION 8 - ELECTRICAL

FIGURE 8-66. RECEPTACLE BOX KIT - 220V CEE7 SIDE GROUND 2IN X 4IN BOX (CE SPEC)

ITEM	PART NUMBER	QTY	DESCRIPTION	REV
	0275453	Ref	RECEPTACLE BOX KIT - 220V CEE7 SIDE GROUND 2IN X 4IN BOX (CE SPEC)	1
1	0861731	1	Box, Switch	
2	4461245	1	Receptacle	
3	4461205	1	Plug, Male	
4	1001100347	1	Plug and Socket Kit (Includes Items 1-3 and Female Plug p/n 4461206)	

SECTION 8 - ELECTRICAL

FIGURE 8-67. RECEPTACLE BOX KIT - 220V CEE7 POST GROUND 70MM X 70MM BOX (CE SPEC)



ART_0275218

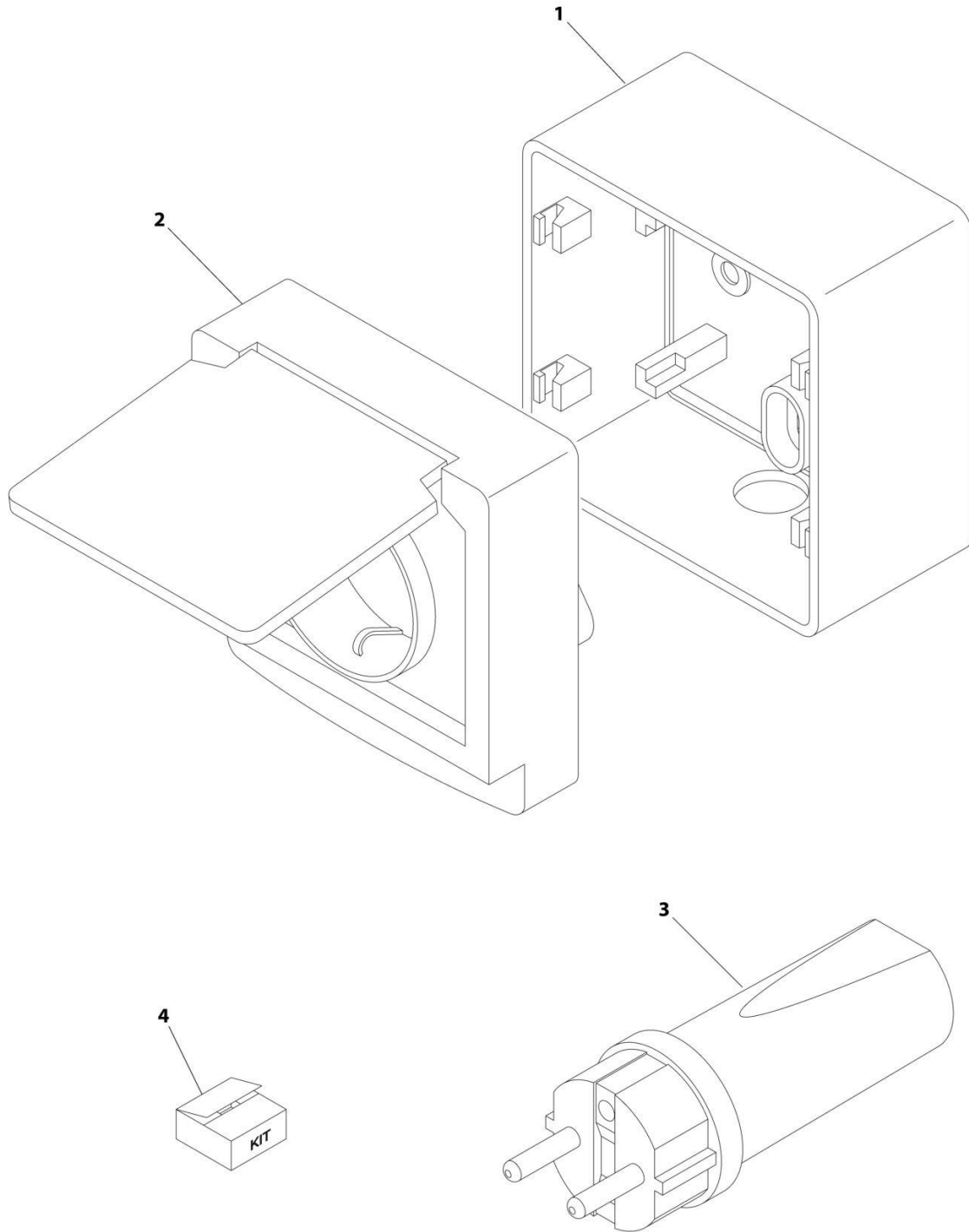
SECTION 8 - ELECTRICAL

FIGURE 8-67. RECEPTACLE BOX KIT - 220V CEE7 POST GROUND 70MM X 70MM BOX (CE SPEC)

ITEM	PART NUMBER	QTY	DESCRIPTION	REV
	0275218	Ref	RECEPTACLE BOX KIT - 220V CEE7 POST GROUND 70MM X 70MM BOX (CE SPEC)	B
1	1001141967	1	Box, Switch	
2	1001141968	1	Receptacle	
3	4461202	1	Plug, Male	
4	1001141971	1	Plug and Socket Kit (Includes Items 1-3 and Female Plug p/n 4461206)	

SECTION 8 - ELECTRICAL

FIGURE 8-68. RECEPTACLE BOX KIT - 220V CEE7 SIDE GROUND 70MM X 70MM BOX (CE SPEC)



ART_0275219

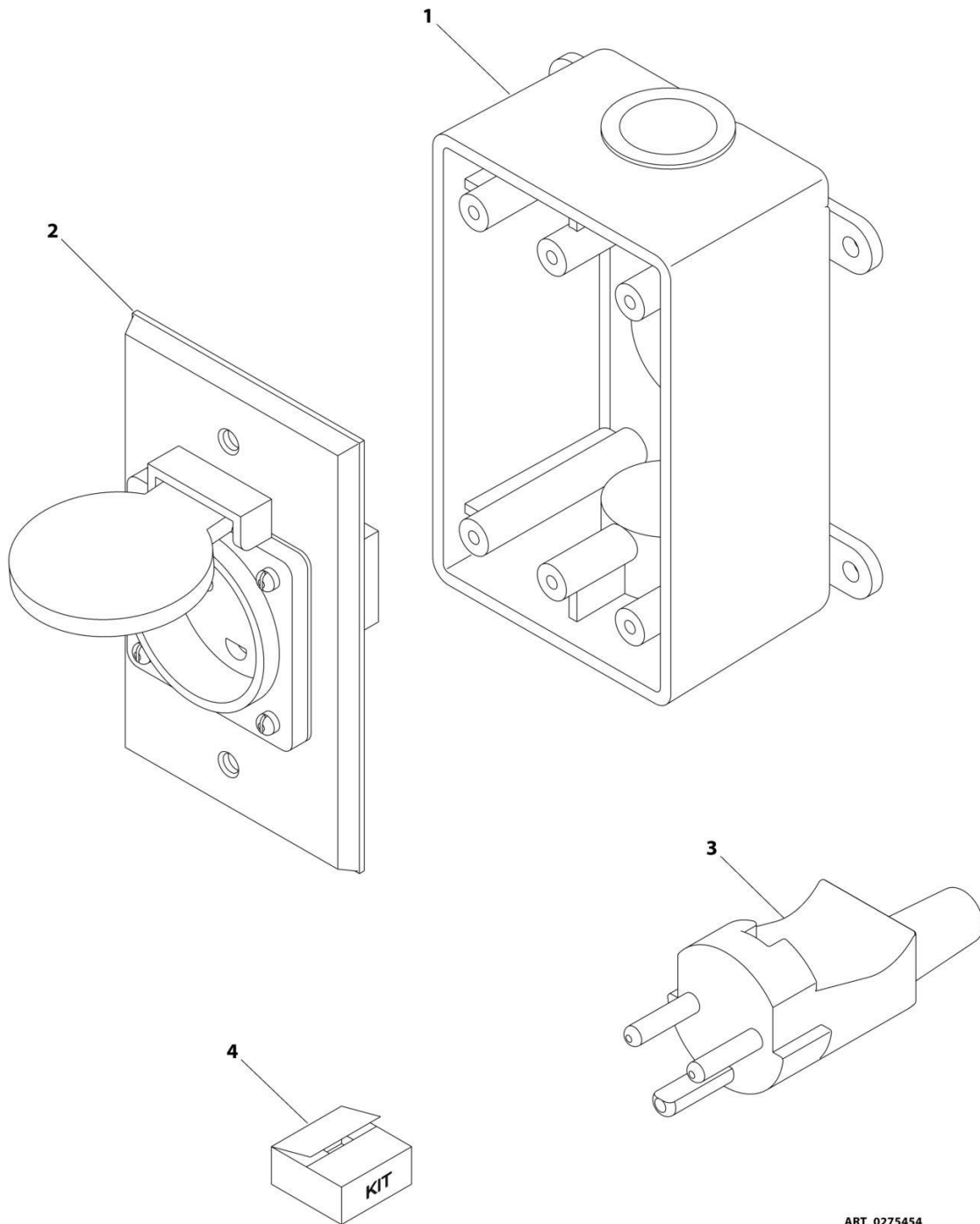
SECTION 8 - ELECTRICAL

FIGURE 8-68. RECEPTACLE BOX KIT - 220V CEE7 SIDE GROUND 70MM X 70MM BOX (CE SPEC)

ITEM	PART NUMBER	QTY	DESCRIPTION	REV
	0275219	Ref	RECEPTACLE BOX KIT - 220V CEE7 SIDE GROUND 70MM X 70MM BOX (CE SPEC)	B
1	1001141967	1	Box, Switch	
2	1001141969	1	Receptacle	
3	4461205	1	Plug, Male	
4	1001141970	1	Plug and Socket Kit (Includes Items 1-3 and Female Plug p/n 4461206)	

SECTION 8 - ELECTRICAL

FIGURE 8-69. RECEPTACLE BOX KIT - 220V AFSINT 107 (CE SPEC)



ART_0275454

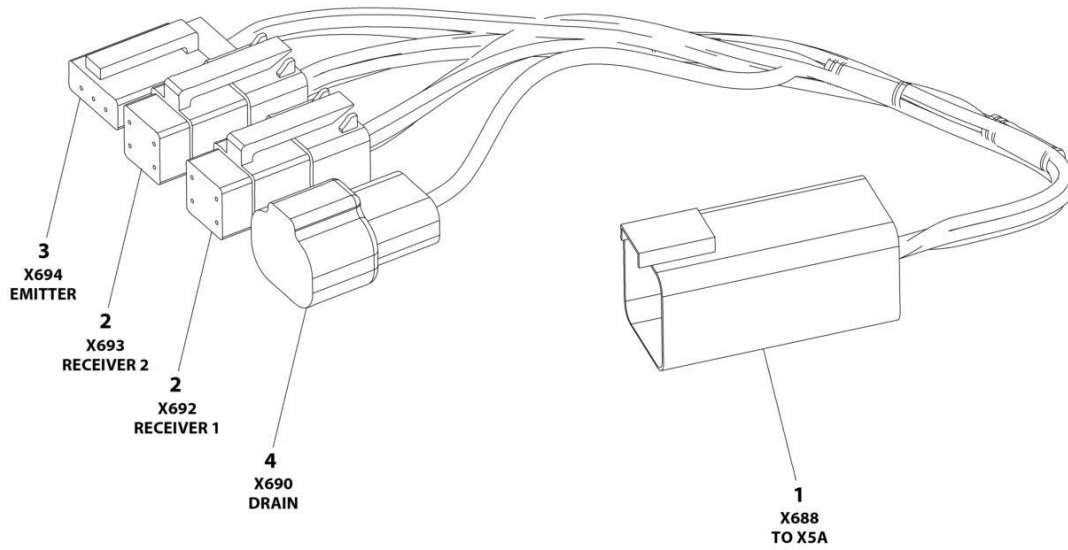
SECTION 8 - ELECTRICAL

FIGURE 8-69. RECEPTACLE BOX KIT - 220V AFSINT 107 (CE SPEC)

ITEM	PART NUMBER	QTY	DESCRIPTION	REV
	0275454	Ref	RECEPTACLE BOX KIT - 220V AFSINT 107 (CE SPEC)	1
1	0861731	1	Box, Switch	
2	4461246	1	Receptacle	
3	4461249	1	Plug, Male	
4	1001100346	1	Plug and Socket Kit (Includes Items 1-3 and Female Plug p/n 4461250)	

SECTION 8 - ELECTRICAL

FIGURE 8-70. SKYEYE INTERMEDIATE HARNESS



ART_1001237865

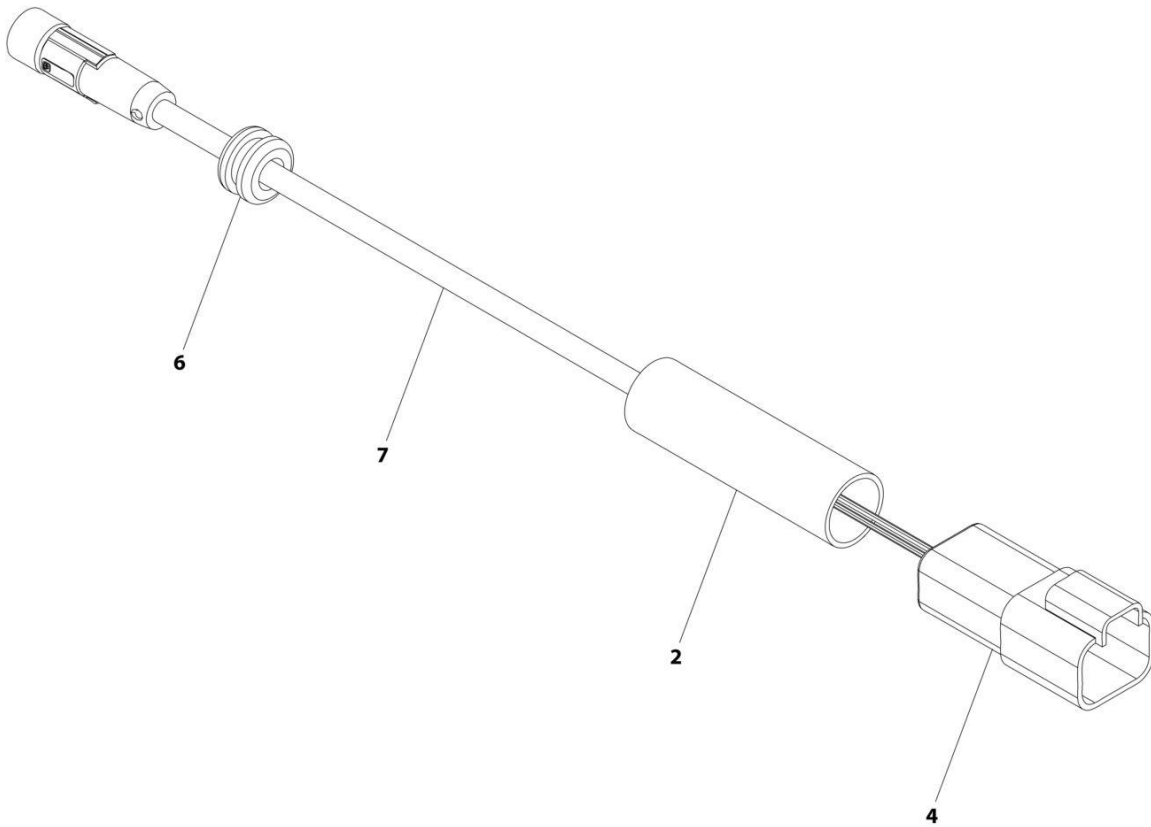
SECTION 8 - ELECTRICAL

FIGURE 8-70. SKYEYE INTERMEDIATE HARNESS

ITEM	PART NUMBER	QTY	DESCRIPTION	REV
	1001237865	Ref	SKYEYE INTERMEDIATE HARNESS	A
1	4460899	1	Connector - 6 Position	
1	4460943	4	Pin, Male	
1	4460466	2	Plug, Terminal	
2	4461077	2	Connector - 4 Position	
2	1001119619	8	Socket, Female	
3	4460911	1	Connector - 3 Position	
3	1001119619	3	Socket, Female	
4	1001187681	1	Connector - 2 Position	
4	4460941	1	Pin, Male	
4	4460466	1	Plug, Terminal	

SECTION 8 - ELECTRICAL

FIGURE 8-71. SKYEYE RECEIVER HARNESS



ART_1001237863

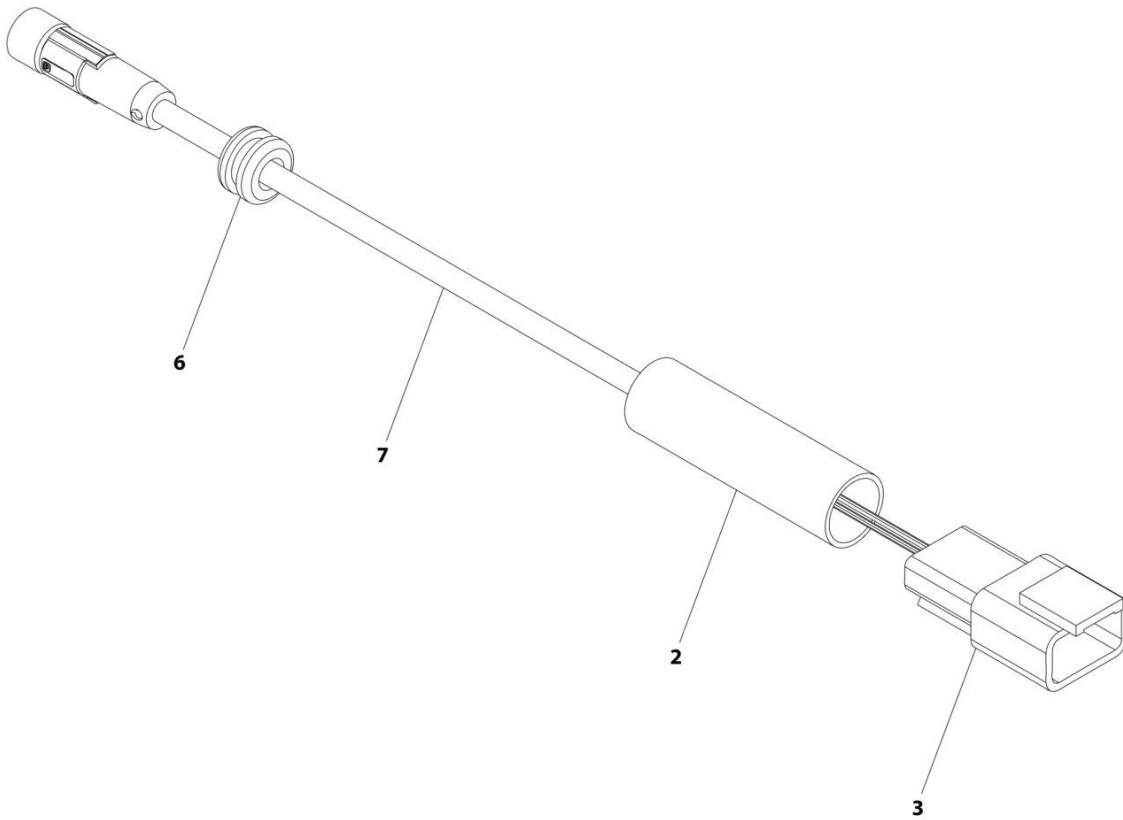
SECTION 8 - ELECTRICAL

FIGURE 8-71. SKYEYE RECEIVER HARNESS

ITEM	PART NUMBER	QTY	DESCRIPTION	REV
	1001237863	Ref	SKYEYE RECEIVER HARNESS	A
2	2820247	AR	Tubing, Heat Shrink	
4	1001097051	1	Connector - 4 Position	
4	1001119620	4	Pin, Male	
6	1001227996	1	Grommet	
7	1001237862	1	Cable, M8 Female Cordset	

SECTION 8 - ELECTRICAL

FIGURE 8-72. SKYEYE EMITTER HARNESS



ART_1001237864

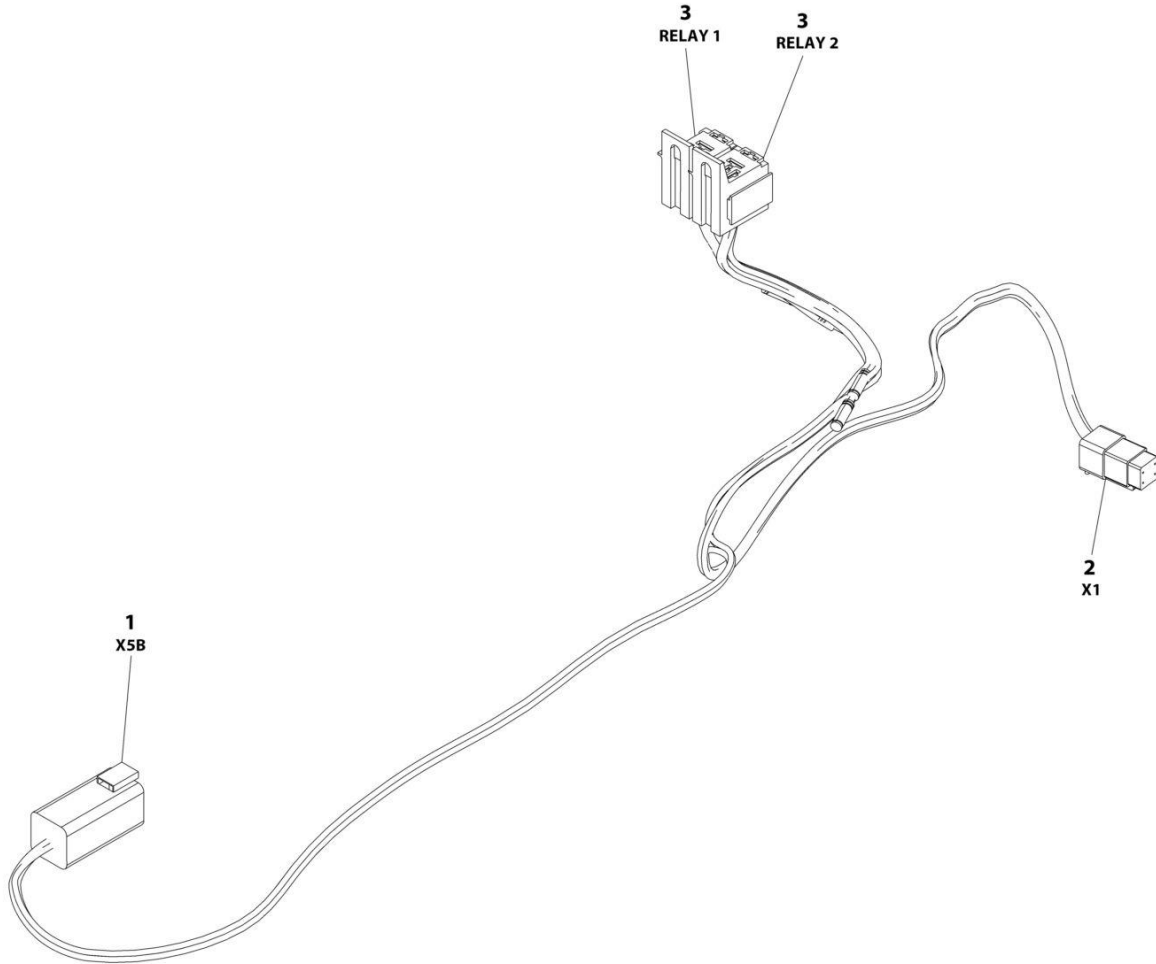
SECTION 8 - ELECTRICAL

FIGURE 8-72. SKYEYE EMITTER HARNESS

ITEM	PART NUMBER	QTY	DESCRIPTION	REV
	1001237864	Ref	SKYEYE EMITTER HARNESS	A
2	2820247	AR	Tubing, Heat Shrink	
3	4460910	1	Connector - 3 Position	
3	1001119620	3	Pin, Male	
6	1001227996	1	Grommet	
7	1001237862	1	Cable, M8 Female Cordset	

SECTION 8 - ELECTRICAL

FIGURE 8-73. SKYLINE HARNESS



ART_1001238418

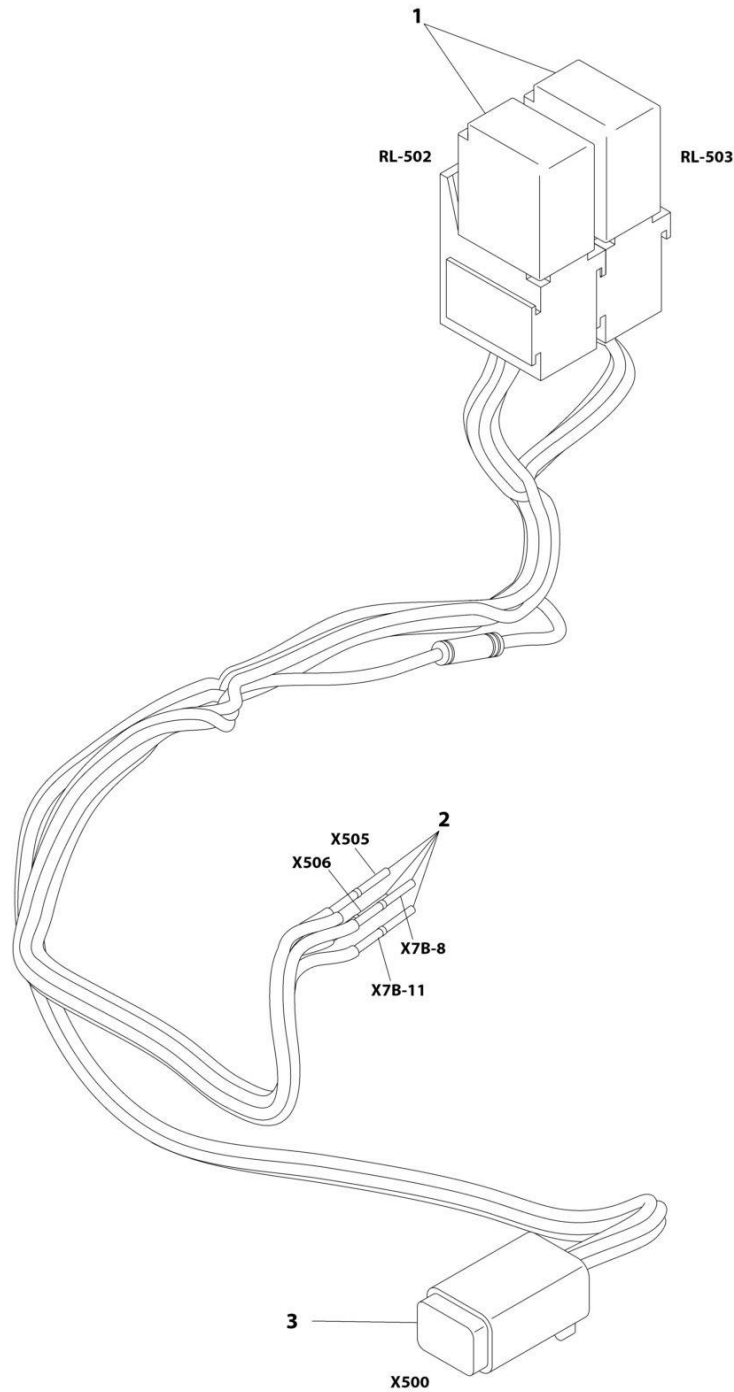
SECTION 8 - ELECTRICAL

FIGURE 8-73. SKYLINE HARNESS

ITEM	PART NUMBER	QTY	DESCRIPTION	REV
	1001238418	Ref	SKYLINE HARNESS	B
1	4460899	1	Connector - 6 Position	
1	4460464	4	Pin, Male	
1	4460466	2	Plug, Terminal	
2	4461077	1	Connector - 4 Position	
2	1001126009	4	Socket, Female	
3	1001186432	2	Plug, Relay	
3	1001118388	5	Terminal	
3	1001118384	3	Terminal	
3	3740086	2	Relay	

SECTION 8 - ELECTRICAL

FIGURE 8-74. SKYGUARD HARNESS



ART_1001192292

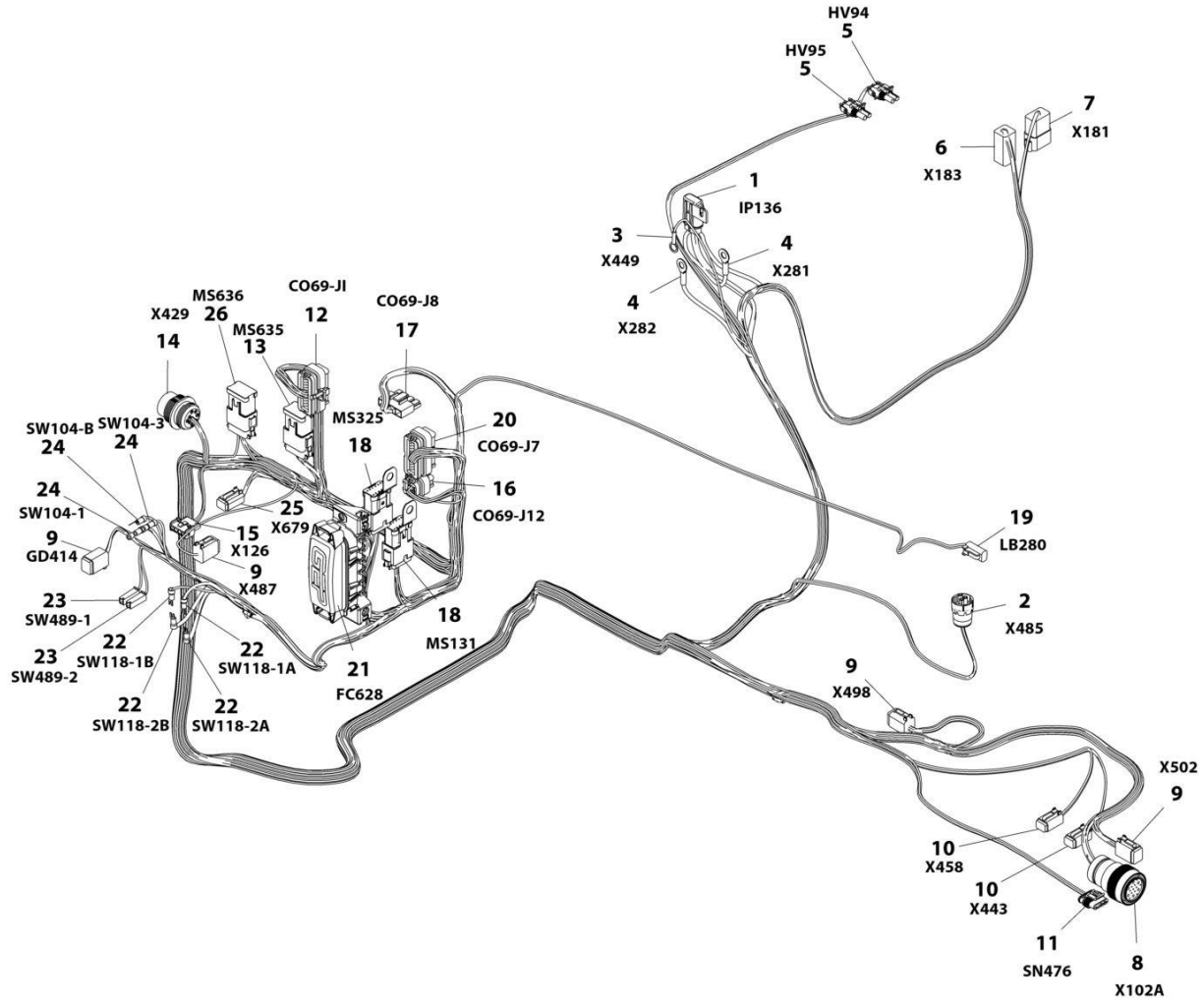
SECTION 8 - ELECTRICAL

FIGURE 8-74. SKYGUARD HARNESS

ITEM	PART NUMBER	QTY	DESCRIPTION	REV
	1001192292	Ref	SKYGUARD HARNESS	B
1	1001186432	2	Holder, Micro Relay	
1	1001186431	2	Relay, Micro 35 Amp	
1	1001116720	11	Terminal	
2	4460226	4	Socket, Female	
3	4460884	1	Plug, Male - 4 Position	
3	4460465	2	Socket, Female	

SECTION 8 - ELECTRICAL

FIGURE 8-75. TURNTABLE HARNESS



ART_1001186007

SECTION 8 - ELECTRICAL

FIGURE 8-75. TURNTABLE HARNESS

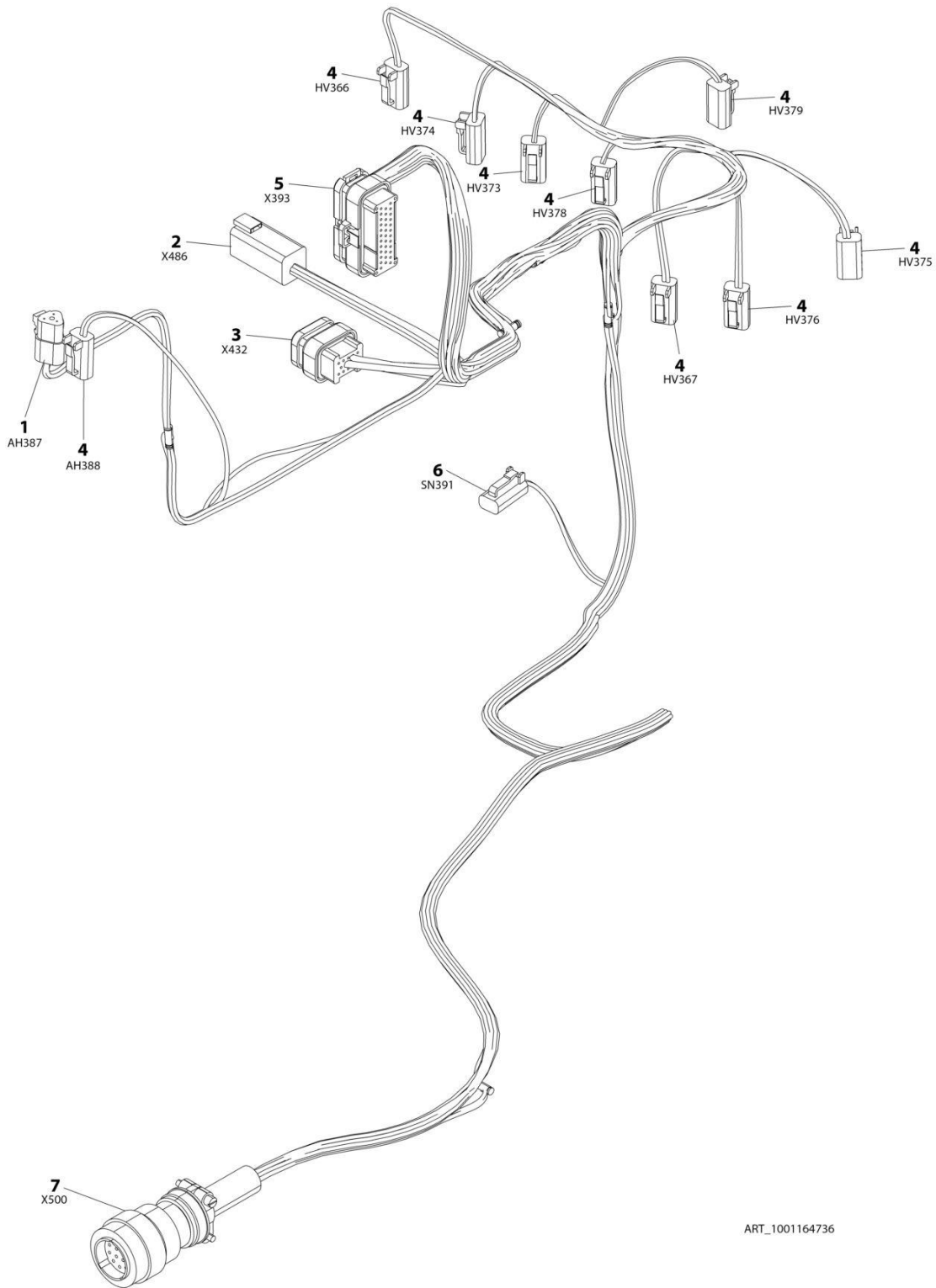
ITEM	PART NUMBER	QTY	DESCRIPTION	REV
	1001186007	Ref	TURNTABLE HARNESS	H
1	1001117070	1	Fuseholder with 30Amp Fuse	
1	See Note	1	Fuse 30Amp (Note: Not Available - Purchase Locally)	
2	4460967	1	Connector - 3 Position	
2	4460465	3	Socket, Female	
3	4460247	1	Terminal, Ring	
4	8220045	2	Terminal, Ring	
5	4460742	2	Plug, Male - 2 Position	
5	4460743	4	Socket, Female	
5	4460458	4	Seal, Terminal	
6	4460899	1	Receptacle, Female - 6 Position	
6	4460464	3	Pin, Male	
6	4460943	2	Pin, Male	
6	4460466	1	Plug, Terminal	
7	4460931	1	Receptacle, Female	
7	4460464	3	Pin, Male	
7	4460466	5	Plug, Terminal	
8	4460865	1	Connector - 19 Position	
8	4460465	6	Socket, Female	
8	4460509	2	Socket, Female	
8	4460466	11	Plug, Terminal	
8	1321647	1	Clamp (SN 0300213177 through 0300272317, SN 1300007279 through 1300007373, SN B300003516 through B300005760, SN E300003057 through E300007990, Except SN 0300272185 through 0300272190, Excluding B300005569 and E300007814)	
9	4460894	4	Plug, Male - 6 Position	
9	4460465	15	Socket, Female	
9	4460944	2	Socket, Female (Gold)	
9	4460466	7	Plug, Terminal	
10	4460884	2	Plug, Male - 4 Position	
10	4460465	4	Socket, Female	
10	4460466	4	Plug, Terminal	
11	1001103012	1	Connector - 4 Position	
11	1001107854	4	Socket, Female	
11	1001116763	4	Seal, Terminal (SN 0300201991 through 0300211573, SN E300002833 through E300003057)	
11	1001104498	4	Seal, Terminal (SN 0300211574 through 0300272317, SN 1300007279 through 1300007373, SN B300003516 through B300005760, SN E300003058 through E300007990, Except SN 0300272185 through 0300272190, Excluding B300005569 and E300007814)	
12	4460874	1	Connector - 35 Position	
12	4460871	18	Socket, Female	
12	4460905	17	Plug, Terminal	
13	4460836	1	Connector - 12 Position	
13	4460465	7	Socket, Female	
13	4460466	5	Plug, Terminal	
13	4460837	2	Bussbar - 12 Position	
14	1001112612	1	Connector - 9 Position	
14	4460464	3	Pin, Male	
14	4460943	2	Pin, Male (Gold)	

SECTION 8 - ELECTRICAL

ITEM	PART NUMBER	QTY	DESCRIPTION	REV
14	4460466	4	Plug, Terminal	
15	4460761	1	Receptacle, Female - 4 Position	
15	4460267	4	Pin, Male	
16	1001113961	1	Plug, Male - 8 Position	
16	4460871	5	Socket, Female	
16	4460905	3	Plug, Terminal	
17	4460878	1	Plug, Male - 4 Position	
17	4460887	4	Terminal	
18	4460933	2	Plug, Male - 12 Position	
18	4460465	14	Socket, Female	
18	4460466	10	Plug, Terminal	
18	1001119020	2	Bussbar - 12 Position	
18	1001120328	2	Clip, Mounting	
19	4460891	1	Plug, Male - 2 Position	
19	4460465	2	Socket, Female	
20	4460873	1	Connector - 35 Position	
20	4460871	22	Socket, Female	
20	4460905	13	Plug, Terminal	
21	1001185964	1	Fuse Box Assembly	
21	8229244	2	Fuse 15Amp	
21	8229242	4	Fuse 5Amp	
21	1001129285	2	Fuse with Diode	
21	1001095704	1	Relay	
22	4460806	4	Terminal, Fork	
23	4460260	2	Housing, Terminal	
23	4460259	2	Terminal	
24	4460042	3	Terminal, Ring	
25	4460884	1	Plug, Male - 4 Position (SN 0300204894 through 0300272317, SN B300003516 through B300005760, SN E300002833 through E300007990, Except SN 0300272185 through 0300272190, Excluding B300005569 and E300007814)	
25	4460465	4	Socket, Female (SN 0300204894 through 0300272317, SN B300003516 through B300005760, SN E300002833 through E300007990, Except SN 0300272185 through 0300272190, Excluding B300005569 and E300007814)	
26	4460836	1	Connector - 12 Position	
26	4460465	4	Socket, Female	
26	4460466	7	Plug, Terminal	
26	1001157890	1	Socket, Female	
26	4460837	1	Bussbar - 12 Position	

SECTION 8 - ELECTRICAL

FIGURE 8-76. VALVE HARNESS - MAIN VALVE



ART_1001164736

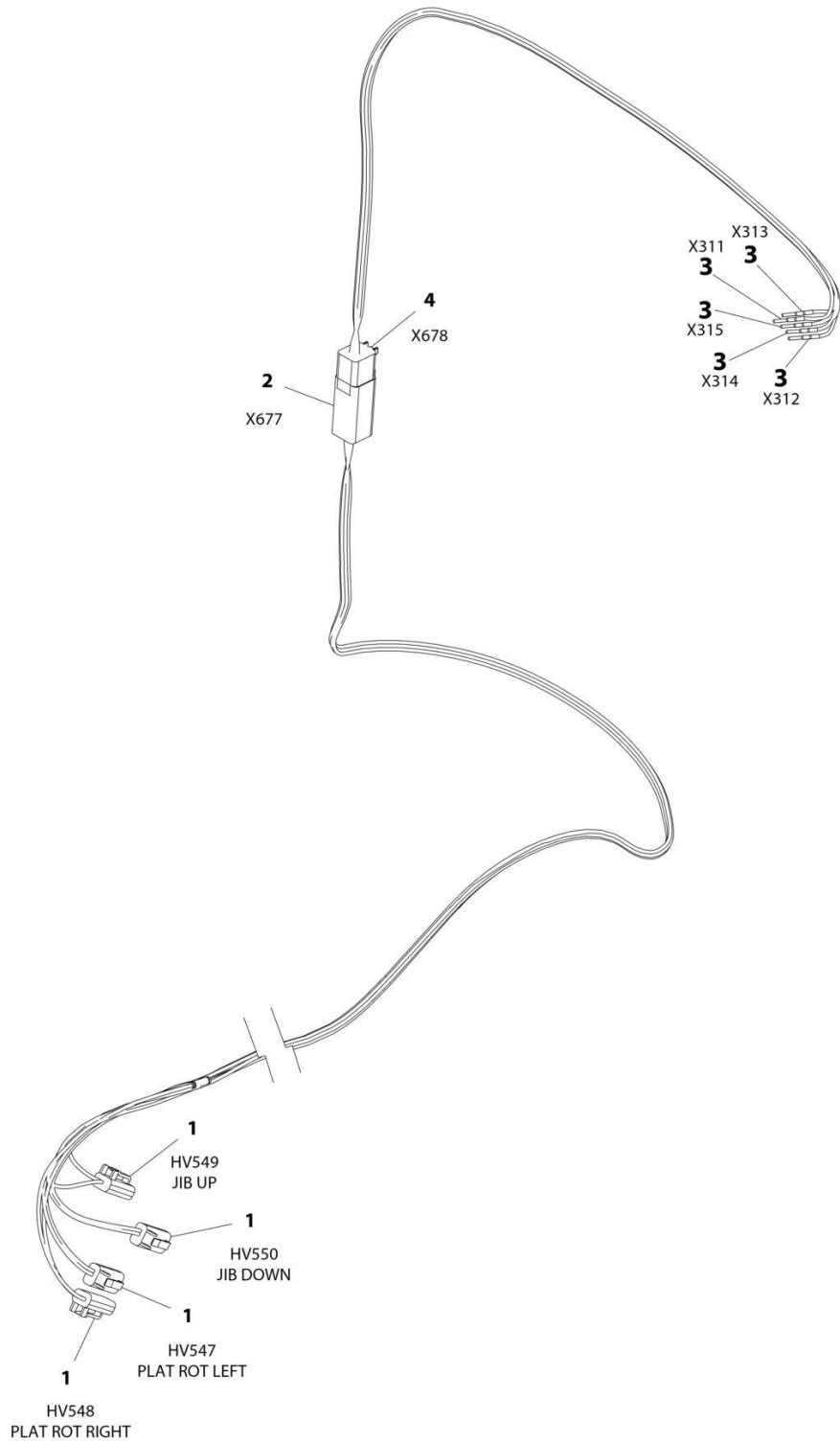
SECTION 8 - ELECTRICAL

FIGURE 8-76. VALVE HARNESS - MAIN VALVE

ITEM	PART NUMBER	QTY	DESCRIPTION	REV
	1001164736	Ref	VALVE HARNESS - MAIN VALVE	E
1	4460539	1	Plug, Male - 3 Position	
1	4460465	3	Socket, Female	
2	4460899	1	Receptacle, Female - 6 Position	
2	4460464	5	Pin, Male	
2	4460466	1	Plug, Terminal	
3	4460872	1	Connector - 13 Position	
3	4460871	9	Socket, Female	
3	4460905	4	Plug, Terminal	
4	4460891	9	Plug, Male - 2 Position	
4	4460465	18	Socket, Female	
5	4460875	1	Connector - 35 Position	
5	4460871	25	Socket, Female	
5	4460905	10	Plug, Terminal	
6	4460424	1	Plug, Male - 2 Position	
6	4460268	2	Socket, Female	
7	4460754	1	Connector - 14 Position	
7	4460465	13	Socket, Female	
7	4460466	1	Plug, Terminal	

SECTION 8 - ELECTRICAL

FIGURE 8-77. VALVE HARNESS - PLATFORM VALVE



ART_1001164728

SECTION 8 - ELECTRICAL

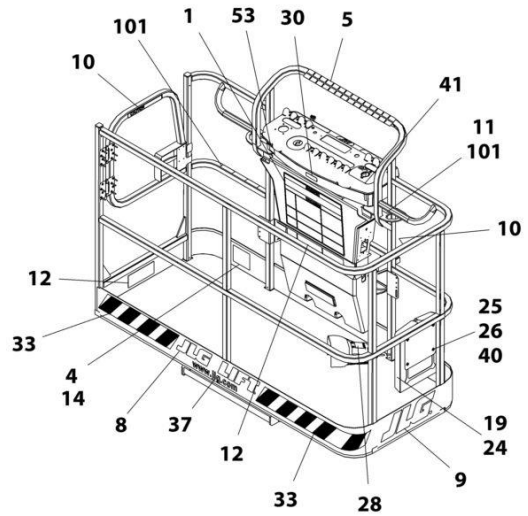
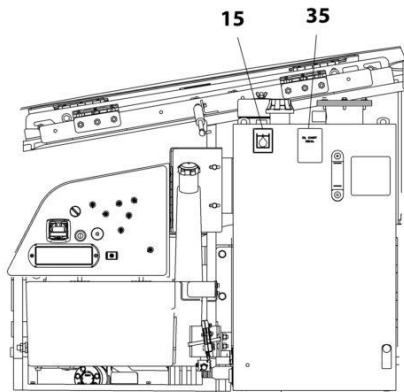
FIGURE 8-77. VALVE HARNESS - PLATFORM VALVE

ITEM	PART NUMBER	QTY	DESCRIPTION	REV
	1001164728	Ref	VALVE HARNESS - PLATFORM VALVE	D
1	4460891	4	Plug, Male - 2 Position	
1	4460465	8	Socket, Female	
2	4460899	1	Receptacle, Female - 6 Position	
2	4460464	5	Pin, Male	
2	4460466	1	Plug, Terminal	
3	4460465	5	Socket, Female	
4	4460894	1	Plug, Male - 6 Position	
4	4460465	5	Socket, Female	
4	4460466	1	Plug, Terminal	

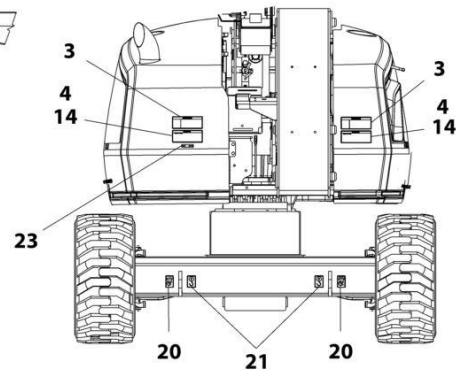
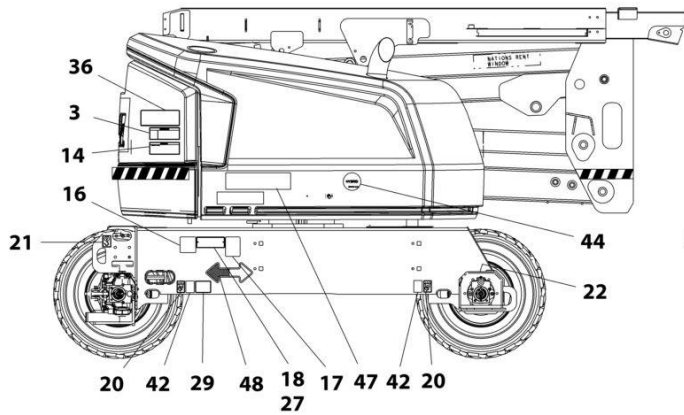
SECTION 9 - DECAL

SECTION 9 - DECAL

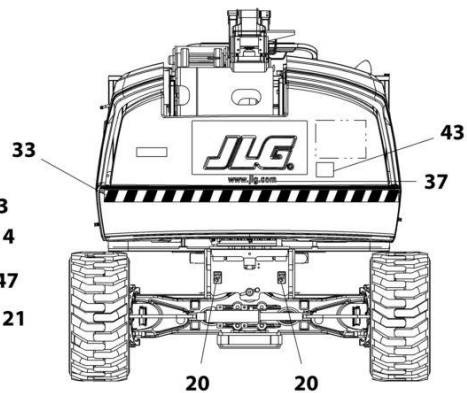
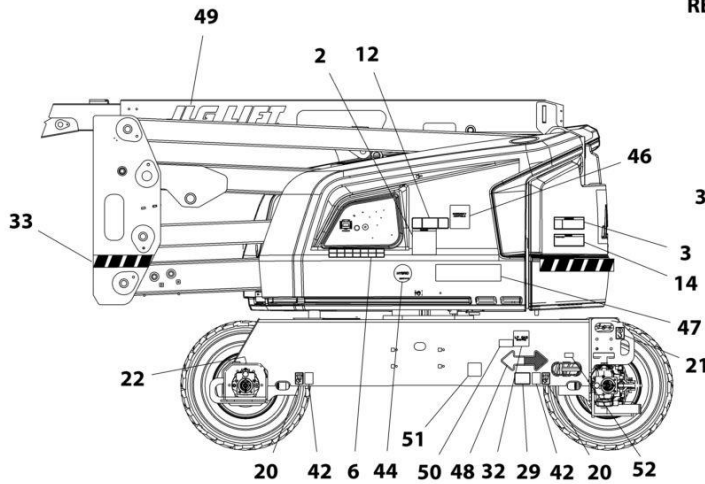
FIGURE 9-1. DECAL INSTALLATION - ANSI, ANSI EXPORT AND CHINA SPECS (ENGLISH)



NOTE: SOME DECALS ARE CALLED OUT ON OPTIONAL DECALS INSTALLATION.



NOTE: ITEMS SHOWN MAY NOT BE REQUIRED FOR ALL SPECS. REFER TO PARTS LIST FOR USAGE.



ART_1001162521

SECTION 9 - DECAL

FIGURE 9-1. DECAL INSTALLATION - ANSI, ANSI EXPORT AND CHINA SPECS (ENGLISH)

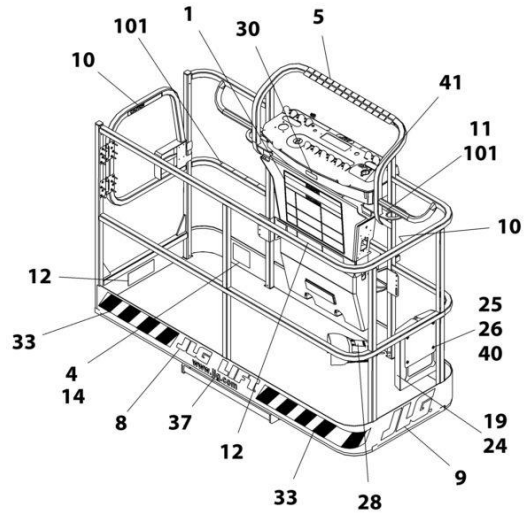
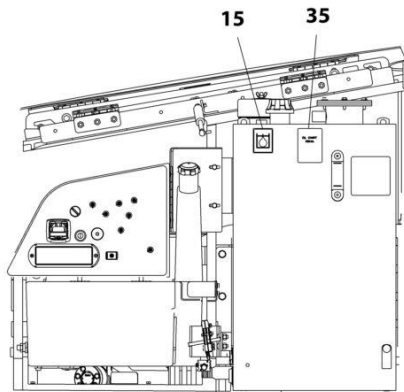
ITEM	PART NUMBER	QTY	DESCRIPTION	REV
	1001169157	Ref	DECAL INSTALLATION - REFERENCE CHART	P
	1001162521	Ref	DECAL INSTALLATION - ANSI, ANSI EXPORT AND CHINA SPECS (ENGLISH)	I
1	1703797	1	Decal - Danger/Warning	
2	1705336	1	Decal - Danger/Warning	
3	1703805	4	Decal - Danger/Electrocution	
4	1703804	4	Decal - Warning/Crushing	
5	1001173262	1	Decal - Legend	
6	1706941	1	Decal - Legend (SN 0300201991 through 0300218691)	
6	1001174313	1	Decal - Legend (SN 0300218692 through 0300272317, SN B300003516 through B300005760, Except SN 0300272185 through 0300272190, Excluding B300005569)	
10	1702868	2	Decal - No Hands	
11	1704277	2	Decal - Attach Lanyard Here (SN 0300201991 through 0300238976)	
12	1001162416	3	Decal - Max Capacity	
14	1703953	2	Decal - Warning/Crushing	
15	1701504	1	Decal - Hydraulic Oil	
16	See Note	NSS	Decal - Bar Code (Note: Not Available for Purchase)	
17	1001131269	1	Decal - Patent	
19	1701509	1	Decal - Manual	
20	1702300	8	Decal - Tie Down /Lift	
21	1701500	4	Decal - Tie Down /Lift	
22	1703687	2	Decal - Arrow	
23	3251243	1	Nameplate 120V-60Hz	
24	0860520	1	Box, Manual Storage	
25	4751400	4	Washer, 1/4	
26	3311405	4	Nut, Lock 1/4-20	
27	3820001	2	Rivet	
28	3252347	1	Decal - Footswitch	
30	1705514	1	Decal - CSA	
35	1704412	1	Decal - Hydraulic Fluid	
36	1001172217	1	Decal - Lift Diagram (Without Turntable Lock)	
36	1001223118	1	Decal - Lift Diagram (With Turntable Lock)	
37	1704885	2	Decal - Website	
40	0641406	4	Bolt, 1/4-20 x 3/4	
41	1705351	1	Decal - Drive/Steer	
42	1701499	4	Decal - Tie Down /Lift	
43	3251813	1	Decal - USA	
48	1701529	2	Decal - Arrow	
51	1001223055	1	Decal - Yearly Inspection (SN 0300233865 through 0300272317, SN B300003516 through B300005760, Except SN 0300272185 through 0300272190, Excluding B300005569)	
52	1001223453	1	Decal - Ices (Canada) (SN 0300243662 through 0300272317, SN B300003516 through B300005760, Except SN 0300272185 through 0300272190, Excluding B300005569)	
53	1001231801	1	Decal - Warning (SN 0300243662 through 0300272317, SN B300003516 through B300005760, Except SN 0300272185 through 0300272190, Excluding B300005569)	
100	1001232026	1	Decal - Platform Lanyard Kit (Not Shown) (SN 0300238977 through 0300272317, SN B300003516 through B300005760, Except SN 0300272185 through 0300272190, Excluding	

SECTION 9 - DECAL

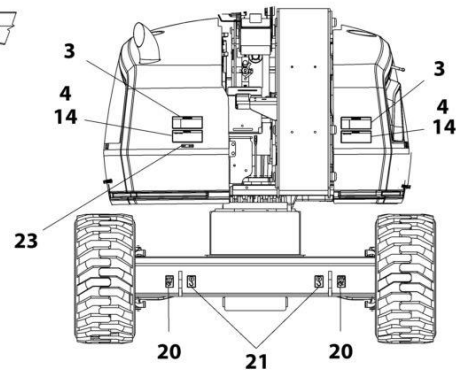
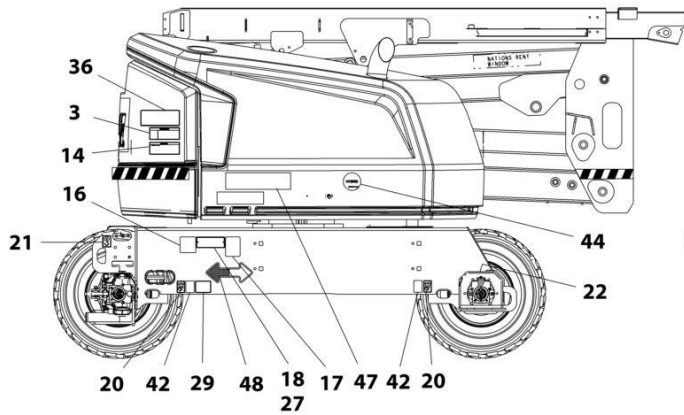
ITEM	PART NUMBER	QTY	DESCRIPTION	REV
101	1704277	3	B300005569) Decal - Attach Lanyard Here	

SECTION 9 - DECAL

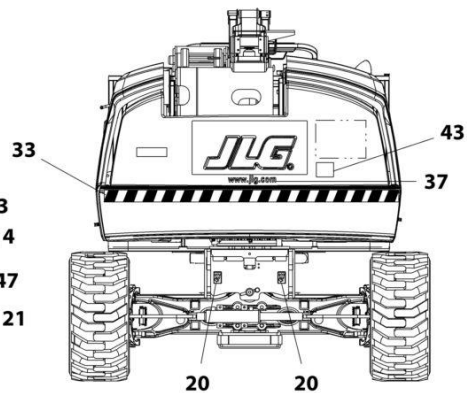
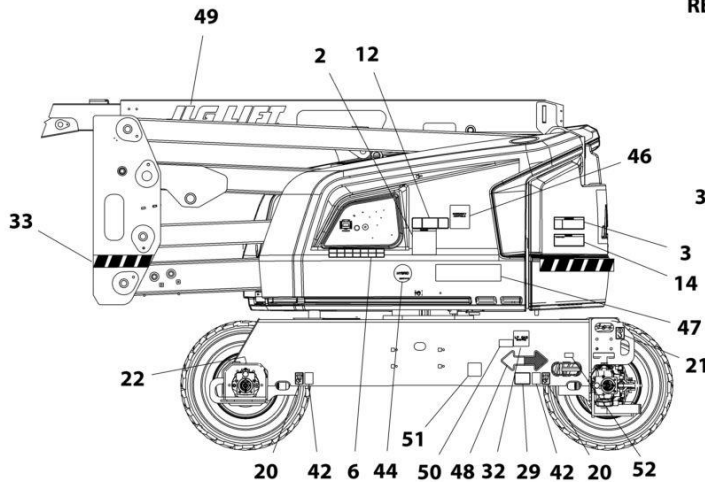
FIGURE 9-2. DECAL INSTALLATION - WITH KUBOTA ENGINE (ANSI SPECS) (ENGLISH)



NOTE: SOME DECALS ARE CALLED OUT ON OPTIONAL DECALS INSTALLATION.



NOTE: ITEMS SHOWN MAY NOT BE REQUIRED FOR ALL SPECS. REFER TO PARTS LIST FOR USAGE.



ART_1001218927

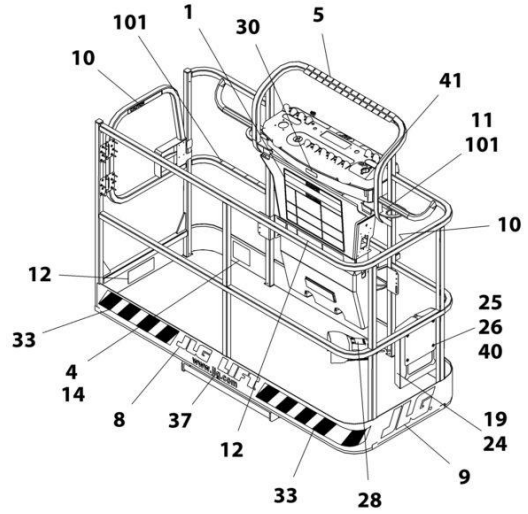
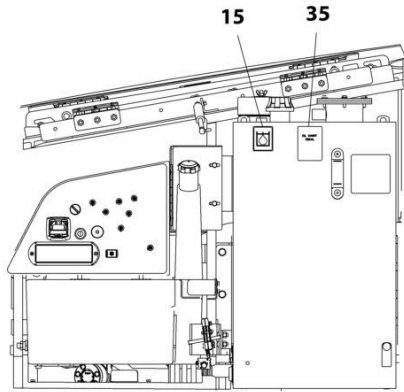
SECTION 9 - DECAL

FIGURE 9-2. DECAL INSTALLATION - WITH KUBOTA ENGINE (ANSI SPECS) (ENGLISH)

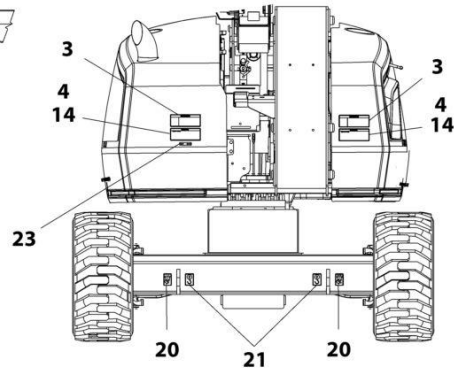
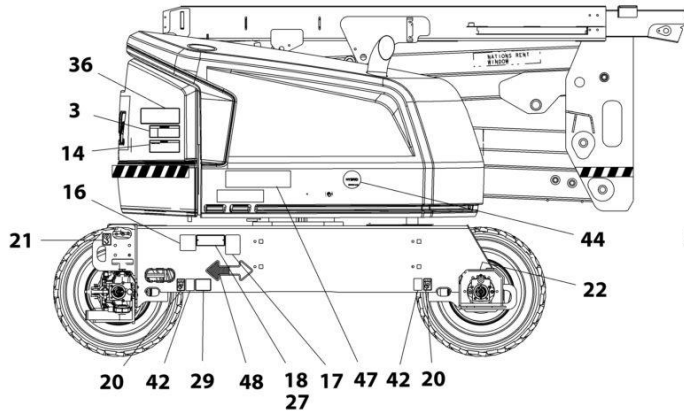
ITEM	PART NUMBER	QTY	DESCRIPTION	REV
	1001169157	Ref	DECAL INSTALLATION - REFERENCE CHART	P
	1001218927	Ref	DECAL INSTALLATION - WITH KUBOTA ENGINE (ANSI SPECS) (ENGLISH)	D
1	1703797	1	Decal - Danger/Warning	
2	1705336	1	Decal - Danger/Warning	
3	1703805	4	Decal - Danger/Electrocution	
4	1703804	4	Decal - Warning/Crushing	
5	1001173262	1	Decal - Legend	
6	1001216408	1	Decal - Legend	
10	1702868	2	Decal - No Hands	
11	1704277	2	Decal - Attach Lanyard Here (SN 0300201991 through 0300238976)	
12	1001162416	3	Decal - Max Capacity	
14	1703953	2	Decal - Warning/Crushing	
15	1701504	1	Decal - Hydraulic Oil	
16	See Note	NSS	Decal - Bar Code (Note: Not Available for Purchase)	
17	1001131269	1	Decal - Patent	
19	1701509	1	Decal - Manual	
20	1702300	8	Decal - Tie Down /Lift	
21	1701500	4	Decal - Tie Down /Lift	
22	1703687	2	Decal - Arrow	
23	3251243	1	Nameplate 120V-60Hz	
24	0860520	1	Box, Manual Storage	
25	4751400	4	Washer, 1/4	
26	3311405	4	Nut, Lock 1/4-20	
27	3820001	2	Rivet	
28	3252347	1	Decal - Footswitch	
30	1705514	1	Decal - CSA	
35	1704412	1	Decal - Hydraulic Fluid	
36	1001172217	1	Decal - Lift Diagram (Without Turntable Lock)	
36	1001223118	1	Decal - Lift Diagram (With Turntable Lock)	
37	1704885	2	Decal - Website	
40	0641406	4	Bolt, 1/4-20 x 3/4	
41	1705351	1	Decal - Drive/Steer	
42	1701499	4	Decal - Tie Down /Lift	
43	3251813	1	Decal - USA	
48	1701529	2	Decal - Arrow	
51	1001223055	1	Decal - Yearly Inspection (SN 0300233865 through 0300272317, Except SN 0300272185 through 0300272190)	
52	1001223453	1	Decal - Ices (Canada) (SN 0300243662 through 0300272317, Except SN 0300272185 through 0300272190)	
100	1001232026	1	Decal - Platform Lanyard Kit (Not Shown) (SN 0300238977 through 0300272317, Except SN 0300272185 through 0300272190)	
101	1704277	3	Decal - Attach Lanyard Here	

SECTION 9 - DECAL

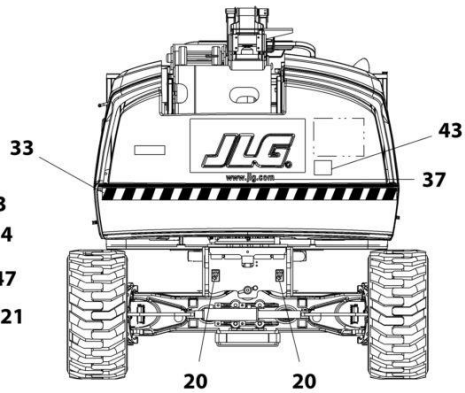
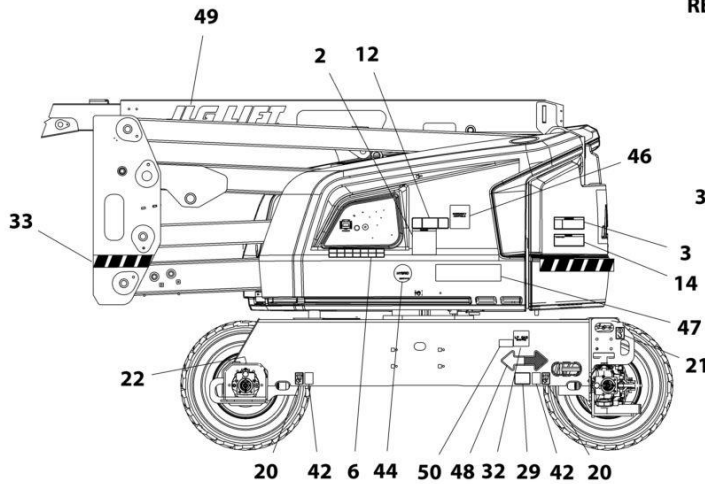
FIGURE 9-3. DECAL INSTALLATION - AUSTRALIAN SPEC (ENGLISH)



NOTE: SOME DECALS ARE CALLED OUT ON OPTIONAL DECALS INSTALLATION.



NOTE: ITEMS SHOWN MAY NOT BE REQUIRED FOR ALL SPECS. REFER TO PARTS LIST FOR USAGE.



ART_1001162522

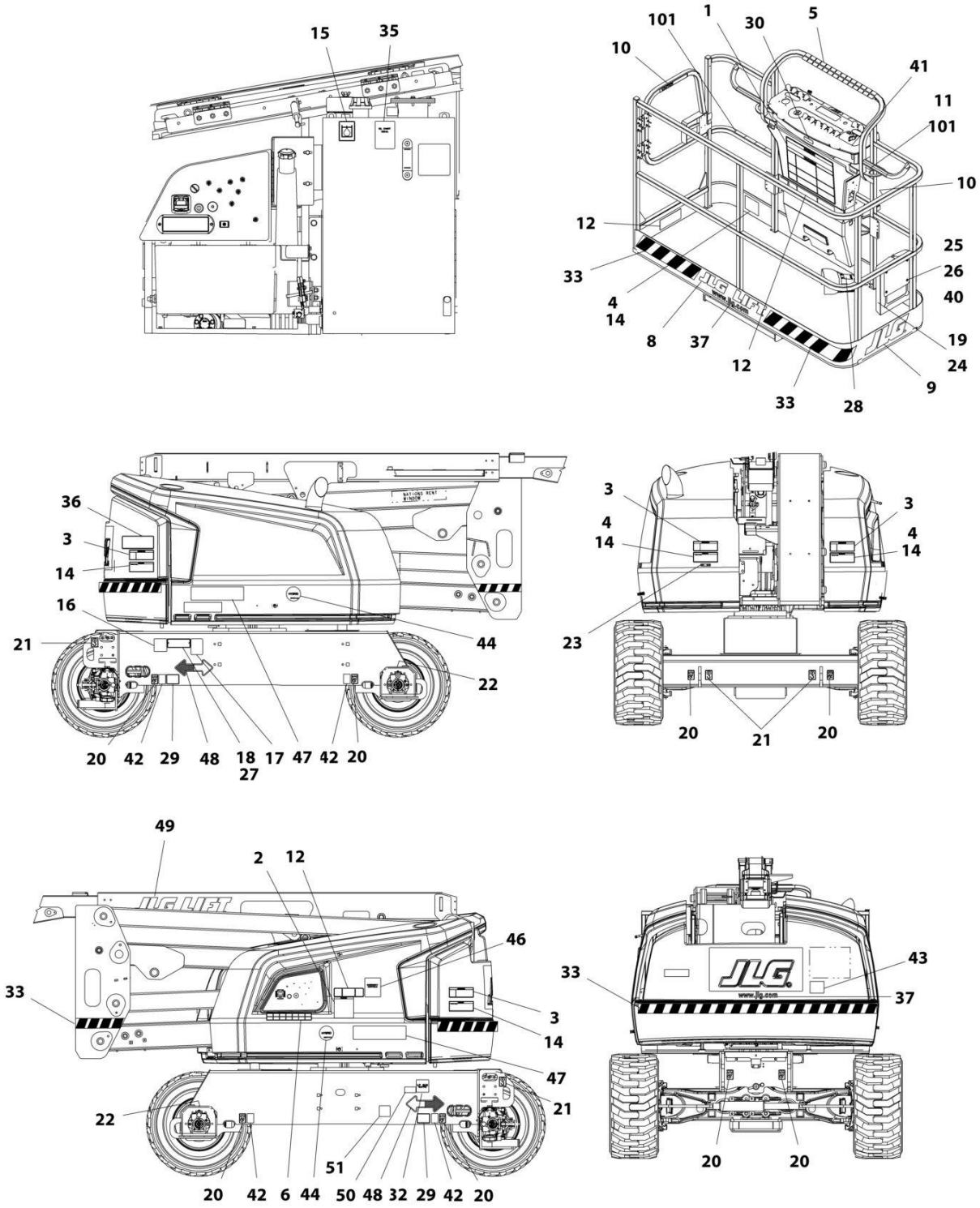
SECTION 9 - DECAL

FIGURE 9-3. DECAL INSTALLATION - AUSTRALIAN SPEC (ENGLISH)

ITEM	PART NUMBER	QTY	DESCRIPTION	REV
	1001169157	Ref	DECAL INSTALLATION - REFERENCE CHART	P
	1001162522	Ref	DECAL INSTALLATION - AUSTRALIAN SPEC (ENGLISH)	G
1	1001162429	1	Decal - Tipping/Electrocution	
2	1705822	1	Decal - Electrocution/Safety Manual	
3	1705961	4	Decal - Danger Electrocution	
11	1704277	2	Decal - Attach Lanyard Here (SN 0300201991 through 0300238976, SN E300002833 through E300005030)	
12	1001190913	1	Decal - Max Capacity	
14	1701518	6	Decal - Warning/Crushing	
15	1701504	1	Decal - Hydraulic Oil	
16	See Note	NSS	Decal - Bar Code (Note: Not Available for Purchase)	
19	1701509	1	Decal - Manual	
20	1702300	8	Decal - Tie Down /Lift	
21	1701500	4	Decal - Tie Down /Lift	
22	1703687	2	Decal - Arrow	
23	3251242	1	Decal - 240V / 50Hz (SN 0300201991 through 0300213428, SN E300002833 through E300003038)	
24	0860520	1	Box, Manual Storage	
25	4751400	4	Washer, 1/4	
26	3311405	4	Nut, Lock 1/4-20	
27	3820001	4	Rivet	
28	1705828	1	Decal - Footswitch	
35	1704412	1	Decal - Hydraulic Fluid	
36	1001172217	1	Decal - Lift Diagram (Without Turntable Lock)	
36	1001223118	1	Decal - Lift Diagram (With Turntable Lock)	
37	1704885	2	Decal - Website	
40	0641406	4	Bolt, 1/4-20 x 3/4	
42	1701499	4	Decal - No Tie Down/Lift	
43	1001204510	1	Decal - Sound Power Level (SN 0300231306 through 0300272317, SN 1300007279 through 1300007373, SN B300003516 through B300005760, SN E300004589 through E300007990, Except SN 0300272185 through 0300272190, Excluding B300005569 and E300007814)	
46	1001112551	1	Decal - Emergency Controls	
48	1701529	2	Decal - Arrow	
100	1001232026	1	Decal - Platform Lanyard Kit (Not Shown) (SN 0300238977 through 0300272317, SN B300003516 through B300005760, SN E300005031 through E300007990, Except SN 0300272185 through 0300272190, Excluding B300005569 and E300007814)	
101	1704277	3	Decal - Attach Lanyard Here	

SECTION 9 - DECAL

FIGURE 9-4. DECAL INSTALLATION - BRAZIL SPEC (ENGLISH)



ART_100116227

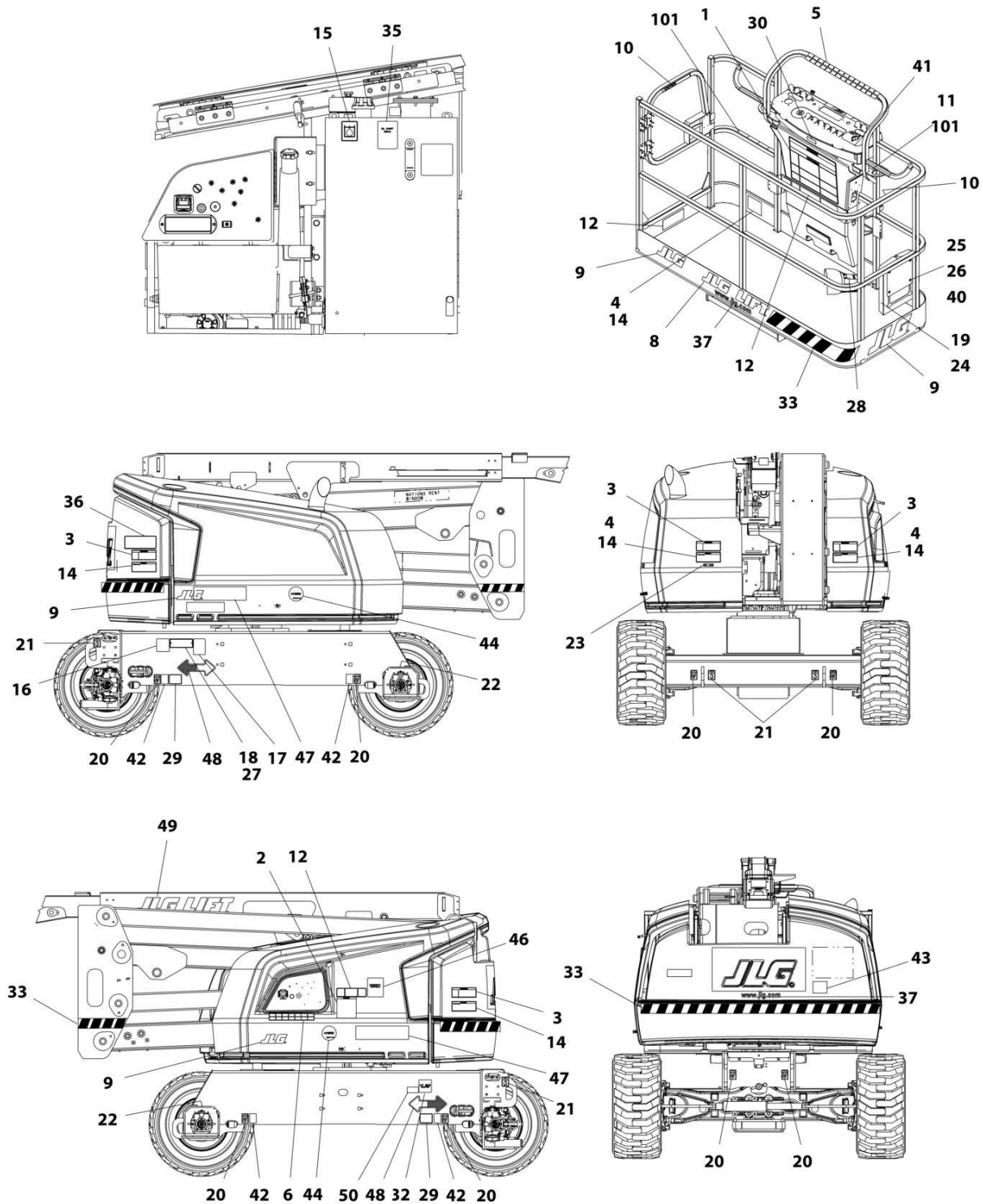
SECTION 9 - DECAL

FIGURE 9-4. DECAL INSTALLATION - BRAZIL SPEC (ENGLISH)

ITEM	PART NUMBER	QTY	DESCRIPTION	REV
	1001169157	Ref	DECAL INSTALLATION - REFERENCE CHART	P
	1001162527	Ref	DECAL INSTALLATION - BRAZIL SPEC (ENGLISH)	G
1	1703928	1	Decal - Danger/Warning	
2	1705349	1	Decal - Warning Inspection	
3	1703940	4	Decal - Danger Electrocutation	
4	1703952	4	Decal - Warning/Crushing	
10	1704002	2	Decal - No Hands	
11	1704277	2	Decal - Attach Lanyard (SN 0300201991 through 0300238976)	
12	1001162426	3	Decal - Max Capacity	
14	1705903	2	Decal - Warning/Crushing	
15	1701504	1	Decal - Hydraulic Oil	
16	See Note	NSS	Decal - Bar Code (Note: Not Available for Purchase)	
19	1701509	1	Decal - Manual	
20	1702300	8	Decal - Tie Down /Lift	
21	1701500	4	Decal - Tie Down /Lift	
22	1703687	2	Decal - Arrow	
23	3251243	1	Decal - 120V-60Hz	
24	0860520	1	Box, Manual Storage	
25	4751400	4	Washer, 1/4	
26	3311405	4	Nut, Lock 1/4-20	
27	3820001	4	Rivet	
28	1703985	1	Decal, Foot Switch	
35	1704412	1	Decal - Hydraulic Fluid	
36	1001172217	1	Decal - Lift Diagram (Without Turntable Lock)	
36	1001223118	1	Decal - Lift Diagram (With Turntable Lock)	
37	1704885	2	Decal - Website	
40	0641406	4	Bolt, 1/4-20 x 3/4	
41	1705905	1	Decal - Drive/Steer	
42	1701499	4	Decal - No Tie Down/Lift	
43	3251813	1	Decal - USA	
45	1704008	1	Decal - Inspection (Not Shown) (SN 0300201991 through 0300218673)	
48	1701529	2	Decal - Arrow	
51	1001224052	1	Decal - Yearly Inspection (SN 0300233865 through 0300272317, Except SN 0300272185 through 0300272190)	
100	1001232026	1	Decal - Platform Lanyard Kit (Not Shown) (SN 0300238977 through 0300272317, Except SN 0300272185 through 0300272190)	
101	1704277	3	Decal - Attach Lanyard Here	

SECTION 9 - DECAL

FIGURE 9-5. DECAL INSTALLATION - CE SPEC (ENGLISH)



ART_1001162528

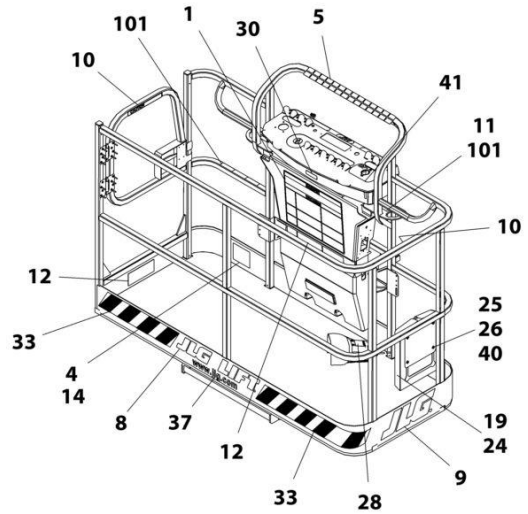
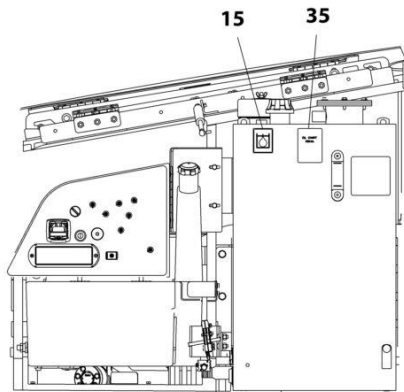
SECTION 9 - DECAL

FIGURE 9-5. DECAL INSTALLATION - CE SPEC (ENGLISH)

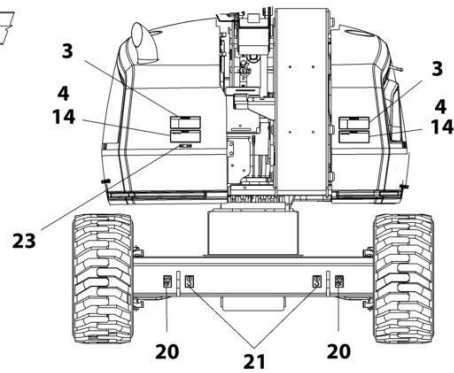
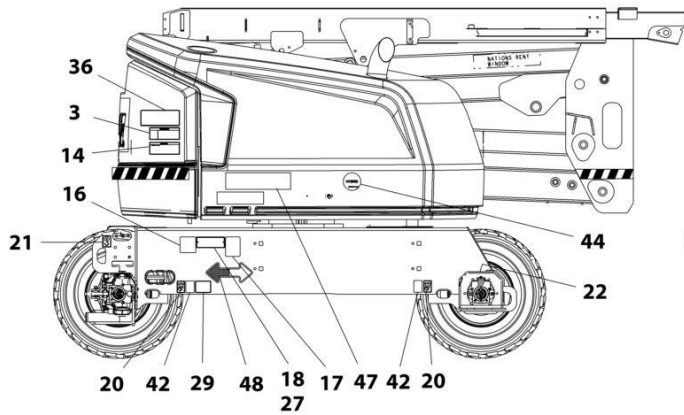
ITEM	PART NUMBER	QTY	DESCRIPTION	REV
	1001169157	Ref	DECAL INSTALLATION - REFERENCE CHART (SN 0300201991 through 0300222765, SN E300002833 through E300003608)	N
	1001217904	Ref	DECAL INSTALLATION - REFERENCE CHART (SN 0300222766 through 0300272317, SN 1300007279 through 1300007373, SN B300003516 through B300005760, SN E300003609 through E300007990, Except SN 0300272185 through 0300272190, Excluding B300005569 and E300007814)	C
	1001162528	Ref	DECAL INSTALLATION - CE SPEC (ENGLISH)	H
1	1001162429	1	Decal - Tipping/Electrocution	
2	1705822	1	Decal - Electrocution/Safety Manual	
3	1705961	4	Decal - Danger Electrocution	
9	1702773	3	Decal - JLG (SN 0300222766 through 0300272317, SN 1300007279 through 1300007373, SN B300003516 through B300005760, SN E300003609 through E300007990, Except SN 0300272185 through 0300272190, Excluding B300005569 and E300007814)	
11	1704277	2	Decal - Attach Lanyard Here (SN 0300201991 through 0300238976, SN 1300007279 through 1300007373, SN E300002833 through E300005030)	
12	1001190913	1	Decal - Max Capacity	
14	1701518	6	Decal - Warning/Crushing	
15	1701504	1	Decal - Hydraulic Oil	
16	See Note	NSS	Decal - Bar Code (Note: Not Available for Purchase)	
19	1701509	1	Decal - Manual	
20	1702300	8	Decal - Tie Down /Lift	
21	1701500	4	Decal - Tie Down /Lift	
22	1703687	2	Decal - Arrow	
24	0860520	1	Box, Manual Storage	
25	4751400	4	Washer, 1/4	
26	3311405	4	Nut, Lock 1/4-20	
27	3820001	4	Rivet	
28	1705828	1	Decal - Footswitch	
35	1704412	1	Decal - Hydraulic Fluid	
36	1001172217	1	Decal - Lift Diagram (Without Turntable Lock)	
36	1001223118	1	Decal - Lift Diagram (With Turntable Lock)	
37	1704885	2	Decal - Website (SN 0300201991 through 0300222766, SN E300002833 through E300003608)	
40	0641406	4	Bolt, 1/4-20 x 3/4	
42	1701499	4	Decal - No Tie Down/Lift	
43	1705084	1	Decal - Sound Power Level (SN 0300201991 through 0300211852, SN E300002833 through E300002973)	
43	1001204510	1	Decal - Sound Power Level (SN 0300211853 through 0300272317, SN 1300007279 through 1300007373, SN B300003516 through B300005760, SN E300002974 through E300007990, Except SN 0300272185 through 0300272190, Excluding B300005569 and E300007814)	
46	1001189882	1	Decal - MSSO	
48	1701529	2	Decal - Arrow	
100	1001232026	1	Decal - Platform Lanyard Kit (Not Shown) (SN 0300238977 through 0300272317, SN B300003516 through B300005760, SN E300005031 through E300007990, Except SN 0300272185 through 0300272190, Excluding B300005569 and E300007814)	
101	1704277	3	Decal - Attach Lanyard Here	

SECTION 9 - DECAL

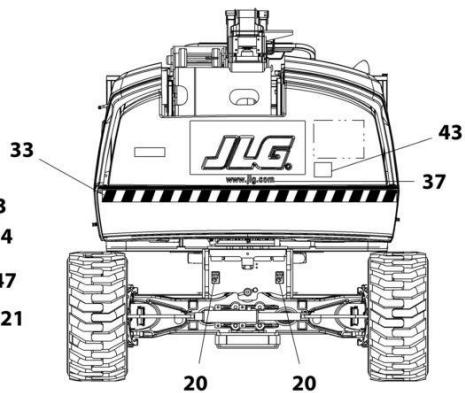
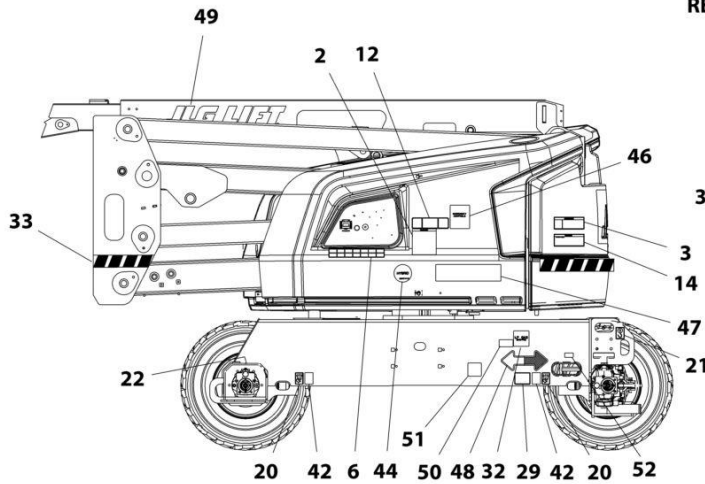
FIGURE 9-6. DECAL INSTALLATION - CSA SPEC (FRENCH/ENGLISH)



NOTE: SOME DECALS ARE CALLED OUT ON OPTIONAL DECALS INSTALLATION.



NOTE: ITEMS SHOWN MAY NOT BE REQUIRED FOR ALL SPECS. REFER TO PARTS LIST FOR USAGE.



ART_1001162525

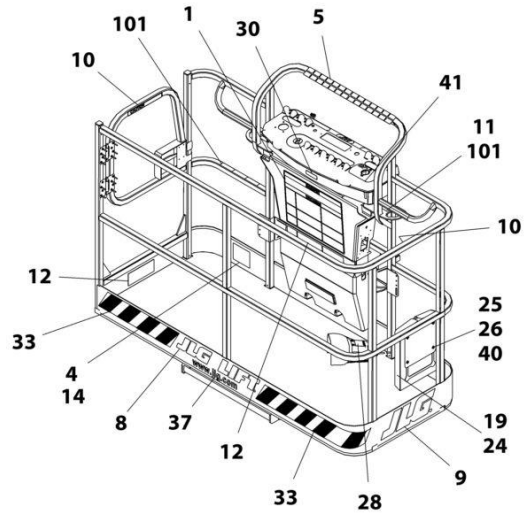
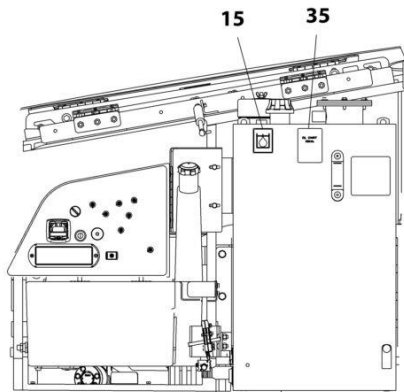
SECTION 9 - DECAL

FIGURE 9-6. DECAL INSTALLATION - CSA SPEC (FRENCH/ENGLISH)

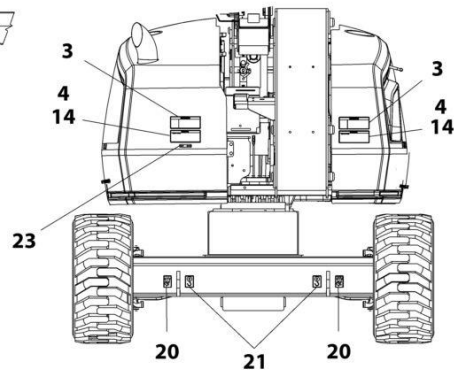
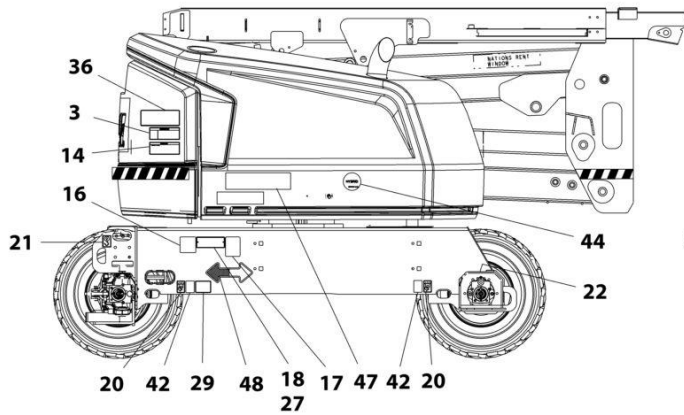
ITEM	PART NUMBER	QTY	DESCRIPTION	REV
	1001169157	Ref	DECAL INSTALLATION - REFERENCE CHART	P
	1001162525	Ref	DECAL INSTALLATION - CSA SPEC (FRENCH/ENGLISH)	F
1	1703924	1	Decal - Danger/Warning	
2	1705347	1	Decal - Warning Inspection	
3	1703936	4	Decal - Danger Electrocutation	
4	1703948	4	Decal - Warning/Crushing	
5	1001173262	1	Decal - Legend	
6	1706941	1	Decal - Legend (SN 0300201991 through 0300218691)	
6	1001174313	1	Decal - Legend (SN 0300218692 through 0300272317, Except SN 0300272185 through 0300272190)	
10	1704000	2	Decal - No Hands	
11	1704277	2	Decal - Attach Lanyard (SN 0300201991 through 0300238976)	
12	1001162422	3	Decal - Max Capacity	
14	1703942	2	Decal - Warning/Crushing	
15	1701504	1	Decal - Hydraulic Oil	
16	See Note	NSS	Decal - Bar Code (Note: Not Available for Purchase)	
17	1001131269	1	Decal - Patent	
19	1701509	1	Decal - Manual	
20	1702300	8	Decal - Tie Down /Lift	
21	1701500	4	Decal - Tie Down /Lift	
22	1703687	2	Decal - Arrow	
23	3251243	1	Decal - 120V-60Hz	
24	0860520	1	Box, Manual Storage	
25	4751400	4	Washer, 1/4	
26	3311405	4	Nut, Lock 1/4-20	
27	3820001	4	Rivet	
28	1703984	1	Decal - Footswitch	
30	1705514	1	Decal - CSA	
35	1704412	1	Decal - Hydraulic Fluid	
36	1001172217	1	Decal - Lift Diagram (Without Turntable Lock)	
36	1001223118	1	Decal - Lift Diagram (With Turntable Lock)	
37	1704885	2	Decal - Website	
40	0641406	4	Bolt, 1/4-20 x 3/4	
41	1705429	1	Decal - Drive/Steer	
42	1701499	4	Decal - No Tie Down/Lift	
43	3251813	1	Decal - USA	
48	1701529	2	Decal - Arrow	
51	1001223971	1	Decal - Yearly Inspection (SN 0300233865 through 0300272317, Except SN 0300272185 through 0300272190)	
52	1001223453	1	Decal - Ices (Canada) (SN 0300243662 through 0300272317, Except SN 0300272185 through 0300272190)	
100	1001232026	1	Decal - Platform Lanyard Kit (Not Shown) (SN 0300238977 through 0300272317, Except SN 0300272185 through 0300272190)	
101	1704277	3	Decal - Attach Lanyard Here	

SECTION 9 - DECAL

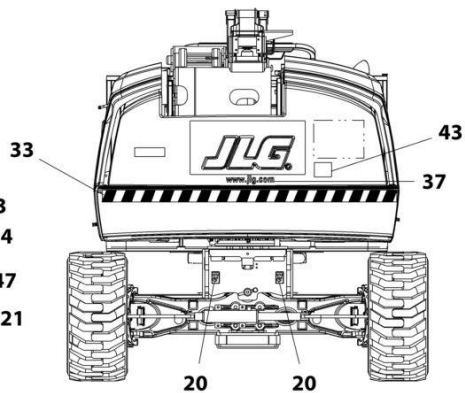
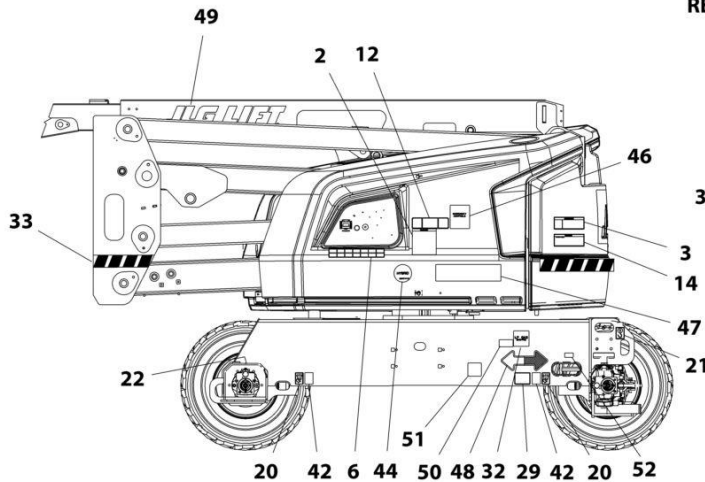
FIGURE 9-7. DECAL INSTALLATION - WITH KUBOTA ENGINE (CSA SPEC) (FRENCH/ENGLISH)



NOTE: SOME DECALS ARE CALLED OUT ON OPTIONAL DECALS INSTALLATION.



NOTE: ITEMS SHOWN MAY NOT BE REQUIRED FOR ALL SPECS. REFER TO PARTS LIST FOR USAGE.



ART_1001218928

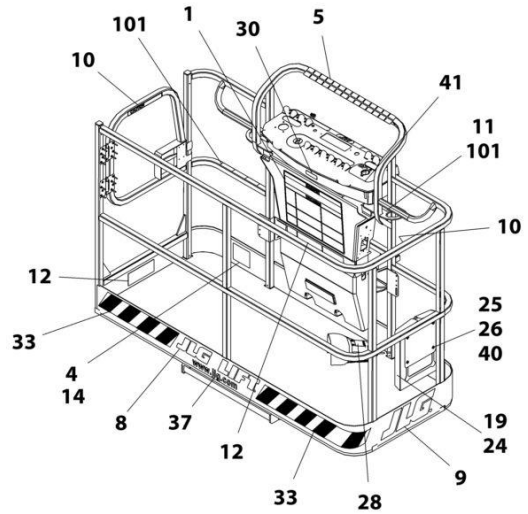
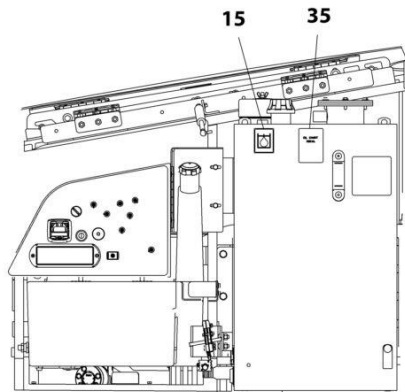
SECTION 9 - DECAL

FIGURE 9-7. DECAL INSTALLATION - WITH KUBOTA ENGINE (CSA SPEC) (FRENCH/ENGLISH)

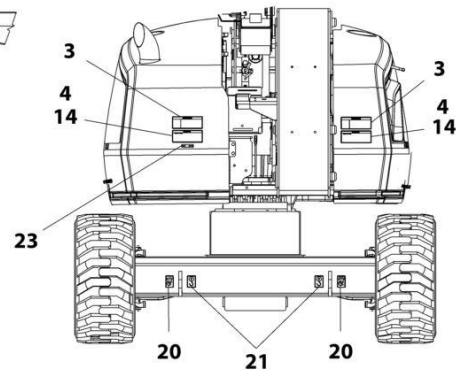
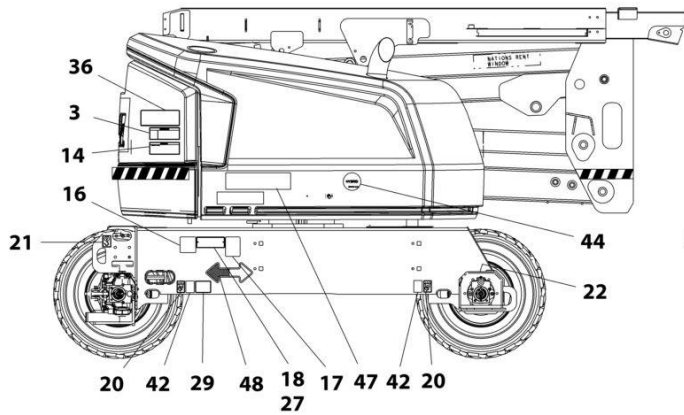
ITEM	PART NUMBER	QTY	DESCRIPTION	REV
	1001169157	Ref	DECAL INSTALLATION - REFERENCE CHART	P
	1001218928	Ref	DECAL INSTALLATION - WITH KUBOTA ENGINE (CSA SPEC) (FRENCH/ENGLISH)	D
1	1703924	1	Decal - Danger/Warning	
2	1705347	1	Decal - Warning Inspection	
3	1703936	4	Decal - Danger Electrocution	
4	1703948	4	Decal - Warning/Crushing	
5	1001173262	1	Decal - Legend	
6	1001216408	1	Decal - Legend	
10	1704000	2	Decal - No Hands	
11	1704277	2	Decal - Attach Lanyard (SN 0300201991 through 0300238976)	
12	1001162422	3	Decal - Max Capacity	
14	1703942	2	Decal - Warning/Crushing	
15	1701504	1	Decal - Hydraulic Oil	
16	See Note	NSS	Decal - Bar Code (Note: Not Available for Purchase)	
17	1001131269	1	Decal - Patent	
19	1701509	1	Decal - Manual	
20	1702300	8	Decal - Tie Down /Lift	
21	1701500	4	Decal - Tie Down /Lift	
22	1703687	2	Decal - Arrow	
23	3251243	1	Decal - 120V-60Hz	
24	0860520	1	Box, Manual Storage	
25	4751400	4	Washer, 1/4	
26	3311405	4	Nut, Lock 1/4-20	
27	3820001	4	Rivet	
28	1703984	1	Decal - Footswitch	
30	1705514	1	Decal - CSA	
35	1704412	1	Decal - Hydraulic Fluid	
36	1001172217	1	Decal - Lift Diagram (Without Turntable Lock)	
36	1001223118	1	Decal - Lift Diagram (With Turntable Lock)	
37	1704885	2	Decal - Website	
40	0641406	4	Bolt, 1/4-20 x 3/4	
41	1705429	1	Decal - Drive/Steer	
42	1701499	4	Decal - No Tie Down/Lift	
43	3251813	1	Decal - USA	
48	1701529	2	Decal - Arrow	
51	1001223971	1	Decal - Yearly Inspection (SN 0300233865 through 0300272317, Except SN 0300272185 through 0300272190)	
52	1001223453	1	Decal - Ices (Canada) (SN 0300243662 through 0300272317, Except SN 0300272185 through 0300272190)	
100	1001232026	1	Decal - Platform Lanyard Kit (Not Shown) (SN 0300238977 through 0300272317, Except SN 0300272185 through 0300272190)	
101	1704277	3	Decal - Attach Lanyard Here	

SECTION 9 - DECAL

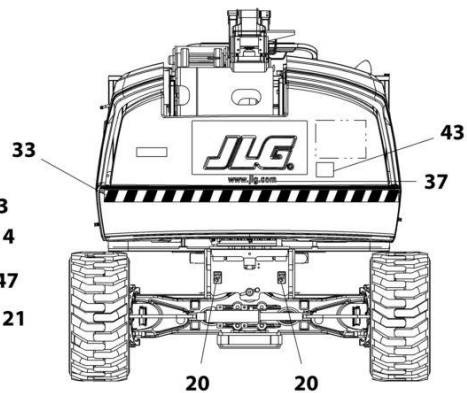
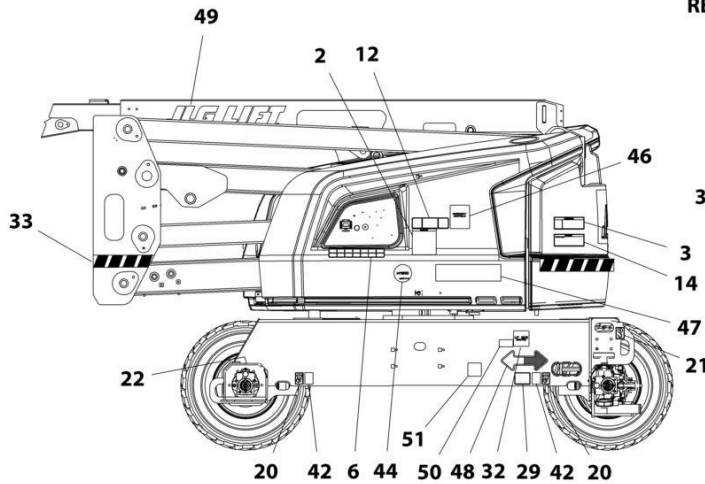
FIGURE 9-8. DECAL INSTALLATION - CHINESE SPEC (CHINESE/ENGLISH)



NOTE: SOME DECALS ARE CALLED OUT ON OPTIONAL DECALS INSTALLATION.



NOTE: ITEMS SHOWN MAY NOT BE REQUIRED FOR ALL SPECS. REFER TO PARTS LIST FOR USAGE.



ART_1001162526

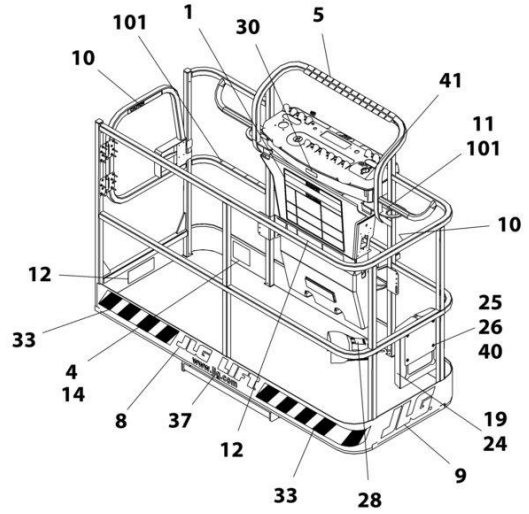
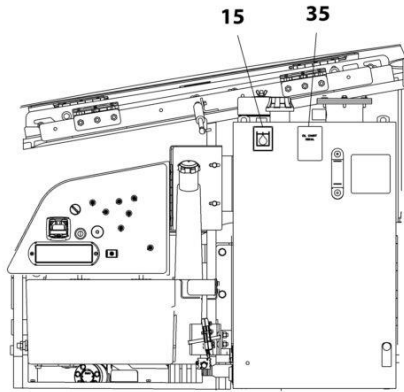
SECTION 9 - DECAL

FIGURE 9-8. DECAL INSTALLATION - CHINESE SPEC (CHINESE/ENGLISH)

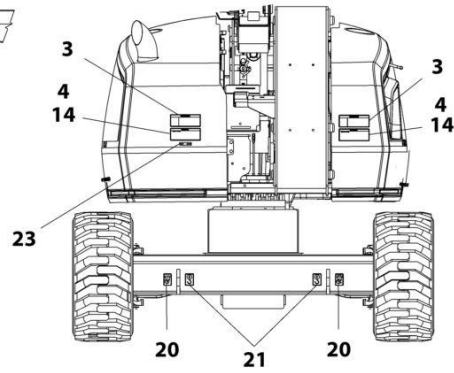
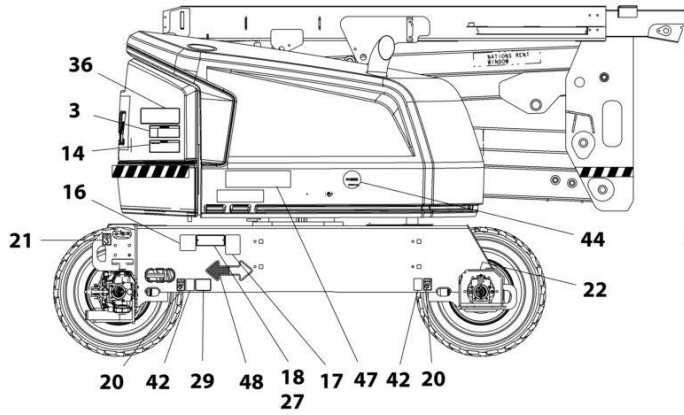
ITEM	PART NUMBER	QTY	DESCRIPTION	REV
	1001169157	Ref	DECAL INSTALLATION - REFERENCE CHART	P
	1001162526	Ref	DECAL INSTALLATION - CHINESE SPEC (CHINESE/ENGLISH)	E
1	1703925	1	Decal - Danger/Warning	
2	1001116849	1	Decal - Warning Inspection	
3	1703937	4	Decal - Danger Electrocutation	
4	1703949	4	Decal - Warning/Crushing	
10	1705968	2	Decal - No Hands	
11	1704277	2	Decal - Attach Lanyard (SN 0300201991 through 0300238976)	
12	1001162424	3	Decal - Max Capacity	
14	1703943	2	Chinese Spec Decals (Chinese/English)	
15	1701504	1	Decal - Hydraulic Oil	
16	See Note	NSS	Decal - Bar Code (Note: Not Available for Purchase)	
19	1701509	1	Decal - Manual	
20	1702300	8	Decal - Tie Down /Lift	
21	1701500	4	Decal - Tie Down /Lift	
22	1703687	2	Decal - Arrow	
24	0860520	1	Box, Manual Storage	
25	4751400	4	Washer, 1/4	
26	3311405	4	Nut, Lock 1/4-20	
27	3820001	4	Rivet	
28	1703982	1	Decal - Footswitch	
35	1704412	1	Decal - Hydraulic Fluid	
36	1001172217	1	Decal - Lift Diagram (Without Turntable Lock)	
36	1001223118	1	Decal - Lift Diagram (With Turntable Lock)	
37	1704885	2	Decal - Website	
40	0641406	4	Bolt, 1/4-20 x 3/4	
41	1705430	1	Decal - Drive/Steer	
42	1701499	4	Decal - No Tie Down/Lift	
48	1701529	2	Decal - Arrow	
51	1001224050	1	Decal - Yearly Inspection (SN 0300233865 through 0300272317, SN B300003516 through B300005760, Except SN 0300272185 through 0300272190, Excluding B300005569)	
100	1001232026	1	Decal - Platform Lanyard Kit (Not Shown) (SN 0300238977 through 0300272317, SN B300003516 through B300005760, Except SN 0300272185 through 0300272190, Excluding B300005569)	
101	1704277	3	Decal - Attach Lanyard Here	

SECTION 9 - DECAL

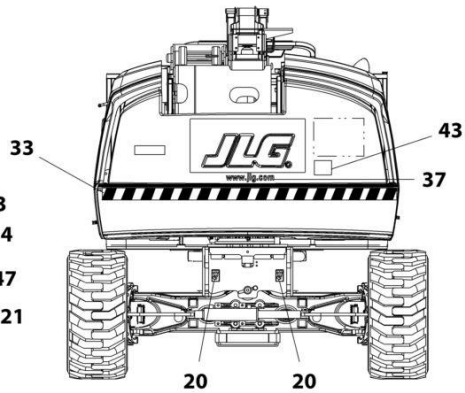
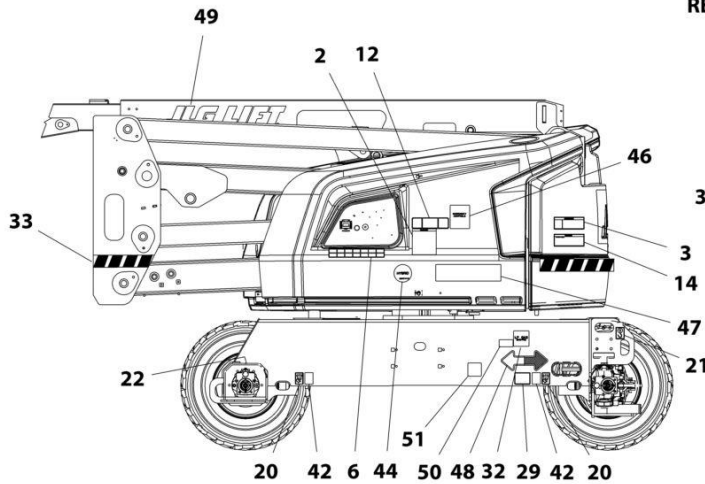
FIGURE 9-9. DECAL INSTALLATION - JAPANESE SPEC (JAPANESE/ENGLISH)



NOTE: SOME DECALS ARE CALLED OUT ON OPTIONAL DECALS INSTALLATION.



NOTE: ITEMS SHOWN MAY NOT BE REQUIRED FOR ALL SPECS. REFER TO PARTS LIST FOR USAGE.



ART_1001162523

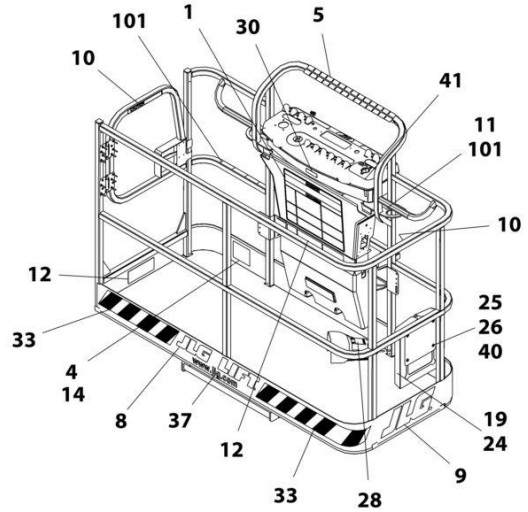
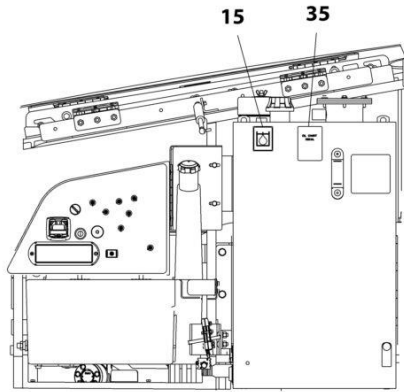
SECTION 9 - DECAL

FIGURE 9-9. DECAL INSTALLATION - JAPANESE SPEC (JAPANESE/ENGLISH)

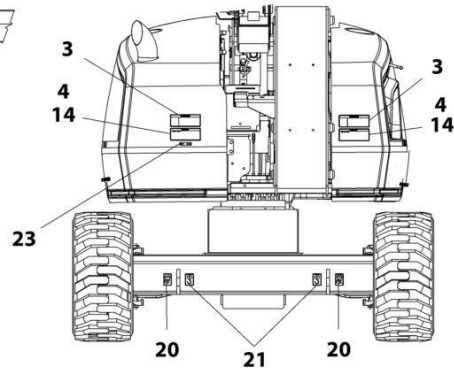
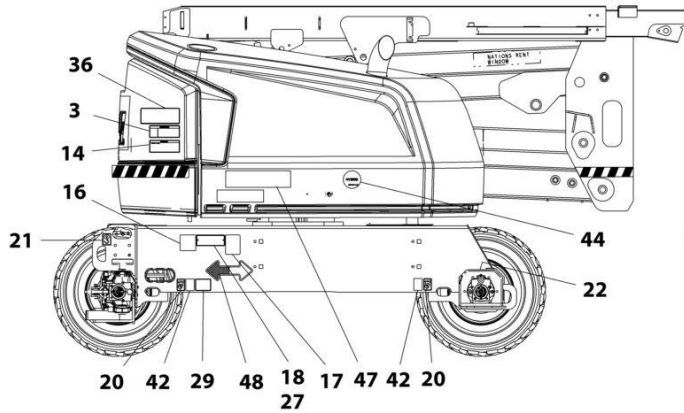
ITEM	PART NUMBER	QTY	DESCRIPTION	REV
	1001169157	Ref	DECAL INSTALLATION - REFERENCE CHART	P
	1001162523	Ref	DECAL INSTALLATION - JAPANESE SPEC (JAPANESE/ENGLISH)	D
1	1703926	1	Decal - Danger/Warning	
2	1705344	1	Decal - Warning Inspection	
3	1703938	4	Decal - Danger Electrocutation	
4	1703950	4	Decal - Warning/Crushing	
11	1704277	2	Decal - Attach Lanyard (SN 0300201991 through 0300238976)	
12	1001162418	3	Decal - Max Capacity	
14	1703944	2	Decal - Warning/Crushing	
15	1701504	1	Decal - Hydraulic Oil	
16	See Note	NSS	Decal - Bar Code (Note: Not Available for Purchase)	
19	1701509	1	Decal - Manual	
20	1702300	8	Decal - Tie Down /Lift	
21	1701500	4	Decal - Tie Down /Lift	
22	1703687	2	Decal - Arrow	
24	0860520	1	Box, Manual Storage	
25	4751400	4	Washer, 1/4	
26	3311405	4	Nut, Lock 1/4-20	
27	3820001	4	Rivet	
28	1703980	1	Decal - Footswitch	
35	1704412	1	Decal - Hydraulic Fluid	
36	1001172217	1	Decal - Lift Diagram (Without Turntable Lock)	
36	1001223118	1	Decal - Lift Diagram (With Turntable Lock)	
37	1704885	2	Decal - Website	
40	0641406	4	Bolt, 1/4-20 x 3/4	
41	1705426	1	Japanese Spec Decals (Japanese/English)	
42	1701499	4	Decal - No Tie Down/Lift	
48	1701529	2	Decal - Arrow	
51	1001224053	1	Decal - Yearly Inspection (SN 0300233865 through 0300272317, SN B300003516 through B300005760, Except SN 0300272185 through 0300272190, Excluding B300005569)	
100	1001232026	1	Decal - Platform Lanyard Kit (Not Shown) (SN 0300238977 through 0300272317, SN B300003516 through B300005760, Except SN 0300272185 through 0300272190, Excluding B300005569)	
101	1704277	3	Decal - Attach Lanyard Here	

SECTION 9 - DECAL

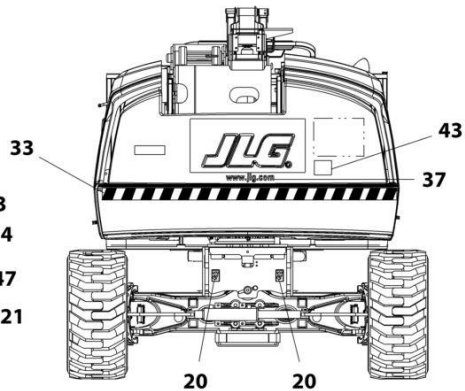
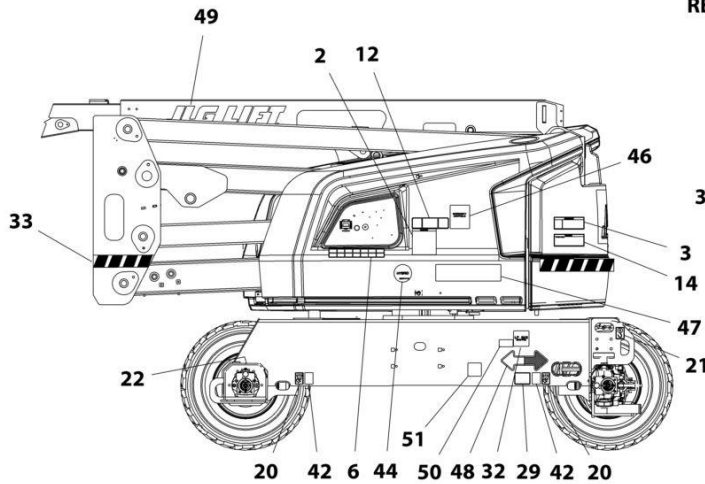
FIGURE 9-10. DECAL INSTALLATION - KOREAN SPEC (KOREAN/ENGLISH)



NOTE: SOME DECALS ARE CALLED OUT ON OPTIONAL DECALS INSTALLATION.



NOTE: ITEMS SHOWN MAY NOT BE REQUIRED FOR ALL SPECS. REFER TO PARTS LIST FOR USAGE.



ART_1001162524

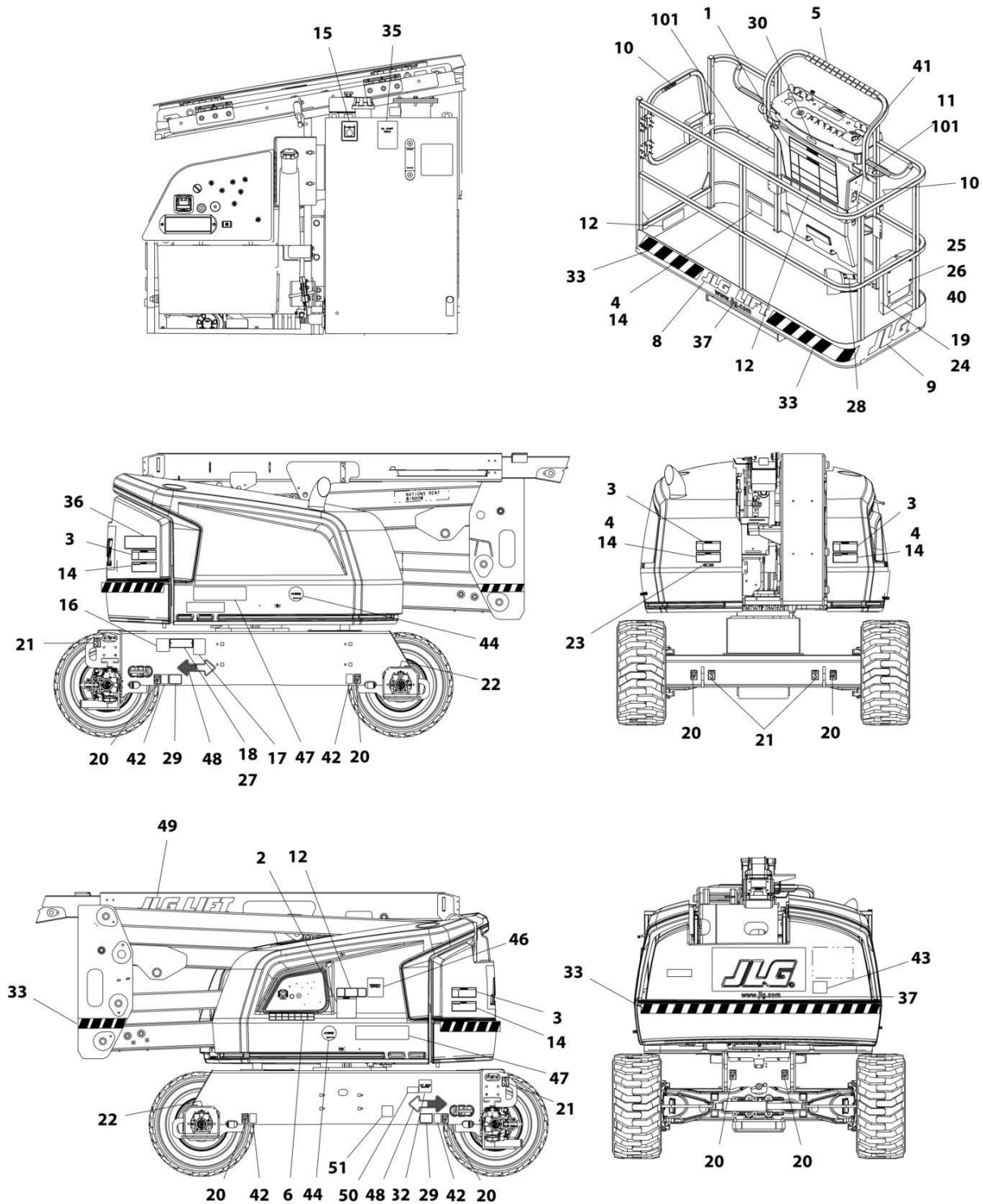
SECTION 9 - DECAL

FIGURE 9-10. DECAL INSTALLATION - KOREAN SPEC (KOREAN/ENGLISH)

ITEM	PART NUMBER	QTY	DESCRIPTION	REV
	1001169157	Ref	DECAL INSTALLATION - REFERENCE CHART	P
	1001162524	Ref	DECAL INSTALLATION - KOREAN SPEC (KOREAN/ENGLISH)	D
1	1703927	1	Decal - Danger/Warning	
2	1705345	1	Decal - Warning Inspection	
3	1703939	4	Decal - Danger Electrocutation	
4	1703951	4	Decal - Warning/Crushing	
10	1705969	2	Decal - No Hands	
11	1704277	2	Decal - Attach Lanyard (SN 0300201991 through 0300238976)	
12	1001162420	3	Decal - Max Capacity	
14	1703945	2	Decal - Warning/Crushing	
15	1701504	1	Decal - Hydraulic Oil	
16	See Note	NSS	Decal - Bar Code (Note: Not Available for Purchase)	
19	1701509	1	Decal - Manual	
20	1702300	8	Decal - Tie Down /Lift	
21	1701500	4	Decal - Tie Down /Lift	
22	1703687	2	Decal - Arrow	
24	0860520	1	Box, Manual Storage	
25	4751400	4	Washer, 1/4	
26	3311405	4	Nut, Lock 1/4-20	
27	3820001	4	Rivet	
28	1703981	1	Decal - Footswitch	
35	1704412	1	Decal - Hydraulic Fluid	
36	1001172217	1	Decal - Lift Diagram (Without Turntable Lock)	
36	1001223118	1	Decal - Lift Diagram (With Turntable Lock)	
37	1704885	2	Decal - Website	
40	0641406	4	Bolt, 1/4-20 x 3/4	
41	1705427	1	Decal - Drive/Steer	
42	1701499	4	Decal - No Tie Down/Lift	
48	1701529	2	Decal - Arrow	
51	1001224048	1	Decal - Yearly Inspection (SN 0300233865 through 0300272317, Except SN 0300272185 through 0300272190)	
100	1001232026	1	Decal - Platform Lanyard Kit (Not Shown) (SN 0300238977 through 0300272317, Except SN 0300272185 through 0300272190)	
101	1704277	3	Decal - Attach Lanyard Here	

SECTION 9 - DECAL

FIGURE 9-11. DECAL INSTALLATION - LATIN AMERICA SPEC (SPANISH/ENGLISH)



ART_100152529

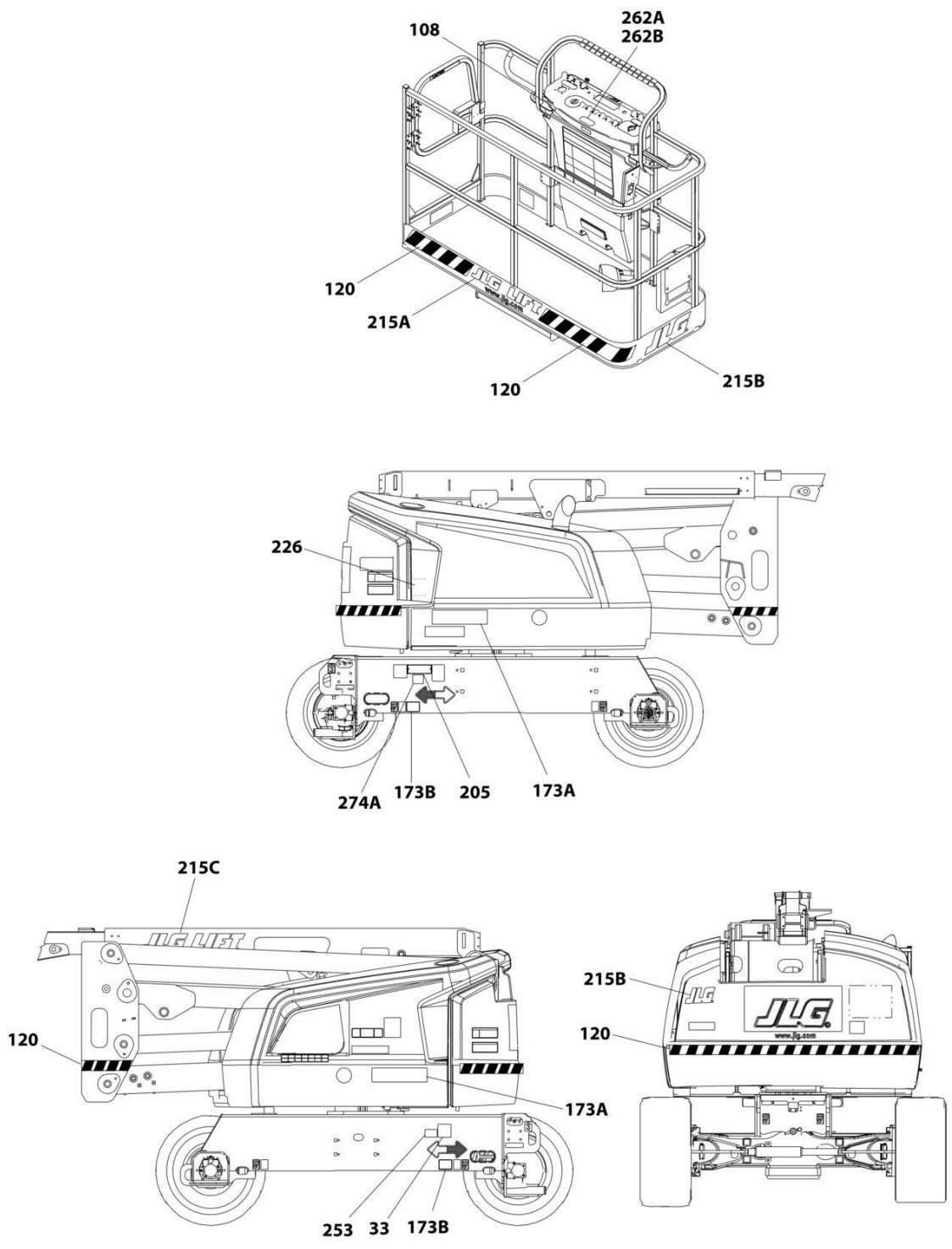
SECTION 9 - DECAL

FIGURE 9-11. DECAL INSTALLATION - LATIN AMERICA SPEC (SPANISH/ENGLISH)

ITEM	PART NUMBER	QTY	DESCRIPTION	REV
	1001169157	Ref	DECAL INSTALLATION - REFERENCE CHART	P
	1001162529	Ref	DECAL INSTALLATION - LATIN AMERICA SPEC (SPANISH/ENGLISH)	G
1	1703923	1	Decal - Danger/Warning	
2	1705917	1	Decal - Warning Inspection	
3	1703935	4	Decal - Danger Electrocution	
4	1703947	4	Decal - Warning/Crushing	
5	1001173262	1	Decal - Legend	
6	1706941	1	Decal - Legend (SN 0300201991 through 0300218672)	
6	1001174313	1	Decal - Legend (SN 0300218673 through 0300272317, Except SN 0300272185 through 0300272190)	
10	1704001	2	Decal - No Hands	
11	1704277	2	Decal - Attach Lanyard (SN 0300201991 through 0300238976)	
12	1001162415	3	Decal - Max Capacity	
14	1703941	2	Decal - Warning/Crushing	
15	1701504	1	Decal - Hydraulic Oil	
16	See Note	NSS	Decal - Bar Code (Note: Not Available for Purchase)	
19	1701509	1	Decal - Manual	
20	1702300	8	Decal - Tie Down /Lift	
21	1701500	4	Decal - Tie Down /Lift	
22	1703687	2	Decal - Arrow	
23	3251243	1	Decal - 120V-60Hz	
24	0860520	1	Box, Manual Storage	
25	4751400	4	Washer, 1/4	
26	3311405	4	Nut, Lock 1/4-20	
27	3820001	8	Rivet	
28	1703983	1	Decal - Footswitch	
35	1704412	1	Decal - Hydraulic Fluid	
36	1001172217	1	Decal - Lift Diagram (Without Turntable Lock)	
36	1001223118	1	Decal - Lift Diagram (With Turntable Lock)	
37	1704885	2	Decal - Website	
40	0641406	4	Bolt, 1/4-20 x 3/4	
41	1705910	1	Decal - Drive/Steer	
42	1701499	4	Decal - No Tie Down/Lift	
43	3251813	1	Decal - USA	
45	1704007	1	Decal - Inspection (Not Shown) (SN 0300201991 through 0300218673)	
48	1701529	2	Decal - Arrow	
51	1001224049	1	Decal - Yearly Inspection (SN 0300233865 through 0300272317, Except SN 0300272185 through 0300272190)	
100	1001232026	1	Decal - Platform Lanyard Kit (Not Shown) (SN 0300238977 through 0300272317, Except SN 0300272185 through 0300272190)	
101	1704277	3	Decal - Attach Lanyard Here	

SECTION 9 - DECAL

FIGURE 9-12. DECAL INSTALLATION - OPTIONS



ART_DECAL OPTIONS

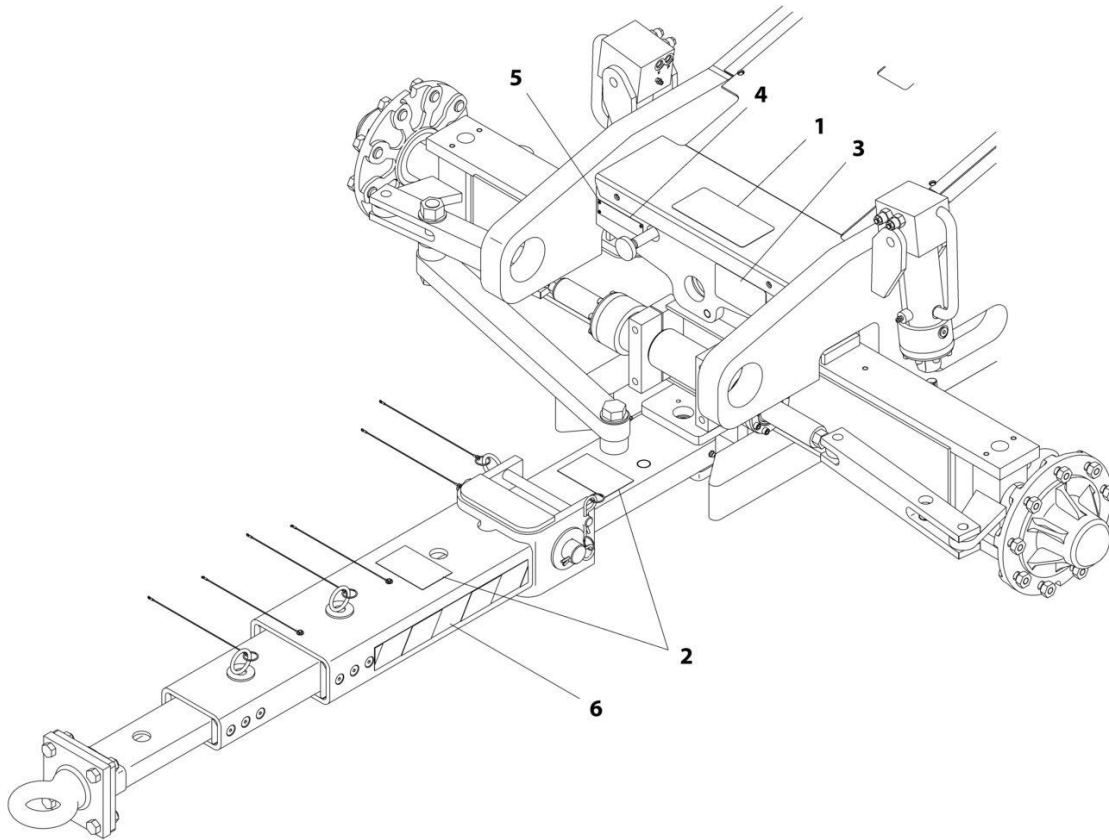
SECTION 9 - DECAL

FIGURE 9-12. DECAL INSTALLATION - OPTIONS

ITEM	PART NUMBER	QTY	DESCRIPTION	REV
	1001169157	Ref	DECAL INSTALLATION - REFERENCE CHART	P
	1001166193	Ref	DECAL INSTALLATION - OPTIONS	
33	1700818	1	Decal - LP (ANSI and Latin America Specs)	
33	1704271	1	Decal - LP (CSA Specs)	
108	1001231801	1	Decal - Warning (Prop 65) (ANSI & CSA Specs)	
108	1001236338	NLA	Decal - Warning (Prop 65 Gas) (ANSI & CSA Specs) (Use p/n 1001231801)	
120	1001188883	Ref	Warning Stripes Installation	A
120	4420051	21.5 ft /6.55m	Tape, Safety	
173	1001215850	Ref	Model Decal Installation - 450A	A
173	1001166084	Ref	Model Decal Installation - 450AJ	C
173A	1001195746	2	Decal - 450A	
173A	1001172801	2	Decal - 450AJ	
173B	1703774	2	Decal - Max Tire Load (450A)	
173B	1704752	2	Decal - Max Tire Load (450AJ)	
205	See Note	1	Nameplate - Manufacturers Serial Number (Note: Not Available for Purchase)	
215	1001166085	Ref	JLG Logo Installation (All Specs) (SN 0300201991 through 0300272317, SN B300003516 through B300005760, SN E300002833 through E300006670, Except SN 0300272185 through 0300272190, Excluding B300005569)	C
215A	1702774	1	Decal - JLG Lift (3in)	
215B	1702773	1	Decal - JLG	
215C	1702860	1	Decal - JLG Lift (5in)	
215	1001243697	Ref	JLG Logo Installation (CE Specs) (SN E300006671 through E300007990, Excluding E300007814)	A
215B	1702773	1	Decal - JLG	
215	1001243698	Ref	JLG Logo Installation (Australian Specs) (SN E300006671 through E300007990, Excluding E300007814)	A
215A	1702774	1	Decal - JLG Lift (3in)	
215B	1702773	1	Decal - JLG	
215C	1702860	1	Decal - JLG Lift (5in)	
226	1704972	1	Decal - Warning Explosion/Fire (ANSI Spec)	
226	1706059	1	Decal - Warning Explosion/Fire (Brazil Spec)	
226	1706098	1	Decal - Warning Explosion/Fire (CE Spec)	
226	1706060	1	Decal - Warning Explosion/Fire (Chinese Spec)	
226	1706064	1	Decal - Warning Explosion/Fire (CSA Spec)	
226	1706062	1	Decal - Warning Explosion/Fire (Japanese Spec)	
226	1706061	1	Decal - Warning Explosion/Fire (Korean Spec)	
226	1706063	1	Decal - Warning Explosion/Fire (Latin America Spec)	
253	1001143852	1	Decal - Emissions Compliance (Deutz TD 2.9L4 Engines) (Stage V)	
262A	1001141300	1	Decal - SkyGuard Override	
262B	1001141302	1	Decal - SkyGuard/Soft Touch Override	
274	1001214029	1	Decal - EAC Installation (CIS and Russia Specs)	
274A	1001173703	1	Decal - EAC	

SECTION 9 - DECAL

FIGURE 9-13. TOW BAR DECAL INSTALLATION - ENGLISH LANGUAGE (ANSI, ANSI EXPORT, CE, CHINA AND JAPANESE SPECS)



ART_0270115

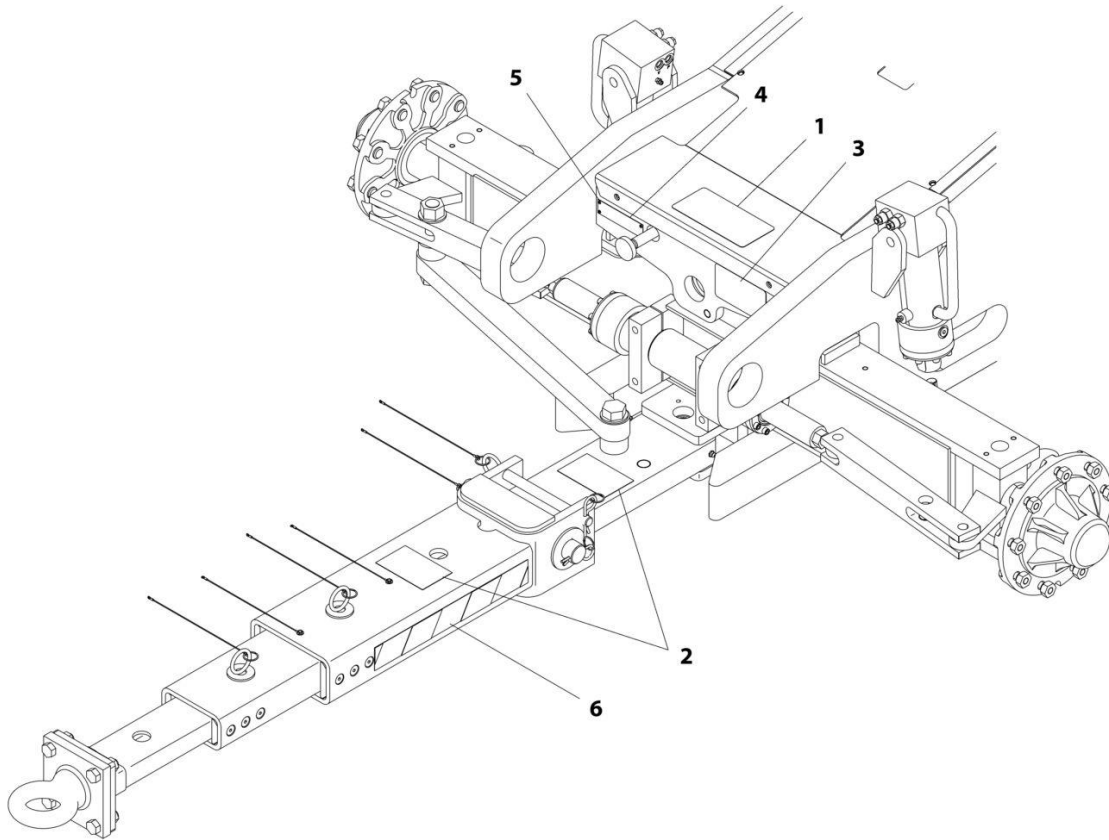
SECTION 9 - DECAL

FIGURE 9-13. TOW BAR DECAL INSTALLATION - ENGLISH LANGUAGE (ANSI, ANSI EXPORT, CE, CHINA AND JAPANESE SPECS)

ITEM	PART NUMBER	QTY	DESCRIPTION	REV
	0270115	Ref	TOW BAR DECAL INSTALLATION - ENGLISH LANGUAGE (ANSI, ANSI EXPORT, CE, CHINA AND JAPANESE SPECS)	A
1	1704482	1	Decal - Tow Instructions	
2	1704578	3	Decal - Crushing	
3	1703450	1	Decal - Warning	
4	3250872	1	Nameplate - Steer/Tow Select Valve	
5	3820001	4	Rivet	
6	4420051	43 in /109.2cm	Tape, Safety	

SECTION 9 - DECAL

FIGURE 9-14. TOW BAR DECAL INSTALLATION - ENGLISH/SPANISH LANGUAGE (ANSI EXPORT, CE AND CHINA SPECS)



ART_0270119

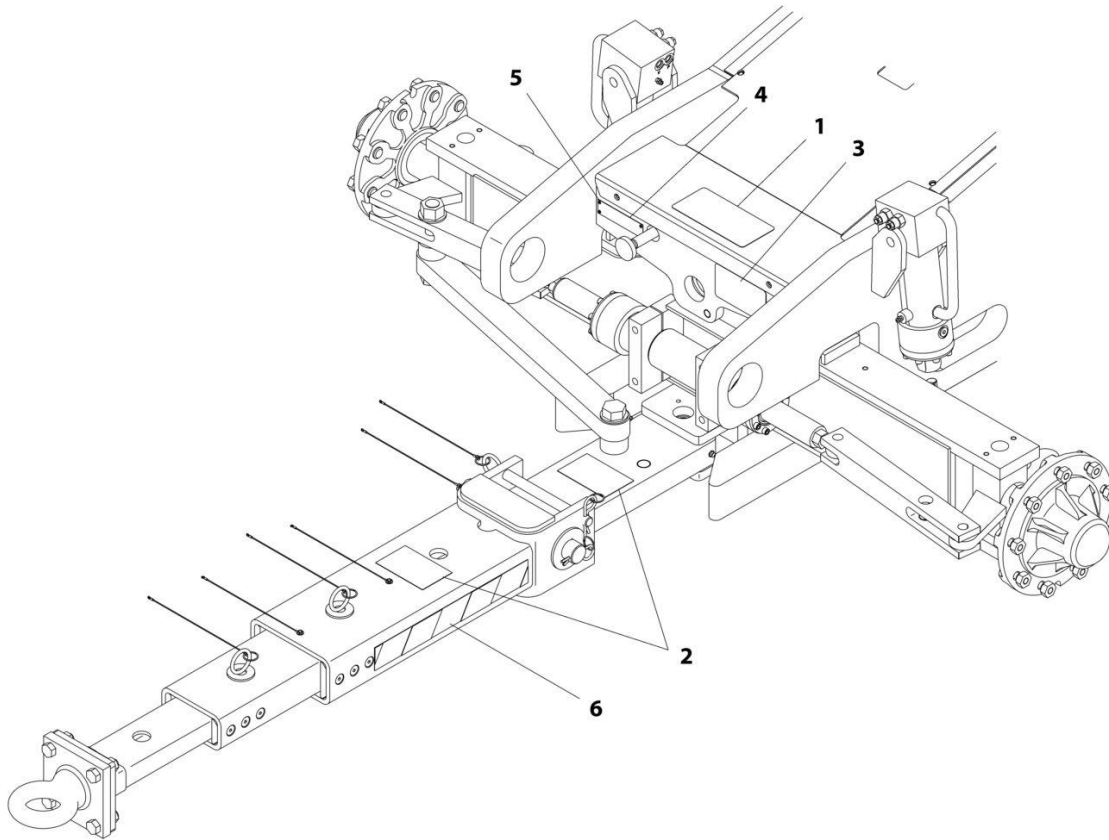
SECTION 9 - DECAL

FIGURE 9-14. TOW BAR DECAL INSTALLATION - ENGLISH/SPANISH LANGUAGE (ANSI EXPORT, CE AND CHINA SPECS)

ITEM	PART NUMBER	QTY	DESCRIPTION	REV
	0270119	Ref	TOW BAR DECAL INSTALLATION - ENGLISH/SPANISH LANGUAGE (ANSI EXPORT AND CE SPECS)	A
	0270119	1	TOW BAR DECAL INSTALLATION - ENGLISH/SPANISH LANGUAGE (CHINA SPECS) (SN 0300201991 through 0300228360)	
1	1704457	1	Decal - Tow Instructions	
2	1704577	3	Decal - Crushing	
3	1704576	1	Decal - Warning	
4	3252693	1	Nameplate - Steer/Tow Select Valve	
5	3820001	4	Rivet	
6	4420051	43 in /109.2cm	Tape, Safety	

SECTION 9 - DECAL

FIGURE 9-15. TOW BAR DECAL INSTALLATION - SPANISH LANGUAGE (ANSI EXPORT AND CE SPECS)



ART_0270116

SECTION 9 - DECAL

FIGURE 9-15. TOW BAR DECAL INSTALLATION - SPANISH LANGUAGE (ANSI EXPORT AND CE SPECS)

ITEM	PART NUMBER	QTY	DESCRIPTION	REV
	0270116	Ref	TOW BAR DECAL INSTALLATION - SPANISH LANGUAGE (ANSI EXPORT AND CE SPECS)	A
1	1704455	1	Decal - Tow Instructions	
2	1701518	3	Decal - Crushing	
3	1704456	1	Decal - Warning	
4	3252692	1	Nameplate - Steer/Tow Select Valve	
5	3820001	4	Rivet	
6	4420051	43 in /109.2cm	Tape, Safety	

SECTION 10 - RECOMMENDED SERVICE PARTS STOCK

SECTION 10 - RECOMMENDED SERVICE PARTS STOCK

SECTION 10 - RECOMMENDED SERVICE PARTS STOCK

FIGURE 10-1. RECOMMENDED SERVICE PARTS STOCK

ITEM	PART NUMBER	QTY	DESCRIPTION	REV
		Ref	Note: The following list will service one machine (built to current production per date on the front cover) with emergency repair parts which can be installed in the field. Parts from the list should be replaced when inventory is depleted to keep service parts stock supplied. For further information, contact your JLG dealer or the JLG Industries Parts Department.	
		Ref	STANDARD PARTS	
	7024885	1	Coil	
	70002386	1	Coil	
	70003788	1	Coil	
	70004897	1	Coil	
	70004871	1	Coil	
	7027628	1	Coil	
	1001212415	1	Controller Assembly (Drive and Steer)	
	1001129555	1	Controller Assembly (Lift and Swing)	
	70010383	1	Element, Filter Charge Pump (Includes O-Ring)	
	70002838	1	Fill Cap Assembly (Includes Cap, Chain and Fill Basket)	
	70003614	1	Filter Kit (Includes Hydraulic Element, Breather Element and Gasket)	
	3740067	1	Relay	
	3740140	1	Relay	
	3740086	1	Relay	
	1001095704	1	Relay	
	2860030	1	Key, Replacement	
	4360328	1	Switch, Toggle	
	4360387	1	Switch, Push Button	
	4360475	1	Switch, Emergency Stop	
	4360476	1	Switch, Contact Block	
	4360407	1	Switch, Potentiometer	
	1001155045	1	Switch, Toggle	
	1001159256	1	Switch, Toggle	
	1001161709	1	Switch, Toggle	
		Ref	VARIABLE PARTS	
	1001181045	1	Breaker, 30mA/16Amp (CE Spec with 2 Breaker Box)	
	70003783	12	Element, Air Cleaner (Deutz 2.9L4 and Deutz D2011 Engines)	
	70004020	12	Element, Air Cleaner (GM Engines)	
	7016331	12	Filter, Oil (Deutz Engines)	
	7027965	12	Filter, Oil (GM Engines)	
	70025153	12	Filter, Fuel (Deutz 2.9L4 Engines)	
	70025161	12	Filter, Fuel (Deutz 2.9L4 Engines)	
	7020023	12	Filter, Fuel (Deutz D2011 Engines)	
	70003463	12	Filter, Fuel - RME Resistant (Deutz D2011 Engines)	
	7027972	12	Filter, Fuel (GM Engines)	
	8229242	1	Fuse - 5Amp	
	80983191	1	Fuse - 10Amp	
	8229244	1	Fuse - 15Amp	
	2940074	1	Latch (Machines with Gate)	
	1001142683	1	Module, Beacon Light (With SkyGuard)	
	7027795	1	Module, ECU (Deutz 2011 Engines) (Stage V)	
	70025210	1	Module, ECU (Deutz 2.9L4 Engines)	

SECTION 10 - RECOMMENDED SERVICE PARTS STOCK

ITEM	PART NUMBER	QTY	DESCRIPTION	REV
	70002895	1	Module, ECU (GM Engines)	
	1001170094	1	Module, Ground Control	
	1001118412	1	Module, Platform Control	
	1600387	1	Module, LSS Control	
	1001138228	1	Module, Power Relay	
	1001119176	1	Switch, Limit (Drive Orientation)	
	1001161710	1	Switch, Toggle (Dual Fuel Machines - GM Engines)	
	4360057	1	Switch, Limit (Soft Touch Option)	
	4360387	1	Switch, Toggle (Soft Touch Option)	
	1001137673	1	Switch, SkyGuard Assembly (CE Specs Machines)	

SECTION 11 - SPECIAL OPTIONS

SECTION 11 - SPECIAL OPTIONS

FIGURE 11-1. SPECIAL OPTIONS

ITEM	PART NUMBER	QTY	DESCRIPTION	REV
	Note	Ref	Note: This list is to accommodate machines ordered with special equipment. Options may not be applicable to all models. For more specific parts information contact JLG Parts Department.	
		Ref	MISCELLANEOUS SPECIAL OPTIONS	
	1001101913	Ref	AC Box at Platform Installation - 110V IEC Yellow (CE Spec with 4000W Generator) (SN 0300201991 through 0300210158, SN E300002833 through E300002763)	
	1001194203	Ref	AC Box at Platform Installation - 110V IEC Yellow (CE Spec with 4000W Generator) (SN 0300210159 through 0300272317, SN 1300007279 through 1300007373, SN E300002764 through E300007990, Except SN 0300272185 through 0300272190, Excluding E300007814)	
	1001101914	Ref	AC Box at Platform Installation - 220V IEC Blue (CE Spec with 4000W Generator) (SN 0300201991 through 0300210158, SN E300002833 through E300002763)	
	1001194204	Ref	AC Box at Platform Installation - 220V IEC Blue (CE Spec with 4000W Generator) (SN 0300210159 through 0300272317, SN 1300007279 through 1300007373, SN E300002764 through E300007990, Except SN 0300272185 through 0300272190, Excluding E300007814)	
	1001101910	Ref	AC Box at Platform Installation - 220V CEE7 Post Ground 2in x 4in Box (CE Spec with 4000W Generator) (SN 0300201991 through 0300210158, SN E300002833 through E300002763)	
	1001194197	Ref	AC Box at Platform Installation - 220V CEE7 Post Ground 2in x 4in Box (CE Spec with 4000W Generator) (SN 0300210159 through 0300272317, SN 1300007279 through 1300007373, SN E300002764 through E300007990, Except SN 0300272185 through 0300272190, Excluding E300007814)	
	1001101911	Ref	AC Box at Platform Installation - 220V CEE7 Side Ground 2in x 4in Box (CE Spec with 4000W Generator) (SN 0300201991 through 0300210158, SN E300002833 through E300002763)	
	1001194198	Ref	AC Box at Platform Installation - 220V CEE7 Side Ground 2in x 4in Box (CE Spec with 4000W Generator) (SN 0300210159 through 0300272317, SN 1300007279 through 1300007373, SN E300002764 through E300007990, Except SN 0300272185 through 0300272190, Excluding E300007814)	
	1001101915	Ref	AC Box at Platform Installation - 220V CEE7 Post Ground 70mm x 70mm Box (CE Spec with 4000W Generator) (SN 0300201991 through 0300210158, SN E300002833 through E300002763)	
	1001101916	Ref	AC Box at Platform Installation - 220V CEE7 Side Ground 70mm x 70mm Box (CE Spec with 4000W Generator) (SN 0300201991 through 0300210158, SN E300002833 through E300002763)	
	1001101912	Ref	AC Box at Platform Installation - 220V AFSINT 107 (CE Spec with 4000W Generator) (SN 0300201991 through 0300210158, SN E300002833 through E300002763)	
	1001194200	Ref	AC Box at Platform Installation - 220V AFSINT 107 (CE Spec with 4000W Generator) (SN 0300210159 through 0300272317, SN 1300007279 through 1300007373, SN E300002764 through E300007990, Except SN 0300272185 through 0300272190, Excluding E300007814)	
	1001194365	Ref	AC Box at Platform Installation - 220V (Box W/Cover) (Australian Spec with 4000W Generator) (SN 0300210159 through 0300272317, SN 1300007279 through 1300007373, SN B300003516 through B300005760, SN E300002764 through E300007990, Except SN 0300272185 through 0300272190, Excluding B300005569 and E300007814)	
	1001218978	Ref	Airline Installation - 450A (Machines without Arctic Package)	

SECTION 11 - SPECIAL OPTIONS

ITEM	PART NUMBER	QTY	DESCRIPTION	REV
	1001172057	Ref	Airline Installation - 450AJ (Machines without Arctic Package)	
	1001217461	Ref	Airline Installation - 450A (Machines with Arctic Package)	
	1001174654	Ref	Airline Installation - 450AJ (Machines with Arctic Package)	
	1001219000	Ref	Airline Installation Kit - 450A	
	1001209617	Ref	Alarm White Noise Installation	
	70006428	Ref	Bearing and Seal Kit (For Huh Assembly 2780267 & 2780268)	
	1001241254	Ref	Boom Angle Sensor Offset Link Kit – 450AJ	
	1001179776	Ref	Boom Cables and Clamps Installation - 450AJ for Machines with 60 Hz 4000W Generators	
	1001218980	Ref	Boom Cables and Clamps Installation - 450A for Machines with 7500W SkyPower Generator without Arctic Package	
	1001219002	Ref	Boom Cables and Clamps Installation Kit - 450A for Machines with 7500W SkyPower Generator without Arctic Package	
	1001179364	Ref	Boom Cables and Clamps Installation - 450AJ for Machines with 7500W SkyPower Generator without Arctic Package	
	1001217444	Ref	Boom Cables and Clamps Installation - 450A for Machines with 7500W SkyPower Generator with Arctic Package	
	1001179771	Ref	Boom Cables and Clamps Installation - 450AJ for Machines with 7500W SkyPower Generator with Arctic Package	
	1001206438	Ref	Boom Wear Pad Kit	
	1001236123	Ref	Boom Wiper Cover Installation	
	1001233047	Ref	Breather Heater Kit - Deutz D2.9L4 Engines)	
	1001172045	Ref	Cable Carrier Tray Installation	
		Ref	ClearSky (Telematics) Installations (Dealer Installed)	
	1001242639	Ref	ClearSky (Telematics) Access Control Installation Kit (Dealer Installed) (ANSI, ANSI Export, CSA and CE Specs)	
	1001243183	Ref	ClearSky (Telematics) Added-on Kit (Dealer Installed) (ANSI, ANSI Export, CSA and CE Specs)	
	1001234099	Ref	ClearSky (Telematics) Added-on Kit (Dealer Installed) (CE Specs)	
	1001243184	Ref	ClearSky (Telematics) Added-on Kit (Dealer Installed) (CE Specs)	
		Ref	ClearSky Telematics (Factory Installed)	
	1001174728	Ref	ClearSky (Telematics) Installation (Factory Installed) (ANSI and CSA Specs) Note: Refer to Manual Supplement p/n 3128499 for available replacement parts. (SN 0300201991 through 0300234431)	
	1001175029	Ref	ClearSky (Telematics) Installation (Factory Installed) (Australian Spec) Note: Refer to Manual Supplement p/n 3128499 for available replacement parts. (SN 0300201991 through 0300234431, SN E300002833 through E300004911)	
	1001175027	Ref	ClearSky (Telematics) Installation (Factory Installed) (Brazil and New Zealand Specs) Note: Refer to Manual Supplement p/n 3128499 for available replacement parts. (SN 0300201991 through 0300234431, SN E300002833 through E300004911)	
	1001227278	Ref	ClearSky (Telematics) Installation (Factory Installed) Canbus Connection (ANSI and CSA Specs) (SN 0300234432 through 0300272317, Except SN 0300272185 through 0300272190)	
	1001246433	Ref	ClearSky (Telematics) Installation (Factory Installed) Canbus Connection (Australian Specs)	
	1001228960	Ref	ClearSky (Telematics) Installation (Factory Installed) Canbus Connection (CE Specs) (SN 0300234432 through 0300272317, SN 1300007279 through 1300007373, SN B300003516 through B300005760, SN E300004912 through E300007990, Except SN 0300272185 through 0300272190, Excluding B300005569 and E300007814)	
	1001246434	Ref	ClearSky (Telematics) Installation (Factory Installed) Canbus	

SECTION 11 - SPECIAL OPTIONS

ITEM	PART NUMBER	QTY	DESCRIPTION	REV
			Connection (China Specs)	
	1001229107	Ref	ClearSky (Telematics) Installation (Factory Installed) 3-Wire Connection (ANSI and CSA Specs) (SN 0300234432 through 0300272317, Except SN 0300272185 through 0300272190)	
	1001233237	Ref	ClearSky (Telematics) Installation (Factory Installed) 3-Wire Connection (CE Specs) (SN 0300234432 through 0300272317, SN 1300007279 through 1300007373, SN B300003516 through B300005760, SN E300004912 through E300007990, Except SN 0300272185 through 0300272190, Excluding B300005569 and E300007814)	
	1001174767	Ref	Cold Weather Package - Deutz D2011 Engines	
	1001174766	Ref	Cold Weather Package - Deutz D2.9L4 Engines	
	1001174768	Ref	Cold Weather Package - GM Engines	
	1001215181	Ref	Cold Weather Package - Kubota Engines	
	1001186976	Ref	Cold Weather Transformer Installation (Required with Deutz D2011 Engines)	
	1001148145	Ref	Container/Transport Wheels Installation - 12 x 16.5 Tires	
	0272031	Ref	Container/Transport Wheels Installation - 33/1550 x 16.5 Tires	
	1001176343	Ref	Cribbing Switch Installation (ANSI Only)	
	1001215865	Ref	Cylinder Bellows Installation - 450A	
	1001196012	Ref	Cylinder Bellows Installation - 450AJ	
	1001127096	Ref	Decal - ClearSky	
	1001241342	Ref	Decal Kit - Platform Console Box	
	1001241333	Ref	Decal Kit - Platform	
	1702868	Ref	Decal - No Hands (English Language) (Used with Mesh to Top Rail Platform)	
	1001200131	Ref	Decal - Quick Start Reference (Loxam Rental) (Danish Spec)	
	1001200129	Ref	Decal - Quick Start Reference (Loxam Rental) (Dutch Spec)	
	1001181145	Ref	Decal - Quick Start Reference (Loxam Rental) (English Spec)	
	1001200128	Ref	Decal - Quick Start Reference (Loxam Rental) (French Spec)	
	1001200130	Ref	Decal - Quick Start Reference (Loxam Rental) (German Spec)	
	1001200134	Ref	Decal - Quick Start Reference (Loxam Rental) (Norwegians Spec)	
	1001200133	Ref	Decal - Quick Start Reference (Loxam Rental) (Spanish Spec)	
	1001200132	Ref	Decal - Quick Start Reference (Loxam Rental) (Swedish Spec)	
	1705358	Ref	Decal - SkyGlazier	
	1001188883	Ref	Decal - Warning Stripes	
	1001148902	Ref	Electrical Connector Kit - Amp/Tyco Electrical Connectors	
	1001148903	Ref	Electrical Connector Kit - Deutsch DT Electrical Connectors	
	1001148904	Ref	Electrical Connector Kit - Deutsch HD Electrical Connectors	
	1001148905	Ref	Electrical Connector Kit - Packard Electrical Connectors	
	1001148906	Ref	Electrical Connector Kit - Various Electrical Connectors	
	0275055	Ref	Engine Block Heater Installation - GM Engines	
	1001214833	Ref	Engine Block Heater Installation - Kubota Engines	
	1001246867	Ref	Enhanced Detection System (EDS) Level 1 (2-Bar) Installation Kit	
	1001246860	Ref	Enhanced Detection System (EDS) Level 2 (3-Bar) Installation Kit	
	1001172751	Ref	Fan Cover Installation - Deutz D2.9L4 Engines	
	1001236429	Ref	Fan and Spacer Kit - Kubota Engines	
	1001236493	Ref	Engine Service Kit - Kubota Engines (Includes Fan, Spacer, Water Pump, Gasket and Hardware)	
	1001236494	Ref	Shroud Service Kit - Kubota Engines (Includes Shroud, Decal Adhesive and Hardware)	
	1001243331	Ref	Fan Guard Installation (CE Specs)	
		Ref	Filter Kits:	
	1001204481	Ref	Combined Filter Kit (Hydraulic/Air and Fuel/Engine Oil) (Deutz	

SECTION 11 - SPECIAL OPTIONS

ITEM	PART NUMBER	QTY	DESCRIPTION	REV
			D2011 Engine Only)	
	1001225794	1	Combined Filter Kit (Hydraulic/Air and Fuel/Engine Oil) (Deutz D2011 Engine Only) (Stage V)	
	1001204482	1	Combined Filter Kit - Deutz D2.9L4 Engine (Air/Engine Oil/Fuel/Hydraulic/Air)	
	1001206434	1	Combined Filter Kit - GM Engine (Air/Engine Oil/Fuel/Hydraulic/Air)	
	1001242589	1	Combined Filter Kit (Hydraulic/Air and Fuel/Engine Oil) (Kobota Engine Only)	
	1001139099	Ref	Fire Extinguisher Installation	
	1001117294	Ref	Footswitch Shield Installation	
	1001191394	Ref	Fuel Cap Cover (Red)	
	1001191395	Ref	Fuel Cap Cover (Green)	
	1001202749	Ref	Fuel Cap Cover (Black)	
	1001220155	Ref	Generator Cable Kit (4000W Generator)	
	1001220003	Ref	Ground Control and UGM Covers Kit	
	1001215868	Ref	Hostile Environment Package - 450A (Includes Cylinder Bellows, Platform Console Cover and Boom Wiper)	
	1001169831	Ref	Hostile Environment Package - 450AJ (Includes Cylinder Bellows, Platform Console Cover and Boom Wiper)	
	1001241397	Ref	Hostile Environment Kit - 450AJ (Includes Cylinder Bellows, Platform Console Cover and Boom Wiper)	
		Ref	Hydraulic Fluids	
	2300014	Ref	Mobil 424	
	2300027	Ref	Mobil 224H Bio	
	2300029	Ref	Mobil EAL ISO 46 Bio	
	2300016	Ref	Mobil DTE 10 EXCEL 32	
	2300019	Ref	Quaker State Quintolubric 888-46 Fire Resistant	
	2300039	Ref	Exxon Univis HV126 (Arctic Package Only)	
	1001214616	Ref	Hydraulic Kit, Front - 2WD	
	1001194427	Ref	Hydraulic Kit, Front - 4WD	
	1001194424	Ref	Hydraulic Kit, Lower	
	1001194428	Ref	Hydraulic Kit, Rear	
	1001194426	Ref	Hydraulic Kit, Turntable - 4WD (SN 0300201991 through 0300225480, SN E300002833 through E300004226)	
	1001207941	Ref	Hydraulic Kit, Turntable - 4WD (SN 0300225481 through 0300272317, SN 1300007279 through 1300007373, SN E300004227 through E300007990, Except SN 0300272185 through 0300272190, Excluding E300007814)	
	1001194425	Ref	Hydraulic Kit, Upper	
	1001218999	Ref	Hydraulic System Installation Kit - 450A	
	1001148971	Ref	Lanyard (Bolt-On) Installation Kit	
	1001172001	Ref	Lights Installation - Headlights and Taillights	
	1001120466	Ref	Lights Installation - Platform Worklights	
		Ref	Load Valve Components (Deutz T4F Engines)	
	1001236223	Ref	Decal - Hydraulic Load Valve	
	1001235760	Ref	Harness, Hydraulic Load Valve	
	1001236224	Ref	Module, Control - Hydraulic Load Valve	
	1001183407	Ref	Low Temperature Cutout Installation (Russian Specs)	
	1001173664	Ref	Oil Cooler Installation - Deutz D2011 Engines	
	1001164493	Ref	Oil Cooler Installation - Deutz D2.9L4 Engines	
	1001173745	Ref	Oil Cooler Installation - GM Engines	
	1001216552	Ref	Oil Cooler Installation - Kubota Engines	
	1001236122	Ref	Platform Console Cover Installation (Plastic)	

SECTION 11 - SPECIAL OPTIONS

ITEM	PART NUMBER	QTY	DESCRIPTION	REV
	1001205175	Ref	Platform Console (Plastic Cover Add-On Kit)	
	1580013	Ref	Platform Corner Storage Tray	
	1001142505	Ref	Platform Entry Kit - Swing Gate (Replaces Drop Bar with Swing Gate)	
	1001142504	Ref	Platform Entry Kit - Drop Bar (Replaces Swing Gate with Drop Bar)	
	1001238421	Ref	Platform Leveling Kit	
	1001140318	Ref	Platform Mesh to Mid Rail Installation - 30in x 48in Platforms	
	1001140315	Ref	Platform Mesh to Mid Rail Installation - 30in x 60in Platforms	
	1001214478	Ref	Platform Mesh to Mid Rail Kit - 30in x 48in Platforms (Use on Platform p/n 1001186387)	
	1001214515	Ref	Platform Mesh to Mid Rail Kit - 30in x 60in Platforms (Use on Platform p/n 1001186386)	
	0273147	Ref	Platform Mesh to Top Rail Installation - 30in x 48in Platforms	
	0273146	Ref	Platform Mesh to Top Rail Installation - 30in x 60in Platforms	
	0273148	Ref	Platform Mesh to Top Rail Installation - 30in x 72in Platforms	
	1001214552	Ref	Platform Mesh to Top Rail Kit - 30in x 48in Platforms (Use on Platform p/n 1001186387)	
	1001214559	Ref	Platform Mesh to Top Rail Kit - 30in x 60in Platforms (Use on Platform p/n 1001186386)	
	1001214560	Ref	Platform Mesh to Top Rail Kit - 30in x 72in Platforms (Use on Platform p/n 1001186385)	
	0274095	Ref	Platform Rail Extension Installation - 30in x 72in Platforms	
	1001239575	Ref	Platform Valve Hose Kit - 450AJ	
	1001209059	Ref	Platform Work Surface Installation	
	1001233080	Ref	Pump Rotation Kit (Re-orient Gear Pump 90 Degrees)	
	1001247800	Ref	Quad Tracks Replacement Kit	
	1001171131	Ref	Receptacle with 240V GFI Installation - 4000W Generator	
	1001159121	Ref	Receptacle with 240V GFI Installation - 7500W Generator	
	70006429	Ref	Seal Kit (For Huh Assembly 2780267 & 2780268)	
	1001247073	Ref	SkyEye Retrofit Kit	
	1001203510	Ref	SkyGuard Platform Sensor Kit	
	1001203511	Ref	SkyGuard Beacon Kit (Blue Light)	
	1001210036	Ref	SkyGuard Beacon Kit (Red Light)	
	1001232643	Ref	SkyLine Kit	
	1001231235	Ref	SkyWelder Locking Bracket Installation	
	1001191315	Ref	Tire Sealant Installation	
	2901443	Ref	Tools - Analyzer Kit	
	1001137005	Ref	Tools - Cable Kit, Software (Not Shown)	
	7002821	Ref	Tools - Crimper, Wire	
	7002823	Ref	Tools - Pin Extractor - Universal (For Electrical Connectors with Pins and Sockets)	
	4460510	Ref	Tools - Pin Extractor - 12-14 Gauge (For Removal of Pin/Sockets from Deutsch Connectors)	
	4460467	Ref	Tools - Pin Extractor - 16-18 Gauge (For Removal of Pin/Sockets from Deutsch Connectors)	
	7016654	Ref	Tools - Screwdriver, Magnetic	
	7002822	Ref	Tools - Screwdriver, Potentiometer	
	7004275	Ref	Tools - Seal Tool 1in (For Cylinders)	
	7004276	Ref	Tools - Seal Tool 1-1/2in (For Cylinders)	
	7002828	Ref	Tools - Stripper, Wire	
	1001239573	Ref	Upper Power Track Hose Kit - 400A	
	1001239574	Ref	Upper Power Track Hose Kit - 400AJ	
	1001236496	Ref	Wet Stacking Prevention Kit (Deutz D2.9L4 Engines)	

PART NUMBER INDEX

SECTION 11 - SPECIAL OPTIONS

0080201.....338, 344, 366, 372	292, 312, 316, 571, 575, 579, 583, 591, 595, 631, 633, 766, 770, 774, 778	0440162.....181, 195, 233, 243, 259, 273, 279, 297, 303, 323, 329, 351, 357	0641812 185, 199, 209, 235, 247, 261, 283, 285, 307, 309, 333, 335, 361, 363, 501, 509
0080231.....238, 250, 264	0140011 571, 575, 579, 583, 587, 591, 595, 599	0440271 19, 21	0641822 503, 507
0100009.....571, 575, 579, 583, 587, 591, 595, 599	0140043 120	0480100.....643, 645	0642012 631
0100011.....17, 19, 21, 23, 25, 39, 59, 61, 63, 65, 71, 77, 79, 81, 83, 95, 97, 99, 101, 103, 105, 107, 109, 111, 113, 115, 117, 120, 135, 137, 140, 144, 148, 152, 156, 160, 163, 165, 167, 169, 171, 173, 175, 181, 185, 188, 195, 199, 202, 209, 214, 219, 233, 235, 238, 243, 247, 250, 259, 261, 264, 273, 279, 283, 285, 288, 292, 297, 303, 307, 309, 312, 316, 323, 329, 333, 335, 338, 344, 351, 357, 361, 363, 366, 372, 405, 409, 413, 417, 421, 425, 429, 433, 437, 441, 445, 449, 453, 457, 469, 471, 473, 475, 477, 479, 481, 487, 489, 491, 493, 495, 501, 503, 507, 509, 513, 515, 517, 519, 541, 543, 545, 547, 549, 551, 553, 555, 613, 615, 617, 619, 623, 625, 627, 635, 637, 639, 766, 770, 774, 778	0181949 273, 279, 297, 303, 323, 329, 351, 357	0480120..... 405	0642024 503, 507
0100019...23, 25, 89, 171, 173, 175, 413, 425, 429, 433, 441, 445, 449	0200048 613, 615, 617, 619	0480122..... 409	0642026 633
0100020.....99, 101, 103, 105, 181, 188, 195, 202, 209, 214, 233, 238, 243, 250, 259, 264, 273, 279, 288, 292, 297, 303, 312, 316, 323, 329, 338, 344, 351, 357, 366, 372, 609, 723, 729, 739, 745, 749, 751	0257728 643	0480126..... 425, 441	0642612 125
0100035.....587, 599, 659, 661	0257755 49	0480128..... 429, 445	0642684 501, 503, 507, 509
0100048.....123, 409, 413, 417, 421, 425, 429, 433, 437, 441, 445, 449, 453, 457, 503, 507, 571, 575, 579, 583, 587, 591, 595, 599	0257756 49	0480129..... 458	0681608 501, 503, 507, 509
0100071 629	0258011 53	0480142..... 417, 437, 453	0681810 25
0100079.....425, 429, 433, 437, 441, 445, 449, 453, 457	0258012 53	0630462..... 613, 615, 617, 619	0681814 557
0100081.....188, 202, 214, 238, 250, 264, 288,	0258303 717	0630518..... 635, 637, 639	0681822 557
	0258304 715	0630534..... 675	0682014 23, 25
	0258305 725	0630535..... 659, 661	0682040 73
	0270022 719	0630568..... 572, 575, 580, 584, 588, 592, 596, 600	0700408 721, 723, 727, 729, 731, 733, 735, 737, 739, 741, 743, 745, 747, 749, 751
	0270092 41	0630613..... 140, 144, 148, 152, 156, 160	0700619 273, 279, 297, 303
	0270115 909	0641404..... 575, 627	0700810 338, 344, 366, 372
	0270116 913	0641405..... 503, 507, 571, 579, 583, 587, 591, 595, 599, 627	0700814 338, 344, 366, 372
	0270119 911	0641406..... 559, 561, 563, 565, 567, 569, 611, 883, 887, 889, 891, 893, 895, 897, 899, 901, 903, 905	0700815 338, 344, 366, 372
	0270653 43	0641407..... 503, 507, 721, 727, 731, 733, 735, 737, 741, 743, 747	0700816 71, 340, 346, 368, 374
	0272031 922	0641408..... 559, 561, 563, 565, 567, 569	0700818 425, 429, 433, 437, 441, 445, 449, 453, 457
	0272070 501	0641410..... 163, 165, 167, 169	0700819 457
	0272254 637	0641414..... 571, 575, 579, 583, 587, 591, 595, 599, 613, 615, 617, 619, 623, 625, 629	0700820 417, 437, 453, 483, 485
	0272341 51	0641416..... 503, 507, 721, 723, 727, 729, 731, 733, 735, 737, 739, 741, 743, 745, 747, 749, 751	0700827 766, 770, 774, 778
	0272360 51	0641418..... 541, 543, 545, 547, 549, 551, 553, 555	0700828 766, 770, 774, 778
	0272361 51	0641420..... 545	0701012 171, 173, 175
	0272448 637	0641504..... 71, 135, 137	0701014 71, 171, 173, 175
	0272521 635	0641507..... 405, 409, 413, 421	0701015 491, 493, 495
	0272588 635	0641509..... 766, 770, 774, 778	0701016 340, 346, 368, 374, 417, 437, 453, 457
	0272589 443	0641510..... 417	0701018 140, 144, 148, 152, 156, 160
	0272703 503	0641514..... 643, 645	0701019 483, 485
	0273146 924	0641605..... 77, 79, 81, 83	0701020 99, 101, 103, 105, 483, 485
	0273147 924	0641606..... 635, 637, 639	0701021 766, 770, 774, 778
	0273148 924	0641607..... 219, 559, 561, 563, 565, 567, 569	0701024 766, 770, 774, 778
	0273380 447, 451, 455, 459	0641610..... 425, 429, 433, 441, 445, 449	0701027 491, 493, 495
	0274095 924	0641710..... 417	0701216 338, 344, 366, 372
	0274240 613	0641772..... 405, 409, 413, 421	0701217 17
	0274661 645	0641808..... 437, 453	0701224 338, 344, 366, 372, 421, 457
	0275055 922		0701616 97, 491, 493, 495
	0275216 721, 723, 849		0701617 21
	0275217 727, 729, 851		
	0275218 731, 857		
	0275219 733, 859		
	0275452 737, 739, 741, 853		
	0275453 735, 743, 745, 855		
	0275454 747, 749, 861		
	0275678 741		
	0275679 735		
	0275680 747		
	0275681 721		
	0275682 727		
	0275683 731		
	0275684 733		
	0360406 73		
	0361810 135		
	0363019 71, 73		
	0400075 135		

SECTION 11 - SPECIAL OPTIONS

0711214 188, 202, 214, 338, 366	175, 181, 188, 196, 202, 209, 214, 233, 243, 259, 273, 279,	0761215.....421, 457, 477, 479, 481	0962292 21, 483, 485, 675, 677
0711220 19, 21	288, 292, 297, 303, 312, 316, 323, 329,	0761216.....501, 509	0962348 21
0711221 288, 292, 312, 316, 417, 438, 454	338, 344, 351, 357, 366, 372, 401, 403, 405, 409, 413, 417,	0761227.....491, 493, 495	0962449 405
0711224 188, 202, 214, 238, 250, 264, 405, 409, 413, 421, 425, 429, 433, 441, 445, 449, 457	442, 446, 451, 454, 487, 489, 757, 766, 770, 774, 778	0761615.....17, 491, 493, 495	0962450 503, 507
0711227 417, 437, 453, 487, 489	0760814 140, 144, 149, 152, 156, 160, 188, 202, 214, 238, 250,	0762016.....491, 493, 495	0962520 425, 429, 433, 437, 441, 445, 449, 453, 457
0711628 89	264, 273, 279, 289, 293, 297, 303, 312, 316, 323, 329, 338, 344, 351, 357, 366, 372, 421, 457	0762020.....171, 173, 175	1001001939.....340, 346
0711629 21	0760815 137, 171, 173, 175, 190, 204, 216, 238, 250, 264, 288, 292, 312, 316, 338, 340, 344, 366, 368, 372	0771414.....188, 202, 214, 238, 250, 264, 405, 409, 413, 425, 429, 433, 441, 445, 449	1001091102.....753, 755
0711631 89	0761009 405, 409	0771416.....425, 429, 441, 445	1001091794.....288, 292, 312, 316
0721005 613, 615, 617, 619	0761010 77, 79, 81, 83, 107	0811608.....417, 437, 453	1001091892.....288, 292, 313, 317
0721006 219	0761011 19, 21, 324, 330, 352, 358	0840055.....503, 839	1001091969..... 723
0741606 188, 202, 214	0761012 135, 137, 469, 471, 473, 475, 477, 479, 481, 757, 770, 774, 778	0860038.....429, 433, 437, 445, 449, 453, 457, 717, 719, 725	1001091970..... 729
0741607 425, 429, 433, 449	0761014 140, 144, 148, 152, 156, 160, 181, 188, 195, 202, 209, 214, 338, 344, 366, 372, 409, 413, 417, 509	0860520 883, 887, 889, 891, 893, 895, 897, 899, 901, 903, 905	1001091973..... 739
0741608 457	0761015 181, 188, 195, 202, 209, 214, 233, 238, 243, 250, 259, 264, 273, 279, 288, 292, 297, 303, 312, 316, 323, 329, 338, 344, 351, 357, 366, 372, 413, 421, 469, 471, 473, 475, 477, 479, 481	0861538.....445, 449, 453, 457	1001091974..... 745
0760408 273, 279, 297, 303, 323, 329, 351, 357	0761016 188, 202, 214, 273, 279, 288, 292, 297, 303, 312, 316, 338, 344, 366, 372, 421	0861731.....751, 853, 855, 861	1001091975..... 749
0760512 135	0761017 140, 144, 148, 152, 156, 160, 181, 188, 195, 202, 209, 214, 338, 344, 366, 372, 409, 413, 417, 509	0860520 883, 887, 889, 891, 893, 895, 897, 899, 901, 903, 905	1001094670..... 483
0760605 338, 344, 366, 372	0761018 140, 144, 148, 152, 156, 160, 181, 188, 195, 202, 209, 214, 338, 344, 366, 372, 409, 413, 417, 509	0861781..... 849, 851	1001095704..... 874, 916
0760606 289, 313, 338, 344, 366, 372, 425, 429, 433, 441, 445, 449	0761019 181, 188, 195, 202, 209, 214, 233, 238, 243, 250, 259, 264, 273, 279, 288, 292, 297, 303, 312, 316, 323, 329, 338, 344, 351, 357, 366, 372, 413, 421, 469, 471, 473, 475, 477, 479, 481	0861880..... 807, 811	1001096070..... 425, 811
0760607 190, 204, 216	0761020 181, 188, 195, 202, 209, 214, 233, 238, 243, 250, 259, 264, 273, 279, 288, 292, 297, 303, 312, 316, 323, 329, 338, 344, 351, 357, 366, 372, 413, 421, 469, 471, 473, 475, 477, 479, 481	0861572..... 441	1001096653.... 59, 61, 63, 65
0760608 107, 135, 137, 338, 344, 366, 372, 405, 409, 413, 417, 421	0761021 181, 188, 195, 202, 209, 214, 233, 238, 243, 250, 259, 264, 273, 279, 288, 292, 297, 303, 312, 316, 323, 329, 338, 344, 351, 357, 366, 372, 413, 421, 469, 471, 473, 475, 477, 479, 481	0861731.....751, 853, 855, 861	1001097000..... 195, 243, 298
0760610 120, 135, 137, 163, 165, 167, 169, 181, 188, 196, 202, 209, 214, 233, 238, 243, 250, 259, 264, 274, 280, 289, 293, 298, 304, 312, 316, 323, 329, 338, 344, 351, 357, 366, 372, 401, 403, 425, 429, 433, 437, 441, 445, 449, 453, 457, 755, 767, 771, 775, 779	0761022 181, 188, 195, 202, 209, 214, 233, 238, 243, 250, 259, 264, 273, 279, 288, 292, 297, 303, 312, 316, 323, 329, 338, 344, 351, 357, 366, 372, 413, 421, 469, 471, 473, 475, 477, 479, 481	0902733..... 71	1001097051..... 865
0760612 135, 137, 338, 344, 366, 372	0761023 181, 188, 195, 202, 209, 214, 233, 238, 243, 250, 259, 264, 273, 279, 288, 292, 297, 303, 312, 316, 323, 329, 338, 344, 351, 357, 366, 372, 413, 421, 469, 471, 473, 475, 477, 479, 481	0902734..... 71	1001097150..... 807, 809, 811
0760614 127, 129, 131, 133, 181, 195, 209, 233, 239, 243, 251, 259, 265, 425, 753	0761024 469, 471, 473, 475	0902751..... 575, 591	1001098122..... 609, 841, 845
0760615 163, 165	0761210 181, 188, 195, 202, 209, 214	0902888..... 425, 429, 433, 437, 441, 445, 449, 453, 457	1001098828..... 509
0760621 120	0761212 188, 202, 214, 433, 449, 477, 479, 481, 491, 493, 495	0902919..... 503, 507	1001099869..... 405
0760808 188, 202, 214, 288, 292, 312, 316, 338, 344, 366, 372	0761214 99, 101, 103, 105, 140, 144, 148, 152, 156, 160, 413, 421, 425, 429, 441, 445, 457	0902920..... 503, 507	1001100231..... 829
0760810 140, 144, 148, 152, 156, 160, 171, 173, 175, 190, 204, 216, 323, 329, 351, 357	0761215..... 421, 457, 477, 479, 481	0903484..... 721, 727, 731, 733, 735, 737, 741, 743, 747	1001100233..... 405
0760812 59, 61, 63, 65, 99, 101, 103, 105, 109, 111, 113, 115, 117, 140, 144, 148, 152, 156, 160, 171, 173,	0761216..... 501, 509	0903612..... 721, 727, 731, 733, 735, 741, 747	1001100321..... 405

SECTION 11 - SPECIAL OPTIONS

1001110434 571, 575, 579, 583, 587, 591, 595, 599	1001118519 17	1001134488 189, 203, 215	1001141304 189, 203, 215
1001110873 429, 433, 437, 446, 450, 454, 458, 717, 719	1001118878 189, 203, 215	1001135196 181, 195, 233, 243, 259, 273, 279, 298, 304, 323, 329, 352, 358	1001141694 189, 203, 215, 239, 250, 265
1001111424 135, 137, 189, 203, 215, 238, 250, 264	1001118971 766, 770, 774, 778	1001135651 818	1001141870 219
1001112551 889	1001118972.. 71, 99, 101, 103, 105, 766, 770, 774, 778	1001135679 413, 433, 450	1001141967 857, 859
1001112607 477, 479, 481	1001119020 761, 841, 874	1001136079 189, 215, 238	1001141968 857
1001112612 761, 873	1001119051 171, 173, 175	1001136172 203	1001141969 859
1001112796 761	1001119057 171, 173, 175	1001136834 189, 203, 215	1001141970 859
1001112943 557	1001119176 107, 917	1001136988 450	1001141971 857
1001113483 503, 507	1001119228 95, 767, 771, 775, 779	1001137005 924	1001141995 189, 203, 215, 239, 251, 265, 289, 293, 313, 317, 339, 345, 367, 373
1001113961 874	1001119278 135, 137, 195, 243, 298, 304, 352, 358	1001137336 340, 346, 368, 374	1001142501 181, 195, 209, 219
1001115639 617	1001119280 135, 767, 771, 775, 779	1001137673 623, 625, 917	1001142504 924
1001115641 617, 619	1001119619 863	1001138173 189, 203, 215, 238, 250, 264, 289, 293, 313, 317, 339, 345, 367, 373	1001142505 924
1001115848 617, 619	1001119620 865, 867	1001138175 189, 203, 215, 239, 250, 264, 289, 293, 313, 317, 339, 345, 367, 373	1001142643 434, 450
1001115931 313, 317	1001119627 684, 690, 696, 702, 708	1001138228 189, 203, 215, 917	1001142646 434, 450
1001116550 483, 485	1001120204 789, 791, 793, 795	1001138248 189, 203, 215, 239, 251, 264, 289, 293, 313, 317, 340, 346, 368, 374	1001142679 684, 690, 696, 702, 708
1001116693 841, 845	1001120205 801, 803	1001138494 543, 545, 547, 551, 553, 555	1001142683 127, 129, 131, 133, 916
1001116693 841, 845	1001120328 623, 625, 627, 874	1001138514 543, 545, 547, 551, 553, 555	1001142694 125
1001116710 825	1001120371 507, 839	1001138565 425	1001142736 127, 129, 131, 133, 761
1001116720 847, 871	1001120466 923	1001138566 426, 430, 434, 438	1001142938 818
1001116727 817	1001125137 659	1001138827 189, 203, 215	1001142940 818
1001116728 817	1001125387 181, 195, 209	1001139099 923	1001143390 189, 203, 215, 239, 251, 265
1001116732 827, 829	1001125677 841, 845	1001139240 189, 203, 215	1001143431 125
1001116734 827, 829	1001126009 869	1001139357 426, 430	1001143797 189, 203, 215
1001116748 805	1001126351 817	1001139384 163, 167	1001143852 907
1001116763 873	1001126352 817	1001139586 21	1001143936 684, 690, 696, 702, 709
1001116774 761	1001126356 817	1001139819 239, 250, 265	1001144116 189, 203, 215
1001116808 761	1001126357 817	1001140312 204	1001144295 559, 563, 565
1001116849 899	1001126362 817	1001140315 924	1001144433 583, 592, 595, 625
1001116952 817	1001126363 817	1001140318 924	1001144629 529, 531, 533, 535, 537, 539
1001116983 825	1001126365 817	1001140346 434	1001145781 535, 537, 539, 551, 553, 555
1001117057 827, 829	1001126384 817	1001140429 541, 543, 545, 547, 549, 551, 553, 555	1001146220 109, 111, 113, 115, 117, 571, 576, 579, 583, 587, 591, 595, 599
1001117064 805	1001126391 817	1001140535 189, 203, 215	1001147233 421, 458
1001117070 873	1001127096 922	1001140564 189, 203, 215	1001147264 817
1001117106 817	1001128527 639	1001141181 418, 438, 454	1001147274 41, 43
1001117107 817	1001128556 639	1001141300 907	1001147812 289, 293, 313, 317, 339, 345, 367, 373
1001117172 609	1001129285 874	1001141302 907	1001147813 289, 293, 313, 317, 340, 346, 368, 374
1001117174 571, 575, 579, 583, 587, 591, 595, 599, 609	1001129407 107		1001148138 414, 421
1001117240 135, 137	1001129555 916		1001148145 922
1001117294 923	1001129858 430, 437		1001148641 406, 410, 413, 418, 426, 430, 434, 438, 442, 446, 451, 454
1001117308 189, 203, 215	1001130220 120		1001148648 426
1001117372 649	1001131269 883, 887, 895, 897		
1001118274 99, 101, 103, 105, 109, 111, 113, 115, 117, 140, 144, 149, 152, 156, 160, 273, 279, 298, 304, 323, 329, 340, 346, 351, 357, 487, 489, 513, 515, 517, 519, 766, 770, 774, 778	1001132195 238, 250, 264		
1001118384 869	1001132196 238, 250, 264		
1001118388 847, 869	1001133714 818		
1001118412 571, 575, 579, 583, 587, 591, 595, 599, 917	1001133715 818		
1001118482 483	1001133956 817		
1001118511 17	1001133957 817		
1001118518 17	1001133972 89, 93		

SECTION 11 - SPECIAL OPTIONS

1001148865.....41	1001156819.....289, 293, 313, 317, 324, 330, 352, 358	1001162526 899	1001165405.....189, 203, 215
1001148866.....41		1001162527 891	1001165406.....189, 203, 215
1001148869.....43		1001162528 893	
1001148870.....43	1001156823.....273, 279, 298, 304	1001162529 905	1001165622..... 148
1001148902.....922		100116253477, 79, 81, 83, 85	1001165721.....189, 203, 215
1001148903.....922	1001157466.....97	1001162535477, 513, 515, 517, 519, 521	1001165722.....189, 203, 215
1001148904.....922	1001157520.....443, 447, 451, 455, 459	1001162536515, 519, 525	1001165816.....99, 103
1001148905.....922	1001157521.....443, 447, 451, 455, 459	100116253963, 65, 69	1001165849.....189, 203, 215
1001148906.....922	1001157522.....443, 447, 451, 455, 459	1001162995 17	1001165942.....99
1001148971.....923	1001157523.....442	1001163061 99, 101	1001165943..... 103
1001148972.....465, 655, 663	1001157524.....443, 447, 451, 455, 459	1001163062 103, 105	1001165944..... 171
1001149160.....339, 345, 367, 373	1001157525.....446, 450, 451, 454, 458	100116306319, 21, 671	1001165945..... 173
1001149570.....125, 759	1001157526.....874	1001163064 19, 21	1001165946.....89
1001149639.....339, 345, 367, 373	1001157930.....712	1001163065 17, 649	1001165948...65, 83, 519
1001149953.....41, 43	1001158007.....443, 447, 451, 455, 459	1001163066 19, 21	1001165949.....702, 710
1001150998.....239, 251, 265	1001158008.....426, 430, 435, 438, 443, 447, 451, 455, 459	1001163067 19, 21	1001165968.....39
1001151026.....47	1001158009.....427, 430, 435, 438	1001163068 21	1001166000.....185, 188
1001151030.....47	1001158363.....924	1001163069 21	1001166001.....181, 185
1001151393.....109, 111, 113, 115, 117	1001159121.....835	1001163070 21	1001166002.....235, 238
1001152456.....426, 430, 434, 438	1001159186.....571, 576, 579, 583, 587, 591, 595, 599, 916	1001163071465, 467, 653	1001166021.....233, 235
1001152457.....430, 434, 438	1001159256.....491, 495	1001163072 465, 467, 653	1001166084.....907
1001152458.....426	1001160859.....491, 495	1001163073 465, 467, 653	1001166085.....907
1001152479.....809	1001160872.....491, 495	1001163074 483, 485	1001166096.....491, 493, 495
1001152482.....809	1001161709.....571, 576, 579, 583, 587, 591, 595, 599, 916	1001163075 479, 483	1001166142.....561
1001152483.....809	1001161710.....274, 280, 298, 304, 323, 329, 352, 358, 917	1001164017 481, 485	1001166153.....55, 57
1001152485.....737, 743, 755, 809	1001161711.....465, 467, 667	1001164018 19	1001166155.....55
1001152489.....189, 203, 215	1001161712.....463, 465, 467, 667	1001164019 17	1001166156.....55
1001152525.....430, 434, 438, 443, 447, 451, 455, 459	1001161713.....463, 465, 467, 651	1001164020 17	1001166157.....55
1001152530.....426, 430, 434, 438	1001161714.....463, 465, 467, 669	1001164021 21	1001166193.....907
1001152532.....426, 430, 434, 438, 831	1001161804.....463, 673	1001164022 19, 21	1001166202.....273, 283
1001153260.....430, 435, 438	1001162105.....39	1001164023 675	1001166203.....283, 288
1001154405.....181, 195, 209, 219	1001162106.....107	1001164024 675	1001166208.....667
1001154726.....827, 829	1001162107.....39	1001164025 675	1001166232.....71
1001155041.....413, 421, 426, 434, 442, 446, 450, 458	1001162335.....182, 196, 209, 219	1001164026 675	1001166239.....25
1001155044.....274, 280, 298, 304, 323, 329, 352, 358, 571, 575, 579, 583, 587, 591, 595, 599	1001162415.....905	1001164027 675	1001166304.....181
1001155045.....571, 575, 579, 583, 587, 591, 595, 599, 916	1001162416.....883, 887	1001164028 675	1001166305.....233
1001155813.....426	1001162417.....901	1001164029 571, 575, 579, 583, 591, 596, 841	1001166307.....273
1001155823.....181, 195, 209	1001162418.....903	1001164030 923	1001166315.....120
1001156351.....715	1001162419.....895, 897	1001164031465, 675	1001166316.....135
1001156352.....715	1001162420.....899	1001164032 17	1001166317.....137
1001156541.....805	1001162421.....891	1001164033465, 655, 657, 663, 665, 667	1001166538.....572, 576, 579, 584, 587, 592, 596, 599, 603
	1001162422.....889, 893	1001164034559, 561, 563, 565, 567, 569, 575, 591, 879	1001166539.....571, 576, 579, 583, 587, 592, 596, 599, 605
	1001162423.....737, 743	1001164035770, 783	1001166646.....489
	1001162424.....737	1001164036770, 791	1001166651.....489
	1001162425.....743	1001164037120, 877	1001166656.....469, 471, 473, 475, 767, 771
	1001162521.....883	1001164038120, 835	1001166662.....767, 771, 775, 779
	1001162522.....889	1001164039766, 770, 774, 778, 805	1001166678.....775, 779
	1001162523.....901	1001164040649	1001166717.....239, 251, 265
	1001162524.....903	1001165035181, 195, 209, 289, 293, 313, 317	1001166718.....189, 203, 215, 239, 251, 265, 339, 345, 367, 373
	1001162525.....895	1001165131659, 663	1001166767.....107
		1001165302469, 471, 473, 483, 485, 497	1001166768.....107
		1001165388189, 203, 215, 239, 251, 265	1001166852.....493, 495
		1001165389239, 251, 265	

SECTION 11 - SPECIAL OPTIONS

1001166853491, 493, 495	1001168190.....487	1001169895 111	1001171553.....767, 771, 775, 779
1001166921 189, 203, 215	1001168207.....413, 434, 450	1001169896 109, 111, 113, 115, 117	1001171555.....767, 771, 775, 779
1001166922 189, 203, 215	1001168210.....651	1001169897 111, 117	1001171559.....767, 771, 775, 779
1001166924 190, 203, 215	1001168402.....509	1001169898 99, 101, 103, 105	1001171678.....135, 137
1001166970280	1001168472.....767, 771, 775, 779	1001169967 190, 204, 216, 289, 293, 313, 317, 339, 345, 367, 373	1001171679.....135, 137
1001167036 185, 199, 235, 247, 261, 283, 285, 307, 309, 333, 335, 361, 363, 389	1001168473.....767, 771, 775, 779	1001169974 313	1001171680.....135, 137
1001167108 190, 203, 215, 817	1001168950.....190, 204, 216	1001170001 144, 148, 156, 160	1001171681.....233, 243, 259
1001167111239, 251, 265, 815	1001169046.....140, 144, 148, 152, 156, 160	1001170018 140, 144, 148, 152, 156, 160	1001171682.....233, 243, 259
1001167149 140, 144, 149, 152, 156, 160	1001169054.....190, 204, 216, 289, 293, 313, 317, 339, 345, 367, 373	1001170022 140, 144, 148, 152, 156, 160	1001171683.....181, 195, 209
1001167153 148	1001169058.....57	1001170025 171, 173, 175	1001171684.....181, 196, 209
1001167159 140, 144, 148, 152, 156, 160	1001169062.....45	1001170035 190, 204, 216, 289, 293, 313, 317, 339, 345, 367, 373	1001171685.....274, 280, 298, 304
1001167163 140, 144, 148, 152, 156, 160	1001169073.....49	1001170035 190, 204, 216, 289, 293, 313, 317, 339, 345, 367, 373	1001171686.....274, 298, 304
1001167164210, 401, 403	1001169074.....51	1001170094 120, 917	1001171953.....185, 199, 210, 235, 247, 261, 283, 285, 307, 309, 333, 335, 361, 363
1001167169 140, 144, 148, 152, 156, 160	1001169075.....53	1001170099 45	1001171954.....185, 199, 210, 235, 247, 261, 283, 285, 307, 309, 333, 335, 361, 363
1001167193289, 293, 313, 317	1001169138.....190, 204, 216, 289, 293, 313, 317, 339, 345, 367, 373	1001170131 171, 173, 175	1001172001.....923
1001167267561, 575	1001169157.....883, 887, 889, 891, 893, 895, 897, 899, 901, 903, 905, 907	1001170224 397	1001172003.....274, 280, 298, 304
1001167312 753	1001169183.....149, 161, 171, 173, 175	1001170225 395	1001172045.....921
1001167382289, 293, 313, 317	1001169240.....491, 493, 495	1001170226 487, 489	1001172057.....921
1001167383289, 293, 313, 317	1001169241.....491, 493, 495	1001170334 487	1001172202.....233, 243, 259
1001167384289, 293, 313, 317	1001169242.....491, 493, 495	1001170375 513, 515, 517, 519	1001172217.....883, 887, 889, 891, 893, 895, 897, 899, 901, 903, 905
1001167512 181, 195, 209, 233, 243, 259, 274, 279, 298, 304, 323, 329, 352, 358	1001169246.....477, 479, 481	1001170446 571, 576, 580, 583, 587, 592, 596, 599	1001172264.....210, 401
1001167520 190, 204, 215, 239, 251, 265	1001169247477, 479, 481	1001170458 57	1001172265.....401
1001167565 509	1001169249.....491, 493, 495	1001170459 57	1001172271.....767, 771, 775, 779
1001167567 509	1001169295.....491, 493, 495	1001170460 57	1001172282.....140, 145, 148, 157, 161, 163
1001167596 509	1001169296.....491, 493, 495	1001170475 165	1001172335.....766, 781
1001167825 171, 173, 175	1001169297.....491, 493, 495	1001170480 99, 101, 103, 105	1001172336.....766, 789
1001167895289, 293, 313, 317	1001169298.....491, 493, 495	1001170617 190, 204, 223	1001172663.....509
1001168018 190, 204, 215, 239, 251, 265, 339, 345, 367, 373, 406, 410, 413, 418, 421, 426, 430, 434, 438, 442, 446, 450, 454, 458	1001169299.....491, 493, 495	1001170663210, 401	1001172736.....181, 196, 209
1001168026 190, 204, 215	1001169300.....491, 493, 495	1001170664 210, 401, 403	1001172737.....393
1001168059239, 251, 265	1001169301.....491, 493, 495	1001170693239, 251, 253	1001172751.....922
1001168099 190, 204, 215	1001169302.....491, 493, 495	1001170719274, 280, 298, 304	1001172760.....572, 575, 580, 584, 588, 591, 596, 600
1001168166 190, 204, 215, 289, 293, 313, 317, 339, 345, 367, 373	1001169304.....487, 489	1001170759 659, 661	1001172795.....274, 280, 298, 304
	1001169305.....487, 489	1001170838 109, 111, 113, 115, 117, 571, 576, 580, 584, 587, 592, 596, 599	1001172796.....767, 771, 775, 779
	1001169402.....487, 489	1001170859 140, 144, 148, 152, 156, 160	1001172801.....907
	1001169403.....487, 489	1001170860 140, 144, 148	1001172833.....140, 145, 148, 157, 161, 167
	1001169525.....395, 397	1001170981289, 293, 313, 317	1001173006.....684, 690, 696, 702, 709
	1001169823.....181, 195, 209, 233, 243, 259, 274, 280, 298, 304	1001171131 924	1001173027.....684, 690, 696, 702, 709
	1001169831.....923	1001171216 140, 144, 149, 152, 156, 160	
		1001171403 817	
		1001171482 109, 111, 113, 115, 117	

SECTION 11 - SPECIAL OPTIONS

1001173028 684, 690, 696, 702, 709	1001173529 109, 111, 113	1001175633 712	1001179776 921
1001173029 684, 690, 696, 702, 709	1001173535 339, 345, 367, 373	1001175634 712	1001179836 413, 421
1001173030 702	1001173631 703	1001176299 685, 697	1001179837 413, 421
1001173031 684, 690, 696, 702	1001173664 923	1001176300 685, 697	1001179893 414, 422
1001173032 702	1001173703 907	1001176301 685, 697	1001179903 190, 204, 216, 239, 251
1001173034 684, 691, 697, 703, 709	1001173745 923	1001176302 685, 697	1001179904 140, 144, 149, 152, 156, 160
1001173035 684, 691, 697, 703, 709	1001173810 445	1001176330 339, 345, 367, 373	1001180001 413, 421
1001173036 685, 691, 697, 703, 709	1001173811 441	1001176469 113	1001180004 479, 493
1001173037 685, 691, 697, 703, 709	1001173812 453	1001176848 19, 21	1001180005 481, 495
1001173038 685, 691, 697, 703, 709	1001173925 426, 430, 442, 446	1001176951 766, 770, 797	1001180006 477, 491
1001173039 685, 691, 697, 703, 709	1001173969 631, 633	1001177167 274, 280, 298, 304	1001180017 274, 280, 298, 304, 821
1001173040 691, 703, 709	1001173973 631, 633	1001177228 274, 280, 298, 304	1001180035 685, 691, 697, 703, 709
1001173041 691, 703, 709	1001173975 631	1001177359 190, 204, 216	1001180056 491, 493, 495
1001173042 685, 691, 697, 703, 709	1001173983 429	1001177541 113	1001180540 489
1001173043 685, 691, 697, 703, 709	1001173984 425	1001177543 113	1001180541 487
1001173044 691, 703, 709	1001174065 491	1001177820 97	1001180620 190, 204, 216, 289, 293, 313, 317, 339, 345, 367, 373
1001173045 691, 703, 709	1001174098 140, 144, 149, 156, 160	1001177821 97	1001180797 413
1001173046 691, 703, 709	1001174158 426, 753	1001177834 97	1001180798 409
1001173048 691, 703, 709	1001174313 883, 895, 905	1001177896 489	1001180800 417
1001173049 691, 703, 709	1001174335 393	1001177897 489	1001180872 479
1001173050 703	1001174367 449	1001178133 491, 493, 495	1001180873 481
1001173051 703	1001174378 397	1001178135 491, 493, 495	1001180916 39
1001173052 685, 691, 697, 703, 709	1001174379 395	1001178228 169	1001181045 807, 811, 916
1001173053 685, 691, 697, 703, 709	1001174486 273, 279, 298, 303, 323, 329, 352, 358	1001178448 767, 771, 775, 779	1001181145 922
1001173054 685, 691, 697, 703, 709	1001174536 493	1001178449 767, 771, 775, 779	1001181243 414, 422
1001173055 697, 703, 709	1001174537 493	1001178554 487	1001181324 467, 663
1001173056 697, 703, 709	1001174654 921	1001178555 487	1001181325 120
1001173057 697, 703, 709	1001174675 442, 446, 451, 454, 458, 712	1001178636 479, 481, 489	1001181358 181, 196, 209, 825
1001173058 685, 691, 697, 703, 709	1001174728 921	1001178644 767, 771, 775, 779	1001181405 123
1001173059 685, 691, 697, 703, 709	1001174748 778, 787	1001178788 189, 203, 215	1001181430 289, 313
1001173061 685, 691, 697, 703, 709	1001174749 766, 770, 801	1001178859 239, 251, 265	1001181527 71
1001173062 685, 691, 697, 703, 709	1001174750 778, 795	1001178876 190, 204, 216	1001181621 771, 779
1001173063 685, 691, 697, 703, 709	1001174754 774, 778, 803	1001178958 767, 771, 775, 779	1001181705 465, 659
1001173066 691, 697, 703, 709	1001174766 922	1001179154 430, 434, 438, 447, 451, 454, 458	1001181706 463, 655
1001173262 883, 887, 895, 897, 905	1001174767 922	1001179228 766, 770, 774, 778	1001181875 767, 775
	1001174768 922	1001179236 120, 813	1001181895 204
	1001174777 199, 202	1001179266 767, 771, 775, 779	1001181913 71
	1001174778 196, 199	1001179339 99, 101, 103, 105	1001181923 767, 771, 775, 779
	1001174779 195	1001179364 921	1001181995 659
	1001174780 307, 312	1001179439 774, 778, 799	1001182017 659, 661
	1001174781 298, 307	1001179517 59, 61, 63, 65	1001182018 659, 661
	1001174782 297	1001179626 477, 487	1001182020 659
	1001174783 247, 250	1001179737 778	1001182021 659
	1001174784 243, 247	1001179738 770	1001182138 629
	1001174785 243	1001179771 921	1001182150 274, 280, 298, 304
	1001174976 123		1001182169 140, 144, 148, 152, 156, 160
	1001175024 696, 702, 709		1001182296 410, 414, 418, 422
	1001175027 921		1001182404 274, 280, 298, 304
	1001175029 921		1001182405 273, 279, 298, 304
	1001175244 509		1001182561 767, 771, 775, 779
	1001175260 710		
	1001175348 437		
	1001175542 433		
	1001175631 430, 434, 438, 712		
	1001175632 712		

SECTION 11 - SPECIAL OPTIONS

1001182875 140, 144, 149, 152, 156, 160	1001188972.....195, 243, 297, 303, 352, 358	100119722159, 61, 63, 65	1001207355.....708, 710
1001182877 140, 144, 149, 152	1001189001.....509	1001199314 633	1001207941.....923
1001182879 140, 144, 149, 152, 156, 160	1001189002.....509	1001200086 145, 148, 156, 160	1001208874.... 77, 79, 81, 83
1001182997 99, 101, 103, 105, 190, 204, 216	1001189194.....125	1001200088 171, 173, 175	1001209059.....924
1001183171 485	1001189882.....893	1001200128 922	1001209617 921
1001183407 923	1001190368.....19, 21	1001200129 922	1001209664.....623, 625
1001183477410, 414, 418	1001190633.....493	1001200130 922	1001209677 755
1001184324 575	1001190775.....288, 292, 340, 346, 367, 373	1001200131 922	1001209832 755
1001184618 572, 575, 580, 584, 588, 592, 596, 600	1001190913.....889, 893	1001200132 922	1001209844.....339, 345, 367, 373, 385
1001184626 572, 575, 580, 584, 588, 592, 596, 600	1001190985.....509	1001200133 922	1001210036.....924
1001184637406, 410	1001191315924	1001200134 922	1001210356.....691, 697, 709
1001184644406, 410	1001191394.....923	1001200458 163, 167	1001210421.....333, 338
1001184645406, 410	1001191395.....923	1001200491 509	1001210763.....339, 367, 377
1001185025 405	1001191620.....190, 204, 216	1001200494 509	1001210764.....323
1001185281 584, 588, 592, 596, 600	1001191708.....629	1001200575 575, 592	1001210765.....323, 333
1001185373 175	1001191832.....141, 145, 149, 152, 156, 160, 171, 173, 175, 181, 196, 209, 233, 244, 259, 274, 280, 298, 304	1001201351 509	1001211336.....103, 105
1001185747767, 771, 775, 779	1001192292.....584, 592, 596, 871	1001201891 580, 596	1001211716.....140, 144, 148, 152, 156, 160
100118582177, 79, 81, 83, 87	1001193018.....723, 729, 739, 745, 749, 751	1001202450 140	1001211717.....141, 145, 148, 152, 156, 161
1001185964 874	1001193061.....127	1001202451 149, 161	1001211794.....339, 345, 367, 373
1001186007 120, 873	1001193216.....127	1001202611 567, 595	1001211797339, 345, 367, 373
1001186375 543	1001193336.....101	1001202612 561, 579	1001212069.....465, 661
1001186377 545	1001193730.....592	1001202744 615	1001212071.....661
1001186378 547	1001194197.....920	1001202745 619	1001212073.....661
1001186385 533	1001194198.....920	1001202749 923	1001212075.....661
1001186386 531	1001194200.....920	1001202830 169	1001212223.....450, 458
1001186387 529	1001194203.....920	1001202910 685, 691, 697, 708	1001212257.....324, 330, 352, 358
1001186388 557	1001194204.....920	1001203322 165	1001212415.....916
1001186431 625, 871	1001194365.....751, 920	1001203510 924	1001212447 661
1001186432 847, 869, 871	1001194424.....923	1001203511 924	1001212728.....171, 173, 175
1001186517 623, 625	1001194425.....923	1001203628 655, 659, 663	1001212989.....339, 345, 367, 373
1001186976 922	1001194426.....923	1001203654 557	1001212993.....339, 345, 367, 373
1001187352 406, 829	1001194427.....923	1001204123 274, 280, 298, 304, 323, 329, 352, 358	1001213029.....422, 458
1001187382 509	1001194428.....923	1001204725 509	1001213060.....324, 330, 352, 358
1001187383 509	1001195039.....324, 330, 352, 358	1001205175 924	1001213061.....324, 330, 352, 358
1001187508 623	1001195444.....567, 591	1001205175 924	1001213305.....339, 345, 367, 373
1001187522 410, 414, 418, 422, 827	1001195446.....567	1001205750 137	1001213357.....339, 367
1001187674 621	1001195699.....289, 293, 313, 317	1001205752 137	1001213423.....339, 367
1001187681 863	1001195700.....289, 293, 313, 317	1001205958 739, 745, 749	1001213425.....339, 345, 367, 373
1001188196 99, 101	1001195714.....289, 293, 317	1001206434 923	1001213426.....339, 345, 367, 373
1001188197 103	1001195746.....907	1001206436 89	1001213447 842, 845
1001188311 555	1001196012.....922	1001206438 921	1001213482.....339, 345, 367, 373
1001188312 539	1001196376.....274, 280, 298, 304, 323, 329, 352, 358	1001206476 757	1001213706.....324, 330, 352, 358, 823
1001188314 553	1001196382.....426, 430, 434, 442, 446, 450	1001206625 465, 657, 665	1001213824.....339, 345, 367, 373
1001188315 537	1001196458.....127, 131, 763	1001206916 101, 105	1001213882.....572, 579, 584, 588, 595, 600
1001188318 551	1001196634.....196, 221	1001207004 131, 133	1001214029.....907
1001188319 535	1001196637.....120	1001207302 131	1001214038.....216, 227
1001188622 509	1001197017.....615, 619	1001207315 131	
1001188731 410, 414, 418, 422, 712	1001197036.....507	1001207334 685, 691, 697	
1001188732 406, 712	1001197039.....685, 691, 697, 703, 709	1001207335 685, 691, 697, 709	
1001188844 509		1001207336 684, 691, 697, 709	
1001188883 907, 922		1001207347 101	
1001188889 623		1001207348 105	

SECTION 11 - SPECIAL OPTIONS

1001214042 210, 214	1001215058 469, 471, 473, 475	1001216826 361, 366	1001223122 426, 430, 434, 438, 442, 446, 451, 454
1001214138 339, 345, 367, 373	1001215105 513, 517, 523	1001216827 352, 361	1001223453 883, 887, 895, 897
1001214159 23	1001215125 340, 346, 368, 374	1001216840 422	1001223777 144, 148, 152
1001214163 61, 79, 515	1001215181 922	1001216841 351	1001223971 895, 897
1001214174 23, 27	1001215225 463	1001217342 421, 457	1001224048 903
1001214205 339, 345, 367, 373	1001215227 685, 697	1001217343 338, 344, 366, 372	1001224049 905
1001214207 185, 199, 235, 247, 261, 285, 309, 333, 335, 361, 363	1001215228 572, 580, 584, 588, 596, 600	1001217344 421, 457	1001224050 899
1001214233 339, 345, 367, 373	1001215259 324, 330, 352, 358	1001217345 324, 330, 352, 358, 421, 457	1001224052 891
1001214234 339, 345, 368, 373	1001215378 63, 81, 517	1001217440 774, 793	1001224053 901
1001214269 368, 373	1001215382 209	1001217441 774, 785	1001224889 489
1001214276 339, 345, 368, 373	1001215394 157, 161	1001217443 774	1001224894 487
1001214277 339, 345, 368, 373	1001215503 23	1001217444 921	1001225346 757
1001214278 339, 345, 368, 373	1001215504 23	1001217461 921	1001225580 625, 847
1001214307 340, 345, 368, 373	1001215523 458	1001217494 324, 330, 338, 344, 352, 358, 366, 372	1001225794 923
1001214316 59, 61, 67	1001215588 109, 115	1001217676 465, 467, 665	1001226530 757
1001214355 399	1001215659 59, 77, 513	1001217681 463, 657	1001226872 541, 549
1001214397 757	1001215728 109	1001217779 469, 471, 473, 475, 483, 485, 499	1001227278 921
1001214478 924	1001215813 324, 330, 352, 358	1001217785 324, 330, 351, 357	1001227633 621
1001214503 324, 330, 352, 358	1001215850 907	1001217904 893	1001227634 621
1001214508 340, 345, 368, 374	1001215865 922	1001217935 696, 710	1001227985 621
1001214515 924	1001215868 923	1001217936 684, 710	1001227987 621
1001214546 422, 458	1001215869 340, 346, 368, 374	1001218533 95	1001227993 491
1001214552 924	1001215872 559, 571	1001218535 95	1001227996 865, 867
1001214553 340, 345, 368, 374	1001215873 559	1001218537 95	1001228215 541, 549
1001214555 340, 345, 368, 374	1001215874 563, 583	1001218927 887	1001228224 621
1001214556 340, 345, 368, 374	1001215875 563	1001218928 897	1001228225 621
1001214558 340, 345, 368, 374	1001216072 399	1001218940 469	1001228960 921
1001214559 924	1001216219 280, 293, 304, 317	1001218941 471	1001228988 635, 637, 639
1001214560 924	1001216222 285, 292	1001218942 473	1001229107 922
1001214570 757	1001216223 309, 316	1001218943 469	1001229138 631
1001214571 757	1001216224 279, 285	1001218946 471	1001229341 621
1001214598 340, 346, 368, 374	1001216225 304, 309	1001218947 473	1001229795 837
1001214599 340, 346, 368, 374	1001216228 279	1001218978 920	1001229796 837
1001214616 923	1001216229 303	1001218979 766	1001229797 324, 330, 352, 358, 837
1001214664 340, 346, 368, 374	1001216308 324, 330, 352, 358	1001218980 921	1001230635 189, 203
1001214694 340, 346, 368, 374	1001216400 324, 330, 352, 358	1001218980 921	1001230931 805
1001214729 340, 368	1001216401 324, 330, 352, 358	1001218999 923	1001231235 924
1001214833 922	1001216405 324, 330, 352, 358	1001219000 471, 473, 921	1001231801 883, 907
1001214836 399	1001216407 115, 117	1001219001 469, 471, 766	1001232026 883, 887, 889, 891, 893, 895, 897, 899, 901, 903, 905
1001214841 340, 346, 368, 374	1001216408 887, 897	1001219002 473, 475, 921	1001232164 621
1001214862 280, 304	1001216415 403	1001219003 469, 471, 473, 475, 477	1001232165 621
1001214909 421	1001216416 403	1001219004 463, 477	1001232642 627
1001214910 457	1001216512 403	1001219129 95	1001232643 924
1001214975 239, 251, 265	1001216552 923	1001219201 144	1001232650 627
	1001216599 160	1001219202 156	1001232667 627
	1001216630 501, 504, 507, 509	1001219203 145, 157	1001232842 196, 221
	1001216639 469, 471, 473, 475	1001219601 120	1001233047 921
	1001216652 117	1001219923 115	1001233080 924
	1001216677 157, 160	1001220003 923	1001233139 19
	1001216802 690, 710	1001220155 923	1001233153_NOT_RELE ASED 495
	1001216805 422, 458	1001220379 817	1001233237 922
	1001216825 340, 346, 368, 374	1001223055 883, 887	1001233763 196, 221
		1001223118 97, 883, 887, 889, 891, 893, 895, 897, 899, 901, 903, 905	1001233899 149, 152
			1001234099 921
			1001234295 83
			1001235011 627
			1001235013 627
			1001235053 475

SECTION 11 - SPECIAL OPTIONS

1001235055 475	1001243184 921	1580012 611	292, 312, 316, 338,
1001235455 261, 267	1001243331 922	1580013 924	344, 366, 372
1001235461 259, 261	1001243697 907	1600387 503, 507, 917	1703450 909
1001235462 261, 264	1001243698 907	1670603 751	1703683 643
1001235465 259	1001243895 221	1670829 109, 111, 113,	1703687 883, 887, 889,
1001235760 923	1001246433 921	115, 117, 571, 575,	891, 893, 895, 897,
1001236122 923	1001246434 921	579, 583, 587, 591,	899, 901, 903, 905
1001236123 921	1001246860 922	595, 599	1703774 907
1001236223 923	1001246867 922	1670836 489	1703797 883, 887
1001236224 923	1001247073 924	1671092 447, 451, 454,	1703804 883, 887
1001236251 329	1001247800 924	458	1703805 883, 887
1001236253 357	1001259230 165, 169	1671093 637	1703923 905
1001236254 329, 335	1060341 613, 615, 617,	1684290 649	1703924 895, 897
1001236256 335, 344	619, 831	1700818 907	1703925 899
1001236257 345, 373	1060343 446, 451, 454,	1701499 883, 887, 889,	1703926 901
1001236258 358, 363	458	891, 893, 895, 897,	1703927 903
1001236259 363, 372	1060379 643, 645	899, 901, 903, 905	1703928 891
1001236338 907	1060461 789, 791, 801	1701500 883, 887, 889,	1703935 905
1001236393 345, 373,	1060494 410, 414, 418,	891, 893, 895, 897,	1703936 895, 897
381	422	899, 901, 903, 905	1703937 899
1001236429 922	1060625 195, 243, 297	1701504 883, 887, 889,	1703938 901
1001236493 922	1060626 196, 243, 298,	891, 893, 895, 897,	1703939 903
1001236494 922	304, 351, 357	899, 901, 903, 905	1703940 891
1001236496 924	1060903 613, 615, 617,	1701505 181, 195, 209,	1703941 905
1001236552 627	619	233, 243, 259	1703942 895, 897
1001237862 865, 867	1060908 807, 809, 811	1701509 631, 633, 883,	1703943 899
1001237863 621, 865	1060918 609	887, 889, 891, 893,	1703944 901
1001237864 621, 867	10702077 .. 443, 447, 451,	895, 897, 899, 901,	1703945 903
1001237865 621, 863	455, 459	903, 905	1703947 905
1001237878 757	10702082 .. 443, 447, 451,	1701518 889, 893, 913	1703948 895, 897
1001237879 757	455, 459	1701529 883, 887, 889,	1703949 899
1001237880 757	1120552 51	891, 893, 895, 897,	1703950 901
1001237881 757	1120555 631, 633	899, 901, 903, 905	1703951 903
1001238319 621	1271538 503, 507	1701542 273, 279, 297,	1703952 891
1001238418 627, 869	1320016 238, 250, 264	303, 323, 329, 351, 357	1703953 883, 887
1001238421 509, 924	1320022 182, 196, 210,	1701543 273, 279, 297,	1703980 901
1001238466 767, 771,	233, 244, 259	303, 323, 329, 351, 357	1703981 903
775, 779	1320043 767, 771, 775,	1701691 140, 144, 149,	1703982 899
1001238472 627	779	152, 156, 160	1703983 905
1001238477 627	1320061 324, 352	1702300 883, 887, 889,	1703984 895, 897
1001238495 625	1320130 770, 774, 778	891, 893, 895, 897,	1703985 891
1001238559 627	1320136 503, 507	899, 901, 903, 905	1704000 895, 897
1001238824 627	1320176 395, 397	1702565 571, 575, 579,	1704001 905
1001239573 924	1320218 273, 279, 297,	583, 587, 591, 595, 599	1704002 891
1001239574 924	303, 323, 329, 351, 357	1702566 571, 575, 579,	1704007 905
1001239575 924	1320220 273, 279, 297,	583, 587, 591, 595, 599	1704008 891
1001241254 921	303, 323, 329, 351, 357	1702567 571, 575, 579,	1704260 571, 575, 579,
1001241284 152	1320223 135, 137, 195,	583, 587, 591, 595, 599	583, 587, 591, 595, 599
1001241289 152	243, 297, 303, 351,	1702740 49, 51	1704271 907
1001241295 152, 169	357, 757	1702773 893, 907	1704277 883, 884, 887,
1001241296 153, 165	1320224 503, 507	1702774 907	889, 891, 893, 895,
1001241299 153	1320302 635, 637, 639	1702860 907	897, 899, 901, 903, 905
1001241333 922	1320323 273, 279, 297,	1702868 637, 639, 883,	1704412 883, 887, 889,
1001241342 922	303	887, 922	891, 893, 895, 897,
1001241397 923	1321283 323, 329, 351,	1702938 613, 615, 617,	899, 901, 903, 905
1001241965 627	357	619	1704455 913
1001242589 923	1321293 107	1702941 195, 243, 297,	1704456 913
1001242639 921	1321647 873	303, 351, 357	1704457 911
1001242842 569	1321716 181, 188, 196,	1702942 195, 243, 297,	1704482 909
1001242843 565	202, 209, 214, 233,	303, 351, 357	1704576 911
1001242847 569, 599	244, 259, 273, 279,	1702943 195, 243, 297,	1704577 911
1001242848 565, 587	297, 303, 324, 352,	303, 351, 357	1704578 909
1001242855 129	405, 409, 413, 417,	1702944 195, 243, 297,	1704752 907
1001242856 133	426, 430, 434, 438,	303, 351, 357	1704885 883, 887, 889,
1001243168 588, 600,	442, 446, 451, 454	1703067 47	891, 893, 895, 897,
845	1580011 288, 292, 312,	1703162 188, 202, 214,	899, 901, 903, 905
1001243183 921	316, 338, 344, 366, 372	238, 250, 264, 288,	

SECTION 11 - SPECIAL OPTIONS

1704972 195, 233, 243, 907	2180348 233, 243, 259, 273, 279, 298, 303, 323, 329, 351, 357	2220596.....684, 690, 696, 702, 708	2560136 571, 575, 579, 583, 587, 591, 595, 599
1705014557	2180387 273, 279, 297, 303, 323, 329, 351, 357	2220600.....684, 690, 696, 708	2560187 163, 165, 167, 169
1705084893	2180389 273, 279, 297, 303, 323, 329, 351, 357	2220603.....684, 690, 696, 702, 708	2580024 195, 243, 298, 303, 351, 357
1705305 635, 637, 639	2180504 273, 279, 297, 303, 323, 329, 340,	2220628.....684, 690, 696, 702, 708	2580050 195, 243, 297
1705325 721, 723	346, 351, 357, 368, 374	2220726.....702	2580062250
1705336 883, 887	2180736 655, 657, 663, 665	2220811.....684, 690, 696, 702, 708	2580063313, 317
1705344901	2180832 181, 195, 209	2220883.....35, 37, 67, 69, 649, 655, 657, 659,	2600281 529, 531, 533, 535, 537, 539
1705345903	2180876 181, 195, 209, 233, 243, 259	661, 663, 665, 667,	2720015 188, 202, 214
1705347 895, 897	2180877 288, 292, 312, 316	675, 685, 691, 697,	2720058 181, 195, 209, 233, 243, 259, 340,
1705349891	2220064 340, 346, 368, 374	703, 708	346, 368, 374
1705351 883, 887	2220237677	2220885.....69, 673, 675	2720149 273, 279, 297, 303
1705355 635, 637	2220238 71, 684, 690, 697, 708	2220886 35, 37, 661, 667, 673, 677	2720271 288, 292, 312, 316, 340, 346, 368, 374
1705358 631, 633, 922	2220261 338, 344, 366, 372	2220887 661	2720340 188, 202, 214
170536351	2220290 273, 279, 297, 303, 323, 329, 351, 357	2220888.....37	2720398 238, 251, 264
170536451	2220315 188, 202, 214, 238, 250, 264, 288,	2220906.....684, 690, 696, 702, 708	2720447 238, 251, 264
1705374 429, 433, 437	292, 312, 316, 338, 344, 366, 372	2220923.....685, 691, 697, 703, 708	2720615 340, 346, 368, 374
1705375 447, 451, 455, 459, 637, 639	2220371 690, 702, 708	2220940.....690, 696, 702, 708	2720644 338, 344, 366, 372
1705387 429, 433, 437, 447, 451, 455, 459	2220372 71, 684, 690, 696, 702, 708	2220946.....684, 690, 696, 702, 708	2752503 684, 690, 696
1705426901	2220373 684, 690, 696, 702, 708	2220947.....684, 690, 696, 702, 708	2752504 684, 690, 696, 709
1705427903	2220374 684, 690, 696, 702, 708	2220998.....685, 691, 697, 703, 708	2752519 684, 690, 696, 708
1705429 895, 897	2220375 684, 690, 696, 702, 708	2221033.....684, 690, 696, 702, 708	2780267 23, 25, 29
1705430899	2220377 684, 690, 696, 702, 708	2221040.....696, 702, 708	278026825, 33
1705460 443, 447, 451, 455, 459	2220408702	2221052.....71	2820030839
1705461443	2220415 690, 696, 702, 708	2221086.....69, 525, 685, 691, 697, 703, 708	2820031 405, 409, 413, 417, 421, 425, 429, 433, 437, 441, 445, 449, 453, 457, 766, 770, 774, 778, 797, 799
1705466 635, 637, 639	2220435 684, 690, 696, 709	2230025.....684, 690, 696, 702, 708	2820035221
1705489 425, 443	2220451 238, 250, 264, 684, 690, 696, 702, 708	2300004.....188, 214, 288, 292, 340, 346	2820118785
1705514 883, 887, 895, 897	2220465 684, 690, 696, 702, 708	2300014.....923	2820247865, 867
1705822 889, 893	2220466 684, 690, 696, 702, 708	2300016.....23, 25, 923	2860030 109, 111, 113, 115, 117, 916
1705828 889, 893	2220468 684, 690, 696, 702, 708	2300019.....923	290075669
1705903891	2220472 684, 690, 696, 702, 708	2300027923	2900770 651, 673, 675, 677
1705905891	2220497 684, 690, 696, 708	2300029.....923	2900792653
1705910905	2220500 696, 702, 708	2300039.....923	2901443924
1705917905	2220501 684, 690, 696, 702, 708	2300041.....202, 312, 316, 366, 372	2902065 188, 202, 214, 238, 251, 264, 319
1705961 889, 893	2220577 684, 690, 696, 702, 708	2400060.....196, 221, 827, 829	2902217635, 637
1705968899	222057971	2400066.....827	2902266649
1705969903	2220582 684, 690, 696, 702, 708	2400082.....837	2902443815, 817
1706059907	2220588 684, 690, 696, 702, 708	2410014.....557	2902549 721, 727, 731, 733, 735, 741, 747, 753, 807
1706060 209, 907	2220596 684, 690, 696, 702, 708	2420202.....503, 507	2920028 583, 587, 592, 595, 599, 613, 615, 617, 619
1706061907	2220597 684, 690, 696, 702, 708	2420203.....409, 414, 417, 422	2920029 583, 587, 592, 595, 599, 613, 615, 617, 619
1706062907	2220598 684, 690, 696, 702, 708	24431386...324, 330, 352, 358	2920129504
1706063907	2220599 684, 690, 696, 702, 708	2460048.....441, 445, 453	2940074 529, 531, 533, 535, 537, 539, 916
1706064907	2220600 684, 690, 696, 702, 708	2460051.....417	
1706098907	2220601 684, 690, 696, 702, 708	2460055.....409	
1706385557	2220602 684, 690, 696, 702, 708	2540020.....127, 129, 131, 133	
1706510645	2220603 684, 690, 696, 702, 708	2540038.....503, 507	
1706941 883, 895, 905	2220604 684, 690, 696, 702, 708		
1787217137	2220605 684, 690, 696, 702, 708		
2030010 635, 637, 639	2220606 684, 690, 696, 702, 708		
2060025 238, 250, 264, 289, 293, 313, 317	2220607 684, 690, 696, 702, 708		
2080040 425, 529, 531, 533, 535, 537, 539, 753, 755	2220608 684, 690, 696, 702, 708		
2110810 684, 690, 696, 702, 708	2220609 684, 690, 696, 702, 708		
2110812 684, 690, 696, 702, 708	2220610 684, 690, 696, 702, 708		
2151212 684, 690, 696, 702, 708	2220611 684, 690, 696, 702, 708		
216000189	2220612 684, 690, 696, 702, 708		

SECTION 11 - SPECIAL OPTIONS

2940173.....163, 165, 167, 169	3290801 233, 243, 259, 323, 329, 338, 344, 351, 357, 366, 372	434, 438, 442, 447, 451, 454, 458	3423105 469, 471, 473, 475
3020008.....23, 25	3290805 59, 61, 63, 65, 71, 99, 101, 103, 105, 137, 140, 144, 148, 152, 156, 160, 171, 173, 175, 188, 202, 210, 214, 238, 250, 264, 273, 279, 288, 292, 297, 303, 312, 316, 323, 329, 338, 344, 351, 357, 366, 372, 401, 403, 405, 409, 413, 417, 421, 425, 429, 433, 437, 442, 446, 449, 454, 457, 483, 485, 757, 766, 770, 774, 778	3311005.....125, 127, 129, 131, 133, 635, 637, 639	342330419, 21
3020021.....319	3291001 188, 202, 214, 288, 292, 312, 316, 338, 344, 366, 372, 509	3311401.....613, 615	3430616 572, 580, 584, 588, 596, 600
3020037.....185, 199, 209, 235, 247, 261, 283, 285, 307, 309	3291005 135, 137, 140, 144, 148, 152, 156, 160, 163, 165, 167, 169, 171, 173, 175, 181, 188, 195, 202, 209, 214, 233, 238, 243, 250, 259, 264, 273, 279, 288, 292, 297, 303, 312, 316, 323, 329, 338, 344, 351, 357, 366, 372, 409, 413, 417, 421, 469, 471, 473, 475, 477, 479, 481, 483, 485, 487, 489, 491, 493, 495, 509, 757, 766, 770, 774, 778	3311405.....503, 507, 559, 561, 563, 565, 567, 569, 617, 619, 627, 721, 723, 727, 729, 731, 733, 735, 737, 739, 741, 743, 745, 747, 749, 751, 883, 887, 889, 891, 893, 895, 897, 899, 901, 903, 905	3460334631, 633
3020043.....659, 675	3291801 883, 887, 891, 895, 897, 905	3311501.....140, 144, 148, 152, 156, 160, 613, 615, 617, 619	3470003 572, 575, 580, 584, 588, 592, 596, 600
3020044.....250	3251242.....425, 729, 739, 745, 749, 751, 889	3311505.....643, 645	3480227675
3160348.....25, 37	3251243.....409, 413, 417, 421, 429, 433, 437, 883, 887, 891, 895, 897, 905	3311601.....140, 144, 149, 152, 156, 160, 572, 575, 580, 584, 588, 592, 596, 600, 627	3520026 571, 576, 579
3160351.....23, 35	3252347883, 887	3311605.....219, 273, 297, 557, 559, 561, 563, 565, 567, 569, 635, 637, 639	3520027 571, 576, 579
3200406.....288, 292, 312, 316	3252507.....725, 727, 731, 733, 735, 737, 741, 743, 747	3311705.....405, 409, 413, 421	3520028 409, 414, 417, 422
3250872.....909	3252692.....913	3311801.....23, 25	3520033579, 595
3251242.....425, 729, 739, 745, 749, 751, 889	3252693.....911	3311805.....501, 503, 507, 509	3520035571, 579
3251243.....409, 413, 417, 421, 429, 433, 437, 883, 887, 891, 895, 897, 905	3252764.....441, 446, 449, 453, 457	3312005.....73, 503, 507, 631, 633	3520054 190, 204, 216, 238, 250, 264, 571, 575, 579, 583, 587, 591, 595, 599
3251813.....883, 887, 891, 895, 897, 905	3271805.....557	3321001.....135, 137, 189, 203, 215, 238, 250, 264	3520072 529, 531, 533, 541, 543, 545, 547, 549, 557
3252347883, 887	3272605.....503, 507	3331211.....288, 292, 312, 316, 405, 409, 413, 417, 425, 429, 433, 437, 442, 446, 449, 454, 457	3520182629
3252507.....725, 727, 731, 733, 735, 737, 741, 743, 747	3290405.....107, 273, 279, 297, 303, 323, 329, 351, 357, 721, 723, 727, 729, 731, 733, 735, 737, 739, 741, 743, 745, 747, 749, 751, 753, 755, 766, 770, 774, 778	3331215.....188, 202, 214, 238, 250, 264	3520189442
3252692.....913	3290501 135	3340860.....483, 485	3520192426, 442
3252693.....911	3290505.....123, 127, 131, 135, 273, 279, 297, 303, 405, 425, 429, 433, 437, 442, 446, 449, 453, 457	3340956.....631, 633	3520198 529, 531, 533, 541, 543, 545, 547, 549
3252764.....441, 446, 449, 453, 457	3290601.....120, 135, 137, 163, 165, 167, 169	3380434.....559, 561, 563, 565, 567, 569	3572551483, 485
3271805.....557	3290605.....59, 61, 63, 65, 107, 120, 127, 129, 131, 133, 135, 137, 181, 188, 195, 202, 209, 214, 233, 238, 243, 250, 259, 264, 273, 279, 297, 303, 323, 329, 351, 357, 401, 403, 405, 409, 413, 417, 421, 425, 429, 433, 437, 442, 446, 449, 453, 457, 753, 755, 766, 770,774, 778	3420352.....73	3573400 635, 637, 639
3272605.....503, 507	3290606.....543, 545, 547, 551, 553, 555	3420372.....73	3573642 635, 637, 639
3290405.....107, 273, 279, 297, 303, 323, 329, 351, 357, 721, 723, 727, 729, 731, 733, 735, 737, 739, 741, 743, 745, 747, 749, 751, 753, 755, 766, 770, 774, 778	3290607.....288, 292, 312, 316, 338, 344, 366, 372	3422532.....181, 196, 209, 233, 243, 259, 273, 279, 298, 304, 323, 329, 351, 357	3575705 613, 615, 617, 619
3290501 135		3422661.....643, 645	3577121 635, 637, 639
3290505.....123, 127, 131, 135, 273, 279, 297, 303, 405, 425, 429, 433, 437, 442, 446, 449, 453, 457		3422755.....469, 471, 473, 475, 479, 481	3580158405, 409
3290601.....120, 135, 137, 163, 165, 167, 169		3422790.....469, 471, 473, 475	3580276409
3290605.....59, 61, 63, 65, 107, 120, 127, 129, 131, 133, 135, 137, 181, 188, 195, 202, 209, 214, 233, 238, 243, 250, 259, 264, 273, 279, 297, 303, 323, 329, 351, 357, 401, 403, 405, 409, 413, 417, 421, 425, 429, 433, 437, 442, 446, 449, 453, 457, 753, 755, 766, 770,774, 778		3422791.....483, 485	3580312 417, 437, 454
3290606.....543, 545, 547, 551, 553, 555		3422792.....469, 471, 473, 475, 479, 481	3580314437, 454
3290607.....288, 292, 312, 316, 338, 344, 366, 372		3422793.....469, 471, 473, 475, 477, 479, 481	3580317 425, 429, 433, 442, 446, 449, 457
		3422806.....477, 479, 481	3580318 429, 433, 446, 449, 457
		3422848.....21	3580319425, 442
		3423038.....477, 479, 481	3580320 413, 425, 429, 433, 442, 446, 449
			3580324417
			3580348 417, 437, 454
			3600242 185, 199, 235, 247, 283, 285, 307, 309, 333, 361, 387
			3740067 135, 137, 238, 250, 264, 916
			3740080 405, 410, 413, 417, 421
			3740086869, 916
			3740140 238, 250, 264, 916
			3760115489
			376017073
			3760351487
			3790012 274, 280, 298, 304, 323, 329, 351, 357, 571, 575, 579, 583, 587, 591, 595, 599
			3790152 185, 199, 235, 247, 261, 283, 285, 307, 309, 333, 335, 361, 363

SECTION 11 - SPECIAL OPTIONS

3820001883, 887, 889, 891, 893, 895, 897, 899, 901, 903, 905, 909, 911, 913	4031505621	4360407.....571, 575, 579, 583, 587, 591, 595, 599, 916	4460267 99, 101, 103, 105, 759, 841, 845, 874
3820020529, 531, 533, 535, 537, 539	4031511 766, 770, 774, 778	4360436.....99, 101, 103, 105	4460268 409, 414, 417, 422, 759, 831, 833, 877
3820032 135, 137	4031512 107	4360469.....109, 111, 113, 115, 117	4460313815, 821
3841143 19, 21, 181, 195, 233, 243, 259, 273, 279, 297, 303, 323, 329, 351, 357, 469, 471, 473, 475, 477, 479, 481, 509	4031516627	4360475.....109, 111, 113, 115, 117, 571, 575, 579, 583, 587, 591, 595, 599, 916	4460315 717, 719, 725
3841203469, 471, 473, 475, 477, 479, 481, 491, 493, 495	4031711338, 366	4360476.....109, 111, 113, 115, 117, 571, 576, 579, 583, 587, 591, 595, 599, 916	4460320 99, 101, 103, 105
3841258 17, 491, 493, 495	4031914 188, 202, 214	4400275.....273, 279, 297, 303	4460321 409, 414, 417, 422
3841287 491, 493, 495	4032013 413, 433, 449	4400420.....273, 279, 297, 303	4460346 429, 433, 437, 446, 449, 454, 457, 717, 719
3841340766, 770, 774, 778	4032014 413, 433, 449	4420014.....631, 633	4460384751
3900054557	4032015 425, 429, 442, 446	4420037.....635, 637, 639	4460418 835, 841, 845
3900267426, 430, 435, 438	4060092725	4420051.....907, 909, 911, 913	4460419 835, 841, 845
3900283 503, 507	4060802 405, 410, 413, 417, 421, 425, 429, 433, 437, 442, 446, 449, 454, 457	4420060.....405	4460424877
390029521	4060805 188, 202, 214, 238, 251, 264, 288, 292, 312, 316	4420062.....643, 645	4460425 426, 430, 434, 438, 443, 447, 451, 454, 458, 613, 615, 617, 619
3900300426, 430, 434, 438	406080695	4420066.....631, 633	4460426 430, 434, 438, 443, 447, 451, 454, 458
3900349571, 580, 583, 587, 596, 599	4060808 766, 770, 774, 778	4420068.....613, 615, 617, 619	4460428 507, 509, 571, 575, 579, 583, 587, 591, 595, 599
3900351 487, 489	4060906 109, 111, 113, 115, 117	4460016.....841, 845	4460434841, 845
3910408 188, 202, 214	4061054503, 507	4460027.....409, 414, 417, 422	4460458873
3910606429, 433, 437, 446, 449, 454, 457	407045073	4460042.....823, 825, 874	4460464 107, 123, 609, 761, 763, 797, 799, 805, 813, 825, 827, 829, 841, 845, 847, 869, 873, 877, 879
3910610717, 719, 725	407056073	4460043.....221, 817	4460465 503, 759, 761, 763, 781, 783, 785, 787, 805, 813, 815, 817, 818, 821, 823, 831, 839, 841, 845, 847, 871, 873, 874, 877, 879
3910804 109, 111, 113, 115, 117	407056173	4460049.....613, 615, 617, 619	4460466 274, 280, 298, 304, 324, 330, 352, 358, 503, 621, 761, 767, 771, 775, 779, 781, 783, 785, 787, 797, 799, 805, 815, 817, 818, 821, 823, 827, 829, 839, 841, 845, 847, 863, 869, 873, 874, 877, 879
3911010 127, 129, 131, 133	4070897487, 489	4460071.....429, 433, 437, 446, 449, 454, 457, 609, 717, 719, 725	4460467 924
3911012125	4070898487, 489	4460125.....725	4460470 571, 575, 579, 583, 587, 591, 595, 599
3911018 109, 111, 113, 115, 117, 571, 575, 579, 583, 587, 591, 595, 599	4071101 17	4460134.....410, 414, 418, 422, 717	4460471 571, 575, 579, 583, 587, 591, 595, 599
3931408 623, 625	4160182 140, 144, 148, 152, 156, 160	4460138.....410, 414, 418, 422	4460473 766, 770, 774, 778, 781, 783, 785, 787
3931424623	4240032 123, 127, 129, 131, 133	4460183.....841, 845	4460488 127, 129, 131, 133
3931512 188, 202, 214	4240033 503, 507, 621, 623, 625, 627	4460190.....409, 414, 417, 422	4460496 120
3931618 185, 199, 235, 247, 261, 285, 309, 333, 335, 361, 363	4240099 188, 202, 214, 221, 238, 250, 264, 288, 292, 312, 316, 323, 329, 338, 344, 351, 357, 366, 372, 405, 410, 413, 418, 421, 425, 429, 433, 437, 442, 446, 449, 454, 457, 583, 587, 591, 595, 599, 613, 615, 635, 637	4460205.....717, 719	4460497 120
3931620 185, 199, 235, 247, 283, 285, 307, 309, 333, 361	4240149631, 633	4460225.....442, 446, 449, 454, 457, 759, 831, 835, 841, 845	4460508 621, 797, 799
3931628 413, 433, 449	4240156 766, 770, 774, 778	4460226.....503, 603, 606, 609, 615, 619, 835, 841, 845, 871	4460509 781, 783, 785, 787, 873
3960407238, 250, 264	4341415631, 633	4460227.....841, 845	4460510 924
3960422429, 433, 437, 446, 449, 454, 457, 717, 719, 725	4360057 613, 615, 617, 619, 917	4460233.....725	4460518761
3960526 23, 25	4360070 430, 434, 438, 442, 447, 451, 454, 458	4460234.....123, 571, 575, 579, 583, 587, 591, 595, 599, 613, 615	4460536 120
4010405753, 755	4360328 109, 111, 113, 115, 117, 916	4460247.....817, 873	
4010417766, 770, 774, 778	4360336 405, 410, 413, 418, 421, 425, 429, 433, 437, 442, 446, 449, 454, 457	4460259.....833, 841, 845, 874	
4010418766, 770, 774, 778	4360387 113, 571, 575, 579, 583, 587, 591, 595, 599, 613, 615, 617, 619, 916, 917	4460260.....833, 841, 845, 874	
4010514 127, 131		4460265.....603, 606, 759	
4010618543, 545, 547, 551, 553, 555			

SECTION 11 - SPECIAL OPTIONS

4460539..... 877	4460942 621, 825	4710400.....188, 202, 214	743, 745, 747, 749,
4460662.....735, 737, 741, 743, 747, 751	4460943 120, 125, 127, 129, 131, 133, 863, 873	4711000.....125, 127, 129, 131, 133, 219, 426, 430, 434, 438, 443, 447, 451, 455, 459	751, 766, 770, 774, 778 4811600 123, 135, 405, 425, 429, 433, 437, 442, 446, 449, 454, 457
4460693.....821, 823	4460944 817, 839, 873	4711400.....163, 165, 167, 169, 503, 507, 541, 543, 545, 547, 549, 551, 553, 555, 623, 625, 627, 629, 721, 723, 727, 729, 731, 733, 735, 737, 739, 741, 743, 745, 747, 749, 751	4811602127, 131 4811700 107, 120, 127, 129, 131, 133, 135, 137, 163, 165, 167, 169, 181, 188, 195, 202, 209, 214, 233, 238, 243, 250, 259, 264, 273, 279, 288, 292, 297, 303, 312, 316, 323, 329, 338, 344, 351, 357, 366, 372, 405, 410, 413, 418, 421, 425, 429, 433, 437, 442, 446, 449, 454, 457, 543, 545, 547, 551, 553, 555, 753, 755, 767, 771, 775, 779
4460701 725	4460956807, 811	4711500.....71, 135, 137, 140, 144, 148, 152, 156, 160, 188, 202, 214, 575, 592, 766, 770, 774, 778	4811702 120, 135, 137, 161, 190, 204, 210, 216, 274, 280, 289, 298, 304, 313, 323, 329, 338, 344, 351, 357, 366, 372, 401 4811900 59, 61, 63, 65, 99, 101, 103, 105, 109, 111, 113, 115, 117, 137, 140, 144, 148, 152, 156, 160, 171, 173, 175, 181, 188, 196, 202, 209, 214, 233, 238, 244, 250, 259, 264, 273, 279, 288, 292, 297, 303, 312, 316, 323, 329, 338, 344, 351, 357, 366, 372, 405, 410, 413, 418, 421, 425, 429, 433, 437, 442, 446, 449, 454, 457, 757
4460703 817	4460957807, 811	4740086..... 19, 21	4811902 156, 274, 280, 298, 304, 338, 344, 366, 372, 483, 485, 487, 489, 766, 770, 774, 778
4460705.....409, 414, 417, 422	4460961 409, 414, 417, 422	4740155..... 21	4812000 77, 79, 81, 83, 107, 135, 137, 140, 144, 148, 152, 156, 160, 165, 169, 171, 173, 175, 181, 188, 195, 202, 209, 214, 233, 238, 243, 250, 259, 264, 273, 279, 288, 292, 297, 303, 312, 316, 323, 329, 338, 344, 351, 357, 366, 372, 405, 410, 413, 418, 421, 434, 451, 469, 471, 473, 475, 477, 479, 481, 487, 489, 491, 493, 495,
4460708 845	4460962637	4740158..... 17	
4460709.....715, 721, 727, 731, 733, 735, 737, 741, 743, 747	4460963 447, 451, 454, 459	4740229..... 17	
4460710.....715, 721, 727, 731, 733, 735, 737, 741, 743, 747	4460967873	4740274.....288, 292, 312, 316	
4460722 221	4460968 405, 721, 727, 731, 733, 735, 737, 741, 743, 747	4740362.....559, 561, 563, 565, 567, 569	
4460742 873	4460970841, 845	4740491..... 21	
4460743 873	4460977837	4750800..... 771	
4460754 877	4461005815	4751000.....410, 413, 418, 421, 635, 637, 639	
4460761503, 841, 845, 874	4461006823	4751400.....503, 507, 565, 569, 571, 575, 579, 583, 587, 591, 595, 599, 611, 613, 615, 617, 619, 629, 635, 637, 639, 721, 727, 731, 733, 735, 737, 741, 743, 747, 883, 887, 889, 891, 893, 895, 897, 899, 901, 903, 905	
4460806.....739, 745, 874	4461008815, 817	4751500.....405, 410, 413, 418, 421, 613, 615, 617, 619, 643, 645	
4460807 831	4461052815	4751600.....559, 561, 563, 565, 567, 569, 635, 637, 639	
4460808 831	4461054825	4751800.....557, 613, 615, 617, 619	
4460836.....503, 839, 873, 874	4461060825	4752000..... 73	
4460837873, 874	4461070761, 817	4760600.....717, 719, 725	
4460865.....766, 770, 774, 778, 781, 783, 785, 787, 873	4461071815, 817	4761000.....135, 137, 189, 203, 215, 238, 250, 264	
4460866.....766, 770, 774, 778, 797, 799, 841, 845	4461072815, 817	4761400..... 611	
4460871.....835, 841, 845, 873, 874, 877	4461073815, 817	4811400.....107, 721, 723, 727, 729, 731, 733, 735, 737, 739, 741,	
4460872 877	4461074815, 817		
4460873.....841, 845, 874	4461077863, 869		
4460874.....841, 845, 873	4461095 761, 815, 817		
4460875.....841, 845, 877	4461109821, 823		
4460876835	4461111821, 823		
4460878 874	4461113823		
4460879.....841, 845	4461121821, 823		
4460884.....805, 817, 847, 871, 873, 874	4461122821, 823		
4460887.....841, 845, 874	4461123823		
4460891.....759, 761, 763, 805, 813, 817, 825, 874, 877, 879	4461124821, 823		
4460894.....815, 818, 821, 823, 845, 873, 879	4461196849		
4460897.....123, 125, 127, 129, 131, 133, 763, 825	4461198849		
4460899.....805, 813, 847, 863, 869, 873, 877, 879	4461199851		
4460905.....835, 841, 845, 873, 874, 877	4461201851		
4460906 827	4461202853, 857		
4460910 867	4461205855, 859		
4460911 863	4461222823		
4460928 761	4461244853		
4460930.....274, 280, 298, 304, 324, 330, 352, 358, 815, 818	4461245855		
4460931 873	4461246861		
4460932817, 825	4461249861		
4460933.....503, 761, 839, 841, 845, 874	452021641		
4460941825, 863	4520217 49, 51, 53		
	452024043		
	452026247		
	452060855		
	4530028 635, 637, 641		
	4568735 418, 437, 454		
	4640113 47, 49, 51		
	4640261 71		
	4640509653		
	4640751 188, 202, 214		
	4640771 673, 675, 677		
	4640858649		
	4640952 288, 292, 312, 316		
	4641122 41, 43, 55, 57		
	4641155 59, 61, 63, 65		
	4641390 655, 657, 659, 661, 663, 665, 667		

SECTION 11 - SPECIAL OPTIONS

509, 757, 766, 770, 774, 778	446, 450, 454, 458, 487, 489, 501, 509	70000913.....253, 267	70002460.. 441, 445, 450, 453, 458
481200299, 101, 103, 105, 107, 140, 144, 148, 152, 156, 160, 274, 280, 298, 304, 323, 329, 351, 357	5241400 338, 344, 366, 372	70000914.....253, 267	700024829, 33
4812100 140, 144, 148, 152, 156, 160, 181, 188, 195, 202, 209, 214, 324, 330, 351, 357, 425, 429, 442, 446, 491, 493, 495, 509	524160021, 89	70000915.....253, 267	700025329, 33
481210299, 101, 103, 105, 140, 144, 148, 152, 156, 160	5250605 289, 293, 313, 317, 338, 344, 367, 372	70000917.....253, 267	700025729, 33
4812200 188, 202, 214, 238, 250, 264, 324, 330, 338, 352, 358, 366, 405, 410, 413, 422, 425, 429, 433, 442, 446, 449, 458	5250608 120	70000918.....253, 267	700025829, 33
481230097	5250808 426, 430, 434, 438, 442, 446, 451, 454	70000919.....254, 268	700026129, 33
4845582 643, 645	5250810 109, 111, 113, 115, 117, 190, 204, 216, 426, 430, 434, 438, 442, 446, 451, 454, 513, 515, 517, 519	70000931.....254, 268	700026229, 33
4846370 613, 615	5250812 95, 767, 771, 775, 779	70001002.....253, 267	700026329, 33
4846573 501, 503, 507	5251008 509	70001100...441, 445, 450, 453, 458	70002649 93
4846627 635, 637, 639	5251009487, 489	70001181.....253, 267	70002651 93
4846689485	5251010 59, 61, 63, 65, 77, 79, 81, 83, 274, 280, 297, 303, 477, 487, 489, 513, 515, 517, 519	70001349.....29, 33	70002718 .. 223, 227, 253, 267
486017949, 51, 53	5251012 .17, 39, 487, 489	70001384...441, 445, 450, 453, 458	70002838 99, 101, 103, 105, 916
486023747	5251014 140, 144, 148, 152, 156, 160, 766, 770, 774, 778	70001423.....253, 267	70002842 649
4871700425, 429, 433, 442, 446, 449	5251016 509	70001435.....254, 268	70002895313, 917
4891600 185, 199, 235, 247, 261, 283, 285, 307, 309, 333, 335, 361, 363, 418, 437, 454, 501, 503, 507, 509	5251215 23, 181, 195, 209, 233, 243, 259, 273, 279, 297, 303, 323, 329, 351, 357	70001498.....254, 268	70002902 609
4891800 23, 25, 185, 199, 210, 235, 247, 261, 283, 285, 307, 309, 333, 335, 361, 363, 501, 503, 507, 509	5260800 95, 109, 111, 113, 115, 117, 426, 430, 434, 438, 442, 446, 451, 454	70001654.....253, 267	70002903 609
4892000 .23, 25, 503, 507	5261018 274, 280, 298, 303	70001655.....253, 267	70002904 609
4892600501, 503, 507, 509	5261200 181, 195, 209, 233, 243, 259, 273, 279, 297, 303, 323, 329, 351, 357	70001696...441, 445, 450, 453	70002905 609
4920385288, 292, 312, 316	5271809 288, 292, 312, 316, 339, 367	70001844.....254, 268	70002962 69
4920463803	5272114 89	70001850.....253, 267	70003463 ... 253, 267, 916
4922641833	5281920 766, 770, 774, 778	70001866.....254, 268	70003464253, 267
4922705503	70000088 91	70001868.....254, 268	70003468254, 268
4922869503	70000089 91	70001870..223, 227, 253, 267	70003469254, 268
4922925442, 446, 449, 454, 457	70000100 521	70001871254, 268	70003472253, 267
4923451239, 250, 265	70000123 405	70001872254, 268	70003473253, 267
4923463 793, 795	70000342497, 499	70001953...441, 445, 453	70003475253, 267
4933218613, 617, 712	70000345 .. 225, 229, 254, 268	70001966...426, 430, 434, 437, 441, 445, 450, 453, 458	70003479253, 267
5240800 156, 161, 273, 279, 297, 303, 323, 329, 338, 344, 351, 357, 366, 372	70000619.. 441, 445, 449, 453, 457	70001973...441, 445, 450, 453, 458	70003480253, 267
5241200 17, 19, 21, 71, 89, 189, 202, 214, 238, 250, 264, 288, 292, 312, 316, 338, 344, 367, 372, 405, 410, 413, 418, 421, 425, 429, 433, 437, 442,	7000078167, 69	70001974...441, 445, 450, 453, 458	70003481253, 267
	70000787254, 268	7000206.....29, 33	70003612 87
	70000793 319	70002063..... 69	70003614 99, 101, 103, 105, 916
	7000079735, 37	70002088...441, 445, 453	70003631 .. 441, 445, 450, 453, 458
	70000800253, 267	70002112..... 101, 105	70003708 .. 426, 430, 434, 437, 441, 445, 450, 453, 458
	70000851254, 268	70002206..... 91	70003709 .. 426, 430, 434, 437, 441, 445, 450, 453, 458
	70000863.. 441, 445, 450, 453, 458	70002207..... 91	70003783 .. 189, 203, 215, 239, 251, 265, 916
	70000865 93	70002209..... 69	70003788 85, 465, 655, 657, 663, 665, 916
	70000912253, 267	70002234254, 268	70003837651, 669
		70002257 390	70003838651, 669
		7000229..... 29, 33	70003931254, 268
		70002291 450, 458	70003932254, 268
		70002297...441, 445, 450, 453, 458	70003975 69
		7000230..... 29, 33	7000397785
		70002316..... 377, 381	70003978 67
		70002318..... 377, 381	70004000 87
		7000232..... 29, 33	70004013 87
		70002326..... 377, 381	70004014 87
		70002335..... 653	70004017 69
		70002371..... 653	70004020 .. 289, 293, 313, 317, 340, 346, 368, 374, 916
		70002373..... 653	70004056254, 268
		70002386.67, 69, 85, 465, 655, 657, 663, 665, 667, 916	70004058254, 268
		70002390..... 67	70004059254, 268
		70002401....465, 655, 663	70004060254, 268
		70002413..... 651	70004062254, 268
		7000246..... 29, 33	

SECTION 11 - SPECIAL OPTIONS

70004092...426, 430, 434, 437, 450, 458	70004740 603	70004899 390	70005152 671
70004093 450	70004741 603	70004900 390	70005153 671
70004094 450, 458	70004742 603	70004901 390	70005154 671
70004095 450	70004743 603	70004902 390	70005155 653
70004096 450	70004744 603	70004903 390	70005156 653
70004097 450	70004745 603	70004904 390	70005157 653
70004098...430, 434, 438, 450, 458	70004746 603	70004905 390	70005158 653
70004099...434, 450, 458	70004747 603	70004906 390	70005159 653
70004102 254, 268	70004748 603	70004907 390	70005160 653
70004103 254, 268	70004749 603	70004908 390	70005171 223, 227
70004169...441, 445, 453	70004750 603	70004909 390	70005172 223, 227
70004171...426, 430, 437, 441, 445, 453	70004751 603	70004910 390	70005173 223, 227
70004249 93	70004752 605	70004911 390	70005174 223, 227
70004250 93	70004753 605	70004955 677	70005176 224, 228
70004251 93	70004754 605	70004956 677	70005177 224, 228
70004252 93	70004755 605	70004957 677	70005180 224, 228
70004253 93	70004756 605	70004958 673	70005181 224, 228
70004254 93	70004757 605	70004959 673	70005182 224, 228
70004255 93	70004758 605	70004960 673	70005183 224, 228
70004256 93	70004759 605	70004961 663, 665	70005184 224, 228
70004257 93	70004760 605	70004962 663, 665	70005185 224, 228
70004258 93	70004761 605	70004963 663, 665	70005186 224, 228
70004259 93	70004762 605	70004964 667	70005188 224, 228
70004260 93	70004763 605	70004965 667	70005189 224, 228
70004261 93	70004764 605	70004966 667	70005191 225, 229
70004262 93	70004765 605	70004967 655, 657	70005217 85
70004263 93	70004766 605	70004968 655	70005218 85
70004267 87	70004767 605	70004969 655, 657	70005219 85
70004268 253, 267	70004768 605	70005010 651	70005230 603
70004269 253, 267	70004769 605	70005011 651	70005243 523, 525
70004270 254, 268	70004770 605	70005012 651, 669	70005446 225, 229
70004275 223	70004771 605	70005013 651, 669	70005483 30
70004280 223, 227	70004772 605	70005014 651, 669	70005527 229
70004281 223, 227	70004773 605	70005016 651, 669	70005577 667
70004282 224, 228	70004774 605	70005017 669	70005578 667
70004283 224, 228	70004775 605	70005018 669	70005647 228
70004284 224, 228	70004829 377, 381	70005065 87	70005648 228
70004504 225, 229	70004864 521	70005066 87	70005667 .. 766, 770, 774, 778
70004505 229	70004865 521	70005067 87	70005726 377, 381
70004506 229	70004866 521	70005068 87	70005727 377, 381
70004507 229	70004867 ... 521, 523, 525	70005069 85	70005737 377, 381
70004508 229	70004868 521	70005071 85	70005745 377, 381
70004509 229	70004869 ... 521, 523, 525	70005076 85	70005746 377, 381
70004510 229	70004870 521	70005080 85	70005747 377, 381
70004513 223, 227	70004871 .. 521, 523, 525, 916	70005082 85	70005751 377, 381
70004577 67, 69	70004873 523, 525	70005084 85	70005827 67
70004676...426, 430, 434, 437	70004874 525	70005085 85	70005828 67
70004677 426	70004875 521	70005087 85	70005829 67
70004678...426, 430, 434, 438	70004876 99, 101	70005088 85	70005829 67
70004679...426, 430, 434, 438	70004877 103, 105	70005089 85	70005830 67
70004680...426, 430, 434, 438	70004878 103, 105	70005090 85	70005831 67
70004681 426	70004883 69	70005092 85	70005832 67
70004682...426, 430, 434, 438	70004884 69	70005094 85	70005929 228
70004683 426	70004885 67, 69	70005095 85	70005940 229
70004684 430, 438	70004886 69	70005096 85	70005941 227
70004685...430, 434, 438	70004887 67, 69	70005097 85	70005942 227
70004687 434	70004888 67, 69	70005098 85	70006000 67
70004738 603	70004889 389	70005099 85	70006001 67
70004739 603	70004890 389	70005100 85	70006002 67
	70004891 389	70005102 489	70006010 385
	70004892 389	70005103 489	70006011 385
	70004893 389	70005104 487	70006012 385
	70004894 389	70005105 487	70006013 377, 381
	70004895 389	70005139 87	70006014 377, 381
	70004896 389	70005143 653	70006015 377, 381
	70004897 389, 916	70005150 671	70006016 377, 381
	70004898 389	70005151 671	70006017 377, 381

SECTION 11 - SPECIAL OPTIONS

70006018 377, 381	70006104	... 465, 657, 665	70025120 225, 229	70025237 225, 229
70006019 377, 381	70006105	... 465, 657, 665	70025121 254, 268	70025238 225, 229
70006020 377, 381	70006256 487, 489	70025123	... 253, 254, 267, 268	70025239 223, 227
70006021 377, 381	70006271 489	70025131	... 224, 228, 254, 268	70025240 223, 227
70006022 377, 381	70006272 487	70025133 224, 228	70025241 225
70006023 377, 381	70006356	.. 185, 199, 235, 247, 261, 285, 309, 333, 335, 361, 363	70025135 223, 227	70025242 225, 229
70006024 377, 381	70006379 378, 382	70025139 253, 267	70025619 651
70006025 377, 381	70006428 921	70025140 223, 227	70025660 225
70006026 377, 381	70006429 924	70025142 224, 228	70025667 253, 267
70006027 377, 381	70006552	.. 426, 430, 434, 438	70025144 223, 227	70025693 254, 268
70006028 377, 381	70006553	.. 426, 430, 434, 438	70025145 223, 227	70025694 254, 268
70006029 377, 381	70006639 382	70025146 223, 227	70025779 224, 228
70006030 377, 381	70006640 382	70025148 224, 228	70025781 224, 228
70006031 377, 381	70006660 521	70025149 224, 228	70025877 225, 229
70006032 377, 381	70006970 525	70025150 224, 228	70025959 669
70006033 377, 381	70010383	.. 77, 79, 81, 83, 916	70025151 223, 227	70026210 229
70006034 377, 381	7001481 390	70025152 229	70026444 67
70006035 377, 381	7001998 29, 33	70025153	... 223, 227, 916	70026995 228
70006036 377, 381	70023370 653	70025154 223, 227	7002821 924
70006037 377, 381	70023592	... 189, 203, 215	70025159 224, 228	7002822 924
70006038 377, 381	70023593	... 189, 203, 215	70025160 223, 227	7002823 924
70006039 377, 381	70023606 67, 69	70025161	... 223, 227, 916	7002828 924
70006040 377, 381	70024262 651	70025164 224, 228	7004035 91
70006041 377, 381	70024473 224	70025165 224, 228	7004036 91
70006042 377, 381	70024494 227	70025166 225, 229	7004043 91
70006043 377, 381	70024502 223, 227	70025171 223, 227	7004044 91
70006044 377, 381	70024503 225	70025176 223, 227	7004045 91
70006045 378, 382	70024504	.. 223, 225, 227, 229	70025177 224	7004047 91
70006046 378, 382	70024507 225, 229	70025179 224, 228	7004049 91
70006047 378, 382	70024512 225	70025180 224, 228	7004275 924
70006048 378, 382	70024513 223, 227	70025182 223, 227	7004276 924
70006049 378, 382	70024517 229	70025183 223, 227	7007289 390
70006050 378, 382	70024904 223, 227	70025184 223, 227	7007415 389, 390
70006051 378, 382	70024905 223, 227	70025185 223, 227	7007419 389
70006052 378, 382	70024906 223, 227	70025189 225, 229	7007420 389, 390
70006053 378, 382	70024910 224, 228	70025191 224, 228	7007437 35, 37
70006054 378, 382	70024912 224, 228	70025192 225, 229	7007438 35, 37
70006055 378, 382	70024913 224, 228	70025195 223	7007439 35, 37
70006056 378, 382	70024914 224, 228	70025198 223, 227	7007446 35, 37
70006057 378, 382	70024915 224, 228	70025200 224, 228	7007489 387
70006058 378, 382	70024917 225, 229	70025201 224, 228	7007493 390
70006059 378, 382	70024918 225, 229	70025205 227	7007495 389
70006060 378, 382	70024920	.. 223, 225, 227, 229	70025209 225, 229	7007601 29, 33
70006061 378, 382	70024924 229	70025210	... 224, 228, 916	7007640 29, 33
70006062 378, 382	70024925 223, 227	70025211 225, 229	7010103 387
70006063 378, 382	70024961 223, 227	70025213 225, 229	7010104 387
70006064 378, 382	70025076 223, 227	70025214 225, 229	7010105 387
70006065 378, 382	70025082	.. 223, 227, 253, 267	70025215 224, 228	7010429 29, 33
70006066 378, 382	70025084	.. 224, 228, 253, 254, 267, 268	70025216 224, 228	70104570 225
70006067 378, 382	70025086 254, 268	70025217 225, 229	7010543 67, 69
70006068 378, 382	70025088	... 223, 253, 267	70025218 225, 229	70124530 225
70006069 378, 382	70025091	.. 223, 227, 253, 267	70025219 225, 229	70124538 225
70006070 378, 382	70025101 224, 227	70025220 225, 229	7012513 405, 409, 414, 417, 421
70006071 378, 382	70025109 224, 228	70025221	... 224, 225, 228, 229	7012514 405, 409, 414, 417, 421
70006072 378, 382	70025111 224, 228	70025222 225, 229	7012558 409, 417
70006073 378, 382	70025113 225, 229	70025223 225, 229	7012925 655, 659, 663
70006074 378, 382	70025115 224, 228	70025224 225, 229	7012941 67
70006075 378, 382			70025225 225, 229	7012967	67, 69, 465, 657, 667
70006076 378, 382			70025226 225, 229	7012974 69
70006077 378, 382			70025228 224, 229	7012987 387
70006078 378, 382			70025231 224, 228	7012988 387
70006079 378, 382			70025233 224, 228	7012998 655, 657, 663, 665, 667
70006080 378, 382			70025235 223, 227		
70006093 450, 458			70025236 225, 229		
70006094 450, 458						
70006095 450, 458						
70006096 450, 458						
70006097 450, 458						

SECTION 11 - SPECIAL OPTIONS

7016331.....223, 227, 253, 267, 916	7021238389	7024441.....99, 101, 103, 105	7027353.....93
7016654.....924	7021239389	7024453.....91	7027354.....93
7017059.....29, 33	7021240389	7024462.....641	7027356.....93
7017067.....29, 33	7021241389	7024463.....641	7027419.....35
7017070.....29, 33	7021242389	7024467.....641	7027625.....521
7017080.....29, 33	7021243389	7024469.....641	7027628.....521, 916
7017142.....497, 499	7021248389	7024470.....641	7027773.....641
7017159.....497, 499	702124935, 37, 389	7024471.....641	7027774.....641
7017162.....497, 499	7021253389	7024472.....641	7027775.....641
7017163.....497, 499	7021257389	7024473.....641	7027776.....641
7017164.....497, 499	7021258389	7024474.....641	7027777.....641
7017172.....497, 499	7021259389	7024475.....641	7027778.....641
7017192.....497, 499	7021262389	7024478.....641	7027779.....641
7017195.....497, 499	7021263389	7024485.....441, 445, 450, 453	7027780.....641
7017410.....67, 69	7021265389	7024488.....441, 445, 449, 453, 457	7027790.....254, 268
7017467.....465, 655, 663, 665, 667	7021268389	7024489.....441, 445, 449, 453, 457	7027791.....254, 268
7017496 67, 69, 465, 655, 657, 659, 661, 663, 665, 667	702127535, 37	7024565.....254, 268	7027792.....254, 268
7017904.....377, 381	702127635, 37, 390	7024579.....223, 227, 253, 267	7027795.....268, 916
7017932.....377, 381	702127735, 37, 390	7024705.....29	7027796.....254, 268
7017959.....378, 382	7021278390	7024712.....29, 33	7027799.....441, 445, 450, 453, 458
7017992.....378, 382	7021281389	7024713.....29, 33	7027887.....406, 409, 414, 417, 422
7019680.....409, 414, 417, 422	7021290390	7024714.....29, 33	7027903.....254, 268
7020023.....253, 267, 916	7021293389	7024715.....29, 33	7027965.....280, 289, 293, 304, 313, 317, 916
7020026.....253, 267	7021299390	7024716.....29, 33	7027972.....313, 916
7020033.....27	702162569	7024717.....29	77363233.....831
7020035.....27	702163969	7024718.....30	8008750.....137
7020036.....27	7022300389	7024800.....389	80484084.....817
7020037.....27	702230235, 37	7024810.....67	80633030 .. 684, 690, 696, 702, 709
7020038.....27	702230535, 37	7024853.....35	80983191.....817, 916
7020039.....27	702231037	7024854.....35, 37	82033995 .. 340, 346, 368, 374
7020040.....27	702231135, 37	7024855.....389	8220045.....827, 829, 873
7020041.....27	702231235, 37	7024857.....389	8220051.....825
7020108.....405, 409, 414, 417, 421	702231435, 37	7024858.....389	8220115.....817
7020109.....405, 409, 414, 417, 421	702232635, 37	7024868.....35, 37	8220164.....817
7020110.....405, 409, 414, 417, 421	702232835, 37	7024881.....67, 69	8229242.....817, 845, 874, 916
7020111.....405, 409, 414, 417, 422	7022341389	7024884.....667	8229244.....874, 916
7020175.....109, 111, 113, 115, 117, 571, 575, 579, 583, 587, 591, 595, 599	7022346390	7024885.....67, 69, 916	8229245.....827, 829
7020176.....109, 111, 113, 115, 117, 571, 575, 579, 583, 587, 591, 595, 599	7022347390	7026042.....93	8305401.....189, 202, 214, 238, 250, 264, 288, 292, 312, 316, 339, 344, 367, 372
7020190.....405, 409, 414, 417, 422	702236835, 37	7026043.....93	8307109.....189, 203, 214, 238, 250, 264, 288, 292, 312, 316, 339, 344, 367, 373
7020403.....253, 267	702237135, 37	7026044.....93	8310070.....767, 771, 775, 779
7020404.....223	702237237	7026045.....93	8310548.....189, 203, 214, 238, 250, 264, 288, 292, 312, 316, 339, 344, 367, 373
7020430.....253, 267	7022390 67, 85, 465, 657, 665	7026046.....93	8310614.....107
7020460.....253, 267	702239767, 69	7026047.....93	8310668.....487, 489
7020465.....223, 227, 253, 267	702239967, 69, 85	7026048.....93	8310686.....140, 144, 149, 152, 156, 160
7020468.....253, 267	7023154377, 381	7026049.....93	8405006.....181, 195, 209, 219
7020471.....254, 268	702331891	7026050.....93	8405007.....189, 203, 215, 339, 367
7020479.....254, 268	702390085	7026051.....93	
7020492.....224, 228, 253, 254, 267, 268	702390735, 37	7026052.....93	
7021237.....389	702390835, 37	7026053.....93	
	702391035, 37	7026057.....93	
	702393685	7026188.....441, 445, 453	
	702418229, 30	7026199.....409, 413, 417, 421	
	702418930	7026330.....87	
	702419030	7026597.....441, 445, 450, 453	
	702419130	7026626.....441, 445, 450, 453, 458	
	702419230	7027236.....253, 267	
	702419330	7027350.....93	
	702419430	7027351.....93	
	702419630	7027352.....93	
	702419730		
	702437991		
	702438091		
	702438191		
	702438991		
	702439091		

SECTION 11 - SPECIAL OPTIONS

8405009 189, 203, 215, 288, 292, 312, 316, 339, 345, 367, 373	8405203 288, 292, 312, 316, 339, 345, 367, 373	8410009.....288, 292, 312, 316, 339, 345, 367, 373	8770289 684, 690, 696, 702, 708
8405102 339, 345, 367, 373	8405204 189, 203, 215	8410011.....340, 346	878651453
8405103 288, 292, 312, 316	8406109 189, 203, 215, 239, 251, 265, 288, 292, 312, 316, 339, 345, 367, 373	8410013.....181, 195, 209, 233, 243, 259, 312, 316	88521205 .. 767, 771, 775, 779
8405104 189, 203, 215, 339, 345, 367, 373	8406110 190, 204, 216, 289, 293, 313, 317, 339, 345, 367, 373	8430007.....181, 195, 209	88662523 .. 140, 144, 149, 152, 156, 160
8405201 288, 292, 312, 316	8406201 190, 204, 216, 339, 345, 367, 373	84521061 421	8881800 107, 766, 770, 774, 778
8405202 189, 203, 215, 339, 345, 367, 373	8410001 339, 345, 367, 373	84521062 457	91164057 85
		85841094...324, 330, 352, 358	91164059 85
		8760477.....684, 690, 696, 702, 708	91164079 85
		8765204..... 703	91203039 509
			91554014 805



3121660



An Oshkosh Corporation Company

Corporate Office
JLG Industries, Inc.
1 JLG Drive
McConnellsburg, PA 17233-9533 USA
☎ (717) 485-5161 (Corporate)
☎ (877) 554-5438 (Customer Support)
📠 (717) 485-6417

Visit our website for JLG Worldwide Locations.
www.jlg.com