



---

# Illustrated Parts Manual

## **Models** **800A** **800AJ**

Prior to  
SN 0300069000

**P/N**  
**3120741**

August 31, 2018 - Rev AO

**ANSI**



---

An Oshkosh Corporation Company

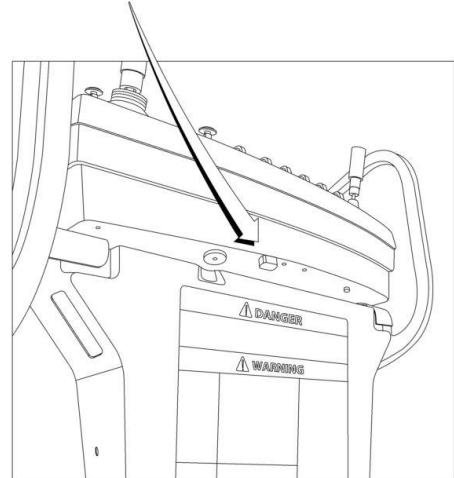


# REVISION LOG

**Note: See Note Below to Identify whether Machine is Equipped with ADE System.**

## ADE SYSTEM

All 800A and 800AJ machines from SN 0300064432 to present incorporate the ADE System, but no clean SN break exists. The following machine serial numbers prior to SN 0300064432 also utilize ADE: 0300062045, 0300062797, 0300063013, 0300063665, 0300063975, 0300064000-0300064017, 0300064390, 0300064392 & 0300064411. A machine that incorporates ADE System can be outwardly identified by the analyzer connection at the base of the platform console box.



October 1998 - A - Original Issue Of Manual

December 1998 - B - Revised

May 31, 1999 - C - Revised

September 1, 1999 - D - Revised (Edited to B/M 0010551 Revision 5)

November 9, 1999 - E - Updated Page 6-12

March 24, 2000 - F - (Edited to B/M 0010551 Revision 7)

May 4, 2001 - G - Revised (Manual edited to 0010551 Revision 16)

(Manual edited to 0010580 Revision 2 With ADE System)

October 20, 2001 - H - Revised (Manual edited to 0010580 Revision 5 With ADE System)

January 24, 2002 - I - Revised

July 16, 2002 - J - Revised (Manual edited to B/M 0010580 Revision 21 With ADE System)

September 30, 2002 - K - Added "Prior to SN 0300069000" to Front Cover. Refer to Parts Manual 3121176 for Machines Built SN 0300069000 to Present.

February 1, 2003 - L - Updated Section 3

June 30, 2003 - M - Revised

October 8, 2004 - N - Revised

March 1, 2005 - O - Revised

June 1, 2006 - P - Revised

September 25, 2006 - Q - Revised

April 18, 2007 - R - Revised

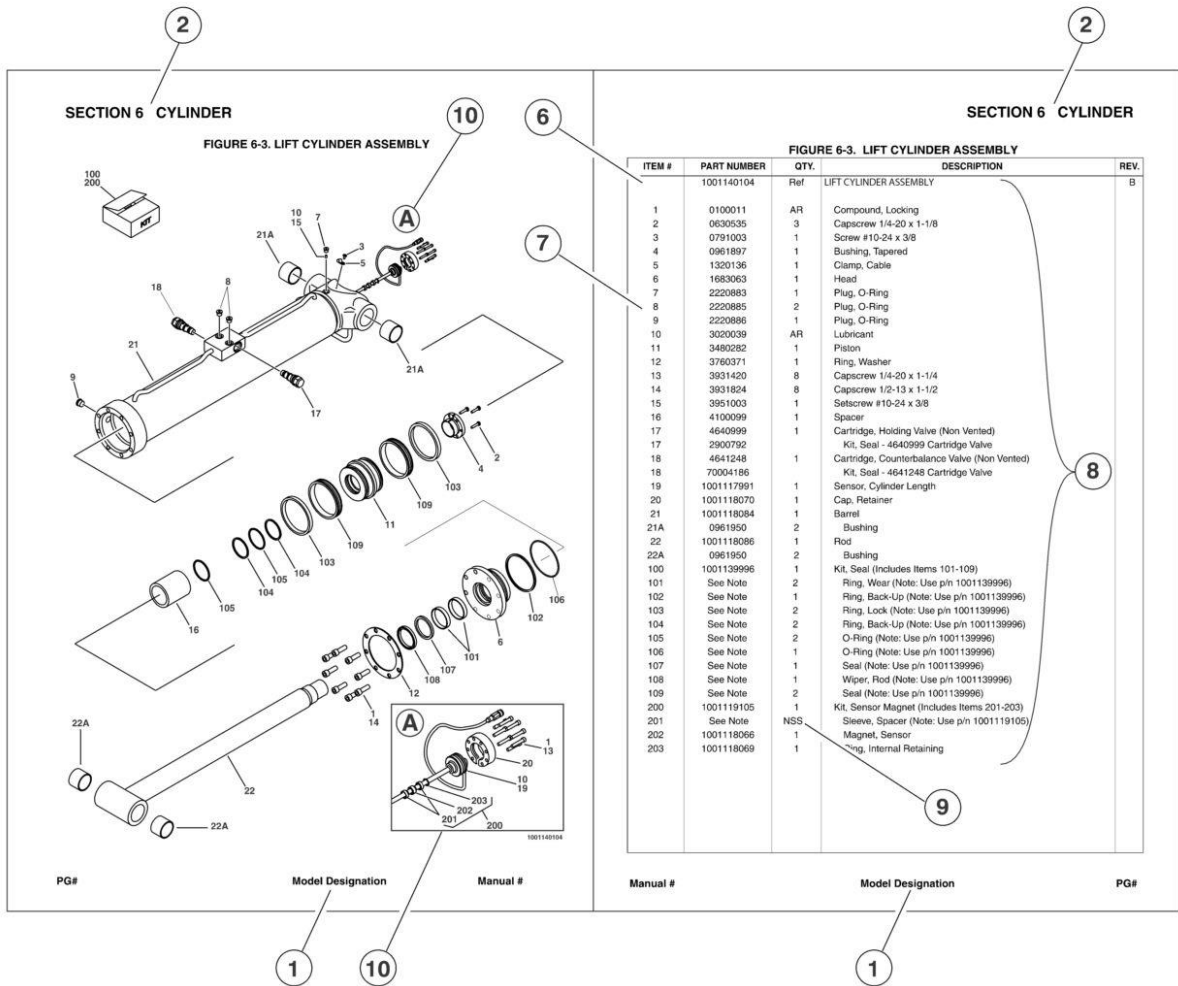
July 31, 2007 - S - Revised

December 10, 2007 - T - Revised

## REVISION LOG

March 15, 2008 - U - Revised  
November 28, 2008 - V - Revised  
May 15, 2009 - W - Revised  
October 15, 2009 - X - Revised  
April 15, 2010 - Y - Revised  
December 30, 2010 - Z - Revised  
April 27, 2011 - AA - Revised  
July 29, 2011 - AB - Revised  
October 21, 2011 - AC - Revised  
January 10, 2012 - AD - Revised  
May 31, 2012 - AE - Revised  
July 31, 2012 - AF - Revised  
December 14, 2012 - AG - Revised  
March 26, 2013 - AH - Revised  
June 20, 2013 - AI - Revised  
September 16, 2013 - AJ - Revised  
December 30, 2013 - AK - Revised  
April 30, 2014 - AL - Revised  
July 15, 2015 - AM - Revised  
December 14, 2015 - AN - Revised Manual (Revision 1)  
August 31, 2018 - AO - Revised Manual

# GENERAL INFORMATION



## 1) MACHINE IDENTIFICATION

Machines are identified by model and in some cases a combination of models, serial number (SN) or regional standard (i.e ANSI, CE, CSA). Components may also be identified by SN or manufacturer. Common components that may be identified by these characteristics are engines and hydraulic components.

## 2) PARTS MANUAL ORGANIZATION

Product information in this manual is organized under section titles. Frame, Cylinder, Hydraulic and Electrical are a few examples. Each section is organized by figure and page number. The information within the Figure is then organized by item number, part number, description and corresponding illustration (s).

## 3) TABLE OF CONTENTS

A table of contents is found toward the beginning of the manual. Figure number, description and page number are provided for quick reference to the page containing the related information.

## 4) RECOMMENDED SPARE PARTS

The Recommended Spare Parts, located near the end of the manual, reference most frequently used maintenance parts.

## 5) PART NUMBER INDEX

A numerical index listing all part numbers and the corresponding page number(s) appears at the back of the manual.

## GENERAL INFORMATION

### 6) NON-SERVICED PARTS

In some instances, it is necessary to display non-serviced parts, assemblies or installations. In the case of assemblies and installations there will be a Ref in the Qty column. In case of parts that are not available for service within assemblies or components, there will be a NSS (Not Sold Separately) or NLA (No Longer Available) listed in the Qty. column of the manual.

### 7) PARTS LIST ITEM NUMBERS

Numbers shown in the item# column correspond to numbers used in the associated illustration (s). Item numbers which are missing from the sequence in the parts list are not used on that page

### 8) INDENTED PARTS DESCRIPTION

An indented part description is included in the item under which it is indented.

### 9) ABB REVIATION AND SYMBOLS

AC.....	.. Alternating Current	LCD .....	Liquid Crystal Display
ADE.....	..Advanced Design Electronics	LED .....	Light Emitting Diodes
ANSI .....	..American National Standards Institute	LH.....	.. Left Hand
AR.....	..As Required	LSS .....	..Load Sensing System
ASSY .....	..Assembly	M(m).....	..Metric/Meter
AUX.....	..Auxiliary	MM (mm) .....	..Milimeter
AWG.....	..American Wire Gauge	mA.....	..Miliamps
B/M.....	..Bill of Material	NLA.....	..No Longer Available
CE.....	..European Conformity	NPT .....	..National Pipe Threads
CCW .....	..Counter Clockwise	NSS .....	..Not Sold Separately
cm.....	..Centimeter	OD.....	..Outside Diameter
CW.....	..Clockwise	ORB.....	..O-Ring Boss
CSA.....	..Canadian Standards Association	ORFS.....	..O-Ring Face Seal
CYL.....	..Cylinder	OZ (oz).....	..Ounces
DIA.....	..Diameter	PG .....	..Page
DC.....	..Direct Current	P/N.....	..Part Number
EMS .....	..Emergency Stop	qt.....	..Quarts
ENG .....	..Engine	QTY.....	..Quantity
FT (ft).....	..Feet	REF .....	..Reference
GA(Ga).....	..Gauge	REV .....	..Revision Level
HYD .....	..Hydraulic	RH.....	..Right Hand
Hz.....	..Her tz	SAE.....	..Society of Automotive Engineers
ID.....	..Inside Diameter	SN.....	..Serial Number
in.....	..inches	SPEC(S).....	..Specifications
ISO.....	..International Organization for Standards	T/T.....	..Turntable
JIC.....	..Joint Industry Council	UGM .....	..Univ ersal G round Module
KG .....	..Kilogram	V.....	..Volts
L.....	..Liter	W.....	..Watts
LB.....	..P ounds	#.....	..Number

### 10) ILLUSTRATION REFERENCE LETTERS

When necessary, illustrations may contain reference letters that are intended to track information (i. e. hoses, harnesses) from one point to another or to track visual enlargement of components to show details that may be located in another area on the illustration.

*Note: Due to continuous product improvements, JLG Industries, Inc. reserves the right to make specification changes without prior notification. Contact JLG Industries, Inc. for updated information.*

# TABLE OF CONTENTS

SECTION 1 - FRAME.....	9
FIGURE 1-1. AXLE AND STEERING INSTALLATION.....	10
FIGURE 1-2. TIRE AND WHEEL DRIVE INSTALLATIONS.....	14
FIGURE 1-3. DRIVE BRAKE ASSEMBLY.....	18
FIGURE 1-4. DRIVE HUB ASSEMBLIES.....	20
FIGURE 1-5. DRIVE MOTOR ASSEMBLY.....	24
FIGURE 1-6. DRIVE VALVES INSTALLATIONS.....	26
SECTION 2 - TURNTABLE.....	29
FIGURE 2-1. CONTROL VALVES INSTALLATIONS.....	30
FIGURE 2-2. MAIN CONTROL VALVE ASSEMBLY.....	34
FIGURE 2-3. ACCESSORY VALVE ASSEMBLY.....	38
FIGURE 2-4. TURNTABLE AND SWING DRIVE INSTALLATIONS (Prior to SN 0300068040).....	40
FIGURE 2-5. TURNTABLE AND SWING DRIVE INSTALLATIONS (SN 0300068040 through 0300069000).....	44
FIGURE 2-6. SWING HUB ASSEMBLY (Prior to SN 0300068040).....	46
FIGURE 2-7. SWING BRAKE ASSEMBLY (Prior to SN 0300068040).....	48
FIGURE 2-8. SWING MOTOR ASSEMBLY (Prior to SN 0300068040).....	50
FIGURE 2-9. SWING MOTOR/HUB ASSEMBLY (SN 0300068040 through 0300069000).....	52
FIGURE 2-10. DEUTZ ENGINE INSTALLATION.....	58
FIGURE 2-11. GENERATOR INSTALLATION - DEUTZ MACHINES (OPTIONAL).....	66
FIGURE 2-12. FORD ENGINE WITH CARBURETOR INSTALLATIONS (Prior to SN 0300048538).....	70
FIGURE 2-13. FORD ENGINE WITH EFI INSTALLATIONS (SN 0300048538 through 0300069000).....	76
FIGURE 2-14. DUAL FUEL INSTALLATIONS (FORD MACHINE OPTION) (Prior to SN 0300048538).....	82
FIGURE 2-15. DUAL FUEL INSTALLATIONS (FORD MACHINE OPTION) (SN 0300048538 through 0300069000).....	86
FIGURE 2-16. GENERATOR INSTALLATION - FORD MACHINES (OPTIONAL).....	90
FIGURE 2-17. ISUZU ENGINE INSTALLATIONS - 4JB1 (SN 0300060285 through 0300069000).....	94
FIGURE 2-18. PISTON PUMP ASSEMBLY.....	98
FIGURE 2-19. TANK INSTALLATIONS.....	102
FIGURE 2-20. ROTARY COUPLING INSTALLATION.....	104
FIGURE 2-21. GROUND CONTROL BOX ASSEMBLY (Prior to SN 0300064432).....	106
FIGURE 2-22. GROUND CONTROL BOX ASSEMBLY (ADE SYSTEM) (SN 0300064432 through 0300069000).....	110
FIGURE 2-23. ELECTRICAL OPTIONS INSTALLATION (TURNTABLE MOUNTED).....	114
FIGURE 2-24. HOODS INSTALLATION.....	118
FIGURE 2-25. ENGINE TRAY JACK INSTALLATION (OPTIONAL).....	122
SECTION 3 - BOOM.....	125
FIGURE 3-1. BOOM AND CYLINDER INSTALLATION - 800A.....	126
FIGURE 3-2. BOOM AND CYLINDER INSTALLATION - 800AJ.....	130
FIGURE 3-3. TOWER BOOM ASSEMBLY.....	134
FIGURE 3-4. MAIN BOOM ASSEMBLIES.....	138
FIGURE 3-5. ROTATOR ASSEMBLIES (FRONT ENTRY PLATFORM).....	142
FIGURE 3-6. ROTATOR ASSEMBLIES (SIDE ENTRY PLATFORM).....	146
FIGURE 3-7. VALVE AND LIMIT SWITCH INSTALLATIONS (BOOM MOUNTED).....	148
SECTION 4 - PLATFORM.....	151
FIGURE 4-1. PLATFORM COMPONENTS INSTALLATION (FRONT ENTRY).....	152
FIGURE 4-2. PLATFORM COMPONENTS INSTALLATION (SIDE ENTRY).....	156
FIGURE 4-3. PLATFORM CONSOLE ASSEMBLY (Prior to SN 0300064432).....	160
FIGURE 4-4. PLATFORM CONSOLE ASSEMBLY (WITH ADE SYSTEM) (Including SN 0300064009).....	164
FIGURE 4-5. PLATFORM CONSOLE ASSEMBLY (WITH ADE SYSTEM) (SN 0300064432 through 0300069000).....	168
FIGURE 4-6. CONTROLLER ASSEMBLY (SWING AND LIFT) (Prior to SN 0300064432).....	172
FIGURE 4-7. CONTROLLER ASSEMBLY (SWING AND LIFT) (WITH ADE SYSTEM) (ORIGINAL EQUIPMENT) (SN 0300064432 through 0300069000).....	174
FIGURE 4-8. CONTROLLER ASSEMBLY (SWING AND LIFT) (WITH ADE SYSTEM) (SERVICE REPLACEMENT) (SN 0300064432 through 0300069000).....	176
FIGURE 4-9. CONTROLLER ASSEMBLY (SWING AND LIFT) (WITH ADE SYSTEM) (SERVICE REPLACEMENT) (SN 0300064432 through 0300069000).....	178
FIGURE 4-10. CONTROLLER ASSEMBLY (DRIVE AND STEER) (Prior to SN 0300064432).....	182
FIGURE 4-11. CONTROLLER ASSEMBLY (DRIVE AND STEER) (WITH ADE SYSTEM) (ORIGINAL EQUIPMENT) (SN 0300064432 through 0300069000).....	184
FIGURE 4-12. CONTROLLER ASSEMBLY (DRIVE AND STEER) (WITH ADE SYSTEM) (SERVICE REPLACEMENT) (SN 0300064432 through 0300069000).....	186

# TABLE OF CONTENTS

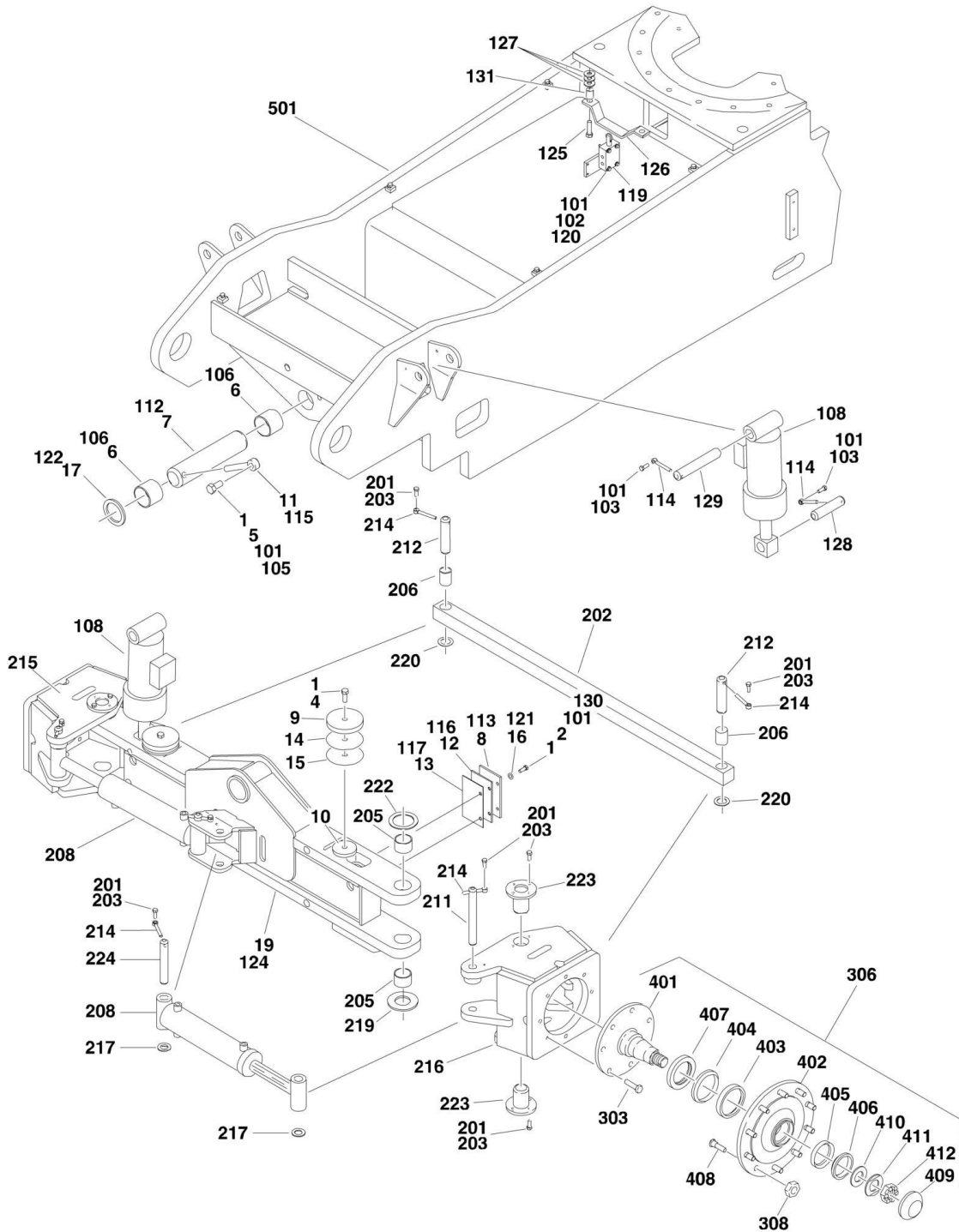
FIGURE 4-13. CONTROLLER ASSEMBLY (DRIVE AND STEER) (WITH ADE SYSTEM) (SERVICE REPLACEMENT) (SN 0300064432 through 0300069000) .....	188
FIGURE 4-14. SOFT TOUCH SYSTEM INSTALLATION (OPTIONAL) .....	190
SECTION 5 - CYLINDER .....	193
FIGURE 5-1. AXLE LOCKOUT CYLINDER ASSEMBLY .....	194
FIGURE 5-2. LEVEL CYLINDER ASSEMBLY - PLATFORM SLAVE .....	196
FIGURE 5-3. LEVEL CYLINDER ASSEMBLY - PLATFORM SLAVE (800A ONLY) (SERVICE REPLACEMENT) .....	200
FIGURE 5-4. LEVEL CYLINDER ASSEMBLY - PLATFORM SLAVE (800AJ ONLY) (SERVICE REPLACEMENT) .....	202
FIGURE 5-5. LEVEL CYLINDER ASSEMBLY - UPRIGHT .....	204
FIGURE 5-6. LEVEL CYLINDER ASSEMBLY - UPRIGHT (SERVICE REPLACEMENT) .....	206
FIGURE 5-7. LIFT CYLINDER ASSEMBLY - JIB (800AJ ONLY) (ORIGINAL EQUIPMENT) .....	208
FIGURE 5-8. LIFT CYLINDER ASSEMBLY - JIB (800AJ ONLY) (USAGE MAY VARY) (SERVICE REPLACEMENT) .....	210
FIGURE 5-9. LIFT CYLINDER ASSEMBLY - JIB (800AJ ONLY) (USAGE MAY VARY) (SERVICE REPLACEMENT) .....	212
FIGURE 5-10. LIFT CYLINDER ASSEMBLY - MAIN BOOM (ORIGINAL EQUIPMENT) .....	214
FIGURE 5-11. LIFT CYLINDER ASSEMBLY - MAIN BOOM (SERVICE REPLACEMENT) .....	216
FIGURE 5-12. LIFT CYLINDER ASSEMBLY - TOWER BOOM (ORIGINAL EQUIPMENT) .....	218
FIGURE 5-13. LIFT CYLINDER ASSEMBLY - TOWER BOOM (SERVICE REPLACEMENT) .....	220
FIGURE 5-14. MASTER CYLINDER ASSEMBLY - 800A (ORIGINAL EQUIPMENT) .....	222
FIGURE 5-15. MASTER CYLINDER ASSEMBLY (800A) (SERVICE REPLACEMENT) .....	224
FIGURE 5-16. MASTER CYLINDER ASSEMBLY - 800AJ (ORIGINAL EQUIPMENT) .....	226
FIGURE 5-17. MASTER CYLINDER ASSEMBLY (800AJ) (SERVICE REPLACEMENT) .....	228
FIGURE 5-18. STEER CYLINDER ASSEMBLY .....	230
FIGURE 5-19. TELESCOPE CYLINDER ASSEMBLY - MAIN BOOM .....	232
FIGURE 5-20. TELESCOPE CYLINDER ASSEMBLY - MAIN BOOM (800A) (SERVICE REPLACEMENT) .....	234
FIGURE 5-21. TELESCOPE CYLINDER ASSEMBLY - MAIN BOOM (800AJ) (SERVICE REPLACEMENT) .....	236
FIGURE 5-22. TELESCOPE CYLINDER ASSEMBLY - TOWER BOOM .....	238
FIGURE 5-23. TELESCOPE CYLINDER ASSEMBLY - TOWER BOOM (SERVICE REPLACEMENT) .....	242
SECTION 6 - HYDRAULIC .....	245
FIGURE 6-1. AXLE LOCKOUT HYDRAULIC DIAGRAM .....	246
FIGURE 6-2. DRIVE HYDRAULIC DIAGRAM - 2WD .....	248
FIGURE 6-3. DRIVE HYDRAULIC DIAGRAM - 4WD .....	252
FIGURE 6-4. STANDARD HYDRAULIC DIAGRAM (WITH FENNER AND HALDEX BRAND AUXILIARY PUMP) .....	256
FIGURE 6-5. STANDARD HYDRAULIC DIAGRAM (WITH BUCHER BRAND AUXILIARY PUMP) .....	260
FIGURE 6-6. HYDRAULIC DIAGRAM LIST .....	264
SECTION 7 - ELECTRICAL .....	265
FIGURE 7-1. ELECTRICAL DIAGRAM LIST .....	266
FIGURE 7-2. HARNESS COMPONENTS INSTALLATION (Prior to SN 0300064432) .....	268
FIGURE 7-3. HARNESS COMPONENTS INSTALLATION (WITH ADE SYSTEM) (SN 0300064009 ONLY) .....	278
FIGURE 7-4. HARNESS COMPONENTS INSTALLATION (WITH ADE SYSTEM) (SN 0300064432 through 0300069000) .....	286
SECTION 8 - DECALS .....	295
FIGURE 8-1. DECALS INSTALLATION - STANDARD .....	296
FIGURE 8-2. DECALS INSTALLATION - COUNTRY SPEC .....	300
SECTION 9 - RECOMMENDED SERVICE PARTS STOCK .....	307
FIGURE 9-1. MODELS 800A/800AJ STANDARD PARTS .....	308
FIGURE 9-2. MODELS 800A/800AJ VARIABLE PARTS .....	310
SECTION 10 - SPECIAL OPTIONS .....	311
FIGURE 10-1. SPECIAL OPTIONS .....	312
PART NUMBER INDEX .....	317



**SECTION 1 - FRAME**

# SECTION 1 - FRAME

## FIGURE 1-1. AXLE AND STEERING INSTALLATION



# SECTION 1 - FRAME

## FIGURE 1-1. AXLE AND STEERING INSTALLATION

ITEM	PART NUMBER	QTY	DESCRIPTION	REV
	0258286	Ref	<b>FIXED AXLE INSTALLATION</b>	C
1	0100011	AR	Compound, Locking	
2	0681608	4	Bolt 3/8in-16NC x 1in (Grade 8)	
4	0641820	2	Bolt 1/2in-13NC x 2-1/2in	
5	0642212	1	Bolt 3/4in-10NC x 1-1/2in	
6	0962102	2	Bushing	
7	3422703	1	Pin, Axle Pivot	
8	3538047	2	Shim, Wear	
9	3539877	2	Plate, Stop	
10	3539878	2	Plate, Stop	
11	3841287	1	Keeper, Pin	
12	4070878	AR	Shim 1/16in	
13	4070879	AR	Shim 1/8in	
14	4070944	AR	Shim 1/16in	
15	4070945	AR	Shim 1/4in	
16	4711600	4	Flatwasher 3/8in Narrow	
17	4740472	1	Washer, Special	
19	4845658	1	Axle Weldment	
		Ref	<b>OSCILLATING AXLE INSTALLATIONS</b>	
	0258285	Ref	<b>Oscillating Axle Installations (Prior to SN 0300068040)</b>	E
	0272269	Ref	<b>Oscillating Axle Installations (SN 0300068040 through 0300069000)</b>	A
101	0100011	AR	Compound, Locking	
102	0641414	4	Bolt 1/4in-20NC x 1-3/4in	
103	0641608	4	Bolt 3/8in-16NC x1in	
105	0642212	1	Bolt 3/4in-10NC x 1-1/2in	
106	0962102	2	Bushing	
108	1683078	2	Lockout Cylinder Assembly (See CYLINDER SECTION for Breakdown)	
112	3422703	1	Pin, Main Pivot	
113	3538047	2	Shim, Axle Wear	
114	3841143	4	Shaft, Keeper 3/8in Dia x 3in	
115	3841287	1	Shaft, Keeper 3/8in Dia x 6in	
116	4070878	2	Shim, Axle Wear	
117	4070879	2	Shim, Axle Wear	
119	4640871	1	Valve, Lockout	
119	7012693	1	Seal Kit - 4640871 Valve	
119	7002840	1	Pin Removal Tool	
120	4711400	4	Flatwasher 1/4in Narrow	
121	4711600	4	Flatwasher 3/8in Narrow	
122	4740472	1	Washer, Special	
124	4845658	1	Axle Weldment	
125		Ref	Bolt Options:	
125	0641814	2	Bolt 1/2in-13NC x 1-3/4in <b>(Prior to SN 0300068040)</b>	
125	0641816	2	Bolt 1/2in-13NC x 2in <b>(SN 0300068040 through 0300069000)</b>	
126	1100086	1	Plate, Cam Lockout	
127	4751800	4	Flatwasher 1/2in	
128	3422702	2	Pin	
129	3422755	2	Pin	
130	0681608	4	Bolt 3/8in-16NC x1in (Grade 8)	

# SECTION 1 - FRAME

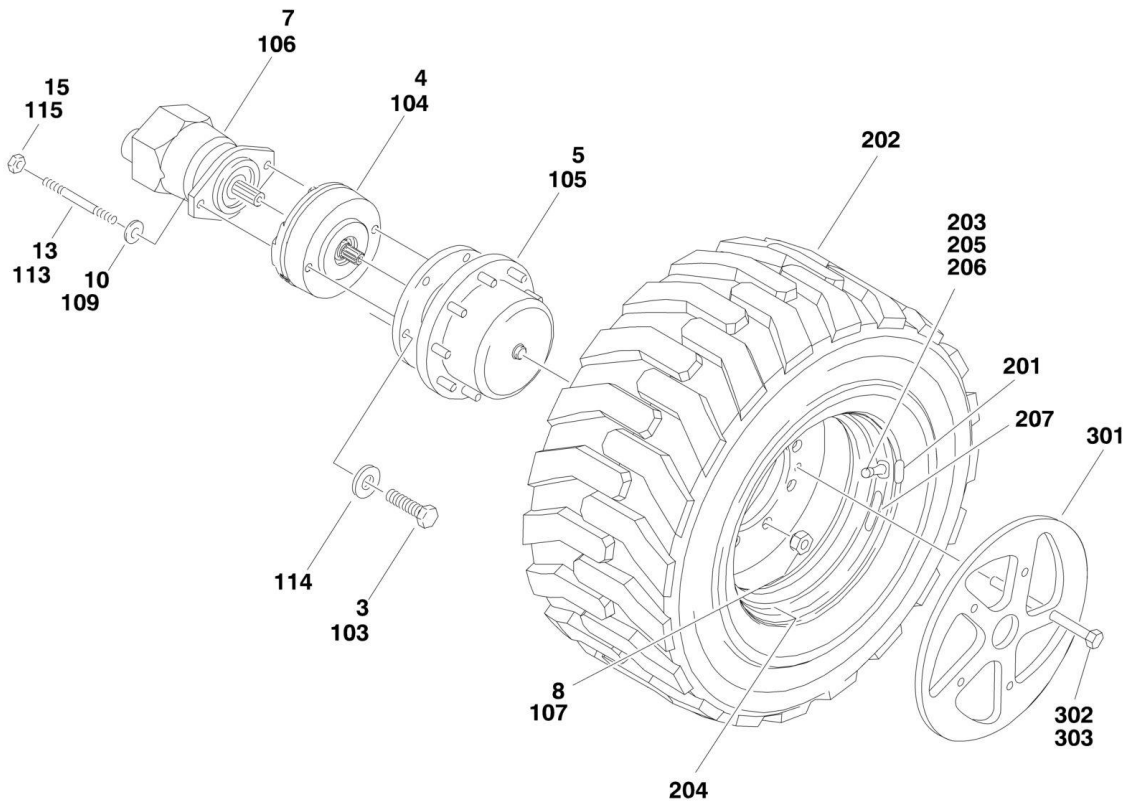
ITEM	PART NUMBER	QTY	DESCRIPTION	REV
131	4568514	2	Spacer, Tube (SN 0300068040 through 0300069000)	
		Ref	<b>STEERING INSTALLATIONS</b>	
	0258287	Ref	<b>Steering Installation 2WS</b>	F
	0258909	Ref	<b>Steering Installation 4WS (Rear Steering Typical / Double Qty Listed for 4WS)</b>	A
	1001137261	Ref	<b>King Pin Kit</b>	A
		Ref	<b>Note: Before ordering king pin kit, verify that machines is equipped with the original components (king pin with 4 bolt holes) or service kit components (king pin with 8 bolt holes). If the king pin hole in the axle measurement exceeds 2.252in OD or is elongated, use King Pin Kit p/n 1001137261.</b>	
201	0100011	AR	Compound, Locking	
202	0362726	1	Tie-Rod	
203	0641608	14	Bolt 3/8in-16NC x 1in	
205	0962224	4	Bearing	
206	0962152	2	Bearing	
208		Ref	Steer Cylinder Assembly (See CYLINDER SECTION for Breakdown)	
208	1683605	NLA	Steer Cylinder Assembly 2WS - Original Equipment (Use p/n 1683740)	
208	1683740	2	Steer Cylinder Assembly 2WS - Service Replacement	
208	1683740	2	Steer Cylinder Assembly 4WS	
211	3422701	2	Pin, Steer, Spindle Attach	
212	3422702	2	Pin, Tie-Rod	
214	3841143	6	Shaft, Keeper 3/8in x 3in	
215	4130357	1	Spindle Weldment (Right Side)	
216	4130358	1	Spindle Weldment (Left Side)	
217	4740111	4	Washer, Special	
219	4740463	2	Washer, Thrust	
220	4740473	2	Washer, Special	
222	4740256	2	Washer, Thrust	
223	3422753	4	Kingpin	
224	3422754	2	Pin, Attach	
		Ref	<b>HUB INSTALLATION (2WD ONLY) OPTIONS:</b>	
	0258288	Ref	<b>Hub Installation (2WD Only) (Prior to SN 0300056875)</b>	C
	0270209	Ref	<b>Hub Installation (2WD Only) (SN 0300056875 through 0300069000)</b>	B
303	0682016	16	Bolt 5/8in-16NC x 2in (Grade 8)	
306	2780229	2	Hub Assembly (See Items 401-412 for Breakdown)	
308	3300007	20	Lugnut	
	2780229	Ref	<b>HUB ASSEMBLY (2WD ONLY)</b>	A
401	7017052	2	Spindle (1 per Assembly)	
402	7017053	2	Housing (1 per Assembly)	
403	7010404	2	Cup, Bearing - Inner (1 per Assembly)	
404	7010405	2	Cone, Bearing - Inner (1 per Assembly)	
405	7017056	2	Cup, Bearing - Outer (1 per Assembly)	
406	7017055	2	Cone, Bearing - Outer (1 per Assembly)	
407	7010406	2	Seal, Lip (1 per Assembly)	
408	7000265	20	Stud (10 per Assembly)	
409	7017054	2	Dust Cap (1 per Assembly)	
410	7017051	2	Washer, Special (1 per Assembly)	
411	7017057	2	Washer, Tanged (1 per Assembly)	
412	7017058	2	Nut, Bearing (1 per Assembly)	

## SECTION 1 - FRAME

ITEM	PART NUMBER	QTY	DESCRIPTION	REV
501		Ref	<b>FRAME WELDMENT OPTIONS:</b>	
501		Ref	Frame Weldment - 2WD/2WS with Pneumatic Tires Options:	
501	2360461	1	Frame Weldment - 2WD/2WS with Pneumatic Tires <b>(Prior to SN 0300068040)</b>	
501	2360587	1	Frame Weldment - 2WD/2WS with Pneumatic Tires <b>(SN 0300068040 through 0300068373)</b>	
501	2360600	1	Frame Weldment - 2WD/2WS with Pneumatic Tires <b>(SN 0300068374 through 0300069000)</b>	
501		Ref	Frame Weldment - 2WD/2WS with Foam-Filled Tires Options:	
501	2360488	1	Frame Weldment - 2WD/2WS with Foam-Filled Tires <b>(Prior to SN 0300068040)</b>	
501	2360588	1	Frame Weldment - 2WD/2WS with Foam-Filled Tires <b>(SN 0300068040 through 0300068373)</b>	
501	2360601	1	Frame Weldment - 2WD/2WS with Foam-Filled Tires <b>(SN 0300068374 through 0300069000)</b>	
501		Ref	Frame Weldment - 4WD/2WS with Pneumatic Tires Options:	
501	2360489	1	Frame Weldment - 4WD/2WS with Pneumatic Tires <b>(Prior to SN 0300068040)</b>	
501	2360589	1	Frame Weldment - 4WD/2WS with Pneumatic Tires <b>(SN 0300068040 through 0300068373)</b>	
501	2360602	1	Frame Weldment - 4WD/2WS with Pneumatic Tires <b>(SN 0300068374 through 0300069000)</b>	
501		Ref	Frame Weldment - 4WD/2WS with Foam-Filled Tires Options:	
501	2360490	1	Frame Weldment - 4WD/2WS with Foam-Filled Tires <b>(Prior to SN 0300068040)</b>	
501	2360590	1	Frame Weldment - 4WD/2WS with Foam-Filled Tires <b>(SN 0300068040 through 0300068373)</b>	
501	2360603	1	Frame Weldment - 4WD/2WS with Foam-Filled Tires <b>(SN 0300068374 through 0300069000)</b>	
501		Ref	Frame Weldment - 4WD/4WS with Pneumatic Tires Options:	
501	2360502	1	Frame Weldment - 4WD/4WS with Pneumatic Tires <b>(Prior to SN 0300068040)</b>	
501	2360592	1	Frame Weldment - 4WD/4WS with Pneumatic Tires <b>(SN 0300068040 through 0300069000)</b>	
501		Ref	Frame Weldment - 4WD/4WS with Foam-Filled Tires Options:	
501	2360494	1	Frame Weldment - 4WD/4WS with Foam-Filled Tires <b>(Prior to SN 0300068040)</b>	
501	2360591	1	Frame Weldment - 4WD/4WS with Foam-Filled Tires <b>(SN 0300068040 through 0300069000)</b>	

# SECTION 1 - FRAME

## FIGURE 1-2. TIRE AND WHEEL DRIVE INSTALLATIONS



# SECTION 1 - FRAME

## FIGURE 1-2. TIRE AND WHEEL DRIVE INSTALLATIONS

ITEM	PART NUMBER	QTY	DESCRIPTION	REV
		Ref	<b>WHEEL DRIVE INSTALLATION OPTIONS: (2WD/2WS)</b>	
	0258288	Ref	<b>Wheel Drive Installation (2WD/2WS) (Prior to SN 0300056875)</b>	C
	0270209	Ref	<b>Wheel Drive Installation (2WD/2WS) (SN 0300056875 through 0300069000)</b>	B
3	0682016	16	Bolt 5/8in-11NC x 2in (Grade 8)	
4		Ref	Drive Brake Assembly Options: (See DRIVE BRAKE ASSEMBLY for Breakdown)	
4	0920112	2	Drive Brake Assembly <b>(Prior to SN 0300056875)</b>	
4	0920117	NLA	Drive Brake Assembly (Use p/n 0920119) <b>(SN 0300056875 through 0300069000)</b>	
5	2780227	2	Drive Hub Assembly (See DRIVE HUB ASSEMBLIES for Breakdown)	
7	3160204	2	Drive Motor Assembly (See DRIVE MOTOR ASSEMBLY for Breakdown)	
8	3300007	20	Nut, Wheel	
10		Ref	Stud Options:	
10	4300130	4	Stud <b>(Prior to SN 0300056875)</b>	
10	4300097	4	Stud <b>(SN 0300056875 through 0300069000)</b>	
13	4891800	4	Flatwasher 1/2in	
15		Ref	Nut Options:	
15	3311805	4	Locknut 1/2in-13 NC <b>(Prior to SN 0300056875)</b>	
15	3311801	4	Nut 1/2in-13 NC <b>(SN 0300056875 through 0300069000)</b>	
		Ref	<b>WHEEL DRIVE INSTALLATION OPTIONS:</b>	
	0258289	Ref	<b>Wheel Drive Installation (4WD/2WS) (Prior to SN 0300056875)</b>	D
	0270210	Ref	<b>Wheel Drive Installation (4WD/2WS) (SN 0300056875 through 0300069000)</b>	B
	0258910	Ref	<b>Wheel Drive Installation (4WD/4WS) (Prior to SN 0300056875)</b>	A
	0270211	Ref	<b>Wheel Drive Installation (4WD/4WS) (SN 0300056875 through 0300069000)</b>	B
103	0682016	32	Bolt 5/8in-11NC x 2in (Grade 8)	
104		Ref	Drive Brake Assembly Options: (See DRIVE BRAKE ASSEMBLY for Breakdown)	
104	0920112	4	Drive Brake Assembly <b>(Prior to SN 0300056875)</b>	
104	0920117	NLA	Drive Brake Assembly (Use p/n 0920119) <b>(SN 0300056875 through 0300069000)</b>	
105	2780228	4	Drive Hub Assembly (See DRIVE HUB ASSEMBLIES for Breakdown)	
106	3160204	4	Drive Motor Assembly (See DRIVE MOTOR ASSEMBLY for Breakdown)	
107	3300007	40	Nut, Wheel	
109		Ref	Stud Options:	
109	4300130	8	Stud <b>(Prior to SN 0300056875)</b>	
109	4300097	8	Stud <b>(SN 0300056875 through 0300069000)</b>	
113	4891800	8	Flatwasher, 1/2in	
114	4892000	32	Flatwasher, 5/8in	
115		Ref	Nut Options:	
115	3311805	8	Locknut 1/2in - 13NC <b>(Prior to SN 0300056875)</b>	
115	3311801	8	Nut 1/2in - 13NC <b>(SN 0300056875 through 0300069000)</b>	
		Ref	<b>TIRE AND WHEEL INSTALLATIONS</b>	
	0258396	Ref	<b>IN385/65D19.5 (15 x 19.5) Pneumatic (Prior to SN 0300068040)</b>	B
	0270885	Ref	<b>15-625 Pneumatic (SN 0300068040 through 0300069000)</b>	A
	0272322	Ref	<b>15-625 Pneumatic with Sealant (SN 0300066290 through</b>	1

# SECTION 1 - FRAME

ITEM	PART NUMBER	QTY	DESCRIPTION	REV
	0258397	Ref	<b>0300069000)</b> <b>IN385/65D19.5 (15 x 19.5) Foam-Filled (Prior to SN 0300068040)</b>	B
	0270886	Ref	<b>15-625 Foam-Filled (SN 0300068040 through 0300069000)</b>	A
	0258398	Ref	<b>IN445/55D19.5 (18 x 19.5) Pneumatic</b>	A
	0258399	Ref	<b>IN445/55D19.5 (18 x 19.5) Foam-Filled (Prior to SN 0300068040)</b>	B
	0270888	Ref	<b>18-625 Foam-Filled (SN 0300068040 through 0300069000)</b>	A
	0258323	2	IN385/65D19.5 (15 x 19.5) Pneumatic Left Side <b>(Prior to SN 0300068040)</b>	
	0271083	2	15-625 Pneumatic Left Side <b>(SN 0300068040 through 0300069000)</b>	
	0272334	2	15-625 Pneumatic/TS Left Side <b>(SN 0300066290 through 0300069000)</b>	
	0258324	2	IN385/65D19.5 (15 x 19.5) Pneumatic Right Side <b>(Prior to SN 0300068040)</b>	
	0271084	2	15-625 Pneumatic Right Side <b>(SN 0300068040 through 0300069000)</b>	
	0272333	2	15-625 Pneumatic/TS Right Side <b>(SN 0300066290 through 0300069000)</b>	
	0258327	2	IN385/65D19.5 (15 x 19.5) Foam-Filled Left Side <b>(Prior to SN 0300068040)</b>	
	0271085	2	15-625 Foam-Filled Left Side <b>(SN 0300068040 through 0300069000)</b>	
	0258328	2	IN385/65D19.5 (15 x 19.5) Foam-Filled Right Side <b>(Prior to SN 0300068040)</b>	
	0271086	2	15-625 Foam-Filled Right Side <b>(SN 0300068040 through 0300069000)</b>	
	0258330	2	IN445/55D19.5 (18 x 19.5) Pneumatic Left Side	
	0258331	2	IN445/55D19.5 (18 x 19.5) Pneumatic Right Side	
	0258333	2	IN445/55D19.5 (18 x 19.5) Foam-Filled Left Side <b>(Prior to SN 0300068040)</b>	
	0271090	2	18-625 Foam-Filled Left Side <b>(SN 0300068040 through 0300069000)</b>	
	0258334	2	IN445/55D19.5 (18 x 19.5) Foam-Filled Right Side <b>(Prior to SN 0300068040)</b>	
	0271091	2	18-625 Foam-Filled Right Side <b>(SN 0300068040 through 0300069000)</b>	
		Ref	<b>Note: Assemblies may require ballast/foam filling to manufacturer's specifications prior to installing on a machine. Refer to Operation and Safety or Service and Maintenance Manuals. Purchase individual tire and/or rim only if able to foam fill tire and wheel assembly, otherwise, purchase complete assembly,</b>	
201		Ref	Decal Options:	
201	1702701	1	95PSI IN385/65D19.5 (15 x 19.5 Tires)	
201	1702739	1	85PSI IN445/55D19.5 (18 x 19.5 Tires)	
202		Ref	Tire Options:	
202	4520204	1	IN385/65D19.5 (15 x 19.5)	
202	4520252	1	15-625	
202	4520205	1	IN445/55D19.5 (18 x 19.5)	
202	4520253	1	18.625	
203	4640113	1	Valve, Air	
204		Ref	Rim, Wheel Options:	
204	4860148	1	11.75 x 19.5	
204	4860224	1	13 x 24.5	

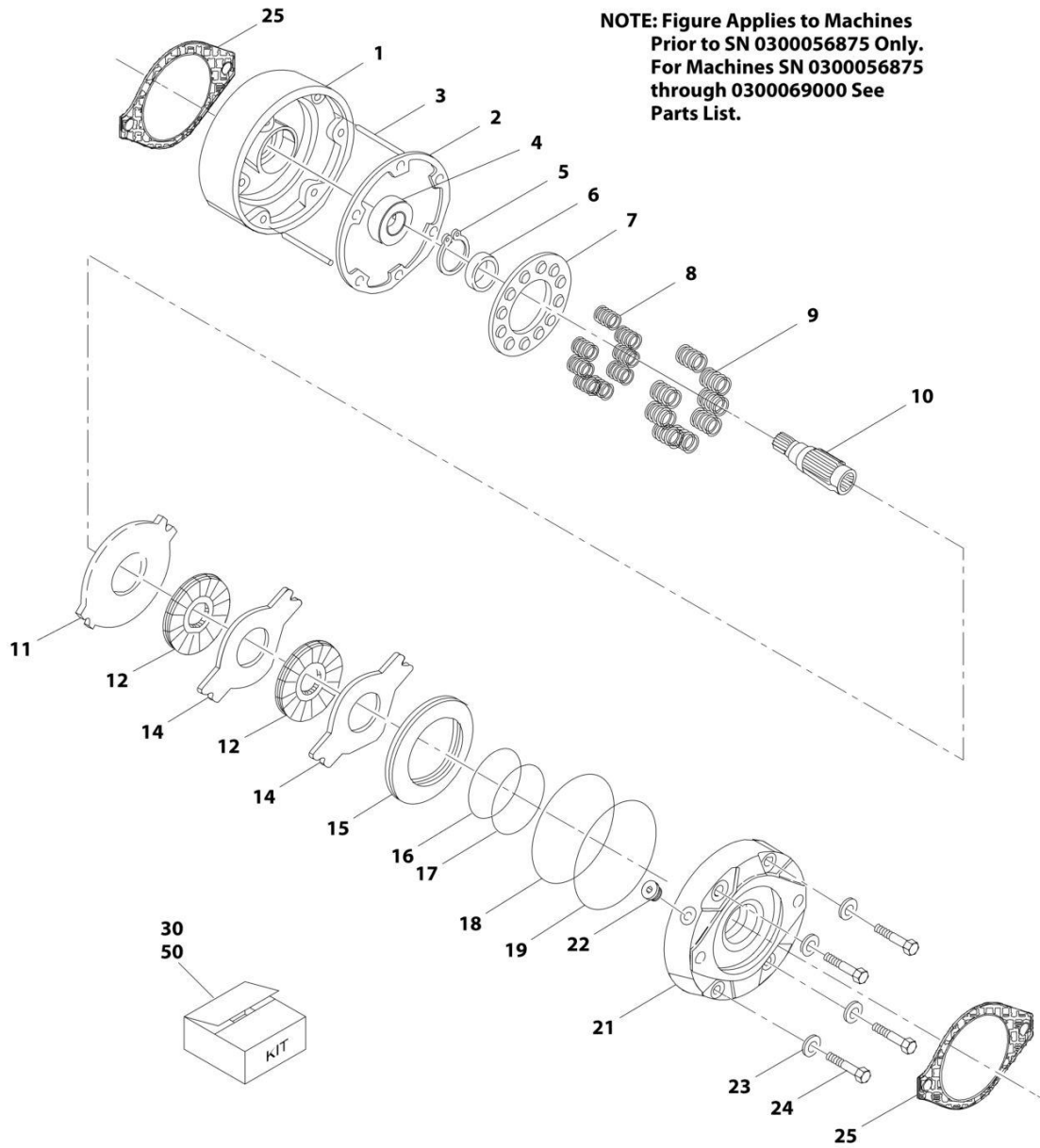


## SECTION 1 - FRAME

ITEM	PART NUMBER	QTY	DESCRIPTION	REV
204	4860188	1	14 x 19.5	2-A
204	4860225	1	15 x 24.5	
205	1120552	1	Cap Valve Stem (Green) (with Sealant Only)	
206	1300019	AR	Chemical, Tire Sealant (Green) (with Sealant Only)	
207	1705364	1	Decal - Tire Sealant (with Sealant Only)	
	0256196	Ref	<b>WHEEL COVER INSTALLATION (OPTIONAL)</b>	
301	1670776	4	Cover, Wheel	
302	0641550	20	Bolt 5/16in - 18NC x 6-1/4in	
303	0100011	AR	Compound, Locking	

# SECTION 1 - FRAME

## FIGURE 1-3. DRIVE BRAKE ASSEMBLY



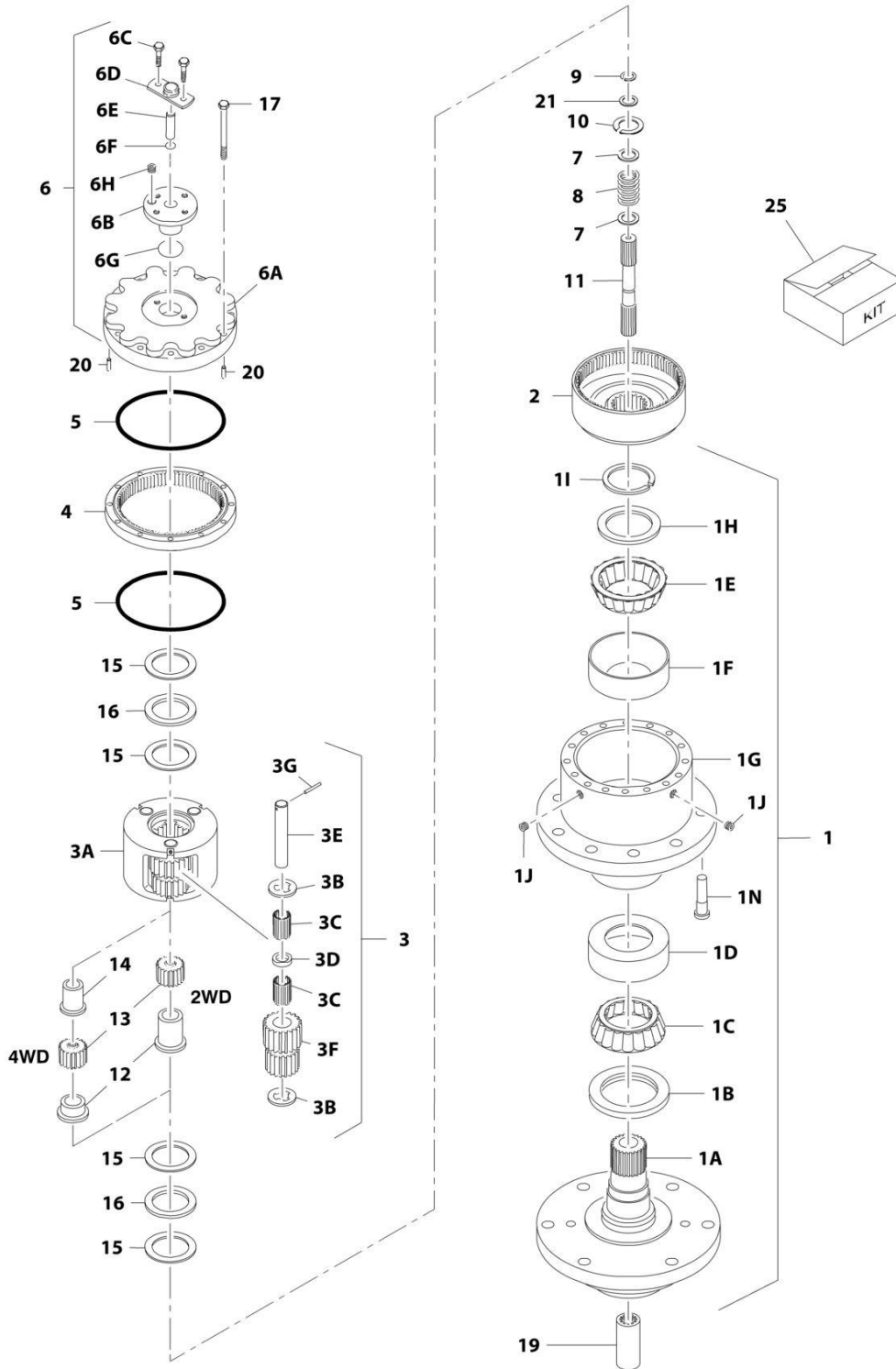
## SECTION 1 - FRAME

### FIGURE 1-3. DRIVE BRAKE ASSEMBLY

ITEM	PART NUMBER	QTY	DESCRIPTION	REV
	0920112	Ref	<b>DRIVE BRAKE ASSEMBLY (Prior to SN 0300056875)</b>	B
1	7003451	1	Housing	
2	7003452	1	Gasket	
3	7003094	2	Pin, Torque	
4	7003049	1	Bearing, Ball	
5	7003453	1	Ring, Retaining	
6	7003050	1	Seal	
7	7003454	1	Retainer, Spring	
8	7000798	10	Spring, Compression (Small)	
9	7000782	10	Spring, Compression (Large)	
10	7003455	1	Shaft	
11	7003456	1	Disc, Primary	
12	7003457	2	Disc, Rotating	
14	7003459	2	Disc, Stationary	
15	7003460	1	Piston	
16	7000722	1	Ring, Back-up	
17	7000723	1	O-Ring	
18	7000724	1	Ring, Back-up	
19	7000725	1	O-Ring	
20	7000796	1	Screw, Bleeder	
21	7003461	1	Plate, Power	
22	7000728	1	Plug, Protective	
23	7003462	4	Flatwasher 1/2in	
24	7003463	4	Bolt 1/2in-13NC	
25	7000731	2	Gasket	
30	See Note	1	Seal Kit - 0920112 Brake (Note: Not Available for Purchase)	
	0920117	NLA	<b>DRIVE BRAKE ASSEMBLY (USE P/N 0920119 - NOT SHOWN) (SN 0300056875 through 0300069000)</b>	B
50	7018612	1	Repair Kit (Includes Case Seal, Piston Inner and Outer O-Rings and Back-up Rings, Stator Disc, Rotor Disc, Return Plate, Springs, Oil Seal, Bearing, 2 Retaining Rings and 2 Mounting Face Gaskets)	
	7000731	2	Gasket, Mounting Face	
	7007990	1	O-Ring, Mounting (1 Per Assembly) (0920119 Brake)	
		Ref	<b>Note: No Other Parts Available.</b>	

# SECTION 1 - FRAME

## FIGURE 1-4. DRIVE HUB ASSEMBLIES



# SECTION 1 - FRAME

## FIGURE 1-4. DRIVE HUB ASSEMBLIES

ITEM	PART NUMBER	QTY	DESCRIPTION	REV
	2780227	Ref	<b>DRIVE HUB ASSEMBLY (2WD)</b>	A
	2780228	Ref	<b>DRIVE HUB ASSEMBLY (4WD)</b>	A
1	See Note	NSS	Spindle/Housing Assembly (Note: Not Available - Purchase Individual Components)	
1A	7017031	1	Spindle	
1B	7000236	1	Seal	
1C	7000273	1	Cone, Bearing	
1D	7000272	1	Cup, Bearing	
1E	7000275	1	Cone, Bearing	
1F	7000274	1	Cup, Bearing	
1G	7017033	1	Housing	
1H	7000239	1	Washer, Thrust	
1I	7000240	1	Ring, Retaining	
1J	7001928	1	Plug, Pipe	
1N	7000265	10	Stud, Wheel	
2	7017034	1	Gear, Ring	
3	See Note	NSS	Carrier Assembly (Note: Not Available - Purchase Individual Components)	
3A	7017036	1	Carrier	
3B	7001901	6	Thrustwasher, Tanged	
3C	7001902	96	Bearing, Needle	
3D	7001903	3	Spacer, Thrust	
3E	7017040	3	Shaft, Planet	
3F	7017037	3	Gear, Cluster	
3G	7001906	3	Roll Pin	
4	7017035	1	Gear, Internal	
5	7000224	1	O-Ring	
6	See Note	NSS	Cover Assembly (Note: Not Available - Purchase Individual Components)	
6A	7024155	1	Cover	
6B	7017042	1	Cap	
6C	7000220	4	Bolt 1/4in-20NC x 3/4in	
6D	7000231	1	Cap, Disengage	
6E	7000235	1	Rod, Disengage	
6F	7000213	1	O-Ring	
6G	7000238	1	O-Ring	
6H	7017048	1	Plug, Pipe	
7	7000282	2	Thrustwasher	
8	7000283	1	O-Ring	
9	7000284	1	Ring, Retaining	
10	7017027	1	Ring, Retaining	
11		Ref	Shaft, Input Options:	
11	7017039	1	Shaft, Input 2WD	
11	7017044	1	Shaft, Input 4WD	
12		Ref	Spacer, Input Options:	
12	7017041	1	Spacer, Input 2WD	
12	7017045	1	Spacer, Input 4WD	
13		Ref	Gear, Sun Options:	
13	7017038	1	Gear, Sun 2WD	
13	7017043	1	Gear, Sun 4WD	

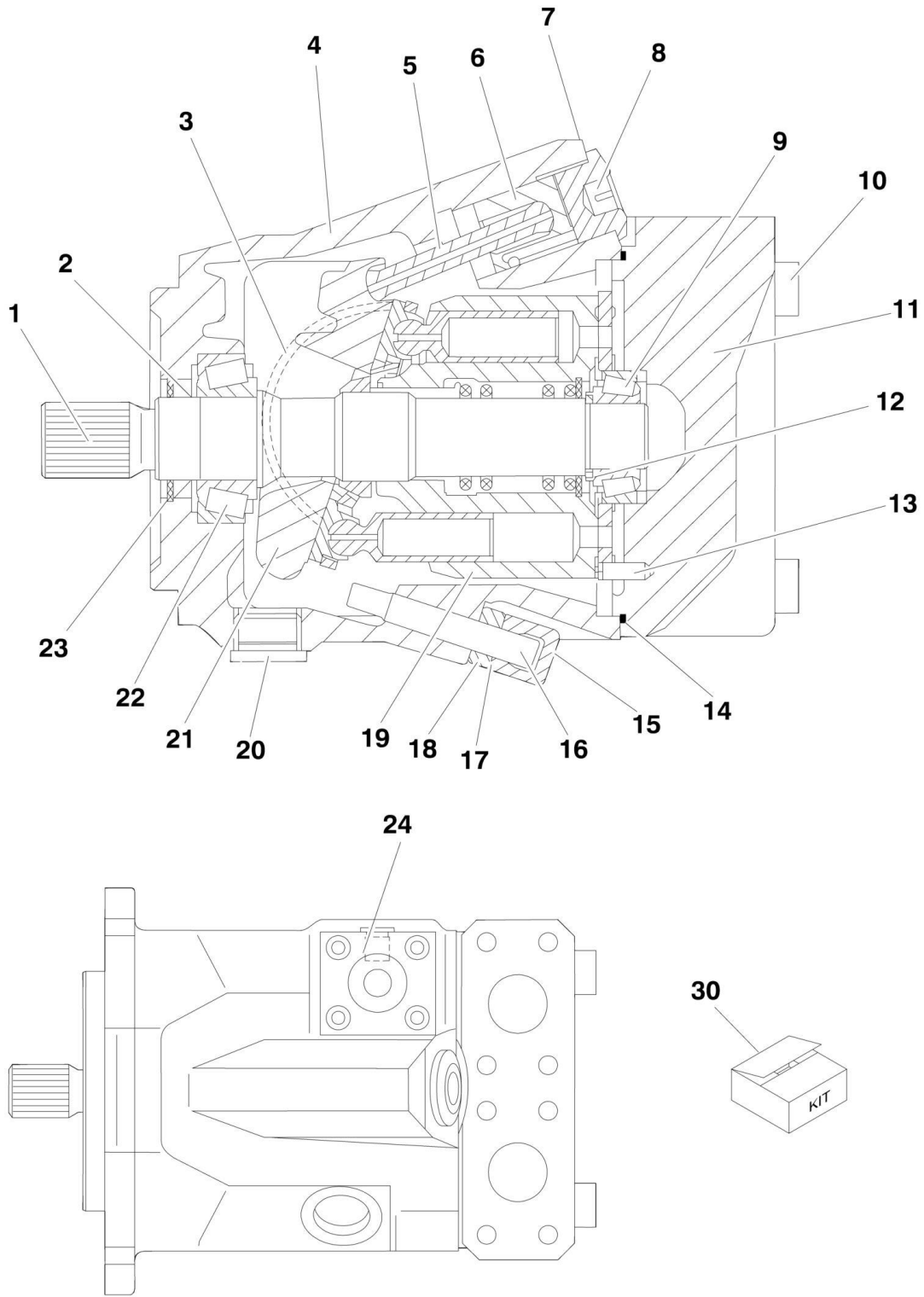
## SECTION 1 - FRAME

ITEM	PART NUMBER	QTY	DESCRIPTION	REV
14		Ref	Spacer, Input Options:	
14	Not Required	0	Spacer, Input 2WD	
14	7017046	1	Spacer, Input 4WD	
15	7000287	4	Thrustwasher	
16	7000288	2	Thrustwasher	
17	7000289	12	Bolt 3/8in-16NC x 2-1/2in (Grade 8)	
19	7000290	1	Coupling	
20	7017047	2	Pin, Dowel	
21		Ref	Thrustwasher Options:	
21	7017050	1	Thrustwasher 2WD	
21	Not Required	0	Thrustwasher 4WD	
25	7017068	1	Seal Kit (Includes Items 1B, 1I, 5, 6F, 6G, 15 & 16)	



# SECTION 1 - FRAME

## FIGURE 1-5. DRIVE MOTOR ASSEMBLY





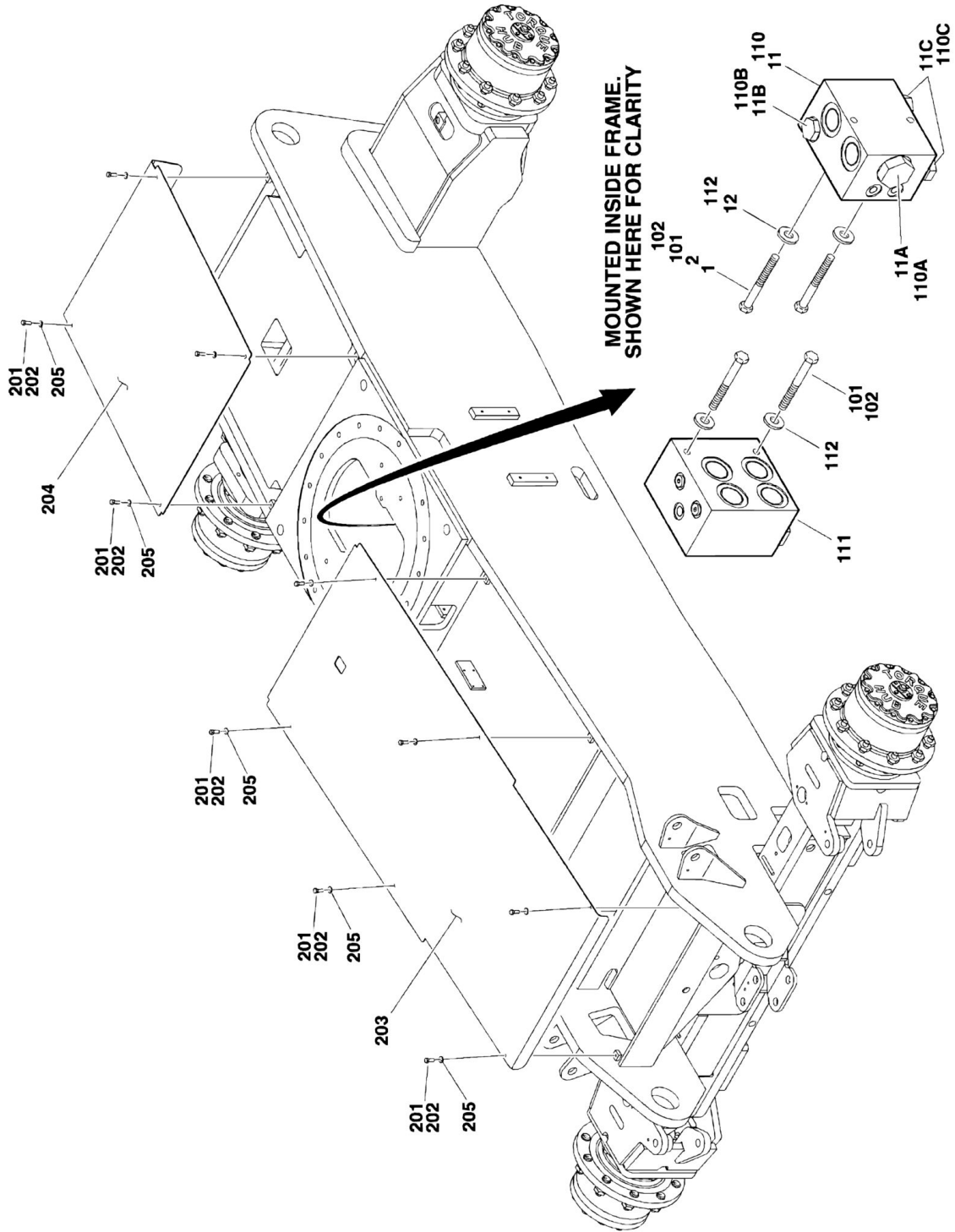
## SECTION 1 - FRAME

### FIGURE 1-5. DRIVE MOTOR ASSEMBLY

ITEM	PART NUMBER	QTY	DESCRIPTION	REV
	3160204	Ref	<b>DRIVE MOTOR ASSEMBLY</b>	A
1	7012701	1	Shaft - 13 Teeth	
2	See Note	NSS	Seal, Shaft (Note: Use Item 30)	
3	7012702	2	Bearing, Cradle	
4	See Note	1	Housing (Note: Not Available - Purchase Complete Assembly)	
5	7012703	1	Rod, Piston	
6	7012704	1	Piston, Stroking	
7	See Note	NSS	O-Ring (Note: Use Item 30)	
8	7012705	1	Nut, Adapter	
9	7012706	1	Bearing, Roller	
10	7012707	4	Bolt, Metric Socket Head M12 x 65	
11	7012708	1	Block, Port	
12	7012709	1	Shim	
13	7012710	1	Pin, Dowel M6 x 18	
14	See Note	NSS	O-Ring (Note: Use Item 30)	
15	7012711	1	Nut, Cap M10 x 1	
16	7012712	1	Screw, Adjusting	
17	See Note	NSS	O-Ring (Note: Use Item 30)	
18	7012713	1	Nut, Jam M10 x 1	
19	7012716	1	Rotary Group Kit	
20	See Note	NSS	Plug (Note: Not Available - Purchase Locally)	
21	7024036	1	Plate, Swash	
22	7012714	1	Bearing, Roller	
23	7012715	1	V-Ring	
24	7012700	1	Control Plate Assembly	
30	2900788	1	Seal Kit (Includes Items 2, 7, 14, 17 and O-Rings under Item 24)	

# SECTION 1 - FRAME

## FIGURE 1-6. DRIVE VALVES INSTALLATIONS



# SECTION 1 - FRAME

## FIGURE 1-6. DRIVE VALVES INSTALLATIONS

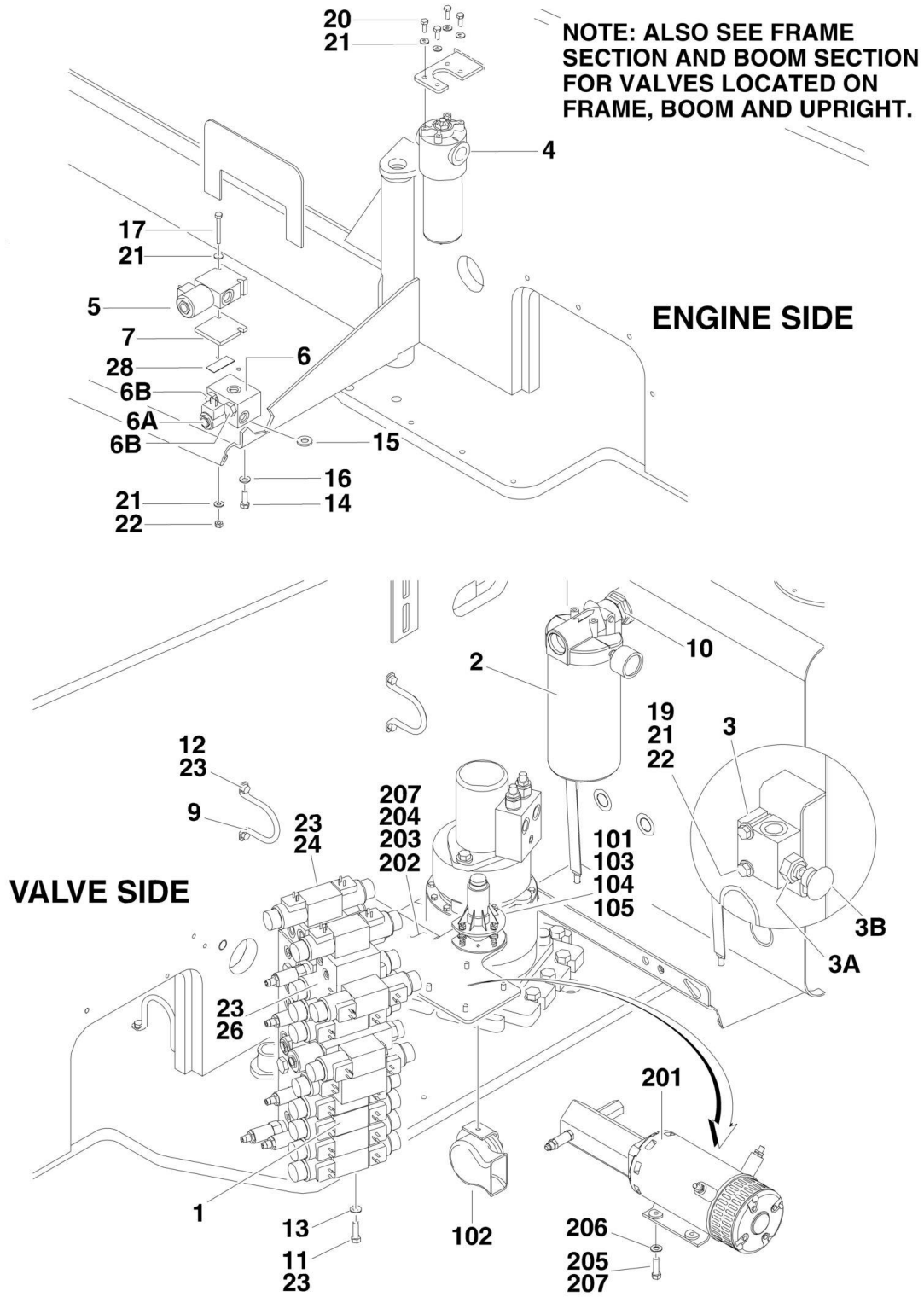
ITEM	PART NUMBER	QTY	DESCRIPTION	REV
		Ref	<b>DRIVE VALVES INSTALLATION - 2WD/2WS OPTIONS:</b>	
	0258288	Ref	<b>Drive Valves Installation - 2WD/2WS (Prior to SN 0300056875)</b>	C
	0270209	Ref	<b>Drive Valves Installation - 2WD/2WS (SN 0300056875 through 0300069000)</b>	B
1	0100011	AR	Compound, Locking,	
2	0641628	2	Bolt 3/8in-16NC x 3-1/2in	
11	4641041	1	Flow Divider Valve Assembly	
11A	7022396	1	Cartridge, Flow Divider	
11A	7021625	1	Seal Kit - 7022396 Cartridge	
11B	7022398	1	Cartridge, Load Shuttle	
11B	7023900	1	Seal Kit - 7022398 Cartridge	
11C	7022397	2	Cartridge, Check Valves	
11C	7022399	2	Seal Kit - 7022397 Cartridge	
12	4751600	2	Flatwasher, 3/8in	
		Ref	<b>WHEEL DRIVE INSTALLATION OPTIONS:</b>	
	0258289	Ref	<b>Wheel Drive Installation (4WD/2WS) (Prior to SN 0300056875)</b>	D
	0270210	Ref	<b>Wheel Drive Installation (4WD/2WS) (SN 0300056875 through 0300069000)</b>	B
	0258910	Ref	<b>Wheel Drive Installation (4WD/4WS) (Prior to SN 0300056875)</b>	A
	0270211	Ref	<b>Wheel Drive Installation (4WD/4WS) (SN 0300056875 through 0300069000)</b>	B
101	0100011	AR	Compound, Locking	
102	0641628	4	Bolt 5/8in-11NC x 3-1/2in	
110	4641041	1	Flow Divider Valve Assembly	
110A	7022396	1	Cartridge, Flow Divider	
110A	7021625	1	Seal Kit - 7022396 Cartridge	
110B	7022398	1	Cartridge, Load Shuttle	
110B	7023900	1	Seal Kit - 7022398 Cartridge	
110C	7022397	2	Cartridge, Check Valves	
110C	7022399	2	Seal Kit - 7022397 Cartridge	
111	4641042	1	Flow Divider Valve Assembly	
111	7021656	2	Cartridge, Flow Divider	
111	7021625	2	Seal Kit - 7021656 Cartridge	
112	4751600	4	Flatwasher, 3/8in	
	0258343	Ref	<b>FRAME COVERS INSTALLATION</b>	C
201	0100011	AR	Compound, Locking	
202	0641608	10	Bolt, 3/8in- 16NC x 1in	
203	3570686	1	Plate, Cover Front	
204	3570690	1	Plate, Cover Rear	
205	4751600	10	Flatwasher, 3/8in	



**SECTION 2 - TURNTABLE**

# SECTION 2 - TURNTABLE

## FIGURE 2-1. CONTROL VALVES INSTALLATIONS



## SECTION 2 - TURNTABLE

### FIGURE 2-1. CONTROL VALVES INSTALLATIONS

ITEM	PART NUMBER	QTY	DESCRIPTION	REV
		Ref	<b>VALVES INSTALLATIONS</b>	
	0258454	Ref	<b>Valves Installations 800A (2WS)</b>	C
	0258455	Ref	<b>Valves Installations 800A (4WS)</b>	C
	0258456	Ref	<b>Valves Installations 800AJ (2WS)</b>	C
	0258457	Ref	<b>Valves Installations 800AJ (4WS)</b>	C
1		Ref	Main Control Valve Assembly Options (See MAIN CONTROL VALVE ASSEMBLY for Breakdown):	
1	4641034	NLA	Main Control Valve Assembly (Use p/n 4641099) <b>(Prior to SN 0300040142)</b>	
1	4641093	NLA	Main Control Valve Assembly (Use p/n 4641099) <b>(SN 0300040142 through 0300041274)</b>	
1	4641099		Main Control Valve Assembly <b>(SN 0300041275 through 0300069000)</b>	
2	2120167	1	Return Filter Assembly	
2	2120168	1	Element, Filter	
2	7020021	1	Indicator, Clogged	
3	4640866	1	Valve Assembly (Level)	
3A	7017466	1	Cartridge	
3A	2900708	1	Seal Kit - Cartridge	
3B	7012959	1	Knob	
4	2120163	1	Pressure Filter Assembly	
4	2120150	1	Element, Filter	
4	7023206	1	O-Ring, Filter Bowl	
4	7023207	1	Ring, Filter Bowl Backup	
4	7020020	1	Indicator	
5	4641061	1	Solenoid Valve Assembly (Brake)	
5	7012943	1	Coil	
5	7017479	1	Cartridge without Coil	
5	7012518	1	Seal Kit - 7017479 Cartridge	
6	4640906	1	Solenoid Valve Assembly (2 Speed)	
6A	7012944	1	Coil	
6A	7023981	1	Cartridge without Coil	
6A	7012905	1	Seal Kit - 7023981 Cartridge	
6B	7017481	2	Cartridge, Check	
6B	7012972	2	Seal Kit - 7017481 Cartridge	
7	3570979	1	Plate, Spacer	
9	3841340	4	Loop, Hose	
10	2220893	1	Fitting, Adapter	
11	0641614	3	Bolt 3/8in-16NC x 1-3/4in	
12	0641606	8	Bolt 3/8in-16NC x 3/4in	
13	4711600	6	Flatwasher 3/8in Narrow	
14	0641508	2	Bolt 5/16in-18NC x 1in	
15	4891500	2	Flatwasher 5/16in	
16	4711500	2	Flatwasher 5/16in Narrow	
17	0641418	2	Bolt 1/4in-20NC x 2-1/4in	
19	0641414	2	Bolt 1/4in-20NC x 1-3/4in	
20	0651406	4	Bolt 1/4in-28NF x 3/4in	
21	4711400	16	Flatwasher 1/4in Narrow	
22	3311405	6	Locknut 1/4in-20NC	
23	0100011	AR	Compound, Locking	

## SECTION 2 - TURNTABLE

ITEM	PART NUMBER	QTY	DESCRIPTION	REV
24		Ref	Valve Assembly (Jib Control) Options: (See ACCESSORY VALVE ASSEMBLY for Breakdown)	
24	Not Required	0	Valve Assembly (Jib Control) 800A	
24	4640921	1	Valve Assembly (Jib Control) 800AJ	
25		Ref	Harness Assembly (Jib Control) Options (Not Shown - See ELECTRICAL SECTION for Breakdown):	
25	Not Required	0	Harness Assembly (Jib Control) 800A	
25	4921927	1	Harness Assembly (Jib Control) 800AJ	
26		Ref	Valve Assembly (4WS Control) Options:	
26	Not Required	0	Valve Assembly 2WS	
26	4640922	1	Valve Assembly 4WS (See ACCESSORY VALVE ASSEMBLY for Breakdown)	
27		Ref	Harness Assembly (4WS Control) Options (Not Shown - See ELECTRICAL SECTION for Breakdown):	
27	Not Required	0	Harness Assembly 2WS	
27	4921928	1	Harness Assembly 4WS	
28	4420060	2 in/5cm	Tape, Double Sided	
	0258410	Ref	<b>TILT INDICATOR INSTALLATION (MACHINES WITHOUT ADE SYSTEM ONLY)</b>	B
101	4360417	1	Indicator, Tilt	
102	0140001	1	Horn	
103	0641406	3	Bolt 1/4in-20NC x 3/4in	
104	4711400	5	Flatwasher 1/4in Narrow	
105	3311405	3	Locknut 1/4in-20NC	
	0258670	Ref	<b>AUXILIARY PUMP INSTALLATION</b>	B
		Ref	<b>Note: Original Equipment pump may have been replaced with various Service Replacement pump. Identify component before ordering parts.</b>	
201		Ref	Auxiliary Pump Assembly Options:	
201	3600287	NLA	Auxiliary Pump Service Kit (Original Equipment) (Use p/n 1001143191)	
201	1001091424	NLA	Auxiliary Pump Service Kit (Original Equipment) (Use p/n 1001143191)	
201		Ref	Service Parts for Fenner Brand (p/n 3600287 pump)	
201	7016779	1	Replacement Motor Assembly (p/n 3600287 pump)	
201	7016781	1	Brush Kit - 7016779 Motor	
201	7016780	1	Replacement Pump Assembly (p/n 3600287 pump)	
201	7016785	1	Seal Kit - 7016780 Pump	
201	7016782	1	Coupling, Pump/Motor (p/n 3600287 pump)	
201	7016783	1	Pump Mounting Kit (p/n 3600287 pump)	
201	7016784	1	Relief Valve Assembly (p/n 3600287 pump)	
201	3600458	NLA	Auxiliary Pump Assembly (Service Replacement) (Use p/n 1001137460)	
201		Ref	Service Parts for Haldex Brand (p/n 3600458 pump) (Service Replacement)	
201	70001059	1	Replacement Motor Assembly (p/n 3600458 pump)	
201	See Note	1	Pump (p/n 1001137460 pump) (Note: Not Available for Purchase)	
201	70001069	1	Seal Kit, Pump (p/n 3600458 pump)	
201	70001068	1	Motor/Coupling Kit (p/n 3600458 pump)	
201	70001067	1	Valve, Logic (p/n 3600458 pump)	
201	1001137460	1	Auxiliary Pump Assembly (Service Replacement)	
201		Ref	Service Parts for Bucher Brand (p/n 1001137460 pump) (Service Replacement)	

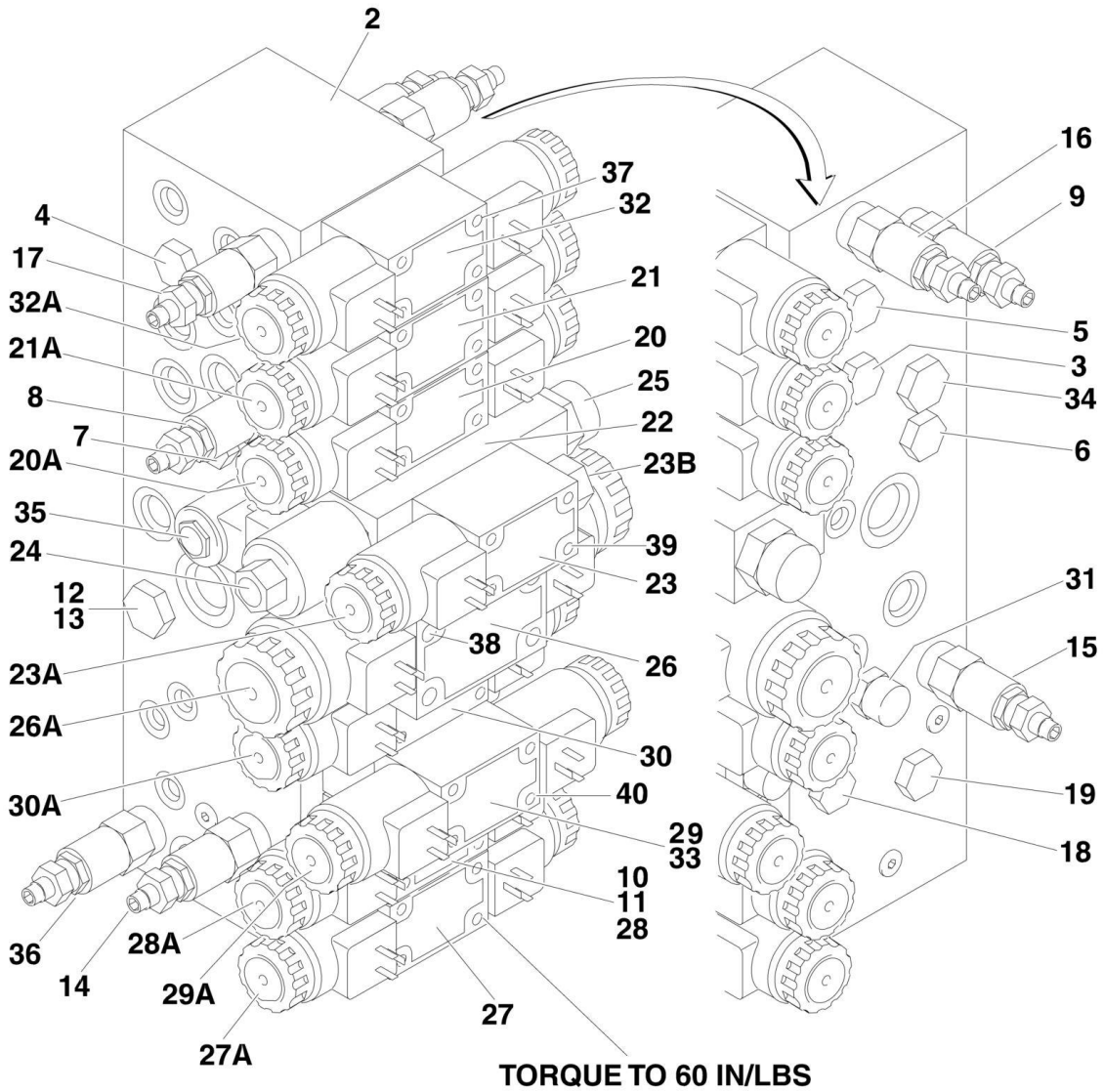


## SECTION 2 - TURNTABLE

ITEM	PART NUMBER	QTY	DESCRIPTION	REV
201	70003992	1	Replacement Motor Assembly (p/n 1001137460 pump)	
201	See Note	1	Pump (p/n 1001137460 pump) (Note: Not Available for Purchase)	
201	70003983	1	Base Assembly (p/n 1001137460 pump)	
201	70003993	1	Seal Shaft - 70003983 Base Assembly	
201	70003989	1	Valve, Logic (p/n 1001137460 pump)	
201	70003990	1	Relief Valve (p/n 1001137460 pump)	
202	0902415	1	Bracket, Pump Mounting	
203	0641610	3	Bolt 3/8in-16NC x 1-1/4in	
204	4751600	3	Flatwasher 3/8in	
205	0641506	4	Bolt 5/16in-18NC x 3/4in	
206	4711500	4	Flatwasher 5/16in Narrow	
207	0100011	AR	Compound, Locking	

# SECTION 2 - TURNTABLE

## FIGURE 2-2. MAIN CONTROL VALVE ASSEMBLY



## SECTION 2 - TURNTABLE

### FIGURE 2-2. MAIN CONTROL VALVE ASSEMBLY

ITEM	PART NUMBER	QTY	DESCRIPTION	REV
		Ref	<b>MAIN CONTROL VALVE ASSEMBLY</b>	
	4641034	Ref	<b>Main Control Valve Assembly (Prior to SN 0300040142)</b>	A
	4641093	Ref	<b>Main Control Valve Assembly (SN 0300040142 through 0300041274)</b>	B
	4641099	Ref	<b>Main Control Valve Assembly (SN 0300041275 through 0300069000)</b>	B
		Ref	<b>Note: Original Equipment valve may have been replaced with Service Replacement valve. Visually identify the p/n stamped on valve before ordering parts.</b>	
2	See Note	1	Block (Note: Not Available - Purchase Complete Assembly)	
3	7010542	1	Cartridge, Load Sensing (Main Lift)	
3	7010543	1	Seal Kit - 7010542 Cartridge	
4	7010542	1	Cartridge, Load Sensing	
4	7010543	1	Seal Kit - 7010542 Cartridge	
5	7010542	1	Cartridge, Load Sensing (Swing)	
5	7010543	1	Seal Kit - 7010542 Cartridge	
6	7010542	1	Cartridge, Load Sensing	
6	7010543	1	Seal Kit - 7010542 Cartridge	
7	7010542	1	Cartridge, Load Sensing (Main)	
7	7010543	1	Seal Kit - 7010542 Cartridge	
8	7017420	1	Cartridge, Relief Valve (Main Lift)	
8	7012998	1	Seal Kit - 7017420 Cartridge	
9	7017423	1	Cartridge, Relief Valve (Swing)	
9	7012998	1	Seal Kit - 7017420 Cartridge	
10	7018941	1	Orifice	
11	7018941	1	Orifice	
12	7017474	1	Cartridge, Check Valve (Tower Lift)	
12	2900708	1	Seal Kit - 7017448 Cartridge	
13	7021602	1	Piston, Pilot (4641093 & 4641099 Valves Only)	
14	7017428	1	Cartridge, Relief Valve (Platform Level Down)	
14	7012998	1	Seal Kit - 7017428 Cartridge	
15	7017427	1	Cartridge, Relief Valve (Platform Level Up)	
15	7012998	1	Seal Kit - 7017427 Cartridge	
16	7017428	1	Cartridge, Relief Valve (Front Steer)	
16	7012998	1	Seal Kit - 7017428 Cartridge	
17	7017428	1	Cartridge, Relief Valve (Front Steer)	
17	7012998	1	Seal Kit - 7017428 Cartridge	
18	7012914	1	Cartridge, Pilot Check (Platform Level)	
18	7012918	1	Seal Kit - 7012914 Cartridge	
19	7012914	1	Cartridge, Pilot Check (Platform Level)	
19	7012918	1	Seal Kit - 7012914 Cartridge	
20	7018992	1	Control Valve Assembly (Main Lift)	
20	7012773	1	Seal Kit - 7018992 Valve	
20A	7018991	2	Coil	
20A	7018912	2	Nut	
21	7012775	1	Control Valve Assembly (Swing)	
21	7012773	1	Seal Kit - 7012775 Valve	
21A	7012772	2	Coil	
21A	7018912	2	Nut	
22	See Note	1	Manifold, Valve (Main) (Note: Not Available for Purchase)	

## SECTION 2 - TURNTABLE

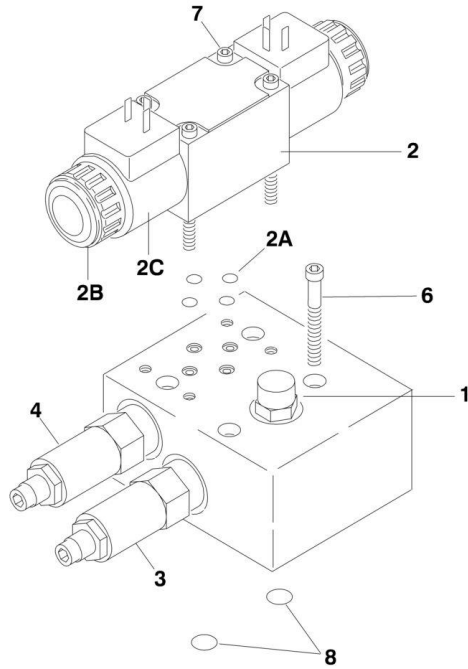
ITEM	PART NUMBER	QTY	DESCRIPTION	REV
23	7018994	1	Control Valve Assembly (Main)	
23	7012773	1	Seal Kit - 7018994 Valve	
23A	7012772	1	Coil	
23A	7018912	1	Nut	
23B	7018993	1	Plug	
24		Ref	Cartridge without Coil Options:	
24	7017414	1	4641034 & 4641093 Valves (was p/n 7017475) <b>(Prior to SN 0300041275)</b>	
24	7017414	1	4641099 Valve <b>(SN 0300041275 through 0300069000)</b>	
24	2900708	1	Seal Kit - 7017414 Cartridge	
24	7012901	1	Seal Kit - 7017475 Cartridge	
24	7000645	1	Coil - 7017414 Valve Only	
24	7012943	1	Coil - 7017475 Valve Only	
25		Ref	Cartridge, Flow Regulator (Main) Options:	
25	7021601	1	4641034 Valve (was p/n 7017476) <b>(Prior to SN 0300040142)</b>	
25	7021601	1	4641093 & 4641099 Valves <b>(SN 0300040142 through 0300069000)</b>	
25	7017477	1	Seal Kit - 7021601 Cartridge	
26	70000579	1	Control Valve Assembly (Main Tele) (was p/n 7012766)	
		Ref	<b>Note: Refer to Vendor P/N on Valve Nameplate before ordering Parts. P/N 7012766 is RR00567495 or R900567495. P/N 70000579 is R900930080.</b>	
26		Ref	Seal Kit Options:	
26	7012769	1	7012766 Valve	
26	70000583	1	70000579 Valve	
26A		Ref	Coil Options:	
26A	7012772	1	7012766 Valve (Was p/n 7012768)	
26A	70000582	1	70000579 Valve	
26A		Ref	Nut, Coil Options:	
26A	7018912	1	7012766 Valve	
26A	70000580	1	70000579 Valve	
27	70001976	1	Control Valve Assembly (Tower Tele) (was p/n 7012770)	
27	7012773	1	Seal Kit - 7012770 Valve	
27A	7012772	2	Coil	
27A	7018912	2	Nut	
28	70001976	1	Control Valve Assembly (Platform Level) (was p/n 7012770)	
28	7012773	1	Seal Kit - 7012770 Valve	
28A	7012772	2	Coil	
28A	7018912	2	Nut	
29	70001976	1	Control Valve Assembly (Platform Rotate) (was p/n 7012770)	
29	7012773	1	Seal Kit - 7012770 Valve	
29A	7012772	2	Coil	
29A	7018912	2	Nut	
30	70001976	1	Control Valve Assembly (Tower Lift) (was p/n 7012770)	
30	7012773	1	Seal Kit - 7012770 Valve	
30A	7012772	2	Coil	
30A	7018912	2	Nut	
31	7012989	1	Cartridge, Flow Regulator (Platform Rotate)	
31	7012953	1	Seal Kit - 7012989 Cartridge	
32	7012774	1	Control Valve Assembly (Front Steer)	
32	7012773	1	Seal Kit - 7012774 Valve	
32A	7012772	2	Coil	

## SECTION 2 - TURNTABLE

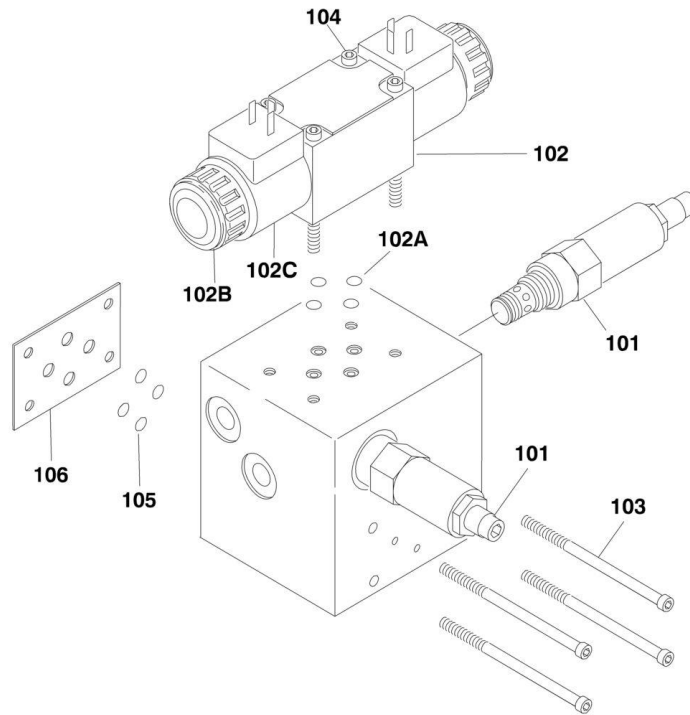
ITEM	PART NUMBER	QTY	DESCRIPTION	REV
32A	7018912	2	Nut	
33		Ref	Valve, Sandwich (Platform Rotate) Options:	
33	Not Required	0	4641034 & 4641093 Valves <b>(Prior to SN 0300041275)</b>	
33	7021310	1	4641099 Valve <b>(SN 0300041275 through 0300069000)</b>	
33	7018945	2	O-Rings, Replacement - 7021310 Valve	
34	7017478	1	Cartridge, Check Valve (Main Pressure)	
34	7017477	1	Seal Kit - 7017478 Cartridge	
35	7012941	1	Cartridge without Coil (Main Dump)	
35	7010543	1	Seal Kit - 7017452 Cartridge	
35	7012944	1	Coil	
36	7017428	1	Cartridge, Relief Valve (Tower Tele)	
36	7012998	1	Seal Kit - 7017428 Cartridge	
37	7018942	28	Capscrew #10-24NC x 2in	
38	7018951	4	Capscrew 1/4in-20NC x 1-1/2in	
39	7021311	4	Capscrew #10-24NC x 4-1/2in	
40	See Note	1	Valve, Check (Platform Rotate) (4641034 Valve Only) (Note: Not Available for Purchase)	
40	7018945	2	O-Ring (Platform Rotate) (4641034 Valve Only)	

## SECTION 2 - TURNTABLE

FIGURE 2-3. ACCESSORY VALVE ASSEMBLY



**NOTE: TORQUE ITEMS 6, 7, 103 & 104  
TO 60 IN/LBS.**



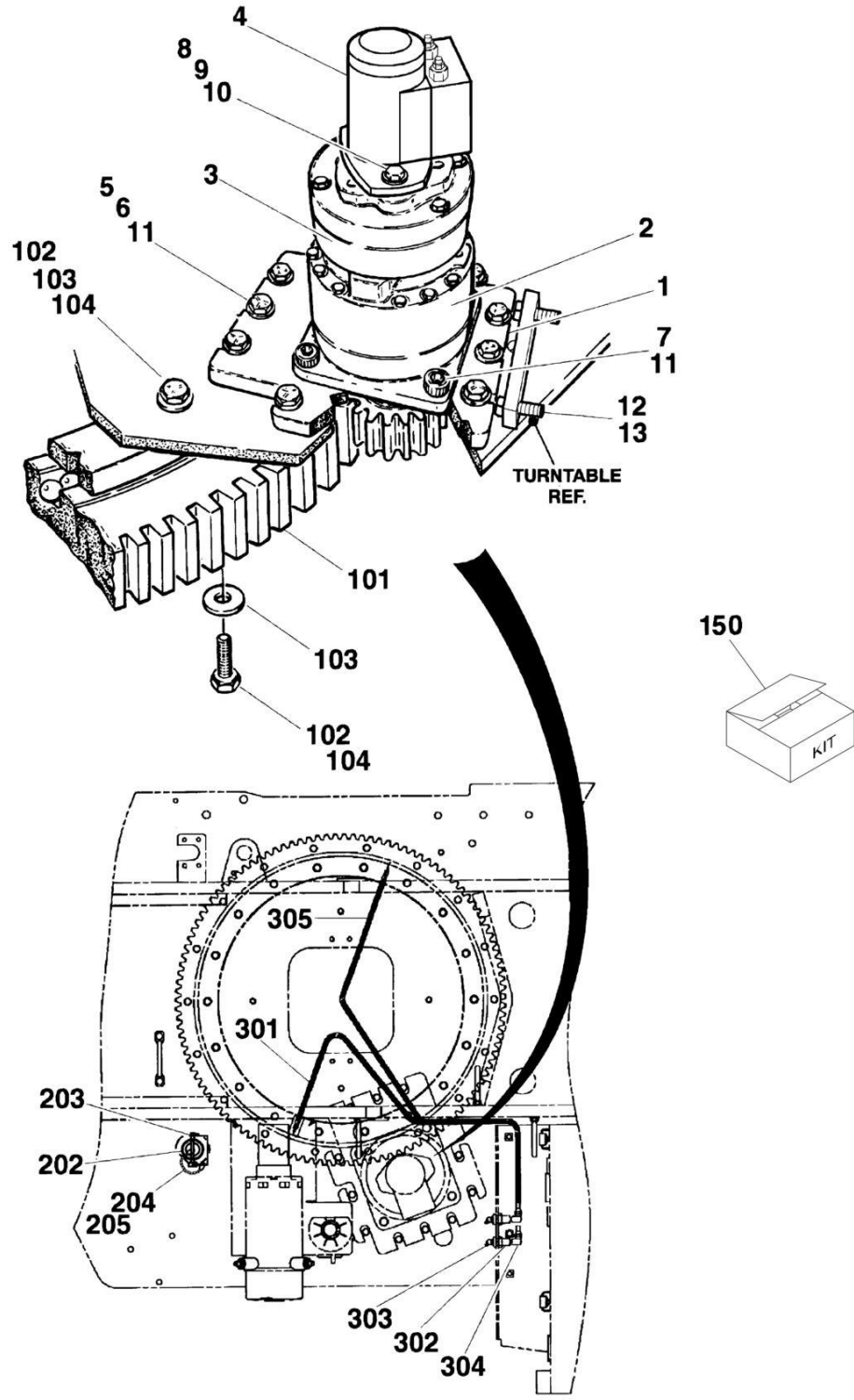
**SECTION 2 - TURNTABLE**

**FIGURE 2-3. ACCESSORY VALVE ASSEMBLY**

ITEM	PART NUMBER	QTY	DESCRIPTION	REV
		Ref	<b>ACCESSORY VALVE ASSEMBLIES</b>	
	4640921	Ref	<b>ARTICULATING JIB VALVE ASSEMBLY</b>	D
1	7012965	1	Cartridge, Flow Control	
1	7012953	1	Seal Kit - 7012965 Cartridge	
2	70001976	1	Directional Control Valve Assembly (was p/n 7012770)	
2	7012773	1	Seal Kit	
2A	7018945	4	O-Ring	
2B	7018912	2	Nut	
2C	7012772	2	Coil	
3	7017421	1	Cartridge, Relief	
3	7012998	1	Seal Kit - 7017421 Cartridge	
4	7017422	1	Cartridge, Relief	
4	7012998	1	Seal Kit - 7017422 Cartridge	
5	4460499	2	Connector, DIN with Diode (Not Shown - Part of Valve Harness)	
6	7012777	4	Capscrew, Socket Head 5/16in-18NC x 2-1/4in (Used to Mount Valve Assembly)	
7	7018942	4	Capscrew, Socket Head #10-24NC x 2in	
8	7012776	2	O-Ring (Used to Mount Main Valve)	
	4640922	Ref	<b>4WS VALVE ASSEMBLY</b>	B
101	7017420	1	Cartridge, Relief	
101	7012998	1	Seal Kit - 7017420 Cartridge	
102	7012774	1	Directional Control Valve Assembly	
102	7012773	1	Seal Kit	
102A	7018945	4	O-Ring	
102B	7018912	2	Nut	
102C	7012772	2	Coil	
103	7018946	4	Capscrew, Socket Head #10-24NC x 5in (Used to Mount Main Valve)	
104	7018942	4	Capscrew, Socket Head #10-24NC x 2in	
105	7018948	4	O-Ring (Used to Mount Main Valve)	
106	7018947	1	Plate, O-Ring	

# SECTION 2 - TURNTABLE

FIGURE 2-4. TURNTABLE AND SWING DRIVE INSTALLATIONS (Prior to SN 0300068040)





## SECTION 2 - TURNTABLE

**FIGURE 2-4. TURNTABLE AND SWING DRIVE INSTALLATIONS (Prior to SN 0300068040)**

ITEM	PART NUMBER	QTY	DESCRIPTION	REV
		Ref	<b>TURNTABLE WELDMENT</b>	
	4620119	Ref	Standard Machines	
		Ref	<b>SWING DRIVE INSTALLATION OPTIONS:</b>	
	0258407	Ref	<b>Swing Drive Installation (Prior to SN 0300064566)</b>	D
	0270331	Ref	<b>Swing Drive Installation (SN 0300064566 through 0300068040)</b>	B
1	3570488	1	Plate, Swing Drive	
2	2780205	1	Hub, Swing Assembly (See SWING HUB ASSEMBLY for Breakdown)	
3		Ref	Brake, Swing Assembly Options: (See SWING BRAKE ASSEMBLY for Breakdown)	
3	0920111	1	Brake, Swing Assembly ( <b>Prior to SN 0300064566</b> )	
3	0920119	1	Brake, Swing Assembly ( <b>SN 0300064566 through 0300068040</b> )	
4		Ref	Motor, Swing Assembly Options: (See SWING MOTOR ASSEMBLY for Breakdown)	
4	3160223	1	Motor, Swing Assembly ( <b>Prior to SN 0300064566</b> )	
4	3160279	1	Motor, Swing Assembly ( <b>SN 0300064566 through 0300068040</b> )	
5	0642018	12	Bolt 5/8in - 11NC x 2-1/4in	
6		Ref	Washer Options:	
6	4892000	12	Flatwasher 5/8in ( <b>Prior to SN 0300064566</b> )	
6	4740004	12	Hardened, Washer 5/8in ( <b>SN 0300064566 through 0300068040</b> )	
7	3932224	4	Bolt 1/2in - 13NC x 1-1/2in	
8	0681836	2	Bolt 1/2in - 13NC x 4-1/2in (Grade 8)	
9	4891800	2	Flatwasher 1/2in	
10	0100011	AR	Compound, Locking	
11	0100019	AR	Compound, Locking	
12	3311802	2	Nut Jam 1/2in - 13NC ( <b>SN 0300052924 through 0300068040</b> )	
13	3971820	2	Setscrew 1/2in - 13NC x 2-1/2in ( <b>SN 0300052924 through 0300068040</b> )	
		Ref	<b>TURNTABLE BEARING INSTALLATIONS</b>	
	0254798	Ref	<b>Turntable Bearing Installations (Prior to SN 0300041029)</b>	A
	0259055	Ref	<b>Turntable Bearing Installations (SN 0300041029 through 0300068040)</b>	A
101		Ref	Bearing, Turntable Options:	
101	0440207	1	Bearing, Turntable ( <b>Prior to SN 0300041029</b> )	
101	0440233	NLA	Bearing, Turntable - Bearing Kit (Use p/n 2915096) (Kit Includes Bearing and Mounting Hardware) ( <b>SN 0300041029 through 0300068040</b> )	
102		Ref	Bolt 5/8in - 11NC (Grade 8)	
102	0682016	36	2in Length ( <b>Prior to SN 0300041029</b> )	
102	0682023	36	2-7/8in Length ( <b>SN 0300041029 through 0300068040</b> )	
103	4892000	36	Flatwasher, Hardened	
104	0100019	AR	Compound, Locking	
150	2915087	1	<b>TURNTABLE BEARING KIT (Prior to SN 0300041029)</b>	
150	2915096	1	<b>TURNTABLE BEARING KIT (SN 0300041029 through 0300068039)</b>	
	0239585	Ref	<b>TURNTABLE LOCK INSTALLATION</b>	B
202	3421627	1	Pin	
203	3421565	1	Pin, Snap	
204	3760170	2	Ring, Quick Release	

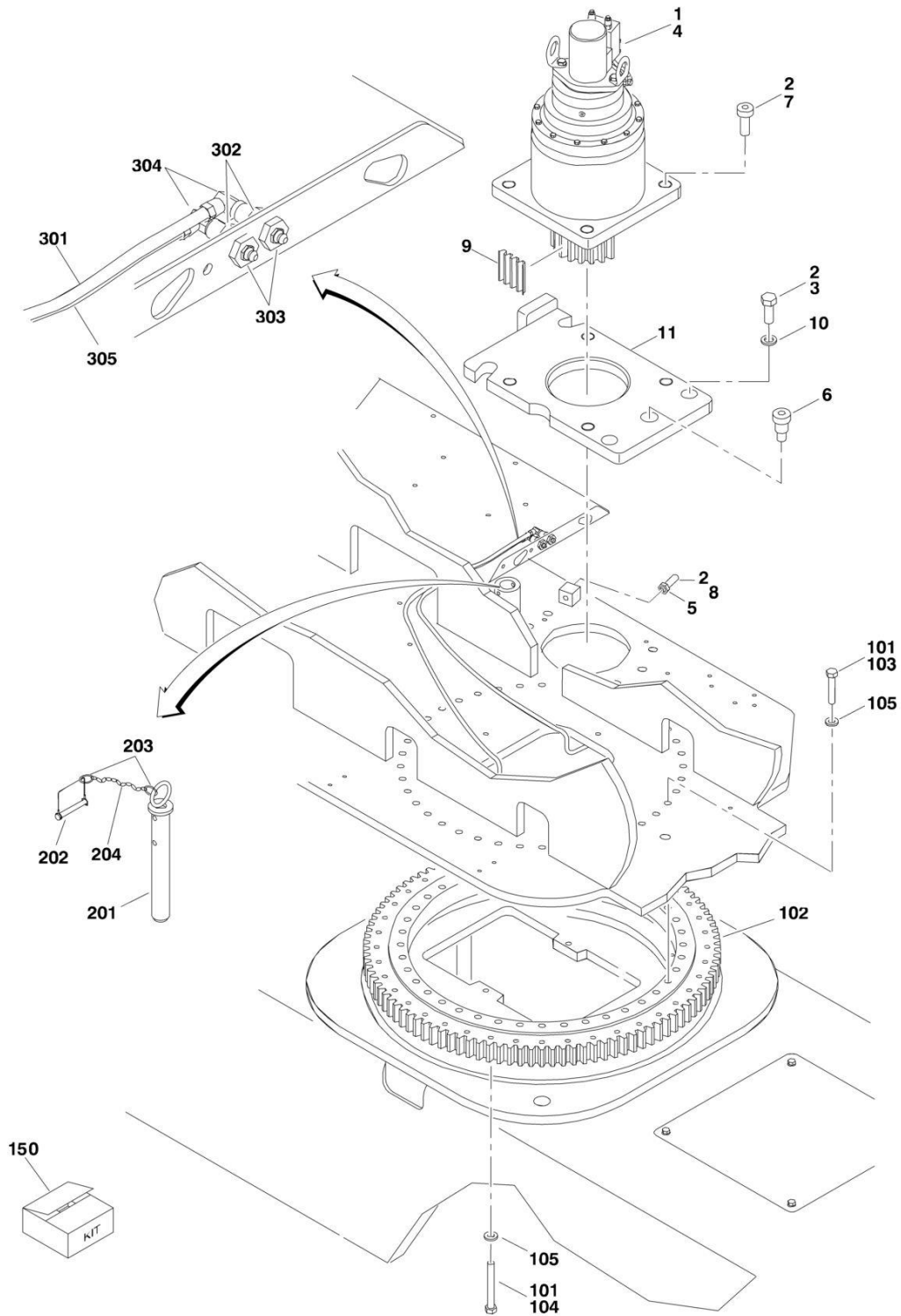
## SECTION 2 - TURNTABLE

ITEM	PART NUMBER	QTY	DESCRIPTION	REV
205	1260017	9 in/23cm	Chain	2
	0255316	Ref	<b>REMOTE BEARING LUBE INSTALLATION</b>	
301	2751095	1	Hose, Grease	
302	2180344	2	Fitting, Bulkhead	
303	2160003	2	Fitting, Grease Elbow	
304	2220063	2	Fitting, Elbow	
305	2751032	1	Hose, Grease	



# SECTION 2 - TURNTABLE

FIGURE 2-5. TURNTABLE AND SWING DRIVE INSTALLATIONS (SN 0300068040 through 0300069000)



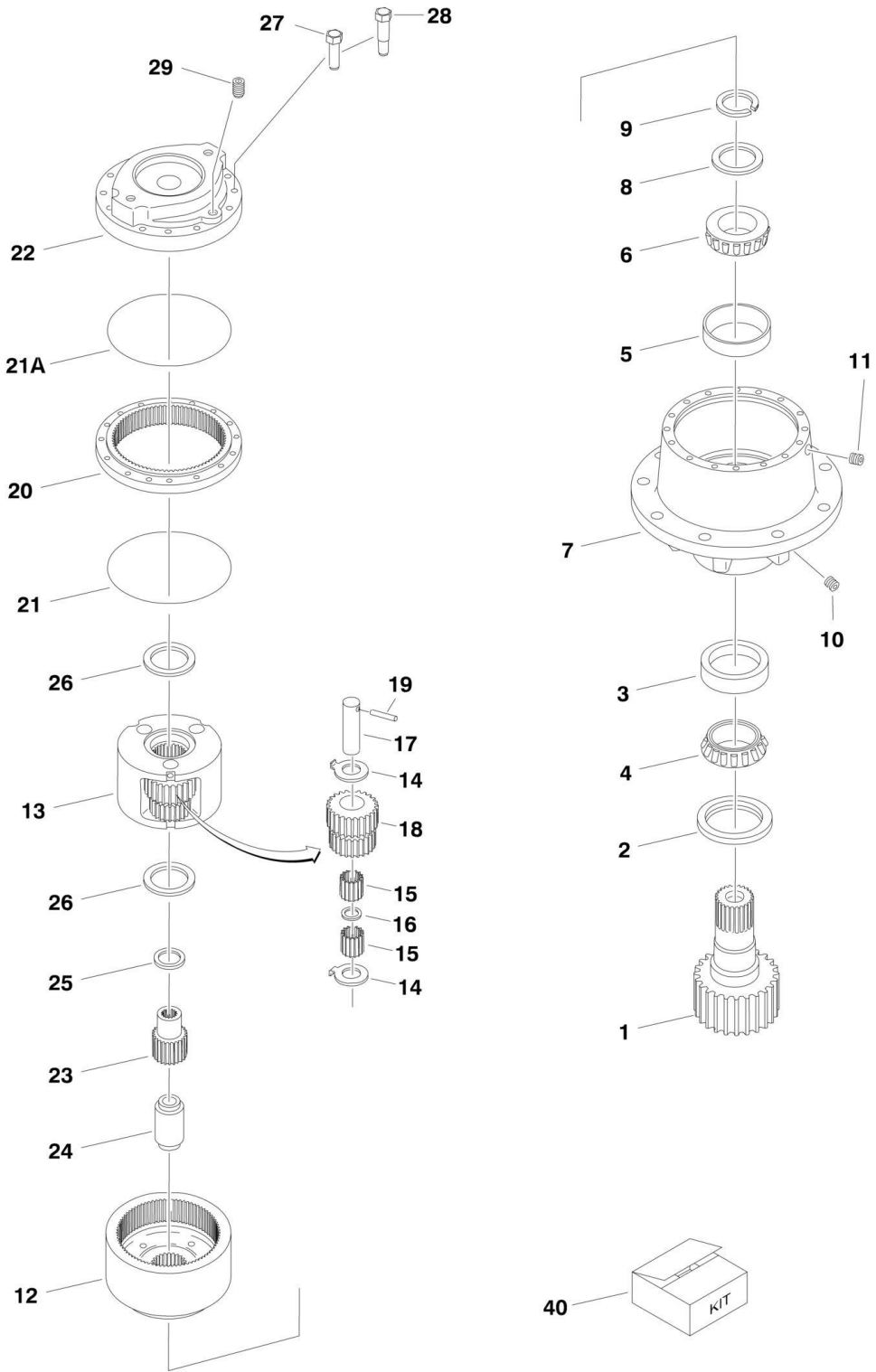
## SECTION 2 - TURNTABLE

**FIGURE 2-5. TURNTABLE AND SWING DRIVE INSTALLATIONS (SN 0300068040 through 0300069000)**

ITEM	PART NUMBER	QTY	DESCRIPTION	REV
		Ref	<b>TURNTABLE WELDMENT</b>	
	4620119	Ref	Standard Machines	
	0272189	Ref	<b>SWING DRIVE INSTALLATION</b>	A
1	0100011	AR	Compound, Locking	
2	0100019	AR	Compound, Locking	
3	0682214	4	Bolt 3/4in - 10NC x 1-3/4in (Grade 8)	
4	3160286	1	Motor, Swing Assembly (See SWING MOTOR/HUB ASSEMBLY for Breakdown)	
5	3312002	1	Nut Jam 5/8in - 11NC	
6	3900293	1	Screw, Shoulder	
7	3932224	4	Screw 3/4in- 10NC x 1-1/2in	
8	3952020	1	Setscrew 5/8in x 2in	
9	4071009	1	Shim	
10	4740057	4	Hardened, Washer	
11	4846430	1	Plate, Swing Drive	
	0271002	Ref	<b>TURNTABLE BEARING INSTALLATION</b>	E
101	0100019	AR	Compound, Locking	
102	0440244	1	Bearing, Turntable	
103	0682023	24	Bolt 5/8in - 11NC X 2-7/8in (Grade 8)	
104	0682032	24	Bolt 5/8in - 11NC x 4in (Grade 8)	
105	4892000	48	Flatwasher, Hardened	
150	2915094	1	<b>TURNTABLE BEARING KIT</b>	
	0259147	Ref	<b>TURNTABLE LOCK INSTALLATION</b>	A
201	4844958	1	Pin, Locking	
202	3421565	1	Pin, Snap	
203	3760170	2	Ring, Quick Release	
204	1260017	9 in/23cm	Chain	
	0255316	Ref	<b>REMOTE BEARING LUBE INSTALLATION</b>	2
301	2751095	1	Hose, Grease	
302	2180344	2	Fitting, Bulkhead	
303	2160003	2	Fitting, Grease Elbow	
304	2220063	2	Fitting, Elbow	
305	2751032	1	Hose, Grease	

# SECTION 2 - TURNTABLE

## FIGURE 2-6. SWING HUB ASSEMBLY (Prior to SN 0300068040)



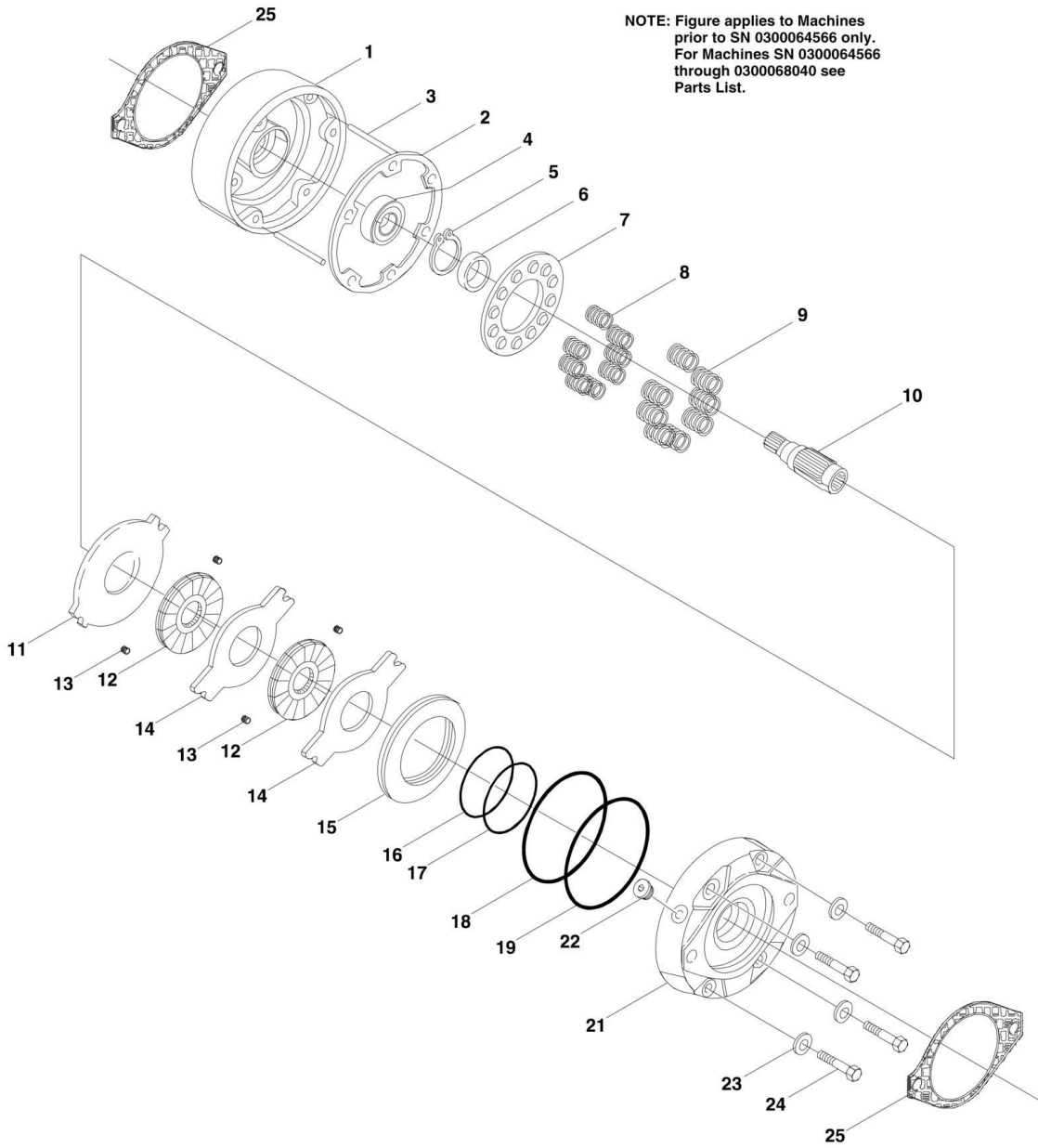
## SECTION 2 - TURNTABLE

**FIGURE 2-6. SWING HUB ASSEMBLY (Prior to SN 0300068040)**

ITEM	PART NUMBER	QTY	DESCRIPTION	REV
	2780205	Ref	<b>SWING HUB ASSEMBLY</b>	-
		Ref	<b>HOUSING ASSEMBLY</b>	
1	7010492	1	Shaft, Output	
2	7000228	1	Seal, Lip	
3	7000255	1	Cup, Bearing	
4	7000256	1	Cone, Bearing	
5	7000257	1	Cup, Bearing	
6	7000258	1	Cone, Bearing	
7	7017089	1	Housing	
8	7007633	1	Thrustwasher	
9	7000229	1	Ring, Retaining	
10	7010494	2	Pipe, Plug	
11	7001928	2	Pipe, Plug	
12	7000246	2	Gear, In O-Ring	
		Ref	<b>CARRIER ASSEMBLY</b>	
13	7001931	1	Carrier	
14	7001985	6	Thrustwasher, Tanged	
15	7001909	96	Bearing, Needle	
16	7000263	3	Spacer, Thrust	
17	7001911	3	Shaft, Planet	
18	7001987	3	Gear, Cluster	
19	7010474	3	Roll Pin	
20	7001988	1	Ring Gear	
21	7000230	1	O-Ring	
21A	7017070	1	O-Ring	
22	7000209	1	Cover, Input	
23	7010488	1	Gear, Sun	
24	7000269	1	Spacer, Input	
25	7000270	1	Thrustwasher	
26	7000253	2	Thrustwasher	
27	7000217	8	Bolt	
28	7000214	4	Bolt, Shoulder	
29	2200222	1	Pipe, Plug	
40	7024100	1	Kit, Seal (Includes Items 2, 9, 21, 21A & 26)	

# SECTION 2 - TURNTABLE

## FIGURE 2-7. SWING BRAKE ASSEMBLY (Prior to SN 0300068040)



NOTE: Figure applies to Machines prior to SN 0300064566 only. For Machines SN 0300064566 through 0300068040 see Parts List.



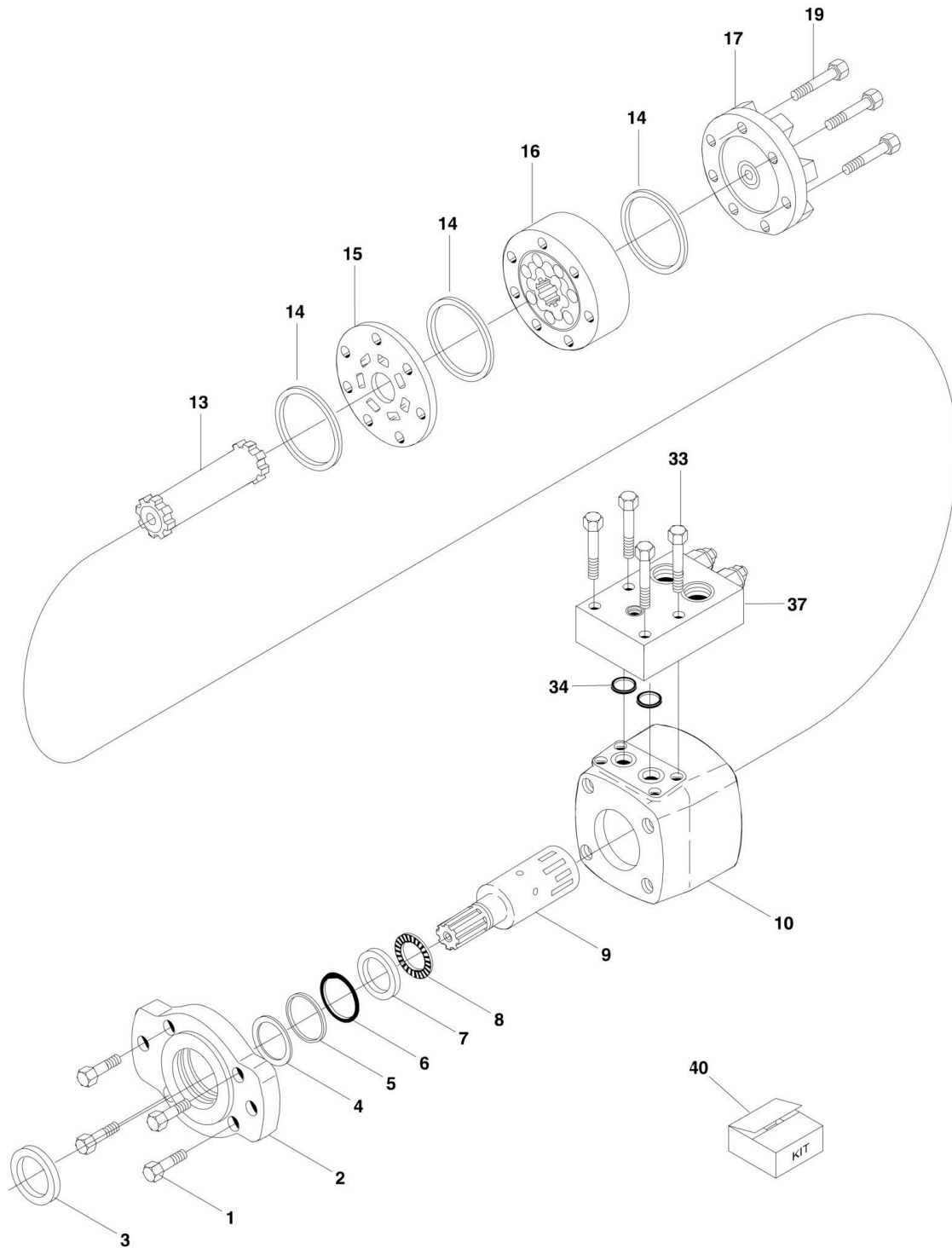
**SECTION 2 - TURNTABLE**

**FIGURE 2-7. SWING BRAKE ASSEMBLY (Prior to SN 0300068040)**

ITEM	PART NUMBER	QTY	DESCRIPTION	REV
	0920111	Ref	<b>SWING BRAKE ASSEMBLY (Prior to SN 0300064566)</b>	B
1	7003451	1	Housing	
2	7003452	1	Gasket	
3	7003094	2	Torque Pin	
4	7003049	1	Bearing, Ball	
5	7003453	1	Ring, Retaining	
6	7003050	1	Seal	
7	7003454	1	Retainer, Spring	
8	7000798	10	Spring, Compression (Small)	
9	7000782	10	Spring, Compression (Large)	
10	7003455	1	Shaft	
11	7003456	1	Disc, Primary	
12	7003457	2	Disc, Rotating	
13	7003458	4	Spring, Wave	
14	7003459	2	Disc, Stationary	
15	7003460	1	Piston	
16	7000722	1	Ring, Back-up	
17	7000723	1	O-Ring	
18	7000724	1	Ring, Back-up	
19	7000725	1	O-Ring	
20	7000796	1	Screw, Bleeder	
21	7003461	1	Plate, Power	
22	7000728	1	Plug, Protective	
23	7003462	4	Washer	
24	7003463	4	Bolt 1/2in-13NC	
25	7000731	2	Gasket	
	0920119	Ref	<b>SWING BRAKE ASSEMBLY (NOT SHOWN) (SN 0300064566 through 0300068040)</b>	B
	7018612	1	Kit, Repair	
		Ref	<b>Note: Repair Kit Only</b>	

# SECTION 2 - TURNTABLE

## FIGURE 2-8. SWING MOTOR ASSEMBLY (Prior to SN 0300068040)



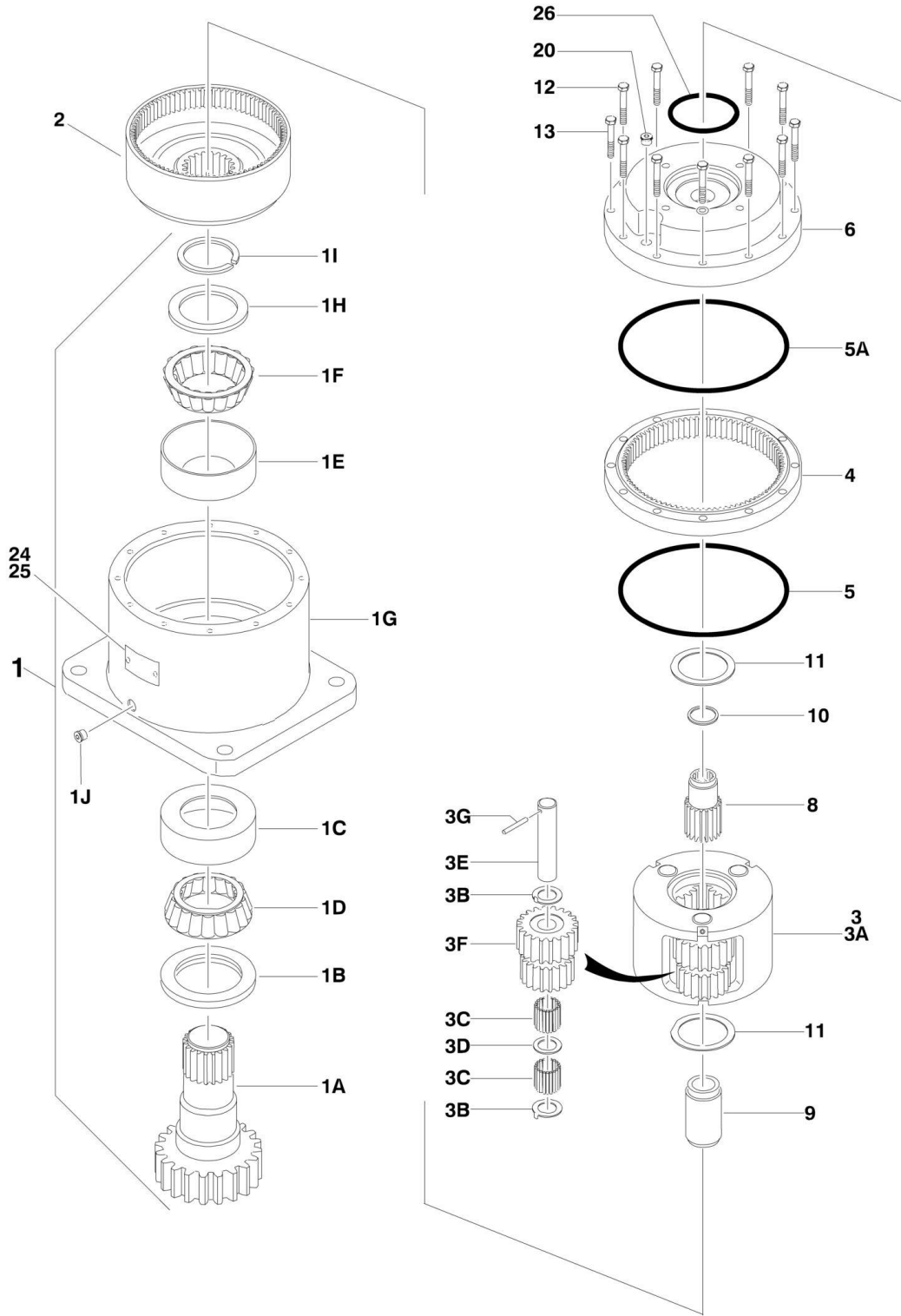
**SECTION 2 - TURNTABLE**

**FIGURE 2-8. SWING MOTOR ASSEMBLY (Prior to SN 0300068040)**

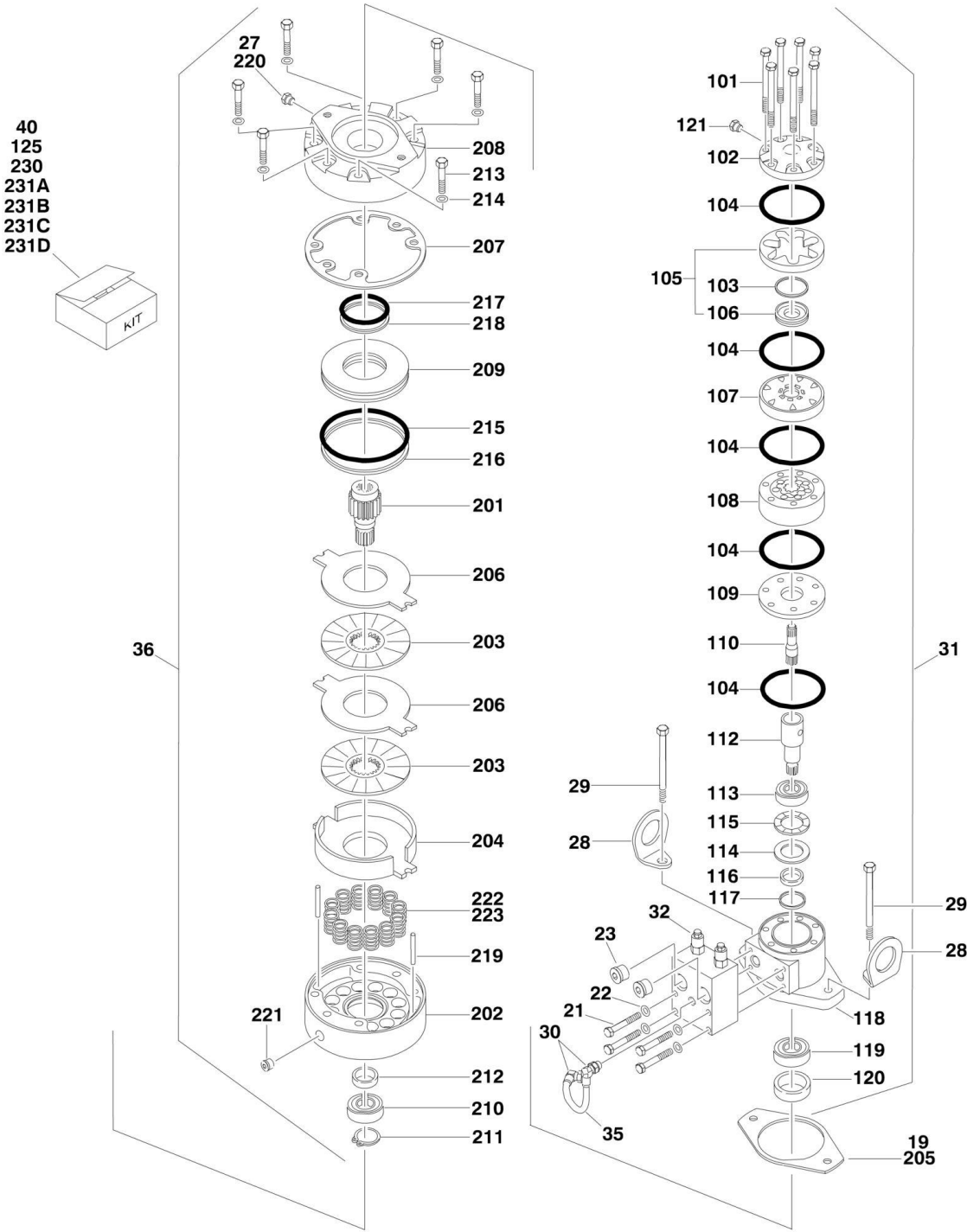
ITEM	PART NUMBER	QTY	DESCRIPTION	REV
		Ref	<b>SWING MOTOR ASSEMBLY</b>	
	3160223	Ref	<b>Swing Motor Assembly (Prior to SN 0300064061)</b>	B
	3160279	Ref	<b>Swing Motor Assembly (SN 0300064061 through 0300068040)</b>	A
1		Ref	Bolt Options:	
1	7002123	4	<b>Bolt (Prior to SN 0300064566)</b>	
1	7020357	4	<b>Bolt (SN 0300064566 through 0300068040)</b>	
2	7009996	1	Flange, Mounting	
3	See Note	NSS	Seal, Exclusion (Note: Use Item 40)	
4	See Note	NSS	Washer, Back-up (Note: Use Item 40)	
5	See Note	NSS	Seal, Pressure (Note: Use Item 40)	
6	See Note	NSS	Seal (Note: Use Item 40)	
7	7002117	1	Race, Bearing	
8	7002111	1	Washer, Thrust	
9	7009998	1	Shaft	
10		Ref	Housing Options:	
10	7020335	1	<b>Housing (Prior to SN 0300064061)</b>	
10	7020358	1	<b>Housing (SN 0300064061 through 0300068040)</b>	
13	7020336	1	Drive	
14	See Note	NSS	Seal, Body (Note: Use Item 40)	
15	7020338	1	Plate, Spacer	
16	7020339	1	Rotor Set Assembly	
17	7020346	1	Cap, End	
19	7020340	7	Bolt	
33		Ref	Bolt Options:	
33	7020341	4	<b>Bolt (Prior to SN 0300064061)</b>	
33	7020353	4	<b>Bolt (SN 0300064061 through 0300068040)</b>	
34	See Note	NSS	O-Ring (Note: Use Item 40)	
37		Ref	Valve, Counterbalance Options:	
37	7020343	1	<b>Valve, Counterbalance (Prior to SN 0300064061)</b>	
37	7020359	1	<b>Valve, Counterbalance (SN 0300064061 through 0300068040)</b>	
37		Ref	Cartridge, Valve Options:	
37	See Note	2	<b>Cartridge, Valve (Note: Not Available for Purchase) (Prior to SN 0300064061)</b>	
37	7020362	2	<b>Cartridge, Valve (SN 0300064061 through 0300068040)</b>	
37		Ref	O-Ring Options:	
37	See Note	2	<b>O-Ring (Note: Not Available for Purchase) (Prior to SN 0300064061)</b>	
37	7020363	2	<b>O-Ring (SN 0300064061 through 0300068040)</b>	
40	7020360	1	Seal Kit - (Includes Items 3-6, 14 & 34)	

# SECTION 2 - TURNTABLE

FIGURE 2-9. SWING MOTOR/HUB ASSEMBLY (SN 0300068040 through 0300069000)



# SECTION 2 - TURNTABLE



## SECTION 2 - TURNTABLE

**FIGURE 2-9. SWING MOTOR/HUB ASSEMBLY (SN 0300068040 through 0300069000)**

ITEM	PART NUMBER	QTY	DESCRIPTION	REV
	3160286	Ref	<b>SWING MOTOR/HUB ASSEMBLY</b>	A
1	See Note	1	Housing/Shaft Assembly (Note: Not Available - Purchase Individual Components)	
1A	7010492	1	Shaft, Out put	
1B	7000228	1	Seal, Lip	
1C	7000255	1	Cup, Bearing	
1D	7000256	1	Cone, Bearing	
1E	7000257	1	Cup, Bearing	
1F	7000258	1	Cone, Bearing	
1G	7017089	1	Housing	
1H	7007633	1	Washer, Thrust	
1I	7000229	1	Ring, Retaining	
1J	7001928	1	Plug, Pipe	
2	7000246	1	Gear, Internal	
3	See Note	1	Carrier Assembly (Note: Not Available - Purchase Individual Components)	
3A	7001931	1	Carrier	
3B	7001985	6	Washer, Tanged	
3C	7001909	96	Bearing, Needle	
3D	7000263	3	Washer, Thrust	
3E	7001911	3	Shaft, Planet	
3F	7001912	3	Gear, Cluster	
3G	7010474	3	Roll Pin	
4	7000248	1	Gear, Ring	
5	7000230	1	O-Ring	
5A	7017070	1	O-Ring	
6	7000209	1	Cover, Input	
8	7010461	1	Gear, Sun	
9	7000269	1	Spacer, Input	
10	7000270	1	Washer, Thrust	
11	7000253	2	Washer, Thrust	
12	7000217	8	Bolt 5/16in-18NC x 2-1/4in (Grade 8)	
13	7000214	4	Bolt, Shoulder 5/16in-18NC x 1-7/8in (Grade 8)	
19	7024703	1	Gasket	
20	2200222	1	Plug, Pipe	
21	7024704	4	Bolt 5/16in-18NC x 2in (Grade 8)	
22	See Note	4	Lockwasher (Note: Not Available for Purchase)	
23	7017023	2	Plug, Pipe	
24	See Note	1	Plate, ID (Note: Not Available for Purchase)	
25	7000281	2	Screw, Drive	
26	7024705	1	O-Ring	
27	7017082	1	Plug, Pipe	
28	See Note	2	Lug, Lifting (Note: Not Available for Purchase)	
29	7024185	2	Bolt 1/2in-13NC x 5in (Grade 8)	
30	7017085	2	Elbow	
31	7024707	1	Motor Assembly (See Items 101-121 for Breakdown)	
32	7024784	1	Valve (No Serviceable Parts)	
35	7024706	1	Tube	
36	7024702	1	Brake Assembly (See Items 201-223 for Breakdown)	
40	7024100	1	Seal Kit, Swing Hub (Includes Items 1B, 1I, 5, 5A & 11)	

## SECTION 2 - TURNTABLE

ITEM	PART NUMBER	QTY	DESCRIPTION	REV
	7024707	Ref	<b>MOTOR ASSEMBLY</b>	
101	7024454	5	Bolt	
102	7024459	1	Cover, End	
103	See Note	NSS	Seal, Commutator (Note: Use Item 125)	
104	See Note	NSS	Seal, Ring (Note: Use Item 125)	
105	7024453	1	Commutator and Ring Assembly	
106	7024453	1	Ring	
107	7024379	1	Manifold	
108	7024455	1	Rotor Set	
109	7024380	1	Plate, Wear	
110	7024456	1	Link, Drive	
112	7024458	1	Shaft, Coupling	
113	7004042	1	Bushing, Bronze	
114	7004043	1	Washer, Thrust	
115	7004044	1	Bearing, Thrust	
116	See Note	NSS	Seal, Inner (Note: Use Item 125)	
117	See Note	NSS	Washer, Back-up (Note: Use Item 125)	
118	7024457	1	Housing	
119	7004046	1	Bearing	
120	See Note	NSS	Seal (Note: Use Item 125)	
121	7010795	1	Plug, O-Ring	
125	7024396	1	Seal Kit, Motor (Includes Items 103, 104, 116, 117 & 120)	
	7024702	Ref	<b>BRAKE ASSEMBLY</b>	
201	7024189	1	Shaft	
202	7024702	1	Housing (Note: Not Available for Purchase)	
203	See Note	NSS	Plate, Friction (Note: Use Item 231C)	
204	See Note	NSS	Plate, Pressure (Note: Use Item 231C)	
205	7000731	1	Gasket	
206	See Note	NSS	Plate, Outer (Note: Use Item 231C)	
207	See Note	1	Gasket (Note: Use Item 230, 231C or 231D)	
208	7024191	1	Cylinder	
209	7024192	1	Piston	
210	See Note	NSS	Bearing, Ball (Note: Use Item 231D)	
211	See Note	NSS	Ring, Retaining (Note: Use Item 231D)	
212	See Note	NSS	Seal, Shaft (Note: Use Item 231D)	
213	See Note	6	Capscrew (Note: Not Available for Purchase)	
214	See Note	6	Lockwasher (Note: Not Available for Purchase)	
215	See Note	NSS	O-Ring (Note: Use Item 230)	
216	See Note	NSS	Ring, Back-up (Note: Use Item 230)	
217	See Note	NSS	O-Ring (Note: Use Item 230)	
218	See Note	NSS	Ring, Back-up (Note: Use Item 230)	
219	7024190	2	Pin, Dowel	
220	See Note	1	Plug (Note: Not Available - Purchase Locally)	
221	See Note	1	Plug (Note: Not Available - Purchase Locally)	
222	See Note	NSS	Spring (Natural) (Note: Use Item 231B)	
223	See Note	NSS	Spring (Blue) (Note: Use Item 231B)	
230	7024194	1	Seal Kit, Brake (Includes Items 205, 207 & 215-218)	
231		Ref	Repair Kit, Brake Options:	
231A	7024195	NLA	Spring Kit (Includes 12 Natural Colored Springs) (Use Item 231B)	
231B	7024196	1	Spring Kit (Includes 12 Blue and 12 Natural Colored Springs)	
231C	7024193	1	Friction Disc Kit (Includes Items 203, 204, 206 & 207)	

## SECTION 2 - TURNTABLE

ITEM	PART NUMBER	QTY	DESCRIPTION	REV
231D	7024197	1	Bearing Kit (Includes Items 207 & 210-212)	

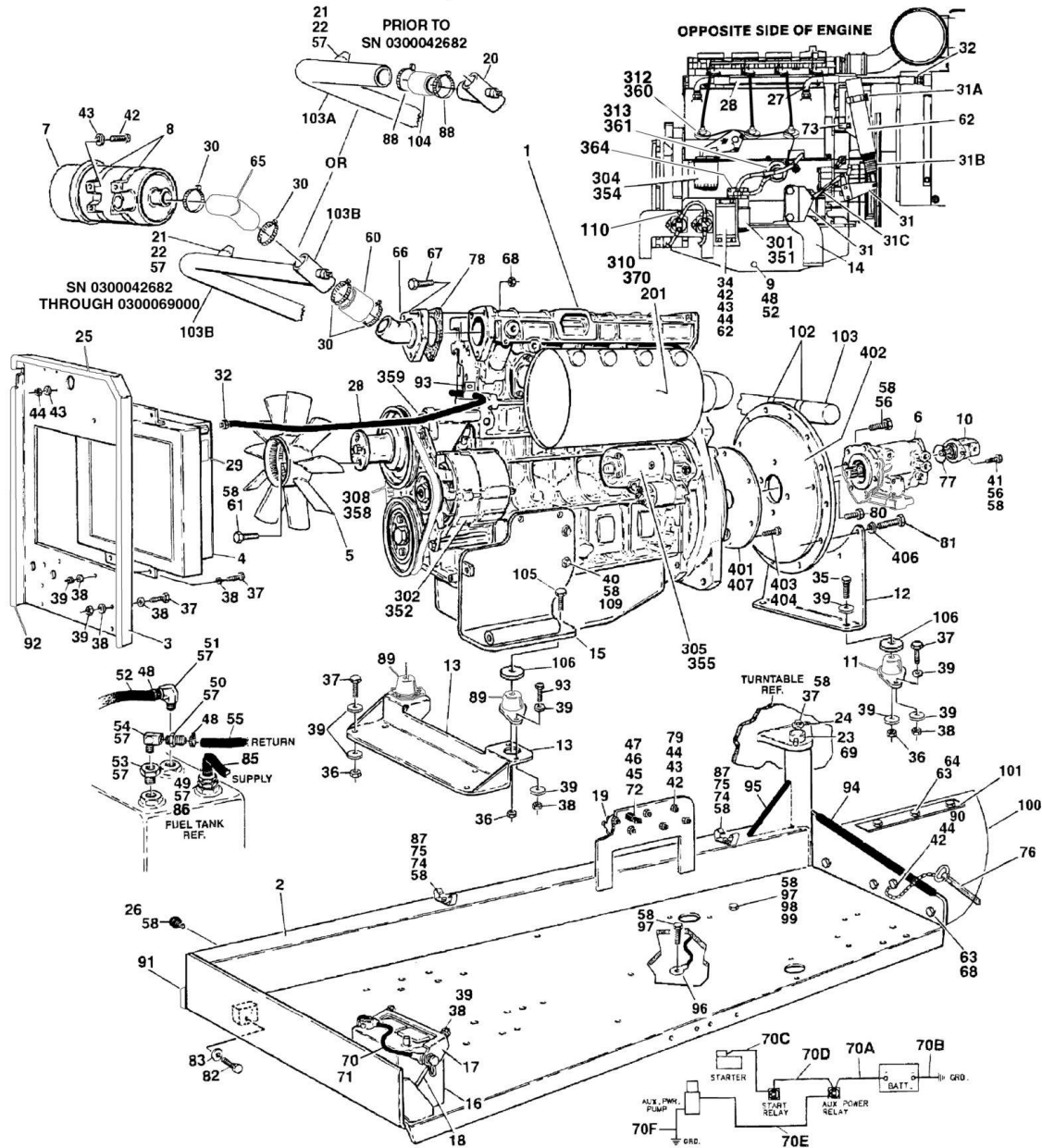




# SECTION 2 - TURNTABLE

## FIGURE 2-10. DEUTZ ENGINE INSTALLATION

NOTE: These Machine SN's Also Equipped With ADE System: 0300062045, 0300062797, 0300063013, 0300063665, 0300063975, 0300064000-0300064017, 0300064390, 0300064392 & 0300064411.



## SECTION 2 - TURNTABLE

### FIGURE 2-10. DEUTZ ENGINE INSTALLATION

ITEM	PART NUMBER	QTY	DESCRIPTION	REV
		Ref	<b>NOTE: THESE MACHINE SN'S ALSO EQUIPPED WITH ADE SYSTEM: 0300062045, 0300062797, 0300063013, 0300063665, 0300063975, 0300064000-0300064017, 0300064390, 0300064392 &amp; 0300064411.</b>	
		Ref	<b>DEUTZ ENGINE INSTALLATIONS</b>	
	0258415	Ref	<b>Standard Machines (Prior to SN 0300064432)</b>	6-F
	0271371	Ref	<b>ADE System Machines (SN 0300064432 through 0300069000)</b>	9-F
1		Ref	Engine - Deutz F4M1011F Diesel Options:	
1	2000146	1	Engine - Deutz F4M1011F Diesel ( <b>Prior to SN 0300064432</b> )	
1	2000173	1	Engine - Deutz F4M1011F Diesel ( <b>SN 0300064432 through 0300065694</b> )	
1	2000189	1	Engine - Deutz F4M1011F Diesel ( <b>SN 0300065695 through 0300069000</b> )	
2	4845404	1	Tray Engine	
3	3539872	1	Plate, Radiator Mounting	
4	3620033	1	Cooler, Oil	
5	2060025	1	Fan	
6		Ref	Piston Pump Assembly Options (See PISTON PUMP ASSEMBLY for Breakdown):	
6	3600277	NLA	Piston Pump Assembly (Use p/n 3600295) ( <b>Prior to SN 0300042829</b> )	
6	3600295	1	Piston Pump Assembly ( <b>SN 0300042829 through 0300069000</b> )	
7	1340060	1	Air Cleaner Assembly	
7A	7012664	1	Element, Air Cleaner (Not Shown)	
8	0340041	2	Band, Mounting	
9	4640751	1	Valve, Oil Drain	
10	3600278	1	Piston Pump Assembly	
10	7018995	1	Seal Kit - 3600278 Pump	
10	7024918		Seal, Shaft	
10	7024930	1	Valve Assembly - 3600278 Motor	
11	3200406	2	Mount, Rubber Engine (Rear)	
12	3537420	1	Bracket, Engine Mounting - Rear	
13	3539971	1	Bracket, Engine Mounting - Front	
14	3537416	1	Support, Engine - Right	
15		Ref	Support, Engine - Left Options:	
15	3537417	1	Support, Engine - Left ( <b>Prior to SN 0300041506</b> )	
15	4846479	1	Support, Engine - Left ( <b>SN 0300041506 through 0300068268</b> )	
15	4846566	1	Support, Engine - Left ( <b>SN 0300068269 through 0300069000</b> )	
16	0400075	1	Battery	
17	0181727	1	Hold-Down, Battery	
18	0630498	2	Rod, Hold-Down	
19	3740067	2	Relay	
20	4567112	1	Tee, Air Intake Tube Only ( <b>Prior to SN 0300042682</b> )	
21	4360392	1	Switch, Restriction Indicator	
22	2180798	1	Fitting	
23	3422446	1	Pin, Pivot	
24	3841143	1	Keeper, Pin	
25	3960389	5 ft/1.5m	Seal	
26	0940070	1	Bumper, Rubber	
27	3841340	AR	Loop, Hose	

## SECTION 2 - TURNTABLE

ITEM	PART NUMBER	QTY	DESCRIPTION	REV
28	2720398	2	Hose, Oil Cooler	
29	1703162	2	Nameplate - Fan Caution	
30	1320016	4	Clamp, Hose	
31	2901392	1	Throttle Mounting Kit <b>(Prior to SN 0300064432)</b>	
31A	7008833	1	Bracket, Throttle	
31B	7008835	1	Coupling, Ball Joint	
31C	7008836	1	Spring	
31D	7023340	AR	Screw, Shoulder 3/8in x 3/8in (Not Shown)	
32	2220451	2	Fitting, Straight	
34		Ref	Bracket, Control Module Mounting Options:	
34	0902243	1	Bracket, Control Module Mounting <b>(Prior to SN 0300040385)</b>	
34	0902511	1	Bracket, Control Module Mounting <b>(SN 0300040385 through 0300064432)</b>	
35	0641818	AR	Bolt 1/2in-13NC x 2-1/4in	
36	3311805	4	Locknut 1/2in-13NC	
37	0641610	AR	Bolt 3/8-16NC x 1-1/4in	
38	3311605	22	Locknut 3/8in-16NC x 1-1/4in	
39	4751600	44	Flatwasher 3/8in	
40	0701414	6	Bolt 1/4in-20NC x 3/4in	
41	4891800	2	Washer, Hardened 1/2in	
42	0641407	AR	Bolt 1/4in-20NC x 7/8in	
43	4751400	AR	Flatwasher 1/4in	
44	3311405	AR	Locknut 1/4in-20NC	
45	0721005	2	Bolt #10-24NC x 5/8in <b>(Prior to SN 0300064432)</b>	
46	3321005	2	Locknut #10-24NC <b>(Prior to SN 0300064432)</b>	
47	4751000	2	Flatwasher #10 <b>(Prior to SN 0300064432)</b>	
48	1320022	6	Clamp, Hose	
49	2220273	2	Fitting, Reducer	
50	2180536	1	Fitting, Straight	
51	2220313	1	Fitting, Elbow	
52	2750532	6 ft/1.83m	Hose 3/8in	
53	2220250	1	Fitting, Reducer	
54	2220459	1	Fitting, Elbow	
55	2720271	15 ft/4.6m	Hose 3/16in	
56	0641812	4	Bolt 1/2in-13NC x 1-1/2in	
57	0100020	AR	Sealant, Thread	
58	0100011	AR	Compound, Locking	
60		Ref	Coupling, Rubber Intake Options:	
60	2720351	6 in/15cm	Coupling, Rubber Intake <b>(Prior to SN 0300067970)</b>	
60	2720449	1	Coupling, Rubber Intake <b>(SN 0300067970 through 0300069000)</b>	
61	0700808	4	Bolt, Metric M8 x 16mm	
62	0060033	NLA	Actuator Assembly (Use p/n 2910000) (See ELECTRICAL SECTION for Breakdown) <b>(Prior to SN 0300064432)</b>	
63	0641508	3	Bolt 5/16in-18NC x 1-1/4in	
64	3900272	3	Capscrew, Button Head 5/16in-18NC x 1-3/4in	
65	2720434	1	Elbow, Rubber	
66	4845395	1	Air Intake Adapter Weldment	
67	0641510	3	Bolt 5/16in-18NC x 1-1/4in	
68	3311505	AR	Locknut 5/16in-18NC	
69	0961986	2	Bushing, Flanged	
70	2901609	1	Battery Cable Kit	

## SECTION 2 - TURNTABLE

ITEM	PART NUMBER	QTY	DESCRIPTION	REV
70A	7016800	1	Cable, Battery (Red)	
70B	7016809	1	Cable, Battery (Black)	
70C	7016802	1	Cable (Red)	
70D	7016803	1	Cable (Red)	
70E	7016824	1	Cable (Red)	
70F	7016825	1	Cable (Black)	
71	4460611	1	Terminal, Battery Jumper Post	
72	4360294	1	Breaker, Circuit - 30 Amp <b>(Prior to SN 0300064432)</b>	
73	1320222	1	J-Clip 3/8in	
74	1320223	3	J-Clip 1/2in	
75	0641606	3	Bolt 3/8in-16NC x 3/4in	
76	3422532	1	Pin, Hitch	
77	3790044	1	O-Ring	
78	3960407	1	Gasket	
79	4791400	4	Starwasher 1/4in	
80	0701012	4	Bolt, Metric M10 x 25mm	
81	0701015	4	Bolt, Metric M10 x 35mm	
82	0642010	1	Bolt 5/8in-11NC x 1-1/4in	
83	4752000	1	Flatwasher 5/8in	
84	1701505	1	Decal - Diesel (Not Shown - Located on Hood)	
85	2720058	16 ft/4.9m	Hose	
86	2220794	1	Fitting, Barbed	
87	4711600	3	Flatwasher 3/8in Narrow	
88	1320031	2	Clamp <b>(Prior to SN 0300042682 Only)</b>	
89	3200362	2	Mount, Rubber Engine (Front)	
90	4711400	1	Flatwasher 1/4in Narrow	
91	3960468	1	Seal, Foam Gasket	
92	3960469	1	Seal, Foam Gasket	
93	0641608	14	Bolt 3/8in-16NC x 1in	
94	4060805	7 in/18cm	Flex-Trim 1/4in	
95	4060804	16 in /40cm	Flex-Trim 3/16in	
96	1060637	1	Lanyard	
97	0641808	2	Bolt 1/2in-13NC x 1in	
98	3311801	1	Nut 1/2in-13NC	
99	4751800	1	Flatwasher 1/2in	
100	3380429	1	Panel, Rubber	
101	3539957	2	Plate, Hold Down	
102	1320131	2	Clamp <b>(Prior to SN 0300042682 Only)</b>	
103		Ref	Tuning Tube Weldment Options:	
103A	4845394	1	Tuning Tube Weldment <b>(Prior to SN 0300042682)</b>	
103B	4567815	1	Tuning Tube Weldment <b>(SN 0300042682 through 0300069000)</b>	
104	2720423	1	Hose <b>(Prior to SN 0300042682 Only)</b>	
105	0641826	2	Bolt 1/2in-13NC x 3-1/4in	
106	4740274	4	Washer, Snubbing	
107	1320258	1	Clamp (Not Shown - Located in Center of Turntable) <b>(SN 0300042829 through 0300052924)</b>	
108	0641810	1	Bolt 1/2in-13NC x 1-1/4in (Not Shown - Used with Item 107) <b>(Prior to SN 0300052924)</b>	
109	4711900	6	Flatwasher 9/16in	
110	4922737	1	Harness, Engine Grounding <b>(SN 0300068561 through</b>	

## SECTION 2 - TURNTABLE

ITEM	PART NUMBER	QTY	DESCRIPTION	REV
			<b>0300069000)</b>	
		Ref	<b>MUFFLER INSTALLATIONS</b>	
	0256689	Ref	<b>Standard Equipment (Spark Arresting)</b>	-
	0256690	Ref	<b>Optional Equipment (Catalytic)</b>	-
201		Ref	Muffler Options:	
201	3220103	1	Spark Arresting	
201	3220104	1	Catalytic	
201		Ref	Muffler Components:	
201		Ref	Clamp Options:	
201	1320176	1	Saddle Clamp Used on Spark Arresting	
201	70001017	1	Band Clamp Used on Catalytic	
201	7024398	1	Tube, Exhaust	
201	7024560	1	Plug, Brass	
	2000146	Ref	<b>ENGINE COMPONENTS (Prior to SN 0300064432)</b>	D
301	7016328	1	Filter, Fuel (was p/n 7016639)	
302	7000663	1	Alternator (was p/ns 7016329, 7020436 & 7020410)	
303	7016330	1	Switch, Oil Pressure (Not Shown)	
304	7016331	1	Filter, Oil (was p/n 7016641)	
304	70002813	1	Seal (Between Filter Head and Block)	
305	7016332	1	Starter	
306	7026631	1	Dipstick, Engine Oil (was p/ns 7019664 & 7016640) (Not Shown)	
306	70001002	1	Tube, Oil Dipstick (was p/n 7019664) (Not Shown)	
307	7020025	1	Switch, Engine Oil Temperature (Not Shown)	
308	7020414	1	V-Belt	
309		Ref	Gasket, Cylinder Head Options (Not Shown):	
309	70001681	1	1 Notch	
309	70002411	1	2 Notches	
309	70002530	1	3 Notches	
309	7020431	1	Gasket, Valve Cover (Not Shown):	
310	7000699	1	Seal (Doughnut)	
310	7020471	4	Gasket (Muffler to Head)	
310	70003476	8	Nut, Muffler Attaching	
311	7019607	1	Shutdown, Throttle (was p/n 7016359) (Not Shown)	
312	7012599	4	Pump, Fuel Injection	
312	7020427	4	Injector, Fuel (Not Shown)	
312	7020425	4	Nozzle (Not Shown)	
313	7020463	1	Pump, Fuel Supply	
313	7020419	1	Hose, Fuel Return	
314	7020027	1	Flywheel/Ring Gear Assembly (Not Shown)	
314	7020477	1	Ring Gear Only (Not Shown)	
315	7020404	1	Washer, Oil Drain Plug (Not Shown)	
316	7027250	1	Spring, Actuator (Not Shown)	
317	7020465	1	Filler Cap, Oil (Not Shown)	
		Ref	<b>ENGINE COMPONENTS</b>	
	2000173	Ref	<b>Engine Components (SN 0300064432 through 0300065694)</b>	B
	2000189	Ref	<b>Engine Components (SN 0300065695 through 0300069000)</b>	A
351	8320270	1	Filter, Fuel (was p/n 7016328)	
352	7000663	1	Alternator (was p/n 7020410)	
352	7020464	1	Regulator	
352	70002234	1	Bracket, Adjustable	
352	70003556	1	Pulley	

## SECTION 2 - TURNTABLE

ITEM	PART NUMBER	QTY	DESCRIPTION	REV
353	7020461	1	Switch, Oil Pressure (Not Shown)	
354	7016331	1	Filter, Oil	
355		Ref	Starter Options:	
355	7016332	1	Starter for 2000173 Engine	
355	7020479	1	Starter for 2000189 Engine	
355	See Note	1	Relay (Note: Not Available for Purchase)	
355	7026608	2	Bolt, Starter Mounting	
355	70001498	1	Shield, Starter Heat (Not Shown)	
356		Ref	Dipstick, Oil Level Options (Not Shown):	
356	7020418	1	Dipstick for 2000173 Engine	
356	7026631	1	Dipstick for 2000189 Engine	
356	7020487	1	Seal, Dipstick (Not Shown)	
356		Ref	Tube, Dipstick Options (Not Shown):	
356	See Note	1	Tube for 2000173 Engine (Note: Not Available for Purchase)	
356	70001002	1	Tube for 2000189 Engine	
357	7020168	1	Switch, Engine Temperature (Not Shown)	
357	7020480	1	Seal, Temperature Switch (Not Shown)	
358	7020408	1	V-Belt	
359	7020458	1	Actuator	
359	7026607	1	Spring, Actuator (was p/n 7027276)	
360	7020462	4	Pump, Fuel Injection (was p/n 7024318)	
360		Ref	Injector, Fuel (Includes Nozzle Element) (Not Shown):	
360	See Note	4	Injector for 2000173 Engine (Note: Not Available for Purchase)	
360	7026522	4	Injector for 2000189 Engine	
361		Ref	Pump, Fuel Supply Options:	
361	7020463	1	Pump for 2000173 Engine	
361	7024413	1	Pump for 2000189 Engine	
361	7020411	1	Seal, Pump (Not Shown)	
362		Ref	Flywheel Options (Not Shown):	
362	7020027	1	Flywheel for 2000173 Engine (Includes Ring Gear)	
362	See Note	1	Flywheel for 2000189 Engine (Note: Not Available for Purchase)	
362	7024579	1	Ring Gear for 2000189 Engine	
363	7024565	1	Sensor, Tach (Not Shown - Located on Flywheel Housing) (was p/n 7020481)	
364	70001423	1	Fuel Filter Head	
365	7020431	1	Gasket, Valve Cover (Not Shown)	
365		Ref	Gasket, Cylinder Head Options: (Not Shown)	
365	70001681	1	1 Notch	
365	70002411	1	2 Notches	
365	70002530	1	3 Notches	
366	7020459	1	Thermostat (Includes Spring) (Not Shown)	
366	7020460	1	Spring, Thermostat (Not Shown)	
367	7020465	1	Cap, Oil Fill (Not Shown)	
368	7020474	1	Pump Oil Lubrication (Not Shown)	
368	7020468	1	Ring, Pump Sealing (Not Shown)	
369	7020449	4	Gasket , Intake Manifold to Head (Not Shown)	
370	7020471	4	Gasket , Exhaust Manifold to Head	
	0256847	Ref	<b>PUMP COUPLING INSTALLATION</b>	-
401	1660234	1	Coupling, Hayes	
402	0080163	1	Plate, Pump Adapter	
403	0700810	63	Bolt Metric M8 x 20mm	

## SECTION 2 - TURNTABLE

ITEM	PART NUMBER	QTY	DESCRIPTION	REV
404	4831900	6	Lockwasher M8	
406	4832000	8	Lockwasher M10	
407	3020021	AR	Grease, Coupling	

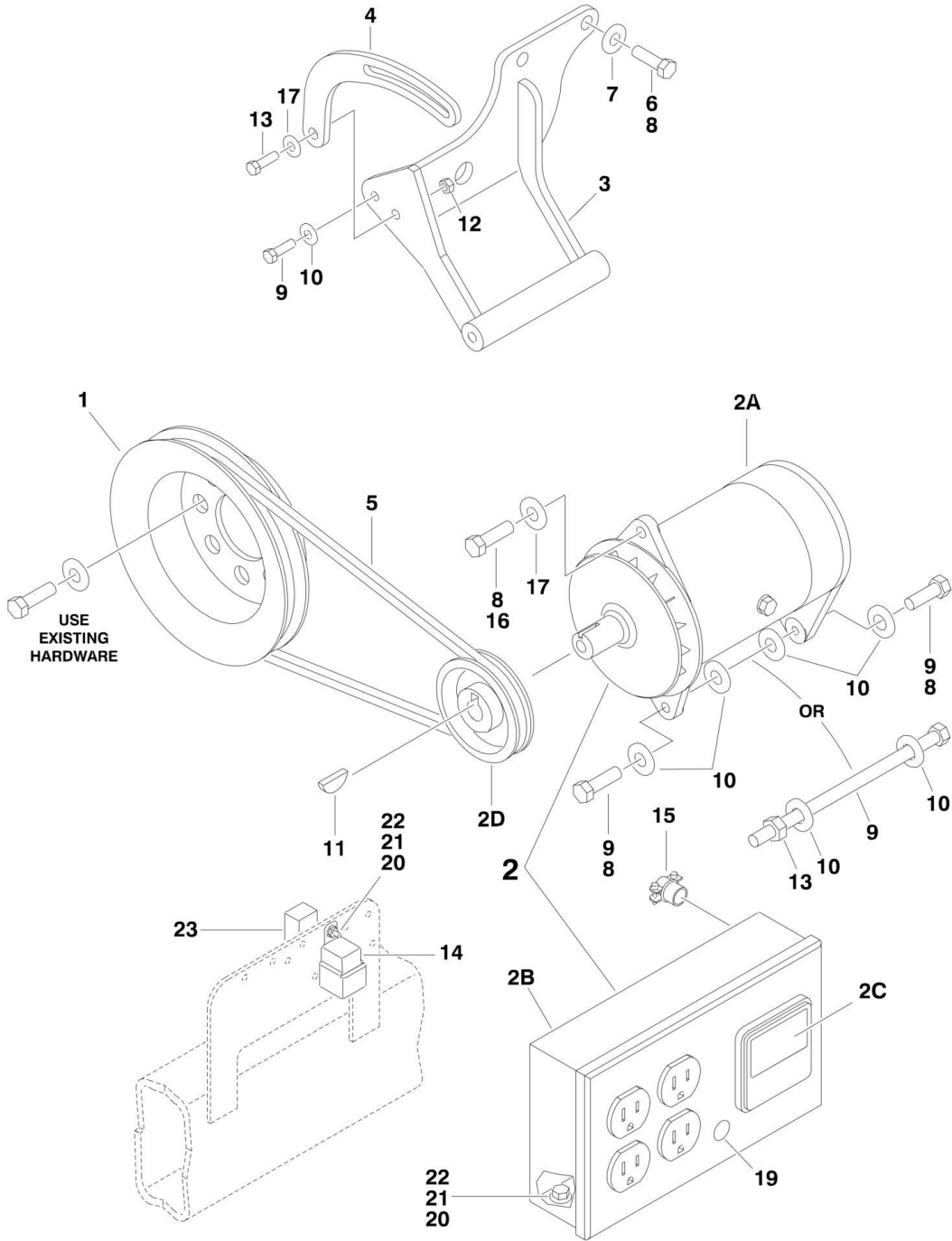




## SECTION 2 - TURNTABLE

FIGURE 2-11. GENERATOR INSTALLATION - DEUTZ MACHINES (OPTIONAL)

NOTE: These Machine SN's Also Equipped With ADE System: 0300062045, 0300062797, 0300063013, 0300063665, 0300063975, 0300064000-0300064017, 0300064390, 0300064392 & 0300064411.



**SECTION 2 - TURNTABLE**

**FIGURE 2-11. GENERATOR INSTALLATION - DEUTZ MACHINES (OPTIONAL)**

ITEM	PART NUMBER	QTY	DESCRIPTION	REV
		Ref	<b>NOTE: THESE MACHINE SN'S ALSO EQUIPPED WITH ADE SYSTEM: 0300062045, 0300062797, 0300063013, 0300063665, 0300063975, 0300064000-0300064017, 0300064390, 0300064392 &amp; 0300064411.</b>	
		Ref	<b>GENERATOR INSTALLATIONS</b>	
		Ref	<b>110V Generator Options:</b>	
	0257853	Ref	<b>110V Generator (Prior to SN 0300064432)</b>	3
	0271544	Ref	<b>110V Generator - ADE System (SN 0300064432 through 0300068268)</b>	3
	0272480	Ref	<b>110V Generator - ADE System (SN 0300068269 through 0300069000)</b>	2
		Ref	<b>220V Generator Options:</b>	
	0257857	Ref	<b>220V Generator (Prior to SN 0300064432)</b>	4
	0271547	Ref	<b>220V Generator - ADE System (SN 0300064432 through 0300068268)</b>	5
	0272481	Ref	<b>220V Generator - ADE System (SN 0300068269 through 0300069000)</b>	2
		Ref	<b>Note: Refer to SkyPower Accessories Manual p/n 3124242 for the Miller 7500W Generator.</b>	
1	3580158	1	Pulley	
2		Ref	Generator and Control Box Assembly Options:	
2	2460011	1	110Volt Assembly ( <b>Prior to SN 0300066053</b> )	I
2	2460032	1	110Volt Assembly ( <b>SN 0300066053 through 0300069000</b> )	C
2	2460013	1	220Volt Assembly	B
2A		Ref	Generator Options:	
2A	7012558	1	110V Replacement Generator	
		Ref	<b>Note: Replacement Generator p/n 7012558 come standard with p/n 3580134 pulley. This pulley may not be correct for all applications. Refer to pulley options below.</b>	
2A	1001100321	1	220V Replacement Generator	
2A	7012513	4	Cap, Brush Holder	
2A	7020108	4	Brush	
2A	7020109	4	Holder, Brush	
2A	7026199	1	110V/60Hz Armature with Slip Rings	
2A	70000123	1	220V/50Hz Armature with Slip Rings	
2A	7012514	1	Fan	
2A	7020190	2	Bearing	
2A	7020110	1	End Bell, Front	
2A	7020111	1	End Bell, Rear	
2A	7020193	1	Harness, Generator	
2B		Ref	Box, Control Options:	
2B	7003657	1	110V/60Hz Replacement Box	
		Ref	<b>Note: Replacement 110V Control Box comes with (2) standard receptacles p/n 4460190. Optional industrial twist lock receptacle p/n 4460027 must be ordered separately.</b>	
2B	70002235	1	220V/50Hz Replacement Box	
2B		Ref	Breaker, Circuit Options:	
2B	4360542	1	110V Breaker, Circuit	
2B	70000126	1	220V Breaker, Circuit	
2B	7020191	1	Switch, Toggle	
2B	2920162	1	Lamp	

## SECTION 2 - TURNTABLE

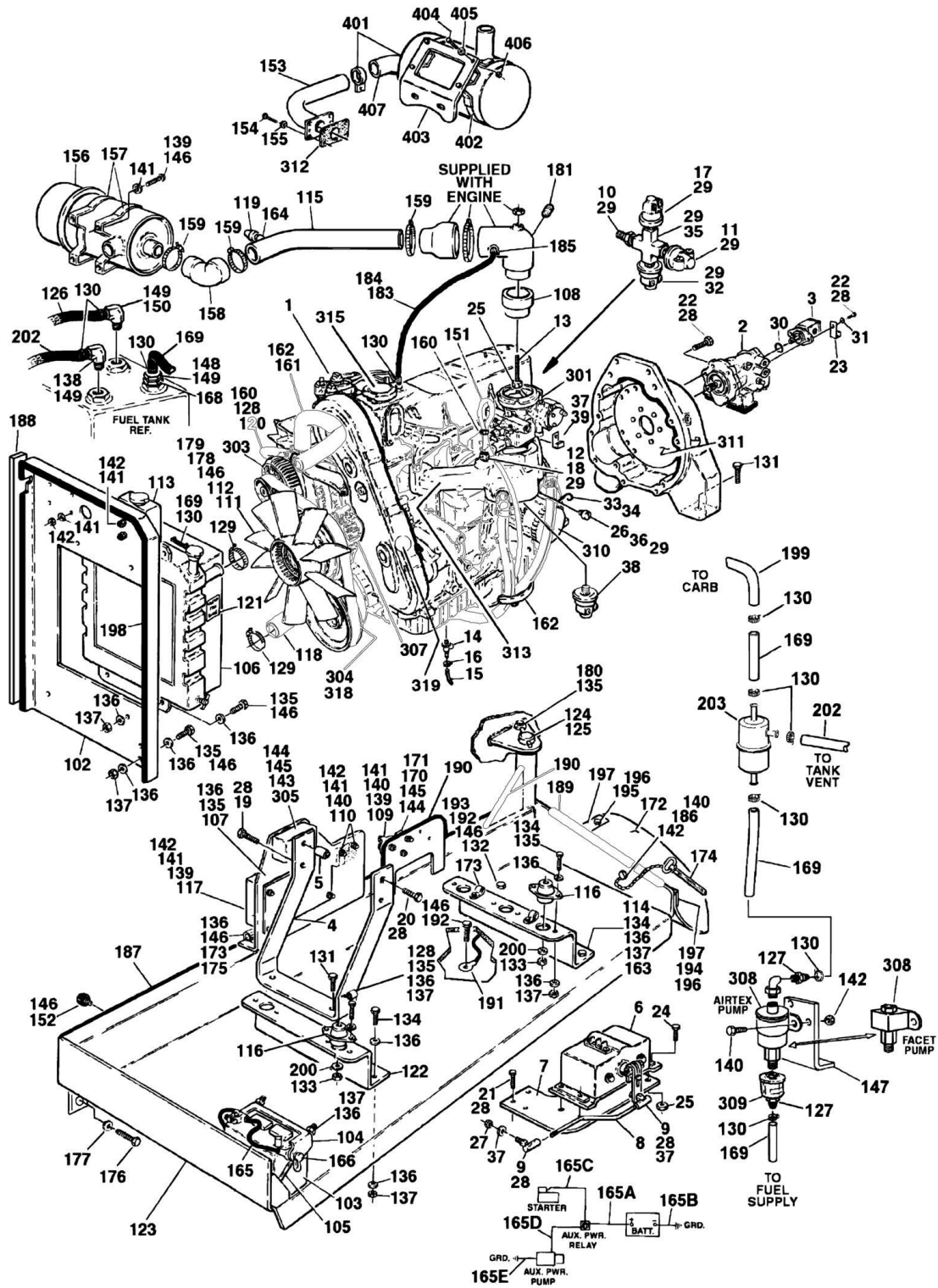
ITEM	PART NUMBER	QTY	DESCRIPTION	REV
2B	4460190	2	Receptacle, Double (110V Box)	
2B	70000124	1	Receptacle, Double (220V Box)	
2B	70000125	1	Receptacle, Single (220V Box)	
2C		Ref	Voltmeter Options:	
2C	2420203	1	110Volt 60Hz Voltmeter	
2C	7020192	1	220Volt 50Hz Voltmeter	
2D		Ref	Pulley Options:	
2D	3580134	1	Generator p/n's 2460011 & 2460013	
2D	3580276	1	Generator p/n 2460032	
2D	7027887	1	Key, Woodruff	
3		Ref	Bracket, Generator Mounting	
3	4845531	1	Bracket, Generator Mounting 800A/AJ Models <b>(Prior to SN 0300064432)</b>	
3	Not Required	0	Bracket, Generator Mounting 800A/AJ Models (Note: Generator Mount and Engine Mount are one Component) <b>(SN 0300064432 through 0300069000)</b>	
4		Ref	Arm, Adjusting Options:	
4	0200530	1	Arm, Adjusting 800A/AJ Models <b>(Prior to SN 0300064432)</b>	
4	0200741	1	Arm, Adjusting 800A/AJ Models <b>(SN 0300064432 through 0300068268)</b>	
4	0200742	1	Arm, Adjusting 800A/AJ Models <b>(SN 0300068269 through 0300069000)</b>	
5		Ref	V-Belt Options:	
5		Ref	110Volt Generator:	
5	0480050	1	110Volt Generator 800A/AJ Models <b>(Prior to SN 0300064432)</b>	
5	0480119	1	110Volt Generator 800A/AJ Models <b>(SN 0300064432 through 0300066052)</b>	
5	0480111	1	110Volt Generator 800A/AJ Models <b>(SN 0300066053 through 0300068268)</b>	
5	0480121	1	110Volt Generator 800A/AJ Models <b>(SN 0300068269 through 0300069000)</b>	
5		Ref	220Volt Generator:	
5	0480050	1	220Volt Generator 800A/AJ Models <b>(Prior to SN 0300064432)</b>	
5	0480119	1	220Volt Generator 800A/AJ Models <b>(SN 0300064432 through 0300066052)</b>	
5	0480050	1	220Volt Generator 800A/AJ Models <b>(SN 0300066053 through 0300066741)</b>	
5	0480118	1	220Volt Generator 800A/AJ Models <b>(SN 0300066742 through 0300068269)</b>	
5	0480121	1	220Volt Generator 800A/AJ Models <b>(SN 0300068270 through 0300069000)</b>	
6	0711414	2	Bolt M14 x 30mm <b>(Prior to SN 0300068269)</b>	
7		Ref	Hardware Options:	
7	4751900	2	Flatwasher 9/16in <b>(Prior to SN 0300068269)</b>	
7	0641610	1	Bolt 3/8in-16NC x 1-1/4in <b>(SN 0300068269 through 0300069000)</b>	
8	0100011	AR	Compound, Locking	
9		Ref	Bolt Options:	
9	0681612	3	Bolt 3/8in-16NC x 1-1/2in (Grade 8) <b>(Prior to SN 0300068269)</b>	
9	0641772	1	Bolt 7/16in-14NC x 9in <b>(SN 0300068269 through 0300069000)</b>	
10	4751600	6	Flatwasher 3/8in	
11	2860012	1	Key, Woodruff	
12	3311605	1	Locknut 3/8in-16NC	

## SECTION 2 - TURNTABLE

ITEM	PART NUMBER	QTY	DESCRIPTION	REV
13		Ref	Hardware Options:	
13	0700819	1	Bolt M8 x 55mm <b>(Prior to SN 0300068269)</b>	
13	3311705	1	Locknut 7/16-14NC <b>(SN 0300068269 through 0300069000)</b>	
14	3740080	1	Relay	
15	4460023	1	Connector, Strain Relief	
16	0641508	1	Bolt 5/16in-18NC x 1in	
17	4751500	2	Flatwasher 5/16in	
19	3520028	1	Plug, Hole	
20	0721006	4	Bolt #10-24NC x 3/4in	
21	3311005	4	Locknut #10-24NC	
22	4751000	9	Flatwasher #10	
23	4360294	1	Breaker, Circuit - 30 Amp	
25	4360336	1	Switch, Toggle (Not Shown - Located at Platform)	
26	4740397	1	Bushing (Not Shown - Located at Platform)	
27	4060802	1	Guard, Switch (Not Shown - Located at Platform)	
29	2820031	4 in/10cm	Heat Shrink (Not Shown - Located at Platform)	
30	3251102	1	Decal (Not Shown - Located at Platform)	

# SECTION 2 - TURNTABLE

## FIGURE 2-12. FORD ENGINE WITH CARBURETOR INSTALLATIONS (Prior to SN 0300048538)



## SECTION 2 - TURNTABLE

**FIGURE 2-12. FORD ENGINE WITH CARBURETOR INSTALLATIONS (Prior to SN 0300048538)**

ITEM	PART NUMBER	QTY	DESCRIPTION	REV
		Ref	<b>ENGINE ASSEMBLIES</b>	
	0258402	Ref	<b>Standard Gas Machines Built (Prior to SN 0300039829)</b>	1-A
	0258931	Ref	<b>Standard Gas Machines Built (SN 0300039829 through 0300048538)</b>	2-A
1		Ref	Engine - Ford LRG-425 Options:	
1	2000156	1	Engine - Ford LRG-425 <b>(Prior to SN 0300039829)</b>	
1	2000160	1	Engine - Ford LRG-425 <b>(SN 0300039829 through 0300048538)</b>	
2		Ref	Piston Pump Assembly Options (See PISTON PUMP ASSEMBLY or Breakdown):	
2	3600277	NLA	Piston Pump Assembly (Use p/n 3600295) <b>(Prior to SN 0300042829)</b>	
2	3600295	1	Piston Pump Assembly <b>(SN 0300042829 through 0300048538)</b>	
3	3600278	1	Piston Pump Assembly	
3	7018995	1	Seal Kit - 3600278 Motor	
3	7024918	1	Seal, Shaft	
3	7024930	1	Valve Assembly - 3600278 Motor	
4	3539972	1	Plate, Engine Mounting - Front	
5	4566605	1	Tube, Spacer	
6	2500005	1	Actuator, Precision Governor	
7	0902088	1	Bracket, Precision Governor	
8	3841255	1	Rod, Throttle	
9	1660157	2	Coupling, Ball joint	
10	2220437	1	Fitting, Reducer	
11	4360037	1	Switch, Oil Pressure	
12	2220273	1	Fitting, Reducer	
13	4300056	1	Stud, Carburetor	
14	4640989	1	Valve, Oil Drain	
15	2750532	6 in/21cm	Hose	
16	1320022	2	Clamp	
17	4360405	1	Switch, Oil Pressure	
18	2180536	1	Fitting, Barbed	
19	0701022	2	Bolt M10 x 70mm	
20	0701014	2	Bolt M10 x 30mm	
21	0700810	3	Bolt M8 x 20mm	
22	0641812	4	Bolt 1/2in-13NC x 1-1/2in	
23	1320222	1	J-Clip	
24	0641408	4	Bolt 1/4in-20NC x 1in	
25	3311405	5	Locknut 1/4in-20NC	
26	2220250	1	Fitting, Reducer	
27	3321401	2	Nut 1/4in-28NF	
28	0100011	AR	Compound, Locking	
29	0100020	AR	Sealant, Pipe	
30	3790152	1	O-Ring	
31	4891800	2	Washer, Hardened 1/2in	
32	4360065	1	Switch, Oil Pressure	
33	4564281	1	Tube, Dipstick	
34	2420187	1	Dipstick	
35	2220994	1	Fitting, Cross	
36	4360157	1	Switch, Water Temperature	

## SECTION 2 - TURNTABLE

ITEM	PART NUMBER	QTY	DESCRIPTION	REV
37	4751000	2	Flatwasher #10	
38	4360455	1	Switch, Temperature	
39	1320223	2	Clamp, J-Clip	
		Ref	<b>ENGINE INSTALLATIONS</b>	
	0258403	Ref	<b>Standard Gas Machines Built (Prior to SN 0300039829)</b>	1-A
	0258930	Ref	<b>Standard Gas Machines Built (SN 0300039829 through 0300048538)</b>	1-A
102	3539872	1	Mount, Radiator	
103	0400075	1	Battery	
104	0181727	1	Tie-Down	
105	0630498	2	Bolt, Tie-Down	
106	3620040	1	Radiator	
106	8180311	1	Cap, Radiator (was p/n 7019656)	
107	3538873	1	Bracket, Controller	
108	0080091	1	Choke Adapter	
109	3740067	1	Relay, Auxiliary Power Relay	
110	3740080	2	Relay, Bosch Relay	
111	0080214	1	Adapter, Fan Spacer	
112	2060025	1	Fan, Suction	
113	1580011	1	Container, Coolant Overflow Container	
114	3570133	1	Plate, Engine Mount-Ford (Rear)	
115	4845035	1	Tube, Air Cleaner	
116	3200362	4	Mount, Rubber	
117	1600211	1	Controller, Governor	
118	2720435	1	Hose, Lower Radiator (Lower)	
119	4360392	1	Switch, Restriction Indicator Switch	
120	4100025	18 in /46cm	Sleeve, Fiberglass 2in	
121	1703162	2	Decal - Fan Blade	
122	3570103	1	Plate, Engine Mount (Front)	
123	4845404	1	Tray, Engine	
124	3422446	1	Pin, Pivot	
125	3841143	1	Pin, Keeper	
126	2750532	5 ft/1.5m	Hose	
127	2220315	2	Fitting, Barbed	
128	1320060	2	Clamp, Hose - 0.625	
129	1320012	4	Clamp, Hose, Radiator	
130	1320022	14	Clamp, Hose	
131	0641828	4	Bolt 1/2in-13NC x 3-1/2in	
132	4751800	1	Flatwasher 1/2in	
133	3311805	4	Hex Nut 1/2in - 13UNC	
134	0641610	10	Bolt 3/8in-16NC x 1-1/4in	
135	0641608	24	Bolt 3/8in-16NC x 1in	
136	4751600	55	Flatwasher 3/8in	
137	3311605	31	Locknut 3/8in-16UNC	
138		Ref	Fitting Options:	
138	2200233	1	Plug, Pipe 3/8in (Not Shown) <b>(Prior to SN 0300039829)</b>	
138	2200317	1	Fitting, Barbed <b>(SN 0300039829 through 0300048538)</b>	
139	0641408	10	Bolt 1/4in-20NC x 1in	
140	0641406	9	Bolt 1/4in-20NC x 3/4in	
141	4751400	20	Flatwasher 1/4in	
142	3311405	19	Locknut 1/4in x 20UNC	



## SECTION 2 - TURNTABLE

ITEM	PART NUMBER	QTY	DESCRIPTION	REV
143	0721006	4	Bolt #10-24NC x 3/4in	
144	4751000	4	Flatwasher #10	
145	3311005	4	Hex Nut #10-24NC	
146	0100011	AR	Compound, Locking	
147	3570104	1	Plate, Fuel Pump	
148	2220270	1	Fitting, Barbed	
149	0100020	AR	Sealant, Pipe	
150	2180467	1	Fitting, Elbow Barbed	
151	2720271	4.5 ft /1.4m	Vacuum Hose 3/16in	
152	0940070	1	Bumper, Rubber	
153	4567071	1	Tube, Exhaust	
154	0701012	4	Bolt M10 x 25mm	
155	4832000	4	Lockwasher	
156	1340060	1	Air Cleaner Assembly	
156	7012664	1	Filter, Air Cleaner	
157	0340041	2	Band, Muffler/Air Cleaner	
158	0080201	1	Fitting, Elbow Reducing	
159	1320016	3	Clamp, Worm Gear	
160	4240033	5	Strap, Tie	
161	2720436	1	Hose, Radiator (Upper)	
162	4240099	3	Strap, Tie	
163	4791600	4	Starlock 3/8in	
164	2180798	4	Fitting, Restriction Indicator	
165	2901608	1	Battery Cable Kit	
165A	7016800	1	Cable, Battery (Red)	
165B	7016807	1	Cable, Battery (Black)	
165C	7016808	1	Cable (Red)	
165D	7016824	1	Cable (Red)	
165E	7016825	1	Cable (Black)	
166	4460611	1	Terminal, Battery Jumper Post	
167	2220250	1	Fitting, Reducer	
168	2220273	1	Fitting, Reducer	
169	2720058	12.8 ft/4m	Hose 5/16in	
170	0721004	2	Bolt #10-24NC x 1/2in	
171	4360294	1	Breaker, Circuit-30 AMP	
172	3380429	1	Panel, Rubber	
173	1320223	4	Clamp, "J" Clip 1/2in	
174	3422532	1	Pin, Hitch	
175	0641606	3	Bolt 3/8in-16NC x 3/4in	
176	0642010	1	Bolt 5/8in-11NC x 1-1/4in	
177	4752000	1	Flatwasher 5/8in	
178	0700819	4	Bolt M8 x 1.25 x 55mm	
179	4831900	4	Lockwasher M8	
180	0961986	2	Bearing, Flange	
181	2200221	1	Plug, Pipe	
182	1701542	1	Decal - Gasoline (Not Shown - Located Near Tank)	
183	2720160	18 in /46cm	Hose	
184	4562516	1 in/3cm	Tube	
185	1320032	1	Clamp, Hose	
186	4711400	1	Flatwasher, 1/4in	

## SECTION 2 - TURNTABLE

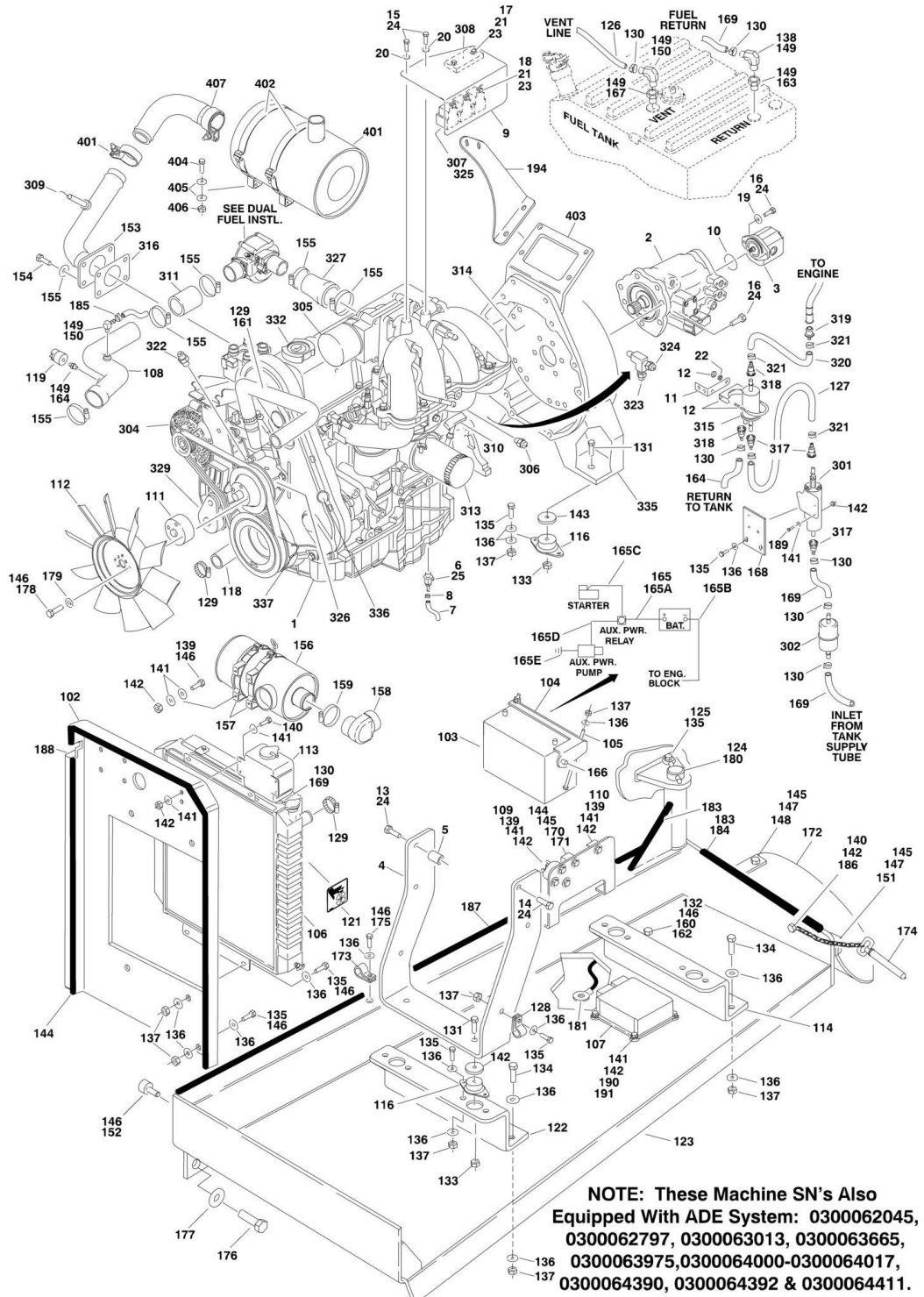
ITEM	PART NUMBER	QTY	DESCRIPTION	REV
187	3960468	1	Seal, Foam	
188	3960469	1	Seal, Foam	
189	4060806	16 in /41cm	Flex-Trim	
190	4060804	19 in /49cm	Flex-Trim	
191	1060637	1	Cable, Lanyard	
192	1641808	2	Bolt 1/2in-13NC x 1in	
193	3311801	1	Hex Nut 1/2in-13 UNC	
194	0641508	3	Bolt 5/16in-18NC x 1in	
195	0641514	3	Bolt 5/16in-18NC x 1-3/4in	
196	3311505	6	Locknut 5/16in-18UNC	
197	3539957	2	Plate, Hold Down	
198	3960389	5 ft/1.5m	Seal	
199		Ref	Tube, Fuel Line Options:	
199	4567169	1	Tube, Fuel Line <b>(Prior to SN 0300039829)</b>	
199	4567730	1	Tube, Fuel Line <b>(SN 0300039829 through 0300048538)</b>	
200	4740274	4	Washer, Snubbing	
201	3841340	3	Loop, Hose (Not Shown - Located at Center of T/T)	
202	2720015	12 ft /3.66m	Hose	
203	2120169	1	Filter, By-Pass	
		Ref	<b>ENGINE COMPONENTS</b>	
	2000156	Ref	<b>Engine Components (Prior to SN 0300039829)</b>	
	2000160	Ref	<b>Engine Components (SN 0300039829 through 0300048538)</b>	
301	7019988	1	Carburetor (was p/n 7019974) <b>(Prior to SN 0300039829)</b>	
301	7019933	1	Carburetor Kit	
301	7027292	1	Float Assembly	
301	70000163	1	Needle, Spring Loaded (Fuel Valve)	
301	7025122	1	Base, Carburetor	
301	7016605	1	Choke, Automatic	
301	70000646	1	Gasket, Carburetor (Bottom) (was p/n 7019975)	
301	7024321	1	Gasket, Carburetor (Top)	
302	7012679	1	Starter (was p/n 7019986) (Not Shown) <b>(Prior to SN 0300039829)</b>	
303	7019977	1	Alternator with Pulley and Regulator	
303	7000897	1	Alternator without Pulley and Regulator	
303	7019997	1	Regulator	
304	7027402	1	Belt, Drive (was p/n 7019979)	
305	7023687	1	Module, Ignition (was p/n 7019961)	
306	7019980	1	Harness, Engine Wiring (Not Shown)	
307	7022153	1	Water Pump Assembly	
307	7019985	1	Pulley, Water Pump	
307	7019982	1	Tube, Water Pump Inlet	
307	7022156	1	Thermostat	
308		Ref	Fuel Pump Assembly Options:	
308	7016600	1	Fuel Pump Assembly (Facet) <b>(Prior to SN 0300039829)</b>	
308	7019983	1	Fuel Pump Assembly (Airtex) <b>(SN 0300039829 through 0300048538)</b>	
309	7016601	1	Strainer, Fuel	
310	7011868	1	Filter, Oil (was p/ns 7011869 & 7014501)	
311	7019976	1	Flywheel	

## SECTION 2 - TURNTABLE

ITEM	PART NUMBER	QTY	DESCRIPTION	REV
311	7022180	1	Ring Gear	
311	1660250	1	Coupling, Pump (15 Tooth) (was p/n 7016662)	
311	7020120	1	Bell Housing	
312	70002307	1	Gasket, Exhaust (Manifold to Pipe)	
312	7022143	1	Gasket, Exhaust (Manifold to Cylinder Head - Not Shown)	
312	7019924	1	Manifold, Exhaust (Not Shown)	
313	7025126	1	Manifold, Intake (Was p/n 7019923)	
313	7025125	1	Gasket, Intake (Manifold to Cylinder Head)	
314	7000884	1	Solenoid, Fuel (Not Shown)	
315	7022151	1	Cap, Oil Fill	
316		Ref	Spark Plug Options (Not Shown):	
316	See Note	4	Spark Plug (2000156 Engine Only) (Note: Not Available - Purchase Locally) <b>(Prior to SN 0300039829)</b>	
316	7019932	4	Spark Plug (2000160 Engine Only) <b>(SN 0300039829 through 0300048538)</b>	
316		Ref	Wire Set, Spark Plug (Not Shown) Options:	
316	7022157	1	Wire Set, Spark Plug (Not Shown) (2000156 Engine Only) <b>(Prior to SN 0300039829)</b>	
316	7019931	1	Wire Set, Spark Plug (Not Shown) (2000160 Engine Only) <b>(SN 0300039829 through 0300048538)</b>	
316	7019930	1	Coil, Ignition	
317	7022178	1	Sensor, Crank (Not Shown)	
318	7019978	1	Tensioner, Belt (2000156 Engine) <b>(Prior to SN 0300039829)</b>	
318	70002567	1	Tensioner, Belt (2000160 Engine) <b>(SN 0300039829 through 0300048538)</b>	
319	7022150	1	Belt, Timing (2000160 Engine Only)	
		Ref	<b>MUFFLER INSTALLATIONS</b>	
	0258390	Ref	<b>Standard Spark Arresting</b>	1
	0258391	Ref	<b>Optional Catalytic</b>	1
401		Ref	Muffler Options:	
401	3220113	1	Standard Spark Arresting	
401	3220114	1	Optional Catalytic	
402	0340046	2	Band	
403	0902309	1	Bracket, Muffler	
404	0641507	4	Bolt 5/16in-18NC x 7/8in	
405	4711500	8	Flatwasher 5/16in Narrow	
406	3311505	4	Locknut 5/16in-18NC	
407	4567073	1	Tube, Exhaust	

# SECTION 2 - TURNTABLE

FIGURE 2-13. FORD ENGINE WITH EFI INSTALLATIONS (SN 0300048538 through 0300069000)



**NOTE: These Machine SN's Also Equipped With ADE System: 0300062045, 0300062797, 0300063013, 0300063665, 0300063975, 0300064000-0300064017, 0300064390, 0300064392 & 0300064411.**

## SECTION 2 - TURNTABLE

**FIGURE 2-13. FORD ENGINE WITH EFI INSTALLATIONS (SN 0300048538 through 0300069000)**

ITEM	PART NUMBER	QTY	DESCRIPTION	REV
		Ref	<b>NOTE: THESE MACHINE SN'S ALSO EQUIPPED WITH ADE SYSTEM: 0300062045, 0300062797, 0300063013, 0300063665, 0300063975, 0300064000-0300064017, 0300064390, 0300064392 &amp; 0300064411.</b>	
		Ref	<b>ENGINE ASSEMBLIES</b>	
	0259476	Ref	<b>Standard (SN 0300048538 through 0300064431)</b>	1-A
	0271368	Ref	<b>Standard (With ADE System) (SN 0300064432 through 0300069000)</b>	2-A
	0259478	Ref	<b>Dual Fuel (SN 0300048538 through 0300064431)</b>	1-A
	0271364	Ref	<b>Dual Fuel (With ADE System) (SN 0300064432 through 0300069000)</b>	2-A
1		Ref	Engine - Ford LRG-425 EFI Options:	
1	2000164	1	Standard	
1	2000172	1	Standard (With ADE System)	
1	2000166	1	Dual Fuel	
1	2000174	1	Dual Fuel (With ADE System)	
2	3600295	1	Piston Pump Assembly (See PISTON PUMP ASSEMBLY for Breakdown)	
3	3600278	1	Gear Pump Assembly	
3	7018995	1	Seal Kit - 3600278 Motor	
3	7024918	1	Seal, Shaft	
3	7024930	1	Valve Assembly - 3600278 Motor	
4	3539972	1	Plate, Engine Mounting - Front	
5	4566605	1	Tube, Spacer	
6	4640989	1	Valve, Oil Drain	
7	2750532	6 in/21cm	Hose	
8	1320022	1	Clamp	
9	3571498	1	Plate, Module Mounting	
10		Ref	O-Ring Options:	
10	3790152	1	O-Ring <b>(SN 0300048538 through 0300067811)</b>	
10	3790044	1	O-Ring <b>(SN 0300067812 through 0300069000)</b>	
11	0902539	1	Bracket	
12	1320019	1	Clamp	
13	0701022	2	Bolt M10 x 70mm	
14	0701014	2	Bolt M10 x 30mm	
15	0700810	3	Bolt M8 x 20mm	
16	0641812	4	Bolt 1/2in-13NC x 1-1/2in	
17	0721014	2	Screw #10-24NC x 1-3/4in	
18	0721006	3	Screw #10-24NC x 3/4in	
19	4891800	2	Washer, Hardened 1/2in	
20	4751500	2	Flatwasher 5/16in	
21	4751000	8	Flatwasher #10	
22	4761500	2	Lockwasher 5/16in	
23	3311005	5	Locknut #10-24NC	
24	0100011	AR	Compound, Locking	
25	0100020	AR	Sealant, Pipe	
		Ref	<b>ENGINE INSTALLATIONS</b>	
	0259477	Ref	<b>Standard</b>	5-E
	0271367	Ref	<b>Standard (With ADE System)</b>	3-C
	0259479	Ref	<b>Dual Fuel</b>	6-F
	0271366	Ref	<b>Dual Fuel (With ADE System)</b>	1-A

## SECTION 2 - TURNTABLE

ITEM	PART NUMBER	QTY	DESCRIPTION	REV
102	3539872	1	Mount, Radiator	
103	0400075	1	Battery	
104	0181727	1	Tie-Down	
105	0630498	2	Bolt, Tie-Down	
106	3620040	1	Radiator	
106	8180311	1	Cap, Radiator (was p/n 7019656)	
107		Ref	ECM 800A, Controller Options:	
107	1600298	1	Standard	
107	1600314	1	With ADE System	
108	4846011	1	Weldment, Air Intake Tube	
109	3740067	1	Relay, Auxiliary Power Relay	
110		Ref	Relay, Bosch Relay Options:	
110	3740080	2	Standard	
110	Not Required	0	With ADE System	
111	0080214	1	Adapter, Fan Spacer	
112	2060025	1	Fan, Suction	
113	1580011	1	Container, Coolant Overflow Container	
114	3570133	1	Plate, Engine Mount-Ford (Rear)	
116	3200362	4	Mount, Rubber	
118	2720435	1	Hose, Lower Radiator (Lower)	
119	4360392	1	Switch, Restriction Indicator Switch	
120	3841340	2	Hose Loop (Not Shown Located inside turntable)	
121	1703162	2	Decal - Fan Blade	
122	3570103	1	Plate, Engine Mount (Front)	
123	4845404	1	Tray, Engine	
124	3422446	1	Pin, Pivot	
125	3841143	1	Pin, Keeper	
126	2750532	5 ft/1.5m	Hose	
127	2720472	1	Hose	
128	1320060	1	Clamp, Hose - 0.625	
129	1320012	4	Clamp, Hose, Radiator	
130	1320022	9	Clamp, Hose	
131	0641828	4	Bolt 1/2in-13NC x 3-1/2in	
132	4751800	1	Flatwasher 1/2in	
133	3311805	4	Hex Nut 1/2in - 13UNC	
134	0641610	8	Bolt 3/8in-16NC x 1-1/4in	
135	0641608	22	Bolt 3/8in-16NC x 1in	
136	4751600	55	Flatwasher 3/8in	
137	3311605	31	Locknut 3/8in-16UNC	
138	2220805	1	Fitting	
139	0641408	4	Bolt 1/4in-20NC x 1in	
140	0641406	5	Bolt 1/4in-20NC x 3/4in	
141	4751400	16	Flatwasher 1/4in	
142	3311405	13	Locknut 1/4in x 20UNC	
143	4740274	4	Washer, Snubbing	
144	3960389	5 ft/1.52m	Seal	
145	3539957	2	Plate, Hold Down	
146	0100011	AR	Compound, Locking	
147	3311505	6	Hex Nut 5/16in-18NC	
148	3900272	3	Bolt 5/16in-18NC x 1-3/4in	
149	0100020	AR	Sealant, Pipe	

## SECTION 2 - TURNTABLE

ITEM	PART NUMBER	QTY	DESCRIPTION	REV
150	2180467	2	Fitting, Elbow Barbed	
151	0641508	3	Bolt 5/16in-18NC x 1in	
152	0940070	1	Bumper, Rubber	
153	4567879	1	Tube, Exhaust	
154	0701012	4	Bolt M10 x 25mm	
155	4832000	4	Lockwasher	
156	1340060	1	Air Cleaner Assembly	
156	7012664	1	Filter, Air Cleaner	
157	0340041	2	Band, Muffler/Air Cleaner	
158	0080201	1	Fitting, Elbow Reducing	
159	1320016	2	Clamp, Worm Gear	
160	3311801	1	Hex Nut 1/2in-13 UNC	
161	2720436	1	Hose, Radiator (Upper)	
162	1641808	2	Bolt 1/2in-13NC x 1in	
163		Ref	Fitting, Reducer Options:	
163	2220273	1	Standard	
163	2220430	1	With ADE System	
164	2180798	4	Fitting, Restriction Indicator	
165	2901608	1	Battery Cable Kit	
165A	7016800	1	Cable, Battery (Red)	
165B	7016807	1	Cable, Battery (Black)	
165C	7016808	1	Cable (Red)	
165D	7016824	1	Cable (Red)	
165E	7016825	1	Cable (Black)	
166	4460611	1	Terminal, Battery Jumper Post	
167	2220250	1	Fitting, Reducer	
168	3572414	1	Plate, Pump Mounting	
169	2720058	12 ft/3.7m	Hose 5/16in	
170		Ref	Bolt #10-24NC x 1/2in Options:	
170	0721004	2	Standard	
170	Not Required	0	With ADE System	
171		Ref	Breaker, Circuit-30 Amp Options:	
171	4360294	1	Standard	
171	Not Required	0	With ADE System	
172	3380429	1	Panel, Rubber	
173	1320223	4	Clamp, "J" Clip 1/2in	
174	3422532	1	Pin, Hitch	
175	0641606	3	Bolt 3/8in-16NC x 3/4in	
176	0642010	1	Bolt 5/8in-11NC x 1-1/4in	
177	4752000	1	Flatwasher 5/8in	
178	0700819	4	Bolt M8 x 55mm	
179	4831900	4	Lockwasher M8	
180	0961986	2	Bearing, Flange	
181	1060637	1	Cable, Lanyard	
182	1701542	1	Decal - Gasoline (Not Shown - Located Near Tank)	
183	4060804	2.9 ft /0.88m	Flex-Trim	
184	4060806	16 in /41cm	Flex-Trim (SN 0300048538 through 0300067812)	
185	1320032	2	Clamp, Hose	
186	4711400	1	Flatwasher, 1/4in	
187	3960468	1	Seal, Foam	

## SECTION 2 - TURNTABLE

ITEM	PART NUMBER	QTY	DESCRIPTION	REV
188	3960469	1	Seal, Foam	
189	0641410	3	Bolt 1/4in-20NC x 1-1/4in	
190	4568158	4	Standoff 1/4in x 2in	
191	0641424	4	Bolt 1/4in-20NC x 3in	
194	0902572	1	Bracket, LP Mounting (Dual Fuel Machines Only)	
		Ref	<b>ENGINE COMPONENTS</b>	
	2000164	Ref	<b>Engine Components (SN 0300048538 through 0300064431)</b>	
	2000166	Ref	<b>Engine Components (SN 0300048538 through 0300064431)</b>	
	2000172	Ref	<b>Engine Components (SN 0300064432 through 0300069000)</b>	
	2000174	Ref	<b>Engine Components (SN 0300064432 through 0300069000)</b>	
301	3600377	1	Fuel Pump and Isolator Assembly (was p/n 7022133)	
301	7022134	1	Harness, Fuel Pump Wiring	
302	91083218	1	Filter, Fuel (was p/n 7022135)	
303	7019986	1	Starter (Not Shown)	
304	7019977	1	Alternator with Pulley and Regulator	
304	7000897	1	Alternator without Pulley and Regulator	
305		Ref	Actuator, Throttle Options:	
305	7022136	1	Actuator, Throttle <b>(SN 0300048538 through 0300064431)</b>	
305	7023655	1	Actuator, Throttle <b>(SN 0300064432 through 0300069000)</b>	
305	7023652	1	Plate, Actuator Adapter	
305	7023654	1	Gasket, Actuator to Adapter Plate	
305	7023653	2	Bolt (Adapter Plate to Intake Manifold)	
305	7023656	4	Bolt (Actuator to Adapter Plate)	
306	7019996	1	Sensor, Air Temperature (was p/n 7023661)	
306	7023662	1	Bracket, Air Temperature Sensor	
307	7023663	1	Harness, ECM (was p/n 7022137)	
308	7022139	1	Sensor, MAP	
309	7019994	1	Sensor, EGR	
310	2420187	1	Dipstick	
310	4564281	1	Tube, Dipstick	
311		Ref	Horn, Rubber Air Options:	
311	2720341	1	Horn, Rubber Air <b>(SN 0300048538 through 0300064431)</b>	
311	7023658	1	Horn, Rubber Air <b>(SN 0300064432 through 0300069000)</b>	
312	7023637	1	Switch, Oil Pressure	
313	7021868	1	Filter, Oil (was p/n 7022147, 7021869 & 7014501)	
314	1660250	1	Coupling, Pump (was p/n 7016662)	
314	7019976	1	Flywheel	
314	7022180	1	Ring Gear	
315	7019993	1	Pressure Regulator and Filter Assembly	
316	70002307	1	Gasket, Exhaust (Manifold to Pipe)	
316	7022143	1	Gasket, Exhaust (Manifold to Cylinder Head) (Not Shown)	
317	7022158	3	Connector	
318	7022159	2	Connector	
319	7022160	1	Connector	
320	7022161	2	Tube, Supply	
321	7022162	2	Clamp	
322	7022178	1	Sensor, Crank	
323	7022142	1	Switch, Pressure (Black) <b>(SN 0300048538 through 0300064432 Only)</b>	
324	7023637	1	Switch, Shutdown (White) <b>(SN 0300048538 through 0300064432 Only)</b>	
325	7023613	3	Relay	

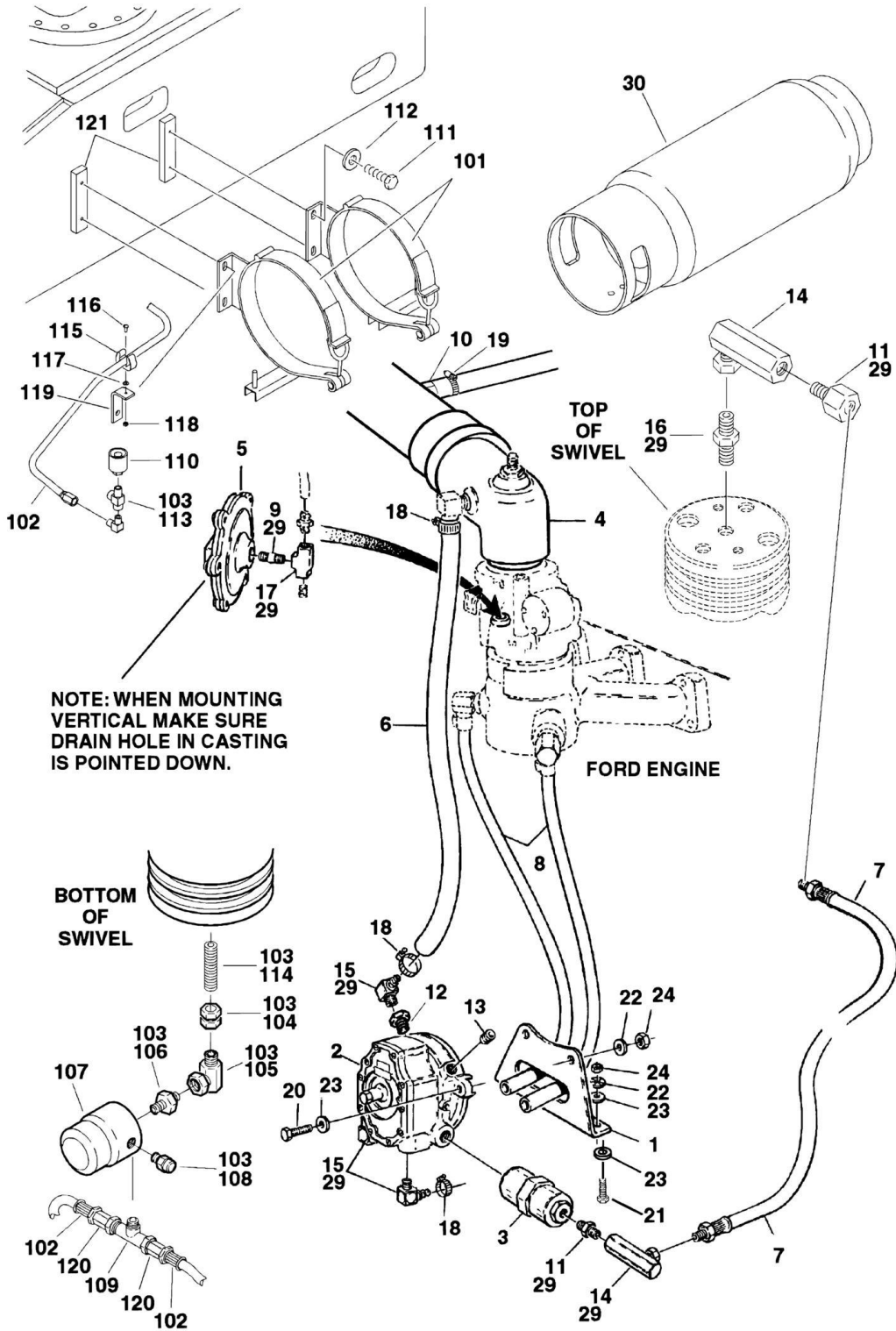


## SECTION 2 - TURNTABLE

ITEM	PART NUMBER	QTY	DESCRIPTION	REV
326	7022153	1	Pump, Water	
326	7022154	1	Gasket, Water Pump	
326	7022155	1	Sensor, Water Temperature (Not Shown)	
326	7027411	1	Sender, Water (2000174 Engine Only) (Not Shown)	
326	7022164	1	Sensor, High Coolant Temperature (2000166 Engine Only) (Not Shown)	
326	7022156	1	Thermostat (Not Shown)	
326	7023644	1	Hose, Water Pump (By-Pass) (Not Shown)	
327	2720341	1	Horn, Rubber Air	
329	70002567	1	Tensioner, Belt	
330	7019925	1	PCV Valve (Not Shown)	
331	7019930	1	Coil, Ignition (Not Shown)	
331	7022157	1	Wire Set, Spark Plug (Not Shown)	
331	7019932	4	Spark Plug (was p/n 7012595)	
332	7022151	1	Cap, Oil Fill	
333	7022149	1	Gasket Kit, Lower Manifold (Not Shown)	
333	7025124	1	Gasket Kit, Upper Manifold (was p/n 7022148) (Not Shown)	
333	7022144	1	Gasket, Upper Manifold Throttle (Not Shown)	
334	7023657	1	Harness, TPS Harness (Not Shown)	
335	7020120	1	Housing, Bell (2000166 Engine Only)	
336	7022150	1	Belt, Timing	
337	7027402	1	Belt, Alternator Drive (was p/n 7019979)	
338	7022152	4	Injector, Fuel (Not Shown)	
	3124114	1	Service Manual, Ford EFI System Diagnostic	
		Ref	<b>MUFFLER INSTALLATIONS</b>	
	0258390	Ref	<b>Standard Spark Arresting</b>	1
	0258391	Ref	<b>Optional Catalytic</b>	1
401		Ref	Muffler Options:	
401	3220113	1	Standard Spark Arresting	
401	3220114	1	Optional Catalytic	
402	0340046	2	Band	
403	0902309	1	Bracket, Muffler	
404	0641507	4	Bolt 5/16in-18NC x 7/8in	
405	4711500	8	Flatwasher 5/16in Narrow	
406	3311505	4	Locknut 5/16in-18NC	
407	4567073	1	Tube, Exhaust	

# SECTION 2 - TURNTABLE

FIGURE 2-14. DUAL FUEL INSTALLATIONS (FORD MACHINE OPTION) (Prior to SN 0300048538)



## SECTION 2 - TURNTABLE

**FIGURE 2-14. DUAL FUEL INSTALLATIONS (FORD MACHINE OPTION) (Prior to SN 0300048538)**

ITEM	PART NUMBER	QTY	DESCRIPTION	REV
	0258426	Ref	<b>DUAL FUEL INSTALLATION</b>	1
1	0902132	1	Bracket, Vaporizer	
2	4700005	1	Vaporizer/Regulator	
2	7017515	1	Repair Kit - 4700005	
3	2120077	1	Filter Lock	
4	0080124	1	Adapter, Carb	
5	4360188	1	Switch, Vacuum	
6	2720112	3 ft/.9m	Hose, Vapor	
7	2720144	1	Hose	
8	2720042	30 in /76cm	Hose	
9	2180104	1	Fitting, Nipple	
10	2220720	1	Fitting	
11	2180418	2	Fitting, LP	
12	2220251	1	Fitting, Reducer	
13	2200204	1	Plug, Pipe	
14	2220064	2	Fitting, Elbow	
15	2220675	3	Fitting, Elbow Barbed	
16	2220005	1	Fitting, Reducer	
17	2180360	1	Fitting	
18	1320017	4	Clamp	
19	1320022	1	Clamp	
20	0641408	2	Bolt 1/4in-20NC x 1in	
21	0641416	2	Bolt 1/4in-20NC x 2in	
22	4791400	6	Starwasher 1/4in	
23	4751400	8	Flatwasher 1/4in	
24	3311405	2	Locknut 1/4in-20UNC	
25	4360336	1	Toggle, SPDT (Not Shown - Located on Console Box)	
26	3790012	1	O-Ring (Not Shown - Located on Console Box)	
27	1701543	2	Decal-LPG (Not Shown - See Decal Installation)	
28	1700818	2	Decal- Liquid Withdrawal System (Not Shown - See Decal Installation)	
29	0100020	AR	Sealant, Pipe	
30		Ref	Tank, LP Options:	
30	4400275	1	Aluminum	
30	4400420	1	Steel	
	0255524	Ref	<b>LP TANK AND BRACKETS INSTALLATION</b>	6-E
101	1320220	2	Clamp Kit - LP	
102	2720144	2	Hose	
103	0100020	AR	Sealant, Pipe	
104	2221019	1	Fitting, Red	
105	2180125	1	Fitting - Elbow	
106	2220261	1	Fitting, Nipple	
107	2180388	1	Filter, Bulkhead	
108	2180389	1	Valve, Relief	
109	2180418	1	Fitting, Tee	
110	2180387	2	Fitting, LP Tank	
111	0641606	8	Bolt 3/8in-16NC x 3/4in	
112	4751600	8	Flatwasher 3/8in	
113	2180418	2	Fitting, Straight	

## SECTION 2 - TURNTABLE

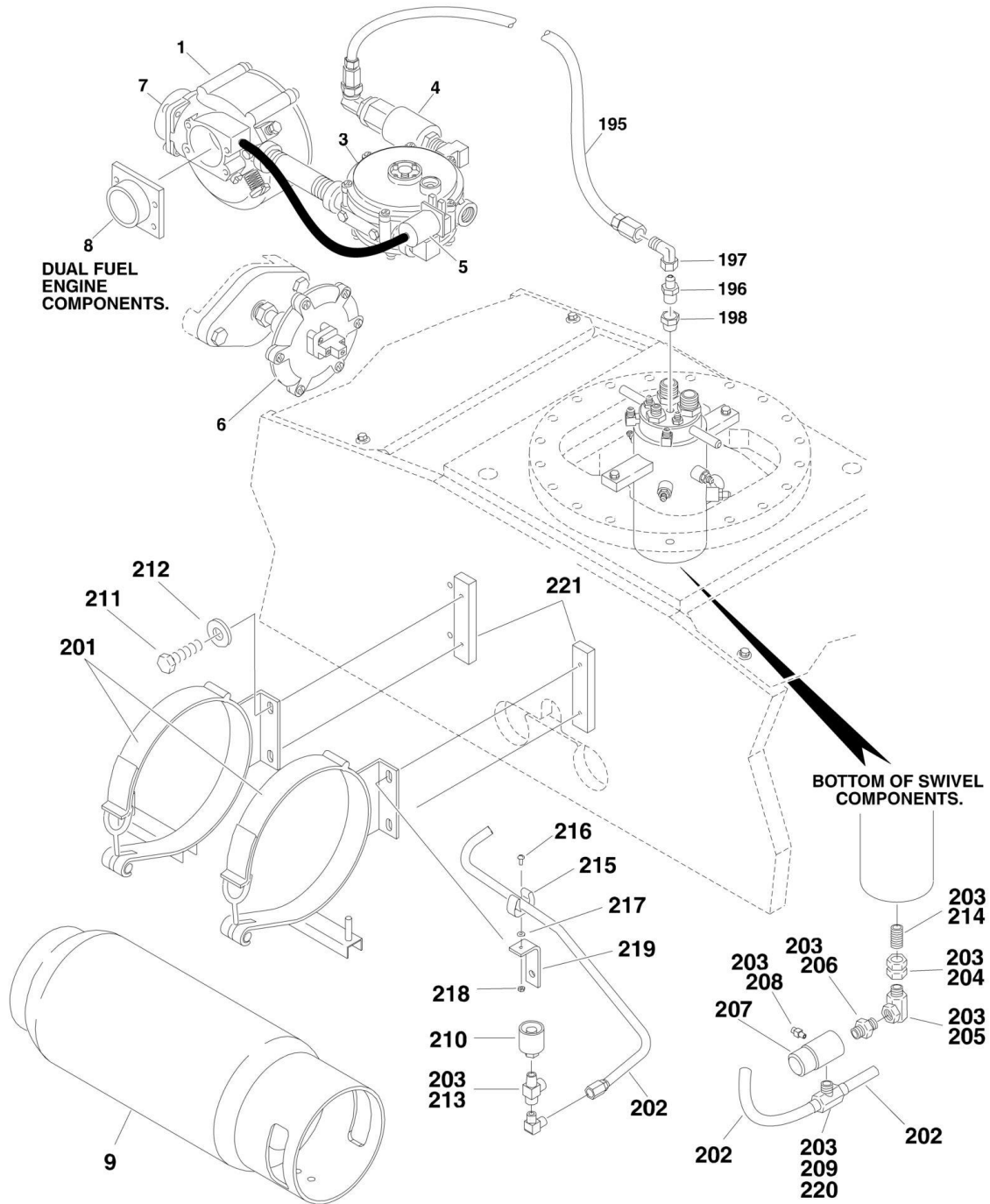
ITEM	PART NUMBER	QTY	DESCRIPTION	REV
114	2221018	1	Fitting, Nipple	
115	1320218	2	Clamp, Spring	
116	3910808	2	Screw, Machine #8-32NC x 1/2in	
117	4750800	4	Flatwasher #8	
118	3310805	2	Locknut #8-32NC	
119	0181949	2	Support, Angle	
120	2221024	2	Fitting, Ball Check	
121	0362519	4	Bar, Clamp	



## SECTION 2 - TURNTABLE

FIGURE 2-15. DUAL FUEL INSTALLATIONS (FORD MACHINE OPTION) (SN 0300048538 through 0300069000)

NOTE: These Machine SN's Also Equipped With ADE System: 0300062045, 0300062797, 0300063013, 0300063665, 0300063975, 0300064000-0300064017, 0300064390, 0300064392 & 0300064411.



**SECTION 2 - TURNTABLE**

**FIGURE 2-15. DUAL FUEL INSTALLATIONS (FORD MACHINE OPTION) (SN 0300048538 through 0300069000)**

ITEM	PART NUMBER	QTY	DESCRIPTION	REV
		Ref	<b>NOTE: THESE MACHINE SN'S ALSO EQUIPPED WITH ADE SYSTEM: 0300062045, 0300062797, 0300063013, 0300063665, 0300063975, 0300064000-0300064017, 0300064390, 0300064392 &amp; 0300064411.</b>	
		Ref	<b>DUAL FUEL ENGINE COMPONENTS</b>	
	2000166	Ref	<b>Without ADE System (Prior to SN 0300064432)</b>	C
	2000174	Ref	<b>With ADE System (SN 0300064432 through 0300069000)</b>	B
	7023665	1	Dual Fuel Conversion Kit (Note: Includes hose, fittings, clamps and items indented below. For replacement hose, fittings and clamps supply locally)	
1	7022165	1	Mixer	
1	7022171	1	Repair Kit - 7022165 Mixer	
1	7023645	1	Gasket, Mixer	
3	7022167	1	Convertor	
3	7022170	1	Repair Kit - 7022167 Convertor	
4	7023680	1	Filter, LP Shut-Off (Was p/n 7022169)	
4	7023680	NLA	Electrical Connector Kit (No Longer Available - was p/n 7023679)	
5	7022168	1	Valve, Solenoid	
6	4360188	1	Switch, Vacuum	
7	7023603	1	Adapter	
7	7023659	1	Gasket, Adapter	
7	7023660	4	Screw M6 x 14mm	
8	7022166	1	Adapter	
9		Ref	Tank, LP Options:	
9	4400275	1	Aluminum	
9	4400420	1	Steel	
		Ref	<b>Dual Fuel Machines</b>	
	0259479	Ref	<b>Without ADE System (Prior to SN 0300064432)</b>	2-B
	0271366	Ref	<b>With ADE System (SN 0300064432 through 0300069000)</b>	1-A
190	4360336	1	Toggle, SPDT (Not Shown - Located on Console Box)	
191	3790012	1	O-Ring (Not Shown - Located on Console Box)	
192	1701543	2	Decal-LPG (Not Shown - See Decal Installation)	
193	1700818	2	Decal- Liquid Withdrawal System (Not Shown - See Decal Installation)	
195	2720392	1	Hose	
196	2180418	1	Fitting, Straight	
197	2220064	1	Fitting, Elbow	
198		Ref	Fitting, Reducer Options:	
198	2221019	1	Fitting, Reducer (Prior to SN 0300064432)	
198	2220005	1	Fitting, Reducer (SN 0300064432 through 0300069000)	
	0255524	Ref	<b>LP TANK AND BRACKETS INSTALLATION</b>	7-E
201	1320220	2	Clamp Kit - LP	
201	1320127	2	Clamp, Toggle (1 Per Clamp)	
202	2720144	2	Hose	
203	0100020	AR	Sealant, Pipe	
204	2221019	1	Fitting, Red	
205	2180125	1	Fitting - Elbow	
206	2220261	1	Fitting, Nipple	
207	2180388	1	Filter, Bulkhead	

## SECTION 2 - TURNTABLE

ITEM	PART NUMBER	QTY	DESCRIPTION	REV
208	2180389	1	Valve, Relief	
209	2180418	1	Fitting, Tee	
210	2180387	2	Fitting, LP Tank	
211	0641606	8	Bolt 3/8in-16NC x 3/4in	
212	4751600	8	Flatwasher 3/8in	
213	2220418	2	Fitting, Straight	
214	2221018	1	Fitting, Nipple	
215	1320218	2	Clamp, Spring	
216	3910808	2	Screw, Machine #8-32NC x 1/2in	
217	4750800	4	Flatwasher #8	
218	3310805	2	Locknut #8-32NC	
219	0181949	2	Support, Angle	
220	2221024	2	Fitting, Ball Check	
221	0362519	4	Bar, Clamp	

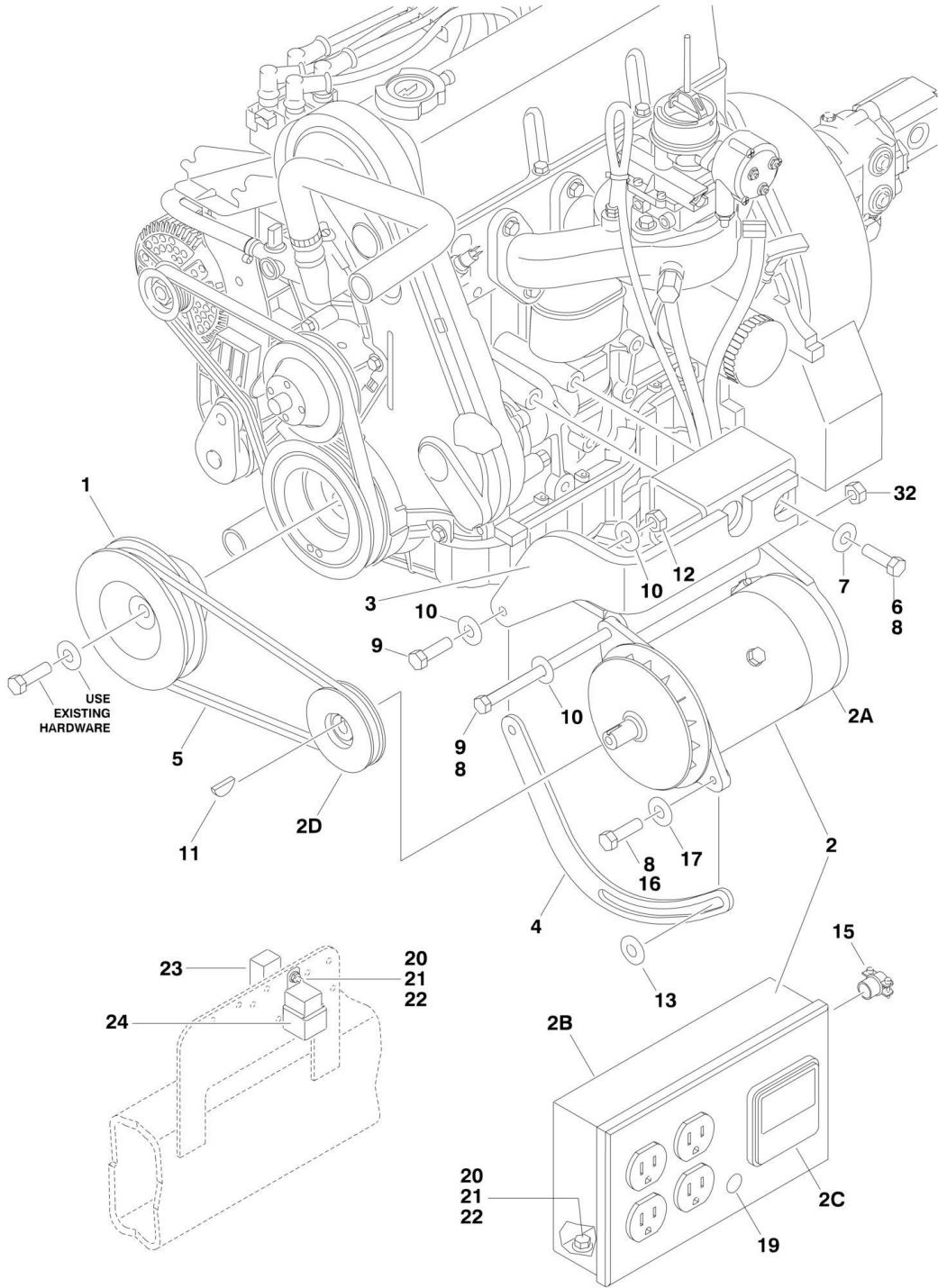




# SECTION 2 - TURNTABLE

## FIGURE 2-16. GENERATOR INSTALLATION - FORD MACHINES (OPTIONAL)

**NOTE:** These Machine SN's Also Equipped With ADE System: 0300062045, 0300062797, 0300063013, 0300063665, 0300063975, 0300064000-0300064017, 0300064390, 0300064392 & 0300064411.



**SECTION 2 - TURNTABLE**

**FIGURE 2-16. GENERATOR INSTALLATION - FORD MACHINES (OPTIONAL)**

ITEM	PART NUMBER	QTY	DESCRIPTION	REV
		Ref	<b>NOTE: THESE MACHINE SN'S ALSO EQUIPPED WITH ADE SYSTEM: 0300062045, 0300062797, 0300063013, 0300063665, 0300063975, 0300064000-0300064017, 0300064390, 0300064392 &amp; 0300064411.</b>	
		Ref	<b>GENERATOR INSTALLATION OPTIONS:</b>	
		Ref	<b>110V Generators</b>	
	0257851	Ref	<b>110V Generator (Prior to SN 0300064432)</b>	2
	0271545	Ref	<b>110V Generator - ADE System (SN 0300064432 through 0300069000)</b>	3
		Ref	<b>220V Generators</b>	
	0257856	Ref	<b>220V Generator (Prior to SN 0300064432)</b>	3
	0271546	Ref	<b>220V Generator - ADE System (SN 0300064432 through 0300069000)</b>	4
		Ref	<b>Note: Refer to SkyPower Accessories Manual p/n 3124242 for the Miller 7500W Generator.</b>	
1	3580250	1	Pulley	
2		Ref	Generator and Control Box Assembly Options:	
2	2460011	1	110Volt Assembly (Prior to SN 0300066053)	J
2	2460032	1	110Volt Assembly (SN 0300066053 through 0300069000)	C
2	2460013	1	220Volt Assembly (Prior to SN 0300066053)	C
2	2460034	1	220Volt Assembly (SN 0300066053 through 0300066741)	B
2	2460013	1	220Volt Assembly (SN 0300066742 through 0300069000)	B
2A		Ref	Generator Options:	
2A	7012558	1	110V Replacement Generator	
		Ref	<b>Note: Replacement Generator p/n 7012558 come standard with p/n 3580134 pulley. This pulley may not be correct for all applications. Refer to pulley options below.</b>	
2A	1001100321	1	220V Replacement Generator	
		Ref	<b>Note: Replacement Generator p/n 1001100321 come standard with p/n 3580134 pulley. This pulley may not be correct for all applications. Refer to pulley options below.</b>	
2A	7012513	4	Cap, Brush Holder	
2A	7020108	4	Brush	
2A	7020109	4	Holder, Brush	
2A	7026199	1	110V/60Hz Armature with Slip Rings	
2A	70000123	1	220V/50Hz Armature with Slip Rings	
2A	7012514	1	Fan	
2A	7020190	2	Bearing	
2A	7020110	1	End Bell, Front	
2A	7020111	1	End Bell, Rear	
2A	7020193	1	Harness, Generator	
2B		Ref	Box, Control Options:	
2B	7003657	1	110V/60Hz Replacement Box	
		Ref	<b>Note: Replacement 110V Control Box comes with (2) standard receptacles p/n 4460190. Optional industrial twist lock receptacle p/n 4460027 must be ordered separately.</b>	
2B	70002235	1	220V/50Hz Replacement Box	
2B		Ref	Breaker, Circuit Options:	
2B	4360542	1	110V Breaker, Circuit	
2B	70000126	1	220V Breaker, Circuit	

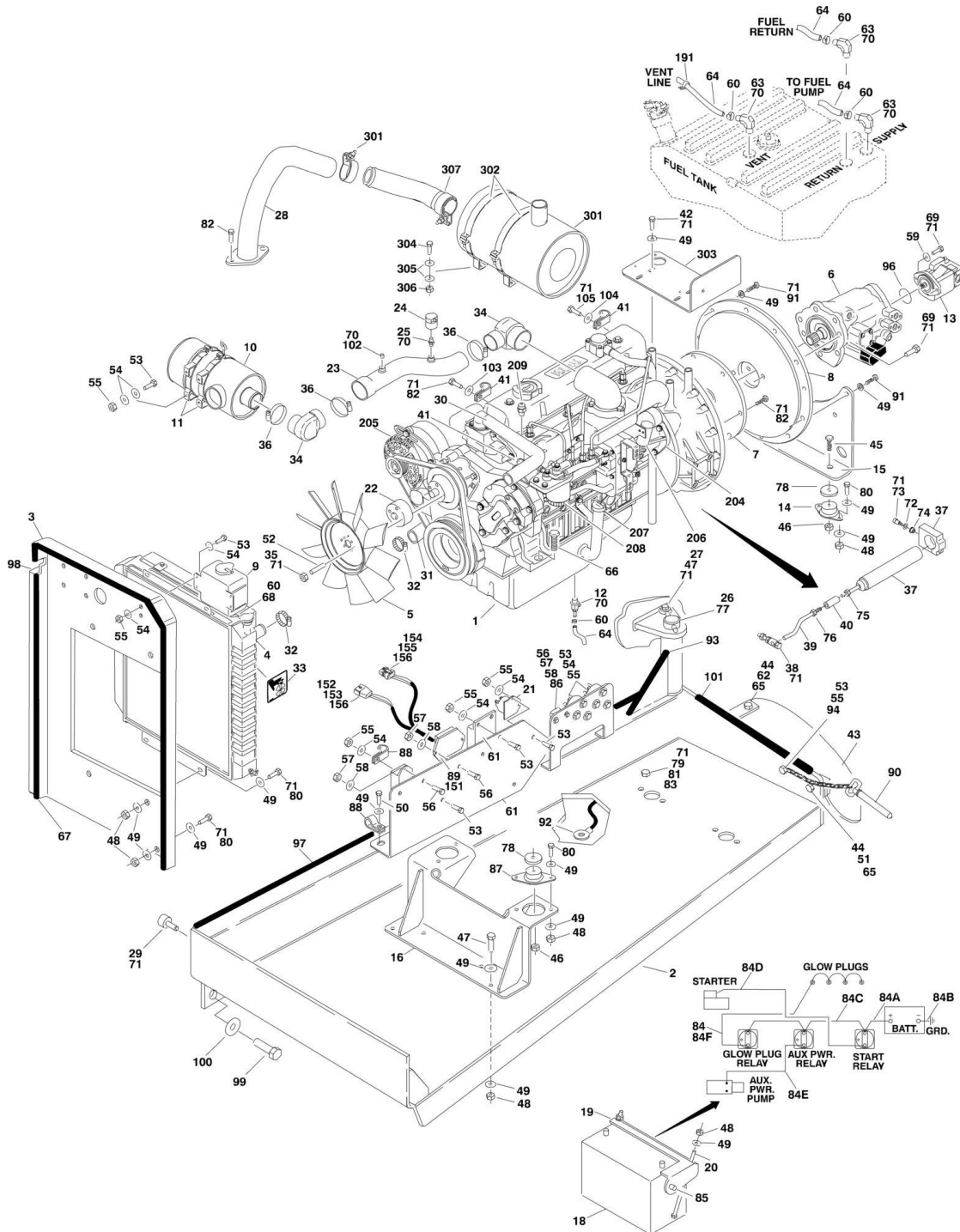
## SECTION 2 - TURNTABLE

ITEM	PART NUMBER	QTY	DESCRIPTION	REV
2B	7020191	1	Switch, Toggle	
2B	2920162	1	Lamp	
2B	4460190	2	Receptacle, Double (110V Box)	
2B	70000124	1	Receptacle, Double (220V Box)	
2B	70000125	1	Receptacle, Single (220V Box)	
2C		Ref	Voltmeter Options:	
2C	2420203	1	110Volt 60Hz Voltmeter	
2C	7020192	1	220Volt 50Hz Voltmeter	
2D		Ref	Pulley Options:	
2D	3580134	1	Generator p/n's 2460011 & 2460013	
2D	3580276	1	Generator p/n's 2460032 & 2460034	
2D	7027887	1	Key, Woodruff	
3		Ref	Bracket, Generator Mounting Options:	
3	0902210	1	Bracket, Generator Mounting <b>(Prior to SN 0300064432)</b>	
3	0902756	1	Bracket, Generator Mounting <b>(SN 0300064432 through 0300069000)</b>	
4	0200547	1	Arm, Adjusting	
5		Ref	V-Belt Options:	
5	0480050	1	Generator -p/n 2460011/2460013/2460056	
5	0480111	1	Generator -p/n 2460032/2460034	
6	0701015	2	Bolt M10 x 35mm	
7	4812000	2	Flatwasher M10	
8	0100011	AR	Compound, Locking	
9		Ref	Bolt Options:	
9	0681612	AR	Bolt 3/8in-16NC x 1-1/2in (Grade 8) <b>(Prior to SN 0300064432)</b>	
9	0641772	AR	Bolt 7/16in-14NC x 9in <b>(SN 0300064432 through 0300069000)</b>	
10	4751600	6	Flatwasher 3/8in	
11	2860012	1	Key, Woodruff	
12	3311605	1	Locknut 3/8in-16NC	
13	4564417	1	Spacer, Tube	
15	4460023	1	Connector, Strain Relief	
16	0641508	1	Bolt 5/16in-18NC x 1in	
17	4751500	2	Flatwasher 5/16in	
19	3520028	1	Plug, Hole	
20	0721006	4	Bolt #10-24NC x 3/4in	
21	3311005	4	Locknut #10-24NC	
22	4751000	9	Flatwasher #10	
23	4360294	1	Breaker, Circuit - 30 Amp	
24	3740080	1	Relay, Bosch	
25	4360336	1	Switch, Toggle (Not Shown - Located at Platform)	
26	4740397	1	Bushing (Not Shown - Located at Platform)	
27	4060802	1	Guard, Switch (Not Shown - Located at Platform)	
29	2820031	4 in/10cm	Heat Shrink (Not Shown - Located at Platform)	
30	3251102	1	Decal (Not Shown - Located at Platform)	
32	3311705	1	Locknut 7/16in-14NC Only <b>(SN 0300064432 through 0300069000)</b>	



# SECTION 2 - TURNTABLE

## FIGURE 2-17. ISUZU ENGINE INSTALLATIONS - 4JB1 (SN 0300060285 through 0300069000)



## SECTION 2 - TURNTABLE

**FIGURE 2-17. ISUZU ENGINE INSTALLATIONS - 4JB1 (SN 0300060285 through 0300069000)**

ITEM	PART NUMBER	QTY	DESCRIPTION	REV
	0258929	Ref	<b>ENGINE INSTALLATIONS</b>	3-B
1	2000151	1	Engine - Isuzu 4JB1	
2	4845404	1	Tray Weldment	
3	3539872	1	Mount, Radiator	
4	3620040	1	Radiator	
4	8180311	1	Cap, Radiator (was p/n 7019656)	
5	2060025	1	Fan	
6	3600295	1	Piston Pump Assembly (See PISTON PUMP ASSEMBLY for Breakdown)	
7	1660239	1	Coupling	
8	0080181	1	Plate, Pump Adapter	
9	1580011	1	Tank, Coolant Recovery	
10	1340060	1	Air Cleaner Assembly	
10	7012664	1	Element, Air Cleaner	
11	0340041	2	Band, Air Cleaner	
12	4641019	1	Valve, Oil Drain	
13	3600278	1	Gear Pump Assembly	
13	7018995	1	Seal Kit - 3600278 Motor	
13	7024918	1	Seal, Shaft	
13	7024930	1	Valve Assembly - 3600278 Motor	
14	3200401	2	Plate, Engine Mount (Rear)	
15	3570283	1	Plate, Engine Mounting - Rear	
16	4845532	1	Plate Weldment, Engine Mounting - Front	
17	3841340	3	Loop, Hose (Not Shown - Located in Turntable)	
18		Ref	Battery Options:	
18	0400075	1	Battery (Wet)	
18	7016180	1	Battery (Dry)	
19	0181727	1	Battery Hold-Down	
20	0630498	2	Bolt, Tie-Down	
21	3740067	3	Relay (Auxiliary Power)	
22	0080230	1	Spacer, Fan	
23	4845035	1	Tube, Air Intake	
24	4360392	1	Indicator, Clogged Filter	
25	2180798	1	Fitting, Restrictor Indicator	
26	3422446	1	Pin, Pivot	
27	3841143	1	Pin, Keeper	
28	4845534	1	Weldment Tube, Exhaust	
29	0940070	1	Bumper, Rubber	
30	2720441	1	Hose, Radiator - Top	
31	2720442	1	Hose, Radiator - Bottom	
32	1320012	4	Clamp	
33	1703162	2	Decal - Fan Blade	
34	0080201	2	Elbow, Rubber	
35	3311401	4	Nut 1/4in-20NC	
36	1320016	4	Clamp	
37	0060033	1	Kit - Throttle Actuator	
38	1660220	1	Throttle Swivel	
39	3841351	1	Throttle Rod	
40	1660222	1	Throttle, Coupling	
41	1320222	3	Clamp	

## SECTION 2 - TURNTABLE

ITEM	PART NUMBER	QTY	DESCRIPTION	REV
42	0701012	4	Bolt M10 x 25mm	
43	3380429	1	Panel, Rubber	
44	3539957	2	Plate, Hold-Down	
45	0641818	2	Bolt 1/2in-13NC x 2-1/4in	
46	3311805	4	Locknut 1/2in-13NC	
47	0641610	5	Bolt 3/8in-16NC x 1-1/4in	
48	3311605	22	Locknut 3/8in-16NC	
49	4751600	63	Flatwasher 3/8in	
50	0641606	3	Bolt 3/8in-16NC x 3/4in	
51	0641508	3	Bolt 5/16in-18NC x 1in	
52	4300148	4	Stud, Fan Mounting	
53	0641406	18	Bolt 1/4in-20NC x 3/4in	
54	4751400	31	Flatwasher 1/4in	
55	3311405	19	Locknut 1/4in-20NC	
56	0721006	5	Bolt #10-24NC x 3/4in	
57	3311001	5	Nut #10-24NC	
58	4751000	5	Flatwasher #10	
59	4891600	2	Washer, Hardened 3/8in	
60	1320022	8	Clamp	
61	0902527	1	Bracket, Control Module Mounting	
62	3900272	3	Bolt 5/16in-18NC x 1-3/4in	
63	2220313	3	Fitting, Barbed Elbow	
64	2750532	31 ft/9.4m	Hose	
65	3311505	6	Locknut 5/16in-18NC	
66	0641828	2	Bolt 1/2in-13NC x 3-1/2in	
67	3960389	5 ft/1.52m	Seal	
68	2720058	12 ft/3.7m	Hose, Fuel Line	
69	0641812	4	Bolt 1/2in-13NC x 1-1/2in	
70	0100020	AR	Sealant	
71	0100011	AR	Compound, Locking	
72	4740442	1	Washer, Belleville	
73	3900217	1	Screw, Shoulder	
74	0962031	1	Bushing, Flange	
75	3321402	1	Nut, Jam 1/4in-20NC	
76	3321602	1	Nut, Jam 3/8in-24NC	
77	0961986	2	Bushing, Flange	
78	4740274	4	Washer, Snubbing	
79	4751800	3	Flatwasher 1/2in	
80	0641608	22	Bolt 3/8in-16NC x 1in	
81	3311801	1	Nut 1/2in-13NC	
82	0701011	11	Bolt M10 x 22mm	
83	0641808	2	Bolt 1/2in-13NC x 1in	
84	2901809	1	Battery Cable Kit	A
84A	7016800	1	Cable, Battery (Red)	
84B	7016831	1	Cable, Battery (Black)	
84C	7016811	1	Cable (Red)	
84D	7016802	1	Cable (Red)	
84E	7016824	1	Cable (Red)	
84F	7016825	1	Cable (Black)	
85	4460611	1	Terminal, Battery Jumper Post	
86	4360294	1	Breaker, Circuit	

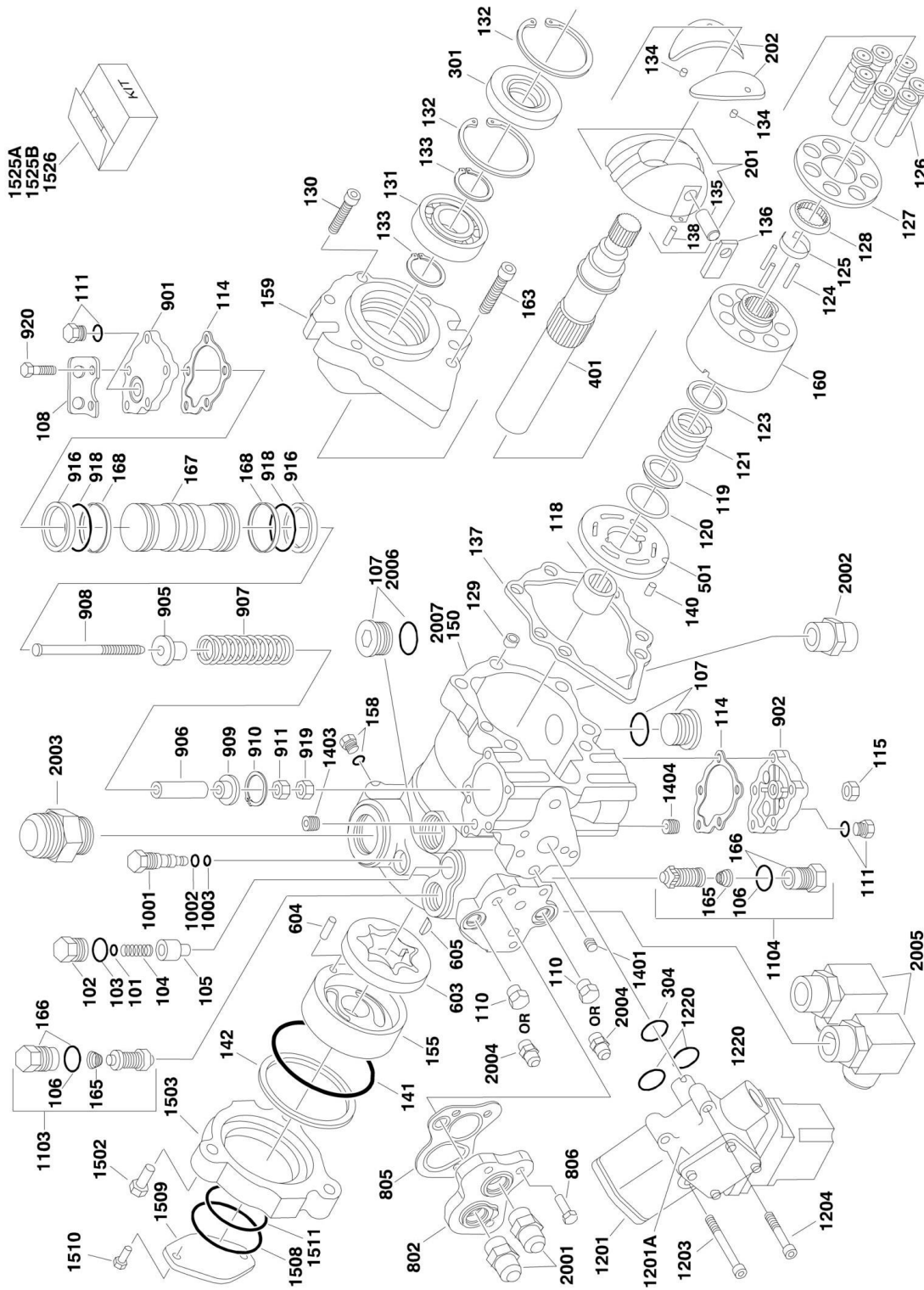


## SECTION 2 - TURNTABLE

ITEM	PART NUMBER	QTY	DESCRIPTION	REV
87	3200362	2	Engine Mount (Front)	
88	1320223	12	Clamp	
90	3422532	1	Pin, Hitch	
91	0701015	12	Bolt M10 x 35mm	
92	1060637	1	Lanyard	
93	4060804	1 ft/0.3m	Flexible Trim 3/16in (Prior to SN 0300067812)	
94	4711400	1	Flatwasher 1/4in	
95	1701505	1	Decal - Diesel	
96	3790152	1	O-Ring	
97	3960468	1	Seal, Foam 1-1/4in x 1-1/4in x 47-1/4in	
98	3960469	1	Seal, Foam 1-1/4in x 1-1/4in x 32in	
99	0642010	1	Bolt 5/8in-11NC x 1-1/4in	
100	4752000	1	Flatwasher 5/8in	
101	4060805	2.9 ft /0.88m	Flexible Trim 1/4in	
102	2200221	1	Plug	
103	4711600	1	Flatwasher 3/8in	
104	4711500	1	Flatwasher 5/16in	
105	0700808	1	Bolt M8 x 16mm	
	0259198	Ref	<b>TIMER MODULE PLUGS ASSEMBLY</b>	2-B
151	3740126	1	Relay, Timer Module	
152	4460476	1	Housing - Receptacle	
153	4460475	3	Pin - Male	
154	4460459	1	Housing - Plug	
155	4460457	3	Socket - Female	
156	4460458	6	Seal	
	2000151	Ref	<b>ENGINE COMPONENTS</b>	
201	7022127	1	Switch, Oil Pressure (Not Shown)	
202	7022177	1	Solenoid, Engine Stop (Not Shown)	
203	7023634	1	Filter, Oil (Not Shown)	
204	7023635	1	Starter	
205	7023638	1	Alternator	
206	7023639	1	Solenoid, Shutdown 12Volt	
207	7023640	1	Gauge, Oil Level	
208	7023641	1	Filter, Fuel	
209	7023642	1	Switch, Water Pressure	
	0258932	Ref	<b>MUFFLER INSTALLATION</b>	1
301	3220113	1	Muffler - Spark Arresting	
302	0340046	2	Band	
303	3570288	1	Plate, Muffler Mount	
304	0641507	4	Bolt 5/16in-18NC x 1in	
305	4711500	8	Flatwasher 5/16in Narrow	
306	3311505	4	Locknut 5/16in-18NC	
307	4567073	1	Tube, Exhaust	

# SECTION 2 - TURNTABLE

## FIGURE 2-18. PISTON PUMP ASSEMBLY



## SECTION 2 - TURNTABLE

### FIGURE 2-18. PISTON PUMP ASSEMBLY

ITEM	PART NUMBER	QTY	DESCRIPTION	REV
		Ref	<b>PISTON PUMP ASSEMBLIES</b>	
	3600277	Ref	<b>Piston Pump Assemblies (Prior to SN 0300042829)</b>	A
	3600295	Ref	<b>Piston Pump Assemblies (SN 0300042829 through 0300069000)</b>	A
		Ref	<b>Note: Original Equipment pump may have been replaced with Service Replacement pump. Visually identify the p/n tag on pump before ordering parts.</b>	
101	7007413	1	Shim Kit	
102	7007414	1	Plug	
103	See Note	NSS	O-Ring (Note: Use Item 1525A)	
104	7021200	1	Spring, Relief Valve	
105	7007417	1	Valve, Relief	
106	See Note	NSS	O-Ring (Note: Use Item 1525A)	
107	7007419	2	Plug	
108	7021201	1	Bracket, Lifting	
110	7007470	2	Plug	
111	7007470	2	Plug	
114	See Note	NSS	Gasket, Servo Cover (Note: Use Item 1525A)	
115	7007423	1	Nut, Special	
118	7007425	1	Bearing, Needle	
119	See Note	NSS	Ring, Retaining (Note: Use Item 1526)	
120	See Note	NSS	Washer (Note: Use Item 1526)	
121	See Note	NSS	Spring (Note: Use Item 1526)	
123	See Note	NSS	Washer (Note: Use Item 1526)	
124	See Note	NSS	Retainer (Note: Use Item 1526)	
125	See Note	NSS	Pin, Slipper Holddown (Note: Use Item 1526)	
126	See Note	NSS	Piston Assembly (Note: Use Item 1526)	
127	See Note	NSS	Retainer, Slipper (Note: Use Item 1526)	
128	See Note	NSS	Guide, Retainer (Note: Use Item 1526)	
129	7007435	1	Pin, Spring	
130	7021202	1	Screw, 12 Point Head	
131	7007437	1	Bearing, Ball	
132	7007438	2	Ring, Retainer	
133	7007439	2	Ring	
134	7021203	2	Pin, Spring	
135	7007441	1	Handle, Pin	
136	7007442	1	Sleeve, Bearing	
137	See Note	NSS	Gasket, Front Cover (Note: Use Item 1525A)	
138	7021205	1	Pin	
140	7007446	1	Pin	
141	See Note	NSS	O-Ring (Note: Use Item 1525A)	
142	See Note	NSS	Ring, Load Temper (Note: Use Item 1525A)	
150	7023977	1	Housing, Pump	
155	7007452	1	Cover, Gerotor	
158	7007208	1	Plug	
159	7007454	1	Cover, Front	
163	7021207	6	Screw	
165	7021208	2	Spring	
166	7021209	2	Plug, SCR	
167	7007494	1	Piston, Servo	

## SECTION 2 - TURNTABLE

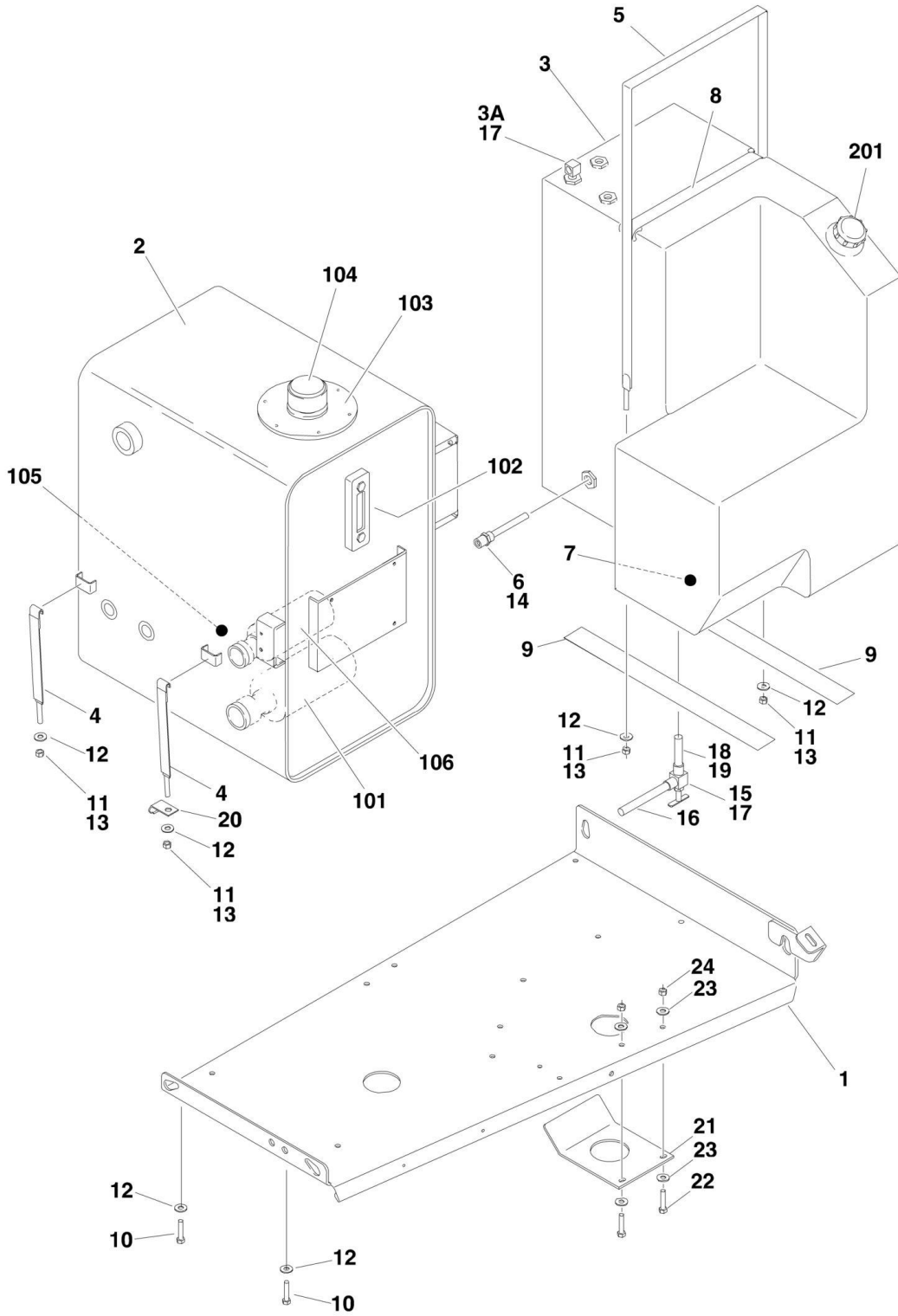
ITEM	PART NUMBER	QTY	DESCRIPTION	REV
168	See Note	NSS	Bearing (Note: Use Item 1525A)	
201	7007457	1	Swash Plate Assembly (Includes Items 135 & 138)	
202	7021212	2	Journal, Bearing	
301	See Note	NSS	Seal, Lip (Note: Use Item 1525A)	
304	See Note	NSS	O-Ring (Note: Use Item 1525A)	
401	7021213	1	Shaft, Main Pump	
501	7021214	1	Plate, Valve	
603	7007463	1	Gerotor Assembly	
604	7007464	1	Pin	
605	7007465	1	Key, Woodruff	
802	7007466	1	Adaptor, Remote Filtration	
805	See Note	NSS	Seal, Filter Adapter (Note: Use Item 1525A)	
806	7021218	3	Screw	
901	7021219	1	Cover, Servo	
902	7021220	1	Cover, Servo	
905	7007483	1	Guide, Spring	
906	7007484	1	Stop, Servo	
907	7007485	1	Spring	
908	7021221	1	Screw	
909	7007487	1	Guide, Spring	
910	7007488	1	Ring, Retaining	
911	7021222	1	Nut	
916	See Note	NSS	Ring, Piston (Note: Use Item 1525A or 1525B)	
918	See Note	NSS	O-Ring (Note: Use Item 1525A or 1525B)	
919	7021206	1	Nut	
920	7021223	10	Screw	
1001	7007472	1	Valve, Bypass	
1002	See Note	NSS	Ring, Back-up (Note: Use Item 1525A)	
1003	See Note	NSS	O-Ring (Note: Use Item 1525A)	
1103	7010122	1	SCR Kit (Includes items 166, 106 & 165)	
1104	7010122	1	SCR Kit (Includes items 166, 106 & 165)	
1201	7007474	1	Control, Dual Oil-Filled	
1201	7007496	1	Coil Assembly (Pilot)	
1201	7007497	1	Plug (Pump)	
1201	7007498	1	Plug (Valve Harness)	
1201A	7024828	1	Gasket, Cover	
1203	7007478	2	Screw	
1204	7001498	2	Screw	
1220	See Note	NSS	O-Ring (Note: Use Item 1525A)	
1401	7007475	1	Plug, Orifice/Screen (.156)	
1403		Ref	Plug, Orifice Options:	
1403	7007477	1	Plug, Orifice (3600277 Pump) <b>(Prior to SN 0300042829)</b>	
1403	7021226	1	Plug, Orifice (3600295 Pump) <b>(SN 0300042829 through 0300069000)</b>	
1404		Ref	Plug, Orifice Options:	
1404	7007477	1	Plug, Orifice (3600277 Pump) <b>(Prior to SN 0300042829)</b>	
1404	7021226	1	Plug, Orifice (3600295 Pump) <b>(SN 0300042829 through 0300069000)</b>	
1502	7007453	3	Screw	
1503	7021227	1	Adapter, Flange	
1508	7021228	1	O-Ring	
1509	7021229	1	Plate, Cover	

**SECTION 2 - TURNTABLE**

ITEM	PART NUMBER	QTY	DESCRIPTION	REV
1510	7021230	2	Screw	
1511	7021231	1	O-Ring	
1525		Ref	Seal Kit Options:	
1525A	7021232	1	Seal Kit, Complete (Includes Items 103, 106, 114, 137, 141, 142, 168, 301, 304, 805, 916, 918, 1002, 1003 & 1220)	
1525B	7007412	1	Seal Kit, Servo Piston (Includes Items 916 & 918)	
1526	7010116	1	Cylinder Block Kit (Includes Items 119-128)	

# SECTION 2 - TURNTABLE

## FIGURE 2-19. TANK INSTALLATIONS



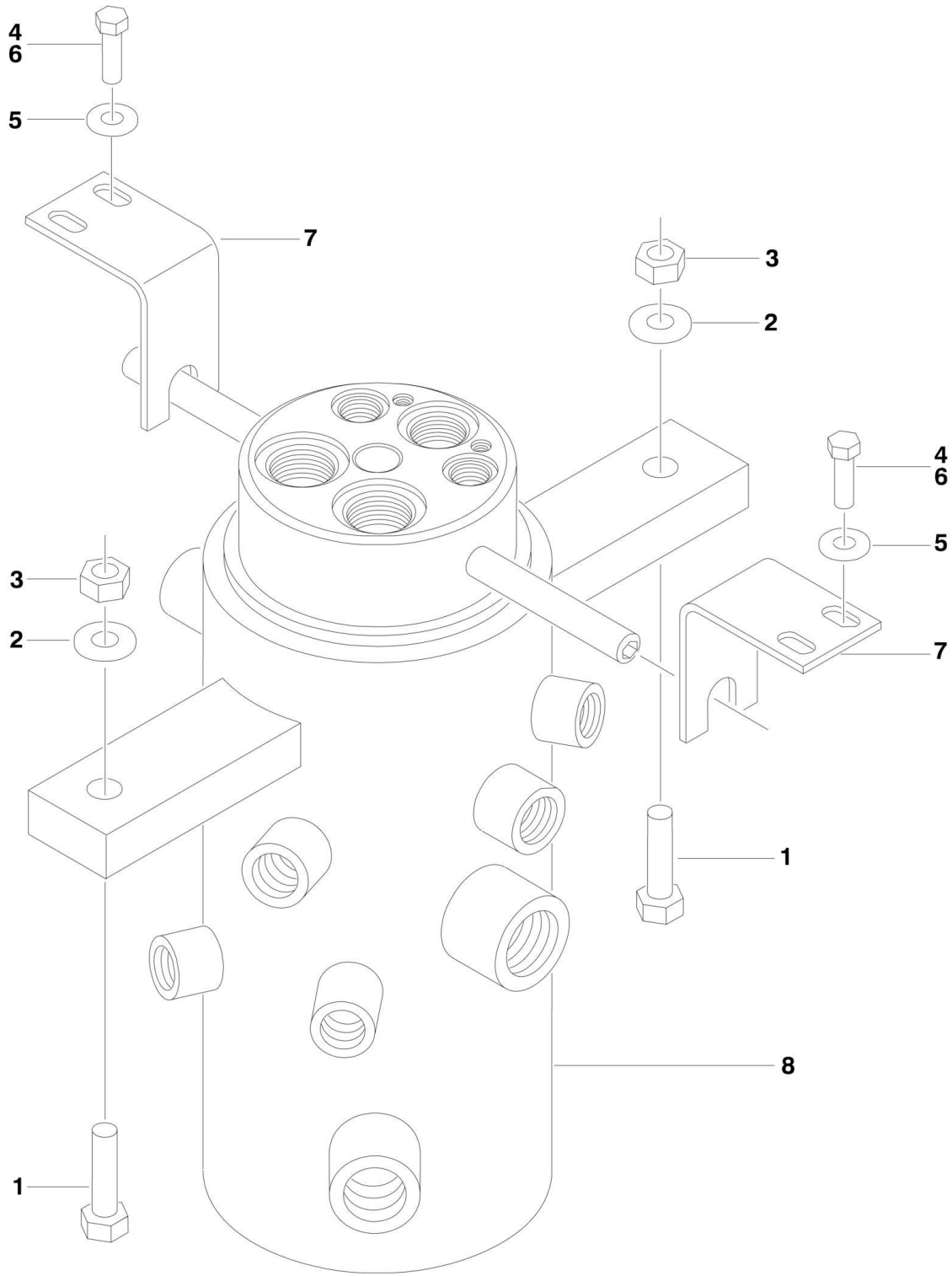
## SECTION 2 - TURNTABLE

### FIGURE 2-19. TANK INSTALLATIONS

ITEM	PART NUMBER	QTY	DESCRIPTION	REV
		Ref	<b>TANKS INSTALLATION OPTIONS:</b>	
	0258382	Ref	<b>Diesel</b>	C
	0270396	Ref	<b>Gas</b>	B
1		Ref	Tray Weldment Options:	
1	4845617	1	Tray Weldment ( <b>Prior to SN 0300040678</b> )	
1	4845928	1	Tray Weldment ( <b>SN 0300040678 through 0300069000</b> )	
2	4400410	1	Hydraulic Tank Assembly (See Items 101-106 for Breakdown)	
3	4400400	1	Tank, Fuel (Includes Non-Locking Cap)	
3A	7019658	1	Fitting and Pick-up Tube	
4	4240112	4	Strap, Tank	
5	4240113	1	Strap, Tank	
6	4360436	1	Switch, Fuel Level	
7	2200222	1	Fitting	
8	4280295	25 in /44cm	Strip, Protective	
9	4420038	70 in /1.78m	Tape, Rubber	
10	0641614	6	Bolt 3/8in-16NC x 1 3/4in	
11	3311601	AR	Nut 3/8in-16NC	
12	4751600	AR	Flatwasher 3/8in	
13	0100011	AR	Compound, Locking	
14	0100079	AR	Permatex	
		Ref	<b>Note: Items 15-24 Used on Gas Machines Only (SN 0300048538 through 0300069000)</b>	
15	4641022	1	Valve, Needle ( <b>SN 0300048538 through 0300069000</b> )	
16	4568118	1	Tube, Fuel ( <b>SN 0300048538 through 0300069000</b> )	
17	0100020	AR	Sealant ( <b>SN 0300048538 through 0300069000</b> )	
18	0100062	AR	Retaining Compound #680 ( <b>SN 0300048538 through 0300069000</b> )	
19	4568119	1	Tube, Fuel ( <b>SN 0300048538 through 0300069000</b> )	
20	1320223	1	Clamp ( <b>SN 0300048538 through 0300069000</b> )	
21	3572423	1	Plate, Valve, Needle ( <b>SN 0300048538 through 0300069000</b> )	
22	0641508	2	Bolt 5/16in-18NC x 1in ( <b>SN 0300048538 through 0300069000</b> )	
23	4711500	4	Flatwasher 5/16in ( <b>SN 0300048538 through 0300069000</b> )	
24	3311505	2	Locknut 5/16in-18NC ( <b>SN 0300048538 through 0300069000</b> )	
	4400410	Ref	<b>HYDRAULIC TANK ASSEMBLY</b>	G
101	7014818	1	Strainer 1-1/2inNPT	
102	7014802	1	Gauge, Sight	
103	7014810	1	Neck, Fill	
103	7014816	1	Screen	
104	7014817	1	Breather/Fill Cap	
105	7014813	1	Plug, Magnetic	
106	7014801	1	Strainer 1-1/4inNPT	
		Ref	<b>FUEL TANK CAP INSTALLATION</b>	
201		Ref	Cap Options:	
201	7016314	1	Standard Non-Locking (Part of Item 3)	
201	1120484	1	Optional Lockable (Gas Machines)	
201	1120487	1	Optional Lockable (Diesel Machines)	

# SECTION 2 - TURNTABLE

## FIGURE 2-20. ROTARY COUPLING INSTALLATION





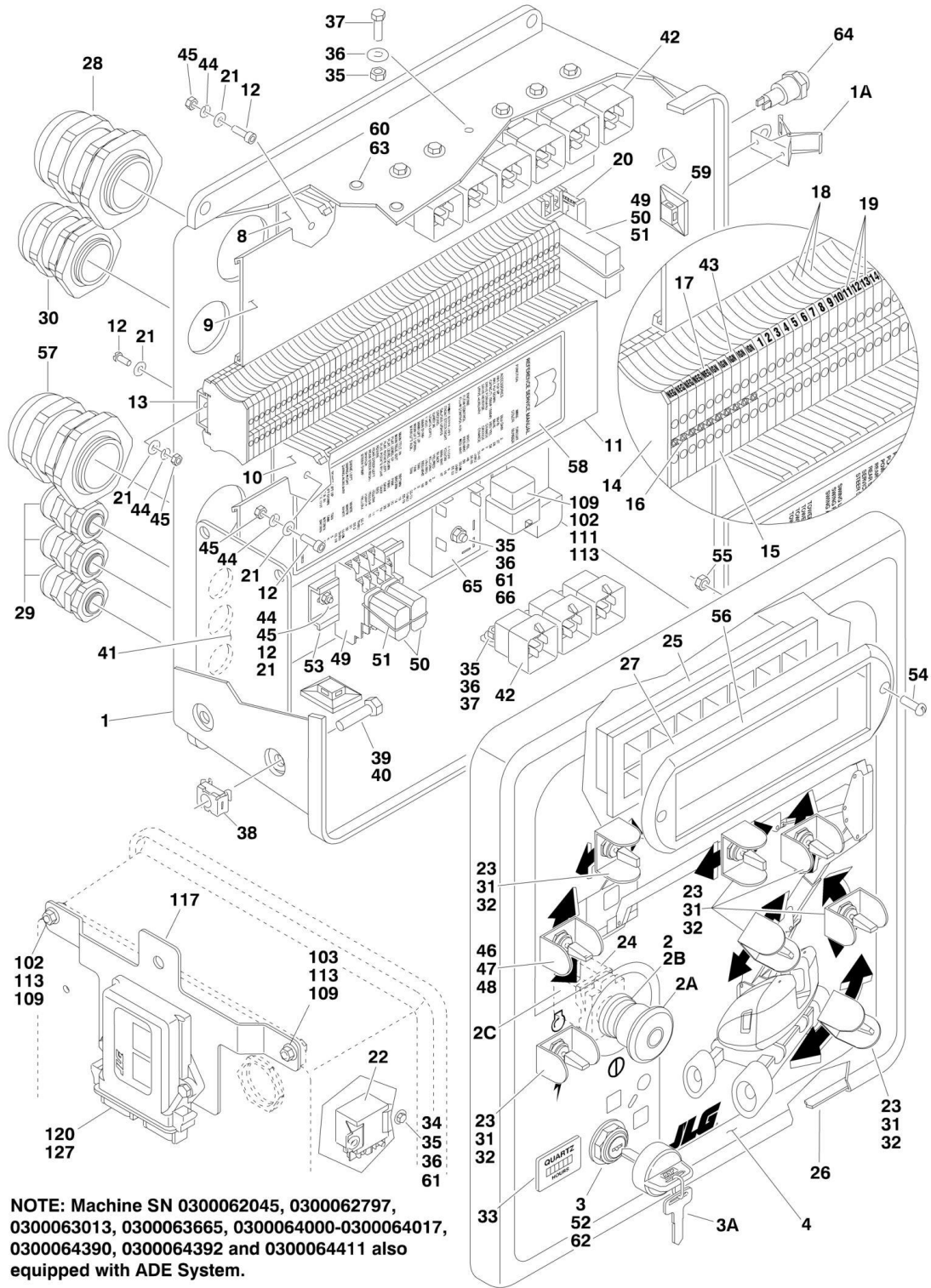
## SECTION 2 - TURNTABLE

### FIGURE 2-20. ROTARY COUPLING INSTALLATION

ITEM	PART NUMBER	QTY	DESCRIPTION	REV
		Ref	<b>ROTARY COUPLING INSTALLATIONS</b>	
	0255262	Ref	<b>Rotary Coupling Installation 2WS (Prior to SN 0300066290)</b>	5
	0272354	Ref	<b>Rotary Coupling Installation 2WS (SN 0300066290 through 0300069000)</b>	A
	0255294	Ref	<b>Rotary Coupling Installation 4WS (Prior to SN 0300066290)</b>	2
	0272355	Ref	<b>Rotary Coupling Installation 4WS (SN 0300066290 through 0300069000)</b>	A
1	0641820	2	Bolt 1/2in-13NC x 2-1/2in	
2	4751800	4	Flatwasher 1/2in	
3	3311805	2	Locknut 1/2in-13NC	
4	0641611	4	Bolt 3/8in-16NC x 1-3/8in	
5	4751600	4	Flatwasher 3/8in	
6	0100011	AR	Compound, Locking	
7		Ref	Bracket	
7	0902109	NLA	Bracket (Use p/n 0902520) <b>(Prior to SN 0300041300)</b>	
7	0902520	2	Bracket <b>(SN 0300041300 through 0300066289)</b>	
7	0902846	2	Bracket <b>(SN 0300066290 through 0300069000)</b>	
8		Ref	Coupling, Rotary Options:	
8	1660219	AR	2WS Coupling Options:	
8	1660219	1	New OEM Replacement (2WS)	
8	7013187	1	Seal Kit - 1660219 Coupling (2WS)	
8	1660219RR	1	Rebuilt Replacement (2WS) (Note: Contact JLG Parts Dept for information)	
8		Ref	4WS Coupling Options:	
8	1660223	1	New OEM Replacement (4WS)	
8	7016342	1	Seal Kit - 1660223 Coupling (4WS)	
8	1660223RR	1	Rebuilt Replacement (4WS) (Note: Contact JLG Parts Dept for information)	

# SECTION 2 - TURNTABLE

FIGURE 2-21. GROUND CONTROL BOX ASSEMBLY (Prior to SN 0300064432)



## SECTION 2 - TURNTABLE

**FIGURE 2-21. GROUND CONTROL BOX ASSEMBLY (Prior to SN 0300064432)**

ITEM	PART NUMBER	QTY	DESCRIPTION	REV
		Ref	<b>NOTE: THESE MACHINE SN'S ALSO EQUIPPED WITH ADE SYSTEM: 0300062045, 0300062797, 0300063013, 0300063665, 0300063975, 0300064000-0300064017, 0300064390, 0300064392 &amp; 0300064411.</b>	
		Ref	<b>GROUND CONTROL BOX ASSEMBLIES</b>	
	0861196	Ref	<b>Ground Control Box Assemblies 800A with Deutz Engine (Prior to SN 0300064432)</b>	5
	0861197	Ref	<b>Ground Control Box Assemblies 800AJ with Deutz Engine (Prior to SN 0300064432)</b>	5
	0861258	Ref	<b>Ground Control Box Assemblies 800A with Isuzu Engine (SN 0300060285 through 0300064432)</b>	4
	0861259	Ref	<b>Ground Control Box Assemblies 800AJ with Isuzu Engine (SN 0300060285 through 0300064432)</b>	3
	0861228	Ref	<b>Ground Control Box Assemblies 800A with Ford Engine (Prior to SN 0300048538)</b>	2
	0861154	Ref	<b>Ground Control Box Assemblies 800A with Ford Engine with EFI (SN 0300048538 through 0300064432)</b>	3
	0861229	Ref	<b>Ground Control Box Assemblies 800AJ with Ford Engine (Prior to SN 0300048538)</b>	2
	0861155	Ref	<b>Ground Control Box Assemblies 800AJ with Ford Engine with EFI (SN 0300048538 through 0300064432)</b>	3
1		Ref	Box, Fiberglass Options:	
1	0861131	1	Box, Fiberglass (Prior to SN 0300044657)	
1	0861302	1	Box, Fiberglass (SN 0300044657 through 0300064432)	
1	0861313	1	Ford Engines with EFI (SN 0300048538 through 0300064432)	
1A	7020246	2	Latch	
2		Ref	Switch, Emergency Stop Options:	
2	4360289	1	Switch, Emergency Stop (Prior to SN 0300044657)	
2	4360475	1	Switch, Emergency Stop (SN 0300044657 through 0300064432)	
2A	7012611	1	Cap, Mushroom Head (Prior to SN 0300044657)	
2A	7020175	1	Cap, Mushroom Head (SN 0300044657 through 0300064432)	
2B	7012612	1	Boot (Prior to SN 0300044657)	
2C	7020176	1	Block, Contact (SN 0300044657 through 0300064432)	
3		Ref	Switch, Key Options:	
3	4360315	1	Switch, Key (Prior to SN 0300044657)	
3	4360469	1	Switch, Key (Common Key Style) (SN 0300044657 through 0300064432)	
3A		Ref	Key Options:	
3A	7012560	1	Key (Prior to SN 0300044657)	
3A	2860030	1	Key (Common Key Style) (SN 0300044657 through 0300064432)	
4		Ref	Decal - Faceplate	
4	1703467	1	Decal - Faceplate 800A	
4	1703468	1	Decal - Faceplate 800AJ	
5		Ref	Engine Harness Assembly (See ELECTRICAL SECTION for Breakdown)	
5	4922077	1	Deutz Engine Machines (Prior to SN 0300064432)	
5	4922138	1	Ford Engine Machines (Prior to SN 0300048538)	
5	4922272	1	Ford Engine Machines with EFI (SN 0300048538 through 0300064432)	
6	4922046	1	Valve Harness Assembly (See ELECTRICAL SECTION for	

## SECTION 2 - TURNTABLE

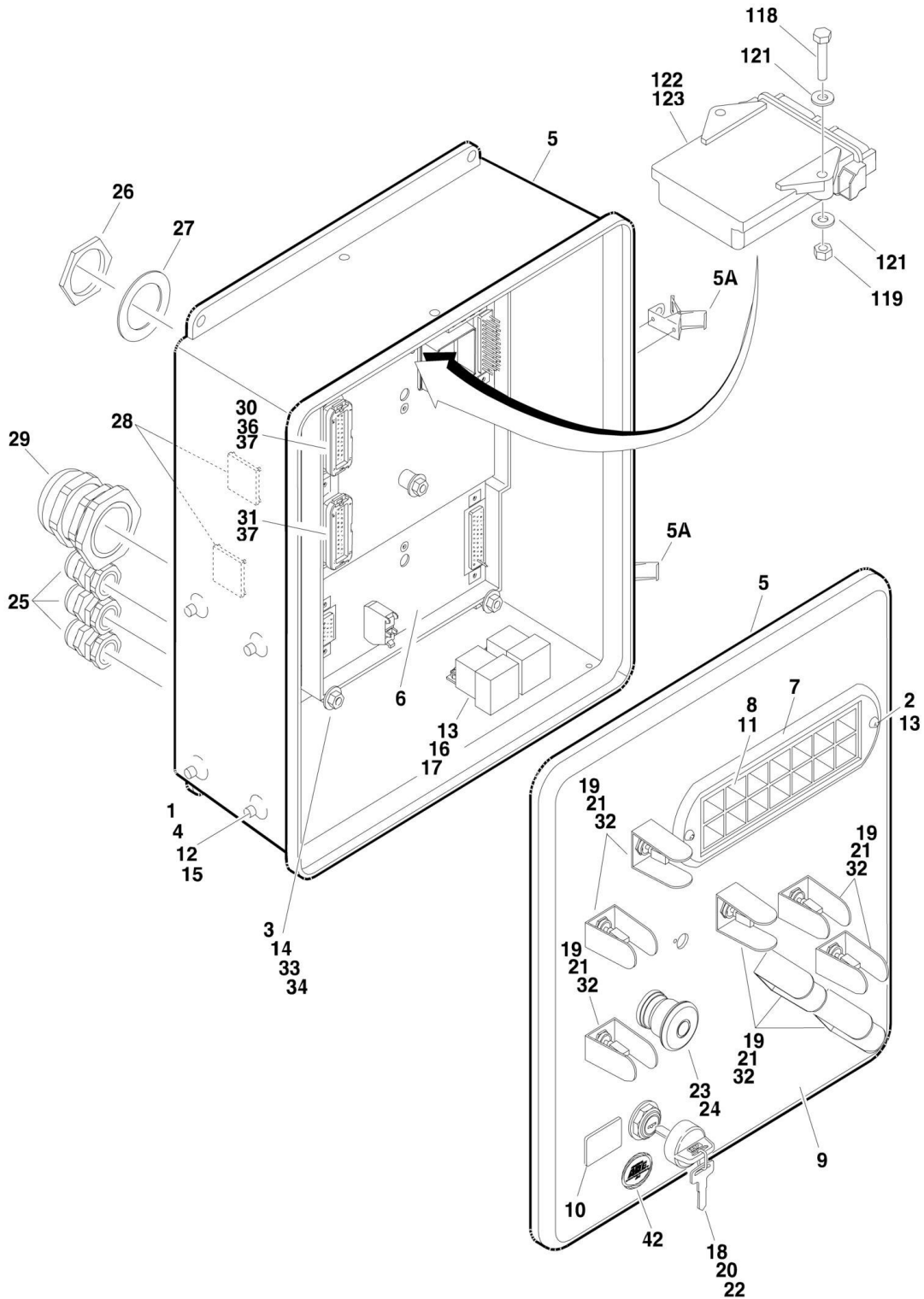
ITEM	PART NUMBER	QTY	DESCRIPTION	REV
			Breakdown)	
8	1840012	1	Duct, Wiring - 2in/5cm	
9	1840013	1	Duct, Cover - 2in/5cm	
10	1840014	1	Duct, Wiring - 3in/7.6cm	
11	1840015	1	Duct, Cover - 3in/7.6cm	
12	3910608	8	Screw #6-32NC x 1/2in	
13	3640970	1	Rail	
14	4460602	1	Barrier, Terminal	
15	4460601	10	Block, Terminal	
16	4460603	1	Bussbar - 10 Position (Requires being cut into (2) 5 position bussbars)	
17	4460631	1	Marker, Terminal (Negative)	
18	4460600	46	Block, Terminal	
19	4460628	2	Marker, Terminal (1-50)	
20	4460607	1	Stop, Terminal	
21	4750600	14	Flatwasher #6	
22	3740112	1	Relay, Bosch	
23	4360314	AR	Switch, Toggle	
24		Ref	Switch, Contact Block Options:	
24	4360282	1	Switch, Contact Block <b>(Prior to SN 0300044657)</b>	
24	4360476	1	Switch, Contact Block <b>(SN 0300044657 through 0300064432)</b>	
25	2760105	1	Housing, Display Light	
26	4420038	4 in/10cm	Insulation, Adhesive Foam	
27		Ref	Decal - Ground Control Display Options:	
27	1702610	1	Decal - Ground Control Display <b>(Prior to SN 0300056474)</b>	
27	1704833	1	Decal - Ground Control Display <b>(SN 0300056474 through 0300064432)</b>	
28	4460526	1	Connector, Strain Relief	
29	4460428	3	Connector, Strain Relief	
30	4460426	1	Connector, Strain Relief	
31	4740444	AR	Washer, Special	
32	4060906	AR	Shield, Toggle Switch	
33	2420172	1	Gauge, Hourmeter	
34	0721005	2	Screw #10-24NC x 5/8in	
35	3311001	AR	Nut #10-24NC	
36	4751000	AR	Flatwasher #10	
37	3900268	9	Screw #10-24NC x 1/2in	
38	3300205	4	Nut, Retainer	
39	0641506	4	Bolt 5/16in-18NC x 3/4in	
40	0100011	AR	Compound, Locking	
41	3539219	1	Plate, Reinforcement	
42	3740049	AR	Relay - SPDT	
43	4460630	1	Marker, Terminal (Ignition)	
44	4760600	8	Lockwasher #6	
45	3310601	8	Nut #6-32NC	
46	4360314	1	Switch, Toggle	
47	4740444	1	Washer, Nylon	
48	4060906	1	Shield, Toggle Switch	
49		Ref	Socket, Relay Options:	
49	4120012	2	Deutz Engine Machines <b>(SN 0300056474 through 0300064432)</b>	
49	4120012	1	Ford Engine Machines <b>(Prior to SN 0300064432)</b>	

## SECTION 2 - TURNTABLE

ITEM	PART NUMBER	QTY	DESCRIPTION	REV
50		Ref	Relay Options:	
50	3740057	2	Deutz Engine Machines (SN 0300056474 through 0300064432)	
50	3740057	1	Ford Engine Machines (Prior to SN 0300064432)	
51		Ref	Spring, Relay Options:	
51	3740066	2	Deutz Engine Machines (SN 0300056474 through 0300064432)	
51	3740066	1	Ford Engine Machines (Prior to SN 0300064432)	
52		Ref	Hardware Options:	
52	3300390	1	Nut with Weather Resistant Boot (Prior to SN 0300044657)	
52	4070987	AR	Shim, Switch (Common Key) (SN 0300044657 through 0300064432)	
53	3640986	1	Rail, Relay Mount (SN 0300056474 through 0300064432)	
54	0630518	2	Capscrew, Button Head	
55	3300408	AR	Locknut, Plastic Insert	
56	1670829	1	Bezel	
57	4460711	1	Connector, Strain Relief	
58	1703622	1	Decal - Service Manual Reference	
59	4460234	6	Base, Tie-Strap (Not Shown)	
60	0100009	AR	Silicone	
61	4761000	4	Lockwasher #10	
62	3910804	6	Screw #8-32NC x 1/4in	
63	3520174	AR	Plug, Hole	
64	4360387	1	Switch, Pushbutton (Ford Engines with EFI Only) (SN 0300048538 through 0300064432)	
65	3740113	1	Relay, Timer (Ford Engines with EFI Only) (SN 0300048538 through 0300064432)	
66	3911024	1	Screw #10-24NC x 1-1/2in (Ford Engines with EFI Only) (SN 0300048538 through 0300064432)	
	1001091538	Ref	<b>TILT SENSOR INSTALLATION (PRE ADE SYSTEM)</b>	E
102	0641406	3	Bolt 1/4in-20NC x 3/4in	
103	0641410	2	Bolt 1/4in-20NC x 1-1/4in	
109	3311405	5	Locknut 1/4in-20NC	
111	3740049	1	Relay	
113	4711400	5	Flatwasher 1/4in (Narrow)	
115	1001091778	1	Harness, Tilt Switch Boom (Not Shown) (See ELECTRICAL SECTION for Breakdown)	
116	1001091941	1	Harness, Console Tilt (Not Shown) (See ELECTRICAL SECTION for Breakdown)	
117	1001092527	1	Plate, Module Mounting	
120	1001094484	1	Controller, UMS Module	
123	1001094791	1	Harness, Tilt Sensor Turntable (Not Shown) (See ELECTRICAL SECTION for Breakdown)	
127	0100048	AR	Grease, Dielectric	

# SECTION 2 - TURNTABLE

FIGURE 2-22. GROUND CONTROL BOX ASSEMBLY (ADE SYSTEM) (SN 0300064432 through 0300069000)



## SECTION 2 - TURNTABLE

**FIGURE 2-22. GROUND CONTROL BOX ASSEMBLY (ADE SYSTEM) (SN 0300064432 through 0300069000)**

ITEM	PART NUMBER	QTY	DESCRIPTION	REV
		Ref	<b>GROUND CONTROL BOX ASSEMBLIES</b>	
	0861445	Ref	<b>Ground Control Box Assemblies 800A with Deutz Engine (SN 0300064009 Only)</b>	E
	0861502	Ref	<b>Ground Control Box Assemblies 800A with Deutz Engine (SN 0300064432 through 0300069000)</b>	H
	0861503	Ref	<b>Ground Control Box Assemblies 800AJ with Deutz Engine</b>	H
	0861500	Ref	<b>Ground Control Box Assemblies 800A with Ford Engine with EFI</b>	G
	0861501	Ref	<b>Ground Control Box Assemblies 800AJ with Ford Engine with EFI</b>	G
1	0100011	AR	Compound, Locking	
2	0630518	2	Capscrew, Button Head	
3	0630548	5	Tap, 2-1/2in Bolt	
4	0641506	4	Bolt 5/16in-18NC x 3/4in	
5	0861407	1	Box, Fiberglass	
5A	7020246	2	Latch	
6		Ref	Module, Ground Control Options:	
		Ref	Note: Recalibration Required When Replaced.	
6	1600312	NLA	Module, Ground Control (SN 0300064009 Only) (Note: Use p/n 2915014. Contact JLG Service Dept. prior to installation)	
6	1600327	NLA	Module, Ground Control (Use p/n 2915014) <b>(SN 0300064432 through 0300069000)</b>	
7	1670829	1	Bezel	
8	1702610	NLA	Decal - Ground Control Display (Use p/n 1704833)	
9		Ref	Decal - Faceplate Options:	
9	1703467	1	Decal - Faceplate 800A	
9	1703468	1	Decal - Faceplate 800AJ	
10	2420172	1	Gauge, Hourmeter	
11	2760105	1	Housing, Display Light	
12	3300205	4	Nut, Retainer	
13	3300408	AR	Locknut, Plastic Insert	
14	3311401	10	Nut 1/4in-20NC	
15	3539219	1	Plate, Reinforcement	
16	3740049	2	Relay	
17	3900268	2	Screw, Flange #10 x 1/2in	
18	3910804	6	Screw #8-32NC x 1/4in	
19	4060906	8	Shield, Toggle Switch	
20	4070987	1	Shim (.015in)	
21	4360328	8	Switch, Toggle	
22	4360469	1	Switch, Key	
22	2860030	1	Key Replacement	
23	4360475	1	Switch, Emergency Stop	
23	7020175	1	Cap, Mushroom	
23	7020176	1	Block, Contact	
24	4360476	1	Switch, Contact Block	
25		Ref	Connector, Strain Relief Options:	
25	4460428	3	Connector, Strain Relief (SN 0300064009 Only)	
25	4460426	2	Connector, Strain Relief <b>(SN 0300064432 through 0300069000)</b>	
26	4460470	1	Nut, Terminal	

## SECTION 2 - TURNTABLE

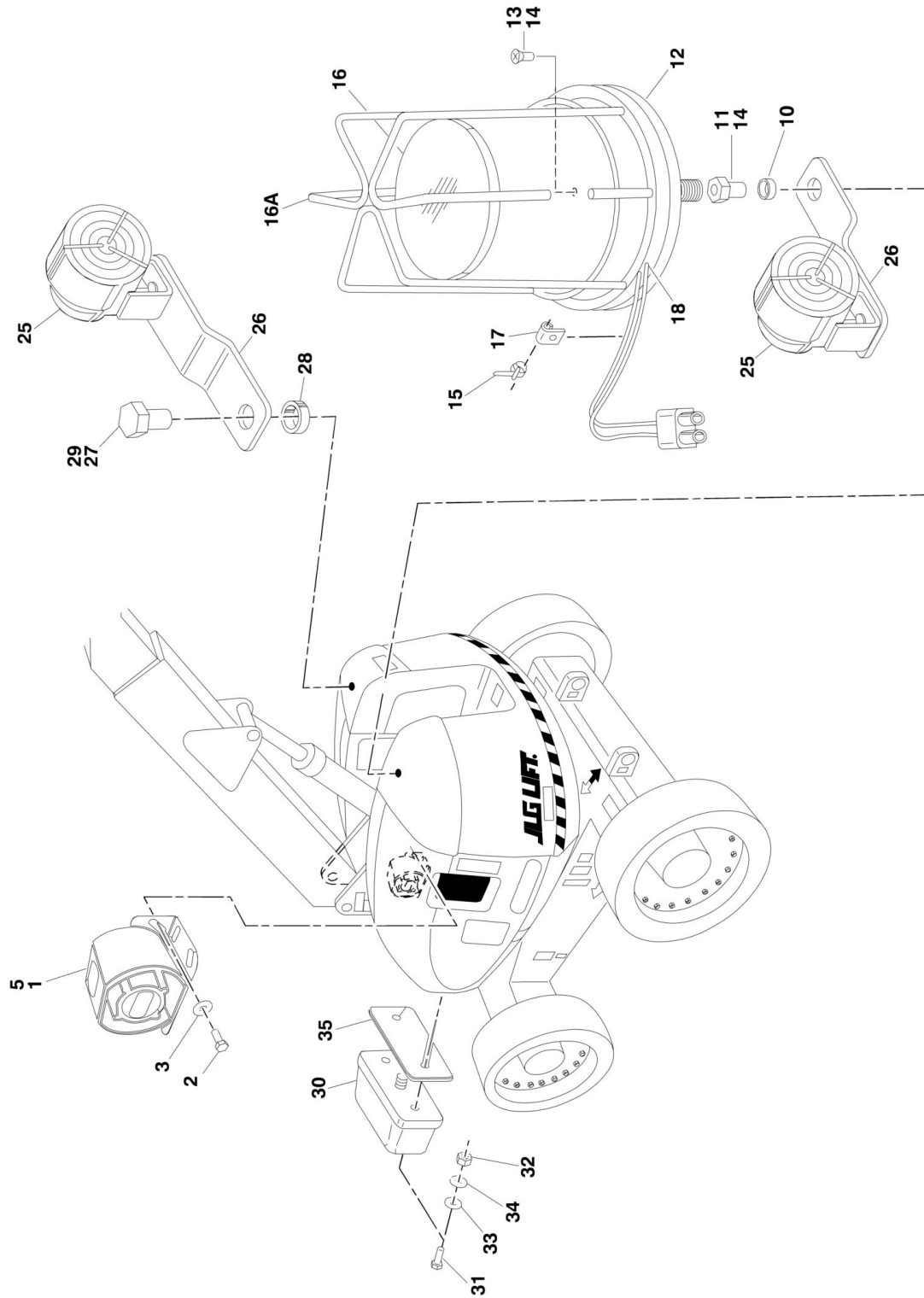
ITEM	PART NUMBER	QTY	DESCRIPTION	REV
27	4460471	1	Lockwasher, Terminal	
28	4460488	7	Mounting Base, Terminal	
29	4460526	1	Connector, Strain Relief	
30	4460874	1	Connector, Natural	
31	4460875	1	Connector, Gray	
32	4740444	8	Washer, Special	
33	4751400	20	Flatwasher 1/4in	
34	4761400	10	Lockwasher 1/4in	
35		Ref	Harness, Analyzer Cable Options (Not Shown):	
35	4922485	1	Harness, Analyzer Cable (SN 0300064009 Only)	
35	4922666	1	Harness, Analyzer Cable <b>(SN 0300064432 through 0300069000)</b>	
36	4460905	4	Connector, Amp Seal	
37	0100048	AR	Grease, Dielectric	
42	1705132	1	Decal - Control ADE <b>(SN 0300066867 through 0300069000)</b>	
43	3520035	1	Plug, Cap (Not Shown) <b>(SN 0300068040 through 0300069000)</b>	
	1001093187	Ref	<b>TILT SENSOR INSTALLATION (ADE SYSTEM)</b>	C
112	1001093256	1	Harness, Console (Not Shown) (See ELECTRICAL SECTION for Breakdown)	
115	1001094470	1	Harness, Boom Cable Jumper (Not Shown) (See ELECTRICAL SECTION for Breakdown)	
118	0641410	2	Bolt 1/4in-20NC x 1-1/4in	
119	3311405	2	Locknut 1/4in-20NC	
121	4711400	4	Flatwasher 1/4in	
122	1001094484	1	Controller, UMS Module	
123	0100048	AR	Grease, Dielectric	





# SECTION 2 - TURNTABLE

## FIGURE 2-23. ELECTRICAL OPTIONS INSTALLATION (TURNTABLE MOUNTED)



## SECTION 2 - TURNTABLE

**FIGURE 2-23. ELECTRICAL OPTIONS INSTALLATION (TURNTABLE MOUNTED)**

ITEM	PART NUMBER	QTY	DESCRIPTION	REV
		Ref	<b>ELECTRICAL OPTIONS INSTALLATIONS (TURNTABLE MOUNTED)</b>	
	0258674	Ref	<b>ALARMS INSTALLATIONS</b>	1
1	0257887	1	Alarm/Harness Assembly	
1	0140032	1	Alarm	
1	2820035	6 in/15cm	Loom	
1	4460424	1	Plug	
1	4460268	2	Socket	
2	0641508	2	Bolt 5/16in-18NC x 1in	
3	4711500	2	Flatwasher 5/16in Narrow	
5	0100048	AR	Sealant, Silicone	
		Ref	<b>STROBE LIGHT INSTALLATIONS (AMBER) (OPTIONAL)</b>	
	0257885	Ref	<b>Strobe Light Installations (Amber) (Prior to SN 0300064432)</b>	2
	0271422	Ref	<b>Strobe Light Installations (Amber) (SN 0300064432 through 0300069000)</b>	1
		Ref	<b>Note: If machine is equipped with BLUE Strobe Light, See SPECIAL OPTIONS SECTION SkyGuard Kit.</b>	
10	4220162	1	Spacer, Stop (Used with ECCO Model 6640 Only)	
11		Ref	Adapter Options:	
11	0630491	1	Adapter - Used with ECCO Model 6640	
11	0080241	1	Adapter - Used with ECCO Model 6650	
12	3539281	1	Plate, Mounting (Used with ECCO Model 6640 Only)	
13	0741606	1	Screw, Flathead Countersunk 3/8in-16NC x 3/4in (Used with ECCO Model 6640 Only)	
14	0100011	AR	Compound, Locking	
15	4240032	1	Wire-Tile	
16	0255917	NLA	Strobe Light/Guard/Harness Assembly (Use p/n 0272507)	
16		Ref	Bulb, Replacement Options:	
16	7016380	1	Bulb for ECCO Model 6640	
16	70001941	1	Bulb for with ECCO Model 6650	
16A		Ref	Guard Options:	
16A	4060907	1	Guard - Used with ECCO Model 6640	
16A	2920215	1	Guard - Used with ECCO Model 6650	
17	4460234	1	Clamp	
18	0100048	AR	Sealant, Silicone	
		Ref	<b>LIGHTS INSTALLATIONS (OPTIONAL)</b>	
	0257884	Ref	<b>Lights Installations (Prior to SN 0300064432)</b>	1
	0271768	Ref	<b>Lights Installations (SN 0300064432 through 0300069000)</b>	2
25	2920110	2	Headlight	
26	0902206	2	Bracket, Mounting	
27	0642612	1	Bolt 1in-8NC x 1-1/2in	
28	4220162	2	Spacer	
29	0100011	AR	Compound, Locking	
30	2920113	2	Taillight	
31	3911040	4	Screw, Machine #10-24NC x 2-1/2in	
32	3311005	4	Nut #10-24NC	
33	4751000	4	Flatwasher #10	
34	4740362	4	Washer, Fender	
35	3960461	2	Gasket	
37	4240032	12	Tie-Strap (Not Shown)	

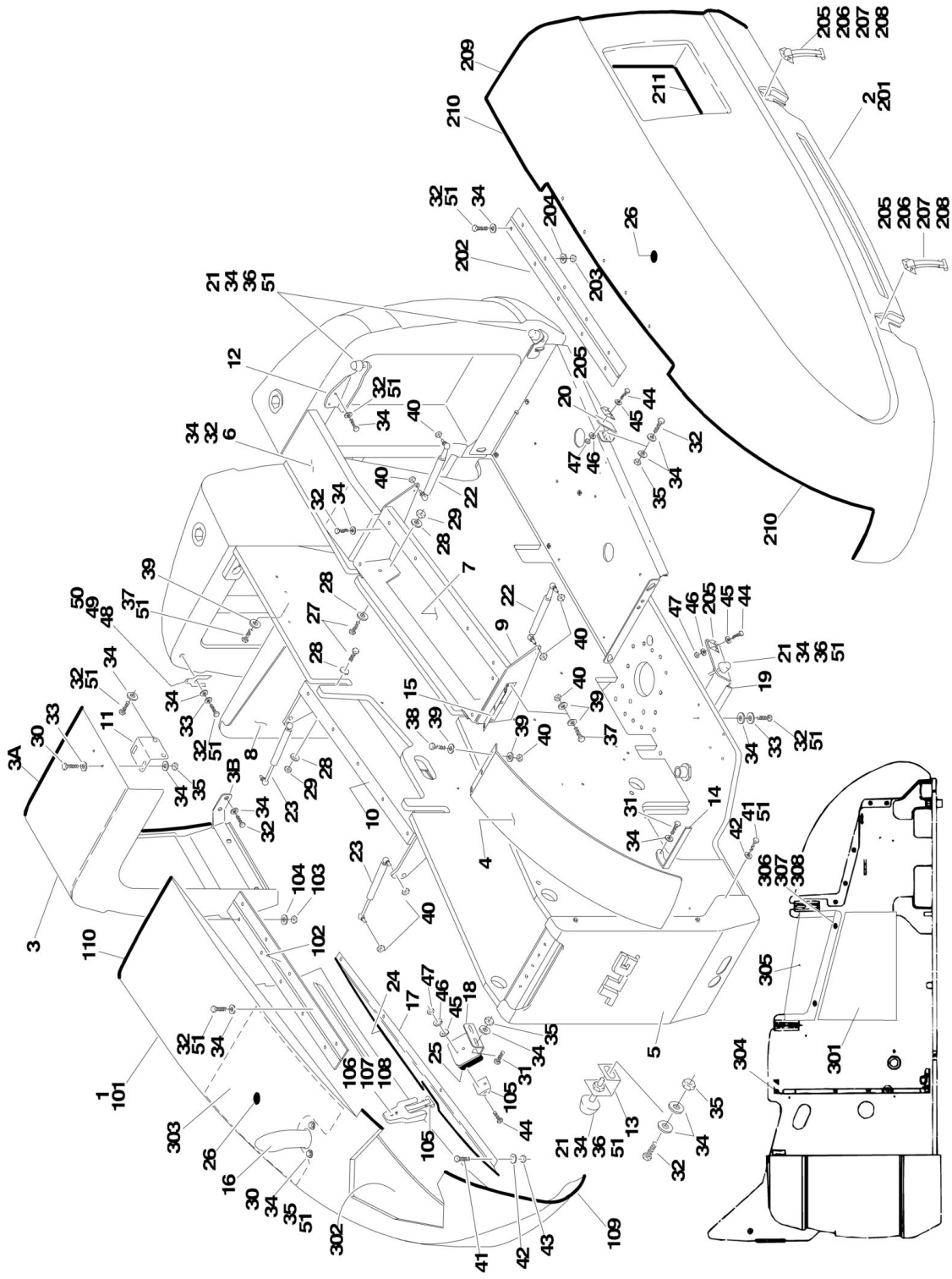
## SECTION 2 - TURNTABLE

ITEM	PART NUMBER	QTY	DESCRIPTION	REV
38	4460234	12	Mount, Tie-Strap (Not Shown)	
39	4360336	1	Switch, Toggle (Not Shown - Located on Console)	
40	3790012	1	O-Ring (Not Shown - Located on Console)	



# SECTION 2 - TURNTABLE

## FIGURE 2-24. HOODS INSTALLATION



## SECTION 2 - TURNTABLE

### FIGURE 2-24. HOODS INSTALLATION

ITEM	PART NUMBER	QTY	DESCRIPTION	REV
	0258609	Ref	<b>HOODS INSTALLATION (DEUTZ/FORD)</b>	3-C
	0270264	Ref	<b>HOODS INSTALLATION (ISUZU)</b>	1-A
1	2680451	1	Hood Assembly - Engine Side (See Items 101-110 for Breakdown)	
		Ref	<b>Note: Replacement Decals Must be Ordered Separately - See DECAL SECTION.</b>	
2	2680448	1	Hood Assembly - Tank Side (See Items 201-211 for Breakdown)	
		Ref	<b>Note: Replacement Decals Must be Ordered Separately - See DECAL SECTION.</b>	
3	2680450	1	Hood Assembly- Engine Spacer	
3A	3960453	68 in /1.73m	Seal	
3B	7023366	1	Bracket	
4	3380444	1	Panel, Adapter	
5	1670842	1	Cover, Turntable End	
6	3380442	1	Cover, Top (Tank Side)	
7	3380443	1	Cover/Bracket Weldment (Tank Side)	
8	3539979	1	Plate, Baffle	
9	0902412	1	Bracket, Hood Mounting (Tank Side)	
10	0902351	1	Bracket, Hood Mounting (Engine Side)	
11	0902161	1	Bracket, Hood Spacer Mounting (Engine Side)	
12	0902426	1	Bracket, Bumper - Counterweight Mounted	
13	0902219	2	Bracket, Bumper	
14	0362770	1	Bar, Panel Mounting	
15	2600244	1	Adapter, Panel Hinge	
16		Ref	Exhaust Tube Weldment Options:	
16	4845411	1	Deutz/Ford	
16	4846257	1	Isuzu	
17	3539934	1	Plate, Seal	
18	0902491	1	Bracket, Latch (Engine Side)	
19	0902223	1	Bracket, Latch (Tank Side)	
20	0902143	1	Bracket, Latch Tank Side	
21	0940071	6	Bumper	
22	4160139	1	Spring, Gas (Tank Side)	
23	4160143	1	Spring, Gas (Engine Side)	
24	3960389	3.5 ft/1m	Seal	
25	3960470	1	Seal, Latch	
26	3520033	2	Plug, Hole	
27	0630507	6	Bolt, Carriage 1/2in-13NC x 1-1/4in	
28	4740171	6	Washer, Hardened	
29	3311805	6	Locknut 1/2in-13NC	
30	3900232	5	Screw, Button Head 3/8in-16NC x 1-1/4in	
31	0641609	5	Bolt 3/8in-16NC x 1-1/8in	
32	0641608	26	Bolt 3/8in-16NC x 1in	
33	4740076	5	Washer, Fender	
34	4751600	56	Flatwasher 3/8in	
35	3311605	10	Locknut 3/8in-16NC	
36	3311601	12	Nut 3/8in-16NC	
37	0641508	17	Bolt 5/16in-18NC x 1in	
38	3900210	3	Screw, Button Head 5/16in-18NC x 3/4in	
39	4751500	26	Flatwasher 5/16in	

## SECTION 2 - TURNTABLE

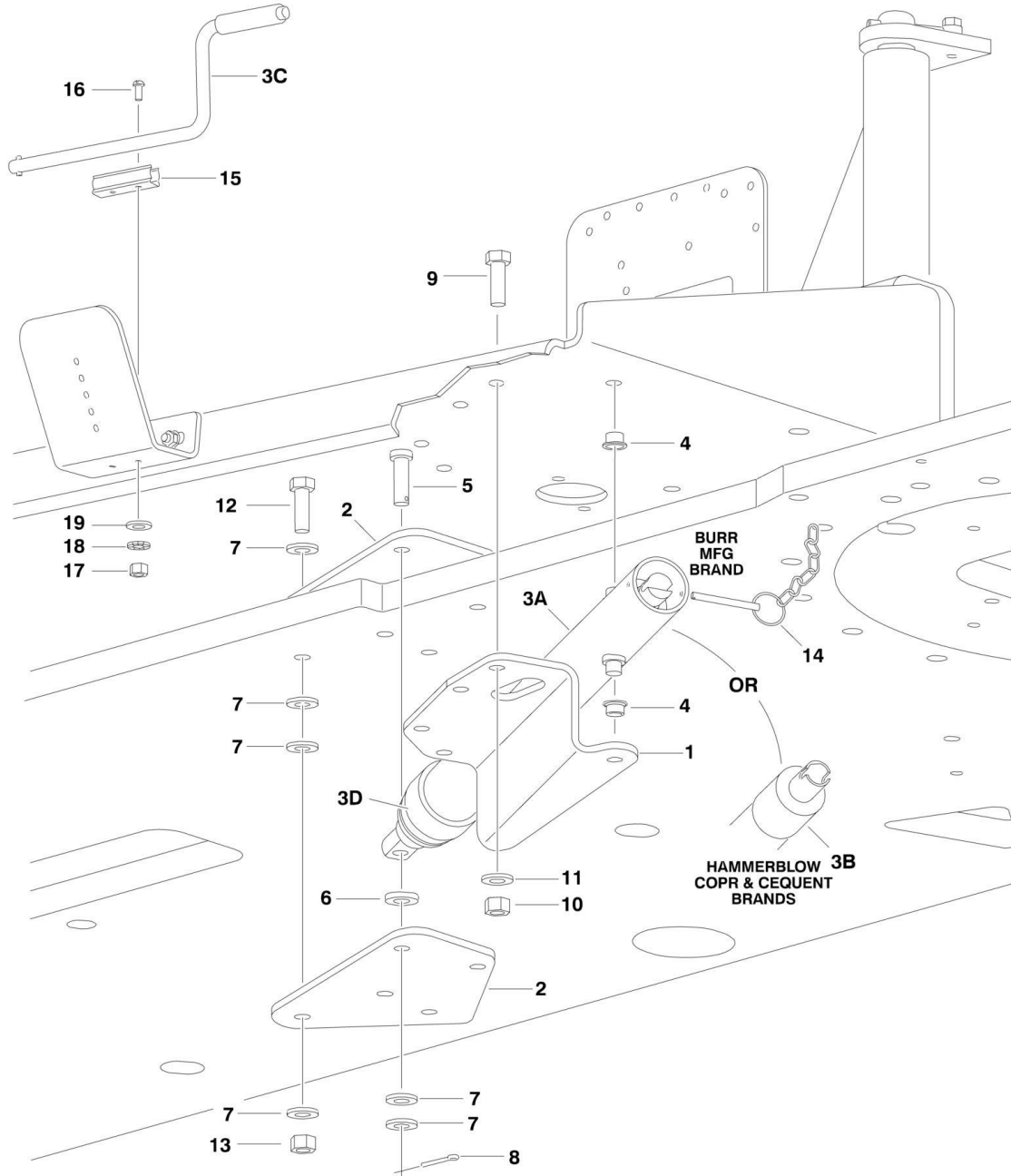
ITEM	PART NUMBER	QTY	DESCRIPTION	REV
40	3311505	10	Locknut 5/16in-18NC	
41	0641406	4	Bolt 1/4in-20NC x 3/4in	
42	4751400	4	Flatwasher 1/4in	
43	3311405	4	Locknut 1/4in-20NC	
44	0721006	6	Screw #10-24NC x 3/4in	
45	4751000	6	Flatwasher #10	
46	4761000	6	Lockwasher #10	
47	3311001	6	Nut #10-24NC	
48	4070410	AR	Shim 1/16in	
49	4070411	AR	Shim 1/8in	
50	4070412	AR	Shim 3/16in	
51	0100011	AR	Compound, Locking	
	2680451	Ref	<b>HOOD ASSEMBLY (ENGINE SIDE)</b>	A
101	2680436	1	Hood	
102	2600209	1	Hinge	
103	3311605	4	Locknut 3/8in-16NC	
104	4751600	4	Flatwasher 3/8in	
105	2940088	1	Latch	
106	0721008	2	Screw, Machine #10-24NC x 1in	
107	4751000	2	Flatwasher #10	
108	3311005	2	Locknut #10-24NC	
109	3960464	65 in /1.67m	Seal	
110	3960462	61 in /1.55m	Seal	
	2680448	Ref	<b>HOOD ASSEMBLY (TANK SIDE)</b>	A
201	2680437	1	Hood	
202	2600233	1	Hinge	
203	3311605	5	Locknut 3/8in-16NC	
204	4711600	5	Flatwasher 3/8in Narrow	
205	2940088	2	Latch	
206	0721008	4	Screw, Machine #10-24NC x 1in	
207	4751000	4	Flatwasher #10	
208	3311005	4	Locknut #10-24NC	
209	3960462	53 in /1.35m	Seal	
210	3960464	83 in /2.11m	Seal	
211	3960438	55 in/1.4m	Seal	
	0256823	Ref	<b>NOISE REDUCTION INSTALLATION (DEUTZ ENGINE MACHINES)</b>	-
301	2820078	1	Foam, Acoustical (Turntable Side)	
302	2820079	1	Foam, Acoustical (Hood Side)	
303	2820080	1	Foam, Acoustical (Hood Top)	
304	2820081	1	Foam, Acoustical (Located on #8)	
305	3539955	1	Plate, Baffle	
306	0641506	2	Bolt 5/16in-18NC x 3/4in	
307	4751500	2	Flatwasher 5/16in	
308	0100011	AR	Compound, Locking	





# SECTION 2 - TURNTABLE

## FIGURE 2-25. ENGINE TRAY JACK INSTALLATION (OPTIONAL)



## SECTION 2 - TURNTABLE

**FIGURE 2-25. ENGINE TRAY JACK INSTALLATION (OPTIONAL)**

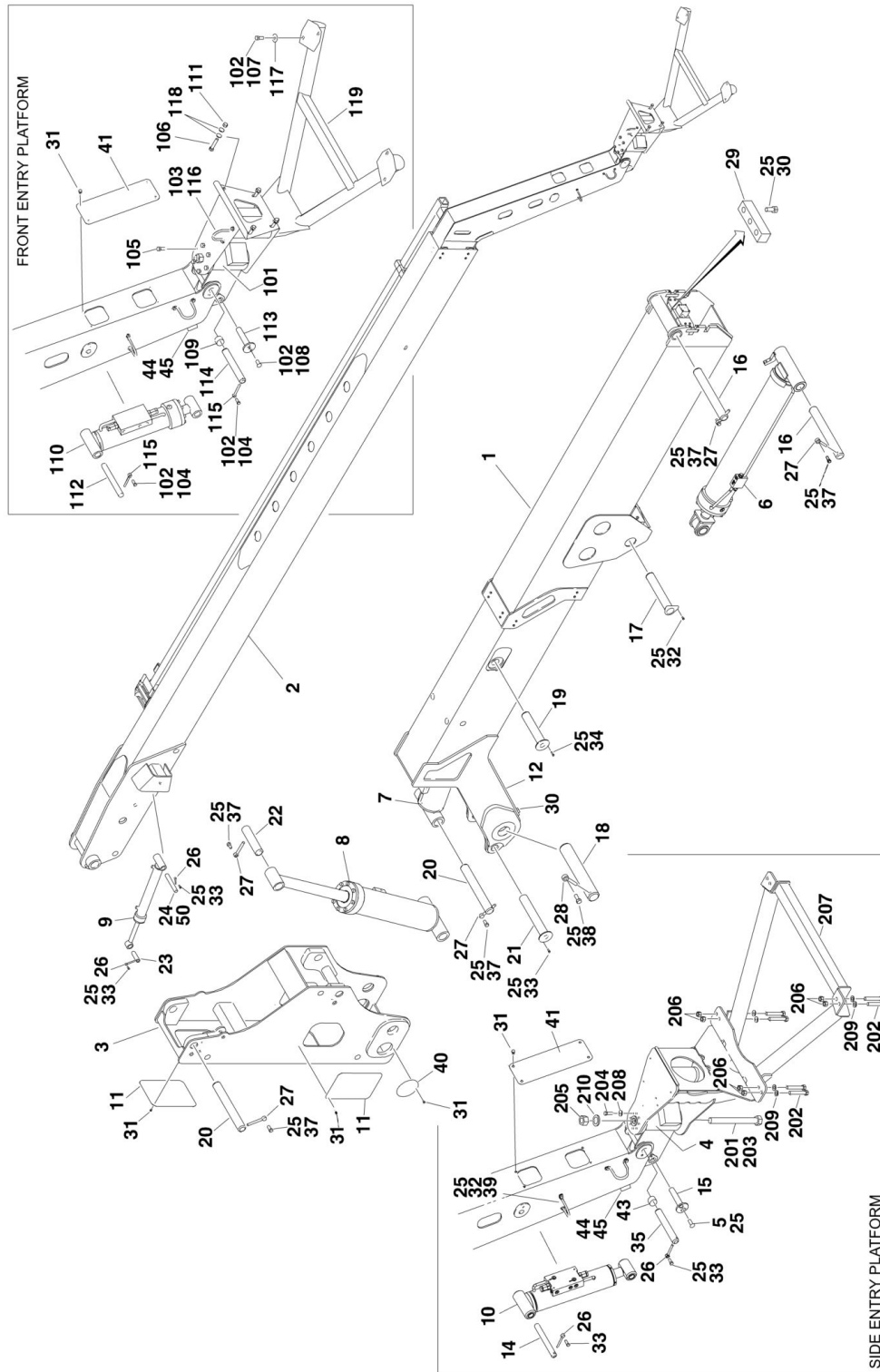
ITEM	PART NUMBER	QTY	DESCRIPTION	REV
	0258728	Ref	<b>ENGINE TRAY JACK INSTALLATION</b>	1-B
1	3537445	1	Bracket	
2	3537446	2	Bracket	
3	2840016	Ref	Jack and Handle Assembly Options:	D
3A	2840016	1	Burr Manufacturing Brand	
3B	2840016	1	Hammerblow Corp Brand	
3C		Ref	Handle Options:	
3C	7016374	1	Burr Manufacturing Brand	
3C	7024598	1	Hammerblow Corp Brand	
3D	7016322	1	Wiper (Burr Manufacturing Brand Only)	
4	0962051	2	Bearing, Flange	
5	3430816	1	Pin, Clevis	
6	4891800	1	Washer, Hardened	
7	4711800	6	Flatwasher 1/2in Narrow	
8	3450404	1	Pin, Cotter 1/8in x 1in	
9	0641609	4	Bolt 3/8in-16NC x 1 1/8in	
10	3311605	4	Locknut 3/8in-16NC	
11	4891600	4	Washer, Hardened	
12	0641818	4	Bolt 1/2in-13NC x 2 1/4in	
13	3311805	4	Locknut 1/2in-13NC	
14	3422530	1	Pin, Hitch	
15	1380147	1	Clip, Spring	
16	3910608	2	Screw, Round Head #6-32NC x 1in	
17	3310601	2	Nut #6-32NC	
18	4770600	2	Starwasher #6	
19	4740119	2	Washer, Aluminum	



**SECTION 3 - BOOM**

# SECTION 3 - BOOM

## FIGURE 3-1. BOOM AND CYLINDER INSTALLATION - 800A



## SECTION 3 - BOOM

**FIGURE 3-1. BOOM AND CYLINDER INSTALLATION - 800A**

ITEM	PART NUMBER	QTY	DESCRIPTION	REV
		Ref	<b>BOOMS AND CYLINDERS INSTALLATIONS - 800A</b>	
	0257760	Ref	<b>FRONT ENTRY PLATFORM</b>	E
	0272381	Ref	<b>SIDE ENTRY PLATFORM</b>	A
1	0801132	1	Boom Assembly - Tower (See TOWER BOOM ASSEMBLY for Breakdown)	
2	0801135	1	Boom Assembly - Main (See MAIN BOOM ASSEMBLIES for Breakdown)	
3	4845593	1	Upright Weldment	
4		Ref	Rotator Actuator Assembly Options:	
4	See Note	1	Front Entry Platform (Note: See Item 101)	
4	0060069	1	Side Entry Platform (See ROTATOR ASSEMBLIES for Breakdown)	
5	0741607	1	Screw, Countersunk 3/8in-16NC x 7/8in	
6	1683537	NLA	Lift Cylinder Assembly - Tower Boom (Use p/n 1001228009) (See CYLINDER SECTION for Breakdown) (Original Equipment)	
6	1001228009	1	Lift Cylinder Assembly - Tower Boom (See CYLINDER SECTION for Breakdown) (Service Replacement)	
7	1683546	NLA	Level Cylinder Assembly - Upright (Use p/n 1001228041) (See CYLINDER SECTION for Breakdown) (Original Equipment)	
7	1684497	NLA	Level Cylinder Assembly - Upright (Use p/n 1001228041) (See CYLINDER SECTION for Breakdown) (Service Replacement)	
7	1001228041	1	Level Cylinder Assembly - Upright (See CYLINDER SECTION for Breakdown) (Service Replacement)	
8	1683547	NLA	Lift Cylinder Assembly - Main Boom (Use p/n 1001228010) (See CYLINDER SECTION for Breakdown) (Original Equipment)	
8	1001228010	1	Lift Cylinder Assembly - Main Boom (See CYLINDER SECTION for Breakdown) (Service Replacement)	
9	1683608	NLA	Master Cylinder Assembly (Use p/n 1001228011) (See CYLINDER SECTION for Breakdown) (Original Equipment)	
9	1001228011	1	Master Cylinder Assembly (See CYLINDER SECTION for Breakdown) (Service Replacement)	
10	1683610	NLA	Slave Cylinder Assembly (Use p/n 1001228033) (See CYLINDER SECTION for Breakdown) (Original Equipment)	
10	1684408	NLA	Slave Cylinder Assembly (Use p/n 1001228033) (See CYLINDER SECTION for Breakdown) (Service Replacement)	
10	1001228033	1	Slave Cylinder Assembly (See CYLINDER SECTION for Breakdown) (Service Replacement)	
11	1670844	4	Cover, Upright	
12	1670850	1	Cover, Tower Fly	
14	3422578	1	Pin	
15	3422580	1	Pin	
16	3422681	2	Pin	
17	3422729	1	Pin	
18	3422683	1	Pin	
19	3422684	1	Pin	
20	3422685	2	Pin	
21	3422686	1	Pin	
22	3422687	1	Pin	
23	3422688	1	Pin	
24	3422689	1	Pin	
25	0100011	AR	Compound, Locking	
26	3841143	2	Keeper, Pin	
27	3841287	5	Keeper, Pin	

## SECTION 3 - BOOM

ITEM	PART NUMBER	QTY	DESCRIPTION	REV
28	3841356	1	Keeper, Pin	
29	3340835	1	Pad, Rest	
30	0641404	4	Bolt 1/4in-20NC x 1/2in	
31	0641604	28	Bolt 3/8in-16NC x 1/2in	
32	0641606	6	Bolt 3/8in-16NC x 3/4in	
33	0641608	6	Bolt 3/8in-16NC x 1in	
34	0641611	2	Bolt 3/8in-16NC x 1-3/8in	
35	3422582	1	Pin	
36	0641820	3	Bolt 1/2in-13NC x 2-1/2in	
37	0642214	5	Bolt 3/4in-10NC x 1-3/4in	
38	0642620	1	Bolt 1in-8NC x 2-1/2in	
39	3841340	1	Rod, Hose Loop	
40	1120510	1	Cover, Upright	
41	1670864	1	Cover, Fly Hose	
43	0961951	2	Bearing	
44	0641514	1	Bolt 5/16in-18NC x 1-3/4in	
45	1320159	1	Clamp	
50	3900239	1	Setscrew 3/8in-16NC x 1/2in	
	0258765	Ref	<b>ROTATOR AND SUPPORT INSTALLATION (FRONT ENTRY PLATFORM)</b>	C
101	0060041	NLA	Rotator Actuator Assembly (Use p/n 0060077) (See ROTATOR ASSEMBLIES for Breakdown)	
102	0100011	AR	Compound, Locking	
103	0641606	2	Bolt 3/8in-16NC x 3/4in	
104	0641608	2	Bolt 3/8in-16NC x 1in	
105	0641810	6	Bolt 1/2in-13NC x 1-1/4in	
106	0641820	4	Bolt 1/2in-13NC x 2-1/2in	
107	0681610	4	Bolt 3/8in-16NC x 1-1/4in (Grade 8)	
108	0741607	1	Screw, Countersunk 3/8in-16NC x 7/8in	
109	0961951	2	Bearing	
110	1683610	NLA	Slave Cylinder Assembly (See CYLINDER SECTION for Breakdown) (Use p/n 1684408)	
111	3311805	4	Locknut 1/2in-13NC	
112	3422578	1	Pin	
113	3422580	1	Pin	
114	3422582	1	Pin	
115	3841143	2	Keeper, Pin	
116	3841340	1	Rod, Hose Loop	
117	4711600	4	Flatwasher 3/8in Narrow	
118	4711800	8	Flatwasher 1/2in Narrow	
119	4845703	1	Support Weldment	
	0272070	Ref	<b>PLATFORM SUPPORT INSTALLATION (SIDE ENTRY PLATFORM)</b>	B
201	0100011	AR	Compound, Locking	
202	0641812	8	Bolt 1/2in-13NC x 1-1/2in	
203	0642682	1	Bolt 1in-8NC x 10-1/4in	
204	0681608	8	Bolt 3/8in-16NC x 1in	
205	3272605	1	Locknut 1in-8NC	
206	3311805	8	Locknut 1/2in-13NC	
207	4846573	1	Support Weldment	
208	4891600	8	Flatwasher 3/8in (Hardened)	
209	4891800	8	Flatwasher 1/2in (Hardened)	

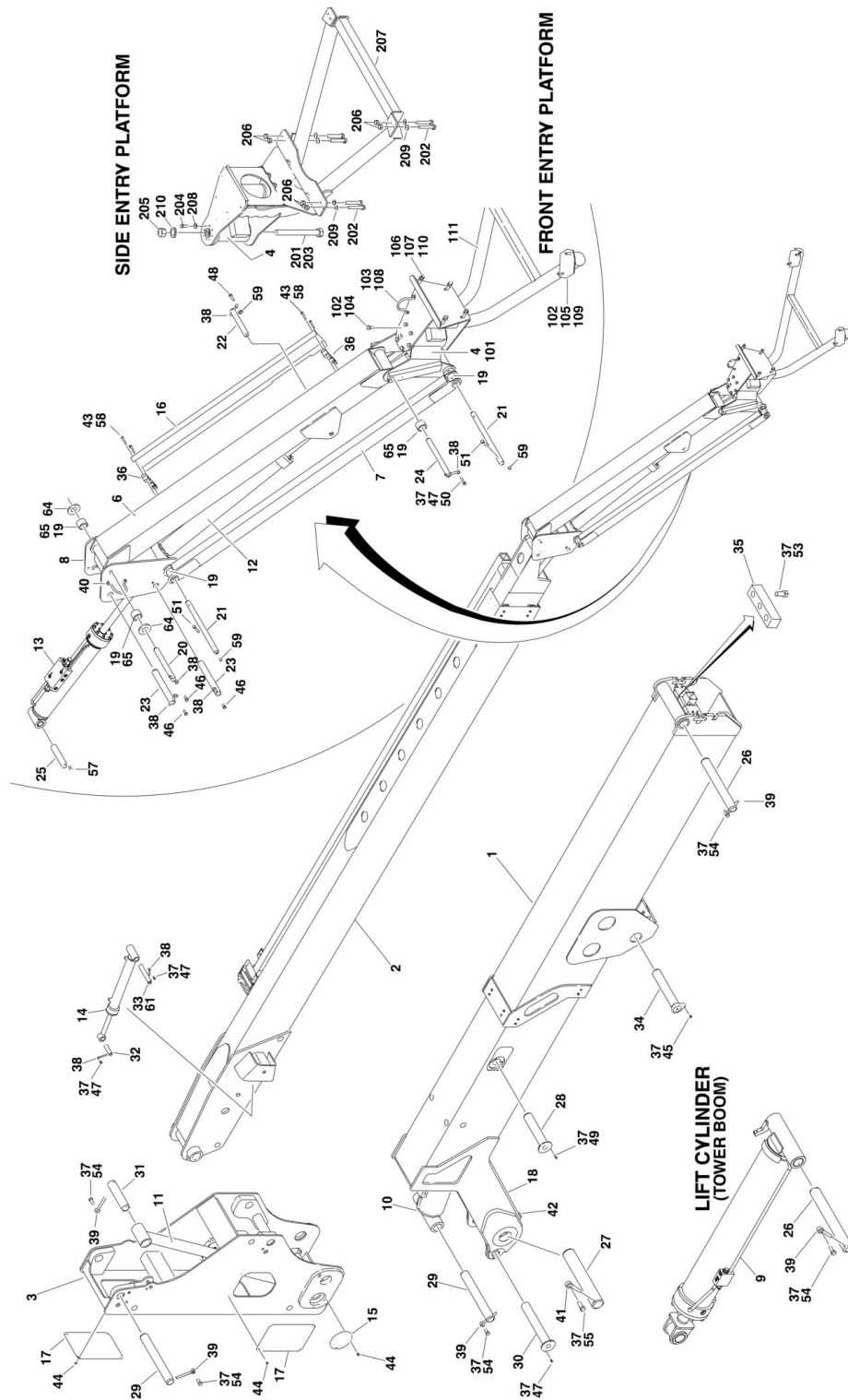


## SECTION 3 - BOOM

ITEM	PART NUMBER	QTY	DESCRIPTION	REV
210	4892600	1	Flatwasher 1in (Hardened)	

# SECTION 3 - BOOM

## FIGURE 3-2. BOOM AND CYLINDER INSTALLATION - 800AJ



## SECTION 3 - BOOM

**FIGURE 3-2. BOOM AND CYLINDER INSTALLATION - 800AJ**

ITEM	PART NUMBER	QTY	DESCRIPTION	REV
		Ref	<b>BOOMS AND CYLINDERS INSTALLATION - 800AJ</b>	
	0257761	Ref	<b>FRONT ENTRY PLATFORM</b>	C
	0272131	Ref	<b>SIDE ENTRY PLATFORM</b>	B
1	0801132	1	Boom Assembly - Tower (See TOWER BOOM ASSEMBLY for Breakdown)	
2	0801136	1	Boom Assembly - Main (See MAIN BOOM ASSEMBLIES for Breakdown)	
3	4845593	1	Upright Weldment	
4		Ref	Rotator Actuator Assembly Options:	
4	0060031	NLA	Front Entry Platform (Use p/n 1001103095) (See ROTATOR ASSEMBLIES for Breakdown)	
4	0060066	1	Side Entry Platform (See ROTATOR ASSEMBLIES for Breakdown)	
6	4844816	1	Tube Weldment - Jib Top	
7	4844817	2	Tube Weldment - Jib Bottom	
8	4845716	1	Pivot Weldment	
9	1683537	NLA	Lift Cylinder Assembly - Tower Boom (Use p/n 1001228009) (See CYLINDER SECTION for Breakdown) (Original Equipment)	
9	1001228009	1	Lift Cylinder Assembly - Tower Boom (See CYLINDER SECTION for Breakdown) (Service Replacement)	
10	1683546	NLA	Level Cylinder Assembly - Upright (Use p/n 1001228041) (See CYLINDER SECTION for Breakdown) (Original Equipment)	
10	1684497	NLA	Level Cylinder Assembly - Upright (Use p/n 1001228041) (See CYLINDER SECTION for Breakdown) (Service Replacement)	
10	1001228041	1	Level Cylinder Assembly - Upright (See CYLINDER SECTION for Breakdown) (Service Replacement)	
11	1683547	NLA	Lift Cylinder Assembly - Main Boom (Use p/n 1001228010) (See CYLINDER SECTION for Breakdown) (Original Equipment)	
11	1001228010	1	Lift Cylinder Assembly - Main Boom (See CYLINDER SECTION for Breakdown) (Service Replacement)	
12	1683609	NLA	Lift Cylinder Assembly - Jib (Use p/n 1001248012) (See CYLINDER SECTION for Breakdown) (Original Equipment)	
12	1001228012	NLA	Lift Cylinder Assembly - Jib (Use p/n 1001248012) (See CYLINDER SECTION for Breakdown) (Service Replacement)	
12	1001248012	1	Lift Cylinder Assembly - Jib (See CYLINDER SECTION for Breakdown) (Service Replacement)	
13	1683677	NLA	Slave Cylinder Assembly (Use p/n 1001228030) (See CYLINDER SECTION for Breakdown) (Original Equipment)	
13	1684228	NLA	Slave Cylinder Assembly (Use p/n 1001228030) (See CYLINDER SECTION for Breakdown) (Service Replacement)	
13	1001228030	1	Slave Cylinder Assembly (See CYLINDER SECTION for Breakdown) (Service Replacement)	
14	1683682	NLA	Master Cylinder Assembly (Use p/n 1001228050) (See CYLINDER SECTION for Breakdown) (Original Equipment)	
14	1001228050	1	Master Cylinder Assembly (See CYLINDER SECTION for Breakdown) (Service Replacement)	
15	1120510	4	Cover, Upright	
16	1670769	1	Cover, Cable	
17	1670844	4	Cover, Upright	
18	1670850	1	Cover, Tower Fly	
19	0961947	AR	Bearing	
20		Ref	Pin Options:	
20	3422558	1	Pin (Prior to SN 0300054012)	
20	3422860	1	Pin (SN 0300054012 through 0300069000)	

## SECTION 3 - BOOM

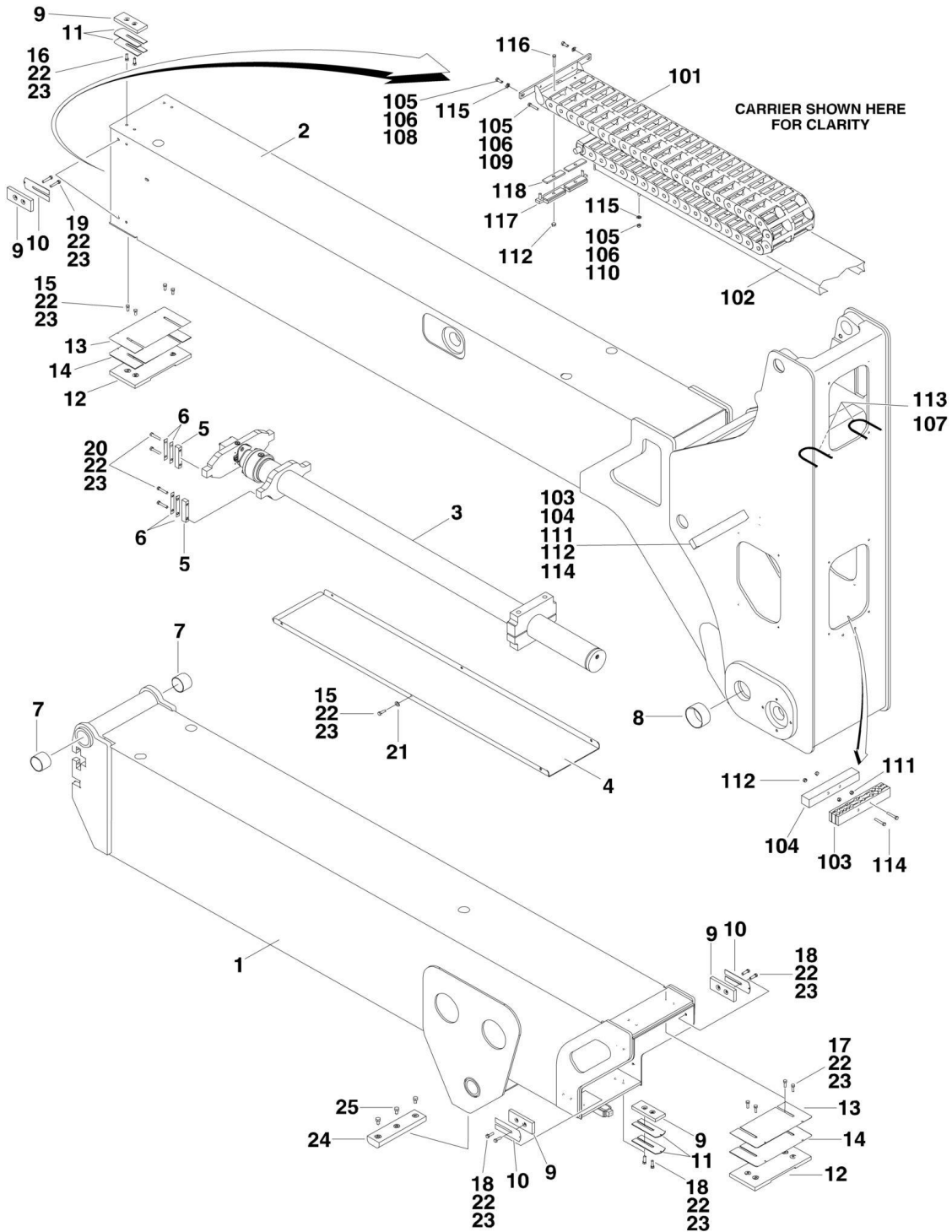
ITEM	PART NUMBER	QTY	DESCRIPTION	REV
21		Ref	Pin Options:	
21	3422559	2	Pin ( <b>Prior to SN 0300054012</b> )	
21	3422861	2	Pin ( <b>SN 0300054012 through 0300069000</b> )	
22		Ref	Pin Options:	
22	3422560	1	Pin ( <b>Prior to SN 0300054012</b> )	
22	3422867	1	Pin ( <b>SN 0300054012 through 0300069000</b> )	
23	3422561	2	Pin	
24		Ref	Pin Options:	
24		Ref	Front Entry	
24	3422563	1	Production (10-3/4in Length)	
24	3422860	1	For Service Replacement Rotator (9-7/16in Length)	
24	3422860	1	Side Entry Platform	
25	3422583	1	Pin	
26	3422681	2	Pin	
27	3422683	1	Pin	
28	3422684	1	Pin	
29	3422685	2	Pin	
30	3422686	1	Pin	
31	3422687	1	Pin	
32	3422688	1	Pin	
33	3422689	1	Pin	
34	3422729	1	Pin	
35	3340835	1	Pad, Rest	
36	0561237	2	Clamp, Block	
37	0100011	AR	Compound, Locking	
38	3841143	7	Keeper, Pin	
39	3841287	5	Keeper, Pin	
40	3841340	1	Rod, Hose Loop	
41	3841356	1	Keeper, Pin	
42	0641404	4	Bolt 1/4in-20NC x 1/2in	
43	0641416	4	Bolt 1/4in-20NC x 2in	
44	0641604	24	Bolt 3/8in-16NC x 1/2in	
45	0641606	4	Bolt 3/8in-16NC x 3/4in	
46	0641607	3	Bolt 3/8in-16NC x 7/8in	
47	0641608	AR	Bolt 3/8in-16NC x 1in	
48	0641611	1	Bolt 3/8in-16NC x 1-3/8in	
49	0641612	2	Bolt 3/8in-16NC x 1-1/2in	
50	0641614	1	Bolt 3/8in-16NC x 1-3/4in	
51	0641618	4	Bolt 3/8in-16NC x 2-1/4in	
53	0641820	3	Bolt 1/2in-13NC x 2-1/2in	
54	0642214	5	Bolt 3/4in-10NC x 1-3/4in	
55	0642620	1	Bolt 1in-8NC x 2-1/2in	
57	0741607	1	Screw, Countersunk 3/8in-16NC x 7/8in	
58	2080044	4	Rivnut 1/4in-20NC	
59	3311605	5	Locknut 3/8in-16NC	
61	3900239	1	Setscrew 3/8in-16NC x 1/2in	
64	4740439	2	Washer, Thrust	
65	0962335	4	Bearing ( <b>SN 0300054012 through 0300069000</b> )	
	0258766	Ref	<b>ROTATOR AND SUPPORT INSTALLATION (FRONT ENTRY PLATFORM)</b>	C
101	See Item 4	1	Rotator Actuator Assembly (See ROTATOR ASSEMBLIES for Breakdown)	

## SECTION 3 - BOOM

ITEM	PART NUMBER	QTY	DESCRIPTION	REV
102	0100011	AR	Compound, Locking	
103	0641606	2	Bolt 3/8in-16NC x 3/4in	
104	0641810	6	Bolt 1/2in-13NC x 1-1/4in	
105	0681610	4	Bolt 3/8in-16NC x 1-1/4in (Grade 8)	
106	0641820	4	Bolt 1/2in-13NC x 2-1/2in	
107	3311805	4	Locknut 1/2in-13NC	
108	3841340	1	Rod, Hose Loop	
109	4711600	4	Flatwasher 3/8in Narrow	
110	4711800	8	Flatwasher 1/2in Narrow	
111	4844790	1	Support Weldment	
	0272070	Ref	<b>PLATFORM SUPPORT INSTALLATION (SIDE ENTRY PLATFORM)</b>	B
201	0100011	AR	Compound, Locking	
202	0641812	8	Bolt 1/2in-13NC x 1-1/2in	
203	0642682	1	Bolt 1in-8NC x 10-1/4in	
204	0681608	8	Bolt 3/8in-16NC x 1in	
205	3272605	1	Locknut 1in-8NC	
206	3311805	8	Locknut 1/2in-13NC	
207	4846573	1	Support Weldment	
208	4891600	8	Flatwasher 3/8in (Hardened)	
209	4891800	8	Flatwasher 1/2in (Hardened)	
210	4892600	1	Flatwasher 1in (Hardened)	

# SECTION 3 - BOOM

## FIGURE 3-3. TOWER BOOM ASSEMBLY



## SECTION 3 - BOOM

### FIGURE 3-3. TOWER BOOM ASSEMBLY

ITEM	PART NUMBER	QTY	DESCRIPTION	REV
	0801132	Ref	<b>TOWER BOOM ASSEMBLY</b>	C
1	0801133	1	Base Weldment	
2	0801134	1	Fly Weldment	
3	1683606	NLA	Cylinder Assembly - Tower Telescope (Use p/n 1001228086) (See CYLINDER SECTION for Breakdown) (Original Equipment)	
3	1001188840	NLA	Cylinder Assembly - Tower Telescope (Use p/n 1001228086) (See CYLINDER SECTION for Breakdown) (Service Replacement)	
3	1001228086	1	Cylinder Assembly - Tower Telescope (See CYLINDER SECTION for Breakdown) (Service Replacement)	
4	4340706	1	Support	
5	0561185	4	Block, Attach	
6	4070929	8	Shim 1/16in	
7	0962102	2	Bushing	
8	0962122	2	Bushing	
9		Ref	Pad, Wear Options:	
9	3340756	12	Pad, Wear <b>(Prior to SN 0300064695)</b>	
9	3340881	12	Pad, Wear <b>(SN 0300064695 through 0300069000)</b>	
10	4070897	8	Shim .05	
11	4070898	8	Shim .12	
12	3340828	2	Pad, Wear	
13	4070967	2	Shim .05	
14	4070968	2	Shim .12	
15	0641607	10	Bolt 3/8in-16NC x 7/8in	
16	0641608	4	Bolt 3/8in-16NC x 1in	
17	0641609	4	Bolt 3/8in-16NC x 1-1/8in	
18	0641610	12	Bolt 3/8in-16NC x 1-1/4in	
19	0641615	8	Bolt 3/8in-16NC x 1-7/8in	
20	0641616	8	Bolt 3/8in-16NC x 2in	
21	4711600	6	Flatwasher 3/8in Narrow	
22	0100011	AR	Compound, Locking	
23	0100038	AR	Primer, Locking	
24	3340835	1	Pad, Boom Rest	
25	0641806	3	Bolt 1/2in-13NC x 3/4in	
	0257764	Ref	<b>POWER TRACK INSTALLATION</b>	F
101	1180346	1	Carrier	
101	7020064	1	Bracket, End (Moving)	
101	7020065	1	Bracket, End (Fixed)	
101	7020066	1	Section, Repair	
101	7020067	1	Link, Repair	
102	4845680	1	Hose Tube Weldment	
103	1320251	2	Clamp, Block	
104	1320250	2	Bar, Clamp	
105	0100011	AR	Compound, Locking	
106	0100038	AR	Primer, Locking	
107	0641605	4	Bolt 3/8in-16NC x 5/8in	
108	0641606	2	Bolt 3/8in-16NC x 3/4in	
109	0641622	2	Bolt 3/8in-16NC x 2-3/4in	
110	3311601	4	Nut 3/8in-16NC	
111	3311602	2	Nut, Jam 3/8in-16NC	
112	3311605	4	Locknut 3/8in-16NC	

## SECTION 3 - BOOM

ITEM	PART NUMBER	QTY	DESCRIPTION	REV
113	3841340	2	Rod, Hose Loop	
114	3900262	4	Bolt 3/8in16NC x 4-3/4in	
115	4711600	6	Flatwasher 3/8in Narrow	
116	0630539	2	Bolt 3/8in-16NC x 3-1/2in	
117		Ref	Clamp Assembly Options:	
117	1320252	NLA	Clamp Assembly (Use p/n 0259420) <b>(Prior to SN 0300043680)</b>	
117	0259420	1	Clamp Assembly <b>(SN 0300043680 through 0300069000)</b>	
117	3340859	2	Pad, Rubber	
118	3340859	2	Pad, Rubber	





# SECTION 3 - BOOM

## FIGURE 3-4. MAIN BOOM ASSEMBLIES

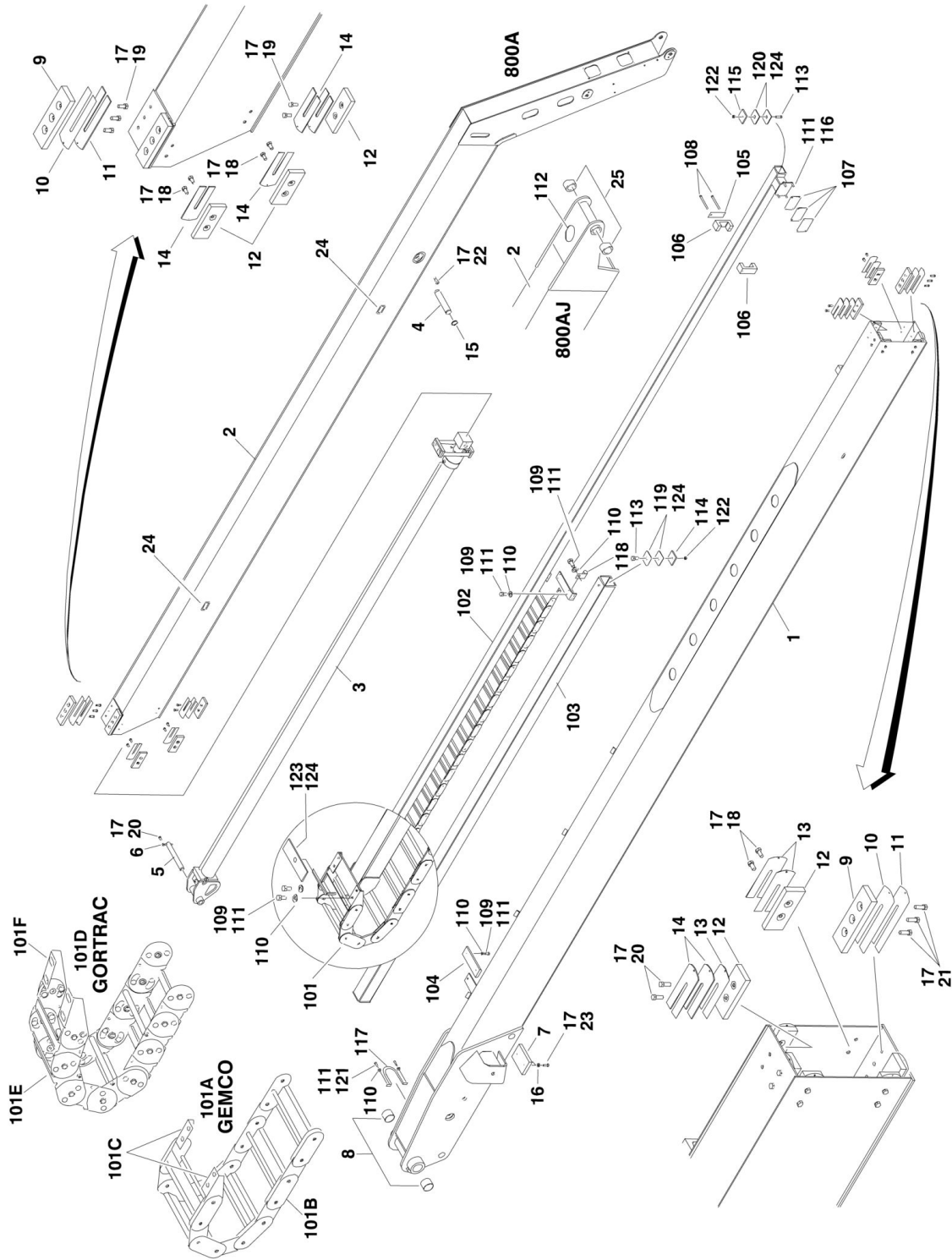


FIGURE 3-4. MAIN BOOM ASSEMBLIES

ITEM	PART NUMBER	QTY	DESCRIPTION	REV
		Ref	<b>MAIN BOOM ASSEMBLY OPTIONS:</b>	
	0801135	Ref	<b>Main Boom Assembly 800A</b>	E
	0801136	Ref	<b>Main Boom Assembly 800AJ</b>	E
1		Ref	Base Weldment Options:	
1	0801137	NLA	Base Weldment (Use p/n 0801185) <b>(800A Prior to SN 0300042446)</b>	
1	0801185	1	Base Weldment <b>(800A SN 0300042446 through 0300069000)</b>	
1	0801139	NLA	Base Weldment (Use p/n 0801191) <b>(800AJ Prior to SN 0300042446)</b>	
1	0801191	1	Base Weldment <b>(800AJ SN 0300042446 through 0300069000)</b>	
2		Ref	Fly Weldment Options:	
2	0801138	1	Fly Weldment 800A	
2	0801140	1	Fly Weldment 800AJ	
3		Ref	Telescope Cylinder Assembly Options:	
3	1683607	NLA	Telescope Cylinder Assembly (Use p/n 1001228088) (800A) (Original Equipment)	
3	1001188968	NLA	Telescope Cylinder Assembly (Use p/n 1001228088) (800A) (Service Replacement)	
3	1001228088	1	Telescope Cylinder Assembly (800A) (Service Replacement)	
3	1683672	NLA	Telescope Cylinder Assembly (Use p/n 1001228087) (800AJ) (Original Equipment)	
3	1001188841	NLA	Telescope Cylinder Assembly (Use p/n 1001228087) (800AJ) (Service Replacement)	
3	1001228087	1	Telescope Cylinder Assembly (800AJ) (Service Replacement)	
4	3422457	1	Pin	
5	3422690	1	Pin	
6	3841143	1	Keeper, Pin	
7	0561295	1	Block, Boom Rest	
8	0962102	2	Bushing	
9		Ref	Pad, Wear Options:	
9	3340705	4	Pad, Wear <b>(Prior to SN 0300064695)</b>	
9	3340871	4	Pad, Wear <b>(SN 0300064695 through 0300069000)</b>	
10	4070863	4	Shim 1/8in	
11	4070864	4	Shim .05	
12		Ref	Pad, Wear Options:	
12	3340756	12	Pad, Wear <b>(Prior to SN 0300064695)</b>	
12	3340881	12	Pad, Wear <b>(SN 0300064695 through 0300069000)</b>	
13	4070897	10	Shim .05	
14	4070898	12	Shim 1/8in	
15	3760133	2	Ring, Retaining	
16	4711600	2	Flatwasher 3/8in Narrow	
17	0100011	AR	Compound, Locking	
18	0641606	16	Bolt 3/8in-16NC x 3/4in	
19	0641607	10	Bolt 3/8in-16NC x 7/8in	
20	0641608	5	Bolt 3/8in-16NC x 1in	
21	0641609	6	Bolt 3/8in-16NC x 1-1/8in	
22	3900259	4	Bolt, Shoulder	
23	0641612	2	Bolt 3/8in-16NC x 1-1/2in	
24	1670836	6	Cover, Boom	
25		Ref	Bushing	

## SECTION 3 - BOOM

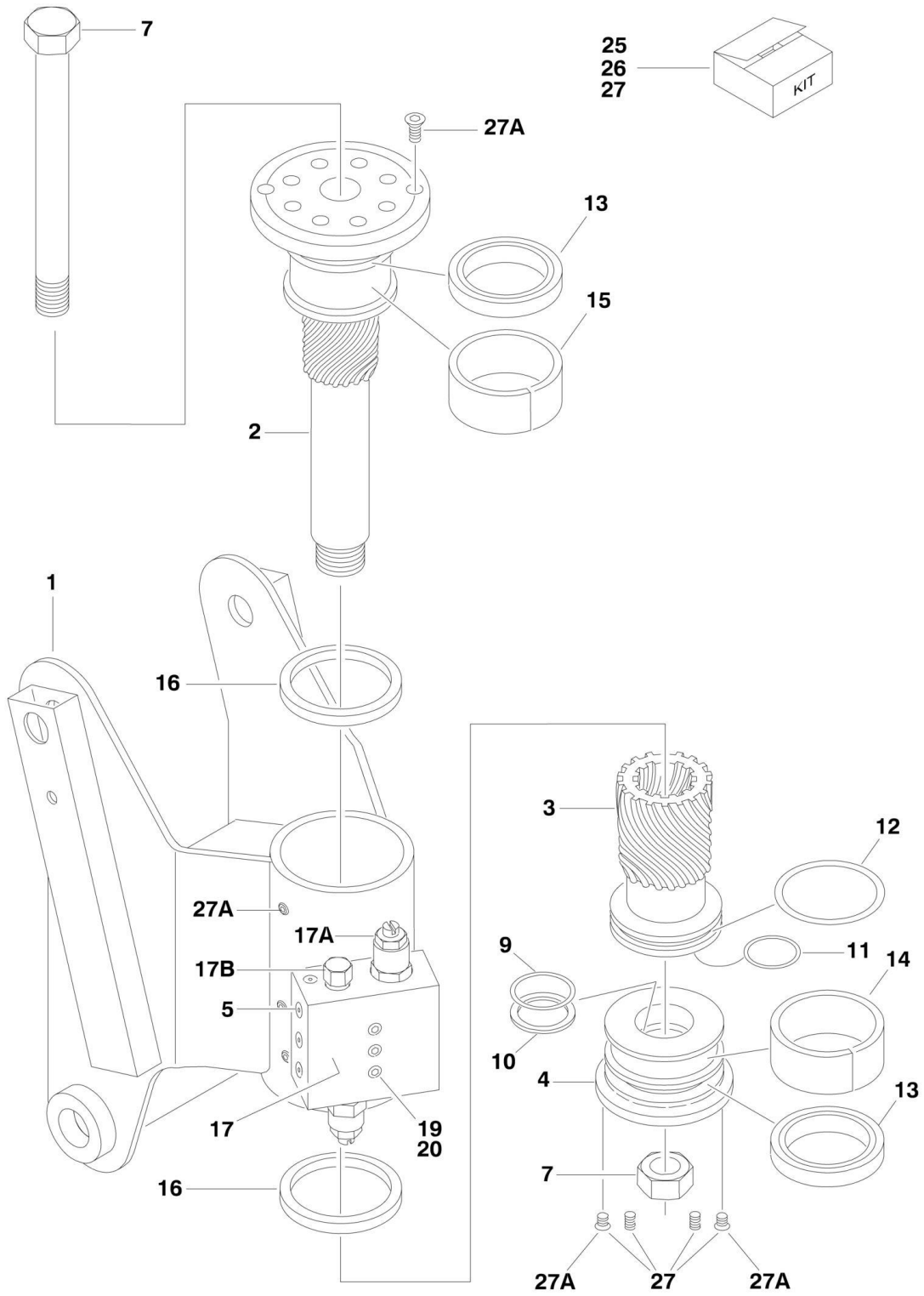
ITEM	PART NUMBER	QTY	DESCRIPTION	REV
25	Not Required	0	Bushing 800A	
25	0961951	2	Bushing 800AJ	
		Ref	<b>POWER TRACK INSTALLATION OPTIONS:</b>	
	0258076	Ref	<b>Power Track Installation 800A</b>	G
	0258077	Ref	<b>Power Track Installation 800AJ</b>	F
101		Ref	Carrier Options:	
101A		Ref	Gemco Brand Power Track (Original Equipment)	
101A	1180347	NLA	Gemco Brand Power Track (Original Equipment) 800A (Use p/n 1001099840)	
101A	1180349	NLA	Gemco Brand Power Track (Original Equipment) 800AJ (Use p/n 1001099837)	
101B	7016522	AR	Carrier Repair Section (Includes 1 Pin for each end)	
101B	7016523	AR	Rod Assembly (Includes 1 rod and hardware)	
101B	7016529	AR	Roller, Plastic Rod	
101B	7006137	AR	Link Pin Assembly	
101C	7016524	2	Foot, Mounting (1 Pair)	
101D		Ref	Gortrac Brand Power Track (Service Replacement)	
101D	1001099840	1	Gortrac Brand Power Track (Service Replacement) 800A	
101D	1001099837	1	Gortrac Brand Power Track (Service Replacement) 800AJ	
101E	70002013	AR	Carrier Repair Section (Includes 1 Pin Assembly for each end)	
101F	70002014	AR	Mounting Foot Kit (Includes Both Pair of Feet)	
102		Ref	Push Tube Weldment	
102	4845701	1	Push Tube 800A	
102	4845729	1	Push Tube 800AJ	
103		Ref	Support	
103	4845702	1	Support 800A	
103	4845730	1	Support 800AJ	
104	3340840	1	Pad	
105	3538758	1	Plate, Backing	
106	3340764	2	Pad	
107	4070969	3	Shim	
108	0641640	2	Bolt 3/8in-16NC x 5in	
109	0641606	18	Bolt 3/8in-16NC x 3/4in	
110	4711600	22	Flatwasher 3/8in Narrow	
111	0100011	AR	Compound, Locking	
112		Ref	Flex-Trim	
112	Not Required	0	Flex-Trim 800A	
112	4060805	8 in/20cm	Flex-Trim 800AJ	
113	0641622	2	Bolt 3/8in-16NC x 2-3/4in	
114	1320248	1	Clamp, Hose	
115	1320249	1	Clamp, Hose	
116		Ref	Bolt Options:	
116	0641607	4	Bolt 800A (Bolt 3/8in-16NC x 7/8in)	
116	0641612	4	Bolt 800AJ (Bolt 3/8in-16NC x 1-1/2in)	
117	3841406	1	Loop, Hose	
118	1320263	1	Clamp, Loop	
119	3340860	2	Pad, Rubber	
120	3340861	2	Pad, Rubber	
121	3900232	2	Screw, Button Head 3/8in-16NC x 1-1/4in	
122	3311605	2	Locknut 3/8in-16NC (SN 0300066130 through 0300069000)	
123	4071052	2	Shim (SN 0300066130 through 0300069000)	

## SECTION 3 - BOOM

ITEM	PART NUMBER	QTY	DESCRIPTION	REV
124	0100081	AR	Adhesive	

# SECTION 3 - BOOM

## FIGURE 3-5. ROTATOR ASSEMBLIES (FRONT ENTRY PLATFORM)



## SECTION 3 - BOOM

### FIGURE 3-5. ROTATOR ASSEMBLIES (FRONT ENTRY PLATFORM)

ITEM	PART NUMBER	QTY	DESCRIPTION	REV
		Ref	<b>ROTATOR ASSEMBLIES</b>	
		Ref	<b>Rotator Assemblies 800A</b>	
	0060041	Ref	<b>Actual Production</b>	G
	0060077	Ref	<b>Recommended Replacement</b>	B
		Ref	<b>Rotator Assemblies 800AJ</b>	
	0060031	Ref	<b>Actual Production</b>	I
	1001103095	Ref	<b>Recommended Replacement Kit (contains 0060074 rotator, upper pin, keeper shaft, keeper shaft bolt and instruction sheet)</b>	1
		Ref	<b>Note: Before ordering parts, identify whether original equipment rotator has been replaced with service replacement. Service replacement rotator uses spacer plate bolted on the top with 8 capscrews (Not shown - located at item 2). Original equipment rotator does not use spacer plate.</b>	
1	See Note	1	Housing/Ring Gear Assembly (Note: Not Available - Purchase Complete Assembly)	
2		Ref	Shaft Weldment Options:	
2	7017177	1	0060041 & 0060031 Rotators (was p/n 7017117)	
2	7017162	1	0060077 & 0060074 Rotators	
2	See Note	1	Plate, Spacer (Not Shown) (0060077 & 0060074 Rotators Only) (Note: Not Available for Purchase)	
3		Ref	Piston/Sleeve Options:	
3	7017115	1	0060041 & 0060031 Rotators	
3	7017163	1	0060077 & 0060074 Rotators	
4		Ref	Cap, End Options:	
4	7017174	1	0060041 & 0060031 Rotators (was p/n 7017116)	
4	7017164	1	0060077 & 0060074 Rotators	
5	See Note	NSS	Plug, Port (Note: Not Available for Purchase)	
6	7017142	2	Plug	
7	7017102	1	Tie-Rod/Locknut Assembly	
7	7017119	1	Bolt 1in-8NC x 11in	
8	3272605	AR	Locknut 1in-8NC	
9	See Note	NSS	Seal, Cap (Note: Use Item 25)	
10	See Note	NSS	Ring, Back-up (Cap) (Note: Use Item 25)	
11	See Note	NSS	Seal, Rod (Note: Use Item 25)	
12	See Note	NSS	Seal, Piston (Note: Use Item 25)	
13	See Note	NSS	Packing, Bearing (Note: Use Item 25)	
14	See Note	NSS	Bearing, Cap (Note: Use Item 26)	
15	See Note	NSS	Bearing, Shaft (Note: Use Item 26)	
16	See Note	NSS	Washer, Thrust (Note: Use Item 26)	
17		Ref	Valve Assembly Options:	
17	7017183	1	0060041 & 0060031 Rotators (was p/n 7017101)	
17	7017183	1	0060077 & 0060074 Rotators	
17A		Ref	Cartridge, Valve Options:	
17A	7011331	2	0060041 & 0060031 Rotators	
17A	7017193	2	0060077 & 0060074 Rotators	
17A	2900770	2	Seal Kit - 7011331 Valve	
17A	See Note	2	Seal Kit - 7017193 Valve (Note: Not Available for Purchase)	
17B		Ref	Cartridge, Valve Options:	
17B	7011332	2	0060041 & 0060031 Rotators	
17B	See Note	1	0060077 & 0060074 Rotators (Not Shown - Located on Side	

## SECTION 3 - BOOM

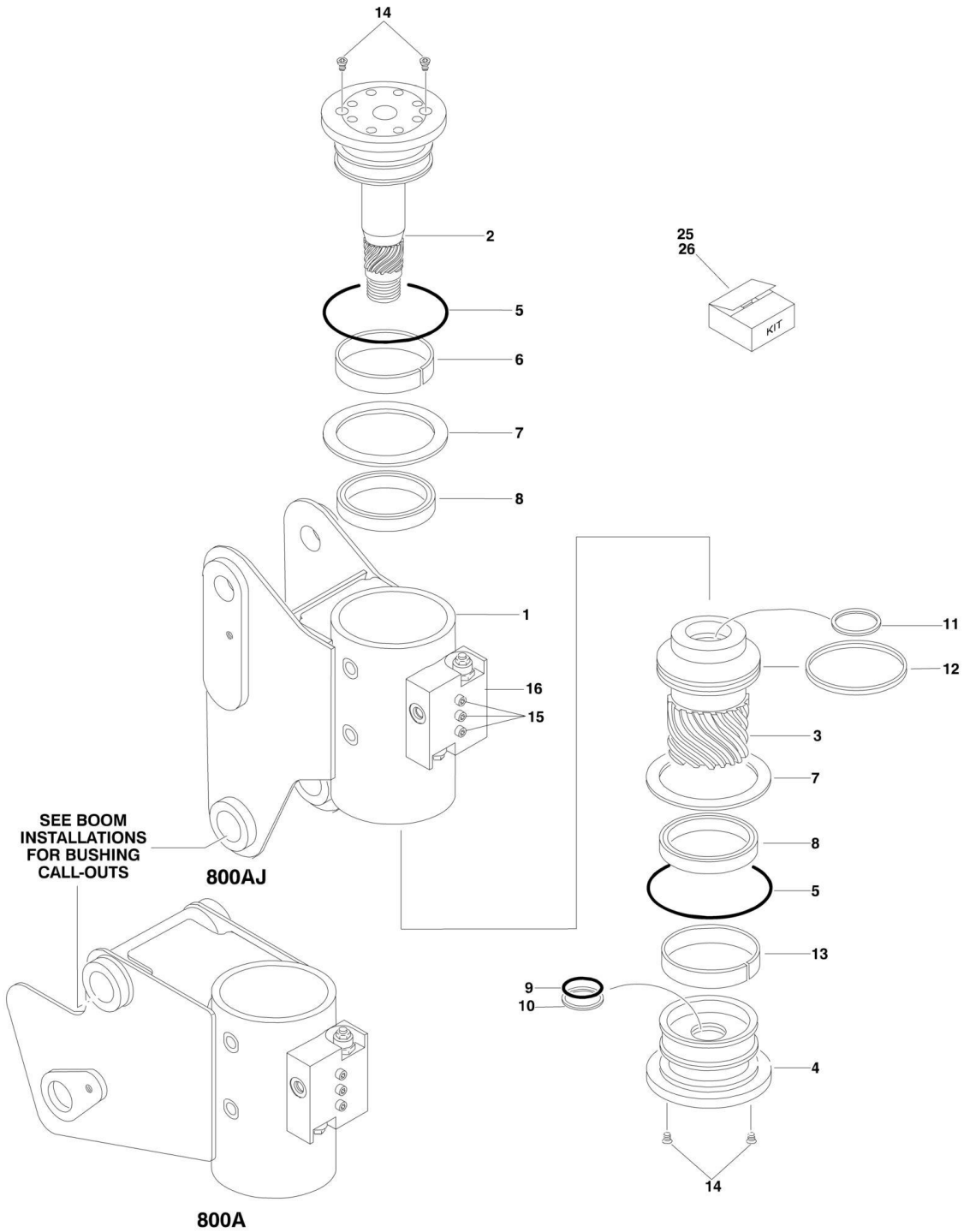
ITEM	PART NUMBER	QTY	DESCRIPTION	REV
17B	7011346	2	of Valve Block) (Note: Not Available for Purchase) Seal Kit - 7011332 Valve	
17B	See Note	1	Seal Kit - Valve Located on Side of Block (Note: Not Available for Purchase)	
18	7017118	2	Setscrew (0060041 & 0060031 Rotators Only)	
19	See Note	3	Bolts 1/4 x 1-1/2 (Grade 8) (Note: Not Available for Purchase)	
20	3790110	3	O-Ring (Not Shown - Located between Valve and Actuator Housing)	
25		Ref	Seal Kit Options (Includes Items 9-13):	
25	7017157	1	0060041 & 0060031 Rotators	
25		Ref	0060077 & 0060074 Rotators Options:	
25	7017158	1	Standard	
25	70000342	1	Low Temperature	
26		Ref	Bearing Kit Options (Includes Items 14-16):	
26	7017156	1	0060041 & 0060031 Rotators	
26	7017159	1	0060077 & 0060074 Rotators	
27	7017142	1	Hardware Kit (Includes End Cap screws and Dowel Pins - 0060031 & 0060077 Rotators)	
27A	70001697	6	Screw, Countersunk 1/4in-20NC x 3/8in Grade 8	





# SECTION 3 - BOOM

## FIGURE 3-6. ROTATOR ASSEMBLIES (SIDE ENTRY PLATFORM)



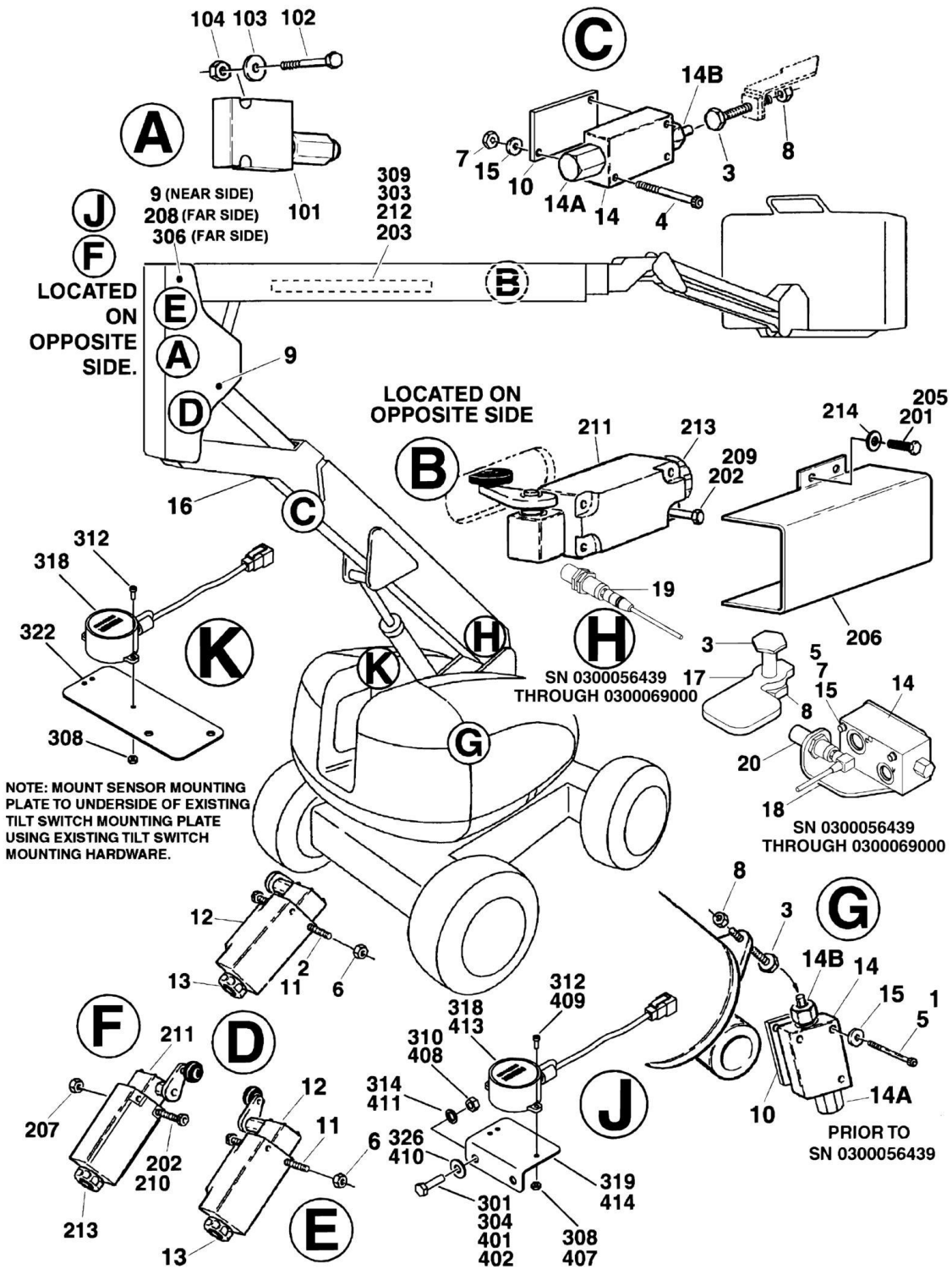
## SECTION 3 - BOOM

**FIGURE 3-6. ROTATOR ASSEMBLIES (SIDE ENTRY PLATFORM)**

ITEM	PART NUMBER	QTY	DESCRIPTION	REV
		Ref	<b>ROTATOR ASSEMBLIES</b>	
	0060069	Ref	<b>Rotator Assemblies 800A</b>	A
	0060066	Ref	<b>Rotator Assemblies 800AJ</b>	A
1	See Note	1	Housing/Ring Gear Assembly (Note: Not Available - Purchase Complete Assembly)	
2	7017162	1	Shaft	
3	7017163	1	Piston/Sleeve Assembly	
4	7017164	1	Cap, End	
5	See Note	NSS	O-Ring (Note: Use Item 25)	
6	See Note	NSS	Bearing, Shaft (Note: Use Item 26)	
7	See Note	NSS	Washer, Thrust (Note: Use Item 26)	
8	See Note	NSS	Packing, Bearing (Note: Use Item 25)	
9	See Note	NSS	Seal, Cap (Note: Use Item 25)	
10	See Note	NSS	Ring, Back-up Cap (Note: Use Item 25)	
11	See Note	NSS	Seal, Rod (Note: Use Item 25)	
12	See Note	NSS	Seal, Piston (Note: Use Item 25)	
13	See Note	NSS	Bearing, Cap (Note: Use Item 26)	
14	70001697	6	Capscrew 1/4in-20NC x 3/8in (Grade 8)	
15	See Note	3	Bolt 1/4 x 1-1/2 (Grade 8) (Note: Not Available for Purchase)	
16	7017183	1	Valve Assembly	
16	7017193	2	Cartridge, Valve	
16	See Note	2	Seal Kit - 7017193 Valve (Note: Not Available - Purchase Complete Assembly)	
16	See Note	1	Cartridge, Valve (Not Shown - Located on Side of Block) (Note: Not Available - Purchase Complete Assembly)	
16	See Note	1	Seal Kit - Valve Located on Side of Block (Note: Not Available - Purchase Complete Assembly)	
25		Ref	Seal Kit Options (Includes Items 5, 8-12 & Hardware Kit):	
25	7017158	1	Standard	
25	70000342	1	Low Temperature	
26	7017159	1	Bearing Kit (Includes Items 6, 7 & 13)	

# SECTION 3 - BOOM

## FIGURE 3-7. VALVE AND LIMIT SWITCH INSTALLATIONS (BOOM MOUNTED)



## SECTION 3 - BOOM

**FIGURE 3-7. VALVE AND LIMIT SWITCH INSTALLATIONS (BOOM MOUNTED)**

ITEM	PART NUMBER	QTY	DESCRIPTION	REV
	0258217	Ref	<b>BOOM VALVES AND LIMIT SWITCHES INSTALLATION</b>	H
1	0100011	AR	Compound, Locking	
2	0100035	AR	Compound, Locking	
3	0630427	2	Bolt, Special	
4		Ref	Bolt Options:	
4	0641422	3	Bolt 1/4in-20NC x 2-3/4in <b>(Prior to SN 0300048726)</b>	
4	3931436	3	Bolt 1/4in-20NC x 2-1/4in <b>(SN 0300048726 through 0300069000)</b>	
5		Ref	Bolt Options:	
5	0641436	3	Bolt 1/4in-20NC x 4-1/2in <b>(Prior to SN 0300048726)</b>	
5	3931464	3	Bolt 1/4in-20NC x 4in <b>(SN 0300048726 through 0300069000)</b>	
6	3310805	4	Locknut #8-32NC	
7	3311405	6	Locknut 1/4in-20NC	
8	3311801	2	Nut 1/2in-13NC	
9	3520035	2	Plug, Cap	
10	3570928	2	Plate, Spacer	
11	3930824	4	Capscrew, Socket Head #8-32NC x 1-1/2in	
12	4360322	NLA	Switch, Limit (Use p/n 4360578) (Note: P/N 4360549 & P/N 4360578 do not include #13 Connector - Purchase Separately)	
12	4360549	NLA	Switch, Limit (Use p/n 4360578) (Note: P/N 4360549 & P/N 4360578 do not include #13 Connector - Purchase Separately)	
13		Ref	Connector, Strain Relief Options:	
13	4460428	2	Use with p/n 4360322 Switch	
13	4460968	2	Use with p/n 4360549 & 4360578 Switches	
14		Ref	Valve, Switch Options:	
14	4641045	NLA	Valve, Switch (Use p/n 4641136) <b>(Prior to SN 0300042387)</b>	
14	4641105	NLA	Valve, Switch (Use p/n 4641136) <b>(SN 0300042387 through 0300049401)</b>	
14	4641136	2	Valve, Switch <b>(SN 0300049402 through 0300069000)</b>	
14		Ref	4641136 Replacement Parts:	
14A	7011342	2	Valve, Check (1 per Assembly)	
14A	7011333	2	Seal Kit - Check Valve (1 per Assembly)	
14B	7020172	2	Valve, Plunger (1 per Assembly)	
14B	7020173	2	Seal Kit - 7020172 Valve (1 per Assembly)	
14		Ref	4641105 Replacement Parts:	
14A	See Note	2	Valve, Check (1 per Assembly) (Note: Not Available for Purchase)	
14A	7020171	2	Seal Kit - Check Valve (1 per Assembly)	
14B	7020172	2	Valve, Plunger (1 per Assembly)	
14B	7020173	2	Seal Kit - 7020172 Valve (1 per Assembly)	
14		Ref	4641045 Replacement Parts:	
14A	7020068	2	Valve, Check (1 per Assembly)	
14A	7020069	2	Seal Kit - 7020068 Valve (1 per Assembly)	
14B	7020070	2	Valve, Plunger (1 per Assembly)	
14B	7020071	2	Seal Kit - 7020070 Valve (1 per Assembly)	
15	4751400	6	Flatwasher 1/4in	
16	4060805	7 in/25cm	Trim, Edge <b>(SN 0300039755 through 0300069000 Only)</b>	
17	3572606	1	Plate, Lower Boom Proximity Switch Target <b>(SN 0300056439 through 0300069000)</b>	
18	3572607	1	Plate, Lower Boom Proximity Switch Mount <b>(SN 0300056439 through 0300069000)</b>	

## SECTION 3 - BOOM

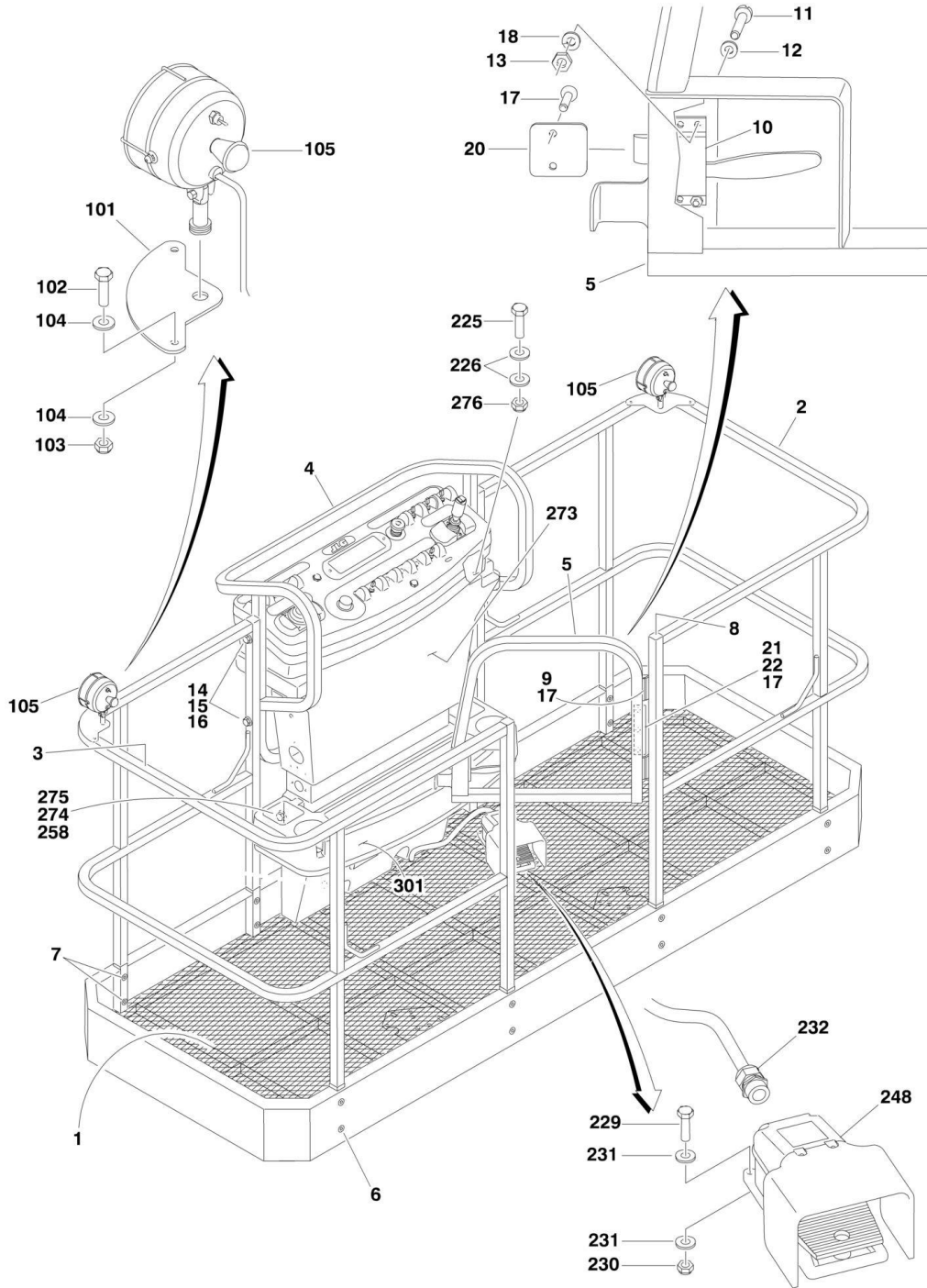
ITEM	PART NUMBER	QTY	DESCRIPTION	REV
19	4360498	1	Switch Proximity (Note: Machines Prior to SN 0300056439 may have been retrofitted with this switch) <b>(SN 0300056439 through 0300069000)</b>	
20	4360499	1	Switch Proximity (Note: Machines Prior to SN 0300056439 may have been retrofitted with this switch) <b>(SN 0300056439 through 0300069000)</b>	
		Ref	<b>VALVES INSTALLATION</b>	A
101	4640929	1	Valve Assembly (Relief)	
101	7012970	1	Cartridge	
101	7012953	1	Seal Kit - 7012970 Cartridge	
102	0641416	2	Bolt 1/4in-20NC x 2in	
103	4711400	4	Flatwasher 1/4in Narrow	
104	3311405	2	Locknut 1/4in-20NC	
	0258338	Ref	<b>LIMIT SWITCHES INSTALLATION - 800A DUAL CAPACITY</b>	D
201	0100011	AR	Compound, Locking	
202	0100035	AR	Compound, Locking	
203	0362610	NLA	Bar, Fiberglass (Use p/n 1001106482)	
205	0641403	4	Bolt 1/4in-20NC x 3/8in	
206	1670824	1	Cover	
207	3310801	2	Locknut #8-32NC	
208	3520035	1	Plug, Cap	
209	3930816	2	Capscrew, Socket Head #8-32NC x 1in	
210	3930824	2	Capscrew, Socket Head #8-32NC x 1-1/2in	
211	4360322	NLA	Switch, Limit (Use p/n 4360578) (Note: p/n 4360549 & p/n 4360578 do not include #13 Connector - Purchase Separately)	
211	4360549	NLA	Switch, Limit (Use p/n 4360578) (Note: p/n 4360549 & p/n 4360578 do not include #13 Connector - Purchase Separately)	
212	4420060	2	Tape, Double Sided	
213		Ref	Connector, Strain Relief Options:	
213	4460428	2	Use with p/n 4360322 Switch	
213	4460968	2	Use with p/n 4360549 & 4360578 Switches	
214	4751400	4	Flatwasher 1/4in	
	1001091538	Ref	<b>TILT SENSOR INSTALLATION (PRE ADE SYSTEM)</b>	E
301	0100011	AR	Compound, Locking	
304	0641610	2	Bolt 3/8in-16NC x 1-1/4in	
308	3310605	6	Locknut #6-32 NC	
310	3311601	2	Locknut 3/8in-16NC	
312	3930606	6	Screw #6-32 NC	
314	4761600	2	Lockwasher 3/8in	
318	1001094400	2	Sensor, Dual Axis	
319	1001094401	1	Bracket, Tilt Sensor	
322	1001094639	1	Bracket, Tilt Sensor	
326	4751600	2	Flatwasher 3/8in	
	1001093187	Ref	<b>TILT SENSOR INSTALLATION (WITH ADE SYSTEM)</b>	C
401	0100011	AR	Compound, Locking	
402	0641610	2	Bolt 3/8in-16NC x 1-1/4in	
407	3310605	3	Locknut #6-32 NC	
408	3311601	2	Locknut 3/8in-16NC	
409	3930606	3	Screw #6-32 NC	
410	4751600	2	Flatwasher 3/8in	
411	4761600	2	Lockwasher 3/8in	
413	1001094400	1	Sensor, Dual Axis	
414	1001094401	1	Bracket, Tilt Sensor	

**SECTION 4 - PLATFORM**

# SECTION 4 - PLATFORM

## FIGURE 4-1. PLATFORM COMPONENTS INSTALLATION (FRONT ENTRY)

**NOTE: These Machine SN's Also Equipped With ADE System: 0300062045, 0300062797, 0300063013, 0300063665, 0300063975, 0300064000-0300064017, 0300064390, 0300064392 & 0300064411.**





## SECTION 4 - PLATFORM

**FIGURE 4-1. PLATFORM COMPONENTS INSTALLATION (FRONT ENTRY)**

ITEM	PART NUMBER	QTY	DESCRIPTION	REV
		Ref	<b>NOTE: THESE MACHINE SN'S ALSO EQUIPPED WITH ADE SYSTEM: 0300062045, 0300062797, 0300063013, 0300063665, 0300063975, 0300064000-0300064017, 0300064390, 0300064392 &amp; 0300064411.</b>	
		Ref	<b>PLATFORM ASSEMBLIES:</b>	
	3510760	Ref	<b>4ft (1.22m) with Self-Closing Gate</b>	3
	3510728	Ref	<b>5ft (1.52m) with Self-Closing Gate</b>	3
	3510497	Ref	<b>6ft (1.83m) with Standard Gate</b>	8
	3510542	Ref	<b>6ft (1.83m) with Self-Closing Gate</b>	3
	3510545	Ref	<b>6ft (1.83m) with Mesh to Top Rail and Standard Gate</b>	B
	3510565	Ref	<b>6ft (1.83m) with Mesh to Top Rail and Self-Closing Gate</b>	3
	3510488	Ref	<b>8ft (2.44m) with Standard Gate</b>	8
	3510543	Ref	<b>8ft (2.44m) with Self-Closing Gate</b>	3
	3510546	Ref	<b>8ft (2.44m) with Mesh to Top Rail and Standard Gate</b>	B
	3510566	Ref	<b>8ft (2.44m) with Mesh to Top Rail and Self-Closing Gate</b>	4
		Ref	<b>Note: Replacement Decals Must be Ordered Separately - See DECALS SECTION.</b>	
1		Ref	Floor Options:	
1	4846253	1	4ft Platform	
1	4846101	1	5ft Platform	
1	4844954	1	6ft Platform	
1	4844928	1	8ft Platform	
2		Ref	Rail - Right Side Options:	
2	4846254	1	4ft Platform without Mesh	
2	4846102	1	5ft Platform without Mesh	
2	4844955	1	6ft Platform without Mesh	
2	4845408	1	6ft Platform with Mesh Top Rail	
2	4844924	1	8ft Platform without Mesh	
2	4845412	1	8ft Platform with Mesh Top Rail	
3		Ref	Rail - Left Side Options:	
3	4846255	1	4ft Platform without Mesh	
3	4846103	1	5ft Platform without Mesh	
3	4844956	1	6ft Platform without Mesh	
3	4845409	1	6ft Platform with Mesh Top Rail	
3	4844925	1	8ft Platform without Mesh	
3	4845413	1	8ft Platform with Mesh Top Rail	
4	4845328	1	Rail - Back Options:	
5		Ref	Gate Options:	
5	4845327	1	Standard Gate	
5	4845410	1	Standard Gate with Mesh Top Rail	
5	4845426	1	Self-Closing Gate	
5	4845469	1	Self-Closing Gate with Mesh Top Rail	
6	3900207	AR	Fastener	
		Ref	<b>(Note: P/N 3900207 Fastener may be replaced with p/n 0641416 Bolt, p/n 4751400 Flatwasher, p/n 3311405 Locknut and p/n 3300151 Acorn Type Nut. Acorn type nut is required to meet industry safety requirements.</b>	
7	3300393	AR	Collar	
8	3520072	AR	Plug, Cap	
9		Ref	Hinge Options:	
9	2600216	2	Standard Gate	

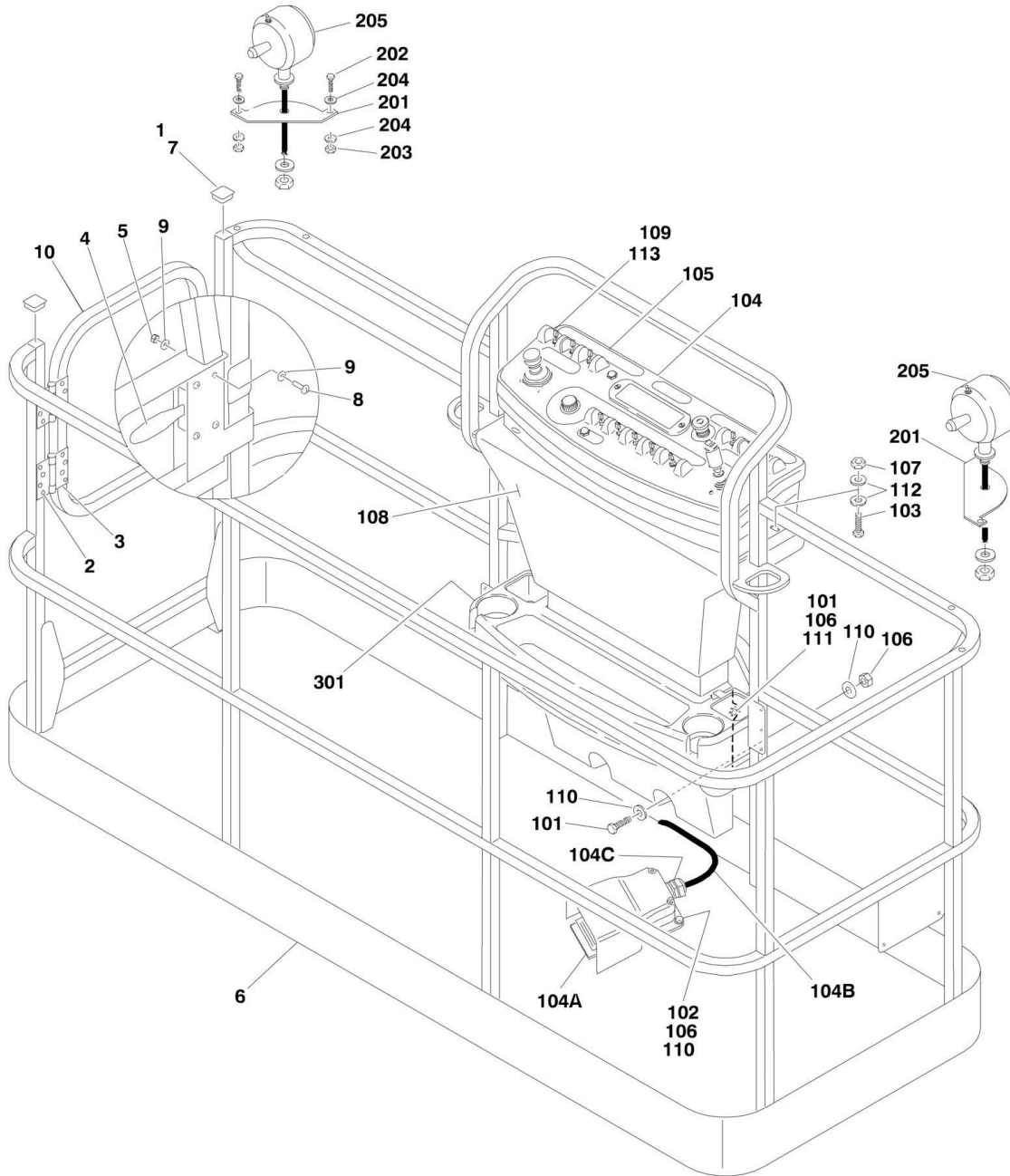
## SECTION 4 - PLATFORM

ITEM	PART NUMBER	QTY	DESCRIPTION	REV
9	2600219	2	Self-Closing Gate (Prior to SN 0300068576)	
9	2600287	2	Self-Closing Gate (SN 0300068576 through 0300069000)	
10	2940074	1	Latch	
11	3911008	4	Screw #10-24NC x 1in	
12	4751000	4	Flatwasher #10	
13	3311005	4	Locknut #10-24NC	
14	0641524	4	Bolt 5/16in-18NC x 3in	
15	3311505	4	Locknut 5/16in-18NC	
16	4751500	4	Flatwasher 5/16in	
17	2080040	13	Fastener	
18	4761000	4	Lockwasher 3/8in (Prior to SN 0300068576)	
20	3539685	1	Plate, Latch	
21	4220165	1	Stop, Gate	
22	4060803	6 ft/1.8m	Trim	
		Ref	<b>WORKLIGHTS INSTALLATION (optional)</b>	
	0258048	Ref	<b>Worklights Installation (Prior to SN 0300061927)</b>	2-E
	0270814	Ref	<b>Worklights Installation (ADE System) (SN 0300061927 through 0300069000)</b>	3-D
101	3536089	2	Plate, Mounting	
102	0641414	4	Bolt 1/4in-20NC x 1-3/4in	
103	3311405	4	Locknut 1/4in-20NC	
104	4711400	8	Flatwasher 1/4in Narrow	
105	2920140	2	Worklight	
105	7016399	2	Bulb, Replacement (1 Per Worklight)	
106	4240099	10	Tie-Strap (Not Shown)	
107	2820035	9	Loom, Vinyl (Not Shown)	
109	4460598	1	Connector, Strain Relief (Not Shown - Located at Console Box)	
110		Ref	Wire Options: (Not Shown)	
110	4920018	AR	Wire, Black 16 Ga (Prior to SN 0300061927)	
110	4920044	AR	Wire, Black 12 Ga (SN 0300061927 through 0300069000)	
		Ref	<b>FOOTSWITCH AND COVERS INSTALLATION OPTIONS:</b>	
	0861237	Ref	<b>Footswitch and Covers Installation (Prior to SN 0300064432)</b>	5-D
	0861415	Ref	<b>Footswitch and Covers Installation SN 0300064009 Only (ADE System)</b>	C
	0861474	Ref	<b>Footswitch and Covers Installation (ADE System) (SN 0300064432 through 0300069000)</b>	B
225	0641610	4	Bolt 3/8in-16NC x 3/4in	
226	4751600	4	Flatwasher 3/8in	
229	0641408	3	Bolt 1/4in-20NC x 1in	
230	3311405	3	Locknut 1/4in-20NC	
231	4740362	3	Washer, Fender	
232	4460071	1	Terminal, Strain Relief	
248	See Note	1	Footswitch (Note: See PLATFORM COMPONENTS INSTALLATION for Service Parts)	
258	4751400	4	Flatwasher 1/4in	
273	3380434	1	Panel, Poly	
274	0641414	2	Bolt 1/4in-20NC x 1-3/4in	
275	3311405	2	Locknut 1/4in-20NC	
276	3311605	4	Locknut 3/8in-16NC	
		Ref	<b>TRAY INSTALLATIONS (OPTIONAL)</b>	
301	1580012	1	Tray, Storage (Center)	
302	1580013	1	Tray, Storage (Rail Mounted - Not Shown)	



# SECTION 4 - PLATFORM

## FIGURE 4-2. PLATFORM COMPONENTS INSTALLATION (SIDE ENTRY)



## SECTION 4 - PLATFORM

**FIGURE 4-2. PLATFORM COMPONENTS INSTALLATION (SIDE ENTRY)**

ITEM	PART NUMBER	QTY	DESCRIPTION	REV
		Ref	<b>PLATFORM ASSEMBLIES:</b>	
	3510822	Ref	<b>8ft (2.44m) with No Mesh</b>	B-A
	3510833	Ref	<b>6ft (1.83m) with No Mesh</b>	B-A
		Ref	<b>Note: Original Equipment platform may have been replaced with Service Replacement platform. Identify platform before ordering parts.</b>	
		Ref	<b>Note: Replacement Decals Must be Ordered Separately - See DECALS SECTION.</b>	
1	0100040	AR	Sealant, Adhesive	
2	2080040	16	Fastener, Huck	
3	2600281	2	Hinge, Self-Closing	
4	2940074	1	Latch	
5	3311001	4	Nut #10-24NC	
6	See Note	1	Platform (Note: Not Available - Purchase Complete Platform Assembly)	
7	3520072	2	Cap-Plug	
8	3911008	4	Screw #10-24NC x 1in	
9	4751000	8	Flatwasher #10	
10		Ref	Gate Options:	
10	4846452	1	Gate for Platform p/ns 3510822 & 3510833	
10	1001144629	1	Gate for Platform p/ns 1001144023 & 1001144024	
	0271941	Ref	<b>CONSOLE BOX INSTALLATION - 4WD</b>	A
101	0641406	4	Bolt 1/4in-20NC x 3/4in	
102	0641408	3	Bolt 1/4in-20NC x 1in	
103	0641610	4	Bolt 3/8in-16NC x 1-1/4in	
104	0861517	1	Platform Console Box Assembly (See PLATFORM CONSOLE ASSEMBLY for Breakdown)	
104A	4360031	NLA	Footswitch Assembly (Includes Footswitch and Items 104B & 104C) (Use p/n 0272970)	
		Ref	<b>Note: Assembly p/n 0272970 may use either p/n 4360031 or p/n 1001117320. If Original Equipment was replaced as an "assembly," p/n 1001117320 may have been used as part of the Service Replacement. Identify component before ordering parts.</b>	
104A		Ref	Footswitch Less Cable Options:	
104A	4360031	1	Original Equipment	
104A	1001117320	1	Service Replacement	
104A		Ref	Block, Contact Options (See Note Above):	
104A	7000625	2	Contact Block for 4360031 Footswitch	
104A	70003483	1	Contact Block for 1001117320 Footswitch	
104B	1060918	7 ft/2.14m	Cable, Electrical - 18/3	
104C	4460071	1	Connector, Strain Relief	
105	1702676	1	Decal - Horn	
106	3311405	7	Locknut 1/4in-20NC	
107	3311605	4	Locknut 3/8in-16NC	
108	3380434	1	Panel, Decal Mount	
109	4360331	1	Switch, Toggle (4WD)	
110	4740362	7	Washer, Fender 1/4in	
111	4751400	4	Flatwasher 1/4in (Wide)	
112	4751600	8	Flatwasher 3/8in (Wide)	
113	3790012	1	O-Ring	
	0270814	Ref	<b>WORKLIGHTS INSTALLATIONS (OPTIONAL)</b>	3-D

## SECTION 4 - PLATFORM

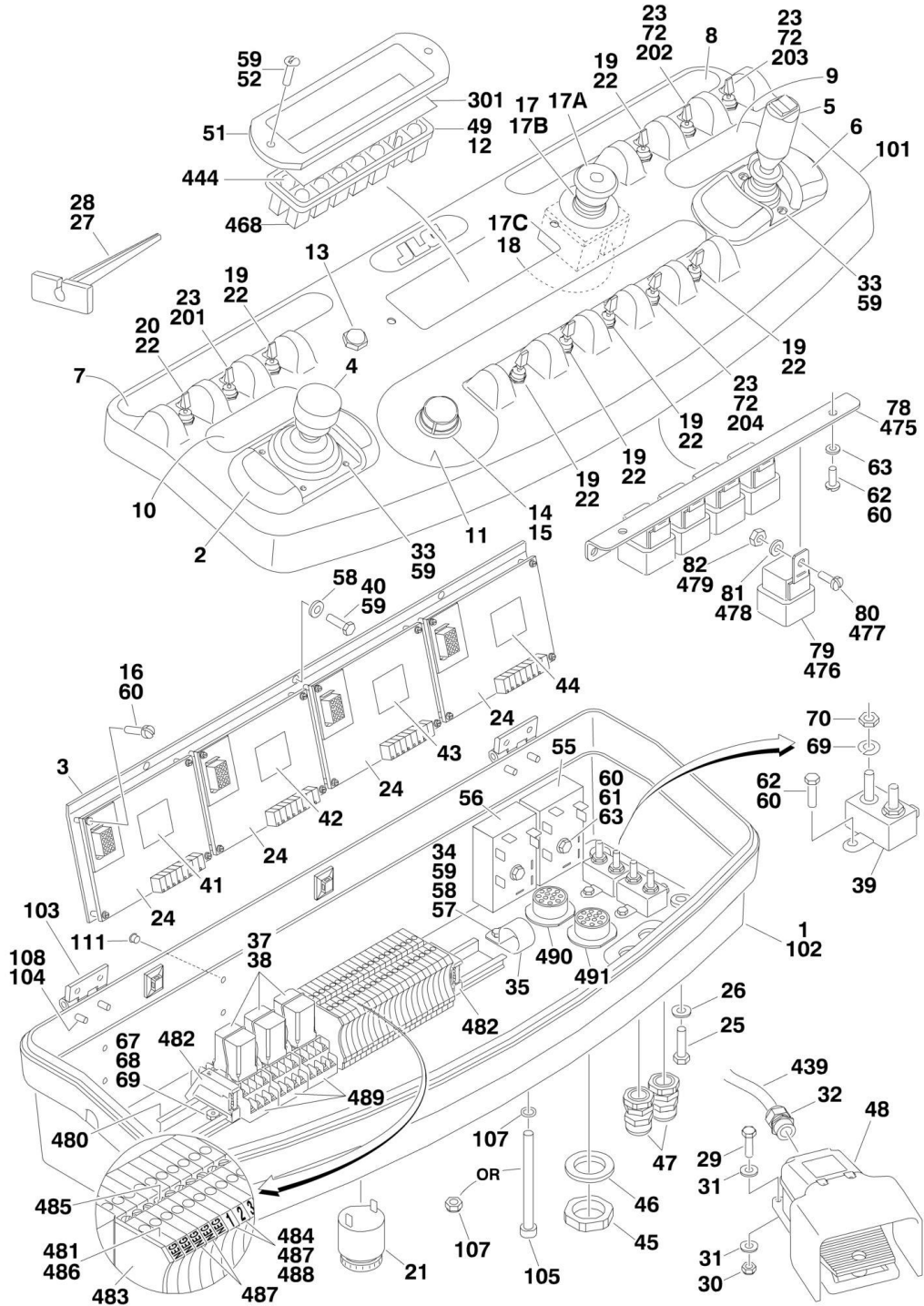
ITEM	PART NUMBER	QTY	DESCRIPTION	REV
201	3536089	2	Plate, Mounting	
202	0641414	4	Bolt 1/4in-20NC x 1-3/4in	
203	3311405	4	Locknut 1/4in-20NC	
204	4711400	8	Flatwasher 1/4in Narrow	
205	2920140	2	Worklight	
205	7016399	2	Bulb, Replacement (1 Per Worklight)	
206	4240099	10	Tie-Strap (Not Shown)	
207	2820035	9	Loom, Vinyl (Not Shown)	
209	4460598	1	Connector, Strain Relief (Not Shown - Located at Console Box)	
		Ref	<b>TRAY INSTALLATIONS (OPTIONAL)</b>	
301	1580012	1	Tray, Storage (Center)	
302	1580013	1	Tray, Storage (Rail Mounted - Not Shown)	



# SECTION 4 - PLATFORM

FIGURE 4-3. PLATFORM CONSOLE ASSEMBLY (Prior to SN 0300064432)

NOTE: These Machine SN's Also Equipped With ADE System:  
 0300062045, 0300062797, 0300063013, 0300063665, 0300063975,  
 0300064000-0300064017, 0300064390, 0300064392 & 0300064411.





## SECTION 4 - PLATFORM

**FIGURE 4-3. PLATFORM CONSOLE ASSEMBLY (Prior to SN 0300064432)**

ITEM	PART NUMBER	QTY	DESCRIPTION	REV
		Ref	<b>NOTE: THESE MACHINE SN'S ALSO EQUIPPED WITH ADE SYSTEM: 0300062045, 0300062797, 0300063013, 0300063665, 0300063975, 0300064000-0300064017, 0300064390, 0300064392 &amp; 0300064411.</b>	
	0861237	Ref	<b>CONSOLE BOX ASSEMBLY</b>	5-D
1	0860984	1	Box, Console	
2	4340678	1	Support, Hand	
3	3538819	1	Plate, Mounting	
4	1600284	1	Controller Assembly (Swing and Lift) (See CONTROLLER ASSEMBLY (SWING AND LIFT) for Breakdown)	
5	1600283	1	Controller Assembly (Drive and Steer) (See CONTROLLER ASSEMBLY (DRIVE AND STEER) for Breakdown)	
6	4340684	1	Support, Hand	
7	1702676	1	Decal (Horn/Drive Speed/Level)	
8	1702564	1	Decal (Stop)	
9	1702565	1	Decal (Drive and Steer)	
10	1702566	1	Decal (Lift and Swing)	
11	1702567	1	Decal (Speed/Lower Lift/Tele/Rotate/Jib)	
12	2760105	1	Housing, Display Light	
13	4360387	1	Switch, Pushbutton	
14	2560136	1	Knob, Speed Control	
15	4360407	1	Controller, Speed	
16	3910610	16	Screw #6-32NC x 5/8in	
17		Ref	Switch, Emergency Stop Options:	
17	4360289	1	Switch, Emergency Stop ( <b>Prior to SN 0300044657</b> )	
17	4360475	1	Switch, Emergency Stop ( <b>SN 0300044657 through 0300064432</b> )	
17A	7012611	1	Cap, Mushroom Head ( <b>Prior to SN 0300044657</b> )	
17A	7020175	1	Cap, Mushroom Head ( <b>SN 0300044657 through 0300064432</b> )	
17B	7012612	1	Boot ( <b>Prior to SN 0300044657</b> )	
17C	7020176	1	Block, Contact ( <b>SN 0300044657 through 0300064432</b> )	
18		Ref	Switch, Contact Block Options:	
18	4360282	1	Switch, Contact Block ( <b>Prior to SN 0300044657</b> )	
18	4360476	1	Switch, Contact Block ( <b>SN 0300044657 through 0300064432</b> )	
19	4360314	6	Switch, Toggle	
20	4360331	1	Switch, Toggle	
21	0140026	1	Alarm	
22	3790012	7	O-Ring	
23	3520028	4	Plug, Hole (For switch call-outs at these locations, refer to options installation below)	
24	1600218	4	Card, Control	
25	0641610	4	Bolt 3/8in-16NC x 3/4in	
26	4751600	4	Flatwasher 3/8in	
27	4460467	1	Tool, Pin Extraction (Blue 16-18 Gauge) (Not Shown)	
28	4460510	1	Tool, Pin Extraction (Yellow 12-14 Gauge) (Not Shown)	
29	0641408	3	Bolt 1/4in-20NC x 1in	
30	3311405	3	Locknut 1/4in-20NC	
31	4740362	3	Washer 1/4in (Fender)	
32	4460071	1	Connector, Strain Relief	
33	0641404	8	Bolt 1/4in-20NC x 1/2in	
34	3311401	1	Nut 1/4in-20NC	
35	1320060	1	Clamp	

## SECTION 4 - PLATFORM

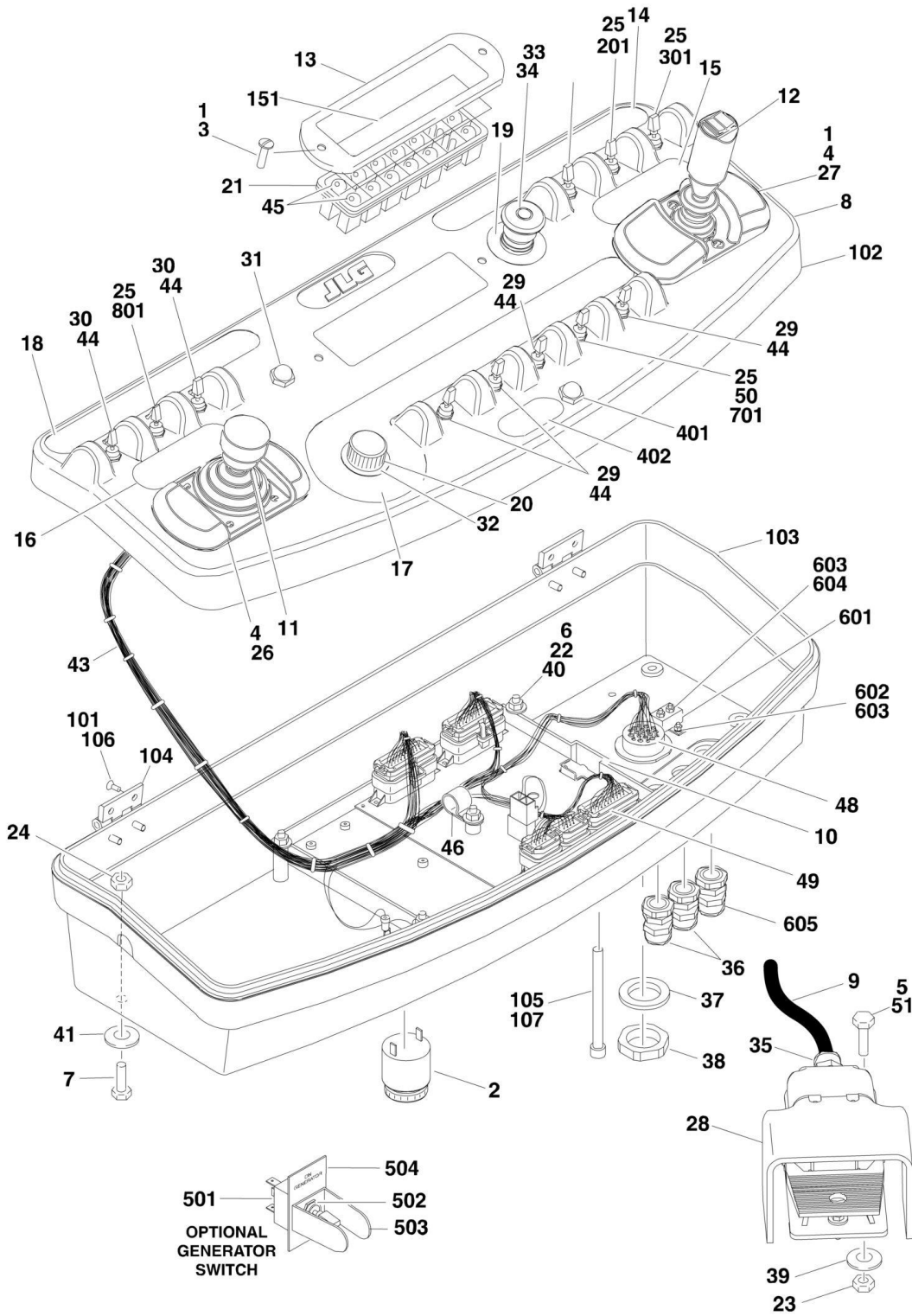
ITEM	PART NUMBER	QTY	DESCRIPTION	REV
36	1320095	1	Clamp	
37	3740058	3	Relay - 4PDT	
38	3740063	3	Spring, Relay	
39	4360232	2	Breaker, Circuit - 15 Amp	
40	0641406	3	Bolt 1/4in-20NC x 3/4in	
41	1703090	1	Decal - Control Card (Lift)	
42	1703091	1	Decal - Control Card (Swing)	
43	1703092	1	Decal - Control Card (Flow Control)	
44	1703093	1	Decal - Control Card (Drive)	
45	4460470	2	Nut, Conduit	
46	4460471	2	Washer	
47	4460428	2	Connector, Strain Relief	
48	See Note	1	Footswitch (Note: See PLATFORM COMPONENTS INSTALLATION for Service Parts)	
50	4922155	1	Harness Assembly (Not Shown - See ELECTRICAL SECTION for Breakdown and Items 401-491 Below)	
51	1670829	1	Bezel	
52	0630464	2	Screw, Button Head #10-24NC x 1/2in	
55	3740113	1	Relay, Time Delay	
56	3740115	1	Relay, Time Delay	
57	0641406	1	Bolt 1/4in-20NC x 3/4in	
59	0100011	AR	Compound, Locking	
60	0100035	AR	Compound, Locking	
61	0721010	2	Screw, Machine #10-24NC x 1-1/4in	
62	0721003	4	Screw, Machine #10-24NC x 3/8in	
63	4751000	2	Flatwasher #10	
67	0721004	2	Screw, Machine #10-32NC x 1/2in	
68	4711000	2	Flatwasher #10 Narrow	
69	4761000	6	Lockwasher #10	
70	3311001	4	Nut #10-24NC	
71	4460488	10	Base, Wire Tie (Not Shown)	
72	0100009	AR	Silicone	
76	3311605	4	Locknut 3/8in-16NC	
77		Ref	Decal - EMS Options:	
77	Not Required	0	Decal - EMS (Prior to SN 0300044657)	
77	1704260	1	Decal - EMS (SN 0300044657 through 0300064432)	
78	3539275	1	Plate, Relay Mounting (SN 0300049954 through 0300064432)	
79	3740049	5	Relay, Bosch (SN 0300049954 through 0300064432)	
80	0721003	5	Screw #10-24NC x 3/8in (SN 0300049954 through 0300064432)	
81	4751000	5	Flatwasher #10 (SN 0300049954 through 0300064432)	
82	3311005	5	Locknut #10-24NC (SN 0300049954 through 0300064432)	
83	2920129	12	Bulb, Light (SN 0300049954 through 0300064432)	
	0860984	Ref	<b>CONSOLE BOX ASSEMBLY</b>	6-E
101	0860984	1	Console Top (Note: Not Available for Purchase)	
102	0860984	1	Console Bottom (Note: Not Available for Purchase)	
103	2600211	2	Hinge	
104	3900224	8	Capscrew, Socket Head Countersunk M6 x 16mm	
105	3931672	1	Capscrew, Socket Head 3/8in-16NC x 4-1/2in	
107	3311601	1	Nut 3/8in-16NC	
108	0100011	AR	Compound, Locking	
111	3520173	4	Plug (Located on back of console box)	
		Ref	<b>CONSOLE BOX OPTIONS</b>	

## SECTION 4 - PLATFORM

ITEM	PART NUMBER	QTY	DESCRIPTION	REV
201	0258945	AR	4WS Switch Option Components	A
201	4360331	1	Switch, Toggle	
201	3790012	1	O-Ring	
202		Ref	Dual Switch Option Components	
202	4360336	1	Switch, Toggle	
202	3790012	1	O-Ring	
203		Ref	Lights Switch Option Components	
203	4360336	1	Switch, Toggle	
203	3790012	1	O-Ring	
204	0258608	AR	Jib Switch Option Components	A
204	4360314	1	Switch, Toggle	
204	3790012	1	O-Ring	
	0275804	Ref	<b>LIGHT PANEL DECAL INSTALLATION</b>	A
301	1707111	1	Decal - Light Panel Display	
		Ref	<b>Note: Machines should of been updated to this light panel installation.</b>	
	4922155	Ref	<b>RELAY AND TERMINAL BLOCK INSTALLATIONS</b>	5
439	1060012	7 ft/2.1m	Cable, Electrical - 12/4	
444	2920129	9	Bulb, Light	
468	4120035	8	Base, Light	
475	3539275	1	Plate, Relay Mounting	
476	3740049	5	Relay, Bosch	
477	0721003	5	Screw #10-24NC x 3/8in	
478	4751000	5	Flatwasher #10	
479	3311005	5	Locknut #10-24NC	
480	3641182	1	Track	
481	4460601	10	Block, Terminal	
482	4460607	2	Stop, End	
483	4460602	1	Barrier, Terminal	
484	4460629	2	Marker, Terminal (6-15)	
485	4460603	1	Bar, Buss - 10 Position (Cut into [2] 5 Position Bars)	
486	4460600	10	Block, Terminal	
487	4460631	1	Marker, Terminal (Negative)	
488	4460632	1	Marker, Terminal (1-5)	
489	4120013	3	Socket, Relay	
490	4460613	1	Connector - 21 Position	
491	4460503	1	Connector - 31 Position	

# SECTION 4 - PLATFORM

FIGURE 4-4. PLATFORM CONSOLE ASSEMBLY (WITH ADE SYSTEM) (Including SN 0300064009)



## SECTION 4 - PLATFORM

**FIGURE 4-4. PLATFORM CONSOLE ASSEMBLY (WITH ADE SYSTEM) (Including SN 0300064009)**

ITEM	PART NUMBER	QTY	DESCRIPTION	REV
	0861415	Ref	<b>CONSOLE BOX AND FOOTSWITCH ASSEMBLY</b>	C
1	0100035	AR	Compound, Locking	
2	0140011	1	Alarm	
3	0630464	AR	Screw, Button Head #10-24NC x 1/2in	
4	0641404	8	Bolt 1/4in-20NC x 1/2in	
5	0641408	3	Bolt 1/4in-20NC x 1in	
6	0641418	5	Bolt 1/4in-20NC x 2-1/4in	
7	0641610	4	Bolt 3/8in-16NC x 1-1/4in	
8	0861414	1	Box, Console (See Items 101-107 for Breakdown)	
9	1060330	7 ft/2.1m	Cable, 16/3	
10	1600313	1	Controller, Module	
11	1600317	NLA	Controller Assembly (Swing and Lift) (Use p/n 1001129555) (See CONTROLLER ASSEMBLY (SWING AND LIFT) for Breakdown)	
12	1600318	NLA	Controller Assembly (Drive and Steer) (Use p/n 1001212415) (See CONTROLLER ASSEMBLY (DRIVE AND STEER) for Breakdown)	
13	1670829	1	Bezel	
14	1702564	1	Decal (Stop)	
15	1702565	1	Decal (Drive and Steer)	
16	1702566	1	Decal (Lift and Swing)	
17	1702567	1	Decal (Function Speed)	
18	1702676	1	Decal (Horn)	
19	1704260	1	Decal - EMS	
20	2560136	1	Handle, Knob	
21	2760105	1	Housing, Display Light	
22	3311401	6	Nut 1/4in-20NC	
23	3311405	3	Locknut 1/4in-20NC	
24	3311605	4	Locknut 3/8in-16NC	
25	3520028	4	Plug, Hole 1/2in	
26	4340678	1	Support, Hand	
27	4340684	1	Support, Hand	
28	See Note	1	Footswitch (Note: See PLATFORM COMPONENTS INSTALLATION for Service Parts)	
29	4360328	6	Switch, Toggle	
30	4360331	1	Switch, Toggle	
31	4360387	1	Switch, Pushbutton	
32	4360407	1	Controller, Speed	
33	4360475	1	Switch, Emergency Stop	
33	7020175	1	Cap, Red	
33	7020176	1	Contact Block	
34	4360476	1	Block, Contact	
35	4460071	1	Connector, Strain Relief	
36	4460428	2	Connector, Strain Relief	
37	4460471	1	Lockwasher, Terminal	
38	4460470	1	Nut, Terminal	
39	4740362	3	Washer 1/4in (Fender)	
40	4751400	7	Flatwasher 1/4in	
41	4751600	4	Flatwasher 3/8in	
42	4922485	1	Harness, Analyzer Cable (Not Shown)	
42	4460871	4	Terminal, Socket	

## SECTION 4 - PLATFORM

ITEM	PART NUMBER	QTY	DESCRIPTION	REV
42	4460761	1	Housing - 4 Position	
42	4460227	4	Pin	
43	4922509	1	Harness, Platform Box	
44	3790012	7	O-Ring	
45	2920129	12	Bulb, Light	
46	1320060	1	Clamp	
48	4460464	1	Terminal, Deutsch	
49	4460871	2	Terminal, Socket	
50	0100009	AR	Sealant	
51	0100020	AR	Sealant	
	0861414	Ref	<b>CONSOLE BOX ASSEMBLY</b>	B
101	0100011	AR	Compound, Locking	
102	0861414	1	Console Top (Note: Not Available for Purchase)	
103	0861414	1	Console Bottom (Note: Not Available for Purchase)	
104	2600211	2	Hinge	
105	3311601	1	Nut 3/8in-16NC	
106	3900224	8	Screw Countersunk	
107	3931672	1	Screw 3/8in-16NC x 4-1/2in	
	0275804	Ref	<b>LIGHT PANEL DECAL INSTALLATION</b>	A
151	1707111	1	Decal - Light Panel Display	
		Ref	<b>Note: Machines should of been updated to this light panel installation.</b>	
	0271366	Ref	<b>DUAL FUEL SWITCH INSTALLATION</b>	1
201	4360336	1	Switch, Toggle	
201	3790012	1	O-Ring	
	0271418	Ref	<b>HEAD AND TAIL LIGHTS INSTALLATION (OPTIONAL)</b>	1
301	4360336	1	Switch, Toggle	
301	3790012	1	O-Ring	
		Ref	<b>SOFT TOUCH SYSTEM INSTALLATION (OPTIONAL)</b>	
	0270795	Ref	<b>6ft PLATFORM</b>	1
	0270796	Ref	<b>8ft PLATFORM</b>	1
401	4360387	1	Switch, Pushbutton	
402	1702938	1	Decal - Soft Touch Override	
		Ref	<b>GENERATOR INSTALLATION (OPTIONAL)</b>	
	0270801	Ref	<b>110V DEUTZ</b>	1
	0270810	Ref	<b>220V DEUTZ</b>	1
	0270808	Ref	<b>110V FORD</b>	1
	0270809	Ref	<b>220V FORD</b>	1
501	4360336	1	Switch, Toggle	
502	4740397	1	Bushing	
503	4060802	1	Guard, Switch	
504	3251102	1	Decal - Generator ON/OFF	
	0270814	Ref	<b>PLATFORM WORKLIGHT INSTALLATION (OPTIONAL)</b>	3
601	4360232	1	Breaker, Circuit - 15Amp	
602	0721003	2	Bolt #10-24NC x 3/8in	
603	4761000	4	Lockwasher #10	
604	3311001	2	Nut #10-24NC	
605	4460598	1	Connector, Strain Relief	
	0271340	Ref	<b>JIB SWITCH INSTALLATION (OPTIONAL)</b>	1
701	4360328	1	Switch, Toggle	
701	3790012	1	O-Ring	
	0258945	Ref	<b>STEER SWITCH (4WS) INSTALLATION (OPTIONAL)</b>	1

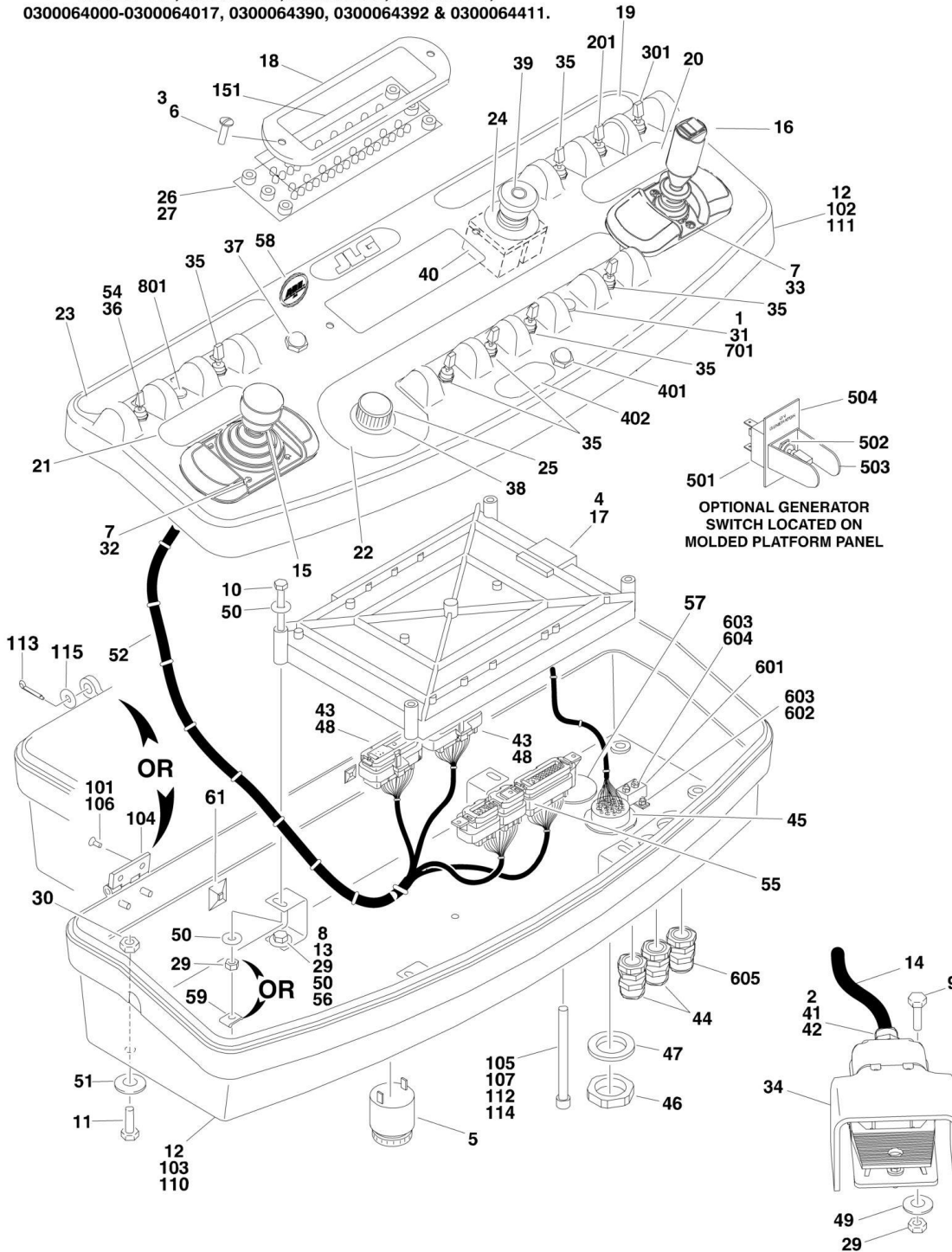
## SECTION 4 - PLATFORM

ITEM	PART NUMBER	QTY	DESCRIPTION	REV
801	4360331	1	Switch, Toggle	
801	3790012	1	O-Ring	

# SECTION 4 - PLATFORM

**FIGURE 4-5. PLATFORM CONSOLE ASSEMBLY (WITH ADE SYSTEM) (SN 0300064432 through 0300069000)**

**NOTE: These Machine SN's Also Equipped With ADE System: 0300062045, 0300062797, 0300063013, 0300063665, 0300063975, 0300064000-0300064017, 0300064390, 0300064392 & 0300064411.**





## SECTION 4 - PLATFORM

**FIGURE 4-5. PLATFORM CONSOLE ASSEMBLY (WITH ADE SYSTEM) (SN 0300064432 through 0300069000)**

ITEM	PART NUMBER	QTY	DESCRIPTION	REV
		Ref	<b>NOTE: THESE MACHINE SN'S ALSO EQUIPPED WITH ADE SYSTEM: 0300062045, 0300062797, 0300063013, 0300063665, 0300063975, 0300064000-0300064017, 0300064390, 0300064392 &amp; 0300064411.</b>	
		Ref	<b>CONSOLE BOX AND FOOTSWITCH ASSEMBLIES</b>	
	0861474	Ref	<b>Console Box and Footswitch Assemblies (SN 0300064432 through 0300068917)</b>	B
	0861517	Ref	<b>Console Box and Footswitch Assemblies (SN 0300068918 through 0300069000)</b>	A
1	0100009	AR	Sealant	
2	0100020	AR	Sealant	
3	0100035	AR	Compound, Locking	
4	0100048	AR	Grease, Dielectric	
5	0140011	1	Alarm	
6	0630464	2	Screw, Button Head #10-24NC x 1/2in	
7	0641404	8	Bolt 1/4in-20NC x 1/2in	
8	0641406	4	Bolt 1/4in-20NC x 3/4in	
9	0641408	3	Bolt 1/4in-20NC x 1in	
10	0641416	4	Bolt 1/4in-20NC x 2in	
11	0641610	4	Bolt 3/8in-16NC x 1-1/4in	
12		Ref	Box, Console Options:	
12	0861414	1	Box, Console (See Items 101-108 for Breakdown) <b>(Prior to SN 0300068918)</b>	
12	0861537	1	Box, Console (See Items 110-115 for Breakdown) <b>(SN 0300068918 through 0300069000)</b>	
13	0902751	4	Bracket, Card Support	
14	1060918	8 ft/2.4m	Cable, 18/3	
15	1600317	NLA	Controller Assembly (Swing and Lift) (Use p/n 1001129555) (See CONTROLLER ASSEMBLY (SWING AND LIFT) for Breakdown)	
16	1600318	NLA	Controller Assembly (Drive and Steer) (Use p/n 1001212415) (See CONTROLLER ASSEMBLY (DRIVE AND STEER) for Breakdown)	
17	1600313	1	Controller, Module	
18	1670829	1	Bezel	
19	1702564	1	Decal (Stop)	
20	1702565	1	Decal (Drive and Steer)	
21	1702566	1	Decal (Lift and Swing)	
22	1702567	1	Decal (Function Speed)	
23	1702676	1	Decal (Horn)	
24	1704260	1	Decal - EMS	
25	2560136	1	Handle, Knob	
26	2760105	1	Housing, Display Light	
27	2920129	12	Bulb, Light	
29	3311405	11	Locknut 1/4in-20NC	
30	3311605	4	Locknut 3/8in-16NC	
31	3520028	4	Plug, Hole 1/2in	
32	4340678	1	Support, Hand	
33	4340684	1	Support, Hand	
34	See Note	1	Footswitch (Note: See PLATFORM COMPONENTS INSTALLATION for Service Parts)	
35	4360328	6	Switch, Toggle	

## SECTION 4 - PLATFORM

ITEM	PART NUMBER	QTY	DESCRIPTION	REV
36	4360331	1	Switch, Toggle	
37	4360387	1	Switch, Pushbutton	
38	4360407	1	Controller, Speed	
39	4360475	1	Switch, Emergency Stop	
39	7020175	1	Cap, Red	
39	7020176	1	Contact Block	
40	4360476	1	Block, Contact	
41	4460042	3	Ring, Terminal	
42	4460071	1	Connector, Strain Relief	
43	4460226	2	Contact, Socket	
44	4460428	2	Connector, Strain Relief	
45	4460464	1	Terminal, Deutsch	
46	4460470	1	Nut, Terminal	
47	4460471	1	Lockwasher, Terminal	
48	4460905	5	Connector, Amp Seal Plug	
49	4740362	3	Washer 1/4in (Fender)	
50	4751400	16	Flatwasher 1/4in	
51	4751600	4	Flatwasher 3/8in	
52	4922639	1	Harness, Platform Box	
53	4922666	1	Harness, Analyzer Cable (Not Shown)	
53	4460871	4	Terminal, Socket	
53	4460761	1	Housing - 4 Position	
53	4460227	4	Pin	
54	3790012	7	O-Ring	
55	4460708	2	Terminal, 15 Pin	
56	0100081	AR	Adhesive	
57	1671037	1	Cover (SN 0300068918 through 0300069000)	
58	1705132	1	Decal - ADE (SN 0300068918 through 0300069000)	
59	3300353	4	Nut, Tinnerman (SN 0300068918 through 0300069000)	
60	4460226	3	Wire, Tie (Not Shown) (SN 0300068918 through 0300069000)	
61	4460488	1	Base, Mounting (SN 0300068918 through 0300069000)	
	0861414	Ref	<b>CONSOLE BOX ASSEMBLY (SN 0300064432 through 0300068917)</b>	C
101	0100011	AR	Compound, Locking	
102	0861414	1	Console Top (Note: Not Available for Purchase)	
103	0861414	1	Console Bottom (Note: Not Available for Purchase)	
104	2600211	2	Hinge	
105	3311601	1	Nut 3/8in-16NC	
106	3900224	8	Screw Countersunk	
107	3931672	1	Screw 3/8in-16NC x 4-1/2in	
108	3520174	3	Plug, 3/16in	
	0861537	Ref	<b>CONSOLE BOX ASSEMBLY (SN 0300068918 through 0300069000)</b>	A
110	0861537	1	Console Bottom (Note: Not Available for Purchase)	
111	0861537	1	Console Top (Note: Not Available for Purchase)	
112	3311601	1	Nut 3/8in-16NC	
113	3450304	2	Pin, Cotter	
114	3931672	1	Screw 3/8in-16NC x 4-1/2in	
115	4711500	2	Flatwasher 5/16in	
	0275804	Ref	<b>LIGHT PANEL DECAL INSTALLATION</b>	A
151	1707111	1	Decal - Light Panel Display	
		Ref	<b>Note: Machines should of been updated to this light panel</b>	

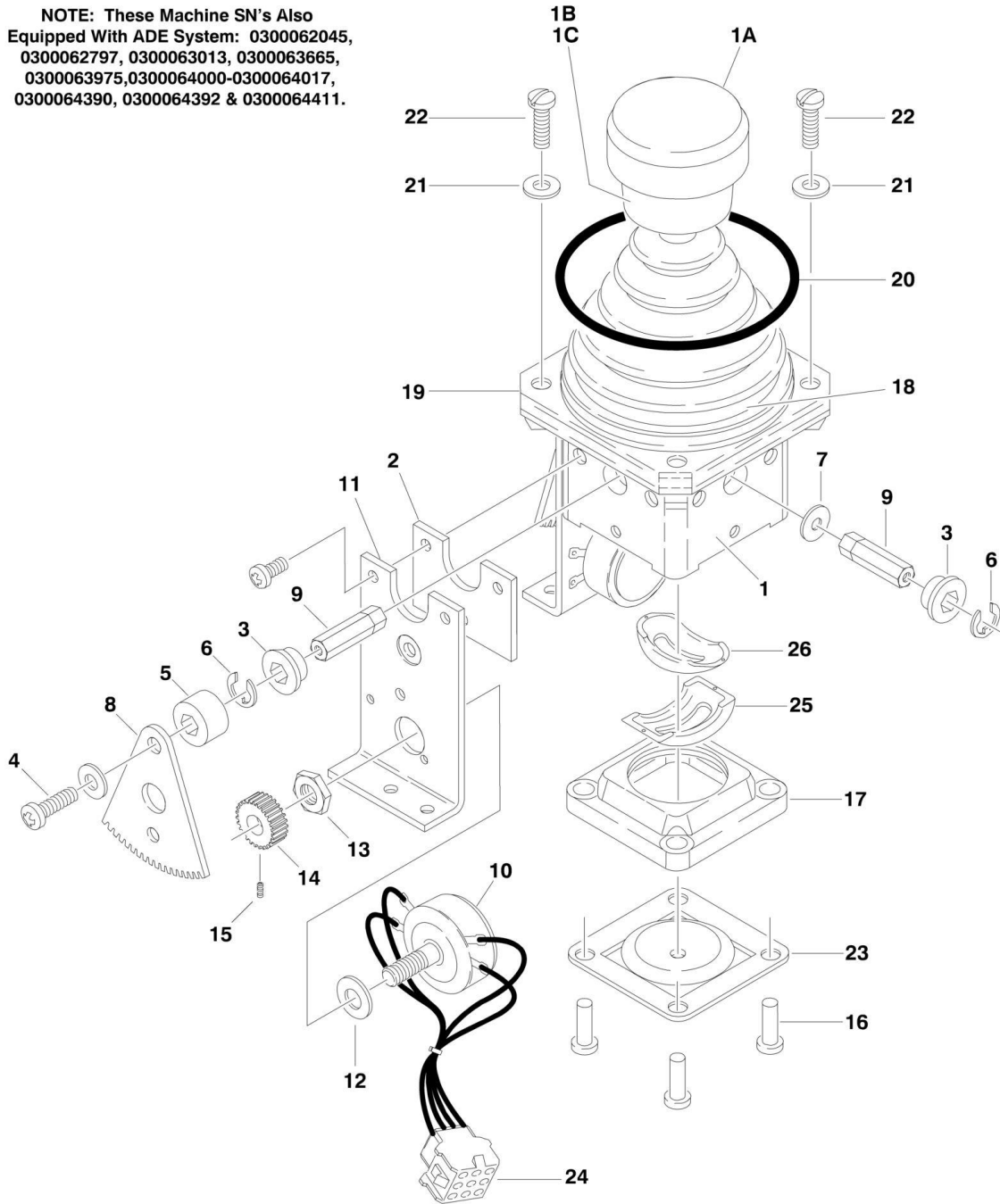
## SECTION 4 - PLATFORM

ITEM	PART NUMBER	QTY	DESCRIPTION	REV
			<b>installation.</b>	
	0271366	Ref	<b>DUAL FUEL SWITCH INSTALLATION</b>	1
201	4360336	1	Switch, Toggle	
201	3790012	1	O-Ring	
	0271768	Ref	<b>HEAD AND TAIL LIGHTS INSTALLATION (OPTIONAL)</b>	2
301	4360336	1	Switch, Toggle	
301	3790012	1	O-Ring	
		Ref	<b>SOFT TOUCH SYSTEM INSTALLATION (OPTIONAL) (SN 0300064432 through 0300069000)</b>	
	0271550	Ref	<b>6ft PLATFORM (SN 0300064432 through 0300066290)</b>	1
	0271551	Ref	<b>8ft PLATFORM (SN 0300064432 through 0300066290)</b>	1
401	4360387	1	Switch, Pushbutton	
402	1702938	1	Decal - Soft Touch Override	
		Ref	<b>GENERATOR INSTALLATION (OPTIONAL) (SN 0300064432 through 0300069000)</b>	
	0271544	Ref	<b>110V DEUTZ (SN 0300064432 through 0300068268)</b>	2
	0272480	Ref	<b>110V DEUTZ (SN 0300068269 through 0300069000)</b>	2
	0271547	Ref	<b>220V DEUTZ (SN 0300064432 through 0300068268)</b>	2
	0272481	Ref	<b>220V DEUTZ (SN 0300068269 through 0300069000)</b>	2
	0271545	Ref	<b>110V FORD</b>	4
	0271546	Ref	<b>220V FORD</b>	4
501	4360336	1	Switch, Toggle	
502	4740397	1	Bushing	
503	4060802	1	Guard, Switch	
504	3251102	1	Decal - Generator ON/OFF	
	0270814	Ref	<b>PLATFORM WORKLIGHT INSTALLATION (OPTIONAL)</b>	3
601	4360232	1	Breaker, Circuit - 15Amp	
602	0721003	2	Bolt #10-24NC x 3/8in	
603	4761000	4	Lockwasher #10	
604	3311001	2	Nut #10-24NC	
605	4460598	1	Connector, Strain Relief	
	0271340	Ref	<b>JIB SWITCH INSTALLATION (OPTIONAL)</b>	1
701	4360328	1	Switch, Toggle	
701	3790012	1	O-Ring	
	0258945	Ref	<b>STEER SWITCH (4WS) INSTALLATION (OPTIONAL)</b>	1
801	4360331	1	Switch, Toggle	
801	3790012	1	O-Ring	

# SECTION 4 - PLATFORM

## FIGURE 4-6. CONTROLLER ASSEMBLY (SWING AND LIFT) (Prior to SN 0300064432)

NOTE: These Machine SN's Also Equipped With ADE System: 0300062045, 0300062797, 0300063013, 0300063665, 0300063975, 0300064000-0300064017, 0300064390, 0300064392 & 0300064411.



## SECTION 4 - PLATFORM

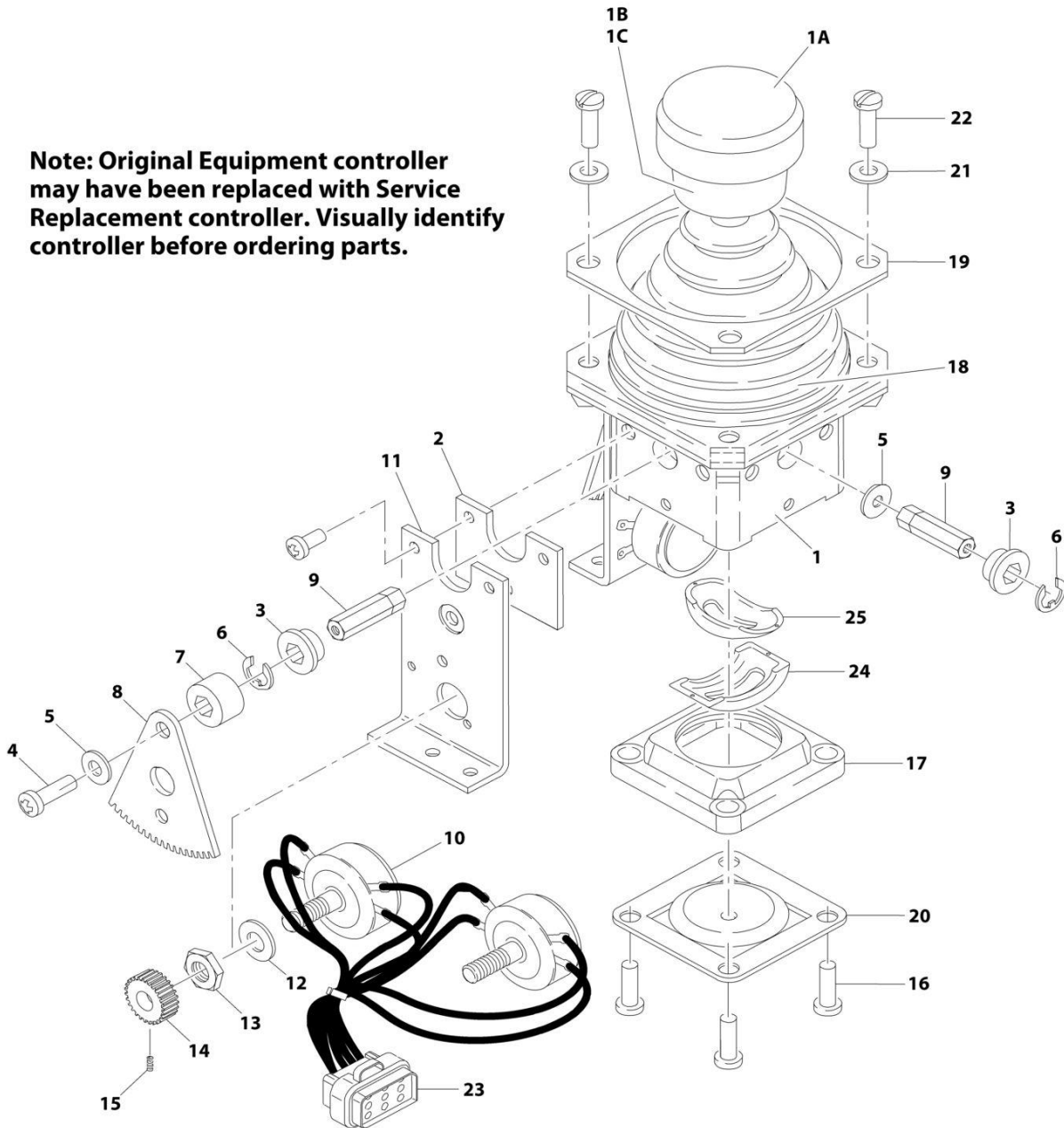
**FIGURE 4-6. CONTROLLER ASSEMBLY (SWING AND LIFT) (Prior to SN 0300064432)**

ITEM	PART NUMBER	QTY	DESCRIPTION	REV
		Ref	<b>NOTE: THESE MACHINE SN'S ALSO EQUIPPED WITH ADE SYSTEM: 0300062045, 0300062797, 0300063013, 0300063665, 0300063975, 0300064000-0300064017, 0300064390, 0300064392 &amp; 0300064411.</b>	
	1600284	Ref	<b>CONTROLLER ASSEMBLY</b>	A
1	7019141	1	Mechanical Assembly (Includes Base, Handle Stem and Items 1A, 1B, 1C & 18)	
1A	7019197	1	Handle Cap and Rod	
1B	7003928	1	Spring	
1C	7022808	1	Cap, Lift	
2	7019142	2	Plate	
3	7019111	4	Bearing, Gear	
4	7019143	2	Screw	
5	7019144	2	Spacer, Cam	
6	7019145	4	E-Clip	
7	7019146	2	Spacer	
8	7003977	2	Gear, Drive	
9	7019147	4	Shaft	
10	7003974	2	Potentiometer	
11	7019142	2	Plate	
12	7003992	2	Washer	
13	7003993	2	Nut	
14	7003976	2	Gear, Slave	
15	7019149	2	Setscrew	
16	7003952	4	Screw	
17	7019150	1	Gate	
18	7022813	1	Boot (was p/n 7003955)	
19	7022813	1	Plate, Plastic (was p/n 7003954)	
20	7003956	1	O-Ring	
21	7003953	4	Washer	
22	7019137	4	Screw	
23	See Note	1	Center, Detent (Note: Not Available for Purchase)	
24	4460266	1	Connector - 9 Pin	
24	4460268	8	Socket, Female	
24	4460265	1	Plug - 9 Pin (Part of Platform Wiring) (Not Shown)	
24	4460267	8	Pin, Male (Part of Platform Wiring) (Not Shown)	
25	7019122	1	Gimble, Outer	
26	7019123	1	Gimble, Inner	

# SECTION 4 - PLATFORM

FIGURE 4-7. CONTROLLER ASSEMBLY (SWING AND LIFT) (WITH ADE SYSTEM) (ORIGINAL EQUIPMENT) (SN 0300064432 through 0300069000)

**Note: Original Equipment controller may have been replaced with Service Replacement controller. Visually identify controller before ordering parts.**



ART\_1600317

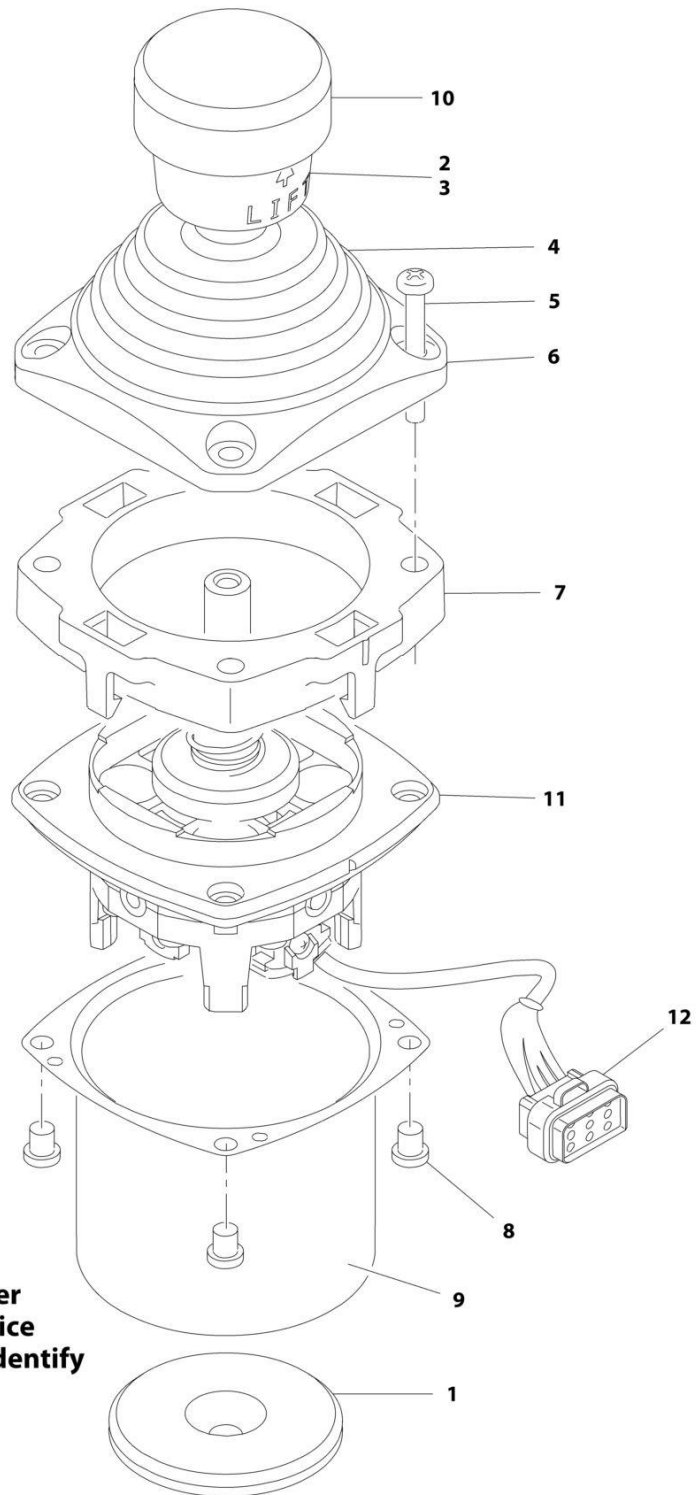
## SECTION 4 - PLATFORM

**FIGURE 4-7. CONTROLLER ASSEMBLY (SWING AND LIFT) (WITH ADE SYSTEM) (ORIGINAL EQUIPMENT) (SN 0300064432 through 0300069000)**

ITEM	PART NUMBER	QTY	DESCRIPTION	REV
		Ref	<b>Note: Original Equipment controller may have been replaced with Service Replacement controller. Visually identify controller before ordering parts.</b>	
	1600317	Ref	<b>CONTROLLER ASSEMBLY</b>	C
		Ref	<b>Note: Use p/n 1001129555 Kit as Replacement.</b>	
1	7019141	1	Mechanical Assembly (Includes Base, Handle Stem and Items 1A, 1B, 1C & 18)	
1A	7019197	1	Handle Cap and Rod	
1B	7003928	1	Spring	
1C	7022808	1	Cap, Lift	
2	7019171	2	Plate	
3	7019111	4	Bearing, Gear	
4	7019143	2	Screw	
5	7019144	2	Spacer, Cam	
6	7019145	4	E-Clip	
7	7019174	2	Spacer	
8	7003977	2	Gear, Drive	
9		Ref	Shaft Options:	
9	7019147	2	Shaft, Short	
9	7019177	2	Shaft, Long	
10	7022818	2	Potentiometer	
11	7019142	2	Plate	
12	7003992	2	Washer	
13	7003993	2	Nut	
14	7003976	2	Gear, Slave	
15	7019149	2	Setscrew	
16	7022816	4	Screw	
17	7019150	1	Gate	
18	7022814	1	Boot	
19	7022815	1	Bezel	
20	See Note	NSS	Center, Detent (Note: Use p/n 1001129555)	
21	7003953	4	Washer	
22	7022817	4	Screw	
23	7022819	1	Plug, Male - 8 Position (Natural)	
23	4460871	8	Socket, Female	
24	7019122	1	Gimble, Outer	
25	7019123	1	Gimble, Inner	

## SECTION 4 - PLATFORM

FIGURE 4-8. CONTROLLER ASSEMBLY (SWING AND LIFT) (WITH ADE SYSTEM) (SERVICE REPLACEMENT) (SN 0300064432 through 0300069000)



**Note: Original Equipment controller may have been replaced with Service Replacement controller. Visually identify controller before ordering parts.**

ART\_100118417



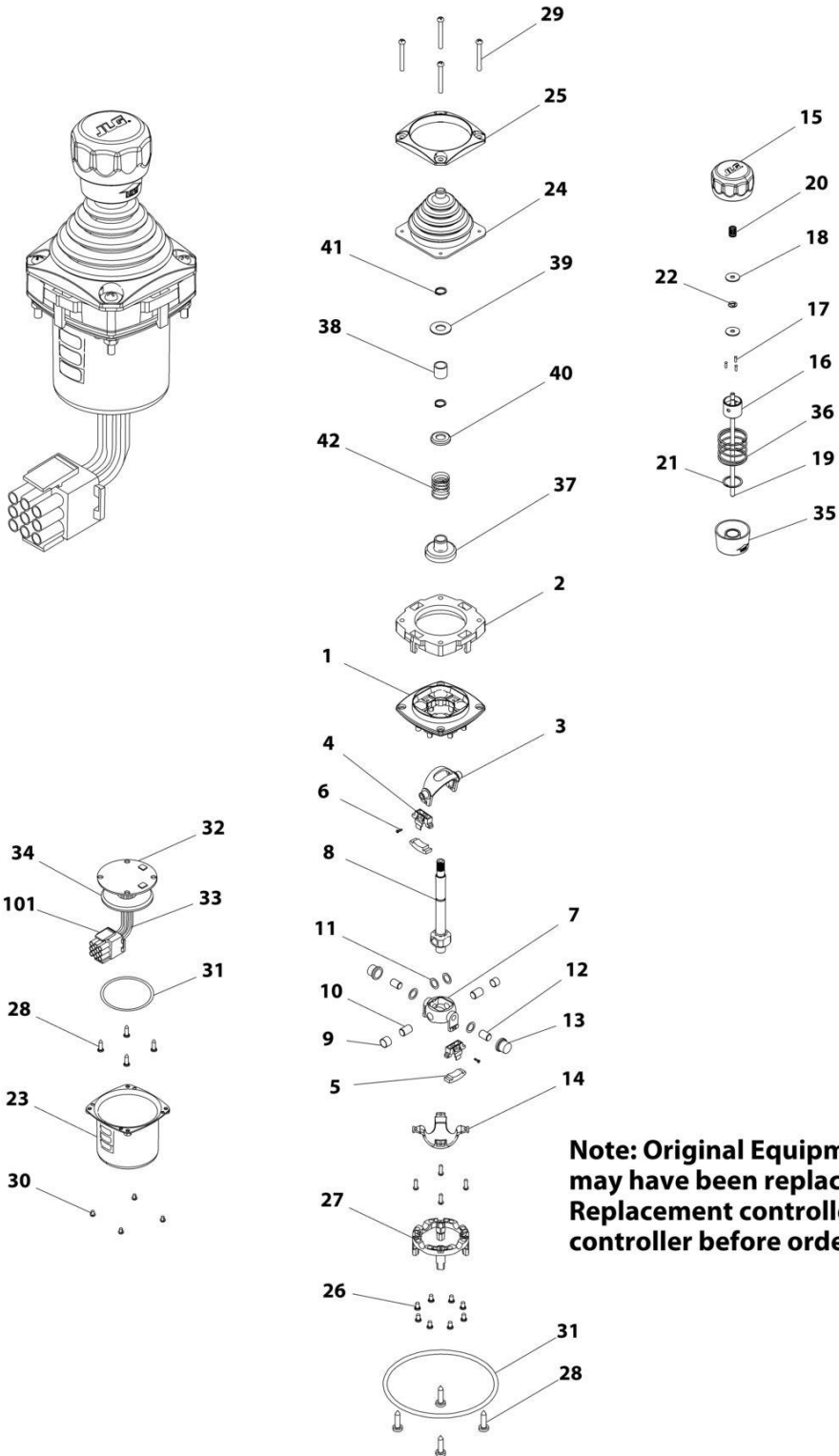
## SECTION 4 - PLATFORM

**FIGURE 4-8. CONTROLLER ASSEMBLY (SWING AND LIFT) (WITH ADE SYSTEM) (SERVICE REPLACEMENT) (SN 0300064432 through 0300069000)**

ITEM	PART NUMBER	QTY	DESCRIPTION	REV
		Ref	<b>Note: Original Equipment controller may have been replaced with Service Replacement controller. Visually identify controller before ordering parts.</b>	
	1001118417	Ref	<b>CONTROLLER ASSEMBLY</b>	E
		Ref	<b>Note: Use p/n 1001129555 as Replacement.</b>	
1	70002730	1	Gasket	
2	7003928	1	Spring	
3	7022808	1	Cap, Lift	
4	70002731	1	Boot	
5	70002732	4	Screw	
6	7022815	1	Bezel	
7	70002733	1	Adapter	
8	70002734	4	Screw	
9	70002735	1	Can, Enclosure	
10	70002906	1	Cap	
11	See Note	NSS	Mechanical Assembly (Note: Use p/n 1001129555)	
12	7022819	1	Connector - 8 Position	
12	4460871	6	Socket, Female	

# SECTION 4 - PLATFORM

**FIGURE 4-9. CONTROLLER ASSEMBLY (SWING AND LIFT) (WITH ADE SYSTEM) (SERVICE REPLACEMENT) (SN 0300064432 through 0300069000)**



ART\_1001166539

## SECTION 4 - PLATFORM

**FIGURE 4-9. CONTROLLER ASSEMBLY (SWING AND LIFT) (WITH ADE SYSTEM) (SERVICE REPLACEMENT) (SN 0300064432 through 0300069000)**

ITEM	PART NUMBER	QTY	DESCRIPTION	REV
		Ref	<b>Note: Original Equipment controller may have been replaced with Service Replacement controller. Visually identify controller before ordering parts.</b>	
	1001166539	Ref	<b>CONTROLLER ASSEMBLY (SWING AND LIFT)</b>	D
		Ref	<b>Note: Use p/n 1001129555 as Replacement.</b>	
1	See Note	NSS	Main Cast Body (Note: Not Available - Purchase Complete Assembly)	
2	70004752	1	Adapter	
3	See Note	NSS	Pivot Arm, Plastic (Note: Not Available - Purchase Complete Assembly)	
4	See Note	NSS	Holder, Magnet (Note: Not Available - Purchase Complete Assembly)	
5	See Note	NSS	Arc, Magnet (Note: Not Available - Purchase Complete Assembly)	
6	See Note	NSS	Screw (Note: Not Available for Purchase)	
7	See Note	NSS	Pivot Arm, Cast (Note: Not Available - Purchase Complete Assembly)	
8	See Note	NSS	Shaft, Main (Note: Not Available - Purchase Complete Assembly)	
9	See Note	NSS	Bearing (Note: Not Available - Purchase Complete Assembly)	
10	See Note	NSS	Pin (Note: Not Available - Purchase Complete Assembly)	
11	See Note	NSS	Shim (Note: Not Available - Purchase Complete Assembly)	
12	See Note	NSS	Pin (Note: Not Available - Purchase Complete Assembly)	
13	See Note	NSS	Bearing (Note: Not Available - Purchase Complete Assembly)	
14	See Note	NSS	Dome, Centering (Note: Not Available - Purchase Complete Assembly)	
15	70004753	1	Cap	
16	70004754	1	Insert, Cap	
17	70004755	3	Pin	
18	70004756	2	Washer	
19	70004757	1	Pin, Centering	
20	70004758	1	Spring	
21	70004759	1	Ring, Retaining	
22	70004760	1	E-Ring	
23	70004761	1	Can, Enclosure	
24	70004762	1	Boot	
25	70004763	1	Bezel	
26	See Note	NSS	Screw (Note: Not Available for Purchase)	
27	See Note	NSS	Base, Mounting (Note: Not Available - Purchase Complete Assembly)	
28	See Note	NSS	Screw (Note: Not Available for Purchase)	
29	70004764	4	Screw	
30	70004765	4	Screw	
31	70004766	1	O-Ring	
32	See Note	NSS	Plate (Note: Not Available - Purchase Complete Assembly)	
33	See Note	NSS	Harness (Note: Not Available - Purchase Complete Assembly)	
34	70004767	1	Grommet, Rubber	
35	70004768	1	Housing	
36	70004769	1	Spring	
37	70004770	1	Stopper	
38	70004771	1	Spacer	
39	70004772	1	Washer	

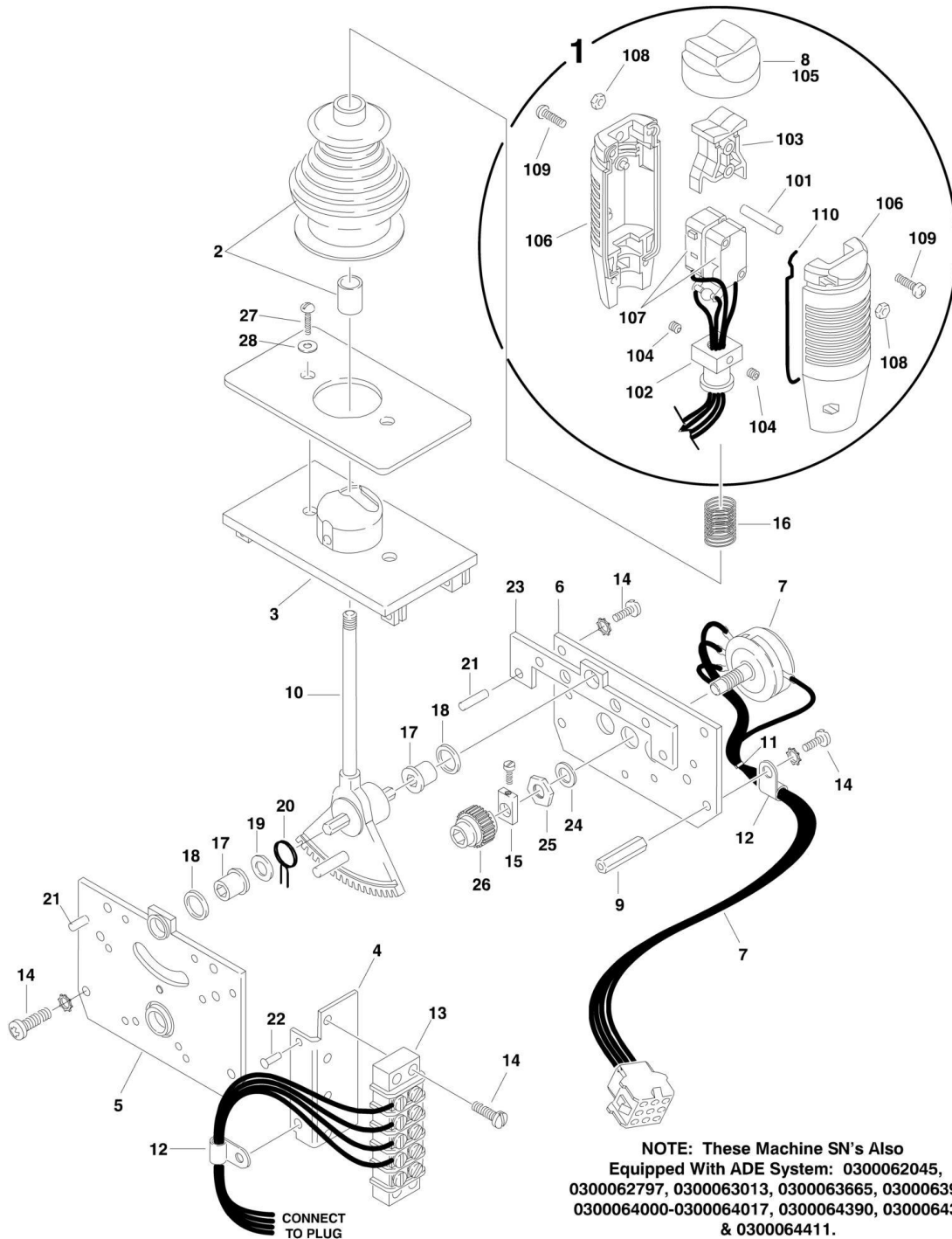
## SECTION 4 - PLATFORM

ITEM	PART NUMBER	QTY	DESCRIPTION	REV
40	70004773	1	Disc	
41	70004774	2	Ring, Retaining	
42	70004775	1	Spring	
101	4460265	1	Connector - 9 Position	
101	4460226	6	Socket, Female	



# SECTION 4 - PLATFORM

FIGURE 4-10. CONTROLLER ASSEMBLY (DRIVE AND STEER) (Prior to SN 0300064432)



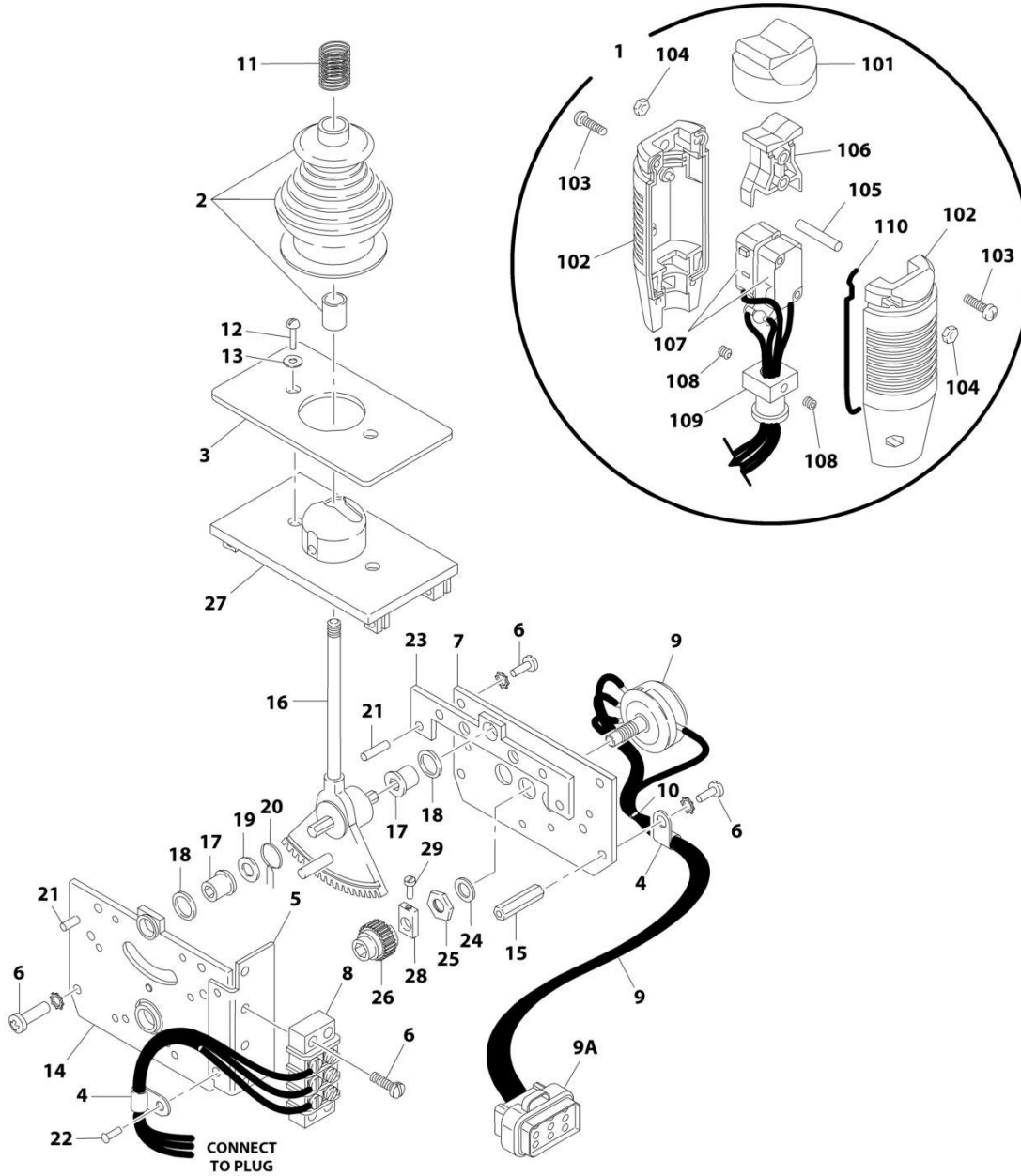
## SECTION 4 - PLATFORM

**FIGURE 4-10. CONTROLLER ASSEMBLY (DRIVE AND STEER) (Prior to SN 0300064432)**

ITEM	PART NUMBER	QTY	DESCRIPTION	REV
		Ref	<b>NOTE: THESE MACHINE SN'S ALSO EQUIPPED WITH ADE SYSTEM: 0300062045, 0300062797, 0300063013, 0300063665, 0300063975, 0300064000-0300064017, 0300064390, 0300064392 &amp; 0300064411.</b>	
	1600283	Ref	<b>CONTROLLER ASSEMBLY</b>	A
1	7022810	1	Handle Assembly (See items 101-110 for Breakdown)	
2	7019161	1	Boot and Sleeve	
3	7019160	1	Cast Housing Assembly	
4	7019159	1	Bracket, Mounting	
5	7019158	1	Plate, Mounting (Left Side)	
6	7019157	1	Plate, Pot Mounting	
7	7019156	1	Electric Assembly	
8	7003972	1	Boot, Rocker	
9	7019115	2	Stand-off	
10	7019155	1	Shaft 8mm	
11	7019151	AR	Tie-Strap	
12	7019154	2	Clamp, Wire	
13	7019153	1	Strip, Terminal - 5 Position	
14	7019117	8	Screw	
15	7019163	1	Potentiometer Coupling Assembly	
16	7019162	1	Spring	
17	7019111	2	Bearing	
18	7019110	2	Spacer, Head Gear	
19	7019112	1	Washer	
20	7003946	1	Spring, Return	
21	7019103	4	Pin	
22	See Note	1	Rivet (Note: Not Available - Purchase Locally)	
23	7019168	1	Plate, Mounting (Right Side)	
24	7003992	1	Washer	
25	7003993	1	Nut	
26	7003935	1	Gear, Slave	
27	7003969	2	Screw	
28	7003941	2	Washer	
	7022810	Ref	<b>HANDLE ASSEMBLY</b>	
101	7019164	1	Axle	
102	7019194	1	Coupling	
103	7019165	1	Rocker	
104	7003983	2	Setscrew	
105	7003972	1	Boot, Switch	
106	7003973	2	Half, Handle	
107	7019166	2	Switch, Micro	
108	7019167	4	Nut	
109	7003980	4	Screw	
110	7003989	2	Gasket	

# SECTION 4 - PLATFORM

FIGURE 4-11. CONTROLLER ASSEMBLY (DRIVE AND STEER) (WITH ADE SYSTEM) (ORIGINAL EQUIPMENT) (SN 0300064432 through 0300069000)



**Note: Original Equipment controller may have been replaced with Service Replacement controller. Visually identify controller before ordering parts.**

ART\_1600318



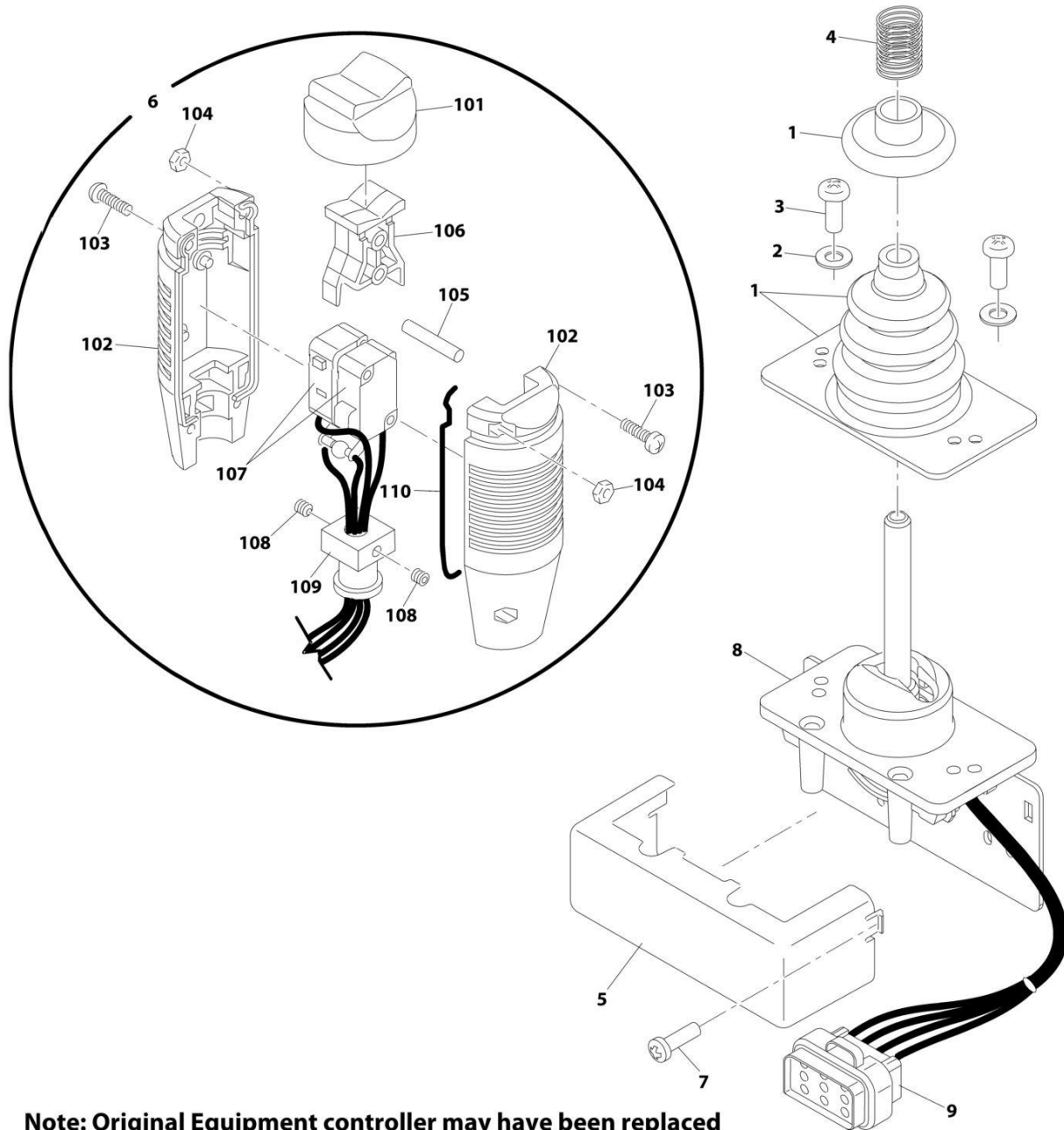
## SECTION 4 - PLATFORM

**FIGURE 4-11. CONTROLLER ASSEMBLY (DRIVE AND STEER) (WITH ADE SYSTEM) (ORIGINAL EQUIPMENT) (SN 0300064432 through 0300069000)**

ITEM	PART NUMBER	QTY	DESCRIPTION	REV
		Ref	<b>Note: Original Equipment controller may have been replaced with Service Replacement controller. Visually identify controller before ordering parts.</b>	
	1600318	Ref	<b>CONTROLLER ASSEMBLY</b>	C
		Ref	<b>Note: Use p/n 1001212415 as Replacement.</b>	
1	7022812	1	Handle Assembly (See Items 101-110 for Breakdown)	
2	7019161	1	Boot and Sleeve	
3	7003933	1	Gasket	
4	7019154	2	Clamp, Wire	
5	7022823	1	Bracket, Mounting	
6	7003994	1	Screw	
7	7022822	1	Plate, Pot Mounting	
8	7003986	1	Strip, Terminal - 3 Position	
9	7022824	1	Electric Assembly	
9A	1001113961	1	Plug, Male - 8 Position (Black) (was p/n 7022825)	
9A	4460871	7	Socket, Female	
10	7019151	AR	Tie-Strap	
11	7019162	1	Spring	
12	7003969	2	Screw	
13	7003941	2	Washer	
14	See Note	NSS	Plate, Mounting (Left Side) (Note: Use p/n 1001166538)	
15	7019115	2	Stand-off	
16	7019155	1	Shaft 8mm	
17	7019111	2	Bearing	
18	7019110	2	Spacer, Head Gear	
19	7019112	1	Washer	
20	7003946	1	Spring, Return	
21	7019103	4	Pin	
22	See Note	NSS	Rivet (Note: Not Available - Purchase Locally)	
23	7019168	1	Plate, Mounting (Right Side)	
24	7003992	1	Washer	
25	7003993	1	Nut	
26	7003935	1	Gear, Slave	
27	7019160	1	Plate, Base	
28	7019114	1	Coupling, Potentiometer	
29	See Note	NSS	Cup Point Screw (Note: Not Available for Purchase)	
	7022812	Ref	<b>HANDLE ASSEMBLY</b>	
101	7003972	1	Boot, Switch	
102	7003973	2	Half, Handle	
103	7003980	4	Screw	
104	7019167	4	Nut	
105	7019164	1	Axle	
106	7019165	1	Rocker	
107	See Note	NSS	Wiring for Controller Assembly p/n 1600318 (Note: Use p/n 1001166538)	
107	7019166	2	Switch, Micro	
108	7003983	2	Setscrew	
109	7019194	1	Coupling	
110	7003989	2	Gasket	

## SECTION 4 - PLATFORM

FIGURE 4-12. CONTROLLER ASSEMBLY (DRIVE AND STEER) (WITH ADE SYSTEM) (SERVICE REPLACEMENT) (SN 0300064432 through 0300069000)



**Note: Original Equipment controller may have been replaced with Service Replacement controller. Visually identify controller before ordering parts.**

ART\_1001118416

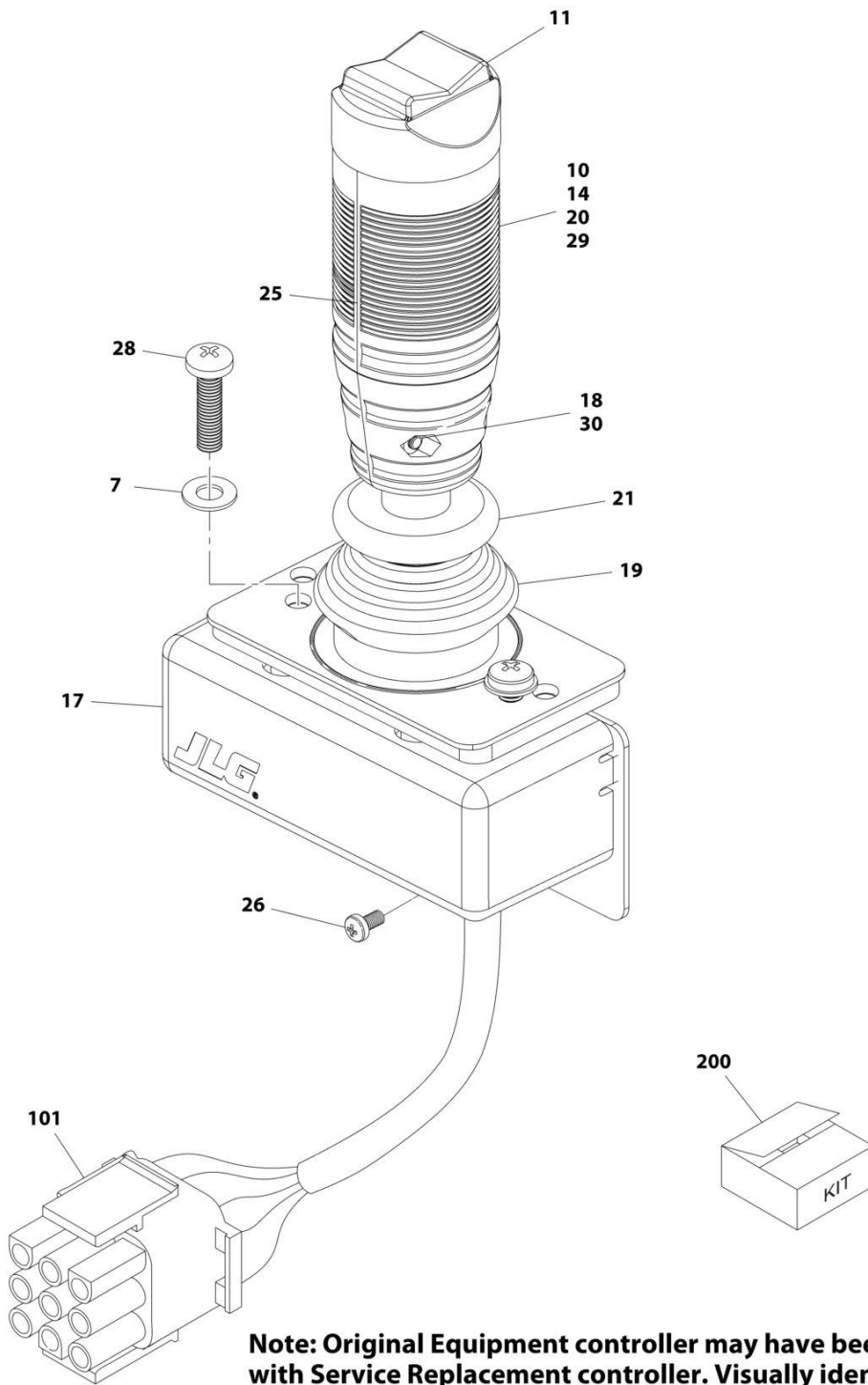
## SECTION 4 - PLATFORM

**FIGURE 4-12. CONTROLLER ASSEMBLY (DRIVE AND STEER) (WITH ADE SYSTEM) (SERVICE REPLACEMENT) (SN 0300064432 through 0300069000)**

ITEM	PART NUMBER	QTY	DESCRIPTION	REV
		Ref	<b>Note: Original Equipment controller may have been replaced with Service Replacement controller. Visually identify controller before ordering parts.</b>	
	1001118416	Ref	<b>CONTROLLER ASSEMBLY</b>	D
		Ref	<b>Note: Use p/n 1001212415 as Replacement.</b>	
1	70002724	1	Boot and Control Lock Assembly	
2	7003941	2	Washer	
3	70002725	2	Screw	
4	7019162	1	Spring	
5	70002726	1	Enclosure	
6	70002727	1	Handle Assembly (See Items 101-110 for Breakdown)	
7	70002728	1	Screw	
8	See Note	NSS	Mechanical Assembly (Note: Use p/n 1001166538)	
9	1001113961	1	Plug, Male - 8 Position (Black) (was p/n 7022825)	
9	4460871	7	Socket, Female	
	70002727	Ref	<b>HANDLE ASSEMBLY</b>	
101	7003972	1	Boot, Switch	
102	7003973	2	Half, Handle	
103	7003980	4	Screw	
104	7019167	4	Nut	
105	7019164	1	Axle	
106	7019165	1	Rocker	
107	70002729	1	Wiring Assembly	
107	7003982	2	Switch, Micro	
108	7003983	2	Set Screw	
109	7019194	1	Coupling	
110	7003989	2	Gasket	

## SECTION 4 - PLATFORM

**FIGURE 4-13. CONTROLLER ASSEMBLY (DRIVE AND STEER) (WITH ADE SYSTEM) (SERVICE REPLACEMENT) (SN 0300064432 through 0300069000)**



**Note: Original Equipment controller may have been replaced with Service Replacement controller. Visually identify controller before ordering parts.**

ART\_1001166538

## SECTION 4 - PLATFORM

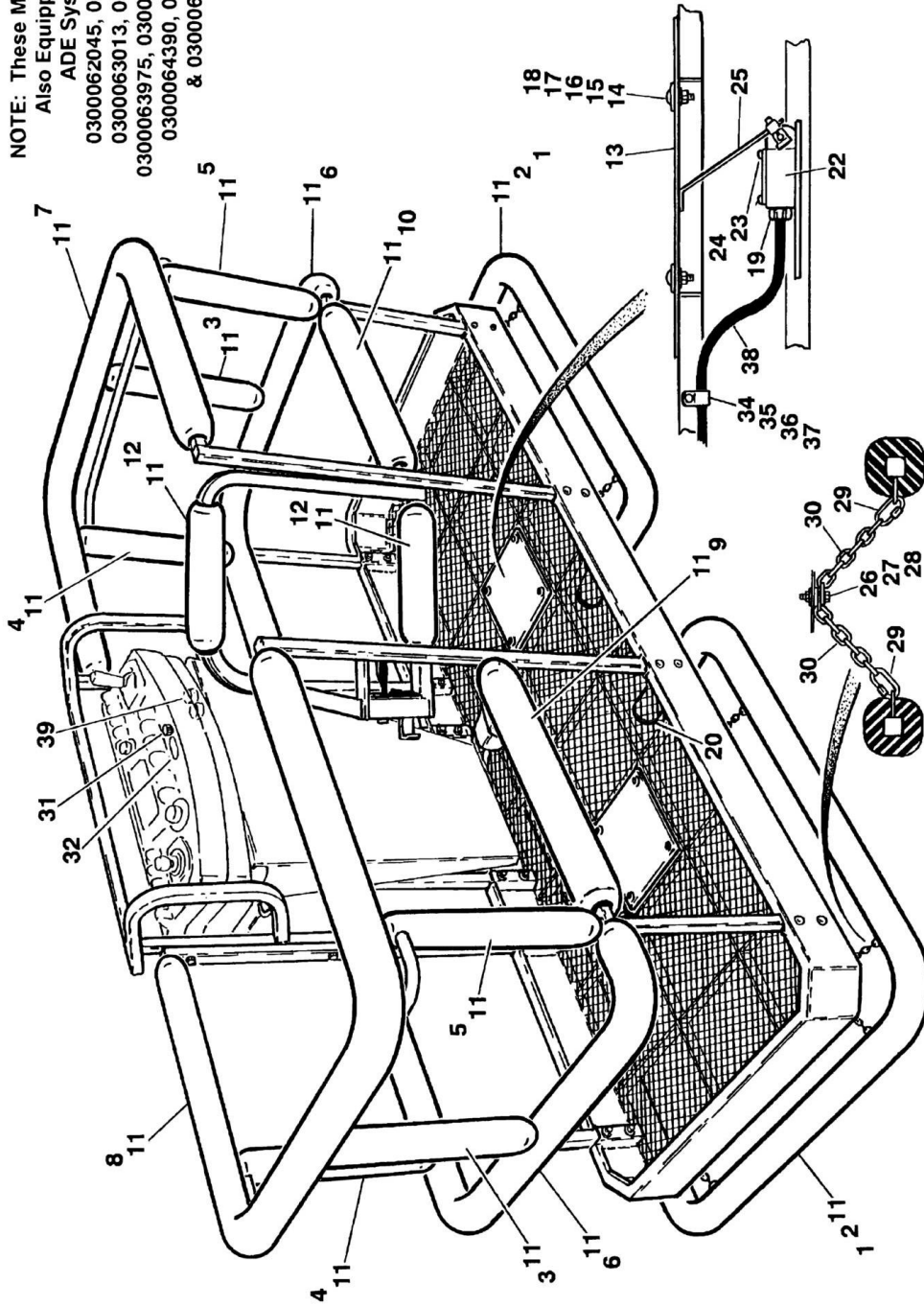
**FIGURE 4-13. CONTROLLER ASSEMBLY (DRIVE AND STEER) (WITH ADE SYSTEM) (SERVICE REPLACEMENT) (SN 0300064432 through 0300069000)**

ITEM	PART NUMBER	QTY	DESCRIPTION	REV
		Ref	<b>Note: Original Equipment controller may have been replaced with Service Replacement controller. Visually identify controller before ordering parts.</b>	
	1001166538	Ref	<b>CONTROLLER ASSEMBLY</b>	E
		Ref	<b>Note: Use p/n 1001212415 as Replacement.</b>	
7	70004738	2	Washer	
10	70004739	1	Roller	
11	70004740	1	Boot, Switch	
14	70004741	2	Half, Handle	
17	70004742	1	Enclosure	
18	70004743	4	Nut	
19	70004744	NLA	Boot, Controller (Note: Use Item 200)	
20	70004745	NLA	Tube, Locking (Note: Use Item 200)	
21	70004746	NLA	Disc, Locking (Note: Use Item 200)	
25	70004747	2	Seal, Rope	
26	70004748	1	Screw, M3 x 6	
28	70004749	2	Screw, M5 x 20	
29	70004750	1	Pin, Dowel	
30	70004751	4	Screw, M3 x 16	
101	4460265	1	Connector - 9 Position	
101	4460226	7	Socket, Female	
200	70005230	1	Boot Kit (Includes Items 19-21)	

# SECTION 4 - PLATFORM

FIGURE 4-14. SOFT TOUCH SYSTEM INSTALLATION (OPTIONAL)

NOTE: These Machine SN's  
Also Equipped With  
ADE System:  
0300062045, 0300062797,  
0300063013, 0300063665,  
0300063975, 0300064000-64017,  
0300064390, 0300064392  
& 0300064411.



## SECTION 4 - PLATFORM

**FIGURE 4-14. SOFT TOUCH SYSTEM INSTALLATION (OPTIONAL)**

ITEM	PART NUMBER	QTY	DESCRIPTION	REV
		Ref	<b>NOTE: THESE MACHINE SN'S ALSO EQUIPPED WITH ADE SYSTEM: 0300062045, 0300062797, 0300063013, 0300063665, 0300063975, 0300064000-0300064017, 0300064390, 0300064392 &amp; 0300064411.</b>	
		Ref	<b>SOFT TOUCH SYSTEM INSTALLATIONS OPTIONS:</b>	
	0257849	Ref	<b>6ft/1.8m Platforms (Prior to SN 0300064432)</b>	1
	0271550	Ref	<b>6ft/1.8m Platforms - ADE System (SN 0300064432 through 0300069000)</b>	1
	0257850	Ref	<b>8ft/2.4m Platforms (Prior to SN 0300064432)</b>	1
	0271551	Ref	<b>8ft/2.4m Platforms - ADE System (SN 0300064432 through 0300069000)</b>	1
1		Ref	Rail Weldment Options:	
1	4845308	2	6ft/1.8m Platforms	
1	4845309	2	8ft/2.4m Platforms	
2		Ref	Cover, Rail Options:	
2	1670804	2	6ft/1.8m Platforms	
2	1670803	2	8ft/2.4m Platforms	
3	1670787	2	Cover, End Post	
4	1670785	2	Cover, Front Right Post	
5	1670786	2	Cover, Front Left Post	
6	1670793	2	Cover, End Mid Rail	
7		Ref	Cover, Right End Top Options:	
7	1670798	1	6ft/1.8m Platforms	
7	1670796	1	8ft/2.4m Platforms	
8		Ref	Cover, Left End Top Options:	
8	1670797	1	6ft/1.8m Platforms	
8	1670795	1	8ft/2.4m Platforms	
9		Ref	Cover, Left End Mid Options:	
9	1670799	1	6ft/1.8m Platforms	
9	1670789	1	8ft/2.4m Platforms	
10		Ref	Cover, Right End Mid Options:	
10	1670801	1	6ft/1.8m Platforms	
10	1670791	1	8ft/2.4m Platforms	
11	0940038	70 ft /21.4m	Padding, Bumper	
12	1670788	2	Cover, Gate	
13	3539719	2	Plate, Switch Strike	
14	0630462	8	Bolt, Carriage	
15	4761500	8	Lockwasher 5/16in	
16	4751800	8	Flatwasher 1/2in	
17	3311501	8	Nut 5/16in-18NC	
18	4751500	8	Flatwasher 5/16in	
19	4460049	2	Connector, Strain Relief	
20	3530072	4	Plug, Cap	
22	4360057	2	Switch, Limit	
23	0731005	4	Bolt #10-32NC x 5/8in	
24	4751000	4	Lockwasher #10	
25	0200550	2	Arm, Switch	
26	0641612	8	Bolt 3/8in-16NC x 1-1/2in	
27	4751600	40	Flatwasher 3/8in	
28	3311605	8	Locknut 3/8in-16NC	

## SECTION 4 - PLATFORM

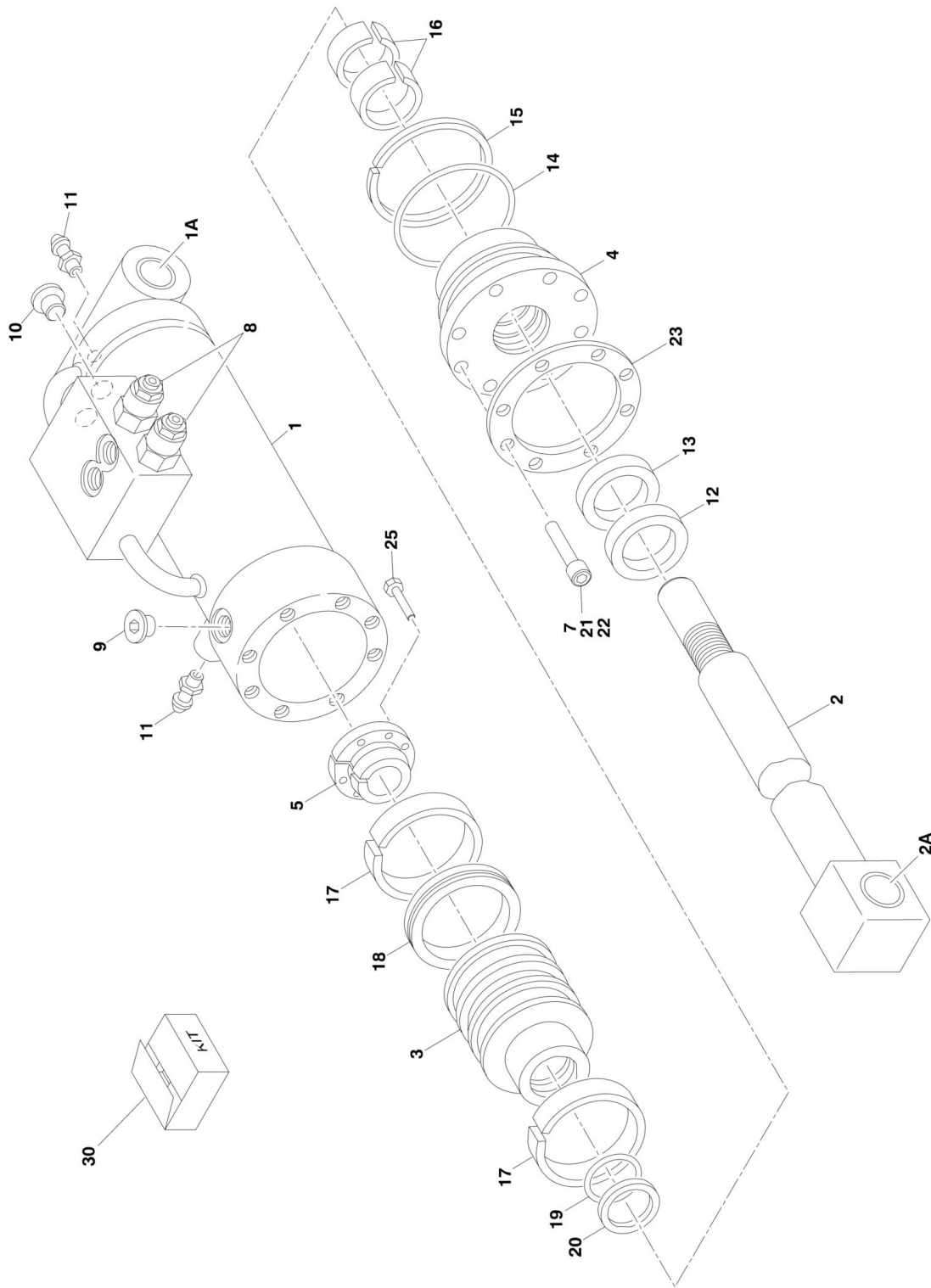
ITEM	PART NUMBER	QTY	DESCRIPTION	REV
29	3010088	16	Link, Quick	
30	1260136	10 ft/3m	Chain	
31	4360387	1	Switch, Push Button	
32	1702938	1	Decal - Soft Touch Override	
34	1320040	4	Clamp	
35	0641406	4	Bolt 1/4in-20NC x 3/4in	
36	4711400	8	Flatwasher 1/4in	
37	3311405	4	Locknut 1/4in-20NC	
38		Ref	Cable, Electrical Options:	
38	1060330	16 ft/4.9m	Cable, Electrical (16/3) (Prior to SN 0300064432)	
38	1060341	16 ft/4.9m	Cable, Electrical (16/2) (SN 0300064432 through 0300069000)	
39	4460425	1	Connector, Strain Relief	
	0258763	Ref	<b>SOFT TOUCH COUNTERWEIGHT INSTALLATION (NOT SHOWN) (Prior to SN 0300068374)</b>	A
	4845872	1	Counterweight (Located in Frame)	
	0272444	Ref	<b>SOFT TOUCH COUNTERWEIGHT INSTALLATION (NOT SHOWN) (SN 0300068374 through 0300069000)</b>	B
	4821397	1	Counterweight (Located in Frame)	



**SECTION 5 - CYLINDER**

# SECTION 5 - CYLINDER

## FIGURE 5-1. AXLE LOCKOUT CYLINDER ASSEMBLY



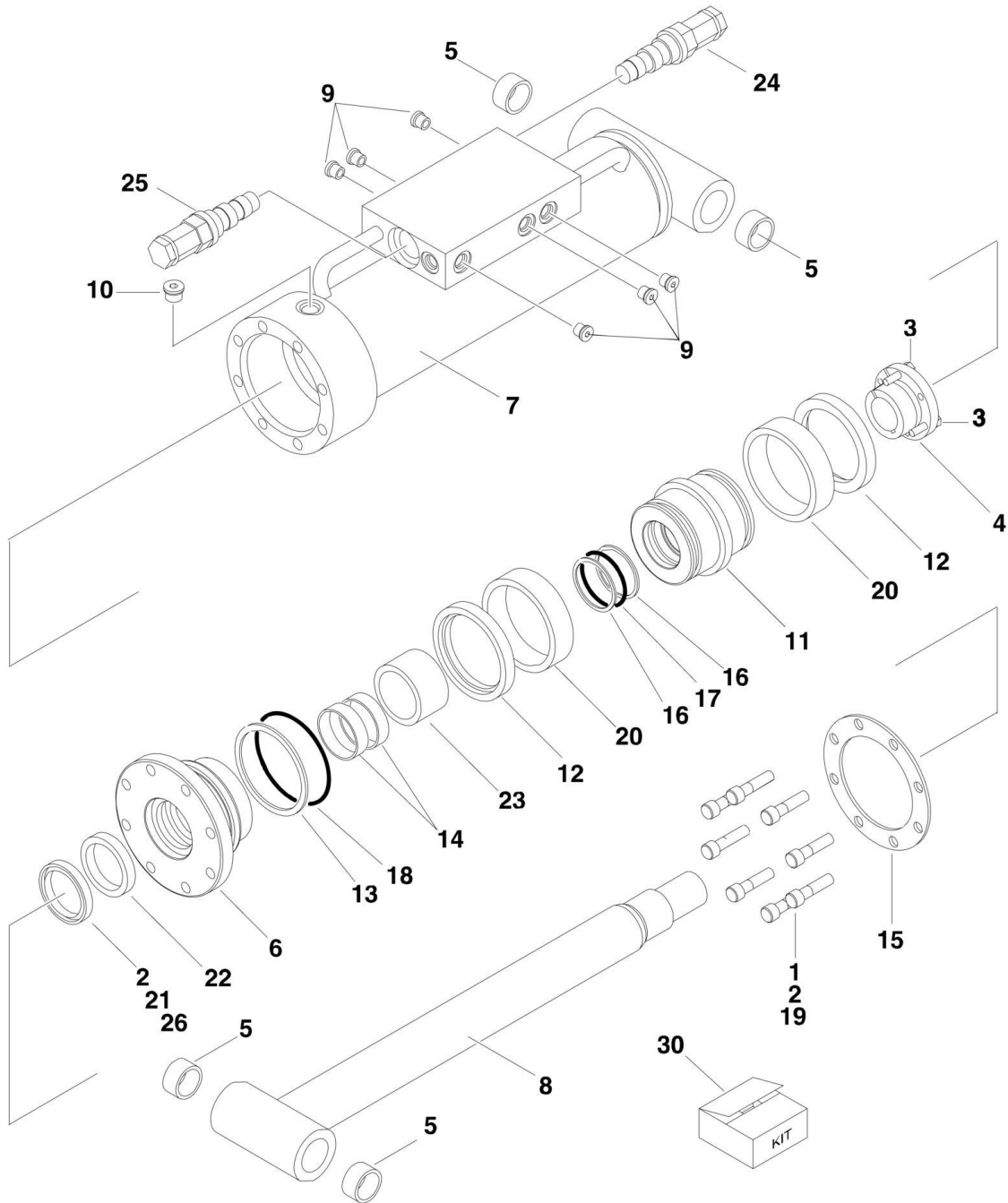
## SECTION 5 - CYLINDER

### FIGURE 5-1. AXLE LOCKOUT CYLINDER ASSEMBLY

ITEM	PART NUMBER	QTY	DESCRIPTION	REV
	1683078	Ref	<b>AXLE LOCKOUT CYLINDER ASSEMBLY</b>	G
1		Ref	Barrel Weldment Options: (Note: Includes Item 1A)	
1	1683079	1	Barrel Weldment <b>(Prior to SN 0300056912)</b>	
1	1683987	1	Barrel Weldment <b>(SN 0300056912 through 0300065394)</b>	
1	1684191	1	Barrel Weldment <b>(SN 0300065395 through 0300069000)</b>	
1A	0961816	2	Bushing	
2		Ref	Rod Weldment Options: (Note: Includes Item 2A)	
2	1683081	1	Rod Weldment <b>(Prior to SN 0300056912)</b>	
2	1683986	1	Rod Weldment <b>(SN 0300056912 through 0300069000)</b>	
2A	0961816	2	Bushing	
3	3480176	1	Piston	
4	1683059	1	Head	
5	0961895	1	Bushing	
7	3931720	8	Bolt, Socket Head 7/16in-14NC x 1-1/4in	
8		Ref	Cartridge, Valve Options (Counterbalance):	
8	4640525	2	Cartridge, Valve <b>(Prior to SN 0300056912)</b>	
8	2900770	2	Seal Kit - 4640525 Valve (1 Per Assembly)	
8	4641162	2	Cartridge, Valve <b>(SN 0300056912 through 0300069000)</b>	
8	2900770	2	Seal Kit - 4641162 Valve (1 Per Assembly)	
9	2220886	1	Plug, O-Ring	
10	2220885	2	Plug, O-Ring	
11	4640858	3	Valve, Bleeder	
12	See Note	NSS	Wiper (Note: Use Item 30)	
13	See Note	NSS	Seal, Rod (Note: Use Item 30)	
14	See Note	NSS	O-Ring (Note: Use Item 30)	
15	See Note	NSS	Ring, Back-up (Note: Use Item 30)	
16	See Note	NSS	Ring, Wear (Note: Use Item 30)	
17	See Note	NSS	Ring, Wear (Note: Use Item 30)	
18	See Note	NSS	T-Seal (Note: Use Item 30)	
19	See Note	NSS	O-Ring (Note: Use Item 30)	
20	See Note	NSS	Ring, Back-up (Note: Use Item 30)	
21	0100011	AR	Compound, Locking	
22	0100038	AR	Primer, Locking	
23	3760370	1	Ring, Washer	
25	0630535	3	Bolt 1/4in-20NC x 1-1/8in	
30	2901271	1	Seal Kit (Includes Items 12-20)	

# SECTION 5 - CYLINDER

## FIGURE 5-2. LEVEL CYLINDER ASSEMBLY - PLATFORM SLAVE



## SECTION 5 - CYLINDER

### FIGURE 5-2. LEVEL CYLINDER ASSEMBLY - PLATFORM SLAVE

ITEM	PART NUMBER	QTY	DESCRIPTION	REV
		Ref	<b>Note: Original Equipment Cylinder may have been replaced with Service Replacement Cylinder. Identify p/n stamped on cylinder before ordering parts.</b>	
		Ref	<b>LEVEL CYLINDER ASSEMBLY - PLATFORM SLAVE</b>	
		Ref	<b>Slave Cylinder Assembly 800A</b>	
	1683610	Ref	<b>Original Equipment</b>	E
	1684408	Ref	<b>Service Replacement</b>	C
		Ref	<b>Slave Cylinder Assembly 800AJ</b>	
	1683677	Ref	<b>Original Equipment</b>	B
	1684228	Ref	<b>Service Replacement</b>	C
1	0100011	AR	Compound, Locking	
2	0100038	AR	Primer, Locking	
3	0630535	3	Capscrew, Socket Head 1/4in-20NC x 1in	
4		Ref	Bushing, Tapered Options:	
4	0961902	1	Bushing, Tapered 800A	
4	0961894	1	Bushing, Tapered 800AJ	
5		Ref	Bushing Options:	
5	0961947	4	Bushing 800A	
5	0961951	4	Bushing 800AJ	
6		Ref	Head Options:	
6	1683074	1	Head 800A	
6	1683055	1	Head 800AJ	
7		Ref	Barrel Options:	
7	1683642	1	Used with p/n 1683610	
7	0370022	1	Used with p/n 1684408	
7	1683678	1	Used with p/n 1683677	
7	1684230	1	Used with p/n 1684228	
8		Ref	Rod Options:	
8	1683643	1	Used with p/n 1683610	
8	3850018	1	Used with p/n 1684408	
8	1683680	1	Used with p/n 1683677	
8	1684232	1	Used with p/n 1684228	
8		Ref	Rod 800A	
8		Ref	Rod 800AJ	
9	2220883	6	Plug	
10	2220885	1	Plug	
11		Ref	Piston Options:	
11	3480233	1	Piston 800A	
11	3480188	1	Piston 800AJ	
12	See Note	NSS	Ring, Lock (Note: Use Item 30)	
13	See Note	NSS	Ring, Back-up (Note: Use Item 30)	
14	See Note	NSS	Ring, Wear (Note: Use Item 30)	
15	3760369	1	Ring, Washer	
16	See Note	NSS	Ring, Back-up (Note: Use Item 30)	
17	See Note	NSS	O-Ring (Note: Use Item 30)	
18	See Note	NSS	O-Ring (Note: Use Item 30)	
19	3931620	8	Capscrew 3/8in-16NC x 1-1/4in	
20	See Note	NSS	Seal (Note: Use Item 30)	
21	See Note	NSS	Wiper (Note: Use Item 30)	
22	See Note	NSS	Seal (Note: Use Item 30)	

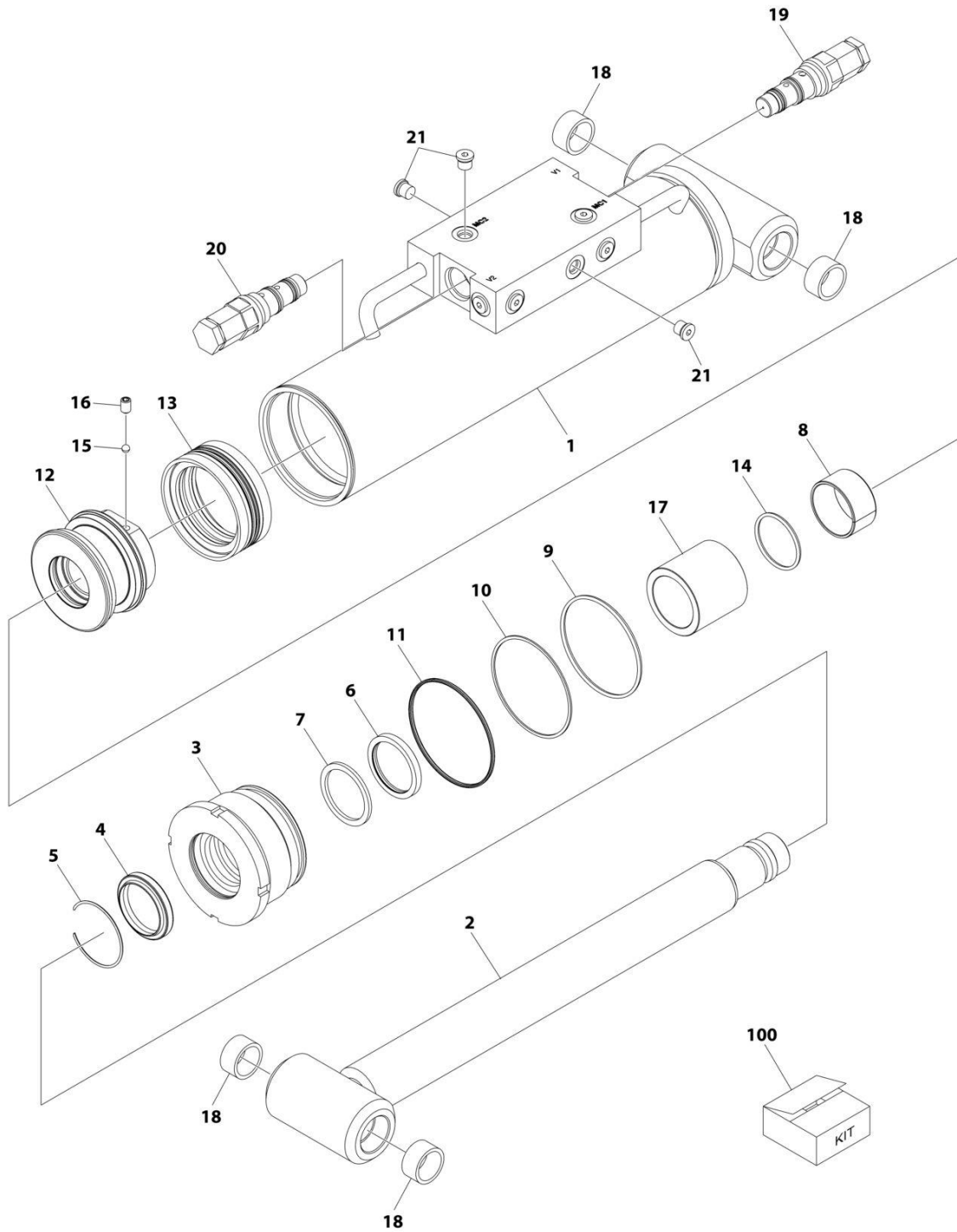
## SECTION 5 - CYLINDER

ITEM	PART NUMBER	QTY	DESCRIPTION	REV
23		Ref	Spacer, Tube Options:	
23	4567434	1	Spacer, Tube 800A	
23	4566468	1	Spacer, Tube 800AJ	
24	4640605	1	Valve, Cartridge	
24	2900792	1	Seal Kit - 4640605 Valve	
25	4640932	1	Valve, Cartridge	
25	7011112	1	Seal Kit - 4640932 Valve	
26	0100063	AR	Loctite #RC609	
30		Ref	Seal Kit Options (Includes Items 12-14, 16-18 & 20-22)	
30	2901556	1	Seal Kit 800A	
30	2901301	1	Seal Kit 800AJ	



# SECTION 5 - CYLINDER

## FIGURE 5-3. LEVEL CYLINDER ASSEMBLY - PLATFORM SLAVE (800A ONLY) (SERVICE REPLACEMENT)



ART\_1001228033



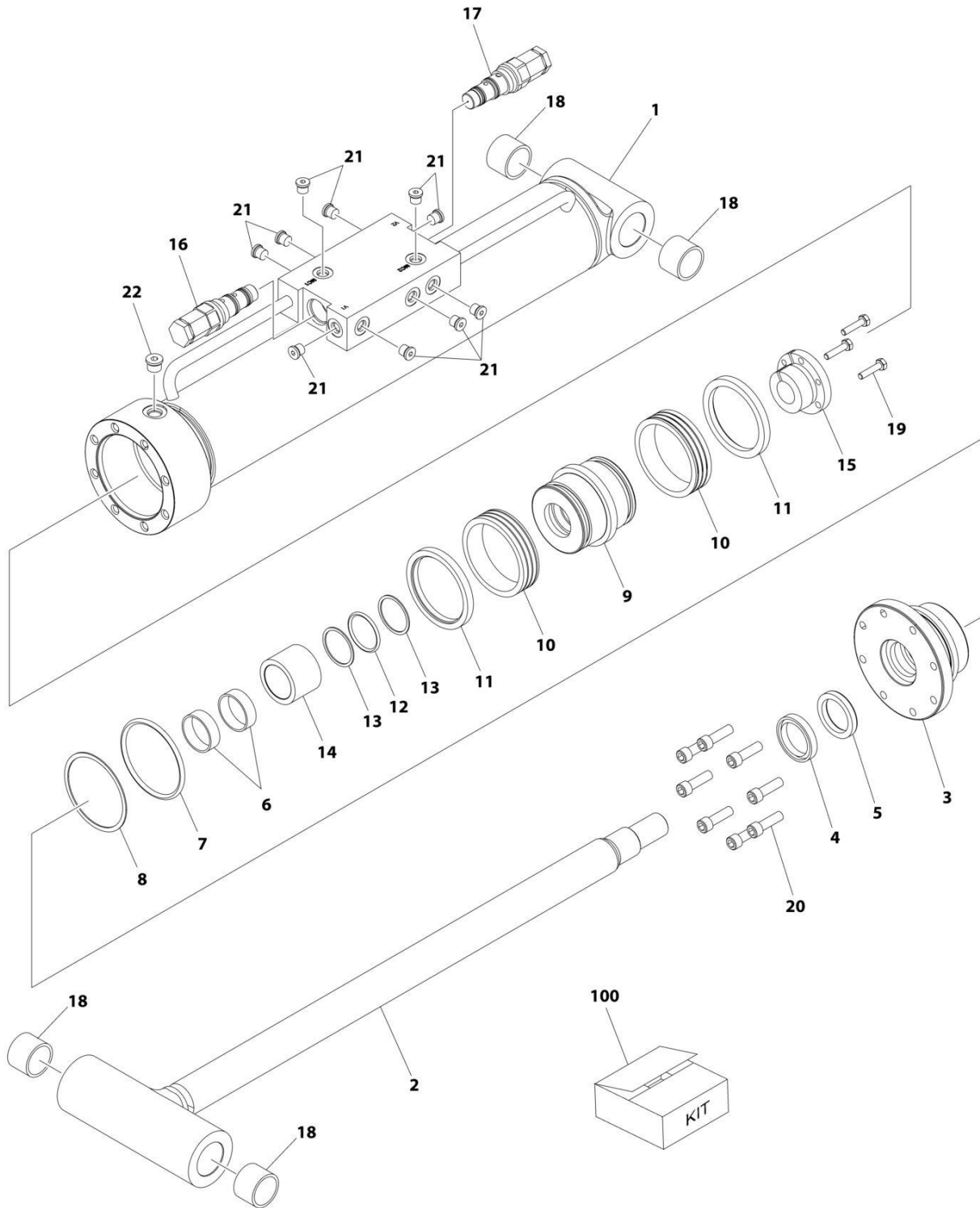
## SECTION 5 - CYLINDER

**FIGURE 5-3. LEVEL CYLINDER ASSEMBLY - PLATFORM SLAVE (800A ONLY) (SERVICE REPLACEMENT)**

ITEM	PART NUMBER	QTY	DESCRIPTION	REV
	1001228033	Ref	LEVEL (SLAVE) CYLINDER ASSEMBLY - PLATFORM	A
		Ref	Note: Original Cylinder may have been replaced with Service Replacement. Identify PN Stamped on Cylinder Before Ordering Parts.	
1	See Note	NSS	Barrel (Note: Not Available for Purchase)	
2	70006782	1	Rod	
3	70006783	1	Head	
4	See Note	NSS	Wiper (Note: Use Item 100)	
5	70002410	1	Ring, Retaining	
6	See Note	NSS	Seal, Rod (Note: Use Item 100)	
7	See Note	NSS	Ring, Back-up (Note: Use Item 100)	
8	70005793	1	Spacer	
9	See Note	NSS	O-Ring (Note: Use Item 100)	
10	See Note	NSS	Ring, Back-up (Note: Use Item 100)	
11	See Note	NSS	O-Ring (Note: Use Item 100)	
12	70006590	1	Piston	
13	See Note	NSS	Seal (Note: Use Item 100)	
14	See Note	NSS	O-Ring (Note: Use Item 100)	
15	70022564	1	Ball (Steel)	
16	70006601	1	Setscrew	
17	70006784	1	Spacer, Tube	
18	0961947	4	Bushing	
19	4640605	1	Valve, Cartridge	
19	2900792	1	Seal Kit - 4640605 Valve	
20	4640932	1	Valve, Cartridge	
20	7011112	1	Seal Kit - 4640932 Valve	
21	2220883	10	Plug	
100	2901526	1	Seal Kit (Includes Items 4, 6, 7, 9-11, 13 & 14)	

# SECTION 5 - CYLINDER

## FIGURE 5-4. LEVEL CYLINDER ASSEMBLY - PLATFORM SLAVE (800AJ ONLY) (SERVICE REPLACEMENT)



ART\_1001228030

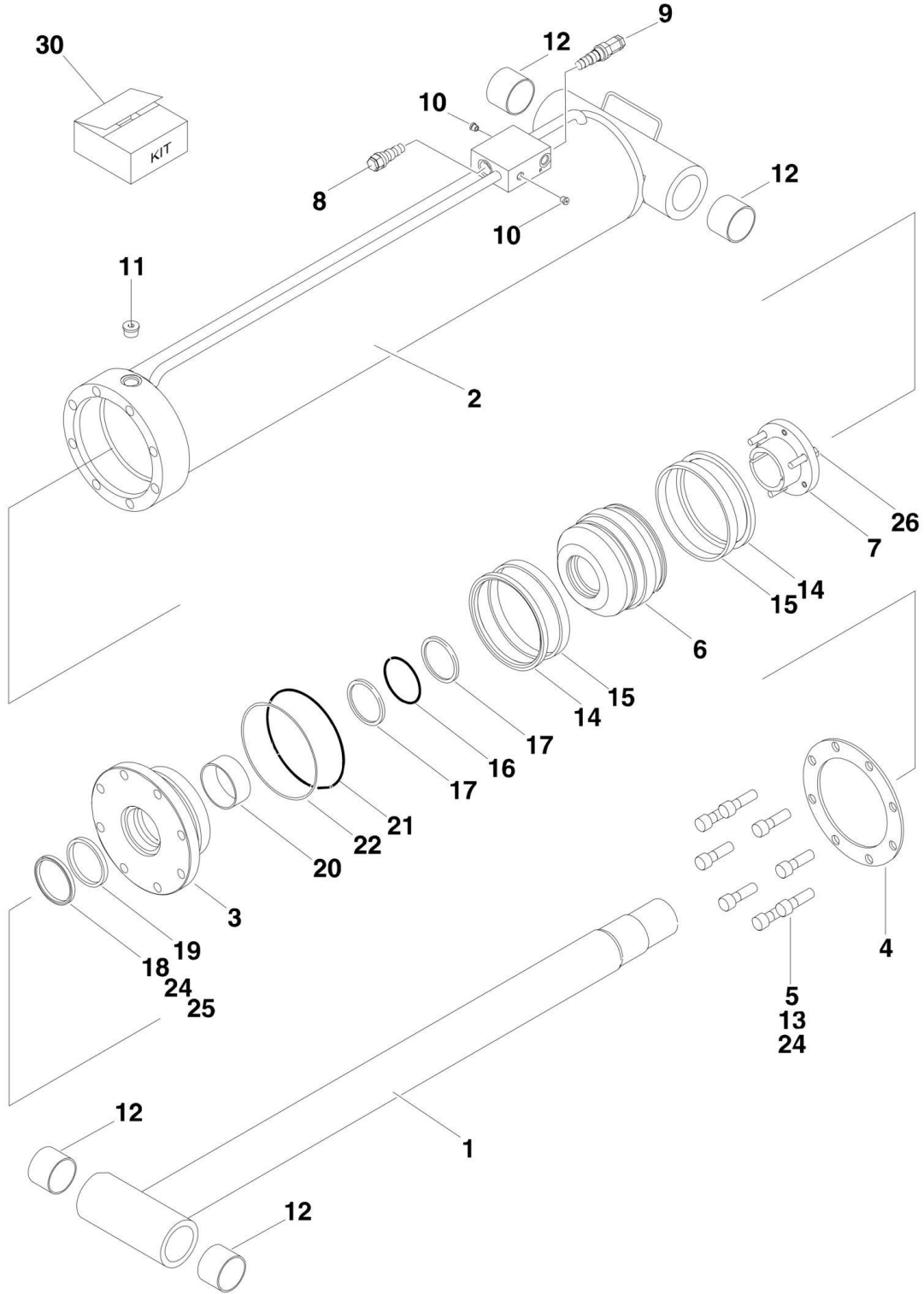
## SECTION 5 - CYLINDER

**FIGURE 5-4. LEVEL CYLINDER ASSEMBLY - PLATFORM SLAVE (800AJ ONLY) (SERVICE REPLACEMENT)**

ITEM	PART NUMBER	QTY	DESCRIPTION	REV
	1001228030	Ref	LEVEL (SLAVE) CYLINDER ASSEMBLY	E
		Ref	Note: Original Cylinder may have been replaced with Service Replacement. Identify PN Stamped on Cylinder Before Ordering Parts.	
1	See Note	NSS	Barrel (Note: Not Available for Purchase)	
2	70006642	1	Rod	
3	70006643	1	Head	
4	See Note	NSS	Wiper (Note: Use Item 100)	
5	See Note	NSS	Seal (Note: Use Item 100)	
6	See Note	NSS	Ring, Wear (Note: Use Item 100)	
7	See Note	NSS	O-Ring (Note: Use Item 100)	
8	See Note	NSS	Ring, Back-up (Note: Use Item 100)	
9	70006644	1	Piston	
10	See Note	NSS	Seal (Note: Use Item 100)	
11	See Note	NSS	Ring, Lock (Note: Use Item 100)	
12	See Note	NSS	O-Ring (Note: Use Item 100)	
13	See Note	NSS	Ring, Back-up (Note: Use Item 100)	
14	70006645	1	Spacer, Tube	
15	0961894	1	Bushing, Tapered	
16	4640932	1	Valve, Cartridge	
16	7011112	1	Seal Kit - 4640932 Valve	
17	4640605	1	Valve, Cartridge	
17	2900792	1	Seal Kit - 4640605 Valve	
18	0961951	4	Bushing	
19	0630535	3	Bolt	
20	3931620	8	Capscrew 3/8-16 x 1-1/4	
21	2220883	10	Plug, O-Ring	
22	2220885	1	Plug, O-Ring	
100	1001138796	1	Seal Kit (Includes Items 4-8 & 10-13)	

# SECTION 5 - CYLINDER

## FIGURE 5-5. LEVEL CYLINDER ASSEMBLY - UPRIGHT



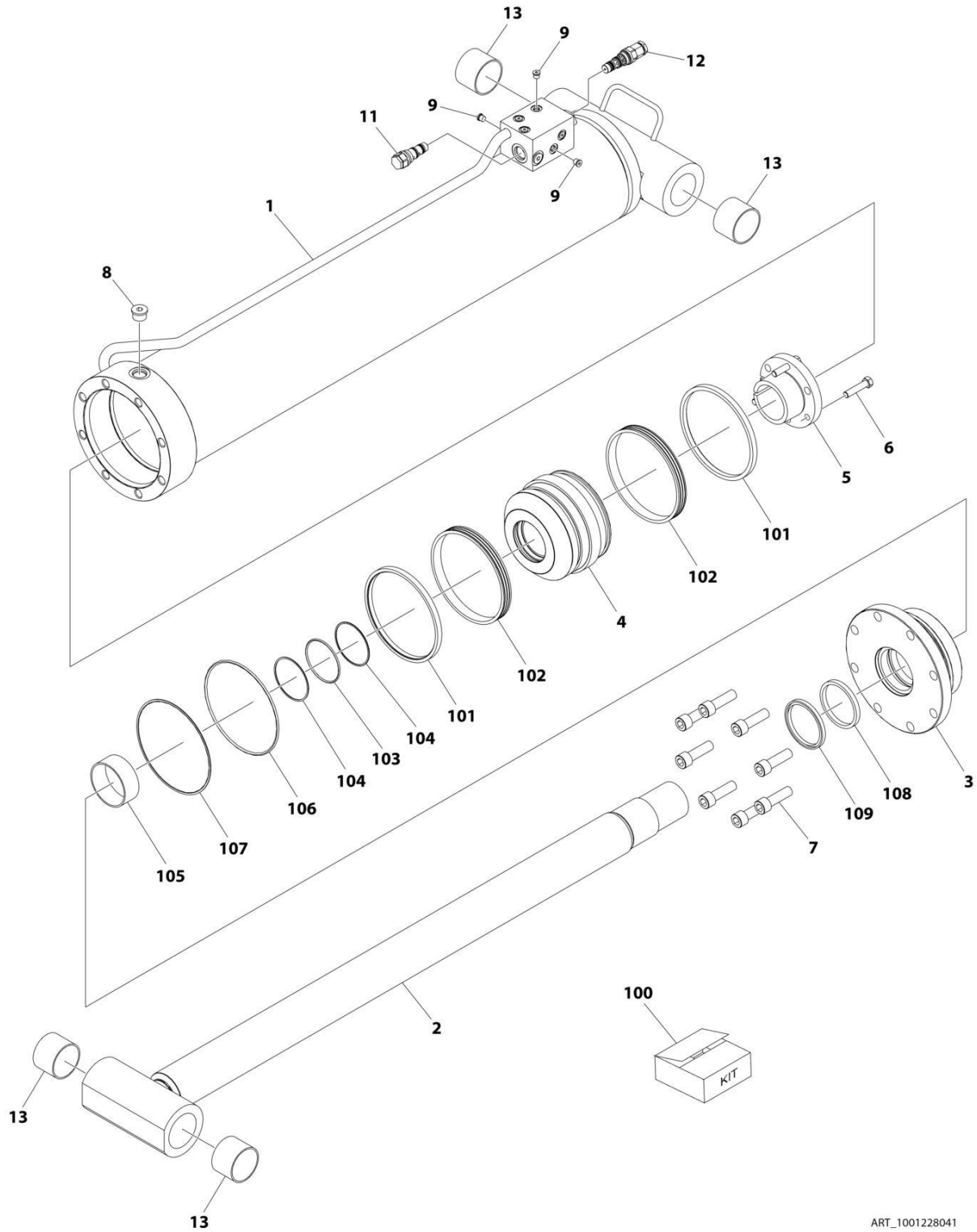
## SECTION 5 - CYLINDER

### FIGURE 5-5. LEVEL CYLINDER ASSEMBLY - UPRIGHT

ITEM	PART NUMBER	QTY	DESCRIPTION	REV
		Ref	<b>Note: Original Equipment Cylinder may have been replaced with Service Replacement Cylinder. Identify p/n stamped on cylinder before ordering parts.</b>	
		Ref	<b>LEVEL CYLINDER ASSEMBLY - UPRIGHT</b>	
	1683546	Ref	<b>Original Equipment</b>	G
	1684497	Ref	<b>Service Replacement</b>	C
1	1683544	1	Rod Weldment	
2	1683545	NLA	Barrel Weldment (Use p/n 0370034)	
2	1683819	NLA	Barrel Weldment (Use p/n 0370034)	
3	1683071	1	Head	
4	3760374	1	Ring, Washer	
5	3932240	8	Bolt, Socket Head 3/4in x 2-1/2in	
6	3480237	1	Piston	
7	0961901	1	Bushing, Tapered	
8	4640509	1	Cartridge, Valve	
8	2900792	1	Seal Kit - 4640509 Valve	
9	4640605	1	Cartridge, Valve	
9	2900792	1	Seal Kit - 4640605 Valve	
10	2220883	2	Plug, O-Ring	
11	2220888	1	Plug, O-Ring	
12	0962102	4	Bushing	
14	See Note	NSS	Ring, Lock (Note: Use Item 30)	
15	See Note	NSS	Seal (Note: Use Item 30)	
16	See Note	NSS	Ring, Washer (Note: Use Item 30)	
17	See Note	NSS	Ring, Back-up (Note: Use Item 30)	
18	See Note	NSS	Wiper (Note: Use Item 30)	
19	See Note	NSS	Seal, Rod (Note: Use Item 30)	
20	See Note	NSS	Ring, Wear (Note: Use Item 30)	
21	See Note	NSS	O-Ring (Note: Use Item 30)	
22	See Note	NSS	Ring, Back-up (Note: Use Item 30)	
23	0100011	AR	Compound, Locking	
24	0100038	AR	Primer, Locking	
25	0100063	AR	Loctite #RC609	
26		Ref	Hardware Options:	
26	0641818	3	Bolt 1/2in-13NC x 2-1/2in ( <b>Prior to SN 0300045154</b> )	
26	0630537	3	Bolt ( <b>SN 0300045154 through 0300069000</b> )	
30	2901526	1	Seal Kit (Includes Items 14-22)	

# SECTION 5 - CYLINDER

## FIGURE 5-6. LEVEL CYLINDER ASSEMBLY - UPRIGHT (SERVICE REPLACEMENT)



ART\_1001228041

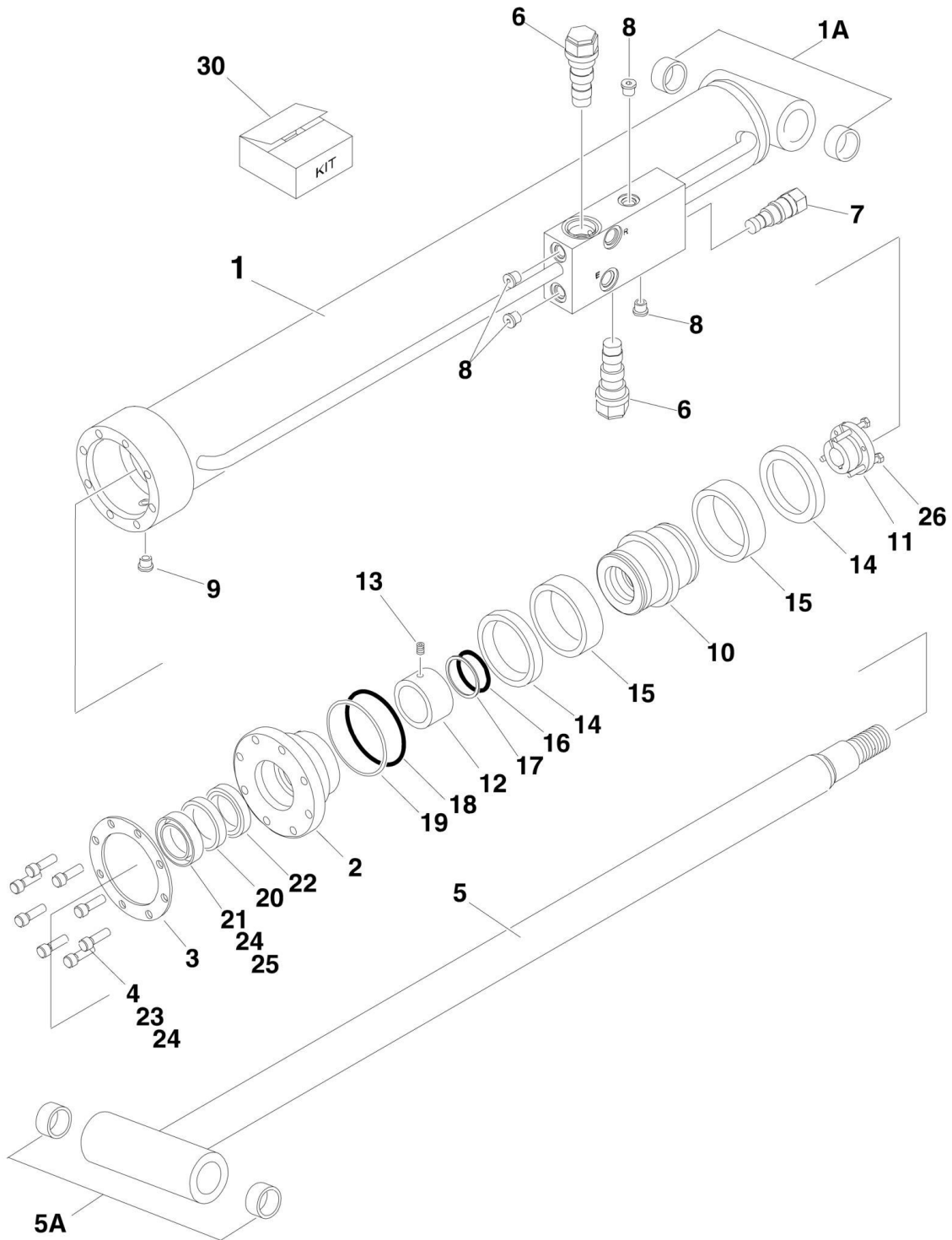
## SECTION 5 - CYLINDER

**FIGURE 5-6. LEVEL CYLINDER ASSEMBLY - UPRIGHT (SERVICE REPLACEMENT)**

ITEM	PART NUMBER	QTY	DESCRIPTION	REV
	1001228041	Ref	LEVEL CYLINDER ASSEMBLY	C
		Ref	Note: Original Cylinder may have been replaced with Service Replacement. Identify PN Stamped on Cylinder Before Ordering Parts.	
1	See Note	NSS	Barrel (Note: Not Available for Purchase)	
2	70006391	1	Rod	
3	70006390	1	Head	
4	70006389	1	Piston	
5	70006385	1	Bushing, Tapered	
6	0630537	3	Bolt	
7	3932240	8	Capscrew 3/4 x 2-1/2	
8	2220888	1	Plug, O-Ring	
9	2220883	6	Plug, O-Ring	
11	4640509	1	Cartridge, Valve	
11	2900792	1	Seal Kit - 4640509 Valve	
12	4640605	1	Cartridge, Valve	
12	2900792	1	Seal Kit - 4640605 Valve	
13	0962102	4	Bushing	
100	2901526	1	Seal Kit (Includes Items 101-109)	
101	See Note	NSS	Ring, Lock (Note: Use Item 100)	
102	See Note	NSS	Seal (Note: Use Item 100)	
103	See Note	NSS	Ring, Washer (Note: Use Item 100)	
104	See Note	NSS	Ring, Back-up (Note: Use Item 100)	
105	See Note	NSS	Ring, Wear (Note: Use Item 100)	
106	See Note	NSS	O-Ring (Note: Use Item 100)	
107	See Note	NSS	Ring, Back-up (Note: Use Item 100)	
108	See Note	NSS	Seal, Rod (Note: Use Item 100)	
109	See Note	NSS	Wiper (Note: Use Item 100)	

# SECTION 5 - CYLINDER

## FIGURE 5-7. LIFT CYLINDER ASSEMBLY - JIB (800AJ ONLY) (ORIGINAL EQUIPMENT)





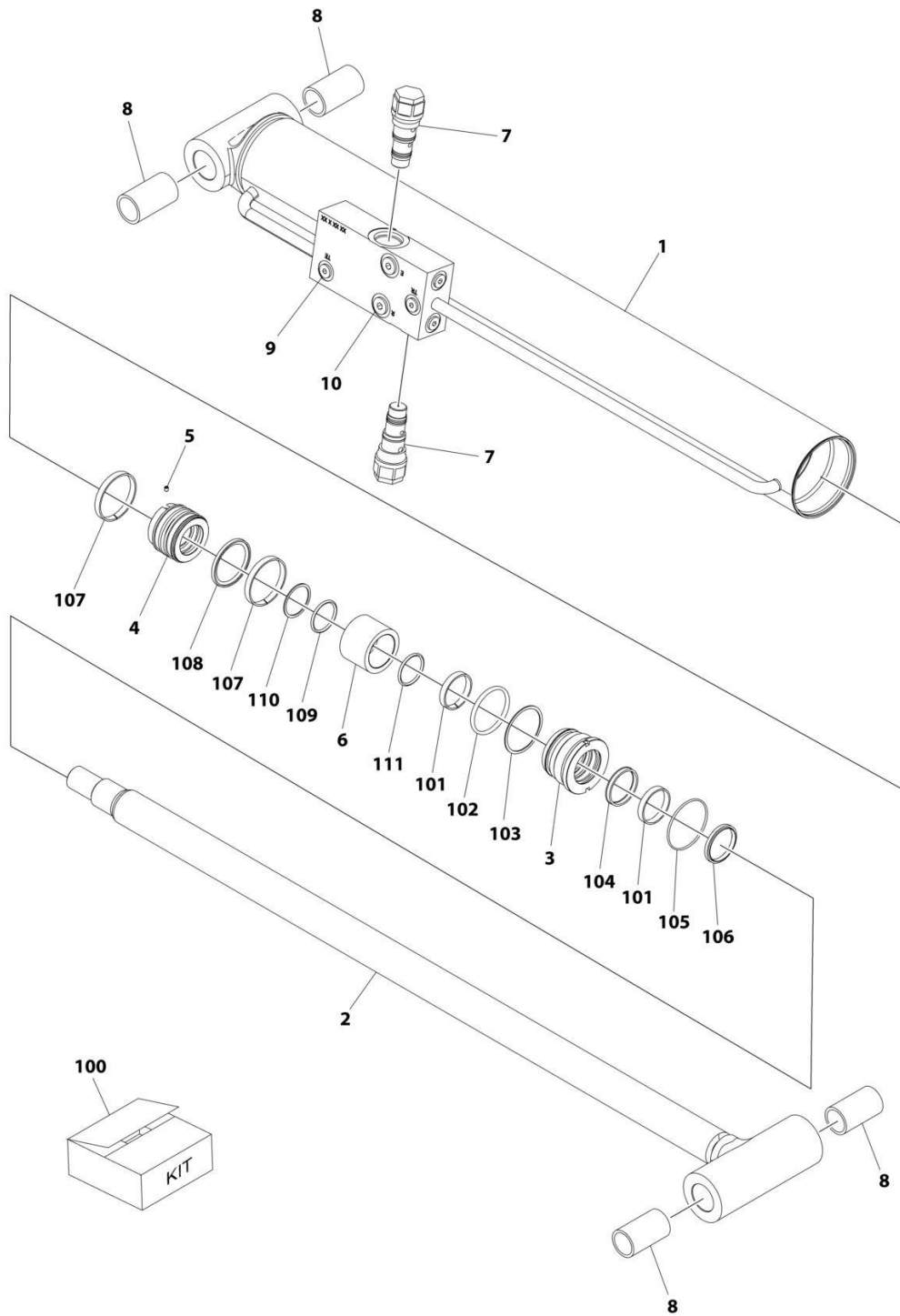
## SECTION 5 - CYLINDER

**FIGURE 5-7. LIFT CYLINDER ASSEMBLY - JIB (800AJ ONLY) (ORIGINAL EQUIPMENT)**

ITEM	PART NUMBER	QTY	DESCRIPTION	REV
	1683609	Ref	<b>LIFT CYLINDER ASSEMBLY - JIB (800AJ ONLY)</b>	D
		Ref	Note: Original Cylinder may have been replaced with Service Replacement. Identify PN Stamped on Cylinder Before Ordering Parts.	
1		Ref	Barrel Weldment Options: (Note: Includes Item 1A)	
1	1683687	1	Barrel Weldment <b>(Prior to SN 0300062045)</b>	
1	1684089	1	Barrel Weldment <b>(SN 0300062045 through 0300069000)</b>	
1A		Ref	Bushing Options:	
1A	0961947	2	Bushing <b>(Prior to SN 0300054012)</b>	
1A	0962336	2	Bushing <b>(SN 0300054012 through 0300069000)</b>	
2	1683053	1	Head	
3	3760368	1	Washer, Ring	
4	3931516	8	Bolt, Socket Head 5/16in-18NC x 2in	
5		Ref	Rod Weldment Options (Note: Includes Item 5A)	
5	1683261	1	Rod Weldment <b>(Prior to SN 0300062045)</b>	
5	1684090	1	Rod Weldment <b>(SN 0300062045 through 0300069000)</b>	
5A		Ref	Bushing Options:	
5A	0961947	2	Bushing <b>(Prior to SN 0300054012)</b>	
5A	0962336	2	Bushing <b>(SN 0300054012 through 0300069000)</b>	
6	4640509	2	Cartridge, Valve (Counterbalance Non-Vented)	
6	2900792	2	Seal Kit - 4640509 Valve	
7	4641062	1	Plug, P.O. Check	
8	2220883	4	Plug, O-Ring	
9	2220885	1	Plug, O-Ring	
10	3480210	1	Piston	
11	0961893	1	Bushing, Tapered	
12	4566471	1	Spacer, Tube	
13	3900141	1	Setscrew 1/4in-20NC x 1/4in	
14	See Note	NSS	Ring, Lock (Note: Use Item 30)	
15	See Note	NSS	Seal, Piston (Note: Use Item 30)	
16	See Note	NSS	O-Ring (Note: Use Item 30)	
17	See Note	NSS	Ring, Back-up (Note: Use Item 30)	
18	See Note	NSS	O-Ring (Note: Use Item 30)	
19	See Note	NSS	Ring, Back-up (Note: Use Item 30)	
20	See Note	NSS	Seal (Note: Use Item 30)	
21	See Note	NSS	Wiper (Note: Use Item 30)	
22	See Note	NSS	Ring, Wear (Note: Use Item 30)	
23	0100011	AR	Compound, Locking	
24	0100038	AR	Primer, Locking	
25	0100063	AR	Loctite #RC609	
26	0630534	3	Capscrew, Socket Head #10-24NC x 1in	
30	2901303	1	Seal Kit (Includes Items 14-22)	

# SECTION 5 - CYLINDER

FIGURE 5-8. LIFT CYLINDER ASSEMBLY - JIB (800AJ ONLY) (USAGE MAY VARY) (SERVICE REPLACEMENT)



ART\_1001228012

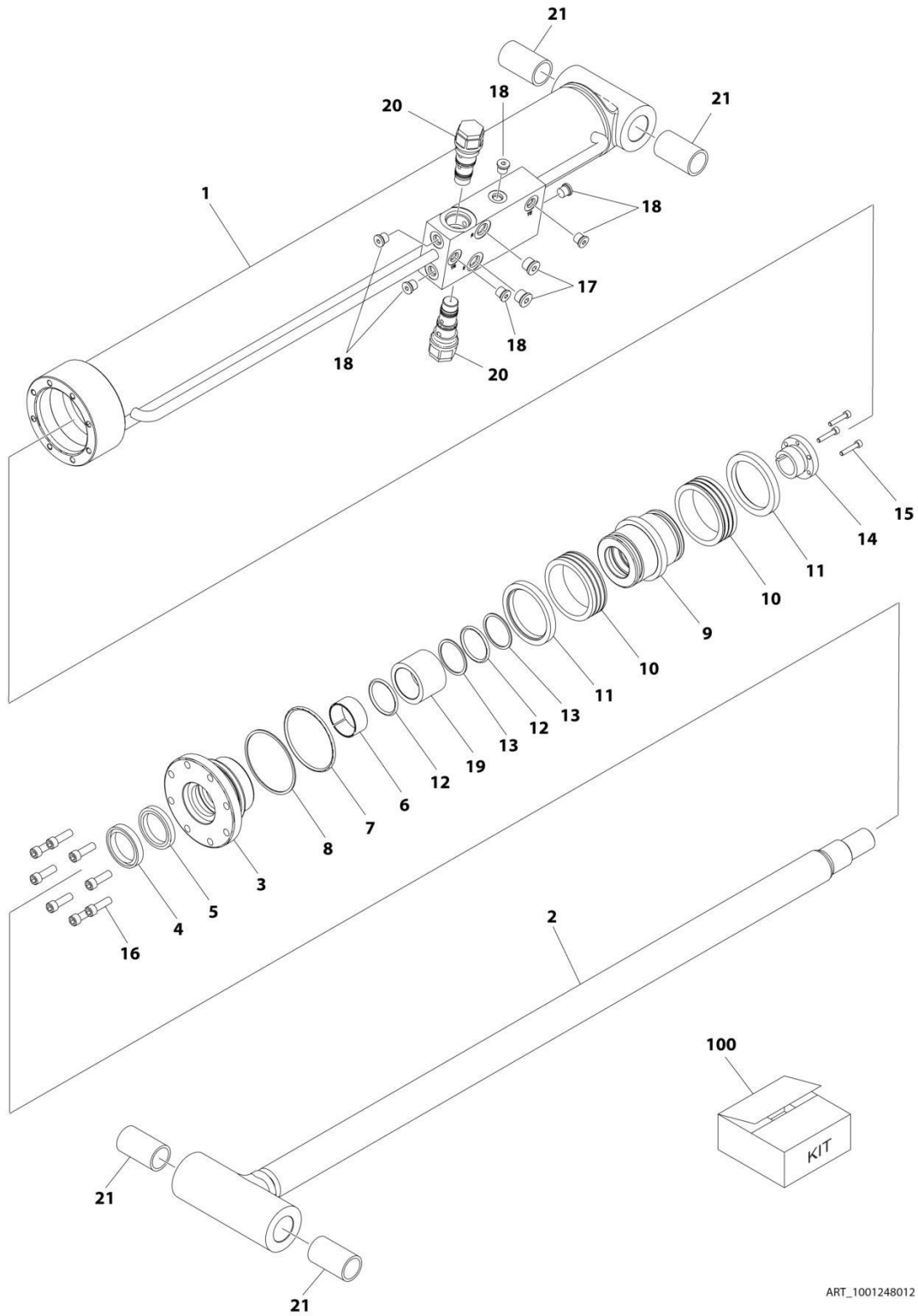
## SECTION 5 - CYLINDER

**FIGURE 5-8. LIFT CYLINDER ASSEMBLY - JIB (800AJ ONLY) (USAGE MAY VARY) (SERVICE REPLACEMENT)**

ITEM	PART NUMBER	QTY	DESCRIPTION	REV
	1001228012	Ref	LIFT CYLINDER ASSEMBLY - JIB	C
		Ref	Note: Original Cylinder May Have Been Replaced with Service Replacement. Identify PN Stamped on Cylinder Before Ordering Parts.	
1	See Note	NSS	Barrel (Note: Not Available for Purchase)	
2	70006572	1	Rod	
3	70006571	1	Head	
4	70006570	1	Piston	
5	70023915	1	Screw	
6	70006569	1	Spacer	
7	4640509	2	Cartridge, Valve	
7	2900792	2	Seal Kit - 4640509 Valve	
8	0962336	4	Bushing	
9	2220883	6	Plug, O-Ring	
10	2220885	2	Plug, O-Ring	
100	70006568	1	Seal Kit (Includes Items 101-111)	
101	See Note	NSS	Ring, Wear (Note: Use Item 100)	
102	See Note	NSS	O-Ring (Note: Use Item 100)	
103	See Note	NSS	Ring, Back-up (Note: Use Item 100)	
104	See Note	NSS	Seal, Rod (Note: Use Item 100)	
105	See Note	NSS	O-Ring (Note: Use Item 100)	
106	See Note	NSS	Wiper (Note: Use Item 100)	
107	See Note	NSS	Ring, Wear (Note: Use Item 100)	
108	See Note	NSS	Seal (Note: Use Item 100)	
109	See Note	NSS	O-Ring (Note: Use Item 100)	
110	See Note	NSS	Ring, Back-up (Note: Use Item 100)	
111	See Note	NSS	O-Ring (Note: Use Item 100)	

# SECTION 5 - CYLINDER

FIGURE 5-9. LIFT CYLINDER ASSEMBLY - JIB (800AJ ONLY) (USAGE MAY VARY) (SERVICE REPLACEMENT)



ART\_1001248012

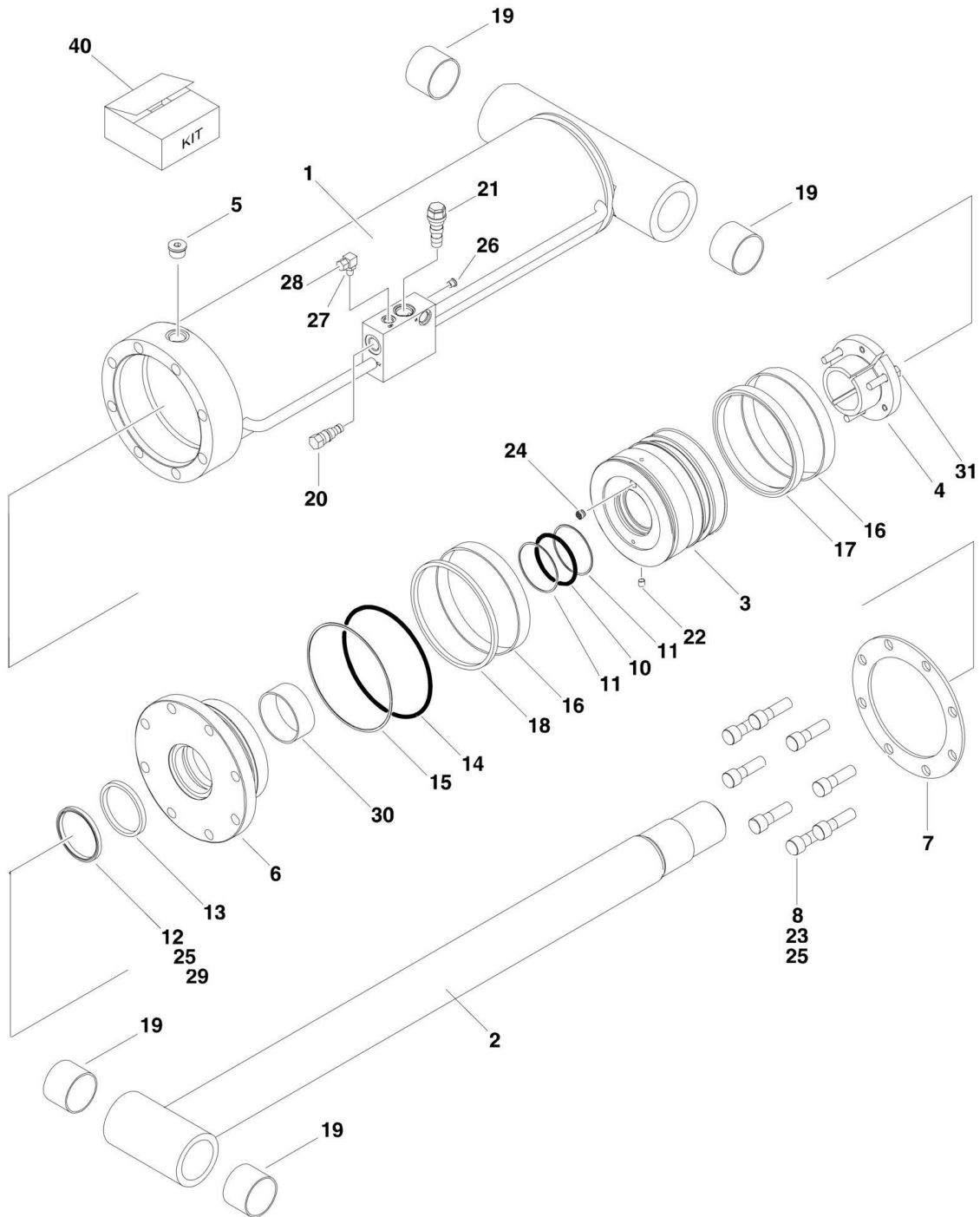
## SECTION 5 - CYLINDER

**FIGURE 5-9. LIFT CYLINDER ASSEMBLY - JIB (800AJ ONLY) (USAGE MAY VARY) (SERVICE REPLACEMENT)**

ITEM	PART NUMBER	QTY	DESCRIPTION	REV
	1001248012	Ref	LIFT CYLINDER ASSEMBLY - JIB	C
		Ref	Note: Original Cylinder May Have Been Replaced with Service Replacement. Identify PN Stamped on Cylinder Before Ordering Parts.	
1	See Note	NSS	Barrel (Note: Not Available for Purchase)	
2	70006734	1	Rod	
3	70006649	1	Head	
4	See Note	NSS	Wiper (Note: Use Item 100)	
5	See Note	NSS	Seal, Rod (Note: Use Item 100)	
6	See Note	NSS	Ring, Wear (Note: Use Item 100)	
7	See Note	NSS	O-Ring (Note: Use Item 100)	
8	See Note	NSS	Ring, Back-up (Note: Use Item 100)	
9	70006650	1	Piston	
10	See Note	NSS	Seal (Note: Use Item 100)	
11	See Note	NSS	Ring, Lock (Note: Use Item 100)	
12	See Note	NSS	O-Ring (Note: Use Item 100)	
13	See Note	NSS	Ring, Back-up (Note: Use Item 100)	
14	0961893	1	Bushing, Tapered	
15	0630534	3	Capscrew, Socket Head #10 x 1	
16	70006735	8	Capscrew 5/16	
17	2220885	2	Plug, O-Ring	
18	2220883	6	Plug, O-Ring	
19	70006736	1	Spacer	
20	4640509	2	Cartridge, Valve	
20	2900792	2	Seal Kit - 4640509 Valve	
21	0962336	4	Bushing	
100	1001138795	1	Seal Kit (Includes Items 4-8 & 10-13)	

# SECTION 5 - CYLINDER

## FIGURE 5-10. LIFT CYLINDER ASSEMBLY - MAIN BOOM (ORIGINAL EQUIPMENT)



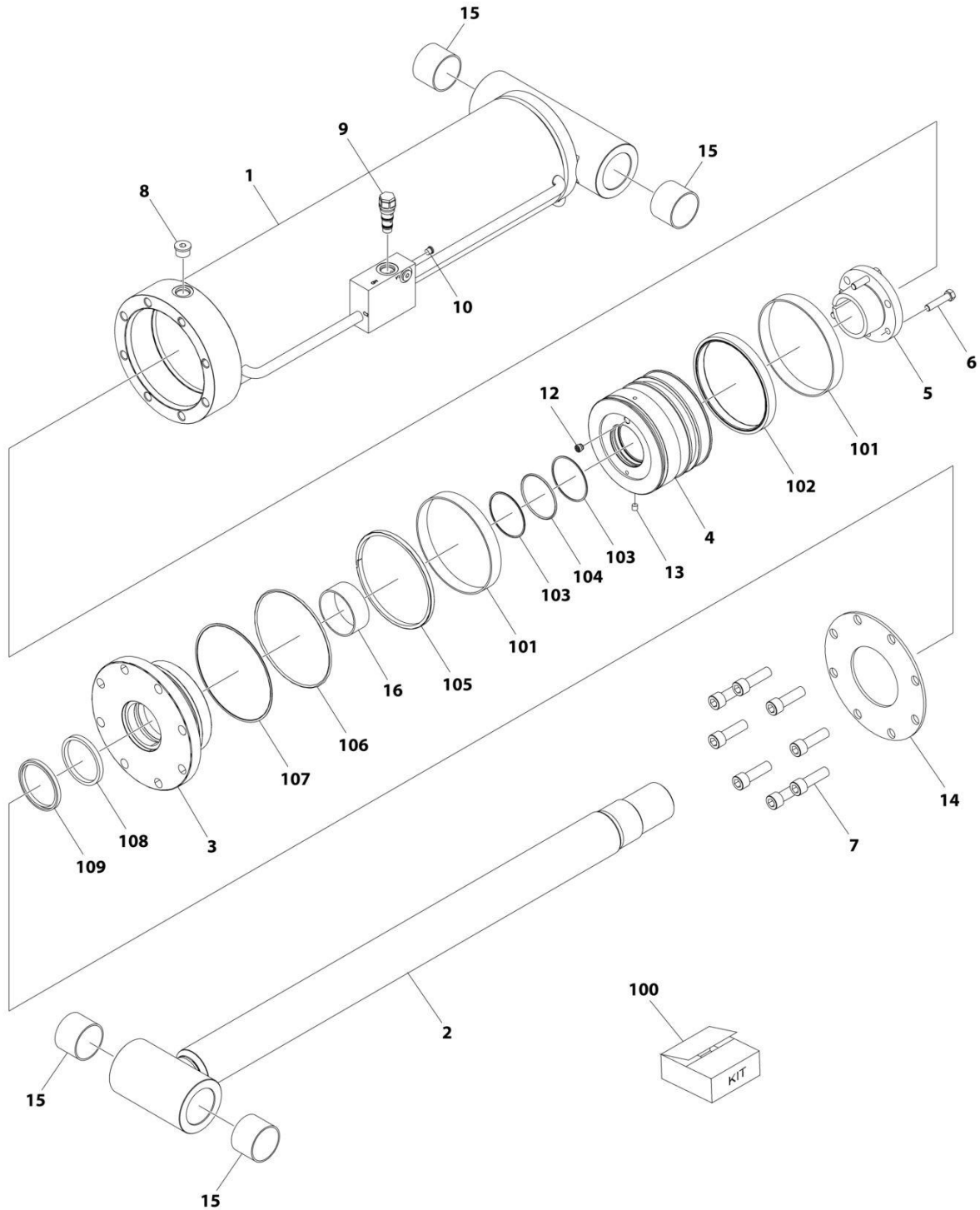
## SECTION 5 - CYLINDER

**FIGURE 5-10. LIFT CYLINDER ASSEMBLY - MAIN BOOM (ORIGINAL EQUIPMENT)**

ITEM	PART NUMBER	QTY	DESCRIPTION	REV
	1683547	Ref	<b>LIFT CYLINDER ASSEMBLY - MAIN BOOM</b>	1
		Ref	Note: Original Cylinder may have been replaced with Service Replacement. Identify PN Stamped on Cylinder Before Ordering Parts.	
1		Ref	Barrel Weldment Options:	
1	1683548	NLA	Barrel Weldment (Use p/n 1683821) <b>(Prior to SN 0300045154)</b>	
1	1683821	1	Barrel Weldment <b>(SN 0300045154 through 0300069000)</b>	
2	1683549	1	Rod Weldment	
3	3480238	1	Piston	
4	0961901	1	Bushing, Tapered	
5	2220888	1	Plug, O-Ring	
6	1683071	1	Head	
7	3760374	1	Washer, Ring	
8	3932240	8	Bolt, Socket Head 3/4in x 2-1/2in	
10	See Note	NSS	O-Ring (Note: Use Item 40)	
11	See Note	NSS	Ring, Back-up (Note: Use Item 40)	
12	See Note	NSS	Wiper (Note: Use Item 40)	
13	See Note	NSS	Seal, Rod (Note: Use Item 40)	
14	See Note	NSS	O-Ring (Note: Use Item 40)	
15	See Note	NSS	Ring, Back-up (Note: Use Item 40)	
16	See Note	NSS	Ring, Wear (Note: Use Item 40)	
17	See Note	NSS	T-Seal (Note: Use Item 40)	
18	See Note	NSS	Seal (Note: Use Item 40)	
19	0962102	4	Bushing	
20	4641062	1	Cartridge, Cavity Plug	
21	4640509	1	Cartridge, Valve	
21	2900792	1	Seal Kit - 4640509 Valve	
22	2180615	1	Orifice	
23	0100011	AR	Compound, Locking	
24	4641027	1	Plug, Check Valve	
25	0100038	AR	Primer, Locking	
26	2220883	1	Plug	
27	2220775	1	Fitting	
28	2220516	1	Fitting	
29	0100063	AR	Loctite #RC609	
30	See Note	NSS	Ring, Wear (Note: Use Item 40)	
31		Ref	Hardware Options:	
31	0641818	3	Bolt 1/2in-13NC x 2-1/2in <b>(Prior to SN 0300045154)</b>	
31	0630537	3	Bolt <b>(SN 0300045154 through 0300069000)</b>	
40	2901514	1	Seal Kit (Includes Items 10-18 & 30)	

# SECTION 5 - CYLINDER

## FIGURE 5-11. LIFT CYLINDER ASSEMBLY - MAIN BOOM (SERVICE REPLACEMENT)



ART\_1001228010



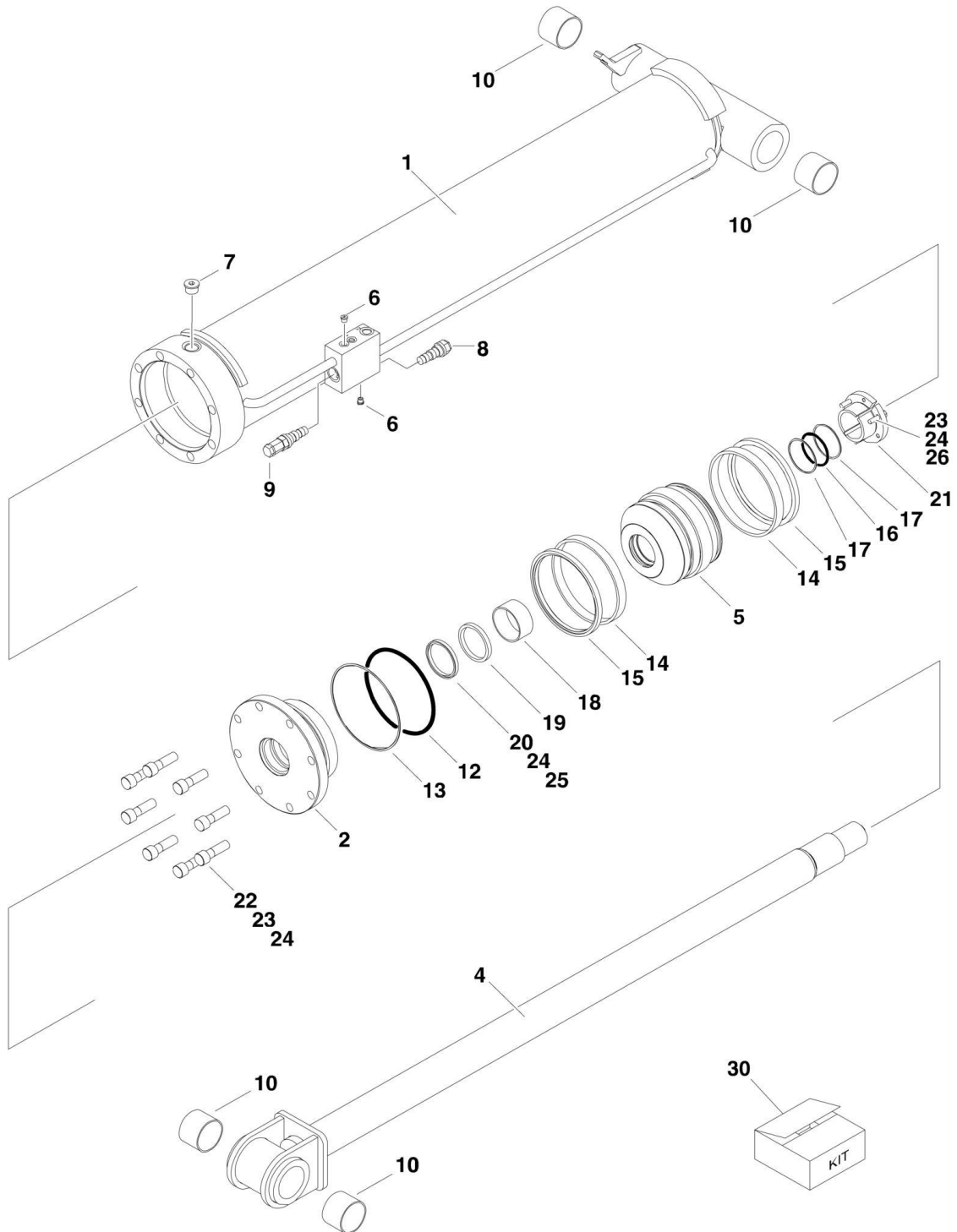
## SECTION 5 - CYLINDER

**FIGURE 5-11. LIFT CYLINDER ASSEMBLY - MAIN BOOM (SERVICE REPLACEMENT)**

ITEM	PART NUMBER	QTY	DESCRIPTION	REV
	1001228010	Ref	LIFT CYLINDER ASSEMBLY	C
		Ref	Note: Original Cylinder may have been replaced with Service Replacement. Identify PN Stamped on Cylinder Before Ordering Parts.	
1	See Note	NSS	Barrel (Note: Not Available for Purchase)	
2	70006388	1	Rod	
3	70006387	1	Head	
4	70006386	1	Piston	
5	70006385	1	Bushing, Tapered	
6	0630537	3	Bolt	
7	3932240	8	Capscrew 3/4 x 2-1/2	
7	See Note	AR	Compound, Locking (Note: Use Loctite 263)	
8	2220888	1	Plug	
9	4640509	1	Cartridge, Valve	
9	2900792	1	Seal Kit - 4640509 Valve	
10	2220883	1	Plug	
12	4641027	1	Plug, Check Valve	
13	2180615	1	Orifice	
14	70006384	1	Washer, Ring	
15	0962102	4	Bushing	
16	See Note	NSS	Ring, Wear (Note: Use Item 100)	
100	2901514	1	Seal Kit (Includes Items 16 and 101-109)	
101	See Note	NSS	Ring, Wear (Note: Use Item 100)	
102	See Note	NSS	T-Seal (Note: Use Item 100)	
103	See Note	NSS	Ring, Back-up (Note: Use Item 100)	
104	See Note	NSS	O-Ring (Note: Use Item 100)	
105	See Note	NSS	Seal (Note: Use Item 100)	
106	See Note	NSS	O-Ring (Note: Use Item 100)	
107	See Note	NSS	Ring Back-up (Note: Use Item 100)	
108	See Note	NSS	Seal, Rod (Note: Use Item 100)	
109	See Note	NSS	Wiper (Note: Use Item 100)	

# SECTION 5 - CYLINDER

FIGURE 5-12. LIFT CYLINDER ASSEMBLY - TOWER BOOM (ORIGINAL EQUIPMENT)



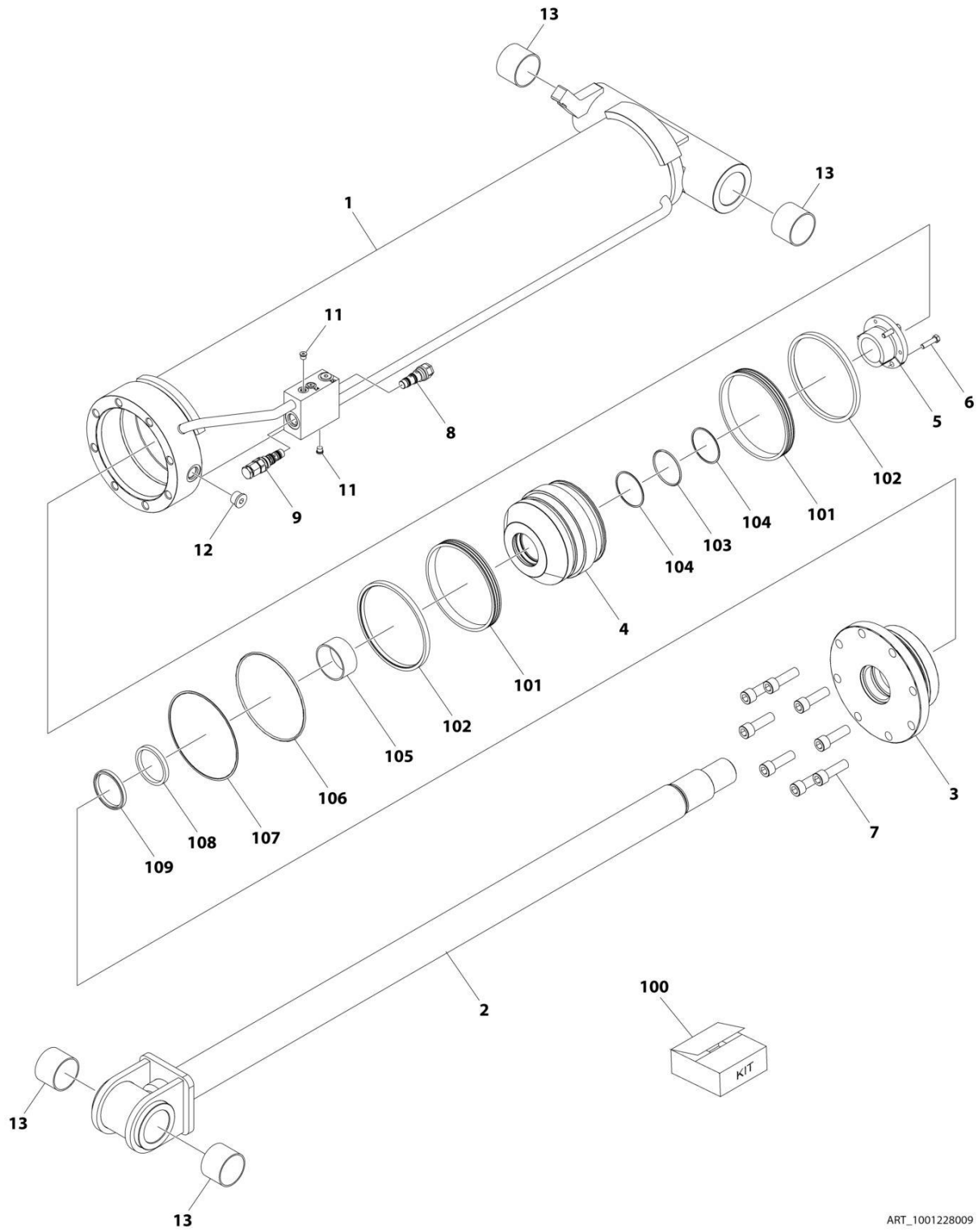
## SECTION 5 - CYLINDER

**FIGURE 5-12. LIFT CYLINDER ASSEMBLY - TOWER BOOM (ORIGINAL EQUIPMENT)**

ITEM	PART NUMBER	QTY	DESCRIPTION	REV
	1683537	Ref	<b>LIFT CYLINDER ASSEMBLY - TOWER BOOM</b>	G
		Ref	Note: Original Cylinder may have been replaced with Service Replacement. Identify PN Stamped on Cylinder Before Ordering Parts.	
1		Ref	Barrel Weldment Options:	
1	1683538	NLA	Barrel Weldment (Use p/n 1683823) <b>(Prior to SN 0300045154)</b>	
1	1683823	1	Barrel Weldment <b>(SN 0300045154 through 0300069000)</b>	
2		Ref	Head Options:	
2	1683073	NLA	Head (Use p/n 1683818) <b>(Prior to SN 0300045154)</b>	
2	1683818	1	Head <b>(SN 0300045154 through 0300069000)</b>	
3	3760374	1	Ring, Washer <b>(Prior to SN 0300045154)</b>	
4	1683539	1	Rod Weldment	
5	3480236	1	Piston	
6	2220883	2	Plug, O-Ring	
7	2220888	1	Plug, O-Ring	
8	4640509	1	Cartridge, Valve	
8	2900792	1	Seal Kit - 4640999 Valve	
9	4640605	1	Cartridge, Valve	
9	2900792	1	Seal Kit - 4640605 Valve	
10	0962102	4	Bushing	
12	See Note	NSS	O-Ring (Note: Use Item 30)	
13	See Note	NSS	Ring, Lock (Note: Use Item 30)	
14	See Note	NSS	Seal (Note: Use Item 30)	
15	See Note	NSS	Ring, Lock (Note: Use Item 30)	
16	See Note	NSS	O-Ring (Note: Use Item 30)	
17	See Note	NSS	Ring, Back-up (Note: Use Item 30)	
18	See Note	NSS	Ring, Wear (Note: Use Item 30)	
19	See Note	NSS	Seal (Note: Use Item 30)	
20	See Note	NSS	Wiper (Note: Use Item 30)	
21	0961903	1	Bushing, Tapered	
22	3932240	8	Capscrew, Socket Head 3/4in x 2-1/2in	
23	0100011	AR	Compound, Locking	
24	0100038	AR	Primer, Locking	
25	0100063	AR	Loctite #RC609	
26		Ref	Hardware Options:	
26	0641612	3	Bolt 3/8in-16NC x 1-1/2in <b>(Prior to SN 0300045154)</b>	
26	0630536	3	Bolt <b>(SN 0300045154 through 0300069000)</b>	
30	2901537	1	Seal Kit (Includes Items 12-20)	

# SECTION 5 - CYLINDER

## FIGURE 5-13. LIFT CYLINDER ASSEMBLY - TOWER BOOM (SERVICE REPLACEMENT)



ART\_1001228009

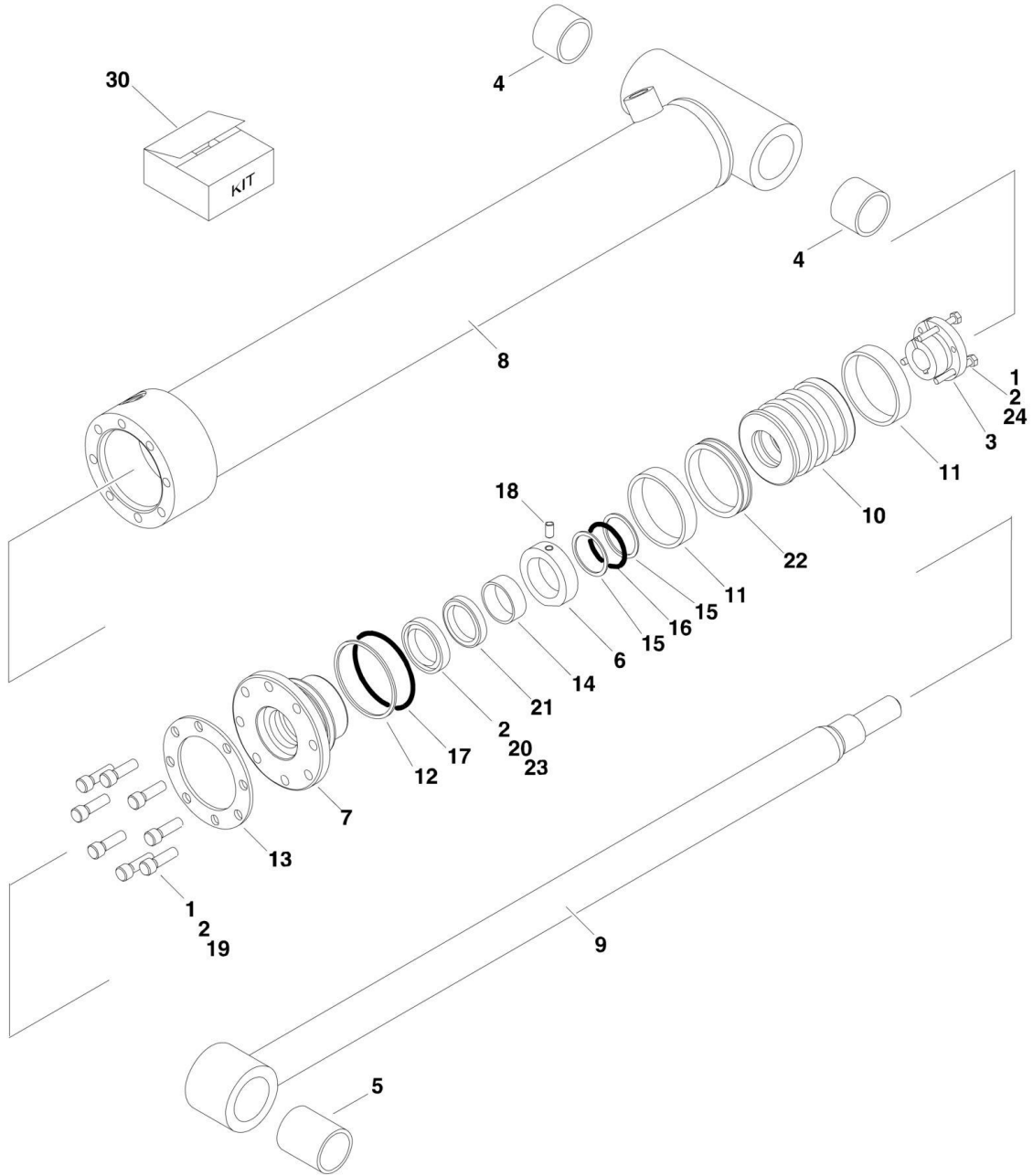
## SECTION 5 - CYLINDER

**FIGURE 5-13. LIFT CYLINDER ASSEMBLY - TOWER BOOM (SERVICE REPLACEMENT)**

ITEM	PART NUMBER	QTY	DESCRIPTION	REV
	1001228009	Ref	LIFT CYLINDER ASSEMBLY	C
		Ref	Note: Original Cylinder may have been replaced with Service Replacement. Identify PN Stamped on Cylinder Before Ordering Parts.	
1	See Note	NSS	Barrel (Note: Not Available for Purchase)	
2	70006378	1	Rod	
3	70006377	1	Head	
4	70006376	1	Piston	
5	70006375	1	Bushing, Tapered	
6	0630536	3	Bolt	
7	3932240	8	Capscrew 3/4 x 2-1/2	
8	4640509	1	Cartridge, Valve	
8	2900792	1	Seal Kit - 4640999 Valve	
9	4640605	1	Cartridge, Valve	
9	2900792	1	Seal Kit - 4640605 Valve	
11	2220883	4	Plug, O-Ring	
12	2220888	1	Plug, O-Ring	
13	0962102	4	Bushing	
100	2901537	1	Seal Kit (Includes Items 101-109)	
101	See Note	NSS	Seal (Note: Use Item 100)	
102	See Note	NSS	Ring, Lock (Note: Use Item 100)	
103	See Note	NSS	O-Ring (Note: Use Item 100)	
104	See Note	NSS	Ring, Back-up (Note: Use Item 100)	
105	See Note	NSS	Ring, Wear (Note: Use Item 100)	
106	See Note	NSS	O-Ring (Note: Use Item 100)	
107	See Note	NSS	Ring, Back-up (Note: Use Item 100)	
108	See Note	NSS	Seal (Note: Use Item 100)	
109	See Note	NSS	Wiper (Note: Use Item 100)	

# SECTION 5 - CYLINDER

## FIGURE 5-14. MASTER CYLINDER ASSEMBLY - 800A (ORIGINAL EQUIPMENT)



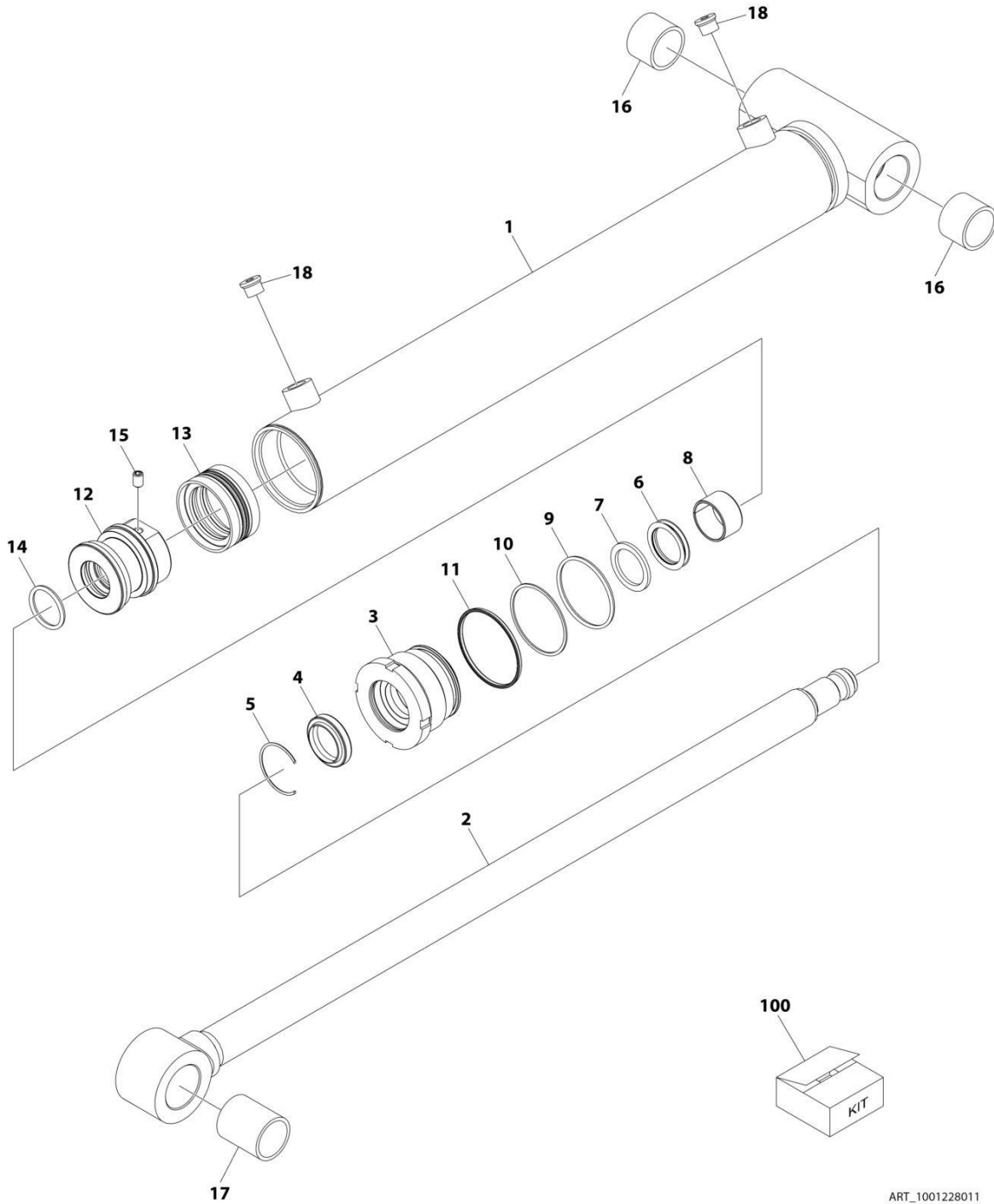
## SECTION 5 - CYLINDER

**FIGURE 5-14. MASTER CYLINDER ASSEMBLY - 800A (ORIGINAL EQUIPMENT)**

ITEM	PART NUMBER	QTY	DESCRIPTION	REV
	1683608	Ref	<b>MASTER CYLINDER ASSEMBLY - 800A</b>	F
		Ref		
1	0100011	AR	Compound, Locking	
2	0100038	AR	Primer, Locking	
3		Ref	Bushing, Tapered Options:	
3	0961900	1	Bushing, Tapered <b>(Prior to SN 0300054182)</b>	
3	0962185	1	Bushing, Tapered <b>(SN 0300054182 through 0300069000)</b>	
4	0961951	2	Bushing	
5	0962155	1	Bushing	
6	0962156	1	Spacer, Tube	
7	1683050	1	Head	
8		Ref	Barrel Options:	
8	1683633	1	Barrel <b>(Prior to SN 0300064390)</b>	
8	1684114	1	Barrel <b>(SN 0300064390 through 0300069000)</b>	
9		Ref	Rod Options:	
9	1683635	1	Rod <b>(Prior to SN 0300064390)</b>	
9	1684115	1	Rod <b>(SN 0300064390 through 0300069000)</b>	
10	3480232	1	Piston	
11	See Note	NSS	Ring, Wear (Note: Use Item 30)	
12	See Note	NSS	Ring, Back-up (Note: Use Item 30)	
13	3760367	1	Ring, Washer	
14	See Note	NSS	Ring, Wear (Note: Use Item 30)	
15	See Note	NSS	Ring, Back-up (Note: Use Item 30)	
16	See Note	NSS	O-Ring (Note: Use Item 30)	
17	See Note	NSS	O-Ring (Note: Use Item 30)	
18	3900139	1	Setscrew 1/4in-20NC x 1/2in	
19	3931516	8	Capscrew 5/16in-18NC x 1in	
20	See Note	NSS	Wiper (Note: Use Item 30)	
21	See Note	NSS	Seal (Note: Use Item 30)	
22	See Note	NSS	T-Seal (Note: Use Item 30)	
23	0100063	AR	Loctite #RC 609	
24	0630534	3	Capscrew, Socket Head #10-24NC x 1in	
30	2901549	1	Seal Kit (Includes Items 11, 12, 14-17 & 20-22)	

# SECTION 5 - CYLINDER

## FIGURE 5-15. MASTER CYLINDER ASSEMBLY (800A) (SERVICE REPLACEMENT)



ART\_1001228011



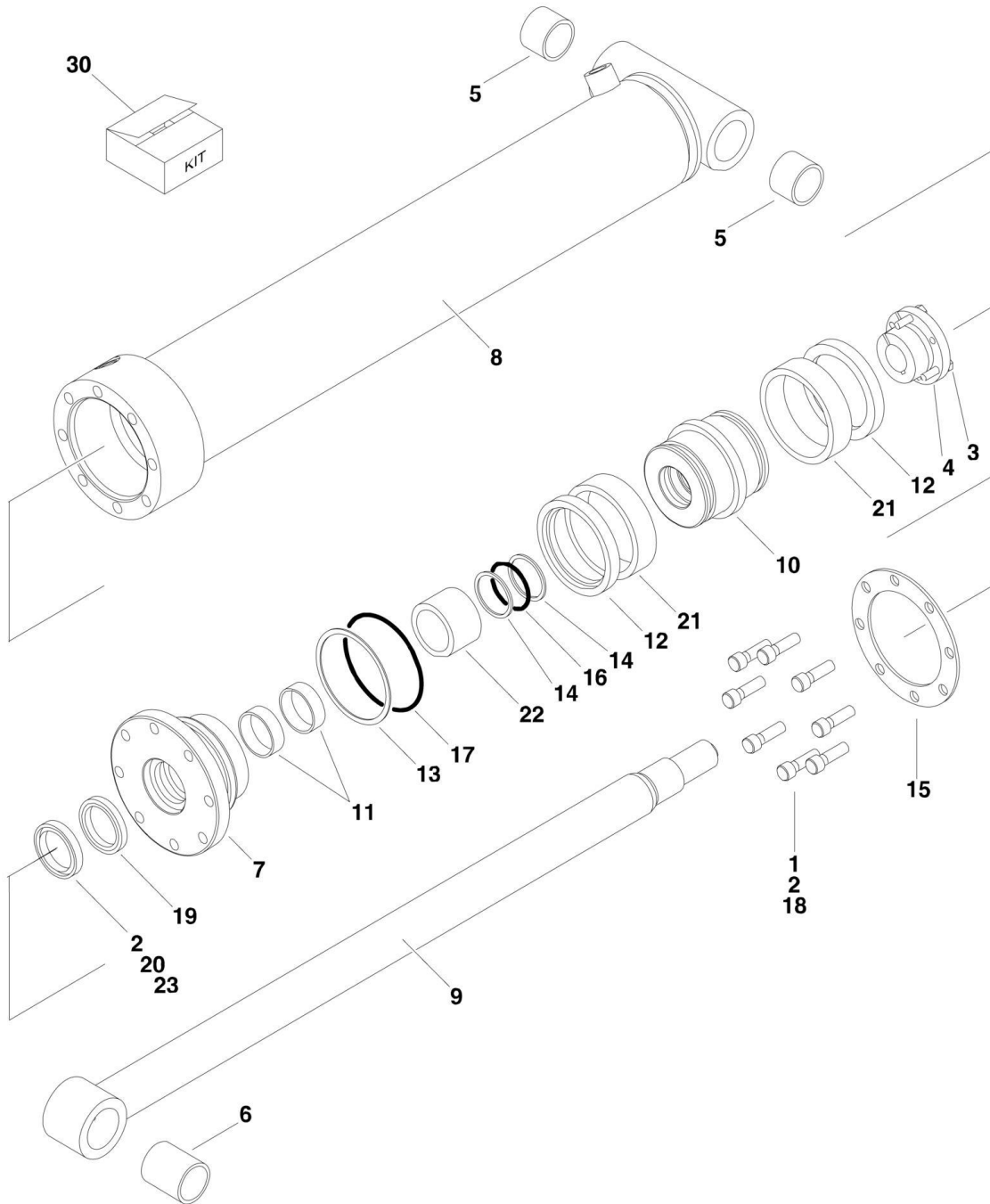
## SECTION 5 - CYLINDER

**FIGURE 5-15. MASTER CYLINDER ASSEMBLY (800A) (SERVICE REPLACEMENT)**

ITEM	PART NUMBER	QTY	DESCRIPTION	REV
	1001228011	Ref	MASTER CYLINDER ASSEMBLY (800A)	B
		Ref	Note: Original Cylinder may have been replaced with Service Replacement. Identify PN Stamped on Cylinder Before Ordering Parts.	
1	See Note	NSS	Barrel (Note: Not Available for Purchase)	
2	70006777	1	Rod	
3	70006778	1	Head	
4	See Note	NSS	Wiper (Note: Use Item 100)	
5	70002366	1	Ring, Retaining	
6	See Note	NSS	Seal, Rod (Note: Use Item 100)	
7	See Note	NSS	Ring, Back-up (Note: Use Item 100)	
8	70006779	1	Ring, Wear	
9	See Note	NSS	O-Ring (Note: Use Item 100)	
10	See Note	NSS	Ring, Back-up (Note: Use Item 100)	
11	70050801	NSS	O-Ring (Note: Use Item 100)	
12	70006780	1	Piston	
13	See Note	NSS	Seal (Note: Use Item 100)	
14	See Note	NSS	O-Ring (Note: Use Item 100)	
15	70006596	1	Setscrew	
16	0961951	2	Bushing	
17	0962155	1	Bushing	
18	2220885	2	Plug	
100	70006781	1	Seal Kit (Includes Items 4, 6, 7, 9-11, 13 & 14)	

# SECTION 5 - CYLINDER

FIGURE 5-16. MASTER CYLINDER ASSEMBLY- 800AJ (ORIGINAL EQUIPMENT)



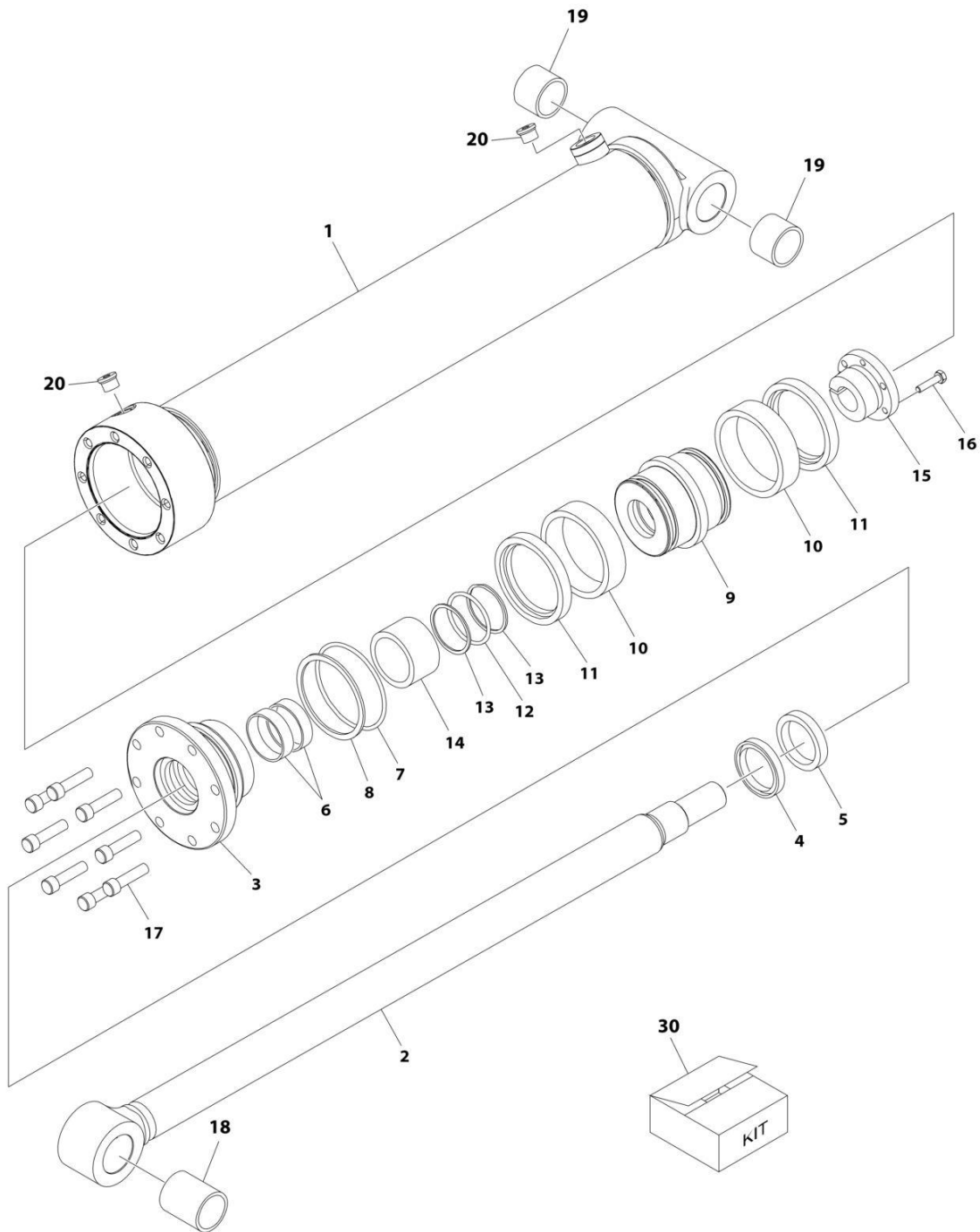
## SECTION 5 - CYLINDER

**FIGURE 5-16. MASTER CYLINDER ASSEMBLY- 800AJ (ORIGINAL EQUIPMENT)**

ITEM	PART NUMBER	QTY	DESCRIPTION	REV
	1683682	Ref	<b>MASTER CYLINDER ASSEMBLY - 800AJ</b>	C
		Ref		
1	0100011	AR	Compound, Locking	
2	0100038	AR	Primer, Locking	
3	0630535	3	Capscrew, Socket Head 1/4in-20NC x 1in	
4	0961894	1	Bushing, Tapered	
5	0961951	2	Bushing	
6	0962155	1	Bushing	
7	1683055	1	Head	
8		Ref	Barrel Options:	
8	1683683	1	Barrel <b>(Prior to SN 0300064390)</b>	
8	1684125	1	Barrel <b>(SN 0300064390 through 0300069000)</b>	
9		Ref	Rod Options:	
9	1683685	1	Rod <b>(Prior to SN 0300064390)</b>	
9	1684126	1	Rod <b>(SN 0300064390 through 0300069000)</b>	
10	3480188	1	Piston	
11	See Note	NSS	Ring, Wear (Note: Use Item 30)	
12	See Note	NSS	Ring, Lock (Note: Use Item 30)	
13	See Note	NSS	Ring, Back-up (Note: Use Item 30)	
14	See Note	NSS	Ring, Back-up (Note: Use Item 30)	
15	3760369	1	Ring, Washer	
16	See Note	NSS	O-Ring (Note: Use Item 30)	
17	See Note	NSS	O-Ring (Note: Use Item 30)	
18	3931620	8	Capscrew 3/8in-16NC x 1-1/4in	
19	See Note	NSS	Seal, Rod (Note: Use Item 30)	
20	See Note	NSS	Wiper (Note: Use Item 30)	
21	See Note	NSS	Seal (Note: Use Item 30)	
22	4566468	1	Spacer, Tube	
23	0100063	AR	Loctite #RC609	
30	2901301	1	Seal Kit (Includes Items 11-14, 16, 17 & 19-21)	

# SECTION 5 - CYLINDER

## FIGURE 5-17. MASTER CYLINDER ASSEMBLY (800AJ) (SERVICE REPLACEMENT)



ART\_1001228050

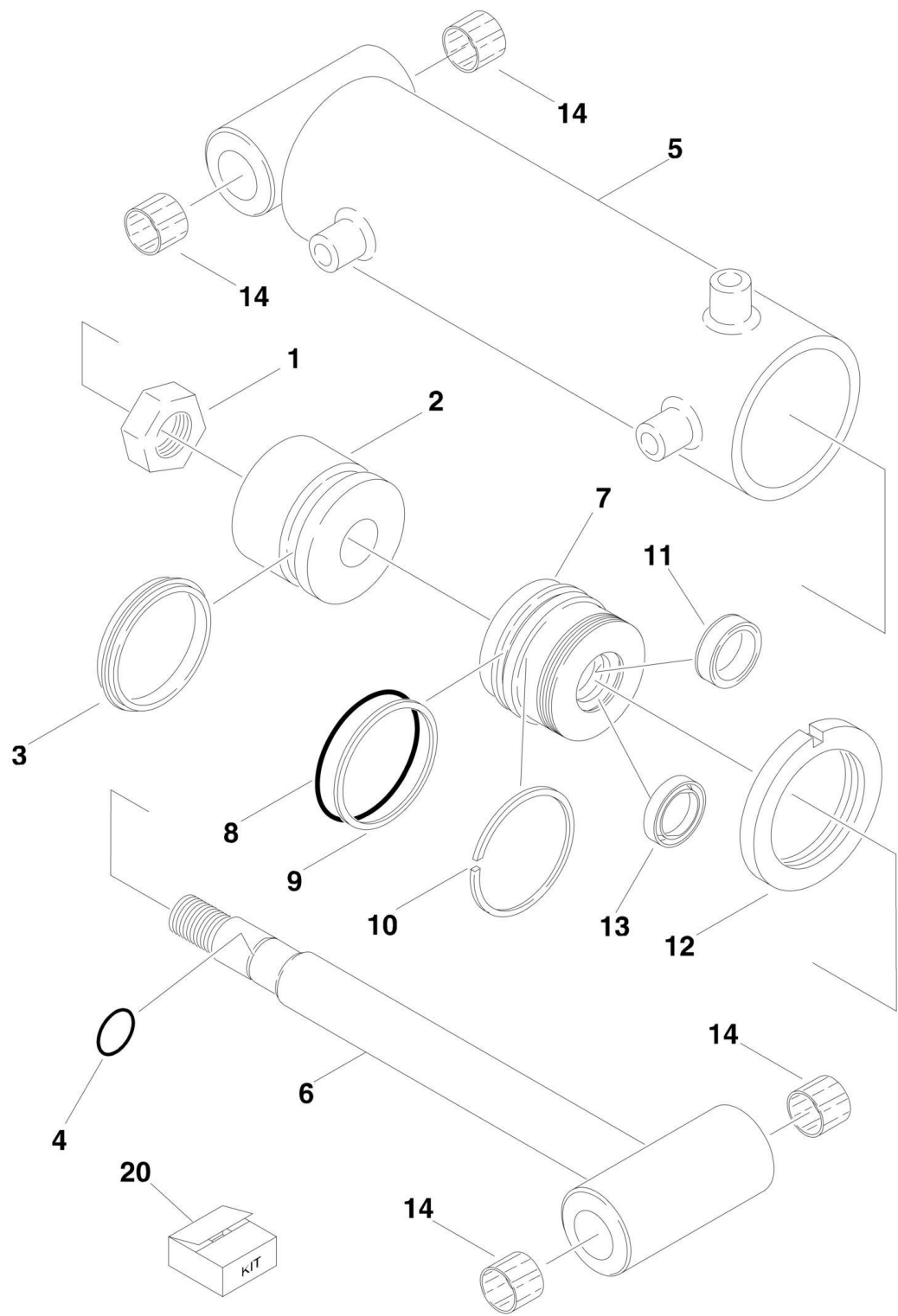
## SECTION 5 - CYLINDER

**FIGURE 5-17. MASTER CYLINDER ASSEMBLY (800AJ) (SERVICE REPLACEMENT)**

ITEM	PART NUMBER	QTY	DESCRIPTION	REV
	1001228050	Ref	MASTER CYLINDER ASSEMBLY	C
		Ref	Note: Original Cylinder may have been replaced with Service Replacement. Identify PN Stamped on Cylinder Before Ordering Parts.	
1	See Note	NSS	Barrel (Note: Not Available for Purchase)	
2	70006668	1	Rod	
3	70006643	1	Head	
4	See Note	NSS	Wiper (Note: Use Item 30)	
5	See Note	NSS	Seal, Rod (Note: Use Item 30)	
6	See Note	NSS	Ring, Wear (Note: Use Item 30)	
7	See Note	NSS	O-Ring (Note: Use Item 30)	
8	See Note	NSS	Ring, Back-up (Note: Use Item 30)	
9	70006644	1	Piston	
10	See Note	NSS	Ring, Wear (Note: Use Item 30)	
11	See Note	NSS	Ring, Lock (Note: Use Item 30)	
12	See Note	NSS	O-Ring (Note: Use Item 30)	
13	See Note	NSS	Ring, Back-up (Note: Use Item 30)	
14	70006651	1	Spacer, Tube	
15	0961894	1	Bushing, Tapered	
16	0630535	3	Capscrew 1/4 x 1-1/8	
17	3931620	8	Capscrew 3/8 x 1-1/4	
18	0962155	1	Bushing	
19	0961951	2	Bushing	
20	2220885	2	Plug, O-Ring	
30	1001138796	1	Seal Kit (Machines with Arctic Package) (Includes Items 4-8 & 10-13)	

# SECTION 5 - CYLINDER

## FIGURE 5-18. STEER CYLINDER ASSEMBLY



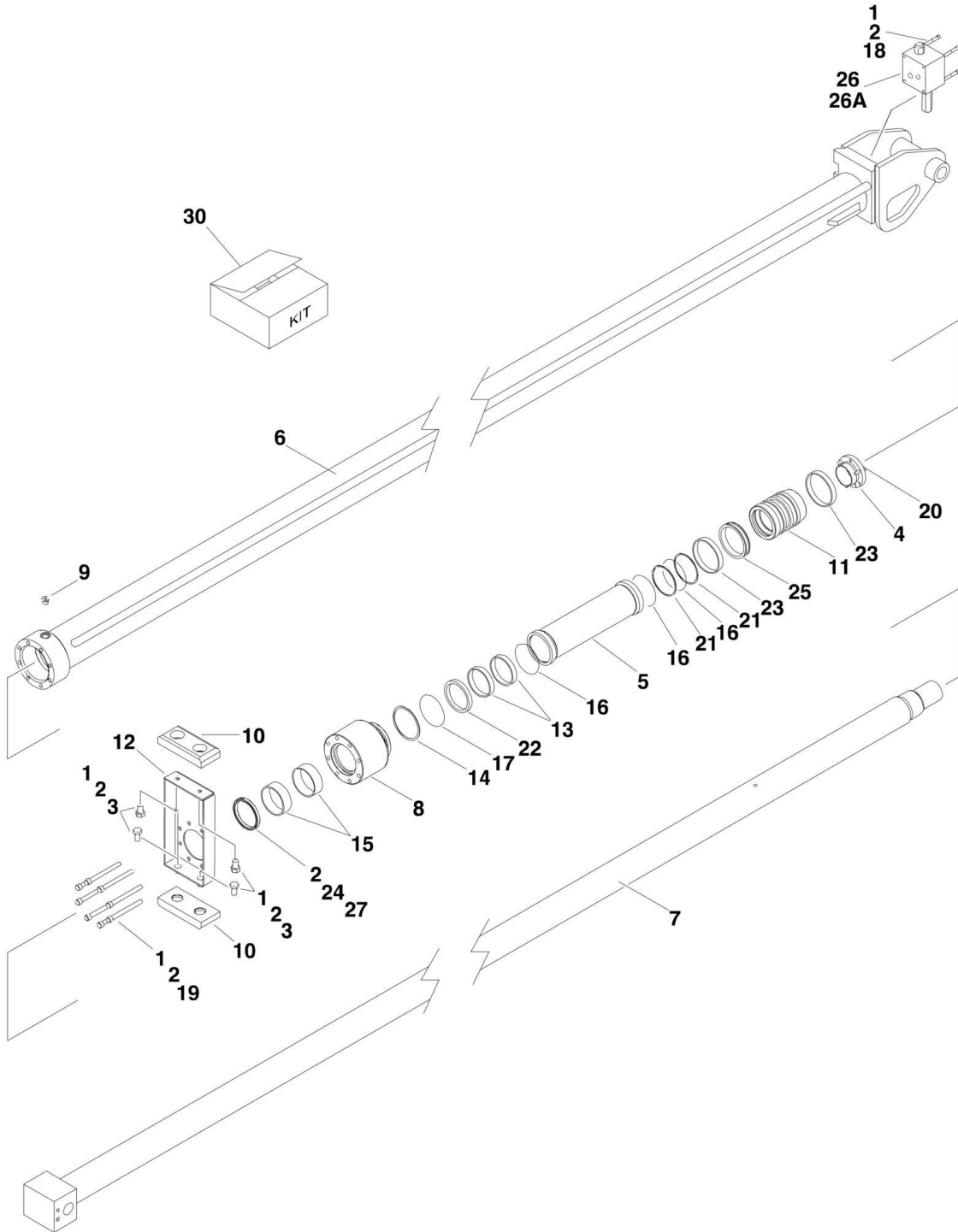
## SECTION 5 - CYLINDER

**FIGURE 5-18. STEER CYLINDER ASSEMBLY**

ITEM	PART NUMBER	QTY	DESCRIPTION	REV
		Ref	<b>Note: Original Equipment Cylinder may have been replaced with Service Replacement Cylinder. Identify p/n stamped on cylinder before ordering parts.</b>	
		Ref	<b>STEER CYLINDER ASSEMBLY</b>	
	1683605	Ref	<b>Steer Cylinder Assembly 2WS - Original Equipment</b>	A
	1683740	Ref	<b>Steer Cylinder Assembly 2WS - Service Replacement</b>	B
	1683740	Ref	<b>Steer Cylinder Assembly 4WS</b>	B
1	7017210	1	Locknut	
2	7017211	1	Piston	
3	See Note	NSS	Seal (Note: Use Item 20)	
4	See Note	NSS	O-Ring (Note: Use Item 20)	
5		Ref	Barrel Weldment Options:	
5	7017234	1	Barrel Weldment 2WS <b>(Prior to SN 0300042477)</b>	
5	7023023	1	Barrel Weldment 2WS <b>(SN 0300042477 through 0300069000)</b>	
5	7023023	1	Barrel Weldment 4WS	
6	7017236	1	Rod Weldment	
7	7017213	1	Head	
8	See Note	NSS	O-Ring (Note: Use Item 20)	
9	See Note	NSS	Ring, Back-up (Note: Use Item 20)	
10	See Note	NSS	Ring, Retainer (Note: Use Item 20)	
11	See Note	NSS	Seal (Note: Use Item 20)	
12	7017214	1	Nut, Spanner	
13	See Note	NSS	Wiper (Note: Use Item 20)	
14	0961977	4	Bushings	
20	7017215	1	Seal Kit (Includes Items 3, 4, 8-11 & 13)	

# SECTION 5 - CYLINDER

## FIGURE 5-19. TELESCOPE CYLINDER ASSEMBLY - MAIN BOOM





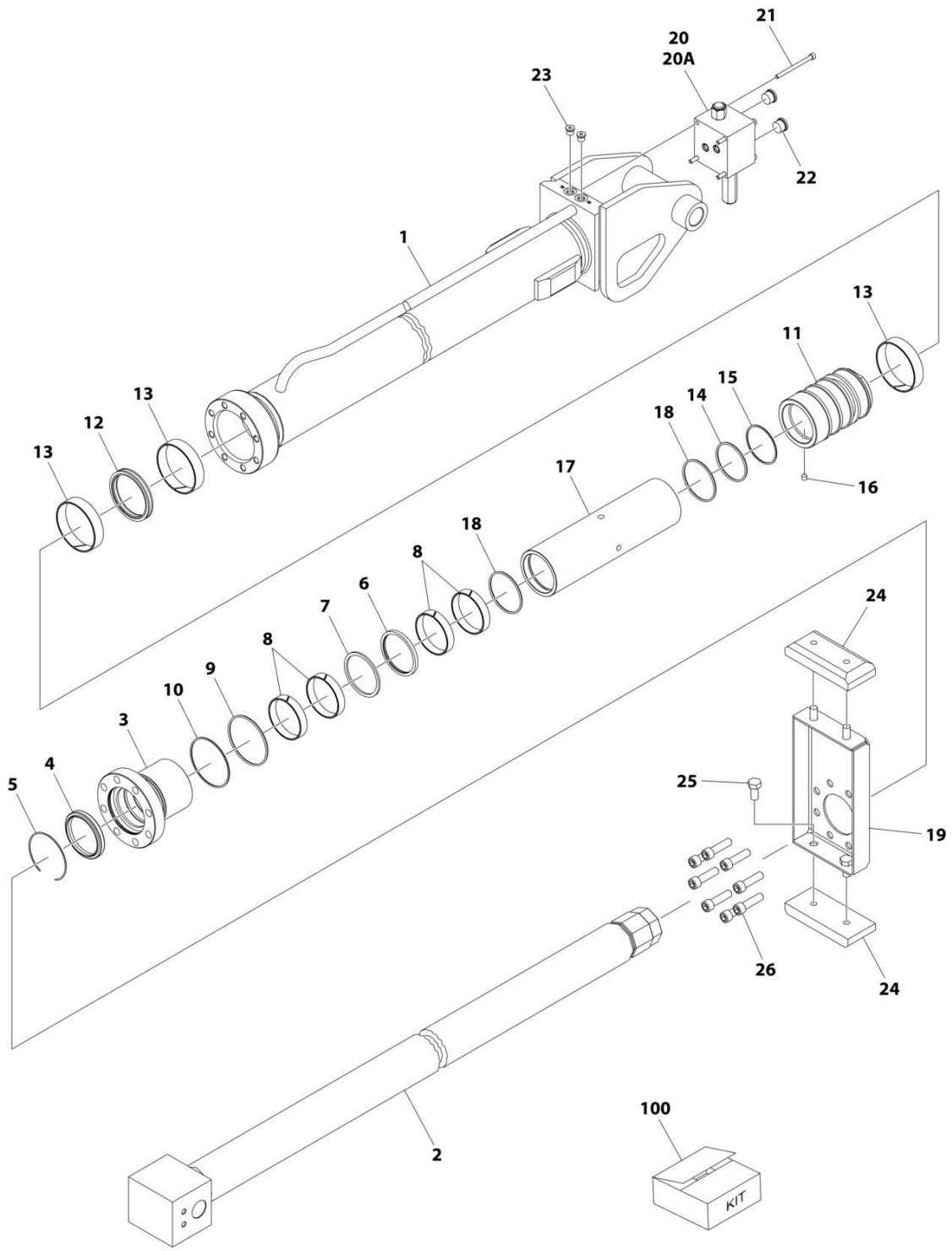
## SECTION 5 - CYLINDER

**FIGURE 5-19. TELESCOPE CYLINDER ASSEMBLY - MAIN BOOM**

ITEM	PART NUMBER	QTY	DESCRIPTION	REV
		Ref	<b>TELESCOPE CYLINDER ASSEMBLY - MAIN BOOM</b>	
	1683607	Ref	<b>Telescope Cylinder Assembly 800A (Original Equipment)</b>	F
	1001188968	Ref	<b>Telescope Cylinder Assembly 800A (Service Replacement)</b>	B
	1683672	Ref	<b>Telescope Cylinder Assembly 800AJ (Original Equipment)</b>	F
	1001188841	Ref	<b>Telescope Cylinder Assembly 800AJ (Service Replacement)</b>	B
		Ref	Note: Original Cylinder may have been replaced with Service Replacement. Identify PN Stamped on Cylinder Before Ordering Parts.	
1	0100011	AR	Compound, Locking	
2	0100038	AR	Primer, Locking	
3	0641806	4	Bolt 1/2in-13NC x 3/4in	
4	0961897	1	Bushing, Tapered	
5	0962219	1	Spacer, Tube	
6		Ref	Barrel Options:	
6	1683647	1	Barrel 800A	
6	1683673	1	Barrel 800AJ	
7		Ref	Rod Options:	
7	1683648	1	Rod 800A	
7	1683675	1	Rod 800AJ	
8	1683663	1	Head	
9	2220885	1	Plug, O-Ring	
10	3340838	2	Pad, Wear	
11	3480234	1	Piston	
12	3570775	1	Plate	
13	See Note	NSS	Ring, Wear (Note: Use Item 30)	
14	See Note	NSS	Ring, Back-up (Note: Use Item 30)	
15	See Note	NSS	Ring, Wear (Note: Use Item 30)	
16	See Note	NSS	O-Ring (Note: Use Item 30)	
17	See Note	NSS	O-Ring (Note: Use Item 30)	
18	3931448	4	Capscrew 1/4in-20NC x 3in	
19	3931664	8	Capscrew 3/8in-16NC x 4in	
20	0630535	3	Bolt 1/4in-20NC x 1-1/8in	
21	See Note	NSS	Ring, Back-up (Note: Use Item 30)	
22	See Note	NSS	Seal, Rod (Note: Use Item 30)	
23	See Note	NSS	Ring, Wear (Note: Use Item 30)	
24	See Note	NSS	Wiper (Note: Use Item 30)	
25	See Note	NSS	T-Seal (Note: Use Item 30)	
26	4641033	1	Valve Assembly (No serviceable parts - sold as assembly only)	
26A	7024508	2	O-Ring (Between Valve and Cylinder Barrel)	
27	0100063	AR	Loctite #RC609	
30	2901712	NLA	Seal Kit (Includes Items 13-17 & 21-25) (Use p/n 1001188843) (Use on p/n 1683607 & 1683672)	
30	1001188843	1	Seal Kit (Includes Items 13-17 & 21-25) (Use p/n 1001188843) (Use on p/n 1001188968 & 1001188841)	

# SECTION 5 - CYLINDER

FIGURE 5-20. TELESCOPE CYLINDER ASSEMBLY - MAIN BOOM (800A) (SERVICE REPLACEMENT)



ART\_1001228088

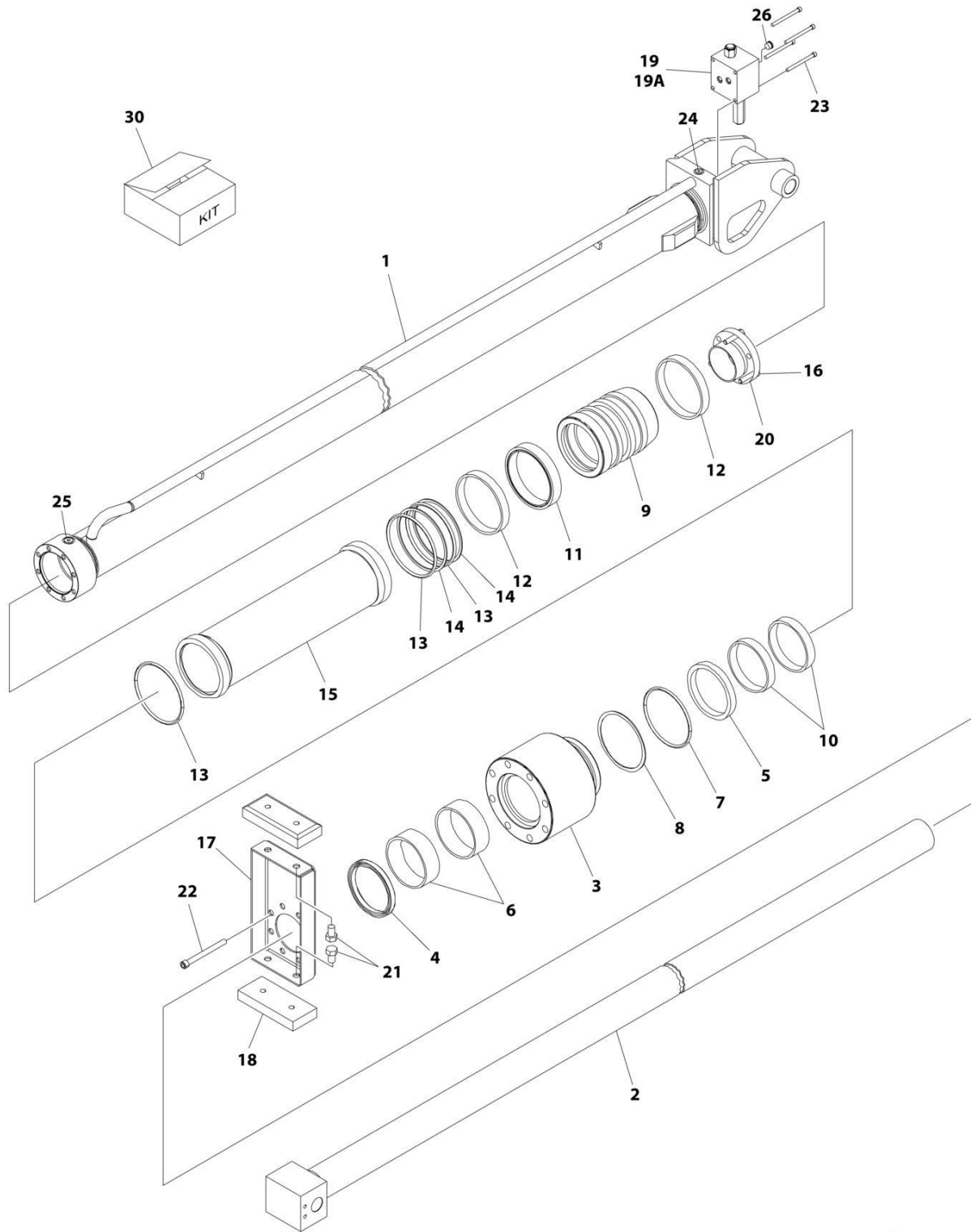
## SECTION 5 - CYLINDER

**FIGURE 5-20. TELESCOPE CYLINDER ASSEMBLY - MAIN BOOM (800A) (SERVICE REPLACEMENT)**

ITEM	PART NUMBER	QTY	DESCRIPTION	REV
	1001228088	Ref	TELESCOPE CYLINDER ASSEMBLY - MAIN BOOM	C
		Ref	Note: Original Cylinder may have been replaced with Service Replacement. Identify PN Stamped on Cylinder Before Ordering Parts.	
1	See Note	NSS	Barrel (Note: Not Available for Purchase)	
2	70006796	1	Rod	
3	70006797	1	Head	
4	See Note	NSS	Wiper (Note: Use Item 100)	
5	70027259	1	Ring, Retaining	
6	See Note	NSS	Seal, Rod (Note: Use Item 100)	
7	See Note	NSS	Ring, Back-up (Note: Use Item 100)	
8	See Note	NSS	Ring, Wear (Note: Use Item 100)	
9	See Note	NSS	O-Ring (Note: Use Item 100)	
10	See Note	NSS	Ring, Back-up (Note: Use Item 100)	
11	70006798	1	Piston	
12	See Note	NSS	Seal (Note: Use Item 100)	
13	See Note	NSS	Ring, Wear (Note: Use Item 100)	
14	See Note	NSS	O-Ring (Note: Use Item 100)	
15	See Note	NSS	Ring, Back-up (Note: Use Item 100)	
16	70006799	1	Setscrew	
17	70006800	1	Spacer, Tube	
18	See Note	NSS	O-Ring (Note: Use Item 100)	
19	70006801	1	Plate	
20	4641033	1	Valve Assembly (No serviceable parts - sold as assembly only)	
20A	7024508	2	O-Ring (Between Valve and Cylinder Barrel)	
21	70006802	4	Capscrew M6	
22	2220886	2	Plug, O-Ring	
23	2220883	2	Plug, O-Ring	
24	3340838	2	Pad, Wear	
25	0641806	4	Bolt 1/2 x 3/4	
26	70006803	8	Capscrew M12	
100	70006804	1	Seal Kit - 1001228088 Cylinder (Includes Items 4, 6-10, 12-15 & 18)	

# SECTION 5 - CYLINDER

## FIGURE 5-21. TELESCOPE CYLINDER ASSEMBLY - MAIN BOOM (800AJ) (SERVICE REPLACEMENT)



ART\_1001228087

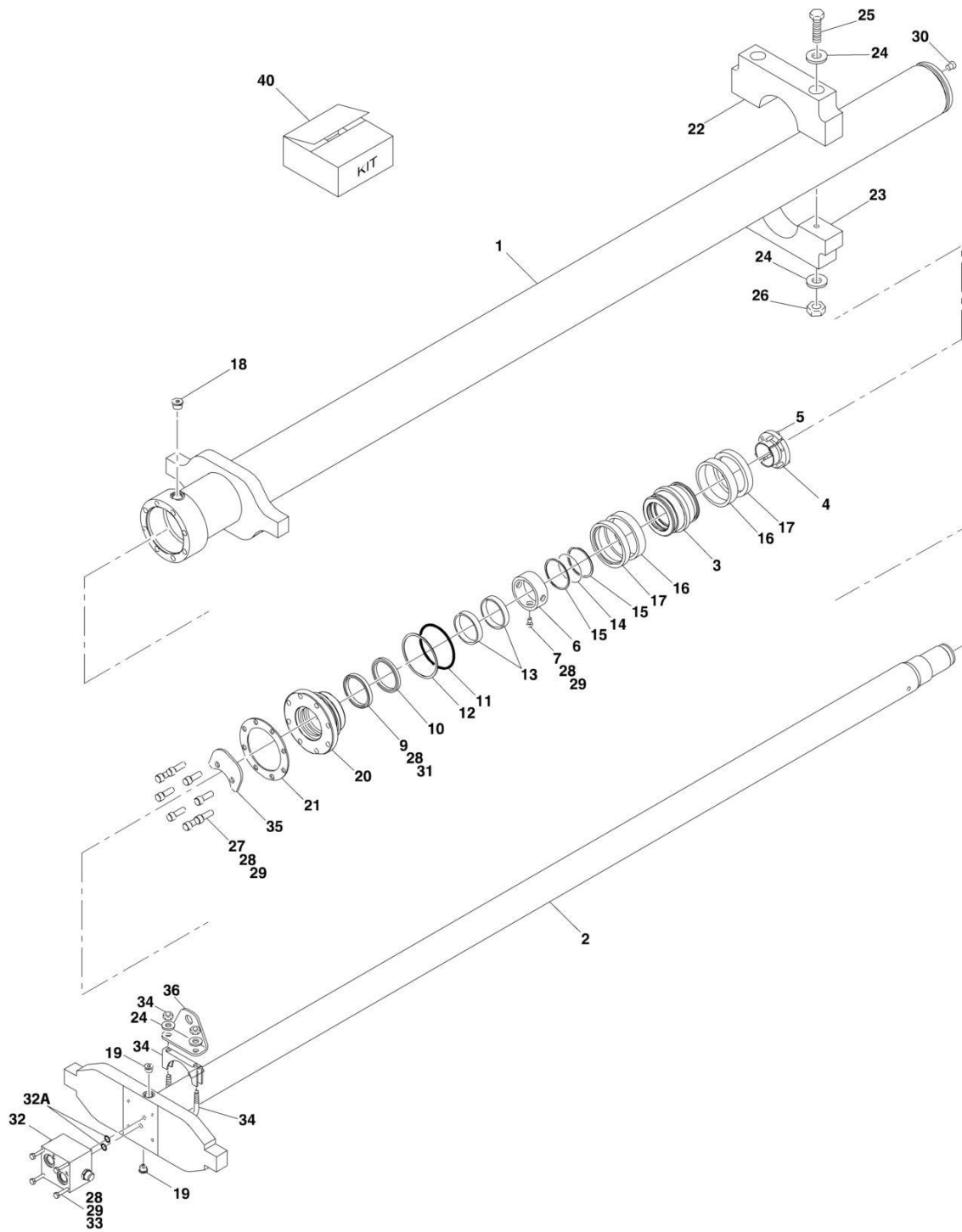
## SECTION 5 - CYLINDER

**FIGURE 5-21. TELESCOPE CYLINDER ASSEMBLY - MAIN BOOM (800AJ) (SERVICE REPLACEMENT)**

ITEM	PART NUMBER	QTY	DESCRIPTION	REV
	1001228087	Ref	TELESCOPE CYLINDER ASSEMBLY	F
		Ref	Note: Original Cylinder may have been replaced with Service Replacement. Identify PN Stamped on Cylinder Before Ordering Parts.	
1	See Note	NSS	Barrel (Note: Not Available for Purchase)	
2	70006669	1	Rod	
3	70006670	1	Head	
4	See Note	NSS	Wiper (Note: Use Item 30)	
5	See Note	NSS	Seal, Rod (Note: Use Item 30)	
6	See Note	NSS	Ring, Wear (Note: Use Item 30)	
7	See Note	NSS	O-Ring (Note: Use Item 30)	
8	See Note	NSS	Ring, Back-up (Note: Use Item 30)	
9	70006671	1	Piston	
10	See Note	NSS	Ring, Wear (Note: Use Item 30)	
11	See Note	NSS	Seal, Piston (Note: Use Item 30)	
12	See Note	NSS	Ring, Wear (Note: Use Item 30)	
13	See Note	NSS	O-Ring (Note: Use Item 30)	
14	See Note	NSS	Ring, Back-up (Note: Use Item 30)	
15	70006672	1	Spacer	
16	0961897	1	Bushing, Tapered	
17	3570775	1	Plate	
18	3340838	2	Pad, Wear	
19	4641033	1	Valve Assembly (No serviceable parts - sold as assembly only)	
19A	7024508	2	O-Ring (Between Valve and Cylinder Barrel)	
20	0630535	3	Bolt 1/4 x 1-1/8	
21	0641806	4	Bolt 1/2 x 3/4	
22	3931664	8	Capscrew 3/8 x 4	
23	3931448	4	Capscrew 1/4 x 3	
24	2220883	1	Plug, O-Ring	
25	2220885	AR	Plug, O-Ring	
26	2220886	1	Plug, O-Ring	
30	1001149391	1	Seal Kit (Includes Items 4-8 & 10-14)	

# SECTION 5 - CYLINDER

## FIGURE 5-22. TELESCOPE CYLINDER ASSEMBLY - TOWER BOOM



## SECTION 5 - CYLINDER

**FIGURE 5-22. TELESCOPE CYLINDER ASSEMBLY - TOWER BOOM**

ITEM	PART NUMBER	QTY	DESCRIPTION	REV
		Ref	<b>TELESCOPE CYLINDER ASSEMBLY - TOWER BOOM</b>	
	1683606	Ref	<b>Telescope Cylinder Assembly - TOWER BOOM (Original Equipment)</b>	J
	1001188840	Ref	<b>Telescope Cylinder Assembly - TOWER BOOM (Service Replacement)</b>	C
		Ref	Note: Original Cylinder may have been replaced with Service Replacement. Identify PN Stamped on Cylinder Before Ordering Parts.	
1	1683632	1	Barrel Weldment	
2	1683629	1	Rod Weldment	
3	3480211	1	Piston	
4	0961897	1	Bushing, Tapered	
5	0630535	3	Bolt 1/4in-20NC x 1-1/8in	
6	4567413	1	Spacer, Tube	
7	3931508	1	Bolt, Socket Head 5/16in-18NC x 1/2in	
9	See Note	NSS	Wiper (Note: Use Item 40)	
10	See Note	NSS	Seal (Note: Use Item 40)	
11	See Note	NSS	O-Ring (Note: Use Item 40)	
12	See Note	NSS	Ring, Back-up (Note: Use Item 40)	
13	See Note	NSS	Ring, Wear (Note: Use Item 40)	
14	See Note	NSS	O-Ring (Note: Use Item 40)	
15	See Note	NSS	Ring, Back-up (Note: Use Item 40)	
16	See Note	NSS	Seal (Note: Use Item 40)	
17	See Note	NSS	Ring, Lock (Note: Use Item 40)	
18	2220886	1	Plug, O-Ring	
19	2220885	2	Plug, O-Ring	
20	1683061	1	Head	
21	3760370	1	Ring, Washer	
22	3340834	1	Pad, Support	
23	3340833	1	Pad, Support	
24	4711600	10	Flatwasher 3/8in Narrow	
25	0641652	2	Bolt 3/8in-16NC x 6-1/2in	
26	3271605	2	Locknut 3/8in-16NC	
27	3931720	2	Capscrew 7/16in-14NC x 1-1/4in	
28	0100038	AR	Primer, Locking	
29	0100011	AR	Compound, Locking	
30	2220883	1	Plug, O-Ring	
31	0100063	AR	Loctite #RC609	
32	4641032	1	Valve Assembly (No serviceable parts - sold as assembly only)	
32A	7024397	2	O-Ring	
33		Ref	Hardware Options:	
33	0641420	4	Bolt 1/4in-20NC x 2-1/2in <b>(Prior to SN 0300056439)</b>	
33	3931448	4	Bolt <b>(SN 0300056439 through 0300069000)</b>	
34	1320011	1	Clamp (Use on p/n 1683606) <b>(SN 0300056439 through 0300069000)</b>	
34	1001228506	1	Bolt, U-Bolt (Use on p/n 1001188840)	
35	3572604	1	Plate, Proximity Switch Target <b>(SN 0300056439 through 0300069000)</b>	
36	3572605	1	Plate, Proximity Switch Mount <b>(SN 0300056439 through 0300069000)</b>	
40	2901273	1	Seal Kit (Includes Items 9-17) (Use on p/n 1683606)	

## SECTION 5 - CYLINDER

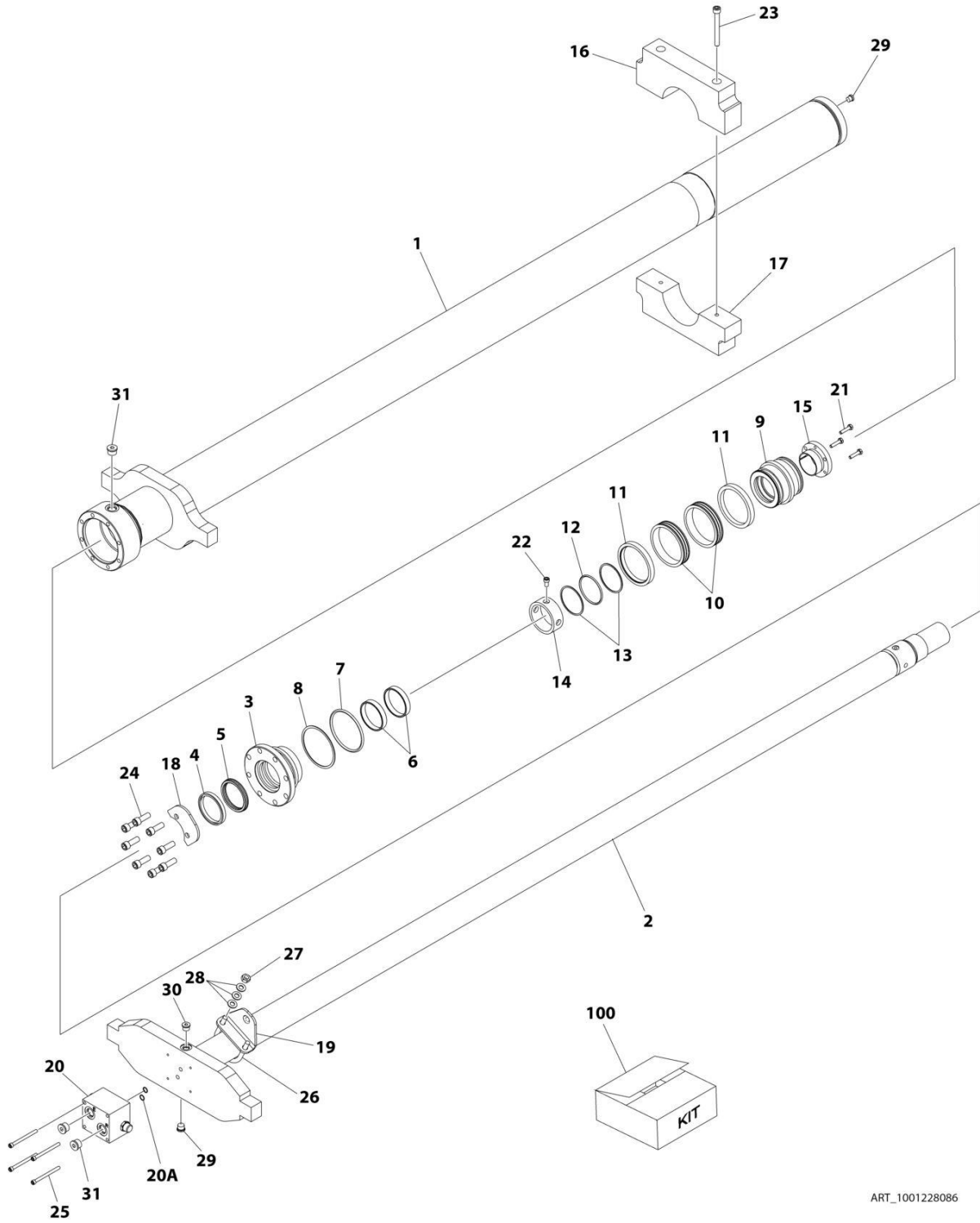
ITEM	PART NUMBER	QTY	DESCRIPTION	REV
40	1001188842	1	Seal Kit (Includes Items 9-17) (Use on p/n 1001188840)	





# SECTION 5 - CYLINDER

## FIGURE 5-23. TELESCOPE CYLINDER ASSEMBLY - TOWER BOOM (SERVICE REPLACEMENT)



ART\_1001228086

## SECTION 5 - CYLINDER

**FIGURE 5-23. TELESCOPE CYLINDER ASSEMBLY - TOWER BOOM (SERVICE REPLACEMENT)**

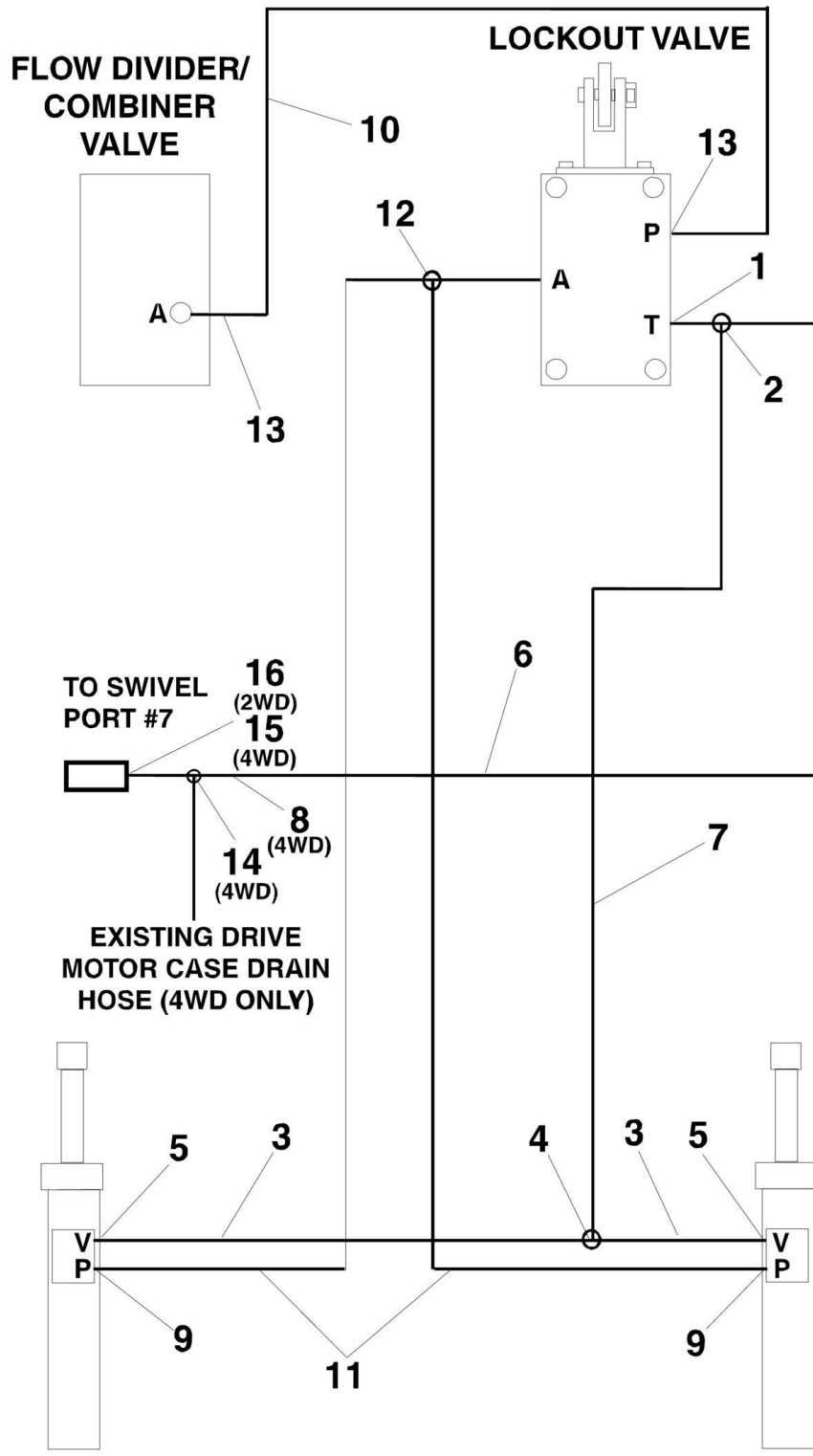
ITEM	PART NUMBER	QTY	DESCRIPTION	REV
	1001228086	Ref	TELESCOPE CYLINDER ASSEMBLY	C
		Ref	Note: Original Cylinder may have been replaced with Service Replacement. Identify PN Stamped on Cylinder Before Ordering Parts.	
1	See Note	NSS	Barrel (Note: Not Available for Purchase)	
2	70006921	1	Rod	
3	70006480	1	Head	
4	See Note	NSS	Wiper (Note: Use Item 100)	
5	See Note	NSS	Seal, Rod (Note: Use Item 100)	
6	See Note	NSS	Ring, Wear (Note: Use Item 100)	
7	See Note	NSS	O-Ring (Note: Use Item 100)	
8	See Note	NSS	Ring, Back-up (Note: Use Item 100)	
9	70006479	1	Piston	
10	See Note	NSS	Seal, Piston (Note: Use Item 100)	
11	See Note	NSS	Ring, Lock (Note: use Item 100)	
12	See Note	NSS	O-Ring (Note: Use Item 100)	
13	See Note	NSS	Ring, Back-up (Note: Use Item 100)	
14	70006922	1	Spacer	
15	0961897	1	Bushing, Tapered	
16	70006923	1	Pad, Wear	
17	70006924	1	Pad, Wear	
18	70006925	1	Plate	
19	70006926	1	Plate	
20	4641032	1	Valve Assembly (No serviceable parts - sold as assembly only)	
20A	7024397	2	O-Ring (Between Valve and Cylinder Barrel)	
21	0630535	3	Bolt 1/4 x 1-1/8	
22	70006731	1	Bolt	
23	70006927	2	Bolt M10	
24	70006728	8	Bolt 7/16	
25	70006733	4	Bolt M8	
26	70006928	1	U-Bolt M10	
27	70005594	2	Nut M10	
28	70006344	6	Washer M10	
29	2220883	2	Plug, O-Ring	
30	2220885	1	Plug, O-Ring	
31	2220886	3	Plug, O-Ring	
100	1001188842	1	Seal Kit - 1001228086 Cylinder (Includes Items 4-8 & 10-13)	



**SECTION 6 - HYDRAULIC**

# SECTION 6 - HYDRAULIC

## FIGURE 6-1. AXLE LOCKOUT HYDRAULIC DIAGRAM



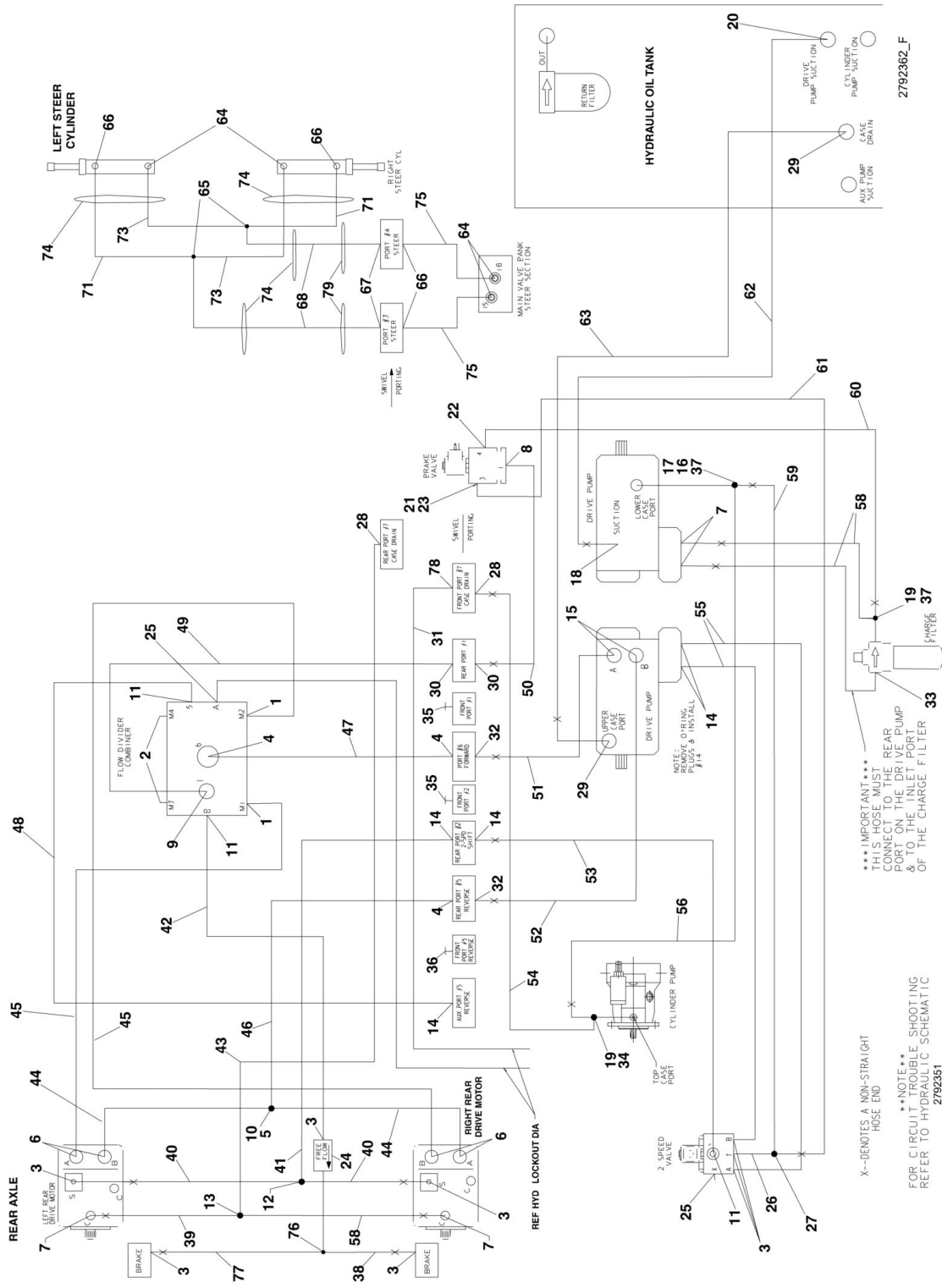
## SECTION 6 - HYDRAULIC

**FIGURE 6-1. AXLE LOCKOUT HYDRAULIC DIAGRAM**

ITEM	PART NUMBER	QTY	DESCRIPTION	REV
	2792367	Ref	<b>AXLE LOCKOUT HYDRAULIC DIAGRAMS</b>	2-B
1	2220603	1	Fitting, Straight	
2	2220635	1	Fitting, Tee	
3	2750920	2	Hose	
4	2220490	1	Fitting, Tee	
5	2220371	2	Fitting, Straight	
6	2752648	1	Hose	
7	2752611	1	Hose	
8	2220619	1	Fitting, Reducer	
9	2220582	2	Fitting, Straight	
10	2750760	1	Hose	
11	2751906	2	Hose	
12	2220711	1	Fitting, Tee	
13	2220415	2	Fitting, Straight	
14	2220602	1	Fitting, Tee (Not Shown)	
15	2220811	1	Fitting, Reducer (Not Shown)	
16	2220577	1	Fitting, Straight (Not Shown)	

# SECTION 6 - HYDRAULIC

## FIGURE 6-2. DRIVE HYDRAULIC DIAGRAM - 2WD



2792362\_F

\*\*\*IMPORTANT\*\*\*  
THIS HOSE MUST  
CONNECT TO THE REAR  
PORT ON THE DRIVE PUMP  
& TO THE INLET PORT  
OF THE CHARGE FILTER  
37

X--DENOTES A NON-STRAIGHT  
HOSE END

\*\*\*NOTE\*\*\*  
FOR CIRCUIT TROUBLE SHOOTING  
REFER TO HYDRAULIC SCHEMATIC  
2792351



## SECTION 6 - HYDRAULIC

**FIGURE 6-2. DRIVE HYDRAULIC DIAGRAM - 2WD**

ITEM	PART NUMBER	QTY	DESCRIPTION	REV
	2792362	Ref	<b>DRIVE HYDRAULIC DIAGRAM - 2WD</b>	6-F
1	2220498	2	Fitting, Elbow	
2	2220240	2	Fitting, Plug	
3	2220415	8	Fitting, Straight	
4	2220365	3	Fitting, Elbow	
5	2220710	2	Fitting, Reducer	
6	2220465	4	Fitting, Elbow	
7	2220374	4	Fitting, Straight	
8	2220373	1	Fitting, Straight	
9	2220500	1	Fitting, Elbow	
10	2220363	1	Fitting, Tee	
11	2220466	3	Fitting, Elbow	
12	2220504	1	Fitting, Tee	
13	2220362	1	Fitting, Tee	
14	2220582	5	Fitting, Straight	
15	2220646	2	Fitting, Elbow	
16	2220999	1	Fitting, Tee	
17	2220618	1	Fitting, Reducer	
18	2220479	1	Fitting, Straight	
19	2220602	2	Fitting, Tee	
20	2220380	1	Fitting, Straight	
21	2220609	1	Fitting, Reducer	
22	2220596	1	Fitting, Elbow	
23	2220628	1	Fitting, Elbow	
24	4641076	1	Valve, Restrictor (.021)	
25	2220235	2	Fitting, Plug	
26	2221029	1	Fitting, Orifice (.031)	
27	2220605	1	Fitting, Tee	
28	2220375	2	Fitting, Straight	
29	2220451	2	Fitting, Straight	
30	2220600	2	Fitting, Straight	
31	2220516	1	Fitting, Cap	
32	2220377	2	Fitting, Straight	
33	2220366	1	Fitting, Elbow	
34	2220810	1	Fitting, Straight	
35	2220237	2	Fitting, Plug	
36	2220242	1	Fitting, Plug	
37	2220811	2	Fitting, Straight	
38	2752575	1	Hose	
39	2752514	1	Hose	
40	2753036	2	Hose	
41	2751011	1	Hose	
42	2752977	1	Hose	
43	2752518	1	Hose	
44	2752265	2	Hose	
45	2752266	2	Hose	
46	2752345	1	Hose	
47	2752363	1	Hose	
48	2751017	1	Hose	
49	2752498	1	Hose	

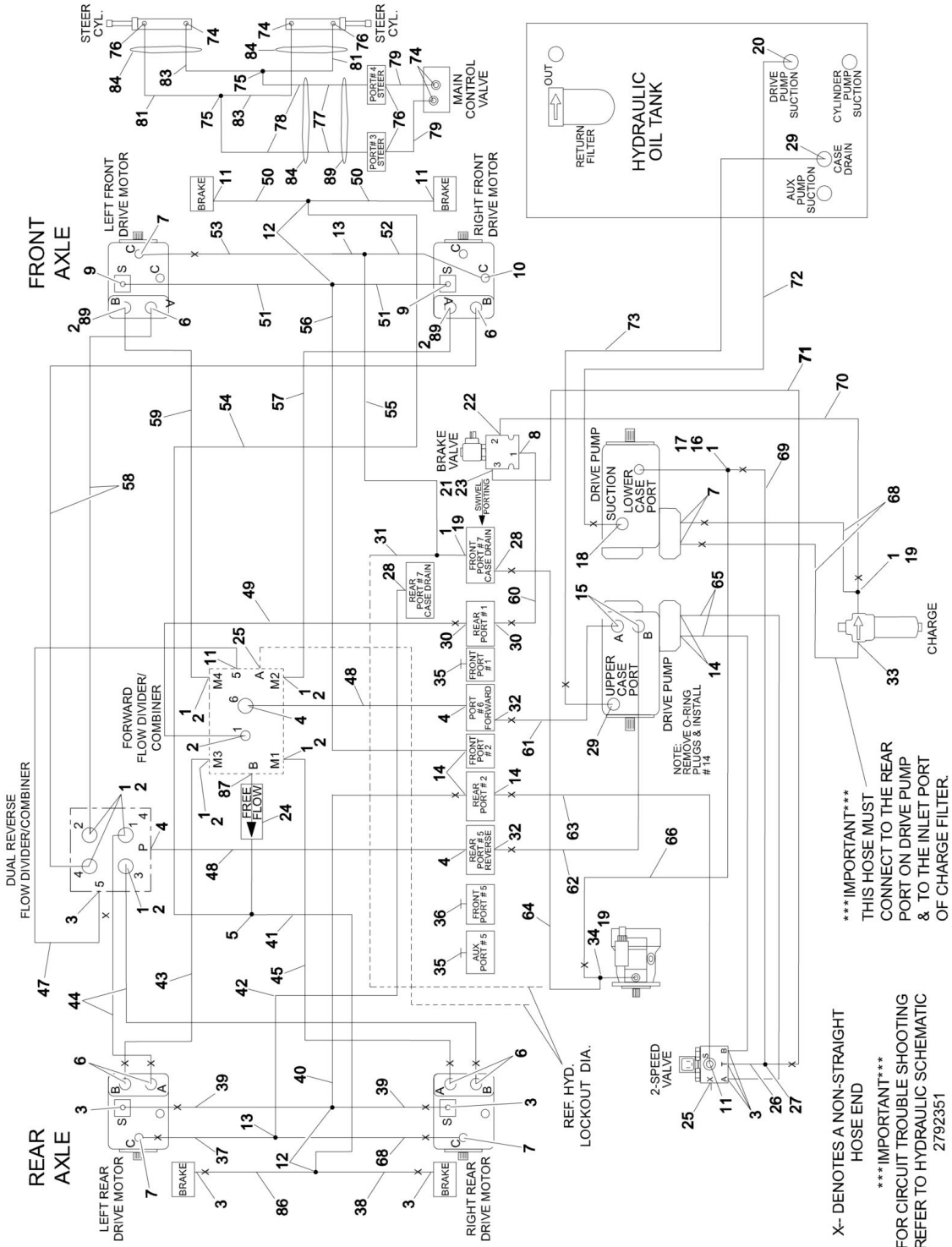
## SECTION 6 - HYDRAULIC

ITEM	PART NUMBER	QTY	DESCRIPTION	REV
50	2752928	1	Hose	
51	2752365	1	Hose	
52	2752366	1	Hose	
53	2751391	1	Hose	
54	2752513	1	Hose	
55	2751397	2	Hose	
56	2752942	1	Hose	
58	2752494	3	Hose	
59	2752453	1	Hose	
60	2752514	1	Hose	
61	2752573	1	Hose	
62	2752754	1	Hose	
63	2752673	1	Hose	
64	2220501	4	Fitting, Elbow	
65	2220490	2	Fitting, Tee	
66	2220473	2	Fitting, Elbow	
67	2220371	2	Fitting, Straight	
68	2753117	2	Hose	
71	2753087	2	Hose	
73	2752648	2	Hose	
74	4100058	4	Sleeve, Nylon (12in/30.5cm Pieces)	
75	2752489	2	Hose	
76	2220711	1	Fitting, Tee	
77	2752581	1	Hose	
78	2220577	1	Fitting, Straight	
79	4100059	2	Sleeve, Nylon (8in/20cm Pieces)	



# SECTION 6 - HYDRAULIC

## FIGURE 6-3. DRIVE HYDRAULIC DIAGRAM - 4WD



## SECTION 6 - HYDRAULIC

**FIGURE 6-3. DRIVE HYDRAULIC DIAGRAM - 4WD**

ITEM	PART NUMBER	QTY	DESCRIPTION	REV
	2792363	Ref	<b>DRIVE HYDRAULIC DIAGRAM - 4WD</b>	9-H
1	2220811	9	Fitting, Reducer	
2	2220500	11	Fitting, Elbow	
3	2220415	8	Fitting, Straight	
4	2220365	4	Fitting, Elbow	
5	2220711	1	Fitting, Tee	
6	2220800	6	Fitting, Straight	
7	2220374	5	Fitting, Straight	
8	2220373	1	Fitting, Straight	
9	2220502	2	Fitting, Elbow	
10	2220499	1	Fitting, Elbow	
11	2220466	4	Fitting, Elbow	
12	2220504	4	Fitting, Tee	
13	2220362	2	Fitting, Tee	
14	2220582	5	Fitting, Straight	
15	2220646	2	Fitting, 9Elbow	
16	2220999	1	Fitting, Tee	
17	2220618	1	Fitting, Reducer	
18	2220479	1	Fitting, Straight	
19	2220602	3	Fitting, Tee	
20	2220380	1	Fitting, Straight	
21	2220609	1	Fitting, Reducer	
22	2220596	1	Fitting, Elbow	
23	2220628	1	Fitting, Elbow	
24	4640778	1	Valve, Restrictor (.030)	
25	2220235	2	Fitting, Plug	
26	2221029	1	Fitting, Orifice (.031)	
27	2220605	1	Fitting, Tee	
28	2220375	2	Fitting, Straight	
29	2220451	2	Fitting, Straight	
30	2220600	2	Fitting, Straight	
31	2220517	1	Fitting, Cap	
32	2220377	2	Fitting, Straight	
33	2220366	1	Fitting, Elbow	
34	2220810	1	Fitting, Reducer	
35	2220237	2	Fitting, Plug	
36	2220242	1	Fitting, Plug	
37	2752514	1	Hose	
38	2752575	1	Hose	
39	2753036	2	Hose	
40	2751011	1	Hose	
41	2752977	1	Hose	
42	2752518	1	Hose	
43	2753155	1	Hose	
44	2753161	2	Hose	
45	2753162	1	Hose	
46	4100059	2	Sleeve, Nylon (8in/20cm Pieces)	
47	2751017	1	Hose	
48	2752363	2	Hose	
49	2752498	1	Hose	

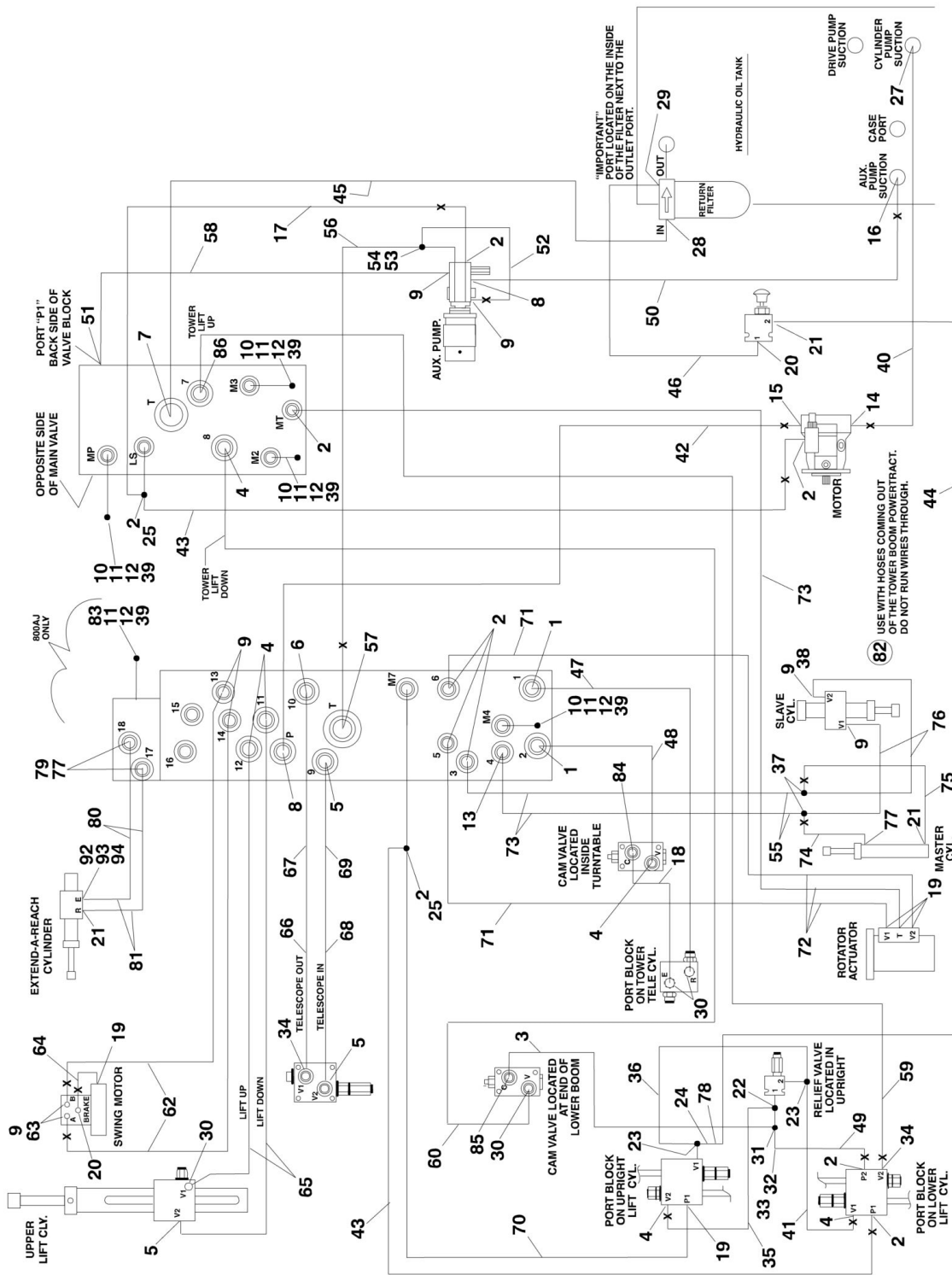
## SECTION 6 - HYDRAULIC

ITEM	PART NUMBER	QTY	DESCRIPTION	REV
50	2752592	2	Hose	
51	2753035	2	Hose	
52	2752516	1	Hose	
53	2752514	1	Hose	
54	2752591	1	Hose	
55	2752949	1	Hose	
56	2751906	1	Hose	
57	2753157	1	Hose	
58	2753158	2	Hose	
59	2753159	1	Hose	
60	2753187	1	Hose	
61	2752365	1	Hose	
62	2752366	1	Hose	
63	2751391	1	Hose	
64	2752513	1	Hose	
65	2751397	2	Hose	
66	2752942	1	Hose	
68	2752494	3	Hose	
69	2752453	1	Hose	
70	2752514	1	Hose	
71	2752573	1	Hose	
72	2752754	1	Hose	
73	2752673	1	Hose	
74	2220501	4	Fitting, Elbow	
75	2220490	2	Fitting, Tee	
76	2220473	4	Fitting, Elbow	
77	2220371	2	Fitting, Straight	
78	2753117	2	Hose	
79	2752489	2	Hose	
81	2753087	2	Hose	
83	2752648	2	Hose	
84	4100058	4	Sleeve, Nylon (12in/30.5cm Pieces)	
85	2752642	1	Hose <b>(Prior to SN 0300053332)</b>	
86	2752581	1	Hose	
87	2221030	1	Fitting, Nipple	
89	2220833	2	Fitting, Reducer	
90	4100051	1	Sleeve, Nylon	



# SECTION 6 - HYDRAULIC

## FIGURE 6-4. STANDARD HYDRAULIC DIAGRAM (WITH FENNER AND HALDEX BRAND AUXILIARY PUMP)





## SECTION 6 - HYDRAULIC

**FIGURE 6-4. STANDARD HYDRAULIC DIAGRAM (WITH FENNER AND HALDEX BRAND AUXILIARY PUMP)**

ITEM	PART NUMBER	QTY	DESCRIPTION	REV
		Ref	<b>STANDARD HYDRAULIC DIAGRAM</b>	
	2792365	Ref	<b>Standard Hydraulic Diagram 800A</b>	9-H
	2792366	Ref	<b>Standard Hydraulic Diagram 800AJ</b>	11-K
1	2220381	2	Fitting, Straight	
2	2220415	AR	Fitting, Straight	
3	2753199	1	Hose	
4	2220373	6	Fitting, Straight	
5	2220500	3	Fitting, Elbow	
6	2220947	1	Fitting, Straight	
7	2220376	1	Fitting, Straight	
8	2220593	2	Fitting, Straight	
9	2220371	AR	Fitting, Straight	
10	2220873	4	Fitting, Straight	
11	2220428	AR	Fitting, Quick Disconnect	
12	2220429	AR	Fitting, Dust Cap	
13	2220502	1	Fitting, Elbow	
14	2220737	1	Split Flange Kit #24	
15	2220478	1	Split Flange Kit #16	
16	2220451	1	Fitting, Straight	
17	2752453	1	Hose	
18	2753200	1	Hose	
19	2220466	AR	Fitting, Elbow	
20	2220582	AR	Fitting, Straight	
21	2220473	AR	Fitting, Elbow	
22	2220602	1	Fitting, Tee	
23	2220999	2	Fitting, Tee	
24	2220619	1	Fitting, Reducer	
25	2220605	2	Fitting, Tee	
27	2220765	1	Fitting, Straight	
28	2220379	1	Fitting, Straight	
29	2220574	1	Fitting, Straight	
30	2220596	AR	Fitting, Elbow	
31	2220385	1	Fitting, Tee	
32	2220618	1	Fitting, Reducer	
33	2220654	1	Fitting, Elbow <b>(Prior to SN 0300048538)</b>	
34	2220852	2	Fitting, Straight	
35	2753197	1	Hose	
36	2753196	1	Hose	
37	2220490	2	Fitting, Tee	
38	4567139	1	Tube	
39	0100020	AR	Sealant, Pipe	
40	2753216	1	Hose	
41	2753195	1	Hose	
42	2753231	1	Hose	
43	2753010	2	Hose	
44	2752468	1	Hose	
45	2752721	1	Hose	
46	2752438	1	Hose	
47	2753192	1	Hose	

## SECTION 6 - HYDRAULIC

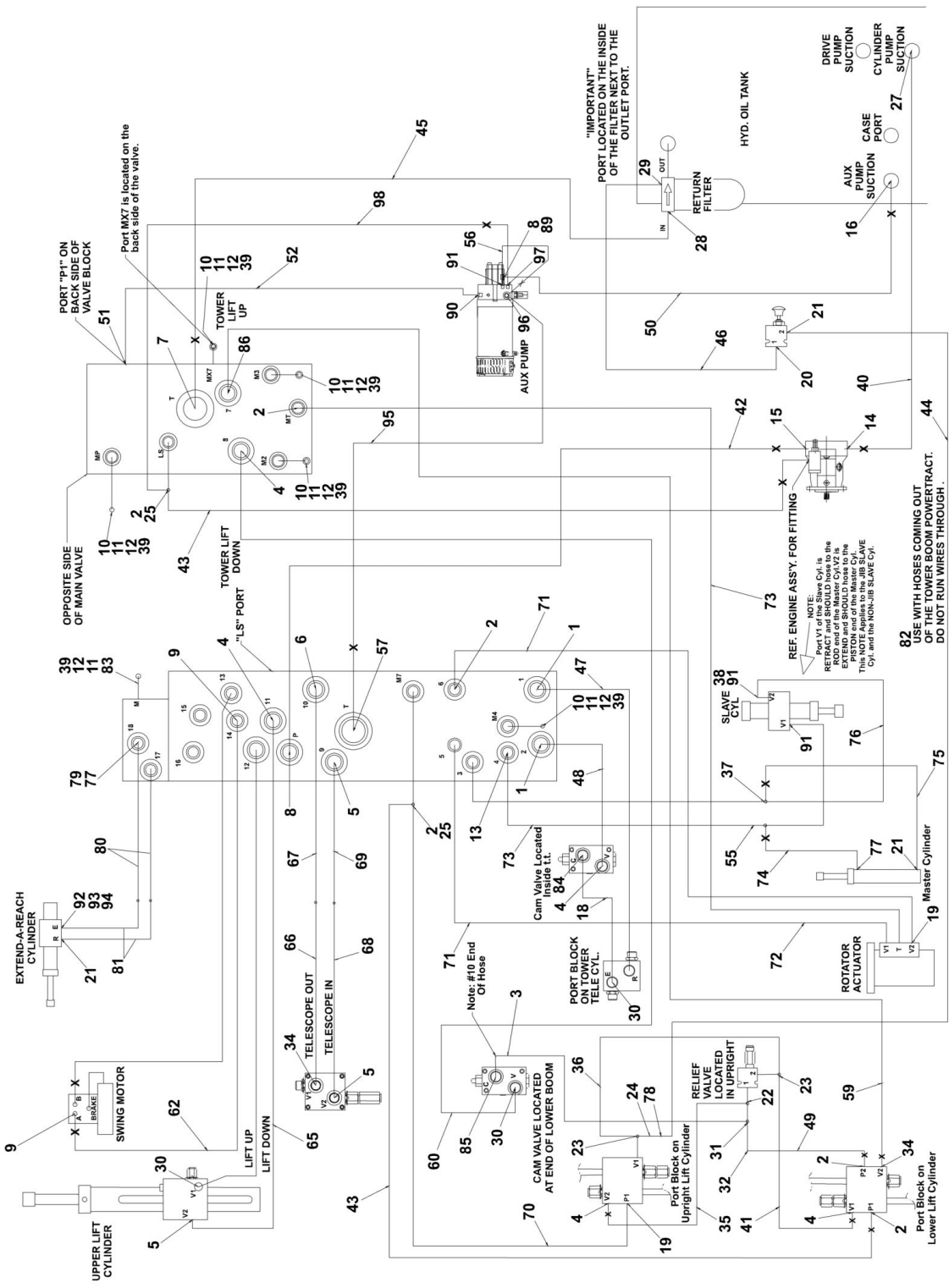
ITEM	PART NUMBER	QTY	DESCRIPTION	REV
48	2752494	1	Hose	
49	2753008	1	Hose	
50	2752674	1	Hose	
51	4640780	1	Fitting, Check Valve	
52	2753118	1	Hose	
53	2220775	1	Fitting, Elbow	
54	2220635	1	Fitting, Tee	
55	2220609	2	Fitting, Reducer	
56	2752463	1	Hose	
57	2220577	1	Fitting, Straight	
58	2753122	1	Hose	
59	2752768	1	Hose	
60	2752930	1	Hose	
62	2752462	2	Hose	
63	2220497	2	Fitting, Straight <b>(Prior to SN 0300068040)</b>	
64	2752573	AR	Hose <b>(Prior to SN 0300068040)</b>	
65	2753189	2	Hose	
66	2752767	1	Hose	
67	2752766	1	Hose	
68	2753190	1	Hose	
69	2753191	1	Hose	
70	2752978	1	Hose	
71	2752585	2	Hose	
72		Ref	Hose Options:	
72	2753009	3	Hose 800A	
72	2753006	3	Hose 800AJ	
73	2753007	3	Hose	
74	2753124	1	Hose	
75	2753125	1	Hose	
76		Ref	Hose Options:	
76	2753129	2	Hose 800A	
76	2753126	2	Hose 800AJ	
77	2220501	AR	Fitting, Elbow	
78	4567757	1	Tube	
79		Ref	Fitting, Reducer Options:	
79	Not Required	0	Fitting, Reducer 800A	
79	2220591	2	Fitting, Reducer 800AJ	
80		Ref	Hose Options:	
80	Not Required	0	Hose 800A	
80	2753123	2	Hose 800AJ	
81		Ref	Hose Options:	
81	Not Required	0	Hose 800A	
81	2753128	2	Hose 800AJ	
82	4100062	2	Protection, Nylon Hose (24in/61cm)	
83		Ref	Fitting Options: (800AJ Only)	
83	2220414	1	Fitting <b>(Prior to SN 0300053556)</b>	
83	2220873	1	Fitting <b>(SN 0300053556 through 0300069000)</b>	
84	2220947	1	Fitting, Straight	
85	2221036	1	Fitting, Elbow	
86	2220950	1	Fitting, Elbow <b>(SN 0300067447 through 0300069000)</b>	
92	2180724	1	Fitting, Modified	

## SECTION 6 - HYDRAULIC

ITEM	PART NUMBER	QTY	DESCRIPTION	REV
93	2180380	1	Fitting, Orifice	
94	0100019	AR	Compound, Locking	

# SECTION 6 - HYDRAULIC

## FIGURE 6-5. STANDARD HYDRAULIC DIAGRAM (WITH BUCHER BRAND AUXILIARY PUMP)



## SECTION 6 - HYDRAULIC

**FIGURE 6-5. STANDARD HYDRAULIC DIAGRAM (WITH BUCHER BRAND AUXILIARY PUMP)**

ITEM	PART NUMBER	QTY	DESCRIPTION	REV
		Ref	<b>STANDARD HYDRAULIC DIAGRAM</b>	
	1001143187	Ref	<b>Standard Hydraulic Diagram 800A</b>	A
	1001143188	Ref	<b>Standard Hydraulic Diagram 800AJ</b>	A
1	2220381	2	Fitting, Straight	
2	2220415	8	Fitting, Straight	
3	2753199	1	Hose	
4	2220373	6	Fitting, Straight	
5	2220500	3	Fitting, Elbow	
6	2220947	1	Fitting, Straight	
7	2220376	1	Fitting, Straight	
8	2220593	2	Fitting, Straight	
9	2220371	4	Fitting, Straight	
10	2220873	5	Fitting, Straight	
11	2220428	AR	Fitting, Quick Disconnect	
12	2220429	AR	Fitting, Dust Cap	
13	2220502	1	Fitting, Elbow	
14	2220737	1	Split Flange Kit #24	
15	2220478	1	Split Flange Kit #16	
16	2220451	1	Fitting, Straight	
18	2753200	1	Hose	
19	2220466	4	Fitting, Elbow	
20	2220582	1	Fitting, Straight	
21	2220473	AR	Fitting, Elbow	
22	2220602	1	Fitting, Tee	
23	2220999	2	Fitting, Tee	
24	2220619	1	Fitting, Reducer	
25	2220605	2	Fitting, Tee	
27	2220765	1	Fitting, Straight	
28	2220379	1	Fitting, Straight	
29	2220574	1	Fitting, Straight	
30	2220596	4	Fitting, Elbow	
31	2220385	1	Fitting, Tee	
32	2220618	1	Fitting, Reducer	
34	2220852	2	Fitting, Straight	
35	2753197	1	Hose	
36	2753196	1	Hose	
37	2220490	2	Fitting, Tee	
38	4567139	1	Tube	
39	0100020	AR	Sealant, Pipe	
40	2753216	1	Hose	
41	2753195	1	Hose	
42	2753231	1	Hose	
43	2753010	2	Hose	
44	2752468	1	Hose	
45	2752721	1	Hose	
46	2752438	1	Hose	
47	2753192	1	Hose	
48	2752494	1	Hose	
49	2753008	1	Hose	
50	2752671	1	Hose	

## SECTION 6 - HYDRAULIC

ITEM	PART NUMBER	QTY	DESCRIPTION	REV
51	4640780	1	Fitting, Check Valve	
52	2753118	1	Hose	
55	2220609	2	Fitting, Reducer	
56	2752463	1	Hose	
57	2220577	1	Fitting, Straight	
59	2752768	1	Hose	
60	2752930	1	Hose	
62	2752462	2	Hose	
65	2753189	2	Hose	
66	2752767	1	Hose	
67	2752766	1	Hose	
68	2753190	1	Hose	
69	2753191	1	Hose	
70	2752978	1	Hose	
71	2752585	2	Hose	
72		Ref	Hose Options:	
72	2753009	3	Hose 800A	
72	2753006	3	Hose 800AJ	
73	2753007	3	Hose	
74	2753124	1	Hose	
75	2753125	1	Hose	
76		Ref	Hose Options:	
76	2753129	2	Hose 800A	
76	2753126	2	Hose 800AJ	
77	2220501	1	Fitting, Elbow	
78	4567757	1	Tube	
79		Ref	Fitting, Reducer Options:	
79	Not Required	0	Fitting, Reducer 800A	
79	2220591	2	Fitting, Reducer 800AJ	
80		Ref	Hose Options:	
80	Not Required	0	Hose 800A	
80	2753123	2	Hose 800AJ	
81		Ref	Hose Options:	
81	Not Required	0	Hose 800A	
81	2753128	2	Hose 800AJ	
82	4100062	4	Protection, Nylon Hose (24in/61cm per piece)	
83	2220873	1	Fitting (800AJ Only)	
84	2220947	1	Fitting, Straight	
85	2221036	1	Fitting, Elbow	
86	2220950	1	Fitting, Elbow	
89	2220655	1	Fitting, Elbow	
90	2220501	1	Fitting	
91	2220603	3	Fitting, Straight	
92		Ref	Fitting, Modified Options:	
92	Not Required	0	Fitting, Modified 800A	
92	2180724	1	Fitting, Modified 800AJ	
93		Ref	Fitting, Orifice Options:	
93	Not Required	0	Fitting, Orifice 800A	
93	2180380	1	Fitting, Orifice 800AJ	
94	0100019	AR	Compound, Locking	
95	1001109690	1	Hose	

## SECTION 6 - HYDRAULIC

ITEM	PART NUMBER	QTY	DESCRIPTION	REV
96	2220606	1	Fitting, Tee	
97	2220923	1	Fitting, Straight	
98	1001143192	1	Hose	
		Ref	Hose Kit Options:	
		Ref	Hose Kit 800A	
	2902456	1	Hose Kit (Includes Items 72 & 76)	
	2902457	1	Hose Kit (Includes Items 3, 35, 36, 41, 44, 49, 60, 65, 67, 69, 70, 71 & 73)	
		Ref	Hose Kit 800AJ	
	2902459	1	Hose Kit (Includes Items 72, 76 & 81)	
	2902457	1	Hose Kit (Includes Items 3, 35, 36, 41, 44, 49, 60, 65, 67, 69, 70, 71 & 73)	

## SECTION 6 - HYDRAULIC

FIGURE 6-6. HYDRAULIC DIAGRAM LIST

ITEM	PART NUMBER	QTY	DESCRIPTION	REV
		Ref	<b>Note: Diagrams not shown is available from JLG Service/Parts Departments.</b>	
	2792367	Ref	<b>Axle Lockout Hydraulic Diagram</b>	
		Ref	<b>Drive Hydraulic Diagrams:</b>	
	2792362	Ref	Drive Hydraulic Diagram 2WD/2WS Machines	
	2792363	Ref	Drive Hydraulic Diagram 4WD/2WS Machines	
	2792364	Ref	Drive Hydraulic Diagram 4WD/4WS Machines	
		Ref	<b>Standard Hydraulic Diagrams:</b>	
	2792365	Ref	Standard Hydraulic Diagrams 800A (Haldex Brand Auxiliary Pump)	
	1001143187	Ref	Standard Hydraulic Diagrams 800A (Bucher Brand Auxiliary Pump)	
	2792366	Ref	Standard Hydraulic Diagrams 800AJ (Haldex Brand Auxiliary Pump)	
	1001143188	Ref	Standard Hydraulic Diagrams 800AJ (Bucher Brand Auxiliary Pump)	
	2792351	Ref	<b>Standard Hydraulic Schematic</b>	
		Ref	<b>Tilt Sensor Installation Options:</b>	
	1001091538	Ref	<b>Pre ADE System</b>	
	1001093187	Ref	<b>ADE System</b>	
	1001094557	1	Adapter, Pressure Tap	



**SECTION 7 - ELECTRICAL**

# SECTION 7 - ELECTRICAL

## FIGURE 7-1. ELECTRICAL DIAGRAM LIST

ITEM	PART NUMBER	QTY	DESCRIPTION	REV
		Ref	<b>Note: Diagrams not shown are available from the JLG Service Department. Schematics shown in the Service and Maintenance Manual.</b>	
		Ref	<b>NOTE: THESE MACHINE SN'S AL03000SO EQUIPPED WITH ADE SYSTEM: 0300062045, 0300062797, 0300063013, 0300063665, 0300063975, 0300064000-0300064017, 0300064390, 0300064392 &amp; 0300064411.</b>	
		Ref	<b>ALARM ELECTRICAL DIAGRAMS</b>	
	4933025	Ref	<b>Motion Alarm (Prior to SN 0300065634)</b>	1
	1282937	Ref	<b>Motion Alarm (Prior to SN 0300065634)</b>	A
	4933026	Ref	<b>Travel Alarm (Prior to SN 0300065634)</b>	1
	1282937	Ref	<b>Travel Alarm (Prior to SN 0300065634)</b>	A
	See Note	Ref	<b>Alarm (All) (Use Schematic 1870132) (SN 0300065634 through 0300069000)</b>	
	1282571	Ref	<b>COLD WEATHER START ELECTRICAL DIAGRAM</b>	F
	4933307	Ref	<b>DRIVE/STEER CUT-OUT ELECTRICAL DIAGRAMS</b>	A
	4932986	Ref	<b>ENGINE SHUTDOWN ELECTRICAL DIAGRAM (DEUTZ ENGINE MACHINES OPTION)</b>	B
		Ref	<b>GENERATOR ELECTRICAL DIAGRAMS</b>	
	4932915	Ref	<b>110Volt (Prior to SN 0300056098)</b>	1-A
	4933150	Ref	<b>110Volt (SN 0300056098 through 0300064431)</b>	2-B
	4933215	Ref	<b>110Volt (ADE SYSTEM) (SN 0300064432 through 0300069000)</b>	1-A
	4932989	Ref	<b>220 Volt (Prior to SN 0300056098)</b>	1-B
	4933149	Ref	<b>220 Volt (SN 0300056098 through 0300064431)</b>	2-B
	4933216	Ref	<b>220 Volt (ADE SYSTEM) (SN 0300064432 through 0300069000)</b>	1-A
		Ref	<b>GLOW PLUG DIAGRAM OPTIONS:</b>	
	4933175	Ref	<b>Glow Plug Diagram (Prior to SN 0300064432)</b>	A
	4933189	Ref	<b>Glow Plug Diagram (SN 0300064432 through 0300069000)</b>	A
		Ref	<b>Harness Options:</b>	
	4922542	1	<b>Harness (Prior to SN 0300064432)</b>	
	4922565	1	<b>Harness (SN 0300064432 through 0300069000)</b>	
		Ref	<b>LIGHTS ELECTRICAL DIAGRAMS</b>	
	4932917	Ref	<b>Headlight/Taillight (Prior to SN 0300064432)</b>	3-D
	4922095	1	<b>Harness (Located in Platform Console Box)</b>	
	3740049	1	<b>Relay</b>	
	4933199	Ref	<b>Headlight/Taillight (ADE System) (Including SN 0300064009)</b>	A
	4922484	1	<b>Harness (Located in Ground Console Box)</b>	
	3740049	1	<b>Relay</b>	
	4933231	Ref	<b>Headlight/Taillight (ADE System) (SN 0300064432 through 0300069000)</b>	1-B
	4922643	1	<b>Harness (Located in Ground Console Box)</b>	
	3740049	1	<b>Relay</b>	
		Ref	<b>STROBE LIGHT OPTIONS:</b>	
	4933027	Ref	<b>Strobe Light (Prior to SN 0300064432)</b>	1
	1282937	Ref	<b>Strobe Light (Prior to SN 0300064432)</b>	A
	See Note	Ref	<b>Strobe Light (Use Schematic 1870132) (SN 0300065634 through 0300069000)</b>	B
		Ref	<b>OIL COOLER ELECTRICAL DIAGRAMS:</b>	
	0256762	Ref	<b>Deutz Engine</b>	3
	1282665	Ref	<b>Deutz Engine</b>	C

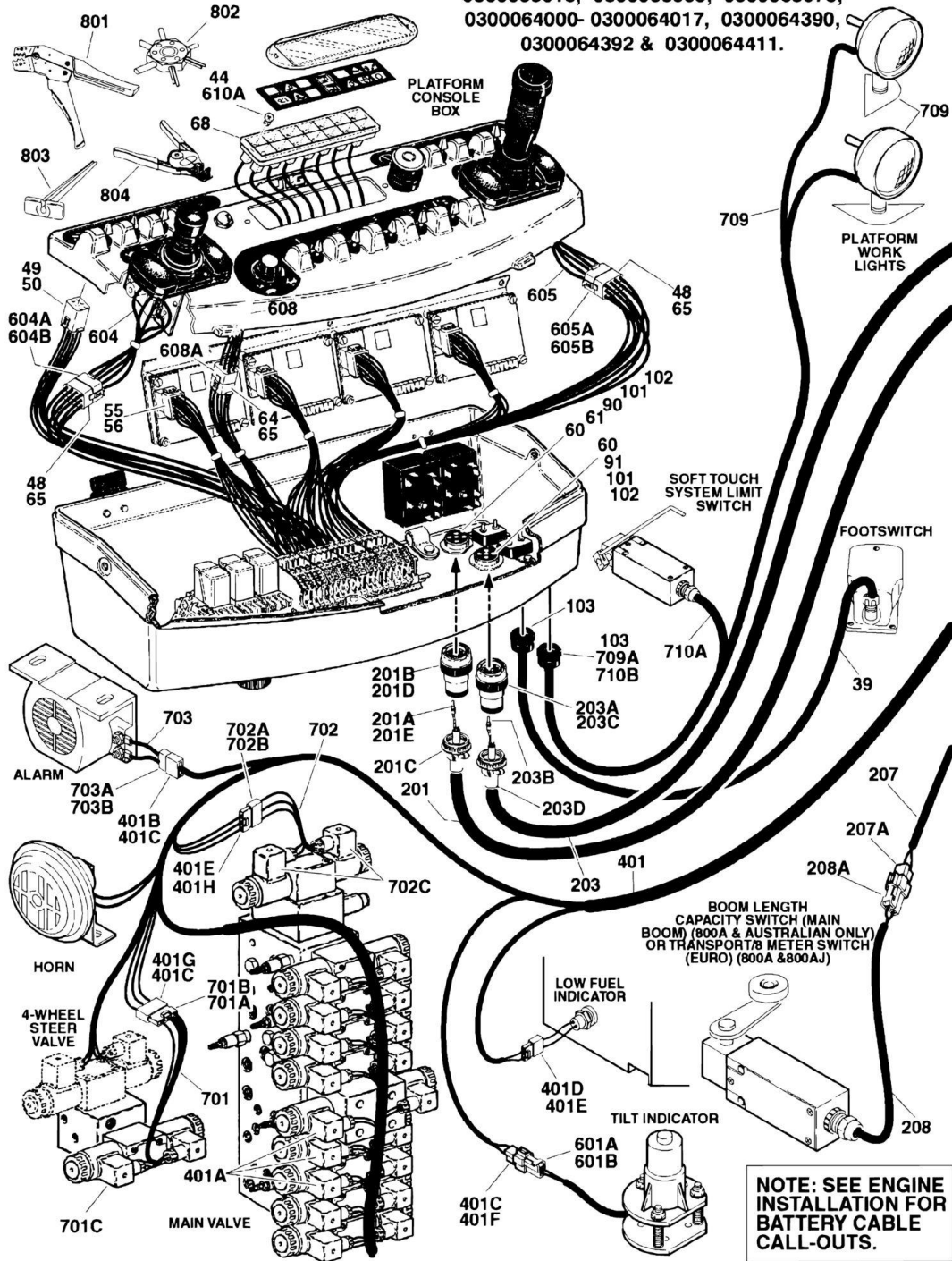
## SECTION 7 - ELECTRICAL

ITEM	PART NUMBER	QTY	DESCRIPTION	REV
	0256777	Ref	Ford Engine	3
	1282663	Ref	Ford Engine	B
		Ref	<b>PLATFORM ELECTRICAL DIAGRAMS:</b>	
	4922155	Ref	Platform Worklights Electrical (Prior to SN 0300064432)	5-D
	4922509	Ref	With ADE System (Including SN 0300064009)	C
	4922639	Ref	With ADE System (SN 0300064432 through 0300069000)	3-C
	4932980	Ref	<b>PLATFORM SOFT TOUCH SYSTEM ELECTRICAL DIAGRAM (Prior to SN 0300064432)</b>	2-C
	3740057	1	Relay (Located in Platform Console Box)	
	4120012	1	Socket, Relay (Located in Platform Console Box)	
	3740066	1	Spring, Relay (Located in Platform Console Box)	
	3740049	1	Relay (Located in Platform Console Box)	
	4460600	1	Block, Terminal (Located in Platform Console Box)	
	4933218	Ref	<b>PLATFORM SOFT TOUCH SYSTEM ELECTRICAL DIAGRAM (WITH ADE SYSTEM) (SN 0300064432 through 0300069000)</b>	1-B
		Ref	<b>PLATFORM WORKLIGHTS ELECTRICAL DIAGRAMS:</b>	
	0258048	Ref	Platform Worklights Electrical Diagrams (Prior to SN 0300064432)	2-E
	0270814	Ref	With ADE System (SN 0300064432 through 0300069000)	2-D
		Ref	<b>STANDARD ELECTRICAL DIAGRAMS:</b>	
	4932982	Ref	Deutz Machines (Prior to SN 0300064432)	5-F
	4933195	Ref	Deutz Engine (With ADE System) (Including SN 0300064009)	3-C
	4933232	Ref	Deutz Engine (With ADE System) (SN 0300064432 through 0300069000)	3-C
	4933058	Ref	Ford Machines (Prior to SN 0300048538)	2-D
	4932981	Ref	Ford Machines (SN 0300048538 through 0300064431)	4-C
	4933233	Ref	Ford EFI Engine (With ADE System) (SN 0300064432 through 0300069000)	3-C
	4932983	Ref	Isuzu Machines (SN 0300058865 through 0300069000)	2-C
		Ref	<b>STANDARD ELECTRICAL SCHEMATIC OPTIONS:</b>	
	1870063	Ref	Deutz Machines (Prior to SN 0300065634)	I
	1870062	Ref	Ford Machines (Prior to SN 0300048538)	B
	1870100	Ref	Ford Machines with EFI (SN 0300048538 through 0300065634)	G
	1870120	Ref	Isuzu Machines (SN 0300058865 through 0300069000)	G
	1870132	Ref	Deutz/Ford EFI (With ADE System) (SN 0300065634 through 0300069000)	M
		Ref	<b>NOTE: FOR SCHEMATIC P/N 1870132 SEE FIELD BULLETIN FSB107C2 FOR PLATFORM AND MTB WIRING.</b>	

# SECTION 7 - ELECTRICAL

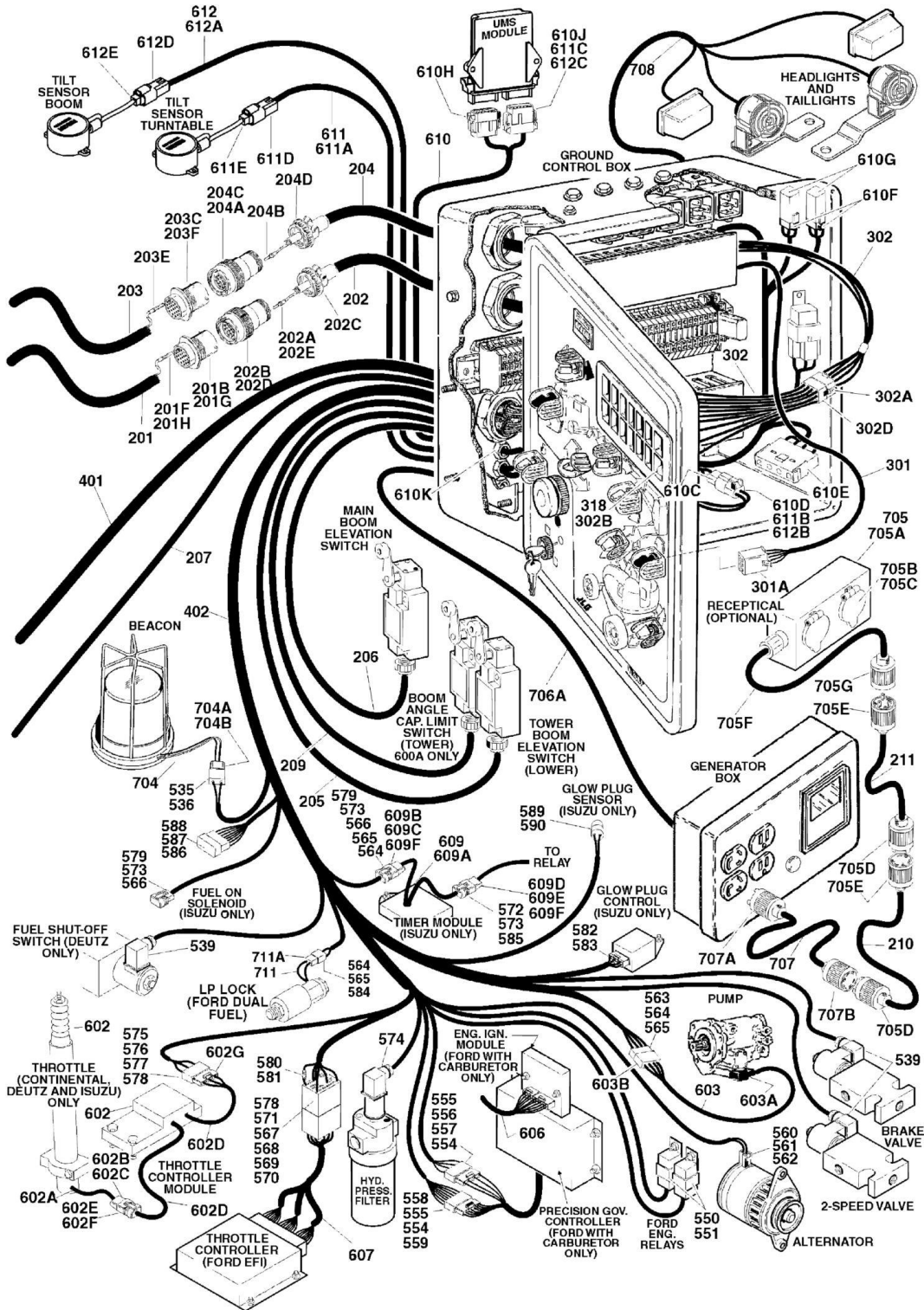
FIGURE 7-2. HARNESS COMPONENTS INSTALLATION (Prior to SN 0300064432)

NOTE: These Machine SN's  
Also Equipped With ADE  
System: 0300062045, 0300062797,  
0300063013, 0300063665, 0300063975,  
0300064000- 0300064017, 0300064390,  
0300064392 & 0300064411.



NOTE: SEE ENGINE  
INSTALLATION FOR  
BATTERY CABLE  
CALL-OUTS.

# SECTION 7 - ELECTRICAL



# SECTION 7 - ELECTRICAL

FIGURE 7-2. HARNESS COMPONENTS INSTALLATION (Prior to SN 0300064432)

ITEM	PART NUMBER	QTY	DESCRIPTION	REV
		Ref	<b>NOTE: THESE MACHINE SN'S ALSO EQUIPPED WITH ADE SYSTEM: 0300062045, 0300062797, 0300063013, 0300063665, 0300063975, 0300064000-0300064017, 0300064390, 0300064392 &amp; 0300064411.</b>	
		Ref	<b>HARNESS COMPONENTS INSTALLATION</b>	
	4922155	Ref	<b>PLATFORM BOX HARNESS ASSEMBLY</b>	2-B
		Ref	<b>(Note: Also includes terminal block/rail assembly and Bosch relays - See PLATFORM SECTION for Breakdown)</b>	
39	1060012	7 ft/2.13m	Cable, Electrical - 12/4	
44	2920129	9	Bulb, Light	
48	4460265	2	Plug, Male - 9 Position	
49	4460418	9	Connector - 6 Position	
50	4460419	45	Terminal, Female	
55	4460720	4	Connector - 15 Position	
56	4460721	38	Socket, Female	
60	4460464	10	Pin, Male (16 Gauge)	
61	4460508	4	Pin, Male (12 Gauge)	
62	3990001	14	Diode - 3 Amp (Not Shown)	
64	4460225	1	Connector, Plug - 3 Position	
65	4460267	22	Pin, Male	
66	3990010	9	Diode - 6 Amp (Not Shown)	
68	4120035	9	Base, Light	
90	4460613	1	Connector - 21 Position	
91	4460503	1	Connector - 31 Position	
		Ref	<b>PLATFORM BOX ASSEMBLY COMPONENTS</b>	
101	4460470	2	Nut, Conduit	
102	4460471	2	Washer	
103	4460428	2	Connector, Strain Relief	
		Ref	<b>BOOM CABLES INSTALLATION</b>	
	0258655	Ref	<b>Boom Cables Installation 800A (All Specs except Latin American Spec)</b>	C
	0258657	Ref	<b>Boom Cables Installation 800AJ (All Specs except Latin American Spec)</b>	3
201		Ref	Harness Assembly - Main Boom (10/4-18/16) Options:	
201	4922130	1	Harness Assembly - Main Boom 800A	
201	4922180	1	Harness Assembly - Main Boom 800AJ	
201	1060676	AR	Cable, Electrical - 10/4-18/16	
201A	4460465	16	Socket, Female	
201B	4460466	2	Seal, Plug	
201C	4460473	1	Clamp, Cable	
201D	4460614	1	Connector - 21 Socket	
201E	4460509	4	Socket, Female	
201F	4460464	16	Pin, Male (16 Gauge)	
201G	4460613	1	Connector - 21 Position	
201H	4460508	4	Pin, Male (12 Gauge)	
202	4922131	1	Harness Assembly - Tower Boom (10/4-18/16)	
202	1060676	47 ft /14.3m	Cable, Electrical - 10/4-18/16	
202A	4460465	16	Socket, Female	
202B	4460466	1	Seal, Plug	
202C	4460473	1	Clamp, Cable	

## SECTION 7 - ELECTRICAL

ITEM	PART NUMBER	QTY	DESCRIPTION	REV
202D	4460614	1	Connector - 21 Socket	
202E	4460509	4	Socket, Female	
203		Ref	Harness Assembly - Main Boom (16/30) Options:	
203	4922169	1	Harness Assembly - Main Boom 800A	
203	1060516	67 ft /20.4m	Cable, Electrical - 16/30	
203	4922181	1	Harness Assembly - Main Boom 800AJ	
203	1060516	64 ft /19.5m	Cable, Electrical - 16/30	
203A	4460502	1	Connector - 31 Position	
203B	4460465	30	Socket, Female	
203C	4460466	2	Seal, Plug	
203D	4460473	1	Clamp, Cable	
203E	4460464	30	Pin, Male (16 Gauge)	
203F	4460503	1	Connector - 31 Socket	
204	4922170	1	Harness Assembly - Tower Boom (16/30)	
204	1060516	47 ft /14.3m	Cable, Electrical - 16/30	
204A	4460502	1	Connector - 31 Position	
204B	4460465	30	Socket, Female	
204C	4460466	1	Seal, Plug	
204D	4460473	1	Clamp, Cable	
205	4922171	1	Harness Assembly - Tower Boom (16/3)	
206	4922172	1	Harness Assembly - Main Boom (16/3)	
207	4922173	1	Harness Assembly - Tower Boom (16/3) (800A Only)	
207A	4460465	3	Socket, Female	
207A	4460539	1	Connector, Terminal - 3 Position	
208	4922174	1	Harness Assembly - Main Boom (16/3) (800A Only)	
208A	4460464	3	Pin, Male	
208A	4460536	1	Plug, Terminal - 3 Position	
209	4922175	1	Harness Assembly (16/3) (800A Only)	
210	4922217	1	Harness Assembly - Tower Boom (10/3) Options:	
211		Ref	Harness Assembly - Main Boom (10/3) Options:	
211	4922215	1	Harness Assembly - Main Boom 800A	
211	4922216	1	Harness Assembly - Main Boom 800AJ	
212	1320256	1	Clamp, Block (Not Shown-Located on back of T/T)	
		Ref	<b>GROUND CONTROL BOX DIAGRAMS</b>	
	4932982	Ref	<b>DEUTZ ENGINE MACHINES</b>	5-E
	4933058	Ref	<b>FORD ENGINE MACHINES (Prior to SN 0300048538)</b>	3-D
	4932981	Ref	<b>FORD EFI ENGINE MACHINES (SN 0300048538 through 0300064432)</b>	2-A
	4932983	Ref	<b>ISUZU ENGINE MACHINES (SN 0300060285 through 0300064432)</b>	2-A
301		Ref	Harness Assembly - Ground Control Box Options:	
301	4922146	1	Deutz/Ford/Isuzu	3-B
301	4922318	1	Ford EFI ( <b>SN 0300048538 through 0300064432</b> )	C
301	3990010	13	Diode - 6 Amp (Not Shown)	
301	3730099	2	Resistor Adjustable (Not Shown)	
301A	4460418	9	Connector - 6 Position	
301A	4460419	AR	Terminal, Female	
302		Ref	Harness Assembly - Light Panel	
302	4922145	1	Harness Assembly - Light Panel ( <b>Prior to SN 0300048538</b> )	2-B

## SECTION 7 - ELECTRICAL

ITEM	PART NUMBER	QTY	DESCRIPTION	REV
302	4922311	1	Harness Assembly - Light Panel (SN 0300048538 through 0300064432)	3-C
302	3730023	1	Resistor 510 Ohm 1/2 Watt (Not Shown)	
302	3990001	4	Diode 3 Amp (Not Shown)	
302A	4460266	1	Connector, Female - 9 Position	
302A	4460268	9	Socket, Female	
302B	4120035	AR	Base, Light	
302B	4460634	6	Terminal (Single Wire)	
302B	4460635	4	Terminal (Double Wire)	
302C	4460267	7	Pin, Male	
302C	4460265	1	Plug, Male - 9 Position	
303		Ref	Sub-Harness - Start Options (Not Shown):	
303	4922008	1	Deutz Engine Machines (Prior to SN 0300056439)	
303	4922473	1	Deutz Engine Machines (SN 0300056439 through 0300064432)	
303	4922006	1	Ford Engine Machines (Prior to SN 0300056439)	
303	4922472	1	Ford EFI Engine Machines (SN 0300056439 through 0300064432)	
303	4922463	1	Isuzu Engine Machines	
312	3990010	9	Diode 6 Amp (Not Shown)	
317	3730099	2	Resistor 750 Ohm (Not Shown)	
318	2920129	AR	Bulb, Light	
		Ref	<b>GROUND CONTROL BOX ASSEMBLY COMPONENTS</b>	
401	4922046	1	Valve Harness Assembly	2-D
401A	4460499	19	DIN Connector with Diode	
401B	4460320	1	Plug, Male - 2 Position	
401C	4460267	11	Pin, Male	
401D	4460424	1	Receptacle, Female - 2 Position	
401E	4460268	5	Socket, Female	
401F	4460225	1	Housing, Terminal - 6 Position	
401G	4460445	1	Receptacle, Female - 3 Position	
401H	4460449	1	DIN Connector without Diode	
402		Ref	Engine Harness Assembly Options (See Items 501-575 for Breakdown)	
402	4922077	1	Deutz Engine Machines	
402	4922138	1	Ford Engine Machines (Prior to SN 0300048538)	
402	4922272	1	Ford Engine Machines (SN 0300048538 through 0300064432)	
402	4922235	1	Isuzu Engine Machines (SN 0300060285 through 0300064432)	
		Ref	<b>ENGINE HARNESS ASSEMBLY</b>	
	4922077	Ref	<b>DEUTZ ENGINE MACHINES</b>	5-F
	4922138	Ref	<b>FORD ENGINE MACHINES (Prior to SN 0300048538)</b>	3-C
	4922272	Ref	<b>FORD ENGINE WITH EFI MACHINES (SN 0300048538 through 0300064432)</b>	6-G
	4922235	Ref	<b>ISUZU ENGINE MACHINES (SN 0300060285 through 0300064432)</b>	3-B
528	4460268	11	Socket, Female (Deutz Engine Only)	
529	4460267	12	Pin, Male (Deutz Engine Only)	
535	4460424	1	Receptacle, Female - 2 Position	
536	4460268	2	Socket, Female	
539	4460499	AR	DIN Connector with Diode	
545	4460445	1	Housing, Terminal - 3 Position (Deutz Engine Only)	
547	4460265	1	Plug, Male - 9 Position (Deutz Engine Only)	



## SECTION 7 - ELECTRICAL

ITEM	PART NUMBER	QTY	DESCRIPTION	REV
548	4460266	1	Connector, Female - 9 Position (Deutz Engine Only)	
550	4460374	1	Plug, Sealed (Ford/Ford EFI Engine Only)	
551	4460375	5	Terminal (Ford/Ford EFI Engine Only)	
554	4460608	12	Seal, Terminal (Ford Engine Only)	
555	4460589	12	Terminal (Ford Engine Only)	
556	4460590	1	Housing - 4 Position (Ford Engine Only)	
557	4460591	1	Lock, Terminal (Ford Engine Only)	
558	4460587	1	Housing - 8 Position (Ford Engine Only)	
559	4460588	1	Lock, Terminal (Ford Engine Only)	
560	4460582	3	Terminal (Ford/Ford EFI Engine Only)	
561	4460580	1	Lock, Terminal (Ford/Ford EFI Engine Only)	
562	4460579	1	Housing - 3 Position (Ford/Ford EFI Engine Only)	
563	4460460	1	Connector, Male - 4 Position	
564	4460457	AR	Terminal, Female	
565	4460458	AR	Seal, Terminal	
566	4460459	2	Plug, Male - 3 Position (Isuzu Engines Only)	
567	4460713	1	Housing - 42 Position (Ford EFI Engine Only)	
568	4460725	1	Lock, Wedge - Center (Ford EFI Engine Only)	
569	4460726	2	Lock, Wedge - Side (Ford EFI Engine Only)	
570	4460800	29	Plug, Hole (Ford EFI Engine Only)	
571	4460799	9	Pin, Male (Ford EFI Engine Only)	
572	4460476	1	Housing (Isuzu Engines Only)	
573	4460789	2	Seal, Terminal (Isuzu Engines Only)	
574	4460449	1	DIN Connector without Diode	
575	4460777	1	Plug, Male - 4 Position (Deutz/Isuzu Engines Only)	
576	4460591	1	Lock, Terminal (Deutz/Isuzu Engines Only)	
577	4460589	AR	Socket, Female (Deutz/Isuzu Engines Only)	
578		Ref	Options:	
578	4460608	AR	Seal, Terminal (Deutz/Isuzu Engines Only)	
578	4460728	4	Pin, Male (Ford EFI Engine Only)	
579	4460790	2	Socket, Female (Isuzu Engines Only)	
580	2400061	2	Fuse (Ford EFI Engine Only)	
581	2400060	2	Fuseholder/Cover (Ford EFI Engine Only)	
582	4460784	1	Housing - 6 Position (Isuzu Engines Only)	
583	4460783	7	Terminal, Spade (Isuzu Engines Only)	
584	4460742	2	Plug - 2 Position (Ford EFI Engine Only)	
585	4460850	3	Pin, Male (Isuzu Engines Only)	
586	4460465	8	Terminal (Isuzu Engines Only)	
587	4460836	1	Connector - 12 Position (Isuzu Engines Only)	
588	4460837	1	Housing (Isuzu Engines Only)	
589	4460856	1	Connector (Isuzu Engines Only)	
590	4460857	2	Terminal (Isuzu Engines Only)	
		Ref	<b>STANDARD HARNESS COMPONENTS</b>	
601	See Note	1	Tilt Indicator Harness (Note: Not Available for Purchase)	
601A	4460268	6	Socket, Female	
601B	4460224	1	Connector, Female - 6 Position	
602	See Note	1	Throttle Actuator/Controller Harness (Deutz and Isuzu) (Note: Not Available for Purchase)	
602	0060033	NLA	Throttle Actuator and Controller Assembly (Use p/n 2910000)	
602	7008833	1	Mounting Clamp Kit (Not Shown)	
602	7008836	1	Spring, Retract (Not Shown)	
602A	2910000	1	Throttle Actuator and Harness (Note: Not Available for	

## SECTION 7 - ELECTRICAL

ITEM	PART NUMBER	QTY	DESCRIPTION	REV
			Purchase)	
602A	7016336	1	Boot Kit	
602B	See Note	9	Pin, Male (Note: Not Available for Purchase)	
602C	See Note	1	Connector, Male (Note: Not Available for Purchase)	
602D	2910001	NLA	Controller and Harnesses (Use p/n 2910000)	
602E	See Note	9	Socket, Female (Note: Not Available for Purchase)	
602F	See Note	1	Connector, Female (Note: Not Available for Purchase)	
602G	See Note	1	Plug, Male - 4 Position (Note: Not Available for Purchase)	
602G	4460693	4	Pin, Male	
602G	4460591	1	Clip	
602G	4460608	4	Seal, Terminal	
603	See Note	1	Pump Harness (Note: Not Available for Purchase)	
603A	See Note	1	Plug (Pump End) (Note: Not Available for Purchase)	
603B	See Note	1	Plug (Engine Harness End) (Note: Not Available for Purchase)	
604	See Note	1	Controller Harness Assembly (Lift and Swing) (Note: Not Available for Purchase)	
604A	4460266	1	Connector, Female - 9 Position	
604B	4460268	9	Socket, Female	
605	See Note	1	Controller Harness/Circuit Board Assembly (Drive and Steer) (Note: Not Available for Purchase)	
605A	4460266	1	Connector, Female - 9 Position	
605B	4460268	9	Socket, Female	
606	7019980	1	Ford Engine Harness (For replacement parts refer to Ford engine dealer (Ford Engine Machines)	
607	See Note	1	Ford Engine Harness (For replacement parts refer to Ford Engine dealer (Ford EFI Engine Machines) (Note: Not Available for Purchase)	
607	7022134	1	Ford Engine Fuel Pump Harness (Not Shown) (Ford EFI Engine Machines)	
607	7023657	1	Ford Engine TPS Harness (Not Shown) (Ford EFI Engine Machines)	
608	See Note	1	Speed Controller Harness Assembly (Note: Not Available for Purchase)	
608A	4460224	1	Connector, Female - 6 Position	
608A	4460268	6	Socket, Female	
609	0259198	1	Timer Module Assembly (Isuzu Engine Only)	2-B
609A	3740126	1	Relay, Timer Module	
609B	4460476	1	Housing, Receptacle	
609C	4460475	3	Pin, Male	
609D	4460459	1	Housing, Terminal	
609E	4460457	3	Socket, Female	
609F	4460458	6	Seal, Terminal	
610	1001091941	1	Tilt Harness (MTB Control Box)	D
610A	2920129	1	Bulb	
610B	3990001	2	Diode, 3 Amp (Not Shown)	
610C	4460897	1	Plug, Terminal - 2 Position	
610C	4460464	2	Pin, Male (16 Gauge)	
610D	4460891	1	Connector, Terminal - 2 Position	
610E	4460761	1	Connector, Female - 4 Position	
610E	4460227	4	Pin, Male	
610F	4460894	2	Plug, Terminal - 6 Position	
610F	4460465	8	Socket, Female	
610G	4460892	2	Terminal, Buss Connector - 6 Position	

## SECTION 7 - ELECTRICAL

ITEM	PART NUMBER	QTY	DESCRIPTION	REV
610H	4460909	1	Connector - 12 Position (Black)	
610H	4460915	1	Wedge Lock - 12 Position	
610H	4460928	9	Socket, Female	
610H	4460466	3	Terminal, Sealing Plug	
610J	4460908	1	Connector - 12 Position (Gray)	
610J	4460915	1	Wedge Lock - 12 Position	
610J	4460928	2	Socket, Female	
610J	4460466	10	Terminal, Sealing Plug	
610K	4460526	1	Connector, Strain Relief	
611	1001094791	1	Tilt Sensor Harness (Turntable)	C
611A	1001097957	8 ft/2.4m	Cable, Electrical 16/4	
611B	4460465	2	Socket, Female	
611C	4460928	1	Socket, Female	
611D	4461076	1	Connector - 4 Position (With Wedge Lock and Seal)	
611D	4460917	4	Pin, Male (Gold)	
611E	4461077	1	Terminal, Plug - 4 Position	
611E	4460918	4	Socket, Female (Gold)	
612	1001091778	1	Tilt Sensor Harness (Boom)	E
612A	1001097957	46 ft/14m	Cable, Electrical 16/4	
612B	4460465	2	Socket, Female	
612C	4460928	1	Socket, Female	
612D	4461076	1	Connector - 4 Position (With Wedge Lock and Seal)	
612D	70002546	4	Pin, Male (Gold)	
612E	1001094400	1	Tilt Sensor Harness (Boom) (Includes Sensor)	C
612E	4461077	1	Terminal, Plug - 4 Position	
612E	4460918	4	Socket, Female (Gold)	
		Ref	<b>OPTIONAL HARNESS COMPONENTS</b>	
701	4921928	1	4WS Valve Harness	3-D
701A	4460268	3	Socket, Female	
701B	4460445	1	Connector, Female - 3 Position	
701C	4460499	2	Connector, DIN with Diode	
702	4921927	1	Jib Valve Harness (800AJ Only)	
702A	4460326	1	Plug, Male - 3 Position	
702B	4460267	3	Pin, Male	
702C	4460499	2	Connector, DIN with Diode	
703	See Note	1	Alarm Harness (Note: Not Available for Purchase)	
703A	4460424	1	Plug, Male - 2 Position	
703B	4460268	2	Socket, Female	
704	See Note	1	Strobe Light Harness (Note: Not Available for Purchase)	
704A	4460320	1	Connector, Female - 2 Position	
704B	4460267	2	Pin, Male	
705		Ref	AC to Platform Receptacle Components Options:	
705	0255382	Ref	110V GFI Receptacle	4
705	0257176	Ref	220V GFI Receptacle	4
705A	0860038	1	Box, Switch	
705B		Ref	Receptacle Options:	
705B	4460346	1	110V GFI	
705B	4460125	1	220V GFI	
705C		Ref	Shield, Cover Options:	
705C	4060700	1	110V GFI	
705C	4060092	1	220V GFI	

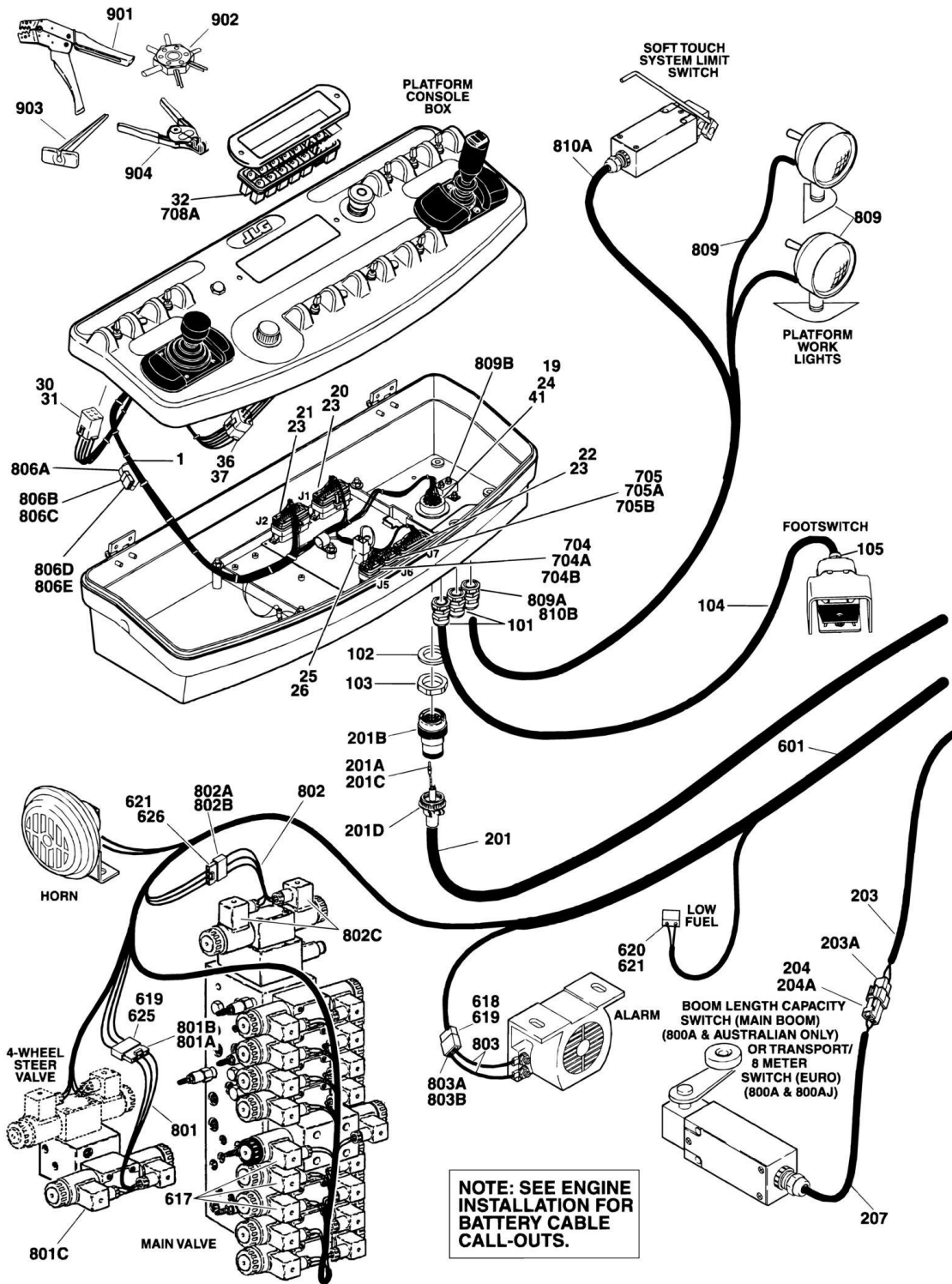
## SECTION 7 - ELECTRICAL

ITEM	PART NUMBER	QTY	DESCRIPTION	REV
705D		Ref	Plug, Male Options:	
705D	4460205	2	110V GFI	
705D	4460233	2	220V GFI	
705E		Ref	Connector, Female Options:	
705E	4460134	1	110V GFI	
705E	4460701	1	220V GFI	
705F		Ref	Harness-Receptacle Box to Boom Options:	
705F	4921801	1	110V	
705F	See Note	1	220V (Note: Not Available for Purchase)	
705F	1060494	18 in /47cm	Cable, Electrical - 12/3	
705G	4460205	1	Plug, Male (110V)	
705G	4460233	1	Plug, Male (220V)	
706		Ref	Generator Electrical Components	
706	4932915	Ref	110V ( <b>Prior to SN 0300056098</b> )	1-A
706	4933150	Ref	110V ( <b>SN 0300056098 through 0300064432</b> )	2-B
706	4932989	Ref	220V ( <b>Prior to SN 0300056098</b> )	1-A
706	4933149	Ref	220V ( <b>SN 0300056098 through 0300064432</b> )	2-B
706	3990010	1	Diode - 6 Amp (Not Shown)	
706A	4921938	1	Harness - On/Off Switch (Powermite Control Box to Ground Control Box)	
707	4921829	1	Generator to Rear of Boom Harness (110V)	
707	4921955	1	Generator to Rear of Boom Harness (220V)	
		Ref	<b>Note: Harness used to connect AC at platform harness to generator receptacle to power platform receptacle.</b>	
707	1060494	26 ft/8m	Cable, Electrical - 12/3	
707A	4460205	1	Plug, Male (110V)	
707A	4460233	1	Plug, Male (220V)	
707B	4460134	1	Receptacle, Female (110V)	
707B	4460701	1	Receptacle, Female (220V)	
708	See Note	1	Lights Harness (Note: Not Available for Purchase)	
708	1060341	37 ft /11.3m	Cable, Electrical - 16/2	
709	2920140	2	Platform Worklights Harness (Includes Light and Wire Only)	
709	2820035	9 ft/2.8m	Loom, Vinyl	
709A	4460598	1	Connector, Strain Relief	
709A	4460442	2	Terminal (Not Shown-Located in Platform Console)	
710	See Note	1	SoftTouch System Harness (Note: Not Available for Purchase)	
710A	1060341	16 ft/4.9m	Cable, Electrical - 16/3	
710B	4460425	1	Connector, Strain Relief	
711	See Note	1	Dual Fuel Shut-Off Filter Harness (Note: Not Available for Purchase)	
711A	7023679	1	Electrical Connector Kit (Includes [1] 2 Position Connector, 2 Pins and 2 Seals)	
		Ref	<b>TOOLS</b>	
801	7002821	1	Crimper (For Wire to Pin/Socket Connections)	
802	7002823	1	Extractor (For Removal of Pin/Socket from Connectors)	
803	4460467	1	Extractor, Pin (Blue 16-18 Gauge) (For Removal of Pin/Socket from Connectors)	
803	4460510	1	Extractor, Pin (Yellow 12-14 Gauge) (For Removal of Pin/Socket from Connectors)	
804	7002828	1	Stripper, Wire	

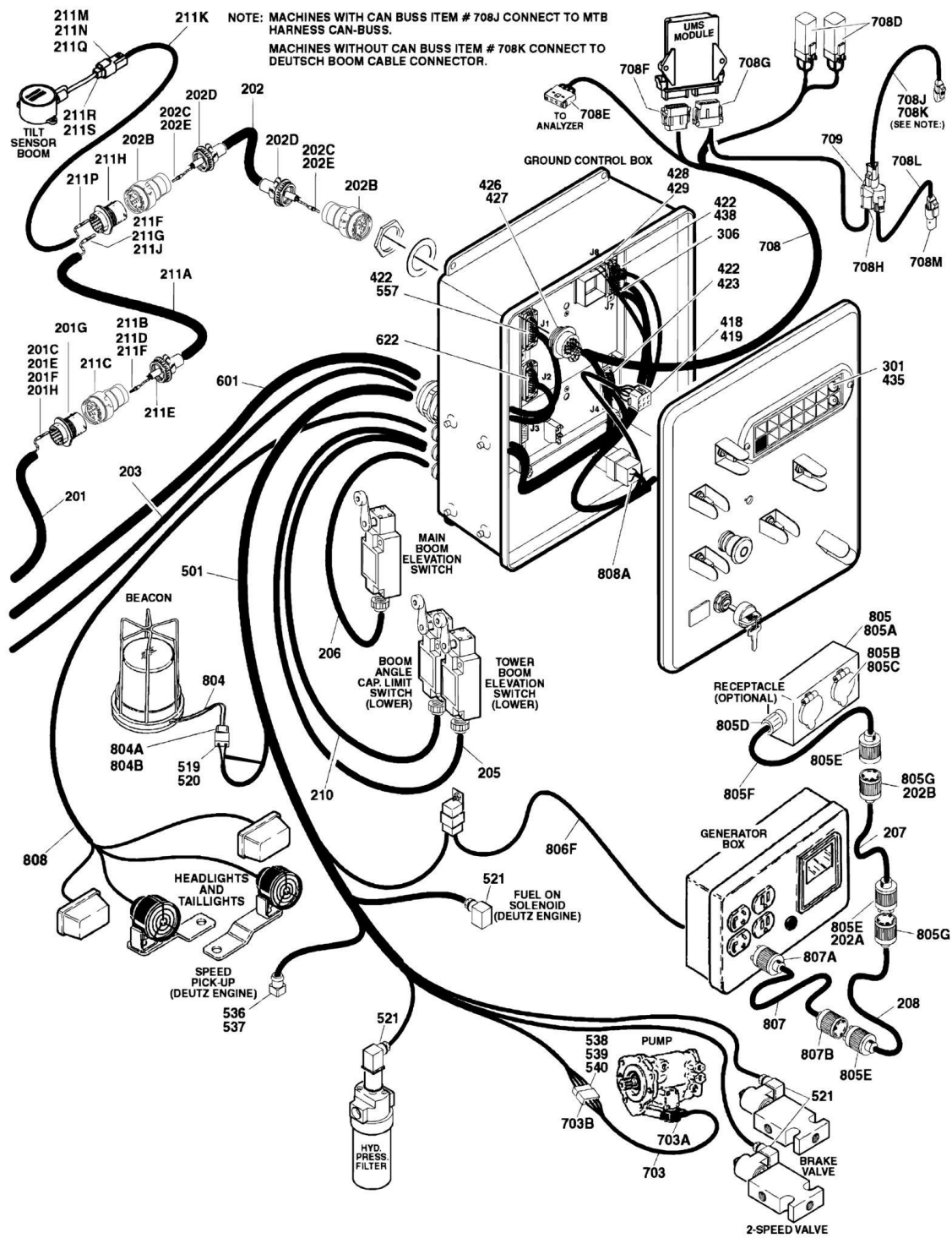


# SECTION 7 - ELECTRICAL

FIGURE 7-3. HARNESS COMPONENTS INSTALLATION (WITH ADE SYSTEM) (SN 0300064009 ONLY)



# SECTION 7 - ELECTRICAL



## SECTION 7 - ELECTRICAL

FIGURE 7-3. HARNESS COMPONENTS INSTALLATION (WITH ADE SYSTEM) (SN 0300064009 ONLY)

ITEM	PART NUMBER	QTY	DESCRIPTION	REV
	4922509	Ref	<b>PLATFORM BOX HARNESS ASSEMBLY</b>	2-C
1	4922509	1	Harness, Console Box	
19	4460866	1	Connector - 19 Pin Receptacle	
20	4460874	1	Connector - 35 Position (Natural)	
21	4460875	1	Connector - 35 Position (Gray)	
22	4460873	1	Connector - 35 Position (Black)	
23	4460871	48	Socket, Female	
24	4460464	7	Pin, Male (16 Gauge)	
25	4460879	1	Terminal, Housing 2 Position	
26	4460887	2	Terminal, (12 Gauge)	
30	4460418	4	Connector - 6 Position	
31	4460419	12	Terminal, Female	
32	4120035	7	Base, Light	
36	4460225	1	Connector - 6 Position	
37	4460227	6	Pin	
41	4460508	3	Pin, Male (12 Gauge)	
		Ref	<b>PLATFORM BOX ASSEMBLY COMPONENTS</b>	
101	4460428	2	Connector, Strain Relief	
102	4460470	1	Nut, Conduit	
103	4460471	1	Washer	
104	1060330	1	Cable, Electrical - 16/3	
105	4460071	1	Connector, Strain Relief	
	0271374	Ref	<b>BOOM CABLES INSTALLATION (800A)</b>	B
201	4922575	1	Harness Assembly - Main Boom (12/4 - 18/8)	
201	1060896	AR	Cable, Electrical - 4 #12 AWG, 8 #18 AWG and 1 STP #18 AWG	
201A	4460465	11	Socket, Female	
201B	4460865	1	Connector - 19 Position	
201C	4460509	4	Socket, Female	
201D	4460473	1	Clamp, Cable	
201E	4460466	8	Seal, Plug	
201F	4460464	11	Pin, Male (16 Gauge)	
201G	4460866	1	Connector - 19 Position	
201H	4460508	4	Pin, Male (12 Gauge)	
202	4922576	1	Harness Assembly - Tower Boom (12/4 - 18/8)	
202	1060896	44 ft /13.4m	Cable, Electrical - 4 #12 AWG, 8 #18 AWG and 1 STP #18 AWG	
202A	4460465	22	Socket, Female	
202B	4460865	2	Connector - 19 Position	
202C	4460509	8	Socket, Female	
202D	4460473	2	Clamp, Cable	
202E	4460466	8	Seal, Plug	
203	4922579	1	Harness Assembly - Tower Boom (18/2)	
203	1060902	47 ft /14.3m	Cable, Electrical - 18/2	
203A	4460465	2	Socket, Female	
203A	4460891	1	Connector, Terminal - 2 Position	
204	4922580	1	Harness Assembly - Main Boom (18/2)	
204	1060902	27 ft/8.2m	Cable, Electrical - 18/2	
204A	4460464	2	Pin, Male	
204A	4460897	1	Plug, Terminal - 2 Position	



## SECTION 7 - ELECTRICAL

ITEM	PART NUMBER	QTY	DESCRIPTION	REV
205	4922577	1	Harness Assembly - Tower Boom (18/2)	
206	4922578	1	Harness Assembly - Main Boom (18/2)	
207	4922215	1	Harness Assembly - Main Boom (10/3)	
208	4922217	1	Harness Assembly - Tower Boom (10/3)	
209	1320256	1	Clamp, Block (Not Shown-Located on back of T/T)	
210	4922581	1	Harness Assembly (18/2)	
211	1001094470	1	Harness, Boom Cable Jumper	
211A	1060896	1 ft/0.3m	Cable, Electrical - 4 #12 AWG, 8 #18 AWG and 1 STP #18 AWG	
211B	4460465	11	Socket, Female	
211C	4460865	1	Connector - 19 Position	
211D	4460509	4	Socket, Female	
211E	4460473	1	Clamp, Cable	
211F	4460466	8	Seal, Plug	
211G	4460464	8	Pin, Male (16 Gauge)	
211H	4460866	1	Connector - 19 Position	
211J	4460508	4	Pin, Male (12 Gauge)	
211K	4923613	1	Harness, Tilt Switch	
211L	1060978	2 ft/0.6m	Cable, Electrical - 18/3	
211M	1001097051	1	Connector - 4 Position	
211N	1001097082	3	Pin, Male (Gold)	
211P	4460464	3	Pin, Male (16 Gauge)	
211Q	4460466	1	Seal, Plug	
211R	1001094400	1	Tilt Sensor Harness (Boom) (Includes Sensor)	C
211S	4461077	1	Terminal, Plug - 4 Position	
211S	See Note	3	Socket, Female (Note: Not Available for Purchase)	
	4933195	Ref	<b>GROUND CONTROL BOX DIAGRAM (DEUTZ ENGINE)</b>	3-C
301	2920129	6	Bulb, Light	
306	4460871	6	Socket, Female	
307	2400065	1	Fuse, 30Amp (Not Shown)	
308	2400066	1	Fuse, Holder with Cover (Not Shown)	
418	4460419	27	Terminal, Female	
419	4460418	9	Connector - 6 Position	
422	4460871	39	Socket, Female	
423	4460876	1	Connector - 35 Position (Blue)	
426	4460464	10	Pin, Male (16 Gauge)	
427	4460866	1	Connector - 19 Position	
428	4460878	1	Housing, Terminal - 4 Position	
429	4460887	3	Terminal	
435	4120035	6	Base, Light	
438	4460873	1	Connector - 35 Position (Black)	
	4922549	Ref	<b>ENGINE HARNESS ASSEMBLY (DEUTZ ENGINE)</b>	3-D
501	4922549	1	Harness, Assembly	
519	4460424	1	Receptacle, Female - 2 Position	
520	4460226	2	Socket, Female	
521	4460880	AR	DIN Connector without Diode	
536	4460890	1	Housing - 2 Position	
537	4460889	2	Terminal	
538	4460460	1	Connector, Male - 4 Position	
539	4460457	AR	Terminal, Female	
540	4460458	AR	Seal, Terminal	
557	4460871	AR	Socket, Female	

## SECTION 7 - ELECTRICAL

ITEM	PART NUMBER	QTY	DESCRIPTION	REV
	4922557	Ref	<b>VALVE HARNESS ASSEMBLY</b>	1-A
601	4922557	1	Harness, Assembly	
617	4460880	19	DIN Connector	
618	4460320	2	Connector, Female - 2 Position	
619	4460267	7	Pin, Male	
620	4460424	1	Connector, Male - 2 Position	
621	4460268	5	Pin, Female	
622	4460871	31	Socket, Female	
625	4460326	1	Connector, Male - 3 Position	
626	4460445	1	Connector, Female - 3 Position	
		Ref	<b>STANDARD HARNESS COMPONENTS</b>	
703	See Note	1	Pump Harness (Note: Not Available for Purchase)	
703A	7007497	1	Plug (Pump End)	
703B	7007498	1	Plug (Engine Harness End)	
704	See Note	1	Controller Harness Assembly (Lift and Swing) (Note: Not Available for Purchase)	
704A	7022819	1	Plug, Male - 8 Position (Natural)	
704B	4460871	8	Socket, Female	
705	See Note	1	Controller Harness/Circuit Board Assembly (Drive and Steer) (Note: Not Available for Purchase)	
705A	7022825	1	Plug, Male - 8 Position (Black)	
705B	4460871	7	Socket, Female	
708	1001093256	Ref	Harness, Tilt	F
708A	2920129	1	Bulb	
708A	4120035	1	Socket, Light	
708B	4460464	4	Pin, Male Deutsch (16 Gauge)	
708C	4460871	4	Socket, Female	
708D	4460894	2	Plug, Male - 6 Position	
708D	4460465	8	Socket, Female	
708D	4460892	2	Terminal, Buss Connector - 6 Position	
708E	4460761	1	Connector, Female - 4 Position	
708E	4460227	4	Pin, Male	
708F	4460909	1	Connector - 12 Position (Black)	
708F	4460915	1	Wedge Lock - 12 Position	
708F	4460928	6	Socket, Female	
708G	4460908	1	Connector - 12 Position (Gray)	
708G	4460915	1	Wedge Lock - 12 Position	
708G	4460928	5	Socket, Female	
708H	4460965	1	Connector, Male - 3 Position	
708H	4460944	3	Socket, Female (Gold)	
708J	4922099	AR	Cable, Can-Buss (Machines with Can Buss Engine Controllers and Caterpillar Engine without Can Buss Engine Controllers)	
708J	4460965	1	Connector, Male - 3 Position	
708J	4460944	6	Socket, Female (Gold)	
708J	4460539	1	Terminal, Plug - 3 Position	
708K	4922099	AR	Cable, Can-Buss (Machines without Can Buss Engine Controllers)	
708K	4460965	1	Connector, Male - 3 Position	
708K	4460944	6	Socket, Female (Gold)	
708K	4460464	3	Pin, Male Deutsch (16 Gauge)	
708L	4922099	AR	Cable, Can-Buss (Machines without Can Buss Engine Controllers)	

## SECTION 7 - ELECTRICAL

ITEM	PART NUMBER	QTY	DESCRIPTION	REV
708L	4460539	2	Terminal, Plug - 3 Position	
708L	4460944	6	Socket, Female (Gold)	
708M	4460536	1	Terminal, Receptacle - 3 Position (Machines without Can Buss Engine Controllers)	
709	1001093187	Ref	Tilt Sensor Installation	C
709	4460945	1	Receptacle - 3 Position (3-Way Tee)	
		Ref	<b>OPTIONAL HARNESS COMPONENTS</b>	
801	4921928	1	4WS Valve Harness	
801A	4460268	3	Socket, Female	
801B	4460445	1	Connector, Female - 3 Position	
801C	4460499	2	Connector, DIN with Diode	
803	0257887	1	Alarm Harness (Includes Alarm)	
803A	4460424	1	Plug, Male - 2 Position	
803B	4460268	2	Socket, Female	
804	0255917	1	Strobe Light Harness (Includes Strobe Light)	
804A	4460320	1	Connector, Female - 2 Position	
804B	4460267	2	Pin, Male	
805		Ref	AC to Platform Receptacle Components Options:	
805	0255382	Ref	110V GFI Receptacle	4
805	0257176	Ref	220V GFI Receptacle	4
805A	0860038	1	Box, Switch	
805B		Ref	Receptacle Options:	
805B	4460346	1	110V GFI	
805B	4460125	1	220V GFI	
805C		Ref	Shield, Cover Options:	
805C	4060700	1	110V GFI	
805C	4060092	1	220V GFI	
805D	4460071	1	Connector	
805E		Ref	Connector, Female Options:	
805E	4460134	1	110V GFI	
805E	4460701	1	220V GFI	
805F		Ref	Harness-Receptacle Box to Boom Options:	
805F	4921801	1	110V	
805F	See Note	1	220V (Note: Not Available for Purchase)	
805F	1060494	18 in /47cm	Cable, Electrical - 12/3	
805G	4460205	2	Plug, Male (110V)	
805G	4460233	2	Plug, Male (220V)	
806		Ref	Generator Electrical Components	
806	4933158	Ref	110V	1/A
806	4933162	Ref	220V	1/A
806	3990010	1	Diode - 6 Amp (Not Shown)	
806A	4922483	1	Harness - On/Off Switch	
806B	4460320	1	Connector, Female - 2 Position	
806C	4460267	2	Pin, Male	
806D	4460424	1	Plug, Male - 2 Position	
806E	4460268	2	Socket, Female	
806F	4922482	1	Harness, Powermite Control Box to Relay	
807	4921829	1	Generator to Rear of Boom Harness (110V)	
807	4921955	1	Generator to Rear of Boom Harness (220V)	
		Ref	<b>Note: Harness used to connect AC at platform harness to generator receptacle to power platform receptacle.</b>	

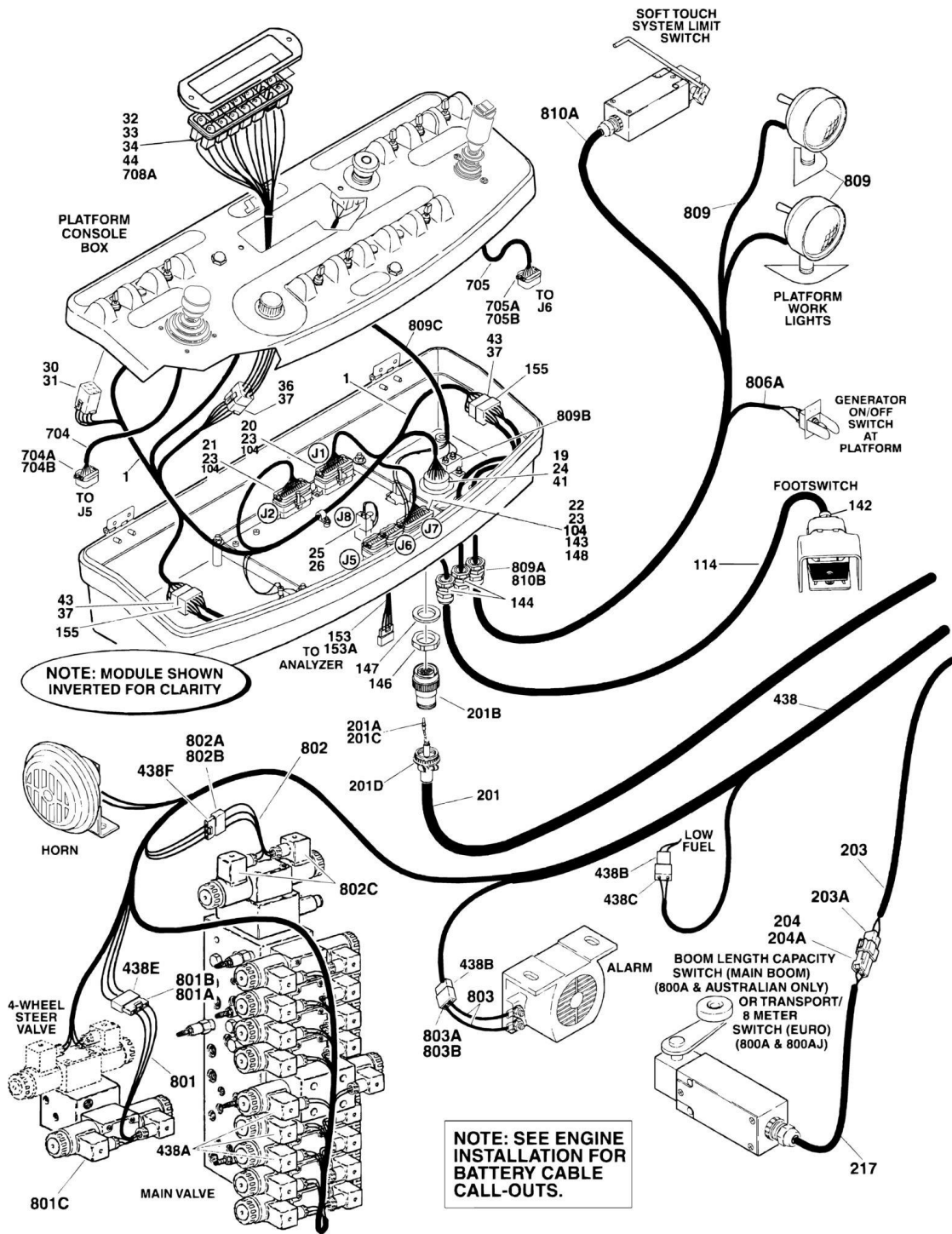
## SECTION 7 - ELECTRICAL

ITEM	PART NUMBER	QTY	DESCRIPTION	REV
807	1060494	26 ft/8m	Cable, Electrical - 12/3	
807A	4460205	1	Plug, Male (110V)	
807A	4460233	1	Plug, Male (220V)	
807B	4460134	1	Receptacle, Female (110V)	
807B	4460701	1	Receptacle, Female (220V)	
808	See Note	1	Lights Harness (Note: Not Available for Purchase)	
808	1060341	37 ft /11.3m	Cable, Electrical - 16/2	
808A	3740049	1	Relay	
808B	4922484	1	Harness, Bag (Located at to Box) (Not Shown)	
809	2920140	2	Platform Worklights Harness (Includes Light and Wire Only)	
809	2820035	9 ft/2.8m	Loom, Vinyl	
809A	4460598	1	Connector, Strain Relief	
809B	4360232	1	Circuit Breaker, 15Amp	
810	See Note	1	SoftTouch System Harness (Note: Not Available for Purchase)	
810A	1060341	16 ft/4.9m	Cable, Electrical - 16/3	
810B	4460425	1	Connector, Strain Relief	
		Ref	<b>TOOLS</b>	
901	7002821	1	Crimper (For Wire to Pin/Socket Connections)	
902	7002823	1	Extractor (For Removal of Pin/Socket from Connectors)	
903	4460467	1	Extractor, Pin (Blue 16-18 Gauge) (For Removal of Pin/Socket from Connectors)	
903	4460510	1	Extractor, Pin (Yellow 12-14 Gauge) (For Removal of Pin/Socket from Connectors)	
904	7002828	1	Stripper, Wire	
905	2901443	1	Analyzer Kit (Not Shown)	

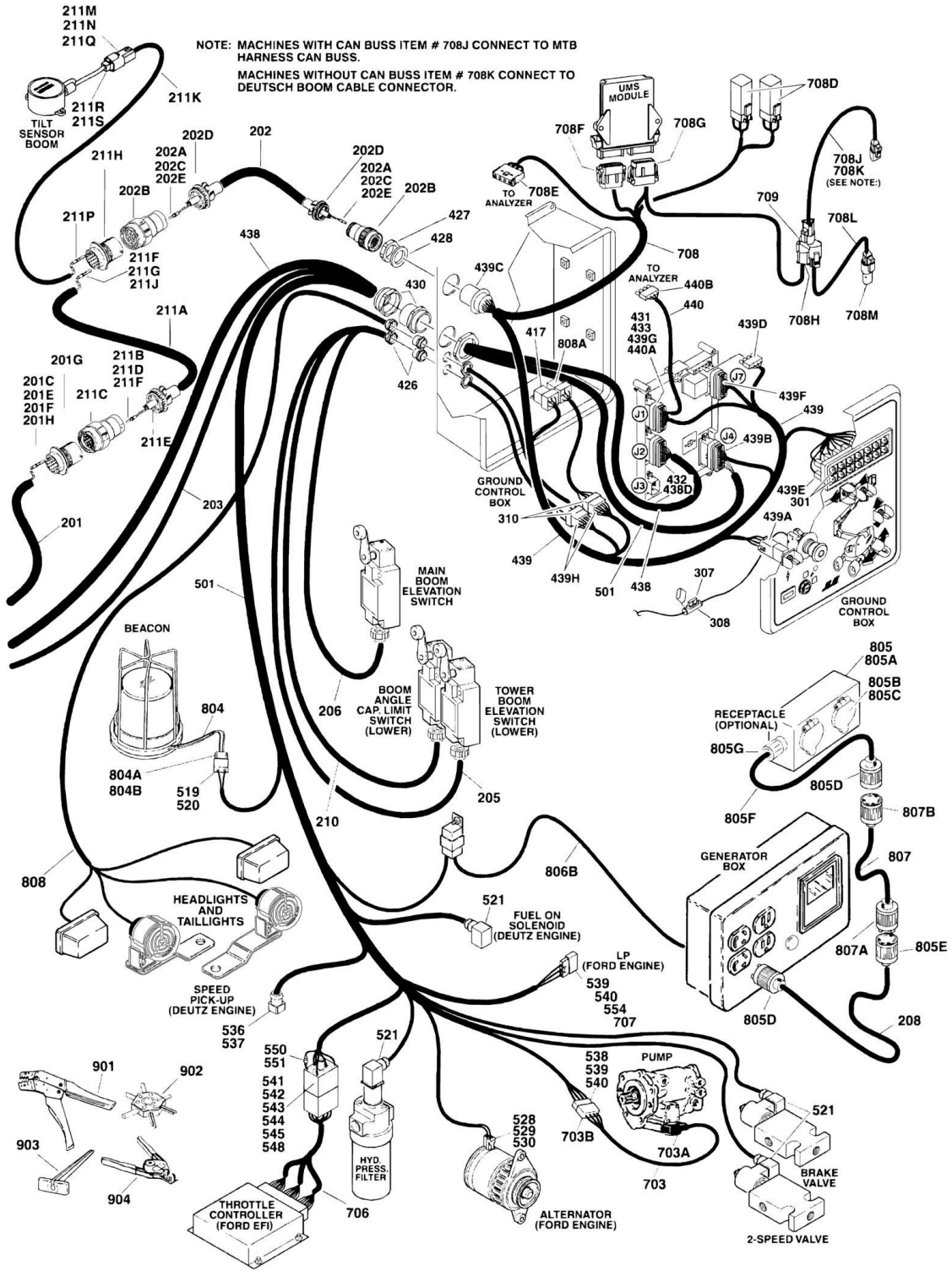


# SECTION 7 - ELECTRICAL

FIGURE 7-4. HARNESS COMPONENTS INSTALLATION (WITH ADE SYSTEM) (SN 0300064432 through 0300069000)



# SECTION 7 - ELECTRICAL



## SECTION 7 - ELECTRICAL

**FIGURE 7-4. HARNESS COMPONENTS INSTALLATION (WITH ADE SYSTEM) (SN 0300064432 through 0300069000)**

ITEM	PART NUMBER	QTY	DESCRIPTION	REV
	4922639	Ref	<b>PLATFORM BOX HARNESS ASSEMBLY</b>	3-C
1	4922639	1	Harness, Console Box	
19	4460866	1	Connector - 19 Position	
20	4460874	1	Connector - 35 Position (Natural)	
21	4460875	1	Connector - 35 Position (Gray)	
22	4460873	1	Connector - 35 Position (Black)	
23	4460871	70	Socket, Female	
24	4460464	7	Pin, Male (16 Gauge)	
25	4460879	1	Terminal, Housing 2 Position	
26	4460887	2	Terminal, (12 Gauge)	
30	4460418	8	Connector - 6 Position	
31	4460419	24	Terminal, Female	
32	4120035	12	Base, Light	
33	4460634	12	Terminal, (16 Gauge)	
34	4460635	12	Terminal, (12 Gauge)	
36	4460225	1	Connector - 6 Position	
37	4460227	28	Pin	
41	4460508	3	Pin, Male (12 Gauge)	
43	4460434	2	Plug, 15 Position Mate-N-Loc	
44	2920129	12	Lamp, Indicator	
		Ref	<b>PLATFORM BOX ASSEMBLY COMPONENTS</b>	
104	0100048	AR	Grease, Dielectric	
114	1060918	8 ft/2.4m	Cable, Electrical - 18/3	
142	4460071	1	Connector, Strain Relief	
143	4460226	2	Socket, Female	
144	4460428	2	Connector, Strain Relief	
146	4460470	1	Nut, Terminal	
147	4460471	1	Lockwasher, Terminal	
148	4460905	5	Seal, Plug	
153	4922666	1	Harness, Analyzer Cable	1-A
153	4460226	4	Socket, Female (Not Shown - Located at J2)	
153A	4460761	1	Connector, Female - 4 Position	
153A	4460227	4	Pin, Male	
155	4460708	2	Terminal, 15 Pin Mate-N-Loc	
		Ref	<b>BOOM CABLES INSTALLATION</b>	
	0271374	Ref	<b>Boom Cables Installation 800A</b>	C
	0271376	Ref	<b>Boom Cables Installation 800AJ</b>	1
	0272429	Ref	<b>Boom Cables Installation 800A (With 7500W Generator) (SkyPower)</b>	A
	0272431	Ref	<b>Boom Cables Installation 800AJ (With 7500W Generator) (SkyPower)</b>	1
201		Ref	Harness Assembly - Main Boom (12/4 - 18/8) Options:	
201	4922575	1	Harness Assembly - Main Boom 800A	
201	4922582	1	Harness Assembly - Main Boom 800AJ	
201	1060896	AR	Cable, Electrical - 4 #12 AWG, 8 #18 AWG and 1 STP #18 AWG	
201A	4460465	11	Socket, Female	
201B	4460865	1	Connector - 19 Position	
201C	4460509	4	Socket, Female	



## SECTION 7 - ELECTRICAL

ITEM	PART NUMBER	QTY	DESCRIPTION	REV
201D	4460473	1	Clamp, Cable	
201E	4460466	8	Seal, Plug	
201F	4460464	11	Pin, Male (16 Gauge)	
201G	4460866	1	Connector - 19 Position	
201H	4460508	4	Pin, Male (12 Gauge)	
202	4922576	1	Harness Assembly - Tower Boom (12/4 - 18/8)	
202	1060896	44 ft /13.4m	Cable, Electrical - 4 #12 AWG, 8 #18 AWG and 1 STP #18 AWG	
202A	4460465	22	Socket, Female	
202B	4460865	2	Connector - 19 Position	
202C	4460509	8	Socket, Female	
202D	4460473	2	Clamp, Cable	
202E	4460466	8	Seal, Plug	
203	4922579	1	Harness Assembly - Tower Boom (18/2) (800A Only)	
203	1060902	47 ft /14.3m	Cable, Electrical - 18/2	
203A	4460465	2	Socket, Female	
203A	4460891	1	Connector, Terminal - 2 Position	
204	4922580	1	Harness Assembly - Main Boom (18/2) (800A Only)	
204	1060902	27 ft/8.2m	Cable, Electrical - 18/2	
204A	4460464	2	Pin, Male	
204A	4460897	1	Plug, Terminal - 2 Position	
205	4922577	1	Harness Assembly - Tower Boom (18/2)	
207		Ref	Harness Assembly - Main Boom Options:	
207	4922215	1	Harness Assembly - Main Boom 800A (10/3)	
207	4922216	1	Harness Assembly - Main Boom 800AJ (10/3)	
207	4922773	1	Harness Assembly - Main Boom 800A (8/5) (With 7500W Generator) (SkyPower)	
207	4922775	1	Harness Assembly - Main Boom 800AJ (8/5) (With 7500W Generator) (SkyPower)	
208		Ref	Harness Assembly - Tower Boom Options:	
208	4922217	1	(10/3)	
208	4922774	1	(8/5) (With 7500W Generator) (SkyPower)	
209	1320256	1	Clamp, Block (Not Shown-Located on back of T/T)	
210	4922581	1	Harness Assembly (18/2) (800A Only)	
211	1001094470	1	Harness, Boom Cable Jumper	
211A	1060896	1 ft/0.3m	Cable, Electrical - 4 #12 AWG, 8 #18 AWG and 1 STP #18 AWG	
211B	4460465	11	Socket, Female	
211C	4460865	1	Connector - 19 Position	
211D	4460509	4	Socket, Female	
211E	4460473	1	Clamp, Cable	
211F	4460466	8	Seal, Plug	
211G	4460464	8	Pin, Male (16 Gauge)	
211H	4460866	1	Connector - 19 Position	
211J	4460508	4	Pin, Male (12 Gauge)	
211K	4923613	1	Harness, Tilt Switch	
211L	1060978	2 ft/0.6m	Cable, Electrical - 18/3	
211M	1001097051	1	Connector - 4 Position	
211N	1001097082	3	Pin, Male (Gold)	
211P	4460464	3	Pin, Male (16 Gauge)	
211Q	4460466	1	Seal, Plug	

## SECTION 7 - ELECTRICAL

ITEM	PART NUMBER	QTY	DESCRIPTION	REV
211R	1001094400	1	Tilt Sensor Harness (Boom) (Includes Sensor)	C
211S	4461077	1	Terminal, Plug - 4 Position	
211S	See Note	3	Socket, Female (Note: Not Available for Purchase)	
217	4922578	1	Harness Assembly - Limit Switch (18/2)	
		Ref	<b>GROUND CONTROL BOX DIAGRAMS:</b>	
	4933232	Ref	<b>Deutz Engine</b>	3-D
	4933233	Ref	<b>Ford EFI Engine</b>	3-D
301	2920129	7	Bulb, Light	
307	2400065	1	Fuse, 30Amp	
308	2400066	1	Fuse, Holder	
310	4460708	2	Receptacle, Female - 15 Position	
310	4460226	16	Socket, Female	
310	4922637	1	Harness, Jumper (Not Shown)	
310	4922636	1	Harness, Jumper (Not Shown)	
		Ref	<b>GROUND CONTROL BOX COMPONENTS</b>	
417	3740049	1	Relay	
426	4460426	2	Connector, Strain Relief	
427	4460470	1	Nut, Terminal	
428	4460471	1	Lockwasher, Terminal	
430	4460526	1	Connector, Strain Relief	
431	4460874	1	Connector (Natural)	
432	4460875	1	Connector (Gray)	
433	4460905	4	Connector, Amp Seal Plug	
437		Ref	Engine Harness Assembly (Not Shown - See 501 to 566 for Breakdown)	
437	4922549	1	Deutz Engine Machines	
437	4922550	1	Ford Engine Machines with EFI	
438	4922557	1	Valve Harness Assembly	1-A
438A	4460880	19	Connector, DIN	
438B	4460320	2	Connector, Female- 2 Position	
438B	4460267	7	Pin, Male	
438C	4460424	1	Connector, Male- 2 Position	
438C	4460268	5	Pin, Female	
438D	4460871	AR	Socket, Female	
438E	4460326	1	Connector, Male - 3 Position	
438E	4460267	7	Pin, Male	
438F	4460445	1	Connector, Female - 3 Position	
438F	4460268	5	Pin, Female	
439		Ref	Ground Control Box Harness Assemblies:	
439	4922638	1	Ground Control Box Harness Assemblies <b>(SN 0300064432 through 0300064492)</b>	4-E
439	4922675	1	Ground Control Box Harness Assemblies <b>(SN 0300064493 through 0300069000)</b>	3-C
439A	4460418	9	Connector, Female - 6 Position	
439A	4460419	27	Socket, Female	
439B	4460876	1	Connector 35 - Position	
439B	4460871	AR	Socket, Female	
439B	4460905	28	Seal, Plug	
439C	4460866	1	Connector - 19 Position	
439C	4460464	10	Pin, Male Deutsch (16 Gauge)	
439D	4460878	1	Housing, Terminal - 4 Position	
439D	4460887	3	Terminal (12 Gauge)	

## SECTION 7 - ELECTRICAL

ITEM	PART NUMBER	QTY	DESCRIPTION	REV
439E	4120035	AR	Base, Light	
439E	4460634	AR	Terminal (16 Gauge)	
439F	4460873	1	Connector - 35 Position (Black)	
439F	4460871	AR	Socket, Female	
439F	4460635	5	Terminal (12 Gauge)	
439G	4460871	AR	Socket, Female	
439H	4460434	2	Plug, Male 15- Position	
439H	4460227	AR	Pin, Male	
439I	3990010	2	Diode - 6 Amp (Not Shown)	
440	4922666	1	Cable, Analyzer	1-A
440A	4460226	4	Socket, Female	
440B	4460761	1	Connector, Female 4- Position	
440B	4460227	4	Pin, Male	
441		Ref	Ground Control Box Wiring Diagram (Not Shown - See Items 301 to 310 for Breakdown)	
441	4933232	1	Deutz Engine	
441	4933233	1	Ford Engine with EFI	
		Ref	<b>ENGINE HARNESS ASSEMBLY</b>	
	4922549	Ref	<b>DEUTZ ENGINE</b>	3-D
	4922550	Ref	<b>FORD ENGINE - LRG425 with EFI</b>	1-B
501		Ref	Harness, Assembly Options:	
501	4922549	1	Deutz Engine	
501	4922550	1	Ford Engine - LRG425 with EFI	
519	4460424	1	Receptacle, Female - 2 Position	
520	4460226	2	Socket, Female	
521	4460880	AR	DIN Connector without Diode	
528	4460582	3	Terminal (Ford Engine Only)	
529	4460580	1	Lock, Terminal (Ford Engine Only)	
530	4460579	1	Housing - 3 Position (Ford Engine Only)	
536	4460890	1	Housing - 2 Position (Deutz Engine Only)	
537	4460889	2	Terminal (Deutz Engine Only)	
538	4460460	1	Connector, Male - 4 Position	
539	4460457	AR	Terminal, Female	
540	4460458	AR	Seal, Terminal	
541	4460713	1	Connector, Housing 42 Position (LRG425 with EFI Only)	
542	4460725	1	Connector Wedge Lock, Center (LRG425 with EFI Only)	
543	4460726	2	Connector Wedge Lock, Side (LRG425 with EFI Only)	
544	4460800	32	Connector, Plug (LRG425 with EFI Only)	
545	4460799	7	Pin, Male (LRG425 with EFI Only)	
548	4460728	3	Pin, Male (LRG425 with EFI Only)	
550	2400061	2	Fuse (LRG425 with EFI Only)	
551	2400060	2	Holder, Fuse (LRG425 with EFI Only)	
554	4460742	1	Connector, Male - 2 Position (LRG425 with EFI Only)	
557	4460871	AR	Socket, Female	
		Ref	<b>STANDARD HARNESS COMPONENTS</b>	
703	See Note	1	Pump Harness (Note: Not Available for Purchase)	
703A	7007497	1	Plug (Pump End)	
703B	7007498	1	Plug (Engine Harness End)	
704	See Note	1	Controller Harness Assembly (Lift and Swing) (Note: Not Available for Purchase)	
704A	7022819	1	Plug, Male - 8 Position (Natural)	
704B	4460871	8	Socket, Female	

## SECTION 7 - ELECTRICAL

ITEM	PART NUMBER	QTY	DESCRIPTION	REV
705	See Note	1	Controller Harness/Circuit Board Assembly (Drive and Steer) (Note: Not Available for Purchase)	
705A	7022825	1	Plug, Male - 8 Position (Black)	
705B	4460871	7	Socket, Female	
706	See Note	1	Ford Engine Harness (For replacement parts refer to Ford engine dealer (Ford EFI Engine Machines) (Note: Not Available for Purchase)	
706	7022134	1	Ford Engine Fuel Pump Harness (Not Shown) (Ford EFI Engine Machines)	
706	7023657	1	Ford Engine TPS Harness (Not Shown) (Ford EFI Engine Machines)	
707	See Note	1	Dual Fuel Shut-Off Filter Harness (Note: Not Available for Purchase)	
707	7023679	1	Electrical Connector Kit (Includes [1] 2 Position Connector, 2 Pins and 2 Seals)	
708	1001093256	Ref	Harness, Tilt	F
708A	2920129	1	Bulb	
708A	4120035	1	Socket, Light	
708B	4460464	4	Pin, Male Deutsch (16 Gauge)	
708C	4460871	4	Socket, Female	
708D	4460894	2	Plug, Male - 6 Position	
708D	4460465	8	Socket, Female	
708D	4460892	2	Terminal, Buss Connector - 6 Position	
708E	4460761	1	Connector, Female - 4 Position	
708E	4460227	4	Pin, Male	
708F	4460909	1	Connector - 12 Position (Black)	
708F	4460915	1	Wedge Lock - 12 Position	
708F	4460928	6	Socket, Female	
708G	4460908	1	Connector - 12 Position (Gray)	
708G	4460915	1	Wedge Lock - 12 Position	
708G	4460928	5	Socket, Female	
708H	4460965	1	Connector, Male - 3 Position	
708H	4460944	3	Socket, Female (Gold)	
708J	4922099	AR	Cable, Can-Buss (Machines with Can Buss Engine Controllers and Caterpillar Engine without Can Buss Engine Controllers)	
708J	4460965	1	Connector, Male - 3 Position	
708J	4460944	6	Socket, Female (Gold)	
708J	4460539	1	Terminal, Plug - 3 Position	
708K	4922099	AR	Cable, Can-Buss (Machines without Can Buss Engine Controllers)	
708K	4460965	1	Connector, Male - 3 Position	
708K	4460944	6	Socket, Female (Gold)	
708K	4460464	3	Pin, Male Deutsch (16 Gauge)	
708L	4922099	AR	Cable, Can-Buss (Machines without Can Buss Engine Controllers)	
708L	4460539	2	Terminal, Plug - 3 Position	
708L	4460944	6	Socket, Female (Gold)	
708M	4460536	1	Terminal, Receptacle - 3 Position (Machines without Can Buss Engine Controllers)	
709	1001093187	Ref	Tilt Sensor Installation	C
709	4460945	1	Receptacle - 3 Position (3 way Tee)	
		Ref	<b>OPTIONAL HARNESS COMPONENTS</b>	
801	4921928	1	4WS Valve Harness	
801A	4460268	3	Socket, Female	

## SECTION 7 - ELECTRICAL

ITEM	PART NUMBER	QTY	DESCRIPTION	REV
801B	4460445	1	Connector, Female - 3 Position	
801C	4460499	2	Connector, DIN with Diode	
802	4921927	1	Jib Valve Harness (800AJ Only)	
802A	4460326	1	Plug, Male - 3 Position	
802B	4460267	3	Pin, Male	
802C	4460499	2	Connector, DIN with Diode	
803	0257887	1	Alarm Harness (Includes Alarm)	
803A	4460424	1	Plug, Male - 2 Position	
803B	4460268	2	Socket, Female	
804	0255917	1	Strobe Light Harness (Includes Strobe Light)	
804A	4460320	1	Connector, Female - 2 Position	
804B	4460267	2	Pin, Male	
805		Ref	AC to Platform Receptacle Components Options:	
805	0255382	Ref	110V GFI Receptacle <b>(SN 0300064432 through 0300065565)</b>	4
805	0272259	Ref	110V GFI Receptacle <b>(SN 0300065566 through 0300068999)</b>	1
805	0257176	Ref	220V GFI Receptacle <b>(SN 0300064432 through 0300065565)</b>	4
805	0272260	Ref	220V GFI Receptacle <b>(SN 0300065566 through 0300069000)</b>	1
805	0272433	Ref	With 7500W Generator (SkyPower)	1
805A	0860038	1	Box, Switch	
805B		Ref	Receptacle Options:	
805B	4460346	1	110V GFI	
805B	4460125	1	220V GFI	
805C		Ref	Shield, Cover Options:	
805C	4060700	1	110V GFI	
805C	4060092	1	220V GFI	
805D		Ref	Plug, Male Options:	
805D	4460205	2	110V GFI	
805D	4460233	2	220V GFI	
805D	4460959	2	With 7500W Generator (SkyPower)	
805E		Ref	Connector, Female Options:	
805E	4460134	1	110V GFI	
805E	4460701	1	220V GFI	
805E	4460960	1	With 7500W Generator (SkyPower)	
805F	4921801	1	Harness-Receptacle Box to Boom <b>(SN 0300064432 through 0300065566)</b>	
805F	1060494	18 in /47cm	Cable, Electrical - 12/3	
805G		Ref	Connector Options:	
805G	4460071	1	Connector <b>(SN 0300064432 through 0300065565)</b>	
805G	4460051	1	Connector <b>(SN 0300065566 through 0300069000)</b>	
806		Ref	Generator Electrical Components	
806	4933215	Ref	110V	1-A
806	4933216	Ref	220V	1-A
806	3990010	1	Diode - 6 Amp (Not Shown)	
806A	4922641	1	Harness - On/Off Switch	
806B	4922482	1	Harness - Powermite Control Box to Relay	
807	4921829	1	Generator to Rear of Boom Harness (110V)	
807	4921955	1	Generator to Rear of Boom Harness (220V)	
		Ref	<b>Note: Harness used to connect AC at platform harness to generator receptacle to power platform receptacle.</b>	
807	1060494	6 ft/1.8m	Cable, Electrical - 12/3	
807A	4460205	1	Plug, Male (110V)	

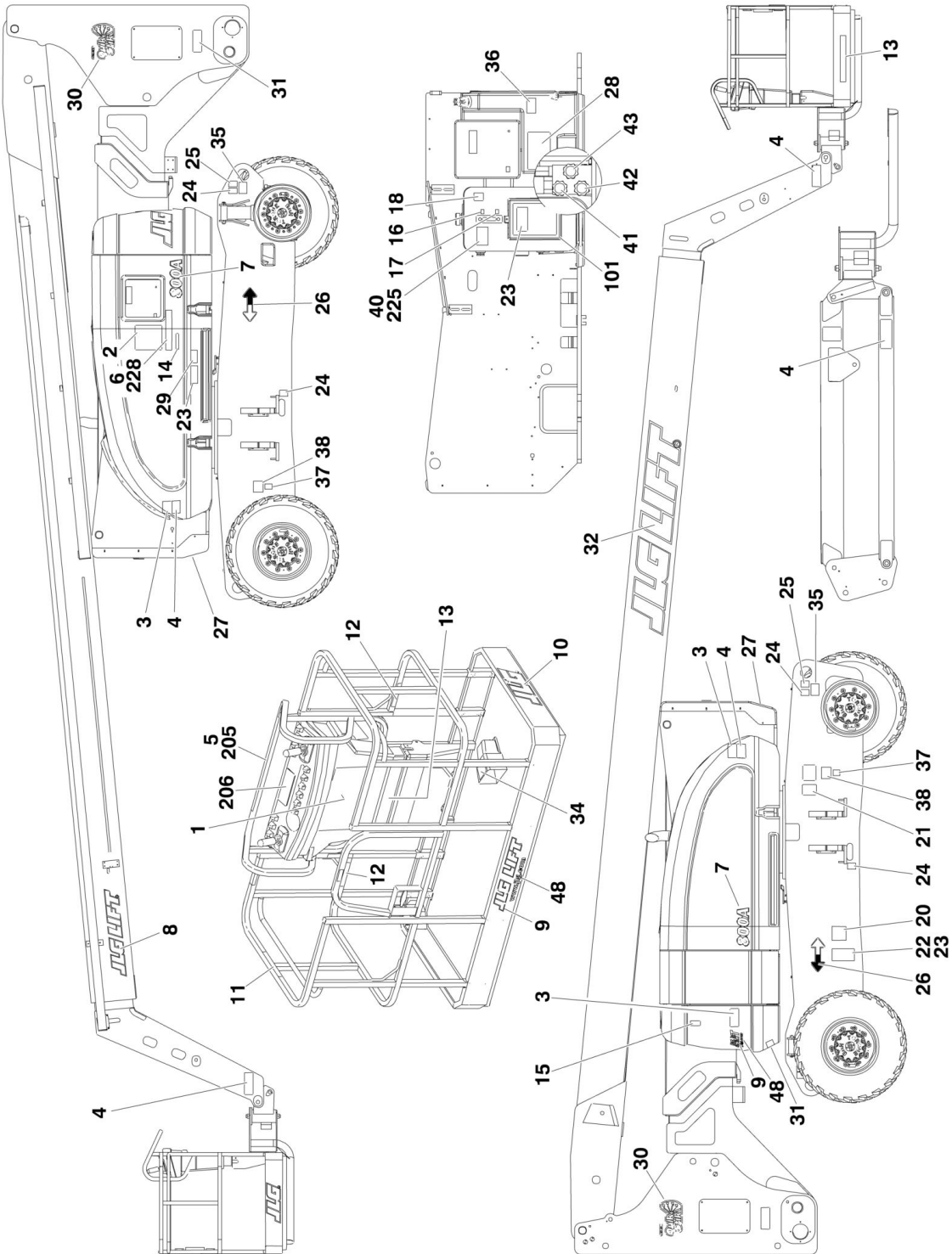
## SECTION 7 - ELECTRICAL

ITEM	PART NUMBER	QTY	DESCRIPTION	REV
807A	4460233	1	Plug, Male (220V)	
807B	4460134	1	Receptacle, Female (110V)	
807B	4460701	1	Receptacle, Female (220V)	
808	See Note	1	Lights Harness (Note: Not Available for Purchase)	
808	1060341	48 ft /14.6m	Cable, Electrical - 16/2	
808A	3740049	1	Relay	
808B	4922643	1	Harness, Bag (Located at Ground Control Box) (Not Shown)	
809	2920140	2	Platform Worklights Harness (External) (Includes Light and Wire Only)	
809	2820035	9 ft/2.8m	Loom, Vinyl	
809A	4460598	1	Connector, Strain Relief	
809B	4360232	1	Circuit Breaker, 15Amp	
809C	4922498	1	Platform Worklights Harness (Internal)	
809D	4460871	3	Socket, Female	
810	See Note	1	SoftTouch System Harness (Note: Not Available for Purchase)	
810A	1060341	16 ft/4.9m	Cable, Electrical - 16/3	
810B	4460425	1	Connector, Strain Relief	
		Ref	<b>TOOLS</b>	
901	7002821	1	Crimper (For Wire to Pin/Socket Connections)	
902	7002823	1	Extractor (For Removal of Pin/Socket from Connectors)	
903	4460467	1	Extractor, Pin (Blue 16-18 Gauge) (For Removal of Pin/Socket from Connectors)	
903	4460510	1	Extractor, Pin (Yellow 12-14 Gauge) (For Removal of Pin/Socket from Connectors)	
904	7002828	1	Stripper, Wire	
905	2901443	1	Analyzer Kit (Not Shown)	

**SECTION 8 - DECALS**

# SECTION 8 - DECALS

## FIGURE 8-1. DECALS INSTALLATION - STANDARD





## SECTION 8 - DECALS

**FIGURE 8-1. DECALS INSTALLATION - STANDARD**

ITEM	PART NUMBER	QTY	DESCRIPTION	REV
		Ref	<b>STANDARD DECAL INSTALLATIONS</b>	
	0271038	Ref	<b>JLG Logo</b>	1
	0258513	Ref	<b>Standard Decal Installations 800A</b>	8
	0258514	Ref	<b>Standard Decal Installations 800AJ</b>	8
	0258706	Ref	<b>MANUAL DESCENT DECALS INSTALLATION</b>	1
1	1703797	1	Decal - Danger/Warning	
2	1703798	1	Decal - Danger/Warning	
3	1703805	2	Decal - Danger/Electrocution	
4	1703804	4	Decal - Warning/Crushing	
5	1702784	NLA	Decal - Legend (Use p/n 1707110)	
6	1703808	NLA	Decal - Legend (Use p/n 1001095809)	
7		Ref	Decal - Model Options:	
7	1703772	2	Decal - Model 800A	
7	1703773	2	Decal - Model 800AJ	
8	1702860	2	Decal - JLG Lift (5in)	
9	1702774	2	Decal - JLG Lift (3-1/2in)	
10	1702773	2	Decal - JLG (5in)	
11	1702868	2	Decal - - No Hands	
12		Ref	Decal - Attach Lanyard Here Options:	
12	1702612	4	Decal - Attach Lanyard Here <b>(Prior to SN 0300061062)</b>	
12	1704277	4	Decal - Attach Lanyard Here <b>(SN 0300061062 through 0300069000)</b>	
13		Ref	Decal - 500lbs Max Capacity Options:	
13	1704096	2	Decal - 500lbs Max Capacity 800A	
13	1701645	2	Decal - 500lbs Max Capacity 800AJ	
14		Ref	Decal - 500lbs Max Capacity Options:	
14	1704104	1	Decal - 500lbs Max Capacity 800A	
14	1702688	1	Decal - 500lbs Max Capacity 800AJ	
15	3251813	1	Decal - USA	
16	1701502	1	Decal - High Oil Level	
17	1701503	1	Decal - Low Oil Level	
18	1701504	1	Decal - Hydraulic Oil	
19	1702153	1	Decal - Inspection	
20	See Note	1	Decal - Bar Code (Note: Not Available for Purchase)	
21	1700584	1	Decal - Patent	
22	See Note	1	Nameplate - Serial Number (Note: Not Available for Purchase)	
23	1701509	1	Decal - Manual	
24	1702300	4	Decal - Tie Down /Lift	
25	1701500	4	Decal - Tie Down /Lift	
26	1701501	4	Decal - Arrow	
27		Ref	Nameplate - 120V-60Hz	
27	3251243	1	110V	
27	3252507	1	220V	
28	1703954	1	Decal - Manual Descent	
29	1702901	1	Decal - Manual Descent Instructions Inside	
30	1703959	2	Decal - Quick Stick	
31	1703953	3	Decal - Warning/Crushing	
32	1702862	1	Decal - JLG Lift	
33	3820001	4	Rivet	
34	3252347	1	Decal - Footswitch (Part of 4360031 Footswitch)	

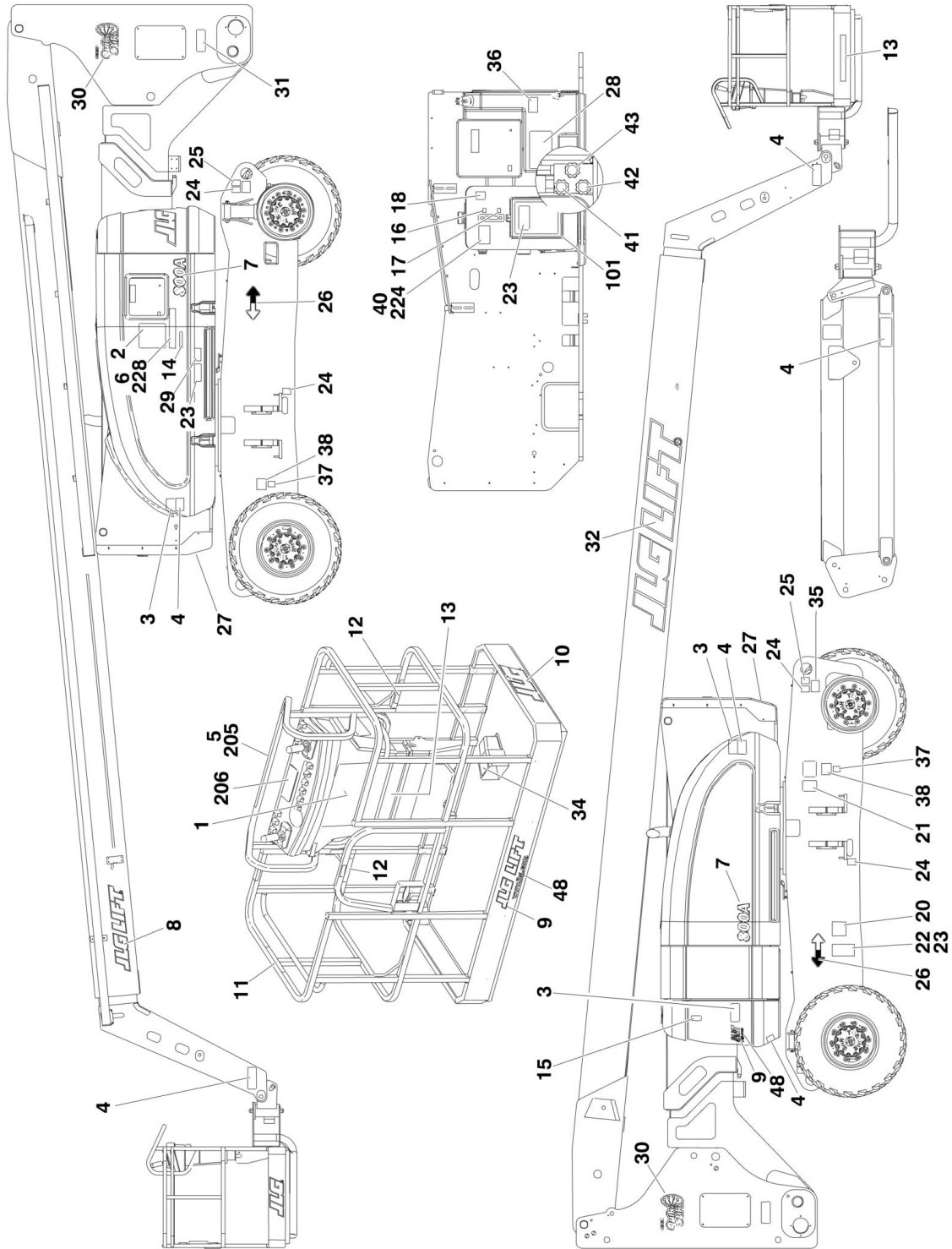
## SECTION 8 - DECALS

ITEM	PART NUMBER	QTY	DESCRIPTION	REV
35	1703960	4	Decal - Max Tire Load	
36		Ref	Decal - Fuel	
36	1701542	1	Ford Engine Machines	
36	1701505	1	Deutz Engine Machines	
37		Ref	Decal - LPG Gas	
37	Not Required	0	Non-Dual Fuel Machines	
37	1701543	1	Dual Fuel Machines	
38		Ref	Decal - LP Gas Liquid Withdrawal System	
38	Not Required	0	Non-Dual Fuel Machines	
38	1700818	1	Dual Fuel Machines	
40	1702265	NLA	Decal - Upright Level Override (Use p/n 1001096141)	
41	1702903	1	Decal - Knob #1	
42	1702927	1	Decal - Knob #2	
43	1702924	1	Decal - Knob #3	
48	1704885	2	Decal - Website ( <b>SN 0300067900 through 0300069000</b> )	
	0258671	Ref	<b>MANUAL STORAGE BOX INSTALLATION</b>	A
101	0860520	1	Box, Manual Storage	
101	1060279	1	Cable, Lanyard	
101	0641408	1	Bolt 1/4in-20NC x 1in	
101	0641406	1	Bolt 1/4in-20NC x 3/4in	
101	4751400	6	Flatwasher 1/4in	
101	3311405	5	Locknut 1/4in-20NC	
101	0100011	AR	Compound, Locking	
		Ref	<b>TILT SENSOR INSTALLATION OPTIONS:</b>	
	1001091538	Ref	<b>PRE ADE SYSTEM</b>	E
	1001093187	Ref	<b>ADE SYSTEM</b>	C
205	1707110	1	Decal - Legend (Platform)	
206	1707111	1	Decal - Platform Display	
225	1001096141	1	Decal - Upright Level Over Ride	
228	1001095809	1	Decal - Legend (MTB Control)	



# SECTION 8 - DECALS

## FIGURE 8-2. DECALS INSTALLATION - COUNTRY SPEC



## SECTION 8 - DECALS

**FIGURE 8-2. DECALS INSTALLATION - COUNTRY SPEC**

ITEM	PART NUMBER	QTY	DESCRIPTION	REV
		Ref	<b>DECAL INSTALLATIONS</b>	
	0271038	Ref	<b>JLG Logo</b>	1
	0258537	Ref	<b>Decal Installations 800A Dual Language English/Chinese Decals</b>	5
	0258535	Ref	<b>Decal Installations 800A Dual Language English/French Decals</b>	6
	0258533	Ref	<b>Decal Installations 800A Dual Language English/Spanish Decals</b>	5
	0258539	Ref	<b>Decal Installations 800A Dual Language Portuguese/Spanish Decals</b>	6
	0258529	Ref	<b>Decal Installations 800A Japanese Decals</b>	5
	0258531	Ref	<b>Decal Installations 800A Korean Decals</b>	5
	0258538	Ref	<b>Decal Installations 800AJ Dual Language Chinese/English Decals</b>	5
	0258536	Ref	<b>Decal Installations 800AJ Dual Language English/French Decals</b>	6
	0258534	Ref	<b>Decal Installations 800AJ Dual Language English/Spanish Decals</b>	5
	0258540	Ref	<b>Decal Installations 800AJ Dual Language Portuguese/Spanish Decals</b>	6
	0258530	Ref	<b>Decal Installations 800AJ Japanese Decals</b>	5
	0258532	Ref	<b>Decal Installations 800AJ Korean Decals</b>	5
1		Ref	Decal - Danger/Warning Options:	
1	1703925	1	Dual Language English/Chinese Decals	
1	1703924	1	Dual Language English/French Decals	
1	1703923	1	Dual Language English/Spanish Decals	
1	1703928	1	Dual Language Portuguese/Spanish Decals	
1	1703926	1	Japanese Decals	
1	1703927	1	Korean Decals	
2		Ref	Decal - Danger/Warning Options:	
2	1703931	1	Dual Language English/Chinese Decals	
2	1703930	1	Dual Language English/French Decals	
2	1703929	1	Dual Language English/Spanish Decals	
2	1703934	1	Dual Language Portuguese/Spanish Decals	
2	1703932	1	Japanese Decals	
2	1703933	1	Korean Decals	
3		Ref	Decal - Danger/Electrocution Options:	
3	1703937	3	Dual Language English/Chinese Decals	
3	1703936	3	Dual Language English/French Decals	
3	1703935	3	Dual Language English/Spanish Decals	
3	1703940	3	Dual Language Portuguese/Spanish Decals	
3	1703938	3	Japanese Decals	
3	1703939	3	Korean Decals	
4		Ref	Decal - Warning/Crushing Options:	
4	1703949	5	Dual Language English/Chinese Decals	
4	1703948	5	Dual Language English/French Decals	
4	1703947	5	Dual Language English/Spanish Decals	
4	1703952	5	Dual Language Portuguese/Spanish Decals	
4	1703950	5	Japanese Decals	
4	1703951	5	Korean Decals	
5		Ref	Decal - Legend Options:	

## SECTION 8 - DECALS

ITEM	PART NUMBER	QTY	DESCRIPTION	REV
5	Not Required	0	Dual Language English/Chinese Decals	
5	1702784	NLA	Dual Language English/French Decals (Use p/n 1707110)	
5	1702784	NLA	Dual Language English/Spanish Decals (Use p/n 1707110)	
5	Not Required	0	Dual Language Portuguese/Spanish Decals	
5	Not Required	0	Japanese Decals	
5	Not Required	0	Korean Decals	
6		Ref	Decal - Legend Options:	
6	Not Required	0	Dual Language English/Chinese Decals	
6	1703808	NLA	Dual Language English/French Decals (Use p/n 1001095809)	
6	1703808	NLA	Dual Language English/Spanish Decals (Use p/n 1001095809)	
6	Not Required	0	Dual Language Portuguese/Spanish Decals	
6	Not Required	0	Japanese Decals	
6	Not Required	0	Korean Decals	
7		Ref	Decal - Model Options:	
7	1703772	2	Decal - Model 800A	
7	1703773	2	Decal - Model 800AJ	
8	1702860	1	Decal - JLG Lift (5in)	
9	1702774	2	Decal - JLG Lift (3-1/2in)	
10	1702773	2	Decal - JLG (5in)	
11		Ref	Decal - No Hands Options:	
11	Not Required	0	Dual Language English/Chinese Decals	
11	1704000	2	Dual Language English/French Decals	
11	1704001	2	Dual Language English/Spanish Decals	
11	1704002	2	Dual Language Portuguese/Spanish Decals	
11	Not Required	0	Japanese Decals	
11	Not Required	0	Korean Decals	
12		Ref	Decal - Attach Lanyard Here Options:	
12	1704277	4	Dual Language English/Chinese Decals	
12		Ref	Dual Language English/French Decals Options:	
12	1704003	4	Dual Language English/French Decals ( <b>Prior to SN 0300061062</b> )	
12	1704277	4	Dual Language English/French Decals ( <b>SN 0300061062 through 0300069000</b> )	
12		Ref	Dual Language English/Spanish Decals Options:	
12	1704004	4	Dual Language English/Spanish Decals ( <b>Prior to SN 0300061062</b> )	
12	1704277	4	Dual Language English/Spanish Decals ( <b>SN 0300061062 through 0300069000</b> )	
12		Ref	Dual Language Portuguese/Spanish Decals Options:	
12	1704005	4	Dual Language Portuguese/Spanish Decals ( <b>Prior to SN 0300061062</b> )	
12	1704277	4	Dual Language Portuguese/Spanish Decals ( <b>SN 0300061062 through 0300069000</b> )	
12	1704277	4	Japanese Decals	
12	1704277	4	Korean Decals	
13		Ref	Decal - 500lbs Max Capacity Options:	
13	1704101	2	Decal - 500lbs Max Capacity 800A Dual Language English/Chinese Decals	
13	1703996	2	Decal - 500lbs Max Capacity 800AJ Dual Language English/Chinese Decals	
13	1704099	2	Decal - 500lbs Max Capacity 800A Dual Language English/French Decals	
13	1703996	2	Decal - 500lbs Max Capacity 800AJ Dual Language English/French Decals	

## SECTION 8 - DECALS

ITEM	PART NUMBER	QTY	DESCRIPTION	REV
13	1704098	2	Decal - 500lbs Max Capacity 800A Dual Language English/Spanish Decals	
13	1703996	2	Decal - 500lbs Max Capacity 800AJ Dual Language English/Spanish Decals	
13	1704100	2	Decal - 500lbs Max Capacity 800A Dual Language Portuguese/Spanish Decals	
13	1703996	2	Decal - 500lbs Max Capacity 800AJ Dual Language Portuguese/Spanish Decals	
13	1704102	2	Decal - 500lbs Max Capacity 800A Japanese Decals	
13	1703996	2	Decal - 500lbs Max Capacity 800AJ Japanese Decals	
13	1704103	2	Decal - 500lbs Max Capacity 800A Korean Decals	
13	1703996	2	Decal - 500lbs Max Capacity 800AJ Korean Decals	
14		Ref	Decal - 500lbs Max Capacity Options:	
14	1704109	1	Decal - 500lbs Max Capacity 800A Dual Language English/Chinese Decals	
14	1704112	1	Decal - 500lbs Max Capacity 800AJ Dual Language English/Chinese Decals	
14	1704107	1	Decal - 500lbs Max Capacity 800A Dual Language English/French Decals	
14	1704112	1	Decal - 500lbs Max Capacity 800AJ Dual Language English/French Decals	
14	1704106	1	Decal - 500lbs Max Capacity 800A Dual Language English/Spanish Decals	
14	1704112	1	Decal - 500lbs Max Capacity 800AJ Dual Language English/Spanish Decals	
14	1704108	1	Decal - 500lbs Max Capacity 800A Dual Language Portuguese/Spanish Decals	
14	1704112	1	Decal - 500lbs Max Capacity 800AJ Dual Language Portuguese/Spanish Decals	
14	1704110	1	Decal - 500lbs Max Capacity 800A Japanese Decals	
14	1704112	1	Decal - 500lbs Max Capacity 800AJ Japanese Decals	
14	1704111	1	Decal - 500lbs Max Capacity 800A Korean Decals	
14	1704112	1	Decal - 500lbs Max Capacity 800AJ Korean Decals	
15		Ref	Decal - USA Options:	
15	Not Required	0	Dual Language English/Chinese Decals	
15	3251813	1	Dual Language English/French Decals	
15	3251813	1	Dual Language English/Spanish Decals	
15	3251813	1	Dual Language Portuguese/Spanish Decals	
15	Not Required	0	Japanese Decals	
15	Not Required	0	Korean Decals	
16	1701502	1	Decal - High Oil Level	
17	1701503	1	Decal - Low Oil Level	
18	1701504	1	Decal - Hydraulic Oil	
19		Ref	Decal - Inspection Options:	
19	Not Required	0	Dual Language English/Chinese Decals	
19	1704006	1	Dual Language English/French Decals	
19	1704007	1	Dual Language English/Spanish Decals	
19	1704008	1	Dual Language Portuguese/Spanish Decals	
19	Not Required	0	Japanese Decals	
19	Not Required	0	Korean Decals	
20	See Note	1	Decal - Bar Code (Note: Not Available for Purchase)	
21	1700584	1	Decal - Patent	
22	See Note	1	Nameplate - Serial Number (Note: Not Available for Purchase)	
23	1701509	1	Decal - Manual	

## SECTION 8 - DECALS

ITEM	PART NUMBER	QTY	DESCRIPTION	REV
24	1702300	6	Decal - Tie Down /Lift	
25	1701500	4	Decal - Tie Down /Lift	
26	1701501	4	Decal- Arrow	
27		Ref	Nameplate - 110V/220V Options:	
27	Not Required	0	110V - Dual Language English/Chinese Decals	
27	3251243	1	110V - Dual Language English/French Decals	
27	3251243	1	110V - Dual Language English/Spanish Decals	
27	3251243	1	110V - Dual Language Portuguese/Spanish Decals	
27	Not Required	0	110V - Japanese Decals	
27	Not Required	0	110V - Korean Decals	
27	3252507	1	220V - All Specs	
28		Ref	Decal - Manual Descent Options:	
28	1703965	1	Dual Language English/Chinese Decals	
28	1703964	1	Dual Language English/French Decals	
28	1703963	1	Dual Language English/Spanish Decals	
28	1703968	1	Dual Language Portuguese/Spanish Decals	
28	1703966	1	Japanese Decals	
28	1703967	1	Korean Decals	
29		Ref	Decal - Manual Descent Instructions Inside Options:	
29	1704121	1	Dual Language English/Chinese Decals	
29	1704116	1	Dual Language English/French Decals	
29	1704117	1	Dual Language English/Spanish Decals	
29	1704118	1	Dual Language Portuguese/Spanish Decals	
29	1704119	1	Japanese Decals	
29	1704120	1	Korean Decals	
30	1703959	2	Decal - Quick Stick	
31		Ref	Decal - Warning/Crushing Options:	
31	1703943	3	Dual Language English/Chinese Decals	
31	1703942	3	Dual Language English/French Decals	
31	1703941	3	Dual Language English/Spanish Decals	
31	1703946	3	Dual Language Portuguese/Spanish Decals	
31	1703944	3	Japanese Decals	
31	1703945	3	Korean Decals	
32	1702862	1	Decal - JLG Lift	
33	3820001	8	Rivet	
34		Ref	Decal - Footswitch Options:	
34	1703982	1	Dual Language English/Chinese Decals	
34	1703984	1	Dual Language English/French Decals	
34	1703983	1	Dual Language English/Spanish Decals	
34	1703985	1	Dual Language Portuguese/Spanish Decals	
34	1703980	1	Japanese Decals	
34	1703981	1	Korean Decals	
35		Ref	Decal - Maximum Tire Load Options:	
35	Not Required	0	Dual Language English/Chinese Decals	
35	Not Required	0	Dual Language English/French Decals	
35	Not Required	0	Dual Language English/Spanish Decals	
35	Not Required	0	Dual Language Portuguese/Spanish Decals	
35	1703960	1	Japanese Decals	
35	1703960	1	Korean Decals	
36		Ref	Decal - Fuel	
36	1701542	1	Ford Engine Machines	



## SECTION 8 - DECALS

ITEM	PART NUMBER	QTY	DESCRIPTION	REV
36	1701505	1	Deutz Engine Machines	
37		Ref	Decal - LPG Gas	
37	Not Required	0	Non-Dual Fuel Machines	
37	1701543	1	Dual Fuel Machines	
38		Ref	Decal - LP Gas Liquid Withdrawal System	
38	Not Required	0	Non-Dual Fuel Machines	
38	1704271	1	Dual Language English/French Decals	
38	1700818	1	Dual Fuel Machines except Portuguese/Spanish Decals	
38	1702720	1	Dual Fuel Machines with Portuguese/Spanish Decals	
40		Ref	Decal - Upright Level Override Options:	
40	1703988	NLA	Dual Language English/Chinese Decals (Use p/n 1705977)	
40	1703990	NLA	Dual Language English/French Decals (Use p/n 1705977)	
40	1703989	NLA	Dual Language English/Spanish Decals (Use p/n 1705977)	
40	1703991	NLA	Dual Language Portuguese/Spanish Decals (Use p/n 1705977)	
40	1703986	NLA	Japanese Decals (Use p/n 1705977)	
40	1703987	NLA	Korean Decals (Use p/n 1705977)	
41	1702903	1	Decal - Knob #1	
42	1702927	1	Decal - Knob #2	
43	1702924	1	Decal - Knob #3	
48	1704885	2	Decal - Website (SN 0300067900 through 0300069000)	
	0258671	Ref	<b>MANUAL STORAGE BOX INSTALLATION</b>	A
101	0860520	1	Box, Manual Storage	
101	1060279	1	Cable, Lanyard	
101	0641408	1	Bolt 1/4in-20NC x 1in	
101	0641406	1	Bolt 1/4in-20NC x 3/4in	
101	4751400	6	Flatwasher 1/4in	
101	3311405	5	Locknut 1/4in-20NC	
101	0100011	AR	Compound, Locking	
		Ref	<b>TILT SENSOR INSTALLATION OPTIONS:</b>	
	1001091538	Ref	<b>PRE ADE SYSTEM</b>	E
	1001093187	Ref	<b>ADE SYSTEM</b>	C
205	1707110	1	Decal - Legend (Platform)	
206	1707111	1	Decal - Platform Display	
224	1705977	1	Decal - Upright Level Over Ride	
228	1001095809	1	Decal - Legend (MTB Control)	



## **SECTION 9 - RECOMMENDED SERVICE PARTS STOCK**

## **SECTION 9 - RECOMMENDED SERVICE PARTS STOCK**

## SECTION 9 - RECOMMENDED SERVICE PARTS STOCK

FIGURE 9-1. MODELS 800A/800AJ STANDARD PARTS

ITEM	PART NUMBER	QTY	DESCRIPTION	REV
	Note	Ref	<b>Note: The following list will service machines (built to current production per date on the front cover) with emergency repair parts which can be installed in the field. Parts from the list should be replaced when inventory is depleted to keep service parts stock supplied. For further information, contact your JLG dealer or the JLG Industries Parts Department.</b>	
		Ref	<b>STANDARD PARTS</b>	
	2120168	4	Element, Filter	
	2120150	4	Element Filter	
	7012944	1	Coil	
	7018991	1	Coil	
	7012772	1	Coil	
	7012943	1	Coil	
	7012664	1 dz/doz	Element, Air Cleaner	
	3740067	1	Relay	
	4360294	1	Breaker, Circuit	
	7014817	1	Breather, Hydraulic Tank	
	4360475	1	Switch, Mushroom	
	4360469	1	Switch, Key	
	2860030	1	Key, Replacement	
	4360476	1	Contact, Switch Block	
	3740049	1	Relay	
	2940074	1	Latch	
	1001129555	1	Controller (Lift and Swing)	
	1001212415	1	Controller (Drive and Steer)	
	4360387	1	Switch, Push Button	
	4360407	1	Controller, Speed	
	4360331	1	Switch, Toggle	
	4360232	1	Breaker, Circuit	
	3990010	2	Diode	



## SECTION 9 - RECOMMENDED SERVICE PARTS STOCK

FIGURE 9-2. MODELS 800A/800AJ VARIABLE PARTS

ITEM	PART NUMBER	QTY	DESCRIPTION	REV
	Note	Ref	<b>Note: The following list will service machines (built to current production per date on the front cover) with emergency repair parts which can be installed in the field. Parts from the list should be replaced when inventory is depleted to keep service parts stock supplied. For further information, contact your JLG dealer or the JLG Industries Parts Department.</b>	
		Ref	<b>VARIABLE PARTS</b>	
	7016331	1 dz/doz	Filter, Oil (Deutz Engine Machines)	
	7016328	1 dz/doz	Filter, Fuel (Deutz Engine Machines)	
	1660234	1	Coupling, Pump (Deutz Engine Machines)	
	7021868	1 dz/doz	Filter, Oil (Ford Engine Machines)	
	1660250	1	Coupling, Pump (Ford Engine Machines)	
	1600314	1	Controller, ECM (Ford Engine Machines)	
	91083218	1 dz/doz	Filter, Fuel (Ford Engine Machines)	
	7023634	1 dz/doz	Filter, Oil (Isuzu Engine Machines)	
	7023641	1 dz/doz	Filter, Fuel (Isuzu Engine Machines)	
	1660239	1	Coupling, Pump (Isuzu Engine Machines)	
	3740080	1	Relay (Machines with Generator Option)	
	4360336	1	Switch, Toggle (Machines with Generator Option)	
	4360336	1	Switch, Toggle (Machines with Dual Fuel Option)	
	1001094484	1	Controller, UMS Module	
	7016522	1	Powertrack Repair Section (Gemco Brand)	
	7006137	24	Powertrack Pin Kit (Gemco Brand)	
	70002013	1	Powertrack Repair Section (Gortrac Brand)	
	1001094400	1	Sensor, Dual Axis	
	4360387	1	Switch, Push Button	

**SECTION 10 - SPECIAL OPTIONS**

# SECTION 10 - SPECIAL OPTIONS

## FIGURE 10-1. SPECIAL OPTIONS

ITEM	PART NUMBER	QTY	DESCRIPTION	REV
	Note	Ref	<b>Note: This list is to accommodate machines ordered with special equipment. Options may not be applicable to all models. For more specific parts information contact JLG Parts Department.</b>	
		Ref	<b>MISCELLANEOUS SPECIAL OPTIONS</b>	
		Ref	<b>Airline to Platform Installation Options:</b>	
	0258802	Ref	1/2in 800A	
	0258805	Ref	1/2in 800AJ	
		Ref	<b>Bellows Installation Options:</b>	
	0258734	Ref	Boom 800A	
	0258737	Ref	Boom 800AJ	
	0258757	Ref	Chassis (Fixed Axle 2WS)	
	0258759	Ref	Chassis (Fixed Axle 4WS)	
	0258387	Ref	Chassis (Oscillating Axle 2WS)	
	0258758	Ref	Chassis (Oscillating Axle 4WS)	
	2910887	Ref	<b>Boom Wear Pad Kit</b>	
	0258654	Ref	<b>Boom Wipers Installation</b>	
	0256789	Ref	<b>Camera Mount Assembly</b>	
		Ref	<b>ClearSky Telematics Kits</b>	
	1001118234	Ref	<b>ANSI Spec (Non - ADE Machines)</b>	
	1001117251	Ref	<b>ANSI Spec (ADE Machines)</b>	
	1001102842	Ref	<b>ANSI Export</b>	
	1001118235	Ref	<b>CSA Spec (Non - ADE Machines)</b>	
	1001117258	Ref	<b>CSA Spec (ADE Machines)</b>	
		Ref	<b>Note: Refer to ClearSky (Telematics) Manual p/n 3128499 for Service Parts.</b>	
		Ref	<b>Cold Weather Package Installation Options:</b>	
	0256060	Ref	Deutz without Glow Plugs	
	0258927	Ref	Deutz with Glow Plugs	
	0255386	Ref	Ford	
		Ref	<b>Decal Installations Options:</b>	
	1702788	1	Decal - Biodegradable Hydraulic Fluid (All except German Spec)	
	1703479	1	Decal - Biodegradable Hydraulic Fluid (German Spec Only)	
	3252221	1	Decal - CSA (CSA Spec)	
	1703175	1	Decal - Lanyard Attach (GM K-1 Spec)	
	1702962	1	Decal - Prop 65 Warning (Diesel Machines) (California Spec)	
	1702961	1	Decal - Prop 65 Warning (Gasoline Machines) (California Spec)	
	0257195	Ref	Government Warranty Decal Installation	
	0271112	Ref	Sunbelt Decals Installation	
	0270959	Ref	United Decals Installation	
	0258541	Ref	Warning Stripes Installation	
	1282946	Ref	Warning Stripes Installation	
		Ref	<b>Decal Kits</b>	
	1001108720	Ref	Decal Kit - Platform (800A)	
	1001108721	Ref	Decal Kit - Platform (800AJ)	
	2910872	Ref	Decal Kit - Platform Console (SN 0300064432 through 0300069000)	
	2902396	Ref	<b>Drive/Steer Cutout Kit</b>	
		Ref	<b>Electrical Connector Kits</b>	



## SECTION 10 - SPECIAL OPTIONS

ITEM	PART NUMBER	QTY	DESCRIPTION	REV
	1001148902	Ref	Amp/Tyco Electrical Connector Kit	
	1001148903	Ref	Deutsch DT Electrical Connector Kit	
	1001148904	Ref	Deutsch HD Electrical Connector Kit	
	1001148905	Ref	Packard Electrical Connector Kit	
	1001148906	Ref	Various Electrical Connectors Kit	
	0258696	Ref	<b>Engine Block Heater Installation (Ford Engine Machines)</b>	
	1340061	Ref	<b>Engine Air Cleaner Pre-Cleaner Installation</b>	
	0257157	Ref	<b>Ether Start Installation (Deutz Engine Machines)</b>	
		Ref	<b>Filter Kits:</b>	
		Ref	<b>Combined Filter Kit (Hydraulic/Air and Fuel/Engine Oil):</b>	
	2910467	1	Deutz Engine Machines	
		Ref	Ford LRG-425 Non-UL Engine Machines	
	2910465	1	Ford LRG-425 Non-UL Engine Machines ( <b>Prior to SN 0300048538</b> )	
	1001114116	1	Ford LRG-425 Non-UL Engine Machines ( <b>SN 0300048538 through 0300069000</b> )	
	1001109693	1	Hydraulic/Air Filter (Ford Engine)	
	1001110133	1	Fuel/Engine Oil Filter (Deutz Engine)	
	4060959	Ref	<b>Footswitch Shield (Note: Move Decal to Shield)</b>	
	0258928	Ref	<b>Glow Plugs Installation (Deutz Engine Machines)</b>	
	1001121735	Ref	<b>Hood Conversion Kit - Deutz (ABS to Steel)</b>	
		Ref	<b>Hose Kits:</b>	
	2902457	Ref	Hose Kit - Powertrack (Lower) (800A)	
	2902456	Ref	Hose Kit - Powertrack (Upper) (800A)	
	1001204901	Ref	Hose Kit - Powertrack (Lower) (800AJ)	
	2902459	Ref	Hose Kit - Powertrack (Upper) (800AJ)	
	1001210685	Ref	Hose Kit - Upper Boom (800A)	
	1001210687	Ref	Hose Kit - Upper Boom (800AJ)	
	1001241410	Ref	<b>Hostile Environment Add-on Kit (2WS with Fixed Axle) (800A)</b>	
	1001241411	Ref	<b>Hostile Environment Add-on Kit (2WS with Oscillating Axle) (800A)</b>	
	1001241412	Ref	<b>Hostile Environment Add-on Kit (4WS with Fixed Axle) (800A)</b>	
	1001204927	Ref	<b>Hostile Environment Add-on Kit (4WS with Oscillating Axle) (800A)</b>	
	1001241413	Ref	<b>Hostile Environment Add-on Kit (2WS with Fixed Axle) (800AJ)</b>	
	1001241414	Ref	<b>Hostile Environment Add-on Kit (2WS with Oscillating Axle) (800AJ)</b>	
	1001241415	Ref	<b>Hostile Environment Add-on Kit (4WS with Fixed Axle) (800AJ)</b>	
	1001204928	Ref	<b>Hostile Environment Add-on Kit (4WS with Oscillating Axle) (800AJ)</b>	
	1001148971	Ref	<b>Lanyard (Bolt-On) Kit Installation</b>	
		Ref	<b>Oil Cooler Installations</b>	
	0256762	Ref	Deutz Engine Machines	
	1282665	Ref	Deutz Engine Machines	
	0256777	Ref	Ford Engine Machines ( <b>Prior to SN 0300067076</b> )	
	1282663	Ref	Ford Engine Machines ( <b>Prior to SN 0300067076</b> )	
	0272040	Ref	Ford Engine Machines ( <b>SN 0300067076 through 0300069000</b> )	
	1283309	Ref	Ford Engine Machines ( <b>SN 0300067076 through 0300069000</b> )	
	0270712	Ref	<b>Oil Pressure and Oil Temperature Installation</b>	
	0270723	Ref	<b>Platform Beacon Light Installation</b>	
	0255398	Ref	<b>Platform Console Cover Installation</b>	

## SECTION 10 - SPECIAL OPTIONS

ITEM	PART NUMBER	QTY	DESCRIPTION	REV
	2915228	Ref	<b>Platform Conversion Kit (Front to Side Entry)</b>	
	2902232	Ref	<b>Platform Conversion Kit (Front to Side Entry) (For SkyGlazier)</b>	
		Ref	<b>Platform Entry Kits</b>	
	1001142504	Ref	<b>Drop Bar (Replacing Swing Gate with Drop Bar)</b>	
	1001142505	Ref	<b>Swing Gate (Replacing Drop Bar with Swing Gate)</b>	
		Ref	<b>Platform Mesh to Top Rail Extension (ANSI Spec)</b>	
	1001214552	Ref	<b>2.5ft x 4ft Platforms (Used on Platform p/n 1001186387)</b>	
	1001214561	Ref	<b>3ft x 6ft Platforms (Used on Platform p/n 1001186384)</b>	
	1001214562	Ref	<b>3ft x 8ft Platforms (Used on Platform p/n 1001186383)</b>	
		Ref	<b>Platform Top Rail Extension (CSA Spec)</b>	
	0270511	Ref	<b>3ft x 6ft Platforms</b>	
	0271771	Ref	<b>3ft x 8ft Platforms</b>	
	1001139944	NLA	<b>Pump Mounting Bracket Kit (Sauer Danfoss) (Use p/n 1001162546)</b>	
	1001162546	Ref	<b>Pump Coupling Kit (Sauer Danfoss)</b>	
		Ref	<b>Sky Accessory:</b>	
	0272395	NLA	SkyGlazier - ANSI, CSA and Australian Specs (Use p/n 1001101422)	
	0272418	Ref	Decal - SkyGlazier	
	0272255	Ref	SkyPower - 7500W 60Hz	
	0272435	Ref	Decal - SkyPower	
	0272590	Ref	Plasma Cutter (SkyCutter)	
	0272599	Ref	Decal - SkyCutter	
	0272254	Ref	Welder - Stick, 250A	
	0272448	Ref	Decal - SkyWelder	
		Ref	<b>Note: For Breakdown of Sky Accessories Refer to Accessory Manual p/n 3124242</b>	
		Ref	<b>SkyGuard Component Options:</b>	
	1001149560	Ref	SkyGuard Complete Add-on Kit (Non-UGM Machines)	
	1001143256	Ref	SkyGuard Blue Beacon Kit	
	1001210025	Ref	SkyGuard Strobe Light Kit - Hood Mounted (Red Beacon)	
		Ref	<b>Tire Sealant Installation</b>	
	1300019	AR	Sealant	
	0272312	1	Decal - Tire Sealant	
		Ref	<b>Tools for Service</b>	
	7002840	1	Antirotation Pin Removal Tool	
	8896941	1	Wire Stripper	
	7002821	1	Wire Crimper (To install wire ends to wires)	
	7002823	1	Pin/Socket Extractor - Universal (To Remove Pins/Sockets from Connectors)	
	4460467	1	Extractor - 16-18 Gauge (For Removal of Pin/Sockets from Deutsch Connectors)	
	4460510	1	Extractor - 12-14 Gauge (For Removal of Pin/Sockets from Deutsch Connectors)	
	7002822	1	Screwdriver, Potentiometer (To Adjust Drive Controllers)	
	7016654	1	Screwdriver, Magnetic	
	7004275	1	Seal Installation Tool - 1in	
	7004276	1	Seal Installation Tool - 1-1/2in	
	7002826	1	Seal Installation Tool - 2in	
	7016655	1	Wire Rope Sheave Gauge	
	7016652	1	Huck Bolt Fastener (For Small Huck Bolts Only)	
	4921850	1	Throttle Service Harness	
	4922012	1	Horsepower Card Service Harness	

# SECTION 10 - SPECIAL OPTIONS

ITEM	PART NUMBER	QTY	DESCRIPTION	REV
	70000017	1	ADE Software CD	
	1001137005	1	Software Cable Kit	
	0257728	Ref	<b>Tube Rack Installation</b>	
	1001149676	Ref	<b>UGM Conversion Kit (ADE Machines Only)</b>	
		Ref	<b>Weld Leads to Platform Installation Options:</b>	
	0258826	Ref	Weld Leads to Platform Installation 800A	
	0258827	Ref	Weld Leads to Platform Installation 800AJ	



**PART NUMBER INDEX**

## SECTION 10 - SPECIAL OPTIONS

0060031.....	131, 143	0256060.....	312	0258531.....	301	0270814....	154, 157, 166, 171, 267
0060033.....	60, 95, 273	0256196.....	17	0258532.....	301	0270885.....	15
0060041.....	128, 143	0256689.....	62	0258533.....	301	0270886.....	16
0060066.....	131, 147	0256690.....	62	0258534.....	301	0270888.....	16
0060069.....	127, 147	0256762.....	266, 313	0258535.....	301	0270959.....	312
0060077.....	143	0256777.....	267, 313	0258536.....	301	0271002.....	45
0080091.....	72	0256789.....	312	0258537.....	301	0271038.....	297, 301
0080124.....	83	0256823.....	120	0258538.....	301	0271083.....	16
0080163.....	63	0256847.....	63	0258539.....	301	0271084.....	16
0080181.....	95	0257157.....	313	0258540.....	301	0271085.....	16
0080201.....	73, 79, 95	0257176....	275, 283, 293	0258541.....	312	0271086.....	16
0080214.....	72, 78	0257195.....	312	0258608.....	163	0271090.....	16
0080230.....	95	0257728.....	315	0258609.....	119	0271091.....	16
0080241.....	115	0257760.....	127	0258654.....	312	0271091.....	16
0100009....	109, 162, 166, 169	0257761.....	131	0258655.....	270	0271112.....	312
0100011....	11, 12, 17, 27, 31, 33, 41, 45, 60, 68, 71, 73, 77, 78, 92, 96, 103, 105, 108, 111, 115, 120, 127, 128, 132, 133, 135, 139, 140, 149, 150, 162, 166, 170, 195, 197, 205, 209, 215, 219, 223, 227, 233, 239, 298, 305	0257764.....	135	0258657.....	270	0271340.....	166, 171
0100019.41, 45, 259, 262		0257849.....	191	0258670.....	32	0271364.....	77
0100020....	60, 71, 73, 77, 78, 83, 87, 96, 103, 166, 169, 257, 261	0257850.....	191	0258671.....	298, 305	0271366.77, 87, 166, 171	
0100035....	149, 150, 162, 165, 169	0257851.....	91	0258674.....	115	0271367.....	77
0100038....	135, 195, 197, 205, 209, 215, 219, 223, 227, 233, 239	0257853.....	67	0258696.....	313	0271368.....	77
0100040.....	157	0257856.....	91	0258706.....	297	0271371.....	59
0100048....	109, 112, 115, 169, 288	0257857.....	67	0258728.....	123	0271374.....	280, 288
0100062.....	103	0257884.....	115	0258734.....	312	0271376.....	288
0100063....	198, 205, 209, 215, 219, 223, 227, 233, 239	0257885.....	115	0258737.....	312	0271418.....	166
0100079.....	103	0257887....	115, 283, 293	0258757.....	312	0271422.....	115
0100081.....	141, 170	0258048.....	154, 267	0258758.....	312	0271544.....	67, 171
0140001.....	32	0258076.....	140	0258759.....	312	0271545.....	91, 171
0140011.....	165, 169	0258077.....	140	0258763.....	192	0271546.....	91, 171
0140026.....	161	0258217.....	149	0258765.....	128	0271547.....	67, 171
0140032.....	115	0258285.....	11	0258766.....	132	0271550.....	171, 191
0181727....	59, 72, 78, 95	0258286.....	11	0258802.....	312	0271551.....	171, 191
0181949.....	84, 88	0258287.....	12	0258805.....	312	0271768.....	115, 171
0200530.....	68	0258288.....	12, 15, 27	0258826.....	315	0271771.....	314
0200547.....	92	0258289.....	15, 27	0258827.....	315	0271941.....	157
0200550.....	191	0258323.....	16	0258909.....	12	0272040.....	313
0200741.....	68	0258324.....	16	0258910.....	15, 27	0272070.....	128, 133
0200742.....	68	0258327.....	16	0258927.....	312	0272131.....	131
0239585.....	41	0258328.....	16	0258928.....	313	0272189.....	45
0254798.....	41	0258330.....	16	0258929.....	95	0272254.....	314
0255262.....	105	0258331.....	16	0258930.....	72	0272255.....	314
0255294.....	105	0258333.....	16	0258931.....	71	0272259.....	293
0255316.....	42, 45	0258334.....	16	0258932.....	97	0272260.....	293
0255382....	275, 283, 293	0258338.....	150	0258945....	163, 166, 171	0272269.....	11
0255386.....	312	0258343.....	27	0259055.....	41	0272312.....	314
0255398.....	313	0258382.....	103	0259147.....	45	0272322.....	15
0255524.....	83, 87	0258387.....	312	0259198.....	97, 274	0272333.....	16
0255917....	115, 283, 293	0258390.....	75, 81	0259420.....	136	0272334.....	16
		0258391.....	75, 81	0259476.....	77	0272354.....	105
		0258396.....	15	0259477.....	77	0272355.....	105
		0258397.....	16	0259478.....	77	0272381.....	127
		0258398.....	16	0259479.....	77, 87	0272395.....	314
		0258399.....	16	0270209.....	12, 15, 27	0272418.....	314
		0258402.....	71	0270210.....	15, 27	0272429.....	288
		0258403.....	72	0270211.....	15, 27	0272431.....	288
		0258407.....	41	0270264.....	119	0272433.....	293
		0258410.....	32	0270331.....	41	0272435.....	314
		0258415.....	59	0270396.....	103	0272444.....	192
		0258426.....	83	0270511.....	314	0272448.....	314
		0258454.....	31	0270712.....	313	0272480.....	67, 171
		0258455.....	31	0270723.....	313	0272481.....	67, 171
		0258456.....	31	0270795.....	166	0272590.....	314
		0258457.....	31	0270796.....	166	0272599.....	314
		0258513.....	297	0270801.....	166	0275804....	163, 166, 170
		0258514.....	297	0270808.....	166	0340041....	59, 73, 79, 95
		0258529.....	301	0270809.....	166	0340046.....	75, 81, 97
		0258530.....	301	0270810.....	166	0362519.....	84, 88

## SECTION 10 - SPECIAL OPTIONS

0362610 .....	150	0641607 ...	132, 135, 139, 140	0721006....	69, 73, 77, 92, 96, 120	0902751 .....	169
0362726 .....	12	0641608 ...	11, 12, 27, 61, 72, 78, 96, 119, 128, 132, 135, 139	0721008.....	120	0902756 .....	92
0362770 .....	119	0641609 ...	119, 123, 135, 139	0721010.....	162	0902846 .....	105
0370022 .....	197	0641610 ...	33, 60, 68, 72, 78, 96, 135, 150, 154, 157, 161, 165, 169	0721014.....	77	0920111 .....	41, 49
0400075 ....	59, 72, 78, 95	0641611 ....	105, 128, 132	0731005.....	191	0920112 .....	15, 19
0440207 .....	41	0641612 ...	132, 139, 140, 191, 219	0741606.....	115	0920117 .....	15, 19
0440233 .....	41	0641614 .....	31, 103, 132	0741607....	127, 128, 132	0920119 .....	41, 49
0440244 .....	45	0641615 .....	135	0801132....	127, 131, 135	0940038 .....	191
0480050 .....	68, 92	0641616 .....	135	0801133.....	135	0940070 ....	59, 73, 79, 95
0480111 .....	68, 92	0641618 .....	132	0801134.....	135	0940071 .....	119
0480118 .....	68	0641622 .....	135, 140	0801135.....	127, 139	0961816 .....	195
0480119 .....	68	0641628 .....	27	0801136.....	131, 139	0961893 .....	209, 213
0480121 .....	68	0641640 .....	140	0801137.....	139	0961894 ...	197, 203, 227, 229
0561185 .....	135	0641652 .....	239	0801138.....	139	0961895 .....	195
0561237 .....	132	0641772 .....	68, 92	0801139.....	139	0961897 ...	233, 237, 239, 243
0561295 .....	139	0641806 ...	135, 233, 235, 237	0801140.....	139	0961900 .....	223
0630427 .....	149	0641808 .....	61, 96	0801185.....	139	0961901 .....	205, 215
0630462 .....	191	0641810 .....	61, 128, 133	0801191.....	139	0961902 .....	197
0630464 ....	162, 165, 169	0641812 ...	60, 71, 77, 96, 128, 133	0860038....	275, 283, 293	0961903 .....	219
0630491 .....	115	0641814 .....	11	0860520.....	298, 305	0961903 .....	219
0630498 ....	59, 72, 78, 95	0641816 .....	11	0860984.....	161, 162	0961947 ...	131, 197, 201, 209
0630507 .....	119	0641818 60, 96, 123, 205, 215		0861131.....	107	0961951 ...	128, 140, 197, 203, 223, 225, 227, 229
0630518 .....	109, 111	0641820 ....	11, 105, 128, 132, 133	0861154.....	107	0961977 .....	231
0630534 ....	209, 213, 223	0641826 .....	61	0861155.....	107	0961986 ....	60, 73, 79, 96
0630535 ...	195, 197, 203, 227, 229, 233, 237, 239, 243	0641828 .....	72, 78, 96	0861196.....	107	0962031 .....	96
0630536 .....	219, 221	0642010 ....	61, 73, 79, 97	0861197.....	107	0962051 .....	123
0630537 ...	205, 207, 215, 217	0642212 .....	11	0861228.....	107	0962102 ....	11, 135, 139, 205, 207, 215, 217, 219, 221
0630539 .....	136	0642214 .....	128, 132	0861229.....	107	0962122 .....	135
0630548 .....	111	0642612 .....	115	0861237.....	154, 161	0962152 .....	12
0641403 .....	150	0642620 .....	128, 132	0861258.....	107	0962155 ...	223, 225, 227, 229
0641404 ...	128, 132, 161, 165, 169	0642682 .....	128, 133	0861259.....	107	0962156 .....	223
0641406 ...	32, 72, 78, 96, 109, 120, 157, 162, 169, 192, 298, 305	0651406 .....	31	0861302.....	107	0962185 .....	223
0641407 .....	60	0681608 .....	11, 128, 133	0861313.....	107	0962219 .....	233
0641408 ...	71, 72, 78, 83, 154, 157, 161, 165, 169, 298, 305	0681610 .....	128, 133	0861407.....	111	0962224 .....	12
0641410 .....	80, 109, 112	0681612 .....	68, 92	0861414....	165, 166, 169, 170	0962335 .....	132
0641414 .....	11, 31, 154, 158	0681836 .....	41	0861415.....	154, 165	0962336 ....	209, 211, 213
0641416 .....	83, 132, 150, 169	0682016 .....	12, 15, 41	0861445.....	111	1001091424 .....	32
0641418 .....	31, 165	0682023 .....	41, 45	0861474.....	154, 169	1001091538 .....	109, 150, 264, 298, 305
0641420 .....	239	0682032 .....	45	0861500.....	111	1001091778 .....	109, 275
0641422 .....	149	0682214 .....	45	0861501.....	111	1001091941 .....	109, 274
0641424 .....	80	0700808 .....	60, 97	0861502.....	111	1001092527 .....	109
0641436 .....	149	0700810 .....	63, 71, 77	0861503.....	111	1001093187 .....	112, 150, 264, 283, 292, 298, 305
0641506 ....	33, 108, 111, 120	0700819 .....	69, 73, 79	0861517.....	157, 169	1001093256 .....	112, 282, 292
0641507 .....	75, 81, 97	0701011 .....	96	0861537.....	169, 170	1001094400 .....	150, 275, 281, 290, 310
0641508 ...	31, 60, 69, 74, 79, 92, 96, 103, 115, 119	0701012 ....	61, 73, 79, 96	0902088.....	71	1001094401 .....	150
0641510 .....	60	0701014 .....	71, 77	0902109.....	105	1001094470 .....	112, 281, 289
0641514 .....	74, 128	0701015 .....	61, 92, 97	0902132.....	83	1001094484 .....	109, 112, 310
0641524 .....	154	0701022 .....	71, 77	0902143.....	119	1001094557 .....	264
0641550 .....	17	0701414 .....	60	0902161.....	119	1001094639 .....	150
0641604 .....	128, 132	0711414 .....	68	0902206.....	115	1001094791 .....	109, 275
0641605 .....	135	0721003 ...	162, 163, 166, 171	0902210.....	92	1001095809 .....	298, 305
0641606 ...	31, 61, 73, 79, 83, 88, 96, 128, 132, 133, 135, 139, 140	0721004 .....	73, 79, 162	0902219.....	119	1001096141 .....	298
		0721005 .....	60, 108	0902223.....	119	1001097051 .....	281, 289
				0902243.....	60	1001097082 .....	281, 289
				0902309.....	75, 81	1001097957 .....	275
				0902351.....	119		
				0902412.....	119		
				0902415.....	33		
				0902426.....	119		
				0902491.....	119		
				0902511.....	60		
				0902520.....	105		
				0902527.....	96		
				0902539.....	77		
				0902572.....	80		

## SECTION 10 - SPECIAL OPTIONS

1001099837.....140	1001228030.....131, 203	1320223 ... 61, 72, 73, 79, 97, 103	1683059.....195
1001099840.....140	1001228033.....127, 201	1320248.....140	1683061.....239
1001100321.....67, 91	1001228041.....127, 131, 207	1320249.....140	1683071.....205, 215
1001102842.....312	1001228050.....131, 229	1320250.....135	1683073.....219
1001103095.....143	1001228086.....135, 243	1320251.....135	1683074.....197
1001108720.....312	1001228087.....139, 237	1320252.....136	1683078.....11, 195
1001108721.....312	1001228088.....139, 235	1320256 ... 271, 281, 289	1683079.....195
1001109690.....262	1001228506.....239	1320258.....61	1683081.....195
1001109693.....313	1001241410.....313	1320263.....140	1683261.....209
1001110133.....313	1001241411.....313	1340060 ... 59, 73, 79, 95	1683537....127, 131, 219
1001113961.....185, 187	1001241412.....313	1340061.....313	1683538.....219
1001114116.....313	1001241413.....313	1380147.....123	1683539.....219
1001117251.....312	1001241414.....313	1580011.....72, 78, 95	1683544.....205
1001117258.....312	1001241415.....313	1580012.....154, 158	1683545.....205
1001117320.....157	1001248012.....131, 213	1580013.....154, 158	1683546....127, 131, 205
1001118234.....312	1060012.....163, 270	1600211.....72	1683547....127, 131, 215
1001118235.....312	1060279.....298, 305	1600218.....161	1683548.....215
1001118416.....187	1060330 ... 165, 192, 280	1600283.....161, 183	1683549.....215
1001118417.....177	1060341 ... 192, 276, 284, 294	1600284.....161, 173	1683605.....12, 231
1001121735.....313	1060494 ... 276, 283, 284, 293	1600298.....78	1683606.....135, 239
1001129555.....308	1060516.....271	1600312.....111	1683607.....139, 233
1001137005.....315	1060637 ... 61, 74, 79, 97	1600313.....165, 169	1683608.....127, 223
1001137261.....12	1060676.....270	1600314.....78, 310	1683609.....131, 209
1001137460.....32	1060896 ... 280, 281, 288, 289	1600317 ... 165, 169, 175	1683610....127, 128, 197
1001138795.....213	1060902.....280, 289	1600318 ... 165, 169, 185	1683629.....239
1001138796.....203, 229	1060918 ... 157, 169, 288	1600327.....111	1683632.....239
1001139944.....314	1060978.....281, 289	1641808.....74, 79	1683633.....223
1001142504.....314	1100086.....11	1660157.....71	1683635.....223
1001142505.....314	1120484.....103	1660219.....105	1683642.....197
1001143187.....261, 264	1120487.....103	1660219RR.....105	1683643.....197
1001143188.....261, 264	1120510.....128, 131	1660220.....95	1683647.....233
1001143192.....263	1120552.....17	1660222.....95	1683648.....233
1001143256.....314	1180346.....135	1660223.....105	1683663.....233
1001144629.....157	1180347.....140	1660223RR.....105	1683672.....139, 233
1001148902.....313	1180349.....140	1660234.....63, 310	1683673.....233
1001148903.....313	1260017.....42, 45	1660239.....95, 310	1683675.....233
1001148904.....313	1260136.....192	1660250.....75, 80, 310	1683677.....131, 197
1001148905.....313	1282571.....266	1670769.....131	1683678.....197
1001148906.....313	1282663.....267, 313	1670776.....17	1683680.....197
1001148971.....313	1282665.....266, 313	1670785.....191	1683682.....131, 227
1001149391.....237	1282937.....266	1670786.....191	1683683.....227
1001149560.....314	1282946.....312	1670787.....191	1683685.....227
1001149676.....315	1283309.....313	1670788.....191	1683687.....209
1001162546.....314	1300019.....17, 314	1670789.....191	1683740.....12, 231
1001166538.....189	1320011.....239	1670791.....191	1683818.....219
1001166539.....179	1320012.....72, 78, 95	1670793.....191	1683819.....205
1001188840.....135, 239	1320016 ... 60, 73, 79, 95	1670795.....191	1683821.....215
1001188841.....139, 233	1320017.....83	1670796.....191	1683823.....219
1001188842.....240, 243	1320019.....77	1670797.....191	1683986.....195
1001188843.....233	1320022 ... 60, 71, 72, 77, 78, 83, 96	1670798.....191	1683987.....195
1001188968.....139, 233	1320031.....61	1670799.....191	1684089.....209
1001204901.....313	1320032.....73, 79	1670801.....191	1684090.....209
1001204927.....313	1320040.....192	1670803.....191	1684114.....223
1001204928.....313	1320060.72, 78, 161, 166	1670804.....191	1684115.....223
1001210025.....314	1320095.....162	1670824.....150	1684125.....227
1001210685.....313	1320127.....87	1670829 ... 109, 111, 162, 165, 169	1684126.....227
1001210687.....313	1320131.....61	1670836.....139	1684191.....195
1001212415.....308	1320159.....128	1670842.....119	1684228.....131, 197
1001214552.....314	1320176.....62	1670844.....127, 131	1684230.....197
1001214561.....314	1320218.....84, 88	1670850.....127, 131	1684232.....197
1001214562.....314	1320220.....83, 87	1670864.....128	1684408.....127, 197
1001228009.....127, 131, 221	1320222.....61, 71, 95	1670882.....128	1684497....127, 131, 205
1001228010.....127, 131, 217		1670884.....128	1700584.....297, 303
1001228011.....127, 225		1671037.....170	1700818.83, 87, 298, 305
1001228012.....131, 211		1683050.....223	1701500.....297, 304
		1683053.....209	1701501.....297, 304
		1683055.....197, 227	1701502.....297, 303



## SECTION 10 - SPECIAL OPTIONS

1701503 .....	297, 303	1703937 .....	301	1704120.....	304	2220242 .....	249, 253
1701504 .....	297, 303	1703938 .....	301	1704121.....	304	2220250 ....	60, 71, 73, 79
1701505 .....	61, 97, 298, 305	1703939 .....	301	1704260.....	162, 165, 169	2220251 .....	83
1701509 .....	297, 303	1703940 .....	301	1704271.....	305	2220261 .....	83, 87
1701542 .....	73, 79, 298, 304	1703941 .....	304	1704277.....	297, 302	2220270 .....	73
1701543 .....	83, 87, 298, 305	1703942 .....	304	1704833.....	108	2220273 ....	60, 71, 73, 79
1701645 .....	297	1703943 .....	304	1704885.....	298, 305	2220313 .....	60, 96
1702153 .....	297	1703944 .....	304	1705132.....	112, 170	2220315 .....	72
1702265 .....	298	1703945 .....	304	1705364.....	17	2220362 .....	249, 253
1702300 .....	297, 304	1703946 .....	304	1705977.....	305	2220363 .....	249
1702564 ....	161, 165, 169	1703947 .....	301	1707110.....	298, 305	2220365 .....	249, 253
1702565 ....	161, 165, 169	1703948 .....	301	1707111 ....	163, 166, 170,	2220366 .....	249, 253
1702566 ....	161, 165, 169	1703949 .....	301	298, 305		2220371 ...	247, 250, 254,
1702567 ....	161, 165, 169	1703950 .....	301	1840012.....	108	257, 261	
1702610 .....	108, 111	1703951 .....	301	1840013.....	108	2220373 ...	249, 253, 257,
1702612 .....	297	1703952 .....	301	1840014.....	108	261	
1702676 ...	157, 161, 165,	1703953 .....	297	1840015.....	108	2220374 .....	249, 253
169		1703954 .....	297	1870062.....	267	2220375 .....	249, 253
1702688 .....	297	1703959 .....	297, 304	1870063.....	267	2220376 .....	257, 261
1702701 .....	16	1703960 .....	298, 304	1870100.....	267	2220377 .....	249, 253
1702720 .....	305	1703963 .....	304	1870120.....	267	2220379 .....	257, 261
1702739 .....	16	1703964 .....	304	1870132.....	267	2220380 .....	249, 253
1702773 .....	297, 302	1703965 .....	304	2000146.....	59, 62	2220381 .....	257, 261
1702774 .....	297, 302	1703966 .....	304	2000151.....	95, 97	2220385 .....	257, 261
1702784 .....	297, 302	1703967 .....	304	2000156.....	71, 74	2220414 .....	258
1702788 .....	312	1703968 .....	304	2000160.....	71, 74	2220415 ...	247, 249, 253,
1702860 .....	297, 302	1703980 .....	304	2000164.....	77, 80	257, 261	
1702862 .....	297, 304	1703981 .....	304	2000166.....	77, 80, 87	2220418 .....	88
1702868 .....	297	1703982 .....	304	2000172.....	77, 80	2220428 .....	257, 261
1702901 .....	297	1703983 .....	304	2000173.....	59, 62	2220429 .....	257, 261
1702903 .....	298, 305	1703984 .....	304	2000174.....	77, 80, 87	2220430 .....	79
1702924 .....	298, 305	1703985 .....	304	2000189.....	59, 62	2220437 .....	71
1702927 .....	298, 305	1703986 .....	305	2060025.....	59, 72, 78, 95	2220451 .....	60, 249, 253,
1702938 ....	166, 171, 192	1703987 .....	305	2080040.....	154, 157	257, 261	
1702961 .....	312	1703988 .....	305	2080044.....	132	2220459 .....	60
1702962 .....	312	1703989 .....	305	2120077.....	83	2220465 .....	249
1703090 .....	162	1703990 .....	305	2120150.....	31, 308	2220466 ...	249, 253, 257,
1703091 .....	162	1703991 .....	305	2120163.....	31	261	
1703092 .....	162	1703996 .....	302, 303	2120167.....	31	2220473 ...	250, 254, 257,
1703093 .....	162	1704000 .....	302	2120168.....	31, 308	261	
1703162 ....	60, 72, 78, 95	1704001 .....	302	2120169.....	74	2220478 .....	257, 261
1703175 .....	312	1704002 .....	302	2160003.....	42, 45	2220479 .....	249, 253
1703467 .....	107, 111	1704003 .....	302	2180104.....	83	2220490 ...	247, 250, 254,
1703468 .....	107, 111	1704004 .....	302	2180125.....	83, 87	257, 261	
1703479 .....	312	1704005 .....	302	2180344.....	42, 45	2220497 .....	258
1703622 .....	109	1704006 .....	303	2180360.....	83	2220498 .....	249
1703772 .....	297, 302	1704007 .....	303	2180380.....	259, 262	2220499 .....	253
1703773 .....	297, 302	1704008 .....	303	2180387.....	83, 88	2220500 ...	249, 253, 257,
1703797 .....	297	1704096 .....	297	2180388.....	83, 87	261	
1703798 .....	297	1704098 .....	303	2180389.....	83, 88	2220501 ...	250, 254, 258,
1703804 .....	297	1704099 .....	302	2180418.....	83, 87, 88	262	
1703805 .....	297	1704100 .....	303	2180467.....	73, 79	2220502 ....	253, 257, 261
1703808 .....	297, 302	1704101 .....	302	2180536.....	60, 71	2220504 .....	249, 253
1703923 .....	301	1704102 .....	303	2180615.....	215, 217	2220516 .....	215, 249
1703924 .....	301	1704103 .....	303	2180724.....	258, 262	2220517 .....	253
1703925 .....	301	1704104 .....	297	2180798.....	59, 73, 79, 95	2220574 .....	257, 261
1703926 .....	301	1704106 .....	303	2200204.....	83	2220577 ...	247, 250, 258,
1703927 .....	301	1704107 .....	303	2200221.....	73, 97	262	
1703928 .....	301	1704108 .....	303	2200222.....	47, 54, 103	2220582 ...	247, 249, 253,
1703929 .....	301	1704109 .....	303	2200233.....	72	257, 261	
1703930 .....	301	1704110 .....	303	2200317.....	72	2220591 .....	258, 262
1703931 .....	301	1704111 .....	303	2220005.....	83, 87	2220593 .....	257, 261
1703932 .....	301	1704112 .....	303	2220063.....	42, 45	2220596 ...	249, 253, 257,
1703933 .....	301	1704116 .....	304	2220064.....	83, 87	261	
1703934 .....	301	1704117 .....	304	2220235.....	249, 253	2220600 .....	249, 253
1703935 .....	301	1704118 .....	304	2220237.....	249, 253	2220602 ...	247, 249, 253,
1703936 .....	301	1704119 .....	304	2220240.....	249	257, 261	

## SECTION 10 - SPECIAL OPTIONS

2220603.....247, 262	2360600 ..... 13	2752453 .... 250, 254, 257	2753199.....257, 261
2220605....249, 253, 257, 261	2360601 ..... 13	2752462 ..... 258, 262	2753200.....257, 261
2220606.....263	2360602 ..... 13	2752463 ..... 258, 262	2753216.....257, 261
2220609....249, 253, 258, 262	2360603 ..... 13	2752468 ..... 257, 261	2753231.....257, 261
2220618....249, 253, 257, 261	2400060 ..... 273, 291	2752489 ..... 250, 254	2760105.... 108, 111, 161, 165, 169
2220619....247, 257, 261	2400061 ..... 273, 291	2752494 ... 250, 254, 258, 261	2780205.....41, 47
2220628.....249, 253	2400065 ..... 281, 290	2752498 ..... 249, 253	2780227.....15, 21
2220635.....247, 258	2400066 ..... 281, 290	2752513 ..... 250, 254	2780228.....15, 21
2220646.....249, 253	2420172 ..... 108, 111	2752514 ... 249, 250, 253, 254	2780229.....12
2220654.....257	2420187 ..... 71, 80	2752516 ..... 254	2792351.....264
2220655.....262	2420203 ..... 68, 92	2752518 ..... 249, 253	2792362.....249, 264
2220675.....83	2460011 ..... 67, 91	2752573 .... 250, 254, 258	2792363.....253, 264
2220710.....249	2460013 ..... 67, 91	2752575 ..... 249, 253	2792364.....264
2220711 ....247, 250, 253	2460032 ..... 67, 91	2752581 ..... 250, 254	2792365.....257, 264
2220720.....83	2460034 ..... 91	2752585 ..... 258, 262	2792367.....247, 264
2220737 .....257, 261	2500005 ..... 71	2752591 ..... 254	2820031.....69, 92
2220765 .....257, 261	2560136 .... 161, 165, 169	2752592 ..... 254	2820035.... 115, 154, 158, 276, 284, 294
2220775.....215, 258	2600209 ..... 120	2752611 ..... 247	2820078.....120
2220794.....61	2600211 ... 162, 166, 170	2752642 ..... 254	2820079.....120
2220800.....253	2600216 ..... 153	2752644 .... 247, 250, 254	2820080.....120
2220805.....78	2600219 ..... 154	2752671 ..... 261	2820081.....120
2220810.....249, 253	2600233 ..... 120	2752673 ..... 250, 254	2840016.....123
2220811 ....247, 249, 253	2600244 ..... 119	2752674 ..... 258	2860012.....68, 92
2220833.....254	2600281 ..... 157	2752721 ..... 257, 261	2860030.... 107, 111, 308
2220852.....257, 261	2600287 ..... 154	2752754 ..... 250, 254	2900708.....31, 35, 36
2220873....257, 258, 261, 262	2680436 ..... 120	2752766 ..... 258, 262	2900770.....143, 195
2220883....197, 201, 203, 205, 207, 209, 211, 213, 215, 217, 219, 221, 235, 237, 239, 243	2680437 ..... 120	2752767 ..... 258, 262	2900788.....25
2220885....195, 197, 203, 209, 211, 213, 225, 229, 233, 237, 239, 243	2680448 ..... 119, 120	2752768 ..... 258, 262	2900792....198, 201, 203, 205, 207, 209, 211, 213, 215, 217, 219, 221
2220886....195, 235, 237, 239, 243	2680450 ..... 119	2752928 ..... 250	2901271.....195
2220888....205, 207, 215, 217, 219, 221	2680451 ..... 119, 120	2752930 ..... 258, 262	2901273.....239
2220893.....31	2720015 ..... 74	2752942 ..... 250, 254	2901301.....198, 227
2220923.....263	2720042 ..... 83	2752949 ..... 254	2901303.....209
2220947 ....257, 258, 261, 262	2720058 .... 61, 73, 79, 96	2752977 ..... 249, 253	2901392.....60
2220950.....258, 262	2720112 ..... 83	2752978 ..... 258, 262	2901443.....284, 294
2220994.....71	2720144 ..... 83, 87	2753006 ..... 258, 262	2901514.....215, 217
2220999....249, 253, 257, 261	2720160 ..... 73	2753007 ..... 258, 262	2901526.... 201, 205, 207
2221018.....84, 88	2720271 ..... 60, 73	2753008 ..... 258, 261	2901537.....219, 221
2221019.....83, 87	2720341 ..... 80, 81	2753009 ..... 258, 262	2901549.....223
2221024.....84, 88	2720351 ..... 60	2753010 ..... 257, 261	2901556.....198
2221029.....249, 253	2720392 ..... 87	2753035 ..... 254	2901608.....73, 79
2221030.....254	2720398 ..... 60	2753036 ..... 249, 253	2901609.....60
2221036.....258, 262	2720423 ..... 61	2753087 ..... 250, 254	2901712.....233
2360461 ..... 13	2720434 ..... 60	2753117 ..... 250, 254	2901809.....96
2360488 ..... 13	2720435 ..... 72, 78	2753118 ..... 258, 262	2902232.....314
2360489 ..... 13	2720436 ..... 73, 79	2753122 ..... 258	2902396.....312
2360490 ..... 13	2720441 ..... 95	2753123 ..... 258, 262	2902456.....263, 313
2360494 ..... 13	2720442 ..... 95	2753124 ..... 258, 262	2902457.....263, 313
2360502 ..... 13	2720449 ..... 60	2753125 ..... 258, 262	2902459.....263, 313
2360587 ..... 13	2720472 ..... 78	2753126 ..... 258, 262	2910000.....273
2360588 ..... 13	2750532 ... 60, 71, 72, 77, 78, 96	2753128 ..... 258, 262	2910001.....274
2360589 ..... 13	2750760 ..... 247	2753157 ..... 253	2910465.....313
2360590 ..... 13	2750920 ..... 247	2753158 ..... 254	2910467.....313
2360591 ..... 13	2751011 ..... 249, 253	2753159 ..... 254	2910872.....312
2360592 ..... 13	2751017 ..... 249, 253	2753161 ..... 253	2910877.....312
	2751032 ..... 42, 45	2753162 ..... 253	2915087.....41
	2751095 ..... 42, 45	2753187 ..... 254	2915094.....45
	2751391 ..... 250, 254	2753189 ..... 258, 262	2915096.....41
	2751397 ..... 250, 254	2753190 ..... 258, 262	2915228.....314
	2751906 ..... 247, 254	2753191 ..... 258, 262	2920110.....115
	2752265 ..... 249	2753192 ..... 257, 261	2920113.....115
	2752266 ..... 249	2753195 ..... 257, 261	
	2752345 ..... 249	2753196 ..... 257, 261	
	2752363 ..... 249, 253	2753197 ..... 257, 261	
	2752365 ..... 250, 254		
	2752366 ..... 250, 254		
	2752438 ..... 257, 261		

## SECTION 10 - SPECIAL OPTIONS

2920129 ... 162, 163, 166, 169, 270, 272, 274, 281, 282, 288, 290, 292	3311805 ... 15, 60, 72, 78, 96, 105, 119, 123, 128, 133	3480211 ..... 239	3572606 ..... 149
2920140 ... 154, 158, 276, 284, 294	3312002 ..... 45	3480232 ..... 223	3572607 ..... 149
2920162 ..... 67, 92	3321005 ..... 60	3480233 ..... 197	3580134 ..... 68, 92
2920215 ..... 115	3321401 ..... 71	3480234 ..... 233	3580158 ..... 67
2940074 ... 154, 157, 308	3321602 ..... 96	3480236 ..... 219	3580250 ..... 91
2940088 ..... 120	3321402 ..... 96	3480237 ..... 205	3580276 ..... 68, 92
3010088 ..... 192	3321602 ..... 96	3480238 ..... 215	3600277 ..... 59, 71, 99
3020021 ..... 64	3340705 ..... 139	3510488 ..... 153	3600278 ... 59, 71, 77, 95
3124114 ..... 81	3340756 ..... 135, 139	3510497 ..... 153	3600287 ..... 32
3160204 ..... 15, 25	3340764 ..... 140	3510542 ..... 153	3600295 ... 59, 71, 77, 95, 99
3160223 ..... 41, 51	3340828 ..... 135	3510543 ..... 153	3600377 ..... 80
3160279 ..... 41, 51	3340833 ..... 239	3510545 ..... 153	3600458 ..... 32
3160286 ..... 45, 54	3340834 ..... 239	3510546 ..... 153	3620033 ..... 59
3200362 ... 61, 72, 78, 97	3340835 ... 128, 132, 135	3510565 ..... 153	3620040 ..... 72, 78, 95
3200401 ..... 95	3340838 ... 233, 235, 237	3510566 ..... 153	3620090 ..... 108
3200406 ..... 59	3340840 ..... 140	3510728 ..... 153	3640986 ..... 109
3220103 ..... 62	3340840 ..... 140	3510822 ..... 157	3641182 ..... 163
3220104 ..... 62	3340859 ..... 136	3510833 ..... 157	3730023 ..... 272
3220113 ..... 75, 81, 97	3340860 ..... 140	3520028 69, 92, 161, 165, 169	3730099 ..... 271, 272
3220114 ..... 75, 81	3340861 ..... 140	3520033 ..... 119	3740049 ... 108, 109, 111, 162, 163, 266, 267, 284, 290, 294, 308
3251102 69, 92, 166, 171	3340871 ..... 139	3520035 ... 112, 149, 150	3740057 ..... 109, 267
3251243 ..... 297, 304	3380429 ... 61, 73, 79, 96	3520072 ..... 153, 157	3740058 ..... 162
3251813 ..... 297, 303	3380434 ..... 154, 157	3520173 ..... 162	3740063 ..... 162
3252221 ..... 312	3380442 ..... 119	3520174 ..... 109, 170	3740066 ..... 109, 267
3252347 ..... 297	3380443 ..... 119	3530072 ..... 191	3740067 ... 59, 72, 78, 95, 308
3252507 ..... 297, 304	3380444 ..... 119	3536089 ..... 154, 158	3740080 ... 69, 72, 78, 92, 310
3271605 ..... 239	3421565 ..... 41, 45	3537416 ..... 59	3740112 ..... 108
3272605 ... 128, 133, 143	3421627 ..... 41	3537417 ..... 59	3740113 ..... 109, 162
3300007 ..... 12, 15	3422446 ... 59, 72, 78, 95	3537420 ..... 59	3740115 ..... 162
3300205 ..... 108, 111	3422457 ..... 139	3537445 ..... 123	3740126 ..... 97, 274
3300353 ..... 170	3422530 ..... 123	3537446 ..... 123	3760133 ..... 139
3300390 ..... 109	3422532 ... 61, 73, 79, 97	3538047 ..... 11	3760170 ..... 41, 45
3300393 ..... 153	3422558 ..... 131	3538758 ..... 140	3760367 ..... 223
3300408 ..... 109, 111	3422559 ..... 132	3538819 ..... 161	3760368 ..... 209
3310601 ..... 108, 123	3422560 ..... 132	3538873 ..... 72	3760369 ..... 197, 227
3310605 ..... 150	3422561 ..... 132	3539219 ..... 108, 111	3760370 ..... 195, 239
3310801 ..... 150	3422563 ..... 132	3539275 ..... 162, 163	3760374 ... 205, 215, 219
3310805 ..... 84, 88, 149	3422578 ..... 127, 128	3539281 ..... 115	3790012 83, 87, 116, 157, 161, 163, 166, 167, 170, 171
3311001 ... 96, 108, 120, 157, 162, 166, 171	3422580 ..... 127, 128	3539685 ..... 154	3790044 ..... 61, 77
3311005 ... 69, 73, 77, 92, 115, 120, 154, 162, 163	3422582 ..... 128	3539719 ..... 191	3790110 ..... 144
3311401 ... 95, 111, 161, 165	3422583 ..... 132	3539872 ... 59, 72, 78, 95	3790152 ..... 71, 77, 97
3311405 ... 31, 32, 60, 71, 72, 78, 83, 96, 109, 112, 120, 149, 150, 154, 157, 158, 161, 165, 169, 192, 298, 305	3422681 ..... 127, 132	3539877 ..... 11	3820001 ..... 297, 304
3311501 ..... 191	3422683 ..... 127, 132	3539878 ..... 11	3841143 ... 11, 12, 59, 72, 78, 95, 127, 128, 132, 139
3311505 ... 60, 74, 75, 78, 81, 96, 97, 103, 120, 154	3422684 ..... 127, 132	3539934 ..... 119	3841255 ..... 71
3311601 ... 103, 119, 135, 150, 162, 166, 170	3422685 ..... 127, 132	3539955 ..... 120	3841287 ... 11, 127, 132
3311602 ..... 135	3422686 ..... 127, 132	3539957 ... 61, 74, 78, 96	3841340 ... 31, 59, 74, 78, 95, 128, 132, 133, 136
3311605 ... 60, 68, 72, 78, 92, 96, 119, 120, 123, 132, 135, 140, 154, 157, 162, 165, 169, 191	3422687 ..... 127, 132	3539971 ..... 59	3841351 ..... 95
3311705 ..... 69, 92	3422688 ..... 127, 132	3539972 ..... 71, 77	3841356 ..... 128, 132
3311801 ... 15, 61, 74, 79, 96, 149	3422689 ..... 127, 132	3539979 ..... 119	3841406 ..... 140
3311802 ..... 41	3422690 ..... 139	3570103 ..... 72, 78	3850018 ..... 197
	3422701 ..... 12	3570104 ..... 73	3900139 ..... 223
	3422702 ..... 11, 12	3570133 ..... 72, 78	3900141 ..... 209
	3422703 ..... 11	3570283 ..... 95	3900207 ..... 153
	3422729 ..... 127, 132	3570288 ..... 97	3900210 ..... 119
	3422753 ..... 12	3570488 ..... 41	3900217 ..... 96
	3422754 ..... 12	3570686 ..... 27	3900224 ... 162, 166, 170
	3422755 ..... 11	3570690 ..... 27	3900232 ..... 119, 140
	3422860 ..... 131, 132	3570775 ..... 233, 237	
	3422861 ..... 132	3570928 ..... 149	
	3422867 ..... 132	3570979 ..... 31	
	3430816 ..... 123	3571498 ..... 77	
	3450304 ..... 170	3572414 ..... 79	
	3450404 ..... 123	3572423 ..... 103	
	3480176 ..... 195	3572604 ..... 239	
	3480188 ..... 197, 227	3572605 ..... 239	
	3480210 ..... 209		

## SECTION 10 - SPECIAL OPTIONS

3900239.....	128, 132	4070967.....	135	4360475 ...	107, 111, 161, 165, 170, 308	4460442.....	276
3900259.....	139	4070968.....	135	4360476 ...	108, 111, 161, 165, 170, 308	4460445....	272, 275, 282, 283, 290, 293
3900262.....	136	4070969.....	140	4360498.....	150	4460449.....	272, 273
3900268.....	108, 111	4070987.....	109, 111	4360499.....	150	4460457.....	97, 273, 274, 281, 291
3900272.....	60, 78, 96	4071009.....	45	4360542.....	67, 91	4460458.....	97, 273, 274, 281, 291
3900293.....	45	4071052.....	140	4360549.....	149, 150	4460459.....	97, 273, 274
3910608.....	108, 123	4100025.....	72	4400275.....	83, 87	4460460....	273, 281, 291
3910610.....	161	4100051.....	254	4400400.....	103	4460464....	166, 170, 270, 271, 274, 280, 281, 282, 288, 289, 290, 292
3910804.....	109, 111	4100058.....	250, 254	4400410.....	103	4460465....	270, 271, 273, 274, 275, 280, 281, 282, 288, 289, 292
3910808.....	84, 88	4100059.....	250, 253	4420038.....	103, 108	4460466....	270, 271, 275, 280, 281, 289
3911008.....	154, 157	4100062.....	258, 262	4420040.....	83, 87	4460467....	161, 276, 284, 294, 314
3911024.....	109	4120012.....	108, 267	4420038.....	103, 108	4460470....	111, 162, 165, 170, 270, 280, 288, 290
3911040.....	115	4120013.....	163	4420060.....	32, 150	4460471....	112, 162, 165, 170, 270, 280, 288, 290
3930606.....	150	4120035 ...	163, 270, 272, 280, 281, 282, 288, 291, 292	4460023.....	69, 92	4460473....	270, 271, 280, 281, 289
3930816.....	150	4130357.....	12	4460042.....	170	4460475.....	97, 274
3930824.....	149, 150	4130358.....	12	4460049.....	191	4460476.....	97, 273, 274
3931436.....	149	4130358.....	12	4460051.....	293	4460488....	112, 162, 170
3931448....	233, 237, 239	4160139.....	119	4460071 ...	154, 157, 161, 165, 170, 280, 283, 288, 293	4460499.....	39, 272, 275, 283, 293
3931464.....	149	4160143.....	119	4460125 ....	275, 283, 293	4460502.....	271
3931508.....	239	4220162.....	115	4460134 ...	276, 283, 284, 293, 294	4460503....	163, 270, 271
3931516.....	209, 223	4220165.....	154	4460190.....	68, 92	4460508....	270, 280, 281, 288, 289
3931620....	197, 203, 227, 229	4240032.....	115	4460205 ...	276, 283, 284, 293	4460509....	270, 271, 280, 281, 288, 289
3931664.....	233, 237	4240033.....	73	4460224.....	273, 274	4460510....	161, 276, 284, 294, 314
3931672....	162, 166, 170	4240099.....	73, 154, 158	4460225 ...	270, 272, 280, 288	4460526....	108, 112, 275, 290
3931720.....	195, 239	4240112.....	103	4460226 ...	170, 180, 189, 281, 288, 290, 291	4460536....	271, 283, 292
3932224.....	41, 45	4240113.....	103	4460227 ...	166, 170, 274, 280, 282, 288, 291, 292	4460539....	271, 282, 283, 292
3932240....	205, 207, 215, 217, 219, 221	4280295.....	103	4460233 ...	276, 283, 284, 293, 294	4460579.....	273, 291
3952020.....	45	4300056.....	71	4460234 ....	109, 115, 116	4460580.....	273, 291
3960389....	59, 74, 78, 96, 119	4300097.....	15	4460265 ....	173, 180, 189, 270, 272	4460582.....	273, 291
3960407.....	61	4300130.....	15	4460266 ...	173, 272, 273, 274	4460587.....	273
3960438.....	120	4300148.....	96	4460267 ...	173, 270, 272, 275, 282, 283, 290, 293	4460588.....	273
3960453.....	119	4340678 ...	161, 165, 169	4460268 ...	115, 173, 272, 273, 274, 275, 282, 283, 290, 292, 293	4460589.....	273
3960461.....	115	4340684 ...	161, 165, 169	4460320 ...	272, 275, 282, 283, 290, 293	4460590.....	273
3960462.....	120	4340706.....	135	4460326 ...	275, 282, 290, 293	4460591.....	273, 274
3960464.....	120	4360031.....	157	4460346 ....	275, 283, 293	4460598....	154, 158, 166, 171, 276, 284, 294
3960468....	61, 74, 79, 97	4360037.....	71	4460375.....	273	4460600....	108, 163, 267
3960469....	61, 74, 80, 97	4360057.....	191	4460418 ...	270, 271, 280, 281, 288, 290	4460601.....	108, 163
3960470.....	119	4360065.....	71	4460419 ...	270, 271, 280, 281, 288, 290	4460602.....	108, 163
3971820.....	41	4360157.....	71	4460424 ...	115, 272, 275, 281, 282, 283, 290, 291, 293	4460603.....	108, 163
3990001....	270, 272, 274	4360188.....	83, 87	4460425 ...	192, 276, 284, 294	4460607.....	108, 163
3990010....	270, 271, 272, 276, 283, 291, 293, 308	4360232 ...	162, 166, 171, 284, 294, 308	4460426 ....	108, 111, 290	4460608.....	273, 274
4060092....	275, 283, 293	4360282.....	108, 161	4460428 ...	108, 111, 149, 150, 162, 165, 170, 270, 280, 288	4460611....	61, 73, 79, 96
4060700....	275, 283, 293	4360289.....	107, 161	4460434.....	288, 291	4460613.....	163, 270
4060802.69,	92, 166, 171	4360294 ...	61, 69, 73, 79, 92, 96, 308			4460614.....	270, 271
4060803.....	154	4360314 ....	108, 161, 163			4460628.....	108
4060804....	61, 74, 79, 97	4360315.....	107			4460629.....	163
4060805.61,	97, 140, 149	4360322.....	149, 150			4460630.....	108
4060806.....	74, 79	4360328 ...	111, 165, 166, 169, 171			4460631.....	108, 163
4060906.....	108, 111	4360331 ...	157, 161, 163, 165, 167, 170, 171, 308				
4060907.....	115	4360336 ...	69, 83, 87, 92, 116, 163, 166, 171, 310				
4060959.....	313	4360387 ...	109, 161, 165, 166, 170, 171, 192, 308, 310				
4070410.....	120	4360392 ....	59, 72, 78, 95				
4070411.....	120	4360405.....	71				
4070412.....	120	4360407 ...	161, 165, 170, 308				
4070863.....	139	4360417.....	32				
4070864.....	139	4360436.....	103				
4070878.....	11	4360455.....	72				
4070879.....	11	4360469....	107, 111, 308				
4070897.....	135, 139						
4070898.....	135, 139						
4070929.....	135						
4070944.....	11						
4070945.....	11						

## SECTION 10 - SPECIAL OPTIONS

4460632 .....	163	4460960 .....	293	4700005.....	83	4844925 .....	153
4460634 ....	272, 288, 291	4460965 .....	282, 292	4711000.....	162	4844928 .....	153
4460635 ....	272, 288, 291	4460968 .....	149, 150	4711400....	11, 31, 32, 61,	4844954 .....	153
4460693 .....	274	4461076 .....	275	73, 79, 97, 109, 112,		4844955 .....	153
4460701 ...	276, 283, 284,	4461077 ...	275, 281, 290	150, 154, 158, 192		4844956 .....	153
293, 294		4520204 .....	16	4711500....	31, 33, 75, 81,	4844958 .....	45
4460708 ....	170, 288, 290	4520205 .....	16	97, 103, 115, 170		4845035 .....	72, 95
4460711 .....	109	4520252 .....	16	4711600....	11, 31, 61, 97,	4845308 .....	191
4460713 .....	273, 291	4520253 .....	16	120, 128, 133, 135,		4845309 .....	191
4460720 .....	270	4562516 .....	73	136, 139, 140, 239		4845327 .....	153
4460721 .....	270	4564281 .....	71, 80	4711800....	123, 128, 133	4845328 .....	153
4460725 .....	273, 291	4564417 .....	92	4711900.....	61	4845394 .....	61
4460726 .....	273, 291	4566468 .....	198, 227	4740004.....	41	4845395 .....	60
4460728 .....	273, 291	4566471 .....	209	4740057.....	45	4845404 ....	59, 72, 78, 95
4460742 .....	273, 291	4566605 .....	71, 77	4740076.....	119	4845408 .....	153
4460761 ...	166, 170, 274,	4567071 .....	73	4740111.....	12	4845409 .....	153
282, 288, 291, 292		4567073 .....	75, 81, 97	4740119.....	123	4845410 .....	153
4460777 .....	273	4567112 .....	59	4740171.....	119	4845411 .....	119
4460783 .....	273	4567139 .....	257, 261	4740256.....	12	4845412 .....	153
4460784 .....	273	4567169 .....	74	4740274....	61, 74, 78, 96	4845413 .....	153
4460789 .....	273	4567413 .....	239	4740362....	115, 154, 157,	4845426 .....	153
4460790 .....	273	4567434 .....	198	161, 165, 170		4845469 .....	153
4460799 .....	273, 291	4567730 .....	74	4740397.69, 92, 166, 171		4845531 .....	68
4460800 .....	273, 291	4567757 .....	258, 262	4740439.....	132	4845532 .....	95
4460836 .....	273	4567815 .....	61	4740442.....	96	4845534 .....	95
4460837 .....	273	4567879 .....	79	4740444.....	108, 112	4845593 .....	127, 131
4460850 .....	273	4568118 .....	103	4740463.....	12	4845617 .....	103
4460856 .....	273	4568119 .....	103	4740472.....	11	4845658 .....	11
4460857 .....	273	4568158 .....	80	4740473.....	12	4845680 .....	135
4460865 ...	280, 281, 288,	4568514 .....	12	4750600.....	108	4845701 .....	140
289		4620119 .....	41, 45	4750800.....	84, 88	4845702 .....	140
4460866 ...	280, 281, 288,	4640113 .....	16	4751000....	60, 69, 72, 73,	4845703 .....	128
289, 290		4640509 ...	205, 207, 209,	77, 92, 96, 108, 115,		4845716 .....	131
4460871 ...	165, 166, 170,	211, 213, 215, 217,		120, 154, 157, 162,		4845729 .....	140
175, 177, 185, 187,		219, 221		163, 191		4845730 .....	140
280, 281, 282, 288,		4640525 .....	195	4751400....	60, 72, 78, 83,	4845872 .....	192
290, 291, 292, 294		4640605 ...	198, 201, 203,	96, 112, 120, 149, 150,		4845928 .....	103
4460873 ...	280, 281, 288,	205, 207, 219, 221		154, 157, 165, 170,		4846011 .....	78
291		4640751 .....	59	298, 305		4846101 .....	153
4460874 ...	112, 280, 288,	4640778 .....	253	4751500..69, 77, 92, 119,		4846102 .....	153
290		4640780 .....	258, 262	120, 154, 191		4846103 .....	153
4460875 ...	112, 280, 288,	4640858 .....	195	4751600....	27, 33, 60, 68,	4846253 .....	153
290		4640866 .....	31	72, 78, 83, 88, 92, 96,		4846254 .....	153
4460876 .....	281, 290	4640871 .....	11	103, 105, 119, 120,		4846255 .....	153
4460878 .....	281, 290	4640906 .....	31	150, 154, 157, 161,		4846257 .....	119
4460879 .....	280, 288	4640921 .....	32, 39	165, 170, 191		4846430 .....	45
4460880 ...	281, 282, 290,	4640922 .....	32, 39	4751800....	11, 61, 72, 78,	4846452 .....	157
291		4640929 .....	150	96, 105, 191		4846479 .....	59
4460887 ...	280, 281, 288,	4640932 ...	198, 201, 203	4751900.....	68	4846566 .....	59
290		4640989 .....	71, 77	4752000....	61, 73, 79, 97	4846573 .....	128, 133
4460889 .....	281, 291	4641019 .....	95	4760600.....	108	4860148 .....	16
4460890 .....	281, 291	4641022 .....	103	4761000....	109, 120, 154,	4860188 .....	17
4460891 ....	274, 280, 289	4641027 .....	215, 217	162, 166, 171		4860224 .....	16
4460892 ....	274, 282, 292	4641032 .....	239, 243	4761400.....	112	4860225 .....	17
4460894 ....	274, 282, 292	4641033 ...	233, 235, 237	4761500.....	77, 191	4891500 .....	31
4460897 ...	274, 280, 289	4641034 .....	31, 35	4761600.....	150	4891600 ....	96, 123, 128,
4460905 ...	112, 170, 288,	4641041 .....	27	4770600.....	123	133	
290		4641042 .....	27	4791400.....	61, 83	4891800 ...	15, 41, 60, 71,
4460908 ....	275, 282, 292	4641045 .....	149	4791600.....	73	77, 123, 128, 133	
4460909 ....	275, 282, 292	4641061 .....	31	4812000.....	92	4892000 .....	15, 41, 45
4460915 ....	275, 282, 292	4641062 .....	209, 215	4821397.....	192	4892600 .....	129, 133
4460917 .....	275	4641076 .....	249	4831900.....	64, 73, 79	4920018 .....	154
4460918 .....	275	4641093 .....	31, 35	4832000.....	64, 73, 79	4920044 .....	154
4460928 ....	275, 282, 292	4641099 .....	31, 35	4844790.....	133	4921801 ....	276, 283, 293
4460944 ....	282, 283, 292	4641105 .....	149	4844816.....	131	4921829 ....	276, 283, 293
4460945 .....	283, 292	4641136 .....	149	4844817.....	131	4921850 .....	314
4460959 .....	293	4641162 .....	195	4844924.....	153	4921927 ....	32, 275, 293

## SECTION 10 - SPECIAL OPTIONS

4921928.....32, 275, 283, 292	4922774 ..... 289	70002307 ..... 75, 80	70004747 ..... 189
4921938.....276	4922775 ..... 289	7000231 ..... 21	70004748 ..... 189
4921955.....276, 283, 293	4923613 ..... 281, 289	7000235 ..... 21	70004749 ..... 189
4922006.....272	4932915 ..... 266, 276	7000236 ..... 21	70004750 ..... 189
4922008.....272	4932917 ..... 266	70002366 ..... 225	70004751 ..... 189
4922012.....314	4932980 ..... 267	7000238 ..... 21	70004752 ..... 179
4922046.....107, 272	4932981 ..... 267, 271	7000239 ..... 21	70004753 ..... 179
4922077.....107, 272	4932982 ..... 267, 271	7000240 ..... 21	70004754 ..... 179
4922095.....266	4932983 ..... 267, 271	70002410 ..... 201	70004755 ..... 179
4922099.....282, 292	4932986 ..... 266	70002411 ..... 62, 63	70004756 ..... 179
4922130.....270	4932989 ..... 266, 276	7000246 ..... 47, 54	70004757 ..... 179
4922131.....270	4933025 ..... 266	7000248 ..... 54	70004758 ..... 179
4922138.....107, 272	4933026 ..... 266	7000253 ..... 47, 54	70004759 ..... 179
4922145.....271	4933027 ..... 266	70002530 ..... 62, 63	70004760 ..... 179
4922146.....271	4933058 ..... 267, 271	70002546 ..... 275	70004761 ..... 179
4922155....162, 163, 267, 270	4933149 ..... 266, 276	7000255 ..... 47, 54	70004762 ..... 179
4922169.....271	4933150 ..... 266, 276	7000256 ..... 47, 54	70004763 ..... 179
4922170.....271	4933158 ..... 283	70002567 ..... 75, 81	70004764 ..... 179
4922171.....271	4933162 ..... 283	7000257 ..... 47, 54	70004765 ..... 179
4922172.....271	4933175 ..... 266	7000258 ..... 47, 54	70004766 ..... 179
4922173.....271	4933189 ..... 266	7000263 ..... 47, 54	70004767 ..... 179
4922174.....271	4933195 ..... 267, 281	7000265 ..... 12, 21	70004768 ..... 179
4922175.....271	4933199 ..... 266	7000269 ..... 47, 54	70004769 ..... 179
4922180.....270	4933215 ..... 266, 293	7000270 ..... 47, 54	70004770 ..... 179
4922181.....271	4933216 ..... 266, 293	7000272 ..... 21	70004771 ..... 179
4922215.....271, 281, 289	4933218 ..... 267	70002724 ..... 187	70004772 ..... 179
4922216.....271, 289	4933231 ..... 266	70002725 ..... 187	70004773 ..... 180
4922217.....271, 281, 289	4933232 .... 267, 290, 291	70002726 ..... 187	70004774 ..... 180
4922235.....272	4933233 .... 267, 290, 291	70002727 ..... 187	70004775 ..... 180
4922272.....107, 272	4933307 ..... 266	70002728 ..... 187	70005230 ..... 189
4922311.....272	70000017 ..... 315	70002729 ..... 187	70005594 ..... 243
4922318.....271	70000123 ..... 67, 91	7000273 ..... 21	70005793 ..... 201
4922463.....272	70000124 ..... 68, 92	70002730 ..... 177	7000625 ..... 157
4922472.....272	70000125 ..... 68, 92	70002731 ..... 177	70006344 ..... 243
4922473.....272	70000126 ..... 67, 91	70002732 ..... 177	70006375 ..... 221
4922482.....283, 293	70000163 ..... 74	70002733 ..... 177	70006376 ..... 221
4922483.....283	70000342 ..... 144, 147	70002734 ..... 177	70006377 ..... 221
4922484.....266, 284	70000579 ..... 36	70002735 ..... 177	70006378 ..... 221
4922485.....112, 165	70000580 ..... 36	7000274 ..... 21	70006384 ..... 217
4922498.....294	70000582 ..... 36	7000275 ..... 21	70006385 ..... 207, 217
4922509.....166, 267, 280	70000583 ..... 36	7000281 ..... 54	70006386 ..... 217
4922542.....266	70000646 ..... 74	70002813 ..... 62	70006387 ..... 217
4922549.....281, 290, 291	70001002 ..... 62, 63	7000282 ..... 21	70006388 ..... 217
4922550.....290, 291	70001017 ..... 62	7000283 ..... 21	70006389 ..... 207
4922557.....282, 290	70001059 ..... 32	7000284 ..... 21	70006390 ..... 207
4922565.....266	70001067 ..... 32	7000287 ..... 22	70006391 ..... 207
4922575.....280, 288	70001068 ..... 32	7000288 ..... 22	7000645 ..... 36
4922576.....280, 289	70001069 ..... 32	7000289 ..... 22	70006479 ..... 243
4922577.....281, 289	70001423 ..... 63	7000290 ..... 22	70006480 ..... 243
4922578.....281, 290	70001498 ..... 63	70002906 ..... 177	70006568 ..... 211
4922579.....280, 289	70001681 ..... 62, 63	70003476 ..... 62	70006569 ..... 211
4922580.....280, 289	70001697 ..... 144, 147	70003483 ..... 157	70006570 ..... 211
4922581.....281, 289	70001941 ..... 115	70003556 ..... 62	70006571 ..... 211
4922582.....288	70001976 ..... 36, 39	70003983 ..... 33	70006572 ..... 211
4922636.....290	70002013 ..... 140, 310	70003989 ..... 33	70006590 ..... 201
4922637.....290	70002014 ..... 140	70003990 ..... 33	70006596 ..... 225
4922638.....290	7000209 ..... 47, 54	70003992 ..... 33	70006601 ..... 201
4922639.....170, 267, 288	7000213 ..... 21	70003993 ..... 33	7000663 ..... 62
4922641.....293	7000214 ..... 47, 54	70004738 ..... 189	70006642 ..... 203
4922643.....266, 294	7000217 ..... 47, 54	70004739 ..... 189	70006643 ..... 203, 229
4922666....112, 170, 288, 291	7000220 ..... 21	70004740 ..... 189	70006644 ..... 203, 229
4922675.....290	70002234 ..... 62	70004741 ..... 189	70006645 ..... 203
4922737.....61	70002235 ..... 67, 91	70004742 ..... 189	70006649 ..... 213
4922773.....289	7000224 ..... 21	70004743 ..... 189	70006650 ..... 213
	7000228 ..... 47, 54	70004744 ..... 189	70006651 ..... 229
	7000229 ..... 47, 54	70004745 ..... 189	70006668 ..... 229
	7000230 ..... 47, 54	70004746 ..... 189	70006669 ..... 237

## SECTION 10 - SPECIAL OPTIONS

70006670 .....	237	7002822 .....	314	7007441 .....	99	7012702 .....	25
70006671 .....	237	7002823 ...	276, 284, 294, 314	7007442 .....	99	7012703 .....	25
70006672 .....	237	7002826 .....	314	7007446 .....	99	7012704 .....	25
70006728 .....	243	7002828 ...	276, 284, 294	7007452 .....	99	7012705 .....	25
70006731 .....	243	7002840 .....	11, 314	7007453 .....	100	7012706 .....	25
70006733 .....	243	7003049 .....	19, 49	7007454 .....	99	7012707 .....	25
70006734 .....	213	7003050 .....	19, 49	7007457 .....	100	7012708 .....	25
70006735 .....	213	7003094 .....	19, 49	7007463 .....	100	7012709 .....	25
70006736 .....	213	7003451 .....	19, 49	7007464 .....	100	7012710 .....	25
70006777 .....	225	7003452 .....	19, 49	7007465 .....	100	7012711 .....	25
70006778 .....	225	7003453 .....	19, 49	7007466 .....	100	7012712 .....	25
70006779 .....	225	7003454 .....	19, 49	7007470 .....	99	7012713 .....	25
70006780 .....	225	7003455 .....	19, 49	7007472 .....	100	7012714 .....	25
70006781 .....	225	7003456 .....	19, 49	7007474 .....	100	7012715 .....	25
70006782 .....	201	7003457 .....	19, 49	7007475 .....	100	7012716 .....	25
70006783 .....	201	7003458 .....	49	7007477 .....	100	7012769 .....	36
70006784 .....	201	7003459 .....	19, 49	7007478 .....	100	7012772 ...	35, 36, 39, 308
70006796 .....	235	7003460 .....	19, 49	7007483 .....	100	7012773 .....	35, 36, 39
70006797 .....	235	7003461 .....	19, 49	7007484 .....	100	7012774 .....	36, 39
70006798 .....	235	7003462 .....	19, 49	7007485 .....	100	7012775 .....	35
70006799 .....	235	7003463 .....	19, 49	7007487 .....	100	7012776 .....	39
70006800 .....	235	7003464 .....	19, 49	7007488 .....	100	7012777 .....	39
70006801 .....	235	7003657 .....	67, 91	7007494 .....	99	7012901 .....	36
70006802 .....	235	7003928 ...	173, 175, 177	7007496 .....	100	7012905 .....	31
70006803 .....	235	7003933 .....	185	7007497 .....	100, 282, 291	7012914 .....	35
70006804 .....	235	7003935 .....	183, 185	7007498 .....	100, 282, 291	7012918 .....	35
70006921 .....	243	7003941 ...	183, 185, 187	7007633 .....	47, 54	7012941 .....	37
70006922 .....	243	7003946 .....	183, 185	7007990 .....	19	7012943 .....	31, 36, 308
70006923 .....	243	7003952 .....	173	7008833 .....	60, 273	7012944 .....	31, 37, 308
70006924 .....	243	7003953 .....	173, 175	7008835 .....	60	7012953 .....	36, 39, 150
70006925 .....	243	7003956 .....	173	7008836 .....	60, 273	7012959 .....	31
70006926 .....	243	7003969 .....	183, 185	7009996 .....	51	7012965 .....	39
70006927 .....	243	7003972 ...	183, 185, 187	7009998 .....	51	7012970 .....	150
70006928 .....	243	7003973 ...	183, 185, 187	7010116 .....	101	7012972 .....	31
7000699 .....	62	7003974 .....	173	7010122 .....	100	7012989 .....	36
7000722 .....	19, 49	7003976 .....	173, 175	7010404 .....	12	7012998 .....	35, 37, 39
7000723 .....	19, 49	7003977 .....	173, 175	7010405 .....	12	7013187 .....	105
7000724 .....	19, 49	7003980 ...	183, 185, 187	7010406 .....	12	7014801 .....	103
7000725 .....	19, 49	7003982 .....	187	7010461 .....	54	7014802 .....	103
7000728 .....	19, 49	7003983 ...	183, 185, 187	7010474 .....	47, 54	7014810 .....	103
7000731 .....	19, 49, 55	7003986 .....	185	7010488 .....	47	7014813 .....	103
7000782 .....	19, 49	7003989 ...	183, 185, 187	7010492 .....	47, 54	7014816 .....	103
7000796 .....	19, 49	7003992 ...	173, 175, 183, 185	7010494 .....	47	7014817 .....	103, 308
7000798 .....	19, 49	7003993 ...	173, 175, 183, 185	7010542 .....	35	7014818 .....	103
7000884 .....	75	7003994 .....	185	7010543 .....	35, 37	7016180 .....	95
7000897 .....	74, 80	7004042 .....	55	7010795 .....	55	7016314 .....	103
7001498 .....	100	7004043 .....	55	7011112 .....	198, 201, 203	7016322 .....	123
7001901 .....	21	7004044 .....	55	7011331 .....	143	7016328 .....	62, 310
7001902 .....	21	7004046 .....	55	7011332 .....	143	7016330 .....	62
7001903 .....	21	7004275 .....	314	7011333 .....	149	7016331 .....	62, 63, 310
7001906 .....	21	7004276 .....	314	7011342 .....	149	7016332 .....	62, 63
7001909 .....	47, 54	70050801 .....	225	7011346 .....	144	7016336 .....	274
7001911 .....	47, 54	7006137 .....	140, 310	7011868 .....	74	7016342 .....	105
7001912 .....	54	7007208 .....	99	7012513 .....	67, 91	7016374 .....	123
7001928 .....	21, 47, 54	7007412 .....	101	7012514 .....	67, 91	7016380 .....	115
7001931 .....	47, 54	7007413 .....	99	7012518 .....	31	7016399 .....	154, 158
7001985 .....	47, 54	7007417 .....	99	7012558 .....	67, 91	7016522 .....	140, 310
7001987 .....	47	7007419 .....	99	7012560 .....	107	7016523 .....	140
7001988 .....	47	7007423 .....	99	7012599 .....	62	7016524 .....	140
7002111 .....	51	7007425 .....	99	7012611 .....	107, 161	7016529 .....	140
7002117 .....	51	7007435 .....	99	7012612 .....	107, 161	7016600 .....	74
7002123 .....	51	7007437 .....	99	7012664 ...	59, 73, 79, 95, 308	7016601 .....	74
70022564 .....	201	7007438 .....	99	7012679 .....	74	7016605 .....	74
70023915 .....	211	7007439 .....	99	7012693 .....	11	7016652 .....	314
70027259 .....	235			7012700 .....	25	7016654 .....	314
7002821 ...	276, 284, 294, 314			7012701 .....	25	7016655 .....	314
						7016779 .....	32

## SECTION 10 - SPECIAL OPTIONS

7016780.....	32	7017213.....	231	7019166.....	183, 185	7020353.....	51
7016781.....	32	7017214.....	231	7019167....	183, 185, 187	7020357.....	51
7016782.....	32	7017215.....	231	7019168.....	183, 185	7020358.....	51
7016783.....	32	7017234.....	231	7019171.....	175	7020359.....	51
7016784.....	32	7017236.....	231	7019174.....	175	7020360.....	51
7016785.....	32	7017414.....	36	7019177.....	175	7020362.....	51
7016800.....	61, 73, 79, 96	7017420.....	35, 39	7019194....	183, 185, 187	7020363.....	51
7016802.....	61, 96	7017421.....	39	7019197.....	173, 175	7020404.....	62
7016803.....	61	7017422.....	39	7019607.....	62	7020408.....	63
7016807.....	73, 79	7017423.....	35	7019658.....	103	7020411.....	63
7016808.....	73, 79	7017427.....	35	7019924.....	75	7020414.....	62
7016809.....	61	7017428.....	35, 37	7019925.....	81	7020418.....	63
7016811.....	96	7017466.....	31	7019930.....	75, 81	7020419.....	62
7016824.....	61, 73, 79, 96	7017474.....	35	7019931.....	75	7020425.....	62
7016825.....	61, 73, 79, 96	7017477.....	36, 37	7019932.....	75, 81	7020427.....	62
7016831.....	96	7017478.....	37	7019933.....	74	7020431.....	62, 63
7017023.....	54	7017479.....	31	7019976.....	74, 80	7020449.....	63
7017027.....	21	7017481.....	31	7019977.....	74, 80	7020458.....	63
7017031.....	21	7017515.....	83	7019978.....	75	7020459.....	63
7017033.....	21	7018612.....	19, 49	7019980.....	74, 274	7020460.....	63
7017034.....	21	7018912....	35, 36, 37, 39	7019982.....	74	7020461.....	63
7017035.....	21	7018941.....	35	7019983.....	74	7020462.....	63
7017036.....	21	7018942.....	37, 39	7019985.....	74	7020463.....	62, 63
7017037.....	21	7018945.....	37, 39	7019986.....	80	7020464.....	62
7017038.....	21	7018946.....	39	7019988.....	74	7020465.....	62, 63
7017039.....	21	7018947.....	39	7019993.....	80	7020468.....	63
7017040.....	21	7018948.....	39	7019994.....	80	7020471.....	62, 63
7017041.....	21	7018951.....	37	7019996.....	80	7020474.....	63
7017042.....	21	7018991.....	35, 308	7019997.....	74	7020477.....	62
7017043.....	21	7018992.....	35	7020020.....	31	7020479.....	63
7017044.....	21	7018993.....	36	7020021.....	31	7020480.....	63
7017045.....	21	7018994.....	36	7020025.....	62	7020487.....	63
7017046.....	22	7018995....	59, 71, 77, 95	7020027.....	62, 63	7021200.....	99
7017047.....	22	7019103.....	183, 185	7020064.....	135	7021201.....	99
7017048.....	21	7019110.....	183, 185	7020065.....	135	7021202.....	99
7017050.....	22	7019111... 173, 175, 183,		7020066.....	135	7021203.....	99
7017051.....	12	185		7020067.....	135	7021205.....	99
7017052.....	12	7019112.....	183, 185	7020068.....	149	7021206.....	100
7017053.....	12	7019114.....	185	7020069.....	149	7021207.....	99
7017054.....	12	7019115.....	183, 185	7020070.....	149	7021208.....	99
7017055.....	12	7019117.....	183	7020071.....	149	7021209.....	99
7017056.....	12	7019122.....	173, 175	7020108.....	67, 91	7021212.....	100
7017057.....	12	7019123.....	173, 175	7020109.....	67, 91	7021213.....	100
7017058.....	12	7019137.....	173	7020110.....	67, 91	7021214.....	100
7017068.....	22	7019141.....	173, 175	7020111.....	67, 91	7021218.....	100
7017070.....	47, 54	7019142.....	173, 175	7020120.....	75, 81	7021219.....	100
7017082.....	54	7019143.....	173, 175	7020168.....	63	7021220.....	100
7017085.....	54	7019144.....	173, 175	7020171.....	149	7021221.....	100
7017089.....	47, 54	7019145.....	173, 175	7020172.....	149	7021222.....	100
7017102.....	143	7019146.....	173	7020173.....	149	7021223.....	100
7017115.....	143	7019147.....	173, 175	7020175... 107, 111, 161,		7021226.....	100
7017118.....	144	7019149.....	173, 175	165, 170		7021227.....	100
7017119.....	143	7019150.....	173, 175	7020176... 107, 111, 161,		7021228.....	100
7017142.....	143, 144	7019151.....	183, 185	165, 170		7021229.....	100
7017156.....	144	7019153.....	183	7020190.....	67, 91	7021230.....	101
7017157.....	144	7019154.....	183, 185	7020191.....	67, 92	7021231.....	101
7017158.....	144, 147	7019155.....	183, 185	7020192.....	68, 92	7021232.....	101
7017159.....	144, 147	7019156.....	183	7020193.....	67, 91	7021310.....	37
7017162.....	143, 147	7019157.....	183	7020246.....	107, 111	7021311.....	37
7017163.....	143, 147	7019158.....	183	7020335.....	51	7021601.....	36
7017164.....	143, 147	7019159.....	183	7020336.....	51	7021602.....	35
7017174.....	143	7019160.....	183, 185	7020338.....	51	7021625.....	27
7017177.....	143	7019161.....	183, 185	7020339.....	51	7021656.....	27
7017183.....	143, 147	7019162....	183, 185, 187	7020340.....	51	7021868.....	80, 310
7017193.....	143, 147	7019163.....	183	7020341.....	51	7022127.....	97
7017210.....	231	7019164....	183, 185, 187	7020343.....	51	7022134.....	80, 274, 292
7017211.....	231	7019165....	183, 185, 187	7020346.....	51	7022136.....	80



## SECTION 10 - SPECIAL OPTIONS

7022139..... 80	7022814..... 175	7023660.....87	7024459..... 55
7022142..... 80	7022815..... 175, 177	7023662.....80	7024508.... 233, 235, 237
7022143..... 75, 80	7022816..... 175	7023663.....80	7024560..... 62
7022144..... 81	7022817..... 175	7023665.....87	7024565..... 63
7022149..... 81	7022818..... 175	7023679.....276, 292	7024579..... 63
7022150..... 75, 81	7022819 ... 175, 177, 282, 291	7023680.....87	7024598..... 123
7022151..... 75, 81	7022822..... 185	7023687.....74	7024702..... 54, 55
7022152..... 81	7022823..... 185	7023900.....27	7024703..... 54
7022153..... 74, 81	7022824..... 185	7023977.....99	7024704..... 54
7022154..... 81	7022825..... 282, 292	7023981.....31	7024705..... 54
7022155..... 81	7023023.....231	7024036.....25	7024706..... 54
7022156..... 74, 81	7023206..... 31	7024100.....47, 54	7024707..... 54, 55
7022157..... 75, 81	7023207..... 31	7024155.....21	7024784..... 54
7022158..... 80	7023340..... 60	7024185.....54	7024828..... 100
7022159..... 80	7023366..... 119	7024189.....55	7024918.... 59, 71, 77, 95
7022160..... 80	7023603..... 87	7024190.....55	7024930.... 59, 71, 77, 95
7022161..... 80	7023613..... 80	7024191.....55	7025122..... 74
7022162..... 80	7023634..... 97, 310	7024192.....55	7025124..... 81
7022164..... 81	7023635..... 97	7024193.....55	7025125..... 75
7022165..... 87	7023637..... 80	7024194.....55	7025126..... 75
7022166..... 87	7023638..... 97	7024195.....55	7026199..... 67, 91
7022167..... 87	7023639..... 97	7024196.....55	7026522..... 63
7022168..... 87	7023640..... 97	7024197.....56	7026607..... 63
7022170..... 87	7023641..... 97, 310	7024321.....74	7026608..... 63
7022171..... 87	7023642..... 97	7024379.....55	7026631..... 62, 63
7022177..... 97	7023644..... 81	7024380.....55	7027250..... 62
7022178..... 75, 80	7023645..... 87	7024396.....55	7027292..... 74
7022180..... 75, 80	7023652..... 80	7024397.....239, 243	7027402..... 74, 81
7022396..... 27	7023653..... 80	7024398.....62	7027411..... 81
7022397..... 27	7023654..... 80	7024413.....63	7027887..... 68, 92
7022398..... 27	7023655..... 80	7024453.....55	8180311..... 72, 78, 95
7022399..... 27	7023656..... 80	7024454.....55	8320270..... 62
7022808.... 173, 175, 177	7023657..... 80	7024455.....55	8896941..... 314
7022810..... 183	7023657..... 81, 274, 292	7024456.....55	91083218..... 80, 310
7022812..... 185	7023658..... 80	7024457.....55	
7022813..... 173	7023659..... 87	7024458.....55	



3120741



An Oshkosh Corporation Company

**Corporate Office**  
**JLG Industries, Inc.**  
**1 JLG Drive**  
**McConnellsburg, PA 17233-9533 USA**  
**☎ (717) 485-5161 (Corporate)**  
**☎ (877) 554-5438 (Customer Support)**  
**☎ (717) 485-6417**

**Visit our website for JLG Worldwide Locations.**  
**[www.jlg.com](http://www.jlg.com)**