



# Illustrated Parts Manual

**Models**  
**800A**  
**800AJ**

Prior to  
SN 0300069000

**P/N**  
**3120859**

August 31, 2018 - Rev AO



An Oshkosh Corporation Company

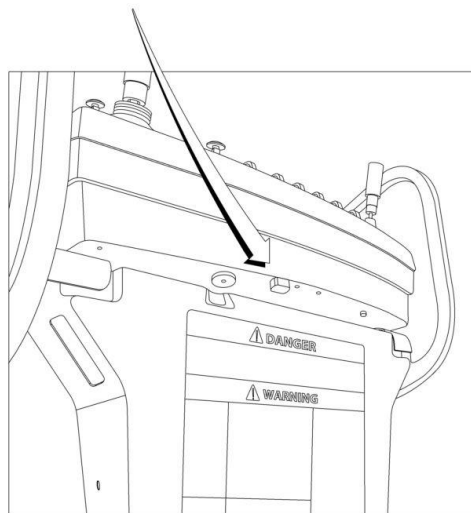


# REVISION LOG

**Note: See Note Below to Identify whether Machine is Equipped with ADE System.**

## ADE SYSTEM

All 800A and 800AJ machines from SN 0300064432 to present incorporate the ADE System, but no clean SN break exists. The following machine serial numbers prior to SN 0300064432 also utilize ADE: 0300062045, 0300062797, 0300063013, 0300063665, 0300063975, 0300064000-0300064017, 0300064390, 0300064392 & 0300064411. A machine that incorporates ADE System can be outwardly identified by the analyzer connection at the base of the platform console box.



December 11, 1998 - A - Original Issue Of Manual

May 31, 1999 - B - Revised

September 1, 1999 - C - Revised (Edited to B/M 0010551 Revision 5)

November 9, 1999 - D - Updated Page 6-12

March 24, 2000 - E - Revised (Edited to B/M 0010551 Revision 7)

May 4, 2001 - F - Revised (Manual edited to 0010551 Revision 16)

(Manual edited to 0010580 Revision 2 With ADE System)

October 20, 2001 - G - Revised (Manual edited to B/M 0010580 Revision 5 With ADE System)

January 24, 2002 - H - Revised

July 16, 2002 - I - Revised (Manual edited to B/M 0010580 Revision 21 With ADE System)

September 30, 2002 - J - Added "Prior to SN 0300069000" to Front Cover. Refer to Parts Manual 3121854 for Machines Built SN 0300069000 to Present.

February 1, 2003 - K - Updated Section 3

June 30, 2003 - L - Revised

October 8, 2004 - M - Revised

March 1, 2005 - N - Revised

June 1, 2006 - O - Revised

September 25, 2006 - P - Revised

April 18, 2007 - Q - Revised

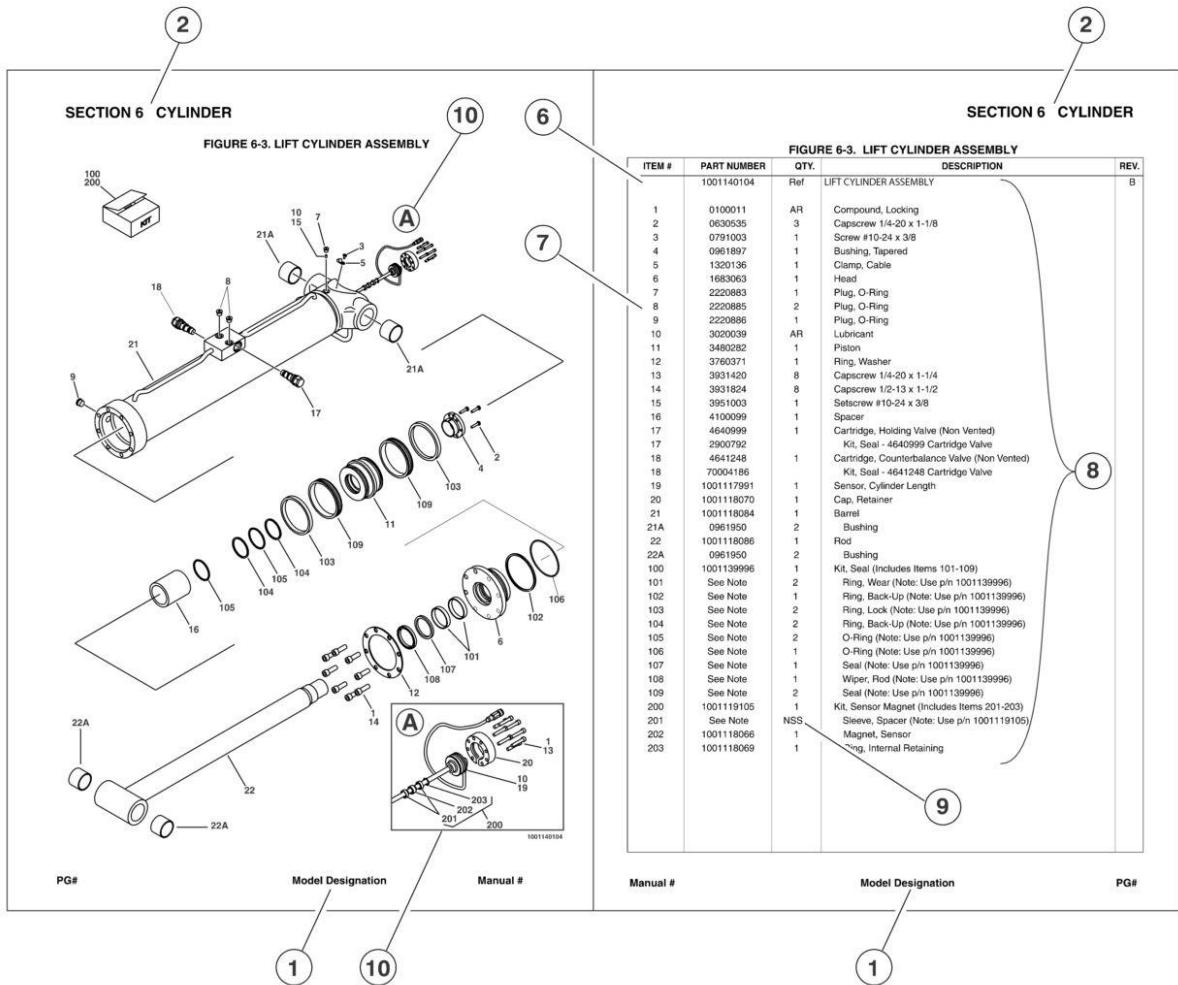
July 31, 2007 - R - Revised

December 10, 2007 - S - Revised

## REVISION LOG

March 15, 2008 - T - Revised  
November 28, 2008 - U - Revised  
May 15, 2009 - V - Revised  
October 15, 2009 - W - Revised  
April 15, 2010 - X - Revised  
December 30, 2010 - Y - Revised  
April 27, 2011 - Z - Revised  
July 29, 2011 - AA - Revised  
October 21, 2011 - AB - Revised  
January 10, 2012 - AC - Revised  
May 31, 2012 - AD - Revised  
July 31, 2012 - AE - Revised  
December 14, 2012 - AF - Revised  
March 26, 2013 - AG - Revised  
June 20, 2013 - AH - Revised  
June 20, 2013 - AI - Revised  
September 16, 2013 - AJ - Revised  
December 30, 2013 - AK - Revised  
April 30, 2014 - AL - Revised  
July 15, 2015 - AM - Revised  
December 14, 2015 - AN - Revised Manual (Revision 1)  
August 31, 2018 - AO - Revised Manual

# GENERAL INFORMATION



## 1) MACHINE IDENTIFICATION

Machines are identified by model and in some cases a combination of models, serial number (SN) or regional standard (i.e. ANSI, CE, CSA). Components may also be identified by SN or manufacturer. Common components that may be identified by these characteristics are engines and hydraulic components.

## 2) PARTS MANUAL ORGANIZATION

Product information in this manual is organized under section titles. Frame, Cylinder, Hydraulic and Electrical are a few examples. Each section is organized by figure and page number. The information within the Figure is then organized by item number, part number, description and corresponding illustration (s).

## 3) TABLE OF CONTENTS

A table of contents is found toward the beginning of the manual. Figure number, description and page number are provided for quick reference to the page containing the related information.

## 4) RECOMMENDED SPARE PARTS

The Recommended Spare Parts, located near the end of the manual, reference most frequently used maintenance parts.

## 5) PART NUMBER INDEX

A numerical index listing all part numbers and the corresponding page number(s) appears at the back of the manual.

## GENERAL INFORMATION

### 6) NON-SERVICED PARTS

In some instances, it is necessary to display non-serviced parts, assemblies or installations. In the case of assemblies and installations there will be a Ref in the Qty column. In case of parts that are not available for service within assemblies or components, there will be a NSS (Not Sold Separately) or NLA (No Longer Available) listed in the Qty. column of the manual.

### 7) PARTS LIST ITEM NUMBERS

Numbers shown in the item# column correspond to numbers used in the associated illustration (s). Item numbers which are missing from the sequence in the parts list are not used on that page

### 8) INDENTED PARTS DESCRIPTION

An indented part description is included in the item under which it is indented.

### 9) ABB REVIATION AND SYMBOLS

AC.....	.. Alternating Current	LCD .....	.. Liquid Crystal Display
ADE.....	..Advanced Design Electronics	LED .....	.. Light Emitting Diodes
ANSI .....	..American National Standards Institute	LH.....	..... Left Hand
AR.....	..As Required	LSS .....	..Load Sensing System
ASSY .....	..Assembly	M(m).....	..... Metric/Meter
AUX.....	..A uxiliary	MM (mm) .....	.....Milimeter
AWG.....	..American Wire Gauge	mA.....	..... Milliamps
B/M.....	.. Bill of Material	NLA.....	.....No Longer Available
CE.....	..European Conformity	NPT .....	.. National Pipe Threads
CCW .....	..Counter Clockwise	NSS .....	.....Not So ld Separately
cm.....	..Centimeter	OD.....	.....Outside Diameter
CW.....	..Clockwise	ORB.....	..... O-Ring Bos s
CSA.....	..Canadian Standards Association	ORFS.....	..... O-Ring Face Seal
CYL.....	..Cylinder	OZ (oz).....	.....Ounces
DIA.....	..Diameter	PG .....	.....Page
DC.....	..Direct Current	P/N.....	.....Part Number
EMS .....	..Emergency Stop	qt.....	.....Quarts
ENG .....	..Engine	QTY.....	.....Quantity
FT (ft).....	..Feet	REF .....	.....Reference
GA(Ga).....	..Gauge	REV .....	.....Revision Level
HYD .....	..Hydraulic	RH.....	..... Right Hand
HZ.....	..Hertz	SAE.....	..... Society of Automotive Engineers
ID.....	..Inside Diameter	SN.....	.....Serial Number
in.....	..inches	SPEC(S).....	.....Specifications
ISO.....	..International Organization for Standards	T/T.....	.....Turntable
JIC.....	..Joint Industry Council	UGM .....	.....Univ ersal G round Module
KG .....	..Kilogram	V.....	.....Volts
L.....	..Liter	W.....	.....Watts
LB.....	..Pounds	#.....	.....Number

### 10) ILLUSTRATION REFERENCE LETTERS

When necessary, illustrations may contain reference letters that are intended to track information (i. e. hoses, harnesses) from one point to another or to track visual enlargement of components to show details that may be located in another area on the illustration.

*Note: Due to continuous product improvements, JLG Industries, Inc. reserves the right to make specification changes without prior notification. Contact JLG Industries, Inc. for updated information.*

# TABLE OF CONTENTS

SECTION 1 - FRAME.....	9
FIGURE 1-1. AXLE AND STEERING INSTALLATION.....	10
FIGURE 1-2. TIRE AND WHEEL DRIVE INSTALLATIONS.....	14
FIGURE 1-3. DRIVE BRAKE ASSEMBLY.....	18
FIGURE 1-4. DRIVE HUB ASSEMBLIES.....	20
FIGURE 1-5. DRIVE MOTOR ASSEMBLY.....	24
FIGURE 1-6. DRIVE VALVES INSTALLATIONS.....	26
SECTION 2 - TURNTABLE.....	29
FIGURE 2-1. CONTROL VALVES INSTALLATIONS.....	30
FIGURE 2-2. MAIN CONTROL VALVE ASSEMBLY.....	34
FIGURE 2-3. ACCESSORY VALVE ASSEMBLY.....	38
FIGURE 2-4. TURNTABLE AND SWING DRIVE INSTALLATIONS (Prior to SN 0300068040).....	40
FIGURE 2-5. TURNTABLE AND SWING DRIVE INSTALLATIONS (SN 0300068040 through 0300069000).....	44
FIGURE 2-6. SWING HUB ASSEMBLY (Prior to SN 0300068040).....	46
FIGURE 2-7. SWING BRAKE ASSEMBLY (Prior to SN 0300068040).....	48
FIGURE 2-8. SWING MOTOR ASSEMBLY (Prior to SN 0300068040).....	50
FIGURE 2-9. SWING MOTOR/HUB ASSEMBLY (SN 0300068040 through 0300069000).....	52
FIGURE 2-10. DEUTZ ENGINE INSTALLATION.....	58
FIGURE 2-11. GENERATOR INSTALLATION - DEUTZ MACHINES (OPTIONAL).....	66
FIGURE 2-12. PISTON PUMP ASSEMBLY.....	70
FIGURE 2-13. TANK INSTALLATIONS.....	74
FIGURE 2-14. ROTARY COUPLING INSTALLATION.....	76
FIGURE 2-15. GROUND CONTROL BOX ASSEMBLY (Prior to SN 0300064432).....	78
FIGURE 2-16. GROUND CONTROL BOX ASSEMBLY (ADE SYSTEM) (SN 0300064432 through 0300069000).....	82
FIGURE 2-17. ELECTRICAL OPTIONS INSTALLATION (TURNTABLE MOUNTED).....	86
FIGURE 2-18. HOODS INSTALLATION.....	90
FIGURE 2-19. ENGINE TRAY JACK INSTALLATION (OPTIONAL).....	94
SECTION 3 - BOOM.....	97
FIGURE 3-1. BOOM AND CYLINDER INSTALLATION - 800A.....	98
FIGURE 3-2. BOOM AND CYLINDER INSTALLATION - 800AJ.....	102
FIGURE 3-3. TOWER BOOM ASSEMBLY.....	106
FIGURE 3-4. MAIN BOOM ASSEMBLIES.....	110
FIGURE 3-5. ROTATOR ASSEMBLIES (FRONT ENTRY PLATFORM).....	114
FIGURE 3-6. ROTATOR ASSEMBLIES (SIDE ENTRY PLATFORM).....	118
FIGURE 3-7. VALVE AND LIMIT SWITCH INSTALLATIONS (BOOM MOUNTED).....	120
SECTION 4 - PLATFORM.....	125
FIGURE 4-1. PLATFORM COMPONENTS INSTALLATION (FRONT ENTRY).....	126
FIGURE 4-2. PLATFORM COMPONENTS INSTALLATION (SIDE ENTRY).....	130
FIGURE 4-3. PLATFORM CONSOLE ASSEMBLY (Prior to SN 0300064432).....	134
FIGURE 4-4. PLATFORM CONSOLE ASSEMBLY (WITH ADE SYSTEM) (SN 0300064432 through 0300069000).....	140
FIGURE 4-5. CONTROLLER ASSEMBLY (SWING AND LIFT) (Prior to SN 0300064432).....	144
FIGURE 4-6. CONTROLLER ASSEMBLY (SWING AND LIFT) (WITH ADE SYSTEM) (ORIGINAL EQUIPMENT) (SN 0300064432 through 0300069000).....	146
FIGURE 4-7. CONTROLLER ASSEMBLY (SWING AND LIFT) (WITH ADE SYSTEM) (SERVICE REPLACEMENT) (SN 0300064432 through 0300069000).....	148
FIGURE 4-8. CONTROLLER ASSEMBLY (SWING AND LIFT) (WITH ADE SYSTEM) (SERVICE REPLACEMENT) (SN 0300064432 through 0300069000).....	150
FIGURE 4-9. CONTROLLER ASSEMBLY (DRIVE AND STEER) (Prior to SN 0300064432).....	154
FIGURE 4-10. CONTROLLER ASSEMBLY (DRIVE AND STEER) (WITH ADE SYSTEM) (ORIGINAL EQUIPMENT) (SN 0300064432 through 0300069000).....	156
FIGURE 4-11. CONTROLLER ASSEMBLY (DRIVE AND STEER) (WITH ADE SYSTEM) (SERVICE REPLACEMENT) (SN 0300064432 through 0300069000).....	158
FIGURE 4-12. CONTROLLER ASSEMBLY (DRIVE AND STEER) (WITH ADE SYSTEM) (SERVICE REPLACEMENT) (SN 0300064432 through 0300069000).....	160
FIGURE 4-13. SOFT TOUCH SYSTEM INSTALLATION (OPTIONAL).....	162
FIGURE 4-14. LOAD SENSING SYSTEM INSTALLATION (FRENCH SPEC) (Prior to SN 0300067883).....	166
FIGURE 4-15. PLATFORM SUPPORT (LOAD SENSING) (SN 0300067883 through 0300069000).....	168
SECTION 5 - CYLINDER.....	171

# TABLE OF CONTENTS

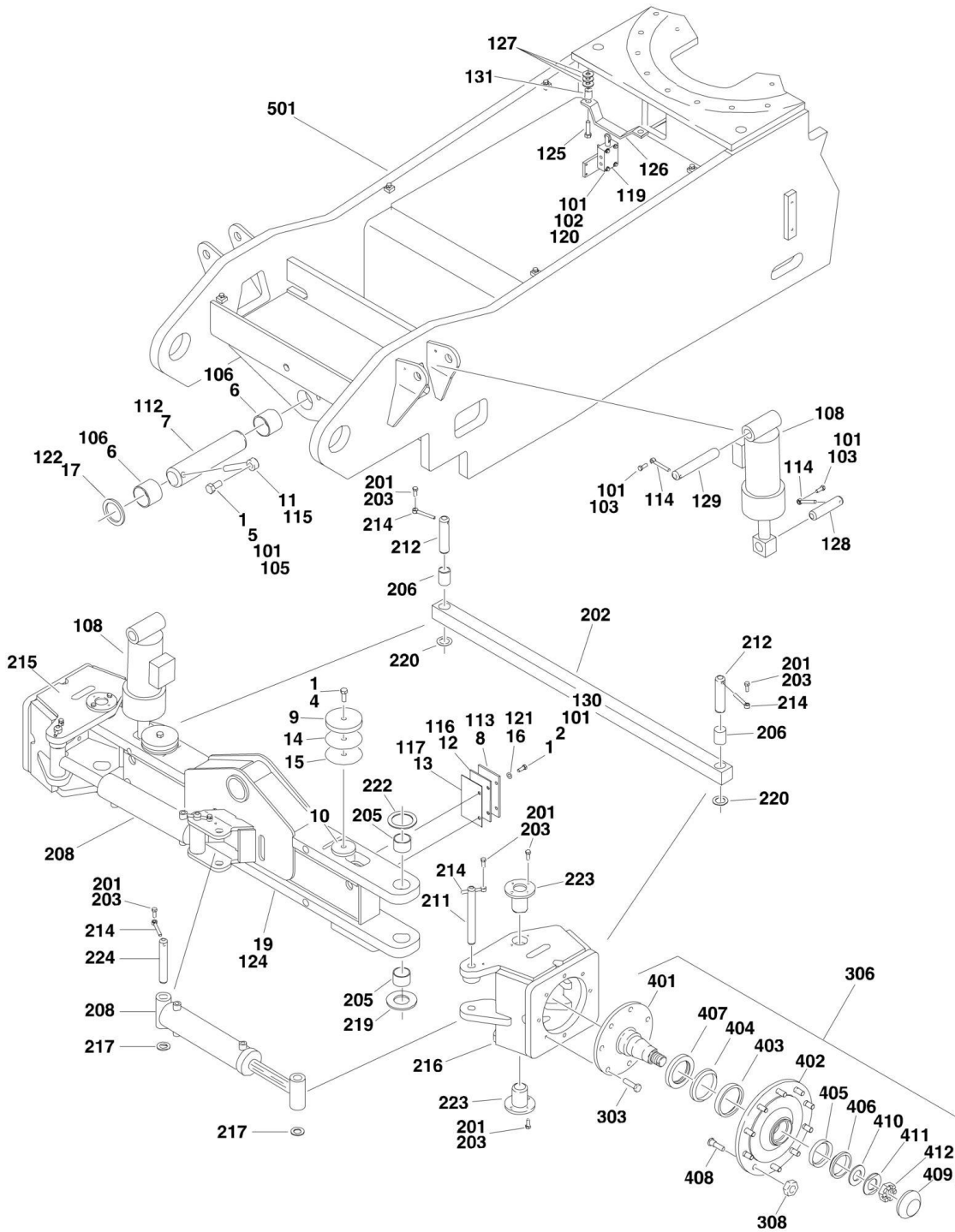
FIGURE 5-1. AXLE LOCKOUT CYLINDER ASSEMBLY.....	172
FIGURE 5-2. LEVEL CYLINDER ASSEMBLY - PLATFORM SLAVE.....	174
FIGURE 5-3. LEVEL CYLINDER ASSEMBLY - PLATFORM SLAVE (800A ONLY) (SERVICE REPLACEMENT).....	178
FIGURE 5-4. LEVEL CYLINDER ASSEMBLY - PLATFORM SLAVE (800AJ ONLY) (SERVICE REPLACEMENT).....	180
FIGURE 5-5. LEVEL CYLINDER ASSEMBLY - UPRIGHT.....	182
FIGURE 5-6. LEVEL CYLINDER ASSEMBLY - UPRIGHT (SERVICE REPLACEMENT).....	184
FIGURE 5-7. LIFT CYLINDER ASSEMBLY - JIB (800AJ ONLY) (ORIGINAL EQUIPMENT).....	186
FIGURE 5-8. LIFT CYLINDER ASSEMBLY - JIB (800AJ ONLY) (USAGE MAY VARY) (SERVICE REPLACEMENT).....	188
FIGURE 5-9. LIFT CYLINDER ASSEMBLY - JIB (800AJ ONLY) (USAGE MAY VARY) (SERVICE REPLACEMENT).....	190
FIGURE 5-10. LIFT CYLINDER ASSEMBLY - MAIN BOOM (ORIGINAL EQUIPMENT).....	192
FIGURE 5-11. LIFT CYLINDER ASSEMBLY - MAIN BOOM (SERVICE REPLACEMENT).....	194
FIGURE 5-12. LIFT CYLINDER ASSEMBLY - TOWER BOOM (ORIGINAL EQUIPMENT).....	196
FIGURE 5-13. LIFT CYLINDER ASSEMBLY - TOWER BOOM (SERVICE REPLACEMENT).....	198
FIGURE 5-14. MASTER CYLINDER ASSEMBLY - 800A (ORIGINAL EQUIPMENT).....	200
FIGURE 5-15. MASTER CYLINDER ASSEMBLY (800A) (SERVICE REPLACEMENT).....	202
FIGURE 5-16. MASTER CYLINDER ASSEMBLY- 800AJ (ORIGINAL EQUIPMENT).....	204
FIGURE 5-17. MASTER CYLINDER ASSEMBLY (800AJ) (SERVICE REPLACEMENT).....	206
FIGURE 5-18. STEER CYLINDER ASSEMBLY.....	208
FIGURE 5-19. TELESCOPE CYLINDER ASSEMBLY - MAIN BOOM.....	210
FIGURE 5-20. TELESCOPE CYLINDER ASSEMBLY - MAIN BOOM (800A) (SERVICE REPLACEMENT).....	212
FIGURE 5-21. TELESCOPE CYLINDER ASSEMBLY - MAIN BOOM (800AJ) (SERVICE REPLACEMENT).....	214
FIGURE 5-22. TELESCOPE CYLINDER ASSEMBLY - TOWER BOOM.....	216
FIGURE 5-23. TELESCOPE CYLINDER ASSEMBLY - TOWER BOOM (SERVICE REPLACEMENT).....	220
SECTION 6 - HYDRAULIC.....	223
FIGURE 6-1. AXLE LOCKOUT HYDRAULIC DIAGRAM.....	224
FIGURE 6-2. DRIVE HYDRAULIC DIAGRAM - 2WD.....	226
FIGURE 6-3. DRIVE HYDRAULIC DIAGRAM - 4WD.....	230
FIGURE 6-4. STANDARD HYDRAULIC DIAGRAM (WITH FENNER AND HALDEX BRAND AUXILIARY PUMP).....	234
FIGURE 6-5. STANDARD HYDRAULIC DIAGRAM (WITH BUCHER BRAND AUXILIARY PUMP).....	238
FIGURE 6-6. HYDRAULIC DIAGRAM LIST.....	242
SECTION 7 - ELECTRICAL.....	243
FIGURE 7-1. ELECTRICAL DIAGRAM LIST.....	244
FIGURE 7-2. HARNESS COMPONENTS INSTALLATION (Prior to SN 0300064432).....	246
FIGURE 7-3. HARNESS COMPONENTS INSTALLATION (WITH ADE SYSTEM) (SN 0300064432 through 0300069000).....	254
SECTION 8 - DECALS.....	263
FIGURE 8-1. DECALS INSTALLATION.....	264
SECTION 9 - RECOMMENDED SERVICE PARTS STOCK.....	269
FIGURE 9-1. MODELS 800A/800AJ STANDARD PARTS.....	270
FIGURE 9-2. MODELS 800A/800AJ VARIABLE PARTS.....	272
SECTION 10 - SPECIAL OPTIONS.....	273
FIGURE 10-1. SPECIAL OPTIONS.....	274
PART NUMBER INDEX.....	277



**SECTION 1 - FRAME**

# SECTION 1 - FRAME

## FIGURE 1-1. AXLE AND STEERING INSTALLATION



# SECTION 1 - FRAME

## FIGURE 1-1. AXLE AND STEERING INSTALLATION

ITEM	PART NUMBER	QTY	DESCRIPTION	REV
	0258286	Ref	<b>FIXED AXLE INSTALLATION</b>	C
1	0100011	AR	Compound, Locking	
2	0681608	4	Bolt 3/8in-16NC x 1in (Grade 8)	
4	0641820	2	Bolt 1/2in-13NC x 2-1/2in	
5	0642212	1	Bolt 3/4in-10NC x 1-1/2in	
6	0962102	2	Bushing	
7	3422703	1	Pin, Axle Pivot	
8	3538047	2	Shim, Wear	
9	3539877	2	Plate, Stop	
10	3539878	2	Plate, Stop	
11	3841287	1	Keeper, Pin	
12	4070878	AR	Shim 1/16in	
13	4070879	AR	Shim 1/8in	
14	4070944	AR	Shim 1/16in	
15	4070945	AR	Shim 1/4in	
16	4711600	4	Flatwasher 3/8in Narrow	
17	4740472	1	Washer, Special	
19	4845658	1	Axle Weldment	
		Ref	<b>OSCILLATING AXLE INSTALLATION</b>	
	0258285	Ref	<b>Oscillating Axle (Prior to SN 0300068040)</b>	E
	0272269	Ref	<b>Oscillating Axle (SN 0300068040 through 0300069000)</b>	A
101	0100011	AR	Compound, Locking	
102	0641414	4	Bolt 1/4in-20NC x 1-3/4in	
103	0641608	4	Bolt 3/8in-16NC x 1in	
105	0642212	1	Bolt 3/4in-10NC x 1-1/2in	
106	0962102	2	Bushing	
108	1683078	2	Lockout Cylinder Assembly (See CYLINDER SECTION for Breakdown)	
112	3422703	1	Pin, Main Pivot	
113	3538047	2	Shim, Axle Wear	
114	3841143	4	Shaft, Keeper 3/8in Dia x 3in	
115	3841287	1	Shaft, Keeper 3/8in Dia x 6in	
116	4070878	2	Shim, Axle Wear	
117	4070879	2	Shim, Axle Wear	
119	4640871	1	Valve, Lockout	
119	7012693	1	Seal Kit - 4640871 Valve	
119	7002840	1	Pin Removal Tool	
120	4711400	4	Flatwasher 1/4in Narrow	
121	4711600	4	Flatwasher 3/8in Narrow	
122	4740472	1	Washer, Special	
124	4845658	1	Axle Weldment	
125		Ref	<b>Bolt Options:</b>	
125	0641814	2	Bolt 1/2in-13NC x 1-3/4in <b>(Prior to SN 0300068040)</b>	
125	0641816	2	Bolt 1/2in-13NC x 2in <b>(SN 0300068040 through 0300069000)</b>	
126	1100086	1	Plate, Cam Lockout	
127	4751800	4	Flatwasher 1/2in	
128	3422702	2	Pin	
129	3422755	2	Pin	
130	0681608	4	Bolt 3/8in-16NC x 1in (Grade 8)	
131	4568514	2	Spacer, Tube <b>(SN 0300068040 through 0300069000)</b>	

# SECTION 1 - FRAME

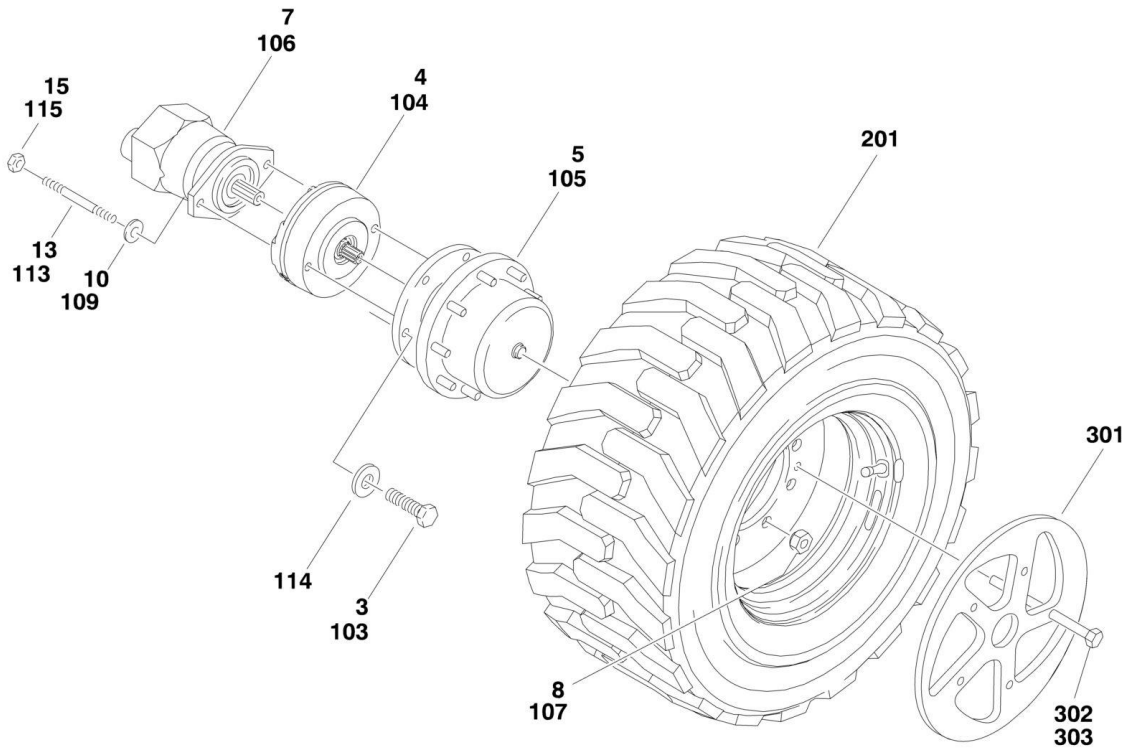
ITEM	PART NUMBER	QTY	DESCRIPTION	REV
		Ref	<b>STEERING INSTALLATIONS</b>	
	0258287	Ref	<b>Steering Installations 2WS</b>	F
	0258909	Ref	<b>Steering Installations 4WS (Rear Steering Typical / Double Qty Listed for 4WS)</b>	A
	1001137261	Ref	<b>King Pin Kit</b>	A
		Ref	<b>Note: Before ordering king pin kit, verify that machines is equipped with the original components (king pin with 4 bolt holes) or service kit components (king pin with 8 bolt holes). If the king pin hole in the axle measurement exceeds 2.252in OD or is elongated, use King Pin Kit p/n 1001137261.</b>	
201	0100011	AR	Compound, Locking	
202	0362726	1	Tie-Rod	
203	0641608	14	Bolt 3/8in-16NC x 1in	
205	0962224	4	Bearing	
206	0962152	2	Bearing	
208		Ref	Steer Cylinder Assembly (See CYLINDER SECTION for Breakdown)	
208	1683605	NLA	Steer Cylinder Assembly 2WS - Original Equipment (Use p/n 1683740)	
208	1683740	2	Steer Cylinder Assembly 2WS - Service Replacement	
208	1683740	2	Steer Cylinder Assembly 4WS	
211	3422701	2	Pin, Steer, Spindle Attach	
212	3422702	2	Pin, Tie-Rod	
214	3841143	6	Shaft, Keeper 3/8in Dia x 3in	
215	4130357	1	Spindle Weldment (RH)	
216	4130358	1	Spindle Weldment (LH)	
217	4740111	4	Washer, Special	
219	4740463	2	Washer, Thrust	
220	4740473	2	Washer, Special	
222	4740256	2	Washer, Thrust	
223	3422753	4	Kingpin	
224	3422754	2	Pin, Attach	
		Ref	<b>HUB INSTALLATION (2WD ONLY) OPTIONS:</b>	
	0258288	Ref	<b>Hub Installation (2WD Only) (Prior to SN 0300056875)</b>	C
	0270209	Ref	<b>Hub Installation (2WD Only) (SN 0300056875 through 0300069000)</b>	B
303	0682016	16	Bolt 5/8in-16NC x 2in (Grade 8)	
306	2780229	2	Hub Assembly (See Items 401-412 for Breakdown)	
308	3300007	20	Lugnut	
	2780229	Ref	<b>HUB ASSEMBLY (2WD ONLY)</b>	A
401	7017052	2	Spindle (1 per Assembly)	
402	7017053	2	Housing (1 per Assembly)	
403	7010404	2	Cup, Bearing - Inner (1 per Assembly)	
404	7010405	2	Cone, Bearing - Inner (1 per Assembly)	
405	7017056	2	Cup, Bearing - Outer (1 per Assembly)	
406	7017055	2	Cone, Bearing - Outer (1 per Assembly)	
407	7010406	2	Seal, Lip (1 per Assembly)	
408	7000265	20	Stud (10 per Assembly)	
409	7017054	2	Dust Cap (1 per Assembly)	
410	7017051	2	Washer, Special (1 per Assembly)	
411	7017057	2	Washer, Tanged (1 per Assembly)	
412	7017058	2	Nut, Bearing (1 per Assembly)	
501		Ref	<b>FRAME WELDMENT OPTIONS:</b>	

## SECTION 1 - FRAME

ITEM	PART NUMBER	QTY	DESCRIPTION	REV
501		Ref	Frame Weldment - 2WD/2WS with Foam-Filled Tires Options:	
501	2360488	1	Frame Weldment - 2WD/2WS with Foam-Filled Tires <b>(Prior to SN 0300068040)</b>	
501	2360588	1	Frame Weldment - 2WD/2WS with Foam-Filled Tires <b>(SN 0300068040 through 0300068373)</b>	
501	2360601	1	Frame Weldment - 2WD/2WS with Foam-Filled Tires <b>(SN 0300068374 through 0300069000)</b>	
501		Ref	Frame Weldment - 4WD/2WS with Foam-Filled Tires Options:	
501	2360490	1	Frame Weldment - 4WD/2WS with Foam-Filled Tires <b>(Prior to SN 0300068040)</b>	
501	2360590	1	Frame Weldment - 4WD/2WS with Foam-Filled Tires <b>(SN 0300068040 through 0300068373)</b>	
501	2360603	1	Frame Weldment - 4WD/2WS with Foam-Filled Tires <b>(SN 0300068374 through 0300069000)</b>	
501		Ref	Frame Weldment - 4WD/4WS with Foam-Filled Tires Options:	
501	2360494	1	Frame Weldment - 4WD/4WS with Foam-Filled Tires <b>(Prior to SN 0300068040)</b>	
501	2360591	1	Frame Weldment - 4WD/4WS with Foam-Filled Tires <b>(SN 0300068040 through 0300069000)</b>	

# SECTION 1 - FRAME

## FIGURE 1-2. TIRE AND WHEEL DRIVE INSTALLATIONS



# SECTION 1 - FRAME

## FIGURE 1-2. TIRE AND WHEEL DRIVE INSTALLATIONS

ITEM	PART NUMBER	QTY	DESCRIPTION	REV
		Ref	<b>WHEEL DRIVE INSTALLATION OPTIONS: (2WD/2WS)</b>	
	0258288	Ref	<b>Wheel Drive Installation (Prior to SN 0300056875)</b>	C
	0270209	Ref	<b>Wheel Drive Installation (SN 0300056875 through 0300069000)</b>	B
3	0682016	16	Bolt 5/8in-11NC x 2in (Grade 8)	
4		Ref	Drive Brake Assembly Options: (See DRIVE BRAKE ASSEMBLY for Breakdown)	
4	0920112	2	Drive Brake Assembly ( <b>Prior to SN 0300056875</b> )	
4	0920117	NLA	Drive Brake Assembly (Use p/n 0920119)	
5	2780227	2	Drive Hub Assembly (See DRIVE HUB ASSEMBLIES for Breakdown)	
7	3160204	2	Drive Motor Assembly (See DRIVE MOTOR ASSEMBLY for Breakdown)	
8	3300007	20	Nut, Wheel	
10		Ref	Stud Options:	
10	4300130	4	Stud ( <b>Prior to SN 0300056875</b> )	
10	4300097	4	Stud ( <b>SN 0300056875 through 0300069000</b> )	
13	4891800	4	Flatwasher 1/2in	
15		Ref	Nut Options:	
15	3311805	4	Locknut 1/2in - 13 NC ( <b>Prior to SN 0300056875</b> )	
15	3311801	4	Nut 1/2in - 13 NC ( <b>SN 0300056875 through 0300069000</b> )	
		Ref	<b>WHEEL DRIVE INSTALLATION OPTIONS:</b>	
	0258289	Ref	<b>Wheel Drive Installation (4WD/2WS) (Prior to SN 0300056875)</b>	D
	0270210	Ref	<b>Wheel Drive Installation (4WD/2WS) (SN 0300056875 through 0300069000)</b>	B
	0258910	Ref	<b>Wheel Drive Installation (4WD/4WS) (Prior to SN 0300056875)</b>	A
	0270211	Ref	<b>Wheel Drive Installation (4WD/4WS) (SN 0300056875 through 0300069000)</b>	B
103	0682016	32	Bolt 5/8in-11NC x 2in (Grade 8)	
104		Ref	Drive Brake Assembly Options: (See DRIVE BRAKE ASSEMBLY for Breakdown)	
104	0920112	4	Drive Brake Assembly ( <b>Prior to SN 0300056875</b> )	
104	0920117	NLA	Drive Brake Assembly (Use p/n 0920119)	
105	2780228	4	Drive Hub Assembly (See DRIVE HUB ASSEMBLIES for Breakdown)	
106	3160204	4	Drive Motor Assembly (See DRIVE MOTOR ASSEMBLY for Breakdown)	
107	3300007	40	Nut, Wheel	
109		Ref	Stud Options:	
109	4300130	8	Stud ( <b>Prior to SN 0300056875</b> )	
109	4300097	8	Stud ( <b>SN 0300056875 through 0300069000</b> )	
113	4891800	8	Flatwasher, 1/2in Dia Plain Steel	
114	4892000	32	Flatwasher, 5/8in Dia Plain Steel	
115		Ref	Nut Options:	
115	3311805	8	Locknut 1/2in - 13 NC ( <b>Prior to SN 0300056875</b> )	
115	3311801	8	Nut 1/2in - 13 NC ( <b>SN 0300056875 through 0300069000</b> )	
		Ref	<b>TIRE AND WHEEL INSTALLATIONS</b>	
	0258397	Ref	<b>IN385/65D19.5 (15 x 19.5) Foam-Filled (Prior to SN 0300068040)</b>	B
	0270886	Ref	<b>15-625 Foam-Filled (SN 0300068040 through 0300069000)</b>	A
	0258399	Ref	<b>IN445/55D19.5 (18 x 19.5) Foam-Filled (Prior to SN 0300068040)</b>	B
	0270888	Ref	<b>18-625 Foam-Filled (SN 0300068040 through 0300069000)</b>	A

## SECTION 1 - FRAME

ITEM	PART NUMBER	QTY	DESCRIPTION	REV
201		Ref	Tire and Wheel Installations <b>(Prior to SN 0300068040)</b>	
201	0258327	2	IN385/65D19.5 (15 x 19.5) Foam-Filled Left Side	
201	0258328	2	IN385/65D19.5 (15 x 19.5) Foam-Filled Right Side	
201	0258333	2	IN445/55D19.5 (18 x 19.5) Foam-Filled Left Side	
201	0258334	2	IN445/55D19.5 (18 x 19.5) Foam-Filled Right Side	
201		Ref	Tire and Wheel Installations <b>(SN 0300068040 through 0300069000)</b>	
201	0271085	2	15-625 Foam-Filled Left Side	
201	0271086	2	15-625 Foam-Filled Right Side	
201	0271090	2	18-625 Foam-Filled Left Side	
201	0271091	2	18-625 Foam-Filled Right Side	
		Ref	<b>Note: Assemblies may require ballast/foam filling to manufacturer's specifications prior to installing on a machine. Refer to Operation and Safety or Service and Maintenance Manuals. Purchase individual tire and/or rim only if able to foam fill tire and wheel assembly, otherwise, purchase complete assembly.</b>	
201		Ref	Replacement Tire Options:	
201	4520204	1	IN385/65D19.5 (15 x 19.5)	
201	4520252	1	15-625	
201	4520205	1	IN445/55D19.5 (18 x 19.5)	
201	4520253	1	18.625	
	0256196	Ref	<b>WHEEL COVER INSTALLATION (OPTIONAL)</b>	2-A
301	1670776	4	Cover, Wheel	
302	0641550	20	Bolt 5/16in - 18NC x 6-1/4in	
303	0100011	AR	Compound, Locking	

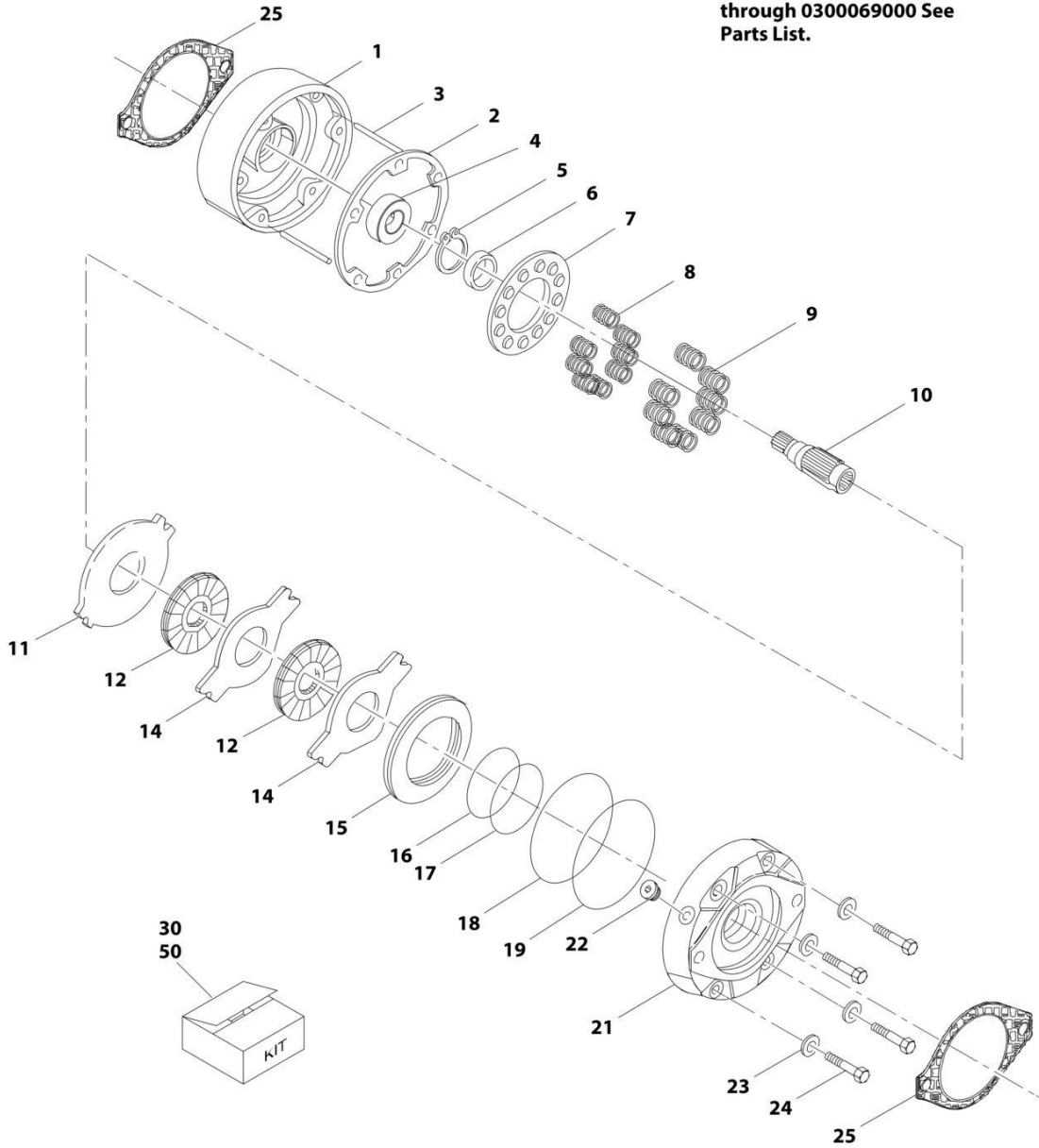




# SECTION 1 - FRAME

## FIGURE 1-3. DRIVE BRAKE ASSEMBLY

**NOTE: Figure Applies to Machines  
Prior to SN 0300056875 Only.  
For Machines SN 0300056875  
through 0300069000 See  
Parts List.**



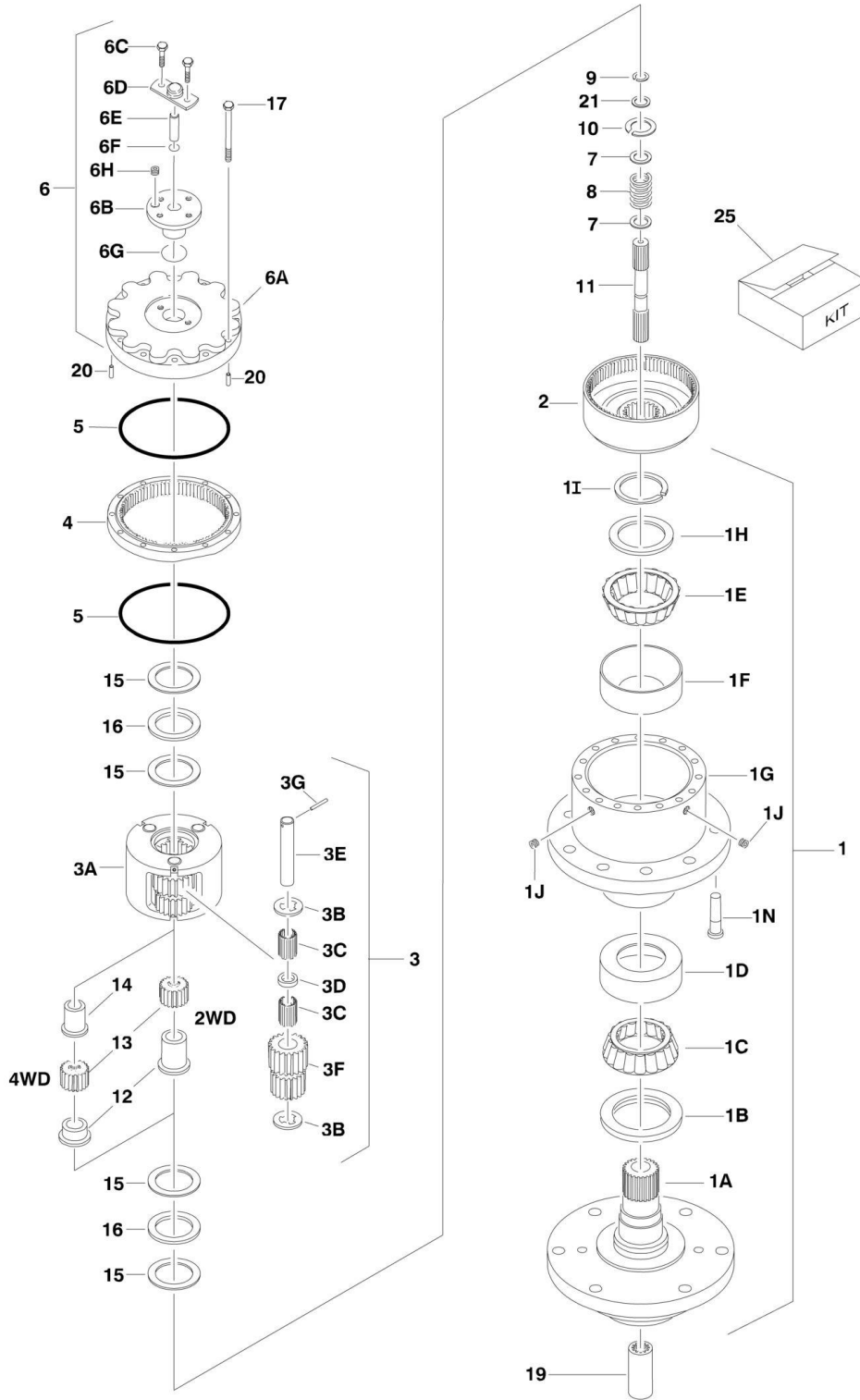
# SECTION 1 - FRAME

## FIGURE 1-3. DRIVE BRAKE ASSEMBLY

ITEM	PART NUMBER	QTY	DESCRIPTION	REV
	0920112	Ref	<b>DRIVE BRAKE ASSEMBLY (Prior to SN 0300056875)</b>	B
1	7003451	1	Housing	
2	7003452	1	Gasket	
3	7003094	2	Pin, Torque	
4	7003049	1	Bearing, Ball	
5	7003453	1	Ring, Retaining	
6	7003050	1	Seal	
7	7003454	1	Retainer, Spring	
8	7000798	10	Spring, Compression (Small)	
9	7000782	10	Spring, Compression (Large)	
10	7003455	1	Shaft	
11	7003456	1	Disc, Primary	
12	7003457	2	Disc, Rotating	
14	7003459	2	Disc, Stationary	
15	7003460	1	Piston	
16	7000722	1	Ring, Back-up	
17	7000723	1	O-Ring	
18	7000724	1	Ring, Back-up	
19	7000725	1	O-Ring	
20	7000796	1	Screw, Bleeder	
21	7003461	1	Plate, Power	
22	7000728	1	Plug, Protective	
23	7003462	4	Flatwasher 1/2in	
24	7003463	4	Bolt 1/2in-13NC	
25	7000731	2	Gasket	
30	See Note	1	Seal Kit - 0920112 Brake (Note: Not Available for Purchase)	
	0920117	Ref	<b>DRIVE BRAKE ASSEMBLY (SN 0300056875 through 0300069000)</b>	
50	7018612	1	Repair Kit (Includes Case Seal, Piston Inner and Outer O-Rings and Back-up Rings, Stator Disc, Rotor Disc, Return Plate, Springs, Oil Seal, Bearing, 2 Retaining Rings and 2 Mounting Face Gaskets)	
	7000731	2	Gasket, Mounting Face	
	7007990	1	O-Ring, Mounting (1 Per Assembly) (0920119 Brake)	
		Ref	<b>Note: No Other Parts Available.</b>	

# SECTION 1 - FRAME

## FIGURE 1-4. DRIVE HUB ASSEMBLIES



# SECTION 1 - FRAME

## FIGURE 1-4. DRIVE HUB ASSEMBLIES

ITEM	PART NUMBER	QTY	DESCRIPTION	REV
	2780227	Ref	<b>DRIVE HUB ASSEMBLY (2WD)</b>	A
	2780228	Ref	<b>DRIVE HUB ASSEMBLY (4WD)</b>	A
1	See Note	NSS	Spindle/Housing Assembly (Note: Not Available - Purchase Individual Components)	
1A	7017031	1	Spindle	
1B	7000236	1	Seal	
1C	7000273	1	Cone, Bearing	
1D	7000272	1	Cup, Bearing	
1E	7000275	1	Cone, Bearing	
1F	7000274	1	Cup, Bearing	
1G	7017033	1	Housing	
1H	7000239	1	Washer, Thrust	
1I	7000240	1	Ring, Retaining	
1J	7001928	1	Plug, Pipe	
1N	7000265	10	Stud, Wheel	
2	7017034	1	Gear, Ring	
3	See Note	NSS	Carrier Assembly (Note: Not Available - Purchase Individual Components)	
3A	7017036	1	Carrier	
3B	7001901	6	Thrustwasher, Tanged	
3C	7001902	96	Bearing, Needle	
3D	7001903	3	Spacer, Thrust	
3E	7017040	3	Shaft, Planet	
3F	7017037	3	Gear, Cluster	
3G	7001906	3	Roll Pin	
4	7017035	1	Gear, Internal	
5	7000224	1	O-Ring	
6	See Note	NSS	Cover Assembly (Note: Not Available - Purchase Individual Components)	
6A	7024155	1	Cover	
6B	7017042	1	Cap	
6C	7000220	4	Bolt 1/4in-20NC x 3/4in	
6D	7000231	1	Cap, Disengage	
6E	7000235	1	Rod, Disengage	
6F	7000213	1	O-Ring	
6G	7000238	1	O-Ring	
6H	7017048	1	Plug, Pipe	
7	7000282	2	Thrustwasher	
8	7000283	1	O-Ring	
9	7000284	1	Ring, Retaining	
10	7017027	1	Ring, Retaining	
11		Ref	Shaft, Input Options:	
11	7017039	1	Shaft, Input 2WD	
11	7017044	1	Shaft, Input 4WD	
12		Ref	Spacer, Input Options:	
12	7017041	1	Spacer, Input 2WD	
12	7017045	1	Spacer, Input 4WD	
13		Ref	Gear, Sun Options:	
13	7017038	1	Gear, Sun 2WD	
13	7017043	1	Gear, Sun 4WD	

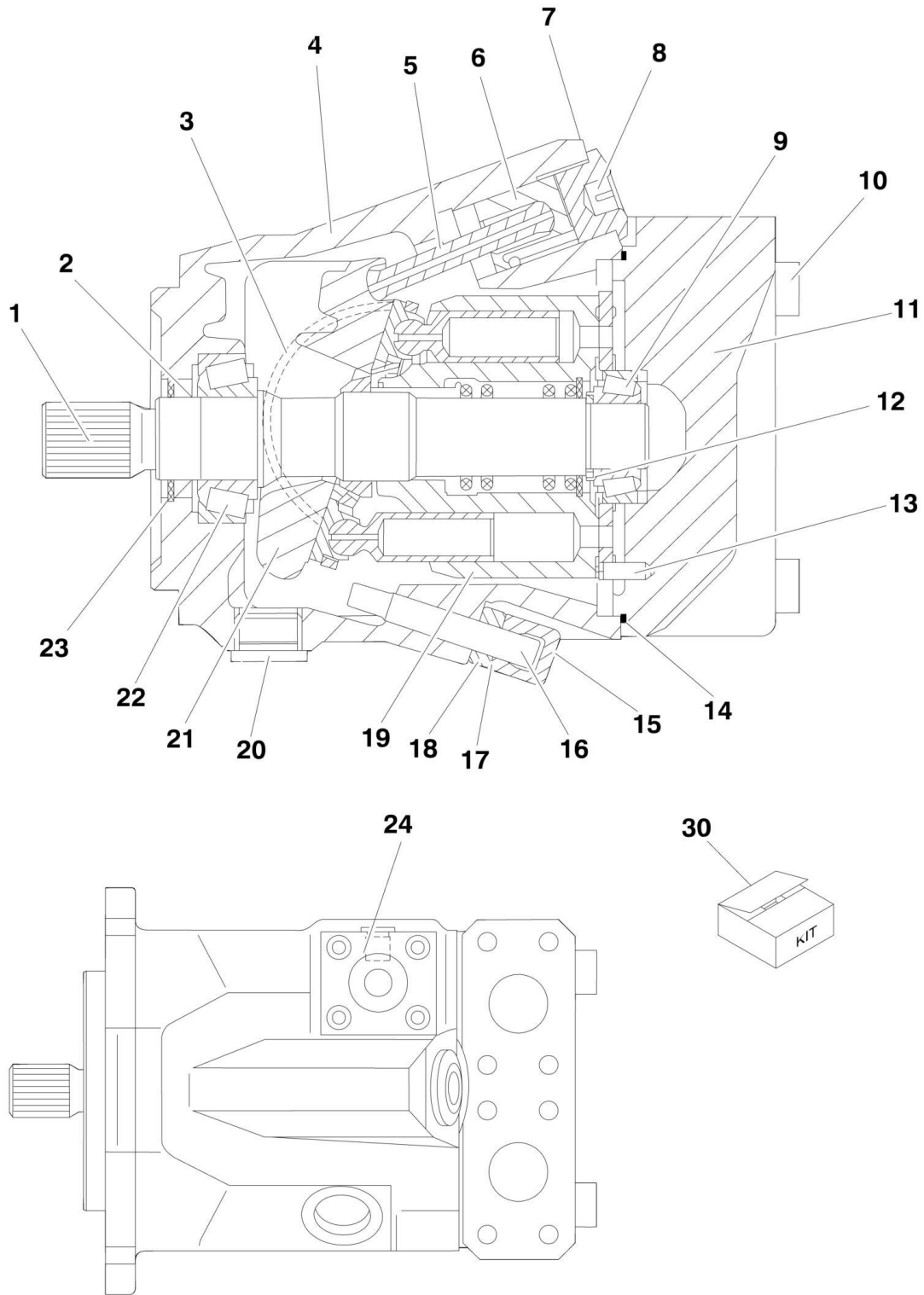
## SECTION 1 - FRAME

ITEM	PART NUMBER	QTY	DESCRIPTION	REV
14		Ref	Spacer, Input Options:	
14	Not Required	0	Spacer, Input 2WD	
14	7017046	1	Spacer, Input 4WD	
15	7000287	4	Thrustwasher	
16	7000288	2	Thrustwasher	
17	7000289	12	Bolt 3/8in-16NC x 2-1/2in (Grade 8)	
19	7000290	1	Coupling	
20	7017047	2	Pin, Dowel	
21		Ref	Thrustwasher	
21	7017050	1	Thrustwasher 2WD	
21	Not Required	0	Thrustwasher 4WD	
25	7017068	1	Seal Kit (Includes Items 1B, 1I, 5, 6F, 6G, 15 & 16)	



# SECTION 1 - FRAME

## FIGURE 1-5. DRIVE MOTOR ASSEMBLY





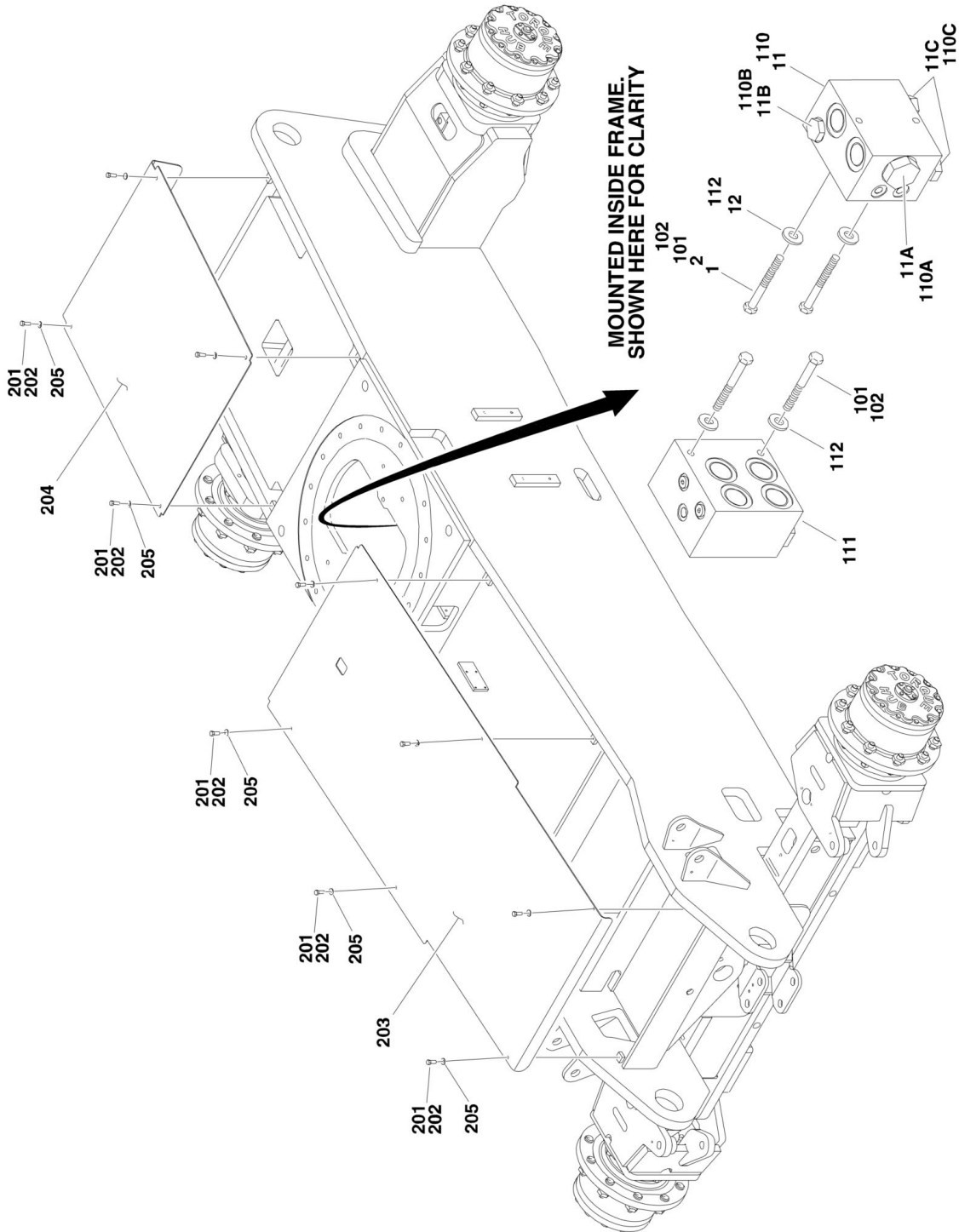
# SECTION 1 - FRAME

## FIGURE 1-5. DRIVE MOTOR ASSEMBLY

ITEM	PART NUMBER	QTY	DESCRIPTION	REV
	3160204	Ref	<b>DRIVE MOTOR ASSEMBLY</b>	A
1	7012701	1	Shaft - 13 Teeth	
2	See Note	NSS	Seal, Shaft (Note: Use Item 30)	
3	7012702	2	Bearing, Cradle	
4	See Note	1	Housing (Note: Not Available - Purchase Complete Assembly)	
5	7012703	1	Rod, Piston	
6	7012704	1	Piston, Stroking	
7	See Note	NSS	O-Ring (Note: Use Item 30)	
8	7012705	1	Nut, Adapter	
9	7012706	1	Bearing, Roller	
10	7012707	4	Bolt, Metric Socket Head M12 x 65	
11	7012708	1	Block, Port	
12	7012709	1	Shim	
13	7012710	1	Pin, Dowel M6 x 18	
14	See Note	NSS	O-Ring (Note: Use Item 30)	
15	7012711	1	Nut, Cap M10 x 1	
16	7012712	1	Screw, Adjusting	
17	See Note	NSS	O-Ring (Note: Use Item 30)	
18	7012713	1	Nut, Jam M10 x 1	
19	7012716	1	Rotary Group Kit	
20	See Note	NSS	Plug (Note: Not Available - Purchase Locally)	
21	7024036	1	Plate, Swash	
22	7012714	1	Bearing, Roller	
23	7012715	1	V-Ring	
24	7012700	1	Control Plate Assembly	
30	2900788	1	Seal Kit (Includes Items 2, 7, 14, 17 and O-Rings under Item 24)	

# SECTION 1 - FRAME

## FIGURE 1-6. DRIVE VALVES INSTALLATIONS



# SECTION 1 - FRAME

## FIGURE 1-6. DRIVE VALVES INSTALLATIONS

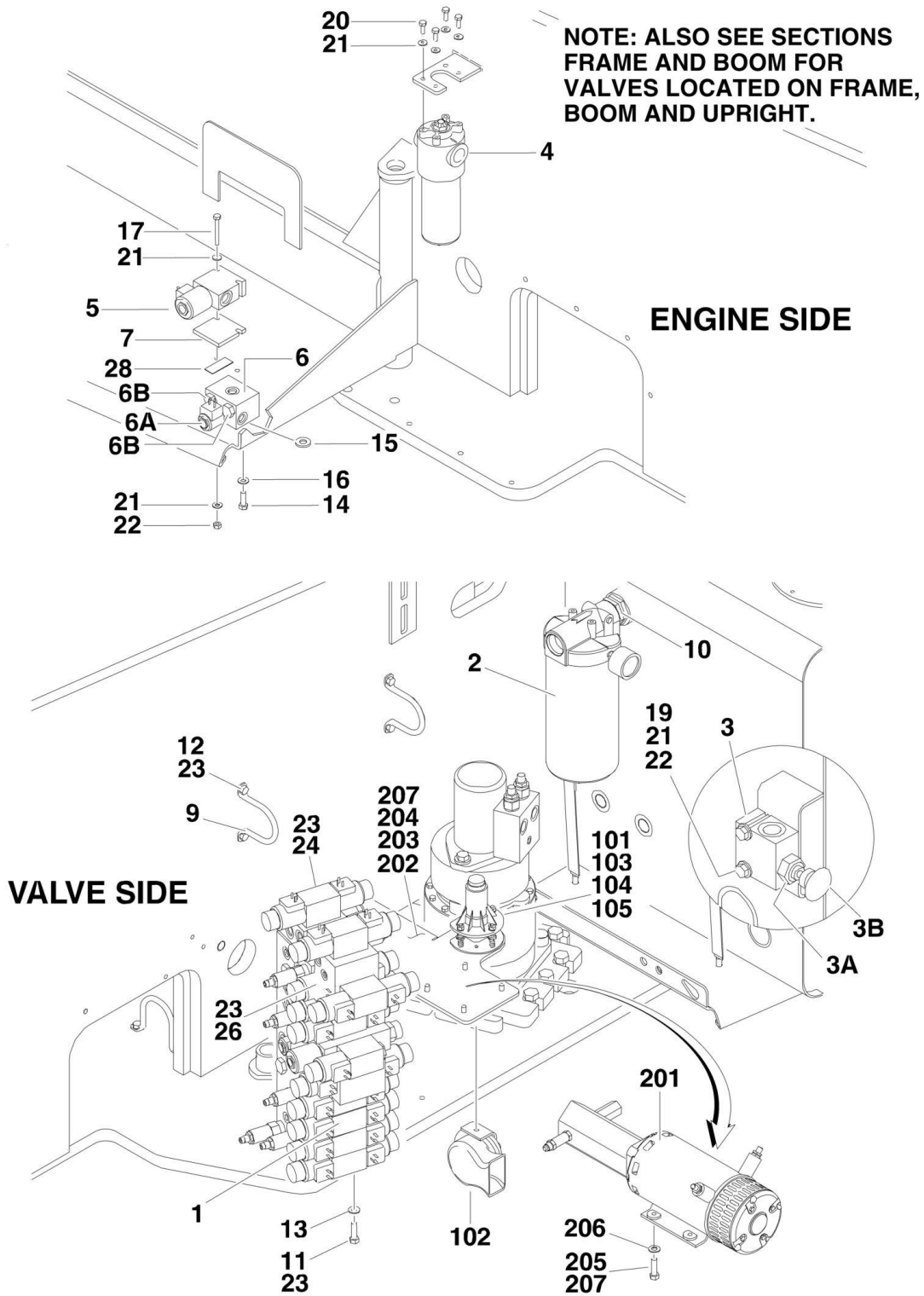
ITEM	PART NUMBER	QTY	DESCRIPTION	REV
		Ref	<b>DRIVE VALVES INSTALLATION - 2WD/2WS OPTIONS:</b>	
	0258288	Ref	<b>Drive Valves Installation - 2WD/2WS (Prior to SN 0300056875)</b>	C
	0270209	Ref	<b>Drive Valves Installation - 2WD/2WS (SN 0300056875 through 0300069000)</b>	B
1	0100011	AR	Compound, Locking,	
2	0641628	2	Bolt 3/8in-16NC x 3-1/2in	
11	4641041	1	Flow Divider Valve Assembly	
11A	7022396	1	Cartridge, Flow Divider	
11A	7021625	1	Seal Kit - 7022396 Cartridge	
11B	7022398	1	Cartridge, Load Shuttle	
11B	7023900	1	Seal Kit - 7022398 Cartridge	
11C	7022397	2	Cartridge, Check Valves	
11C	7022399	2	Seal Kit - 7022397 Cartridge	
12	4751600	2	Flatwasher, 3/8in	
		Ref	<b>WHEEL DRIVE INSTALLATION OPTIONS:</b>	
	0258289	Ref	<b>Wheel Drive Installation (4WD/2WS) (Prior to SN 0300056875)</b>	D
	0270210	Ref	<b>Wheel Drive Installation (4WD/2WS) (SN 0300056875 through 0300069000)</b>	B
	0258910	Ref	<b>Wheel Drive Installation (4WD/4WS) (Prior to SN 0300056875)</b>	A
	0270211	Ref	<b>Wheel Drive Installation (4WD/4WS) (SN 0300056875 through 0300069000)</b>	B
101	0100011	AR	Compound, Locking	
102	0641628	4	Bolt 5/8in-11NC x 3-1/2in	
110	4641041	1	Flow Divider Valve Assembly	
110A	7022396	1	Cartridge, Flow Divider	
110A	7021625	1	Seal Kit - 7022396 Cartridge	
110B	7022398	1	Cartridge, Load Shuttle	
110B	7023900	1	Seal Kit - 7022398 Cartridge	
110C	7022397	2	Cartridge, Check Valves	
110C	7022399	2	Seal Kit - 7022397 Cartridge	
111	4641042	1	Flow Divider Valve Assembly	
111	7021656	2	Cartridge, Flow Divider	
111	7021625	2	Seal Kit - 7021656 Cartridge	
112	4751600	4	Flatwasher, 3/8in	
	0258343	Ref	<b>FRAME COVERS INSTALLATION</b>	C
201	0100011	AR	Compound, Locking	
202	0641608	10	Bolt, 3/8in - 16NC x 1in	
203	3570686	1	Plate, Cover Front	
204	3570690	1	Plate, Cover Rear	
205	4751600	10	Flatwasher, 3/8in	



**SECTION 2 - TURNTABLE**

# SECTION 2 - TURNTABLE

## FIGURE 2-1. CONTROL VALVES INSTALLATIONS



## SECTION 2 - TURNTABLE

### FIGURE 2-1. CONTROL VALVES INSTALLATIONS

ITEM	PART NUMBER	QTY	DESCRIPTION	REV
		Ref	<b>VALVES INSTALLATIONS</b>	
	0258454	Ref	<b>Valves Installations 800A (2WS)</b>	C
	0258455	Ref	<b>Valves Installations 800A (4WS)</b>	C
	0258456	Ref	<b>Valves Installations 800AJ (2WS)</b>	C
	0258457	Ref	<b>Valves Installations 800AJ (4WS)</b>	C
1		Ref	Main Control Valve Assembly Options (See MAIN CONTROL VALVE ASSEMBLY for Breakdown):	
1	4641034	NLA	Main Control Valve Assembly (Use p/n 4641099) <b>(Prior to SN 0300040142)</b>	
1	4641093	NLA	Main Control Valve Assembly (Use p/n 4641099) <b>(SN 0300040142 through 0300041274)</b>	
1	4641099	1	Main Control Valve Assembly <b>(SN 0300041275 through 0300069000)</b>	
2	2120167	1	Return Filter Assembly	
2	2120168	1	Element, Filter	
2	7020021	1	Indicator, Clogged	
3	4640866	1	Valve Assembly (Level)	
3A	7017466	1	Cartridge	
3A	2900708	1	Seal Kit - Cartridge	
3B	7012959	1	Knob	
4	2120163	1	Pressure Filter Assembly	
4	2120150	1	Element, Filter	
4	7023206	1	O-Ring, Filter Bowl	
4	7023207	1	Ring, Filter Bowl Backup	
4	7020020	1	Indicator	
5	4641061	1	Solenoid Valve Assembly (Brake)	
5	7012943	1	Coil	
5	7017479	1	Cartridge without Coil	
5	7012518	1	Seal Kit - 7017479 Cartridge	
6	4640906	1	Solenoid Valve Assembly (2 Speed)	
6A	7012944	1	Coil	
6A	7023981	1	Cartridge without Coil	
6A	7012905	1	Seal Kit - 7017480 Cartridge	
6B	7017481	2	Cartridge, Check	
6B	7012972	2	Seal Kit - 7017481 Cartridge	
7	3570979	1	Plate, Spacer	
9	3841340	4	Loop, Hose	
10	2220893	1	Fitting, Adapter	
11	0641614	3	Bolt 3/8in-16NC x 1-3/4in	
12	0641606	8	Bolt 3/8in-16NC x 3/4in	
13	4711600	6	Flatwasher 3/8in Narrow	
14	0641508	2	Bolt 5/16in-18NC x 1in	
15	4891500	2	Flatwasher 5/16in	
16	4711500	2	Flatwasher 5/16in Narrow	
17	0641418	2	Bolt 1/4in-20NC x 2-1/4in	
19	0641414	2	Bolt 1/4in-20NC x 1-3/4in	
20	0651406	4	Bolt 1/4in-28NF x 3/4in	
21	4711400	16	Flatwasher 1/4in Narrow	
22	3311405	6	Locknut 1/4in-20NC	
23	0100011	AR	Compound, Locking	

## SECTION 2 - TURNTABLE

ITEM	PART NUMBER	QTY	DESCRIPTION	REV
24		Ref	Valve Assembly (Jib Control) Options:	
24	Not Required	0	Valve Assembly (Jib Control) 800A	
24	4640921	1	Valve Assembly (Jib Control) 800AJ	
25		Ref	Harness Assembly (Jib Control) Options (Not Shown - See ELECTRICAL SECTION for Breakdown):	
25	Not Required	0	Harness Assembly (Jib Control) 800A	
25	4921927	1	Harness Assembly (Jib Control) 800AJ	
26		Ref	Valve Assembly (4WS Control) Options:	
26	Not Required	0	Valve Assembly 2WS	
26	4640922	1	Valve Assembly 4WS (See ACCESSORY VALVE ASSEMBLY for Breakdown)	
27		Ref	Harness Assembly (4WS Control) Options (Not Shown - See ELECTRICAL SECTION for Breakdown):	
27	Not Required	0	Harness Assembly 2WS	
27	4921928	1	Harness Assembly 4WS (See ACCESSORY VALVE ASSEMBLY for Breakdown)	
28	4420060	2 in/5cm	Tape, Double Sided	
	0258411	Ref	<b>TILT INDICATOR INSTALLATION (MACHINES WITHOUT ADE SYSTEM ONLY)</b>	B
101	4360416	1	Indicator, Tilt	
102	0140001	1	Horn	
103	0641406	3	Bolt 1/4in-20NC x 3/4in	
104	4711400	5	Flatwasher 1/4in Narrow	
105	3311405	3	Locknut 1/4in-20NC	
	0258670	Ref	<b>AUXILIARY PUMP INSTALLATION</b>	B
		Ref	<b>Note: Original Equipment pump may have been replaced with various Service Replacement pump. Identify component before ordering parts.</b>	
201		Ref	Auxiliary Pump Assembly Options:	
201	3600287	NLA	Auxiliary Pump Service Kit (Original Equipment) (Use p/n 1001143191)	
201	1001091424	NLA	Auxiliary Pump Service Kit (Original Equipment) (Use p/n 1001143191)	
201		Ref	Service Parts for Fenner Brand (p/n 3600287 pump)	
201	7016779	1	Replacement Motor Assembly (p/n 3600287 pump)	
201	7016781	1	Brush Kit - 7016779 Motor	
201	7016780	1	Replacement Pump Assembly (p/n 3600287 pump)	
201	7016785	1	Seal Kit - 7016780 Pump	
201	7016782	1	Coupling, Pump/Motor (p/n 3600287 pump)	
201	7016783	1	Pump Mounting Kit (p/n 3600287 pump)	
201	7016784	1	Relief Valve Assembly (p/n 3600287 pump)	
201	3600458	NLA	Auxiliary Pump Assembly (Service Replacement) (Use p/n 1001137460)	
201		Ref	Service Parts for Haldex Brand (p/n 3600458 pump) (Service Replacement)	
201	70001059	1	Replacement Motor Assembly (p/n 3600458 pump)	
201	See Note	1	Pump (p/n 1001137460 pump) (Note: Not Available for Purchase)	
201	70001069	1	Seal Kit, Pump (p/n 3600458 pump)	
201	70001068	1	Motor/Coupling Kit (p/n 3600458 pump)	
201	70001067	1	Valve, Logic (p/n 3600458 pump)	
201	1001137460	1	Auxiliary Pump Assembly (Service Replacement)	
201		Ref	Service Parts for Bucher Brand (p/n 1001137460 pump) (Service Replacement)	

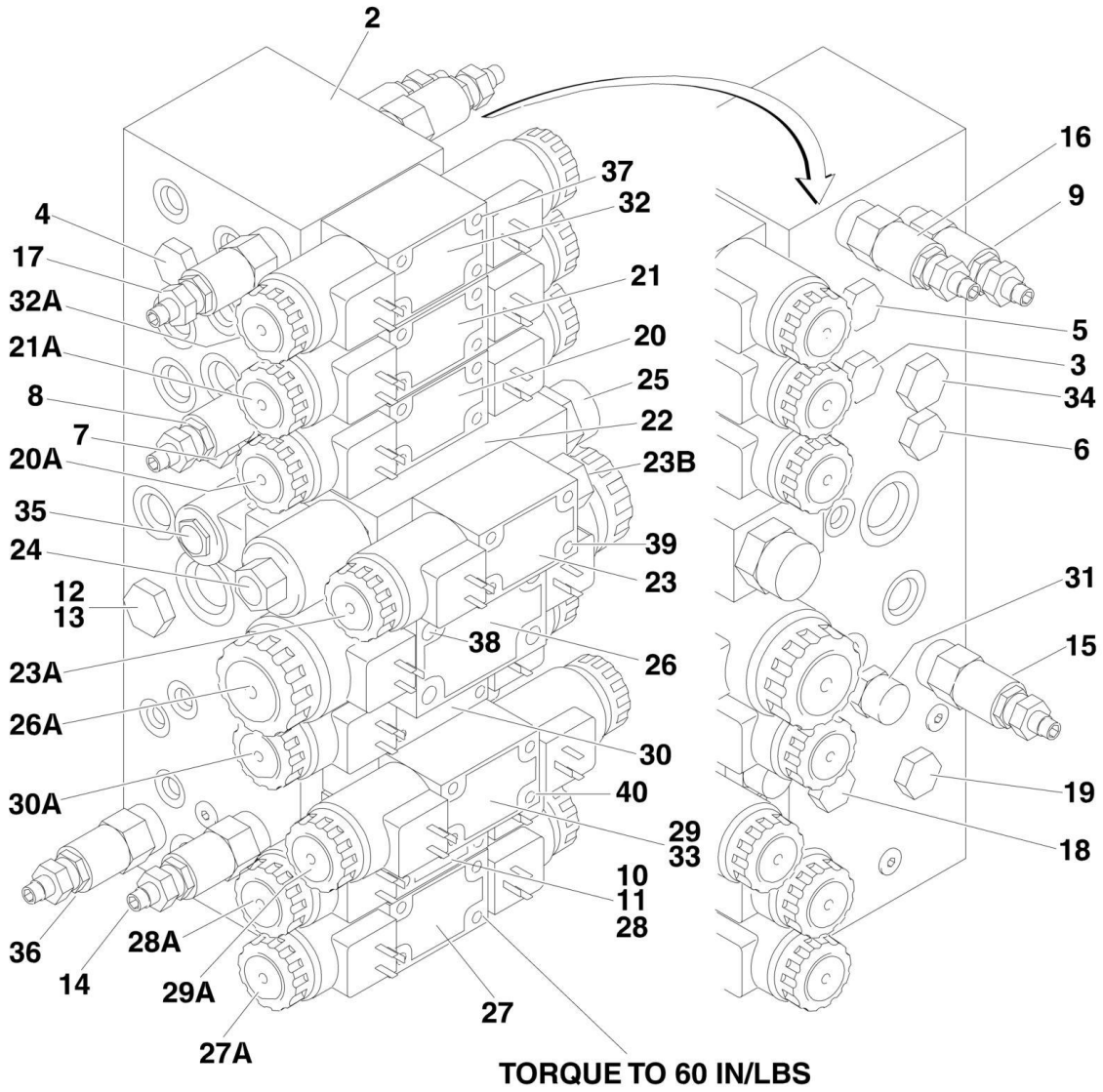


## SECTION 2 - TURNTABLE

ITEM	PART NUMBER	QTY	DESCRIPTION	REV
201	70003992	1	Replacement Motor Assembly (p/n 1001137460 pump)	
201	See Note	1	Pump (p/n 1001137460 pump) (Note: Not Available for Purchase)	
201	70003983	1	Base Assembly (p/n 1001137460 pump)	
201	70003993	1	Seal Shaft - 70003983 Base Assembly	
201	70003989	1	Valve, Logic (p/n 1001137460 pump)	
201	70003990	1	Relief Valve (p/n 1001137460 pump)	
202	0902415	1	Bracket, Pump Mounting	
203	0641610	3	Bolt 3/8in-16NC x 1-1/4in	
204	4751600	3	Flatwasher 3/8in	
205	0641506	4	Bolt 5/16in-18NC x 3/4in	
206	4711500	4	Flatwasher 5/16in Narrow	
207	0100011	AR	Compound, Locking	

# SECTION 2 - TURNTABLE

## FIGURE 2-2. MAIN CONTROL VALVE ASSEMBLY



## SECTION 2 - TURNTABLE

### FIGURE 2-2. MAIN CONTROL VALVE ASSEMBLY

ITEM	PART NUMBER	QTY	DESCRIPTION	REV
		Ref	<b>MAIN CONTROL VALVE ASSEMBLY</b>	
	4641034	Ref	<b>Main Control Valve Assembly (Prior to SN 0300040142)</b>	A
	4641093	Ref	<b>Main Control Valve Assembly (SN 0300040142 through 0300041274)</b>	B
	4641099	Ref	<b>Main Control Valve Assembly (SN 0300041275 through 0300069000)</b>	B
		Ref	<b>Note: Original Equipment valve may have been replaced with Service Replacement valve. Visually identify the p/n stamped on valve before ordering parts.</b>	
2	See Note	1	Block (Note: Not Available - Purchase Complete Assembly)	
3	7010542	1	Cartridge, Load Sensing (Main Lift)	
3	7010543	1	Seal Kit - 7010542 Cartridge	
4	7010542	1	Cartridge, Load Sensing	
4	7010543	1	Seal Kit - 7010542 Cartridge	
5	7010542	1	Cartridge, Load Sensing (Swing)	
5	7010543	1	Seal Kit - 7010542 Cartridge	
6	7010542	1	Cartridge, Load Sensing	
6	7010543	1	Seal Kit - 7010542 Cartridge	
7	7010542	1	Cartridge, Load Sensing (Main)	
7	7010543	1	Seal Kit - 7010542 Cartridge	
8	7017420	1	Cartridge, Relief Valve (Main Lift)	
8	7012998	1	Seal Kit - 7017420 Cartridge	
9	7017423	1	Cartridge, Relief Valve (Swing)	
9	7012998	1	Seal Kit - 7017420 Cartridge	
10	7018941	1	Orifice	
11	7018941	1	Orifice	
12	7017474	1	Cartridge, Check Valve (Tower Lift)	
12	2900708	1	Seal Kit - 7017448 Cartridge	
13	7021602	1	Piston, Pilot (4641093 & 4641099 Valves Only)	
14	7017428	1	Cartridge, Relief Valve (Platform Level Down)	
14	7012998	1	Seal Kit - 7017428 Cartridge	
15	7017427	1	Cartridge, Relief Valve (Platform Level Up)	
15	7012998	1	Seal Kit - 7017427 Cartridge	
16	7017428	1	Cartridge, Relief Valve (Front Steer)	
16	7012998	1	Seal Kit - 7017428 Cartridge	
17	7017428	1	Cartridge, Relief Valve (Front Steer)	
17	7012998	1	Seal Kit - 7017428 Cartridge	
18	7012914	1	Cartridge, Pilot Check (Platform Level)	
18	7012918	1	Seal Kit - 7012914 Cartridge	
19	7012914	1	Cartridge, Pilot Check (Platform Level)	
19	7012918	1	Seal Kit - 7012914 Cartridge	
20	7018992	1	Control Valve Assembly (Main Lift)	
20	7012773	1	Seal Kit - 7018992 Valve	
20A	7018991	2	Coil	
20A	7018912	2	Nut	
21	7012775	1	Control Valve Assembly (Swing)	
21	7012773	1	Seal Kit - 7012775 Valve	
21A	7012772	2	Coil	
21A	7018912	2	Nut	
22	See Note	1	Manifold, Valve (Main) (Note: Not Available for Purchase)	

## SECTION 2 - TURNTABLE

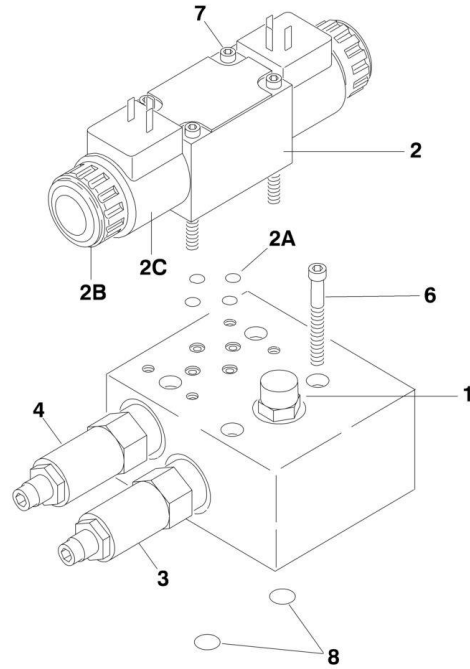
ITEM	PART NUMBER	QTY	DESCRIPTION	REV
23	7018994	1	Control Valve Assembly (Main)	
23	7012773	1	Seal Kit - 7018994 Valve	
23A	7012772	1	Coil	
23A	7018912	1	Nut	
23B	7018993	1	Plug	
24		Ref	Cartridge without Coil Options:	
24	7017414	1	4641034 & 4641093 Valves (was p/n 7017475) <b>(Prior to SN 0300041275)</b>	
24	7017414	1	4641099 Valve <b>(SN 0300041275 through 0300069000)</b>	
24	2900708	1	Seal Kit - 7017414 Cartridge	
24	7012901	1	Seal Kit - 7017475 Cartridge	
24	7000645	1	Coil - 7017414 Valve Only	
24	7012943	1	Coil - 7017475 Valve Only	
25		Ref	Cartridge, Flow Regulator (Main) Options:	
25	7021601	1	4641034 Valve (was p/n 7017476) <b>(Prior to SN 0300040142)</b>	
25	7021601	1	4641093 & 4641099 Valves <b>(SN 0300040142 through 0300069000)</b>	
25	7017477	1	Seal Kit - 7021601 Cartridge	
26	70000579	1	Control Valve Assembly (Main Tele) (was p/n 7012766)	
		Ref	<b>Note: Refer to Vendor p/n on Valve Nameplate before ordering Parts. P/N 7012766 is RR00567495 or R900567495. P/N 70000579 is R900930080.</b>	
26		Ref	Seal Kit Options:	
26	7012769	1	7012766 Valve	
26	70000583	1	70000579 Valve	
26A		Ref	Coil Options:	
26A	7012772	1	7012766 Valve (Was p/n 7012768)	
26A	70000582	1	70000579 Valve	
26A		Ref	Nut, Coil Options:	
26A	7018912	1	7012766 Valve	
26A	70000580	1	70000579 Valve	
27	70001976	1	Control Valve Assembly (Tower Tele) (was p/n 7012770)	
27	7012773	1	Seal Kit - 7012770 Valve	
27A	7012772	2	Coil	
27A	7018912	2	Nut	
28	70001976	1	Control Valve Assembly (Platform Level) (was p/n 7012770)	
28	7012773	1	Seal Kit - 7012770 Valve	
28A	7012772	2	Coil	
28A	7018912	2	Nut	
29	70001976	1	Control Valve Assembly (Platform Rotate) (was p/n 7012770)	
29	7012773	1	Seal Kit - 7012770 Valve	
29A	7012772	2	Coil	
29A	7018912	2	Nut	
30	70001976	1	Control Valve Assembly (Tower Lift) (was p/n 7012770)	
30	7012773	1	Seal Kit - 7012770 Valve	
30A	7012772	2	Coil	
30A	7018912	2	Nut	
31	7012989	1	Cartridge, Flow Regulator (Platform Rotate)	
31	7012953	1	Seal Kit - 7012989 Cartridge	
32	7012774	1	Control Valve Assembly (Front Steer)	
32	7012773	1	Seal Kit - 7012774 Valve	
32A	7012772	2	Coil	

## SECTION 2 - TURNTABLE

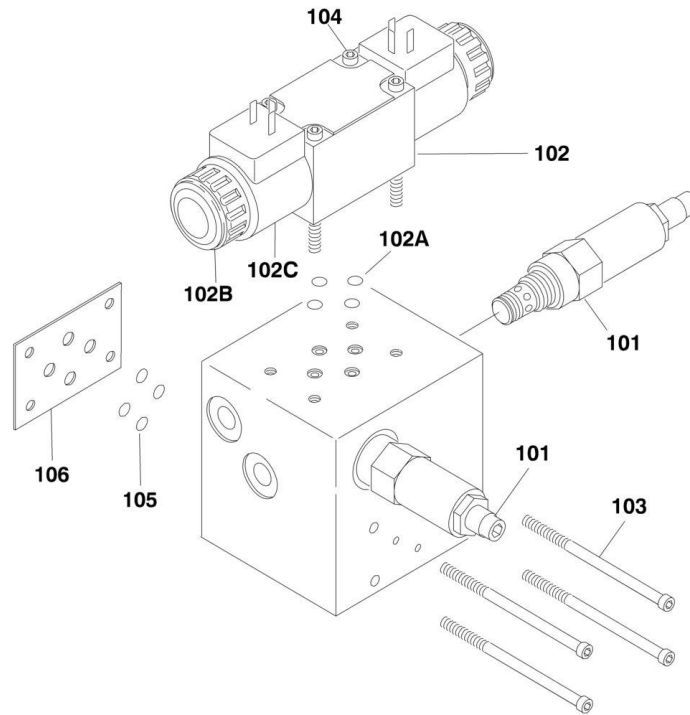
ITEM	PART NUMBER	QTY	DESCRIPTION	REV
32A	7018912	2	Nut	
33		Ref	Valve, Sandwich (Platform Rotate) Options:	
33	Not Required	0	4641034 & 4641093 Valves <b>(Prior to SN 0300041275)</b>	
33	7021310	1	4641099 Valve <b>(SN 0300041275 through 0300069000)</b>	
33	7018945	2	O-Rings, Replacement - 7021310 Valve	
34	7017478	1	Cartridge, Check Valve (Main Pressure)	
34	7017477	1	Seal Kit - 7017478 Cartridge	
35	7012941	1	Cartridge without Coil (Main Dump)	
35	7010543	1	Seal Kit - 7017452 Cartridge	
35	7012944	1	Coil	
36	7017428	1	Cartridge, Relief Valve (Tower Tele)	
36	7012998	1	Seal Kit - 7017428 Cartridge	
37	7018942	28	Capscrew #10-24NC x 2in	
38	7018951	4	Capscrew 1/4in-20NC x 1-1/2in	
39	7021311	4	Capscrew #10-24NC x 4-1/2in	
40	See Note	1	Valve, Check (Platform Rotate) (4641034 Valve Only) (Note: Not Available for Purchase)	
40	7018945	2	O-Ring (Platform Rotate) (4641034 Valve Only)	

## SECTION 2 - TURNTABLE

FIGURE 2-3. ACCESSORY VALVE ASSEMBLY



**NOTE: TORQUE ITEMS 6, 7, 103 & 104  
TO 60 IN/LBS.**



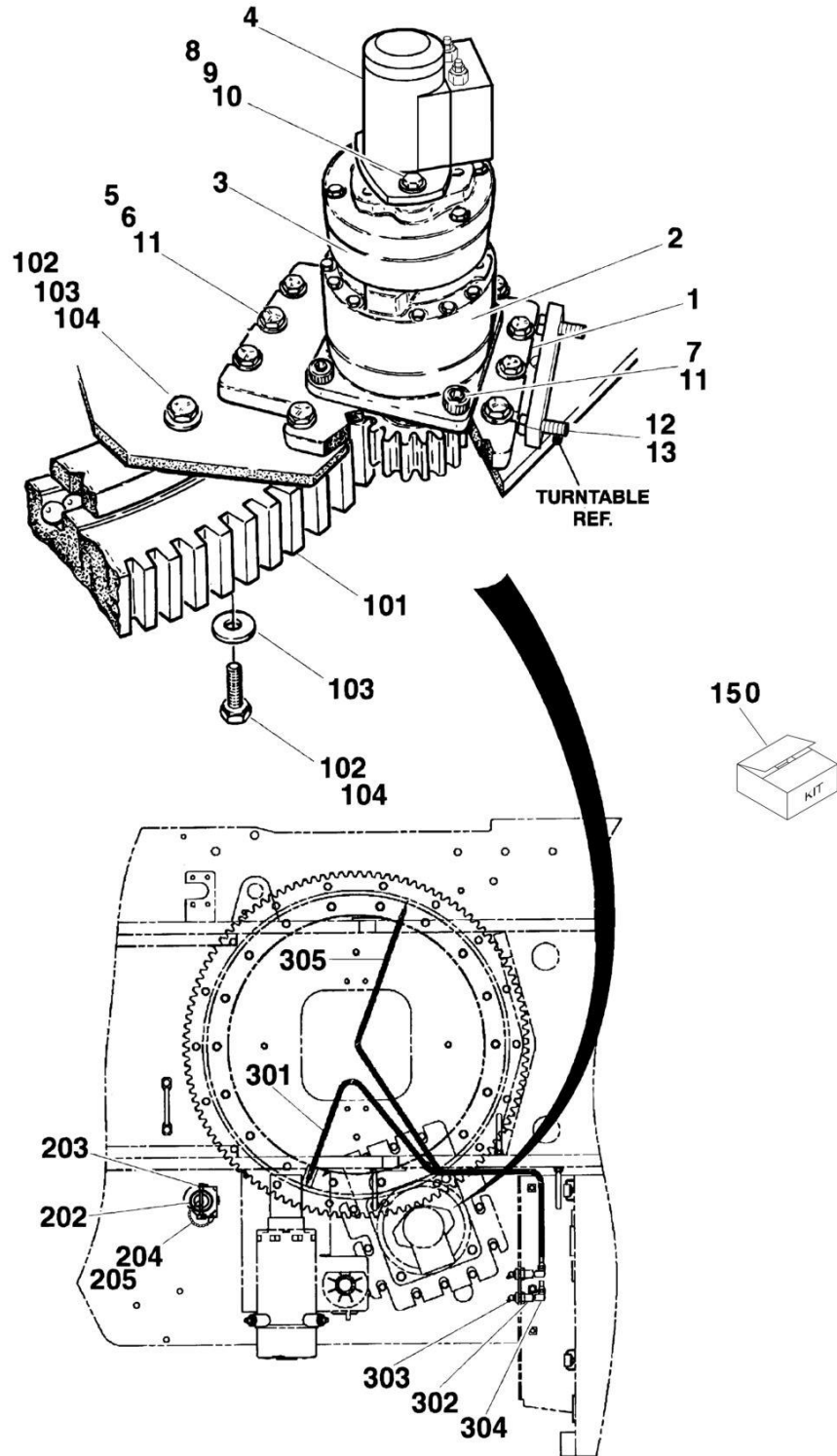
**SECTION 2 - TURNTABLE**

**FIGURE 2-3. ACCESSORY VALVE ASSEMBLY**

ITEM	PART NUMBER	QTY	DESCRIPTION	REV
		Ref	<b>ACCESSORY VALVE ASSEMBLIES</b>	
	4640921	Ref	<b>ARTICULATING JIB VALVE ASSEMBLY</b>	D
1	7012965	1	Cartridge, Flow Control	
1	7012953	1	Seal Kit - 7012965 Cartridge	
2	70001976	1	Directional Control Valve Assembly (was p/n 7012770)	
2	7012773	1	Seal Kit	
2A	7018945	4	O-Ring	
2B	7018912	2	Nut	
2C	7012772	2	Coil	
3	7017421	1	Cartridge, Relief	
3	7012998	1	Seal Kit - 7017421 Cartridge	
4	7017422	1	Cartridge, Relief	
4	7012998	1	Seal Kit - 7017422 Cartridge	
5	4460499	2	Connector, DIN with Diode (Part of Valve Harness)	
6	7018946	4	Capscrew, Socket Head #10-24NC x 5in (Not Shown - Used to Mount Valve Assembly)	
7	7018942	4	Capscrew, Socket Head #10-24NC x 2in	
8	7012776	4	O-Ring (Not Shown - Used to Mount to Main Valve)	
	4640922	Ref	<b>4WS VALVE ASSEMBLY (NOT SHOWN)</b>	B
101	7017420	2	Cartridge, Flow Control	
101	7012998	2	Seal Kit - 7017420 Cartridge	
102	7012774	1	Directional Control Valve Assembly	
102	7012773	1	Seal Kit	
102A	7018945	4	O-Ring	
102B	7018912	2	Nut	
102C	7012772	2	Coil	
103	7018946	4	Capscrew, Socket Head #10-24NC x 5in (Used to Mount Valve Assembly)	
104	7018942	4	Capscrew, Socket Head #10-24NC x 2in	
105	7018948	4	O-Ring (Used to Mount to Main Valve)	
106	7018947	1	Plate	

# SECTION 2 - TURNTABLE

FIGURE 2-4. TURNTABLE AND SWING DRIVE INSTALLATIONS (Prior to SN 0300068040)





## SECTION 2 - TURNTABLE

**FIGURE 2-4. TURNTABLE AND SWING DRIVE INSTALLATIONS (Prior to SN 0300068040)**

ITEM	PART NUMBER	QTY	DESCRIPTION	REV
		Ref	<b>TURNTABLE WELDMENT:</b>	
	4620119	Ref	Standard Machines	
		Ref	<b>SWING DRIVE INSTALLATION OPTIONS:</b>	
	0258407	Ref	<b>Swing Drive Installation (Prior to SN 0300064566)</b>	D
	0270331	Ref	<b>Swing Drive Installation (SN 0300064566 through 0300068040)</b>	B
1	3570488	1	Plate, Swing Drive	
2	2780205	1	Hub, Swing Assembly (See SWING HUB ASSEMBLY for Breakdown)	
3		Ref	Brake, Swing Assembly Options: (See SWING BRAKE ASSEMBLY for Breakdown)	
3	0920111	1	Brake, Swing Assembly ( <b>Prior to SN 0300064566</b> )	
3	0920119	1	Brake, Swing Assembly ( <b>SN 0300064566 through 0300068040</b> )	
4		Ref	Motor, Swing Assembly Options: (See SWING MOTOR ASSEMBLY for Breakdown)	
4	3160223	1	Motor, Swing Assembly ( <b>Prior to SN 0300064566</b> )	
4	3160279	1	Motor, Swing Assembly ( <b>SN 0300064566 through 0300068040</b> )	
5	0642018	12	Bolt 5/8in - 11NC x 2-1/4in	
6		Ref	Washer Options:	
6	4892000	12	Flatwasher 5/8in ( <b>Prior to SN 0300064566</b> )	
6	4740004	12	Hardened, Washer 5/8in ( <b>SN 0300064566 through 0300068040</b> )	
7	3932224	4	Bolt 1/2in - 13NC x 1-1/2in	
8	0681836	2	Bolt 1/2in - 13NC x 4-1/2in (Grade 8)	
9	4891800	2	Flatwasher 1/2in	
10	0100011	AR	Compound, Locking	
11	0100019	AR	Compound, Locking	
12	3311802	2	Nut Jam 1/2in - 13NC ( <b>SN 0300052924 through 0300068040</b> )	
13	3971820	2	Setscrew 1/2in - 13NC x 2 1/2 ( <b>SN 0300052924 through 0300068040</b> )	
		Ref	<b>TURNTABLE BEARING INSTALLATIONS</b>	
	0254798	Ref	<b>Turntable Bearing Installations (Prior to SN 0300041029)</b>	A
	0259055	Ref	<b>Turntable Bearing Installations (SN 0300041029 through 0300068040)</b>	A
101		Ref	Bearing, Turntable Options:	
101	0440207	1	Bearing, Turntable ( <b>Prior to SN 0300041029</b> )	
101	0440233	NLA	Bearing, Turntable, Bearing Kit (Use p/n 2915096) (Kit Includes Bearing and Mounting Hardware) ( <b>SN 0300041029 through 0300068040</b> )	
102		Ref	Bolt 5/8in - 11NC (Grade 8)	
102	0682016	36	2in Length ( <b>Prior to SN 0300041029</b> )	
102	0682023	36	2-7/8in Length ( <b>SN 0300041029 through 0300068040</b> )	
103	4892000	36	Flatwasher, Hardened	
104	0100019	AR	Compound, Locking	
150	2915087	1	<b>TURNTABLE BEARING KIT (Prior to SN 0300041029)</b>	
150	2915096	1	<b>TURNTABLE BEARING KIT (SN 0300041029 through 0300068039)</b>	
	0239585	Ref	<b>TURNTABLE LOCK INSTALLATION</b>	B
202	3421627	1	Pin	
203	3421565	1	Pin, Snap	
204	3760170	2	Ring, Quick Release	

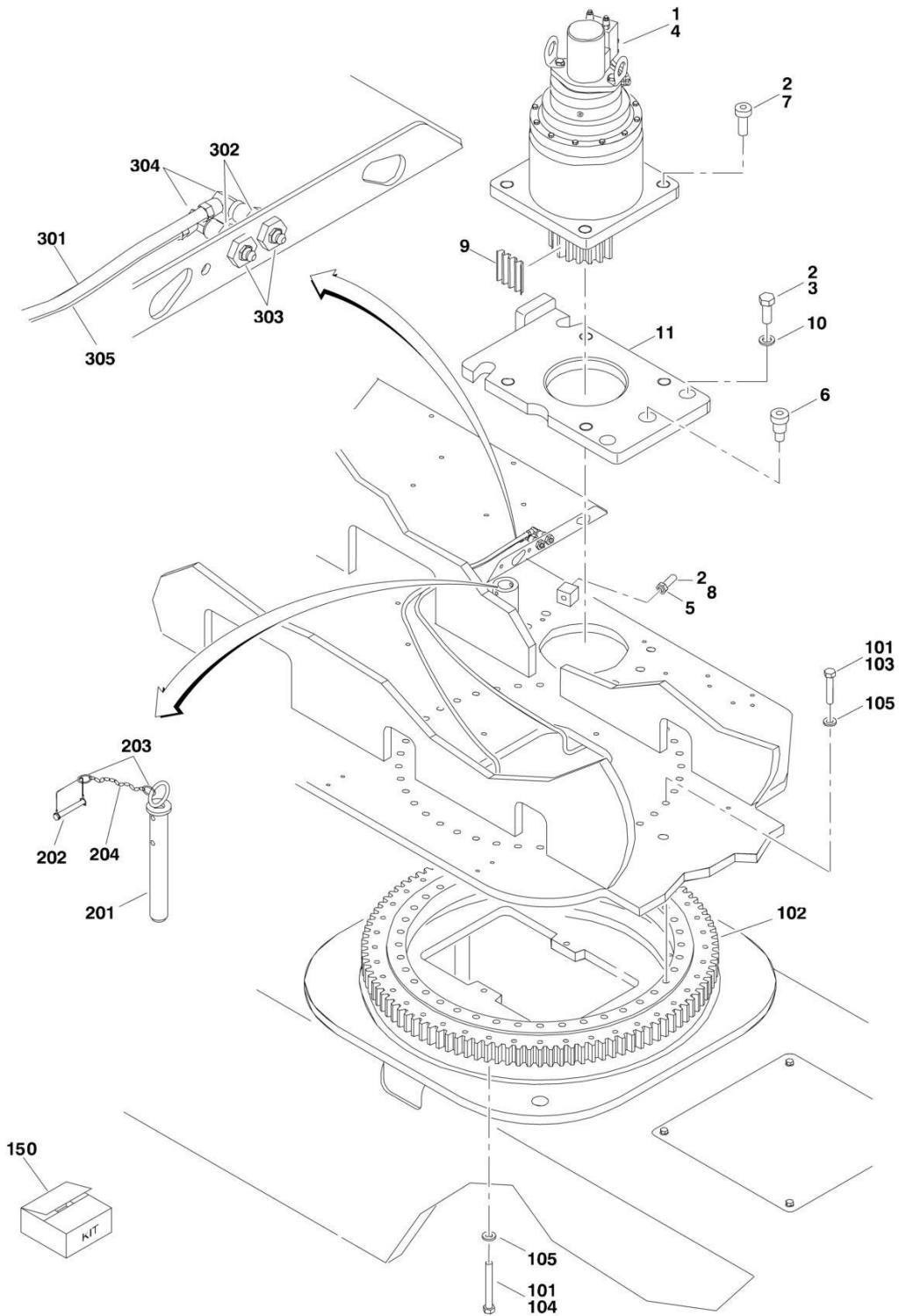
## SECTION 2 - TURNTABLE

ITEM	PART NUMBER	QTY	DESCRIPTION	REV
205	1260017	9 in/23cm	Chain	2
	0255316	Ref	<b>REMOTE BEARING LUBE INSTALLATION</b>	
301	2751095	1	Hose, Grease	
302	2180344	2	Fitting, Bulkhead	
303	2160003	2	Fitting, Grease Elbow	
304	2220063	2	Fitting, Elbow	
305	2751032	1	Hose, Grease	



# SECTION 2 - TURNTABLE

FIGURE 2-5. TURNTABLE AND SWING DRIVE INSTALLATIONS (SN 0300068040 through 0300069000)



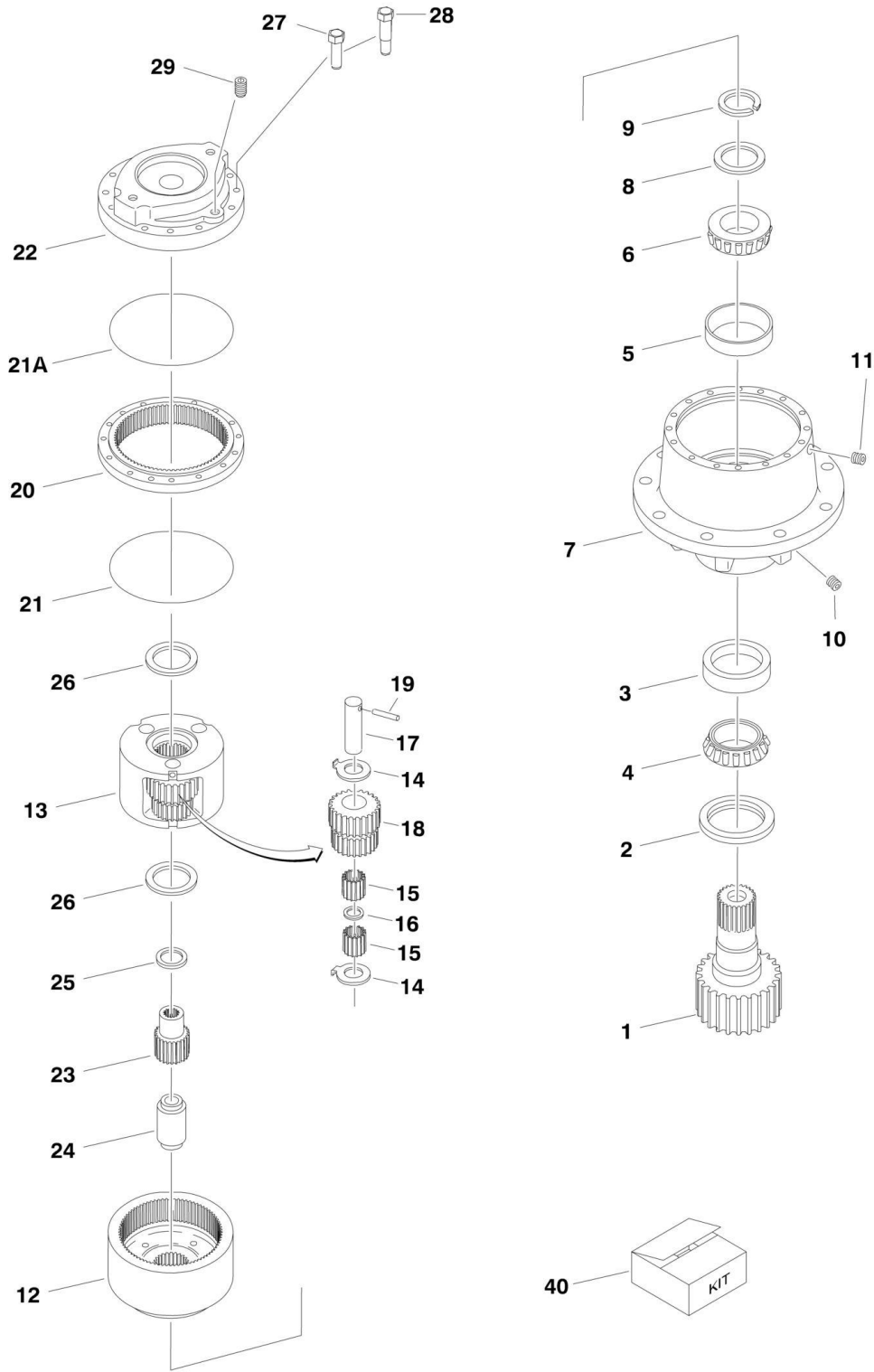
## SECTION 2 - TURNTABLE

**FIGURE 2-5. TURNTABLE AND SWING DRIVE INSTALLATIONS (SN 0300068040 through 0300069000)**

ITEM	PART NUMBER	QTY	DESCRIPTION	REV
		Ref	<b>TURNTABLE WELDMENT</b>	
	4620119	Ref	Standard Machines	
	0272189	Ref	<b>SWING DRIVE INSTALLATION</b>	A
1	0100011	AR	Compound, Locking	
2	0100019	AR	Compound, Locking	
3	0682214	4	Bolt 3/4in - 10NC x 1-3/4in (Grade 8)	
4	3160286	1	Motor, Swing Assembly (See SWING MOTOR/HUB ASSEMBLY for Breakdown)	
5	3312002	1	Nut Jam 5/8in - 11NC	
6	3900293	1	Screw, Shoulder	
7	3932224	4	Screw 3/4in- 10NC x 1-1/2in	
8	3952020	1	Setscrew 5/8in x 2in	
9	4071009	1	Shim	
10	4740057	4	Hardened, Washer	
11	4846430	1	Plate, Swing Drive	
	0271002	Ref	<b>TURNTABLE BEARING INSTALLATION</b>	E
101	0100019	AR	Compound, Locking	
102	0440244	1	Bearing, Turntable	
103	0682023	24	Bolt 5/8in - 11NC x 2-7/8in (Grade 8)	
104	0682032	24	Bolt 5/8in - 11NC x 4in (Grade 8)	
105	4892000	48	Flatwasher, Hardened	
150	2915094	1	<b>TURNTABLE BEARING KIT</b>	
	0259147	Ref	<b>TURNTABLE LOCK INSTALLATION</b>	A
201	4844958	1	Weldment, Pin	
202	3421565	1	Pin, Snap	
203	3760170	2	Ring, Quick Release	
204	1260017	9 in/23cm	Chain	
	0255316	Ref	<b>REMOTE BEARING LUBE INSTALLATION</b>	2
301	2751095	1	Hose, Grease	
302	2180344	2	Fitting, Bulkhead	
303	2160003	2	Fitting, Grease Elbow	
304	2220063	2	Fitting, Elbow	
305	2751032	1	Hose, Grease	

# SECTION 2 - TURNTABLE

## FIGURE 2-6. SWING HUB ASSEMBLY (Prior to SN 0300068040)



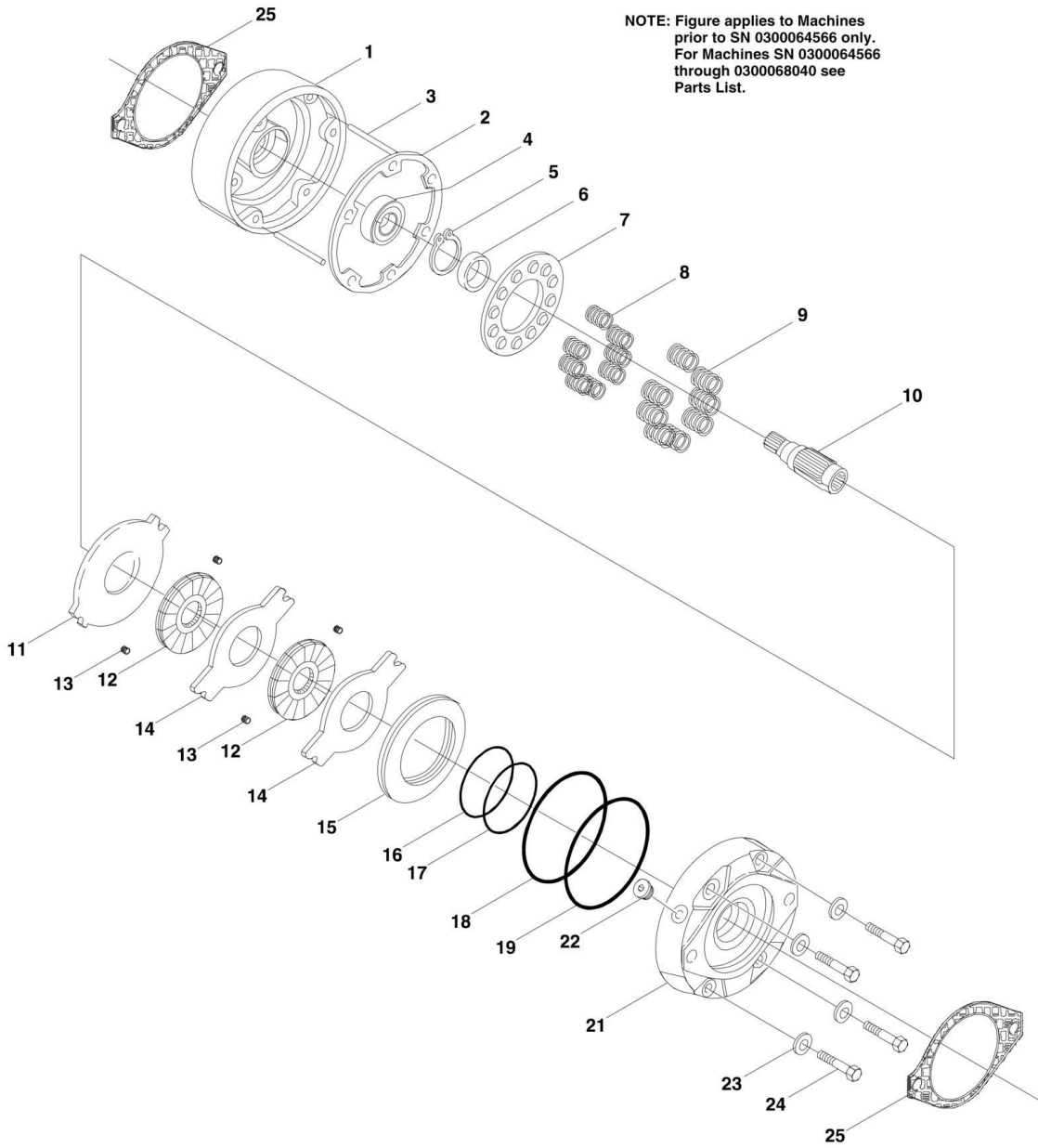
## SECTION 2 - TURNTABLE

**FIGURE 2-6. SWING HUB ASSEMBLY (Prior to SN 0300068040)**

ITEM	PART NUMBER	QTY	DESCRIPTION	REV
	2780205	Ref	<b>SWING HUB ASSEMBLY</b>	-
		Ref	<b>HOUSING ASSEMBLY</b>	
1	7010492	1	Shaft, Output	
2	7000228	1	Seal, Lip	
3	7000255	1	Cup, Bearing	
4	7000256	1	Cone, Bearing	
5	7000257	1	Cup, Bearing	
6	7000258	1	Cone, Bearing	
7	7017089	1	Housing	
8	7007633	1	Thrustwasher	
9	7000229	1	Ring, Retaining	
10	7010494	2	Pipe, Plug	
11	7001928	2	Pipe, Plug	
12	7000246	2	Gear, In O-Ring	
		Ref	<b>CARRIER ASSEMBLY</b>	
13	7001931	1	Carrier	
14	7001985	6	Thrustwasher, Tanged	
15	7001909	96	Bearing, Needle	
16	7000263	3	Spacer, Thrust	
17	7001911	3	Shaft, Planet	
18	7001987	3	Gear, Cluster	
19	7010474	3	Roll Pin	
20	7001988	1	Ring Gear	
21	7000230	2	O-Ring	
21A	7017070	1	O-Ring	
22	7000209	1	Cover, Input	
23	7010488	1	Gear, Sun	
24	7000269	1	Spacer, Input	
25	7000270	1	Thrustwasher	
26	7000253	2	Thrustwasher	
27	7000217	8	Bolt	
28	7000214	4	Bolt, Shoulder	
29	2200222	1	Pipe, Plug	
40	7024100	1	Kit, Seal (Includes Items 2, 9, 21, 21A & 26)	

# SECTION 2 - TURNTABLE

## FIGURE 2-7. SWING BRAKE ASSEMBLY (Prior to SN 0300068040)





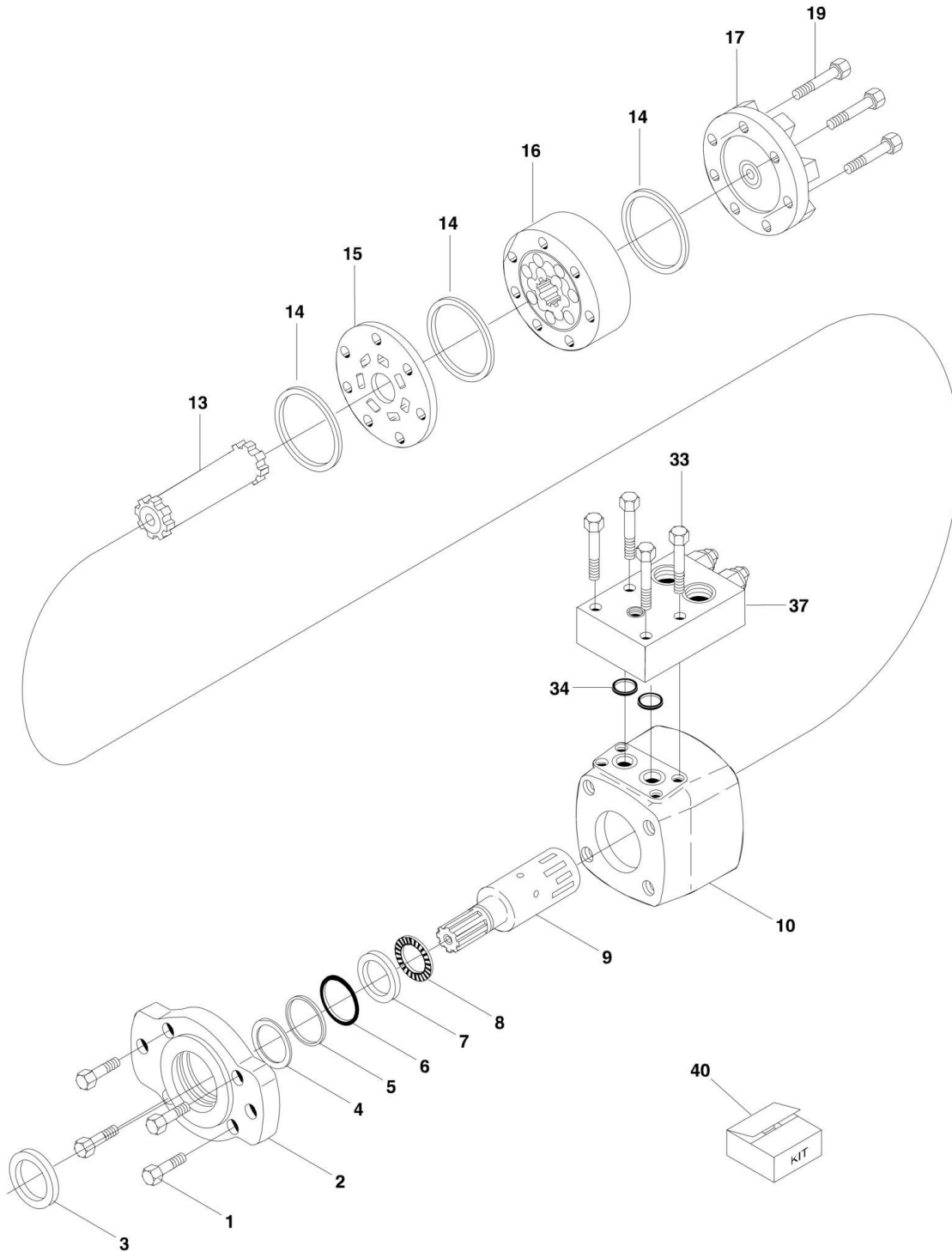
## SECTION 2 - TURNTABLE

**FIGURE 2-7. SWING BRAKE ASSEMBLY (Prior to SN 0300068040)**

ITEM	PART NUMBER	QTY	DESCRIPTION	REV
	0920111	Ref	<b>SWING BRAKE ASSEMBLY (Prior to SN 0300064566)</b>	B
1	7003451	1	Housing	
2	7003452	1	Gasket	
3	7003094	2	Torque Pin	
4	7003049	1	Bearing, Ball	
5	7003453	1	Ring, Retaining	
6	7003050	1	Seal	
7	7003454	1	Retainer, Spring	
8	7000798	10	Spring, Compression (Small)	
9	7000782	10	Spring, Compression (Large)	
10	7003455	1	Shaft	
11	7003456	1	Disc, Primary	
12	7003457	2	Disc, Rotating	
13	7003458	4	Spring, Wave	
14	7003459	2	Disc, Stationary	
15	7003460	1	Piston	
16	7000722	1	Ring, Back-up	
17	7000723	1	O-Ring	
18	7000724	1	Ring, Back-up	
19	7000725	1	O-Ring	
20	7000796	1	Screw, Bleeder	
21	7003461	1	Plate, Power	
22	7000728	1	Plug, Protective	
23	7003462	4	Washer	
24	7003463	4	Bolt 1/2in-13NC	
25	7000731	2	Gasket	
	0920119	Ref	<b>SWING BRAKE ASSEMBLY (NOT SHOWN) (SN 0300064566 through 0300068040)</b>	B
	7018612	1	Kit, Repair	
		Ref	<b>Note: Repair Kit Only</b>	

# SECTION 2 - TURNTABLE

FIGURE 2-8. SWING MOTOR ASSEMBLY (Prior to SN 0300068040)



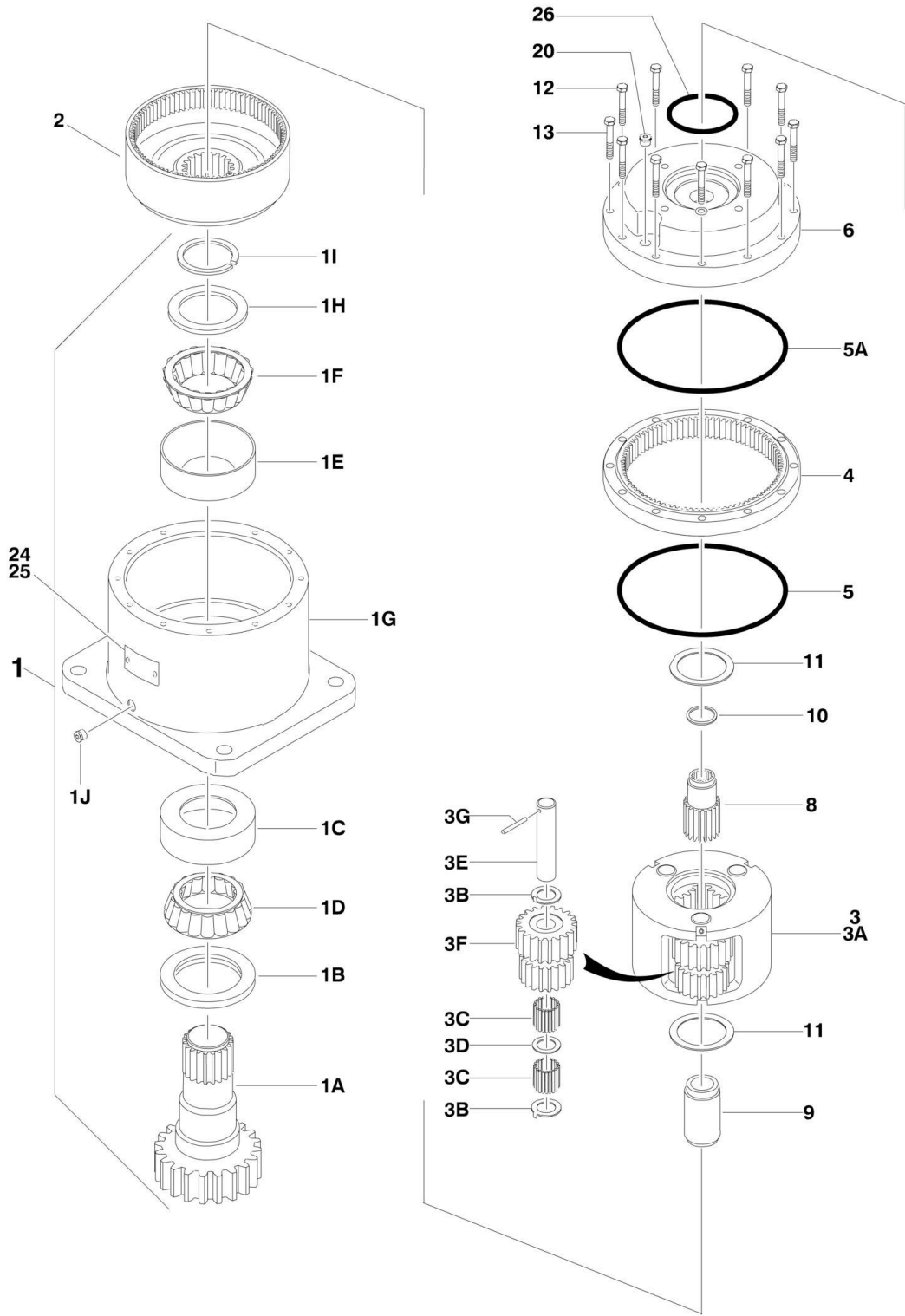
**SECTION 2 - TURNTABLE**

**FIGURE 2-8. SWING MOTOR ASSEMBLY (Prior to SN 0300068040)**

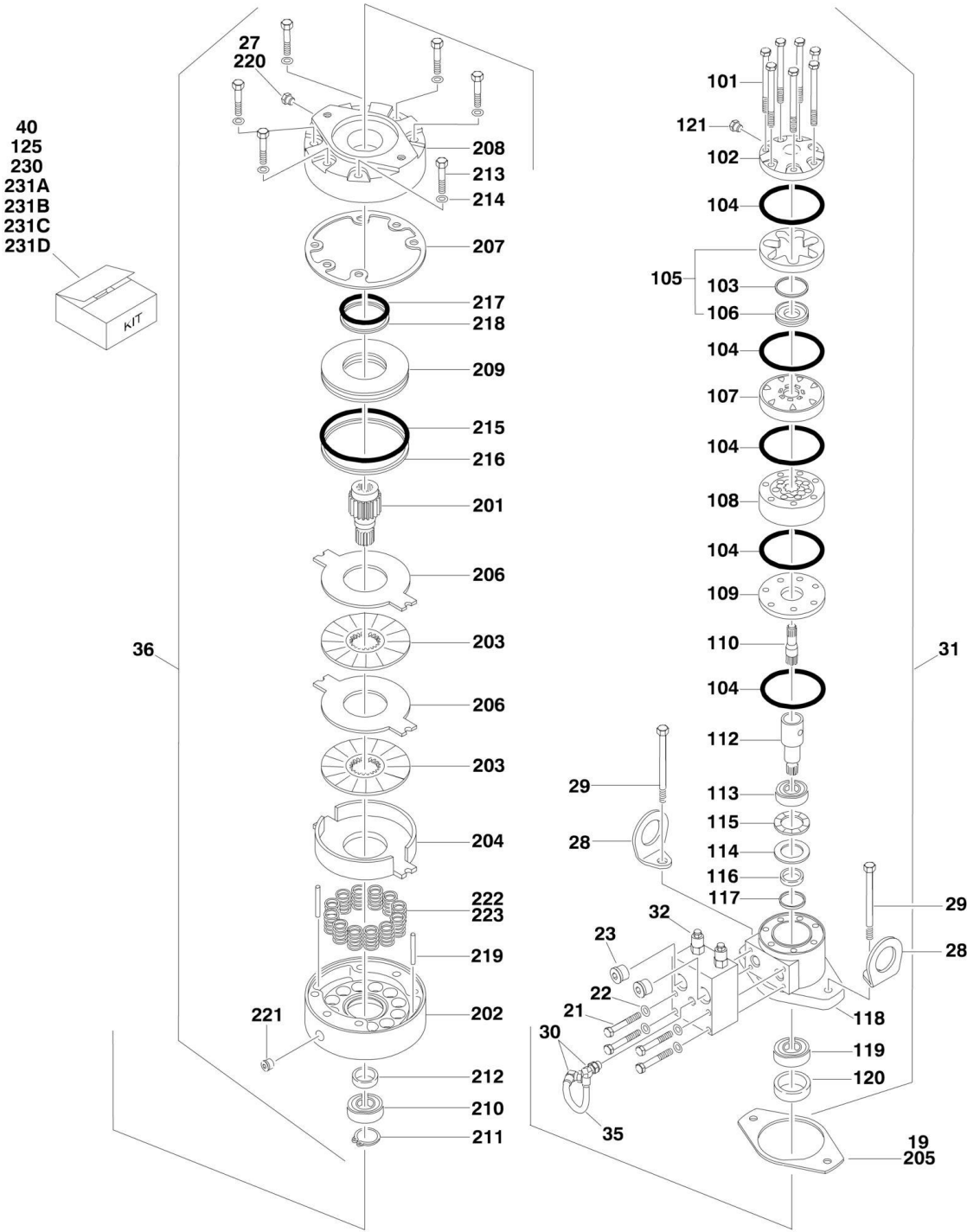
ITEM	PART NUMBER	QTY	DESCRIPTION	REV
		Ref	<b>SWING MOTOR ASSEMBLY</b>	
	3160223	Ref	<b>Swing Motor Assembly (Prior to SN 0300064061)</b>	B
	3160279	Ref	<b>Swing Motor Assembly (SN 0300064061 through 0300068040)</b>	A
1		Ref	Bolt Options:	
1	7002123	4	<b>Bolt (Prior to SN 0300064566)</b>	
1	7020357	4	<b>Bolt (SN 0300064566 through 0300068040)</b>	
2	7009996	1	Flange, Mounting	
3	See Note	NSS	Seal, Exclusion (Note: Use Item 40)	
4	See Note	NSS	Washer, Back-up (Note: Use Item 40)	
5	See Note	NSS	Seal, Pressure (Note: Use Item 40)	
6	See Note	NSS	Seal (Note: Use Item 40)	
7	7002117	1	Race, Bearing	
8	7002111	1	Washer, Thrust	
9	7009998	1	Shaft	
10		Ref	Housing Options:	
10	7020335	1	<b>Housing (Prior to SN 0300064061)</b>	
10	7020358	1	<b>Housing (SN 0300064061 through 0300068040)</b>	
13	7020336	1	Drive	
14	See Note	NSS	Seal, Body (Note: Use Item 40)	
15	7020338	1	Plate, Spacer	
16	7020339	1	Rotor Set Assembly	
17	7020346	1	Cap, End	
19	7020340	7	Bolt	
33		Ref	Bolt Options:	
33	7020341	4	<b>Bolt (Prior to SN 0300064061)</b>	
33	7020353	4	<b>Bolt (SN 0300064061 through 0300068040)</b>	
34	See Note	NSS	O-Ring (Note: Use Item 40)	
37		Ref	Valve, Counterbalance Options:	
37	7020343	1	Valve, Counterbalance <b>(Prior to SN 0300064061)</b>	
37	7020359	1	Valve, Counterbalance <b>(SN 0300064061 through 0300068040)</b>	
37		Ref	Cartridge, Valve Options:	
37	See Note	2	Cartridge, Valve (Note: Not Available for Purchase) <b>(Prior to SN 0300064061)</b>	
37	7020362	2	Cartridge, Valve <b>(SN 0300064061 through 0300068040)</b>	
37		Ref	O-Ring Options:	
37	See Note	2	O-Ring (Note: Not Available for Purchase) <b>(Prior to SN 0300064061)</b>	
37	7020363	2	O-Ring <b>(SN 0300064061 through 0300068040)</b>	
40	7020360	1	Seal Kit - (Includes Items 3-6, 14 & 34)	

# SECTION 2 - TURNTABLE

FIGURE 2-9. SWING MOTOR/HUB ASSEMBLY (SN 0300068040 through 0300069000)



# SECTION 2 - TURNTABLE



## SECTION 2 - TURNTABLE

**FIGURE 2-9. SWING MOTOR/HUB ASSEMBLY (SN 0300068040 through 0300069000)**

ITEM	PART NUMBER	QTY	DESCRIPTION	REV
	3160286	Ref	<b>SWING MOTOR/HUB ASSEMBLY</b>	A
1	See Note	1	Housing/Shaft Assembly (Note: Not Available - Purchase Individual Components)	
1A	7010492	1	Shaft, Out put	
1B	7000228	1	Seal, Lip	
1C	7000255	1	Cup, Bearing	
1D	7000256	1	Cone, Bearing	
1E	7000257	1	Cup, Bearing	
1F	7000258	1	Cone, Bearing	
1G	7017089	1	Housing	
1H	7007633	1	Washer, Thrust	
1I	7000229	1	Ring, Retaining	
1J	7001928	1	Plug, Pipe	
2	7000246	1	Gear, Internal	
3	See Note	1	Carrier Assembly (Note: Not Available - Purchase Individual Components)	
3A	7001931	1	Carrier	
3B	7001985	6	Washer, Tanged	
3C	7001909	96	Bearing, Needle	
3D	7000263	3	Washer, Thrust	
3E	7001911	3	Shaft, Planet	
3F	7001912	3	Gear, Cluster	
3G	7010474	3	Roll Pin	
4	7000248	1	Gear, Ring	
5	7000230	1	O-Ring	
5A	7017070	1	O-Ring	
6	7000209	1	Cover, Input	
8	7010461	1	Gear, Sun	
9	7000269	1	Spacer, Input	
10	7000270	1	Washer, Thrust	
11	7000253	2	Washer, Thrust	
12	7000217	8	Bolt 5/16in-18NC x 2-1/4in (Grade 8)	
13	7000214	4	Bolt, Shoulder 5/16in-18NC x 1-7/8in (Grade 8)	
19	7024703	1	Gasket	
20	2200222	1	Plug, Pipe	
21	7024704	4	Bolt 5/16in-18NC x 2in (Grade 8)	
22	See Note	4	Lockwasher (Note: Not Available for Purchase)	
23	7017023	2	Plug, Pipe	
24	See Note	1	Plate, ID (Note: Not Available for Purchase)	
25	7000281	2	Screw, Drive	
26	7024705	1	O-Ring	
27	7017082	1	Plug, Pipe	
28	See Note	2	Lug, Lifting (Note: Not Available for Purchase)	
29	7024185	2	Bolt 1/2in-13NC x 5in (Grade 8)	
30	7017085	2	Elbow	
31	7024707	1	Motor Assembly (See Items 101-121 for Breakdown)	
32	7024784	1	Valve (No Serviceable Parts)	
35	7024706	1	Tube	
36	7024702	1	Brake Assembly (See Items 201-223 for Breakdown)	
40	7024100	1	Seal Kit, Swing Hub (Includes Items 1B, 1I, 5, 5A & 11)	

## SECTION 2 - TURNTABLE

ITEM	PART NUMBER	QTY	DESCRIPTION	REV
	7024707	Ref	<b>MOTOR ASSEMBLY</b>	
101	7024454	5	Bolt	
102	7024459	1	Cover, End	
103	See Note	NSS	Seal, Commutator (Note: Use Item 125)	
104	See Note	NSS	Seal, Ring (Note: Use Item 125)	
105	7024453	1	Commutator and Ring Assembly	
106	7024453	1	Ring	
107	7024379	1	Manifold	
108	7024455	1	Rotor Set	
109	7024380	1	Plate, Wear	
110	7024456	1	Link, Drive	
112	7024458	1	Shaft, Coupling	
113	7004042	1	Bushing, Bronze	
114	7004043	1	Washer, Thrust	
115	7004044	1	Bearing, Thrust	
116	See Note	NSS	Seal, Inner (Note: Use Item 125)	
117	See Note	NSS	Washer, Back-up (Note: Use Item 125)	
118	7024457	1	Housing	
119	7004046	1	Bearing	
120	See Note	NSS	Seal (Note: Use Item 125)	
121	7010795	1	Plug, O-Ring	
125	7024396	1	Seal Kit, Motor (Includes Items 103, 104, 116, 117 & 120)	
	7024702	Ref	<b>BRAKE ASSEMBLY</b>	
201	7024189	1	Shaft	
202	7024702	1	Housing (Note: Not Available for Purchase)	
203	See Note	NSS	Plate, Friction (Note: Use Item 231C)	
204	See Note	NSS	Plate, Pressure (Note: Use Item 231C)	
205	7000731	1	Gasket	
206	See Note	NSS	Plate, Outer (Note: Use Item 231C)	
207	See Note	1	Gasket (Note: Use Item 230, 231C or 231D)	
208	7024191	1	Cylinder	
209	7024192	1	Piston	
210	See Note	NSS	Bearing, Ball (Note: Use Item 231D)	
211	See Note	NSS	Ring, Retaining (Note: Use Item 231D)	
212	See Note	NSS	Seal, Shaft (Note: Use Item 231D)	
213	See Note	6	Capscrew (Note: Not Available for Purchase)	
214	See Note	6	Lockwasher (Note: Not Available for Purchase)	
215	See Note	NSS	O-Ring (Note: Use Item 230)	
216	See Note	NSS	Ring, Back-up (Note: Use Item 230)	
217	See Note	NSS	O-Ring (Note: Use Item 230)	
218	See Note	NSS	Ring, Back-up (Note: Use Item 230)	
219	7024190	2	Pin, Dowel	
220	See Note	1	Plug (Note: Not Available - Purchase Locally)	
221	See Note	1	Plug (Note: Not Available - Purchase Locally)	
222	See Note	NSS	Spring (Natural) (Note: Use Item 231B)	
223	See Note	NSS	Spring (Blue) (Note: Use Item 231B)	
230	7024194	1	Seal Kit, Brake (Includes Items 205, 207 & 215-218)	
231		Ref	Repair Kit, Brake Options:	
231A	7024195	NLA	Spring Kit (Includes 12 Natural Colored Springs) (Use Item 231B)	
231B	7024196	1	Spring Kit (Includes 12 Blue and 12 Natural Colored Springs)	
231C	7024193	1	Friction Disc Kit (Includes Items 203, 204, 206 & 207)	

## SECTION 2 - TURNTABLE

ITEM	PART NUMBER	QTY	DESCRIPTION	REV
231D	7024197	1	Bearing Kit (Includes Items 207 & 210-212)	

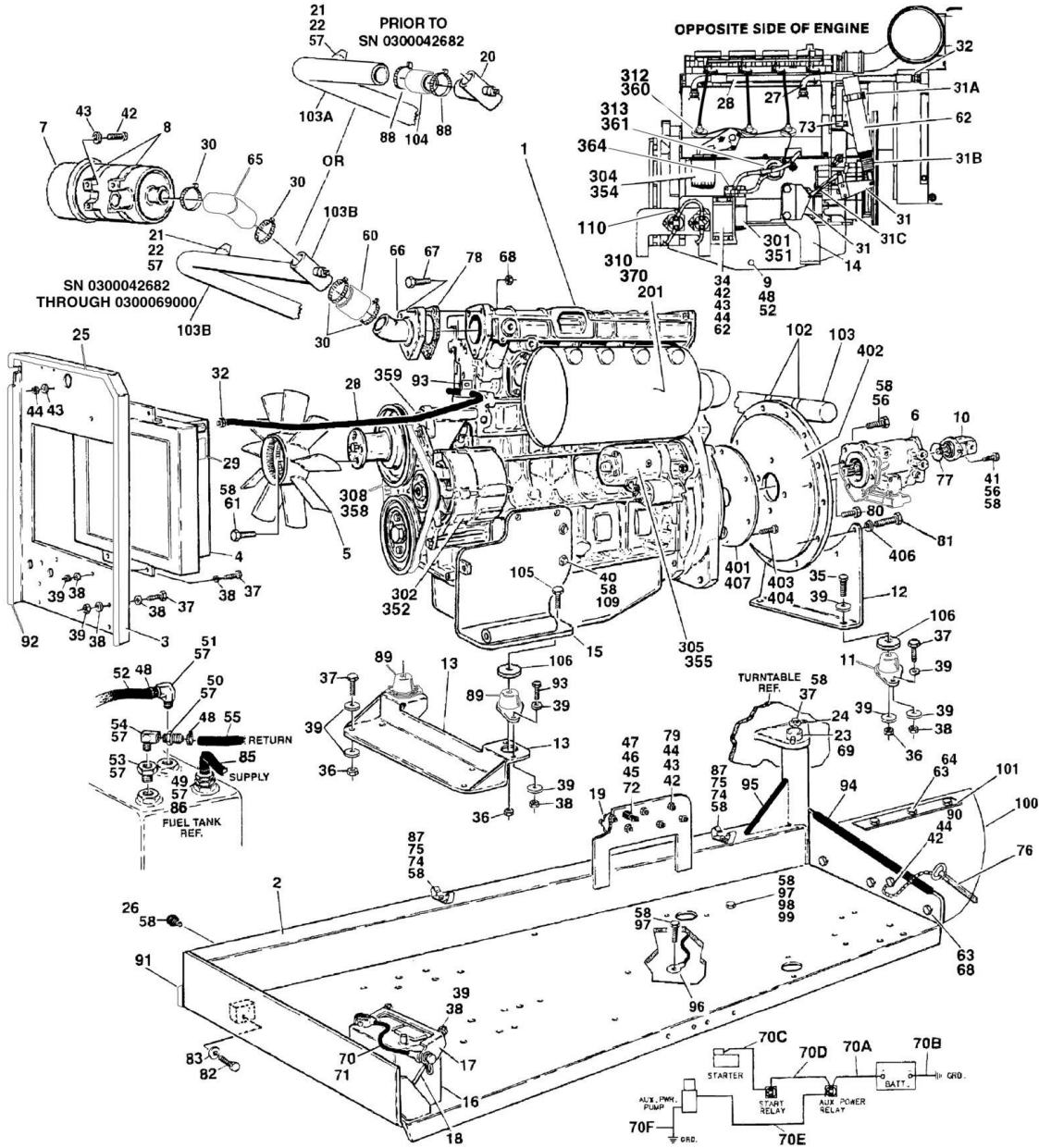




# SECTION 2 - TURNTABLE

## FIGURE 2-10. DEUTZ ENGINE INSTALLATION

NOTE: These Machine SN's Also Equipped With ADE System: 0300062045, 0300062797, 0300063013, 0300063665, 0300063975, 0300064000-0300064017, 0300064390, 0300064392 & 0300064411.



## SECTION 2 - TURNTABLE

### FIGURE 2-10. DEUTZ ENGINE INSTALLATION

ITEM	PART NUMBER	QTY	DESCRIPTION	REV
		Ref	<b>NOTE: THESE MACHINE SN'S ALSO EQUIPPED WITH ADE SYSTEM: 0300062045, 0300062797, 0300063013, 0300063665, 0300063975, 0300064000-0300064017, 0300064390, 0300064392 &amp; 0300064411.</b>	
		Ref	<b>DEUTZ ENGINE INSTALLATIONS</b>	
	0258415	Ref	<b>Standard Machines (Prior to SN 0300064432)</b>	6-F
	0271371	Ref	<b>ADE System Machines (SN 0300064432 through 0300069000)</b>	9-F
1		Ref	Engine - Deutz F4M1011F Diesel Options:	
1	2000146	1	Engine - Deutz F4M1011F Diesel ( <b>Prior to SN 0300064432</b> )	
1	2000173	1	Engine - Deutz F4M1011F Diesel ( <b>SN 0300064432 through 0300065694</b> )	
1	2000189	1	Engine - Deutz F4M1011F Diesel ( <b>SN 0300065695 through 0300069000</b> )	
2	4845404	1	Tray Engine	
3	3539872	1	Plate, Radiator Mounting	
4	3620033	1	Cooler, Oil	
5	2060025	1	Fan	
6		Ref	Piston Pump Assembly Options (See PISTON PUMP ASSEMBLY for Breakdown):	
6	3600277	NLA	Piston Pump Assembly (Use p/n 3600295)	
6	3600295	1	Piston Pump Assembly ( <b>SN 0300042829 through 0300069000</b> )	
7	1340060	1	Air Cleaner Assembly	
7A	7012664	1	Element, Air Cleaner	
8	0340041	2	Band, Mounting	
9	4640751	1	Valve, Oil Drain	
10	3600278	1	Piston Pump Assembly	
10	7018995	1	Seal Kit - 3600278 Pump	
10	7024918	1	Seal, Shaft	
10	7024930	1	Valve Assembly - 3600278 Motor	
11	3200406	2	Mount, Rubber Engine (Rear)	
12	3537420	1	Bracket, Engine Mounting - Rear	
13	3539971	1	Bracket, Engine Mounting - Front	
14	3537416	1	Support, Engine - Right	
15		Ref	Support, Engine - Left Options:	
15	3537417	1	Support, Engine - Left ( <b>Prior to SN 0300041506</b> )	
15	4846479	1	Support, Engine - Left ( <b>SN 0300041506 through 0300068268</b> )	
15	4846566	1	Support, Engine - Left ( <b>SN 0300068269 through 0300069000</b> )	
16	0400075	1	Battery	
17	0181727	1	Hold-Down, Battery	
18	0630498	2	Rod, Hold-Down	
19	3740067	2	Relay	
20	4567112	1	Tee, Air Intake Tube ( <b>Prior to SN 0300042682</b> )	
21	4360392	1	Switch, Restrictor Indicator	
22	2180798	1	Fitting	
23	3422446	1	Pin, Pivot	
24	3841143	1	Keeper, Pin	
25	3960389	5 ft/1.5m	Seal	
26	0940070	1	Bumper, Rubber	
27	3841340	AR	Loop, Hose	
28	2720398	2	Hose, Oil Cooler	

## SECTION 2 - TURNTABLE

ITEM	PART NUMBER	QTY	DESCRIPTION	REV
29	1703162	2	Nameplate - Fan Caution	
30	1320016	4	Clamp, Hose	
31	2901392	1	Throttle Mounting Kit <b>(Prior to SN 0300064432)</b>	
31A	7008833	1	Bracket, Throttle	
31B	7008835	1	Coupling, Ball Joint	
31C	7008836	1	Spring	
31D	7023340	AR	Screw, Shoulder 3/8in x 3/8in (Not Shown)	
32	2220451	2	Fitting, Straight	
34		Ref	Bracket, Control Module Mounting Options:	
34	0902243	1	Bracket, Control Module Mounting <b>(Prior to SN 0300040385)</b>	
34	0902511	1	Bracket, Control Module Mounting <b>(SN 0300040385 through 0300064432)</b>	
35	0641818	AR	Bolt 1/2in-13NC x 2-1/4in	
36	3311805	4	Locknut 1/2in-13NC	
37	0641610	AR	Bolt 3/8in-16NC x 1-1/4in	
38	3311605	22	Locknut 3/8in-16NC x 1-1/4in	
39	4751600	44	Flatwasher 3/8in	
40	0701414	6	Bolt 1/4in-20NC x 3/4in	
41	4891800	2	Washer, Hardened 1/2in	
42	0641407	AR	Bolt 1/4in-20NC x 7/8in	
43	4751400	AR	Flatwasher 1/4in	
44	3311405	AR	Locknut 1/4in-20NC	
45	0721005	2	Bolt #10-24NC x 5/8in <b>(Prior to SN 0300064432)</b>	
46	3321005	2	Locknut #10-24NC <b>(Prior to SN 0300064432)</b>	
47	4751000	2	Flatwasher #10 <b>(Prior to SN 0300064432)</b>	
48	1320022	6	Clamp, Hose	
49	2220273	2	Fitting, Reducer	
50	2180536	1	Fitting, Straight	
51	2220313	1	Fitting, Elbow	
52	2750532	6 ft/1.83m	Hose 3/8in	
53	2220250	1	Fitting, Reducer	
54	2220459	1	Fitting, Elbow	
55	2720271	15 ft/4.6m	Hose 3/16in	
56	0641812	4	Bolt 1/2in-13NC x 1-1/2in	
57	0100020	AR	Sealant, Thread	
58	0100011	AR	Compound, Locking	
60		Ref	Coupling, Rubber Intake Options:	
60	2720351	6 in/15cm	Coupling, Rubber Intake <b>(Prior to SN 0300067970)</b>	
60	2720449	1	Coupling, Rubber Intake <b>(SN 0300067970 through 0300069000)</b>	
61	0700808	4	Bolt M8 x 16mm	
62	0060033	NLA	Actuator Assembly (Use p/n 2910000) (See ELECTRICAL SECTION for Breakdown) <b>(Prior to SN 0300064432)</b>	
63	0641508	3	Bolt 5/16in-18NC x 1-1/4in	
64	3900272	3	Capscrew, Button Head 5/16in-18NC x 1-3/4in	
65	2720434	1	Elbow, Rubber	
66	4845395	1	Air Intake Adapter Weldment	
67	0641510	3	Bolt 5/16in-18NC x 1-1/4in	
68	3311505	AR	Locknut 5/16in-18NC	
69	0961986	2	Bushing, Flanged	
70	2901609	1	Battery Cable Kit	
70A	7016800	1	Cable, Battery (Red)	

## SECTION 2 - TURNTABLE

ITEM	PART NUMBER	QTY	DESCRIPTION	REV
70B	7016809	1	Cable, Battery (Black)	
70C	7016802	1	Cable (Red)	
70D	7016803	1	Cable (Red)	
70E	7016824	1	Cable (Red)	
70F	7016825	1	Cable (Black)	
71	4460611	1	Terminal, Battery Jumper Post	
72	4360294	1	Breaker, Circuit - 30 Amp <b>(Prior to SN 0300064432)</b>	
73	1320222	1	J-Clip 3/8in	
74	1320223	3	J-Clip 1/2in	
75	0641606	3	Bolt 3/8in-16NC x 3/4in	
76	3422532	1	Pin, Hitch	
77	3790044	1	O-Ring	
78	3960407	1	Gasket	
79	4791400	4	Starwasher 1/4in	
80	0701012	4	Bolt M10 x 25mm	
81	0701015	4	Bolt M10 x 35mm	
82	0642010	1	Bolt 5/8in-11NC x 1-1/4in	
83	4752000	1	Flatwasher 5/8in	
84	1701505	1	Decal - Diesel (Not Shown - Located on Hood)	
85	2720058	16 ft/4.9m	Hose	
86	2220794	1	Fitting, Barbed	
87	4711600	3	Flatwasher 3/8in Narrow	
88	1320031	2	Clamp Only <b>(Prior to SN 0300042682)</b>	
89	3200362	2	Mount, Rubber Engine (Front)	
90	4711400	1	Flatwasher 1/4in Narrow	
91	3960468	1	Seal, Foam Gasket	
92	3960469	1	Seal, Foam Gasket	
93	0641608	14	Bolt 3/8in-16NC x 1in	
94	4060805	7 in/18cm	Flex-Trim 1/4in	
95	4060804	16 in /40cm	Flex-Trim 3/16in	
96	1060637	1	Lanyard	
97	0641808	2	Bolt 1/2in-13NC x 1in	
98	3311801	1	Nut 1/2in-13NC	
99	4751800	1	Flatwasher 1/2in	
100	3380429	1	Panel, Rubber	
101	3539957	2	Plate, Hold Down	
102	1320131	2	Clamp <b>(Prior to SN 0300042682)</b>	
103		Ref	Tuning Tube Weldment Options:	
103A	4845394	1	Tuning Tube Weldment <b>(Prior to SN 0300042682)</b>	
103B	4567815	1	Tuning Tube Weldment <b>(SN 0300042682 through 0300069000)</b>	
104	2720423	1	Hose <b>(Prior to SN 0300042682)</b>	
105	0641826	2	Bolt 1/2in-13NC x 3-1/4in	
106	4740274	4	Washer, Snubbing	
107	1320258	1	Clamp (Not Shown - Located in Center of Turntable) <b>(SN 0300042829 through 0300052923)</b>	
108	0641810	1	Bolt 1/2in-13NC x 1-1/4in (Not Shown - Used with Item 107) <b>(Prior to SN 0300052924)</b>	
109	4711900	6	Flatwasher 9/16in	
110	4922737	1	Harness, Engine Grounding <b>(SN 0300068561 through 0300069000)</b>	

## SECTION 2 - TURNTABLE

ITEM	PART NUMBER	QTY	DESCRIPTION	REV
		Ref	<b>MUFFLER INSTALLATIONS</b>	
	0256689	Ref	<b>Standard Equipment (Spark Arresting)</b>	-
	0256690	Ref	<b>Optional Equipment (Catalytic)</b>	-
201		Ref	Muffler Options:	
201	3220103	1	Spark Arresting	
201	3220104	1	Catalytic	
201		Ref	Muffler Components:	
201		Ref	Clamp Options:	
201	1320176	1	Saddle Clamp Used on Spark Arresting	
201	70001017	1	Band Clamp Used on Catalytic	
201	7024398	1	Tube, Exhaust	
201	7024560	1	Plug, Brass	
201	7020471	4	Gasket	
201	70003476	8	Nut, Muffler Attaching	
	2000146	Ref	<b>ENGINE COMPONENTS (Prior to SN 0300064432)</b>	D
301	7016328	1	Filter, Fuel (was p/n 7016639)	
302	7000663	1	Alternator (was p/ns 7016329, 7020436 & 7020410)	
303	7016330	1	Switch, Oil Pressure (Not Shown)	
304	7016331	1	Filter, Oil (was p/n 7016641)	
304	70002813	1	Seal (Between Filter Head and Block)	
305	7016332	1	Starter	
306	7026631	1	Dipstick, Engine Oil (was p/ns 7019664 & 7016640) (Not Shown)	
306	70001002	1	Tube, Oil Dipstick (was p/n 7019664) (Not Shown)	
307	7020025	1	Switch, Engine Oil Temperature (Not Shown)	
308	7020414	1	V-Belt	
309		Ref	Gasket, Cylinder Head Options (Not Shown):	
309	70001681	1	1 Notch	
309	70002411	1	2 Notches	
309	70002530	1	3 Notches	
309	7020431	1	Gasket, Valve Cover (Not Shown):	
310	7000699	1	Seal (Doughnut)	
310	7020471	4	Gasket (Muffler to Head)	
310	70003476	8	Nut, Muffler Attaching	
311	7019607	1	Shutdown, Throttle (was p/n 7016359) (Not Shown)	
312	7012599	4	Pump, Fuel Injection	
312	7020427	4	Injector, Fuel (Not Shown)	
312	7020425	4	Nozzle (Not Shown)	
313	7020463	1	Pump, Fuel Supply	
313	7020419	1	Hose, Fuel Return	
314	7020027	1	Flywheel/Ring Gear Assembly (Not Shown)	
314	7020477	1	Ring Gear Only (Not Shown)	
315	7020404	1	Washer, Oil Drain Plug (Not Shown)	
316	7027250	1	Spring, Actuator (Not Shown)	
317	7020465	1	Filler Cap, Oil (Not Shown)	
		Ref	<b>ENGINE COMPONENTS</b>	
	2000173	Ref	<b>Engine Components (SN 0300064432 through 0300065694)</b>	B
	2000189	Ref	<b>Engine Components (SN 0300065695 through 0300069000)</b>	A
351	8320270	1	Filter, Fuel (was p/n 7016328)	
352	7000663	1	Alternator (was p/n 7020410)	
352	7020464	1	Regulator	
352	70002234	1	Bracket, Adjustable	

## SECTION 2 - TURNTABLE

ITEM	PART NUMBER	QTY	DESCRIPTION	REV
352	70003556	1	Pulley	
353	7020461	1	Switch, Oil Pressure (Not Shown)	
354	7016331	1	Filter, Oil	
355		Ref	Starter Options:	
355	7016332	1	Starter for 2000173 Engine	
355	7020479	1	Starter for 2000189 Engine	
355	See Note	1	Relay (Note: Not Available for Purchase)	
355	7026608	2	Bolt, Starter Mounting	
355	70001498	1	Shield, Starter Heat (Not Shown)	
356		Ref	Dipstick, Oil Level Options (Not Shown):	
356	7020418	1	Dipstick for 2000173 Engine	
356	7026631	1	Dipstick for 2000189 Engine	
356	7020487	1	Seal, Dipstick (Not Shown)	
356		Ref	Tube, Dipstick Options (Not Shown):	
356	See Note	1	Tube for 2000173 Engine (Note: Not Available for Purchase)	
356	70001002	1	Tube for 2000189 Engine	
357	7020168	1	Switch, Engine Temperature (Not Shown)	
357	7020480	1	Seal, Temperature Switch (Not Shown)	
358	7020408	1	V-Belt	
359	7020458	1	Actuator	
359	7026607	1	Spring, Actuator (was p/n 7027276)	
360	7024318	4	Pump, Fuel Injection (was p/n 7020462)	
360		Ref	Injector, Fuel (Includes Nozzle Element) (Not Shown):	
360	See Note	4	Injector for 2000173 Engine (Note: Not Available for Purchase)	
360	7026522	4	Injector for 2000189 Engine	
361		Ref	Pump, Fuel Supply Options:	
361	7020463	1	Pump for 2000173 Engine	
361	7024413	1	Pump for 2000189 Engine	
361	7020411	1	Seal, Pump (Not Shown)	
362		Ref	Flywheel Options (Not Shown):	
362	7020027	1	Flywheel for 2000173 Engine (Includes Ring Gear)	
362	See Note	1	Flywheel for 2000189 Engine (Note: Not Available for Purchase)	
362	7024579	1	Ring Gear for 2000189 Engine	
363	7024565	1	Sensor, Tach (Not Shown - Located on Flywheel Housing) (was p/n 7020481)	
364	70001423	1	Fuel Filter Head	
365	7020431	1	Gasket, Valve Cover (Not Shown)	
365		Ref	Gasket, Cylinder Head Options: (Not Shown)	
365	70001681	1	1 Notch	
365	70002411	1	2 Notches	
365	70002530	1	3 Notches	
366	7020459	1	Thermostat (Includes Spring) (Not Shown)	
366	7020460	1	Spring, Thermostat (Not Shown)	
367	7020465	1	Cap, Oil Fill (Not Shown)	
368	7020474	1	Pump Oil Lubrication (Not Shown)	
368	7020468	1	Ring, Pump Sealing (Not Shown)	
369	7020449	4	Gasket, Intake Manifold to Head (Not Shown)	
370	7020471	4	Gasket, Exhaust Manifold to Head	
	0256847	Ref	<b>PUMP COUPLING INSTALLATION</b>	-
401	1660234	1	Coupling, Hayes	
402	0080163	1	Plate, Pump Adapter	

## SECTION 2 - TURNTABLE

ITEM	PART NUMBER	QTY	DESCRIPTION	REV
403	0700810	6	Bolt M8 x 20mm	
404	4831900	6	Lockwasher M8	
406	4832000	8	Lockwasher M10	
407	3020021	AR	Grease, Coupling	

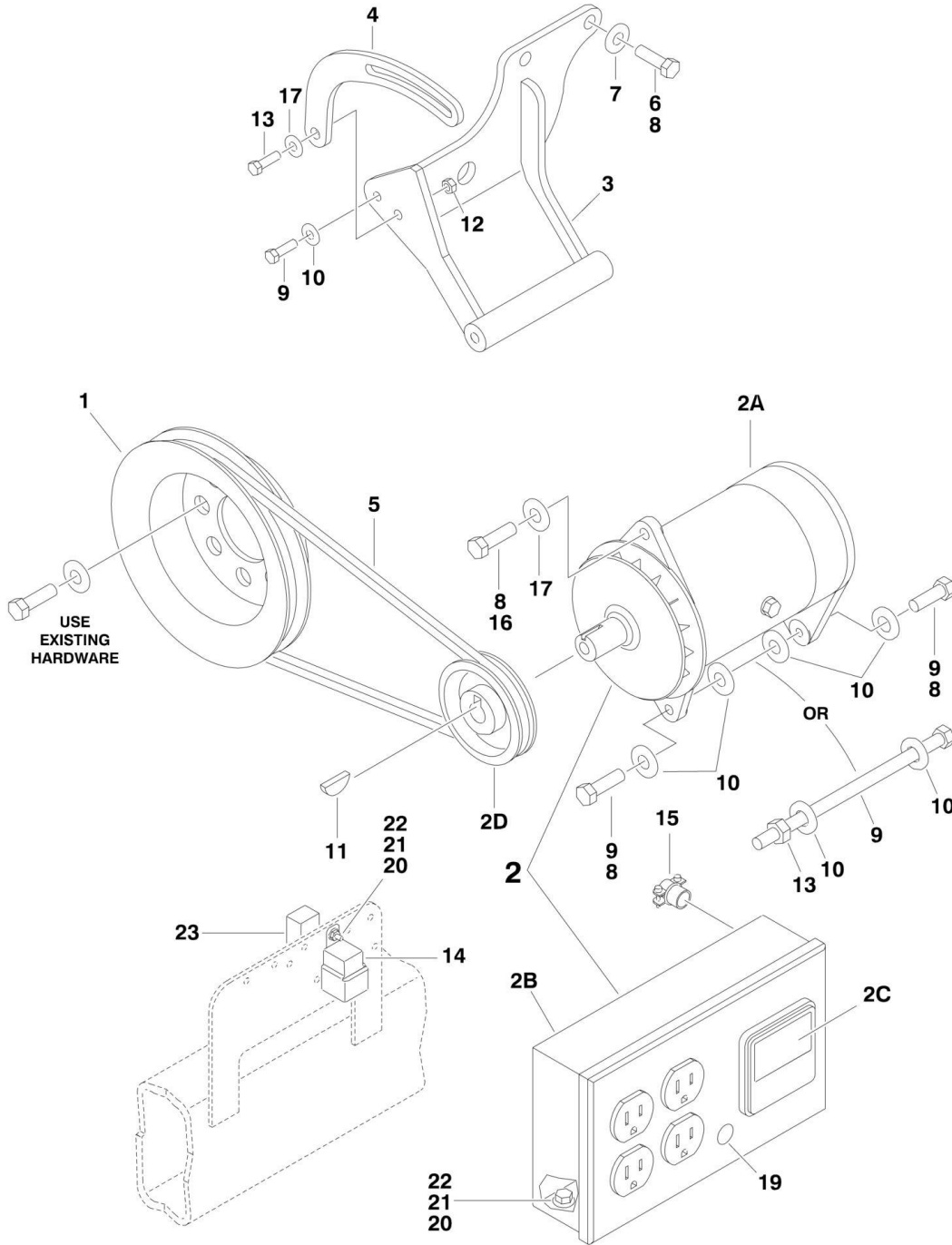




# SECTION 2 - TURNTABLE

## FIGURE 2-11. GENERATOR INSTALLATION - DEUTZ MACHINES (OPTIONAL)

**NOTE:** These Machine SN's Also Equipped With ADE System: 0300062045, 0300062797, 0300063013, 0300063665, 0300063975, 0300064000-0300064017, 0300064390, 0300064392 & 0300064411.



**SECTION 2 - TURNTABLE**

**FIGURE 2-11. GENERATOR INSTALLATION - DEUTZ MACHINES (OPTIONAL)**

ITEM	PART NUMBER	QTY	DESCRIPTION	REV
		Ref	<b>NOTE: THESE MACHINE SN'S ALSO EQUIPPED WITH ADE SYSTEM: 0300062045, 0300062797, 0300063013, 0300063665, 0300063975, 0300064000-0300064017, 0300064390, 0300064392 &amp; 0300064411.</b>	
		Ref	<b>GENERATOR INSTALLATIONS</b>	
		Ref	<b>110V Generator Options:</b>	
	0257853	Ref	<b>110V 60Hz Generator (Prior to SN 0300064432)</b>	3
	0271544	Ref	<b>110V 60Hz Generator - ADE System (SN 0300064432 through 0300068268)</b>	3
	0272480	Ref	<b>110V 60Hz Generator - ADE System (SN 0300068269 through 0300069000)</b>	2
	0272293	Ref	<b>110V 50Hz Generator - ADE System (SN 0300066584 through 0300068268)</b>	1
	0272482	Ref	<b>110V 50Hz Generator - ADE System (SN 0300068269 through 0300069000)</b>	2
		Ref	<b>220V Generator Options:</b>	
	0257857	Ref	<b>220V 50Hz Generator (Prior to SN 0300064432)</b>	4
	0271547	Ref	<b>220V 50Hz Generator - ADE System (SN 0300064432 through 0300068268)</b>	5
	0272481	Ref	<b>220V 50Hz Generator - ADE System (SN 0300068269 through 0300069000)</b>	2
		Ref	<b>Note: Refer to SkyPower Accessories Manual p/n 3124242 for the Miller 7500W Generator.</b>	
1	3580158	1	Pulley	
2		Ref	Generator and Control Box Assembly Options:	
2	2460011	1	110Volt 60Hz Assembly ( <b>Prior to SN 0300066053</b> )	I
2	2460032	1	110Volt 60Hz Assembly ( <b>SN 0300066053 through 0300069000</b> )	C
2	2460039	1	110Volt 50Hz Assembly	B
2	2460013	1	220Volt 50Hz Assembly	B
2A		Ref	Generator Options:	
2A	7012558	1	110Volt 60Hz Replacement Generator	
		Ref	<b>Note: Replacement Generator p/n 7012558 come standard with p/n 3580134 pulley. This pulley may not be correct for all applications. Refer to pulley options below.</b>	
2A	2460049	1	110Volt 50Hz Replacement Generator	
2A	1001100321	1	220V 50Hz Replacement Generator	
2A	7012513	4	Cap, Brush Holder	
2A	7020108	4	Brush	
2A	7020109	4	Holder, Brush	
2A	7026199	1	110V/60Hz Armature with Slip Rings	
2A	70000122	1	110V/50Hz Armature with Slip Rings	
2A	70000123	1	220V/50Hz Armature with Slip Rings	
2A	7012514	1	Fan	
2A	7020190	2	Bearing	
2A	7020110	1	End Bell, Front	
2A	7020111	1	End Bell, Rear	
2A	7020193	1	Harness, Generator	
2B		Ref	Box, Control Options:	
2B	7003657	1	110V/60Hz Replacement Box	
2B	70002239	1	110V/50Hz Replacement Box	
		Ref	<b>Note: Replacement 110V Control Box comes with (2)</b>	

## SECTION 2 - TURNTABLE

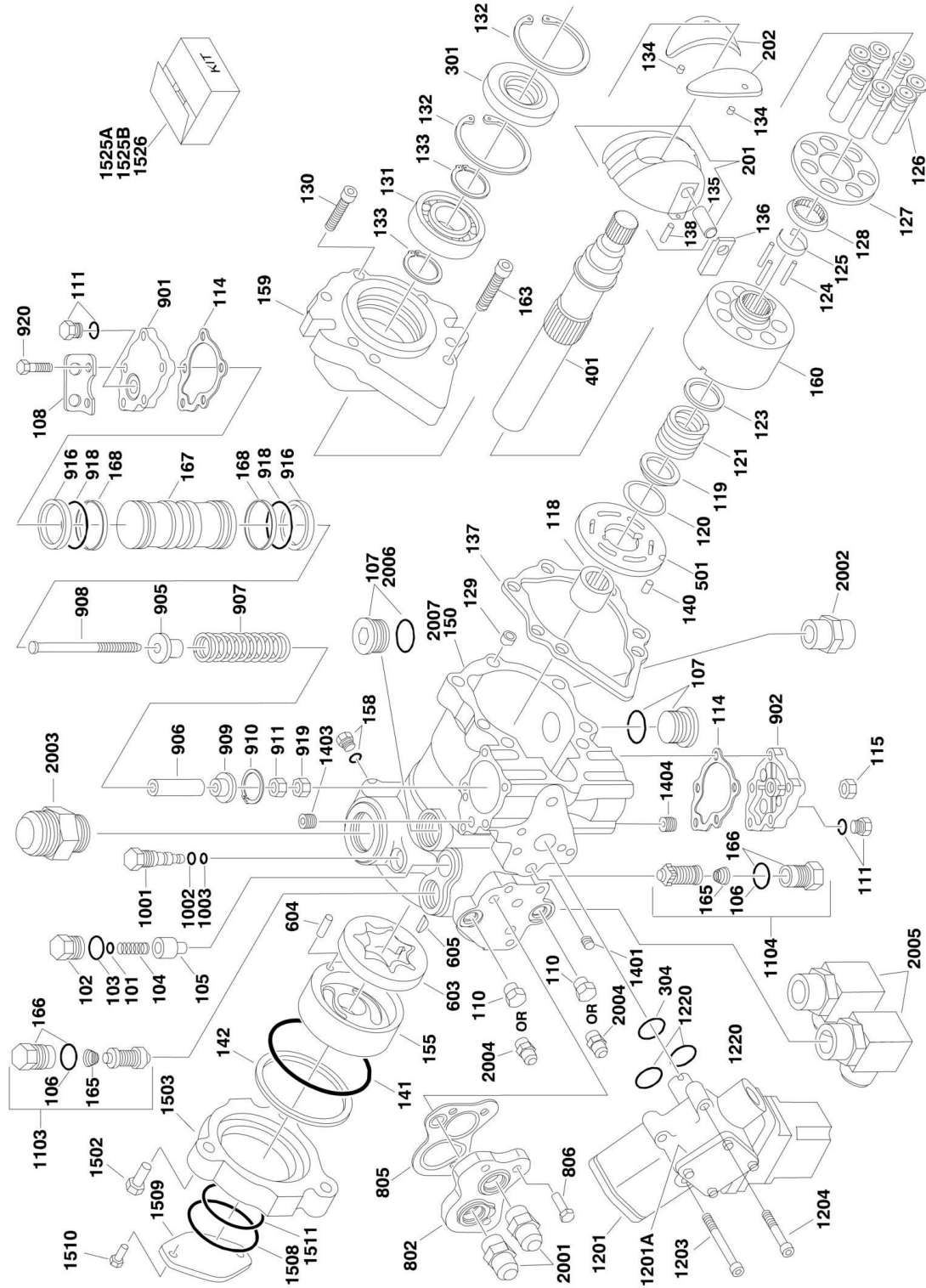
ITEM	PART NUMBER	QTY	DESCRIPTION	REV
			<b>standard receptacles p/n 4460190. Optional industrial twist lock receptacle p/n 4460027 must be ordered separately.</b>	
2B	70002235	1	220V/50Hz Replacement Box	
2B		Ref	Breaker, Circuit Options:	
2B	4360542	1	110V/60Hz Breaker, Circuit	
2B	70002240	1	110V/50Hz Breaker, Circuit	
2B	70000126	1	220V Breaker, Circuit	
2B	7020191	1	Switch, Toggle	
2B	2920162	1	Lamp	
2B	4460190	2	Receptacle, Double (110V Box)	
2B	70000124	1	Receptacle, Double (220V Box)	
2B	70000125	1	Receptacle, Single (220V Box)	
2C		Ref	Voltmeter Options:	
2C	2420203	1	110V Voltmeter	
2C	7020192	1	220V Voltmeter	
2D		Ref	Pulley Options:	
2D	3580134	1	Generator p/n's 2460011, 2460013 & 2460039	
2D	3580276	1	Generator p/n 2460032	
2D	7027887	1	Key, Woodruff	
3		Ref	Bracket, Generator Mounting	
3	4845531	1	Bracket, Generator Mounting 800A/AJ Models <b>(Prior to SN 0300064007)</b>	
3	Not Required	0	Bracket, Generator Mounting 800A/AJ Models (Note: Generator Mount and Engine Mount are one Component) <b>(SN 0300064007 through 0300069000)</b>	
4		Ref	Arm, Adjusting Options:	
4	0200530	1	Arm, Adjusting 800A/AJ Models <b>(Prior to SN 0300064007)</b>	
4	0200741	1	Arm, Adjusting 800A/AJ Models <b>(SN 0300064007 through 0300068268)</b>	
4	0200742	1	Arm, Adjusting 800A/AJ Models <b>(SN 0300068269 through 0300069000)</b>	
5		Ref	V-Belt Options:	
5		Ref	110Volt Generator:	
5	0480050	1	110Volt Generator 800A/AJ Models <b>(Prior to SN 0300064007)</b>	
5	0480119	1	110Volt Generator 800A/AJ Models <b>(SN 0300064007 through 0300066052)</b>	
5	0480111	1	110Volt Generator 800A/AJ Models <b>(SN 0300066053 through 0300068268)</b>	
5	0480121	1	110Volt Generator 800A/AJ Models <b>(SN 0300068269 through 0300069000)</b>	
5		Ref	220Volt Generator:	
5	0480050	1	220Volt Generator 800A/AJ Models <b>(Prior to SN 0300064007)</b>	
5	0480119	1	220Volt Generator 800A/AJ Models <b>(SN 0300064007 through 0300066052)</b>	
5	0480050	1	220Volt Generator 800A/AJ Models <b>(SN 0300066053 through 0300066741)</b>	
5	0480118	1	220Volt Generator 800A/AJ Models <b>(SN 0300066742 through 0300068269)</b>	
5	0480121	1	220Volt Generator 800A/AJ Models <b>(SN 0300068270 through 0300069000)</b>	
6	0711414	2	Bolt M14 x 30mm <b>(Prior to SN 0300068269)</b>	
7		Ref	Hardware Options:	

## SECTION 2 - TURNTABLE

ITEM	PART NUMBER	QTY	DESCRIPTION	REV
7	4751900	2	Flatwasher 9/16in <b>(Prior to SN 0300068269)</b>	
7	0641610	1	Bolt 3/8in-16NC x 1-1/4in <b>(SN 0300068269 through 0300069000)</b>	
8	0100011	AR	Compound, Locking	
9		Ref	Bolt Options:	
9	0681612	3	Bolt 3/8in-16NC x 1-1/2in (Grade 8) <b>(Prior to SN 0300068269)</b>	
9	0641772	1	Bolt 7/16in-14NC x 9in <b>(SN 0300068269 through 0300069000)</b>	
10	4751600	6	Flatwasher 3/8in	
11	2860012	1	Key, Woodruff	
12	3311605	1	Locknut 3/8in-16NC	
13		Ref	Hardware Options:	
13	0700819	1	Bolt M8 x 55mm <b>(Prior to SN 0300068269)</b>	
13	3311705	1	Locknut 7/16in-14NC <b>(SN 0300068269 through 0300069000)</b>	
14	3740080	1	Relay	
15	4460023	1	Connector, Strain Relief	
16	0641508	1	Bolt 5/16in-18NC x 1in	
17	4751500	2	Flatwasher 5/16in	
19	3520028	1	Plug, Hole	
20	0721006	4	Bolt #10-24NC x 3/4in	
21	3311005	4	Locknut #10-24NC	
22	4751000	9	Flatwasher #10	
23	4360294	1	Breaker, Circuit - 30 Amp	
25	4360336	1	Switch, Toggle (Not Shown - Located at Platform)	
26	4740397	1	Bushing (Not Shown - Located at Platform)	
27	4060802	1	Guard, Switch (Not Shown - Located at Platform)	
29	2820031	4 in/10cm	Heat Shrink (Not Shown - Located at Platform)	
30	3251102	1	Decal (Not Shown - Located at Platform)	
31	1705325	3	Decal - 120V 50Hz (Not Shown - 110V 50Hz Only)	

# SECTION 2 - TURNTABLE

## FIGURE 2-12. PISTON PUMP ASSEMBLY



## SECTION 2 - TURNTABLE

### FIGURE 2-12. PISTON PUMP ASSEMBLY

ITEM	PART NUMBER	QTY	DESCRIPTION	REV
		Ref	<b>PISTON PUMP ASSEMBLIES</b>	
	3600277	Ref	<b>Piston Pump Assemblies (Prior to SN 0300042829)</b>	A
	3600295	Ref	<b>Piston Pump Assemblies (SN 0300042829 through 0300069000)</b>	A
		Ref	<b>Note: Original Equipment pump may have been replaced with Service Replacement pump. Visually identify the p/n tag on pump before ordering parts.</b>	
101	7007413	1	Shim Kit	
102	7007414	1	Plug	
103	See Note	NSS	O-Ring (Note: Use Item 1525A)	
104	7021200	1	Spring, Relief Valve	
105	7007417	1	Valve, Relief	
106	See Note	NSS	O-Ring (Note: Use Item 1525A)	
107	7007419	2	Plug	
108	7021201	1	Bracket, Lifting	
110	7007470	2	Plug	
111	7007470	2	Plug	
114	See Note	NSS	Gasket, Servo Cover (Note: Use Item 1525A)	
115	7007423	1	Nut, Special	
118	7007425	1	Bearing, Needle	
119	See Note	NSS	Ring, Retaining (Note: Use Item 1526)	
120	See Note	NSS	Washer (Note: Use Item 1526)	
121	See Note	NSS	Spring (Note: Use Item 1526)	
123	See Note	NSS	Washer (Note: Use Item 1526)	
124	See Note	NSS	Retainer (Note: Use Item 1526)	
125	See Note	NSS	Pin, Slipper Holddown (Note: Use Item 1526)	
126	See Note	NSS	Piston Assembly (Note: Use Item 1526)	
127	See Note	NSS	Retainer, Slipper (Note: Use Item 1526)	
128	See Note	NSS	Guide, Retainer (Note: Use Item 1526)	
129	7007435	1	Pin, Spring	
130	7021202	1	Screw, 12 Point Head	
131	7007437	1	Bearing, Ball	
132	7007438	2	Ring, Retainer	
133	7007439	2	Ring	
134	7021203	2	Pin, Spring	
135	7007441	1	Handle, Pin	
136	7007442	1	Sleeve, Bearing	
137	See Note	NSS	Gasket, Front Cover (Note: Use Item 1525A)	
138	7021205	1	Pin	
140	7007446	1	Pin	
141	See Note	NSS	O-Ring (Note: Use Item 1525A)	
142	See Note	NSS	Ring, Load Temper (Note: Use Item 1525A)	
150	7023977	1	Housing, Pump	
155	7007452	1	Cover, Gerotor	
158	7007208	1	Plug	
159	7007454	1	Cover, Front	
163	7021207	6	Screw	
165	7021208	2	Spring	
166	7021209	2	Plug, SCR	
167	7007494	1	Piston, Servo	

## SECTION 2 - TURNTABLE

ITEM	PART NUMBER	QTY	DESCRIPTION	REV
168	See Note	NSS	Bearing (Note: Use Item 1525A)	
201	7007457	1	Swash Plate Assembly (Includes Items 135 & 138)	
202	7021212	2	Journal, Bearing	
301	See Note	NSS	Seal, Lip (Note: Use Item 1525A)	
304	See Note	NSS	O-Ring (Note: Use Item 1525A)	
401	7021213	1	Shaft, Main Pump	
501	7021214	1	Plate, Valve	
603	7007463	1	Gerotor Assembly	
604	7007464	1	Pin	
605	7007465	1	Key, Woodruff	
802	7007466	1	Adaptor, Remote Filtration	
805	See Note	NSS	Seal, Filter Adapter (Note: Use Item 1525A)	
806	7021218	3	Screw	
901	7021219	1	Cover, Servo	
902	7021220	1	Cover, Servo	
905	7007483	1	Guide, Spring	
906	7007484	1	Stop, Servo	
907	7007485	1	Spring	
908	7021221	1	Screw	
909	7007487	1	Guide, Spring	
910	7007488	1	Ring, Retaining	
911	7021222	1	Nut	
916	See Note	NSS	Ring, Piston (Note: Use Item 1525A or 1525B)	
918	See Note	NSS	O-Ring (Note: Use Item 1525A or 1525B)	
919	7021206	1	Nut	
920	7021223	10	Screw	
1001	7007472	1	Valve, Bypass	
1002	See Note	NSS	Ring, Back-up (Note: Use Item 1525A)	
1003	See Note	NSS	O-Ring (Note: Use Item 1525A)	
1103	7010122	1	SCR Kit (Includes items 166, 106 & 165)	
1104	7010122	1	SCR Kit (Includes items 166, 106 & 165)	
1201	7007474	1	Control, Dual Oil-Filled	
1201	7007496	1	Coil Assembly (Pilot)	
1201	7007497	1	Plug (Pump)	
1201	7007498	1	Plug (Valve Harness)	
1201A	7024828	1	Gasket, Cover	
1203	7007478	2	Screw	
1204	7001498	2	Screw	
1220	See Note	NSS	O-Ring (Note: Use Item 1525A)	
1401	7007475	1	Plug, Orifice/Screen (.156)	
1403		Ref	Plug, Orifice Options:	
1403	7007477	1	Plug, Orifice (3600277 Pump) <b>(Prior to SN 0300042829)</b>	
1403	7021226	1	Plug, Orifice (3600295 Pump) <b>(SN 0300042829 through 0300069000)</b>	
1404		Ref	Plug, Orifice Options:	
1404	7007477	1	Plug, Orifice (3600277 Pump) <b>(Prior to SN 0300042829)</b>	
1404	7021226	1	Plug, Orifice (3600295 Pump) <b>(SN 0300042829 through 0300069000)</b>	
1502	7007453	3	Screw	
1503	7021227	1	Adapter, Flange	
1508	7021228	1	O-Ring	
1509	7021229	1	Plate, Cover	



**SECTION 2 - TURNTABLE**

ITEM	PART NUMBER	QTY	DESCRIPTION	REV
1510	7021230	2	Screw	
1511	7021231	1	O-Ring	
1525		Ref	Seal Kit Options:	
1525A	7021232	1	Seal Kit, Complete (Includes Items 103, 106, 114, 137, 141, 142, 168, 301, 304, 805, 916, 918, 1002, 1003 & 1220)	
1525B	7007412	1	Seal Kit, Servo Piston (Includes Items 916 & 918)	
1526	7010116	1	Cylinder Block Kit (Includes Items 119-128)	



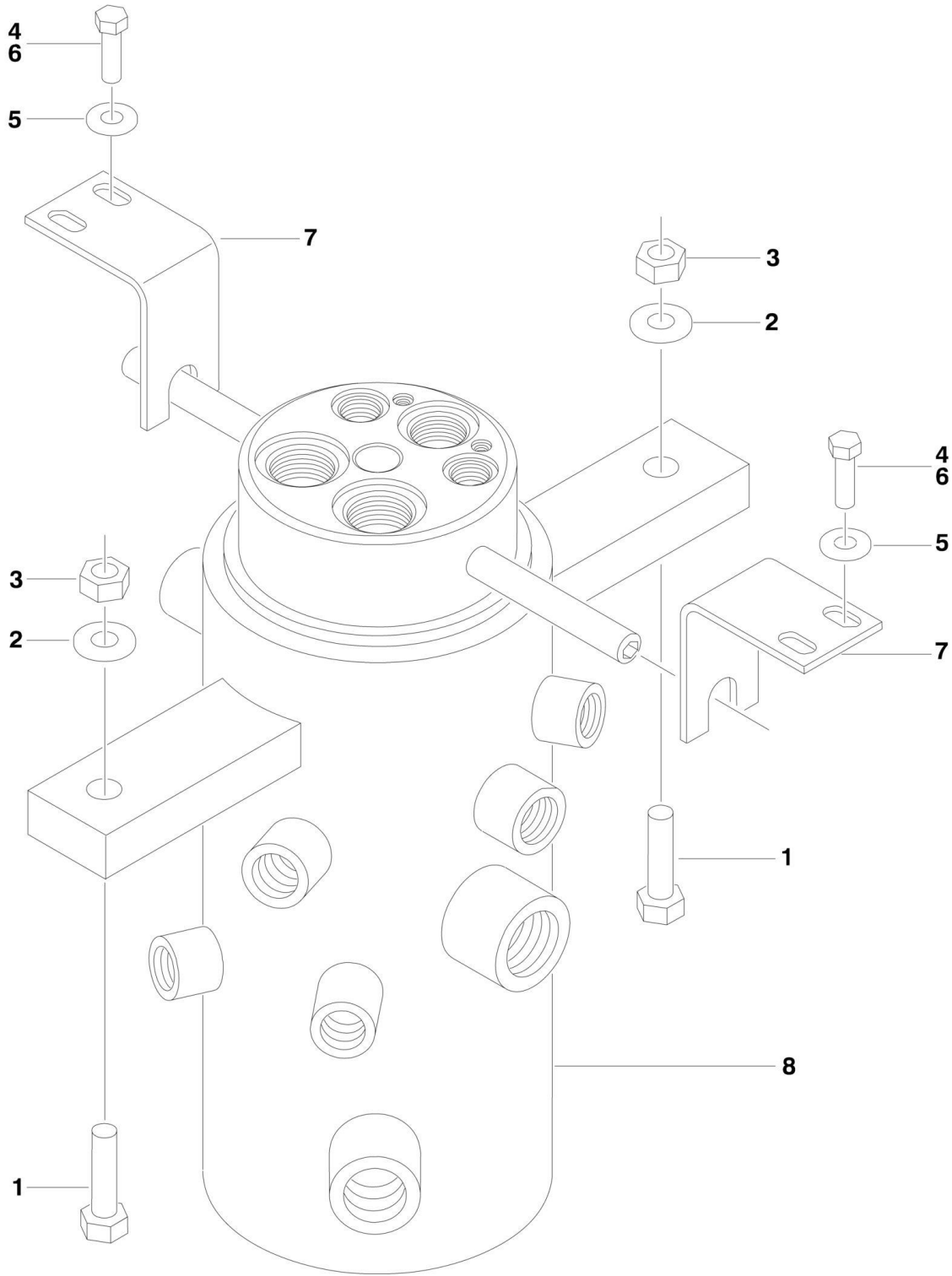
## SECTION 2 - TURNTABLE

### FIGURE 2-13. TANK INSTALLATIONS

ITEM	PART NUMBER	QTY	DESCRIPTION	REV
	0258382	Ref	<b>TANKS INSTALLATION</b>	C
1		Ref	Tray Weldment Options:	
1	4845617	1	Tray Weldment ( <b>Prior to SN 0300040678</b> )	
1	4845928	1	Tray Weldment ( <b>SN 0300040678 through 0300069000</b> )	
2	4400410	1	Hydraulic Tank Assembly (See Items 101-106 for Breakdown)	
3	4400400	1	Tank, Fuel (Includes Non-Locking Cap)	
3A	7019658	1	Fitting and Pick-up Tube	
4	4240112	4	Strap, Tank	
5	4240113	1	Strap, Tank	
6	4360436	1	Switch, Fuel Level	
7	2200222	1	Fitting	
8	4280295	25 in /44cm	Strip, Protective	
9	4420038	70 in /1.78m	Tape, Rubber	
10	0641614	6	Bolt 3/8in-16NC x 1 3/4in	
11	3311601	6	Nut 3/8in-16NC	
12	4751600	7	Flatwasher 3/8in	
13	0100011	AR	Compound, Locking	
14	0100079	AR	Sealant	
	4400410	Ref	<b>HYDRAULIC TANK ASSEMBLY</b>	G
101	7014818	1	Strainer 1-1/2inNPT	
102	7014802	1	Gauge, Sight	
103	7014810	1	Neck, Fill	
103	7014816	1	Screen	
104	7014817	1	Breather/Fill Cap	
105	7014813	1	Plug, Magnetic	
106	7014801	1	Strainer 1-1/4in NPT	
		Ref	<b>FUEL TANK CAP INSTALLATION</b>	
201		Ref	Cap Options:	
201	7016314	1	Standard Non-Locking (Part of Item 3)	
201	1120487	1	Optional Lockable (Diesel Machines)	

# SECTION 2 - TURNTABLE

## FIGURE 2-14. ROTARY COUPLING INSTALLATION



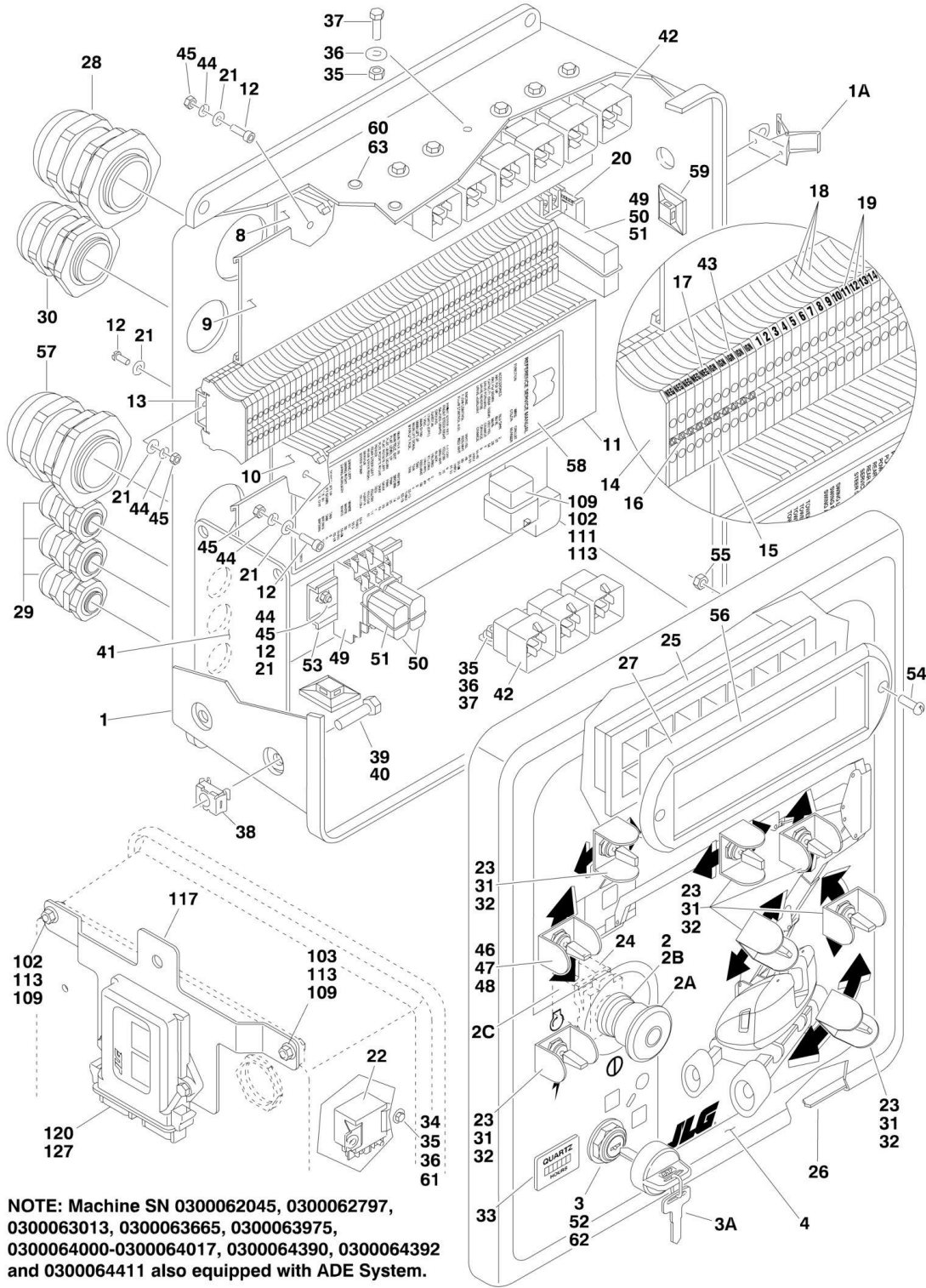
**SECTION 2 - TURNTABLE**

**FIGURE 2-14. ROTARY COUPLING INSTALLATION**

ITEM	PART NUMBER	QTY	DESCRIPTION	REV
		Ref	<b>ROTARY COUPLING INSTALLATIONS</b>	
	0255262	Ref	<b>Rotary Coupling Installations 2WS (Prior to SN 0300066290)</b>	5
	0272354	Ref	<b>Rotary Coupling Installations 2WS (SN 0300066290 through 0300069000)</b>	A
	0255294	Ref	<b>Rotary Coupling Installations 4WS (Prior to SN 0300066290)</b>	2
	0272355	Ref	<b>Rotary Coupling Installations 4WS (SN 0300066290 through 0300069000)</b>	A
1	0641820	2	Bolt 1/2in-13NC x 2-1/2in	
2	4751800	4	Flatwasher 1/2in	
3	3311805	2	Locknut 1/2in-13NC	
4	0641611	4	Bolt 3/8in-16NC x 1-3/8in	
5	4751600	4	Flatwasher 3/8in	
6	0100011	AR	Compound, Locking	
7		Ref	Bracket	
7	0902109	NLA	Bracket (Use p/n 0902520)	
7	0902520	2	Bracket <b>(SN 0300041300 through 0300066289)</b>	
7	0902846	2	Bracket <b>(SN 0300066290 through 0300069000)</b>	
8		Ref	Coupling, Rotary Options:	
8	1660219	AR	2WS Coupling Options:	
8	1660219	1	New OEM Replacement (2WS)	
8	7013187	1	Seal Kit - 1660219 Coupling (2WS)	
8	1660219RR	1	Rebuilt Replacement (2WS) (Note: Contact JLG Parts Dept for information)	
8		Ref	4WS Coupling Options:	
8	1660223	1	New OEM Replacement (4WS)	
8	7016342	1	Seal Kit - 1660223 Coupling (4WS)	
8	1660223RR	1	Rebuilt Replacement (4WS) (Note: Contact JLG Parts Dept for information)	

# SECTION 2 - TURNTABLE

FIGURE 2-15. GROUND CONTROL BOX ASSEMBLY (Prior to SN 0300064432)



# SECTION 2 - TURNTABLE

**FIGURE 2-15. GROUND CONTROL BOX ASSEMBLY (Prior to SN 0300064432)**

ITEM	PART NUMBER	QTY	DESCRIPTION	REV
		Ref	<b>NOTE: THESE MACHINE SN'S ALSO EQUIPPED WITH ADE SYSTEM: 0300062045, 0300062797, 0300063013, 0300063665, 0300063975, 0300064000-0300064017, 0300064390, 0300064392 &amp; 0300064411.</b>	
		Ref	<b>GROUND CONTROL BOX ASSEMBLIES</b>	
	0861198	Ref	<b>Ground Control Box Assemblies 800A with Deutz Engine</b>	6
	0861199	Ref	<b>Ground Control Box Assemblies 800AJ with Deutz Engine</b>	6
1		Ref	Box, Fiberglass Options:	
1	0861131	1	Box, Fiberglass ( <b>Prior to SN 0300044657</b> )	
1	0861302	1	Box, Fiberglass ( <b>SN 0300044657 through 0300064432</b> )	
1A	7020246	2	Latch	
2		Ref	Switch, Emergency Stop Options:	
2	4360289	1	Switch, Emergency Stop ( <b>Prior to SN 0300044657</b> )	
2	4360475	1	Switch, Emergency Stop ( <b>SN 0300044657 through 0300064432</b> )	
2A	7012611	1	Cap, Mushroom Head ( <b>Prior to SN 0300044657</b> )	
2A	7020175	1	Cap, Mushroom Head ( <b>SN 0300044657 through 0300064432</b> )	
2B	7012612	1	Boot ( <b>Prior to SN 0300044657</b> )	
2C	7020176	1	Block, Contact ( <b>SN 0300044657 through 0300064432</b> )	
3		Ref	Switch, Key Options:	
3	4360319		Switch, Key ( <b>Prior to SN 0300044657</b> )	
3	4360470	1	Switch, Key (Common Key Style) ( <b>SN 0300044657 through 0300064432</b> )	
3A		Ref	Key Options:	
3A	7012560	1	Key ( <b>Prior to SN 0300044657</b> )	
3A	2860030	1	Key (Common Key Style) ( <b>SN 0300044657 through 0300064432</b> )	
4		Ref	Decal - Faceplate	
4	1703467	1	Decal - Faceplate 800A	
4	1703468	1	Decal - Faceplate 800AJ	
5	4922077	1	Engine Harness Assembly (See ELECTRICAL SECTION for Breakdown)	
6	4922046	1	Valve Harness Assembly (See ELECTRICAL SECTION for Breakdown)	
8	1840012	1	Duct, Wiring - 2in/5cm	
9	1840013	1	Duct, Cover - 2in/5cm	
10	1840014	1	Duct, Wiring - 3in/7.6cm	
11	1840015	1	Duct, Cover - 3in/7.6cm	
12	3910608	8	Screw #6-32NC x 1/2in	
13	3640970	1	Rail	
14	4460602	1	Barrier, Terminal	
15	4460601	10	Block, Terminal	
16	4460603	1	Bussbar - 10 Position (Requires being cut into (2) 5 position bussbars)	
17	4460631	1	Marker, Terminal (Negative)	
18	4460600	46	Block, Terminal	
19	4460628	2	Marker, Terminal (1-50)	
20	4460607	1	Stop, Terminal	
21	4750600	14	Flatwasher #6	
22	3740112	1	Relay, Bosch	
23	4360314	AR	Switch, Toggle	

## SECTION 2 - TURNTABLE

ITEM	PART NUMBER	QTY	DESCRIPTION	REV
24		Ref	Switch, Contact Block Options:	
24	4360282	1	Switch, Contact Block <b>(Prior to SN 0300044657)</b>	
24	4360476	1	Switch, Contact Block <b>(SN 0300044657 through 0300064432)</b>	
25	2760105	1	Housing, Display Light	
26	4420038	4 in/10cm	Insulation, Adhesive Foam	
27		Ref	Decal - Ground Control Display Options:	
27	1702610	1	Decal - Ground Control Display <b>(Prior to SN 0300056439)</b>	
27	1704833	1	Decal - Ground Control Display <b>(SN 0300056439 through 0300064432)</b>	
28	4460526	1	Connector, Strain Relief	
29	4460428	3	Connector, Strain Relief	
30	4460426	1	Connector, Strain Relief	
31	4740444	AR	Washer, Special	
32	4060906	AR	Shield, Toggle Switch	
33	2420172	1	Gauge, Hourmeter	
34	0721005	2	Screw #10-24NC x 5/8in	
35	3311001	2	Nut #10-24NC	
36	4751000	4	Flatwasher #10	
37		Ref	Screw Options:	
37	0721004	9	Screw #10-24NC <b>(Prior to SN 0300055084)</b>	
37	3900268	9	Screw #10-24NC <b>(SN 0300055084 through 0300064432)</b>	
38	3300205	4	Nut, Retainer	
39	0641506	4	Bolt 5/16in-18NC x 3/4in	
40	0100011	AR	Compound, Locking	
41	3539219	1	Plate, Reinforcement	
42	3740049	9	Relay	
43	4460630	1	Marker, Terminal (Ignition)	
44	4760600	8	Lockwasher #6	
45	3310601	8	Nut #6-32NC	
46	4360314	1	Switch, Toggle	
47	4740444	1	Washer, Nylon	
48	4060906	1	Shield, Toggle Switch	
49	4120012	2	Socket, Relay <b>(SN 0300056439 through 0300064432)</b>	
50	3740057	2	Relay <b>(SN 0300056439 through 0300064432)</b>	
51	3740066	2	Spring, Relay <b>(SN 0300056439 through 0300064432)</b>	
52		Ref	Hardware Options:	
52	3300390	1	Nut with Weather Resistant Boot <b>(Prior to SN 0300044657)</b>	
52	4070987	AR	Shim, Switch (Common Key) <b>(SN 0300044657 through 0300064432)</b>	
53	3640986	1	Rail, Relay Mounting <b>(SN 0300056439 through 0300064432)</b>	
54	0630518	2	Capscrew, Button Head	
55	3300408	2	Locknut, Plastic Insert	
56	1670829	1	Bezel	
57	4460711	1	Connector, Strain Relief	
58	1703622	1	Decal - Service Manual Reference	
59	4460234	6	Base, Tie-Strap	
60	0100009	AR	Silicone	
61	4761000	4	Lockwasher #10	
62	3910804	6	Screw #8-32NC x 1/4in	
63	3520174	AR	Plug, Hole	
64	3300408	9	Locknut, Plastic Insert <b>(SN 0300055084 through 0300064432)</b>	
	1001091538	Ref	<b>TILT SENSOR INSTALLATION (PRE ADE SYSTEM)</b>	E

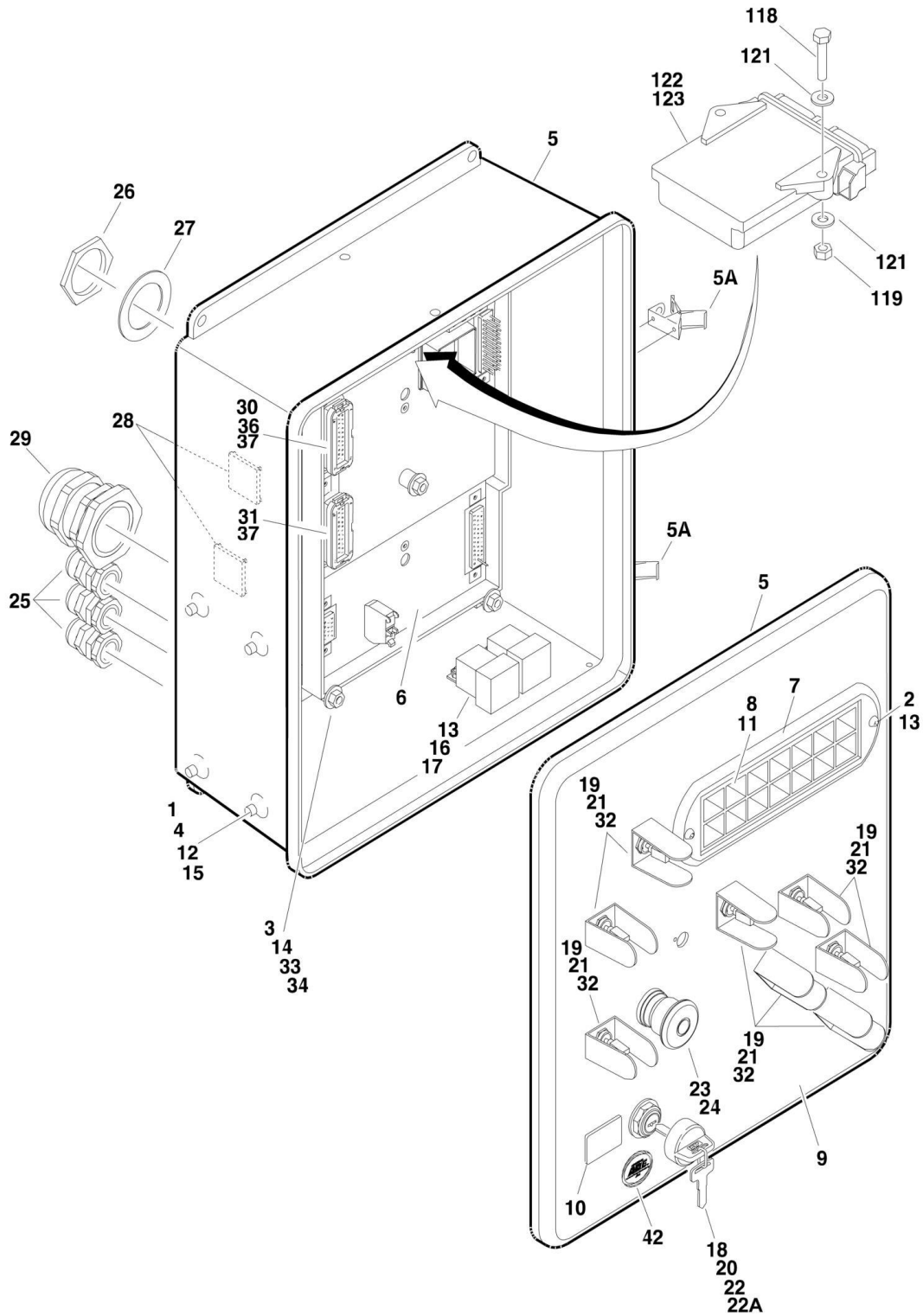


# SECTION 2 - TURNTABLE

ITEM	PART NUMBER	QTY	DESCRIPTION	REV
102	0641406	3	Bolt 1/4in-20NC x 3/4in	
103	0641410	2	Bolt 1/4in-20NC x 1-1/4in	
109	3311405	5	Locknut 1/4in-20NC	
111	3740049	1	Relay	
113	4711400	5	Flatwasher 1/4in (Narrow)	
115	1001091778	1	Harness, Tilt Switch Boom (Not Shown) (See ELECTRICAL SECTION for Breakdown)	
116	1001091941	1	Harness, Console Tilt (Not Shown) (See ELECTRICAL SECTION for Breakdown)	
117	1001092527	1	Plate, Module Mounting	
120	1001094484	1	Controller, UMS Module	
123	1001094791	1	Harness, Tilt Sensor Turntable (Not Shown) (See ELECTRICAL SECTION for Breakdown)	
127	0100048	AR	Grease, Dielectric	

## SECTION 2 - TURNTABLE

FIGURE 2-16. GROUND CONTROL BOX ASSEMBLY (ADE SYSTEM) (SN 0300064432 through 0300069000)



## SECTION 2 - TURNTABLE

**FIGURE 2-16. GROUND CONTROL BOX ASSEMBLY (ADE SYSTEM) (SN 0300064432 through 0300069000)**

ITEM	PART NUMBER	QTY	DESCRIPTION	REV
		Ref	<b>GROUND CONTROL BOX ASSEMBLIES</b>	
	0861504	Ref	<b>Ground Control Box Assemblies 800A with Deutz Engine</b>	H
	0861505	Ref	<b>Ground Control Box Assemblies 800AJ with Deutz Engine</b>	G
1	0100011	AR	Compound, Locking	
2	0630518	2	Capscrew, Button Head	
3	0630548	5	Tap, Bolt 2-1/2in	
4	0641506	4	Bolt 5/16in-18NC x 3/4in	
5	0861407	1	Box, Fiberglass	
5A	7020246	2	Latch	
6	1600327	NLA	Module, Ground Control (Use p/n 2915014) (Note: Recalibration Required When Replaced.)	
7	1670829	1	Bezel	
8	1704833	1	Decal - Ground Control Display	
9		Ref	Decal - Faceplate Options:	
9	1703467	1	Decal - Faceplate 800A	
9	1703468	1	Decal - Faceplate 800AJ	
10	2420172	1	Gauge, Hourmeter	
11	2760105	1	Housing, Display Light	
12	3300205	4	Nut, Retainer	
13	3300408	AR	Locknut, Plastic Insert	
14	3311401	10	Nut 1/4in-20NC	
15	3539219	1	Plate, Reinforcement	
16	3740049	2	Relay	
17	3900268	2	Screw, Flange #10 x 1/2in	
18	3910804	6	Screw #8-32NC x 1/4in	
19	4060906	8	Shield, Toggle Switch	
20	4070987	1	Shim (.015)	
21	4360328	8	Switch, Toggle	
22	4360470	1	Switch, Key	
22A	2860030	1	Key Replacement	
23	4360475	1	Switch, Emergency Stop	
23	7020175	1	Cap, Mushroom	
23	7020176	1	Block, Contact	
24	4360476	1	Switch, Contact Block	
25	4460426	2	Connector, Strain Relief	
26	4460470	1	Nut, Terminal	
27	4460471	1	Lockwasher, Terminal	
28	4460488	7	Mounting Base, Terminal	
29	4460526	1	Connector, Strain Relief	
30	4460874	1	Connector, Natural	
31	4460875	1	Connector, Gray	
32	4740444	8	Washer, Special	
33	4751400	20	Flatwasher 1/4in	
34	4761400	10	Lockwasher 1/4in	
35	4922666	1	Harness, Analyzer Cable (Not Shown)	
36	4460905	4	Connector, Amp Seal	
37	0100048	AR	Grease, Dielectric	
42	1705132	1	Decal - Control ADE (SN 0300066867 through 0300069000)	
43	3520035	1	Plug, Cap (Not Shown) (SN 0300068040 through 0300069000)	

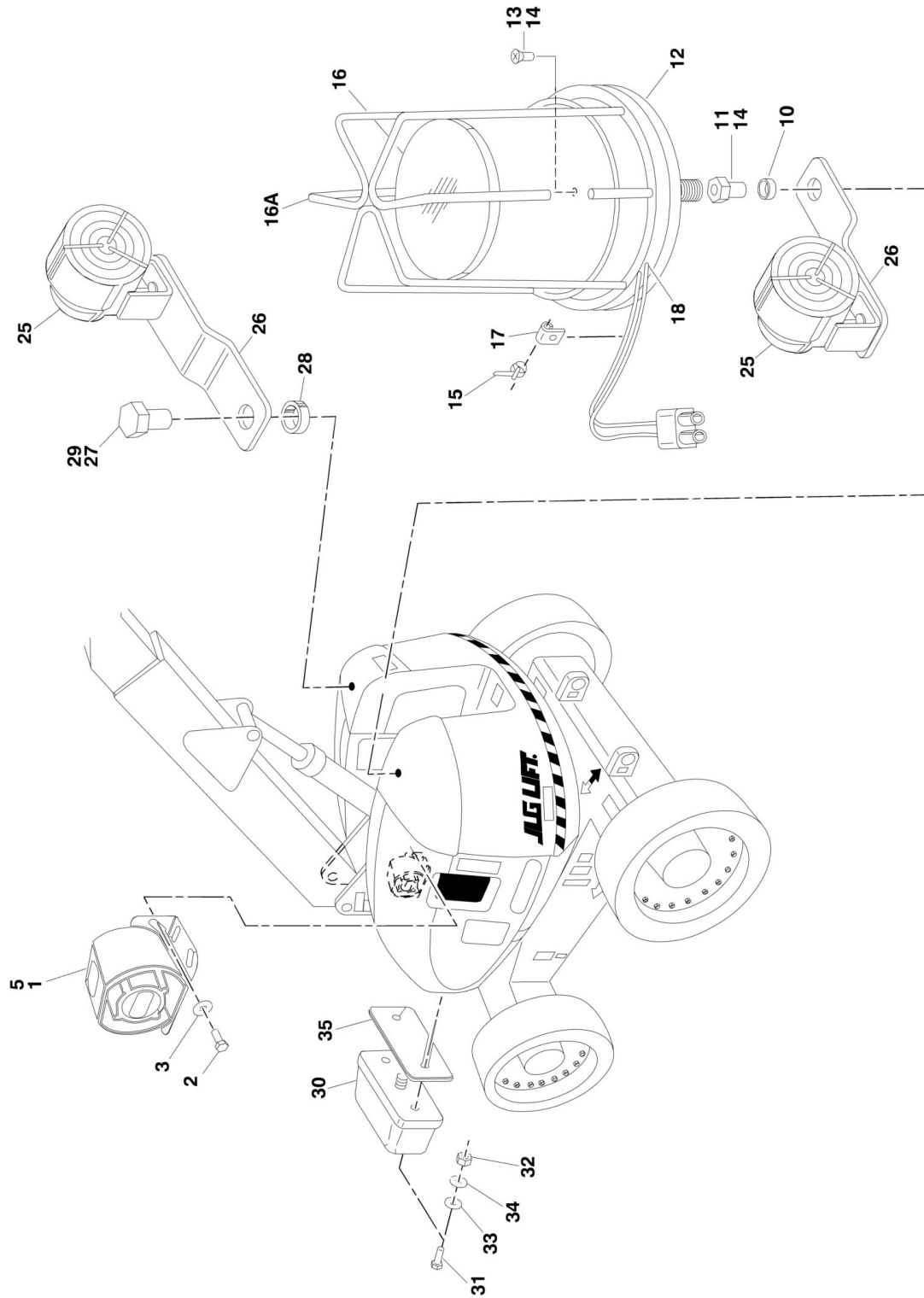
## SECTION 2 - TURNTABLE

ITEM	PART NUMBER	QTY	DESCRIPTION	REV
	1001093187	Ref	<b>TILT SENSOR INSTALLATION (ADE SYSTEM)</b>	C
112	1001093256	1	Harness, Console (Not Shown) (See ELECTRICAL SECTION for Breakdown)	
115	1001094470	1	Harness, Boom Cable Jumper (Not Shown) (See ELECTRICAL SECTION for Breakdown)	
118	0641410	2	Bolt 1/4in-20NC x 1-1/4in	
119	3311405	2	Locknut 1/4in-20NC	
121	4711400	4	Flatwasher 1/4in	
122	1001094484	1	Controller, UMS Module	
123	0100048	AR	Grease, Dielectric	



# SECTION 2 - TURNTABLE

## FIGURE 2-17. ELECTRICAL OPTIONS INSTALLATION (TURNTABLE MOUNTED)



## SECTION 2 - TURNTABLE

**FIGURE 2-17. ELECTRICAL OPTIONS INSTALLATION (TURNTABLE MOUNTED)**

ITEM	PART NUMBER	QTY	DESCRIPTION	REV
		Ref	<b>ELECTRICAL OPTIONS INSTALLATIONS (TURNTABLE MOUNTED)</b>	
	0258674	Ref	<b>ALARMS INSTALLATIONS</b>	1
1	0257887	1	Alarm/Harness Assembly	
1	0140032	1	Alarm	
1	2820035	6 in/15cm	Loom	
1	4460424	1	Plug	
1	4460268	2	Socket	
2	0641508	2	Bolt 5/16in-18NC x 1in	
3	4711500	2	Flatwasher 5/16in Narrow	
5	0100048	AR	Sealant, Silicone	
		Ref	<b>STROBE LIGHT INSTALLATIONS (AMBER) (OPTIONAL)</b>	
	0257885	Ref	<b>Strobe Light Installations (Amber) (Prior to SN 0300064432)</b>	2
	0271422	Ref	<b>Strobe Light Installations (Amber) (SN 0300064432 through 0300069000)</b>	1
		Ref	<b>Note: If machine is equipped with BLUE Strobe Light, See SPECIAL OPTIONS SECTION SkyGuard Kit.</b>	
10	4220162	1	Spacer, Stop (Used with ECCO Model 6640 Only)	
11		Ref	Adapter Options:	
11	0630491	1	Adapter - Used with ECCO Model 6640	
11	0080241	1	Adapter - Used with ECCO Model 6650	
12	3539281	1	Plate, Mounting (Used with ECCO Model 6640 Only)	
13	0741606	1	Screw, Flathead Countersunk 3/8in-16NC x 3/4in (Used with ECCO Model 6640 Only)	
14	0100011	AR	Compound, Locking	
15	4240032	1	Wire-Tile	
16	0255917	NLA	Strobe Light/Guard/Harness Assembly (Use p/n 0272507)	
16		Ref	Bulb, Replacement Options:	
16	7016380	1	Bulb for ECCO Model 6640	
16	70001941	1	Bulb for with ECCO Model 6650	
16A		Ref	Guard Options:	
16A	4060907	1	Guard - Used with ECCO Model 6640	
16A	2920215	1	Guard - Used with ECCO Model 6650	
17	4460234	1	Clamp	
18	0100048	AR	Sealant, Silicone	
		Ref	<b>LIGHTS INSTALLATIONS (OPTIONAL)</b>	
	0257884	Ref	<b>Lights Installations (Prior to SN 0300064432)</b>	1
	0271768	Ref	<b>Lights Installations (SN 0300064432 through 0300069000)</b>	2
25	2920110	2	Headlight	
26	0902206	2	Bracket, Mounting	
27	0642612	1	Bolt 1in-8NC x 1-1/2in	
28	4220162	2	Spacer	
29	0100011	AR	Compound, Locking	
30	2920113	2	Taillight	
31	3911040	4	Screw, Machine #10-24NC x 2-1/2in	
32	3311005	4	Nut #10-24NC	
33	4751000	4	Flatwasher #10	
34	4740362	4	Washer, Fender	
35	3960461	2	Gasket	
37	4240032	12	Tie-Strap (Not Shown)	

## SECTION 2 - TURNTABLE

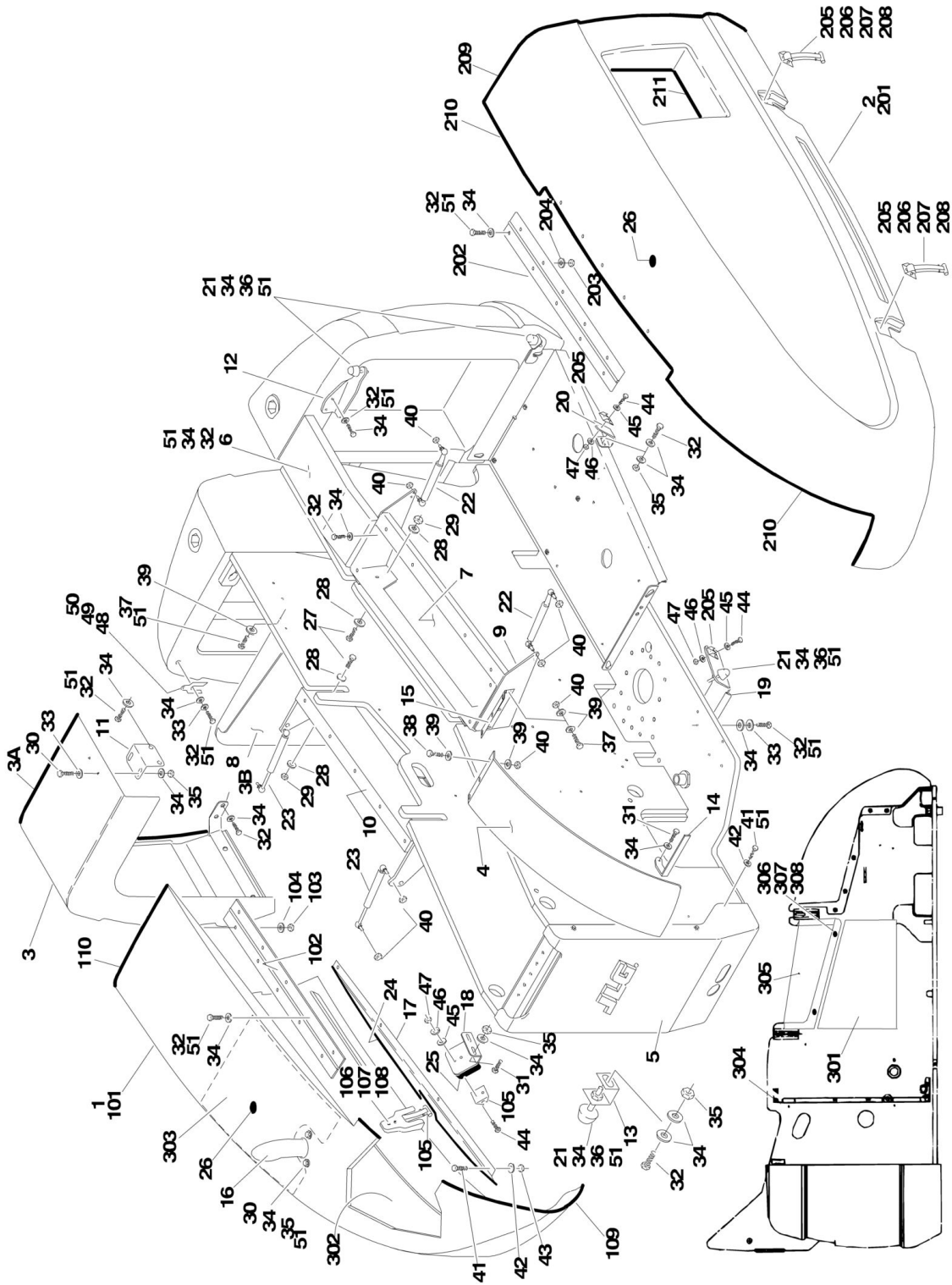
ITEM	PART NUMBER	QTY	DESCRIPTION	REV
38	4460234	12	Mount, Tie-Strap (Not Shown)	
39	4360336	1	Switch, Toggle (Not Shown - Located on Console)	
40	3790012	1	O-Ring (Not Shown - Located on Console)	





# SECTION 2 - TURNTABLE

## FIGURE 2-18. HOODS INSTALLATION



## SECTION 2 - TURNTABLE

### FIGURE 2-18. HOODS INSTALLATION

ITEM	PART NUMBER	QTY	DESCRIPTION	REV
	0258609	Ref	<b>HOODS INSTALLATION</b>	3-C
1	2680451	1	Hood Assembly - Engine Side (See Items 101-110 for Breakdown)	
		Ref	<b>Note: Replacement Decals Must be Ordered Separately - See DECALS SECTION for Breakdown.</b>	
2	2680448	1	Hood Assembly - Tank Side (See Items 201-211 for Breakdown)	
		Ref	<b>Note: Replacement Decals Must be Ordered Separately - See DECALS SECTION for Breakdown.</b>	
3	2680450	1	Hood Assembly- Engine Spacer	
3A	3960453	68 in /1.73m	Seal	
3B	7023366	1	Bracket	
4	3380444	1	Panel, Adapter	
5	1670842	1	Cover, Turntable End	
6	3380442	1	Cover, Top (Tank Side)	
7	3380443	1	Cover/Bracket Weldment (Tank Side)	
8	3539979	1	Plate, Baffle	
9	0902412	1	Bracket, Hood Mounting (Tank Side)	
10	0902351	1	Bracket, Hood Mounting (Engine Side)	
11	0902161	1	Bracket, Hood Spacer Mounting (Engine Side)	
12	0902426	1	Bracket, Bumper - Counterweight Mounted	
13	0902219	2	Bracket, Bumper	
14	0362770	1	Bar, Panel Mounting	
15	2600244	1	Adapter, Panel Hinge	
16	4845411	1	Exhaust Tube Weldment	
17	3539934	1	Plate, Seal	
18	0902491	1	Bracket, Latch (Engine Side)	
19	0902223	1	Bracket, Latch (Tank Side)	
20	0902143	1	Bracket, Latch Tank Side	
21	0940071	6	Bumper	
22	4160139	1	Spring, Gas (Tank Side)	
23	4160143	1	Spring, Gas (Engine Side)	
24	3960389	3.5 ft/1m	Seal	
25	3960470	1	Seal, Latch	
26	3520033	2	Plug, Hole	
27	0630507	6	Bolt, Carriage 1/2in-13NC x 1-1/4in	
28	4740171	6	Washer, Hardened	
29	3311805	6	Locknut 1/2in-13NC	
30	3900232	5	Screw, Button Head 3/8in-16NC x 1-1/4in	
31	0641609	5	Bolt 3/8in-16NC x 1-1/8in	
32	0641608	26	Bolt 3/8in-16NC x 1in	
33	4740076	5	Washer, Fender	
34	4751600	56	Flatwasher 3/8in	
35	3311605	10	Locknut 3/8in-16NC	
36	3311601	12	Nut 3/8in-16NC	
37	0641508	17	Bolt 5/16in-18NC x 1in	
38	3900210	3	Screw, Button Head 5/16in-18NC x 3/4in	
39	4751500	26	Flatwasher 5/16in	
40	3311505	10	Locknut 5/16in-18NC	
41	0641406	4	Bolt 1/4in-20NC x 3/4in	
42	4751400	4	Flatwasher 1/4in	

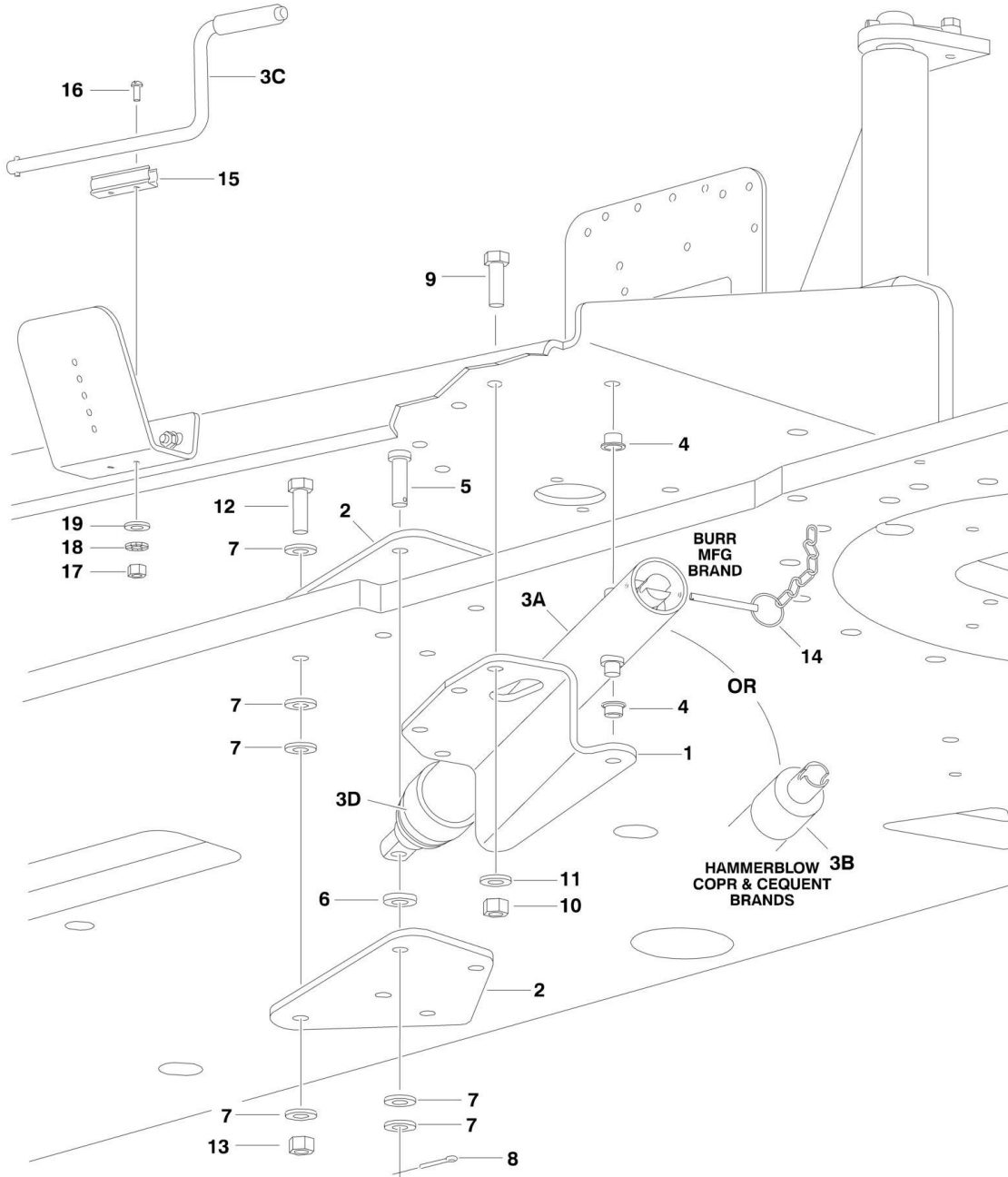
## SECTION 2 - TURNTABLE

ITEM	PART NUMBER	QTY	DESCRIPTION	REV
43	3311405	4	Locknut 1/4in-20NC	
44	0721006	6	Screw #10-24NC x 3/4in	
45	4751000	6	Flatwasher #10	
46	4761000	6	Lockwasher #10	
47	3311001	6	Nut #10-24NC	
48	4070410	AR	Shim 1/16in	
49	4070411	AR	Shim 1/8in	
50	4070412	AR	Shim 3/16in	
51	0100011	AR	Compound, Locking	
	2680451	Ref	<b>HOOD ASSEMBLY (ENGINE SIDE)</b>	A
101	2680436	1	Hood	
102	2600209	1	Hinge	
103	3311605	4	Locknut 3/8in-16NC	
104	4751600	4	Flatwasher 3/8in	
105	2940088	1	Latch	
106	0721008	2	Screw, Machine #10-24NC x 1in	
107	4751000	2	Flatwasher #10	
108	3311005	2	Locknut #10-24NC	
109	3960464	65 in /1.67m	Seal	
110	3960462	61 in /1.55m	Seal	
	2680448	Ref	<b>HOOD ASSEMBLY (TANK SIDE)</b>	A
201	2680437	1	Hood	
202	2600233	1	Hinge	
203	3311605	5	Locknut 3/8in-16NC	
204	4711600	5	Flatwasher 3/8in Narrow	
205	2940088	2	Latch	
206	0721008	4	Screw, Machine #10-24NC x 1in	
207	4751000	4	Flatwasher #10	
208	3311005	4	Locknut #10-24NC	
209	3960462	53 in /1.35m	Seal	
210	3960464	83 in /2.11m	Seal	
211	3960438	55 in/1.4m	Seal	
	0256823	Ref	<b>NOISE REDUCTION INSTALLATION (DEUTZ ENGINE MACHINES)</b>	-
301	2820078	1	Foam, Acoustical (Turntable Side)	
302	2820079	1	Foam, Acoustical (Hood Side)	
303	2820080	1	Foam, Acoustical (Hood Top)	
304	2820081	1	Foam, Acoustical (Located on #8)	
305	3539955	1	Plate, Baffle	
306	0641506	2	Bolt 5/16in-18NC x 3/4in	
307	4751500	2	Flatwasher 5/16in	
308	0100011	AR	Compound, Locking	



# SECTION 2 - TURNTABLE

## FIGURE 2-19. ENGINE TRAY JACK INSTALLATION (OPTIONAL)



**SECTION 2 - TURNTABLE**

**FIGURE 2-19. ENGINE TRAY JACK INSTALLATION (OPTIONAL)**

ITEM	PART NUMBER	QTY	DESCRIPTION	REV
	0258728	Ref	<b>ENGINE TRAY JACK INSTALLATION</b>	1-B
1	3537445	1	Bracket	
2	3537446	2	Bracket	
3	2840016	1	Jack and Handle Assembly Options:	D
3A		Ref	Burr Manufacturing Brand	
3B		Ref	Hammerblow Corp Brand	
3C		Ref	Handle Options:	
3C	7016374	1	Burr Manufacturing Brand	
3C	7024598	1	Hammerblow Corp Brand	
3D	7016322	1	Wiper (Burr Manufacturing Brand Only)	
4	0962051	2	Bearing, Flange	
5	3430816	1	Pin, Clevis	
6	4891800	1	Washer, Hardened	
7	4711800	6	Flatwasher 1/2in Narrow	
8	3450404	1	Pin, Cotter 1/8in x 1in	
9	0641609	4	Bolt 3/8in-16NC x 1-1/8in	
10	3311605	4	Locknut 3/8in-16NC	
11	4891600	4	Washer, Hardened	
12	0641818	4	Bolt 1/2in-13NC x 2-1/4in	
13	3311805	4	Locknut 1/2in-13NC	
14	3422530	1	Pin, Hitch	
15	1380147	1	Clip, Spring	
16	3910608	2	Screw, Round Head #6-32NC x 1in	
17	3310601	2	Nut #6-32NC	
18	4770600	2	Starwasher #6	
19	4740119	2	Washer, Aluminum	

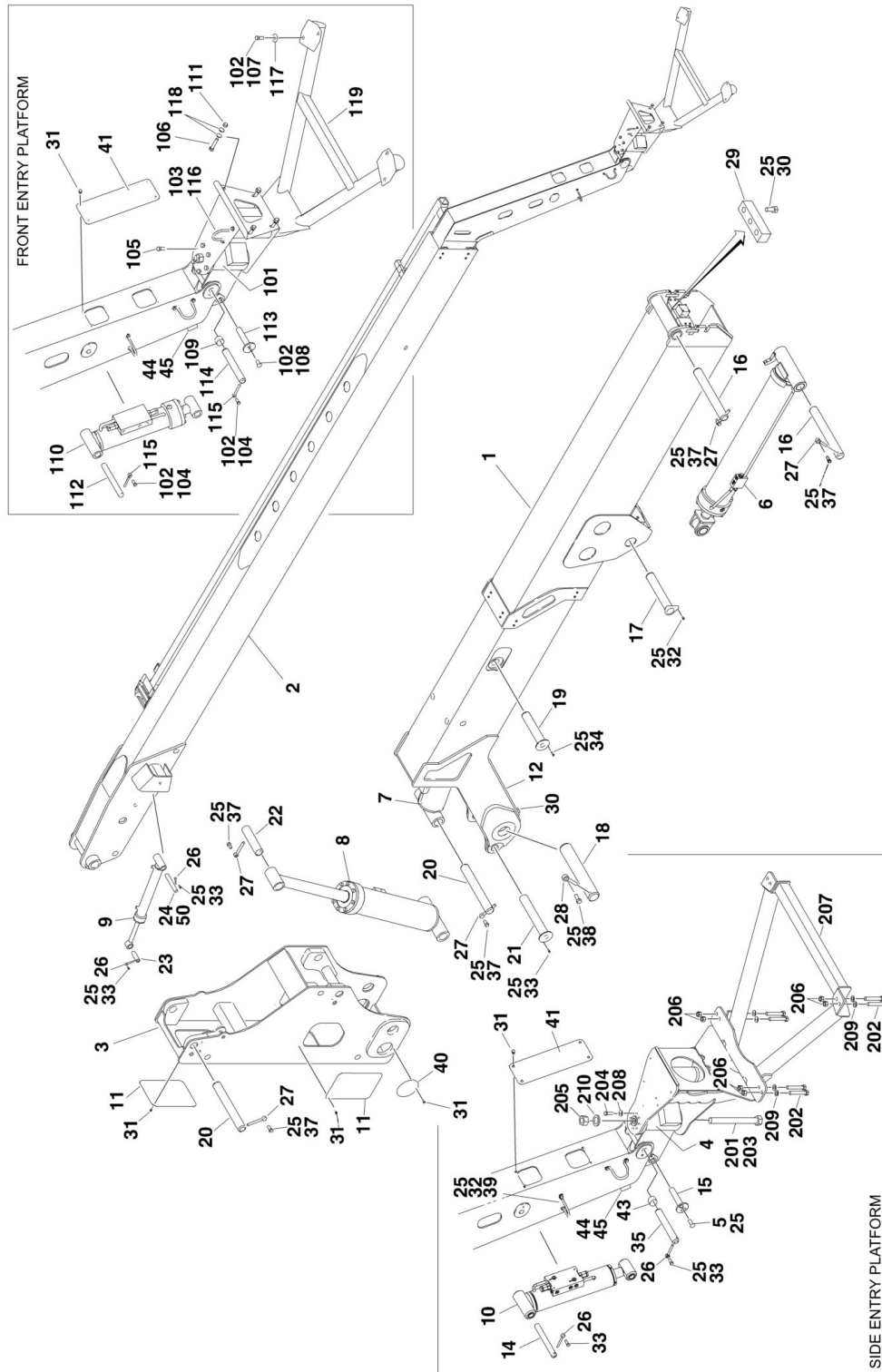




**SECTION 3 - BOOM**

# SECTION 3 - BOOM

## FIGURE 3-1. BOOM AND CYLINDER INSTALLATION - 800A



## SECTION 3 - BOOM

### FIGURE 3-1. BOOM AND CYLINDER INSTALLATION - 800A

ITEM	PART NUMBER	QTY	DESCRIPTION	REV
		Ref	<b>BOOMS AND CYLINDERS INSTALLATIONS - 800A</b>	
	0257760	Ref	<b>Front Entry Platform</b>	E
	0272381	Ref	<b>Side Entry Platform</b>	A
1	0801132	1	Boom Assembly - Tower (See TOWER BOOM ASSEMBLY for Breakdown)	
2	0801135	1	Boom Assembly - Main (See MAIN BOOM ASSEMBLIES for Breakdown)	
3	4845593	1	Upright Weldment	
4		Ref	Rotator Actuator Assembly Options:	
4	See Item 101	1	Front Entry Platform	
4	0060069	1	Side Entry Platform (See ROTATOR ASSEMBLIES (SIDE ENTRY PLATFORM) for Breakdown)	
5	0741607	1	Screw, Countersunk 3/8in-16NC x 7/8in	
6	1683537	NLA	Lift Cylinder Assembly - Tower Boom (Use p/n 1001228009) (See CYLINDER SECTION for Breakdown) (Original Equipment)	
6	1001228009	1	Lift Cylinder Assembly - Tower Boom (See CYLINDER SECTION for Breakdown) (Service Replacement)	
7	1683546	NLA	Level Cylinder Assembly - Upright (Use p/n 1001228041) (See CYLINDER SECTION for Breakdown) (Original Equipment)	
7	1684497	NLA	Level Cylinder Assembly - Upright (Use p/n 1001228041) (See CYLINDER SECTION for Breakdown) (Service Replacement)	
7	1001228041	1	Level Cylinder Assembly - Upright (See CYLINDER SECTION for Breakdown) (Service Replacement)	
8	1683547	NLA	Lift Cylinder Assembly - Main Boom (Use p/n 1001228010) (See CYLINDER SECTION for Breakdown) (Original Equipment)	
8	1001228010	1	Lift Cylinder Assembly - Main Boom (See CYLINDER SECTION for Breakdown) (Service Replacement)	
9	1683608	NLA	Master Cylinder Assembly (Use p/n 1001228011) (See CYLINDER SECTION for Breakdown) (Original Equipment)	
9	1001228011	1	Master Cylinder Assembly (See CYLINDER SECTION for Breakdown) (Service Replacement)	
10	1683610	NLA	Slave Cylinder Assembly (Use p/n 1001228033) (See CYLINDER SECTION for Breakdown) (Original Equipment)	
10	1684408	NLA	Slave Cylinder Assembly (Use p/n 1001228033) (See CYLINDER SECTION for Breakdown) (Service Replacement)	
10	1001228033	1	Slave Cylinder Assembly (See CYLINDER SECTION for Breakdown) (Service Replacement)	
11	1670844	4	Cover, Upright	
12	1670850	1	Cover, Tower Fly	
14	3422578	1	Pin	
15	3422580	1	Pin	
16	3422681	2	Pin	
17	3422729	1	Pin	
18	3422683	1	Pin	
19	3422684	1	Pin	
20	3422685	2	Pin	
21	3422686	1	Pin	
22	3422687	1	Pin	
23	3422688	1	Pin	
24	3422689	1	Pin	
25	0100011	AR	Compound, Locking	
26	3841143	2	Keeper, Pin	
27	3841287	5	Keeper, Pin	

## SECTION 3 - BOOM

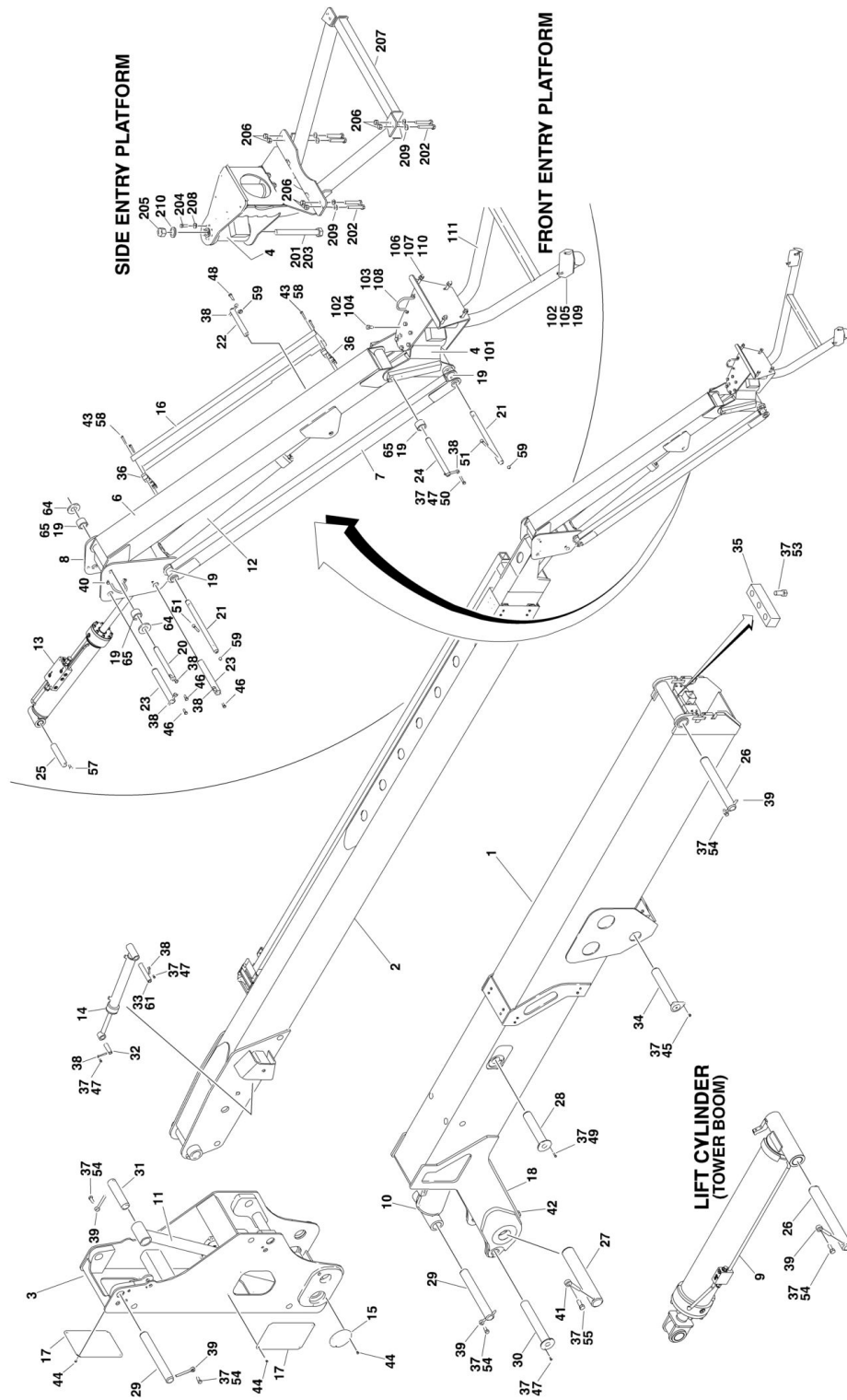
ITEM	PART NUMBER	QTY	DESCRIPTION	REV
28	3841356	1	Keeper, Pin	
29	3340835	1	Pad, Rest	
30	0641404	4	Bolt 1/4in-20NC x 1/2in	
31	0641604	28	Bolt 3/8in-16NC x 1/2in	
32	0641606	6	Bolt 3/8in-16NC x 3/4in	
33	0641608	6	Bolt 3/8in-16NC x 1in	
34	0641611	2	Bolt 3/8in-16NC x 1-3/8in	
35	3422582	1	Pin	
36	0641820	3	Bolt 1/2in-13NC x 2-1/2in	
37	0642214	5	Bolt 3/4in-10NC x 1-3/4in	
38	0642620	1	Bolt 1in-8NC x 2-1/2in	
39	3841340	1	Rod, Hose Loop	
40	1120510	1	Cover, Upright	
41	1670864	1	Cover, Fly Hose	
43	0961951	2	Bearing	
44	0641514	1	Bolt 5/16in-18NC x 1-3/4in	
45	1320159	1	Clamp	
50	3900239	1	Setscrew 3/8in-16NC x 1/2in	
		Ref	<b>ROTATOR AND SUPPORT INSTALLATIONS (FRONT ENTRY PLATFORM)</b>	
	0258765	Ref	<b>Australian Spec</b>	C
	0258767	Ref	<b>CE Spec Only (Prior to SN 0300054596)</b>	D
	0259500	Ref	<b>CE Spec Only (SN 0300054596 through 0300068040)</b>	1
101	0060041	NLA	Rotator Actuator Assembly (Use p/n 0060077) (See ROTATOR ASSEMBLIES (FRONT ENTRY PLATRORM) for Breakdown)	
102	0100011	AR	Compound, Locking	
103	0641606	2	Bolt 3/8in-16NC x 3/4in	
104	0641608	2	Bolt 3/8in-16NC x 1in	
105	0641810	6	Bolt 1/2in-13NC x 1-1/4in	
106	0641820	4	Bolt 1/2in-13NC x 2-1/2in	
107	0681610	4	Bolt 3/8in-16NC x 1-1/4in (Grade 8)	
108	0741607	1	Screw, Countersunk 3/8in-16NC x 7/8in	
109	0961951	2	Bearing	
110	1683610	NLA	Slave Cylinder Assembly (See CYLINDER SECTION for Breakdown) (Use p/n 1684408)	
111	3311805	4	Locknut 1/2in-13NC	
112	3422578	1	Pin	
113	3422580	1	Pin	
114	3422582	1	Pin	
115	3841143	2	Keeper, Pin	
116	3841340	3	Rod, Hose Loop	
117	4711600	4	Flatwasher 3/8in Narrow	
118	4711800	8	Flatwasher 1/2in Narrow	
119		Ref	Support Weldment Options:	
119	4845703	1	Standard Spec	
119	4845871	1	French Spec <b>(Prior to SN 0300054596)</b>	
119	4846081	1	French Spec <b>(SN 0300054596 through 0300068040)</b>	
		Ref	<b>PLATFORM SUPPORT INSTALLATIONS (SIDE ENTRY PLATFORM)</b>	
	0272070	Ref	<b>Australian Spec</b>	B
	0272071	Ref	<b>CE Spec Only</b>	C
201	0100011	AR	Compound, Locking	

## SECTION 3 - BOOM

ITEM	PART NUMBER	QTY	DESCRIPTION	REV
202		Ref	Bolt Options:	
202	0641812	8	Australian Spec - Bolt 1/2in-13NC x 1-1/2in	
202	0641822	8	CE Spec - Bolt 1/2in-13NC x 2-3/4in	
203	0642682	1	Bolt 1in-8NC x 10-1/4in	
204		Ref	Bolt Options:	
204	0681608	8	Australian Spec - Bolt 3/8in-16NC x 1in	
204	0681610	8	CE Spec - Bolt 3/8in-16NC x 1-1/4in	
205	3272605	1	Locknut 1in-8NC	
206	3311805	8	Locknut 1/2in-13NC	
207	4846573	1	Support Weldment	
208	4891600	8	Flatwasher 3/8in (Hardened)	
209	4891800	8	Flatwasher 1/2in (Hardened)	
210	4892600	1	Flatwasher 1in (Hardened)	

# SECTION 3 - BOOM

## FIGURE 3-2. BOOM AND CYLINDER INSTALLATION - 800AJ



## SECTION 3 - BOOM

### FIGURE 3-2. BOOM AND CYLINDER INSTALLATION - 800AJ

ITEM	PART NUMBER	QTY	DESCRIPTION	REV
		Ref	<b>BOOMS AND CYLINDERS INSTALLATION - 800AJ</b>	
	0257761	Ref	<b>Front Entry Platform</b>	C
	0272131	Ref	<b>Side Entry Platform</b>	B
1	0801132	1	Boom Assembly - Tower (See TOWER BOOM ASSEMBLY for Breakdown)	
2	0801136	1	Boom Assembly - Main (See MAIN BOOM ASSEMBLIES for Breakdown)	
3	4845593	1	Upright Weldment	
4		Ref	Rotator Actuator Assembly Options:	
4	0060031	NLA	Front Entry Platform (Use p/n 0060074) (See ROTATOR ASSEMBLIES (FRONT ENTRY PLATFORM) for Breakdown)	
4	0060066	1	Side Entry Platform (See ROTATOR ASSEMBLIES (SIDE ENTRY PLATFORM) for Breakdown)	
6	4844816	1	Tube Weldment - Jib Top	
7	4844817	2	Tube Weldment - Jib Bottom	
8	4845716	1	Pivot Weldment	
9	1683537	NLA	Lift Cylinder Assembly - Tower Boom (Use p/n 1001228009) (See CYLINDER SECTION for Breakdown) (Original Equipment)	
9	1001228009	1	Lift Cylinder Assembly - Tower Boom (See CYLINDER SECTION for Breakdown) (Service Replacement)	
10	1683546	NLA	Level Cylinder Assembly - Upright (Use p/n 1001228041) (See CYLINDER SECTION for Breakdown) (Original Equipment)	
10	1684497	NLA	Level Cylinder Assembly - Upright (Use p/n 1001228041) (See CYLINDER SECTION for Breakdown) (Service Replacement)	
10	1001228041	1	Level Cylinder Assembly - Upright (See CYLINDER SECTION for Breakdown) (Service Replacement)	
11	1683547	NLA	Lift Cylinder Assembly - Main Boom (Use p/n 1001228010) (See CYLINDER SECTION for Breakdown) (Original Equipment)	
11	1001228010	1	Lift Cylinder Assembly - Main Boom (See CYLINDER SECTION for Breakdown) (Service Replacement)	
12	1683609	NLA	Lift Cylinder Assembly - Jib (Use p/n 1001248012) (See CYLINDER SECTION for Breakdown) (Original Equipment)	
12	1001228012	NLA	Lift Cylinder Assembly - Jib (Use p/n 1001248012) (See CYLINDER SECTION for Breakdown) (Service Replacement)	
12	1001248012	1	Lift Cylinder Assembly - Jib (See CYLINDER SECTION for Breakdown) (Service Replacement)	
13	1683677	NLA	Slave Cylinder Assembly (Use p/n 1001228030) (See CYLINDER SECTION for Breakdown) (Original Equipment)	
13	1684228	NLA	Slave Cylinder Assembly (Use p/n 1001228030) (See CYLINDER SECTION for Breakdown) (Service Replacement)	
13	1001228030	1	Slave Cylinder Assembly (See CYLINDER SECTION for Breakdown) (Service Replacement)	
14	1683682	NLA	Master Cylinder Assembly (Use p/n 1001228050) (See CYLINDER SECTION for Breakdown) (Original Equipment)	
14	1001228050	1	Master Cylinder Assembly (See CYLINDER SECTION for Breakdown) (Service Replacement)	
15	1120510	4	Cover, Upright	
16	1670769	1	Cover, Cable	
17	1670844	4	Cover, Upright	
18	1670850	1	Cover, Tower Fly	
19	0961947	AR	Bearing	
20		Ref	Pin Options:	
20	3422558	1	Pin (Prior to SN 0300054012)	
20	3422860	1	Pin (SN 0300054012 through 0300069000)	

## SECTION 3 - BOOM

ITEM	PART NUMBER	QTY	DESCRIPTION	REV
21		Ref	Pin Options:	
21	3422559	2	Pin ( <b>Prior to SN 0300054012</b> )	
21	3422861	2	Pin ( <b>SN 0300054012 through 0300069000</b> )	
22		Ref	Pin Options:	
22	3422560	1	Pin ( <b>Prior to SN 0300054012</b> )	
22	3422867	1	Pin ( <b>SN 0300054012 through 0300069000</b> )	
23	3422561	2	Pin	
24		Ref	Pin Options:	
24		Ref	Front Entry	
24	3422563	1	Production (10-3/4in Length)	
24	3422860	1	For Service Replacement Rotator (9-7/16in Length)	
24	3422860	1	Side Entry Platform	
25	3422583	1	Pin	
26	3422681	2	Pin	
27	3422683	1	Pin	
28	3422684	1	Pin	
29	3422685	2	Pin	
30	3422686	1	Pin	
31	3422687	1	Pin	
32	3422688	1	Pin	
33	3422689	1	Pin	
34	3422729	1	Pin	
35	3340835	1	Pad, Rest	
36	0561237	2	Clamp, Block	
37	0100011	AR	Compound, Locking	
38	3841143	7	Keeper, Pin	
39	3841287	5	Keeper, Pin	
40	3841340	1	Rod, Hose Loop	
41	3841356	1	Keeper, Pin	
42	0641404	4	Bolt 1/4in-20NC x 1/2in	
43	0641416	4	Bolt 1/4in-20NC x 2in	
44	0641604	24	Bolt 3/8in-16NC x 1/2in	
45	0641606	4	Bolt 3/8in-16NC x 3/4in	
46	0641607	3	Bolt 3/8in-16NC x 7/8in	
47	0641608	AR	Bolt 3/8in-16NC x 1in	
48	0641611	1	Bolt 3/8in-16NC x 1-3/8in	
49	0641612	2	Bolt 3/8in-16NC x 1-1/2in	
50	0641614	1	Bolt 3/8in-16NC x 1-3/4in	
51	0641618	4	Bolt 3/8in-16NC x 2-1/4in	
53	0641820	3	Bolt 1/2in-13NC x 2-1/2in	
54	0642214	5	Bolt 3/4in-10NC x 1-3/4in	
55	0642620	1	Bolt 1in-8NC x 2-1/2in	
57	0741607	1	Screw, Countersunk 3/8in-16NC x 7/8in	
58	2080044	4	Rivnut 1/4in-20NC	
59	3311605	5	Locknut 3/8in-16NC	
61	3900239	1	Setscrew 3/8in-16NC x 1/2in	
64	4740439	2	Washer, Thrust	
65	0962335	4	Bearing ( <b>SN 0300054012 through 0300069000</b> )	
		Ref	<b>ROTATOR AND SUPPORT INSTALLATIONS (FRONT ENTRY PLATFORM)</b>	
	0258766	Ref	<b>Australian Spec</b>	C
	0258768	Ref	<b>CE Spec Only (Prior to SN 0300054596)</b>	D

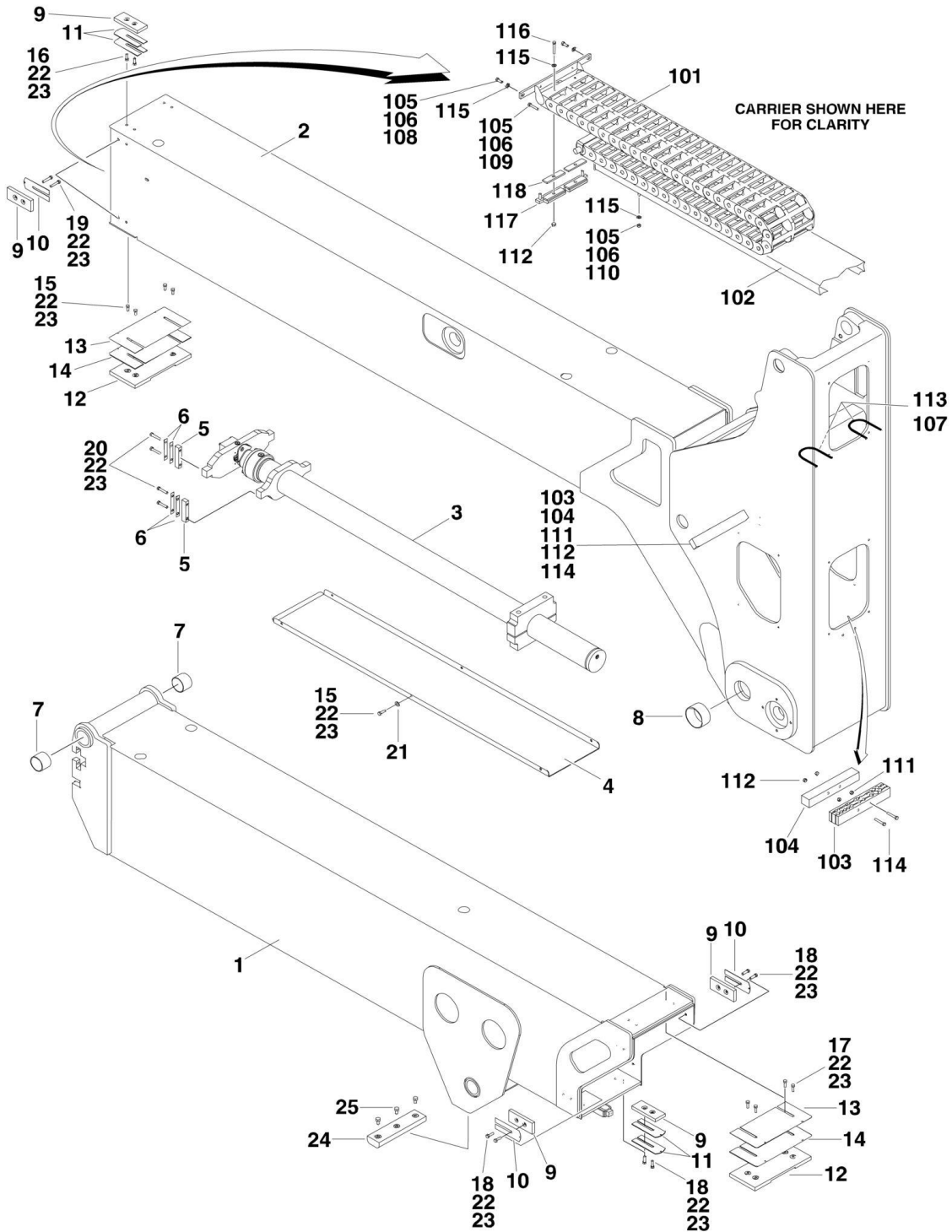


## SECTION 3 - BOOM

ITEM	PART NUMBER	QTY	DESCRIPTION	REV
	0259501	Ref	<b>CE Spec Only (SN 0300054596 through 0300068040)</b>	1
101	See Item 4	1	Rotator Actuator Assembly	
102	0100011	AR	Compound, Locking	
103	0641606	2	Bolt 3/8in-16NC x 3/4in	
104	0641810	6	Bolt 1/2in-13NC x 1-1/4in	
105	0681610	4	Bolt 3/8in-16NC x 1-1/4in (Grade 8)	
106	0641820	4	Bolt 1/2in-13NC x 2-1/2in	
107	3311805	4	Locknut 1/2in-13NC	
108	3841340	1	Rod, Hose Loop	
109	4711600	4	Flatwasher 3/8in Narrow	
110	4711800	8	Flatwasher 1/2in Narrow	
111		Ref	Support Weldment Options:	
111	4844790	1	Australian Spec	
111	4845682	1	CE Spec ( <b>Prior to SN 0300054596</b> )	
111	4846081	1	CE Spec ( <b>SN 0300054596 through 0300069000</b> )	
		Ref	<b>PLATFORM SUPPORT INSTALLATIONS (SIDE ENTRY PLATFORM)</b>	
	0272070	Ref	<b>Australian Spec</b>	B
	0272071	Ref	<b>CE Spec Only</b>	C
201	0100011	AR	Compound, Locking	
202		Ref	Bolt Options:	
202	0641812	8	Australian Spec - Bolt 1/2in-13NC x 1-1/2in	
202	0641822	8	CE Spec - Bolt 1/2in-13NC x 2-3/4in	
203	0642682	1	Bolt 1in-8NC x 10-1/4in	
204		Ref	Bolt Options:	
204	0681608	8	Australian Spec - Bolt 3/8in-16NC x 1in	
204	0681610	8	CE Spec - Bolt 3/8in-16NC x 1-1/4in	
205	3272605	1	Locknut 1in-8NC	
206	3311805	8	Locknut 1/2in-13NC	
207	4846573	1	Support Weldment	
208	4891600	8	Flatwasher 3/8in (Hardened)	
209	4891800	8	Flatwasher 1/2in (Hardened)	
210	4892600	1	Flatwasher 1in (Hardened)	

# SECTION 3 - BOOM

## FIGURE 3-3. TOWER BOOM ASSEMBLY



# SECTION 3 - BOOM

## FIGURE 3-3. TOWER BOOM ASSEMBLY

ITEM	PART NUMBER	QTY	DESCRIPTION	REV
	0801132	Ref	<b>TOWER BOOM ASSEMBLY</b>	C
1	0801133	1	Base Weldment	
2	0801134	1	Fly Weldment	
3	1683606	NLA	Cylinder Assembly - Tower Telescope (Use p/n 1001228086) (See CYLINDER SECTION for Breakdown) (Original Equipment)	
3	1001188840	NLA	Cylinder Assembly - Tower Telescope (Use p/n 1001228086) (See CYLINDER SECTION for Breakdown) (Service Replacement)	
3	1001228086	1	Cylinder Assembly - Tower Telescope (See CYLINDER SECTION for Breakdown) (Service Replacement)	
4	4340706	1	Support	
5	0561185	4	Block, Attach	
6	4070929	8	Shim 1/16in	
7	0962102	2	Bushing	
8	0962122	2	Bushing	
9		Ref	Pad, Wear Options:	
9	3340756	12	Pad, Wear <b>(Prior to SN 0300064695)</b>	
9	3340881	12	Pad, Wear <b>(SN 0300064695 through 0300069000)</b>	
10	4070897	8	Shim .05	
11	4070898	8	Shim .12	
12	3340828	2	Pad, Wear	
13	4070967	2	Shim .05	
14	4070968	2	Shim .12	
15	0641607	10	Bolt 3/8in-16NC x 7/8in	
16	0641608	4	Bolt 3/8in-16NC x 1in	
17	0641609	4	Bolt 3/8in-16NC x 1-1/8in	
18	0641610	12	Bolt 3/8in-16NC x 1-1/4in	
19	0641615	8	Bolt 3/8in-16NC x 1-7/8in	
20	0641616	8	Bolt 3/8in-16NC x 2in	
21	4711600	6	Flatwasher 3/8in Narrow	
22	0100011	AR	Compound, Locking	
23	0100038	AR	Primer, Locking	
24	3340835	1	Pad, Boom Rest	
25	0641806	3	Bolt 1/2in-13NC x 3/4in	
	0257764	Ref	<b>POWER TRACK INSTALLATION</b>	F
101	1180346	1	Carrier	
101	7020064	1	Bracket, End (Moving)	
101	7020065	1	Bracket, End (Fixed)	
101	7020066	1	Section, Repair	
101	7020067	1	Link, Repair	
102	4845680	1	Hose Tube Weldment	
103	1320251	2	Clamp, Block	
104	1320250	2	Bar, Clamp	
105	0100011	AR	Compound, Locking	
106	0100038	AR	Primer, Locking	
107	0641605	4	Bolt 3/8in-16NC x 5/8in	
108	0641606	2	Bolt 3/8in-16NC x 3/4in	
109	0641622	2	Bolt 3/8in-16NC x 2-3/4in	
110	3311601	4	Nut 3/8in-16NC	
111	3311602	2	Nut, Jam 3/8in-16NC	
112	3311605	4	Locknut 3/8in-16NC	

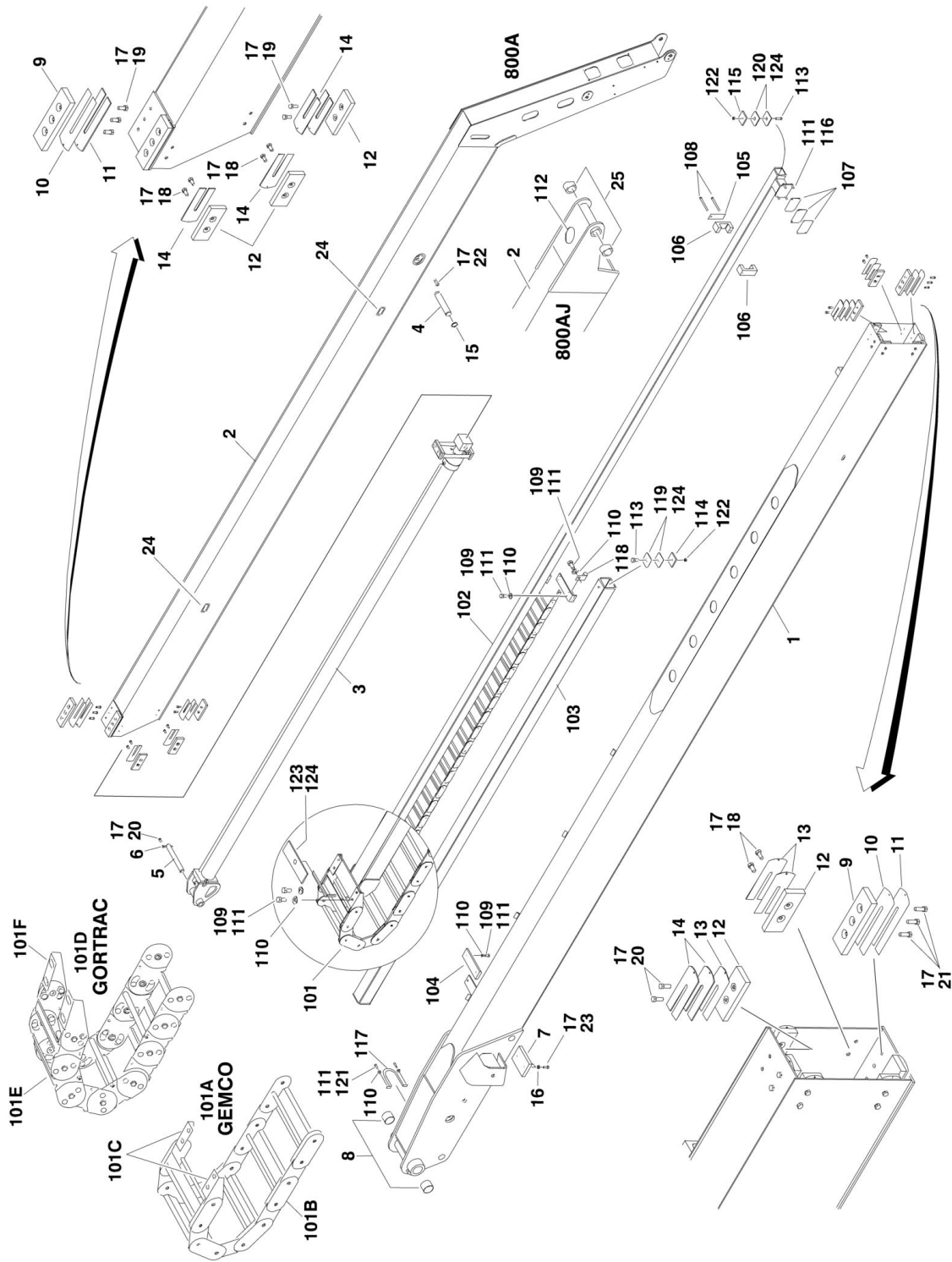
## SECTION 3 - BOOM

ITEM	PART NUMBER	QTY	DESCRIPTION	REV
113	3841340	2	Rod, Hose Loop	
114	3900262	4	Bolt 3/8in-16NC x 4-3/4in	
115	4711600	6	Flatwasher 3/8in Narrow	
116	0630539	2	Bolt 3/8in-16NC x 3-1/2in	
117		Ref	Clamp Assembly Options:	
117	0259420	1	Clamp Assembly (was qty 2 of p/n 1320252) <b>(Prior to SN 0300043680)</b>	
117	0259420	1	Clamp Assembly <b>(SN 0300043680 through 0300069000)</b>	
118	3340859	2	Pad, Rubber	



# SECTION 3 - BOOM

## FIGURE 3-4. MAIN BOOM ASSEMBLIES



## SECTION 3 - BOOM

### FIGURE 3-4. MAIN BOOM ASSEMBLIES

ITEM	PART NUMBER	QTY	DESCRIPTION	REV
		Ref	<b>MAIN BOOM ASSEMBLY OPTIONS:</b>	
	0801135	Ref	<b>Main Boom Assembly 800A</b>	E
	0801136	Ref	<b>Main Boom Assembly 800AJ</b>	E
1		Ref	Base Weldment Options:	
1	0801137	NLA	Base Weldment 800A (Use p/n 0801185)	
1	0801185	1	Base Weldment 800A ( <b>SN 0300042446 through 0300069000</b> )	
1	0801139	NLA	Base Weldment 800AJ (Use p/n 0801191)	
1	0801191	1	Base Weldment 800AJ ( <b>SN 0300042446 through 0300069000</b> )	
2		Ref	Fly Weldment Options:	
2	0801138	1	Fly Weldment 800A	
2	0801140	1	Fly Weldment 800AJ	
3		Ref	Telescope Cylinder Assembly Options:	
3	1683607	NLA	Telescope Cylinder Assembly (Use p/n 1001228088) (800A) (Original Equipment)	
3	1001188968	NLA	Telescope Cylinder Assembly (Use p/n 1001228088) (800A) (Service Replacement)	
3	1001228088	1	Telescope Cylinder Assembly (800A) (Service Replacement)	
3	1683672	NLA	Telescope Cylinder Assembly (Use p/n 1001228087) (800AJ) (Original Equipment)	
3	1001188841	NLA	Telescope Cylinder Assembly (Use p/n 1001228087) (800AJ) (Service Replacement)	
3	1001228087	1	Telescope Cylinder Assembly (800AJ) (Service Replacement)	
4	3422457	1	Pin	
5	3422690	1	Pin	
6	3841143	1	Keeper, Pin	
7	0561295	1	Block, Boom Rest	
8	0962102	2	Bushing	
9		Ref	Pad, Wear Options:	
9	3340705	4	Pad, Wear ( <b>Prior to SN 0300064695</b> )	
9	3340871	4	Pad, Wear ( <b>SN 0300064695 through 0300069000</b> )	
10	4070863	4	Shim 1/8in	
11	4070864	4	Shim .05	
12		Ref	Pad, Wear Options:	
12	3340756	12	Pad, Wear ( <b>Prior to SN 0300064695</b> )	
12	3340881	12	Pad, Wear ( <b>SN 0300064695 through 0300069000</b> )	
13	4070897	10	Shim .05	
14	4070898	12	Shim 1/8in	
15	3760133	2	Ring, Retaining	
16	4711600	2	Flatwasher 3/8in Narrow	
17	0100011	AR	Compound, Locking	
18	0641606	16	Bolt 3/8in-16NC x 3/4in	
19	0641607	10	Bolt 3/8in-16NC x 7/8in	
20	0641608	5	Bolt 3/8in-16NC x 1in	
21	0641609	6	Bolt 3/8in-16NC x 1-1/8in	
22	3900259	4	Bolt, Shoulder	
23	0641612	2	Bolt 3/8in-16NC x 1-1/2in	
24	1670836	6	Cover, Boom	
25		Ref	Bushing	
25	Not Required	0	Bushing 800A	
25	0961951	2	Bushing 800AJ	

## SECTION 3 - BOOM

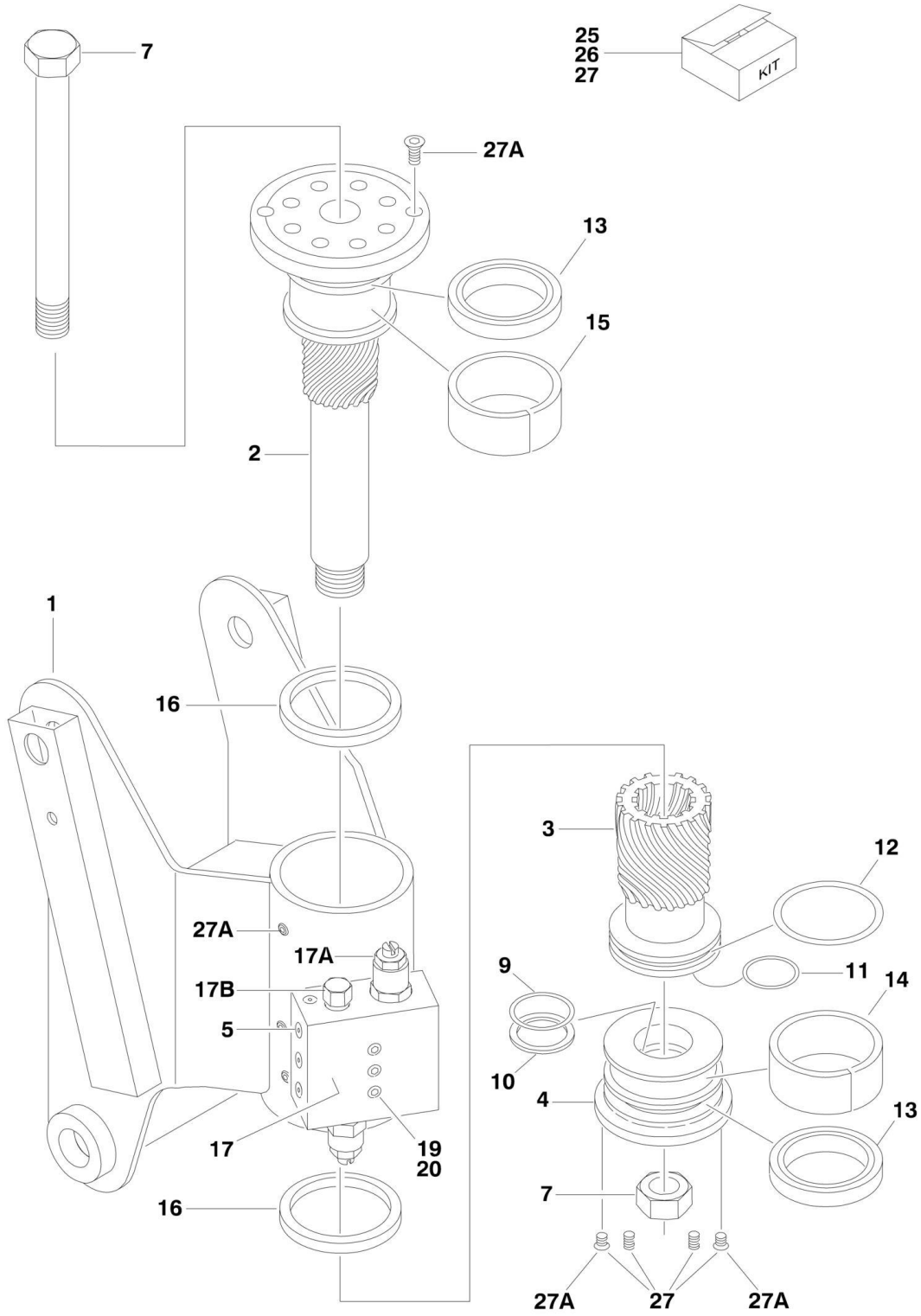
ITEM	PART NUMBER	QTY	DESCRIPTION	REV
		Ref	<b>POWER TRACK INSTALLATION OPTIONS:</b>	
	0258076	Ref	<b>Power Track Installation 800A</b>	G
	0258077	Ref	<b>Power Track Installation 800AJ</b>	F
101		Ref	Carrier Options:	
101A		Ref	Gemco Brand Power Track (Original Equipment)	
101A	1180347	NLA	Gemco Brand Power Track (Original Equipment) 800A (Use p/n 1001099840)	
101A	1180349	NLA	Gemco Brand Power Track (Original Equipment) 800AJ (Use p/n 1001099837)	
101B	7016522	AR	Carrier Repair Section (Includes 1 Pin for each end)	
101B	7016523	AR	Rod Assembly (Includes 1 rod and hardware)	
101B	7016529	AR	Roller, Plastic Rod	
101B	7006137	AR	Link Pin Assembly	
101C	7016524	2	Foot, Mounting (1 Pair)	
101D		Ref	Gortrac Brand Power Track (Service Replacement)	
101D	1001099840	1	Gortrac Brand Power Track (Service Replacement) 800A	
101D	1001099837	1	Gortrac Brand Power Track (Service Replacement) 800AJ	
101E	70002013	AR	Carrier Repair Section (Includes 1 Pin Assembly for each end)	
101F	70002014	AR	Mounting Foot Kit (Includes Both Pair of Feet)	
102		Ref	Push Tube Weldment	
102	4845701	1	Push Tube Weldment 800A	
102	4845729	1	Push Tube Weldment 800AJ	
103		Ref	Support	
103	4845702	1	Support 800A	
103	4845730	1	Support 800AJ	
104	3340840	1	Pad	
105	3538758	1	Plate, Backing	
106	3340764	2	Pad	
107	4070969	3	Shim	
108	0641640	2	Bolt 3/8in-16NC x 5in	
109	0641606	18	Bolt 3/8in-16NC x 3/4in	
110	4711600	22	Flatwasher 3/8in Narrow	
111	0100011	AR	Compound, Locking	
112		Ref	Flex-Trim	
112	Not Required	0	Flex-Trim 800A	
112	4060805	8 in/20cm	Flex-Trim 800AJ	
113	0641622	2	Bolt 3/8in-16NC x 2-3/4in	
114	1320248	1	Clamp, Hose	
115	1320249	1	Clamp, Hose	
116		Ref	Bolt Options:	
116	0641607	4	Bolt 800A (Bolt 3/8in-16NC x 7/8in)	
116	0641612	4	Bolt 800AJ (Bolt 3/8in-16NC x 1-1/2in)	
117	3841406	1	Loop, Hose	
118	1320263	1	Clamp, Loop	
119	3340860	2	Pad, Rubber	
120	3340861	2	Pad, Rubber	
121	3900232	2	Screw, Button Head 3/8in-16NC x 1-1/4in	
122	3311605	2	Locknut 3/8in-16NC ( <b>SN 0300066130 through 0300069000</b> )	
123	4071052	2	Shim ( <b>SN 0300066130 through 0300069000</b> )	
124	0100081	AR	Adhesive	





# SECTION 3 - BOOM

## FIGURE 3-5. ROTATOR ASSEMBLIES (FRONT ENTRY PLATFORM)



## SECTION 3 - BOOM

### FIGURE 3-5. ROTATOR ASSEMBLIES (FRONT ENTRY PLATFORM)

ITEM	PART NUMBER	QTY	DESCRIPTION	REV
		Ref	<b>ROTATOR ASSEMBLIES</b>	
		Ref	<b>Rotator Assemblies 800A</b>	
	0060041	Ref	<b>Actual Production</b>	G
	0060077	Ref	<b>Recommended Replacement</b>	B
		Ref	<b>Rotator Assemblies 800AJ</b>	
	0060031	Ref	<b>Actual Production</b>	I
	1001103095	Ref	<b>Recommended Replacement Kit (contains 0060074 rotator, upper pin, keeper shaft, keeper shaft bolt and instruction sheet)</b>	1
		Ref	<b>Note: Before ordering parts, identify whether original equipment rotator has been replaced with service replacement. Service replacement rotator uses spacer plate bolted on the top with 8 capscrews (Not shown - located at item 2). Original equipment rotator does not use spacer plate.</b>	
1	See Note	1	Housing/Ring Gear Assembly (Note: Not Available - Purchase Complete Assembly)	
2		Ref	Shaft Weldment Options:	
2	7017177	1	0060041 & 0060031 Rotators (was p/n 7017117)	
2	7017162	1	0060077 & 0060074 Rotators	
2	See Note	1	Plate, Spacer (Not Shown) (0060077 & 0060074 Rotators Only) (Note: Not Available for Purchase)	
3		Ref	Piston/Sleeve Options:	
3	7017115	1	0060041 & 0060031 Rotators	
3	7017163	1	0060077 & 0060074 Rotators	
4		Ref	Cap, End Options:	
4	7017174	1	0060041 & 0060031 Rotators (was p/n 7017116)	
4	7017164	1	0060077 & 0060074 Rotators	
5	See Note	NSS	Plug, Port (Note: Not Available for Purchase)	
6	7017142	2	Plug	
7	7017102	1	Tie-Rod/Locknut Assembly	
7	7017119	1	Bolt 1in-8NC x 11in	
8	3272605	AR	Locknut 1in-8NC	
9	See Note	NSS	Seal, Cap (Note: Use Item 25)	
10	See Note	NSS	Ring, Back-up (Cap) (Note: Use Item 25)	
11	See Note	NSS	Seal, Rod (Note: Use Item 25)	
12	See Note	NSS	Seal, Piston (Note: Use Item 25)	
13	See Note	NSS	Packing, Bearing (Note: Use Item 25)	
14	See Note	NSS	Bearing, Cap (Note: Use Item 26)	
15	See Note	NSS	Bearing, Shaft (Note: Use Item 26)	
16	See Note	NSS	Washer, Thrust (Note: Use Item 26)	
17		Ref	Valve Assembly Options:	
17	7017183	1	0060041 & 0060031 Rotators (was p/n 7017101)	
17	7017183	1	0060077 & 0060074 Rotators	
17A		Ref	Cartridge, Valve Options:	
17A	7011331	2	0060041 & 0060031 Rotators	
17A	7017193	2	0060077 & 0060074 Rotators	
17A	2900770	2	Seal Kit - 7011331 Valve	
17A	See Note	2	Seal Kit - 7017193 Valve (Note: Not Available for Purchase)	
17B		Ref	Cartridge, Valve Options:	
17B	7011332	2	0060041 & 0060031 Rotators	
17B	See Note	1	0060077 & 0060074 Rotators (Not Shown - Located on Side	

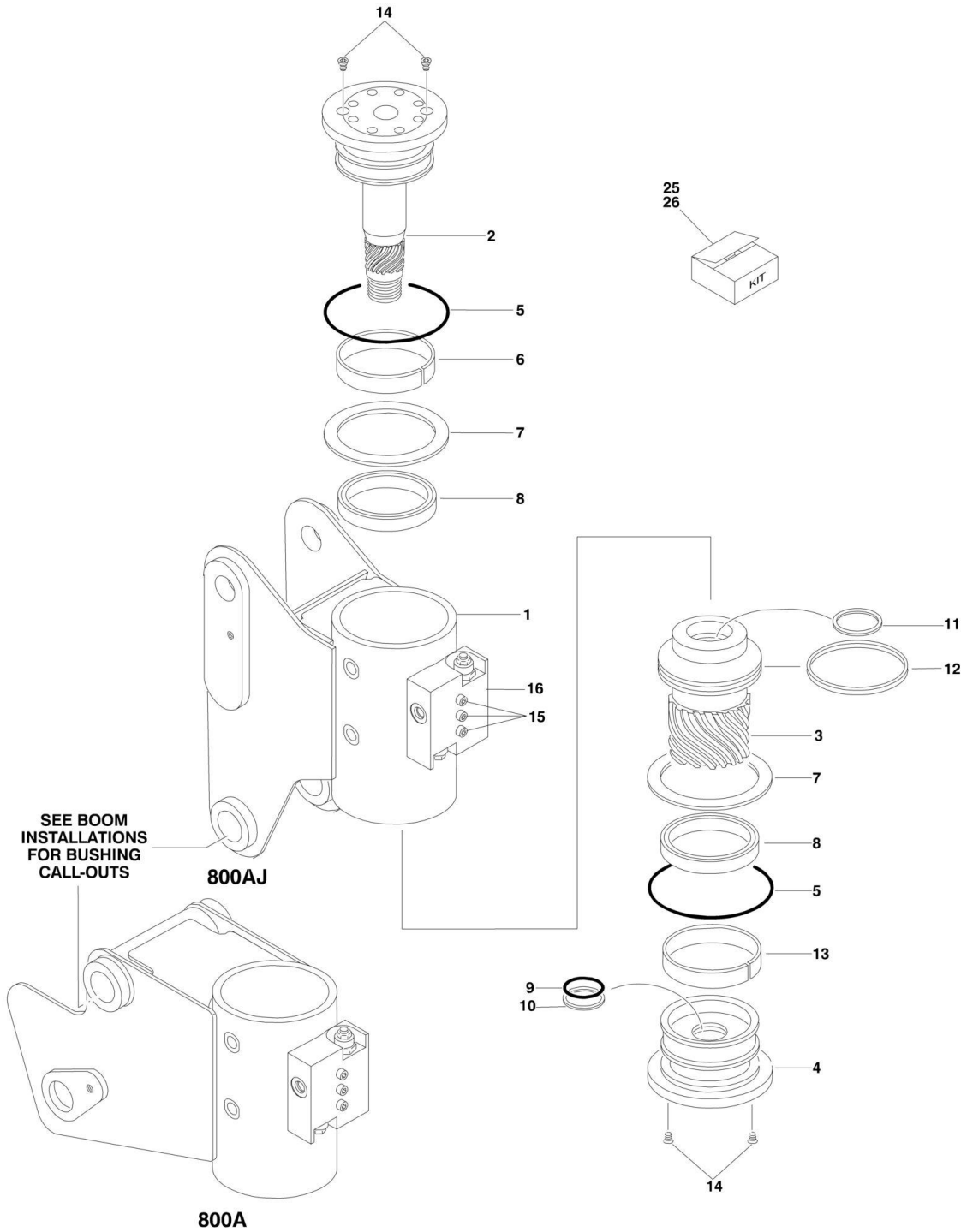
## SECTION 3 - BOOM

ITEM	PART NUMBER	QTY	DESCRIPTION	REV
17B	7011346	2	of Valve Block) (Note: Not Available for Purchase) Seal Kit - 7011332 Valve	
17B	See Note	1	Seal Kit - Valve Located on Side of Block (Note: Not Available for Purchase)	
18	7017118	2	Setscrew (0060041 & 0060031 Rotators Only)	
19	See Note	3	Bolts 1/4 x 1-1/2 (Grade 8) (Note: Not Available for Purchase)	
20	3790110	3	O-Ring (Not Shown - Located between Valve and Actuator Housing)	
25		Ref	Seal Kit Options (Includes Items 9-13):	
25	7017157	1	0060041 & 0060031 Rotators	
25		Ref	0060077 & 0060074 Rotators Options:	
25	7017158	1	Standard	
25	70000342	1	Low Temperature	
26		Ref	Bearing Kit Options (Includes Items 14-16):	
26	7017156	1	0060041 & 0060031 Rotators	
26	7017159	1	0060077 & 0060074 Rotators	
27	7017142	1	Hardware Kit (Includes End Cap screws and Dowel Pins - 0060031 & 0060077 Rotators)	
27A	70001697	6	Screw, Countersunk 1/4in-20NC x 3/8in Grade 8	



# SECTION 3 - BOOM

## FIGURE 3-6. ROTATOR ASSEMBLIES (SIDE ENTRY PLATFORM)



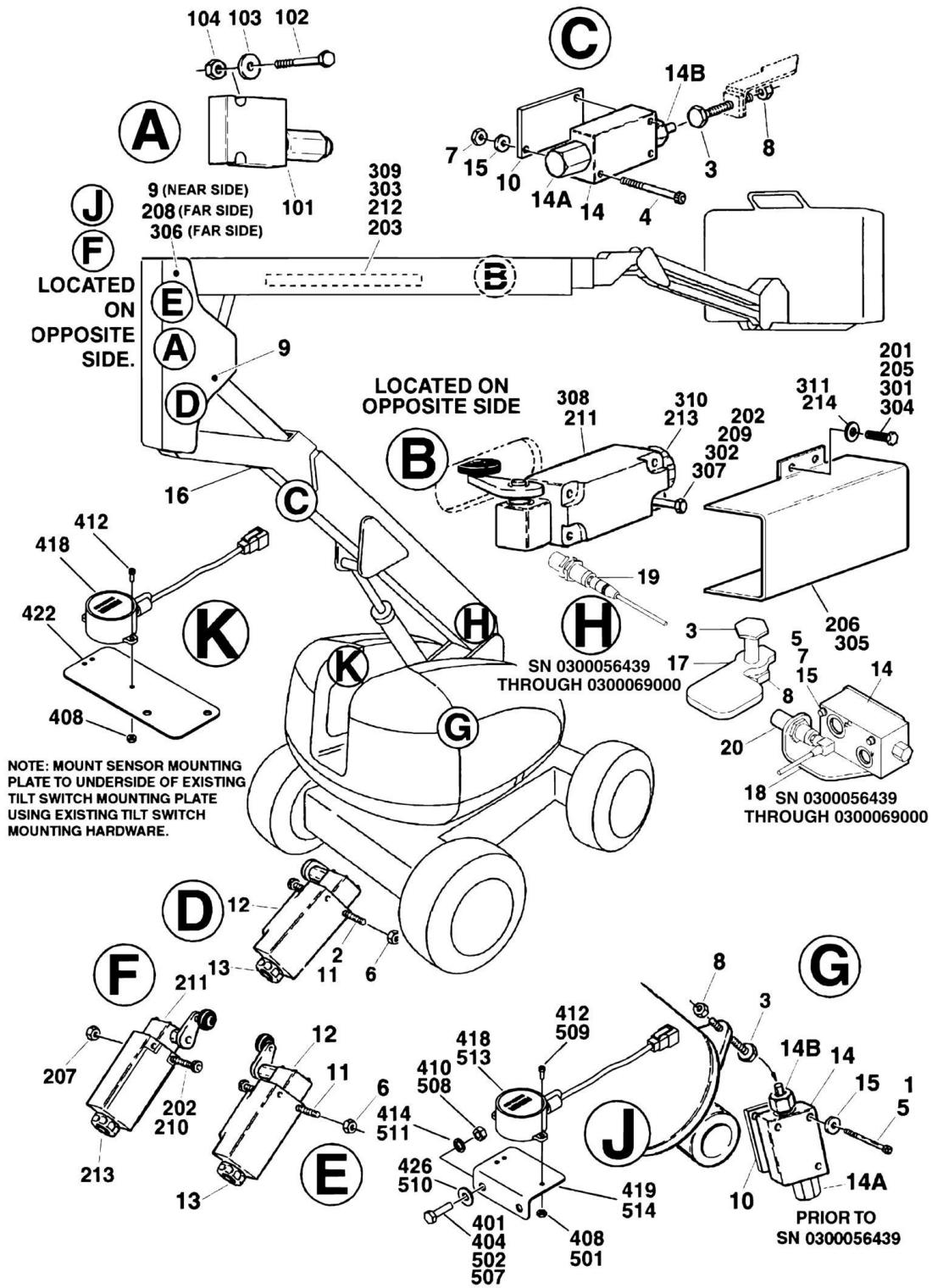
## SECTION 3 - BOOM

**FIGURE 3-6. ROTATOR ASSEMBLIES (SIDE ENTRY PLATFORM)**

ITEM	PART NUMBER	QTY	DESCRIPTION	REV
		Ref	<b>ROTATOR ASSEMBLIES</b>	
	0060069	Ref	<b>Rotator Assemblies 800A</b>	A
	0060066	Ref	<b>Rotator Assemblies 800AJ</b>	A
1	See Note	1	Housing/Ring Gear Assembly (Note: Not Available - Purchase Complete Assembly)	
2	7017162	1	Shaft	
3	7017163	1	Piston/Sleeve Assembly	
4	7017164	1	Cap, End	
5	See Note	NSS	O-Ring (Note: Use Item 25)	
6	See Note	NSS	Bearing, Shaft (Note: Use Item 26)	
7	See Note	NSS	Washer, Thrust (Note: Use Item 26)	
8	See Note	NSS	Packing, Bearing (Note: Use Item 25)	
9	See Note	NSS	Seal, Cap (Note: Use Item 25)	
10	See Note	NSS	Ring, Back-up Cap (Note: Use Item 25)	
11	See Note	NSS	Seal, Rod (Note: Use Item 25)	
12	See Note	NSS	Seal, Piston (Note: Use Item 25)	
13	See Note	NSS	Bearing, Cap (Note: Use Item 26)	
14	70001697	6	Capscrew 1/4in-20NC x 3/8in (Grade 8)	
15	See Note	3	Bolt 1/4 x 1-1/2 (Grade 8) (Note: Not Available for Purchase)	
16	7017183	1	Valve Assembly	
16	7017193	2	Cartridge, Valve	
16	See Note	2	Seal Kit - 7017193 Valve (Note: Not Available - Purchase Complete Assembly)	
16	See Note	1	Cartridge, Valve (Not Shown - Located on Side of Block) (Note: Not Available - Purchase Complete Assembly)	
16	See Note	1	Seal Kit - Valve Located on Side of Block (Note: Not Available - Purchase Complete Assembly)	
25		Ref	Seal Kit Options (Includes Items 5, 8-12 & Hardware Kit):	
25	7017158	1	Standard	
25	70000342	1	Low Temperature	
26	7017159	1	Bearing Kit (Includes Items 6, 7 & 13)	

# SECTION 3 - BOOM

FIGURE 3-7. VALVE AND LIMIT SWITCH INSTALLATIONS (BOOM MOUNTED)





## SECTION 3 - BOOM

**FIGURE 3-7. VALVE AND LIMIT SWITCH INSTALLATIONS (BOOM MOUNTED)**

ITEM	PART NUMBER	QTY	DESCRIPTION	REV
	0258217	Ref	<b>BOOM VALVES AND LIMIT SWITCHES INSTALLATION</b>	H
1	0100011	AR	Compound, Locking	
2	0100035	AR	Compound, Locking	
3	0630427	2	Bolt, Special	
4		Ref	Bolt Options:	
4	0641422	3	Bolt 1/4in-20NC x 2-3/4in ( <b>Prior to SN 0300048726</b> )	
4	3931436	3	Bolt 1/4in-20NC x 2-1/4in ( <b>SN 0300048726 through 0300069000</b> )	
5		Ref	Bolt Options:	
5	0641436	3	Bolt 1/4in-20NC x 4-1/2in ( <b>Prior to SN 0300048726</b> )	
5	3931464	3	Bolt 1/4in-20NC x 4in ( <b>SN 0300048726 through 0300069000</b> )	
6	3310805	4	Locknut #8-32NC	
7	3311405	6	Locknut 1/4in-20NC	
8	3311801	2	Nut 1/2in-13NC	
9	3520035	2	Plug, Cap	
10	3570928	2	Plate, Spacer	
11	3930824	4	Capscrew, Socket Head #8-32NC x 1-1/2in	
12	4360322	NLA	Switch, Limit (Use p/n 4360578) (Note: P/N 4360578 does not include #13 Connector - Purchase Separately)	
12	4360549	NLA	Switch, Limit (Use p/n 4360578) (Note: P/N 4360549 & P/N 4360578 do not include #13 Connector - Purchase Separately)	
13		Ref	Connector, Strain Relief Options:	
13	4460428	2	Use with p/n 4360322 Switch	
13	4460968	2	Use with p/n 4360549 & 4360578 Switches	
14		Ref	Valve, Switch Options:	
14	4641045	NLA	Valve, Switch (Use p/n 4641136)	
14	4641105	NLA	Valve Switch (Use p/n 4641136)	
14	4641136	2	Valve, Switch ( <b>SN 0300049402 through 0300069000</b> )	
14		Ref	4641136 Replacement Parts:	
14A	7011342	2	Valve, Check (1 per Assembly)	
14A	7011333	2	Seal Kit - Check Valve (1 per Assembly)	
14B	7020172	2	Valve, Plunger (1 per Assembly)	
14B	7020173	2	Seal Kit - 7020172 Valve (1 per Assembly)	
14		Ref	4641105 Replacement Parts:	
14A	See Note	2	Valve, Check (1 per Assembly) (Note: Not Available for Purchase)	
14A	7020171	2	Seal Kit - Check Valve (1 per Assembly)	
14B	7020172	2	Valve, Plunger (1 per Assembly)	
14B	7020173	2	Seal Kit - 7020172 Valve (1 per Assembly)	
14		Ref	4641045 Replacement Parts:	
14A	7020068	2	Valve, Check (1 per Assembly)	
14A	7020069	2	Seal Kit - 7020068 Valve (1 per Assembly)	
14B	7020070	2	Valve, Plunger (1 per Assembly)	
14B	7020071	2	Seal Kit - 7020070 Valve (1 per Assembly)	
15	4751400	6	Flatwasher 1/4in	
16	4060805	7 in/25cm	Trim, Edge ( <b>SN 0300039755 through 0300069000</b> )	
17	3572606	1	Plate, Lower Boom Proximity Switch Target ( <b>SN 0300056439 through 0300069000</b> )	
18	3572607	1	Plate, Lower Boom Proximity Switch Mount ( <b>SN 0300056439 through 0300069000</b> )	
19	4360498	1	Switch Proximity (Note: Machines Prior to SN 0300056439 may	

## SECTION 3 - BOOM

ITEM	PART NUMBER	QTY	DESCRIPTION	REV
20	4360499	1	have been retrofitted with this switch) (SN 0300056439 through 0300069000) Switch Proximity (Note: Machines Prior to SN 0300056439 may have been retrofitted with this switch) (SN 0300056439 through 0300069000)	
		Ref	<b>VALVES INSTALLATION</b>	A
101	4640929	1	Valve Assembly (Relief)	
101	7012970	1	Cartridge	
101	7012953	1	Seal Kit - 7012970 Cartridge	
102	0641416	2	Bolt 1/4in-20NC x 2in	
103	4711400	4	Flatwasher 1/4in Narrow	
104	3311405	2	Locknut 1/4in-20NC	
	0258338	Ref	<b>LIMIT SWITCHES INSTALLATION - 800A dual capacity (AUSTRALIAN SPEC ONLY)</b>	D
201	0100011	AR	Compound, Locking	
202	0100035	AR	Compound, Locking	
203	0362610	NLA	Bar, Fiberglass (Use p/n 1001106482)	
205	0641403	4	Bolt 1/4in-20NC x 3/8in	
206	1670824	1	Cover	
207	3310801	2	Locknut #8-32NC	
208	3520035	1	Plug, Cap	
209	3930816	2	Capscrew, Socket Head #8-32NC x 1in	
210	3930824	2	Capscrew, Socket Head #8-32NC x 1-1/2in	
211	4360322	NLA	Switch, Limit (Use p/n 4360578) (Note: P/N 4360578 does not include #213 Connector - Purchase Separately)	
211	4360549	NLA	Switch, Limit (Use p/n 4360578) (Note: P/N 4360549 & P/N 4360578 do not include #213 Connector - Purchase Separately)	
212	4420060	2	Tape, Double Sided	
213		Ref	Connector, Strain Relief Options:	
213	4460428	2	Use with p/n 4360322 Switch	
213	4460968	2	Use with p/n 4360549 & 4360578 Switches	
214	4751400	4	Flatwasher 1/4in	
		Ref	<b>TRANSPORT POSITION SWITCH INSTALLATIONS (CE SPEC)</b>	
	0258384	Ref	<b>Transport Position Switch Installations 800A</b>	B
	0258567	Ref	<b>Transport Position Switch Installations 800AJ</b>	B
301	0100011	AR	Compound, Locking	
302	0100035	AR	Compound, Locking	
303		Ref	Bar, Fiberglass Options:	
303	0362772	NLA	Bar, Fiberglass 800A (Use p/n 1001106477)	
303	0362609	NLA	Bar, Fiberglass 800AJ (Use p/n 1001106481)	
304	0641403	4	Bolt 1/4in-20NC x 3/8in	
305	1670824	1	Cover, Switch	
306	3520035	1	Plug, Cap	
307	3930816	2	Capscrew, Socket Head #8-32NC x 1in	
308	4360322	NLA	Switch, Limit (Use p/n 4360578) (Note: P/N 4360578 does not include #213 Connector - Purchase Separately)	
308	4360549	NLA	Switch, Limit (Use p/n 4360578) (Note: P/N 4360549 & P/N 4360578 do not include #213 Connector - Purchase Separately)	
309	4420060	AR	Tape, Double Sided Foam	
310		Ref	Connector, Strain Relief Options:	
310	4460428	1	Use with p/n 4360322 Switch	
310	4460968	1	Use with p/n 4360549 & 4360578 Switches	
311	4751400	1	Flatwasher 1/4in	

## SECTION 3 - BOOM

ITEM	PART NUMBER	QTY	DESCRIPTION	REV
	1001091538	Ref	<b>TILT SENSOR INSTALLATION (PRE ADE SYSTEM)</b>	E
401	0100011	AR	Compound, Locking	
404	0641610	2	Bolt 3/8in-16NC x 1-1/4in	
408	3310605	6	Locknut #6-32 NC	
410	3311601	2	Locknut 3/8in-16NC	
412	3930606	6	Screw #6-32 NC	
414	4761600	2	Lockwasher 3/8in	
418	1001094400	2	Sensor, Dual Axis	
419	1001094401	1	Bracket, Tilt Sensor	
422	1001094639	1	Bracket, Tilt Sensor	
426	4751600	2	Flatwasher 3/8in	
	1001093187	Ref	<b>TILT SENSOR INSTALLATION (WITH ADE SYSTEM)</b>	C
501	0100011	AR	Compound, Locking	
502	0641610	2	Bolt 3/8in-16NC x 1-1/4in	
507	3310605	3	Locknut #6-32 NC	
508	3311601	2	Locknut 3/8in-16NC	
509	3930606	3	Screw #6-32 NC	
510	4751600	2	Flatwasher 3/8in	
511	4761600	2	Lockwasher 3/8in	
513	1001094400	1	Sensor, Dual Axis	
514	1001094401	1	Bracket, Tilt Sensor	

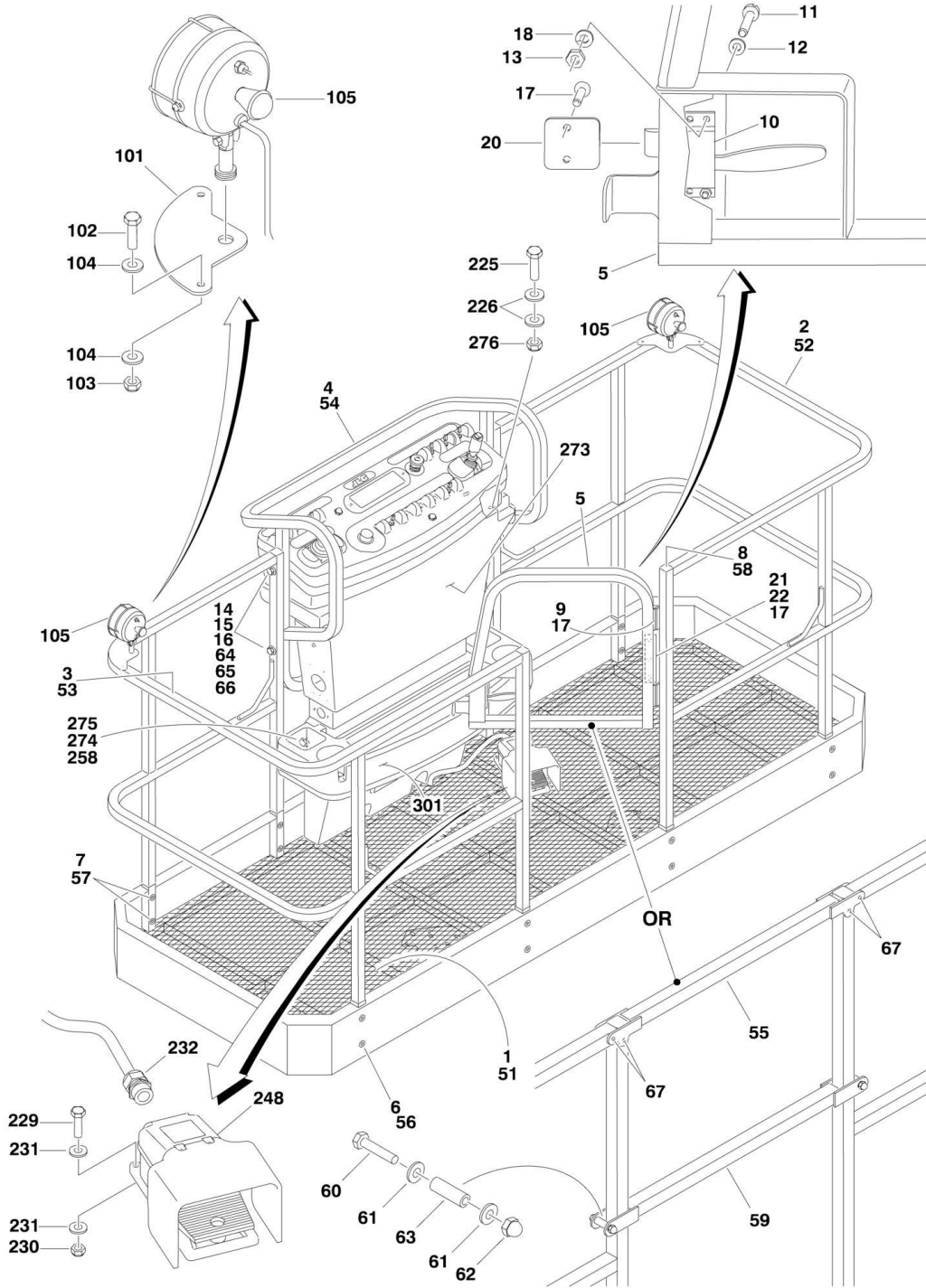


**SECTION 4 - PLATFORM**

# SECTION 4 - PLATFORM

## FIGURE 4-1. PLATFORM COMPONENTS INSTALLATION (FRONT ENTRY)

**NOTE:** These Machine SN's Also Equipped With ADE System: 0300062045, 0300062797, 0300063013, 0300063665, 0300063975, 0300064000-0300064017, 0300064390, 0300064392 & 0300064411.



## SECTION 4 - PLATFORM

**FIGURE 4-1. PLATFORM COMPONENTS INSTALLATION (FRONT ENTRY)**

ITEM	PART NUMBER	QTY	DESCRIPTION	REV
		Ref	<b>NOTE: THESE MACHINE SN'S ALSO EQUIPPED WITH ADE SYSTEM: 0300062045, 0300062797, 0300063013, 0300063665, 0300063975, 0300064000-0300064017, 0300064390, 0300064392 &amp; 0300064411.</b>	
		Ref	<b>AUSTRALIAN SPEC PLATFORM ASSEMBLIES:</b>	
	3510760	Ref	<b>4ft (1.22m) with Self-Closing Gate</b>	3
	3510728	Ref	<b>5ft (1.52m) Self-Closing Gate (Without Mesh)</b>	3
	3510542	Ref	<b>6ft (1.83m) Self-Closing Gate (Without Mesh)</b>	3
	3510565	Ref	<b>6ft (1.83m) with Mesh to Top Rail</b>	3
	3510543	Ref	<b>8ft (2.44m) Self-Closing Gate (Without Mesh)</b>	3
	3510566	Ref	<b>8ft (2.44m) with Mesh to Top Rail</b>	4
		Ref	<b>Note: Replacement Decals Must be Ordered Separately - See DECALS SECTION.</b>	
1		Ref	Floor Weldment Options:	
1	4846253	1	4ft Platform	
1	4846101	1	5ft Platform	
1	4844954	1	6ft Platform	
1	4844928	1	8ft Platform	
2		Ref	Rail Weldment - Right Side Options:	
2	4846254	1	4ft Platform without Mesh	
2	4846102	1	5ft Platform without Mesh	
2	4844955	1	6ft Platform without Mesh	
2	4845408	1	6ft Platform with Mesh Top Rail	
2	4844924	1	8ft Platform without Mesh	
2	4845412	1	8ft Platform with Mesh Top Rail	
3		Ref	Rail Weldment - Left Side Options:	
3	4846255	1	4ft Platform without Mesh	
3	4846103	1	5ft Platform without Mesh	
3	4844956	1	6ft Platform without Mesh	
3	4845409	1	6ft Platform with Mesh Top Rail	
3	4844925	1	8ft Platform without Mesh	
3	4845413	1	8ft Platform with Mesh Top Rail	
4	4845328	1	Rail Weldment - Back Options:	
5		Ref	Gate Weldment Options:	
5	4845426	1	Self-Closing Gate without Mesh	
5	4845469	1	Self-Closing Gate with Mesh Top Rail	
6	3900207	AR	Fastener	
		Ref	<b>(Note: P/N 3900207 Fastener may be replaced with P/N 0641416 Bolt, P/N 4751400 Flatwasher, P/N 3311405 Locknut and P/N 3300151 Acorn Type Nut. Acorn type nut is required to meet industry safety requirements)</b>	
7	3300393	AR	Collar	
8	3520072	4	Plug, Cap	
9		Ref	Hinge Options:	
9	2600219	2	Hinge <b>(Prior to SN 0300068576)</b>	
9	2600287	2	Hinge <b>(SN 0300068576 through 0300069000)</b>	
10	2940074	1	Latch	
11	3911008	4	Screw #10-24NC x 1in	
12	4751000	4	Flatwasher #10	
13	3311005	4	Locknut #10-24NC	
14	0641524	4	Bolt 5/16in-18NC x 3in	

## SECTION 4 - PLATFORM

ITEM	PART NUMBER	QTY	DESCRIPTION	REV
15	3311505	4	Locknut 5/16in-18NC	
16	4751500	4	Flatwasher 5/16in	
17	2080040	13	Fastener	
18	4761000	4	Lockwasher 3/8in <b>(Prior to SN 0300068576)</b>	
20	3539685	1	Plate, Latch	
21	4220165	1	Stop, Gate	
22	4060803	6 ft/1.8m	Trim	
		Ref	<b>CE SPEC PLATFORM ASSEMBLIES:</b>	
	3510751	Ref	<b>5ft (1.52m) (Without Mesh)</b>	2-A
	3510499	Ref	<b>6ft (1.83m) (Without Mesh)</b>	3-A
	3510763	Ref	<b>6ft (1.83m) (With Mesh to Mid Rail)</b>	1-A
	3510500	Ref	<b>8ft (2.44m) (Without Mesh)</b>	2-A
	3510764	Ref	<b>8ft (2.44m) (With Mesh to Mid Rail)</b>	1-A
51		Ref	Floor Weldment Options:	
51	4846184	1	5ft Platform	
51	4845290	1	6ft Platform	
51	4845289	1	8ft Platform	
52		Ref	Rail Weldment - Right Side Options:	
52	4846194	1	5ft Platform without Mesh	
52	4844955	1	6ft Platform without Mesh	
52	4846228	1	6ft Platform with Mesh to Mid Rail	
52	4844924	1	8ft Platform without Mesh	
52	4846240	1	8ft Platform with Mesh Mid Rail	
53		Ref	Rail Weldment - Left Side Options:	
53	4846195	1	5ft Platform without Mesh	
53	4844956	1	6ft Platform without Mesh	
53	4846229	1	6ft Platform with Mesh to Mid Rail	
53	4844925	1	8ft Platform without Mesh	
53	4846241	1	8ft Platform with Mesh Mid Rail	
54	4845328	1	Rail Weldment - Back	
55	4845287	1	Rail, Top	
56	3900207	AR	Fastener	
		Ref	<b>Note: P/N 3900207 Fastener may be replaced with P/N 0641416 Bolt, P/N 4751400 Flatwasher, P/N 3311405 Locknut and P/N 3300151 Acorn Type Nut. Acorn type nut is required to meet industry safety requirements.</b>	
57	3300393	AR	Collar	
58	3520072	4	Plug, Cap	
59	4845288	2	Gate, Lift	
60	0641418	2	Bolt 1/4in-20NC x 2-1/4in	
61	4740411	4	Washer, Nylon	
62	3300151	2	Nut, Acorn 1/4in-20NC	
63	0961845	2	Bushing	
64	0641524	4	Bolt 5/16in-18NC x 3in	
65	3311505	4	Locknut 5/16in-18NC	
66	4751500	4	Flatwasher 5/16in	
67	2080040	13	Fastener	
68	4420055	7 in/18cm	Tape, UHMW	
		Ref	<b>WORKLIGHTS INSTALLATION (OPTIONAL)</b>	
	0258048	Ref	<b>Worklights Installation (Prior to SN 0300064432)</b>	2-E
	0270814	Ref	<b>Worklights Installation (ADE System) (SN 0300064432 through 0300069000)</b>	3-D

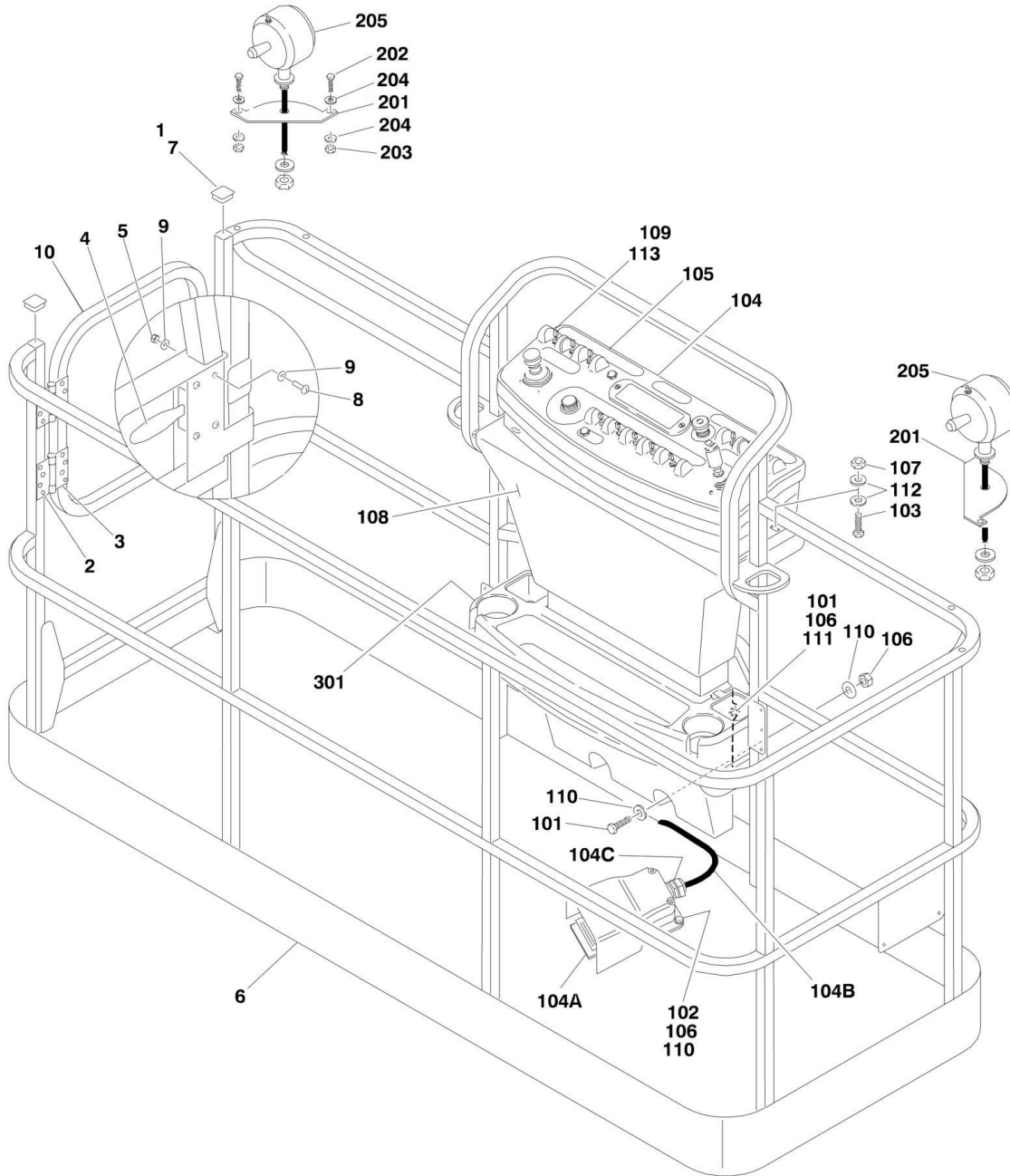


## SECTION 4 - PLATFORM

ITEM	PART NUMBER	QTY	DESCRIPTION	REV
101	3536089	2	Plate, Mounting	
102	0641414	4	Bolt 1/4in-20NC x 1-3/4in	
103	3311405	4	Locknut 1/4in-20NC	
104	4711400	8	Flatwasher 1/4in Narrow	
105	2920140	2	Worklight	
105	7016399	2	Bulb, Replacement (1 Per Worklight)	
106	4240099	10	Tie-Strap (Not Shown)	
107	2820035	9	Loom, Vinyl (Not Shown)	
109	4460598	1	Connector, Strain Relief (Not Shown - Located at Console Box)	
110		Ref	Wire Options: (Not Shown)	
110	4921028	AR	Wire, White/Brown 16 Ga ( <b>Prior to SN 0300035129</b> )	
110	4920018	AR	Wire, Black 16 Ga ( <b>SN 0300035129 through 0300061927</b> )	
		Ref	<b>FOOTSWITCH AND COVERS INSTALLATIONS</b>	
	0861237	Ref	<b>Australian Spec (Prior to SN 0300064432)</b>	5-D
	0861236	Ref	<b>CE Spec (Prior to SN 0300064432)</b>	5-D
	0861474	Ref	<b>Australian Spec/CE Spec (ADE System) (SN 0300064432 through 0300069000)</b>	B
225	0641610	4	Bolt 3/8in-16NC x 3/4in	
226	4751600	4	Flatwasher 3/8in	
229	0641408	3	Bolt 1/4in-20NC x 1in	
230	3311405	3	Locknut 1/4in-20NC	
231	4740362	3	Washer, Fender	
232	4460071	1	Terminal, Strain Relief	
248	See Note	1	Footswitch (Note: See PLATFORM COMPONENTS INSTALLATION (SIDE ENTRY) for Service Parts)	
258	4751400	4	Flatwasher 1/4in	
273	3380434	1	Panel, Poly	
274	0641414	2	Bolt 1/4in-20NC x 1-3/4in	
275	3311405	2	Locknut 1/4in-20NC	
		Ref	<b>TRAY INSTALLATIONS (OPTIONAL)</b>	
301	1580012	1	Tray, Storage (Center)	
302	1580013	1	Tray, Storage (Rail Mounted - Not Shown)	

# SECTION 4 - PLATFORM

## FIGURE 4-2. PLATFORM COMPONENTS INSTALLATION (SIDE ENTRY)



## SECTION 4 - PLATFORM

**FIGURE 4-2. PLATFORM COMPONENTS INSTALLATION (SIDE ENTRY)**

ITEM	PART NUMBER	QTY	DESCRIPTION	REV
		Ref	<b>PLATFORM ASSEMBLIES:</b>	
	3510822	Ref	<b>8ft (2.44m) with No Mesh</b>	B-A
	3510833	Ref	<b>6ft (1.83m) with No Mesh</b>	B-A
		Ref	<b>Note: Original Equipment platform may have been replaced with Service Replacement platform. Identify platform before ordering parts.</b>	
		Ref	<b>Note: Replacement Decals Must be Ordered Separately - See DECALS SECTION for Breakdown.</b>	
1	0100040	AR	Sealant, Adhesive	
2	2080040	16	Fastener, Huck	
3	2600281	2	Hinge, Self-Closing	
4	2940074	1	Latch	
5	3311001	4	Nut #10-24NC	
6	See Note	1	Platform Weldment (Note: Not Available - Purchase Complete Platform Assembly)	
7	3520072	2	Cap-Plug	
8	3911008	4	Screw #10-24NC x 1in	
9	4751000	8	Flatwasher #10	
10		Ref	Gate Weldment Options:	
10	4846452	1	Gate for Platform p/ns 3510822 & 3510833	
10	1001144629	1	Gate for Platform p/ns 1001144023 & 1001144024	
		Ref	<b>CONSOLE BOX INSTALLATIONS</b>	
	0271941	Ref	<b>Console Box Installations 4WD</b>	A
101	0641406	4	Bolt 1/4in-20NC x 3/4in	
102	0641408	3	Bolt 1/4in-20NC x 1in	
103	0641610	4	Bolt 3/8in-16NC x 1-1/4in	
104	0861517	1	Platform Console Box Assembly (See PLATFORM CONSOLE ASSEMBLY (WITH ADE SYSTEM) for Breakdown)	
104A	4360031	NLA	Footswitch Assembly (Includes Footswitch and Items 104B & 104C) (Use p/n 0272970)	
		Ref	<b>Note: Assembly p/n 0272970 may use either p/n 4360031 or p/n 1001117320. If Original Equipment was replaced as an "assembly," p/n 1001117320 may have been used as part of the Service Replacement. Identify component before ordering parts.</b>	
104A		Ref	Footswitch Less Cable Options:	
104A	4360031	1	Original Equipment	
104A	1001117320	1	Service Replacement	
104A		Ref	Block, Contact Options (See Note Above):	
104A	7000625	2	Contact Block for 4360031 Footswitch	
104A	70003483	1	Contact Block for 1001117320 Footswitch	
104B	1060918	7 ft/2.14m	Cable, Electrical - 18/3	
104C	4460071	1	Connector, Strain Relief	
105	1702676	1	Decal - Horn	
106	3311405	7	Locknut 1/4in-20NC	
107	3311605	4	Locknut 3/8in-16NC	
108	3380434	1	Panel, Decal Mount	
109	4360331	1	Switch, Toggle (4WD)	
110	4740362	7	Washer, Fender 1/4in	
111	4751400	4	Flatwasher 1/4in (Wide)	
112	4751600	8	Flatwasher 3/8in (Wide)	
113	3790012	1	O-Ring	

## SECTION 4 - PLATFORM

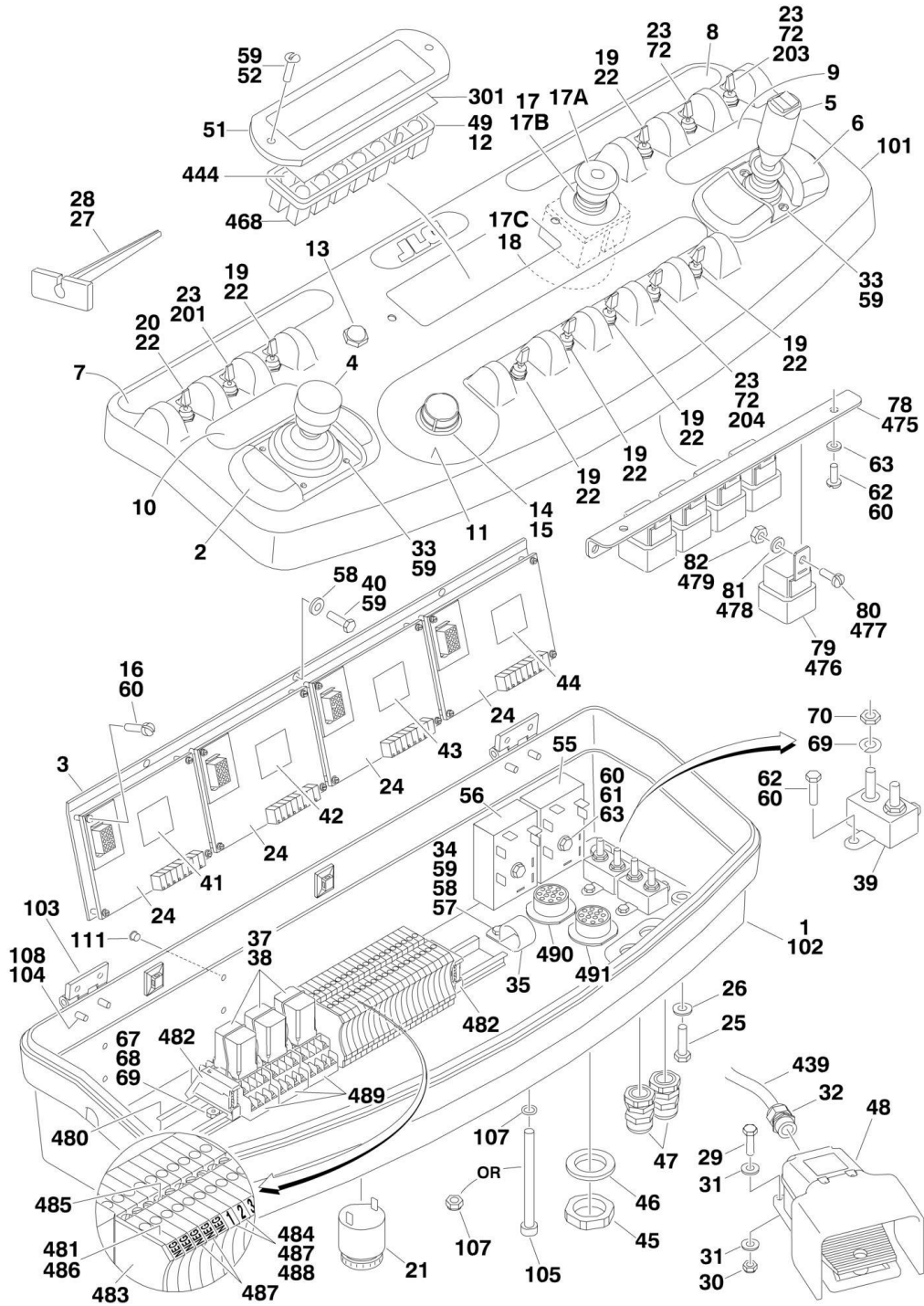
ITEM	PART NUMBER	QTY	DESCRIPTION	REV
	0270814	Ref	<b>WORKLIGHTS INSTALLATIONS (OPTIONAL)</b>	3-D
201	3536089	2	Plate, Mounting	
202	0641414	4	Bolt 1/4in-20NC x 1-3/4in	
203	3311405	4	Locknut 1/4in-20NC	
204	4711400	8	Flatwasher 1/4in Narrow	
205	2920140	2	Worklight	
205	7016399	2	Bulb, Replacement (1 Per Worklight)	
206	4240099	10	Tie-Strap (Not Shown)	
207	2820035	9	Loom, Vinyl (Not Shown)	
209	4460598	1	Connector, Strain Relief (Not Shown - Located at Console Box)	
209		Ref	<b>TRAY INSTALLATIONS (OPTIONAL)</b>	
301	1580012	1	Tray, Storage (Center)	
302	1580013	1	Tray, Storage (Rail Mounted - Not Shown)	



# SECTION 4 - PLATFORM

FIGURE 4-3. PLATFORM CONSOLE ASSEMBLY (Prior to SN 0300064432)

NOTE: These Machine SN's Also Equipped With ADE System:  
 0300062045, 0300062797, 0300063013, 0300063665, 0300063975,  
 0300064000-0300064017, 0300064390, 0300064392 & 0300064411.



## SECTION 4 - PLATFORM

**FIGURE 4-3. PLATFORM CONSOLE ASSEMBLY (Prior to SN 0300064432)**

ITEM	PART NUMBER	QTY	DESCRIPTION	REV
		Ref	<b>NOTE: THESE MACHINE SN'S ALSO EQUIPPED WITH ADE SYSTEM: 0300062045, 0300062797, 0300063013, 0300063665, 0300063975, 0300064000-0300064017, 0300064390, 0300064392 &amp; 0300064411.</b>	
		Ref	<b>CONSOLE BOX ASSEMBLIES</b>	
	0861237	Ref	<b>Australian Spec</b>	5-D
	0861236	Ref	<b>CE Spec</b>	5-D
1	0860984	1	Box, Console	
2	4340678	1	Support, Hand	
3	3538819	1	Plate, Mounting	
4	1600284	1	Controller Assembly (Swing and Lift) (See CONTROLLER ASSEMBLY (SWING AND LIFT) (WITH ADE SYSTEM) for Breakdown)	
5	1600283	1	Controller Assembly (Drive and Steer) (See CONTROLLER ASSEMBLY (DRIVE AND STEER) (WITH ADE SYSTEM) for Breakdown)	
6	4340684	1	Support, Hand	
7	1702676	1	Decal (Horn/Drive Speed/Level)	
8	1702564	1	Decal (Stop)	
9	1702565	1	Decal (Drive and Steer)	
10	1702566	1	Decal (Lift and Swing)	
11	1702567	1	Decal (Speed/Lower Lift/Tele/Rotate/Jib)	
12	2760105	1	Housing, Display Light	
13	4360387	1	Switch, Pushbutton	
14	2560136	1	Knob, Speed Control	
15	4360407	1	Controller, Speed	
16	3910610	16	Screw #6-32NC x 5/8in	
17		Ref	Switch, Emergency Stop Options:	
17	4360289	1	Switch, Emergency Stop ( <b>Prior to SN 0300044657</b> )	
17	4360475	1	Switch, Emergency Stop ( <b>SN 0300044657 through 0300064432</b> )	
17A	7012611	1	Cap, Mushroom Head ( <b>Prior to SN 0300044657</b> )	
17A	7020175	1	Cap, Mushroom Head ( <b>SN 0300044657 through 0300064432</b> )	
17B	7012612	1	Boot ( <b>Prior to SN 0300044657</b> )	
17C	7020176	1	Block, Contact ( <b>SN 0300044657 through 0300064432</b> )	
18		Ref	Switch, Contact Block Options:	
18	4360282	1	Switch, Contact Block ( <b>Prior to SN 0300044657</b> )	
18	4360476	1	Switch, Contact Block ( <b>SN 0300044657 through 0300064432</b> )	
19	4360314	6	Switch, Toggle	
20	4360331	1	Switch, Toggle	
21	0140026	1	Alarm	
22	3790012	7	O-Ring	
23	3520028	4	Plug, Hole (For switch call-outs at these locations, refer to options installation below)	
24	1600218	4	Card, Control	
25	0641610	4	Bolt 3/8in-16NC x 3/4in	
26	4751600	4	Flatwasher 3/8in	
27	4460467	1	Tool, Pin Extraction (Blue 16-18 Gauge) (Not Shown)	
28	4460510	1	Tool, Pin Extraction (Yellow 12-14 Gauge) (Not Shown)	
29	0641408	3	Bolt 1/4in-20NC x 1in	
30	3311405	3	Locknut 1/4in-20NC	

## SECTION 4 - PLATFORM

ITEM	PART NUMBER	QTY	DESCRIPTION	REV
31	4740362	3	Washer 1/4in (Fender)	
32	4460071	1	Connector, Strain Relief	
33	0641404	8	Bolt 1/4in-20NC x 1/2in	
34	3311401	1	Nut 1/4in-20NC	
35	1320060	1	Clamp	
36	1320095	1	Clamp	
37	3740058	3	Relay - 4PDT	
38	3740063	3	Spring, Relay	
39	4360232	2	Breaker, Circuit - 15 Amp	
40	0641406	3	Bolt 1/4in-20NC x 3/4in	
41	1703090	1	Decal - Control Card (Lift)	
42	1703091	1	Decal - Control Card (Swing)	
43	1703092	1	Decal - Control Card (Flow Control)	
44	1703093	1	Decal - Control Card (Drive)	
45	4460470	2	Nut, Conduit	
46	4460471	2	Washer	
47	4460428	2	Connector, Strain Relief	
50		Ref	Harness Assembly Options (Not Shown - See ELECTRICAL SECTION for Breakdown and Items 401-491 Below):	
50	4922155	1	Australian Spec	
50	4922155	1	CE Spec	
51	1670829	1	Bezel	
52	0630464	2	Screw, Button Head #10-24NC x 1/2in	
55	3740113	1	Relay, Time Delay	
56	3740115	1	Relay, Time Delay	
57	0641406	1	Bolt 1/4in-20NC x 3/4in	
59	0100011	AR	Compound, Locking	
60	0100035	AR	Compound, Locking	
61	0721010	2	Screw, Machine #10-24NC x 1-1/4in	
62	0721003	4	Screw, Machine #10-24NC x 3/8in	
63	4751000	2	Flatwasher #10	
65		Ref	Relay - DPDT Options:	
65	Not Required	0	Australian Spec	
65	3740057	1	CE Spec	
66		Ref	Spring, Relay Options:	
66	Not Required	0	Australian Spec	
66	3740066	1	CE Spec	
67	0721004	2	Screw, Machine #10-32NC x 1/2in	
68	4711000	2	Flatwasher #10 Narrow	
69	4761000	6	Lockwasher #10	
70	3311001	4	Nut #10-24NC	
71	4460488	10	Base, Wire Tie (Not Shown)	
72	0100009	AR	Silicone	
76	3311605	4	Locknut 3/8in-16NC	
77		Ref	Decal - EMS Options:	
77	Not Required	0	Decal - EMS (Prior to SN 0300044657)	
77	1704260	1	Decal - EMS (SN 0300044657 through 0300064432)	
78	3539275	1	Plate, Relay Mounting (SN 0300049954 through 0300064432)	
79	3740049	5	Relay, Bosch (SN 0300049954 through 0300064432)	
80	0721003	5	Screw #10-24NC x 3/8in (SN 0300049954 through 0300064432)	
81	4751000	5	Flatwasher #10 (SN 0300049954 through 0300064432)	
82	3311005	5	Locknut #10-24NC (SN 0300049954 through 0300064432)	



## SECTION 4 - PLATFORM

ITEM	PART NUMBER	QTY	DESCRIPTION	REV
83	2920129	12	Bulb, Light (SN 0300049954 through 0300064432)	
	0860984	Ref	<b>CONSOLE BOX ASSEMBLY</b>	6-E
101	0860984	1	Console Top (Note: Not Available for Purchase)	
102	0860984	1	Console Bottom (Note: Not Available for Purchase)	
103	2600211	2	Hinge	
104	3900224	8	Capscrew, Socket Head Countersunk 6mm x 16mm	
105	3931672	1	Capscrew, Socket Head 3/8in-16NC x 4-1/2in	
107	3311601	1	Nut 3/8in-16NC	
108	0100011	AR	Compound, Locking	
111	3520173	4	Plug (Located on back of console box)	
		Ref	<b>CONSOLE BOX OPTIONS</b>	
201	0258945	AR	4WS Switch Option Components	A
201	4360331	1	Switch, Toggle	
201	3790012	1	O-Ring	
203		Ref	Lights Switch Option Components	
203	4360336	1	Switch, Toggle	
203	3790012	1	O-Ring	
204	0258608	AR	Jib Switch Option Components	A
204	4360314	1	Switch, Toggle	
204	3790012	1	O-Ring	
		Ref	<b>LIGHT PANEL DECAL INSTALLATIONS</b>	
	0275804	Ref	<b>Australian Spec</b>	A
	0275805	Ref	<b>CE Spec</b>	A
301		Ref	Decal - Light Panel Display	
301	1707111	1	Australian Spec	
301	1707113	1	CE Spec	
		Ref	<b>Note: Machines should have been updated to this light panel installation.</b>	
		Ref	<b>RELAY AND TERMINAL BLOCK INSTALLATIONS</b>	
	4922155	Ref	<b>Australian Spec</b>	1
	4922137	Ref	<b>CE Spec</b>	2
439	1060012	7 ft/2.1m	Cable, Electrical - 12/4	
444	2920129	9	Bulb, Light	
468	4120035	9	Base, Light	
475	3539275	1	Plate, Relay Mounting	
476	3740049	AR	Relay, Bosch	
477	0721003	AR	Screw #10-24NC x 3/8in	
478	4751000	AR	Flatwasher #10	
479	3311005	AR	Locknut #10-24NC	
480	3641182	1	Track	
481	4460601	10	Block, Terminal	
482	4460607	2	Stop, End	
483	4460602	1	Barrier, Terminal	
484	4460629	2	Marker, Terminal (6-15)	
485	4460603	1	Bar, Buss - 10 Position (Cut into [2] 5 Position Bars)	
486	4460600	10	Block, Terminal	
487	4460631	1	Marker, Terminal (Negative)	
488	4460632	1	Marker, Terminal (1-5)	
489	4120013	3	Socket, Relay	
490	4460613	1	Connector - 21 Position	
491	4460503	1	Connector - 31 Position	
492		Ref	Socket, Relay Options:	

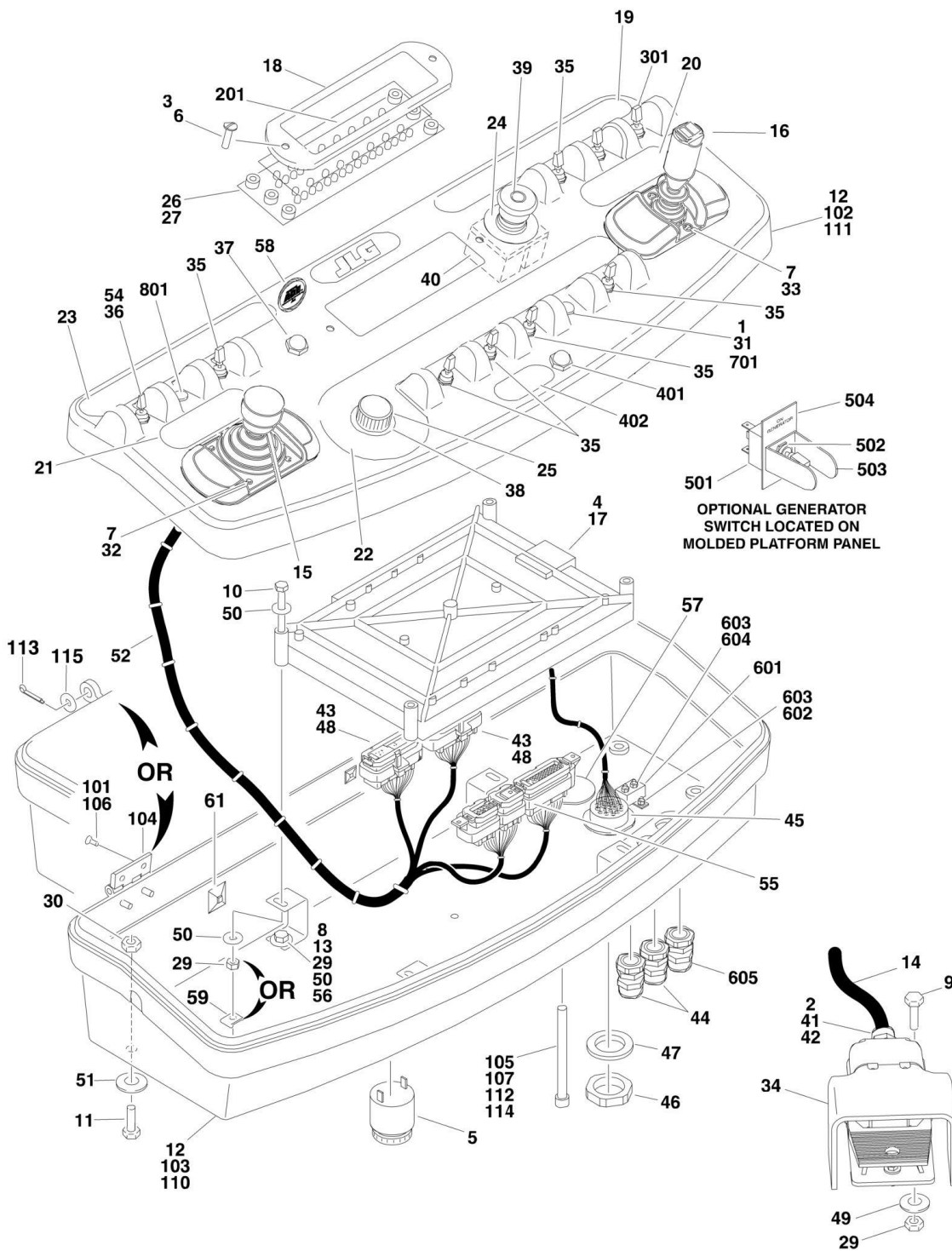
## SECTION 4 - PLATFORM

ITEM	PART NUMBER	QTY	DESCRIPTION	REV
492	Not Required	0	Australian Spec	
492	4120012	1	CE Spec	



# SECTION 4 - PLATFORM

**FIGURE 4-4. PLATFORM CONSOLE ASSEMBLY (WITH ADE SYSTEM) (SN 0300064432 through 0300069000)**



## SECTION 4 - PLATFORM

**FIGURE 4-4. PLATFORM CONSOLE ASSEMBLY (WITH ADE SYSTEM) (SN 0300064432 through 0300069000)**

ITEM	PART NUMBER	QTY	DESCRIPTION	REV
		Ref	<b>CONSOLE BOX AND FOOTSWITCH ASSEMBLIES</b>	
	0861474	Ref	<b>Console Box and Footswitch Assemblies (SN 0300064432 through 0300068917)</b>	B
	0861517	Ref	<b>Console Box and Footswitch Assemblies (SN 0300068918 through 0300069000)</b>	A
1	0100009	AR	Sealant	
2	0100020	AR	Sealant	
3	0100035	AR	Compound, Locking	
4	0100048	AR	Grease, Dielectric	
5	0140011	1	Alarm	
6	0630464	2	Screw, Button Head #10-24NC x 1/2in	
7	0641404	8	Bolt 1/4in-20NC x 1/2in	
8	0641406	4	Bolt 1/4in-20NC x 3/4in	
9	0641408	3	Bolt 1/4in-20NC x 1in	
10	0641416	4	Bolt 1/4in-20NC x 2in	
11	0641610	4	Bolt 3/8in-16NC x 1-1/4in	
12		Ref	Box, Console Options:	
12	0861414	1	Box, Console (See Items 101-107 for Breakdown) <b>(SN 0300064432 through 0300068917)</b>	
12	0861537	1	Box, Console (See Items 110-115 for Breakdown) <b>(SN 0300068918 through 0300069000)</b>	
13	0902751	4	Bracket, Card Support	
14	1060918	8 ft/2.4m	Cable, 18/3	
15	1600317	NLA	Controller Assembly (Swing and Lift) (Use p/n 1001129555) (See CONTROLLER ASSEMBLY (SWING AND LIFT) for Breakdown)	
16	1600318	NLA	Controller Assembly (Drive and Steer) (Use p/n 1001212415) (See CONTROLLER ASSEMBLY (DRIVE AND STEER) for Breakdown)	
17	1600313	1	Controller, Module	
18	1670829	1	Bezel	
19	1702564	1	Decal (Stop)	
20	1702565	1	Decal (Drive and Steer)	
21	1702566	1	Decal (Lift and Swing)	
22	1702567	1	Decal (Function Speed)	
23	1702676	1	Decal (Horn)	
24	1704260	1	Decal - EMS	
25	2560136	1	Handle, Knob	
26	2760105	1	Housing, Display Light	
27	2920129	12	Bulb, Light	
29	3311405	11	Locknut 1/4in-20NC	
30	3311605	4	Locknut 3/8in-16NC	
31	3520028	4	Plug, Hole 1/2in	
32	4340678	1	Support, Hand	
33	4340684	1	Support, Hand	
34	See Note	1	Footswitch (Note: See PLATFORM COMPONENTS INSTALLATION (SIDE ENTRY) for Service Parts)	
35	4360328	6	Switch, Toggle	
36	4360331	1	Switch, Toggle	
37	4360387	1	Switch, Pushbutton	
38	4360407	1	Controller, Speed	

## SECTION 4 - PLATFORM

ITEM	PART NUMBER	QTY	DESCRIPTION	REV
39	4360475	1	Switch, Emergency Stop	
39	7020175	1	Cap, Red	
39	7020176	1	Contact Block	
40	4360476	1	Block, Contact	
41	4460042	3	Ring, Terminal	
42	4460071	1	Connector, Strain Relief	
43	4460226	2	Contact, Socket	
44	4460428	2	Connector, Strain Relief	
45	4460464	1	Terminal, Deutsch	
46	4460470	1	Nut, Terminal	
47	4460471	1	Lockwasher, Terminal	
48	4460905	5	Connector, Amp Seal Plug	
49	4740362	3	Washer 1/4in (Fender)	
50	4751400	16	Flatwasher 1/4in	
51	4751600	4	Flatwasher 3/8in	
52	4922639	1	Harness, Platform Box	
53	4922666	1	Harness, Analyzer Cable (Not Shown)	
53	4460871	4	Terminal, Socket	
53	4460761	1	Housing - 4 Position	
53	4460227	4	Pin	
54	3790012	7	O-Ring	
55	4460708	2	Terminal, 15 Pin	
56	0100081	AR	Adhesive	
57	1671037	1	Cover (SN 0300068918 through 0300069000)	
58	1705132	1	Decal - ADE (SN 0300068918 through 0300069000)	
59	3300353	4	Nut, Tinnerman (SN 0300068918 through 0300069000)	
60	4460226	3	Wire, Tie (Not Shown) (SN 0300068918 through 0300069000)	
61	4460488	1	Base, Mounting (SN 0300068918 through 0300069000)	
	0861414	Ref	<b>CONSOLE BOX ASSEMBLY (SN 0300064432 through 0300068285)</b>	C
101	0100011	AR	Compound, Locking	
102	0861414	1	Console Top (Note: Not Available for Purchase)	
103	0861414	1	Console Bottom (Note: Not Available for Purchase)	
104	2600211	2	Hinge	
105	3311601	1	Nut 3/8in-16NC	
106	3900224	8	Screw Countersunk	
107	3931672	1	Screw 3/8in-16NC x 4-1/2in	
108	3520174	3	Plug, 3/16in (Not Shown)	
	0861537	Ref	<b>CONSOLE BOX ASSEMBLY (SN 0300068918 through 0300069000)</b>	A
110	0861537	1	Console Bottom (Note: Not Available for Purchase)	
111	0861537	1	Console Top (Note: Not Available for Purchase)	
112	3311601	1	Nut 3/8in-16NC	
113	3450304	2	Pin, Cotter	
114	3931672	1	Screw 3/8in-16NC x 4-1/2in	
115	4711500	2	Flatwasher 5/16in	
		Ref	<b>LIGHT PANEL DECAL INSTALLATIONS</b>	
	0275804	Ref	<b>Australian Spec</b>	A
	0275805	Ref	<b>CE Spec</b>	A
201		Ref	Decal - Light Panel Display	
201	1707111	1	Australian Spec	
201	1707113	1	CE Spec	

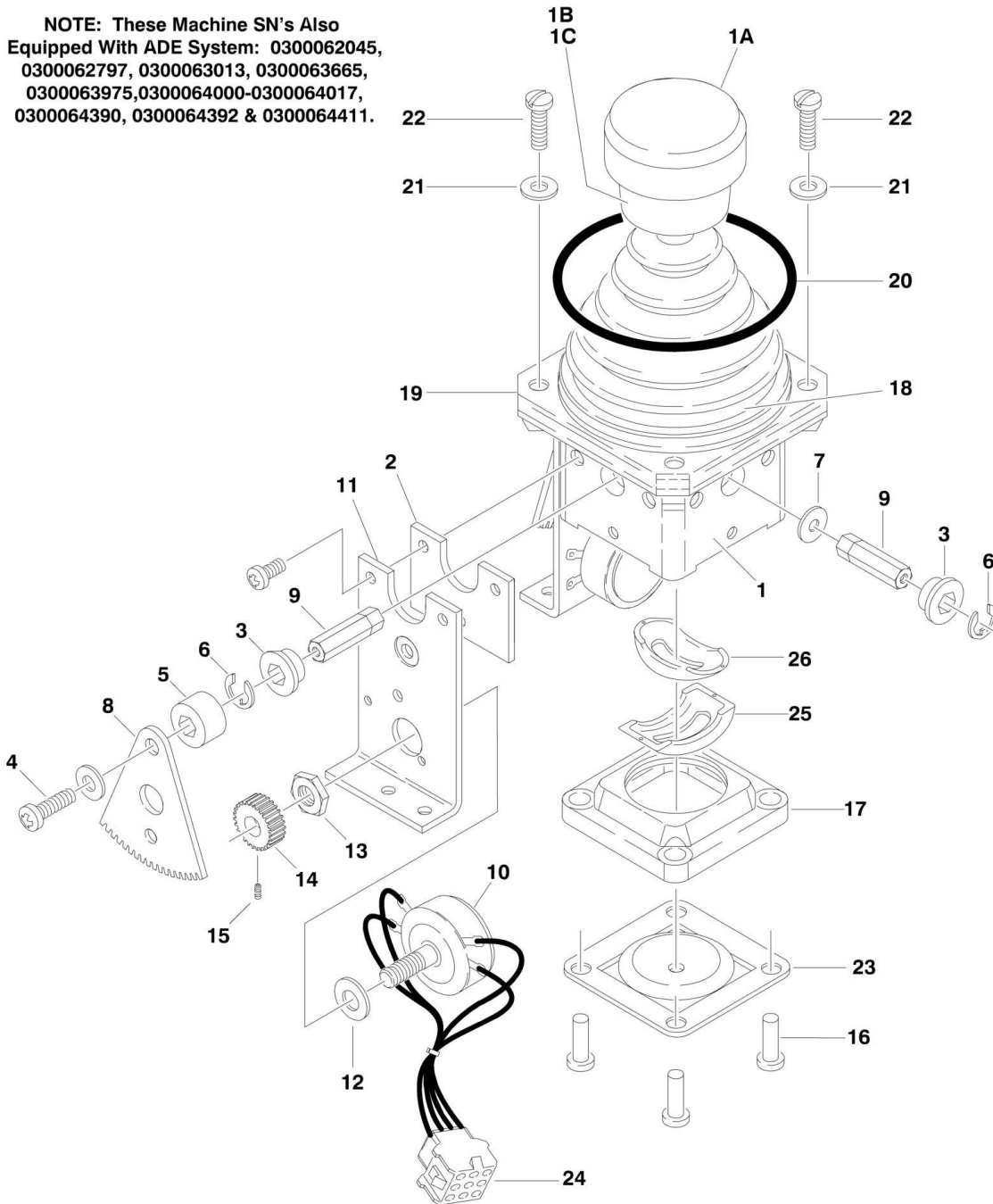
## SECTION 4 - PLATFORM

ITEM	PART NUMBER	QTY	DESCRIPTION	REV
		Ref	<b>Note: Machines should have been updated to this light panel installation.</b>	
	0271768	Ref	<b>HEAD AND TAIL LIGHTS INSTALLATION (OPTIONAL)</b>	2
301	4360336	1	Switch, Toggle	
301	3790012	1	O-Ring	
		Ref	<b>SOFT TOUCH SYSTEM INSTALLATION (OPTIONAL)</b>	
	0271550	Ref	<b>6FT PLATFORM</b>	1
	0271551	Ref	<b>8FT PLATFORM</b>	1
401	4360387	1	Switch, Pushbutton	
402	1702938	1	Decal - Soft Touch Override	
		Ref	<b>GENERATOR INSTALLATION (OPTIONAL)</b>	
	0271547	Ref	<b>220V DEUTZ (Prior to SN 0300068269)</b>	2
	0272481	Ref	<b>220V DEUTZ (SN 0300068269 through 0300069000)</b>	2
501	4360336	1	Switch, Toggle	
502	4740397	1	Bushing	
503	4060802	1	Guard, Switch	
504	3251102	1	Decal - Generator ON/OFF	
	0270814	Ref	<b>PLATFORM WORKLIGHT INSTALLATION (OPTIONAL)</b>	3
601	4360232	1	Breaker, Circuit - 15Amp	
602	0721003	2	Bolt #10-24NC x 3/8in	
603	4761000	4	Lockwasher #10	
604	3311001	2	Nut #10-24NC	
605	4460598	1	Connector, Strain Relief	
	0271340	Ref	<b>JIB SWITCH INSTALLATION (OPTIONAL)</b>	1
701	4360328	1	Switch, Toggle	
	3790012	1	O-Ring	
	0258945	Ref	<b>STEER SWITCH (4WS) INSTALLATION (OPTIONAL)</b>	1
801	4360331	1	Switch, Toggle	
801	3790012	1	O-Ring	

# SECTION 4 - PLATFORM

FIGURE 4-5. CONTROLLER ASSEMBLY (SWING AND LIFT) (Prior to SN 0300064432)

NOTE: These Machine SN's Also  
Equipped With ADE System: 0300062045,  
0300062797, 0300063013, 0300063665,  
0300063975, 0300064000-0300064017,  
0300064390, 0300064392 & 0300064411.





## SECTION 4 - PLATFORM

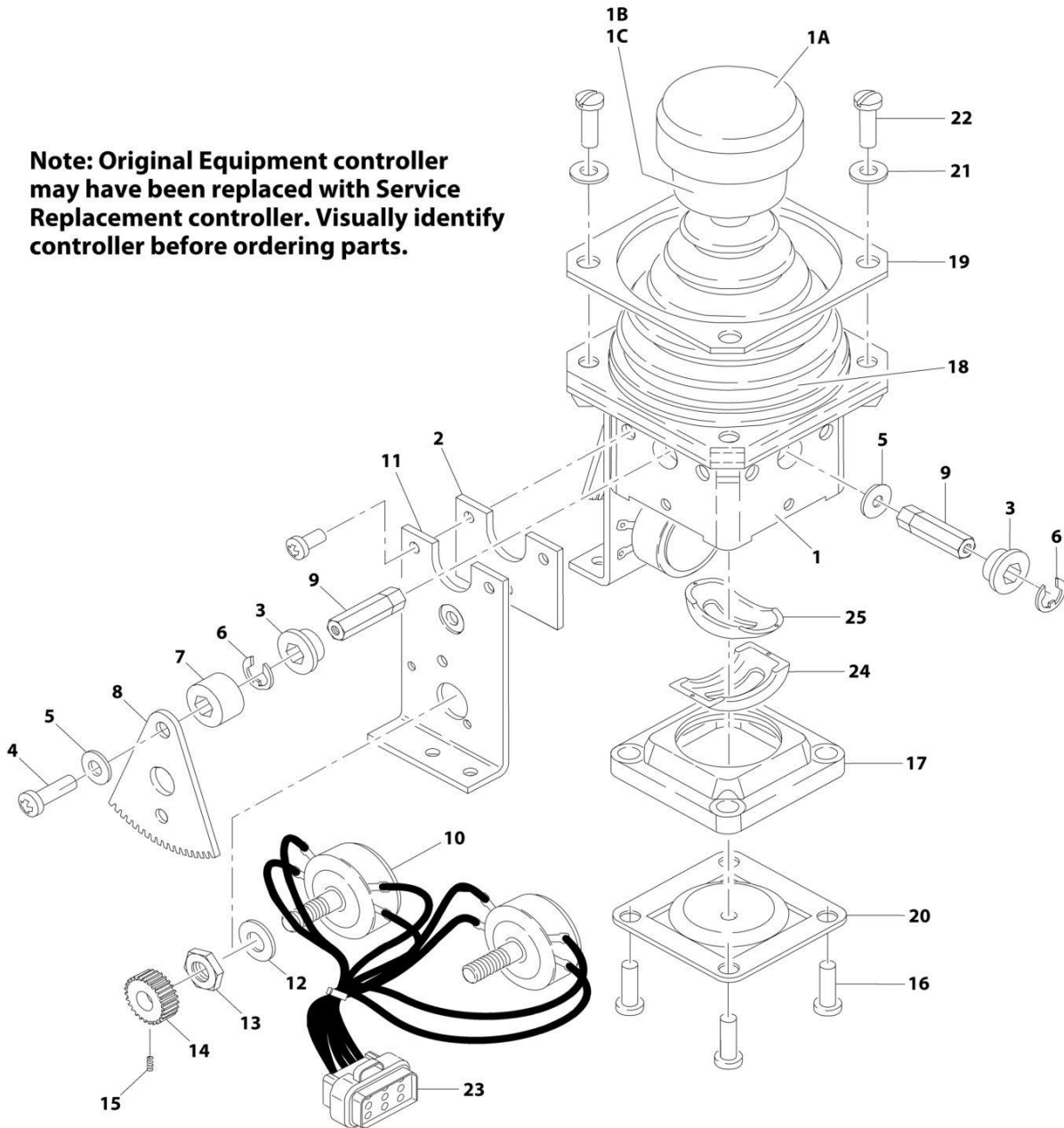
**FIGURE 4-5. CONTROLLER ASSEMBLY (SWING AND LIFT) (Prior to SN 0300064432)**

ITEM	PART NUMBER	QTY	DESCRIPTION	REV
		Ref	<b>NOTE: THESE MACHINE SN'S ALSO EQUIPPED WITH ADE SYSTEM: 0300062045, 0300062797, 0300063013, 0300063665, 0300063975, 0300064000-0300064017, 0300064390, 0300064392 &amp; 0300064411.</b>	
	1600284	Ref	<b>CONTROLLER ASSEMBLY</b>	A
1	7019141	1	Mechanical Assembly (Includes Base, Handle Stem and Items 1A, 1B, 1C & 18)	
1A	7019197	1	Handle Cap and Rod	
1B	7003928	1	Spring	
1C	7022808	1	Cap, Lift	
2	7019142	2	Plate	
3	7019111	4	Bearing, Gear	
4	7019143	2	Screw	
5	7019144	2	Spacer, Cam	
6	7019145	4	E-Clip	
7	7019146	2	Spacer	
8	7003977	2	Gear, Drive	
9	7019147	4	Shaft	
10	7003974	2	Potentiometer	
11	7019142	2	Plate	
12	7003992	2	Washer	
13	7003993	2	Nut	
14	7003976	2	Gear, Slave	
15	7019149	2	Setscrew	
16	7003952	4	Screw	
17	7019150	1	Gate	
18	7022813	1	Boot (was p/n 7003955)	
19	7022813	1	Plate, Plastic (was p/n 7003954)	
20	7003956	1	Gasket	
21	7003953	4	Washer	
22	7019137	4	Screw	
23	See Note	1	Center, Detent (Note: Not Available for Purchase)	
24	4460266	1	Connector - 9 Pin	
24	4460268	8	Socket, Female	
24	4460265	1	Plug - 9 Pin (Part of Platform Wiring) (Not Shown)	
24	4460267	8	Pin, Male (Part of Platform Wiring) (Not Shown)	
25	7019122	1	Gimble, Outer	
26	7019123	1	Gimble, Inner	

# SECTION 4 - PLATFORM

FIGURE 4-6. CONTROLLER ASSEMBLY (SWING AND LIFT) (WITH ADE SYSTEM) (ORIGINAL EQUIPMENT) (SN 0300064432 through 0300069000)

**Note: Original Equipment controller may have been replaced with Service Replacement controller. Visually identify controller before ordering parts.**



ART\_1600317

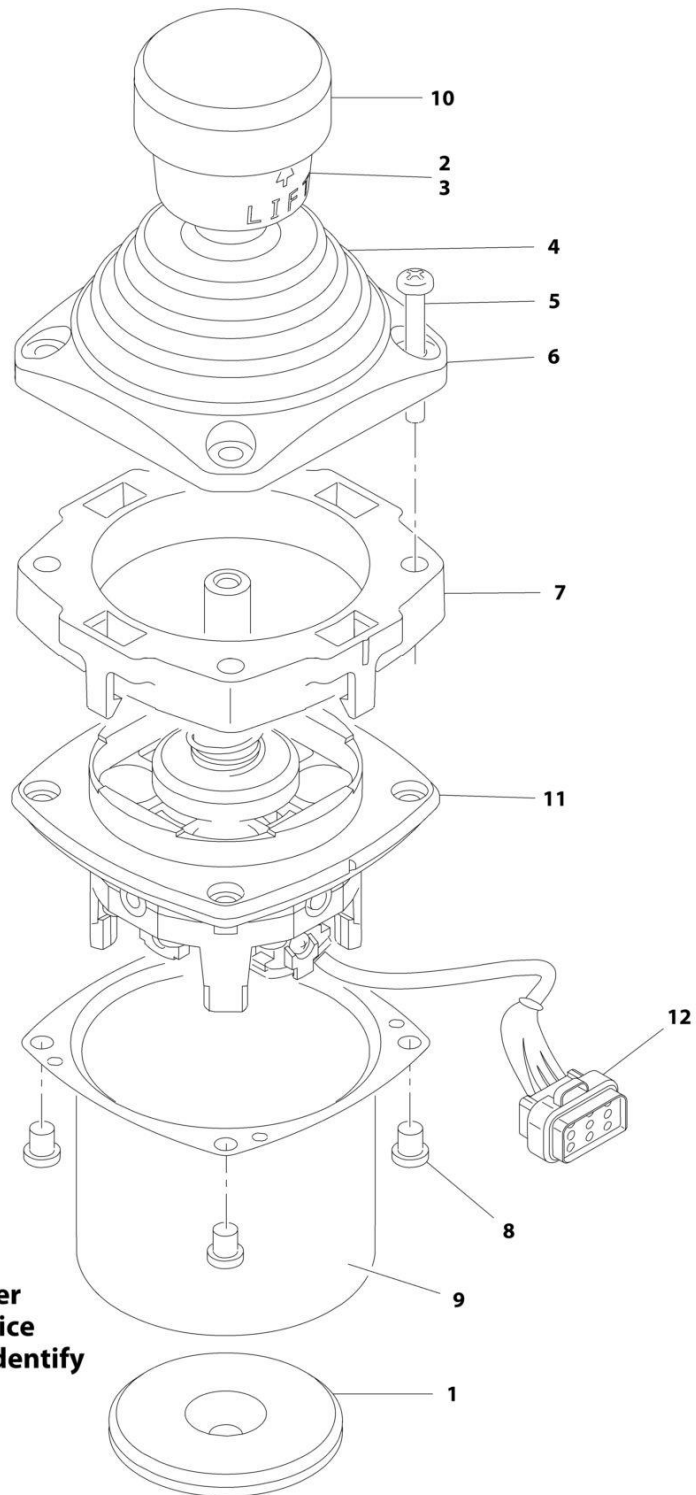
## SECTION 4 - PLATFORM

**FIGURE 4-6. CONTROLLER ASSEMBLY (SWING AND LIFT) (WITH ADE SYSTEM) (ORIGINAL EQUIPMENT) (SN 0300064432 through 0300069000)**

ITEM	PART NUMBER	QTY	DESCRIPTION	REV
		Ref	<b>Note: Original Equipment controller may have been replaced with Service Replacement controller. Visually identify controller before ordering parts.</b>	
	1600317	Ref	<b>CONTROLLER ASSEMBLY</b>	C
		Ref	<b>Note: Use p/n 1001129555 Kit as Replacement.</b>	
1	7019141	1	Mechanical Assembly (Includes Base, Handle Stem and Items 1A, 1B, 1C & 18)	
1A	7019197	1	Handle Cap and Rod	
1B	7003928	1	Spring	
1C	7022808	1	Cap, Lift	
2	7019171	2	Plate	
3	7019111	4	Bearing, Gear	
4	7019143	2	Screw	
5	7019144	2	Spacer, Cam	
6	7019145	4	E-Clip	
7	7019174	2	Spacer	
8	7003977	2	Gear, Drive	
9		Ref	Shaft Options:	
9	7019147	2	Shaft, Short	
9	7019177	2	Shaft, Long	
10	7022818	2	Potentiometer	
11	7019142	2	Plate	
12	7003992	2	Washer	
13	7003993	2	Nut	
14	7003976	2	Gear, Slave	
15	7019149	2	Setscrew	
16	7022816	4	Screw	
17	7019150	1	Gate	
18	7022814	1	Boot	
19	7022815	1	Bezel	
20	See Note	NSS	Center, Detent (Note: Use p/n 1001129555)	
21	7003953	4	Washer	
22	7022817	4	Screw	
23	7022819	1	Plug, Male - 8 Position (Natural)	
23	4460871	8	Socket, Female	
24	7019122	1	Gimble, Outer	
25	7019123	1	Gimble, Inner	

## SECTION 4 - PLATFORM

FIGURE 4-7. CONTROLLER ASSEMBLY (SWING AND LIFT) (WITH ADE SYSTEM) (SERVICE REPLACEMENT) (SN 0300064432 through 0300069000)



**Note: Original Equipment controller may have been replaced with Service Replacement controller. Visually identify controller before ordering parts.**

ART\_100118417

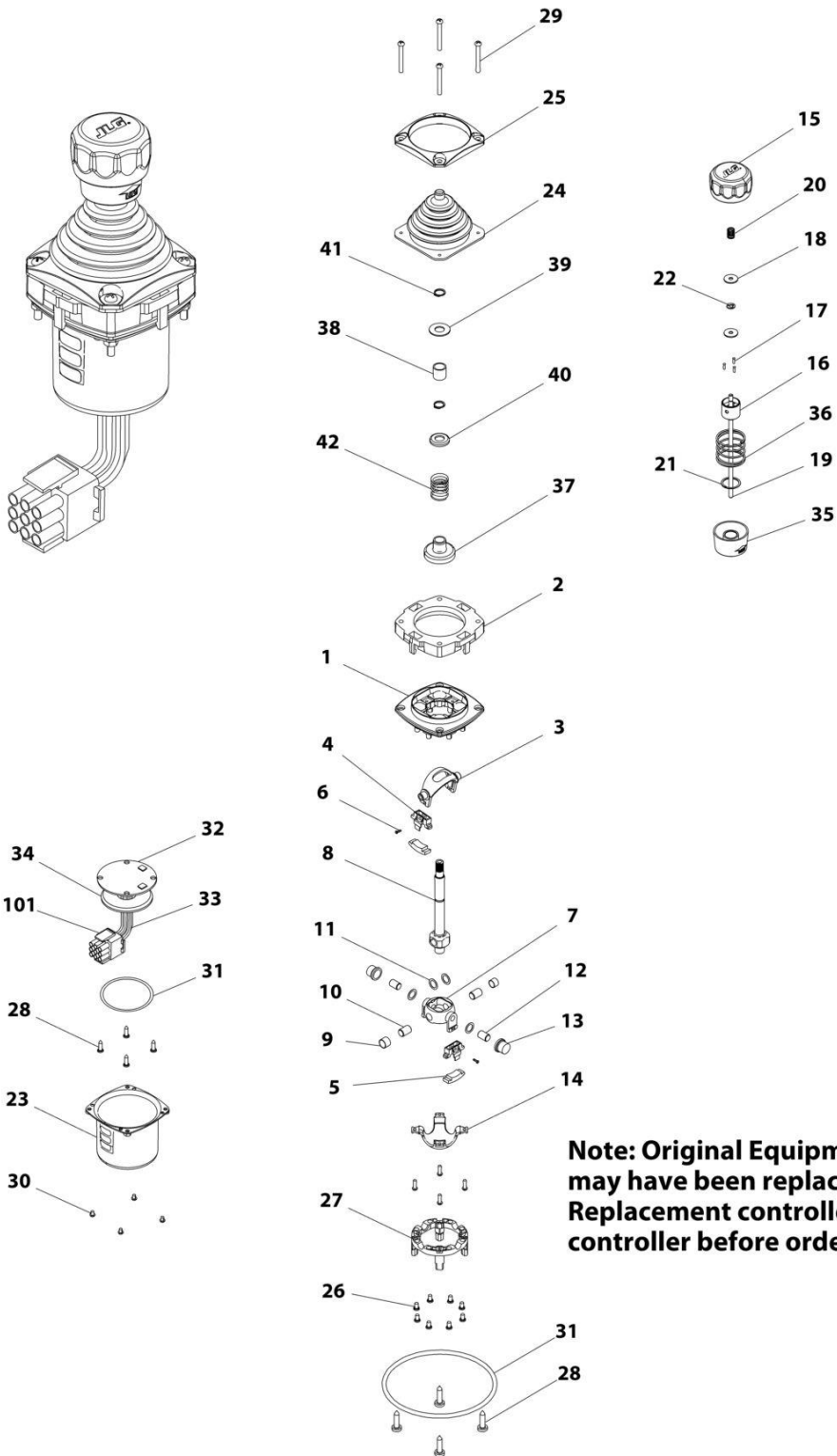
## SECTION 4 - PLATFORM

**FIGURE 4-7. CONTROLLER ASSEMBLY (SWING AND LIFT) (WITH ADE SYSTEM) (SERVICE REPLACEMENT) (SN 0300064432 through 0300069000)**

ITEM	PART NUMBER	QTY	DESCRIPTION	REV
		Ref	<b>Note: Original Equipment controller may have been replaced with Service Replacement controller. Visually identify controller before ordering parts.</b>	
	1001118417	Ref	<b>CONTROLLER ASSEMBLY</b>	E
		Ref	<b>Note: Use p/n 1001129555 as Replacement.</b>	
1	70002730	1	Gasket	
2	7003928	1	Spring	
3	7022808	1	Cap, Lift	
4	70002731	1	Boot	
5	70002732	4	Screw	
6	7022815	1	Bezel	
7	70002733	1	Adapter	
8	70002734	4	Screw	
9	70002735	1	Can, Enclosure	
10	70002906	1	Cap	
11	See Note	NSS	Mechanical Assembly (Note: Use p/n 1001129555)	
12	7022819	1	Connector - 8 Position	
12	4460871	6	Socket, Female	

# SECTION 4 - PLATFORM

**FIGURE 4-8. CONTROLLER ASSEMBLY (SWING AND LIFT) (WITH ADE SYSTEM) (SERVICE REPLACEMENT) (SN 0300064432 through 0300069000)**



**Note: Original Equipment controller may have been replaced with Service Replacement controller. Visually identify controller before ordering parts.**

ART\_1001166539

## SECTION 4 - PLATFORM

**FIGURE 4-8. CONTROLLER ASSEMBLY (SWING AND LIFT) (WITH ADE SYSTEM) (SERVICE REPLACEMENT) (SN 0300064432 through 0300069000)**

ITEM	PART NUMBER	QTY	DESCRIPTION	REV
		Ref	<b>Note: Original Equipment controller may have been replaced with Service Replacement controller. Visually identify controller before ordering parts.</b>	
	1001166539	Ref	<b>CONTROLLER ASSEMBLY (SWING AND LIFT)</b>	D
		Ref	<b>Note: Use p/n 1001129555 as Replacement.</b>	
1	See Note	NSS	Main Cast Body (Note: Not Available - Purchase Complete Assembly)	
2	70004752	1	Adapter	
3	See Note	NSS	Pivot Arm, Plastic (Note: Not Available - Purchase Complete Assembly)	
4	See Note	NSS	Holder, Magnet (Note: Not Available - Purchase Complete Assembly)	
5	See Note	NSS	Arc, Magnet (Note: Not Available - Purchase Complete Assembly)	
6	See Note	NSS	Screw (Note: Not Available for Purchase)	
7	See Note	NSS	Pivot Arm, Cast (Note: Not Available - Purchase Complete Assembly)	
8	See Note	NSS	Shaft, Main (Note: Not Available - Purchase Complete Assembly)	
9	See Note	NSS	Bearing (Note: Not Available - Purchase Complete Assembly)	
10	See Note	NSS	Pin (Note: Not Available - Purchase Complete Assembly)	
11	See Note	NSS	Shim (Note: Not Available - Purchase Complete Assembly)	
12	See Note	NSS	Pin (Note: Not Available - Purchase Complete Assembly)	
13	See Note	NSS	Bearing (Note: Not Available - Purchase Complete Assembly)	
14	See Note	NSS	Dome, Centering (Note: Not Available - Purchase Complete Assembly)	
15	70004753	1	Cap	
16	70004754	1	Insert, Cap	
17	70004755	3	Pin	
18	70004756	2	Washer	
19	70004757	1	Pin, Centering	
20	70004758	1	Spring	
21	70004759	1	Ring, Retaining	
22	70004760	1	E-Ring	
23	70004761	1	Can, Enclosure	
24	70004762	1	Boot	
25	70004763	1	Bezel	
26	See Note	NSS	Screw (Note: Not Available for Purchase)	
27	See Note	NSS	Base, Mounting (Note: Not Available - Purchase Complete Assembly)	
28	See Note	NSS	Screw (Note: Not Available for Purchase)	
29	70004764	4	Screw	
30	70004765	4	Screw	
31	70004766	1	O-Ring	
32	See Note	NSS	Plate (Note: Not Available - Purchase Complete Assembly)	
33	See Note	NSS	Harness (Note: Not Available - Purchase Complete Assembly)	
34	70004767	1	Grommet, Rubber	
35	70004768	1	Housing	
36	70004769	1	Spring	
37	70004770	1	Stopper	
38	70004771	1	Spacer	
39	70004772	1	Washer	

## SECTION 4 - PLATFORM

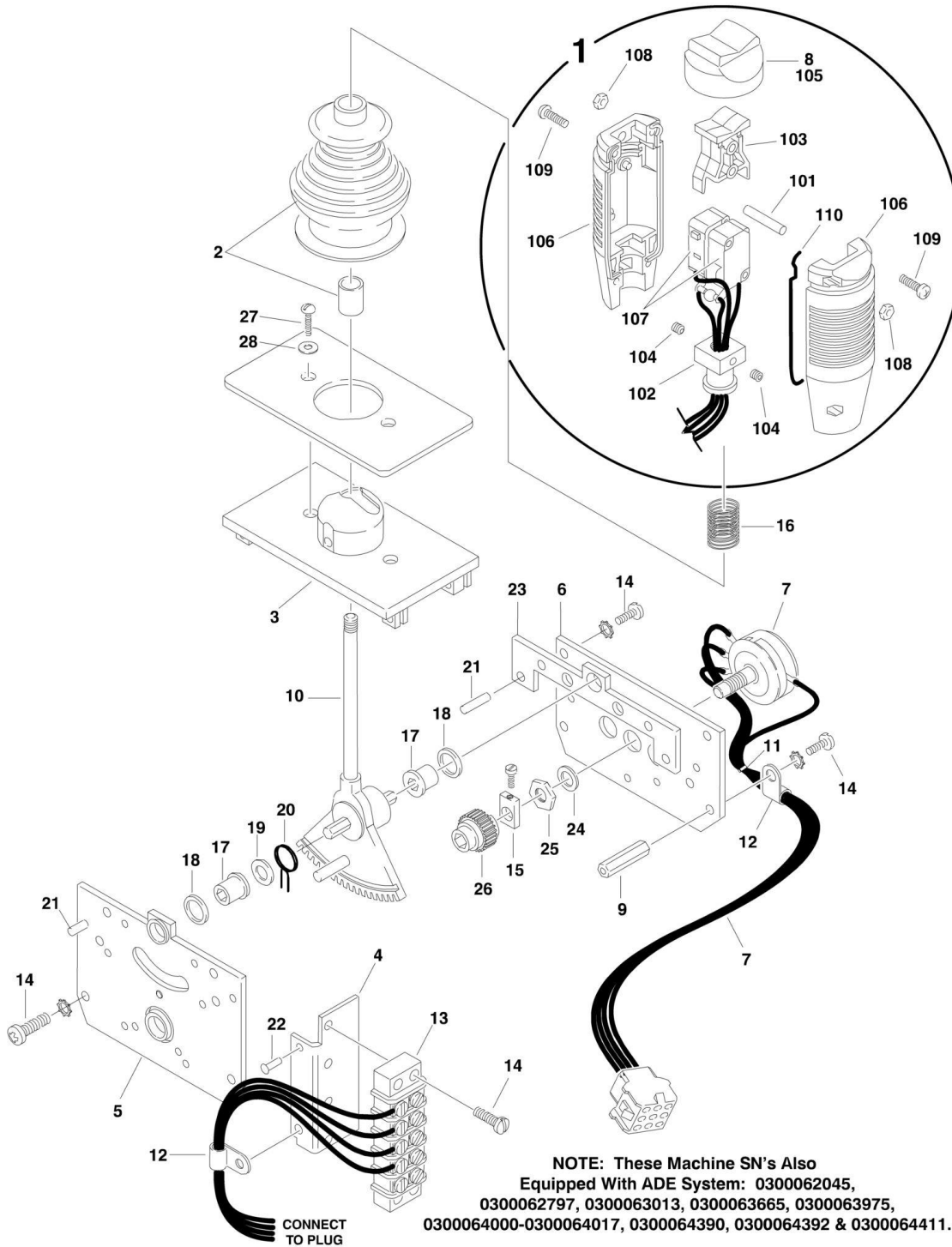
ITEM	PART NUMBER	QTY	DESCRIPTION	REV
40	70004773	1	Disc	
41	70004774	2	Ring, Retaining	
42	70004775	1	Spring	
101	4460265	1	Connector - 9 Position	
101	4460226	6	Socket, Female	





# SECTION 4 - PLATFORM

FIGURE 4-9. CONTROLLER ASSEMBLY (DRIVE AND STEER) (Prior to SN 0300064432)



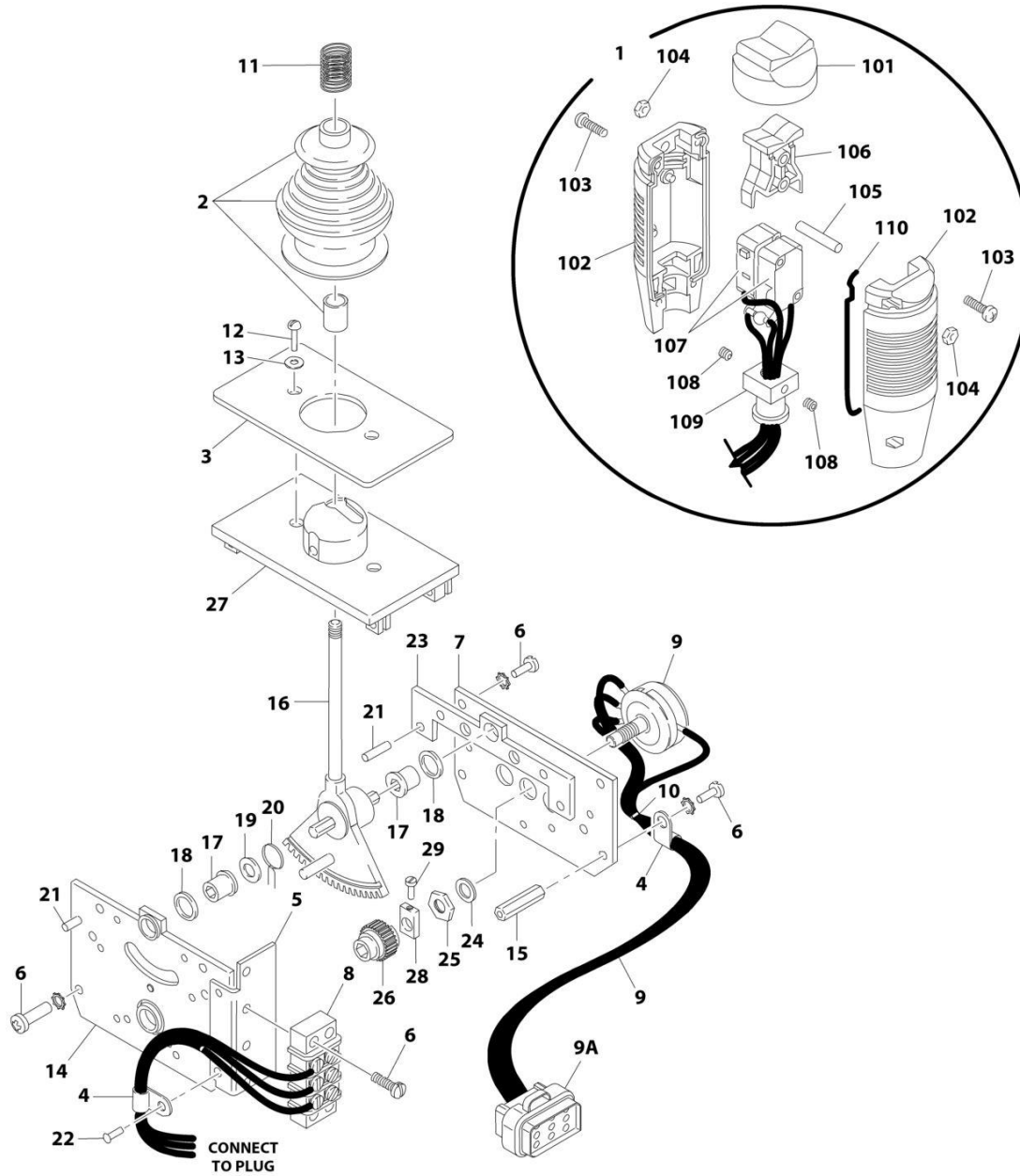
## SECTION 4 - PLATFORM

**FIGURE 4-9. CONTROLLER ASSEMBLY (DRIVE AND STEER) (Prior to SN 0300064432)**

ITEM	PART NUMBER	QTY	DESCRIPTION	REV
		Ref	<b>NOTE: THESE MACHINE SN'S ALSO EQUIPPED WITH ADE SYSTEM: 0300062045, 0300062797, 0300063013, 0300063665, 0300063975, 0300064000-0300064017, 0300064390, 0300064392 &amp; 0300064411.</b>	
	1600283	Ref	<b>CONTROLLER ASSEMBLY</b>	
1	7022810	1	Handle Assembly (See items 101-110 for Breakdown)	
2	7019161	1	Boot and Sleeve	
3	7019160	1	Cast Housing Assembly	
4	7019159	1	Bracket, Mounting	
5	7019158	1	Plate, Mounting (Left Side)	
6	7019157	1	Plate, Pot Mounting	
7	7019156	1	Electric Assembly	
8	7003972	1	Boot, Rocker	
9	7019115	2	Stand-off	
10	7019155	1	Shaft 8mm	
11	7019151	AR	Tie-Strap	
12	7019154	2	Clamp, Wire	
13	7019153	1	Strip, Terminal - 5 Position	
14	7019117	8	Screw	
15	7019163	1	Potentiometer Coupling Assembly	
16	7019162	1	Spring	
17	7019111	2	Bearing	
18	7019110	2	Spacer, Head Gear	
19	7019112	1	Washer	
20	7003946	1	Spring, Return	
21	7019103	4	Pin	
22	See Note	1	Rivet (Note: Not Available for Purchase)	
23	7019168	1	Plate, Mounting (Right Side)	
24	7003992	1	Washer	
25	7003993	1	Nut	
26	7003935	1	Gear, Slave	
27	7003969	2	Screw	
28	7003941	2	Washer	
	7022810	Ref	<b>HANDLE ASSEMBLY</b>	
101	7019164	1	Axle	
102	7019194	1	Coupling	
103	7019165	1	Rocker	
104	7003983	2	Setscrew	
105	7003972	1	Boot, Switch	
106	7003973	2	Half, Handle	
107	7019166	2	Switch, Micro	
108	7019167	4	Nut	
109	7003980	4	Screw	
110	7003989	2	Gasket	

## SECTION 4 - PLATFORM

FIGURE 4-10. CONTROLLER ASSEMBLY (DRIVE AND STEER) (WITH ADE SYSTEM) (ORIGINAL EQUIPMENT) (SN 0300064432 through 0300069000)



**Note: Original Equipment controller may have been replaced with Service Replacement controller. Visually identify controller before ordering parts.**

ART\_1600318

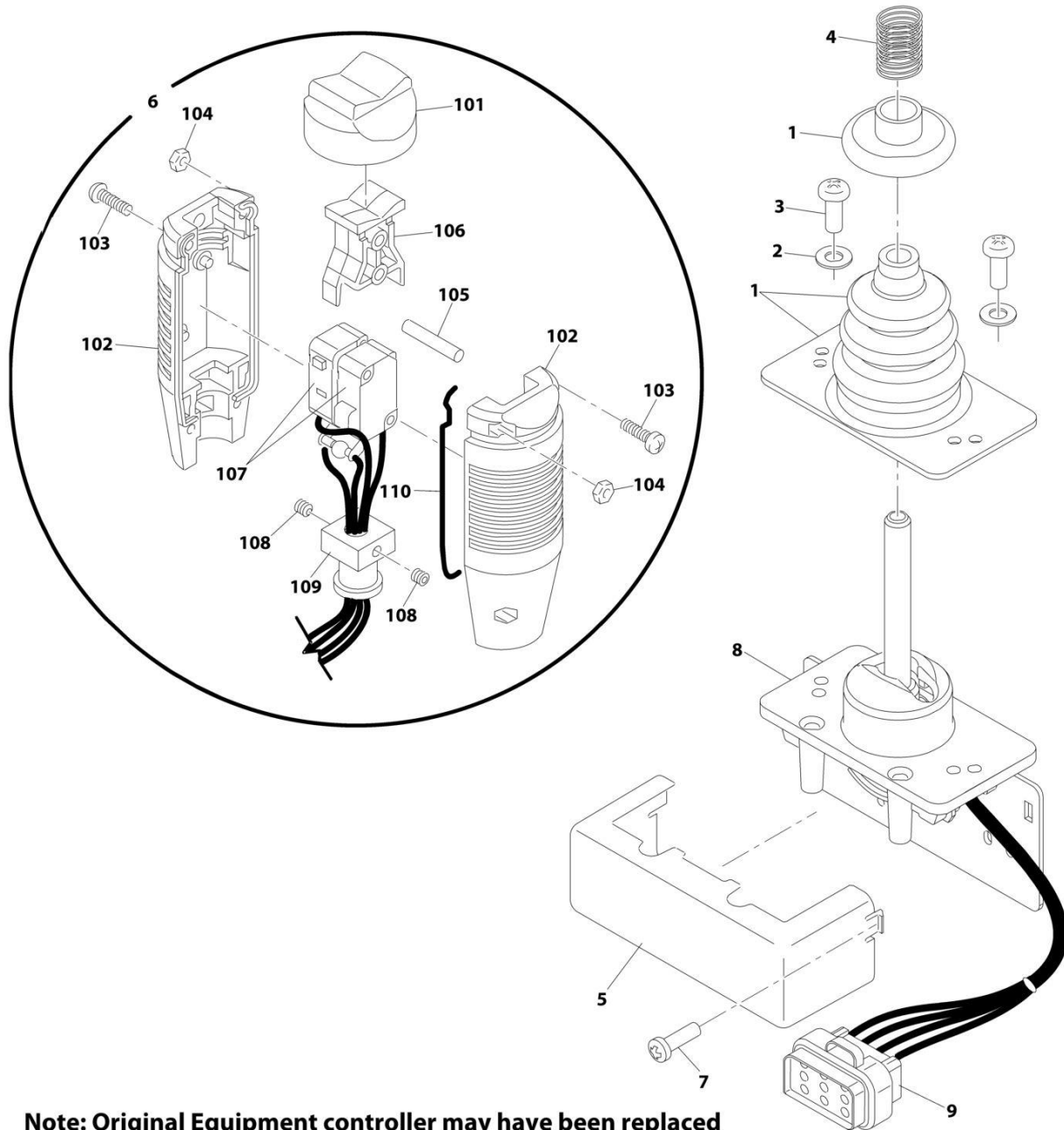
## SECTION 4 - PLATFORM

**FIGURE 4-10. CONTROLLER ASSEMBLY (DRIVE AND STEER) (WITH ADE SYSTEM) (ORIGINAL EQUIPMENT) (SN 0300064432 through 0300069000)**

ITEM	PART NUMBER	QTY	DESCRIPTION	REV
		Ref	<b>Note: Original Equipment controller may have been replaced with Service Replacement controller. Visually identify controller before ordering parts.</b>	
	1600318	Ref	<b>CONTROLLER ASSEMBLY</b>	C
		Ref	<b>Note: Use p/n 1001212415 as Replacement.</b>	
1	7022812	1	Handle Assembly (See Items 101-110 for Breakdown)	
2	7019161	1	Boot and Sleeve	
3	7003933	1	Gasket	
4	7019154	2	Clamp, Wire	
5	7022823	1	Bracket, Mounting	
6	7003994	1	Screw	
7	7022822	1	Plate, Pot Mounting	
8	7003986	1	Strip, Terminal - 3 Position	
9	7022824	1	Electric Assembly	
9A	1001113961	1	Plug, Male - 8 Position (Black) (was p/n 7022825)	
9A	4460871	7	Socket, Female	
10	7019151	AR	Tie-Strap	
11	7019162	1	Spring	
12	7003969	2	Screw	
13	7003941	2	Washer	
14	See Note	NSS	Plate, Mounting (Left Side) (Note: Use p/n 1001166538)	
15	7019115	2	Stand-off	
16	7019155	1	Shaft 8mm	
17	7019111	2	Bearing	
18	7019110	2	Spacer, Head Gear	
19	7019112	1	Washer	
20	7003946	1	Spring, Return	
21	7019103	4	Pin	
22	See Note	NSS	Rivet (Note: Not Available - Purchase Locally)	
23	7019168	1	Plate, Mounting (Right Side)	
24	7003992	1	Washer	
25	7003993	1	Nut	
26	7003935	1	Gear, Slave	
27	7019160	1	Plate, Base	
28	7019114	1	Coupling, Potentiometer	
29	See Note	NSS	Cup Point Screw (Note: Not Available for Purchase)	
	7022812	Ref	<b>HANDLE ASSEMBLY</b>	
101	7003972	1	Boot, Switch	
102	7003973	2	Half, Handle	
103	7003980	4	Screw	
104	7019167	4	Nut	
105	7019164	1	Axle	
106	7019165	1	Rocker	
107	See Note	NSS	Wiring for Controller Assembly p/n 1600318 (Note: Use p/n 1001166538)	
107	7019166	2	Switch, Micro	
108	7003983	2	Setscrew	
109	7019194	1	Coupling	
110	7003989	2	Gasket	

## SECTION 4 - PLATFORM

FIGURE 4-11. CONTROLLER ASSEMBLY (DRIVE AND STEER) (WITH ADE SYSTEM) (SERVICE REPLACEMENT) (SN 0300064432 through 0300069000)



**Note: Original Equipment controller may have been replaced with Service Replacement controller. Visually identify controller before ordering parts.**

ART\_100118416

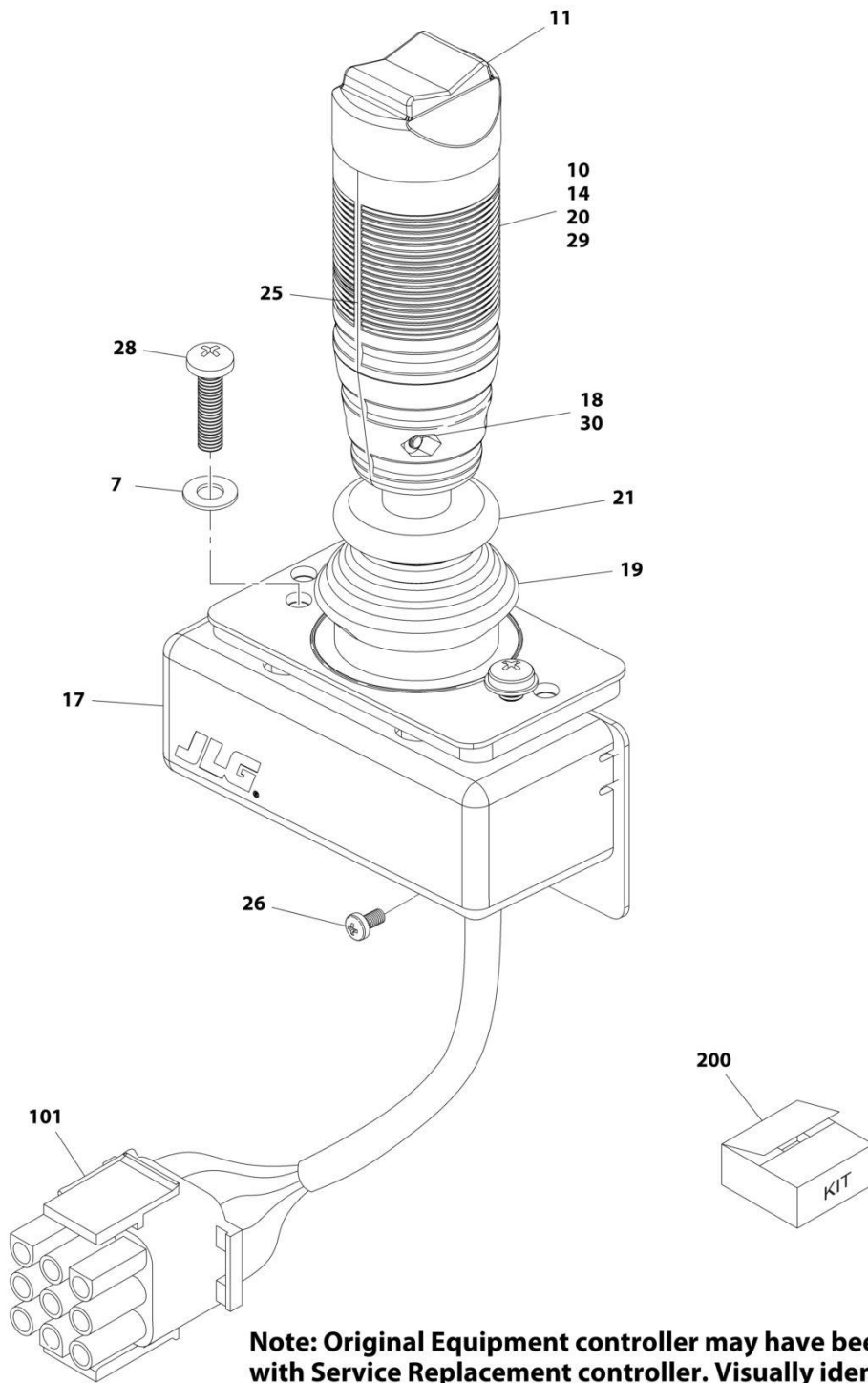
## SECTION 4 - PLATFORM

**FIGURE 4-11. CONTROLLER ASSEMBLY (DRIVE AND STEER) (WITH ADE SYSTEM) (SERVICE REPLACEMENT) (SN 0300064432 through 0300069000)**

ITEM	PART NUMBER	QTY	DESCRIPTION	REV
		Ref	<b>Note: Original Equipment controller may have been replaced with Service Replacement controller. Visually identify controller before ordering parts.</b>	
	1001118416	Ref	<b>CONTROLLER ASSEMBLY</b>	D
		Ref	<b>Note: Use p/n 1001212415 as Replacement.</b>	
1	70002724	1	Boot and Control Lock Assembly	
2	7003941	2	Washer	
3	70002725	2	Screw	
4	7019162	1	Spring	
5	70002726	1	Enclosure	
6	70002727	1	Handle Assembly (See Items 101-110 for Breakdown)	
7	70002728	1	Screw	
8	See Note	NSS	Mechanical Assembly (Note: Use p/n 1001166538)	
9	1001113961	1	Plug, Male - 8 Position (Black) (was p/n 7022825)	
9	4460871	7	Socket, Female	
	70002727	Ref	<b>HANDLE ASSEMBLY</b>	
101	7003972	1	Boot, Switch	
102	7003973	2	Half, Handle	
103	7003980	4	Screw	
104	7019167	4	Nut	
105	7019164	1	Axle	
106	7019165	1	Rocker	
107	70002729	1	Wiring Assembly	
107	7003982	2	Switch, Micro	
108	7003983	2	Set Screw	
109	7019194	1	Coupling	
110	7003989	2	Gasket	

## SECTION 4 - PLATFORM

**FIGURE 4-12. CONTROLLER ASSEMBLY (DRIVE AND STEER) (WITH ADE SYSTEM) (SERVICE REPLACEMENT) (SN 0300064432 through 0300069000)**



**Note: Original Equipment controller may have been replaced with Service Replacement controller. Visually identify controller before ordering parts.**

ART\_1001166538



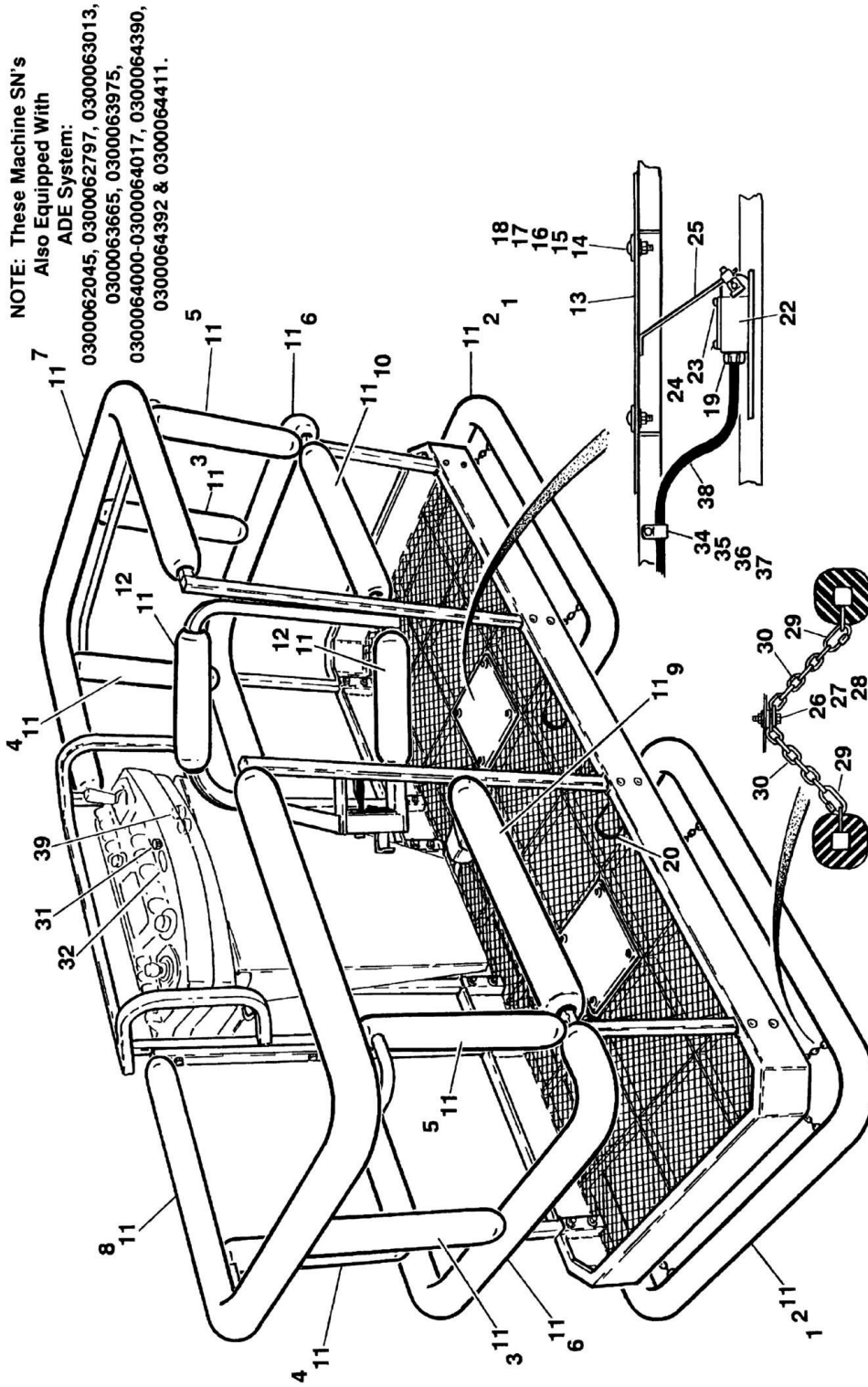
## SECTION 4 - PLATFORM

**FIGURE 4-12. CONTROLLER ASSEMBLY (DRIVE AND STEER) (WITH ADE SYSTEM) (SERVICE REPLACEMENT) (SN 0300064432 through 0300069000)**

ITEM	PART NUMBER	QTY	DESCRIPTION	REV
		Ref	<b>Note: Original Equipment controller may have been replaced with Service Replacement controller. Visually identify controller before ordering parts.</b>	
	1001166538	Ref	<b>CONTROLLER ASSEMBLY</b>	E
		Ref	<b>Note: Use p/n 1001212415 as Replacement.</b>	
7	70004738	2	Washer	
10	70004739	1	Roller	
11	70004740	1	Boot, Switch	
14	70004741	2	Half, Handle	
17	70004742	1	Enclosure	
18	70004743	4	Nut	
19	70004744	NLA	Boot, Controller (Note: Use Item 200)	
20	70004745	NLA	Tube, Locking (Note: Use Item 200)	
21	70004746	NLA	Disc, Locking (Note: Use Item 200)	
25	70004747	2	Seal, Rope	
26	70004748	1	Screw, M3 x 6	
28	70004749	2	Screw, M5 x 20	
29	70004750	1	Pin, Dowel	
30	70004751	4	Screw, M3 x 16	
101	4460265	1	Connector - 9 Position	
101	4460226	7	Socket, Female	
200	70005230	1	Boot Kit (Includes Items 19-21)	

# SECTION 4 - PLATFORM

FIGURE 4-13. SOFT TOUCH SYSTEM INSTALLATION (OPTIONAL)



## SECTION 4 - PLATFORM

**FIGURE 4-13. SOFT TOUCH SYSTEM INSTALLATION (OPTIONAL)**

ITEM	PART NUMBER	QTY	DESCRIPTION	REV
		Ref	<b>NOTE: THESE MACHINE SN'S ALSO EQUIPPED WITH ADE SYSTEM: 0300062045, 0300062797, 0300063013, 0300063665, 0300063975, 0300064000-0300064017, 0300064390, 0300064392 &amp; 0300064411.</b>	
		Ref	<b>SOFT TOUCH SYSTEM INSTALLATIONS OPTIONS:</b>	
	0257849	Ref	<b>6ft/1.8m Platforms (Prior to SN 0300064432)</b>	1
	0271550	Ref	<b>6ft/1.8m Platforms - ADE System (SN 0300064432 through 0300069000)</b>	1
	0257850	Ref	<b>8ft/2.4m Platforms (Prior to SN 0300064432)</b>	1
	0271551	Ref	<b>8ft/2.4m Platforms - ADE System (SN 0300064432 through 0300069000)</b>	1
1		Ref	Rail Weldment Options:	
1	4845308	2	6ft/1.8m Platforms	
1	4845309	2	8ft/2.4m Platforms	
2		Ref	Cover, Rail Options:	
2	1670804	2	6ft/1.8m Platforms	
2	1670803	2	8ft/2.4m Platforms	
3	1670787	2	Cover, End Post	
4	1670785	2	Cover, Front Right Post	
5	1670786	2	Cover, Front Left Post	
6	1670793	2	Cover, End Mid Rail	
7		Ref	Cover, Right End Top Options:	
7	1670798	1	6ft/1.8m Platforms	
7	1670796	1	8ft/2.4m Platforms	
8		Ref	Cover, Left End Top Options:	
8	1670797	1	6ft/1.8m Platforms	
8	1670795	1	8ft/2.4m Platforms	
9		Ref	Cover, Left End Mid Options:	
9	1670799	1	6ft/1.8m Platforms	
9	1670789	1	8ft/2.4m Platforms	
10		Ref	Cover, Right End Mid Options:	
10	1670801	1	6ft/1.8m Platforms	
10	1670791	1	8ft/2.4m Platforms	
11	0940038	70 ft /21.4m	Padding, Bumper	
12	1670788	2	Cover, Gate	
13	3539719	2	Plate, Switch Strike	
14	0630462	8	Bolt, Carriage	
15	4761500	8	Lockwasher 5/16in	
16	4751800	8	Flatwasher 1/2in	
17	3311501	8	Nut 5/16in-18NC	
18	4751500	8	Flatwasher 5/16in	
19	4460049	2	Connector, Strain Relief	
20	3530072	4	Plug, Cap	
22	4360057	2	Switch, Limit	
23	0731005	4	Bolt #10-32NC x 5/8in	
24	4751000	4	Lockwasher #10	
25	0200550	2	Arm, Switch	
26	0641612	8	Bolt 3/8in-16NC x 1-1/2in	
27	4751600	40	Flatwasher 3/8in	
28	3311605	8	Locknut 3/8in-16NC	

## SECTION 4 - PLATFORM

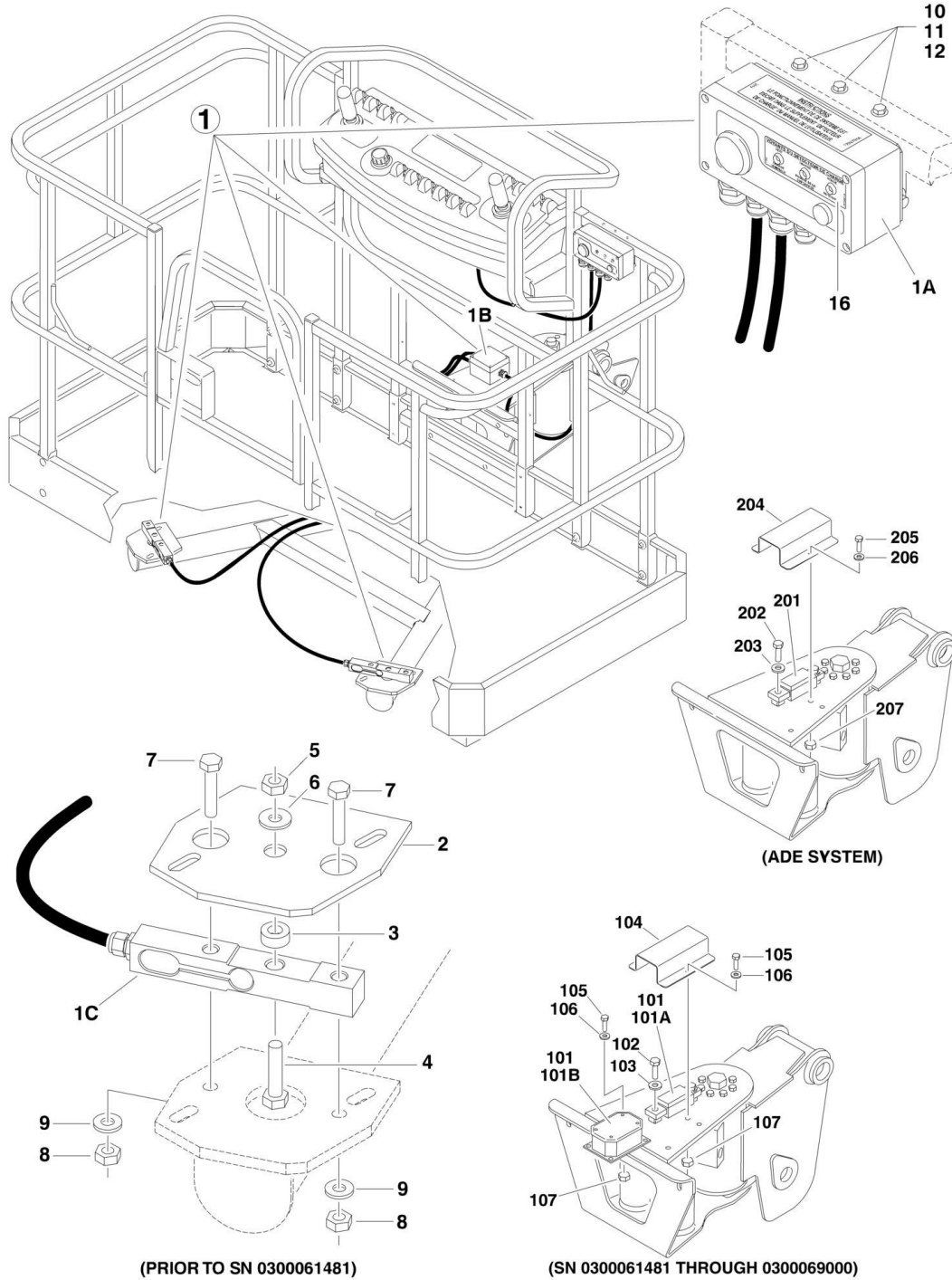
ITEM	PART NUMBER	QTY	DESCRIPTION	REV
29	3010088	16	Link, Quick	
30	1260136	10 ft/3m	Chain	
31	4360387	1	Switch, Push Button	
32	1702938	1	Decal - Soft Touch Override	
34	1320040	4	Clamp	
35	0641406	4	Bolt 1/4in-20NC x 3/4in	
36	4711400	8	Flatwasher 1/4in	
37	3311405	4	Locknut 1/4in-20NC	
38		Ref	Cable, Electrical Options:	
38	1060330	16 ft/4.9m	Cable, Electrical (16/3) <b>(Prior to SN 0300064007)</b>	
38	1060341	16 ft/4.9m	Cable, Electrical (16/2) <b>(SN 0300064007 through 0300069000)</b>	
39	4460425	1	Connector, Strain Relief	
	0258763	Ref	<b>SOFT TOUCH COUNTERWEIGHT INSTALLATION (NOT SHOWN) (Prior to SN 0300068374)</b>	A
	4845872	1	Counterweight (Located in Frame)	
	0272444	Ref	<b>SOFT TOUCH COUNTERWEIGHT INSTALLATION (NOT SHOWN) (SN 0300068374 through 0300069000)</b>	B
	4821397	1	Counterweight (Located in Frame)	



# SECTION 4 - PLATFORM

**FIGURE 4-14. LOAD SENSING SYSTEM INSTALLATION (FRENCH SPEC) (Prior to SN 0300067883)**

**NOTE: These Machine SN's Also Equipped With ADE System: 0300062045, 0300062797, 0300063013, 0300063665, 0300063975, 0300064000-0300064017, 0300064390, 0300064392 & 0300064411.**



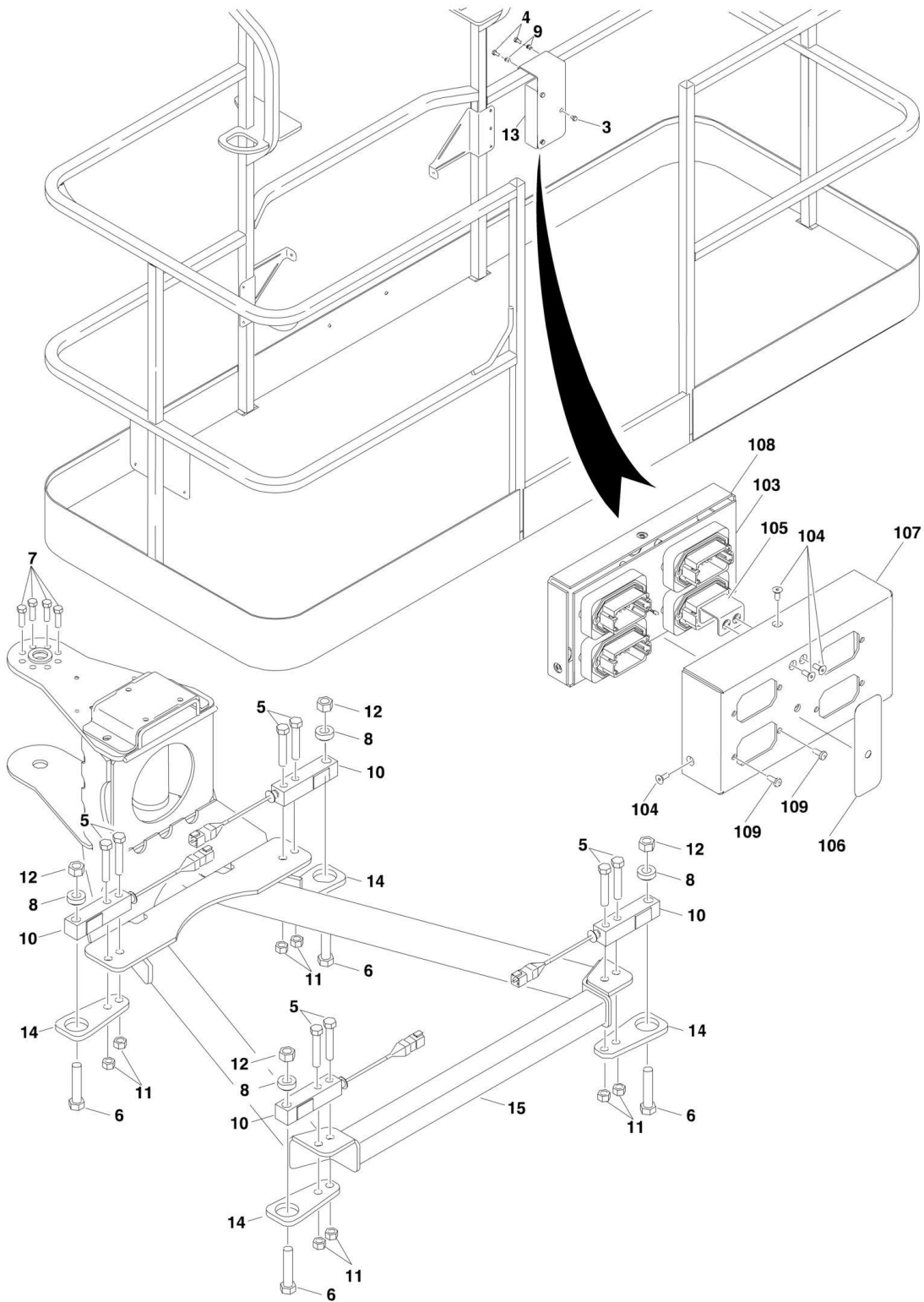
## SECTION 4 - PLATFORM

**FIGURE 4-14. LOAD SENSING SYSTEM INSTALLATION (FRENCH SPEC) (Prior to SN 0300067883)**

ITEM	PART NUMBER	QTY	DESCRIPTION	REV
		Ref	<b>NOTE: THESE MACHINE SN'S ALSO EQUIPPED WITH ADE SYSTEM: 0300062045, 0300062797, 0300063013, 0300063665, 0300063975, 0300064000-0300064017, 0300064390, 0300064392 &amp; 0300064411.</b>	
		Ref	<b>PLATFORM LOAD SENSING DEVICE INSTALLATION OPTIONS (FRENCH SPEC):</b>	
	0258767	Ref	<b>Platform Load Sensing Device Installation 800A (Prior to SN 0300058378)</b>	D
	0258768	Ref	<b>Platform Load Sensing Device Installation 800AJ (Prior to SN 0300058378)</b>	D
1	2901557	1	Load Sensing Assembly	
1A	7020057	1	Display Unit - 12V DC	
1B	7020058	1	Converter (Junction Box)	
1C	7020059	2	Load Cell	
2	3570740	2	Plate, Spacer	
3	0962180	2	Spacer, Load Cell	
4	0641818	2	Bolt 1/2in-13NC x 2-1/4in	
5	3311805	2	Locknut 1/2in-13NC	
6	4751800	2	Flatwasher 1/2in	
7	0641616	4	Bolt 3/8in-16NC x 2in	
8	3311605	4	Locknut 3/8in-16NC	
9	4751600	4	Flatwasher 3/8in	
10	0641416	3	Bolt 1/4in-20NC x 2in	
11	3311405	3	Locknut 1/4in-20NC	
12	4751400	3	Flatwasher 1/4in	
16	1703801	1	Decal - Load Sensing Device Lights	
17	3124025	1	Manual Supplement (Not Shown)	
	0259233	Ref	<b>PLATFORM LOAD SENSING DEVICE INSTALLATION (FRENCH SPEC) (SN 0300058378 through 0300064431)</b>	4-C
101	2901811	1	Load Sensing Assembly	
101A	3990109	1	Transducer, Pressure	
101B	7023332	1	Card, Control	
101B	7023331	1	Fuse	
101B	7023333	1	Holder, Fuse	
102	0701010	2	Bolt 10mm x 20mm	
103	4812000	2	Flatwasher 10mm	
104	1670900	1	Cover, Load Cell	
105	0641407	4	Bolt 1/4in-20NC x 7/8in	
106	4761400	4	Washer, Spring Lock 1/4in	
107	3311401	4	Nut 1/4in-20NC	
	0271543	Ref	<b>PLATFORM LOAD SENSING DEVICE INSTALLATION OPTIONS: (FRENCH SPEC) (WITH ADE SYSTEM) (SN 0300064432 through 0300067883)</b>	1-B
201	3990109	1	Transducer, Pressure	
202	0701010	2	Bolt 10mm x 20mm	
203	4812000	2	Flatwasher 10mm	
204	1670900	1	Cover, Load Cell	
205	0641407	2	Bolt 1/4in-20NC x 7/8in	
206	4761400	2	Washer, Spring Lock 1/4in	
207	3311401	2	Nut 1/4in-20NC	
209	4460226	4	Terminal, Socket (Not Shown) (Located in Console Box)	

# SECTION 4 - PLATFORM

FIGURE 4-15. PLATFORM SUPPORT (LOAD SENSING) (SN 0300067883 through 0300069000)





## SECTION 4 - PLATFORM

**FIGURE 4-15. PLATFORM SUPPORT (LOAD SENSING) (SN 0300067883 through 0300069000)**

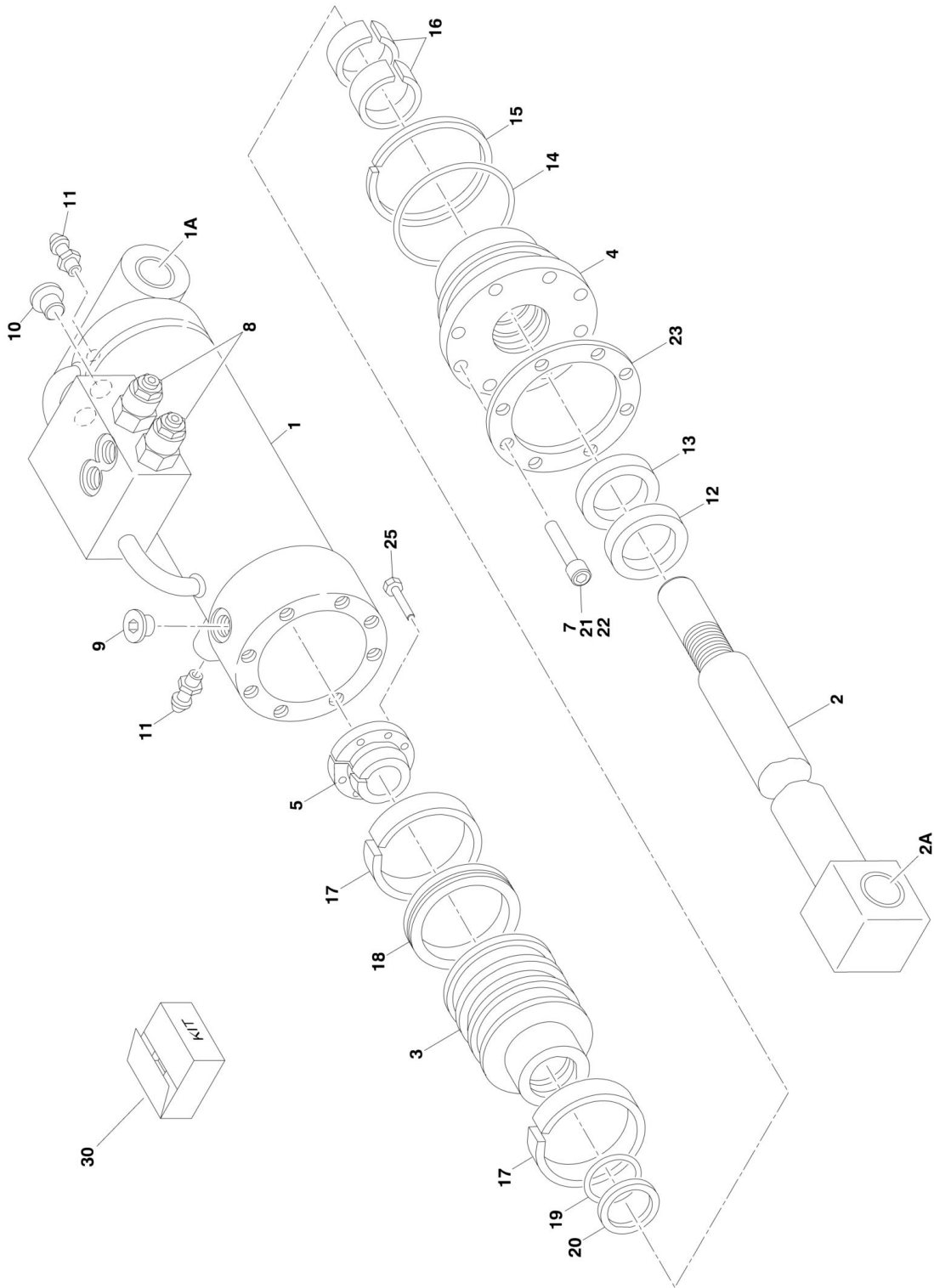
ITEM	PART NUMBER	QTY	DESCRIPTION	REV
	0272071	Ref	<b>SUPPORT AND LOAD SENSING SYSTEM INSTALLATION</b>	A
1	0100011	AR	Compound, Locking (Not Shown)	
2	0272050	1	Assembly Electronic Interface Module (See Item 101-109 for Breakdown)	
3	0641403	3	Bolt 1/4in-20NC x 3/8in	
4	0641405	2	Bolt 1/4in-20NC x 5/8in	
5	0641820	8	Bolt 1/2in-13NC x 2-1/2in	
6	0642022	4	Bolt 5/8in-11NC x 2-3/4in	
7	0681610	8	Bolt 3/8in-16NC x 1-1/4in	
8	0962450	4	Bushing, Spacer	
9	2080044	2	Fastener, Rivnut 1/4in-20NC	
10	2420200	4	Load Cell	
11	3311805	8	Locknut 1/2in-13NC	
12	3312005	4	Locknut 5/8in-11NC	
13	3573515	1	Plate, Mounting Bracket	
14	3573516	4	Plate, Gage Protector	
15	4846573	1	Weldment, Long Support	
	0272050	Ref	<b>ASSEMBLY ELECTRONIC INTERFACE MODULE</b>	A
101	0100011	AR	Compound, Locking (Not Shown)	
102	0100083	AR	Grease, Heat Transfer (Not Shown)	
103	0610155	1	P/C Board Electronic Interface Module	
104	0740603	5	Screw #6-32NC x 3/8in	
105	0902810	1	Bracket, Heat Sink	
106	1705165	1	Decal - Status EIM	
107	3573447	1	Plate, Cover EIM	
108	3573448	1	Plate, Base EIM	
109	3900320	8	Screw	



**SECTION 5 - CYLINDER**

# SECTION 5 - CYLINDER

## FIGURE 5-1. AXLE LOCKOUT CYLINDER ASSEMBLY



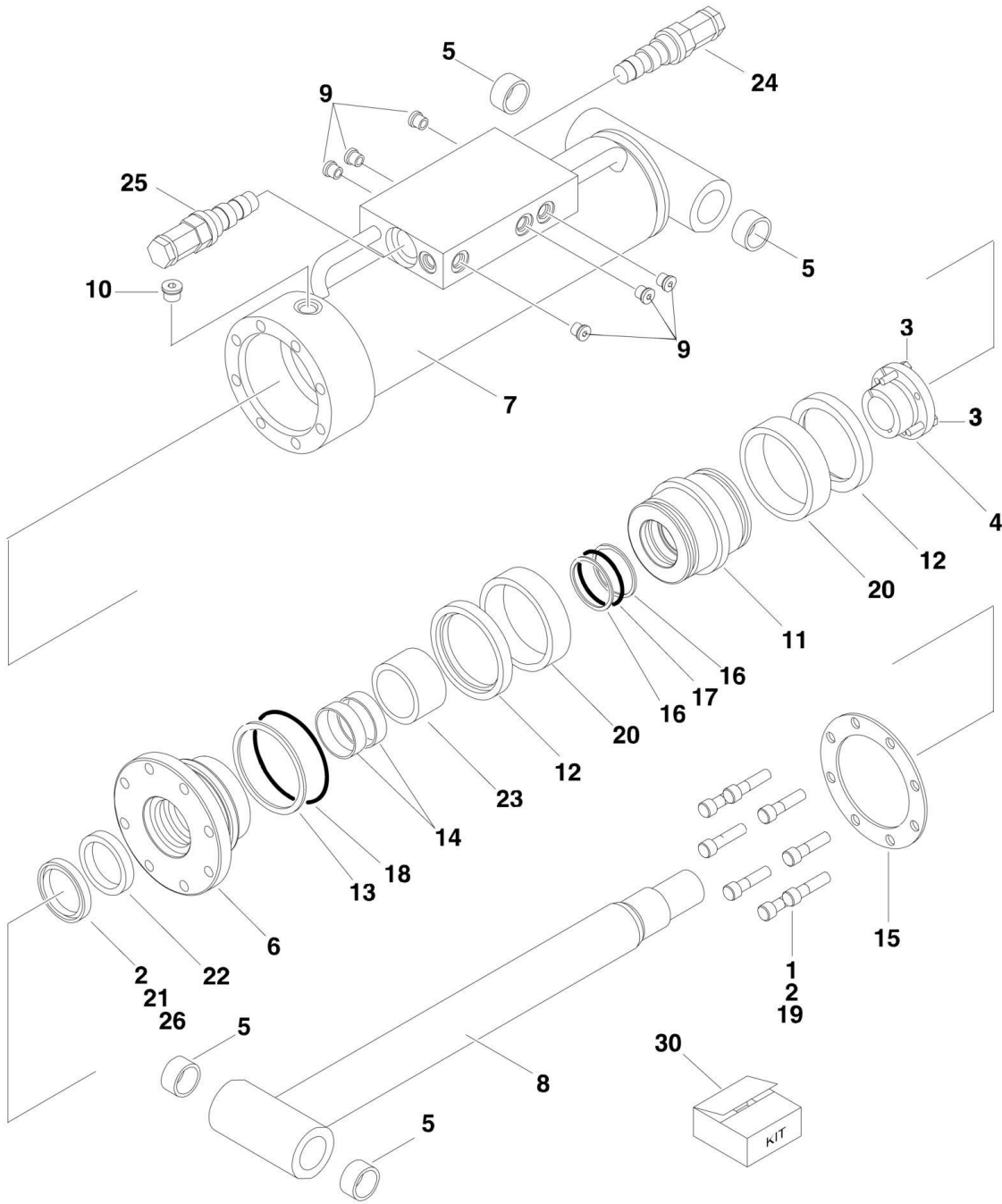
## SECTION 5 - CYLINDER

### FIGURE 5-1. AXLE LOCKOUT CYLINDER ASSEMBLY

ITEM	PART NUMBER	QTY	DESCRIPTION	REV
	1683078	Ref	<b>AXLE LOCKOUT CYLINDER ASSEMBLY</b>	G
1		Ref	Barrel Weldment Options: (Note: Includes Item 1A)	
1	1683079	1	Barrel Weldment <b>(Prior to SN 0300056912)</b>	
1	1683987	1	Barrel Weldment <b>(SN 0300056912 through 0300065394)</b>	
1	1684191	1	Barrel Weldment <b>(SN 0300065395 through 0300069000)</b>	
1A	0961816	2	Bushing	
2		Ref	Rod Weldment Options: (Note: Includes Item 2A)	
2	1683081	1	Rod Weldment <b>(Prior to SN 0300056912)</b>	
2	1683986	1	Rod Weldment <b>(SN 0300056912 through 0300069000)</b>	
2A	0961816	2	Bushing	
3	3480176	1	Piston	
4	1683059	1	Head	
5	0961895	1	Bushing	
7	3931720	8	Bolt, Socket Head 7/16in-14NC x 1-1/4in	
8		Ref	Cartridge, Valve Options (Counterbalance):	
8	4640525	2	Cartridge, Valve <b>(Prior to SN 0300056912)</b>	
8	2900770	2	Seal Kit - 4640525 Valve (1 Per Assembly)	
8	4641162	2	Cartridge, Valve <b>(SN 0300056912 through 0300069000)</b>	
8	2900770	2	Seal Kit - 4641162 Valve (1 Per Assembly)	
9	2220886	1	Plug, O-Ring	
10	2220885	2	Plug, O-Ring	
11	4640858	3	Valve, Bleeder	
12	See Note	NSS	Wiper (Note: Use Item 30)	
13	See Note	NSS	Seal, Rod (Note: Use Item 30)	
14	See Note	NSS	O-Ring (Note: Use Item 30)	
15	See Note	NSS	Ring, Back-up (Note: Use Item 30)	
16	See Note	NSS	Ring, Wear (Note: Use Item 30)	
17	See Note	NSS	Ring, Wear (Note: Use Item 30)	
18	See Note	NSS	T-Seal (Note: Use Item 30)	
19	See Note	NSS	O-Ring (Note: Use Item 30)	
20	See Note	NSS	Ring, Back-up (Note: Use Item 30)	
21	0100011	AR	Compound, Locking	
22	0100038	AR	Primer, Locking	
23	3760370	1	Ring, Washer	
25	0630535	3	Bolt 1/4in-20NC x 1-1/8in	
30	2901271	1	Seal Kit (Includes Items 12-20)	

# SECTION 5 - CYLINDER

## FIGURE 5-2. LEVEL CYLINDER ASSEMBLY - PLATFORM SLAVE



## SECTION 5 - CYLINDER

### FIGURE 5-2. LEVEL CYLINDER ASSEMBLY - PLATFORM SLAVE

ITEM	PART NUMBER	QTY	DESCRIPTION	REV
		Ref	<b>Note: Original Equipment Cylinder may have been replaced with Service Replacement Cylinder. Identify p/n stamped on cylinder before ordering parts.</b>	
		Ref	<b>LEVEL CYLINDER ASSEMBLY - PLATFORM SLAVE</b>	
		Ref	<b>Slave Cylinder Assembly 800A</b>	
	1683610	Ref	<b>Original Equipment</b>	E
	1684408	Ref	<b>Service Replacement</b>	C
		Ref	<b>Slave Cylinder Assembly 800AJ</b>	
	1683677	Ref	<b>Original Equipment</b>	B
	1684228	Ref	<b>Service Replacement</b>	C
1	0100011	AR	Compound, Locking	
2	0100038	AR	Primer, Locking	
3	0630535	3	Capscrew, Socket Head 1/4in-20NC x 1in	
4		Ref	Bushing, Tapered Options:	
4	0961902	1	Bushing, Tapered 800A	
4	0961894	1	Bushing, Tapered 800AJ	
5		Ref	Bushing Options:	
5	0961947	4	Bushing 800A	
5	0961951	4	Bushing 800AJ	
6		Ref	Head Options:	
6	1683074	1	Head 800A	
6	1683055	1	Head 800AJ	
7		Ref	Barrel Options:	
7	1683642	1	Used with p/n 1683610	
7	0370022	1	Used with p/n 1684408	
7	1683678	1	Used with p/n 1683677	
7	1684230	1	Used with p/n 1684228	
8		Ref	Rod Options:	
8	1683643	1	Used with p/n 1683610	
8	3850018	1	Used with p/n 1684408	
8	1683680	1	Used with p/n 1683677	
8	1684232	1	Used with p/n 1684228	
8		Ref	Rod 800A	
8		Ref	Rod 800AJ	
9	2220883	6	Plug	
10	2220885	1	Plug	
11		Ref	Piston Options:	
11	3480233	1	Piston 800A	
11	3480188	1	Piston 800AJ	
12	See Note	NSS	Ring, Lock (Note: Use Item 30)	
13	See Note	NSS	Ring, Back-up (Note: Use Item 30)	
14	See Note	NSS	Ring, Wear (Note: Use Item 30)	
15	3760369	1	Ring, Washer	
16	See Note	NSS	Ring, Back-up (Note: Use Item 30)	
17	See Note	NSS	O-Ring (Note: Use Item 30)	
18	See Note	NSS	O-Ring (Note: Use Item 30)	
19	3931620	8	Capscrew 3/8in-16NC x 1-1/4in	
20	See Note	NSS	Seal (Note: Use Item 30)	
21	See Note	NSS	Wiper (Note: Use Item 30)	
22	See Note	NSS	Seal (Note: Use Item 30)	

## SECTION 5 - CYLINDER

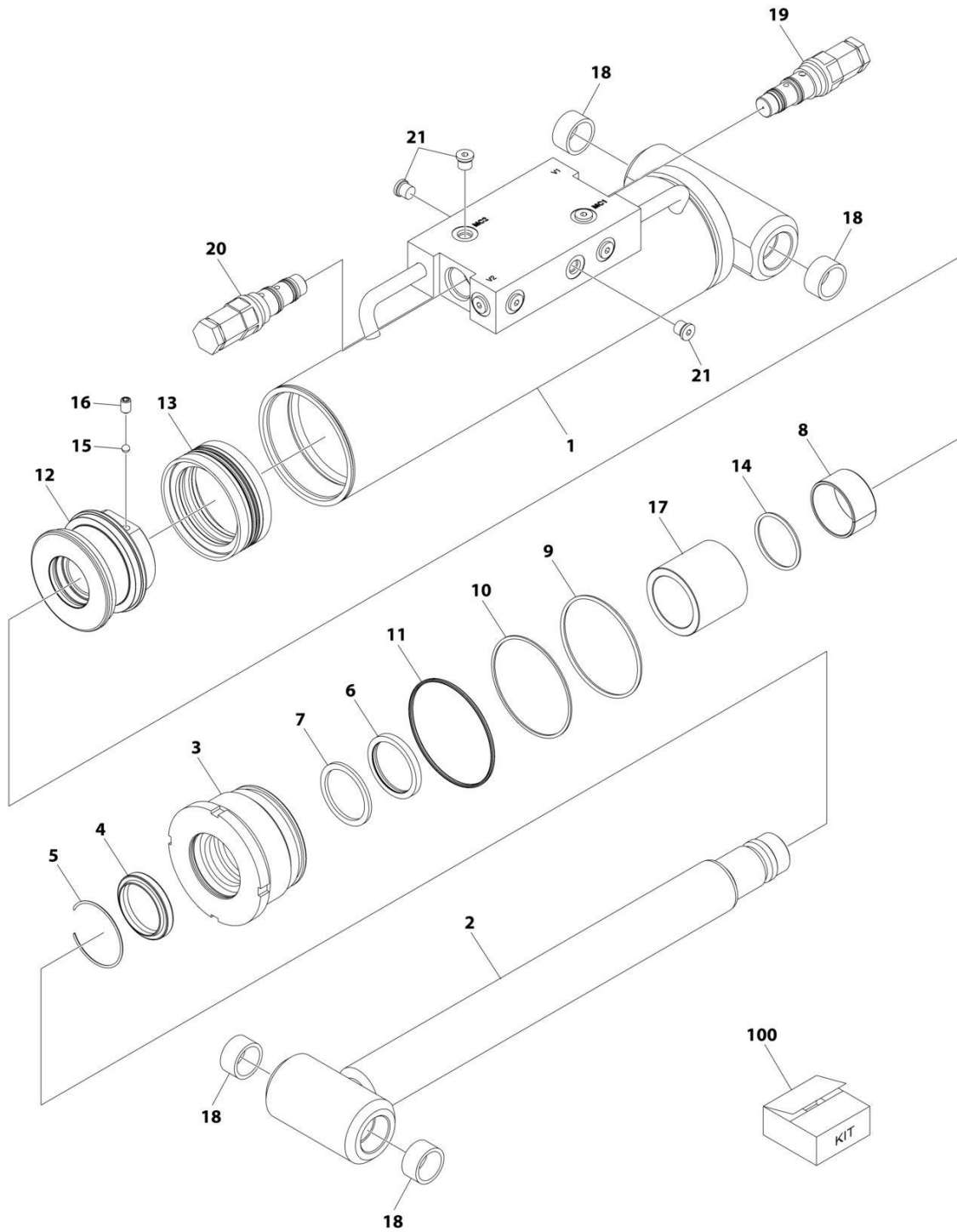
ITEM	PART NUMBER	QTY	DESCRIPTION	REV
23		Ref	Spacer, Tube Options:	
23	4567434	1	Spacer, Tube 800A	
23	4566468	1	Spacer, Tube 800AJ	
24	4640605	1	Valve, Cartridge	
24	2900792	1	Seal Kit - 4640605 Valve	
25	4640932	1	Valve, Cartridge	
25	7011112	1	Seal Kit - 4640932 Valve	
26	0100063	AR	Loctite #RC609	
30		Ref	Seal Kit Options (Includes Items 12-14, 16-18 & 20-22)	
30	2901556	1	Seal Kit 800A	
30	2901301	1	Seal Kit 800AJ	





# SECTION 5 - CYLINDER

## FIGURE 5-3. LEVEL CYLINDER ASSEMBLY - PLATFORM SLAVE (800A ONLY) (SERVICE REPLACEMENT)



ART\_1001228033

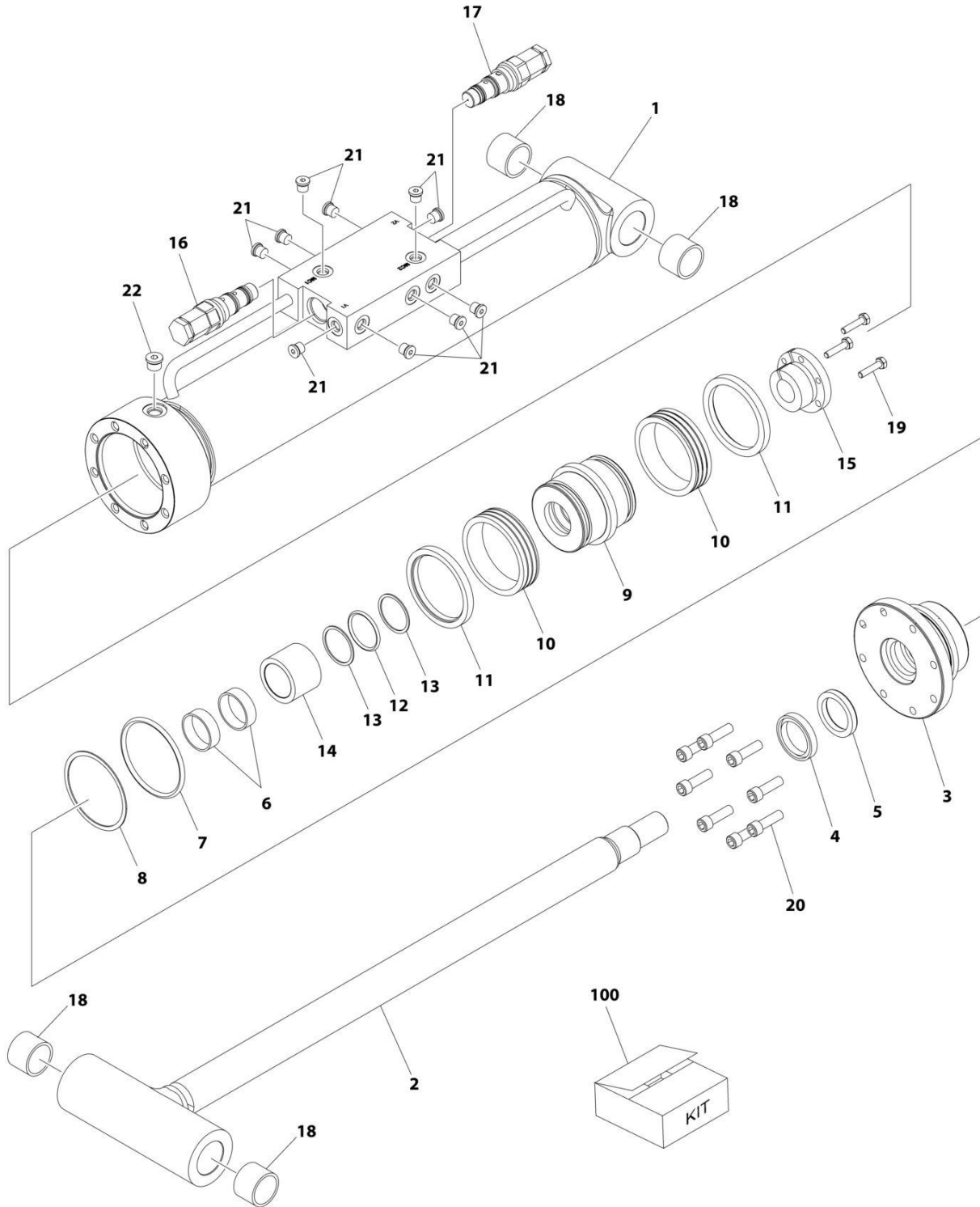
## SECTION 5 - CYLINDER

**FIGURE 5-3. LEVEL CYLINDER ASSEMBLY - PLATFORM SLAVE (800A ONLY) (SERVICE REPLACEMENT)**

ITEM	PART NUMBER	QTY	DESCRIPTION	REV
	1001228033	Ref	LEVEL (SLAVE) CYLINDER ASSEMBLY - PLATFORM	A
		Ref	Note: Original Cylinder may have been replaced with Service Replacement. Identify PN Stamped on Cylinder Before Ordering Parts.	
1	See Note	NSS	Barrel (Note: Not Available for Purchase)	
2	70006782	1	Rod	
3	70006783	1	Head	
4	See Note	NSS	Wiper (Note: Use Item 100)	
5	70002410	1	Ring, Retaining	
6	See Note	NSS	Seal, Rod (Note: Use Item 100)	
7	See Note	NSS	Ring, Back-up (Note: Use Item 100)	
8	70005793	1	Spacer	
9	See Note	NSS	O-Ring (Note: Use Item 100)	
10	See Note	NSS	Ring, Back-up (Note: Use Item 100)	
11	See Note	NSS	O-Ring (Note: Use Item 100)	
12	70006590	1	Piston	
13	See Note	NSS	Seal (Note: Use Item 100)	
14	See Note	NSS	O-Ring (Note: Use Item 100)	
15	70022564	1	Ball (Steel)	
16	70006601	1	Setscrew	
17	70006784	1	Spacer, Tube	
18	0961947	4	Bushing	
19	4640605	1	Valve, Cartridge	
19	2900792	1	Seal Kit - 4640605 Valve	
20	4640932	1	Valve, Cartridge	
20	7011112	1	Seal Kit - 4640932 Valve	
21	2220883	10	Plug	
100	2901526	1	Seal Kit (Includes Items 4, 6, 7, 9-11, 13 & 14)	

# SECTION 5 - CYLINDER

## FIGURE 5-4. LEVEL CYLINDER ASSEMBLY - PLATFORM SLAVE (800AJ ONLY) (SERVICE REPLACEMENT)



ART\_1001228030

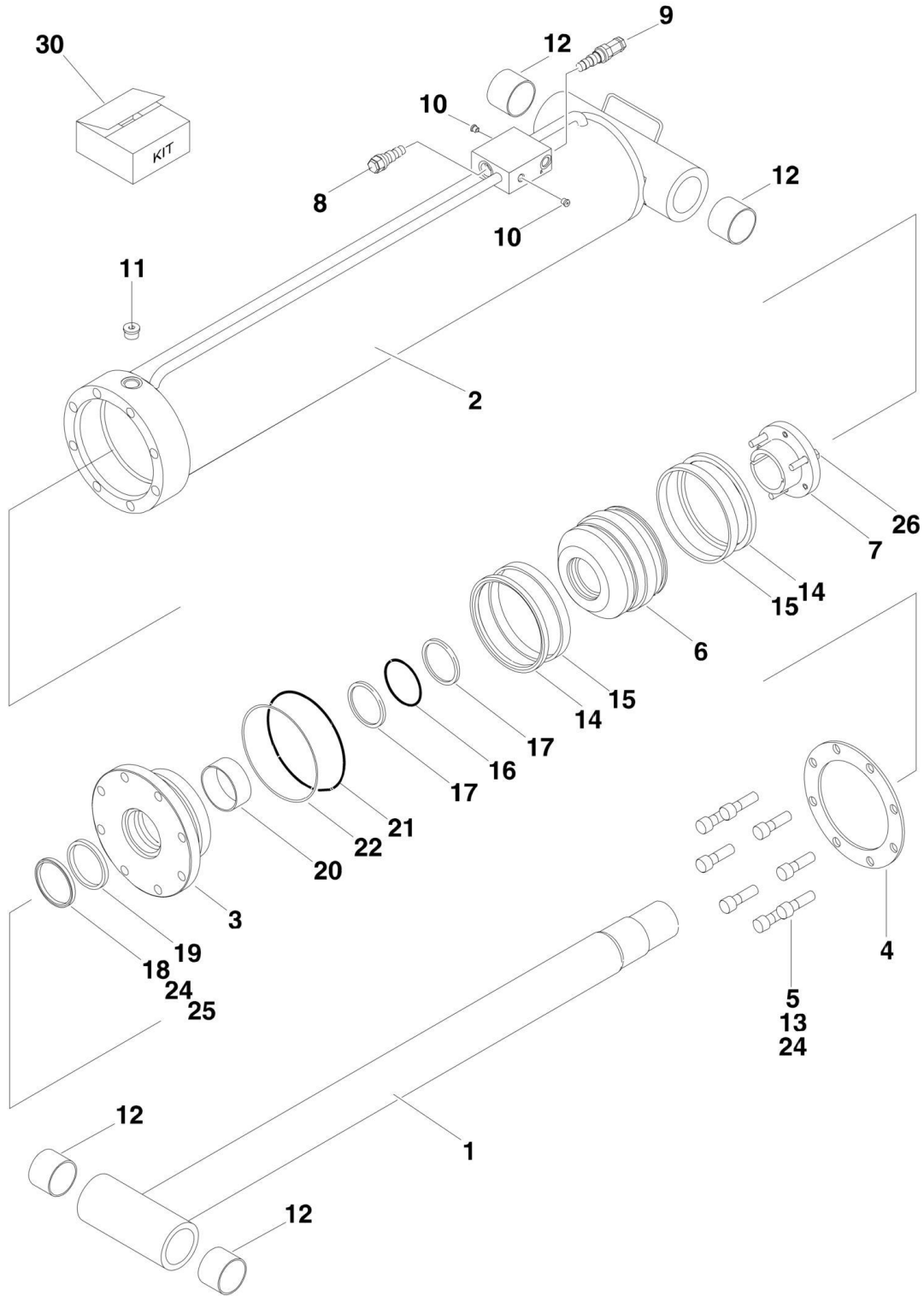
## SECTION 5 - CYLINDER

**FIGURE 5-4. LEVEL CYLINDER ASSEMBLY - PLATFORM SLAVE (800AJ ONLY) (SERVICE REPLACEMENT)**

ITEM	PART NUMBER	QTY	DESCRIPTION	REV
	1001228030	Ref	LEVEL (SLAVE) CYLINDER ASSEMBLY	E
		Ref	Note: Original Cylinder may have been replaced with Service Replacement. Identify PN Stamped on Cylinder Before Ordering Parts.	
1	See Note	NSS	Barrel (Note: Not Available for Purchase)	
2	70006642	1	Rod	
3	70006643	1	Head	
4	See Note	NSS	Wiper (Note: Use Item 100)	
5	See Note	NSS	Seal (Note: Use Item 100)	
6	See Note	NSS	Ring, Wear (Note: Use Item 100)	
7	See Note	NSS	O-Ring (Note: Use Item 100)	
8	See Note	NSS	Ring, Back-up (Note: Use Item 100)	
9	70006644	1	Piston	
10	See Note	NSS	Seal (Note: Use Item 100)	
11	See Note	NSS	Ring, Lock (Note: Use Item 100)	
12	See Note	NSS	O-Ring (Note: Use Item 100)	
13	See Note	NSS	Ring, Back-up (Note: Use Item 100)	
14	70006645	1	Spacer, Tube	
15	0961894	1	Bushing, Tapered	
16	4640932	1	Valve, Cartridge	
16	7011112	1	Seal Kit - 4640932 Valve	
17	4640605	1	Valve, Cartridge	
17	2900792	1	Seal Kit - 4640605 Valve	
18	0961951	4	Bushing	
19	0630535	3	Bolt	
20	3931620	8	Capscrew 3/8-16 x 1-1/4	
21	2220883	10	Plug, O-Ring	
22	2220885	1	Plug, O-Ring	
100	1001138796	1	Seal Kit (Includes Items 4-8 & 10-13)	

# SECTION 5 - CYLINDER

## FIGURE 5-5. LEVEL CYLINDER ASSEMBLY - UPRIGHT



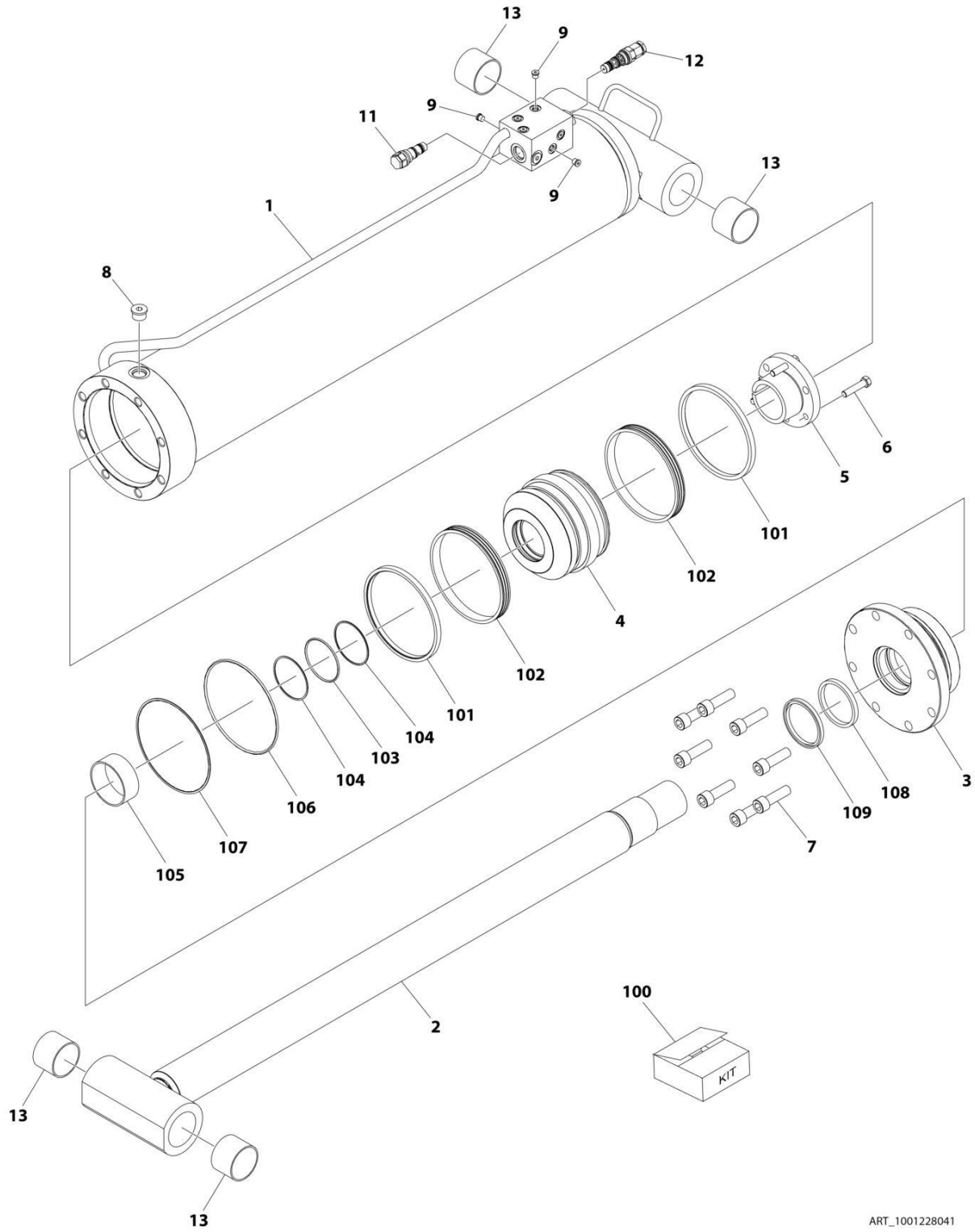
## SECTION 5 - CYLINDER

### FIGURE 5-5. LEVEL CYLINDER ASSEMBLY - UPRIGHT

ITEM	PART NUMBER	QTY	DESCRIPTION	REV
		Ref	<b>Note: Original Equipment Cylinder may have been replaced with Service Replacement Cylinder. Identify p/n stamped on cylinder before ordering parts.</b>	
		Ref	<b>LEVEL CYLINDER ASSEMBLY - UPRIGHT</b>	
	1683546	Ref	<b>Original Equipment</b>	G
	1684497	Ref	<b>Service Replacement</b>	C
1	1683544	1	Rod Weldment	
2	1683545	NLA	Barrel Weldment (Use p/n 0370034)	
2	1683819	NLA	Barrel Weldment (Use p/n 0370034)	
3	1683071	1	Head	
4	3760374	1	Ring, Washer	
5	3932240	8	Bolt, Socket Head 3/4in x 2-1/2in	
6	3480237	1	Piston	
7	0961901	1	Bushing, Tapered	
8	4640509	1	Cartridge, Valve	
8	2900792	1	Seal Kit - 4640509 Valve	
9	4640605	1	Cartridge, Valve	
9	2900792	1	Seal Kit - 4640605 Valve	
10	2220883	2	Plug, O-Ring	
11	2220888	1	Plug, O-Ring	
12	0962102	4	Bushing	
14	See Note	NSS	Ring, Lock (Note: Use Item 30)	
15	See Note	NSS	Seal (Note: Use Item 30)	
16	See Note	NSS	Ring, Washer (Note: Use Item 30)	
17	See Note	NSS	Ring, Back-up (Note: Use Item 30)	
18	See Note	NSS	Wiper (Note: Use Item 30)	
19	See Note	NSS	Seal, Rod (Note: Use Item 30)	
20	See Note	NSS	Ring, Wear (Note: Use Item 30)	
21	See Note	NSS	O-Ring (Note: Use Item 30)	
22	See Note	NSS	Ring, Back-up (Note: Use Item 30)	
23	0100011	AR	Compound, Locking	
24	0100038	AR	Primer, Locking	
25	0100063	AR	Loctite #RC609	
26		Ref	Hardware Options:	
26	0641818	3	Bolt 1/2in-13NC x 2-1/2in ( <b>Prior to SN 0300045154</b> )	
26	0630537	3	Bolt ( <b>SN 0300045154 through 0300069000</b> )	
30	2901526	1	Seal Kit (Includes Items 14-22)	

# SECTION 5 - CYLINDER

## FIGURE 5-6. LEVEL CYLINDER ASSEMBLY - UPRIGHT (SERVICE REPLACEMENT)



ART\_1001228041



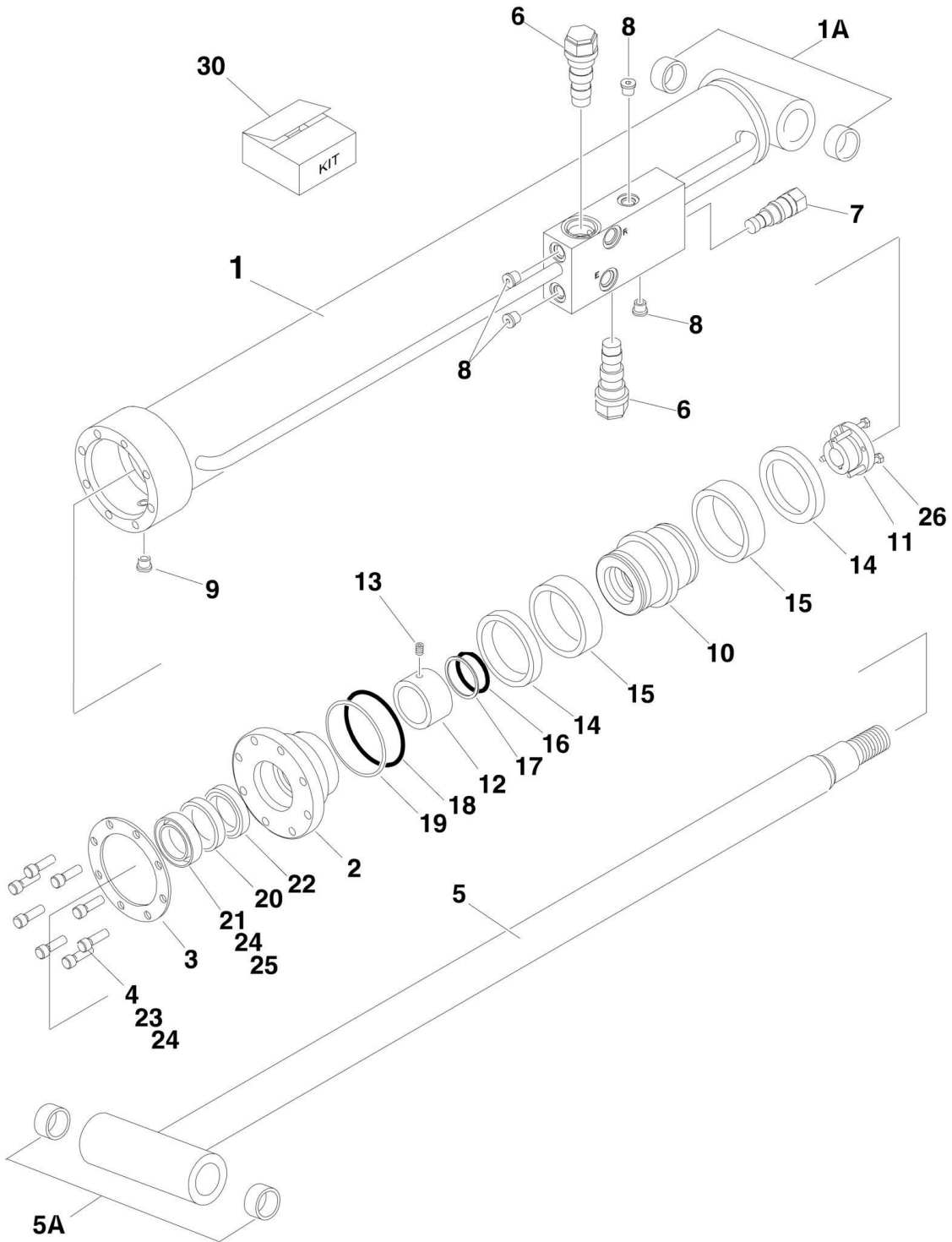
## SECTION 5 - CYLINDER

**FIGURE 5-6. LEVEL CYLINDER ASSEMBLY - UPRIGHT (SERVICE REPLACEMENT)**

ITEM	PART NUMBER	QTY	DESCRIPTION	REV
	1001228041	Ref	LEVEL CYLINDER ASSEMBLY	C
		Ref	Note: Original Cylinder may have been replaced with Service Replacement. Identify PN Stamped on Cylinder Before Ordering Parts.	
1	See Note	NSS	Barrel (Note: Not Available for Purchase)	
2	70006391	1	Rod	
3	70006390	1	Head	
4	70006389	1	Piston	
5	70006385	1	Bushing, Tapered	
6	0630537	3	Bolt	
7	3932240	8	Capscrew 3/4 x 2-1/2	
8	2220888	1	Plug, O-Ring	
9	2220883	6	Plug, O-Ring	
11	4640509	1	Cartridge, Valve	
11	2900792	1	Seal Kit - 4640509 Valve	
12	4640605	1	Cartridge, Valve	
12	2900792	1	Seal Kit - 4640605 Valve	
13	0962102	4	Bushing	
100	2901526	1	Seal Kit (Includes Items 101-109)	
101	See Note	NSS	Ring, Lock (Note: Use Item 100)	
102	See Note	NSS	Seal (Note: Use Item 100)	
103	See Note	NSS	Ring, Washer (Note: Use Item 100)	
104	See Note	NSS	Ring, Back-up (Note: Use Item 100)	
105	See Note	NSS	Ring, Wear (Note: Use Item 100)	
106	See Note	NSS	O-Ring (Note: Use Item 100)	
107	See Note	NSS	Ring, Back-up (Note: Use Item 100)	
108	See Note	NSS	Seal, Rod (Note: Use Item 100)	
109	See Note	NSS	Wiper (Note: Use Item 100)	

# SECTION 5 - CYLINDER

FIGURE 5-7. LIFT CYLINDER ASSEMBLY - JIB (800AJ ONLY) (ORIGINAL EQUIPMENT)



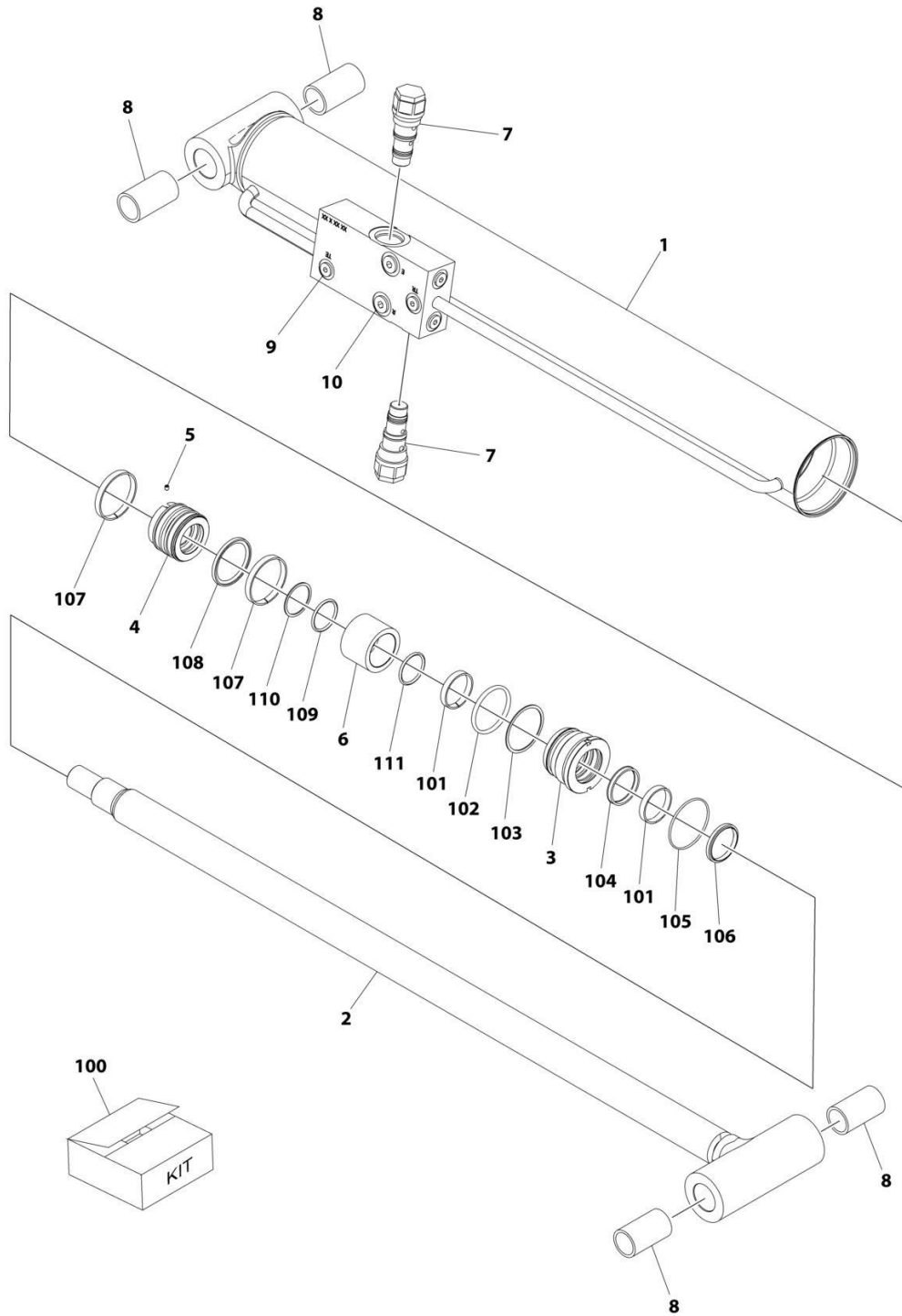
## SECTION 5 - CYLINDER

**FIGURE 5-7. LIFT CYLINDER ASSEMBLY - JIB (800AJ ONLY) (ORIGINAL EQUIPMENT)**

ITEM	PART NUMBER	QTY	DESCRIPTION	REV
	1683609	Ref	<b>LIFT CYLINDER ASSEMBLY - JIB (800AJ ONLY)</b>	D
		Ref		
1		Ref	Barrel Weldment Options: (Note: Includes Item 1A)	
1	1683687	1	Barrel Weldment <b>(Prior to SN 0300062045)</b>	
1	1684089	1	Barrel Weldment <b>(SN 0300062045 through 0300069000)</b>	
1A		Ref	Bushing Options:	
1A	0961947	2	Bushing <b>(Prior to SN 0300054012)</b>	
1A	0962336	2	Bushing <b>(SN 0300054012 through 0300069000)</b>	
2	1683053	1	Head	
3	3760368	1	Washer, Ring	
4	3931516	8	Bolt, Socket Head 5/16in-18NC x 2in	
5		Ref	Rod Weldment Options: (Note: Includes Item 5A)	
5	1683261	1	Rod Weldment <b>(Prior to SN 0300062045)</b>	
5	1684090	1	Rod Weldment <b>(SN 0300062045 through 0300069000)</b>	
5A		Ref	Bushing Options:	
5A	0961947	2	Bushing <b>(Prior to SN 0300054012)</b>	
5A	0962336	2	Bushing <b>(SN 0300054012 through 0300069000)</b>	
6	4640509	2	Cartridge, Valve (Counterbalance Non-Vented)	
6	2900792	2	Seal Kit - 4640509 Valve	
7	4641062	1	Plug, P.O. Check	
8	2220883	4	Plug, O-Ring	
9	2220885	1	Plug, O-Ring	
10	3480210	1	Piston	
11	0961893	1	Bushing, Tapered	
12	4566471	1	Spacer, Tube	
13	3900141	1	Setscrew 1/4in-20NC x 1/4in	
14	See Note	NSS	Ring, Lock (Note: Use Item 30)	
15	See Note	NSS	Seal, Piston (Note: Use Item 30)	
16	See Note	NSS	O-Ring (Note: Use Item 30)	
17	See Note	NSS	Ring, Back-up (Note: Use Item 30)	
18	See Note	NSS	O-Ring (Note: Use Item 30)	
19	See Note	NSS	Ring, Back-up (Note: Use Item 30)	
20	See Note	NSS	Seal (Note: Use Item 30)	
21	See Note	NSS	Wiper (Note: Use Item 30)	
22	See Note	NSS	Ring, Wear (Note: Use Item 30)	
23	0100011	1	Compound, Locking	
24	0100038	AR	Primer, Locking	
25	0100063	AR	Loctite #RC609	
26	0630534	3	Capscrew, Socket Head #10-24NC x 1in	
30	2901303	1	Seal Kit (Includes Items 14-22)	

# SECTION 5 - CYLINDER

FIGURE 5-8. LIFT CYLINDER ASSEMBLY - JIB (800AJ ONLY) (USAGE MAY VARY) (SERVICE REPLACEMENT)



ART\_1001228012

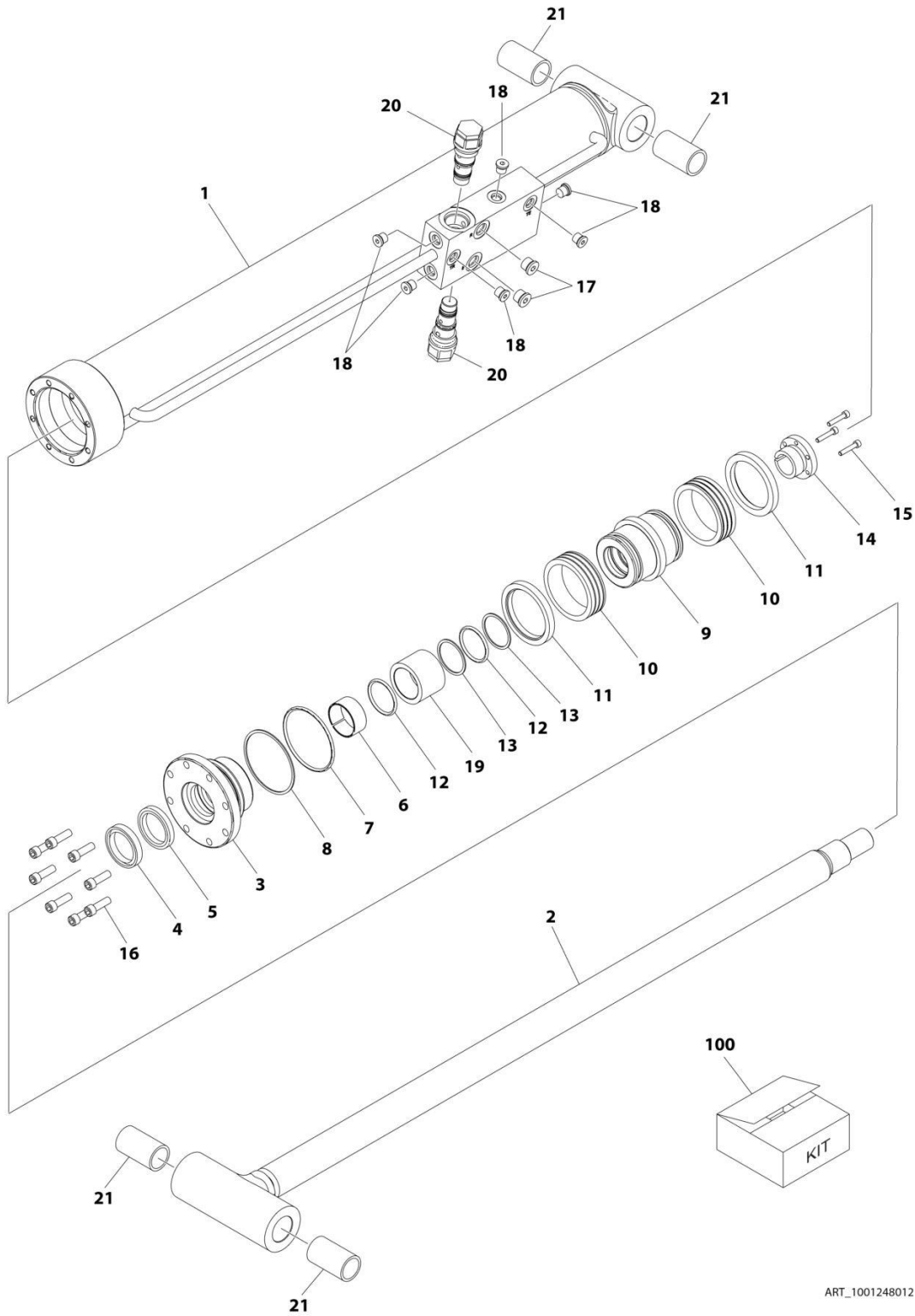
## SECTION 5 - CYLINDER

**FIGURE 5-8. LIFT CYLINDER ASSEMBLY - JIB (800AJ ONLY) (USAGE MAY VARY) (SERVICE REPLACEMENT)**

ITEM	PART NUMBER	QTY	DESCRIPTION	REV
	1001228012	Ref	LIFT CYLINDER ASSEMBLY - JIB	C
		Ref	Note: Original Cylinder May Have Been Replaced with Service Replacement. Identify PN Stamped on Cylinder Before Ordering Parts.	
1	See Note	NSS	Barrel (Note: Not Available for Purchase)	
2	70006572	1	Rod	
3	70006571	1	Head	
4	70006570	1	Piston	
5	70023915	1	Screw	
6	70006569	1	Spacer	
7	4640509	2	Cartridge, Valve	
7	2900792	2	Seal Kit - 4640509 Valve	
8	0962336	4	Bushing	
9	2220883	6	Plug, O-Ring	
10	2220885	2	Plug, O-Ring	
100	70006568	1	Seal Kit (Includes Items 101-111)	
101	See Note	NSS	Ring, Wear (Note: Use Item 100)	
102	See Note	NSS	O-Ring (Note: Use Item 100)	
103	See Note	NSS	Ring, Back-up (Note: Use Item 100)	
104	See Note	NSS	Seal, Rod (Note: Use Item 100)	
105	See Note	NSS	O-Ring (Note: Use Item 100)	
106	See Note	NSS	Wiper (Note: Use Item 100)	
107	See Note	NSS	Ring, Wear (Note: Use Item 100)	
108	See Note	NSS	Seal (Note: Use Item 100)	
109	See Note	NSS	O-Ring (Note: Use Item 100)	
110	See Note	NSS	Ring, Back-up (Note: Use Item 100)	
111	See Note	NSS	O-Ring (Note: Use Item 100)	

# SECTION 5 - CYLINDER

## FIGURE 5-9. LIFT CYLINDER ASSEMBLY - JIB (800AJ ONLY) (USAGE MAY VARY) (SERVICE REPLACEMENT)



ART\_1001248012

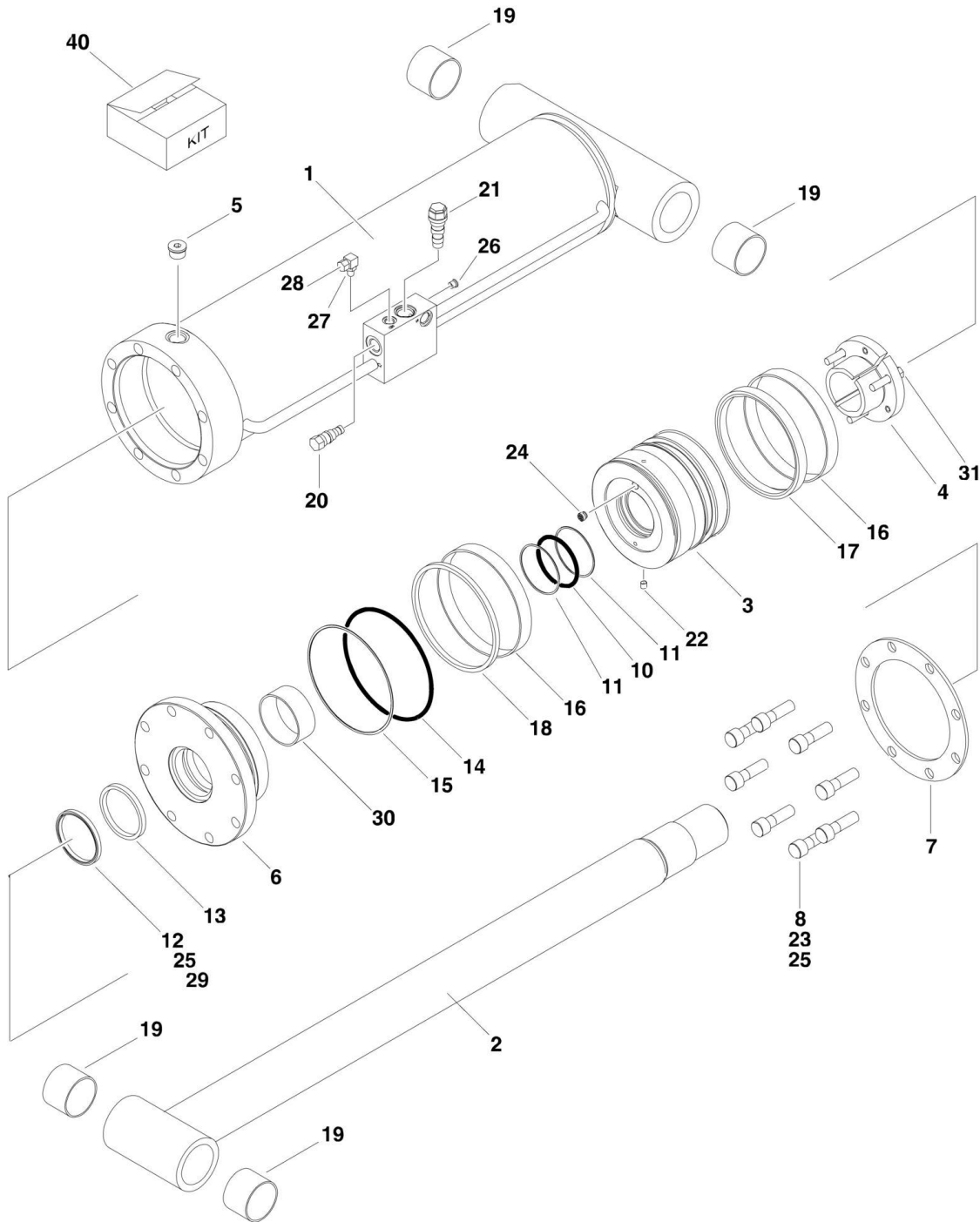
## SECTION 5 - CYLINDER

**FIGURE 5-9. LIFT CYLINDER ASSEMBLY - JIB (800AJ ONLY) (USAGE MAY VARY) (SERVICE REPLACEMENT)**

ITEM	PART NUMBER	QTY	DESCRIPTION	REV
	1001248012	Ref	LIFT CYLINDER ASSEMBLY - JIB	C
		Ref	Note: Original Cylinder May Have Been Replaced with Service Replacement. Identify PN Stamped on Cylinder Before Ordering Parts.	
1	See Note	NSS	Barrel (Note: Not Available for Purchase)	
2	70006734	1	Rod	
3	70006649	1	Head	
4	See Note	NSS	Wiper (Note: Use Item 100)	
5	See Note	NSS	Seal, Rod (Note: Use Item 100)	
6	See Note	NSS	Ring, Wear (Note: Use Item 100)	
7	See Note	NSS	O-Ring (Note: Use Item 100)	
8	See Note	NSS	Ring, Back-up (Note: Use Item 100)	
9	70006650	1	Piston	
10	See Note	NSS	Seal (Note: Use Item 100)	
11	See Note	NSS	Ring, Lock (Note: Use Item 100)	
12	See Note	NSS	O-Ring (Note: Use Item 100)	
13	See Note	NSS	Ring, Back-up (Note: Use Item 100)	
14	0961893	1	Bushing, Tapered	
15	0630534	3	Capscrew, Socket Head #10 x 1	
16	70006735	8	Capscrew 5/16	
17	2220885	2	Plug, O-Ring	
18	2220883	6	Plug, O-Ring	
19	70006736	1	Spacer	
20	4640509	2	Cartridge, Valve	
20	2900792	2	Seal Kit - 4640509 Valve	
21	0962336	4	Bushing	
100	1001138795	1	Seal Kit (Includes Items 4-8 & 10-13)	

# SECTION 5 - CYLINDER

## FIGURE 5-10. LIFT CYLINDER ASSEMBLY - MAIN BOOM (ORIGINAL EQUIPMENT)





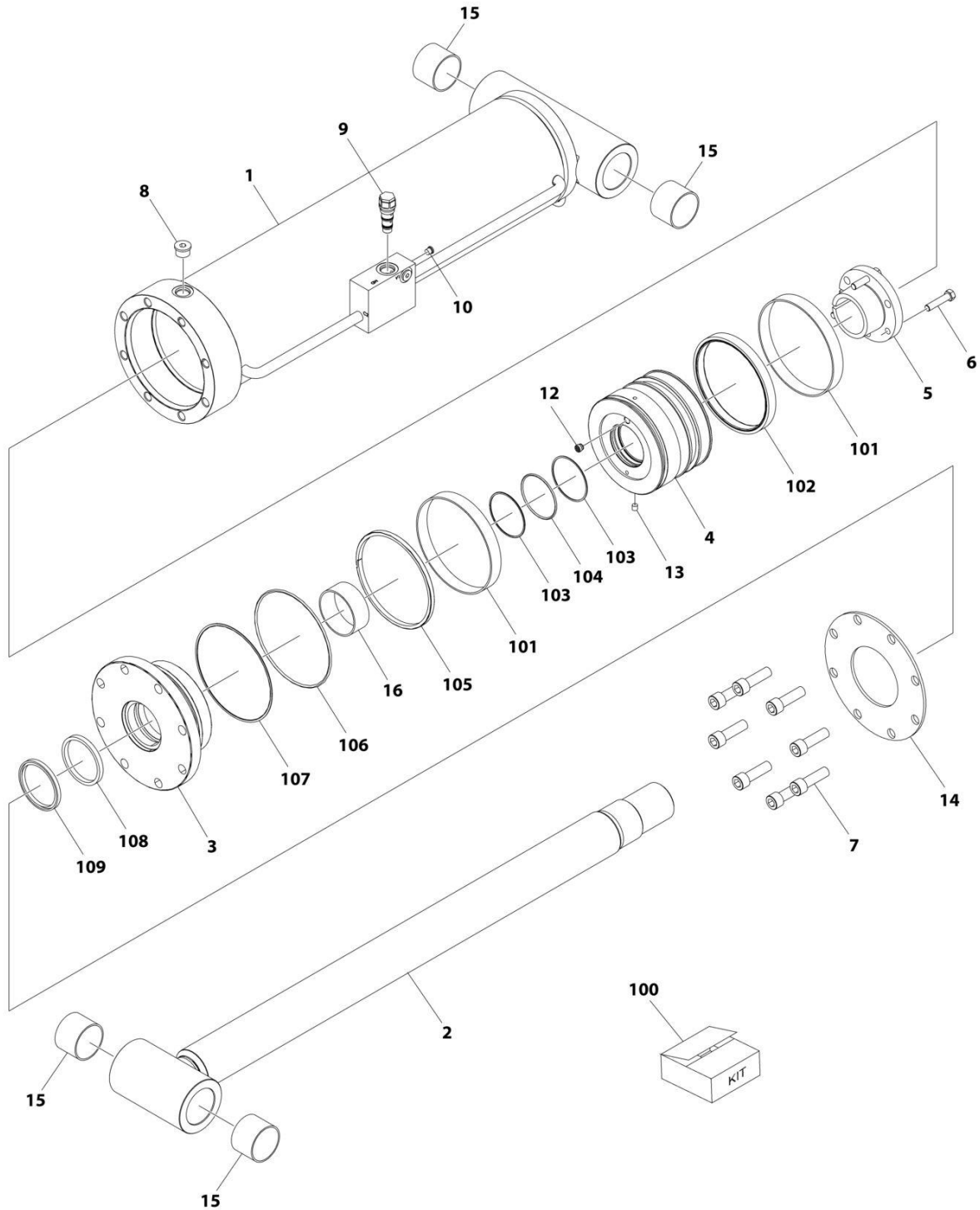
## SECTION 5 - CYLINDER

**FIGURE 5-10. LIFT CYLINDER ASSEMBLY - MAIN BOOM (ORIGINAL EQUIPMENT)**

ITEM	PART NUMBER	QTY	DESCRIPTION	REV
	1683547	Ref	<b>LIFT CYLINDER ASSEMBLY - MAIN BOOM</b>	1
		Ref	Note: Original Cylinder may have been replaced with Service Replacement. Identify PN Stamped on Cylinder Before Ordering Parts.	
1		Ref	Barrel Weldment Options:	
1	1683548	NLA	Barrel Weldment (Use p/n 1683821) <b>(Prior to SN 0300045154)</b>	
1	1683821	1	Barrel Weldment <b>(SN 0300045154 through 0300069000)</b>	
2	1683549	1	Rod Weldment	
3	3480238	1	Piston	
4	0961901	1	Bushing, Tapered	
5	2220888	1	Plug, O-Ring	
6	1683071	1	Head	
7	3760374	1	Washer, Ring	
8	3932240	8	Bolt, Socket Head 3/4in x 2-1/2in	
10	See Note	NSS	O-Ring (Note: Use Item 40)	
11	See Note	NSS	Ring, Back-up (Note: Use Item 40)	
12	See Note	NSS	Wiper (Note: Use Item 40)	
13	See Note	NSS	Seal, Rod (Note: Use Item 40)	
14	See Note	NSS	O-Ring (Note: Use Item 40)	
15	See Note	NSS	Ring, Back-up (Note: Use Item 40)	
16	See Note	NSS	Ring, Wear (Note: Use Item 40)	
17	See Note	NSS	T-Seal (Note: Use Item 40)	
18	See Note	NSS	Seal (Note: Use Item 40)	
19	0962102	4	Bushing	
20	4641062	1	Cartridge, Cavity Plug	
21	4640509	1	Cartridge, Valve	
21	2900792	1	Seal Kit - 4640509 Valve	
22	2180615	1	Orifice	
23	0100011	AR	Compound, Locking	
24	4641027	1	Plug, Check Valve	
25	0100038	AR	Primer, Locking	
26	2220883	1	Plug	
27	2220775	1	Fitting	
28	2220516	1	Fitting	
29	0100063	AR	Loctite #RC609	
30	See Note	NSS	Ring, Wear (Note: Use Item 40)	
31		Ref	Hardware Options:	
31	0641818	3	Bolt 1/2in-13NC x 2-1/2in <b>(Prior to SN 0300045154)</b>	
31	0630537	3	Bolt <b>(SN 0300045154 through 0300069000)</b>	
40	2901514	1	Seal Kit (Includes Items 10-18 & 30)	

# SECTION 5 - CYLINDER

## FIGURE 5-11. LIFT CYLINDER ASSEMBLY - MAIN BOOM (SERVICE REPLACEMENT)



ART\_1001228010

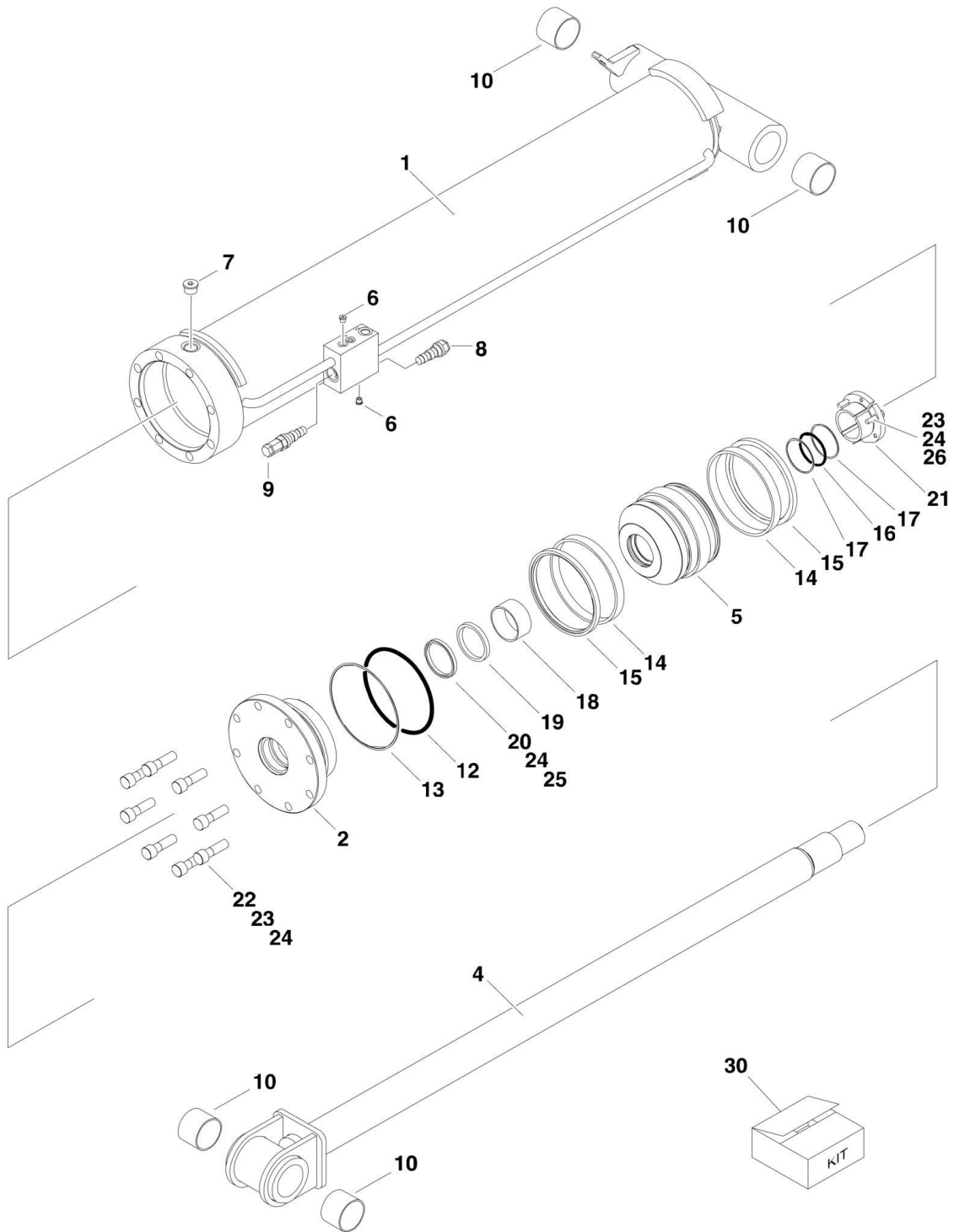
## SECTION 5 - CYLINDER

**FIGURE 5-11. LIFT CYLINDER ASSEMBLY - MAIN BOOM (SERVICE REPLACEMENT)**

ITEM	PART NUMBER	QTY	DESCRIPTION	REV
	1001228010	Ref	LIFT CYLINDER ASSEMBLY	C
		Ref	Note: Original Cylinder may have been replaced with Service Replacement. Identify PN Stamped on Cylinder Before Ordering Parts.	
1	See Note	NSS	Barrel (Note: Not Available for Purchase)	
2	70006388	1	Rod	
3	70006387	1	Head	
4	70006386	1	Piston	
5	70006385	1	Bushing, Tapered	
6	0630537	3	Bolt	
7	3932240	8	Capscrew 3/4 x 2-1/2	
7	See Note	AR	Compound, Locking (Note: Use Loctite 263)	
8	2220888	1	Plug	
9	4640509	1	Cartridge, Valve	
9	2900792	1	Seal Kit - 4640509 Valve	
10	2220883	1	Plug	
12	4641027	1	Plug, Check Valve	
13	2180615	1	Orifice	
14	70006384	1	Washer, Ring	
15	0962102	4	Bushing	
16	See Note	NSS	Ring, Wear (Note: Use Item 100)	
100	2901514	1	Seal Kit (Includes Items 16 and 101-109)	
101	See Note	NSS	Ring, Wear (Note: Use Item 100)	
102	See Note	NSS	T-Seal (Note: Use Item 100)	
103	See Note	NSS	Ring, Back-up (Note: Use Item 100)	
104	See Note	NSS	O-Ring (Note: Use Item 100)	
105	See Note	NSS	Seal (Note: Use Item 100)	
106	See Note	NSS	O-Ring (Note: Use Item 100)	
107	See Note	NSS	Ring Back-up (Note: Use Item 100)	
108	See Note	NSS	Seal, Rod (Note: Use Item 100)	
109	See Note	NSS	Wiper (Note: Use Item 100)	

# SECTION 5 - CYLINDER

FIGURE 5-12. LIFT CYLINDER ASSEMBLY - TOWER BOOM (ORIGINAL EQUIPMENT)



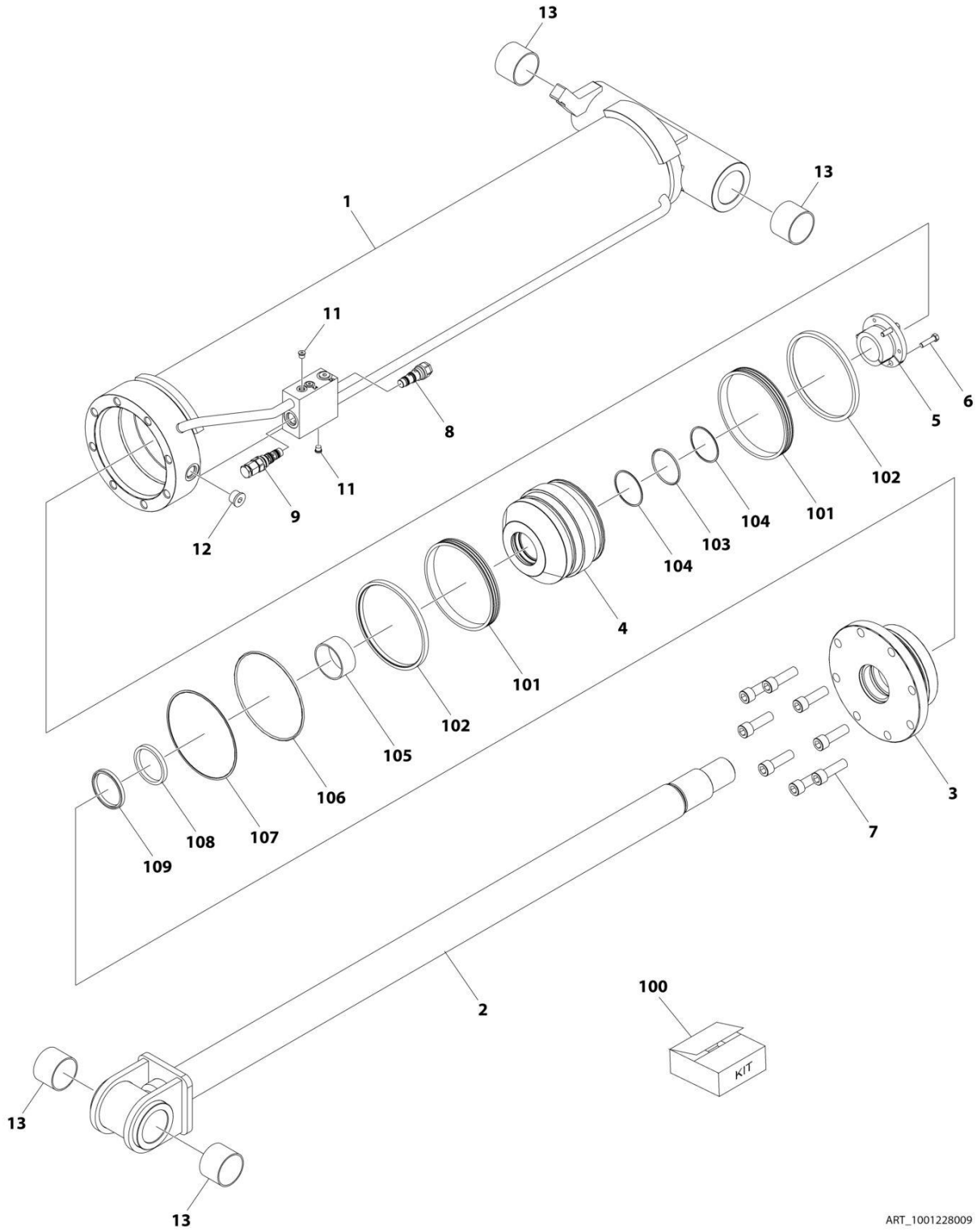
## SECTION 5 - CYLINDER

**FIGURE 5-12. LIFT CYLINDER ASSEMBLY - TOWER BOOM (ORIGINAL EQUIPMENT)**

ITEM	PART NUMBER	QTY	DESCRIPTION	REV
	1683537	Ref	<b>LIFT CYLINDER ASSEMBLY - TOWER BOOM</b>	G
		Ref	Note: Original Cylinder may have been replaced with Service Replacement. Identify PN Stamped on Cylinder Before Ordering Parts.	
1		Ref	Barrel Weldment Options:	
1	1683538	NLA	Barrel Weldment (Use p/n 1683823) <b>(Prior to SN 0300045154)</b>	
1	1683823	1	Barrel Weldment <b>(SN 0300045154 through 0300069000)</b>	
2		Ref	Head Options:	
2	1683073	NLA	Head (Use p/n 1683818) <b>(Prior to SN 0300045154)</b>	
2	1683818	1	Head <b>(SN 0300045154 through 0300069000)</b>	
3	3760374	1	Ring, Washer <b>(Prior to SN 0300045154)</b>	
4	1683539	1	Rod Weldment	
5	3480236	1	Piston	
6	2220883	2	Plug, O-Ring	
7	2220888	1	Plug, O-Ring	
8	4640509	1	Cartridge, Valve	
8	2900792	1	Seal Kit - 4640999 Valve	
9	4640605	1	Cartridge, Valve	
9	2900792	1	Seal Kit - 4640605 Valve	
10	0962102	4	Bushing	
12	See Note	NSS	O-Ring (Note: Use Item 30)	
13	See Note	NSS	Ring, Lock (Note: Use Item 30)	
14	See Note	NSS	Seal (Note: Use Item 30)	
15	See Note	NSS	Ring, Lock (Note: Use Item 30)	
16	See Note	NSS	O-Ring (Note: Use Item 30)	
17	See Note	NSS	Ring, Back-up (Note: Use Item 30)	
18	See Note	NSS	Ring, Wear (Note: Use Item 30)	
19	See Note	NSS	Seal (Note: Use Item 30)	
20	See Note	NSS	Wiper (Note: Use Item 30)	
21	0961903	1	Bushing, Tapered	
22	3932240	8	Capscrew, Socket Head 3/4in x 2-1/2in	
23	0100011	AR	Compound, Locking	
24	0100038	AR	Primer, Locking	
25	0100063	AR	Loctite #RC609	
26		Ref	Hardware Options:	
26	0641612	3	Bolt 3/8in-16NC x 1-1/2in <b>(Prior to SN 0300045154)</b>	
26	0630536	3	Bolt <b>(SN 0300045154 through 0300069000)</b>	
30	2901537	1	Seal Kit (Includes Items 12-20)	

# SECTION 5 - CYLINDER

## FIGURE 5-13. LIFT CYLINDER ASSEMBLY - TOWER BOOM (SERVICE REPLACEMENT)



ART\_1001228009

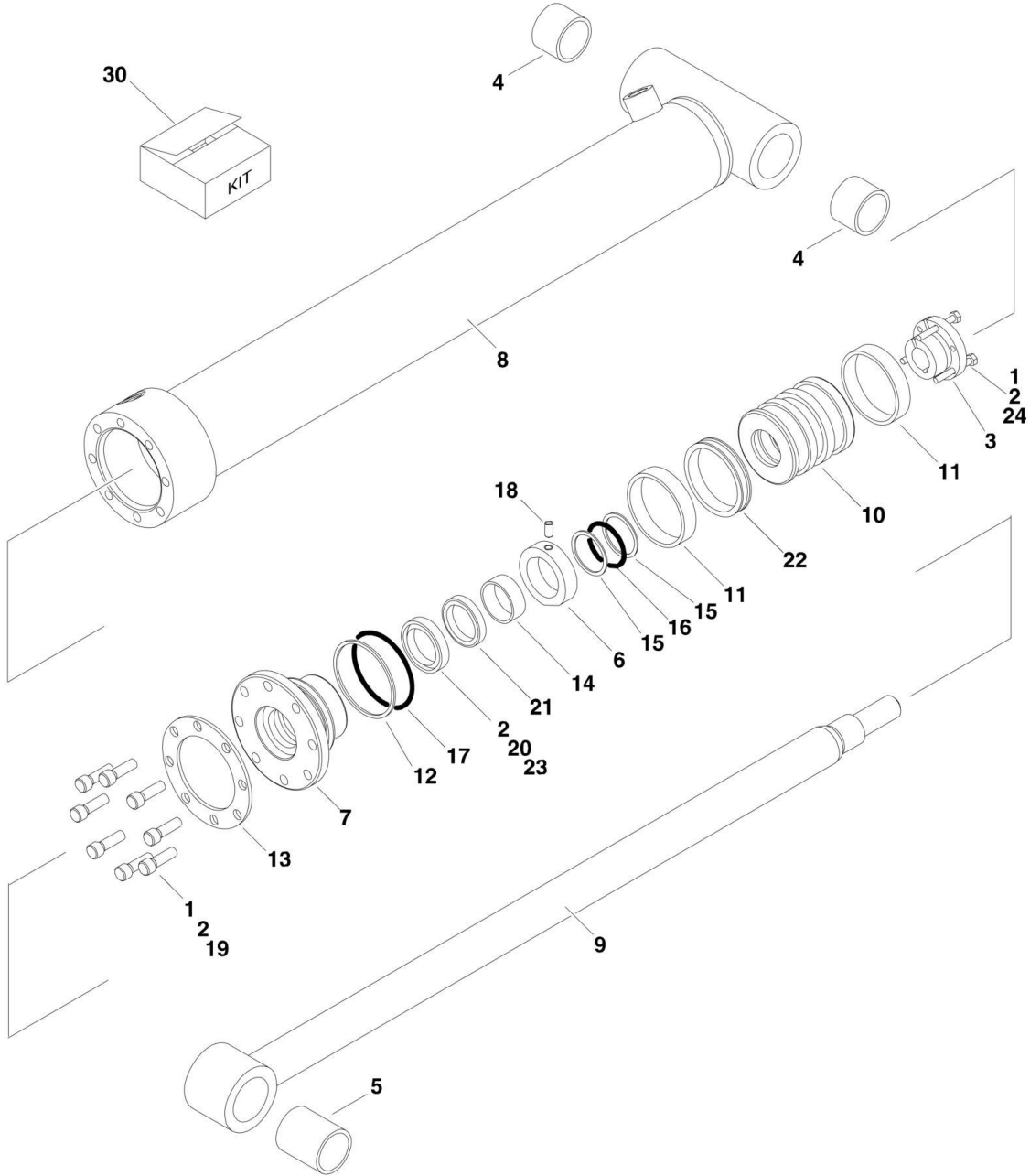
## SECTION 5 - CYLINDER

**FIGURE 5-13. LIFT CYLINDER ASSEMBLY - TOWER BOOM (SERVICE REPLACEMENT)**

ITEM	PART NUMBER	QTY	DESCRIPTION	REV
	1001228009	Ref	LIFT CYLINDER ASSEMBLY	C
		Ref	Note: Original Cylinder may have been replaced with Service Replacement. Identify PN Stamped on Cylinder Before Ordering Parts.	
1	See Note	NSS	Barrel (Note: Not Available for Purchase)	
2	70006378	1	Rod	
3	70006377	1	Head	
4	70006376	1	Piston	
5	70006375	1	Bushing, Tapered	
6	0630536	3	Bolt	
7	3932240	8	Capscrew 3/4 x 2-1/2	
8	4640509	1	Cartridge, Valve	
8	2900792	1	Seal Kit - 4640999 Valve	
9	4640605	1	Cartridge, Valve	
9	2900792	1	Seal Kit - 4640605 Valve	
11	2220883	4	Plug, O-Ring	
12	2220888	1	Plug, O-Ring	
13	0962102	4	Bushing	
100	2901537	1	Seal Kit (Includes Items 101-109)	
101	See Note	NSS	Seal (Note: Use Item 100)	
102	See Note	NSS	Ring, Lock (Note: Use Item 100)	
103	See Note	NSS	O-Ring (Note: Use Item 100)	
104	See Note	NSS	Ring, Back-up (Note: Use Item 100)	
105	See Note	NSS	Ring, Wear (Note: Use Item 100)	
106	See Note	NSS	O-Ring (Note: Use Item 100)	
107	See Note	NSS	Ring, Back-up (Note: Use Item 100)	
108	See Note	NSS	Seal (Note: Use Item 100)	
109	See Note	NSS	Wiper (Note: Use Item 100)	

# SECTION 5 - CYLINDER

FIGURE 5-14. MASTER CYLINDER ASSEMBLY - 800A (ORIGINAL EQUIPMENT)





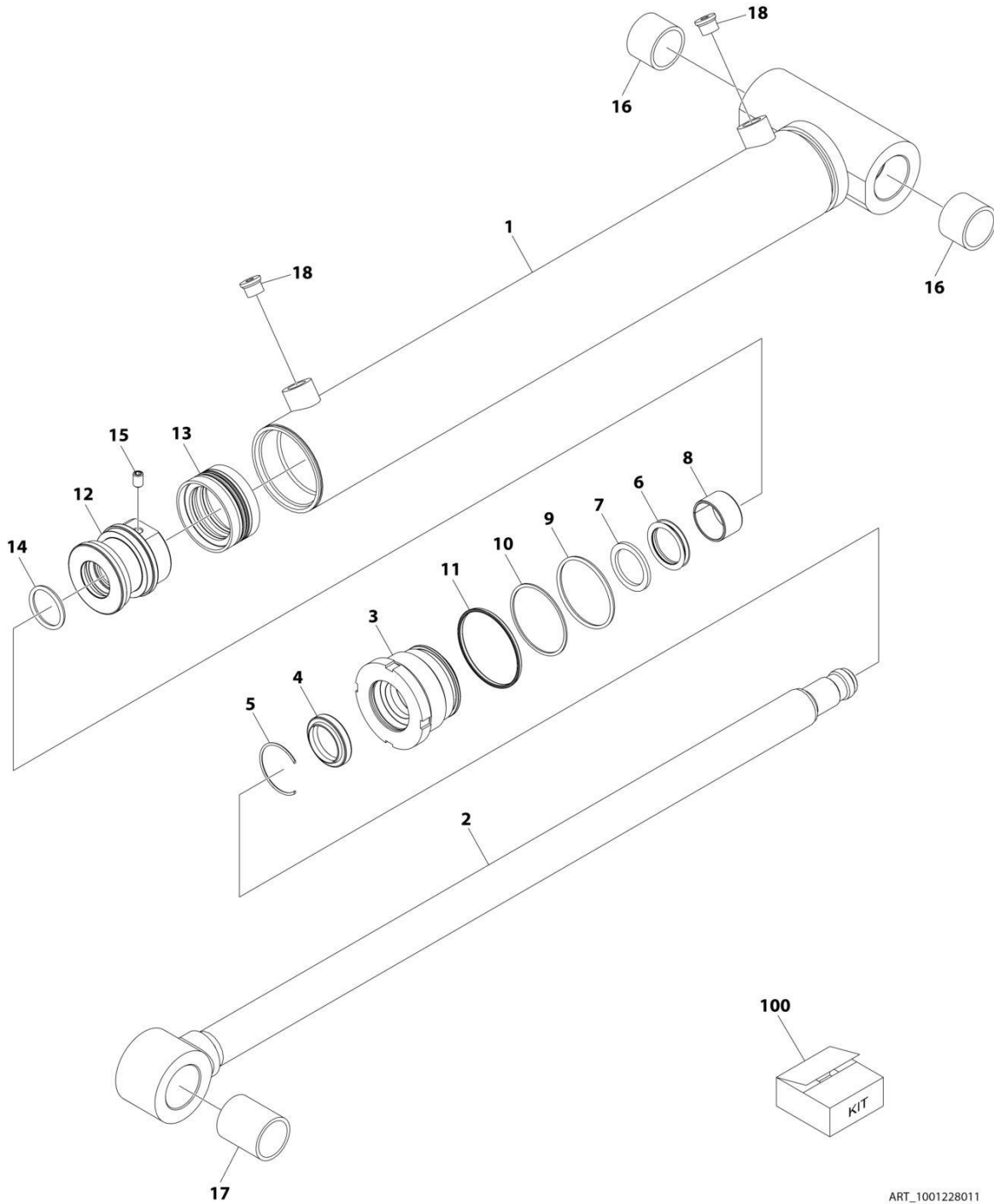
## SECTION 5 - CYLINDER

**FIGURE 5-14. MASTER CYLINDER ASSEMBLY - 800A (ORIGINAL EQUIPMENT)**

ITEM	PART NUMBER	QTY	DESCRIPTION	REV
	1683608	Ref	<b>MASTER CYLINDER ASSEMBLY - 800A</b>	F
		Ref		
1	0100011	AR	Compound, Locking	
2	0100038	AR	Primer, Locking	
3		Ref	Bushing, Tapered Options:	
3	0961900	1	Bushing, Tapered <b>(Prior to SN 0300054182)</b>	
3	0962185	1	Bushing, Tapered <b>(SN 0300054182 through 0300069000)</b>	
4	0961951	2	Bushing	
5	0962155	1	Bushing	
6	0962156	1	Spacer, Tube	
7	1683050	1	Head	
8		Ref	Barrel Options:	
8	1683633	1	Barrel <b>(Prior to SN 0300064390)</b>	
8	1684114	1	Barrel <b>(SN 0300064390 through 0300069000)</b>	
9		Ref	Rod Options:	
9	1683635	1	Rod <b>(Prior to SN 0300064390)</b>	
9	1684115	1	Rod <b>(SN 0300064390 through 0300069000)</b>	
10	3480232	1	Piston	
11	See Note	NSS	Ring, Wear (Note: Use Item 30)	
12	See Note	NSS	Ring, Back-up (Note: Use Item 30)	
13	3760367	1	Ring, Washer	
14	See Note	NSS	Ring, Wear (Note: Use Item 30)	
15	See Note	NSS	Ring, Back-up (Note: Use Item 30)	
16	See Note	NSS	O-Ring (Note: Use Item 30)	
17	See Note	NSS	O-Ring (Note: Use Item 30)	
18	3900139	1	Setscrew 1/4in-20NC x 1/2in	
19	3931516	8	Capscrew 5/16in-18NC x 1in	
20	See Note	NSS	Wiper (Note: Use Item 30)	
21	See Note	NSS	Seal (Note: Use Item 30)	
22	See Note	NSS	T-Seal (Note: Use Item 30)	
23	0100063	AR	Loctite #RC 609	
24	0630534	3	Capscrew, Socket Head #10-24NC x 1in	
30	2901549	1	Seal Kit (Includes Items 11, 12, 14-17 & 20-22)	

# SECTION 5 - CYLINDER

## FIGURE 5-15. MASTER CYLINDER ASSEMBLY (800A) (SERVICE REPLACEMENT)



ART\_1001228011

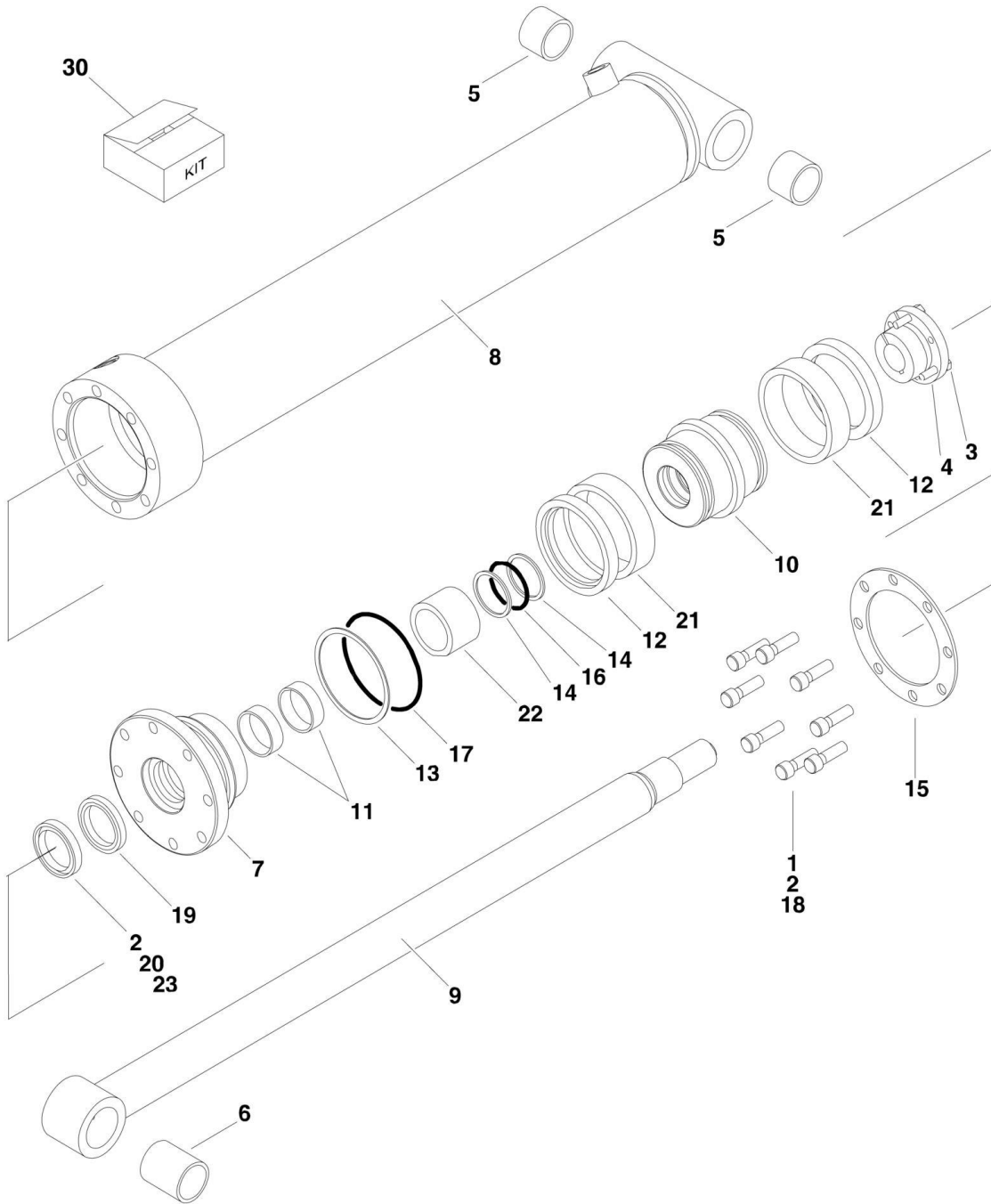
## SECTION 5 - CYLINDER

**FIGURE 5-15. MASTER CYLINDER ASSEMBLY (800A) (SERVICE REPLACEMENT)**

ITEM	PART NUMBER	QTY	DESCRIPTION	REV
	1001228011	Ref	MASTER CYLINDER ASSEMBLY (800A)	B
		Ref	Note: Original Cylinder may have been replaced with Service Replacement. Identify PN Stamped on Cylinder Before Ordering Parts.	
1	See Note	NSS	Barrel (Note: Not Available for Purchase)	
2	70006777	1	Rod	
3	70006778	1	Head	
4	See Note	NSS	Wiper (Note: Use Item 100)	
5	70002366	1	Ring, Retaining	
6	See Note	NSS	Seal, Rod (Note: Use Item 100)	
7	See Note	NSS	Ring, Back-up (Note: Use Item 100)	
8	70006779	1	Ring, Wear	
9	See Note	NSS	O-Ring (Note: Use Item 100)	
10	See Note	NSS	Ring, Back-up (Note: Use Item 100)	
11	70050801	NSS	O-Ring (Note: Use Item 100)	
12	70006780	1	Piston	
13	See Note	NSS	Seal (Note: Use Item 100)	
14	See Note	NSS	O-Ring (Note: Use Item 100)	
15	70006596	1	Setscrew	
16	0961951	2	Bushing	
17	0962155	1	Bushing	
18	2220885	2	Plug	
100	70006781	1	Seal Kit (Includes Items 4, 6, 7, 9-11, 13 & 14)	

# SECTION 5 - CYLINDER

FIGURE 5-16. MASTER CYLINDER ASSEMBLY- 800AJ (ORIGINAL EQUIPMENT)



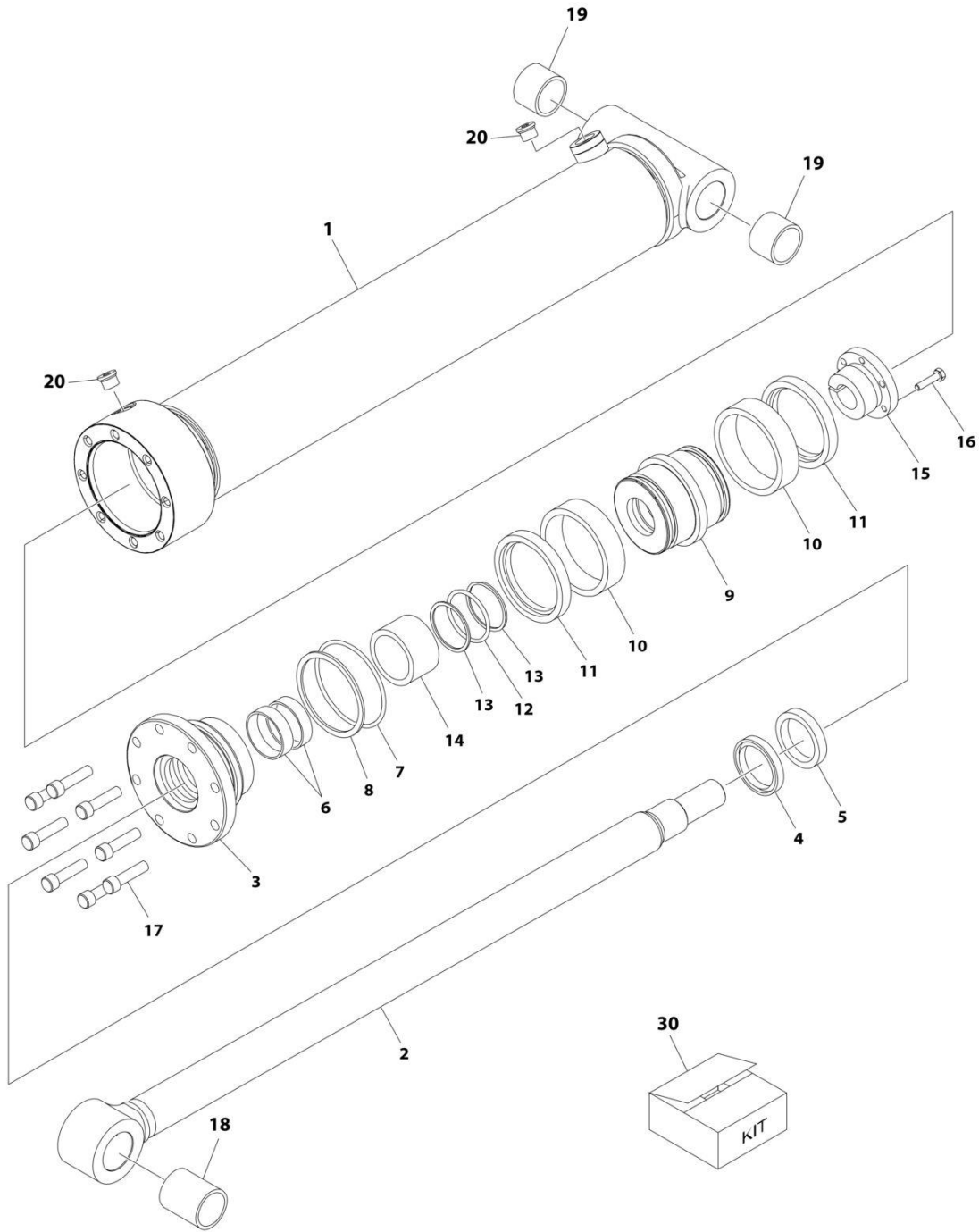
## SECTION 5 - CYLINDER

**FIGURE 5-16. MASTER CYLINDER ASSEMBLY- 800AJ (ORIGINAL EQUIPMENT)**

ITEM	PART NUMBER	QTY	DESCRIPTION	REV
	1683682	Ref	<b>MASTER CYLINDER ASSEMBLY - 800AJ</b>	C
		Ref		
1	0100011	AR	Compound, Locking	
2	0100038	AR	Primer, Locking	
3	0630535	3	Capscrew, Socket Head 1/4in-20NC x 1in	
4	0961894	1	Bushing, Tapered	
5	0961951	2	Bushing	
6	0962155	1	Bushing	
7	1683055	1	Head	
8		Ref	Barrel Options:	
8	1683683	1	Barrel <b>(Prior to SN 0300064390)</b>	
8	1684125	1	Barrel <b>(SN 0300064390 through 0300069000)</b>	
9		Ref	Rod Options:	
9	1683685	1	Rod <b>(Prior to SN 0300064390)</b>	
9	1684126	1	Rod <b>(SN 0300064390 through 0300069000)</b>	
10	3480188	1	Piston	
11	See Note	NSS	Ring, Wear (Note: Use Item 30)	
12	See Note	NSS	Ring, Lock (Note: Use Item 30)	
13	See Note	NSS	Ring, Back-up (Note: Use Item 30)	
14	See Note	NSS	Ring, Back-up (Note: Use Item 30)	
15	3760369	1	Ring, Washer	
16	See Note	NSS	O-Ring (Note: Use Item 30)	
17	See Note	NSS	O-Ring (Note: Use Item 30)	
18	3931620	8	Capscrew 3/8in-16NC x 1-1/4in	
19	See Note	NSS	Seal, Rod (Note: Use Item 30)	
20	See Note	NSS	Wiper (Note: Use Item 30)	
21	See Note	NSS	Seal (Note: Use Item 30)	
22	4566468	1	Spacer, Tube	
23	0100063	AR	Loctite #RC609	
30	2901301	1	Seal Kit (Includes Items 11-14, 16, 17 & 19-21)	

# SECTION 5 - CYLINDER

## FIGURE 5-17. MASTER CYLINDER ASSEMBLY (800AJ) (SERVICE REPLACEMENT)



ART\_1001228050

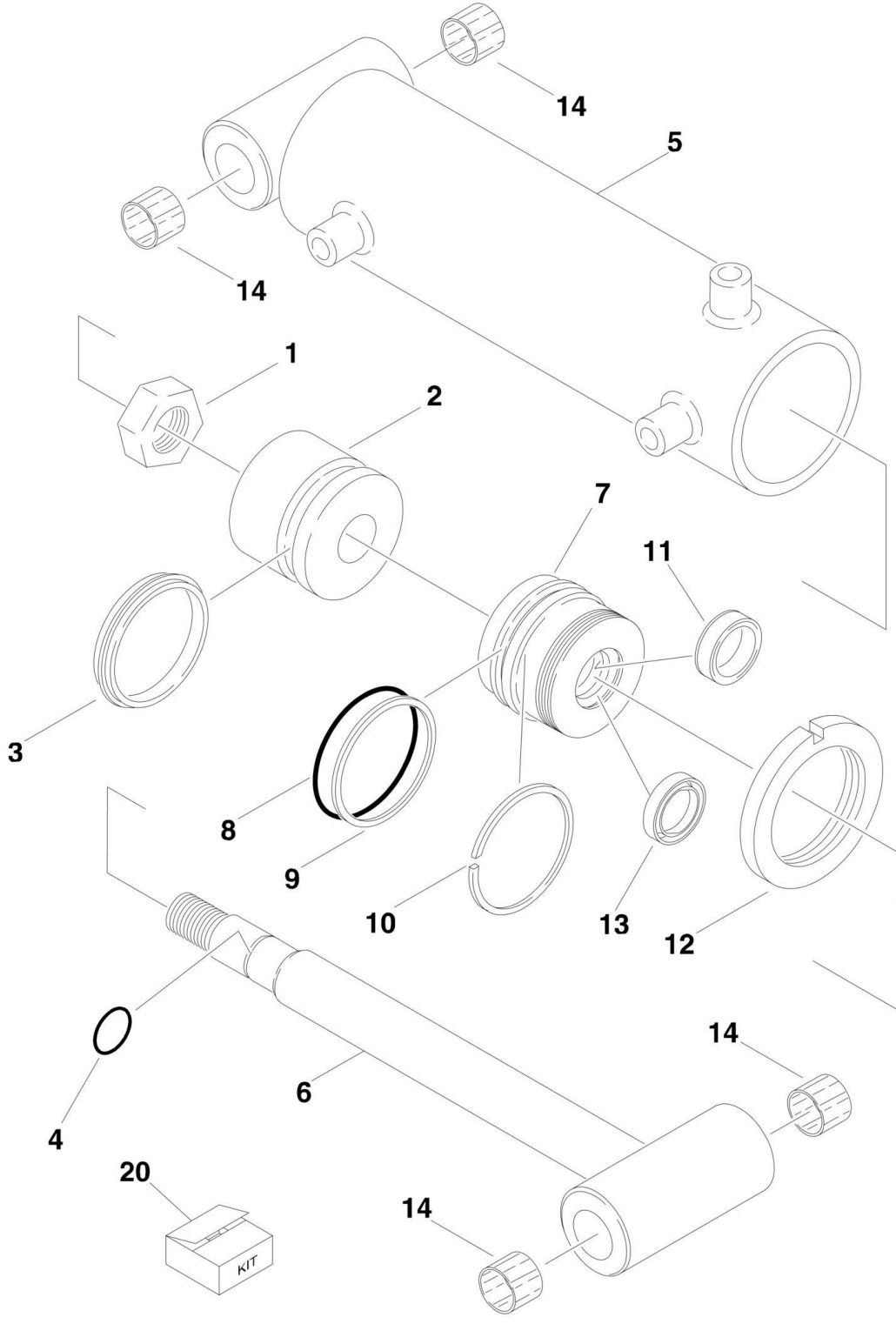
## SECTION 5 - CYLINDER

**FIGURE 5-17. MASTER CYLINDER ASSEMBLY (800AJ) (SERVICE REPLACEMENT)**

ITEM	PART NUMBER	QTY	DESCRIPTION	REV
	1001228050	Ref	MASTER CYLINDER ASSEMBLY	C
		Ref	Note: Original Cylinder may have been replaced with Service Replacement. Identify PN Stamped on Cylinder Before Ordering Parts.	
1	See Note	NSS	Barrel (Note: Not Available for Purchase)	
2	70006668	1	Rod	
3	70006643	1	Head	
4	See Note	NSS	Wiper (Note: Use Item 30)	
5	See Note	NSS	Seal, Rod (Note: Use Item 30)	
6	See Note	NSS	Ring, Wear (Note: Use Item 30)	
7	See Note	NSS	O-Ring (Note: Use Item 30)	
8	See Note	NSS	Ring, Back-up (Note: Use Item 30)	
9	70006644	1	Piston	
10	See Note	NSS	Ring, Wear (Note: Use Item 30)	
11	See Note	NSS	Ring, Lock (Note: Use Item 30)	
12	See Note	NSS	O-Ring (Note: Use Item 30)	
13	See Note	NSS	Ring, Back-up (Note: Use Item 30)	
14	70006651	1	Spacer, Tube	
15	0961894	1	Bushing, Tapered	
16	0630535	3	Capscrew 1/4 x 1-1/8	
17	3931620	8	Capscrew 3/8 x 1-1/4	
18	0962155	1	Bushing	
19	0961951	2	Bushing	
20	2220885	2	Plug, O-Ring	
30	1001138796	1	Seal Kit (Machines with Arctic Package) (Includes Items 4-8 & 10-13)	

# SECTION 5 - CYLINDER

## FIGURE 5-18. STEER CYLINDER ASSEMBLY





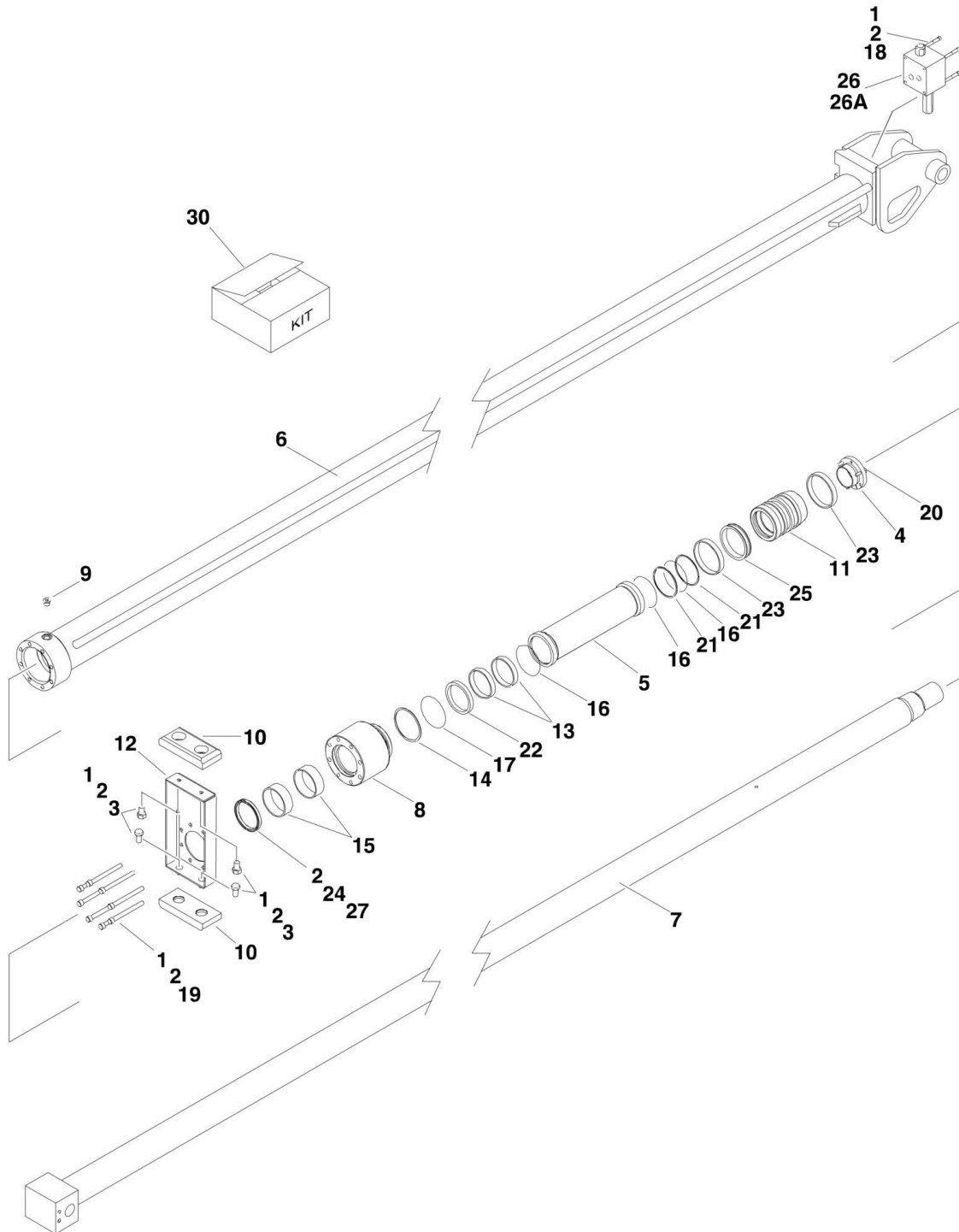
## SECTION 5 - CYLINDER

**FIGURE 5-18. STEER CYLINDER ASSEMBLY**

ITEM	PART NUMBER	QTY	DESCRIPTION	REV
		Ref	<b>Note: Original Equipment Cylinder may have been replaced with Service Replacement Cylinder. Identify p/n stamped on cylinder before ordering parts.</b>	
		Ref	<b>STEER CYLINDER ASSEMBLY</b>	
	1683605	Ref	<b>Steer Cylinder Assembly 2WS - Original Equipment</b>	A
	1683740	Ref	<b>Steer Cylinder Assembly 2WS - Service Replacement</b>	B
	1683740	Ref	<b>Steer Cylinder Assembly 4WS</b>	B
1	7017210	1	Locknut	
2	7017211	1	Piston	
3	See Note	NSS	Seal (Note: Use Item 20)	
4	See Note	NSS	O-Ring (Note: Use Item 20)	
5		Ref	Barrel Weldment Options:	
5	7017234	1	Barrel Weldment 2WS <b>(Prior to SN 0300042477)</b>	
5	7023023	1	Barrel Weldment 2WS <b>(SN 0300042477 through 0300069000)</b>	
5	7023023	1	Barrel Weldment 4WS	
6	7017236	1	Rod Weldment	
7	7017213	1	Head	
8	See Note	NSS	O-Ring (Note: Use Item 20)	
9	See Note	NSS	Ring, Back-up (Note: Use Item 20)	
10	See Note	NSS	Ring, Retainer (Note: Use Item 20)	
11	See Note	NSS	Seal (Note: Use Item 20)	
12	7017214	1	Nut, Spanner	
13	See Note	NSS	Wiper (Note: Use Item 20)	
14	0961977	4	Bushings	
20	7017215	1	Seal Kit (Includes Items 3, 4, 8-11 & 13)	

# SECTION 5 - CYLINDER

## FIGURE 5-19. TELESCOPE CYLINDER ASSEMBLY - MAIN BOOM



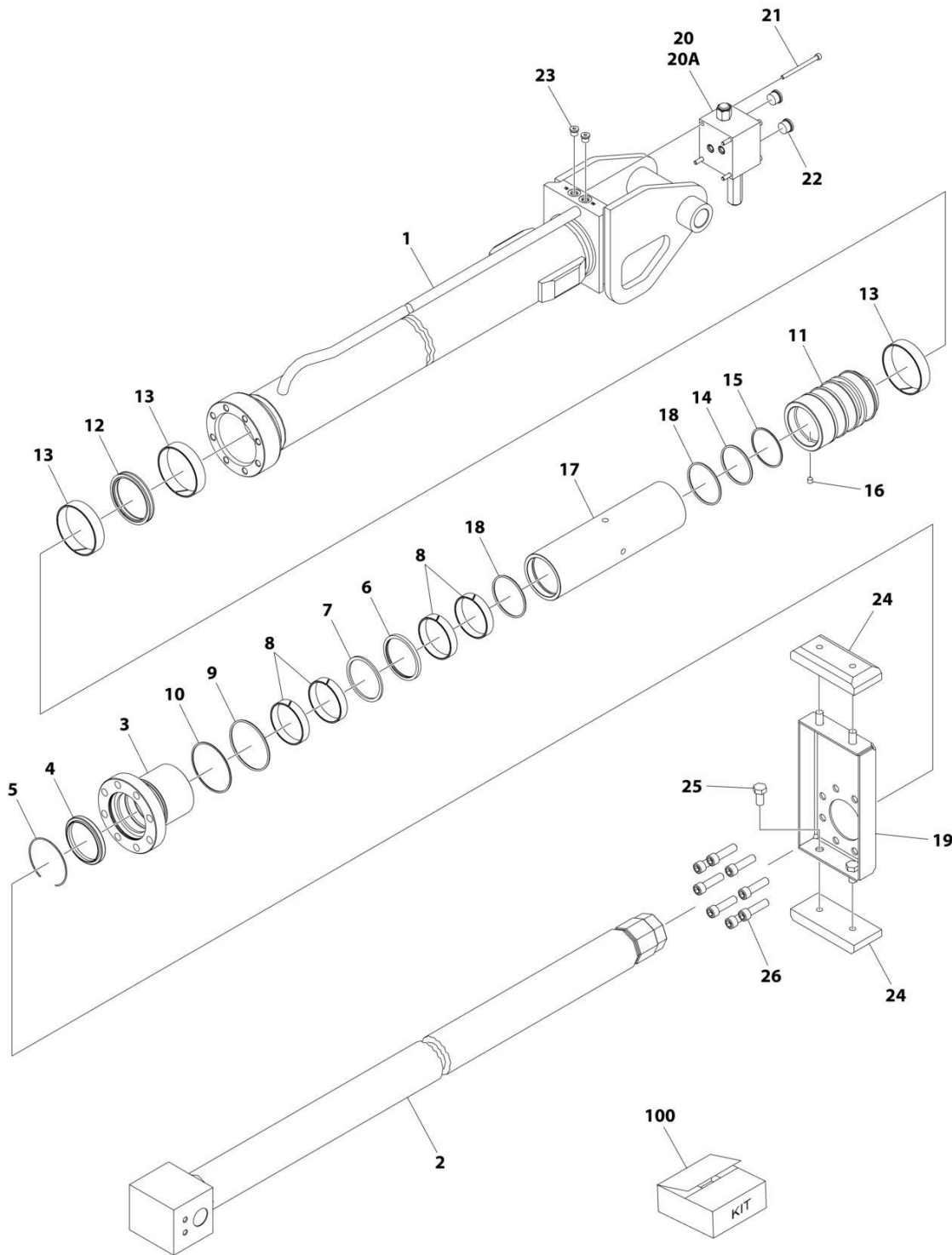
## SECTION 5 - CYLINDER

**FIGURE 5-19. TELESCOPE CYLINDER ASSEMBLY - MAIN BOOM**

ITEM	PART NUMBER	QTY	DESCRIPTION	REV
		Ref	<b>TELESCOPE CYLINDER ASSEMBLY - MAIN BOOM</b>	
	1683607	Ref	<b>Telescope Cylinder Assembly 800A (Original Equipment)</b>	F
	1001188968	Ref	<b>Telescope Cylinder Assembly 800A (Service Replacement)</b>	B
	1683672	Ref	<b>Telescope Cylinder Assembly 800AJ (Original Equipment)</b>	F
	1001188841	Ref	<b>Telescope Cylinder Assembly 800AJ (Service Replacement)</b>	B
		Ref	Note: Original Cylinder may have been replaced with Service Replacement. Identify PN Stamped on Cylinder Before Ordering parts.	
1	0100011	AR	Compound, Locking	
2	0100038	AR	Primer, Locking	
3	0641806	4	Bolt 1/2in-13NC x 3/4in	
4	0961897	1	Bushing, Tapered	
5	0962219	1	Spacer, Tube	
6		Ref	Barrel Options:	
6	1683647	1	Barrel 800A	
6	1683673	1	Barrel 800AJ	
7		Ref	Rod Options:	
7	1683648	1	Rod 800A	
7	1683675	1	Rod 800AJ	
8	1683663	1	Head	
9	2220885	1	Plug, O-Ring	
10	3340838	2	Pad, Wear	
11	3480234	1	Piston	
12	3570775	1	Plate	
13	See Note	NSS	Ring, Wear (Note: Use Item 30)	
14	See Note	NSS	Ring, Back-up (Note: Use Item 30)	
15	See Note	NSS	Ring, Wear (Note: Use Item 30)	
16	See Note	NSS	O-Ring (Note: Use Item 30)	
17	See Note	NSS	O-Ring (Note: Use Item 30)	
18	3931448	4	Capscrew 1/4in-20NC x 3in	
19	3931664	8	Capscrew 3/8in-16NC x 4in	
20	0630535	3	Bolt 1/4in-20NC x 1-1/8in	
21	See Note	NSS	Ring, Back-up (Note: Use Item 30)	
22	See Note	NSS	Seal, Rod (Note: Use Item 30)	
23	See Note	NSS	Ring, Wear (Note: Use Item 30)	
24	See Note	NSS	Wiper (Note: Use Item 30)	
25	See Note	NSS	T-Seal (Note: Use Item 30)	
26	4641033	1	Valve Assembly (No serviceable parts - sold as assembly only)	
26A	7024508	2	O-Ring (Between Valve and Cylinder Barrel)	
27	0100063	AR	Loctite #RC609	
30	2901712	NLA	Seal Kit (Includes Items 13-17 & 21-25) (Use p/n 1001188843) (Use on p/n 1683607 & 1683672)	
30	1001188843	1	Seal Kit (Includes Items 13-17 & 21-25) (Use p/n 1001188843) (Use on p/n 1001188968 & 1001188841)	

# SECTION 5 - CYLINDER

## FIGURE 5-20. TELESCOPE CYLINDER ASSEMBLY - MAIN BOOM (800A) (SERVICE REPLACEMENT)



ART\_1001228088

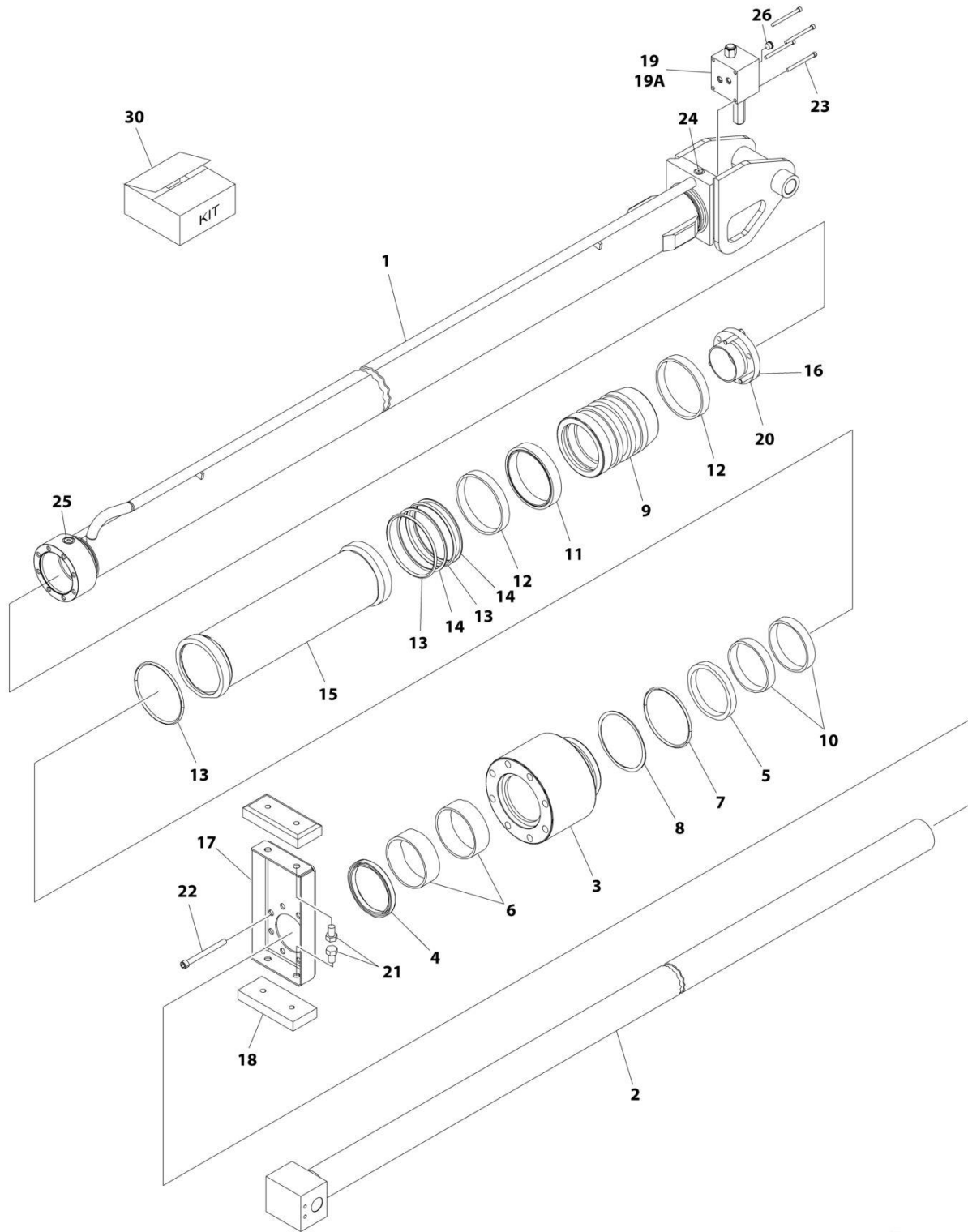
## SECTION 5 - CYLINDER

**FIGURE 5-20. TELESCOPE CYLINDER ASSEMBLY - MAIN BOOM (800A) (SERVICE REPLACEMENT)**

ITEM	PART NUMBER	QTY	DESCRIPTION	REV
	1001228088	Ref	TELESCOPE CYLINDER ASSEMBLY - MAIN BOOM	C
		Ref	Note: Original Cylinder may have been replaced with Service Replacement. Identify PN Stamped on Cylinder Before Ordering Parts.	
1	See Note	NSS	Barrel (Note: Not Available for Purchase)	
2	70006796	1	Rod	
3	70006797	1	Head	
4	See Note	NSS	Wiper (Note: Use Item 100)	
5	70027259	1	Ring, Retaining	
6	See Note	NSS	Seal, Rod (Note: Use Item 100)	
7	See Note	NSS	Ring, Back-up (Note: Use Item 100)	
8	See Note	NSS	Ring, Wear (Note: Use Item 100)	
9	See Note	NSS	O-Ring (Note: Use Item 100)	
10	See Note	NSS	Ring, Back-up (Note: Use Item 100)	
11	70006798	1	Piston	
12	See Note	NSS	Seal (Note: Use Item 100)	
13	See Note	NSS	Ring, Wear (Note: Use Item 100)	
14	See Note	NSS	O-Ring (Note: Use Item 100)	
15	See Note	NSS	Ring, Back-up (Note: Use Item 100)	
16	70006799	1	Setscrew	
17	70006800	1	Spacer, Tube	
18	See Note	NSS	O-Ring (Note: Use Item 100)	
19	70006801	1	Plate	
20	4641033	1	Valve Assembly (No serviceable parts - sold as assembly only)	
20A	7024508	2	O-Ring (Between Valve and Cylinder Barrel)	
21	70006802	4	Capscrew M6	
22	2220886	2	Plug, O-Ring	
23	2220883	2	Plug, O-Ring	
24	3340838	2	Pad, Wear	
25	0641806	4	Bolt 1/2 x 3/4	
26	70006803	8	Capscrew M12	
100	70006804	1	Seal Kit - 1001228088 Cylinder (Includes Items 4, 6-10, 12-15 & 18)	

# SECTION 5 - CYLINDER

## FIGURE 5-21. TELESCOPE CYLINDER ASSEMBLY - MAIN BOOM (800AJ) (SERVICE REPLACEMENT)



ART\_1001228087

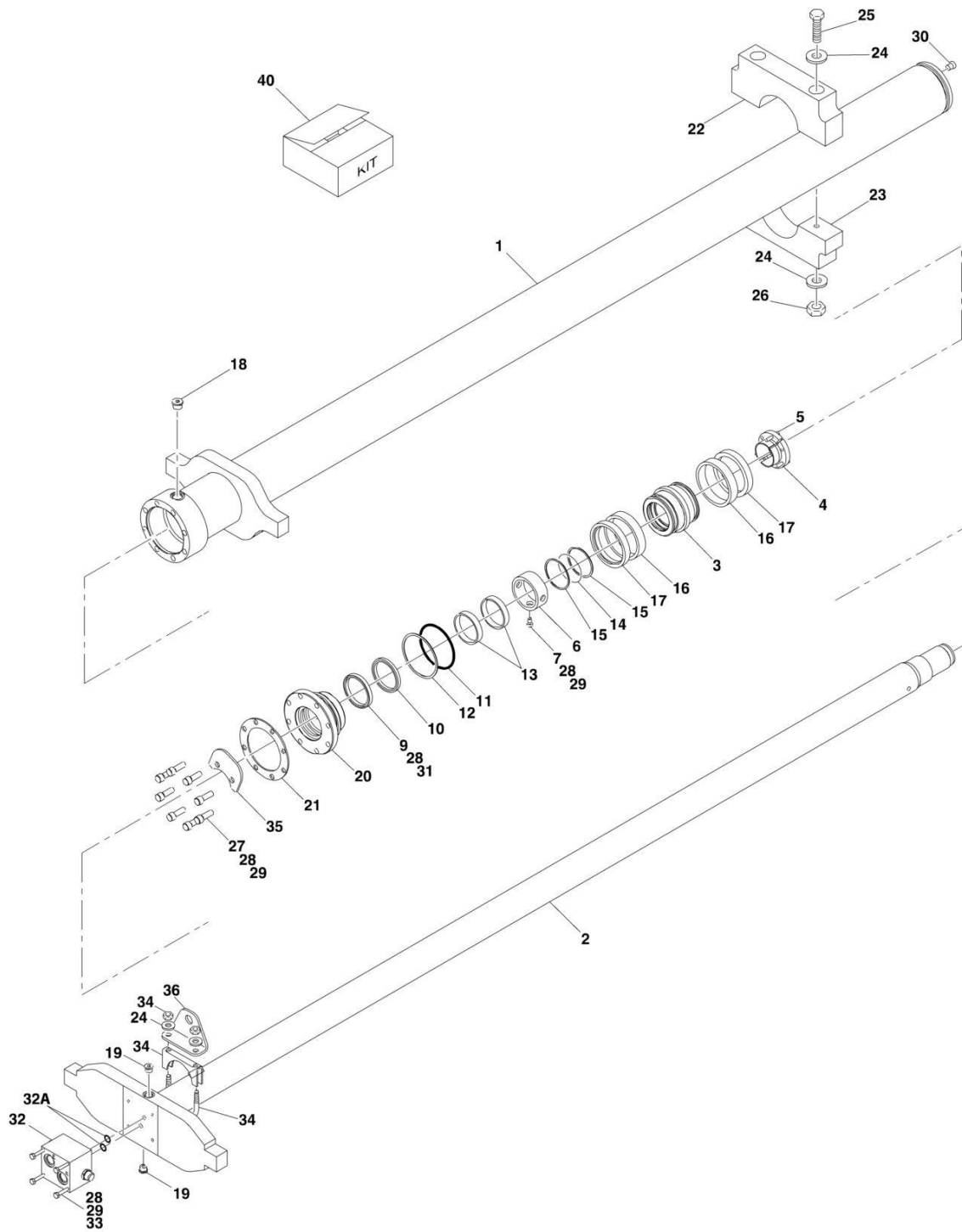
## SECTION 5 - CYLINDER

**FIGURE 5-21. TELESCOPE CYLINDER ASSEMBLY - MAIN BOOM (800AJ) (SERVICE REPLACEMENT)**

ITEM	PART NUMBER	QTY	DESCRIPTION	REV
	1001228087	Ref	TELESCOPE CYLINDER ASSEMBLY	F
		Ref	Note: Original Cylinder may have been replaced with Service Replacement. Identify PN Stamped on Cylinder Before Ordering Parts.	
1	See Note	NSS	Barrel (Note: Not Available for Purchase)	
2	70006669	1	Rod	
3	70006670	1	Head	
4	See Note	NSS	Wiper (Note: Use Item 30)	
5	See Note	NSS	Seal, Rod (Note: Use Item 30)	
6	See Note	NSS	Ring, Wear (Note: Use Item 30)	
7	See Note	NSS	O-Ring (Note: Use Item 30)	
8	See Note	NSS	Ring, Back-up (Note: Use Item 30)	
9	70006671	1	Piston	
10	See Note	NSS	Ring, Wear (Note: Use Item 30)	
11	See Note	NSS	Seal, Piston (Note: Use Item 30)	
12	See Note	NSS	Ring, Wear (Note: Use Item 30)	
13	See Note	NSS	O-Ring (Note: Use Item 30)	
14	See Note	NSS	Ring, Back-up (Note: Use Item 30)	
15	70006672	1	Spacer	
16	0961897	1	Bushing, Tapered	
17	3570775	1	Plate	
18	3340838	2	Pad, Wear	
19	4641033	1	Valve Assembly (No serviceable parts - sold as assembly only)	
19A	7024508	2	O-Ring (Between Valve and Cylinder Barrel)	
20	0630535	3	Bolt 1/4 x 1-1/8	
21	0641806	4	Bolt 1/2 x 3/4	
22	3931664	8	Capscrew 3/8 x 4	
23	3931448	4	Capscrew 1/4 x 3	
24	2220883	1	Plug, O-Ring	
25	2220885	AR	Plug, O-Ring	
26	2220886	1	Plug, O-Ring	
30	1001149391	1	Seal Kit (Includes Items 4-8 & 10-14)	

# SECTION 5 - CYLINDER

## FIGURE 5-22. TELESCOPE CYLINDER ASSEMBLY - TOWER BOOM





## SECTION 5 - CYLINDER

**FIGURE 5-22. TELESCOPE CYLINDER ASSEMBLY - TOWER BOOM**

ITEM	PART NUMBER	QTY	DESCRIPTION	REV
		Ref	TELESCOPE CYLINDER ASSEMBLY - TOWER BOOM	
	1683606	Ref	Telescope Cylinder Assembly - Tower Boom (Original Equipment)	J
	1001188840	Ref	Telescope Cylinder Assembly - Tower Boom (Service Replacement)	C
		Ref	Note: Original Cylinder may have been replaced with Service Replacement. Identify PN Stamped on Cylinder Before Ordering Parts.	
1	1683632	1	Barrel Weldment	
2	1683629	1	Rod Weldment	
3	3480211	1	Piston	
4	0961897	1	Bushing, Tapered	
5	0630535	3	Bolt 1/4in-20NC x 1-1/8in	
6	4567413	1	Spacer, Tube	
7	3931508	1	Bolt, Socket Head 5/16in-18NC x 1/2in	
9	See Note	NSS	Wiper (Note: Use Item 40)	
10	See Note	NSS	Seal (Note: Use Item 40)	
11	See Note	NSS	O-Ring (Note: Use Item 40)	
12	See Note	NSS	Ring, Back-up (Note: Use Item 40)	
13	See Note	NSS	Ring, Wear (Note: Use Item 40)	
14	See Note	NSS	O-Ring (Note: Use Item 40)	
15	See Note	NSS	Ring, Back-up (Note: Use Item 40)	
16	See Note	NSS	Seal (Note: Use Item 40)	
17	See Note	NSS	Ring, Lock (Note: Use Item 40)	
18	2220886	1	Plug, O-Ring	
19	2220885	2	Plug, O-Ring	
20	1683061	1	Head	
21	3760370	1	Ring, Washer	
22	3340834	1	Pad, Support	
23	3340833	1	Pad, Support	
24	4711600	10	Flatwasher 3/8in Narrow	
25	0641652	2	Bolt 3/8in-16NC x 6-1/2in	
26	3271605	2	Locknut 3/8in-16NC	
27	3931720	2	Capscrew 7/16in-14NC x 1-1/4in	
28	0100038	AR	Primer, Locking	
29	0100011	AR	Compound, Locking	
30	2220883	1	Plug, O-Ring	
31	0100063	AR	Loctite #RC609	
32	4641032	1	Valve Assembly (No serviceable parts - sold as assembly only)	
32A	7024397	2	O-Ring	
33		Ref	Hardware Options:	
33	0641420	4	Bolt 1/4in-20NC x 2-1/2in <b>(Prior to SN 0300056439)</b>	
33	3931448	4	Capscrew 1/4in-20NC x 3in <b>(SN 0300056439 through 0300069000)</b>	
34	1320011	1	Clamp (Use on p/n 1683606) <b>(SN 0300056439 through 0300069000)</b>	
34	1001228506	1	Bolt, U-Bolt (Use on p/n 1001188840)	
35	3572604	1	Plate, Proximity Switch Target <b>(SN 0300056439 through 0300069000)</b>	
36	3572605	1	Plate, Proximity Switch Mount <b>(SN 0300056439 through 0300069000)</b>	
40	2901273	1	Seal Kit (Includes Items 9-17) (Use on p/n 1683606)	

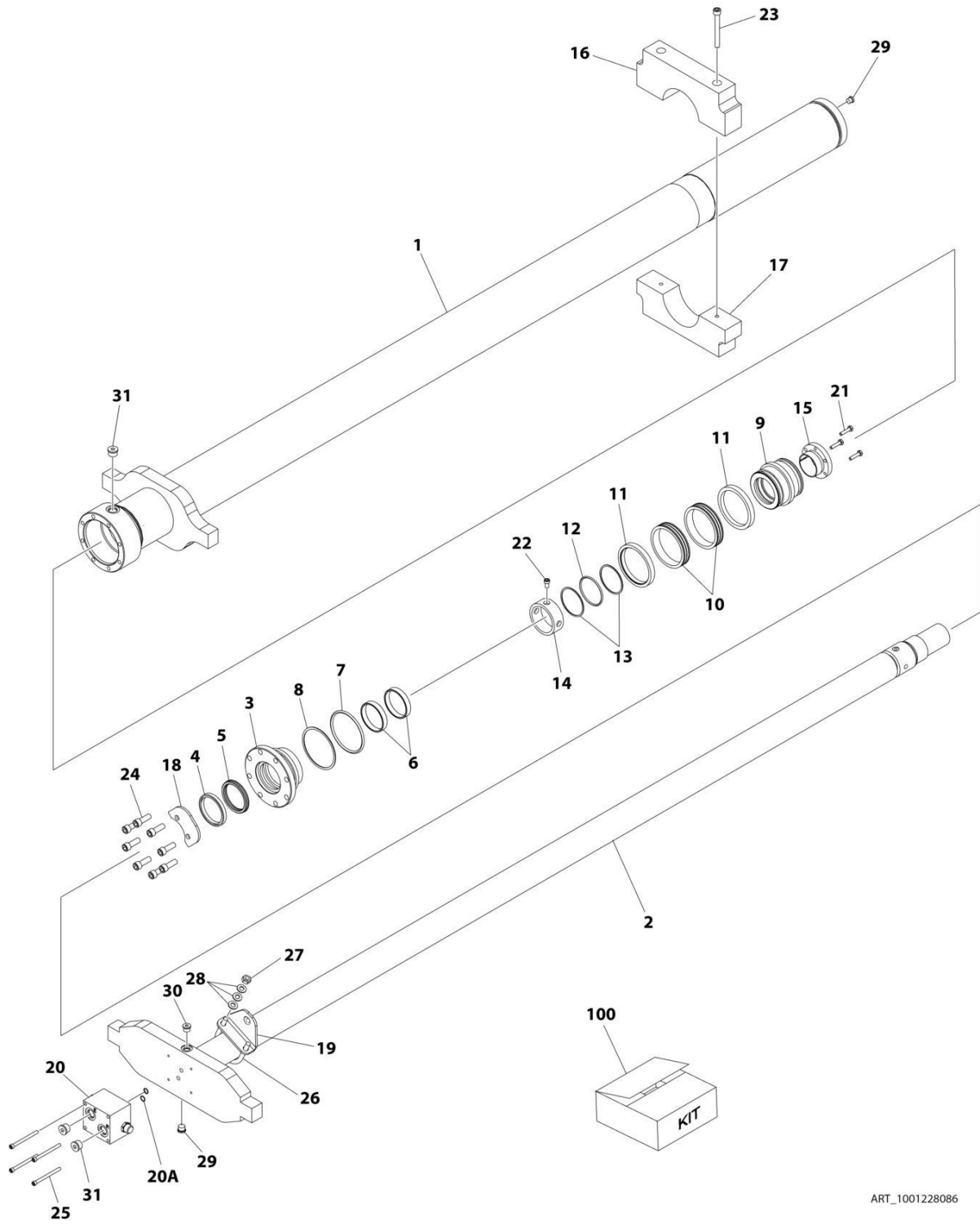
## SECTION 5 - CYLINDER

ITEM	PART NUMBER	QTY	DESCRIPTION	REV
40	1001188842	1	Seal Kit (Includes Items 9-17) (Use on p/n 1001188840)	



# SECTION 5 - CYLINDER

## FIGURE 5-23. TELESCOPE CYLINDER ASSEMBLY - TOWER BOOM (SERVICE REPLACEMENT)



ART\_1001228086

## SECTION 5 - CYLINDER

**FIGURE 5-23. TELESCOPE CYLINDER ASSEMBLY - TOWER BOOM (SERVICE REPLACEMENT)**

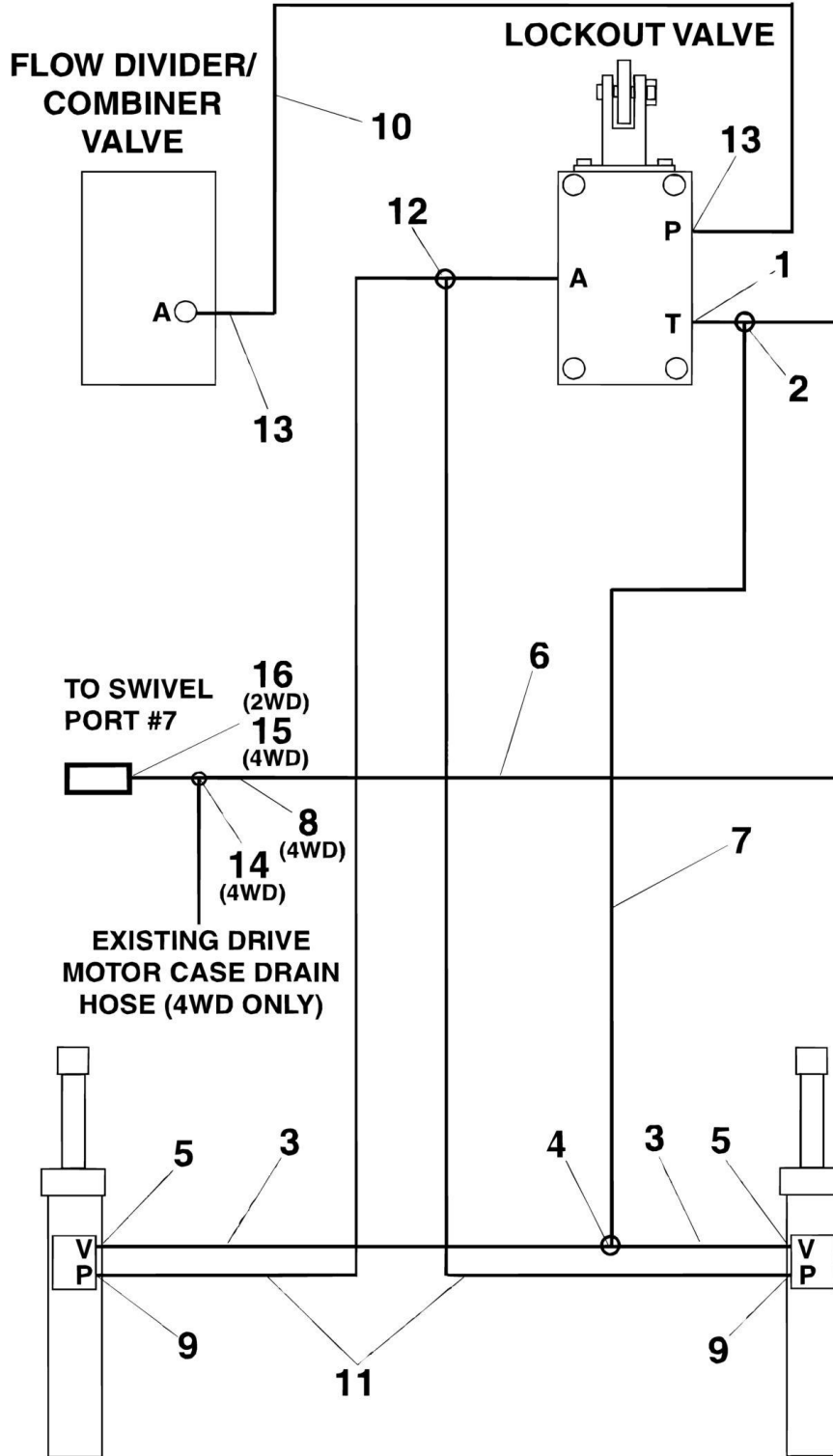
ITEM	PART NUMBER	QTY	DESCRIPTION	REV
	1001228086	Ref	TELESCOPE CYLINDER ASSEMBLY	C
		Ref	Note: Original Cylinder may have been replaced with Service Replacement. Identify PN Stamped on Cylinder Before Ordering Parts.	
1	See Note	NSS	Barrel (Note: Not Available for Purchase)	
2	70006921	1	Rod	
3	70006480	1	Head	
4	See Note	NSS	Wiper (Note: Use Item 100)	
5	See Note	NSS	Seal, Rod (Note: Use Item 100)	
6	See Note	NSS	Ring, Wear (Note: Use Item 100)	
7	See Note	NSS	O-Ring (Note: Use Item 100)	
8	See Note	NSS	Ring, Back-up (Note: Use Item 100)	
9	70006479	1	Piston	
10	See Note	NSS	Seal, Piston (Note: Use Item 100)	
11	See Note	NSS	Ring, Lock (Note: use Item 100)	
12	See Note	NSS	O-Ring (Note: Use Item 100)	
13	See Note	NSS	Ring, Back-up (Note: Use Item 100)	
14	70006922	1	Spacer	
15	0961897	1	Bushing, Tapered	
16	70006923	1	Pad, Wear	
17	70006924	1	Pad, Wear	
18	70006925	1	Plate	
19	70006926	1	Plate	
20	4641032	1	Valve Assembly (No serviceable parts - sold as assembly only)	
20A	7024397	2	O-Ring (Between Valve and Cylinder Barrel)	
21	0630535	3	Bolt 1/4 x 1-1/8	
22	70006731	1	Bolt	
23	70006927	2	Bolt M10	
24	70006728	8	Bolt 7/16	
25	70006733	4	Bolt M8	
26	70006928	1	U-Bolt M10	
27	70005594	2	Nut M10	
28	70006344	6	Washer M10	
29	2220883	2	Plug, O-Ring	
30	2220885	1	Plug, O-Ring	
31	2220886	3	Plug, O-Ring	
100	1001188842	1	Seal Kit - 1001228086 Cylinder (Includes Items 4-8 & 10-13)	



**SECTION 6 - HYDRAULIC**

# SECTION 6 - HYDRAULIC

## FIGURE 6-1. AXLE LOCKOUT HYDRAULIC DIAGRAM





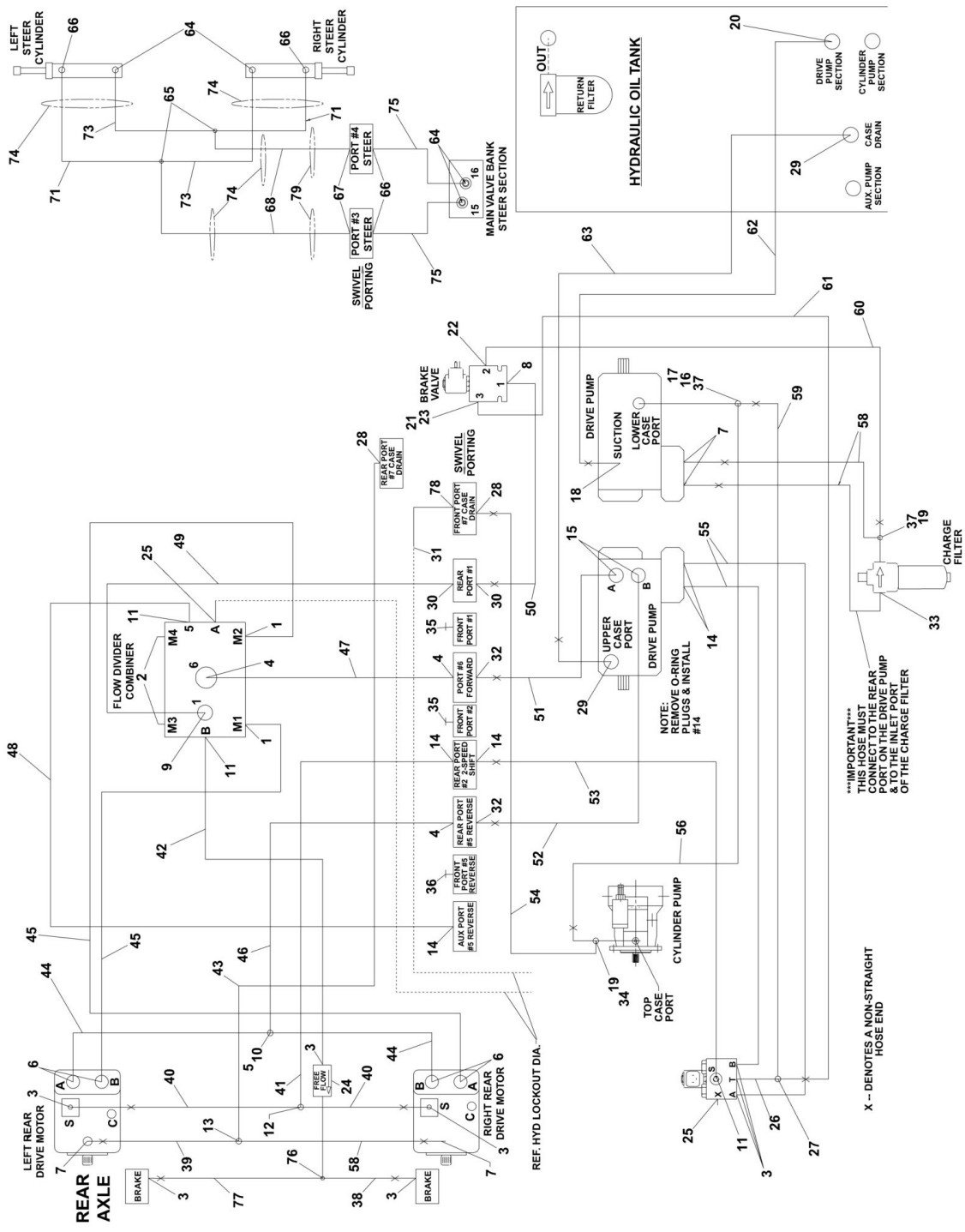
## SECTION 6 - HYDRAULIC

**FIGURE 6-1. AXLE LOCKOUT HYDRAULIC DIAGRAM**

ITEM	PART NUMBER	QTY	DESCRIPTION	REV
	2792367	Ref	<b>AXLE LOCKOUT HYDRAULIC DIAGRAMS</b>	2-B
1	2220603	1	Fitting, Straight	
2	2220635	1	Fitting, Tee	
3	2750920	2	Hose	
4	2220490	1	Fitting, Tee	
5	2220371	2	Fitting, Straight	
6	2752648	1	Hose	
7	2752611	1	Hose	
8	2220619	1	Fitting, Reducer	
9	2220582	2	Fitting, Straight	
10	2750760	1	Hose	
11	2751906	2	Hose	
12	2220711	1	Fitting, Tee	
13	2220415	2	Fitting, Straight	
14	2220602	1	Fitting, Tee (Not Shown)	
15	2220811	1	Fitting, Reducer (Not Shown)	
16	2220577	1	Fitting, Straight (Not Shown)	

# SECTION 6 - HYDRAULIC

## FIGURE 6-2. DRIVE HYDRAULIC DIAGRAM - 2WD



## SECTION 6 - HYDRAULIC

**FIGURE 6-2. DRIVE HYDRAULIC DIAGRAM - 2WD**

ITEM	PART NUMBER	QTY	DESCRIPTION	REV
	2792362	Ref	<b>DRIVE HYDRAULIC DIAGRAM - 2WD</b>	6-F
1	2220498	2	Fitting, Elbow	
2	2220240	2	Fitting, Plug	
3	2220415	8	Fitting, Straight	
4	2220365	3	Fitting, Elbow	
5	2220710	2	Fitting, Reducer	
6	2220465	4	Fitting, Elbow	
7	2220374	4	Fitting, Straight	
8	2220373	1	Fitting, Straight	
9	2220500	1	Fitting, Elbow	
10	2220363	1	Fitting, Tee	
11	2220466	3	Fitting, Elbow	
12	2220504	1	Fitting, Tee	
13	2220362	1	Fitting, Tee	
14	2220582	5	Fitting, Straight	
15	2220646	2	Fitting, Elbow	
16	2220999	1	Fitting, Tee	
17	2220618	1	Fitting, Reducer	
18	2220479	1	Fitting, Straight	
19	2220602	2	Fitting, Tee	
20	2220380	1	Fitting, Straight	
21	2220609	1	Fitting, Reducer	
22	2220596	1	Fitting, Elbow	
23	2220628	1	Fitting, Elbow	
24	4641076	1	Valve, Restrictor (.021)	
25	2220235	2	Fitting, Plug	
26	2221029	1	Fitting, Orifice (.031)	
27	2220605	1	Fitting, Tee	
28	2220375	2	Fitting, Straight	
29	2220451	2	Fitting, Straight	
30	2220600	2	Fitting, Straight	
31	2220516	1	Fitting, Cap	
32	2220377	2	Fitting, Straight	
33	2220366	1	Fitting, Elbow	
34	2220810	1	Fitting, Straight	
35	2220237	2	Fitting, Plug	
36	2220242	1	Fitting, Plug	
37	2220811	2	Fitting, Straight	
38	2752575	1	Hose	
39	2752514	1	Hose	
40	2753036	2	Hose	
41	2751011	1	Hose	
42	2752977	1	Hose	
43	2752518	1	Hose	
44	2752265	2	Hose	
45	2752266	2	Hose	
46	2752345	1	Hose	
47	2752363	1	Hose	
48	2751017	1	Hose	
49	2752498	1	Hose	

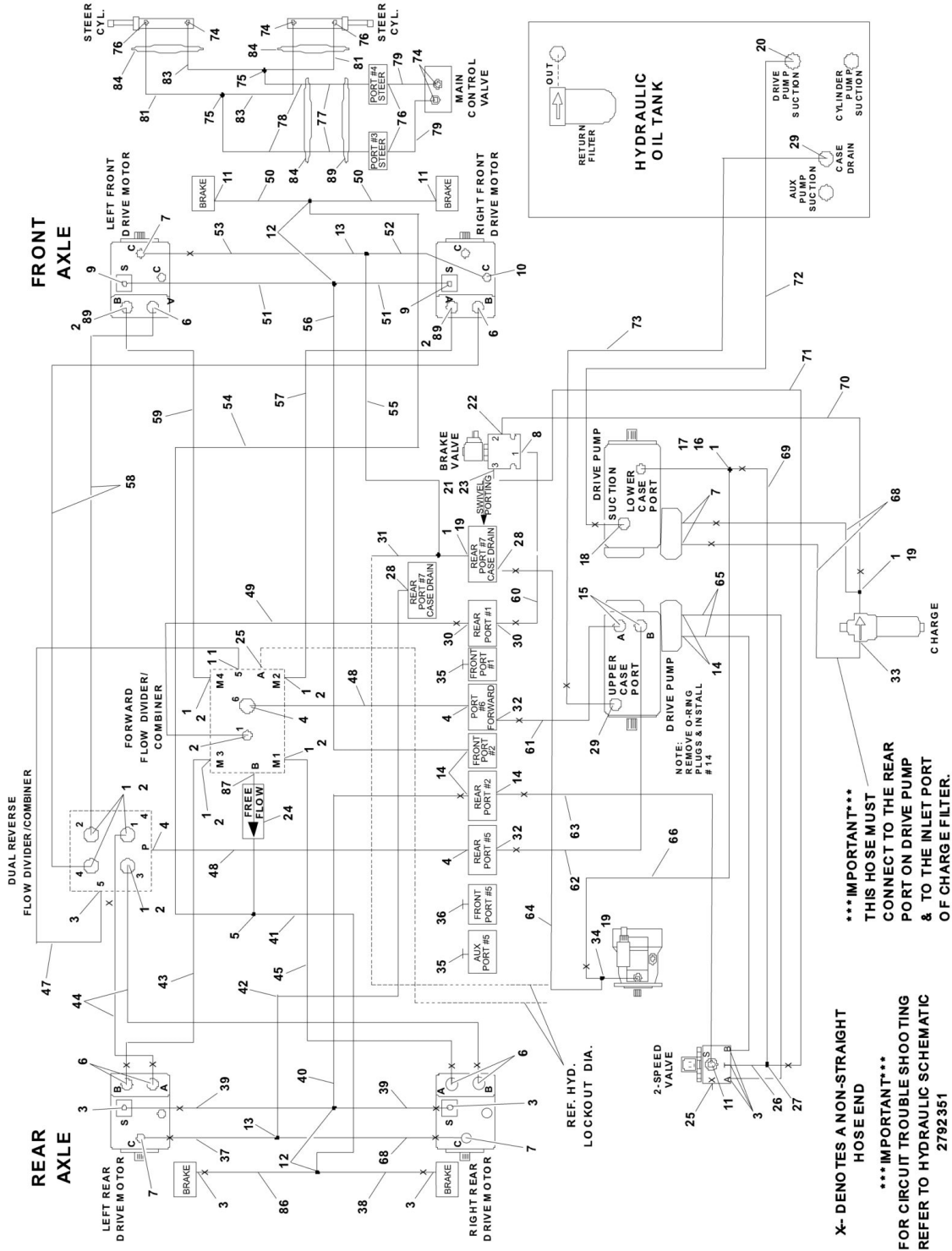
## SECTION 6 - HYDRAULIC

ITEM	PART NUMBER	QTY	DESCRIPTION	REV
50	2752928	1	Hose	
51	2752365	1	Hose	
52	2752366	1	Hose	
53	2751391	1	Hose	
54	2752513	1	Hose	
55	2751397	2	Hose	
56	2752942	1	Hose	
58	2752494	3	Hose	
59	2752453	1	Hose	
60	2752514	1	Hose	
61	2752573	1	Hose	
62	2752754	1	Hose	
63	2752673	1	Hose	
64	2220501	4	Fitting, Elbow	
65	2220490	2	Fitting, Tee	
66	2220473	2	Fitting, Elbow	
67	2220371	2	Fitting, Straight	
68	2753117	2	Hose	
71	2753087	2	Hose	
73	2752648	2	Hose	
74	4100058	4	Sleeve, Nylon (12in/30.5cm Pieces)	
75	2752489	2	Hose	
76	2220711	1	Fitting, Tee	
77	2752581	1	Hose	
78	2220577	1	Fitting, Straight	
79	4100059	2	Sleeve, Nylon (8in/20cm Pieces)	



# SECTION 6 - HYDRAULIC

## FIGURE 6-3. DRIVE HYDRAULIC DIAGRAM - 4WD



## SECTION 6 - HYDRAULIC

### FIGURE 6-3. DRIVE HYDRAULIC DIAGRAM - 4WD

ITEM	PART NUMBER	QTY	DESCRIPTION	REV
	2792363	Ref	<b>DRIVE HYDRAULIC DIAGRAM - 4WD</b>	9-H
1	2220811	9	Fitting, Reducer	
2	2220500	11	Fitting, Elbow	
3	2220415	8	Fitting, Straight	
4	2220365	4	Fitting, Elbow	
5	2220711	1	Fitting, Tee	
6	2220800	6	Fitting, Straight	
7	2220374	5	Fitting, Straight	
8	2220373	1	Fitting, Straight	
9	2220502	2	Fitting, Elbow	
10	2220499	1	Fitting, Elbow	
11	2220466	4	Fitting, Elbow	
12	2220504	4	Fitting, Tee	
13	2220362	2	Fitting, Tee	
14	2220582	5	Fitting, Straight	
15	2220646	2	Fitting, Elbow	
16	2220999	1	Fitting, Tee	
17	2220618	1	Fitting, Reducer	
18	2220479	1	Fitting, Straight	
19	2220602	3	Fitting, Tee	
20	2220380	1	Fitting, Straight	
21	2220609	1	Fitting, Reducer	
22	2220596	1	Fitting, Elbow	
23	2220628	1	Fitting, Elbow	
24	4640778	1	Valve, Restrictor (.030)	
25	2220235	2	Fitting, Plug	
26	2221029	1	Fitting, Orifice (.031)	
27	2220605	1	Fitting, Tee	
28	2220375	2	Fitting, Straight	
29	2220451	2	Fitting, Straight	
30	2220600	2	Fitting, Straight	
31	2220517	1	Fitting, Cap	
32	2220377	2	Fitting, Straight	
33	2220366	1	Fitting, Elbow	
34	2220810	1	Fitting, Reducer	
35	2220237	2	Fitting, Plug	
36	2220242	1	Fitting, Plug	
37	2752514	1	Hose	
38	2752575	1	Hose	
39	2753036	2	Hose	
40	2751011	1	Hose	
41	2752977	1	Hose	
42	2752518	1	Hose	
43	2753155	1	Hose	
44	2753161	2	Hose	
45	2753162	1	Hose	
46	4100059	2	Sleeve, Nylon (8in/20cm Pieces)	
47	2751017	1	Hose	
48	2752363	2	Hose	
49	2752498	1	Hose	

## SECTION 6 - HYDRAULIC

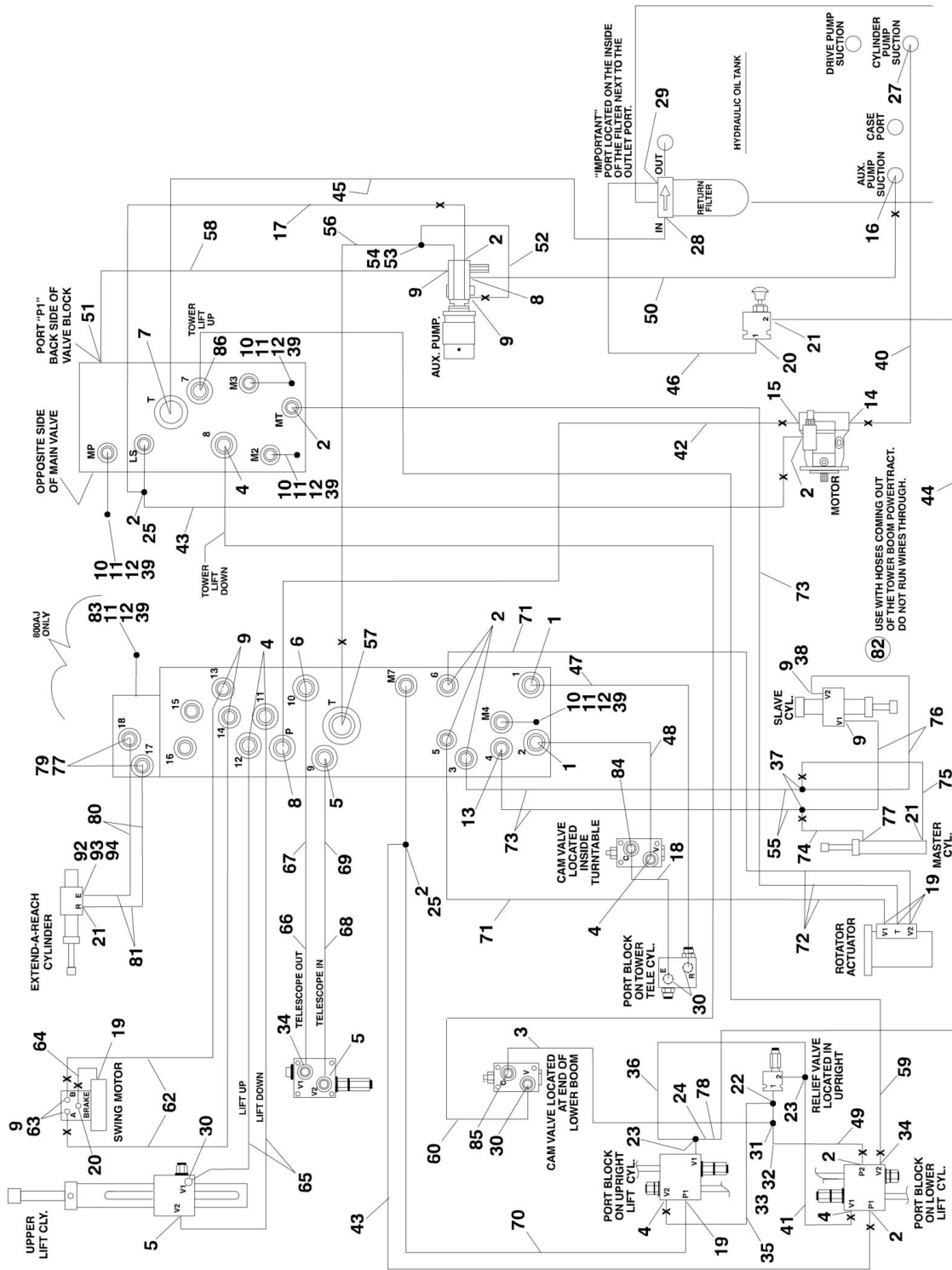
ITEM	PART NUMBER	QTY	DESCRIPTION	REV
50	2752592	2	Hose	
51	2753035	2	Hose	
52	2752516	1	Hose	
53	2752514	1	Hose	
54	2752591	1	Hose	
55	2752949	1	Hose	
56	2751906	1	Hose	
57	2753157	1	Hose	
58	2753158	2	Hose	
59	2753159	1	Hose	
60	2753187	1	Hose	
61	2752365	1	Hose	
62	2752366	1	Hose	
63	2751391	1	Hose	
64	2752513	1	Hose	
65	2751397	2	Hose	
66	2752942	1	Hose	
68	2752494	3	Hose	
69	2752453	1	Hose	
70	2752514	1	Hose	
71	2752573	1	Hose	
72	2752754	1	Hose	
73	2752673	1	Hose	
74	2220501	4	Fitting, Elbow	
75	2220490	2	Fitting, Tee	
76	2220473	4	Fitting, Elbow	
77	2220371	2	Fitting, Straight	
78	2753117	2	Hose	
79	2752489	2	Hose	
81	2753087	2	Hose	
83	2752648	2	Hose	
84	4100058	4	Sleeve, Nylon (12in/30.5cm Pieces)	
85	2752642	1	Hose <b>(Prior to SN 0300053332)</b>	
86	2752581	1	Hose	
87	2221030	1	Fitting, Nipple	
89	2220833	2	Fitting, Reducer	
90	4100051	1	Sleeve, Nylon	





# SECTION 6 - HYDRAULIC

## FIGURE 6-4. STANDARD HYDRAULIC DIAGRAM (WITH FENNER AND HALDEX BRAND AUXILIARY PUMP)



## SECTION 6 - HYDRAULIC

**FIGURE 6-4. STANDARD HYDRAULIC DIAGRAM (WITH FENNER AND HALDEX BRAND AUXILIARY PUMP)**

ITEM	PART NUMBER	QTY	DESCRIPTION	REV
		Ref	<b>STANDARD HYDRAULIC DIAGRAM</b>	
	2792365	Ref	<b>Standard Hydraulic Diagram 800A</b>	9-H
	2792366	Ref	<b>Standard Hydraulic Diagram 800AJ</b>	11-K
1	2220381	2	Fitting, Straight	
2	2220415	AR	Fitting, Straight	
3	2753199	1	Hose	
4	2220373	6	Fitting, Straight	
5	2220500	3	Fitting, Elbow	
6	2220947	1	Fitting, Straight	
7	2220376	1	Fitting, Straight	
8	2220593	2	Fitting, Straight	
9	2220371	AR	Fitting, Straight	
10	2220873	4	Fitting, Straight	
11	2220428	AR	Fitting, Quick Disconnect	
12	2220429	AR	Fitting, Dust Cap	
13	2220502	1	Fitting, Elbow	
14	2220737	1	Split Flange Kit #24	
15	2220478	1	Split Flange Kit #16	
16	2220451	1	Fitting, Straight	
17	2752453	1	Hose	
18	2753200	1	Hose	
19	2220466	AR	Fitting, Elbow	
20	2220582	AR	Fitting, Straight	
21	2220473	AR	Fitting, Elbow	
22	2220602	1	Fitting, Tee	
23	2220999	2	Fitting, Tee	
24	2220619	1	Fitting, Reducer	
25	2220605	2	Fitting, Tee	
27	2220765	1	Fitting, Straight	
28	2220379	1	Fitting, Straight	
29	2220574	1	Fitting, Straight	
30	2220596	AR	Fitting, Elbow	
31	2220385	1	Fitting, Tee	
32	2220618	1	Fitting, Reducer	
33	2220654	1	Fitting, Elbow <b>(Prior to SN 0300048538)</b>	
34	2220852	3	Fitting, Straight	
35	2753197	1	Hose	
36	2753196	1	Hose	
37	2220490	2	Fitting, Tee	
38	4567139	1	Tube	
39	0100020	AR	Sealant, Pipe	
40	2753216	1	Hose	
41	2753195	1	Hose	
42	2753231	1	Hose	
43	2753010	2	Hose	
44	2752468	1	Hose	
45	2752721	1	Hose	
46	2752438	1	Hose	
47	2753192	1	Hose	

## SECTION 6 - HYDRAULIC

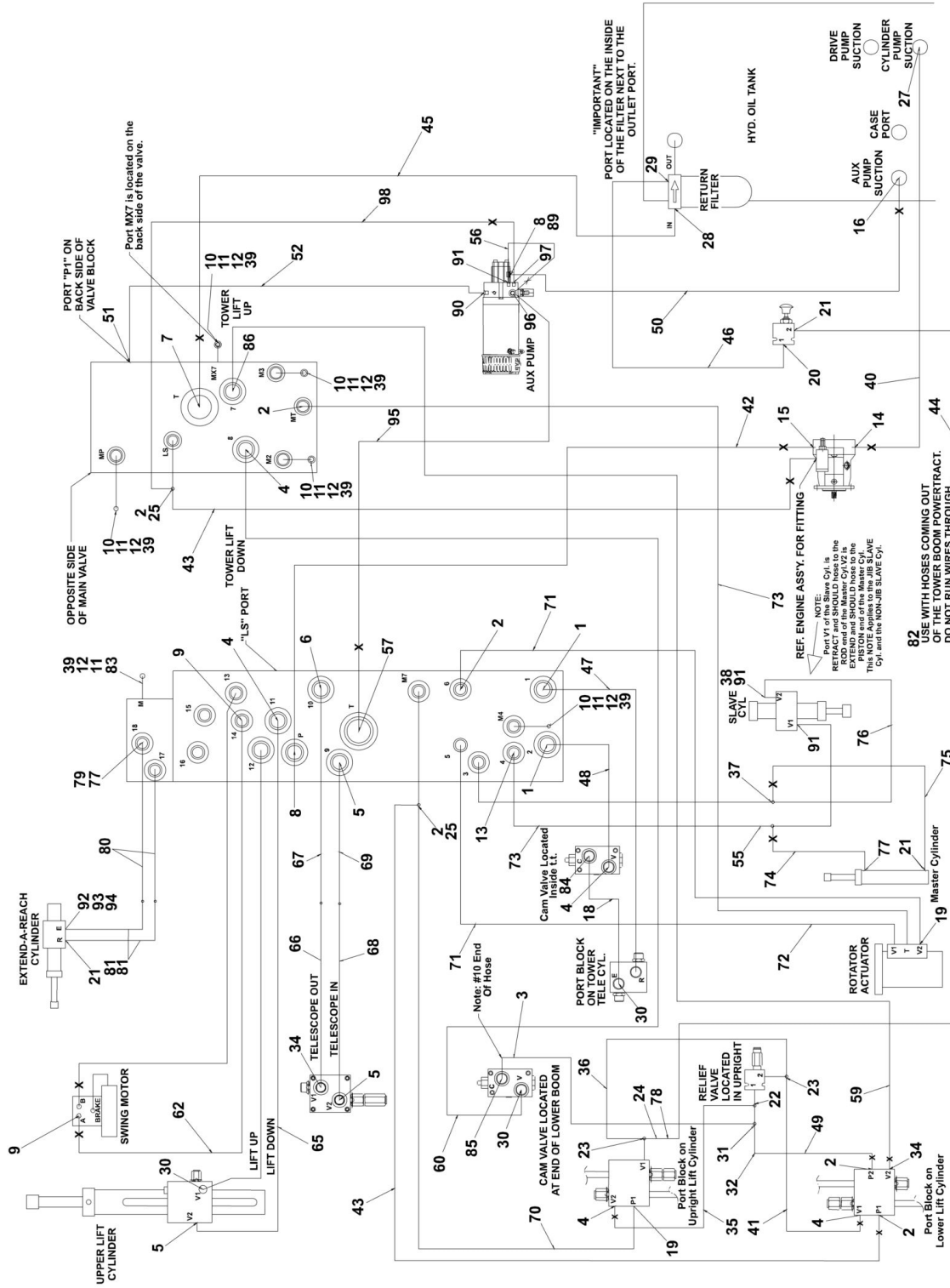
ITEM	PART NUMBER	QTY	DESCRIPTION	REV
48	2752494	1	Hose	
49	2753008	1	Hose	
50	2752674	1	Hose	
51	4640780	1	Fitting, Check Valve	
52	2753118	1	Hose	
53	2220775	1	Fitting, Elbow	
54	2220635	1	Fitting, Tee	
55	2220609	2	Fitting, Reducer	
56	2752463	1	Hose	
57	2220577	1	Fitting, Straight	
58	2753122	1	Hose	
59	2752768	1	Hose	
60	2752930	1	Hose	
62	2752462	2	Hose	
63	2220497	2	Fitting, Straight <b>(Prior to SN 0300068040)</b>	
64	2752573	AR	Hose <b>(Prior to SN 0300068040)</b>	
65	2753189	2	Hose	
66	2752767	1	Hose	
67	2752766	1	Hose	
68	2753190	1	Hose	
69	2753191	1	Hose	
70	2752978	1	Hose	
71	2752585	2	Hose	
72		Ref	Hose Options:	
72	2753009	3	Hose 800A	
72	2753006	3	Hose 800AJ	
73	2753007	3	Hose	
74	2753124	1	Hose	
75	2753125	1	Hose	
76		Ref	Hose Options:	
76	2753129	2	Hose 800A	
76	2753126	2	Hose 800AJ	
77	2220501	AR	Fitting, Elbow	
78	4567757	1	Tube	
79		Ref	Fitting, Reducer Options:	
79	Not Required	0	Fitting, Reducer 800A	
79	2220591	2	Fitting, Reducer 800AJ	
80		Ref	Hose Options:	
80	Not Required	0	Hose 800A	
80	2753123	2	Hose 800AJ	
81		Ref	Hose Options:	
81	Not Required	0	Hose 800A	
81	2753128	2	Hose 800AJ	
82	4100062	2	Protection, Nylon Hose (24in/61cm)	
83		Ref	Fitting Options: (800AJ Only)	
83	2220414	1	Fitting <b>(Prior to SN 0300053556)</b>	
83	2220873	1	Fitting <b>(SN 0300053556 through 0300069000)</b>	
84	2220947	1	Fitting, Straight	
85	2221036	1	Fitting, Elbow	
86	2220950	1	Fitting, Elbow <b>(SN 0300067447 through 0300069000)</b>	
92	2180724	1	Fitting, Modified	

## SECTION 6 - HYDRAULIC

ITEM	PART NUMBER	QTY	DESCRIPTION	REV
93	2180380	1	Fitting, Orifice	
94	0100019	AR	Compound, Locking	

# SECTION 6 - HYDRAULIC

## FIGURE 6-5. STANDARD HYDRAULIC DIAGRAM (WITH BUCHER BRAND AUXILIARY PUMP)



## SECTION 6 - HYDRAULIC

**FIGURE 6-5. STANDARD HYDRAULIC DIAGRAM (WITH BUCHER BRAND AUXILIARY PUMP)**

ITEM	PART NUMBER	QTY	DESCRIPTION	REV
		Ref	<b>STANDARD HYDRAULIC DIAGRAM</b>	
	1001143187	Ref	<b>Standard Hydraulic Diagram 800A</b>	A
	1001143188	Ref	<b>Standard Hydraulic Diagram 800AJ</b>	A
1	2220381	2	Fitting, Straight	
2	2220415	8	Fitting, Straight	
3	2753199	1	Hose	
4	2220373	6	Fitting, Straight	
5	2220500	3	Fitting, Elbow	
6	2220947	1	Fitting, Straight	
7	2220376	1	Fitting, Straight	
8	2220593	2	Fitting, Straight	
9	2220371	4	Fitting, Straight	
10	2220873	5	Fitting, Straight	
11	2220428	AR	Fitting, Quick Disconnect	
12	2220429	AR	Fitting, Dust Cap	
13	2220502	1	Fitting, Elbow	
14	2220737	1	Split Flange Kit #24	
15	2220478	1	Split Flange Kit #16	
16	2220451	1	Fitting, Straight	
18	2753200	1	Hose	
19	2220466	4	Fitting, Elbow	
20	2220582	1	Fitting, Straight	
21	2220473	AR	Fitting, Elbow	
22	2220602	1	Fitting, Tee	
23	2220999	2	Fitting, Tee	
24	2220619	1	Fitting, Reducer	
25	2220605	2	Fitting, Tee	
27	2220765	1	Fitting, Straight	
28	2220379	1	Fitting, Straight	
29	2220574	1	Fitting, Straight	
30	2220596	4	Fitting, Elbow	
31	2220385	1	Fitting, Tee	
32	2220618	1	Fitting, Reducer	
34	2220852	2	Fitting, Straight	
35	2753197	1	Hose	
36	2753196	1	Hose	
37	2220490	2	Fitting, Tee	
38	4567139	1	Tube	
39	0100020	AR	Sealant, Pipe	
40	2753216	1	Hose	
41	2753195	1	Hose	
42	2753231	1	Hose	
43	2753010	2	Hose	
44	2752468	1	Hose	
45	2752721	1	Hose	
46	2752438	1	Hose	
47	2753192	1	Hose	
48	2752494	1	Hose	
49	2753008	1	Hose	
50	2752671	1	Hose	

## SECTION 6 - HYDRAULIC

ITEM	PART NUMBER	QTY	DESCRIPTION	REV
51	4640780	1	Fitting, Check Valve	
52	2753118	1	Hose	
55	2220609	2	Fitting, Reducer	
56	2752463	1	Hose	
57	2220577	1	Fitting, Straight	
59	2752768	1	Hose	
60	2752930	1	Hose	
62	2752462	2	Hose	
65	2753189	2	Hose	
66	2752767	1	Hose	
67	2752766	1	Hose	
68	2753190	1	Hose	
69	2753191	1	Hose	
70	2752978	1	Hose	
71	2752585	2	Hose	
72		Ref	Hose Options:	
72	2753009	3	Hose 800A	
72	2753006	3	Hose 800AJ	
73	2753007	3	Hose	
74	2753124	1	Hose	
75	2753125	1	Hose	
76		Ref	Hose Options:	
76	2753129	2	Hose 800A	
76	2753126	2	Hose 800AJ	
77	2220501	1	Fitting, Elbow	
78	4567757	1	Tube	
79		Ref	Fitting, Reducer Options:	
79	Not Required	0	Fitting, Reducer 800A	
79	2220591	2	Fitting, Reducer 800AJ	
80		Ref	Hose Options:	
80	Not Required	0	Hose 800A	
80	2753123	2	Hose 800AJ	
81		Ref	Hose Options:	
81	Not Required	0	Hose 800A	
81	2753128	2	Hose 800AJ	
82	4100062	4	Protection, Nylon Hose (24in/61cm per piece)	
83	2220873	1	Fitting (800AJ Only)	
84	2220947	1	Fitting, Straight	
85	2221036	1	Fitting, Elbow	
86	2220950	1	Fitting, Elbow	
89	2220655	1	Fitting, Elbow	
90	2220501	1	Fitting	
91	2220603	3	Fitting, Straight	
92		Ref	Fitting, Modified Options:	
92	Not Required	0	Fitting, Modified 800A	
92	2180724	1	Fitting, Modified 800AJ	
93		Ref	Fitting, Orifice Options:	
93	Not Required	0	Fitting, Orifice 800A	
93	2180380	1	Fitting, Orifice 800AJ	
94	0100019	AR	Compound, Locking	
95	1001109690	1	Hose	



## SECTION 6 - HYDRAULIC

ITEM	PART NUMBER	QTY	DESCRIPTION	REV
96	2220606	1	Fitting, Tee	
97	2220923	1	Fitting, Straight	
98	1001143192	1	Hose	
		Ref	Hose Kit Options:	
		Ref	Hose Kit 800A	
	2902456	1	Hose Kit (Includes Items 72 & 76)	
	2902457	1	Hose Kit (Includes Items 3, 35, 36, 41, 44, 49, 60, 65, 67, 69, 70, 71 & 73)	
		Ref	Hose Kit 800AJ	
	2902459	1	Hose Kit (Includes Items 72, 76 & 81)	
	2902457	1	Hose Kit (Includes Items 3, 35, 36, 41, 44, 49, 60, 65, 67, 69, 70, 71 & 73)	

## SECTION 6 - HYDRAULIC

FIGURE 6-6. HYDRAULIC DIAGRAM LIST

ITEM	PART NUMBER	QTY	DESCRIPTION	REV
		Ref	<b>Note: Diagrams not shown is available from JLG Service/Parts Departments.</b>	
	2792367	Ref	<b>Axle Lockout Hydraulic Diagram</b>	
		Ref	<b>Drive Hydraulic Diagrams:</b>	
	2792362	Ref	Drive Hydraulic Diagram 2WD/2WS Machines	
	2792363	Ref	Drive Hydraulic Diagram 4WD/2WS Machines	
	2792364	Ref	Drive Hydraulic Diagram 4WD/4WS Machines	
		Ref	<b>Standard Hydraulic Diagrams:</b>	
	2792365	Ref	Standard Hydraulic Diagrams 800A (Haldex Brand Auxiliary Pump)	
	1001143187	Ref	Standard Hydraulic Diagrams 800A (Bucher Brand Auxiliary Pump)	
	2792366	Ref	Standard Hydraulic Diagrams 800AJ (Haldex Brand Auxiliary Pump)	
	1001143188	Ref	Standard Hydraulic Diagrams 800AJ (Bucher Brand Auxiliary Pump)	
	2792351	Ref	<b>Standard Hydraulic Schematic</b>	
		Ref	<b>Tilt Sensor Installation Options:</b>	
	1001091538	Ref	<b>Pre ADE System</b>	
	1001093187	Ref	<b>ADE System</b>	
	1001094557	1	Adapter, Pressure Tap	

**SECTION 7 - ELECTRICAL**

# SECTION 7 - ELECTRICAL

## FIGURE 7-1. ELECTRICAL DIAGRAM LIST

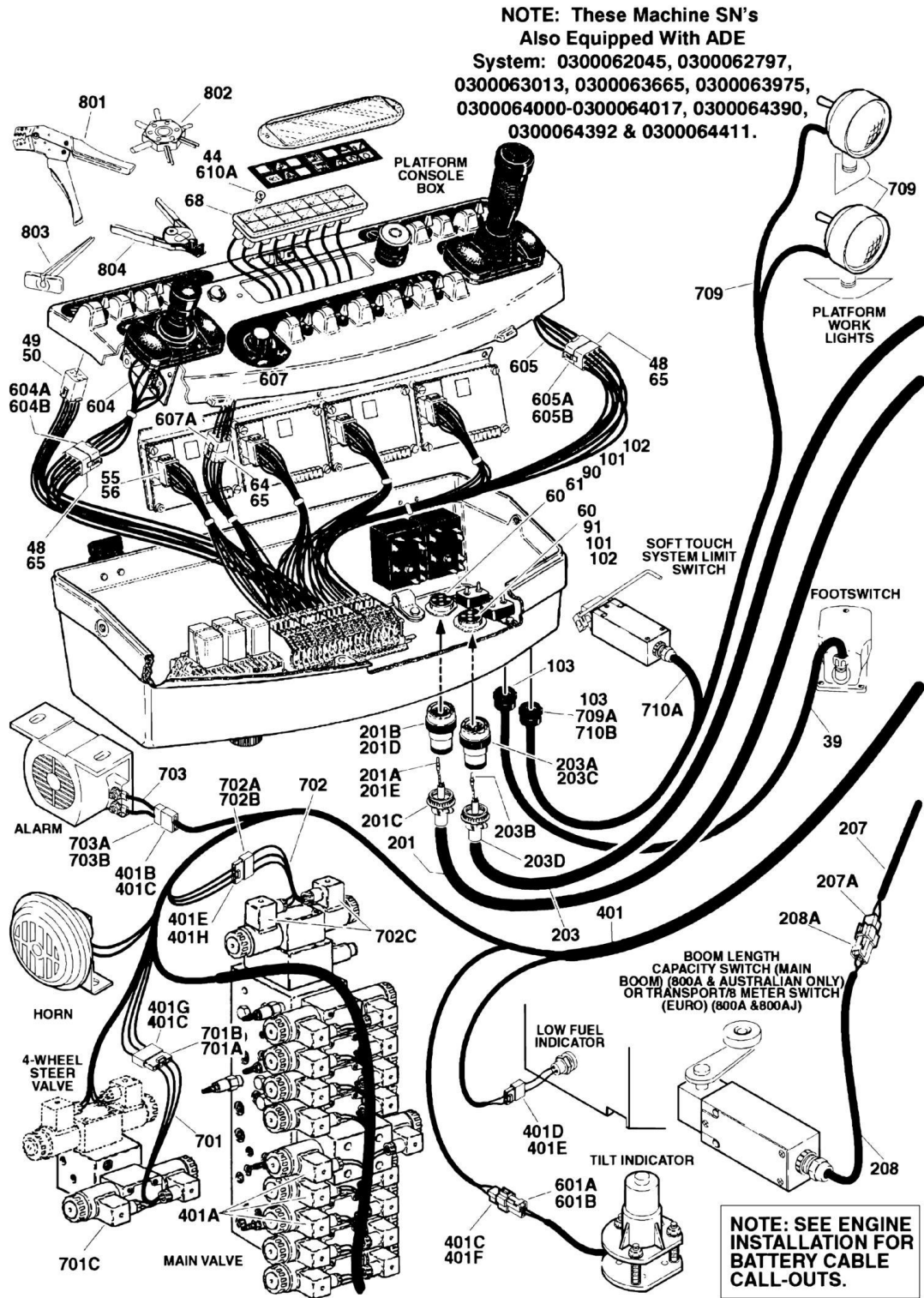
ITEM	PART NUMBER	QTY	DESCRIPTION	REV
		Ref	<b>Note: Diagrams not shown are available from the JLG Service Department. Schematics shown in the Service and Maintenance Manual.</b>	
		Ref	<b>NOTE: THESE MACHINE SN'S ALSO EQUIPPED WITH ADE SYSTEM: 0300062045, 0300062797, 0300063013, 0300063665, 0300063975, 0300064000-0300064017, 0300064390, 0300064392 &amp; 0300064411.</b>	
		Ref	<b>ALARM ELECTRICAL DIAGRAMS</b>	
	4933025	Ref	<b>Motion Alarm (Prior to SN 0300064432)</b>	1
	1282937	Ref	<b>Motion Alarm (Prior to SN 0300064432)</b>	A
	4933026	Ref	<b>Travel Alarm (Prior to SN 0300064432)</b>	1
	1282937	Ref	<b>Travel Alarm (Prior to SN 0300064432)</b>	A
	See Note	Ref	<b>Alarm (All) (Use Schematic 1870132) (SN 0300065634 through 0300069000)</b>	B
	1282571	Ref	<b>COLD WEATHER START ELECTRICAL DIAGRAM</b>	F
	4933307	Ref	<b>DRIVE/STEER CUT-OUT ELECTRICAL DIAGRAMS</b>	A
	4932986	Ref	<b>ENGINE SHUTDOWN ELECTRICAL DIAGRAM (DEUTZ ENGINE MACHINES OPTION)</b>	B
		Ref	<b>GENERATOR ELECTRICAL DIAGRAMS</b>	
	4932915	Ref	<b>110Volt (Prior to SN 0300056098)</b>	1-A
	4933150	Ref	<b>110Volt (SN 0300056098 through 0300064431)</b>	2-B
	4933215	Ref	<b>110Volt (ADE SYSTEM) (SN 0300064432 through 0300069000)</b>	1-A
	4932989	Ref	<b>220 Volt (Prior to SN 0300056098)</b>	1-B
	4933149	Ref	<b>220 Volt (SN 0300056098 through 0300064431)</b>	2-B
	4933216	Ref	<b>220 Volt (ADE SYSTEM) (SN 0300064432 through 0300069000)</b>	1-A
		Ref	<b>GLOW PLUG DIAGRAM OPTIONS:</b>	
	4933175	Ref	<b>Glow Plug Diagram (Prior to SN 0300064432)</b>	A
	4933189	Ref	<b>Glow Plug Diagram (SN 0300064432 through 0300069000)</b>	A
		Ref	<b>Harness Options:</b>	
	4922542	1	<b>Harness (Prior to SN 0300064432)</b>	
	4922565	1	<b>Harness (SN 0300064432 through 0300069000)</b>	
		Ref	<b>LIGHTS ELECTRICAL DIAGRAMS</b>	
	4932917	Ref	<b>Headlight/Taillight (Prior to SN 0300064432)</b>	3-D
	4922095	1	<b>Harness (Located in Platform Console Box)</b>	
	3740049	1	<b>Relay</b>	
	4933199	Ref	<b>Headlight/Taillight (ADE System) (SN 0300064432 through 0300064007)</b>	A
	4922484	1	<b>Harness (Located in Ground Console Box)</b>	
	3740049	1	<b>Relay</b>	
	4933231	Ref	<b>Headlight/Taillight (ADE System) (SN 0300064432 through 0300069000)</b>	1-B
	4922643	1	<b>Harness (Located in Ground Console Box)</b>	
	3740049	1	<b>Relay</b>	
		Ref	<b>STROBE LIGHT OPTIONS:</b>	
	4933027	Ref	<b>Strobe Light (Prior to SN 0300064432)</b>	1
	1282937	Ref	<b>Strobe Light (Prior to SN 0300064432)</b>	A
	See Note	Ref	<b>Strobe Light (Use Schematic 1870132) (SN 0300065634 through 0300069000)</b>	B
	0256762	Ref	<b>OIL COOLER ELECTRICAL DIAGRAMS:</b>	3
	1282665	Ref	<b>OIL COOLER ELECTRICAL DIAGRAMS:</b>	C
		Ref	<b>PLATFORM LOAD SENSING DEVICE INSTALLATION</b>	

## SECTION 7 - ELECTRICAL

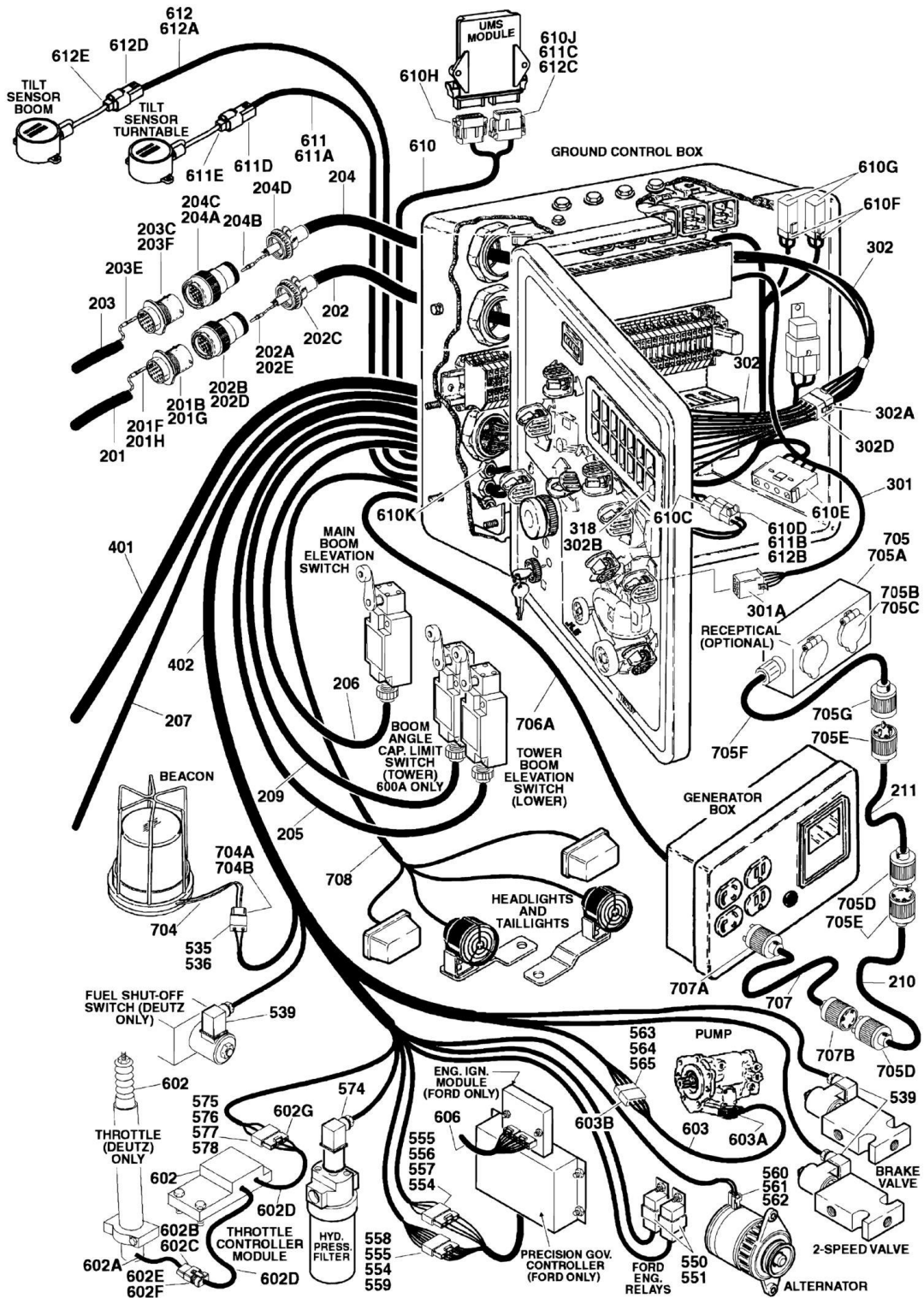
ITEM	PART NUMBER	QTY	DESCRIPTION	REV
			<b>(FRENCH SPEC) ELECTRICAL DIAGRAMS:</b>	
	4933006	Ref	Platform Load Sensing Device Installation (French Spec) Electrical Diagrams (Prior to SN 0300061481)	A
	0259233	Ref	Platform Load Sensing Device Installation (French Spec) Electrical Diagrams (SN 0300061481 through 0300064431)	C
	See Note	Ref	With ADE System (SN 0300064432 through 0300067882)	B
	4933265	Ref	With ADE System (SN 0300067883 through 0300069000)	A
		Ref	<b>PLATFORM ELECTRICAL DIAGRAMS:</b>	
	4922155	Ref	Platform Electrical Diagrams (Prior to SN 0300064432)	5-D
	4922639	Ref	With ADE System (SN 0300064432 through 0300069000)	3-C
	4932980	Ref	<b>PLATFORM SOFT TOUCH SYSTEM ELECTRICAL DIAGRAM (Prior to SN 0300064432)</b>	2-C
	3740057	1	Relay (Located in Platform Console Box)	
	4120012	1	Socket, Relay (Located in Platform Console Box)	
	3740066	1	Spring, Relay (Located in Platform Console Box)	
	3740049	1	Relay (Located in Platform Console Box)	
	4460600	1	Block, Terminal (Located in Platform Console Box)	
	4933218	Ref	<b>PLATFORM SOFT TOUCH SYSTEM ELECTRICAL DIAGRAM (WITH ADE SYSTEM) (SN 0300064432 through 0300069000)</b>	1-A
		Ref	<b>PLATFORM WORKLIGHTS ELECTRICAL DIAGRAMS:</b>	
	0258048	Ref	Platform Worklights Electrical Diagrams (Prior to SN 0300064432)	2-E
	0270814	Ref	With ADE System (SN 0300064432 through 0300069000)	2-C
		Ref	<b>STANDARD ELECTRICAL DIAGRAMS</b>	
	4932982	Ref	Deutz Machines (Prior to SN 0300064432)	5-F
	4933232	Ref	Deutz Engine (With ADE System) (SN 0300064432 through 0300069000)	3-C
		Ref	<b>STANDARD ELECTRICAL SCHEMATIC</b>	
	1870064	Ref	Deutz Machines (Prior to SN 0300064432)	G
	1870132	Ref	Deutz Machines (With ADE System) (SN 0300064432 through 0300069000)	M
		Ref	<b>NOTE: FOR SCHEMATIC P/N 1870132 SEE FIELD BULLETIN FSB107C2 FOR PLATFORM AND MTB WIRING.</b>	

# SECTION 7 - ELECTRICAL

FIGURE 7-2. HARNESS COMPONENTS INSTALLATION (Prior to SN 0300064432)



# SECTION 7 - ELECTRICAL



# SECTION 7 - ELECTRICAL

FIGURE 7-2. HARNESS COMPONENTS INSTALLATION (Prior to SN 0300064432)

ITEM	PART NUMBER	QTY	DESCRIPTION	REV
		Ref	<b>NOTE: THESE MACHINE SN'S ALSO EQUIPPED WITH ADE SYSTEM: 0300062045, 0300062797, 0300063013, 0300063665, 0300063975, 0300064000-0300064017, 0300064390, 0300064392 &amp; 0300064411.</b>	
		Ref	<b>HARNESS COMPONENTS INSTALLATION</b>	
		Ref	<b>PLATFORM BOX HARNESS ASSEMBLIES</b>	
		Ref	<b>(Note: Also includes terminal block/rail assembly and Bosch relays - See PLATFORM SECTION)</b>	
	4922155	Ref	<b>Australian Spec</b>	2-B
	4922137	Ref	<b>CE Spec</b>	2-B
39	1060012	7 ft/2.13m	Cable, Electrical - 12/4	
44	2920129	9	Bulb, Light	
48	4460265	2	Plug, Male - 9 Position	
49	4460418	9	Connector - 6 Position	
50	4460419	45	Terminal, Female	
55	4460720	4	Connector - 15 Position	
56	4460721	38	Socket, Female	
60	4460464	38	Pin, Male (16 Gauge)	
61	4460508	4	Pin, Male (12 Gauge)	
62	3990001	16	Diode - 3 Amp (Not Shown)	
64	4460225	1	Connector, Plug - 3 Position	
65	4460267	22	Pin, Male	
66	3990010	9	Diode - 6 Amp (Not Shown)	
68	4120035	9	Base, Light	
90	4460613	1	Connector - 21 Position	
91	4460503	1	Connector - 31 Position	
		Ref	<b>PLATFORM BOX ASSEMBLY COMPONENTS</b>	
101	4460470	2	Nut, Conduit	
102	4460471	2	Washer	
103	4460428	2	Connector, Strain Relief	
		Ref	<b>BOOM CABLES INSTALLATION</b>	
	0258656	Ref	<b>Boom Cables Installation 800A</b>	C
	0258658	Ref	<b>Boom Cables Installation 800AJ</b>	5
201		Ref	Harness Assembly - Main Boom (10/4-18/16) Options:	
201	4922130	1	Harness Assembly - Main Boom (10/4-18/16) 800A	
201	4922180	1	Harness Assembly - Main Boom (10/4-18/16) 800AJ	
201	1060676	AR	Cable, Electrical - 10/4-18/16	
201A	4460465	16	Socket, Female	
201B	4460466	2	Seal, Plug	
201C	4460473	1	Clamp. Cable	
201D	4460614	1	Connector - 21 Position	
201E	4460509	4	Socket, Female	
201F	4460464	16	Pin, Male (16 Gauge)	
201G	4460613	1	Connector - 21 Position	
201H	4460508	4	Pin, Male (12 Gauge)	
202	4922131	1	Harness Assembly - Tower Boom (10/4-18/16)	
202	1060676	47 ft /14.3m	Cable, Electrical - 10/4-18/16	
202A	4460465	16	Socket, Female	
202B	4460466	1	Seal, Plug	
202C	4460473	1	Clamp. Cable	



## SECTION 7 - ELECTRICAL

ITEM	PART NUMBER	QTY	DESCRIPTION	REV
202D	4460614	1	Connector - 21 Position	
202E	4460509	4	Socket, Female	
203		Ref	Harness Assembly - Main Boom (16/30) Options:	
203	4922169	1	Harness Assembly - Main Boom (16/30) 800A	
203	1060516	67 ft /20.4m	Cable, Electrical - 16/30	
203	4922181	1	Harness Assembly - Main Boom (16/30) 800AJ	
203	1060516	64 ft /19.5m	Cable, Electrical - 16/30	
203A	4460502	1	Connector - 31 Position	
203B	4460465	30	Socket, Female	
203C	4460466	2	Seal, Plug	
203D	4460473	1	Clamp, Cable	
203E	4460464	30	Pin, Male (16 Gauge)	
203F	4460503	1	Connector - 31 Position	
204	4922170	1	Harness Assembly - Tower Boom (16/30)	
204	1060516	47 ft /14.3m	Cable, Electrical - 16/30	
204A	4460502	1	Connector - 31 Position	
204B	4460465	30	Socket, Female	
204C	4460466	1	Seal, Plug	
204D	4460473	1	Clamp, Cable	
205	4922171	1	Harness Assembly - Tower Boom (16/3)	
206	4922172	1	Harness Assembly - Main Boom (16/3)	
207	4922173	1	Harness Assembly - Tower Boom (16/3) (800A Only)	
207A	4460465	3	Socket, Female	
207A	4460539	1	Connector, Terminal - 3 Position	
208	4922174	1	Harness Assembly - Main Boom (16/3) (800A Only)	
208A	4460464	3	Pin, Male	
208A	4460536	1	Plug, Terminal - 3 Position	
209	Not Required	0	Harness Assembly (16/3) (800A Only)	
210	4922220	1	Harness Assembly - Tower Boom (10/3)	
211		Ref	Harness Assembly - Main Boom (10/3) Options:	
211	4922218	1	Harness Assembly - Main Boom (10/3) 800A	
211	4922219	1	Harness Assembly - Main Boom (10/3) 800AJ	
212		Ref	Clamp, Block (Not Shown-Located on back of T/T) Options:	
212	1320256	1	Clamp, Block (Not Shown-Located on back of T/T) <b>(Prior to SN 0300047993)</b>	
212	0561367	1	Clamp, Block (Not Shown-Located on back of T/T) <b>(SN 0300047993 through 0300048725)</b>	
212	1320256	1	Clamp, Block (Not Shown-Located on back of T/T) <b>(SN 0300048726 through 0300064432)</b>	
		Ref	<b>GROUND CONTROL BOX DIAGRAMS</b>	
	4932982	Ref	<b>DEUTZ ENGINE MACHINES</b>	5-E
301	4922146	1	Harness Assembly - Ground Control Box	3-B
301	3730099	2	Resistor Adjustable (Not Shown)	
301A	4460418	9	Connector - 6 Position	
301A	4460419	47	Terminal, Female	
302		Ref	Harness Assembly - Light Panel	
302	4922145	1	Harness Assembly - Light Panel <b>(Prior to SN 0300048538)</b>	2-B
302	4922311	1	Harness Assembly - Light Panel <b>(SN 0300048538 through 0300064432)</b>	3-C
302	3730023	1	Resistor 510 Ohm 1/2 Watt (Not Shown)	

## SECTION 7 - ELECTRICAL

ITEM	PART NUMBER	QTY	DESCRIPTION	REV
302	3990001	4	Diode 3 Amp (Not Shown)	
302A	4460266	1	Connector, Female - 9 Position	
302A	4460268	9	Socket, Female	
302B	4120035	5	Base, Light	
302B	4460634	6	Terminal (Single Wire)	
302B	4460635	4	Terminal (Double Wire)	
302C	4460267	7	Pin, Male	
302C	4460265	1	Plug, Male - 9 Position	
303		Ref	Sub-Harness - Start Options (Not Shown):	
303	4922008	1	Sub-Harness - Start ( <b>Prior to SN 0300056439</b> )	
303	4922473	1	Sub-Harness - Start ( <b>SN 0300056439 through 0300064432</b> )	
312	3990010	9	Diode 6 Amp (Not Shown)	
317	3730099	2	Resistor 750 Ohm (Not Shown)	
318	2920129	7	Bulb, Light	
		Ref	<b>GROUND CONTROL BOX ASSEMBLY COMPONENTS</b>	
401	4922046	1	Valve Harness Assembly	2-D
401A	4460499	19	DIN Connector with Diode	
401B	4460320	1	Plug, Male - 2 Position	
401C	4460267	11	Pin, Male	
401D	4460424	1	Receptacle, Female - 2 Position	
401E	4460268	5	Socket, Female	
401F	4460225	1	Housing, Terminal - 6 Position	
401G	4460445	1	Receptacle, Female - 3 Position	
401H	4460449	1	DIN Connector without Diode	
402	4922077	1	Engine Harness Assembly (See Items 501-578 for Breakdown)	
	4922077	Ref	<b>ENGINE HARNESS ASSEMBLY - DEUTZ ENGINE MACHINES</b>	5-F
528	4460268	11	Socket, Female	
529	4460267	12	Pin, Male	
535	4460424	1	Receptacle, Female - 2 Position	
536	4460268	2	Socket, Female	
539	4460499	3	DIN Connector with Diode	
545	4460445	1	Housing, Terminal - 3 Position	
547	4460265	1	Plug, Male - 9 Position	
548	4460266	1	Connector, Female - 9 Position	
549 to 562	Not Required	0	Not Required	
563	4460460	1	Connector, Male - 4 Position	
564	4460457	4	Terminal, Female	
565	4460458	4	Seal, Terminal	
574	4460449	1	DIN Connector without Diode	
575	4460777	1	Plug, Male - 4 Position	
576	4460591	1	Lock, Terminal	
577	4460589	3	Socket, Female	
578	4460608	3	Seal, Terminal	
		Ref	<b>STANDARD HARNESS COMPONENTS</b>	
601	See Note	1	Tilt Indicator Harness (Note: Not Available for Purchase)	
601A	4460268	6	Socket, Female	
601B	4460224	1	Connector, Female - 6 Position	
602	See Note	1	Throttle Actuator/Controller Harness (Deutz and Isuzu) (Note: Not available for purchase)	
602	0060033	NLA	Throttle Actuator and Controller Assembly (Use p/n 2910000)	
602	7008833	1	Mounting Clamp Kit (Not Shown)	
602	7008836	1	Spring, Retract (Not Shown)	

## SECTION 7 - ELECTRICAL

ITEM	PART NUMBER	QTY	DESCRIPTION	REV
602A	2910000	1	Throttle Actuator and Harness (Note: Not Available for Purchase)	
602A	7016336	1	Boot Kit	
602B	See Note	9	Pin, Male (Note: Not Available for Purchase)	
602C	See Note	1	Connector, Male (Note: Not Available for Purchase)	
602D	2910001	NLA	Controller and Harnesses (Use p/n 2910000)	
602E	See Note	9	Socket, Female (Note: Not Available for Purchase)	
602F	See Note	1	Connector, (Note: Not Available for Purchase)	
602G	See Note	1	Plug, Male - 4 Position (Note: Not Available for Purchase)	
602G	4460693	4	Pin, Male	
602G	4460591	1	Clip	
602G	4460608	4	Seal, Terminal	
603	See Note	1	Pump Harness (Note: Not Available for Purchase)	
603A	See Note	1	Plug (Pump End) (Note: Not Available for Purchase)	
603B	See Note	1	Plug (Engine Harness End) (Note: Not Available for Purchase)	
604	See Note	1	Controller Harness Assembly (Lift and Swing) (Note: Not Available for Purchase)	
604A	4460266	1	Connector, Female - 9 Position	
604B	4460268	9	Socket, Female	
605	See Note	1	Controller Harness/Circuit Board Assembly (Drive and Steer) (Note: Not Available for Purchase)	
605A	4460266	1	Connector, Female - 9 Position	
605B	4460268	9	Socket, Female	
606	See Note	1	Engine Harness (Note: Not Available for Purchase)	
607	See Note	1	Speed Controller Harness Assembly (Note: Not Available for Purchase)	
607A	4460224	1	Connector, Female - 6 Position	
607A	4460268	6	Socket, Female	
610	1001091941	1	Tilt Harness (MTB Control Box)	D
610A	2920129	1	Bulb	
610B	3990001	2	Diode, 3 AMP (Not Shown)	
610C	4460897	1	Plug, Terminal - 2 Position	
610C	4460464	2	Pin, Male (16 Gauge)	
610D	4460891	1	Connector, Terminal - 2 Position	
610E	4460761	1	Connector, Female - 4 Position	
610E	4460227	4	Pin, Male	
610F	4460894	2	Plug, Terminal - 6 Position	
610F	4460465	8	Socket, Female	
610G	4460892	2	Terminal, Buss Connector - 6 Position	
610H	4460909	1	Connector - 12 Position (Black)	
610H	4460915	1	Wedge Lock - 12 Position	
610H	4460928	9	Socket, Female	
610H	4460466	3	Terminal, Sealing Plug	
610J	4460908	1	Connector - 12 Position (Gray)	
610J	4460915	1	Wedge Lock - 12 Position	
610J	4460928	2	Socket, Female	
610J	4460466	10	Terminal, Sealing Plug	
610K	4460526	1	Connector, Strain Relief	
611	1001094791	1	Tilt Sensor Harness (Turntable)	C
611A	1001097957	8 ft/2.4m	Cable, Electrical 16/4	
611B	4460465	2	Socket, Female	
611C	4460928	1	Socket, Female	

## SECTION 7 - ELECTRICAL

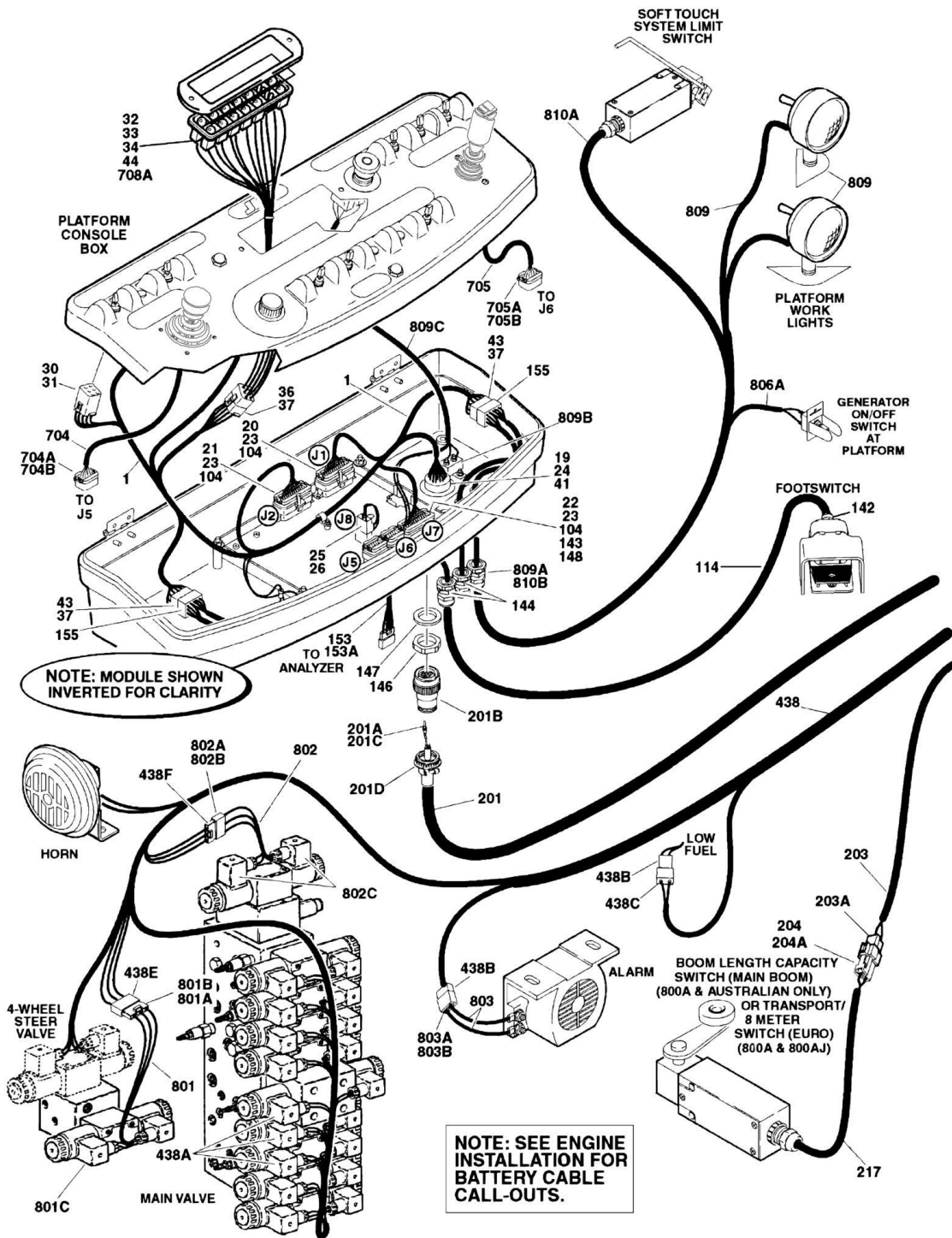
ITEM	PART NUMBER	QTY	DESCRIPTION	REV
611D	4461076	1	Connector - 4 Position (With Wedge Lock and Seal)	
611D	4460917	4	Pin, Male (Gold)	
611E	4461077	1	Terminal, Plug - 4 Position	
611E	4460918	4	Socket, Female (Gold)	
612	1001091778	1	Tilt Sensor Harness (Boom)	E
612A	1001097957	8 ft/2.4m	Cable, Electrical 16/4	
612B	4460465	2	Socket, Female	
612C	4460928	1	Socket, Female	
612D	4461076	1	Connector - 4 Position (With Wedge Lock and Seal)	
612D	70002546	4	Pin, Male (Gold)	
612E	1001094400	1	Tilt Sensor Harness (Boom) (Includes Sensor)	C
612E	4461077	1	Terminal, Plug - 4 Position	
612E	4460918	4	Socket, Female (Gold)	
		Ref	<b>OPTIONAL HARNESS COMPONENTS</b>	
701	4921928	1	4WS Valve Harness	3-D
701A	4460268	3	Socket, Female	
701B	4460445	1	Connector, Female - 3 Position	
701C	4460499	2	Connector, DIN with Diode	
702	4921927	1	Jib Valve Harness (800AJ Only)	
702A	4460326	1	Plug, Male - 3 Position	
702B	4460267	3	Pin, Male	
702C	4460499	2	Connector, DIN with Diode	
703	See Note	1	Alarm Harness (Note: Not Available for Purchase)	
703A	4460424	1	Plug, Male - 2 Position	
703B	4460268	2	Socket, Female	
704	See Note	1	Strobe Light Harness (Note: Not Available for Purchase)	
704A	4460320	1	Connector, Female - 2 Position	
704B	4460267	2	Pin, Male	
705	0256202	Ref	AC to Platform Receptacle Components	5
705A	Not Required	0	Box, Switch	
705B	Not Required	0	Receptacle	
705C	Not Required	0	Shield, Cover	
705D	Not Required	0	Plug, Male	
705E	4460710	1	Connector, Female	
705F	4921820	1	Harness-Receptacle Box to Boom <b>(Prior to SN 0300065566)</b>	
705F	1060461	30 in /76cm	Cable, Electrical - 12/3	
705G	4460709	1	Plug, Male	
706		Ref	Generator Electrical Components	
706	4932915	Ref	110V <b>(Prior to SN 0300056098)</b>	1-A
706	4933150	Ref	110V <b>(SN 0300056098 through 0300064432)</b>	2-B
706	4932989	Ref	220V <b>(Prior to SN 0300056098)</b>	1-A
706	4933149	Ref	220V <b>(SN 0300056098 through 0300064432)</b>	2-B
706	3990010	1	Diode - 6 Amp (Not Shown)	
706A	4921938	1	Harness - On/Off Switch (Powermite Control Box to Ground Control Box)	
707	4921829	1	Generator to Rear of Boom Harness (110V)	
707	4921955	1	Generator to Rear of Boom Harness (220V)	
		Ref	<b>Note: Harness used to connect AC at platform harness to generator receptacle to power platform receptacle.</b>	
707	1060494	26 ft/8m	Cable, Electrical - 12/3	
707A	4460205	1	Plug, Male (110V)	

## SECTION 7 - ELECTRICAL

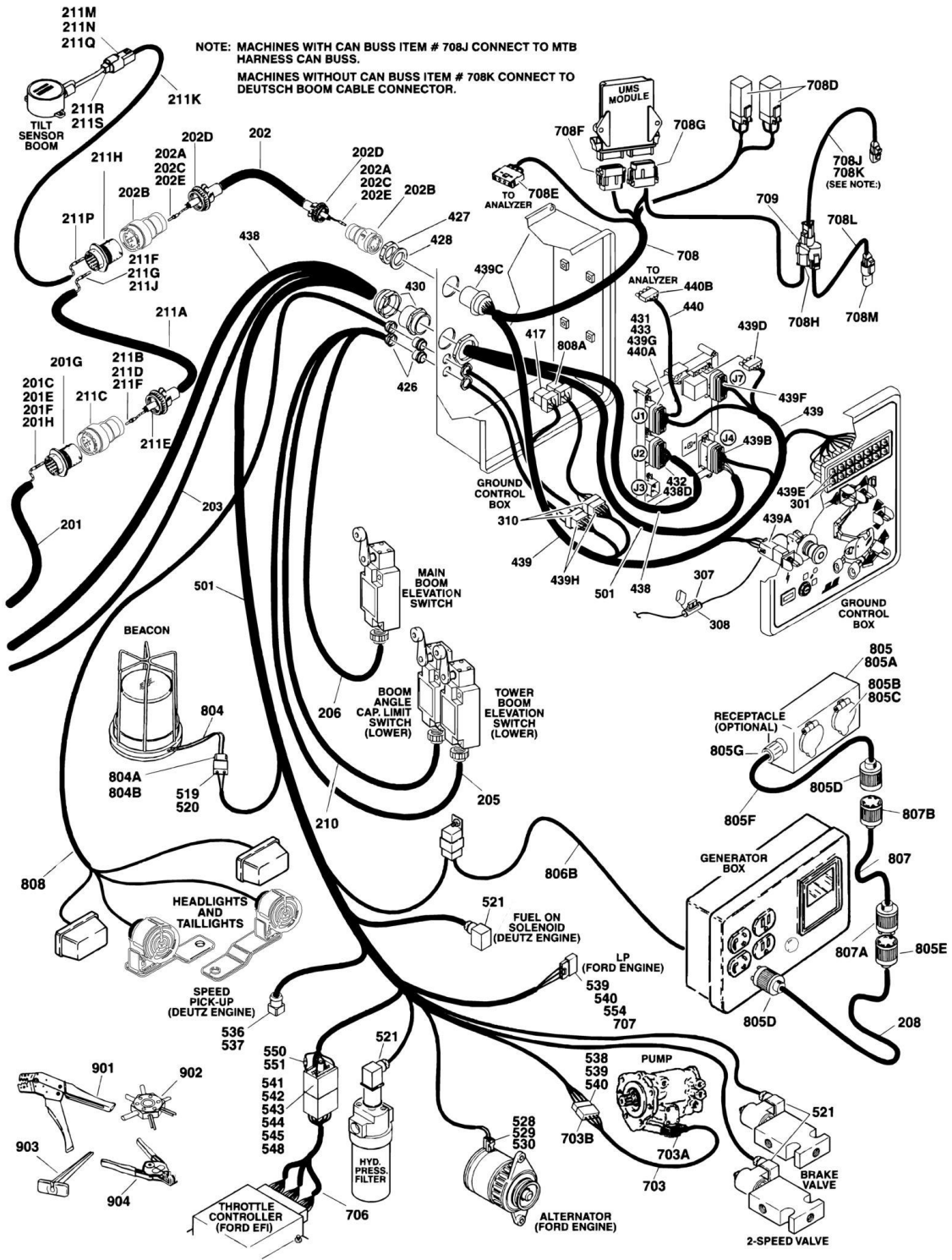
ITEM	PART NUMBER	QTY	DESCRIPTION	REV
707A	4460233	1	Plug, Male (220V)	
707B	4460134	1	Receptacle, Female (110V)	
707B	4460701	1	Receptacle, Female (220V)	
708	See Note	1	Lights Harness (Note: Not Available for Purchase)	
708	1060341	37 ft /11.3m	Cable, Electrical - 16/2	
709	2920140	2	Platform Worklights Harness (Includes Light and Wire Only)	
709	2820035	9 ft/2.8m	Loom, Vinyl	
709A	4460598	1	Connector, Strain Relief	
709A	4460442	2	Terminal (Not Shown-Located in Platform Console)	
710	See Note	1	SoftTouch System Harness (Note: Not Available for Purchase)	
710A	1060341	16 ft/4.9m	Cable, Electrical - 16/3	
710B	4460425	1	Connector, Strain Relief	
		Ref	<b>TOOLS</b>	
801	7002821	1	Crimper (For Wire to Pin/Socket Connections)	
802	7002823	1	Extractor (For Removal of Pin/Socket from Connectors)	
803	4460467	1	Extractor, Pin (Blue 16-18 Gauge) (For Removal of Pin/Socket from Connectors)	
803	4460510	1	Extractor, Pin (Yellow 12-14 Gauge) (For Removal of Pin/Socket from Connectors)	
804	7002828	1	Stripper, Wire	

# SECTION 7 - ELECTRICAL

FIGURE 7-3. HARNESS COMPONENTS INSTALLATION (WITH ADE SYSTEM) (SN 0300064432 through 0300069000)



# SECTION 7 - ELECTRICAL



## SECTION 7 - ELECTRICAL

**FIGURE 7-3. HARNESS COMPONENTS INSTALLATION (WITH ADE SYSTEM) (SN 0300064432 through 0300069000)**

ITEM	PART NUMBER	QTY	DESCRIPTION	REV
	4922639	Ref	<b>PLATFORM BOX HARNESS ASSEMBLY</b>	3-C
1	4922639	1	Harness, Console Box	
19	4460866	1	Connector - 19 Position	
20	4460874	1	Connector - 35 Position (Natural)	
21	4460875	1	Connector - 35 Position (Gray)	
22	4460873	1	Connector - 35 Position (Black)	
23	4460871	70	Socket, Female	
24	4460464	7	Pin, Male (16 Gauge)	
25	4460879	1	Terminal, Housing 2 Position	
26	4460887	2	Terminal, (12 Gauge)	
30	4460418	8	Connector - 6 Position	
31	4460419	24	Terminal, Female	
32	4120035	12	Base, Light	
33	4460634	12	Terminal, (16 Gauge)	
34	4460635	12	Terminal, (12 Gauge)	
36	4460225	1	Connector - 6 Position	
37	4460227	28	Pin	
41	4460508	3	Pin, Male (12 Gauge)	
43	4460434	2	Plug, 15 Position Mate-N-Loc	
44	2920129	12	Lamp, Indicator	
		Ref	<b>PLATFORM BOX ASSEMBLY COMPONENTS</b>	
104	0100048	AR	Grease, Dielectric	
114	1060918	8 ft/2.4m	Cable, Electrical - 18/3	
142	4460071	1	Connector, Strain Relief	
143	4460226	2	Socket, Female	
144	4460428	2	Connector, Strain Relief	
146	4460470	1	Nut, Terminal	
147	4460471	1	Lockwasher, Terminal	
148	4460905	5	Seal, Plug	
153	4460226	4	Socket, Female (Not Shown - Located at J2)	
153A	4460761	1	Connector, Female - 4 Position	
153A	4460227	4	Pin, Male	
155	4460708	2	Terminal, 15 Pin Mate-N-Loc	
		Ref	<b>BOOM CABLES INSTALLATION</b>	
	0271375	Ref	<b>Boom Cables Installation 800A</b>	B
	0271377	Ref	<b>Boom Cables Installation 800AJ</b>	2
	0272430	Ref	<b>Boom Cables Installation 800A (With 7500W Generator) (SkyPower)</b>	A
	0272432	Ref	<b>Boom Cables Installation 800AJ (With 7500W Generator) (SkyPower)</b>	1
201		Ref	Harness Assembly - Main Boom (12/4 -18/8) Options:	
201	4922575	1	Harness Assembly - Main Boom 800A	
201	4922582	1	Harness Assembly - Main Boom 800AJ	
201	1060896	AR	Cable, Electrical - 4 #12 AWG, 8 #18 AWG & 1 STP #18 AWG	
201A	4460465	11	Socket, Female	
201B	4460865	1	Connector - 19 Position	
201C	4460509	4	Socket, Female	
201D	4460473	1	Clamp, Cable	
201E	4460466	8	Seal, Plug	



## SECTION 7 - ELECTRICAL

ITEM	PART NUMBER	QTY	DESCRIPTION	REV
201F	4460464	11	Pin, Male (16 Gauge)	C
201G	4460866	1	Connector - 19 Position	
201H	4460508	4	Pin, Male (12 Gauge)	
201J	4923613	1	Harness, Tilt Switch	
201K	1060978	2 ft/0.6m	Cable, Electrical 18/3	
201L	1001097051	1	Connector - 4 Position	
201M	1001097082	3	Pin, Male	
201N	4460464	3	Pin, Male (16 Gauge)	
201P	4460466	1	Seal, Plug	
201Q	4461077	1	Terminal, Plug - 4 Position	
201R	See Note	3	Socket, Female (Note: Not Available for Purchase)	
202	4922576	1	Harness Assembly - Tower Boom (12/4 - 18/8)	
202	1060896	44 ft /13.4m	Cable, Electrical - 4 #12 AWG, 8 #18 AWG & 1 STP #18 AWG	
202A	4460465	22	Socket, Female	
202B	4460865	2	Connector - 19 Position	
202C	4460509	8	Socket, Female	
202D	4460473	2	Clamp, Cable	
202E	4460466	8	Seal, Plug	
203	4922579	1	Harness Assembly - Tower Boom (18/2) (800A Only)	
203	1060902	47 ft /14.3m	Cable, Electrical - 18/2	
203A	4460465	2	Socket, Female	
203A	4460891	1	Connector, Terminal - 2 Position	
204	4922580	1	Harness Assembly - Main Boom (18/2) (800A Only)	
204	1060902	27 ft/8.2m	Cable, Electrical - 18/2	
204A	4460464	2	Pin, Male	
204A	4460897	1	Plug, Terminal - 2 Position	
205	4922577	1	Harness Assembly - Tower Boom (18/2)	
207		Ref	Harness Assembly - Main Boom (10/3) Options:	
207	4922218	1	Harness Assembly - Main Boom 800A	
207	4922219	1	Harness Assembly - Main Boom 800AJ	
207	4922773	1	Harness Assembly - Main Boom 800A (8/5) (With 7500W Generator) (SkyPower)	
207	4922775	1	Harness Assembly - Main Boom 800AJ (8/5) (With 7500W Generator) (SkyPower)	
208		Ref	Harness Assembly - Tower Boom Options:	
208	4922217	1	(10/3)	
208	4922774	1	(8/5) (With 7500W Generator) (SkyPower)	
209	1320256	1	Clamp, Block (Not Shown-Located on back of T/T)	
210	4922581	1	Harness Assembly (18/2) (800A Only)	
211	1001094470	1	Harness, Boom Cable Jumper	
211A	1060896	1 ft/0.3m	Cable, Electrical - 4 #12 AWG, 8 #18 AWG & 1 STP #18 AWG	
211B	4460465	11	Socket, Female	
211C	4460865	1	Connector - 19 Position	
211D	4460509	4	Socket, Female	
211E	4460473	1	Clamp, Cable	
211F	4460466	8	Seal, Plug	
211G	4460464	8	Pin, Male (16 Gauge)	
211H	4460866	1	Connector - 19 Position	
211J	4460508	4	Pin, Male (12 Gauge)	
211K	4923613	1	Harness, Tilt Switch	

## SECTION 7 - ELECTRICAL

ITEM	PART NUMBER	QTY	DESCRIPTION	REV
211L	1060978	2 ft/0.6m	Cable, Electrical - 18/3	
211M	1001097051	1	Connector - 4 Position	
211N	1001097082	3	Pin, Male (Gold)	
211P	4460464	3	Pin, Male (16 Gauge)	
211Q	4460466	1	Seal, Plug	
211R	1001094400	1	Tilt Sensor Harness (Boom) (Includes Sensor)	C
211S	4461077	1	Terminal, Plug - 4 Position	
211S	See Note	3	Socket, Female (Note: Not Available for Purchase)	
217	4922578	1	Harness Assembly - Main Boom (18/2)	
	4933232	Ref	<b>GROUND CONTROL BOX DIAGRAM</b>	3-D
301	2920129	7	Bulb, Light	
307	2400065	1	Fuse, 30Amp	
308	2400066	1	Fuse, Holder	
310	4460708	2	Receptacle, Female - 15 Position	
310	4460226	16	Socket, Female	
310	4922637	1	Harness, Jumper (Not Shown)	
310	4922636	1	Harness, Jumper (Not Shown)	
		Ref	<b>GROUND CONTROL BOX COMPONENTS</b>	
417	3740049	1	Relay	
426	4460426	2	Connector, Strain Relief	
427	4460470	1	Nut, Terminal	
428	4460471	1	Lockwasher, Terminal	
430	4460526	1	Connector, Strain Relief	
431	4460874	1	Connector (Natural)	
432	4460875	1	Connector (Gray)	
433	4460905	4	Connector, Amp Seal Plug	
437	4922549	1	Deutz Engine Harness Assembly (Not Shown - See 501-700 for Breakdown)	
438	4922557	1	Valve Harness Assembly	1-A
438A	4460880	19	Connector, DIN	
438B	4460320	2	Connector, Female- 2 Position	
438B	4460267	7	Pin, Male	
438C	4460424	1	Connector, Male- 2 Position	
438C	4460268	5	Pin, Female	
438D	4460871	AR	Socket, Female	
438E	4460326	1	Connector, Male - 3 Position	
438E	4460267	7	Pin, Male	
438F	4460445	1	Connector, Female - 3 Position	
438F	4460268	5	Pin, Female	
439		Ref	Ground Control Box Harness Assemblies	
439	4922638	1	Ground Control Box Harness Assemblies ( <b>Prior to SN 0300064493</b> )	4-E
439	4922675	1	Ground Control Box Harness Assemblies ( <b>SN 0300064493 through 0300069000</b> )	3-C
439A	4460418	9	Connector, Female- 6 Position	
439A	4460419	27	Socket, Female	
439B	4460876	1	Connector, 35- Position	
439B	4460871	AR	Socket, Female	
439B	4460905	28	Seal, Plug	
439C	4460866	1	Connector - 19 Position	
439C	4460464	10	Pin, Male Deutsch (16 Gauge)	
439D	4460878	1	Housing, Terminal - 4 Position	

## SECTION 7 - ELECTRICAL

ITEM	PART NUMBER	QTY	DESCRIPTION	REV
439D	4460887	3	Terminal (12 Gauge)	
439E	4120035	AR	Base, Light	
439E	4460634	AR	Terminal (16 Gauge)	
439F	4460873	1	Connector - 35 Position (Black)	
439F	4460871	AR	Socket, Female	
439F	4460635	5	Terminal (12 Gauge)	
439G	4460871	AR	Socket, Female	
439H	4460434	2	Plug, Male 15 - Position	
439H	4460227	AR	Pin	
439I	3990010	2	Diode - 6 Amp (Not Shown)	
440	4922666	1	Cable, Analyzer	1-A
440A	4460226	4	Socket, Female	
440B	4460761	1	Connector, Female 4- Position	
440B	4460227	4	Pin, Male	
441	4933232	1	Ground Control Box Wiring Diagram (Not Shown - See Items 301-310 for Breakdown)	
	4922549	Ref	<b>DEUTZ ENGINE HARNESS ASSEMBLY</b>	3-D
501	4922549	1	Harness Assembly	
519	4460424	1	Receptacle, Female - 2 Position	
520	4460226	2	Socket, Female	
521	4460880	AR	DIN Connector without Diode	
536	4460890	1	Housing - 2 Position	
537	4460889	2	Terminal	
538	4460460	1	Connector, Male - 4 Position	
539	4460457	AR	Terminal, Female	
540	4460458	AR	Seal, Terminal	
557	4460871	AR	Socket, Female	
		Ref	<b>STANDARD HARNESS COMPONENTS</b>	
703	See Note	1	Pump Harness (Note: Not Available for Purchase)	
703A	7007497	1	Plug (Pump End)	
703B	7007498	1	Plug (Engine Harness End)	
704	See Note	1	Controller Harness Assembly (Lift and Swing) (Note: Not Available for Purchase)	
704A	7022819	1	Plug, Male - 8 Position (Natural)	
704B	4460871	8	Socket, Female	
705	See Note	1	Controller Harness/Circuit Board Assembly (Drive and Steer) (Note: Not Available for Purchase)	
705A	7022825	1	Plug, Male - 8 Position (Black)	
705B	4460871	7	Socket, Female	
706 to 707	Not Required	0	Not Required	
708	1001093256	Ref	Harness, Tilt	F
708A	2920129	1	Bulb	
708A	4120035	1	Socket, Light	
708B	4460464	4	Pin, Male Deutsch (16 Gauge)	
708C	4460871	4	Socket, Female	
708D	4460894	2	Plug, Male - 6 Position	
708D	4460465	8	Socket, Female	
708D	4460892	2	Terminal, Buss Connector - 6 Position	
708E	4460761	1	Connector, Female - 4 Position	
708E	4460227	4	Pin, Male	
708F	4460909	1	Connector - 12 Position (Black)	
708F	4460915	1	Wedge Lock - 12 Position	

## SECTION 7 - ELECTRICAL

ITEM	PART NUMBER	QTY	DESCRIPTION	REV
708F	4460928	6	Socket, Female	
708G	4460908	1	Connector - 12 Position (Gray)	
708G	4460915	1	Wedge Lock - 12 Position	
708G	4460928	5	Socket, Female	
708H	4460965	1	Connector, Male - 3 Position	
708H	4460944	3	Socket, Female (Gold)	
708J	4922099	AR	Cable, Can-Buss (Machines with Can Buss Engine Controllers and Caterpillar Engine without Can Buss Engine Controllers)	
708J	4460965	1	Connector, Male - 3 Position	
708J	4460944	6	Socket, Female (Gold)	
708J	4460539	1	Terminal, Plug - 3 Position	
708K	4922099	AR	Cable, Can-Buss (Machines without Can Buss Engine Controllers)	
708K	4460965	1	Connector, Male - 3 Position	
708K	4460944	6	Socket, Female (Gold)	
708K	4460464	3	Pin, Male Deutsch (16 Gauge)	
708L	4922099	AR	Cable, Can-Buss (Machines without Can Buss Engine Controllers)	
708L	4460539	2	Terminal, Plug - 3 Position	
708L	4460944	6	Socket, Female (Gold)	
708M	4460536	1	Terminal, Receptacle - 3 Position (Machines without Can Buss Engine Controllers)	
709	1001093187	Ref	Tilt Sensor Installation	C
709	4460945	1	Receptacle - 3 Position (3 way Tee)	
		Ref	<b>OPTIONAL HARNESS COMPONENTS</b>	
801	4921928	1	4WS Valve Harness	
801A	4460268	3	Socket, Female	
801B	4460445	1	Connector, Female - 3 Position	
801C	4460499	2	Connector, DIN with Diode	
802	4921927	1	Jib Valve Harness (800AJ Only)	
802A	4460326	1	Plug, Male - 3 Position	
802B	4460267	3	Pin, Male	
802C	4460499	2	Connector, DIN with Diode	
803	0257887	1	Alarm Harness (Includes Alarm)	
803A	4460424	1	Plug, Male - 2 Position	
803B	4460268	2	Socket, Female	
804	0255917	1	Strobe Light Harness (Includes Strobe Light)	
804A	4460320	1	Connector, Female - 2 Position	
804B	4460267	2	Pin, Male	
805		Ref	AC to Platform Receptacle Components	
805	0256202	Ref	AC Cable to Platform	5
805	0272433	Ref	With 7500W Generator (SkyPower)	1
805A	Not Required	0	Box, Switch	
805B	Not Required	0	Receptacle	
805C	Not Required	0	Shield, Cover	
805D	Not Required	0	Plug, Male	
805D	4460959	1	With 7500W Generator (SkyPower)	
805E	4460710	1	Connector, Female	
805E	4460960	1	With 7500W Generator (SkyPower)	
805F	4921820	1	Harness-Receptacle Box to Boom <b>(Prior to SN 0300065566)</b>	
805F	1060461	30 in /76cm	Cable, Electrical - 12/3	

## SECTION 7 - ELECTRICAL

ITEM	PART NUMBER	QTY	DESCRIPTION	REV
805G	4460709	1	Plug, Male	
806		Ref	Generator Electrical Components	
806	4933215	Ref	110V	1-A
806	4933216	Ref	220V	1-A
806	3990010	1	Diode - 6 Amp (Not Shown)	
806A	4922641	1	Harness - On/Off Switch	
806B	4922482	1	Harness - Powermite Control Box to Relay	
807	4921957	1	Generator to Rear of Boom Harness (110V/220V)	
		Ref	<b>Note: Harness used to connect AC at platform harness to generator receptacle to power platform receptacle.</b>	
807	1060461	6 ft/1.8m	Cable, Electrical - 12/3	
807A	See Note	1	Plug, Male (Note: Not Available for Purchase)	
807B	See Note	1	Receptacle, Female (Note: Not Available for Purchase)	
808	See Note	1	Lights Harness (Note: Not Available for Purchase)	
808	1060341	48 ft /14.6m	Cable, Electrical - 16/2	
808A	3740049	1	Relay	
808B	4922643	1	Harness, Bag (Located at Ground Control Box) (Not Shown)	
809	2920140	2	Platform Worklights Harness (External) (Includes Light and Wire Only)	
809	2820035	9 ft/2.8m	Loom, Vinyl	
809A	4460598	1	Connector, Strain Relief	
809B	4360232	1	Circuit Breaker, 15Amp	
809C	4922498	1	Platform Worklights Harness (Internal)	
809D	4460871	3	Socket, Female	
810	See Note	1	Soft Touch System Harness (Note: Not Available for Purchase)	
810A	1060341	16 ft/4.9m	Cable, Electrical - 16/3	
810B	4460425	1	Connector, Strain Relief	
		Ref	<b>TOOLS</b>	
901	7002821	1	Crimper (For Wire to Pin/Socket Connections)	
902	7002823	1	Extractor (For Removal of Pin/Socket from Connectors)	
903	4460467	1	Extractor, Pin (Blue 16-18 Gauge) (For Removal of Pin/Socket from Connectors)	
903	4460510	1	Extractor, Pin (Yellow 12-14 Gauge) (For Removal of Pin/Socket from Connectors)	
904	7002828	1	Stripper, Wire	
905	2901443	1	Analyzer Kit (Not Shown)	



**SECTION 8 - DECALS**

# SECTION 8 - DECALS

## FIGURE 8-1. DECALS INSTALLATION

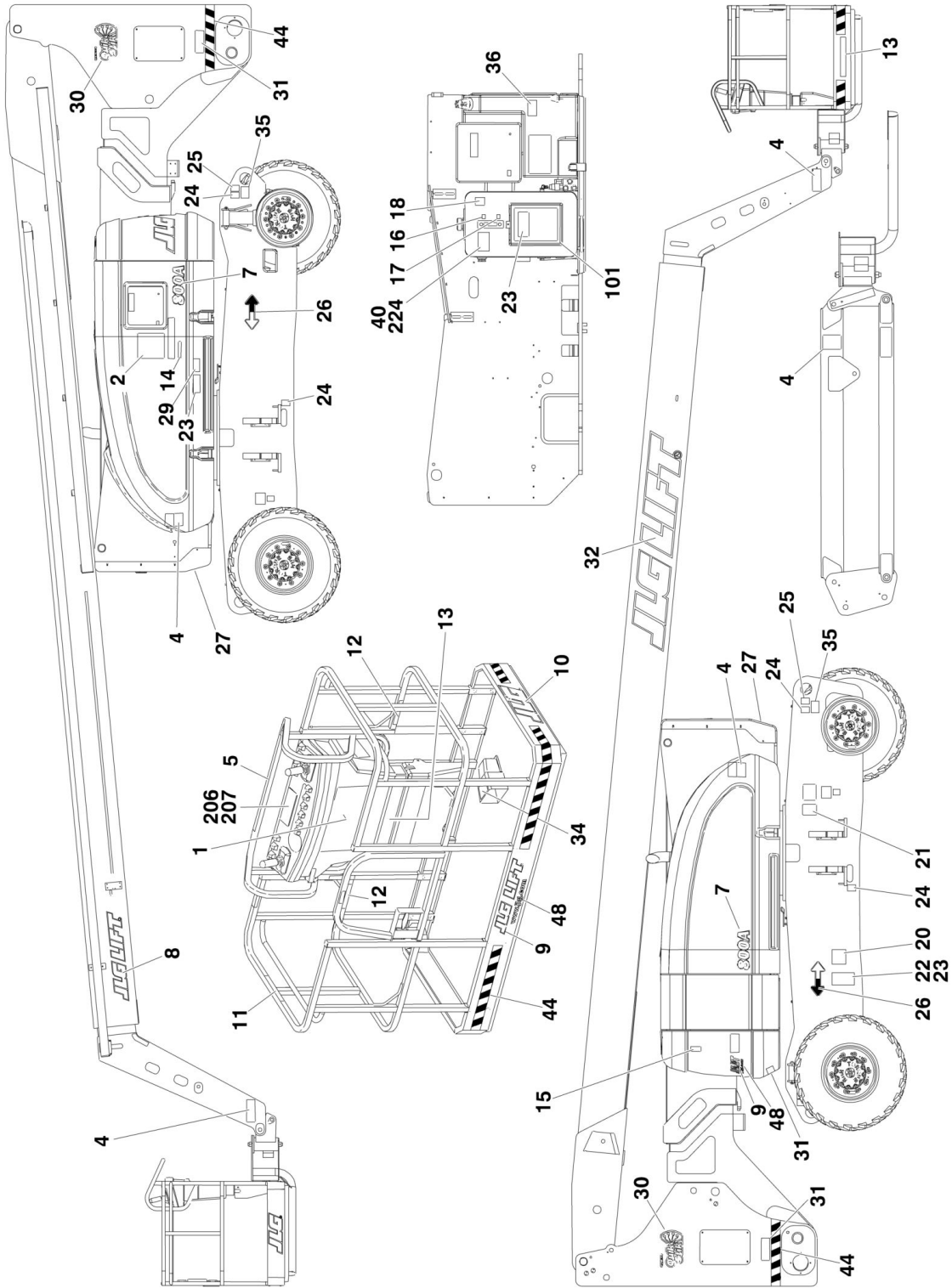




FIGURE 8-1. DECALS INSTALLATION

ITEM	PART NUMBER	QTY	DESCRIPTION	REV
		Ref	<b>STANDARD DECAL INSTALLATIONS</b>	
	0271038	Ref	<b>JLG Logo</b>	1
	0258515	Ref	<b>Australian Spec 800A</b>	4
	0258516	Ref	<b>Australian Spec 800AJ</b>	5
	0258521	Ref	<b>Dutch Spec 800A</b>	6
	0258522	Ref	<b>Dutch Spec 800AJ</b>	6
	0258525	Ref	<b>French Spec 800A</b>	6
	0258526	Ref	<b>French Spec 800AJ</b>	6
	0258519	Ref	<b>German Spec 800A</b>	6
	0258520	Ref	<b>German Spec 800AJ</b>	6
	0258523	Ref	<b>Italian Spec 800A</b>	6
	0258524	Ref	<b>Italian Spec 800AJ</b>	6
	0258527	Ref	<b>Spanish Spec 800A</b>	6
	0258528	Ref	<b>Spanish Spec 800AJ</b>	6
	0258517	Ref	<b>UK Spec 800A</b>	6
	0258518	Ref	<b>UK Spec 800AJ</b>	6
1		Ref	Decal - Danger/Warning Options:	
1	1703992	1	Australian Spec	
1	1703913	1	Dutch Spec	
1	1703917	1	French Spec	
1	1703799	1	German Spec	
1	1703915	1	Italian Spec	
1	1703919	1	Spanish Spec	
1	1703806	1	UK Spec	
2		Ref	Decal - Danger/Warning Options:	
2	1703807	1	Australian Spec	
2	1703914	1	Dutch Spec	
2	1703918	1	French Spec	
2	1703800	1	German Spec	
2	1703916	1	Italian Spec	
2	1703920	1	Spanish Spec	
2	1703807	1	UK Spec	
4	1701518	4	Decal - Warning/Crushing	
7		Ref	Decal - Model Options:	
7	1703772	2	Decal - Model 800A	
7	1703773	2	Decal - Model 800AJ	
8	1702860	1	Decal - JLG Lift (5in)	
9	1702774	2	Decal - JLG Lift (3-1/2in)	
10	1702773	2	Decal - JLG (5in)	
12		Ref	Decal - Attach Lanyard Here Options:	
12	1702612	4	Australian Spec <b>(Prior to SN 0300061062)</b>	
12	1704277	4	Australian Spec <b>(SN 0300061062 through 0300069000)</b>	
12	1704277	4	Dutch/French/German/Italian/Spanish/UK Spec	
13		Ref	Decal - 500LBS Max Capacity Options:	
13	1704097	1	Australian Spec 800A	
13	Not Required	0	Australian Spec 800AJ	
13	Not Required	0	Dutch/French/German/Italian/Spanish/UK Spec	
14		Ref	Decal - 500LBS Max Capacity Options:	
14	1704105	1	Australian Spec 800A	
14	Not Required	0	Australian Spec 800AJ	

## SECTION 8 - DECALS

ITEM	PART NUMBER	QTY	DESCRIPTION	REV
14	Not Required	0	Dutch/French/German/Italian/Spanish/UK Spec	
15		Ref	Decal Options:	
15	Not Required	0	Australian Spec	
15	1702928	1	Decal - CE (Dutch/French/German/Italian/Spanish/UK Spec) <b>(Prior to SN 0300065634)</b>	
15	1705084	1	Decal - Sound Power Level (Dutch/French/German/Italian/Spanish/UK Spec) <b>(SN 0300065634 through 0300069000)</b>	
16	1701502	1	Decal - High Oil Level	
17	1701503	1	Decal - Low Oil Level	
18	1701504	1	Decal - Hydraulic Oil	
20	See Note	1	Decal - Bar Code (Note: Not Available for Purchase)	
21	1700584	1	Decal - Patent	
22	See Note	1	Nameplate - Serial Number (Note: Not Available for Purchase)	
23	1701509	1	Decal - Manual	
24	1702300	4	Decal - Tie Down/Lift	
25	1701500	4	Decal - Tie Down/Lift	
26	1701501	4	Decal - Arrow	
27		Ref	Nameplate - 240V-50Hz Options:	
27	3251242	1	Australian Spec	
27	Not Required	0	Dutch/French/German/Italian/Spanish/UK Spec	
28 to 29		Ref	(Illustration and Parts List Usage)	
30	1703959	2	Decal - Quick Stick	
31	1701518	3	Decal - Warning/Crushing	
32	1702862	1	Decal - JLG Lift	
33	3820001	4	Rivet	
34		Ref	Decal - Footswitch	
34	3252347	1	Australian/UK Spec (Part of 4360031 Footswitch)	
34	1703518	1	Dutch Spec	
34	1693292	1	French Spec	
34	1693294	1	Dutch Spec	
34	1701600	1	Italian Spec	
34	1701791	1	Spanish Spec	
35	1703960	4	Decal - Max. Tire Load	
36	1701505	1	Decal - Fuel	
40		Ref	Decal - Upright Level Override	
40	1702265	NLA	Australian/UK Spec (Use p/n 1705977)	
40	1702268	NLA	Dutch Spec (Use p/n 1705977)	
40	1702270	NLA	French Spec (Use p/n 1705977)	
40	1702267	NLA	Dutch Spec (Use p/n 1705977)	
40	1702269	NLA	Italian Spec (Use p/n 1705977)	
40	1702266	NLA	Spanish Spec (Use p/n 1705977)	
44	4420051	23.1 ft/7m	Decal - Warning Stripes	
48	1704885	2	Decal - Website <b>(SN 0300067900 through 0300069000)</b>	
	0258671	Ref	<b>MANUAL STORAGE BOX INSTALLATION</b>	A
101	0860520	1	Box, Manual Storage	
101	1060279	1	Cable, Lanyard	
101	0641408	1	Bolt 1/4in-20NC x 1in	
101	0641406	1	Bolt 1/4in-20NC x 3/4in	
101	4751400	6	Flatwasher 1/4in	
101	3311405	5	Locknut 1/4in-20NC	
101	0100011	AR	Compound, Locking	

## SECTION 8 - DECALS

ITEM	PART NUMBER	QTY	DESCRIPTION	REV
		Ref	<b>TILT SENSOR INSTALLATION OPTIONS:</b>	
	1001091538	Ref	<b>PRE ADE SYSTEM</b>	E
	1001093187	Ref	<b>ADE SYSTEM</b>	C
206	1707111	1	Decal - Platform Display (Australian Spec Only)	
207	1707113	1	Decal - Platform Display (CE Spec Only)	
224	1705977	1	Decal - Upright Level Over Ride	



## **SECTION 9 - RECOMMENDED SERVICE PARTS STOCK**

## **SECTION 9 - RECOMMENDED SERVICE PARTS STOCK**

## SECTION 9 - RECOMMENDED SERVICE PARTS STOCK

FIGURE 9-1. MODELS 800A/800AJ STANDARD PARTS

ITEM	PART NUMBER	QTY	DESCRIPTION	REV
	Note	Ref	<b>Note: The following list will service machines (built to current production per date on the front cover) with emergency repair parts which can be installed in the field. Parts from the list should be replaced when inventory is depleted to keep service parts stock supplied. For further information, contact your JLG dealer or the JLG Industries Parts Department.</b>	
		Ref	<b>STANDARD PARTS</b>	
	2120168	4	Element, Filter	
	2120150	4	Element Filter	
	7012944	1	Coil	
	7018991	1	Coil	
	7012772	1	Coil	
	7012943	1	Coil	
	7012664	1/doz	Element, Air Cleaner	
	3740067	1	Relay	
	4360294	1	Breaker, Circuit	
	7016331	1/doz	Filter, Oil	
	7016328	1/doz	Filter, Fuel	
	1660234	1	Coupling, Pump	
	7014817	1	Breather, Hydraulic Tank	
	4360475	1	Switch, Mushroom	
	4360470	1	Switch, Key	
	2860030	1	Key, Replacement	
	4360328	1	Switch, Toggle	
	4360476	1	Contact, Switch Block	
	3740049	1	Relay	
	2940074	1	Latch	
	1001129555	1	Controller (Life and Swing)	
	1001212415	1	Controller (Drive and Steer)	
	4360387	1	Switch, Push Button	
	4360407	1	Controller, Speed	
	4360331	1	Switch, Toggle	
	4360232	1	Breaker, Circuit	
	3990010	2	Diode	



## SECTION 9 - RECOMMENDED SERVICE PARTS STOCK

FIGURE 9-2. MODELS 800A/800AJ VARIABLE PARTS

ITEM	PART NUMBER	QTY	DESCRIPTION	REV
	Note	Ref	<b>Note: The following list will service machines (built to current production per date on the front cover) with emergency repair parts which can be installed in the field. Parts from the list should be replaced when inventory is depleted to keep service parts stock supplied. For further information, contact your JLG dealer or the JLG Industries Parts Department.</b>	
		Ref	<b>VARIABLE PARTS</b>	
	3740080	1	Relay (Machines with Generator Option)	
	4360336	1	Switch, Toggle (Machines with Generator Option)	
	1001094484	1	Controller, UMS Module	
	7016522	1	Powertrack Repair Section (Gemco Brand)	
	7006137	24	Powertrack Pin Kit (Gemco Brand)	
	70002013	1	Powertrack Repair Section (Gortrac Brand)	
	1001094400	1	Sensor, Dual Axis	
	4360387	1	Switch, Push Button	



**SECTION 10 - SPECIAL OPTIONS**

## SECTION 10 - SPECIAL OPTIONS

FIGURE 10-1. SPECIAL OPTIONS

ITEM	PART NUMBER	QTY	DESCRIPTION	REV
	Note	Ref	<b>Note: This list is to accommodate machines ordered with special equipment. Options may not be applicable to all models. For more specific parts information contact JLG Parts Department.</b>	
		Ref	<b>MISCELLANEOUS SPECIAL OPTIONS:</b>	
		Ref	<b>Airline to Platform Installation Options:</b>	
	0258802	Ref	1/2in 800A	
	0258805	Ref	1/2in 800AJ	
		Ref	<b>Bellows Installation Options:</b>	
	0258734	Ref	Boom 800A	
	0258737	Ref	Boom 800AJ	
	0258757	Ref	Chassis (Fixed Axle 2WS)	
	0258759	Ref	Chassis (Fixed Axle 4WS)	
	0258387	Ref	Chassis (Oscillating Axle 2WS)	
	0258758	Ref	Chassis (Oscillating Axle 4WS)	
	2910887	Ref	<b>Boom Wear Pad Kit</b>	
	0258654	Ref	<b>Boom Wipers Installation</b>	
	0256789	Ref	<b>Camera Mount Assembly</b>	
		Ref	<b>ClearSky Telematics Kits</b>	
	1001139132	Ref	<b>Australian Spec</b>	
	1001102842	Ref	<b>CE Spec</b>	
		Ref	<b>Note: Refer to ClearSky (Telematics) Manual p/n 3128499 for Service Parts.</b>	
		Ref	<b>Cold Weather Package Installation Options:</b>	
	0256060	Ref	Deutz without Glow Plugs	
	0258927	Ref	Deutz with Glow Plugs	
		Ref	<b>Decal Installations Options:</b>	
	1702788	1	Decal - Biodegradable Hydraulic Fluid (All except German Spec)	
	1703479	1	Decal - Biodegradable Hydraulic Fluid (German Spec Only)	
		Ref	<b>Decal Kits</b>	
	1001108720	Ref	Decal Kit - Platform (800A)	
	1001108721	Ref	Decal Kit - Platform (800AJ)	
	2910872	Ref	Decal Kit - Platform Console ( <b>SN 0300064432 through 0300069000</b> )	
	2902396	Ref	<b>Drive/Steer Cutout Kit</b>	
		Ref	<b>Electrical Connector Kits</b>	
	1001148902	Ref	Amp/Tyco Electrical Connector Kit	
	1001148903	Ref	Deutsch DT Electrical Connector Kit	
	1001148904	Ref	Deutsch HD Electrical Connector Kit	
	1001148905	Ref	Packard Electrical Connector Kit	
	1001148906	Ref	Various Electrical Connectors Kit	
	1340061	Ref	<b>Engine Air Cleaner Pre-Cleaner Installation</b>	
	0258929	Ref	<b>Engine Installation (Isuzu)</b>	
	0257157	Ref	<b>Ether Start Installation (Deutz Engine Machines)</b>	
		Ref	<b>Filter Kits:</b>	
	2910467	1	Combined Filter Kit (Hydraulic/Air and Fuel/Engine Oil)	
	1001110133	1	Fuel/Engine Oil Filter - Deutz Engine	
	4060959	Ref	<b>Footswitch Shield (Note: Move Decal to Shield)</b>	
		Ref	<b>Glow Plugs Installation Options: (Deutz Engine Machines)</b>	

## SECTION 10 - SPECIAL OPTIONS

ITEM	PART NUMBER	QTY	DESCRIPTION	REV
	0258928	Ref	<b>Glow Plugs Installation (Prior to SN 0300064007)</b>	
	0271326	Ref	<b>Glow Plugs Installation (SN 0300064007 through 0300069000)</b>	
	1001121735	Ref	<b>Hood Conversion Kit - Deutz (ABS to Steel)</b>	
		Ref	<b>Hose Kits:</b>	
	2902457	Ref	Hose Kit - Powertrack (Lower) (800A)	
	2902456	Ref	Hose Kit - Powertrack (Upper) (800A)	
	1001204901	Ref	Hose Kit - Powertrack (Lower) (800AJ)	
	2902459	Ref	Hose Kit - Powertrack (Upper) (800AJ)	
	1001210685	Ref	Hose Kit - Upper Boom (800A)	
	1001210687	Ref	Hose Kit - Upper Boom (800AJ)	
	1001241410	Ref	<b>Hostile Environment Add-on Kit (2WS with Fixed Axle) (800A)</b>	
	1001241411	Ref	<b>Hostile Environment Add-on Kit (2WS with Oscillating Axle) (800A)</b>	
	1001241412	Ref	<b>Hostile Environment Add-on Kit (4WS with Fixed Axle) (800A)</b>	
	1001204927	Ref	<b>Hostile Environment Add-on Kit (800A)</b>	
	1001241413	Ref	<b>Hostile Environment Add-on Kit (2WS with Fixed Axle) (800AJ)</b>	
	1001241414	Ref	<b>Hostile Environment Add-on Kit (2WS with Oscillating Axle) (800AJ)</b>	
	1001241415	Ref	<b>Hostile Environment Add-on Kit (4WS with Fixed Axle) (800AJ)</b>	
	1001204928	Ref	<b>Hostile Environment Add-on Kit (800AJ)</b>	
	1001148971	Ref	<b>Lanyard (Bolt-On) Kit Installation</b>	
	0256762	Ref	<b>Oil Cooler Installation</b>	
	1282665	Ref	<b>Oil Cooler Installation</b>	
	0270712	Ref	<b>Oil Pressure and Oil Temperature Installation</b>	
	0270723	Ref	<b>Platform Beacon Light Installation</b>	
	0255398	Ref	<b>Platform Console Cover Installation</b>	
	2915228	Ref	<b>Platform Conversion Kit (Front to Side Entry)</b>	
	2902232	Ref	<b>Platform Conversion Kit (Front to Side Entry) (For SkyGlazier)</b>	
		Ref	<b>Platform Entry Kits</b>	
	1001142504	Ref	<b>Drop Bar (Replacing Swing Gate with Drop Bar)</b>	
	1001142505	Ref	<b>Swing Gate (Replacing Drop Bar with Swing Gate)</b>	
		Ref	<b>Platform Load Sensing Installation (French Spec)</b>	
	0258767	Ref	Platform Load Sensing Installation 800A ( <b>Prior to SN 0300061481</b> )	
	0258768	Ref	Platform Load Sensing Installation 800AJ ( <b>Prior to SN 0300061481</b> )	
	0259233	Ref	Platform Load Sensing Installation 800A/800AJ ( <b>SN 0300061481 through 0300064006</b> )	
	0271543	Ref	Platform Load Sensing Installation 800A/800AJ ( <b>SN 0300064007 through 0300069000</b> )	
	1001139944	NLA	<b>Pump Mounting Bracket Kit (Sauer Danfoss) (Use p/n 1001162546)</b>	
	1001162546	Ref	<b>Pump Coupling Kit (Sauer Danfoss)</b>	
		Ref	<b>Sky Accessory:</b>	
	0272606	Ref	Plasma Cutter (SkyCutter)	
	0272607	Ref	Decal - SkyCutter	
	0272492	Ref	SkyPower - 7500W 50Hz	
	0272589	Ref	Decal - SkyPower	
	0272521	Ref	Welder - Stick, 250A	
	0272588	Ref	Decal - SkyWelder	
		Ref	<b>Note: For Breakdown of Sky Accessories Refer to Accessory</b>	

## SECTION 10 - SPECIAL OPTIONS

ITEM	PART NUMBER	QTY	DESCRIPTION	REV
			<b>Manual p/n 3124242</b>	
		Ref	<b>SkyGuard Component Options:</b>	
	1001149560	Ref	SkyGuard Complete Add-on Kit (Non-UGM Machines)	
	1001143256	Ref	SkyGuard Blue Beacon Kit	
	1001210025	Ref	SkyGuard Strobe Light Kit - Hood Mounted (Red Beacon)	
		Ref	<b>Tools for Service</b>	
	7002840	1	Antirotation Pin Removal Tool	
	8896941	1	Wire Stripper	
	7002821	1	Wire Crimper (To install wire ends to wires)	
	7002823	1	Pin/Socket Extractor - Universal (To Remove Pins/Sockets from Connectors)	
	4460467	1	Extractor - 16-18 Gauge (For Removal of Pin/Sockets from Deutsch Connectors)	
	4460510	1	Extractor - 12-14 Gauge (For Removal of Pin/Sockets from Deutsch Connectors)	
	7002822	1	Screwdriver, Potentiometer (To Adjust Drive Controllers)	
	7016654	1	Screwdriver, Magnetic	
	7004275	1	Seal Installation Tool - 1in	
	7004276	1	Seal Installation Tool - 1-1/2in	
	7002826	1	Seal Installation Tool - 2in	
	7016655	1	Wire Rope Sheave Gauge	
	7016652	1	Huck Bolt Fastener (For Small Huck Bolts Only)	
	4921850	1	Throttle Service Harness	
	4922012	1	Horsepower Card Service Harness	
	2900838	1	U.S. Standards Fastener (Hardware) Kit	
	7014676	1	U.S. Standards Tool Kit	
	70000017	1	ADE Software CD	
	1001137005	1	Software Cable Kit	
	0257728	Ref	<b>Tube Rack Installation</b>	
	1001149676	Ref	<b>UGM Conversion Kit (ADE Machines Only)</b>	
		Ref	<b>Weld Leads to Platform Installation Options:</b>	
	0258826	Ref	Weld Leads to Platform Installation 800A	
	0258827	Ref	Weld Leads to Platform Installation 800AJ	

**PART NUMBER INDEX**

## SECTION 10 - SPECIAL OPTIONS

0060031.....103, 115	0257850.....163	0258768 .... 104, 167, 275	0272589.....275
0060033.....60, 250	0257853.....67	0258802 ..... 274	0272606.....275
0060041.....100, 115	0257857.....67	0258805 ..... 274	0272607.....275
0060066.....103, 119	0257884.....87	0258826 ..... 276	0275804.....137, 142
0060069.....99, 119	0257885.....87	0258827 ..... 276	0275805.....137, 142
0060077.....115	0257887.....87, 260	0258909 ..... 12	0340041.....59
0080163.....63	0258048 ..... 128, 245	0258910 ..... 15, 27	0362609.....122
0080241.....87	0258076 ..... 112	0258927 ..... 274	0362610.....122
0100009.....80, 136, 141	0258077 ..... 112	0258928 ..... 275	0362726.....12
0100011....11, 12, 16, 27, 31, 33, 41, 45, 60, 69, 75, 77, 80, 83, 87, 92, 99, 100, 104, 105, 107, 111, 112, 121, 122, 123, 136, 137, 142, 169, 173, 175, 183, 187, 193, 197, 201, 205, 211, 217, 266	0258217 ..... 121	0258929 ..... 274	0362770.....91
0100019.41, 45, 237, 240	0258285 ..... 11	0258945 ..... 137, 143	0362772.....122
0100020.....60, 141, 235, 239	0258286 ..... 11	0259055 ..... 41	0370022.....175
0100035....121, 122, 136, 141	0258287 ..... 12	0259147 ..... 45	0400075.....59
0100038....107, 173, 175, 183, 187, 193, 197, 201, 205, 211, 217	0258288 ..... 12, 15, 27	0259233 .... 167, 245, 275	0440207.....41
0100040.....131	0258289 ..... 15, 27	0259420 ..... 108	0440233.....41
0100048....81, 83, 84, 87, 141, 256	0258327 ..... 16	0259500 ..... 100	0440244.....45
0100063....176, 183, 187, 193, 197, 201, 205, 211, 217	0258328 ..... 16	0259501 ..... 105	0480050.....68
0100079.....75	0258333 ..... 16	0270209 ..... 12, 15, 27	0480111.....68
0100081 ..... 112, 142	0258334 ..... 16	0270210 ..... 15, 27	0480118.....68
0100083.....169	0258338 ..... 122	0270211 ..... 15, 27	0480119.....68
0140001.....32	0258343 ..... 27	0270331 ..... 41	0480121.....68
0140011.....141	0258382 ..... 75	0270712 ..... 275	0561185.....107
0140026.....135	0258384 ..... 122	0270723 ..... 275	0561237.....104
0140032.....87	0258387 ..... 274	0270814 ... 128, 132, 143, 245	0561295.....111
0181727.....59	0258397 ..... 15	0270886 ..... 15	0561367.....249
0200530.....68	0258399 ..... 15	0270888 ..... 15	0610155.....169
0200550.....163	0258407 ..... 41	0271002 ..... 45	0630427.....121
0200741.....68	0258411 ..... 32	0271038 ..... 265	0630462.....163
0200742.....68	0258415 ..... 59	0271085 ..... 16	0630464.....136, 141
0239585.....41	0258454 ..... 31	0271086 ..... 16	0630491.....87
0254798.....41	0258455 ..... 31	0271090 ..... 16	0630498.....59
0255262.....77	0258456 ..... 31	0271091 ..... 16	0630507.....91
0255294.....77	0258457 ..... 31	0271091 ..... 16	0630518.....80, 83
0255316.....42, 45	0258515 ..... 265	0271326 ..... 275	0630534....187, 191, 201
0255398.....275	0258516 ..... 265	0271340 ..... 143	0630535....173, 175, 181, 205, 207, 211, 215, 217, 221
0255917.....87, 260	0258517 ..... 265	0271371 ..... 59	0630536.....197, 199
0256060.....274	0258518 ..... 265	0271375 ..... 256	0630537....183, 185, 193, 195
0256196.....16	0258519 ..... 265	0271377 ..... 256	0630539.....108
0256202.....252, 260	0258520 ..... 265	0271422 ..... 87	0630548.....83
0256689.....62	0258521 ..... 265	0271543 ..... 167, 275	0641403.....122, 169
0256690.....62	0258522 ..... 265	0271544 ..... 67	0641404....100, 104, 136, 141
0256762.....244, 275	0258523 ..... 265	0271547 ..... 67, 143	0641405.....169
0256789.....274	0258524 ..... 265	0271550 ..... 143, 163	0641406..32, 81, 91, 131, 136, 141, 164, 266
0256823.....92	0258525 ..... 265	0271551 ..... 143, 163	0641407.....60, 167
0256847.....63	0258526 ..... 265	0271768 ..... 87, 143	0641408....129, 131, 135, 141, 266
0257157.....274	0258527 ..... 265	0271941 ..... 131	0641410.....81, 84
0257728.....276	0258528 ..... 265	0272050 ..... 169	0641414.11, 31, 129, 132
0257760.....99	0258528 ..... 265	0272070 ..... 100, 105	0641416....104, 122, 141, 167
0257761.....103	0258567 ..... 122	0272071 .... 100, 105, 169	0641418.....31, 128
0257764.....107	0258608 ..... 137	0272131 ..... 103	0641420.....217
0257849.....163	0258609 ..... 91	0272189 ..... 45	0641422.....121
	0258654 ..... 274	0272269 ..... 11	0641436.....121
	0258656 ..... 248	0272293 ..... 67	0641506....33, 80, 83, 92
	0258658 ..... 248	0272354 ..... 77	0641508....31, 60, 69, 87, 91
	0258670 ..... 32	0272355 ..... 77	0641510.....60
	0258671 ..... 266	0272381 ..... 99	0641514.....100
	0258674 ..... 87	0272430 ..... 256	0641524.....127, 128
	0258728 ..... 95	0272432 ..... 256	0641550.....16
	0258734 ..... 274	0272433 ..... 260	
	0258737 ..... 274	0272444 ..... 164	
	0258757 ..... 274	0272480 ..... 67	
	0258758 ..... 274	0272481 ..... 67, 143	
	0258759 ..... 274	0272482 ..... 67	
	0258763 ..... 164	0272492 ..... 275	
	0258765 ..... 100	0272521 ..... 275	
	0258766 ..... 104	0272588 ..... 275	
	0258767 .... 100, 167, 275		

## SECTION 10 - SPECIAL OPTIONS

0641604 .....	100, 104	0721010 .....	136	0961947....	103, 175, 179,	1001143188 .....	239, 242
0641605 .....	107	0731005 .....	163	187		1001143192 .....	241
064160631, 61, 100, 104,		0740603 .....	169	0961951....	100, 111, 175,	1001143256 .....	276
105, 107, 111, 112		0741606 .....	87	181, 201, 203, 205, 207		1001144629 .....	131
0641607 ...	104, 107, 111,	0741607 .....	99, 100, 104	0961977.....	209	1001148902 .....	274
112		0801132 .....	99, 103, 107	0961986.....	60	1001148903 .....	274
0641608 ...	11, 12, 27, 61,	0801133 .....	107	0962051.....	95	1001148904 .....	274
91, 100, 104, 107, 111		0801134 .....	107	0962102.....	11, 107, 111,	1001148905 .....	274
0641609 91, 95, 107, 111		0801135 .....	99, 111	183, 185, 193, 195,		1001148906 .....	274
0641610 .	33, 60, 69, 107,	0801136 .....	103, 111	197, 199		1001148971 .....	275
123, 129, 131, 135, 141		0801137 .....	111	0962122.....	107	1001149391 .....	215
0641611 .....	77, 100, 104	0801138 .....	111	0962152.....	12	1001149560 .....	276
0641612 ...	104, 111, 112,	0801139 .....	111	0962155....	201, 203, 205,	1001149676 .....	276
163, 197		0801140 .....	111	207		1001162546 .....	275
0641614 .....	31, 75, 104	0801185 .....	111	0962156.....	201	1001166538 .....	161
0641615 .....	107	0801191 .....	111	0962180.....	167	1001166539 .....	151
0641616 .....	107, 167	0860520 .....	266	0962185.....	201	1001188840 .....	107, 217
0641618 .....	104	0860984 .....	135, 137	0962219.....	211	1001188841 .....	111, 211
0641622 .....	107, 112	0861131 .....	79	0962224.....	12	1001188842 .....	218, 221
0641628 .....	27	0861198 .....	79	0962335.....	104	1001188843 .....	211
0641640 .....	112	0861199 .....	79	0962336....	187, 189, 191	1001188968 .....	111, 211
0641652 .....	217	0861236 .....	129, 135	0962450.....	169	1001204901 .....	275
0641772 .....	69	0861237 .....	129, 135	1001091424 .....	32	1001204927 .....	275
0641806 ...	107, 211, 213,	0861302 .....	79	1001091538 80, 123, 242,		1001204928 .....	275
215		0861407 .....	83	267		1001210025 .....	276
0641808 .....	61	0861414 .....	141, 142	1001091778.....	81, 252	1001210685 .....	275
0641810 .....	61, 100, 105	0861474 .....	129, 141	1001091941.....	81, 251	1001210687 .....	275
0641812 .....	60, 101, 105	0861504 .....	83	1001092527 .....	81	1001212415 .....	270
0641814 .....	11	0861505 .....	83	1001093187 84, 123, 242,		1001228009 99, 103, 199	
0641816 .....	11	0861517 .....	131, 141	260, 267		1001228010 99, 103, 195	
064181860, 95, 167, 183,		0861537 .....	141, 142	1001093256.....	84, 259	1001228011 .....	99, 203
193		0902109 .....	77	1001094400.....	123, 252,	1001228012 .....	103, 189
0641820 11, 77, 100, 104,		0902143 .....	91	258, 272		1001228030 .....	103, 181
105, 169		0902161 .....	91	1001094401.....	123	1001228033 .....	99, 179
0641822 .....	101, 105	0902206 .....	87	1001094470.....	84, 257	1001228041 99, 103, 185	
0641826 .....	61	0902219 .....	91	1001094484...81, 84, 272		1001228050 .....	103, 207
0642010 .....	61	0902223 .....	91	1001094557 .....	242	1001228086 .....	107, 221
0642018 .....	41	0902243 .....	60	1001094639 .....	123	1001228087 .....	111, 215
0642022 .....	169	0902351 .....	91	1001094791.....	81, 251	1001228088 .....	111, 213
0642212 .....	11	0902412 .....	91	1001097051.....	257, 258	1001228506 .....	217
0642214 .....	100, 104	0902415 .....	33	1001097082.....	257, 258	1001241410 .....	275
0642612 .....	87	0902426 .....	91	1001097957.....	251, 252	1001241411 .....	275
0642620 .....	100, 104	0902491 .....	91	1001099837.....	112	1001241412 .....	275
0642682 .....	101, 105	0902511 .....	60	1001099840.....	112	1001241413 .....	275
0651406 .....	31	0902520 .....	77	1001100321.....	67	1001241414 .....	275
0681608 .....	11, 101, 105	0902751 .....	141	1001102842.....	274	1001241415 .....	275
0681610 ...	100, 101, 105,	0902810 .....	169	1001103095.....	115	1001248012 .....	103, 191
169		0902846 .....	77	1001108720.....	274	1060012 .....	137, 248
0681612 .....	69	0920111 .....	41, 49	1001108721.....	274	1060279 .....	266
0681836 .....	41	0920112 .....	15, 19	1001109690.....	240	1060330 .....	164
0682016 .....	12, 15, 41	0920117 .....	15, 19	1001110133.....	274	1060341 ....	164, 253, 261
0682023 .....	41, 45	0920119 .....	41, 49	1001113961.....	157, 159	1060461 ....	252, 260, 261
0682032 .....	45	0940038 .....	163	1001117320.....	131	1060494 .....	252
0682214 .....	45	0940070 .....	59	1001118416.....	159	1060516 .....	249
0700808 .....	60	0940071 .....	91	1001118417.....	149	1060637 .....	61
0700810 .....	64	0961816 .....	173	1001121735.....	275	1060676 .....	248
0700819 .....	69	0961845 .....	128	1001129555.....	270	1060896 .....	256, 257
0701010 .....	167	0961893 .....	187, 191	1001137005.....	276	1060902 .....	257
0701012 .....	61	0961894 ...	175, 181, 205,	1001137261.....	12	1060918 ....	131, 141, 256
0701015 .....	61	207		1001137460.....	32	1060978 .....	257, 258
0701414 .....	60	0961895 .....	173	1001138795.....	191	1100086 .....	11
0711414 .....	68	0961897 ...	211, 215, 217,	1001138796.....	181, 207	1120487 .....	75
0721003 ....	136, 137, 143	221		1001139132.....	274	1120510 .....	100, 103
0721004 .....	80, 136	0961900 .....	201	1001139944.....	275	1180346 .....	107
0721005 .....	60, 80	0961901 .....	183, 193	1001142504.....	275	1180347 .....	112
0721006 .....	69, 92	0961902 .....	175	1001142505.....	275	1180349 .....	112
0721008 .....	92	0961903 .....	197	1001143187.....	239, 242	1260017 .....	42, 45

## SECTION 10 - SPECIAL OPTIONS

1260136.....	164	1683053.....	187	1701500.....	266	1705165.....	169
1282571.....	244	1683055.....	175, 205	1701501.....	266	1705325.....	69
1282665.....	244, 275	1683059.....	173	1701502.....	266	1705977.....	267
1282937.....	244	1683061.....	217	1701503.....	266	1707111.....	137, 142, 267
1320011.....	217	1683071.....	183, 193	1701504.....	266	1707113.....	137, 142, 267
1320016.....	60	1683073.....	197	1701505.....	61, 266	1840012.....	79
1320022.....	60	1683074.....	175	1701509.....	266	1840013.....	79
1320031.....	61	1683078.....	11, 173	1701518.....	265, 266	1840014.....	79
1320040.....	164	1683079.....	173	1701600.....	266	1840015.....	79
1320060.....	136	1683081.....	173	1701791.....	266	1870064.....	245
1320095.....	136	1683261.....	187	1702265.....	266	1870132.....	245
1320131.....	61	1683537.....	99, 103, 197	1702266.....	266	2000146.....	59, 62
1320159.....	100	1683538.....	197	1702267.....	266	2000173.....	59, 62
1320176.....	62	1683539.....	197	1702268.....	266	2000189.....	59, 62
1320222.....	61	1683544.....	183	1702269.....	266	2060025.....	59
1320223.....	61	1683545.....	183	1702270.....	266	2080040.....	128, 131
1320248.....	112	1683546.....	99, 103, 183	1702300.....	266	2080044.....	104, 169
1320249.....	112	1683547.....	99, 103, 193	1702564.....	135, 141	2120150.....	31, 270
1320250.....	107	1683548.....	193	1702565.....	135, 141	2120163.....	31
1320251.....	107	1683549.....	193	1702566.....	135, 141	2120167.....	31
1320256.....	249, 257	1683605.....	12, 209	1702567.....	135, 141	2120168.....	31, 270
1320258.....	61	1683606.....	107, 217	1702610.....	80	2160003.....	42, 45
1320263.....	112	1683607.....	111, 211	1702612.....	265	2180344.....	42, 45
1340060.....	59	1683608.....	99, 201	1702676.....	131, 135, 141	2180380.....	237, 240
1340061.....	274	1683609.....	103, 187	1702773.....	265	2180536.....	60
1380147.....	95	1683610.....	99, 100, 175	1702774.....	265	2180615.....	193, 195
1580012.....	129, 132	1683629.....	217	1702788.....	274	2180724.....	236, 240
1580013.....	129, 132	1683632.....	217	1702860.....	265	2180798.....	59
1600218.....	135	1683633.....	201	1702862.....	266	2200222.....	47, 54, 75
1600283.....	135, 155	1683635.....	201	1702928.....	266	2220063.....	42, 45
1600284.....	135, 145	1683642.....	175	1702938.....	143, 164	2220235.....	227, 231
1600313.....	141	1683643.....	175	1703090.....	136	2220237.....	227, 231
1600317.....	141, 147	1683647.....	211	1703091.....	136	2220240.....	227
1600318.....	141, 157	1683648.....	211	1703092.....	136	2220242.....	227, 231
1600327.....	83	1683663.....	211	1703093.....	136	2220250.....	60
1660219.....	77	1683672.....	111, 211	1703162.....	60	2220273.....	60
1660219RR.....	77	1683673.....	211	1703467.....	79, 83	2220313.....	60
1660223.....	77	1683675.....	211	1703468.....	79, 83	2220362.....	227, 231
1660223RR.....	77	1683677.....	103, 175	1703479.....	274	2220363.....	227
1660234.....	63, 270	1683678.....	175	1703518.....	266	2220365.....	227, 231
1670769.....	103	1683680.....	175	1703622.....	80	2220366.....	227, 231
1670776.....	16	1683682.....	103, 205	1703772.....	265	2220371.....	225, 228, 232, 235, 239
1670785.....	163	1683683.....	205	1703773.....	265	2220373.....	227, 231, 235, 239
1670786.....	163	1683685.....	205	1703799.....	265	2220374.....	227, 231
1670787.....	163	1683687.....	187	1703800.....	265	2220375.....	227, 231
1670788.....	163	1683740.....	12, 209	1703801.....	167	2220376.....	235, 239
1670789.....	163	1683818.....	197	1703806.....	265	2220377.....	227, 231
1670791.....	163	1683819.....	183	1703807.....	265	2220379.....	235, 239
1670793.....	163	1683821.....	193	1703913.....	265	2220380.....	227, 231
1670795.....	163	1683823.....	197	1703914.....	265	2220381.....	235, 239
1670796.....	163	1683986.....	173	1703915.....	265	2220385.....	235, 239
1670797.....	163	1683987.....	173	1703916.....	265	2220414.....	236
1670798.....	163	1684089.....	187	1703917.....	265	2220415.....	225, 227, 231, 235, 239
1670799.....	163	1684090.....	187	1703918.....	265	2220428.....	235, 239
1670801.....	163	1684114.....	201	1703919.....	265	2220429.....	235, 239
1670803.....	163	1684115.....	201	1703920.....	265	2220451.....	60, 227, 231, 235, 239
1670804.....	163	1684125.....	205	1703959.....	266	2220459.....	60
1670824.....	122	1684126.....	205	1703960.....	266	2220465.....	227
1670829.....	80, 83, 136, 141	1684191.....	173	1703992.....	265	2220466.....	227, 231, 235, 239
1670836.....	111	1684228.....	103, 175	1704097.....	265	2220473.....	228, 232, 235, 239
1670842.....	91	1684230.....	175	1704105.....	265	2220478.....	235, 239
1670844.....	99, 103	1684232.....	175	1704260.....	136, 141		
1670850.....	99, 103	1684408.....	99, 175	1704277.....	265		
1670864.....	100	1684497.....	99, 103, 183	1704833.....	80, 83		
1670900.....	167	1693292.....	266	1704885.....	266		
1671037.....	142	1693294.....	266	1705084.....	266		
1683050.....	201	1700584.....	266	1705132.....	83, 142		



## SECTION 10 - SPECIAL OPTIONS

2220479 .....	227, 231	2220947 ...	235, 236, 239, 240	2752489.....	228, 232	2760105.80, 83, 135, 141	
2220490 ...	225, 228, 232, 235, 239	2220950 .....	236, 240	2752494.....	228, 232, 236, 239	2780205 .....	41, 47
2220497 .....	236	2220999 ...	227, 231, 235, 239	2752498.....	227, 231	2780227 .....	15, 21
2220498 .....	227	2221029 .....	227, 231	2752513.....	228, 232	2780228 .....	15, 21
2220499 .....	231	2221030 .....	232	2752514.....	227, 228, 231, 232	2780229 .....	12
2220500 ...	227, 231, 235, 239	2221036 .....	236, 240	2752516.....	232	2792351 .....	242
2220501 ...	228, 232, 236, 240	2360488 .....	13	2752518.....	227, 231	2792362 .....	227, 242
2220502 ....	231, 235, 239	2360490 .....	13	2752573.....	228, 232, 236	2792363 .....	231, 242
2220504 .....	227, 231	2360494 .....	13	2752575.....	227, 231	2792364 .....	242
2220516 .....	193, 227	2360588 .....	13	2752581.....	228, 232	2792365 .....	235, 242
2220517 .....	231	2360590 .....	13	2752585.....	236, 240	2792366 .....	235, 242
2220574 .....	235, 239	2360591 .....	13	2752591.....	232	2792367 .....	225, 242
2220577 ...	225, 228, 236, 240	2360601 .....	13	2752592.....	232	2820031 .....	69
2220582 ...	225, 227, 231, 235, 239	2360603 .....	13	2752611.....	225	2820035 ....	87, 129, 132, 253, 261
2220591 .....	236, 240	2400065 .....	258	2752642.....	232	2820078 .....	92
2220593 .....	235, 239	2400066 .....	258	2752648.....	225, 228, 232	2820079 .....	92
2220596 ...	227, 231, 235, 239	2420172 .....	80, 83	2752671.....	239	2820080 .....	92
2220600 .....	227, 231	2420200 .....	169	2752673.....	228, 232	2820081 .....	92
2220602 ...	225, 227, 231, 235, 239	2420203 .....	68	2752674.....	236	2840016 .....	95
2220603 .....	225, 240	2460011 .....	67	2752721.....	235, 239	2860012 .....	69
2220605 ...	227, 231, 235, 239	2460013 .....	67	2752754.....	228, 232	2860030 .....	79, 83, 270
2220606 .....	241	2460032 .....	67	2752766.....	236, 240	2900708 .....	31, 35, 36
2220609 ...	227, 231, 236, 240	2460039 .....	67	2752767.....	236, 240	2900770 .....	115, 173
2220618 ...	227, 231, 235, 239	2460049 .....	67	2752768.....	236, 240	2900788 .....	25
2220619 ....	225, 235, 239	2560136 .....	135, 141	2752768.....	236, 240	2900792 ...	176, 179, 181, 183, 185, 187, 189, 191, 193, 195, 197, 199
2220628 .....	227, 231	2600209 .....	92	2752928.....	228	2900838 .....	276
2220635 .....	225, 236	2600211 .....	137, 142	2752930.....	236, 240	2901271 .....	173
2220646 .....	227, 231	2600219 .....	127	2752942.....	228, 232	2901273 .....	217
2220654 .....	235	2600233 .....	92	2752949.....	232	2901301 .....	176, 205
2220655 .....	240	2600244 .....	91	2752977.....	227, 231	2901303 .....	187
2220710 .....	227	2600281 .....	131	2752978.....	236, 240	2901392 .....	60
2220711 ....	225, 228, 231	2600287 .....	127	2753006.....	236, 240	2901443 .....	261
2220737 .....	235, 239	2680436 .....	92	2753007.....	236, 240	2901514 .....	193, 195
2220765 .....	235, 239	2680437 .....	92	2753008.....	236, 239	2901526 ....	179, 183, 185
2220775 .....	193, 236	2680448 .....	91, 92	2753009.....	236, 240	2901537 .....	197, 199
2220794 .....	61	2680450 .....	91	2753010.....	235, 239	2901549 .....	201
2220800 .....	231	2680451 .....	91, 92	2753035.....	232	2901556 .....	176
2220810 .....	227, 231	2720058 .....	61	2753036.....	227, 231	2901557 .....	167
2220811 ....	225, 227, 231	2720271 .....	60	2753087.....	228, 232	2901609 .....	60
2220833 .....	232	2720271 .....	60	2753117.....	228, 232	2901712 .....	211
2220852 .....	235, 239	2720351 .....	60	2753118.....	236, 240	2901811 .....	167
2220873 ...	235, 236, 239, 240	2720398 .....	59	2753122.....	236	2902232 .....	275
2220883 ...	175, 179, 181, 183, 185, 187, 189, 191, 193, 195, 197, 199, 213, 215, 217, 221	2720423 .....	61	2753123.....	236, 240	2902396 .....	274
2220885 ...	173, 175, 181, 187, 189, 191, 203, 207, 211, 215, 217, 221	2720434 .....	60	2753124.....	236, 240	2902456 .....	241, 275
2220886 ...	173, 213, 215, 217, 221	2720449 .....	60	2753125.....	236, 240	2902457 .....	241, 275
2220888 ...	183, 185, 193, 195, 197, 199	2750532 .....	60	2753126.....	236, 240	2902459 .....	241, 275
2220893 .....	31	2750760 .....	225	2753128.....	236, 240	2910000 .....	251
2220923 .....	241	2750920 .....	225	2753129.....	236, 240	2910001 .....	251
		2751011 .....	227, 231	2753155.....	231	2910467 .....	274
		2751017 .....	227, 231	2753157.....	232	2910872 .....	274
		2751032 .....	42, 45	2753158.....	232	2910887 .....	274
		2751095 .....	42, 45	2753159.....	232	2915087 .....	41
		2751391 .....	228, 232	2753161.....	231	2915094 .....	45
		2751397 .....	228, 232	2753162.....	231	2915096 .....	41
		2751906 .....	225, 232	2753187.....	232	2915228 .....	275
		2752265 .....	227	2753189.....	236, 240	2920110 .....	87
		2752266 .....	227	2753190.....	236, 240	2920113 .....	87
		2752345 .....	227	2753191.....	236, 240	2920129 ...	137, 141, 248, 250, 251, 256, 258, 259
		2752363 .....	227, 231	2753192.....	235, 239	2920140 ...	129, 132, 253, 261
		2752365 .....	228, 232	2753195.....	235, 239	2920162 .....	68
		2752366 .....	228, 232	2753196.....	235, 239	2920215 .....	87
		2752438 .....	235, 239	2753197.....	235, 239	2940074 ....	127, 131, 270
		2752453 ....	228, 232, 235	2753199.....	235, 239		
		2752462 .....	236, 240	2753200.....	235, 239		
		2752463 .....	236, 240	2753216.....	235, 239		
		2752468 .....	235, 239	2753231.....	235, 239		

## SECTION 10 - SPECIAL OPTIONS

2940088.....92	3340881 ..... 107, 111	3520033 .....91	3740113.....136
3010088.....164	3380429 ..... 61	3520035 ..... 83, 121, 122	3740115.....136
3020021.....64	3380434 ..... 129, 131	3520072 .... 127, 128, 131	3760133.....111
3124025.....167	3380442 ..... 91	3520173 ..... 137	3760170.....41, 45
3160204.....15, 25	3380443 ..... 91	3520174 ..... 80, 142	3760367.....201
3160223.....41, 51	3380444 ..... 91	3530072 ..... 163	3760368.....187
3160279.....41, 51	3421565 ..... 41, 45	3536089 ..... 129, 132	3760369.....175, 205
3160286.....45, 54	3421627 ..... 41	3537416 ..... 59	3760370.....173, 217
3200362.....61	3422446 ..... 59	3537417 ..... 59	3760374.....183, 193, 197
3200406.....59	3422457 ..... 111	3537420 ..... 59	3790012.....88, 131, 135, 137, 142, 143
3220103.....62	3422530 ..... 95	3537445 ..... 95	3790044.....61
3220104.....62	3422532 ..... 61	3537446 ..... 95	3790110.....116
3251102.....69, 143	3422558 ..... 103	3538047 ..... 11	3820001.....266
3251242.....266	3422559 ..... 104	3538758 ..... 112	3841143.....11, 12, 59, 99, 100, 104, 111
3252347.....266	3422560 ..... 104	3538819 ..... 135	3841287.....11, 99, 104
3271605.....217	3422561 ..... 104	3539219 ..... 80, 83	384134031, 59, 100, 104, 105, 108
3272605.....101, 105, 115	3422563 ..... 104	3539275 ..... 136, 137	3841356.....100, 104
3300007.....12, 15	3422578 ..... 99, 100	3539281 ..... 87	3841406.....112
3300151.....128	3422580 ..... 99, 100	3539685 ..... 128	3850018.....175
3300205.....80, 83	3422582 ..... 100	3539719 ..... 163	3900139.....201
3300353.....142	3422583 ..... 104	3539872 ..... 59	3900141.....187
3300390.....80	3422681 ..... 99, 104	3539877 ..... 11	3900207.....127, 128
3300393.....127, 128	3422683 ..... 99, 104	3539878 ..... 11	3900210.....91
3300408.....80, 83	3422684 ..... 99, 104	3539934 ..... 91	3900224.....137, 142
3310601.....80, 95	3422685 ..... 99, 104	3539955 ..... 92	3900232.....91, 112
3310605.....123	3422686 ..... 99, 104	3539957 ..... 61	3900239.....100, 104
3310801.....122	3422687 ..... 99, 104	3539971 ..... 59	3900259.....111
3310805.....121	3422688 ..... 99, 104	3539979 ..... 91	3900262.....108
331100180, 92, 131, 136, 143	3422689 ..... 99, 104	3570488 ..... 41	3900268.....80, 83
3311005...69, 87, 92, 127, 136, 137	3422690 ..... 111	3570686 ..... 27	3900272.....60
3311401.....83, 136, 167	3422701 ..... 12	3570690 ..... 27	3900293.....45
3311405....31, 32, 60, 81, 84, 92, 121, 122, 129, 131, 132, 135, 141, 164, 167, 266	3422702 ..... 11, 12	3570740 ..... 167	3900320.....169
3311501.....163	3422703 ..... 11	3570775 ..... 211, 215	3910608.....79, 95
3311505.....60, 91, 128	3422729 ..... 99, 104	3570928 ..... 121	3910610.....135
331160175, 91, 107, 123, 137, 142	3422753 ..... 12	3570979 ..... 31	3910804.....80, 83
3311602.....107	3422754 ..... 12	3572604 ..... 217	3911008.....127, 131
3311605....60, 69, 91, 92, 95, 104, 107, 112, 131, 136, 141, 163, 167	3422755 ..... 11	3572605 ..... 217	3911040.....87
3311705.....69	3422860 ..... 103, 104	3572606 ..... 121	3930606.....123
3311801.....15, 61, 121	3422861 ..... 104	3572607 ..... 121	3930816.....122
3311802.....41	3422867 ..... 104	3573447 ..... 169	3930824.....121, 122
3311805....15, 60, 77, 91, 95, 100, 101, 105, 167, 169	3430816 ..... 95	3573448 ..... 169	3931436.....121
3312002.....45	3450304 ..... 142	3573515 ..... 169	3931448....211, 215, 217
3312005.....169	3450404 ..... 95	3573516 ..... 169	3931464.....121
3321005.....60	3480176 ..... 173	3580134 ..... 68	3931508.....217
3340705.....111	3480188 ..... 175, 205	3580158 ..... 67	3931516.....187, 201
3340756.....107, 111	3480210 ..... 187	3580276 ..... 68	3931620....175, 181, 205, 207
3340764.....112	3480211 ..... 217	3600277 ..... 59, 71	3931664.....211, 215
3340828.....107	3480232 ..... 201	3600278 ..... 59	3931672.....137, 142
3340833.....217	3480233 ..... 175	3600287 ..... 32	3931720.....173, 217
3340834.....217	3480234 ..... 211	3600295 ..... 59, 71	3932224.....41, 45
3340835....100, 104, 107	3480236 ..... 197	3600458 ..... 32	3932240....183, 185, 193, 195, 197, 199
3340838....211, 213, 215	3480237 ..... 183	3620033 ..... 59	3952020.....45
3340840.....112	3480238 ..... 193	3640970 ..... 79	3960389.....59, 91
3340859.....108	3510499 ..... 128	3640986 ..... 80	3960407.....61
3340860.....112	3510500 ..... 128	3641182 ..... 137	3960438.....92
3340861.....112	3510542 ..... 127	3730023 ..... 249	3960453.....91
3340871.....111	3510543 ..... 127	3730099 ..... 249, 250	3960461.....87
	3510565 ..... 127	3740049 . 80, 81, 83, 136, 137, 244, 245, 258, 261, 270	3960462.....92
	3510566 ..... 127		3960464.....92
	3510728 ..... 127		3960468.....61
	3510751 ..... 128	3740057 ..... 80, 136, 245	3960469.....61
	3510760 ..... 127	3740058 ..... 136	3960470.....91
	3510763 ..... 128	3740063 ..... 136	
	3510764 ..... 128	3740066 ..... 80, 136, 245	
	3510822 ..... 131	3740067 ..... 59, 270	
	3510833 ..... 131	3740080 ..... 69, 272	
	3520028 ..... 69, 135, 141	3740112 ..... 79	

## SECTION 10 - SPECIAL OPTIONS

3971820 .....	41	4360331 ...	131, 135, 137, 141, 143, 270	4460458.....	250, 259	4460874 .....	83, 256, 258
3990001 ....	248, 250, 251	4360336 69, 88, 137, 143, 272		4460460.....	250, 259	4460875 .....	83, 256, 258
3990010 ...	248, 250, 252, 259, 261, 270	4360387 ...	135, 141, 143, 164, 270, 272	4460464....	142, 248, 249, 251, 256, 257, 258, 259, 260	4460876 .....	258
3990109 .....	167	4360392 .....	59	4460465....	248, 249, 251, 252, 256, 257, 259	4460878 .....	258
4060802 .....	69, 143	4360407 ...	135, 141, 270	4460466....	248, 249, 251, 256, 257, 258	4460879 .....	256
4060803 .....	128	4360416 .....	32	4460467....	135, 253, 261, 276	4460880 .....	258, 259
4060804 .....	61	4360436 .....	75	4460470.....	83, 136, 142, 248, 256, 258	4460887 .....	256, 259
4060805 .....	61, 112, 121	4360470 .....	79, 83, 270	4460471.....	83, 136, 142, 248, 256, 258	4460889 .....	259
4060906 .....	80, 83	4360475 79, 83, 135, 142, 270		4460473....	248, 249, 256, 257	4460890 .....	259
4060907 .....	87	4360498 .....	121	4460488.....	83, 136, 142	4460891 .....	251, 257
4060959 .....	274	4360499 .....	122	4460499.....	39, 250, 252, 260	4460892 .....	251, 259
4070410 .....	92	4360542 .....	68	4460502.....	249	4460894 .....	251, 259
4070411 .....	92	4360549 .....	121, 122	4460503....	137, 248, 249	4460897 .....	251, 257
4070412 .....	92	4400400 .....	75	4460508....	248, 256, 257	4460905 ....	83, 142, 256, 258
4070863 .....	111	4400410 .....	75	4460509....	248, 249, 256, 257	4460908 .....	251, 260
4070864 .....	111	4420038 .....	75, 80	4460510....	135, 253, 261, 276	4460909 .....	251, 259
4070878 .....	11	4420051 .....	266	4460526. 80, 83, 251, 258		4460915 ....	251, 259, 260
4070879 .....	11	4420055 .....	128	4460536.....	249, 260	4460917 .....	252
4070897 .....	107, 111	4420060 .....	32, 122	4460539.....	249, 260	4460918 .....	252
4070898 .....	107, 111	4460023 .....	69	4460589.....	250	4460928 ....	251, 252, 260
4070929 .....	107	4460042 .....	142	4460591.....	250, 251	4460944 .....	260
4070944 .....	11	4460049 .....	163	4460598....	129, 132, 143, 253, 261	4460945 .....	260
4070945 .....	11	4460071 ...	129, 131, 136, 142, 256	4460600.....	79, 137, 245	4460959 .....	260
4070967 .....	107	4460134 .....	253	4460601.....	79, 137	4460960 .....	260
4070968 .....	107	4460190 .....	68	4460602.....	79, 137	4460965 .....	260
4070969 .....	112	4460205 .....	252	4460603.....	79, 137	4460968 .....	121, 122
4070987 .....	80, 83	4460224 .....	250, 251	4460607.....	79, 137	4461076 .....	252
4071009 .....	45	4460225 ...	248, 250, 256	4460608.....	250, 251	4461077 ....	252, 257, 258
4071052 .....	112	4460226 ...	142, 152, 161, 167, 256, 258, 259	4460611.....	61	4520204 .....	16
4100051 .....	232	4460227 ...	142, 251, 256, 259	4460613.....	137, 248	4520205 .....	16
4100058 .....	228, 232	4460233 .....	253	4460614.....	248, 249	4520252 .....	16
4100059 .....	228, 231	4460234 .....	80, 87, 88	4460628.....	79	4520253 .....	16
4100062 .....	236, 240	4460265 ...	145, 152, 161, 248, 250	4460629.....	137	4566468 .....	176, 205
4120012 .....	80, 138, 245	4460266 ....	145, 250, 251	4460630.....	80	4566471 .....	187
4120013 .....	137	4460267 ...	145, 248, 250, 252, 258, 260	4460631.....	79, 137	4567112 .....	59
4120035 ...	137, 248, 250, 256, 259	4460268 ....	87, 145, 250, 251, 252, 258, 260	4460632.....	137	4567139 .....	235, 239
4130357 .....	12	4460320 ...	250, 252, 258, 260	4460633.....	80	4567413 .....	217
4130358 .....	12	4460326 ...	252, 258, 260	4460634.....	250, 256, 259	4567434 .....	176
4160139 .....	91	4460418 ...	248, 249, 256, 258	4460635.....	250, 256, 259	4567757 .....	236, 240
4160143 .....	91	4460419 ...	248, 249, 256, 258	4460693.....	251	4567815 .....	61
4220162 .....	87	4460424 ....	87, 250, 252, 258, 259, 260	4460701.....	253	4568514 .....	11
4220165 .....	128	4460425 ....	164, 253, 261	4460708....	142, 256, 258	4620119 .....	41, 45
4240032 .....	87	4460426 .....	80, 83, 258	4460709.....	252, 261	4640509 ...	183, 185, 187, 189, 191, 193, 195, 197, 199
4240099 .....	129, 132	4460428 ....	80, 121, 122, 136, 142, 248, 256	4460710.....	252, 260	4640525 .....	173
4240112 .....	75	4460434 .....	256, 259	4460711.....	80	4640605 ...	176, 179, 181, 183, 185, 197, 199
4240113 .....	75	4460442 .....	253	4460720.....	248	4640751 .....	59
4280295 .....	75	4460445 ...	250, 252, 258, 260	4460721.....	248	4640778 .....	231
4300097 .....	15	4460449 .....	250	4460761....	142, 251, 256, 259	4640780 .....	236, 240
4300130 .....	15	4460457 .....	250, 259	4460777.....	250	4640858 .....	173
4340678 .....	135, 141			4460865.....	256, 257	4640866 .....	31
4340684 .....	135, 141			4460866....	256, 257, 258	4640871 .....	11
4340706 .....	107			4460871....	142, 147, 149, 157, 159, 256, 258, 259, 261	4640906 .....	31
4360031 .....	131			4460873.....	256, 259	4640921 .....	32, 39
4360057 .....	163					4640922 .....	32, 39
4360232 ...	136, 143, 261, 270					4640929 .....	122
4360282 .....	80, 135					4640932 ....	176, 179, 181
4360289 .....	79, 135					4641027 .....	193, 195
4360294 .....	61, 69, 270					4641032 .....	217, 221
4360314 79, 80, 135, 137						4641033 ....	211, 213, 215
4360319 .....	79					4641034 .....	31, 35
4360322 .....	121, 122					4641041 .....	27
4360328 ....	83, 141, 143, 270					4641042 .....	27
						4641045 .....	121

## SECTION 10 - SPECIAL OPTIONS

4641061.....	31	4844924.....	127, 128	4921829.....	252	4932989.....	244, 252
4641062.....	187, 193	4844925.....	127, 128	4921850.....	276	4933006.....	245
4641076.....	227	4844928.....	127	4921927.....	32, 252, 260	4933025.....	244
4641093.....	31, 35	4844954.....	127	4921928.....	32, 252, 260	4933026.....	244
4641099.....	31, 35	4844955.....	127, 128	4921938.....	252	4933027.....	244
4641105.....	121	4844956.....	127, 128	4921955.....	252	4933149.....	244, 252
4641136.....	121	4844958.....	45	4921957.....	261	4933150.....	244, 252
4641162.....	173	4845287.....	128	4922008.....	250	4933175.....	244
4711000.....	136	4845288.....	128	4922012.....	276	4933189.....	244
4711400.....	11, 31, 32, 61, 81, 84, 122, 129, 132, 164	4845289.....	128	4922046.....	79, 250	4933199.....	244
4711500.....	31, 33, 87, 142	4845290.....	128	4922077.....	79, 250	4933215.....	244, 261
4711600.....	11, 31, 61, 92, 100, 105, 107, 108, 111, 112, 217	4845308.....	163	4922095.....	244	4933216.....	244, 261
4711800.....	95, 100, 105	4845309.....	163	4922099.....	260	4933218.....	245
4711900.....	61	4845328.....	127, 128	4922130.....	248	4933231.....	244
4740004.....	41	4845394.....	61	4922131.....	248	4933232.....	245, 258, 259
4740057.....	45	4845395.....	60	4922137.....	137, 248	4933265.....	245
4740076.....	91	4845404.....	59	4922145.....	249	4933307.....	244
4740111.....	12	4845408.....	127	4922146.....	249	70000017.....	276
4740119.....	95	4845409.....	127	4922155... 136, 137, 245, 248		70000122.....	67
4740171.....	91	4845411.....	91	4922169.....	249	70000123.....	67
4740256.....	12	4845412.....	127	4922170.....	249	70000124.....	68
4740274.....	61	4845413.....	127	4922171.....	249	70000125.....	68
4740362.....	87, 129, 131, 136, 142	4845426.....	127	4922172.....	249	70000126.....	68
4740397.....	69, 143	4845469.....	127	4922173.....	249	70000342.....	116, 119
4740411.....	128	4845531.....	68	4922174.....	249	70000579.....	36
4740439.....	104	4845593.....	99, 103	4922174.....	249	70000580.....	36
4740444.....	80, 83	4845617.....	75	4922180.....	248	70000582.....	36
4740463.....	12	4845658.....	11	4922181.....	249	70000583.....	36
4740472.....	11	4845680.....	107	4922217.....	257	70001002.....	62, 63
4740473.....	12	4845682.....	105	4922218.....	249, 257	70001017.....	62
4750600.....	79	4845701.....	112	4922219.....	249, 257	70001059.....	32
4751000.....	60, 69, 80, 87, 92, 127, 131, 136, 137, 163	4845702.....	112	4922220.....	249	70001067.....	32
4751400.....	60, 83, 91, 121, 122, 129, 131, 142, 167, 266	4845703.....	100	4922311.....	249	70001068.....	32
4751500.....	69, 91, 92, 128, 163	4845716.....	103	4922473.....	250	70001069.....	32
4751600.....	27, 33, 60, 69, 75, 77, 91, 92, 123, 129, 131, 135, 142, 163, 167	4845729.....	112	4922482.....	261	70001423.....	63
4751800.....	11, 61, 77, 163, 167	4845730.....	112	4922484.....	244	70001498.....	63
4751900.....	69	4845871.....	100	4922498.....	261	70001681.....	62, 63
4752000.....	61	4845872.....	164	4922542.....	244	70001697.....	116, 119
4760600.....	80	4845928.....	75	4922549.....	258, 259	70001941.....	87
4761000.....	80, 92, 128, 136, 143	4846081.....	100, 105	4922557.....	258	70001976.....	36, 39
4761400.....	83, 167	4846101.....	127	4922565.....	244	70002013.....	112, 272
4761500.....	163	4846102.....	127	4922575.....	256	70002014.....	112
4761600.....	123	4846103.....	127	4922576.....	257	7000209.....	47, 54
4770600.....	95	4846184.....	128	4922577.....	257	7000213.....	21
4791400.....	61	4846194.....	128	4922578.....	258	7000214.....	47, 54
4812000.....	167	4846195.....	128	4922579.....	257	7000217.....	47, 54
4821397.....	164	4846228.....	128	4922580.....	257	7000220.....	21
4831900.....	64	4846229.....	128	4922581.....	257	70002234.....	62
4832000.....	64	4846240.....	128	4922582.....	256	70002235.....	68
4844790.....	105	4846241.....	128	4922636.....	258	70002239.....	67
4844816.....	103	4846253.....	127	4922637.....	258	7000224.....	21
4844817.....	103	4846254.....	127	4922638.....	258	70002240.....	68
		4846255.....	127	4922639... 142, 245, 256		7000228.....	47, 54
		4846430.....	45	4922641.....	261	7000229.....	47, 54
		4846452.....	131	4922643.....	244, 261	7000230.....	47, 54
		4846479.....	59	4922666.....	83, 142, 259	7000231.....	21
		4846566.....	59	4922675.....	258	7000235.....	21
		4846573... 101, 105, 169		4922737.....	61	7000236.....	21
		4891500.....	31	4922773.....	257	70002366.....	203
		4891600.....	95, 101, 105	4922774.....	257	7000238.....	21
		4891800... 15, 41, 60, 95, 101, 105		4922775.....	257	7000239.....	21
		4892000.....	15, 41, 45	4923613.....	257	7000240.....	21
		4892600.....	101, 105	4932915.....	244, 252	70002410.....	179
		4920018.....	129	4932917.....	244	70002411.....	62, 63
		4921028.....	129	4932980.....	245	7000246.....	47, 54
		4921820.....	252, 260	4932982.....	245, 249	7000248.....	54
				4932986.....	244	7000253.....	47, 54

## SECTION 10 - SPECIAL OPTIONS

70002530	62, 63	70004761	151	70006782	179	7003460	19, 49
70002546	252	70004762	151	70006783	179	7003461	19, 49
7000255	47, 54	70004763	151	70006784	179	7003462	19, 49
7000256	47, 54	70004764	151	70006796	213	7003463	19, 49
7000257	47, 54	70004765	151	70006797	213	7003657	67
7000258	47, 54	70004766	151	70006798	213	7003928	145, 147, 149
7000263	47, 54	70004767	151	70006799	213	7003933	157
7000265	12, 21	70004768	151	70006800	213	7003935	155, 157
7000269	47, 54	70004769	151	70006801	213	7003941	155, 157, 159
7000270	47, 54	70004770	151	70006802	213	7003946	155, 157
7000272	21	70004771	151	70006803	213	7003952	145
70002724	159	70004772	151	70006804	213	7003953	145, 147
70002725	159	70004773	152	70006921	221	7003956	145
70002726	159	70004774	152	70006922	221	7003969	155, 157
70002727	159	70004775	152	70006923	221	7003972	155, 157, 159
70002728	159	70005230	161	70006924	221	7003973	155, 157, 159
70002729	159	70005594	221	70006925	221	7003974	145
7000273	21	70005793	179	70006926	221	7003976	145, 147
70002730	149	7000625	131	70006927	221	7003977	145, 147
70002731	149	70006344	221	70006928	221	7003980	155, 157, 159
70002732	149	70006375	199	7000699	62	7003982	159
70002733	149	70006376	199	7000722	19, 49	7003983	155, 157, 159
70002734	149	70006377	199	7000723	19, 49	7003986	157
70002735	149	70006378	199	7000724	19, 49	7003989	155, 157, 159
7000274	21	70006384	195	7000725	19, 49	7003992	145, 147, 155, 157
7000275	21	70006385	185, 195	7000728	19, 49	7003993	145, 147, 155, 157
7000281	54	70006386	195	7000731	19, 49, 55	7003994	157
70002813	62	70006387	195	7000782	19, 49	7004042	55
7000282	21	70006388	195	7000796	19, 49	7004043	55
7000283	21	70006389	185	7000798	19, 49	7004044	55
7000284	21	70006390	185	7001498	72	7004046	55
7000287	22	70006391	185	7001901	21	7004275	276
7000288	22	7000645	36	7001902	21	7004276	276
7000289	22	70006479	221	7001903	21	70050801	203
7000290	22	70006480	221	7001906	21	7006137	112, 272
70002906	149	70006568	189	7001909	47, 54	7007208	71
70003476	62	70006569	189	7001911	47, 54	7007412	73
70003483	131	70006570	189	7001912	54	7007413	71
70003556	63	70006571	189	7001928	21, 47, 54	7007414	71
70003983	33	70006572	189	7001931	47, 54	7007417	71
70003989	33	70006590	179	7001985	47, 54	7007419	71
70003990	33	70006596	203	7001987	47	7007423	71
70003992	33	70006601	179	7001988	47	7007425	71
70003993	33	7000663	62	7002111	51	7007435	71
70004738	161	70006642	181	7002117	51	7007437	71
70004739	161	70006643	181, 207	7002123	51	7007438	71
70004740	161	70006644	181, 207	70022564	179	7007439	71
70004741	161	70006645	181	70023915	189	7007441	71
70004742	161	70006649	191	70027259	213	7007442	71
70004743	161	70006650	191	7002821	253, 261, 276	7007446	71
70004744	161	70006651	207	7002822	276	7007452	71
70004745	161	70006668	207	7002823	253, 261, 276	7007453	72
70004746	161	70006669	215	7002826	276	7007454	71
70004747	161	70006670	215	7002828	253, 261	7007457	72
70004748	161	70006671	215	7002840	11, 276	7007463	72
70004749	161	70006672	215	7003049	19, 49	7007464	72
70004750	161	70006728	221	7003050	19, 49	7007465	72
70004751	161	70006731	221	7003094	19, 49	7007466	72
70004752	151	70006733	221	7003451	19, 49	7007470	71
70004753	151	70006734	191	7003452	19, 49	7007472	72
70004754	151	70006735	191	7003453	19, 49	7007474	72
70004755	151	70006736	191	7003454	19, 49	7007475	72
70004756	151	70006777	203	7003455	19, 49	7007477	72
70004757	151	70006778	203	7003456	19, 49	7007478	72
70004758	151	70006779	203	7003457	19, 49	7007483	72
70004759	151	70006780	203	7003458	49		
70004760	151	70006781	203	7003459	19, 49		

## SECTION 10 - SPECIAL OPTIONS

7007484.....	72	7012901.....	36	7017043.....	21	7018993.....	36
7007485.....	72	7012905.....	31	7017044.....	21	7018994.....	36
7007487.....	72	7012914.....	35	7017045.....	21	7018995.....	59
7007488.....	72	7012918.....	35	7017046.....	22	7019103.....	155, 157
7007494.....	71	7012941.....	37	7017047.....	22	7019110.....	155, 157
7007496.....	72	7012943.....	31, 36, 270	7017048.....	21	7019111.....	145, 147, 155, 157
7007497.....	72, 259	7012944.....	31, 37, 270	7017050.....	22	7019112.....	155, 157
7007498.....	72, 259	7012953.....	36, 39, 122	7017051.....	12	7019114.....	157
7007633.....	47, 54	7012959.....	31	7017052.....	12	7019115.....	155, 157
7007990.....	19	7012965.....	39	7017053.....	12	7019117.....	155
7008833.....	60, 250	7012970.....	122	7017054.....	12	7019122.....	145, 147
7008835.....	60	7012972.....	31	7017055.....	12	7019123.....	145, 147
7008836.....	60, 250	7012989.....	36	7017056.....	12	7019137.....	145
7009996.....	51	7012998.....	35, 37, 39	7017057.....	12	7019141.....	145, 147
7009998.....	51	7013187.....	77	7017058.....	12	7019142.....	145, 147
7010116.....	73	7014676.....	276	7017068.....	22	7019143.....	145, 147
7010122.....	72	7014801.....	75	7017070.....	47, 54	7019144.....	145, 147
7010404.....	12	7014802.....	75	7017082.....	54	7019145.....	145, 147
7010405.....	12	7014810.....	75	7017085.....	54	7019146.....	145
7010406.....	12	7014813.....	75	7017089.....	47, 54	7019147.....	145, 147
7010461.....	54	7014816.....	75	7017102.....	115	7019149.....	145, 147
7010474.....	47, 54	7014817.....	75, 270	7017115.....	115	7019150.....	145, 147
7010488.....	47	7014818.....	75	7017118.....	116	7019151.....	155, 157
7010492.....	47, 54	7016314.....	75	7017119.....	115	7019153.....	155
7010494.....	47	7016322.....	95	7017142.....	115, 116	7019154.....	155, 157
7010542.....	35	7016328.....	62, 270	7017156.....	116	7019155.....	155, 157
7010543.....	35, 37	7016330.....	62	7017157.....	116	7019156.....	155
7010795.....	55	7016331.....	62, 63, 270	7017158.....	116, 119	7019157.....	155
7011112.....	176, 179, 181	7016332.....	62, 63	7017159.....	116, 119	7019158.....	155
7011331.....	115	7016336.....	251	7017162.....	115, 119	7019159.....	155
7011332.....	115	7016342.....	77	7017163.....	115, 119	7019160.....	155, 157
7011333.....	121	7016374.....	95	7017164.....	115, 119	7019161.....	155, 157
7011342.....	121	7016380.....	87	7017174.....	115	7019162.....	155, 157, 159
7011346.....	116	7016399.....	129, 132	7017177.....	115	7019163.....	155
7012513.....	67	7016522.....	112, 272	7017183.....	115, 119	7019164.....	155, 157, 159
7012514.....	67	7016523.....	112	7017193.....	115, 119	7019165.....	155, 157, 159
7012518.....	31	7016524.....	112	7017210.....	209	7019166.....	155, 157
7012558.....	67	7016529.....	112	7017211.....	209	7019167.....	155, 157, 159
7012560.....	79	7016652.....	276	7017213.....	209	7019168.....	155, 157
7012599.....	62	7016654.....	276	7017214.....	209	7019171.....	147
7012611.....	79, 135	7016655.....	276	7017215.....	209	7019174.....	147
7012612.....	79, 135	7016779.....	32	7017234.....	209	7019177.....	147
7012664.....	59, 270	7016780.....	32	7017236.....	209	7019194.....	155, 157, 159
7012693.....	11	7016781.....	32	7017414.....	36	7019197.....	145, 147
7012700.....	25	7016782.....	32	7017420.....	35, 39	7019607.....	62
7012701.....	25	7016783.....	32	7017421.....	39	7019658.....	75
7012702.....	25	7016784.....	32	7017422.....	39	7020020.....	31
7012703.....	25	7016785.....	32	7017423.....	35	7020021.....	31
7012704.....	25	7016800.....	60	7017427.....	35	7020025.....	62
7012705.....	25	7016802.....	61	7017428.....	35, 37	7020027.....	62, 63
7012706.....	25	7016803.....	61	7017466.....	31	7020057.....	167
7012707.....	25	7016809.....	61	7017474.....	35	7020058.....	167
7012708.....	25	7016824.....	61	7017477.....	36, 37	7020059.....	167
7012709.....	25	7016825.....	61	7017478.....	37	7020064.....	107
7012710.....	25	7017023.....	54	7017479.....	31	7020065.....	107
7012711.....	25	7017027.....	21	7017481.....	31	7020066.....	107
7012712.....	25	7017031.....	21	7018612.....	19, 49	7020067.....	107
7012713.....	25	7017033.....	21	7018912.....	35, 36, 37, 39	7020068.....	121
7012714.....	25	7017034.....	21	7018941.....	35	7020069.....	121
7012715.....	25	7017035.....	21	7018942.....	37, 39	7020070.....	121
7012716.....	25	7017036.....	21	7018945.....	37, 39	7020071.....	121
7012769.....	36	7017037.....	21	7018946.....	39	7020108.....	67
7012772.....	35, 36, 39, 270	7017038.....	21	7018947.....	39	7020109.....	67
7012773.....	35, 36, 39	7017039.....	21	7018948.....	39	7020110.....	67
7012774.....	36, 39	7017040.....	21	7018951.....	37	7020111.....	67
7012775.....	35	7017041.....	21	7018991.....	35, 270	7020168.....	63
7012776.....	39	7017042.....	21	7018992.....	35		

## SECTION 10 - SPECIAL OPTIONS

7020171 .....	121	7020464 .....	62	7022396.....	27	7024196 .....	55
7020172 .....	121	7020465 .....	62, 63	7022397.....	27	7024197 .....	56
7020173 .....	121	7020468 .....	63	7022398.....	27	7024318 .....	63
7020175 .....	79, 83, 135, 142	7020471 .....	62, 63	7022399.....	27	7024379 .....	55
7020176 .....	79, 83, 135, 142	7020474 .....	63	7022808.....	145, 147, 149	7024380 .....	55
7020190 .....	67	7020477 .....	62	7022810.....	155	7024396 .....	55
7020191 .....	68	7020479 .....	63	7022812.....	157	7024397 .....	217, 221
7020192 .....	68	7020480 .....	63	7022813.....	145	7024398 .....	62
7020193 .....	67	7020487 .....	63	7022814.....	147	7024413 .....	63
7020246 .....	79, 83	7021200 .....	71	7022815.....	147, 149	7024453 .....	55
7020335 .....	51	7021201 .....	71	7022816.....	147	7024454 .....	55
7020336 .....	51	7021202 .....	71	7022817.....	147	7024455 .....	55
7020338 .....	51	7021203 .....	71	7022818.....	147	7024456 .....	55
7020339 .....	51	7021205 .....	71	7022819.....	147, 149, 259	7024457 .....	55
7020340 .....	51	7021206 .....	72	7022822.....	157	7024458 .....	55
7020341 .....	51	7021207 .....	71	7022823.....	157	7024459 .....	55
7020343 .....	51	7021208 .....	71	7022824.....	157	7024508 ....	211, 213, 215
7020346 .....	51	7021209 .....	71	7022825.....	259	7024560 .....	62
7020353 .....	51	7021212 .....	72	7023023.....	209	7024565 .....	63
7020357 .....	51	7021213 .....	72	7023206.....	31	7024579 .....	63
7020358 .....	51	7021214 .....	72	7023207.....	31	7024598 .....	95
7020359 .....	51	7021218 .....	72	7023331.....	167	7024702 .....	54, 55
7020360 .....	51	7021219 .....	72	7023332.....	167	7024703 .....	54
7020362 .....	51	7021220 .....	72	7023333.....	167	7024704 .....	54
7020363 .....	51	7021221 .....	72	7023340.....	60	7024705 .....	54
7020404 .....	62	7021222 .....	72	7023366.....	91	7024706 .....	54
7020408 .....	63	7021223 .....	72	7023900.....	27	7024707 .....	54, 55
7020411 .....	63	7021226 .....	72	7023977.....	71	7024784 .....	54
7020414 .....	62	7021227 .....	72	7023981.....	31	7024828 .....	72
7020418 .....	63	7021228 .....	72	7024036.....	25	7024918 .....	59
7020419 .....	62	7021229 .....	72	7024100.....	47, 54	7024930 .....	59
7020425 .....	62	7021230 .....	73	7024155.....	21	7026199 .....	67
7020427 .....	62	7021231 .....	73	7024185.....	54	7026522 .....	63
7020431 .....	62, 63	7021232 .....	73	7024189.....	55	7026607 .....	63
7020449 .....	63	7021310 .....	37	7024190.....	55	7026608 .....	63
7020458 .....	63	7021311 .....	37	7024191.....	55	7026631 .....	62, 63
7020459 .....	63	7021601 .....	36	7024192.....	55	7027250 .....	62
7020460 .....	63	7021602 .....	35	7024193.....	55	7027887 .....	68
7020461 .....	63	7021625 .....	27	7024194.....	55	8320270 .....	62
7020463 .....	62, 63	7021656 .....	27	7024195.....	55	8896941 .....	276



3120859



An Oshkosh Corporation Company

**Corporate Office**  
**JLG Industries, Inc.**  
**1 JLG Drive**  
**McConnellsburg, PA 17233-9533 USA**  
**☎ (717) 485-5161 (Corporate)**  
**☎ (877) 554-5438 (Customer Support)**  
**☎ (717) 485-6417**

**Visit our website for JLG Worldwide Locations.**  
**[www.jlg.com](http://www.jlg.com)**