



# Illustrated Parts Manual

## *Models* **800A** **800AJ**

SN 0300069000  
through 0300140000

SN B300000101  
through B300000166

P/N  
3121176

March 1, 2022 - Rev AK

**ANSI**

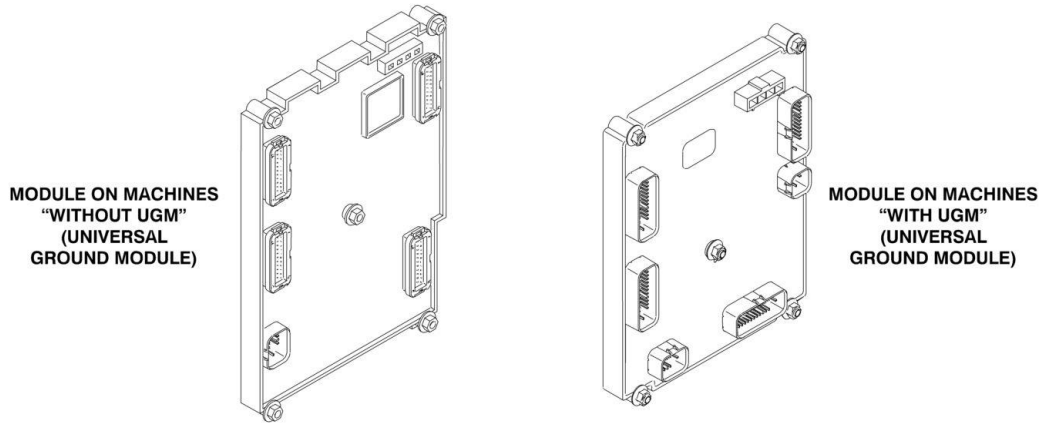


An Oshkosh Corporation Company



# REVISION LOG

## GROUND MODULE MODULE IDENTIFICATION

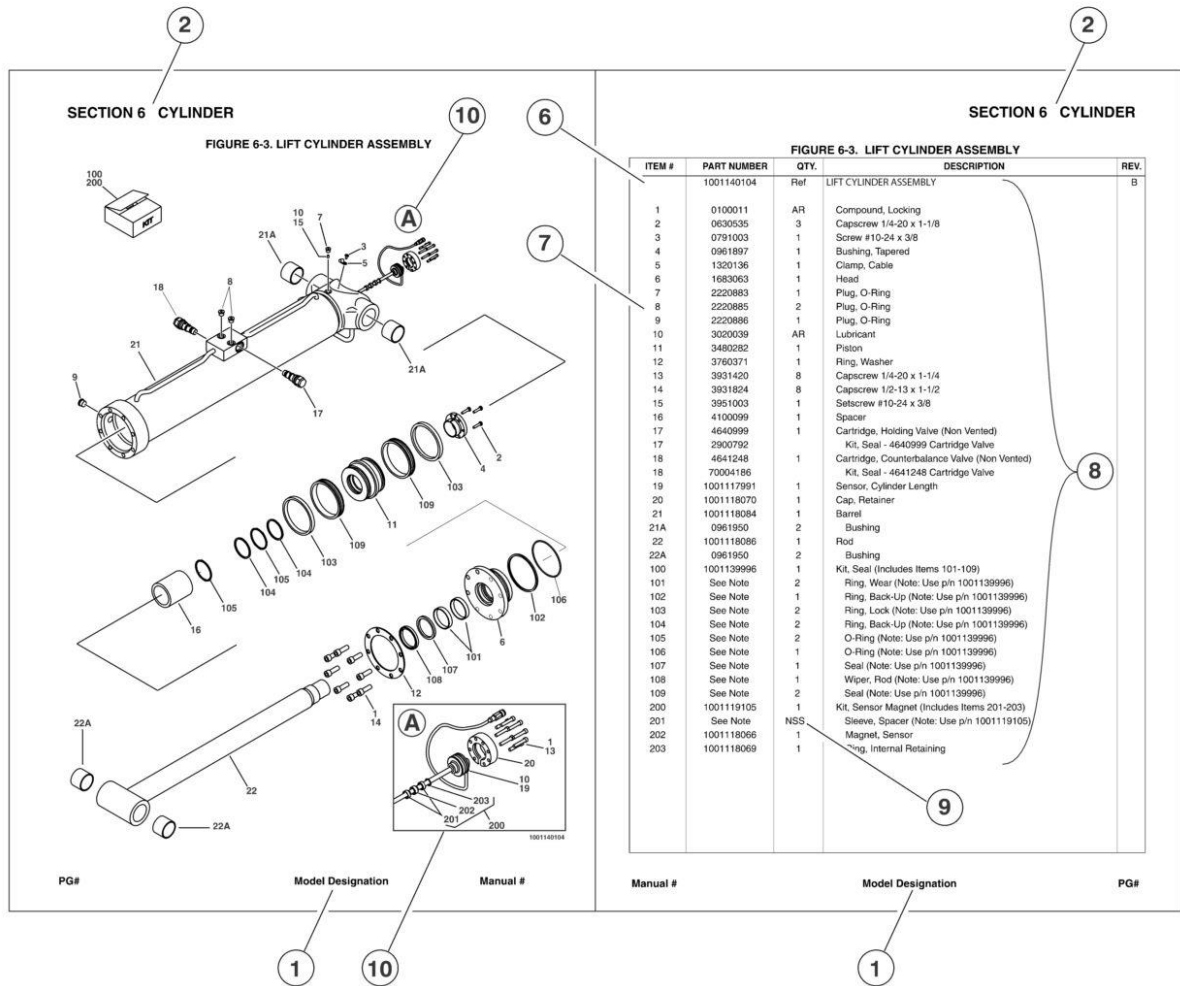


September 30, 2002 - A - Original Issue Of Manual (Manual edited to 0010580 Revision 21)  
February 7, 2003 - B - Revised (Manual edited to 0010580 Revision 30)  
June 30, 2003 - C - Revised (Manual edited to 0010580 Revision 45)  
October 14, 2003 - D - Revised (Manual edited to 0010580 Revision 49)  
February 10, 2004 - E - Revised (Manual edited to 0010580 Revision 49)  
June 8, 2004 - F - Revised (Manual edited to 0010580 Revision 58)  
October 19, 2004 - G - Revised (Manual edited to 0010580 Revision 64)  
March 14, 2005 - H - Revised (Manual edited to 0010580 Revision 71)  
July 15, 2005 - I - Revised (Manual edited to 0010580 Revision 74)  
January 31, 2006 - J - Revised (Manual edited to 0010580 Revision 81)  
May 31, 2006 - K - Revised (Manual edited to 0010580 Revision 88)  
September 25, 2006 - L - Revised (Manual edited to 0010580 Revision 92)  
April 17, 2007 - M - Revised (Manual edited to 0010580 Revision 101)  
July 30, 2007 - N - Revised (Manual edited to 0010580 Revision 103)  
December 7, 2007 - O - Revised (Manual edited to 0010580 Revision 105)  
March 15, 2008 - P - Revised (Manual edited to 0010580 Revision 106)  
November 28, 2008 - Q - Revised (Manual edited to 0010580 Revision 115)  
May 15, 2009 - R - Revised (Manual edited to 0010580 Revision 117)  
October 15, 2009 - S - Revised Manual (Manual edited to 0010580 Revision 135)  
April 15, 2010 - T - Revised Manual (Manual edited to 0010580 Revision 143)  
December 30, 2010 - U - Revised Manual (Manual edited to 0010580 Revision 153)  
April 27, 2011 - V - Revised Manual  
July 29, 2011 - W - Revised Manual  
October 21, 2011 - X - Revised Manual  
January 10, 2012 - Y - Revised Manual

## REVISION LOG

May 31, 2012 - Z - Revised Manual  
July 31, 2012 - AA - Revised Manual  
December 14, 2012 - AB - Revised Manual  
March 26, 2013 - AC - Revised Manual  
June 20, 2013 - AD - Revised Manual  
September 16, 2013 - AE - Revised Manual  
December 30, 2013 - AF - Revised Manual  
April 30, 2014 - AG - Revised Manual  
July 15, 2015 - AH - Revised Manual  
December 14, 2015 - AI - Revised Manual (Revision 2)  
August 31, 2018 - AJ - Revised Manual (Revision 1)  
March 1, 2022 - AK - Revised Manual (Revision 1)

# GENERAL INFORMATION



## 1) MACHINE IDENTIFICATION

Machines are identified by model and in some cases a combination of models, serial number (SN) or regional standard (i.e ANSI, CE, CSA). Components may also be identified by SN or manufacturer. Common components that may be identified by these characteristics are engines and hydraulic components.

## 2) PARTS MANUAL ORGANIZATION

Product information in this manual is organized under section titles. Frame, Cylinder, Hydraulic and Electrical are a few examples. Each section is organized by figure and page number. The information within the Figure is then organized by item number, part number, description and corresponding illustration (s).

## 3) TABLE OF CONTENTS

A table of contents is found toward the beginning of the manual. Figure number, description and page number are provided for quick reference to the page containing the related information.

## 4) RECOMMENDED SPARE PARTS

The Recommended Spare Parts, located near the end of the manual, reference most frequently used maintenance parts.

## 5) PART NUMBER INDEX

A numerical index listing all part numbers and the corresponding page number(s) appears at the back of the manual.

## GENERAL INFORMATION

### 6) NON-SERVICED PARTS

In some instances, it is necessary to display non-serviced parts, assemblies or installations. In the case of assemblies and installations there will be a Ref in the Qty column. In case of parts that are not available for service within assemblies or components, there will be a NSS (Not Sold Separately) or NLA (No Longer Available) listed in the Qty. column of the manual.

### 7) PARTS LIST ITEM NUMBERS

Numbers shown in the item# column correspond to numbers used in the associated illustration (s). Item numbers which are missing from the sequence in the parts list are not used on that page

### 8) INDENTED PARTS DESCRIPTION

An indented part description is included in the item under which it is indented.

### 9) ABBREVIATION AND SYMBOLS

AC.....	.. Alternating Current	LCD .....	Liquid Crystal Display
ADE.....	..Advanced Design Electronics	LED .....	Light Emitting Diodes
ANSI .....	..American National Standards Institute	LH.....	.. Left Hand
AR.....	..As Required	LSS .....	..Load Sensing System
ASSY .....	.. Assembly	M(m).....	.. Metric/Meter
AUX.....	..Auxiliary	MM (mm) .....	..Milimeter
AWG.....	..American Wire Gauge	mA.....	.. Milliamps
B/M.....	.. Bill of Material	NLA.....	..No Longer Available
CE.....	..European Conformity	NPT .....	.. National Pipe Threads
CCW .....	..Counter Clockwise	NSS .....	..Not Sold Separately
cm.....	..Centimeter	OD.....	..Outside Diameter
CW.....	..Clockwise	ORB.....	.. O-Ring Boss
CSA.....	..Canadian Standards Association	ORFS.....	.. O-Ring Face Seal
CYL.....	..Cylinder	OZ (oz).....	..Ounces
DIA.....	..Diameter	PG .....	..Page
DC.....	..Direct Current	P/N.....	..Part Number
EMS .....	..Emergency Stop	qt.....	..Quarts
ENG .....	..Engine	QTY.....	..Quantity
FT (ft).....	..Feet	REF .....	..Reference
GA(Ga).....	..Gauge	REV .....	..Revision Level
HYD .....	..Hydraulic	RH.....	.. Right Hand
Hz.....	..Hertz	SAE.....	.. Society of Automotive Engineers
ID.....	..Inside Diameter	SN.....	..Serial Number
in.....	..inches	SPEC(S).....	..Specifications
ISO.....	..International Organization for Standards	T/T.....	..Turntable
JIC.....	..Joint Industry Council	UGM .....	..Universal Ground Module
KG .....	..Kilogram	V.....	..Volts
L.....	..Liter	W.....	..Watts
LB.....	..Pounds	#.....	..Number

### 10) ILLUSTRATION REFERENCE LETTERS

When necessary, illustrations may contain reference letters that are intended to track information (i. e. hoses, harnesses) from one point to another or to track visual enlargement of components to show details that may be located in another area on the illustration.

*Note: Due to continuous product improvements, JLG Industries, Inc. reserves the right to make specification changes without prior notification. Contact JLG Industries, Inc. for updated information.*

# TABLE OF CONTENTS

SECTION 1 - FRAME.....	11
FIGURE 1-1. AXLE AND STEERING INSTALLATION.....	12
FIGURE 1-2. TIRE AND WHEEL INSTALLATIONS.....	18
FIGURE 1-3. DRIVE HUB ASSEMBLIES (SN 0300069000 through 0300083331).....	22
FIGURE 1-4. DRIVE HUB ASSEMBLY (SN 0300083332 through 0300140000).....	26
FIGURE 1-5. DRIVE MOTOR ASSEMBLY (SN 0300069000 through 0300083331).....	30
FIGURE 1-6. DRIVE MOTOR ASSEMBLY (ORIGINAL EQUIPMENT) (4 BOLT ASSEMBLY) (SN 0300083332 through 0300140000).....	32
FIGURE 1-7. DRIVE MOTOR ASSEMBLY (SERVICE REPLACEMENT) (5 BOLT ASSEMBLY) (SN 0300083332 through 0300140000).....	36
FIGURE 1-8. DRIVE VALVES AND SHIELDS INSTALLATIONS (SN 0300069000 through 0300083331).....	40
FIGURE 1-9. DRIVE VALVES AND SHIELDS INSTALLATIONS (SN 0300083332 through 0300140000).....	42
FIGURE 1-10. TOW PACKAGE INSTALLATION (2WS ONLY).....	44
SECTION 2 - TURNTABLE.....	47
FIGURE 2-1. CONTROL VALVES AND HORN INSTALLATIONS.....	48
FIGURE 2-2. MAIN CONTROL VALVE ASSEMBLY.....	52
FIGURE 2-3. ACCESSORY VALVE ASSEMBLY.....	56
FIGURE 2-4. AUXILIARY PUMP ASSEMBLY.....	58
FIGURE 2-5. TURNTABLE BEARING AND SWING DRIVE INSTALLATION.....	62
FIGURE 2-6. SWING MOTOR/HUB ASSEMBLY (SN 0300069000 through 0300134352).....	64
FIGURE 2-7. SWING MOTOR/HUB ASSEMBLY (SN 0300134353 through 0300140000).....	70
FIGURE 2-8. CATERPILLAR ENGINE INSTALLATION (SN 0300069000 through 0300139399).....	74
FIGURE 2-9. CATERPILLAR ENGINE INSTALLATION (SN 0300139400 through 0300140000).....	84
FIGURE 2-10. DEUTZ ENGINE INSTALLATION (SN 0300069000 through 0300077499).....	92
FIGURE 2-11. DEUTZ ENGINE INSTALLATION (SN 0300077500 through 0300140000).....	98
FIGURE 2-12. FORD ENGINE INSTALLATION - NON-UJ SPEC MACHINES (SN 0300069000 through 0300077499).....	110
FIGURE 2-13. FORD ENGINE INSTALLATION - UL MACHINES (SN 0300069000 through 0300077499).....	116
FIGURE 2-14. FORD ENGINE INSTALLATION (SN 0300077500 through 0300140000).....	122
FIGURE 2-15. DUAL FUEL INSTALLATION (GAS MACHINES OPTIONS).....	128
FIGURE 2-16. GM ENGINE INSTALLATION (SN 0300069000 through 0300140000).....	132
FIGURE 2-17. PISTON PUMP ASSEMBLY.....	140
FIGURE 2-18. TANK INSTALLATIONS.....	144
FIGURE 2-19. ROTARY COUPLING INSTALLATION (SN 0300069000 through 0300083331).....	148
FIGURE 2-20. ROTARY COUPLING INSTALLATION (SN 0300083332 through 0300137974).....	150
FIGURE 2-21. ROTARY COUPLING INSTALLATION (SN 0300137975 through 0300140000).....	154
FIGURE 2-22. GROUND CONTROL BOX ASSEMBLY (WITHOUT UGM).....	158
FIGURE 2-23. GROUND CONTROL BOX ASSEMBLY (WITH UGM).....	164
FIGURE 2-24. ELECTRICAL OPTIONS INSTALLATION (TURNTABLE MOUNTED).....	168
FIGURE 2-25. HOODS INSTALLATION (SN 0300069000 through 0300089981).....	172
FIGURE 2-26. HOODS INSTALLATION (SN 0300089982 through 0300140000).....	176
FIGURE 2-27. ENGINE TRAY JACK INSTALLATION (OPTIONAL).....	182
FIGURE 2-28. 2500W GENERATOR INSTALLATION - CATERPILLAR MACHINES (OPTIONAL).....	184
FIGURE 2-29. 2500W GENERATOR INSTALLATION - DEUTZ MACHINES (OPTIONAL).....	188
FIGURE 2-30. 2500W GENERATOR INSTALLATION - FORD MACHINES (OPTIONAL) (SN 0300069000 through 0300077499).....	192
FIGURE 2-31. 2500W GENERATOR INSTALLATION - FORD MACHINES (OPTIONAL) (SN 0300077500 through 0300140000).....	196
FIGURE 2-32. 2500W GENERATOR INSTALLATION - GM MACHINES (OPTIONAL).....	200
FIGURE 2-33. 7500W SKYPOWER GENERATOR INSTALLATION - CATERPILLAR AND DEUTZ MACHINES (ANSI AND CSA SPECS).....	204
FIGURE 2-34. 7500W SKYPOWER GENERATOR INSTALLATION - FORD MACHINES (ANSI AND CSA SPECS).....	210
FIGURE 2-35. 7500W SKYPOWER GENERATOR INSTALLATION - GM MACHINES (ANSI AND CSA SPECS).....	214
SECTION 3 - BOOM.....	219
FIGURE 3-1. BOOM AND CYLINDER INSTALLATION - 800A.....	220
FIGURE 3-2. BOOM AND CYLINDER INSTALLATION - 800AJ.....	224
FIGURE 3-3. TOWER BOOM ASSEMBLY.....	228
FIGURE 3-4. MAIN BOOM ASSEMBLIES.....	232
FIGURE 3-5. ROTATOR ASSEMBLY (FRONT ENTRY PLATFORM).....	236
FIGURE 3-6. ROTATOR ASSEMBLY (SIDE ENTRY PLATFORM).....	240
FIGURE 3-7. VALVE AND LIMIT SWITCH INSTALLATIONS (BOOM MOUNTED).....	242

# TABLE OF CONTENTS

SECTION 4 - PLATFORM.....	245
FIGURE 4-1. PLATFORM COMPONENTS INSTALLATION (FRONT ENTRY PLATFORM).....	246
FIGURE 4-2. PLATFORM COMPONENTS INSTALLATION (SIDE ENTRY PLATFORM).....	250
FIGURE 4-3. PLATFORM COMPONENTS INSTALLATION (FALL ARREST PLATFORM).....	254
FIGURE 4-4. PLATFORM CONSOLE ASSEMBLY (SN 0300069000 through 0300137974).....	256
FIGURE 4-5. PLATFORM CONSOLE ASSEMBLY (SN 0300137975 through 0300140000).....	262
FIGURE 4-6. CONTROLLER ASSEMBLY (LIFT AND SWING).....	266
FIGURE 4-7. CONTROLLER ASSEMBLY (LIFT AND SWING).....	268
FIGURE 4-8. CONTROLLER ASSEMBLY (LIFT AND SWING).....	270
FIGURE 4-9. CONTROLLER ASSEMBLY (DRIVE AND STEER).....	274
FIGURE 4-10. CONTROLLER ASSEMBLY (DRIVE AND STEER).....	276
FIGURE 4-11. CONTROLLER ASSEMBLY (DRIVE AND STEER).....	278
FIGURE 4-12. SOFT TOUCH SYSTEM INSTALLATION (OPTIONAL).....	280
SECTION 5 - CYLINDER.....	283
FIGURE 5-1. AXLE LOCKOUT CYLINDER ASSEMBLY.....	284
FIGURE 5-2. LEVEL CYLINDER ASSEMBLY - PLATFORM SLAVE.....	286
FIGURE 5-3. LEVEL CYLINDER ASSEMBLY - PLATFORM SLAVE (800A ONLY) (SERVICE REPLACEMENT).....	290
FIGURE 5-4. LEVEL CYLINDER ASSEMBLY - PLATFORM SLAVE (800AJ ONLY) (SERVICE REPLACEMENT).....	292
FIGURE 5-5. LEVEL CYLINDER ASSEMBLY - UPRIGHT.....	294
FIGURE 5-6. LEVEL CYLINDER ASSEMBLY - UPRIGHT (SERVICE REPLACEMENT).....	296
FIGURE 5-7. LIFT CYLINDER ASSEMBLY - JIB (800AJ ONLY) (ORIGINAL EQUIPMENT).....	298
FIGURE 5-8. LIFT CYLINDER ASSEMBLY - JIB (800AJ ONLY) (USAGE MAY VARY) (SERVICE REPLACEMENT).....	300
FIGURE 5-9. LIFT CYLINDER ASSEMBLY - JIB (800AJ ONLY) (USAGE MAY VARY) (SERVICE REPLACEMENT).....	302
FIGURE 5-10. LIFT CYLINDER ASSEMBLY - MAIN BOOM (ORIGINAL EQUIPMENT).....	304
FIGURE 5-11. LIFT CYLINDER ASSEMBLY - MAIN BOOM (SERVICE REPLACEMENT).....	306
FIGURE 5-12. LIFT CYLINDER ASSEMBLY - TOWER BOOM (ORIGINAL EQUIPMENT).....	308
FIGURE 5-13. LIFT CYLINDER ASSEMBLY - TOWER BOOM (SERVICE REPLACEMENT).....	310
FIGURE 5-14. MASTER CYLINDER ASSEMBLY - 800A (ORIGINAL EQUIPMENT).....	312
FIGURE 5-15. MASTER CYLINDER ASSEMBLY - 800A (SERVICE REPLACEMENT).....	314
FIGURE 5-16. MASTER CYLINDER ASSEMBLY - 800AJ (ORIGINAL EQUIPMENT).....	316
FIGURE 5-17. MASTER CYLINDER ASSEMBLY - 800AJ (SERVICE REPLACEMENT).....	318
FIGURE 5-18. STEER CYLINDER ASSEMBLY.....	320
FIGURE 5-19. TELESCOPE CYLINDER ASSEMBLY - MAIN BOOM.....	322
FIGURE 5-20. TELESCOPE CYLINDER ASSEMBLY - MAIN BOOM (800A) (SERVICE REPLACEMENT).....	324
FIGURE 5-21. TELESCOPE CYLINDER ASSEMBLY - MAIN BOOM (800AJ) (SERVICE REPLACEMENT).....	326
FIGURE 5-22. TELESCOPE CYLINDER ASSEMBLY - TOWER BOOM.....	328
FIGURE 5-23. TELESCOPE CYLINDER ASSEMBLY - TOWER BOOM (SERVICE REPLACEMENT).....	330
SECTION 6 - HYDRAULIC.....	333
FIGURE 6-1. AXLE LOCKOUT HYDRAULIC DIAGRAM.....	334
FIGURE 6-2. DRIVE HYDRAULIC DIAGRAM - 2WD (SN 0300069000 through 0300083331).....	336
FIGURE 6-3. DRIVE HYDRAULIC DIAGRAM - 2WD (SN 0300083332 through 0300140000).....	340
FIGURE 6-4. DRIVE HYDRAULIC DIAGRAM - 4WD/2WS (SN 0300069000 through 0300083331).....	346
FIGURE 6-5. DRIVE HYDRAULIC DIAGRAM - 4WD/2WS (SN 0300083332 through 0300140000).....	350
FIGURE 6-6. STANDARD HYDRAULIC DIAGRAM (WITH FENNER AND HALDEX BRAND AUXILIARY PUMP).....	356
FIGURE 6-7. STANDARD HYDRAULIC DIAGRAM (WITH BUCHER BRAND AUXILIARY PUMP).....	360
FIGURE 6-8. HYDRAULIC DIAGRAM LIST.....	364
SECTION 7 - ELECTRICAL.....	367
FIGURE 7-1. ELECTRICAL DIAGRAM LIST.....	368
FIGURE 7-2. HARNESS COMPONENTS INSTALLATION WITHOUT UGM.....	370
FIGURE 7-3. HARNESS COMPONENTS INSTALLATION WITH UGM.....	390
SECTION 8 - DECALS.....	405
FIGURE 8-1. DECAL INSTALLATION (ANSI SPEC) (SN 0300069000 through 0300089981).....	406
FIGURE 8-2. DECAL INSTALLATION (ANSI SPEC) (SN 0300089982 through 0300140000).....	410
FIGURE 8-3. DECAL INSTALLATION (COUNTRY SPEC) (SN 0300069000 through 0300089981).....	414
FIGURE 8-4. DECAL INSTALLATION (COUNTRY SPEC) (SN 0300089982 through 0300140000).....	420
SECTION 9 - RECOMMENDED SERVICE PARTS STOCK.....	427



# TABLE OF CONTENTS

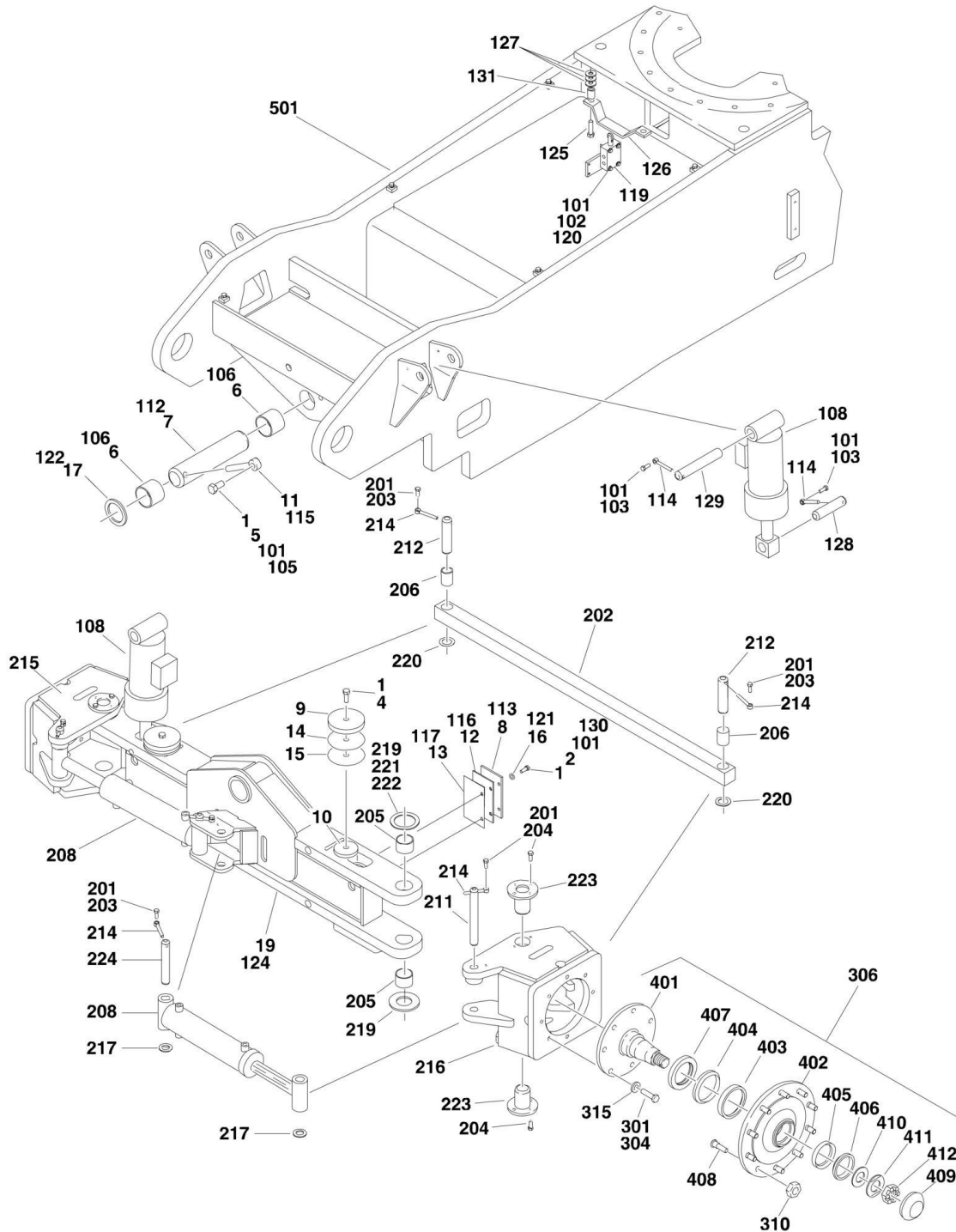
FIGURE 9-1. MODEL 800A/800AJ STANDARD PARTS .....	428
FIGURE 9-2. MODEL 800A/800AJ VARIABLE PARTS .....	430
SECTION 10 - SPECIAL OPTIONS .....	431
FIGURE 10-1. SPECIAL OPTIONS.....	432
PART NUMBER INDEX .....	439



**SECTION 1 - FRAME**

# SECTION 1 - FRAME

## FIGURE 1-1. AXLE AND STEERING INSTALLATION



# SECTION 1 - FRAME

## FIGURE 1-1. AXLE AND STEERING INSTALLATION

ITEM	PART NUMBER	QTY	DESCRIPTION	REV
	0258286	Ref	<b>FIXED AXLE INSTALLATION</b>	C
1	0100011	AR	Compound, Locking	
2	0681608	4	Bolt 3/8in-16NC x 1in (Grade 8)	
4	0641820	2	Bolt 1/2in-13NC x 2-1/2in	
5	0642212	1	Bolt 3/4in-10NC x 1-1/2in	
6	0962102	2	Bushing	
7	3422703	1	Pin, Axle Pivot	
8	3538047	2	Shim, Wear	
9	3539877	2	Plate, Stop	
10	3539878	2	Plate, Stop	
11	3841287	1	Keeper, Pin	
12	4070878	AR	Shim 1/16in	
13	4070879	AR	Shim 1/8in	
14	4070944	AR	Shim 1/16in	
15	4070945	AR	Shim 1/4in	
16	4711600	4	Flatwasher 3/8in Narrow	
17	4740472	1	Washer, Special	
19	4845658	1	Axle Weldment	
		Ref	<b>OSCILLATING AXLE INSTALLATIONS</b>	
	0272269	Ref	<b>Oscillating Axle without Tow Package (SN 0300069000 through 0300083331)</b>	A
	0274264	Ref	<b>Oscillating Axle without Tow Package (SN 0300083332 through 0300140000)</b>	B
	0272655	Ref	<b>Oscillating Axle with Tow Package (SN 0300069000 through 0300083331)</b>	A
	0274265	Ref	<b>Oscillating Axle with Tow Package (SN 0300083332 through 0300140000)</b>	B
101	0100011	AR	Compound, Locking	
102	0641414	4	Bolt 1/4in-20NC x 1-3/4in Only (SN 0300069000 through 0300083331)	
103	0641608	4	Bolt 3/8in-16NC x1in	
105	0642212	1	Bolt 3/4in-10NC x 1-1/2in	
106	0962102	2	Bushing	
108	1683078	2	Lockout Cylinder Assembly (See CYLINDER SECTION for Breakdown)	
112	3422703	1	Pin, Main Pivot	
113	3538047	2	Shim, Axle Wear	
114	3841143	4	Shaft, Keeper 3/8in Dia x 3in	
115	3841287	1	Shaft, Keeper 3/8in Dia x 6in	
116	4070878	2	Shim, Axle Wear	
117	4070879	2	Shim, Axle Wear	
119	4640871	1	Valve, Lockout Only (SN 0300069000 through 0300083331)	
119	7012693	1	Seal Kit - 4640871 Valve	
119	7002840	1	Pin Removal Tool	
120	4711400	4	Flatwasher 1/4in Narrow Only (SN 0300069000 through 0300083331)	
121	4711600	4	Flatwasher 3/8in Narrow	
122	4740472	1	Washer, Special	
124		Ref	Axle Weldment Options:	
124	4845658	1	Axle without Tow Package	
124	4846413	1	Axle with Tow Package	

# SECTION 1 - FRAME

ITEM	PART NUMBER	QTY	DESCRIPTION	REV
125	0641816	2	Bolt 1/2in-13NC x 2in Only (SN 0300069000 through 0300083331)	
126	1100086	1	Plate, Cam Lockout Only (SN 0300069000 through 0300083331)	
127	4751800	4	Flatwasher 1/2in Only (SN 0300069000 through 0300083331)	
128	3422702	2	Pin	
129	3422755	2	Pin	
130	0681608	4	Bolt 3/8in-16NC x 1in (Grade 8)	
131	4568514	2	Spacer, Tube (SN 0300069000 through 0300083331)	
		Ref	<b>STEERING INSTALLATIONS</b>	
		Ref	<b>2WS</b>	
	0258287	Ref	Steering Installations (SN 0300069000 through 0300069774)	F
	0272003	Ref	Steering Installations (SN 0300069775 through 0300140000)	B
		Ref	<b>4WS (Rear Steering Typical / Double Qty Listed for 4WS)</b>	
	0258909	Ref	Steering Installations (SN 0300069000 through 03000132175)	C
	1001100156	Ref	Steering Installations (SN 0300132176 through 0300140000)	B
	1001137261	Ref	<b>King Pin Kit</b>	A
		Ref	<b>Note: Before ordering king pin kit, verify that machines is equipped with the original components (king pin with 4 bolt holes) or service kit components (king pin with 8 bolt holes).</b>	
		Ref	<b>- If the king pin hole in the axle measurement exceeds 2.252in OD or is elongated, use King Pin Kit p/n 1001137261.</b>	
		Ref	<b>Note: See Tow Package Installation for Steering Components on Machines with Tow Option.</b>	
201	0100011	AR	Compound, Locking	
202	0362726	1	Tie-Rod	
203	0641608	6	Bolt 3/8in-16NC x 1in	
204		Ref	Bolt Options:	
204		Ref	Bolt 2WS	
204	0641608	8	Bolt (3/8in-16NC x 1in) (SN 0300069000 through 0300069774)	
204	0641810	16	Bolt (1/2in-13NC x 1-1/4in) (SN 0300069775 through 0300140000)	
204		Ref	Bolt 4WS	
204	0641608	8	Bolt (3/8in-16NC x 1in) (SN 0300069000 through 0300132175)	
204	0641810	16	Bolt (1/2in-13NC x 1-1/4in) (SN 0300132176 through 0300140000)	
205		Ref	Bearing Options:	
205		Ref	Bearing 2WS	
205	0962224	4	Bearing (SN 0300069000 through 0300069774)	
205	0962448	4	Bearing (SN 0300069775 through 0300140000)	
205		Ref	Bearing 4WS	
205	0962224	4	Bearing (SN 0300069000 through 0300132175)	
205	0962448	4	Bearing (SN 0300132176 through 0300140000)	
206	0962152	2	Bearing	
208	1683740	2	Steer Cylinder Assembly (See CYLINDER SECTION for Breakdown)	
211	3422701	2	Pin, Steer, Spindle Attach	
212	3422702	2	Pin, Tie-Rod	
214	3841143	6	Shaft, Keeper 3/8in x 3in	
215		Ref	Spindle Weldment (Right Side) Options:	
215		Ref	Spindle Weldment (Right Side) 2WS	
215	4130357	1	Spindle Weldment (Right Side) (SN 0300069000 through	

## SECTION 1 - FRAME

ITEM	PART NUMBER	QTY	DESCRIPTION	REV
215	4130389	1	<b>0300069774)</b> Spindle Weldment (Right Side) (SN 0300069775 through 0300140000)	
215		Ref	Spindle Weldment (Right Side) 4WS	
215	4130357	1	Spindle Weldment (Right Side) (SN 0300069000 through 0300132175)	
215	4130389	1	Spindle Weldment (Right Side) (SN 0300132176 through 0300140000)	
216		Ref	Spindle Weldment (Left Side) Options:	
216		Ref	Spindle Weldment (Left Side) 2WS	
216	4130358	1	Spindle Weldment (Left Side) (SN 0300069000 through 0300069774)	
216	4130390	1	Spindle Weldment (Left Side) (SN 0300069775 through 0300140000)	
216		Ref	Spindle Weldment (Left Side) 4WS	
216	4130358	1	Spindle Weldment (Left Side) (SN 0300069000 through 0300132175)	
216	4130390	1	Spindle Weldment (Left Side) (SN 0300132176 through 0300140000)	
217	4740111	4	Washer, Special	
219	4740463	AR	Washer, Thrust (.250in)	
220	4740473	2	Washer, Special	
221	1001103810	AR	Washer, Thrust (.187in)	
222	4740256	AR	Washer, Thrust (.125in)	
223		Ref	Kingpin Options:	
223		Ref	Kingpin 2WS	
223	3422753	4	Kingpin (SN 0300069000 through 0300069774)	
223	3422972	4	Kingpin (SN 0300069775 through 0300140000)	
223		Ref	Kingpin 4WS	
223	3422753	4	Kingpin (SN 0300069000 through 0300132175)	
223	3422972	4	Kingpin (SN 0300132176 through 0300140000)	
224	3422754	2	Pin, Attach	
		Ref	<b>HUB INSTALLATION (2WD ONLY)</b>	
	0270209	Ref	Hub Installation (2WD Only) (SN 0300069000 through 0300083331)	B
	0273378	Ref	Hub Installation (2WD Only) (SN 0300083332 through 0300140000)	D
301	0100011	AR	Compound, Locking	
304	0682016	16	Bolt 5/8in-16NC x 2in (Grade 8)	
306	2780229	2	Hub Assembly (See Items 401-412 for Breakdown)	
310	3300007	20	Lugnut	
315	4892000	16	Flatwasher 5/8in Hardened	
	2780229	Ref	<b>HUB ASSEMBLY (2WD ONLY)</b>	A
401	7017052	2	Spindle (1 per Assembly)	
402	7017053	2	Housing (1 per Assembly)	
403	7010404	2	Cup, Bearing - Inner (1 per Assembly)	
404	7010405	2	Cone, Bearing - Inner (1 per Assembly)	
405	7017056	2	Cup, Bearing - Outer (1 per Assembly)	
406	7017055	2	Cone, Bearing - Outer (1 per Assembly)	
407	7010406	2	Seal, Lip (1 per Assembly)	
408	7000265	20	Stud (10 per Assembly)	
409	7017054	2	Dust Cap (1 per Assembly)	
410	7017051	2	Washer, Special (1 per Assembly)	

## SECTION 1 - FRAME

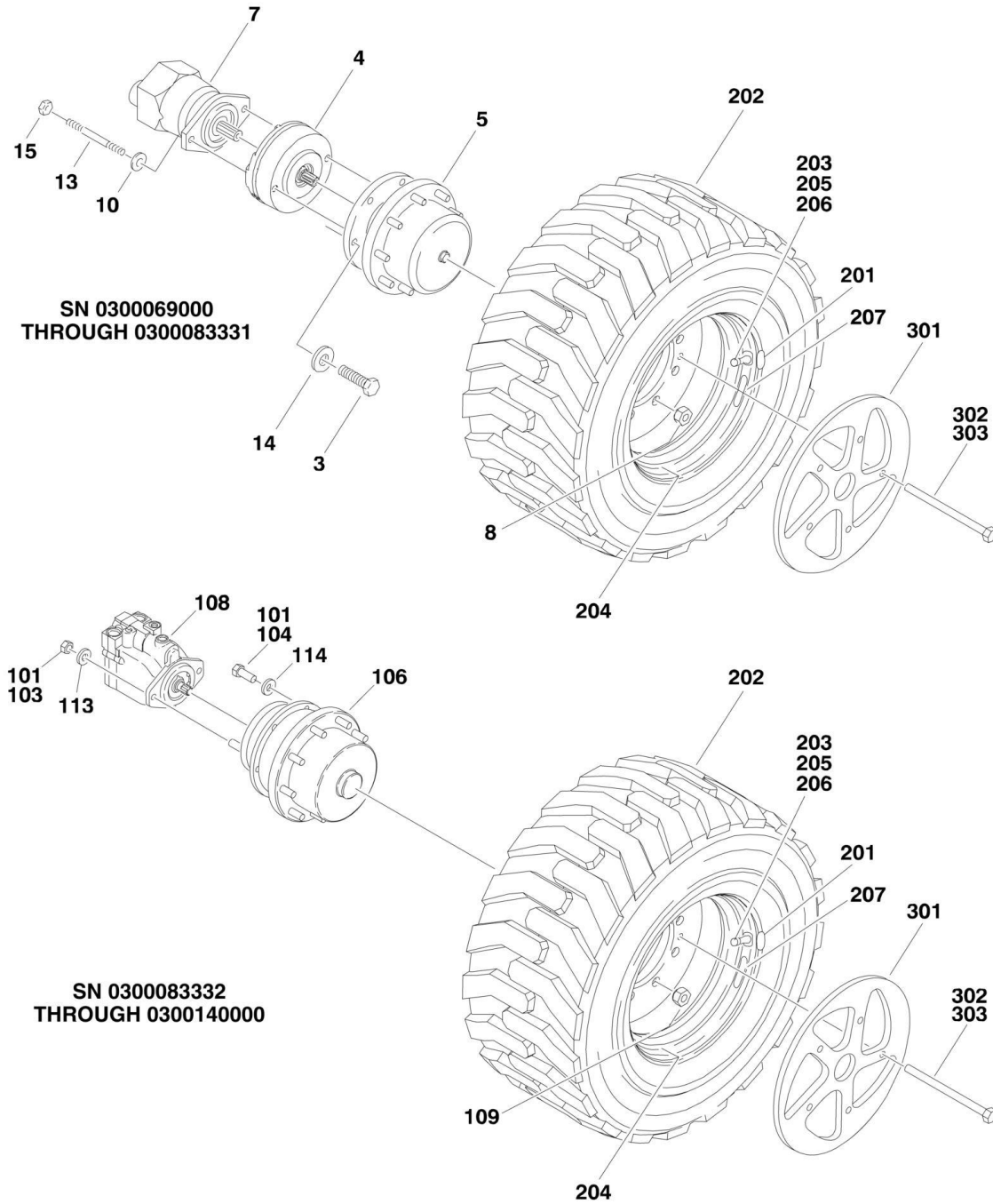
ITEM	PART NUMBER	QTY	DESCRIPTION	REV
411	7017057	2	Washer, Tanged (1 per Assembly)	
412	7017058	2	Nut, Bearing (1 per Assembly)	
501		Ref	<b>FRAME WELDMENT OPTIONS:</b>	
501		Ref	<b>All Specs except CSA Spec</b>	
501		Ref	<b>Frame Weldment (SN 0300069000 through 0300083331)</b>	
501	2360600	Ref	2WD/2WS with Pneumatic Tires	
501	2360601	Ref	2WD/2WS with Foam-Filled Tires	
501	2360602	Ref	4WD/2WS with Pneumatic Tires	
501	2360603	Ref	4WD/2WS with Foam-Filled Tires	
501	2360592	Ref	4WD/4WS with Pneumatic Tires	
501	2360591	Ref	4WD/4WS with Foam-Filled Tires	
501		Ref	<b>Frame Weldment (SN 0300083332 through 0300140000)</b>	
501	2360638	NLA	2WD/2WS with Pneumatic Tires (Use p/n 2360644)	
501	2360639	NLA	2WD/2WS with Foam-Filled Tires (Use p/n 2360645)	
501	2360640	NLA	4WD/2WS with Pneumatic Tires (Use p/n 2360646)	
501	2360641	NLA	4WD/2WS with Foam-Filled Tires (Use p/n 2360647)	
501	2360642	NLA	4WD/4WS with Pneumatic Tires (Use p/n 2360686)	
501	2360643	NLA	4WD/4WS with Foam-Filled Tires (Use p/n 2360709)	
501		Ref	<b>CSA Spec - Frame Weldment</b>	
501		Ref	<b>CSA Spec - Frame Weldment (SN 0300069000 through 0300083331)</b>	
501	2360609	Ref	2WD/2WS with Pneumatic Tires	
501	2360610	Ref	2WD/2WS with Foam-Filled Tires	
501	2360611	Ref	4WD/2WS with Pneumatic Tires	
501	2360612	Ref	4WD/2WS with Foam-Filled Tires	
501	2360570	Ref	4WD/4WS with Pneumatic Tires	
501	2360708	Ref	4WD/4WS with Foam-Filled Tires	
501		Ref	<b>CSA Spec - Frame Weldment (SN 0300083332 through 0300140000)</b>	
501	2360644	Ref	2WD/2WS with Pneumatic Tires	
501	2360645	Ref	2WD/2WS with Foam-Filled Tires	
501	2360646	Ref	4WD/2WS with Pneumatic Tires	
501	2360647	Ref	4WD/2WS with Foam-Filled Tires	
501	2360686	Ref	4WD/4WS with Pneumatic Tires	
501	2360709	Ref	4WD/4WS with Foam-Filled Tires	





# SECTION 1 - FRAME

## FIGURE 1-2. TIRE AND WHEEL INSTALLATIONS



# SECTION 1 - FRAME

## FIGURE 1-2. TIRE AND WHEEL INSTALLATIONS

ITEM	PART NUMBER	QTY	DESCRIPTION	REV
		Ref	<b>WHEEL DRIVE INSTALLATIONS (SN 0300069000 through 0300083331)</b>	
	0270209	Ref	<b>Wheel Drive Installations 2WD/2WS</b>	B
	0270210	Ref	<b>Wheel Drive Installations 4WD/2WS</b>	B
	0270211	Ref	<b>Wheel Drive Installations 4WD/4WS</b>	B
		Ref	<b>Note: 2WD Qty Shown. For 4WD, Double Qty Shown.</b>	
3	0682016	16	Bolt 5/8in-11NC x 2in (Grade 8)	
4	0920117	NLA	Drive Brake Assembly (Use p/n 0920119)	
4	7018612	1	Repair Kit (Includes Case Seal, Piston Inner and Outer O-Rings and Back-up Rings, Stator Disc, Rotor Disc, Return Plate, Springs, Oil Seal, Bearing, 2 Retaining Rings and 2 Mounting Face Gaskets) (1 Per Assembly)	
4	7000731	2	Gasket, Mounting Face (2 Per Assembly)	
4	7007990	1	O-Ring, Mounting (1 Per Assembly) (0920119 Brake)	
		Ref	<b>Note: No Other Parts Available.</b>	
5		Ref	Drive Hub Assembly Options: (See DRIVE HUB ASSEMBLIES for Breakdown)	
5	2780227	2	Drive Hub Assembly 2WD	
5	2780228	2	Drive Hub Assembly 4WD	
7	3160204	2	Drive Motor Assembly (See DRIVE MOTOR ASSEMBLY for Breakdown)	
8	3300007	20	Nut, Wheel	
10	4300097	4	Stud	
13	4891800	4	Flatwasher 1/2in	
15	3311801	4	Nut 1/2in-13 NC	
		Ref	<b>WHEEL DRIVE INSTALLATION (SN 0300083332 through 0300140000)</b>	
	0273378	Ref	<b>Wheel Drive Installation 2WD/2WS</b>	E
	0273704	Ref	<b>Wheel Drive Installation 4WD/2WS</b>	D
	0274232	Ref	<b>Wheel Drive Installation 4WD/4WS</b>	D
		Ref	<b>Note: 2WD Qty Shown. For 4WD, Double Qty Shown.</b>	
101	0100011	AR	Compound, Locking	
103	3311801	4	Nut 1/2in-13 NC	
104	0682016	16	Bolt 5/8in-11NC x 2in (Grade 8)	
105	2300016	AR	Fluid, Hydraulic (Not Shown)	
106	2780272	2	Drive Hub Assembly (See DRIVE HUB ASSEMBLY for Breakdown)	
107	3020008	AR	Lubricant (Not Shown)	
108		Ref	Drive Motor Assembly Options:	
108	3160308	NLA	2WD Rear (SN 0300083332 to SN 0300098924) Use p/n 3160347 - See DRIVE MOTOR ASSEMBLY (ORIGINAL EQUIPMENT) for Breakdown (SN 0300098925 to SN 0300140000) p/n 3160347 - See DRIVE MOTOR ASSEMBLY (SERVICE REPLACEMENT) for Breakdown)	
108	3160266	NLA	4WD Front and Rear (SN 0300083332 to SN 0300098643) Use p/n 3160348 - See DRIVE MOTOR ASSEMBLY (ORIGINAL EQUIPMENT) for Breakdown (SN 0300098644 to SN 0300140000) p/n 3160348 - See DRIVE MOTOR ASSEMBLY (SERVICE REPLACEMENT) for Breakdown)	
109	3300007	20	Nut, Wheel	
113	4891800	4	Flatwasher, 1/2in Hardened	
114	4892000	16	Flatwasher, 5/8in Hardened	
		Ref	<b>TIRE AND WHEEL INSTALLATIONS</b>	

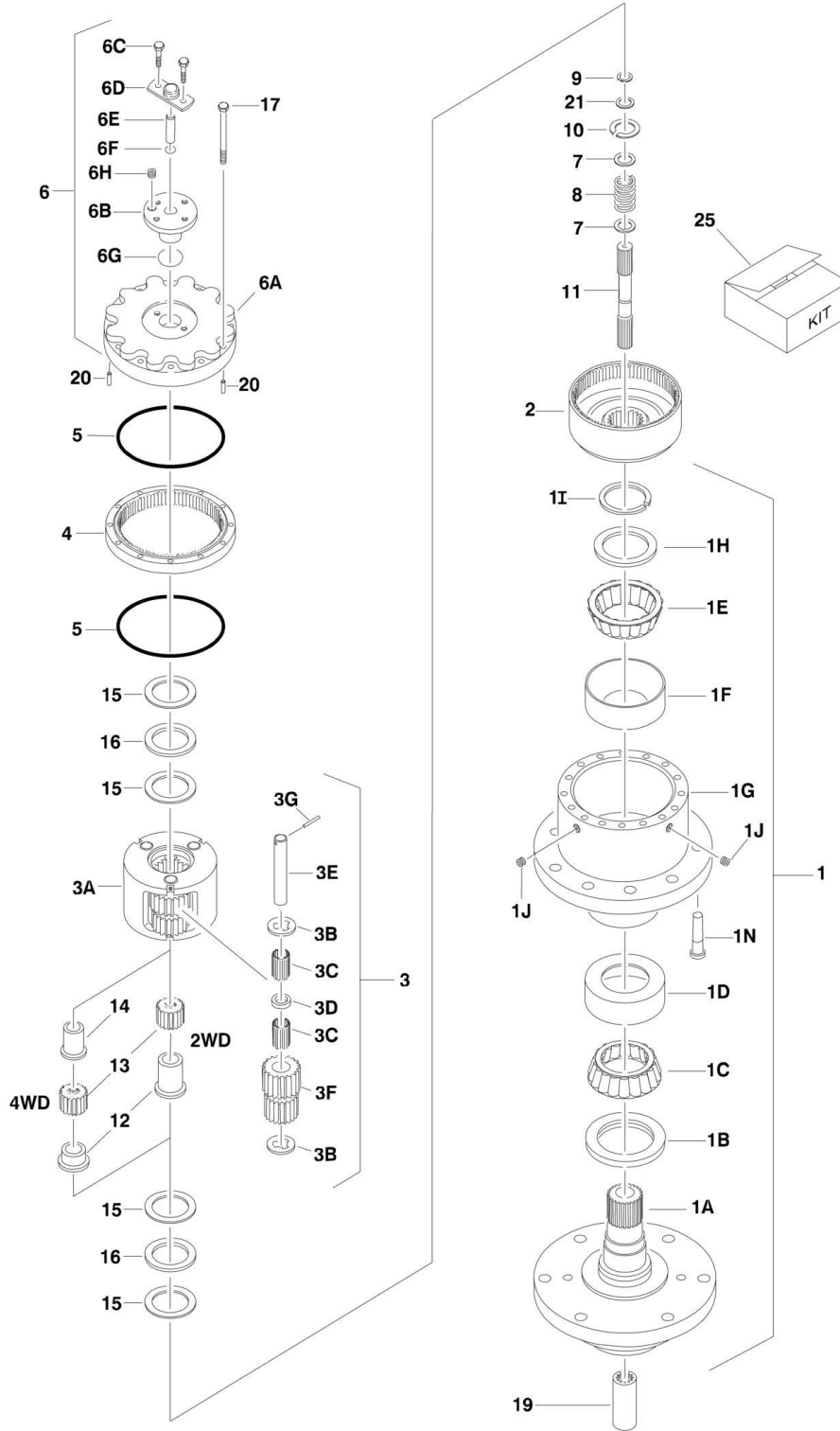
# SECTION 1 - FRAME

ITEM	PART NUMBER	QTY	DESCRIPTION	REV
	0270885	Ref	<b>15-625 Pneumatic</b>	A
	0272322	Ref	<b>15-625 Pneumatic W/Sealant</b>	1
	0270886	Ref	<b>15-625 Foam-Filled</b>	A
	0258398	Ref	<b>IN445/55D19.5 (18 x 19.5) Pneumatic</b>	A
	0274270	Ref	<b>IN445/55D19.5 (18 x 19.5) Pneumatic W/Sealant</b>	1
	0270888	Ref	<b>18-625 Foam-Filled</b>	A
	0258399	Ref	<b>IN445/55D19.5 Foam-Filled</b>	B
	0274177	Ref	<b>IN385/65D19.5 Foam-Filled</b>	A
	0271083	2	15-625 Pneumatic Left Side	
	0272334	2	15-625 Pneumatic/TS Left Side	
	0271084	2	15-625 Pneumatic Right Side	
	0272333	2	15-625 Pneumatic/TS Right Side	
	0271085	2	15-625 Foam-Filled Left Side	
	0271086	2	15-625 Foam-Filled Right Side	
	0258330	2	IN445/55D19.5 (18 x 19.5) Pneumatic Left Side	
	0258331	2	IN445/55D19.5 (18 x 19.5) Pneumatic Right Side	
	4520354	2	IN445/55D19.5 (18 x 19.5) Pneumatic/TS Left Side	
	4520353	2	IN445/55D19.5 (18 x 19.5) Pneumatic/TS Right Side	
	0258333	2	IN445/55D19.5 Foam-Filled Left Side	
	0258334	2	IN445/55D19.5 Foam-Filled Right Side	
	4520348	2	IN385/65D19.5 Non-Marking Foam-Filled Left Side	
	4520347	2	IN385/65D19.5 Non-Marking Foam-Filled Right Side	
	0271090	2	18-625 Foam-Filled Left Side	
	0271091	2	18-625 Foam-Filled Right Side	
		Ref	<b>Note: Assemblies may require ballast/foam filling to manufacturer's specifications prior to installing on a machine. Refer to Operation and Safety or Service and Maintenance Manuals. Purchase individual tire and/or rim only if able to foam fill tire and wheel assembly, otherwise, purchase complete assembly.</b>	
201		Ref	Decal Options:	
201	1702701	1	95 PSI IN385/65D19.5 (15 x 19.5 Tires)	
201	1702739	1	85 PSI IN445/55D19.5 (18 x 19.5 Tires)	
202		Ref	Tire Options:	
202	4520204	1	IN385/65D19.5 (15 x 19.5)	
202	4520242	1	IN385/65D19.5 Non-Marking (15 x 19.5)	
202	4520252	1	15-625	
202	4520205	1	IN445/55D19.5 (18 x 19.5)	
202	4520253	1	18.625	
203	4640113	1	Valve, Air	
204		Ref	Rim, Wheel Options:	
204	4860148	1	11.75 x 19.5	
204	4860224	1	13 x 24.5	
204	4860188	1	14 x 19.5	
204	4860225	1	15 x 24.5	
205	1120552	1	Cap Valve Stem (Green) (With Sealant Only)	
206	1300019	AR	Chemical, Tire Sealant (Green) (With Sealant Only)	
207	1705364	1	Decal - Tire Sealant (With Sealant Only)	
	0256196	Ref	<b>WHEEL COVER INSTALLATION (OPTIONAL)</b>	2-A
301	1670776	4	Cover, Wheel	
302	0641550	20	Bolt 5/16in - 18NC x 6-1/4in	
303	0100011	AR	Compound, Locking	



# SECTION 1 - FRAME

## FIGURE 1-3. DRIVE HUB ASSEMBLIES (SN 0300069000 through 0300083331)



# SECTION 1 - FRAME

**FIGURE 1-3. DRIVE HUB ASSEMBLIES (SN 0300069000 through 0300083331)**

ITEM	PART NUMBER	QTY	DESCRIPTION	REV
	2780227	Ref	<b>DRIVE HUB ASSEMBLY (2WD)</b>	A
	2780228	Ref	<b>DRIVE HUB ASSEMBLY (4WD)</b>	D
1	See Note	NSS	Spindle/Housing Assembly (Note: Not Available - Purchase Individual Components)	
1A	7010464	1	Spindle	
1B	7000236	1	Seal	
1C	7000273	1	Cone, Bearing	
1D	7000272	1	Cup, Bearing	
1E	7000275	1	Cone, Bearing	
1F	7000274	1	Cup, Bearing	
1G	7017033	1	Housing	
1H	7000239	1	Washer, Thrust	
1I	7000240	1	Ring, Retaining	
1J	7001928	1	Plug, Pipe	
1N	7000265	10	Stud, Wheel	
2	7017034	1	Gear, Ring	
3	See Note	NLA	Carrier Assembly (Note: Not Available - Use p/n 7024145)	
3A	7017036	NLA	Carrier (use p/n 7024145)	
3B	7001901	6	Thrustwasher, Tanged	
3C	7001902	96	Bearing, Needle	
3D	7001903	3	Spacer, Thrust	
3E	7017040	3	Shaft, Planet	
3F	7017037	3	Gear, Cluster	
3G	7001906	3	Roll Pin	
4	7017035	1	Gear, Internal	
5	7000224	2	O-Ring	
6	See Note	NSS	Cover Assembly (Note: Not Available - Purchase Individual Components)	
6A	7024155	1	Cover	
6B	7017042	1	Cap	
6C	7000220	4	Bolt 1/4in-20NC x 3/4in	
6D	7000231	1	Cap, Disengage	
6E	7000235	1	Rod, Disengage	
6F	7000213	1	O-Ring	
6G	7000238	1	O-Ring	
6H	7017048	1	Plug, Pipe	
7	7000282	2	Thrustwasher	
8	7000283	1	O-Ring	
9	7000284	1	Ring, Retaining	
10	7017027	1	Ring, Retaining	
11		Ref	Shaft, Input Options:	
11	7017039	1	Shaft, Input 2WD	
11	7017044	1	Shaft, Input 4WD	
12		Ref	Spacer, Input Options:	
12	7017041	1	Spacer, Input 2WD	
12	7017045	1	Spacer, Input 4WD	
13		Ref	Gear, Sun Options:	
13	7017038	1	Gear, Sun 2WD	
13	7017043	1	Gear, Sun 4WD	
14		Ref	Spacer, Input Options:	

## SECTION 1 - FRAME

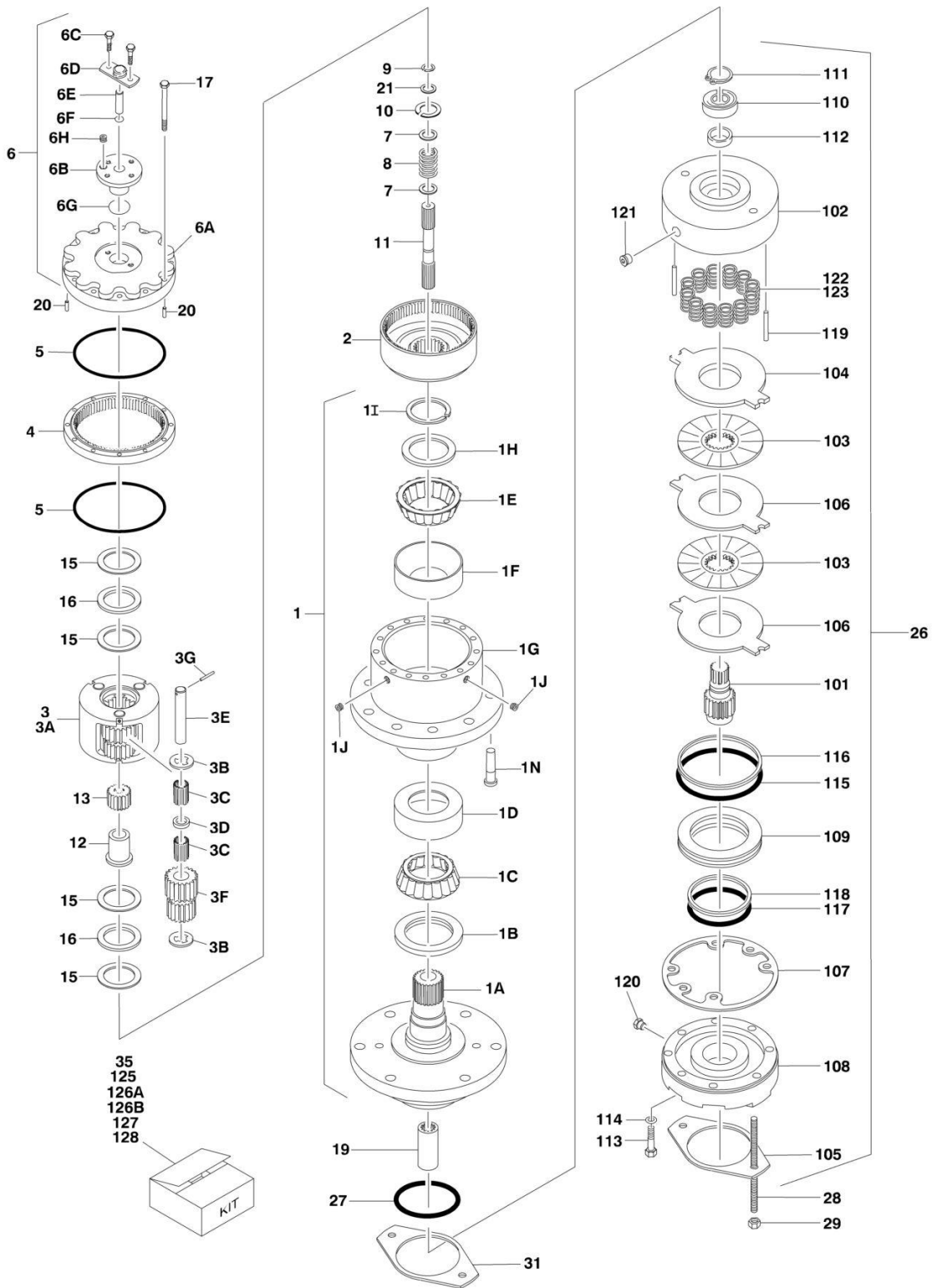
ITEM	PART NUMBER	QTY	DESCRIPTION	REV
14	Not Required	0	Spacer, Input 2WD	
14	7017046	1	Spacer, Input 4WD	
15	7000287	4	Thrustwasher	
16	7000288	2	Thrustwasher	
17	7000289	12	Bolt 3/8in-16NC x 2-1/2in (Grade 8)	
19	7000290	1	Coupling	
20	7017047	2	Pin, Dowel	
21		Ref	Thrustwasher Options:	
21	7017050	1	Thrustwasher 2WD	
21	Not Required	0	Thrustwasher 4WD	
25	7017068	1	Seal Kit (Includes Items 1B, 1I, 5, 6F, 6G, 15 & 16)	





# SECTION 1 - FRAME

FIGURE 1-4. DRIVE HUB ASSEMBLY (SN 0300083332 through 0300140000)



## SECTION 1 - FRAME

**FIGURE 1-4. DRIVE HUB ASSEMBLY (SN 0300083332 through 0300140000)**

ITEM	PART NUMBER	QTY	DESCRIPTION	REV
	2780272	Ref	<b>DRIVE HUB/BRAKE ASSEMBLY</b>	B
	2780227	Ref	Hub Assembly	A
1	See Note	NSS	Spindle/Housing Assembly (Note: Not Available - Purchase Individual Components)	
1A	7010464	1	Spindle	
1B	7000236	1	Seal	
1C	7000273	1	Cone, Bearing	
1D	7000272	1	Cup, Bearing	
1E	7000275	1	Cone, Bearing	
1F	7000274	1	Cup, Bearing	
1G	7017033	1	Housing	
1H	7000239	1	Washer, Thrust	
1I	7000240	1	Ring, Retaining	
1J	7001928	1	Plug, Pipe	
1N	7000265	10	Stud, Wheel	
2	7024782	1	Gear, Ring	
3	7024145	1	Carrier Assembly	
3A	7024147	NLA	Carrier (Use p/n 7024145)	
3B	7001901	6	Thrustwasher, Tanged	
3C	7001902	96	Bearing, Needle	
3D	7001903	3	Spacer, Thrust	
3E	7024146	3	Shaft, Planet	
3F	7024148	3	Gear, Cluster	
3G	7001906	3	Roll Pin	
4	7024151	1	Gear, Internal	
5	7000224	1	O-Ring	
6	See Note	NSS	Cover Assembly (Note: Not Available - Purchase Individual Components)	
6A	7024155	1	Cover	
6B	7024783	1	Cap	
6C	7000220	4	Bolt 1/4in-20NC x 3/4in	
6D	7000231	1	Cap, Disengage	
6E	7000235	1	Rod, Disengage	
6F	7000213	1	O-Ring	
6G	7000238	1	O-Ring	
6H	7017048	1	Plug, Pipe	
7	7000282	2	Thrustwasher	
8	7000283	1	Spring	
9	7000284	1	Ring, Retaining	
10	7017027	1	Ring, Retaining	
11	7024781	1	Shaft, Input	
12	7024154	1	Spacer, Input	
13	7024149	1	Gear, Sun	
15	7000287	4	Thrustwasher	
16	7000288	2	Thrustwasher	
17	7000289	12	Bolt 3/8in-16NC x 2-1/2in (Grade 8)	
19	7000290	1	Coupling	
20	7017047	2	Pin, Dowel	
21	7017050	1	Thrustwasher	
26	7024182	1	Brake Assembly (Includes Items 101-123)	

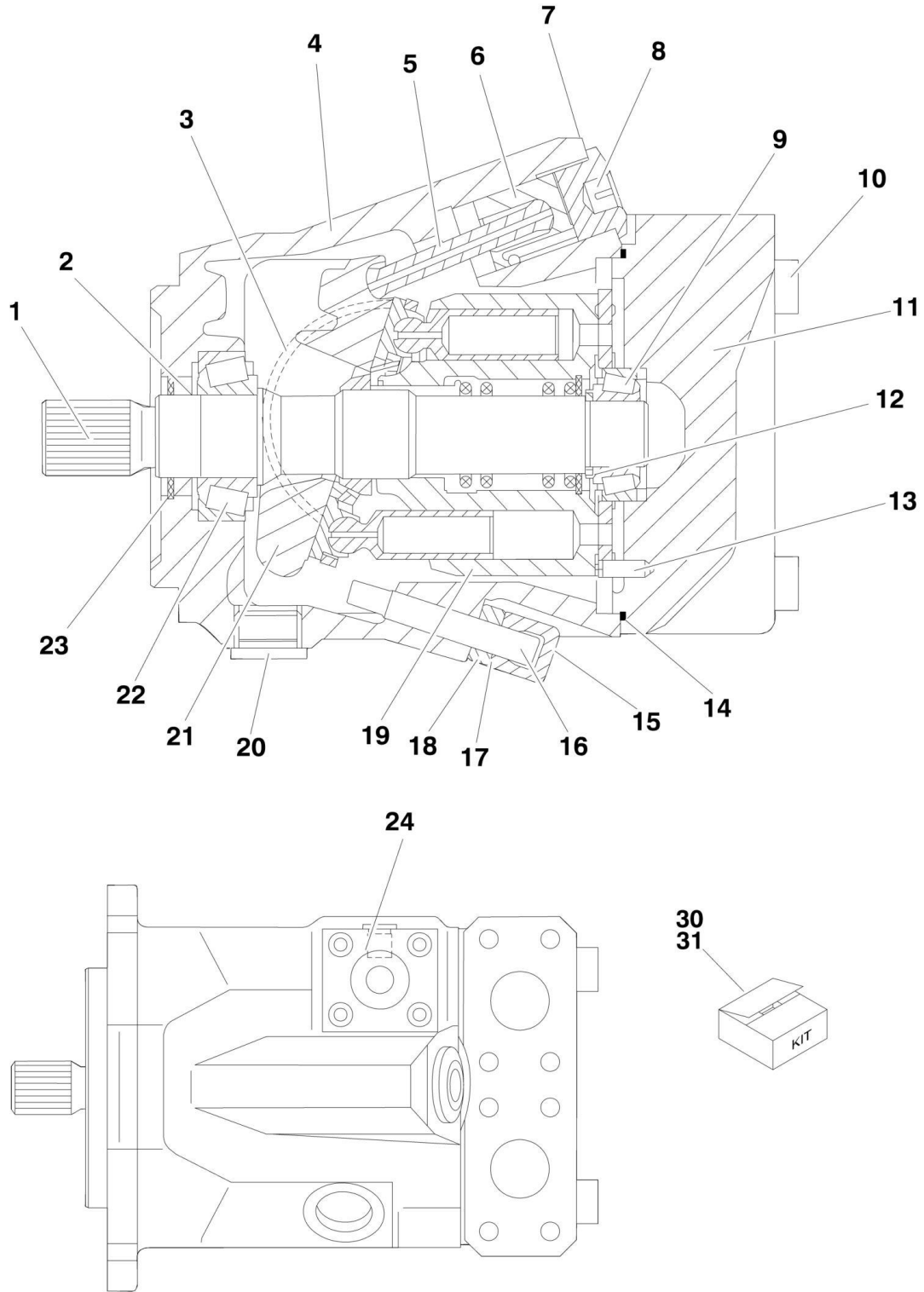
## SECTION 1 - FRAME

ITEM	PART NUMBER	QTY	DESCRIPTION	REV
27	7024763	2	O-Ring	
28	7024717	2	Stud 1/2in-13NC x 4-5/8in	
29	7024718	2	Nut 1/2in-13NC	
31	70005483	1	Gasket	
35	7017068	1	Seal Kit - Hub (Includes Items 1B, 5, 6F, 6G & 8)	
	7024182	Ref	<b>BRAKE ASSEMBLY</b>	
101	7024189	1	Shaft	
102	7024182	1	Housing (Note: Not Available - Purchase Complete Assembly)	
103	See Note	NSS	Plate, Friction (Note: Use Item 127)	
104	See Note	NSS	Plate, Pressure (Note: Use Item 127)	
105	7000731	1	Gasket	
106	See Note	NSS	Plate, Outer (Note: Use Item 127)	
107	See Note	NSS	Gasket (Note: Use Item 125, 127 or 128)	
108	7024191	1	Cylinder	
109	7024192	1	Piston	
110	See Note	NSS	Bearing, Ball (Note: Use Item 128)	
111	See Note	NSS	Ring, Retaining (Note: Use Item 128)	
112	See Note	NSS	Seal, Shaft (Note: Use Item 128)	
113	See Note	6	Capscrew (Note: Not Available for Purchase)	
114	See Note	6	Lockwasher (Note: Not Available for Purchase)	
115	See Note	NSS	O-Ring (Note: Use Item 125)	
116	See Note	NSS	Ring, Back-up (Note: Use Item 125)	
117	See Note	NSS	O-Ring (Note: Use Item 125)	
118	See Note	NSS	Ring, Back-up (Note: Use Item 125)	
119	7024190	2	Pin, Dowel	
120	See Note	1	Plug (Note: Not Available - Purchase Locally)	
121	See Note	2	Plug (Note: Not Available - Purchase Locally)	
122	See Note	NSS	Spring (Natural) (Note: Use Item 126B)	
123	See Note	NSS	Spring (Blue) (Note: Use Item 126B)	
125	7024194	1	Seal Kit - Brake (Includes Items 105, 107 & 115-118)	
126		Ref	Spring Kit - Brake Options:	
126A	7024195	NLA	Kit - Includes 12 Natural Colored Springs Item 122 (Use Kit p/n 7024196)	
126B	7024196	1	Kit - Includes 12 Natural and 2 Blue Colored Springs Items 122 & 123	
127	7024193	1	Friction Disc Kit - Brake (Includes Items 103, 104, 106 & 107)	
128	7024197	1	Bearing Kit - Brake (Includes Items 107 & 110-112)	



# SECTION 1 - FRAME

FIGURE 1-5. DRIVE MOTOR ASSEMBLY (SN 0300069000 through 0300083331)



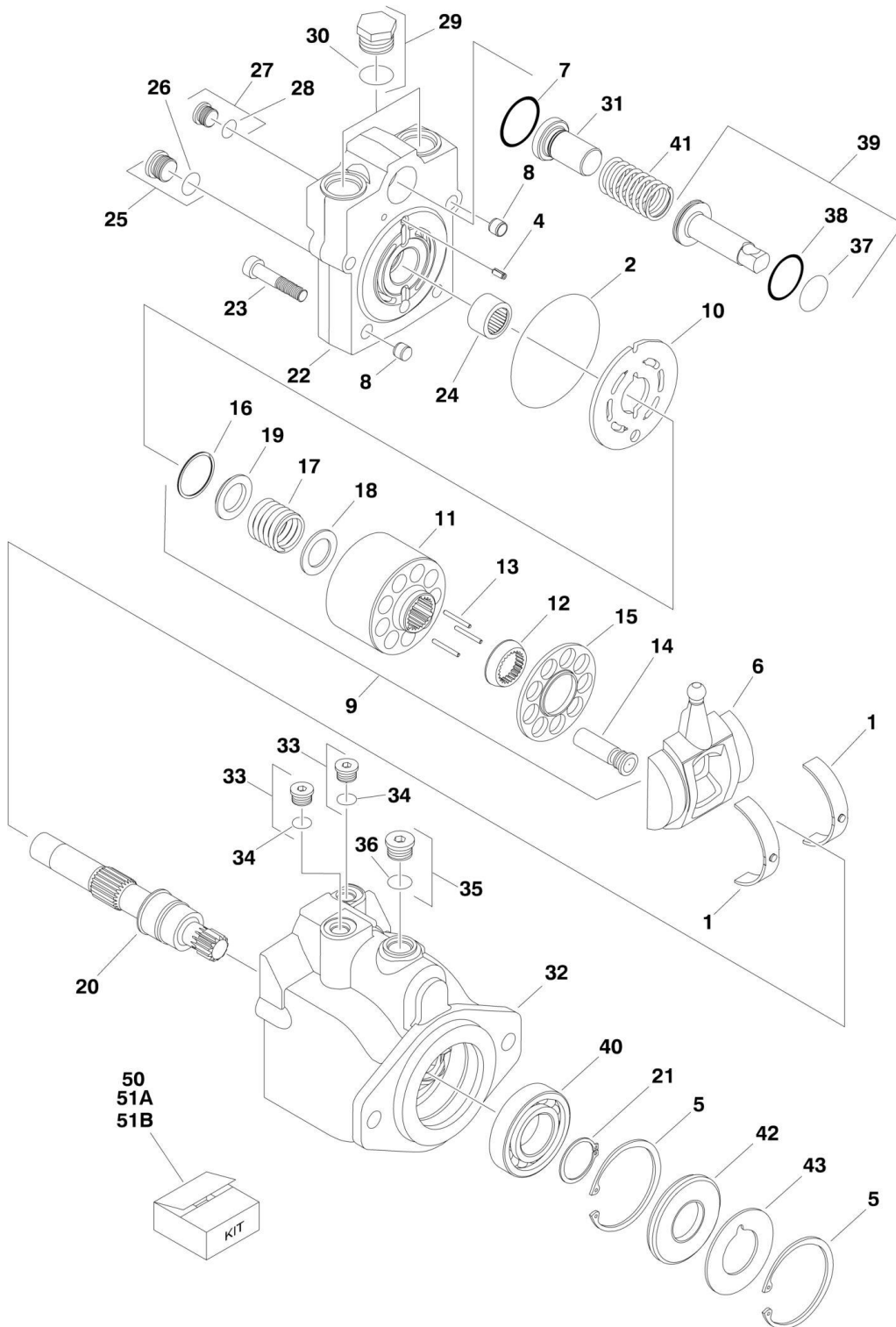
## SECTION 1 - FRAME

**FIGURE 1-5. DRIVE MOTOR ASSEMBLY (SN 0300069000 through 0300083331)**

ITEM	PART NUMBER	QTY	DESCRIPTION	REV
	3160204	Ref	<b>DRIVE MOTOR ASSEMBLY</b>	A
1	7012701	1	Shaft - 13 Teeth	
2	See Note	NSS	Seal, Shaft (Note: Use Item 30)	
3	7012702	2	Bearing, Cradle	
4	See Note	1	Housing (Note: Not Available - Purchase Complete Assembly)	
5	7012703	1	Rod, Piston	
6	7012704	1	Piston, Stroking	
7	See Note	NSS	O-Ring (Note: Use Item 30)	
8	7012705	1	Nut, Adapter	
9	7012706	1	Bearing, Roller	
10	7012707	4	Bolt, Metric Socket Head M12 x 65	
11	7012708	1	Block, Port	
12	7012709	1	Shim	
13	7012710	1	Pin, Dowel M6 x 18	
14	See Note	NSS	O-Ring (Note: Use Item 30)	
15	7012711	1	Nut, Cap M10 x 1	
16	7012712	1	Screw, Adjusting	
17	See Note	NSS	O-Ring (Note: Use Item 30)	
18	7012713	1	Nut, Jam M10 x 1	
19	See Note	NSS	Rotary Group Assembly (Note: Use Item 31)	
20	See Note	1	Plug (Note: Not Available - Purchase Locally)	
21	See Note	NSS	Plate, Swash (Note: Use Item 31)	
22	7012714	1	Bearing, Roller	
23	7012715	1	V-Ring	
24	7012700	1	Control Plate Assembly	
30	2900788	1	Seal Kit (Includes Items 2, 7, 14, 17 & O-Rings under Item 24)	
31	7012716	1	Rotary Group Kit (Includes Items 19 & 21)	

# SECTION 1 - FRAME

FIGURE 1-6. DRIVE MOTOR ASSEMBLY (ORIGINAL EQUIPMENT) (4 BOLT ASSEMBLY) (SN 0300083332 through 0300140000)





## SECTION 1 - FRAME

**FIGURE 1-6. DRIVE MOTOR ASSEMBLY (ORIGINAL EQUIPMENT) (4 BOLT ASSEMBLY) (SN 0300083332 through 0300140000)**

ITEM	PART NUMBER	QTY	DESCRIPTION	REV
		Ref	<b>DRIVE MOTOR ASSEMBLY</b>	
	3160308	Ref	<b>Drive Motor Assembly 2WD</b>	C
	3160266	Ref	<b>Drive Motor Assembly 4WD</b>	C
		Ref	<b>Note: Original Equipment Motor p/n 3160308 &amp; p/n 3160266 uses 4 bolts to assemble the motor. Service Replacement Motor p/n 3160347 &amp; p/n 3160348 motors use 5 bolts to assemble the motor. Visually identify component before ordering parts. If equipped with p/n 3160347 or p/n 3160348 refer to DRIVE MOTOR ASSEMBLY (SERVICE REPLACEMENT)</b>	
1	7022302	2	Bearing, Journal	
2	See Note	NSS	O-Ring (Note: Use Item 50)	
3	See Note	NSS	O-Ring (Note: Use Item 50)	
4	7007446	1	Pin	
5	7007438	2	Ring, Retaining	
6		Ref	Swash Plate Options:	
6	7024861	1	Swash Plate 2WD	
6	7022305	1	Swash Plate 4WD	
7	See Note	NSS	O-Ring (Note: Use Item 50)	
8		Ref	Pin Options:	
8	7027435	2	Pin 2WD	
8	Not Required	0	Pin 4WD	
9		Ref	Cylinder Block Kit (Includes Items 11-19) Options:	
9	See Note	NSS	Cylinder Block Kit 2WD (Note: Use Item 51A)	
9	See Note	NSS	Cylinder Block Kit 4WD (Note: Use Item 51B)	
10		Ref	Plate, Valve Options:	
10	7024862	1	Plate, Valve 2WD	
10	7023908	1	Plate, Valve 4WD	
11	See Note	NSS	Block, Cylinder (Note: Use Item 51A or 51B)	
12		Ref	Guide, Slipper Retainer Options:	
12	See Note	NSS	Guide, Slipper Retainer 2WD (Note: Use Item 51A)	
12	7021277	1	Guide, Slipper Retainer 4WD	
13	7021275	3	Pin, Slipper Hold Down	
14		Ref	Piston Assembly Options:	
14	7024865	9	Piston Assembly 2WD	
14	See Note	NSS	Piston Assembly 4WD (Note: Use Item 51B)	
15		Ref	Retainer, Slipper Options:	
15	See Note	NSS	Retainer, Slipper 2WD (Note: Use Item 51A)	
15	7022310	1	Retainer, Slipper 4WD	
16	7022311	1	Ring, Retaining	
17		Ref	Spring Options:	
17	7024867	1	Spring 2WD	
17	7022312	1	Spring 4WD	
18		Ref	Washer	
18	7022313	1	Washer 2WD	
18	See Note	NSS	Washer 4WD (Note: Use Item 51B)	
19	7022314	1	Retainer, Spring	
20	7023910	1	Shaft	
21	7007439	1	Ring, Retaining	
22		Ref	Cap, End - Axial Options:	

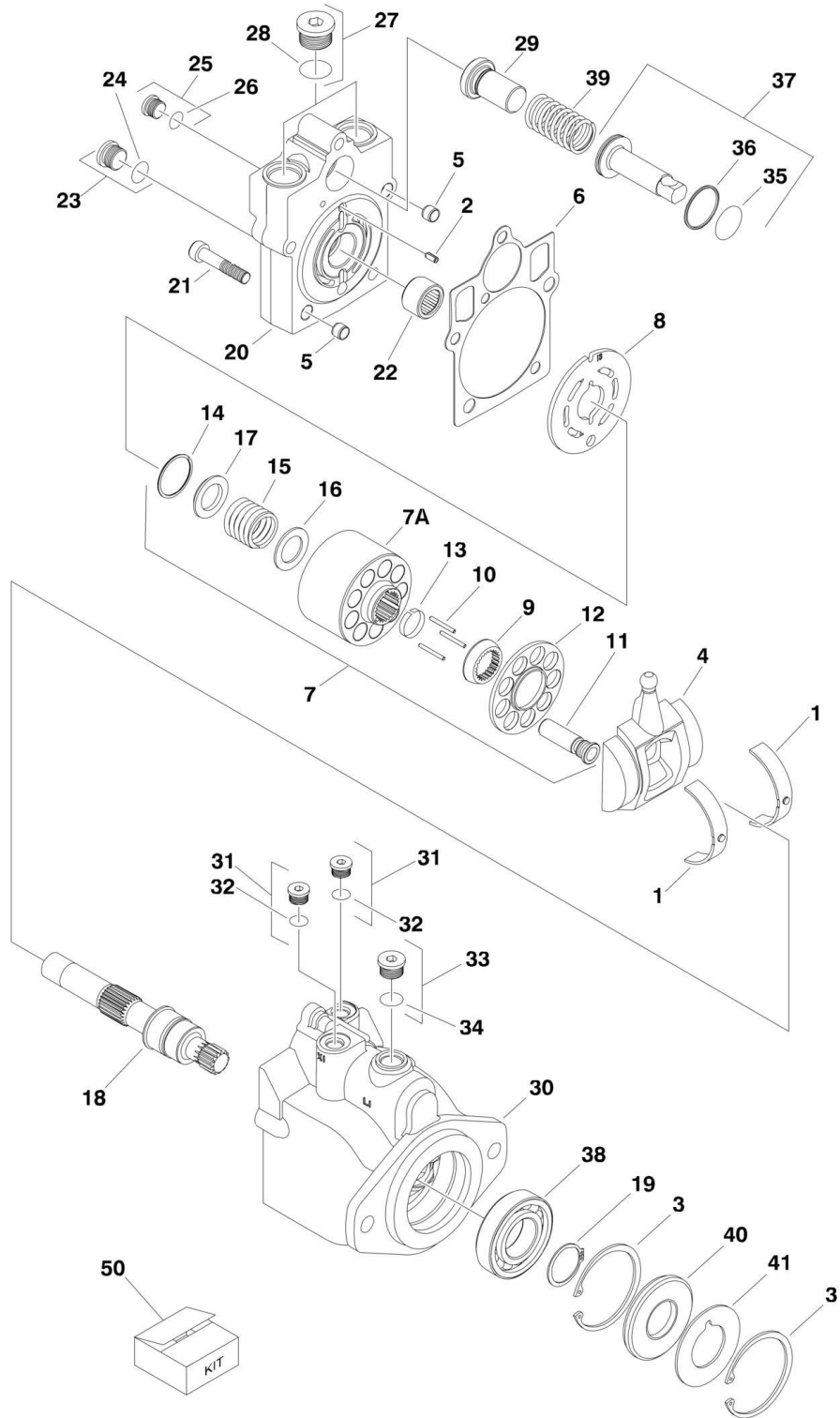
## SECTION 1 - FRAME

ITEM	PART NUMBER	QTY	DESCRIPTION	REV
22	See Note	1	Cap, End - Axial 2WD (Note: Not Available - Purchase Complete Assembly)	
22	7022367	1	Cap, End - Axial 4WD	
23	7022368	4	Screw	
24	7021249	1	Bearing, Needle	
25	7022321	1	Plug (Includes Item 26)	
26	See Note	NSS	O-Ring (Note: Use Item 25 or 50)	
27	7007420	1	Plug (Includes Item 28)	
28	See Note	NSS	O-Ring (Note: Use Item 27 or 50)	
29	7007419	2	Plug (Includes Item 30)	
30	See Note	NSS	O-Ring (Note: Use Item 29 or 50)	
31		Ref	Seat, Spring Options:	
31	7027741	1	Seat, Spring 2WD	
31	7022372	1	Seat, Spring 4WD	
32		Ref	Housing Options:	
32	7024870	1	Housing 2WD	
32	7022370	1	Housing 4WD	
33	7007419	2	Plug (Includes Item 34)	
34	See Note	NSS	O-Ring (Note: Use Item 33 or 50)	
35	7022321	1	Plug (Includes Item 36)	
36	See Note	NSS	O-Ring (Note: Use Item 35 or 50)	
37	See Note	NSS	O-Ring (Note: Use Item 50)	
38	See Note	NSS	Ring, Seal (Note: Use Item 50)	
39		Ref	Piston, Servo Options:	
39	7024871	1	2WD (Includes Items 37 & 38)	
39	7022323	1	4WD (Piston Only - Does not Include Items 37 & 38)	
40	7007437	1	Bearing	
41	7022326	1	Spring	
42	See Note	NSS	Seal, Lip (Note: Use Item 50)	
43	7022371	1	Washer, Support	
50	7022328	1	Seal Kit (Includes Items 2, 3, 7, 26, 28, 30, 34, 36, 37, 38 & 42)	
51		Ref	Cylinder Block Kit (Includes Items 11-19) Options:	
51A	7027740	1	2WD	
51B	7023907	1	4WD	



# SECTION 1 - FRAME

FIGURE 1-7. DRIVE MOTOR ASSEMBLY (SERVICE REPLACEMENT) (5 BOLT ASSEMBLY) (SN 0300083332 through 0300140000)



## SECTION 1 - FRAME

**FIGURE 1-7. DRIVE MOTOR ASSEMBLY (SERVICE REPLACEMENT) (5 BOLT ASSEMBLY) (SN 0300083332 through 0300140000)**

ITEM	PART NUMBER	QTY	DESCRIPTION	REV
		Ref	<b>DRIVE MOTOR ASSEMBLIES:</b>	
	3160347	Ref	<b>Service Replacement Motor for p/n 3120308</b>	B
	3160348	Ref	<b>Service Replacement Motor for p/n 3120266</b>	B
1	7022302	2	Bearing, Journal	
2	7007446	1	Pin	
3	7007438	2	Ring, Retaining	
4		Ref	Swash Plate Options:	
4	70000794	1	Swash Plate 2WD	
4	7022305	1	Swash Plate 4WD	
5	See Note	2	Pin (Note: Not Available for Purchase)	
6	See Note	NSS	Gasket (Note: Use Item 50)	
7		Ref	Cylinder Block Kit (Includes Items 7A & 9-17)	
7	7027740	1	Cylinder Block Kit 2WD	
7	7023907	1	Cylinder Block Kit 4WD	
7A	See Note	NSS	Block, Cylinder (Note: Use Item 7)	
8		Ref	Plate, Valve Options:	
8	7024862	1	Plate, Valve 2WD	
8	7023908	1	Plate, Valve 4WD	
9		Ref	Guide, Slipper Retainer Options:	
9	See Note	NSS	Guide, Slipper Retainer 2WD (Note: Use Item 7)	
9	7021277	1	Guide, Slipper Retainer 4WD	
10	7021275	3	Pin, Slipper Hold Down	
11	See Note	NSS	Piston Assembly (Note: Use Item 7)	
12		Ref	Retainer, Slipper Options:	
12	See Note	NSS	Retainer, Slipper 2WD (Note: Use Item 7)	
12	7022310	1	Retainer, Slipper 4WD	
13		Ref	Retainer, Hold Down Pin Options:	
13	Not Required	0	Retainer, Hold Down Pin 2WD	
13	7021276	1	Retainer, Hold Down Pin 4WD	
14	7022311	1	Ring, Retaining	
15		Ref	Spring Options:	
15	7024867	1	Spring 2WD	
15	7022312	1	Spring 4WD	
16		Ref	Washer Options:	
16	7022313	1	Washer 2WD	
16	7024868	1	Washer 4WD	
17	7022314	1	Retainer, Spring	
18	7023910	1	Shaft	
19	7007439	1	Ring, Retaining	
20		Ref	Cap, End - Axial Options:	
20	70000795	1	Cap, End - Axial 2WD	
20	70000797	1	Cap, End - Axial 4WD	
21	7022368	5	Screw	
22	7021249	1	Bearing, Needle	
23	2220886	1	Plug (Includes Item 24)	
24	See Note	NSS	O-Ring (Note: Use Item 23 or 50)	
25	2220883	1	Plug (Includes Item 26)	
26	See Note	NSS	O-Ring (Note: Use Item 25 or 50)	
27	2220888	2	Plug (Includes Item 28)	

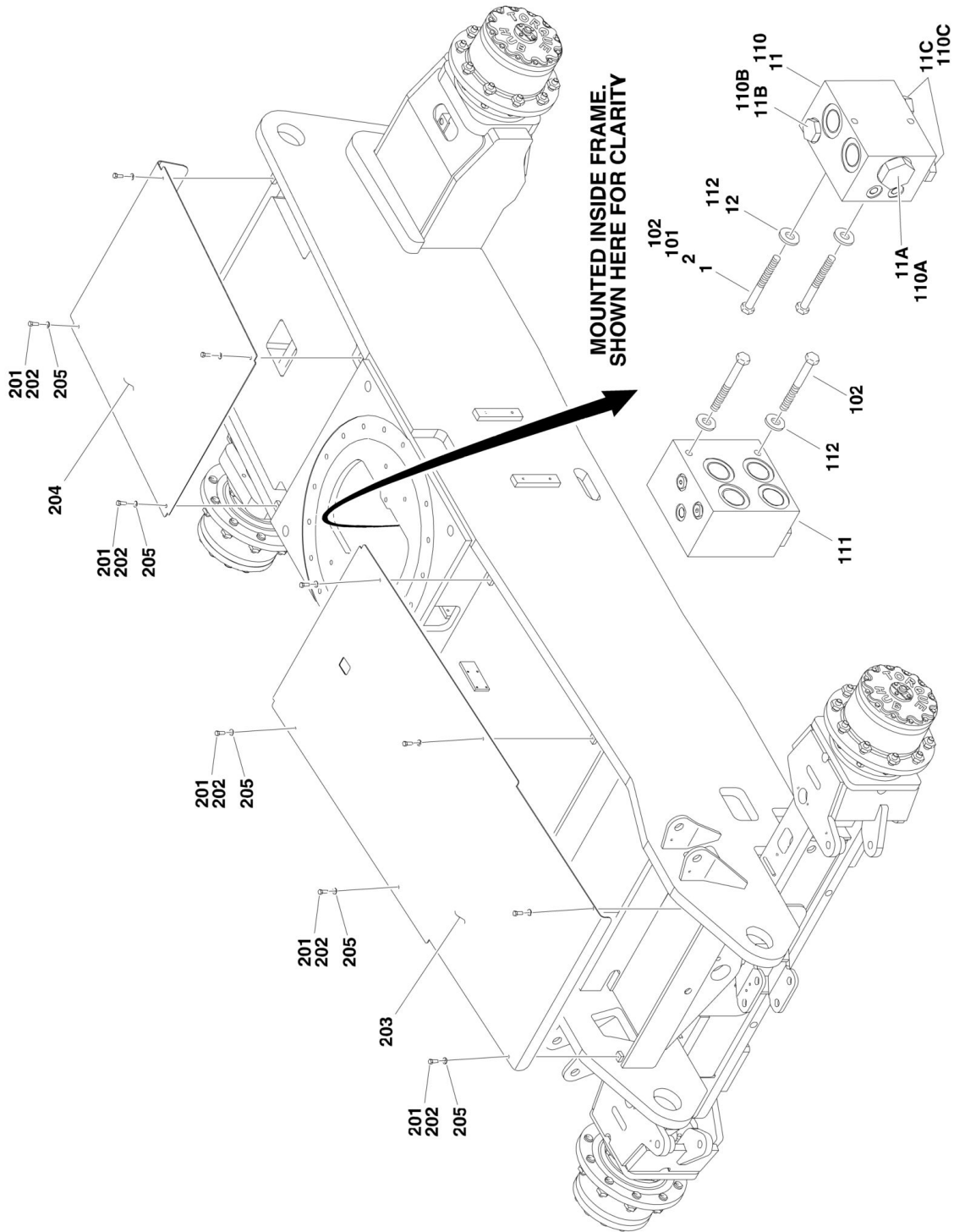
## SECTION 1 - FRAME

ITEM	PART NUMBER	QTY	DESCRIPTION	REV
28	See Note	NSS	O-Ring (Note: Use Item 27 or 50)	
29		Ref	Seat, Spring Options:	
29	7027741	1	Seat, Spring 2WD	
29	7022372	1	Seat, Spring 4WD	
30	See Note	NSS	Housing (Note: Not Available - Purchase Complete Assembly)	
31	2220883	2	Plug (Includes Item 32)	
32	See Note	NSS	O-Ring (Note: Use Item 31 or 50)	
33	2220886	1	Plug (Includes Item 34)	
34	See Note	NSS	O-Ring (Note: Use Item 33 or 50)	
35	See Note	NSS	O-Ring (Note: Use Item 50)	
36	See Note	NSS	Ring, Seal (Note: Use Item 50)	
37		Ref	Piston, Servo Options (Includes Items 35 & 36):	
37	7024871	1	Piston, Servo 2WD	
37	7024854	1	Piston, Servo 4WD	
38	7007437	1	Bearing	
39	7022326	1	Spring	
40	See Note	NSS	Seal, Lip (Note: Use Item 50)	
41	7022371	1	Washer, Support	
50	7022328	1	Seal Kit (Includes Items 6, 24, 26, 28, 32, 34, 35, 36 & 40)	



# SECTION 1 - FRAME

FIGURE 1-8. DRIVE VALVES AND SHIELDS INSTALLATIONS (SN 0300069000 through 0300083331)





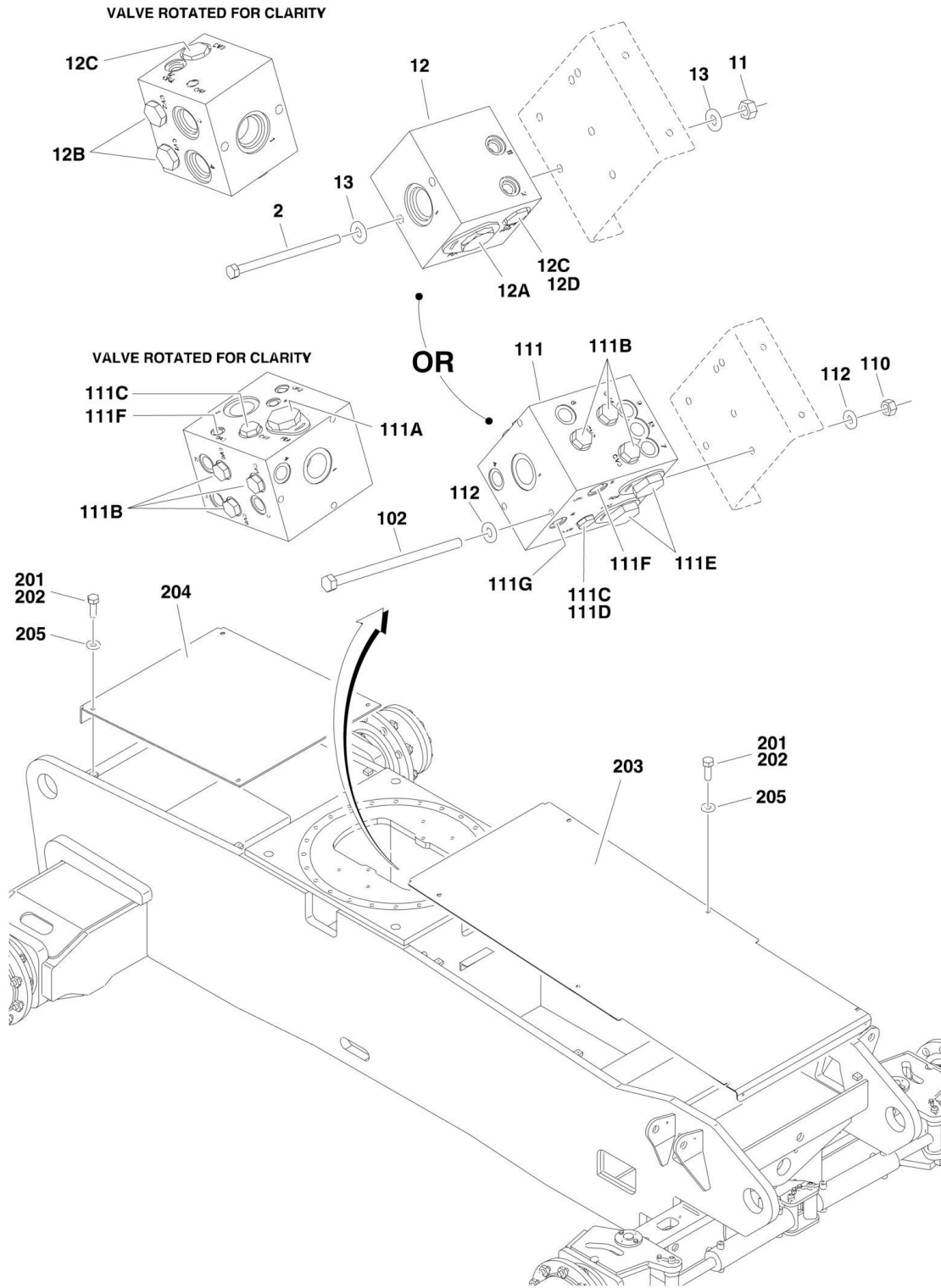
## SECTION 1 - FRAME

**FIGURE 1-8. DRIVE VALVES AND SHIELDS INSTALLATIONS (SN 0300069000 through 0300083331)**

ITEM	PART NUMBER	QTY	DESCRIPTION	REV
	0270209	Ref	<b>DRIVE VALVES INSTALLATION - 2WD/2WS</b>	B
1	0100011	AR	Compound, Locking	
2	0641628	2	Bolt 3/8in-16NC x 3-1/2in	
11	4641041	1	Flow Divider Valve Assembly	
11A	7022396	1	Cartridge, Flow Divider	
11A	7021625	1	Seal Kit - 7022396 Cartridge	
11B	7022398	1	Cartridge, Load Shuttle	
11B	7023900	1	Seal Kit - 7022398 Cartridge	
11C	7022397	2	Cartridge, Check Valves	
11C	7022399	2	Seal Kit - 7022397 Cartridge	
12	4751600	2	Flatwasher, 3/8in	
		Ref	<b>DRIVE VALVES INSTALLATION</b>	
	0270210	Ref	<b>Drive Valves Installation 4WD/2WS</b>	B
	0270211	Ref	<b>Drive Valves Installation 4WD/4WS</b>	B
101	0100011	AR	Compound, Locking	
102	0641628	4	Bolt 5/8in-11NC x 3-1/2in	
110	4641041	1	Flow Divider Valve Assembly	
110A	7022396	1	Cartridge, Flow Divider	
110A	7021625	1	Seal Kit - 7022396 Cartridge	
110B	7022398	1	Cartridge, Load Shuttle	
110B	7023900	1	Seal Kit - 7022398 Cartridge	
110C	7022397	2	Cartridge, Check Valves	
110C	7022399	2	Seal Kit - 7022397 Cartridge	
111	4641042	1	Flow Divider Valve Assembly	
111	7021656	2	Cartridge, Flow Divider	
111	7021625	2	Seal Kit - 7021656 Cartridge	
112	4751600	4	Flatwasher 3/8in	
		Ref	<b>FRAME SHIELDS INSTALLATIONS</b>	
	0271316	Ref	<b>Frame Shield Installations 2WD</b>	A
	0258343	Ref	<b>Frame Shield Installations 4WD</b>	C
201	0100011	AR	Compound, Locking	
202	0641608	AR	Bolt, 3/8in - 16NC x 1in	
203	3570686	1	Plate, Cover Front	
204		Ref	Plate, Cover Rear Options:	
204	Not Required	0	2WD	
204	3570690	1	4WD	
205	4751600	AR	Flatwasher, 3/8in	

# SECTION 1 - FRAME

FIGURE 1-9. DRIVE VALVES AND SHIELDS INSTALLATIONS (SN 0300083332 through 0300140000)



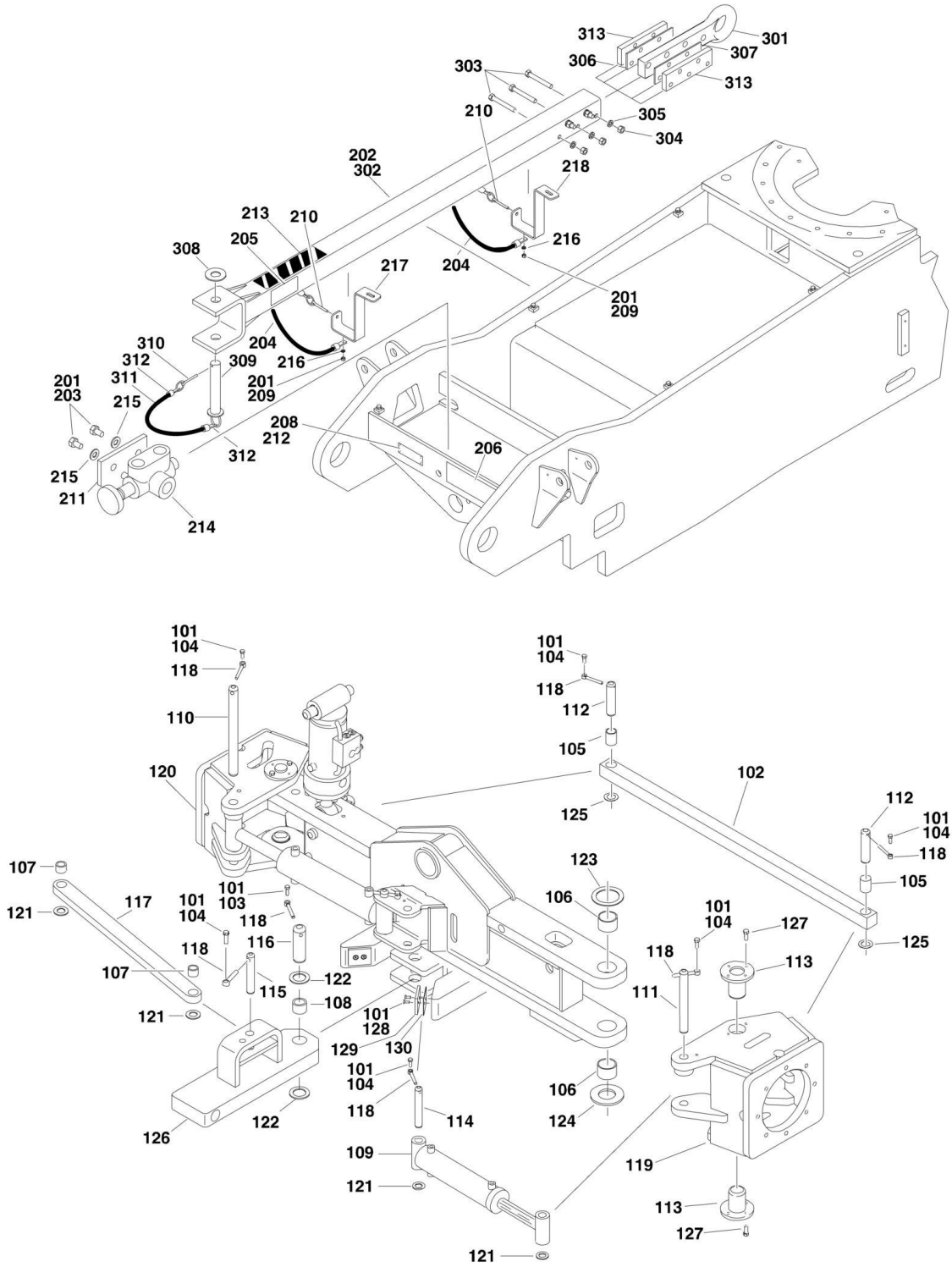
## SECTION 1 - FRAME

**FIGURE 1-9. DRIVE VALVES AND SHIELDS INSTALLATIONS (SN 0300083332 through 0300140000)**

ITEM	PART NUMBER	QTY	DESCRIPTION	REV
	0273378	Ref	<b>DRIVE VALVES INSTALLATION - 2WD</b>	E
2	0641542	2	Bolt 5/16in-18NC x 5-1/4in	
11	3311505	2	Locknut 5/16in-18NC	
12		Ref	Flow Divider Valve Assembly Options:	A
12	4641300	NLA	Valve (Use p/n 1001099870) <b>(SN 0300069000 through 0300139497)</b>	
12	1001099870	1	Valve <b>(SN 0300139498 through 0300140000)</b>	
12A	7023933	1	Cartridge, Flow Divider	
12A	7021625	1	Seal Kit - 7023933 Cartridge	
12A	70000781	1	Lockdown Kit	
12B	7022397	2	Cartridge, Check	
12B	7022399	2	Seal Kit - 7022397 Cartridge	
12C		Ref	Cartridge, Check Options:	
12C	7021639	2	Cartridge in 4641300 Valve	
12C	2900756	2	Seal Kit - 7022398 Cartridge	
12C	70002390	2	Cartridge in 1001099870 Valve	
12C	7022399	2	Seal Kit - 70002390 Cartridge	
12D	7024881	1	Piston, Pilot	
13	4711500	4	Flatwasher 5/16in Narrow	
		Ref	<b>DRIVE VALVES INSTALLATION</b>	
	0273704	Ref	<b>Drive Valves Installation 4WD/2WS</b>	D
	0274232	Ref	<b>Drive Valves Installation 4WD/4WS</b>	D
102	0641560	3	Bolt 5/16in-18NC x 7-1/2in	
110	3311505	3	Locknut 5/16in-18NC	
111	4641303	1	Flow Divider Valve Assembly	B
111A	7023933	1	Cartridge, Flow Divider	
111A	7021625	1	Seal Kit - 7023933 Cartridge	
111B	7022397	6	Cartridge, Check	
111B	7022399	6	Seal Kit - 7022397 Cartridge	
111C	7021639	2	Cartridge, Check Valves	
111C	2900756	2	Seal Kit - 7022398 Cartridge	
111D	7024881	1	Piston, Pilot	
111E	7023917	2	Cartridge, Flow Divider	
111E	7021625	2	Seal Kit - 7023917 Cartridge	
111F	70003935	2	Orifice	
111G	70003936	1	Orifice	
112	4711500	6	Flatwasher 5/16in Narrow	
		Ref	<b>FRAME SHIELDS INSTALLATIONS</b>	
	0274267	Ref	<b>Frame Shields Installations 2WS</b>	A
	0274266	Ref	<b>Frame Shields Installations 4WS</b>	A
201	0100011	AR	Compound, Locking	
202	0641608	AR	Bolt, 3/8in - 16NC x 1in	
203	3575718	1	Plate, Cover Front	
204		Ref	Plate, Cover Rear Options:	
204	Not Required	0	Plate, Cover Rear 2WS	
204	3570690	1	Plate, Cover Rear 4WS	
205	4751600	AR	Flatwasher, 3/8in	

# SECTION 1 - FRAME

## FIGURE 1-10. TOW PACKAGE INSTALLATION (2WS ONLY)



# SECTION 1 - FRAME

## FIGURE 1-10. TOW PACKAGE INSTALLATION (2WS ONLY)

ITEM	PART NUMBER	QTY	DESCRIPTION	REV
	0271352	Ref	<b>STEERING INSTALLATION</b>	E
101	0100011	AR	Compound, Locking	
102	0362726	1	Tie-Rod	
103	0641508	1	Bolt 5/16in-18NC x 1in	
104	0641608	7	Bolt 3/8in-16NC x 1in	
105	0962152	2	Bearing	
106	0962448	4	Bearing	
107	0962292	2	Bearing	
108	0962348	1	Bearing	
109	1683740	2	Steer Cylinder Assembly (See CYLINDER SECTION for Breakdown)	
110	3422567	1	Pin	
111	3422701	1	Pin, Steer, Spindle Attach	
112	3422702	2	Pin, Tie-Rod	
113	3422972	4	Kingpin	
114	3422754	2	Pin, Attach	
115	3422813	1	Pin	
116	3422848	1	Pin, Hitch	
117	3573001	1	Plate, Connecting Link	
118	3841143	8	Shaft, Keeper 3/8in x 3in	
119	4130390	1	Spindle Weldment (Left Side)	
120	4130388	1	Spindle Weldment (Right Side)	
121	4740111	6	Washer, Special	
122	4740155	2	Washer, Thrust	
123	4740256	4	Washer, Thrust	
124	4740463	2	Washer, Thrust	
125	4740473	2	Washer, Special	
126		Ref	Bar, Pivot Options:	
126	4846414	1	Bar, Pivot (SN 0300069000 through 0300074135)	
126	4846935	1	Bar, Pivot (SN 0300074136 through 0300140000)	
127	0641810	16	Bolt 1/2in-13NC x 1-1/4in	
128		Ref	Bolt Options:	
128	0741607	4	Bolt 3/8in-16NC x 7/8in (SN 0300069000 through 0300074135)	
128	0741609	4	Bolt 3/8in-16NC x 1-1/8in (SN 0300074136 through 0300140000)	
129	3340966	2	Pad, Stop	
130	4071059	AR	Shim	
		Ref	<b>TOW BAR INSTALLATION</b>	
	0272654	Ref	<b>Tow Bar Installation (SN 0300069000 through 0300083331)</b>	D
	0274252	Ref	<b>Tow Bar Installation (SN 0300083332 through 0300140000)</b>	A
201	0100011	AR	Compound, Locking	
202	0232121	1	Tow Bar Assembly (See Items 301 to 313 For Breakdown)	
203	0641504	2	Bolt 5/16in-18NC x 1/2in	
204	1260017	2 ft/0.3m	Chain	
205	1704578	2	Decal - Crushing	
206	1705090	1	Decal - Towing Instructions	
208	3250872	1	Nameplate - Steer/Tow Valve	
209	3311401	2	Nut 1/4in-20NC	
210	3420292	2	Pin	
211	3539662	1	Plate, Valve Mounting	

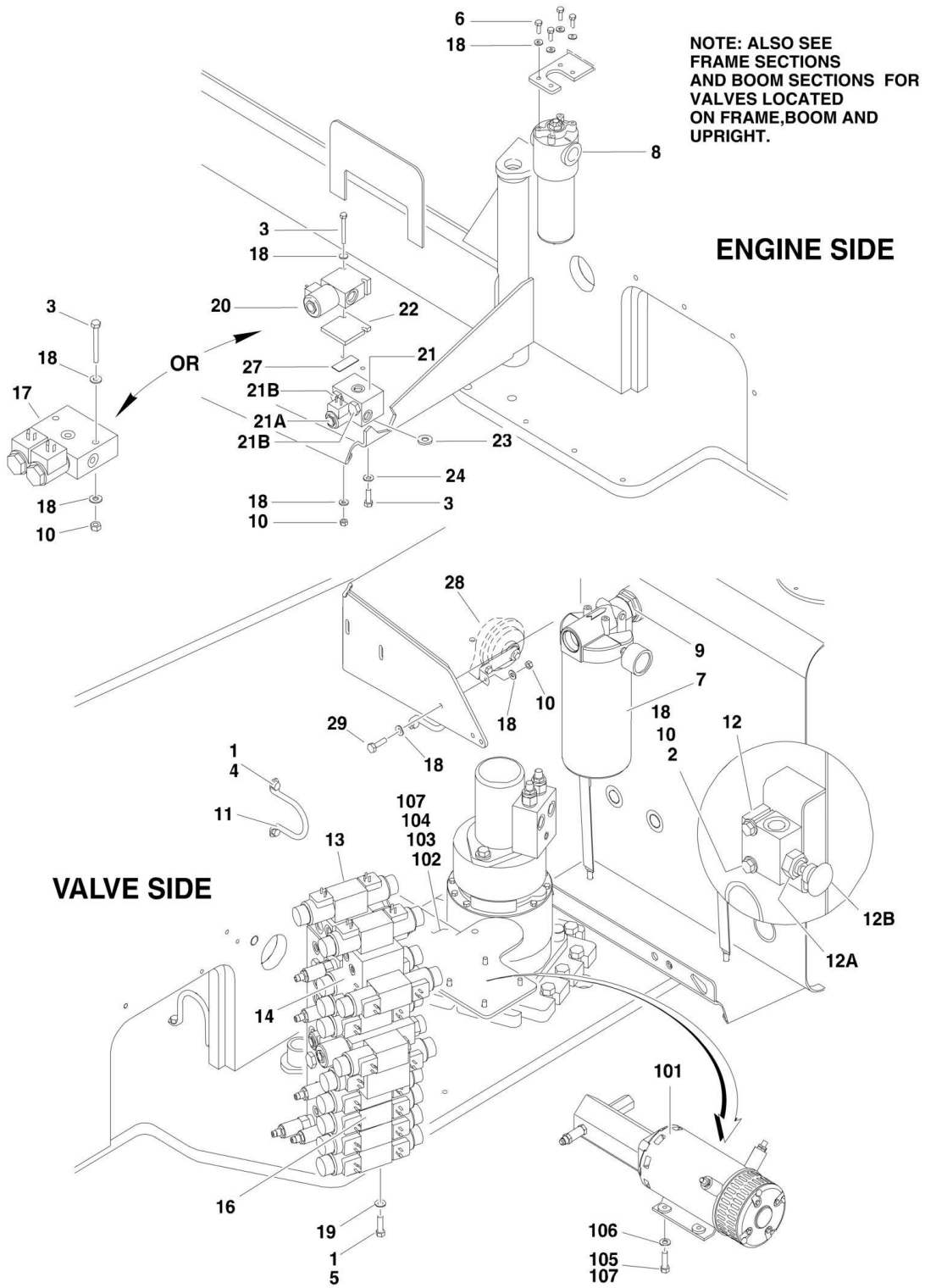
## SECTION 1 - FRAME

ITEM	PART NUMBER	QTY	DESCRIPTION	REV
212	3820001	4	Rivet, Pop	
213	4420051	2 ft/0.3m	Tape	
214	4640261	1	Valve, Float Position	
215	4711500	2	Flatwasher 5/16in (Narrow)	
216	4751400	2	Flatwasher 1/4in (Wide)	
217	4846507	1	Bracket	
218	4846508	1	Bracket	
219	3570686	1	Plate, Cover (Not Shown)	
	0232121	Ref	<b>TOW BAR ASSEMBLY</b>	7-G
301	0360406	1	Bar, Draw	
302	4843777	1	Bar, Tow	
303	0642038	5	Bolt 5/8in-11NC x 4-3/4in	
304	3312001	5	Nut 5/8in-11NC	
305	4762000	5	Lockwasher 5/8in	
306	4070450	AR	Shim, Spacer	
307	4070561	AR	Shim, Spacer	
308	4740036	1	Flatwasher 1-1/2in	
309	3420447	1	Pin	
310	3420372	1	Pin	
311	1260135	1	Chain	
312	3760170	2	Ring	
313	4070560	2	Shim	

**SECTION 2 - TURNTABLE**

# SECTION 2 - TURNTABLE

## FIGURE 2-1. CONTROL VALVES AND HORN INSTALLATIONS





# SECTION 2 - TURNTABLE

**FIGURE 2-1. CONTROL VALVES AND HORN INSTALLATIONS**

ITEM	PART NUMBER	QTY	DESCRIPTION	REV
		Ref	<b>VALVES INSTALLATIONS</b>	
		Ref	<b>Valves Installations (SN 0300069000 through 0300083331)</b>	
	0258454	Ref	<b>Valves Installations 800A (2WS)</b>	C
	0258455	Ref	<b>Valves Installations 800A (4WS)</b>	B
	0258456	Ref	<b>Valves Installations 800AJ (2WS)</b>	C
	0258457	Ref	<b>Valves Installations 800AJ (4WS)</b>	C
		Ref	<b>Valves Installations (SN 0300083332 through 0300087265)</b>	
	0273789	Ref	<b>Valves Installations 800A (2WS)</b>	B
	0273790	Ref	<b>Valves Installations 800A (4WS)</b>	B
	0273791	Ref	<b>Valves Installations 800AJ (2WS)</b>	C
	0273792	Ref	<b>Valves Installations 800AJ (4WS)</b>	C
		Ref	<b>Valves Installations (SN 0300087266 through 0300140000)</b>	
	0274640	Ref	<b>Valves Installations 800A (2WS)</b>	D
	0274641	Ref	<b>Valves Installations 800A (4WS)</b>	E
	0274642	Ref	<b>Valves Installations 800AJ (2WS)</b>	E
	0274643	Ref	<b>Valves Installations 800AJ (4WS)</b>	E
1	0100011	AR	Compound, Locking	
2		Ref	Bolt Options:	
2	0641414	2	Bolt 1/4in-20NC x 1-3/4in ( <b>SN 0300069000 through 0300083331</b> )	
2	0641416	2	Bolt 1/4in-20NC x 2in ( <b>SN 0300083332 through 0300140000</b> )	
3		Ref	Bolt Options:	
3	0641508	AR	Bolt 5/16in-18NC x 1in ( <b>SN 0300069000 through 0300083331</b> )	
3	0641418	AR	Bolt 1/4in-20NC x 2-1/4in ( <b>SN 0300069000 through 0300083331</b> )	
3	0641418	AR	Bolt 1/4in-20NC x 2-1/4in ( <b>SN 0300083332 through 0300140000</b> )	
4	0641606	8	Bolt 3/8in-16NC x 3/4in	
5	0641614	3	Bolt 3/8in-16NC x 1-3/4in	
6	0651406	4	Bolt 1/4in-28NF x 3/4in	
7	2120167	1	Return Filter Assembly	
7	2120168	1	Element, Filter	
7	7020021	1	Indicator, Clogged	
8		Ref	Pressure Filter Assembly Options:	
8	2120163	1	Pressure Filter Assembly ( <b>SN 0300069000 through 0300087265</b> )	
8	2120150	1	Element, Filter	
8	7023206	1	O-Ring, Filter Bowl	
8	7023207	1	Ring, Filter Bowl Backup	
8	7020020	1	Indicator, Clog	
8	2120209	1	Pressure Filter Assembly ( <b>SN 0300087266 through 0300140000</b> )	
8	2120210	1	Element, Filter	
8	70000934	1	O-Ring, Filter Bowl	
8	7020020	1	Indicator, Clog	
9	2220893	1	Fitting, Adapter	
10	3311405	AR	Locknut 1/4in-20NC	
11	3841340	4	Loop, Hose	
12	4640866	1	Valve Assembly (Level)	
12A	7017466	1	Cartridge	

## SECTION 2 - TURNTABLE

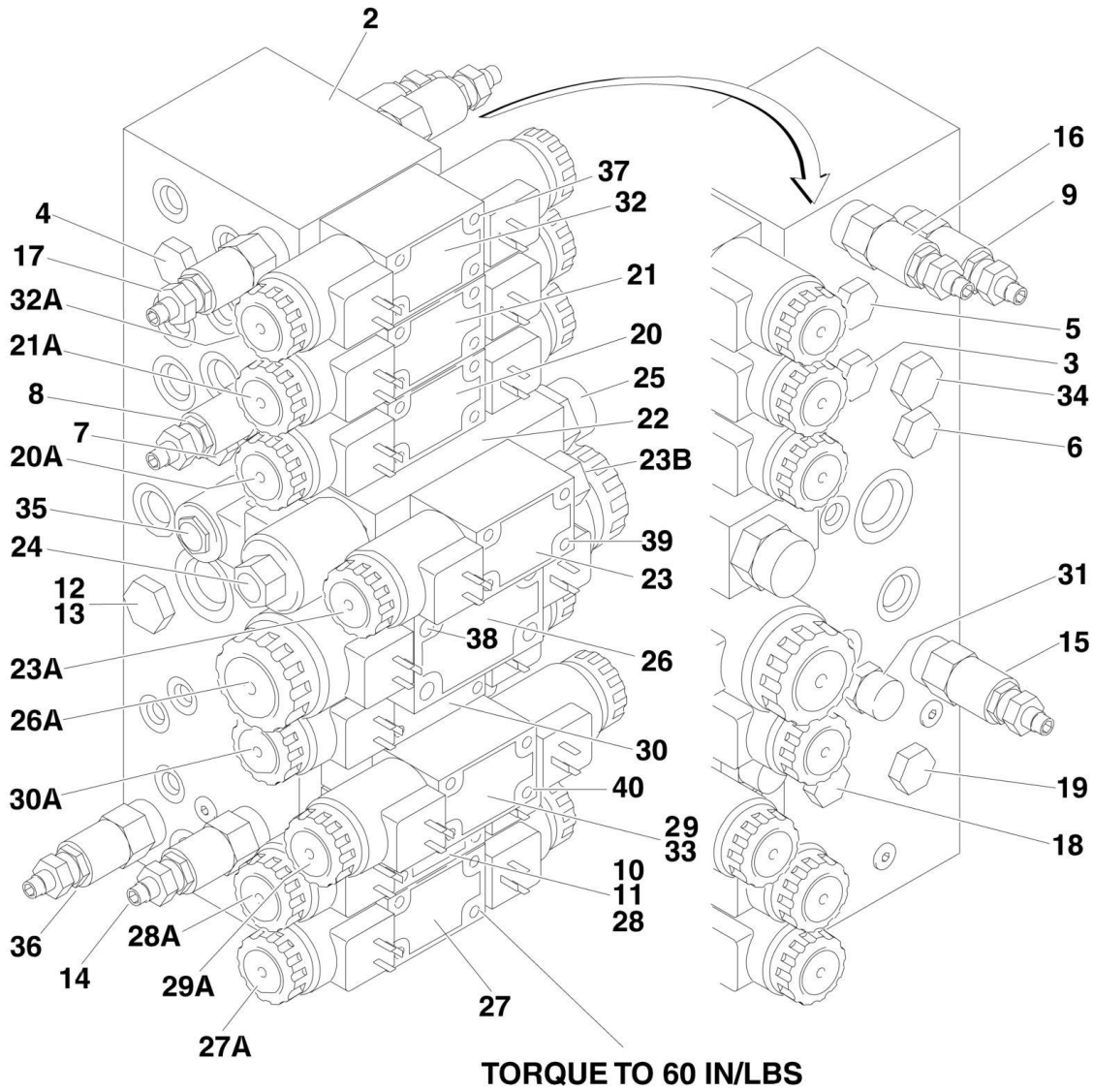
ITEM	PART NUMBER	QTY	DESCRIPTION	REV
12A	2900708	1	Seal Kit - Cartridge	
12B	7012959	1	Knob	
13		Ref	Valve Assembly (Jib Control) Options: (See ACCESSORY VALVE ASSEMBLY for Breakdown)	
13	Not Required	0	Valve Assembly (Jib Control) 800A	
13	4640921	1	Valve Assembly (Jib Control) 800AJ	
14		Ref	Valve Assembly (4WS Control) Options:	
14	Not Required	0	2WS	
14	4640922	1	4WS (See ACCESSORY VALVE ASSEMBLY for Breakdown)	
16		Ref	Main Control Valve Assembly Options (See MAIN CONTROL VALVE ASSEMBLY for Breakdown):	
16	4641099	NLA	<b>Main Control Valve Assembly (Use p/n 4641453) (SN 0300069000 through 0300092872)</b>	
16	4641453	1	Main Control Valve Assembly (SN 0300092873 through 0300140000)	
17		Ref	Combination Valve Assembly (Brake and 2 Speed) Options Only: (SN 0300083332 through 0300140000)	
17	4640906	1	Valve Assembly Used (SN 0300083332 through 0300087265)	
17	4641317	1	Valve Assembly Used (SN 0300087266 through 0300140000)	
17	7012944	2	Coil	
17	7012941	2	Cartridge without Coil	
17	7010543	2	Seal Kit - 7012941 Cartridge (1 Per Cartridge)	
18	4711400	AR	Flatwasher 1/4in Narrow	
19	4711600	AR	Flatwasher 3/8in Narrow	
20	4641061	1	Solenoid Valve Assembly (Brake Only) (SN 0300069000 through 0300083331)	
20	7012943	1	Coil	
20	7017479	1	Cartridge without Coil	
20	7012518	1	Seal Kit - 7017479 Cartridge	
21	4640906	1	Solenoid Valve Assembly (2 Speed Only) (SN 0300069000 through 0300083331)	
21A	7012944	1	Coil	
21A	7023981	1	Cartridge without Coil	
21A	7012905	1	Seal Kit - 7023981 Cartridge	
21B	7017481	2	Cartridge, Check	
21B	7012972	2	Seal Kit - 7017481 Cartridge	
22	3570979	1	Plate, Spacer Only (SN 0300069000 through 0300083331)	
23	4891500	2	Flatwasher 5/16in Hardened Only (SN 0300069000 through 0300083331)	
24	4711500	2	Flatwasher 5/16in Narrow Only (SN 0300069000 through 0300083331)	
25		Ref	Harness Assembly (Jib Control) Options (Not Shown - See ELECTRICAL SECTION for Breakdown):	
25	Not Required	0	Harness Assembly (Jib Control) 800A	
25	4921927	1	Harness Assembly (Jib Control) 800AJ	
26		Ref	Harness Assembly (4WS Control) Options (Not Shown - See ELECTRICAL SECTION for Breakdown):	
26	Not Required	0	2WS	
26	4921928	1	4WS	
27	4420060	2 in/5cm	Tape, Double Sided Only (SN 0300069000 through 0300083331)	
28	0140001	1	Horn (SN 0300103765 through 0300140000)	

## SECTION 2 - TURNTABLE

ITEM	PART NUMBER	QTY	DESCRIPTION	REV
29	0641408	1	Bolt 1/4in-20NC x 1in (SN 0300103765 through 0300140000)	C
	0258670	Ref	<b>AUXILIARY PUMP INSTALLATION</b>	
		Ref	<b>Note: Original Equipment pump may have been replaced with Service Replacement pump. Identify component before ordering parts.</b>	
101		Ref	Auxiliary Pump Assembly Options (See AUXILIARY PUMP ASSEMBLY for Breakdown):	
101	3600287	NLA	Fenner Pump (Original Equipment) (Use p/n 1001143191) (SN 0300069000 through 0300109066)	
101	1001091424	NLA	Kit with Haldex Pump (Service Replacement) (Use p/n 1001143191) (SN 0300069000 through 0300109066)	
101	3600458	NLA	Haldex Pump (Original Equipment) (Use p/n 1001143191) (SN 0300109067 through 0300140000)	
101	1001143191	1	Kit with Bucher Pump (Service Replacement)	
101	1001137460	1	Bucher Pump (Service Replacement)	
102	0902415	1	Bracket, Pump Mounting	
103	0641610	3	Bolt 3/8in-16NC x 1-1/4in	
104	4751600	3	Flatwasher 3/8in	
105	0641506	4	Bolt 5/16in-18NC x 3/4in	
106	4711500	4	Flatwasher 5/16in Narrow	
107	0100011	AR	Compound, Locking	
200	2901207	1	Band Kit, Auxiliary Power Motor (UL Machines Only) (Not Shown)	

# SECTION 2 - TURNTABLE

## FIGURE 2-2. MAIN CONTROL VALVE ASSEMBLY



## SECTION 2 - TURNTABLE

### FIGURE 2-2. MAIN CONTROL VALVE ASSEMBLY

ITEM	PART NUMBER	QTY	DESCRIPTION	REV
		Ref	<b>MAIN CONTROL VALVE ASSEMBLY</b>	
	4641099	Ref	<b>Original Equipment</b>	B
	4641453	Ref	<b>Service Replacement</b>	B
		Ref	<b>Note: Original Equipment valve may have been replaced with Service Replacement valve. Visually identify the p/n stamped on valve before ordering parts.</b>	
2	See Note	1	Block (Note: Not Available - Purchase Complete Assembly)	
3	7010542	1	Cartridge, Load Sensing (Main Lift)	
3	7010543	1	Seal Kit - 7010542 Cartridge	
4	7010542	1	Cartridge, Load Sensing	
4	7010543	1	Seal Kit - 7010542 Cartridge	
5	7010542	1	Cartridge, Load Sensing (Swing)	
5	7010543	1	Seal Kit - 7010542 Cartridge	
6	7010542	1	Cartridge, Load Sensing	
6	7010543	1	Seal Kit - 7010542 Cartridge	
7	7010542	1	Cartridge, Load Sensing (Main)	
7	7010543	1	Seal Kit - 7010542 Cartridge	
8	7017420	1	Cartridge, Relief Valve (Main Lift)	
8	7012998	1	Seal Kit - 7017420 Cartridge	
9	7017423	1	Cartridge, Relief Valve (Swing)	
9	7012998	1	Seal Kit - 7017420 Cartridge	
10	7018941	1	Orifice	
11	7018941	1	Orifice	
12	4641192	1	Cartridge, Check Valve (Tower Lift) (was p/n 7017474)	
12	2900708	1	Seal Kit - 4641192 Cartridge	
13	7021602	1	Piston, Pilot	
14	7017428	1	Cartridge, Relief Valve (Platform Level Down)	
14	7012998	1	Seal Kit - 7017428 Cartridge	
15	7017427	1	Cartridge, Relief Valve (Platform Level Up)	
15	7012998	1	Seal Kit - 7017427 Cartridge	
16	7017428	1	Cartridge, Relief Valve (Front Steer)	
16	7012998	1	Seal Kit - 7017428 Cartridge	
17	7017428	1	Cartridge, Relief Valve (Front Steer)	
17	7012998	1	Seal Kit - 7017428 Cartridge	
18	7012914	1	Cartridge, Pilot Check (Platform Level)	
18	7012918	1	Seal Kit - 7012914 Cartridge	
19	7012914	1	Cartridge, Pilot Check (Platform Level)	
19	7012918	1	Seal Kit - 7012914 Cartridge	
20	7018992	1	Control Valve Assembly (Main Lift)	
20	7012773	1	Seal Kit - 7018992 Valve	
20A	7018991	2	Coil	
20A	7018912	2	Nut	
21	7012775	1	Control Valve Assembly (Swing)	
21	7012773	1	Seal Kit - 7012775 Valve	
21A	7012772	2	Coil	
21A	7018912	2	Nut	
22	70002946	1	Flow Control Manifold Assembly (Main) (Includes Items 24 & 25)	
23	7018994	1	Control Valve Assembly (Main)	
23	7012773	1	Seal Kit - 7018994 Valve	

## SECTION 2 - TURNTABLE

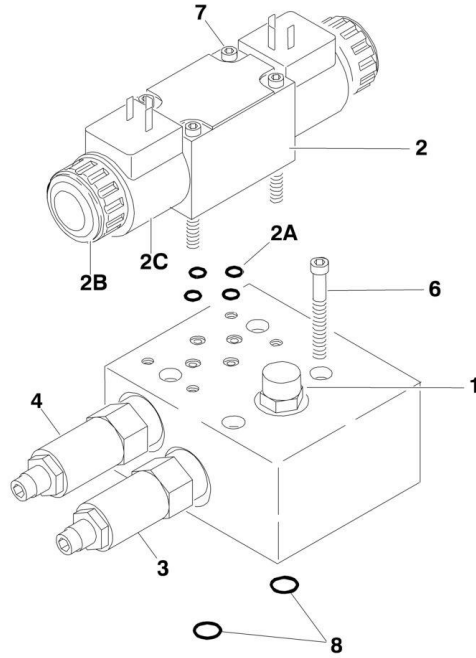
ITEM	PART NUMBER	QTY	DESCRIPTION	REV
23A	7012772	1	Coil	
23A	7018912	1	Nut	
23B	7018993	1	Plug	
24	7017475	1	Cartridge without Coil	
24	7010545	1	Seal Kit - 7017475 Cartridge	
24	7000645	1	Coil	
25	7021601	1	Cartridge, Flow Regulator (Main)	
25	7017477	1	Seal Kit - 7021601 Cartridge	
26		Ref	Control Valve Assembly Options (Main Tele):	
26	70000579	1	Original Equipment (was p/n 7012766)	
26	70000579	1	Service Replacement	
		Ref	<b>Note: Refer to Vendor p/n on Valve Nameplate before ordering Parts. P/N 7012766 is RR00567495 or R900567495. P/N 70000579 is R900930080.</b>	
26		Ref	Seal Kit Options:	
26	7012769	1	7012766 Valve	
26	70000583	1	70000579 Valve	
26A		Ref	Coil Options:	
26A	7012772	1	7012766 Valve (was p/n 7012768)	
26A	70000582	1	70000579 Valve	
26A		Ref	Nut, Coil Options:	
26A	7018912	1	7012766 Valve	
26A	70000580	1	70000579 Valve	
27	70001976	1	Control Valve Assembly (Tower Tele) (was p/n 7012770)	
27	7012773	1	Seal Kit - 7012770 Valve	
27A	7012772	2	Coil	
27A	7018912	2	Nut	
28	70001976	1	Control Valve Assembly (Platform Level) (was p/n 7012770)	
28	7012773	1	Seal Kit - 7012770 Valve	
28A	7012772	2	Coil	
28A	7018912	2	Nut	
29	70001976	1	Control Valve Assembly (Platform Rotate) (was p/n 7012770)	
29	7012773	1	Seal Kit - 7012770 Valve	
29A	7012772	2	Coil	
29A	7018912	2	Nut	
30	70001976	1	Control Valve Assembly (Tower Lift)	
30	7012773	1	Seal Kit - 7012770 Valve (was p/n 7012770)	
30A	7012772	2	Coil	
30A	7018912	2	Nut	
31	7012989	1	Cartridge, Flow Regulator (Platform Rotate)	
31	7012953	1	Seal Kit - 7012989 Cartridge	
32	7012774	1	Control Valve Assembly (Front Steer)	
32	7012773	1	Seal Kit - 7012774 Valve	
32A	7012772	2	Coil	
32A	7018912	2	Nut	
33	7021310	AR	Valve, Sandwich (Platform Rotate)	
33	7018945	2	O-Rings, Replacement - 7021310 Valve	
34	7017478	1	Cartridge, Check Valve (Main Pressure)	
34	7017477	1	Seal Kit - 7017478 Cartridge	
35	7012941	1	Cartridge without Coil (Main Dump)	
35	7010543	1	Seal Kit - 7017452 Cartridge	
35	7012944	1	Coil	

**SECTION 2 - TURNTABLE**

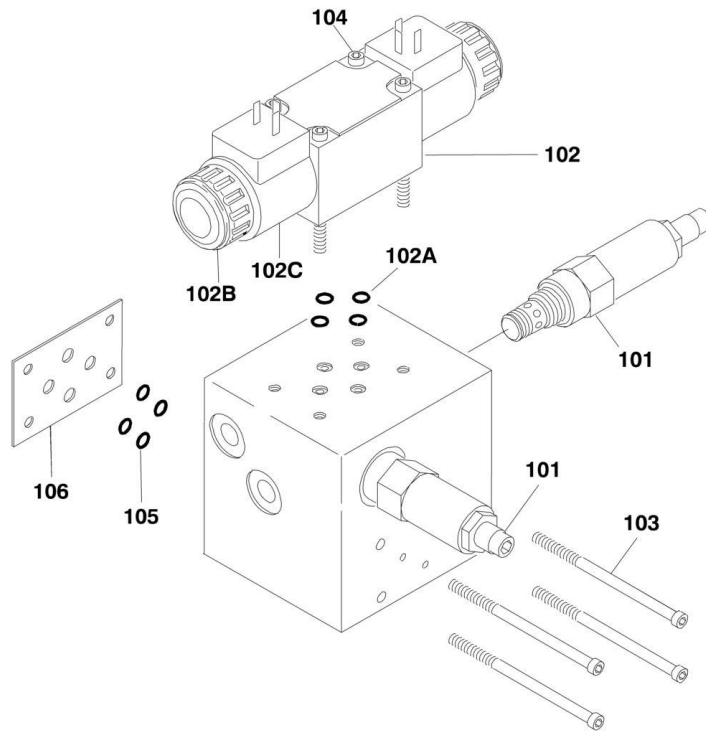
<b>ITEM</b>	<b>PART NUMBER</b>	<b>QTY</b>	<b>DESCRIPTION</b>	<b>REV</b>
36	7017428	1	Cartridge, Relief Valve (Tower Tele)	
36	7012998	1	Seal Kit - 7017428 Cartridge	
37	7018942	28	Capscrew #10-24NC x 2in	
38	7018951	4	Capscrew 1/4in-20NC x 1-1/2in	
39	7021311	4	Capscrew #10-24NC x 4-1/2in	
40	3931048	4	Capscrew #10-24NC x 3in	

## SECTION 2 - TURNTABLE

FIGURE 2-3. ACCESSORY VALVE ASSEMBLY



**NOTE: TORQUE ITEMS 6, 7, 103 & 104  
TO 60 IN/LBS.**





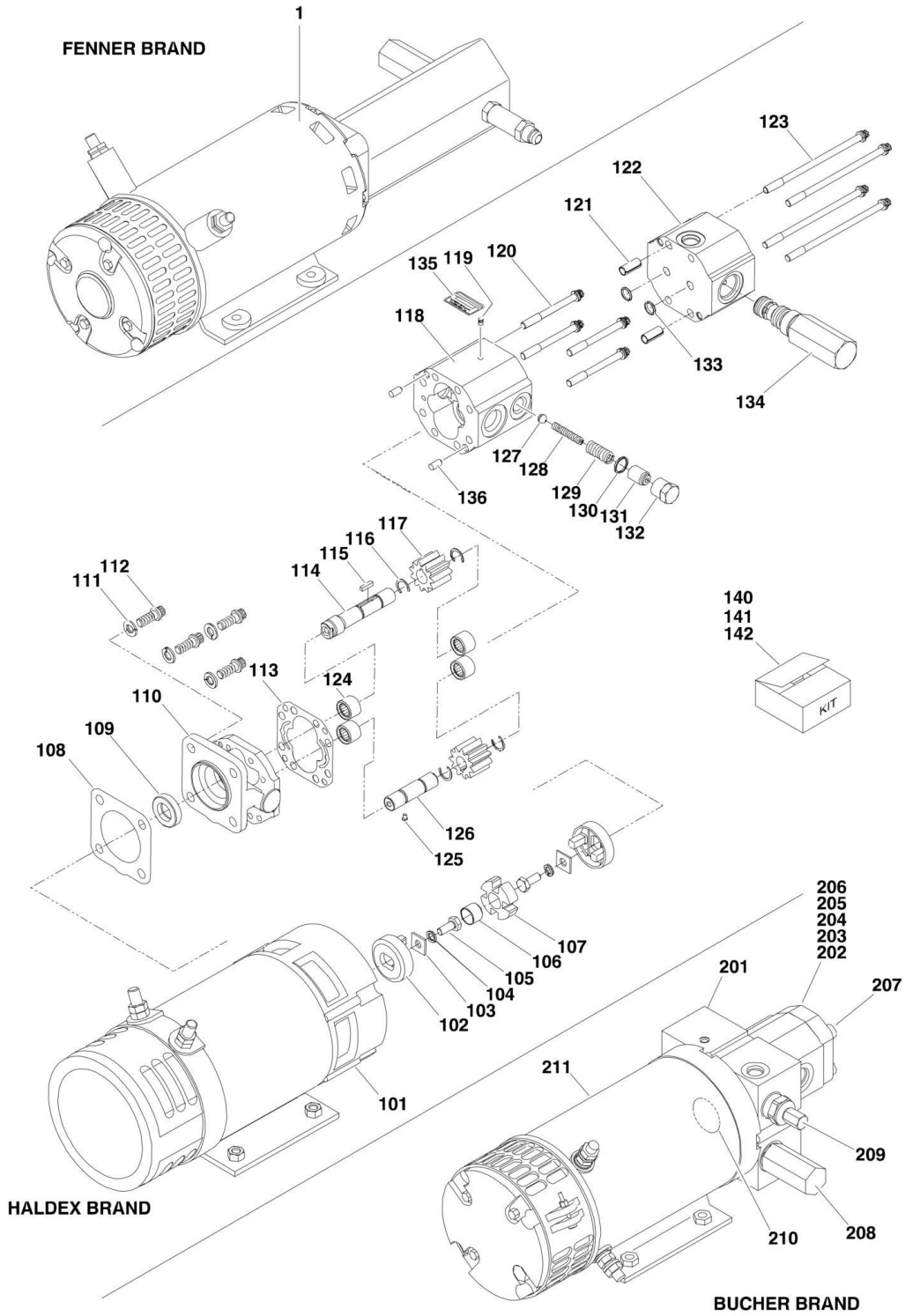
**SECTION 2 - TURNTABLE**

**FIGURE 2-3. ACCESSORY VALVE ASSEMBLY**

ITEM	PART NUMBER	QTY	DESCRIPTION	REV
		Ref	<b>ACCESSORY VALVE ASSEMBLIES</b>	
	4640921	Ref	<b>ARTICULATING JIB VALVE ASSEMBLY</b>	D
1	7012965	1	Cartridge, Flow Control	
1	7012953	1	Seal Kit - 7012965 Cartridge	
2	70001976	1	Directional Control Valve Assembly (was p/n 7012770)	
2	7012773	1	Seal Kit	
2A	7018945	4	O-Ring	
2B	7018912	2	Nut	
2C	7012772	2	Coil	
3	7017421	1	Cartridge, Relief	
3	7012998	1	Seal Kit - 7017421 Cartridge	
4	7017422	1	Cartridge, Relief	
4	7012998	1	Seal Kit - 7017422 Cartridge	
5	4460499	2	Connector, DIN with Diode (Not Shown - Part of Valve Harness)	
6	7012777	4	Capscrew, Socket Head 5/16in-18NC x 2-1/4in (Used to Mount Valve Assembly)	
7	7018942	4	Capscrew, Socket Head #10-24NC x 2in	
8	7012776	2	O-Ring (Used to Mount Main Valve)	
	4640922	Ref	<b>4WS VALVE ASSEMBLY</b>	B
101	7017420	1	Cartridge, Relief	
101	7012998	1	Seal Kit - 7017420 Cartridge	
102	7012774	1	Directional Control Valve Assembly	
102	7012773	1	Seal Kit	
102A	7018945	4	R-Ring	
102B	7018912	2	Nut	
102C	7012772	2	Coil	
103	7018946	4	Capscrew, Socket Head #10-24NC x 5in (Used to Mount Main Valve)	
104	7018942	4	Capscrew, Socket Head #10-24NC x 2in	
105	7018948	4	O-Ring (Used to Mount Main Valve)	
106	7018947	1	Plate, O-Ring	

# SECTION 2 - TURNTABLE

## FIGURE 2-4. AUXILIARY PUMP ASSEMBLY



## SECTION 2 - TURNTABLE

### FIGURE 2-4. AUXILIARY PUMP ASSEMBLY

ITEM	PART NUMBER	QTY	DESCRIPTION	REV
	3600287	Ref	<b>AUXILIARY PUMP ASSEMBLY (FENNER BRAND) (ORIGINAL EQUIPMENT)</b>	E
1	7016779	1	Motor Assembly	
1	7016781	1	Brush Kit - 7016779 Motor	
2	7016780	1	Pump Assembly	
2	7016785	1	Seal Kit - 7016780 Pump	
2	7016782	1	Coupling, Pump/Motor	
2	7016783	1	Pump Mounting Kit	
2	7016784	1	Relief Valve Assembly	
	3600458	Ref	<b>AUXILIARY PUMP ASSEMBLY (HALDEX BRAND) (ORIGINAL EQUIPMENT)</b>	B
101	70001059	1	Motor, DC	
102	See Note	NSS	Coupling, Half (Note: Use Item 141 or 142)	
103	See Note	NSS	Washer (Note: Use Item 141 or 142)	
104	See Note	NSS	Lockwasher (Note: Use Item 141 or 142)	
105	See Note	NSS	Screw (Note: Use Item 141 or 142)	
106	See Note	NSS	Bushing (Note: Use Item 141 or 142)	
107	See Note	NSS	Spider (Note: Use Item 141 or 142)	
108	7011044	1	Gasket, Mounting	
109	7010903	1	Seal, Shaft	
110	See Note	NSS	Stator (Note: Purchase Complete Assembly)	
111	7011048	4	Washer	
112	70001060	4	Screw	
113	70001061	1	Kit Gasket	
114	70001062	1	Shaft, Drive	
115	70001063	1	Key	
116	70000970	4	Ring, Retaining	
117	70001064	2	Gear	
118	See Note	NSS	Housing, Gear (Note: Purchase Complete Assembly)	
119	See Note	NSS	Plug (Note: Purchase Locally)	
120	See Note	NSS	Screw (Note: Purchase Locally)	
121	See Note	NSS	Bushing, Dowel (Note: Not Available for Purchase)	
122	See Note	NSS	Block, Valve (Note: Purchase Complete Assembly)	
123	7011043	4	Screw	
124	70000976	4	Bearing, Needle	
125	70001065	1	Pin	
126	70001066	1	Shaft, Idler	
127	See Note	NSS	Ball (Note: Not Available for Purchase)	
128	See Note	NSS	Spring (Note: Not Available for Purchase)	
129	7011008	1	Spring	
130	See Note	NSS	Gasket (Note: Use Item 140)	
131	See Note	NSS	Screw Adjustment (Note: Not Available for Purchase)	
132	See Note	NSS	Bolt (Note: Not Available for Purchase)	
133	7011022	2	O-Ring	
134	70001067	1	Valve, Logic	
135	See Note	1	Label (Note: Not Available for Purchase)	
136	See Note	2	Pin, Shear (Note: Not Available for Purchase)	
140	70001069	1	Seal Kit, Pump (Includes Items 108, 109, 130 & 133)	
141	70001068	1	Motor and Coupling Kit, Replacement (Includes Items 101-108, 111 & 112)	

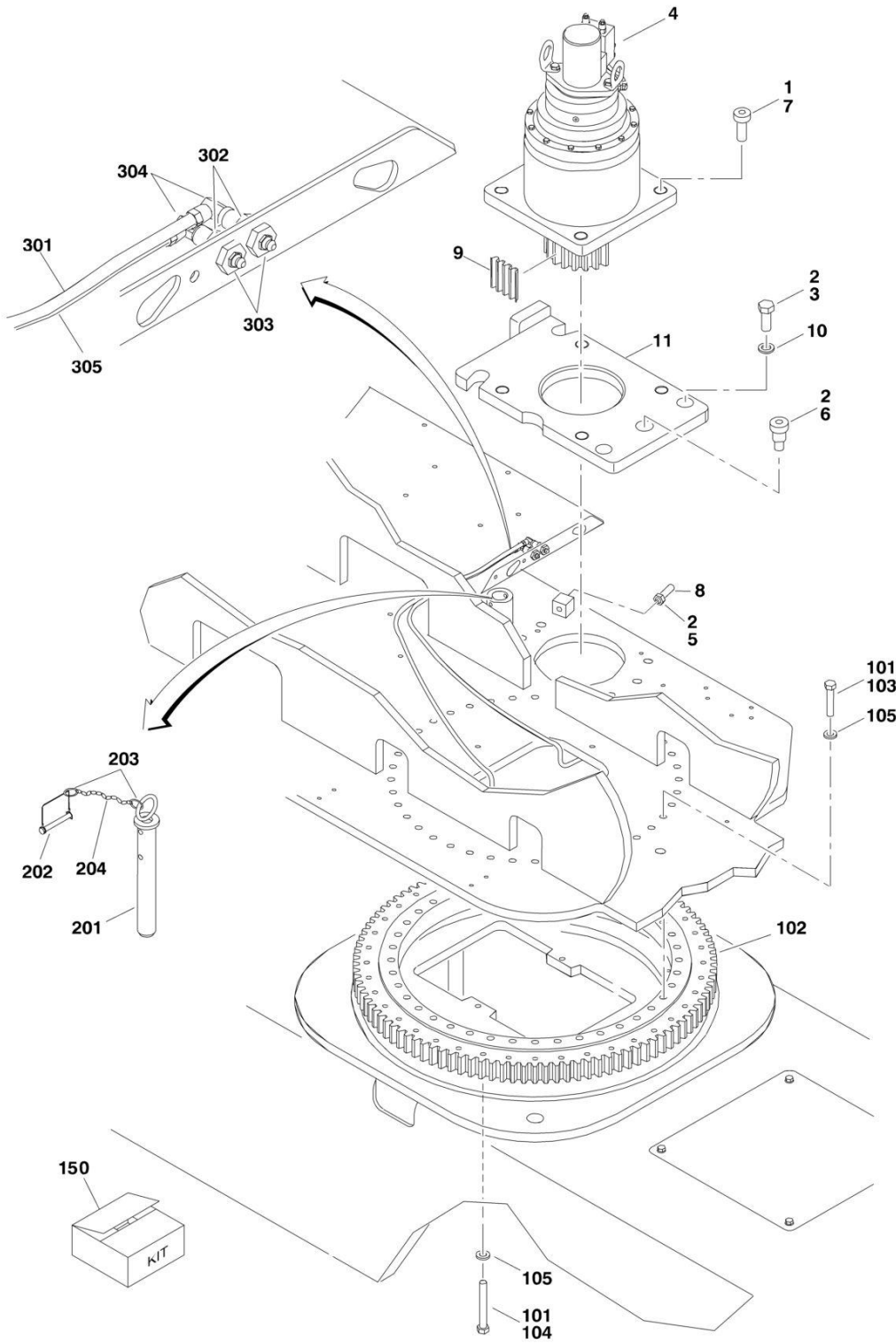
## SECTION 2 - TURNTABLE

ITEM	PART NUMBER	QTY	DESCRIPTION	REV
142	7010944	1	Coupling Kit (Includes Items 102-107)	
	1001137460	Ref	<b>AUXILIARY PUMP ASSEMBLY (BUCHER BRAND) (SERVICE REPLACEMENT)</b>	A
201	70003983	1	Base Assembly	
201	70003993	1	Seal, Shaft	
202	70003984	4	Pin, Dowel	
203	70003985	1	O-Ring	
204	See Note	1	Pump (Note: Not Available for Purchase)	
205	70003986	1	O-Ring	
206	70003994	1	Cover, Rear	
207	70003988	4	Screw	
208	70003989	1	Valve, Logic	
209	70003990	1	Valve, Relief	
210	70003991	1	Shaft, Intermediate	
211	70003992	1	Motor	



# SECTION 2 - TURNTABLE

## FIGURE 2-5. TURNTABLE BEARING AND SWING DRIVE INSTALLATION



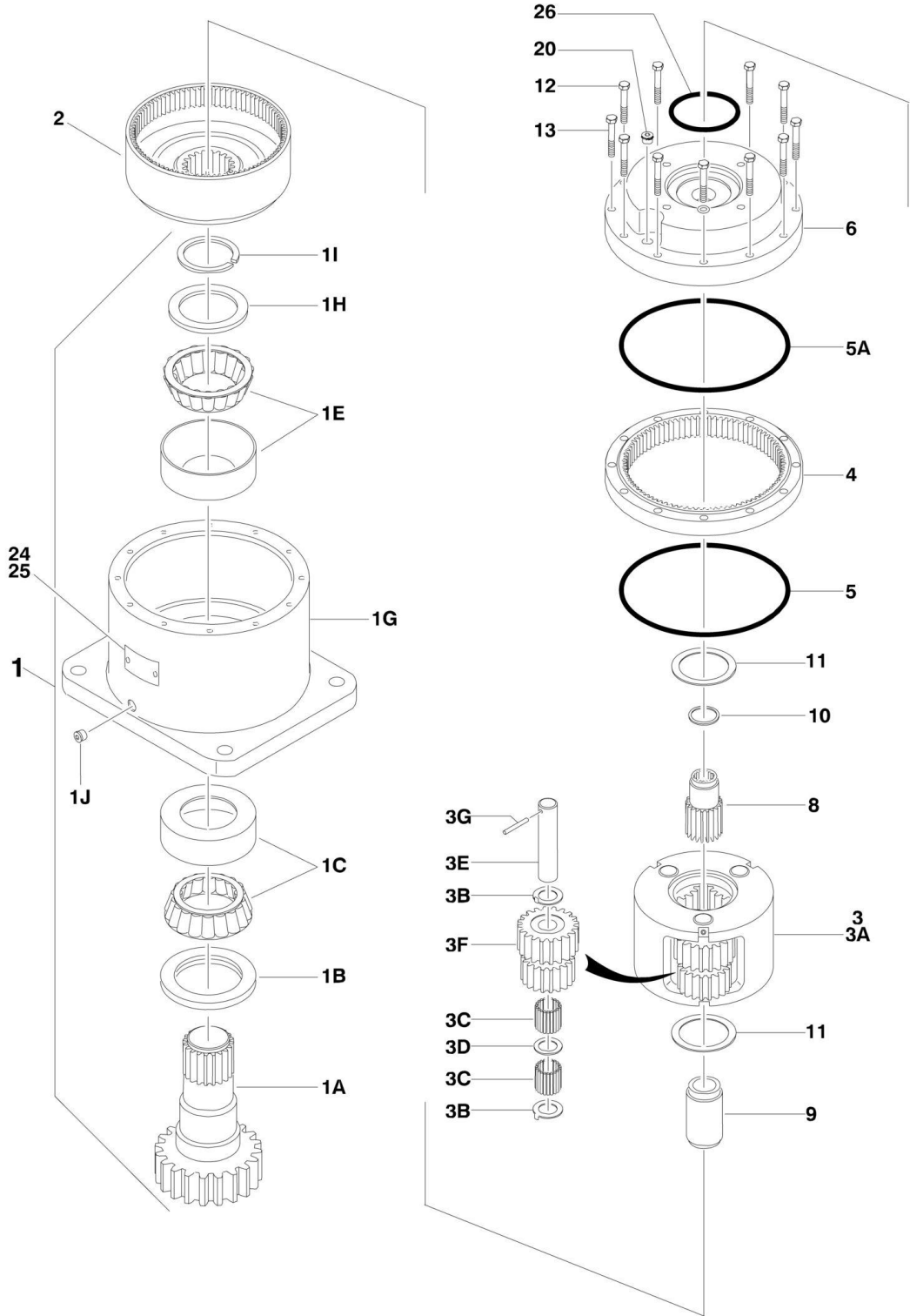
## SECTION 2 - TURNTABLE

**FIGURE 2-5. TURNTABLE BEARING AND SWING DRIVE INSTALLATION**

ITEM	PART NUMBER	QTY	DESCRIPTION	REV
		Ref	<b>TURNTABLE WELDMENT</b>	
	4620135	Ref	Standard Machines	
		Ref	<b>SWING DRIVE INSTALLATION</b>	
	0272189	Ref	<b>Swing Drive Installation (SN 0300069000 through 0300134352)</b>	D
	1001094889	Ref	<b>Swing Drive Installation (SN 0300134353 through 0300140000)</b>	B
1	0100011	AR	Compound, Locking (SN 0300069000 through 0300074382)	
2	0100019	AR	Compound, Locking	
3	0682216	4	Bolt 3/4in - 10NC x 2in (Grade 8)	
4		Ref	Motor, Swing Assembly Options:	
4	3160286	1	Motor, Swing Assembly (See SWING MOTOR/HUB ASSEMBLY for Breakdown) (SN 0300069000 through 0300074382)	
4	3160294	NLA	Motor, Swing Assembly (Use p/n 1001101060) (See SWING MOTOR/HUB ASSEMBLY for Breakdown) (SN 0300074383 through 0300134352)	
4	1001101060	1	Motor, Swing Assembly (See SWING MOTOR/HUB ASSEMBLY for Breakdown) (SN 0300134353 through 0300140000)	
5	3312002	1	Nut Jam 5/8in - 11NC	
6	3900293	1	Screw, Shoulder	
7	3932224	4	Screw 3/4in - 10NC x 1-1/2in (SN 0300069000 through 0300074382)	
8	3952020	1	Setscrew 5/8in x 2in	
9	4071009	1	Shim	
10	4740057	4	Hardened, Washer	
11	4846430	1	Plate, Swing Drive (SN 0300069000 through 0300074382)	
	0271002	Ref	<b>TURNTABLE BEARING INSTALLATION</b>	E
101	0100019	AR	Compound, Locking	
102	0440244	1	Bearing, Turntable	
103	0682023	24	Bolt 5/8in - 11NC X 2-7/8in (Grade 8)	
104	0682032	24	Bolt 5/8in - 11NC x 4in (Grade 8)	
105	4892000	48	Flatwasher, Hardened	
150	2915094	1	<b>TURNTABLE BEARING KIT</b>	
	0259147	Ref	<b>TURNTABLE LOCK INSTALLATION</b>	B
201	4844958	1	Weldment, Pin	
202	3421565	1	Pin, Snap	
203	3760170	2	Ring, Quick Release	
204	1260017	9 in/23cm	Chain	
	0255316	Ref	<b>REMOTE BEARING LUBE INSTALLATION</b>	3
301	2751095	1	Hose, Grease (SN 0300069000 through 0300070975)	
302	2180344	2	Fitting, Bulkhead	
303	2160003	2	Fitting, Grease Elbow	
304	2220063	2	Fitting, Elbow	
305	2751032	1	Hose, Grease	

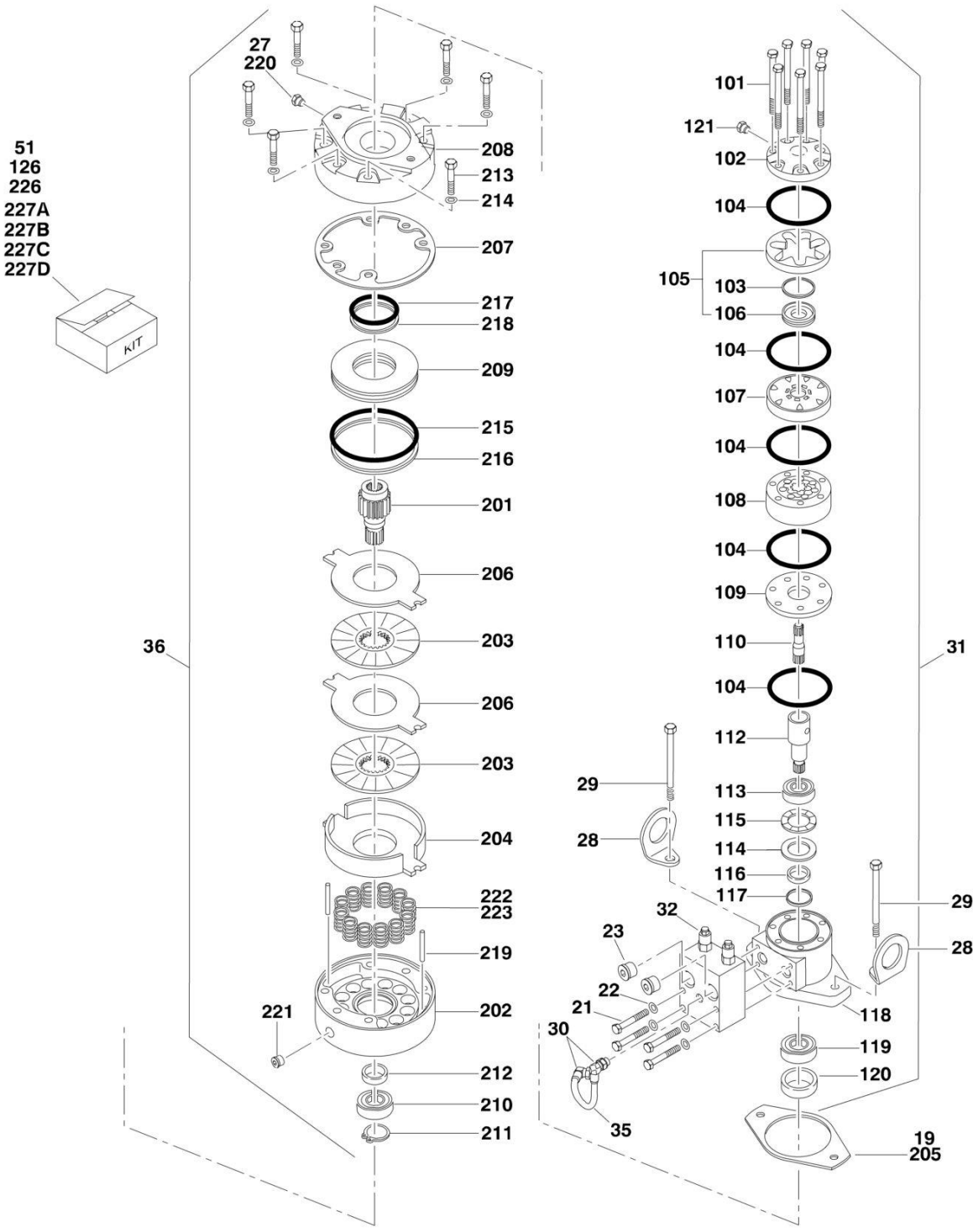
# SECTION 2 - TURNTABLE

FIGURE 2-6. SWING MOTOR/HUB ASSEMBLY (SN 0300069000 through 0300134352)





# SECTION 2 - TURNTABLE



## SECTION 2 - TURNTABLE

FIGURE 2-6. SWING MOTOR/HUB ASSEMBLY (SN 0300069000 through 0300134352)

ITEM	PART NUMBER	QTY	DESCRIPTION	REV
		Ref	<b>SWING MOTOR/HUB ASSEMBLIES</b>	
	3160286	Ref	<b>Swing Motor/Hub Assemblies (SN 0300069000 through 0300074382)</b>	B
	3160294	Ref	<b>Swing Motor/Hub Assemblies (SN 0300074383 through 0300134352)</b>	C
		Ref	<b>Note: Original Equipment Motor p/n 3600294 may have been replaced with p/n 1001101060 as a Service Replacement. Identify component before ordering parts. If equipped with p/n 1001101060 refer to SWING MOTOR/HUB ASSEMBLY.</b>	
1	See Note	1	Housing/Shaft Assembly (Note: Not Available - Purchase Individual Components)	
1A	7010492	1	Shaft, Output	
1B	7000228	1	Seal, Lip	
1C	7000255	1	Bearing Kit (Includes Cup and Cone)	
1E	7000257	1	Bearing Kit (Includes Cup and Cone)	
1G		Ref	Housing Options:	
1G	7017089	1	Housing (SN 0300069000 through 0300074382)	
1G	7024762	1	Housing (SN 0300074383 through 0300134352)	
1H	7007633	1	Washer, Thrust	
1I	7000229	1	Ring, Retaining	
1J	7001928	1	Plug, Pipe	
2	7000246	1	Gear, Internal	
3	See Note	1	Carrier Assembly (Note: Not Available - Purchase Individual Components)	
3A	7001931	1	Carrier	
3B	7001985	6	Washer, Tanged	
3C	7001909	96	Bearing, Needle	
3D	7000263	3	Washer, Thrust	
3E	7001911	3	Shaft, Planet	
3F	7001912	3	Gear, Cluster	
3G	7010474	3	Roll Pin	
4	7000248	1	Gear, Ring	
5	7000230	1	O-Ring	
5A	7017070	1	O-Ring	
6	7000209	1	Cover, Input	
8	7010461	1	Gear, Sun	
9	7000269	1	Spacer, Input	
10	7000270	1	Washer, Thrust	
11	7000253	2	Washer, Thrust	
12	7000217	8	Bolt 5/16in-18NC x 2-1/4in (Grade 8)	
13	7000214	4	Bolt, Shoulder 5/16in-18NC x 1-7/8in (Grade 8)	
19	7024703	1	Gasket	
20	2200222	1	Plug, Pipe	
21	7024704	4	Bolt 5/16in-18NC x 2in (Grade 8)	
22	See Note	4	Lockwasher (Note: Not Available for Purchase)	
23	7017023	2	Plug, Pipe	
24	See Note	1	Plate, ID Lockwasher (Note: Not Available for Purchase)	
25	7000281	2	Screw, Drive	
26	7024705	1	O-Ring	
27	7017082	1	Plug, Pipe	
28	See Note	2	Lug, Lifting Lockwasher (Note: Not Available for Purchase)	

## SECTION 2 - TURNTABLE

ITEM	PART NUMBER	QTY	DESCRIPTION	REV
29	7024185	2	Bolt 1/2in-13NC x 5in (Grade 8)	
30	7017085	2	Elbow	
31	7024707	1	Motor Assembly (See Items 101-121 for Breakdown)	
32	7024784	1	Valve (No Serviceable Parts)	
35	7024706	1	Tube	
36	7024702	1	Brake Assembly (See Items 201-223 for Breakdown)	
51	7024100	1	Seal Kit - Swing Hub (Includes Items 1B, 1I, 5, 5A & 11)	
	7024707	Ref	<b>MOTOR ASSEMBLY</b>	
101	7024454	6	Bolt	
102	7024459	1	Cover, End	
103	See Note	NSS	Seal, Commutator (Note: Use Item 126)	
104	See Note	NSS	Seal, Ring (Note: Use Item 126)	
105	7024453	1	Commutator and Ring Assembly	
106	7024453	1	Ring	
107	7024379	1	Manifold	
108	7024455	1	Rotor Set	
109	7024380	1	Plate, Wear	
110	7024456	1	Link, Drive	
112	7024458	1	Shaft, Coupling	
113	7004042	1	Bushing, Bronze	
114	7004043	1	Washer, Thrust	
115	7004044	1	Bearing, Thrust	
116	See Note	NSS	Seal, Inner (Note: Use Item 126)	
117	See Note	NSS	Washer, Back-up (Note: Use Item 126)	
118	7024457	1	Housing	
119	7004046	1	Bearing	
120	See Note	NSS	Seal (Note: Use Item 126)	
121	7010795	1	Plug, O-Ring	
126	7024396	1	Seal Kit, Motor (Includes Items 103, 104, 116, 117 & 120)	
	7024702	Ref	<b>BRAKE ASSEMBLY</b>	
201	7024189	1	Shaft	
202	See Note	NSS	Housing (Note: Use Item 36)	
203	See Note	NSS	Plate, Friction (Note: Use Item 227C)	
204	See Note	NSS	Plate, Pressure (Note: Use Item 227C)	
205	7000731	1	Gasket	
206	See Note	NSS	Plate, Outer (Note: Use Item 227C)	
207	See Note	NSS	Gasket (Note: Use Item 226, 227C or 227D)	
208	7024191	1	Cylinder	
209	7024192	1	Piston	
210	See Note	NSS	Bearing, Ball (Note: Use Item 227D)	
211	See Note	NSS	Ring, Retaining (Note: Use Item 227D)	
212	See Note	NSS	Seal, Shaft (Note: Use Item 227D)	
213	See Note	6	Capscrew (Note: Not Available for Purchase)	
214	See Note	6	Lockwasher (Note: Not Available for Purchase)	
215	See Note	NSS	O-Ring (Note: Use Item 226)	
216	See Note	NSS	Ring, Back-up (Note: Use Item 226)	
217	See Note	NSS	O-Ring (Note: Use Item 226)	
218	See Note	NSS	Ring, Back-up (Note: Use Item 226)	
219	7024190	2	Pin, Dowel	
220	See Note	1	Plug (Note: Not Available - Purchase Locally)	
221	See Note	1	Plug (Note: Not Available - Purchase Locally)	

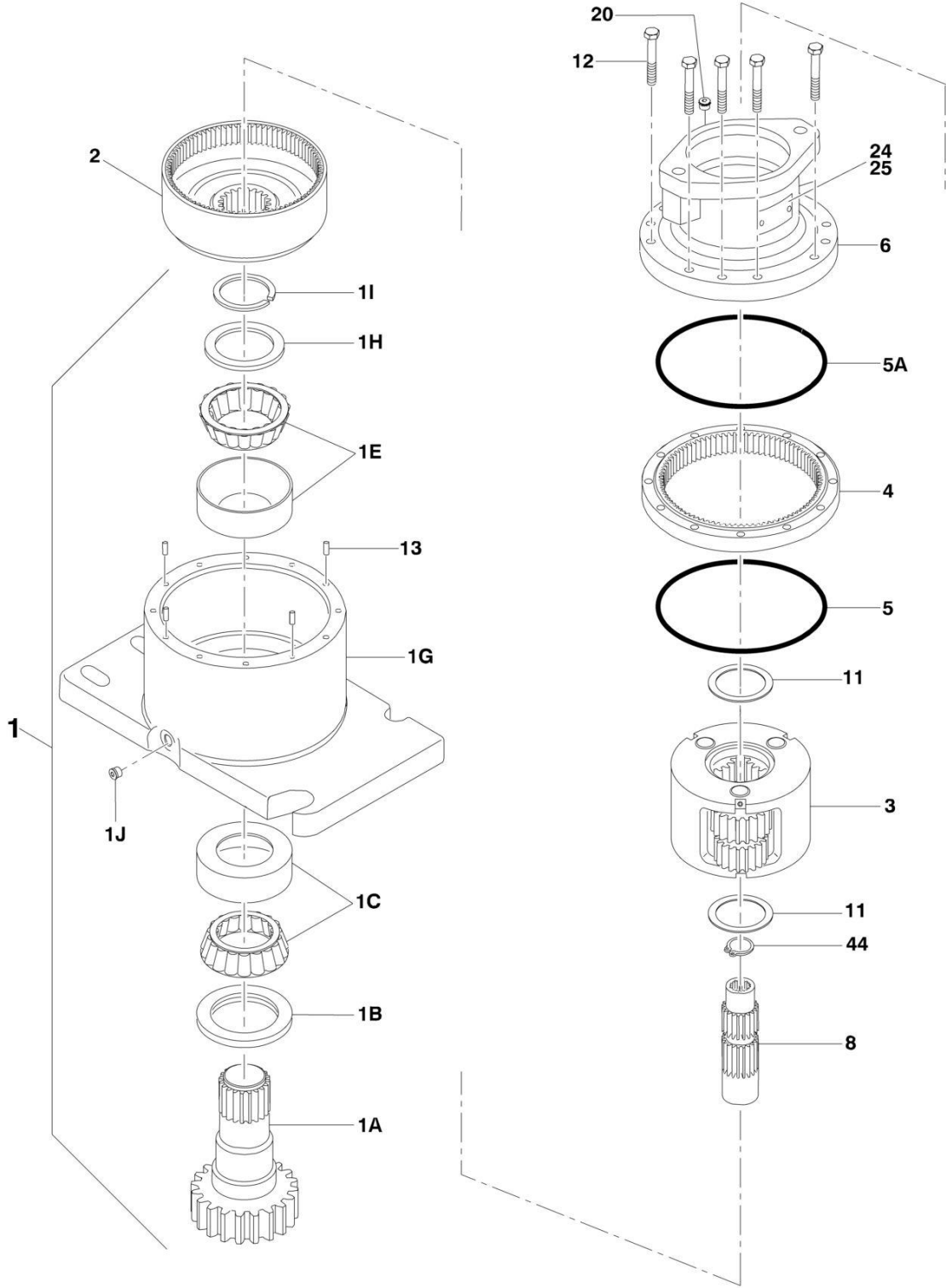
## SECTION 2 - TURNTABLE

ITEM	PART NUMBER	QTY	DESCRIPTION	REV
222	See Note	NSS	Spring (Natural) (Note: Use Item 227B)	
223	See Note	NSS	Spring (Blue) (Note: Use Item 227B)	
226	7024194	1	Seal Kit, Brake (Includes Items 205, 207 & 215-218)	
227		Ref	Repair Kit, Brake Options:	
227A	7024195	NLA	Spring Kit (Includes 12 Natural Colored Springs)	
227B	7024196	1	Spring Kit (Includes 12 Blue and 12 Natural Colored Springs)	
227C	7024193	1	Friction Disc Kit (Includes Items 203, 204, 206 & 207)	
227D	7024197	1	Bearing Kit (Includes Items 207 & 210-212)	

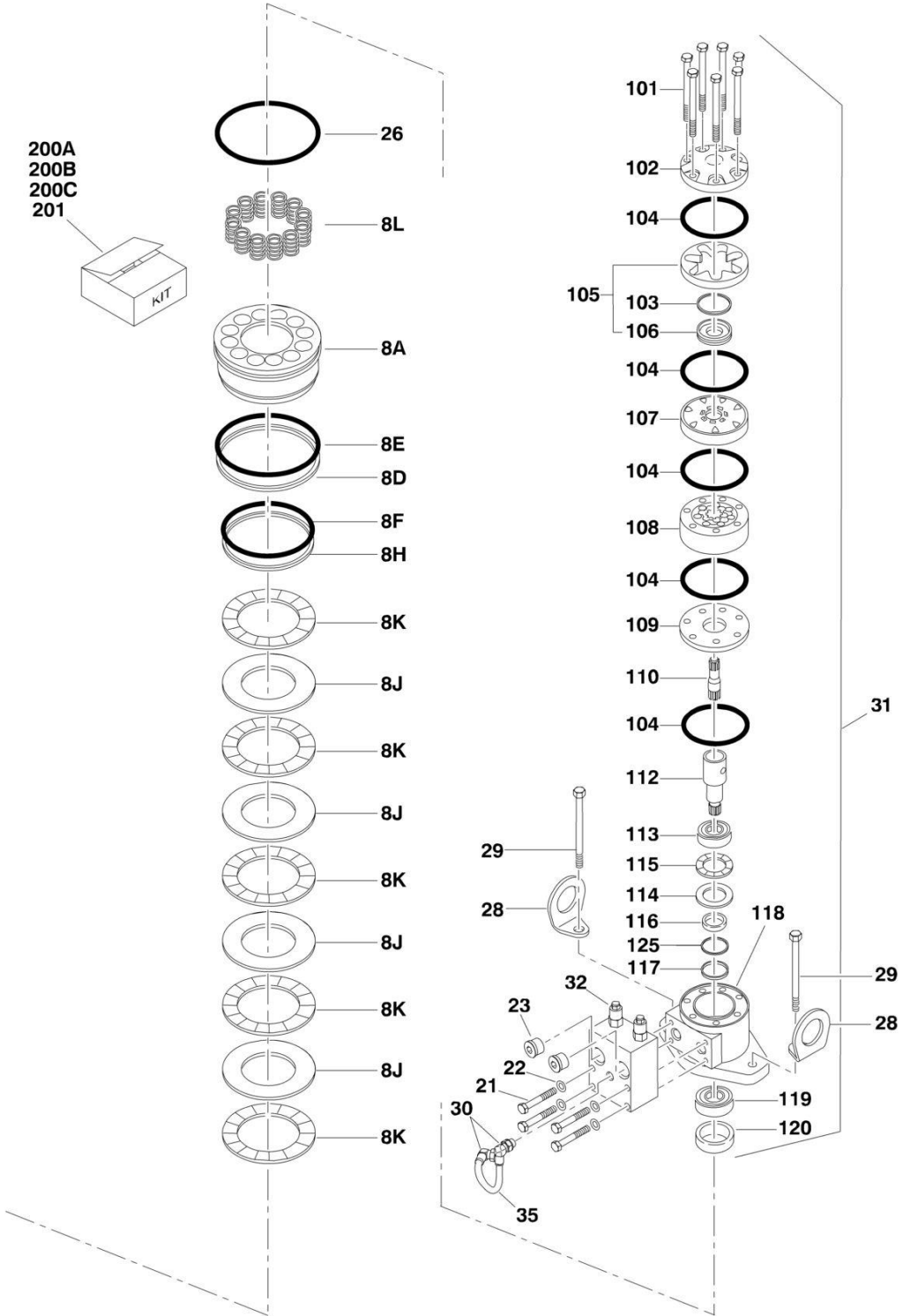


# SECTION 2 - TURNTABLE

FIGURE 2-7. SWING MOTOR/HUB ASSEMBLY (SN 0300134353 through 0300140000)



# SECTION 2 - TURNTABLE



## SECTION 2 - TURNTABLE

FIGURE 2-7. SWING MOTOR/HUB ASSEMBLY (SN 0300134353 through 0300140000)

ITEM	PART NUMBER	QTY	DESCRIPTION	REV
	1001101060	Ref	<b>SWING MOTOR/HUB ASSEMBLY (SERVICE REPLACEMENT FOR SWING MOTOR P/N 3160294)</b>	A
1	See Note	1	Housing/Shaft Assembly (Note: Not Available - Purchase Individual Components)	
1A	7010492	1	Shaft, Output	
1B	7000228	1	Seal, Lip	
1C	7000255	1	Bearing Kit (Includes Cup and Cone)	
1E	7000257	1	Bearing Kit (Includes Cup and Cone)	
1G	7024762	1	Housing	
1H	7007633	1	Washer, Thrust	
1I	7000229	1	Ring, Retaining	
1J	7017072	1	Plug, Pipe	
2	7000246	1	Gear, Internal	
3	80424002	1	Carrier Assembly	
4	7000248	1	Gear, Ring	
5	7000230	1	O-Ring	
5A	7017070	1	O-Ring	
6	1001101060	NSS	Housing, Brake (Note: Purchase Complete Assembly)	
8	70002065	1	Gear, Sun	
8A	70000782	1	Piston	
8D	70002070	1	O-Ring	
8E	70002071	1	Ring, Back-up	
8F	70002073	1	O-Ring	
8H	70002072	1	Ring, Back-up	
8J	70002067	4	Disc, Rotor	
8K	70002068	5	Disc, Stator	
8L	70002066	14	Spring	
11	7000253	2	Washer, Thrust	
12	7000217	12	Bolt 3/8in-16NC x 2-1/4in (Grade 8)	
13	7017080	4	Pin, Dowel	
20	7017072	1	Plug, Pipe	
21	7024704	4	Bolt 5/16in-18NC x 2in (Grade 8)	
22	See Note	4	Lockwasher (Note: Not Available for Purchase)	
23	7017023	2	Plug, Pipe	
24	See Note	1	Plate, ID (Note: Not Available for Purchase)	
25	7000281	2	Screw, Drive	
26	7024763	1	O-Ring	
28	See Note	2	Lug, Lifting (Note: Not Available for Purchase)	
29	70002069	2	Bolt 1/2in-13NC x 2in (Grade 8)	
30	7017085	2	Elbow	
31	70002075	1	Motor Assembly (See Items 101-125 for Breakdown)	
32	7024784	1	Valve Assembly - Complete (No Serviceable Parts)	
35	70002074	1	Tube	
44	7017028	1	Ring, Internal Retaining	
	70002075	Ref	<b>MOTOR ASSEMBLY</b>	
101	7024454	5	Bolt	
102	7004035	1	Cover, End	
103	7023318	1	Seal, Commutator	
104	7004036	5	Seal, Ring	
105	7024453	1	Commutator and Ring Assembly	

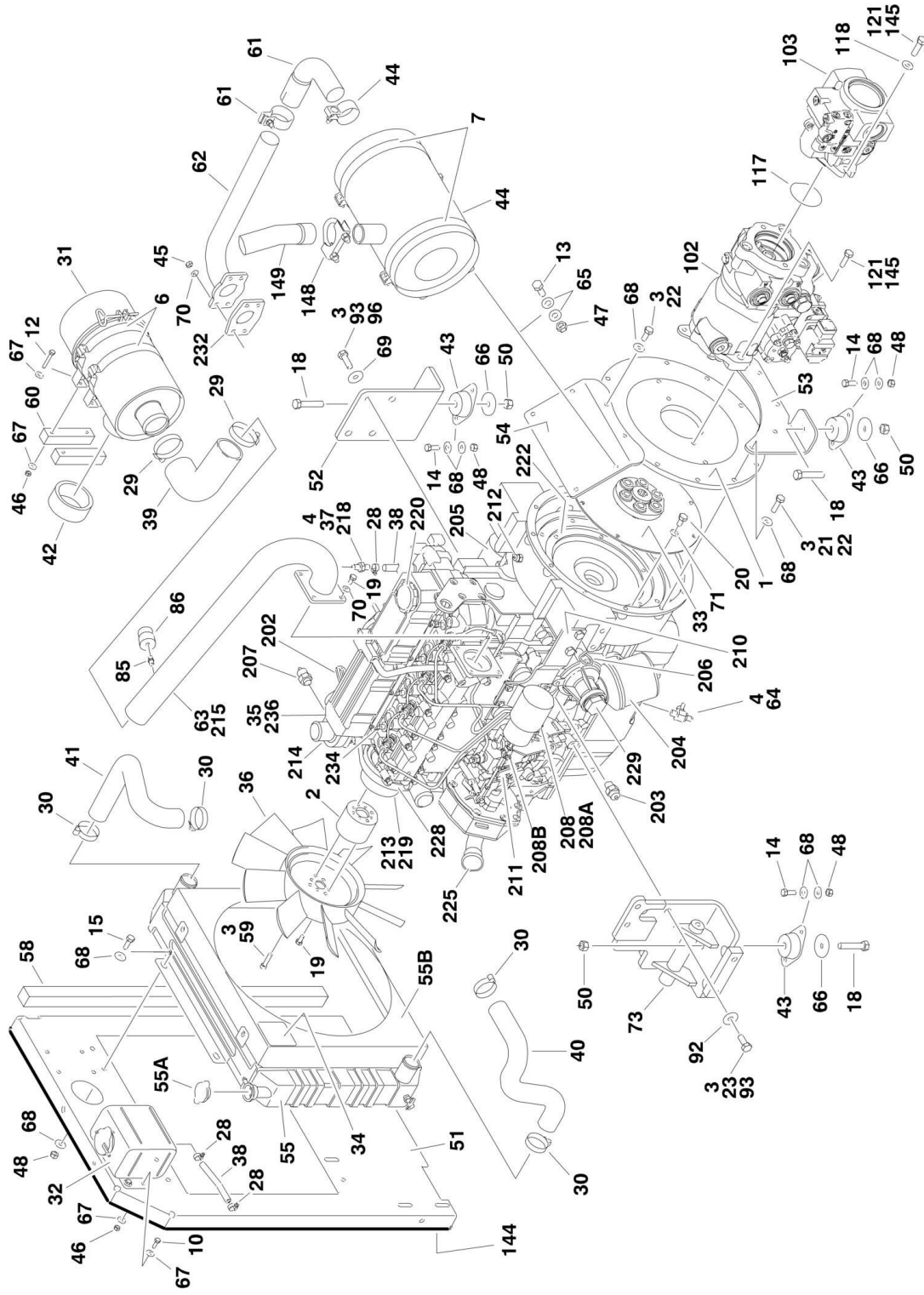


## SECTION 2 - TURNTABLE

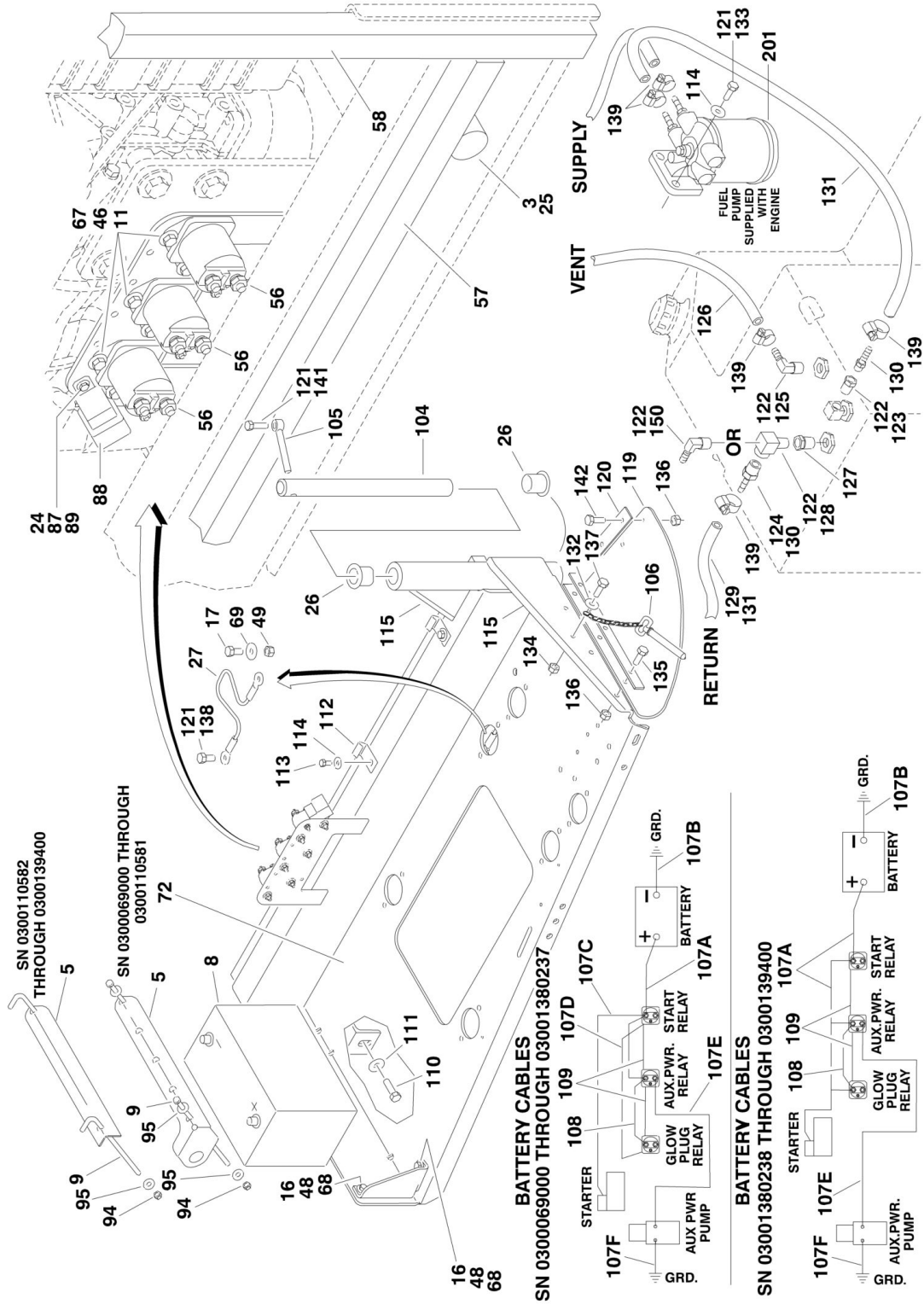
ITEM	PART NUMBER	QTY	DESCRIPTION	REV
106	7024453	1	Ring	
107	7024379	1	Manifold	
108	7024455	1	Rotor Set	
109	7024380	1	Plate, Wear	
110	7024456	1	Link, Drive	
112	7024458	1	Shaft, Coupling	
113	7024381	1	Bearing, Inner	
114	7004043	1	Washer, Thrust	
115	7004044	1	Bearing, Thrust	
116	7004049	1	Seal, Inner	
117	7004045	1	Washer, Back-up	
118	7024457	1	Housing	
119	7024390	1	Bearing, Outer	
120	7004047	1	Seal	
125	80424043	1	Washer, Back-up	
		Ref	<b>KIT OPTIONS:</b>	
200		Ref	Seal Kit Options:	
200A	7024100	1	Swing Hub (Includes Items 1B, 1I, 5, 5A & 11)	
200B	70002086	1	Swing Brake (Includes Items 8D, 8E, 8F, 8H & 26)	
200C	7024396	1	Swing Motor (Includes Items 103, 104, 116, 117, 120 & 125)	
201	70002085	1	Disc Kit - Swing Brake (Includes Items 8J & 8K)	

# SECTION 2 - TURNTABLE

FIGURE 2-8. CATERPILLAR ENGINE INSTALLATION (SN 0300069000 through 0300139399)



# SECTION 2 - TURNTABLE



## SECTION 2 - TURNTABLE

FIGURE 2-8. CATERPILLAR ENGINE INSTALLATION (SN 0300069000 through 0300139399)

ITEM	PART NUMBER	QTY	DESCRIPTION	REV
		Ref	<b>CATERPILLAR ENGINE ASSEMBLY</b>	
	0272796	Ref	<b>Without Arctic Package (SN 0300069000 through 0300087265)</b>	F
	0274491	Ref	<b>Without Arctic Package (SN 0300087266 through 0300134758)</b>	L
	1001105993	Ref	<b>Without Arctic Package (SN 0300134759 through 0300139400)</b>	D
	0275256	Ref	<b>With Arctic Package (SN 0300069000 through 0300134758)</b>	I
	1001106338	Ref	<b>With Arctic Package (SN 0300134759 through 0300139400)</b>	D
1	0080181	1	Adapter, Pump Mounting Plate	
2	0080243	1	Adapter, Fan Spacer	
3	0100011	AR	Compound, Locking	
4	0100020	AR	Sealant, Thread	
5		Ref	Hold-Down, Battery Options:	
5	0181727	1	Hold-Down, Battery (SN 0300069000 through 0300110581)	
5	91401281	1	Hold-Down, Battery (SN 0300110582 through 0300139400)	
6	0340041	2	Band, Mounting	
7	0340046	2	Band, Muffler	
8	0400075	1	Battery	
9		Ref	Bolt, Battery Hold-down Options:	
9	0630498	2	Bolt, Battery Hold-down (SN 0300069000 through 0300110581)	
9	1001093382	2	Bolt, Battery Hold-down (SN 0300110582 through 0300139400)	
10	0641406	4	Bolt 1/4in-20NC x 3/4in	
11	0641407	6	Bolt 1/4in-20NC x 7/8in	
12	0701414	4	Bolt 1/4in-20NC x 3/4in	
13	0641507	4	Bolt 5/16in-18NC x 7/8in	
14	0641608	AR	Bolt 3/8in-16NC x 1in	
15	0641609	4	Bolt 3/8in-16NC x 1-1/8in	
16	0641610	4	Bolt 3/8in-16NC x 1-1/4in	
17	0641808	1	Bolt 1/2in-13NC x 1in	
18	0641828	4	Bolt 1/2in-13NC x 2-1/2in	
19	0700808	AR	Bolt M8 x 16mm	
20	0701010	8	Bolt M10 x 20mm	
21	0701012	4	Bolt M10 x 25mm	
22	0701015	8	Bolt M10 x 35mm	
23		Ref	Bolt M12 x 30mm Options:	
23	0701214	8	Bolt M12 x 30mm (SN 0300069000 through 0300098894)	
23	0711214	4	Bolt M12 x 30mm (SN 0300098895 through 0300139400)	
24	0721006	AR	Bolt #10-24NC x 3/4in	
25	0940070	1	Bumper, Rubber	
26	0961986	2	Bearing, Flange	
27	1060637	1	Lanyard	
28		Ref	Clamp, Hose Options:	
28	1320022	3	Clamp, Hose (SN 0300069000 through 0300087265)	
28	8405009	2	Clamp, Hose (SN 0300087266 through 0300139400)	
29	1320016	2	Clamp, Hose	
30		Ref	Clamp, Hose Options:	
30	1320012	4	Clamp, Hose (SN 0300069000 through 0300087265)	
30	8405104	4	Clamp, Hose (SN 0300087266 through 0300139400)	
31	1340060	1	Air Cleaner Assembly	
31	7012664	1	Element, Air Cleaner	

## SECTION 2 - TURNTABLE

ITEM	PART NUMBER	QTY	DESCRIPTION	REV
32	1580011	1	Container, Coolant Overflow	
33	1660239	1	Coupling, Pump	
34	1703162	2	Decal - Fan Blade	
35		Ref	Caterpillar engine assembly options:	
35	2000194	NLA	Caterpillar engine assembly (Use p/n 1001109762) (SN <b>0300069000 through 0300104773</b> )	
35	2000386	NLA	Caterpillar engine assembly (Use p/n 1001109762) (SN <b>0300104774 through 0300134758</b> )	
35	1001100313	1	Caterpillar engine assembly (SN <b>0300134759 through 0300139400</b> )	
36	2060025	1	Fan	
37	2220767	1	Fitting (SN <b>0300075602 through 0300104774</b> )	
38	2720058	4 in/10cm	Hose	
39	2720434	1	Elbow, Rubber	
40	2720509	1	Hose, Radiator (Bottom)	
41		Ref	Hose, Radiator (Top) Options:	
41	2720510	1	Hose, Radiator (Top) (SN <b>0300069000 through 0300134758</b> )	
41	1001107705	1	Hose, Radiator (Top) (SN <b>0300134759 through 0300139400</b> )	
42	2720515	1	Seal, Air Cleaner	
43	3200406	4	Mount, Engine	
44		Ref	Muffler Options:	
44	3220113	1	Spark Arresting Muffler	
44	70001017	1	Clamp	
44	1001107116	1	Catalytic Muffler	
44	70002705	1	Clamp	
44	70002706	1	Plug, Brass	
45	3290801	4	Nut m8 x 1.25	
46	3311405	14	Locknut 1/4in-20NC	
47	3311505	4	Locknut 5/16in-18NC	
48	3311605	AR	Locknut 3/8in-16NC	
49	3311801	1	Nut 1/2in-13NC	
50	3311805	4	Locknut 1/2in-13NC	
51	3539872	1	Plate, Radiator Mounting	
52	3574206	1	Plate, Motor Mount	
53	3574207	1	Plate, Engine Mount (Rear)	
54	3574208	1	Bracket, Muffler	
55	3620047	1	Radiator	
55A	7027412	1	Cap, Radiator	
55B	70004182	1	Shroud, Fan	
56	3740067	3	Relay, Solenoid Assembly	
57	3960468	1	Seal, Foam Gasket	
58	3960469	1	Seal, Foam Gasket	
59	4031911	4	Bolt M8 x 35mm	
60	4220191	2	Block, Spacer	
61	4567073	1	Tube, Exhaust	
61	70001017	1	Clamp	
62	4568721	1	Exhaust Tube Weldment	
63		Ref	Tube, Air Intake Weldment Options:	
63	4568788	1	Tube, Air Intake Weldment (SN <b>0300069000 through 0300087265</b> )	
63	4569177	1	Tube, Air Intake Weldment (SN <b>0300087266 through 0300104774</b> )	

## SECTION 2 - TURNTABLE

ITEM	PART NUMBER	QTY	DESCRIPTION	REV
64	1001105833	NLA	Valve, Oil Drain (Use p/n 4640750)	
65	4711500	8	Flatwasher 5/16in (Narrow)	
66	4740274	4	Washer, Snubbing	
67	4751400	28	Flatwasher 1/4in	
68	4751600	AR	Flatwasher 3/8in	
69	4751800	1	Flatwasher 1/2in	
70	4811900	AR	Flatwasher M8	
71	4832000	8	Lockwasher M10	
72	4846790	1	Tray Engine	
73	4846805	1	Mount, Engine/Generator - Left	
74	4922737	1	Harness, Relay Ground (Not Shown Only) <b>(SN 0300069000 through 0300134758)</b>	
85	2180798	1	Fitting Only <b>(SN 0300069000 through 0300087265)</b>	
86	4360392	1	Switch, Restrictor Indicator Only <b>(SN 0300069000 through 0300087265)</b>	
87	3311005	AR	Locknut #10-24NC	
88	3740080	1	Relay (Machines with Generator Option)	
89	4751000	AR	Flatwasher #10	
90		Ref	Oil, Motor Options (Not Shown):	
90	3020016	2.5 gl /9.5L	Oil, Motor 15W-40 (Without Arctic Package)	
90	3020044	2.5 gl /9.5L	Oil, Motor 0W-40 (With Arctic Package)	
91		Ref	Fluid, Anti-Freeze Options (Not Shown):	
91	2300004	2.63 gl /9.96L	Fluid, Anti-Freeze (Without Arctic Package)	
91	2300041	2.63 gl /9.96L	Fluid 60/40 Arctic Antifreeze (With Arctic Package)	
92		Ref	Flatwasher Options:	
92	4751800	8	Flatwasher 1/2in <b>(SN 0300069000 through 0300098894)</b>	
92	4812100	8	Flatwasher M12 <b>(SN 0300098895 through 0300139400)</b>	
93	0100019	AR	Compound, Locking (Not Shown) <b>(SN 0300098895 through 0300111030)</b>	
94		Ref	Locknut Options:	
94	3311605	2	Locknut 3/8in-16NC <b>(SN 0300069000 through 0300110581)</b>	
94	3311505	2	Locknut 5/16in-18NC <b>(SN 0300110582 through 0300121642)</b>	
94	88521205	2	Locknut 5/16in-18NC <b>(SN 0300121643 through 0300139400)</b>	
95		Ref	Flatwasher Options:	
95	4751600	4	Flatwasher 3/8in Wide <b>(SN 0300069000 through 0300110581)</b>	
95	4751500	2	Flatwasher 5/16in Wide <b>(SN 0300110582 through 0300139400)</b>	
96		Ref	Bolt Options:	
96	0711214	4	Bolt M12 x 30mm <b>(SN 0300069000 through 0300111029)</b>	
96	0771212	4	Bolt M12 x 25mm <b>(SN 0300111030 through 0300139400)</b>	
		Ref	<b>Note: Arctic Package Items 97 - 101 Not Shown - Used on Arctic Machines Only</b>	
97	1060626	1	Cord, 3-Way Extension (Located on Left Front of Engine)	
98	1320223	2	Clamp	
99	2580024	1	Heater, Battery (Located on Battery)	
100	2580055	1	Heater, Block (Located on Left Side of Engine)	
101	3980007	1	Seat, Battery (Located Under Battery)	
		Ref	<b>CATERPILLAR ENGINE INSTALLATION</b>	
	0273526	Ref	<b>Without Arctic Package (SN 0300069000 through 0300087265)</b>	5-D

## SECTION 2 - TURNTABLE

ITEM	PART NUMBER	QTY	DESCRIPTION	REV
	0274625	Ref	<b>Without Arctic Package (SN 0300087266 through 0300121642)</b>	4-D
	1001095508	Ref	<b>Without Arctic Package (SN 0300121643 through 0300134758)</b>	2-B
	1001106701	Ref	<b>Without Arctic Package (SN 0300134759 through 0300139400)</b>	3-B
	0275425	Ref	<b>With Arctic Package (SN 0300069000 through 0300121642)</b>	2-B
	1001095509	Ref	<b>With Arctic Package (SN 0300121643 through 0300134758)</b>	2-B
	1001106702	Ref	<b>With Arctic Package (SN 0300134759 through 0300139400)</b>	3-B
102		Ref	Piston Pump Assembly Options (See PISTON PUMP ASSEMBLY for Breakdown):	
102	3600295	1	Piston Pump Assembly (SN 0300069000 through 0300135831)	
102	3600400	1	Piston Pump Assembly (SN 0300135832 through 0300139400)	
103		Ref	Variable Displacement Pump Assembly Options:	
103	3600278	1	Variable Displacement Pump (Rexroth) (SN 0300069000 through 0300121642)	C
103	7018995	1	Seal Kit - 3600278 Pump	
103	7024918	1	Seal, Shaft	
103	7024930	1	Valve Assembly Kit - 3600278 Pump	
103	1001095354	1	Variable Displacement Pump Assembly with Fittings (Sauer Danfoss) (SN 0300121643 through 0300139400)	A
103	2220415	1	Fitting	
103	1001094595	1	Pump, Variable Displacement	
103	7023967	1	Seal Kit - 1001094595 Pump	
103	7023956	1	Valve Assembly Kit - 1001094595 Pump	
104	3422446	1	Pin, Pivot	
105	3841143	1	Keeper, Pin	
106	3422532	1	Pin, Hitch	
107	2901609	1	Battery Cable Kit Options:	
107	2901609	1	Battery Cable Kit (SN 0300069000 through 0300078363)	
107	2902401	NLA	Battery Cable Kit (Note: 2902401 Rev A version is no longer available. Verify whether machine is equipped with 2 or 3 relays on the engine tray. If there are 3 relays, purchase latest revision of 2902401 kit. If there are 2 relays, purchase individual items as replacement.) (SN 0300078364 through 0300138237)	A
107	2902401	1	Battery Cable Kit (SN 0300138238 through 0300139400)	B
107A		Ref	Cable, Battery (Red) Options:	
107A	7016800	1	Cable, Battery (Red) (SN 0300069000 through 0300078363)	
107A	7016813	1	Cable, Battery (Red) (SN 0300078364 through 0300138237)	
107A	1001116288	1	Machines SN 0300138238 through SN 0300139400 with 2 Relays on Engine Tray (was p/n 7027027)	
107A	1001116287	1	Machines SN 0300138238 through SN 0300139400 with 3 Relays on Engine Tray (was p/n 7027027)	
107B		Ref	Cable, Battery (Black) Options:	
107B	7016809	1	Cable, Battery (Black) (SN 0300069000 through 0300078363)	
107B	7027012	1	Cable, Battery (Black) (SN 0300078364 through 0300138237)	
107B	7027004	1	Cable, Battery (Black) (SN 0300138238 through 0300139400)	
107C		Ref	Cable (Red) Options:	
107C	7016802	1	Cable (Red) (SN 0300069000 through 0300078363)	
107C	Not Required	0	Cable (Red) (Part of Item 107A) (SN 0300078364 through 0300139400)	

## SECTION 2 - TURNTABLE

ITEM	PART NUMBER	QTY	DESCRIPTION	REV
107D		Ref	Cable (Red) Options:	
107D	7016803	1	Cable (Red) <b>(SN 0300069000 through 0300138237)</b>	
107D	Not Required	0	Cable (Red) <b>(SN 0300138238 through 0300139400)</b>	
107E	7016824	1	Cable (Red)	
107F	7016825	1	Cable (Black)	
108	1060904	1	Cable, Battery (Glow Plugs)	
109	4922737	1	Harness, Relay Ground	
110	0642010	1	Bolt 5/8in-11NC x 1-1/4in	
111	4752000	1	Flatwasher 5/8in	
112	1320223	AR	J-Clip 1/2in	
113	0641606	2	Bolt 3/8in-16NC x 3/4in	
114	4711600	4	Flatwasher 3/8in Narrow	
115	4060805	2 ft /0.7mm	Flex-Trim 1/4in	
117	3790044	1	O-Ring	
118	4891800	2	Washer, Hardened 1/2in	
119	3380429	1	Panel, Rubber	
120	3539957	2	Plate, Support	
121	0100011	AR	Compound, Locking	
122	0100020	AR	Sealant, Thread	
123	2220273	Ref	Fitting, Reducer Options:	
123	2220273	2	Without Arctic Package <b>(SN 0300069000 through 0300107594)</b>	
123	2220273	0	Without Arctic Package <b>(SN 0300107595 through 0300139400)</b>	
123	2220273	2	With Arctic Package	
124	2180536	2	Fitting, Straight <b>(SN 0300069000 through 0300075345)</b>	
125	2220313	1	Fitting, Elbow	
126	2750532	6 ft/1.8m	Hose 3/8in	
127	2220250	Ref	Fitting, Reducer Options:	
127	2220250		Without Arctic Package	
127	2220250	1	Without Arctic Package <b>(SN 0300069000 through 0300107594)</b>	
127	2220250	0	Without Arctic Package <b>(SN 0300107595 through 0300139400)</b>	
127	2220250	1	With Arctic Package	
128	2220459	Ref	Fitting, Elbow Options:	
128	2220459		Without Arctic Package	
128	2220459	1	Without Arctic Package <b>(SN 0300069000 through 0300107594)</b>	
128	2220459	0	Without Arctic Package <b>(SN 0300107595 through 0300139400)</b>	
128	2220459	1	With Arctic Package	
129	2720271	15 ft/4.6m	Hose 3/16in <b>(SN 0300069000 through 0300075345)</b>	
130		Ref	Fitting, Barbed Options:	
130		Ref	Without Arctic Package	
130	2220794	2	Without Arctic Package <b>(SN 0300069000 through 0300107594)</b>	
130	2180348	1	Without Arctic Package <b>(SN 0300107595 through 0300139400)</b>	
130	2220794	2	With Arctic Package	
131	2720058	30 ft/9.1m	Hose	
132	4751400	AR	Flatwasher 1/4in	



**SECTION 2 - TURNTABLE**

ITEM	PART NUMBER	QTY	DESCRIPTION	REV
133	0641608	8	Bolt 3/8in-16NC x 1in	
134	3311405	1	Locknut 1/4in-20NC	
135	0641507	AR	Bolt 5/16in-18NC x 1-1/4in	
136	3311505	AR	Locknut 5/16in-18NC	
137	0641407	1	Bolt 1/4in-20NC x 7/8in	
138	0641808	1	Bolt 1/2in-13NC x 1in	
139	1320022	7	Clamp, Hose	
140	1701505	1	Decal - Diesel (Not Shown - Located on Hood)	
141	0641610	1	Bolt 3/8in-16NC x 1-1/4in	
142	0641514	3	Bolt 5/16in-18NC x 1-3/4in	
143	4751500	3	Flatwasher 5/16in (SN 0300069000 through 0300075345)	
144	3960389	5 ft/1.5m	Seal, Hood	
145	0641812	4	Bolt 1/2in-13NC x 1-1/2in	
146	3841340	3	Loop, Hose (Not Shown - Located Inside Turntable)	
147	0641608	3	Bolt 3/8in-16NC x 1in (SN 0300069000 through 0300075345)	
148	1320176	1	Clamp (SN 0300093810 through 0300139400)	
149	3460544	1	Pipe, Exhaust (SN 0300093810 through 0300139400)	
150	2221176	1	Fitting (Without Arctic Package) (SN 0300107595 through 0300139400)	
		Ref	<b>Note: Arctic Package Items 151-156 Not Shown - Used on Arctic Machines Only</b>	
151	2580050	1	Heater, Hydraulic Tank	
152	1060625	1	Cable, Immersion Heater	
153	1702943	1	Decal - Hydraulic Tank Heater	
154	1702941	1	Decal - Battery Heater	
155	1702942	1	Decal - Engine Block Heater	
156	1702944	1	Decal - Heater Cord	
		Ref	<b>ENGINE COMPONENTS</b>	
	2000194	Ref	<b>Engine Components (SN 0300069000 through 0300104773)</b>	E
	2000386	Ref	<b>Engine Components (SN 0300104774 through 0300134758)</b>	A
	1001100313	Ref	<b>Engine Components (SN 0300134759 through 0300139400)</b>	C
201	7026839	1	Pump, Fuel Supply	
201	7026830	1	Filter, Fuel	
201	70002833	1	Ring, Retaining	
201	70002834	1	Bowl, Water Collection	
201	70002835	1	Kit, Seal	
202	7026831	1	Alternator	
203	7026814	1	Relief Valve, Oil Pressure	
203	7026815	1	Gasket, Relief Valve	
203	1001097554	1	Sensor, Oil Pressure (Not Shown)	
203	1001097555	1	Fitting, Straight (Caterpillar Engine p/n 2000386) (Not Shown)	
203	70004148	1	Fitting, Elbow (Caterpillar Engine p/n 2000386) (Not Shown)	
204	7026811	1	Filter, Oil	
		Ref	<b>Note: Machines with SkyPower use Remote Mounted Oil Filter - See SPECIAL OPTIONS SECTION. The same oil filter is used for all applications.</b>	
205	7026833	1	Starter	
206		Ref	Dipstick Oil Level Options:	
206	7026834	1	Dipstick Oil Level (SN 0300087000 through 0300105047)	
206	7026888	1	Dipstick Oil Level (SN 0300105048 through 0300134758)	
206	70002844	1	Dipstick Oil Level (SN 0300134759 through 0300139400)	
206	70002843	1	Seal, Guide Tube (SN 0300134759 through 0300139400)	

## SECTION 2 - TURNTABLE

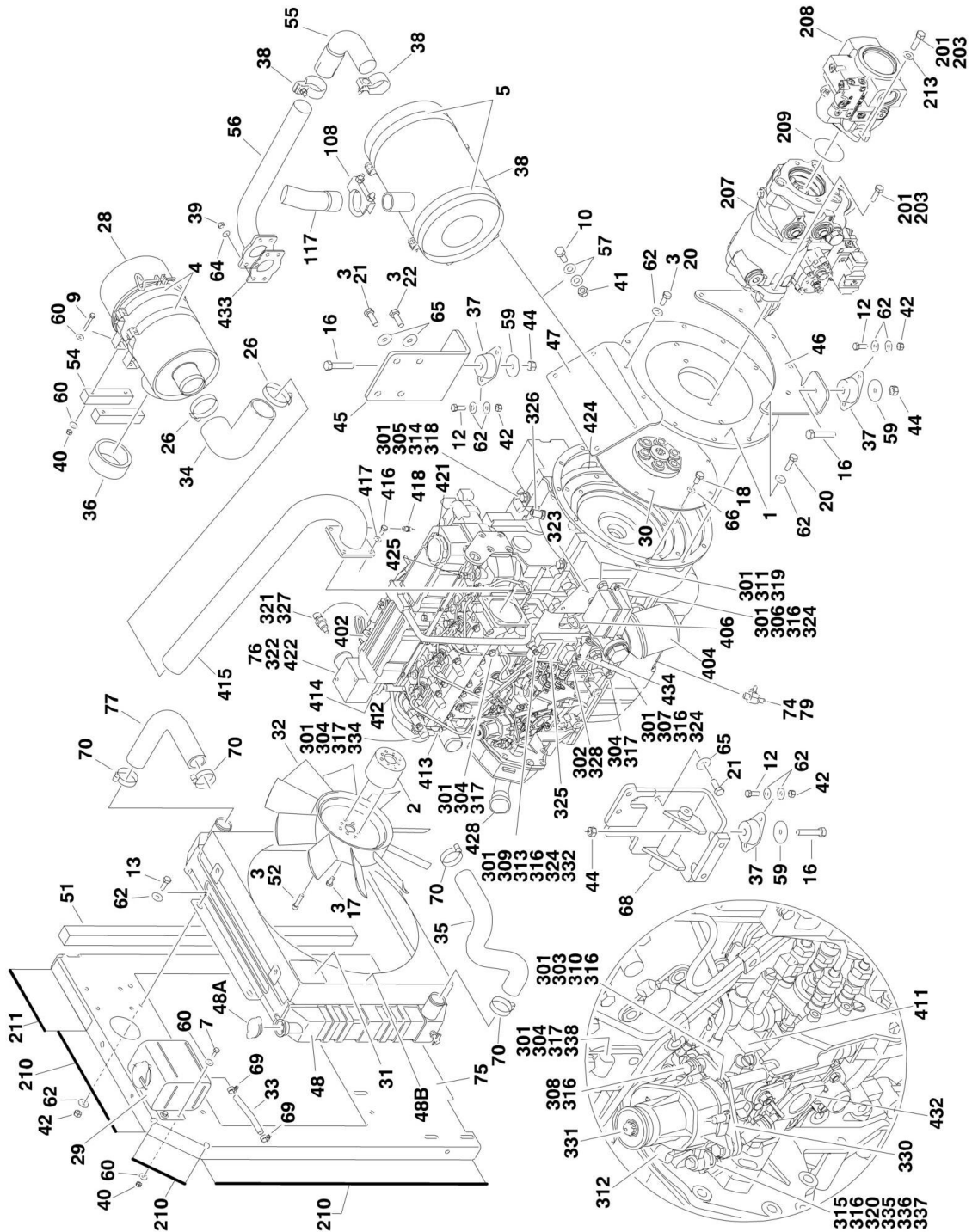
ITEM	PART NUMBER	QTY	DESCRIPTION	REV
207	7026840	1	Sensor, Water Temperature	
207	7026882	1	Seal, Sensor	
208	1600361	1	Actuator/Linkage Assembly - Throttle	
208A	1600361	1	Actuator and Electrical Connector Kit (was p/n 7026842)	
208A	7026835	1	Connector, Actuator	
208B	7026843	1	Linkage Kit	
210	0902910	NLA	Mounting Bracket, Actuator (Use p/n 7026887)	
210	0903220	NLA	Mounting Bracket, Actuator (Use p/n 7026887)	
211	70002849	1	Pump, Fuel Supply <b>(SN 0300134759 through 0300139400)</b>	
211	70002850	1	Solenoid, Fuel Shutoff <b>(SN 0300134759 through 0300139400)</b>	
211	70002848	1	Gasket, Fuel Pump (Between Flange and Pump)	
212	7026841	1	Speed Sensor Kit	
212	7026836	1	Connector, Speed Sensor	
213		Ref	Pump, Water Options:	
213		Ref	Caterpillar Engine p/n 2000194	
213	7026823	1	Caterpillar Engines Prior to SN 3440833 (Not Machine SN)	
213	70001120	1	Caterpillar Engines SN 3440833 to Present (Not Machine SN)	
213	7026824	1	Gasket, Water Pump Cover	
213	7026825	1	Gasket, Water Pump	
214	7026822	1	Thermostat	
214	7026820	1	Gasket, Thermostat Housing	
214	7026821	1	Gasket, Coolant	
214	70002765	1	Hose, Bypass	
215		Ref	Tube, Air Intake Options:	
215	4569177	1	Tube, Air Intake <b>(SN 0300087000 through 0300105047)</b>	
215	4569371	1	Tube, Air Intake <b>(SN 0300105048 through 0300139342)</b>	
218	2220767	1	Fitting <b>(SN 0300069000 through 0300134758)</b>	
218	70001051	1	Valve, Shutoff <b>(SN 0300134759 through 0300139400)</b>	
219	70001742	1	Pulley, Water Pump	
220	7026800	1	Cap, Filler	
221	7026801	1	Gasket, Valve Cover (Not Shown)	
222	7026802	1	Flywheel Assembly (With Ring Gear)	
222	7026803	1	Gear, Flywheel	
223	7026804	1	Gasket (Not Shown - Located Between Engine Block and Bell-housing)	
224	7026805	1	Seal, Rear Main (Not Shown - Located on Rear of Engine)	
225	7026806	1	Cap, Filler	
225	70002845	1	Pump, Oil <b>(SN 0300134759 through 0300139400)</b>	
225	70002846	1	Seal, Oil Pump <b>(SN 0300134759 through 0300139400)</b>	
225	70002847	1	Seal, Gear Cover <b>(SN 0300134759 through 0300139400)</b>	
226	7026807	1	Seal, Front Main (Not Shown - Located on Front of Engine Block)	
228	7026810	1	Belt	
229	7026813	1	Seal, Oil Filter Head (Between Oil Filter Head and Engine Block)	
229	7026812	1	Seal, Oil Filter Head Bolt	
230	7026819	1	Cooler, Oil (Not Shown)	
230	7026816	2	O-Ring (Not Shown - Located Between Oil Cooler and Cover)	
230	7026817	4	O-Ring (Not Shown - Located Between Oil Cooler and Cover)	
230	7026818	1	Gasket (Not Shown - Located Between Oil Cooler Cover and Engine Block)	
231	7026826	1	Gasket, Exhaust Manifold to Engine Block (Not Shown)	
232	7026827	1	Gasket, Exhaust Manifold to Exhaust Pipe	
232	70002852	4	Stud, Exhaust (Not Shown)	

## SECTION 2 - TURNTABLE

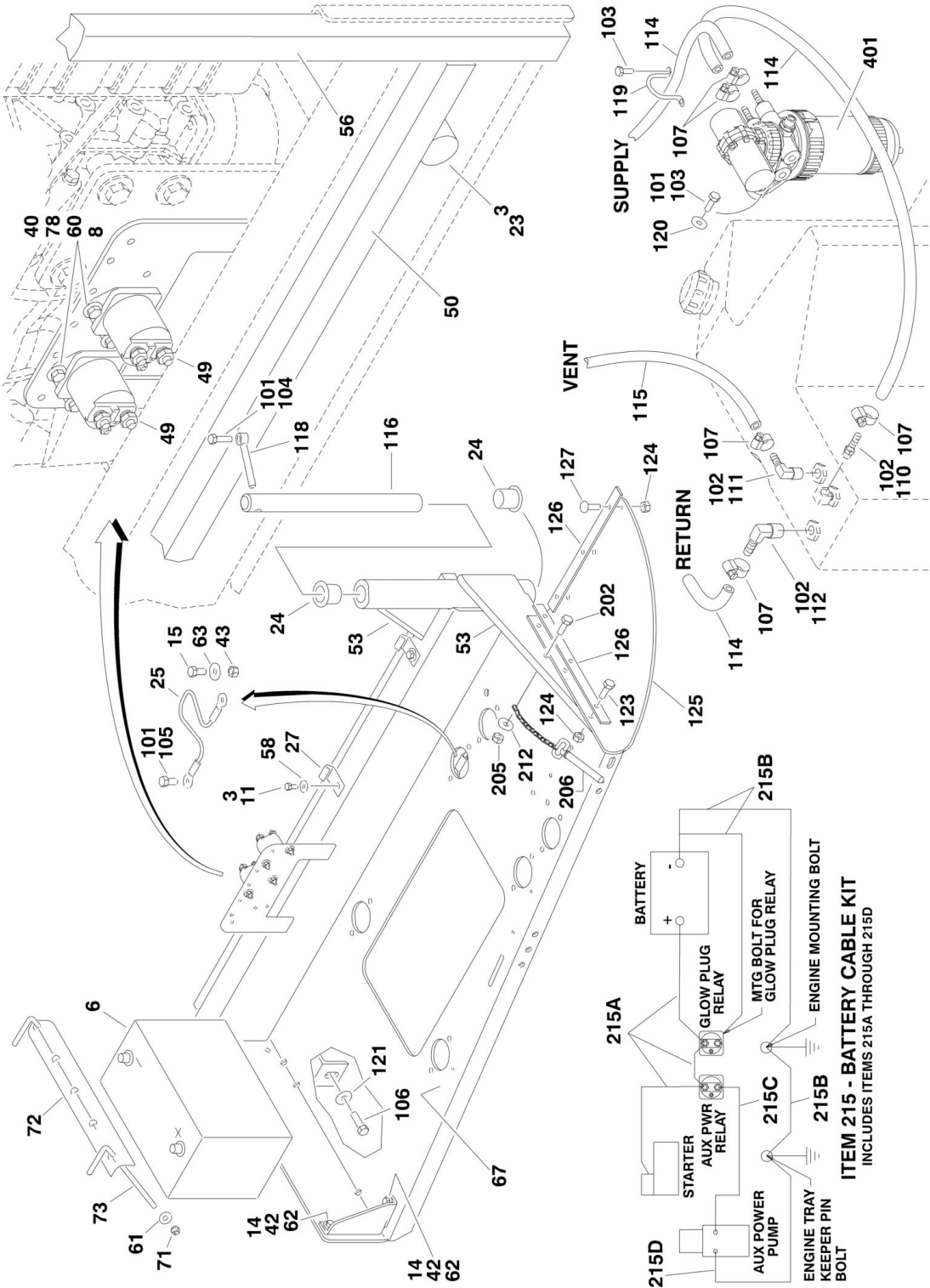
ITEM	PART NUMBER	QTY	DESCRIPTION	REV
233	7026829	1	Gasket, Intake Manifold to Engine Block (Not Shown)	
233	7026828	1	Gasket, Intake Manifold to Air Intake Tube	
234	7026832	4	Plug, Glow	
235	2580055	1	Block Heater Kit (Includes Cord and Gasket) (Not Shown) (was p/n 7026845)	
235	70002841	1	Cord (Not Shown)	
235	7026838	1	Gasket, Block Heater (Not Shown)	
236	7026801	1	Gasket, (Valve Cover) <b>(SN 0300134759 through 0300139400)</b>	
236	70002761	17	Bolt, (Cylinder Head) <b>(SN 0300134759 through 0300139400)</b>	
236	70002762	7	Seal, (Valve Stem) <b>(SN 0300134759 through 0300139400)</b>	
236	7022721	1	Washer, Hard 2.5mm <b>(SN 0300134759 through 0300139400)</b>	
236	70002479	2	Bolt M10 x 1.5 x 20mm	
236	70002764	1	Gasket (Between Lifting Eye and Engine Head)	
236	70002766	1	Head, Cylinder <b>(SN 0300104774 through 0300134759)</b>	
236	70002767	1	Gasket, Head <b>(SN 0300104774 through 0300134758)</b>	
237	70002763	4	Gasket, Fuel Line (Not Shown) <b>(SN 0300134759 through 0300139400)</b>	
238	7026808	1	Plug, Drain Oil Pan (Not Shown) <b>(SN 0300134759 through 0300139400)</b>	
238	7026809	1	Gasket, Drain Plug Oil Pan (Not Shown) <b>(SN 0300134759 through 0300139400)</b>	
239	70002851		Kit - Gasket (Not Shown) <b>(SN 0300134759 through 0300139400)</b>	

# SECTION 2 - TURNTABLE

FIGURE 2-9. CATERPILLAR ENGINE INSTALLATION (SN 0300139400 through 0300140000)



# SECTION 2 - TURNTABLE



## SECTION 2 - TURNTABLE

FIGURE 2-9. CATERPILLAR ENGINE INSTALLATION (SN 0300139400 through 0300140000)

ITEM	PART NUMBER	QTY	DESCRIPTION	REV
	1001109065	Ref	<b>CATERPILLAR TIER IVi ENGINE ASSEMBLY</b>	D
1	0080181	1	Adapter, Pump Mounting Plate	
2	0080243	1	Adapter, Fan Spacer	
3	0100011	AR	Compound, Locking	
4	0340041	2	Band, Mounting	
5	0340046	2	Band, Muffler	
6	0400075	1	Battery	
7	0641406	4	Bolt 1/4in-20NC x 3/4in	
8	0641407	4	Bolt 1/4in-20NC x 7/8in	
9	0701414	4	Bolt 1/4in-20NC x 3/4in	
10	0641507	4	Bolt 5/16in-18NC x 7/8in	
11	0641606	2	Bolt 3/8in-16NC x 3/4in	
12	0641608	8	Bolt 3/8in-16NC x 1in	
13	0641609	4	Bolt 3/8in-16NC x 1-1/8in	
14	0641610	4	Bolt 3/8in-16NC x 1-1/4in	
15	0641808	1	Bolt 1/2in-13NC x 1in	
16	0641820	4	Bolt 1/2in-13NC x 2-1/2in	
17	0700808	4	Bolt M8 x 16mm	
18	0701010	8	Bolt M10 x 20mm	
19	0701012	4	Bolt M10 x 25mm	
20	0701015	8	Bolt M10 x 35mm	
21	0711214	5	Bolt M12 x 30mm	
22	0771212	3	Bolt M12 x 25mm	
23	0940070	1	Bumper, Rubber	
24	0961986	2	Bearing, Flange	
25	1060637	1	Lanyard	
26	1320016	2	Clamp, Hose	
27	1320223	4	Clamp	
28	1340060	1	Air Cleaner Assembly	
28	7012664	1	Element, Air Cleaner	
29	1580011	1	Container, Coolant Overflow	
30	1660239	1	Coupling, Pump	
31	1703162	2	Decal - Fan Blade	
32	2060025	1	Fan	
33	2720058	0.33 ft /0.1m	Hose	
34	2720434	1	Elbow, Rubber	
35	2720509	1	Hose, Radiator (Bottom)	
36	2720515	1	Seal, Air Cleaner	
37	3200406	4	Mount, Engine	
38		Ref	Muffler Options:	
38	3220113	1	Muffler, Spark Arresting (Standard)	
38	70001017	1	Clamp (Used on p/n 3220113)	
38	1001107116	1	Muffler, Catalytic (Optional)	
38	70002705	1	Clamp	
38	70002706	1	Plug	
39	3290801	4	Nut M8	
40	3311405	12	Locknut 1/4in-20NC	
41	3311505	4	Locknut 5/16in-18NC	
42	3311605	16	Locknut 3/8in-16NC	

## SECTION 2 - TURNTABLE

ITEM	PART NUMBER	QTY	DESCRIPTION	REV
43	3311801	1	Nut 1/2in-13NC	
44	3311805	4	Locknut 1/2in-13NC	
45	3574206	1	Plate, Motor Mount	
46	3574207	1	Plate, Engine Mount (Rear)	
47	3574208	1	Bracket, Muffler	
48	3620047	1	Radiator	
48A	7027412	1	Cap, Radiator	
48B	70004182	1	Shroud, Fan	
49	3740067	2	Relay, Solenoid Assembly	
50	3960468	1	Seal, Foam Gasket	
51	3960469	1	Seal, Foam Gasket	
52	4031911	4	Bolt M8 x 35mm	
53	4060805	2 ft /0.7mm	Flex-Trim 1/4in	
54	4220191	2	Block, Spacer	
55	4567073	1	Tube, Exhaust	
56	4568721	1	Exhaust Tube Weldment	
57	4711500	8	Flatwasher 5/16in (Narrow)	
58	4711600	2	Flatwasher 3/8in Narrow	
59	4740274	4	Washer, Snubbing	
60	4751400	24	Flatwasher 1/4in	
61	4751500	2	Flatwasher 5/16in	
62	4751600	44	Flatwasher 3/8in	
63	4751800	1	Flatwasher 1/2in	
64	4811900	4	Flatwasher 8mm	
65	4812100	8	Flatwasher 12mm	
66	4832000	8	Lockwasher 10mm	
67	4846790	1	Tray Engine	
68	4846805	1	Mount, Engine/Generator - Left	
69	8405009	2	Clamp, Hose	
70	8405104	4	Clamp, Hose	
71	88521205	2	Locknut 5/16in-18NC	
72	91401281	1	Hold-down, Battery	
73	1001093382	2	Rod, Hold-Down	
74	1001105833	NLA	Valve, Oil Drain (Use p/n 4640750)	
75	1001109595	1	Plate, Radiator Mounting	
76	1001112077	1	Caterpillar Tier IVi Engine Assembly	
77	1001107705	1	Hose, Radiator (Top)	
78	4791400	4	Starwasher 1/4in	
79	0100020	AR	Sealant, Thread	
		Ref	<b>CATERPILLAR TIER IVi ENGINE INSTALLATIONS</b>	
	1001110215	Ref	<b>Without Arctic Package</b>	D
	1001110214	Ref	<b>With Arctic Package</b>	C
101	0100011	AR	Compound, Locking	
102	0100020	AR	Sealant, Thread	
103	0641608	8	Bolt 3/8in-16NC x 1in	
104	0641610	1	Bolt 3/8in-16NC x 1-1/4in	
105	0641808	1	Bolt 1/2in-13NC x 1in	
106	0642010	1	Bolt 5/8in-11NC x 1-1/4in	
107	1320022	7	Clamp, Hose	
108	1320176	1	Clamp, Saddle	
109	1701505	1	Decal - Diesel (Not Shown - Located on Hood)	

## SECTION 2 - TURNTABLE

ITEM	PART NUMBER	QTY	DESCRIPTION	REV
110	2180348	1	Fitting	
111	2220313	1	Fitting, Elbow	
112	2221176	1	Fitting	
113		Ref	Fluid, Anti-Freeze Options (Not Shown):	
113	2300004	2.6 gl /9.8L	Machines without Arctic Package	
113	2300041	2.6 gl /9.8L	Machines with Arctic Package	
114	2720058	30 ft/9.1m	Hose	
115	2750532	6 ft/1.8m	Hose 3/8in	
116	3422446	1	Pin, Pivot	
117	3460544	1	Pipe, Exhaust	
118	3841143	1	Keeper, Pin	
119	3841340	1	Loop, Hose	
120	4711600	2	Flatwasher 3/8in Narrow	
121	4752000	1	Flatwasher 5/8in	
123	0641508	3	Bolt 5/16in-18NC x 1in	
124	3311505	6	Locknut 5/16in-18NC	
125	3380429	1	Panel, Rubber	
126	3539957	2	Plate, Holddown	
127	3900272	3	Screw 5/16in-18NC x 1-3/4in	
		Ref	<b>Note: Arctic Package Items 150-153 Not Shown - Used on Arctic Machines Only</b>	
150	1060625	1	Cable, Immersion Heater	
151	1320223	1	J-Clip 1/2in	
152	1702943	1	Decal - Hydraulic Tank Heater (Located on bottom of Hydraulic Oil Tank)	
153	2580050	1	Heater, Hydraulic Tank	
		Ref	<b>CATERPILLAR TIER IVi ENGINE W/PUMPS ASSEMBLIES</b>	
	1001110207	Ref	<b>Without Arctic Package</b>	B
	1001110204	Ref	<b>With Arctic Package</b>	B
201	0100011	AR	Compound, Locking	
202	0641407	1	Bolt 1/4in-20NC x 7/8in	
203	0641812	4	Bolt 1/2in-18NC x 1-3/4in	
204		Ref	Oil, Motor Options (Not Shown):	
204	3020016	2.5 gl /9.5L	Oil, Motor 15W-40 (Without Arctic Package)	
204	3020044	2.5 gl /9.5L	Oil, Motor 0W-40 (With Arctic Package)	
205	3311405	12	Locknut 1/4in-20NC	
206	3422532	1	Pin, Hitch	
207	3600400	1	Piston Pump Assembly (See PISTON PUMP ASSEMBLY for Breakdown)	
208	1001095354	1	Load Sensing Pump Assembly with Fittings	
208	2220415	1	Fitting	
208	1001094595	1	Pump, Displacement Less Fittings	
208	7023967	1	Seal Kit - 1001094595 Pump	
208	7023956	1	Valve Assembly Kit - 1001094595 Pump	
209	3790044	1	O-Ring	
210	3960548	44 in/1.2m	Seal, Hood	
211	3960549	11 in /28cm	Seal, Hood	
212	4751400	1	Flatwasher 1/4in	



## SECTION 2 - TURNTABLE

ITEM	PART NUMBER	QTY	DESCRIPTION	REV
213	4891600	2	Flatwasher 3/8in Hardened	
215	1001112762	1	Battery Cable Kit	B
215A	7027028	1	Cable, Battery (Red)	
215B	7027029	1	Cable, Battery (Black)	
215C	7027030	1	Cable (Red)	
215D	7027031	1	Cable (Black)	
		Ref	<b>Note: Arctic Package Items 216 - 226 Not Shown - Used on Arctic Machines Only.</b>	
216	0641608	2	Bolt 3/8in-16NC x 1in	
217	1060626	1	Cord, 3-Way Extension (Located on Left Front of Engine)	
218	1320223	2	Clamp	
219	1702941	1	Decal - Battery Heater (Located on Battery Heater)	
220	1702942	1	Decal - Engine Block Heater (Located on Right Side of Engine)	
221	1702944	1	Decal - Heater Cord (Located on Left Front of Engine)	
222	2580024	1	Heater, Battery (Located on Battery)	
223	2580055	1	Heater, Block (Located on Left Side of Engine)	
224	3311605	2	Locknut 3/8in-16NC	
225	3980007	1	Seat, Battery (Located Under Battery)	
226	4751600	2	Flatwasher 3/8in Wide	
	1001112077	Ref	<b>CATERPILLAR TIER IVi ENGINE W/ECM ASSEMBLY</b>	D
301	0100011	AR	Compound, Locking	
302	0100020	AR	Sealant, Thread	
303	0700620	1	Bolt M6 x 60mm	
304	0700808	5	Bolt M8 x 16mm	
305	0701010	2	Bolt M10 x 20mm	
306	0760606	2	Bolt M6 x 12mm	
307	0760610	2	Bolt M6 x 20mm	
308	0760612	3	Bolt M6 x 25mm	
309	8303541	1	Screw M6 x 35mm	
310	0700616	2	Bolt M6 x 40mm	
311	0761210	2	Bolt M12 x 20mm	
312	8406009	1	Clamp, Cable	
313	1320224	1	Clamp, Cable	
314	8406105	2	Clip, Tube	
315	3290507	1	Locknut M5	
316	4811700	12	Flatwasher 6mm	
317	4811900	5	Flatwasher 8mm	
318	4812000	2	Flatwasher 10mm	
319	4812100	2	Flatwasher 12mm	
320	4811600	1	Flatwasher 5mm	
321	1001097553	1	Washer, Coolant Sensor	
322	1001109064	1	Caterpillar Tier IVi Engine Assembly	
323	1001112057	1	Bracket	
324	1001112059	5	Bumper	
325	1001112067	1	Module, ECM	
326	1001112068	1	Sensor, Speed	
327	1001112069	1	Sensor, Temperature	
328	1001112070	1	Switch, Oil Pressure	
329	1001112071	1	Harness, Engine (Not Shown - See ELECTRICAL SECTION for Breakdown)	
330	1001112072	1	Bracket	
331	1001112073	1	Actuator	

## SECTION 2 - TURNTABLE

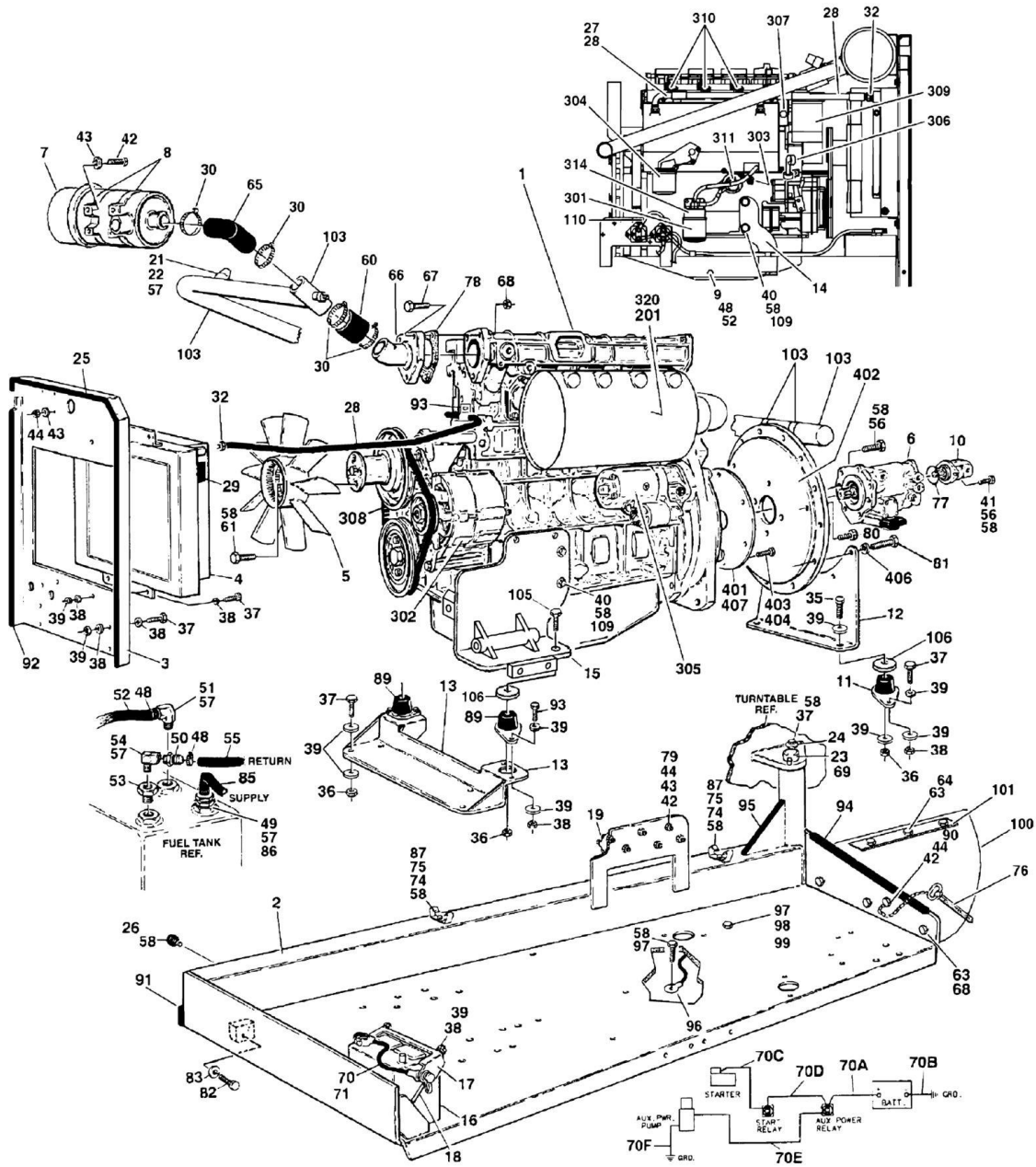
ITEM	PART NUMBER	QTY	DESCRIPTION	REV
331	1001112849	1	Linkage Assembly	
332	1001112570	1	Spacer	
334	1320263	1	Clamp, Cable	
335	1001112075	1	Bolt	
336	1001112592	1	Bearing	
337	1001116595	1	Spacer	
338	8406109	1	Clip, Tube	
	1001109064	Ref	<b>ENGINE COMPONENTS</b>	B
401	7026839	1	Pump, Fuel Supply	
401	7026830	1	Filter, Fuel	
401	70002833	1	Ring, Retaining	
401	70002834	1	Bowl, Water Collection	
401	70002835	1	Kit, Seal	
402	7026831	1	Alternator	
404	7026811	1	Filter, Oil	
404	7026812	1	Seal, Oil Filter Head Bolt	
404	7026813	1	Seal, Oil Filter Head (Between Oil Filter Head and Engine Block)	
405	7026833	1	Starter (Not Shown - Located On Other Side Of Engine)	
406	70002844	1	Dipstick Oil Level	
406	70002843	1	Seal, Guide Tube	
411	See Note	1	Pump, Fuel Supply (Note: Not Available for Purchase)	
412	7026810	1	Belt	
413	70001120	1	Pump, Water	
413	70001742	1	Pulley, Water Pump	
414	7026822	1	Thermostat	
414	7026820	1	Gasket, Thermostat Housing (Between Housing and Head)	
414	7026821	1	Gasket, Coolant (Between Housing and Cover)	
414	70002765	1	Hose, Bypass	
415	4569371	1	Tube, Air Intake Weldment	
416	See Note	4	Bolt M8 x 16mm (Note: Not Available for Purchase)	
417	See Note	4	Flatwasher M8 (Note: Not Available for Purchase)	
418	70001051	1	Valve, Shutoff	
419	7026826	1	Gasket, Exhaust Manifold to Engine Block (Not Shown)	
419	70002852	4	Stud, Exhaust (Not Shown)	
420	7026819	1	Cooler, Oil (Not Shown)	
420	7026816	2	O-Ring (Not Shown - Located Between Oil Cooler and Cover)	
420	7026817	4	O-Ring (Not Shown - Located Between Oil Cooler and Cover)	
420	7026818	1	Gasket (Not Shown - Located Between Oil Cooler Cover and Engine Block)	
421	7026800	1	Cap, (Oil Filler)	
422	7026801	1	Gasket, (Valve Cover)	
422	70002761	17	Bolt, (Cylinder Head)	
422	70002762	7	Seal, (Valve Stem)	
422	7022721	1	Washer, Hard 2.5mm	
422	70002479	1	Bolt M10 x 1.5 x 20mm	
422	70002764	1	Gasket (Between Lifting Eye and Engine Head)	
423	7026829	1	Gasket, Intake Manifold to Engine Block (Not Shown)	
423	7026828	1	Gasket, Intake Manifold to Air Intake Tube	
424	7026802	1	Flywheel Assembly (With Ring Gear)	
424	7026803	1	Gear, Flywheel	
425	7026832	4	Plug, Glow	
426	7026804	1	Gasket (Not Shown - Located Between Engine Block and	

## SECTION 2 - TURNTABLE

ITEM	PART NUMBER	QTY	DESCRIPTION	REV
			Bellhousing)	
427	7026805	1	Seal, Rear Main (Not Shown - Located on Rear of Engine Block)	
428	7026806	1	Cap, Filler	
428	70002847	1	Seal, Gear Cover	
428	70002845	1	Pump, Oil	
428	70002846	1	Seal, Oil Pump	
429	7026807	1	Seal, Front Main (Not Shown - Located on Front of Engine Block)	
430	70002763	4	Gasket, Fuel Line (Not Shown)	
431	7026808	1	Plug, Drain Oil Pan (Not Shown)	
431	7026809	1	Gasket, Drain Plug Oil Pan (Not Shown)	
432	70002849	1	Pump, Fuel Supply	
432	70002850	1	Solenoid, Fuel Shutoff	
432	70002848	1	Gasket, Fuel Pump (Between Flange and Pump)	
433	7026827	1	Gasket, Exhaust Manifold to Exhaust Pipe	
434	7026814	1	Relief Valve, Oil Pressure	
434	7026815	1	Gasket, Relief Valve	
435	70002851	1	Kit - Gasket (Not Shown)	

# SECTION 2 - TURNTABLE

## FIGURE 2-10. DEUTZ ENGINE INSTALLATION (SN 0300069000 through 0300077499)



## SECTION 2 - TURNTABLE

**FIGURE 2-10. DEUTZ ENGINE INSTALLATION (SN 0300069000 through 0300077499)**

ITEM	PART NUMBER	QTY	DESCRIPTION	REV
	0271371	Ref	<b>DEUTZ ENGINE INSTALLATION</b>	9-F
1	2000189	1	Engine - Deutz F4M1011F Diesel	
2	4845404	1	Tray Engine	
3	3539872	1	Plate, Radiator Mounting	
4	3620033	1	Cooler, Oil	
5	2060025	1	Fan	
6	3600295	1	Piston Pump Assembly (See PISTON PUMP ASSEMBLY for Breakdown)	
7	1340060	1	Air Cleaner Assembly	
7A	7012664	1	Element, Air Cleaner (Not Shown)	
8	0340041	2	Band, Mounting	
9	4640751	1	Valve, Oil Drain	
10	3600278	1	Variable Displacement Pump Assembly	
10	7018995	1	Seal Kit - 3600278 Pump	
10	7024918	1	Seal, Shaft	
10	7024930	1	Valve Assembly - 3600278 Pump	
11	3200406	2	Mount, Rubber Engine (Rear)	
12	3537420	1	Bracket, Engine Mounting - Rear	
13	3539971	1	Bracket, Engine Mounting - Front	
14	3537416	1	Support, Engine - Right	
15	4846566	1	Support, Engine - Left	
16	0400075	1	Battery	
17	0181727	1	Hold-Down, Battery	
18	0630498	2	Rod, Hold-Down	
19	3740067	2	Relay	
21	4360392	1	Switch, Restrictor Indicator	
22	2180798	1	Fitting	
23	3422446	1	Pin, Pivot	
24	3841143	1	Keeper, Pin	
25	3960389	5 ft/1.5m	Seal	
26	0940070	1	Bumper, Rubber	
27	3841340	AR	Loop, Hose	
28	2720398	2	Hose, Oil Cooler	
29	1703162	2	Nameplate - Fan Caution	
30	1320016	4	Clamp, Hose	
32	2220451	2	Fitting, Straight	
35	0641818	AR	Bolt 1/2in-13NC x 2-1/4in	
36	3311805	4	Locknut 1/2in-13NC	
37	0641610	AR	Bolt 3/8in-16NC x 1-1/4in	
38	3311605	22	Locknut 3/8in-16NC x 1-1/4in	
39	4751600	44	Flatwasher 3/8in	
40	0701414	6	Bolt 1/4in-20NC x 3/4in	
41	4891800	2	Washer, Hardened 1/2in	
42	0641407	AR	Bolt 1/4in-20NC x 7/8in	
43	4751400	AR	Flatwasher 1/4in	
44	3311405	AR	Locknut 1/4in-20NC	
48	1320022	6	Clamp, Hose	
49	2220273	2	Fitting, Reducer	
50	2180536	1	Fitting, Straight	
51	2220313	1	Fitting, Elbow	

## SECTION 2 - TURNTABLE

ITEM	PART NUMBER	QTY	DESCRIPTION	REV
52	2750532	6 ft/1.83m	Hose 3/8in	
53	2220250	1	Fitting, Reducer	
54	2220459	1	Fitting, Elbow	
55	2720271	15 ft/4.6m	Hose 3/16in	
56	0641812	4	Bolt 1/2in-13NC x 1-1/2in	
57	0100020	AR	Sealant, Thread	
58	0100011	AR	Compound, Locking	
60	2720449	1	Coupling, Rubber Intake	
61	0700808	4	Bolt, Metric M8 x 16mm	
63	0641508	3	Bolt 5/16in-18NC x 1-1/4in	
64	3900272	3	Capscrew, Button Head 5/16in-18NC x 1-3/4in	
65	2720434	1	Elbow, Rubber	
66	4845395	1	Air Intake Adapter Weldment	
67	0641510	3	Bolt 5/16in-18NC x 1-1/4in	
68	3311505	AR	Locknut 5/16in-18NC	
69	0961986	2	Bushing, Flanged	
70	2901609	1	Battery Cable Kit	
70A	7016800	1	Cable, Battery (Red)	
70B	7016809	1	Cable, Battery (Black)	
70C	7016802	1	Cable (Red)	
70D	7016803	1	Cable (Red)	
70E	7016824	1	Cable (Red)	
70F	7016825	1	Cable (Black)	
71	4460611	1	Terminal, Battery Jumper Post	
73	1320222	1	J-Clip 3/8in (Not Shown)	
74	1320223	3	J-Clip 1/2in	
75	0641606	3	Bolt 3/8in-16NC x 3/4in	
76	3422532	1	Pin, Hitch	
77	3790044	1	O-Ring	
78	3960407	1	Gasket	
79	4791400	4	Starwasher 1/4in	
80	0701012	4	Bolt, Metric M10 x 25mm	
81	0701015	4	Bolt, Metric M10 x 35mm	
82	0642010	1	Bolt 5/8in-11NC x 1-1/4in	
83	4752000	1	Flatwasher 5/8in	
84	1701505	1	Decal - Diesel (Not Shown - Located on Hood)	
85	2720058	16 ft/4.9m	Hose	
86	2220794	1	Fitting, Barbed	
87	4711600	3	Flatwasher 3/8in Narrow	
89	3200362	2	Mount, Rubber Engine (Front)	
90	4711400	1	Flatwasher 1/4in Narrow	
91	3960468	1	Seal, Foam Gasket	
92	3960469	1	Seal, Foam Gasket	
93	0641608	14	Bolt 3/8in-16NC x 1in	
94	4060805	7 in/18cm	Flex-Trim 1/4in	
95	4060804	16 in /40cm	Flex-Trim 3/16in	
96	1060637	1	Lanyard	
97	0641808	2	Bolt 1/2in-13NC x 1in	
98	3311801	1	Nut 1/2in-13NC	
99	4751800	1	Flatwasher 1/2in	
100	3380429	1	Panel, Rubber	

## SECTION 2 - TURNTABLE

ITEM	PART NUMBER	QTY	DESCRIPTION	REV
101	3539957	2	Plate, Hold Down	
103	4567815	1	Tuning Tube Weldment	
105	0641826	2	Bolt 1/2in-13NC x 3-1/4in	
106	4740274	4	Washer, Snubbing	
109	4711900	6	Flatwasher 9/16in	
110	4922737	1	Harness, Engine Grounding	
		Ref	<b>MUFFLER INSTALLATIONS</b>	
	0256689	Ref	<b>Standard Equipment (Spark Arresting)</b>	-
	0256690	Ref	<b>Optional Equipment (Catalytic)</b>	-
201		Ref	Muffler Options:	
201	3220103	1	Spark Arresting	
201	3220104	1	Catalytic	
201		Ref	Muffler Components:	
201		Ref	Clamp Options:	
201	1320176	1	Saddle Clamp Used on Spark Arresting	
201	70001017	1	Band Clamp Used on Catalytic	
201	7024398	1	Tube, Exhaust	
201	7024560	1	Plug, Brass	
201	70003476	8	Nut, Muffler Attaching	
	2000189	Ref	<b>ENGINE COMPONENTS</b>	B
301	7016328	1	Filter, Fuel	
302	7000663	1	Alternator (was p/n 7020410)	
302	7020464	1	Regulator	
302	70002234	1	Bracket, Adjustable	
302	70003556	1	Pulley	
303	7020461	1	Switch, Oil Pressure (Not Shown)	
304	7016331	1	Filter, Oil	
305	7020479	1	Starter	
305	See Note	1	Relay (Note: Not Available for Purchase.)	
305	7026608	2	Bolt, Starter Mounting	
305	70001498	1	Shield, Starter Heat (Not Shown)	
306	7026631	1	Dipstick, Oil Level	
306	70001002	1	Tube, Dipstick	
307	7020168	1	Switch, Engine Temperature	
307	7020480	1	Seal, Temperature Switch	
308	7020408	1	V-Belt	
309	7020458	1	Actuator	
309	7026607	1	Spring, Actuator (was p/n 7027276)	
310	7020462	4	Pump, Fuel Injection (was p/n 7024318)	
310	7026522	4	Injector, Fuel (Includes Nozzle Element) (Not Shown):	
311	7024413	1	Pump, Fuel Supply Options:	
311	7020411	1	Seal, Pump (Not Shown)	
312	See Note	1	Flywheel Options (Not Shown): (Note: Not Available for Purchase.)	
312	7024579	1	Ring Gear	
313	7024565	1	Sensor, Tach (Not Shown - Located on Flywheel Housing) (was p/n 7020481)	
314	70001423	1	Fuel Filter Head	
315	7020431	1	Gasket, Valve Cover (Not Shown)	
315		Ref	Gasket, Cylinder Head Options: (Not Shown)	
315	70001681	1	1 Notch	
315	70002411	1	2 Notches	

## SECTION 2 - TURNTABLE

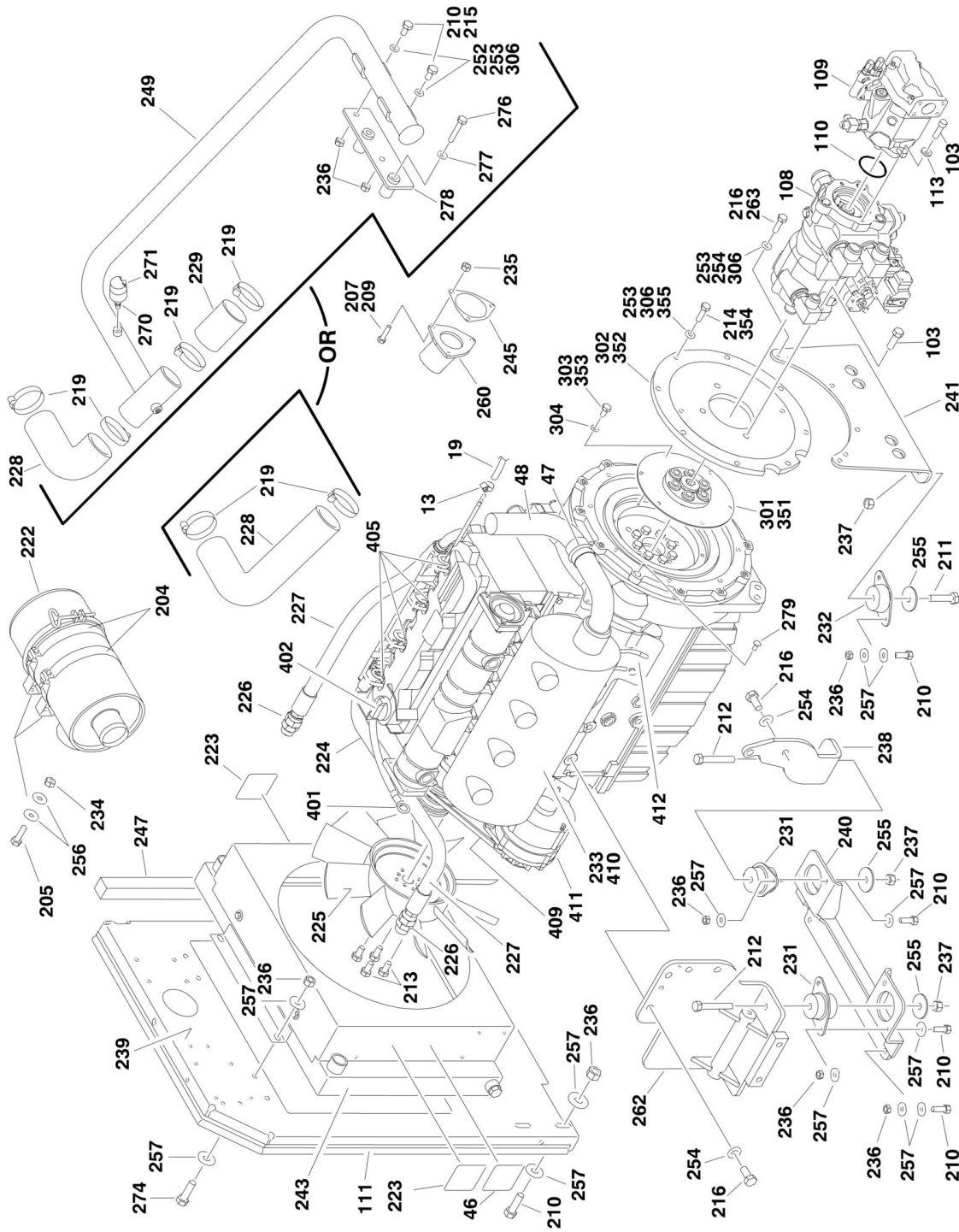
ITEM	PART NUMBER	QTY	DESCRIPTION	REV
315	70002530	1	3 Notches	
316	7020459	1	Thermostat (Includes Spring) (Not Shown)	
316	7020460	1	Spring, Thermostat (Not Shown)	
317	7020465	1	Cap, Oil Fill (Not Shown)	
318	7020474	1	Pump Oil Lubrication (Not Shown)	
318	7020468	1	Ring, Pump Sealing (Not Shown)	
319	7020449	4	Gasket, Intake Manifold to Head (Not Shown)	
320	7020471	4	Gasket, Exhaust Manifold to Head	
320	70002200	8	Stud, Muffler Attaching	
320	70003476	8	Nut, Muffler Attaching	
	0256847	Ref	<b>PUMP COUPLING INSTALLATION</b>	-
401	1660234	1	Coupling, Hayes	
402	0080163	1	Plate, Pump Adapter	
403	0700810	63	Bolt Metric 8mm x 20mm	
404	4831900	6	Lockwasher 8mm	
406	4832000	8	Lockwasher 10mm	
407	3020021	AR	Grease, Coupling	



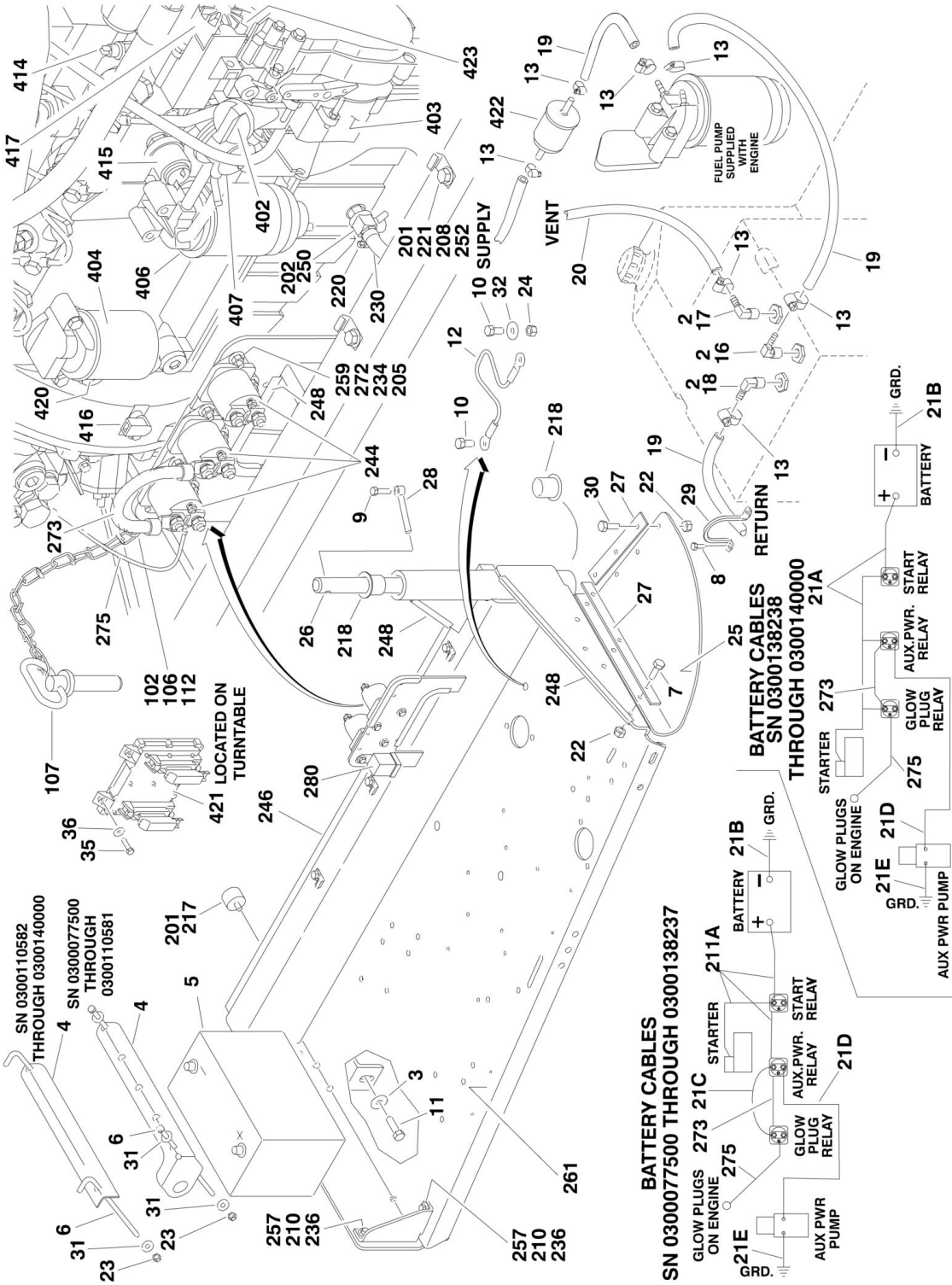


# SECTION 2 - TURNTABLE

FIGURE 2-11. DEUTZ ENGINE INSTALLATION (SN 0300077500 through 0300140000)



# SECTION 2 - TURNTABLE



## SECTION 2 - TURNTABLE

FIGURE 2-11. DEUTZ ENGINE INSTALLATION (SN 0300077500 through 0300140000)

ITEM	PART NUMBER	QTY	DESCRIPTION	REV
		Ref	<b>DEUTZ ENGINE INSTALLATIONS</b>	
		Ref	<b>Without Arctic Package</b>	
	0273709	Ref	<b>Without Arctic Package (SN 0300077500 through 0300085330)</b>	4-B
	0274301	Ref	<b>Without Arctic Package (SN 0300085331 through 0300121642)</b>	F
	1001095348	Ref	<b>Without Arctic Package (SN 0300121643 through 0300129455)</b>	C
	1001098506	Ref	<b>Without Arctic Package (SN 0300129456 through 0300140000)</b>	A
		Ref	<b>With Arctic Package</b>	
	0275184	Ref	<b>With Arctic Package (SN 0300069000 through 0300121642)</b>	D
	1001095412	Ref	<b>With Arctic Package (SN 0300121643 through 0300129455)</b>	C
	1001099637	Ref	<b>With Arctic Package (SN 0300129456 through 0300140000)</b>	A
1	0100011	AR	Compound, Locking	
2	0100020	AR	Sealant, Pipe	
4		Ref	Hold-Down, Battery Options:	
4	0181727	1	Hold-Down, Battery ( <b>SN 0300077500 through 0300110581</b> )	
4	91401281	1	Hold-Down, Battery ( <b>SN 0300110582 through 0300140000</b> )	
5	0400075	1	Battery	
6		Ref	Bolt, Battery Hold-down Options:	
6	0630498	2	Bolt, Battery Hold-down ( <b>SN 0300077500 through 0300110581</b> )	
6	1001093382	2	Bolt, Battery Hold-down ( <b>SN 0300110582 through 0300140000</b> )	
7	0641508	3	Bolt 5/16in-18NC x 1in	
8	0641608	AR	Bolt 3/8in-16NC x 1in	
9	0641610	1	Bolt 3/8in-16NC x 1-1/4in	
10	0641808	2	Bolt 1/2in-13NC x 1in	
11	0642010	1	Bolt 5/8in-11NC x 1-1/4in	
12	1060637	1	Cable, Lanyard	
13	1320022	5	Clamp, Hose	
14	1701505	1	Decal - Diesel (Not Shown - Located on Hood)	
16	2180348	1	Fitting, Straight Barbed	
17	2220313	1	Fitting, Elbow	
18	2221176	1	Fitting, Elbow Barbed	
19	2720058	30 ft/9.2m	Hose	
20	2750532	6 ft/1.8m	Hose	
21		Ref	Battery Cable Kit Options:	
21	2902401	NLA	Battery Cable Kit (Note: 2902401 Rev A version is no longer available. Verify whether machine is equipped with 2 or 3 relays on the engine tray. If there are 3 relays, purchase latest revision of 2902401 kit. If there are 2 relays, purchase individual items as replacement) ( <b>SN 0300077500 through 0300138237</b> )	A
21	2902401	1	Battery Cable Kit ( <b>SN 0300138238 through 0300140000</b> )	B
21A		Ref	Cable, Battery (Red) Options:	
21A	7016813	1	Cable, Battery (Red) ( <b>SN 0300077500 through 0300138237</b> )	
21A	1001116288	1	Machines with 2 Relays on Engine Tray (was p/n 7027027) ( <b>SN 0300138238 through 0300140000</b> )	
21A	1001116287	1	Machines with 3 Relays on Engine Tray (was p/n 7027027) ( <b>SN 0300138238 through 0300140000</b> )	

## SECTION 2 - TURNTABLE

ITEM	PART NUMBER	QTY	DESCRIPTION	REV
21B		Ref	Cable, Battery (Black) Options:	
21B	7027012	1	Cable, Battery <b>(SN 0300077500 through 0300138237)</b>	
21B	7027004	1	Cable, Battery (Black) <b>(SN 0300138238 through 0300140000)</b>	
21C		Ref	Cable, Battery (Red) Options:	
21C	7016803	1	Cable, Battery (Red) <b>(SN 0300077500 through 0300138237)</b>	
21C	Not Required	0	Cable, Battery (Red) (Now of Item 21A) <b>(SN 0300138238 through 0300140000)</b>	
21D	7016824	1	Cable (Red)	
21E	7016825	1	Cable (Black)	
22	3311505	6	Locknut 5/16in-18NC	
23		Ref	Locknut Options:	
23	3311605	2	Locknut 3/8in-16NC <b>(SN 0300077500 through 0300110581)</b>	
23	3311505	2	Locknut 5/16in-18NC <b>(SN 0300110582 through 0300121642)</b>	
23	88521205	2	Locknut 5/16in-18NC <b>(SN 0300121643 through 0300140000)</b>	
24	3311801	1	Nut 1/2in-13NC	
25	3380429	1	Panel, Rubber	
26	3422446	1	Pin, Pivot	
27	3539957	2	Plate, Hold-Down	
28	3841143	1	Pin, Keeper	
29	3841340	3	Loop, Hose	
30	3900272	3	Bolt 5/16in-18NC x 1-3/4in	
31		Ref	Flatwasher Options:	
31	4751600	4	Flatwasher 3/8in Wide <b>(SN 0300077500 through 0300110581)</b>	
31	4751500	2	Flatwasher 5/16in Wide <b>(SN 0300110582 through 0300140000)</b>	
32	4751800	1	Flatwasher 1/2in Wide	
33	4752000	1	Flatwasher 5/8in Wide	
34	4922737	1	Harness, Engine Grounding (Not Shown)	
35	0641410	4	Bolt 1/4in-20NC x 1-1/8in	
36	4711400	4	Flatwasher 1/4in Narrow	
45	4922978	1	Harness, Start Assist Solenoid <b>(SN 0300077500 through 0300085330)</b>	
46		Ref	Decal - Warning Explosion/Fire Options: <b>(SN 0300077500 through 0300129456)</b>	
46	1704972	1	ANSI Spec Decals	
46	1706064	1	CSA Spec Decals	
46	1706060	1	Dual Language English/Chinese Decals	
46	1706062	1	Dual Language English/Japanese Decals	
46	1706061	1	Dual Language English/Korean Decals	
46	1706059	1	Dual Language English/Portuguese Decals	
46	1706063	1	Dual Language English/Spanish Decals	
47	1320176	1	Clamp, Exhaust	
48		Ref	Tube, Exhaust Options:	
48	See Note	1	Tube, Exhaust (Note: Not Available Separately. Purchase Muffler Assembly) <b>(SN 0300077500 through 0300129455)</b>	
48	1001101600	1	Tube, Exhaust <b>(SN 0300129456 through 0300140000)</b>	
		Ref	<b>Note: Arctic Package Items 51-62 Not Shown - Used on Arctic Machines Only</b>	
51	1060625	1	Cable, Immersion Heater (Located on bottom of Hydraulic Oil Tank)	
52	1060626	1	Cord, 3 Way Extension (Located on Left Front of Engine)	

## SECTION 2 - TURNTABLE

ITEM	PART NUMBER	QTY	DESCRIPTION	REV
53	1320223	AR	Clamp	
54	1702941	1	Decal - Battery Heater (Located on Battery Heater)	
55	1702942	1	Decal - Engine Block Heater (Located on Right Side of Engine)	
56	1702943	1	Decal - Hydraulic Tank Heater (Located on bottom of Hydraulic Oil Tank)	
57	1702944	1	Decal - Heater Cord (Located on Left Front of Engine)	
58	2580024	1	Heater, Battery (Located on Battery)	
59	2580050	1	Heater, Hydraulic Tank (Located on bottom of Hydraulic Oil Tank)	
60	3980007	1	Seat, Battery (Located on Battery)	
61	3311605	1	Nut 3/8in-16 NC (SN 0300129456 through 0300140000)	
62	4711600	AR	Flatwasher 3/8in Narrow	
		Ref	<b>ENGINE AND PUMP ASSEMBLIES</b>	
		Ref	<b>Without Arctic Package</b>	
	2000225	Ref	<b>Without Arctic Package (SN 0300077500 through 0300085330)</b>	B
	2000284	Ref	<b>Without Arctic Package (SN 0300085331 through 0300121642)</b>	C
	1001095347	Ref	<b>Without Arctic Package (SN 0300121643 through 0300129455)</b>	B
	1001098507	Ref	<b>Without Arctic Package (SN 0300129456 through 0300140000)</b>	A
		Ref	<b>With Arctic Package</b>	
	2000367	Ref	<b>With Arctic Package (SN 0300069000 through 0300121642)</b>	B
	1001095411	Ref	<b>With Arctic Package (SN 0300121643 through 0300129455)</b>	B
	1001099639	Ref	<b>With Arctic Package (SN 0300129456 through 0300140000)</b>	A
	1001162546	Ref	<b>PUMP COUPLING REPLACEMENT KIT</b>	C
101	0100011	AR	Compound, Locking	
102	0641407	1	Bolt 1/4in-20NC x 7/8in	
103	0641812	4	Bolt 1/2in-13NC x 1-1/2in	
103	0711025	2	Bolt M10 x 85 Grade 10.9	
106	3311405	1	Locknut 1/4in-20NC	
107	3422532	1	Pin, Hitch	
108	3600400	1	Piston Pump Assembly with Fittings (See PISTON PUMP ASSEMBLY for Breakdown):	
109		Ref	Variable Displacement Pump Assembly with Fittings Options:	
109	3600401	1	Variable Displacement Pump (Rexroth) (SN 0300069000 through 0300121642)	C
109	2220415	1	Fitting	
109	2220374	1	Fitting	
109	3600278	1	Pump, Variable Displacement	
109	7018995	1	Seal Kit - 3600278 Pump	
109	7024918	1	Seal, Shaft	
109	7024930	1	Valve Assembly Kit - 3600278 Pump	
109	1001095354	1	Variable Displacement Pump (Sauer Danfoss) (SN 0300121643 through 0300140000)	A
109	2220415	1	Fitting	
109	1001094595	1	Pump, Variable Displacement	
109	7023967	1	Seal Kit - 1001094595 Pump	
109	7023956	1	Valve Assembly Kit - 1001094595 Pump	
110	3790044	1	O-Ring	
111	3960389	5 ft/1.5m	Seal	
112	4751400	1	Flatwasher 1/4in Wide	

## SECTION 2 - TURNTABLE

ITEM	PART NUMBER	QTY	DESCRIPTION	REV
113	4891800	2	Flatwasher, 1/2 Hardened	
113	4891600	2	Flatwasher, 3/8 Hardened	
		Ref	<b>ENGINE AND PUMP ASSEMBLIES</b>	
		Ref	<b>Without Arctic Package</b>	
	2000219	Ref	<b>Without Arctic Package (SN 0300077500 through 0300085330)</b>	D
	2000279	Ref	<b>Without Arctic Package (SN 0300085331 through 0300092717)</b>	E
	2000342	Ref	<b>Without Arctic Package (SN 0300092718 through 0300129455)</b>	B
	1001098508	Ref	<b>Without Arctic Package (SN 0300129456 through 0300140000)</b>	C
		Ref	<b>With Arctic Package</b>	
	2000365	Ref	<b>With Arctic Package (SN 0300077500 through 0300129455)</b>	B
	1001099640	Ref	<b>With Arctic Package (SN 0300129456 through 0300140000)</b>	C
	0256689	Ref	<b>MUFFLER INSTALLATION - SPARK ARRESTING (STANDARD)</b>	-
	0256690	Ref	<b>MUFFLER INSTALLATION - CATALYTIC - OPTIONAL (SN 0300077500 through 0300129456)</b>	-
201	0100011	AR	Compound, Locking	
202	0100020	AR	Sealant, Pipe	
204	0340041	2	Band, Air Cleaner	
205	0641407	AR	Bolt 1/4in-20NC x 7/8in	
207	0641510	AR	Bolt 5/16in-18NC x 1-1/4in	
208	0641606	3	Bolt 3/8in-16NC x 3/4in	
209	0641512	1	Bolt 5/16in-18NC x 1-1/2in	
210	0641610	AR	Bolt 3/8in-16NC x 1-1/4in	
211	0641818	2	Bolt 1/2in-13NC x 2-1/4in	
212	0641826	2	Bolt 1/2in-13NC x 3-1/4in	
213	0700808	4	Bolt 8mm x 16mm	
214	0701012	2	Bolt 10mm x 25mm	
215	0701015	AR	Bolt 10mm x 35mm	
216	0701414	AR	Bolt 14mm x 130mm	
217	0940070	1	Bumper	
218	0961986	2	Bushing, Flanged	
219	1320016	AR	Clamp	
220	8410013	1	Clamp, Hose (SN 0300077500 through 0300136496)	
221	1320223	4	J-Clip	
222	1340060	1	Air Cleaner Assembly Filter Element	
222	7012664	1	Element, Filter (Not Shown)	
223	1703162	2	Decal - Caution Fan Blade	
224		Ref	Engine, Deutz Options:	
224	2000216	1	Engine, Deutz (SN 0300077500 through 0300085330)	
224	2000274	1	Engine, Deutz (SN 0300085331 through 0300092717)	
224	2000339	1	Engine, Deutz (SN 0300092718 through 0300129455)	
224	1001094101	1	Engine, Deutz (SN 0300129456 through 0300140000)	
225	2060025	1	Fan	
226	2220451	2	Fitting, Straight	
227	2720398	2	Hose, Oil Cooler	
228		Ref	Elbow, Rubber Options:	
228	2720434	1	Elbow, Rubber (SN 0300077500 through 0300136496)	
228	1001091179	1	Elbow, Rubber (SN 0300136497 through 0300140000)	
229	2720449	1	Hose, Air Cleaner (SN 0300077500 through 0300136496)	

## SECTION 2 - TURNTABLE

ITEM	PART NUMBER	QTY	DESCRIPTION	REV
230		Ref	Hose, Oil Drain Options:	
230	2750532	1 ft/30cm	Hose, Oil Drain (SN 0300077500 through 0300136496)	
230	1001091892	1 ft/30cm	Hose, Oil Drain (SN 0300136497 through 0300140000)	
231	3200362	2	Mount, Motor	
232	3200406	2	Mount, Motor	
233		Ref	Muffler Options:	
233		Ref	Spark Arresting (Standard)	
233	3220103	1	Spark Arresting (Standard) (SN 0300077500 through 0300129455)	
233	1001099051	1	Spark Arresting (Standard) (SN 0300129456 through 0300140000)	
233		Ref	Catalytic (Optional)	
233	3220104	1	Catalytic (Optional) (SN 0300077500 through 0300129455)	
233	1001101241	1	Catalytic (Optional) (SN 0300129456 through 0300140000)	
233		Ref	Muffler Components:	
233		Ref	Clamp Options (SN 0300077500 through 0300129456)	
233	1320176	1	Saddle Clamp Used on Spark Arresting	
233	70001017	1	Band Clamp Used on Catalytic	
233	7024398	1	Tube, Exhaust (SN 0300077500 through 0300129456)	
233	7024560	1	Plug, Brass	
234	3311405	AR	Locknut 1/4in-20NC	
235	3311505	3	Locknut 5/16in-18NC	
236	3311605	AR	Locknut 3/8in-16NC	
237	3311805	4	Locknut 1/2in-13NC	
238	3537416	1	Plate, Engine Mounting (Front Right Side)	
239	3539872	1	Plate, Radiator Mounting	
240	3539971	1	Plate, Engine Mounting (Front Bottom)	
241		Ref	Plate, Engine Mounting (Rear) Options:	
241	3574978	1	Plate, Engine Mounting (Rear) (SN 0300077500 through 0300129455)	
241	1001093943	1	Plate, Engine Mounting (Rear) (SN 0300129456 through 0300140000)	
243	3620033	1	Radiator	
244	3740067	AR	Relay	
245	3960407	1	Gasket, Air Intake	
246	3960468	1	Seal	
247	3960469	1	Seal	
248	4060805	37 in/1m	Flex-Trim	
249		Ref	Tube, Tuning Options:	
249	4567815	1	Tube, Tuning (SN 0300077500 through 0300085330)	
249	4569171	1	Tube, Tuning (SN 0300085331 through 0300129455)	
249	1001099686	1	Tube, Tuning (SN 0300129456 through 0300136496)	
249	Not Required	0	Tube, Tuning (SN 0300136497 through 0300140000)	
250		Ref	Valve, Oil Drain Options:	
250	4640751	1	Valve, Oil Drain (SN 0300077500 through 0300136496)	
250	1001104308	1	Valve, Oil Drain (SN 0300136497 through 0300140000)	
252	4711600	AR	Flatwasher 3/8in Narrow	
253	4711700	6	Flatwasher 7/16in Narrow	
254		Ref	Flatwasher Options:	
254	4711900	6	Flatwasher 9/16in Narrow (SN 0300077500 through 0300092717)	
254	4812200	AR	Flatwasher 14mm (SN 0300092718 through 0300140000)	



## SECTION 2 - TURNTABLE

ITEM	PART NUMBER	QTY	DESCRIPTION	REV
255	4740274	4	Washer, Snubbing	
256	4751400	AR	Flatwasher 1/4in Wide	
257	4751600	AR	Flatwasher 3/8in Wide	
258	4751700	2	Flatwasher 7/16in Wide	
259	4791400	AR	Starwasher 1/4in	
260	4845395	1	Adapter, Air Intake	
261		Ref	Tray, Engine Options:	
261	4845404	1	Tray, Engine (SN 0300077500 through 0300129455)	
261	1001094321	1	Tray, Engine (SN 0300129456 through 0300140000)	
262	4846566	1	Plate, Engine Mounting (Front Left Side)	
263	0701014	4	Bolt 10mm x 30mm	
270	2180798	1	Fitting (SN 0300077500 through 0300085330)	
271	4360392	1	Indicator, Restriction (SN 0300077500 through 0300085330)	
272		Ref	Flatwasher Options:	
272	4751400	6	Flatwasher 1/4in Wide (SN 0300077500 through 0300092717)	
272	4711400	6	Flatwasher 1/4in Narrow (SN 0300092718 through 0300140000)	
273	1060904	1	Cable, Jumper (SN 0300092718 through 0300140000)	
274		Ref	Bolt Options:	
274	0641610	6	Bolt 3/8in-16NC x 1-1/4in (SN 0300077500 through 0300092717)	
274	0641609	6	Bolt 3/8in-16NC x 1-1/8in (SN 0300092718 through 0300140000)	
275	4923379	1	Harness, Glow Plugs (SN 0300092718 through 0300140000)	
276	0711025	2	Bolt M10 x 85mm (SN 0300129456 through 0300136497)	
277	4891600	2	Flatwasher, Hardened 3/8in (SN 0300129456 through 0300136497)	
278	1001098916	1	Support, Tuning Tube (SN 0300129456 through 0300136497)	
279	3520054	1	Plug, Hole (SN 0300129456 through 0300140000)	
280	3740080	1	Relay, EGR (SN 0300129456 through 0300140000)	
		Ref	<b>Note: Arctic Package Item 286 &amp; 287 Not Shown - Used on Arctic Machines Only.</b>	
286	2580062	1	Heater, Engine Block	
287	3020044	3.75 gl /14.19L	Oil, Motor 0W-40 (With Arctic Package)	
	0256847	Ref	<b>PUMP COUPLING INSTALLATION (SN 0300077500 through 0300129455)</b>	B
301	1660234	1	Coupling, Hayes	
302	0080163	1	Plate, Pump Adapter	
303	0700810	6	Bolt M8 x 20mm	
304	4831900	6	Lockwasher M8	
306	4832000	8	Lockwasher 10mm (SN 0300077500 through 0300085330)	
307	3020021	AR	Grease, Coupling (Not Shown)	
	2902065	NLA	<b>PUMP COUPLING INSTALLATION (NOTE: PURCHASE P/N 1001162546 KIT) (SN 0300129456 through 0300140000)</b>	H
	1001153282	NLA	<b>SERVICE REPLACEMENT KIT FOR PUMP COUPLING AND MOUNTING PLATE (USE P/N 1001162546) (NOT SHOWN) (SN 0300174937 through 0300185827)</b>	C
351	70000793	1	<b>Coupling, Hayes (For Coupling Kit 2902065)</b>	
351	70004183	1	Coupling, Guardian (For Coupling Kits p/ns 1001162546 & 1001153282)	
352	See Note	NSS	Plate, Pump Adapter (Note: Use p/n 1001162546)	
353	See Note	18	Capscrew M10 (Note: Not Available - Purchase Locally)	

## SECTION 2 - TURNTABLE

ITEM	PART NUMBER	QTY	DESCRIPTION	REV
354	See Note	12	Bolt M10 x 25mm Grade 10.9 (Note: Not Available - Purchase Locally)	
355	See Note	12	Flatwasher M10 (Note: Not Available - Purchase Locally)	
		Ref	<b>ENGINE COMPONENTS</b>	
	2000216	Ref	<b>Engine Components (SN 0300077500 through 0300085330)</b>	C
	2000274	Ref	<b>Engine Components (SN 0300085331 through 0300092717)</b>	B
	2000339	Ref	<b>Engine Components (SN 0300092718 through 0300129455)</b>	B
	1001094101	Ref	<b>Engine Components (SN 0300129456 through 0300140000)</b>	B
401	7026631	1	Dipstick (2000216, 2000274 & 2000339 Engines)	
401	7020487	1	O-Ring, Dipstick	
401	70001002	1	Dipstick (1001094101 Engine)	
402	7020465	1	Cap, Filler	
403	70001850	1	Pump, Oil Lube (was p/ns 7020484 & 70000045)	
403	7020468	1	Seal Between Oil Pump and Engine Block (Not Shown)	
404	7016331	1	Filter, Oil (was p/n 7016641)	
404	70001848	1	Sensor at Oil Filter (1001094101 Engine Only)	
404	70001132	1	Seal, Sensor at Oil Filter (1001094101 Engine Only)	
405		Ref	Pump, Injector Options:	
405		Ref	Pump, Injector <b>(SN 0300077500 through 0300129455)</b>	
405	7027246	4	Series A Injector (was p/n 7027242)	
405	7027608	4	Series B Injector (was p/n 7027611)	
405	7027609	4	Series C Injector (was p/n 7027612)	
405	7027610	4	Series D Injector (was p/n 7027613)	
405		Ref	Pump, Injector <b>(SN 0300129456 through 0300140000)</b>	
405	70000912	4	Series A Injector	
405	70000913	4	Series B Injector	
405	70000914	4	Series C Injector	
405	70000915	4	Series D Injector	
405		Ref	Gasket Options (1 Per Injector):	
405	7020447	4	Gasket <b>(SN 0300077500 through 0300129455)</b>	
405	See Note	4	Gasket (Note: Not Available for Purchase.) <b>(SN 0300129456 through 0300140000)</b>	
406	7016328	1	Filter, Fuel	
406	70001423	1	Bracket, Fuel Filter	
407	70000916	1	Pump, Fuel Supply (was p/n 7027238)	
407	70001435	1	Repair Kit for 70000916 Pump	
407	70000919	1	Hand Pump for 70000916 Pump	
407	70000918	1	Seal, Hand Pump for 70000916 Pump	
407		Ref	O-Seal Between Fuel Pump and Engine Block Options (Not Shown):	
407	7020411	1	7027238 Pump <b>(SN 0300077500 through 0300129455)</b>	
407	70000917	1	70000916 Pump <b>(SN 0300129456 through 0300140000)</b>	
408	7020449	4	Gasket, Intake Manifold (Not Shown)	
409	7020408	1	V-Belt	
410	7020471	4	Gasket, Exhaust (Manifold to Engine Block) (Not Shown) <b>(SN 0300077500 through 0300129455)</b>	
410	70002200	8	Stud, Muffler Attaching (Not Shown) <b>(SN 0300077500 through 0300129455)</b>	
410	70003476	8	Nut, Muffler Attaching (Not Shown) <b>(SN 0300077500 through 0300129455)</b>	
410	70001836	1	Gasket, Exhaust (Engine Head to Header) (Not Shown) <b>(SN 0300129456 through 0300140000)</b>	
410	70001835	1	Gasket, Exhaust (Header to EGR Valve Block) (Not Shown) <b>(SN</b>	

## SECTION 2 - TURNTABLE

ITEM	PART NUMBER	QTY	DESCRIPTION	REV
410	70001841	1	<b>0300129456 through 0300140000)</b> Valve, EGR (Not Shown) (SN 0300129456 through 0300140000)	
410	70001838	2	Gasket, Exhaust (EGR Valve Block to Exhaust Tube) (Not Shown) (SN 0300129456 through 0300140000)	
410	70001874	1	Plate Choke (Between 70001838 Gaskets) (Not Shown) (SN 0300129456 through 0300140000)	
410	70001837	1	Gasket, Exhaust (Exhaust Tube to Muffler) (Not Shown) (SN 0300129456 through 0300140000)	
410	70001839	1	Flange, Sealing (Near Front of Header) (includes Seal and Pin) (Not Shown) (SN 0300129456 through 0300140000)	
411	7000663	1	Alternator (was p/n 7020410 & 7016329)	
411		Ref	Regulator, Voltage Options (Not Shown):	
411	7020464	1	Regulator, Voltage (SN 0300077500 through 0300129455)	
411	70001868	1	Regulator, Voltage (SN 0300129456 through 0300140000)	
411	70001866	1	Gasket, Regulator (Not Shown) (SN 0300129456 through 0300140000)	
411	70002234	1	Bracket, Adjusting (Not Shown)	
412	7020479	1	Starter	
412	7026608	1	Solenoid	
412	70001498	1	Shield, Starter Heat	
413	70000345	4	Plug, Glow (SN 0300092718 through 0300140000)	
414		Ref	Sender, Temperature Options:	
414	7027241	1	Sender, Temperature (SN 0300077500 through 0300085330)	
414	7027791	1	Sender, Temperature (SN 0300085331 through 0300140000)	
414	See Note	1	Ring, Sealing (Note: Not Available for Purchase)	
415		Ref	Sensor, Oil Pressure Options:	
415	7020461	1	Sensor, Oil Pressure (SN 0300077500 through 0300085330)	
415	7027790	1	Sensor, Oil Pressure (SN 0300085331 through 0300140000)	
416	7024565	1	Sensor, Speed	
417		Ref	Actuator, Throttle	
417	7020458	1	Actuator, Throttle (SN 0300077500 through 0300085330)	
417	7027792	1	Actuator, Throttle (SN 0300085331 through 0300140000)	
417	7026607	2	Spring, Actuator (was p/n 7027276)	
418	7020459	1	Thermostat (Located at rear of engine block - Not Shown)	
418	7020460	1	Spring, Compression	
419		Ref	Flywheel Options (Not Shown):	
419	70000264	1	Flywheel (SN 0300077500 through 0300129455)	
419	70001870	1	Flywheel (SN 0300129456 through 0300140000)	
419	7024579	1	Ring Gear (Located on Flywheel - Not Shown)	
420		Ref	Sender, Temperature Options:	
420	7027236	1	Sender, Temperature (SN 0300077500 through 0300129455)	
420	See Note	1	Sender, Temperature (Note: Not Available for Purchase) (SN 0300129456 through 0300140000)	
421	7027795	1	Module, EMR2 Controller (SN 0300085331 through 0300140000)	
421	7027796	1	Harness. EMR2 Module (SN 0300085331 through 0300140000)	
422	7027245	1	Filter, Fuel In-line (2000216 Engine Only)	
423		Ref	Solenoid, Throttle Options:	
423	7027239	1	Solenoid, Throttle (SN 0300077500 through 0300129455)	
423	See Note	1	Solenoid, Throttle (Note: Not Available for Purchase) (SN 0300129456 through 0300140000)	
424	See Note	1	Gasket, Valve Cover (Not Shown) (Note: Not Available for Purchase)	

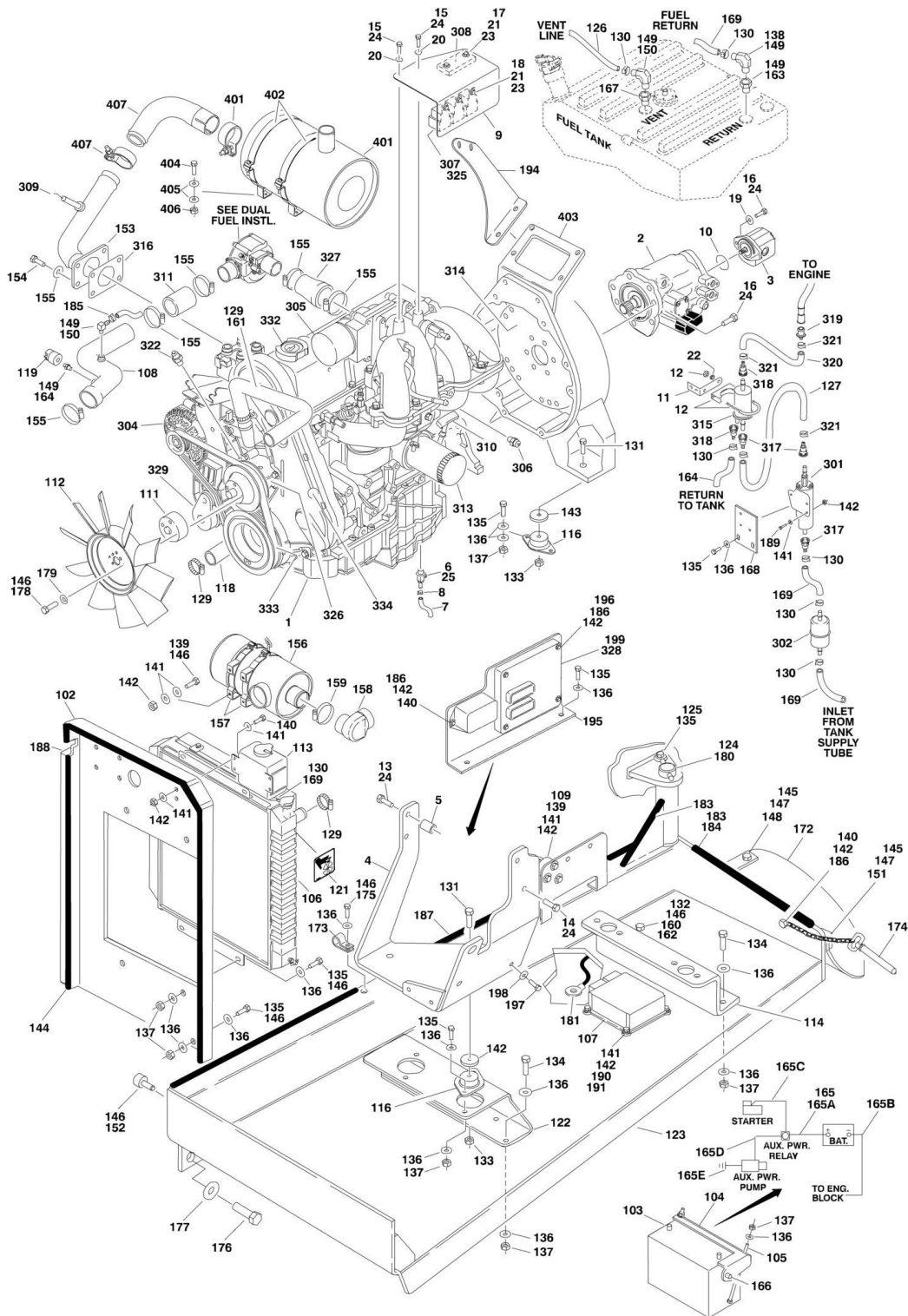
## SECTION 2 - TURNTABLE

ITEM	PART NUMBER	QTY	DESCRIPTION	REV
425		Ref	Gasket, Cylinder Head Options (Not Shown):	
425	See Note	1	Gasket (Note: Not Available for Purchase.) <b>(SN 0300077500 through 0300085330)</b>	
425		Ref	Gasket <b>(SN 0300085331 through 0300129455)</b>	
425	70003001	1	1 Notch	
425	70003002	1	2 Notches	
425	70003003	1	3 Notches	
425		Ref	Gasket: <b>(SN 0300129456 through 0300140000)</b>	
425	70002415	1	1 Notch	
425	70002416	1	2 Notches	
425	70002417	1	3 Notches	
426		Ref	Timing Belt/Idler Kit Options (Not Shown):	
426	70000800	1	Timing Belt/Idler Kit <b>(SN 0300077500 through 0300085330)</b>	
426	See Note	1	Timing Belt/Idler Kit (Note: Not Available for Purchase) <b>(SN 0300085331 through 0300140000)</b>	
427		Ref	Harness. Engine Options (Not Shown):	
427	See Note	1	Harness. Engine (Note: Not Available for Purchase) <b>(SN 0300077500 through 0300085330)</b>	
427	7027794	1	Harness. Engine <b>(SN 0300085331 through 0300129455)</b>	
427	70001872	1	Harness. Engine <b>(SN 0300129456 through 0300140000)</b>	
427	7027793	1	Plug, Connector	
428	70001847	1	Breather, Valve (Not Shown - Located On Front Cover) <b>(SN 0300129456 through 0300140000)</b>	
428	70001126	1	Seal, Breather <b>(SN 0300129456 through 0300140000)</b>	



# SECTION 2 - TURNTABLE

## FIGURE 2-12. FORD ENGINE INSTALLATION - NON-UL SPEC MACHINES (SN 0300069000 through 0300077499)



## SECTION 2 - TURNTABLE

**FIGURE 2-12. FORD ENGINE INSTALLATION - NON-UL SPEC MACHINES (SN 0300069000 through 0300077499)**

ITEM	PART NUMBER	QTY	DESCRIPTION	REV
		Ref	<b>ENGINE ASSEMBLIES</b>	
	0271368	Ref	<b>Standard (SN 0300069000 through 0300073347)</b>	2-A
	0271364	Ref	<b>Dual Fuel (SN 0300069000 through 0300073347)</b>	2-A
	0272745	Ref	<b>Dual Fuel (SN 0300073348 through 0300077499)</b>	2-B
1		Ref	Engine - Ford LRG-425 EFI Options:	
1	2000172	1	Standard (SN 0300069000 through 0300073347)	
1	2000174	1	Dual Fuel (SN 0300069000 through 0300073347)	
1	2000193	1	Dual Fuel (SN 0300073348 through 0300077499)	
2	3600295	1	Piston Pump Assembly (See PISTON PUMP ASSEMBLY for Breakdown)	
3	3600278	1	Variable Displacement Pump Assembly	
3	7018995	1	Seal Kit - 3600278 Motor	
3	7024918	1	Seal, Shaft	
3	7024930	1	Valve Assembly - 3600278 Motor	
4		Ref	Plate, Engine Mounting - Front Options:	
4	3539972	1	Plate, Engine Mounting - Front (SN 0300069000 through 0300073347)	
4	4846806	1	Plate, Engine Mounting - Front (SN 0300073348 through 0300077499)	
5	4566605	1	Tube, Spacer	
6	4640989	1	Valve, Oil Drain	
7	2750532	6 in/21cm	Hose	
8	1320022	1	Clamp	
9	3571498	1	Plate, Module Mounting	
10	3790044	1	O-Ring	
11	0902539	1	Bracket	
12	1320019	1	Clamp	
13	0701022	2	Bolt M10 x 70mm	
14	0701014	2	Bolt M10 x 30mm	
15	0700810	3	Bolt M8 x 20mm	
16	0641812	4	Bolt 1/2in-13NC x 1-1/2in	
17	0721014	2	Screw #10-24NC x 1-3/4in	
18	0721006	3	Screw #10-24NC x 3/4in (SN 0300069000 through 0300073347)	
19	4891800	2	Washer, Hardened 1/2in	
20	4751500	2	Flatwasher 5/16in	
21	4751000	AR	Flatwasher #10	
22	4761500	2	Lockwasher 5/16in	
23	3311005	AR	Locknut #10-24NC	
24	0100011	AR	Compound, Locking	
25	0100020	AR	Sealant, Pipe	
		Ref	<b>ENGINE INSTALLATIONS</b>	
	0271367	Ref	<b>Standard (SN 0300069000 through 0300073347)</b>	3-C
	0271366	Ref	<b>Dual Fuel (SN 0300069000 through 0300073347)</b>	2-B
	0272831	Ref	<b>Dual Fuel (SN 0300073348 through 0300077499)</b>	4-C
102	3539872	1	Mount, Radiator	
103	0400075	1	Battery	
104	0181727	1	Tie-Down	
105	0630498	2	Bolt, Tie-Down	
106	3620040	1	Radiator	

## SECTION 2 - TURNTABLE

ITEM	PART NUMBER	QTY	DESCRIPTION	REV
106	8180311	1	Cap, Radiator (was p/n 7019656)	
107	1600314	1	Module, Controller (ECM) <b>(SN 0300069000 through 0300073347)</b>	
108		Ref	Weldment, Air Intake Tube Options:	
108	4846011	1	Weldment, Air Intake Tube <b>(SN 0300069000 through 0300073347)</b>	
108	4846046	1	Weldment, Air Intake Tube <b>(SN 0300073348 through 0300077499)</b>	
109	3740067	1	Relay, Auxiliary Power Relay	
111	0080214	1	Adapter, Fan Spacer	
112	2060025	1	Fan, Suction	
113	1580011	1	Container, Coolant Overflow Container	
114	3570133	1	Plate, Engine Mount-Ford (Rear)	
116	3200362	4	Mount, Rubber	
118	2720435	1	Hose, Lower Radiator (Lower)	
119	4360392	1	Switch, Restriction Indicator Switch	
120	3841340	2	Hose Loop (Not Shown - Located Inside Turntable)	
121	1703162	2	Decal - Fan Blade	
122		Ref	Plate, Engine Mount (Front) Options:	
122	3570103	1	Plate, Engine Mount (Front) <b>(SN 0300069000 through 0300073347)</b>	
122	3574122	1	Plate, Engine Mount (Front) <b>(SN 0300073348 through 0300077499)</b>	
123	4845404	1	Tray, Engine	
124	3422446	1	Pin, Pivot	
125	3841143	1	Pin, Keeper	
126	2750532	5 ft/1.5m	Hose	
127	2720472	1	Hose	
128	1320060	1	Clamp, Hose - 0.625 <b>(SN 0300069000 through 0300073347)</b>	
129	1320012	4	Clamp, Hose, Radiator	
130	1320022	9	Clamp, Hose	
131	0641828	4	Bolt 1/2in-13NC x 3-1/2in	
132	4751800	1	Flatwasher 1/2in	
133	3311805	4	Hex Nut 1/2in - 13UNC	
134	0641610	8	Bolt 3/8in-16NC x 1-1/4in	
135	0641608	22	Bolt 3/8in-16NC x 1in	
136	4751600	55	Flatwasher 3/8in	
137	3311605	31	Locknut 3/8in-16UNC	
138	2220805	1	Fitting	
139	0641408	3	Bolt 1/4in-20NC x 1in	
140	0641406	AR	Bolt 1/4in-20NC x 3/4in	
141	4751400	AR	Flatwasher 1/4in	
142	3311405	AR	Locknut 1/4in x 20UNC	
143	4740274	4	Washer, Snubbing	
144	3960389	7 ft/2.1m	Seal	
145	3539957	2	Plate, Hold Down	
146	0100011	AR	Compound, Locking	
147	3311505	6	Hex Nut 5/16in-18NC	
148	3900272	3	Bolt 5/16in-18NC x 1-3/4in	
149	0100020	AR	Sealant, Pipe	
150	2180467	1	Fitting, Elbow Barbed	
151	0641508	3	Bolt 5/16in-18NC x 1in	



## SECTION 2 - TURNTABLE

ITEM	PART NUMBER	QTY	DESCRIPTION	REV
152	0940070	1	Bumper, Rubber	
153	4567879	1	Tube, Exhaust	
154	0701012	4	Bolt M10 x 1.5 x 25 mm	
155	4832000	4	Lockwasher	
156	1340060	1	Air Cleaner Assembly	
156	7012664	1	Filter, Air Cleaner	
157	0340041	2	Band, Muffler/Air Cleaner	
158	0080201	1	Fitting, Elbow Reducing	
159	1320016	2	Clamp, Worm Gear	
160	3311801	1	Hex Nut 1/2in-13 UNC	
161	2720436	1	Hose, Radiator (Upper)	
162	1641808	2	Bolt 1/2in-13NC x 1in	
163	2220430	1	Fitting, Reducer	
164	2180798	1	Fitting, Restriction Indicator	
165	2901608	1	Battery Cable Kit	
165A	7016800	1	Cable, Battery (Red)	
165B	7016807	1	Cable, Battery (Black)	
165C	7016808	1	Cable (Red)	
165D	7016824	1	Cable (Red)	
165E	7016825	1	Cable (Black)	
166	4460611	1	Terminal, Battery Jumper Post	
167	2220250	1	Fitting, Reducer	
168		Ref	Plate, Pump Mounting Options:	
168	3572414	1	Plate, Pump Mounting (SN 0300069000 through 0300073347)	
168	3574222	1	Plate, Pump Mounting (SN 0300073348 through 0300075194)	
168	3572414	1	Plate, Pump Mounting (SN 0300075195 through 0300077500)	
169	2720058	12 ft/3.7m	Hose 5/16in	
172	3380429	1	Panel, Rubber	
173	1320223	AR	Clamp, "J" Clip 1/2in	
174	3422532	1	Pin, Hitch	
175	0641606	3	Bolt 3/8in-16NC x 3/4in	
176	0642010	1	Bolt 5/8in-11NC x 1-1/4in	
177	4752000	1	Flatwasher 5/8in	
178	0700819	4	Bolt M8 x 1.25 x 55mm	
179	4831900	4	Lockwasher M8	
180	0961986	2	Bearing, Flange	
181	1060637	1	Cable, Lanyard	
182	1701542	1	Decal - Gasoline (Not Shown - Located Near Tank)	
183	4060804	2.9 ft /0.88m	Flex-Trim	
185	1320032	2	Clamp, Hose	
186	4711400	AR	Flatwasher, 1/4in	
187	3960468	1	Seal, Foam	
188	3960469	1	Seal, Foam	
189	0641410	3	Bolt 1/4in-20NC x 1-1/4in	
190	4568158	4	Standoff 1/4in x 2in	
191	0641424	4	Bolt 1/4in-20NC x 3in	
194	0902572	1	Bracket, LP Mounting (Dual Fuel Machines Only)	
195	3574162	1	Plate, ECM/Relay Mounting (SN 0300073348 through 0300077499)	
196	0641414	4	Bolt 1/4in-20NC x 1-3/4in (SN 0300073348 through 0300077499)	

## SECTION 2 - TURNTABLE

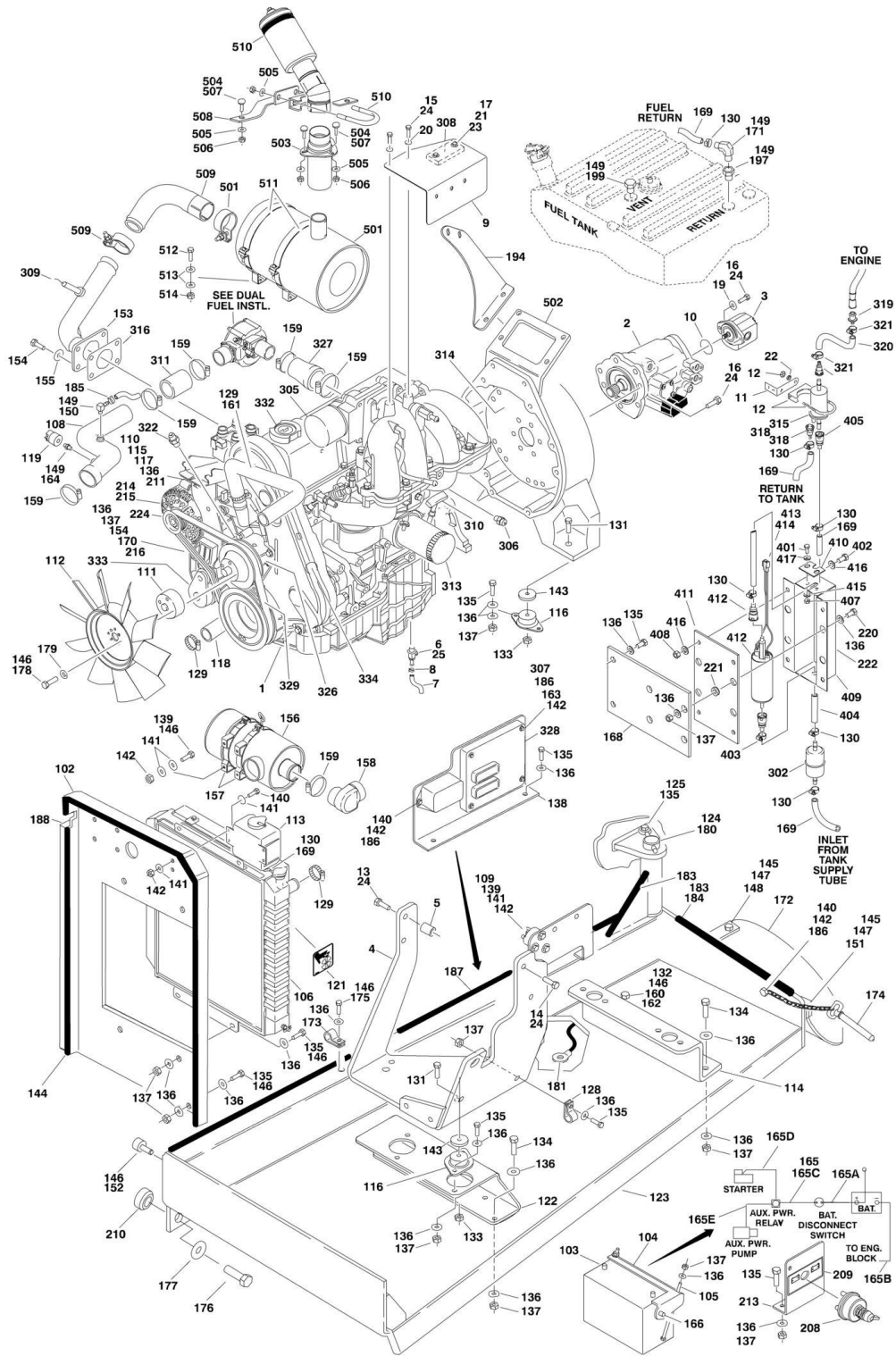
ITEM	PART NUMBER	QTY	DESCRIPTION	REV
197	0641808	1	Bolt 1/2in-13NC x 1in (SN 0300073348 through 0300077499)	
198	4771800	2	Washer, Star 1/2in (SN 0300073348 through 0300077499)	
199	0100048	AR	Grease, Dielectric	
		Ref	<b>ENGINE COMPONENTS</b>	
	2000172	Ref	<b>Standard (SN 0300069000 through 0300073347)</b>	
	2000174	Ref	<b>Dual Fuel (SN 0300069000 through 0300073347)</b>	
	2000193	Ref	<b>Dual Fuel (SN 0300073348 through 0300077499)</b>	
301	3600377	1	Fuel Pump and Isolator Assembly (was p/n 7022133)	
301	7022134	1	Harness, Fuel Pump Wiring	
302	91083218	1	Filter, Fuel (was p/n 7022135)	
303	7019986	1	Starter (Not Shown)	
304	7019977	1	Alternator with Pulley and Regulator	
304	7000897	1	Alternator without Pulley and Regulator	
305		Ref	Actuator, Throttle Options:	
305	7023655	1	Actuator, Throttle (SN 0300069000 through 0300073347)	
305	7023683	1	Actuator, Throttle (SN 0300073348 through 0300077499)	
305	7023652	1	Plate, Actuator Adapter	
305	7023654	1	Gasket, Actuator to Adapter Plate	
305	7023653	2	Bolt (Adapter Plate to Intake Manifold)	
305	7023656	4	Bolt (Actuator to Adapter Plate)	
306	7019996	1	Sensor, Air Temperature (was p/n 7023661)	
306	7023662	1	Bracket, Air Temperature Sensor	
307	7023663	1	Harness, ECM (SN 0300069000 through 0300073347)	
307	7023681	1	Harness, Engine (SN 0300073348 through 0300077499)	
308	7022139	1	Sensor, MAP	
309		Ref	Sensor, EGR Options:	
309	7019994	1	Sensor, EGR (SN 0300069000 through 0300073347)	
309	7023682	1	Sensor, EGR (SN 0300073348 through 0300077499)	
310	2420187	1	Dipstick	
310	4564281	1	Tube, Dipstick	
311	7023658	1	Horn, Rubber Air	
312	7023637	1	Switch, Oil Pressure	
313	7021868	1	Filter, Oil (was p/ns 7022147, 7021869 & 7014501)	
314	1660250	1	Coupling, Pump (was p/n 7016662)	
314	7019976	1	Flywheel	
314	7022180	1	Ring Gear	
315	7019993	1	Pressure Regulator and Filter Assembly	
316	70002307	1	Gasket, Exhaust (Manifold to Pipe)	
316	7022143	1	Gasket, Exhaust (Manifold to Cylinder Head) (Not Shown)	
317	7022158	3	Connector	
318	7022159	2	Connector	
319	7022160	1	Connector	
320	7022161	2	Tube, Supply	
321	7022162	2	Clamp	
322	7022178	1	Sensor, Crank	
323	7022149	1	Gasket Kit, Lower Manifold (Not Shown)	
323	7025124	1	Gasket Kit, Upper Manifold (was p/n 7022148) (Not Shown)	
323	7022144	1	Gasket, Upper Manifold Throttle (Not Shown)	
324	7023657	1	Harness, TPS Harness (Not Shown)	
325		Ref	Relay Options:	
325	7023613	3	Relay (2000174 Engines) (SN 0300069000 through 0300073347)	

**SECTION 2 - TURNTABLE**

ITEM	PART NUMBER	QTY	DESCRIPTION	REV
325	7023695	3	Relay (2000193 Engines) (SN 0300073348 through 0300077499)	
326	7022153	1	Pump, Water	
326	7022154	1	Gasket, Water Pump	
326	7022155	1	Sensor, Water Temperature (Not Shown)	
326	7027411	1	Sender, Water (2000174 Engine Only) (Not Shown)	
326	7022156	1	Thermostat (Not Shown)	
326	7023644	1	Hose, Water Pump (By-Pass) (Not Shown)	
327	2720341	1	Horn, Rubber Air	
328	1600363	1	Module, EPM (was p/n 7023684) (SN 0300073348 through 0300077499)	
328		Ref	EPM Update Kit Options:	
		Ref	<b>Note: Contact JLG Service Dept to determine which kit is required.</b>	
328	2915195	1	EPM Update Kit (was p/n 7023685)	
328	2915196	1	EPM Update Kit (was p/n 7023686)	
329	70002567	1	Tensioner, Belt	
330	7019925	1	PCV Valve (Not Shown)	
331	7019930	1	Coil, Ignition (Not Shown)	
331	7022157	1	Wire Set, Spark Plug (Not Shown)	
331	7019932	4	Spark Plug (Not Shown)	
332	7022151	1	Cap, Oil Fill	
333	7027402	1	Belt, Drive (was p/n 7019979)	
334	7022150	1	Belt, Timing	
	3124114	1	Service Manual, Ford EFI System Diagnostic	
		Ref	<b>MUFFLER INSTALLATIONS</b>	
	0258390	Ref	<b>Standard Spark Arresting</b>	1
	0258391	Ref	<b>Optional Catalytic</b>	1
401		Ref	Muffler Options:	
401	3220113	1	Standard Spark Arresting	
401	3220114	1	Optional Catalytic	
401	70001017	1	Clamp	
402	0340046	2	Band	
403	0902309	1	Bracket, Muffler	
404	0641507	4	Bolt 5/16in-18NC x 7/8in	
405	4711500	8	Flatwasher 5/16in Narrow	
406	3311505	4	Locknut 5/16in-18NC	
407	4567073	1	Tube, Exhaust	
407	70001017	1	Clamp	

# SECTION 2 - TURNTABLE

## FIGURE 2-13. FORD ENGINE INSTALLATION - UL MACHINES (SN 0300069000 through 0300077499)



## SECTION 2 - TURNTABLE

**FIGURE 2-13. FORD ENGINE INSTALLATION - UL MACHINES (SN 0300069000 through 0300077499)**

ITEM	PART NUMBER	QTY	DESCRIPTION	REV
	0272745	Ref	<b>ENGINE DUAL FUEL ASSEMBLIES</b>	2-B
1	2000193	1	Engine - Ford LRG-425 EFI	
2	3600295	1	Piston Pump Assembly (See PISTON PUMP ASSEMBLY for Breakdown)	
3	3600278	1	Variable Displacement Pump Assembly	
3	7018995	1	Seal Kit - 3600278 Motor	
3	7024918	1	Seal, Shaft	
3	7024930	1	Valve Assembly - 3600278 Motor	
4	4846806	1	Plate, Engine Mounting - Front	
5	4566605	1	Tube, Spacer	
6	4640989	1	Valve, Oil Drain	
7	2750532	6 in/21cm	Hose	
8	1320022	1	Clamp	
9	3571498	1	Plate, Module Mounting	
10	3790044	1	O-Ring	
11	0902539	1	Bracket	
12	1320019	1	Clamp	
13	0701022	2	Bolt M10 x 70mm	
14	0701014	2	Bolt M10 x 30mm	
15	0700810	3	Bolt M8 x 20mm	
16	0641812	4	Bolt 1/2in-13NC x 1-1/2in	
17	0721014	2	Screw #10-24NC x 1-3/4in	
19	4891800	2	Washer, Hardened 1/2in	
20	4751500	2	Flatwasher 5/16in	
21	4751000	AR	Flatwasher #10	
22	4761500	2	Lockwasher 5/16in	
23	3311005	AR	Locknut #10-24NC	
24	0100011	AR	Compound, Locking	
25	0100020	AR	Sealant, Pipe	
		Ref	<b>ENGINE INSTALLATIONS</b>	
	0272708	Ref	<b>DUAL FUEL INSTALLATIONS</b>	4-D
	0274195	Ref	<b>LPS INSTALLATIONS (SN 0300079153 through 0300077500)</b>	2-B
102	3539872	1	Mount, Radiator	
103	0400075	1	Battery	
104	0181727	1	Tie-Down	
105	0630498	2	Bolt, Tie-Down	
106	3620040	1	Radiator	
106	8180311	1	Cap, Radiator (was p/n 7019656)	
107	0840026	AR	Boot, Electrical Cable (Not Shown - Located on Alternator)	
108	4846046	1	Weldment, Air Intake Tube	
109	3740067	1	Relay, Auxiliary Power Relay	
110	0701010	1	Bolt M10 x 20mm	
111	0080214	1	Adapter, Fan Spacer	
112	2060025	1	Fan, Suction	
113	1580011	1	Container, Coolant Overflow Container	
114	3570133	1	Plate, Engine Mount-Ford (Rear)	
115	0641507	1	Bolt 5/16in-18NC x 7/8in	
116	3200362	4	Mount, Rubber	
117	4751500	1	Flatwasher 5/16in	
118	2720435	1	Hose, Lower Radiator (Lower)	

## SECTION 2 - TURNTABLE

ITEM	PART NUMBER	QTY	DESCRIPTION	REV
119	4360392	1	Switch, Restriction Indicator Switch	
120	3841340	3	Hose Loop (Not Shown Located inside turntable) (Dual Fuel	
121	1703162	2	Decal - Fan Blade	
122		Ref	Plate, Engine Mount (Front) Options:	
122	3570103	1	Plate, Engine Mount (Front) <b>(SN 0300069000 through 0300073347)</b>	
122	3574122	1	Plate, Engine Mount (Front) <b>(SN 0300073348 through 0300077499)</b>	
123	4845404	1	Tray, Engine	
124	3422446	1	Pin, Pivot	
125	3841143	1	Pin, Keeper	
128	1320060	1	Clamp, Hose - 0.625 <b>(SN 0300069000 through 0300073347)</b>	
129	1320012	2	Clamp, Hose	
130	1320022	6	Clamp, Hose	
131	0641828	4	Bolt 1/2in-13NC x 3-1/2in	
132	4751800	1	Flatwasher 1/2in	
133	3311805	4	Hex Nut 1/2in - 13UNC	
134	0641610	8	Bolt 3/8in-16NC x 1-1/4in	
135	0641608	AR	Bolt 3/8in-16NC x 1in	
136	4751600	AR	Flatwasher 3/8in	
137	3311605	AR	Locknut 3/8in-16UNC	
138	3574162	1	Plate, ECM/Relay Mounting	
139	0641408	6	Bolt 1/4in-20NC x 1in	
140	0641406	7	Bolt 1/4in-20NC x 3/4in	
141	4751400	14	Flatwasher 1/4in	
142	3311405	AR	Locknut 1/4in x 20UNC	
143	4740274	4	Washer, Snubbing	
144	3960389	7 ft/2.1m	Seal	
145	3539957	2	Plate, Hold Down	
146	0100011	AR	Compound, Locking	
147	3311505	6	Hex Nut 5/16in-18NC	
148	3900272	3	Bolt 5/16in-18NC x 1-3/4in	
149	0100020	AR	Sealant, Pipe	
151	0641508	3	Bolt 5/16in-18NC x 1in	
152	0940070	1	Bumper, Rubber	
153	4567879	1	Tube, Exhaust	
154	0701012	AR	Bolt M10 x 25mm	
155	4832000	4	Lockwasher	
156	1340050	1	Air Cleaner Assembly	
156	7010638	1	Filter, Air Cleaner	
157	0340041	2	Band, Muffler/Air Cleaner	
158	0080201	1	Fitting, Elbow Reducing	
159	1320016	AR	Clamp, Worm Gear	
160	3311801	1	Hex Nut 1/2in-13 UNC	
161	2720436	1	Hose, Radiator (Upper)	
162	1641808	AR	Bolt 1/2in-13NC x 1in	
163	0641414	4	Bolt 1/4in-20NC x 1-3/4in	
164	2180798	AR	Fitting, Restriction Indicator	
165	2902238	1	Battery Cable Kit	
165A	7016826	1	Cable, Battery (Red)	
165B	7016807	1	Cable, Battery (Black)	
165C	7016827	1	Cable (Red)	

## SECTION 2 - TURNTABLE

ITEM	PART NUMBER	QTY	DESCRIPTION	REV
165D	7016808	1	Cable (Red)	
165E	7016844	1	Cable (Black)	
166	4460611	1	Terminal, Battery Jumper Post	
168	3574222	1	Plate, Pump Mounting (Dual Fuel Engine Only)	
169	2720058	Ref	Hose 5/16in Options:	
169	2720058	12 ft /3.7cm	Dual Fuel Engine	
169	2720058	6 in/15cm	LPS Engine	
170	0641624	1	Bolt 3/8in-16NC x 3in	
171	2220459	1	Fitting	
172	3380429	1	Panel, Rubber	
173	1320223	3	Clamp, "J" Clip 1/2in	
174	3422532	1	Pin, Hitch	
175	0641606	3	Bolt 3/8in-16NC x 3/4in	
176	0642018	1	Bolt 5/8in-11NC x 2in	
177	4752000	2	Flatwasher 5/8in	
178	0700819	4	Bolt M8 x 1.25 x 55mm	
179	4831900	4	Lockwasher M8	
180	0961986	2	Bearing, Flange	
181	1060637	1	Cable, Lanyard	
182	1701542	1	Decal - Gasoline (Not Shown - Located Near Tank)	
183	4060804	2.9 ft /0.88m	Flex-Trim	
184	4060806	2 ft/0.6m	Flex-Trim	
186	4711400	13	Flatwasher, 1/4in	
187	3960468	1	Seal, Foam	
188	3960469	1	Seal, Foam	
194	0902572	1	Bracket, LP Mounting	
197	2220794	1	Fitting	
199	2200222	1	Fitting, Plug	
200	2820035	AR	Loom (Not Shown)	
208	4360256	1	Switch, Battery Disconnect	
209	1703476	1	Decal - Battery Disconnect	
210	0962450	2	Bushing, Spacer	
211	0181942	1	Angle, Alternator Mount	
212	4240099	2	Strap, Tie (Not Shown)	
213	3570238	1	Plate, Switch Mounting	
214	0160020	1	Alternator	
215	3580260	1	Pulley, Ford Alternator	
216	4845612	1	Mount, Alternator	
219	2901207	1	Band Kit, Auxiliary Power Motor (Not Shown)	
220	0641616	4	Bolt 3/8in-16NC x 2in (Dual Fuel Engine Only)	
221	3200404	4	Mount, Rubber	
222	0272816	1	Assembly, Fuel Pump (Dual Fuel Engine Only) (See Items 401 to 417 For Breakdown)	
223	4771800	2	Washer, Star 1/2in (SN 0300082186 through 0300077500)	
224	0480141	1	Belt, Alternator (LPS Engine Only)	
	2000193	Ref	<b>ENGINE COMPONENTS</b>	
301	3600377	1	Fuel Pump and Isolator Assembly (was p/n 7022133)	
301	7022134	1	Harness, Fuel Pump Wiring	
302	91083218	1	Filter, Fuel (was p/n 7022135)	
303	7019986	1	Starter (Not Shown)	

## SECTION 2 - TURNTABLE

ITEM	PART NUMBER	QTY	DESCRIPTION	REV
304	7019977	1	Alternator with Pulley and Regulator	
304	7000897	1	Alternator without Pulley and Regulator	
305		Ref	Actuator, Throttle Options:	
305	7023655	1	Actuator, Throttle <b>(SN 0300069000 through 0300073347)</b>	
305	7023683	1	Actuator, Throttle <b>(SN 0300073348 through 0300077499)</b>	
305	7023652	1	Plate, Actuator Adapter	
305	7023654	1	Gasket, Actuator to Adapter Plate	
305	7023653	2	Bolt (Adapter Plate to Intake Manifold)	
305	7023656	4	Bolt (Actuator to Adapter Plate)	
306	7019996	1	Sensor, Air Temperature (was p/n 7023661)	
306	7023662	1	Bracket, Air Temperature Sensor	
307	7023663	1	Harness, ECM <b>(SN 0300069000 through 0300073347)</b>	
307	7023681	1	Harness, Engine <b>(SN 0300073348 through 0300077499)</b>	
308	7022139	1	Sensor, MAP	
309		Ref	Sensor, EGR Options:	
309	7019994	1	Sensor, EGR <b>(SN 0300069000 through 0300073347)</b>	
309	7023682	1	Sensor, EGR <b>(SN 0300073348 through 0300077499)</b>	
310	2420187	1	Dipstick	
310	4564281	1	Tube, Dipstick	
311	7023658	1	Horn, Rubber Air	
312	7023637	1	Switch, Oil Pressure	
313	7021868	1	Filter, Oil (was p/ns 7022147, 7021869 & 7014501)	
314	1660250	1	Coupling, Pump (was p/n 7016662)	
314	7019976	1	Flywheel	
314	7022180	1	Ring Gear	
315	7019993	1	Pressure Regulator and Filter Assembly	
316	70002307	1	Gasket, Exhaust (Manifold to Pipe) (was p/n 7040050)	
316	7022143	1	Gasket, Exhaust (Manifold to Cylinder Head) (Not Shown)	
317	7022158	3	Connector	
318	7022159	2	Connector	
319	7022160	1	Connector	
320	7022161	2	Tube, Supply	
321	7022162	2	Clamp	
322	7022178	1	Sensor, Crank	
323	7022149	1	Gasket Kit, Lower Manifold (Not Shown)	
323	7025124	1	Gasket Kit, Upper Manifold (was p/n 7022148) (Not Shown)	
323	7022144	1	Gasket, Upper Manifold Throttle (Not Shown)	
324	7023657	1	Harness, TPS Harness (Not Shown)	
325		Ref	Relay Options:	
325	7023613	3	Relay (2000174 Engines) <b>(SN 0300069000 through 0300073347)</b>	
325	7023695	3	Relay (2000193 Engines) <b>(SN 0300073348 through 0300077499)</b>	
326	7022153	1	Pump, Water	
326	7022154	1	Gasket, Water Pump	
326	7022155	1	Sensor, Water Temperature (Not Shown)	
326	7022156	1	Thermostat (Not Shown)	
326	7023644	1	Hose, Water Pump (By-Pass) (Not Shown)	
327	2720341	1	Horn, Rubber Air	
328	1600363	1	Module, EPM (was p/n 7023684) <b>(SN 0300073348 through 0300077499)</b>	
328		Ref	EPM Update Kit Options:	

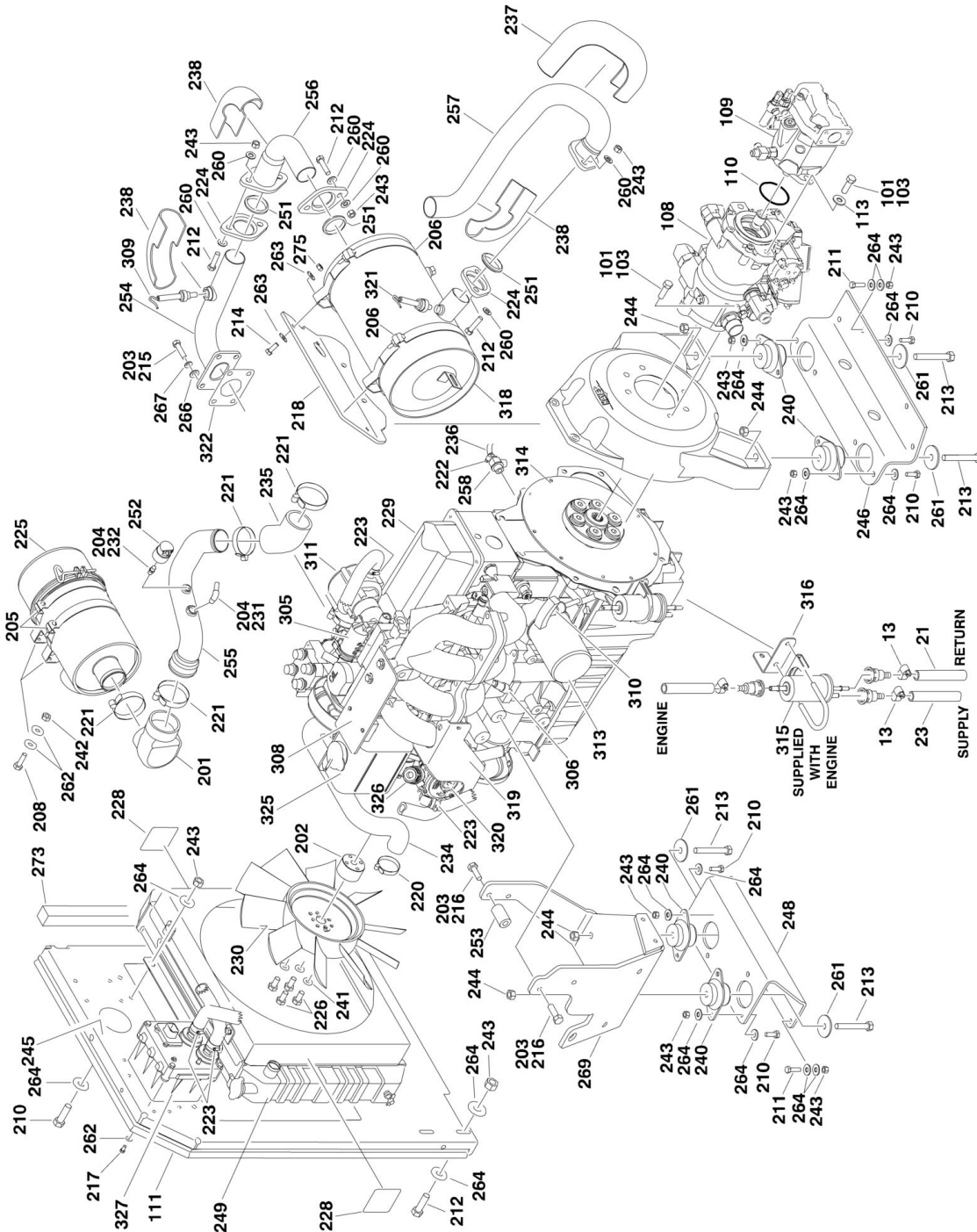


**SECTION 2 - TURNTABLE**

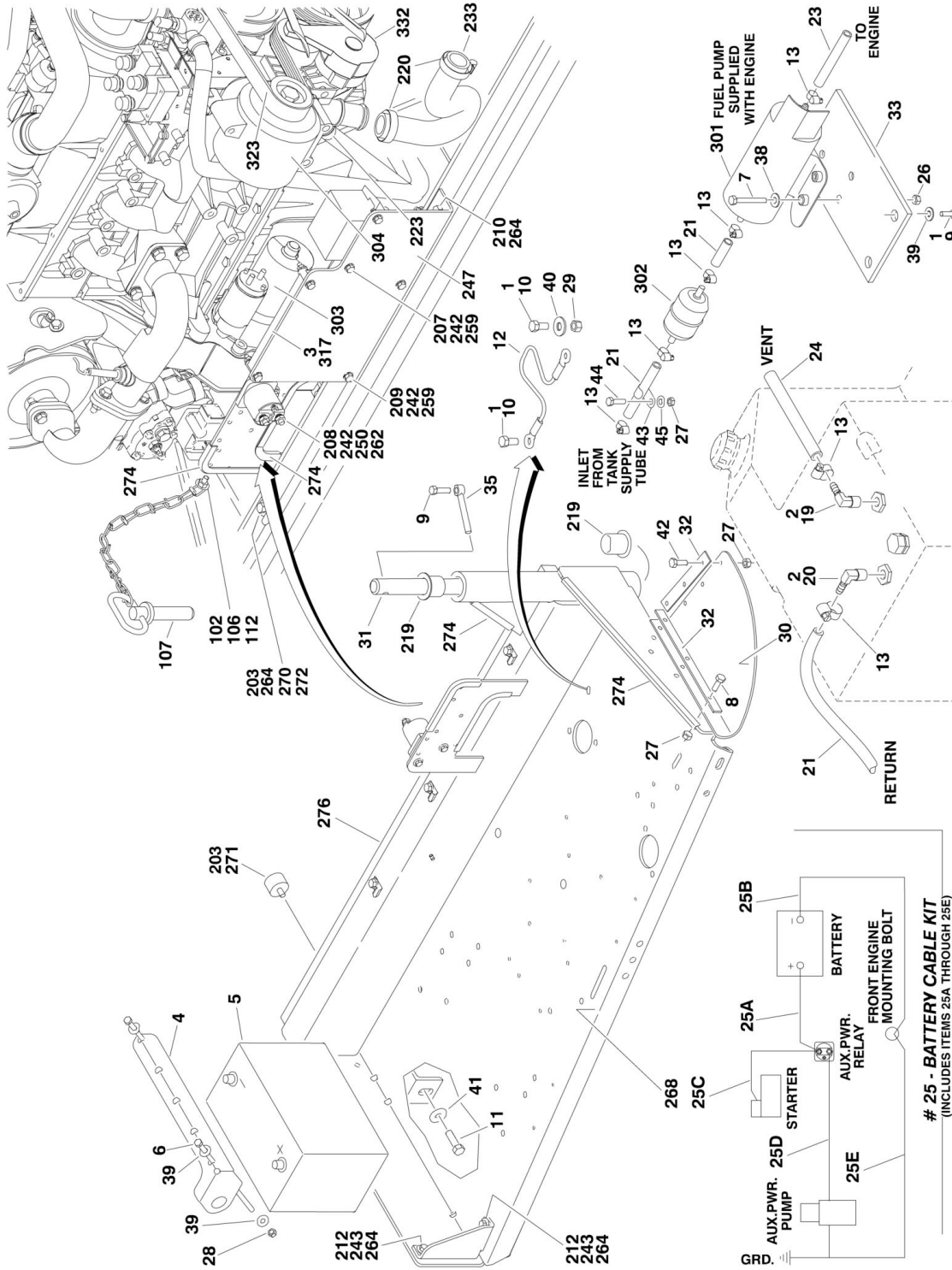
ITEM	PART NUMBER	QTY	DESCRIPTION	REV
		Ref	<b>Note: Contact JLG Service Dept to determine which kit is required.</b>	
328	2915195	1	EPM Update Kit (was p/n 7023685)	
328	2915196	1	EPM Update Kit (was p/n 7023686)	
329	7027402	1	Belt, Drive (Was p/n 7019979)	
330	7019925	1	PCV Valve (Not Shown)	
331	7019930	1	Coil, Ignition (Not Shown)	
331	7022157	1	Wire Set, Spark Plug (Not Shown)	
331	7019932	4	Spark Plug (Not Shown)	
332	7022151	1	Cap, Oil Fill	
333	70002567	1	Tensioner, Belt	
334	7022150	1	Belt, Timing	
	3124114	1	Service Manual, Ford EFI System Diagnostic	
	0272816	Ref	<b>ENGINE FUEL PUMP ASSEMBLY</b>	A
401	0641405	2	Bolt 1/4in-20NC x 5/8in	
402	0641606	4	Bolt 3/8in-16NC x 3/4in	
403	1320022	1	Clamp, Hose	
404	2720058	4 in/10cm	Hose 5/16in	
405	2720472	1	Hose, High Pressure	
406	2820018	AR	Tubing, Heat Shrink	
407	3311401	2	Nut 1/4in-20NC	
408	3311605	4	Locknut 3/8in-16NC	
409	3574219	1	Housing, Fuel Pump Potting	
410	3574220	1	Plate, Pump Slide	
411	3574221	1	Plate, Pump Bottom	
412	3600377	1	Pump, Fuel Bosch	
413	4460227	2	Pin, Contact	
414	4460424	1	Connector, Male- 2 Position	
415	4711400	2	Flatwasher 1/4in	
416	4711600	6	Flatwasher 3/8in	
417	4891400	2	Flatwasher 1/4in (Hardened)	
	0258570	Ref	<b>MUFFLER INSTALLATION - SPARK ARRESTING</b>	2
501	3220113	1	Muffler	
501	70001017	1	Clamp	
502	0902309	1	Bracket, Muffler	
503	4845667	1	Tube, Exhaust	
504	3900232	5	Bolt, Button Head 3/8in-16NC x 1-1/4in	
505	4751600	7	Flatwasher 3/8in	
506	3311601	5	Nut 3/8in-16NC	
507	0100011	AR	Compound, Locking	
508	0902472	1	Bracket, Exhaust Support	
509	4567073	1	Tube, Exhaust	
509	70001017	1	Clamp	
510	4846817	1	Spark Arrestor	
511	0340046	2	Band	
512	0641507	4	Bolt 5/16in-18NC x 7/8in	
513	4711500	8	Flatwasher 5/16in Narrow	
514	3311505	4	Locknut 5/16in-18NC	

# SECTION 2 - TURNTABLE

FIGURE 2-14. FORD ENGINE INSTALLATION (SN 0300077500 through 0300140000)



# SECTION 2 - TURNTABLE



## SECTION 2 - TURNTABLE

FIGURE 2-14. FORD ENGINE INSTALLATION (SN 0300077500 through 0300140000)

ITEM	PART NUMBER	QTY	DESCRIPTION	REV
		Ref	<b>ENGINE INSTALLATION</b>	
	0274024	Ref	<b>Engine Installation (SN 0300077500 through 0300087265)</b>	D
	0274624	Ref	<b>Engine Installation (SN 0300087266 through 0300140000)</b>	D
1	0100011	AR	Compound, Locking	
2	0100020	AR	Sealant	
3	0100048	AR	Grease, Dielectric	
4	0181727	1	Angle, Battery Hold-Down	
5	0400075	1	Battery	
6	0630498	2	Bolt, Battery Hold-Down	
7	0641408	2	Bolt 1/4in-20NC x 1in	
8	0641508	3	Bolt 5/16in-18NC x 1in	
9	0641608	9	Bolt 3/8in-16NC x 1in	
10	0641808	2	Bolt 1/2in-13NC x 1in	
11	0642010	1	Bolt 5/8in-11NC x 1-1/4in	
12	1060637	1	Cable, Lanyard	
13	1320022	7	Clamp	
14	1701542	1	Decal - Gas (Not Shown - Located on Hood)	
19	2220313	1	Fitting, Elbow	
20	2221176	1	Fitting, Elbow	
21	2720058	12 ft/3.7m	Hose, Fuel Line	
23	2720472	1	Hose, Fuel Line	
24	2720532	5 ft/1.5m	Hose, Fuel Line	
25		Ref	Battery Cable Kit Options:	
25	2901608	1	Battery Cable Kit <b>(SN 0300077500 through 0300087265)</b>	C
25	2902445	1	Battery Cable Kit <b>(SN 0300087266 through 0300140000)</b>	A
25A		Ref	Cable, Battery (Red) Options:	
25A	7016800	1	Cable, Battery (Red) <b>(SN 0300077500 through 0300087265)</b>	
25A	7016821	1	Cable, Battery (Red) <b>(SN 0300087266 through 0300140000)</b>	
25B		Ref	Cable, Battery (Black) Options:	
25B	7016807	1	Cable, Battery (Black) <b>(SN 0300077500 through 0300087265)</b>	
25B	7016822	1	Cable, Battery (Black) <b>(SN 0300087266 through 0300140000)</b>	
25C	7016808	1	Cable (Red)	
25D	7016824	1	Cable (Red)	
25E	7016825	1	Cable (Black)	
26	3311405	2	Locknut 1/4in-20NC	
27	3311505	7	Locknut 5/16in-18NC	
28	3311605	2	Locknut 3/8in-16NC	
29	3311801	1	Nut 1/2in-13NC	
30	3380429	1	Panel, Rubber	
31	3422446	1	Pin	
32	3539957	2	Plate	
33	3572414	1	Plate, Fuel Pump Mount	
35	3841143	1	Pin, Keeper	
36	3841340	3	Rod, Hose Loop (Not Shown - Located on Turntable)	
38	4751400	2	Flatwasher 1/4in Wide	
39	4751600	6	Flatwasher 3/8in Wide	

## SECTION 2 - TURNTABLE

ITEM	PART NUMBER	QTY	DESCRIPTION	REV
40	4751800	1	Flatwasher 1/2in Wide	
41	4752000	1	Flatwasher 5/8in Wide	
42	3900272	3	Screw 5/16in-18NC x 1-3/4in	
43	1320222	1	J-Clip <b>(SN 0300087266 through 0300140000)</b>	
44	0641506	1	Bolt 5/16in-18NC x 3/4in <b>(SN 0300087266 through 0300140000)</b>	
45	4711500	1	Flatwasher 5/16in Narrow <b>(SN 0300087266 through 0300140000)</b>	
		Ref	<b>ENGINE AND PUMP ASSEMBLY</b>	
	2000261	Ref	<b>Engine and Pump Assembly (SN 0300077500 through 0300087265)</b>	B
	2000322	Ref	<b>Engine and Pump Assembly (SN 0300087266 through 0300140000)</b>	B
101	0100011	AR	Compound, Locking	
102	0641407	1	Bolt 1/4in-20NC x 7/8in	
103	0641812	4	Bolt 1/2in-13NC x 1-1/2in	
105	2300004	2.63 gl /9.95L	Anti-Freeze (Not Shown)	
106	3311405	1	Locknut 1/4in-20NC	
107	3422532	1	Pin, Hitch	
108	3600400	1	Piston Pump Assembly with Fittings (See PISTON PUMP ASSEMBLY for Breakdown)	
109	3600401	1	Variable Displacement Pump Assembly with Fittings	B
109	2220415	1	Fitting	
109	2220374	1	Fitting	
109	3600278	1	Variable Displacement Pump Assembly Less Fittings	
109	7018995	1	Seal Kit - 3600278 Pump	
109	7024918	1	Seal, Shaft	
109	7024930	1	Valve Assembly Kit - 3600278 Pump	
110	3790044	1	O-Ring	
111	3960389	5 ft/1.5m	Seal	
112	4751400	1	Flatwasher 1/4in (Wide)	
113	4891600	2	Flatwasher, Hardened	
		Ref	<b>ENGINE ASSEMBLY</b>	
	2000211	Ref	<b>Engine Assembly (SN 0300077500 through 0300087265)</b>	D
	2000296	Ref	<b>Engine Assembly (SN 0300087266 through 0300140000)</b>	B
201	0080201	1	Adapter, Elbow	
202	0080214	1	Adapter, Fan Spacer	
203	0100011	AR	Compound, Locking	
204	0100020	AR	Sealant, Pipe	
205	0340041	2	Band, Air Cleaner	
206	0340046	2	Band, Muffler	
207	0641406	2	Bolt 1/4in-20NC x 3/4in	
208	0641408	6	Bolt 1/4in-20NC x 1in	
209	0641414	4	Bolt 1/4in-20NC x 1-3/4in	
210	0641608	14	Bolt 3/8in-16NC x 1in	
211	0641610	10	Bolt 3/8in-16NC x 1-1/4in	
212	0641612	8	Bolt 3/8in-16NC x 1-1/2in	
213	0641828	4	Bolt 1/2in-13NC x 3-1/2in	
214	0641507	4	Bolt 5/16in-18NC x 7/8in	
215	0701012	4	Bolt M10 x 25mm	
216	0701014	4	Bolt M10 x 30mm	
217	0760606	4	Bolt M6 x 12mm	

## SECTION 2 - TURNTABLE

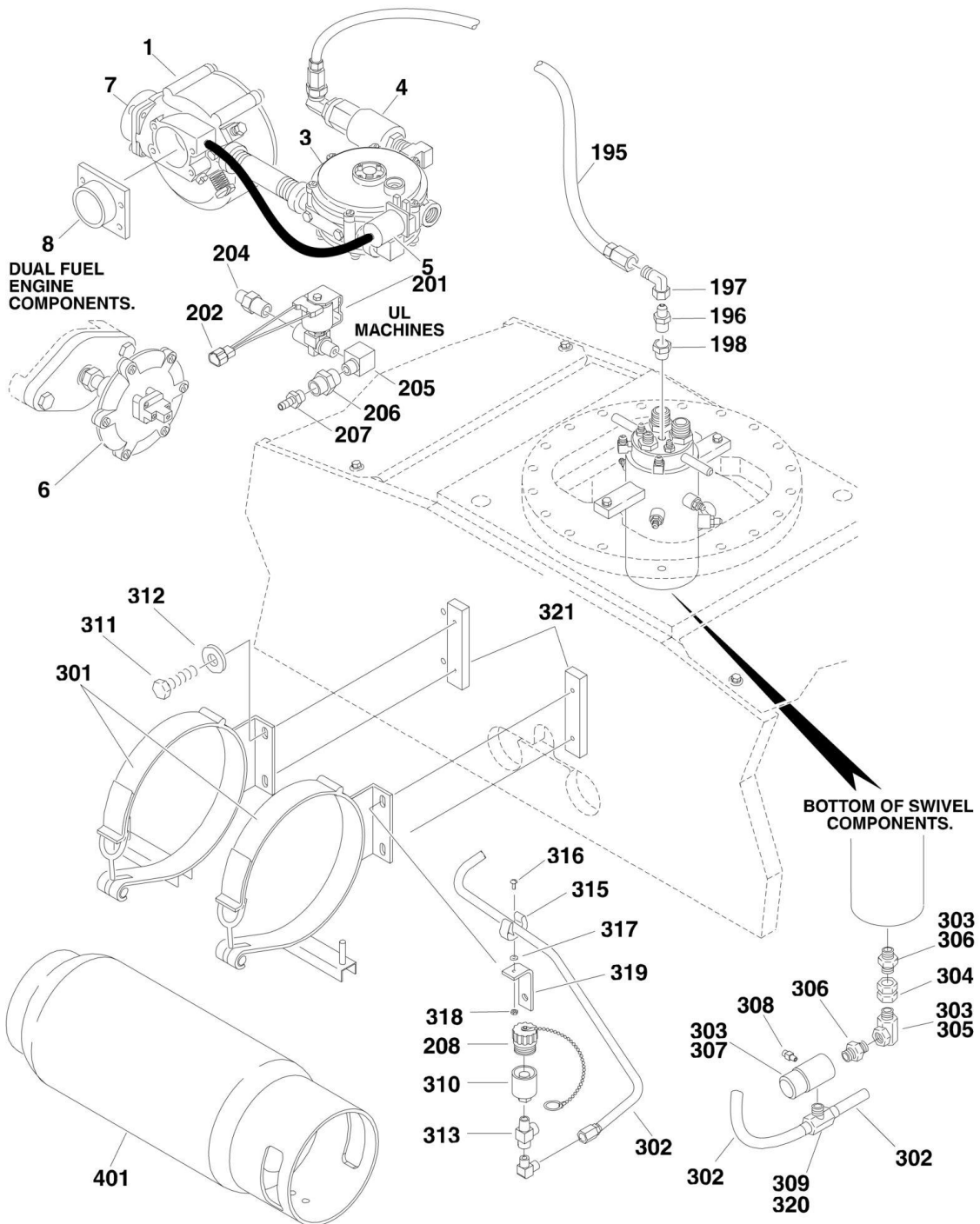
ITEM	PART NUMBER	QTY	DESCRIPTION	REV
218	0903079	1	Bracket, Muffler	
219	0961986	2	Bushing, Flanged	
220	1320012	4	Clamp	
221	1320016	3	Clamp	
222	1320022	1	Clamp, Hose	
223	1320033	8	Clamp, Hose	
224	1321138	3	Plate, Exhaust Flange	
225	1340060	1	Air Cleaner Assembly Filter Element	
225	7012664	1	Element, Filter (Not Shown)	
226	0700819	4	Bolt M8 x 55mm	
227	4920385	7 ft/2.1m	Wire, Safety (Not Shown)	
228	1703162	2	Decal - Caution Fan Blade	
229	2000272	1	Engine (See Items 301-326 for Engine Components)	
230	2060025	1	Fan	
231	2180467	1	Fitting	
232	2180798	1	Fitting, Restriction Indicator <b>(SN 0300069000 through 0300087265)</b>	
233	2720435	1	Hose, Radiator (Bottom)	
234	2720436	1	Hose, Radiator (Upper)	
235	2720514	1	Hose, Elbow	
236	2750532	6 in/15cm	Hose, Oil Drain	
237	2820172	1	Insulation, Exhaust (Shield)	
238	2820173	3	Insulation, Exhaust (Elbow)	
240	3200362	4	Mount, Motor	
241	4831900	4	Lockwasher M8	
242	3311405	12	Locknut 1/4in-20NC	
243	3311605	30	Locknut 3/8in-16NC	
244	3311805	4	Locknut 1/2in-13NC	
245	3539872	1	Plate, Radiator Mounting	
246	3572280	1	Plate, Engine Mount	
247	3574162	1	Plate, ECM/Relay Mount	
248	3574504	1	Plate, Engine Mount	
249	3620040	1	Radiator	
249	8180311	1	Cap, Radiator (was p/n 7019656)	
250	3740067	1	Relay	
251	3960591	3	Gasket, Exhaust	
252	4360392	1	Indicator, Restriction <b>(SN 0300069000 through 0300087265)</b>	
253	4566605	1	Tube, Spacer	
254	4567879	1	Tube, Exhaust	
255		Ref	Tube, Intake Options:	
255	4568951	1	Tube, Intake <b>(SN 0300077500 through 0300087265)</b>	
255	4569173	1	Tube, Intake <b>(SN 0300087266 through 0300140000)</b>	
256	4569083	1	Tube, Exhaust	
257	3460398	1	Pipe, Exhaust	
258	4640989	1	Valve, Oil Drain	
259	4711400	12	Flatwasher 1/4in (Narrow)	
260	4711600	12	Flatwasher 3/8in (Narrow)	
261	4740274	4	Washer, Snubbing	
262	4751400	14	Flatwasher 1/4in (Wide)	
263	4751500	8	Flatwasher 5/16in (Wide)	
264	4751600	51	Flatwasher 3/8in (Wide)	
266	4812000	4	Flatwasher M10	

## SECTION 2 - TURNTABLE

ITEM	PART NUMBER	QTY	DESCRIPTION	REV
267	4832000	4	Lockwasher M10	
268	4845404	1	Tray, Engine	
269	4846806	1	Plate, Engine Mounting	
270	0641606	1	Bolt 3/8in-16NC x 3/4in	
271	0940070	1	Bumper	
272	1320223	3	J-Clip	
273	3960469	1	Seal	
274	4060805	37 in/1m	Flex-Trim	
275	3311505	4	Locknut 5/16in-18NC	
276	3960468	1	Seal	
	2000272	Ref	<b>ENGINE COMPONENTS</b>	B
301	3600377	1	Fuel Pump and Isolator Assembly (was p/ns 7022133 & 7027407)	
301	7022134	1	Harness, Fuel Pump (Not Shown)	
302	91083218	1	Filter, Fuel (was p/n 7022135)	
303	7012679	1	Starter (was p/n 7027408)	
304	7019977	1	Alternator with Regulator and Pulley	
304	7000897	1	Alternator without Regulator and Pulley	
305	7023683	1	Actuator, Throttle	
305	7027404	1	Gasket, Actuator (Not Shown)	
306	7019996	1	Sensor, Air Temperature (was p/n 7023661)	
307	7023681	1	Harness, Engine Control (was p/n 7027403) (Not Shown)	
308	7022139	1	Sensor, MAP	
309	7023682	1	Sensor, EGR	
310	2420187	1	Dipstick (was p/n 7022140)	
310	4564281	1	Tube, Dipstick	
311	7027400	1	Mixer Assembly	
313	7021868	1	Filter, Oil (was p/n 7022147, 7021869 & 7014501)	
314	1660250	1	Coupling, Pump	
314	7019976	1	Flywheel (Not Shown)	
314	7022180	1	Ring Gear (Not Shown)	
315	7019993	1	Pressure Regulator and Filter Assembly	
316	0902539	1	Bracket	
317	1600374	1	Module, EPM	
317	7027413	1	Harness, EPM Jumper	
318	3220134	1	Muffler	
319	0903010	1	Bracket, LP Regulator	
320	7023698	1	Regulator, LP	
321	7019994	1	Sensor, EGR (was p/n 7027406)	
322	70002307	1	Gasket, Exhaust (Manifold to Pipe)	
322	7022143	1	Gasket, Exhaust (Manifold to Cylinder Head) (was p/n 7027401) (Not Shown)	
323	7027402	1	Belt, Drive	
324	7027405	4	Spark Plug (Not Shown)	
325	1580011	1	Bottle, Overflow	
326	7027409	1	LP Filter Shutoff W/Leads	
327	7023699	1	Megajector	
327	7027410	1	Harness, Megajector	
327	70001690	1	Hose Kit - Megajector	
328	7019925	1	PCV Valve (Not Shown)	
329	7022155	1	Sensor, Water Temperature (Not Shown)	
332	70002567	1	Tensioner, Belt	

# SECTION 2 - TURNTABLE

## FIGURE 2-15. DUAL FUEL INSTALLATION (GAS MACHINES OPTIONS)





## SECTION 2 - TURNTABLE

**FIGURE 2-15. DUAL FUEL INSTALLATION (GAS MACHINES OPTIONS)**

ITEM	PART NUMBER	QTY	DESCRIPTION	REV
		Ref	<b>DUAL FUEL ENGINE COMPONENTS (FORD ENGINE MACHINES)</b>	
		Ref	<b>NOTE: For GM Engine Machines Refer to GM Engine Installation.</b>	
	2000174	Ref	<b>Dual Fuel Engine Components (Ford Engine Machines) (SN 0300069000 through 0300073347)</b>	B
	2000193	Ref	<b>Dual Fuel Engine Components (Ford Engine Machines) (SN 0300073348 through 0300077499)</b>	B
	See Note	Ref	<b>Dual Fuel Engine Components (Ford Engine Machines) (Note: See Ford Engine Installation (SN 0300077500 to SN 0300140000) for Components)</b>	
	7023665	1	Dual Fuel Conversion Kit (Note: Includes hose, fittings, clamps and items indented below. For replacement hose, fittings and clamps supply locally)	
1	7022165	1	Mixer	
1	7022171	1	Repair Kit - 7022165 Mixer	
1	7023645	1	Gasket, Mixer	
3	7022167	1	Convertor	
3	7022170	1	Repair Kit - 7022167 Convertor	
4	7023680	1	Filter, LP Shut-Off with Harness (was p/n 7022169)	
4	7023680	NLA	Electrical Connector Kit (No Longer Available - was p/n 7023679)	
5	7022168	1	Valve, Solenoid	
6	4360188	1	Switch, Vacuum	
7	7023603	1	Adapter	
7	7023659	1	Gasket	
7	7023660	4	Screw M6 x 14mm	
8	7022166	1	Adapter	
		Ref	<b>DUAL FUEL COMPONENTS (FORD ENGINE MACHINES)</b>	
		Ref	<b>NOTE: For GM Engine Machines Refer to GM Engine Installation.</b>	
	0271366	Ref	<b>Dual Fuel - Non-U/L (SN 0300069000 through 0300073347)</b>	2-B
	0272831	Ref	<b>Dual Fuel - Non-U/L (SN 0300073348 through 0300077499)</b>	4-C
	0274024	Ref	<b>Dual Fuel - Non-U/L (SN 0300077500 through 0300087265)</b>	D
	0274624	Ref	<b>Dual Fuel - Non-U/L (SN 0300087266 through 0300140000)</b>	C
	0272708	Ref	<b>Dual Fuel - UL (SN 0300069915 through 0300077500)</b>	4-D
	0274195	Ref	<b>LPS - UL (SN 0300079153 through 0300077500)</b>	2-B
190	4360336	1	Toggle, Switch (Not Shown - Located on Console Box)	
191	3790012	1	O-Ring (Not Shown - Located on Console Box)	
192	1701543	2	Decal-LPG (Not Shown - See Decal Installation)	
193	1700818	2	Decal- Liquid Withdrawal System (Not Shown - See Decal Installation)	
194	1701543	1	Decal - LP (Not Shown - Located on Frame)	
195	2720392	1	Hose	
196	2180418	1	Fitting, Straight	
197	2220064	1	Fitting, Elbow (SN 0300069000 through 0300069325)	
198	2220005	1	Fitting, Reducer	
201	4641261	1	Valve, Solenoid - UL Machines	
202	4460897	1	Connector, Male- 2 Position - UL Machines	
204	2221151	1	Fitting - UL Machines	
205	2221152	1	Fitting, Elbow - UL Machines	
206	2221153	1	Fitting - UL Machines	

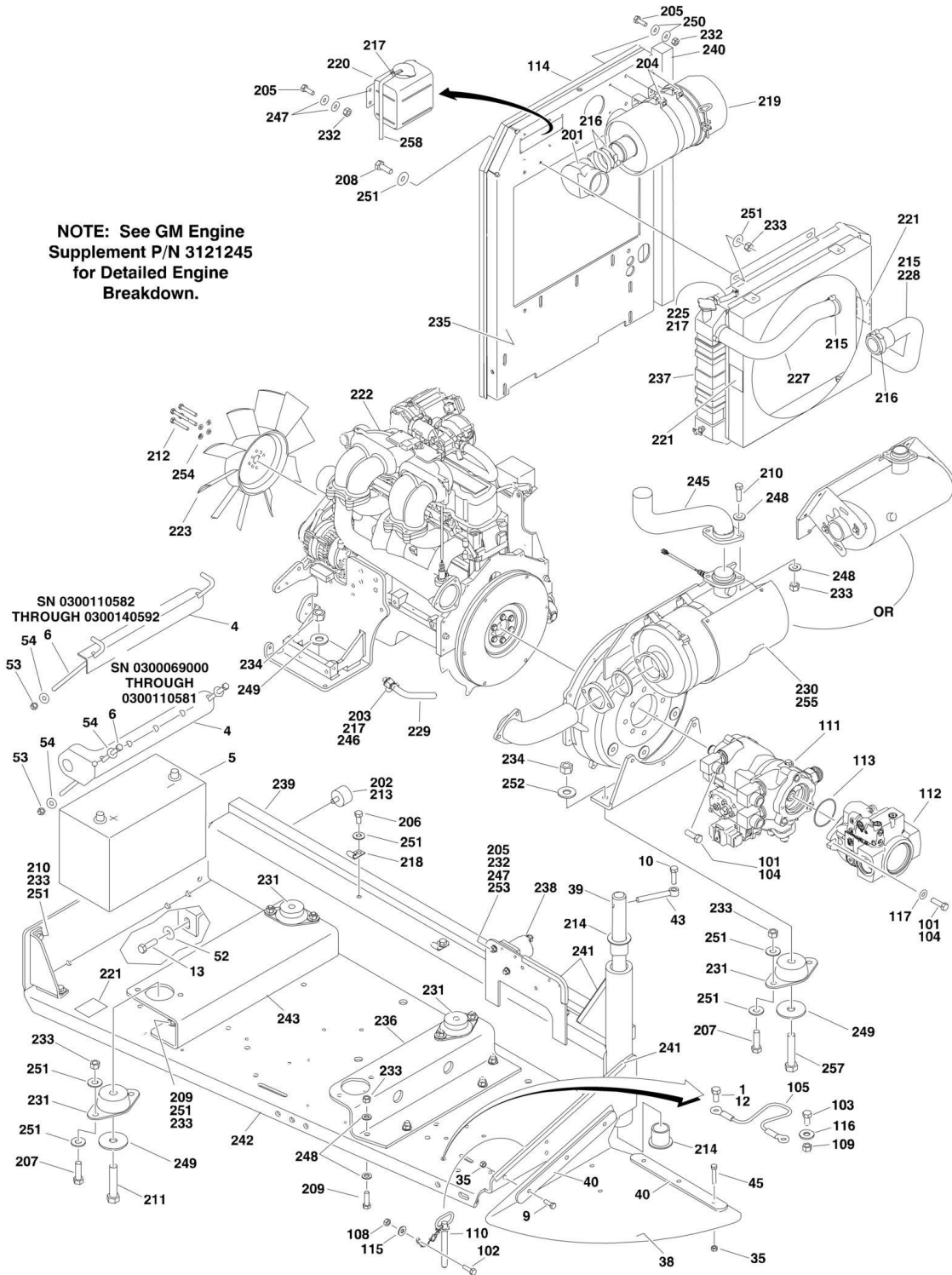
## SECTION 2 - TURNTABLE

ITEM	PART NUMBER	QTY	DESCRIPTION	REV
207	2180536	1	Fitting - UL Machines	9-F
208	2180825	2	Plug, Lp Hose (Not Shown) (LPS Engine Only)	
	0255524	Ref	<b>LP TANK AND BRACKETS INSTALLATION</b>	
301	1320220	2	Clamp Kit - LP	
301	1320127	2	Clamp, Toggle (1 Per Clamp)	
302	2720144	2	Hose	
303	0100020	AR	Sealant, Pipe	
304	2221197	1	Fitting, Reducer	
305	2180125	1	Fitting - Elbow	
306	2220261	2	Fitting, Nipple	
307	2180388	1	Filter, Bulkhead	
308	2180389	1	Valve, Relief	
309	2220418	1	Fitting, Tee	
310	2180387	2	Fitting, LP Tank	
311	0641606	8	Bolt 3/8in-16NC x 3/4in	
312	4751600	8	Flatwasher 3/8in	
313	2180418	2	Fitting, Straight	
315	1320218	2	Clamp, Spring	
316	3910808	2	Screw, Machine #8-32NC x 1/2in	
317	4750800	4	Flatwasher #8	
318	3310805	2	Locknut #8-32NC	
319	0181949	2	Support, Angle	
320	2221024	2	Fitting, Ball Check	
321	0362519	4	Bar, Clamp	
401		Ref	<b>TANK, LP OPTIONS:</b>	
401	4400275	1	Aluminum	
401	4400420	1	Steel	

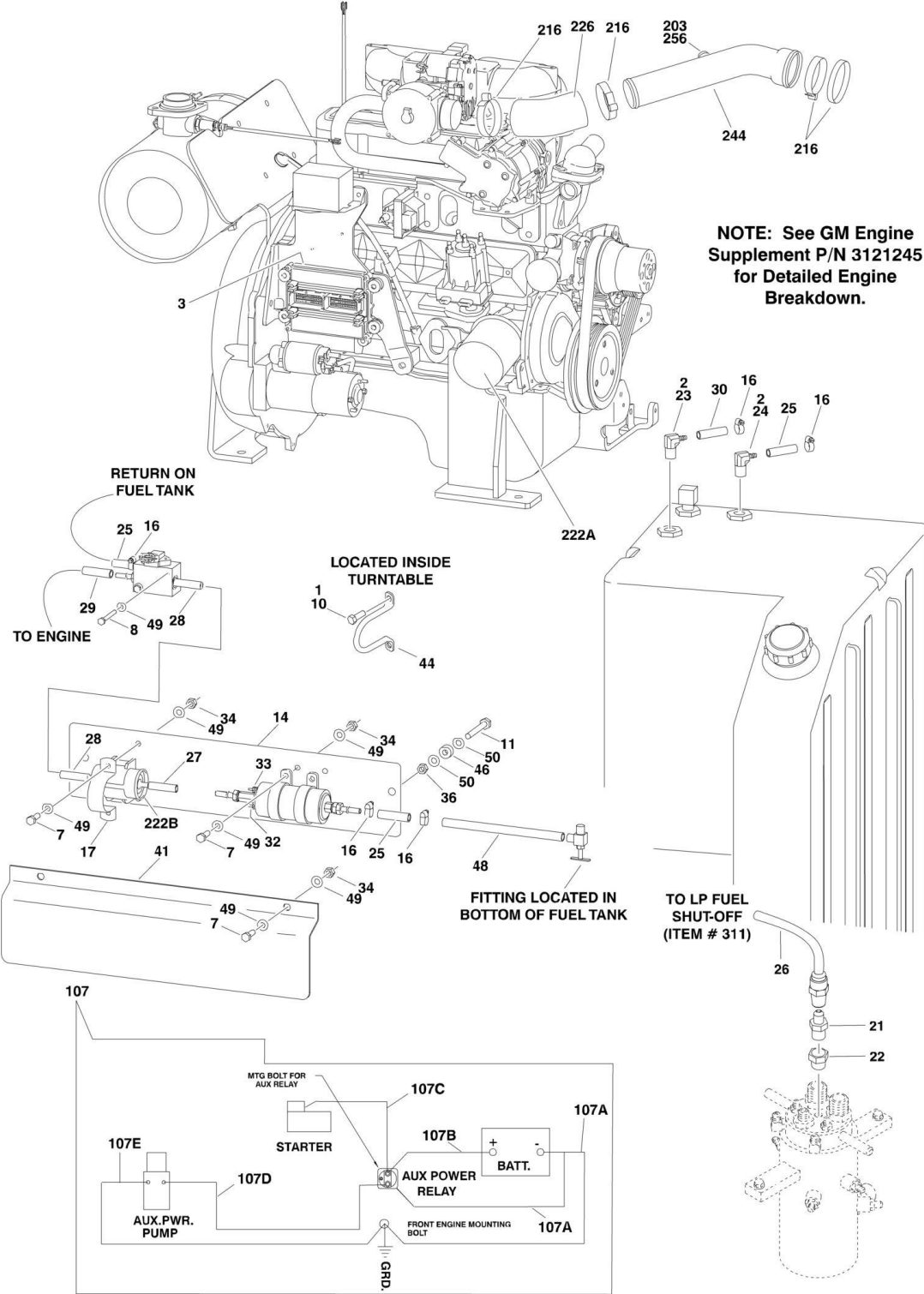


# SECTION 2 - TURNTABLE

FIGURE 2-16. GM ENGINE INSTALLATION (SN 0300069000 through 0300140000)



# SECTION 2 - TURNTABLE



## SECTION 2 - TURNTABLE

FIGURE 2-16. GM ENGINE INSTALLATION (SN 0300069000 through 0300140000)

ITEM	PART NUMBER	QTY	DESCRIPTION	REV
		Ref	<b>GM ENGINE INSTALLATIONS</b>	
		Ref	<b>Without Arctic Package</b>	
	0275386	Ref	<b>Engine, GM 3.0L (SN 0300069000 through 0300109493)</b>	D
	1001091638	Ref	<b>Engine, GM 3.0L Tier2 (SN 0300109494 through 0300121642)</b>	D
	1001095363	Ref	<b>Engine, GM 3.0L Tier2 (SN 0300121643 through 0300140000)</b>	E
		Ref	<b>With Arctic Package</b>	
	10011111357	Ref	<b>Engine, GM 3.0L Tier2</b>	B
1	0100011	AR	Compound, Locking	
2	0100020	AR	Sealant, Pipe	
3	0100048	AR	Grease, Dielectric	
4		Ref	Hold-Down, Battery Options:	
4	0181727	1	Hold-Down, Battery (SN 0300069000 through 0300110581)	
4	91401281	1	Hold-Down, Battery (SN 0300110582 through 0300140000)	
5	0400075	1	Battery (Wet)	
6		Ref	Bolt, Battery Hold-down Options:	
6	0630498	2	Bolt, Battery Hold-down (SN 0300069000 through 0300110581)	
6	1001093382	2	Bolt, Battery Hold-down (SN 0300110582 through 0300140000)	
7	0641406	AR	Bolt 1/4in-20NC x 3/4in	
8	0641416	2	Bolt 1/4in-20NC x 2in	
9	0641508	3	Bolt 5/16in-18NC x 1in (SN 0300069000 through 0300098458)	
10	0641608	7	Bolt 3/8in-16NC x 1in	
11	0641612	2	Bolt 3/8in-16NC x 1-1/2in	
12	0641808	1	Bolt 1/2in-13NC x 1in	
13	0642010	1	Bolt 5/8in-11NC x 1-1/4in	
14	0903510	1	Bracket, Fuel Pump Filter	
16	1320022	AR	Clamp, Fuel Line	
17	1320323	1	Clamp	
18	1701542	1	Decal, Gas (Not Shown)	
19	1701543	2	Decal, LPG (Not Shown)	
21	2180418	1	Fitting, Straight	
22	2220005	1	Fitting, Straight	
23	2220313	1	Fitting, Elbow Barbed (SN 0300069000 through 0300109493)	
24	2221176	1	Fitting, Elbow	
25		Ref	Hose, Fuel Line Options:	
25	2720058	5.25 ft /1.6m	Hose, Fuel Line (SN 0300069000 through 0300109493)	
25	1001091587	5.25 ft /1.6m	Hose, Fuel Line (SN 0300109494 through 0300140000)	
26	2720392	1	Hose, LP	
27	2720566	1	Hose, Hi Pressure Fuel Line (6in/15cm Length)	
28	2720567	1	Hose, Hi Pressure Fuel Line (4ft/1.2m Length)	
29	2720580	2	Hose	
30	2750532	5 ft /1.5m	Hose (SN 0300069000 through 0300109493)	
32	3290405	1	Locknut M4 x 0.7	
33	3290505	1	Locknut M5 x 0.8	
34	3311405	AR	Locknut 1/4in x 20NC	
35	3311505	6	Locknut 5/16in-18NC (SN 0300069000 through 0300098458)	
36	3311605	AR	Locknut 3/8in-16NC	

## SECTION 2 - TURNTABLE

ITEM	PART NUMBER	QTY	DESCRIPTION	REV
38	3380429	1	Panel, Rubber (SN 0300069000 through 0300098458)	
39	3422446	1	Pin	
40	3539957	2	Plate, Hold Down (SN 0300069000 through 0300098458)	
41	3576755	1	Cover, Fuel Pump (SN 0300069000 through 0300097306)	
42	3790012	1	O-Ring (Not Shown - Located in Console Box)	
43	3841143	1	Keeper	
44	3841340	3	Rod, Hose Loop	
45	3900272	3	Screw 5/16in-18NC x 1-3/4in (SN 0300069000 through 0300098458)	
46	4071122	2	Shim	
47	4360336	1	Switch, Toggle (Not Shown - Located in Console Box)	
48	4569385	1	Tube, Fuel Line	
49	4711400	AR	Flatwasher 1/4in Narrow	
50	4751600	AR	Flatwasher 3/8in Wide	
51	4751800	1	Flatwasher 1/2in Wide	
52	4752000	1	Flatwasher 5/8in Wide	
53		Ref	Locknut Options:	
53	3311605	2	Locknut 3/8in-16NC (SN 0300069000 through 0300110581)	
53	3311505	2	Locknut 5/16in-18NC (SN 0300110582 through 0300121642)	
53	88521205	2	Locknut 5/16in-18NC (SN 0300121643 through 0300140000)	
54		Ref	Flatwasher Options:	
54	4751600	4	Flatwasher 3/8in Wide (SN 0300069000 through 0300110581)	
54	4751500	2	Flatwasher 5/16in Wide (SN 0300110582 through 0300140000)	
56		Ref	Anti-Freeze Options (Not Shown):	
56	2300004	2.63 gl /9.95L	Without Arctic Package	
56	2300041	2.63 gl /9.95L	With Arctic Package	
		Ref	<b>Note: Arctic Package Items 61-71 Not Shown - Used on Arctic Machines Only</b>	
61	1060625	1	Cable, Immersion Heater (Located on bottom of Hydraulic Oil Tank)	
62	1060626	1	Cord, 3 Way Extension (Located on Left Front of Engine)	
63	1320223	AR	Clamp	
64	1702941	1	Decal - Battery Heater (Located on Battery Heater)	
65	1702942	1	Decal - Engine Block Heater (Located on Right Side of Engine)	
66	1702943	1	Decal - Hydraulic Tank Heater (Located on bottom of Hydraulic Oil Tank)	
67	1702944	1	Decal - Heater Cord (Located on Left Front of Engine)	
68	2580024	1	Heater, Battery (Located on Battery)	
69	2580050	1	Heater, Hydraulic Tank (Located on bottom of Hydraulic Oil Tank)	
70	2580063	1	Heater, Engine Block	
71	3980007	1	Seat, Battery (Located on Battery)	
		Ref	<b>GM ENGINE AND PUMP SUB-ASSEMBLIES:</b>	
		Ref	<b>Without Arctic Package</b>	
	2000378	Ref	<b>Engine, GM 3.0L (SN 0300069000 through 0300109493)</b>	B
	1001091637	Ref	<b>Engine, GM 3.0L Tier2 (SN 0300109494 through 0300121642)</b>	B
	1001095364	Ref	<b>Engine, GM 3.0L Tier2 (SN 0300121643 through 0300140000)</b>	E
		Ref	<b>With Arctic Package</b>	
	1001111356	Ref	<b>Engine, GM 3.0L Tier2</b>	B

## SECTION 2 - TURNTABLE

ITEM	PART NUMBER	QTY	DESCRIPTION	REV
101	0100011	AR	Compound, Locking	
102	0641407	1	Bolt 1/4in-20NC x 7/8in	
103	0641808	1	Bolt 1/2in-13NC x 1in	
104	0641812	4	Bolt 1/2in-13NC x 1-1/2in	
105	1060637	1	Cable, Lanyard	
107	2902533	1	Battery Cable Kit	B
107A	7027018	1	Cable (Battery - to Ground)	
107B	7027015	1	Cable (Battery + to Auxiliary Relay)	
107C	7016825	1	Cable (Auxiliary Relay to Starter)	
107D	7016824	1	Cable (Auxiliary Relay to Auxiliary Pump)	
107E	7027017	1	Cable (Ground to Auxiliary Pump)	
108	3311405	1	Locknut 1/4in-20NC	
109	3311805	1	Locknut 1/2in-13NC	
110	3422532	1	Pin, Hitch	
111	3600400	1	Piston Pump Assembly with Fittings (See PISTON PUMP ASSEMBLY for Breakdown)	
112		Ref	Variable Displacement Pump Assembly with Fittings Options:	
112	3600401	1	Variable Displacement Pump (Rexroth) <b>(SN 0300069000 through 0300121642)</b>	C
112	2220415	1	Fitting	
112	2220374	1	Fitting	
112	3600278	1	Pump, Variable Displacement	
112	7018995	1	Seal Kit - 3600278 Pump	
112	7024918	1	Seal, Shaft	
112	7024930	1	Valve Assembly Kit - 3600278 Pump	
112	1001095354	1	Variable Displacement Pump (Sauer Danfoss) <b>(SN 0300121643 through 0300140000)</b>	A
112	2220415	1	Fitting	
112	1001094595	1	Pump, Variable Displacement	
112	7023967	1	Seal Kit - 1001094595 Pump	
112	7023956	1	Valve Assembly Kit - 1001094595 Pump	
113	3790044	1	O-Ring	
114	3960389	1	Seal	
115	4751400	1	Flatwasher 1/4in (Wide)	
116	4751800	1	Flatwasher 1/2in Wide	
117	4891800	2	Flatwasher, Hardened	
		Ref	<b>GM ENGINE ASSEMBLIES:</b>	
		Ref	<b>Without Arctic Package</b>	
	2000375	Ref	<b>Engine, GM 3.0L (SN 0300069000 through 0300109493)</b>	E
	1001091632	Ref	<b>Engine, GM 3.0L Tier2 (SN 0300109494 through 0300140000)</b>	E
		Ref	<b>With Arctic Package</b>	
	1001111355	Ref	<b>Engine, GM 3.0L Tier2</b>	B
201	0080201	1	Fitting, Elbow	
202	0100011	AR	Compound, Locking	
203	0100020	AR	Sealant, Pipe	
204	0340041	2	Band, Mounting	
205	0641406	10	Bolt 1/4in-20NC x 3/4in	
206	0641606	3	Bolt 3/8in-16NC x 3/4in	
207	0641608	8	Bolt 3/8in-16NC x 1in	
208	0641609	4	Bolt 3/8in-16NC x 1-1/8in	
209	0641610	10	Bolt 3/8in-16NC x 1-1/4in	
210	0641612	4	Bolt 3/8in-16NC x 1-1/2in	



## SECTION 2 - TURNTABLE

ITEM	PART NUMBER	QTY	DESCRIPTION	REV
211	0641828	2	Bolt 1/2in-13NC x 3-1/2in	
212	0700810	4	Bolt M8 x 20mm	
213	0940070	1	Bumper	
214	0961986	2	Bearing, Flanged	
215	1320012	3	Clamp	
216	1320016	5	Clamp	
217	1320022	AR	Clamp	
218	1320223	3	Clamp	
219	1340060	1	Air Cleaner Assembly	
219	7012664	1	Element, Air Cleaner	
220	1580011	1	Container, Coolant Overflow	
221	1703162	2	Decal - Caution Fan	
222		Ref	Engine, GM 3.0L Options (See GM Engine Supplement p/n 3121245 for Detailed Engine Breakdown):	
222	2000354	1	Without Arctic Package <b>(SN 0300069000 through 0300109493)</b>	
222	1001091583	1	Without Arctic Package <b>(SN 0300109494 through 0300140000)</b>	
222	1001111353	1	With Arctic Package	
222	70000164	4	Plug, Spark (Not Shown)	
222A	7027965	1	Filter, Oil	
222B	7027972	1	Filter, Fuel	
223	2060025	1	Fan	
225	2720058	4 in/10cm	Hose	
226	2720514	1	Hose	
227	2720563	1	Hose, Radiator (Top)	
228	2720564	1	Hose, Radiator (Bottom)	
229		Ref	Hose Options:	
229	2750532	6 in /15.2cm	Hose <b>(SN 0300069000 through 0300136496)</b>	
229	1001091892	NLA	Hose (Use p/n 2750532) <b>(SN 0300136497 through 0300140000)</b>	
230		Ref	Muffler, Insulation Options:	
230	2820180	1	Engine, GM 3.0L <b>(SN 0300069000 through 0300109493)</b>	
230	1001091794	1	Engine, GM 3.0L Tier2 <b>(SN 0300109494 through 0300140000)</b>	
231	3200362	4	Mount, Engine	
232	3311405	10	Locknut 1/4in-20NC	
233	3311605	26	Locknut 3/8in-16NC	
234	3311805	4	Locknut 1/2in-13NC	
235	3539872	1	Plate, Radiator Mounting	
236	3572280	1	Plate, Engine Mount	
237	3620040	1	Radiator	
237	8180311	1	Cap, Radiator (was p/n 7019656)	
238	3740067	2	Relay	
239	3960468	1	Seal	
240	3960469	1	Seal	
241	4060805	3 ft/0.9m	Seal	
242	4341239	1	Tray, Engine	
243	4341241	1	Mount, Engine (Front)	
244	4569342	1	Tube, Intake	
245	4569394	1	Tube, Intake	
246		Ref	Valve, Oil Drain Options:	

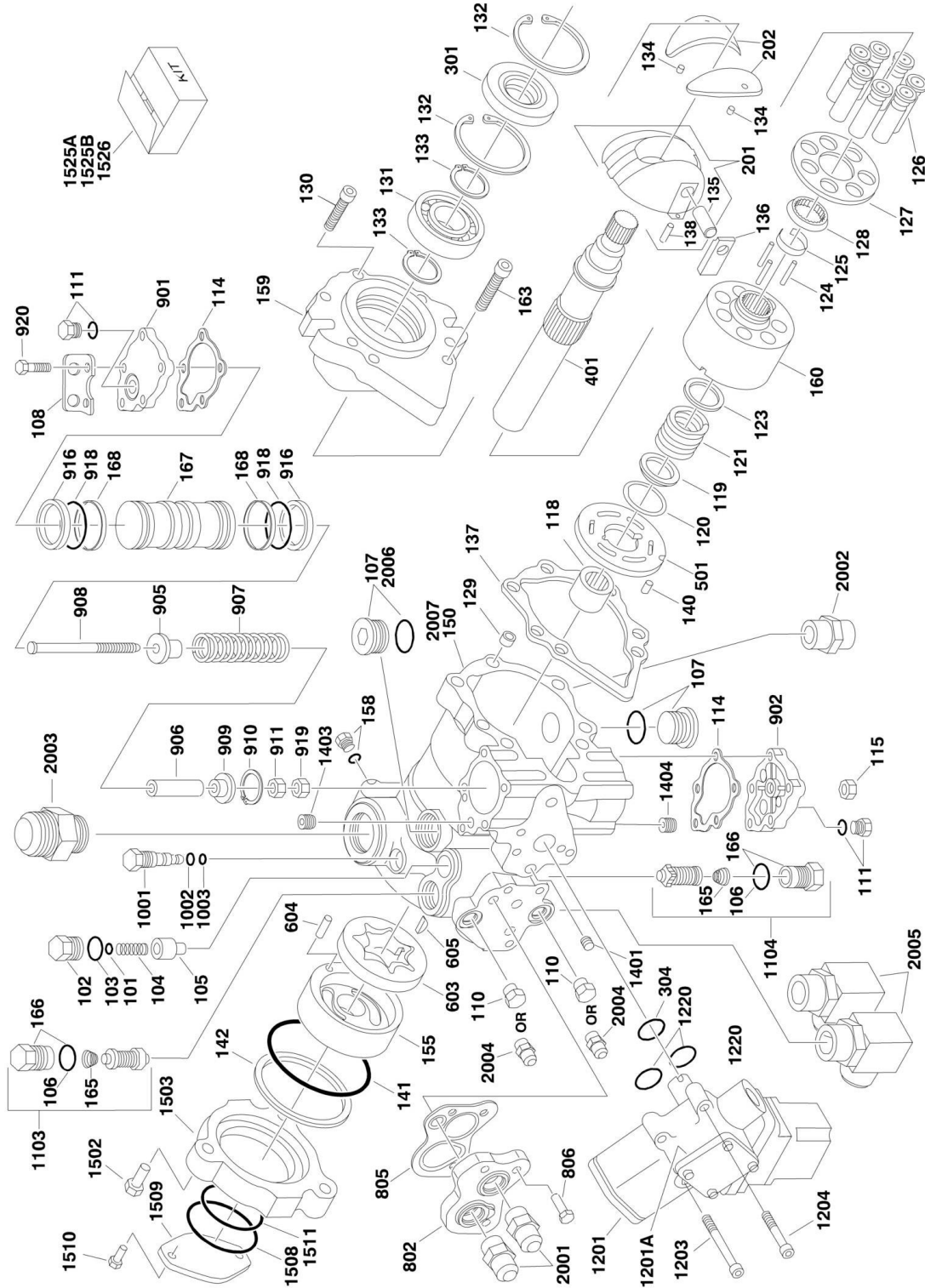
## SECTION 2 - TURNTABLE

ITEM	PART NUMBER	QTY	DESCRIPTION	REV
246	4640952	1	Valve, Oil Drain (SN 0300069000 through 0300136496)	
246	1001105872	NLA	Valve, Oil Drain (Use p/n 4640952) (SN 0300136497 through 0300140000)	
247	4711400	12	Flatwasher 1/4in Narrow	
248	4711600	12	Flatwasher 3/8in Narrow	
249	4740274	4	Flatwasher, Snubbing	
250	4751400	8	Flatwasher 1/4in Wide	
251	4751600	43	Flatwasher 3/8in Wide	
252	4751800	2	Flatwasher 1/2in Wide	
253	4791400	2	Starwasher 1/4in	
254	4831900	4	Lockwasher 8mm	
255	4920385	10 ft/3m	Wire, Safety	
256	2180877	1	Fitting	
257	0641826	2	Bolt 1/2in-13NC x 3-1/4in	
258	2720271	1.5 ft /0.5m	Hose	



# SECTION 2 - TURNTABLE

## FIGURE 2-17. PISTON PUMP ASSEMBLY



## SECTION 2 - TURNTABLE

### FIGURE 2-17. PISTON PUMP ASSEMBLY

ITEM	PART NUMBER	QTY	DESCRIPTION	REV
	3600295	Ref	<b>PISTON PUMP ASSEMBLY</b>	A
101	7007413	1	Shim Kit	
102	7007414	1	Plug	
103	See Note	NSS	O-Ring (Note: Use Item 1525A)	
104	7021200	1	Spring, Relief Valve	
105	7007417	1	Valve, Relief	
106	See Note	NSS	O-Ring (Note: Use Item 1525A)	
107	7007419	2	Plug	
108	7021201	1	Bracket, Lifting	
110	7007470	2	Plug	
111	7007470	2	Plug	
114	See Note	NSS	Gasket, Servo Cover (Note: Use Item 1525A)	
115	7007423	1	Nut, Special	
118	7007425	1	Bearing, Needle	
119	See Note	NSS	Ring, Retaining (Note: Use Item 1526)	
120	See Note	NSS	Washer (Note: Use Item 1526)	
121	See Note	NSS	Spring (Note: Use Item 1526)	
123	See Note	NSS	Washer (Note: Use Item 1526)	
124	See Note	NSS	Retainer (Note: Use Item 1526)	
125	See Note	NSS	Pin, Slipper Holddown (Note: Use Item 1526)	
126	See Note	NSS	Piston Assembly (Note: Use Item 1526)	
127	See Note	NSS	Retainer, Slipper (Note: Use Item 1526)	
128	See Note	NSS	Guide, Retainer (Note: Use Item 1526)	
129	7007435	1	Pin, Spring	
130	7021202	1	Screw, 12 Point Head	
131	7007437	1	Bearing, Ball	
132	7007438	2	Ring, Retainer	
133	7007439	2	Ring	
134	7021203	2	Pin, Spring	
135	7007441	1	Handle, Pin	
136	7007442	1	Sleeve, Bearing	
137	See Note	NSS	Gasket, Front Cover (Note: Use Item 1525A)	
138	7021205	1	Pin	
140	7007446	1	Pin	
141	See Note	NSS	O-Ring (Note: Use Item 1525A)	
142	See Note	NSS	Ring, Load Temper (Note: Use Item 1525A)	
150	7023977	1	Housing, Pump	
155	7007452	1	Cover, Gerotor	
158	7007208	1	Plug	
159	7007454	1	Cover, Front	
160	See Note	NSS	Block, Cylinder (Note: Use Item 1526)	
163	7021207	6	Screw	
165	7021208	2	Spring	
166	7021209	2	Plug, SCR	
167	7007494	1	Piston, Servo	
168	See Note	NSS	Bearing (Note: Use Item 1525A)	
201	7007457	1	Swash Plate Assembly (Includes Items 135 & 138)	
202	7021212	2	Journal, Bearing	
301	See Note	NSS	Seal, Lip (Note: Use Item 1525A)	
304	See Note	NSS	O-Ring (Note: Use Item 1525A)	

## SECTION 2 - TURNTABLE

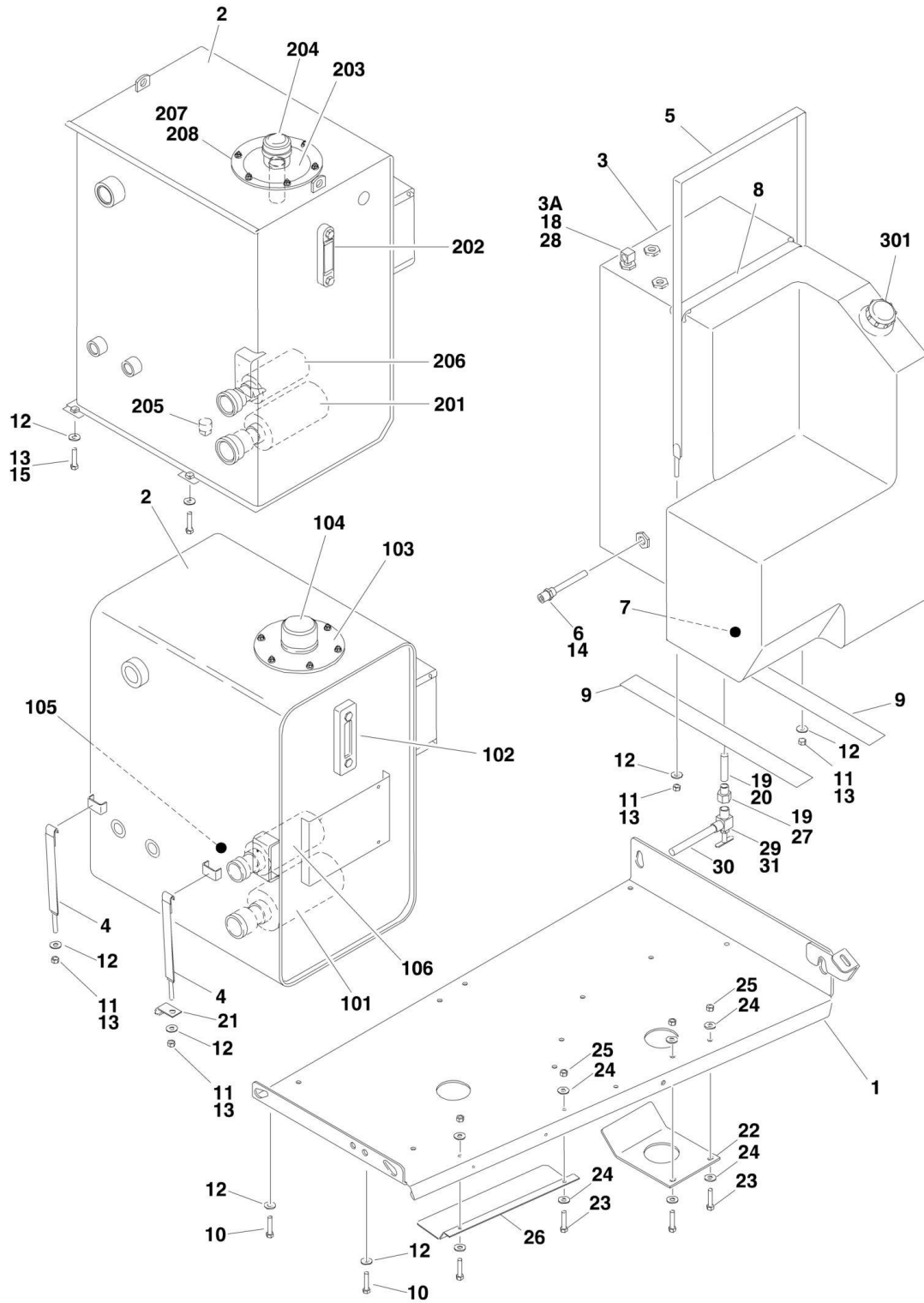
ITEM	PART NUMBER	QTY	DESCRIPTION	REV
401	7021213	1	Shaft, Main Pump	
501	7021214	1	Plate, Valve	
603	7007463	1	Gerotor Assembly	
604	7007464	1	Pin	
605	7007465	1	Key, Woodruff	
802	7007466	1	Adaptor, Remote Filtration	
805	See Note	NSS	Seal, Filter Adapter (Note: Use Item 1525A)	
806	7021218	3	Screw	
901	7021219	1	Cover, Servo	
902	7021220	1	Cover, Servo	
905	7007483	1	Guide, Spring	
906	7007484	1	Stop, Servo	
907	7007485	1	Spring	
908	7021221	1	Screw	
909	7007487	1	Guide, Spring	
910	7007488	1	Ring, Retaining	
911	7021222	1	Nut	
916	See Note	NSS	Ring, Piston (Note: Use Item 1525A or 1525B)	
918	See Note	NSS	O-Ring (Note: Use Item 1525A or 1525B)	
919	7021206	1	Nut	
920	7021223	10	Screw	
1001	7007472	1	Valve, Bypass	
1002	See Note	NSS	Ring, Back-up (Note: Use Item 1525A)	
1003	See Note	NSS	O-Ring (Note: Use Item 1525A)	
1103	7010122	1	SCR Kit (Includes Items 166, 106 & 165)	
1104	7010122	1	SCR Kit (Includes Items 166, 106 & 165)	
1201	7007474	1	Control, Dual Oil-Filled	
1201	7007496	1	Coil Assembly (Pilot)	
1201	7007497	1	Plug (Pump)	
1201	7007498	1	Plug (Valve Harness)	
1201A	7024828	1	Gasket, Cover	
1203	7007478	2	Screw	
1204	7001498	2	Screw	
1220	See Note	NSS	O-Ring (Note: Use Item 1525A)	
1401	7007475	1	Plug, Orifice/Screen (.156)	
1403	7021226	1	Plug, Orifice	
1404	7021226	1	Plug, Orifice	
1502	7007453	3	Screw	
1503	7021227	1	Adapter, Flange	
1508	7021228	1	O-Ring	
1509	7021229	1	Plate, Cover	
1510	7021230	2	Screw	
1511	7021231	1	O-Ring	
1525		Ref	Seal Kit Options:	
1525A	7021232	1	Seal Kit, Complete (Includes Items 103, 106, 114, 137, 141, 142, 168, 301, 304, 805, 916, 918, 1002, 1003 & 1220)	
1525B	7007412	1	Seal Kit, Servo Piston (Includes Items 916 & 918)	
1526	7010116	1	Cylinder Block Kit (Includes Items 119-128 & 160)	
	3600400	Ref	<b>PISTON PUMP AND FITTING ASSEMBLY</b>	C
2001	2220374	2	Fitting, Straight	
2002	2220451	1	Fitting, Straight	
2003	2220479	1	Fitting, Straight	

## SECTION 2 - TURNTABLE

ITEM	PART NUMBER	QTY	DESCRIPTION	REV
2004	2220582	1	Fitting, Straight Only (SN 0300069000 through 0300084618)	
2005	2220646	1	Fitting, Elbow	
2006		Ref	Fitting, Reducer Options:	
2006	2220811	1	Fitting, Reducer (Uses 1 Fitting) (SN 0300069000 through 0300138513)	
2006	2220221	1	Fitting, Reducer (Requires Both Fittings) (SN 0300138514 through 0300140000)	
2006	2220582	1	Fitting, Reducer (Requires Both Fittings) (SN 0300138514 through 0300140000)	
2007	3600295	1	Pump Assembly (Includes Items 1-1511)	

# SECTION 2 - TURNTABLE

## FIGURE 2-18. TANK INSTALLATIONS





**SECTION 2 - TURNTABLE**

**FIGURE 2-18. TANK INSTALLATIONS**

ITEM	PART NUMBER	QTY	DESCRIPTION	REV
		Ref	<b>TANKS INSTALLATION OPTIONS:</b>	
	0258382	Ref	<b>Diesel Non-UL Spec</b>	E
	0270396	Ref	<b>Gas Non-UL Spec Machines (SN 0300069000 through 0300140000)</b>	I
	0272738	Ref	<b>Gas UL Spec Machines (SN 0300069915 through 0300077500)</b>	A
	0274197	Ref	<b>LPS -UL Spec Machines (SN 0300079153 through 0300077500)</b>	A
		Ref	<b>Note: LPS - UL Spec Machines Use Only Items 1, 2, 4 &amp; 9-13</b>	
1		Ref	Tray Weldment Options:	
1	4845928	1	Tray Weldment (SN 0300069000 through 0300118452)	
1	1001091928	1	Tray Weldment (SN 0300118453 through 0300140000)	
2		Ref	Hydraulic Tank Assembly Options:	
2		Ref	See Items 101-106 for Breakdown	
2	4400410	1	Non-UL Spec Machines (SN 0300069000 through 0300071310)	
2	4400410	1	UL Spec Machines	
2		Ref	See Items 201-208 for Breakdown	
2	4400452	1	Non-UL Spec Machines (SN 0300071311 through 0300140000)	
3		Ref	Tank, Fuel (Includes Non-Locking Cap)	
3	4400400	1	Diesel	
3	4400400	1	Gas Non-UL Spec (SN 0300069000 through 0300109493)	
3	1001091562	NLA	Gas Non-UL Spec (Use p/n 1001117052) (SN 0300109494 through 0300140074)	
3	1001111514	1	Gas Non-UL Spec (SN 0300140075 through 0300140000)	
3	4400407	1	Gas UL Spec Only	
3A		Ref	Fitting and Pick-up Tube Options:	
3A	7019658	1	4400400 Tank	
3A	70004184	1	1001091562 Tank	
3A	70004149	1	1001111514 Tank	
3A	Not Required	0	4400407 Tank	
4	4240112	4	Strap, Tank (ANSI Spec Machines) (SN 0300069000 through 0300071310)	
4	4240112	4	Strap, Tank (UL Machines)	
5	4240113	AR	Strap, Tank	
6	4360436	1	Switch, Fuel Level	
7	2200222	1	Fitting	
8	4280295	25 in /44cm	Strip, Protective	
9	4420038	70 in /1.78m	Tape, Rubber	
10	0641614	6	Bolt 3/8in-16NC x 1-3/4in	
11	3311601	AR	Nut 3/8in-16NC	
12	4751600	AR	Flatwasher 3/8in	
13	0100011	AR	Compound, Locking	
14	0100079	AR	Sealant	
15	0641607	4	Bolt 3/8in-16NC x 7/8in (SN 0300071311 through 0300140000)	
16	4751800	AR	Flatwasher 1/2in	
17	0641818	AR	Bolt 1/2in-13NC x 2-1/4in	
		Ref	<b>Note: Items 19-31 Used on Gas Machines Only</b>	
19	0100062	AR	Retaining Compound (SN 0300069000 through 0300073747)	
20	4568119	1	Tube, Fuel	

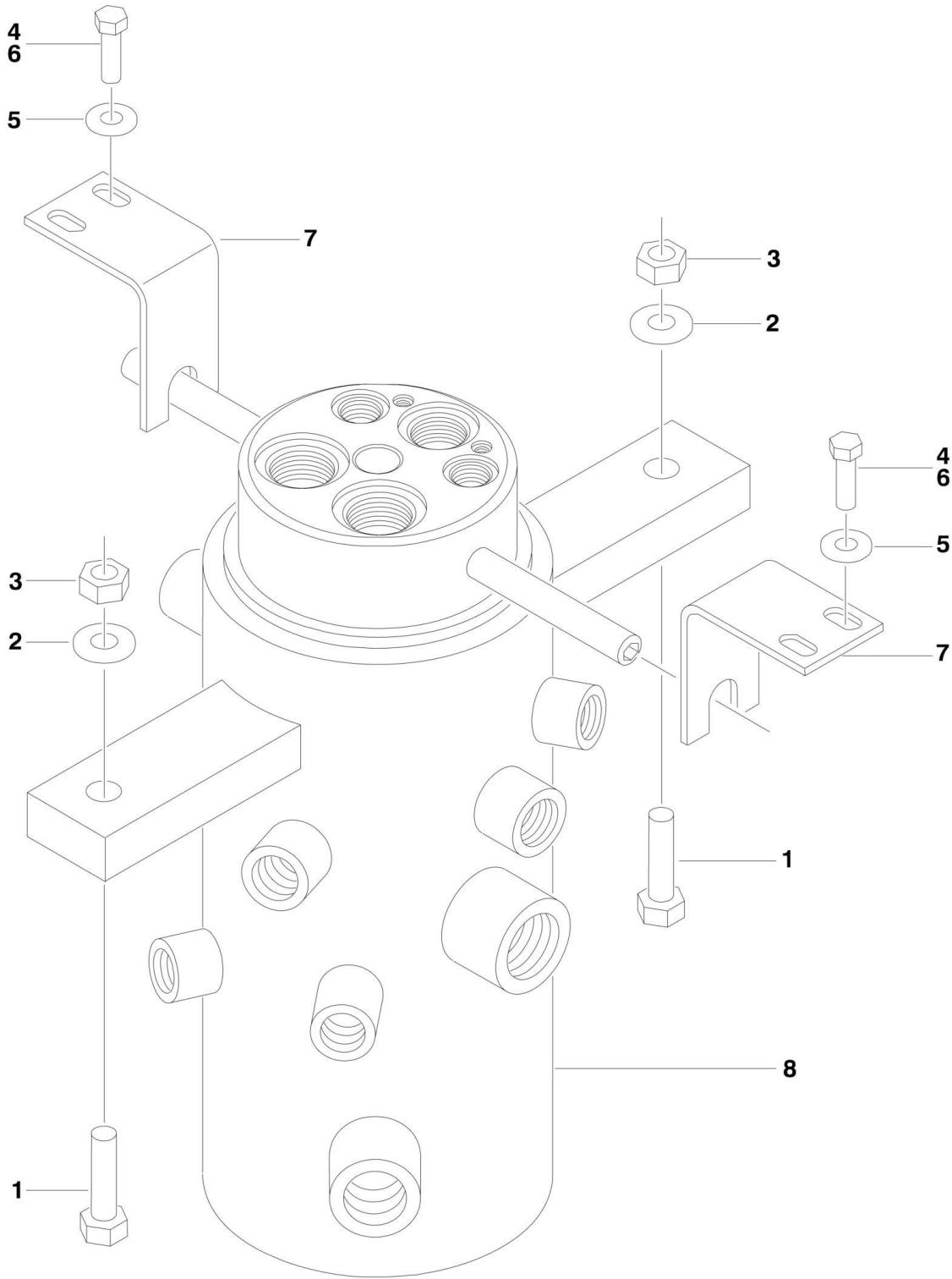
## SECTION 2 - TURNTABLE

ITEM	PART NUMBER	QTY	DESCRIPTION	REV
21	1320223	1	Clamp	
22	3572423	1	Plate, Valve, Needle	
23	0641508	AR	Bolt 5/16in-18NC x 1in	
24	4711500	AR	Flatwasher 5/16in	
25	3311505	AR	Locknut 5/16in-18NC	
26	3576755	1	Cover, Fuel Pump	
27	2221270	1	Fitting, Brass	
28	2200233	1	Plug	
29	4641022	1	Valve, Needle	
30	4568118	1	Tube, Fuel	
31	0100020	AR	Sealant, Pipe	
	4400410	Ref	<b>HYDRAULIC TANK ASSEMBLY</b>	G
101	7014818	1	Strainer 1-1/2inNPT	
102	7014802	1	Gauge, Sight	
103	7014810	1	Neck, Fill	
103	7014816	1	Screen	
104	7014817	1	Breather/Fill Cap	
105	7014813	1	Plug, Magnetic	
106	7014801	1	Strainer 1-1/4inNPT	
	4400452	Ref	<b>HYDRAULIC TANK ASSEMBLY</b>	E
201	7024481	1	Strainer 1-1/2inNPT	
202	7024441	1	Gauge, Sight	
203	7024443	1	Neck, Fill	
203	7024445	1	Screen	
204	7024444	1	Breather/Fill Cap	
205	7024446	1	Plug, Magnetic	
206	7024442	1	Strainer 1-1/4in NPT	
207	7024439	1	Cover	
208	7024440	1	Gasket	
		Ref	<b>FUEL TANK CAP INSTALLATION</b>	
301		Ref	Cap Options:	
301		Ref	Standard Non-Locking Options (Part of Item 3):	
301	7016314	1	Diesel Machines	
301	7016314	1	Gas Machines <b>(SN 0300069000 through 0300109493)</b>	
301	70001103	1	Gas Machines with OEM Tank (Mounts with Item 5 Strap) <b>(SN 0300109494 through 0300140000)</b>	
301	70002716	1	Gas Machines with Service Replacement Tank (Mounts with Item 18 Bracket) <b>(SN 0300109494 through 0300140000)</b>	
301	1120484	1	Optional Lockable (Gas Machines)	
301	1120487	1	Optional Lockable (Diesel Machines)	
301	1120367	1	Protectoseal (UL Spec Machines - Gas Machines)	



## SECTION 2 - TURNTABLE

FIGURE 2-19. ROTARY COUPLING INSTALLATION (SN 0300069000 through 0300083331)



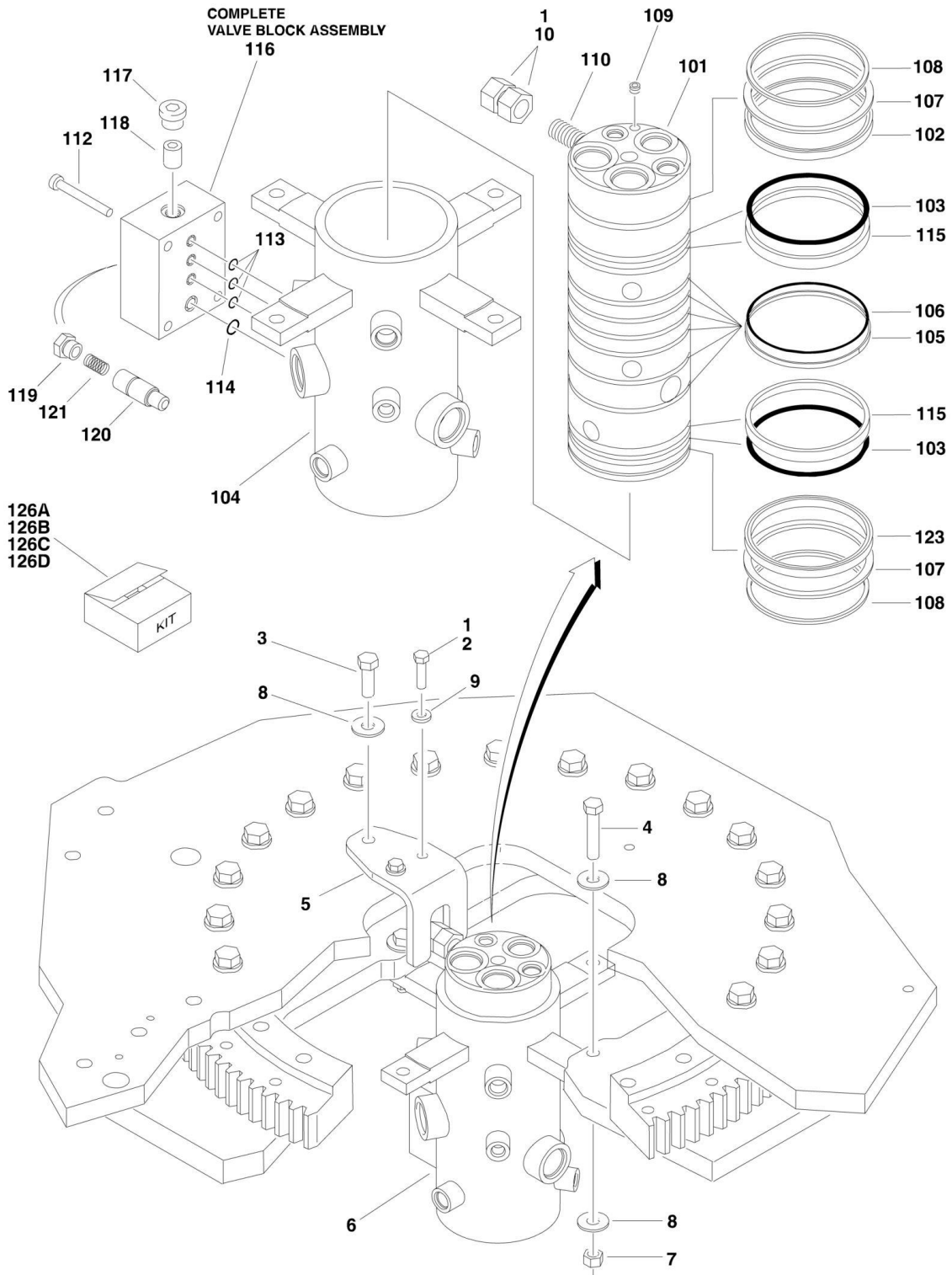
**SECTION 2 - TURNTABLE**

**FIGURE 2-19. ROTARY COUPLING INSTALLATION (SN 0300069000 through 0300083331)**

ITEM	PART NUMBER	QTY	DESCRIPTION	REV
		Ref	<b>ROTARY COUPLING INSTALLATION (SN 0300069000 through 0300083331)</b>	
	0272354	Ref	<b>Rotary Coupling Installation 2WS</b>	A
	0272355	Ref	<b>Rotary Coupling Installation 4WS</b>	A
1	0641820	2	Bolt 1/2in-13NC x 2-1/2in	
2	4751800	4	Flatwasher 1/2in	
3	3311805	2	Locknut 1/2in-13NC	
4	0641611	4	Bolt 3/8in-16NC x 1-3/8in	
5	4751600	4	Flatwasher 3/8in	
6	0100011	AR	Compound, Locking	
7	0902846	2	Bracket	
8		Ref	Coupling, Rotary Options:	
8		Ref	2WS Coupling Options:	
8	1660219	1	New OEM Replacement (2WS)	
8	7013187	1	Seal Kit - 1660219 Coupling (2WS)	
8	1660219RR	1	Rebuilt Replacement (2WS)	
8		Ref	<b>(Note: Contact JLG Parts Dept for information)</b>	
8		Ref	4WS Coupling Options:	
8	1660223	1	New OEM Replacement (4WS)	
8	7016342	1	Seal Kit - 1660223 Coupling (4WS)	
8	1660223RR	1	Rebuilt Replacement (4WS)	
		Ref	<b>(Note: Contact JLG Parts Dept for information)</b>	

# SECTION 2 - TURNTABLE

## FIGURE 2-20. ROTARY COUPLING INSTALLATION (SN 0300083332 through 0300137974)



**SECTION 2 - TURNTABLE**

**FIGURE 2-20. ROTARY COUPLING INSTALLATION (SN 0300083332 through 0300137974)**

ITEM	PART NUMBER	QTY	DESCRIPTION	REV
		Ref	<b>ROTARY COUPLING INSTALLATION</b>	
	0273393	Ref	<b>Rotary Coupling Installation 2WS</b>	C
	0273402	Ref	<b>Rotary Coupling Installation 4WS</b>	C
1	0100011	AR	Compound, Locking	
2	0641611	2	Bolt 3/8in-16NC x 1-3/8in	
3	0641812	1	Bolt 1/2in-13NC x 1-1/2in	
4	0641820	2	Bolt 1/2in-13NC x 2-1/2in	
5	0903056	1	Bracket	
6		Ref	Coupling, Rotary Options:	
6		Ref	2WS Coupling Options:	
6	1660257	NLA	New OEM Replacement (2WS) (Use p/n 1660303) (See Items 101-121 for Breakdown) <b>(SN 0300083332 through 0300114016)</b>	
6	1660257RR	1	Rebuilt Replacement (2WS) (Note: Contact JLG Parts Dept for information to Purchase.) <b>(SN 0300083332 through 0300114016)</b>	
6	1660303	1	New OEM Replacement (2WS) (See Items 101-121 for Breakdown) <b>(SN 0300114017 through 0300137975)</b>	
6	1660303RR	1	Rebuilt Replacement (2WS) (Note: Contact JLG Parts Dept for information to Purchase.) <b>(SN 0300114017 through 0300137975)</b>	
6		Ref	4WS Coupling Options:	
6	1660258	NLA	New OEM Replacement (4WS) (Use p/n 1660304) (See Items 101-121 for Breakdown) <b>(SN 0300083332 through 0300114016)</b>	
6	1660258RR	1	Rebuilt Replacement (4WS) (Note: Contact JLG Parts Dept for information to Purchase.) <b>(SN 0300083332 through 0300114016)</b>	
6	1660304	1	New OEM Replacement (4WS) (See Items 101-121 for Breakdown) <b>(SN 0300114017 through 0300137975)</b>	
6	1660304RR	1	Rebuilt Replacement (4WS) (Note: Contact JLG Parts Dept for information to Purchase.) <b>(SN 0300114017 through 0300137975)</b>	
7	3271805	2	Locknut 1/2in-13NC	
8	4751800	5	Flatwasher 1/2in	
9	4891600	4	Flatwasher 3/8in Hardened	
10	3322201	2	Locknut 3/4in x 16NF	
		Ref	<b>ROTARY COUPLING ASSEMBLY</b>	
	1660257	Ref	<b>Rotary Coupling Assembly 2WS (SN 0300083332 through 0300114016)</b>	D
	1660303	Ref	<b>Rotary Coupling Assembly 2WS (SN 03000300114017 through 0300137975)</b>	B
	1660258	Ref	<b>Rotary Coupling Assembly 4WS (SN 0300083332 through 0300114016)</b>	D
	1660304	Ref	<b>Rotary Coupling Assembly 4WS (SN 0300114017 through 0300137975)</b>	B
101	See Note	1	Body (Note: Not Available - Purchase Complete Assembly)	
102		Ref	Seal Options:	
102	7026189	1	Seal 2WS <b>(SN 0300083332 through 0300114016)</b>	
102	70001248	1	Seal 2WS <b>(SN 0300114017 through 0300137975)</b>	
102	See Note	NSS	Seal 4WS (Note: Use Item 126B or 126D) <b>(SN 0300083332 through 0300137975)</b>	
103	See Note	NSS	O-Ring/Seal (Note: Use Item 126A, 126B, 126C or 126D)	
104	See Note	NSS	Housing (Note: Not Available - Purchase Complete Assembly)	

## SECTION 2 - TURNTABLE

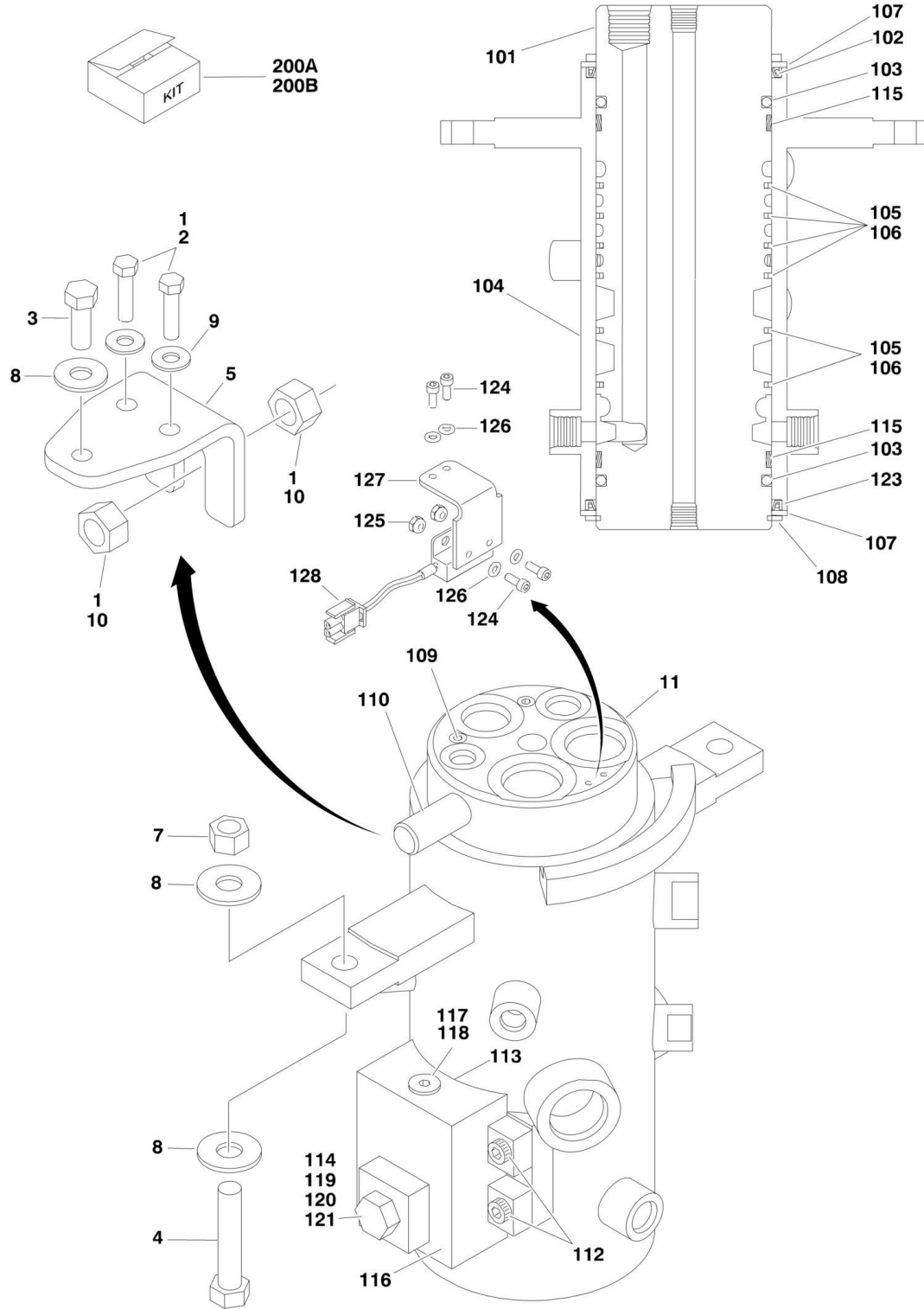
ITEM	PART NUMBER	QTY	DESCRIPTION	REV
105	See Note	NSS	Seal, Cap (Note: Use Item 126A, 126B, 126C or 126D)	
106	See Note	NSS	O-Ring (Note: Use Item 126A, 126B, 126C or 126D)	
107		Ref	Ring Options:	
107	7026503	2	Ring 2WS	
107	7026511	2	Ring 4WS	
108		Ref	Ring, Retaining	
108	7026504	2	Ring, Retaining 2WS	
108	7013189	2	Ring, Retaining 4WS	
109		Ref	Plug Options:	
109	See Note	NSS	Plug 2WS (Note: Not Available - Purchase Locally) <b>(SN 0300083332 through 0300114016)</b>	
109	See Note	NSS	Plug 4WS (Note: Not Available - Purchase Locally) <b>(SN 0300083332 through 0300114016)</b>	
109	80934561	2	Plug 2WS <b>(SN 0300114017 through 0300137975)</b>	
109	80934561	4	Plug 4WS <b>(SN 0300114017 through 0300137975)</b>	
110	See Note	1	Lug, Torque (Note: Not Available for Purchase)	
112	7026197	4	Capscrew	
113	See Note	NSS	O-Ring (Note: Use Item 126A, 126B, 126C or 126D)	
114	See Note	NSS	O-Ring (Note: Use Item 126A, 126B, 126C or 126D)	
115	See Note	NSS	Bearing (Note: Use Item 126A, 126B, 126C or 126D)	
116	7024404	1	Block Valve Assembly	
117	7026505	1	Plug	
118	7026506	1	Valve, Check	
119	7026507	1	Plug	
120		Ref	Plunger, Valve	
120	7026508	1	Plunger, Valve <b>(SN 0300083332 through 0300114016)</b>	
120	See Note	NSS	Plunger, Valve (Note: Use Item 116) <b>(SN 0300114017 through 0300137975)</b>	
121	7026509	1	Spring	
122	See Note	AR	Protective Netting (Not Shown) (Rotary Coupling p/n 1660303 & p/n 1660304) (Note: Not available for purchase)	
123		Ref	Seal Options:	
123	7026189	1	Seal 2WS <b>(SN 0300083332 through 0300114016)</b>	
123	7026512	1	Seal 4WS <b>(SN 0300083332 through 0300114016)</b>	
123	See Note	NSS	Seal 2WS/4WS (Note: Use Item 126C or 126D) <b>(SN 0300114017 through 0300137975)</b>	
126		Ref	Seal Kit Options:	
126		Ref	Seal Kit <b>(SN 0300083332 through 0300114016)</b>	
126A	7026510	1	Seal Kit 2WS (Includes Items 103, 105, 106, 113, 114 & 115)	
126B	7026512	1	Seal Kit 4WS (Includes Items 102, 103, 105, 106, 113, 114, 115 & 123)	
126B		Ref	Seal Kit (Includes Items 102, 103, 105, 106, 113, 114, 115 & 123) <b>(SN 0300114017 through 0300137975)</b>	
126C	70001248	1	Seal Kit 2WS	
126D	70001249	1	Seal Kit 4WS	





# SECTION 2 - TURNTABLE

FIGURE 2-21. ROTARY COUPLING INSTALLATION (SN 0300137975 through 0300140000)



**SECTION 2 - TURNTABLE**

**FIGURE 2-21. ROTARY COUPLING INSTALLATION (SN 0300137975 through 0300140000)**

ITEM	PART NUMBER	QTY	DESCRIPTION	REV
		Ref	<b>ROTARY COUPLING INSTALLATION</b>	
	1001107529	Ref	<b>Rotary Coupling Installation 2WS</b>	A
	1001107530	Ref	<b>Rotary Coupling Installation 4WS</b>	A
1	0100011	AR	Compound, Locking	
2	0641611	2	Bolt 3/8in-16NC x 1-3/8in	
3	0641812	1	Bolt 1/2in-13NC x 1-1/2in	
4	0641820	2	Bolt 1/2in-13NC x 2-1/2in	
5	0903056	1	Bracket	
7	3271805	2	Locknut 1/2in-13NC	
8	4751800	5	Flatwasher 1/2in	
9	4891600	2	Flatwasher 3/8in Hardened	
10	3322201	2	Locknut 3/4in x 16NF	
11		Ref	Coupling, Rotary Options (See Items 101-128 for Breakdown):	
11	1001106974	1	Coupling, Rotary 2WS	
11	1001106975	1	Coupling, Rotary 4WS	
		Ref	<b>ROTARY COUPLING ASSEMBLY</b>	
	1001106974	Ref	<b>Rotary Coupling Assembly 2WS</b>	B
	1001106975	Ref	<b>Rotary Coupling Assembly 4WS</b>	B
101	See Note	1	Body (Note: Not Available - Purchase Complete Assembly)	
102		Ref	Seal Options:	
102	70001248	1	Seal 2WS	
102	70002212	1	Seal 4WS	
103	See Note	NSS	O-Ring (Note: Use Item 200A or 200B)	
104	See Note	NSS	Housing (Note: Purchase Complete Assembly)	
105		Ref	Seal, Cap	
105	70001248	6	Seal, Cap 2WS	
105	70002212	9	Seal, Cap 4WS	
106		Ref	O-RING	
106	70001248	6	O-Ring 2WS	
106	70002212	9	O-Ring 4WS	
107		Ref	Ring Options:	
107	7026503	2	Ring 2WS	
107	7026511	2	Ring 4WS	
108		Ref	Ring, Retaining Options:	
108	7026504	1	Ring, Retaining 2WS	
108	7013189	1	Ring, Retaining 4WS	
109		Ref	Plug Options:	
109	80934561	2	Plug 2WS	
109	80934561	4	Plug 4WS	
110	See Note	1	Lug, Torque (Note: Not Available for Purchase)	
112	7026197	4	Bolt 5/16in-18NC x 1-1/4in	
113	See Note	NSS	O-Ring (Note: Use Item 200A or 200B)	
114	See Note	NSS	O-Ring (Note: Use Item 200A or 200B)	
115	See Note	NSS	Bearing (Note: Use Item 200A or 200B)	
116	7024404	1	Block Valve Assembly	
117	7026505	1	Plug	
118	7026506	1	Valve, Check	
119	7026507	1	Plug	
120	See Note	NSS	Plunger, Valve (Note: Use Item 7024404)	
121	7026509	1	Spring, Compression	

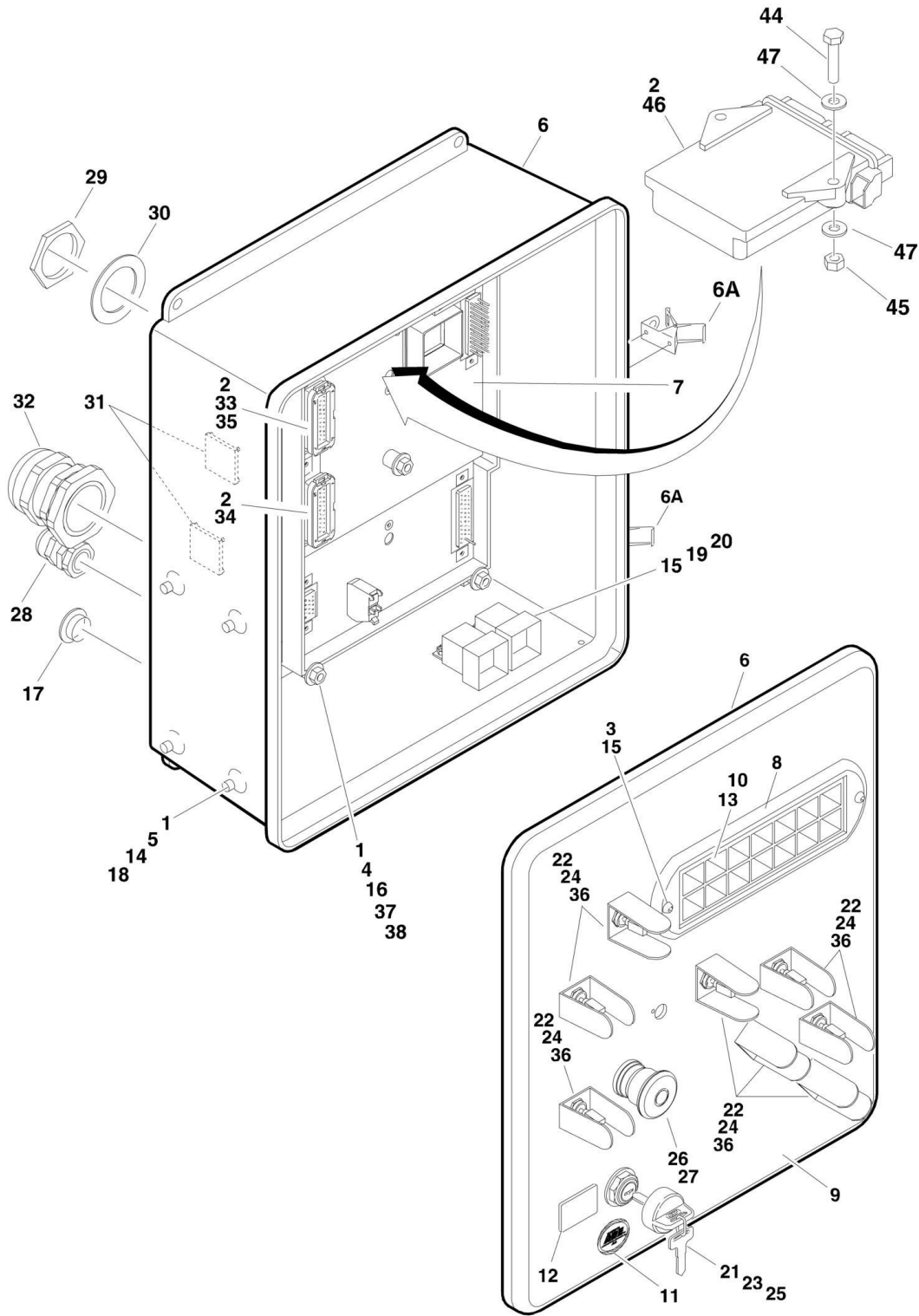
## SECTION 2 - TURNTABLE

ITEM	PART NUMBER	QTY	DESCRIPTION	REV
122	See Note	AR	Protective Netting (Not Shown) (Note: Not Available for Purchase)	
123		Ref	Seal Options:	
123	70001248	1	Seal 2WS	
123	70002212	1	Seal 4WS	
124	See Note	4	Screw, Socket Head #10-24NC x 1/2in (Note: Not Available for Purchase)	
125	See Note	2	Locknut #10-24NC (Note: Not Available for Purchase)	
126	See Note	4	Flatwasher #10 (Note: Not Available for Purchase)	
127	70003454	1	Bracket, Switch Mounting	
128	4360517	1	Switch, Proximity	
200		Ref	Seal Kit Options:	
200A	70001248	1	Seal Kit 2WS (Includes Items 102, 103, 105, 106, 113, 114, 115 & 123)	
200B	70002212	1	Seal Kit 4WS (Includes Items 102, 103, 105, 106, 113, 114, 115 & 123)	



# SECTION 2 - TURNTABLE

## FIGURE 2-22. GROUND CONTROL BOX ASSEMBLY (WITHOUT UGM)



**SECTION 2 - TURNTABLE**

**FIGURE 2-22. GROUND CONTROL BOX ASSEMBLY (WITHOUT UGM)**

ITEM	PART NUMBER	QTY	DESCRIPTION	REV
		Ref	<b>GROUND CONTROL BOX ASSEMBLIES</b>	
		Ref	<b>Caterpillar Engine Options:</b>	
	0861621	Ref	<b>Caterpillar Engine 800A (SN 0300069000 through 0300087265)</b>	C
	0861760	Ref	<b>Caterpillar Engine 800A (SN 0300087266 through 0300099883)</b>	B
	0861622	Ref	<b>Caterpillar Engine 800AJ (SN 0300069000 through 0300087265)</b>	C
	0861759	Ref	<b>Caterpillar Engine 800AJ (SN 0300087266 through 0300099883)</b>	B
	1810091	Ref	<b>Caterpillar Engine 800A (SN 0300099884 through 0300140000)</b>	D
	1810096	Ref	<b>Caterpillar Engine 800AJ (SN 0300099884 through 0300140000)</b>	D
		Ref	<b>Deutz Engine Options:</b>	
	0861502	Ref	<b>Deutz Engine 800A (SN 0300069000 through 0300085330)</b>	I
	0861712	Ref	<b>Deutz Engine 800A (SN 0300085331 through 0300099883)</b>	B
	0861503	Ref	<b>Deutz Engine 800AJ (SN 0300069000 through 0300085330)</b>	I
	0861713	Ref	<b>Deutz Engine 800AJ (SN 0300085331 through 0300099883)</b>	B
	1810089	Ref	<b>Deutz Engine 800A (SN 0300099884 through 0300129455)</b>	C
	1001102236	Ref	<b>Deutz Engine 800A (SN 0300129456 through 0300140000)</b>	C
	1810094	Ref	<b>Deutz Engine 800AJ (SN 0300099884 through 0300129455)</b>	C
	1001102237	Ref	<b>Deutz Engine 800AJ (SN 0300129456 through 0300140000)</b>	C
		Ref	<b>Ford Engine Options:</b>	
	0861500	Ref	<b>Ford Engine 800A (SN 0300069000 through 0300087265)</b>	I
	0861762	Ref	<b>Ford Engine 800A (SN 0300087266 through 0300099883)</b>	B
	0861501	Ref	<b>Ford Engine 800AJ (SN 0300069000 through 0300087265)</b>	I
	0861761	Ref	<b>Ford Engine 800AJ (SN 0300087266 through 0300099883)</b>	B
		Ref	<b>Ford Engine - UL Machines Options:</b>	
	0861585	Ref	<b>Ford Engine - UL Machines 800A (SN 0300069000 through 0300087265)</b>	B
	0861584	Ref	<b>Ford Engine - UL Machines 800AJ (SN 0300069000 through 0300087265)</b>	B
		Ref	<b>GM Engine Options:</b>	
	0861790	Ref	<b>GM Engine 800A (SN 0300069000 through 0300099883)</b>	B
	0861791	Ref	<b>GM Engine 800AJ (SN 0300069000 through 0300099883)</b>	B
	1810088	Ref	<b>GM Engine 800A (SN 0300099884 through 0300140000)</b>	C
	1810093	Ref	<b>GM Engine 800AJ (SN 0300099884 through 0300140000)</b>	C
1	0100011	AR	Compound, Locking	
2	0100048	AR	Grease, Dielectric	
3	0630518	2	Capscrew, Button Head	
4	0630548	5	Bolt, 2-1/2in Tap	
5	0641506	4	Bolt 5/16in-18NC x 3/4in	
6		Ref	<b>Box, Fiberglass Options:</b>	
6	0861407	1	<b>Box, Fiberglass (SN 0300069000 through 0300112884)</b>	
6	1001097164	1	<b>Box, Fiberglass (SN 0300112885 through 0300140000)</b>	
6A	7020246	2	Latch	
7		Ref	<b>Module, Ground Control Options:</b>	
		Ref	Note: Recalibration Required When Replaced.	
7	1600327	NLA	<b>Module, Ground Control (Use p/n 2915014) (SN 0300069000 through 0300077250)</b>	
7	1600364	1	<b>Module, Ground Control (SN 0300077251 through</b>	

## SECTION 2 - TURNTABLE

ITEM	PART NUMBER	QTY	DESCRIPTION	REV
7	1600364	1	<b>0300085330</b> Module, Ground Control (Caterpillar and Ford Engines) (SN <b>0300085331 through 0300099883</b> )	
7	1600411	1	Module, Ground Control (Caterpillar Engines) (SN <b>0300099884 through 0300140000</b> )	
7	1600411	1	Module, Ground Control (Deutz and GM Engines) (SN <b>0300085331 through 0300140000</b> )	
8	1670829	1	Bezel	
9		Ref	Decal - Faceplate Options:	
9	1703467	1	Decal - Faceplate 800A (SN <b>0300069000 through 0300099883</b> )	
9	1706912	1	Decal - Faceplate 800A (SN <b>0300099884 through 0300135086</b> )	
9	1001102599	1	Decal - Faceplate 800A (SN <b>0300135087 through 0300140000</b> )	
9	1703468	1	Decal - Faceplate 800AJ (SN <b>0300069000 through 0300099883</b> )	
9	1706913	1	Decal - Faceplate 800AJ (SN <b>0300099884 through 0300135086</b> )	
9	1001102600	1	Decal - Faceplate 800AJ (SN <b>0300135087 through 0300140000</b> )	
10		Ref	Decal - Ground Control Display Options:	
10	1704833	1	Caterpillar and Ford Engine Machines (SN <b>0300069000 through 0300087265</b> )	
10	1705753	1	Caterpillar and Ford Engine Machines (SN <b>0300087266 through 0300099883</b> )	
10	1704833	1	Deutz Engine Machines (SN <b>0300069000 through 0300085330</b> )	
10	1705753	1	Deutz and GM Engine Machines (SN <b>0300085331 through 0300099883</b> )	
10	1706712	1	Caterpillar, Deutz and GM Engine Machines (SN <b>0300099884 through 0300140000</b> )	
11	1705132	1	Decal - Control ADE (SN <b>0300069000 through 0300099883</b> )	
12	2420172	1	Gauge, Hourmeter	
13	2760105	1	Housing, Display Light	
14	3300205	4	Nut, Retainer	
15	3300408	AR	Locknut, Plastic Insert	
16	3311401	10	Nut 1/4in-20NC	
17	3520035	1	Plug, Cap	
18	3539219	1	Plate, Reinforcement	
19	3740049	Ref	Relay Options:	
19	3740049	3	Caterpillar Engine Machines	
19	3740049	2	Deutz, Ford and GM Engine Machines	
20	3900268	2	Screw, Flange #10 x 1/2in	
21	3910804	6	Screw #8-32NC x 1/4in	
22	4060906	Ref	Shield, Toggle Switch	
22		Ref	Shield, Toggle Switch 800A	
22	4060906	8	Shield, Toggle Switch (SN <b>0300069000 through 0300135086</b> )	
22	4060906	1	Shield, Toggle Switch (SN <b>0300135087 through 0300140000</b> )	
22		Ref	Shield, Toggle Switch 800AJ	
22	4060906	9	Shield, Toggle Switch (SN <b>0300069000 through 0300135087</b> )	
22	4060906	1	Shield, Toggle Switch (SN <b>0300135088 through</b>	



## SECTION 2 - TURNTABLE

ITEM	PART NUMBER	QTY	DESCRIPTION	REV
			<b>0300140000)</b>	
23	4070987	1	Shim (.015in)	
24	4360328	Ref	Switch, Toggle	
24	4360328	8	Switch, Toggle 800A	
24	4360328	9	Switch, Toggle 800AJ	
25	4360469	1	Switch, Key	
25	2860030	1	Key Replacement	
26	4360475	1	Switch, Emergency Stop	
26	7020175	1	Cap, Mushroom	
26	7020176	1	Block, Contact	
27	4360476	1	Switch, Contact Block	
28	4460426	1	Connector, Strain Relief	
29	4460470	1	Nut, Terminal	
30	4460471	1	Lockwasher, Terminal	
31	4460488	AR	Mounting Base, Terminal	
32	4460526	1	Connector, Strain Relief	
33	4460874	1	Connector, Natural	
34	4460875	1	Connector, Gray	
35	4460905	AR	Connector, Amp Seal	
36	4740444	AR	Washer, Special	
37	4751400	20	Flatwasher 1/4in	
38	4761400	15	Lockwasher 1/4in	
39	4922557	1	Harness, Valve (Not Shown - See ELECTRICAL SECTION for Breakdown)	
40	4922666	1	Harness, Analyzer Cable (Not Shown - See ELECTRICAL SECTION for Breakdown Only) <b>(SN 0300069000 through 0300085331)</b>	
41		Ref	Harness, Ground Control Box Options (Not Shown - See ELECTRICAL SECTION for Breakdown):	
41	4922675	1	Caterpillar and Ford Engine Machines <b>(SN 0300069000 through 0300087265)</b>	
41	4923282	1	Caterpillar and Ford Engine Machines <b>(SN 0300087266 through 0300099883)</b>	
41	4922675	1	Deutz Engine Machines <b>(SN 0300069000 through 0300085330)</b>	
41	4923223	1	Deutz and GM Engine Machines <b>(SN 0300085331 through 0300099883)</b>	
41	4923575	1	Caterpillar, Deutz and GM Engine Machines <b>(SN 0300099884 through 0300112884)</b>	
41	1001096458	1	Caterpillar, Deutz and GM Engine Machines <b>(SN 0300112885 through 0300140000)</b>	
42		Ref	Harness, Engine Options (Not Shown - See ELECTRICAL SECTION for Breakdown):	
42		Ref	Caterpillar Engine Machines	
42	4922933	1	Caterpillar Engine Machines <b>(SN 0300069000 through 0300087265)</b>	
42	4923280	1	Caterpillar Engine Machines <b>(SN 0300087266 through 0300099883)</b>	
42	4923585	1	Caterpillar Engine Machines <b>(SN 0300099884 through 0300140000)</b>	
42		Ref	Deutz Engine Machines	
42	4922549	1	Deutz Engine Machines <b>(SN 0300069000 through 0300085330)</b>	
42	4923238	1	Deutz Engine Machines <b>(SN 0300085331 through 0300129455)</b>	

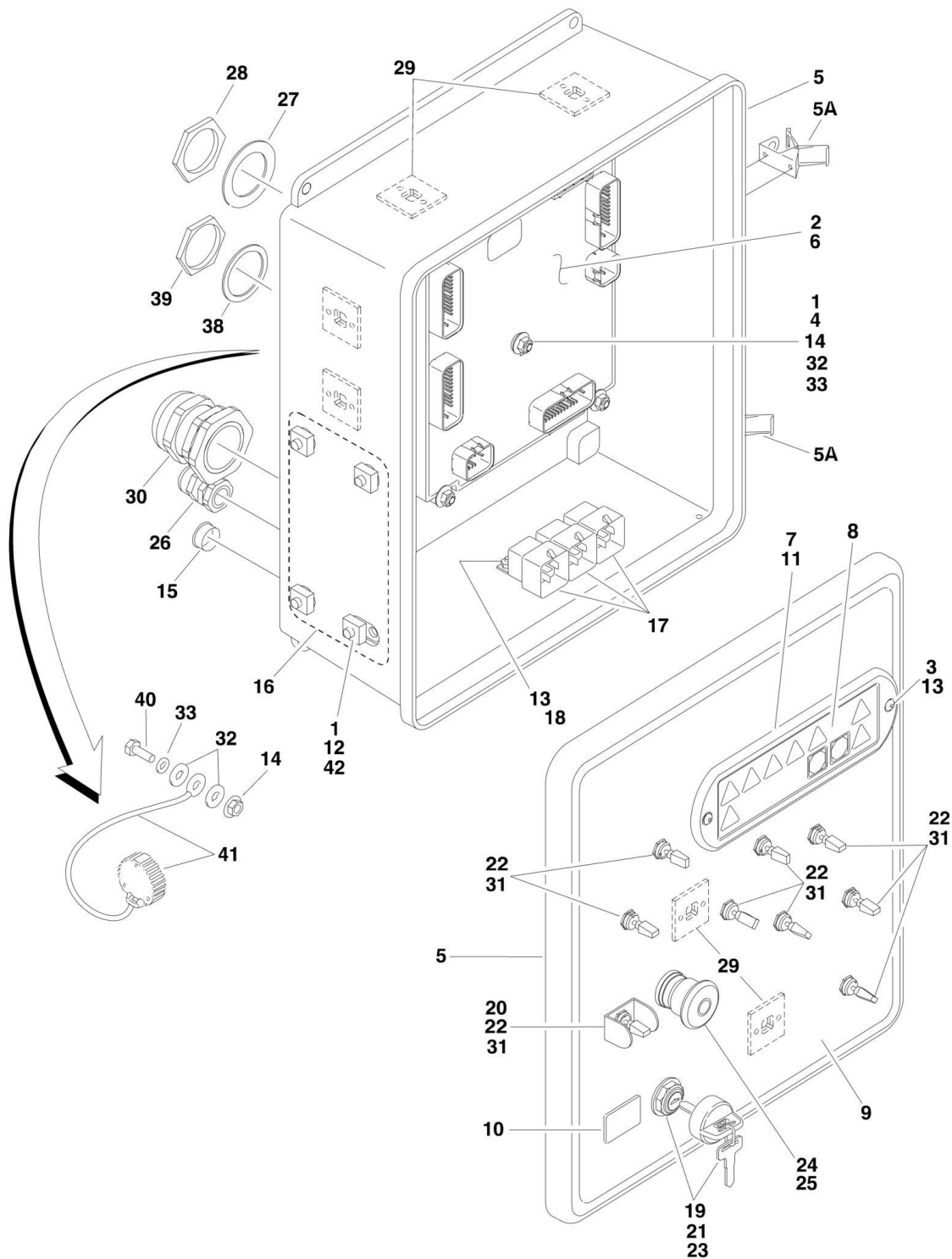
## SECTION 2 - TURNTABLE

ITEM	PART NUMBER	QTY	DESCRIPTION	REV
42	1001102150	1	Deutz Engine Machines (SN 0300129456 through 0300140000)	
42		Ref	Ford Engine Machines	
42	4922550	1	Non-U/L (SN 0300069000 through 0300087265)	
42	4922846	1	U/L Machines (SN 0300069000 through 0300087265)	
42	4923281	1	Ford Engine Machines (SN 0300087266 through 0300140000)	
42	4923499	1	GM Engine Machines	
43		Ref	Ground Control Box Wiring Diagram (Not Shown - See ELECTRICAL SECTION for Breakdown)	
43		Ref	Caterpillar Engine Machines	
43	4933296	1	Caterpillar Engine Machines (SN 0300069000 through 0300087265)	
43	4933338	1	Caterpillar Engine Machines (SN 0300087266 through 0300099883)	
43	4933373	1	Caterpillar Engine Machines (SN 0300099884 through 0300140000)	
43		Ref	Deutz Engine Machines	
43	4933232	1	Deutz Engine Machines (SN 0300069000 through 0300085330)	
43	4933321	1	Deutz Engine Machines (SN 0300085331 through 0300099883)	
43	4933372	1	Deutz Engine Machines (SN 0300099884 through 0300140000)	
43		Ref	Ford Engine Machines	
43	4933233	1	Ford Engine Machines (SN 030006900 through 0300087265)	
43	4933339	1	Ford Engine Machines (SN 0300087266 through 0300140000)	
43		Ref	GM Engine Machines	
43	4933356	1	GM Engine Machines (SN 0300069000 through 0300099883)	
43	4933371	1	GM Engine Machines (SN 0300099884 through 0300140000)	
44	0641410	2	Bolt 1/4in-20NC x 1-1/4in	
45	3311405	2	Locknut 1/4in-20NC	
46	1001094484	1	Controller, UMS Module	
47	4711400	4	Flatwasher 1/4in	



# SECTION 2 - TURNTABLE

FIGURE 2-23. GROUND CONTROL BOX ASSEMBLY (WITH UGM)



## SECTION 2 - TURNTABLE

**FIGURE 2-23. GROUND CONTROL BOX ASSEMBLY (WITH UGM)**

ITEM	PART NUMBER	QTY	DESCRIPTION	REV
		Ref	<b>GROUND CONTROL BOX ASSEMBLIES</b>	
	1001110317	Ref	<b>Ground Control Box Assemblies 800A with Caterpillar Engine</b>	B
	1001110318	Ref	<b>Ground Control Box Assemblies 800AJ with Caterpillar Engine</b>	C
	1001110313	Ref	<b>Ground Control Box Assemblies 800A with Deutz Engine</b>	B
	1001110314	Ref	<b>Ground Control Box Assemblies 800AJ with Deutz Engine</b>	B
	1001110311	Ref	<b>Ground Control Box Assemblies 800A with GM Engine</b>	A
	1001110312	Ref	<b>Ground Control Box Assemblies 800AJ with GM Engine</b>	A
1	0100011	AR	Compound, Locking	
2	0100048	AR	Grease, Dielectric	
3	0630518	2	Capscrew, Button Head	
4	0630548	5	Bolt, 2-1/2in Tap	
5	1001110199	1	Box, Fiberglass	
5A	7020246	2	Latch	
6	1001103667	1	Module, Ground Control (Note: Recalibration Required When Replaced.)	
7	1670829	1	Bezel	
8	1706712	1	Decal - Ground Control Display	
9		Ref	Decal - Faceplate Options:	
9	1001102599	1	Decal - Faceplate 800A	
9	1001102600	1	Decal - Faceplate 800AJ	
10	2420172	1	Gauge, Hourmeter	
11	2760105	1	Housing, Display Light	
12	3300205	4	Nut, Retainer	
13	3300408	AR	Locknut, Plastic Insert	
14	77143013	11	Nut 1/4in-20NC	
15	3520035	1	Plug, Cap	
16	3539219	1	Plate, Reinforcement	
17	3740049	Ref	Relay Options:	
17	3740049	3	Caterpillar Engine Machines	
17	3740049	2	Deutz and GM Engine Machines	
18	3900268	AR	Screw, Flange #10 x 1/2in	
19	3910804	6	Screw #8-32NC x 1/4in	
20	4060906	1	Shield, Toggle Switch	
21	4070987	1	Shim (.015in)	
22	4360328	Ref	Switch, Toggle	
22	4360328	8	Switch, Toggle 800A	
22	4360328	9	Switch, Toggle 800AJ	
23	4360469	1	Switch, Key	
23	2860030	1	Key Replacement	
24	4360475	1	Switch, Emergency Stop	
24	7020175	1	Cap, Mushroom	
24	7020176	1	Block, Contact	
25	4360476	1	Switch, Contact Block	
26	4460426	1	Connector, Strain Relief	
27	4460470	1	Nut, Terminal	
28	4460471	1	Lockwasher, Terminal	
29	4460488	6	Mounting Base, Terminal	
30	4460526	1	Connector, Strain Relief	
31	4740444	AR	Washer, Special	

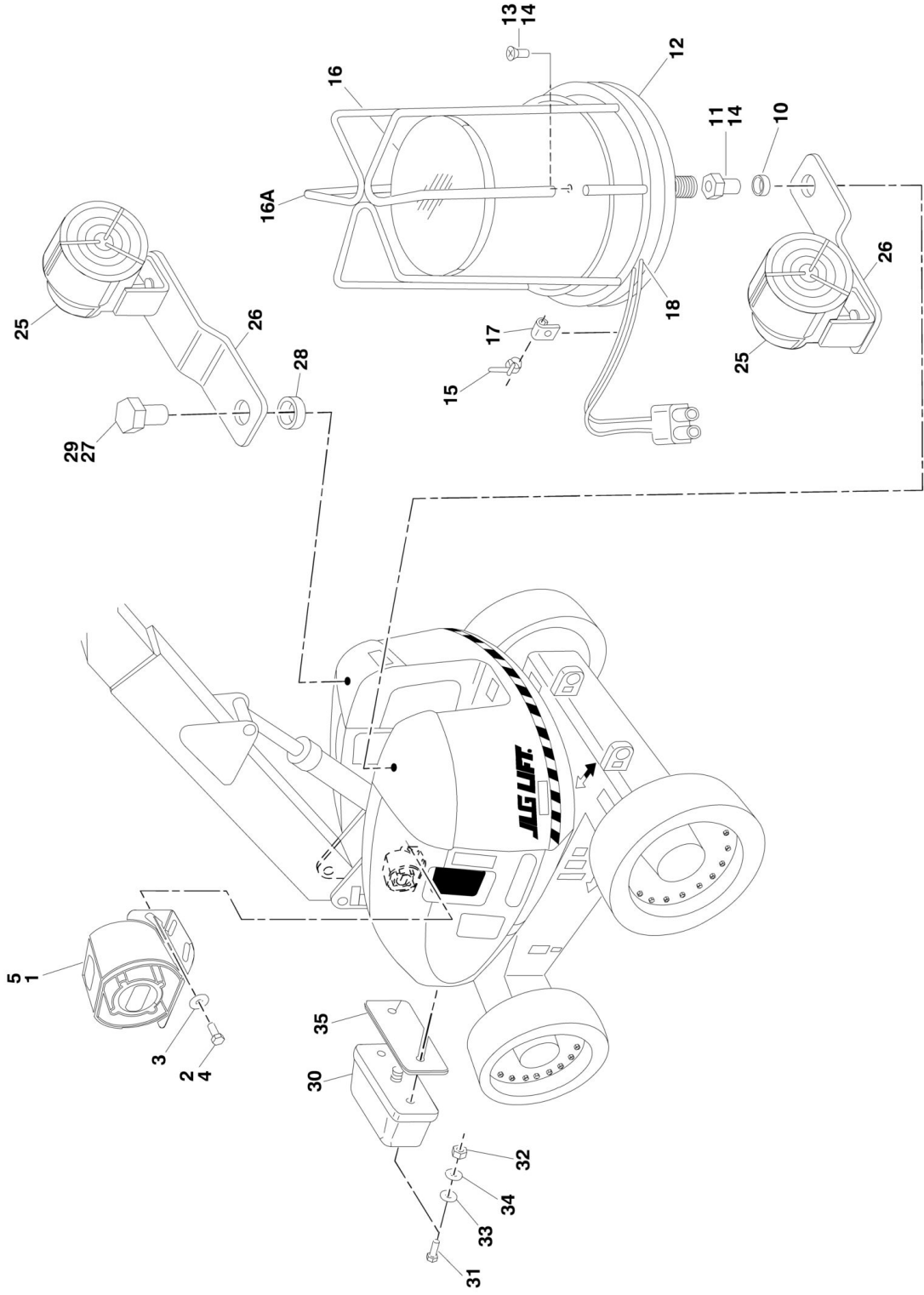
## SECTION 2 - TURNTABLE

ITEM	PART NUMBER	QTY	DESCRIPTION	REV
32	4751400	12	Flatwasher 1/4in	
33	4761400	6	Lockwasher 1/4in	
34	4922557	1	Harness, Valve (Not Shown - See ELECTRICAL SECTION for Breakdown)	
35		Ref	Harness, Engine Options (Not Shown - See ELECTRICAL SECTION for Breakdown):	
35	1001110324	1	Caterpillar Engine Machines	
35	1001110222	1	Deutz Engine Machines	
35	1001110221	1	GM Engine Machines	
36	1001110225	1	Harness, Ground Control Box Options (Not Shown - See ELECTRICAL SECTION for Breakdown)	
37		Ref	Ground Control Box Wiring Diagram (Not Shown - See ELECTRICAL SECTION for Breakdown)	
37	1001110323	1	Caterpillar Engine Machines	
37	1001110322	1	Deutz Engine Machines	
37	1001110321		GM Engine Machines	
38	4460496	1	Lockwasher, Terminal	
39	4460497	1	Nut, Terminal	
40	0641407	1	Bolt 1/4in-20NC x 7/8in	
41	1001106736	1	Cap, Dust	
42	0641506	4	Bolt 5/16in-18NC x 3/4in	



# SECTION 2 - TURNTABLE

## FIGURE 2-24. ELECTRICAL OPTIONS INSTALLATION (TURNTABLE MOUNTED)





# SECTION 2 - TURNTABLE

**FIGURE 2-24. ELECTRICAL OPTIONS INSTALLATION (TURNTABLE MOUNTED)**

ITEM	PART NUMBER	QTY	DESCRIPTION	REV
		Ref	<b>ELECTRICAL OPTIONS INSTALLATIONS (TURNTABLE MOUNTED)</b>	
	0258674	Ref	<b>ALARMS INSTALLATIONS</b>	C
1	0257887	1	Alarm/Harness Assembly	
1	0140032	1	Alarm	
1	2820035	6 in/15cm	Loom	
1	4460424	1	Plug	
1	4460268	2	Socket	
2	0641508	2	Bolt 5/16in-18NC x 1in	
3	4711500	2	Flatwasher 5/16in Narrow	
4	0100011	AR	Compound, Locking	
5	0100048	AR	Sealant, Silicone	
	0271422	Ref	<b>STROBE LIGHT INSTALLATIONS (AMBER) (OPTIONAL)</b>	C
		Ref	<b>Note: If machine is equipped with BLUE Strobe Light, See SPECIAL OPTIONS SECTION SkyGuard Kit.</b>	
10	4220162	1	Spacer, Stop (Used with ECCO Model 6640 Only)	
11		Ref	Adapter Options:	
11	0630491	1	Adapter - Used with ECCO Model 6640 Only	
11	0080241	1	Adapter - Used with ECCO Model 6650 Only	
12	3539281	1	Plate, Mounting (Used with ECCO Model 6640 Only)	
13	0741606	1	Screw, Flathead Countersunk 3/8in-16NC x 3/4in (Used with ECCO Model 6640 Only)	
14	0100011	AR	Compound, Locking	
15	4240032	1	Wire-Tile	
16	0255917	NLA	Strobe Light/Guard/Harness Assembly (Use p/n 0272507)	
16		Ref	Bulb, Replacement Options:	
16	7016380	1	Bulb - for ECCO Model 6640	
16	70001941	1	Bulb - for ECCO Model 6650	
16A		Ref	Guard Options:	
16A	4060907	1	Guard - Used with ECCO Model 6640	
16A	2920215	1	Guard - Used with ECCO Model 6650	
17	4460234	1	Clamp	
18	0100048	AR	Sealant, Silicone	
		Ref	<b>LIGHTS INSTALLATIONS (OPTIONAL)</b>	
	0271768	Ref	<b>Non-UL Spec Machines</b>	C
	0272754	Ref	<b>UL Spec Machines</b>	1
25	2920110	2	Headlight	
26	0902206	2	Bracket, Mounting	
27	0642612	1	Bolt 1in-8NC x 1-1/2in	
28	4220162	2	Spacer	
29	0100011	AR	Compound, Locking	
30	2920113	2	Taillight	
31	3911040	4	Screw, Machine #10-24NC x 2-1/2in	
32	3311005	4	Nut #10-24NC	
33	4751000	4	Flatwasher #10	
34	4740362	4	Washer, Fender	
35	3960461	2	Gasket	
37	4240032	12	Tie-Strap (Not Shown)	
38	4460234	12	Mount, Tie-Strap (Not Shown)	
39		Ref	Switch, Toggle Options (Not Shown - Located on Console):	

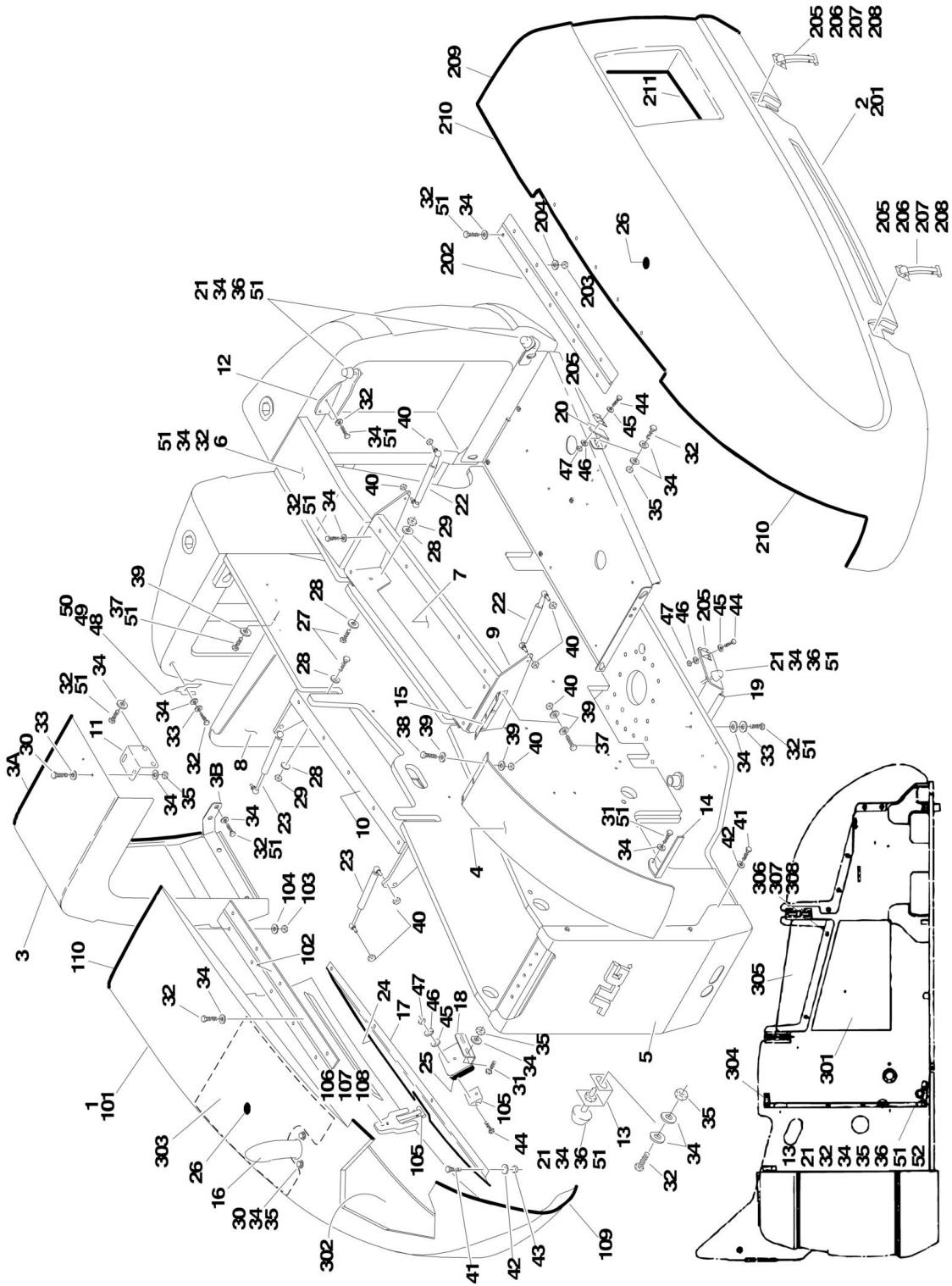
## SECTION 2 - TURNTABLE

ITEM	PART NUMBER	QTY	DESCRIPTION	REV
39	4360336	1	Switch, Toggle (Not Shown - Located on Console): <b>(SN 0300069000 through 0300136487)</b>	
39	4360522	1	Switch, Toggle (Not Shown - Located on Console): <b>(SN 0300136488 through 0300140000)</b>	
40	3790012	1	O-Ring (Not Shown - Located on Console) <b>(SN 0300069000 through 0300136487)</b>	
41	1705170	1	Decal, Lights (Not Shown) <b>(SN 0300136488 through 0300140000)</b>	



# SECTION 2 - TURNTABLE

FIGURE 2-25. HOODS INSTALLATION (SN 0300069000 through 0300089981)



**SECTION 2 - TURNTABLE**

**FIGURE 2-25. HOODS INSTALLATION (SN 0300069000 through 0300089981)**

ITEM	PART NUMBER	QTY	DESCRIPTION	REV
		Ref	<b>HOODS INSTALLATION</b>	
		Ref	<b>Hoods Installation (SN 0300069000 through 0300077499)</b>	
	0258609	Ref	<b>Caterpillar and Deutz Engine Machines</b>	6-F
	0258609	Ref	<b>Non-U/L Ford Engine Machines</b>	6-F
	0272689	Ref	<b>UL Ford Engine Machines</b>	2-B
		Ref	<b>Hoods Installation (SN 0300077500 through 0300089982)</b>	
	0258609	Ref	<b>Caterpillar and Deutz Engine Machines</b>	6-F
	0274022	Ref	<b>Ford Engine Machines</b>	3-C
1		Ref	Hood Assembly - Engine Side Options (See Items 101-110 for Breakdown):	
1	2680451	1	Non-U/L Machines	
1	2680513	1	UL Machines	
2	2680448	1	Hood Assembly - Tank Side (See Items 201-211 for Breakdown)	
3	2680450	1	Spacer Assembly	
3A	3960453	68 in /1.73m	Seal	
3B	7023366	1	Bracket	
4	3380444	1	Panel, Adapter	
5	1670842	1	Cover, Turntable End	
6	3380442	1	Cover, Top (Tank Side)	
7	3380443	1	Cover, Bracket (Tank Side Only) (Note: Item 7 covered hole in Item 9 hood bracket prior to the revision that eliminated the hole) <b>(SN 0300069000 through 0300087265)</b>	
8		Ref	Plate, Baffle Options:	
8		Ref	Non-U/L Machines	
8	3539979	1	Non-U/L Machines <b>(SN 0300069000 through 0300076282)</b>	
8	Not Required	0	Non-U/L Machines <b>(SN 0300076283 through 0300089982)</b>	
8	3539979	1	UL Machines	
9	0902412	1	Bracket, Hood Mounting (Tank Side) (See Note under Item 7)	
10	0902351	1	Bracket, Hood Mounting (Engine Side)	
11	0902161	1	Bracket, Hood Spacer Mounting (Engine Side)	
12	0902426	1	Bracket, Bumper - Counterweight Mounted	
13	0902219	2	Bracket, Bumper	
14	0362770	1	Bar, Panel Mounting	
15	2600244	1	Adapter, Panel Hinge	
16		Ref	Exhaust Tube Weldment Options:	
16	4845411	1	Caterpillar and Deutz Engine Machines	
16	4845411	1	Non-U/L Ford Engine Machines <b>(SN 0300069000 through 0300077499)</b>	
16	3460399	1	Non-U/L Ford Engine Machines <b>(SN 0300077500 through 0300089982)</b>	
16	Not Required	0	UL Machines	
17	3539934	1	Plate, Seal	
18	0902491	1	Bracket, Latch (Engine Side)	
19	0902223	1	Bracket, Latch (Tank Side)	
20	0902143	1	Bracket, Latch (Tank Side)	
21	0940071	AR	Bumper	
22	4160139	2	Spring, Gas (Tank Side)	
23	4160143	1	Spring, Gas (Engine Side)	
24	3960389	3.5 ft/1m	Seal	

## SECTION 2 - TURNTABLE

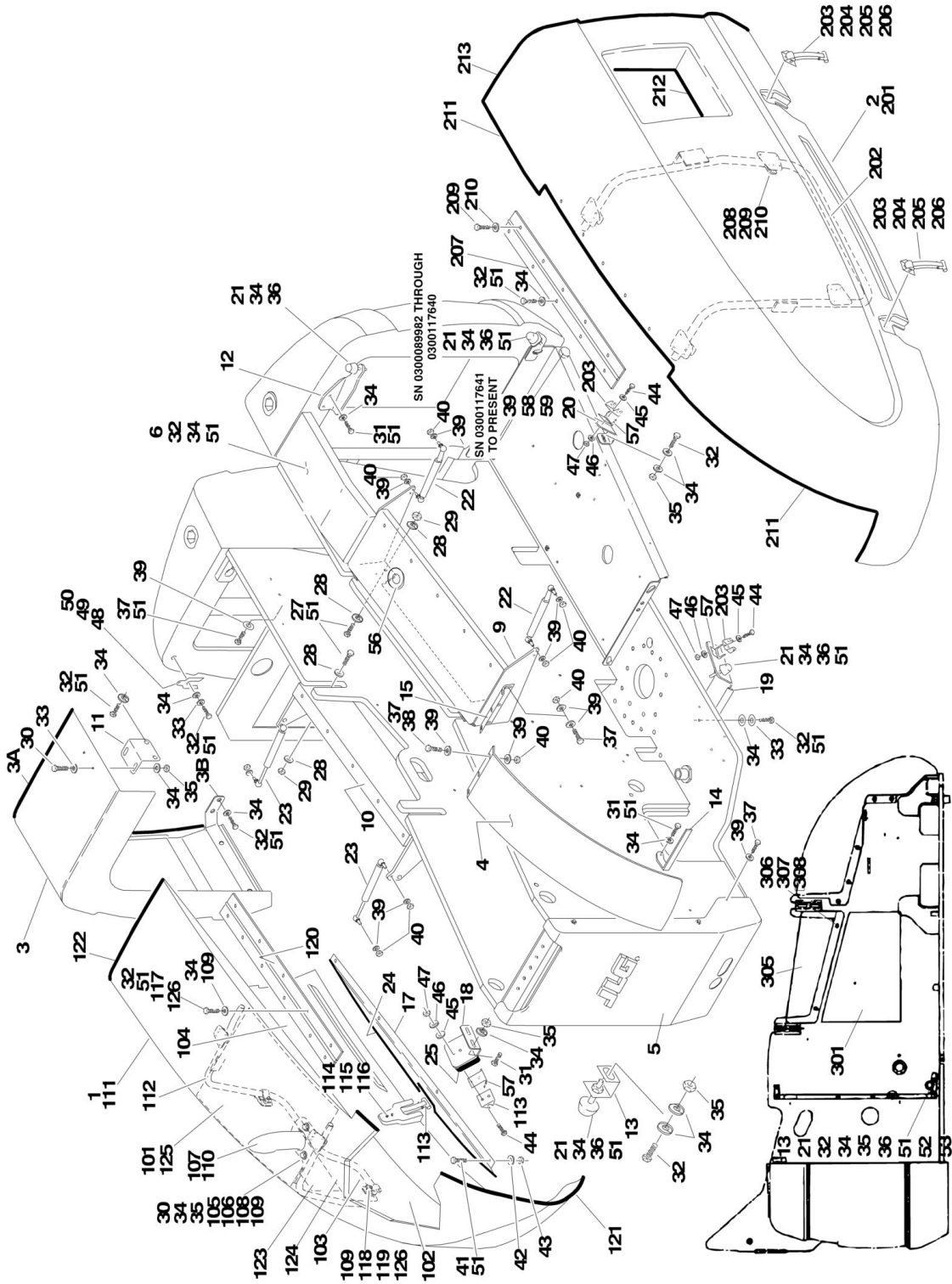
ITEM	PART NUMBER	QTY	DESCRIPTION	REV
25	3960470	1	Seal, Latch	
26	3520033	2	Plug, Hole	
27	0630507	AR	Bolt, Carriage 1/2in-13NC x 1-1/4in	
28	4740171	AR	Washer, Hardened	
29	3311805	AR	Locknut 1/2in-13NC	
30	3900232	AR	Screw, Button Head 3/8in-16NC x 1-1/4in	
31	0641609	5	Bolt 3/8in-16NC x 1-1/8in	
32	0641608	22	Bolt 3/8in-16NC x 1in	
33	4740076	5	Washer, Fender	
34	4751600	AR	Flatwasher 3/8in	
35	3311605	AR	Locknut 3/8in-16NC	
36	3311601	AR	Nut 3/8in-16NC	
37	0641508	AR	Bolt 5/16in-18NC x 1in	
38	3900210	3	Screw, Button Head 5/16in-18NC x 3/4in	
39	4751500	AR	Flatwasher 5/16in	
40	3311505	AR	Locknut 5/16in-18NC	
41	0641406	AR	Bolt 1/4in-20NC x 3/4in	
42	4751400	AR	Flatwasher 1/4in	
43	3311405	AR	Locknut 1/4in-20NC	
44	0721006	6	Screw #10-24NC x 3/4in	
45	4751000	6	Flatwasher #10	
46	4761000	6	Lockwasher #10	
47	3311001	6	Nut #10-24NC	
48	4070410	AR	Shim 1/16in	
49	4070411	AR	Shim 1/8in	
50	4070412	AR	Shim 3/16in	
51	0100011	AR	Compound, Locking	
52	0940094	1	Bumper (UL Machines Only)	
		Ref	<b>HOOD ASSEMBLY (ENGINE SIDE)</b>	
	2680451	Ref	<b>Non-U/L Machines</b>	B
	2680513	Ref	<b>UL Machines</b>	1
101		Ref	Hood Options:	
101	2680436	NLA	Non-U/L Machines (Use p/n 2680451)	
101	2680514	1	UL Machines	
102	2600209	1	Hinge	
103	3311600	4	Nut 3/8in-16NC	
104	4711600	4	Flatwasher 3/8in	
105	2940088	1	Latch	
106	0721008	2	Screw, Machine #10-24NC x 1in	
107	4751000	2	Flatwasher #10	
108	3311005	2	Locknut #10-24NC	
109	3960464	65 in /1.67m	Seal	
110	3960462	61 in /1.55m	Seal	
	2680448	Ref	<b>HOOD ASSEMBLY (TANK SIDE)</b>	B
201	2680437	1	Hood	
202	2600233	1	Hinge	
203	3311605	5	Locknut 3/8in-16NC	
204	4711600	5	Flatwasher 3/8in Narrow	
205	2940088	2	Latch	
206	0721008	4	Screw, Machine #10-24NC x 1in	

## SECTION 2 - TURNTABLE

ITEM	PART NUMBER	QTY	DESCRIPTION	REV
207	4751000	4	Flatwasher #10	3-C
208	3311005	4	Locknut #10-24NC	
209	3960462	53 in /1.35m	Seal	
210	3960464	83 in /2.11m	Seal	
211	3960438	55 in/1.4m	Seal	
	0256823	Ref	<b>NOISE REDUCTION INSTALLATION (CATERPILLAR/DEUTZ ENGINE MACHINES)</b>	
301	2820078	1	Foam, Acoustical (Turntable Side)	
302	2820079	1	Foam, Acoustical (Hood Side)	
303	2820080	1	Foam, Acoustical (Hood Top)	
304	2820081	1	Foam, Acoustical (Located on #8) <b>(SN 0300069000 through 0300076785)</b>	
305	3539955	1	Plate, Baffle	
306	0641506	2	Bolt 5/16in-18NC x 3/4in	
307	4751500	2	Flatwasher 5/16in	
308	0100011	AR	Compound, Locking	

# SECTION 2 - TURNTABLE

FIGURE 2-26. HOODS INSTALLATION (SN 0300089982 through 0300140000)





## SECTION 2 - TURNTABLE

**FIGURE 2-26. HOODS INSTALLATION (SN 0300089982 through 0300140000)**

ITEM	PART NUMBER	QTY	DESCRIPTION	REV
		Ref	<b>HOODS INSTALLATION</b>	
		Ref	<b>Hoods Installation (SN 0300089982 through 0300129455)</b>	
	0274759	Ref	<b>Caterpillar and Deutz Engine Machines</b>	E
	0275546	Ref	<b>GM Engine Machines</b>	D
		Ref	<b>Hoods Installation (SN 0300129456 through 0300140000)</b>	
	0274759	Ref	<b>Caterpillar Engine Machines</b>	F
	1001099137	Ref	<b>Deutz Engine Machines</b>	B
	0275546	Ref	<b>GM Engine Machines</b>	G
1		Ref	Hood Assembly - Engine Side Options (see Items 101-124 for Breakdown):	
		Ref	<b>Note: Replacement Decals Must be Ordered Separately - See DECAL SECTION.</b>	
1	1671249	1	Caterpillar Engine Machines (SN 0300089982 through 0300140000)	
1	1671249	1	Deutz Engine Machines (SN 0300089982 through 0300129455)	
1	1001099138	1	Deutz Engine Machines (SN 0300129456 through 0300140000)	
1	1671332	1	GM Engine Machines (SN 0300089982 through 0300140000)	
2	1671228	1	Hood Assembly - Tank Side (see Items 201-213 for Breakdown)	
		Ref	<b>Note: Replacement Decals Must be Ordered Separately - See DECAL SECTION.</b>	
3	1671233	1	Spacer Assembly	
3A	3960453	68 in /1.73m	Seal	
3B	0903308	1	Bracket	
4	3380444	1	Panel, Adapter	
5	1670842	1	Cover, Turntable End	
6	3380442	1	Cover, Top (Tank Side)	
9	0902412	1	Bracket, Hood Mounting (Tank Side)	
10	0902351	1	Bracket, Hood Mounting (Engine Side)	
11	0902161	1	Bracket, Hood Spacer Mounting (Engine Side)	
12	0902426	1	Bracket, Bumper - Counterweight Mounted	
13	0902219	2	Bracket, Bumper	
14	0362770	1	Bar, Panel Mounting	
15	2600244	1	Adapter, Panel Hinge	
17	3571712	1	Plate, Seal	
18	0902491	1	Bracket, Latch (Engine Side)	
19	0902223	1	Bracket, Latch (Tank Side)	
20	0902143	1	Bracket, Latch (Tank Side)	
21	0940071	AR	Bumper	
22	4160139	2	Spring, Gas (Tank Side)	
23	4160143	1	Spring, Gas (Engine Side)	
24	3960389	3.5 ft/1m	Seal	
25	3960470	1	Seal, Latch	
27	0630507	AR	Bolt, Carriage 1/2in-13NC x 1-1/4in	
28	4740171	AR	Washer, Hardened	
29	3311805	AR	Locknut 1/2in-13NC	
30	3900232	AR	Screw, Button Head 3/8in-16NC x 1-1/4in	
31	0641609	5	Bolt 3/8in-16NC x 1-1/8in	

## SECTION 2 - TURNTABLE

ITEM	PART NUMBER	QTY	DESCRIPTION	REV
32	0641608	22	Bolt 3/8in-16NC x 1in	
33	4740076	5	Washer, Fender	
34	4751600	AR	Flatwasher 3/8in	
35	3311605	AR	Locknut 3/8in-16NC	
36	3311601	AR	Nut 3/8in-16NC	
37	0641508	AR	Bolt 5/16in-18NC x 1in	
38	3900210	3	Screw, Button Head 5/16in-18NC x 3/4in <b>(SN 0300089982 through 0300118452)</b>	
39	4751500	AR	Flatwasher 5/16in	
40	3311505	AR	Locknut 5/16in-18NC	
41	0641406	4	Bolt 1/4in-20NC x 3/4in	
42	4751400	AR	Flatwasher 1/4in	
43	3311405	AR	Locknut 1/4in-20NC	
44	0721006	6	Screw #10-24NC x 3/4in	
45	4751000	6	Flatwasher #10	
46	4761000	6	Lockwasher #10	
47	3311001	6	Nut #10-24NC	
48	4070410	AR	Shim 1/16in	
49	4070411	AR	Shim 1/8in	
50	4070412	AR	Shim 3/16in	
51	0100011	AR	Compound, Locking	
52		Ref	Bumper Options:	
52	0940088	1	Bumper (Caterpillar and Deutz Engine Machines) <b>(SN 0300089982 through 0300118452)</b>	
52	0940071	1	Bumper <b>(SN 0300118453 through 0300140000)</b>	
53	3321501	2	Nut 5/16in-24NF	
56	1120601	1	Cap, Plug <b>(SN 0300098644 through 0300140000)</b>	
57	2940188	3	Latch, Spring Clip <b>(SN 0300098644 through 0300140000)</b>	
58		Ref	Hardware Options:	
58	0940071	1	Bumper <b>(SN 0300089982 through 0300118452)</b>	
58	0940049	1	Stopper, Hood <b>(SN 0300118453 through 0300140000)</b>	
59	3311501	2	Nut 5/16in-18NC <b>(SN 0300118453 through 0300140000)</b>	
		Ref	<b>HOOD ASSEMBLIES (ENGINE SIDE)</b>	
	1671249	Ref	<b>Caterpillar Engine Machines (SN 0300089982 through 0300140000)</b>	D
	1671249	Ref	<b>Deutz Engine Machines (SN 0300089982 through 0300129455)</b>	D
	1001099138	Ref	<b>Deutz Engine Machines (SN 0300129456 through 0300140000)</b>	B
	1671332	Ref	<b>GM Engine Machines (SN 0300089982 through 0300140000)</b>	E
101		Ref	Insulation/Foam Options:	
101	2820080	1	Caterpillar Engine <b>(SN 0300089982 through 0300124624)</b>	
101	1001101391	1	Caterpillar Engine <b>(SN 0300124625 through 0300140000)</b>	
101	2820080	1	Deutz Engine <b>(SN 0300089982 through 0300124624)</b>	
101	1001101391	1	Deutz Engine <b>(SN 0300124625 through 0300129455)</b>	
101	1001101673	1	Deutz Engine <b>(SN 0300129456 through 0300140000)</b>	
101	See Note	1	GM Engine <b>(SN 0300089982 through 0300140000)</b>	
		Ref	Note: Refer to note at items 123 & 124.	
102	2820233	1	Insulation, Rear Sound (Caterpillar/Deutz Engine Only)	
103	2820234	1	Insulation, Center Sound (Caterpillar/Deutz Engine Only)	
104	2820235	1	Insulation, Rear Sound (Caterpillar/Deutz Engine Only)	
105	3311605	AR	Locknut 3/8in x 16NC	
106	3900232	AR	Screw, Button Head 3/8in-16NC x 1-1/4in	
107		Ref	Shield, Heat Gasket Options:	

## SECTION 2 - TURNTABLE

ITEM	PART NUMBER	QTY	DESCRIPTION	REV
107	4061010	1	Shield, Heat Gasket (SN 0300089982 through 0300124624)	
107		Ref	Shield, Heat Gasket (SN 0300124625 through 0300129455)	
107	1001101392	1	Caterpillar/Deutz Engine Machines	
107	Not Required	0	GM Engine Machines	
107		Ref	Shield, Heat Gasket (SN 0300129456 through 0300140000)	
107	1001101392	1	Caterpillar Engine Machines	
107	1001101623	1	Deutz Engine Machines	
107	Not Required	0	GM Engine Machines	
108	4740500	AR	Washer (Special)	
109	4751600	AR	Flatwasher 3/8in	
110		Ref	Exhaust Tube Weldment Options:	
110	4845411	1	Caterpillar Engine Machines	
110	4845411	1	Deutz Engine Machines (SN 0300089982 through 0300129455)	
110	1001099121	1	Deutz Engine Machines (SN 0300129456 through 0300140000)	
110	3460552	1	GM Engine (SN 0300089982 through 0300140000)	
111		Ref	Hood Kit Options:	
		Ref	<b>Note: Replacement Decals Must be Ordered Separately - See DECAL SECTION.</b>	
111	1001097965	1	Caterpillar Engine Machines (Includes Items 101, 102, 103, 104, 107 & 108)	
111		Ref	Deutz Engine Machines	
111	1001097965	1	Deutz Engine Machines (Includes Items 101, 102, 103, 104, 107 & 108) (SN 0300089982 through 0300129455)	
111	1001099139	1	Deutz Engine Machines (Must also purchase Items 101, 102, 103, 104, 107 & 108) (SN 0300129456 through 0300140000)	
111	1001097964	1	GM Engine Machines (Includes Items 101, 108 & 125)	
112	1671230	1	Frame, Tubular	
113	2940088	1	Latch	
114	0721008	2	Screw, Machine #10-24NC x 1in	
115	4751000	2	Flatwasher #10	
116	3311005	2	Locknut #10-24NC	
117	0641608	AR	Bolt 3/8in-16NC x 1in	
117	0641606	AR	Bolt 3/8in-16NC x 3/4in	
118	1321384	4	Hold Down	
119	0641606	4	Bolt 3/8in-16NC x 3/4in	
120	2600209	1	Hinge	
121	3960464	65 in /1.67m	Seal	
122	3960462	61 in /1.55m	Seal	
123	See Note	1	Insulation, Heat (GM Engine Only) (was p/ns 2820176 & 1001101323) (Note: Use Item 101) (Note: Cover complete inside of hood with insulation. Fasten with Item 125 Tape)	
124	See Note	1	Insulation, Heat (GM Engine Only) (was p/ns 2820153 & 1001101324) (Note: Use Item 101) (was p/ns 2820176 & 1001101323) (Note: Use Item 101) (Note: Cover complete inside of hood with insulation. Fasten with Item 125 Tape)	
125	1001117140	AR	Tape (GM Engine Only)	
126	0100011	AR	Compound, Locking	
	1671228	Ref	<b>HOOD ASSEMBLY (TANK SIDE)</b>	A
201	1671231	1	Hood	

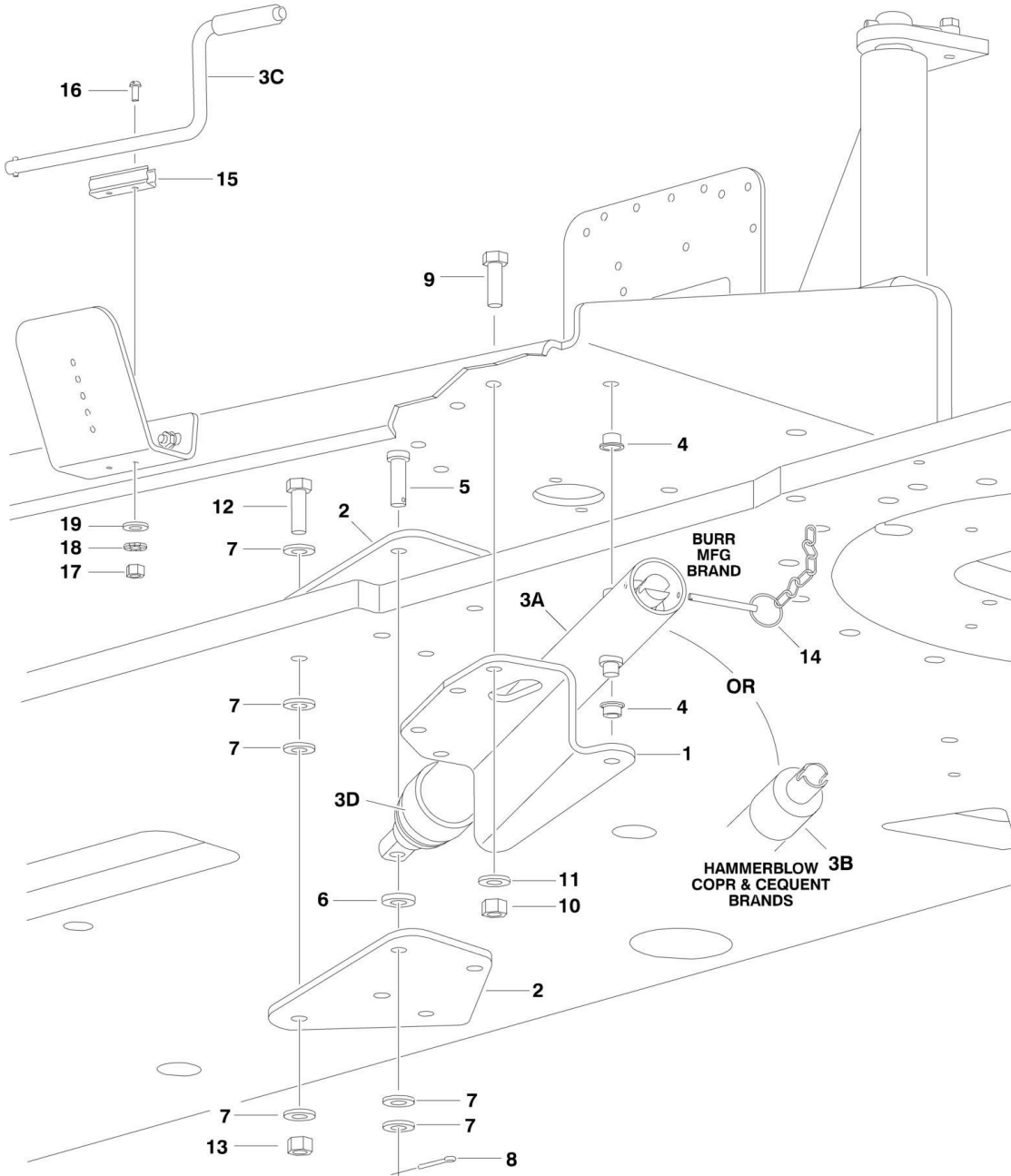
## SECTION 2 - TURNTABLE

ITEM	PART NUMBER	QTY	DESCRIPTION	REV
202	1671232	1	Frame, Tubular	
203	2940088	2	Latch	
204	0721008	4	Screw, Machine #10-24NC x 1in	
205	4751000	4	Flatwasher #10	
206	3311005	4	Locknut #10-24NC	
207	2600233	1	Hinge	
208	1321384	4	Hold Down	
209	0641606	9	Bolt 3/8in-16NC x 3/4in	
210	4711600	9	Flatwasher 3/8in Narrow	
211	3960464	83 in /2.11m	Seal	
212	3960438	55 in/1.4m	Seal	
213	3960462	53 in /1.35m	Seal	
	0256823	Ref	<b>NOISE REDUCTION INSTALLATION (DEUTZ/CATERPILLAR ENGINE MACHINES)</b>	3-C
301	2820078	1	Foam, Acoustical (Turntable Side)	
305	3539955	1	Plate, Baffle	
306	0641506	2	Bolt 5/16in-18NC x 3/4in	
307	4751500	2	Flatwasher 5/16in	
308	0100011	AR	Compound, Locking	



# SECTION 2 - TURNTABLE

## FIGURE 2-27. ENGINE TRAY JACK INSTALLATION (OPTIONAL)



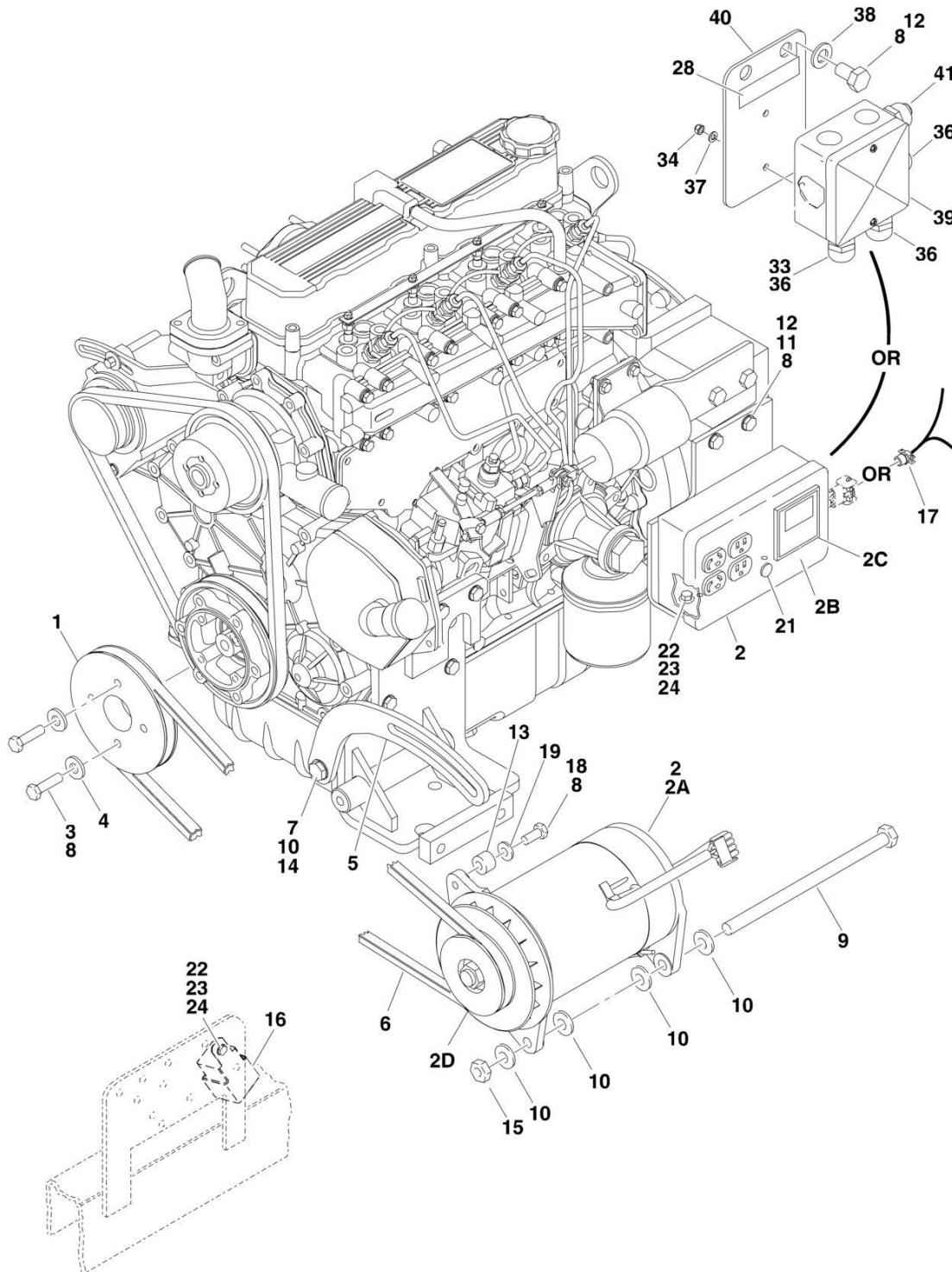
## SECTION 2 - TURNTABLE

### FIGURE 2-27. ENGINE TRAY JACK INSTALLATION (OPTIONAL)

ITEM	PART NUMBER	QTY	DESCRIPTION	REV
	0258728	Ref	<b>ENGINE TRAY JACK INSTALLATION</b>	2-C
1	3537445	1	Bracket	
2	3537446	2	Bracket	
3	2840016	1	Jack and Handle Assembly Options:	F
3A		Ref	Burr Manufacturing Brand	
3B		Ref	Hammerblow/Cequent Corp Brand	
3C		Ref	Handle Options:	
3C	7016374	1	Burr Manufacturing Brand	
3C	7024598	1	Hammerblow/Cequent Corp Brand	
3D	7016322	1	Wiper (Burr Manufacturing Brand Only)	
4	0962051	2	Bearing, Flange	
5	3430816	1	Pin, Clevis	
6	4891800	1	Washer, Hardened	
7	4711800	6	Flatwasher 1/2in Narrow	
8	3450404	1	Pin, Cotter 1/8in x 1in	
9	0641609	4	Bolt 3/8in-16NC x 1-1/8in	
10	3311605	4	Locknut 3/8in-16NC	
11	4891600	4	Washer, Hardened	
12	0641818	4	Bolt 1/2in-13NC x 2-1/4in	
13	3311805	4	Locknut 1/2in-13NC	
14	3422530	1	Pin, Hitch <b>(SN 0300069000 through 0300070638)</b>	
15	1380147	1	Clip, Spring	
16	3910608	2	Screw, Round Head #6-32NC x 1in	
17	3310601	2	Nut #6-32NC	
18	4770600	2	Starwasher #6	
19	4740119	2	Washer, Aluminum	

# SECTION 2 - TURNTABLE

## FIGURE 2-28. 2500W GENERATOR INSTALLATION - CATERPILLAR MACHINES (OPTIONAL)





# SECTION 2 - TURNTABLE

**FIGURE 2-28. 2500W GENERATOR INSTALLATION - CATERPILLAR MACHINES (OPTIONAL)**

ITEM	PART NUMBER	QTY	DESCRIPTION	REV
		Ref	<b>GENERATOR INSTALLATION OPTIONS:</b>	
	0273518	Ref	<b>110V/60Hz (SN 0300069000 through 0300082503)</b>	3-C
	0274081	Ref	<b>110V/60Hz (SN 0300082504 through 0300139399)</b>	1-A
	1001115404	Ref	<b>110V/60Hz (SN 0300139400 through 0300140000)</b>	A
	0273538	Ref	<b>110V/50Hz (ANSI Export Spec Only) (SN 0300069000 through 0300082503)</b>	3-C
	0274091	Ref	<b>110V/50Hz (ANSI Export Spec Only) (SN 0300082504 through 0300132890)</b>	1-A
	No Longer Avail.	Ref	<b>110V/50Hz (SN 0300132891 through 0300140000)</b>	
	0273539	Ref	<b>220V/50Hz (ANSI Export Spec Only) (SN 0300069000 through 0300082503)</b>	3-C
	0274087	Ref	<b>220V/50Hz (ANSI Export Spec Only) (SN 0300082504 through 0300132890)</b>	1-A
	1001102548	Re	<b>220V/50Hz (ANSI Export Spec Only) (SN 0300132891 through 0300139399)</b>	B
	1001115414	Ref	<b>220V/50Hz (ANSI Export Spec Only) (SN 0300139400 through 0300140000)</b>	A
1	3580322	1	Pulley	
2		Ref	Generator and Control Box Assembly Options:	
2	2460032	1	<b>110V/60Hz (SN 0300069000 through 0300082503)</b>	
2	2460055	1	<b>110V/60Hz (SN 0300082504 through 0300140000)</b>	
2	2460039	1	<b>110V/50Hz (SN 0300069000 through 0300082503)</b>	
2	2460057	1	<b>110V/50Hz (SN 0300082504 through 0300132891)</b>	
2	2460013	1	<b>220V/50Hz (SN 0300069000 through 0300082503)</b>	
2	2460056	1	<b>220V/50Hz (SN 0300082504 through 0300132890)</b>	
2	1001100321	1	<b>220V/50Hz (SN 0300132891 through 0300140000)</b>	
2A		Ref	Generator Options:	
2A	7012558	1	110V/60Hz Replacement Generator	
2A	2460049	1	110V/50Hz Replacement Generator	
2A	1001100321	1	220V/50Hz Replacement Generator	
		Ref	<b>Note: Replacement Generators come standard with p/n 3580134 pulley. This pulley may not be correct for all applications. Refer to pulley options below.</b>	
2A	7026199	1	110V/60Hz Armature with Slip Rings	
2A	70000122	1	110V/50Hz Armature with Slip Rings	
2A	70000123	1	220V/50Hz Armature with Slip Rings	
2A	7012513	4	Cap, Brush Holder	
2A	7020108	4	Brush	
2A	7020109	4	Holder, Brush	
2A	7012514	1	Fan	
2A	7020190	2	Bearing	
2A	7020110	1	End Bell, Front	
2A	7020111	1	End Bell, Rear	
2B		Ref	Box, Control Options:	
2B		Ref	110V/60Hz Replacement Box	
2B	7003657	1	<b>110V/60Hz Replacement Box (SN 0300069000 through 0300082503)</b>	
2B	7019680	1	<b>110V/60Hz Replacement Box (SN 0300082504 through 0300140000)</b>	
2B		Ref	110V/50Hz Replacement Box	
2B	70002240	1	<b>110V/50Hz Replacement Box (SN 0300069000 through 0300082503)</b>	

## SECTION 2 - TURNTABLE

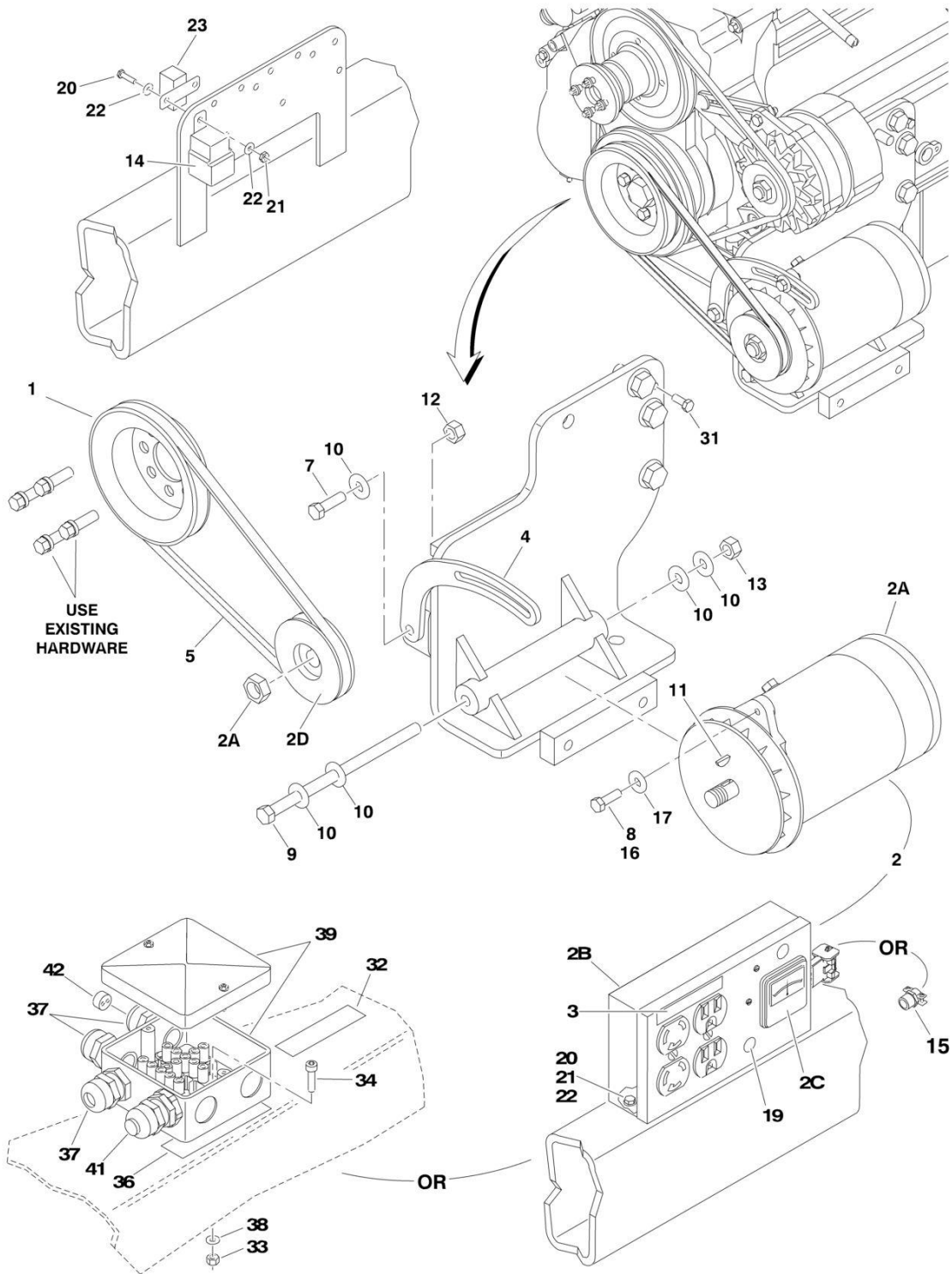
ITEM	PART NUMBER	QTY	DESCRIPTION	REV
2B	7019680	1	110V/50Hz Replacement Box (SN 0300082504 through 0300132891)	
2B		Ref	220V/50Hz Replacement Box	
2B	70002235	1	220V/50Hz Replacement Box (SN 0300069000 through 0300082503)	
2B	70000127	1	220V/50Hz Replacement Box (SN 0300082504 through 0300132891)	
2B		Ref	Breaker, Circuit Options:	
2B	4360542	1	110V/60Hz Breaker, Circuit	
2B		Ref	110V/50Hz Breaker, Circuit Options:	
2B	70002240	1	110V/50Hz Breaker, Circuit (SN 0300069000 through 0300082503)	
2B	4360542	1	110V/50Hz Breaker, Circuit (SN 0300082504 through 0300132891)	
2B	70000126	1	220V Breaker, Circuit	
2B	4460190	AR	Receptacle, Double (110V Box)	
2B	4460027	AR	Receptacle, Double Twist Lock (110V Box)	
2B	70000124	1	Receptacle, Double (220V Box)	
2B	70000125	1	Receptacle, Single Twist Lock (220V Box)	
2B	2920162	1	Lamp Assembly (SN 0300069000 through 0300082503)	
2B	7020191	1	Switch, Toggle (SN 0300069000 through 0300082503)	
2C		Ref	Voltmeter Options:	
2C	2420203	1	110V	
2C	7020192	1	220V	
2D		Ref	Pulley Options:	
2D	3580276	1	110V/60Hz	
2D	3580134	1	110V/50Hz	
2D	3580134	1	220V/50Hz	
2D	7027887	1	Key, Woodruff	
3	0700816	4	Bolt M8 x 40mm	
4		Ref	Flatwasher Options:	
4	4751900	4	9/16in Flatwasher	
4	4811900	4	M8 Flatwasher	
5	0200742	NLA	Arm, Adjusting (Use p/n 0200819)	
6		Ref	V-Belt Options:	
6	0480121	1	110V/60Hz	
6	0480120	1	110V/50Hz	
6	0480120	1	220V/50Hz	
7	0641610	1	Bolt 3/8in-16NC x 1-1/4in	
8	0100011	AR	Compound, Locking	
9	0641772	1	Bolt 7/16in-14NC x 9in	
10	4751600	6	Flatwasher 3/8in	
11	3574684	1	Plate, Box Mounting	
12	0761210	2	Bolt M12 x 20mm	
13	0962653	NLA	Bushing, Spacer (Use p/n 0962563)	
14	3311605	1	Locknut 3/8in-16NC	
15	3311705	1	Locknut 7/16in-14NC	
16	3740080	1	Relay	
17	4460023	1	Connector, Strain Relief (SN 0300069000 through 0300082503)	
18	0641508	1	Bolt 5/16in-18NC x 1in	
19	4751500	1	Flatwasher 5/16in	
21	3520028	1	Plug, Hole	

## SECTION 2 - TURNTABLE

ITEM	PART NUMBER	QTY	DESCRIPTION	REV
22	0721006	AR	Bolt #10-24NC x 3/4in	
23	3311005	AR	Locknut #10-24NC	
24	4751000	AR	Flatwasher #10	
25	4360336	1	Switch, Toggle (Not Shown - Located at Platform)	
27	4060802	1	Guard, Switch (Not Shown - Located at Platform)	
28		Ref	Decal - Voltage Options (Not Shown - Located at Platform and On Junction Box Bracket):	
28	3251243	AR	110V/60Hz	
28	1705325	AR	110V/50Hz	
28	3252507	AR	220V/50-60HZ	
29	2820031	0.4 in /10cm	Heat Shrink (Not Shown - Located at Platform)	
30	3251102	1	Decal (Not Shown - Located at Platform)	
31	4740397	1	Shim (Not Shown - Used on Toggle Switch at Platform)	
32	4240018	AR	Tie Strap (Not Shown)	
33	0962449	1	Bushing, Silicone	
34	3290505	2	Locknut M5	
35	4031608	2	Screw M5 x 20mm	
36	4460968	3	Relief, Strain	
37	4811600	2	Flatwasher M5	
38	4812100	2	Flatwasher M12	
39	1001099869	1	Box, Junction	
40	1001102644	1	Plate, Box Mounting	
41		Ref	Lamp, Red Options:	
41	1001100233	1	110V/50Hz	
41	1001100234	1	220V/50Hz	

# SECTION 2 - TURNTABLE

## FIGURE 2-29. 2500W GENERATOR INSTALLATION - DEUTZ MACHINES (OPTIONAL)



# SECTION 2 - TURNTABLE

**FIGURE 2-29. 2500W GENERATOR INSTALLATION - DEUTZ MACHINES (OPTIONAL)**

ITEM	PART NUMBER	QTY	DESCRIPTION	REV
		Ref	<b>GENERATOR INSTALLATIONS</b>	
	0272480	Ref	<b>110V/60Hz (SN 0300069000 through 0300082503)</b>	3-B
	0274082	Ref	<b>110V/60Hz (SN 0300082504 through 0300139399)</b>	3-C
	1001115405	Ref	<b>110V/60Hz (SN 0300139400 through 0300140000)</b>	A
	0272481	Ref	<b>220V/50Hz (ANSI Export Specs Only) (SN 0300069000 through 0300082503)</b>	3-B
	0274086	Ref	<b>220V/50Hz (ANSI Export Specs Only) (SN 0300082504 through 0300139399)</b>	1-A
	1001115409	Ref	<b>220V/50Hz (ANSI Export Specs Only) (SN 0300139400 through 0300140000)</b>	A
1	3580158	1	Pulley	
2		Ref	Generator and Control Box Assembly Options:	
2	2460032	1	110V/60Hz Assembly ( <b>SN 0300069000 through 0300082503</b> )	C
2	2460055	1	110V/60Hz Assembly ( <b>SN 0300082504 through 0300140000</b> )	A
2	2460013	1	220V/50Hz Assembly ( <b>SN 0300069000 through 0300082503</b> )	B
2	2460056	1	220V/50Hz Assembly ( <b>SN 0300082504 through 0300140000</b> )	A
2A		Ref	Generator Options:	
2A	7012558	1	110V/60Hz Replacement Generator	
2A	1001100321	1	220V/50Hz Replacement Generator	
		Ref	<b>Note: Replacement Generators come standard with p/n 3580134 pulley. This pulley may not be correct for all applications. Refer to pulley options below.</b>	
2A	7026199	1	110V/60Hz Armature with Slip Rings	
2A	70000123	1	220V/50Hz Armature with Slip Rings	
2A	7012513	4	Cap, Brush Holder	
2A	7020108	4	Brush	
2A	7020109	4	Holder, Brush	
2A	7012514	1	Fan	
2A	7020190	2	Bearing	
2A	7020110	1	End Bell, Front	
2A	7020111	1	End Bell, Rear	
2B		Ref	Box, Control Options:	
2B	7003657	1	110V/60Hz Replacement Box ( <b>SN 0300069000 through 0300082503</b> )	
2B	7019680	1	110V/60Hz Replacement Box ( <b>SN 0300082504 through 0300140000</b> )	
2B	70002235	1	220V/50Hz Replacement Box ( <b>SN 0300069000 through 0300082503</b> )	
2B	70000127	1	220V/50Hz Replacement Box ( <b>SN 0300082504 through 0300140000</b> )	
2B		Ref	Breaker, Circuit Options:	
2B	4360542	1	110V	
2B	70000126	1	220V	
2B	4460190	AR	Receptacle, Double (110V Box)	
2B	4460027	AR	Receptacle, Double Twist Lock (110V Box)	
2B	70000124	1	Receptacle, Double (220V Box)	
2B	70000125	1	Receptacle, Single Twist Lock (220V Box)	
2B	2920162	1	Lamp Assembly ( <b>SN 0300069000 through 0300082503</b> )	
2B	7020191	1	Switch, Toggle ( <b>SN 0300069000 through 0300082503</b> )	
2C		Ref	Voltmeter Options:	
2C	2420203	1	110V	
2C	7020192	1	220V	

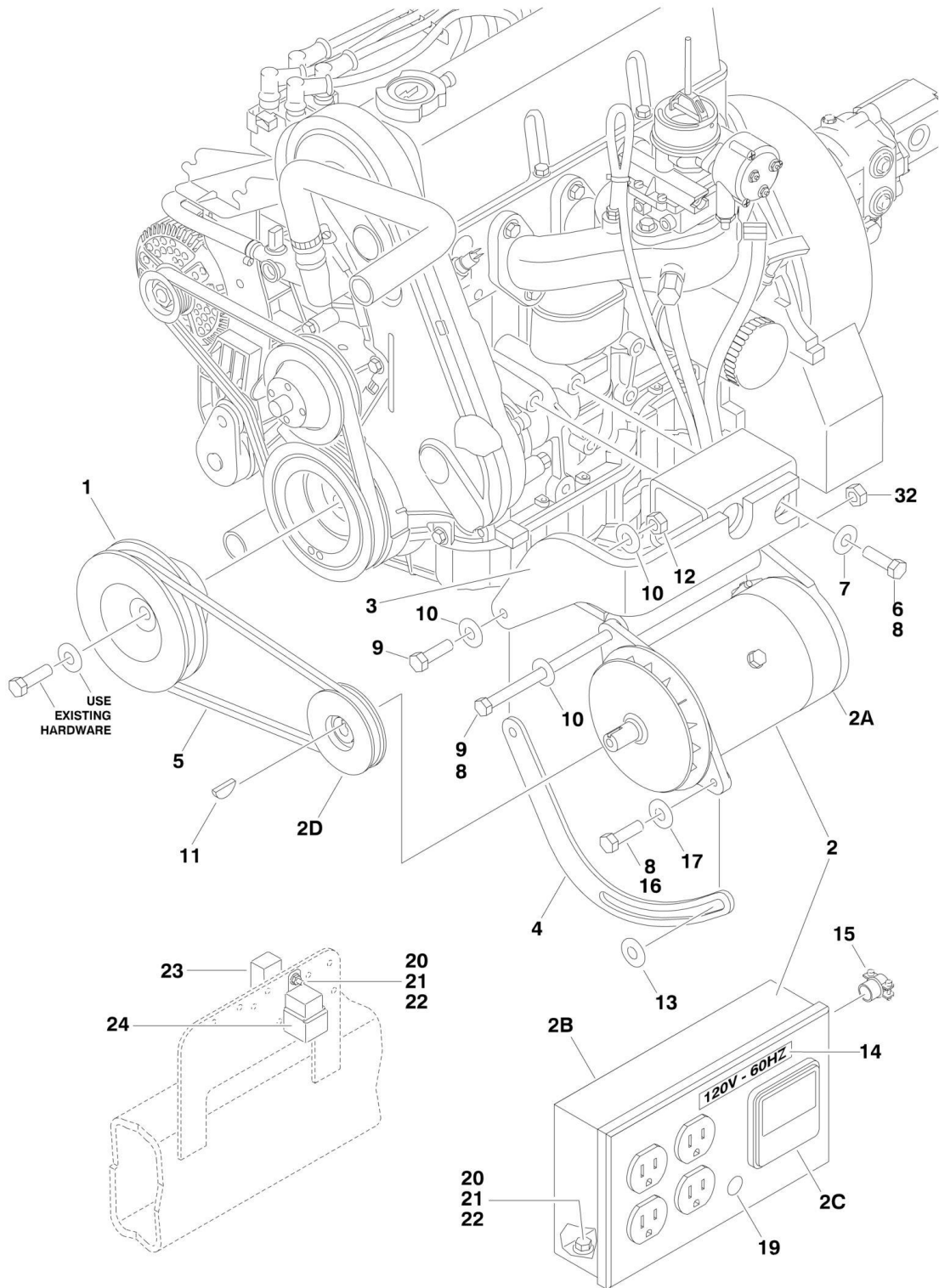
## SECTION 2 - TURNTABLE

ITEM	PART NUMBER	QTY	DESCRIPTION	REV
2D		Ref	Pulley Options:	
2D	3580276	1	110V	
2D	3580134	1	220V	
2D	7027887	1	Key, Woodruff	
3		Ref	Decal - Voltage Options:	
3	3251243	1	110V/60Hz	
3	3252507	1	220V/50-60Hz (Not Shown - Located at Turntable)	
4	0200742	1	Arm, Adjusting	
5	0480121	1	V-Belt	
7	0641610	1	Bolt 3/8in-16NC x 1-1/4in	
8	0100011	AR	Compound, Locking	
9	0641772	1	Bolt 7/16in-14NC x 9in	
10	4751600	6	Flatwasher 3/8in	
10	4070585	1	Spacer 5/8inID x .010 Thick	
11	2860012	1	Key, Woodruff	
12	3311605	1	Locknut 3/8in-16NC	
13	3311705		Locknut 7/16in-14NC	
14	3740080	1	Relay	
15	4460023	1	Connector, Strain Relief <b>(SN 0300069000 through 0300082503)</b>	
16	0641508	1	Bolt 5/16in-18NC x 1in	
17	4751500	1	Flatwasher 5/16in	
19	3520028	1	Plug, Hole	
20	0721006	1	Bolt #10-24NC x 3/4in	
21	3311005	3	Locknut #10-24NC	
22	4751000	6	Flatwasher #10	
23	4360294	1	Breaker, Circuit - 30 Amp <b>(SN 0300069000 through 0300082503)</b>	
25	4360336	1	Switch, Toggle (Not Shown - Located at Platform)	
26	4740397	1	Bushing (Not Shown - Located at Platform)	
27	4060802	1	Guard, Switch (Not Shown - Located at Platform)	
29	2820031	4 in/10cm	Heat Shrink (Not Shown - Located at Platform)	
30		Ref	Decal Options (Not Shown - Located at Platform):	
30	3251102	1	110V - 60Hz	
30	3252507	1	220V - 50Hz	
31	0641404	1	Bolt 1/4in-20NC x 1/2in	
32	3252507	1	Decal - 220V - 50Hz	
33	3290505	1	Locknut M5 x 0.8mm	
34	4031608	1	Bolt M5 x 20mm	
35	4240018	1	Tie Strap (Not Shown)	
36	4420060	1	Tape, Double Coated Acrylic Foam	
37	4460968	3	Connector, Strain Relief	
38	4811600	1	Flatwasher 5mm	
39	1001099869	1	Box, Junction	
41	1001100234	1	Light Red	
42	0962449	1	Bushing	



## SECTION 2 - TURNTABLE

FIGURE 2-30. 2500W GENERATOR INSTALLATION - FORD MACHINES (OPTIONAL) (SN 0300069000 through 0300077499)





**SECTION 2 - TURNTABLE**

**FIGURE 2-30. 2500W GENERATOR INSTALLATION - FORD MACHINES (OPTIONAL) (SN 0300069000 through 0300077499)**

ITEM	PART NUMBER	QTY	DESCRIPTION	REV
		Ref	<b>GENERATOR INSTALLATION OPTIONS:</b>	
	0271545	Ref	<b>110V Generator</b>	5
	0271546	Ref	<b>220V Generator</b>	4
1	3580250		Pulley	
2		Ref	Generator and Control Box Assemblies	
2	2460032	1	110V/60Hz Assembly (SN 0300069000 through 0300069569)	C
2	2460044	1	110V/60Hz Assembly (SN 0300069570 through 0300077500)	A
2	2460013	1	220V/50Hz Assembly	B
2A		Ref	Generator Options:	
2A	7012558	1	110Volt Replacement Generator	
2A	1001100321	1	220Volt Replacement Generator	
		Ref	<b>Note: Replacement Generators come standard with p/n 3580134 pulley. This pulley may not be correct for all applications. Refer to pulley options below.</b>	
2A	7026199	1	110V/60Hz Armature with Slip Rings	
2A	70000123	1	220V/50Hz Armature with Slip Rings	
2A	7012513	4	Cap, Brush Holder	
2A	7020108	4	Brush	
2A	7020109	4	Holder, Brush	
2A	7012514	1	Fan	
2A	7020190	2	Bearing	
2A	7020110	1	End Bell, Front	
2A	7020111	1	End Bell, Rear	
2B		Ref	Box, Control Options:	
2B	7003657	1	110V/60Hz Replacement Box	
2B	70002235	1	220V/50Hz Replacement Box	
2B		Ref	Circuit Breaker Options:	
2B	4360542	1	110V	
2B	70000126	1	220V	
2B	4460190	2	Receptacle, Double (110V Box)	
2B	70000124	1	Receptacle, Double (220V Box)	
2B	70000125	1	Receptacle, Single Twist Lock (220V Box)	
2B	2920162	1	Lamp Assembly	
2B	7020191	1	Switch, Toggle	
2C		Ref	Voltmeter Options:	
2C	2420203	1	110V	
2C	7020192	1	220V	
2D		Ref	Pulley Options:	
2D	3580276	1	110V/60Hz Pulley (SN 0300069000 through 0300069569)	
2D	3580307	1	110V/60Hz Pulley (SN 0300069570 through 0300077500)	
2D	3580134	1	220V/50Hz Pulley	
2D	7027887	1	Key, Woodruff	
3	0902756	1	Bracket, Generator Mounting	
4	0200547	1	Arm, Adjusting	
5		Ref	V-Belt Options:	
5	0480111	1	110V (SN 0300069000 through 0300073380)	
5	0480134	1	110V (SN 0300073381 through 0300077500)	
5	0480050	1	220V	
6	0701015	2	Bolt M10 x 35mm	

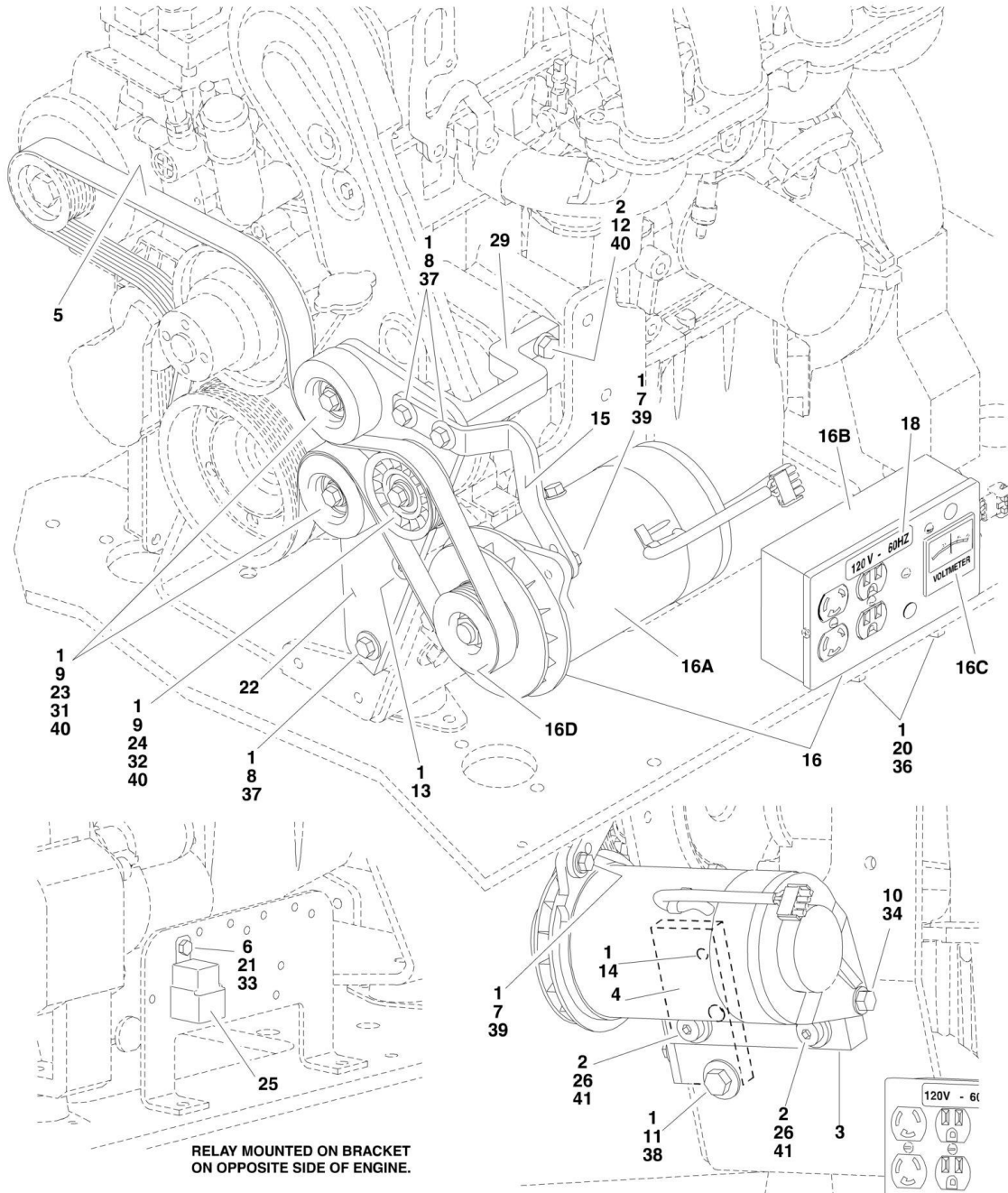
## SECTION 2 - TURNTABLE

ITEM	PART NUMBER	QTY	DESCRIPTION	REV
7	4812000	2	Flatwasher M10	
8	0100011	AR	Compound, Locking	
9	0641772	AR	Bolt 7/16in-14NC x 9in	
10	4751600	6	Flatwasher 3/8in	
11	2860012	1	Key, Woodruff	
12	3311605	1	Locknut 3/8in-16NC	
13	4564417	1	Spacer, Tube	
14		Ref	Nameplate, 120V - 60Hz <b>(SN 0300069570 through 0300077500)</b>	
14	3251243	1	110V Assembly	
14	Not Required	0	220V Assembly	
15	4460023	1	Connector, Strain Relief	
16	0641508	1	Bolt 5/16in-18NC x 1in	
17	4751500	2	Flatwasher 5/16in	
19	3520028	1	Plug, Hole	
20	0721006	4	Bolt #10-24NC x 3/4in	
21	3311005	4	Locknut #10-24NC	
22	4751000	9	Flatwasher #10	
23	4360294	1	Breaker, Circuit - 30 Amp	
24	3740080	1	Relay, Bosch	
25	4360336	1	Switch, Toggle (Not Shown - Located at Platform)	
26	4740397	1	Bushing (Not Shown - Located at Platform)	
27	4060802	1	Guard, Switch (Not Shown - Located at Platform)	
29	2820031	4 in/10cm	Heat Shrink (Not Shown - Located at Platform)	
30	3251102	1	Decal (Not Shown - Located at Platform)	
32	3311705	1	Locknut 7/16in-14NC	



## SECTION 2 - TURNTABLE

FIGURE 2-31. 2500W GENERATOR INSTALLATION - FORD MACHINES (OPTIONAL) (SN 0300077500 through 0300140000)



## SECTION 2 - TURNTABLE

**FIGURE 2-31. 2500W GENERATOR INSTALLATION - FORD MACHINES (OPTIONAL) (SN 0300077500 through 0300140000)**

ITEM	PART NUMBER	QTY	DESCRIPTION	REV
		Ref	<b>GENERATOR INSTALLATION OPTIONS:</b>	
	0273507	Ref	<b>110V Generator with ADE System</b>	C
	0273511	Ref	<b>220V Generator with ADE System</b>	C
1	0100011	AR	Compound, Locking	
2	0100019	AR	Compound, Locking	
3	0363082	1	Bar, Generator Adjuster	
4	0363097	1	Bar, Pulley Mounting	
5	0480135	1	V-Belt	
6	0641405	1	Bolt 1/4in-20NC x 5/8in	
7	0641508	1	Bolt 5/16in-18NC x 1in	
8	0641611	3	Bolt 3/8in-16NC x 1-3/8in	
9	0641612	3	Bolt 3/8in-16NC x 1-1/2in	
10	0641718	2	Bolt 7/16in-14NC x 2-1/4in	
11	0641810	1	Bolt 1/2in-13NC x 1-1/4in	
12	0701015	1	Bolt M10 x 35mm	
13	0741606	1	Screw, Countersunk 3/8in-16NC x 3/4in	
14	0741808	1	Screw, Countersunk 1/2in-13NC x 1in	
15	0902952	1	Bracket, Generator Mounting	
16		Ref	Generator and Control Box Assembly Options:	
16	2460051	1	110V Assembly	
16	2460052	1	220V Assembly	
16A		Ref	Generator Options:	
16A	7012558	1	110V/60Hz	
16A	1001100321	1	220V/50Hz	
		Ref	<b>Note: Replacement Generators come standard with p/n 3580134 pulley. This pulley may not be correct for all applications. Refer to pulley options below.</b>	
16A	7026199	1	110V/60Hz Armature with Slip Rings	
16A	70000123	1	220V/50Hz Armature with Slip Rings	
16A	7020109	4	Holder, Brush	
16A	7020108	4	Brush	
16A	7012513	4	Cap, Brush Holder	
16A	7012514	1	Fan	
16A	7020190	2	Bearing	
16A	7020110	1	End Bell, Front	
16A	7020111	1	End Bell, Rear	
16B		Ref	Box, Control Options:	
16B	7019680	1	110V Assembly	
16B	70000127	1	220V Assembly	
16B		Ref	Breaker, Circuit Options:	
16B	4360542	1	110V	
16B	70000126	1	220V	
16B	4460190	1	Receptacle, Double (110V Box)	
16B	4460027	1	Receptacle, Double Twist Lock (110V Box)	
16B	70000124	1	Receptacle, Double (220V Box)	
16B	70000125	1	Receptacle, Single Twist Lock (220V Box)	
16C		Ref	Voltmeter Options:	
16C	2420203	1	110V	
16C	7020192	1	220V	

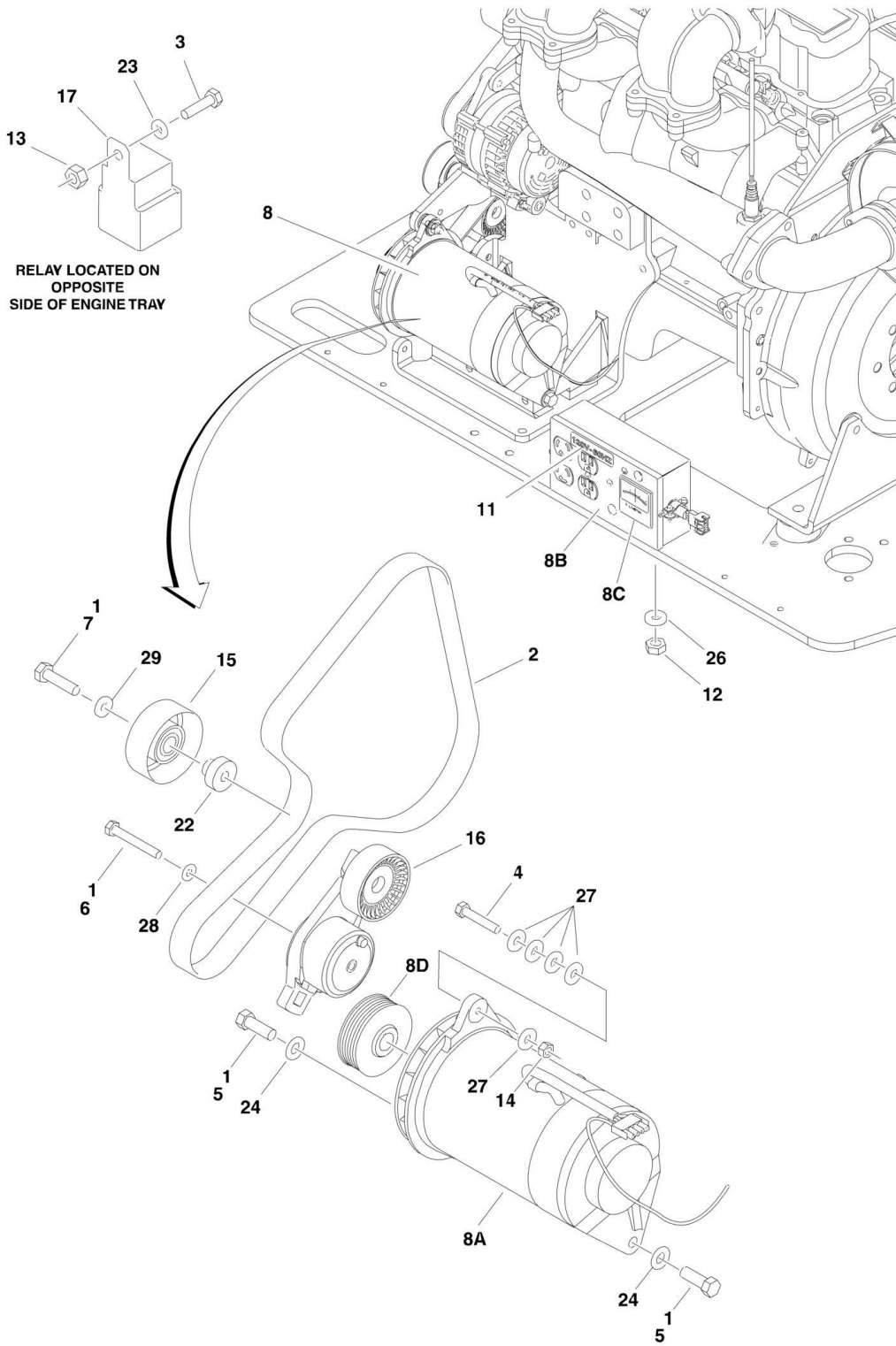
## SECTION 2 - TURNTABLE

ITEM	PART NUMBER	QTY	DESCRIPTION	REV
16D		Ref	Pulley Options:	
16D	3580324	1	110V	
16D	3580325	1	220V	
16D	7027887	1	Key, Woodruff	
17	2820031	AR	Heat Shrink (Not Shown - Located at Platform)	
18		Ref	Decal	
18	3251243	1	110V Generator	
18	1702590	NLA	220V Generator (Use p/n 3252507)	
19	3252764	NLA	Nameplate (Not Shown - Located at Platform) (Use p/n 3251102)	
20	3311005	2	Locknut #10-24NC	
21	3311405	1	Locknut 1/4in-20NC	
22	3574225	1	Plate, Pulley Mounting	
23	3580312	1	Pulley, Idler	
24	3580313	1	Pulley, Grooved Idler	
25	3740080	1	Relay, Bosch	
26	3900322	2	Screw, Shoulder	
27	4060802	1	Guard, Switch (Not Shown - Located at Platform)	
28	4240018	AR	Tie-Strap	
29	4340738	1	Support, Idler Pulley	
30	4360336	1	Switch, Toggle (Not Shown - Located at Platform)	
31	4568734	1	Spacer, Tube (Idler Pulley Non-Grooved)	
32	4568735	1	Spacer, Tube (Idler Pulley Grooved)	
33	4711400	1	Flatwasher 1/4in Narrow	
34	4711700	2	Flatwasher 7/16in Narrow	
35	4740397	1	Spacer	
36	4751000	2	Flatwasher #10 Wide	
37	4751600	3	Flatwasher 3/8in Wide	
38	4751800	1	Flatwasher 1/2in Wide	
39	4891500	1	Flatwasher 5/16in Hardened	
40	4891600	4	Flatwasher 3/8in Hardened	
41	4892000	2	Flatwasher 5/8in Hardened	



# SECTION 2 - TURNTABLE

## FIGURE 2-32. 2500W GENERATOR INSTALLATION - GM MACHINES (OPTIONAL)





## SECTION 2 - TURNTABLE

**FIGURE 2-32. 2500W GENERATOR INSTALLATION - GM MACHINES (OPTIONAL)**

ITEM	PART NUMBER	QTY	DESCRIPTION	REV
		Ref	<b>GENERATOR INSTALLATION OPTIONS:</b>	
	0275039	Ref	<b>110V Generator</b>	E
	See Note	Ref	<b>220V Generator (Note: Not Available for Purchase)</b>	
1	0100011	AR	Compound, Locking	
2	0480142	1	V-Belt	
3	0641405	1	Bolt 1/4in-20NC x 5/8in	
4		Ref	Bolt Options:	
4	0641514	1	Bolt 5/16in-18NC x 1-3/4in ( <b>SN 0300069000 through 0300094698</b> )	
4	0641510	1	Bolt 5/16in-18NC x 1-1/4in ( <b>SN 0300094699 through 0300140000</b> )	
5	0641710	2	Bolt 7/16in-14NC x 1-1/4in	
6	0700820	1	Bolt M8 x 60mm	
7	0701016	1	Bolt M10 x 340mm	
8	2460051	1	110V Generator and Control Box Assembly	
8A	7012558	1	110V Generator Assembly	
8A	7026199	1	110V Armature with Slip Rings	
8A	7020109	4	Holder, Brush	
8A	7020108	4	Brush	
8A	7012513	4	Cap, Brush Holder	
8A	7012514	1	Fan	
8A	7020190	2	Bearing	
8A	7020110	1	End Bell, Front	
8A	7020111	1	End Bell, Rear	
8B	7019680	1	110V Control Box Assembly	
8B	4360542	1	Breaker, 110V Circuit	
8B	4460190	1	Receptacle, Double (110V Box)	
8B	4460027	1	Receptacle, Double Twist Lock (110V Box)	
8C	2420203	1	110V Voltmeter	
8D	3580324	1	110V Pulley	
8D	7027887	1	Key, Woodruff	
9	2820031	AR	Heat Shrink (Not Shown - Located at Platform)	
10	33251102	1	Nameplate - Generator (Not Shown - Located at Platform)	
11		Ref	Decal - Voltage Options (Not Shown - Located at Platform):	
11	3251243	1	110V/60Hz	
11	1705325	1	110V/50Hz	
11	3252507	1	220V/50-60HZ	
12	3311005	2	Locknut # 10-24NC	
13	3311405	1	Locknut 1/4in-20NC	
14	3311505	1	Locknut 5/16in-18NC ( <b>SN 0300069000 through 0300094698</b> )	
15	3580312	1	Pulley, Idler	
16	3580348	1	Tensioner, Belt	
17	3740080	1	Relay, Bosch	
18	4060802	1	Guard, Switch (Not Shown - Located at Platform)	
19	4240018	AR	Tie-Strap (Not Shown)	
20	4360336	1	Switch, Toggle (Not Shown - Located at Platform)	
21	4460906	3	Terminal (Not Shown)	
22	4568735	1	Spacer, Tube (Idler Pulley Grooved)	
23	4711400	1	Flatwasher 1/4in Narrow	
24	4711700	2	Flatwasher 7/16in Narrow	

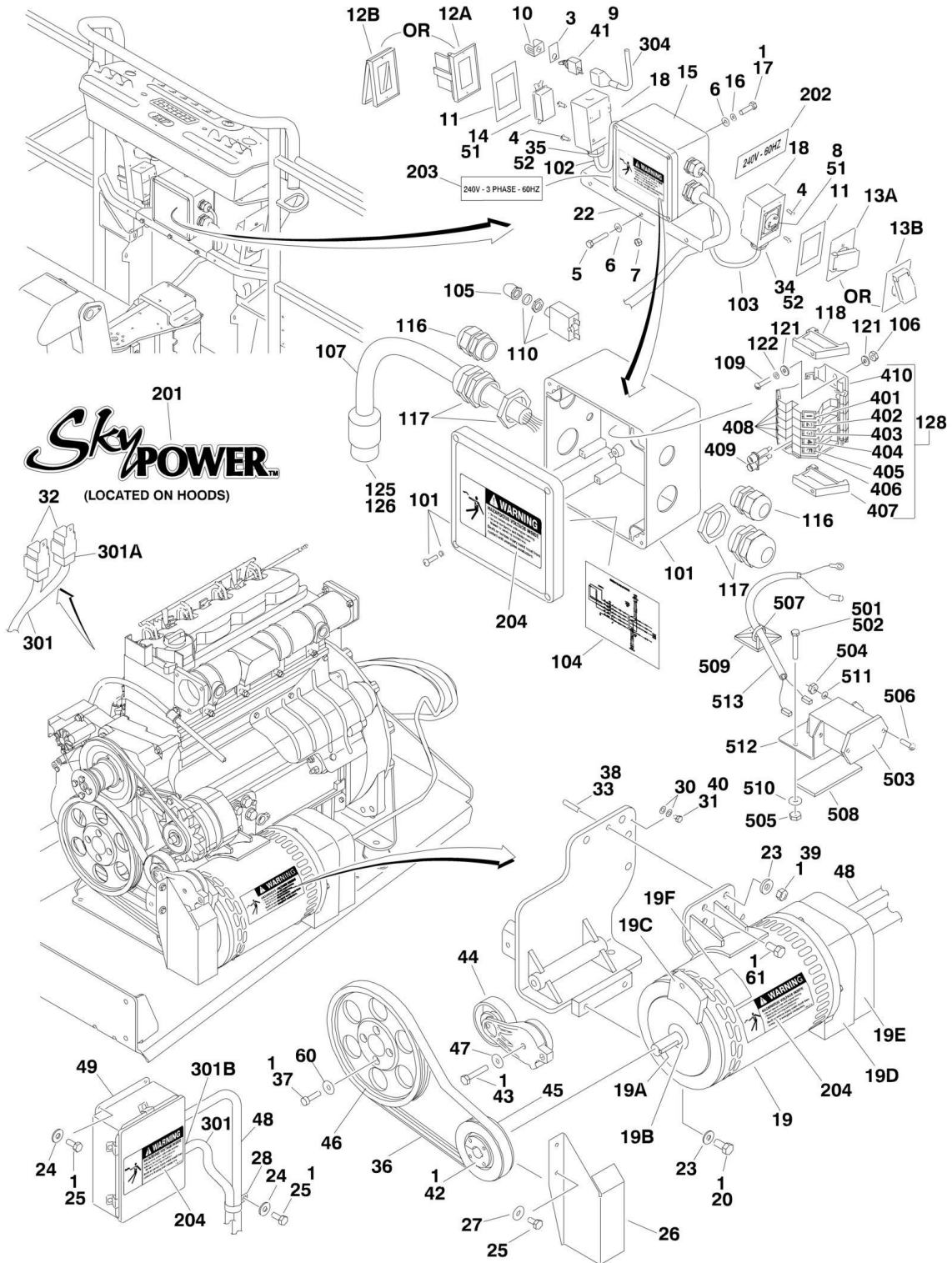
## SECTION 2 - TURNTABLE

ITEM	PART NUMBER	QTY	DESCRIPTION	REV
25	4740397	1	Spacer (Not Shown - Located at Platform)	
26	4751000	2	Flatwasher #10 Wide	
27	4751500	AR	Flatwasher 5/16in Wide	
28	4811900	1	Flatwasher M8	
29	4891600	1	Flatwasher 3/8in Hardened	



# SECTION 2 - TURNTABLE

FIGURE 2-33. 7500W SKYPOWER GENERATOR INSTALLATION - CATERPILLAR AND DEUTZ MACHINES (ANSI AND CSA SPECS)



**SECTION 2 - TURNTABLE**

**FIGURE 2-33. 7500W SKYPOWER GENERATOR INSTALLATION - CATERPILLAR AND DEUTZ MACHINES (ANSI AND CSA SPECS)**

ITEM	PART NUMBER	QTY	DESCRIPTION	REV
		Ref	<b>7500W SKYPOWER GENERATOR INSTALLATION</b>	
	0273540	Ref	<b>60Hz and Caterpillar Engine (SN 0300069000 through 0300139399)</b>	J
	1001115398	Ref	<b>60Hz and Caterpillar Engine (SN 0300139400 through 0300140000)</b>	A
	0272255	Ref	<b>60Hz and Deutz Engine (SN 0300069000 through 0300139399)</b>	L
	1001115387	Ref	<b>60Hz and Deutz Engine (SN 0300139400 through 0300140000)</b>	A
		Ref	<b>Note: Refer to SkyPower Accessories Manual p/n 3124242 for 50Hz Generator.</b>	
		Ref	<b>Note: See ELECTRICAL SECTION for Boom Cable Components.</b>	
1	0100011	AR	Compound, Locking	
3	3252764	1	Nameplate	
4	3910606	8	Screw #6-32NC x 3/8in	
5	0641516	3	Bolt 5/16in-18NC x 2in	
6		Ref	Flatwasher Options:	
6	4711500	10	Flatwasher 5/16in Narrow - Caterpillar Engine Only	
6	4711500	10	Flatwasher 5/16in Narrow - Deutz Engine Only <b>(SN 0300069000 through 0300108684)</b>	
6	4751500	7	Flatwasher 5/16in Wide - Deutz Engine Only <b>(SN 0300108685 through 0300140000)</b>	
7		Ref	Nut Options:	
7	3311505	3	Locknut 5/16in-18NC - Caterpillar Engine Only	
7	3311505	3	Locknut 5/16in-18NC - Deutz Engine Only <b>(SN 0300069000 through 0300108684)</b>	
7	3311508	3	Nut 5/16in-18NC - Deutz Engine Only <b>(SN 0300108685 through 0300140000)</b>	
8	4460958	1	Receptacle, Female Twist-Lock	
9	4360336	1	Switch, Toggle	
10	4060802	1	Guard, Switch	
11	3960422	2	Gasket	
12		Ref	Cover, Receptacle Options:	
12A	4060700	1	Cover, Side Hinged	
12B	1001110873	1	Cover, Top Hinged	
13		Ref	Cover, Receptacle Options:	
13A	4061043	1	Cover, Side Hinged	
13B	1001110872	1	Cover, Top Hinged	
14	4460346	1	Receptacle	
15	0861542	1	Junction Box Assembly (See Items 101-127 for Breakdown)	
16	4761500	4	Flatwasher 5/16in <b>(SN 0300069000 through 0300108684)</b>	
17		Ref	Bolt Options:	
17	0641505	4	Bolt 5/16in-18NC x 5/8in - Caterpillar Engine Only	
17	0641505	4	Bolt 5/16in-18NC x 5/8in - Deutz Engine Only <b>(SN 0300069000 through 0300108684)</b>	
17	0641508	4	Bolt 5/16in-18NC x 1in - Deutz Engine Only <b>(SN 0300108685 through 0300140000)</b>	
18	0860038	2	Box, Switch	
19		Ref	Generator Assembly Options:	
19	2460050	1	Caterpillar Engine	
19	2460048	1	Deutz Engine	
19	70001100	1	Rotor (Includes p/n 70001384 & 70000863) (Not Shown)	

## SECTION 2 - TURNTABLE

ITEM	PART NUMBER	QTY	DESCRIPTION	REV
19	70001384	1	Bearing, Ball Radial (Not Shown)	
19	70000863	1	Fan (Not Shown)	
19		Ref	Stator Options (Not Shown):	
19	70001969	1	2460050 Generator	
19	70002088	1	2460048 Generator	
19	70002297	1	Stud	
19	70003631	1	Brushholder Assembly with Brushes (Not Shown) (was p/n 7024484)	
19A	70004171	1	Key (was p/n 7024561)	
19B	70001966	1	Bearing, Ball Radial (Located in Belt Tensioner Endbell)	
19B	70003708	1	Ring, Internal Retaining (Located in Belt Tensioner Endbell)	
19B	70003709	1	Ring, External Retaining (Located in Belt Tensioner Endbell)	
19C	70001953	1	Endbell, Belt Tensioner	
19D		Ref	Endbell, Brush Block Options (was p/n 70001385):	
19D	70004170	1	Caterpillar Engine Machines	
19D	70004169	1	Deutz Engine Machines	
19E		Ref	Shroud Options:	
19E	70004170	1	Caterpillar Engine (was p/ns 70001970 & 70001971)	
19E	70004169	1	Deutz Engine (was p/n 70002290)	
19E	7027799	1	Block, Connector 6 Position (Not Shown)	
19E	70002460	6	Nut, Brass (Attaches p/n 7027799 to Cover) (Not Shown)	
19E	7024485	1	Breaker, Circuit 30Amp (Not Shown)	
19E	70001696	1	Boot, Breaker (was p/n 7024486) (Not Shown)	
19E	7026597	1	Connector, W/Leads (Not Shown)	
19E	7026188	1	Clamp, Cable (Not Shown)	
19E		Ref	Plate, End Panel Options:	
19E	70004170	1	Caterpillar Engine (was p/n 70001972)	
19E	70004169	1	Deutz Engine (was p/n 70002255)	
19E	70001974	1	Decal - Terminal Connections	
19F	70001973	1	Decal - Warning Moving Parts	
20	0641808	AR	Bolt 1/2in-13NC x 1in	
22	0902888	1	Bracket, Box Mounting	
23	4711800	AR	Flatwasher 1/2in Narrow	
24	4711400	AR	Flatwasher 1/4in Narrow	
25	0641404	AR	Bolt 1/4in-20NC x 1/2in	
26		Ref	Shield Options:	
26	Not Required	0	Caterpillar Engine	
26	4061049	1	Deutz Engine	
27	4751400	2	Flatwasher 1/4in Wide	
28	1320318	AR	Clamp	
29	4240018	AR	Tie-Strap (Not Shown)	
30	4791400	2	Starwasher 1/4in	
31		Ref	Bolt 1/4in-20NC Options:	
31	0641406	1	Bolt 3/8in Length - Caterpillar Engine	
31	0641406	1	Bolt 3/8in Length - Deutz Engine <b>(SN 0300069000 through 0300108684)</b>	
31	0641404	1	Bolt 1/2in Length - Deutz Engine <b>(SN 0300108685 through 0300140000)</b>	
32	3740080	2	Relay	
33	0100019	AR	Compound, Locking	
34	4460051	1	Connector, Strain Relief	
35	4460071	1	Connector, Strain Relief	

## SECTION 2 - TURNTABLE

ITEM	PART NUMBER	QTY	DESCRIPTION	REV
36	0480129	1	Belt, Drive	
37		Ref	Bolt, Metric Options:	
37	0700816	4	Caterpillar Engine (M8 x 40mm) <b>(SN 0300069000 through 0300076282)</b>	
37	0700815	4	Caterpillar Engine (M8 x 35mm) <b>(SN 0300076283 through 0300140000)</b>	
37	4032015	4	Deutz Engine (M10 x 55mm)	
38	4300157	1	Stud	
39	3311801	1	Nut 1/2in-13NC	
40	0100062	1	Loctite #RC680	
41	2820031	1	Insulator	
42	0962520	1	Bushing, Split Taper	
43		Ref	Bolt 3/8in-16NC x 2-1/4in Options:	
43	3931632	1	Caterpillar Engine (Socket Head Capscrew) <b>(SN 0300069000 through 0300096484)</b>	
43	0641618	1	Caterpillar Engine (Hex Head Bolt) <b>(SN 0300096485 through 0300140000)</b>	
43	0641618	1	Deutz Engine (Hex Head Bolt)	
44	3580317	1	Tensioner, Belt (was p/n 70001975)	
45	3580318	1	Pulley	
46		Ref	Pulley Options:	
46	3580321	1	Caterpillar Engine	
46	3580320	1	Deutz Engine	
47	4711600	1	Flatwasher 3/8in Narrow	
48	4922925	1	Harness, Generator	
49	0861538	1	Control Box Assembly (was p/n 7024487)	
49	7024488	1	Card, Circuit - Generator Power	
49	See Note	1	Fuse (Note: Not Available - Purchase Locally)	
49	7024489	1	Card, Circuit - Control	
49	70000619	1	Harness, Circuit Card	
51	4460315	4	Terminal - Deutz Engine Only <b>(SN 0300108685 through 0300140000)</b>	
52	0100020	AR	Pipe Sealant - Deutz Engine Only <b>(SN 0300108685 through 0300140000)</b>	
60	4811900	4	Flatwasher M8 (Caterpillar Engine Only)	
61	0771415	1	Bolt M14 x 35mm - Deutz Engine Only <b>(SN 0300095348 through 0300140000)</b>	
	0861542	Ref	<b>JUNCTION BOX ASSEMBLY</b>	C
101	0861541	1	Box, Junction	
102	1060494	2 ft/.6m	Cable, ELECTRICAL 12/3	
103	1060708	2.5 ft /.76m	Cable, Electrical 10/3	
104	1705376	1	Decal - Wiring Schematic	
105	3300396	1	Cover, Fuse	
106	3310601	2	Nut #6-32NC	
107	1060343	1.5 ft /.46m	Cable, Electrical 10/4	
109	3910610	2	Bolt #6-32NC x 5/8in	
110	4360070	1	Circuit Breaker - 15 Amp	
116	4460425	2	Strain Relief, Terminal	
117	4460426	2	Connector, Strain Relief	
118	4460607	1	Terminal, End Stop	
121	4750600	4	Flatwasher, #6 Wide	

## SECTION 2 - TURNTABLE

ITEM	PART NUMBER	QTY	DESCRIPTION	REV
122	4760600	2	Lockwasher #6	
125	1671092	1	Cover	
126	4460963	1	Connector	
128		Ref	Terminal Block Assembly Options (See Items 401-410 For Breakdown):	
128	NPN	1	Gray Terminal Block Assembly	
128	1001121340	1	Tan Terminal Block Assembly	
	0272435	Ref	<b>DECAL INSTALLATION</b>	A
201	1705460	2	Decal - SkyPower	
202	1705374	1	Decal - 240V - 60Hz	
203	1705375	1	Decal - 240V - 3 Phase	
204	1705387	3	Decal, Hazardous Voltage	
	4933264	Ref	<b>ELECTRICAL DIAGRAM COMPONENTS</b>	C
301	4922757	1	Generator Harness	3-C
301A	4460374	2	Plug, Sealed Relay	
301A	4460375	7	Terminal	
301B	4460967	1	Plug, Male - 3 Position	
301B	4460465	3	Socket, Female	
301C	2400060	1	Fuseholder (Not Shown)	
301C	2400064	1	Fuse - 5 Amp (Not Shown)	
304	4922641	1	Switch Harness	
		Ref	<b>TERMINAL BLOCK ASSEMBLY</b>	
	NPN	Ref	<b>Gray Terminal Block Assembly (Complete Assembly Not Available - Purchase Individual Components)</b>	
	1001121340	Ref	<b>Tan Terminal Block Assembly</b>	A
401		Ref	Marker Strip #1 Options:	
401	4460411	2	Gray Terminal Block Assembly	
401	70002818	2	Tan Terminal Block Assembly	
402		Ref	Marker Strip #2 Options:	
402	4460412	4	Gray Terminal Block Assembly	
402	70002819	4	Tan Terminal Block Assembly	
403		Ref	Marker Strip #3 Options:	
403	4460413	2	Gray Terminal Block Assembly	
403	70002820	2	Tan Terminal Block Assembly	
404		Ref	Marker Strip #4 Options:	
404	4460414	2	Gray Terminal Block Assembly	
404	70002821	2	Tan Terminal Block Assembly	
405		Ref	Marker Strip #5 Options:	
405	4460415	4	Gray Terminal Block Assembly	
405	70002822	4	Tan Terminal Block Assembly	
406		Ref	Terminal, End Barrier Options:	
406	4460956	1	Gray Terminal Block Assembly	
406	70002823	1	Tan Terminal Block Assembly	
407		Ref	Terminal, End Stop Options:	
407	4460607	2	Gray Terminal Block Assembly	
407	70002824	2	Tan Terminal Block Assembly	
408		Ref	Terminal, Block Options:	
408	4460957	7	Gray Terminal Block Assembly	
408	70002825	7	Tan Terminal Block Assembly	
409		Ref	Terminal, Cross Connector Jumper Options:	
409	4461001	2	Gray Terminal Block Assembly ( <b>SN 0300072914 through 0300140000</b> )	

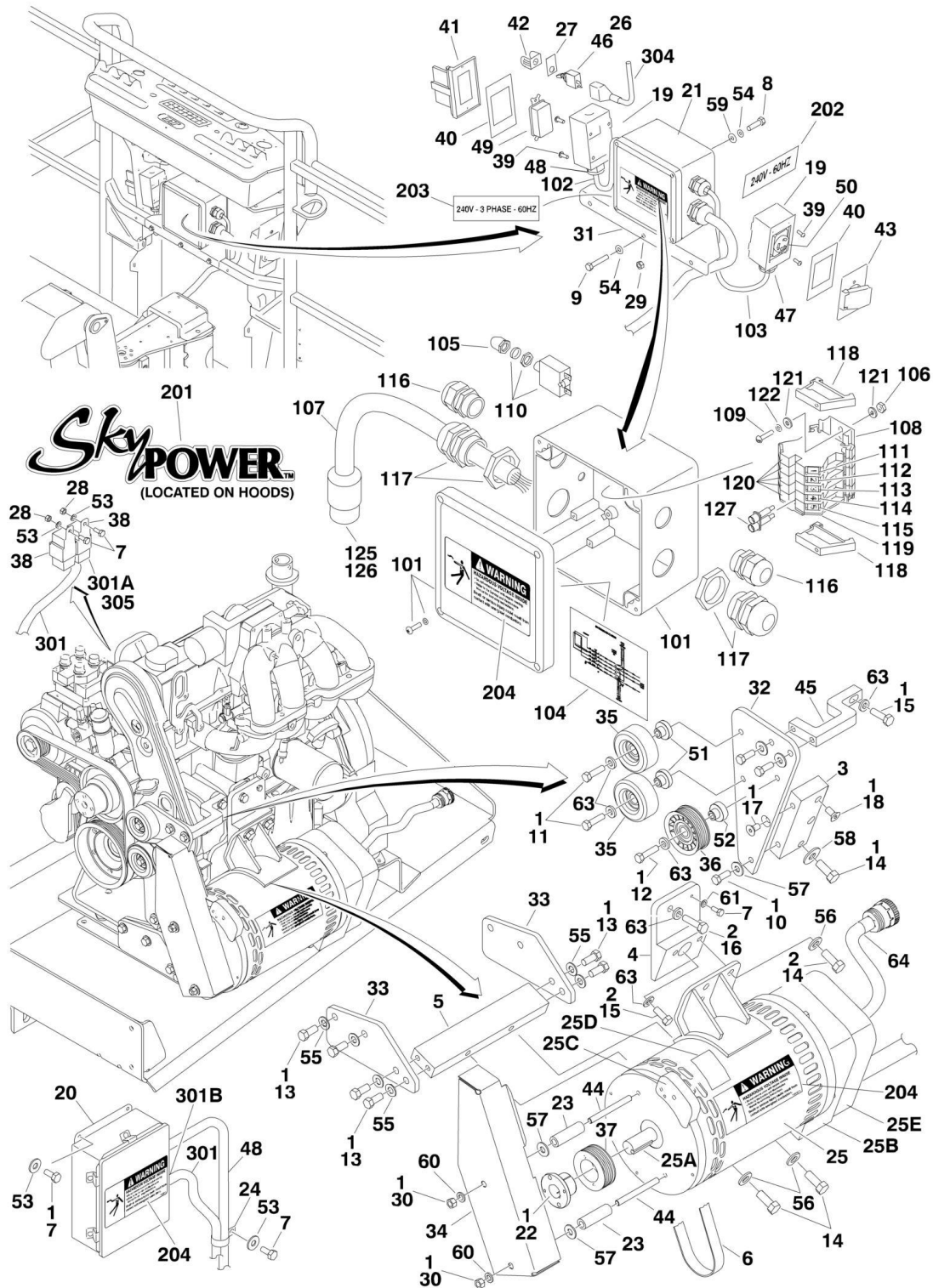


## SECTION 2 - TURNTABLE

ITEM	PART NUMBER	QTY	DESCRIPTION	REV
409	70002826	2	Tan Terminal Block Assembly	B
410		Ref	Rail, Relay Options:	
410	3640986	1	Rail, Relay (SN 0300069000 through 0300072913)	
410	3641533	1	Rail, Relay (SN 0300072914 through 0300140000)	
	1001094475	Ref	<b>HOURLMETER INSTALLATION</b>	
501	0100011	AR	Compound, Locking	
502	0720808	1	Screw #8-32 x 1in	
503	2420165	1	Hourmeter	
504	3310604	2	Nut #6-32	
505	3310805	1	Locknut #8-32	
506	3910608	2	Screw #6-32 x 1/2in	
507	4240032	4	Strap, Tie	
508	4420060	3 in/7cm	Tape, Double-Sided	
509	4460234	3	Mount, Tie Strap	
510	4750800	1	Washer #8	
511	4760600	2	Lockwasher #6	
512	1001094375	1	Bracket, Hourmeter	
513	1001094509	1	Harness, Hourmeter	

# SECTION 2 - TURNTABLE

## FIGURE 2-34. 7500W SKYPOWER GENERATOR INSTALLATION - FORD MACHINES (ANSI AND CSA SPECS)



## SECTION 2 - TURNTABLE

**FIGURE 2-34. 7500W SKYPOWER GENERATOR INSTALLATION - FORD MACHINES (ANSI AND CSA SPECS)**

ITEM	PART NUMBER	QTY	DESCRIPTION	REV
	0272817	Ref	<b>7500W SKYPOWER GENERATOR INSTALLATION</b>	H
		Ref	<b>Note: See ELECTRICAL SECTION for Boom Cable Components.</b>	
1	0100011	AR	Compound, Locking	
2	0100019	AR	Compound, Locking	
3	0363097	1	Bar, Pulley Mount	
4	0363201	1	Bar, Generator Mount (Top)	
5	0363202	1	Bar, Generator Mount (Bottom)	
6	0480130	1	Belt, Generator	
7	0641405	8	Bolt 1/4in-20NC x 5/8in	
8	0641505	4	Bolt 5/16in-18NC x 5/8in	
9	0641516	3	Bolt 5/16in-18NC x 2in	
10	0641608	3	Bolt 3/8in-16NC x 1in	
11	0641611	2	Bolt 3/8in-16NC x 1-3/8in	
12	0641612	1	Bolt 3/8in-16NC x 1-1/2in	
13	0641708	8	Bolt 7/16in-14NC x 1in	
14	0641810	5	Bolt 1/2in-13NC x 1-1/4in	
15	0701015	2	Bolt M10 x 35mm	
16	0701016	1	Bolt M10 x 40mm	
17	0741606	1	Screw, Flathead Countersunk 3/8in-16NC x 3/4in	
18	0741808	1	Screw, Flathead Countersunk 1/2in-13NC x 1in	
19	0860038	2	Box, Switch	
20	0861538	1	Control Box Assembly (was p/n 7024487)	
20	7024488	1	Card, Circuit - Generator Power	
20	See Note	1	Fuse (Note: Not Available - Purchase Locally)	
20	7024489	1	Card, Circuit - Control	
20	70000619	1	Harness, Circuit Card	
21	0861542	1	Junction Box Assembly (See Items 101-127 for Breakdown)	
22	0962520	1	Bushing, Split Taper	
23	0962521	2	Spacer, Tube	
24		Ref	Clamp Options:	
24	1320041	1	Clamp (SN 0300069000 through 0300080687)	
24	1320224	1	Clamp (SN 0300080688 through 0300140000)	
25	2460048	1	Generator Assembly	
25	70003631	1	Brushholder Assembly with Brushes (Not Shown) (was p/n 7024484)	
25	7024485	1	Breaker, Circuit 30Amp (Not Shown)	
25	70001974	1	Decal - Terminal Connections	
25	70001696	1	Boot, Breaker (was p/n 7024486 - Not Shown)	
25	70001100	1	Rotor (Not Shown)	
25	70000863	1	Fan (Not Shown)	
25	70001384	1	Bearing, Ball Radial (Not Shown)	
25	70001966	1	Bearing, Ball Radial (Located In Belt Tensioner Endbell - Not Shown)	
25	7027799	1	Block, Connector 6 Position (Not Shown)	
25	70002460	6	Nut, Brass (Attaches p/n 7027799 to Cover) (Not Shown)	
25	7026188	1	Clamp, Cable (Not Shown)	
25	7026597	1	Connector, W/Leads (Not Shown)	
25	70002088	1	Stator (Not Shown):	

## SECTION 2 - TURNTABLE

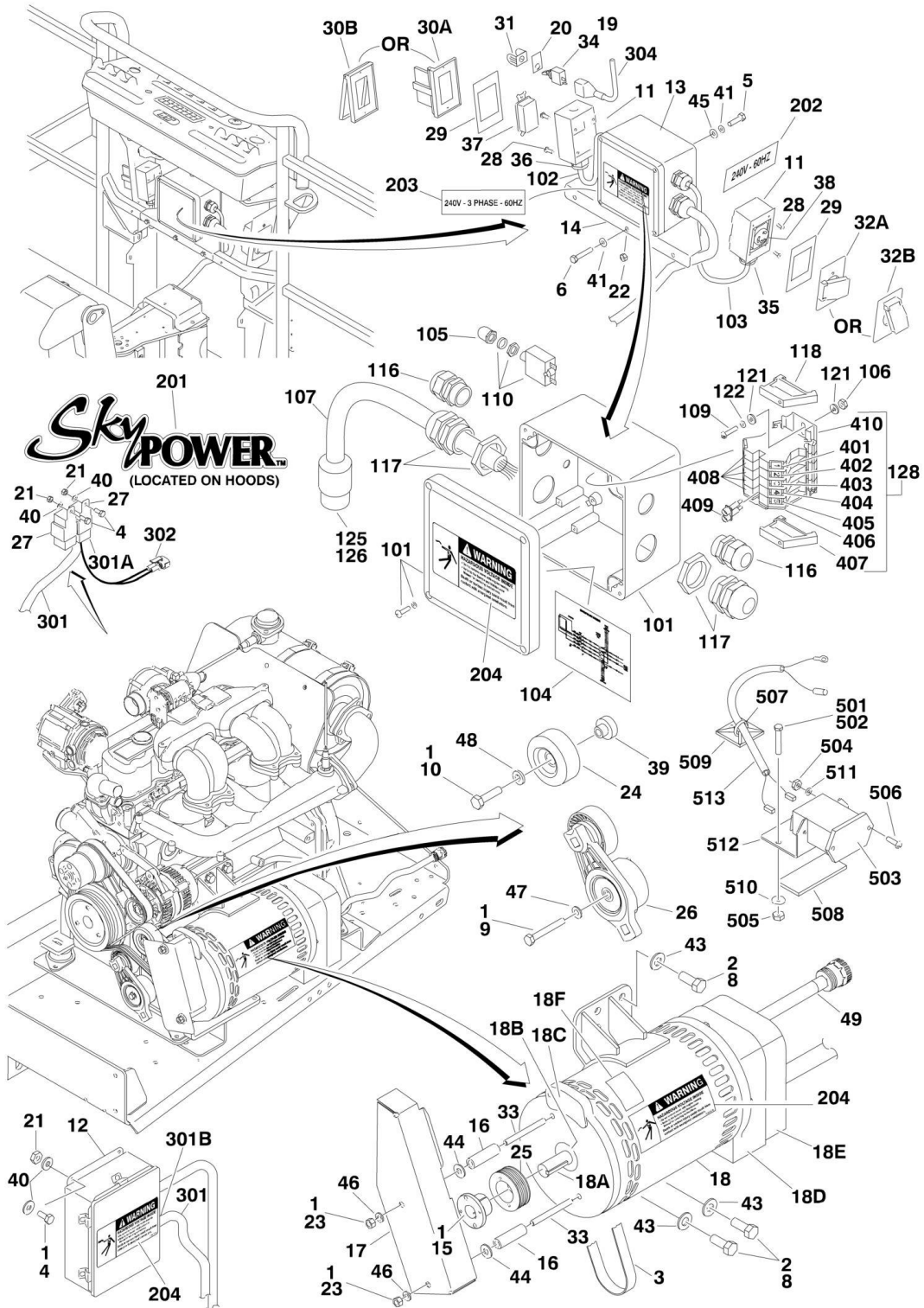
ITEM	PART NUMBER	QTY	DESCRIPTION	REV
25A	70004171	1	Key (was p/n 7024561)	
25B	70004169	1	Endbell, Brush Block (was p/n 70001385)	
25C	70001953	1	Endbell, Belt Tensioner	
25D	70001973	1	Decal - Warning Moving Parts	
25E	70004169	1	Shroud Assy Endbell (Rear) (was p/n 70002290)	
25E	70004169	1	Plate, End Panel (was p/n 70002255)	
26	2820031	1	Insulator	
27	3252764	1	Nameplate	
28	3311405	6	Locknut 1/4in-20NC	
29	3311505	3	Locknut 5/16in-18NC	
30	3311601	2	Nut 3/8in-16NC	
31	0902888	1	Bracket, Box Mounting	
32	3574225	1	Plate, Pulley Mounting	
33	3574229	2	Plate, Gusset Generator Mounting	
34	3574262	1	Plate, Shield	
35	3580312	2	Pulley, Idler	
36	3580313	1	Pulley, Idler Grooved	
37	3580314	1	Pulley, Drive Grooved	
38	3740080	2	Relay	
39	3910606	8	Screw #6-32NC x 3/8in	
40	3960422	2	Gasket	
41	4060700	1	Cover, Receptacle	
42	4060802	1	Guard, Switch	
43	4061043	1	Cover, Receptacle	
44	4300111	2	Stud, Chain Assembly	
45	4340738	1	Support, Idler Pulley Mount	
46	4360336	1	Switch, Toggle	
47	4460051	1	Connector, Strain Relief	
48	4460071	1	Connector, Strain Relief	
49	4460346	1	Receptacle	
50	4460958	1	Receptacle, Female Twist-Lock	
51	4568734	2	Tube, Spacer Pulley	
52	4568735	1	Tube, Spacer Pulley Grooved	
53	4711400	11	Flatwasher 1/4in Narrow	
54	4711500	10	Flatwasher 5/16in Narrow	
55	4711700	8	Flatwasher 7/16in Narrow	
56	4711800	4	Flatwasher 1/2in Narrow	
57	4751600	5	Flatwasher 3/8in	
58	4751800	1	Flatwasher 1/2in	
59	4761500	4	Flatwasher 5/16in	
60	4761600	2	Flatwasher 3/8in	
61	4791400	1	Starwasher 1/4in	
63	4891600	6	Washer, Hardened 3/8in	
64	4922925	1	Harness, Generator	
	0861542	Ref	<b>JUNCTION BOX ASSEMBLY</b>	C
101	0861541	1	Box, Junction	
102	1060494	2 ft/.6m	Cable, Electrical 12/3	
103	1060708	2.5 ft /.76m	Cable, Electrical 10/3	
104	1705376	1	Decal - Wiring Schematic	
105	3300396	1	Cover, Fuse	
106	3310601	2	Nut #6-32NC	

## SECTION 2 - TURNTABLE

ITEM	PART NUMBER	QTY	DESCRIPTION	REV
107	1060343	1.5 ft /.46m	Cable, Electrical 10/4	
108		Ref	Rail, Relay Options:	
108	3640986	1	Rail, Relay (SN 0300069000 through 0300072913)	
108	3641533	1	Rail, Relay (SN 0300072914 through 0300140000)	
109	3910610	2	Bolt #6-32NC x 5/8in	
110	4360070	1	Circuit Breaker - 15 Amp	
111	4460411	2	Marker Strip #1	
112	4460412	4	Marker Strip #2	
113	4460413	2	Marker Strip #3	
114	4460414	2	Marker Strip #4	
115	4460415	4	Marker Strip #5	
116	4460425	2	Strain Relief, Terminal	
117	4460426	2	Connector, Strain Relief	
118	4460607	2	Terminal, End Stop	
119	4460956	1	Terminal, Block End	
120	4460957	7	Terminal, Block	
121	4750600	4	Flatwasher, #6 Wide	
122	4760600	2	Lockwasher #6	
125	1671092	1	Cover	
126	4460963	1	Connector	
127	4461001	2	Cross Connector - 2 Position (SN 0300072914 through 0300140000)	
	0272435	Ref	<b>DECAL INSTALLATION</b>	A
201	1705460	2	Decal - SkyPower	
202	1705374	1	Decal - 240V - 60Hz	
203	1705375	1	Decal - 240V - 3 Phase	
204	1705387	3	Decal, Hazardous Voltage	
	4933283	Ref	<b>ELECTRICAL DIAGRAM COMPONENTS</b>	2-B
301	4922905	1	Generator Harness	2-B
301A	4460374	2	Plug, Sealed Relay	
301A	4460375	7	Terminal	
301B	4460967	1	Plug, Male - 3 Position	
301B	4460465	3	Socket, Female	
301C	2400060	2	Fuseholder (Not Shown)	
301C	2400064	2	Fuse - 5 Amp (Not Shown)	
304	4922641	1	Switch Harness	
305	4460375	1	Terminal	

# SECTION 2 - TURNTABLE

FIGURE 2-35. 7500W SKYPOWER GENERATOR INSTALLATION - GM MACHINES (ANSI AND CSA SPECS)



## SECTION 2 - TURNTABLE

**FIGURE 2-35. 7500W SKYPOWER GENERATOR INSTALLATION - GM MACHINES (ANSI AND CSA SPECS)**

ITEM	PART NUMBER	QTY	DESCRIPTION	REV
	0275257	Ref	<b>7500W SKYPOWER GENERATOR INSTALLATION</b>	E
		Ref	<b>Note: See ELECTRICAL SECTION for Boom Cable Components.</b>	
1	0100011	AR	Compound, Locking	
2	0100019	AR	Compound, Locking	
3	0480142	1	Belt, Generator	
4	0641405	6	Bolt 1/4in-20NC x 5/8in	
5	0641505	4	Bolt 5/16in-18NC x 5/8in	
6	0641516	3	Bolt 5/16in-18NC x 2in	
8	0641808	4	Bolt 1/2in-13NC x 1-1/4in	
9	0700820	1	Bolt, Metric M8 x 60mm	
10	0701016	1	Bolt, Metric M10 x 40mm	
11	0860038	2	Box, Switch	
12	0861538	1	Control Box Assembly (was p/n 7024487)	
12	7024488	1	Card, Circuit - Generator Power	
12	See Note	1	Fuse (Note: Not Available - Purchase Locally)	
12	7024489	1	Card, Circuit - Control	
12	70000619	1	Harness, Circuit Card	
13	0861542	1	Junction Box Assembly (See Items 101-127 for Breakdown)	
14	0902888	1	Bracket, Box Mounting	
15	0962520	1	Bushing, Split Taper	
16	0962521	2	Spacer, Tube	
17	1671311	1	Cover, Generator Belt	
18	2460048	1	Generator Assembly	
18	70001100	1	Rotor (Includes p/n 70001384 & 70000863) (Not Shown)	
18	70001384	1	Bearing, Ball Radial (Not Shown)	
18	70000863	1	Fan (Not Shown)	
18	70002088	1	Stator (Not Shown)	
18	70002297	1	Stud (Not Shown)	
18	70003631	1	Brushholder Assembly (Not Shown) (was p/n 7024484)	
18A	70004171	1	Key (was p/n 7024561)	
18B	70001966	1	Bearing, Shaft (Front)	
18C	70001953	1	Endbell (Front)	
18D	70004169	1	Endbell, Brush Block (was p/n 70001385)	
18E	70004169	1	Shroud Assembly Endbell (Rear) (was p/n 70002290)	
18E	7027799	1	Block, Connection - 6 Position (Not Shown)	
18E	70002460	6	Nut, Brass (Attaches p/n 7027799 to Cover) (Not Shown)	
18E	7024485	1	Breaker, Circuit 30Amp (Not Shown)	
18E	70001696	1	Boot, Breaker (was p/n 7024486 - Not Shown)	
18E	7026597	1	Connector, W/Lead (Not Shown)	
18E	7026188	1	Connector, Clamp (Not Shown)	
18E	70004169	1	Plate, End Panel (Not Shown) (was p/n 70002255)	
18E	70001974	1	Decal - Terminal Connections (Not Shown)	
18F	70001973	1	Decal - Warning Moving Parts	
19	2820031	1	Insulator	
20	3252764	1	Nameplate	
21	3311405	6	Locknut 1/4in-20NC	
22	3311505	3	Locknut 5/16in-18NC	
23	3311601	2	Nut 3/8in-16NC	

## SECTION 2 - TURNTABLE

ITEM	PART NUMBER	QTY	DESCRIPTION	REV
24	3580312	2	Pulley, Idler	
25	3580314	1	Pulley, Drive Grooved	
26	3580348	1	Tensioner, Belt with Pulley	
27	3740080	2	Relay	
28	3910606	8	Screw #6-32NC x 3/8in	
29	3960422	2	Gasket	
30		Ref	Cover, Receptacle Options:	
30A	4060700	1	Cover, Side Hinged	
30B	1001110873	1	Cover, Top Hinged	
31	4060802	1	Guard, Switch	
32		Ref	Cover, Receptacle Options:	
32A	401043	1	Cover, Side Hinged	
32B	1001110872	1	Cover, Top Hinged	
33	4300111	2	Stud, Chain Assembly	
34	4360336	1	Switch, Toggle	
35	4460051	1	Connector, Strain Relief	
36	4460071	1	Connector, Strain Relief	
37	4460346	1	Receptacle	
38	4460958	1	Receptacle, Female Twist-Lock	
39	4568735	1	Tube, Spacer Pulley Grooved	
40	4711400	10	Flatwasher 1/4in Narrow	
41	4711500	10	Flatwasher 5/16in Narrow	
43	4711800	4	Flatwasher 1/2in Narrow	
44	4751600	2	Flatwasher 3/8in Wide	
45	4761500	4	Lockwasher 5/16in	
46	4761600	2	Lockwasher 3/8in	
47	4811900	1	Flatwasher M8	
48	4891600	1	Washer, Hardened 3/8in	
49	4922925	1	Harness, Generator	
	0861542	Ref	<b>JUNCTION BOX ASSEMBLY</b>	C
101	0861541	1	Box, Junction	
102	1060494	2 ft/.6m	Cable, Electrical 12/3	
103	1060708	2.5 ft /.76m	Cable, Electrical 10/3	
104	1705376	1	Decal - Wiring Schematic	
105	3300396	1	Cover, Fuse	
106	3310601	2	Nut 6-32NC	
107	1060343	1.5 ft /.46m	Cable, Electrical 10/4	
109	3910610	2	Bolt #6-32NC x 5/8in	
110	4360070	1	Circuit Breaker - 15 Amp	
116	4460425	2	Strain Relief, Terminal	
117	4460426	2	Connector, Strain Relief	
118	4460607	1	Terminal, End Block	
121	4750600	4	Flatwasher, #6 Wide	
122	4760600	2	Lockwasher #6	
125	1671092	1	Cover	
126	4460963	1	Connector	
128		Ref	Terminal Block Assembly Options (See Items 401-410 for Breakdown)	
128	NPN	1	Gray Terminal Block Assembly	
128	1001121340	1	Tan Terminal Block Assembly	



**SECTION 2 - TURNTABLE**

ITEM	PART NUMBER	QTY	DESCRIPTION	REV
	0272435	Ref	<b>DECAL INSTALLATION</b>	A
201	1705460	2	Decal - SkyPower	
202	1705374	1	Decal - 240V - 60Hz	
203	1705375	1	Decal - 240V - 3 Phase	
204	1705387	3	Decal, Hazardous Voltage	
	4933349	Ref	<b>ELECTRICAL DIAGRAM COMPONENTS</b>	A
301	4923420	1	Generator Harness	A
301A	4460374	2	Plug, Sealed Relay	
301A	4460375	8	Terminal	
301B	4460967	1	Plug, Male - 3 Position	
301B	4460465	3	Socket, Female	
301C	2400060	2	Fuseholder (Not Shown)	
301C	2400064	2	Fuse - 5 Amp (Not Shown)	
302	4460742	1	Connector - 2 Position	
302	4460743	2	Socket, Female	
302	4460458	2	Seal	
304	4922641	1	Switch Harness	
		Ref	<b>TERMINAL BLOCK ASSEMBLY</b>	
	NPN	Ref	<b>Gray Terminal Block Assembly (Complete Assembly Not Available - Purchase Individual Components)</b>	
	1001121340	Ref	<b>Tan Terminal Block Assembly</b>	A
401		Ref	Marker Strip #1 Options:	
401	4460411	2	Gray Terminal Block Assembly	
401	70002818	2	Tan Terminal Block Assembly	
402		Ref	Marker Strip #2 Options:	
402	4460412	4	Gray Terminal Block Assembly	
402	70002819	4	Tan Terminal Block Assembly	
403		Ref	Marker Strip #3 Options:	
403	4460413	2	Gray Terminal Block Assembly	
403	70002820	2	Tan Terminal Block Assembly	
404		Ref	Marker Strip #4 Options:	
404	4460414	2	Gray Terminal Block Assembly	
404	70002821	2	Tan Terminal Block Assembly	
405		Ref	Marker Strip #5 Options:	
405	4460415	4	Gray Terminal Block Assembly	
405	70002822	4	Tan Terminal Block Assembly	
406		Ref	Terminal, End Barrier Options:	
406	4460956	1	Gray Terminal Block Assembly	
406	70002823	1	Tan Terminal Block Assembly	
407		Ref	Terminal, End Block Options:	
407	4460607	2	Gray Terminal Block Assembly	
407	70002824	2	Tan Terminal Block Assembly	
408		Ref	Terminal, Block Options:	
408	4460957	7	Gray Terminal Block Assembly	
408	70002825	7	Tan Terminal Block Assembly	
409		Ref	Terminal, Cross Connector Jumper Options:	
409	4461001	2	Gray Terminal Block Assembly	
409	70002826	2	Tan Terminal Block Assembly	
410	3641533	1	Rail, Relay	
	1001094475	Ref	<b>HOURMETER INSTALLATION</b>	A
501	0100011	AR	Compound, Locking	
502	0720808	1	Screw #8-32 x 1in	

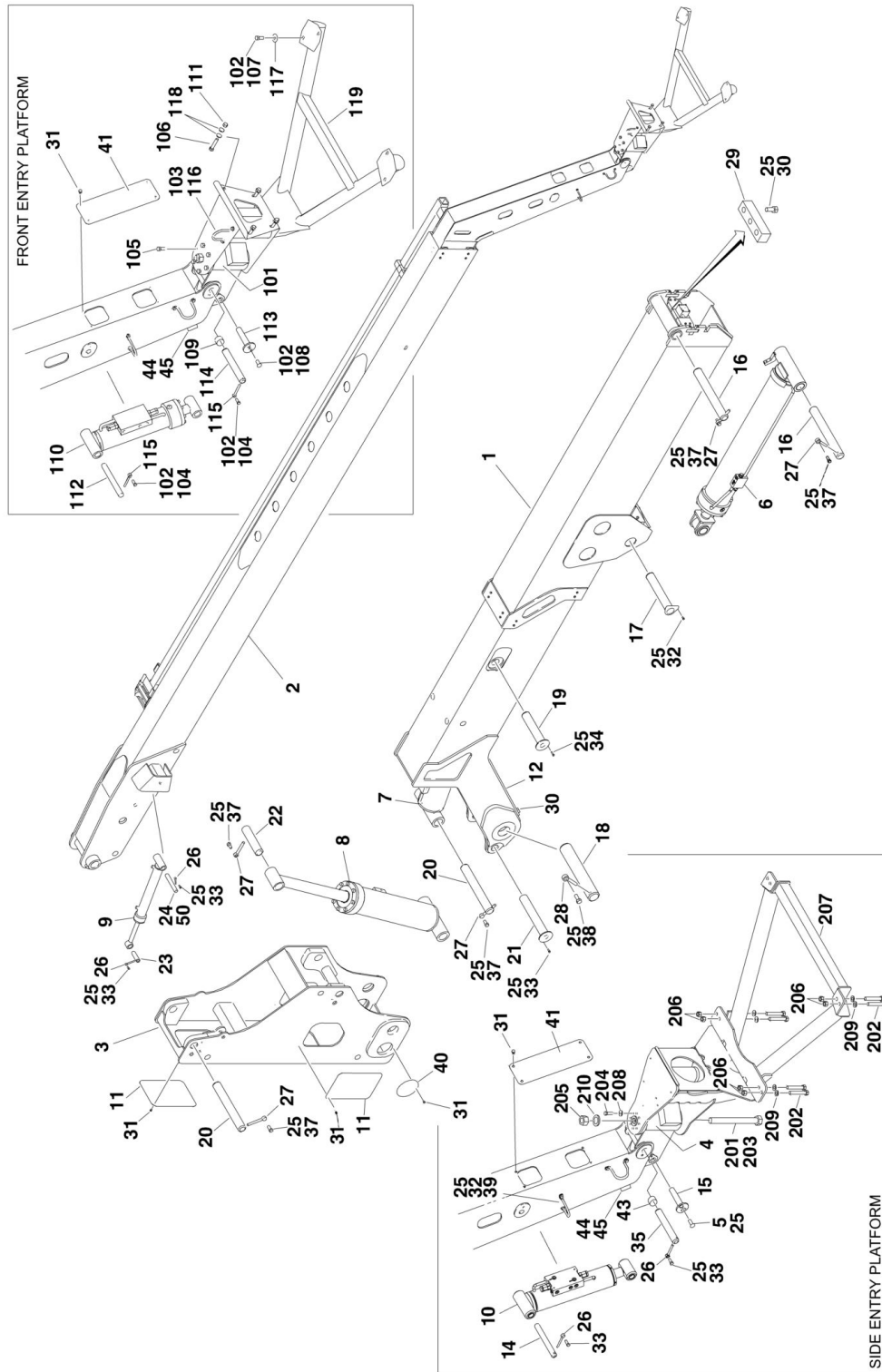
## SECTION 2 - TURNTABLE

ITEM	PART NUMBER	QTY	DESCRIPTION	REV
503	2420165	1	Hourmeter	
504	3310604	2	Nut #6-32	
505	3310805	1	Locknut #8-32	
506	3910608	2	Screw #6-32 x 1/2in	
507	4240032	4	Strap, Tie	
508	4420060	3 in/7cm	Tape, Double-Sided	
509	4460234	3	Mount, Tie Strap	
510	4750800	1	Washer #8	
511	4760600	2	Lockwasher #6	
512	1001094375	1	Bracket, Hourmeter	
513	1001094509	1	Harness, Hourmeter	

**SECTION 3 - BOOM**

# SECTION 3 - BOOM

## FIGURE 3-1. BOOM AND CYLINDER INSTALLATION - 800A



## SECTION 3 - BOOM

### FIGURE 3-1. BOOM AND CYLINDER INSTALLATION - 800A

ITEM	PART NUMBER	QTY	DESCRIPTION	REV
		Ref	<b>BOOMS AND CYLINDERS INSTALLATIONS - 800A</b>	
	0257760	Ref	<b>FRONT ENTRY PLATFORM</b>	E
	0272381	Ref	<b>SIDE ENTRY PLATFORM</b>	E
1	0801132	1	Boom Assembly - Tower (See TOWER BOOM ASSEMBLY for Breakdown)	
2	0801135	1	Boom Assembly - Main (See MAIN BOOM ASSEMBLIES for Breakdown)	
3	4845593	1	Upright Weldment	
4		Ref	Rotator Actuator Assembly Options:	
4	See Note	1	Front Entry Platform (Note: See Item 101)	
4	0060069	1	Side Entry Platform (See ROTATOR ASSEMBLY for Breakdown)	
5	0741607	1	Screw, Countersunk 3/8in-16NC x 7/8in	
6	1683537	NLA	Lift Cylinder Assembly - Tower Boom (Use p/n 1001228009) (See CYLINDER SECTION for Breakdown) (Original Equipment)	
6	1001228009	1	Lift Cylinder Assembly - Tower Boom (See CYLINDER SECTION for Breakdown) (Service Replacement)	
7	1683546	NLA	Level Cylinder Assembly - Upright (Use p/n 1001228041) (See CYLINDER SECTION for Breakdown) (Original Equipment)	
7	1684497	NLA	Level Cylinder Assembly - Upright (Use p/n 1001228041) (See CYLINDER SECTION for Breakdown) (Service Replacement)	
7	1001228041	1	Level Cylinder Assembly - Upright (See CYLINDER SECTION for Breakdown) (Service Replacement)	
8	1683547	NLA	Lift Cylinder Assembly - Main Boom (Use p/n 1001228010) (See CYLINDER SECTION for Breakdown) (Original Equipment)	
8	1001228010	1	Lift Cylinder Assembly - Main Boom (See CYLINDER SECTION for Breakdown) (Service Replacement)	
9	1683608	NLA	Master Cylinder Assembly (Use p/n 1001228011) (See CYLINDER SECTION for Breakdown) (Original Equipment)	
9	1001228011	1	Master Cylinder Assembly (See CYLINDER SECTION for Breakdown) (Service Replacement)	
10	1683610	NLA	Slave Cylinder Assembly (Use p/n 1001228033) (See CYLINDER SECTION for Breakdown) (Original Equipment)	
10	1684408	NLA	Slave Cylinder Assembly (Use p/n 1001228033) (See CYLINDER SECTION for Breakdown) (Service Replacement)	
10	1001228033	1	Slave Cylinder Assembly (See CYLINDER SECTION for Breakdown) (Service Replacement)	
11	1670844	4	Cover, Upright	
12	1670850	1	Cover, Tower Fly	
14	3422578	1	Pin	
15	3422580	1	Pin	
16	3422681	2	Pin	
17	3422729	1	Pin	
18	3422683	1	Pin	
19	3422684	1	Pin	
20	3422685	2	Pin	
21	3422686	1	Pin	
22	3422687	1	Pin	
23	3422688	1	Pin	
24	3422689	1	Pin	
25	0100011	AR	Compound, Locking	
26	3841143	2	Keeper, Pin	
27	3841287	5	Keeper, Pin	

## SECTION 3 - BOOM

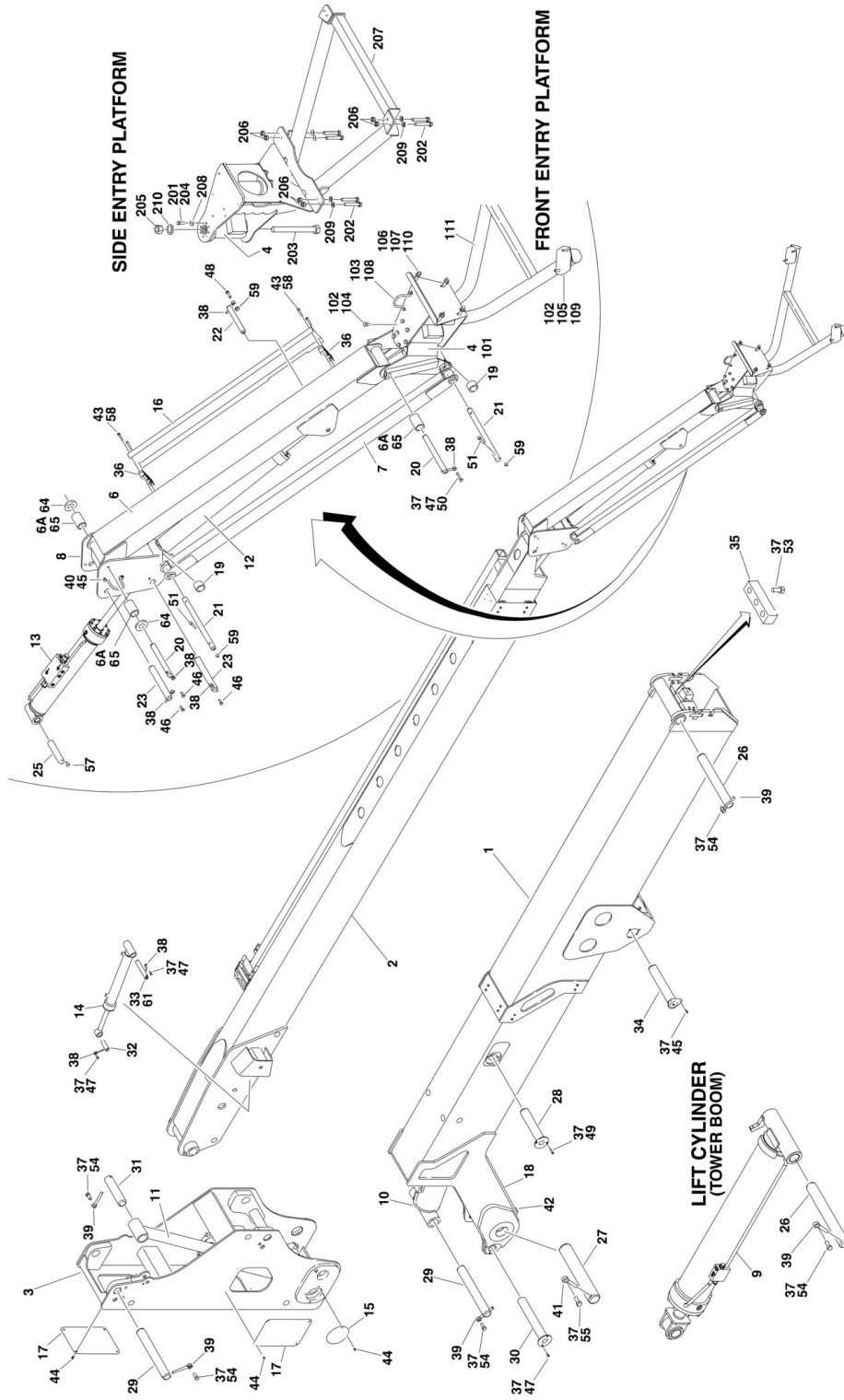
ITEM	PART NUMBER	QTY	DESCRIPTION	REV
28	3841356	1	Keeper, Pin	
29	3340835	1	Pad, Rest	
30	0641404	4	Bolt 1/4in-20NC x 1/2in	
31	0641604	28	Bolt 3/8in-16NC x 1/2in	
32	0641606	6	Bolt 3/8in-16NC x 3/4in	
33	0641608	6	Bolt 3/8in-16NC x 1in	
34	0641611	2	Bolt 3/8in-16NC x 1-3/8in	
35	3422582	1	Pin	
36	0641820	3	Bolt 1/2in-13NC x 2-1/2in	
37	0642214	5	Bolt 3/4in-10NC x 1-3/4in	
38	0642620	1	Bolt 1in-8NC x 2-1/2in	
39	3841340	1	Rod, Hose Loop	
40	1120510	1	Cover, Upright	
41	1670864	1	Cover, Fly Hose	
43	0961951	2	Bearing	
44		Ref	Bolt Options:	
44	0641514	1	Bolt 5/16in-18NC x 1-3/4in (SN 0300069000 through 0300110180)	
44	0641516	1	Bolt 5/16in-18NC x 2in (SN 0300110181 through 0300140000)	
45	1320159	1	Clamp	
46	4711500	1	Flatwasher 5/16in Narrow (SN 0300110181 through 0300140000)	
47	3311505	1	Locknut 5/16in x 18NC (SN 0300110181 through 0300140000)	
50	3900239	1	Setscrew 3/8in-16NC x 1/2in	
	0258765	Ref	<b>ROTATOR AND SUPPORT INSTALLATION (FRONT ENTRY PLATFORM)</b>	D
101	0060041	NLA	Rotator Actuator Assembly (Use p/n 0060077) (See ROTATOR ASSEMBLY for Breakdown) (Note: Use p/n 0060069 for machines equipped with Fall Arrest Platforms)	
102	0100011	AR	Compound, Locking	
103	0641606	2	Bolt 3/8in-16NC x 3/4in	
104	0641608	2	Bolt 3/8in-16NC x 1in	
105	0641810	6	Bolt 1/2in-13NC x 1-1/4in	
106	0641820	4	Bolt 1/2in-13NC x 2-1/2in	
107	0681610	4	Bolt 3/8in-16NC x 1-1/4in (Grade 8)	
108	0741607	1	Screw, Countersunk 3/8in-16NC x 7/8in	
109	0961951	2	Bearing	
110	1683610	NLA	Slave Cylinder Assembly (See CYLINDER SECTION for Breakdown) (Use p/n 1684408)	
111	3311805	4	Locknut 1/2in-13NC	
112	3422578	1	Pin	
113	3422580	1	Pin	
114	3422582	1	Pin	
115	3841143	2	Keeper, Pin	
116	3841340	1	Rod, Hose Loop	
117	4711600	4	Flatwasher 3/8in Narrow	
118	4711800	8	Flatwasher 1/2in Narrow	
119		Ref	Support Weldment Options:	
119	4845703	1	Standard Machines	
119	See Note	1	Machines with SkyGlazier (Note: Refer to JLG Supplement p/n 3124242 for Replacement Parts)	
		Ref	<b>PLATFORM SUPPORT INSTALLATION (SIDE ENTRY PLATFORM)</b>	

## SECTION 3 - BOOM

ITEM	PART NUMBER	QTY	DESCRIPTION	REV
	0272070	Ref	<b>Machines without Load Sensing and without SkyGlazier</b>	D
	See Note	Ref	<b>Machines without Load Sensing and with SkyGlazier (Note: For Replacement Parts, Contact JLG Customer Service and Request Manual p/n 3124242)</b>	
	See Note	Ref	<b>Machines with Load Sensing and without SkyGlazier (Note: For Replacement Parts, Contact JLG Customer Service and Request Manual p/n 3124287)</b>	
	See Note	Ref	<b>Machines with Load Sensing and with SkyGlazier (Note: For Replacement Parts, Contact JLG Customer Service and Request Manual p/n 3124287)</b>	
201	0100011	AR	Compound, Locking	
202	0641812	8	Bolt 1/2in-13NC x 1-1/2in	
203	0642684	1	Bolt 1in-8NC x 10-1/2in	
204	0681608	8	Bolt 3/8in-16NC x 1in	
205	3272605	1	Locknut 1in-8NC	
206	3311805	8	Locknut 1/2in-13NC	
207	4846573	1	Support Weldment	
208	4891600	8	Flatwasher 3/8in (Hardened)	
209	4891800	8	Flatwasher 1/2in (Hardened)	
210	4892600	1	Flatwasher 1in (Hardened)	

# SECTION 3 - BOOM

## FIGURE 3-2. BOOM AND CYLINDER INSTALLATION - 800AJ





## SECTION 3 - BOOM

### FIGURE 3-2. BOOM AND CYLINDER INSTALLATION - 800AJ

ITEM	PART NUMBER	QTY	DESCRIPTION	REV
		Ref	<b>BOOMS AND CYLINDERS INSTALLATION - 800AJ</b>	
	0257761	Ref	<b>FRONT ENTRY PLATFORM</b>	C
	0272131	Ref	<b>SIDE ENTRY PLATFORM</b>	H
1	0801132	1	Boom Assembly - Tower (See TOWER BOOM ASSEMBLY for Breakdown)	
2	0801136	1	Boom Assembly - Main (See MAIN BOOM ASSEMBLIES for Breakdown)	
3	4845593	1	Upright Weldment	
4		Ref	Rotator Actuator Assembly Options:	
4	0060031	NLA	Front Entry Platform (Use p/n 1001103095) (See ROTATOR ASSEMBLY for Breakdown) (Note: Use p/n 0060066 for machines equipped with Fall Arrest Platforms)	
4	0060066	1	Side Entry (See ROTATOR ASSEMBLY for Breakdown)	
6	4844816	1	Tube Weldment - Jib Top	
6A	0962335	4	Bearing	
7	4844817	2	Tube Weldment - Jib Bottom	
8	4845716	1	Pivot Weldment	
9	1683537	NLA	Lift Cylinder Assembly - Tower Boom (Use p/n 1001228009) (See CYLINDER SECTION for Breakdown) (Original Equipment)	
9	1001228009	1	Lift Cylinder Assembly - Tower Boom (See CYLINDER SECTION for Breakdown) (Service Replacement)	
10	1683546	NLA	Level Cylinder Assembly - Upright (Use p/n 1001228041) (See CYLINDER SECTION for Breakdown) (Original Equipment)	
10	1684497	NLA	Level Cylinder Assembly - Upright (Use p/n 1001228041) (See CYLINDER SECTION for Breakdown) (Service Replacement)	
10	1001228041	1	Level Cylinder Assembly - Upright (See CYLINDER SECTION for Breakdown) (Original Equipment)	
11	1683547	NLA	Lift Cylinder Assembly - Main Boom (Use p/n 1001228010) (See CYLINDER SECTION for Breakdown) (Original Equipment)	
11	1001228010	1	Lift Cylinder Assembly - Main Boom (See CYLINDER SECTION for Breakdown) (Service Replacement)	
12	1683609	NLA	Lift Cylinder Assembly - Jib (Use p/n 1001248012) (See CYLINDER SECTION for Breakdown) (Original Equipment)	
12	1001228012	NLA	Lift Cylinder Assembly - Jib (Use p/n 1001248012) (See CYLINDER SECTION for Breakdown) (Service Replacement)	
12	1001248012	1	Lift Cylinder Assembly - Jib (See CYLINDER SECTION for Breakdown) (Service Replacement)	
13	1683677	NLA	Slave Cylinder Assembly (Use p/n 1001228030) (See CYLINDER SECTION for Breakdown) (Original Equipment)	
13	1684228	NLA	Slave Cylinder Assembly (Use p/n 1001228030) (See CYLINDER SECTION for Breakdown) (Service Replacement)	
13	1001228030	1	Slave Cylinder Assembly (See CYLINDER SECTION for Breakdown) (Service Replacement)	
14	1683682	NLA	Master Cylinder Assembly (Use p/n 1001228050) (See CYLINDER SECTION for Breakdown) (Original Equipment)	
14	1001228050	1	Master Cylinder Assembly (See CYLINDER SECTION for Breakdown) (Service Replacement)	
15	1120510	4	Cover, Upright	
16	1670769	1	Cover, Cable	
17	1670844	4	Cover, Upright	
18	1670850	1	Cover, Tower Fly	
19	0961947	AR	Bearing	
20	3422860	AR	Pin (SN 0300069000 through 0300140000)	
21	3422861	2	Pin (SN 0300069000 through 0300140000)	

## SECTION 3 - BOOM

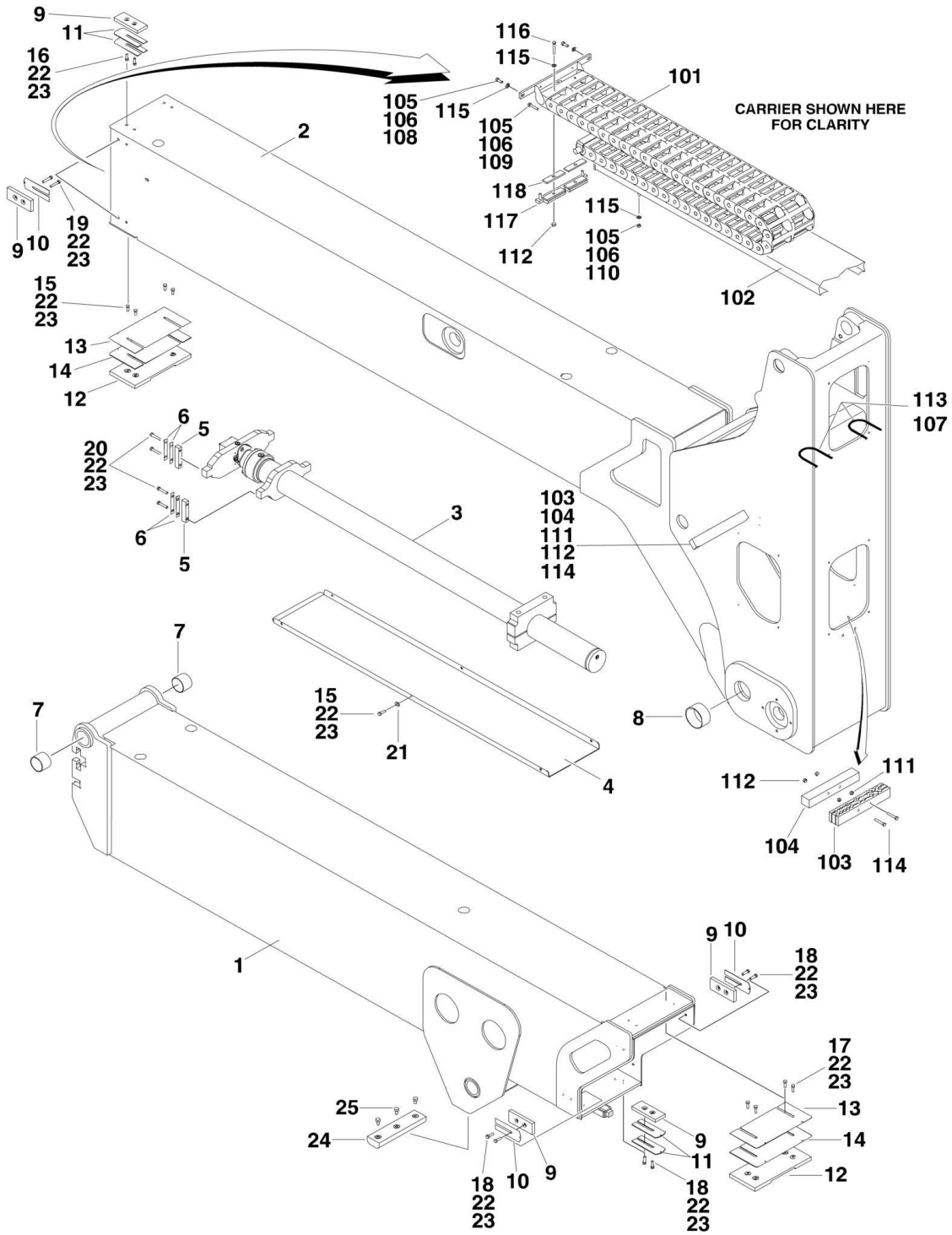
ITEM	PART NUMBER	QTY	DESCRIPTION	REV
22	3422867	1	Pin (SN 0300069000 through 0300140000)	
23	3422561	2	Pin	
25	3422583	1	Pin	
26	3422681	2	Pin	
27	3422683	1	Pin	
28	3422684	1	Pin	
29	3422685	2	Pin	
30	3422686	1	Pin	
31	3422687	1	Pin	
32	3422688	1	Pin	
33	3422689	1	Pin	
34	3422729	1	Pin	
35	3340835	1	Pad, Rest	
36	0561237	2	Clamp, Block	
37	0100011	AR	Compound, Locking	
38	3841143	7	Keeper, Pin	
39	3841287	5	Keeper, Pin	
40	3841340	1	Rod, Hose Loop	
41	3841356	1	Keeper, Pin	
42	0641404	4	Bolt 1/4in-20NC x 1/2in	
43	0641416	4	Bolt 1/4in-20NC x 2in	
44	0641604	24	Bolt 3/8in-16NC x 1/2in	
45	0641606	4	Bolt 3/8in-16NC x 3/4in	
46	0641607	3	Bolt 3/8in-16NC x 7/8in	
47	0641608	AR	Bolt 3/8in-16NC x 1in	
48	0641611	1	Bolt 3/8in-16NC x 1-3/8in	
49		Ref	Bolt Options:	
49	0641612	2	Bolt 3/8in-16NC x 1-1/2in (SN 0300069000 through 030009628)	
49	0641611	2	Bolt 3/8in-16NC x 1-3/8in (SN 030009629 through 0300140000)	
50	0641614	1	Bolt 3/8in-16NC x 1-3/4in (Front Entry Platform Only)	
51	0641618	4	Bolt 3/8in-16NC x 2-1/4in	
53	0641820	3	Bolt 1/2in-13NC x 2-1/2in	
54	0642214	5	Bolt 3/4in-10NC x 1-3/4in	
55	0642620	1	Bolt 1in-8NC x 2-1/2in	
57	0741607	1	Screw, Countersunk 3/8in-16NC x 7/8in	
58	2080044	4	Rivnut 1/4in-20NC	
59	3311605	5	Locknut 3/8in-16NC	
61	3900239	1	Setscrew 3/8in-16NC x 1/2in	
64	4740439	2	Washer, Thrust	
65	0962335	4	Bearing (SN 0300069000 through 0300096488)	
	0258766	Ref	<b>ROTATOR AND SUPPORT INSTALLATION (FRONT ENTRY PLATFORM)</b>	E
101	See Item 4	1	Rotator Actuator Assembly (See ROTATOR ASSEMBLY for Breakdown)	
102	0100011	AR	Compound, Locking	
103	0641606	2	Bolt 3/8in-16NC x 3/4in	
104	0641810	6	Bolt 1/2in-13NC x 1-1/4in	
105	0681610	4	Bolt 3/8in-16NC x 1-1/4in (Grade 8)	
106	0641820	4	Bolt 1/2in-13NC x 2-1/2in	
107	3311805	4	Locknut 1/2in-13NC	

## SECTION 3 - BOOM

ITEM	PART NUMBER	QTY	DESCRIPTION	REV
108	3841340	1	Rod, Hose Loop	
109	4711600	4	Flatwasher 3/8in Narrow	
110	4711800	8	Flatwasher 1/2in Narrow	
111		Ref	Support Weldment Options:	
111	4844790	1	Standard Machines	
111	See Note	1	Machines with SkyGlazier (Note: Refer to JLG Supplement p/n 3124242 for Replacement Parts)	
		Ref	<b>PLATFORM SUPPORT INSTALLATION (SIDE ENTRY PLATFORM)</b>	
	0272070	Ref	<b>Machines without Load Sensing and without SkyGlazier</b>	D
	See Note	Ref	<b>Machines without Load Sensing and with SkyGlazier (Note: Refer to JLG Supplement p/n 3124242 for Components)</b>	
	See Note	Ref	<b>Machines with Load Sensing and without SkyGlazier (Note: Refer to JLG Supplement p/n 3124287 for Components)</b>	
	See Note	Ref	<b>Machines with Load Sensing and with SkyGlazier (Note: Refer to JLG Supplement p/n 3124287 for Components)</b>	
201	0100011	AR	Compound, Locking	
202	0641812	8	Bolt 1/2in-13NC x 1-1/2in	
203	0642684	1	Bolt 1in-8NC x 10-1/2in	
204	0681608	8	Bolt 3/8in-16NC x 1in	
205	3272605	1	Locknut 1in-8NC	
206	3311805	8	Locknut 1/2in-13NC	
207	4846573	1	Support Weldment	
208	4891600	8	Flatwasher 3/8in (Hardened)	
209	4891800	8	Flatwasher 1/2in (Hardened)	
210	4892600	1	Flatwasher 1in (Hardened)	

# SECTION 3 - BOOM

## FIGURE 3-3. TOWER BOOM ASSEMBLY



# SECTION 3 - BOOM

## FIGURE 3-3. TOWER BOOM ASSEMBLY

ITEM	PART NUMBER	QTY	DESCRIPTION	REV
	0801132	Ref	<b>TOWER BOOM ASSEMBLY</b>	E
1		Ref	Base Weldment Options:	
1	0801133	NLA	Base Weldment (Use p/n 0801594) <b>(SN 0300069000 through 0300103804)</b>	
2		Ref	Fly Weldment Options:	
2	0801134	NLA	Fly Weldment (Use p/n 0801496) <b>(SN 0300069000 through 0300106000)</b>	
2	0801496	1	Fly Weldment <b>(SN 0300106001 through 0300140000)</b>	
3	1683606	NLA	Cylinder Assembly - Tower Telescope (Use p/n 1001228086) (See CYLINDER SECTION for Breakdown) (Original Equipment)	
3	1001188840	NLA	Cylinder Assembly - Tower Telescope (Use p/n 1001228086) (See CYLINDER SECTION for Breakdown) (Service Replacement)	
3	1001228086	1	Cylinder Assembly - Tower Telescope (See CYLINDER SECTION for Breakdown) (Service Replacement)	
4	4340706	1	Support	
5	0561185	4	Block, Attach	
6	4070929	8	Shim 1/16in	
7	0962102	2	Bushing	
8	0962122	2	Bushing	
9	3340881	12	Pad, Wear	
10	4070897	8	Shim .05	
11	4070898	8	Shim .12	
12	3340828	2	Pad, Wear	
13	4070967	2	Shim .05	
14	4070968	2	Shim .12	
15	0641607	10	Bolt 3/8in-16NC x 7/8in	
16	0641608	4	Bolt 3/8in-16NC x 1in	
17	0641609	4	Bolt 3/8in-16NC x 1-1/8in	
18	0641610	12	Bolt 3/8in-16NC x 1-1/4in	
19	0641615	8	Bolt 3/8in-16NC x 1-7/8in	
20	0641616	8	Bolt 3/8in-16NC x 2in	
21	4711600	6	Flatwasher 3/8in Narrow	
22	0100011	AR	Compound, Locking	
23	0100038	AR	Primer, Locking	
24	3340835	1	Pad, Boom Rest	
25	0641806	3	Bolt 1/2in-13NC x 3/4in	
		Ref	<b>POWER TRACK INSTALLATIONS</b>	
	0257764	Ref	<b>Without Arctic Package</b>	H
	1001094661	Ref	<b>With Arctic Package</b>	B
101	1180346	1	Carrier	
101	7020064	1	Bracket, End (Moving)	
101	7020065	1	Bracket, End (Fixed)	
101	7020066	1	Section, Repair	
101	7020067	1	Link, Repair	
102	4845680	1	Hose Tube Weldment	
103		Ref	Clamp, Block Options:	
103	1320251	2	Without Arctic Package	
103	1001094662	2	With Arctic Package <b>(SN 0300110181 through 0300140000)</b>	
104	1320250	2	Bar, Clamp	
105	0100011	AR	Compound, Locking	
106	0100038	AR	Primer, Locking	

## SECTION 3 - BOOM

ITEM	PART NUMBER	QTY	DESCRIPTION	REV
107	0641605	4	Bolt 3/8in-16NC x 5/8in	
108	0641606	2	Bolt 3/8in-16NC x 3/4in	
109	0641622	2	Bolt 3/8in-16NC x 2-3/4in	
110	3311601	4	Nut 3/8in-16NC	
111	3311602	4	Nut, Jam 3/8in-16NC	
112	3311605	6	Locknut 3/8in-16NC	
113	3841340	2	Rod, Hose Loop	
114	3900262	4	Bolt 3/8in16NC x 4-3/4in	
115	4711600	AR	Flatwasher 3/8in Narrow	
116	0641624	2	Bolt 3/8in-16NC x 3in	
117	0259420	1	Clamp Assembly	
117	3340859	2	Pad, Rubber	
118	3340859	2	Pad, Rubber	



# SECTION 3 - BOOM

## FIGURE 3-4. MAIN BOOM ASSEMBLIES

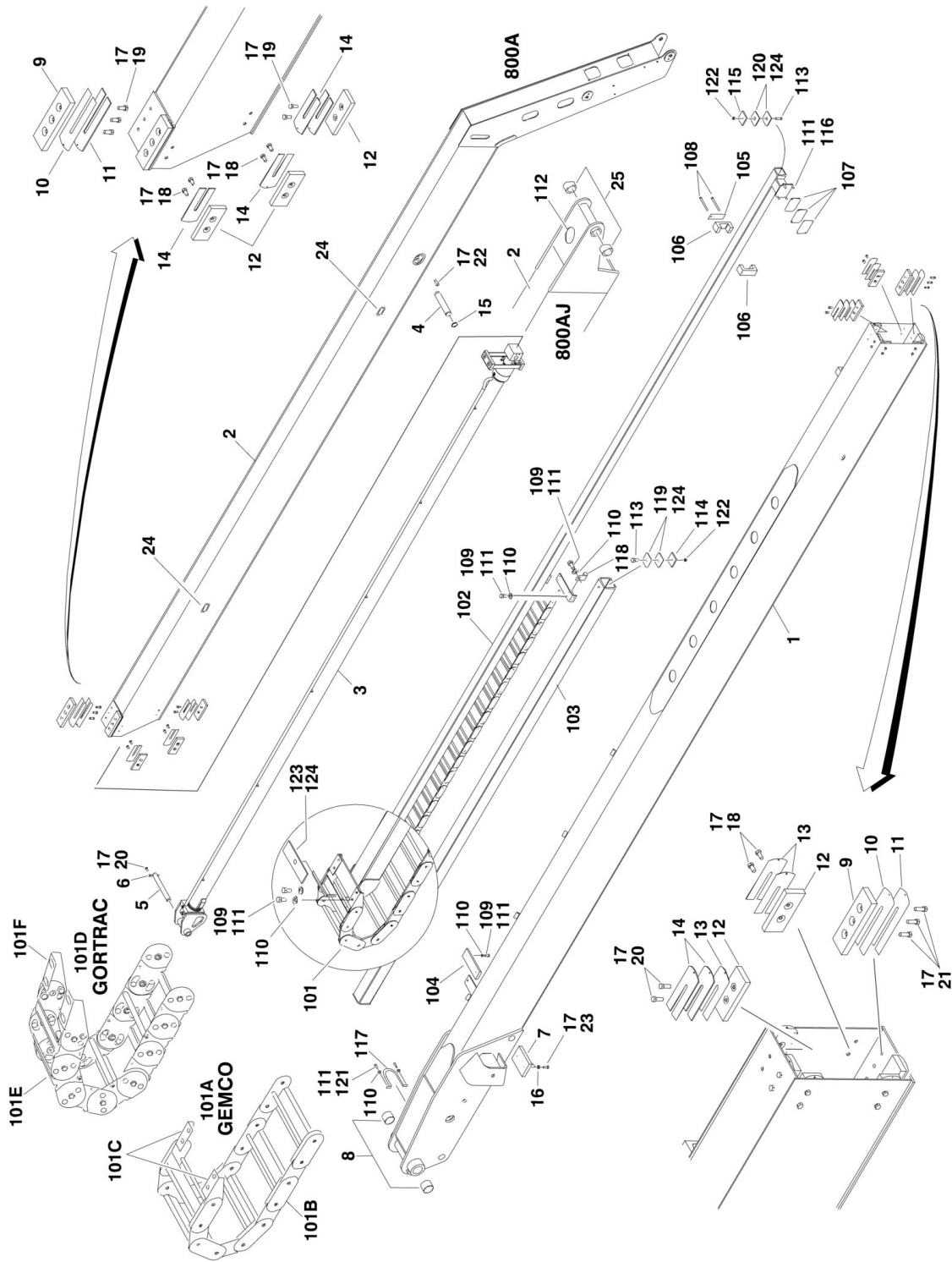




FIGURE 3-4. MAIN BOOM ASSEMBLIES

ITEM	PART NUMBER	QTY	DESCRIPTION	REV
		Ref	<b>MAIN BOOM ASSEMBLY OPTIONS:</b>	
	0801135	Ref	<b>Main Boom Assembly 800A</b>	G
	0801136	Ref	<b>Main Boom Assembly 800AJ</b>	I
1		Ref	Base Weldment Options:	
1	0801185	NLA	Base Weldment 800A (Use p/n 0801585) <b>(SN 0300069000 through 0300103804)</b>	
1	0801585	1	Base Weldment 800A <b>(SN 0300103805 through 0300140000)</b>	
1	0801191	NLA	Base Weldment 800AJ (Use p/n 0801591) <b>(SN 0300069000 through 0300103804)</b>	
1	0801591	1	Base Weldment 800AJ <b>(SN 0300103805 through 0300140000)</b>	
2		Ref	Fly Weldment Options:	
2	0801138	1	Fly Weldment 800A	
2	0801140	NLA	Fly Weldment 800AJ (Use p/n 0801573) <b>(SN 0300069000 through 0300098643)</b>	
2	0801573	1	Fly Weldment 800AJ <b>(SN 0300098644 through 0300140000)</b>	
3		Ref	Telescope Cylinder Assembly Options:	
3	1683607	NLA	Telescope Cylinder Assembly (Use p/n 1001228088) (800A) (Original Equipment)	
3	1001188968	NLA	Telescope Cylinder Assembly (Use p/n 1001228088) (800A) (Service Replacement)	
3	1001228088	1	Telescope Cylinder Assembly (800A) (Service Replacement)	
3	1683672	NLA	Telescope Cylinder Assembly (Use p/n 1001228087) (800AJ) (Original Equipment)	
3	1001188841	NLA	Telescope Cylinder Assembly (Use p/n 1001228087) (800AJ) (Service Replacement)	
3	1001228087	1	Telescope Cylinder Assembly (800AJ) (Service Replacement)	
4	3422457	1	Pin	
5	3422690	1	Pin	
6	3841143	1	Keeper, Pin	
7	0561295	1	Block, Boom Rest	
8	0962102	2	Bushing	
9	3340871	4	Pad, Wear	
10	4070863	4	Shim 1/8in	
11	4070864	4	Shim .05	
12	3340881	12	Pad, Wear	
13	4070897	10	Shim .05	
14	4070898	12	Shim 1/8in	
15	3760133	2	Ring, Retaining	
16	4711600	2	Flatwasher 3/8in Narrow	
17	0100011	AR	Compound, Locking	
18	0641606	16	Bolt 3/8in-16NC x 3/4in	
19	0641607	10	Bolt 3/8in-16NC x 7/8in	
20	0641608	5	Bolt 3/8in-16NC x 1in	
21	0641609	6	Bolt 3/8in-16NC x 1-1/8in	
22	3900259	4	Bolt, Shoulder	
23	0641612	2	Bolt 3/8in-16NC x 1-1/2in	
24	1670836	6	Cover, Boom <b>(SN 0300069000 through 0300120845)</b>	
25		Ref	Bushing	
25	Not Required	0	Bushing, 800A	
25	0961951	2	Bushing, 800AJ	
		Ref	<b>POWER TRACK INSTALLATION OPTIONS:</b>	

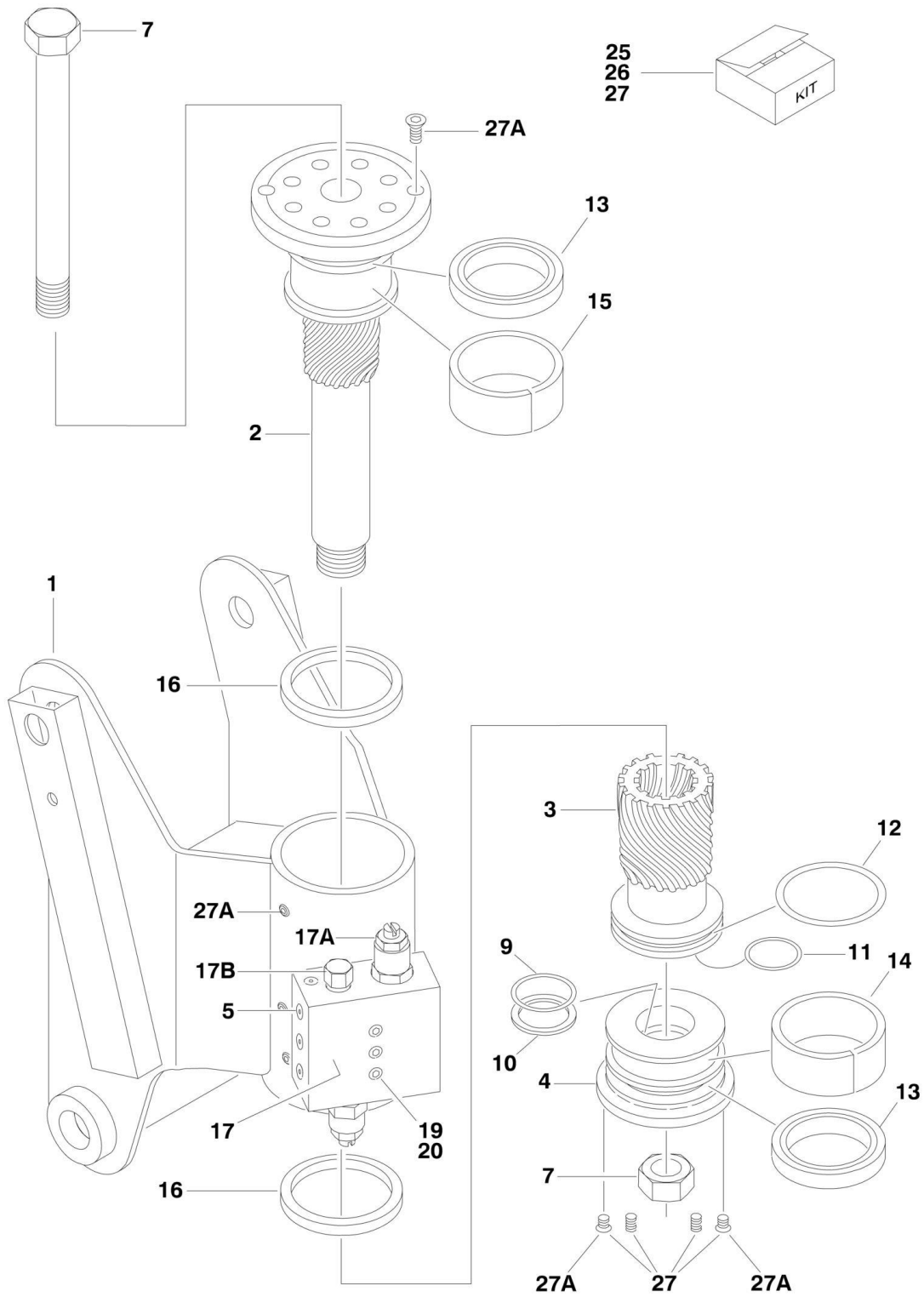
## SECTION 3 - BOOM

ITEM	PART NUMBER	QTY	DESCRIPTION	REV
	0258076	Ref	<b>Power Track Installation 800A</b>	J
	0258077	Ref	<b>Power Track Installation 800AJ</b>	H
101		Ref	Carrier Options:	
101A		Ref	Gemco Brand Power Track (Original Equipment)	
101A	1180347	NLA	Gemco Brand Power Track 800A (Use p/n 1001099840)	
101A	1180349	NLA	Gemco Brand Power Track 800AJ (Use p/n 1001099837)	
101B	7016522	AR	Carrier Repair Section (Includes 1 Pin for each end)	
101B	7016523	AR	Rod Assembly (Includes 1 rod and hardware)	
101B	7016529	AR	Roller, Plastic Rod	
101B	7006137	AR	Link Pin Assembly	
101C	7016524	2	Foot, Mounting (1 Pair)	
101D		Ref	Gortrac Brand Power Track (Service Replacement)	
101D	1180347	NLA	Gemco Brand Power Track 800A (Use p/n 1001099840)	
101D	1180349	NLA	Gemco Brand Power Track 800AJ (Use p/n 1001099837)	
101E	70002013	AR	Carrier Repair Section (Includes 1 Pin Assembly for each end)	
101F	70002014	AR	Mounting Foot Kit (Includes Both Pair of Feet)	
102		Ref	Push Tube Weldment	
102	4845701	1	Push Tube Weldment 800A	
102	4845729	1	Push Tube Weldment 800AJ	
103		Ref	Support	
103	4845702	1	Support 800A	
103	4845730	1	Support 800AJ	
104	3340840	1	Pad	
105	3538758	1	Plate, Backing	
106	3340764	2	Pad	
107	4070969	3	Shim	
108	0641640	2	Bolt 3/8in-16NC x 5in	
109	0641606	18	Bolt 3/8in-16NC x 3/4in	
110	4711600	22	Flatwasher 3/8in Narrow	
111	0100011	AR	Compound, Locking	
112		Ref	Flex-Trim	
112	Not Required	0	Flex-Trim 800A	
112	4060805	8 in/20cm	Flex-Trim 800AJ	
113	0641622	2	Bolt 3/8in-16NC x 2-3/4in	
114	1320248	1	Clamp, Hose	
115	1320249	1	Clamp, Hose	
116		Ref	Bolt Options:	
116	0641607	4	Bolt 800A (Bolt 3/8in-16NC x 7/8in)	
116	0641612	4	Bolt 800AJ (Bolt 3/8in-16NC x 1-1/2in)	
117	3841406	1	Loop, Hose	
118	1320263	1	Clamp, Loop	
119	3340860	2	Pad, Rubber	
120	3340861	2	Pad, Rubber	
121		Ref	Screw, Button Head Options:	
121	3900232	2	Screw, Button Head 3/8in-16NC x 1-1/4in ( <b>SN 0300069000 through 0300080131</b> )	
121	3900283	2	Screw, Button Head 3/8in-16NC x 3/4in ( <b>SN 0300080132 through 0300140000</b> )	
122	3311605	2	Locknut 3/8in-16NC	
123	4071052	2	Shim	
124	0100081	AR	Adhesive	



# SECTION 3 - BOOM

## FIGURE 3-5. ROTATOR ASSEMBLY (FRONT ENTRY PLATFORM)



## SECTION 3 - BOOM

### FIGURE 3-5. ROTATOR ASSEMBLY (FRONT ENTRY PLATFORM)

ITEM	PART NUMBER	QTY	DESCRIPTION	REV
		Ref	<b>ROTATOR ASSEMBLIES</b>	
		Ref	<b>Note: See ROTATOR ASSEMBLY for Machines equipped with Fall Arrest Platforms.</b>	
		Ref	<b>Rotator Assemblies 800A</b>	
	0060041	Ref	<b>Original Equipment</b>	G
	0060077	Ref	<b>Service Replacement</b>	B
		Ref	<b>Rotator Assemblies 800AJ</b>	
	0060031	Ref	<b>Original Equipment</b>	H
	1001103095	Ref	<b>Service Replacement Kit (contains 0060074 rotator, upper pin, keeper shaft, keeper shaft bolt and instruction sheet)</b>	1
		Ref	<b>Note: Before ordering parts, identify whether original equipment rotator has been replaced with service replacement. Service replacement rotator uses spacer plate bolted on the top with 8 capscrews (Not shown - located at item 2). Original equipment rotator does not use spacer plate.</b>	
1	See Note	NSS	Housing/Ring Gear Assembly (Note: Purchase Complete Assembly)	
2		Ref	Shaft Weldment Options:	
2	7017177	1	0060041 & 0060031 Rotators (was p/n 7017117)	
2	7017162	1	0060077 & 0060074 Rotators	
2	See Note	1	Plate, Spacer (Not Shown) (0060077 & 0060074 Rotators Only) (Note: Not Available for Purchase)	
3		Ref	Piston/Sleeve Options:	
3	7017115	1	0060041 & 0060031 Rotators	
3	7017163	1	0060077 & 0060074 Rotators	
4		Ref	Cap, End Options:	
4	7017174	1	0060041 & 0060031 Rotators (was p/n 7017116)	
4	7017164	1	0060077 & 0060074 Rotators	
5	See Note	NSS	Plug, Port (Note: Not Available for Purchase)	
6	7017142	2	Plug	
7	7017119	1	Tie-Rod/Locknut Assembly (was p/n 7017102)	
7	7017119	1	Bolt 1in-8NC x 11in	
7	3272605	AR	Locknut 1in-8NC	
9	See Note	NSS	Seal, Cap (Note: Use Item 25)	
10	See Note	NSS	Ring, Back-up (Cap) (Note: Use Item 25)	
11	See Note	NSS	Seal, Rod (Note: Use Item 25)	
12	See Note	NSS	Seal, Piston (Note: Use Item 25)	
13	See Note	NSS	Packing, Bearing (Note: Use Item 25)	
14	See Note	NSS	Bearing, Cap (Note: Use Item 26)	
15	See Note	NSS	Bearing, Shaft (Note: Use Item 26)	
16	See Note	NSS	Washer, Thrust (Note: Use Item 26)	
17		Ref	Valve Assembly Options:	
17	7017101	1	0060041 & 0060031 Rotators (Use p/n 7017183)	
17	7017183	1	0060077 & 0060074 Rotators	
17A		Ref	Cartridge, Valve Options:	
17A	7011331	2	0060041 & 0060031 Rotators	
17A	7017193	2	0060077 & 0060074 Rotators	
17A	2900770	2	Seal Kit - 7011331 Valve	
17A	See Note	NSS	Seal Kit - 7017193 Valve (Note: Use Item 17)	
17B		Ref	Cartridge, Valve Options:	
17B	7011332	2	0060041 & 0060031 Rotators	

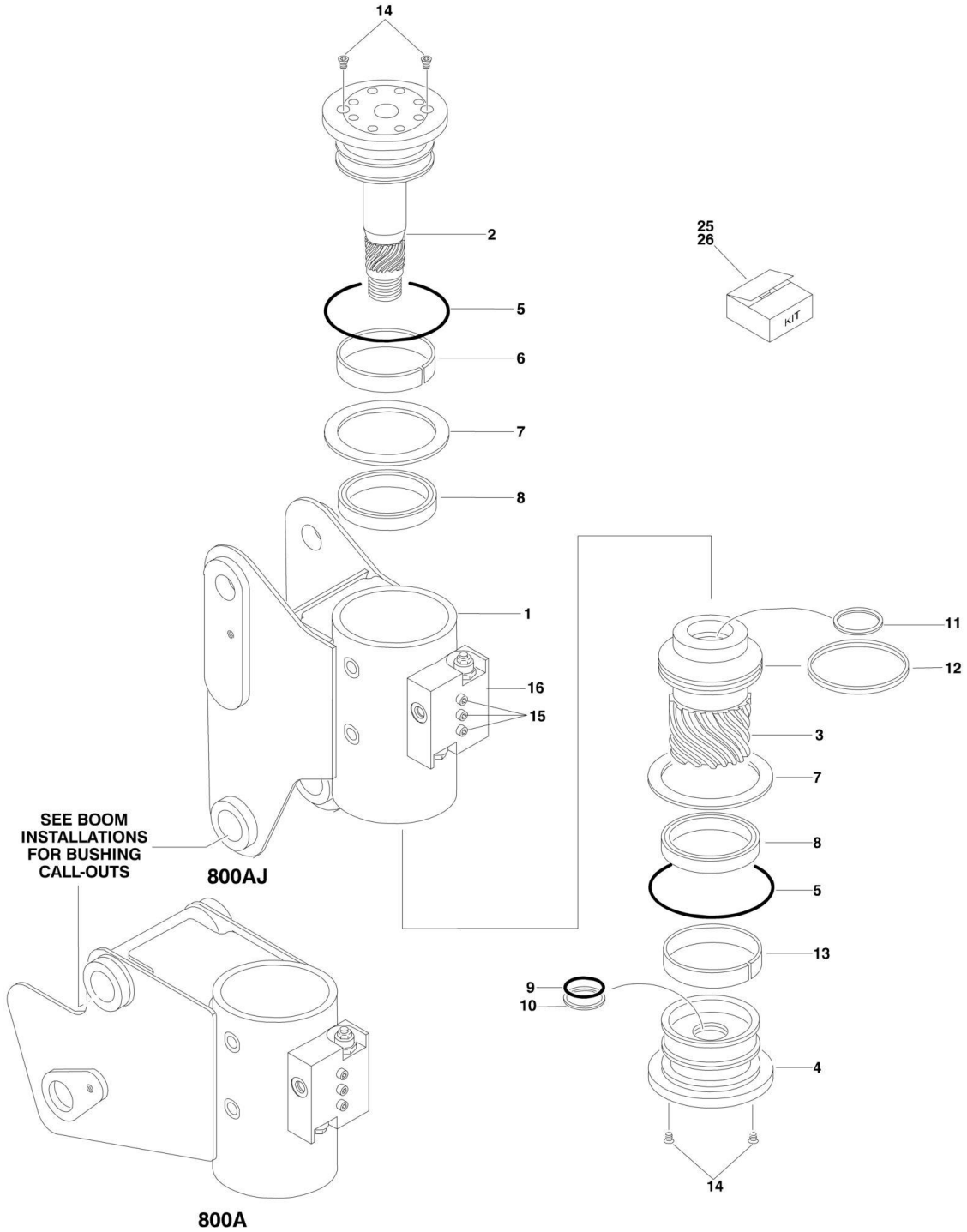
## SECTION 3 - BOOM

ITEM	PART NUMBER	QTY	DESCRIPTION	REV
17B	See Note	NSS	0060077 & 0060074 Rotators (Not Shown - Located on Side of Valve Block) (Note: Use Item 17)	
17B	7011311	2	Seal Kit - 7011332 Valve	
17B	See Note	NSS	Seal Kit - Valve Located on Side of Block (Note: Use Item 17)	
18	7017118	2	Setscrew (0060041 & 0060031 Rotators Only)	
19	See Note	3	Bolt 1/4 x 1-1/2 (Grade 8) (Note: Not Available - Purchase Locally)	
20	3790110	3	O-Ring (Not Shown - Located between Valve and Actuator Housing)	
25		Ref	Seal Kit Options:	
25	7017157	1	0060041 & 0060031 Rotators (Includes Items 9-13)	
25		Ref	0060077 & 0060074 Rotators Options (Include Item 9-13 & 27)	
25	7017158	1	Standard	
25	70000342	1	Low Temperature	
26		Ref	Bearing Kit Options (Includes Items 14-16):	
26	7017156	1	0060041 & 0060031 Rotators	
26	7017159	1	0060077 & 0060074 Rotators	
27	7017142	1	Hardware Kit (Includes End Cap Dowel Pins and Items 6 & 27A - 0060041 & 0060031 Rotators)	
27	See Note	NSS	Hardware Kit (Note: Use Item 25) (0060077 & 0060074 Rotators)	
27A	70001697	6	Screw, Countersunk 1/4in-20NC x 3/8in Grade 8	



# SECTION 3 - BOOM

## FIGURE 3-6. ROTATOR ASSEMBLY (SIDE ENTRY PLATFORM)





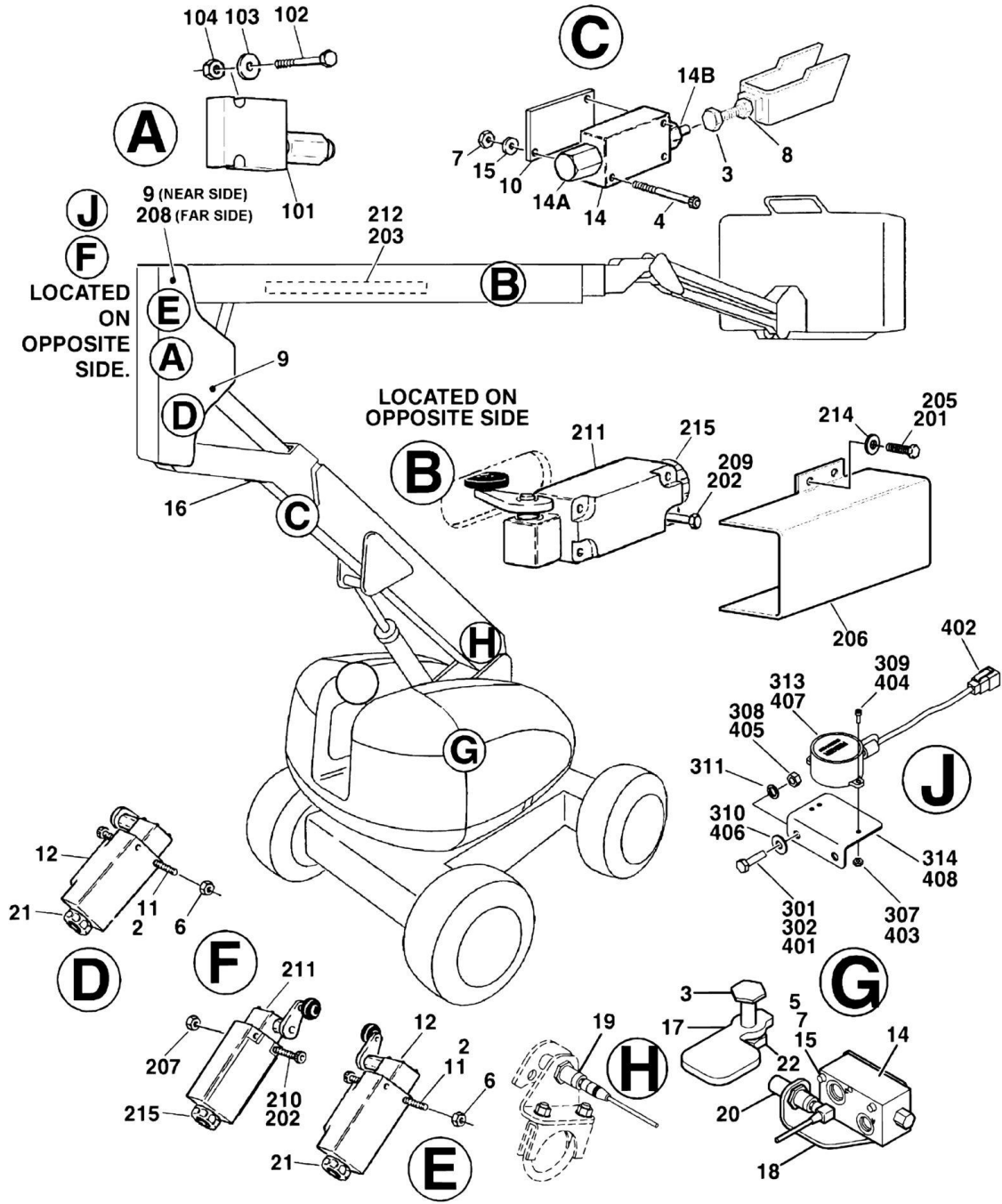
## SECTION 3 - BOOM

### FIGURE 3-6. ROTATOR ASSEMBLY (SIDE ENTRY PLATFORM)

ITEM	PART NUMBER	QTY	DESCRIPTION	REV
		Ref	<b>ROTATOR ASSEMBLIES</b>	
	0060069	Ref	<b>Rotator Assemblies 800A</b>	A
	0060066	Ref	<b>Rotator Assemblies 800AJ</b>	C
1	See Note	NSS	Housing/Ring Gear Assembly (Note: Purchase Complete Assembly)	
2	7017162	1	Weldment, Shaft	
3	7017163	1	Piston/Sleeve Assembly	
4	7017164	1	Cap, End	
5	See Note	NSS	O-Ring (Note: Use Item 25)	
6	See Note	NSS	Bearing, Shaft (Note: Use Item 26)	
7	See Note	NSS	Washer, Thrust (Note: Use Item 26)	
8	See Note	NSS	Packing, Bearing (Note: Use Item 25)	
9	See Note	NSS	Seal, Cap (Note: Use Item 25)	
10	See Note	NSS	Ring, Back-up Cap (Note: Use Item 25)	
11	See Note	NSS	Seal, Rod (Note: Use Item 25)	
12	See Note	NSS	Seal, Piston (Note: Use Item 25)	
13	See Note	NSS	Bearing, Cap (Note: Use Item 26)	
14	70001697	6	Capscrew 1/4in-20NC x 3/8in (Grade 8)	
15	See Note	3	Bolt 1/4in-20NC (Grade 8) (Note: Not Available for Purchase)	
16	7017183	1	Valve Assembly	
16	7017193	2	Cartridge, Valve	
16	See Note	NSS	Seal Kit - 7017193 Valve (Note: Not Available - Use p/n 7017193)	
16	See Note	NSS	Cartridge, Valve (Not Shown - Located on Side of Block) (Note: Use p/n 7017183)	
16	See Note	NSS	Seal Kit - Valve Located on Side of Block (Note: Use p/n 7017183)	
25		Ref	Seal Kit Options (Includes Items 5, 8- 12):	
25	7017158	1	Standard	
25	70000342	1	Low Temperature	
26	7017159	1	Bearing Kit (Includes Items 6, 7 & 13)	

# SECTION 3 - BOOM

FIGURE 3-7. VALVE AND LIMIT SWITCH INSTALLATIONS (BOOM MOUNTED)



## SECTION 3 - BOOM

### FIGURE 3-7. VALVE AND LIMIT SWITCH INSTALLATIONS (BOOM MOUNTED)

ITEM	PART NUMBER	QTY	DESCRIPTION	REV
	0258217	Ref	<b>BOOM VALVES AND LIMIT SWITCHES INSTALLATION</b>	O
1	0100011	AR	Compound, Locking	
2	0100035	AR	Compound, Locking	
3	0630427	2	Bolt, Special	
4	3931436	3	Bolt 1/4in-20NC x 2-1/4in	
5	3931464	3	Bolt 1/4in-20NC x 4in	
6	3310805	4	Locknut #8-32NC	
7	3311405	6	Locknut 1/4in-20NC	
8	3311801	1	Nut 1/2in-13NC	
9	3520035	2	Plug, Cap	
10	3570928	2	Plate, Spacer	
11	3930824	4	Capscrew, Socket Head #8-32NC x 1-1/2in	
12		Ref	Switch, Limit Options: (Note: p/n 4360549 & p/n 4360578 does not include #21 Connector - Purchase Separately)	
12	4360322	NLA	Switch, Limit (Use p/n 4360578) <b>(SN 0300069000 through 0300074426)</b>	
12	4360549	NLA	Switch, Limit (Use p/n 4360578) <b>(SN 0300074427 through 0300080871)</b>	
12	4360578	2	Switch, Limit <b>(SN 0300080872 through 0300140000)</b>	
14		Ref	Valve, Switch Options:	
14	4641136	2	Valve, Switch <b>(SN 0300069000 through 0300092014)</b>	
14	4641435	2	Valve, Switch <b>(SN 0300092015 through 0300140000)</b>	
14A	7011342	2	Valve, Check (1 per Assembly)	
14A	7011333	2	Seal Kit - Check Valve (1 per Assembly)	
14B	7020172	2	Valve, Plunger (1 per Assembly) <b>(SN 0300069000 through 0300092015)</b>	
14B	7020173	2	Seal Kit - 7020172 Valve (1 per Assembly)	
14B	See Note	2	Valve, Plunger (1 per Assembly) (Note: Not Available for Purchase) <b>(SN 0300092015 through 0300140000)</b>	
14B	See Note	2	Seal Kit (1 Per Assembly) (Note: Not Available for Purchase)	
15	4751400	6	Flatwasher 1/4in	
16	4060805	7 in/25cm	Trim, Edge	
17	3572606	1	Plate, Lower Boom Proximity Switch Target	
18	3572607	1	Plate, Lower Boom Proximity Switch Mount	
19	4360498	1	Switch Proximity	
20	4360499	1	Switch Proximity	
21		Ref	Connector, Strain Relief Options:	
21	4460428	2	Use with p/n 4360322 Switch	
21	4460968	2	Use with p/n 4360549 & 4360578 Switches	
22	88521008	2	Locknut 1/2in-13NC	
	0274640	Ref	<b>VALVES INSTALLATION</b>	D
101	4640929	1	Valve Assembly (Relief)	
101	7012970	1	Cartridge	
101	7012953	1	Seal Kit - 7012970 Cartridge	
102	0641416	2	Bolt 1/4in-20NC x 2in	
103	4711400	4	Flatwasher 1/4in Narrow	
104	3311405	2	Locknut 1/4in-20NC	
	0258338	Ref	<b>LIMIT SWITCHES INSTALLATION - 800A DUAL CAPACITY</b>	H
201	0100011	AR	Compound, Locking	
202	0100035	AR	Compound, Locking	
203		Ref	Bar, Fiberglass Options:	

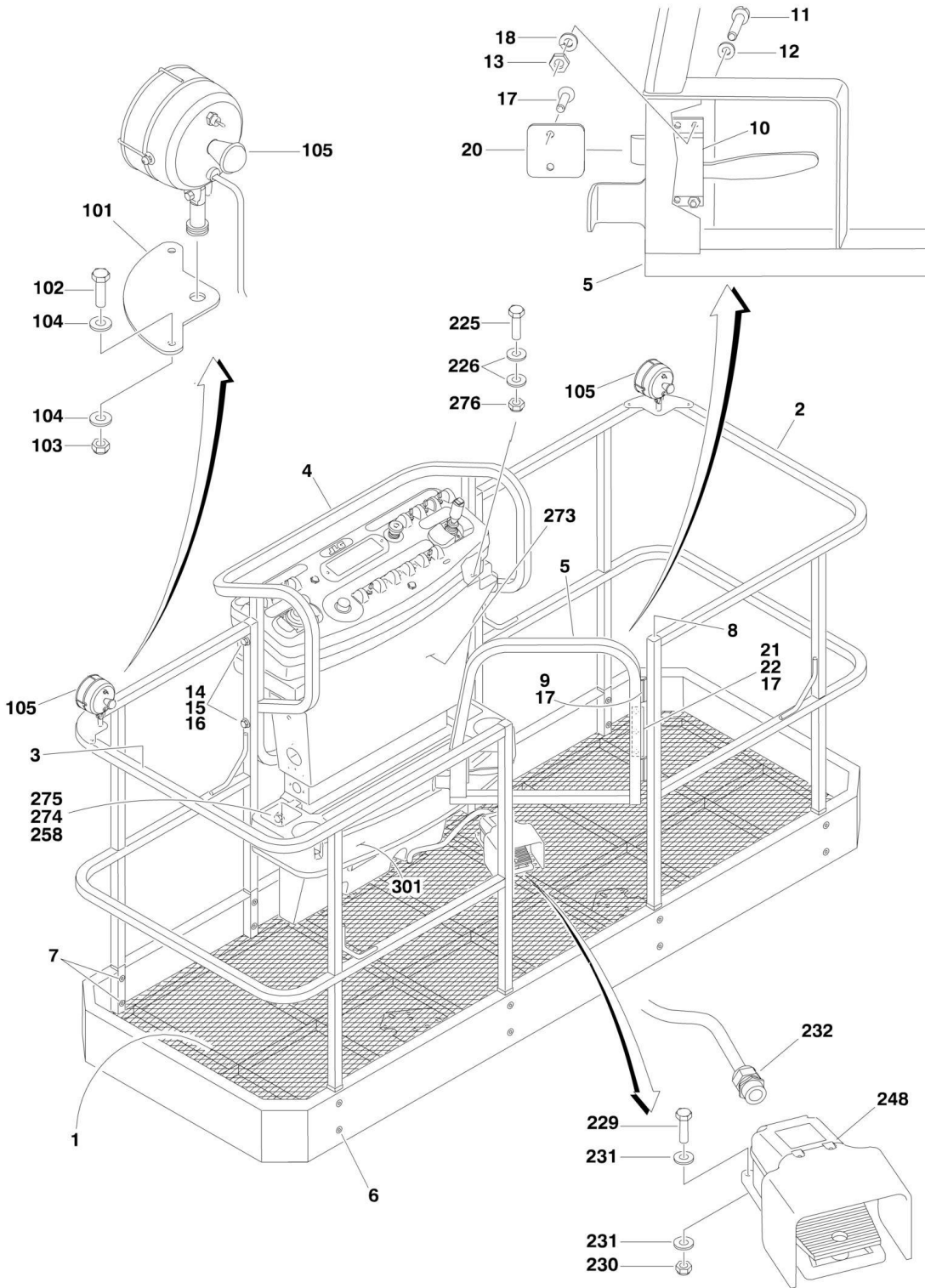
## SECTION 3 - BOOM

ITEM	PART NUMBER	QTY	DESCRIPTION	REV
203	0362610	NLA	Bar, Fiberglass (Use p/n 1001106482) <b>(SN 0300069000 through 0300138517)</b>	
203	1001106482	1	Bar, Fiberglass <b>(SN 0300138518 through 0300140000)</b>	
205	0641403	4	Bolt 1/4in-20NC x 3/8in	
206		Ref	Cover Options:	
206	1670824	1	Cover <b>(SN 0300069000 through 0300078804)</b>	
206	3380535	1	Cover <b>(SN 0300078805 through 0300140000)</b>	
207	3310801	2	Locknut #8-32NC	
208	3520035	1	Plug, Cap	
209	3930816	2	Capscrew, Socket Head #8-32NC x 1in	
210	3930824	2	Capscrew, Socket Head #8-32NC x 1-1/2in	
211		Ref	Switch, Limit Options: (Note: p/n 4360549 & p/n 4360578 does not include #215 Connector - Purchase Separately)	
211	4360322	NLA	Switch, Limit (Use p/n 4360578) <b>(SN 0300069000 through 0300074426)</b>	
211	4360549	NLA	Switch, Limit (Use p/n 4360578) <b>(SN 0300074427 through 0300080871)</b>	
211	4360578	2	Switch, Limit <b>(SN 0300080872 through 0300140000)</b>	
212	4420060	2	Tape, Double Sided	
214	4751400	4	Flatwasher 1/4in	
215		Ref	Connector, Strain Relief Options:	
215	4460428	2	Use with p/n 4360322 Switch	
215	4460968	2	Use with p/n 4360549 & 4360578 Switches	
	1001093187	Ref	<b>TILT SENSOR INSTALLATION (SN 0300069000 through 0300112884)</b>	C
301	0100011	AR	Compound, Locking	
302	0641610	2	Bolt 3/8in-16NC x 1-1/4in	
307	3310605	3	Locknut #6-32 NC	
308	3311601	2	Locknut 3/8in-16NC	
309	3930606	3	Screw #6-32 NC	
310	4751600	2	Flatwasher 3/8in	
311	4761600	2	Lockwasher 3/8in	
313	1001094400	1	Sensor, Dual Axis	
314	1001094401	1	Bracket, Tilt Sensor	
	0275733	Ref	<b>TILT SENSOR INSTALLATION (SN 0300112885 through 0300140000)</b>	A
401	0641408	2	Bolt 1/4in-20NC x 1in	
402	0100048	AR	Grease, Die	
403	3310605	3	Locknut #6-32 NC	
404	3930606	3	Screw #6-32 NC	
405	3311405	2	Locknut 1/4in-20NC	
406	4751400	2	Flatwasher 1/4in	
407	1001094400	1	Sensor, Dual Axis	
408	1001096736	1	Bracket, Tilt Sensor	

**SECTION 4 - PLATFORM**

# SECTION 4 - PLATFORM

## FIGURE 4-1. PLATFORM COMPONENTS INSTALLATION (FRONT ENTRY PLATFORM)



## SECTION 4 - PLATFORM

**FIGURE 4-1. PLATFORM COMPONENTS INSTALLATION (FRONT ENTRY PLATFORM)**

ITEM	PART NUMBER	QTY	DESCRIPTION	REV
		Ref	<b>PLATFORM ASSEMBLIES:</b>	
	3510760	Ref	<b>4ft (1.22m) with Self-Closing Gate</b>	3
	3510728	Ref	<b>5ft (1.52m) with Self-Closing Gate</b>	3
	3510497	Ref	<b>6ft (1.83m) with Standard Gate</b>	8
	3510542	Ref	<b>6ft (1.83m) with Self-Closing Gate</b>	3
	3510545	Ref	<b>6ft (1.83m) with Mesh to Top Rail and Standard Gate</b>	B
	3510565	Ref	<b>6ft (1.83m) with Mesh to Top Rail and Self-Closing Gate</b>	3
	3510488	Ref	<b>8ft (2.44m) with Standard Gate</b>	8
	3510543	Ref	<b>8ft (2.44m) with Self-Closing Gate</b>	3
	3510546	Ref	<b>8ft (2.44m) with Mesh to Top Rail and Standard Gate</b>	B
	3510566	Ref	<b>8ft (2.44m) with Mesh to Top Rail and Self-Closing Gate</b>	4
		Ref	<b>Note: Replacement Decals Must be purchased separately - See DECAL SECTION.</b>	
1		Ref	Floor Weldment Options:	
1	4846253	1	4ft Platform	
1	4846101	1	5ft Platform	
1	4844954	1	6ft Platform	
1	4844928	1	8ft Platform	
2		Ref	Rail Weldment - Right Side Options:	
2	4846254	1	4ft Platform without Mesh	
2	4846102	1	5ft Platform without Mesh	
2	4844955	1	6ft Platform without Mesh	
2	4845408	1	6ft Platform with Mesh Top Rail	
2	4844924	1	8ft Platform without Mesh	
2	4845412	1	8ft Platform with Mesh Top Rail	
3		Ref	Rail Weldment - Left Side Options:	
3	4846255	1	4ft Platform without Mesh	
3	4846103	1	5ft Platform without Mesh	
3	4844956	1	6ft Platform without Mesh	
3	4845409	1	6ft Platform with Mesh Top Rail	
3	4844925	1	8ft Platform without Mesh	
3	4845413	1	8ft Platform with Mesh Top Rail	
4	4845328	1	Rail Weldment - Back Options:	
5		Ref	Gate Weldment Options:	
5	4845327	1	Standard Gate	
5	4845410	1	Standard Gate with Mesh Top Rail	
5	4845426	1	Self-Closing Gate	
5	4845469	1	Self-Closing Gate with Mesh Top Rail	
6	3900207	AR	Fastener	
		Ref	<b>Note: p/n 3900207 Fastener may be replaced with p/n 0641416 Bolt, p/n 4751400 Flatwasher, p/n 3311405 Locknut and p/n 3300151 Acorn Type Nut. Acorn type nut is required to meet industry safety requirements.</b>	
7	3300393	AR	Collar	
8	3520072	AR	Plug, Cap	
9		Ref	Hinge Options:	
9	2600216	2	Standard Gate	
9	2600287	2	Self-Closing Gate	
10	2940074	1	Latch	
11	3911008	4	Screw #10-24NC x 1in	

## SECTION 4 - PLATFORM

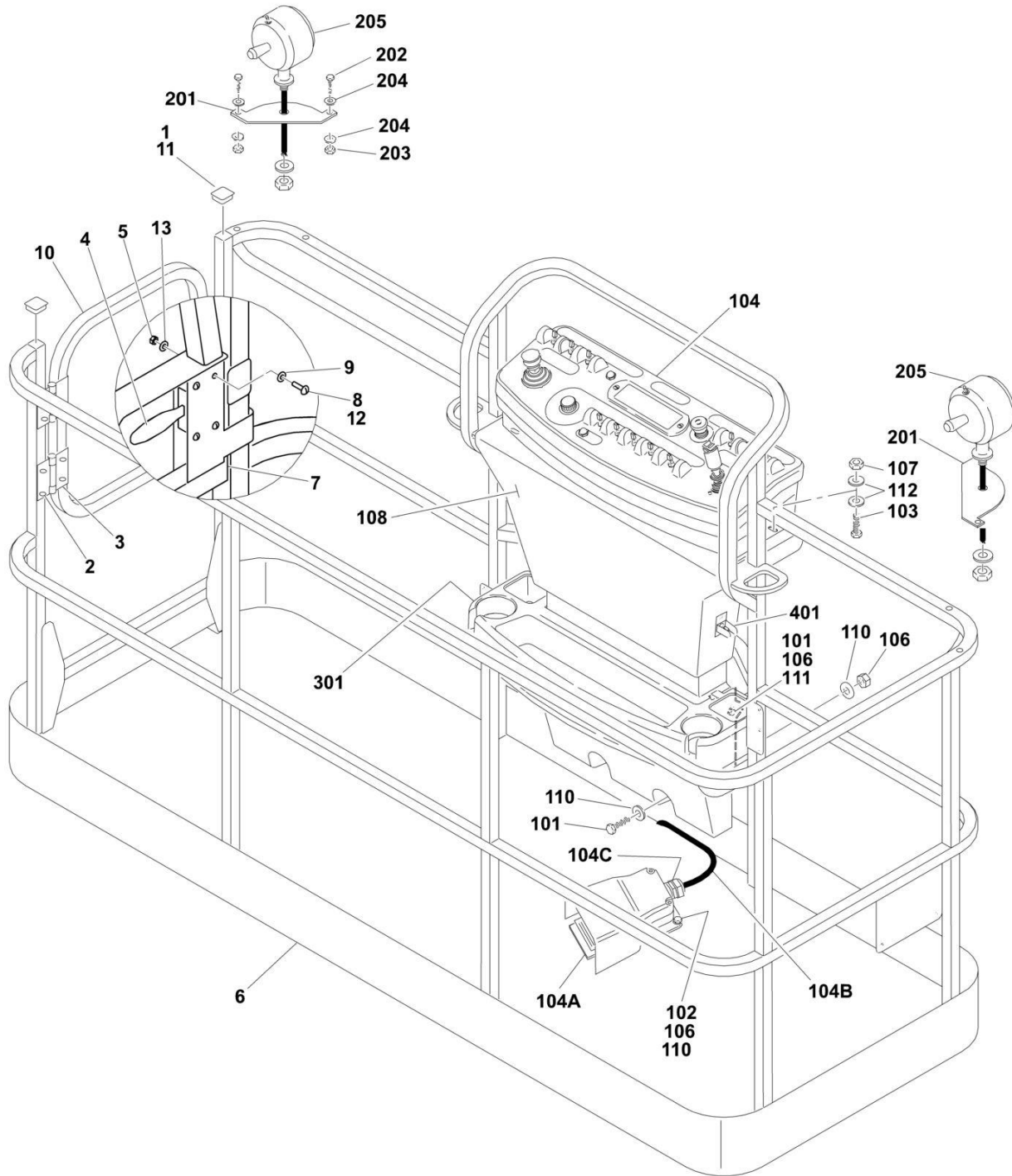
ITEM	PART NUMBER	QTY	DESCRIPTION	REV
12	4751000	4	Flatwasher #10	
13	3311005	4	Locknut #10-24NC	
14	0641524	4	Bolt 5/16in-18NC x 3in	
15	3311505	4	Locknut 5/16in-18NC	
16	4751500	4	Flatwasher 5/16in	
17	2080040	13	Fastener	
18	4761000	4	Lockwasher 3/8in	
20	3539685	1	Plate, Latch	
21	4220165	1	Stop, Gate	
22	4060803	6 ft/1.8m	Trim	
	0270814	Ref	<b>WORKLIGHTS INSTALLATION (OPTIONAL)</b>	3-E
101	3536089	2	Plate, Mounting	
102	0641414	4	Bolt 1/4in-20NC x 1-3/4in	
103	3311405	4	Locknut 1/4in-20NC	
104	4711400	8	Flatwasher 1/4in Narrow	
105	2920140	2	Worklight	
105	7016399	2	Bulb, Replacement (1 Per Worklight)	
106	4240099	10	Tie-Strap (Not Shown)	
107	2820035	9	Loom, Vinyl (Not Shown)	
109	4460598	1	Connector, Strain Relief (Not Shown - Located at Console Box)	
110	4920044	AR	Wire, Black 12 Ga (Not Shown)	
	0861474	Ref	<b>FOOTSWITCH AND COVERS INSTALLATION OPTIONS:</b>	B
225	0641610	4	Bolt 3/8 x 1-1/4	
226	4751600	8	Washer 3/8	
229	0641408	3	Bolt 1/4in-20NC x 1in	
230	3311405	3	Locknut 1/4in-20NC	
231	4740362	3	Washer, Fender	
232	4460071	1	Terminal, Strain Relief	
248	See Note	1	Footswitch (Note: See PLATFORM COMPONENTS INSTALLATION for Service Parts)	
258	4751400	4	Flatwasher 1/4in	
273	3380434	1	Panel, Poly	
274	0641414	2	Bolt 1/4in-20NC x 1-3/4in	
275	3311405	2	Locknut 1/4in-20NC	
276	3311605	4	Nut 3/8	
		Ref	<b>TRAY INSTALLATIONS (OPTIONAL)</b>	
301	1580012	1	Tray, Storage (Center)	
302	1580013	1	Tray, Storage (Rail Mounted - Not Shown)	





# SECTION 4 - PLATFORM

## FIGURE 4-2. PLATFORM COMPONENTS INSTALLATION (SIDE ENTRY PLATFORM)



## SECTION 4 - PLATFORM

**FIGURE 4-2. PLATFORM COMPONENTS INSTALLATION (SIDE ENTRY PLATFORM)**

ITEM	PART NUMBER	QTY	DESCRIPTION	REV
		Ref	<b>PLATFORM ASSEMBLIES:</b>	
	3510822	Ref	<b>8ft (2.44m) with No Mesh</b>	B-H
	3510833	Ref	<b>6ft (1.83m) with No Mesh</b>	B-G
	3510830	Ref	<b>4ft (1.22m) with No Mesh</b>	B-K
		Ref	<b>Note: Original Equipment platform may have been replaced with Service Replacement platform. Identify platform before ordering parts.</b>	
		Ref	<b>Note: Replacement Decals Must be purchased separately - See DECAL SECTION.</b>	
		Ref	<b>Note: When replacing 8ft/2.44m platform with Soft Touch option, new Soft Touch Rail p/n 4846673 must be purchased to accommodate limit switch locations.</b>	
		Ref	<b>Note: When replacing platform on machines with SkyCutter option, new bracket p/n 1001145405 must be purchased to accommodate SkyCutter components.</b>	
1	0100040	AR	Sealant, Adhesive (SN 0300069000 through 0300073454)	
2	2080040	16	Fastener, Huck	
3	2600281	2	Hinge, Self-Closing	
4	2940074	1	Latch	
5	3311001	4	Nut #10-24NC (SN 0300069000 through 0300077328)	
6	See Note	1	Platform Weldment (Note: Not Available - Purchase Complete Platform Assembly)	
7	3520072	1	Cap-Plug	
8		Ref	Screw Options:	
8	3911008	4	Screw #10-24NC x 1in (SN 0300069000 through 0300076403)	
8	3900205	4	Screw #10-24NC x 5/8in (SN 0300076404 through 0300077360)	
8	3820020	4	Rivet, Pop (SN 0300077361 through 0300140000)	
9	4751000	8	Flatwasher #10 (SN 0300069000 through 0300077328)	
10		Ref	Gate Weldment Options:	
10	4846452	1	Gate for Platform p/ns 3510822, 3120830 & 3510833	
10	1001144629	1	Gate for Platform p/ns 1001144023, 1001144024 & 1001144027	
11	3520198	2	Cap-Plug	
12	0100011	AR	Compound, Locking (SN 0300073454 through 0300077328)	
13	4761000	4	Lockwasher #10 (SN 0300073454 through 0300077328)	
		Ref	<b>CONSOLE BOX INSTALLATION</b>	
	0271941	Ref	<b>Console Box Installation (SN 0300069000 through 0300137974)</b>	B
	1001108736	Ref	<b>Console Box Installation (SN 0300137975 through 0300139069)</b>	B
	1001114446	Ref	<b>Console Box Installation (SN 0300139070 through 0300140000)</b>	C
101	0641406	4	Bolt 1/4in-20NC x 3/4in	
102	0641408	3	Bolt 1/4in-20NC x 1in	
103	0641610	4	Bolt 3/8in-16NC x 1-1/4in	
104		Ref	Platform Console Box Assembly Options:	
104	0861517	1	Platform Console Box Assembly (See PLATFORM CONSOLE ASSEMBLY for Breakdown) (SN 0300069000 through 0300137974)	
104	1001108735	1	Platform Console Box Assembly (See PLATFORM CONSOLE ASSEMBLY for Breakdown) (SN 0300137975 through	

## SECTION 4 - PLATFORM

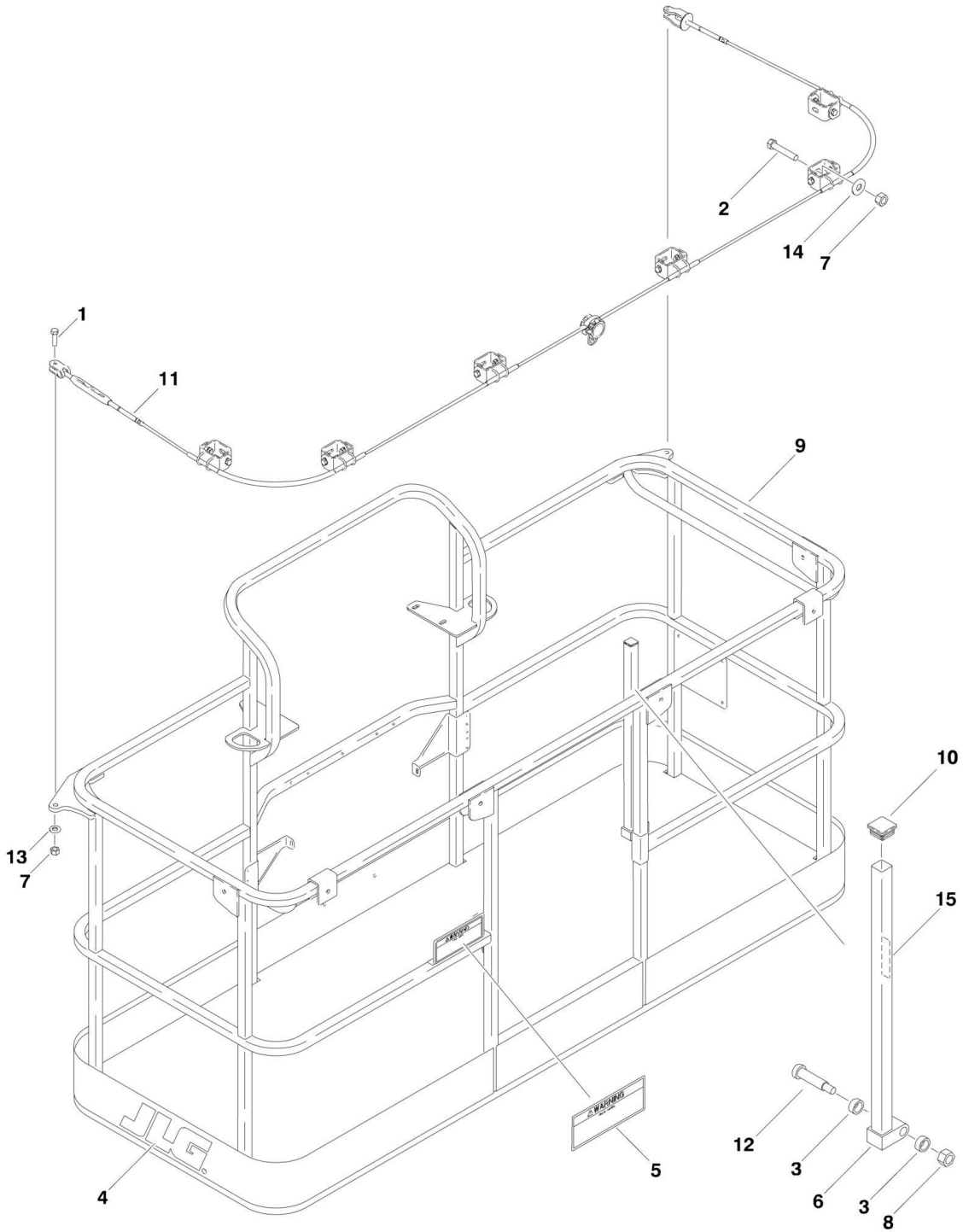
ITEM	PART NUMBER	QTY	DESCRIPTION	REV
104	100114448	1	<b>0300139069)</b> Platform Console Box Assembly (See PLATFORM CONSOLE ASSEMBLY for Breakdown) (SN 0300139070 through 0300140000)	
104A	4360031	NLA	Footswitch Assembly (Includes Footswitch and Items 104B & 104C) (Use p/n 0272970)	
		Ref	<b>Note: Assembly p/n 0272970 may use either p/n 4360031 or p/n 1001117320. If Original Equipment was replaced as an "assembly," p/n 1001117320 may have been used as part of the Service Replacement. Identify component before ordering parts.</b>	
104A		Ref	Footswitch Less Cable Options:	
104A	4360031	1	Original Equipment	
104A	1001117320	1	Service Replacement	
104A		Ref	Block, Contact Options (See Note Above):	
104A	7000625	2	Contact Block for 4360031 Footswitch	
104A	70003483	1	Contact Block for 1001117320 Footswitch	
104B	1060918	7 ft/2.14m	Cable, Electrical - 18/3	
104C	4460071	1	Connector, Strain Relief	
106	3311405	7	Locknut 1/4in-20NC	
107	3311605	4	Locknut 3/8in-16NC	
108	3380434	1	Panel, Decal Mount	
110	4740362	7	Washer, Fender 1/4in	
111	4751400	4	Flatwasher 1/4in (Wide)	
112	4751600	8	Flatwasher 3/8in (Wide)	
		Ref	<b>WORKLIGHTS INSTALLATIONS (OPTIONAL)</b>	
		Ref	<b>ANSI Spec Machines</b>	
	0270814	Ref	<b>ANSI Spec Machines 800A/800AJ (SN 0300069000 through 0300074426)</b>	3-E
	0273484	Ref	<b>ANSI Spec Machines 800A (SN 0300074427 through 0300140000)</b>	D
	0273485	Ref	<b>ANSI Spec Machines 800AJ (SN 0300074427 through 0300140000)</b>	D
	0272742	Ref	<b>UL Machines</b>	1-A
201	3536089	2	Plate, Mounting	
202		Ref	Hardware Options:	
202	0641414	4	Bolt 1/4in-20NC x 1-3/4in (SN 0300069000 through 0300112474)	
202	2080040	4	Blind Fastener, Huck (SN 0300112475 through 0300140000)	
203	3311405	4	Locknut 1/4in-20NC (SN 0300069000 through 0300112475)	
204	4711400	8	Flatwasher 1/4in Narrow (SN 0300069000 through 0300112475)	
205	2920140	2	Worklight (ANSI Spec Machines)	
205	7016399	2	Bulb, Replacement (1 Per Worklight)	
205	2920095	2	Worklight (UL Machines)	
205	7016356	2	Bulb, Replacement (1 Per Worklight)	
206	4240099	10	Tie-Strap (Not Shown)	
207	2820035	9	Loom, Vinyl (Not Shown)	
209		Ref	Connector, Strain Relief Options (Not Shown - Located at Console Box):	
209	4460598	1	Non-UL Spec Machines (SN 0300069000 through 0300074426)	
209	4460426	1	Non-UL Spec Machines (SN 0300074427 through 0300140000)	
209	4460598	1	UL Spec Machines	

## SECTION 4 - PLATFORM

ITEM	PART NUMBER	QTY	DESCRIPTION	REV
		Ref	<b>TRAY INSTALLATIONS (OPTIONAL)</b>	
301	1580012	1	Tray, Storage (Center)	
302	1580013	1	Tray, Storage (Rail Mounted - Not Shown)	
		Ref	<b>GENERATOR INSTALLATION (OPTIONAL)</b>	
		Ref	<b>Caterpillar Engine</b>	
	0273518	Ref	110V (SN 0300069000 through 0300082503)	3
	0274081	Ref	110V (SN 0300082504 through 0300140000)	1
	0273539	Ref	220V (SN 0300069000 through 0300082503)	3
	0274087	Ref	220V (SN 0300082504 through 0300140000)	1
		Ref	<b>Deutz Engine</b>	
	0272480	Ref	110V (SN 0300069000 through 0300082503)	3
	0274082	Ref	110V (SN 0300082504 through 0300140000)	3
	0272481	Ref	220V (SN 0300069000 through 0300082503)	3
	0274086	Ref	220V (SN 0300082504 through 0300140000)	1
		Ref	<b>Ford Engine</b>	
	0271545	Ref	110V	4
	0271546	Ref	220V	4
401	4360336	1	Switch, Toggle	
401	4740397	1	Bushing	
401	4060802	1	Guard, Switch	
401	3251102	1	Decal - Generator ON/OFF	

# SECTION 4 - PLATFORM

## FIGURE 4-3. PLATFORM COMPONENTS INSTALLATION (FALL ARREST PLATFORM)



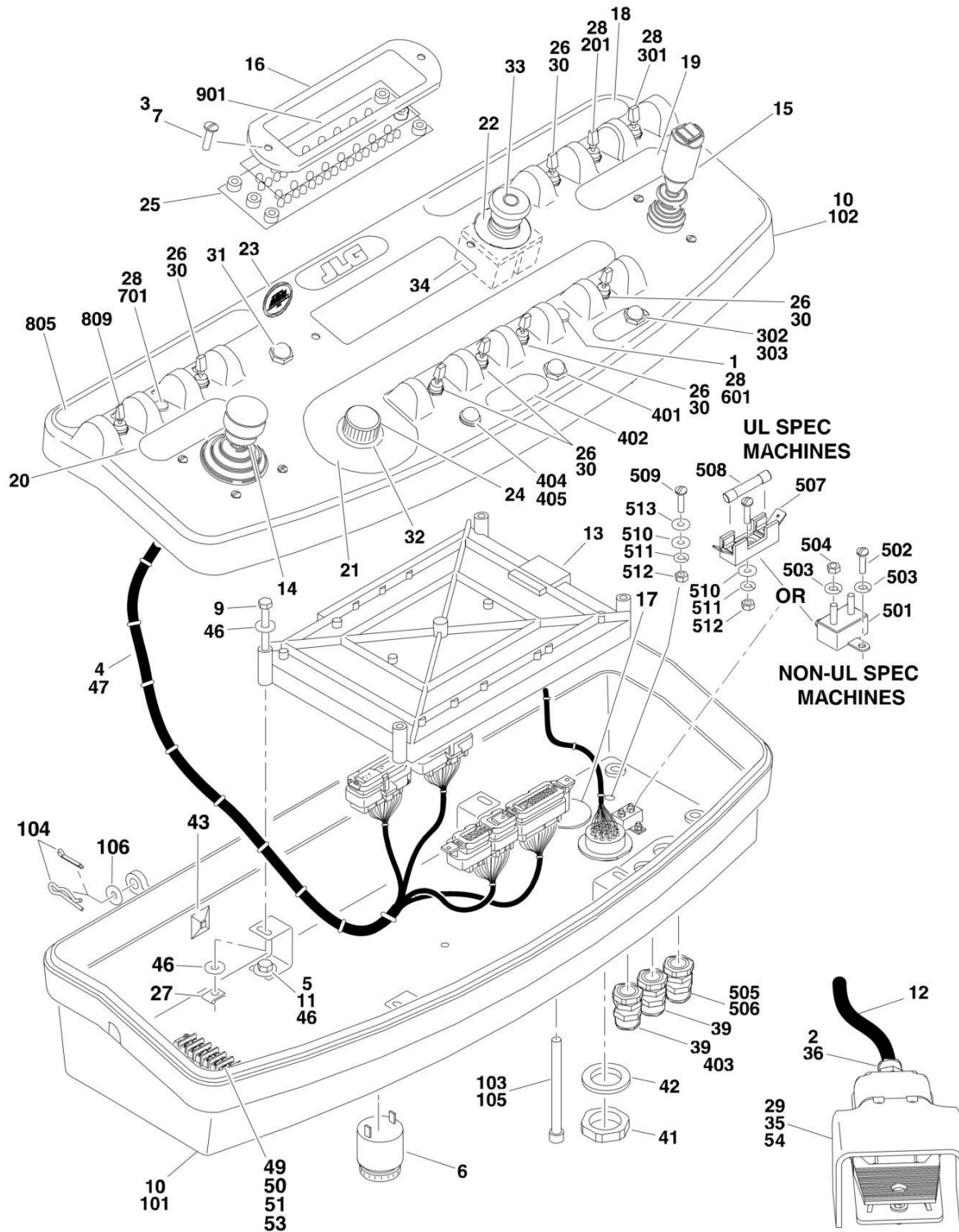
## SECTION 4 - PLATFORM

**FIGURE 4-3. PLATFORM COMPONENTS INSTALLATION (FALL ARREST PLATFORM)**

ITEM	PART NUMBER	QTY	DESCRIPTION	REV
		Ref	<b>PLATFORM ASSEMBLY (FALL ARREST)</b>	
	3510884	Ref	<b>6ft Platform</b>	D
	3510868	Ref	<b>8ft Platform</b>	C
		Ref	<b>Note: Replacement Decals Must be purchased separately - See DECAL SECTION.</b>	
1	0681814	2	Bolt 1/2in-13NC x 1-3/4in (Grade 8)	
2	0681822	AR	Bolt 1/2in-13NC x 2-3/4in (Grade 8)	
3	0962270	2	Bearing, Oilite	
4	1702773	1	Decal - JLG	
5	1705014	1	Decal - Safety	
6	2410014	1	Gate Weldment	
7	3271805	AR	Locknut 1/2in-13NC (Grade 8)	
8	3311605	1	Locknut 3/8in-16NC	
9	See Note	1	Platform Weldment (Note: Purchase Complete Platform Assembly)	
10	3520072	1	Cap-Plug	
11		Ref	Cable, Fall Arrest Options:	
11	1060919	1	6ft Platform	
11	3890040	1	8ft Platform	
12	3900054	1	Bolt 1/2in-13NC x 1-3/4in	
13	4711800	2	Flatwasher 1/2in (Narrow)	
14	4751800	AR	Flatwasher 1/2in (Wide)	
15	1706385	1	Decal - Drop Bar ( <b>SN 0300085912 through 0300140000</b> )	

# SECTION 4 - PLATFORM

FIGURE 4-4. PLATFORM CONSOLE ASSEMBLY (SN 0300069000 through 0300137974)





## SECTION 4 - PLATFORM

**FIGURE 4-4. PLATFORM CONSOLE ASSEMBLY (SN 0300069000 through 0300137974)**

ITEM	PART NUMBER	QTY	DESCRIPTION	REV
	0861517	Ref	<b>CONSOLE BOX AND FOOTSWITCH ASSEMBLY</b>	K
1	0100009	AR	Sealant	
2	0100020	AR	Sealant	
3	0100035	AR	Compound, Locking	
4	0100048	AR	Grease, Dielectric	
5	0100081	AR	Adhesive	
6	0140011	1	Alarm	
7	0630464	2	Screw, Button Head #10-24NC x 1/2in	
8	0641406	4	Bolt 1/4in-20NC x 3/4in	
9		Ref	Bolt Options:	
9	0641416	4	Bolt 1/4in-20NC x 2in <b>(SN 0300069000 through 0300077499)</b>	
9	0641414	4	Bolt 1/4in-20NC x 1-3/4in <b>(SN 0300077500 through 0300140000)</b>	
10	0861537	1	Box, Console (See Items 110-106 for Breakdown)	
11	0902751	4	Bracket, Card Support	
12	1060918	7 ft/2.1m	Cable, 18/3 (See PLATFORM COMPONENTS INSTALLATION for Location)	
13		Ref	Controller, Module Options:	
13	1600313	1	Controller, Module <b>(SN 0300069000 through 0300077499)</b>	
13	1600375	1	Controller, Module <b>(SN 0300077500 through 0300140000)</b>	
14	1600317	NLA	Controller Assembly (Swing and Lift) (See CONTROLLER ASSEMBLY (SWING AND LIFT) for Breakdown) (Use p/n 1001129555)	
15	1600318	NLA	Controller Assembly (Drive and Steer) (See CONTROLLER ASSEMBLY (DRIVE AND STEER) for Breakdown) (Use p/n 1001212415)	
16	1670829	1	Bezel	
17	1671037	1	Cover	
18		Ref	Decal (Stop) Options:	
18	1702564	1	Decal (Stop) <b>(SN 0300069000 through 0300073036)</b>	
18	1704997	1	Decal (Stop) <b>(SN 0300073037 through 0300136487)</b>	
18	1001107527	1	Decal (Stop) <b>(SN 0300136488 through 0300140000)</b>	
19	1702565	1	Decal (Drive and Steer)	
20	1702566	1	Decal (Lift and Swing)	
21	1702567	1	Decal (Function Speed)	
22	1704260	1	Decal - EMS	
23	1705132	1	Decal - ADE	
24	2560136	1	Handle, Knob	
25	2760105	1	Housing, Display Light	
26	3790012	6	O-Ring	
27	3300353	4	Nut, Tinnerman	
28	3520054	4	Plug, Hole	
29	See Note	1	Footswitch (Note: See PLATFORM COMPONENTS INSTALLATION for Service Parts)	
30	4360328	6	Switch, Toggle	
31	4360387	1	Switch, Pushbutton	
32	4360407	1	Controller, Speed	
32	See Note	1	Gasket "Top Hat" (Included with Switch) (Note: Not Available - Purchase Complete Controller)	
32	70003784	1	Seal	
33	4360475	1	Switch, Emergency Stop	

## SECTION 4 - PLATFORM

ITEM	PART NUMBER	QTY	DESCRIPTION	REV
33	7020175	1	Cap, Red	
33	7020176	1	Contact Block	
34	4360476	1	Block, Contact	
35	4460042	3	Ring, Terminal	
36	4460071	1	Connector, Strain Relief	
37	4460226	2	Contact, Socket (See ELECTRICAL SECTION for Location)	
38	4460234	2	Tie-Strap (Not Shown)	
39	4460428	2	Connector, Strain Relief	
40	4460464	1	Terminal, Deutsch (See ELECTRICAL SECTION for Location)	
41	4460470	1	Nut, Terminal	
42	4460471	1	Lockwasher, Terminal	
43	4460488	1	Base, Mounting (SN 0300069000 through 0300134720)	
44	4460708	2	Terminal, 15 Pin (See ELECTRICAL SECTION for Location)	
45	4460905	5	Plug, Seal (See ELECTRICAL SECTION for Location)	
46	4751400	8	Flatwasher 1/4in	
47		Ref	Harness, Platform Box Options:	
47	4922639	1	Harness, Platform Box (SN 0300069000 through 0300136487)	
47	1001107753	1	Harness, Platform Box (SN 0300136488 through 0300140000)	
48	4922666	1	Harness, Analyzer Cable (See ELECTRICAL SECTION for Location)	
49		Ref	Bolt Options:	
49	0721008	1	Bolt #10-24NC x 1in (SN 0300071157 through 0300113581)	
49	0721006	2	Bolt #10-24NC x 3/4in (SN 0300113582 through 0300140000)	
50		Ref	Nut Options:	
50	3311001	1	Nut #10-24NC (SN 0300071157 through 0300113581)	
50	3311005	2	Locknut #10-24NC (SN 0300113582 through 0300140000)	
51	4460007	1	Bar, Buss (SN 0300071157 through 0300140000)	
53	4751000	2	Flatwasher #10 (SN 0300113582 through 0300140000)	
54	0272970	1	Preassembled Footswitch Kit (Includes Items 2, 12, 29, 35, 36 & 40)	
	0861537	Ref	<b>CONSOLE BOX ASSEMBLY</b>	E
101	0861537	1	Console Bottom (Note: Not Available for Purchase)	
102	0861537	1	Console Top (Note: Not Available for Purchase)	
103	3311601	1	Nut 3/8in-16NC	
104		Ref	Pin Options:	
104	3420156	2	Pin, Cotter (SN 0300069000 through 0300088135)	
104	3470003	2	Pin, Hair (SN 0300088136 through 0300140000)	
105	0630568	1	Screw 3/8in-16NC x 4-1/2in	
106	4711500	2	Flatwasher 5/16in	
		Ref	<b>DUAL FUEL SWITCH INSTALLATIONS</b>	
201	4360336	1	Switch, Toggle	
201	3790012	1	O-Ring	
		Ref	<b>HEAD AND TAIL LIGHTS INSTALLATION (OPTIONAL)</b>	
	0271768	Ref	<b>Non-UL Spec Machines (SN 0300069000 through 0300136487)</b>	2
	0272754	Ref	<b>UL Machines</b>	1
301	4360336	1	Switch, Toggle	
301	3790012	1	O-Ring	
	0271768	Ref	<b>Non-UL Spec Machines (SN 0300136488 through 0300137975)</b>	C
302	4360522	1	Switch, Pushbutton	
303	1705170	1	Decal - Lights	

## SECTION 4 - PLATFORM

ITEM	PART NUMBER	QTY	DESCRIPTION	REV
		Ref	<b>SOFT TOUCH SYSTEM INSTALLATION (OPTIONAL)</b>	
	0273824	Ref	<b>6ft/1.8m Platforms</b>	B
	0272427	Ref	<b>8ft/2.4m Platforms</b>	D
		Ref	<b>6ft/1.8m Platforms with Fall Arrest</b>	
	0274927	Ref	<b>6ft/1.8m Platforms with Fall Arrest (SN 0300069000 through 0300136487)</b>	A
	1001108256	Ref	<b>6ft/1.8m Platforms with Fall Arrest (SN 0300136488 through 0300140000)</b>	A
	0273706	Ref	<b>8ft/2.4m Platforms with Fall Arrest</b>	B
401	4360387	1	Switch, Pushbutton	
402	1702938	1	Decal - Soft Touch Override	
403	4460425	1	Connector, Strain Relief	
404	2920028	1	Lamp, Indicator ( <b>SN 0300136488 through 0300140000</b> )	
405	2920029	1	Bulb ( <b>SN 0300136488 through 0300140000</b> )	
		Ref	<b>PLATFORM WORKLIGHT INSTALLATION (OPTIONAL)</b>	
	0270814	Ref	<b>Non-UL Spec 800A &amp; 800AJ (SN 0300069000 through 0300074426)</b>	3-E
	0273484	Ref	<b>Non-UL Spec 800A (SN 0300074427 through 0300140000)</b>	D
	0273485	Ref	<b>Non-UL Spec 800AJ (SN 0300074427 through 0300140000)</b>	D
	0272742	Ref	<b>UL Machines</b>	1-A
		Ref	Non-UL Spec Machines - Use Items 501-505	
501	4360232	1	Breaker, Circuit - 15Amp ( <b>SN 0300069000 through 0300074426</b> )	
502	0721003	2	Bolt #10-24NC x 3/8in ( <b>SN 0300069000 through 0300074426</b> )	
503	4761000	4	Lockwasher #10 ( <b>SN 0300069000 through 0300074426</b> )	
504	3311001	2	Nut #10-24NC ( <b>SN 0300069000 through 0300074426</b> )	
505		Ref	Connector, Strain Relief Options:	
505	4460598	1	ANSI Spec Machines ( <b>SN 0300069000 through 0300074426</b> )	
505	4460426	1	ANSI Spec Machines ( <b>SN 0300074427 through 0300140000</b> )	
		Ref	UL Spec Machines - Use Items 506-513	
506	4460598	1	Connector, Strain Relief	
507	2400067	1	Holder, Fuse	
508	2400068	1	Fuse, 10 Amp	
509	3910608	2	Screw	
510	4750600	3	Flatwasher	
511	4760600	2	Lockwasher	
512	3310601	2	Nut	
513	4740455	2	Flatwasher, Nylon Shoulder	
	0271340	Ref	<b>JIB SWITCH INSTALLATION (OPTIONAL)</b>	1
601	4360328	1	Switch, Toggle	
601	3790012	1	O-Ring	
	0258945	Ref	<b>STEER SWITCH (4WS) INSTALLATION (OPTIONAL)</b>	1
701	4360331	1	Switch, Toggle	
701	3790012	1	O-Ring	
	0271941	Ref	<b>CONSOLE BOX INSTALLATION</b>	B
805	1702676	1	Decal - Horn	
809	4360331	1	Switch, Toggle (4WD)	
809	3790012	1	O-Ring	
	0275804	Ref	<b>LIGHT PANEL DECAL INSTALLATION</b>	B
901	1707111	1	Decal - Light Panel Display	

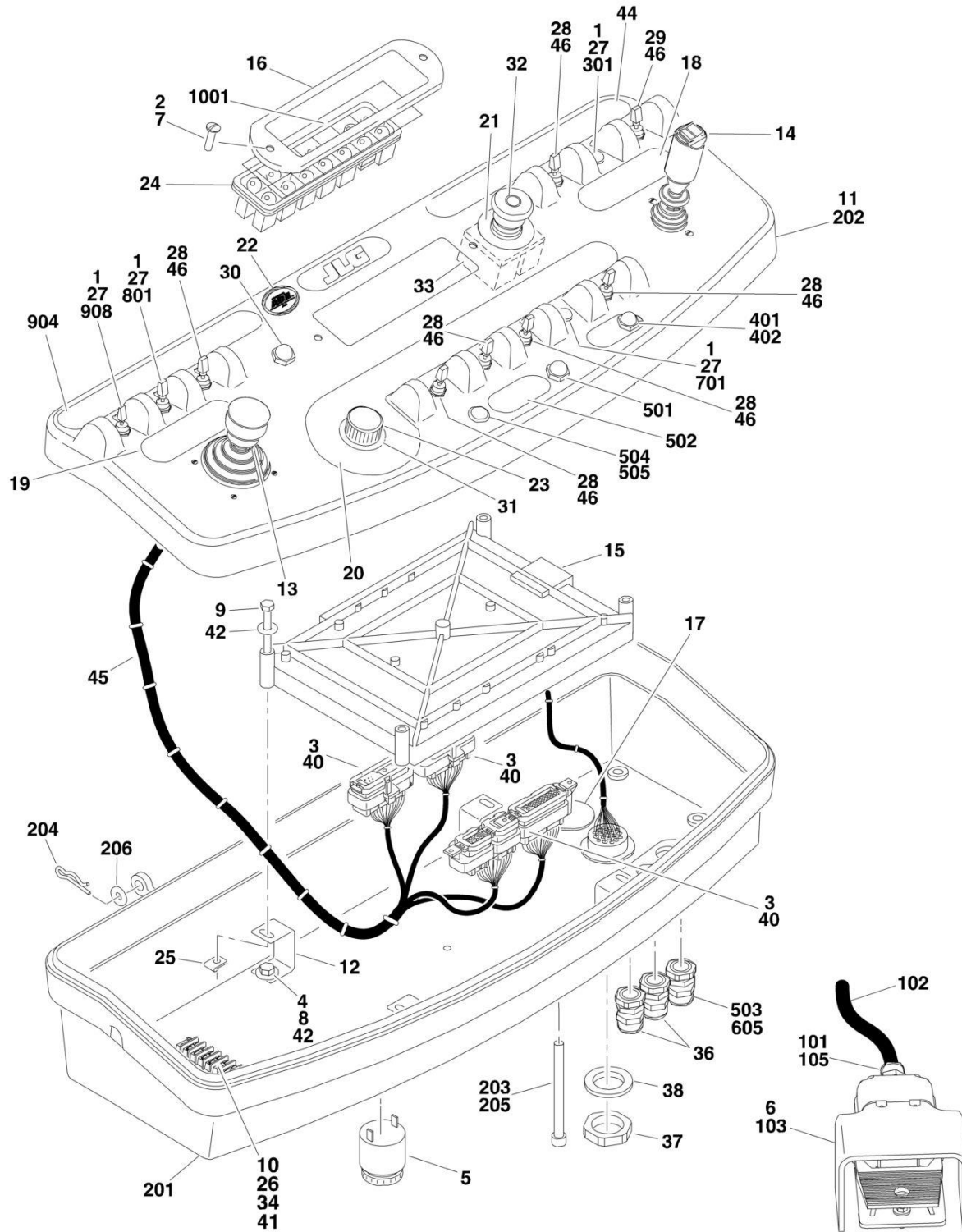
## SECTION 4 - PLATFORM

ITEM	PART NUMBER	QTY	DESCRIPTION	REV
		Ref	<b>Note: Machines should have been updated to this light panel installation.</b>	



# SECTION 4 - PLATFORM

## FIGURE 4-5. PLATFORM CONSOLE ASSEMBLY (SN 0300137975 through 0300140000)



## SECTION 4 - PLATFORM

**FIGURE 4-5. PLATFORM CONSOLE ASSEMBLY (SN 0300137975 through 0300140000)**

ITEM	PART NUMBER	QTY	DESCRIPTION	REV
		Ref	<b>CONSOLE BOX AND FOOTSWITCH ASSEMBLY</b>	
	1001108735	Ref	<b>Console (SN 0300138447 through 0300139069)</b>	B
	1001114448	Ref	<b>Console (SN 0300139070 through 0300140000)</b>	C
1	0100009	AR	Sealant	
2	0100035	AR	Compound, Locking	
3	0100048	AR	Grease, Dielectric	
4	0100081	AR	Adhesive	
5	0140011	1	Alarm	
6	0272970	1	Footswitch Assembly (See Items 101-107 for Breakdown)	
7	0630464	2	Screw, Button Head #10-24NC x 1/2in	
8	0641404	4	Bolt 1/4in-20NC x 1/2in	
9	0641414	4	Bolt 1/4in-20NC x 1-3/4in	
10	0721006	2	Bolt #10-24NC x 3/4in	
11	0861537	1	Box, Console (See Items 201-206 for Breakdown)	
12	0902751	4	Bracket, Card Support	
13	1600317	NLA	Controller Assembly (Swing and Lift) (See CONTROLLER ASSEMBLY (SWING AND LIFT) for Breakdown) (Use p/n 1001129555)	
14	1600318	NLA	Controller Assembly (Drive and Steer) (See CONTROLLER ASSEMBLY (DRIVE AND STEER) for Breakdown) (Use p/n 1001212415)	
15		Ref	Controller, Module Options (Re-calibration Required when Replaced):	
15	1600375	1	Controller, Module <b>(SN 0300138447 through 0300139069)</b>	
15	1001106355	1	Controller, Module <b>(SN 0300139070 through 0300140000)</b>	
16	1670829	1	Bezel	
17	1671037	NLA	Plug (Use p/n 1001110434)	
18	1702565	1	Decal (Drive and Steer)	
19	1702566	1	Decal (Lift and Swing)	
20	1702567	1	Decal (Function Speed)	
21	1704260	1	Decal - EMS	
22	1705132	1	Decal - ADE	
23	2560136	1	Handle, Knob	
24	2760105	1	Housing, Display Light	
25	3300353	4	Nut, Tinnerman	
26	3311005	2	Locknut #10-24NC	
27	3520054	AR	Plug, Hole	
28	4360328	6	Switch, Toggle	
29	4360330	1	Switch, Toggle	
30	4360387	1	Switch, Pushbutton	
31	4360407	1	Controller, Speed	
31	See Note	1	Gasket "Top Hat" (Included with Switch) (Note: Not Available for Purchase)	
31	70003784	1	Seal	
32	4360475	1	Switch, Emergency Stop	
32	7020175	1	Cap, Red	
32	7020176	1	Contact Block	
33	4360476	1	Block, Contact	
34	4460007	1	Bar, Buss	
35	4460234	3	Mount, Tie-Strap (Not Shown)	
36	4460428	2	Connector, Strain Relief	

## SECTION 4 - PLATFORM

ITEM	PART NUMBER	QTY	DESCRIPTION	REV
37	4460470	1	Nut, Terminal	
38	4460471	1	Lockwasher, Terminal	
39	4460708	2	Terminal, 15 Pin (See ELECTRICAL SECTION for Location)	
40	4460905	5	Plug, Seal (See ELECTRICAL SECTION for Location)	
41	4751000	2	Flatwasher #10	
42	4751400	8	Flatwasher 1/4in	
43	4922666	1	Harness, Analyzer Cable (See ELECTRICAL SECTION for Location)	
44	1001107677	1	Decal (Stop)	
45	1001107753	1	Harness, Platform Box	
46	3790012	7	O-Ring	
	0272970	Ref	<b>FOOT SWITCH ASSEMBLY</b>	A
101	0100020	AR	Pipe Sealant	
102	1060918	7 ft/2.1m	Cable, 18/3	
103	See Note	1	Footswitch (Note: See PLATFORM COMPONENTS INSTALLATION for Service Parts)	
105	4460071	1	Connector, Strain Relief	
106	4460226	2	Socket, Female (Not Shown - Used with Footswitch) (See ELECTRICAL SECTION for Location)	
107	4460464	1	Terminal, Deutsch (Not Shown - Used with Footswitch) (See ELECTRICAL SECTION for Location)	
	0861537	Ref	<b>CONSOLE BOX ASSEMBLY</b>	E
201	0861537	1	Console Bottom (Note: Not Available for Purchase.)	
202	0861537	1	Console Top (Note: Not Available for Purchase.)	
203	3311601	1	Nut 3/8in-16NC	
204	3470003	2	Pin, Hair	
205	0630568	1	Screw 3/8in-16NC x 4-1/2in	
206	4711500	2	Flatwasher 5/16in	
		Ref	<b>DUAL FUEL SWITCH INSTALLATION</b>	
301	4360336	1	Switch, Toggle	
301	3790012	1	O-Ring	
	0271768	Ref	<b>HEAD AND TAIL LIGHTS INSTALLATION (OPTIONAL)</b>	C
401	4360522	1	Switch, Pushbutton	
402	1705170	1	Decal - Lights	
		Ref	<b>SOFT TOUCH SYSTEM INSTALLATION (OPTIONAL)</b>	
	0273824	Ref	<b>6ft/1.8m Platforms</b>	B
	0272427	Ref	<b>8ft/2.4m Platforms</b>	D
	1001108256	Ref	<b>6ft/1.8m Platforms with Fall Arrest</b>	A
	0273706	Ref	<b>8ft/2.4m Platforms with Fall Arrest</b>	B
501	4360387	1	Switch, Pushbutton	
502	1702938	1	Decal - Soft Touch Override	
503	4460425	1	Connector, Strain Relief	
504	2920028	1	Lamp, Indicator	
505	2920029	1	Bulb	
		Ref	<b>PLATFORM WORKLIGHT INSTALLATION (OPTIONAL)</b>	
	0273484	Ref	<b>Platform Worklight Installation (Optional) 800A</b>	D
	0273485	Ref	<b>Platform Worklight Installation (Optional) 800AJ</b>	D
605	4460426	1	Connector, Strain Relief	
	0271340	Ref	<b>JIB SWITCH INSTALLATION (OPTIONAL)</b>	1
701	4360328	1	Switch, Toggle	
701	3790012	1	O-Ring	
	0258945	Ref	<b>STEER SWITCH (4WS) INSTALLATION (OPTIONAL)</b>	A



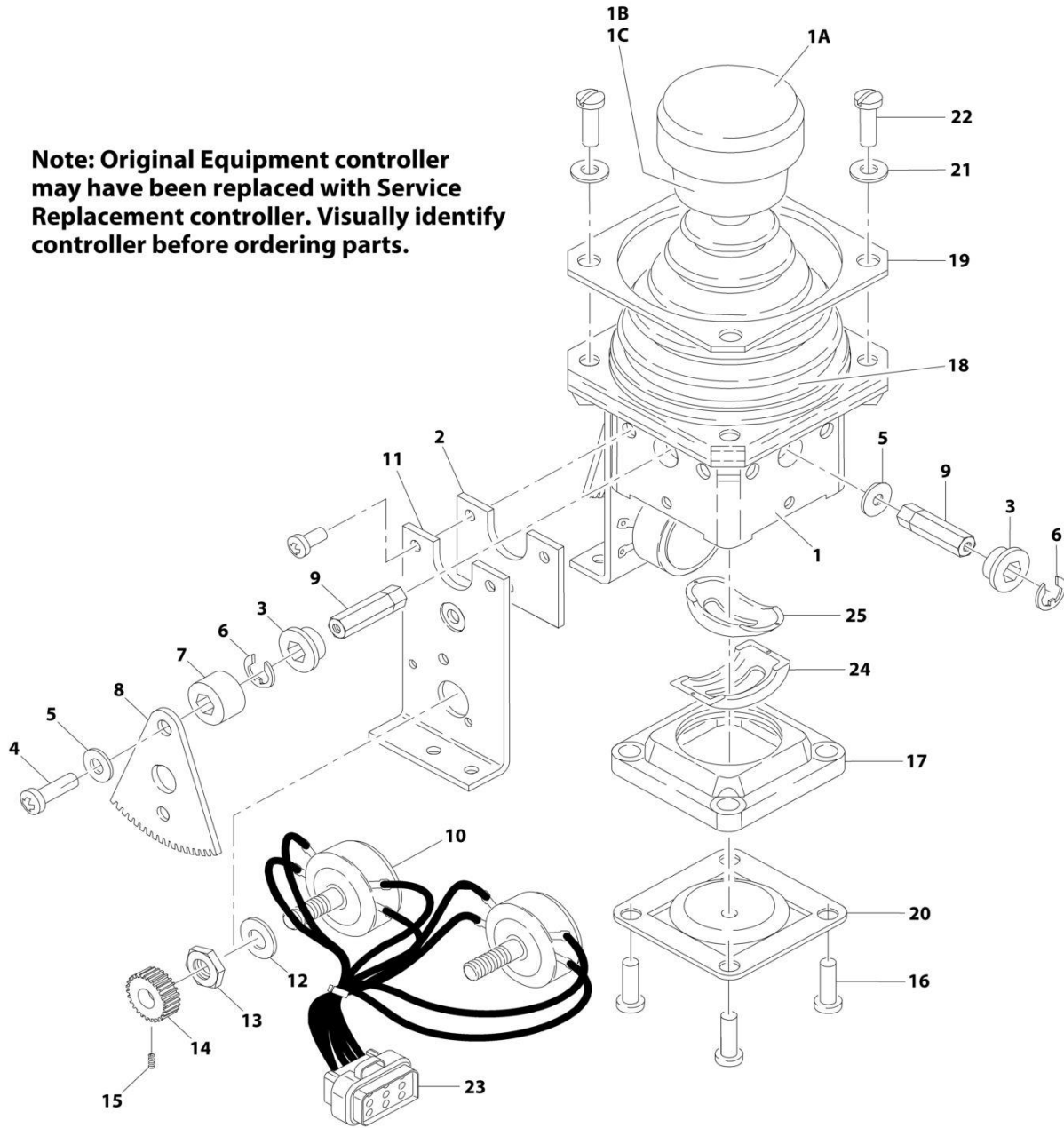
## SECTION 4 - PLATFORM

ITEM	PART NUMBER	QTY	DESCRIPTION	REV
801	4360331	1	Switch, Toggle	
801	3790012	1	O-Ring	
	1001108736	Ref	<b>CONSOLE BOX INSTALLATION</b>	A
904	1702676	1	Decal - Horn	
908	4360331	1	Switch, Toggle (4WD)	
908	3790012	1	O-Ring	
	1001108763	Ref	<b>LIGHT PANEL DECAL INSTALLATION</b>	A
1001	1001107927	1	Decal - Light Panel Display	

# SECTION 4 - PLATFORM

## FIGURE 4-6. CONTROLLER ASSEMBLY (LIFT AND SWING)

**Note: Original Equipment controller may have been replaced with Service Replacement controller. Visually identify controller before ordering parts.**



ART\_1600317

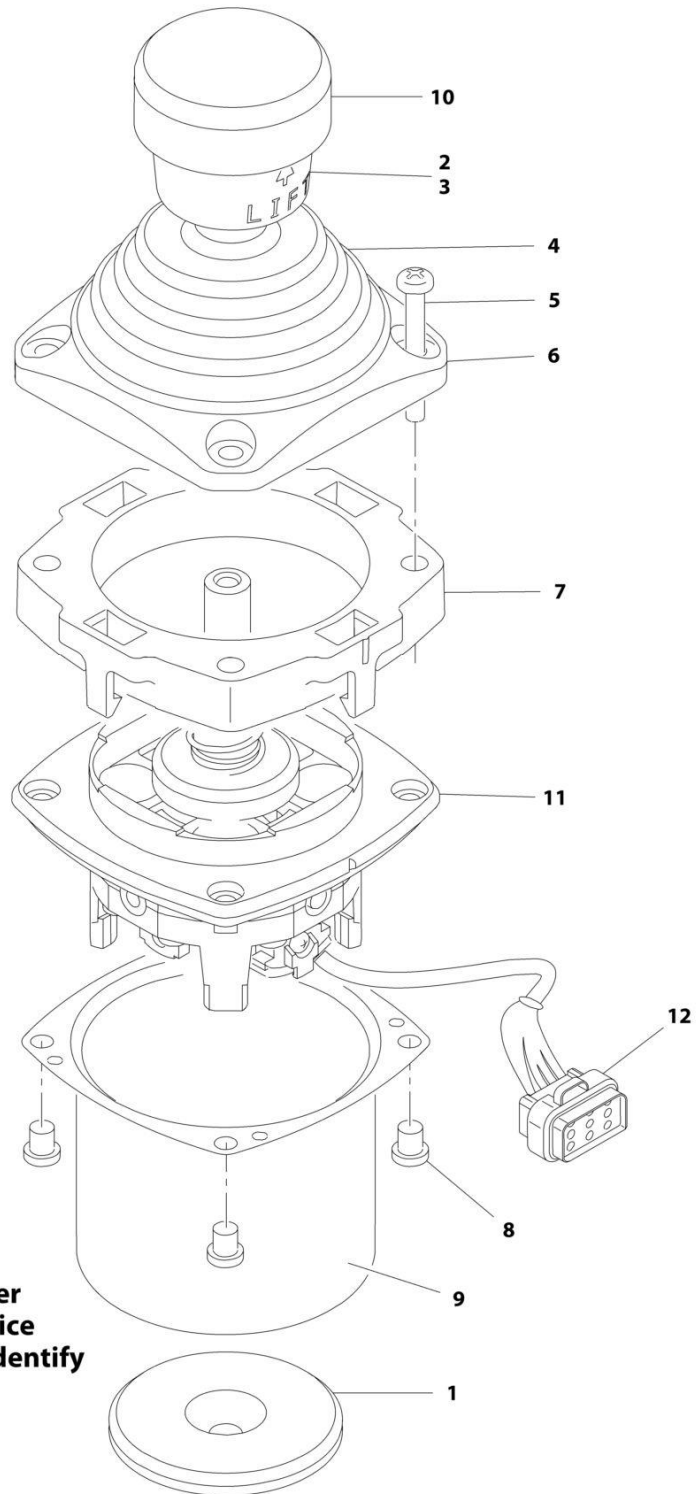
## SECTION 4 - PLATFORM

**FIGURE 4-6. CONTROLLER ASSEMBLY (LIFT AND SWING)**

ITEM	PART NUMBER	QTY	DESCRIPTION	REV
		Ref	<b>Note: Original Equipment controller may have been replaced with Service Replacement controller. Visually identify controller before ordering parts.</b>	
	1600317	Ref	<b>CONTROLLER ASSEMBLY</b>	C
		Ref	<b>Note: Use p/n 1001129555 Kit as Replacement.</b>	
1	7019141	1	Mechanical Assembly (Includes Base, Handle Stem and Items 1A, 1B, 1C & 18)	
1A	7019197	1	Handle Cap and Rod	
1B	7003928	1	Spring	
1C	7022808	1	Cap, Lift	
2	7019171	2	Plate	
3	7019111	4	Bearing, Gear	
4	7019143	2	Screw	
5	7019144	2	Spacer, Cam	
6	7019145	4	E-Clip	
7	7019174	2	Spacer	
8	7003977	2	Gear, Drive	
9		Ref	Shaft Options:	
9	7019147	2	Shaft, Short	
9	7019177	2	Shaft, Long	
10	7022818	2	Potentiometer	
11	7019142	2	Plate	
12	7003992	2	Washer	
13	7003993	2	Nut	
14	7003976	2	Gear, Slave	
15	7019149	2	Setscrew	
16	7022816	4	Screw	
17	7019150	1	Gate	
18	7022814	1	Boot	
19	7022815	1	Bezel	
20	See Note	NSS	Center, Detent (Note: Use p/n 1001129555)	
21	7003953	4	Washer	
22	7022817	4	Screw	
23	7022819	1	Plug, Male - 8 Position (Natural)	
23	4460871	8	Socket, Female	
24	7019122	1	Gimble, Outer	
25	7019123	1	Gimble, Inner	

# SECTION 4 - PLATFORM

## FIGURE 4-7. CONTROLLER ASSEMBLY (LIFT AND SWING)



**Note: Original Equipment controller may have been replaced with Service Replacement controller. Visually identify controller before ordering parts.**

ART\_1001118417

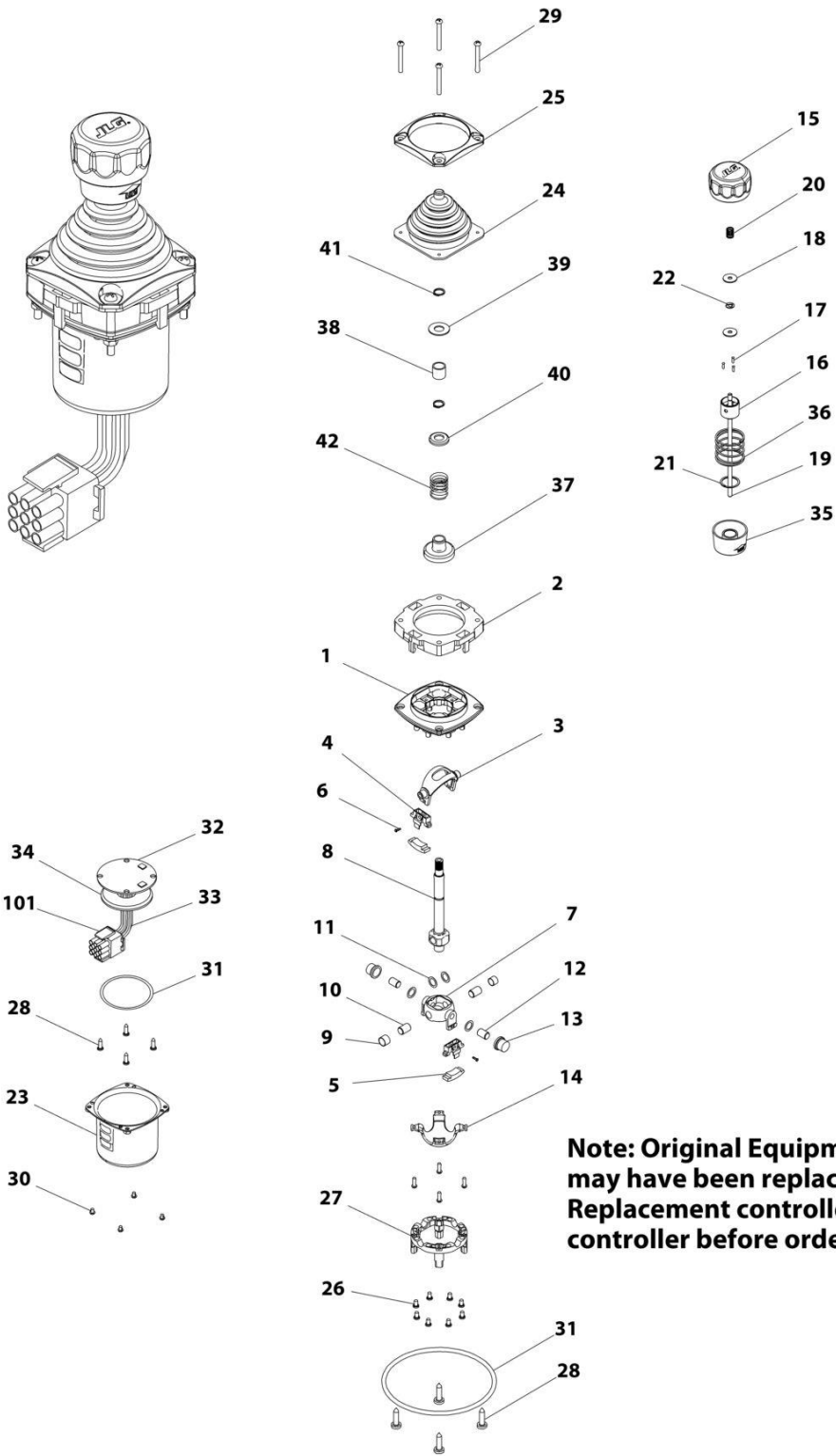
## SECTION 4 - PLATFORM

**FIGURE 4-7. CONTROLLER ASSEMBLY (LIFT AND SWING)**

ITEM	PART NUMBER	QTY	DESCRIPTION	REV
		Ref	<b>Note: Original Equipment controller may have been replaced with Service Replacement controller. Visually identify controller before ordering parts.</b>	
	1001118417	Ref	<b>CONTROLLER ASSEMBLY</b>	E
		Ref	<b>Note: Use p/n 1001129555 as Replacement.</b>	
1	70002730	1	Gasket	
2	7003928	1	Spring	
3	7022808	1	Cap, Lift	
4	70002731	1	Boot	
5	70002732	4	Screw	
6	7022815	1	Bezel	
7	70002733	1	Adapter	
8	70002734	4	Screw	
9	70002735	1	Can, Enclosure	
10	70002906	1	Cap	
11	See Note	NSS	Mechanical Assembly (Note: Use p/n 1001129555)	
12	7022819	1	Connector - 8 Position	
12	4460871	6	Socket, Female	

# SECTION 4 - PLATFORM

## FIGURE 4-8. CONTROLLER ASSEMBLY (LIFT AND SWING)



**Note: Original Equipment controller may have been replaced with Service Replacement controller. Visually identify controller before ordering parts.**

ART\_1001166539

## SECTION 4 - PLATFORM

### FIGURE 4-8. CONTROLLER ASSEMBLY (LIFT AND SWING)

ITEM	PART NUMBER	QTY	DESCRIPTION	REV
		Ref	<b>Note: Original Equipment controller may have been replaced with Service Replacement controller. Visually identify controller before ordering parts.</b>	
	1001166539	Ref	<b>CONTROLLER ASSEMBLY</b>	D
		Ref	<b>Note: Use p/n 1001129555 as Replacement.</b>	
1	See Note	NSS	Main Cast Body (Note: Not Available - Purchase Complete Assembly)	
2	70004752	1	Adapter	
3	See Note	NSS	Pivot Arm, Plastic (Note: Not Available - Purchase Complete Assembly)	
4	See Note	NSS	Holder, Magnet (Note: Not Available - Purchase Complete Assembly)	
5	See Note	NSS	Arc, Magnet (Note: Not Available - Purchase Complete Assembly)	
6	See Note	NSS	Screw (Note: Not Available for Purchase)	
7	See Note	NSS	Pivot Arm, Cast (Note: Not Available - Purchase Complete Assembly)	
8	See Note	NSS	Shaft, Main (Note: Not Available - Purchase Complete Assembly)	
9	See Note	NSS	Bearing (Note: Not Available - Purchase Complete Assembly)	
10	See Note	NSS	Pin (Note: Not Available - Purchase Complete Assembly)	
11	See Note	NSS	Shim (Note: Not Available - Purchase Complete Assembly)	
12	See Note	NSS	Pin (Note: Not Available - Purchase Complete Assembly)	
13	See Note	NSS	Bearing (Note: Not Available - Purchase Complete Assembly)	
14	See Note	NSS	Dome, Centering (Note: Not Available - Purchase Complete Assembly)	
15	70004753	1	Cap	
16	70004754	1	Insert, Cap	
17	70004755	3	Pin	
18	70004756	2	Washer	
19	70004757	1	Pin, Centering	
20	70004758	1	Spring	
21	70004759	1	Ring, Retaining	
22	70004760	1	E-Ring	
23	70004761	1	Can, Enclosure	
24	70004762	1	Boot	
25	70004763	1	Bezel	
26	See Note	NSS	Screw (Note: Not Available for Purchase)	
27	See Note	NSS	Base, Mounting (Note: Not Available - Purchase Complete Assembly)	
28	See Note	NSS	Screw (Note: Not Available for Purchase)	
29	70004764	4	Screw	
30	70004765	4	Screw	
31	70004766	1	O-Ring	
32	See Note	NSS	Plate (Note: Not Available - Purchase Complete Assembly)	
33	See Note	NSS	Harness (Note: Not Available - Purchase Complete Assembly)	
34	70004767	1	Grommet, Rubber	
35	70004768	1	Housing	
36	70004769	1	Spring	
37	70004770	1	Stopper	
38	70004771	1	Spacer	
39	70004772	1	Washer	
40	70004773	1	Disc	

## SECTION 4 - PLATFORM

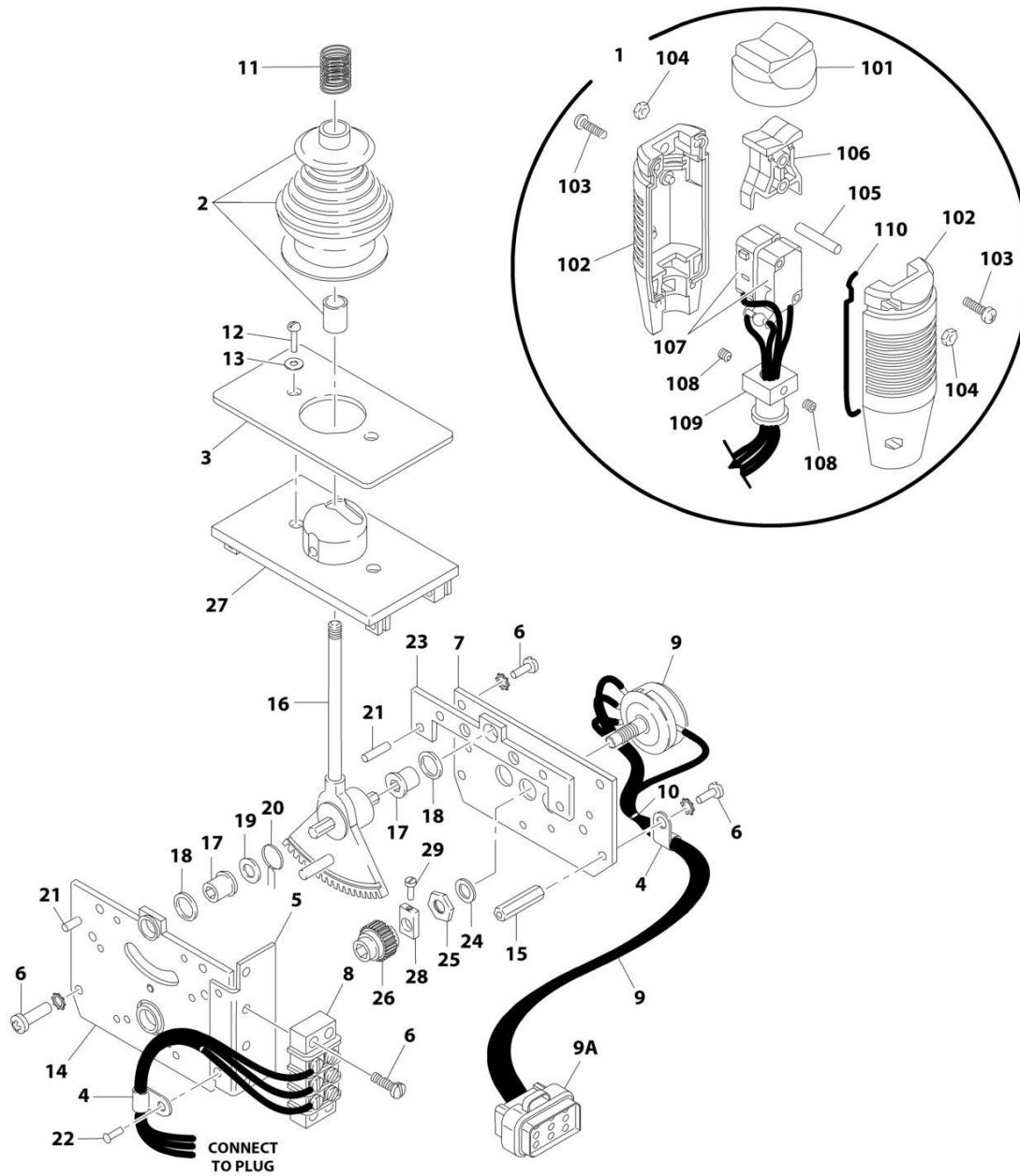
ITEM	PART NUMBER	QTY	DESCRIPTION	REV
41	70004774	2	Ring, Retaining	
42	70004775	1	Spring	
101	4460265	1	Connector - 9 Position	
101	4460226	6	Socket, Female	





# SECTION 4 - PLATFORM

## FIGURE 4-9. CONTROLLER ASSEMBLY (DRIVE AND STEER)



**Note: Original Equipment controller may have been replaced with Service Replacement controller. Visually identify controller before ordering parts.**

ART\_1600318

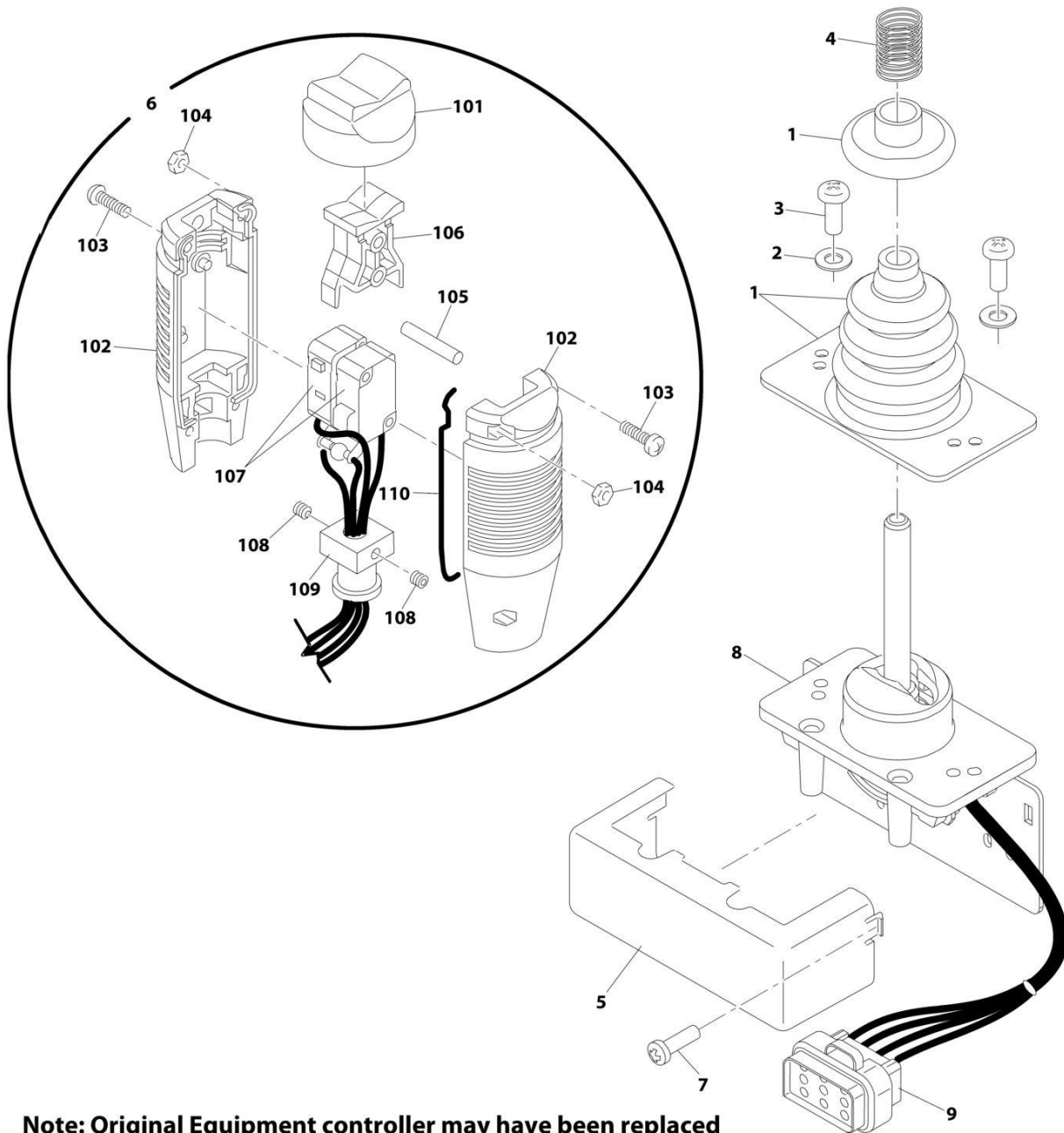
## SECTION 4 - PLATFORM

**FIGURE 4-9. CONTROLLER ASSEMBLY (DRIVE AND STEER)**

ITEM	PART NUMBER	QTY	DESCRIPTION	REV
		Ref	<b>Note: Original Equipment controller may have been replaced with Service Replacement controller. Visually identify controller before ordering parts.</b>	
	1600318	Ref	<b>CONTROLLER ASSEMBLY</b>	C
		Ref	<b>Note: Use p/n 1001212415 as Replacement.</b>	
1	7022812	1	Handle Assembly (See Items 101-110 for Breakdown)	
2	7019161	1	Boot and Sleeve	
3	7003933	1	Gasket	
4	7019154	2	Clamp, Wire	
5	7022823	1	Bracket, Mounting	
6	7003994	1	Screw	
7	7022822	1	Plate, Pot Mounting	
8	7003986	1	Strip, Terminal - 3 Position	
9	7022824	1	Electric Assembly	
9A	1001113961	1	Plug, Male - 8 Position (Black) (was p/n 7022825)	
9A	4460871	7	Socket, Female	
10	7019151	AR	Tie-Strap	
11	7019162	1	Spring	
12	7003969	2	Screw	
13	7003941	2	Washer	
14	See Note	NSS	Plate, Mounting (Left Side) (Note: Not Available for Purchase)	
15	7019115	2	Stand-Off	
16	7019155	1	Shaft 8mm	
17	7019111	2	Bearing	
18	7019110	2	Spacer, Head Gear	
19	7019112	1	Washer	
20	7003946	1	Spring, Return	
21	7019103	4	Pin	
22	See Note	NSS	Rivet (Note: Not Available - Purchase Locally)	
23	7019168	1	Plate, Mounting (Right Side)	
24	7003992	1	Washer	
25	7003993	1	Nut	
26	7003935	1	Gear, Slave	
27	7019160	1	Plate, Base	
28	7019114	1	Coupling, Potentiometer	
29	See Note	NSS	Cup Point Screw (Note: Not Available for Purchase)	
	7022812	Ref	<b>HANDLE ASSEMBLY</b>	
101	7003972	1	Boot, Switch	
102	7003973	2	Half, Handle	
103	7003980	4	Screw	
104	7019167	4	Nut	
105	7019164	1	Axle	
106	7019165	1	Rocker	
107	See Note	NSS	Wiring for Controller Assembly p/n 1600318 (Note: Use p/n 1001166538)	
107	7019166	2	Switch, Micro	
108	7003983	2	Setscrew	
109	7019194	1	Coupling	
110	7003989	2	Gasket	

# SECTION 4 - PLATFORM

## FIGURE 4-10. CONTROLLER ASSEMBLY (DRIVE AND STEER)



**Note: Original Equipment controller may have been replaced with Service Replacement controller. Visually identify controller before ordering parts.**

ART\_100118416

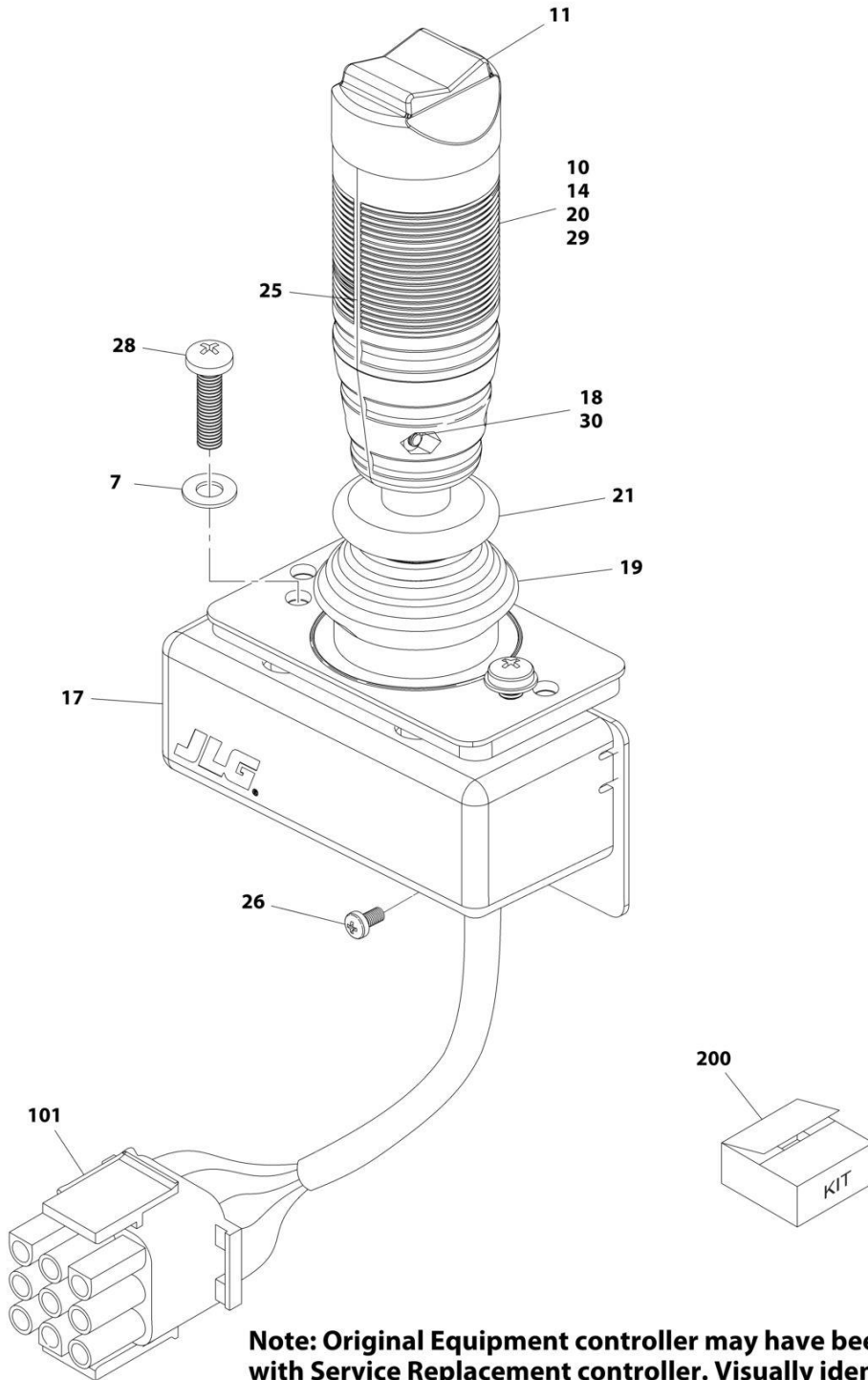
## SECTION 4 - PLATFORM

**FIGURE 4-10. CONTROLLER ASSEMBLY (DRIVE AND STEER)**

ITEM	PART NUMBER	QTY	DESCRIPTION	REV
		Ref	<b>Note: Original Equipment controller may have been replaced with Service Replacement controller. Visually identify controller before ordering parts.</b>	
	1001118416	Ref	<b>CONTROLLER ASSEMBLY</b>	D
		Ref	<b>Note: Use p/n 1001212415 as Replacement.</b>	
1	70002724	1	Boot and Control Lock Assembly	
2	7003941	2	Washer	
3	70002725	2	Screw	
4	7019162	1	Spring	
5	70002726	1	Enclosure	
6	70002727	1	Handle Assembly (See Items 101-110 for Breakdown)	
7	70002728	1	Screw	
8	See Note	NSS	Mechanical Assembly (Note: Use p/n 1001166538)	
9	1001113961	1	Plug, Male - 8 Position (Black) (was p/n 7022825)	
9	4460871	7	Socket, Female	
	70002727	Ref	<b>HANDLE ASSEMBLY</b>	
101	7003972	1	Boot, Switch	
102	7003973	2	Half, Handle	
103	7003980	4	Screw	
104	7019167	4	Nut	
105	7019164	1	Axle	
106	7019165	1	Rocker	
107	70002729	1	Wiring Assembly	
107	7003982	2	Switch, Micro	
108	7003983	2	Set Screw	
109	7019194	1	Coupling	
110	7003989	2	Gasket	

# SECTION 4 - PLATFORM

## FIGURE 4-11. CONTROLLER ASSEMBLY (DRIVE AND STEER)



**Note: Original Equipment controller may have been replaced with Service Replacement controller. Visually identify controller before ordering parts.**

ART\_1001166538

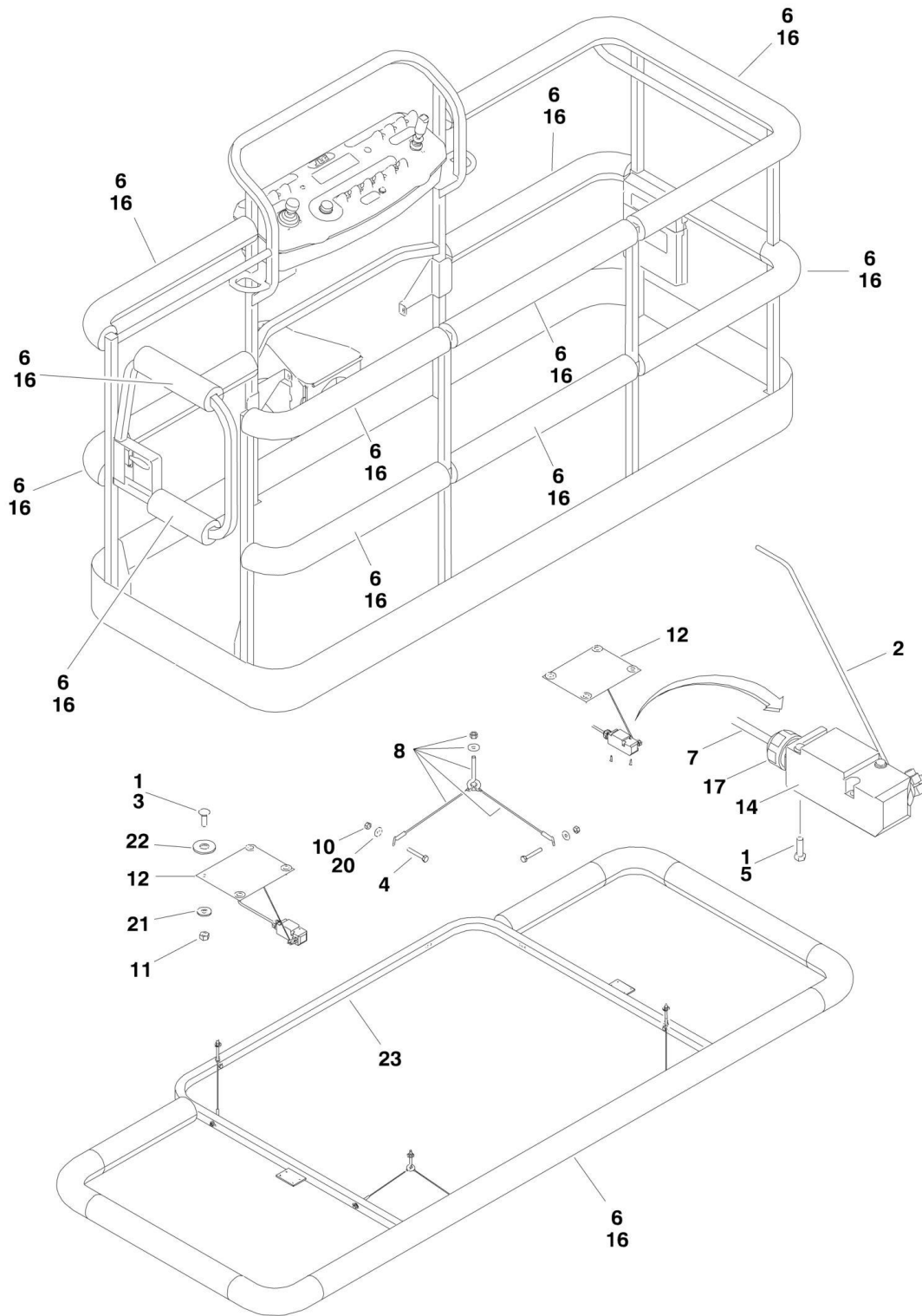
## SECTION 4 - PLATFORM

**FIGURE 4-11. CONTROLLER ASSEMBLY (DRIVE AND STEER)**

ITEM	PART NUMBER	QTY	DESCRIPTION	REV
		Ref	<b>Note: Original Equipment controller may have been replaced with Service Replacement controller. Visually identify controller before ordering parts.</b>	
	1001166538	Ref	<b>CONTROLLER ASSEMBLY</b>	E
		Ref	<b>Note: Use p/n 1001212415 as Replacement.</b>	
7	70004738	2	Washer	
10	70004739	1	Roller	
11	70004740	1	Boot, Switch	
14	70004741	2	Half, Handle	
17	70004742	1	Enclosure	
18	70004743	4	Nut	
19	70004744	NLA	Boot, Controller (Note: Use Item 200)	
20	70004745	NLA	Tube, Locking (Note: Use Item 200)	
21	70004746	NLA	Disc, Locking (Note: Use Item 200)	
25	70004747	2	Seal, Rope	
26	70004748	1	Screw, M3 x 6	
28	70004749	2	Screw, M5 x 20	
29	70004750	1	Pin, Dowel	
30	70004751	4	Screw, M3 x 16	
101	4460265	1	Connector - 9 Position	
101	4460226	7	Socket, Female	
200	70005230	1	Boot Kit (Includes Items 19-21)	

# SECTION 4 - PLATFORM

## FIGURE 4-12. SOFT TOUCH SYSTEM INSTALLATION (OPTIONAL)





## SECTION 4 - PLATFORM

**FIGURE 4-12. SOFT TOUCH SYSTEM INSTALLATION (OPTIONAL)**

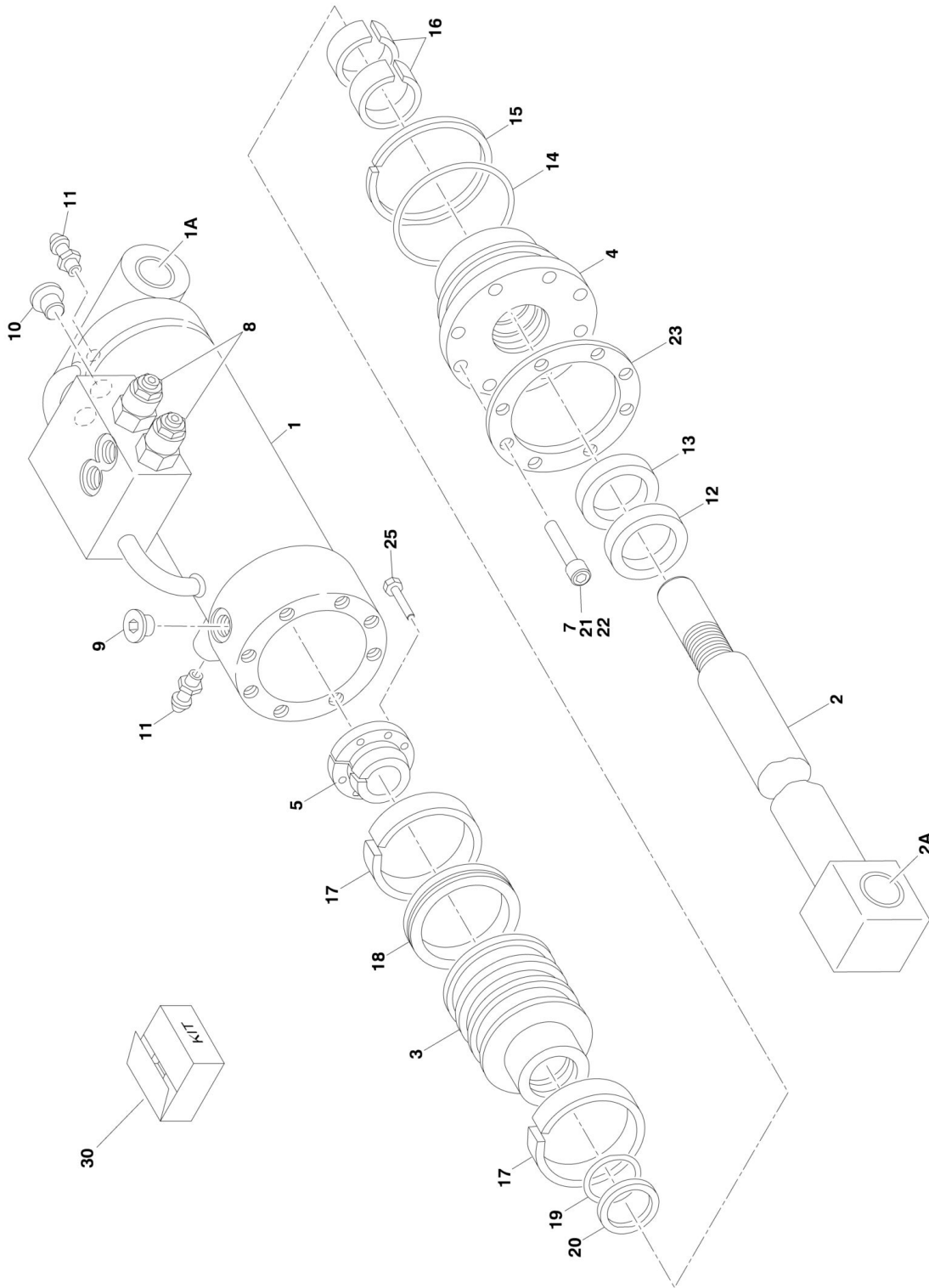
ITEM	PART NUMBER	QTY	DESCRIPTION	REV
		Ref	<b>SOFT TOUCH SYSTEM INSTALLATIONS OPTIONS:</b>	
	0273824	Ref	<b>6ft/1.8m Platforms</b>	B
	0272427	Ref	<b>8ft/2.4m Platforms</b>	D
		Ref	<b>6ft/1.8m Platforms with Fall Arrest</b>	
	0274927	Ref	<b>6ft/1.8m Platforms with Fall Arrest (SN 0300069000 through 0300136487)</b>	A
	1001108256	Ref	<b>6ft/1.8m Platforms with Fall Arrest (SN 0300136488 through 0300140000)</b>	A
	0273706	Ref	<b>8ft/2.4m Platforms with Fall Arrest</b>	B
1	0100011	AR	Compound, Locking	
2	0200048	2	Arm, Switch Activator	
3	0630462	8	Bolt, Carriage	
4	0641414	8	Bolt 1/4in-20NC x 1-3/4in	
5	0731005	4	Screw, Machine #10-32 x 5/8in	
6		Ref	Bumper Kit Options:	
6	0940134	1	6ft/1.8m Platforms	
6	0940103	1	8ft/2.4m Platforms	
6	0940177	1	6ft/1.8m Platforms with Fall Arrest	
6	0940133	1	8ft/2.4m Platforms with Fall Arrest	
7	1060341	AR	Cable, Electrical - 16/2	
8	1060903	4	Wire Rope and Eyebolt Assembly	
10	3311401	8	Nut 1/4in-20NC	
11	3311501	8	Nut 5/16in-18NC	
12		Ref	Plate, Striker Options:	
12	3575359	2	6ft/1.8m Platforms	
12	3574091	2	8ft/2.4m Platforms	
13	4240099	7	Tie-Strap (Not Shown)	
14	4360057	2	Switch, Limit	
16	4420068	1	Tape, Yellow Adhesive	
17		Ref	Connector, Strain Relief Options:	
17	4460425	2	6ft/1.8m Platforms	
17	4460049	2	8ft/2.4m Platforms	
17	4460049	2	All Platforms with Fall Arrest	
18	4460234	AR	Base, Tie-Strap Mounting (Not Shown)	
20	4751400	8	Flatwasher 1/4in Wide	
21	4751500	AR	Flatwasher 5/16in Wide	
22	4751800	8	Flatwasher 1/2in Wide	
23		Ref	Rail, Soft-Touch Options:	
23	3641569	1	6ft/1.8m Platforms	
23	4846673	1	8ft/2.4m Platforms	
	0272444	Ref	<b>SOFT TOUCH COUNTERWEIGHT INSTALLATION (NOT SHOWN) (SN 0300068374 through 0300140000)</b>	C
	4821397	1	Counterweight (Located in Frame)	



**SECTION 5 - CYLINDER**

# SECTION 5 - CYLINDER

## FIGURE 5-1. AXLE LOCKOUT CYLINDER ASSEMBLY



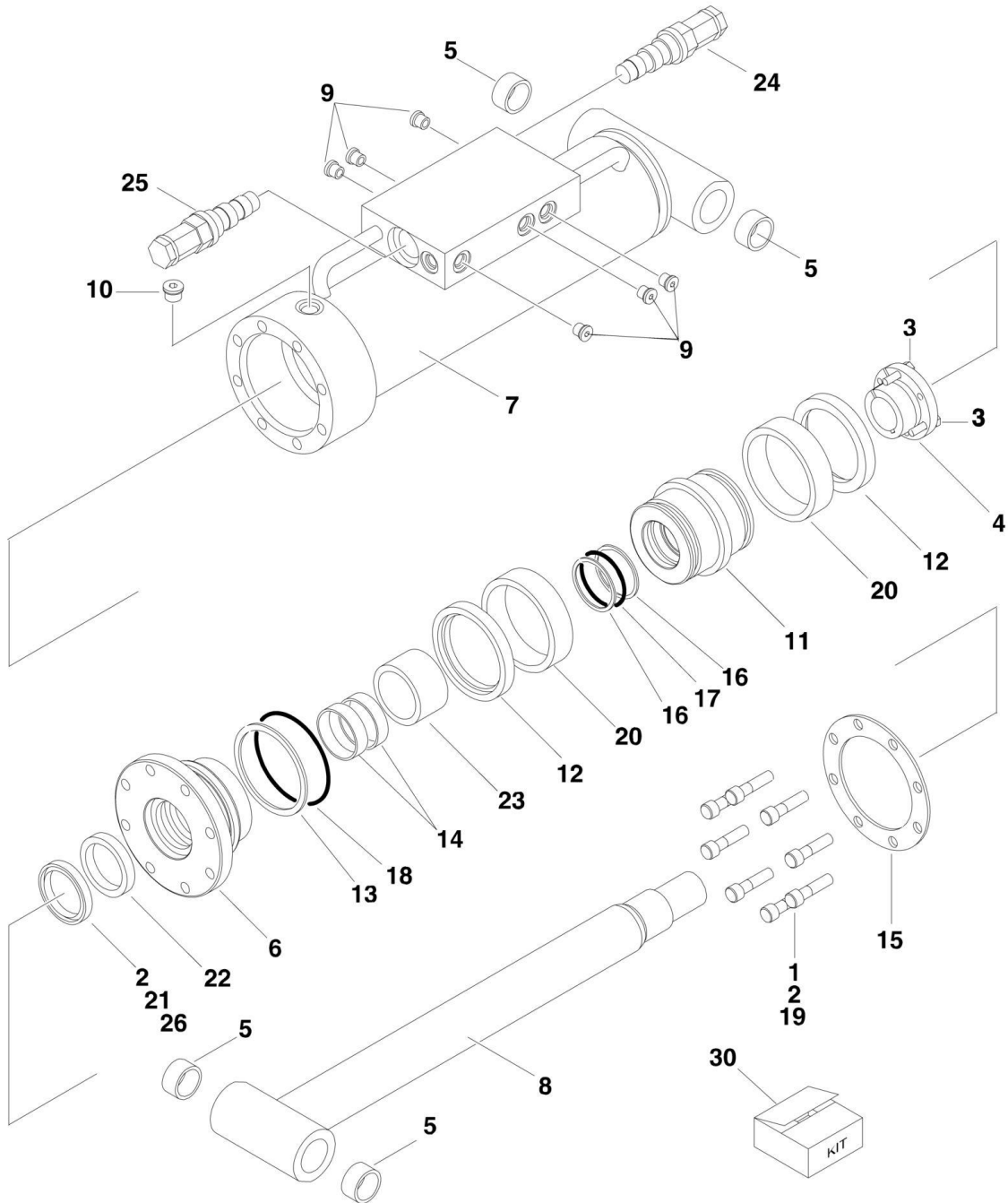
## SECTION 5 - CYLINDER

### FIGURE 5-1. AXLE LOCKOUT CYLINDER ASSEMBLY

ITEM	PART NUMBER	QTY	DESCRIPTION	REV
	1683078	Ref	<b>AXLE LOCKOUT CYLINDER ASSEMBLY</b>	L
1	1684191	1	Barrel Weldment (Note: Includes Item 1A)	
1A		Ref	Bushing Options:	
1A	0961816	2	Bushing <b>(SN 0300069000 through 0300070074)</b>	
1A	0962496	2	Bushing <b>(SN 0300070075 through 0300140000)</b>	
2	1683986	1	Rod Weldment (Note: Includes Item 2A)	
2A		Ref	Bushing Options:	
2A	0961816	2	Bushing <b>(SN 0300069000 through 0300070074)</b>	
2A	0962496	2	Bushing <b>(SN 0300070075 through 0300140000)</b>	
3	3480176	1	Piston	
4	1683059	1	Head	
5	0961895	1	Bushing	
7	3931720	8	Bolt, Socket Head 7/16in-14NC x 1-1/4in	
8	4641162	2	Cartridge, Valve (Counterbalance)	
8	2900770	2	Seal Kit - 4641162 Valve (1 Per Assembly)	
9	2220886	1	Plug, O-Ring	
10	2220885	2	Plug, O-Ring	
11	4640858	3	Valve, Bleeder	
12	See Note	NSS	Wiper (Note: Use Item 30)	
13	See Note	NSS	Seal, Rod (Note: Use Item 30)	
14	See Note	NSS	O-Ring (Note: Use Item 30)	
15	See Note	NSS	Ring, Back-up (Note: Use Item 30)	
16	See Note	NSS	Ring, Wear (Note: Use Item 30)	
17	See Note	NSS	Ring, Wear (Note: Use Item 30)	
18	See Note	NSS	T-Seal (Note: Use Item 30)	
19	See Note	NSS	O-Ring (Note: Use Item 30)	
20	See Note	NSS	Ring, Back-up (Note: Use Item 30)	
21	0100011	AR	Compound, Locking	
22	0100038	AR	Primer, Locking	
23	3760370	1	Ring, Washer	
25	0630535	3	Bolt 1/4in-20NC x 1-1/8in	
30	2901271	1	Seal Kit (Includes Items 12-20)	

# SECTION 5 - CYLINDER

## FIGURE 5-2. LEVEL CYLINDER ASSEMBLY - PLATFORM SLAVE



## SECTION 5 - CYLINDER

### FIGURE 5-2. LEVEL CYLINDER ASSEMBLY - PLATFORM SLAVE

ITEM	PART NUMBER	QTY	DESCRIPTION	REV
		Ref	<b>Note: Original Equipment Cylinder may have been replaced with Service Replacement Cylinder. Identify p/n stamped on cylinder before ordering parts.</b>	
		Ref	<b>LEVEL CYLINDER ASSEMBLY - PLATFORM SLAVE</b>	
		Ref	<b>Slave Cylinder Assemblies 800A</b>	
	1683610	Ref	<b>Original Equipment</b>	E
	1684408	Ref	<b>Service Replacement</b>	C
		Ref	<b>Slave Cylinder Assemblies 800AJ</b>	
	1683677	Ref	<b>Original Equipment</b>	B
	1684228	Ref	<b>Service Replacement</b>	C
1	0100011	AR	Compound, Locking	
2	0100038	AR	Primer, Locking	
3	0630535	3	Capscrew, Socket Head 1/4in-20NC x 1in	
4		Ref	Bushing, Tapered Options:	
4	0961902	1	Bushing, Tapered 800A	
4	0961894	1	Bushing, Tapered 800AJ	
5		Ref	Bushing, Options:	
5	0961947	4	Bushing, 800A	
5	0961951	4	Bushing, 800AJ	
6		Ref	Head Options:	
6	1683074	1	Head 800A	
6	1683055	1	Head 800AJ	
7		Ref	Barrel Options: (Note: Item 5 not Included - Purchase Separately)	
7	1683642	1	Used with p/n 1683610	
7	0370022	1	Used with p/n 1684408	
7	1683678	1	Used with p/n 1683677	
7	1684230	1	Used with p/n 1684228	
8		Ref	Rod Options: (Note: Item 5 not Included - Purchase Separately)	
8	1683643	1	Used with p/n 1683610	
8	3850018	1	Used with p/n 1684408	
8	1683680	1	Used with p/n 1683677	
8	1684232	1	Used with p/n 1684228	
8		Ref	Rod 800A	
8		Ref	Rod 800AJ	
9	2220883	6	Plug	
10	2220885	1	Plug	
11		Ref	Piston Options:	
11	3480233	1	Piston 800A	
11	3480188	1	Piston 800AJ	
12	See Note	NSS	Ring, Lock (Note: Use Item 30)	
13	See Note	NSS	Ring, Back-up (Note: Use Item 30)	
14	See Note	NSS	Ring, Wear (Note: Use Item 30)	
15	3760369	1	Ring, Washer	
16	See Note	NSS	Ring, Back-up (Note: Use Item 30)	
17	See Note	NSS	O-Ring (Note: Use Item 30)	
18	See Note	NSS	O-Ring (Note: Use Item 30)	
19	3931620	8	Capscrew 3/8in-16NC x 1-1/4in	
20	See Note	NSS	Seal (Note: Use Item 30)	
21	See Note	NSS	Wiper (Note: Use Item 30)	

## SECTION 5 - CYLINDER

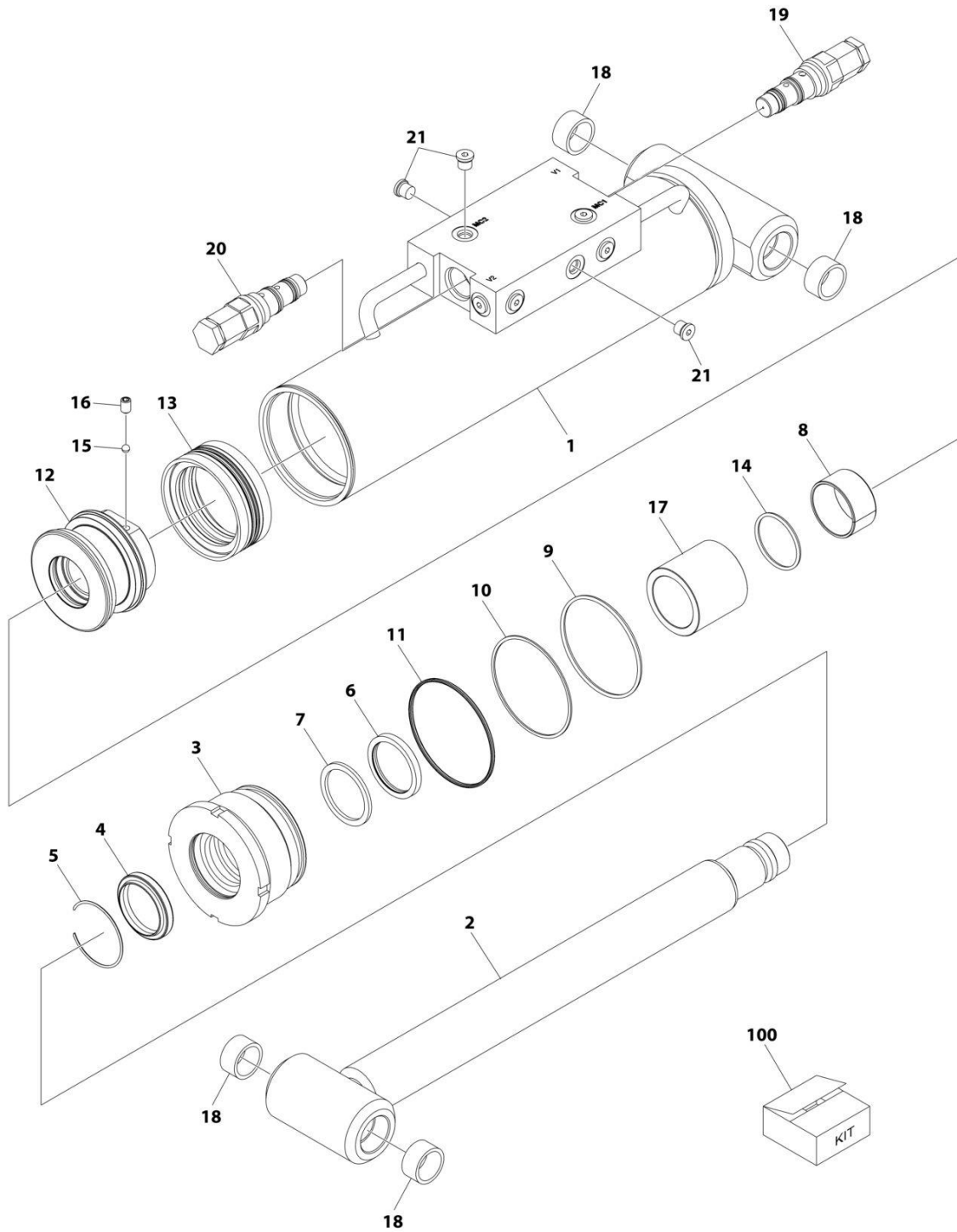
ITEM	PART NUMBER	QTY	DESCRIPTION	REV
22	See Note	NSS	Seal (Note: Use Item 30)	
23		Ref	Spacer, Tube Options:	
23	4567434	1	Spacer, Tube 800A	
23	4566468	1	Spacer, Tube 800AJ	
24	4640605	1	Valve, Cartridge	
24	2900792	1	Seal Kit - 4640605 Valve	
25	4640932	1	Valve, Cartridge	
25	7011112	1	Seal Kit - 4640932 Valve	
26	0100063	AR	Loctite #RC609	
30		Ref	Seal Kit Options (Includes Items 12-14, 16-18 & 20-22)	
30	2901556	1	Seal Kit 800A	
30	2901301	1	Seal Kit 800AJ	





# SECTION 5 - CYLINDER

## FIGURE 5-3. LEVEL CYLINDER ASSEMBLY - PLATFORM SLAVE (800A ONLY) (SERVICE REPLACEMENT)



ART\_1001228033

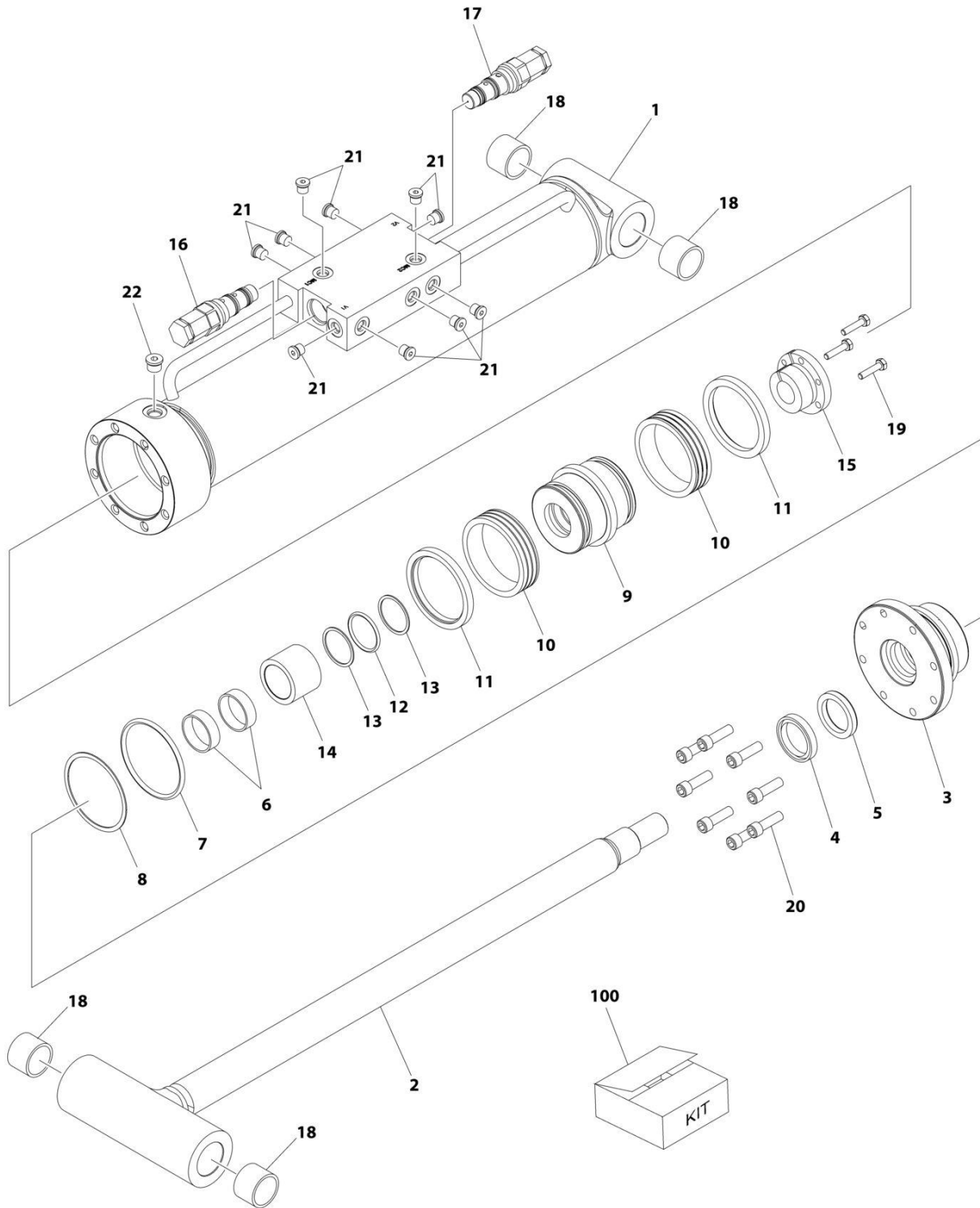
## SECTION 5 - CYLINDER

**FIGURE 5-3. LEVEL CYLINDER ASSEMBLY - PLATFORM SLAVE (800A ONLY) (SERVICE REPLACEMENT)**

ITEM	PART NUMBER	QTY	DESCRIPTION	REV
	1001228033	Ref	LEVEL (SLAVE) CYLINDER ASSEMBLY - PLATFORM	A
		Ref	Note: Original Cylinder may have been replaced with Service Replacement. Identify PN Stamped on Cylinder Before Ordering Parts.	
1	See Note	NSS	Barrel (Note: Not Available for Purchase)	
2	70006782	1	Rod	
3	70006783	1	Head	
4	See Note	NSS	Wiper (Note: Use Item 100)	
5	70002410	1	Ring, Retaining	
6	See Note	NSS	Seal, Rod (Note: Use Item 100)	
7	See Note	NSS	Ring, Back-up (Note: Use Item 100)	
8	70005793	1	Spacer	
9	See Note	NSS	O-Ring (Note: Use Item 100)	
10	See Note	NSS	Ring, Back-up (Note: Use Item 100)	
11	See Note	NSS	O-Ring (Note: Use Item 100)	
12	70006590	1	Piston	
13	See Note	NSS	Seal (Note: Use Item 100)	
14	See Note	NSS	O-Ring (Note: Use Item 100)	
15	70022564	1	Ball (Steel)	
16	70006601	1	Setscrew	
17	70006784	1	Spacer, Tube	
18	0961947	4	Bushing	
19	4640605	1	Valve, Cartridge	
19	2900792	1	Seal Kit - 4640605 Valve	
20	4640932	1	Valve, Cartridge	
20	7011112	1	Seal Kit - 4640932 Valve	
21	2220883	10	Plug	
100	2901526	1	Seal Kit (Includes Items 4, 6, 7, 9-11, 13 & 14)	

# SECTION 5 - CYLINDER

## FIGURE 5-4. LEVEL CYLINDER ASSEMBLY - PLATFORM SLAVE (800AJ ONLY) (SERVICE REPLACEMENT)



ART\_1001228030

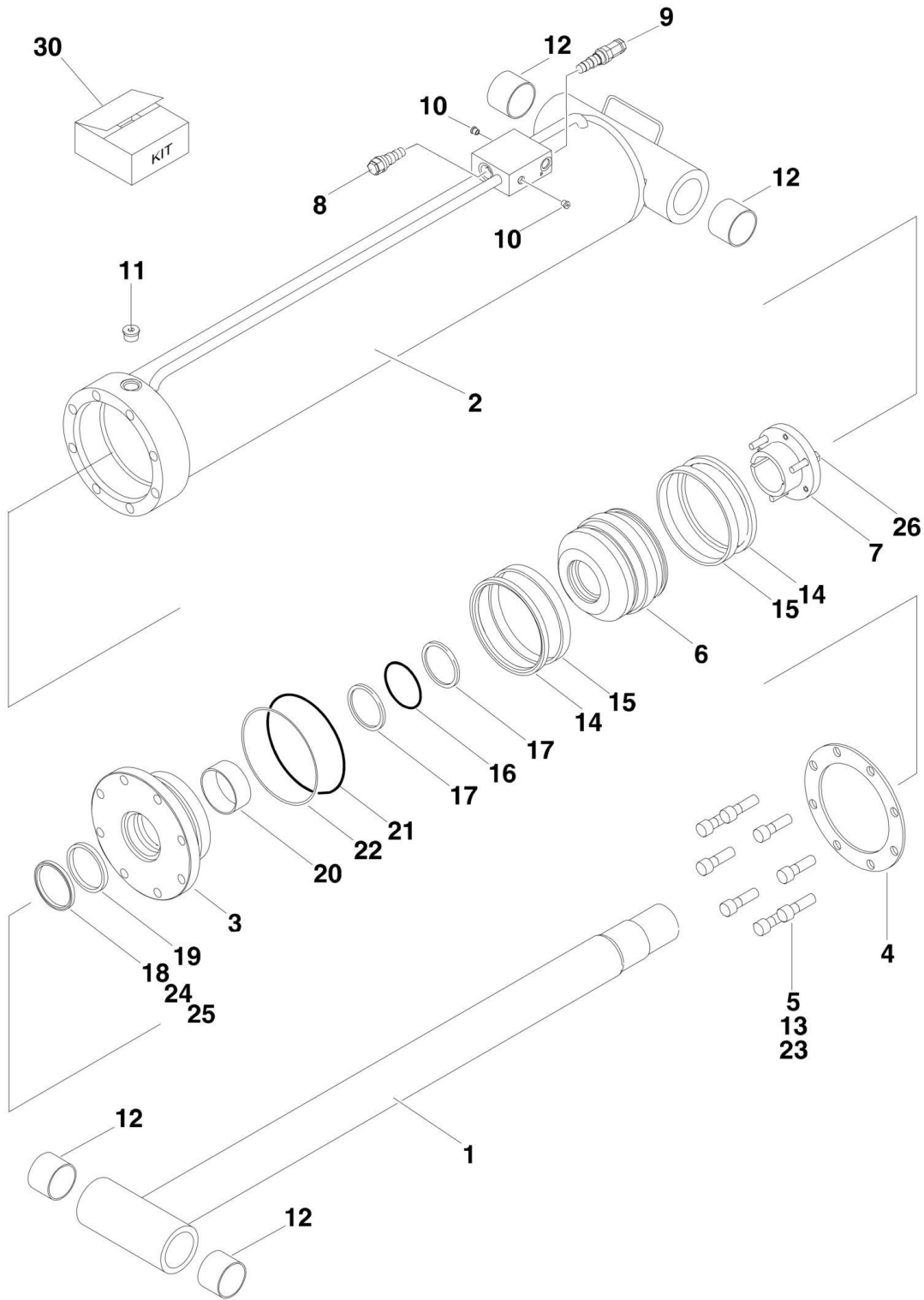
## SECTION 5 - CYLINDER

**FIGURE 5-4. LEVEL CYLINDER ASSEMBLY - PLATFORM SLAVE (800AJ ONLY) (SERVICE REPLACEMENT)**

ITEM	PART NUMBER	QTY	DESCRIPTION	REV
	1001228030	Ref	LEVEL (SLAVE) CYLINDER ASSEMBLY	E
		Ref	Note: Original Cylinder may have been replaced with Service Replacement. Identify PN Stamped on Cylinder Before Ordering Parts.	
1	See Note	NSS	Barrel (Note: Not Available for Purchase)	
2	70006642	1	Rod	
3	70006643	1	Head	
4	See Note	NSS	Wiper (Note: Use Item 100)	
5	See Note	NSS	Seal (Note: Use Item 100)	
6	See Note	NSS	Ring, Wear (Note: Use Item 100)	
7	See Note	NSS	O-Ring (Note: Use Item 100)	
8	See Note	NSS	Ring, Back-up (Note: Use Item 100)	
9	70006644	1	Piston	
10	See Note	NSS	Seal (Note: Use Item 100)	
11	See Note	NSS	Ring, Lock (Note: Use Item 100)	
12	See Note	NSS	O-Ring (Note: Use Item 100)	
13	See Note	NSS	Ring, Back-up (Note: Use Item 100)	
14	70006645	1	Spacer, Tube	
15	0961894	1	Bushing, Tapered	
16	4640932	1	Valve, Cartridge	
16	7011112	1	Seal Kit - 4640932 Valve	
17	4640605	1	Valve, Cartridge	
17	2900792	1	Seal Kit - 4640605 Valve	
18	0961951	4	Bushing	
19	0630535	3	Bolt	
20	3931620	8	Capscrew 3/8-16 x 1-1/4	
21	2220883	10	Plug, O-Ring	
22	2220885	1	Plug, O-Ring	
100	1001138796	1	Seal Kit (Includes Items 4-8 & 10-13)	

# SECTION 5 - CYLINDER

## FIGURE 5-5. LEVEL CYLINDER ASSEMBLY - UPRIGHT



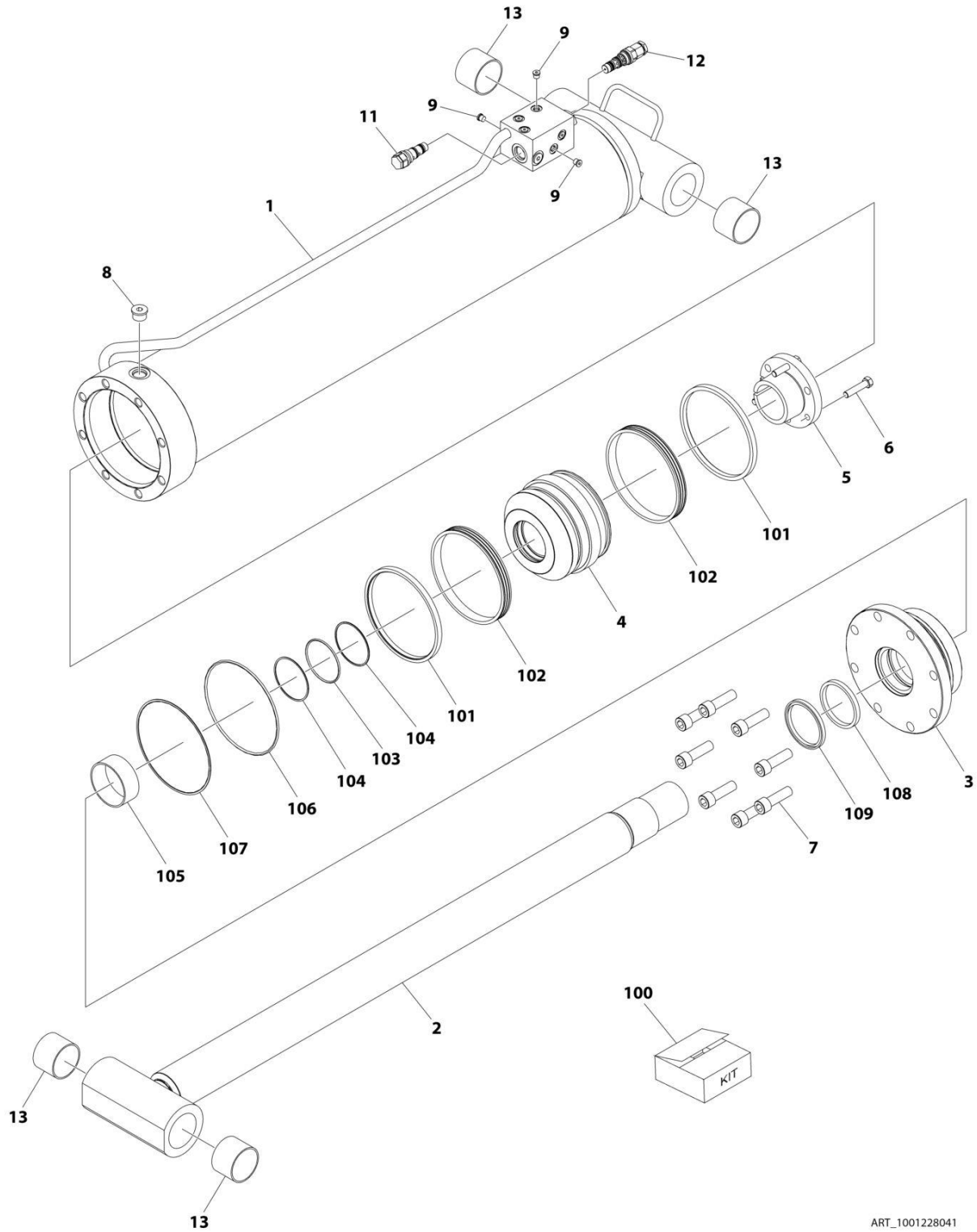
## SECTION 5 - CYLINDER

**FIGURE 5-5. LEVEL CYLINDER ASSEMBLY - UPRIGHT**

ITEM	PART NUMBER	QTY	DESCRIPTION	REV
		Ref	<b>Note: Original Equipment Cylinder may have been replaced with Service Replacement Cylinder. Identify p/n stamped on cylinder before ordering parts.</b>	
		Ref	<b>LEVEL CYLINDER ASSEMBLY - UPRIGHT</b>	
	1683546	Ref	<b>Original Equipment</b>	H
	1684497	Ref	<b>Service Replacement</b>	C
1	1683544	1	Rod Weldment	
2	1683819	NLA	Barrel Weldment (Use p/n 0370034)	
3	1683071	1	Head	
4	3760374	1	Ring, Washer	
5	3932240	8	Bolt, Socket Head 3/4in x 2-1/2in	
6	3480237	1	Piston	
7	0961901	1	Bushing, Tapered	
8	4640509	1	Cartridge, Valve	
8	2900792	1	Seal Kit - 4640509 Valve	
9	4640605	1	Cartridge, Valve	
9	2900792	1	Seal Kit - 4640605 Valve	
10	2220883	2	Plug, O-Ring	
11	2220888	1	Plug, O-Ring	
12	0962102	4	Bushing	
14	See Note	NSS	Ring, Lock (Note: Use Item 30)	
15	See Note	NSS	Seal (Note: Use Item 30)	
16	See Note	NSS	Ring, Washer (Note: Use Item 30)	
17	See Note	NSS	Ring, Back-up (Note: Use Item 30)	
18	See Note	NSS	Wiper (Note: Use Item 30)	
19	See Note	NSS	Seal, Rod (Note: Use Item 30)	
20	See Note	NSS	Ring, Wear (Note: Use Item 30)	
21	See Note	NSS	O-Ring (Note: Use Item 30)	
22	See Note	NSS	Ring, Back-up (Note: Use Item 30)	
23	0100011	AR	Compound, Locking	
24	0100038	AR	Primer, Locking	
25	0100063	AR	Loctite #RC609 ( <b>SN 0300069000 through 0300133544</b> )	
26	0630537	3	Bolt	
30	2901526	1	Seal Kit (Includes Items 14-22)	

# SECTION 5 - CYLINDER

## FIGURE 5-6. LEVEL CYLINDER ASSEMBLY - UPRIGHT (SERVICE REPLACEMENT)



ART\_1001228041



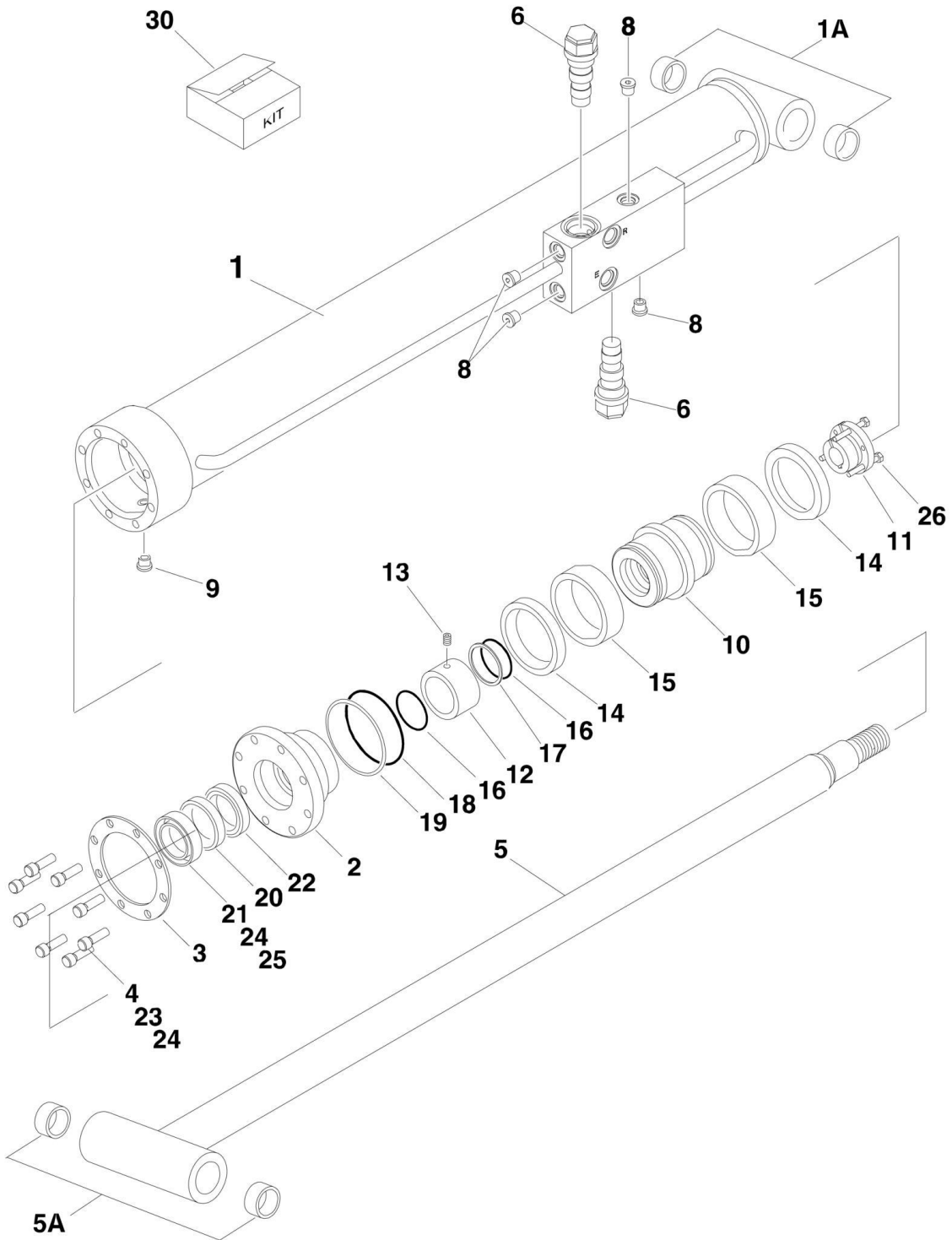
## SECTION 5 - CYLINDER

**FIGURE 5-6. LEVEL CYLINDER ASSEMBLY - UPRIGHT (SERVICE REPLACEMENT)**

ITEM	PART NUMBER	QTY	DESCRIPTION	REV
	1001228041	Ref	LEVEL CYLINDER ASSEMBLY	C
		Ref	Note: Original Cylinder may have been replaced with Service Replacement. Identify PN Stamped on Cylinder Before Ordering Parts.	
1	See Note	NSS	Barrel (Note: Not Available for Purchase)	
2	70006391	1	Rod	
3	70006390	1	Head	
4	70006389	1	Piston	
5	70006385	1	Bushing, Tapered	
6	0630537	3	Bolt	
7	3932240	8	Capscrew 3/4 x 2-1/2	
8	2220888	1	Plug, O-Ring	
9	2220883	6	Plug, O-Ring	
11	4640509	1	Cartridge, Valve	
11	2900792	1	Seal Kit - 4640509 Valve	
12	4640605	1	Cartridge, Valve	
12	2900792	1	Seal Kit - 4640605 Valve	
13	0962102	4	Bushing	
100	2901526	1	Seal Kit (Includes Items 101-109)	
101	See Note	NSS	Ring, Lock (Note: Use Item 100)	
102	See Note	NSS	Seal (Note: Use Item 100)	
103	See Note	NSS	Ring, Washer (Note: Use Item 100)	
104	See Note	NSS	Ring, Back-up (Note: Use Item 100)	
105	See Note	NSS	Ring, Wear (Note: Use Item 100)	
106	See Note	NSS	O-Ring (Note: Use Item 100)	
107	See Note	NSS	Ring, Back-up (Note: Use Item 100)	
108	See Note	NSS	Seal, Rod (Note: Use Item 100)	
109	See Note	NSS	Wiper (Note: Use Item 100)	

# SECTION 5 - CYLINDER

FIGURE 5-7. LIFT CYLINDER ASSEMBLY - JIB (800AJ ONLY) (ORIGINAL EQUIPMENT)



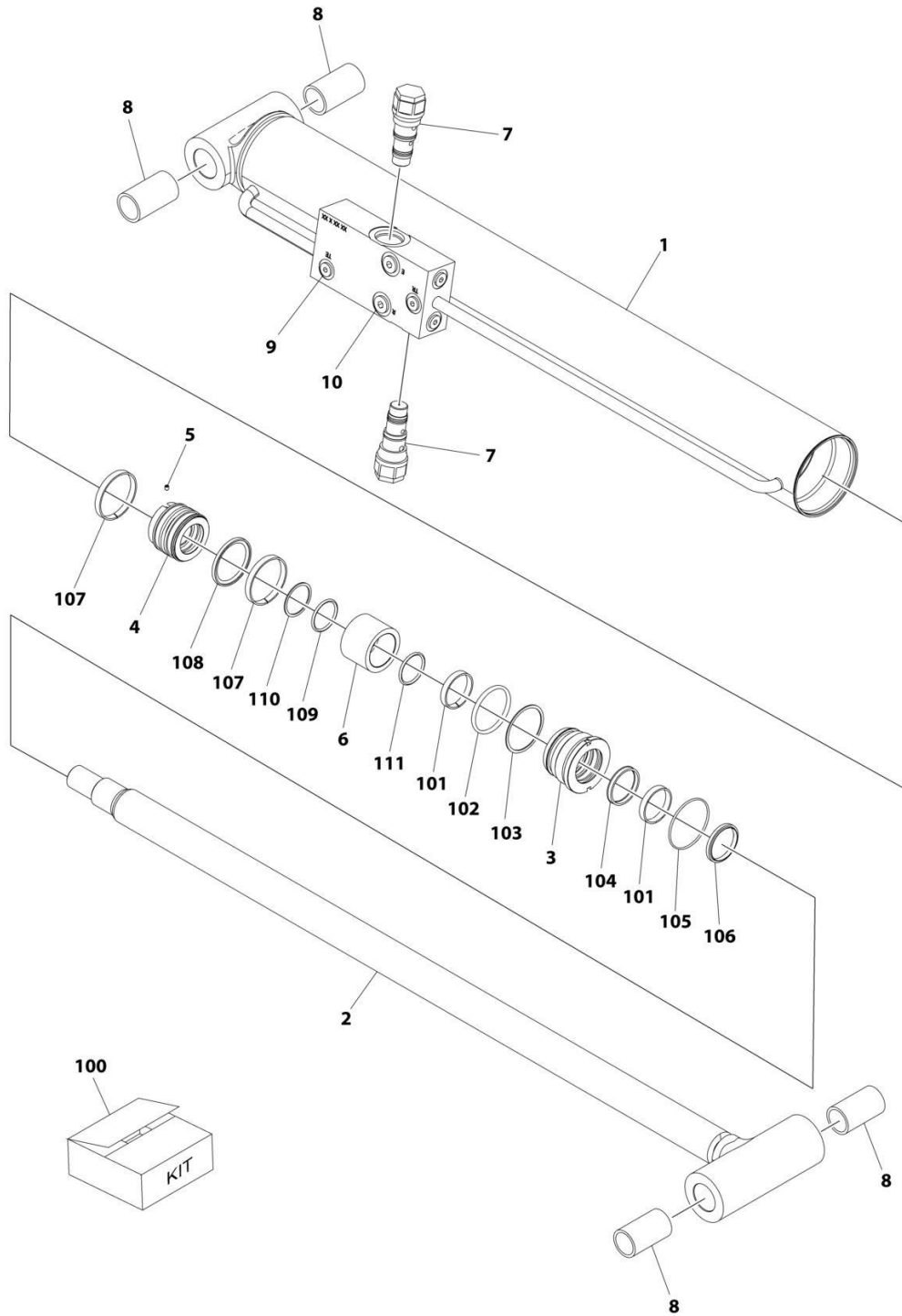
## SECTION 5 - CYLINDER

**FIGURE 5-7. LIFT CYLINDER ASSEMBLY - JIB (800AJ ONLY) (ORIGINAL EQUIPMENT)**

ITEM	PART NUMBER	QTY	DESCRIPTION	REV
	1683609	Ref	<b>LIFT CYLINDER ASSEMBLY - JIB (800AJ ONLY)</b> Note: Original Cylinder may have been replaced with Service Replacement. Identify PN Stamped on Cylinder Before Ordering Parts.	1
		Ref		
1	1684089	1	Barrel Weldment (Note: Includes Item 1A)	
1A	0962336	2	Bushing	
2	1683053	1	Head	
3	3760368	1	Washer, Ring	
4	3931516	8	Bolt, Socket Head 5/16in-18NC x 2in	
5	1684090	1	Rod Weldment (Note: Includes Item 5A)	
5A	0962336	2	Bushing	
6	4640509	2	Cartridge, Valve (Counterbalance Non-Vented)	
6	2900792	2	Seal Kit - 4640509 Valve	
8	2220883	4	Plug, O-Ring	
9	2220885	1	Plug, O-Ring	
10	3480210	1	Piston	
11	0961893	1	Bushing, Tapered	
12		Ref	Spacer, Tube Options:	
12	4566471	1	Spacer, Tube <b>(SN 0300069000 through 0300079612)</b>	
12	4100100	1	Spacer, Tube <b>(SN 0300079613 through 0300140000)</b>	
13	3900141	1	Setscrew 1/4in-20NC x 1/4in <b>(SN 0300069000 through 0300079612)</b>	
14	See Note	NSS	Ring, Lock (Note: Use Item 30)	
15	See Note	NSS	Seal, Piston (Note: Use Item 30)	
16	See Note	NSS	O-Ring (Note: Use Item 30)	
17	See Note	NSS	Ring, Back-up (Note: Use Item 30)	
18	See Note	NSS	O-Ring (Note: Use Item 30)	
19	See Note	NSS	Ring, Back-up (Note: Use Item 30)	
20	See Note	NSS	Seal (Note: Use Item 30)	
21	See Note	NSS	Wiper (Note: Use Item 30)	
22	See Note	NSS	Ring, Wear (Note: Use Item 30)	
23	0100011	AR	Compound, Locking	
24	0100038	AR	Primer, Locking	
25	0100063	AR	Loctite #RC609	
26	0630534	3	Capscrew, Socket Head #10-24NC x 1in	
30	2901303	1	Seal Kit (Includes Items 14-22)	

# SECTION 5 - CYLINDER

FIGURE 5-8. LIFT CYLINDER ASSEMBLY - JIB (800AJ ONLY) (USAGE MAY VARY) (SERVICE REPLACEMENT)



ART\_1001228012

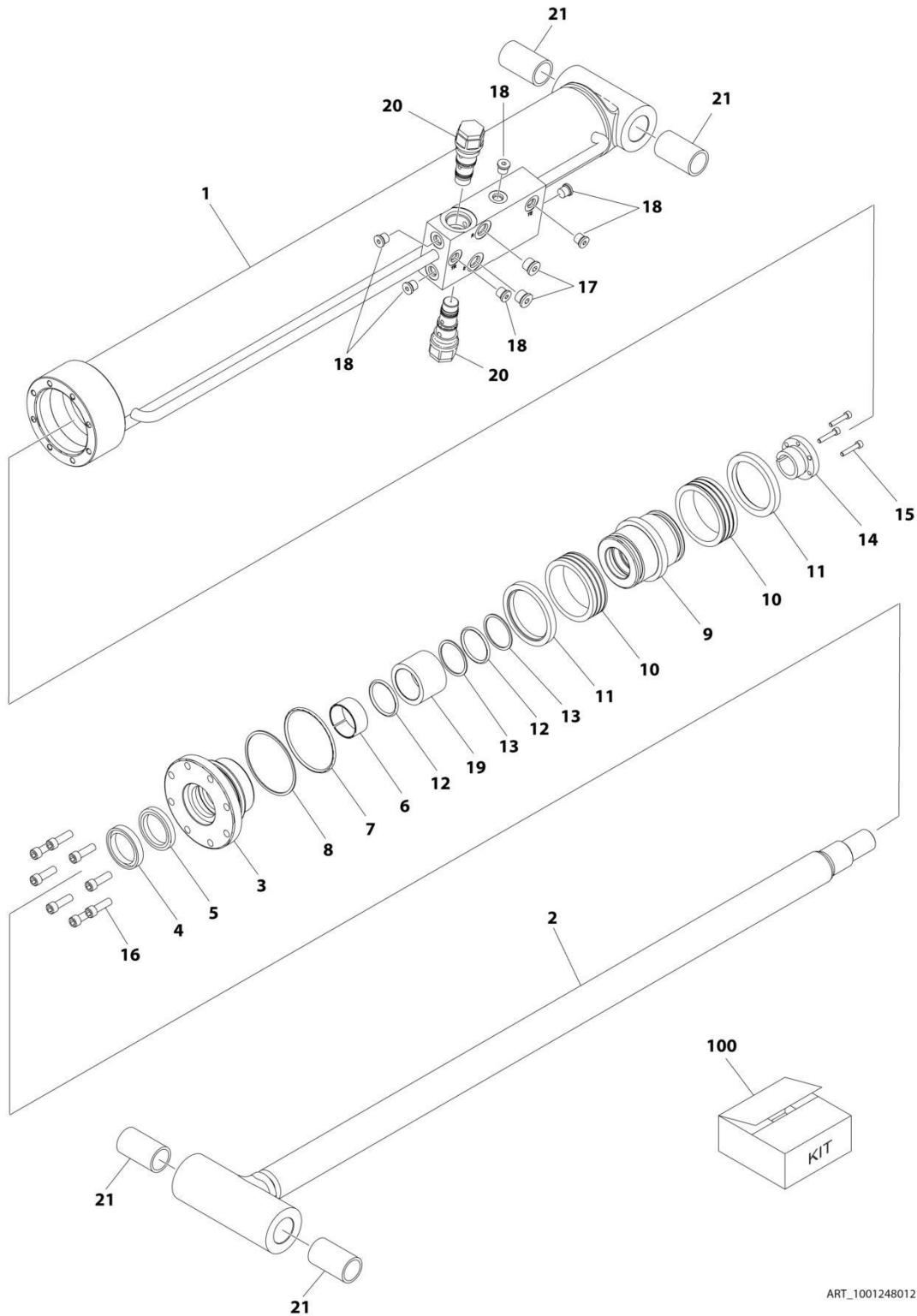
## SECTION 5 - CYLINDER

**FIGURE 5-8. LIFT CYLINDER ASSEMBLY - JIB (800AJ ONLY) (USAGE MAY VARY) (SERVICE REPLACEMENT)**

ITEM	PART NUMBER	QTY	DESCRIPTION	REV
	1001228012	Ref	LIFT CYLINDER ASSEMBLY - JIB	C
		Ref	Note: Original Cylinder May Have Been Replaced with Service Replacement. Identify PN Stamped on Cylinder Before Ordering Parts.	
1	See Note	NSS	Barrel (Note: Not Available for Purchase)	
2	70006572	1	Rod	
3	70006571	1	Head	
4	70006570	1	Piston	
5	70023915	1	Screw	
6	70006569	1	Spacer	
7	4640509	2	Cartridge, Valve	
7	2900792	2	Seal Kit - 4640509 Valve	
8	0962336	4	Bushing	
9	2220883	6	Plug, O-Ring	
10	2220885	2	Plug, O-Ring	
100	70006568	1	Seal Kit (Includes Items 101-111)	
101	See Note	NSS	Ring, Wear (Note: Use Item 100)	
102	See Note	NSS	O-Ring (Note: Use Item 100)	
103	See Note	NSS	Ring, Back-up (Note: Use Item 100)	
104	See Note	NSS	Seal, Rod (Note: Use Item 100)	
105	See Note	NSS	O-Ring (Note: Use Item 100)	
106	See Note	NSS	Wiper (Note: Use Item 100)	
107	See Note	NSS	Ring, Wear (Note: Use Item 100)	
108	See Note	NSS	Seal (Note: Use Item 100)	
109	See Note	NSS	O-Ring (Note: Use Item 100)	
110	See Note	NSS	Ring, Back-up (Note: Use Item 100)	
111	See Note	NSS	O-Ring (Note: Use Item 100)	

# SECTION 5 - CYLINDER

## FIGURE 5-9. LIFT CYLINDER ASSEMBLY - JIB (800AJ ONLY) (USAGE MAY VARY) (SERVICE REPLACEMENT)



ART\_1001248012

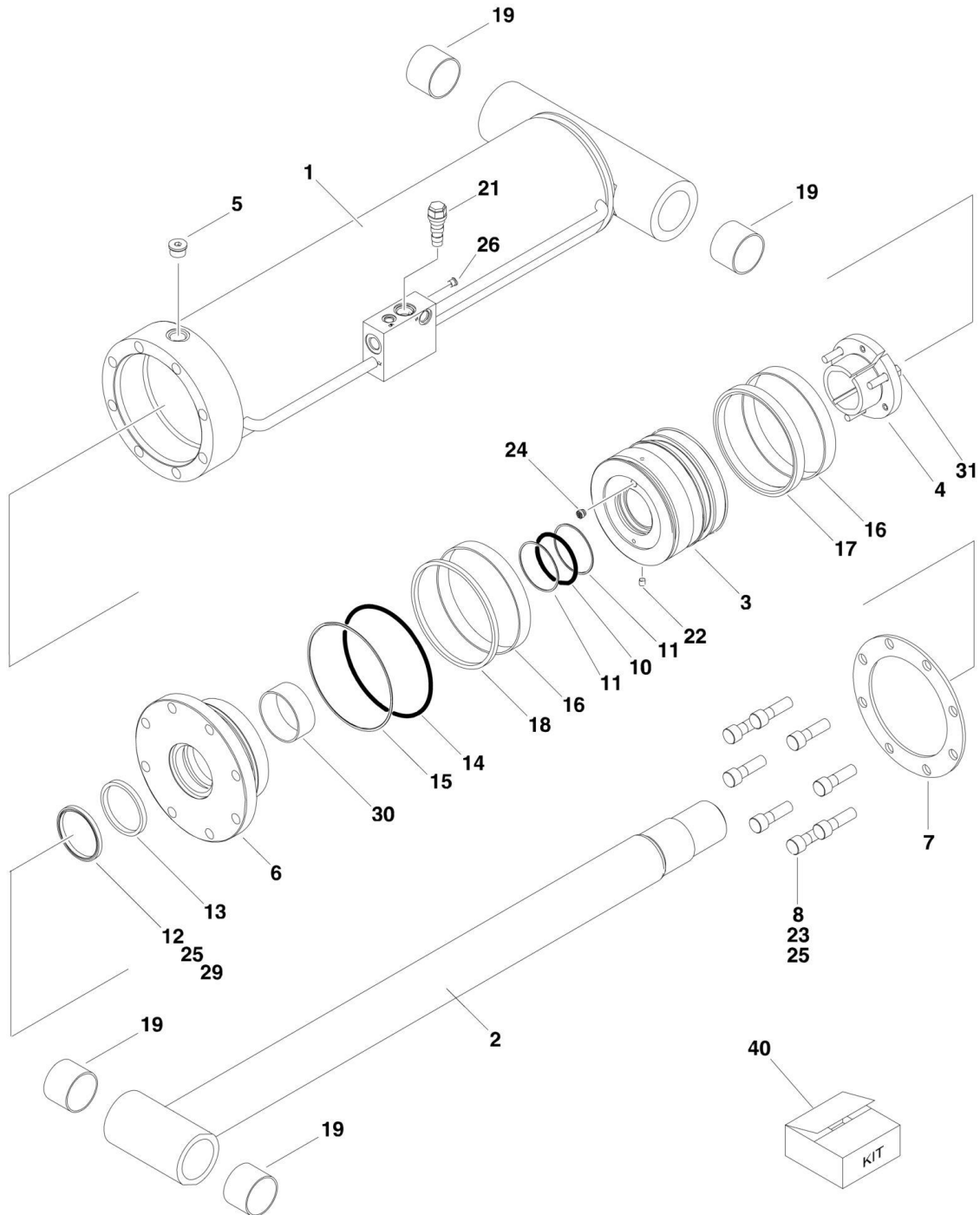
## SECTION 5 - CYLINDER

**FIGURE 5-9. LIFT CYLINDER ASSEMBLY - JIB (800AJ ONLY) (USAGE MAY VARY) (SERVICE REPLACEMENT)**

ITEM	PART NUMBER	QTY	DESCRIPTION	REV
	1001248012	Ref	LIFT CYLINDER ASSEMBLY - JIB	C
		Ref	Note: Original Cylinder May Have Been Replaced with Service Replacement. Identify PN Stamped on Cylinder Before Ordering Parts.	
1	See Note	NSS	Barrel (Note: Not Available for Purchase)	
2	70006734	1	Rod	
3	70006649	1	Head	
4	See Note	NSS	Wiper (Note: Use Item 100)	
5	See Note	NSS	Seal, Rod (Note: Use Item 100)	
6	See Note	NSS	Ring, Wear (Note: Use Item 100)	
7	See Note	NSS	O-Ring (Note: Use Item 100)	
8	See Note	NSS	Ring, Back-up (Note: Use Item 100)	
9	70006650	1	Piston	
10	See Note	NSS	Seal (Note: Use Item 100)	
11	See Note	NSS	Ring, Lock (Note: Use Item 100)	
12	See Note	NSS	O-Ring (Note: Use Item 100)	
13	See Note	NSS	Ring, Back-up (Note: Use Item 100)	
14	0961893	1	Bushing, Tapered	
15	0630534	3	Capscrew, Socket Head #10 x 1	
16	70006735	8	Capscrew 5/16	
17	2220885	2	Plug, O-Ring	
18	2220883	6	Plug, O-Ring	
19	70006736	1	Spacer	
20	4640509	2	Cartridge, Valve	
20	2900792	2	Seal Kit - 4640509 Valve	
21	0962336	4	Bushing	
100	1001138795	1	Seal Kit (Includes Items 4-8 & 10-13)	

# SECTION 5 - CYLINDER

## FIGURE 5-10. LIFT CYLINDER ASSEMBLY - MAIN BOOM (ORIGINAL EQUIPMENT)





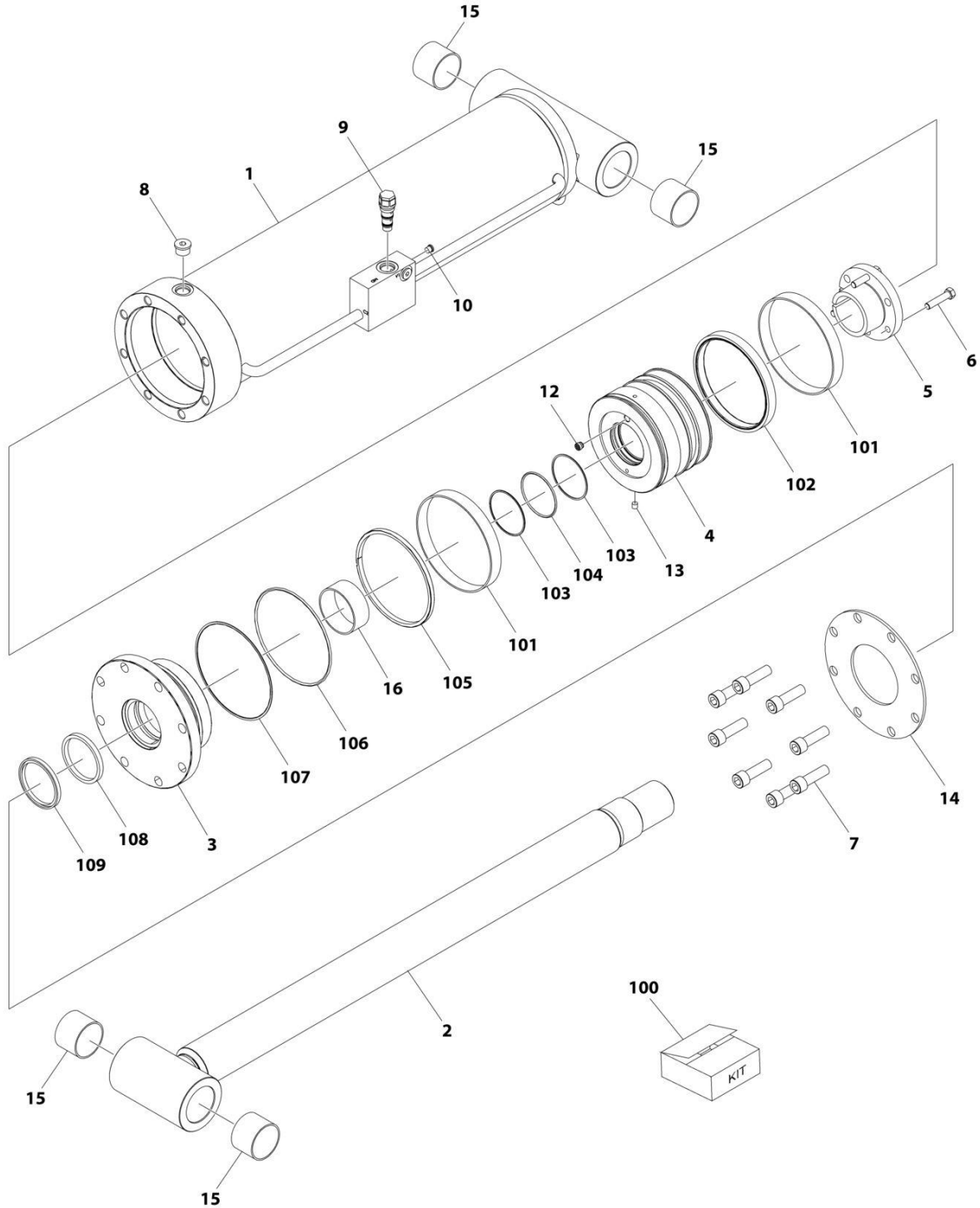
## SECTION 5 - CYLINDER

**FIGURE 5-10. LIFT CYLINDER ASSEMBLY - MAIN BOOM (ORIGINAL EQUIPMENT)**

ITEM	PART NUMBER	QTY	DESCRIPTION	REV
	1683547	Ref	<b>LIFT CYLINDER ASSEMBLY - MAIN BOOM</b> Note: Original Cylinder may have been replaced with Service Replacement. Identify PN Stamped on Cylinder Before Ordering Parts.	L
		Ref		
1	1683821	1	Barrel Weldment	
2	1683549	1	Rod Weldment	
3	3480238	1	Piston	
4	0961901	1	Bushing, Tapered	
5	2220888	1	Plug, O-Ring	
6	1683071	1	Head	
7	3760374	1	Washer, Ring	
8	3932240	8	Bolt, Socket Head 3/4in x 2-1/2in	
10	See Note	NSS	O-Ring (Note: Use Item 40)	
11	See Note	NSS	Ring, Back-up (Note: Use Item 40)	
12	See Note	NSS	Wiper (Note: Use Item 40)	
13	See Note	NSS	Seal, Rod (Note: Use Item 40)	
14	See Note	NSS	O-Ring (Note: Use Item 40)	
15	See Note	NSS	Ring, Back-up (Note: Use Item 40)	
16	See Note	NSS	Ring, Wear (Note: Use Item 40)	
17	See Note	NSS	T-Seal (Note: Use Item 40)	
18	See Note	NSS	Seal (Note: Use Item 40)	
19	0962102	4	Bushing	
21	4640509	1	Cartridge, Valve	
21	2900792	1	Seal Kit - 4640509 Valve	
22	2180615	1	Orifice	
23	0100011	AR	Compound, Locking	
24	4641027	1	Plug, Check Valve	
25	0100038	AR	Primer, Locking	
26	2220883	1	Plug	
29	0100063	AR	Loctite RC609 ( <b>SN 0300069000 through 0300134352</b> )	
30	See Note	NSS	Ring, Wear (Note: Use Item 40)	
31	0630537	3	Bolt	
40	2901514	1	Seal Kit (Includes Items 10-18 & 30)	

# SECTION 5 - CYLINDER

## FIGURE 5-11. LIFT CYLINDER ASSEMBLY - MAIN BOOM (SERVICE REPLACEMENT)



ART\_1001228010

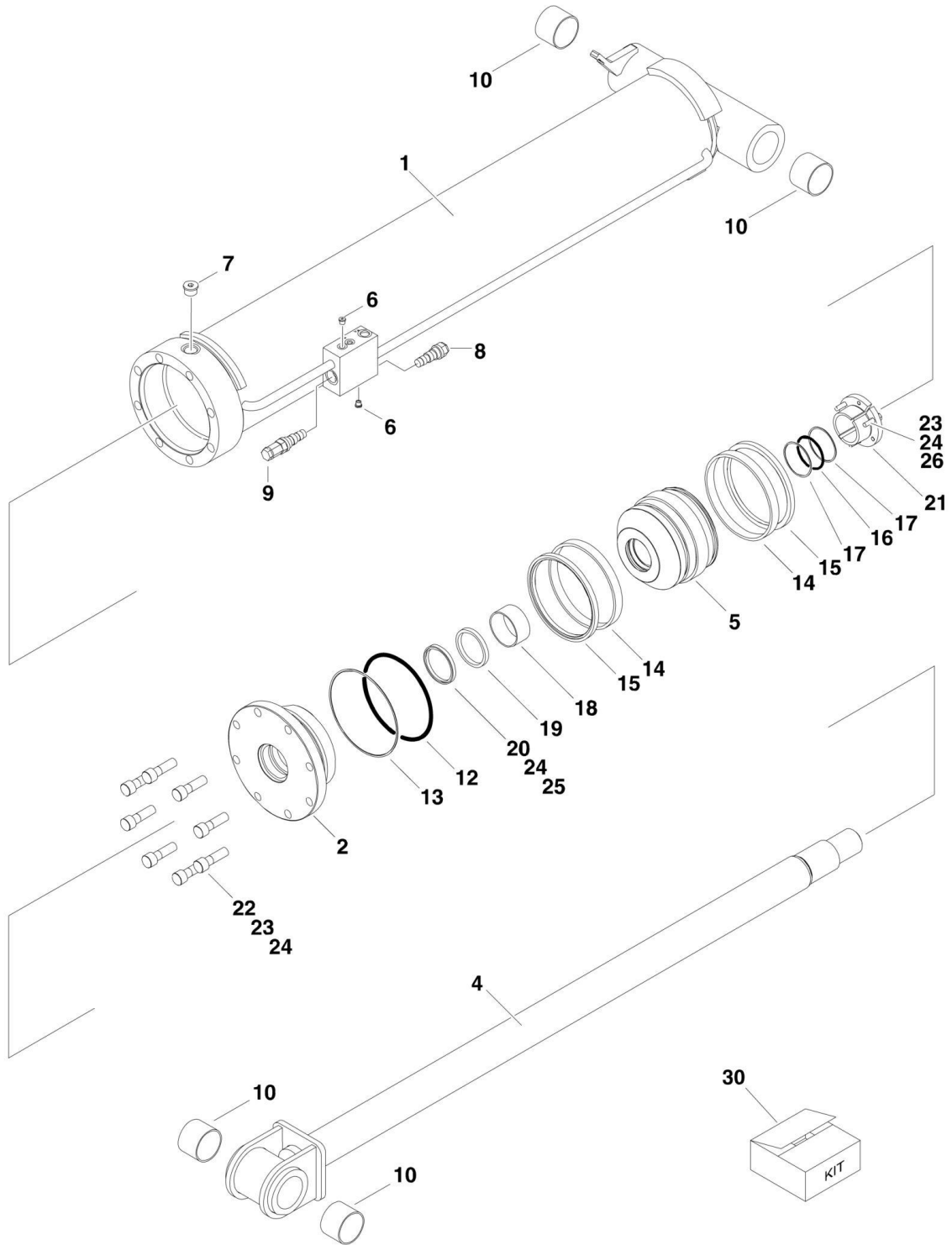
## SECTION 5 - CYLINDER

**FIGURE 5-11. LIFT CYLINDER ASSEMBLY - MAIN BOOM (SERVICE REPLACEMENT)**

ITEM	PART NUMBER	QTY	DESCRIPTION	REV
	1001228010	Ref	LIFT CYLINDER ASSEMBLY	C
		Ref	Note: Original Cylinder may have been replaced with Service Replacement. Identify PN Stamped on Cylinder Before Ordering Parts.	
1	See Note	NSS	Barrel (Note: Not Available for Purchase)	
2	70006388	1	Rod	
3	70006387	1	Head	
4	70006386	1	Piston	
5	70006385	1	Bushing, Tapered	
6	0630537	3	Bolt	
7	3932240	8	Capscrew 3/4 x 2-1/2	
7	See Note	AR	Compound, Locking (Note: Use Loctite 263)	
8	2220888	1	Plug	
9	4640509	1	Cartridge, Valve	
9	2900792	1	Seal Kit - 4640509 Valve	
10	2220883	1	Plug	
12	4641027	1	Plug, Check Valve	
13	2180615	1	Orifice	
14	70006384	1	Washer, Ring	
15	0962102	4	Bushing	
16	See Note	NSS	Ring, Wear (Note: Use Item 100)	
100	2901514	1	Seal Kit (Includes Items 16 and 101-109)	
101	See Note	NSS	Ring, Wear (Note: Use Item 100)	
102	See Note	NSS	T-Seal (Note: Use Item 100)	
103	See Note	NSS	Ring, Back-up (Note: Use Item 100)	
104	See Note	NSS	O-Ring (Note: Use Item 100)	
105	See Note	NSS	Seal (Note: Use Item 100)	
106	See Note	NSS	O-Ring (Note: Use Item 100)	
107	See Note	NSS	Ring Back-up (Note: Use Item 100)	
108	See Note	NSS	Seal, Rod (Note: Use Item 100)	
109	See Note	NSS	Wiper (Note: Use Item 100)	

# SECTION 5 - CYLINDER

## FIGURE 5-12. LIFT CYLINDER ASSEMBLY - TOWER BOOM (ORIGINAL EQUIPMENT)



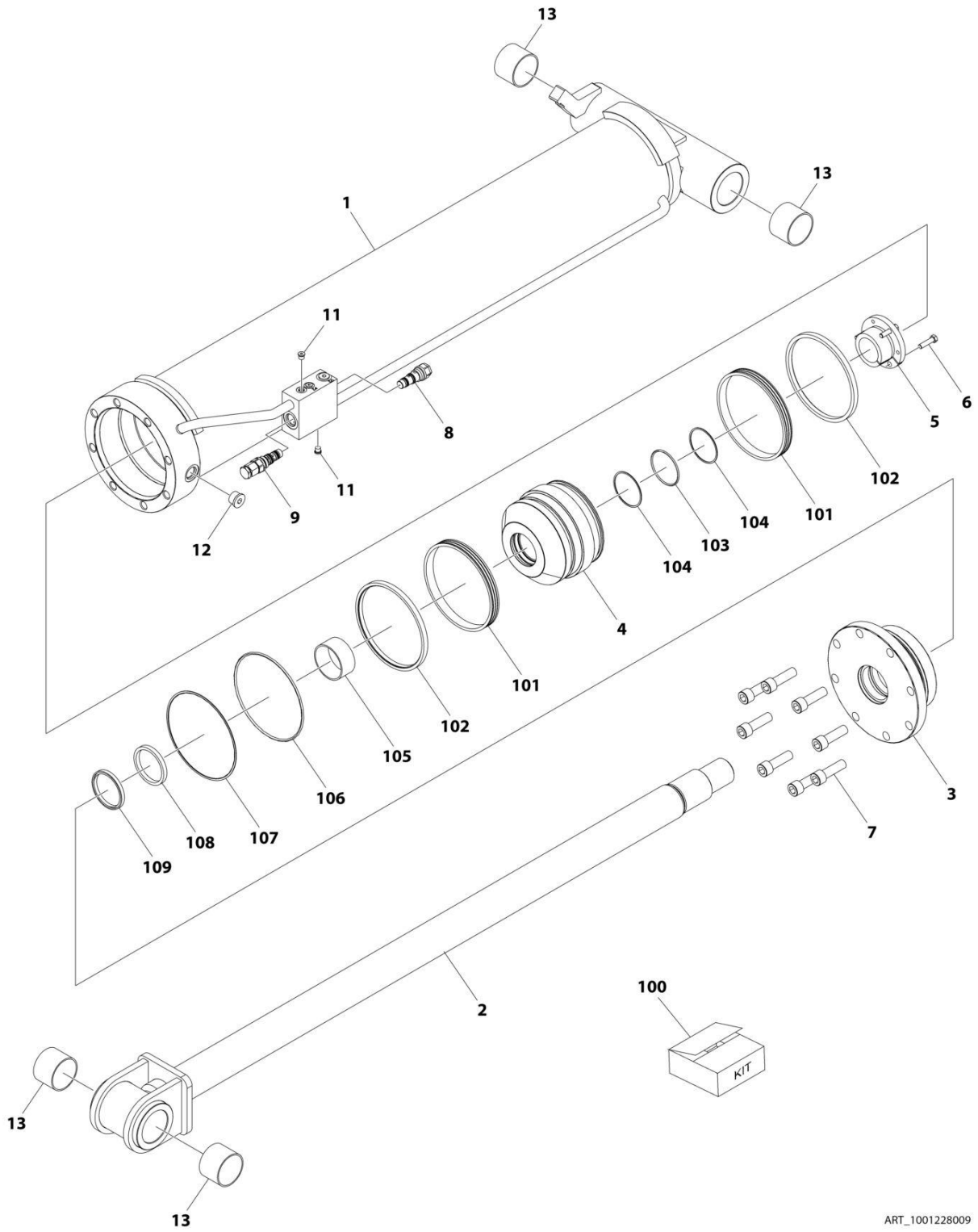
## SECTION 5 - CYLINDER

**FIGURE 5-12. LIFT CYLINDER ASSEMBLY - TOWER BOOM (ORIGINAL EQUIPMENT)**

ITEM	PART NUMBER	QTY	DESCRIPTION	REV
	1683537	Ref	<b>LIFT CYLINDER ASSEMBLY - TOWER BOOM</b> Note: Original Cylinder may have been replaced with Service Replacement. Identify PN Stamped on Cylinder Before Ordering Parts.	1
		Ref		
1	1683823	1	Barrel Weldment	
2	1683818	1	Head	
4	1683539	1	Rod Weldment	
5	3480236	1	Piston	
6	2220883	2	Plug, O-Ring	
7	2220888	1	Plug, O-Ring	
8	4640509	1	Cartridge, Valve	
8	2900792	1	Seal Kit - 4640999 Valve	
9	4640605	1	Cartridge, Valve	
9	2900792	1	Seal Kit - 4640605 Valve	
10	0962102	4	Bushing	
12	See Note	NSS	O-Ring (Note: Use Item 30)	
13	See Note	NSS	Ring, Lock (Note: Use Item 30)	
14	See Note	NSS	Seal (Note: Use Item 30)	
15	See Note	NSS	Ring, Lock (Note: Use Item 30)	
16	See Note	NSS	O-Ring (Note: Use Item 30)	
17	See Note	NSS	Ring, Back-up (Note: Use Item 30)	
18	See Note	NSS	Ring, Wear (Note: Use Item 30)	
19	See Note	NSS	Seal (Note: Use Item 30)	
20	See Note	NSS	Wiper (Note: Use Item 30)	
21	0961903	1	Bushing, Tapered	
22	3932240	8	Capscrew, Socket Head 3/4in x 2-1/2in	
23	0100011	AR	Compound, Locking	
24	0100038	AR	Primer, Locking	
25	0100063	AR	Loctite #RC609 <b>(SN 0300069000 through 0300133544)</b>	
26	0630536	3	Bolt	
30	2901537	1	Seal Kit (Includes Items 12-20)	

# SECTION 5 - CYLINDER

## FIGURE 5-13. LIFT CYLINDER ASSEMBLY - TOWER BOOM (SERVICE REPLACEMENT)



ART\_1001228009

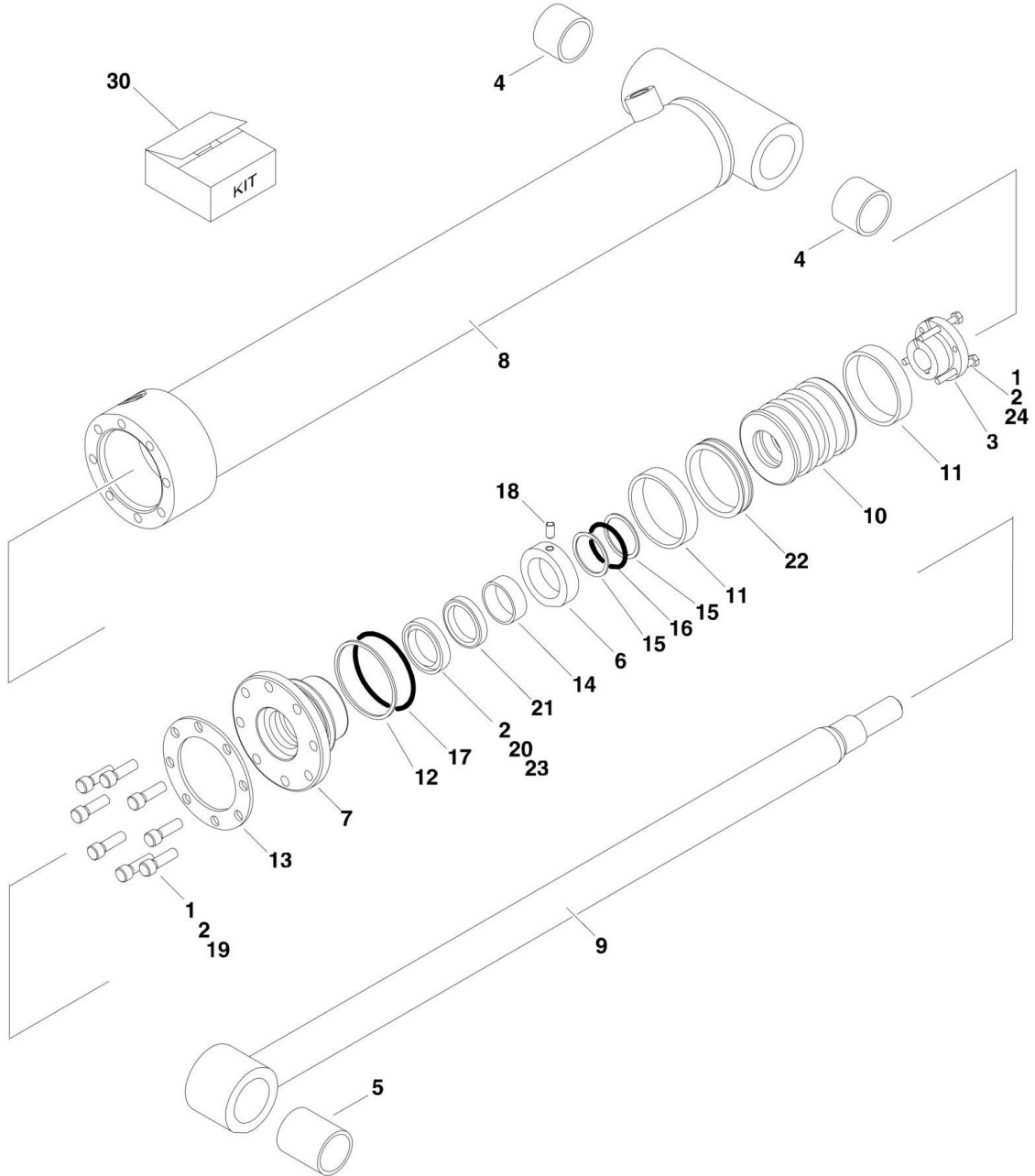
## SECTION 5 - CYLINDER

**FIGURE 5-13. LIFT CYLINDER ASSEMBLY - TOWER BOOM (SERVICE REPLACEMENT)**

ITEM	PART NUMBER	QTY	DESCRIPTION	REV
	1001228009	Ref	LIFT CYLINDER ASSEMBLY	C
		Ref	Note: Original Cylinder may have been replaced with Service Replacement. Identify PN Stamped on Cylinder Before Ordering Parts.	
1	See Note	NSS	Barrel (Note: Not Available for Purchase)	
2	70006378	1	Rod	
3	70006377	1	Head	
4	70006376	1	Piston	
5	70006375	1	Bushing, Tapered	
6	0630536	3	Bolt	
7	3932240	8	Capscrew 3/4 x 2-1/2	
8	4640509	1	Cartridge, Valve	
8	2900792	1	Seal Kit - 4640999 Valve	
9	4640605	1	Cartridge, Valve	
9	2900792	1	Seal Kit - 4640605 Valve	
11	2220883	4	Plug, O-Ring	
12	2220888	1	Plug, O-Ring	
13	0962102	4	Bushing	
100	2901537	1	Seal Kit (Includes Items 101-109)	
101	See Note	NSS	Seal (Note: Use Item 100)	
102	See Note	NSS	Ring, Lock (Note: Use Item 100)	
103	See Note	NSS	O-Ring (Note: Use Item 100)	
104	See Note	NSS	Ring, Back-up (Note: Use Item 100)	
105	See Note	NSS	Ring, Wear (Note: Use Item 100)	
106	See Note	NSS	O-Ring (Note: Use Item 100)	
107	See Note	NSS	Ring, Back-up (Note: Use Item 100)	
108	See Note	NSS	Seal (Note: Use Item 100)	
109	See Note	NSS	Wiper (Note: Use Item 100)	

# SECTION 5 - CYLINDER

FIGURE 5-14. MASTER CYLINDER ASSEMBLY - 800A (ORIGINAL EQUIPMENT)





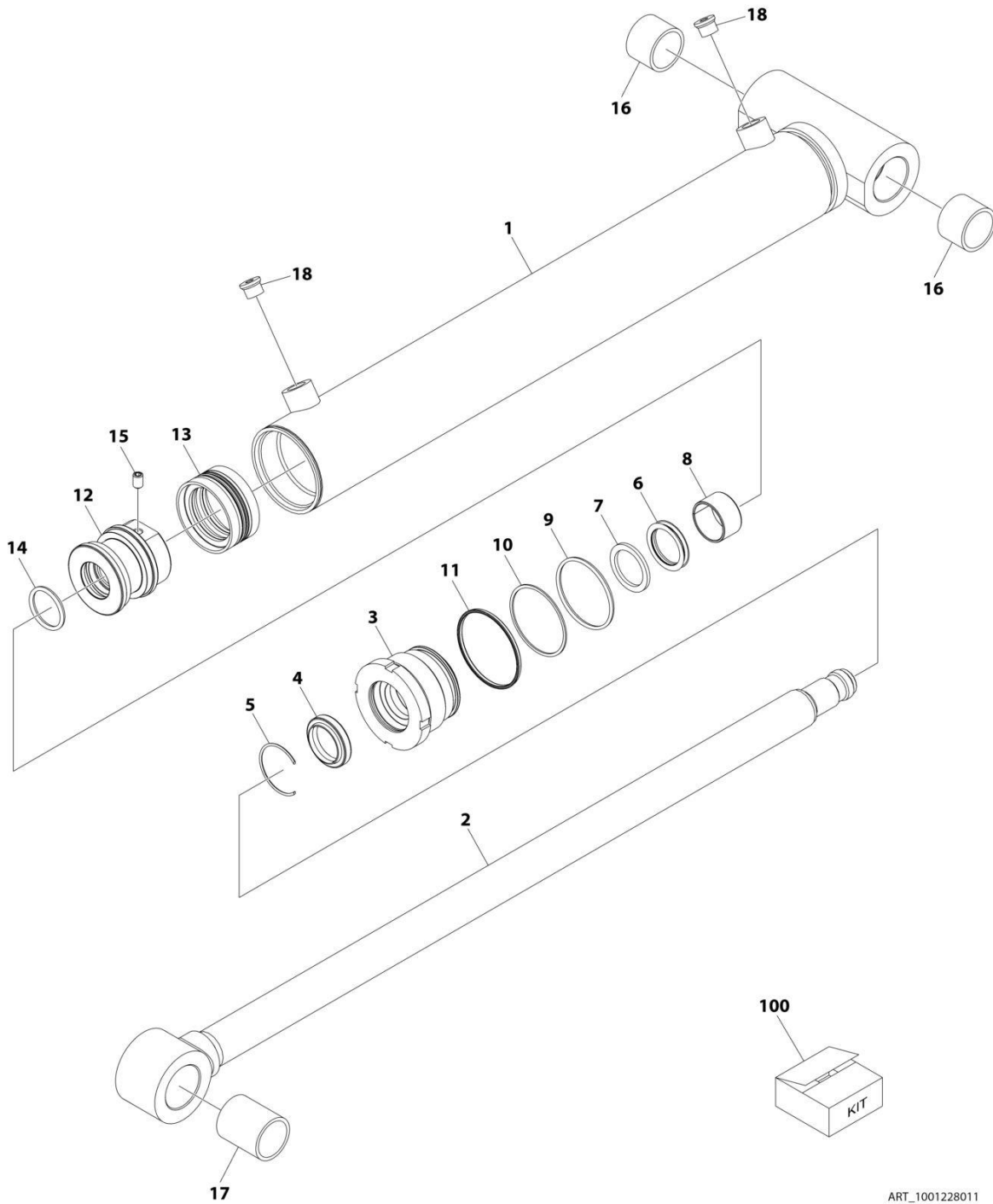
## SECTION 5 - CYLINDER

**FIGURE 5-14. MASTER CYLINDER ASSEMBLY - 800A (ORIGINAL EQUIPMENT)**

ITEM	PART NUMBER	QTY	DESCRIPTION	REV
	1683608	Ref	<b>MASTER CYLINDER ASSEMBLY - 800A</b> Note: Original Cylinder may have been replaced with Service Replacement. Identify PN Stamped on Cylinder Before Ordering Parts.	G
		Ref		
1	0100011	AR	Compound, Locking	
2	0100038	AR	Primer, Locking	
3	0962185	1	Bushing, Tapered	
4	0961951	2	Bushing	
5	0962155	1	Bushing	
6	0962156	1	Spacer, Tube	
7	1683050	1	Head	
8	1684114	1	Barrel	
9	1684115	1	Rod	
10	3480232	1	Piston	
11	See Note	NSS	Ring, Wear (Note: Use Item 30)	
12	See Note	NSS	Ring, Back-up (Note: Use Item 30)	
13	3760367	1	Ring, Washer	
14	See Note	NSS	Ring, Wear (Note: Use Item 30)	
15	See Note	NSS	Ring, Back-up (Note: Use Item 30)	
16	See Note	NSS	O-Ring (Note: Use Item 30)	
17	See Note	NSS	O-Ring (Note: Use Item 30)	
18	3900139	1	Setscrew 1/4in-20NC x 1/2in	
19	3931516	8	Capscrew 5/16in-18NC x 1in	
20	See Note	NSS	Wiper (Note: Use Item 30)	
21	See Note	NSS	Seal (Note: Use Item 30)	
22	See Note	NSS	T-Seal (Note: Use Item 30)	
23	0100063	AR	Loctite #RC 609	
24	0630534	3	Capscrew, Socket Head #10-24NC x 1in	
30	2901549	1	Seal Kit - 1683608 Cylinder (Includes Items 11,12, 14-17 & 20-22)	

# SECTION 5 - CYLINDER

## FIGURE 5-15. MASTER CYLINDER ASSEMBLY - 800A (SERVICE REPLACEMENT)



ART\_1001228011

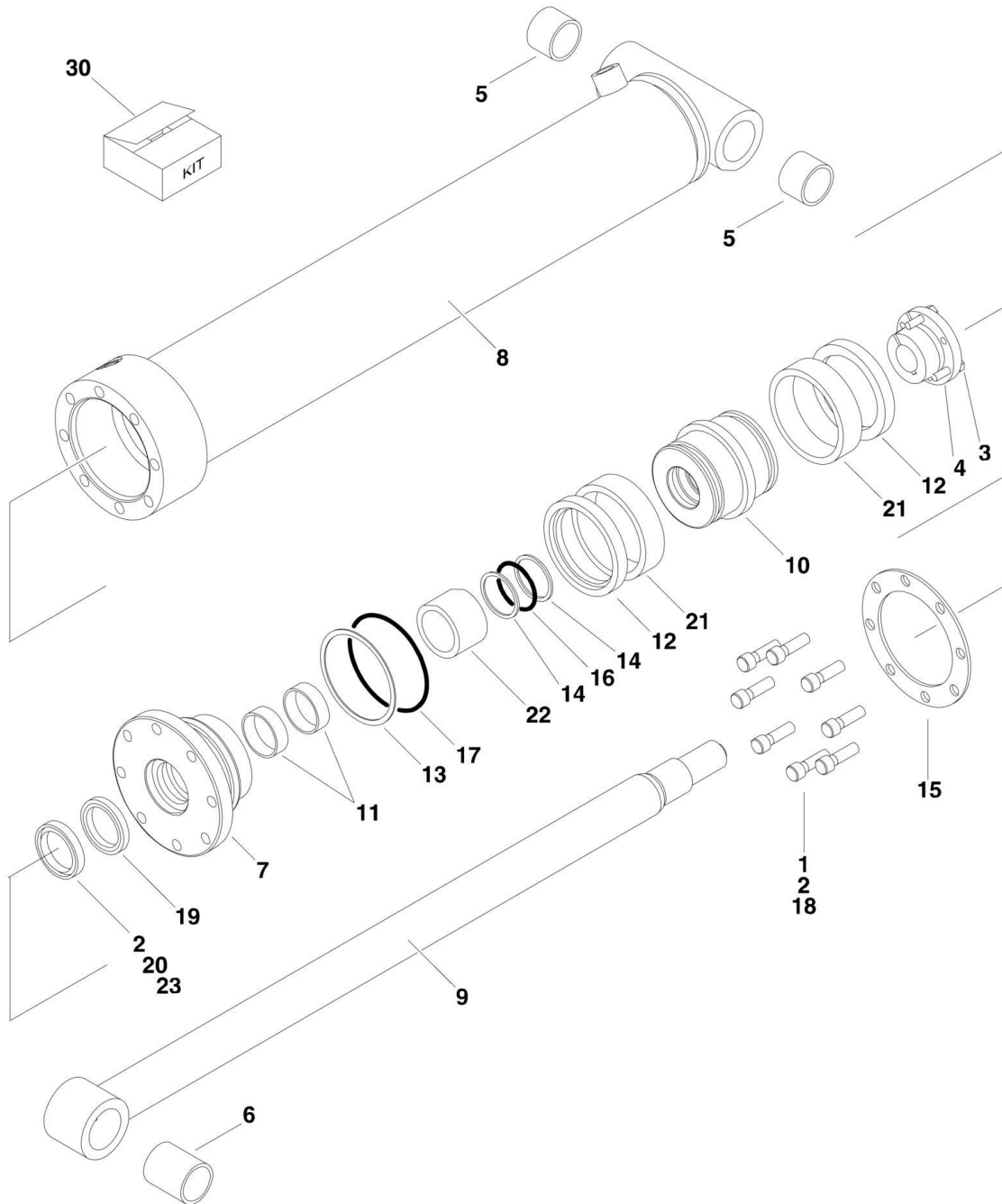
## SECTION 5 - CYLINDER

**FIGURE 5-15. MASTER CYLINDER ASSEMBLY - 800A (SERVICE REPLACEMENT)**

ITEM	PART NUMBER	QTY	DESCRIPTION	REV
	1001228011	Ref	MASTER CYLINDER ASSEMBLY (800A)	B
		Ref	Note: Original Cylinder may have been replaced with Service Replacement. Identify PN Stamped on Cylinder Before Ordering Parts.	
1	See Note	NSS	Barrel (Note: Not Available for Purchase)	
2	70006777	1	Rod	
3	70006778	1	Head	
4	See Note	NSS	Wiper (Note: Use Item 100)	
5	70002366	1	Ring, Retaining	
6	See Note	NSS	Seal, Rod (Note: Use Item 100)	
7	See Note	NSS	Ring, Back-up (Note: Use Item 100)	
8	70006779	1	Ring, Wear	
9	See Note	NSS	O-Ring (Note: Use Item 100)	
10	See Note	NSS	Ring, Back-up (Note: Use Item 100)	
11	70050801	NSS	O-Ring (Note: Use Item 100)	
12	70006780	1	Piston	
13	See Note	NSS	Seal (Note: Use Item 100)	
14	See Note	NSS	O-Ring (Note: Use Item 100)	
15	70006596	1	Setscrew	
16	0961951	2	Bushing	
17	0962155	1	Bushing	
18	2220885	2	Plug	
100	70006781	1	Seal Kit (Includes Items 4, 6, 7, 9-11, 13 & 14)	

# SECTION 5 - CYLINDER

## FIGURE 5-16. MASTER CYLINDER ASSEMBLY - 800AJ (ORIGINAL EQUIPMENT)



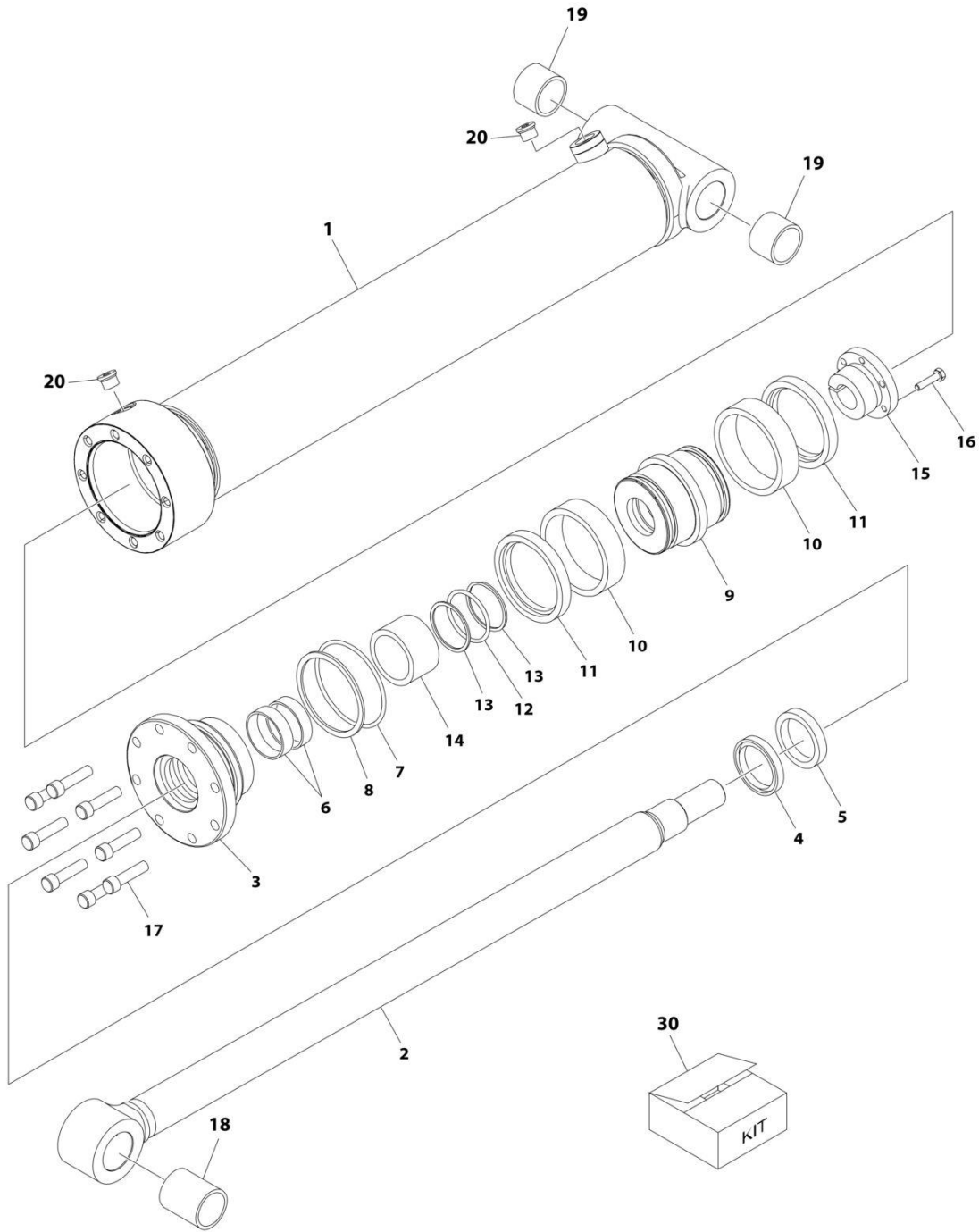
## SECTION 5 - CYLINDER

**FIGURE 5-16. MASTER CYLINDER ASSEMBLY - 800AJ (ORIGINAL EQUIPMENT)**

ITEM	PART NUMBER	QTY	DESCRIPTION	REV
	1683682	Ref	<b>MASTER CYLINDER ASSEMBLY - 800AJ</b>	E
		Ref		
1	0100011	AR	Compound, Locking	
2	0100038	AR	Primer, Locking	
3	0630535	3	Capscrew, Socket Head 1/4in-20NC x 1in	
4	0961894	1	Bushing, Tapered	
5	0961951	2	Bushing	
6	0962155	1	Bushing	
7	1683055	1	Head	
8	1684125	1	Barrel	
9	1684126	1	Rod	
10	3480188	1	Piston	
11	See Note	NSS	Ring, Wear (Note: Use Item 30)	
12	See Note	NSS	Ring, Lock (Note: Use Item 30)	
13	See Note	NSS	Ring, Back-up (Note: Use Item 30)	
14	See Note	NSS	Ring, Back-up (Note: Use Item 30)	
15	3760369	1	Ring, Washer	
16	See Note	NSS	O-Ring (Note: Use Item 30)	
17	See Note	NSS	O-Ring (Note: Use Item 30)	
18	3931620	8	Capscrew 3/8in-16NC x 1-1/4in	
19	See Note	NSS	Seal, Rod (Note: Use Item 30)	
20	See Note	NSS	Wiper (Note: Use Item 30)	
21	See Note	NSS	Seal (Note: Use Item 30)	
22	4566468	1	Spacer, Tube	
23	0100063	AR	Loctite #RC 609 ( <b>SN 0300069000 through 0300133482</b> )	
30	2901301	1	Seal Kit - 1683682 Cylinder (Includes Items 11-14, 16, 17 & 19-21)	

# SECTION 5 - CYLINDER

## FIGURE 5-17. MASTER CYLINDER ASSEMBLY - 800AJ (SERVICE REPLACEMENT)



ART\_1001228050

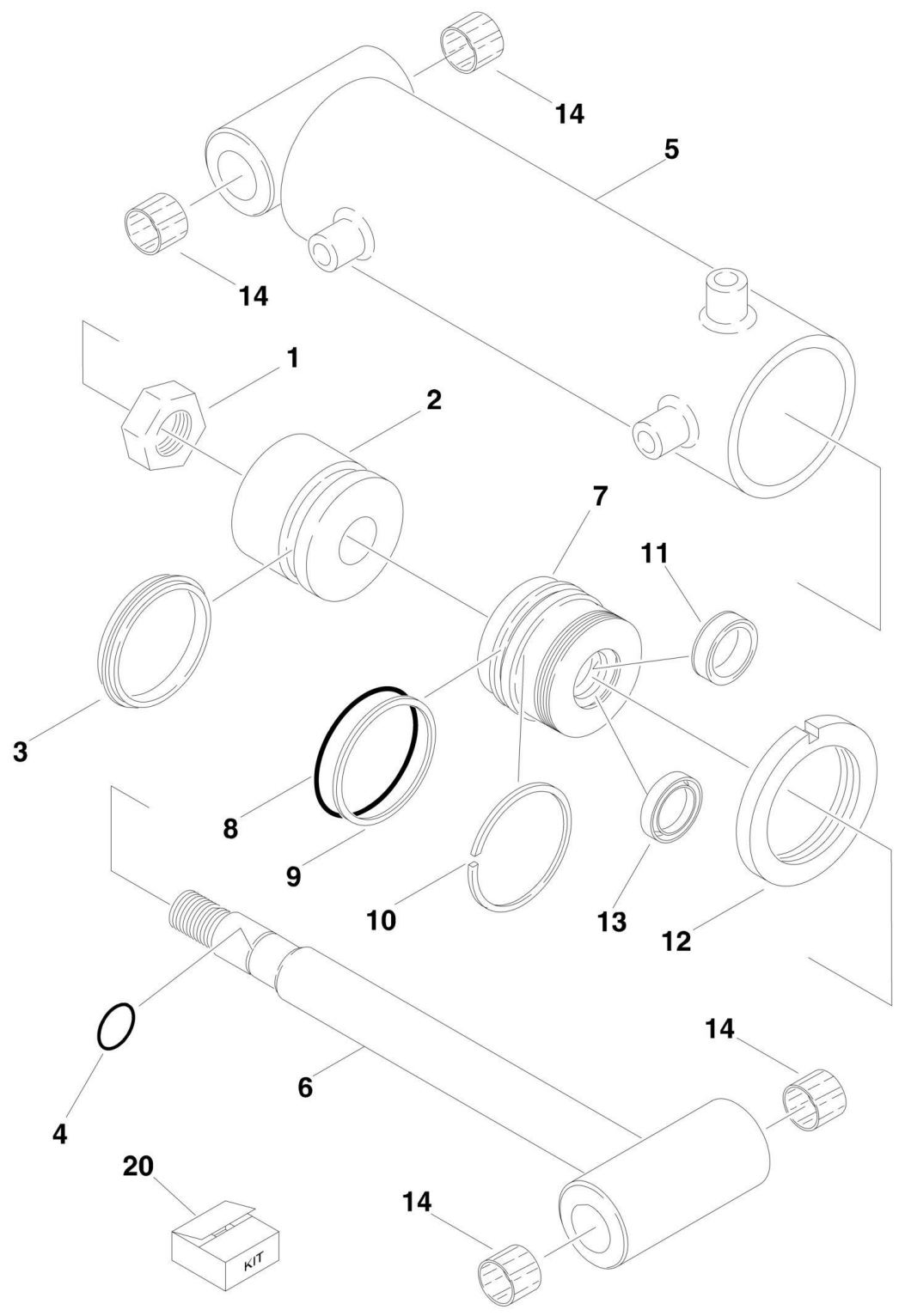
## SECTION 5 - CYLINDER

**FIGURE 5-17. MASTER CYLINDER ASSEMBLY - 800AJ (SERVICE REPLACEMENT)**

ITEM	PART NUMBER	QTY	DESCRIPTION	REV
	1001228050	Ref	MASTER CYLINDER ASSEMBLY	C
		Ref	Note: Original Cylinder may have been replaced with Service Replacement. Identify PN Stamped on Cylinder Before Ordering Parts.	
1	See Note	NSS	Barrel (Note: Not Available for Purchase)	
2	70006668	1	Rod	
3	70006643	1	Head	
4	See Note	NSS	Wiper (Note: Use Item 30)	
5	See Note	NSS	Seal, Rod (Note: Use Item 30)	
6	See Note	NSS	Ring, Wear (Note: Use Item 30)	
7	See Note	NSS	O-Ring (Note: Use Item 30)	
8	See Note	NSS	Ring, Back-up (Note: Use Item 30)	
9	70006644	1	Piston	
10	See Note	NSS	Ring, Wear (Note: Use Item 30)	
11	See Note	NSS	Ring, Lock (Note: Use Item 30)	
12	See Note	NSS	O-Ring (Note: Use Item 30)	
13	See Note	NSS	Ring, Back-up (Note: Use Item 30)	
14	70006651	1	Spacer, Tube	
15	0961894	1	Bushing, Tapered	
16	0630535	3	Capscrew 1/4 x 1-1/8	
17	3931620	8	Capscrew 3/8 x 1-1/4	
18	0962155	1	Bushing	
19	0961951	2	Bushing	
20	2220885	2	Plug, O-Ring	
30	1001138796	1	Seal Kit (Machines with Arctic Package) (Includes Items 4-8 & 10-13)	

# SECTION 5 - CYLINDER

## FIGURE 5-18. STEER CYLINDER ASSEMBLY





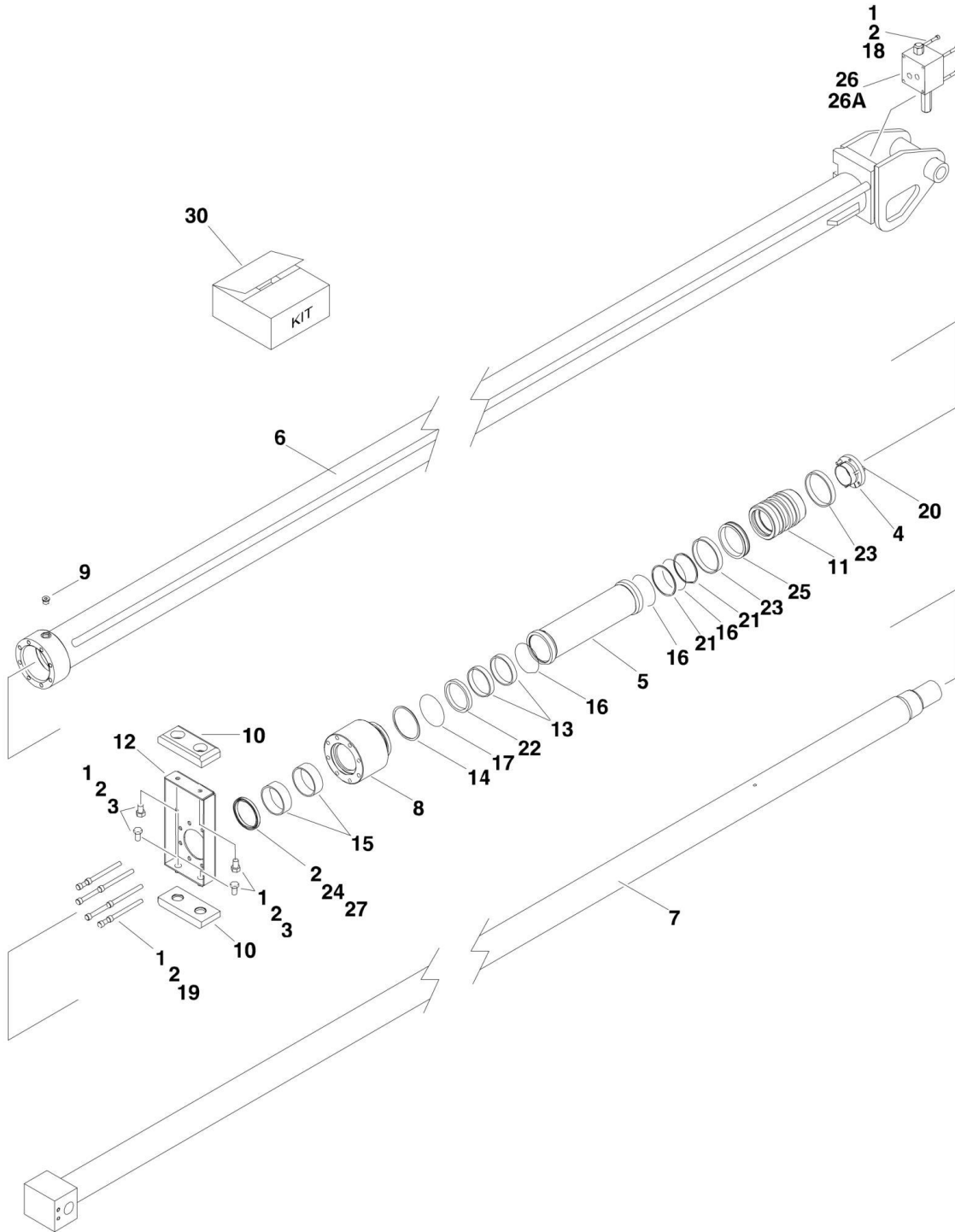
## SECTION 5 - CYLINDER

**FIGURE 5-18. STEER CYLINDER ASSEMBLY**

ITEM	PART NUMBER	QTY	DESCRIPTION	REV
	1683740	Ref	<b>STEER CYLINDER ASSEMBLY</b>	B
1	7017210	1	Locknut	
2	7017211	1	Piston	
3	See Note	NSS	Seal (Note: Use Item 20)	
4	See Note	NSS	O-Ring (Note: Use Item 20)	
5	7023023	1	Barrel Weldment	
6	7017236	1	Rod Weldment	
7	7017213	1	Head	
8	See Note	NSS	O-Ring (Note: Use Item 20)	
9	See Note	NSS	Ring, Back-up (Note: Use Item 20)	
10	See Note	NSS	Ring, Retainer (Note: Use Item 20)	
11	See Note	NSS	Seal (Note: Use Item 20)	
12	7017214	1	Nut, Spanner	
13	See Note	NSS	Wiper (Note: Use Item 20)	
14	0961977	4	Bushings	
20	7017215	1	Seal Kit (Includes Items 3, 4, 8-11 & 13)	

# SECTION 5 - CYLINDER

## FIGURE 5-19. TELESCOPE CYLINDER ASSEMBLY - MAIN BOOM



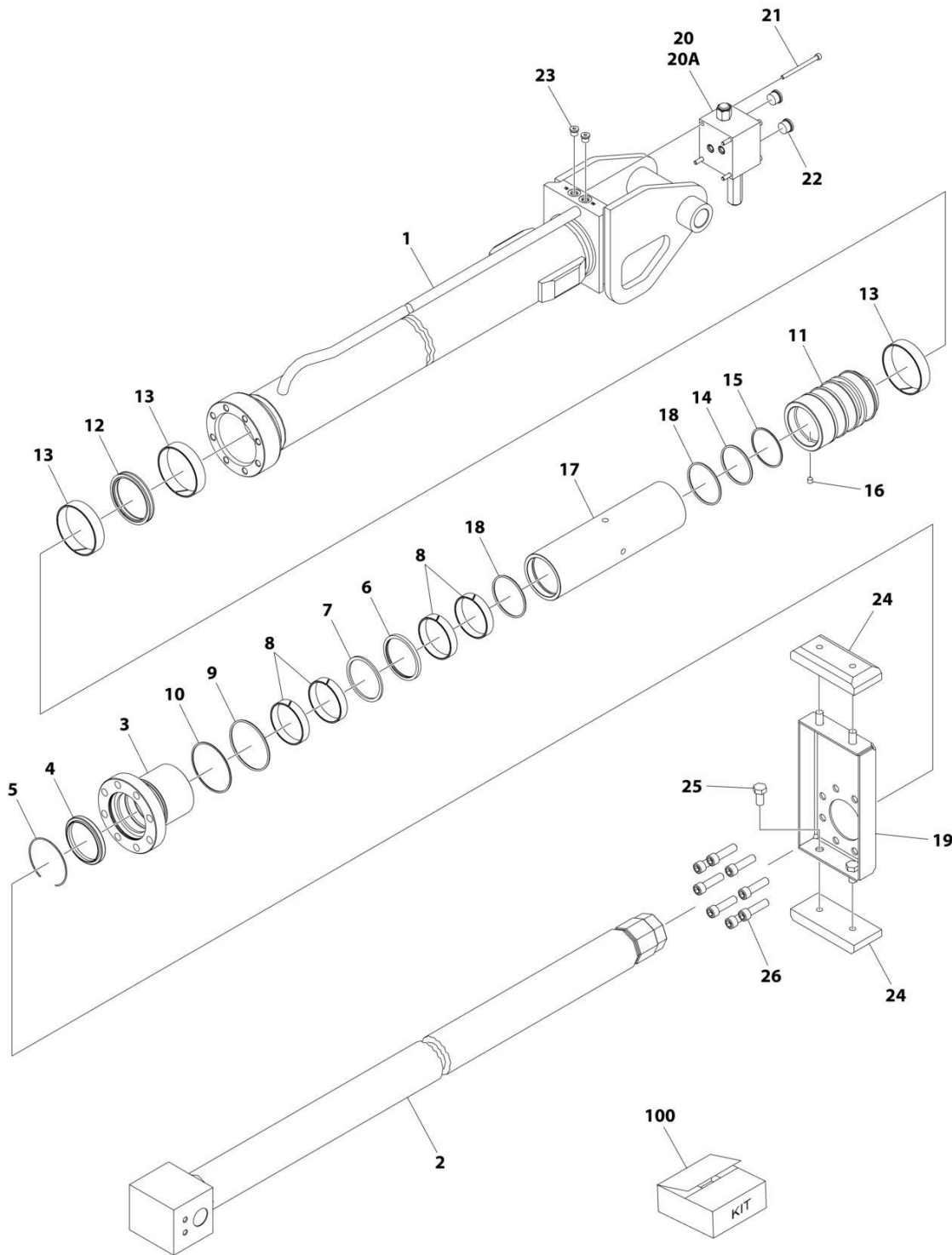
## SECTION 5 - CYLINDER

**FIGURE 5-19. TELESCOPE CYLINDER ASSEMBLY - MAIN BOOM**

ITEM	PART NUMBER	QTY	DESCRIPTION	REV
		Ref	<b>TELESCOPE CYLINDER ASSEMBLY - MAIN BOOM</b>	
	1683607	Ref	<b>Telescope Cylinder Assembly 800A (Original Equipment)</b>	H
	1001188968	Ref	<b>Telescope Cylinder Assembly 800A (Service Replacement)</b>	B
	1683672	Ref	<b>Telescope Cylinder Assembly 800AJ (Original Equipment)</b>	H
	1001188841	Ref	<b>Telescope Cylinder Assembly 800AJ (Service Replacement)</b>	B
		Ref	Note: Original Cylinder may have been replaced with Service Replacement. Identify PN Stamped on Cylinder Before Ordering Parts.	
1	0100011	AR	Compound, Locking	
2	0100038	AR	Primer, Locking	
3	0641806	4	Bolt 1/2in-13NC x 3/4in	
4	0961897	1	Bushing, Tapered	
5		Ref	Spacer, Tube Options:	
5	0962219	1	Spacer, Tube <b>(SN 0300069000 through 0300071951)</b>	
5	0962524	1	Spacer, Tube <b>(SN 0300071952 through 0300140000)</b>	
6		Ref	Barrel Options:	
6	1683647	1	Barrel 800A	
6	1683673	1	Barrel 800AJ	
7		Ref	Rod Options:	
7	1683648	1	Rod 800A	
7	1683675	1	Rod 800AJ	
8	1683663	1	Head	
9	2220885	1	Plug, O-Ring	
10	3340838	2	Pad, Wear	
11	3480234	1	Piston	
12	3570775	1	Plate	
13	See Note	NSS	Ring, Wear (Note: Use Item 30)	
14	See Note	NSS	Ring, Back-up (Note: Use Item 30)	
15	See Note	NSS	Ring, Wear (Note: Use Item 30)	
16	See Note	NSS	O-Ring (Note: Use Item 30)	
17	See Note	NSS	O-Ring (Note: Use Item 30)	
18	3931448	4	Capscrew 1/4in-20NC x 3in	
19	3931664	8	Capscrew 3/8in-16NC x 4in	
20	0630535	3	Bolt 1/4in-20NC x 1-1/8in	
21	See Note	NSS	Ring, Back-up (Note: Use Item 30)	
22	See Note	NSS	Seal, Rod (Note: Use Item 30)	
23	See Note	NSS	Ring, Wear (Note: Use Item 30)	
24	See Note	NSS	Wiper (Note: Use Item 30)	
25	See Note	NSS	T-Seal (Note: Use Item 30)	
26	4641033	1	Valve Assembly (No serviceable parts - sold as assembly only)	
26A	7024508	2	O-Ring (Between Valve and Cylinder Barrel)	
27	0100063	AR	Loctite #RC 609	
30	2901712	NLA	Seal Kit (Includes Items 13-17 & 21-25) (Use p/n 1001188843) (Use on p/n 1683607 & 1683672)	
30	1001188843	1	Seal Kit (Includes Items 13-17 & 21-25) (Use on p/n 1001188968 & 1001188841)	

# SECTION 5 - CYLINDER

## FIGURE 5-20. TELESCOPE CYLINDER ASSEMBLY - MAIN BOOM (800A) (SERVICE REPLACEMENT)



ART\_1001228088

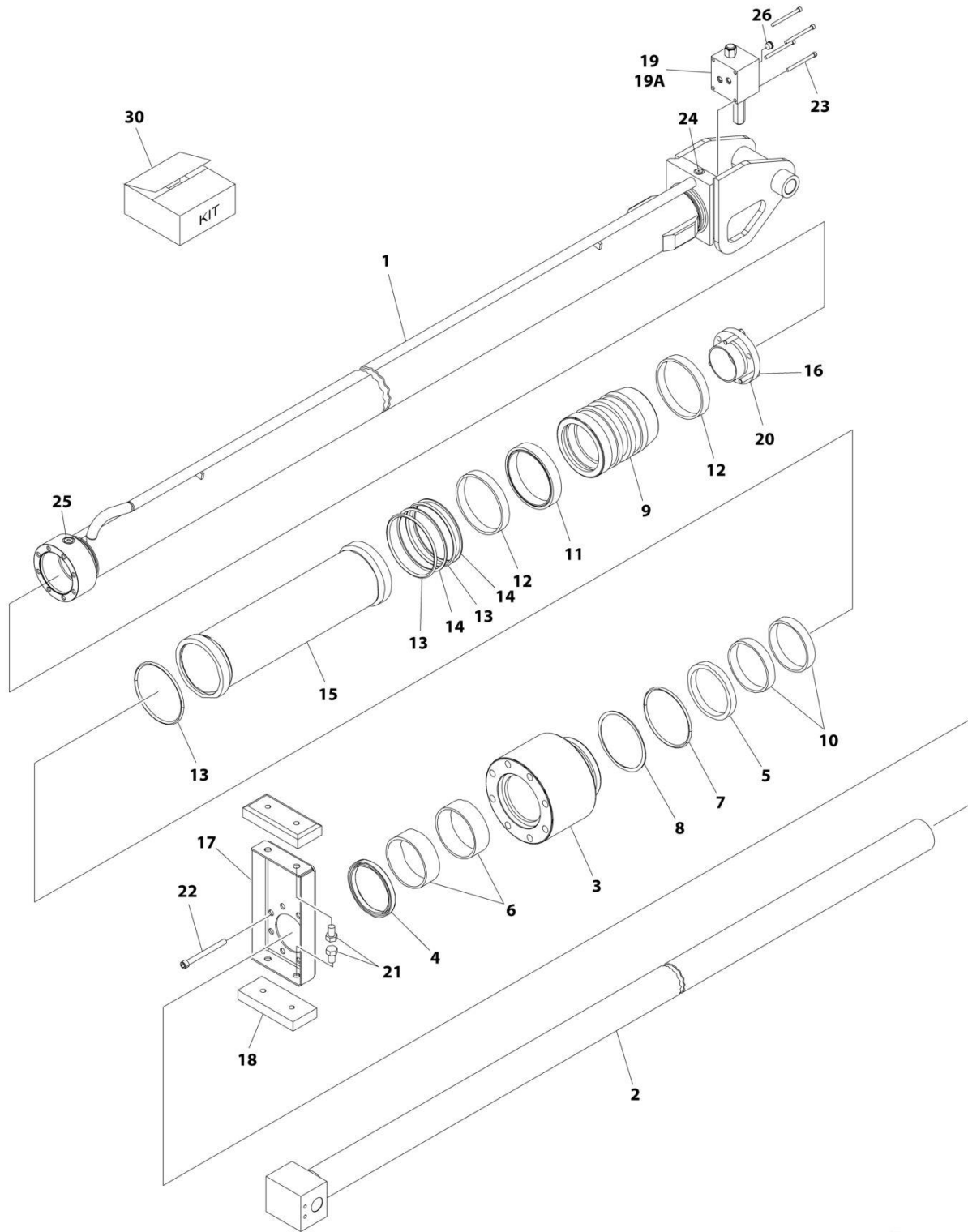
## SECTION 5 - CYLINDER

**FIGURE 5-20. TELESCOPE CYLINDER ASSEMBLY - MAIN BOOM (800A) (SERVICE REPLACEMENT)**

ITEM	PART NUMBER	QTY	DESCRIPTION	REV
	1001228088	Ref	TELESCOPE CYLINDER ASSEMBLY - MAIN BOOM	C
		Ref	Note: Original Cylinder may have been replaced with Service Replacement. Identify PN Stamped on Cylinder Before Ordering Parts.	
1	See Note	NSS	Barrel (Note: Not Available for Purchase)	
2	70006796	1	Rod	
3	70006797	1	Head	
4	See Note	NSS	Wiper (Note: Use Item 100)	
5	70027259	1	Ring, Retaining	
6	See Note	NSS	Seal, Rod (Note: Use Item 100)	
7	See Note	NSS	Ring, Back-up (Note: Use Item 100)	
8	See Note	NSS	Ring, Wear (Note: Use Item 100)	
9	See Note	NSS	O-Ring (Note: Use Item 100)	
10	See Note	NSS	Ring, Back-up (Note: Use Item 100)	
11	70006798	1	Piston	
12	See Note	NSS	Seal (Note: Use Item 100)	
13	See Note	NSS	Ring, Wear (Note: Use Item 100)	
14	See Note	NSS	O-Ring (Note: Use Item 100)	
15	See Note	NSS	Ring, Back-up (Note: Use Item 100)	
16	70006799	1	Setscrew	
17	70006800	1	Spacer, Tube	
18	See Note	NSS	O-Ring (Note: Use Item 100)	
19	70006801	1	Plate	
20	4641033	1	Valve Assembly (No serviceable parts - sold as assembly only)	
20A	7024508	2	O-Ring (Between Valve and Cylinder Barrel)	
21	70006802	4	Capscrew M6	
22	2220886	2	Plug, O-Ring	
23	2220883	2	Plug, O-Ring	
24	3340838	2	Pad, Wear	
25	0641806	4	Bolt 1/2 x 3/4	
26	70006803	8	Capscrew M12	
100	70006804	1	Seal Kit - 1001228088 Cylinder (Includes Items 4, 6-10, 12-15 & 18)	

# SECTION 5 - CYLINDER

## FIGURE 5-21. TELESCOPE CYLINDER ASSEMBLY - MAIN BOOM (800AJ) (SERVICE REPLACEMENT)



ART\_1001228087

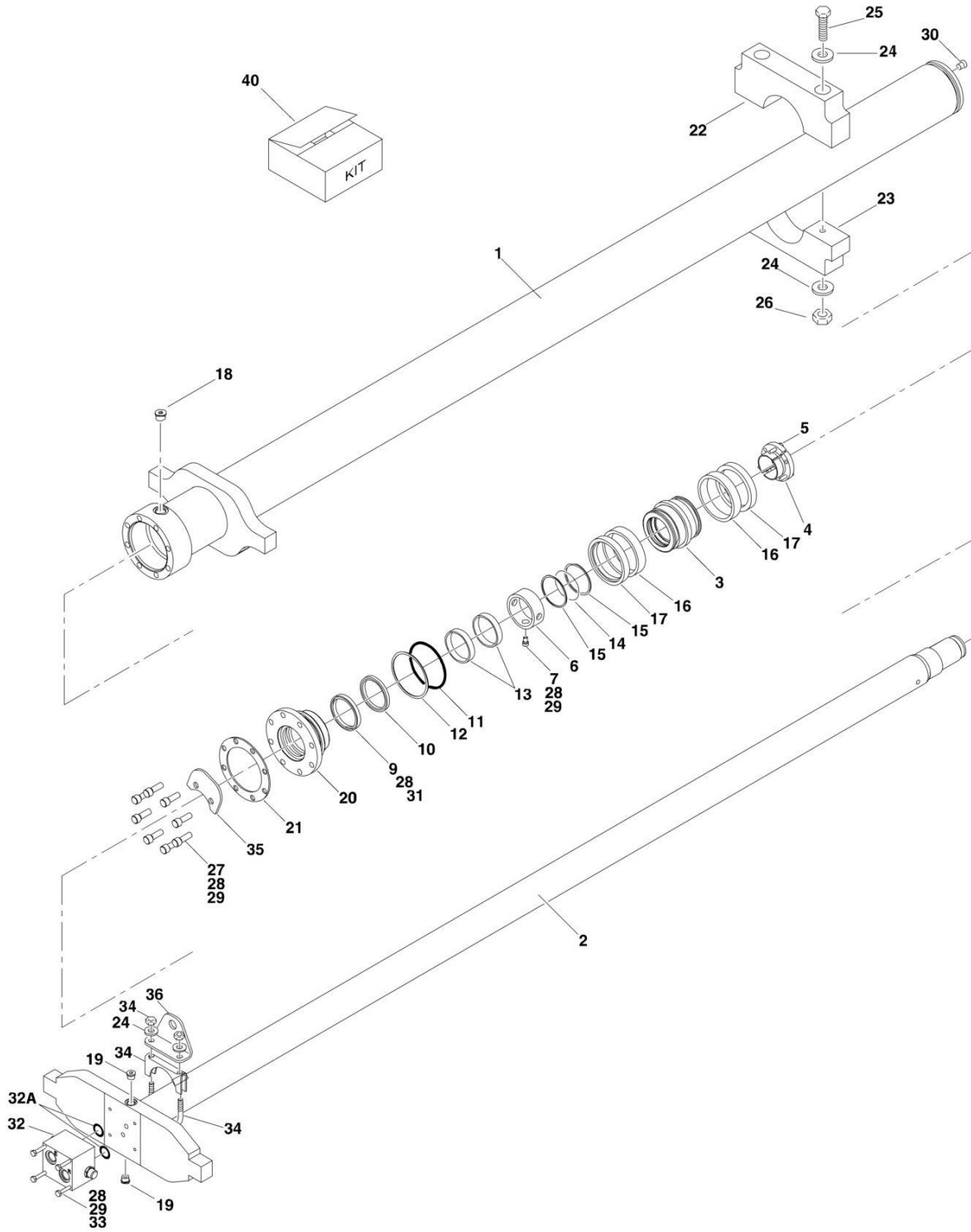
## SECTION 5 - CYLINDER

**FIGURE 5-21. TELESCOPE CYLINDER ASSEMBLY - MAIN BOOM (800AJ) (SERVICE REPLACEMENT)**

ITEM	PART NUMBER	QTY	DESCRIPTION	REV
	1001228087	Ref	TELESCOPE CYLINDER ASSEMBLY	F
		Ref	Note: Original Cylinder may have been replaced with Service Replacement. Identify PN Stamped on Cylinder Before Ordering Parts.	
1	See Note	NSS	Barrel (Note: Not Available for Purchase)	
2	70006669	1	Rod	
3	70006670	1	Head	
4	See Note	NSS	Wiper (Note: Use Item 30)	
5	See Note	NSS	Seal, Rod (Note: Use Item 30)	
6	See Note	NSS	Ring, Wear (Note: Use Item 30)	
7	See Note	NSS	O-Ring (Note: Use Item 30)	
8	See Note	NSS	Ring, Back-up (Note: Use Item 30)	
9	70006671	1	Piston	
10	See Note	NSS	Ring, Wear (Note: Use Item 30)	
11	See Note	NSS	Seal, Piston (Note: Use Item 30)	
12	See Note	NSS	Ring, Wear (Note: Use Item 30)	
13	See Note	NSS	O-Ring (Note: Use Item 30)	
14	See Note	NSS	Ring, Back-up (Note: Use Item 30)	
15	70006672	1	Spacer	
16	0961897	1	Bushing, Tapered	
17	3570775	1	Plate	
18	3340838	2	Pad, Wear	
19	4641033	1	Valve Assembly (No serviceable parts - sold as assembly only)	
19A	7024508	2	O-Ring (Between Valve and Cylinder Barrel)	
20	0630535	3	Bolt 1/4 x 1-1/8	
21	0641806	4	Bolt 1/2 x 3/4	
22	3931664	8	Capscrew 3/8 x 4	
23	3931448	4	Capscrew 1/4 x 3	
24	2220883	1	Plug, O-Ring	
25	2220885	AR	Plug, O-Ring	
26	2220886	1	Plug, O-Ring	
30	1001149391	1	Seal Kit (Includes Items 4-8 & 10-14)	

# SECTION 5 - CYLINDER

## FIGURE 5-22. TELESCOPE CYLINDER ASSEMBLY - TOWER BOOM





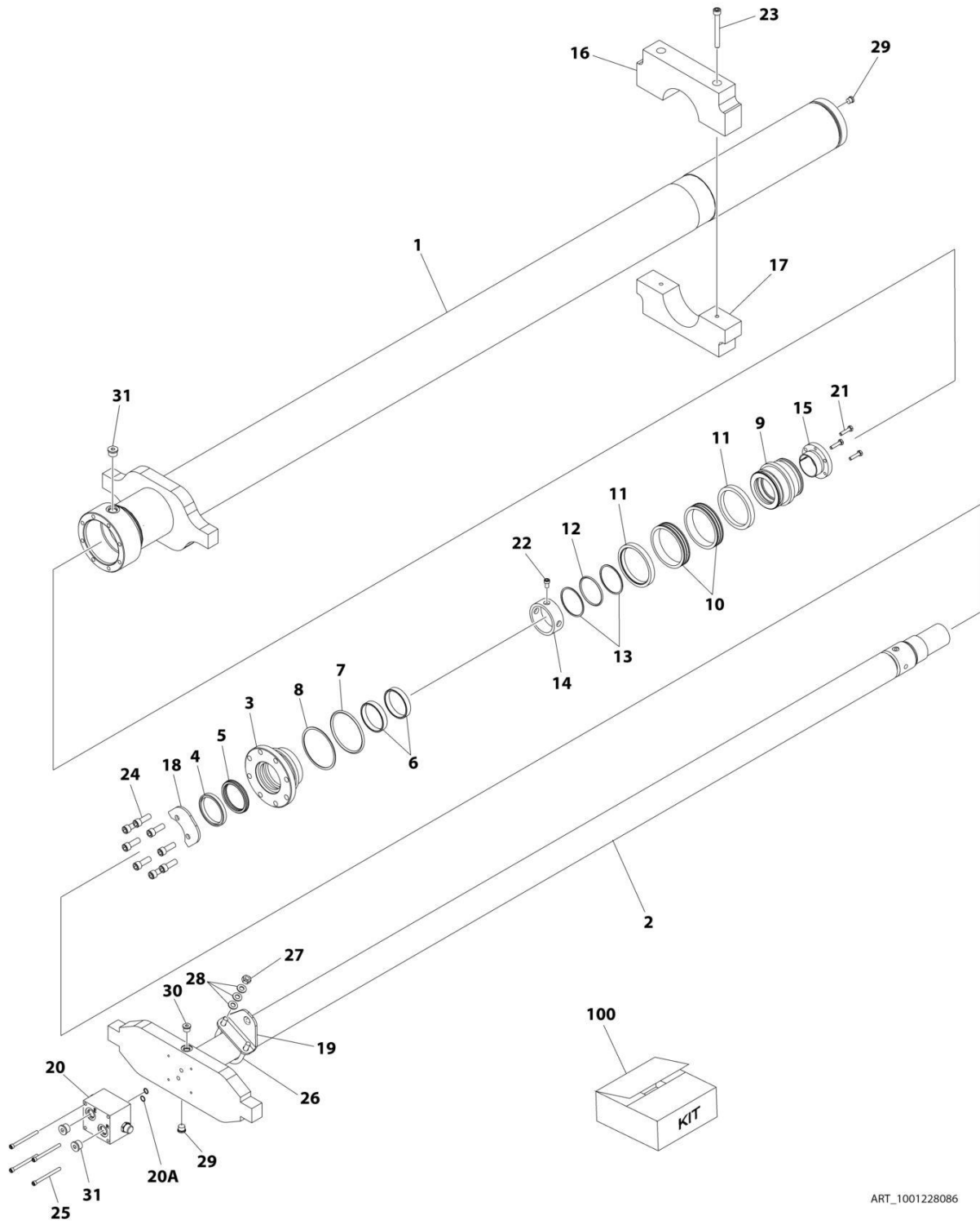
## SECTION 5 - CYLINDER

**FIGURE 5-22. TELESCOPE CYLINDER ASSEMBLY - TOWER BOOM**

ITEM	PART NUMBER	QTY	DESCRIPTION	REV
		Ref	<b>TELESCOPE CYLINDER ASSEMBLY - TOWER BOOM</b>	
	1683606	Ref	<b>Telescope Cylinder Assembly - Tower Boom (Original Equipment)</b>	K
	1001188840	Ref	<b>Telescope Cylinder Assembly - Tower Boom (Service Replacement)</b>	C
		Ref	Note: Original Cylinder may have been replaced with Service Replacement. Identify PN Stamped on Cylinder Before Ordering Parts.	
1	1683632	1	Barrel Weldment	
2	1683629	1	Rod Weldment	
3	3480211	1	Piston	
4	0961897	1	Bushing, Tapered	
5	0630535	3	Bolt 1/4in-20NC x 1-1/8in	
6	4567413	1	Spacer, Tube	
7	3931508	1	Bolt, Socket Head 5/16in-18NC x 1/2in	
9	See Note	NSS	Wiper (Note: Use Item 40)	
10	See Note	NSS	Seal (Note: Use Item 40)	
11	See Note	NSS	O-Ring (Note: Use Item 40)	
12	See Note	NSS	Ring, Back-up (Note: Use Item 40)	
13	See Note	NSS	Ring, Wear (Note: Use Item 40)	
14	See Note	NSS	O-Ring (Note: Use Item 40)	
15	See Note	NSS	Ring, Back-up (Note: Use Item 40)	
16	See Note	NSS	Seal (Note: Use Item 40)	
17	See Note	NSS	Ring, Lock (Note: Use Item 40)	
18	2220886	1	Plug, O-Ring	
19	2220885	2	Plug, O-Ring	
20	1683061	1	Head	
21	3760370	1	Ring, Washer	
22	3340834	1	Pad, Support	
23	3340833	1	Pad, Support	
24	4711600	10	Flatwasher 3/8in Narrow	
25	0641652	2	Bolt 3/8in-16NC x 6-1/2in	
26	3271605	2	Locknut 3/8in-16NC	
27	3931720	2	Capscrew 7/16in-14NC x 1-1/4in	
28	0100038	AR	Primer, Locking	
29	0100011	AR	Compound, Locking	
30	2220883	1	Plug, O-Ring	
31	0100063	AR	Loctite #RC609	
32	4641032	1	Valve Assembly (No serviceable parts - sold as assembly only)	
32A	7024397	2	O-Ring	
33	3931448	4	Capscrew 1/4in-20NC	
34	1320011	1	Clamp	
34	1001228506	1	Bolt, U-Bolt (Use on p/n 1001188840)	
35	3572604	1	Plate, Proximity Switch Target	
36	3572605	1	Plate, Proximity Switch Mount	
40	2901273	1	Seal Kit (Includes Items 9-17)	

# SECTION 5 - CYLINDER

FIGURE 5-23. TELESCOPE CYLINDER ASSEMBLY - TOWER BOOM (SERVICE REPLACEMENT)



ART\_1001228086

## SECTION 5 - CYLINDER

**FIGURE 5-23. TELESCOPE CYLINDER ASSEMBLY - TOWER BOOM (SERVICE REPLACEMENT)**

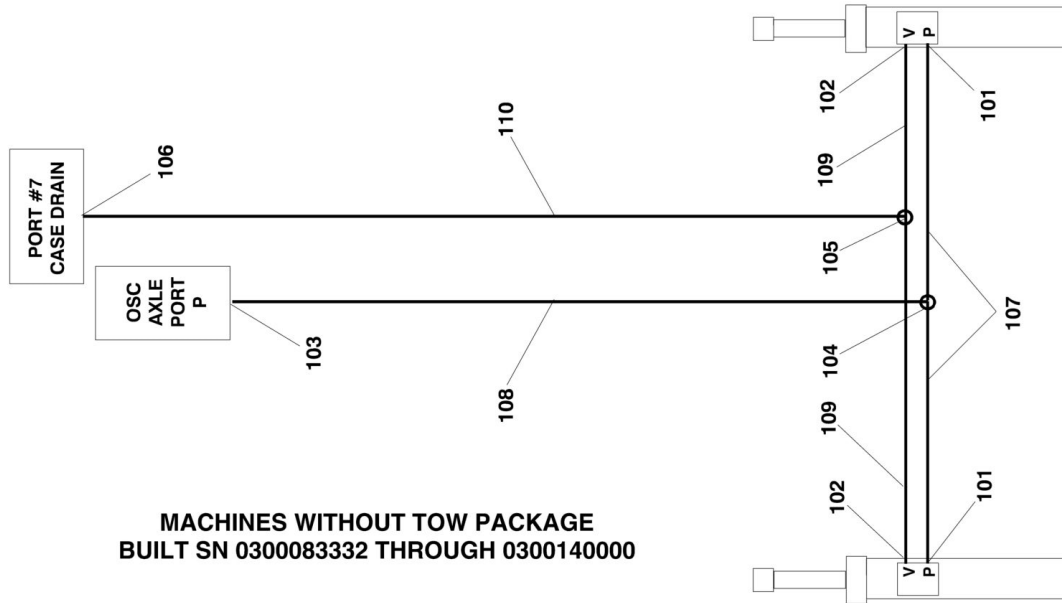
ITEM	PART NUMBER	QTY	DESCRIPTION	REV
	1001228086	Ref	TELESCOPE CYLINDER ASSEMBLY	C
		Ref	Note: Original Cylinder may have been replaced with Service Replacement. Identify PN Stamped on Cylinder Before Ordering Parts.	
1	See Note	NSS	Barrel (Note: Not Available for Purchase)	
2	70006921	1	Rod	
3	70006480	1	Head	
4	See Note	NSS	Wiper (Note: Use Item 100)	
5	See Note	NSS	Seal, Rod (Note: Use Item 100)	
6	See Note	NSS	Ring, Wear (Note: Use Item 100)	
7	See Note	NSS	O-Ring (Note: Use Item 100)	
8	See Note	NSS	Ring, Back-up (Note: Use Item 100)	
9	70006479	1	Piston	
10	See Note	NSS	Seal, Piston (Note: Use Item 100)	
11	See Note	NSS	Ring, Lock (Note: use Item 100)	
12	See Note	NSS	O-Ring (Note: Use Item 100)	
13	See Note	NSS	Ring, Back-up (Note: Use Item 100)	
14	70006922	1	Spacer	
15	0961897	1	Bushing, Tapered	
16	70006923	1	Pad, Wear	
17	70006924	1	Pad, Wear	
18	70006925	1	Plate	
19	70006926	1	Plate	
20	4641032	1	Valve Assembly (No serviceable parts - sold as assembly only)	
20A	7024397	2	O-Ring (Between Valve and Cylinder Barrel)	
21	0630535	3	Bolt 1/4 x 1-1/8	
22	70006731	1	Bolt	
23	70006927	2	Bolt M10	
24	70006728	8	Bolt 7/16	
25	70006733	4	Bolt M8	
26	70006928	1	U-Bolt M10	
27	70005594	2	Nut M10	
28	70006344	6	Washer M10	
29	2220883	2	Plug, O-Ring	
30	2220885	1	Plug, O-Ring	
31	2220886	3	Plug, O-Ring	
100	1001188842	1	Seal Kit - 1001228086 Cylinder (Includes Items 4-8 & 10-13)	



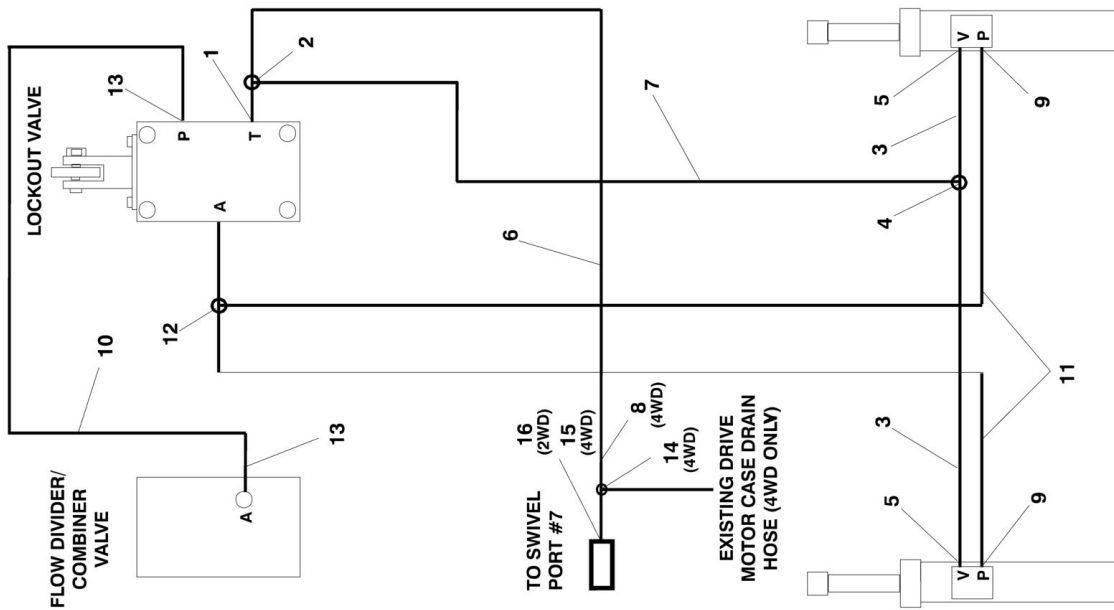
**SECTION 6 - HYDRAULIC**

# SECTION 6 - HYDRAULIC

## FIGURE 6-1. AXLE LOCKOUT HYDRAULIC DIAGRAM



**ALL MACHINES BUILT SN 0300069000 THROUGH 0300083331 AND  
MACHINES WITH TOW PACKAGE BUILT SN 0300083332 THROUGH 0300140000**



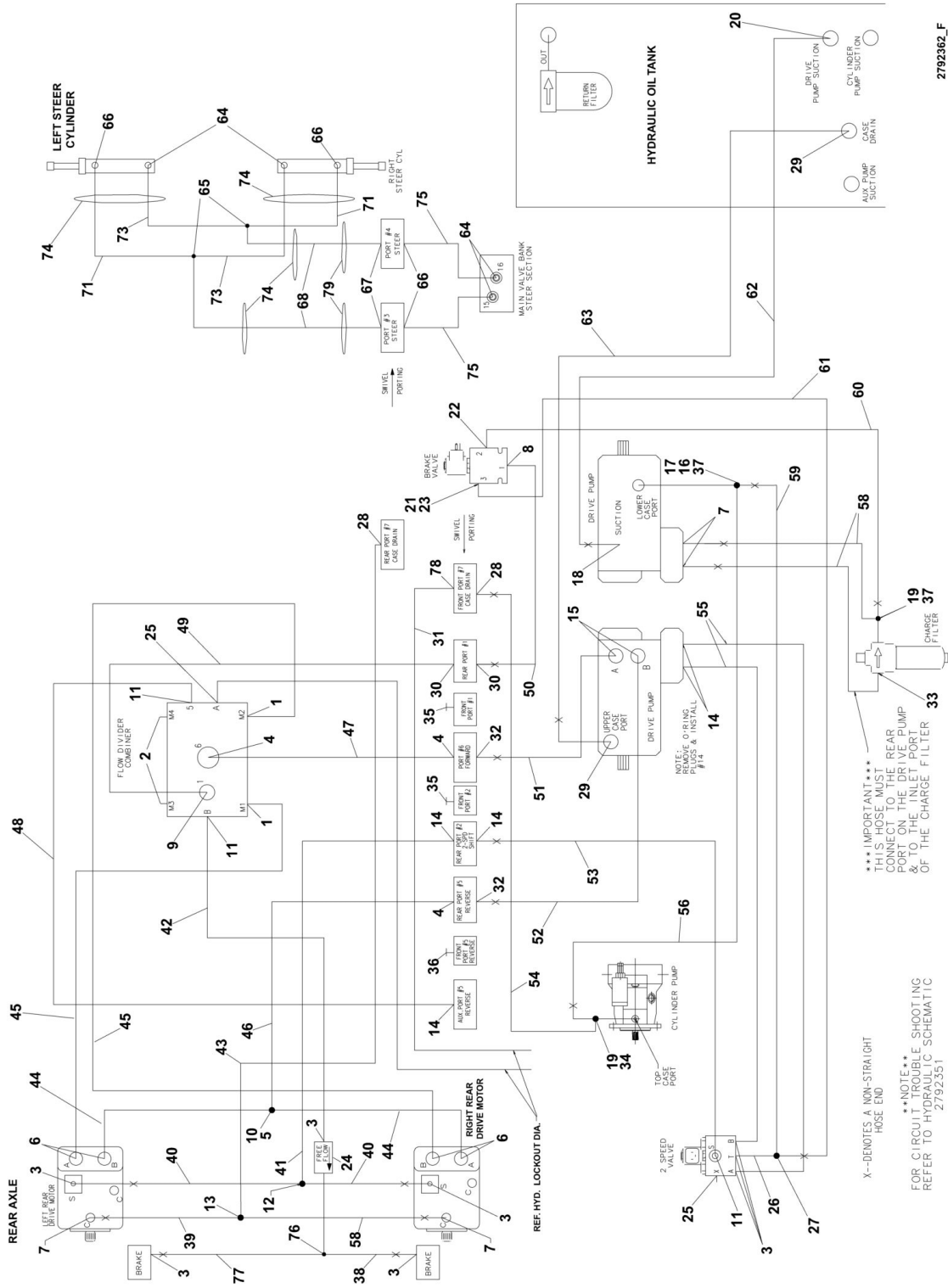
## SECTION 6 - HYDRAULIC

### FIGURE 6-1. AXLE LOCKOUT HYDRAULIC DIAGRAM

ITEM	PART NUMBER	QTY	DESCRIPTION	REV
	2792367	Ref	<b>AXLE LOCKOUT HYDRAULIC DIAGRAM</b>	2-B
		Ref	<b>Note: Use for All Machines Built SN 0300069000 through SN 0300083331 and Machines with Tow Package Built SN 0300083332 through SN 0300140000</b>	
1	2220603	1	Fitting, Straight	
2	2220635	1	Fitting, Tee	
3	2750920	2	Hose	
4	2220490	1	Fitting, Tee	
5	2220371	2	Fitting, Straight	
6	2752648	1	Hose	
7	2752611	1	Hose	
8	2220619	1	Fitting, Reducer	
9	2220582	2	Fitting, Straight	
10	2750760	1	Hose	
11	2751906	2	Hose	
12	2220711	1	Fitting, Tee	
13	2220415	2	Fitting, Straight	
14	2220602	1	Fitting, Tee	
15	2220811	1	Fitting, Reducer	
16	2220577	1	Fitting, Straight	
	2792648	Ref	<b>AXLE LOCKOUT HYDRAULIC DIAGRAM</b>	3
		Ref	<b>Note: Machines without Tow Package Built SN 0300083332 through SN 0300140000</b>	
101	2110406	2	Fitting, Straight	
102	2110606	2	Fitting, Straight	
103	2110408	1	Fitting, Straight	
104	2170504	1	Fitting, Tee	
105	2170506	1	Fitting, Tee	
106	2170406	1	Fitting, Tee (SN 0300069000 through 0300097962)	
107	2753629	2	Hose	
108	2753630	1	Hose	
109	2753624	2	Hose	
110	2753627	1	Hose	

# SECTION 6 - HYDRAULIC

## FIGURE 6-2. DRIVE HYDRAULIC DIAGRAM - 2WD (SN 0300069000 through 0300083331)



2792362\_F



## SECTION 6 - HYDRAULIC

**FIGURE 6-2. DRIVE HYDRAULIC DIAGRAM - 2WD (SN 0300069000 through 0300083331)**

ITEM	PART NUMBER	QTY	DESCRIPTION	REV
	2792362	Ref	<b>DRIVE HYDRAULIC DIAGRAM - 2WD</b>	8-F
1	2220498	2	Fitting, Elbow	
2	2220240	2	Fitting, Plug	
3	2220415	8	Fitting, Straight	
4	2220365	3	Fitting, Elbow	
5	2220710	1	Fitting, Reducer	
6	2220465	4	Fitting, Elbow	
7	2220374	4	Fitting, Straight	
8	2220373	1	Fitting, Straight	
9	2220500	1	Fitting, Elbow	
10	2220363	1	Fitting, Tee	
11	2220466	3	Fitting, Elbow	
12	2220504	1	Fitting, Tee	
13	2220362	1	Fitting, Tee	
14	2220582	5	Fitting, Straight	
15	2220646	2	Fitting, Elbow	
16	2220999	1	Fitting, Tee	
17	2220618	1	Fitting, Reducer	
18	2220479	1	Fitting, Straight	
19	2220602	2	Fitting, Tee	
20	2220380	1	Fitting, Straight	
21	2220609	1	Fitting, Reducer	
22	2220596	1	Fitting, Elbow	
23	2220628	1	Fitting, Elbow	
24	4641076	1	Valve, Restrictor (.021)	
25	2220235	2	Fitting, Plug	
26	2221029	1	Fitting, Orifice (.031)	
27	2220605	1	Fitting, Tee	
28	2220375	2	Fitting, Straight	
29	2220451	2	Fitting, Straight	
30	2220600	2	Fitting, Straight	
31	2220516	1	Fitting, Cap	
32	2220377	2	Fitting, Straight	
33	2220366	1	Fitting, Elbow	
34	2220810	1	Fitting, Straight	
35	2220237	2	Fitting, Plug	
36	2220242	1	Fitting, Plug	
37	2220811	2	Fitting, Straight	
38	2752575	1	Hose	
39	2752514	1	Hose	
40	2753036	2	Hose	
41	2751011	1	Hose	
42	2752977	1	Hose	
43	2752518	1	Hose	
44	2752265	2	Hose	
45	2752266	2	Hose	
46	2752345	1	Hose	
47	2752363	1	Hose	
48	2751017	1	Hose	
49	2752498	1	Hose	

## SECTION 6 - HYDRAULIC

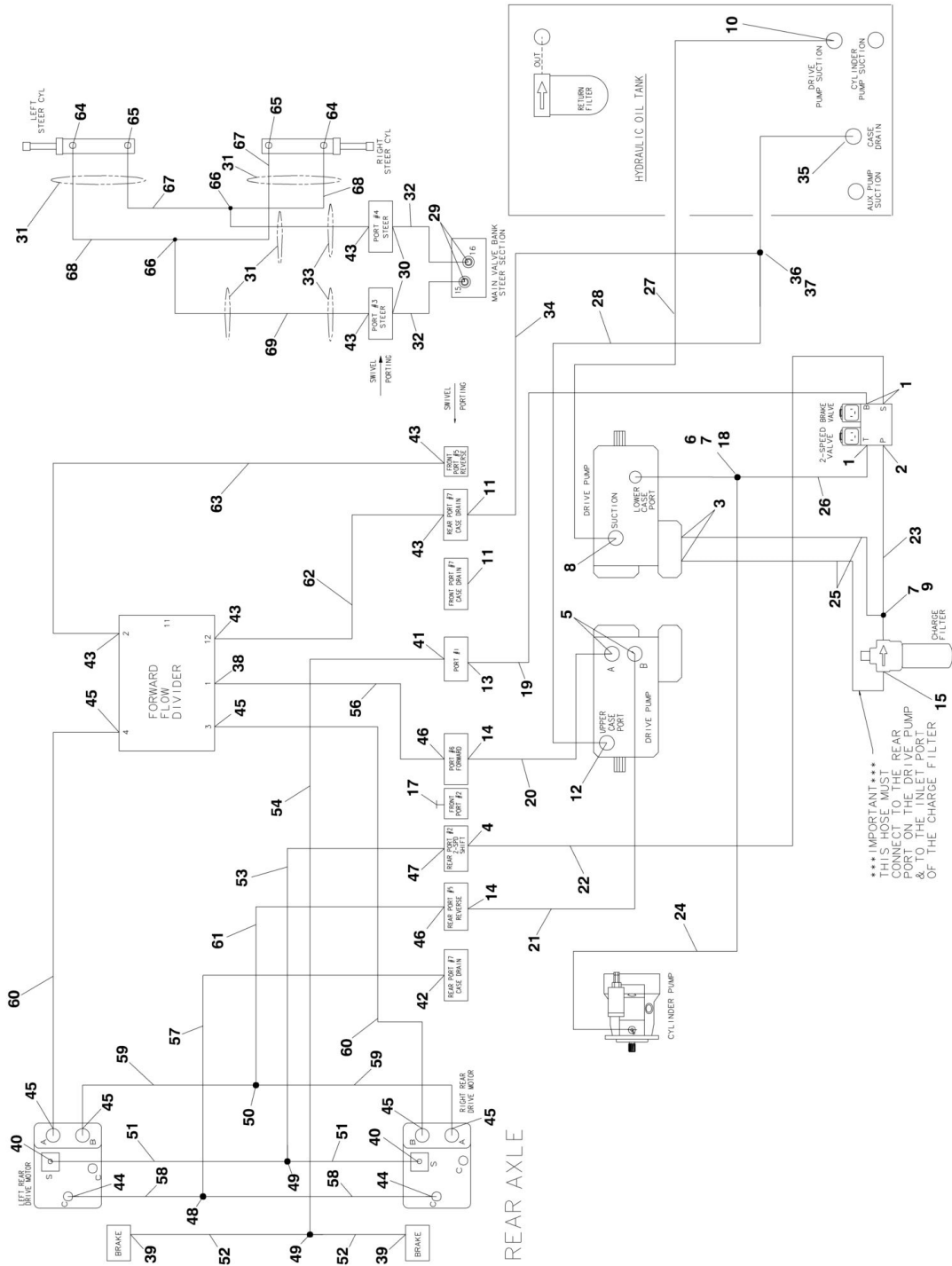
ITEM	PART NUMBER	QTY	DESCRIPTION	REV
50	2751500	1	Hose	
51	2752365	1	Hose	
52	2752366	1	Hose	
53	2751399	1	Hose	
54	2753417	1	Hose	
55	2751397	2	Hose	
56	2752942	1	Hose	
58	2752494	3	Hose	
59	2752453	1	Hose	
60	2752514	1	Hose	
61	2752573	1	Hose	
62	2752754	1	Hose	
63	2752673	1	Hose	
64	2220501	4	Fitting, Elbow	
65	2220490	2	Fitting, Tee	
66	2220473	2	Fitting, Elbow	
67	2220371	2	Fitting, Straight	
68	2753117	2	Hose	
71	2753087	2	Hose	
73	2752648	2	Hose	
74	4100058	4	Sleeve, Nylon (12in/30.5cm Pieces)	
75	2752489	2	Hose	
76	2220711	1	Fitting, Tee	
77	2752581	1	Hose	
78	2220577	1	Fitting, Straight	
79	4100059	2	Sleeve, Nylon (8in/20cm Pieces)	



# SECTION 6 - HYDRAULIC

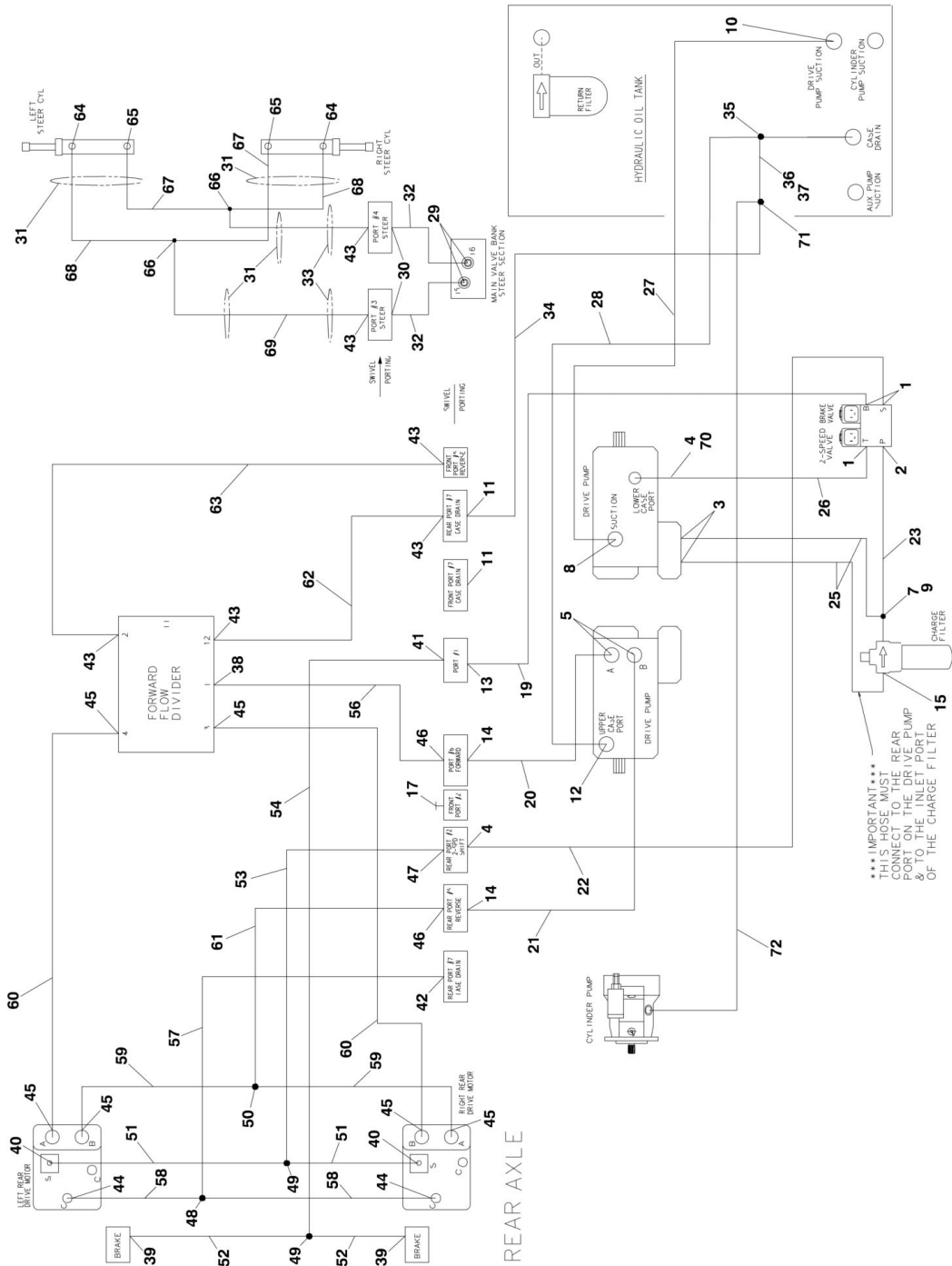
## FIGURE 6-3. DRIVE HYDRAULIC DIAGRAM - 2WD (SN 0300083332 through 0300140000)

(SN 0300083332 THROUGH SN 0300121642 W/REXROTH LOAD SENSING PUMP)



# SECTION 6 - HYDRAULIC

(SN 0300121643 THROUGH SN 0300140000 W/SAUER DANFOSS LOAD SENSING PUMP)



# SECTION 6 - HYDRAULIC

**FIGURE 6-3. DRIVE HYDRAULIC DIAGRAM - 2WD (SN 0300083332 through 0300140000)**

ITEM	PART NUMBER	QTY	DESCRIPTION	REV
		Ref	<b>DRIVE HYDRAULIC DIAGRAM - 2WD</b>	
	2792693	Ref	<b>Drive Hydraulic Diagram - 2WD (SN 0300083332 through 0300087265)</b>	4-D
	2792712	Ref	<b>Drive Hydraulic Diagram - 2WD (SN 0300087266 through 0300140000)</b>	8-G
1	2220466	3	Fitting, Elbow	
2	2220940	1	Fitting, Elbow	
3		Ref	Fitting, Straight Options:	
3	2220374	2	Fitting, Straight ( <b>SN 0300083332 through 0300103804</b> )	
3	See Note	2	Fitting, Straight (Note: See TURNTABLE SECTION for Breakdown) ( <b>SN 0300103805 through 0300140000</b> )	
4	2220582	AR	Fitting, Straight	
5		Ref	Fitting, Elbow Options:	
5	2220646	2	Fitting, Elbow ( <b>SN 0300083332 through 0300103804</b> )	
5	See Note	2	Fitting, Elbow (Note: See TURNTABLE SECTION for Breakdown) ( <b>SN 0300103805 through 0300140000</b> )	
6	2220999	1	Fitting, Tee ( <b>SN 0300083332 through 0300121643</b> )	
7	2220618	Ref	Fitting, Straight Options:	
7	2220618	1	Fitting, Straight ( <b>SN 0300083332 through 0300085468</b> )	
7	2220618	2	Fitting, Straight ( <b>SN 0300085469 through 0300121642</b> )	
7	2220618	1	Fitting, Straight ( <b>SN 0300121643 through 0300140000</b> )	
8		Ref	Fitting, Straight Options:	
8	2220479	1	Fitting, Straight ( <b>SN 0300083332 through 0300103804</b> )	
8	See Note	1	Fitting, Straight (Note: See TURNTABLE SECTION for Breakdown) ( <b>SN 0300103805 through 0300140000</b> )	
9	2220602	Ref	Fitting, Tee Options:	
9	2220602	2	Fitting, Tee ( <b>SN 0300083332 through 0300085468</b> )	
9	2220602	1	Fitting, Tee ( <b>SN 0300085469 through 0300140000</b> )	
10	2220380	1	Fitting, Straight	
11	2220375	Ref	Fitting, Straight Options:	
11	2220375	2	Fitting, Straight ( <b>SN 0300083332 through 0300085468</b> )	
11	2220375	1	Fitting, Straight ( <b>SN 0300085469 through 0300140000</b> )	
12		Ref	Fitting, Straight Options:	
12	2220451	1	Fitting, Straight ( <b>SN 0300083332 through 0300103804</b> )	
12	See Note	1	Fitting, Straight (Note: See TURNTABLE SECTION for Breakdown) ( <b>SN 0300103805 through 0300140000</b> )	
13	2220468	1	Fitting, Straight	
14	2220377	2	Fitting, Straight	
15		Ref	Fitting, Elbow Options:	
15	2220366	1	Fitting, Elbow ( <b>SN 0300083332 through 0300085468</b> )	
15	2220596	1	Fitting, Elbow ( <b>SN 0300085469 through 0300140000</b> )	
16	2220810	1	Fitting, Straight Only ( <b>SN 0300083332 through 0300085469</b> )	
17	2220237	2	Fitting, Plug	
18	2220811	Ref	Fitting, Straight Options:	
18	2220811	2	Fitting, Straight ( <b>SN 0300083332 through 0300085468</b> )	
18	2220811	1	Fitting, Straight ( <b>SN 0300085469 through 0300103805</b> )	
19	2752997	1	Hose	
20		Ref	Hose Options:	
20	2752365	1	Hose ( <b>SN 0300083332 through 0300137325</b> )	
20	1001110032	1	Hose ( <b>SN 0300137326 through 0300140000</b> )	
21		Ref	Hose Options:	

## SECTION 6 - HYDRAULIC

ITEM	PART NUMBER	QTY	DESCRIPTION	REV
21	2752366	1	Hose (SN 0300083332 through 0300137325)	
21	1001110033	1	Hose (SN 0300137326 through 0300140000)	
22	2751399	1	Hose	
23		Ref	Hose Options:	
23	2753417	1	Hose Only (SN 0300083332 through 0300085469)	
23	2752434	1	Hose (SN 0300088934 through 0300140000)	
24	2752942	1	Hose (SN 0300069000 through 0300121643)	
25	2752494	2	Hose	
26	2752453	1	Hose	
27	2752754	1	Hose	
28	2752673	1	Hose	
29	2220501	2	Fitting, Elbow	
30	2220473	2	Fitting, Elbow	
31	4100058	4	Sleeve, Nylon (12 in) (SN 0300083332 through 0300099884)	
32	2752489	2	Hose	
33	4100059	2	Sleeve, Nylon (8 in) (SN 0300083332 through 0300099884)	
34	2751500	1	Hose	
35	2220738	1	Fitting, Straight	
36	2220386	1	Fitting, Elbow	
37	2220622	1	Fitting, Reducer	
38		Ref	Fitting Options:	
38	2111616	1	Straight Fitting (SN 0300083332 through 0300085468)	
38	2151616	1	Elbow Fitting (SN 0300085469 through 0300140000)	
39	2110404	2	Fitting, Straight	
40	2110406	2	Fitting, Straight	
41	2110408	1	Fitting, Straight	
42	2130808	1	Fitting, Elbow	
43	2110606	6	Fitting, Straight	
44	2110808	2	Fitting, Straight	
45	2111212	6	Fitting, Straight	
46	2111616	2	Fitting, Straight	
47	2150406	1	Fitting, Elbow	
48	2170508	1	Fitting, Tee	
49	2170504	2	Fitting, Tee	
50	2170516	1	Fitting, Tee	
51	2754401	2	Hose	
52	2753725	2	Hose	
53	2753550	1	Hose	
54	2753622	1	Hose	
56	2753635	1	Hose	
57	2753685	1	Hose	
58	2754240	2	Hose	
59	2754238	2	Hose	
60	2753688	2	Hose	
61	2754402	1	Hose	
62	2754242	1	Hose	
63	2754243	1	Hose	
64	2130606	5	Fitting, Elbow	
65	2150606	2	Fitting, Elbow	
66	2170506	2	Fitting, Tee	
67	2753625	2	Hose	

## SECTION 6 - HYDRAULIC

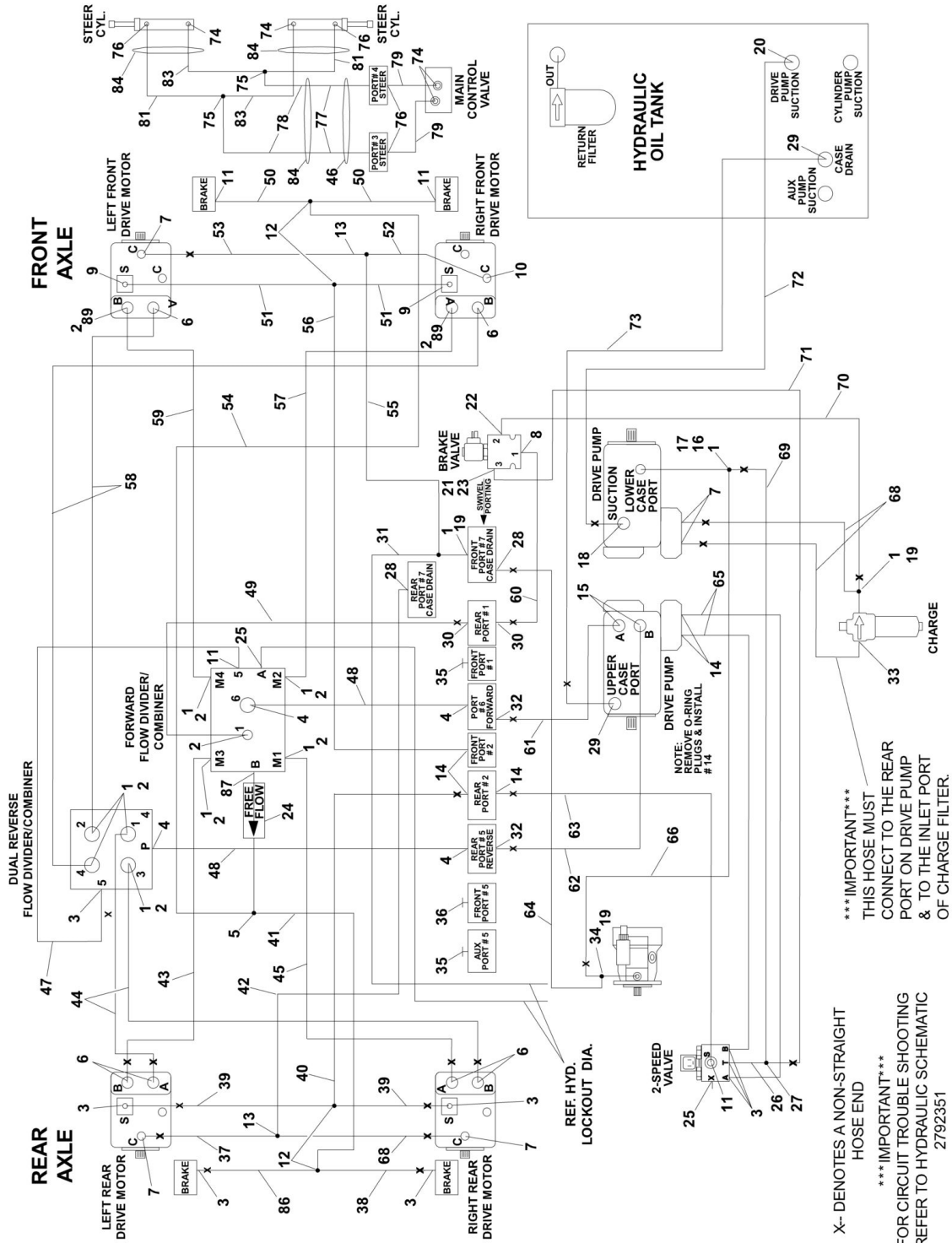
ITEM	PART NUMBER	QTY	DESCRIPTION	REV
68	2753626	2	Hose	
69	2753627	2	Hose	
70	2220221	1	Fitting, Reducer (SN 0300121643 through 0300138514)	
71	2220385	1	Fitting, Tee (SN 0300121643 through 0300140000)	
72	2752934	1	Hose (SN 0300121643 through 0300140000)	





# SECTION 6 - HYDRAULIC

FIGURE 6-4. DRIVE HYDRAULIC DIAGRAM - 4WD/2WS (SN 0300069000 through 0300083331)



## SECTION 6 - HYDRAULIC

**FIGURE 6-4. DRIVE HYDRAULIC DIAGRAM - 4WD/2WS (SN 0300069000 through 0300083331)**

ITEM	PART NUMBER	QTY	DESCRIPTION	REV
	2792363	Ref	<b>DRIVE HYDRAULIC DIAGRAM - 4WD</b>	12-J
1	2220811	11	Fitting, Reducer	
2	2220500	11	Fitting, Elbow	
3	2220415	8	Fitting, Straight	
4	2220365	4	Fitting, Elbow	
5	2220711	1	Fitting, Tee	
6	2220800	6	Fitting, Straight	
7	2220374	5	Fitting, Straight	
8	2220373	1	Fitting, Straight	
9	2220502	2	Fitting, Elbow	
10	2220499	1	Fitting, Elbow	
11	2220466	4	Fitting, Elbow	
12	2220504	4	Fitting, Tee	
13	2220362	2	Fitting, Tee	
14	2220582	5	Fitting, Straight	
15	2220646	2	Fitting, Elbow	
16	2220999	1	Fitting, Tee	
17	2220618	1	Fitting, Reducer	
18	2220479	1	Fitting, Straight	
19	2220602	3	Fitting, Tee	
20	2220380	1	Fitting, Straight	
21	2220609	1	Fitting, Reducer	
22	2220596	1	Fitting, Elbow	
23	2220628	1	Fitting, Elbow	
24	4640778	1	Valve, Restrictor (.030)	
25	2220235	2	Fitting, Plug	
26	2221029	1	Fitting, Orifice (.031)	
27	2220605	1	Fitting, Tee	
28	2220375	2	Fitting, Straight	
29	2220451	2	Fitting, Straight	
30	2220600	2	Fitting, Straight	
31	2220517	1	Fitting, Cap	
32	2220377	2	Fitting, Straight	
33	2220366	1	Fitting, Elbow	
34	2220810	1	Fitting, Reducer	
35	2220237	2	Fitting, Plug	
36	2220242	1	Fitting, Plug	
37	2752514	1	Hose	
38	2752575	1	Hose	
39	2753036	2	Hose	
40	2751011	1	Hose	
41	2752977	1	Hose	
42	2752518	1	Hose	
43	2753155	1	Hose	
44	2753161	2	Hose	
45	2753162	1	Hose	
46	4100059	2	Sleeve, Nylon (8in/20cm Pieces)	
47	2751017	1	Hose	
48	2752363	2	Hose	
49	2752498	1	Hose	

## SECTION 6 - HYDRAULIC

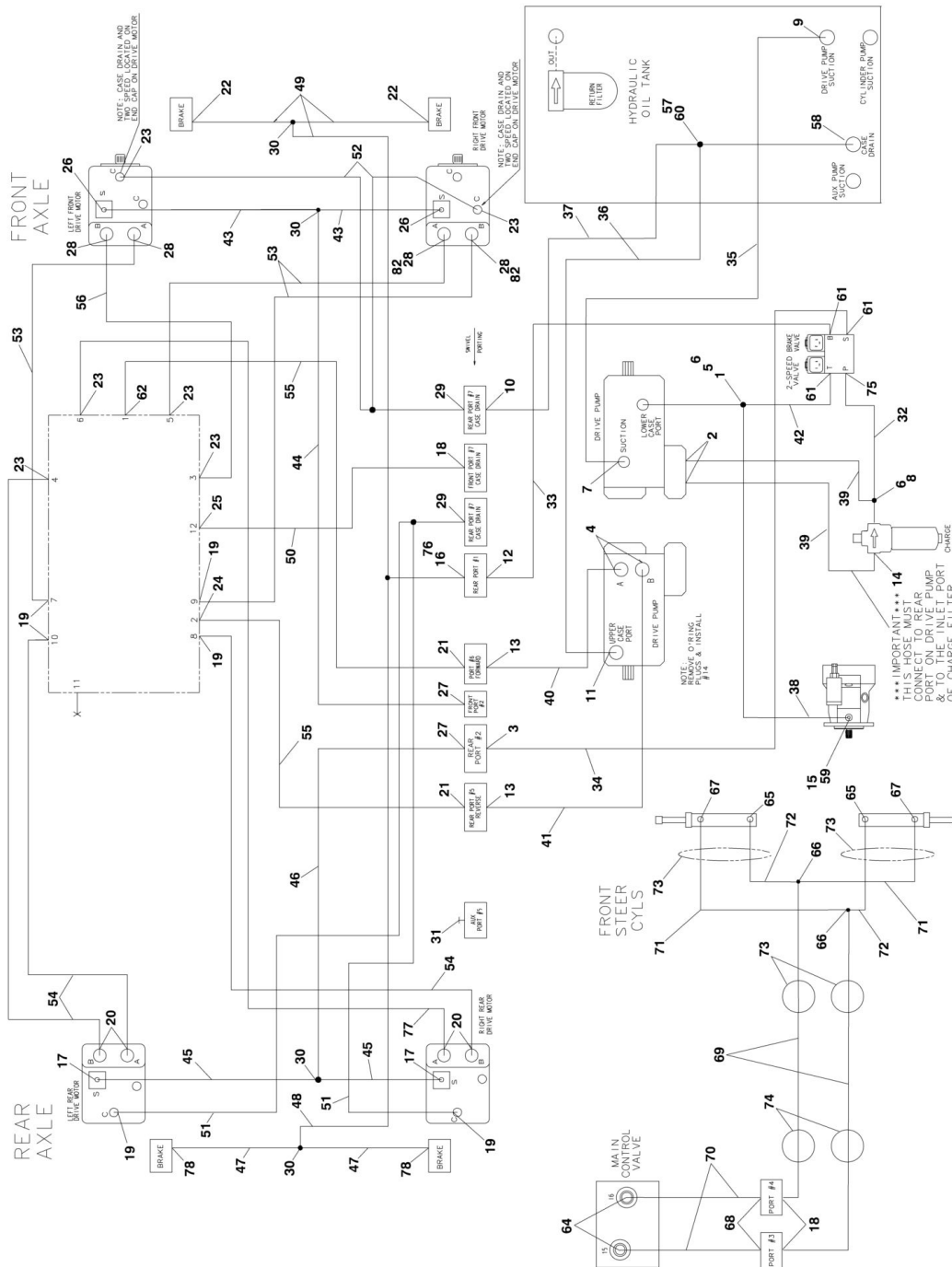
ITEM	PART NUMBER	QTY	DESCRIPTION	REV
50	2752592	2	Hose	
51	2753035	2	Hose	
52	2752516	1	Hose	
53	2752514	1	Hose	
54	2752591	1	Hose	
55	2752949	1	Hose	
56	2751906	1	Hose	
57	2753157	1	Hose	
58	2753158	2	Hose	
59	2753159	1	Hose	
60	2751500	1	Hose	
61	2752365	1	Hose	
62	2752366	1	Hose	
63	2751399	1	Hose	
64	2753417	1	Hose	
65	2751397	2	Hose	
66	2752942	1	Hose	
68	2752494	3	Hose	
69	2752453	1	Hose	
70	2752514	1	Hose	
71	2752573	1	Hose	
72	2752754	1	Hose	
73	2752673	1	Hose	
74	2220501	4	Fitting, Elbow	
75	2220490	2	Fitting, Tee	
76	2220473	4	Fitting, Elbow	
77	2220371	2	Fitting, Straight	
78	2753117	2	Hose	
79	2752489	2	Hose	
81	2753087	2	Hose	
83	2752648	2	Hose	
84	4100058	4	Sleeve, Nylon (12in/30.5cm Pieces)	
86	2752581	1	Hose	
87	2221030	1	Fitting, Nipple	
89	2220833	2	Fitting, Reducer	
90	4100051	1	Sleeve, Nylon (SN 0300069000 through 0300071678)	



# SECTION 6 - HYDRAULIC

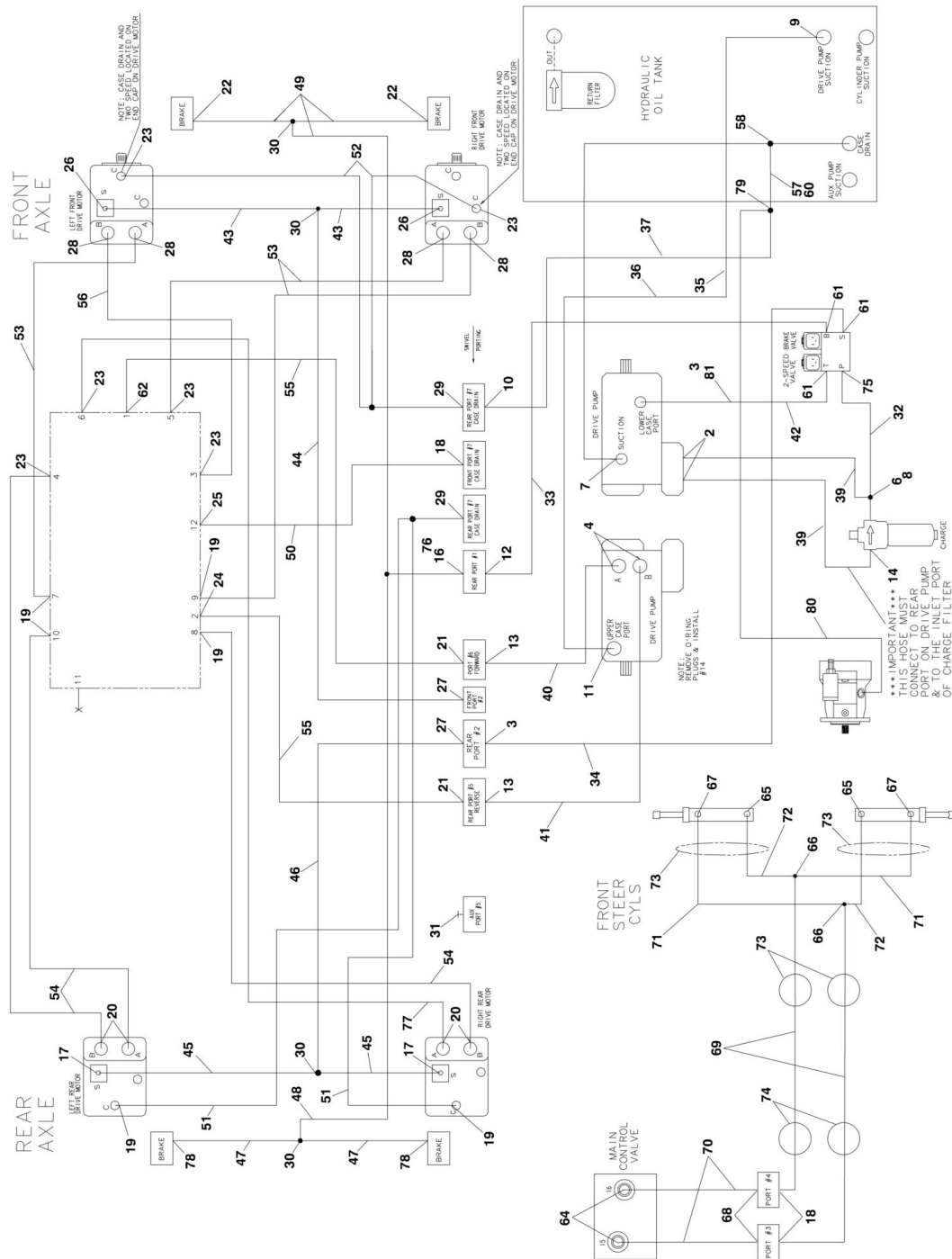
## FIGURE 6-5. DRIVE HYDRAULIC DIAGRAM - 4WD/2WS (SN 0300083332 through 0300140000)

(SN 0300083332 THROUGH SN 0300121642 W/REXROTH LOAD SENSING PUMP)



# SECTION 6 - HYDRAULIC

(SN 0300121643 THROUGH SN 0300140000 W/SAUER DANFOSS LOAD SENSING PUMP)



# SECTION 6 - HYDRAULIC

**FIGURE 6-5. DRIVE HYDRAULIC DIAGRAM - 4WD/2WS (SN 0300083332 through 0300140000)**

ITEM	PART NUMBER	QTY	DESCRIPTION	REV
		Ref	<b>DRIVE HYDRAULIC DIAGRAM - 4WD</b>	
	2792637	Ref	<b>Without Arctic Package (SN 0300083332 through 0300087265)</b>	4-D
	2792711	Ref	<b>Without Arctic Package (SN 0300087266 through 0300140000)</b>	8-F
	2792745	Ref	<b>With Arctic Package</b>	7-F
1	2220811	1	Fitting, Straight <b>(SN 0300083332 through 0300103804)</b>	
2		Ref	Fitting, Straight Options:	
2	2220374	2	Fitting, Straight <b>(SN 0300083332 through 0300103804)</b>	
2	See Note	2	Fitting, Straight (Note: See TURNTABLE SECTION for Breakdown) <b>(SN 0300103805 through 0300140000)</b>	
3	2220582	Ref	Fitting, Straight Options:	
3	2220582	1	Fitting, Straight <b>(SN 0300083332 through 0300121642)</b>	
3	2220582	2	Fitting, Straight <b>(SN 0300121643 through 0300138513)</b>	
3	2220582	1	Fitting, Straight <b>(SN 0300138514 through 0300140000)</b>	
4		Ref	Fitting, Elbow Options:	
4	2220646	2	Fitting, Elbow <b>(SN 0300083332 through 0300103804)</b>	
4	See Note	2	Fitting, Elbow (Note: See TURNTABLE SECTION for Breakdown) <b>(SN 0300103805 through 0300140000)</b>	
5	2220999	1	Fitting, Tee <b>(SN 0300083332 through 0300121642)</b>	
6	2220618	Ref	Fitting, Straight Options:	
6	2220618	2	Fitting, Straight <b>(SN 0300083332 through 0300121642)</b>	
6	2220618	1	Fitting, Straight <b>(SN 0300121643 through 0300140000)</b>	
7		Ref	Fitting, Straight Options:	
7	2220479	1	Fitting, Straight <b>(SN 0300083332 through 0300103804)</b>	
7	See Note	1	Fitting, Straight (Note: See TURNTABLE SECTION for Breakdown) <b>(SN 0300103805 through 0300140000)</b>	
8	2220602	1	Fitting, Tee	
9	2220380	1	Fitting, Straight	
10	2220375	1	Fitting, Straight	
11		Ref	Fitting, Straight Options:	
11	2220451	1	Fitting, Straight <b>(SN 0300083332 through 0300103804)</b>	
11	See Note	1	Fitting, Straight (Note: See TURNTABLE SECTION for Breakdown) <b>(SN 0300103805 through 0300140000)</b>	
12	2220468	1	Fitting, Straight	
13	2220377	2	Fitting, Straight	
14		Ref	Fitting, Elbow Options:	
14	2220366	1	Fitting, Elbow <b>(SN 0300083332 through 0300085468)</b>	
14	2220596	1	Fitting, Elbow <b>(SN 0300085469 through 0300140000)</b>	
15		Ref	Fitting, Straight Options:	
15	2220810	1	Fitting, Straight <b>(SN 0300083332 through 0300103804)</b>	
15	See Note	1	Fitting, Straight (Note: See TURNTABLE SECTION for Breakdown) <b>(SN 0300103805 through 0300140000)</b>	
16	2170350	1	Fitting, Tee	
17	2110406	2	Fitting, Straight	
18	2110606	3	Fitting, Straight	
19	2110808	6	Fitting, Straight	
20	2110812	4	Fitting, Straight	
21	2111616	2	Fitting, Straight	
22	2130404	4	Fitting, Elbow	
23	2130808	6	Fitting, Elbow	
24	2131616	1	Fitting, Elbow	
25	2130604	1	Fitting, Elbow	



## SECTION 6 - HYDRAULIC

ITEM	PART NUMBER	QTY	DESCRIPTION	REV
26	2130406	2	Fitting, Elbow	
27	2150406	2	Fitting, Elbow	
28		Ref	Fitting, Elbow Options:	
28	2150812	4	Fitting, Elbow (SN 0300083332 through 0300138513)	
28	2150808	4	Fitting, Elbow (SN 0300138514 through 0300140000)	
29	2170408	2	Fitting, Tee	
30	2170504	4	Fitting, Tee	
31	2220237	1	Fitting, Plug	
32	2752434	1	Hose	
33	2752997	1	Hose	
34	2751399	1	Hose	
35	2752754	1	Hose	
36	2752673	1	Hose	
37	2751500	1	Hose	
38	2752942	1	Hose (SN 0300083332 through 0300121643)	
39	2752494	2	Hose	
40		Ref	Hose Options:	
40	2752365	1	Hose (SN 0300083332 through 0300137325)	
40	1001110032	1	Hose (SN 0300137326 through 0300140000)	
41		Ref	Hose Options:	
41	2752366	1	Hose (SN 0300083332 through 0300137325)	
41	1001110033	1	Hose (SN 0300137326 through 0300140000)	
42	2752453	1	Hose	
43		Ref	Hose Options:	
43	2753549	2	Without Arctic Package	
43	2754718	2	With Arctic Package	
44	2753540	1	Hose	
45		Ref	Hose Options:	
45	2753537	2	Hose (SN 0300083332 through 0300099883)	
45	2754401	2	Hose (SN 0300099884 through 0300140000)	
46	2753550	1	Hose	
47	2754337	2	Hose	
48	2754044	1	Hose	
49		Ref	Hose Options:	
49	2753622	3	Without Arctic Package	
49	2754719	3	With Arctic Package	
50	2753626	1	Hose	
51	2753686	2	Hose	
52		Ref	Hose Options:	
52	2753628	2	Without Arctic Package	
52	2754720	2	With Arctic Package	
53		Ref	Hose Options:	
53	2753970	3	Without Arctic Package	
53	2754743	3	With Arctic Package	
54	2753971	3	Hose	
55	2753634	2	Hose	
56		Ref	Hose Options:	
56	2753633	1	Without Arctic Package (SN 0300083332 through 0300121642)	
56	2754040	1	Without Arctic Package (SN 0300121643 through 0300140000)	
56	2754744	1	With Arctic Package	

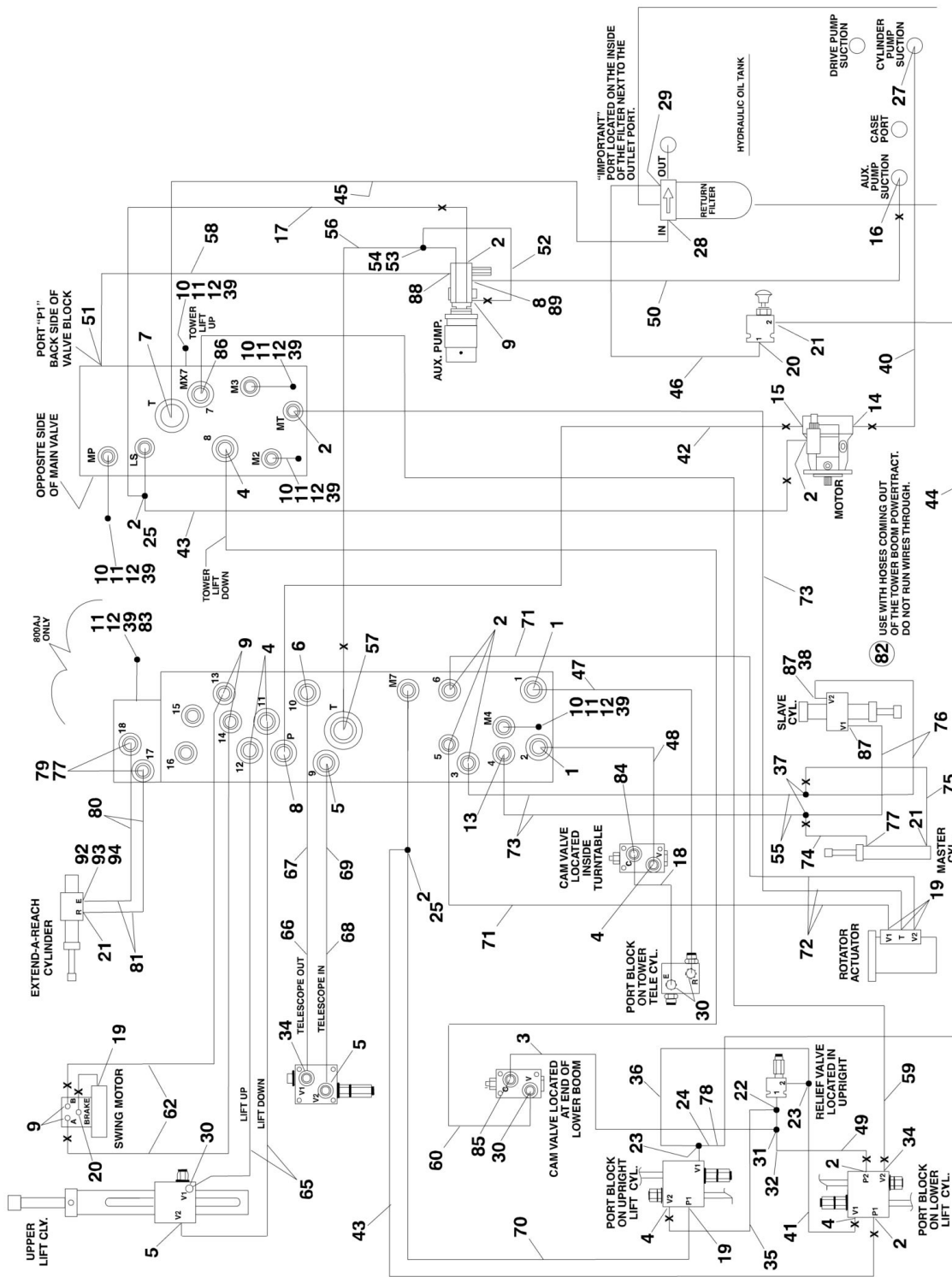
## SECTION 6 - HYDRAULIC

ITEM	PART NUMBER	QTY	DESCRIPTION	REV
57	2220386	1	Fitting, Elbow	
58	2220738	1	Fitting, Straight	
59	2220373	1	Fitting, Straight (Ref to Section 2 Engine and Pump Assembly for Fitting Call Out) <b>(SN 0300083332 through 0300103805)</b>	
60	2220622	1	Fitting, Reducer	
61	2220466	3	Fitting, Elbow	
62	2151616	1	Fitting, Elbow	
64	2220501	2	Fitting, Elbow	
65	2150606	2	Fitting, Elbow	
66	2170506	2	Fitting, Tee	
67	2130606	4	Fitting, Elbow	
68	2220473	2	Fitting, Elbow	
69	2753627	2	Hose	
70	2752489	2	Hose	
71	2753626	2	Hose	
72	2753625	2	Hose	
73	4100058	4	Sleeve, Nylon (12 in) <b>(SN 0300083332 through 0300099884)</b>	
74	4100059	2	Sleeve, Nylon (8 in) <b>(SN 0300083332 through 0300099884)</b>	
75	2220940	1	Fitting, Elbow	
76	2220591	1	Fitting, Reducer	
77	2754338	1	Hose	
78	2110404	1	Fitting, Straight	
79	2220385	1	Fitting, Tee <b>(SN 0300121643 through 0300140000)</b>	
80	2752934	1	Hose <b>(SN 0300121643 through 0300140000)</b>	
81	2220221	1	Fitting, Reducer <b>(SN 0300121643 through 0300138513)</b>	
82	2220811	1	Fitting, Reducer <b>(SN 0300138514 through 0300140000)</b>	



# SECTION 6 - HYDRAULIC

## FIGURE 6-6. STANDARD HYDRAULIC DIAGRAM (WITH FENNER AND HALDEX BRAND AUXILIARY PUMP)



## SECTION 6 - HYDRAULIC

**FIGURE 6-6. STANDARD HYDRAULIC DIAGRAM (WITH FENNER AND HALDEX BRAND AUXILIARY PUMP)**

ITEM	PART NUMBER	QTY	DESCRIPTION	REV
		Ref	<b>STANDARD HYDRAULIC DIAGRAM</b>	
	2792365	Ref	<b>Standard Hydraulic Diagram 800A</b>	13-K
	2792366	Ref	<b>Standard Hydraulic Diagram 800AJ</b>	16-O
1	2220381	2	Fitting, Straight	
2	2220415	AR	Fitting, Straight	
3	2753199	1	Hose	
4	2220373	6	Fitting, Straight	
5	2220500	3	Fitting, Elbow	
6	2220947	1	Fitting, Straight	
7	2220376	1	Fitting, Straight	
8	2220593	2	Fitting, Straight	
9	2220371	AR	Fitting, Straight	
10	2220873	4	Fitting, Straight	
11	2220428	AR	Fitting, Quick Disconnect	
12	2220429	AR	Fitting, Dust Cap	
13	2220502	1	Fitting, Elbow	
14	2220737	1	Split Flange Kit #24	
15	2220478	1	Split Flange Kit #16	
16	2220451	1	Fitting, Straight	
17	2752453	1	Hose	
18	2753200	1	Hose	
19	2220466	AR	Fitting, Elbow	
20	2220582	AR	Fitting, Straight	
21	2220473	AR	Fitting, Elbow	
22	2220602	1	Fitting, Tee	
23	2220999	2	Fitting, Tee	
24	2220619	1	Fitting, Reducer	
25	2220605	2	Fitting, Tee	
27	2220765	1	Fitting, Straight	
28	2220379	1	Fitting, Straight	
29	2220574	1	Fitting, Straight	
30	2220596	AR	Fitting, Elbow	
31	2220385	1	Fitting, Tee	
32	2220618	1	Fitting, Reducer	
34	2220852	2	Fitting, Straight	
35	2753197	1	Hose	
36	2753196	1	Hose	
37	2220490	2	Fitting, Tee	
38	4567139	1	Tube	
39	0100020	AR	Sealant, Pipe	
40	2753216	1	Hose	
41	2753195	1	Hose	
42	2753231	1	Hose	
43	2753010	2	Hose	
44	2752468	1	Hose	
45	2752721	1	Hose	
46	2752438	1	Hose	
47	2753192	1	Hose	
48	2752494	1	Hose	

## SECTION 6 - HYDRAULIC

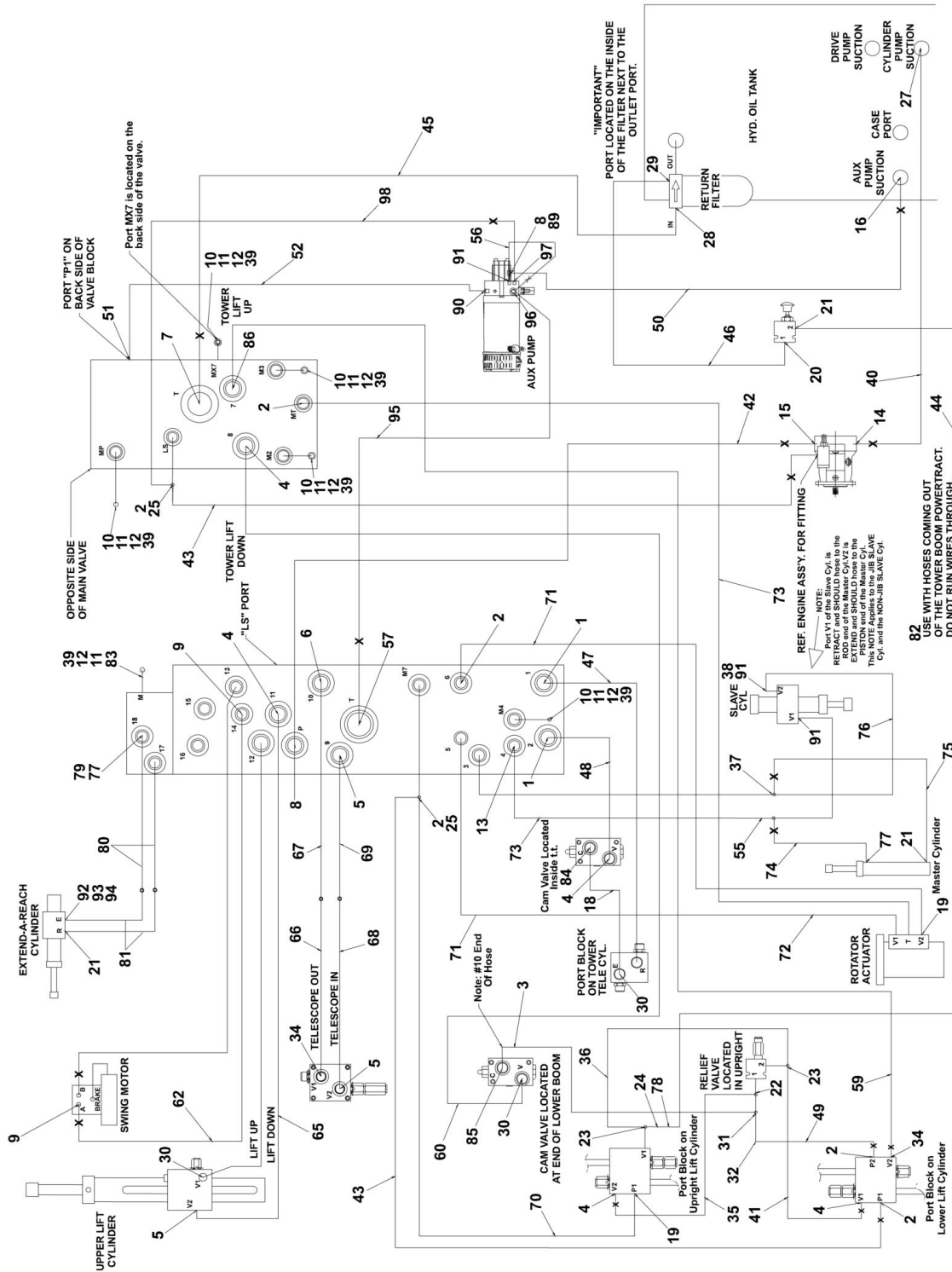
ITEM	PART NUMBER	QTY	DESCRIPTION	REV
49	2753008	1	Hose	
50		Ref	Hose Options:	
50	2752674	1	Hose (SN 0300069000 through 0300109066)	
50	2752671	1	Hose (SN 0300109067 through 0300140000)	
51	4640780	1	Fitting, Check Valve	
52	2753118	1	Hose	
53	2220775	1	Fitting, Elbow	
54	2220635	1	Fitting, Tee	
55	2220609	2	Fitting, Reducer	
56	2752463	1	Hose	
57	2220577	1	Fitting, Straight	
58		Ref	Hose Options:	
58	2753122	1	Hose (SN 0300069000 through 0300109066)	
58	2753118	1	Hose (SN 0300109067 through 0300140000)	
59	2752768	1	Hose	
60	2752930	1	Hose	
62	2752462	2	Hose	
65	2753189	2	Hose	
66	2752767	1	Hose	
67	2752766	1	Hose	
68	2753190	1	Hose	
69	2753191	1	Hose	
70	2752978	1	Hose	
71	2752585	2	Hose	
72		Ref	Hose Options:	
72	2753009	3	Hose 800A	
72	2753006	3	Hose 800AJ	
73	2753007	3	Hose	
74	2753124	1	Hose	
75	2753125	1	Hose	
76		Ref	Hose Options:	
76	2753129	2	Hose 800A	
76	2753126	2	Hose 800AJ	
77	2220501	AR	Fitting, Elbow	
78	4567757	1	Tube	
79		Ref	Fitting, Reducer Options:	
79	Not Required	0	Fitting, Reducer 800A	
79	2220591	2	Fitting, Reducer 800AJ	
80		Ref	Hose Options:	
80	Not Required	0	Hose 800A	
80	2753123	2	Hose 800AJ	
81		Ref	Hose Options:	
81	Not Required	0	Hose 800A	
81	2753128	2	Hose 800AJ	
82	4100062	4	Protection, Nylon Hose (24in/61cm per piece)	
83	2220873	1	Fitting (800AJ Only)	
84	2220947	1	Fitting, Straight	
85	2221036	1	Fitting, Elbow	
86	2220950	1	Fitting, Elbow	
87		Ref	Fitting, Straight Options:	
87	2220371	2	Fitting, Straight (SN 0300069000 through 0300109066)	

## SECTION 6 - HYDRAULIC

ITEM	PART NUMBER	QTY	DESCRIPTION	REV
87	2220603	2	Fitting, Straight (SN 0300109067 through 0300140000)	
88		Ref	Fitting Options:	
88	2220371	1	Fitting, Straight (SN 0300069000 through 0300109066)	
88	2220501	1	Fitting, Elbow (SN 0300109067 through 0300140000)	
89	2220655	1	Fitting, Elbow (SN 0300109067 through 0300140000)	
92	2180724	1	Fitting, Modified	
93	2180380	1	Fitting, Orifice	
94	0100019	AR	Compound, Locking	
		Ref	Hose Kit Options:	
		Ref	Hose Kit 800A	
	2902456	1	Hose Kit (Includes Items 72 & 76) (SN 0300088387 through 0300140000)	
	2902457	1	Hose Kit (Includes Items 3, 35, 36, 41, 44, 49, 60, 65, 67, 69, 70, 71 & 73) (SN 0300088387 through 0300140000)	
		Ref	Hose Kit 800AJ	
	2902459	1	Hose Kit (Includes Items 72, 76 & 81) (SN 0300088387 through 0300140000)	
	2902457	1	Hose Kit (Includes Items 3, 35, 36, 41, 44, 49, 60, 65, 67, 69, 70, 71 & 73) (SN 0300088387 through 0300140000)	

# SECTION 6 - HYDRAULIC

## FIGURE 6-7. STANDARD HYDRAULIC DIAGRAM (WITH BUCHER BRAND AUXILIARY PUMP)





## SECTION 6 - HYDRAULIC

**FIGURE 6-7. STANDARD HYDRAULIC DIAGRAM (WITH BUCHER BRAND AUXILIARY PUMP)**

ITEM	PART NUMBER	QTY	DESCRIPTION	REV
		Ref	<b>STANDARD HYDRAULIC DIAGRAM</b>	
	1001143187	Ref	<b>Standard Hydraulic Diagram 800A</b>	A
	1001143188	Ref	<b>Standard Hydraulic Diagram 800AJ</b>	A
1	2220381	2	Fitting, Straight	
2	2220415	8	Fitting, Straight	
3	2753199	1	Hose	
4	2220373	6	Fitting, Straight	
5	2220500	3	Fitting, Elbow	
6	2220947	1	Fitting, Straight	
7	2220376	1	Fitting, Straight	
8	2220593	2	Fitting, Straight	
9	2220371	4	Fitting, Straight	
10	2220873	5	Fitting, Straight	
11	2220428	AR	Fitting, Quick Disconnect	
12	2220429	AR	Fitting, Dust Cap	
13	2220502	1	Fitting, Elbow	
14	2220737	1	Split Flange Kit #24	
15	2220478	1	Split Flange Kit #16	
16	2220451	1	Fitting, Straight	
18	2753200	1	Hose	
19	2220466	4	Fitting, Elbow	
20	2220582	1	Fitting, Straight	
21	2220473	AR	Fitting, Elbow	
22	2220602	1	Fitting, Tee	
23	2220999	2	Fitting, Tee	
24	2220619	1	Fitting, Reducer	
25	2220605	2	Fitting, Tee	
27	2220765	1	Fitting, Straight	
28	2220379	1	Fitting, Straight	
29	2220574	1	Fitting, Straight	
30	2220596	4	Fitting, Elbow	
31	2220385	1	Fitting, Tee	
32	2220618	1	Fitting, Reducer	
34	2220852	2	Fitting, Straight	
35	2753197	1	Hose	
36	2753196	1	Hose	
37	2220490	2	Fitting, Tee	
38	4567139	1	Tube	
39	0100020	AR	Sealant, Pipe	
40	2753216	1	Hose	
41	2753195	1	Hose	
42	2753231	1	Hose	
43	2753010	2	Hose	
44	2752468	1	Hose	
45	2752721	1	Hose	
46	2752438	1	Hose	
47	2753192	1	Hose	
48	2752494	1	Hose	
49	2753008	1	Hose	
50	2752671	1	Hose	

## SECTION 6 - HYDRAULIC

ITEM	PART NUMBER	QTY	DESCRIPTION	REV
51	4640780	1	Fitting, Check Valve	
52	2753118	1	Hose	
55	2220609	2	Fitting, Reducer	
56	2752463	1	Hose	
57	2220577	1	Fitting, Straight	
59	2752768	1	Hose	
60	2752930	1	Hose	
62	2752462	2	Hose	
65	2753189	2	Hose	
66	2752767	1	Hose	
67	2752766	1	Hose	
68	2753190	1	Hose	
69	2753191	1	Hose	
70	2752978	1	Hose	
71	2752585	2	Hose	
72		Ref	Hose Options:	
72	2753009	3	Hose 800A	
72	2753006	3	Hose 800AJ	
73	2753007	3	Hose	
74	2753124	1	Hose	
75	2753125	1	Hose	
76		Ref	Hose Options:	
76	2753129	2	Hose 800A	
76	2753126	2	Hose 800AJ	
77	2220501	1	Fitting, Elbow	
78	4567757	1	Tube	
79		Ref	Fitting, Reducer Options:	
79	Not Required	0	Fitting, Reducer 800A	
79	2220591	2	Fitting, Reducer 800AJ	
80		Ref	Hose Options:	
80	Not Required	0	Hose 800A	
80	2753123	2	Hose 800AJ	
81		Ref	Hose Options:	
81	Not Required	0	Hose 800A	
81	2753128	2	Hose 800AJ	
82	4100062	4	Protection, Nylon Hose (24in/61cm per piece)	
83	2220873	1	Fitting (800AJ Only)	
84	2220947	1	Fitting, Straight	
85	2221036	1	Fitting, Elbow	
86	2220950	1	Fitting, Elbow	
89	2220655	1	Fitting, Elbow	
90	2220501	1	Fitting	
91	2220603	3	Fitting, Straight	
92		Ref	Fitting, Modified Options:	
92	Not Required	0	Fitting, Modified 800A	
92	2180724	1	Fitting, Modified 800AJ	
93		Ref	Fitting, Orifice Options:	
93	Not Required	0	Fitting, Orifice 800A	
93	2180380	1	Fitting, Orifice 800AJ	
94	0100019	AR	Compound, Locking	
95	1001109690	1	Hose	

## SECTION 6 - HYDRAULIC

ITEM	PART NUMBER	QTY	DESCRIPTION	REV
96	2220606	1	Fitting, Tee	
97	2220923	1	Fitting, Straight	
98	1001143192	1	Hose	
		Ref	Hose Kit Options:	
		Ref	Hose Kit 800A	
	2902456	1	Hose Kit (Includes Items 72 & 76)	
	2902457	1	Hose Kit (Includes Items 3, 35, 36, 41, 44, 49, 60, 65, 67, 69, 70, 71 & 73)	
		Ref	Hose Kit 800AJ	
	2902459	1	Hose Kit (Includes Items 72, 76 & 81)	
	2902457	1	Hose Kit (Includes Items 3, 35, 36, 41, 44, 49, 60, 65, 67, 69, 70, 71 & 73)	

# SECTION 6 - HYDRAULIC

## FIGURE 6-8. HYDRAULIC DIAGRAM LIST

ITEM	PART NUMBER	QTY	DESCRIPTION	REV
		Ref	<b>Note: Diagrams not shown in manual are available from JLG Service/Parts Departments.</b>	
		Ref	<b>Axle Lockout Hydraulic Diagram (Machines with Oscillating Axle)</b>	
	2792367	Ref	All Machines Built (SN 0300069000 through 0300083331)	
	2792648	Ref	Machine without Tow Package (SN 0300083332 through 0300140000)	
	1283387	Ref	Machine without Tow Package (SN 0300083332 through 0300140000)	
	2792367	Ref	Machine with Tow Package (SN 0300083332 through 0300140000)	
		Ref	<b>Drive Hydraulic Diagrams:</b>	
		Ref	<b>2WD/2WS Machines</b>	
	2792362	Ref	2WD/2WS Machines (SN 0300069000 through 0300083331)	
	2792693	Ref	2WD/2WS Machines (SN 0300083332 through 0300087265)	
	2792712	Ref	2WD/2WS Machines (SN 0300087266 through 0300140000)	
		Ref	<b>4WD/2WS Machines</b>	
	2792363	Ref	4WD/2WS Machines (SN 0300069000 through 0300083331)	
	2792637	Ref	4WD/2WS Machines (SN 0300083332 through 0300087265)	
	2792711	Ref	4WD/2WS Machines (SN 0300087266 through 0300140000)	
	2792745	Ref	4WD/2WS Machines (With Arctic Package) (SN 0300087266 through 0300140000)	
		Ref	<b>4WD/4WS Machines</b>	
	2792364	Ref	4WD/4WS Machines (SN 0300069000 through 0300083331)	
	2792699	Ref	4WD/4WS Machines (SN 0300083332 through 0300087265)	
	2792710	Ref	4WD/4WS Machines (SN 0300087266 through 0300140000)	
	1001106992	Ref	4WD/4WS Machines (With Arctic Package) (SN 0300133887 through 0300140000)	
		Ref	<b>Oil Cooler Hydraulic Schematic</b>	
		Ref	<b>Deutz Engine</b>	
	1282665	Ref	Deutz Engine (SN 0300069000 through 0300137667)	
	Not Required	0	Deutz Engine (SN 0300137668 through 0300140000)	
	1283309	Ref	<b>Ford EFI Engine</b>	
		Ref	<b>Standard Hydraulic Diagrams:</b>	
	2792365	Ref	Standard Hydraulic Diagrams 800A (Fenner and Haldex Brand Auxiliary Pump)	
	1001143187	Ref	Standard Hydraulic Diagrams 800A (Bucher Brand Auxiliary Pump)	
	2792366	Ref	Standard Hydraulic Diagrams 800AJ (Fenner and Haldex Brand Auxiliary Pump)	
	1001143188	Ref	Standard Hydraulic Diagrams 800AJ (Bucher Brand Auxiliary Pump)	
		Ref	<b>Standard Hydraulic Schematic</b>	
	2792351	Ref	Standard Hydraulic Schematic (SN 0300069000 through 0300083331)	
	2792629	Ref	Standard Hydraulic Schematic (SN 0300083332 through 0300140000)	
		Ref	<b>Tow Bar Hydraulic Diagram</b>	
	2792591	Ref	Tow Bar Hydraulic Diagram (SN 0300069000 through 0300083331)	
	2792700	Ref	Tow Bar Hydraulic Diagram (SN 0300083332 through 0300140000)	

## SECTION 6 - HYDRAULIC

ITEM	PART NUMBER	QTY	DESCRIPTION	REV
	1283387	Ref	Tow Bar Hydraulic Diagram (SN 0300083332 through 0300140000)	C
		Ref	<b>Tilt Sensor Installation Options:</b>	
	1001093187	Ref	<b>Tilt Sensor Installation (SN 0300069000 through 0300112884)</b>	
	1001094557	Ref	Adapter, Pressure Tap	



**SECTION 7 - ELECTRICAL**

# SECTION 7 - ELECTRICAL

## FIGURE 7-1. ELECTRICAL DIAGRAM LIST

ITEM	PART NUMBER	QTY	DESCRIPTION	REV
		Ref	<b>Note: Diagrams not shown are available from the JLG Service Department. Schematics shown in the Service and Maintenance Manual.</b>	
	1282571	Ref	<b>COLD WEATHER START ELECTRICAL DIAGRAM</b>	
	4933307	Ref	<b>DRIVE/STEER CUT-OUT ELECTRICAL DIAGRAMS</b>	
	0257157	Ref	<b>ETHER START ELECTRICAL DIAGRAM</b>	
	1282571	Ref	<b>ETHER START ELECTRICAL DIAGRAM</b>	
	4932986	Ref	<b>ENGINE SHUTDOWN ELECTRICAL DIAGRAM (DEUTZ ENGINE MACHINES OPTION)</b>	
		Ref	<b>GENERATOR ELECTRICAL DIAGRAMS</b>	
		Ref	<b>2500W</b>	
		Ref	<b>Caterpillar, Deutz and Ford Engines</b>	
	4933215	Ref	<b>110Volt (SN 0300069000 through 0300077499)</b>	
	4933216	Ref	<b>220 Volt (SN 0300069000 through 0300077499)</b>	
	4933300	Ref	<b>110/220 Volt (SN 0300077500 through 0300139399)</b>	
	1001112588	Ref	<b>60Hz (SN 0300139400 through 0300140000)</b>	
	1001112743	Ref	<b>50Hz (SN 0300139400 through 0300140000)</b>	
	Not Required	0	<b>Ford Engines 110/220 Volt (SN 0300139400 through 0300140000)</b>	
	4933350	Ref	<b>GM Engines - ANSI and ANSI Export Specs</b>	
		Ref	<b>7500W Options:</b>	
		Ref	<b>Caterpillar and Deutz Engines</b>	
	4933264	Ref	<b>Caterpillar and Deutz Engines (SN 0300069000 through 0300139399)</b>	
	1001112586	Ref	<b>Caterpillar and Deutz Engines (SN 0300139400 through 0300140000)</b>	
	4933283	Ref	<b>Ford Engines</b>	
	4933349	Ref	<b>GM Engines</b>	
		Ref	<b>GLOW PLUG DIAGRAM OPTIONS:</b>	
	4933189	Ref	<b>GLOW PLUG DIAGRAM (SN 0300069000 through 0300073048)</b>	
	4922565	1	<b>Harness</b>	
	4933217	Ref	<b>GLOW PLUG DIAGRAM (SN 0300073049 through 0300140000)</b>	
	4933231	Ref	<b>LIGHTS ELECTRICAL DIAGRAMS (NON-UL SPEC MACHINES)</b>	
	4922643	1	<b>Harness (Located in Ground Console Box)</b>	
	3740049	1	<b>Relay</b>	
	4933273	Ref	<b>LIGHTS ELECTRICAL DIAGRAMS (UL MACHINES)</b>	
	4922855	1	<b>Harness (Located in Ground Console Box)</b>	
	3740049	1	<b>Relay</b>	
	4933218	Ref	<b>PLATFORM SOFT TOUCH SYSTEM ELECTRICAL DIAGRAM</b>	
		Ref	<b>PLATFORM WORKLIGHTS ELECTRICAL DIAGRAMS</b>	
	0270814	Ref	<b>Non-UL Spec 800A/800AJ (SN 0300069000 through 0300074426)</b>	
	0273484	Ref	<b>Non-UL Spec 800A (SN 0300074427 through 0300140000)</b>	
	0273485	Ref	<b>Non-UL Spec 800AJ (SN 0300074427 through 0300140000)</b>	
	0272742	Ref	<b>UL Spec MACHINES</b>	
	0274207	Ref	<b>SLOPE SENSOR ELECTRICAL DIAGRAM</b>	
		Ref	<b>STANDARD ELECTRICAL DIAGRAMS:</b>	
		Ref	<b>Caterpillar Engine without UGM</b>	
	4933296	Ref	<b>Caterpillar Engine without UGM (SN 0300069000 through 0300087265)</b>	

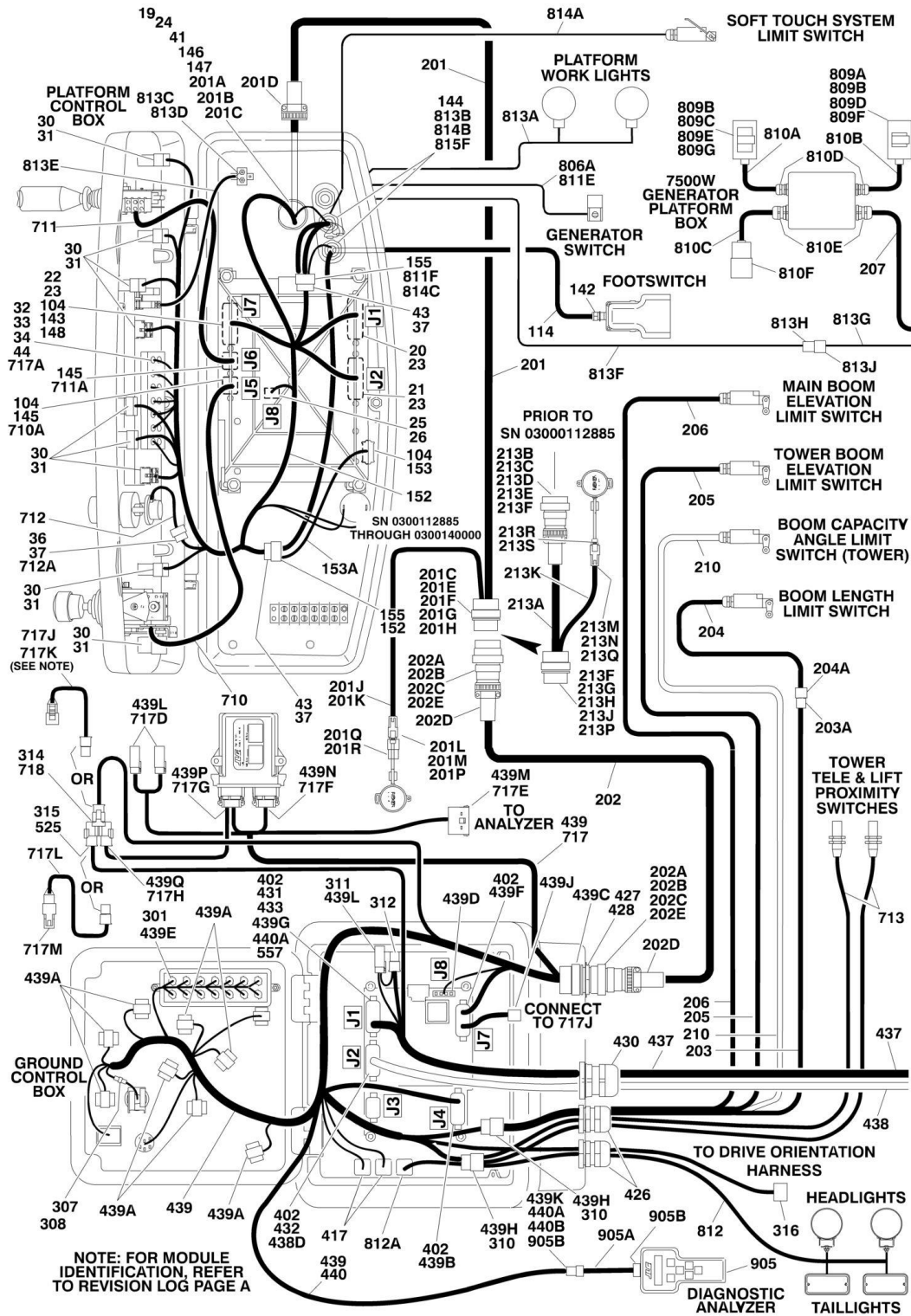


## SECTION 7 - ELECTRICAL

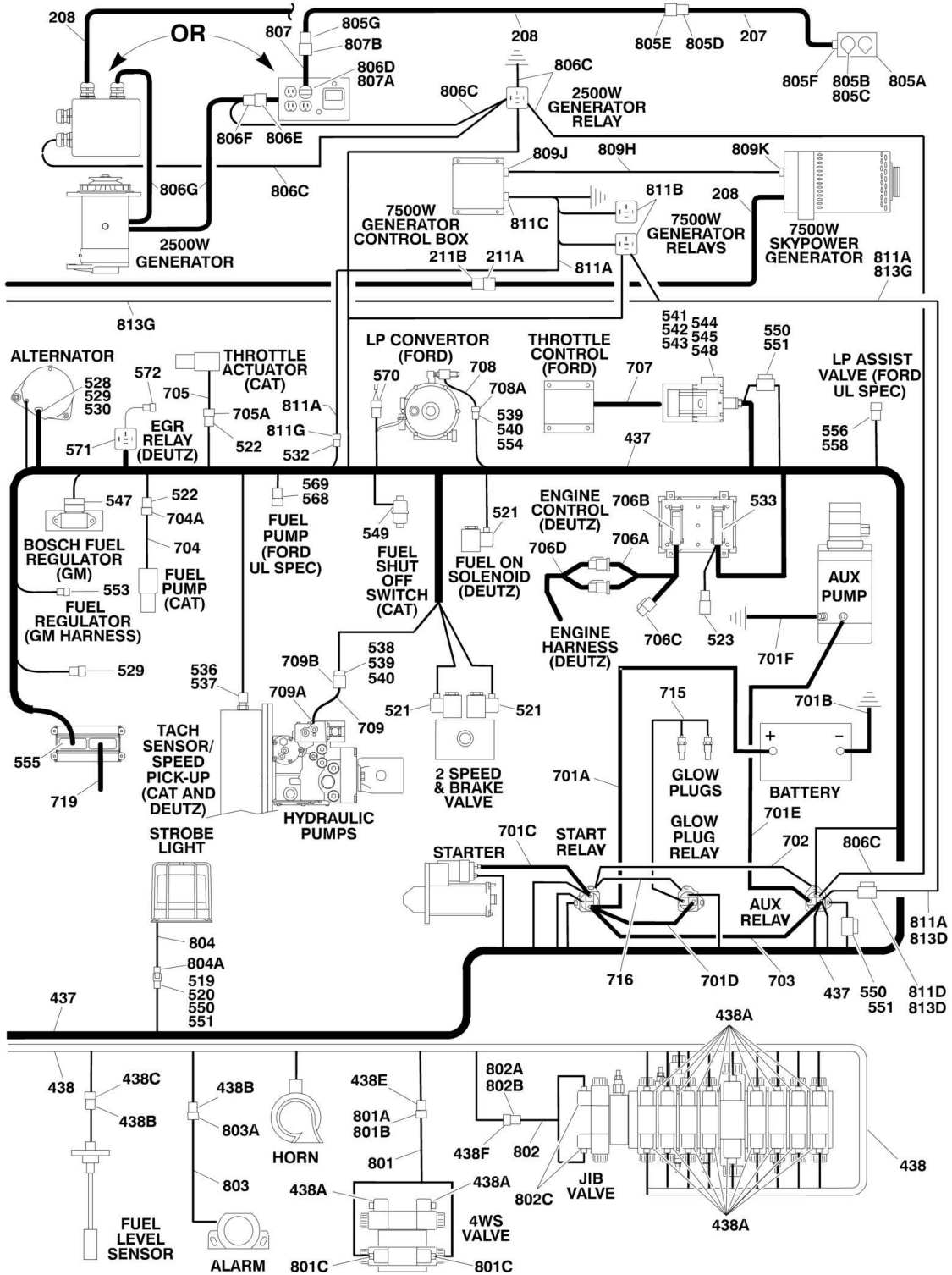
ITEM	PART NUMBER	QTY	DESCRIPTION	REV
	4933338	Ref	Caterpillar Engine without UGM (SN 0300087266 through 0300099883)	
	4933373	Ref	Caterpillar Engine without UGM (SN 0300099884 through 0300140000)	
	1001110323	Ref	Caterpillar Engine with UGM	
		Ref	Deutz Engine without UGM	
	4933232	Ref	Deutz Engine without UGM (SN 0300069000 through 0300085330)	
	4933321	Ref	Deutz Engine without UGM (SN 0300085331 through 0300099883)	
	4933372	Ref	Deutz Engine without UGM (SN 0300099884 through 0300140000)	
	1001110322	Ref	Deutz Engine with UGM	
		Ref	Ford EFI Engine	
	4933233	Ref	Ford EFI Engine (SN 0300069000 through 0300087265)	
	4933339	Ref	Ford EFI Engine (SN 0300087266 through 0300140000)	
		Ref	GM Engine without UGM	
	4933356	Ref	GM Engine without UGM (SN 0300069000 through 0300099883)	
	4933371	Ref	GM Engine without UGM (SN 0300099884 through 0300140000)	
	1001110321	Ref	GM Engine with UGM	
		Ref	NOTE: FOR MODULE IDENTIFICATION, REFER TO REVISION LOG PAGE A.	
		Ref	STANDARD ELECTRICAL SCHEMATICS	
		Ref	Non-UL Spec Machines with Internal Tilt and without UGM	
	1870132	Ref	Deutz Engines and All Caterpillar and Ford Engines (SN 0300069000 through 0300085330, SN 0300069000 through 0300099883)	
	1870191	Ref	Deutz and GM Engines (SN 0300085331 through 0300099883)	
	1001096461	Ref	Caterpillar, Deutz and GM Engines (SN 0300099884 through 0300140000)	
	1001110310	Ref	Non-UL Spec Machines with Internal Tilt and with UGM	
	1001131992	Ref	GM Engine Schematic (Engine Schematic Only. P/N 1001110310 is schematic for complete machine)	
	1870160	Ref	UL Spec Machines	
		Ref	NOTE: FOR MODULE IDENTIFICATION, REFER TO REVISION LOG PAGE A.	
		Ref	Note: For Schematic p/n's 1870132/1870191 & 1870160 see schematic 1001096491 and field bulletin FSB107C2 for platform and MTB wiring.	

# SECTION 7 - ELECTRICAL

## FIGURE 7-2. HARNESS COMPONENTS INSTALLATION WITHOUT UGM



# SECTION 7 - ELECTRICAL



# SECTION 7 - ELECTRICAL

## FIGURE 7-2. HARNESS COMPONENTS INSTALLATION WITHOUT UGM

ITEM	PART NUMBER	QTY	DESCRIPTION	REV
		Ref	<b>NOTE: FOR MODULE IDENTIFICATION, REFER TO REVISION LOG PAGE A.</b>	
		Ref	<b>PLATFORM BOX HARNESS ASSEMBLY</b>	
	4922639	Ref	<b>Platform Box Harness Assembly (SN 0300069000 through 0300136487)</b>	8-I
	1001107753	Ref	<b>Platform Box Harness Assembly (SN 0300136488 through 0300140000)</b>	B
19	4460866	1	Connector - 19 Position	
20	4460874	1	Plug, Male 35 Position (Natural)	
21	4460875	1	Plug, Male 35 Position (Gray)	
22	4460873	1	Plug, Male 35 Position (Black)	
23	4460871	AR	Socket, Female	
24	4460464	7	Pin, Male (16 Gauge)	
25	4460879	1	Plug, Male 2 Position	
26	4460887	2	Terminal (12 Gauge)	
30	4460418	9	Connector - 6 Position	
31	4460419	27	Terminal, Female	
32	4120035	AR	Base, Light	
33	4460634	AR	Terminal, (16 Gauge)	
34	4460635	AR	Terminal, (12 Gauge)	
36	4460225	1	Plug, Male 6 Position	
37	4460227	AR	Pin	
41	4460508	3	Pin, Male (12 Gauge)	
43	4460434	2	Plug, Male 15 Position	
44	2920129	AR	Lamp, Indicator	
		Ref	<b>PLATFORM BOX ASSEMBLY COMPONENTS</b>	
104	0100048	AR	Grease, Dielectric	
114	1060918	8 ft/2.4m	Cable, Electrical - 18/3	
142	4460071	1	Connector, Strain Relief	
143	4460226	2	Socket, Female	
144	4460428	2	Connector, Strain Relief	
145	4460464	1	Pin, Male (16 Gauge)	
146	4460470	1	Nut, Terminal	
147	4460471	1	Lockwasher, Terminal	
148	4460905	5	Seal, Plug	
152		Ref	Harness, Console Box Options (See Items 1-44 for Breakdown):	
152	4922639	1	Harness, Console Box <b>(SN 0300069000 through 0300136487)</b>	
152	1001107753	1	Harness, Console Box <b>(SN 0300136488 through 0300140000)</b>	
153	4922666	1	Harness, Analyzer Cable	2-B
153	4460226	4	Socket, Female (Not Shown - Located at J2)	
153A	4460761	1	Connector, Female - 4 Position	
153A	4460227	4	Pin, Male	
155	4460708	2	Connector, Female 15 Position	
		Ref	<b>BOOM CABLES INSTALLATION</b>	
	0271374	Ref	<b>Boom Cables Installation 800A</b>	F
	0272429	Ref	<b>Boom Cables Installation 800A (With 7500W Generator) (SkyPower)</b>	D
	1001093748	Ref	<b>Boom Cables Installation 800A (With Arctic Package)</b>	A
	1001091330	Ref	<b>Boom Cables Installation 800A (With Arctic Package and 7500W Generator) (SkyPower)</b>	B
	0271376	Ref	<b>Boom Cables Installation 800AJ</b>	4

## SECTION 7 - ELECTRICAL

ITEM	PART NUMBER	QTY	DESCRIPTION	REV
	0272431	Ref	<b>Boom Cables Installation 800AJ (With 7500W Generator) (SkyPower)</b>	3
	0275204	Ref	<b>Boom Cables Installation 800AJ (With Arctic Package)</b>	1
	1001092093	Ref	<b>Boom Cables Installation 800AJ (With Arctic Package and 7500W Generator) (SkyPower)</b>	2
	1001116474	Ref	<b>Boom Cables Installation 800AJ (With David Clark Communication System and 7500W Generator) (SkyPower) (Note: Not Shown - Contact your JLG Parts Representative)</b>	1
201		Ref	Harness Assembly - Main Boom (12/4 -18/8) Options:	
201	4922575	1	Harness Assembly - Main Boom (12/4 -18/8), 800A	5-E
201	1001091315	1	Harness Assembly - Main Boom (12/4 -18/8), 800A (With Arctic Package)	C
201	4922582	1	Harness Assembly - Main Boom (12/4 -18/8), 800AJ	F
201	4923490	1	Harness Assembly - Main Boom (12/4 -18/8), 800AJ (With Arctic Package)	2-C
201	1060896	AR	Cable, Electrical - 4 #12 AWG, 8 #18 AWG and 1 STP #18 AWG (Without Arctic Package)	
201	4923462	Ref	Cable, Electrical - 4 #12 AWG, 8 #18 AWG and 1 STP #18 AWG Options (With Arctic Package):	
201	4923462	1 ft/20.4m	Cable, Electrical - 4 #12 AWG, 8 #18 AWG and 1 STP #18 AWG 800A (With Arctic Package)	
201	4923462	64 ft /19.5m	Cable, Electrical - 4 #12 AWG, 8 #18 AWG and 1 STP #18 AWG 800AJ (With Arctic Package)	
201	0100009	AR	Sealant	
201A	4460465	11	Socket, Female	
201B	4460865	1	Connector - 19 Position	
201C	4460509	4	Socket, Female	
201D	4460473	1	Clamp, Cable	
201E	4460466	8	Seal, Plug	
201F	4460464	11	Pin, Male (16 Gauge)	
201G	4460866	1	Connector - 19 Position	
201H	4460508	4	Pin, Male (12 Gauge)	
201J	4923613	1	Harness, Tilt Switch (SN 0300112885 through 0300140000)	C
201K	1060978	2 ft/0.6m	Cable, Electrical - 18/3	
201L	1001097051	1	Connector - 4 Position	
201M	1001097082	3	Pin, Male (Gold)	
201N	4460464	3	Pin, Male (16 Gauge)	
201P	4460466	1	Seal, Plug	
201Q	4461077	1	Terminal, Plug - 4 Position	
201R	See Note	3	Socket, Female (Note: Not Available for Purchase)	
202		Ref	Harness Assembly - Tower Boom (12/4 - 18/8) Options:	
202	4922576	1	Without Arctic Package	
202	4923489	1	With Arctic Package	
202	1060896	44 ft /13.4m	Cable, Electrical - 4 #12 AWG, 8 #18 AWG and 1 STP #18 AWG (Without Arctic Package)	
202	4923462	44 ft /13.4m	Cable, Electrical - 4 #12 AWG, 8 #18 AWG and 1 STP #18 AWG (With Arctic Package)	
202A	4460465	22	Socket, Female	
202B	4460865	2	Connector - 19 Position	
202C	4460509	8	Socket, Female	
202D	4460473	2	Clamp, Cable	
202E	4460466	8	Seal, Plug	
203		Ref	Harness Assembly - Tower Boom (18/2) Options (800A Only):	
203	4922579	1	Without Arctic Package	

## SECTION 7 - ELECTRICAL

ITEM	PART NUMBER	QTY	DESCRIPTION	REV
203	1001091323	1	With Arctic Package	
203	1060902	47 ft /14.3m	Cable, Electrical - 18/2 (Without Arctic Package)	
203	4923466	47 ft /14.3m	Cable, Electrical - 18/2 (With Arctic Package)	
203A	4460465	2	Socket, Female	
203A	4460891	1	Connector, Terminal - 2 Position	
204		Ref	Harness Assembly - Main Boom (18/2) Options (800A Only):	
204	4922580	1	Harness Assembly - Main Boom (18/2) (Without Arctic Package) <b>(SN 0300069000 through 0300071062)</b>	
204	4922868	1	Harness Assembly - Main Boom (18/2) (Without Arctic Package) <b>(SN 0300071063 through 0300140000)</b>	
204	1001091319	1	With Arctic Package	
204	1060902	1	Cable, Electrical - 18/2 (Without Arctic Package)	
204	1060902	27 ft/8.2m	Cable, Electrical - 18/2 (Without Arctic Package) <b>(SN 0300069000 through 0300071062)</b>	
204	1060902	30 ft/9.1m	Cable, Electrical - 18/2 (Without Arctic Package) <b>(SN 0300071063 through 03000140000)</b>	
204	4923466	30 ft/9.1m	Cable, Electrical - 18/2 (With Arctic Package)	
204A	4460464	2	Pin, Male	
204A	4460897	1	Plug, Terminal - 2 Position	
205		Ref	Harness Assembly - Tower Boom (18/2) Options:	
205	4922577	NLA	Harness Assembly - Tower Boom (18/2), 800A (Without Arctic Package) (Use p/n 4922578) <b>(SN 0300069000 through 0300098643)</b>	
205	4922578	1	Harness Assembly - Tower Boom (18/2), 800A (Without Arctic Package) <b>(SN 0300098644 through 0300140000)</b>	
205	4923487	1	Harness Assembly - Tower Boom (18/2), 800A (With Arctic Package) (Without 7500W Generator)	
205	4923488	1	Harness Assembly - Tower Boom (18/2), 800AJ (With Arctic Package) (Without 7500W Generator)	
205	4923487	1	Harness Assembly - Tower Boom (18/2), 800AJ (With Arctic Package) (With 7500W Generator)	
206		Ref	Harness Assembly - Main Boom (18/2) Options:	
206	4922578	1	Without Arctic Package	
206	4923487	1	With Arctic Package	
207		Ref	Harness Assembly - Main Boom Options:	
207		Ref	Harness Assembly - Main Boom 800A:	
207	4922215	1	(10/3) (Without Arctic Package)	
207	4922773	1	(8/5) (Without Arctic Package and With 7500W Generator) (SkyPower)	
207	1001091324	1	(10/3) (With Arctic Package)	
207	1001093745	NLA	(8/5) (With Arctic Package and 7500W Generator) (SkyPower) (Use p/n 4922773)	
207		Ref	Harness Assembly - Main Boom 800AJ:	
207	4922216	1	(10/3) (Without Arctic Package)	
207	4922775	1	(8/5) (Without Arctic Package and With 7500W Generator) (SkyPower)	
207	4923485	1	(10/3) (With Arctic Package)	
207	1001092084	NLA	(8/5) (With Arctic Package and 7500W Generator) (SkyPower) (Use p/n 4922775)	
208		Ref	Harness Assembly - Tower Boom Options:	
208	4922217	1	(10/3)	
208	4922774	1	(8/5) (With 7500W Generator) (SkyPower)	
208	4923486	1	(10/3) (With Arctic Package)	

## SECTION 7 - ELECTRICAL

ITEM	PART NUMBER	QTY	DESCRIPTION	REV
208	1001092085	NLA	(8/5) (With Arctic Package and 7500W Generator) (SkyPower) (Use p/n 4922774)	
209		Ref	Clamp, Block Options (Not Shown-Located on back of T/T):	
209	1320256	1	Clamp, Block (All except Machines With Arctic Package)	
209	1001092384	1	With Arctic Package	
210		Ref	Harness Assembly (18/2) (800A Only) Options:	
210	4922581	NLA	Harness Assembly (18/2) (800A Only) (Use p/n 4922578) <b>(SN 0300069000 through 0300098643)</b>	
210	4922578	1	Harness Assembly (18/2) (800A Only) <b>(SN 0300098644 through 0300140000)</b>	
210	4923487	1	With Arctic Package	
211	0272433	1	Cable Connector Installation (With 7500W Generator) (SkyPower)	B
211A	4460959	1	Connector, Male (With 7500W Generator) (SkyPower)	
211A	1671093	1	Cover, Male Connector (Optional)	
211B	4460960	1	Connector, Female (With 7500W Generator) (SkyPower)	
211B	1671092	1	Cover, Female Connector (Optional)	
213	1001094470	1	Harness, Boom Cable Jumper <b>(SN 0300069000 through 0300112884)</b>	C
213A	1060896	1 ft/0.3m	Cable, Electrical - 4 #12 AWG, 8 #18 AWG and 1 STP #18 AWG	
213B	4460465	11	Socket, Female	
213C	4460865	1	Connector - 19 Position	
213D	4460509	4	Socket, Female	
213E	4460473	1	Clamp, Cable	
213F	4460466	8	Seal, Plug	
213G	4460464	8	Pin, Male (16 Gauge)	
213H	4460866	1	Connector - 19 Position	
213J	4460508	4	Pin, Male (12 Gauge)	
213K	4923613	1	Harness, Tilt Switch	C
213L	1060978	2 ft/0.6m	Cable, Electrical - 18/3	
213M	1001097051	1	Connector - 4 Position	
213N	1001097082	3	Pin, Male (Gold)	
213P	4460464	3	Pin, Male (16 Gauge)	
213Q	4460466	1	Seal, Plug	
213R	1001094400	1	Tilt Sensor Harness (Boom) (Includes Sensor)	C
213S	4461077	1	Terminal, Plug - 4 Position	
213S	4460918	3	Socket, Female	
		Ref	<b>GROUND CONTROL BOX WIRING DIAGRAMS</b>	
		Ref	<b>Caterpillar Engine Machines</b>	
	4933296	Ref	<b>Caterpillar Engine Machines (SN 0300069000 through 0300087265)</b>	2-C
	4933338	Ref	<b>Caterpillar Engine Machines (SN 0300087266 through 0300099883)</b>	3-C
	4933373	Ref	<b>Caterpillar Engine Machines (SN 0300099884 through 0300140000)</b>	F
		Ref	<b>Deutz Engine Machines</b>	
	4933232	Ref	<b>Deutz Engine Machines (SN 0300069000 through 0300085330)</b>	5-G
	4933321	Ref	<b>Deutz Engine Machines (SN 0300085331 through 0300099883)</b>	F
	4933372	Ref	<b>Deutz Engine Machines (SN 0300099884 through 0300140000)</b>	F
		Ref	<b>Ford Engine Machines</b>	

## SECTION 7 - ELECTRICAL

ITEM	PART NUMBER	QTY	DESCRIPTION	REV
	4933233	Ref	<b>Ford Engine Machines (SN 0300069000 through 0300087265)</b>	4-F
	4933339	Ref	<b>Ford Engine Machines (SN 0300087266 through 0300140000)</b>	2-B
		Ref	<b>GM Engine Machines</b>	
	4933356	Ref	<b>GM Engine Machines (SN 0300069000 through 0300099883)</b>	B
	4933371	Ref	<b>GM Engine Machines (SN 0300099884 through 0300140000)</b>	F
301	2920129	AR	Bulb, Light	
307	2400065	1	Fuse, 30Amp	
308	2400066	1	Fuse, Holder	
310	4460708	2	Receptacle, Female - 15 Position	
310	4460226	AR	Socket, Female	
310	4922637	1	Harness, Jumper (Not Shown)	
311	4460894	1	Plug, Male - 6 Position (Deutz and GM Engines Only - Caterpillar Engines) <b>(SN 0300085331 through 0300140000, SN 0300099884 through 0300112885)</b>	
311	4460892	1	Receptacle, Female - 6 Position (Deutz and GM Engines Only - Caterpillar Engines) <b>(SN 0300085331 through 0300140000, SN 0300099884 through 0300112885)</b>	
312	2902443	1	Receptacle Kit (Deutz Only) <b>(SN 0300085331 through 0300140000)</b>	
312	4461071	8	Socket, Female	
312	4461072	1	Receptacle	
312	4461073	1	Cap, Dust	
312	4461074	1	Shell, Black	
313	4923591	1	Harness, Jumper (Not Shown - Located on Module J7-6 to J7-17 Caterpillar Only)	
314	4460945	1	Connector (3 Way Tee)	
315	4460539	1	Plug, Male - 3 Position (Caterpillar Only) <b>(SN 0300099884 through 0300140000)</b>	
316	4460424	1	Receptacle, Female - 2 Position	
316	4460226	2	Socket, Female	
		Ref	<b>GROUND CONTROL BOX COMPONENTS</b>	
402	0100048	AR	Grease, Dielectric	
417	3740049	Ref	Relay Options:	
417	3740049	3	Caterpillar Engine	
417	3740049	2	Deutz, Ford and GM Engines	
426	4460426	2	Connector, Strain Relief	
427	4460470	1	Nut, Terminal	
428	4460471	1	Lockwasher, Terminal	
430	4460526	1	Connector, Strain Relief	
431	4460874	1	Connector - 35 Position (Natural)	
432	4460875	1	Connector - 35 Position (Gray)	
433	4460905	4	Connector, Amp Seal Plug	
437		Ref	Engine Harness Assembly (See 501 to 570 for Breakdown)	
437		Ref	Caterpillar Engine Machines	
437	4922933	1	Caterpillar Engine Machines <b>(SN 0300069000 through 0300087265)</b>	
437	4923280	1	Caterpillar Engine Machines <b>(SN 0300087266 through 0300099883)</b>	
437	4923585	1	Caterpillar Engine Machines <b>(SN 0300099884 through 0300140000)</b>	
437	3990001	1	Diode <b>(SN 0300090372 through 0300140000)</b>	
437		Ref	Caterpillar Engine Machines	



## SECTION 7 - ELECTRICAL

ITEM	PART NUMBER	QTY	DESCRIPTION	REV
437	4922549	1	Caterpillar Engine Machines (SN 0300069000 through 0300085330)	
437	4923238	1	Caterpillar Engine Machines (SN 0300085331 through 0300140000)	
437		Ref	Ford Engine Machines	
437	4922550	1	Non-UL Spec Machines (SN 0300069000 through 0300087265)	
437	4922846	1	UL Machines (SN 0300069000 through 0300087265)	
437	4923281	1	All Machines (SN 0300087266 through 0300140000)	
437	4923499	1	GM Engine All Machines	
438	4922557	1	VALVE HARNESS ASSEMBLY	1-A
438A	4460880	19	Connector, DIN	
438B	4460320	2	Connector, Female - 2 Position	
438B	4460267	7	Pin, Male	
438C	4460424	1	Connector, Male - 2 Position	
438C	4460268	5	Pin, Female	
438D	4460871	AR	Socket, Female	
438E	4460326	1	Connector, Male - 3 Position	
438E	4460267	7	Pin, Male	
438F	4460445	1	Connector, Female - 3 Position	
438F	4460268	5	Pin, Female	
439		Ref	Ground Control Box Harness Assemblies	
439		Ref	Caterpillar and Ford Engine Machines	
439	4922675	1	Caterpillar and Ford Engine Machines (SN 0300069000 through 0300087265)	5-F
439	4923282	1	Caterpillar and Ford Engine Machines (SN 0300087266 through 0300099883)	2-B
439	4922675	1	Deutz Engine Machines (SN 0300069000 through 0300085330)	5-F
439	4923223	1	Deutz and GM Engine Machines (SN 0300085331 through 0300099884)	G
439		Ref	Caterpillar, Deutz and GM Engine Machines	
439	4923575	1	Caterpillar, Deutz and GM Engine Machines (SN 0300099884 through 0300112884)	C
439	1001096458	1	Caterpillar, Deutz and GM Engine Machines (SN 0300112885 through 0300140000)	E
439A	4460418	9	Connector, Female - 6 Position	
439A	4460419	27	Socket, Female	
439B	4460876	1	Connector, 35- Position (Blue)	
439B	4460871	AR	Socket, Female	
439B	4460905	1	Seal, Plug	
439C	4460866	1	Connector - 19 Position	
439C	4460464	AR	Pin, Male Deutsch (16 Gauge)	
439C	4460508	3	Pin, Male Deutsch (12 Gauge)	
439D	4460878	1	Housing, Terminal- 4 Position	
439D	4460887	3	Terminal (12 Gauge)	
439E	4120035	AR	Base, Light	
439E	4460634	AR	Terminal (16 Gauge)	
439F	4460873	1	Connector, 35- Position (Black)	
439F	4460871	AR	Socket, Female	
439F	4460905	1	Seal, Plug	
439G	4460871	AR	Socket, Female	
439H	4460434	2	Plug, Male 15- Position	

## SECTION 7 - ELECTRICAL

ITEM	PART NUMBER	QTY	DESCRIPTION	REV
439H	4460227	AR	Pin	
439I	3990010	2	Diode - 6 Amp (Not Shown)	
439J		Ref	Receptacle, Female Options:	
439J	4460536	1	Receptacle, Female - 3 Position (Deutz Engine - Caterpillar Engine) <b>(SN 0300085331 through 0300112884, SN 0300099884 through 0300112884)</b>	
439J	4460943	3	Pin	
439J	4460965	1	Receptacle, Female - 3 Position <b>(SN 0300112885 through 0300140000)</b>	
439J	4460944	3	Pin	
439K	4460761	1	Connector, Female 4- Position	
439K	4460227	4	Pin, Male	
		Ref	<b>Note: Items 439L-439Q From. (SN 0300112885 through 0300140000)</b>	
439L	4460894	3	Plug, Male - 6 Position	
439L	4460465	AR	Socket, Female	
439L	4460892	3	Terminal, Buss Connector - 6 Position	
439M	4460761	1	Connector, Female 4- Position	
439M	4460227	4	Pin, Male	
439N	4460909	1	Connector - 12 Position (Black)	
439N	4460915	1	Wedge Lock - 12 Position	
439N	4460928	6	Socket, Female	
439P	4460908	1	Connector - 12 Position (Gray)	
439P	4460915	1	Wedge Lock - 12 Position	
439P	4460928	5	Socket, Female	
439Q	4460965	1	Connector, Male - 3 Position	
439Q	4460944	3	Socket, Female (Gold)	
440	4922666	1	Cable, Analyzer (Previously came out of J1. On Caterpillar and Ford Machines to Present SN 0300087266 and on Deutz and GM Machines to Present SN 0300085331 part of Item 439)	2-B
440A	4460226	4	Socket, Female	
440B	4460761	1	Connector, Female 4- Position	
440B	4460227	4	Pin, Male	
441		Ref	Ground Control Box Wiring Diagram (Not Shown - See Items 301-316 for Breakdown)	
441		Ref	Caterpillar Engine Machines	
441	4923296	1	Caterpillar Engine Machines <b>(SN 0300069000 through 0300087265)</b>	
441	4933338	1	Caterpillar Engine Machines <b>(SN 0300087266 through 0300099883)</b>	
441	4933373	1	Caterpillar Engine Machines <b>(SN 0300099884 through 0300140000)</b>	
441		Ref	Deutz Engine Machines	
441	4933232	1	Deutz Engine Machines <b>(SN 0300069000 through 0300085330)</b>	
441	4933321	1	Deutz Engine Machines <b>(SN 0300085331 through 0300099883)</b>	
441	4933372	1	Deutz Engine Machines <b>(SN 0300099884 through 0300140000)</b>	
441		Ref	Ford Engine Machines	
441	4933233	1	Ford Engine Machines <b>(SN 0300069000 through 0300087265)</b>	
441	4933339	1	Ford Engine Machines <b>(SN 0300087266 through 0300140000)</b>	
441		Ref	GM Engine Machines	

## SECTION 7 - ELECTRICAL

ITEM	PART NUMBER	QTY	DESCRIPTION	REV
441	4933356	1	GM Engine Machines (SN 0300069000 through 0300099883)	
441	4933371	1	GM Engine Machines (SN 0300099884 through 0300140000)	
		Ref	<b>ENGINE HARNESS ASSEMBLY</b>	
		Ref	<b>Caterpillar Engine Machines</b>	
	4922933	Ref	<b>Caterpillar Engine Machines (SN 0300069000 through 0300087265)</b>	2-B
	4923280	Ref	<b>Caterpillar Engine Machines (SN 0300087266 through 0300099883)</b>	3-C
	4923585	Ref	<b>Caterpillar Engine Machines (SN 0300099884 through 0300140000)</b>	D
		Ref	<b>Deutz Engine Machines</b>	
	4922549	Ref	<b>Deutz Engine Machines (SN 0300069000 through 0300085330)</b>	5-F
	4923238	Ref	<b>Deutz Engine Machines (SN 0300085331 through 0300129455)</b>	E
	1001102150	Ref	<b>Deutz Engine Machines (SN 0300129456 through 0300140000)</b>	B
		Ref	<b>Ford Engine Machines</b>	
	4922550	Ref	<b>Non-UL Spec Machines (SN 0300069000 through 0300087265)</b>	2-C
	4922846	Ref	<b>UL Machines (SN 0300069000 through 0300087265)</b>	2-B
	4923281	Ref	<b>All Machines (SN 0300087266 through 0300140000)</b>	3-C
	4923499	Ref	<b>GM Engine All Machines</b>	D
519	4460424	1	Receptacle, Female - 2 Position	
520	4460268	AR	Socket, Female (Caterpillar, Deutz and GM Engines)	
520	4460226	AR	Socket, Female (Ford Engine Machines)	
521	4460880	AR	DIN Connector without Diode	
522	4460891	2	Connector, Male - 2 Position (Caterpillar Engine Only)	
522	4460465	4	Socket, Female	
523	4461070	1	Receptacle, Female with Resistor (3 Position) (Deutz Engine Only) (SN 0300085331 through 0300140000)	
523	4461095	1	Plug, Male - 3 Position (Deutz Engine Only) (SN 0300085331 through 0300140000)	
523	4460944	3	Socket, Female (Deutz Engine Only) (SN 0300085331 through 0300140000)	
525	4460539	1	Connector, Male - 3 Position (Deutz and GM Engine Only) (SN 0300085331 through 0300140000)	
525	4460944	3	Socket, Female (Deutz and GM Engine Only) (SN 0300085331 through 0300140000)	
527	4461070	3	Receptacle with Resistor (GM Engine Only) (SN 0300069000 through 0300112884)	
527	4460944	1	Terminal, Gold (GM Engine Only) (SN 0300069000 through 0300112884)	
527	4461095	1	Plug, Male - 3 Position (GM Engine Only) (SN 0300069000 through 0300112884)	
528	4460582	3	Terminal (Ford Engine - ANSI Spec Machines Only)	
529	4460580	1	Lock, Terminal (Ford Engine - ANSI Spec Machines Only)	
530	4460579	1	Housing - 3 Position (Ford Engine - ANSI Spec Machines Only)	
532	4461157	1	Receptacle, Female - 2 Position (GM Engine Only)	
532	4460979	2	Pin, Male (GM Engine Only)	
532	4460458	2	Seal, Terminal (GM Engine Only)	
533	4461052	1	Connector, Receptacle - 25 Position (Deutz Engine Only) (SN 0300085331 through 0300140000)	
533	4461005	5	Terminal (Gold) (Deutz Engine Only) (SN 0300085331 through 0300140000)	

## SECTION 7 - ELECTRICAL

ITEM	PART NUMBER	QTY	DESCRIPTION	REV
533	4461006	5	Seal, Terminal (Deutz Engine Only) (SN 0300085331 through 0300140000)	
533	4461060	2	Terminal (Tin) (Deutz Engine Only) (SN 0300085331 through 0300140000)	
533	4461054	2	Seal, Terminal (Deutz Engine Only) (SN 0300085331 through 0300140000)	
533	4461053	1	Cover, Plug (Deutz Engine Only) (SN 0300085331 through 0300140000)	
533	4461008	18	Plug, Hole (Deutz Engine Only) (SN 0300085331 through 0300140000)	
536		Ref	Housing - 2 Position Options:	
536	4460539	1	Caterpillar Engine	
536	4460890	1	Deutz Engine (SN 0300069000 through 0300085330)	
536	Not Required	0	Deutz Engine (SN 0300085331 through 0300140000)	
536	Not Required	0	Ford Engine	
536	Not Required	0	GM Engine	
537		Ref	Terminal Options:	
537	4460465	3	Caterpillar Engine	
537	4460889	2	Deutz Engine (SN 0300069000 through 0300085330)	
537	Not Required	0	Deutz Engine (SN 0300085331 through 0300140000)	
537	Not Required	0	Ford Engine	
537	Not Required	0	GM Engine	
538	4460460	1	Connector, Male - 4 Position	
539	4460457	AR	Terminal, Female	
540	4460458	AR	Seal, Terminal	
541	4460713	1	Connector, Housing 42 Position (Ford Engine Only)	
542	4460725	1	Connector Wedge Lock, Center (Ford Engine Only)	
543	4460726	2	Connector Wedge Lock, Side (Ford Engine Only)	
544	4460800	32	Connector, Plug (Ford Engine Only)	
545	4460799	7	Pin, Male (Ford Engine Only)	
547	4461121	1	Plug, Male - 4 Position (GM Engine Only)	
547	4461122	4	Socket, Female (GM Engine Only)	
547	4461123	4	Seal, Terminal (GM Engine Only)	
548	4460728	3	Pin, Male (Ford Engine Only)	
549	4460792	1	Housing, Terminal (Caterpillar Engines Only)	
549	4460339	AR	Terminal, Spade (Caterpillar Engines Only)	
550	2400061	AR	Fuse (Ford Engine Only)	
551	2400060	AR	Holder, Fuse (Ford Engine Only)	
553	4461124	1	Receptacle, Female - 4 Position (GM Engine Only)	
553	4460693	4	Pin, Male (GM Engine Only)	
553	4460608	4	Seal, Terminal (GM Engine Only)	
553	4461161	1	Lock, Terminal (GM Engine Only)	
554	4460742	AR	Connector, Male - 2 Position (Ford Engine Only)	
555	4461109	1	Plug, Male - 16 Position (GM Engine Only)	
555	4461111	7	Pin, Male (GM Engine Only)	
555	4461113	16	Seal, Terminal (GM Engine Only)	
555	4461222	9	Plug, Terminal (GM Engine Only)	
556	4460891	1	Connector, Male - 2 Position (Ford Engine - UL Machines Only)	
557	4460871	AR	Socket, Female	
558	4460465	2	Socket, Female (Ford Engine - UL Machines Only)	
563	4460465	1	Socket, Female (UL Machines Only)	
568	4460320	1	Connector, Female - 2 Position (UL Machines Only)	

## SECTION 7 - ELECTRICAL

ITEM	PART NUMBER	QTY	DESCRIPTION	REV
569	4460226	2	Socket, Female (UL Machines Only)	
570	3730120	1	Resistor Assembly (Ford Engine Only) <b>(SN 0300073347 through 0300140000)</b>	
570	4460978	1	Receptacle, Male - 2 Position	
570	4460979	2	Pin, Male	
570	4460458	2	Seal, Terminal	
570	3730121	1	Resistor	
571	4460374	1	Connector, Relay (Deutz Engine Only) <b>(SN 0300129456 through 0300140000)</b>	
571	4460375	4	Terminal, Female (Deutz Engine Only) <b>(SN 0300129456 through 0300140000)</b>	
572	1001102290	1	Receptacle, Female - 2 Position (Deutz Engine Only) <b>(SN 0300129456 through 0300140000)</b>	
572	1001102291	2	Pin, Female (Deutz Engine Only) <b>(SN 0300129456 through 0300140000)</b>	
572	1001102304	2	Seal, Terminal (Deutz Engine Only) <b>(SN 0300129456 through 0300140000)</b>	
		Ref	<b>STANDARD HARNESS COMPONENTS</b>	
701		Ref	Battery Cable Kit Options:	
701	2901609	1	Caterpillar and Deutz Engines <b>(SN 0300069000 through 0300078363)</b>	
701	2902401	1	Caterpillar and Deutz Engines <b>(SN 0300078364 through 0300140000)</b>	
701	2901608	1	Ford Engines <b>(SN 0300069000 through 0300087265)</b>	
701	2902445	1	Ford Engines <b>(SN 0300087266 through 0300140000)</b>	
701	2902533	1	GM Engines	
701A	7016800	1	Cable, Battery (Red) (Kit p/n 2901609)	
701A	7016813	1	Cable, Battery (Red) (Kit p/n 2902401)	
701A	7016800	1	Cable, Battery (Red) (Kit p/n 2901608)	
701A	7016821	1	Cable, Battery (Red) (Kit p/n 2902445)	
701A	7027015	1	Cable, Battery (Red) (Kit p/n 2902533)	
701B	7016809	1	Cable, Battery (Black) (Kit p/n 2901609)	
701B	7027012	1	Cable, Battery (Black) (Kit p/n 2902401)	
701B	7016807	1	Cable, Battery (Black) (Kit p/n 2901608)	
701B	7016822	1	Cable, Battery (Black) (Kit p/n 2902445)	
701B	7027018	1	Cable, Battery (Black) (Kit p/n 2902533)	
701C	7016802	1	Cable To Starter (Red) (Kit p/n 2901609)	
701C	Not Required	0	Cable To Starter (Part of 701A) (Red) (Kit p/n 2902401)	
701C	7016808	1	Cable (Red) (Kit p/n 2901608)	
701C	7016808	1	Cable (Red) (Kit p/n 2902445)	
701C	7016825	1	Cable To Starter (Red) (Kit p/n 2902533)	
701D	7016803	1	Cable To Glow Plug Relay (Red) (Kit p/n 2901609)	
701D	7016803	1	Cable To Glow Plug Relay (Red) (Kit p/n 2902401)	
701D	Not Required	0	Cable (Red) (Kit p/n 2901608)	
701D	Not Required	0	Cable (Red) (Kit p/n 2902445)	
701D	Not Required	0	Cable (Red) (Kit p/n 2902533)	
701E	7016824	1	Cable (Red)	
701F	7016825	1	Cable (Black)	
702	1060904	1	Cable, Battery (Caterpillar and Deutz Engines Only)	
703	4922737	1	Harness, Relay Ground (Caterpillar and Deutz Engines Only)	
704	See Note	1	Fuel Pump Harness (Caterpillar Engines Only) (Note: Not Available for Purchase)	
704A	4460897	1	Receptacle, Female - 2 Position (Caterpillar Engines Only)	

## SECTION 7 - ELECTRICAL

ITEM	PART NUMBER	QTY	DESCRIPTION	REV
704A	4460464	2	Pin, Male (Caterpillar Engines Only)	
705	See Note	1	Throttle Actuator Harness (Caterpillar Engines Only) (Note: Not Available for Purchase)	
705A	4460897	1	Receptacle, Female - 2 Position (Caterpillar Engines Only)	
705A	4460464	2	Pin, Male (Caterpillar Engines Only)	
706	See Note	AR	Deutz Engine Harness Components (Deutz Engine Machines Only) (Note: Not Available for Purchase)	
706A		Ref	Deutz Engine Harness Options:	
706A	See Note	1	Deutz Engine Harness (Note: Not Available for Purchase) <b>(SN 0300069000 through 0300085330)</b>	
706A	7027796	1	Deutz Engine Harness <b>(SN 0300085331 through 0300140000)</b>	
706B	See Note	1	Receptacle, Female - 25 Position Only (Note: Not Available for Purchase) <b>(SN 0300085331 through 0300140000)</b>	
706C	7027793	1	Plug-In, Connector Only <b>(SN 0300085331 through 0300140000)</b>	
706D	7027794	1	Deutz Engine Harness (For other replacement parts refer to Deutz Engine dealer Only) <b>(SN 0300085331 through 0300140000)</b>	
707		Ref	Ford Engine Harness Options (For other replacement parts refer to Ford Engine dealer):	
707	7023663	1	Ford Engine Harness (ECM) <b>(SN 0300069000 through 0300073347)</b>	
707	7023681	1	Ford Engine Harness (EPM) <b>(SN 0300073348 through 0300140000)</b>	
707	7023657	1	Ford Engine TPS Harness (Not Shown)	
707	7022134	1	Ford Engine Fuel Pump Harness (Not Shown)	
708	See Note	1	Dual Fuel Shut-Off Filter Harness (Note: Not Available for Purchase)	
708A	7023679	1	Electrical Connector Kit (Includes [1] 2 Position Connector, 2 Pins and 2 Seals)	
709	See Note	1	Pump Harness (Note: Not Available for Purchase)	
709A	7007497	1	Plug (Pump End)	
709B	7007498	1	Plug (Engine Harness End)	
710	See Note	1	Controller Harness Assembly (Lift and Swing) (Note: Not Available for Purchase)	
710A	7022819	1	Plug, Male - 8 Position (Natural)	
710A	4460871	8	Socket, Female	
711	See Note	1	Controller Harness/Circuit Board Assembly (Drive and Steer) (Note: Not Available for Purchase)	
711A	7022825	1	Plug, Male - 8 Position (Black)	
711A	4460871	7	Socket, Female	
712	See Note	1	Controller Harness (Speed Control) (Note: Not Available for Purchase)	
712A	4460224	1	Receptacle, Female - 6 Position	
712A	4460226	6	Socket, Female	
713	4360499	2	Proximity Switch Harness (Includes Switch)	
714	See Note	AR	GM Engine Harness Components (GM Engine Machines Only) (Note: Not Available for Purchase)	
715	4923379	1	Harness, Glow Plugs (Deutz Engine Machines Only) <b>(SN 0300092718 through 0300140000)</b>	
716	1060904	1	Cable, Jumper (Deutz Engine Machines Only) <b>(SN 0300092718 through 0300140000)</b>	
717	1001093256	Ref	Harness, Tilt <b>(SN 0300069000 through 0300112884)</b>	F
717A	2920129	1	Bulb	
717A	4120035	1	Socket, Light	
717B	4460464	4	Pin, Male Deutsch (16 Gauge)	

## SECTION 7 - ELECTRICAL

ITEM	PART NUMBER	QTY	DESCRIPTION	REV
717C	4460871	4	Socket, Female	
717D	4460894	2	Plug, Male - 6 Position	
717D	4460465	8	Socket, Female	
717D	4460892	2	Terminal, Buss Connector - 6 Position	
717E	4460761	1	Connector, Female - 4 Position	
717E	4460227	4	Pin, Male	
717F	4460909	1	Connector - 12 Position (Black)	
717F	4460915	1	Wedge Lock - 12 Position	
717F	4460928	6	Socket, Female	
717G	4460908	1	Connector - 12 Position (Gray)	
717G	4460915	1	Wedge Lock - 12 Position	
717G	4460928	5	Socket, Female	
717H	4460965	1	Connector, Male - 3 Position	
717H	4460944	3	Socket, Female (Gold)	
717J	4922099	AR	Cable, Can-Buss (Machines with Can Buss Engine Controllers and Caterpillar Engine without Can Buss Engine Controllers)	
717J	4460965	1	Connector, Male - 3 Position	
717J	4460944	6	Socket, Female (Gold)	
717J	4460539	1	Terminal, Plug - 3 Position	
		Ref	<b>Note: Machines with Can Buss Item #717J Connect to MTB Harness Can Buss.</b>	
717K	4922099	AR	Cable, Can-Buss (Machines without Can Buss Engine Controllers)	
717K	4460965	1	Connector, Male - 3 Position	
717K	4460944	6	Socket, Female (Gold)	
717K	4460464	3	Pin, Male Deutsch (16 Gauge)	
		Ref	<b>Note: Machines without Can Buss Item #717K Connect to Deutsch Boom Cable Connector.</b>	
717L	4922099	AR	Cable, Can-Buss (Machines without Can Buss Engine Controllers)	
717L	4460539	2	Terminal, Plug - 3 Position	
717L	4460944	6	Socket, Female (Gold)	
717M	4460536	1	Terminal, Receptacle - 3 Position (Machines without Can Buss Engine Controllers)	
718	1001093187	Ref	Tilt Sensor Installation	C
718	4460945	1	Receptacle - 3 Position (3 way Tee)	
719		Ref	GM Engine Harness Options:	
719	7027991	1	Tier 1 Engines	
719	70000718	1	Tier 2 Engines	
719	70002898	1	Tier 3 & 4 interim	
719	7027989	1	Connector, Male - 10 Position (Not Shown)	
719	See Note	1	Box, Fuse (Note: Parts of Harness - Not Available for Purchase)	
719	70002627	1	Cover, Fuse Box	
719	70001950	2	Relay (Power and Fuel Pump)	
719	70001951	1	Relay (Starter)	
719	70001931	1	Fuse - 60 Amp (Alternator)	
719	See Note	1	Fuse - 20 Amp (Note: Not Available - Purchase Locally)	
719	See Note	3	Fuse - 15 Amp (Note: Not Available - Purchase Locally)	
719	See Note	1	Fuse - 10 Amp (Note: Not Available - Purchase Locally)	
719	See Note	1	Fuse - 5 Amp (Note: Not Available - Purchase Locally)	
		Ref	<b>OPTIONAL HARNESS COMPONENTS</b>	
801	4921928	1	4WS Valve Harness	E

## SECTION 7 - ELECTRICAL

ITEM	PART NUMBER	QTY	DESCRIPTION	REV
801A	4460268	3	Socket, Female	
801B	4460445	1	Connector, Female - 3 Position	
801C	4460499	2	Connector, DIN with Diode	
802	4921927	1	Jib Valve Harness (800AJ Only)	F
802A	4460326	1	Plug, Male - 3 Position	
802B	4460267	3	Pin, Male	
802C	4460499	2	Connector, DIN with Diode	
803	0257887	1	Alarm Harness (Includes Alarm)	
803A	4460424	1	Plug, Male - 2 Position	
803A	4460268	2	Socket, Female	
804		Ref	Strobe Light Harness (Includes Strobe Light) Options:	
804	0255917	1	Strobe Light Harness (Includes Strobe Light) <b>(SN 0300069000 through 0300069324)</b>	
804	0272507	1	Strobe Light Harness (Includes Strobe Light) <b>(SN 0300069325 through 0300140000)</b>	
804A	4460320	1	Connector, Female - 2 Position	
804A	4460267	2	Pin, Male	
805		Ref	2500W AC to Platform Receptacle Components Options:	
805	0272259	Ref	110V GFI Receptacle (JLG Supplied Box and Receptacle)	3
805	0272260	Ref	220V GFI Receptacle (JLG Supplied Box and Receptacle)	2
805	0256202	Ref	110/220V Receptacle (Locally Supplied Box and Receptacle)	5
805	0274619	Ref	Dual 110V GFI Receptacles (JLG Supplied Box and Receptacle) (Note: Double qty listed for Dual Receptacles)	2-B
805A	0860038	1	Box, Switch	
805B		Ref	Receptacle Options:	
805B	4460346	1	110V GFI Receptacle (JLG Supplied Box and Receptacle)	
805B	4460125	1	220V GFI Receptacle (JLG Supplied Box and Receptacle)	
805B	See Note	1	110/220V Receptacle (Locally Supplied Box and Receptacle) (Note: Not Available - Purchase Locally)	
805C		Ref	Shield, Cover Options:	
805C	4060700	1	110V GFI Receptacle (Side Hinged) (JLG Supplied Box and Receptacle)	
805C	1001110873	1	110V GFI Receptacle (Top Hinged) (JLG Supplied Box and Receptacle)	
805C	4060092	1	220V GFI Receptacle (JLG Supplied Box and Receptacle)	
805C	See Note	1	110/220V Receptacle (Locally Supplied Box and Receptacle) (Note: Not Available - Purchase Locally)	
805D		Ref	Plug, Male Options:	
805D	4460205	1	110V GFI Receptacle (JLG Supplied Box and Receptacle)	
805D	4460233	1	220V GFI Receptacle (JLG Supplied Box and Receptacle)	
805D	See Note	1	110/220V Receptacle (Locally Supplied Box and Receptacle) (Note: Not Available - Purchase Locally)	
805E		Ref	Connector, Female Options:	
805E	4460134	1	110V GFI Receptacle (JLG Supplied Box and Receptacle)	
805E	4460701	1	220V GFI Receptacle (JLG Supplied Box and Receptacle)	
805E	See Note	1	110/220V Receptacle (Locally Supplied Box and Receptacle) (Note: Not Available - Purchase Locally)	
805F	4460051	1	Connector, Strain Relief	
805G		Ref	Plug, Male Options:	
805G	4460205	1	110V GFI Receptacle (JLG Supplied Box and Receptacle)	
805G	4460233	1	220V GFI Receptacle (JLG Supplied Box and Receptacle)	
805G	See Note	1	110/220V Receptacle (Locally Supplied Box and Receptacle) (Note: Not Available - Purchase Locally)	
806		Ref	Generator Electrical Components	



## SECTION 7 - ELECTRICAL

ITEM	PART NUMBER	QTY	DESCRIPTION	REV
806	4933215	AR	110V (SN 0300069000 through 0300082503)	2-C
806	4933216	AR	220V (SN 0300069000 through 0300082503)	2-C
806	4933300	AR	110V/220V (SN 0300082504 through 0300140000)	2-A
806	4933350	AR	110V (GM Engine Only)	A
806	3990010	1	Diode - 6 Amp (Not Shown)	
806A	4922641	1	Harness - On/Off Switch	
806B	4460226	2	Socket, Female	
806C		Ref	Powermite Control Box to Relay Options:	
806C	4922482	1	Powermite Control Box to Relay (SN 0300069000 through 0300077499)	
806C	4922970	1	Powermite Control Box to Relay (SN 0300077500 through 0300140000)	
806D	4460027	1	Receptacle, Twist Lock (110V Only)	
806E	4460961	1	Connector, Female - 4 Position (SN 0300082504 through 0300140000)	
806E	4460705	4	Pin, Male	
806F	4460321	1	Connector, Male - 4 Position (SN 0300082504 through 0300140000)	
806F	4460906	4	Socket, Female	
806G	7020193	1	Harness, Generator Power	
807	4921829	1	Generator to Rear of Boom Harness (110V)	
807	4921955	1	Generator to Rear of Boom Harness (220V)	
		Ref	<b>Note: Harness used to connect AC at platform harness to generator receptacle to power platform receptacle.</b>	
807	1060494	6 ft/1.8m	Cable, Electrical - 12/3	
807A	4460205	1	Plug, Male (110V)	
807A	4460233	1	Plug, Male (220V)	
807B	4460134	1	Receptacle, Female (110V)	
807B	4460701	1	Receptacle, Female (220V)	
809		Ref	7500W SKYPOWER GENERATOR INSTALLATION	
809	0273540	Ref	60Hz and Caterpillar Engine	J
809	0273541	Ref	50Hz Spec and Caterpillar Engine	H
809	0272255	Ref	60Hz and Deutz Engine	L
809	0272492	Ref	50Hz Spec and Deutz Engine	I
809	0272817	Ref	60Hz Spec and Ford Engine	H
809	0275257	Ref	60Hz Spec and GM Engine	C
		Ref	<b>Note: SkyPower Generator is Standard On ANSI and CSA Specs. Optional on All Other Specs.</b>	
809A		Ref	Receptacle, Female Twist-Lock Options:	
809A	4460958	1	60Hz Spec	
809A	See Note	1	50Hz Spec (Note: Not Available - Purchase Locally)	
809B		Ref	Gasket Options:	
809B	3960422	2	60Hz Spec	
809B	See Note	2	50Hz Spec (Note: Not Available - Purchase Locally)	
809C		Ref	Cover, Receptacle Options:	
809C	4060700	1	60Hz Spec (Side Hinged)	
809C	1001110873	1	60Hz Spec (Top Hinged)	
809C	See Note	1	50Hz Spec (Note: Not Available - Purchase Locally)	
809D		Ref	Cover, Receptacle Options:	
809D	4061043	NLA	60Hz Spec (Use p/n 1001110872)	
809D	See Note	1	50Hz Spec (Note: Not Available - Purchase Locally)	
809E		Ref	Receptacle Options:	
809E	4460346	1	60Hz Spec	

## SECTION 7 - ELECTRICAL

ITEM	PART NUMBER	QTY	DESCRIPTION	REV
809E	See Note	1	50Hz Spec (Note: Not Available - Purchase Locally)	
809F	4460051	1	Connector, Strain Relief	
809G	4460071	1	Connector, Strain Relief	
809H	4922925	1	Harness, Generator	
809J	4460225	1	Plug, Male - 6 Position	
809J	4460226	6	Socket, Female	
809K	See Note	1	Plug, Male - 6 Position (Note: Not Available for Purchase)	
809K	See Note	6	Socket, Female (Note: Not Available for Purchase)	
810		Ref	7500W SkyPower Generator Junction Box Components	
810	0861542	Ref	60Hz Spec	C
810	0861567	Ref	50Hz Specs	B
810A		Ref	Cable, Electrical 12/3	
810A	1060494	2 ft/.6m	60Hz Spec	
810A	See Note	2 ft/.6m	50Hz Spec (Note: Not Available - Purchase Locally)	
810B		Ref	Cable, Electrical 10/3	
810B	1060708	2.5 ft /.76m	60Hz Spec	
810B	See Note	2.5 ft /.76m	50Hz Spec (Note: Not Available - Purchase Locally)	
810C	1060343	1.5 ft /.46m	Cable, Electrical 10/4 (60Hz Spec Only)	
810D	4460425	2	Connector, Strain Relief	
810E		Ref	Component Options:	
810E	4460426	2	Connector, Strain Relief (60Hz Spec Only)	
810E	4460426	1	Connector, Strain Relief (50Hz Spec Only)	
810E	3520189	1	Plug (50Hz Spec Only)	
810F	1671092	1	Cover (60Hz Spec Only)	
810F	4460963	1	Connector (60Hz Spec Only)	
811		Ref	7500W Generator Electrical Diagram Components	
811	4933264	Ref	Caterpillar and Deutz Engine Machines	C
811	4933283	Ref	Ford Engine Machines	2-B
811	4933349	Ref	GM Engine Machines	1-A
811A		Ref	Generator Harness Options:	
811A	4922757	1	Caterpillar and Deutz Engine Machines	3-C
811A	4922905	1	Ford Engine Machines	1-A
811A	4923420	1	GM Engine Machines	1-A
811B	4460374	2	Plug, Sealed Relay	
811B	4460375	7	Terminal	
811C	4460967	1	Plug, Male - 3 Position	
811C	4460465	3	Socket, Female	
811D	2400060	Ref	Fuseholder Options:	
811D	2400060	1	Caterpillar Deutz and GM Engine Machines	
811D	2400060	2	Ford Engine Machines	
811D	2400064	Ref	Fuse - 5 Amp Options:	
811D	2400064	1	Caterpillar Deutz and GM Engine Machines	
811D	2400064	2	Ford Engine Machines	
811E	4922641	1	Switch Harness	
811F	4460226	2	Socket, Female	
811G	4460742	1	Plug, Male - 2 Position (GM Engine Only)	
811G	4460743	2	Socket, Female (GM Engine Only)	
812	See Note	1	Lights Harness (Note: Not Available for Purchase)	
812	1060341	48 ft	Cable, Electrical - 16/2	

## SECTION 7 - ELECTRICAL

ITEM	PART NUMBER	QTY	DESCRIPTION	REV
		/14.6m		
812A	3740049	1	Relay	
812B		Ref	Harness, Bagged Options (Located at Ground Control Box) (Not Shown):	
812B	4922643	1	Non UL Spec Machines	
812B	4922855	1	UL Spec Machines	
813		Ref	Platform Worklights Components	
813A		Ref	Platform Worklights Harness (External) Options (Includes Light and Wire Only):	
813A	2920140	2	Non-UL Spec Machines	
813A	2920095	2	UL Machines	
813B		Ref	Connector, Strain Relief Options:	
813B	4460598	1	Non-UL Spec Machines <b>(SN 0300069000 through 0300074426)</b>	
813B	4460426	1	Non-UL Spec Machines <b>(SN 0300074427 through 0300140000)</b>	
813B	4460598	1	UL Machines	
813C	4360232	1	Circuit Breaker, 15Amp (Non-UL Spec Machines Built Only) <b>(SN 0300069000 through 0300074426)</b>	
813D	2400068	AR	Fuseholder (Non-UL Spec Machines Built Located at Aux Power Relay and All UL Spec Machines Located at Platform Console) <b>(SN 0300074427 through 0300140000)</b>	
813D	2400070	AR	Fuse - 10 Amp (Non-UL Spec Machines Built Located at Aux Power Relay and All UL Spec Machines Located at Platform Console) <b>(SN 0300074427 through 0300140000)</b>	
813E	4922498	1	Platform Worklights Harness (Internal) (Non-UL Spec Machines Only) <b>(SN 0300069000 through 0300074426)</b>	
813E	4922849	1	Platform Worklights Harness (Internal) (UL Spec Machines)	
813E	4460871	3	Socket, Female	
		Ref	<b>Note: Items 813F - 813J. (SN 0300074427 through 0300140000)</b>	
813F		Ref	Platform Worklights Main Boom Harness Options:	
813F	4922215	1	Platform Worklights Main Boom Harness 800A	
813F	4922216	1	Platform Worklights Main Boom Harness 800AJ	
813F	1060708	Ref	Cable, Electrical - 10/3 Options:	
813F	1060708	67 ft /20.4m	Cable, Electrical - 10/3, 800A	
813F	1060708	64 ft /19.5m	Cable, Electrical - 10/3, 800AJ	
813G	4922217	1	Platform Worklights Tower Boom Harness	
813G	1060708	39 ft /11.9m	Cable, Electrical - 10/3	
813H		Ref	Connector, Female - 3 Position Options (Platform Worklights Only):	
813H	4460459	1	Connector, Female - 3 Position <b>(SN 0300069000 through 0300117586)</b>	
813H	4460789	3	Terminal, Seal	
813H	4460790	3	Socket, Female	
813H	1001098234	1	Connector, Female - 3 Position <b>(SN 0300117587 through 0300140000)</b>	
813J		Ref	Connector, Male - 3 Position Options (Platform Worklights Only):	
813J	4460476	1	Connector, Female - 3 Position <b>(SN 0300069000 through 0300117586)</b>	
813J	4460789	3	Terminal, Seal	
813J	4460790	3	Socket, Female	

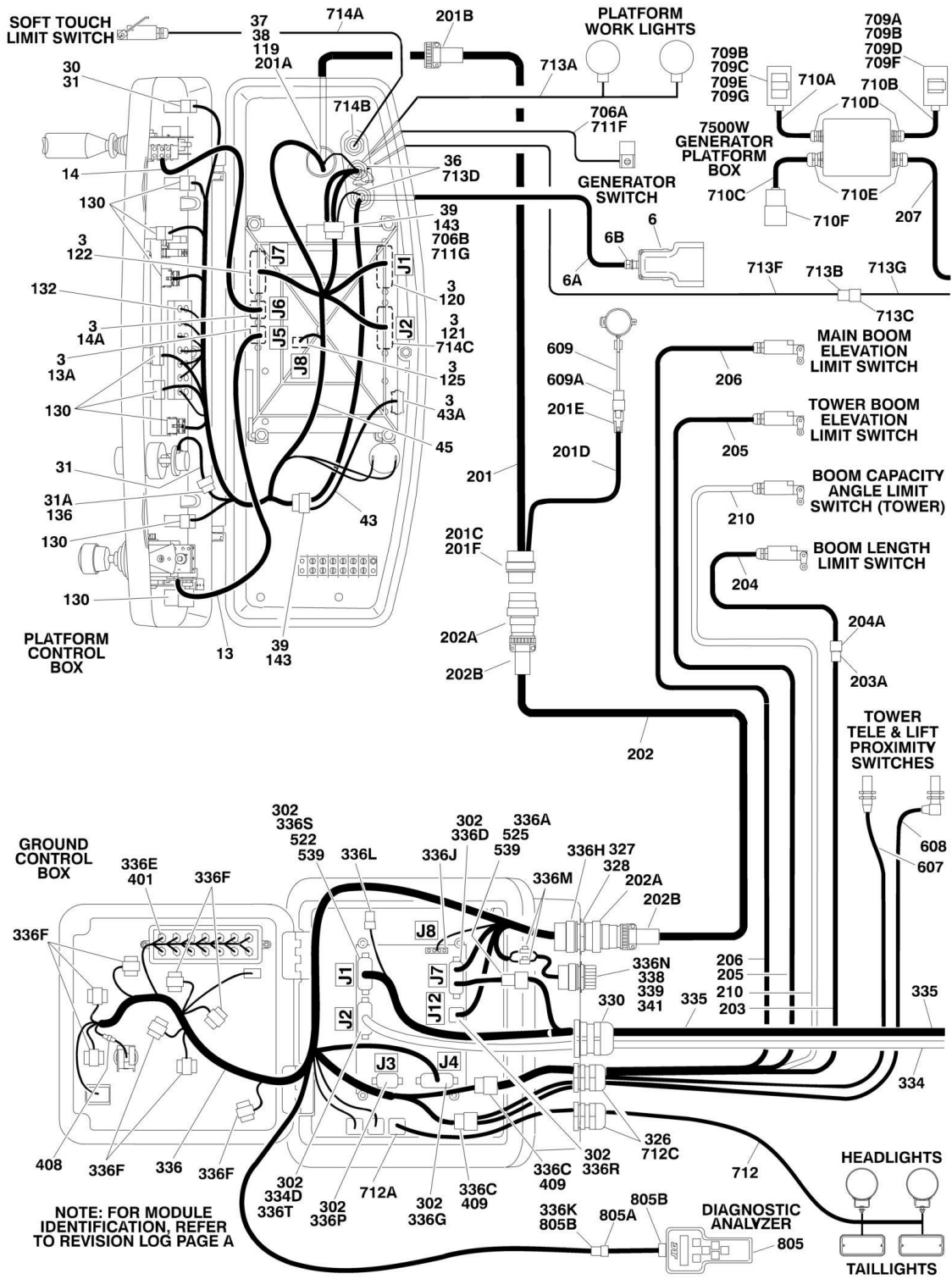
## SECTION 7 - ELECTRICAL

ITEM	PART NUMBER	QTY	DESCRIPTION	REV
813J	1001098349	1	Connector, Female - 3 Position (SN 0300117587 through 0300140000)	
814	See Note	1	Soft-Touch System Harness (Note: Not Available for Purchase)	
814A	1060341	23 ft/7.1m	Cable, Electrical - 16/2	
814B		Ref	Connector, Strain Relief Options:	
814B	4460425	1	6ft Platforms	
814B	4460049	1	8ft Platforms	
814C	4460226	2	Socket, Female	
		Ref	<b>TOOLS</b>	
901	7002821	1	Crimper (For Wire to Pin/Socket Connections) (Not Shown)	
902	7002823	1	Extractor (For Removal of Pin/Socket from Connectors) (Not Shown)	
903	4460467	1	Extractor, Pin (Blue 16-18 Gauge) (For Removal of Pin/Socket from Connectors) (Not Shown)	
903	4460510	1	Extractor, Pin (Yellow 12-14 Gauge) (For Removal of Pin/Socket from Connectors) (Not Shown)	
904	7002828	1	Stripper, Wire (Not Shown)	
905	1600244	1	Analyzer	
905A	1060633	1	Cable, Analyzer	1-A
905B	4460321	2	Plug, Male	
905B	4460226	8	Socket, Female	

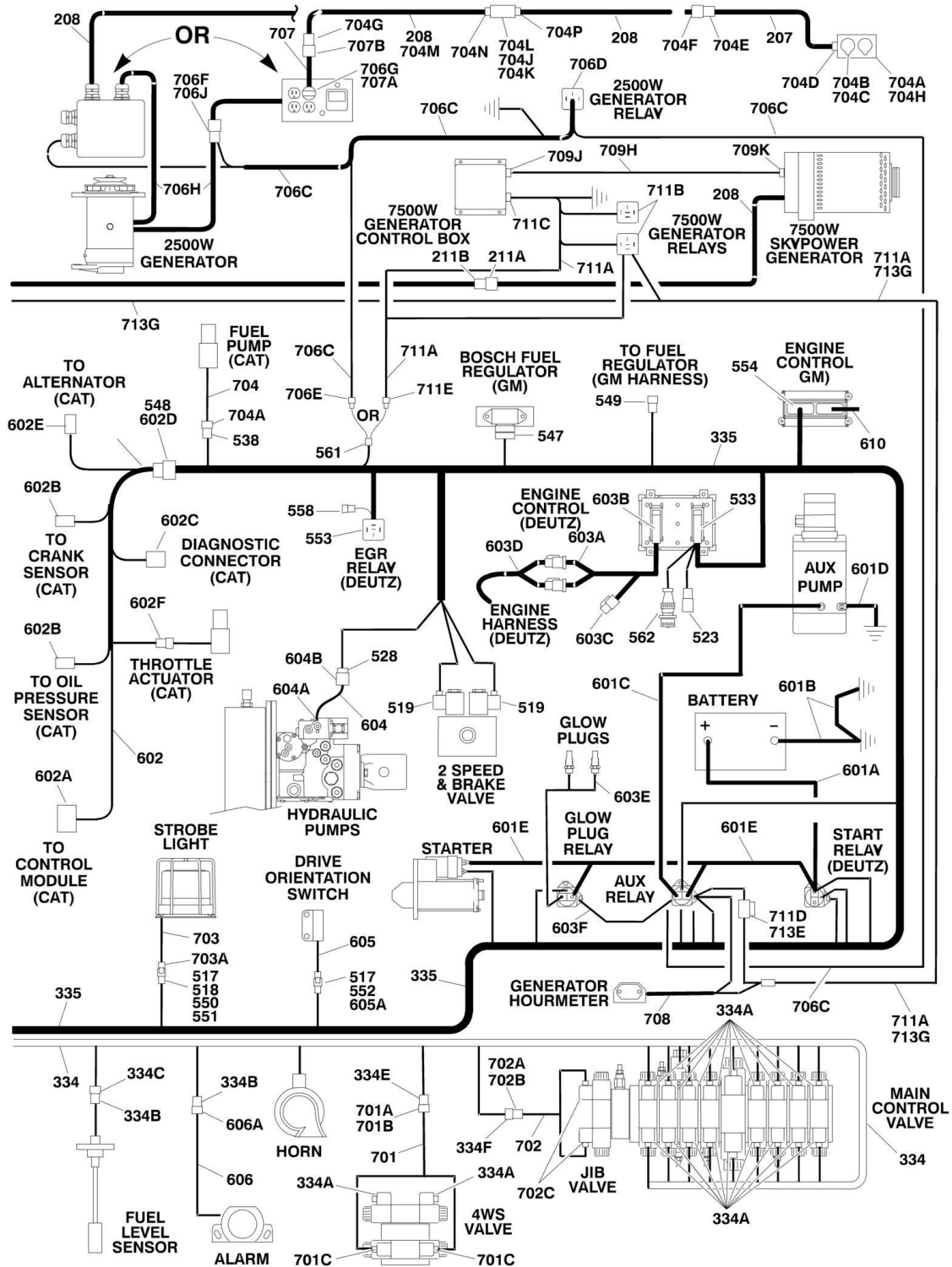


# SECTION 7 - ELECTRICAL

## FIGURE 7-3. HARNESS COMPONENTS INSTALLATION WITH UGM



# SECTION 7 - ELECTRICAL



# SECTION 7 - ELECTRICAL

## FIGURE 7-3. HARNESS COMPONENTS INSTALLATION WITH UGM

ITEM	PART NUMBER	QTY	DESCRIPTION	REV
		Ref	<b>NOTE: FOR MODULE IDENTIFICATION, REFER TO REVISION LOG PAGE A.</b>	
	1001114448	Ref	<b>PLATFORM BOX ASSEMBLY COMPONENTS</b>	C
3	0100048	AR	Grease, Dielectric	
6		Ref	Footswitch Components:	
6A	1060918	7 ft/2.13m	Cable, Electrical - 18/3	
6A	4460042	3	Terminal, Ring	
6A	4460226	2	Socket, Female	
6A	4460464	1	Pin, Male (16 Gauge)	
6B	4460071	2	Connector, Strain Relief	
13	See Note	1	Controller Harness Assembly (Lift and Swing) (Note: Not Available for Purchase)	
13A	7022819	1	Plug, Male - 8 Position (Natural)	
13A	4460871	8	Socket, Female	
14	See Note	1	Controller Harness/Circuit Board Assembly (Drive and Steer) (Note: Not Available for Purchase)	
14A	7022825	1	Plug, Male - 8 Position (Black)	
14A	4460871	7	Socket, Female	
31	See Note	1	Controller Harness (Speed Control) (Note: Not Available for Purchase)	
31A	4460224	1	Receptacle, Female - 6 Position	
31A	4460226	6	Socket, Female	
36	4460428	2	Connector, Strain Relief	
37	4460470	1	Nut, Terminal	
38	4460471	1	Lockwasher, Terminal	
39	4460708	2	Connector, Female 15 Position	
40	4460905	5	Seal, Plug	
43	4922666	1	Harness, Analyzer Cable	2-B
43	4460226	4	Socket, Female (Not Shown - Located at J2)	
43A	4460761	1	Connector, Female - 4 Position	
43A	4460227	4	Pin, Male	
45	1001107753	1	Harness, Console Box (See Items 101-144 for Breakdown)	
	1001107753	Ref	<b>PLATFORM BOX HARNESS ASSEMBLY</b>	C
119	4460866	1	Connector 19 Position	
119	4460464	7	Pin, Male (16 Gauge)	
119	4460508	3	Pin, Male (12 Gauge)	
120	4460874	1	Plug, Male 35 Position (Natural)	
120	4460871	29	Socket, Female	
121	4460875	1	Plug, Male 35 Position (Gray)	
121	4460871	24	Socket, Female	
122	4460873	1	Plug, Male 35 Position (Black)	
122	4460871	26	Socket, Female	
125	4460879	1	Plug, Male 2 Position	
125	4460887	2	Terminal (12 Gauge)	
130	4460418	9	Connector 6 Position	
130	4460419	27	Terminal, Female	
132	4120035	13	Base, Light	
132	4460634	13	Terminal, (16 Gauge)	
132	4460635	13	Terminal, (12 Gauge)	
132	2920129	13	Lamp, Indicator	



## SECTION 7 - ELECTRICAL

ITEM	PART NUMBER	QTY	DESCRIPTION	REV
136	4460225	1	Plug, Male 6 Position	
136	4460227	5	Pin, Male	
143	4460434	2	Plug, Male 15 Position	
143	4460227	25	Pin, Male	
		Ref	<b>BOOM CABLES INSTALLATION</b>	
	0271374	Ref	<b>Boom Cables Installation 800A</b>	F
	0272429	Ref	<b>Boom Cables Installation 800A (With 7500W Generator) (SkyPower)</b>	D
	1001093748	Ref	<b>Boom Cables Installation 800A (With Arctic Package)</b>	A
	1001091330	Ref	<b>Boom Cables Installation 800A (With Arctic Package and 7500W Generator) (SkyPower)</b>	B
	0271376	Ref	<b>Boom Cables Installation 800AJ</b>	4B
	0272431	Ref	<b>Boom Cables Installation 800AJ (With 7500W Generator) (SkyPower)</b>	3
	0275204	Ref	<b>Boom Cables Installation 800AJ (With Arctic Package)</b>	1
	1001092093	Ref	<b>Boom Cables Installation 800AJ (With Arctic Package and 7500W Generator) (SkyPower)</b>	2
	1001116474	Ref	<b>Boom Cables Installation 800AJ (With David Clark Communication System and 7500W Generator) (SkyPower) (Note: Not Shown - Contact your JLG Parts Representative)</b>	1
201		Ref	Harness Assembly - Main Boom (12/4 -18/8) Options:	
201	4922575	1	Harness Assembly - Main Boom (12/4 -18/8) 800A	5-E
201	1001091315	1	Harness Assembly - Main Boom (12/4 -18/8) 800A (With Arctic Package)	C
201	4922582	1	Harness Assembly - Main Boom (12/4 -18/8) 800AJ	F
201	4923490	1	Harness Assembly - Main Boom (12/4 -18/8) 800AJ (With Arctic Package)	2/C
201	1060896	AR	Cable, Electrical - 4 #12 AWG, 8 #18 AWG and 1 STP #18 AWG (Without Arctic Package)	
201	4923462	Ref	Cable, Electrical - 4 #12 AWG, 8 #18 AWG and 1 STP #18 AWG Options (With Arctic Package):	
201	4923462	67 ft /20.4m	Cable, Electrical - 4 #12 AWG, 8 #18 AWG and 1 STP #18 AWG 800A (With Arctic Package)	
201	4923462	64 ft /19.5m	Cable, Electrical - 4 #12 AWG, 8 #18 AWG and 1 STP #18 AWG 800AJ (With Arctic Package)	
201	0100009	AR	Sealant	
201A	4460865	1	Connector - 19 Position	
201A	4460465	11	Socket, Female	
201A	4460509	4	Socket, Female	
201A	4460466	4	Seal, Plug	
201B	4460473	1	Clamp, Cable	
201C	4460866	1	Connector - 19 Position	
201C	4460464	11	Pin, Male (16 Gauge)	
201C	4460508	4	Pin, Male (12 Gauge)	
201C	4460466	4	Seal, Plug	
201D	4923613	1	Harness, Tilt Switch	C
201D	1060978	2 ft/0.6m	Cable, Electrical - 18/3	
201E	1001097051	1	Connector - 4 Position	
201E	1001097082	3	Pin, Male (Gold)	
201E	4460466	1	Seal, Plug	
201F	4460464	3	Pin, Male (16 Gauge)	
202		Ref	Harness Assembly - Tower Boom (12/4 - 18/8) Options:	
202	4922576	1	Without Arctic Package	4-D
202	4923489	1	With Arctic Package	1-A

## SECTION 7 - ELECTRICAL

ITEM	PART NUMBER	QTY	DESCRIPTION	REV
202	1060896	44 ft /13.4m	Cable, Electrical - 4 #12 AWG, 8 #18 AWG and 1 STP #18 AWG (Without Arctic Package)	
202	4923462	44 ft /13.4m	Cable, Electrical - 4 #12 AWG, 8 #18 AWG and 1 STP #18 AWG (With Arctic Package)	
202A	4460865	2	Connector - 19 Position	
202A	4460465	22	Socket, Female	
202A	4460509	8	Socket, Female	
202A	4460466	8	Seal, Plug	
202B	4460473	2	Clamp, Cable	
203		Ref	Harness Assembly - Tower Boom (18/2) Options (800A Only):	
203	4922579	1	Without Arctic Package	
203	1001091323	1	With Arctic Package	
203	1060902	47 ft /14.3m	Cable, Electrical - 18/2 (Without Arctic Package)	
203	4923466	47 ft /14.3m	Cable, Electrical - 18/2 (With Arctic Package)	
203A	4460465	2	Socket, Female	
203A	4460891	1	Connector, Terminal - 2 Position	
204		Ref	Harness Assembly - Main Boom (18/2) Options (800A Only):	
204	4922868	1	Without Arctic Package	
204	1001091319	1	With Arctic Package	
204	1060902	30 ft/9.1m	Cable, Electrical - 18/2 (Without Arctic Package)	
204	4923466	30 ft/9.1m	Cable, Electrical - 18/2 (With Arctic Package)	
204A	4460464	2	Pin, Male	
204A	4460897	1	Plug, Terminal - 2 Position	
205		Ref	Harness Assembly - Tower Boom (18/2) Options:	
205	4922578	1	Harness Assembly - Tower Boom (18/2) 800A (Without Arctic Package)	
205	4923487	1	Harness Assembly - Tower Boom (18/2) 800A (With Arctic Package) (Without 7500W Generator)	
205	4922578	1	Harness Assembly - Tower Boom (18/2) 800AJ (Without Arctic Package)	
205	4923488	1	Harness Assembly - Tower Boom (18/2) 800AJ (With Arctic Package) (Without 7500W Generator)	
205	4923487	1	Harness Assembly - Tower Boom (18/2) 800AJ (With Arctic Package) (With 7500W Generator)	
206		Ref	Harness Assembly - Main Boom (18/2) Options:	
206	4922578	1	Without Arctic Package	
206	4923487	1	With Arctic Package	
207		Ref	Harness Assembly - Main Boom Options:	
207		Ref	Harness Assembly - Main Boom 800A:	
207	4922215	1	(10/3) (Without Arctic Package)	
207	4922773	1	(8/5) (Without Arctic Package and With 7500W Generator) (SkyPower)	
207	1001091324	1	(10/3) (With Arctic Package)	
207	4922773	1	(8/5) (With Arctic Package and 7500W Generator) (SkyPower)	
207		Ref	Harness Assembly - Main Boom 800AJ:	
207	4922216	1	(10/3) (Without Arctic Package)	
207	4922775	1	(8/5) (Without Arctic Package and With 7500W Generator) (SkyPower)	
207	4923485	1	(10/3) (With Arctic Package)	
207	4922775	1	(8/5) (With Arctic Package and 7500W Generator) (SkyPower)	
208		Ref	Harness Assembly - Tower Boom Options:	
208	4922217	1	(10/3)	

## SECTION 7 - ELECTRICAL

ITEM	PART NUMBER	QTY	DESCRIPTION	REV
208	4922774	1	(8/5) (With 7500W Generator) (SkyPower)	
208	4923486	1	(10/3) (With Arctic Package)	
208	1001092085	NLA	(8/5) (With Arctic Package and 7500W Generator) (SkyPower) (Use p/n 4922774)	
209		Ref	Clamp, Block Options (Not Shown-Located on back of T/T):	
209	1320256	1	Clamp, Block (All except Machines with Arctic Package)	
209	1001092384	1	With Arctic Package	
210		Ref	Harness Assembly (18/2) (800A Only) Options:	
210	4922578	1	Without Arctic Package	
210	4923487	1	With Arctic Package	
211	0272433	1	Cable Connector Installation (With 7500W Generator) (SkyPower)	B
211A	4460959	1	Connector, Male (With 7500W Generator) (SkyPower)	
211A	1671093	1	Cover, Male Connector (Optional)	
211B	4460960	1	Connector, Female (With 7500W Generator) (SkyPower)	
211B	1671092	1	Cover, Female Connector (Optional)	
		Ref	<b>GROUND CONTROL BOX COMPONENTS</b>	
302	0100048	AR	Grease, Dielectric	
326	4460426	1	Connector, Strain Relief	
327	4460470	1	Nut, Terminal	
328	4460471	1	Lockwasher, Terminal	
330	4460526	1	Connector, Strain Relief	
334	4922557	1	Valve Harness Assembly	1-A
334A	4460880	19	Connector, DIN	
334B	4460320	2	Connector, Female - 2 Position	
334B	4460267	7	Pin, Male	
334C	4460424	1	Connector, Male - 2 Position	
334C	4460268	5	Pin, Female	
334D	4460871	11	Socket, Female	
334E	4460326	1	Connector, Male - 3 Position	
334E	4460267	7	Pin, Male	
334F	4460445	1	Connector, Female - 3 Position	
334F	4460268	5	Pin, Female	
335		Ref	Engine Harness Assembly (See 501 to 562 for Breakdown)	
335	1001110324	1	Caterpillar Engine Machines	
335	1001110222	1	Deutz Engine Machines	
335	1001110221	1	GM Engine Machines	
336	1001110225	1	Ground Control Box Harness Assembly	C
336A	4460536	1	Connector, Female 3 Position	
336A	4460943	3	Pin, Male	
336B	3990010	2	Diode - 6 Amp (Not Shown)	
336C	4460434	2	Plug, Male 15- Position	
336C	4460227	22	Pin	
336D	4460873	1	Connector, 35 Position (Black)	
336D	4460871	21	Socket, Female	
336D	4460905	AR	Seal, Plug	
336E	4120035	7	Base, Light	
336E	4460634	7	Terminal (16 Gauge)	
336E	4460635	6	Terminal (12 Gauge)	
336F	4460418	9	Connector, Female - 6 Position	
336F	4460419	27	Socket, Female	
336G	4460876	1	Connector, 35 Position (Blue)	

# SECTION 7 - ELECTRICAL

ITEM	PART NUMBER	QTY	DESCRIPTION	REV
336G	4460871	29	Socket, Female	
336G	4460905	AR	Seal, Plug	
336H	4460866	1	Connector - 19 Pin	
336H	4460464	7	Pin, Male (16 Gauge)	
336H	4460508	3	Pin, Male (12 Gauge)	
336J	4460878	1	Housing, Terminal - 4 Position	
336J	4460887	3	Terminal (12 Gauge)	
336K	4460761	1	Connector, Female 4- Position	
336K	4460227	4	Pin, Male	
336L	4460894	3	Plug, Male - 6 Position	
336L	4460465	AR	Socket, Female	
336L	4460892	3	Terminal, Buss Connector - 6 Position	
336M	8229242	2	Fuse 5A	
336M	2400060	2	Holder, Fuse	
336N	1001112612	1	Connector - 9 Position	
336N	4460943	4	Pin, Male	
336P	1001106339	1	Connector, Male - 14 Position	
336P	4460871	2	Socket, Female	
336P	4460905	AR	Plug, Seal	
336R	1001106340	1	Connector, Male - 14 Position	
336R	4460871	5	Socket, Female	
336S	4460874	1	Connector, Natural	
336S	4460871	10	Socket, Female	
336S	4460905	AR	Plug, Seal	
336T	4460875	1	Connector, Gray	
336T	4460871	2	Socket, Female	
336T	4460905	AR	Plug, Seal	
337		Ref	Ground Control Box Wiring Diagram (Not Shown - See Items 401-409 for Breakdown)	
337	1001110323	Ref	Caterpillar Engine	
337	1001110322	Ref	Deutz Engine	
337	1001110321	Ref	GM Engine	
338	4460471	1	Lockwasher, Terminal	
339	4460470	1	Nut, Terminal	
341	1001106736	1	Cap, Dust	
		Ref	<b>GROUND CONTROL BOX WIRING DIAGRAMS</b>	
	1001110323	Ref	<b>Caterpillar Engine</b>	A
	1001110322	Ref	<b>Deutz Engine</b>	A
	1001110321	Ref	<b>GM Engine</b>	A
401	2920129	AR	Bulb, Light	
408	2400065	1	Fuse, 30Amp	
408	2400066	1	Fuse, Holder	
409	4460708	2	Receptacle, Female - 15 Position	
409	4460226	AR	Socket, Female	
409	4460905	AR	Plug, Seal	
409	4922637	1	Harness, Jumper (Not Shown)	
		Ref	<b>ENGINE HARNESS ASSEMBLY</b>	
	1001110324	Ref	<b>Caterpillar Engine Machines</b>	B
	1001110222	Ref	<b>Deutz Engine Machines</b>	B
	1001110221	Ref	<b>GM Engine All Machines</b>	A
517	4460424	2	Receptacle, Female - 2 Position	
518	4460268	AR	Socket, Female	

## SECTION 7 - ELECTRICAL

ITEM	PART NUMBER	QTY	DESCRIPTION	REV
519	4460880	AR	DIN Connector without Diode	
522	3990001	1	Diode (Caterpillar Engines Only)	
523	4461070	1	Receptacle, Female with Resistor (3 Position) (Deutz Engine Only)	
523	4461095	1	Plug, Male - 3 Position (Deutz Engine Only)	
523	4460944	3	Socket, Female (Deutz Engine Only)	
525	4460539	1	Connector, Male - 3 Position	
525	4460944	3	Socket, Female	
528	4460460	1	Plug, Male - 4 Position	
528	4460457	4	Terminal, Female	
528	4460458	4	Seal, Terminal	
533	4461052	1	Connector, Receptacle - 25 Position (Deutz Engine Only)	
533	4461005	5	Terminal (Gold) (Deutz Engine Only)	
533	4461006	5	Seal, Terminal (Deutz Engine Only)	
533	4461060	2	Terminal (Tin) (Deutz Engine Only)	
533	4461054	2	Seal, Terminal (Deutz Engine Only)	
533	4461053	1	Cover, Plug (Deutz Engine Only)	
533	4461008	18	Plug, Hole (Deutz Engine Only)	
538	4460891	2	Connector, Male - 2 Position (Caterpillar Engine Only)	
538	4460465	4	Socket, Female	
539	4460871	AR	Socket, Female	
539	4460226	AR	Socket, Female	
547	4461121	1	Plug, Male - 4 Position (GM Engine Only)	
547	4461122	4	Socket, Female (GM Engine Only)	
547	4461123	4	Seal, Terminal (GM Engine Only)	
548	4460899	1	Receptacle, Female - 6 Position (Caterpillar Engine Only)	
548	4460464	6	Pin, Male (Caterpillar Engine Only)	
548	4460466	1	Seal, Plug (Caterpillar Engine Only)	
549	4461124	1	Receptacle, Female - 4 Position (GM Engine Only)	
549	4460693	4	Pin, Male (GM Engine Only)	
549	4460608	4	Seal, Terminal (GM Engine Only)	
549	4461161	1	Lock, Terminal (GM Engine Only)	
552	4460268	2	Socket, Female	
553	4460374	1	Connector, Relay (Deutz Engine Only)	
553	4460375	4	Terminal, Female (Deutz Engine Only)	
554	4461109	1	Plug, Male - 16 Position (GM Engine Only)	
554	4461111	7	Pin, Male (GM Engine Only)	
554	4461113	7	Seal, Terminal (GM Engine Only)	
554	4461222	9	Plug, Terminal (GM Engine Only)	
558	1001102290	1	Receptacle, Female - 2 Position (Deutz Engine Only)	
558	1001102291	2	Socket, Female (Deutz Engine Only)	
558	1001102304	2	Seal, Terminal (Deutz Engine Only)	
561	4461157	1	Receptacle, Female - 2 Position	
561	4460979	2	Pin, Male	
561	4460458	2	Seal, Terminal	
562	2902443	1	Receptacle Kit (Deutz Engine Only)	
562	4461071	8	Socket, Female (Gold)	
562	4461072	1	Receptacle 8 Position with Mounting Flange	
562	4461073	1	Cap, Dust	
562	4461074	1	Shell	
		Ref	<b>STANDARD HARNESS COMPONENTS</b>	
601		Ref	Battery Cable Kit Options:	

## SECTION 7 - ELECTRICAL

ITEM	PART NUMBER	QTY	DESCRIPTION	REV
601	1001112762	1	Caterpillar Engines	A
601	2902401	1	Deutz Engines	
601	2902533	1	GM Engines	
601A		Ref	Cable, Battery (Red) Options:	
601A	7027028	1	Caterpillar Engines (Kit p/n 1001112762) (Includes Item 601E)	
601A	1001116288	1	Deutz Engines (2 Relays) (Kit p/n 2902401) (was p/n 7027027) (Includes Item 601E)	
601A	1001116287	1	Deutz Engines (3 Relays) (Kit p/n 2902401) (was p/n 7027027) (Includes Item 601E)	
601A	7027015	1	GM Engines (Kit p/n 2902533)	
601B		Ref	Cable, Battery (Black) Options:	
601B	7027029	1	Caterpillar Engines (Kit p/n 1001112762)	
601B	7027004	1	Deutz Engines (Kit p/n 2902401)	
601B	7027018	1	GM Engines (Kit p/n 2902533)	
601C		Ref	Cable, Battery (Red) Options:	
601C	7027030	1	Caterpillar Engines (Kit p/n 1001112762)	
601C	7016824	1	Deutz Engines (Kit p/n 2902401)	
601C	7016824	1	GM Engines (Kit p/n 2902533)	
601D		Ref	Cable, Battery (Black) Options:	
601D	7027031	1	Caterpillar Engines (Kit p/n 1001112762)	
601D	7016825	1	Deutz Engines (Kit p/n 2902401)	
601D	7016825	1	GM Engines (Kit p/n 2902533)	
601E		Ref	Cable, Battery (Red) Options:	
601E	See Note	1	Caterpillar Engines (Kit p/n 1001112762) (Note: Use Item 601A)	
601E	See Note	1	Deutz Engines (Kit p/n 2902401) (Note: Use Item 601A)	
601E	7027017	1	GM Engines (Kit p/n 2902533)	
602	1001112071	1	Harness, Caterpillar Engine	B
602	70004318	1	Fuse 5 Amp (at Fuse Box F1)	
602	70004319	3	Fuse 10Amp (at Fuse Box F2, F3 and F4)	
602	70004316	1	Relay, Starter (at Fuse Box)	
602	70004317	2	Relay, Shut-Off and Glow Plug Control 25Amp (at Fuse Box)	
602A	70020808	1	Plug, Male 23 Position	
602A	4460871	16	Socket, Female	
602B	4460891	2	Plug, Male 2 Position	
602B	4460465	4	Socket, Female	
602C	See Note	1	Connector 8 Position (Note: Not Available for Purchase)	
602C	See Note	2	Terminal (Note: Not Available for Purchase)	
602C	See Note	1	Lock (Note: Not Available for Purchase)	
602C	See Note	1	Cap (Note: Not Available for Purchase)	
602C	4460916	6	Seal, Plug	
602D	4460894	1	Plug, Male 6 Position	
602D	4460465	5	Socket, Female	
602D	4460466	1	Plug, Seal	
602E	See Note	1	Connector 3 Position (Note: Not Available for Purchase)	
602E	See Note	3	Terminal (Note: Not Available for Purchase)	
602F	See Note	1	Connector 5 Position (Note: Not Available for Purchase)	
602F	See Note	5	Terminal (Note: Not Available for Purchase)	
602F	See Note	AR	Seal (Note: Not Available for Purchase)	
603	See Note	AR	Deutz Engine Harness Components (Deutz Engine Machines Only) (Note: Not Available for Purchase)	
603A	7027796	1	Deutz Engine Harness	

## SECTION 7 - ELECTRICAL

ITEM	PART NUMBER	QTY	DESCRIPTION	REV
603B	See Note	1	Receptacle, Female - 25 Position (Note: Not Available for Purchase)	
603C	7027793	1	Plug-In, Connector	
603D	70001872	1	Deutz Engine Harness (For other replacement parts refer to Deutz engine dealer)	
603E	4923379	1	Deutz Glow Plugs Harness	
603F	1060904	1	Deutz Jumper Harness	
604	See Note	1	Pump Harness (Note: Not Available for Purchase)	
604A	7007497	1	Plug (Pump End)	
604B	7007498	1	Plug (Engine Harness End)	
605	4360517	1	Proximity Switch Harness (Includes Switch)	
605A	4460320	1	Plug, Male 2 Position	
605A	4460227	2	Pin, Male	
606	0257887	1	Alarm Harness (Includes Alarm)	
606A	4460424	1	Plug, Male - 2 Position	
606A	4460268	2	Socket, Female	
607	4360498	2	Proximity Switch Harness (Includes Switch)	
608	4360499	2	Proximity Switch Harness (Includes Switch)	
609	1001094400	Ref	Tilt Sensor Harness (Includes Sensor)	C
609A	4461077	1	Plug, Male 4 Position	
609A	4460918	6	Socket, Female (Gold)	
610		Ref	GM Engine Harness Options:	
610	7027991	1	Tier 1 Engines	
610	70000718	1	Tier 2 Engines	
610	70002898	1	Tier 3 & 4 interim	
610	7027989	1	Connector, Male - 10 Position (Not Shown)	
610	See Note	1	Box, Fuse (Note: Parts of Harness - Not Available for Purchase)	
610	70002627	1	Cover, Fuse Box	
610	70001950	2	Relay (Power and Fuel Pump)	
610	70001951	1	Relay (Starter)	
610	70001931	1	Fuse - 60 Amp (Alternator)	
610	See Note	1	Fuse - 20 Amp (Note: Not Available - Purchase Locally)	
610	See Note	3	Fuse - 15 Amp (Note: Not Available - Purchase Locally)	
610	See Note	1	Fuse - 10 Amp (Note: Not Available - Purchase Locally)	
610	See Note	1	Fuse - 5 Amp (Note: Not Available - Purchase Locally)	
		Ref	<b>OPTIONAL HARNESS COMPONENTS</b>	
701	4921928	1	4WS Valve Harness	E
701A	4460268	3	Socket, Female	
701B	4460445	1	Connector, Female - 3 Position	
701C	4460499	2	Connector, DIN with Diode	
702	4921927	1	Jib Valve Harness (800AJ Only)	F
702A	4460326	1	Plug, Male - 3 Position	
702B	4460267	3	Pin, Male	
702C	4460499	2	Connector, DIN with Diode	
703	0272507	1	Strobe Light Harness (Includes Strobe Light)	
703A	4460320	1	Connector, Female - 2 Position	
703A	4460267	2	Pin, Male	
704		Ref	2500W AC to Platform Receptacle Components Options:	
704	0272259	Ref	110V GFI Receptacle (JLG Supplied Box and Receptacle)	3
704	0272260	Ref	220V GFI Receptacle (JLG Supplied Box and Receptacle)	2
704	0256202	Ref	110/220V Receptacle (Locally Supplied Box and Receptacle)	5
704	0274619	Ref	Dual 110V GFI Receptacles (JLG Supplied Box and Receptacle)	2-B

## SECTION 7 - ELECTRICAL

ITEM	PART NUMBER	QTY	DESCRIPTION	REV
704	0272433	Ref	(Note: Double qty listed for Dual Receptacles) Mid Boom Connection Only/No Receptacle (Includes Items 211A & 211B)	B
704A	0860038	1	Box, Switch	
704B		Ref	Receptacle Options:	
704B	4460346	1	110V GFI Receptacle (JLG Supplied Box and Receptacle)	
704B	4460125	1	220V GFI Receptacle (JLG Supplied Box and Receptacle)	
704B	See Note	1	110/220V Receptacle (Locally Supplied Box and Receptacle) (Note: Not Available - Purchase Locally)	
704C		Ref	Shield, Cover Options:	
704C	4060700	1	110V GFI Receptacle (Side Hinged) (JLG Supplied Box and Receptacle)	
704C	1001110873	1	110V GFI Receptacle (Top Hinged) (JLG Supplied Box and Receptacle)	
704C	4060092	1	220V GFI Receptacle (JLG Supplied Box and Receptacle)	
704C	See Note	1	110/220V Receptacle (Locally Supplied Box and Receptacle) (Note: Not Available - Purchase Locally)	
704D	4460051	1	Connector, Strain Relief	
704E		Ref	Plug, Male Options:	
704E	4460205	1	110V GFI Receptacle (JLG Supplied Box and Receptacle)	
704E	4460233	1	220V GFI Receptacle (JLG Supplied Box and Receptacle)	
704E	See Note	1	110/220V Receptacle (Locally Supplied Box and Receptacle) (Note: Not Available - Purchase Locally)	
704F		Ref	Connector, Female Options:	
704F	4460134	1	110V GFI Receptacle (JLG Supplied Box and Receptacle)	
704F	4460701	1	220V GFI Receptacle (JLG Supplied Box and Receptacle)	
704F	See Note	1	110/220V Receptacle (Locally Supplied Box and Receptacle) (Note: Not Available - Purchase Locally)	
704G		Ref	Plug, Male Options:	
704G	4460205	1	110V GFI Receptacle (JLG Supplied Box and Receptacle)	
704G	4460233	1	220V GFI Receptacle (JLG Supplied Box and Receptacle)	
704G	See Note	1	110/220V Receptacle (Locally Supplied Box and Receptacle) (Note: Not Available - Purchase Locally)	
704HtoP	Not Required	0	Not Required	
706		Ref	2500W Generator Electrical Components	
706	1001112743	AR	50Hz (Caterpillar and Deutz Engines)	A
706	1001112588	AR	60Hz (Caterpillar and Deutz Engines)	A
706	4933350	AR	60Hz (GM Engine)	B
706A	4922641	1	Harness - On/Off Switch	A
706B	4460226	2	Socket, Female	
706C		Ref	Harness, Powermite Control Box to Relay Options:	
706C	1001112589	1	Caterpillar and Deutz Engines	A
706C	4923445	1	GM Engine	A
706D	4460374	1	Connector, Seal Relay	
706D	4460705	4	Terminal	
706E	4460742	1	Connector, Male - 2 Position	
706E	4460743	2	Socket, Female	
706E	4460458	2	Seal	
706F	4460321	1	Connector, Male - 4 Position (60Hz Only)	
706F	4460906	4	Socket, Female (60Hz Only)	
706G	4460027	1	Receptacle, Twist Lock (110V Only)	
706H	7020193	1	Harness, Generator Power	
706J	4460961	1	Connector, Female - 4 Position	



## SECTION 7 - ELECTRICAL

ITEM	PART NUMBER	QTY	DESCRIPTION	REV
706J	4460705	4	Pin, Male	
707	4921829	1	Generator to Rear of Boom Harness (110V)	
707	4921955	1	Generator to Rear of Boom Harness (220V)	
		Ref	<b>Note: Harness used to connect AC at platform harness to generator receptacle to power platform receptacle.</b>	
707	1060494	6 ft/1.8m	Cable, Electrical - 12/3	
707A	4460205	1	Plug, Male (110V)	
707A	4460233	1	Plug, Male (220V)	
707B	4460134	1	Receptacle, Female (110V)	
707B	4460701	1	Receptacle, Female (220V)	
708	1001094509	1	Generator Hourmeter Harness	A
709		Ref	7500W Skypower Generator Installation	
709	1001115398	Ref	60Hz Spec and Caterpillar Engine	A
709	1001115400	Ref	50Hz Spec and Caterpillar Engine	A
709	1001115387	Ref	60Hz Spec and Deutz Engine	A
709	1001115389	Ref	50Hz Spec and Deutz Engine	A
709	0275257	Ref	60Hz Spec and GM Engine	C
		Ref	<b>Note: SkyPower Generator is Standard On ANSI and CSA Specs. Optional on All Other Specs.</b>	
709A		Ref	Receptacle, Female Twist-Lock Options:	
709A	4460958	1	60Hz Spec	
709A	See Note	1	50Hz Spec (Note: Not Available - Purchase Locally)	
709B		Ref	Gasket Options:	
709B	3960422	2	60Hz Spec	
709B	See Note	2	50Hz Spec (Note: Not Available - Purchase Locally)	
709C		Ref	Cover, Receptacle Options:	
709C	4060700	1	60Hz Spec (Side Hinged)	
709C	1001110873	1	60Hz Spec (Top Hinged)	
709C	See Note	1	50Hz Spec (Note: Not Available - Purchase Locally)	
709D		Ref	Cover, Receptacle Options:	
709D	4061043	NLA	60Hz Spec (Use p/n 1001110872)	
709D	See Note	1	50Hz Spec (Note: Not Available - Purchase Locally)	
709E		Ref	Receptacle Options:	
709E	4460346	1	60Hz Spec	
709E	See Note	1	50Hz Spec (Note: Not Available - Purchase Locally)	
709F	4460051	1	Connector, Strain Relief	
709G	4460071	1	Connector, Strain Relief	
709H	4922925	1	Harness, Generator	A
709J	4460225	1	Plug, Male - 6 Position	
709J	4460226	6	Socket, Female	
709K	See Note	1	Plug, Male - 6 Position (Note: Not Available for Purchase)	
709K	See Note	6	Socket, Female (Note: Not Available for Purchase.)	
710		Ref	7500W SkyPower Generator Junction Box Components	
710	0861542	Ref	60Hz Spec	C
710	0861567	Ref	50Hz Specs	B
710A		Ref	Cable, Electrical 12/3	
710A	1060494	2 ft/.6m	60Hz Spec	
710A	See Note	2 ft/.6m	50Hz Spec (Note: Not Available - Purchase Locally)	
710B		Ref	Cable, Electrical 10/3	
710B	1060708	2.5 ft /.76m	60Hz Spec	
710B	See Note	2.5 ft	50Hz Spec (Note: Not Available - Purchase Locally)	

## SECTION 7 - ELECTRICAL

ITEM	PART NUMBER	QTY	DESCRIPTION	REV
710C	1060343	/.76m 1.5 ft /.46m	Cable, Electrical 10/4 (60Hz Spec Only)	
710D	4460425	2	Connector, Strain Relief	
710E		Ref	Component Options:	
710E	4460426	2	Connector, Strain Relief (60Hz Spec Only)	
710E	4460426	1	Connector, Strain Relief (50Hz Spec Only)	
710E	3520189	1	Plug (50Hz Spec Only)	
710F	1671092	1	Cover (60Hz Spec Only)	
710F	4460963	1	Connector (60Hz Spec Only)	
711		Ref	7500W Generator Electrical Diagram Components	
711	1001112586	Ref	Caterpillar and Deutz Engine Machines	C
711	4933349	Ref	GM Engine Machines	1-A
711A		Ref	Generator Harness Options:	
711A	1001112587	1	Caterpillar and Deutz Engine Machines	A
711A	4923420	1	GM Engine Machines	1-A
711B	4460374	2	Plug, Sealed Relay	
711B	4460375	AR	Terminal	
711C	4460967	1	Plug, Male - 3 Position	
711C	4460465	3	Socket, Female	
711D	2400060	1	Fuseholder	
711D	2400064	1	Fuse - 5 Amp	
711E	4460742	1	Connector, Male - 2 Position	
711E	4460743	2	Socket, Female	
711E	4460458	2	Seal	
711F	4922641	1	Switch Harness	A
711G	4460226	2	Socket, Female	
712	See Note	1	Lights Harness (Note: Not Available for Purchase)	
712	1060341	48 ft /14.6m	Cable, Electrical - 16/2	
712A	3740049	1	Relay	
712B	4922643	1	Harness, Bagged (Located at Ground Control Box) (Not Shown)	
713		Ref	Platform Worklights Components	
713A		Ref	Platform Worklights Harness (External) Options (Includes Light and Wire Only):	
713A	2920140	2	Non-UL Spec Machines	
713A	2920095	2	UL Machines	
713B	1001098234	AR	Connector, Female - 3 Position	
713C	1001098349	1	Connector, Male - 3 Position (Platform Worklights Only)	
713D		Ref	Connector, Strain Relief Options:	
713D	4460426	1	Non-UL Spec Machines	
713D	4460598	1	UL Machines	
713E	2400068	AR	Fuseholder (Non-UL Spec Machines Located at Aux Power Relay and UL Spec Machines Located at Platform Console)	
713E	2400070	AR	Fuse - 10 Amp (Non-UL Spec Machines Located at Aux Power Relay and UL Spec Machines Located at Platform Console)	
713F		Ref	Platform Worklights Main Boom Harness Options:	
713F	4922215	1	Platform Worklights Main Boom Harness 800A	
713F	4922216	1	Platform Worklights Main Boom Harness 800AJ	
713F	1060708	Ref	Cable, Electrical - 10/3 Options:	
713F	1060708	67 ft /20.4m	Cable, Electrical - 10/3 800A	
713F	1060708	64 ft	Cable, Electrical - 10/3 800AJ	

## SECTION 7 - ELECTRICAL

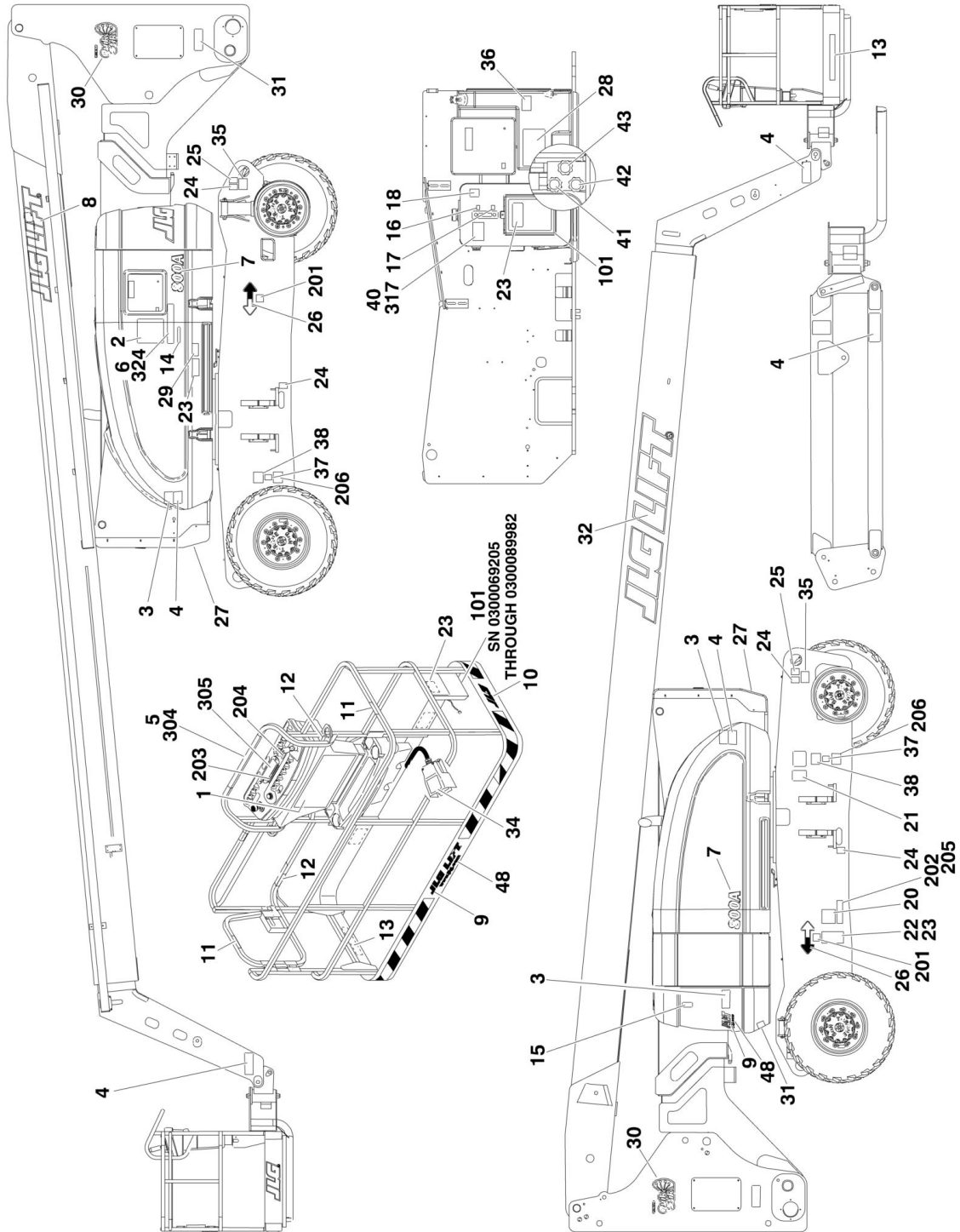
ITEM	PART NUMBER	QTY	DESCRIPTION	REV
		/19.5m		
713G	4922217	1	Platform Worklights Tower Boom Harness	
713G	1060708	39 ft	Cable, Electrical - 10/3	
		/11.9m		
714	See Note	1	Soft-Touch System Harness (Note: Not Available for Purchase)	
714A	1060341	23 ft/7.1m	Cable, Electrical - 16/2	
714B		Ref	Connector, Strain Relief Options:	
714B	4460425	1	6ft Platforms	
714B	4460049	1	8ft Platforms	
714C	4460226	2	Socket, Female	
		Ref	<b>TOOLS</b>	
801	7002821	1	Crimper (For Wire to Pin/Socket Connections) (Not Shown)	
802	7002823	1	Extractor (For Removal of Pin/Socket from Connectors) (Not Shown)	
803	4460467	1	Extractor, Pin (Blue 16-18 Gauge) (For Removal of Pin/Socket from Connectors) (Not Shown)	
803	4460510	1	Extractor, Pin (Yellow 12-14 Gauge) (For Removal of Pin/Socket from Connectors) (Not Shown)	
804	7002828	1	Stripper, Wire (Not Shown)	
805	1600244	1	Analyzer	
805A	1060633	1	Cable, Analyzer	1-A
805B	4460321	2	Plug, Male	
805B	4460226	8	Socket, Female	



**SECTION 8 - DECALS**

# SECTION 8 - DECALS

FIGURE 8-1. DECAL INSTALLATION (ANSI SPEC) (SN 0300069000 through 0300089981)



## SECTION 8 - DECALS

**FIGURE 8-1. DECAL INSTALLATION (ANSI SPEC) (SN 0300069000 through 0300089981)**

ITEM	PART NUMBER	QTY	DESCRIPTION	REV
		Ref	<b>STANDARD DECAL INSTALLATIONS</b>	
	0271038	Ref	<b>JLG Logo</b>	3
	0258513	Ref	<b>Standard Decal Installations 800A</b>	10
	0258514	Ref	<b>Standard Decal Installations 800AJ</b>	10
	0258706	Ref	<b>MANUAL DESCENT DECALS INSTALLATION</b>	1
1	1703797	1	Decal - Danger/Warning	
2	1703798	1	Decal - Danger/Warning	
3	1703805	2	Decal - Danger/Electrocution	
4	1703804	4	Decal - Warning/Crushing	
5	1702784	NLA	Decal - Legend (Use p/n 1707110)	
6	1703808	NLA	Decal - Legend (Use p/n 1001095809)	
7		Ref	Decal - Model Options:	
7	1703772	2	Decal - Model 800A	
7	1703773	2	Decal - Model 800AJ	
8		Ref	Decal - JLG Lift Options:	
8	1702860	1	Decal - JLG Lift (5in) <b>(SN 0300069000 through 0300070118)</b>	
8	1702861	1	Decal - JLG Lift (8in) <b>(SN 0300070119 through 0300089982)</b>	
9	1702774	2	Decal - JLG Lift (3-1/2in)	
10	1702773	2	Decal - JLG (5in)	
11	1702868	2	Decal - - No Hands	
12	1704277	AR	Decal - Attach Lanyard Here	
13		Ref	Decal - 500LBS Max Capacity Options:	
13	1704096	2	Decal - 500LBS Max Capacity 800A	
13	1701645	2	Decal - 500LBS Max Capacity 800AJ	
14		Ref	Decal - 500LBS Max Capacity Options:	
14	1704104	1	Decal - 500LBS Max Capacity 800A	
14	1702688	1	Decal - 500LBS Max Capacity 800AJ	
15	3251813	1	Decal - USA	
16	1701502	1	Decal - High Oil Level	
17	1701503	1	Decal - Low Oil Level	
18	1701504	1	Decal - Hydraulic Oil	
19	1702153	1	Decal - Inspection	
20	See Note	1	Decal - Bar Code (Note: Not Available for Purchase)	
21	1700584	1	Decal - Patent	
22	See Note	1	Nameplate - Serial Number (Note: Not Available for Purchase)	
23	1701509	1	Decal - Manual	
24	1702300	4	Decal - Tie Down /Lift	
25	1701500	4	Decal - Tie Down /Lift	
26	1701501	4	Decal - Arrow	
27		Ref	Nameplate - 120V-60Hz	
27	3251243	1	110V	
27	3252507	1	220V	
28	1703954	1	Decal - Manual Descent	
29	1702901	1	Decal - Manual Descent Instructions Inside	
30	1703959	2	Decal - Quick Stick	
31	1703953	3	Decal - Warning/Crushing	
32	1702862	1	Decal - JLG Lift	
33	3820001	4	Rivet	
34	3252347	1	Decal - Footswitch (Part of 4360031 Footswitch)	
35	1703960	4	Decal - Max Tire Load	

## SECTION 8 - DECALS

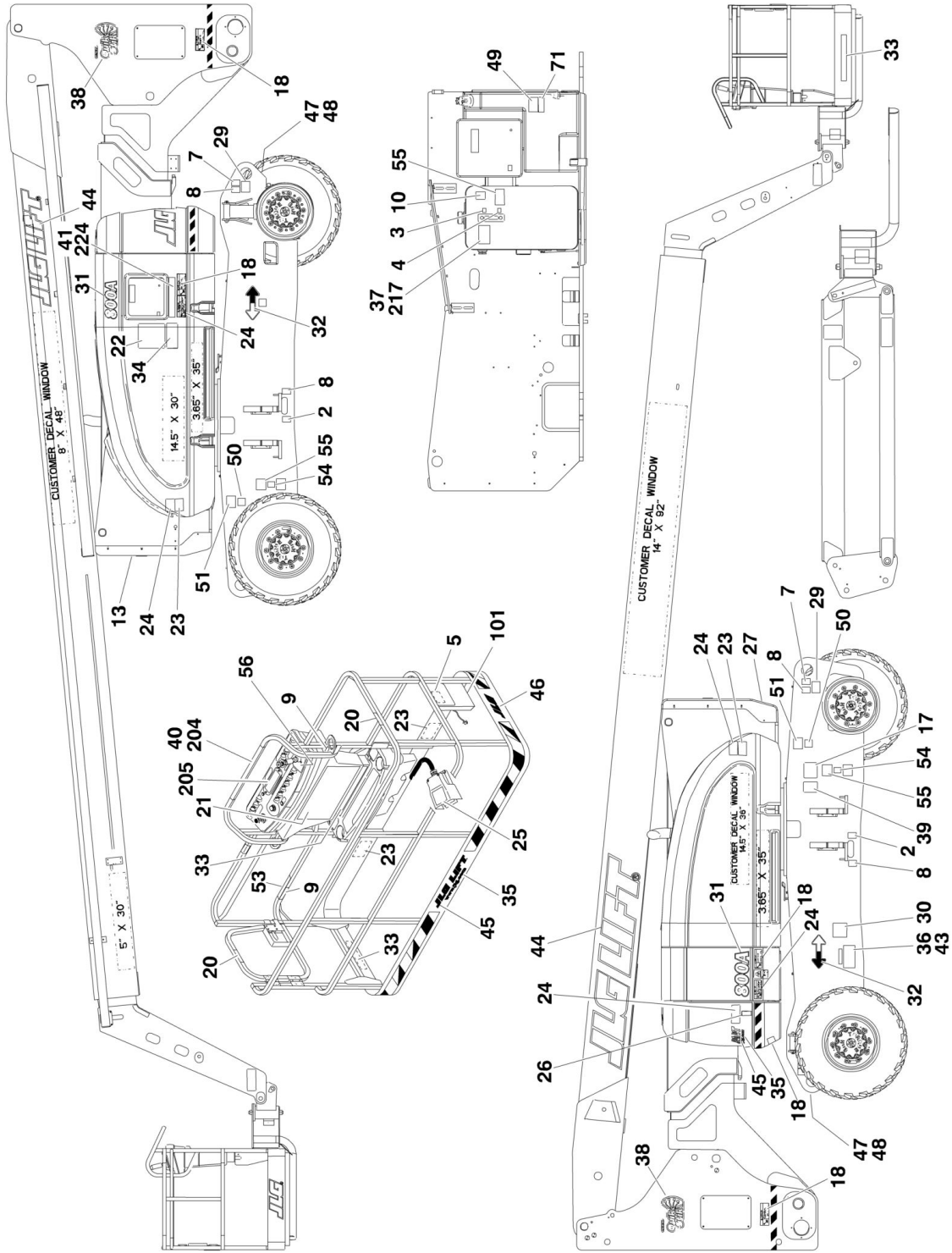
ITEM	PART NUMBER	QTY	DESCRIPTION	REV
36		Ref	Decal - Fuel	
36	1701542	1	Ford Engine Machines	
36	1701505	1	Deutz Engine Machines	
37		Ref	Decal - LPG Gas	
37	Not Required	0	Non-Dual Fuel Machines	
37	1701543	1	Dual Fuel Machines	
38		Ref	Decal - LP Gas Liquid Withdrawal System	
38	Not Required	0	Non-Dual Fuel Machines	
38	1700818	1	Dual Fuel Machines	
40	1702265	NLA	Decal - Upright Level Override (Use p/n 1001096141)	
41	1702903	1	Decal - Knob #1	
42	1702927	1	Decal - Knob #2	
43	1702924	1	Decal - Knob #3	
48	1704885	2	Decal - Website	
	0258671	Ref	<b>MANUAL STORAGE BOX INSTALLATION</b>	B
		Ref	<b>Note: Located on Hydraulic Tank SN 0300069000 to 0300069205. Located on Platform SN 0300069000 to 0300069205.</b>	
101	0860520	1	Box, Manual Storage	
101	1060279	1	Cable, Lanyard	
101	0641408	1	Bolt 1/4in-20NC x 1in	
101	0641406	1	Bolt 1/4in-20NC x 3/4in	
101	4751400	6	Flatwasher 1/4in	
101	3311405	5	Locknut 1/4in-20NC	
	0272708	Ref	<b>UL DECAL INSTALLATION (DUAL FUEL MACHINES)</b>	4
	0274195	Ref	<b>UL DECAL INSTALLATION (LPS MACHINES)</b>	2
201	1703910	2	Decal - GS/LPS	
202	See Note	1	Nameplate - Serial Number (Note: Not Available for Purchase)	
203	1703912	1	Decal - Fuel Level	
204	1705533	1	Decal - Fuel Shutoff	
205	3820001	4	Rivet, Pop	
206	1705590	2	Decal - LP Tank Identification	
	1001093187	Ref	<b>Tilt Sensor Installation</b>	C
304	1707110	1	Decal - Legend (Platform)	
305	1707111	1	Decal - Platform Display	
317	1001096141	1	Decal - Upright Level Over Ride	
324	1001095809	1	Decal - Legend (MTB Control)	





# SECTION 8 - DECALS

FIGURE 8-2. DECAL INSTALLATION (ANSI SPEC) (SN 0300089982 through 0300140000)



## SECTION 8 - DECALS

**FIGURE 8-2. DECAL INSTALLATION (ANSI SPEC) (SN 0300089982 through 0300140000)**

ITEM	PART NUMBER	QTY	DESCRIPTION	REV
		Ref	<b>Decals Installations</b>	
	0274519	Ref	<b>Decals Installation - JLG Logo</b>	2
	0274460	Ref	<b>Decals Installation - 800A</b>	8
	0274461	Ref	<b>Decals Installation - 800AJ</b>	8
		Ref	<b>Note: All Machines should have been updated to new Tilt Sensor Upright Installation p/n 0275733.</b>	
2	1701499	2	Decal - No Tie Down/Lift	
3	1701502	1	Decal - High Oil Level <b>(SN 0300089982 through 0300134564)</b>	
4	1701503	1	Decal - Low Oil Level <b>(SN 0300089982 through 0300134564)</b>	
5	1701509	1	Decal - Manual	
7	1703811	4	Decal - Tie Down/Lift	
8	1703814	6	Decal - Tie Down	
9	1704277	3	Decal - Attach Lanyard Here	
10	1704412	1	Decal - Hydraulic Oil Chart	
13	3251243	1	Nameplate - 120V-60Hz	
17	1702153	1	Decal - Inspection <b>(SN 0300089982 through 0300134564)</b>	
18	1703953	5	Decal - Warning Crushing	
20	1702868	2	Decal - No Hands	
21	1703797	1	Decal - Warning/Danger	
22	1705336	1	Decal - Warning Inspection (MTB)	
23	1703804	4	Decal - Warning Crushing	
24	1703805	5	Decal - Danger Electrocution	
26	3251813	1	Decal - USA	
29	1703960	4	Decal - Max Tire Load	
30	See Note	1	Decal - Bar Code (Note: Not Available for Purchase)	
31		Ref	Decal Options:	
31	1703772	2	Decal - 800A	
31	1703773	2	Decal - 800AJ	
32	1701501	4	Decal - Arrow	
33		Ref	Decal Capacity Options:	
33	1704096	2	Decal Capacity 800A - Decal - 500LBS Unrestricted Capacity	
33	1701645	2	Decal Capacity 800AJ - Decal - 500LBS Maximum Capacity	
34		Ref	Decal Capacity Options:	
34	1704104	1	Decal Capacity 800A - Decal - 500LBS Unrestricted Capacity <b>(SN 0300089982 through 0300100379)</b>	
34	1707014	1	Decal Capacity 800A - Decal - 500LBS Unrestricted Capacity <b>(SN 0300100380 through 0300140000)</b>	
34	1702688	1	Decal Capacity 800AJ - Decal - 500LBS Maximum Capacity <b>(SN 0300089982 through 0300100379)</b>	
34	1707013	1	Decal Capacity 800AJ - Decal - 500LBS Maximum Capacity <b>(SN 0300100380 through 0300140000)</b>	
35	1704885	2	Decal - Website	
36	See Note	1	Nameplate, Manufactures (Note: Not Available for Purchase)	
37	1001096141	1	Decal - Upright Level Override	
38	1703959	2	Decal - Quick Stick	
39	1700584	1	Decal - Patent	
40		Ref	Decal - Legend Options:	
40	1707110	1	Decal - Legend <b>(SN 0300069000 through 0300137974)</b>	
40	1001108495	1	Decal - Legend <b>(SN 0300137975 through 0300140000)</b>	
41	1001095809	1	Decal - Legend (MTB)	
43	3820001	4	Rivet	

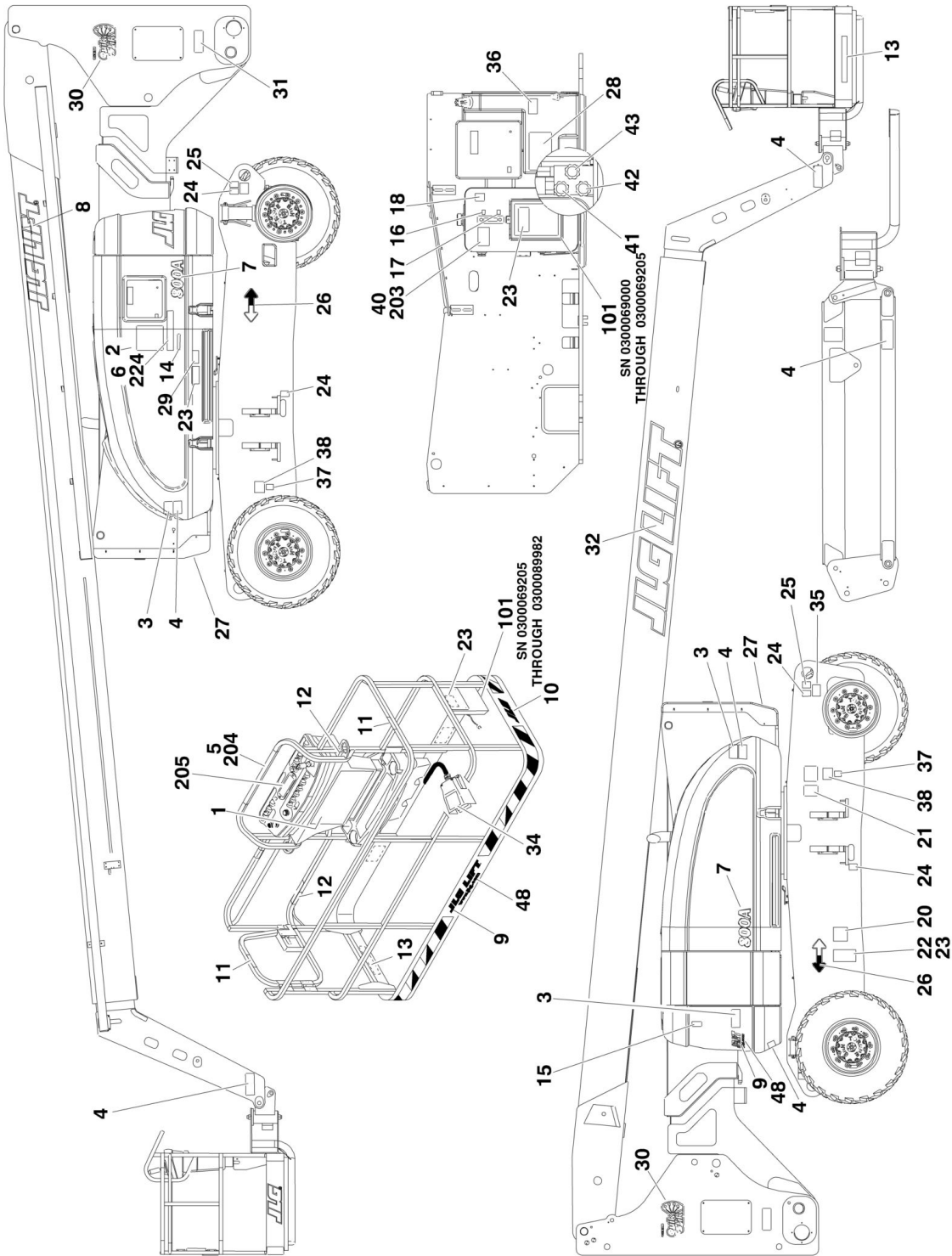
## SECTION 8 - DECALS

ITEM	PART NUMBER	QTY	DESCRIPTION	REV
44	1702861	2	Decal - JLG Lift (8in Height)	
45	1702774	1	Decal - JLG Lift (3-1/2in Height)	
46	1702773	1	Decal - JLG (5in Height)	
47	3250872	1	Nameplate - Steer/Tow Selector	
48	1705090	1	Decal - Towing Instructions	
49		Ref	Decal - Fuel	
49	1701505	1	Diesel	
49	1701542	1	Gas	
50	1701543	2	Decal - LP Gas (GM Engine Machines Only)	
51	1700818	2	Decal - LP Gas (Liquid) (GM Engine Machines Only)	
53	1703175	1	Decal - Lanyard Attach (GM Spec Only)	
54		Ref	Decal - Warning (Proposition 65) (California Spec Only)	
54	1702962	1	Diesel	
54	1702961	1	Gas	
55	1702788	1	Decal - Bio Hydraulic Fluid	
56	1705351	1	Decal - Drive Orientation	
71	1001108923	1	Decal - Low Sulfur Fuel (Caterpillar and Deutz Engine Machines)	
	0258671	Ref	<b>MANUAL STORAGE BOX INSTALLATION</b>	B
101	0860520	1	Box, Manual Storage	
101	1060279	1	Cable, Lanyard	
101	0641408	1	Bolt 1/4in-20NC x 1in	
101	0641406	1	Bolt 1/4in-20NC x 3/4in	
101	4751400	6	Flatwasher 1/4in	
101	3311405	5	Locknut 1/4in-20NC	
	1001093187	Ref	<b>TILT SENSOR INSTALLATION (SN 0300089982 through 0300112885)</b>	C
204	1707110	1	Decal - Legend (Platform)	
205	1707111	1	Decal - Platform Display	
217	1001096141	1	Decal - Upright Level Over Ride	
224	1001095809	1	Decal - Legend (MTB Control)	



# SECTION 8 - DECALS

FIGURE 8-3. DECAL INSTALLATION (COUNTRY SPEC) (SN 0300069000 through 0300089981)



## SECTION 8 - DECALS

**FIGURE 8-3. DECAL INSTALLATION (COUNTRY SPEC) (SN 0300069000 through 0300089981)**

ITEM	PART NUMBER	QTY	DESCRIPTION	REV
		Ref	<b>DECAL INSTALLATIONS</b>	
	0271038	Ref	<b>JLG Logo</b>	3
	0258537	Ref	<b>Decal Installations 800A Dual Language English/Chinese Decals</b>	6
	0258535	Ref	<b>Decal Installations 800A Dual Language English/French Decals</b>	9
	0258533	Ref	<b>Decal Installations 800A Dual Language English/Spanish Decals</b>	7
	0258539	Ref	<b>Decal Installations 800A Dual Language Portuguese/Spanish Decals</b>	8
	0258529	Ref	<b>Decal Installations 800A Japanese Decals</b>	7
	0258531	Ref	<b>Decal Installations 800A Korean Decals</b>	7
	0258538	Ref	<b>Decal Installations 800AJ Dual Language Chinese/English Decals</b>	6
	0258536	Ref	<b>Decal Installations 800AJ Dual Language English/French Decals</b>	10
	0258534	Ref	<b>Decal Installations 800AJ Dual Language English/Spanish Decals</b>	7
	0258540	Ref	<b>Decal Installations 800AJ Dual Language Portuguese/Spanish Decals</b>	8
	0258530	Ref	<b>Decal Installations 800AJ Japanese Decals</b>	7
	0258532	Ref	<b>Decal Installations 800AJ Korean Decals</b>	7
1		Ref	Decal - Danger/Warning Options:	
1	1703925	1	Dual Language English/Chinese Decals	
1	1703924	1	Dual Language English/French Decals	
1	1703923	1	Dual Language English/Spanish Decals	
1	1703928	1	Dual Language Portuguese/Spanish Decals	
1	1703926	1	Japanese Decals	
1	1703927	1	Korean Decals	
2		Ref	Decal - Danger/Warning Options:	
2	1703931	1	Dual Language English/Chinese Decals	
2	1703930	1	Dual Language English/French Decals	
2	1703929	1	Dual Language English/Spanish Decals	
2	1703934	1	Dual Language Portuguese/Spanish Decals	
2	1703932	1	Japanese Decals	
2	1703933	1	Korean Decals	
3		Ref	Decal - Danger/Electrocution Options:	
3	1703937	3	Dual Language English/Chinese Decals	
3	1703936	3	Dual Language English/French Decals	
3	1703935	3	Dual Language English/Spanish Decals	
3	1703940	3	Dual Language Portuguese/Spanish Decals	
3	1703938	3	Japanese Decals	
3	1703939	3	Korean Decals	
4		Ref	Decal - Warning/Crushing Options:	
4	1703949	5	Dual Language English/Chinese Decals	
4	1703948	5	Dual Language English/French Decals	
4	1703947	5	Dual Language English/Spanish Decals	
4	1703952	5	Dual Language Portuguese/Spanish Decals	
4	1703950	5	Japanese Decals	
4	1703951	5	Korean Decals	
5		Ref	Decal - Legend Options:	

## SECTION 8 - DECALS

ITEM	PART NUMBER	QTY	DESCRIPTION	REV
5	Not Required	0	Dual Language English/Chinese Decals	
5	1702784	NLA	Dual Language English/French Decals (Use p/n 1707110)	
5	1702784	NLA	Dual Language English/Spanish Decals (Use p/n 1707110)	
5	Not Required	0	Dual Language Portuguese/Spanish Decals	
5	Not Required	0	Japanese Decals	
5	Not Required	0	Korean Decals	
6		Ref	Decal - Legend Options:	
6	Not Required	0	Dual Language English/Chinese Decals	
6	1703808	NLA	Dual Language English/French Decals (Use p/n 1001095809)	
6	1703808	NLA	Dual Language English/Spanish Decals (Use p/n 1001095809)	
6	Not Required	0	Dual Language Portuguese/Spanish Decals	
6	Not Required	0	Japanese Decals	
6	Not Required	0	Korean Decals	
7		Ref	Decal - Model Options:	
7	1703772	2	Decal - Model 800A	
7	1703773	2	Decal - Model 800AJ	
8		Ref	Decal - JLG Lift Options:	
8	1702860	1	Decal - JLG Lift (5in) (SN 0300069000 through 0300070118)	
8	1702861	1	Decal - JLG Lift (8in) (SN 0300070119 through 0300089982)	
9	1702774	2	Decal - JLG Lift (3-1/2in)	
10	1702773	2	Decal - JLG (5in)	
11		Ref	Decal - No Hands Options:	
11	Not Required	0	Dual Language English/Chinese Decals	
11	1704000	2	Dual Language English/French Decals	
11	1704001	2	Dual Language English/Spanish Decals	
11	1704002	2	Dual Language Portuguese/Spanish Decals	
11	Not Required	0	Japanese Decals	
11	Not Required	0	Korean Decals	
12	1704277	AR	Decal - Attach Lanyard Here	
13		Ref	Decal - 500LBS Max Capacity Options:	
13	1704101	2	Decal - 500LBS Max Capacity 800A Dual Language English/Chinese Decals	
13	1703996	2	Decal - 500LBS Max Capacity 800AJ Dual Language English/Chinese Decals	
13	1704099	2	Decal - 500LBS Max Capacity 800A Dual Language English/French Decals	
13	1703996	2	Decal - 500LBS Max Capacity 800AJ Dual Language English/French Decals	
13	1704098	2	Decal - 500LBS Max Capacity 800A Dual Language English/Spanish Decals	
13	1703996	2	Decal - 500LBS Max Capacity 800AJ Dual Language English/Spanish Decals	
13	1704100	2	Decal - 500LBS Max Capacity 800A Dual Language Portuguese/Spanish Decals	
13	1703996	2	Decal - 500LBS Max Capacity 800AJ Dual Language Portuguese/Spanish Decals	
13	1704102	2	Decal - 500LBS Max Capacity 800A Japanese Decals	
13	1703996	2	Decal - 500LBS Max Capacity 800AJ Japanese Decals	
13	1704103	2	Decal - 500LBS Max Capacity 800A Korean Decals	
13	1703996	2	Decal - 500LBS Max Capacity 800AJ Korean Decals	
14		Ref	Decal - 500LBS Max Capacity Options:	
14	1704109	1	Decal - 500LBS Max Capacity 800A Dual Language English/Chinese Decals	



## SECTION 8 - DECALS

ITEM	PART NUMBER	QTY	DESCRIPTION	REV
14	1704112	1	Decal - 500LBS Max Capacity 800AJ Dual Language English/Chinese Decals	
14	1704107	1	Decal - 500LBS Max Capacity 800A Dual Language English/French Decals	
14	1704112	1	Decal - 500LBS Max Capacity 800AJ Dual Language English/French Decals	
14	1704106	1	Decal - 500LBS Max Capacity 800A Dual Language English/Spanish Decals	
14	1704112	1	Decal - 500LBS Max Capacity 800AJ Dual Language English/Spanish Decals	
14	1704108	1	Decal - 500LBS Max Capacity 800A Dual Language Portuguese/Spanish Decals	
14	1704112	1	Decal - 500LBS Max Capacity 800AJ Dual Language Portuguese/Spanish Decals	
14	1704110	1	Decal - 500LBS Max Capacity 800A Japanese Decals	
14	1704112	1	Decal - 500LBS Max Capacity 800AJ Japanese Decals	
14	1704111		Decal - 500LBS Max Capacity 800A Korean Decals	
14	1704112		Decal - 500LBS Max Capacity 800AJ Korean Decals	
15		Ref	Decal - USA Options:	
15	Not Required	0	Dual Language English/Chinese Decals	
15	3251813	1	Dual Language English/French Decals	
15	3251813	1	Dual Language English/Spanish Decals	
15	3251813	1	Dual Language Portuguese/Spanish Decals	
15	Not Required	0	Japanese Decals	
15	Not Required	0	Korean Decals	
16	1701502	1	Decal - High Oil Level	
17	1701503	1	Decal - Low Oil Level	
18	1701504	1	Decal - Hydraulic Oil	
19		Ref	Decal - Inspection Options:	
19	Not Required	0	Dual Language English/Chinese Decals	
19	1704006	1	Dual Language English/French Decals	
19	1704007	1	Dual Language English/Spanish Decals	
19	1704008	1	Dual Language Portuguese/Spanish Decals	
19	Not Required	0	Japanese Decals	
19	Not Required	0	Korean Decals	
20	See Note	1	Decal - Bar Code (Note: Not Available for Purchase)	
21	1700584	1	Decal - Patent	
22	See Note	1	Nameplate - Serial Number (Note: Not Available for Purchase)	
23	1701509	1	Decal - Manual	
24	1702300	6	Decal - Tie Down /Lift	
25	1701500	4	Decal - Tie Down /Lift	
26	1701501	4	Decal- Arrow	
27		Ref	Nameplate - 110V/220V Options:	
27	Not Required	0	110V - Dual Language English/Chinese Decals	
27	3251243	1	110V - Dual Language English/French Decals	
27	3251243	1	110V - Dual Language English/Spanish Decals	
27	3251243	1	110V - Dual Language Portuguese/Spanish Decals	
27	Not Required	0	110V - Japanese Decals	
27	Not Required	0	110V - Korean Decals	
27	3252507	1	220V - All Specs	
28		Ref	Decal - Manual Descent Options:	
28	1703965	1	Dual Language English/Chinese Decals	
28	1703964	1	Dual Language English/French Decals	

## SECTION 8 - DECALS

ITEM	PART NUMBER	QTY	DESCRIPTION	REV
28	1703963	1	Dual Language English/Spanish Decals	
28	1703968	1	Dual Language Portuguese/Spanish Decals	
28	1703966	1	Japanese Decals	
28	1703967	1	Korean Decals	
29		Ref	Decal - Manual Descent Instructions Inside Options:	
29	1704121	1	Dual Language English/Chinese Decals	
29	1704116	1	Dual Language English/French Decals	
29	1704117	1	Dual Language English/Spanish Decals	
29	1704118	1	Dual Language Portuguese/Spanish Decals	
29	1704119	1	Japanese Decals	
29	1704120	1	Korean Decals	
30	1703959	2	Decal - Quick Stick	
31		Ref	Decal - Warning/Crushing Options:	
31	1703943	3	Dual Language English/Chinese Decals	
31	1703942	3	Dual Language English/French Decals	
31	1703941	3	Dual Language English/Spanish Decals	
31	1703946	3	Dual Language Portuguese/Spanish Decals	
31	1703944	3	Japanese Decals	
31	1703945	3	Korean Decals	
32	1702862	1	Decal - JLG Lift	
33	3820001	8	Rivet	
34		Ref	Decal - Footswitch Options:	
34	1703982	1	Dual Language English/Chinese Decals	
34	1703984	1	Dual Language English/French Decals	
34	1703983	1	Dual Language English/Spanish Decals	
34	1703985	1	Dual Language Portuguese/Spanish Decals	
34	1703980	1	Japanese Decals	
34	1703981	1	Korean Decals	
35		Ref	Decal - Maximum Tire Load Options:	
35	Not Required	0	Dual Language English/Chinese Decals	
35	1703960	1	Dual Language English/French Decals	
35	Not Required	0	Dual Language English/Spanish Decals	
35	Not Required	0	Dual Language Portuguese/Spanish Decals	
35	1703960	1	Japanese Decals	
35	1703960	1	Korean Decals	
36		Ref	Decal - Fuel	
36	1701542	1	Ford Engine Machines	
36	1701505	1	Deutz Engine Machines	
37		Ref	Decal - LPG Gas	
37	Not Required	0	Non-Dual Fuel Machines	
37	1701543	1	Dual Fuel Machines	
38		Ref	Decal - LP Gas Liquid Withdrawal System	
38	Not Required	0	Non-Dual Fuel Machines	
38	1704271	1	Dual Language English/French Decals	
38	1700818	1	Dual Fuel Machines except Portuguese/Spanish Decals	
38	1702720	1	Dual Fuel Machines with Portuguese/Spanish Decals	
39	1705514	1	Decal - CSA (CSA Machines Only)	
40		Ref	Decal - Upright Level Override Options:	
40	1703988	NLA	Dual Language English/Chinese Decals (Use p/n 1705977)	
40	1703990	NLA	Dual Language English/French Decals (Use p/n 1705977)	
40	1703989	NLA	Dual Language English/Spanish Decals (Use p/n 1705977)	

## SECTION 8 - DECALS

ITEM	PART NUMBER	QTY	DESCRIPTION	REV
40	1703991	NLA	Dual Language Portuguese/Spanish Decals (Use p/n 1705977)	B
40	1703986	NLA	Japanese Decals (Use p/n 1705977)	
40	1703987	NLA	Korean Decals (Use p/n 1705977)	
41	1702903	1	Decal - Knob #1	
42	1702927	1	Decal - Knob #2	
43	1702924	1	Decal - Knob #3	
48	1704885	2	Decal - Website	
	0258671	Ref	<b>MANUAL STORAGE BOX INSTALLATION</b>	
		Ref	<b>Note: Located on Hydraulic Tank SN 0300069000 through SN 0300069205. Located on Platform SN 0300069205 through SN 0300089982.</b>	
101	0860520	1	Box, Manual Storage	
101	1060279	1	Cable, Lanyard	
101	0641408	1	Bolt 1/4in-20NC x 1in	
101	0641406	1	Bolt 1/4in-20NC x 3/4in	
101	4751400	6	Flatwasher 1/4in	
101	3311405	5	Locknut 1/4in-20NC	
	1001093187	Ref	<b>Tilt Sensor Installation</b>	
203	1705977	1	Decal - Upright Level Over Ride	
204	1707110	1	Decal - Legend (Platform)	
205	1707111	1	Decal - Platform Display	
224	1001095809	1	Decal - Legend (MTB Control)	



## SECTION 8 - DECALS

**FIGURE 8-4. DECAL INSTALLATION (COUNTRY SPEC) (SN 0300089982 through 0300140000)**

ITEM	PART NUMBER	QTY	DESCRIPTION	REV
		Ref	<b>DECAL INSTALLATIONS</b>	
	0274519	Ref	<b>JLG Logo</b>	2
	0274470	Ref	<b>Decal Installations 800A Dual Language English/Chinese Decals</b>	7
	0274472	Ref	<b>Decal Installations 800A Dual Language English/French Decals</b>	7
	0274466	Ref	<b>Decal Installations 800A Dual Language English/Spanish Decals</b>	7
	0274468	Ref	<b>Decal Installations 800A Dual Language English/Portuguese Decals</b>	8
	0274462	Ref	<b>Decal Installations 800A Dual Language English/Japanese Decals</b>	7
	0274464	Ref	<b>Decal Installations 800A Dual Language English/Korean Decals</b>	7
	0274471	Ref	<b>Decal Installations 800AJ Dual Language Chinese/English Decals</b>	7
	0274473	Ref	<b>Decal Installations 800AJ Dual Language English/French Decals</b>	7
	0274467	Ref	<b>Decal Installations 800AJ Dual Language English/Spanish Decals</b>	7
	0274469	Ref	<b>Decal Installations 800AJ Dual Language English/Portuguese Decals</b>	9
	0274463	Ref	<b>Decal Installations 800AJ Dual Language English/Japanese Decals</b>	7
	0274465	Ref	<b>Decal Installations 800AJ Dual Language English/Korean Decals</b>	7
		Ref	<b>Note: All Machines should have been updated to new Tilt Sensor Upright Installation p/n 0275733.</b>	
2	1701499	2	Decal - No Tie Down/Lift	
3	1701502	1	Decal - High Oil Level <b>(SN 0300089982 through 0300134564)</b>	
4	1701503	1	Decal - Low Oil Level <b>(SN 0300089982 through 0300134564)</b>	
5	1701509	1	Decal - Manual	
7	1703811	4	Decal - Tie Down/Lift	
8	1703814	6	Decal - Tie Down	
9	1704277	3	Decal - Attach Lanyard Here	
10	1704412	1	Decal - Hydraulic Oil Chart	
12	1705514	1	Decal - CSA (CSA Machines Only)	
13		Ref	Nameplate - 110V/220V Options:	
13	Not Required	0	110V - Dual Language English/Chinese Decals	
13	3251243	1	110V - Dual Language English/French Decals	
13	3251243	1	110V - Dual Language English/Spanish Decals	
13	3251243	1	110V - Dual Language English/Portuguese Decals	
13	Not Required	0	110V - Dual Language English/Japanese Decals	
13	Not Required	0	110V - Dual Language English/Korean Decals	
13	3252507	1	220V - All Specs	
17		Ref	Decal - Inspection Options:	
17	Not Required	0	Dual Language English/Chinese Decals	
17	1704006	1	Dual Language English/French Decals	
17	1704007	1	Dual Language English/Spanish Decals	
17	1705901	1	Dual Language English/Portuguese Decals	
17	Not Required	0	Dual Language English/Japanese Decals	
17	Not Required	0	Dual Language English/Korean Decals	

## SECTION 8 - DECALS

ITEM	PART NUMBER	QTY	DESCRIPTION	REV
18		Ref	Decal - Warning/Crushing Options:	
18	1703943	3	Dual Language English/Chinese Decals	
18	1703942	3	Dual Language English/French Decals	
18	1703941	3	Dual Language English/Spanish Decals	
18	1705903	3	Dual Language English/Portuguese Decals	
18	1703944	3	Dual Language English/Japanese Decals	
18	1703945	3	Dual Language English/Korean Decals	
20		Ref	Decal - No Hands Options:	
20	1705968	2	Dual Language English/Chinese Decals	
20	1704000	2	Dual Language English/French Decals	
20	1704001	2	Dual Language English/Spanish Decals	
20	1705967	2	Dual Language English/Portuguese Decals	
20	Not Required	0	Dual Language English/Japanese Decals	
20	1705969	2	Dual Language English/Korean Decals	
21		Ref	Decal - Danger/Warning Options:	
21	1703925	1	Dual Language English/Chinese Decals	
21	1703924	1	Dual Language English/French Decals	
21	1703923	1	Dual Language English/Spanish Decals	
21	1705895	1	Dual Language English/Portuguese Decals	
21	1703926	1	Dual Language English/Japanese Decals	
21	1703927	1	Dual Language English/Korean Decals	
22		Ref	Decal - Warning Inspection Options:	
22	1705348	1	Dual Language English/Chinese Decals	
22	1705347	1	Dual Language English/French Decals	
22	1705917	1	Dual Language English/Spanish Decals	
22	1705896	1	Dual Language English/Portuguese Decals	
22	1705344	1	Dual Language English/Japanese Decals	
22	1705345	1	Dual Language English/Korean Decals	
23		Ref	Decal - Crushing Options:	
23	1703949	6	Dual Language English/Chinese Decals	
23	1703948	6	Dual Language English/French Decals	
23	1703947	6	Dual Language English/Spanish Decals	
23	1705898	6	Dual Language English/Portuguese Decals	
23	1703950	6	Dual Language English/Japanese Decals	
23	1703951	6	Dual Language English/Korean Decals	
24		Ref	Decal - Danger/Electrocution Options:	
24	1703937	4	Dual Language English/Chinese Decals	
24	1703936	4	Dual Language English/French Decals	
24	1703935	4	Dual Language English/Spanish Decals	
24	1705897	4	Dual Language English/Portuguese Decals	
24	1703938	4	Dual Language English/Japanese Decals	
24	1703939	4	Dual Language English/Korean Decals	
25		Ref	Decal - Footswitch Options:	
25	1703982	1	Dual Language English/Chinese Decals	
25	1703984	1	Dual Language English/French Decals	
25	1703983	1	Dual Language English/Spanish Decals	
25	1705902	1	Dual Language English/Portuguese Decals	
25	1703980	1	Dual Language English/Japanese Decals	
25	1703981	1	Dual Language English/Korean Decals	
26		Ref	Decal - USA Options:	
26	3251813	1	Dual Language English/Chinese Decals	

## SECTION 8 - DECALS

ITEM	PART NUMBER	QTY	DESCRIPTION	REV
26	3251813	1	Dual Language English/French Decals	
26	3251813	1	Dual Language English/Spanish Decals	
26	3251813	1	Dual Language English/Portuguese Decals	
26	3251813	1	Dual Language English/Japanese Decals	
26	Not Required	0	Dual Language English/Korean Decals	
29	1703960	4	Decal - Max Tire Load	
30	Not Available	1	Decal - Bar Code	
31		Ref	Decal Options:	
31	1703772	2	Decal - 800A	
31	1703773	2	Decal - 800AJ	
32	1701501	4	Decal- Arrow	
33		Ref	Decal - 500LBS Max Capacity Options:	
33		Ref	Decal - 500LBS Max Capacity <b>(SN 0300089982 through 0300100379)</b>	
33	1704101	2	Decal - 500LBS Max Capacity 800A Dual Language English/Chinese Decals	
33	1703996	2	Decal - 500LBS Max Capacity 800AJ Dual Language English/Chinese Decals	
33	1704099	2	Decal - 500LBS Max Capacity 800A Dual Language English/French Decals	
33	1703996	2	Decal - 500LBS Max Capacity 800AJ Dual Language English/French Decals	
33	1704098	2	Decal - 500LBS Max Capacity 800A Dual Language English/Spanish Decals	
33	1703996	2	Decal - 500LBS Max Capacity 800AJ Dual Language English/Spanish Decals	
33	1706380	2	Decal - 500LBS Max Capacity 800A Dual Language English/Portuguese Decals	
33	1703996	2	Decal - 500LBS Max Capacity 800AJ Dual Language English/Portuguese Decals	
33	1704102	2	Decal - 500LBS Max Capacity 800A Dual Language English/Japanese Decals	
33	1703996	2	Decal - 500LBS Max Capacity 800AJ Dual Language English/Japanese Decals	
33	1704103	2	Decal - 500LBS Max Capacity 800A Dual Language English/Korean Decals	
33	1703996	2	Decal - 500LBS Max Capacity 800AJ Dual Language English/Korean Decals	
33		Ref	Decal - 500LBS Max Capacity <b>(SN 0300100380 through 0300140000)</b>	
33	1704101	2	Decal - 500LBS Max Capacity 800A Dual Language English/Chinese Decals	
33	1707060	2	Decal - 500LBS Max Capacity 800AJ Dual Language English/Chinese Decals	
33	1704099	2	Decal - 500LBS Max Capacity 800A Dual Language English/French Decals	
33	1707055	2	Decal - 500LBS Max Capacity 800AJ Dual Language English/French Decals	
33	1704098	2	Decal - 500LBS Max Capacity 800A Dual Language English/Spanish Decals	
33	1707056	2	Decal - 500LBS Max Capacity 800AJ Dual Language English/Spanish Decals	
33	1706380	2	Decal - 500LBS Max Capacity 800A Dual Language English/Portuguese Decals	
33	1707057	2	Decal - 500LBS Max Capacity 800AJ Dual Language English/Portuguese Decals	

## SECTION 8 - DECALS

ITEM	PART NUMBER	QTY	DESCRIPTION	REV
33	1707059	2	Decal - 500LBS Max Capacity 800AJ Dual Language English/Japanese Decals	
33	1704103	2	Decal - 500LBS Max Capacity 800A Dual Language English/Korean Decals	
33	1703996	2	Decal - 500LBS Max Capacity 800AJ Dual Language English/Korean Decals	
34		Ref	Decal - 500LBS Max Capacity Options:	
34		Ref	Decal - 500LBS Max Capacity: <b>(SN 0300089982 through 0300100379)</b>	
34	1704109	1	Decal - 500LBS Max Capacity 800A Dual Language English/Chinese Decals	
34	1704112	1	Decal - 500LBS Max Capacity 800AJ Dual Language English/Chinese Decals	
34	1704107	1	Decal - 500LBS Max Capacity 800A Dual Language English/French Decals	
34	1704112	1	Decal - 500LBS Max Capacity 800AJ Dual Language English/French Decals	
34	1704106	1	Decal - 500LBS Max Capacity 800A Dual Language English/Spanish Decals	
34	1704112	1	Decal - 500LBS Max Capacity 800AJ Dual Language English/Spanish Decals	
34	1706381	1	Decal - 500LBS Max Capacity 800A Dual Language English/Portuguese Decals	
34	1704112	1	Decal - 500LBS Max Capacity 800AJ Dual Language English/Portuguese Decals	
34	1704110	1	Decal - 500LBS Max Capacity 800A Dual Language English/Japanese Decals	
34	1704112	1	Decal - 500LBS Max Capacity 800AJ Dual Language English/Japanese Decals	
34	1704111	1	Decal - 500LBS Max Capacity 800A Dual Language English/Korean Decals	
34	1704112	1	Decal - 500LBS Max Capacity 800AJ Dual Language English/Korean Decals	
34		Ref	Decal - 500LBS Max Capacity: <b>(SN 0300100380 through 0300140000)</b>	
34	1707045	1	Decal - 500LBS Max Capacity 800A Dual Language English/Chinese Decals	
34	1707044	1	Decal - 500LBS Max Capacity 800AJ Dual Language English/Chinese Decals	
34	1707046	1	Decal - 500LBS Max Capacity 800A Dual Language English/French Decals	
34	1707047	1	Decal - 500LBS Max Capacity 800AJ Dual Language English/French Decals	
34	1707048	1	Decal - 500LBS Max Capacity 800A Dual Language English/Spanish Decals	
34	1707049	1	Decal - 500LBS Max Capacity 800AJ Dual Language English/Spanish Decals	
34	1707051	1	Decal - 500LBS Max Capacity 800A Dual Language English/Portuguese Decals	
34	1707052	1	Decal - 500LBS Max Capacity 800AJ Dual Language English/Portuguese Decals	
34	1707053	1	Decal - 500LBS Max Capacity 800A Dual Language English/Japanese Decals	
34	1707054	1	Decal - 500LBS Max Capacity 800AJ Dual Language English/Japanese Decals	
34	1707043	1	Decal - 500LBS Max Capacity 800A Dual Language English/Korean Decals	



## SECTION 8 - DECALS

ITEM	PART NUMBER	QTY	DESCRIPTION	REV
34	1707048	1	Decal - 500LBS Max Capacity 800AJ Dual Language English/Korean Decals	
35	1704885	2	Decal - Website	
36	Not Available	1	Nameplate, Manufactures	
37	1705977	1	Decal - Upright Level Override	
38	1703959	2	Decal - Quick Stick	
39	1700584	1	Decal - Patent	
40		Ref	Decal - Legend Options:	
40	1707110	1	Decal - Legend ( <b>SN 0300069000 through 0300137974</b> )	
40	1001108495	1	Decal - Legend ( <b>SN 0300137975 through 0300140000</b> )	
41	1001095809	1	Decal - Legend (MTB)	
43	3820001	4	Rivet	
44	1702861	2	Decal - JLG Lift (8in Height)	
45	1702774	1	Decal - JLG Lift (3 1/2in Height)	
46	1702773	1	Decal - JLG (5in Height)	
47	3250872	1	Nameplate - Steer/Tow Selector	
48	1705090	1	Decal - Towing Instructions	
49		Ref	Decal - Fuel	
49	1701505	1	Diesel	
49	1701542	1	Gas	
50	1701543	2	Decal - LP Gas (GM Engine Machines Only)	
51		Ref	Decal - LP Gas (Liquid) (GM Engine Machines Only) Options:	
51	1700818	2	ANSI Spec	
51	1702720	2	ANSI Export	
51	1704271	2	CSA Spec	
55	1702788	1	Decal - Bio Hydraulic Fluid	
56		Ref	Decal - Drive Orientation Options:	
56	1705430	1	Dual Language English/Chinese Decals	
56	1705429	1	Dual Language English/French Decals	
56	1705910	1	Dual Language English/Spanish Decals	
56	1705905	1	Dual Language English/Portuguese Decals	
56	1705426	1	Dual Language English/Japanese Decals	
56	1705427	1	Dual Language English/Korean Decals	
	0258671	Ref	<b>MANUAL STORAGE BOX INSTALLATION</b>	B
101	0860520	1	Box, Manual Storage	
101	1060279	1	Cable, Lanyard	
101	0641408	1	Bolt 1/4in-20NC x 1in	
101	0641406	1	Bolt 1/4in-20NC x 3/4in	
101	4751400	6	Flatwasher 1/4in	
101	3311405	5	Locknut 1/4in-20NC	
	1001093187	Ref	<b>TILT SENSOR INSTALLATION (SN 0300089982 through 0300112885)</b>	C
203	1705977	1	Decal - Upright Level Over Ride	
204	1707110	1	Decal - Legend (Platform)	
205	1707111	1	Decal - Platform Display	
224	1001095809	1	Decal - Legend (MTB Control)	



## **SECTION 9 - RECOMMENDED SERVICE PARTS STOCK**

## **SECTION 9 - RECOMMENDED SERVICE PARTS STOCK**

## SECTION 9 - RECOMMENDED SERVICE PARTS STOCK

FIGURE 9-1. MODEL 800A/800AJ STANDARD PARTS

ITEM	PART NUMBER	QTY	DESCRIPTION	REV
	Note	Ref	<b>Note: The following list will service one machine (built to current production per date on the front cover) with emergency repair parts which can be installed in the field. Parts from the list should be replaced when inventory is depleted to keep service parts stock supplied. For further information, contact your JLG dealer or the JLG industries Parts Department.</b>	
		Ref	<b>STANDARD PARTS</b>	
	2120168	4	Element, Filter	
	2120210	4	Element, Filter	
	7012944	1	Coil	
	7018991	1	Coil	
	7012772	1	Coil	
	7000645	1	Coil	
	70000582	1	Coil	
	7012664	1 Dozen	Element, Air Cleaner	
	3740067	1	Relay	
	7024444	1	Breather, Hydraulic Tank	
	4360475	1	Switch, Mushroom	
	4360469	1	Switch, Key	
	2860030	1	Key, Replacement	
	4360476	1	Contact, Switch Block	
	4360328	1	Switch, Toggle	
	3740049	1	Relay	
	2940074	1	Latch	
	4360387	1	Switch, Push Button	
	1001129555	1	Controller (Lift and Swing)	
	1001212415	1	Controller (Drive and Steer)	
	4360330	1	Switch, Toggle	
	4360407	1	Controller, Speed	
	2400065	2	Fuse - 30 Amp	
	3990010	2	Diode	



## SECTION 9 - RECOMMENDED SERVICE PARTS STOCK

FIGURE 9-2. MODEL 800A/800AJ VARIABLE PARTS

ITEM	PART NUMBER	QTY	DESCRIPTION	REV
	Note	Ref	<b>Note: The following list will service one machine (built to current production per date on the front cover) with emergency repair parts which can be installed in the field. Parts from the list should be replaced when inventory is depleted to keep service parts stock supplied. For further information, contact your JLG dealer or the JLG industries Parts Department.</b>	
		Ref	<b>VARIABLE PARTS</b>	
	7026811	1 Dozen	Filter, Oil (Caterpillar Engine Machines)	
	7026830	1 Dozen	Filter, Fuel (Caterpillar Engine Machines)	
	1001112067	1	Module, Engine Control (Caterpillar Engine Machines)	
	7016331	1 Dozen	Filter, Oil (Deutz Engine Machines)	
	7016328	1 Dozen	Filter, Fuel (Deutz Engine Machines)	
	7027795	1	Module, Engine Control (Deutz Engine Machines)	
	7021868	1 Dozen	Filter, Oil (Ford Engine Machines)	
	91083218	1 Dozen	Filter, Fuel (Ford Engine Machines)	
	1600374	1	Module, EPM (Ford Engine Machines)	
	4360336	1	Switch, Toggle (Machines with Dual Fuel Option)	
	7027965	1 Dozen	Filter, Oil (GM Engine Machines)	
	7027972	1 Dozen	Filter, Fuel (GM Engine Machines)	
	70002895	1	Module, Engine Control (GM Engine Machines)	
	4360517	1	Switch, Proximity	
	1001103667	1	Module, Ground Control (Caterpillar, Deutz and GM Engines)	
	4360522	1	Switch, Toggle (Machines with Lights Option)	
	3740080	1	Relay (Machines with Generator Option)	
	4360336	1	Switch, Toggle (Machines with Generator Option)	
	4360070	1	Breaker, Circuit (Machines with SkyPower)	
	2400064	2	Fuse - 5 Amp (Machines with SkyPower)	
	70002013	1	Powertrack Repair Section (Gortrac Brand)	
	7016522	2	Powertrack Repair Section (Gemco Brand)	
	7006137	24	Powertrack Pin Kit (Gemco Brand)	
	4360578	1	Switch, Limit	
	4360498	1	Switch, Proximity	
	4360499	1	Switch, Proximity	
	1001094400	1	Sensor, Dual Axle	
	1001106355	1	Controller, Module Platform	
	4360232	1	Breaker, Circuit (Machines with Platform Worklights)	
	4360331	1	Switch, Toggle (Machines with 4WD or 4WS Options)	
	4360057	1	Switch, Limit (Machines with Soft Touch Option)	
	2400070	2	Fuse (Machines with Platform Worklights)	

**SECTION 10 - SPECIAL OPTIONS**

# SECTION 10 - SPECIAL OPTIONS

FIGURE 10-1. SPECIAL OPTIONS

ITEM	PART NUMBER	QTY	DESCRIPTION	REV
	Note	Ref	<b>Note: This list is to accomodate machines ordered with special equipment. Options may not be applicable to all models. For more specific parts information contact JLG Parts Department.</b>	
		Ref	<b>MISCELLANEOUS SPECIAL OPTIONS</b>	
	1340061	Ref	<b>Air Cleaner Pre-Cleaner</b>	
		Ref	<b>Airline to Platform Installation Options:</b>	
	0258802	Ref	1/2in 800A	
	0258805	Ref	1/2in 800AJ	
	1001093746	Ref	1/2in 800A (With Arctic Package)	
	1001092092	Ref	1/2in 800AJ (With Arctic Package)	
		Ref	<b>Bellows Installation Options:</b>	
	0258734	Ref	Boom 800A	
	0258737	Ref	Boom 800AJ	
	0258757	Ref	Chassis (Fixed Axle 2WS)	
	0258759	Ref	Chassis (Fixed Axle 4WS)	
	0258387	Ref	Chassis (Oscillating Axle 2WS)	
	0258758	Ref	Chassis (Oscillating Axle 4WS)	
	1001116474	Ref	<b>Boom Cable Installation with Communication System (800AJ Only)</b>	
	2910887	Ref	<b>Boom Wear Pad Kit</b>	
	0258654	Ref	<b>Boom Wipers Installation</b>	
	0256789	Ref	<b>Camera Mount Assembly</b>	
		Ref	<b>ClearSky (Telematic) Installation (Factory Installed)</b>	
		Ref	<b>Note: Refer to Manual Supplement p/n 3128499 for available replacement parts.</b>	
		Ref	<b>ADE Machines</b>	
	1001102841	Ref	<b>ANSI Spec</b>	
	1001102842	Ref	<b>ANSI Export and Japanese Specs</b>	
	1001104985	Ref	<b>CSA Spec</b>	
		Ref	<b>ADE/UGM Machines</b>	
	1001112990	Ref	<b>ANSI Spec</b>	
	1001112991	Ref	<b>ANSI Export and Japanese Specs</b>	
	1001112992	Ref	<b>CSA Spec</b>	
		Ref	<b>ClearSky (Telematic) Kit (Dealer Installed)</b>	
		Ref	<b>ANSI Spec</b>	
	1001117251	Ref	<b>Pre-UGM</b>	
	1001119939	Ref	<b>UGM</b>	
		Ref	<b>Australian Spec</b>	
	1001139132	Ref	<b>Pre-UGM</b>	
	1001139151	Ref	<b>UGM</b>	
		Ref	<b>CSA Spec</b>	
	1001117258	Ref	<b>Pre-UGM</b>	
	1001119947	Ref	<b>UGM</b>	
		Ref	<b>Cold Weather Package Installation Options:</b>	
	0273575	Ref	Caterpillar Engine	
	0256060	Ref	Deutz without Glow Plugs (Deutz Engine Machines SN 0300069000 through SN 0300085331Only)	
	0258927	Ref	Deutz with Glow Plugs ( <b>SN 0300069000 through 0300073048</b> )	
	0271912	Ref	Deutz with Glow Plugs ( <b>SN 0300073049 through 0300140000</b> )	



## SECTION 10 - SPECIAL OPTIONS

ITEM	PART NUMBER	QTY	DESCRIPTION	REV
	0255386	Ref	Ford	
	0275262	Ref	GM	
	0274883	Ref	<b>Cold Weather Transformer Installation (ANSI Export Only)</b>	
		Ref	<b>Note: Cold Weather Transformer Installation used on Deutz Engines with Cold Weather</b>	
	1001109263	Ref	<b>Communication System (David Clark) Installation (800AJ Only)</b>	
	1001093389	Ref	<b>Cover, Fan</b>	
		Ref	<b>Decal Installations Options:</b>	
	1702788	Ref	Decal - Biodegradable Hydraulic Fluid (All except German Spec)	
	1703479	Ref	Decal - Biodegradable Hydraulic Fluid (German Spec Only)	
	1001116565	Ref	Decal - ClearSky (ANSI Spec)	
	1001116566	Ref	Decal - ClearSky (CSA Spec)	
	3252221	Ref	Decal - CSA (CSA Spec)	
	1703175	Ref	Decal - Lanyard Attach (GM K-1 Spec)	
	1702962	Ref	Decal - Prop 65 Warning (Diesel Machines) (California Spec)	
	1702961	Ref	Decal - Prop 65 Warning (Gasoline Machines) (California Spec)	
	0257195	Ref	Decals - Government Warranty	
	0274528	Ref	Decals - Head and Engquist Equipment L.L.C. (H and E)	
	0273249	Ref	Decals - Hertz	
	0274248	Ref	Decals - National Equipment Services	
	1001095391	Ref	Decals - RSC Equipment Rental	
	0271112	Ref	Decals - Sunbelt	
	0273687	Ref	Decal - SkyAir	
	0272599	Ref	Decal - SkyCutter (ANSI/ANSI Export/CSA Specs)	
	0272607	Ref	Decal - SkyCutter (Japanese Specs)	
	0272418	Ref	Decal - SkyGlazier (ANSI/ANSI Export/CSA/UL Specs)	
	0272435	Ref	Decal - SkyPower (ANSI/ANSI Export/CSA Specs)	
	0272589	Ref	Decal - SkyPower (ANSI Export/Japanese Specs)	
	0272448	Ref	Decal - SkyWelder (ANSI/ANSI Export/CSA Specs)	
	0272588	Ref	Decal - SkyWelder (ANSI Export/Japanese Specs)	
		Ref	Decals - United Rentals Options:	
	0270959	Ref	Decals - United Rentals <b>(SN 0300069000 through 0300069246)</b>	
	0271895	Ref	Decals - United Rentals <b>(SN 0300069247 through 0300073048)</b>	
	0273122	Ref	Decals - United Rentals <b>(SN 0300073049 through 0300140000)</b>	
	0258541	Ref	Decals - Warning Stripes I	
	1282946	Ref	Decals - Warning Stripes I	
	See Note	Ref	<b>Decal Kits</b>	
	2902307	Ref	Decal Kit - Country Spec (ANSI Spec) <b>(SN 0300089982 through 0300140000)</b>	
	2902309	Ref	Decal Kit - Country Spec (Chinese/English Dual Language) <b>(SN 0300089982 through 0300140000)</b>	
	2902322	Ref	Decal Kit - Country Spec (French/English Dual Language) <b>(SN 0300089982 through 0300140000)</b>	
	2902308	Ref	Decal Kit - Country Spec (Japanese/English Dual Language) <b>(SN 0300089982 through 0300140000)</b>	
	2902310	Ref	Decal Kit - Country Spec (Korean/English Dual Language) <b>(SN 0300089982 through 0300140000)</b>	
	2902312	Ref	Decal Kit - Country Spec (Portuguese/English Dual Language) <b>(SN 0300089982 through 0300140000)</b>	
	2902311	Ref	Decal Kit - Country Spec (Spanish/English Dual Language) <b>(SN</b>	

## SECTION 10 - SPECIAL OPTIONS

ITEM	PART NUMBER	QTY	DESCRIPTION	REV
			<b>0300089982 through 0300140000)</b>	
	2902303	Ref	Decal Kit - Master ( <b>SN 0300089982 through 0300140000)</b>	
	1001108720	Ref	Decal Kit - Platform (800A)	
	1001108721	Ref	Decal Kit - Platform (800AJ)	
	2910872	Ref	Decal Kit - Platform Console ( <b>SN 0300069000 through 0300137974)</b>	
	1001119563	Ref	Decal Kit - Platform Console ( <b>SN 0300137975 through 0300140000)</b>	
	2902353	Ref	Decal Kit - Tire Load	
	2300040	Ref	<b>Diesel Fuel - Anti-Gel</b>	
	2902396	Ref	<b>Drive/Steer Cutout Kit</b>	
	0274619	Ref	<b>Dual AC 110V GFI Installation</b>	
		Ref	<b>Electrical Connector Kits</b>	
	1001148902	Ref	Amp/Tyco Electrical Connector Kit	
	1001148903	Ref	Deutsch DT Electrical Connector Kit	
	1001148904	Ref	Deutsch HD Electrical Connector Kit	
	1001148905	Ref	Packard Electrical Connector Kit	
	1001148906	Ref	Various Electrical Connectors Kit	
		Ref	<b>Engine Block Heater Installations:</b>	
	0258696	Ref	<b>Ford Engine Machines</b>	
	0275261	Ref	<b>GM Engine Machines</b>	
	0257157	Ref	<b>Ether Start Installation (Deutz Engine Machines SN 0300069000 through SN 0300085331 Only)</b>	
		Ref	<b>Exhaust Rain Cap Installation</b>	
	0274598		Exhaust Rain Cap Installation ( <b>SN 0300069000 through 0300136458)</b>	
	1001108962		Exhaust Rain Cap Installation ( <b>SN 0300136459 through 0300140000)</b>	
		Ref	<b>Filter Kits:</b>	
		Ref	<b>Combined Filter Kit Options (Hydraulic/Air and Fuel/Engine Oil):</b>	
		Ref	<b>Deutz Engine Machines</b>	
	2910467	1	Deutz Engine Machines ( <b>SN 0300069000 through 0300077499)</b>	
	1001110996	1	Deutz Engine Machines ( <b>SN 0300077500 through 0300087265)</b>	
	1001111014	1	Deutz Engine Machines ( <b>SN 0300087266 through 0300140000)</b>	
		Ref	<b>Caterpillar Engine Machines</b>	
	2915139	1	Caterpillar Engine Machines ( <b>SN 0300069000 through 0300087265)</b>	
	1001111015	1	Caterpillar Engine Machines ( <b>SN 0300087266 through 0300140000)</b>	
		Ref	<b>Ford LRG-425 Non-UL Engine Machines</b>	
	1001114116	1	Ford LRG-425 Non-UL Engine Machines ( <b>SN 0300069000 through 0300087265)</b>	
	1001114115	1	Ford LRG-425 Non-UL Engine Machines ( <b>SN 0300087266 through 0300140000)</b>	
		Ref	<b>GM Engine Machines</b>	
	1001114056	1	GM Engine Machines ( <b>SN 0300069000 through 0300140000)</b>	
		Ref	<b>Hydraulic/Air Filter Options:</b>	
		Ref	<b>Deutz Engine Machines</b>	
	1001109693	1	Deutz Engine Machines ( <b>SN 0300069000 through 0300087265)</b>	

## SECTION 10 - SPECIAL OPTIONS

ITEM	PART NUMBER	QTY	DESCRIPTION	REV
	1001109717	1	Deutz Engine Machines (SN 0300087266 through 0300140000)	
		Ref	<b>Caterpillar Engine Machines</b>	
	2910948	NLA	Caterpillar Engine Machines (Use p/n 1001109717) (SN 0300087266 through 0300140000)	
		Ref	<b>Ford Engine Machines</b>	
	1001109693	1	Ford Engine Machines (SN 0300069000 through 0300087265)	
	1001109717	1	Ford Engine Machines (SN 0300087266 through 0300140000)	
		Ref	<b>Engine - Fuel/Engine Oil Filter Options:</b>	
		Ref	<b>Deutz Engine Machines</b>	
	1001110133	1	Deutz Engine Machines (SN 0300069000 through 0300140000)	
		Ref	<b>Caterpillar Engine Machines</b>	
	1001110137	1	Caterpillar Engine Machines (SN 0300087266 through 0300140000)	
		Ref	<b>Footswitch Shield Options (Note: Move Decal to Shield):</b>	
	4060959	Ref	Footswitch Shield (SN 0300069000 through 0300092145)	
	3380652	Ref	Footswitch Shield (SN 0300092146 through 0300140000)	
		Ref	<b>Glow Plugs Installations (Deutz Engine Machines):</b>	
	0271326	Ref	Glow Plugs Installations (Deutz Engine Machines) (SN 0300069000 through 0300073048)	
	0271548	Ref	Glow Plugs Installations (Deutz Engine Machines) (SN 0300073049 through 0300140000)	
	1001121736	Ref	<b>Hood Conversion Kit - Caterpillar (ABS to Steel)</b>	
	1001121735	Ref	<b>Hood Conversion Kit - Deutz (ABS to Steel)</b>	
	1001121737	Ref	<b>Hood Conversion Kit - GM (ABS to Steel)</b>	
		Ref	<b>Hose Kits:</b>	
	2902457	Ref	Hose Kit - Powertrack (Lower) (800A)	
	2902456	Ref	Hose Kit - Powertrack (Upper) (800A)	
	1001204901	Ref	Hose Kit - Powertrack (Lower) (800AJ)	
	2902459	Ref	Hose Kit - Powertrack (Upper) (800AJ)	
	1001210685	Ref	Hose Kit - Boom (Upper) (800A)	
	1001210687	Ref	Hose Kit - Boom (Upper) (800AJ)	
	1001241410	Ref	<b>Hostile Environment Add-on Kit (2WS with Fixed Axle) (800A)</b>	
	1001241411	Ref	<b>Hostile Environment Add-on Kit (2WS with Oscillating Axle) (800A)</b>	
	1001241412	Ref	<b>Hostile Environment Add-on Kit (4WS with Fixed Axle) (800A)</b>	
	1001204927	Ref	<b>Hostile Environment Add-on Kit (4WS with Oscillating Axle) (800A)</b>	
	1001241413	Ref	<b>Hostile Environment Add-on Kit (2WS with Fixed Axle) (800AJ)</b>	
	1001241414	Ref	<b>Hostile Environment Add-on Kit (2WS with Oscillating Axle) (800AJ)</b>	
	1001241415	Ref	<b>Hostile Environment Add-on Kit (4WS with Fixed Axle) (800AJ)</b>	
	1001204928	Ref	<b>Hostile Environment Add-on Kit (4WS with Oscillating Axle) (800AJ)</b>	
		Ref	<b>Hydraulic Fluids</b>	
	2300014	Ref	Mobil 424	
	2300027	Ref	Mobil 224H Bio	
	2300016	Ref	Mobil DTE 13M	
	2300029	Ref	Mobil EAL ISO 46 Bio	

## SECTION 10 - SPECIAL OPTIONS

ITEM	PART NUMBER	QTY	DESCRIPTION	REV
	2300021	Ref	Union Carbide Ucon HP5046 Fire Resistant	
	2300039	Ref	Exxon Univis Hvl (Arctic Package Only)	
	1001148971	Ref	<b>Lanyard (Bolt-On) Kit Installation</b>	
		Ref	<b>Oil Cooler Installations</b>	
		Ref	<b>Deutz Engine Machines</b>	
	0256762	Ref	<b>Deutz Engine Machines (SN 0300069000 through 0300137667)</b>	
	1282665	Ref	<b>Deutz Engine Machines (SN 0300069000 through 0300137667)</b>	
	1001108701	Ref	<b>Deutz Engine Machines (SN 0300137668 through 0300140000)</b>	
	0272040	Ref	<b>Ford and GM Engine Machines</b>	
	1283309	Ref	<b>Ford and GM Engine Machines</b>	
		Ref	<b>Pipe Racks Installations</b>	
	0257728	Ref	<b>ANSI Spec</b>	
	1001107497	Ref	<b>ANSI Export Spec (English/Spanish Language)</b>	
	0258703	Ref	<b>Platform Console Cover Installation</b>	
	2915228	Ref	<b>Platform Conversion Kit (Front to Side Entry)</b>	
	2902232	Ref	<b>Platform Conversion Kit (Front to Side Entry) (For SkyGlazier)</b>	
		Ref	<b>Platform Entry Kits</b>	
	1001142504	Ref	<b>Drop Bar (Replacing Swing Gate with Drop Bar)</b>	
	1001142505	Ref	<b>Swing Gate (Replacing Drop Bar with Swing Gate)</b>	
		Ref	<b>Platform Mesh to Top Rail Add-on Kits (Side Entry):</b>	
	1001214552	Ref	<b>30in x 4ft (76cm x 1.22m) with Gate</b>	
	1001214561	Ref	<b>36in x 6ft (91.5cm x 1.52m) with Gate</b>	
	1001214562	Ref	<b>36in x 8ft (91.5cm x 2.44m) with Gate</b>	
		Ref	<b>Platform Mesh to Top Rail Installation (Side Entry Platform)</b>	
	0273147	Ref	<b>2.5ft x 4ft Platforms</b>	
	0273149	Ref	<b>3ft x 6ft Platforms</b>	
	0273145	Ref	<b>3ft x 8ft Platforms</b>	
	1702868	Ref	Decal - No Hands (ANSI Spec)	
	1704000	Ref	Decal - No Hands (CSA Spec)	
	1704001	Ref	Decal - No Hands (English/Spanish)	
	1705969	Ref	Decal - No Hands (Korean/English)	
		Ref	<b>Platform Top Rail Extension Installation (Side Entry Platform)</b>	
	0272733	Ref	<b>3ft x 6ft Platforms (Standard Design)</b>	
	1001110058	Ref	<b>3ft x 6ft Platforms (Raised Height Design)</b>	
	0272725	Ref	<b>3ft x 8ft Platforms (Standard Design)</b>	
		Ref	<b>Platform Top Rail Extension (CSA Spec)</b>	
	0270511	Ref	<b>3ft x 6ft Platforms</b>	
	0271771	Ref	<b>3ft x 8ft Platforms</b>	
	0861682	Ref	<b>Platform, Remote Control Box</b>	
	1001139944	NLA	<b>Pump Mounting Bracket Kit (Sauer Danfoss) (Use p/n 1001162546)</b>	
	2902300	Ref	<b>Remote Oil Filter Kit - Required on Caterpillar Engine to Allow SkyPower 7500 Watt Generator to Fit (SN 0300069000 through 0300078179)</b>	
	3574696	1	Bracket, Mounting Remote Filter	
	0274207	Ref	<b>Slope Sensor Installation</b>	
		Ref	<b>Sky Accessory:</b>	
		Ref	<b>Note: For Breakdown of Sky Accessories Refer to Accessory Manual p/n 3124242</b>	
	0273450	Ref	SkyAir (SN 0300069000 through 0300077343)	

## SECTION 10 - SPECIAL OPTIONS

ITEM	PART NUMBER	QTY	DESCRIPTION	REV
	0274031	Ref	SkyAir ( <b>SN 0300077344 through 0300140000</b> )	
		Ref	SkyGlazier Options:	
	0272395	NLA	ANSI and CSA Specs w/o LSS (Use p/n 1001101422)	
	1001099376	NLA	ANSI and CSA Specs w/o LSS (Use p/n 1001101422)	
	0272387	NLA	ANSI Export - Spanish Language (Use p/n 1001099421)	
	0272955	NLA	ANSI Export - Portuguese Language (Use p/n 1001099422)	
		Ref	SkyPower - 7500W 60Hz (Caterpillar Engine)	
	0273540	Ref	SkyPower - 7500W 60Hz (Caterpillar Engine) ( <b>SN 0300069000 through 0300139399</b> )	
	1001115398	Ref	SkyPower - 7500W 60Hz (Caterpillar Engine) ( <b>SN 0300139400 through 0300140000</b> )	
		Ref	SkyPower - 7500W 50Hz (Caterpillar Engine)	
	0273541	Ref	SkyPower - 7500W 50Hz (Caterpillar Engine) ( <b>SN 0300069000 through 0300139399</b> )	
	1001115400	Ref	SkyPower - 7500W 50Hz (Caterpillar Engine) ( <b>SN 0300139400 through 0300140000</b> )	
		Ref	SkyPower - 7500W 60Hz (Deutz Engine)	
	0272255	Ref	SkyPower - 7500W 60Hz (Deutz Engine) ( <b>SN 0300069000 through 0300139399</b> )	
	1001115387	Ref	SkyPower - 7500W 60Hz (Deutz Engine) ( <b>SN 0300139400 through 0300140000</b> )	
		Ref	SkyPower - 7500W 50Hz (Deutz Engine)	
	0272492	Ref	SkyPower - 7500W 50Hz (Deutz Engine) ( <b>SN 0300069000 through 0300139399</b> )	
	1001115389	Ref	SkyPower - 7500W 50Hz (Deutz Engine) ( <b>SN 0300139400 through 0300140000</b> )	
	0272817	Ref	SkyPower - 7500W 60Hz (Ford Engine)	
	0275257	Ref	SkyPower - 7500W 60Hz (GM Engine)	
	See Note	Ref	SkyCutter Plasma Cutter (was p/n 0272590) (Note: No Longer Available) ( <b>SN 0300069000 through 0300119293</b> )	
	1001098149	Ref	SkyCutter Plasma Cutter ( <b>SN 0300119294 through 0300140000</b> )	
	0272254	Ref	SkyWelder (ANSI, ANSI Export and CSA Specs)	
	0272521	Ref	SkyWelder (ANSI Export and Japanese Specs)	
	0273353	Ref	SkyCutter/SkyWelder Combo	
		Ref	<b>SkyGuard Component Options:</b>	
	1001149560	NLA	SkyGuard Complete Add-on Kit (Non-UGM Machines) (Use p/n 1001206478)	
	1001206478	Ref	SkyGuard Complete Add-on Kit (Non-UGM Machines)	
	1001143669	NLA	SkyGuard Complete Add-on Kit (UGM Machines) (Use p/n 1001206477)	
	1001206477	Ref	SkyGuard Complete Add-on Kit (Blue Beacon) (UGM Machines) (Note: Requires 7500W SkyPower Generator)	
	1001210026	Ref	SkyGuard Complete Add-on Kit (Red Beacon) (UGM Machines) (Note: Requires 7500W SkyPower Generator)	
	1001137672	Ref	SkyGuard Platform Sensor Kit (UGM Machines)	
	1001186431	2	Relay	
	1001143256	NLA	SkyGuard Blue Beacon Kit (Use p/n 1001206311)	
	1001206311	Ref	SkyGuard Strobe Light Kit - Hood Mounted (Blue Beacon)	
	1001210025	Ref	SkyGuard Strobe Light Kit - Hood Mounted (Red Beacon)	
		Ref	<b>Tire Sealant Installation</b>	
	0272324	AR	Sealant, Tire (15in IN385/65D 19.5)	
	1300019	AR	Sealant	
	0272312	1	Decal - Tire Sealant	

## SECTION 10 - SPECIAL OPTIONS

ITEM	PART NUMBER	QTY	DESCRIPTION	REV
	0273364	AR	Sealant, Tire (IN445/55D 19.5)	
	1300019	AR	Sealant	
	0272313	1	Decal - Tire Sealant	
		Ref	<b>Tools for Service</b>	
	1600244	1	Analyzer, Machine System	
	7002840	1	Antirotaion Pin Removal Tool	
	8896941	1	Wire Stripper	
	7002821	1	Wire Crimper (To install wire ends to wires)	
	7002823	1	Pin/Socket Extractor - Universal (To Remove Pins/Sockets from Connectors)	
	4460467	1	Extractor - 16-18 Gauge (For Removal of Pin/Sockets from Deutsch Connectors)	
	4460510	1	Extractor - 12-14 Gauge (For Removal of Pin/Sockets from Deutsch Connectors)	
	7002822	1	Screwdriver, Potentiometer (To Adjust Drive Controllers)	
	7016654	1	Screwdriver, Magnetic	
	7004275	1	Seal Installation Tool - 1in	
	7004276	1	Seal Installation Tool - 1-1/2in	
	7002826	1	Seal Installation Tool - 2in	
	7016655	1	Wire Rope Sheave Gauge	
	7016652	1	Huck Bolt Fastener (For Small Huck Bolts Only)	
	70000017	1	ADE Software CD	
	1001137005	1	Software Cable Kit	
	0258918	Ref	<b>Utility Rack Installation</b>	
	1001149676	Ref	<b>UGM Conversion Kit</b>	
		Ref	<b>Weld Leads to Platform Installation Options:</b>	
	0258826	Ref	Weld Leads to Platform Installation 800A	
	0258827	Ref	Weld Leads to Platform Installation 800AJ	

**PART NUMBER INDEX**

## SECTION 10 - SPECIAL OPTIONS

0060031.....225, 237	0255386.....433	0258734.....432	0272269.....13
0060041.....222, 237	0255524.....130	0258737.....432	0272312.....437
0060066.....225, 241	0255917.....169, 384	0258757.....432	0272313.....438
0060069.....221, 241	0256060.....432	0258758.....432	0272322.....20
0060077.....237	0256196.....20	0258759.....432	0272324.....437
0080163.....96, 105	0256202.....384, 399	0258765.....222	0272333.....20
0080181.....76, 86	0256689.....95, 103	0258766.....226	0272334.....20
0080201.....113, 118, 125, 136	0256690.....95, 103	0258802.....432	0272354.....149
0080214.....112, 117, 125	0256762.....436	0258805.....432	0272355.....149
0080241.....169	0256789.....432	0258826.....438	0272381.....221
0080243.....76, 86	0256823.....175, 180	0258827.....438	0272387.....437
0100009.....257, 263, 373, 393	0256847.....96, 105	0258909.....14	0272395.....437
0100011.....13, 14, 15, 19, 20, 41, 43, 45, 49, 51, 63, 76, 80, 86, 87, 88, 89, 94, 100, 102, 103, 111, 112, 117, 118, 121, 124, 125, 134, 136, 145, 149, 151, 155, 159, 165, 169, 174, 175, 178, 179, 180, 186, 190, 194, 197, 201, 205, 209, 211, 215, 217, 221, 222, 223, 226, 227, 229, 233, 234, 243, 244, 251, 281, 285, 287, 295, 299, 305, 309, 313, 317, 323, 329	0257157.....368, 434	0258918.....438	0272418.....433
010001963, 78, 197, 206, 211, 215, 359, 362	0257195.....433	0258927.....432	0272427.....259, 264, 281
0100020.....76, 80, 87, 89, 94, 100, 103, 111, 112, 117, 118, 124, 125, 130, 134, 136, 146, 207, 257, 264, 357, 361	0257728.....436	0258945.....259, 264	0272429.....372, 393
0100035.....243, 257, 263	0257760.....221	0259147.....63	0272431.....373, 393
0100038.....229, 285, 287, 295, 299, 305, 309, 313, 317, 323, 329	0257761.....225	0259420.....230	0272433.....375, 395, 400
0100040.....251	0257764.....229	0270209.....15, 19, 41	0272435.....208, 213, 217, 433
0100048.....114, 124, 134, 159, 165, 169, 244, 257, 263, 372, 376, 392, 395	0257887.....169, 384, 399	0270210.....19, 41	0272444.....281
0100062.....145, 207	0258076.....234	0270211.....19, 41	0272448.....433
0100063.....288, 295, 299, 305, 309, 313, 317, 323, 329	0258077.....234	0270396.....145	0272480.....189, 253
0100079.....145	0258217.....243	0270511.....436	0272481.....189, 253
0100081.....234, 257, 263	0258286.....13	0270814.....248, 252, 259, 368	0272492.....385, 437
0140001.....50	0258287.....14	0270885.....20	0272507.....384, 399
0140011.....257, 263	0258330.....20	0270886.....20	0272521.....437
0140032.....169	0258331.....20	0270888.....20	0272588.....433
0160020.....119	0258333.....20	0270959.....433	0272589.....433
018172776, 93, 100, 111, 117, 124, 134	0258334.....20	0271002.....63	0272599.....433
0181942.....119	0258338.....243	0271038.....407, 415	0272607.....433
0181949.....130	0258343.....41	0271083.....20	0272654.....45
0200048.....281	0258382.....145	0271084.....20	0272655.....13
0200547.....193	0258387.....432	0271085.....20	0272689.....173
0200742.....186, 190	0258390.....115	0271086.....20	0272708.....117, 129, 408
0232121.....45, 46	0258391.....115	0271090.....20	0272725.....436
0255316.....63	0258398.....20	0271091.....20	0272733.....436
	0258399.....20	0271112.....433	0272738.....145
	0258454.....49	0271316.....41	0272742.....252, 259, 368
	0258455.....49	0271326.....435	0272745.....111, 117
	0258456.....49	0271340.....259, 264	0272754.....169, 258
	0258457.....49	0271352.....45	0272796.....76
	0258513.....407	0271364.....111	0272816.....119, 121
	0258514.....407	0271366.....111, 129	0272817.....211, 385, 437
	0258519.....415	0271367.....111	0272831.....111, 129
	0258529.....415	0271368.....111	0272955.....437
	0258530.....415	0271371.....93	0272970.....258, 263, 264
	0258531.....415	0271374.....372, 393	0273122.....433
	0258532.....415	0271376.....372, 393	0273145.....436
	0258533.....415	0271422.....169	0273147.....436
	0258534.....415	0271545.....193, 253	0273149.....436
	0258535.....415	0271546.....193, 253	0273249.....433
	0258536.....415	0271548.....435	0273353.....437
	0258537.....415	0271768.....169, 258, 264	0273364.....438
	0258538.....415	0271771.....436	0273378.....15, 19, 43
	0258539.....415	0271895.....433	0273393.....151
	0258540.....415	0271912.....432	0273402.....151
	0258541.....433	0271941.....251, 259	0273450.....436
	0258570.....121	0272003.....14	0273484.....252, 259, 264, 368
	0258609.....173	0272040.....436	0273485.....252, 259, 264, 368
	0258654.....432	0272070.....223, 227	0273507.....197
	0258670.....51	0272131.....225	0273511.....197
	0258671.....408, 412, 419, 425	0272189.....63	0273518.....185, 253
	0258674.....169	0272254.....437	0273526.....78
	0258696.....434	0272255.....205, 385, 437	0273538.....185
	0258703.....436	0272259.....384, 399	
	0258706.....407	0272260.....384, 399	
	0258728.....183		



## SECTION 10 - SPECIAL OPTIONS

0273539..... 185, 253	0275257 ... 215, 385, 401, 437	0641407....76, 81, 86, 88, 93, 102, 103, 125, 136, 166	0641640..... 234
0273540 .... 205, 385, 437	0275261 ..... 434	0641408.....51, 112, 118, 124, 125, 244, 248, 251, 408, 412, 419, 425	0641652..... 329
0273541 ..... 385, 437	0275262 ..... 433	0641410..... 101, 113, 162	0641708..... 211
0273575 ..... 432	0275386 ..... 134	0641414 13, 49, 113, 118, 125, 248, 252, 257, 263, 281	0641710..... 201
0273687 ..... 433	0275425 ..... 79	0641416.....49, 134, 226, 243, 257	0641718..... 197
0273704 ..... 19, 43	0275546 ..... 177	0641418.....49	0641772 .... 186, 190, 194
0273706 .... 259, 264, 281	0275733 ..... 244	0641424.....113	0641806... 229, 323, 325, 327
0273709 ..... 100	0275804 ..... 259	0641504.....45	0641808... 76, 81, 86, 87, 94, 100, 114, 124, 134, 136, 206, 215
0273789 ..... 49	0340041 .76, 86, 93, 103, 113, 118, 125, 136	0641505.....205, 211, 215	0641810 14, 45, 197, 211, 222, 226
0273790 ..... 49	0340046 76, 86, 115, 121, 125	0641506.....51, 125, 159, 166, 175, 180	0641812. 81, 88, 94, 102, 111, 117, 125, 136, 151, 155, 223, 227
0273791 ..... 49	0360406 ..... 46	0641507..76, 81, 86, 115, 117, 121, 125	0641816 ..... 14
0273792 ..... 49	0362519 ..... 130	0641508...45, 49, 88, 94, 100, 112, 118, 124, 134, 146, 169, 174, 178, 186, 190, 194, 197, 205	0641818.... 93, 103, 145, 183
0273824 .... 259, 264, 281	0362610 ..... 244	0641510.....94, 103, 201	0641820 13, 86, 149, 151, 155, 222, 226
0274022 ..... 173	0362726 ..... 14, 45	0641512.....103	0641826 ..... 95, 103, 138
0274024 ..... 124, 129	0362770 ..... 173, 177	0641514.....81, 201, 222	0641828 .... 76, 112, 118, 125, 137
0274031 ..... 437	0363082 ..... 197	0641516....205, 211, 215, 222	0642010 . 80, 87, 94, 100, 113, 124, 134
0274081 ..... 185, 253	0363097 ..... 197, 211	0641524.....248	0642018 ..... 119
0274082 ..... 189, 253	0363201 ..... 211	0641542.....43	0642038 ..... 46
0274086 ..... 189, 253	0363202 ..... 211	0641550.....20	0642212 ..... 13
0274087 ..... 185, 253	0370022 ..... 287	0641560.....43	0642214 ..... 222, 226
0274091 ..... 185	0400075 .76, 86, 93, 100, 111, 117, 124, 134	0641604.....222, 226	0642620 ..... 222, 226
0274177 ..... 20	0440244 ..... 63	0641605.....230	0642684 ..... 223, 227
0274195 .... 117, 129, 408	0480050 ..... 193	0641606....49, 80, 86, 94, 103, 113, 119, 121, 127, 130, 136, 179, 180, 222, 226, 230, 233, 234	0651406 ..... 49
0274197 ..... 145	0480111 ..... 193	0641607....145, 226, 229, 233, 234	0681608 .13, 14, 223, 227
0274207 ..... 368, 436	0480120 ..... 186	0641608....13, 14, 41, 43, 45, 76, 81, 86, 87, 89, 94, 100, 112, 118, 124, 125, 134, 136, 174, 178, 179, 211, 222, 226, 229, 233	0681610 ..... 222, 226
0274232 ..... 19, 43	0480121 ..... 186, 190	0641609 76, 86, 105, 136, 174, 177, 183, 229, 233	0681814 ..... 255
0274248 ..... 433	0480129 ..... 207	0641610....51, 76, 81, 86, 87, 93, 100, 103, 105, 112, 118, 125, 136, 186, 190, 229, 244, 248, 251	0681822 ..... 255
0274252 ..... 45	0480130 ..... 211	0641611....149, 151, 155, 197, 211, 222, 226	0682016 ..... 15, 19
0274264 ..... 13	0480134 ..... 193	0641612....125, 134, 136, 197, 211, 226, 233, 234	0682023 ..... 63
0274265 ..... 13	0480135 ..... 197	0641614.....49, 145, 226	0682032 ..... 63
0274266 ..... 43	0480141 ..... 119	0641615.....229	0682216 ..... 63
0274267 ..... 43	0480142 ..... 201, 215	0641616.....119, 229	0700616 ..... 89
0274270 ..... 20	0561185 ..... 229	0641618.....207, 226	0700620 ..... 89
0274301 ..... 100	0561237 ..... 226	0641622.....230, 234	0700808 ... 76, 86, 89, 94, 103
0274460 ..... 411	0561295 ..... 233	0641624.....119, 230	0700810 .... 96, 105, 111, 117, 137
0274461 ..... 411	0630427 ..... 243	0641628.....41	0700815 ..... 207
0274462 ..... 421	0630462 ..... 281		0700816 ..... 186, 207
0274463 ..... 421	0630464 ..... 257, 263		0700819 .... 113, 119, 126
0274464 ..... 421	0630491 ..... 169		0700820 ..... 201, 215
0274465 ..... 421	0630498 76, 93, 100, 111, 117, 124, 134		0701010 ...76, 86, 89, 117
0274466 ..... 421	0630507 ..... 174, 177		0701012 .76, 86, 94, 103, 113, 118, 125
0274467 ..... 421	0630518 ..... 159, 165		0701014 ... 105, 111, 117, 125
0274468 ..... 421	0630534 .... 299, 303, 313		0701015 .76, 86, 94, 103, 193, 197, 211
0274469 ..... 421	0630535 ... 285, 287, 293, 317, 319, 323, 327, 329, 331		0701016 .... 201, 211, 215
0274470 ..... 421	0630536 ..... 309, 311		0701022 ..... 111, 117
0274471 ..... 421	0630537 ... 295, 297, 305, 307		0701214 ..... 76
0274472 ..... 421	0630548 ..... 159, 165		0701414 ...76, 86, 93, 103
0274473 ..... 421	0630568 ..... 258, 264		0711025 ..... 102, 105
0274474 ..... 421	0641403 ..... 244		0711214 ..... 76, 78, 86
0274491 ..... 76	0641404 ... 190, 206, 222, 226, 263		0720808 ..... 209, 217
0274519 ..... 411, 421	0641405 ... 121, 197, 201, 211, 215		0721003 ..... 259
0274528 ..... 433	0641406 76, 86, 112, 118, 125, 134, 136, 174, 178, 206, 251, 257, 408, 412, 419, 425		
0274598 ..... 434			
0274619 .... 384, 399, 434			
0274624 ..... 124, 129			
0274625 ..... 79			
0274640 ..... 49, 243			
0274641 ..... 49			
0274642 ..... 49			
0274643 ..... 49			
0274759 ..... 177			
0274883 ..... 433			
0274927 ..... 259, 281			
0275039 ..... 201			
0275184 ..... 100			
0275204 ..... 373, 393			
0275256 ..... 76			

## SECTION 10 - SPECIAL OPTIONS

0721006.....76, 111, 174, 178, 187, 190, 194, 258, 263	0902223 ..... 173, 177	0962449 ..... 187, 190	1001095809.....408, 411, 412, 419, 425
0721008.... 174, 179, 180, 258	0902309 ..... 115, 121	0962450 ..... 119	1001096141.....408, 411, 412
0721014..... 111, 117	0902351 ..... 173, 177	0962496 ..... 285	1001096458..... 161, 377
0731005.....281	0902412 ..... 173, 177	0962520 .... 207, 211, 215	1001096461.....369
0741606.....169, 197, 211	0902415 ..... 51	0962521 ..... 211, 215	1001096736.....244
0741607.....45, 221, 222, 226	0902426 ..... 173, 177	0962524 ..... 323	1001097051.....373, 375, 393
0741609.....45	0902472 ..... 121	0962653 ..... 186	1001097082.....373, 375, 393
0741808..... 197, 211	0902491 ..... 173, 177	1001091179 ..... 103	1001097164..... 159
0760606.....89, 125	0902539 .... 111, 117, 127	1001091315 ..... 373, 393	1001097553..... 89
0760610.....89	0902572 ..... 113, 119	1001091319 ..... 374, 394	1001097554..... 81
0760612.....89	0902751 ..... 257, 263	1001091323 ..... 374, 394	1001097555..... 81
0761210.....89, 186	0902756 ..... 193	1001091324 ..... 374, 394	1001097964..... 179
0771212.....78, 86	0902846 ..... 149	1001091330 ..... 372, 393	1001097965..... 179
0771415.....207	0902888 .... 206, 212, 215	1001091424 ..... 51	1001098149.....437
0801132.... 221, 225, 229	0902910 ..... 82	1001091562 ..... 145	1001098234.....387, 402
0801133.....229	0902952 ..... 197	1001091583 ..... 137	1001098349.....388, 402
0801134.....229	0903010 ..... 127	1001091587 ..... 134	1001098506..... 100
0801135.....221, 233	0903056 ..... 151, 155	1001091632 ..... 136	1001098507.....102
0801136.....225, 233	0903079 ..... 126	1001091637 ..... 135	1001098508.....103
0801138.....233	0903220 ..... 82	1001091638 ..... 134	1001098916.....105
0801140.....233	0903308 ..... 177	1001091794 ..... 137	1001099051.....104
0801185.....233	0903510 ..... 134	1001091892 ..... 104, 137	1001099121.....179
0801191.....233	0920117 ..... 19	1001091928 ..... 145	1001099137.....177
0801496.....229	0940049 ..... 178	1001092084 ..... 374	1001099138..... 177, 178
0801573.....233	0940070 . 76, 86, 93, 103, 113, 118, 127, 137	1001092085 ..... 375, 395	1001099139..... 179
0801585.....233	0940071 ... 173, 177, 178	1001092092 ..... 432	1001099376.....437
0801591.....233	0940088 ..... 178	1001092093 ..... 373, 393	1001099637.....100
0840026.....117	0940094 ..... 174	1001092384 ..... 375, 395	1001099639..... 102
0860038....205, 211, 215, 384, 400	0940103 ..... 281	1001093187 .... 244, 365, 383, 408, 412, 419, 425	1001099640..... 103
0860520....408, 412, 419, 425	0940133 ..... 281	1001093256 ..... 382	1001099686.....104
0861407..... 159	0940134 ..... 281	1001093382 . 76, 87, 100, 134	1001099869..... 187, 190
0861474.....248	0940177 ..... 281	1001093389 ..... 433	1001099870..... 43
0861500..... 159	0961816 ..... 285	1001093745 ..... 374	1001100156..... 14
0861501..... 159	0961893 ..... 299, 303	1001093746 ..... 432	1001100233.....187
0861502..... 159	0961894 ... 287, 293, 317, 319	1001093748 ..... 372, 393	1001100234..... 187, 190
0861503..... 159	0961895 ..... 285	1001093943 ..... 104	1001100313..... 77, 81
0861517.....251, 257	0961897 ... 323, 327, 329, 331	1001094101 ..... 103, 106	1001100321..... 185, 189, 193, 197
0861537....257, 258, 263, 264	0961901 ..... 295, 305	1001094321 ..... 105	1001101060.....63, 72
0861538.... 207, 211, 215	0961902 ..... 287	1001094375 ..... 209, 218	1001101241.....104
0861541 .... 207, 212, 216	0961903 ..... 309	1001094400 .... 244, 375, 399, 430	1001101391..... 178
0861542.... 205, 207, 211, 212, 215, 216, 386, 401	0961947 ... 225, 287, 291	1001094401 ..... 244	1001101392..... 179
0861567.....386, 401	0961951 ... 222, 233, 287, 293, 313, 315, 317, 319	1001094470 ..... 375	1001101600..... 101
0861584..... 159	0961977 ..... 321	1001094475 ..... 209, 217	1001101623..... 179
0861585..... 159	0961986 . 76, 86, 94, 103, 113, 119, 126, 137	1001094484 ..... 162	1001101673..... 178
0861621..... 159	0962051 ..... 183	1001094509 ..... 209, 218, 401	1001102150..... 162, 379
0861622..... 159	0962102 .... 13, 229, 233, 295, 297, 305, 307, 309, 311	1001094557 ..... 365	1001102236..... 159
0861682.....436	0962122 ..... 229	1001094595 . 79, 88, 102, 136	1001102237..... 159
0861712..... 159	0962152 ..... 14, 45	1001094661 ..... 229	1001102290.....381, 397
0861713..... 159	0962155 ... 313, 315, 317, 319	1001094662 ..... 229	1001102291.....381, 397
0861759..... 159	0962156 ..... 313	1001094889 ..... 63	1001102304.....381, 397
0861760..... 159	0962185 ..... 313	1001095347 ..... 102	1001102548..... 185
0861761..... 159	0962219 ..... 323	1001095348 ..... 100	1001102599..... 160, 165
0861762..... 159	0962224 ..... 14	1001095354 . 79, 88, 102, 136	1001102600..... 160, 165
0861790..... 159	0962270 ..... 255	1001095363 ..... 134	1001102644..... 187
0861791..... 159	0962292 ..... 45	1001095364 ..... 135	1001102841.....432
0902143..... 173, 177	0962335 ..... 225, 226	1001095391 ..... 433	1001102842.....432
0902161..... 173, 177	0962336 .... 299, 301, 303	1001095411 ..... 102	1001103095.....237
0902206..... 169	0962348 ..... 45	1001095412 ..... 100	1001103667..... 165, 430
0902219..... 173, 177	0962448 ..... 14, 45	1001095508 ..... 79	1001103810..... 15
		1001095509 ..... 79	1001104308..... 104
			1001104985.....432
			1001105833..... 78, 87

## SECTION 10 - SPECIAL OPTIONS

1001105872 ..... 138	1001110323..... 166, 369, 396	1001118416.....277	1001228011 ..... 221, 315
1001105993 ..... 76	1001110324..... 166, 395, 396	1001118417 .....269	1001228012 ..... 225, 301
1001106338 ..... 76	1001110872..... 205, 216	1001119563.....434	1001228030 ..... 225, 293
1001106339 ..... 396	1001110873..... 205, 216, 384, 385, 400, 401	1001119939.....432	1001228033 ..... 221, 291
1001106340 ..... 396	1001110996.....434	1001119947.....432	1001228041 ..... 221, 225, 297
1001106355 ..... 263, 430	1001111014.....434	1001121340.....208, 216, 217	1001228050 ..... 225, 319
1001106482 ..... 244	1001111015.....434	1001121735.....435	1001228086 ..... 229, 331
1001106701 ..... 79	10011111357.....134	1001121736.....435	1001228087 ..... 233, 327
1001106702 ..... 79	1001111353.....137	1001121737.....435	1001228088 ..... 233, 325
1001106736 ..... 166, 396	1001111355.....136	1001129555.....428	1001228506 ..... 329
1001106974 ..... 155	1001111356.....135	1001131992.....369	1001241410 ..... 435
1001106975 ..... 155	1001111514.....145	1001137005.....438	1001241411 ..... 435
1001106992 ..... 364	1001112057.....89	1001137261.....14	1001241412 ..... 435
1001107116 ..... 77, 86	1001112059.....89	1001137460.....51, 60	1001241413 ..... 435
1001107497 ..... 436	1001112067.....89, 430	1001137672.....437	1001241414 ..... 435
1001107527 ..... 257	1001112068.....89	1001138795.....303	1001241415 ..... 435
1001107529 ..... 155	1001112069.....89	1001138796.....293, 319	1001248012 ..... 225, 303
1001107530 ..... 155	1001112070.....89	1001139132.....432	1060279... 408, 412, 419, 425
1001107677 ..... 264	1001112071.....89, 398	1001139151.....432	1060341... 281, 386, 388, 402, 403
1001107705 ..... 77, 87	1001112072.....89	1001139944.....436	1060343... 207, 213, 216, 386, 402
1001107753 ..... 258, 264, 372, 392	1001112073.....89	1001142504.....436	1060494... 207, 212, 216, 385, 386, 401
1001107927 ..... 265	1001112075.....90	1001142505.....436	1060625.81, 88, 101, 135
1001108256 ..... 259, 264, 281	1001112077.....87, 89	1001143187.....361, 364	1060626.78, 89, 101, 135
1001108495 ..... 411, 425	1001112570.....90	1001143188.....361, 364	1060633..... 388, 403
1001108701 ..... 436	1001112586.....368, 402	1001143191.....51	1060637. 76, 86, 94, 100, 113, 119, 124, 136
1001108720 ..... 434	1001112587.....402	1001143192.....363	1060708... 207, 212, 216, 386, 387, 401, 402, 403
1001108721 ..... 434	1001112588.....368, 400	1001143256.....437	1060896... 373, 375, 393, 394
1001108735 ..... 251, 263	1001112589.....400	1001143669.....437	1060902..... 374, 394
1001108736 ..... 251, 265	1001112592.....90	1001144629.....251	1060903..... 281
1001108763 ..... 265	1001112612.....396	1001148902.....434	1060904..... 80, 105, 381, 382, 399
1001108923 ..... 412	1001112743.....368, 400	1001148903.....434	1060918... 252, 257, 264, 372, 392
1001108962 ..... 434	1001112762.....89, 398	1001148904.....434	1060919 ..... 255
1001109064 ..... 89, 90	1001112849.....90	1001148905.....434	1060978.... 373, 375, 393
1001109065 ..... 86	1001112890.....432	1001148906.....434	1100086 ..... 14
1001109263 ..... 433	1001112991.....432	1001148971.....436	1120367 ..... 146
1001109595 ..... 87	1001112992.....432	1001149391.....327	1120484 ..... 146
1001109690 ..... 362	1001113961.....275, 277	1001149560.....437	1120487 ..... 146
1001109693 ..... 434, 435	1001114056.....434	1001149676.....438	1120510 ..... 222, 225
1001109717 ..... 435	1001114115.....434	1001153282.....105	1120552 ..... 20
1001110032 ..... 342, 353	1001114116.....434	1001162546.....102	1120601 ..... 178
1001110033 ..... 343, 353	1001114446.....251	1001166538.....279	1180346 ..... 229
1001110058 ..... 436	1001114448.....252, 263, 392	1001166539.....271	1180347 ..... 234
1001110133 ..... 435	1001115387.....205, 401, 437	1001186431.....437	1180349 ..... 234
1001110137 ..... 435	1001115389.....401, 437	1001188840.....229, 329	1260017 ..... 45, 63
1001110199 ..... 165	1001115398.....205, 401, 437	1001188841.....233, 323	1260135 ..... 46
1001110204 ..... 88	1001115400.....401, 437	1001188842.....331	1282571 ..... 368
1001110207 ..... 88	1001115404.....185	1001188843.....323	1282665 ..... 364, 436
1001110214 ..... 87	1001115405.....189	1001188968.....233, 323	1282946 ..... 433
1001110215 ..... 87	1001115409.....189	1001204901.....435	1283309 ..... 364, 436
1001110221 ..... 166, 395, 396	1001115414.....185	1001204927.....435	1283387 ..... 364, 365
1001110222 ..... 166, 395, 396	1001116287.79, 100, 398	1001204928.....435	1300019..... 20, 437, 438
1001110225 ..... 166, 395	1001116288.79, 100, 398	1001206477.....437	1320011 ..... 329
1001110310 ..... 369	1001116474.....373, 393, 432	1001206478.....437	1320012..... 76, 112, 118, 126, 137
1001110311 ..... 165	1001116565.....433	1001210025.....437	1320016. 76, 86, 93, 103, 113, 118, 126, 137
1001110312 ..... 165	1001116566.....433	1001210026.....437	1320019 ..... 111, 117
1001110313 ..... 165	1001116595.....90	1001210685.....435	
1001110314 ..... 165	1001117140.....179	1001210687.....435	
1001110317 ..... 165	1001117251.....432	1001212415.....428	
1001110318 ..... 165	1001117258.....432	1001214552.....436	
1001110321 ..... 166, 369, 396	1001117320.....252	1001214561.....436	
1001110322 ..... 166, 369, 396		1001214562.....436	
		1001228009.....221, 225, 311	
		1001228010.....221, 225, 307	

## SECTION 10 - SPECIAL OPTIONS

1320022....76, 81, 87, 93, 100, 111, 112, 117, 118, 121, 124, 126, 134, 137	1670776 ..... 20	1684228 ..... 225, 287	1703476.....119
1320032.....113	1670824 ..... 244	1684230 ..... 287	1703479.....433
1320033.....126	1670829 ... 160, 165, 257, 263	1684232 ..... 287	1703772....407, 411, 416, 423
1320041.....211	1670836 ..... 233	1684408 ..... 221, 287	1703773....407, 411, 416, 423
1320060.....112, 118	1670842 ..... 173, 177	1684497 ... 221, 225, 295	1703797.....407, 411
1320127.....130	1670844 ..... 221, 225	1700584 ... 407, 411, 417, 425	1703798.....407
1320159.....222	1670850 ..... 221, 225	1700818 ... 129, 408, 412, 418, 425	1703804.....407, 411
1320176..81, 87, 95, 101, 104	1670864 ..... 222	1701499 ..... 411, 421	1703805.....407, 411
1320218.....130	1671037 ..... 257, 263	1701500 ..... 407, 417	1703808.....407, 416
1320220.....130	1671092 ... 208, 213, 216, 375, 386, 395, 402	1701501 ... 407, 411, 417, 423	1703811.....411, 421
1320222.....94, 125	1671093 ..... 375, 395	1701502 ... 407, 411, 417, 421	1703814.....411, 421
1320223....78, 80, 86, 88, 89, 94, 102, 103, 113, 119, 127, 135, 137, 146	1671228 ..... 177, 179	1701503 ... 407, 411, 417, 421	1703910.....408
1320224.....89, 211	1671230 ..... 179	1701504 ..... 407, 417	1703912.....415, 422
1320248.....234	1671232 ..... 180	1701505 .81, 87, 94, 100, 408, 412, 418, 425	1703924.....415, 422
1320249.....234	1671233 ..... 177	1701509 ... 407, 411, 417, 421	1703925.....415, 422
1320250.....229	1671249 ..... 177, 178	1701542 ... 113, 119, 124, 134, 408, 412, 418, 425	1703926.....415, 422
1320251.....229	1671311 ..... 215	1701543 ... 129, 134, 408, 412, 418, 425	1703927.....415, 422
1320256.....375, 395	1671332 ..... 177, 178	1701645 ..... 407, 411	1703928.....415
1320263.....90, 234	1683050 ..... 313	1702153 ..... 407, 411	1703929.....415
1320318.....206	1683053 ..... 299	1702265 ..... 408	1703930.....415
1320323.....134	1683055 ..... 287, 317	1702300 ..... 407, 417	1703931.....415
1321138.....126	1683059 ..... 285	1702564 ..... 257	1703932.....415
1321384.....179, 180	1683061 ..... 329	1702565 ..... 257, 263	1703933.....415
1340050.....118	1683071 ..... 295, 305	1702566 ..... 257, 263	1703934.....415
1340060..76, 86, 93, 103, 113, 126, 137	1683074 ..... 287	1702567 ..... 257, 263	1703935.....415, 422
1340061.....432	1683078 ..... 13, 285	1702590 ..... 198	1703936.....415, 422
1380147.....183	1683537 ... 221, 225, 309	1702676 ..... 259, 265	1703937.....415, 422
158001177, 86, 112, 117, 127, 137	1683539 ..... 309	1702688 ..... 407, 411	1703940.....415
1580012.....248, 253	1683544 ..... 295	1702701 ..... 20	1703941.....418, 422
1580013.....248, 253	1683546 ... 221, 225, 295	1702720 ..... 418, 425	1703942.....418, 422
1600244....388, 403, 438	1683547 ... 221, 225, 305	1702739 ..... 20	1703943.....418, 422
1600313.....257	1683549 ..... 305	1702773 ... 255, 407, 412, 416, 425	1703944.....418, 422
1600314.....112	1683606 ..... 229, 329	1702784 ..... 407, 416	1703946.....418
1600317....257, 263, 267	1683607 ..... 233, 323	1702788 ... 412, 425, 433	1703947.....415, 422
1600318....257, 263, 275	1683608 ..... 221, 313	1702860 ..... 407, 416	1703948.....415, 422
1600327.....159	1683609 ..... 225, 299	1702861 ... 407, 412, 416, 425	1703949.....415, 422
1600361.....82	1683610 ... 221, 222, 287	1702862 ..... 407, 418	1703950.....415, 422
1600363.....115, 120	1683629 ..... 329	1702868 .... 407, 411, 436	1703951.....415, 422
1600364.....159, 160	1683632 ..... 329	1702901 ..... 407	1703952.....415
1600374.....127, 430	1683642 ..... 287	1702903 ..... 408, 419	1703953.....407, 411
1600375.....257, 263	1683643 ..... 287	1702924 ..... 408, 419	1703954.....407
1600411.....160	1683647 ..... 323	1702927 ..... 408, 419	1703959....407, 411, 418, 425
1641808.....113, 118	1683648 ..... 323	1702938 ..... 259, 264	1703960....407, 411, 418, 423
1660219.....149	1683663 ..... 323	1702941 81, 89, 102, 135	1703963.....418
1660219RR.....149	1683672 ..... 233, 323	1702942 81, 89, 102, 135	1703964.....417
1660223.....149	1683673 ..... 323	1702943 81, 88, 102, 135	1703965.....417
1660223RR.....149	1683675 ..... 323	1702944 81, 89, 102, 135	1703966.....418
1660234.....96, 105	1683677 ..... 225, 287	1702961 ..... 412, 433	1703967.....418
1660239.....77, 86	1683678 ..... 287	1702962 ..... 412, 433	1703968.....418
1660250....114, 120, 127	1683680 ..... 287	1703162 .77, 86, 93, 103, 112, 118, 126, 137	1703980.....418, 422
1660257.....151	1683682 ..... 225, 317	1703467 ..... 160	1703981.....418, 422
1660257RR.....151	1683740 ..... 14, 45, 321	1703468 ..... 160	1703982.....418, 422
1660258.....151	1683818 ..... 309		1703983.....418, 422
1660258RR.....151	1683819 ..... 295		1703984.....418, 422
1660303.....151	1683821 ..... 305		1703985.....418
1660303RR.....151	1683823 ..... 309		1703986.....419
1660304.....151	1683986 ..... 285		1703987.....419
1660304RR.....151	1684089 ..... 299		1703988.....418
1670769.....225	1684090 ..... 299		1703989.....418
	1684114 ..... 313		
	1684115 ..... 313		
	1684125 ..... 317		
	1684126 ..... 317		
	1684191 ..... 285		

## SECTION 10 - SPECIAL OPTIONS

1703990 .....	418	1705896 .....	422	2000272.....	126, 127	2200222 .....	66, 119, 145
1703991 .....	419	1705897 .....	422	2000274.....	103, 106	2200233 .....	146
1703996 ....	416, 423, 424	1705898 .....	422	2000279.....	103	2220005 .....	129, 134
1704000 ....	416, 422, 436	1705901 .....	421	2000284.....	102	2220063 .....	63
1704001 ....	416, 422, 436	1705902 .....	422	2000296.....	125	2220064 .....	129
1704002 .....	416	1705903 .....	422	2000322.....	125	2220221 ....	143, 344, 354
1704006 .....	417, 421	1705905 .....	425	2000339.....	103, 106	2220235 .....	337, 347
1704007 .....	417, 421	1705910 .....	425	2000342.....	103	2220237 ...	337, 342, 347, 353
1704008 .....	417	1705917 .....	422	2000354.....	137	2220240 .....	337
1704096 .....	407, 411	1705967 .....	422	2000365.....	103	2220242 .....	337, 347
1704098 .....	416, 423	1705968 .....	422	2000367.....	102	2220250 .....	80, 94, 113
1704099 .....	416, 423	1705969 .....	422, 436	2000375.....	136	2220261 .....	130
1704100 .....	416	1705977 .....	419, 425	2000378.....	135	2220273 .....	80, 93
1704101 .....	416, 423	1706059 .....	101	2000386.....	77, 81	2220313 ..	80, 88, 93, 100, 124, 134
1704102 .....	416, 423	1706060 .....	101	2060025..	77, 86, 93, 103, 112, 117, 126, 137	2220362 .....	337, 347
1704103 ....	416, 423, 424	1706061 .....	101	2080040....	248, 251, 252	2220363 .....	337
1704104 .....	407, 411	1706062 .....	101	2080044....	226	2220365 .....	337, 347
1704106 .....	417, 424	1706063 .....	101	2110404.....	343, 354	2220366 ...	337, 342, 347, 352
1704107 .....	417, 424	1706064 .....	101	2110406....	335, 343, 352	2220371 ...	335, 338, 348, 357, 358, 359, 361
1704108 .....	417	1706380 .....	423	2110408.....	335, 343	2220373 ...	337, 347, 354, 357, 361
1704109 .....	416, 424	1706381 .....	424	2110606....	335, 343, 352	2220374 ...	102, 125, 136, 142, 337, 342, 347, 352
1704110 .....	417, 424	1706385 .....	255	2110808.....	343, 352	2220375 ...	337, 342, 347, 352
1704111 .....	417, 424	1706712 .....	160, 165	2110812.....	352	2220376 .....	357, 361
1704112 .....	417, 424	1706912 .....	160	2111212.....	343	2220377 ...	337, 342, 347, 352
1704116 .....	418	1706913 .....	160	2111616.....	343, 352	2220379 .....	357, 361
1704117 .....	418	1707013 .....	411	2120150.....	49	2220380 ...	337, 342, 347, 352
1704118 .....	418	1707014 .....	411	2120163.....	49	2220381 .....	357, 361
1704119 .....	418	1707043 .....	424	2120167.....	49	2220385 ...	344, 354, 357, 361
1704120 .....	418	1707044 .....	424	2120168.....	49, 428	2220386 .....	343, 354
1704121 .....	418	1707045 .....	424	2120209.....	49	222041579, 88, 102, 125, 136, 335, 337, 347, 357, 361	
1704260 .....	257, 263	1707046 .....	424	2120210.....	49, 428	2220418 .....	130
1704271 .....	418, 425	1707047 .....	424	2130404.....	352	2220428 .....	357, 361
1704277 ...	407, 411, 416, 421	1707048 .....	424, 425	2130406.....	353	2220430 .....	113
1704412 .....	411, 421	1707049 .....	424	2130604.....	352	2220451 ....	93, 103, 142, 337, 342, 347, 352, 357, 361
1704578 .....	45	1707051 .....	424	2130606.....	343, 354	2220459 .....	80, 94, 119
1704833 .....	160	1707052 .....	424	2130808.....	343, 352	2220465 .....	337
1704885 ...	408, 411, 419, 425	1707053 .....	424	2131616.....	352	2220466 ...	337, 342, 347, 354, 357, 361
1704972 .....	101	1707054 .....	424	2150406.....	343, 353	2220468 .....	342, 352
1704997 .....	257	1707055 .....	423	2150606.....	343, 354	2220473 ...	338, 343, 348, 354, 357, 361
1705014 .....	255	1707056 .....	423	2150808.....	353	2220478 .....	357, 361
1705090 .....	45, 412, 425	1707057 .....	423	2150812.....	353	2220479 ...	142, 337, 342, 347, 352
1705132 ....	160, 257, 263	1707059 .....	424	2151616.....	343, 354	2220490 ...	335, 338, 348, 357, 361
1705170 ....	170, 258, 264	1707060 .....	423	2160003.....	63	2220498 .....	337
1705325 .....	187, 201	1707110 ...	408, 411, 412, 419, 425	2170350.....	352	2220499 .....	347
1705336 .....	411	1707111 ...	259, 408, 412, 419, 425	2170406.....	335	2220500 ...	337, 347, 357, 361
1705344 .....	422	1810088 .....	159	2170408.....	353	2220501 ...	338, 343, 348, 354, 358, 359, 362
1705345 .....	422	1810089 .....	159	2170504....	335, 343, 353		
1705347 .....	422	1810091 .....	159	2170506....	335, 343, 354		
1705348 .....	422	1810093 .....	159	2170508.....	343		
1705351 .....	412	1810094 .....	159	2170516.....	343		
1705364 .....	20	1810096 .....	159	2180125.....	130		
1705374 ....	208, 213, 217	1810096 .....	159	2180344.....	63		
1705375 ....	208, 213, 217	1870132 .....	369	2180348.....	80, 88, 100		
1705376 ....	207, 212, 216	1870160 .....	369	2180380.....	359, 362		
1705387 ....	208, 213, 217	1870191 .....	369	2180387.....	130		
1705426 .....	425	2000172 .....	111, 114	2180388.....	130		
1705427 .....	425	2000174 ...	111, 114, 129	2180389.....	130		
1705429 .....	425	2000189 .....	93, 95	2180418....	129, 130, 134		
1705430 .....	425	2000193 ...	111, 114, 117, 119, 129	2180467.....	112, 126		
1705460 ....	208, 213, 217	2000194 .....	77, 81	2180536.....	80, 93, 130		
1705514 .....	418, 421	2000211 .....	125	2180615.....	305, 307		
1705533 .....	408	2000216 .....	103, 106	2180724.....	359, 362		
1705590 .....	408	2000219 .....	103	218079878, 93, 105, 113, 118, 126			
1705753 .....	160	2000225 .....	102	2180825.....	130		
1705895 .....	422	2000261 .....	125	2180877.....	138		

## SECTION 10 - SPECIAL OPTIONS

2220502.....347, 357, 361	2220999... 337, 342, 347, 352, 357, 361	2460049 ..... 185	2752363.....337, 347
2220504.....337, 347	2221024 ..... 130	2460050 ..... 205	2752365.... 338, 342, 348, 353
2220516.....337	2221029 ..... 337, 347	2460051 ..... 197, 201	2752366.... 338, 343, 348, 353
2220517.....347	2221030 ..... 348	2460052 ..... 197	2752434.....343, 353
2220574.....357, 361	2221036 ..... 358, 362	2460055 ..... 185, 189	2752438.....357, 361
2220577.... 335, 338, 358, 362	2221151 ..... 129	2460056 ..... 185, 189	2752453.... 338, 343, 348, 353, 357
2220582.... 143, 335, 337, 342, 347, 352, 357, 361	2221152 ..... 129	2460057 ..... 185	2752462..... 358, 362
2220591.... 354, 358, 362	2221153 ..... 129	2560136 ..... 257, 263	2752463..... 358, 362
2220593.....357, 361	222117681, 88, 100, 124, 134	2580024 78, 89, 102, 135	2752468.....357, 361
2220596.... 337, 342, 347, 352, 357, 361	2221197 ..... 130	2580050 81, 88, 102, 135	2752489.... 338, 343, 348, 354
2220600.....337, 347	2221270 ..... 146	2580055 ..... 78, 83, 89	2752494.... 338, 343, 348, 353, 357, 361
2220602.... 335, 337, 342, 347, 352, 357, 361	2300004 .78, 88, 125, 135	2580062 ..... 105	2752498.....337, 347
2220603.... 335, 359, 362	2300014 ..... 435	2580063 ..... 135	2752514.... 337, 338, 347, 348
2220605.... 337, 347, 357, 361	2300016 ..... 19, 435	2600209 ..... 174, 179	2752516..... 348
2220606.....363	2300021 ..... 436	2600216 ..... 247	2752518..... 337, 347
2220609.... 337, 347, 358, 362	2300027 ..... 435	2600233 ..... 174, 180	2752573..... 338, 348
2220618.... 337, 342, 347, 352, 357, 361	2300029 ..... 435	2600244 ..... 173, 177	2752575..... 337, 347
2220619.... 335, 357, 361	2300039 ..... 436	2600281 ..... 251	2752581..... 338, 348
2220622.....343, 354	2300040 ..... 434	2600287 ..... 247	2752585..... 358, 362
2220628.....337, 347	2300041 ..... 78, 88, 135	2680436 ..... 174	2752591..... 348
2220635.....335, 358	2360570 ..... 16	2680437 ..... 174	2752592..... 348
2220646.... 143, 337, 342, 347, 352	2360591 ..... 16	2680448 ..... 173, 174	2752611..... 335
2220655.....359, 362	2360592 ..... 16	2680450 ..... 173	2752648.... 335, 338, 348
2220710.....337	2360600 ..... 16	2680451 ..... 173, 174	2752671..... 358, 361
2220711.... 335, 338, 347	2360601 ..... 16	2680513 ..... 173, 174	2752673.... 338, 343, 348, 353
2220737 ..... 357, 361	2360602 ..... 16	2680514 ..... 174	2752674..... 358
2220738.....343, 354	2360603 ..... 16	2720058 ... 77, 80, 86, 88, 94, 100, 113, 119, 121, 124, 134, 137	2752721..... 357, 361
2220765.....357, 361	2360609 ..... 16	2720144 ..... 130	2752754.... 338, 343, 348, 353
2220767 ..... 77, 82	2360610 ..... 16	2720271 ..... 80, 94, 138	2752766..... 358, 362
2220775.....358	2360611 ..... 16	2720341 ..... 115, 120	2752767..... 358, 362
2220794..... 80, 94, 119	2360612 ..... 16	2720392 ..... 129, 134	2752768..... 358, 362
2220800.....347	2360638 ..... 16	2720398 ..... 93, 103	2752930..... 358, 362
2220805.....112	2360639 ..... 16	2720434 .. 77, 86, 94, 103	2752934..... 344, 354
2220810.... 337, 342, 347, 352	2360640 ..... 16	2720435 .... 112, 117, 126	2752942.... 338, 343, 348, 353
2220811.... 143, 335, 337, 342, 347, 352, 354	2360641 ..... 16	2720436 .... 113, 118, 126	2752949..... 348
2220833.....348	2360642 ..... 16	2720449 ..... 94, 103	2752977..... 337, 347
2220852.....357, 361	2360643 ..... 16	2720472 .... 112, 121, 124	2752978..... 358, 362
2220873.... 357, 358, 361, 362	2360644 ..... 16	2720509 ..... 77, 86	2752997..... 342, 353
2220883 37, 38, 287, 291, 293, 295, 297, 299, 301, 303, 305, 307, 309, 311, 325, 327, 329, 331	2360645 ..... 16	2720510 ..... 77	2753006..... 358, 362
2220885.... 285, 287, 293, 299, 301, 303, 315, 319, 323, 327, 329, 331	2360646 ..... 16	2720514 ..... 126, 137	2753007..... 358, 362
2220886 37, 38, 285, 325, 327, 329, 331	2360647 ..... 16	2720515 ..... 77, 86	2753008..... 358, 361
2220888.....37, 295, 297, 305, 307, 309, 311	2360686 ..... 16	2720532 ..... 124	2753009..... 358, 362
2220893.....49	2360708 ..... 16	2720563 ..... 137	2753010..... 357, 361
2220923.....363	2360709 ..... 16	2720564 ..... 137	2753035..... 348
2220940.....342, 354	2400060 ... 208, 213, 217, 380, 386, 396, 402	2720566 ..... 134	2753036..... 337, 347
2220947.... 357, 358, 361, 362	2400061 ..... 380	2720567 ..... 134	2753087..... 338, 348
2220950.....358, 362	2400064 ... 208, 213, 217, 386, 402, 430	2720580 ..... 134	2753117..... 338, 348
	2400065 .... 376, 396, 428	2750532 . 80, 88, 94, 100, 104, 111, 112, 117, 126, 134, 137	2753118..... 358, 362
	2400066 ..... 376, 396	2750760 ..... 335	2753123..... 358, 362
	2400067 ..... 259	2750920 ..... 335	2753124..... 358, 362
	2400068 .... 259, 387, 402	2751011 ..... 337, 347	2753125..... 358, 362
	2400070 .... 387, 402, 430	2751017 ..... 337, 347	2753126..... 358, 362
	2410014 ..... 255	2751032 ..... 63	2753128..... 358, 362
	2420165 ..... 209, 218	2751095 ..... 63	2753129..... 358, 362
	2420172 ..... 160, 165	2751397 ..... 338, 348	2753155..... 347
	2420187 .... 114, 120, 127	2751399 ... 338, 343, 348, 353	2753157..... 348
	2420203 ... 186, 189, 193, 197, 201	2751500 ... 338, 343, 348, 353	2753158..... 348
	2460013 .... 185, 189, 193	2751906 ..... 335, 348	
	2460032 .... 185, 189, 193	2752265 ..... 337	
	2460039 ..... 185	2752266 ..... 337	
	2460044 ..... 193	2752345 ..... 337	
	2460048 .... 205, 211, 215		

## SECTION 10 - SPECIAL OPTIONS

2753159.....	348	2792648.....	335, 364	2902533.....	136, 381, 398	3300205.....	160, 165
2753161.....	347	2792693.....	342, 364	2910467.....	434	3300353.....	257, 263
2753162.....	347	2792699.....	364	2910872.....	434	3300393.....	247
2753189.....	358, 362	2792700.....	364	2910887.....	432	3300396....	207, 212, 216
2753190.....	358, 362	2792710.....	364	2910948.....	435	3300408.....	160, 165
2753191.....	358, 362	2792711.....	352, 364	2915094.....	63	3310601... ..	183, 207, 212, 216, 259
2753192.....	357, 361	2792712.....	342, 364	2915139.....	434	3310604.....	209, 218
2753195.....	357, 361	2792745.....	352, 364	2915195.....	115, 121	3310605.....	244
2753196.....	357, 361	2820018.....	121	2915196.....	115, 121	3310801.....	244
2753197.....	357, 361	2820031 ...	187, 190, 194, 198, 201, 207, 212, 215	2915228.....	436	3310805... ..	130, 209, 218, 243
2753199.....	357, 361	2820035 ...	119, 169, 248, 252	2920028.....	259, 264	3311001... ..	174, 178, 251, 258, 259
2753200.....	357, 361	2820078.....	175, 180	2920029.....	259, 264	3311005....	78, 111, 117, 169, 174, 175, 179, 180, 187, 190, 194, 198, 201, 248, 258, 263
2753216.....	357, 361	2820079.....	175	2920095.....	252, 387, 402	3311401.....	45, 121, 160, 281
2753231.....	357, 361	2820080.....	175, 178	2920110.....	169	3311405... ..	49, 77, 81, 86, 88, 93, 102, 104, 112, 118, 124, 125, 126, 134, 136, 137, 162, 174, 178, 198, 201, 212, 215, 243, 244, 248, 252, 408, 412, 419, 425
2753417 ....	338, 343, 348	2820081.....	175	2920113.....	169	3311501.....	178, 281
2753537.....	353	2820088.....	175	2920129....	372, 376, 382, 392, 396	3311505... ..	43, 77, 78, 81, 86, 88, 94, 101, 104, 112, 115, 118, 121, 124, 127, 134, 135, 146, 174, 178, 201, 205, 212, 215, 222, 248
2753540.....	353	2820172.....	126	2920140....	248, 252, 387, 402	3311508.....	205
2753549.....	353	2820173.....	126	2920162....	186, 189, 193	3311600.....	174
2753550.....	343, 353	2820180.....	137	2920215.....	169	3311601... ..	121, 145, 174, 178, 212, 215, 230, 244, 258, 264
2753622.....	343, 353	2820233.....	178	2940074....	247, 251, 428	3311602.....	230
2753624.....	335	2820234.....	178	2940088....	174, 179, 180	3311605... ..	77, 78, 86, 89, 93, 101, 102, 104, 112, 118, 121, 124, 126, 134, 135, 137, 174, 178, 183, 186, 190, 194, 226, 230, 234, 248, 252, 255
2753625.....	343, 354	2820235.....	178	2940188.....	178	3311705....	186, 190, 194
2753626 ....	344, 353, 354	2840016.....	183	3020008.....	19	3311801... ..	19, 77, 87, 94, 101, 113, 118, 124, 207, 243
2753627 ....	335, 344, 354	2860012.....	190, 194	3020016.....	78, 88	3311805... ..	77, 87, 93, 104, 112, 118, 126, 136, 137, 149, 174, 177, 183, 222, 223, 226, 227
2753628.....	353	2860030 ....	161, 165, 428	3020021.....	96, 105	3312001.....	46
2753629.....	335	2900708.....	50, 53	3020044.....	78, 88, 105	3312002.....	63
2753630.....	335	2900756.....	43	3124114.....	115, 121	3321501.....	178
2753633.....	353	2900770.....	237, 285	3160204.....	19, 31	3322201.....	151, 155
2753634.....	353	2900788.....	31	3160266.....	19, 33	33251102.....	201
2753635.....	343	2900792 ...	288, 291, 293, 295, 297, 299, 301, 303, 305, 307, 309, 311	3160286.....	63, 66	3340764.....	234
2753685.....	343	2901207.....	51, 119	3160294.....	63, 66	3340828.....	229
2753686.....	353	2901271.....	285	3160308.....	19, 33	3340833.....	329
2753688.....	343	2901273.....	329	3160347.....	37	3340834.....	329
2753725.....	343	2901273.....	329	3160348.....	37	3340835....	222, 226, 229
2753970.....	353	2901301.....	288, 317	3200362....	94, 104, 112, 117, 126, 137	3340838....	323, 325, 327
2753971.....	353	2901303.....	299	3200404.....	119		
2754040.....	353	2901514.....	305, 307	3200406... ..	77, 86, 93, 104		
2754238.....	343	2901526 ...	291, 295, 297	3220103.....	95, 104		
2754240.....	343	2901537.....	309, 311	3220104.....	95, 104		
2754242.....	343	2901549.....	313	3220113.77, 86, 115, 121			
2754243.....	343	2901556.....	288	3220114.....	115		
2754337.....	353	2901608 ....	113, 124, 381	3220134.....	127		
2754338.....	354	2901609.....	79, 94, 381	3250872.....	45, 412, 425		
2754401.....	343, 353	2901712.....	323	3251102....	187, 190, 194, 253		
2754402.....	343	2902065.....	105	3251243....	187, 190, 194, 198, 201, 407, 411, 417, 421		
2754718.....	353	2902232.....	436	3251813....	407, 411, 417, 422, 423		
2754719.....	353	2902238.....	118	3252221.....	433		
2754720.....	353	2902300.....	436	3252347.....	407		
2754743.....	353	2902303.....	434	3252507....	187, 190, 201, 407, 417, 421		
2754744.....	353	2902307.....	433	3252764....	198, 205, 212, 215		
2760105 ...	160, 165, 257, 263	2902308.....	433	3271605.....	329		
2780227.....	19, 23, 27	2902309.....	433	3271805....	151, 155, 255		
2780228.....	19, 23	2902310.....	433	3272605....	223, 227, 237		
2780229.....	15	2902311.....	433	3290405.....	134		
2780272.....	19, 27	2902312.....	433	3290505....	134, 187, 190		
2792351.....	364	2902322.....	433	3290507.....	89		
2792362.....	337, 364	2902353.....	434	3290801.....	77, 86		
2792363.....	347, 364	2902396.....	434	3300007.....	15, 19		
2792364.....	364	2902401 ....	79, 100, 381, 398				
2792365.....	357, 364	2902443.....	376, 397				
2792366.....	357, 364	2902445.....	124, 381				
2792367.....	335, 364	2902456 ....	359, 363, 435				
2792591.....	364	2902457 ....	359, 363, 435				
2792629.....	364	2902459 ....	359, 363, 435				
2792637.....	352, 364						

## SECTION 10 - SPECIAL OPTIONS

3340840.....	234	3480234.....	323	3574091.....	281	3760367.....	313
3340859.....	230	3480236.....	309	3574122.....	112, 118	3760368.....	299
3340860.....	234	3480237.....	295	3574162....	113, 118, 126	3760369.....	287, 317
3340861.....	234	3480238.....	305	3574206.....	77, 87	3760370.....	285, 329
3340871.....	233	3510488.....	247	3574207.....	77, 87	3760374.....	295, 305
3340881.....	229, 233	3510497.....	247	3574208.....	77, 87	3790012....	129, 135, 170,
3340966.....	45	3510542.....	247	3574219.....	121	257, 258, 259, 264, 265	
3380429..80, 88, 94, 101,		3510543.....	247	3574220.....	121	3790044..80, 88, 94, 102,	
113, 119, 124, 135		3510545.....	247	3574221.....	121	111, 117, 125, 136	
3380434.....	248, 252	3510546.....	247	3574222.....	113, 119	3790110.....	238
3380442.....	173, 177	3510565.....	247	3574225.....	198, 212	3820001.....	46, 407, 408,
3380443.....	173	3510566.....	247	3574229.....	212	411, 418, 425	
3380444.....	173, 177	3510728.....	247	3574262.....	212	3820020.....	251
3380535.....	244	3510760.....	247	3574504.....	126	3841143....	13, 14, 45, 79,
3380652.....	435	3510822.....	251	3574684.....	186	88, 93, 101, 112, 118,	
3420156.....	258	3510830.....	251	3574696.....	436	124, 135, 221, 222,	
3420292.....	45	3510833.....	251	3574978.....	104	226, 233	
3420372.....	46	3510868.....	255	3575359.....	281	3841287.....	13, 221, 226
3420447.....	46	3510884.....	255	3575718.....	43	3841340....	49, 81, 88, 93,
3421565.....	63	3520028 ...	186, 190, 194	3576755.....	135, 146	101, 112, 118, 124,	
3422446..79, 88, 93, 101,		3520033.....	174	3580134 ....	186, 190, 193	135, 222, 226, 227, 230	
112, 118, 124, 135		3520035 ...	160, 165, 243,	3580158.....	189	3841356.....	222, 226
3422457.....	233	244		3580250.....	193	3841406.....	234
3422530.....	183	3520054 ....	105, 257, 263	3580260.....	119	3850018.....	287
3422532..79, 88, 94, 102,		3520072 ....	247, 251, 255	3580276 ....	186, 190, 193	3890040.....	255
113, 119, 125, 136		3520189.....	386, 402	3580307.....	193	3900054.....	255
3422561.....	226	3520198.....	251	3580312 ..	198, 201, 212,	3900139.....	313
3422567.....	45	3536089.....	248, 252	216		3900141.....	299
3422578.....	221, 222	3537416.....	93, 104	3580313.....	198, 212	3900205.....	251
3422580.....	221, 222	3537420.....	93	3580314.....	212, 216	3900207.....	247
3422582.....	222	3537445.....	183	3580317.....	207	3900210.....	174, 178
3422583.....	226	3537446.....	183	3580318.....	207	3900232....	121, 174, 177,
3422681.....	221, 226	3538047.....	13	3580320.....	207	178, 234	
3422683.....	221, 226	3538758.....	234	3580321.....	207	3900239.....	222, 226
3422684.....	221, 226	3539219.....	160, 165	3580322.....	185	3900259.....	233
3422685.....	221, 226	3539281.....	169	3580324.....	198, 201	3900262.....	230
3422686.....	221, 226	3539662.....	45	3580325.....	198	3900268.....	160, 165
3422687.....	221, 226	3539685.....	248	3580348.....	201, 216	3900272 88, 94, 101, 112,	
3422688.....	221, 226	3539872 77, 93, 104, 111,		3600278 79, 93, 102, 111,		118, 125, 135	
3422689.....	221, 226	117, 126, 137		117, 125, 136		3900283.....	234
3422690.....	233	3539877.....	13	3600287.....	51, 59	3900293.....	63
3422701.....	14, 45	3539878.....	13	3600295 79, 93, 111, 117,		3900322.....	198
3422702.....	14, 45	3539934.....	173	141, 143		3910606....	205, 212, 216
3422703.....	13	3539955.....	175, 180	3600377 ...	114, 119, 121,	3910608....	183, 209, 218,
3422729.....	221, 226	3539957. 80, 88, 95, 101,		127		259	
3422753.....	15	112, 118, 124, 135		3600400 79, 88, 102, 125,		3910610....	207, 213, 216
3422754.....	15, 45	3539971.....	93, 104	136, 142		3910804.....	160, 165
3422755.....	14	3539972.....	111	3600401 ....	102, 125, 136	3910808.....	130
3422813.....	45	3539979.....	173	3600458.....	51, 59	3911008.....	247, 251
3422848.....	45	3570103.....	112, 118	3620033.....	93, 104	3911040.....	169
3422860.....	225	3570133.....	112, 117	3620040 ...	111, 117, 126,	3930606.....	244
3422861.....	225	3570238.....	119	137		3930816.....	244
3422867.....	226	3570686.....	41, 46	3620047.....	77, 87	3930824.....	243, 244
3422972.....	15, 45	3570690.....	41, 43	3640986.....	209, 213	3931048.....	55
3430816.....	183	3570775.....	323, 327	3641533 ....	209, 213, 217	3931436.....	243
3450404.....	183	3570928.....	243	3641569.....	281	3931448....	323, 327, 329
3460398.....	126	3570979.....	50	3730120.....	381	3931464.....	243
3460399.....	173	3571498.....	111, 117	3730121.....	381	3931508.....	329
3460544.....	81, 88	3571712.....	177	3740049 ...	160, 165, 368,	3931516.....	299, 313
3460552.....	179	3572280.....	126, 137	376, 387, 402, 428		3931620....	287, 293, 317,
3470003.....	258, 264	3572414.....	113, 124	3740067 .77, 87, 93, 104,		319	
3480176.....	285	3572423.....	146	112, 117, 126, 137, 428		3931632.....	207
3480188.....	287, 317	3572604.....	329	3740080 ....	78, 105, 186,	3931664.....	323, 327
3480210.....	299	3572605.....	329	190, 194, 198, 201,		3931720.....	285, 329
3480211.....	329	3572606.....	243	206, 212, 216, 430		3932224.....	63
3480232.....	313	3572607.....	243	3760133.....	233	3932240....	295, 297, 305,
3480233.....	287	3573001.....	45	3760170.....	46, 63	307, 309, 311	



## SECTION 10 - SPECIAL OPTIONS

3952020 .....	63	4071009 .....	63	4360499.....	243, 382, 399, 430	4460346 ...	205, 212, 216, 384, 385, 400, 401
396038981, 93, 102, 112, 118, 125, 136, 173, 177		4071052 .....	234	4360517 .....	156, 399, 430	4460374 ...	208, 213, 217, 381, 386, 397, 400, 402
3960407 .....	94, 104	4071122 .....	135	4360522.....	170, 258, 264, 430	4460375 ...	208, 213, 217, 381, 386, 397, 402
3960422 ...	205, 212, 216, 385, 401	4100051 .....	348	4360542.....	186, 189, 193, 197, 201	4460411 ....	208, 213, 217
3960438 .....	175, 180	4100058 ...	338, 343, 348, 354	4360549.....	243, 244	4460412 ....	208, 213, 217
3960453 .....	173, 177	4100059 ...	338, 343, 347, 354	4360578.....	243, 244, 430	4460413 ....	208, 213, 217
3960461 .....	169	4100062 .....	358, 362	4400275.....	130	4460414 ....	208, 213, 217
3960462 ...	174, 175, 179, 180	4100100 .....	299	4400400.....	145	4460415 ....	208, 213, 217
3960464 ...	174, 175, 179, 180	4120035 ...	372, 377, 382, 392, 395	4400407.....	145	4460418 ...	372, 377, 392, 395
3960468 .	77, 87, 94, 104, 113, 119, 127, 137	4130357 .....	14, 15	4400410.....	145, 146	4460419 ...	372, 377, 392, 395
3960469 .	77, 87, 94, 104, 113, 119, 127, 137	4130358 .....	15	4400420.....	130	4460424 ...	121, 169, 376, 377, 379, 384, 395, 396, 399
3960470 .....	174, 177	4130388 .....	45	4400452.....	145, 146	4460425 ...	207, 213, 216, 259, 264, 281, 386, 388, 402, 403
3960548 .....	88	4130389 .....	15	4420038.....	145	4460426 ...	161, 165, 207, 213, 216, 252, 259, 264, 376, 386, 387, 395, 402
3960549 .....	88	4130390 .....	15, 45	4420051.....	46	4460428 ...	243, 244, 258, 263, 372, 392
3960591 .....	126	4160139 .....	173, 177	4420060.....	50, 190, 209, 218, 244	4460434 ...	372, 377, 393, 395
3980007	78, 89, 102, 135	4160143 .....	173, 177	4420068.....	281	4460445 ...	377, 384, 395, 399
3990001 .....	376, 397	4220162 .....	169	4460007 .....	258, 263	4460457 .....	380, 397
3990010 ...	378, 385, 395, 428	4220165 .....	248	4460023.....	186, 190, 194	4460458 ...	217, 379, 380, 381, 397, 400, 402
401043 .....	216	4220191 .....	77, 87	4460027.....	186, 189, 197, 201, 385, 400	4460459 .....	387
4031608 .....	187, 190	4240018 ...	187, 190, 198, 201, 206	4460042.....	258, 392	4460460 .....	380, 397
4031911 .....	77, 87	4240032 ...	169, 209, 218	4460049.....	281, 388, 403	4460464 ...	258, 264, 372, 373, 374, 375, 377, 382, 383, 392, 393, 394, 396, 397
4032015 .....	207	4240099 ...	119, 248, 252, 281	4460051.....	206, 212, 216, 384, 386, 400, 401	4460465 ...	208, 213, 217, 373, 374, 375, 378, 379, 380, 383, 386, 393, 394, 396, 397, 398, 402
4060092 .....	384, 400	4240112 .....	145	4460071.....	206, 212, 216, 248, 252, 258, 264, 372, 386, 392, 401	4460466 ...	373, 375, 393, 394, 397, 398
4060700 ...	205, 212, 216, 384, 385, 400, 401	4240113 .....	145	4460125.....	384, 400	4460467 ....	388, 403, 438
4060802 ...	187, 190, 194, 198, 201, 205, 212, 216, 253	4280295 .....	145	4460134.....	384, 385, 400, 401	4460470 ...	161, 165, 258, 264, 372, 376, 392, 395, 396
4060803 .....	248	4300097 .....	19	4460190.....	186, 189, 193, 197, 201	4460471 ...	161, 165, 258, 264, 372, 376, 392, 395, 396
4060804 .....	94, 113, 119	4300111 .....	212, 216	4460205.....	384, 385, 400, 401	4460473 ...	373, 375, 393, 394
4060805 .	80, 87, 94, 104, 127, 137, 234, 243	4300157 .....	207	4460224.....	382, 392	4460476 .....	387
4060806 .....	119	4340706 .....	229	4460225.....	372, 386, 393, 401	4460488 ....	161, 165, 258
4060906 .....	160, 165	4340738 .....	198, 212	4460226.....	258, 264, 272, 279, 372, 376, 378, 379, 381, 382, 385, 386, 388, 392, 396, 397, 400, 401, 402, 403	4460496 .....	166
4060907 .....	169	4341239 .....	137	4460227.....	121, 372, 378, 383, 392, 393, 395, 396, 399	4460497 .....	166
4060959 .....	435	4341241 .....	137	4460233.....	384, 385, 400, 401	4460499 .....	57, 384, 399
4061010 .....	179	4360031 .....	252	4460234.....	169, 209, 218, 258, 263, 281	4460508 ...	372, 373, 375, 377, 392, 393, 396
4061043 ...	205, 212, 385, 401	4360057 .....	281, 430	4460265.....	272, 279	4460509 ...	373, 375, 393, 394
4061049 .....	206	4360070 ...	207, 213, 216, 430	4460267.....	377, 384, 395, 399	4460510 ....	388, 403, 438
4070410 .....	174, 178	4360188 .....	129	4460268.....	169, 377, 379, 384, 395, 396, 397, 399		
4070411 .....	174, 178	4360232 ...	259, 387, 430	4460315.....	207		
4070412 .....	174, 178	4360256 .....	119	4460320.....	377, 380, 384, 395, 399		
4070450 .....	46	4360294 .....	190, 194	4460321.....	385, 388, 400, 403		
4070560 .....	46	4360322 .....	243, 244	4460326.....	377, 384, 395, 399		
4070561 .....	46	4360328 ...	161, 165, 257, 259, 263, 264, 428	4460339.....	380		
4070585 .....	190	4360330 .....	263, 428				
4070863 .....	233	4360331 ...	259, 265, 430				
4070864 .....	233	4360336 ...	129, 135, 170, 187, 190, 194, 198, 201, 205, 212, 216, 253, 258, 264, 430				
4070878 .....	13	4360387 ...	257, 259, 263, 264, 428				
4070879 .....	13	4360392	78, 93, 105, 112, 118, 126				
4070897 .....	229, 233	4360407 ...	257, 263, 428				
4070898 .....	229, 233	4360436 .....	145				
4070929 .....	229	4360469 ...	161, 165, 428				
4070944 .....	13	4360475 ...	161, 165, 257, 263, 428				
4070945 .....	13	4360476 ...	161, 165, 258, 263, 428				
4070967 .....	229	4360498 ...	243, 399, 430				
4070968 .....	229						
4070969 .....	234						
4070987 .....	161, 165						

## SECTION 10 - SPECIAL OPTIONS

4460526.... 161, 165, 376, 395	4460897 ... 129, 374, 381, 382, 394	4564281 .... 114, 120, 127	4641435.....243
4460536.....378, 383, 395	4460899 ..... 397	4564417 ..... 194	4641453.....50, 53
4460539.... 376, 379, 380, 383, 397	4460905 ... 161, 258, 264, 372, 376, 377, 392, 395, 396	4566468 ..... 288, 317	4711400..13, 50, 94, 101, 105, 113, 119, 121, 126, 135, 138, 162, 198, 201, 206, 212, 216, 243, 248, 252
4460579.....379	4460906 .... 201, 385, 400	4566471 ..... 299	4711500.... 43, 46, 50, 51, 78, 87, 115, 121, 125, 146, 169, 205, 212, 216, 222, 258, 264
4460580.....379	4460908 ..... 378, 383	4566605 .... 111, 117, 126	4711600.... 13, 50, 80, 87, 88, 94, 102, 104, 121, 126, 138, 174, 180, 207, 222, 227, 229, 230, 233, 234, 329
4460582.....379	4460909 ..... 378, 383	4567073 77, 87, 115, 121	4711700.... 104, 198, 201, 212
4460598.... 248, 252, 259, 387, 402	4460915 ..... 378, 383	4567139 ..... 357, 361	4711800.... 183, 206, 212, 216, 222, 227, 255
4460607 .... 207, 208, 213, 216, 217	4460916 ..... 398	4567413 ..... 329	4711900.....95, 104
4460608.....380, 397	4460918 ..... 375, 399	4567434 ..... 288	4740036.....46
4460611.....94, 113, 119	4460928 ..... 378, 383	4567757 ..... 358, 362	4740057.....63
4460634.... 372, 377, 392, 395	4460943 .... 378, 395, 396	4567815 ..... 95, 104	4740076.....174, 178
4460635.... 372, 392, 395	4460944 ... 378, 379, 383, 397	4567879 .... 113, 118, 126	4740111.....15, 45
4460693.....380, 397	4460945 ..... 376, 383	4568118 ..... 146	4740119.....183
4460701 .... 384, 385, 400, 401	4460956 .... 208, 213, 217	4568119 ..... 145	4740155.....45
4460705.... 385, 400, 401	4460957 ... 208, 213, 217	4568158 ..... 113	4740171.....174, 177
4460708.... 258, 264, 372, 376, 392, 396	4460958 ... 205, 212, 216, 385, 401	4568514 ..... 14	4740256.....15, 45
4460713.....380	4460959 ..... 375, 395	4568721 ..... 77, 87	4740274..78, 87, 95, 105, 112, 118, 126, 138
4460725.....380	4460960 ..... 375, 395	4568734 ..... 198, 212	4740362.... 169, 248, 252
4460726.....380	4460961 ..... 385, 400	4568735 ... 198, 201, 212, 216	4740397.... 187, 190, 194, 198, 202, 253
4460728.....380	4460963 ... 208, 213, 216, 386, 402	4568788 ..... 77	4740439.....226
4460742.... 217, 380, 386, 400, 402	4460965 ..... 378, 383	4568951 ..... 126	4740444.....161, 165
4460743.... 217, 386, 400, 402	4460967 ... 208, 213, 217, 386, 402	4569083 ..... 126	4740455.....259
4460761 .... 372, 378, 383, 392, 396	4460968 ... 187, 190, 243, 244	4569171 ..... 104	4740463.....15, 45
4460789.....387	4460978 ..... 381	4569173 ..... 126	4740472.....13
4460790.....387	4460979 .... 379, 381, 397	4569177 ..... 77, 82	4740473.....15, 45
4460792.....380	4461001 ... 208, 213, 217	4569342 ..... 137	4740500.....179
4460799.....380	4461005 ..... 379, 397	4569371 ..... 82, 90	4750600.... 207, 213, 216, 259
4460800.....380	4461006 ..... 380, 397	4569385 ..... 135	4750800.... 130, 209, 218
4460865.... 373, 375, 393, 394	4461008 ..... 380, 397	4569394 ..... 137	4751000.... 78, 111, 117, 169, 174, 175, 178, 179, 180, 187, 190, 194, 198, 202, 248, 251, 258, 264
4460866.... 372, 373, 375, 377, 392, 393, 396	4461052 ..... 379, 397	4620135 ..... 63	4751400.... 46, 78, 80, 87, 88, 93, 102, 105, 112, 118, 124, 125, 126, 136, 138, 161, 166, 174, 178, 206, 243, 244, 248, 252, 258, 264, 281, 408, 412, 419, 425
4460871 .... 267, 269, 275, 277, 372, 377, 380, 382, 383, 387, 392, 395, 396, 397, 398	4461053 ..... 380, 397	4640113 ..... 20	4751500..78, 81, 87, 101, 111, 117, 126, 135, 174, 175, 178, 180, 186, 190, 194, 202, 205, 248, 281
4460873.... 372, 377, 392, 395	4461054 ..... 380, 397	4640261 ..... 46	4751600.... 41, 43, 51, 78, 87, 89, 93, 101, 105, 112, 118, 121, 124, 126, 130, 135, 138, 145, 149, 174, 178,
4460874.... 161, 372, 376, 392, 396	4461060 ..... 380, 397	4640509 ... 295, 297, 299, 301, 303, 305, 307, 309, 311	
4460875.... 161, 372, 376, 392, 396	4461070 ..... 379, 397	4640605 ... 288, 291, 293, 295, 297, 309, 311	
4460876.....377, 395	4461071 ..... 376, 397	4640751 ..... 93, 104	
4460878.....377, 396	4461072 ..... 376, 397	4640778 ..... 347	
4460879.....372, 392	4461073 ..... 376, 397	4640780 ..... 358, 362	
4460880.... 377, 379, 395, 397	4461074 ..... 376, 397	4640858 ..... 285	
4460887 .... 372, 377, 392, 396	4461077 ... 373, 375, 399	4640866 ..... 49	
4460889.....380	4461095 ..... 379, 397	4640871 ..... 13	
4460890.....380	4461109 ..... 380, 397	4640906 ..... 50	
4460891 .... 374, 379, 380, 394, 397, 398	4461111 ..... 380, 397	4640921 ..... 50, 57	
4460892.... 376, 378, 383, 396	4461113 ..... 380, 397	4640922 ..... 50, 57	
4460894.... 376, 378, 383, 396, 398	4461121 ..... 380, 397	4640929 ..... 243	
	4461122 ..... 380, 397	4640932 ... 288, 291, 293	
	4461123 ..... 380, 397	4640952 ..... 138	
	4461124 ..... 380, 397	4640989 .... 111, 117, 126	
	4461157 ..... 379, 397	4641022 ..... 146	
	4461161 ..... 380, 397	4641027 ..... 305, 307	
	4461222 ..... 380, 397	4641032 ..... 329, 331	
	4520204 ..... 20	4641033 ... 323, 325, 327	
	4520205 ..... 20	4641041 ..... 41	
	4520242 ..... 20	4641042 ..... 41	
	4520252 ..... 20	4641061 ..... 50	
	4520253 ..... 20	4641076 ..... 337	
	4520347 ..... 20	4641099 ..... 50, 53	
	4520348 ..... 20	4641136 ..... 243	
	4520353 ..... 20	4641162 ..... 285	
	4520354 ..... 20	4641192 ..... 53	
		4641261 ..... 129	
		4641300 ..... 43	
		4641303 ..... 43	
		4641317 ..... 50	

## SECTION 10 - SPECIAL OPTIONS

179, 186, 190, 194, 198, 212, 216, 244, 248, 252	4845702 .....234	4922578....374, 375, 394, 395	4933296 .... 162, 368, 375
4751700 ..... 105	4845703 .....222	4922579.....373, 394	4933300 ..... 368, 385
4751800 ... 14, 78, 87, 94, 101, 112, 118, 125, 135, 136, 138, 145, 149, 151, 155, 198, 212, 255, 281	4845716 .....225	4922580.....374	4933307 ..... 368
4751900 ..... 186	4845729 .....234	4922581.....375	4933321 ... 162, 369, 375, 378
4752000 . 80, 88, 94, 101, 113, 119, 125, 135	4845928 ..... 145	4922582.....373, 393	4933338 ... 162, 369, 375, 378
4760600 ... 208, 209, 213, 216, 218, 259	4846011 ..... 112	4922637.....376, 396	4933339 ... 162, 369, 376, 378
4761000 ... 174, 178, 248, 251, 259	4846046 ..... 112, 117	4922639.....258, 372	4933349 ... 217, 368, 386, 402
4761400 ..... 161, 166	4846101 .....247	4922641....208, 213, 217, 385, 386, 400, 402	4933350 .... 368, 385, 400
4761500 ... 111, 117, 205, 212, 216	4846102 .....247	4922643....368, 387, 402	4933356 ... 162, 369, 376, 379
4761600 .... 212, 216, 244	4846103 .....247	4922666....161, 258, 264, 372, 378, 392	4933371 ... 162, 369, 376, 379
4762000 ..... 46	4846253 .....247	4922675.....161, 377	4933372 ... 162, 369, 375, 378
4770600 ..... 183	4846254 .....247	4922737..78, 80, 95, 101, 381	4933373 ... 162, 369, 375, 378
4771800 ..... 114, 119	4846255 .....247	4922757.....208, 386	70000017 ..... 438
479140087, 94, 105, 138, 206, 212	4846413 ..... 13	4922773.....374, 394	70000122 ..... 185
4811600 ..... 89, 187, 190	4846414 ..... 45	4922774.....374, 395	70000123. 185, 189, 193, 197
4811700 ..... 89	4846430 ..... 63	4922775.....374, 394	70000124. 186, 189, 193, 197
4811900 . 78, 87, 89, 186, 202, 207, 216	4846452 .....251	4922846....162, 377, 379	70000125. 186, 189, 193, 197
4812000 ..... 89, 126, 194	4846507 ..... 46	4922849.....387	70000126. 186, 189, 193, 197
4812100 .. 78, 87, 89, 187	4846508 ..... 46	4922855.....368, 387	70000127 .. 186, 189, 197
4812200 ..... 104	4846566 ..... 93, 105	4922868.....374, 394	70000164 ..... 137
4821397 ..... 281	4846573 ..... 223, 227	4922905.....213, 386	70000264 ..... 107
4831900 ..... 96, 105, 113, 119, 126, 138	4846673 .....281	4922925....207, 212, 216, 386, 401	70000342 ..... 238, 241
4832000 . 78, 87, 96, 105, 113, 118, 127	4846790 ..... 78, 87	4922933....161, 376, 379	70000345 ..... 107
4843777 ..... 46	4846805 ..... 78, 87	4922970.....385	70000579 ..... 54
4844790 ..... 227	4846806 ... 111, 117, 127	4922978.....101	70000580 ..... 54
4844816 ..... 225	4846817 ..... 121	4923223.....161, 377	70000582 ..... 54, 428
4844817 ..... 225	4846935 ..... 45	4923238....161, 377, 379	70000583 ..... 54
4844924 ..... 247	4860148 ..... 20	4923280....161, 376, 379	70000619.. 207, 211, 215
4844925 ..... 247	4860188 ..... 20	4923281....162, 377, 379	70000718 ..... 383, 399
4844928 ..... 247	4860224 ..... 20	4923282.....161, 377	70000781 ..... 43
4844954 ..... 247	4860225 ..... 20	4923296.....378	70000782 ..... 72
4844955 ..... 247	4891400 ..... 121	4923379....105, 382, 399	70000793 ..... 105
4844956 ..... 247	4891500 ..... 50, 198	4923420....217, 386, 402	70000794 ..... 37
4844958 ..... 63	4891600 ..... 89, 103, 105, 125, 151, 155, 183, 198, 202, 212, 216, 223, 227	4923445.....400	70000795 ..... 37
4845327 ..... 247	4891800 . 19, 80, 93, 103, 111, 117, 136, 183, 223, 227	4923462....373, 393, 394	70000797 ..... 37
4845328 ..... 247	4892000 .. 15, 19, 63, 198	4923466.....374, 394	70000800 ..... 108
4845395 ..... 94, 105	4892600 ..... 223, 227	4923485.....374, 394	70000863 .. 206, 211, 215
4845404 .... 93, 105, 112, 118, 127	4920044 .....248	4923486.....374, 395	70000912 ..... 106
4845408 ..... 247	4920385 ..... 126, 138	4923487 ....374, 375, 394, 395	70000913 ..... 106
4845409 ..... 247	4921829 ..... 385, 401	4923488.....374, 394	70000914 ..... 106
4845410 ..... 247	4921927 ..... 50, 384, 399	4923489.....373, 393	70000915 ..... 106
4845411 ..... 173, 179	4921928 ..... 50, 383, 399	4923490.....373, 393	70000916 ..... 106
4845412 ..... 247	4921955 ..... 385, 401	4923499....162, 377, 379	70000917 ..... 106
4845413 ..... 247	4922099 ..... 383	4923575.....161, 377	70000918 ..... 106
4845426 ..... 247	4922215 ... 374, 387, 394, 402	4923585....161, 376, 379	70000919 ..... 106
4845469 ..... 247	4922216 ... 374, 387, 394, 402	4923591.....376	70000934 ..... 49
4845593 ..... 221, 225	4922217 ... 374, 387, 394, 403	4923613....373, 375, 393	70000970 ..... 59
4845612 ..... 119	4922482 ..... 385	4932986.....368	70000976 ..... 59
4845658 ..... 13	4922498 ..... 387	4933189.....368	70001002 ..... 95, 106
4845667 ..... 121	4922549 .... 161, 377, 379	4933215.....368, 385	7000101777, 86, 95, 104, 115, 121
4845680 ..... 229	4922550 .... 162, 377, 379	4933216.....368, 385	70001051 ..... 82, 90
4845701 ..... 234	4922557 ... 161, 166, 377, 395	4933217.....368	70001059 ..... 59
	4922565 ..... 368	4933231.....368	70001060 ..... 59
	4922575 ..... 373, 393	4933232....162, 369, 375, 378	70001061 ..... 59
	4922576 ..... 373, 393	4933233....162, 369, 376, 378	
	4922577 ..... 374	4933264....208, 368, 386	
		4933273.....368	
		4933283....213, 368, 386	

## SECTION 10 - SPECIAL OPTIONS

70001062.....	59	7000214.....	66	7000281.....	66, 72	70004316.....	398
70001063.....	59	7000217.....	66, 72	70002818.....	208, 217	70004317.....	398
70001064.....	59	7000220.....	23, 27	70002819.....	208, 217	70004318.....	398
70001065.....	59	70002200.....	96, 106	7000282.....	23, 27	70004319.....	398
70001066.....	59	70002212.....	155, 156	70002820.....	208, 217	70004738.....	279
70001067.....	59	70002234.....	95, 107	70002821.....	208, 217	70004739.....	279
70001068.....	59	70002235..	186, 189, 193	70002822.....	208, 217	70004740.....	279
70001069.....	59	7000224.....	23, 27	70002823.....	208, 217	70004741.....	279
70001100...205, 211, 215		70002240.....	185, 186	70002824.....	208, 217	70004742.....	279
70001103.....	146	7000228.....	66, 72	70002825.....	208, 217	70004743.....	279
70001120.....	82, 90	7000229.....	66, 72	70002826.....	209, 217	70004744.....	279
70001126.....	108	70002297.....	206, 215	7000283.....	23, 27	70004745.....	279
70001132.....	106	7000230.....	66, 72	70002833.....	81, 90	70004746.....	279
70001248..151, 152, 155, 156		70002307..	114, 120, 127	70002834.....	81, 90	70004747.....	279
70001249.....	152	7000231.....	23, 27	70002835.....	81, 90	70004748.....	279
70001384...206, 211, 215		7000235.....	23, 27	7000284.....	23, 27	70004749.....	279
70001423.....	95, 106	7000236.....	23, 27	70002841.....	83	70004750.....	279
70001435.....	106	70002366.....	315	70002843.....	81, 90	70004751.....	279
70001498.....	95, 107	7000238.....	23, 27	70002844.....	81, 90	70004752.....	271
70001681.....	95	7000239.....	23, 27	70002845.....	82, 91	70004753.....	271
70001690.....	127	70002390.....	43	70002846.....	82, 91	70004754.....	271
70001696...206, 211, 215		7000240.....	23, 27	70002847.....	82, 91	70004755.....	271
70001697.....	238, 241	70002410.....	291	70002848.....	82, 91	70004756.....	271
70001742.....	82, 90	70002411.....	95	70002849.....	82, 91	70004757.....	271
70001835.....	106	70002415.....	108	70002850.....	82, 91	70004758.....	271
70001836.....	106	70002416.....	108	70002851.....	83, 91	70004759.....	271
70001837.....	107	70002417.....	108	70002852.....	82, 90	70004760.....	271
70001838.....	107	7000246.....	66, 72	7000287.....	24, 27	70004761.....	271
70001839.....	107	70002460..	206, 211, 215	7000288.....	24, 27	70004762.....	271
70001841.....	107	70002479.....	83, 90	7000289.....	24, 27	70004763.....	271
70001847.....	108	7000248.....	66, 72	70002895.....	430	70004764.....	271
70001848.....	106	7000253.....	66, 72	70002898.....	383, 399	70004765.....	271
70001850.....	106	70002530.....	96	7000290.....	24, 27	70004766.....	271
70001866.....	107	7000255.....	66, 72	70002906.....	269	70004767.....	271
70001868.....	107	70002567..	115, 121, 127	70002946.....	53	70004768.....	271
70001870.....	107	7000257.....	66, 72	70003001.....	108	70004769.....	271
70001872.....	108, 399	70002627.....	383, 399	70003002.....	108	70004770.....	271
70001874.....	107	7000263.....	66	70003003.....	108	70004771.....	271
70001931.....	383, 399	7000265.....	15, 23, 27	70003454.....	156	70004772.....	271
70001941.....	169	7000269.....	66	70003476.....	95, 96, 106	70004773.....	271
70001950.....	383, 399	7000270.....	66	70003483.....	252	70004774.....	272
70001951.....	383, 399	70002705.....	77, 86	70003556.....	95	70004775.....	272
70001953...206, 212, 215		70002706.....	77, 86	70003631..	206, 211, 215	70005230.....	279
70001966...206, 211, 215		70002716.....	146	70003708.....	206	70005483.....	28
70001969.....	206	7000272.....	23, 27	70003709.....	206	70005594.....	331
70001973...206, 212, 215		70002724.....	277	70003784.....	257, 263	70005793.....	291
70001974...206, 211, 215		70002725.....	277	70003935.....	43	7000625.....	252
70001976.....	54, 57	70002726.....	277	70003936.....	43	70006344.....	331
70002013.....	234, 430	70002727.....	277	70003983.....	60	70006375.....	311
70002014.....	234	70002728.....	277	70003984.....	60	70006376.....	311
70002065.....	72	70002729.....	277	70003985.....	60	70006377.....	311
70002066.....	72	7000273.....	23, 27	70003986.....	60	70006378.....	311
70002067.....	72	70002730.....	269	70003988.....	60	70006384.....	307
70002068.....	72	70002731.....	269	70003989.....	60	70006385.....	297, 307
70002069.....	72	70002732.....	269	70003990.....	60	70006386.....	307
70002070.....	72	70002733.....	269	70003991.....	60	70006387.....	307
70002071.....	72	70002734.....	269	70003992.....	60	70006388.....	307
70002072.....	72	70002735.....	269	70003993.....	60	70006389.....	297
70002073.....	72	7000274.....	23, 27	70003994.....	60	70006390.....	297
70002074.....	72	7000275.....	23, 27	70004148.....	81	70006391.....	297
70002075.....	72	70002761.....	83, 90	70004149.....	145	7000645.....	54, 428
70002085.....	73	70002762.....	83, 90	70004169..	206, 212, 215	70006479.....	331
70002086.....	73	70002763.....	83, 91	70004170.....	206	70006480.....	331
70002088...206, 211, 215		70002764.....	83, 90	70004171..	206, 212, 215	70006568.....	301
7000209.....	66	70002765.....	82, 90	70004182.....	77, 87	70006569.....	301
7000213.....	23, 27	70002766.....	83	70004183.....	105	70006570.....	301
		70002767.....	83	70004184.....	145	70006571.....	301

## SECTION 10 - SPECIAL OPTIONS

70006572 .....	301	7002823 ....	388, 403, 438	7007484 .....	142	7012773 .....	53, 54, 57
70006590 .....	291	7002826 .....	438	7007485 .....	142	7012774 .....	54, 57
70006596 .....	315	7002828 .....	388, 403	7007487 .....	142	7012775 .....	53
70006601 .....	291	7002840 .....	13, 438	7007488 .....	142	7012776 .....	57
7000663 .....	95, 107	7003657 ....	185, 189, 193	7007494 .....	141	7012777 .....	57
70006642 .....	293	7003928 .....	267, 269	7007496 .....	142	7012905 .....	50
70006643 .....	293, 319	7003933 .....	275	7007497 ....	142, 382, 399	7012914 .....	53
70006644 .....	293, 319	7003935 .....	275	7007498 ....	142, 382, 399	7012918 .....	53
70006645 .....	293	7003941 .....	275, 277	7007633 .....	66, 72	7012941 .....	50, 54
70006649 .....	303	7003946 .....	275	7007990 .....	19	7012943 .....	50
70006650 .....	303	7003953 .....	267	7010116 .....	142	7012944 .....	50, 54, 428
70006651 .....	319	7003969 .....	275	7010122 .....	142	7012953 .....	54, 57, 243
70006668 .....	319	7003972 .....	275, 277	7010404 .....	15	7012959 .....	50
70006669 .....	327	7003973 .....	275, 277	7010405 .....	15	7012965 .....	57
70006670 .....	327	7003976 .....	267	7010406 .....	15	7012970 .....	243
70006671 .....	327	7003977 .....	267	7010461 .....	66	7012972 .....	50
70006672 .....	327	7003980 .....	275, 277	7010464 .....	23, 27	7012989 .....	54
70006728 .....	331	7003982 .....	277	7010474 .....	66	7012998 .....	53, 55, 57
70006731 .....	331	7003983 .....	275, 277	7010492 .....	66, 72	7013187 .....	149
70006733 .....	331	7003986 .....	275	7010542 .....	53	7013189 .....	152, 155
70006734 .....	303	7003989 .....	275, 277	7010543 .....	50, 53, 54	7014801 .....	146
70006735 .....	303	7003992 .....	267, 275	7010545 .....	54	7014802 .....	146
70006736 .....	303	7003993 .....	267, 275	7010638 .....	118	7014810 .....	146
70006777 .....	315	7003994 .....	275	7010795 .....	67	7014813 .....	146
70006778 .....	315	7004035 .....	72	7010903 .....	59	7014816 .....	146
70006779 .....	315	7004036 .....	72	7010944 .....	60	7014817 .....	146
70006780 .....	315	7004042 .....	67	7011008 .....	59	7014818 .....	146
70006781 .....	315	7004043 .....	67, 73	7011022 .....	59	7016314 .....	146
70006782 .....	291	7004044 .....	67, 73	7011043 .....	59	7016322 .....	183
70006783 .....	291	7004045 .....	73	7011044 .....	59	7016328 .....	95, 106, 430
70006784 .....	291	7004046 .....	67	7011048 .....	59	7016331 .....	95, 106, 430
70006796 .....	325	7004047 .....	73	7011112 ....	288, 291, 293	7016342 .....	149
70006797 .....	325	7004049 .....	73	7011311 .....	238	7016356 .....	252
70006798 .....	325	7004275 .....	438	7011331 .....	237	7016374 .....	183
70006799 .....	325	7004276 .....	438	7011332 .....	237	7016380 .....	169
70006800 .....	325	70050801 .....	315	7011333 .....	243	7016399 .....	248, 252
70006801 .....	325	7006137 .....	234, 430	7011342 .....	243	7016522 .....	234, 430
70006802 .....	325	7007208 .....	141	7012513 ....	185, 189, 193, 197, 201	7016523 .....	234
70006803 .....	325	7007412 .....	142	7012514 ....	185, 189, 193, 197, 201	7016524 .....	234
70006804 .....	325	7007413 .....	141	7012518 .....	50	7016529 .....	234
70006921 .....	331	7007414 .....	141	7012558 ....	185, 189, 193, 197, 201	7016652 .....	438
70006922 .....	331	7007417 .....	141	7012664 .....	76, 86, 93, 103, 113, 126, 137, 428	7016654 .....	438
70006923 .....	331	7007419 .....	34, 141	7012679 .....	127	7016655 .....	438
70006924 .....	331	7007420 .....	34	7012693 .....	13	7016779 .....	59
70006925 .....	331	7007423 .....	141	7012700 .....	31	7016780 .....	59
70006926 .....	331	7007425 .....	141	7012701 .....	31	7016781 .....	59
70006927 .....	331	7007435 .....	141	7012702 .....	31	7016782 .....	59
70006928 .....	331	7007437 .....	34, 38, 141	7012703 .....	31	7016783 .....	59
7000731 .....	19, 28, 67	7007438 .....	33, 37, 141	7012704 .....	31	7016784 .....	59
7000897 ....	114, 120, 127	7007439 .....	33, 37, 141	7012705 .....	31	7016785 .....	59
7001498 .....	142	7007441 .....	141	7012706 .....	31	701680079, 94, 113, 124, 381	
7001901 .....	23, 27	7007442 .....	141	7012707 .....	31	7016802 .....	79, 94, 381
7001902 .....	23, 27	7007446 .....	33, 37, 141	7012708 .....	31	7016803 .....	80, 94, 101, 381
7001903 .....	23, 27	7007452 .....	141	7012709 .....	31	7016807 ...	113, 118, 124, 381
7001906 .....	23, 27	7007453 .....	142	7012710 .....	31	7016808 ...	113, 119, 124, 381
7001909 .....	66	7007454 .....	141	7012711 .....	31	7016809 .....	79, 94, 381
7001911 .....	66	7007457 .....	141	7012712 .....	31	7016813 .....	79, 100, 381
7001912 .....	66	7007463 .....	142	7012713 .....	31	7016821 .....	124, 381
7001928 .....	23, 27, 66	7007464 .....	142	7012714 .....	31	7016822 .....	124, 381
7001931 .....	66	7007465 .....	142	7012715 .....	31	701682480, 94, 101, 113, 124, 136, 381, 398	
7001985 .....	66	7007466 .....	142	7012716 .....	31	701682580, 94, 101, 113, 124, 136, 381, 398	
70020808 .....	398	7007470 .....	141	7012769 .....	54	7016826 .....	118
70022564 .....	291	7007472 .....	142	7012772 ...	53, 54, 57, 428		
70023915 .....	301	7007474 .....	142				
70027259 .....	325	7007475 .....	142				
7002821 ....	388, 403, 438	7007478 .....	142				
7002822 .....	438	7007483 .....	142				

## SECTION 10 - SPECIAL OPTIONS

7016827.....	118	7017477.....	54	7020066.....	229	7021249.....	34, 37
7016844.....	119	7017478.....	54	7020067.....	229	7021275.....	33, 37
7017023.....	66, 72	7017479.....	50	7020108 ...	185, 189, 193, 197, 201	7021276.....	37
7017027.....	23, 27	7017481.....	50	7020109 ...	185, 189, 193, 197, 201	7021277.....	33, 37
7017028.....	72	7018612.....	19	7020110 ...	185, 189, 193, 197, 201	7021310.....	54
7017033.....	23, 27	7018912.....	53, 54, 57	7020111 ...	185, 189, 193, 197, 201	7021311.....	55
7017034.....	23	7018941.....	53	7020168.....	95	7021601.....	54
7017035.....	23	7018942.....	55, 57	7020172.....	243	7021602.....	53
7017036.....	23	7018945.....	54, 57	7020173.....	243	7021625.....	41, 43
7017037.....	23	7018946.....	57	7020175 ...	161, 165, 258, 263	7021639.....	43
7017038.....	23	7018947.....	57	7020176 ...	161, 165, 258, 263	7021656.....	41
7017039.....	23	7018948.....	57	7020190 ...	185, 189, 193, 197, 201	7021868....	114, 120, 127, 430
7017040.....	23	7018951.....	55	7020191 ....	186, 189, 193	7022134....	114, 119, 127, 382
7017041.....	23	7018991.....	53, 428	7020192 ...	186, 189, 193, 197	7022139....	114, 120, 127
7017042.....	23	7018992.....	53	7020193.....	385, 400	7022143....	114, 120, 127
7017043.....	23	7018993.....	54	7020246.....	159, 165	7022144.....	114, 120
7017044.....	23	7018994.....	53	7020408.....	95, 106	7022149.....	114, 120
7017045.....	23	7018995 79, 93, 102, 111, 117, 125, 136		7020411.....	95, 106	7022150.....	115, 121
7017046.....	24	7019103.....	275	7020431.....	95	7022151.....	115, 121
7017047.....	24, 27	7019110.....	275	7020447.....	106	7022153.....	115, 120
7017048.....	23, 27	7019111.....	267, 275	7020449.....	96, 106	7022154.....	115, 120
7017050.....	24, 27	7019112.....	275	7020458.....	95, 107	7022155....	115, 120, 127
7017051.....	15	7019114.....	275	7020459.....	96, 107	7022156.....	115, 120
7017052.....	15	7019115.....	275	7020460.....	96, 107	7022157.....	115, 121
7017053.....	15	7019122.....	267	7020461.....	95, 107	7022158.....	114, 120
7017054.....	15	7019123.....	267	7020462.....	95	7022159.....	114, 120
7017055.....	15	7019141.....	267	7020464.....	95, 107	7022160.....	114, 120
7017056.....	15	7019142.....	267	7020465.....	96, 106	7022161.....	114, 120
7017057.....	16	7019143.....	267	7020468.....	96, 106	7022162.....	114, 120
7017058.....	16	7019144.....	267	7020471.....	96, 106	7022165.....	129
7017068.....	24, 28	7019145.....	267	7020474.....	96	7022166.....	129
7017070.....	66, 72	7019147.....	267	7020477.....	95, 107	7022167.....	129
7017072.....	72	7019149.....	267	7020480.....	95	7022168.....	129
7017080.....	72	7019150.....	267	7020487.....	106	7022170.....	129
7017082.....	66	7019151.....	275	7021200.....	141	7022171.....	129
7017085.....	67, 72	7019154.....	275	7021201.....	141	7022178.....	114, 120
7017089.....	66	7019155.....	275	7021202.....	141	7022180....	114, 120, 127
7017101.....	237	7019160.....	275	7021203.....	141	7022302.....	33, 37
7017115.....	237	7019161.....	275	7021205.....	141	7022305.....	33, 37
7017118.....	238	7019162.....	275, 277	7021206.....	142	7022310.....	33, 37
7017119.....	237	7019164.....	275, 277	7021207.....	141	7022311.....	33, 37
7017142.....	237, 238	7019165.....	275, 277	7021208.....	141	7022312.....	33, 37
7017156.....	238	7019166.....	275	7021209.....	141	7022313.....	33, 37
7017157.....	238	7019167.....	275, 277	7021212.....	141	7022314.....	33, 37
7017158.....	238, 241	7019168.....	275	7021213.....	142	7022321.....	34
7017159.....	238, 241	7019171.....	267	7021214.....	142	7022323.....	34
7017162.....	237, 241	7019174.....	267	7021218.....	142	7022326.....	34, 38
7017163.....	237, 241	7019177.....	267	7021219.....	142	7022328.....	34, 38
7017164.....	237, 241	7019194.....	275, 277	7021220.....	142	7022367.....	34, 37
7017174.....	237	7019197.....	267	7021221.....	142	7022370.....	34
7017177.....	237	7019658.....	145	7021222.....	142	7022371.....	34, 38
7017183.....	237, 241	7019680 ...	185, 186, 189, 197, 201	7021223.....	142	7022372.....	34, 38
7017193.....	237, 241	7019925 ...	115, 121, 127	7021226.....	142	7022396.....	41
7017210.....	321	7019930.....	115, 121	7021227.....	142	7022397.....	41, 43
7017211.....	321	7019932.....	115, 121	7021228.....	142	7022398.....	41
7017213.....	321	7019976 ...	114, 120, 127	7021229.....	142	7022399.....	41, 43
7017214.....	321	7019977 ...	114, 120, 127	7021230.....	142	7022721.....	83, 90
7017215.....	321	7019986.....	114, 119	7021231.....	142	7022808.....	267, 269
7017236.....	321	7019993 ...	114, 120, 127	7021232.....	142	7022812.....	275
7017420.....	53, 57	7019994 ...	114, 120, 127			7022814.....	267
7017421.....	57	7019996 ...	114, 120, 127			7022815.....	267, 269
7017422.....	57	7020020.....	49			7022816.....	267
7017423.....	53	7020021.....	49			7022817.....	267
7017427.....	53	7020064.....	229			7022818.....	267
7017428.....	53, 55	7020065.....	229				
7017466.....	49						
7017475.....	54						

## SECTION 10 - SPECIAL OPTIONS

7022819 ... 267, 269, 382, 392	7024196 ..... 28, 68	7026189 ..... 151, 152	7027015 .... 136, 381, 398
7022822 ..... 275	7024197 ..... 28, 68	7026197 ..... 152, 155	7027017 ..... 136, 398
7022823 ..... 275	7024379 ..... 67, 73	7026199 .... 185, 189, 193, 197, 201	7027018 .... 136, 381, 398
7022824 ..... 275	7024380 ..... 67, 73	7026503 ..... 152, 155	7027028 ..... 89, 398
7022825 ..... 382, 392	7024381 ..... 73	7026504 ..... 152, 155	7027029 ..... 89, 398
7023023 ..... 321	7024390 ..... 73	7026505 ..... 152, 155	7027030 ..... 89, 398
7023206 ..... 49	7024396 ..... 67, 73	7026506 ..... 152, 155	7027031 ..... 89, 398
7023207 ..... 49	7024397 ..... 329, 331	7026507 ..... 152, 155	7027236 ..... 107
7023318 ..... 72	7024398 ..... 95, 104	7026508 ..... 152	7027239 ..... 107
7023366 ..... 173	7024404 ..... 152, 155	7026509 ..... 152, 155	7027241 ..... 107
7023603 ..... 129	7024413 ..... 95	7026510 ..... 152	7027245 ..... 107
7023613 ..... 114, 120	7024439 ..... 146	7026511 ..... 152, 155	7027246 ..... 106
7023637 ..... 114, 120	7024440 ..... 146	7026512 ..... 152	7027400 ..... 127
7023644 ..... 115, 120	7024441 ..... 146	7026522 ..... 95	7027402 .... 115, 121, 127
7023645 ..... 129	7024442 ..... 146	7026597 .... 206, 211, 215	7027404 ..... 127
7023652 ..... 114, 120	7024443 ..... 146	7026607 ..... 95, 107	7027405 ..... 127
7023653 ..... 114, 120	7024444 ..... 146, 428	7026608 ..... 95, 107	7027409 ..... 127
7023654 ..... 114, 120	7024445 ..... 146	7026631 ..... 95, 106	7027410 ..... 127
7023655 ..... 114, 120	7024446 ..... 146	7026800 ..... 82, 90	7027411 ..... 115
7023656 ..... 114, 120	7024453 ..... 67, 72, 73	7026801 ..... 82, 83, 90	7027412 ..... 77, 87
7023657 ... 114, 120, 382	7024454 ..... 67, 72	7026802 ..... 82, 90	7027413 ..... 127
7023658 ..... 114, 120	7024455 ..... 67, 73	7026803 ..... 82, 90	7027435 ..... 33
7023659 ..... 129	7024456 ..... 67, 73	7026804 ..... 82, 90	7027608 ..... 106
7023660 ..... 129	7024457 ..... 67, 73	7026805 ..... 82, 91	7027609 ..... 106
7023662 ..... 114, 120	7024458 ..... 67, 73	7026806 ..... 82, 91	7027610 ..... 106
7023663 ... 114, 120, 382	7024459 ..... 67	7026807 ..... 82, 91	7027740 ..... 34, 37
7023665 ..... 129	7024481 ..... 146	7026808 ..... 83, 91	7027741 ..... 34, 38
7023679 ..... 382	7024485 ... 206, 211, 215	7026809 ..... 83, 91	7027790 ..... 107
7023680 ..... 129	7024488 ... 207, 211, 215	7026810 ..... 82, 90	7027791 ..... 107
7023681 ... 114, 120, 127, 382	7024489 ... 207, 211, 215	7026811 ..... 81, 90, 430	7027792 ..... 107
7023682 ... 114, 120, 127	7024508 ... 323, 325, 327	7026812 ..... 82, 90	7027793 ... 108, 382, 399
7023683 ... 114, 120, 127	7024560 ..... 95, 104	7026813 ..... 82, 90	7027794 ..... 108, 382
7023695 ..... 115, 120	7024565 ..... 95, 107	7026814 ..... 81, 91	7027795 ..... 107, 430
7023698 ..... 127	7024579 ..... 95, 107	7026815 ..... 81, 91	7027796 ... 107, 382, 398
7023699 ..... 127	7024598 ..... 183	7026816 ..... 82, 90	7027799 ... 206, 211, 215
7023900 ..... 41	7024702 ..... 67	7026817 ..... 82, 90	7027887 ... 186, 190, 193, 198, 201
7023907 ..... 34, 37	7024703 ..... 66	7026818 ..... 82, 90	7027965 ..... 137, 430
7023908 ..... 33, 37	7024704 ..... 66, 72	7026819 ..... 82, 90	7027972 ..... 137, 430
7023910 ..... 33, 37	7024705 ..... 66	7026820 ..... 82, 90	7027989 ..... 383, 399
7023917 ..... 43	7024706 ..... 67	7026821 ..... 82, 90	7027991 ..... 383, 399
7023933 ..... 43	7024707 ..... 67	7026822 ..... 82, 90	77143013 ..... 165
7023956 79, 88, 102, 136	7024717 ..... 28	7026823 ..... 82	80424002 ..... 72
7023967 79, 88, 102, 136	7024718 ..... 28	7026824 ..... 82	80424043 ..... 73
7023977 ..... 141	7024762 ..... 66, 72	7026825 ..... 82	80934561 ..... 152, 155
7023981 ..... 50	7024763 ..... 28, 72	7026826 ..... 82, 90	8180311 ... 112, 117, 126, 137
7024100 ..... 67, 73	7024781 ..... 27	7026827 ..... 82, 91	8229242 ..... 396
7024145 ..... 27	7024782 ..... 27	7026828 ..... 83, 90	8303541 ..... 89
7024146 ..... 27	7024783 ..... 27	7026829 ..... 83, 90	8405009 ..... 76, 87
7024147 ..... 27	7024784 ..... 67, 72	7026830 ..... 81, 90, 430	8405104 ..... 76, 87
7024148 ..... 27	7024828 ..... 142	7026831 ..... 81, 90	8406009 ..... 89
7024149 ..... 27	7024854 ..... 38	7026832 ..... 83, 90	8406105 ..... 89
7024151 ..... 27	7024861 ..... 33	7026833 ..... 81, 90	8406109 ..... 90
7024154 ..... 27	7024862 ..... 33, 37	7026834 ..... 81	8410013 ..... 103
7024155 ..... 23, 27	7024865 ..... 33	7026835 ..... 82	88521008 ..... 243
7024182 ..... 27, 28	7024867 ..... 33, 37	7026836 ..... 82	88521205 .... 78, 87, 101, 135
7024185 ..... 67	7024868 ..... 37	7026838 ..... 83	8896941 ..... 438
7024189 ..... 28, 67	7024870 ..... 34	7026839 ..... 81, 90	91083218. 114, 119, 127, 430
7024190 ..... 28, 67	7024871 ..... 34, 38	7026840 ..... 82	91401281 .... 76, 87, 100, 134
7024191 ..... 28, 67	7024881 ..... 43	7026843 ..... 82	
7024192 ..... 28, 67	7024918 79, 93, 102, 111, 117, 125, 136	7026882 ..... 82	
7024193 ..... 28, 68	7024930 79, 93, 102, 111, 117, 125, 136	7026888 ..... 81	
7024194 ..... 28, 68	7025124 ..... 114, 120	7027004 ..... 79, 101, 398	
7024195 ..... 28, 68	7026188 .... 206, 211, 215	7027012 ..... 79, 101, 381	



3121176



An Oshkosh Corporation Company

**Corporate Office**  
**JLG Industries, Inc.**  
**1 JLG Drive**  
**McConnellsburg, PA 17233-9533 USA**  
**☎ (717) 485-5161 (Corporate)**  
**☎ (877) 554-5438 (Customer Support)**  
**☎ (717) 485-6417**

**Visit our website for JLG Worldwide Locations.**  
**[www.jlg.com](http://www.jlg.com)**