



Illustrated Parts Manual

Models **800A** **800AJ**

SN 0300183034 to SN 0300272376

P/N
3121629
October 1, 2021 - Rev S

ANSI

CE



AS/NZS

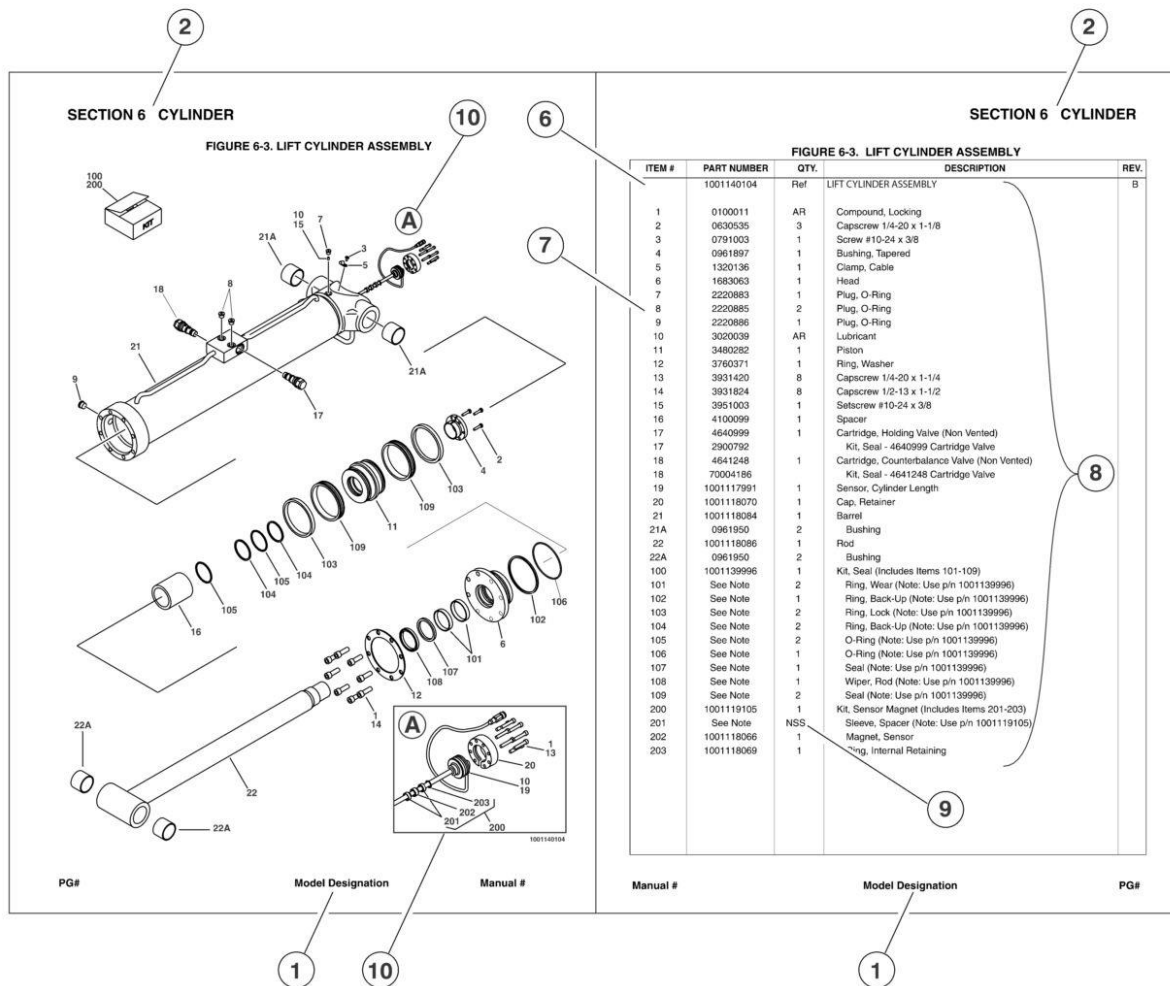


An Oshkosh Corporation Company

REVISION LOG

April 30, 2014 - A - Original Issue Of Manual (Manual edited to 1001156800 Revision J)1
November 17, 2014 - B - Revised Manual
July 15, 2015 - C - Revised Manual (Manual edited to 1001156800 Revision AR)
September 15, 2015 - D - Revised Manual (Manual edited to 1001156800 Revision AS) (Revision 6)
December 7, 2015 - E - Revised Manual (Manual edited to 1001156800 Revision AS) (Revision 5)
March 7, 2016 - F - Revised Manual (Manual edited to 1001156800 Revision AS) (Revision 2)
June 9, 2016 - G - Revised Manual (Manual edited to 1001156800 Revision AU) (Revision 2)
September 9, 2016 - H - Revised Manual (Manual edited to 1001156800 Revision AU) (Revision 2)
December 9, 2016 - I - Revised Manual (Manual edited to 1001156800 Revision BE) (Revision 2)
March 20, 2017 - J - Revised Manual (Manual edited to 1001156800 Revision BE) (Revision 2)
June 23, 2017 - K - Revised Manual (Manual edited to 1001156800 Revision BP) (Revision 2)
September 29, 2017 - L - Revised Manual (Manual edited to 1001156800 Revision CB) (Revision 2)
December 15, 2017 - M - Revised Manual (Manual edited to 1001156800 Revision CB) (Revision 2)
March 23, 2018 - N - Revised Manual (Manual edited to 1001156800 Revision CL) (Revision 2)
June 29, 2018 - O - Revised Manual (Manual Edited to B/M 1001156800 Revision CM) (Revision 2)
September 19, 2018 - P - Revised Manual (Manual Edited to B/M 1001156800 Revision CN) (Revision 2)
January 25, 2019 - Q - Revised Manual (Manual Edited to B/M 1001156800 Revision CO) (Revision 1)
April 27, 2020 - R - Revised Manual (Manual Edited to B/M 1001156800 Revision CO) (Revision 1)
October 1, 2021 - S - Revised Manual (Manual Edited to B/M 1001156800 Revision CO) (Revision 1)

GENERAL INFORMATION



1) MACHINE IDENTIFICATION

Machines are identified by model and in some cases a combination of models, serial number (SN) or regional standard (i.e. ANSI, CE, CSA). Components may also be identified by SN or manufacturer. Common components that may be identified by these characteristics are engines and hydraulic components.

2) PARTS MANUAL ORGANIZATION

Product information in this manual is organized under section titles. Frame, Cylinder, Hydraulic and Electrical are a few examples. Each section is organized by figure and page number. The information within the Figure is then organized by item number, part number, description and corresponding illustration(s).

3) TABLE OF CONTENTS

A table of contents is found toward the beginning of the manual. Figure number, description and page number are provided for quick reference to the page containing the related information.

4) RECOMMENDED SPARE PARTS

The Recommended Spare Parts, located near the end of the manual, reference most frequently used maintenance parts.

5) PART NUMBER INDEX

A numerical index listing all part numbers and the corresponding page number(s) appears at the back of the manual.

GENERAL INFORMATION

6) NON-SERVICED PARTS

In some instances, it is necessary to display non-serviced parts, assemblies or installations. In the case of assemblies and installations there will be a Ref in the Qty column. In case of parts that are not available for service within assemblies or components, there will be a NSS (Not Sold Separately) or NLA (No Longer Available) listed in the Qty. column of the manual.

7) PARTS LIST ITEM NUMBERS

Numbers shown in the item# column correspond to numbers used in the associated illustration (s). Item numbers which are missing from the sequence in the parts list are not used on that page

8) INDENTED PARTS DESCRIPTION

An indented part description is included in the item under which it is indented.

9) ABBREVIATION AND SYMBOLS

AC.....	.. Alternating Current	LCD.....	.. Liquid Crystal Display
ADE.....	.. Advanced Design Electronics	LED.....	.. Light Emitting Diodes
ANSI.....	.. American National Standards Institute	LH.....	.. Left Hand
AR.....	.. As Required	LSS.....	.. Load Sensing System
ASSY.....	.. Assembly	M(m).....	.. Metric/Meter
AUX.....	.. Auxiliary	MM (mm).....	.. Millimeter
AWG.....	.. American Wire Gauge	mA.....	.. Milliamps
B/M.....	.. Bill of Material	NLA.....	.. No Longer Available
CE.....	.. European Conformity	NPT.....	.. National Pipe Threads
CCW.....	.. Counter Clockwise	NSS.....	.. Not Sold Separately
cm.....	.. Centimeter	OD.....	.. Outside Diameter
CW.....	.. Clockwise	ORB.....	.. O-Ring Boss
CSA.....	.. Canadian Standards Association	ORFS.....	.. O-Ring Face Seal
CYL.....	.. Cylinder	OZ (oz).....	.. Ounces
DIA.....	.. Diameter	PG.....	.. Page
DC.....	.. Direct Current	P/N.....	.. Part Number
EMS.....	.. Emergency Stop	qt.....	.. Quarts
ENG.....	.. Engine	QTY.....	.. Quantity
FT (ft).....	.. Feet	REF.....	.. Reference
GA (Ga).....	.. Gauge	REV.....	.. Revision Level
HYD.....	.. Hydraulic	RH.....	.. Right Hand
Hz.....	.. Hertz	SAE.....	.. Society of Automotive Engineers
ID.....	.. Inside Diameter	SN.....	.. Serial Number
in.....	.. inches	SPEC(S).....	.. Specifications
ISO.....	.. International Organization for Standards	T/T.....	.. Turntable
JIC.....	.. Joint Industry Council	UGM.....	.. Universal Ground Module
KG.....	.. Kilogram	V.....	.. Volts
L.....	.. Liter	W.....	.. Watts
LB.....	.. Pounds	#.....	.. Number

10) ILLUSTRATION REFERENCE LETTERS

When necessary, illustrations may contain reference letters that are intended to track information (i. e. hoses, harnesses) from one point to another or to track visual enlargement of components to show details that may be located in another area on the illustration.

Note: Due to continuous product improvements, JLG Industries, Inc. reserves the right to make specification changes without prior notification. Contact JLG Industries, Inc. for updated information.

TABLE OF CONTENTS

SECTION 1 - FRAME.....	11
FIGURE 1-1. AXLE AND STEERING INSTALLATION WITHOUT TOW PACKAGE	12
FIGURE 1-2. AXLE AND STEERING INSTALLATION WITH TOW PACKAGE	16
FIGURE 1-3. TIRE AND WHEEL DRIVE INSTALLATIONS.....	18
FIGURE 1-4. DRIVE HUB/BRAKE ASSEMBLY (SN 0300183034 through 0300244579).....	22
FIGURE 1-5. DRIVE HUB/BRAKE ASSEMBLY (SN 0300244580 through 0300272376).....	26
FIGURE 1-6. DRIVE MOTOR ASSEMBLY	28
FIGURE 1-7. FRAME VALVES AND SHIELDS INSTALLATIONS	32
FIGURE 1-8. TOW PACKAGE INSTALLATION.....	34
SECTION 2 - TURNTABLE	37
FIGURE 2-1. CONTROL VALVES AND AUXILIARY PUMP INSTALLATIONS	38
FIGURE 2-2. MAIN CONTROL VALVE ASSEMBLY (SN 0300183034 through 0300194139).....	42
FIGURE 2-3. MAIN CONTROL VALVE ASSEMBLY (SN 0300194140 through 0300238223).....	46
FIGURE 2-4. MAIN VALVE ASSEMBLY (SN 0300238224 through 0300272376)	50
FIGURE 2-5. MAIN VALVE ASSEMBLY (SN 0300238224 through 0300272376).....	54
FIGURE 2-6. ACCESSORY VALVE ASSEMBLY.....	58
FIGURE 2-7. AUXILIARY PUMP ASSEMBLY.....	60
FIGURE 2-8. TURNTABLE BEARING AND SWING DRIVE INSTALLATION.....	62
FIGURE 2-9. SWING MOTOR/HUB ASSEMBLY (Prior to SN 0300270085).....	64
FIGURE 2-10. SWING MOTOR/HUB ASSEMBLY (SN 0300270085 through 0300272376).....	68
FIGURE 2-11. DEUTZ D2011 ENGINE INSTALLATION	72
FIGURE 2-12. DEUTZ TD2.9L4 ENGINE INSTALLATION	82
FIGURE 2-13. FORD ENGINE INSTALLATION.....	98
FIGURE 2-14. GM ENGINE INSTALLATION	110
FIGURE 2-15. HYDROSTATIC PUMP ASSEMBLY (SN 0300183034 through 0300207789).....	116
FIGURE 2-16. HYDROSTATIC PUMP ASSEMBLY (SN 0300207790 through 0300272376).....	120
FIGURE 2-17. VARIABLE PUMP ASSEMBLY.....	122
FIGURE 2-18. BREATHER HEATER INSTALLATION - DEUTZ D2.9L4 ENGINES WITH ARCTIC PACKAGE	126
FIGURE 2-19. FUEL-WATER SEPARATOR INSTALLATION - DEUTZ TD2011 (OPTIONAL).....	128
FIGURE 2-20. FUEL-WATER SEPARATOR INSTALLATION (CHINA SPECS) (SN 0300238788 through 0300246968).....	130
FIGURE 2-21. FUEL-WATER SEPARATOR INSTALLATION (CHINA SPECS) (SN 0300246969 through 0300272376).....	132
FIGURE 2-22. TANK INSTALLATIONS.....	134
FIGURE 2-23. LP TANK INSTALLATIONS (FORD AND GM ENGINE MACHINES ONLY)	138
FIGURE 2-24. ROTARY COUPLING INSTALLATION.....	140
FIGURE 2-25. GROUND CONTROL BOX ASSEMBLY.....	142
FIGURE 2-26. ELECTRICAL OPTIONS INSTALLATION (TURNTABLE MOUNTED).....	146
FIGURE 2-27. HOODS INSTALLATION (ABS).....	150
FIGURE 2-28. HOODS INSTALLATION (STEEL).....	154
FIGURE 2-29. ENGINE TRAY JACK INSTALLATION (OPTIONAL).....	160
FIGURE 2-30. 2500W GENERATOR INSTALLATION - DEUTZ D2011 MACHINES (OPTIONAL).....	162
FIGURE 2-31. 2500W GENERATOR INSTALLATION - DEUTZ TD2.9L4 MACHINES (OPTIONAL).....	166
FIGURE 2-32. 2500W GENERATOR INSTALLATION - FORD MACHINES (OPTIONAL)	170
FIGURE 2-33. 2500W GENERATOR INSTALLATION - GM MACHINES (OPTIONAL)	174
FIGURE 2-34. 4000W GENERATOR INSTALLATION - DEUTZ TD2.9L4 ENGINES.....	178
FIGURE 2-35. 4000W GENERATOR INSTALLATION - DEUTZ D2011 ENGINES.....	182
FIGURE 2-36. 4000W GENERATOR INSTALLATION - GM ENGINES.....	186
FIGURE 2-37. 7500W SKYPOWER GENERATOR INSTALLATION - DEUTZ ENGINE MACHINES	190
FIGURE 2-38. 7500W SKYPOWER GENERATOR INSTALLATION - FORD ENGINES.....	196
FIGURE 2-39. 7500W SKYPOWER GENERATOR INSTALLATION - GM MACHINES	200
FIGURE 2-40. SKYAIR AIR COMPRESSOR INSTALLATION.....	204
FIGURE 2-41. AIR COMPRESSOR ASSEMBLY	206
FIGURE 2-42. AUXILIARY PUMP WITHOUT BATTERY DISCONNECT (SN 0300259889 through 0300272376)	210
FIGURE 2-43. AUXILIARY PUMP WITH BATTERY DISCONNECT (SN 0300259889 through 0300272376).....	212
SECTION 3 - BOOM	215
FIGURE 3-1. BOOM AND CYLINDER INSTALLATION - 800A	216
FIGURE 3-2. BOOM AND CYLINDER INSTALLATION - 800AJ.....	220
FIGURE 3-3. TOWER BOOM ASSEMBLY	226
FIGURE 3-4. MAIN BOOM ASSEMBLY.....	230
FIGURE 3-5. ROTATOR ASSEMBLY	234
FIGURE 3-6. PLATFORM SUPPORT INSTALLATION - WITHOUT LSS	236
FIGURE 3-7. PLATFORM SUPPORT INSTALLATION - WITH 4 CELL LSS.....	238

TABLE OF CONTENTS

FIGURE 3-8. PLATFORM SUPPORT INSTALLATION - WITH 1 CELL LSS	240
FIGURE 3-9. VALVE AND LIMIT SWITCH INSTALLATIONS (BOOM MOUNTED)	242
SECTION 4 - PLATFORM	249
FIGURE 4-1. PLATFORM COMPONENTS INSTALLATION	250
FIGURE 4-2. PLATFORM COMPONENTS INSTALLATION (FALL ARREST FOR PLATFORM)	254
FIGURE 4-3. PLATFORM CONSOLE ASSEMBLY (WITHOUT SKYGUARD)	256
FIGURE 4-4. PLATFORM CONSOLE ASSEMBLY - WITH SKYGUARD	260
FIGURE 4-5. CONTROLLER ASSEMBLY - SWING AND LIFT (SN 0300183034 through 0300188905)	264
FIGURE 4-6. CONTROLLER ASSEMBLY - SWING AND LIFT (SN 0300188906 through 0300272376)	266
FIGURE 4-7. CONTROLLER ASSEMBLY - DRIVE AND STEER (SN 0300183034 through 0300188905)	270
FIGURE 4-8. CONTROLLER ASSEMBLY - DRIVE AND STEER (SN 0300188906 through 0300272376)	272
FIGURE 4-9. SOFT TOUCH SYSTEM INSTALLATION (OPTIONAL)	274
FIGURE 4-10. SKYGUARD SYSTEM INSTALLATION (SN 0300183034 through 0300259888)	276
FIGURE 4-11. SKYGUARD SYSTEM INSTALLATION (SN 0300259889 through 0300272376)	278
FIGURE 4-12. CROSS RAIL INSTALLATION	280
FIGURE 4-13. SKYEYE INSTALLATION	282
FIGURE 4-14. SKYGLAZIER INSTALLATION	284
FIGURE 4-15. SKYLINE INSTALLATION	286
FIGURE 4-16. SKYWELDER/SKYCUTTER COMBO INSTALLATION (60HZ)	288
FIGURE 4-17. SKYWELDER INSTALLATION (50HZ)	292
FIGURE 4-18. SKYWELDER INSTALLATION (60HZ)	294
FIGURE 4-19. SKYWELDER PREP PACKAGE (60HZ)	296
FIGURE 4-20. WELDER ASSEMBLY	298
FIGURE 4-21. SKYWELDER LOCKING BRACKET INSTALLATION	300
FIGURE 4-22. SKYCUTTER INSTALLATION	302
FIGURE 4-23. PLASMA CUTTER ASSEMBLY	304
FIGURE 4-24. PIPE RACKS INSTALLATION	306
FIGURE 4-25. FALL ARREST INSTALLATION (BOLT-ON EXTERNAL) (6FT/1.82M PLATFORM)	308
FIGURE 4-26. FALL ARREST INSTALLATION (BOLT-ON EXTERNAL) (6FT/1.82M TRI-ENTRY PLATFORM)	310
FIGURE 4-27. FALL ARREST INSTALLATION (BOLT-ON EXTERNAL) (8FT/2.4M PLATFORM)	312
FIGURE 4-28. BATTERY DISCONNECT (SN 0300240507 through 0300272376)	314
SECTION 5 - CYLINDER	317
FIGURE 5-1. AXLE LOCKOUT CYLINDER ASSEMBLY	318
FIGURE 5-2. LEVEL (SLAVE) CYLINDER ASSEMBLY - JIB (800AJ ONLY) (SN 0300183034 through 0300240878)	320
FIGURE 5-3. LEVEL (SLAVE) CYLINDER ASSEMBLY - JIB (800AJ ONLY) (SN 0300240879 through 0300272376)	322
FIGURE 5-4. LEVEL (SLAVE) CYLINDER ASSEMBLY - PLATFORM (800A ONLY) (SN 0300183034 through 0300245050)	324
FIGURE 5-5. LEVEL (SLAVE) CYLINDER ASSEMBLY - PLATFORM (800A ONLY) (SN 0300245051 through 0300272376)	326
FIGURE 5-6. LEVEL (SLAVE) CYLINDER ASSEMBLY - UPRIGHT (SN 0300183034 through 0300239885)	328
FIGURE 5-7. LEVEL (SLAVE) CYLINDER ASSEMBLY - UPRIGHT (SN 0300239886 through 0300272376)	330
FIGURE 5-8. LIFT CYLINDER ASSEMBLY - JIB (800AJ ONLY) (SN 0300183034 through 0300245050)	332
FIGURE 5-9. LIFT CYLINDER ASSEMBLY - JIB (800AJ ONLY) (USAGE MAY VARY) (SN 0300245051 through 0300245146)	334
FIGURE 5-10. LIFT CYLINDER ASSEMBLY - JIB (800AJ ONLY) (USAGE MAY VARY) (SN 0300245051 through 0300245146)	336
FIGURE 5-11. LIFT CYLINDER ASSEMBLY - JIB (800AJ ONLY) (SN 0300245147 through 0300272376)	338
FIGURE 5-12. LIFT CYLINDER ASSEMBLY - MAIN BOOM (SN 0300183034 through 0300239885)	340
FIGURE 5-13. LIFT CYLINDER ASSEMBLY - MAIN BOOM (SN 0300239886 through 0300272376)	342
FIGURE 5-14. LIFT CYLINDER ASSEMBLY - TOWER BOOM (SN 0300183034 through 0300239885)	344
FIGURE 5-15. LIFT CYLINDER ASSEMBLY - TOWER BOOM (SN 0300239886 through 0300272376)	346
FIGURE 5-16. MASTER CYLINDER ASSEMBLY (800A) (SN 0300183034 through 0300245050)	348
FIGURE 5-17. MASTER CYLINDER ASSEMBLY (800A) (SN 0300245051 through 0300272376)	350
FIGURE 5-18. MASTER CYLINDER ASSEMBLY (800AJ) (SN 0300183034 through 0300243317)	352
FIGURE 5-19. MASTER CYLINDER ASSEMBLY (800AJ) (SN 0300243318 through 0300272376)	354
FIGURE 5-20. STEER CYLINDER ASSEMBLY	356
FIGURE 5-21. TELESCOPE CYLINDER ASSEMBLY - MAIN BOOM	358
FIGURE 5-22. TELESCOPE CYLINDER ASSEMBLY - MAIN BOOM (800A) (SN 0300245051 through 0300272376)	360
FIGURE 5-23. TELESCOPE CYLINDER ASSEMBLY - MAIN BOOM (800AJ) (SN 0300243318 through 0300272376)	362
FIGURE 5-24. TELESCOPE CYLINDER ASSEMBLY - TOWER BOOM	364
FIGURE 5-25. TELESCOPE CYLINDER ASSEMBLY - TOWER BOOM (SN 0300243318 through 0300272376)	366
SECTION 6 - HYDRAULIC	369
FIGURE 6-1. AXLE LOCKOUT HYDRAULIC DIAGRAM	370

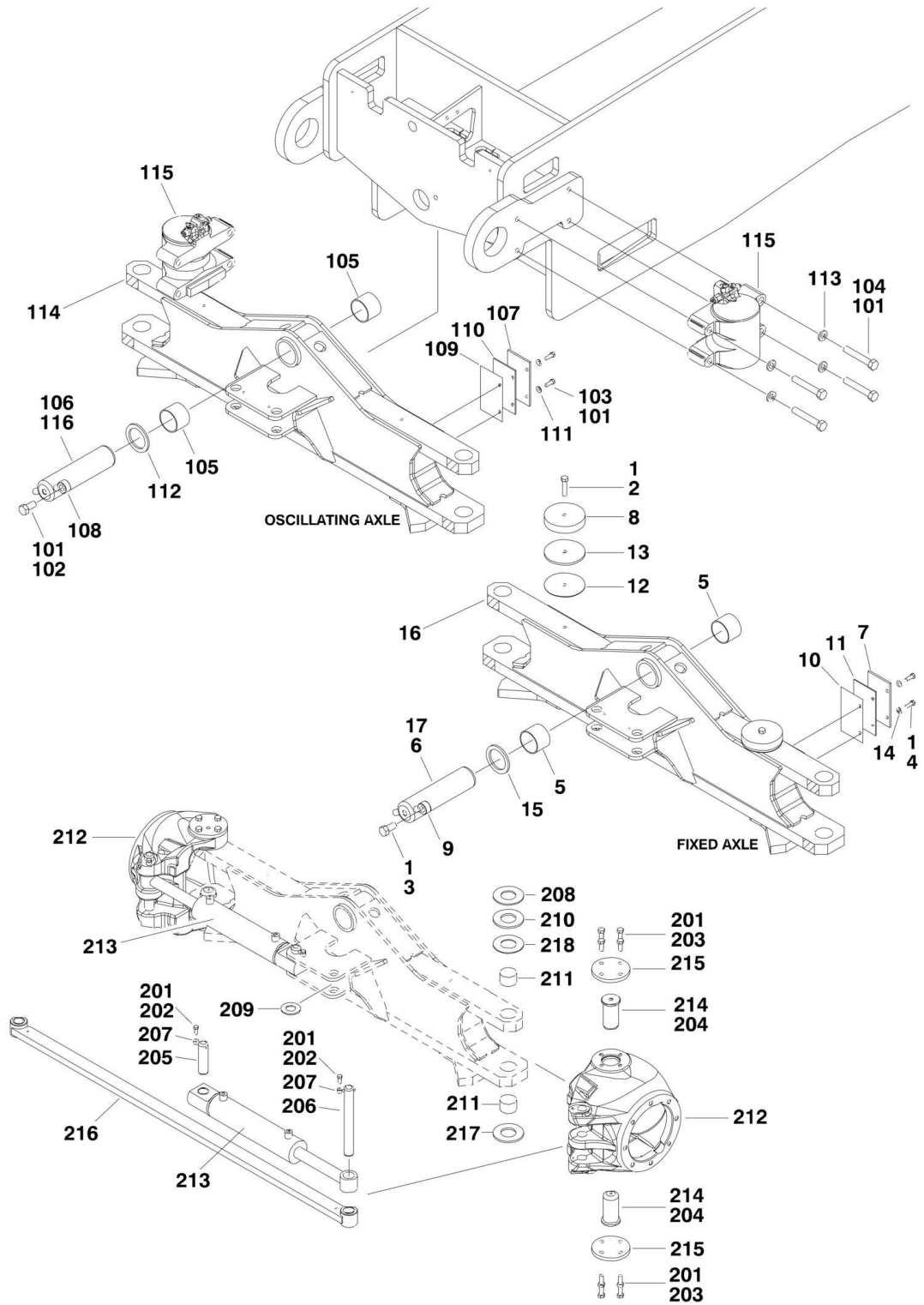
TABLE OF CONTENTS

FIGURE 6-2. DRIVE HYDRAULIC DIAGRAM - 2WD (SN 0300183034 through 0300196955)	372
FIGURE 6-3. DRIVE HYDRAULIC DIAGRAM - 2WD (SN 0300196956 through 0300272376)	376
FIGURE 6-4. DRIVE HYDRAULIC DIAGRAM - 4WD/2WS (SN 0300183034 through 0300196955).....	380
FIGURE 6-5. DRIVE HYDRAULIC DIAGRAM - 4WD/2WS (SN 0300196956 through 0300272376).....	384
FIGURE 6-6. STANDARD HYDRAULIC DIAGRAM (SN 0300183034 through 0300194139).....	388
FIGURE 6-7. STANDARD HYDRAULIC DIAGRAM (SN 0300194140 through 0300196955).....	392
FIGURE 6-8. STANDARD HYDRAULIC DIAGRAM (SN 0300196956 through 0300272376).....	396
FIGURE 6-9. HYDRAULIC DIAGRAM LIST	400
SECTION 7 - ELECTRICAL	403
FIGURE 7-1. ELECTRICAL DIAGRAM LIST.....	404
FIGURE 7-2. HARNESS COMPONENTS INSTALLATION.....	406
FIGURE 7-3. SKYEYE INTERMEDIATE HARNESS.....	430
FIGURE 7-4. SKYEYE EMITTER HARNESS.....	432
FIGURE 7-5. SKYEYE RECEIVER HARNESS	434
FIGURE 7-6. SKYLINE HARNESS.....	436
SECTION 8 - DECALS.....	439
FIGURE 8-1. DECAL INSTALLATION (ANSI SPEC)	440
FIGURE 8-2. DECAL INSTALLATION (COUNTRY SPEC).....	444
FIGURE 8-3. DECAL INSTALLATION (AUSTRALIAN AND CE SPEC).....	450
SECTION 9 - RECOMMENDED SERVICE PARTS STOCK	453
FIGURE 9-1. MODEL 800A/800AJ STANDARD PARTS	454
FIGURE 9-2. MODEL 800A/800AJ VARIABLE PARTS	456
SECTION 10 - SPECIAL OPTIONS.....	459
FIGURE 10-1. SPECIAL OPTION	460
PART NUMBER INDEX	469

SECTION 1 - FRAME

SECTION 1 - FRAME

FIGURE 1-1. AXLE AND STEERING INSTALLATION WITHOUT TOW PACKAGE



SECTION 1 - FRAME

FIGURE 1-1. AXLE AND STEERING INSTALLATION WITHOUT TOW PACKAGE

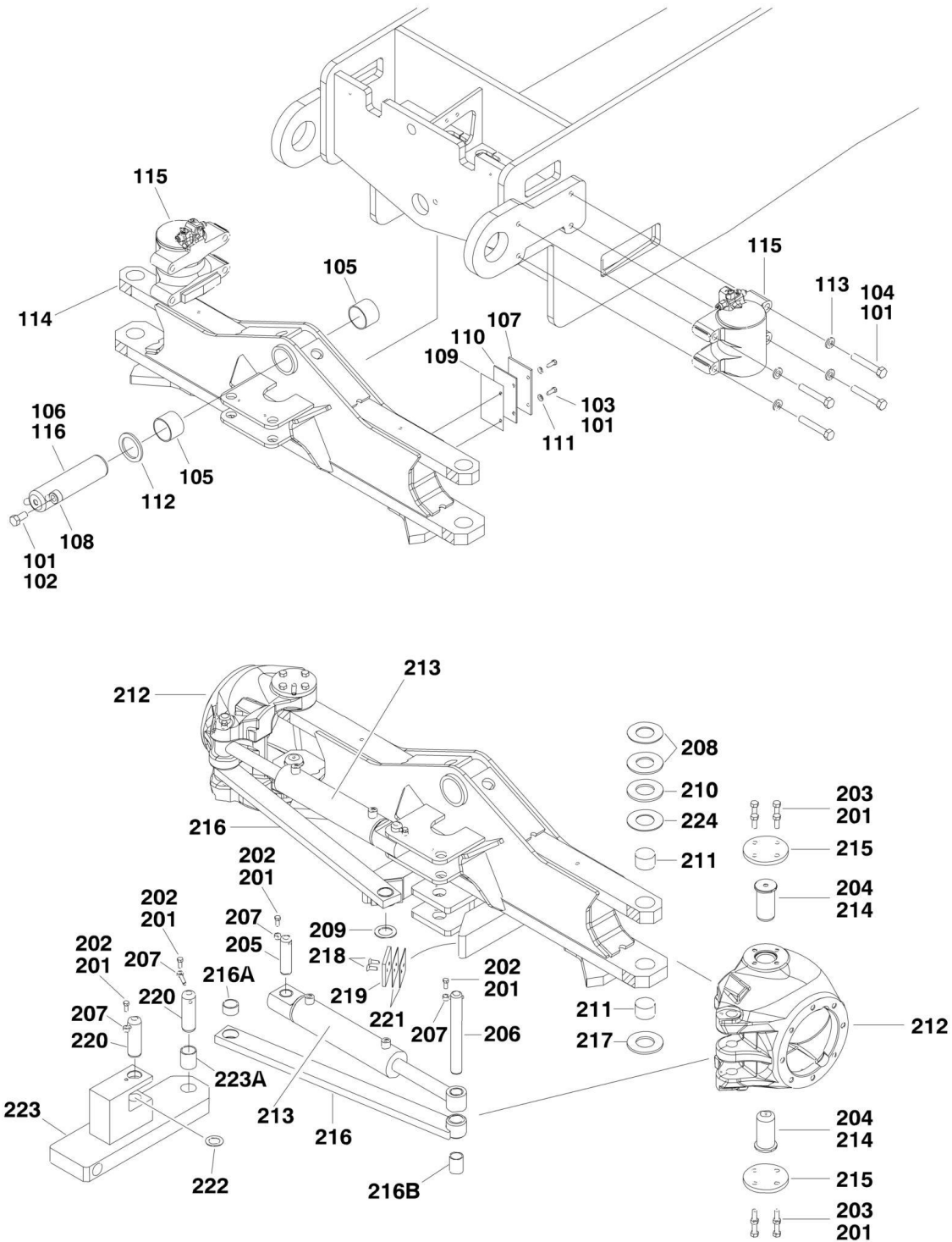
ITEM	PART NUMBER	QTY	DESCRIPTION	REV
	1001151037	Ref	FIXED AXLE INSTALLATION	C
1	0100011	AR	Compound, Locking	
2	0641818	2	Bolt 1/2-13 x 2-1/4	
3	0642212	1	Bolt 3/4-10 x 1-1/2	
4	0681608	4	Bolt 3/8-16 x 1 Grade 8	
5	0962102	2	Bushing	
6	3020039	AR	Lubricant	
7	3538047	2	Shim, Wear	
8	3539877	2	Plate, Stop	
9	3841287	1	Keeper, Pin	
10	4070878	AR	Shim 1/16	
11	4070879	AR	Shim 1/8	
12	4070944	AR	Shim 1/16	
13	4070945	AR	Shim 1/4	
14	4711600	4	Washer 3/8	
15	4740472	1	Washer, Special	
16	1001152719	1	Axle	
17	1001156710	1	Pin	
	1001154584	Ref	OSCILLATING AXLE INSTALLATION	D
101	0100011	AR	Compound, Locking	
102	0642212	1	Bolt 3/4-10 x 1-1/2	
103	0681608	4	Bolt 3/8-16 x1 Grade 8	
104	0682236	8	Bolt 3/4-10 x 4-1/2 Grade 8	
105	0962102	2	Bushing	
106	3020039	AR	Lubricant	
107	3538047	2	Shim, Axle Wear	
108	3841287	1	Shaft, Keeper	
109	4070878	AR	Shim, Axle Wear	
110	4070879	AR	Shim, Axle Wear	
111	4711600	4	Washer 3/8	
112	4740472	1	Washer, Special	
113	4892200	8	Washer 3/4	
114	1001152719	1	Axle	
115	1001154258	NLA	Axle Lockout Cylinder Assembly (Use p/n 1001204560) (See CYLINDER SECTION for Breakdown) (SN 0300183034 through 0300214572)	
115	1001204560	2	Axle Lockout Cylinder Assembly (See CYLINDER SECTION for Breakdown) (SN 0300214573 through 0300272376)	
116	1001156710	1	Pin	
	1001151034	Ref	STEERING INSTALLATIONS (2WS)	F
	1001151035	Ref	STEERING INSTALLATIONS (4WS)	E
		Ref	Note: Qtys shown are for 2WS. Double qtys for 4WS.	
201	0100011	AR	Compound, Locking	
202	0641607	4	Bolt 3/8-16 x 7/8	
203	0641810	16	Bolt 1/2-13 x 1-1/4	
204	3020029	AR	Lubricant	
205	3422417	2	Pin	
206	3422790	2	Pin	
207	3841520	4	Keeper, Pin	
208	4740256	AR	Washer, Thrust	

SECTION 1 - FRAME

ITEM	PART NUMBER	QTY	DESCRIPTION	REV
209	4740473	2	Washer, Special	
210	1001103810	AR	Washer, Thrust	
211	1001165657	4	Bearing	
212	1001150372	2	Spindle	
213	1001150539	2	Steer Cylinder Assembly (See CYLINDER SECTION for Breakdown)	
214	1001161355	4	Kingpin	
215	1001150937	4	Plate	
216	1001151980	1	Tie-Rod	
217	1001161399	2	Washer, Thrust	
218	4740463	AR	Washer, Thrust	

SECTION 1 - FRAME

FIGURE 1-2. AXLE AND STEERING INSTALLATION WITH TOW PACKAGE



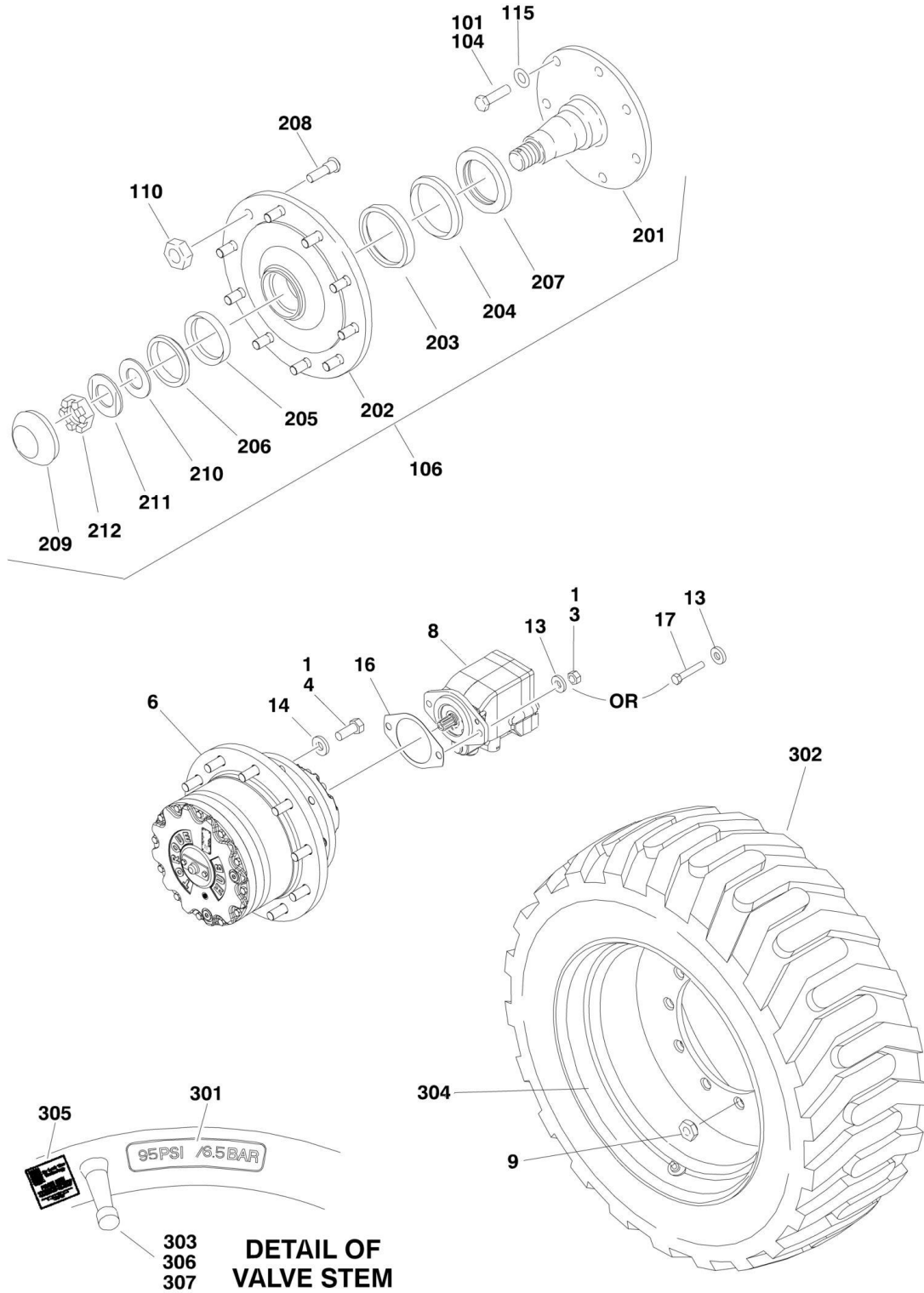
SECTION 1 - FRAME

FIGURE 1-2. AXLE AND STEERING INSTALLATION WITH TOW PACKAGE

ITEM	PART NUMBER	QTY	DESCRIPTION	REV
	1001155194	Ref	OSCILLATING AXLE INSTALLATION	D
101	0100011	AR	Compound, Locking	
102	0642212	1	Bolt 3/4-10 x 1-1/2	
103	0681608	4	Bolt 3/8-16 x1in Grade 8	
104	0682236	8	Bolt 3/4-10 x 4-1/2 Grade 8	
105	0962102	2	Bushing	
106	3020039	AR	Lubricant	
107	3538047	2	Shim, Axle Wear	
108	3841287	1	Shaft, Keeper	
109	4070878	AR	Shim, Axle Wear	
110	4070879	AR	Shim, Axle Wear	
111	4711600	4	Washer 3/8in Thin	
112	4740472	1	Washer, Special	
113	4892200	8	Washer 3/4	
114	1001154875	1	Axle	
115	1001154258	NLA	Axle Lockout Cylinder Assembly (Use p/n 1001204560) (See CYLINDER SECTION for Breakdown) (SN 0300183034 through 0300214572)	
115	1001204560	2	Axle Lockout Cylinder Assembly (See CYLINDER SECTION for Breakdown) (SN 0300214573 through 0300272376)	
116	1001156710	1	Pin	
	1001155192	Ref	STEERING INSTALLATION	D
201	0100011	AR	Compound, Locking	
202	0641607	6	Bolt 3/8-16 x 7/8	
203	0641810	16	Bolt 1/2-13 x 1-1/4	
204	3020029	AR	Lubricant	
205	3422417	2	Pin	
206	3422790	2	Pin	
207	3841520	6	Keeper, Pin	
208	4740256	AR	Washer, Thrust	
209	4740473	2	Washer, Special	
210	1001103810	AR	Washer, Thrust	
211	1001165657	4	Bearing	
212	1001150372	2	Spindle	
213	1001150539	2	Steer Cylinder Assembly (See CYLINDER SECTION for Breakdown)	
214	1001161355	4	Kingpin	
215	1001150937	4	Plate	
216	1001154931	2	Tie-Rod	
216A	0962181	1	Bushing	
216B	0962152	1	Bushing	
217	1001161399	2	Washer, Thrust	
218	0741609	4	Screw 3/8-16 x 1-1/8	
219	3340966	2	Pad, Stop	
220	3422848	2	Pin, Hitch	
221	4071059	AR	Shim	
222	4740155	3	Washer, Thrust	
223	1001155035	1	Link	
223A	0962348	1	Bushing	
224	4740463	AR	Washer, Thrust	

SECTION 1 - FRAME

FIGURE 1-3. TIRE AND WHEEL DRIVE INSTALLATIONS



SECTION 1 - FRAME

FIGURE 1-3. TIRE AND WHEEL DRIVE INSTALLATIONS

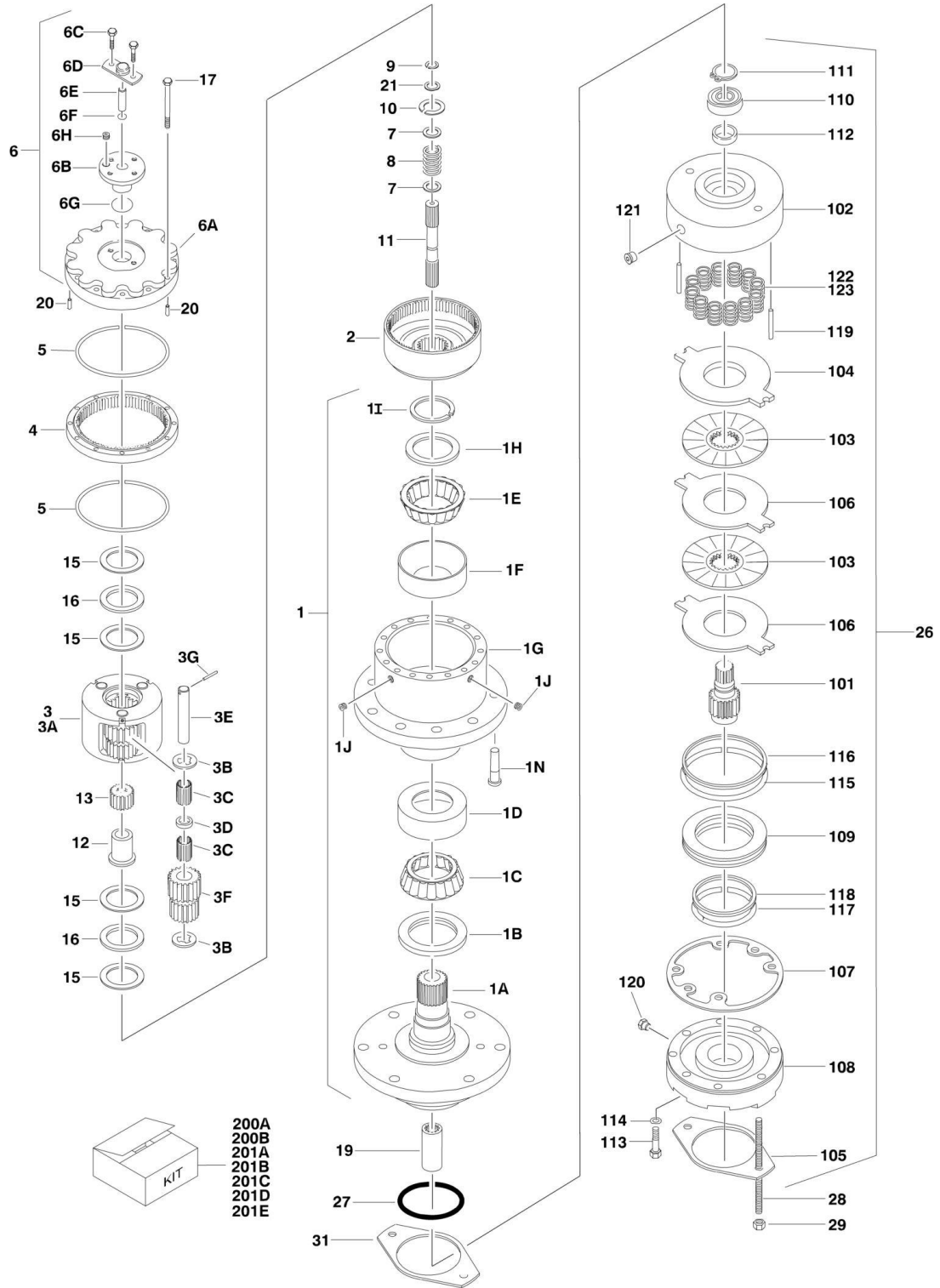
ITEM	PART NUMBER	QTY	DESCRIPTION	REV
	1001157015	Ref	WHEEL DRIVE INSTALLATION (2WD)	C
	1001157016	Ref	WHEEL DRIVE INSTALLATION (4WD/2WS)	C
	1001157094	Ref	WHEEL DRIVE INSTALLATION (4WD/4WS)	C
		Ref	Note: Qtys shown are for 2WS. Double qtys for 4WS.	
1	0100011	AR	Compound, Locking	
3	3311801	4	Nut 1/2-13 (SN 0300183034 through 0300244579)	
4	0682016	16	Bolt 5/8-11 x 2 Grade 8	
5	2300016	AR	Fluid, Hydraulic (Not Shown) (SN 0300183034 through 0300244579)	
6	2780272	NLA	Drive Hub Assembly (Use p/n 1001228544) (See DRIVE HUB ASSEMBLY for Breakdown) (SN 0300183034 through 0300244579)	
6	1001219219	2	Drive Hub Assembly (See DRIVE HUB ASSEMBLY for Breakdown) (SN 0300244580 through 0300272376)	
7	3020008	AR	Lubricant (Not Shown)	
8	3160347	2	Drive Motor Assembly (2WD) (See DRIVE MOTOR ASSEMBLY for Breakdown)	
8	3160348	4	Drive Motor Assembly (4WD) (See DRIVE MOTOR ASSEMBLY for Breakdown)	
9	3300007	20	Nut, Wheel	
13	4891800	4	Washer, 1/2	
14	4892000	16	Washer 5/8	
16	3960526	2	Gasket (SN 0300244580 through 0300272376)	
17	0681822	4	Bolt 1/2 x 2-3/4 Grade 8 (SN 0300244580 through 0300272376)	
	1001157015	Ref	HUB INSTALLATION (2WD ONLY)	C
101	0100011	AR	Compound, Locking	
104	0682016	16	Bolt 5/8-16 x 2 Grade 8	
106	2780229	2	Hub Assembly (See Items 201-212 for Breakdown)	
110	3300007	20	Lugnut	
115	4892000	16	Washer 5/8	
	2780229	Ref	HUB ASSEMBLY (2WD ONLY)	A
201	7017052	2	Spindle (1 per Assembly)	
202	7017053	2	Housing (1 per Assembly)	
203	7010404	2	Cup, Bearing - Inner (1 per Assembly)	
204	7010405	2	Cone, Bearing - Inner (1 per Assembly)	
205	7017056	2	Cup, Bearing - Outer (1 per Assembly)	
206	7017055	2	Cone, Bearing - Outer (1 per Assembly)	
207	7010406	2	Seal, Lip (1 per Assembly)	
208	7000265	20	Stud (10 per Assembly)	
209	7017054	2	Dust Cap (1 per Assembly)	
210	7017051	2	Washer, Special (1 per Assembly)	
211	7017057	2	Washer, Tanged (1 per Assembly)	
212	7017058	2	Nut, Bearing (1 per Assembly)	
	0270885	Ref	TIRE AND WHEEL INSTALLATION 15-625 NHS PNEUMATIC (AVAILABLE ON ALL SPECS EXCEPT AUSTRALIAN AND CE SPECS)	D
	0272322	Ref	TIRE AND WHEEL INSTALLATION 15-625 NHS PNEUMATIC W/SEALANT (AVAILABLE ON ANSI SPECS ONLY)	C
	0270886	Ref	TIRE AND WHEEL INSTALLATION 15-625 NHS FOAM-FILLED (AVAILABLE ON ALL SPECS)	D
	0270888	Ref	TIRE AND WHEEL INSTALLATION 18-625 NHS FOAM-FILLED (AVAILABLE ON ALL SPECS)	C

SECTION 1 - FRAME

ITEM	PART NUMBER	QTY	DESCRIPTION	REV
	1001169757	Ref	TIRE AND WHEEL INSTALLATION 18-625 NHS FOAM-FILLED NON-MARKING (AVAILABLE ON ALL SPECS)	A
	0271083	2	Tire and Wheel Assembly - 15-625 NHS Pneumatic LH Side	D
	0271084	2	Tire and Wheel Assembly - 15-625 NHS Pneumatic RH Side	D
	0272334	2	Tire and Wheel Assembly - 15-625 NHS Pneumatic with Sealant LH Side	D
	0272333	2	Tire and Wheel Assembly - 15-625 NHS Pneumatic with Sealant RH Side	D
	0271085	2	Tire and Wheel Assembly - 15-625 NHS Foam-Filled LH Side	H
	0271086	2	Tire and Wheel Assembly - 15-625 NHS Foam-Filled RH Side	H
	0271090	2	Tire and Wheel Assembly - 18-625 NHS Foam-Filled LH Side	F
	0271091	2	Tire and Wheel Assembly - 18-625 NHS Foam-Filled RH Side	F
	1001169755	2	Tire and Wheel Assembly - 18-625 NHS Foam-Filled Non-Marking LH Side	C
	1001169756	2	Tire and Wheel Assembly - 18-625 NHS Foam-Filled Non-Marking RH Side	C
	1001243644	1	Tire and Wheel Assembly - 18-22.5 Pneumatic Turf/Sand	A
	1001243645	1	Tire and Wheel Assembly - 18-22.5 Foam-Filled Turf/Sand	A
		Ref	Note: Assemblies may require ballast/foam filling to manufacturer's specifications prior to installing on a machine. Refer to Operation and Safety or Service and Maintenance Manuals. Purchase individual tire and/or rim only if able to foam fill tire and wheel assembly, otherwise, purchase complete assembly.	
301	1702701	1	Decal - 95 PSI/6.5 Bar (Pneumatic Tires Only)	
302	4520252	1	Tire 15-625	
302	4520253	1	Tire 18-625	
302	1001169754	1	Tire 18-625 Non-Marking	
303	4640113	1	Valve, Air (All Pneumatic Tires)	
303	4641122	1	Valve, Air (All Foam-Filled Tires)	
304	4860224	1	Rim, Wheel - 13 x 24.5 Rim (Use with 15-625 Tires)	
304	4860225	1	Rim, Wheel -15 x 24.5 Rim (Use with 18-625 Tires)	
305	1705364	AR	Decal - Tire Sealant (With Sealant Only)	
306	1300019	AR	Chemical, Tire Sealant (Green) (With Sealant Only)	
307	1120552	AR	Cap, Valve Stem (Green) (With Sealant Only)	

SECTION 1 - FRAME

FIGURE 1-4. DRIVE HUB/BRAKE ASSEMBLY (SN 0300183034 through 0300244579)



SECTION 1 - FRAME

FIGURE 1-4. DRIVE HUB/BRAKE ASSEMBLY (SN 0300183034 through 0300244579)

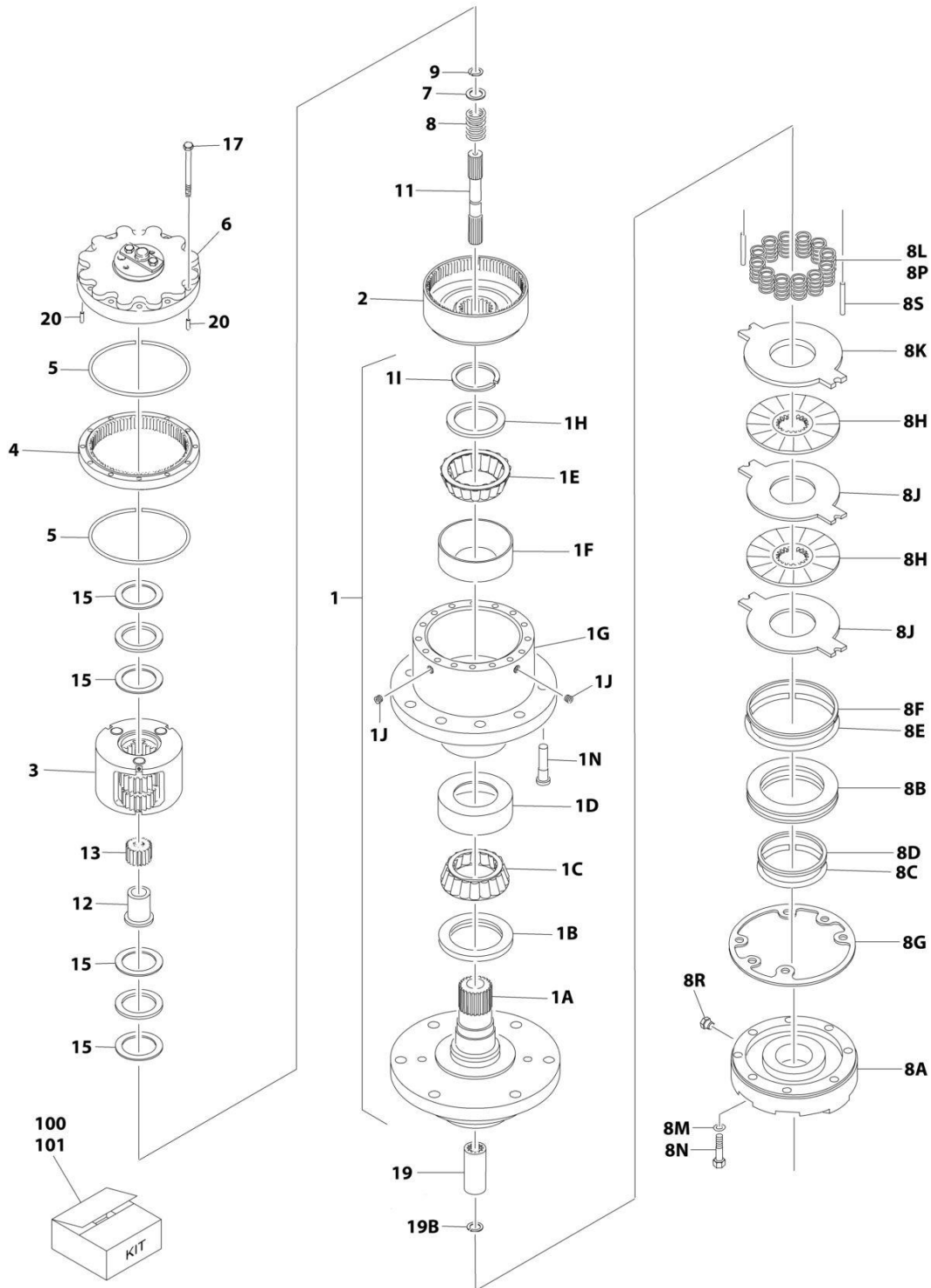
ITEM	PART NUMBER	QTY	DESCRIPTION	REV
	2780272	Ref	DRIVE HUB/BRAKE ASSEMBLY (SN 0300183034 through 0300244579)	E
	2780227	Ref	Hub Assembly	B
1	See Note	1	Spindle/Housing Assembly (Note: Not Available - Purchase Individual Components)	
1A	7010464	1	Spindle	
1B	7000236	1	Seal	
1C	7000273	1	Cone, Bearing	
1D	7000272	1	Cup, Bearing	
1E	7000275	1	Cone, Bearing	
1F	7000274	1	Cup, Bearing	
1G	7017033	1	Housing	
1H	7000239	1	Washer, Thrust	
1I	7000240	1	Ring, Retaining	
1J	7001928	1	Plug, Pipe	
1N	7000265	10	Stud, Wheel	
2	7024782	1	Gear, Ring	
3	See Note	1	Carrier Assembly (Note: Not Available - Purchase Individual Components)	
3A	7024147	1	Carrier	
3B	7001901	6	Washer, Thrust, Tanged	
3C	7001902	96	Bearing, Needle	
3D	7001903	3	Spacer, Thrust	
3E	7024146	3	Shaft, Planet	
3F	7024148	3	Gear, Cluster	
3G	7001906	3	Roll Pin	
4	7024151	1	Gear, Internal	
5	7000224	1	O-Ring	
6	See Note	1	Cover Assembly (Note: Not Available - Purchase Individual Components)	
6A	7024155	1	Cover	
6B	7024783	1	Cap	
6C	7000220	4	Bolt 1/4-20 x 3/4in	
6D	7000231	1	Cap, Disengage	
6E	7000235	1	Rod, Disengage	
6F	7000213	1	O-Ring	
6G	7000238	1	O-Ring	
6H	7017048	1	Plug, Pipe	
7	7000282	2	Washer, Thrust	
8	7000283	1	Spring	
9	7000284	1	Ring, Retaining	
10	7017027	1	Ring, Retaining	
11	7024781	1	Shaft, Input	
12	7024154	1	Spacer, Input	
13	7024149	1	Gear, Sun	
15	7000287	4	Washer, Thrust	
16	7000288	2	Washer, Thrust	
17	7000289	12	Bolt 3/8-16 x 2-1/2in Grade 8	
19	7000290	1	Coupling	
20	7017047	2	Pin, Dowel	

SECTION 1 - FRAME

ITEM	PART NUMBER	QTY	DESCRIPTION	REV
21	7017050	1	Washer, Thrust	
26	7024182	1	Brake Assembly (Includes Items 101-123)	
27	7024763	2	O-Ring	
28	7024717	2	Stud 1/2-13 x 4-5/8in	
29	7024718	2	Nut 1/2-13	
31	70005483	1	Gasket	
	7024182	Ref	BRAKE ASSEMBLY	
101	7024189	1	Shaft	
102	See Note	NSS	Housing (Note: Not Available - Purchase Complete Assembly)	
103	See Note	NSS	Plate, Friction (Note: Use Item 201C)	
104	See Note	NSS	Plate, Pressure (Note: Use Item 201C)	
105	7000731	1	Gasket	
106	See Note	NSS	Plate, Outer (Note: Use Item 201C)	
107	See Note	NSS	Gasket (Note: Use Item 200B, 201C or 201D)	
108	7024191	1	Cylinder	
109	7024192	1	Piston	
110	See Note	NSS	Bearing, Ball (Note: Use Item 201D)	
111	See Note	NSS	Ring, Retaining (Note: Use Item 201D)	
112	See Note	NSS	Seal, Shaft (Note: Use Item 201D)	
113	See Note	NSS	Capscrew (Note: Not Available for Purchase)	
114	See Note	NSS	Washer, Lock (Note: Not Available for Purchase)	
115	See Note	NSS	O-Ring (Note: Use Item 200B)	
116	See Note	NSS	Ring, Back-up (Note: Use Item 200B)	
117	See Note	NSS	O-Ring (Note: Use Item 200B)	
118	See Note	NSS	Ring, Back-up (Note: Use Item 200B)	
119	7024190	2	Pin, Dowel	
120	See Note	NSS	Plug (Note: Not Available for Purchase)	
121	See Note	NSS	Plug (Note: Not Available for Purchase)	
122	See Note	NSS	Spring Kit (Natural) (Note: Use Item 201B)	
123	See Note	NSS	Spring Kit (Blue) (Note: Use Item 201B)	
		Ref	KIT OPTIONS:	
200A	7017068	1	Seal Kit - Hub (Includes Items 1B, 1I, 5, 6F, 6G, 15 & 16)	
200A	70006431	1	Seal Kit - Hub (Includes Items 1B, 1I, 5, 6F, 6G & 17)	
200B	7024194	1	Seal Kit - 7024182 Brake (Includes Items 105, 107 & 115-118)	
201A	7024195	NLA	Spring Kit - 7024182 Brake (Includes 12 Natural Colored Springs) (Note: Use p/n 7024196)	
201B	7024196	1	Spring Kit - 7024182 Brake (Includes 12 Natural & 2 Blue Colored Springs)	
201C	7024193	1	Friction Disc Kit - 7024182 Brake (Includes Items 103, 104, 106 & 107)	
201D	7024197	1	Bearing Kit - 7024182 Brake (Includes Items 107 & 110-112)	
201E	70006430	1	Bearing Kit - Hub (Includes Items 1B-1F, 1I, 5, 6F & 17)	

SECTION 1 - FRAME

FIGURE 1-5. DRIVE HUB/BRAKE ASSEMBLY (SN 0300244580 through 0300272376)



ART_1001219219

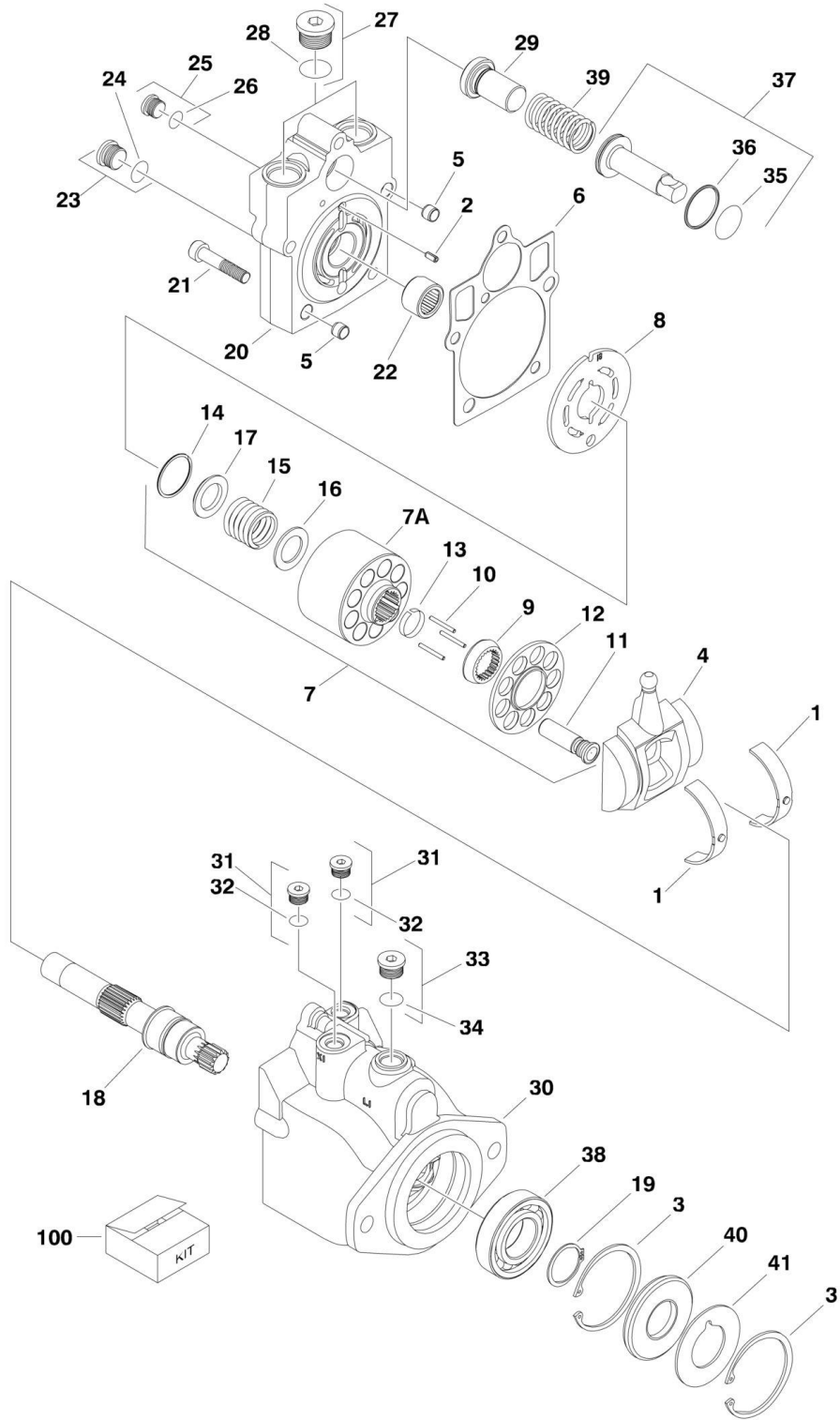
SECTION 1 - FRAME

FIGURE 1-5. DRIVE HUB/BRAKE ASSEMBLY (SN 0300244580 through 0300272376)

ITEM	PART NUMBER	QTY	DESCRIPTION	REV
	1001219219	Ref	DRIVE HUB/BRAKE ASSEMBLY	C
1	See Note	NSS	Spindle/Housing Assembly (Note: Not Available - Purchase Individual Components)	
1A	70006677	1	Spindle	
1B	70006678	1	Seal	
1C	1001091460	1	Cone, Bearing	
1D	1001091460	1	Cup, Bearing	
1E	1001091461	1	Cone, Bearing	
1F	1001091461	1	Cup, Bearing	
1G	See Note	NSS	Housing (Note: Not Available - Not Available for Purchase)	
1H	7000239	1	Thrustwasher	
1I	7000240	1	Ring, Retaining	
1J	7001928	1	Plug, Pipe	
1N	See Note	NSS	Stud, Wheel (Note: Not Available - Not Available for Purchase)	
2	7024782	1	Gear, Ring	
3	70006673	1	Carrier Assembly	
4	7024151	1	Gear, Internal	
5	7000224	2	O-Ring	
6	70006674	NSS	Cover Assembly (Note: Not Available - Not Available for Purchase)	
7	70006691	1	Thrustwasher	
8	7000283	1	Spring	
8A	7024191	1	Housing, Piston	
8B	70006684	1	Piston	
8C	70006688	NSS	O-Ring (Note: Use Item 101)	
8D	70006689	NSS	Ring, Back-up (Note: Use Item 101)	
8E	70006686	NSS	O-Ring (Note: Use Item 101)	
8F	70006687	NSS	Ring, Back-up (Note: Use Item 101)	
8G	70006679	NSS	Gasket (Note: Use Items 100 & 101)	
8H	70006683	NSS	Brake, Stator (Note: Use Item 100)	
8J	70006681	NSS	Brake, Rotor (Note: Use Item 100)	
8K	70006682	NSS	Plate, Pressure (Note: Use Item 100)	
8L	80344004	10	Spring	
8M	70006685	6	Capscrew	
8N	70006690	6	Lockwasher	
8P	70006680	2	Spring	
8R	7017082	2	Plug	
8S	7024190	2	Pin, Dowel	
9	7000284	1	Ring, Retaining	
11	70006675	1	Shaft, Input	
12	7024154	1	Spacer, Input	
13	7024149	1	Gear, Sun	
15	70006692	2	Thrustwasher	
17	7000289	12	Bolt 3/8 x 2-1/2in (Grade 8)	
19	70006676	1	Coupling	
19B	7017028	1	Ring, Retaining	
20	7017047	2	Pin, Dowel	
100	70006832	1	Friction Disc Kit (Includes Items 8G, 8H, 8J & 8K)	
101	70006833	1	Seal Kit (Includes Items - 8C-8G)	

SECTION 1 - FRAME

FIGURE 1-6. DRIVE MOTOR ASSEMBLY



SECTION 1 - FRAME

FIGURE 1-6. DRIVE MOTOR ASSEMBLY

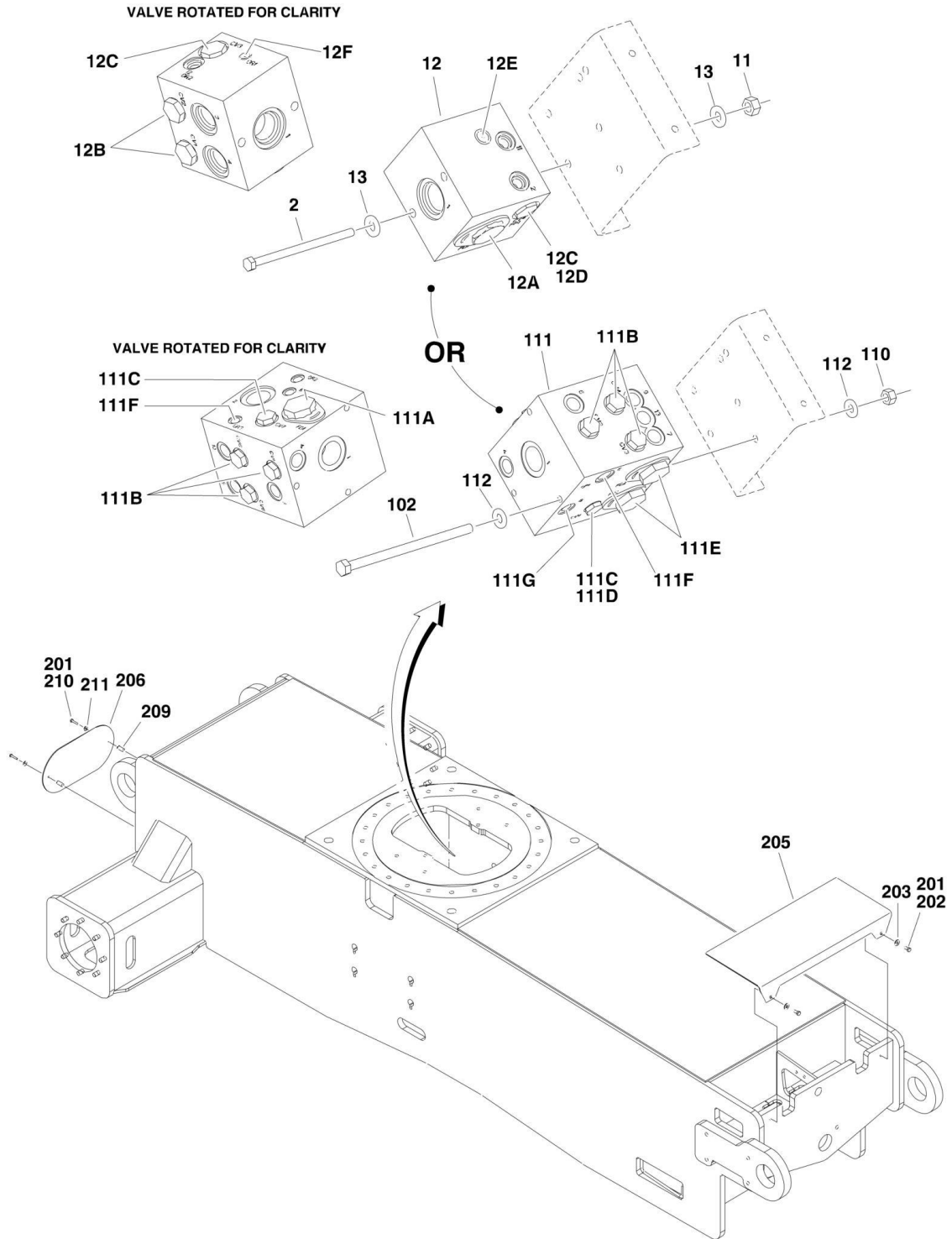
ITEM	PART NUMBER	QTY	DESCRIPTION	REV
	3160347	Ref	DRIVE MOTOR ASSEMBLY (2WD)	B
	3160348	Ref	DRIVE MOTOR ASSEMBLY (4WD)	D
1	7022302	2	Bearing, Journal	
2	7007446	1	Pin	
3	7007438	2	Ring, Retaining	
4	70000794	1	Swash Plate (2WD)	
4	7022305	1	Swash Plate (4WD)	
5	See Note	2	Pin (Note: Not Available for Purchase)	
6	See Note	NSS	Gasket (Note: Use Item 100)	
7	7027740	1	Cylinder Block Kit (2WD) (Includes Items 7A & 9-17)	
7	7023907	1	Cylinder Block Kit (4WD) (Includes Items 7A & 9-17)	
7A	See Note	NSS	Block, Cylinder (Note: Use Item 7)	
8	7024862	1	Plate, Valve (2WD)	
8	7023908	1	Plate, Valve (4WD)	
9	See Note	NSS	Guide, Slipper Retainer (2WD) (Note: Use Item 7)	
9	7021277	1	Guide, Slipper Retainer (4WD)	
10	7021275	3	Pin, Slipper Hold Down	
11	See Note	NSS	Piston Assembly (2WD) (Note: Use Item 7)	
11	See Note	NSS	Piston Assembly (4WD) (Note: Use Item 7)	
12	See Note	NSS	Retainer, Slipper (2WD) (Note: Use Item 7)	
12	7022310	1	Retainer, Slipper (4WD)	
13	See Note	NSS	Retainer, Hold Down Pin (2WD) (Note: Use Item 7)	
13	7021276	1	Retainer, Hold Down Pin (4WD)	
14	7022311	1	Ring, Retaining	
15	7024867	1	Spring (2WD)	
15	7022312	1	Spring (4WD)	
16	7022313	1	Washer (2WD)	
16	7024868	1	Washer (4WD)	
17	7022314	1	Retainer, Spring	
18	7023910	1	Shaft	
19	7007439	1	Ring, Retaining	
20	70000795	1	Cap, End - Axial (2WD)	
20	70000797	1	Cap, End - Axial (4WD)	
21	7022368	5	Screw	
22	7021249	1	Bearing, Needle	
23	2220886	1	Plug (Includes Item 24)	
24	See Note	NSS	O-Ring (Note: Use Item 23 or 100)	
25	2220883	1	Plug (Includes Item 26)	
26	See Note	NSS	O-Ring (Note: Use Item 25 or 100)	
27	2220888	2	Plug (Includes Item 28)	
28	See Note	NSS	O-Ring (Note: Use Item 27 or 100)	
29	7027741	1	Seat, Spring (2WD)	
29	7022372	1	Seat, Spring (4WD)	
30	See Note	NSS	Housing (Note: Not Available - Purchase Complete Assembly)	
31	2220883	2	Plug (Use Item 32)	
32	See Note	NSS	O-Ring (Note: Use Item 31 or 100)	
33	2220886	1	Plug (Use Item 34)	
34	See Note	NSS	O-Ring (Note: Use Item 33 or 100)	
35	See Note	NSS	O-Ring (Note: Use Item 100)	
36	See Note	NSS	Ring, Seal (Note: Use Item 100)	

SECTION 1 - FRAME

ITEM	PART NUMBER	QTY	DESCRIPTION	REV
37	7024871	1	Piston, Servo (2WD) (Includes Items 35 & 36)	
37	7024854	1	Piston, Servo (4WD) (Includes Items 35 & 36)	
38	7007437	1	Bearing	
39	7022326	1	Spring	
40	See Note	NSS	Seal, Lip (Note: Use Item 100)	
41	7022371	1	Washer, Support	
		Ref	KIT OPTIONS:	
100	7022328	1	Seal Kit (Includes Items 6, 24, 26, 28, 32, 34, 35, 36 & 40)	

SECTION 1 - FRAME

FIGURE 1-7. FRAME VALVES AND SHIELDS INSTALLATIONS



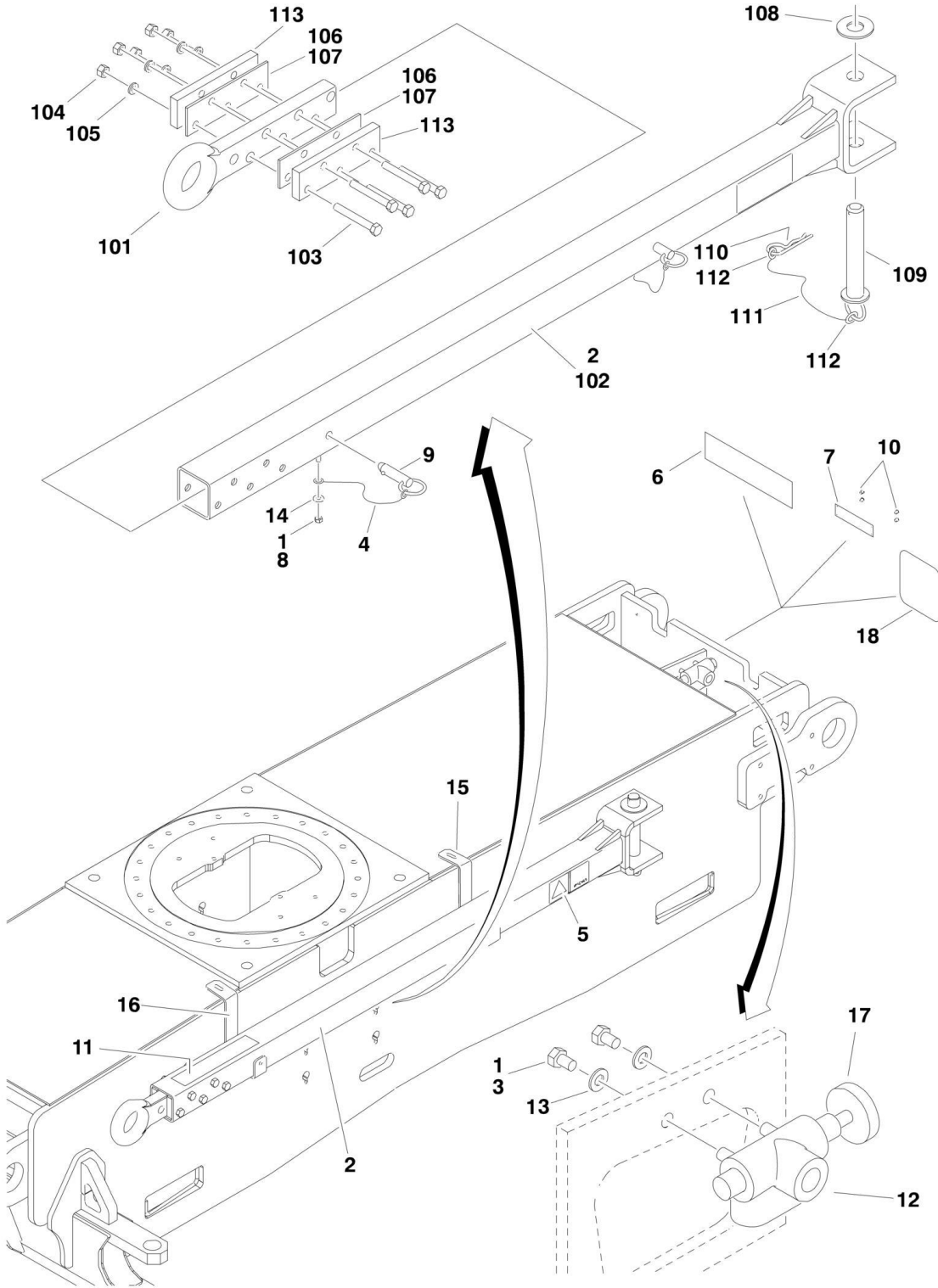
SECTION 1 - FRAME

FIGURE 1-7. FRAME VALVES AND SHIELDS INSTALLATIONS

ITEM	PART NUMBER	QTY	DESCRIPTION	REV
	1001157015	Ref	DRIVE VALVES INSTALLATION - 2WD	C
2	0641542	2	Bolt 5/16-18 x 5-1/4	
11	3311505	2	Nut 5/16-18	
12	1001099870	1	Flow Divider Valve Assembly	B
12A	7023933	1	Cartridge, Flow Divider	
12A	7021625	1	Seal Kit - 7023933 Cartridge	
12A	70000781	1	Lockdown Kit	
12B	7022397	2	Cartridge, Check	
12B	7022399	2	Seal Kit - 7022397 Cartridge	
12C	70002390	2	Cartridge, Check	
12C	7022399	2	Seal Kit - 70002390 Cartridge	
12D	7024881	1	Piston, Pilot	
12E	7017406	1	Plug	
12F	7024844	1	Plug	
12F	7017492	1	Orifice	
13	4711500	4	Washer 5/16in Thin	
	1001157016	Ref	DRIVE VALVES INSTALLATION - 4WD/2WS	C
	1001157094	Ref	DRIVE VALVES INSTALLATION - 4WD/4WS	C
102	0641560	3	Bolt 5/16-18 x 7-1/2	
110	3311505	3	Nut 5/16-18	
111	4641303	1	Flow Divider Valve Assembly	
111A	7023933	1	Cartridge, Flow Divider	
111A	7021625	1	Seal Kit - 7023933 Cartridge	
111B	7022397	6	Cartridge, Check	
111B	7022399	6	Seal Kit - 7022397 Cartridge	
111C	7021639	2	Cartridge, Check Valves	
111C	2900756	2	Seal Kit - 7022398 Cartridge	
111D	7024881	1	Piston, Pilot	
111E	7023917	2	Cartridge, Flow Divider	
111E	7021625	2	Seal Kit - 7023917 Cartridge	
111F	70003935	2	Orifice	
111G	70003936	1	Orifice	
112	4711500	6	Washer 5/16	
	1001158203	Ref	FRAME SHIELDS INSTALLATION (2WS)	D
	1001158204	Ref	FRAME SHIELDS INSTALLATION (4WS)	C
201	0100011	AR	Compound, Locking	
202	0641606	2	Bolt, 3/8in - 16 x 3/4	
203	4751600	2	Washer 3/8	
204	1001158187	1	Cover	
205	4280296	27 in /68cm	Trim	
206	1001158188	1	Cover (2WS Only)	
209	8580420	2	Nut, Well (2WS Only)	
210	0641410	2	Bolt 1/4-20 x 1-1/4 (2WS Only)	
211	4751400	2	Washer 1/4 (2WS Only)	

SECTION 1 - FRAME

FIGURE 1-8. TOW PACKAGE INSTALLATION



SECTION 1 - FRAME

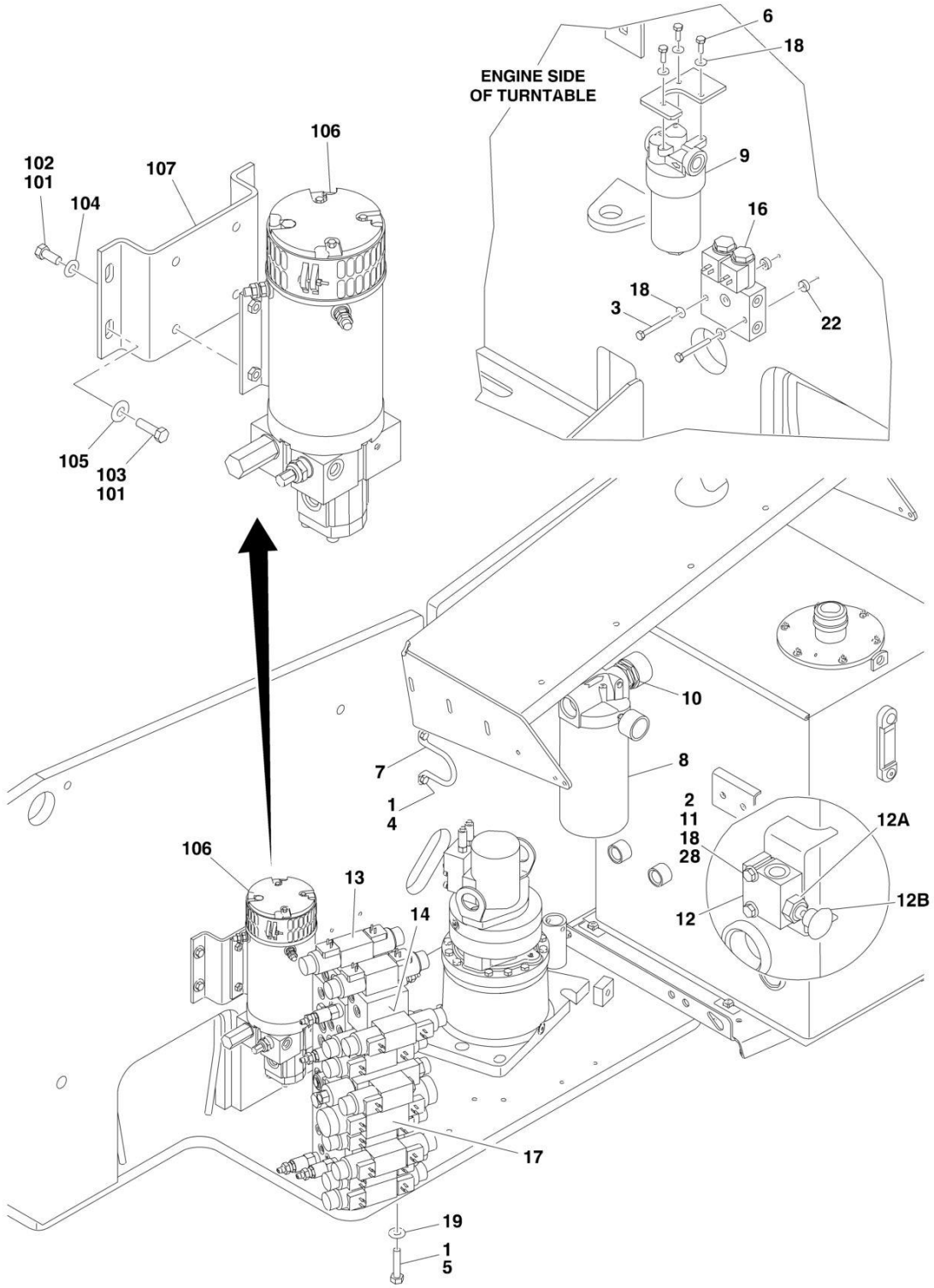
FIGURE 1-8. TOW PACKAGE INSTALLATION

ITEM	PART NUMBER	QTY	DESCRIPTION	REV
	1001158258	Ref	TOW BAR INSTALLATION (ANSI and ANSI EXPORT SPECS)	B
	1001166806	Ref	TOW BAR INSTALLATION (CE SPECS)	B
1	0100011	AR	Compound, Locking	
2	0232121	1	Tow Bar Assembly (See Items 101-113 For Breakdown)	
3	0641508	2	Bolt 5/16-18 x 1	
3	0641504	2	Bolt 5/16-18 x 1/2	
4	1260017	2 ft/0.3m	Chain	
5	1704578	2	Decal - Crushing (ANSI/ANSI Export Specs)	
5	1706960	2	Decal - Crushing (CE Specs)	
6	1705090	1	Decal - Towing Instructions (ANSI/ANSI Export Specs Only)	
7	3250872	1	Nameplate - Steer/Tow Valve (ANSI/ANSI Export Specs Only)	
8	3311401	2	Nut 1/4-20	
9	3420292	2	Pin	
10	3820001	4	Rivet, Pop (ANSI/ANSI Export Specs Only)	
11	4420051	2 ft/0.3m	Tape	
12	4640261	1	Valve, Float Position	
13	4711500	AR	Washer 5/16	
14	4751400	2	Washer 1/4	
15	1001158522	1	Bracket	
16	1001158522	1	Bracket	
17	1001160780	1	Rod, Extension	
18	1706957		Decal - Tow Bar and Steer Select (CE Spec Only)	
	0232121	Ref	TOW BAR ASSEMBLY	7-G
101	0360406	1	Bar, Draw	
102	4843777	1	Bar, Tow	
103	0642038	5	Bolt 5/8-11 x 4-3/4	
104	3312001	5	Nut 5/8-11	
105	4762000	5	Washer, Lock 5/8	
106	4070450	AR	Shim, Spacer	
107	4070561	AR	Shim, Spacer	
108	4740036	1	Washer 1-1/2	
109	3420447	1	Pin	
110	3420372	1	Pin	
111	1260135	1	Chain	
112	3760170	2	Ring	
113	4070560	2	Shim	

SECTION 2 - TURNTABLE

SECTION 2 - TURNTABLE

FIGURE 2-1. CONTROL VALVES AND AUXILIARY PUMP INSTALLATIONS



SECTION 2 - TURNTABLE

FIGURE 2-1. CONTROL VALVES AND AUXILIARY PUMP INSTALLATIONS

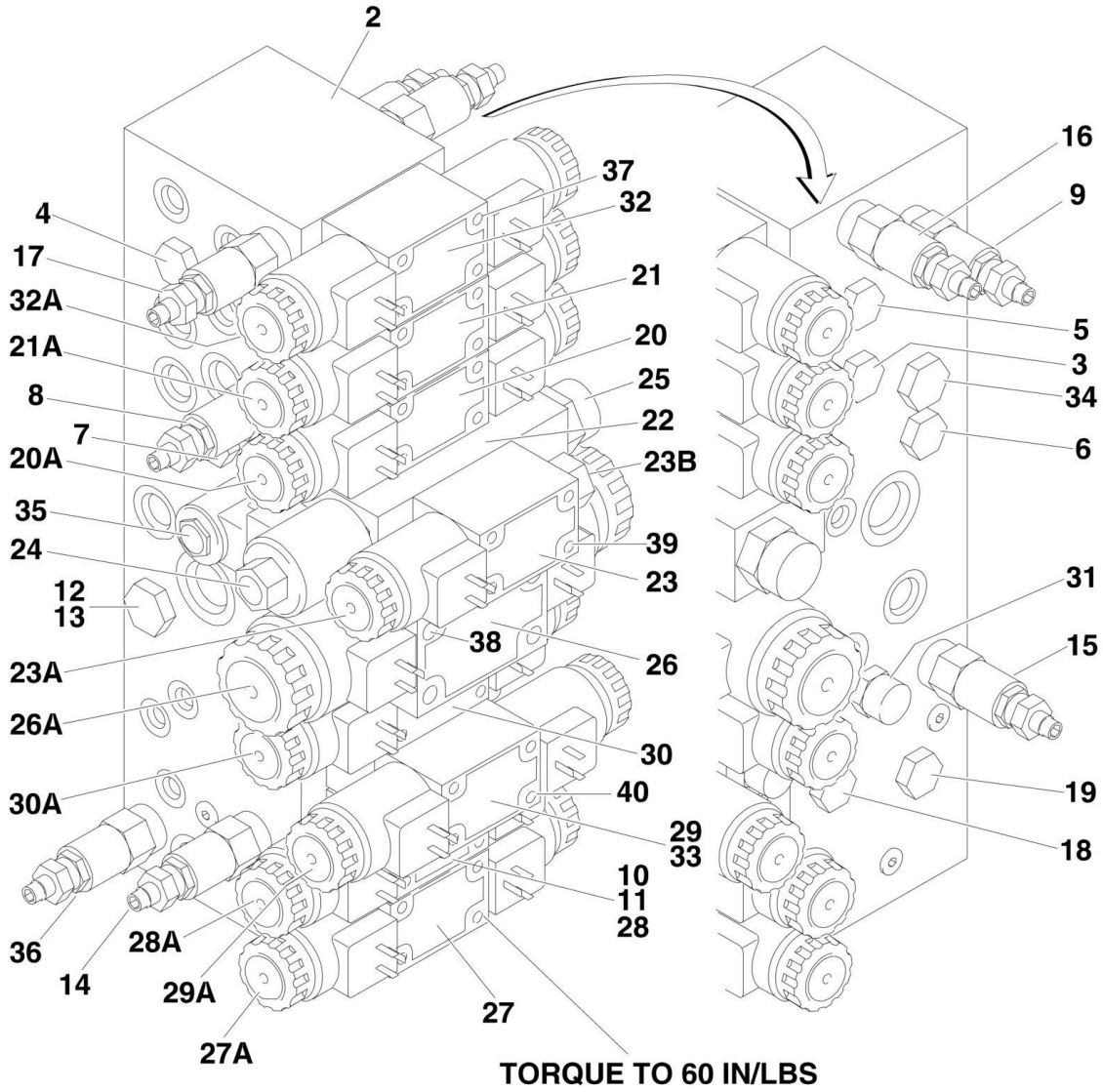
ITEM	PART NUMBER	QTY	DESCRIPTION	REV
		Ref	VALVES INSTALLATION	
		Ref	Machines without LSS or with 4 Cell LSS:	
	1001156794	Ref	Valves Installation - 800A (2WS) (SN 0300183034 through 0300194139)	C
	1001170128	Ref	Valves Installation - 800A (2WS) (SN 0300194140 through 0300272376)	F
	1001156795	Ref	Valves Installation - 800A (4WS) (SN 0300183034 through 0300194139)	C
	1001170129	Ref	Valves Installation - 800A (4WS) (SN 0300194140 through 0300272376)	F
	1001156796	Ref	Valves Installation - 800AJ (2WS) (SN 0300183034 through 0300194139)	C
	1001170132	Ref	Valves Installation - 800AJ (2WS) (SN 0300194140 through 0300272376)	F
	1001156797	Ref	Valves Installation - 800AJ (4WS) (SN 0300183034 through 0300194139)	C
	1001170134	Ref	Valves Installation - 800AJ (4WS) (SN 0300194140 through 0300272376)	F
		Ref	Machines with 1 Cell LSS:	
	1001219983	Ref	Valves Installation - 800A (2WS)	C
	1001219984	Ref	Valves Installation - 800A (4WS)	C
	1001219985	Ref	Valves Installation - 800AJ (2WS)	B
	1001219986	Ref	Valves Installation - 800AJ (4WS)	B
1	0100011	AR	Compound, Locking	
2	0641416	AR	Bolt 1/4-20 x 2	
2	0641618	AR	Bolt 1/4 x 2-1/4	
3	0641418	AR	Bolt 1/4-20 x 2-1/4	
4	0641606	AR	Bolt 3/8-16 x 3/4	
5	0641614	AR	Bolt 3/8-16 x 1-3/4	
6	0651406	AR	Bolt 1/4-28 x 3/4	
7	3841340		Loop, Hose	
8	2120167	1	Return Filter Assembly (SN 0300183034 through 0300196955)	
8	2120168	1	Element, Filter	
8	7020021	1	Indicator, Clogged	
9	2120209	1	Pressure Filter Assembly	
9	2120210	1	Element, Filter	
9	70000934	1	O-Ring, Filter Bowl	
9	7020020	1	Indicator, Clog	
10	2220893	1	Fitting, Adapter (SN 0300183034 through 0300196955)	
11	3311405	2	Nut 1/4-20	
12	4640866	1	Valve Assembly (Level)	
12A	7017466	1	Cartridge	
12A	2900708	1	Seal Kit - Cartridge (Use p/n 7017496)	
12B	7012959	1	Knob	
13	4640921	1	Valve Assembly - Jib (800AJ Only) (See ACCESSORY VALVE ASSEMBLY for Breakdown) (SN 0300183034 through 0300194139)	
14	4640922	1	Valve Assembly Options: (4WS Only) (See ACCESSORY VALVE ASSEMBLY for Breakdown) (SN 0300183034 through 0300194139)	
16	4641317	1	Valve Assembly (Brake and 2 Speed)	
16	7012944	2	Coil	

SECTION 2 - TURNTABLE

ITEM	PART NUMBER	QTY	DESCRIPTION	REV
16	7012941	2	Cartridge without Coil	
16	7010543	2	Seal Kit - 7012941 Cartridge (1 Per Cartridge)	
17		Ref	Main Control Valve Assembly Options: (See MAIN CONTROL VALVE ASSEMBLY for Breakdown)	
	4641453	1	Main Control Valve Assembly (SN 0300183034 through 0300194139)	
	1001172218	NLA	Main Control Valve Assembly (2WS) (Use p/n 1001228170) (SN 0300194140 through 0300238223)	
	1001228170	1	Main Control Valve Assembly (2WS) (SN 0300238224 through 0300272376)	
	1001172219	NLA	Main Control Valve Assembly (4WS) (Use p/n 1001228171) (SN 0300194140 through 0300238223)	
	1001228171	1	Main Control Valve Assembly (4WS) (SN 0300238224 through 0300272376)	
18	4711400	AR	Washer 1/4	
19	4711600	AR	Washer 3/8	
20	4921927	1	Harness Assembly (Jib Control) (800AJ Only) (Not Shown - See ELECTRICAL SECTION for Breakdown) (SN 0300183034 through 0300194139)	
21	4921928	1	Harness Assembly (4WS Only) (Not Shown - See ELECTRICAL SECTION for Breakdown) (SN 0300183034 through 0300194139)	
22	1001110425	2	Spacer	
28	0641414	AR	Bolt 1/4-20 x 1 3/4	
	1001142005	Ref	AUXILIARY PUMP INSTALLATION WITH BRACKET	C
	1001156137	Ref	AUXILIARY PUMP INSTALLATION WITHOUT BRACKET	A
101	0100011	AR	Compound, Locking	
102	0641607	4	Bolt 3/8-16 x 7/8 (Pump without Bracket)	
102	0811612	4	Bolt 3/8-16 x 1-1/2 Grade 8 (Pump with Bracket)	
103	0641610	4	Bolt 3/8-16 x 1-1/4 (Pump without Bracket Only)	
104	4711600	4	Washer 3/8 (Pump without Bracket Only)	
105	4751600	4	Washer 3/8 (Pump without Bracket Only)	
106	1001137460	1	Pump, Auxiliary (See AUXILIARY PUMP ASSEMBLY for Breakdown)	
107	1001141783	1	Bracket, Pump Mounting	

SECTION 2 - TURNTABLE

FIGURE 2-2. MAIN CONTROL VALVE ASSEMBLY (SN 0300183034 through 0300194139)



SECTION 2 - TURNTABLE

FIGURE 2-2. MAIN CONTROL VALVE ASSEMBLY (SN 0300183034 through 0300194139)

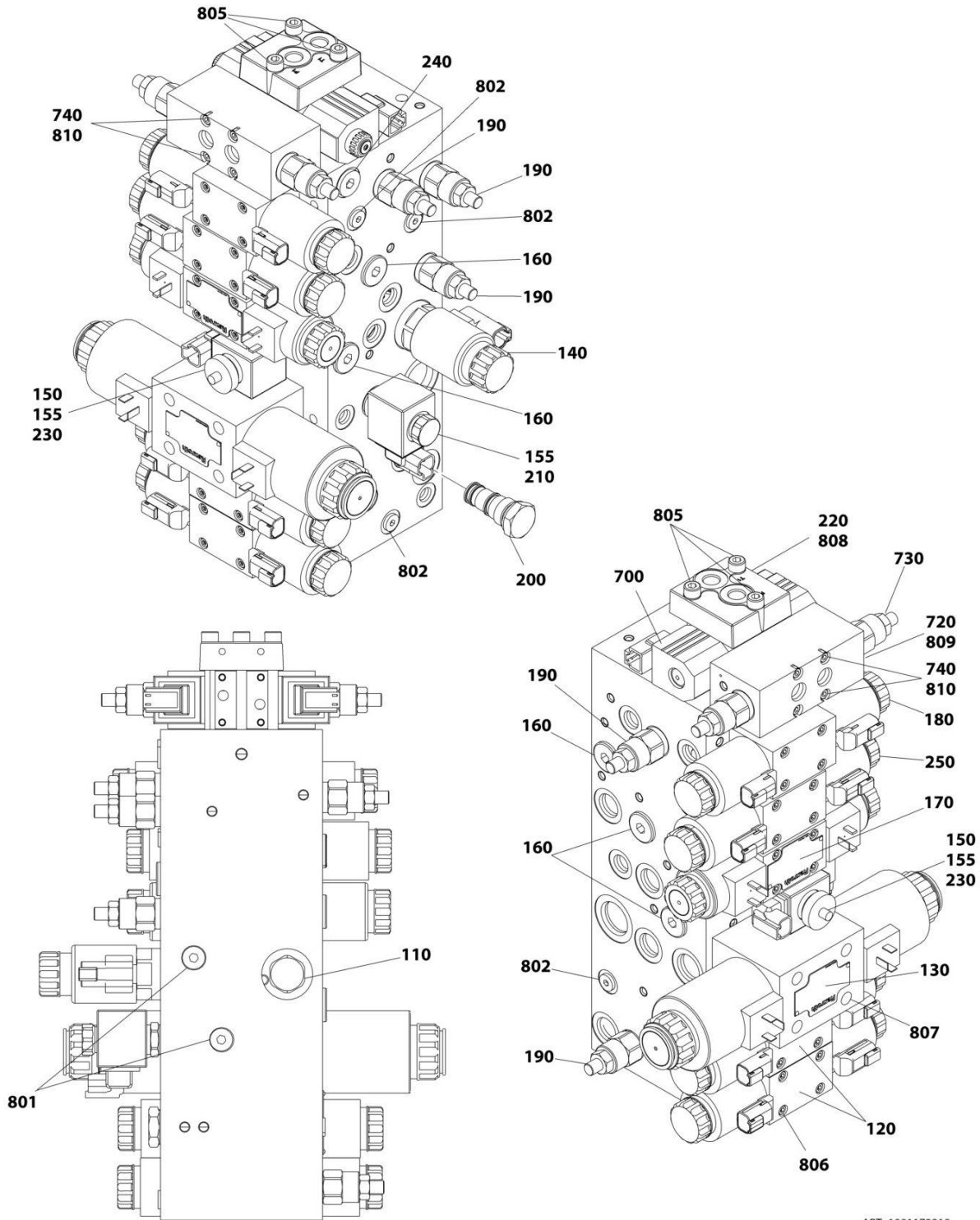
ITEM	PART NUMBER	QTY	DESCRIPTION	REV
	4641453	Ref	MAIN CONTROL VALVE ASSEMBLY	B
2	See Note	1	Block (Note: Not Available - Purchase Complete Assembly)	
3	7010542	1	Cartridge, Load Sensing (Main Lift)	
3	7010543	1	Seal Kit - 7010542 Cartridge	
4	7010542	1	Cartridge, Load Sensing	
4	7010543	1	Seal Kit - 7010542 Cartridge	
5	7010542	1	Cartridge, Load Sensing (Swing)	
5	7010543	1	Seal Kit - 7010542 Cartridge	
6	7010542	1	Cartridge, Load Sensing	
6	7010543	1	Seal Kit - 7010542 Cartridge	
7	7010542	1	Cartridge, Load Sensing (Main)	
7	7010543	1	Seal Kit - 7010542 Cartridge	
8	7017420	1	Cartridge, Relief Valve (Main Lift)	
8	7012998	1	Seal Kit - 7017420 Cartridge	
9	7017423	1	Cartridge, Relief Valve (Swing)	
9	7012998	1	Seal Kit - 7017420 Cartridge	
10	7018941	1	Orifice	
11	7018941	1	Orifice	
12	4641192	1	Cartridge, Check Valve (Tower Lift)	
12	2900708	1	Seal Kit - 4641192 Cartridge	
13	7021602	1	Piston, Pilot	
14	7017428	1	Cartridge, Relief Valve (Platform Level Down)	
14	7012998	1	Seal Kit - 7017428 Cartridge	
15	7017427	1	Cartridge, Relief Valve (Platform Level Up)	
15	7012998	1	Seal Kit - 7017427 Cartridge	
16	7017428	1	Cartridge, Relief Valve (Front Steer)	
16	7012998	1	Seal Kit - 7017428 Cartridge	
17	7017428	1	Cartridge, Relief Valve (Front Steer)	
17	7012998	1	Seal Kit - 7017428 Cartridge	
18	7012914	1	Cartridge, Pilot Check (Platform Level)	
18	7012918	1	Seal Kit - 7012914 Cartridge	
19	7012914	1	Cartridge, Pilot Check (Platform Level)	
19	7012918	1	Seal Kit - 7012914 Cartridge	
20	7018992	1	Control Valve Assembly (Main Lift)	
20	7012773	1	Seal Kit - 7018992 Valve	
20A	7018991	2	Coil	
20A	7018912	2	Nut	
21	7012775	1	Control Valve Assembly (Swing)	
21	7012773	1	Seal Kit - 7012775 Valve	
21A	7012772	2	Coil	
21A	7018912	2	Nut	
22	70002946	1	Flow Control Manifold Assembly (Main) (Includes Items 24 & 25)	
23	7018994	1	Control Valve Assembly (Main)	
23	7012773	1	Seal Kit - 7018994 Valve	
23A	7012772	1	Coil	
23A	7018912	1	Nut	
23B	7018993	1	Plug	
24	7017475	1	Cartridge without Coil	
24	7010545	1	Seal Kit - 7017475 Cartridge	
24	7000645	1	Coil	

SECTION 2 - TURNTABLE

ITEM	PART NUMBER	QTY	DESCRIPTION	REV
25	7021601	1	Cartridge, Flow Regulator (Main)	
25	7017477	1	Seal Kit - 7021601 Cartridge	
26	70000579	1	Control Valve Assembly (Main Tele)	
26	70000583	1	Seal Kit	
26A	70000582	1	Coil	
26A	70000580	1	Nut, Coil	
27	70001976	1	Control Valve Assembly (Tower Tele)	
27	7012773	1	Seal Kit - 7012770 Valve	
27A	7012772	2	Coil	
27A	7018912	2	Nut	
28	70001976	1	Control Valve Assembly (Platform Level)	
28	7012773	1	Seal Kit - 7012770 Valve	
28A	7012772	2	Coil	
28A	7018912	2	Nut	
29	70001976	1	Control Valve Assembly (Platform Rotate)	
29	7012773	1	Seal Kit - 7012770 Valve	
29A	7012772	2	Coil	
29A	7018912	2	Nut	
30	70001976	1	Control Valve Assembly (Tower Lift)	
30	7012773	1	Seal Kit - 7012770 Valve	
30A	7012772	2	Coil	
30A	7018912	2	Nut	
31	7012989	1	Cartridge, Flow Regulator (Platform Rotate)	
31	7012953	1	Seal Kit - 7012989 Cartridge	
32	7012774	1	Control Valve Assembly (Front Steer)	
32	7012773	1	Seal Kit - 7012774 Valve	
32A	7012772	2	Coil	
32A	7018912	2	Nut	
33	7021310	AR	Valve, Sandwich (Platform Rotate)	
33	7018945	2	O-Rings, Replacement - 7021310 Valve	
34	7017478	1	Cartridge, Check Valve (Main Pressure)	
34	7017477	1	Seal Kit - 7017478 Cartridge	
35	7012941	1	Cartridge without Coil (Main Dump)	
35	7010543	1	Seal Kit - 7017452 Cartridge	
35	7012944	1	Coil	
36	7017428	1	Cartridge, Relief Valve (Tower Tele)	
36	7012998	1	Seal Kit - 7017428 Cartridge	
37	7018942	28	Capscrew #10-24 x 2	
38	7018951	4	Capscrew 1/4-20 x 1-1/2	
39	7021311	4	Capscrew #10-24 x 4-1/2	
40	3931048	4	Capscrew #10-24 x 3	

SECTION 2 - TURNTABLE

FIGURE 2-3. MAIN CONTROL VALVE ASSEMBLY (SN 0300194140 through 0300238223)



ART_1001172218

SECTION 2 - TURNTABLE

FIGURE 2-3. MAIN CONTROL VALVE ASSEMBLY (SN 0300194140 through 0300238223)

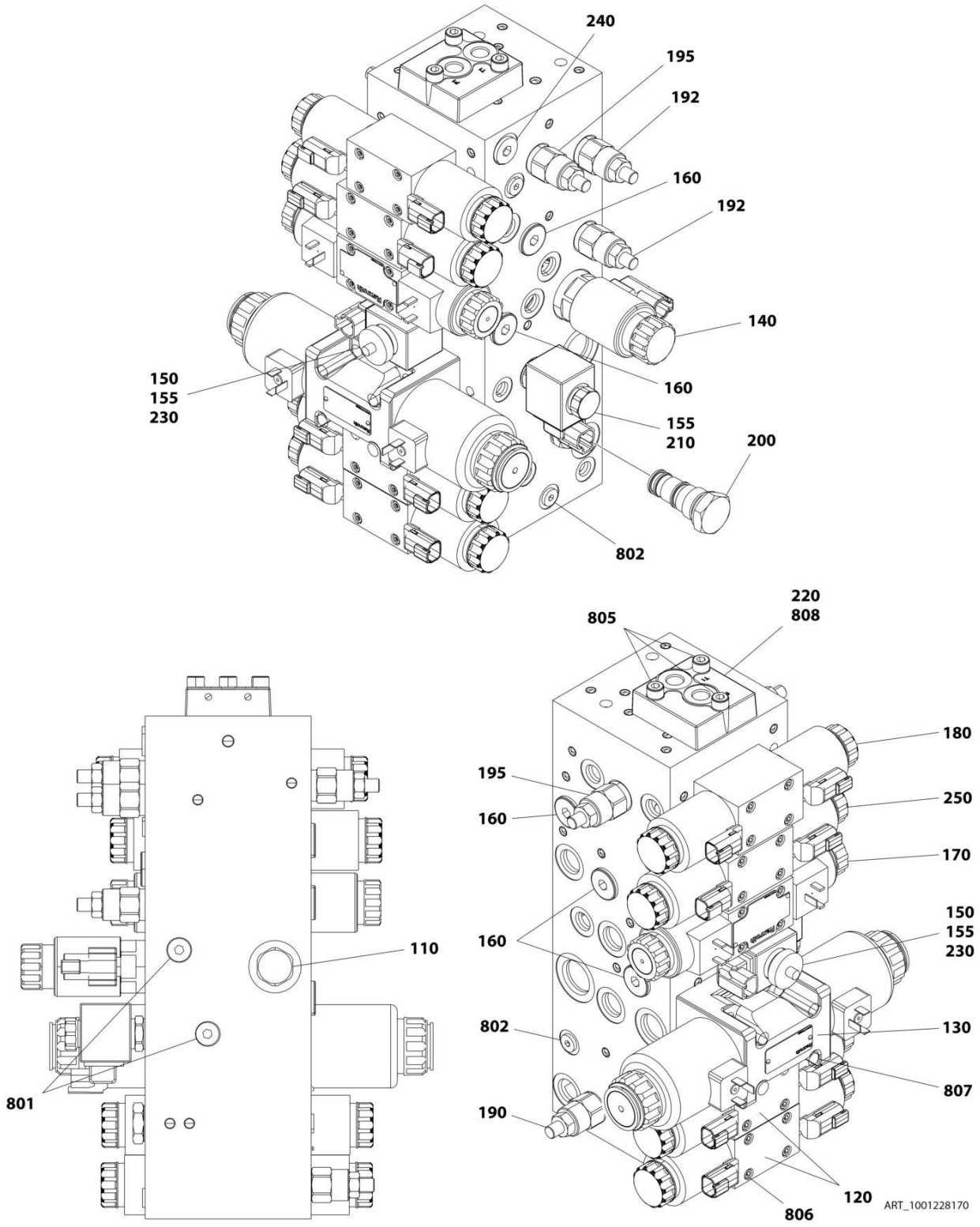
ITEM	PART NUMBER	QTY	DESCRIPTION	REV
	1001172218	Ref	MAIN CONTROL VALVE ASSEMBLY (2WS)	D
	1001172219	Ref	MAIN CONTROL VALVE ASSEMBLY (4WS)	D
110	70005194	1	Valve, Check Cartridge	
110	70004584	1	Seal Kit - 70005194 Valve	
120	70004459	2	Valve Assembly (Tower Tele and Tower Lift)	
120	7012773	2	Seal Kit - 70004459 Valve	
120	70004460	4	Coil	
120	7021375	4	Nut, Coil	
120	70004461	4	O-Ring, Pole Tube	
130	70000579	1	Valve Assembly (Upper Tele)	
130	70000583	1	Seal Kit - 70000579 Valve	
130	70000582	2	Coil	
130	70000580	2	Nut, Coil	
130	7021363	2	O-Ring, Pole Tube	
140	70004657	1	Valve, Cartridge (Flow Control)	
140	70004594	1	Seal Kit - 70004657 Valve	
140	70004595	1	Coil	
140	70004596	1	O-Ring, Pole Tube	
140	70004597	1	Nut, Coil	
150	70004598	1	Valve, Cartridge Less Coil (Steer Dump)	
150	70004055	1	Seal Kit - 70004698 Valve	
155	70004653	2	Coil	
155	70004051	2	Nut, Coil	
160	70023859	5	Valve, Shuffle Cartridge	
160	70023860	5	Seal Kit - 70023859 Valve	
170	7018992	1	Valve Assembly (Upper Lift)	
170	7012773	1	Seal Kit - 7018992 Valve	
170	7018991	2	Coil	
170	7021375	2	Nut, Coil	
170	70004461	2	O-Ring, Pole Tube	
180	70005195	1	Valve Assembly (Front Steer)	
180	7012773	1	Seal Kit - 70005195 Valve	
180	70004463	2	Coil	
180	7021375	2	Nut, Coil	
180	70004461	2	O-Ring, Pole Tube	
190	70003019	5	Valve, Relief Cartridge	
190	70004052	5	Seal kit - 70003019 Valve	
200	70004665	1	Valve, Check - Cartridge	
200	70023862	1	Seal Kit - 70004665 Valve	
210	70004457	1	Valve, Cartridge Less Coil (Main Dump)	
210	70004050	1	Seal Kit - 70004457 Valve	
220	70004667	1	Cover	
230	70005196	1	Orifice .118	
240	70005197	1	Plug (2WS)	
240	70004052	1	Seal Kit - 70004670 Plug	
250	70005198	1	Valve Assembly (Swing)	
250	7012773	1	Seal Kit - 70005198 Valve	
250	70004463	2	Coil	
250	7021375	2	Nut, Coil	
250	70004461	2	O-Ring, Pole Tube	

SECTION 2 - TURNTABLE

ITEM	PART NUMBER	QTY	DESCRIPTION	REV
700	70004671	1	Valve Assembly (Rear Steer) (4WS Only)	
700	70004673	2	Coil	
720	See Note	NLA	Valve Assembly (Rear Steer) (4WS Only) (Note: Not Available for Purchase)	
730	70003019	2	Valve, Pressure Relief Cartridge	
730	70004052	2	Seal Kit - 70003019 Valve	
740	70005232	4	Capscrew (4WS Only)	
801	70005199	2	Plug	
802	70005200	4	Plug	
805	70005201	3	Capscrew	
806	7018942	20	Capscrew	
807	7018951	4	Capscrew	
808	70005202	2	O-Ring	
809	91474405	2	O-Ring (4WS Only)	
810	70021202	1	Bolt Kit (4WS Only)	

SECTION 2 - TURNTABLE

FIGURE 2-4. MAIN VALVE ASSEMBLY (SN 0300238224 through 0300272376)



SECTION 2 - TURNTABLE

FIGURE 2-4. MAIN VALVE ASSEMBLY (SN 0300238224 through 0300272376)

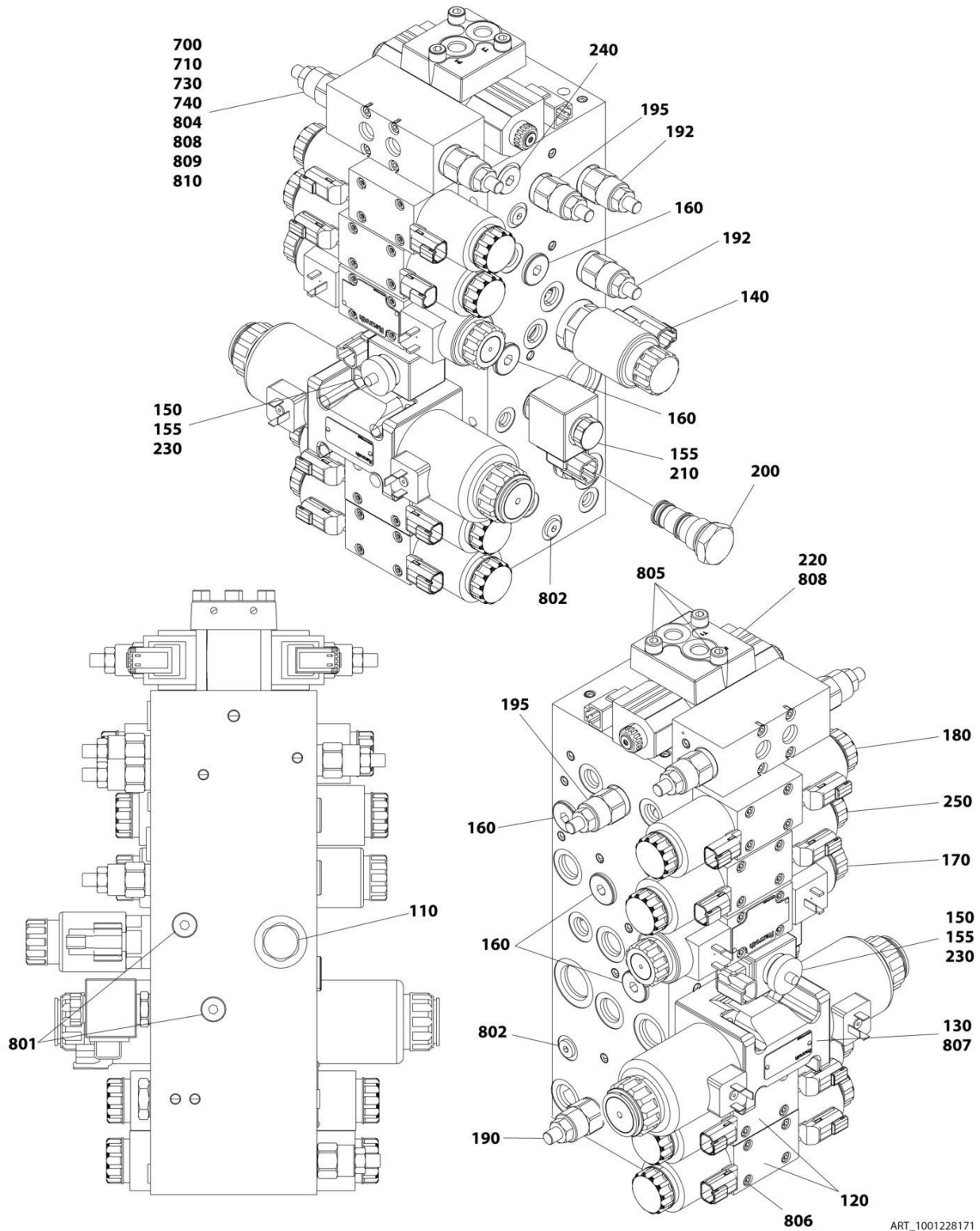
ITEM	PART NUMBER	QTY	DESCRIPTION	REV
	1001228170	Ref	MAIN VALVE ASSEMBLY	C
110	70005194	1	Valve, Check Cartridge	
110	70004584	1	Seal Kit - 70005194 Valve	
120	70004459	2	Valve Assembly (Tower Tele and Tower Lift)	
120	7012773	2	Seal Kit - 70004459 Valve	
120	70004460	4	Coil	
120	7021375	4	Nut, Coil	
120	70004461	4	O-Ring, Pole Tube	
130	70006955	1	Valve Assembly (Upper Tele)	
130	70006957	1	Seal Kit - 70006955 Valve	
130	70006956	2	Coil	
140	70004657	1	Valve, Cartridge (Flow Control)	
140	70004594	1	Seal Kit - 70004657 Valve	
140	70004595	1	Coil	
140	70004596	1	O-Ring, Pole Tube	
140	70004597	1	Nut, Coil	
150	70004598	1	Valve, Cartridge Less Coil (Steer Dump)	
150	70004055	1	Seal Kit - 70004598 Valve	
155	70004653	2	Coil	
155	70004051	2	Nut, Coil	
160	70023859	5	Valve, Shuffle Cartridge	
160	70023860	5	Seal Kit - 70023859 Valve	
170	7018992	1	Valve Assembly (Upper Lift)	
170	7024021	1	Seal Kit - 7018992 Valve	
170	7018991	2	Coil	
170	7021375	2	Nut, Coil	
170	70004461	2	O-Ring, Pole Tube	
180	70005195	1	Valve Assembly (Front Steer)	
180	7012773	1	Seal Kit - 70005195 Valve	
180	70004463	2	Coil	
180	7021375	2	Nut, Coil	
180	70004461	2	O-Ring, Pole Tube	
190	70003019	1	Valve, Relief Catridge (was PN 70006959)	
190	See Note	NSS	Seal Kit - Valve (Note: Not Available for Purchase)	
192	70003019	1	Valve, Relief Catridge (was PN 70006960)	
192	See Note	NSS	Seal Kit - Valve (Note: Not Available for Purchase)	
195	70003019	1	Valve, Relief Catridge (was PN 70006958)	
195	See Note	NSS	Seal Kit - Valve (Note: Not Available for Purchase)	
200	70004665	1	Valve, Check - Catridge	
200	70023862	1	Seal Kit - 70004665 Valve	
210	70004457	1	Valve, Cartridge Less Coil (Main Dump)	
210	70004050	1	Seal Kit - 70004665 Valve	
210	70004653	1	Coil	
220	70004667	1	Cover	
230	70005196	1	Orifice .118	
240	70005197	1	Plug (2WS)	
240	70004052	1	Seal Kit - 70005197 Plug	
250	70005198	1	Valve Assembly (Swing)	
250	70006961	1	Seal Kit - 70005198 Valve	
250	70004463	2	Coil	

SECTION 2 - TURNTABLE

ITEM	PART NUMBER	QTY	DESCRIPTION	REV
250	7021375	2	Nut, Coil	
250	70004461	2	O-Ring, Pole Tube	
801	70005199	2	Plug	
802	70005200	4	Plug	
805	70005201	3	Capscrew	
806	7018942	20	Capscrew	
807	7018951	4	Capscrew	
808	70005202	2	O-Ring	

SECTION 2 - TURNTABLE

FIGURE 2-5. MAIN VALVE ASSEMBLY (SN 0300238224 through 0300272376)



ART_1001228171

SECTION 2 - TURNTABLE

FIGURE 2-5. MAIN VALVE ASSEMBLY (SN 0300238224 through 0300272376)

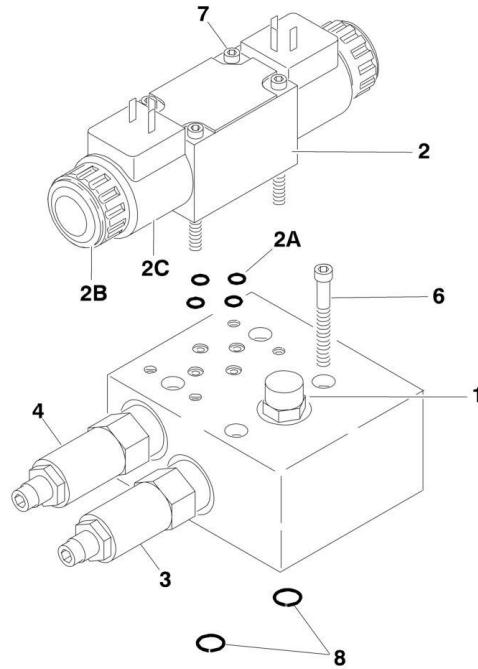
ITEM	PART NUMBER	QTY	DESCRIPTION	REV
	1001228171	Ref	MAIN VALVE ASSEMBLY	C
110	70005194	1	Valve, Check Cartridge	
110	70004584	1	Seal Kit - 70005194 Valve	
120	70004459	2	Valve Assembly (Tower Tele and Tower Lift)	
120	7012773	2	Seal Kit - 70004459 Valve	
120	70004460	4	Coil	
120	7021375	4	Nut, Coil	
120	70004461	4	O-Ring, Pole Tube	
130	70006955	1	Valve Assembly (Upper Tele)	
130	70006957	1	Seal Kit - 70006955 Valve	
130	70006956	2	Coil	
140	70004657	1	Valve, Cartridge (Flow Control)	
140	70004594	1	Seal Kit - 70004657 Valve	
140	70004595	1	Coil	
140	70004596	1	O-Ring, Pole Tube	
140	70004597	1	Nut, Coil	
150	70004598	1	Valve, Cartridge Less Coil (Steer Dump)	
150	70004055	1	Seal Kit - 70004598 Valve	
155	70004653	2	Coil	
155	70004051	2	Nut, Coil	
160	70023859	5	Valve, Shuffle Cartridge	
160	70023860	5	Seal Kit - 70023859 Valve	
170	7018992	1	Valve Assembly (Upper Lift)	
170	7024021	1	Seal Kit - 7018992 Valve	
170	7018991	2	Coil	
170	7021375	2	Nut, Coil	
170	70004461	2	O-Ring, Pole Tube	
180	70005195	1	Valve Assembly (Front Steer)	
180	7012773	1	Seal Kit - 70005195 Valve	
180	70004463	2	Coil	
180	7021375	2	Nut, Coil	
180	70004461	2	O-Ring, Pole Tube	
190	70006959	1	Valve, Relief Cartridge	
190	See Note	NSS	Seal Kit - 70006959 Valve (Note: Not Available for Purchase)	
192	70006960	2	Valve, Relief Cartridge	
192	See Note	NSS	Seal Kit - 70006960 Valve (Note: Not Available for Purchase)	
195	70006962	2	Valve, Relief Cartridge	
195	See Note	NSS	Seal Kit - 70006958 Valve (Note: Not Available for Purchase)	
200	70004665	1	Valve, Check - Cartridge	
200	70023862	1	Seal Kit - 70004665 Valve	
210	70004457	1	Valve, Cartridge Less Coil (Main Dump)	
210	70004050	1	Seal Kit - 70004665 Valve	
210	70004653	1	Coil	
220	70004667	1	Cover	
230	70005196	1	Orifice .118	
240	70004670	1	Blocking Plug	
250	70005198	1	Valve Assembly (Swing)	
250	70006961	1	Seal Kit - 70005198 Valve	
250	70004463	2	Coil	
250	7021375	2	Nut, Coil	

SECTION 2 - TURNTABLE

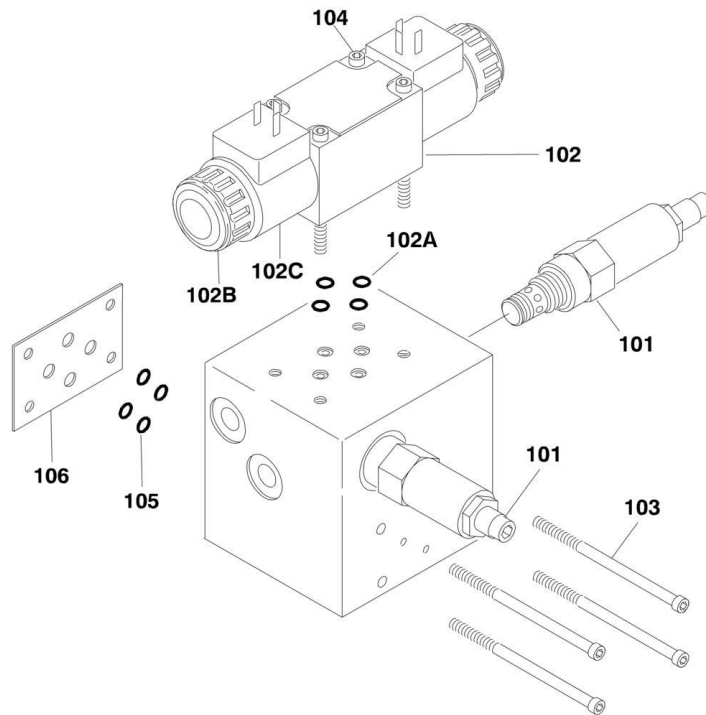
ITEM	PART NUMBER	QTY	DESCRIPTION	REV
250	70004461	2	O-Ring, Pole Tube	
700	70004671	1	Valve Assembly (Rear Steer)	
710	70004673	2	Coil	
730	70006963	2	Valve, Relief Cartridge	
740	70005232	4	Capscrew	
801	70005199	2	Plug	
802	70005200	4	Plug	
805	70005201	3	Capscrew	
806	7018942	20	Capscrew	
807	7018951	4	Capscrew	
808	70005202	2	O-Ring	
809	91474405	2	O-Ring	
810	70021202	1	Bolt Kit	

SECTION 2 - TURNTABLE

FIGURE 2-6. ACCESSORY VALVE ASSEMBLY



**NOTE: TORQUE ITEMS 6, 7, 103 & 104
TO 60 IN/LBS.**



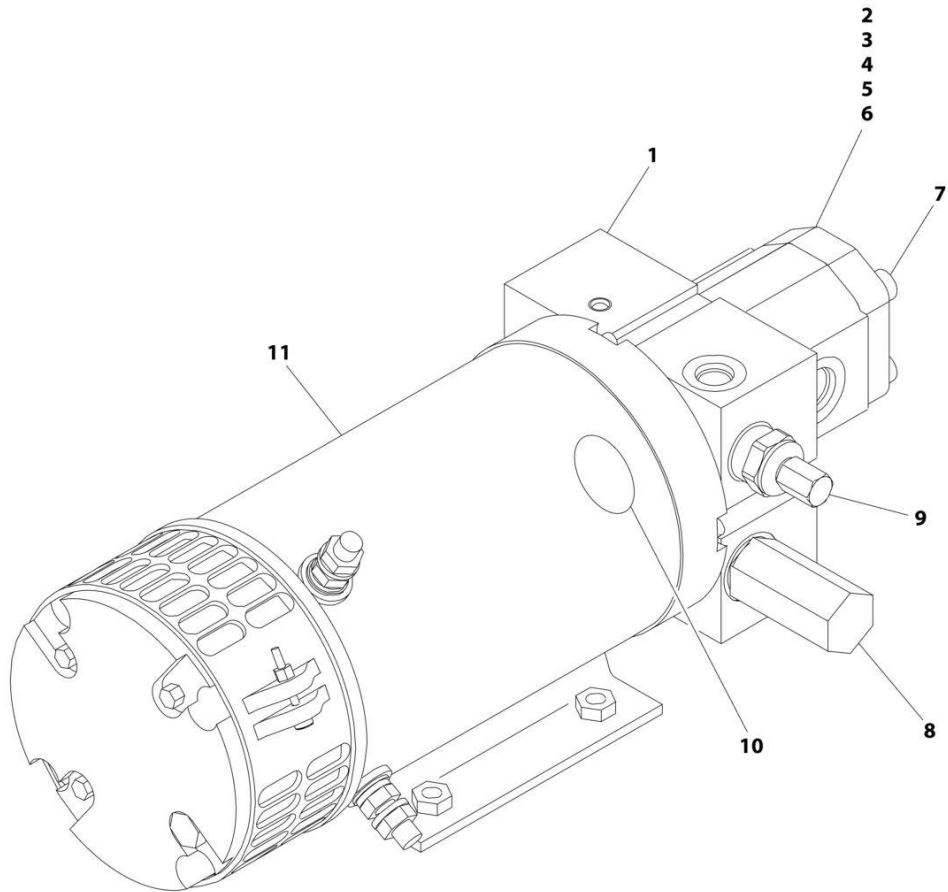
SECTION 2 - TURNTABLE

FIGURE 2-6. ACCESSORY VALVE ASSEMBLY

ITEM	PART NUMBER	QTY	DESCRIPTION	REV
		Ref	ACCESSORY VALVE ASSEMBLIES	
	4640921	Ref	ARTICULATING JIB VALVE ASSEMBLY (SN 0300183034 through 0300194139)	D
1	7012965	1	Cartridge, Flow Control	
1	7012953	1	Seal Kit - 7012965 Cartridge	
2	70001976	1	Directional Control Valve Assembly	
2	7012773	1	Seal Kit	
2A	7018945	4	O-Ring	
2B	7018912	2	Nut	
2C	7012772	2	Coil	
3	7017421	1	Cartridge, Relief	
3	7012998	1	Seal Kit - 7017421 Cartridge	
4	7017422	1	Cartridge, Relief	
4	7012998	1	Seal Kit - 7017422 Cartridge	
5	4460499	2	Connector, DIN with Diode (Not Shown - Part of Valve Harness)	
6	7012777	4	Capscrew 5/16-18 x 2-1/4 (Used to Mount Valve Assembly)	
7	7018942	4	Capscrew #10-24 x 2	
8	7012776	2	O-Ring (Used to Mount Main Valve)	
		Ref	4WS VALVE ASSEMBLY OPTIONS:	
	4640922	Ref	4WS Valve Assembly (SN 0300183034 through 0300194139)	B
101	7017420	1	Cartridge, Relief	
101	7012998	1	Seal Kit - 7017420 Cartridge	
102	7012774	1	Directional Control Valve Assembly	
102	7012773	1	Seal Kit	
102A	7018945	4	O-Ring	
102B	7018912	2	Nut	
102C	7012772	2	Coil	
103	7018946	4	Capscrew #10-24 x 5 (Used to Mount Main Valve)	
104	7018942	4	Capscrew #10-24 x 2	
105	7018948	4	O-Ring (Used to Mount Main Valve)	
106	7018947	1	Plate, O-Ring	

SECTION 2 - TURNTABLE

FIGURE 2-7. AUXILIARY PUMP ASSEMBLY



ART_1001137460

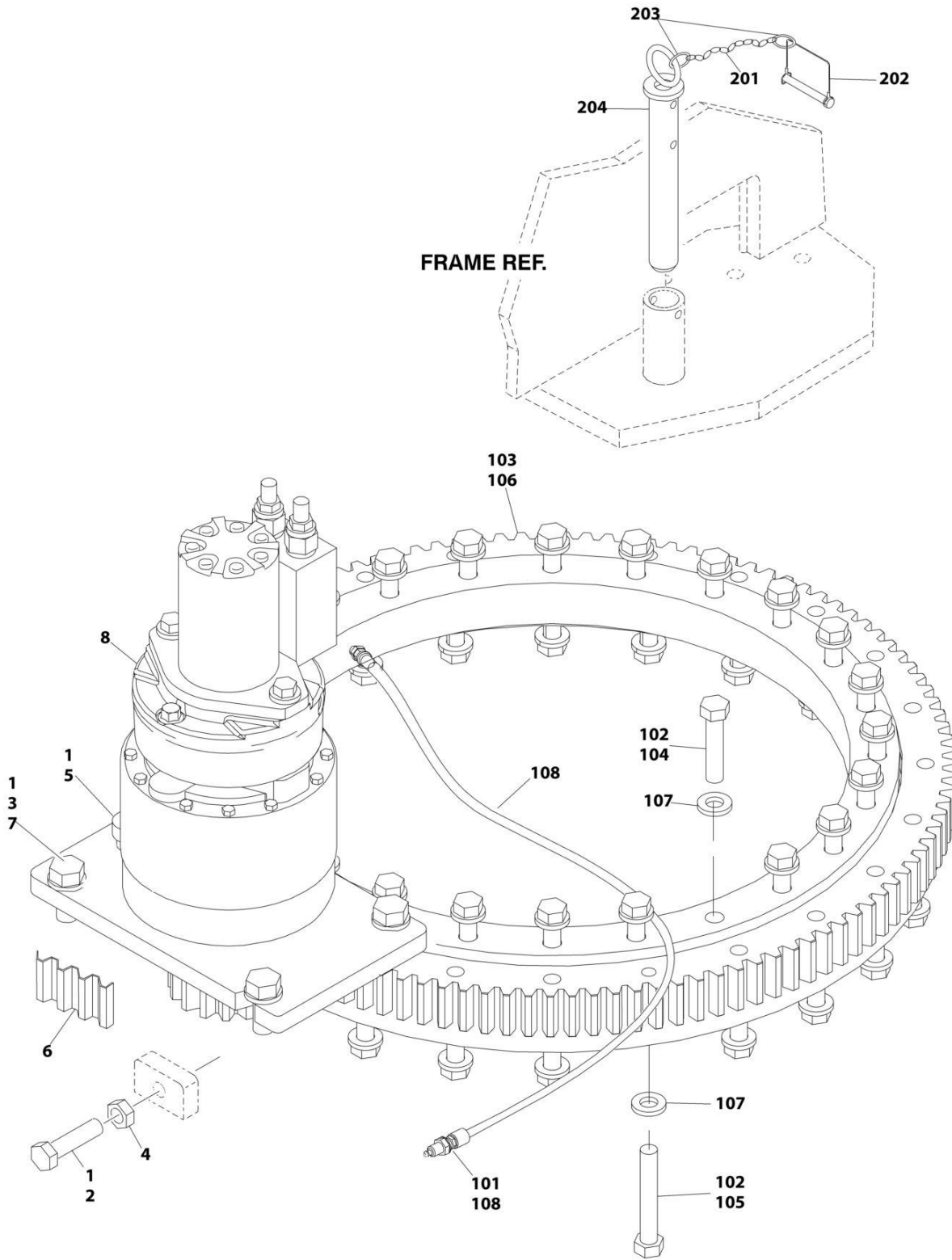
SECTION 2 - TURNTABLE

FIGURE 2-7. AUXILIARY PUMP ASSEMBLY

ITEM	PART NUMBER	QTY	DESCRIPTION	REV
	1001137460	Ref	AUXILIARY PUMP ASSEMBLY	A
1	70004125	1	Base Assembly	
1	70003993	1	Seal, Shaft	
2	See Note	NSS	Pin, Dowel (Note: Use Item 1)	
3	See Note	NSS	O-Ring (Note: Use Item 1)	
4	See Note	NSS	Pump (Note: Use Item 1)	
5	See Note	NSS	O-Ring (Note: Use Item 1)	
6	See Note	NSS	Cover, Rear (Note: Use Item 1)	
7	See Note	NSS	Screw (Note: Use Item 1)	
8	70003989	1	Valve, Logic	
9	See Note	1	Valve, Relief (Note: Use Item 1)	
10	See Note	1	Shaft, Intermediate (Note: Use Item 1)	
11	70003992	1	Motor	

SECTION 2 - TURNTABLE

FIGURE 2-8. TURNTABLE BEARING AND SWING DRIVE INSTALLATION



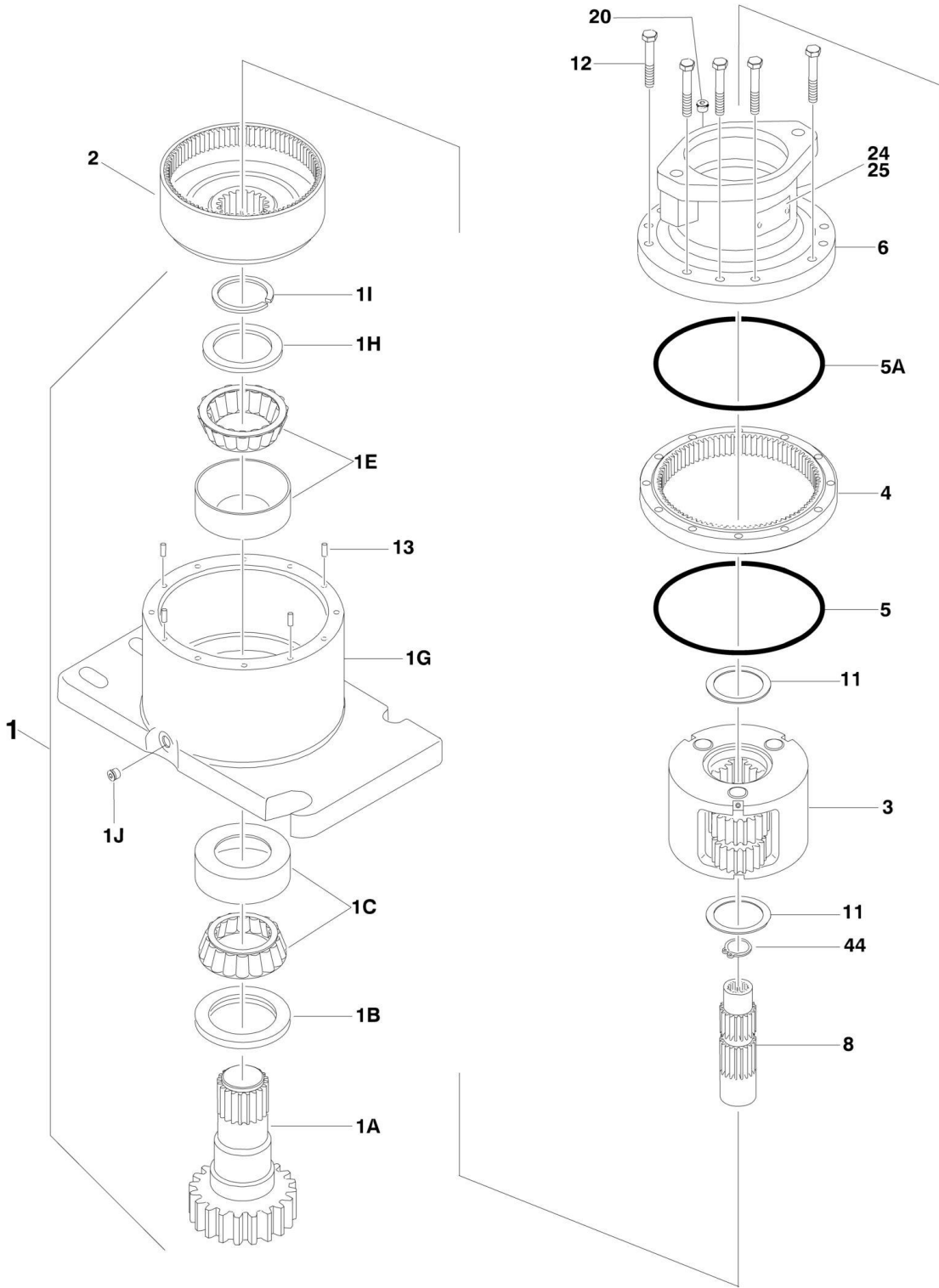
SECTION 2 - TURNTABLE

FIGURE 2-8. TURNTABLE BEARING AND SWING DRIVE INSTALLATION

ITEM	PART NUMBER	QTY	DESCRIPTION	REV
	1001156136	Ref	SWING DRIVE INSTALLATION	B
1	0100019	AR	Compound, Locking	
2	3952020	1	Bolt 5/8 x 2 1/2	
3	0682216	4	Bolt 3/4 -10 x 2 Grade 8	
4	3312002	1	Nut 5/8 - 11	
5	3900293	1	Screw 1 x 1-1/4	
6	1001125492	1	Shim	
7	4740057	4	Washer	
8	1001101060	1	Motor, Swing Assembly (See SWING MOTOR/HUB ASSEMBLY for Breakdown) (Prior to SN 0300270085)	
8	1001229810	1	Motor, Swing Assembly (See SWING MOTOR/HUB ASSEMBLY for Breakdown) (SN 0300270085 to Present)	
	1001157049	Ref	TURNTABLE BEARING INSTALLATION	A
101	0100011	AR	Compound, Locking	
102	0100019	AR	Compound, Locking	
103	0440244	1	Bearing, Turntable	
104	0682023	24	Bolt 5/8 -11 x 2-7/8 Grade 8	
105	0682032	24	Bolt 5/8-11 x 4 Grade 8	
106	3020029	AR	Lubricant	
107	4892000	48	Washer 5/8	
108	1001157058	1	Hose	
150	2915094	1	TURNTABLE BEARING KIT	
	1001156798	Ref	TURNTABLE LOCK INSTALLATION	A
201	1260017	9 in/23cm	Chain	
202	3421565	1	Pin, Snap	
203	3760170	2	Ring, Quick Release	
204	4844958	1	Pin	

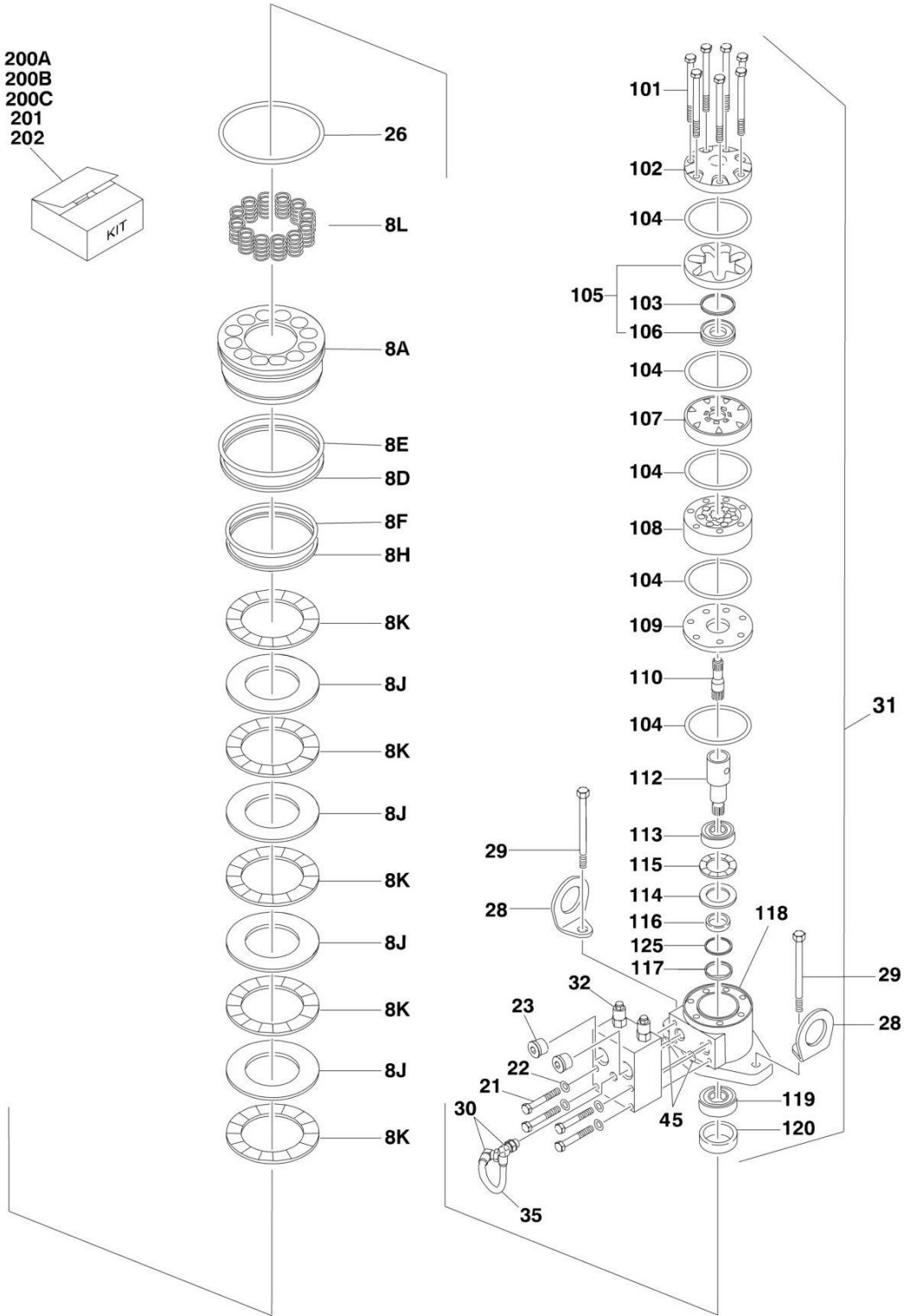
SECTION 2 - TURNTABLE

FIGURE 2-9. SWING MOTOR/HUB ASSEMBLY (Prior to SN 0300270085)



SECTION 2 - TURNTABLE

200A
200B
200C
201
202



SECTION 2 - TURNTABLE

FIGURE 2-9. SWING MOTOR/HUB ASSEMBLY (Prior to SN 0300270085)

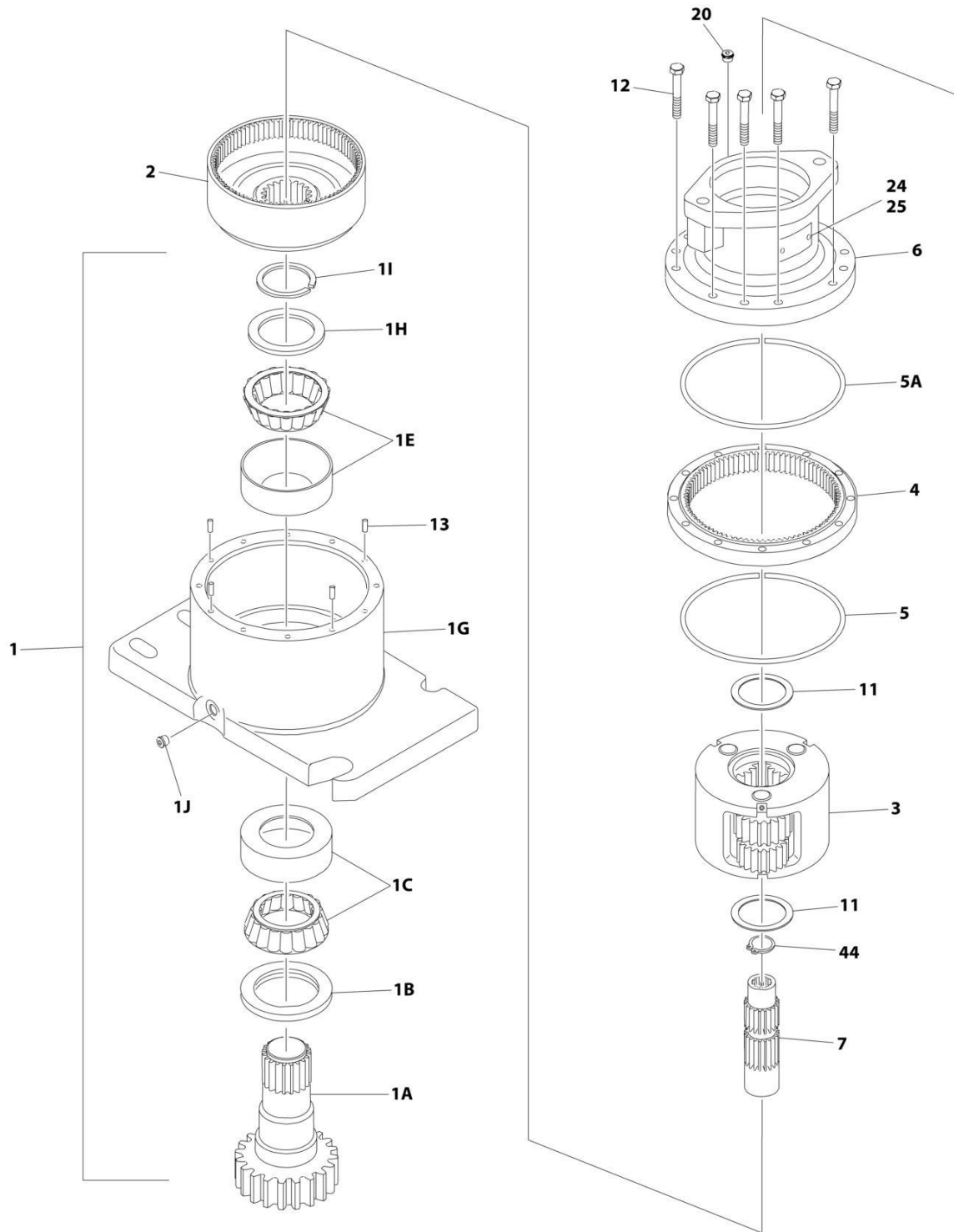
ITEM	PART NUMBER	QTY	DESCRIPTION	REV
	1001101060	Ref	SWING MOTOR/HUB ASSEMBLY	A
1	See Note	1	Housing/Shaft Assembly (Note: Not Available - Purchase Individual Components)	
1A	7010492	1	Shaft, Output	
1B	7000228	1	Seal, Lip	
1C	7000255	1	Bearing Kit (Includes Cup and Cone)	
1E	7000257	1	Bearing Kit (Includes Cup and Cone)	
1G	7024762	1	Housing	
1H	7007633	1	Washer, Thrust	
1I	7000229	1	Ring, Retaining	
1J	7017072	1	Plug, Pipe	
2	7000246	1	Gear, Internal	
3	80424002	1	Carrier Assembly	
4	7000248	1	Gear, Ring	
5	7000230	1	O-Ring	
5A	7017070	1	O-Ring	
6	See Note	1	Housing, Brake (Note: Not Available - Purchase Complete Assembly)	
8	70002065	1	Gear, Sun	
8A	70000782	1	Piston	
8D	70002070	1	O-Ring	
8E	70002071	1	Ring, Back-up	
8F	70002073	1	O-Ring	
8H	70002072	1	Ring, Back-up	
8J	70002067	4	Disc, Rotor	
8K	70002068	5	Disc, Stator	
8L	70002066	14	Spring	
11	7000253	2	Washer, Thrust	
12	7000217	12	Bolt 3/8-16 x 2-1/4 Grade 8	
13	7017080	4	Pin, Dowel	
20	7017072	1	Plug, Pipe	
21	7024704	4	Bolt 5/16-18 x 2 Grade 8	
22	See Note	4	Lockwasher (Note: Not Available for Purchase)	
23	7017023	2	Plug, Pipe	
24	See Note	1	Plate, ID (Note: Not Available for Purchase)	
25	7000281	2	Screw, Drive	
26	7024763	1	O-Ring	
28	See Note	2	Lug, Lifting (Note: Not Available for Purchase)	
29	70002069	2	Bolt 1/2-13 x 2 Grade 8	
30	7017085	2	Elbow	
31	70002075	1	Motor Assembly (See Items 101-125 for Breakdown)	
32	7024784	1	Valve Assembly - Complete (No Serviceable Parts)	
35	70002074	1	Tube	
44	7017028	1	Ring, Internal Retaining	
45	7000213	2	O-Ring	
	70002075	Ref	MOTOR ASSEMBLY	
101	7024454	5	Bolt	
102	7004035	1	Cover, End	
103	7023318	1	Seal, Commutator	
104	7004036	5	Seal, Ring	

SECTION 2 - TURNTABLE

ITEM	PART NUMBER	QTY	DESCRIPTION	REV
105	7024453	1	Commutator and Ring Assembly	
106	See Note	1	Ring (Note: Use p/n 7024453)	
107	7024379	1	Manifold	
108	7024455	1	Rotor Set	
109	7024380	1	Plate, Wear	
110	7024456	1	Link, Drive	
112	7024458	1	Shaft, Coupling	
113	7024381	1	Bearing, Inner	
114	7004043	1	Washer, Thrust	
115	7004044	1	Bearing, Thrust	
116	7004049	1	Seal, Inner	
117	7004045	1	Washer, Back-up	
118	7024457	1	Housing	
119	7024390	1	Bearing, Outer	
120	7004047	1	Seal	
125	80424043	1	Washer, Back-up	
		Ref	KIT OPTIONS:	
200A	7024100	1	Kit - Swing Hub (Includes Items 1B, 1I, 5, 5A & 11)	
200A	70006437	1	Kit - Swing Hub (Includes Items 1B, 1I, 5, 5A, 12 & 26)	
200B	70002086	1	Kit - Swing Brake (Includes Items 8D, 8E, 8F, 8H & 26)	
200C	7024396	1	Kit - Swing Motor (Includes Items 103, 104, 116, 117, 120 & 125)	
201	70002085	1	Disc Kit - Swing Brake (Includes Items 8J & 8K)	
202	70006436	1	Bearing & Seal Kit (Includes Items 1B, 1C, 1E, 1I, 5, 5A, 12 & 26)	

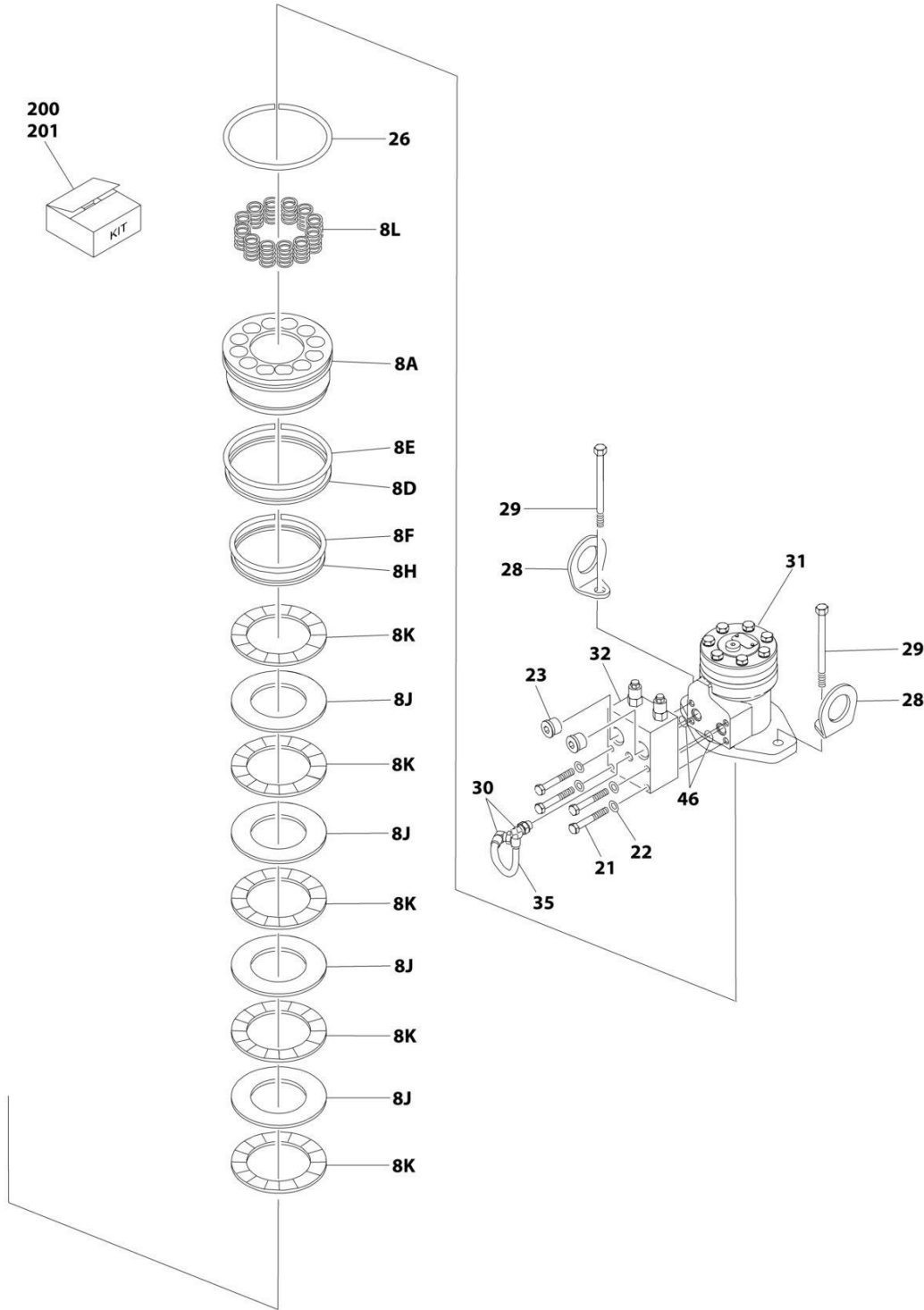
SECTION 2 - TURNTABLE

FIGURE 2-10. SWING MOTOR/HUB ASSEMBLY (SN 0300270085 through 0300272376)



ART_1001229810_10F2

SECTION 2 - TURNTABLE



ART_1001229810_20F2

SECTION 2 - TURNTABLE

FIGURE 2-10. SWING MOTOR/HUB ASSEMBLY (SN 0300270085 through 0300272376)

ITEM	PART NUMBER	QTY	DESCRIPTION	REV
	1001229810	Ref	SWING MOTOR/HUB ASSEMBLY	C
1	See Note	1	Housing/Shaft Assembly (Note: Not Available - Purchase Individual Components)	
1A	7010492	1	Shaft, Output	
1B	7000228	1	Seal, Lip	
1C	7000255	1	Bearing Kit (Includes Cup and Cone)	
1E	7000257	1	Bearing Kit (Includes Cup and Cone)	
1G	7024762	1	Housing	
1H	7007633	1	Washer, Thrust	
1I	7000229	1	Ring, Retaining	
1J	7017072	1	Plug, Pipe	
2	7000246	1	Gear, Internal	
3	7000247	1	Carrier Assembly	
4	7000248	1	Gear, Ring	
5	7000230	1	O-Ring	
5A	7017070	1	O-Ring	
6	1001229810	NSS	Housing, Brake (Note: Not Available - Purchase Complete Assembly)	
7	70005203	1	Gear, Sun	
8A	70004037	1	Piston	
8D	70004041	1	O-Ring	
8E	70004044	1	Ring, Back-up	
8F	70004042	1	O-Ring	
8H	70004043	1	Ring, Back-up	
8J	70002085	4	Disc, Rotor	
8K	70002085	5	Disc, Stator	
8L	70002066	14	Spring	
11	7000253	2	Washer, Thrust	
12	7000217	12	Bolt 3/8 x 2-1/4 Grade 8	
13	7017080	4	Pin, Dowel	
20	7017072	1	Plug, Pipe	
21	7024704	4	Bolt 5/16 x 2 Grade 8	
22	70004045	4	Washer	
23	7017023	2	Plug, Pipe	
24	See Note	NSS	Plate, ID (Note: Not Available for Purchase)	
25	See Note	NSS	Rivet (Note: Not Available for Purchase)	
26	7024763	1	O-Ring	
28	See Note	NSS	Lug, Lifting (Note: Not Available for Purchase)	
29	70004040	2	Bolt 1/2 x 1 (Grade 8)	
30	7017085	2	Elbow	
31	70006304	1	Motor Assembly	
32	7024784	1	Valve Assembly - Complete (No Serviceable Parts)	
35	70004047	1	Tube	
44	7017028	1	Ring, Internal Retaining	
45	7000213	2	O-Ring	
		Ref	KIT OPTIONS:	
200	7024100	1	Seal Kit - Swing Hub (Includes Items 1B, 1I, 5, 5A & 11)	
201	70002085	1	Disc Kit - Swing Brake (Includes Items 8J & 8K)	

SECTION 2 - TURNTABLE

FIGURE 2-11. DEUTZ D2011 ENGINE INSTALLATION

ITEM	PART NUMBER	QTY	DESCRIPTION	REV
	1001154238	Ref	DEUTZ D2011 ENGINE INSTALLATION WITHOUT ARCTIC PACKAGE (ALL SPECS EXCEPT CE SPEC)	F
	1001160967	Ref	DEUTZ D2011 ENGINE INSTALLATION WITHOUT ARCTIC PACKAGE (CE SPEC ONLY) (SN 0300183034 through 0300199946)	B
	1001154238	Ref	DEUTZ D2011 ENGINE INSTALLATION WITHOUT ARCTIC PACKAGE (CE SPEC ONLY) (SN 0300199947 through 0300272376)	E
	1001154239	Ref	DEUTZ D2011 ENGINE INSTALLATION WITH ARCTIC PACKAGE (ALL SPECS) (SN 0300183034 through 0300196955)	E
	1001178178	Ref	DEUTZ D2011 ENGINE INSTALLATION WITH ARCTIC PACKAGE (ALL SPECS) (SN 0300196956 through 0300272376)	E
1	0100011	AR	Compound, Locking	
2	0100020	AR	Sealant, Pipe	
3	0400075	1	Battery (SN 0300183034 through 0300259888)	
4	0641410	4	Bolt 1/4-20 x 1-1/4	
5	0641508	1	Bolt 5/16-18 x 1	
6	0641610	3	Bolt 3/8-16 x 1-1/4	
7	0641808	2	Bolt 1/2-13 x 1	
8	0642010	1	Bolt 5/8-11 x 1-1/4	
9	0681608	3	Bolt 3/8-16 x 1 Grade 8	
10	1060637	1	Cable, Lanyard	
11	1320022	5	Clamp, Hose	
12	1320176	1	Clamp	
13	1321339	1	Clamp	
14	1701505	1	Decal - Diesel (Not Shown - Located on Hood)	
15	2180348	1	Fitting, Straight NPT/Barbed	
16	2220313	1	Fitting, 90 NPT/Barbed	
17	2221176	1	Fitting, 90 NPT/Barbed	
18	2720058	30 ft/9m	Hose	
19	2750532	6 ft/1.8m	Hose	
20	3311605	2	Locknut 3/8-16	
21	3311801	1	Nut 1/2-13	
22	3422446	1	Pin, Pivot	
23	3841143	1	Pin, Keeper	
24	3960548	5 ft/1.5m	Seal	
25	4711400	AR	Washer 1/4	
26	4751500	2	Washer 5/16 (SN 0300183034 through 0300259888)	
27	4751600	1	Washer 3/8	
28	4751800	1	Washer 1/2	
29	4752000	1	Washer 5/8	
30	88521205	1	Nut 5/16-18 (SN 0300183034 through 0300259888)	
31	91401281	1	Hold-down, Battery (SN 0300183034 through 0300259888)	
32	1001093382	2	Bolt, Battery Hold-down (SN 0300183034 through 0300259888)	
33	1001101600	1	Tube, Exhaust	
34	1001162497	1	Bracket	
35	1001151070	1	Plate	
37	1001155143	1	Kit, Battery Cable	C
37A	7027092	1	Cable, Battery (Black) (Battery - to Tray Pivot and Relay Grd)	
37B	8270147	1	Terminal, Battery (With Boot) Cable, Battery (Black)	
37C	7027093	1	Cable, Battery (Black) (Battery - to Aux Pump Ground)	

SECTION 2 - TURNTABLE

ITEM	PART NUMBER	QTY	DESCRIPTION	REV
37D	7027053	1	Cable, Battery (Black) (Engine to Tray Pivot Grd)	
37E	7027094	1	Cable (Red) (Battery + to Relays/Starter)	
37F	7027095	1	Cable (Red) (Aux Relay to Aux Pump)	
38	4922737	1	Harness, Engine Ground	
39	0641409	1	Bolt 1/4 x 1-1/8	
40	1320224	1	Clamp	
41	3311405	1	Nut 1/4	
42	1001110425	1	Spacer	
49	1704972	1	Decal - Warning Explosion/Fire (ANSI Spec)	
49	1706098	1	Decal - Warning Explosion/Fire (Australian and CE Spec)	
49	1706059	1	Decal - Warning Explosion/Fire (Brazilian Spec)	
49	1706060	1	Decal - Warning Explosion/Fire (Chinese Spec)	
49	1706064	1	Decal - Warning Explosion/Fire (CSA Spec)	
49	1706062	1	Decal - Warning Explosion/Fire (Japanese Spec)	
49	1706061	1	Decal - Warning Explosion/Fire (Korean Spec)	
49	1706063	1	Decal - Warning Explosion/Fire (Spanish Language)	
50		Ref	Note: Arctic Package Items 50-60 Not Shown - Used on Arctic Machines Only	
50	1060625	1	Cable, Immersion Heater (Located on bottom of Hydraulic Oil Tank) (SN 0300183034 through 0300185002)	
51	1060626	1	Cord, 3 Way Extension (Located on Left Front of Engine)	
52	1320223	2	Clamp	
53	1702941	1	Decal - Battery Heater (Located on Battery Heater)	
54	1702942	1	Decal - Engine Block Heater (Located on Right Side of Engine)	
55	1702943	1	Decal - Hydraulic Tank Heater (Located on bottom of Hydraulic Oil Tank)	
56	1702944	1	Decal - Heater Cord (Located on Left Front of Engine)	
57	2580024	1	Heater, Battery (Located on Battery)	
58	2580050	1	Heater, Hydraulic Tank (Located on bottom of Hydraulic Oil Tank) (SN 0300183034 through 0300207789)	
58	1001188972	1	Heater, Hydraulic Tank (Located on bottom of Hydraulic Oil Tank) (SN 0300207790 through 0300272376)	
59	3980007	1	Seat, Battery	
60	1001150918	1	Cord, 8ft Extension (Located near Battery)	
61	1001218572	2	Cap, Vinyl (SN 0300232933 through 0300272376)	
	1001154236	Ref	ENGINE AND PUMP ASSEMBLY WITHOUT ARCTIC PACKAGE (ALL SPECS EXCEPT CE SPEC)	D
	1001160966	Ref	ENGINE AND PUMP ASSEMBLY WITHOUT ARCTIC PACKAGE (CE SPEC ONLY) (SN 0300183034 through 0300199946)	B
	1001154236	Ref	ENGINE AND PUMP ASSEMBLY WITHOUT ARCTIC PACKAGE (CE SPEC ONLY) (SN 0300199947 through 0300272376)	D
	1001154237	Ref	ENGINE AND PUMP ASSEMBLY WITH ARCTIC PACKAGE (ALL SPECS)	D
101	0100011	AR	Compound, Locking	
102	0641407	1	Bolt 1/4-20 x 7/8	
103	0641812	4	Bolt 1/2-13 x 1-1/2	
104	3311405	1	Nut 1/4-20	
105	3422532	1	Pin, Hitch	
106	1001142522	1	Hydrostatic Pump Assembly with Fittings (See HYDROSTATIC PUMP ASSEMBLY for Breakdown) (SN 0300183034 through 0300207789)	
106	1001187510	1	Hydrostatic Pump Assembly with Fittings (See HYDROSTATIC PUMP ASSEMBLY for Breakdown) (SN 0300207790 through 03002400878)	

SECTION 2 - TURNTABLE

ITEM	PART NUMBER	QTY	DESCRIPTION	REV
106	1001225745	1	Hydrostatic Pump Assembly with Fittings (See HYDROSTATIC PUMP ASSEMBLY for Breakdown) (SN 0300240879 through 0300272376)	
107	3790044	1	O-Ring	
108	4751400	1	Washer 1/4	
109	4891800	4	Washer 1/2	
110	1001094595	1	Variable Pump Assembly with Fittings (See VARIABLE PUMP ASSEMBLY for Breakdown)	
	1001153396	Ref	ENGINE ASSEMBLY WITHOUT ARCTIC PACKAGE (ALL SPECS EXCEPT CE SPEC)	C
	1001160965	Ref	ENGINE ASSEMBLY WITHOUT ARCTIC PACKAGE (CE SPEC ONLY) (SN 0300183034 through 0300199946)	B
	1001153396	Ref	ENGINE ASSEMBLY WITHOUT ARCTIC PACKAGE (CE SPEC ONLY) (SN 0300199947 through 0300272376)	C
	1001153779	Ref	ENGINE ASSEMBLY WITH ARCTIC PACKAGE (ALL SPECS)	D
201	0100011	AR	Compound, Locking	
202	0100062	AR	Compound, Locking	
203	0641407	8	Bolt 1/4-20 x 7/8	
204	0641410	2	Bolt 1/4-20 x 1-1/4	
205	0641510	2	Bolt 5/16-18 x 1-1/4	
206	0641512	1	Bolt 5/16-18 x 1-1/2	
207	0641606	3	Bolt 3/8-16 x 3/4	
208	0641609	14	Bolt 3/8-16 x 1-1/8	
209	0641610	4	Bolt 3/8-16 x 1-1/4	
210	0641820	2	Bolt 1/2-13 x 2-1/2	
211	0700808	4	Bolt M8 x 16mm	
212	0771414	6	Bolt M14 x 30mm Grade 10.9	
213	0940070	1	Bumper	
214	0961986	2	Bushing, Flanged	
215	1320016	2	Clamp	
216	1320223	4	J-Clip	
217	1703162	2	Decal - Caution Fan Blade	
218	2060025	1	Fan	
219	2220451	2	Fitting, Straight	
220	2720398	2	Hose, Oil Cooler	
221	3020016	AR	Oil, Motor (Without Arctic Package) (Not Shown)	
221	3020044	AR	Oil, Motor (With Arctic Package) (Not Shown)	
222	3200401	3	Mount, Motor	
223	3311405	10	Nut 1/4in-20NC	
224	3311505	3	Nut 5/16in-18NC	
225	3311605	18	Nut 3/8in-16NC	
226	3311805	3	Nut 1/2in-13NC	
227	3520054	2	Plug	
228	3740067	3	Relay	
229	3740080	1	Relay	
230	3960407	1	Gasket, Air Intake	
231	3960468	1	Seal	
232	3960469	1	Seal	
233	4060805	37 in/1m	Flex-Trim	
234	4711400	14	Washer 1/4	
235	4711600	3	Washer 3/8	
236	4740274	3	Washer, Snubbing	
237	4751600	36	Washer 3/8	

SECTION 2 - TURNTABLE

ITEM	PART NUMBER	QTY	DESCRIPTION	REV
238	4791400	6	Washer, Star 1/4	
239	4812200	2	Washer M14	
240	4923379	1	Harness, Glow Plug (See ELECTRICAL SECTION for Breakdown)	
241	1001001939	1	Hose, Flex	
242	1001146273	1	Adapter, Air Intake	
243	1001147812	1	Clamp	
244	1001147813	1	Air Cleaner Assembly Filter Element	
244	70004020	1	Element, Filter (Not Shown)	
245	1001147820	1	Pipe, Exhaust - All Specs except CE Specs	
245	See Note	NSS	Pipe, Exhaust - CE Specs (Note: Part of Muffler - Not Sold Separately)	
246	1001147823	1	Engine, Deutz D2011 All Specs except CE Specs (See Items for 401-428 for Serviced Components)	
246	1001144319	1	Engine, Deutz D2011 CE Specs (See Items for 401-428 for Serviced Components) (SN 0300183034 through 0300199946)	
246	1001147823	1	Engine, Deutz D2011 CE Specs (See Items for 401-428 for Serviced Components) (SN 0300199947 through 0300272376)	
247	1001149704	1	Support, Engine	
248	1001149705	1	Support, Engine	
249	1001149706	1	Support, Engine	
250	1001149793	1	Tray, Engine	
251	1001150915	1	Gusset	
252	1001150998	1	Radiator	
253	1001152459	1	Plate, Air Cleaner Mounting	
254	1001153282	1	Pump Coupling Kit (See Items 301-304 for Breakdown)	
255	1001153414	1	Plate, Radiator Mounting	
256	3200401	2	Mount, Motor - All Specs except CE Specs	
256	3200406	2	Mount, Motor - CE Specs	
280		Ref	Note: Arctic Package Items 280 Not Shown - Used on Arctic Machines Only	
280	2580062	1	Heater, Block (Not Shown - Located in Oil Pan)	
281	1001143390	1	Indicator (SN 0300232933 through 0300272376)	
	1001153282	Ref	PUMP COUPLING KIT	C
301	70004183	1	Coupling, Guardian	
302	See Note	NSS	Plate, Pump Adapter (Note: Use p/n 1001153282)	
303	See Note	8	Capscrew M10 x 20 Grade 10.9 (Note: Not Available - Purchase Locally or Purchase Kit)	
304	See Note	12	Capscrew M10 x 25 Grade 10.9 (Note: Not Available - Purchase Locally or Purchase Kit)	
	1001147823	Ref	ENGINE COMPONENTS (ALL SPECS EXCEPT CE SPEC)	B
	1001144319	Ref	ENGINE COMPONENTS (CE SPEC) (SN 0300183034 through 0300199946)	B
	1001147823	Ref	ENGINE COMPONENTS (CE SPEC) (SN 0300199947 through 0300272376)	B
401	70004287	1	Dipstick - 1001147823 Engine (All Specs except CE Specs)	
401	7026631	1	Dipstick - 1001144319 Engine (CE Specs)	
401	70000044	1	Seal, Dipstick - 1001147823 Engine (All Specs except CE Specs)	
401	7020487	1	Seal, Dipstick - 1001144319 Engine (CE Specs)	
401	70001002	1	Tube, Dipstick - 1001147823 Engine (All Specs except CE Specs)	
401	See Note	1	Tube, Dipstick - 1001144319 Engine (CE Specs) (Note: Not Available for Purchase)	
401	7020403	1	Seal, Dipstick Tube - 1001147823 Engine (All Specs except CE Specs)	

SECTION 2 - TURNTABLE

ITEM	PART NUMBER	QTY	DESCRIPTION	REV
401	See Note	1	Seal, Dipstick Tube - 1001144319 Engine (CE Specs) (Note: Not Available for Purchase)	
402	7020465	2	Cap, Filler	
403	70001850	1	Pump, Oil Lube	
403	7020468	1	Seal Between Oil Pump and Engine Block (Not Shown)	
404	7016331	1	Filter, Oil	
404	70003472	1	Bracket, Oil Filter Mounting (1001147823 Engine Only)	
404	7027236	1	Sensor, Oil Temperature (1001147823 Engine Only)	
404	70025082	1	Ring, Sealing (1001147823 Engine Only)	
405	70000912	4	Pump, Injector - Series A Injector	
405	70000913	4	Pump, Injector - Series B Injector	
405	70000914	4	Pump, Injector - Series C Injector	
405	70000915	4	Pump, Injector - Series D Injector	
405	70003464	4	Seal/Gasket, Pump - 1001147823 Engine (All Specs except CE Specs) (1 per Injector)	
405	See Note	4	Seal/Gasket, Pump - 1001144319 Engine (CE Specs Only) (Note: Not Available for Purchase)	
405	70003478	4	Injector, Fuel - 1001147823 Engine (All Specs except CE Specs)	
405	See Note	4	Injector, Fuel - 1001144319 Engine (CE Specs Only) (Note: Not Available for Purchase)	
405	70003136	4	Seal/Gasket, Injector - 1001147823 Engine (All Specs except CE Specs) (1 per Injector)	
405	See Note	4	Seal/Gasket, Injector - 1001144319 Engine (CE Specs Only) (1 per Injector) (Note: Not Available for Purchase)	
406	7016328	1	Filter, Fuel - 1001147823 Engine (All Specs except CE Specs)	
406	8320270	1	Filter, Fuel - 1001144319 Engine (CE Specs Only)	
406	70003465	1	Sensor - 1001147823 Engine (All Specs except CE Specs)	
406	70001848	1	Sensor - 1001144319 Engine (CE Specs Only)	
406	70003466	2	Seal, Sensor - 1001147823 Engine (All Specs except CE Specs)	
406	70001132	2	Seal, Sensor - 1001144319 Engine (CE Specs Only)	
407	70000916	1	Pump, Fuel Supply	
407	70001435	1	Repair Kit for Fuel Supply Pump	
407	70000919	1	Hand Pump for Fuel Supply Pump	
407	70000917	1	O-Seal Between Fuel Pump and Engine Block	
407	70000918	1	O-Seal Between Fuel Pump and Hand Pump	
408	70001871	4	Gasket, Intake Manifold - 1001147823 Engine (All Specs except CE Specs) (Not Shown)	
408	7020449	4	Gasket, Intake Manifold - 1001144319 Engine (CE Specs Only) (Not Shown)	
409	7020408	1	V-Belt	
410		Ref	Exhaust Manifold Components (Not Shown)	
410	70001835	1	Gasket, Exhaust Adapter to Exhaust Rail	
410	70001841	1	Valve, Exhaust (Fits into Exhaust Adapter)	
410	70001836	1	Gasket, Exhaust Rail to Cylinder Head	
410	70001837	1	Gasket, Exhaust Manifold to Muffler	
410	70001838	2	Gasket, Exhaust Manifold to Engine Block (1001144319 Engine Only)	
410	7020471	4	Gasket, Exhaust Manifold to Engine Block (1001144319 Engine Only)	
410	70001874	1	Restrictor, Choke (Fits between qty 2 of p/n 70001838) (1001144319 Engine Only)	
410	70001839	2	Flange, Sealing (1001144319 Engine Only)	
410	70002200	4	Stud, Mounting - 1001147823 Engine (All Specs except CE Specs)	

SECTION 2 - TURNTABLE

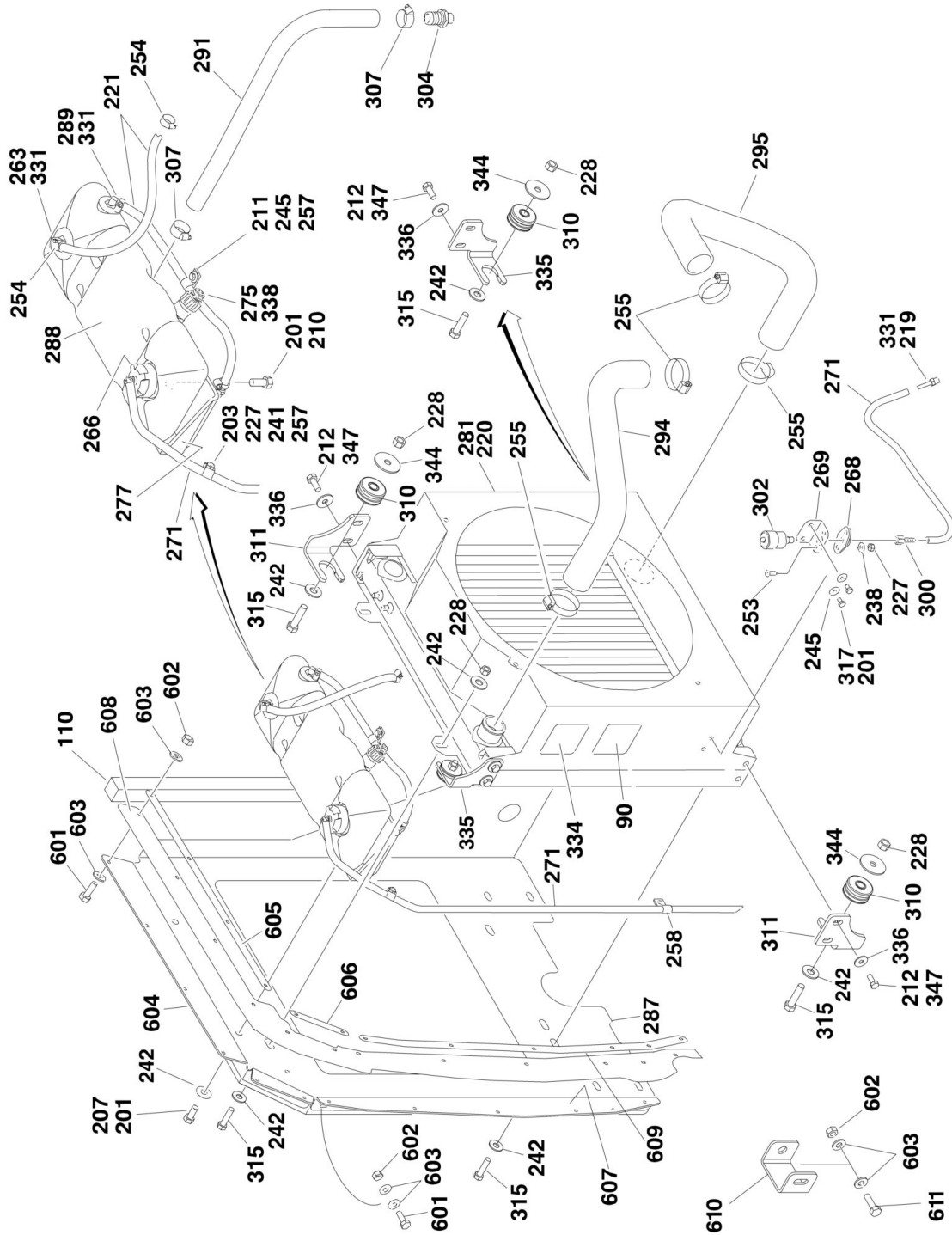
ITEM	PART NUMBER	QTY	DESCRIPTION	REV
410	70004270	4	Stud, Mounting - 1001144319 Engine (CE Specs Only)	
410	See Note	AR	Nut, Exhaust Manifold - 1001147823 Engine (All Specs except CE Specs) (Note: Not Available for Purchase)	
410	70003476	AR	Nut, Exhaust Manifold - 1001144319 Engine (CE Specs Only)	
411	70004056	1	Alternator - 1001147823 Engine (All Specs except CE Specs)	
411	7000663	1	Alternator - 1001144319 Engine (CE Specs Only)	
411	70001868	1	Regulator, Voltage (Not Shown)	
411	70001866	1	Seal, Voltage Regulator (Not Shown)	
411	70002234	1	Bar, Alternator Adjustment	
412	7020479	1	Starter	
412	70004058	1	Relay - 1001147823 Engine (All Specs except CE Specs)	
412	7026608	1	Relay - 1001144319 Engine (CE Specs Only)	
413	70004060	2	Plug-In Connector - 1001147823 Engine (All Specs except CE Specs) (Not Shown)	
413	See Note	2	Plug-In Connector - 1001144319 Engine (CE Specs Only) (Not Shown) (Note: Not Available for Purchase)	
414	7027791	1	Transmitter, Temperature	
415	7027790	1	Sensor, Oil Pressure	
416	70004272	1	Sensor, Speed - 1001147823 Engine (All Specs except CE Specs)	
416	7024565	1	Sensor, Speed - 1001144319 Engine (CE Specs Only)	
417	7027792	1	Throttle Actuator	
417	7027276	2	Springs	
418	70003475	1	Thermostat - 1001147823 Engine (All Specs except CE Specs) (Located at rear of engine block - Not Shown)	
418	7020459	1	Thermostat - 1001144319 Engine (CE Specs Only) (Located at rear of engine block - Not Shown)	
419	70001870	1	Flywheel with Ring Gear	
419	7024579	1	Gear, Ring 110 Tooth	
420	7000695	1	Muffler - 1001147823 Engine (Standard on All Specs except CE Specs)	
420	1001099051	1	Muffler - 1001144319 Engine (Standard on CE Specs Only) (Note: Not Included with Engine - Must be Purchased Separately)	
420	1001101241	1	Catalytic Muffler Option on ANSI Export, Australian, CE and Japanese Specs (SN 0300183034 through 0300243317)	
420	1001099051	1	Spark Arresting Muffler Option on ANSI Export, Australian and CE Specs (SN 0300243318 through 0300272376)	
420	70001844	1	U-Clamp (1001147823 Engine Only)	
420	7020471	1	Gasket (1001147823 Engine Only)	
421	7027795	1	Module, Control	
422	70001181	1	Valve, Pressure Control	
422	70124410	1	Spring	
422	70025082	1	Seal	
422	70124440	1	Screw, Locking	
423	70000345	4	Plug, Glow	
424	70000800	1	Camshaft Pulley Repair Kit (Not Shown) (1001147823 Engine Only)	
425	70001847	1	Breather, Front Cover (Not Shown) (1001144319 Engine Only)	
425	70001126	1	Seal, Front Cover Breather (Not Shown) (1001144319 Engine Only)	
426	70002415	1	Gasket, Head with 1 Notch (Not Shown)	
426	70002416	1	Gasket, Head with 2 Notches (Not Shown)	
426	70002417	1	Gasket, Head with 3 Notches (Not Shown)	
427	7027796	1	Harness, Engine (Connects to Item 421)	
427	70001872	1	Harness, Engine (Connects to p/n 7027796)	

SECTION 2 - TURNTABLE

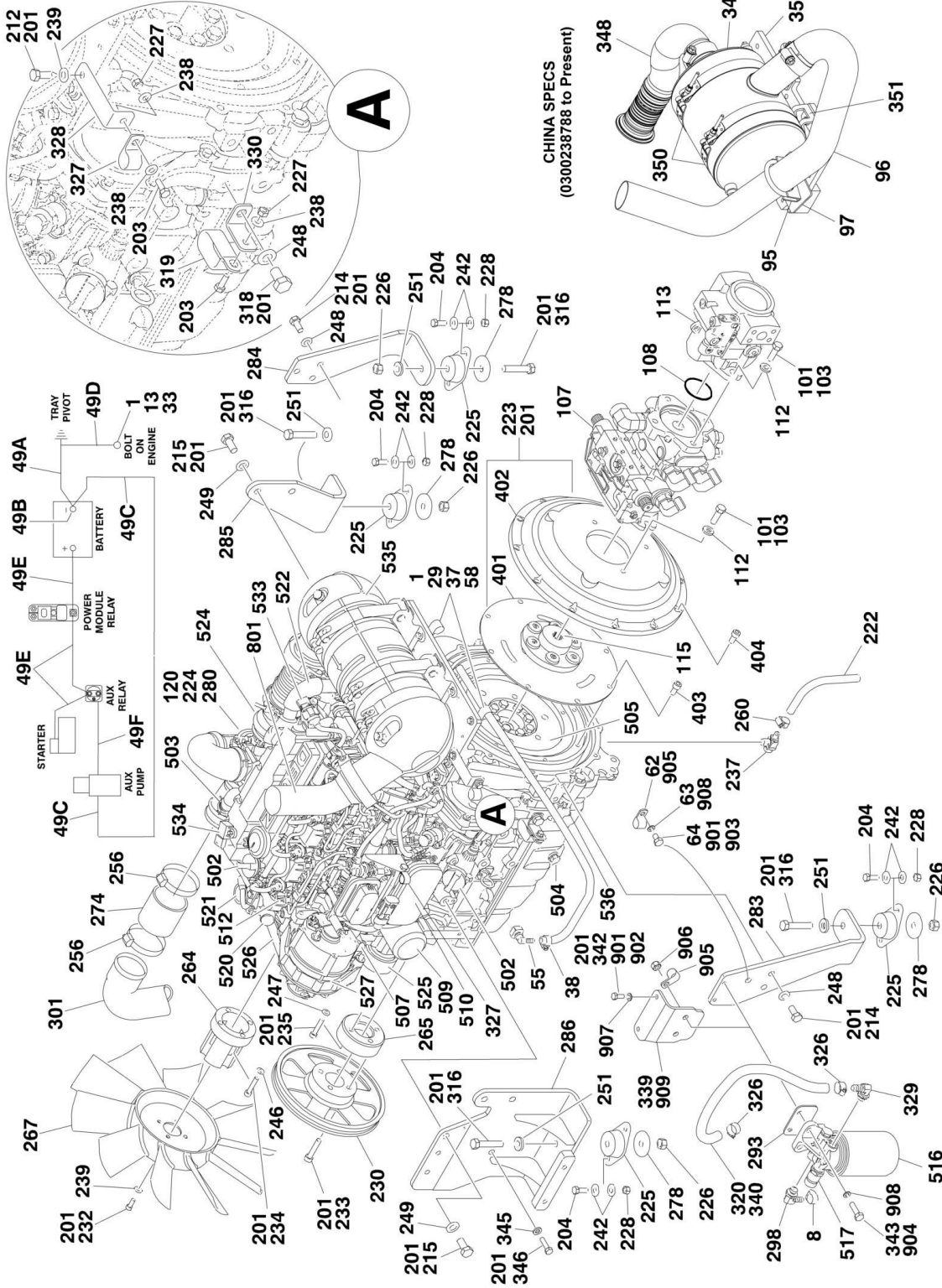
ITEM	PART NUMBER	QTY	DESCRIPTION	REV
428		Ref	Gaskets and Seals - Miscellaneous (Not Shown)	
428	70004289	1	Gasket Set - 1001147823 Engine (All Specs except CE Specs)	
428	See Note	1	Gasket Set - 1001144319 Engine (CE Specs Only) (Note: Not Available for Purchase)	
428	70002718	1	Seal, Rear Main - 1001147823 Engine (All Specs except CE Specs)	
428	See Note	1	Seal, Rear Main - 1001144319 Engine (CE Specs Only) (Note: Not Available for Purchase)	
428	70004280	1	Seal, Front Main - 1001147823 Engine (All Specs except CE Specs)	
428	See Note	1	Seal, Front Main - 1001144319 Engine (CE Specs Only) (Note: Not Available for Purchase)	
429	70025752	1	Valve, Pressure Relief (Not Shown - Located at Engine Front Left)	
429	70025753	1	Spring	
429	70005916	1	Seal	
429	70005917	1	Plug, Locking	
	1001151253	Ref	RIGHT ENGINE SUPPORT INSTALLATION (MACHINES WITHOUT GENERATORS)	A
	1001151252	Ref	RIGHT ENGINE SUPPORT INSTALLATION (MACHINES WITH GENERATORS)	B
501	0100011	AR	Compound, Locking	
502	0641609	2	Bolt 3/8-16 x 1-1/8	
503	0641820	1	Bolt 1/2-13 x 2-1/2	
504	0711414	3	Bolt M14 x 30 Grade 10.9	
505	3200401	1	Mount, Motor	
506	3311605	2	Nut 3/8-16	
507	3311805	1	Nut 1/2-13	
508	4740274	1	Washer, Snubbing	
509	4751600	4	Washer 3/8	
510	4812200	3	Washer M14	
511A	1001149703	1	Support, Engine (Right Front) (Machines without Generator)	
511B	1001150890	1	Support, Engine (Right Front) (Machines with Generator)	

SECTION 2 - TURNTABLE

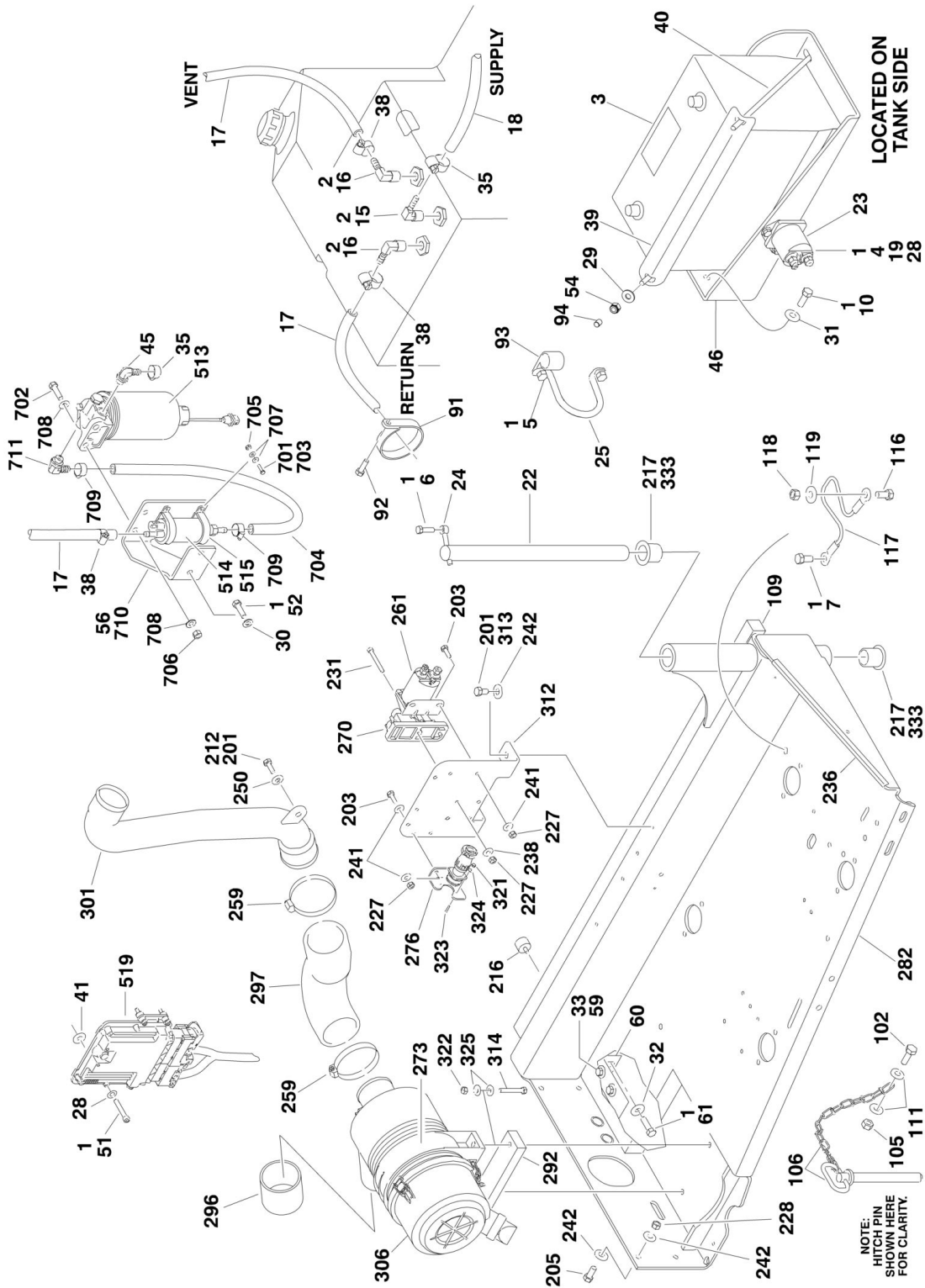
FIGURE 2-12. DEUTZ TD2.9L4 ENGINE INSTALLATION



SECTION 2 - TURNTABLE



SECTION 2 - TURNTABLE



SECTION 2 - TURNTABLE

FIGURE 2-12. DEUTZ TD2.9L4 ENGINE INSTALLATION

ITEM	PART NUMBER	QTY	DESCRIPTION	REV
	1001140414	Ref	DEUTZ ENGINE INSTALLATION WITHOUT ARCTIC PACKAGE (ANSI AND CSA SPECS) (SN 0300183034 through 0300196955)	K
	1001178176	Ref	DEUTZ ENGINE INSTALLATION WITHOUT ARCTIC PACKAGE (ANSI, ANSI EXPORT, CSA, CE, AND JAPANESE SPECS) (SN 0300196956 through 0300227034)	F
	1001185670	Ref	DEUTZ ENGINE INSTALLATION WITHOUT ARCTIC PACKAGE (ANSI, ANSI EXPORT, CSA AND JAPANESE SPECS) (SN 0300227035 through 0300272376)	E
	1001185670	Ref	DEUTZ ENGINE INSTALLATION WITHOUT ARCTIC PACKAGE (CE SPECS) (SN 0300227035 through 0300257466)	D
	1001235491	Ref	DEUTZ 2.9L4 (STAGE V) ENGINE INSTALLATION WITHOUT ARCTIC PACKAGE (CE SPEC) (SN 0300257467 through 0300272376)	C
	1001142855	Ref	DEUTZ ENGINE INSTALLATION WITH ARCTIC PACKAGE (ANSI AND CSA SPECS) (SN 0300183034 through 0300196955)	K
	1001178177	Ref	DEUTZ ENGINE INSTALLATION WITH ARCTIC PACKAGE (ANSI, ANSI EXPORT AND CSA SPECS) (SN 0300196956 through 0300227034)	G
	1001185672	Ref	DEUTZ ENGINE INSTALLATION WITH ARCTIC PACKAGE (ANSI, ANSI EXPORT AND CSA SPECS) (SN 0300227035 through 0300272376)	F
	1001215474	Ref	DEUTZ ENGINE INSTALLATION (CHINA SPEC ONLY) (SN 0300183034 through 0300225843)	A
	1001223783	Ref	DEUTZ ENGINE INSTALLATION (CHINA SPEC) (SN 0300225843 through 0300238787)	B
	1001227616	Ref	DEUTZ ENGINE INSTALLATION (CHINA SPEC) (SN 0300238788 through 0300272376)	C
1	0100011	AR	Compound, Locking	
2	0100020	AR	Sealant, Pipe	
3	0400075	1	Battery (SN 0300183034 through 0300259888)	
4	0641406	AR	Bolt 1/4-20 x 3/4	
5	0641608	AR	Bolt 3/8-16 x 1	
6	0641610	1	Bolt 3/8-16 x 1-1/4	
7	0641808	1	Bolt 1/2-13 x 1	
10	0681608	3	Bolt 3/8-16 x 1 Grade 8	
13	0771212	1	Bolt M12 x 25 Grade 10.9	
14	1701505	1	Decal - Diesel Fuel (Not Shown Located on Fuel Tank)	
15	2180832	1	Fitting, 90 NPT/ Barbed	
16	2220313	2	Fitting, 90 NPT/Barbed	
17	1001165035	28 ft/ 8.5m	Hose	
17	2750532	4 ft/ 1.2m	Hose (Vent Line) (SN 0300227035 through 0300272376)	
17	2750532	4 ft/ 1.2m	Hose (Vent Line) (China Spec)	
18	1001154405	54 in/ 1.4m	Hose	
19	3311405	AR	Nut 1/4-20	
22	3422446	1	Pin, Pivot	
23	3740067	1	Relay	
24	3841143	1	Pin, Keeper	
25	3841340	AR	Loop, Hose (SN 0300183034 through 0300196955)	
28	4711400	AR	Washer 1/4	
29	4711500	4	Washer 5/16 (SN 0300183034 through 0300259888)	
30	4711600	2	Washer 3/8	

SECTION 2 - TURNTABLE

ITEM	PART NUMBER	QTY	DESCRIPTION	REV
31	4751600	3	Washer 3/8	
32	4752000	1	Washer 5/8	
33	4812100	3	Washer M12	
35	8405006	2	Clamp	
37	8406112	2	Clip (SN 0300183034 through 0300219143)	
38	8410013	4	Clamp	
39	91401281	1	Hold-down, Battery (SN 0300183034 through 0300259888)	
40	1001093382	2	Bolt, Battery Hold-down (SN 0300183034 through 0300259888)	
41	1001110425	4	Spacer	
45	1001141718	1	Fitting, Straight Metric/Barbed (SN 0300183034 through 0300196955)	
45	1001142501	1	Fitting, Straight Metric/Barbed (SN 0300196956 through 0300272376)	
46	1001162497	1	Bracket, Battery	
49	1001143736	1	Battery Cable Kit (Not Shown)	E
49A	7027084	1	Cable, Battery (Black) (Battery - to Tray Pivot Grd)	
49B	8270147	1	Terminal, Battery (With Boot)	
49C	7027085	1	Cable, Battery (Black) (Battery - to Aux Pump and Relay Grds)	
49D	7027086	1	Cable, Battery (Black) (Engine to Tray Pivot Grd)	
49E	7027087	1	Cable (Red) (Battery + to Aux Relay/Power Module/Starter)	
49F	7027088	1	Cable (Red) (Aux Relay to Aux Pump)	
50	1001138491	1	Harness, Fuel (Not Shown - See ELECTRICAL SECTION for Breakdown)	
51	0641412	4	Bolt 1/4-20 x 1-1/2	
52	0641606	AR	Bolt 3/8-16 x 3/4	
52	0641611	AR	Bolt 3/8-16 x 1-3/8	
54	88521205	1	Nut 5/16-18 (SN 0300183034 through 0300259888)	
55	1001155823	1	Fitting, Quick Disconnect 90	
56	1001162335	1	Bracket Assembly Less Filter/Pump (See Items 701-711 for Breakdown)	
56	1001227224	1	Bracket Assembly Less Filter/Pump (See Items 701-711 for Breakdown) (China Specs) (SN 0300238788 through 0300272376)	
57	4240033	AR	Tie-Strap (Not Shown)	
58	0760810	2	Bolt M8 x 20	
59	0641611	AR	Bolt 3/8-16 x 1-3/8	
60	1001153359	1	Mount, Engine	
61	0642012	1	Bolt 5/8-11 x 1-1/2	
62	1320061	1	Clamp (SN 0300219143 through 0300272376)	
63	4812000	1	Washer M10	
64	0761008	1	Bolt M10 x 16	
70		Ref	Note: Arctic Package Items 70-81 (Not Shown - Used on Arctic Machines Only)	
70	1702941	1	Decal - Battery Heater	
71	1702942	1	Decal - Engine Block Heater	
72	1702943	1	Decal - Hydraulic Tank Heater	
73	1702944	1	Decal - Heater Cord	
74	2580050	1	Heater, Hydraulic Tank (SN 0300183034 through 0300207789)	
74	1001188972	1	Heater, Hydraulic Tank (SN 0300207790 through 0300272376)	
75	1060625	1	Cable, Immersion Heater (SN 0300183034 through 0300196955)	
76	3980007	1	Seat, Battery	
77	1060626	1	Cord, 3 Way Extension	

SECTION 2 - TURNTABLE

ITEM	PART NUMBER	QTY	DESCRIPTION	REV
79	2580024	1	Heater, Battery	
80	1001150918	1	Cord, 8ft Extension	
81	1001233763	Ref	Breather Heater Installation (Not Shown - See Separate Breakdown in this Section)	
90	1704972	1	Decal - Warning Explosion/Fire - ANSI Spec	
90	1706098	1	Decal - Warning Explosion/Fire - Australian and CE Spec	
90	1706060	1	Decal - Warning Explosion/Fire - Chinese Spec	
90	1706064	1	Decal - Warning Explosion/Fire - CSA Spec	
91	1321339	1	Clamp (SN 0300207790 through 0300272376)	
92	0641508	1	Bolt 5/16 - 18 x 1 (SN 0300207790 through 0300272376)	
93	8406102	1	Clip (SN 0300225843 through 0300272376)	
94	1001218572	1	Cap, Vinyl (SN 0300232933 through 0300259888)	
95	1320011	1	Clamp, Muffler (Located on Exhaust) (China Spec Only) (SN 0300238788 through 0300272376)	
95	1001221212	1	Clamp (Located on Exhaust) (China Spec Only) (SN 0300238788 through 0300272376)	
96	1001227617	1	Pipe, Exhaust (Located on Exhaust) (China Spec Only) (SN 0300238788 through 0300272376)	
97	1001227620	1	Plate (Located on Exhaust) (China Spec Only) (SN 0300238788 through 0300272376)	
	1001140413	Ref	ENGINE AND PUMP ASSEMBLY WITHOUT ARCTIC PACKAGE (ANSI, ANSI EXPORT, CSA, CE, AND JAPANESE SPECS) (SN 0300183034 through 0300227034)	K
	1001185667	Ref	ENGINE AND PUMP ASSEMBLY WITHOUT ARCTIC PACKAGE (ANSI, ANSI EXPORT, CSA AND JAPANESE SPECS) (SN 0300227035 through 0300272376)	E
	1001185667	Ref	ENGINE AND PUMP ASSEMBLY WITHOUT ARCTIC PACKAGE (CE SPEC) (SN 0300227035 through 0300257466)	E
	1001235490	Ref	ENGINE AND PUMP ASSEMBLY WITHOUT ARCTIC PACKAGE - DEUTZ 2.9L4 (STAGE V) ENGINES (CE SPEC) (SN 0300257467 through 0300272376)	B
	1001142854	Ref	ENGINE AND PUMP ASSEMBLY WITH ARCTIC PACKAGE (ANSI AND CSA SPECS) (SN 0300183034 through 0300227034)	K
	1001185671	Ref	ENGINE AND PUMP ASSEMBLY WITH ARCTIC PACKAGE (ANSI, ANSI EXPORT AND CSA SPECS) (SN 0300227035 through 0300272376)	E
	1001215474	Ref	ENGINE AND PUMP ASSEMBLY (CHINA SPEC ONLY) (SN 0300183034 through 0300225842)	A
	1001223782	Ref	ENGINE AND PUMP ASSEMBLY (CHINA SPEC) (SN 0300225483 through 0300238787)	B
	1001227615	Ref	ENGINE AND PUMP ASSEMBLY (CHINA SPEC) (SN 0300238788 through 0300272376)	D
101	0100011	AR	Compound, Locking	
102	0641406	1	Bolt 1/4-20 x 3/4	
103	0641812	4	Bolt 1/2-13 x 1-1/2	
105	3311405	1	Nut 1/4-20	
106	3422532	1	Pin, Hitch	
107	1001142522	1	Hydrostatic Pump Assembly (All Specs except China Specs) (See HYDROSTATIC PUMP ASSEMBLY for Breakdown) (SN 0300183034 through 0300207789)	
107	1001187510	1	Hydrostatic Pump Assembly (All Specs except China Specs) (See HYDROSTATIC PUMP ASSEMBLY for Breakdown) (SN 0300207790 through 0300240878)	
107	1001225745	1	Hydrostatic Pump Assembly (All Specs except China Specs) (See HYDROSTATIC PUMP ASSEMBLY for Breakdown) (SN 0300240879 through 0300272376)	

SECTION 2 - TURNTABLE

ITEM	PART NUMBER	QTY	DESCRIPTION	REV
107	1001187510	1	Hydrostatic Pump Assembly (China Spec) (See HYDROSTATIC PUMP ASSEMBLY for Breakdown) (SN 0300183034 through 0300240878)	
107	1001225745	1	Hydrostatic Pump Assembly (China Spec) (See HYDROSTATIC PUMP ASSEMBLY for Breakdown) (SN 0300240879 through 0300272376)	
108	3790044	1	O-Ring	
109	3960468	1	Seal	
110	3960469	1	Seal	
111	4751400	2	Washer 1/4	
112	4891800	4	Washer 1/2	
113	1001094595	1	Variable Pump Assembly with Fittings (See VARIABLE PUMP ASSEMBLY for Breakdown)	
115	3020037	AR	Lubricant	
116	0641808	1	Bolt 1/2-13 x 1	
117	1060637	1	Lanyard	
118	3311801	1	Nut 1/2-13	
119	4751800	1	Washer 1/2	
120	1001235488	1	Engine, Deutz TD2.9L4 (Stage V) Engines (CE Spec) (See Items 501-536 for Serviced Components) (SN 0300257467 through 0300272376)	
	1001140412	Ref	ENGINE ASSEMBLY WITHOUT ARCTIC PACKAGE (ANSI, ANSI EXPORT, CSA, CE, AND JAPANESE SPECS) (SN 0300183034 through 0300229742)	T
	1001176027	Ref	ENGINE ASSEMBLY WITHOUT ARCTIC PACKAGE (ANSI, ANSI EXPORT, CSA AND JAPANESE SPECS) (SN 0300229743 through 0300272376)	M
	1001176027	Ref	ENGINE ASSEMBLY WITHOUT ARCTIC PACKAGE (CE SPEC) (SN 0300229743 through 0300257466)	M
	1001235489	Ref	ENGINE ASSEMBLY WITHOUT ARCTIC PACKAGE - DEUTZ 2.9L4 (STAGE V) ENGINES (CE SPEC) (SN 0300257467 through 0300272376)	C
	1001142853	Ref	ENGINE ASSEMBLY WITH ARCTIC PACKAGE (ANSI AND CSA SPECS) (SN 0300183034 through 0300229742)	T
	1001176035	Ref	ENGINE ASSEMBLY WITH ARCTIC PACKAGE (ANSI, ANSI EXPORT AND CSA SPECS) (SN 0300229743 through 0300272376)	M
	1001214050	Ref	ENGINE ASSEMBLY (CHINA SPEC ONLY) (SN 0300183034 through 0300238787)	G
	1001227614	Ref	ENGINE ASSEMBLY (CHINA SPEC) (SN 0300238788 through 0300272376)	F
201	0100011	AR	Compound, Locking	
203	0641406	AR	Bolt 1/4-20 x 3/4	
204	0641608	8	Bolt 3/8-16 x 1	
205	0641609	6	Bolt 3/8-16 x 1-1/8	
207	0641708	2	Bolt 7/16-14 x 1	
210	0741605	2	Screw 3/8-16 x 5/8	
211	0760606	AR	Bolt M6 x 12	
211	0760605	AR	Bolt M6 x 10	
212	0760810	AR	Bolt M8 x 20	
214	0771212	6	Bolt M12 x 25 Grade 10.9	
215	0771414	AR	Bolt M14 x 30 Grade 10.9	
215	0771415	AR	Bolt M14 x 35 Grade 10.9	
216	0940070	1	Bumper	
217	0961986	2	Bushing, Flanged	

SECTION 2 - TURNTABLE

ITEM	PART NUMBER	QTY	DESCRIPTION	REV
219	2220315	1	Fitting, Straight Barbed	
220	2300004	AR	Coolant - Without Arctic Package	
220	2300041	AR	Coolant - With Arctic Package	
221	2720015	40 in/1m	Hose	
222	2720340	12 in /30.5cm	Hose	
223	1001153282	1	Pump Coupling Kit (See Items 401-403 for Breakdown)	
224	1001136079	AR	Oil, Motor - Without Arctic Package	
224	1001136172	AR	Oil, Motor - With Arctic Package	
225	3200401	4	Mount, Motor	
226	3271801	4	Nut 1/2-13 Grade 8	
227	3311405	AR	Nut 1/4-20	
228	3311605	AR	Nut 3/8-16	
230	3580320	1	Pulley	
231	3931432	1	Capscrew 1/4-20 x 2	
232	3931512	4	Capscrew 5/16-18 x 3/4	
233	3931628	4	Capscrew 3/8-16 x 1-3/4	
234	4031914	4	Capscrew M8 x 50	
235	4032014	4	Capscrew M10 x 50	
236	4060805	15 in /38cm	Flex-Trim	
237	4640751	1	Valve, Oil Drain	
238	4711400	AR	Washer 1/4	
239	4711500	AR	Washer 5/16	
240	4711700	2	Washer 7/16	
241	4751400	10	Washer 1/4	
242	4751600	36	Washer 3/8	
245	4811702	3	Washer M6	
246	4811900	4	Washer M8	
247	4812000	AR	Washer M10	
248	4812100	7	Washer M12	
249	4812200	5	Washer M14	
250	4891500	1	Washer 5/16	
251	4891800	4	Washer 1/2	
253	0630407	2	Screw 1/4-20 x 5/8	
254	8405009	4	Clamp	
255	8405104	4	Clamp	
256	8405204	2	Clamp	
257	8406109	2	Clip	
258	8406110	1	Clip	
259	8410011	2	Clamp	
260	8410013	1	Clamp	
261	1001117308	1	Relay	
263	1001134488	1	Fitting, 90 NPT/ Barbed (All Specs except China Specs) (SN 0300183034 through 0300240878)	
263	1001134488	1	Fitting, 90 NPT/ Barbed (China Specs)	
264	1001135138	1	Adapter	
265	1001135679	1	Adapter	
266	1001136834	1	Cap, Tank	
267	1001137276	1	Fan	
268	1001138173	1	Support	
269	1001138175	1	Bracket	

SECTION 2 - TURNTABLE

ITEM	PART NUMBER	QTY	DESCRIPTION	REV
270	1001138228	1	Relay, Power Module	
270	70023593	1	Fuse 30Amp (Battery Output)	
270	70023592	1	Fuse 20Amp (Switch Output)	
271	1001138248	62 in/1.6m	Tube	
273	1001138557	1	Clamp	
274	1001142623	1	Hose, Inlet	
275	1001138827	1	Sensor, Coolant Level (SN 0300183034 through 0300240878)	
275	1001138827	1	Sensor, Coolant Level (China Specs)	
276	1001139240	1	Bracket	
277	1001139303	1	Bracket, Tank (All Specs except China Specs) (SN 0300183034 through 0300229742)	
277	1001176419	1	Bracket, Tank (All Specs except China Specs) (SN 0300229743 through 0300272376)	
277	1001176419	1	Bracket, Tank (China Spec)	
278	1001139409	4	Washer, Special	
280	1001139813	1	Engine, Deutz TD2.9L4 (All Specs except CE and China Specs) (See Items 501-536 for Serviced Components)	
280	1001139813	1	Engine, Deutz TD2.9L4 (CE Spec) (See Items 501-536 for Serviced Components) (SN 0300229743 through 0300257466)	
280	1001214039	1	Engine, Deutz TD2.9L4 (China Spec) (See Items 501-535 for Serviced Components) (SN 0300183034 through 0300238787)	
280	1001223591	1	Engine, Deutz TD2.9L4 (China Spec) (See Items 501-535 for Serviced Components) (SN 0300238788 through 0300272376)	
281	1001155384	1	Radiator (RCP Radiator) (All Specs except China Specs) (SN 0300183034 through 0300229742)	
281	70007073	1	Adapter, Hose	
281	1001167042	1	Radiator (Modine Radiator) (All Specs except China Specs) (SN 0300229743 through 0300272376)	
281	1001167042	1	Radiator (Modine Radiator) (China Spec)	
282	1001140362	1	Tray (SN 0300183034 through 0300229742)	
282	1001190610	1	Tray (All Specs except China Specs) (SN 0300229743 through 0300272376)	
282	1001190610	1	Tray (China Spec)	
283	1001140448	1	Mount, Rear Engine	
284	1001140450	1	Mount, Rear Engine	
285	1001140454	1	Mount, Front Engine	
286	1001140466	1	Mount, Generator/Engine (SN 0300183034 through 0300229742)	
286	1001202368	1	Mount, Generator/Engine (All Specs except China Specs) (SN 0300229743 through 0300272376)	
286	1001202368	1	Mount, Generator/Engine (China Spec)	
287	1001140487	1	Plate, Mounting (RCP Radiator) (SN 0300183034 through 0300229742)	
287	1001186985	1	Plate, Mounting (Modine Radiator) (All Specs except China Specs) (SN 0300229743 through 0300272376)	
287	1001186985	1	Plate, Mounting (China Spec)	
288	1001140535	1	Tank (SN 0300183034 through 0300240878)	
288	1001230635	1	Tank (Include Items 263, 275, 289 & 338) (All Specs except China Specs) (SN 0300240879 through 0300272376)	
288	1001140535	1	Tank (China Specs)	
289	1001140564	1	Fitting, 90 NPT/ Barbed (SN 0300183034 through 0300240878)	
289	1001140564	1	Fitting, 90 NPT/ Barbed (China Specs)	
290	1001141304	1	Harness, Glow Plug (Not Shown - See ELECTRICAL SECTION for Breakdown)	
291	1001141370	1	Hose	

SECTION 2 - TURNTABLE

ITEM	PART NUMBER	QTY	DESCRIPTION	REV
292	1001141419	1	Shim	
293	1001141546	1	Shim (SN 0300183034 through 0300219142)	
294	1001141583	1	Hose, Radiator - Upper (SN 0300183034 through 0300229742)	
294	1001177844	1	Hose, Radiator - Upper (All Specs except China Specs) (SN 0300229743 through 0300272376)	
294	1001177844	1	Hose, Radiator - Upper (China Spec)	
295	1001141584	1	Hose, Radiator - Lower (SN 0300183034 through 0300229742)	
295	1001177845	1	Hose, Radiator - Lower (All Specs except China Specs) (SN 0300229743 through 0300272376)	
295	1001177845	1	Hose, Radiator - Lower (China Spec)	
296	1001141585	1	Hose, Inlet	
297	1001141586	1	Pipe, Intake	
298	1001152489	1	Fitting, 90 Metric/ Barbed	
300	1001141995	1	Fitting, Straight NPT/Barbed	
301	1001165842	1	Pipe	
302	1001143390	1	Indicator, Service	
303	1001143726	1	Harness, Deutz Engine (Not Shown - See ELECTRICAL SECTION for Breakdown)	
304	1001143797	1	Fitting, Straight Metric/Barbed	
305	1001143907	1	Cable, Alternator Power (Not Shown - See ELECTRICAL SECTION for Breakdown)	
306	1001138489	1	Air Cleaner Assembly	
306	91403102	1	Element, Filter (Not Shown)	
307	8405007	2	Clamp	
310	1001169054	4	Pad, Isolator (All Specs except China Specs) (SN 0300229743 through 0300272376)	
310	1001169054	4	Pad, Isolator (China Spec)	
311	1001204325	2	Bracket, Radiator (All Specs except China Specs) (SN 0300229743 through 0300272376)	
311	1001204325	2	Bracket, Radiator (China Spec)	
312	1001145154	1	Plate, Relay Mounting	
313	0641605	2	Bolt 3/8-16 x 5/8	
314	0641518	2	Bolt 5/16-18 x 2-1/4	
315	0641607	4	Bolt 3/8-16 x 7/8	
315	0641612	4	Bolt 3/8-16 x 1-1/2	
316	0681820	4	Bolt 1/2-13 x 2-1/2 Grade 8	
316	0681822	4	Bolt 1/2-13 x 2-3/4 Grade 8	
317	0760605	1	Bolt M6 x 10	
318	0761210	1	Bolt M12 x 20	
319	1321716	1	P-Clamp (SN 0300183034 through 0300195981)	
319	1001181899	1	P-Clamp (SN 0300195982 through 0300272376)	
320	1001154405	20 in /51cm	Hose (SN 0300183034 through 0300219142)	
321	3310401	3	Nut #4-40	
322	3311505	2	Locknut 5/16-18	
323	3910408	3	Screw #4-40 x 1/2	
324	4750400	3	Washer #4	
325	4751500	4	Washer 5/16	
326	8405006	2	Clamp (SN 0300183034 through 0300219142)	
327	8406102	AR	Clip	
328	1001138717	1	Bracket (SN 0300183034 through 0300219142)	
329	1001142501	1	Fitting, 90 Metric/Barbed (SN 0300183034 through 0300219142)	
330	1001148641	1	Bracket (SN 0300183034 through 0300195981)	

SECTION 2 - TURNTABLE

ITEM	PART NUMBER	QTY	DESCRIPTION	REV
331	0100020	AR	Sealant	
332	4240099	AR	Tie-Strap (Not Shown)	
333	0100062	AR	Compound, Locking	
334	1703162	1	Decal - Caution Fan Blade	
335	1001178223	2	Bracket, Radiator (All Specs except China Specs) (SN 0300229743 through 0300272376)	
335	1001178223	2	Bracket, Radiator (China Spec)	
336	4811902	8	Washer M8	
338	1001182997	AR	Adhesive (SN 0300183034 through 0300240878)	
338	1001182997	AR	Adhesive (China Specs Only)	
339	1001178876	1	Mount, Fuel Filter (All Specs China Specs) (SN 0300229743 through 0300272376)	
339	1001224937	1	Mount, Fuel Filter (China Specs) (SN 0300238788 through 0300272376)	
340	1001177359	1	Hose (SN 0300229743 through 0300272376)	
342	5250810	2	Bolt M8 x 20	
343	0761015	2	Bolt M10 x 35	
344	1001169138	4	Washer	
345	5240800	1	Washer M8	
346	0700814	1	Bolt M8 x 30	
347	1001180620	AR	Adhesive	
348	1001224940	1	Pipe, Exhaust (China Specs) (SN 0300238788 through 0300272376)	
348	1001221212	1	Clamp (China Specs) (SN 0300238788 through 0300272376)	
348	1001221219	1	Clamp, Band (China Specs) (SN 0300238788 through 0300272376)	
349	1001223593	1	Muffler (China Specs) (SN 0300238788 through 0300272376)	
350	1001128901	2	Strap (China Specs) (SN 0300238788 through 0300240879)	
350	1001233089	2	Strap (China Specs) (SN 0300240880 through 0300272376)	
351	1001224936	2	Mount (China Specs) (SN 0300238788 through 0300272376)	
352	1001221203	1	Bracket (China Specs) (SN 0300238788 through 0300272376)	
380		Ref	Note: Arctic Package Item 351 (Used on Arctic Machines Only) Not Shown.	
380	1001140312	1	Heater, Engine Block	
380	1001181895	AR	Adhesive	
	1001153282	Ref	PUMP COUPLING INSTALLATION	D
401	70004183	1	Coupling	
402	See Note	NSS	Plate, Pump Adapter (Note: Use p/n 1001153282)	
403	See Note	NSS	Capscrew M10 x 20 Grade 10.9 (Note: Use p/n 1001153282)	
404	See Note	NSS	Capscrew M10 x 25 Grade 10.9 (Note: Use 1001153282)	
	1001139813	Ref	ENGINE COMPONENTS (ALL SPECS EXCEPT CE AND CHINA SPECS)	J
	1001139813	Ref	ENGINE COMPONENTS (CE SPEC) (SN 0300183034 through 0300257466)	J
	1001235488	Ref	ENGINE COMPONENTS - STAGE V (CE SPEC) (SN 0300257467 through 0300272376)	B
	1001214039	Ref	ENGINE COMPONENTS (CHINA SPEC ONLY) (SN 0300183034 through 0300238787)	C
	1001223591	Ref	ENGINE COMPONENTS (CHINA SPEC) (SN 0300238788 through 0300272376)	B
501	70004274	1	Dipstick (Not Shown - Located On Side Left Front) (All Specs except China Specs)	
501	70024904	1	Dipstick (Not Shown - Located On Side Left Front) (China Specs Only)	

SECTION 2 - TURNTABLE

ITEM	PART NUMBER	QTY	DESCRIPTION	REV
501	70024905	1	Seal	
502	7020465	2	Cap, Oil Fill	
503	70025111	2	Clamp	
503	70005920	1	Hose, Breather	
504	70025088	1	Plug (ANSI Specs)	
504	70005941	2	Plug (China Specs)	
504	7020404	1	Seal (ANSI Specs)	
504	70005942	1	Seal (China Specs)	
505	70001870	1	Flywheel with Ring Gear	
505	7024579	1	Gear, Ring	
506		Ref	Gasket and Seal Options (Not Shown):	
506	70024906	1	Gasket, Head	
506	70025206	1	Gasket, Small Valve Cover	
506	70025207	1	Gasket, Large Valve Cover (All Specs except China Specs)	
506	70005171	1	Gasket, Large Valve Cover (China Specs)	
506	7002508	1	Gasket, Valve Cover to Air Charge Elbow	
506	70002718	1	Seal, Rear Main	
506	70004280	1	Seal, Front Main	
506	70024907	1	Gasket, Front Cover (All Specs except China Specs)	
506	See Note	NSS	Gasket, Front Cover (China Specs) (Note: Not Available for Purchase)	
506	70025164	1	Gasket, Exhaust Manifold to Head	
506	70024912	1	Gasket, Exhaust Manifold to Turbocharger	
506	70021895	2	Gasket, Exhaust Bend (All Specs except China Specs)	
506	70005177	1	Gasket, Charge Air Pipe to Head (China Specs)	
506	70004279	1	Gasket Kit	
507	70025091	1	Plug	
507	70025082	1	Seal	
507	70025176	1	Spring	
507	70025076	1	Valve	
508	70025202	1	Pump, Oil Lube (Not Shown - Located Front Left Side) (All Specs except China Specs)	
508	70005172	1	Pump, Oil Lube (Not Shown - Located Front Left Side) (China Specs)	
508	70025135	1	O-Ring (All Specs except China Specs)	
508	See Note	NSS	O-Ring (China Specs) (Note: Use p/n 70005172)	
508	70025136	1	Seal (All Specs except China Specs)	
508	70005173	1	Gasket (China Specs)	
509	7016331	1	Filter, Oil	
510	70004275	1	Cooler, Oil (All Specs except China Specs)	
510	70024494	1	Cooler, Oil (China Specs)	
510	70024925	1	Gasket	
511	70024924	1	Pump, High Pressure (Not Shown - Located Front Left Side)	
511	70025152	1	O-Ring (Between Pump and Spacer)	
511	70024488	1	Spacer	
511	70024517	1	O-Ring (Between Spacer and Engine Block)	
512	70025181	4	Injector, Fuel	
512	70025140	4	Washer, Sealing	
512	70025146	4	Clamp (Top of Injector)	
512	70025416	4	O-Seal	
512	70025154	4	Shoe, Clamping	
512	70000345	4	Plug, Glow	

SECTION 2 - TURNTABLE

ITEM	PART NUMBER	QTY	DESCRIPTION	REV
512	70025231	1	Harness, Glow Plug (Not Shown)	
513	70025153	NLA	Filter, Fuel (Use p/n 1001225430)	
513	70024513	1	Cable, Sensor	
513	70025239	1	Seal	
514	70024486	1	Pump, Fuel (All Specs except China Specs)	
514	1001226098	1	Pump, Fuel (China Specs) (was p/n 70005174)	
515	70025144	2	Clamp	
516	70025160	1	Filter with Head (All Specs except China Specs)	
516	70024961	1	Filter with Head (China Spec)	
516	70025161	NLA	Filter, Fuel (Use p/n 1001225431)	
517	70024504	1	Sensor, Pressure	
517	70024920	1	Seal	
518	70025151	1	Rail, Fuel (Not Shown)	
518	70025235	1	Repair Kit	
519	70025210	1	ECU (Engine Control Unit)	
520	70024910	1	Pump, Water	
520	70025200	1	Seal	
520	70025084	2	Plug	
520	7020492	2	Seal	
521	70024473	1	Thermostat (All Specs except China Specs)	
521	70005929	1	Thermostat (China Specs)	
521	70025143	1	O-Seal (All Specs except China Specs)	
521	70005184	1	O-Seal (China Specs)	
521	70025142	1	Cover, Thermostat	
522	70025178	1	Pipe	
522	70025156	1	Valve, Shuttle (All Specs except China Specs)	
522	70025768	1	Valve, Shuttle (China Specs)	
522	70025179	2	Gasket	
522	70025180	1	Gasket	
523	70025203	1	Module, EGR (Not Shown - Located on Left Side)	
524	70004276	1	Turbocharger	
524	70005527	1	Clamp (Turbocharger to Compensator) (China Specs)	
524	70004504	1	Compensator (China Specs)	
525	70025477	1	Tensioner, Belt	
526	70004277	1	Belt, Drive	
527	70024914	1	Alternator	
527	70025149	1	Regulator, Voltage	
528	70024915	1	Starter (Not Shown - Located on Left Side)	
528	70005648	1	Relay	
528	70005647	1	Solenoid	
529	70025077	1	Harness, Engine (Not Shown)	
530	70024503	2	Sensor, Speed (Not Shown - Located Left Side Front and Flywheel Housing) (All Specs except China Specs)	
530	70026210	2	Sensor, Speed (Not Shown - Located Left Side Front and Flywheel Housing) (China Specs)	
530	70024917	2	Seal	
531	70024918	1	Sender, Temperature (Not Shown - Located Top Front)	
532	70024504	1	Sensor, Pressure (Not Shown - Located Left Side Front)	
532	70024920	1	Seal	
533	70024507	1	Sensor, Pressure	
533	70025120	1	Seal	
534	70024922	1	Sender, Temperature	

SECTION 2 - TURNTABLE

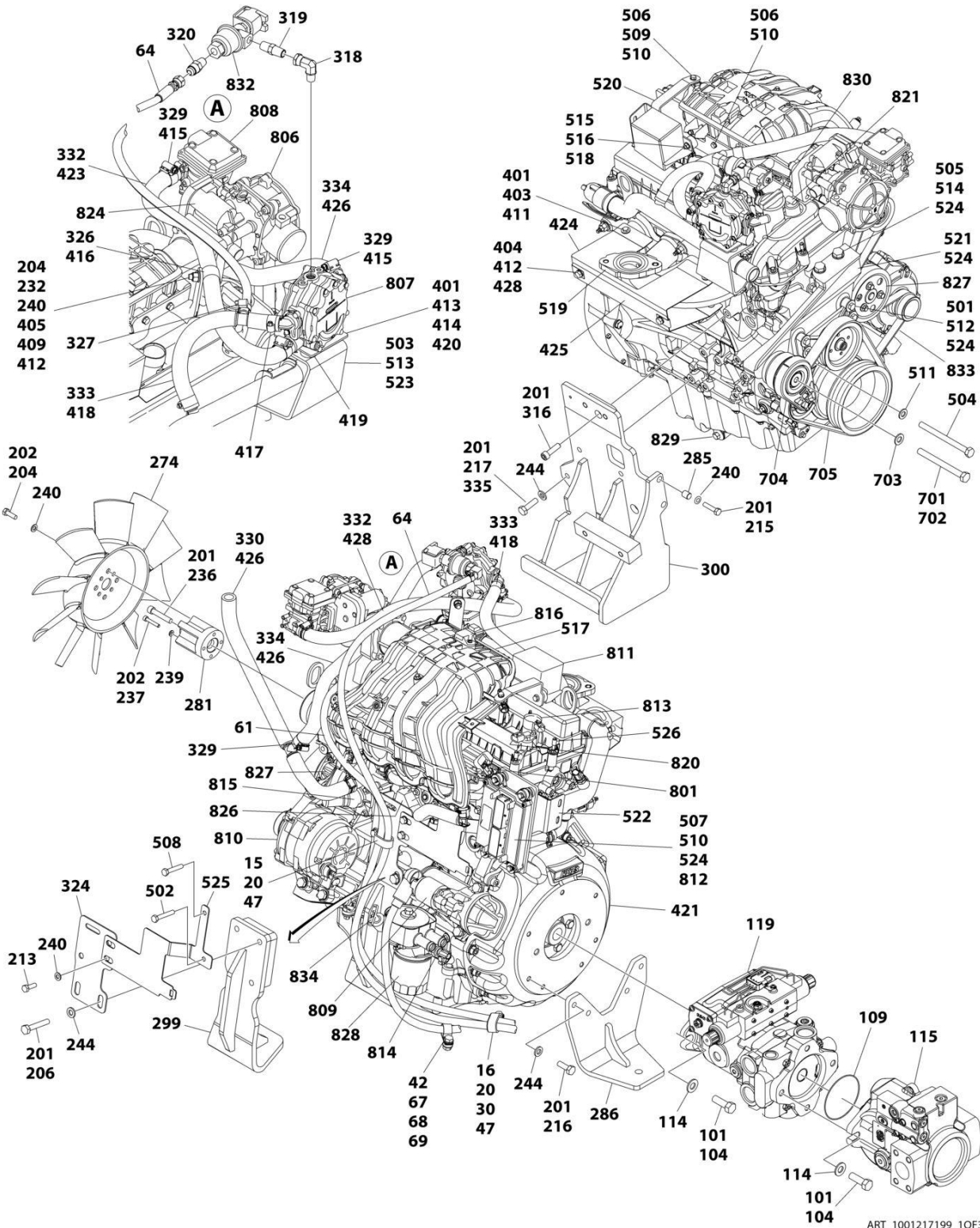
ITEM	PART NUMBER	QTY	DESCRIPTION	REV
534	70025212	1	Seal	
535	70025799	1	Muffler, DOC (All Specs except China Specs)	
535	70005937	1	Muffler, DOC (China Specs Only) (SN 0300183034 through 0300238787)	
535	70024515	1	Clamp (All Specs except China Specs)	
535	70025245	2	Clamp, Mounting (China Specs)	
535	70025877	2	Clamp, Muffler (China Specs Only) (SN 0300183034 through 0300238787)	
535	70025801	1	Gasket (Between Inlet and Outlet) (All Specs except China Specs)	
535	70004278	1	Outlet, Muffler (All Specs except China Specs)	
535	70025246	1	Outlet, Muffler (China Specs Only) (SN 0300183034 through 0300238787)	
536	70025660	1	Plug	
536	70104570	1	Seal	
536	70124538	1	Spring	
536	70124530	1	Valve, Pressure Relief	
	1001143483	Ref	BAFFLES INSTALLATION (STEEL HOODS) (ANSI, ANSI EXPORT, CHINA, CSA AND JAPANESE SPECS)	B
	1001143484	Ref	BAFFLES INSTALLATION (ABS HOODS) (ANSI EXPORT, CE & JAPANESE SPECS)	C
	1001215474	Ref	BAFFLES INSTALLATION (STEEL HOODS) (CHINA SPEC)	A
601	0641406	AR	Bolt 1/4-20 x 3/4	
602	3311405	19	Nut 1/4-20	
603	4711400	38	Washer 1/4	
604	1001141711	1	Bracket (SN 0300183034 through 0300199946)	
604	1001174745	1	Bracket (SN 0300199947 through 0300272376)	
605	1001142031	1	Bracket	
606	1001142032	1	Bracket	
607	1001143449	1	Bracket	
608	1001143472	1	Baffle (SN 0300183034 through 0300199946)	
608	1001174746	1	Baffle (SN 0300199947 through 0300272376)	
608	1001143575	1	Baffle (SN 0300183034 through 0300199946)	
608	1001195967	1	Baffle (SN 0300199947 through 0300272376)	
609	1001143525	1	Bracket	
610	1001143860	1	Bracket, Bumper (ABS Hoods)	
611	0641407	1	Bolt 1/4 x 78	
	1001162335	Ref	BRACKET ASSEMBLY (LESS FUEL PUMP AND FILTER)	D
	1001227224	Ref	BRACKET ASSEMBLY (LESS FUEL PUMP AND FILTER) (CHINA SPECS) (SN 0300238788 through 0300272376)	B
701	0100011	AR	Locking, Compound	
702	0641610	2	Bolt 3/8-16 x 1-1/4	
703	0721006	4	Bolt #10-24 x 3/4	
704	1001154405	1.5 ft /0.4m	Hose	
705	3311001	4	Nut #10-24	
706	3311605	2	Nut 3/8-16NC	
707	4711000	8	Washer #10	
708	4711600	4	Washer 3/8	
709	8405006	2	Clamp	
710	1001141870	1	Plate, Fuel Pump Mount	
710	1001226285	1	Plate, Fuel Pump Mount (China Specs) (SN 0300238788 through 0300272376)	
711	1001142501	1	Fitting, 90 Metric/Barbed	

SECTION 2 - TURNTABLE

ITEM	PART NUMBER	QTY	DESCRIPTION	REV
711	1001141718	1	Fitting, Straight (Not Shown) (China Specs) (SN 0300238788 through 0300272376)	
	1001216220	Ref	EXHAUST PIPE INSTALLATION WITHOUT SPARK ARRESTER	A
	1001145750	Ref	EXHAUST PIPE INSTALLATION WITH SPARK ARRESTER	B
801	1001149908	1	Pipe, Exhaust without Spark Arrester	
801	1001145751	1	Pipe, Exhaust with Spark Arrester	
	1001202311	Ref	FUEL PUMP BRACKET INSTALLATION (MACHINES WITH ABS HOODS)	A
901	0100011	AR	Compound, Locking	
902	0760810	2	Bolt M8 x 20	
903	0761008	1	Bolt M10 x 16	
904	0761015	2	Bolt M10 x 35	
905	1320061	2	Clamp	
906	3291005	2	Nut M10	
907	4811900	2	Washer M8	
908	4812000	5	Washer M10	
909	1001178876	1	Bracket	

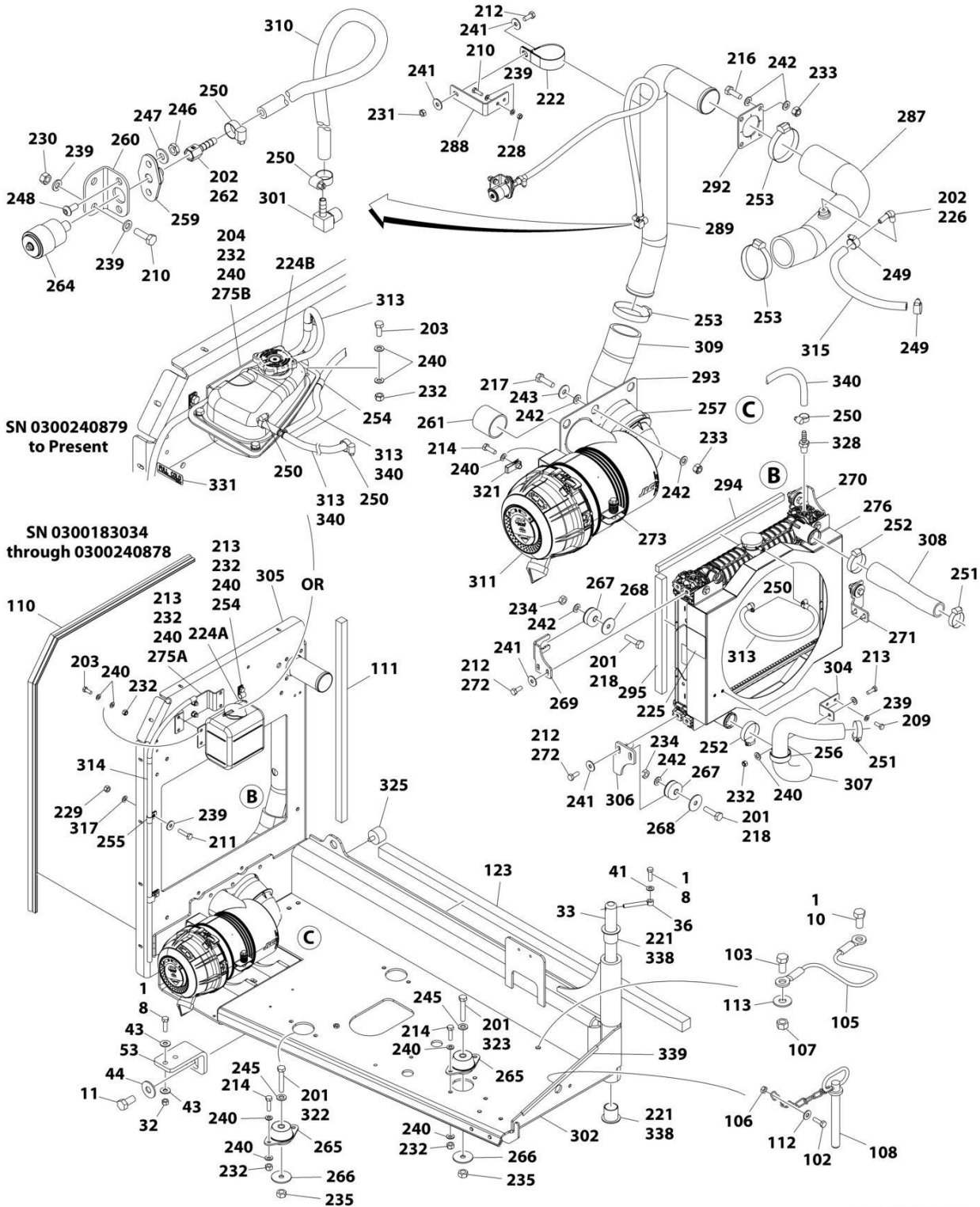
SECTION 2 - TURNTABLE

FIGURE 2-13. FORD ENGINE INSTALLATION

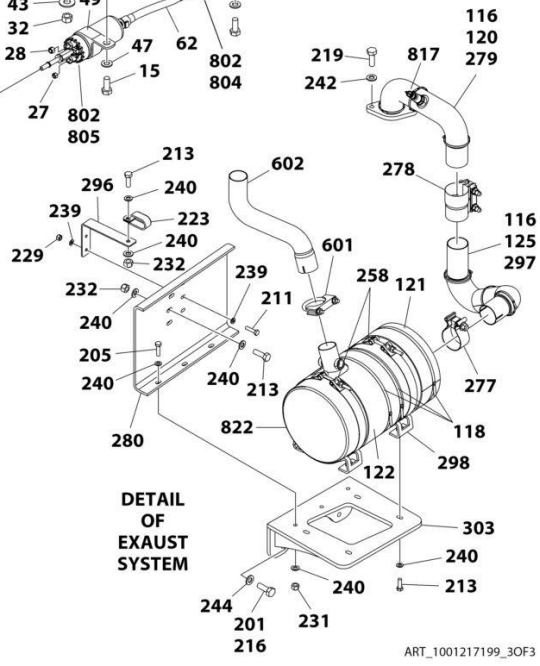
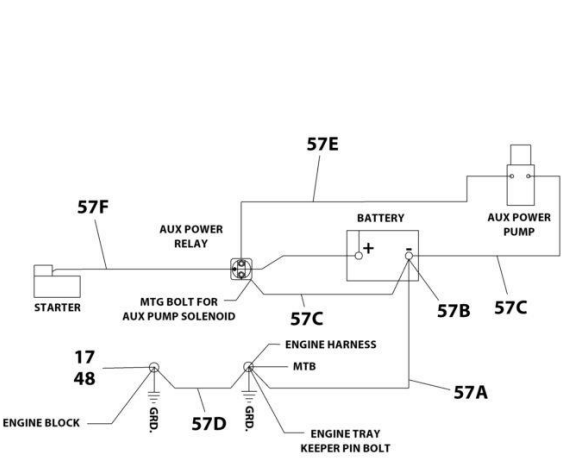
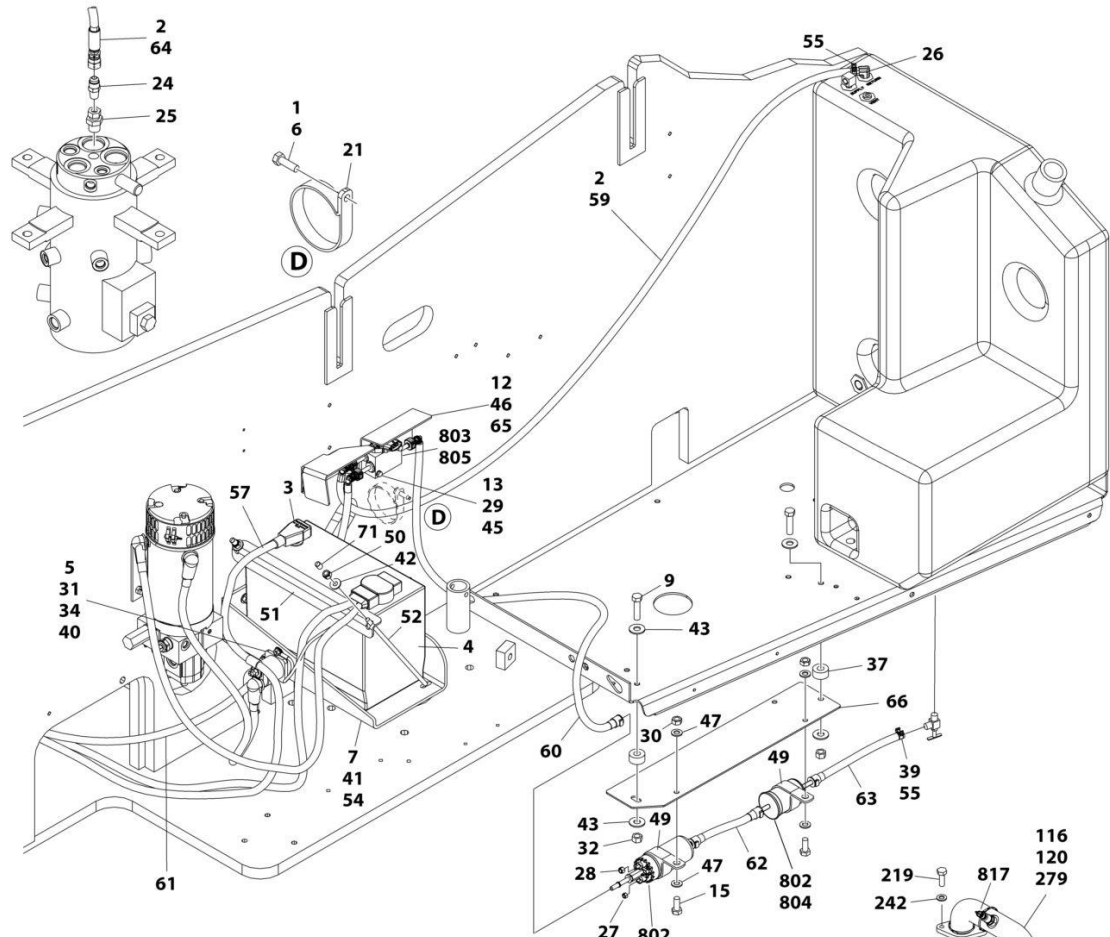


ART_1001217199_10F3

SECTION 2 - TURNTABLE



SECTION 2 - TURNTABLE



ART_1001217199_3OF3

SECTION 2 - TURNTABLE

FIGURE 2-13. FORD ENGINE INSTALLATION

ITEM	PART NUMBER	QTY	DESCRIPTION	REV
		Ref	FORD ENGINE INSTALLATION	
	1001217199	Ref	Ford Engine Installation without Arctic Package	G
	1001219610	Ref	Ford Engine Installation with Arctic Package	G
1	0100011	AR	Compound, Locking	
2	0100020	AR	Sealant	
3	0100048	AR	Grease, Terminal	
4	0400075	1	Battery (SN 0300183034 through 0300259888)	
5	0641406	AR	Bolt 1/4 x 3/4	
6	0641508	1	Bolt 5/16 x 1	
7	0641607	3	Bolt 3/8 x 7/8	
8	0641610	3	Bolt 3/8 x 1-1/4	
9	0641612	2	Bolt 3/8 x 1-1/2	
10	0641808	1	Bolt 1/2 x 1	
11	0642010	1	Bolt 5/8 x 1-1/4	
12	0760610	2	Bolt M6 x 20	
12	0641406	2	Bolt 1/4 x 3/4	
13	0760619	2	Bolt M6 x 55	
13	0641420	2	Bolt 1/4 x 2-1/2	
15	0760810	3	Bolt M8 x 20	
16	0760812	1	Bolt M8 x 25	
16	0641408	1	Bolt 1/4 x 1	
17	0761008	1	Bolt M10 x 16	
20	1321283	2	Clamp	
21	1321339	1	Clamp	
22	1701542	1	Decal - Gas (Not Shown)	
23	1701543	1	Decal - LPG (Not Shown)	
24	2180418	1	Fitting, Straight	
25	2220005	1	Fitting, Straight NPT	
26	2221176	1	Fitting, 90	
27	3290405	1	Nut M4	
28	3290505	1	Nut M5	
29	3290607	2	Nut M6	
29	3311405	2	Nut 1/4	
30	3290801	AR	Nut M8	
30	3311405	AR	Nut 1/4	
31	3311405	AR	Nut 1/4	
32	3311605	4	Nut 3/8	
33	3422446	1	Pin	
34	3740067	1	Relay	
35	3790012	1	O-Ring (Not Shown - Located on Platform Console Box)	
36	3841143	1	Keeper, Pin	
37	4071122	2	Shim	
38	4360336	1	Switch, Toggle (Not Shown - Located on Platform Console Box)	
39	1001221488	1	Tube, Fuel Line	
40	4711400	AR	Washer 1/4	
41	4711600	4	Washer 3/8	
42	4751500	AR	Washer 5/16 (SN 0300183034 through 0300259888)	
42	4751400	AR	Washer 1/4	
43	4751600	8	Washer 3/8	
44	4752000	1	Washer 5/8	

SECTION 2 - TURNTABLE

ITEM	PART NUMBER	QTY	DESCRIPTION	REV
45	4811700	AR	Washer M6	
45	4751400	AR	Washer 1/4	
46	4811702	2	Washer M6	
46	4711400	2	Washer 1/4	
47	4811900	7	Washer M8	
47	4751400	AR	Washer 1/4	
48	4812000	1	Washer M10	
49	85941018	2	Clamp	
50	88521205	2	Nut 5/16 (SN 0300183034 through 0300259888)	
51	91401281	1	Bracket, Battery Hold Down (SN 0300183034 through 0300259888)	
52	1001093382	2	J-Bolt (SN 0300183034 through 0300259888)	
53	1001153359	1	Mount	
54	1001162497	1	Bracket, Battery	
55	1001174486	2	Clamp	
57	1001216568	1	Battery Cable Kit	B
57A	7027084	1	Cable, Battery - Ground to Battery -	
57B	8270147	1	Terminal, Battery with Boot	
57C	7027085	1	Cable, Battery - Auxiliary Pump/Relay to Battery -	
57D	7027086	1	Cable, Battery - Engine to Ground	
57E	7027088	1	Cable, Battery - Auxiliary Relay to Auxiliary Pump	
57F	70009020	1	Cable, Battery - Starter/Auxiliary Relay to Battery +	
59	1001219364	1	Hose	
60	1001219365	1	Hose	
61	1001219366	1	Hose	
62	1001219367	1	Hose	
63	1001219368	1	Hose	
64	1001219369	1	Hose	
65	1001219370	1	Bracket	
66	1001219809	1	Bracket	
67	0771012	1	Bolt M10 x 25	
67	0641408	1	Bolt 1/4 x 1	
68	3291001	1	Nut M10	
68	3311405	1	Nut 1/4	
69	8406201	1	Clip	
70	4240099	AR	Tie-Strap (Not Shown)	
71	1001218572	2	Cap (SN 0300183034 through 0300259888)	
		Ref	Note: Arctic Package Items 80-88 Not Shown (Machines with Arctic Package Only)	
80	1060626	1	Plug, 3 Way	
81	1702941	1	Decal - Battery Heater	
82	1702942	1	Decal - Engine Block Heater	
83	1702943	1	Decal - Hydraulic Tank Heater	
84	1702944	1	Decal - Heater Cord	
85	2560024	1	Heater, Battery	
86	3980007	1	Seal, Battery	
87	1001150918	1	Cord, Extension - 8ft	
88	1001188972	1	Heater, Hydraulic Tank Immersion	
		Ref	FORD ENGINE AND PUMP SUB-ASSEMBLY	
	1001217192	Ref	Ford Engine and Pump Sub-Assembly without Arctic Package	E
	1001219609	Ref	Ford Engine and Pump Sub-Assembly with Arctic Package	C
101	0100011	AR	Compound, Locking	

SECTION 2 - TURNTABLE

ITEM	PART NUMBER	QTY	DESCRIPTION	REV
102	0641407	1	Bolt 1/4 x 7/8	
103	0641808	1	Bolt 1/2 x 1	
104	0641812	4	Bolt 1/2 x 1-1/2	
105	1060637	1	Cable, Lanyard	
106	3311405	1	Nut 1/4	
107	3311805	1	Nut 1/2	
108	3422532	1	Pin	
109	3790044	1	O-Ring	
110	3960389	60 in/ 1.5m	Seal (SN 0300183034 through 0300240878)	
111	3960469	1	Seal	
112	4751400	1	Washer 1/4	
113	4751800	1	Washer 1/2	
114	4891800	4	Washer 1/2	
115	1001094595	1	Variable Pump Assembly (See VARIABLE PUMP ASSEMBLY for Breakdown)	
116	1001100825	6	Strap	
117	1001115930	AR	Oil, Motor (Not Shown) (SN 0300183034 through 0300240878)	
117	1001190775	AR	Oil, Motor (Not Shown) (SN 0300240879 through 0300272376)	
118	1001221464	3	Strap	
119	1001187510	1	Hydrostatic Pump Assembly (See HYDROSTATIC PUMP ASSEMBLY for Breakdown) (SN 0300183034 through 0300240878)	
119	1001225745	1	Hydrostatic Pump Assembly (See HYDROSTATIC PUMP ASSEMBLY for Breakdown) (SN 0300240879 through 0300272376)	
120	1001216532	1	Insulate, Exhaust Pipe	
121	1001216534	1	Insulate, Muffler	
122	1001216535	1	Insulate, Muffler	
123	1001217170	1	Seal	
125	1001218085	1	Insulate, Exhaust Pipe	
		Ref	FORD ENGINE ASSEMBLY	
	1001217191	Ref	Ford Engine Assembly without Arctic Package	L
	1001219608	Ref	Ford Engine Assembly with Arctic Package	I
201	0100011	AR	Compound, Locking	
202	0100020	AR	Sealant	
203	0700810	AR	Bolt M8 x 20	
204	0700812	4	Bolt M8 x 25	
205	0700814	3	Bolt M8 x 30	
206	0711020	3	Bolt M10 x 60	
209	0760608	2	Bolt M6 x 16	
210	0760610	4	Bolt M6 x 20	
211	0760612	AR	Bolt M6 x 25	
212	0760810	AR	Bolt M8 x 20	
213	0760812	AR	Bolt M8 x 25	
214	0760814	AR	Bolt M8 x 30	
215	0760815	2	Bolt M8 x 35	
216	0761014	11	Bolt M10 x 30	
217	0761015	AR	Bolt M10 x 35	
218	0761016	4	Bolt M10 x 40	
219	0771014	2	Bolt M10 x 30	
221	0961986	2	Bearing	
222	1320110	1	Clamp	

SECTION 2 - TURNTABLE

ITEM	PART NUMBER	QTY	DESCRIPTION	REV
223	1321283	AR	Clamp (SN 0300183034 through 0300240878)	
223	1001187781	AR	Tie-Strap (Not Shown) (SN 0300240879 through 0300272376)	
224A	1580011	1	Container, Coolant Overflow (SN 0300183034 through 0300240878)	
224B	1001223584	1	Container, Coolant Overflow (SN 0300240879 through 0300272376)	
225	1703162	2	Decal - Fan Blade	
226	2180467	1	Fitting, Straight NPT/Barbed	
227	2300004	AR	Coolant (Not Shown)	
228	3290601	2	Nut M6	
229	3290605	AR	Nut M6	
230	3290607	2	Nut M6	
231	3290801	4	Nut M8	
232	3290805	AR	Nut M8	
233	3291005	AR	Nut M10	
234	3291001	4	Nut M10	
235	3291201	3	Nut M12	
236	3931640	1	Capscrew 3/8 x 2-1/2	
237	4031711	4	Capscrew M6 x 35	
238	4240099	AR	Tie-Strap (Not Shown)	
239	4811700	AR	Washer M6	
240	4811900	AR	Washer M8	
241	4811902	10	Washer M8	
242	4812000	AR	Washer M10	
243	4812002	6	Washer M10	
244	5241000	15	Washer M10	
245	5241200	3	Washer M10	
246	8305401	2	Nut 1/4	
247	8307109	2	Washer 1/4	
248	8310548	2	Screw 1/4 x 1/2	
249	8405006	2	Clamp	
250	8405009	AR	Clamp	
251	8405102	2	Clamp	
252	8405104	2	Clamp	
253	8405203	3	Clamp	
254	8406109	AR	Clip	
255	8406110	2	Clip (SN 0300183034 through 0300240878)	
256	8410001	1	Clamp	
257	8410011	1	Clamp	
258	1001128901	2	Strap, Clamp	
259	1001138173	1	Support	
260	1001138175	1	Bracket	
261	1001141585	1	Hose, Air Cleaner Inlet	
262	1001141995	1	Fitting, Straight NPT/Barbed	
264	1001149639	1	Indicator, Restriction	
265	1001191610	3	Mount, Motor	
266	1001168018	3	Washer	
267	1001169054	4	Isolator	
268	1001169138	4	Pad	
269	1001169967	1	Bracket	
270	1001170035	1	Bracket	
271	1001176329	1	Bracket	

SECTION 2 - TURNTABLE

ITEM	PART NUMBER	QTY	DESCRIPTION	REV
272	1001180620	AR	Adhesive	
273	1001186426	1	Clamp, Air Cleaner	
274	1001213357	1	Fan (SN 0300183034 through 0300240878)	
274	1001223042	1	Fan (SN 0300240879 through 0300272376)	
275A	1001213482	1	Bracket (SN 0300183034 through 0300240878)	
275B	1001225442	1	Bracket (SN 0300240879 through 0300272376)	
276	1001215674	1	Radiator (SN 0300183034 through 0300240878)	
276	1001223923	1	Radiator (SN 0300240879 through 0300272376)	
277	1001215681	1	Clamp	
278	1001215974	1	Clamp	
279	1001216075	1	Pipe, Exhaust Inlet	
280	1001216092	1	Shield, Heat	
281	1001216201	1	Spacer, Fan	
285	1001216919	2	Sleeve	
286	1001216995	1	Mount, Engine (Rear)	
287	1001217032	1	Tube, Air Intake	
288	1001217046	1	Bracket	
289	1001217090	1	Tube, Intake (Intermediate)	
292	1001217174	1	Seal	
293	1001217175	1	Seal	
294	1001217183	2	Seal	
295	1001217185	2	Seal	
296	1001217186	1	Support	
297	1001217317	1	Pipe, Exhaust Inlet	
298	1001217543	2	Mount	
299	1001218362	1	Mount, Engine (Front Left)	
300	1001218449	1	Mount, Engine (Front Right)	
301	1001134488	1	Fitting, 90 Barbed	
302	1001219259	1	Tray	
303	1001219345	1	Bracket	
304	1001219361	1	Support	
305	1001219363	1	Plate, Radiator	
306	1001219480	1	Bracket	
307	1001219611	1	Hose, Radiator (Lower)	
308	1001219612	1	Hose, Radiator (Upper)	
309	1001219613	1	Tube, Intake (Lower)	
310	1001138248	31 in/ 77cm	Tube, Nylon	
311	1001189979	1	Air Filter Assembly	
311	70005008	1	Element, Filter	
313	2720058	12 in/ 29cm	Hose (SN 0300183034 through 0300240878)	
313	2720058	55 in/ 1.5m	Hose (SN 0300240879 through 0300272376)	
314	2720271	3 ft/ .9m	Hose (SN 0300183034 through 0300240878)	
315	1001165035	7 in/ 18cm	Hose (SN 0300183034 through 0300240878)	
315	1001165035	10 in/ 26cm	Hose (SN 0300240879 through 0300272376)	
316	4032011	AR	Capscrew M10 x 35	
316	5272010	AR	Capscrew M10 x 30	
317	4811702	AR	Washer M6	
318	2220064	1	Fitting, 90 FSNPSM/NPTF	

SECTION 2 - TURNTABLE

ITEM	PART NUMBER	QTY	DESCRIPTION	REV
319	2220261	1	Fitting, Straight	
320	2180418	1	Fitting, Straight	
321	1001221615	2	Nut, Tinnerman M8	
322	0701224	AR	Bolt M12 x 80	
323	1001098828	AR	Bolt M12 x 70 Grade 10.9	
323	0711223	AR	Bolt M12 x 75	
324	1001222033	1	Plate	
325	0940070	1	Bumper	
326	8406201	1	Clip (SN 0300240879 through 0300272376)	
327	8410009	2	Clamp (SN 0300240879 through 0300272376)	
328	2180348	1	Fitting, Straight Barbed (SN 0300240879 through 0300272376)	
329	1001173535	6	Clamp (SN 0300240879 through 0300272376)	
330	1001224489	1	Hose (Includes Tee) (SN 0300240879 through 0300272376)	
331	1001225510	1	Decal - Full Cold (SN 0300240879 through 0300272376)	
332	1001216531	1	Hose (SN 0300240879 through 0300272376)	
333	1001227666	1	Hose (SN 0300240879 through 0300272376)	
334	1001224486	1	Hose (SN 0300240879 through 0300272376)	
335	0711014	5	Bolt M10 x 30 (SN 0300240879 through 0300272376)	
338	0100062	AR	Adhesive (SN 0300240879 through 0300272376)	
339	4060805	16 in/ 41cm	Flex-Trim (SN 0300240879 through 0300272376)	
340	1001227667	1	Hose (SN 0300240879 through 0300272376)	
350	1001216393	1	Heater, Engine Block (Arctic Package Only) (Not Shown)	
	1001216910	Ref	FORD ENGINE ASSEMBLY - PUMP COUPLING/ FUEL SYSTEM	F
401	0100011	AR	Compound, Locking	
403	0760605	4	Bolt M6 x 10	
404	0760807	2	Bolt M8 x 14	
405	0760812	AR	Bolt M8 x 25	
409	3290805	AR	Nut M8	
411	4811702	4	Washer M6	
412	4811900	AR	Washer M8	
413	5250605	3	Bolt M6 x 10	
414	5260600	1	Nut M6 Class 10	
415	1001173535	4	Clamp (SN 0300183034 through 0300227034)	
416	8406201	1	Clip (SN 0300183034 through 0300227034)	
417	8410009	2	Clamp (SN 0300183034 through 0300227034)	
418	82033995	10 in/ 27cm	Hose (SN 0300183034 through 0300227034)	
419	1001211794	3	Mount, Isolator	
420	1001213045	1	Bracket (SN 0300183034 through 0300232564)	
420	1001227769	1	Bracket (SN 0300232565 through 0300272376)	
421	1001213810	1	Pump Coupling, Kit	
421	70006134	1	Coupling	
421	70006135	1	Housing	
421	70006136	1	Hardware Kit	
423	1001216531	1	Hose (SN 0300183034 through 0300227034)	
424	1001216768	1	Bracket	
425	1001216769	1	Bracket	
426	1001216810	1	Hose (SN 0300183034 through 0300227034)	
428	1001149160	2	Nut, Tinnerman M8	
	1001216065	Ref	FORD ENGINE ASSEMBLY - BRACKETS/EXHAUST MANIFOLD	K
501	0700816	4	Bolt M8 x 40	

SECTION 2 - TURNTABLE

ITEM	PART NUMBER	QTY	DESCRIPTION	REV
502	0700818	1	Bolt M8 x 50	
503	0701014	2	Bolt M10 x 30	
504	0710827	1	Bolt M8 x 100 Grade 10.9	
505	0711216	2	Bolt M12 x 40	
506	0760610	3	Bolt M6 x 20	
507	0760615	4	Bolt M6 x 35	
508	0760817	1	Bolt M8 x 45	
509	3290601	1	Nut M6	
510	4811700	8	Washer M6	
511	4811900	1	Washer M8	
512	4811902	4	Washer M8	
513	4812000	1	Washer M10	
514	4812100	2	Washer M12	
515	5250605	2	Bolt M6 x 10	
516	5260600	2	Nut M6 Class 10	
517	1001210448	1	Engine, Ford 2.5L (See Ford Engine Components for Serviced Parts)	
518	1001211794	2	Mount	
519	1001214827	1	Manifold, Exhaust	
520	1001215384	1	Bracket	
521	1001216071	1	Bracket	
522	1001216144	1	Support, Muffler	
523	1001216616	1	Mount, Vaporizer (SN 0300183034 through 0300232560)	
523	1001227772	1	Mount, Vaporizer (SN 0300232561 through 0300272376)	
524	0100011	AR	Compound, Locking	
525	1001221545	1	Plate	
526	1001222641	6	Cap	
		Ref	EXHAUST PIPE INSTALLATION	
	1001220141	Ref	Exhaust Pipe Installation without Spark Arrestor	B
	1001219906	Ref	Exhaust Pipe Installation with Spark Arrestor	B
601	1320176	1	Clamp (SN 0300183034 through 0300246269)	
601	1001221397	1	Clamp (SN 0300246270 through 0300272376)	
602		Ref	Tail Pipe Options	
602	1001217478	1	Tail Pipe without Spark Arrestor	
602	1001217477	1	Tail Pipe with Spark Arrestor	
602	1001218089	1	Insulate	
602	1001100825	3	Strap	
	1001220404	Ref	DRIVE BELT INSTALLATION (MACHINES WITHOUT GENERATOR)	C
701	0100011	AR	Compound, Locking	
702	0701026	1	Bolt M10 x 90	
703	4812002	1	Washer M10	
704	1001216300	1	Pulley	
705	1001216619	1	V-Belt	
	1001210448	Ref	FORD ENGINE COMPONENTS	
801	70006145	4	Injector, Fuel	
801	70006147	1	Rail, Fuel	
802	70006150	1	Pump, Fuel	
802	70006154	1	Fitting M10	
803	70006151	1	Block, Fuel	
803	70006152	2	Fitting SAE6	
803	70006153	1	Fitting SAE3	

SECTION 2 - TURNTABLE

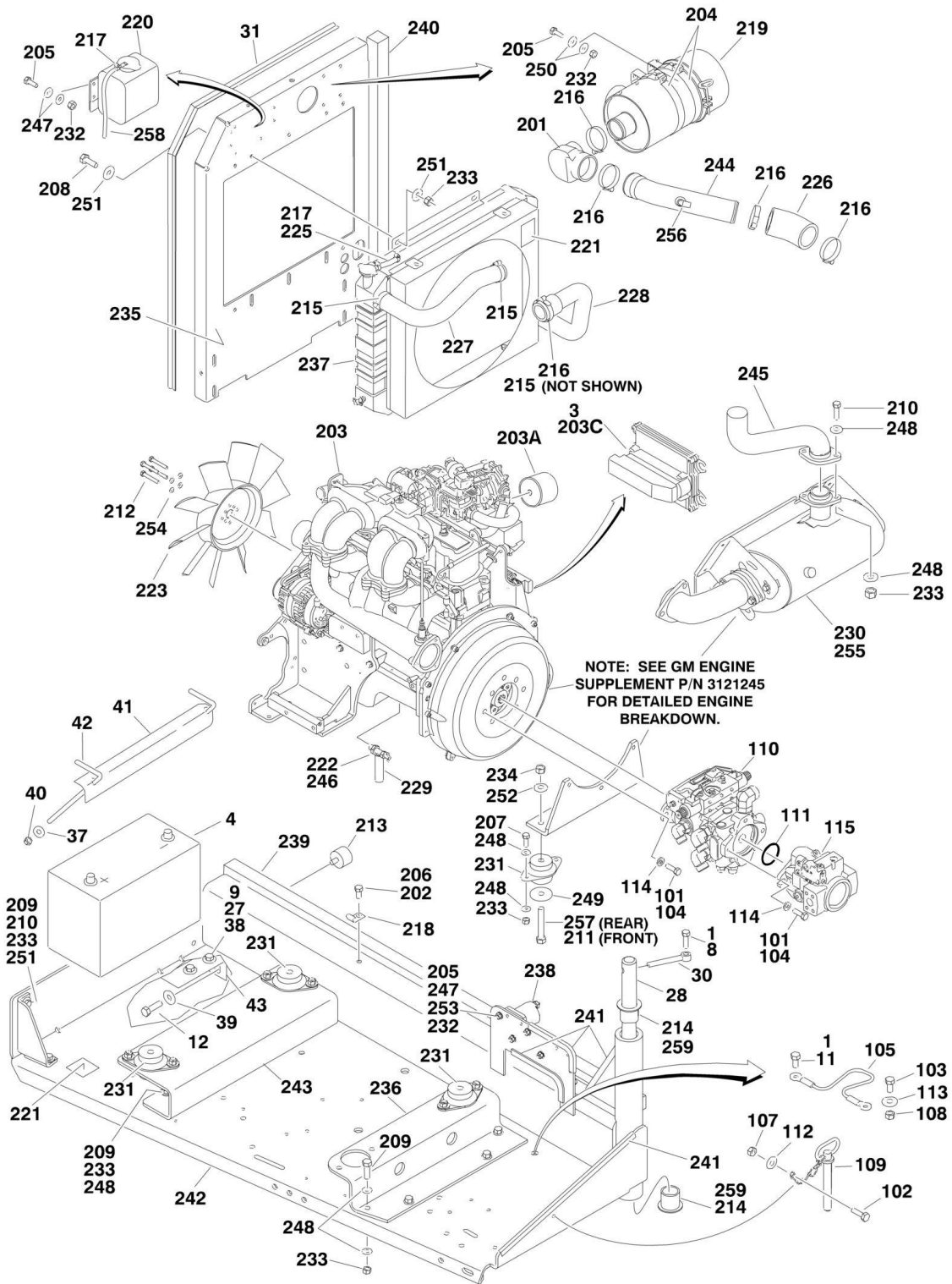
ITEM	PART NUMBER	QTY	DESCRIPTION	REV
803	70006189	1	Harness, Fuel Block	
804	70006155	1	Filter, Fuel	
805	7022162	8	Clamp	
805	70006157	8	Clip, Fuel Quick Disconnect	
806	70006158	1	Mixer, LP	
806	70006168	1	Mixer Diaphragm Replacement Kit	
806	70006159	1	Adapter, Mixer to Governor	
806	70006160	1	O-Ring, Mixer to Adapter	
806	70006161	1	Seal, Mixer to Adapter	
807	70006162	1	Regulator, LP Vapor	
807	70006166	2	Fitting, 70	
807	70006167	1	Fitting, Straight	
807	70006165	2	Isolator, Rubber	
808	70006163	1	Regulator, Direct Electronic Pressure	
808	70006164	1	Adapter, Fitting 90	
809	70006169	1	Starter	
809	70006233	1	Harness, Alternator/Starter	
810	70006170	1	Alternator	
811	70006173	1	Cover, Relay Box	
811	70006171	2	Relay (Fuel Pump & Power)	
811	70006172	1	Relay (Starter)	
811	70006175	1	Fuse - 20AMP (Starter)	
811	70006174	1	Decal - Relay Box Cover	
811	70006188	1	Harness, Engine	
811	70006165	2	Isolator, Rubber	
812	70006176	1	Module - Engine Control Unit (ECU/GCP)	
812	70006191	1	Software & Diagnostic Cable	
813	70006177	4	Coil and Boot Assembly	
813	70006178	4	Plug, Spark	
814	70006179	1	Switch, Oil Pressure	
815	70006180	1	Sensor, Knock	
816	70006181	1	Sensor, TMAP	
817	70006182	2	Sensor, O2	
818	70006183	1	Sensor, Coolant Temperature (Not Shown - Located Rear of Engine Block)	
819	70006184	1	Sensor, Crank Position (Not Shown - Located at Front RH Side of Block)	
820	70006185	1	Sensor, Cam Position	
821	70006186	1	Solenoid, Timing	
821	70006187	1	Grommet, Rubber	
822	70006194	1	Muffler	
822	70006195	1	Plug (Located at Muffler Outlet)	
823		Ref	Gasket Options (Not Shown):	
823	70006196	1	Gasket, Exhaust Manifold to Head	
823	70006197	1	Gasket, Exhaust Manifold Outlet	
823	70006200	1	Gasket, Intake Manifold to Head	
823	70006219	1	Gasket Set - Camshaft Cover	
823	70006225	1	Gasket, Cylinder Head	
824	70006198	1	Governor	
824	7027404	1	Gasket, Governor Actuator	
824	70006199	1	Gasket, Governor to Intake Manifold Adapter	
825	70006203	1	Flywheel (Not Shown)	

SECTION 2 - TURNTABLE

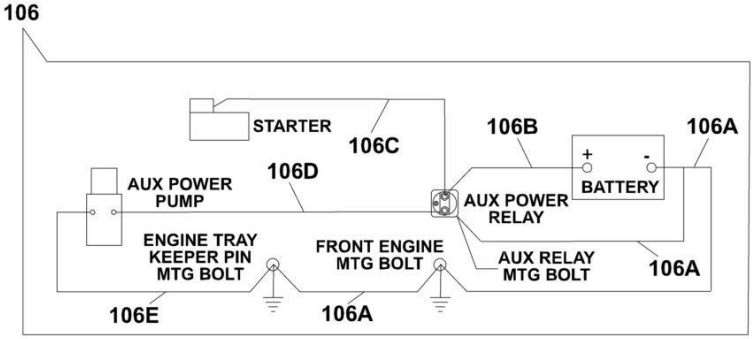
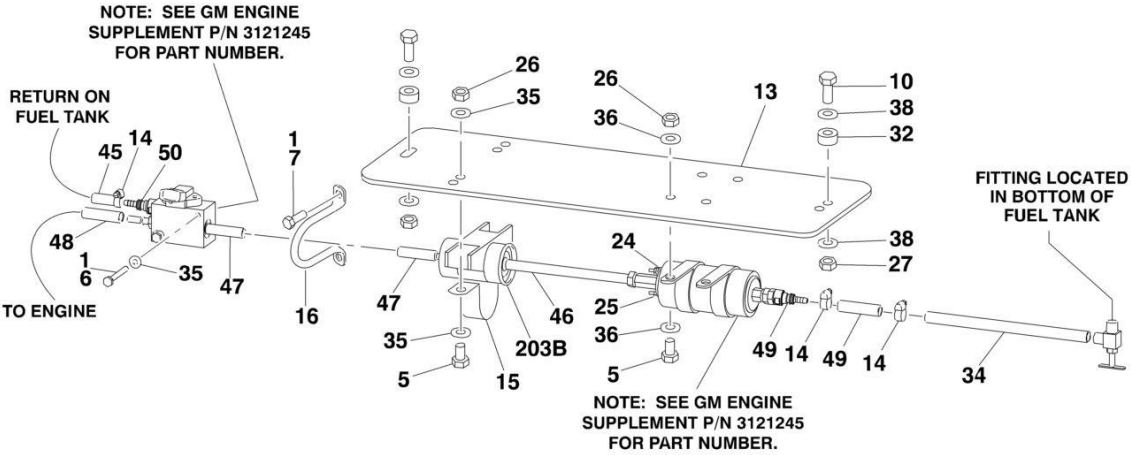
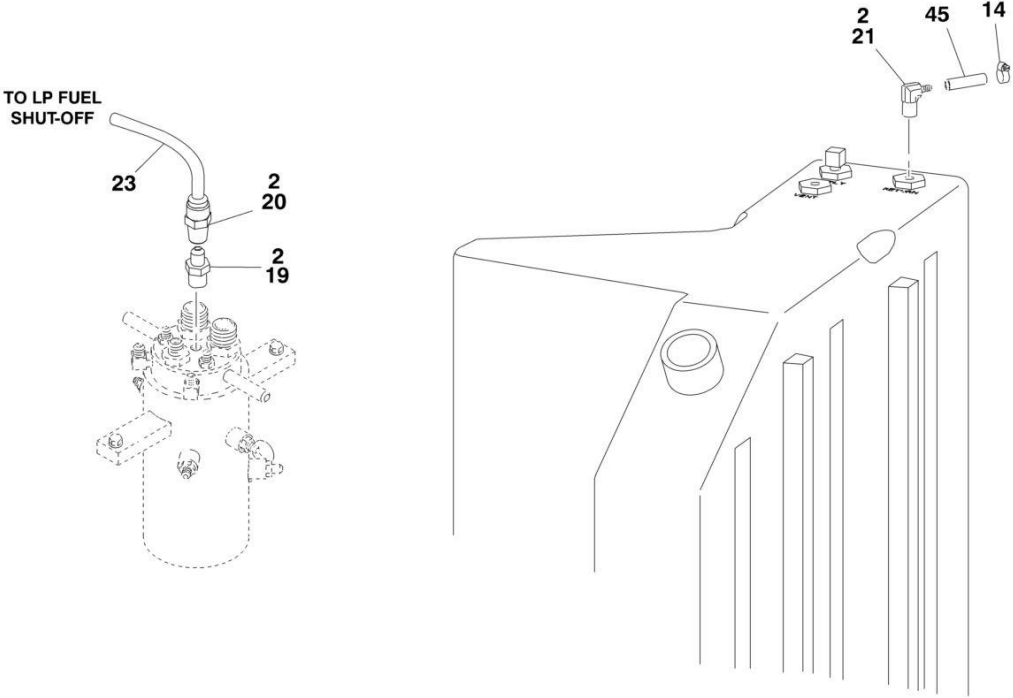
ITEM	PART NUMBER	QTY	DESCRIPTION	REV
826	70006205	1	Thermostat (Includes Housing)	
826	70006206	1	Gasket, Water Inlet	
827	70006207	1	Pump, Water	
827	70006208	1	O-Ring, Water Pump	
827	See Note	NSS	Pulley, Water Pump (Note: Not Available for Purchase at This Time)	
828	70006213	1	Filter, Oil	
829	70006215	1	Plug, Oil Drain	
829	70006217	1	Gasket, Oil Drain Plug	
830	70006221	1	Cap, Oil Fill	
831	70006232	1	Sensor, Crank (Not Shown)	
832	70006235	1	Valve, Lock-Off (Includes Filter)	
833	70006202	1	Belt	
834	70006236	1	Dipstick	

SECTION 2 - TURNTABLE

FIGURE 2-14. GM ENGINE INSTALLATION



SECTION 2 - TURNTABLE



SECTION 2 - TURNTABLE

FIGURE 2-14. GM ENGINE INSTALLATION

ITEM	PART NUMBER	QTY	DESCRIPTION	REV
	1001156467	Ref	GM ENGINE INSTALLATION WITHOUT ARCTIC PACKAGE (SN 0300183034 through 0300221629)	E
	1001216719	Ref	GM ENGINE INSTALLATION WITHOUT ARCTIC PACKAGE (SN 0300221630 through 0300272376)	B
	1001156469	Ref	GM ENGINE INSTALLATION WITH ARCTIC PACKAGE (SN 0300183034 through 0300196955)	F
	1001178179	Ref	GM ENGINE INSTALLATION WITH ARCTIC PACKAGE (SN 0300196956 through 0300221629)	C
	1001216720	Ref	GM ENGINE INSTALLATION WITH ARCTIC PACKAGE (SN 0300221630 through 0300272376)	B
1	0100011	AR	Compound, Locking	
2	0100020	AR	Sealant, Pipe	
3	0100048	AR	Grease, Dielectric	
4	0400075	1	Battery (Wet)	
5	0641406	4	Bolt 1/4-20 x 3/4	
6	0641418	2	Bolt 1/4-20 x 2-1/4	
7	0641508	1	Bolt 5/16-18 x 1	
8	0641608	1	Bolt 3/8-16 x 1	
9	0641610	2	Bolt 3/8-16 x 1-1/4	
10	0641612	2	Bolt 3/8-16 x 1-1/2	
11	0641808	1	Bolt 1/2-13 x 1	
12	0642010	1	Bolt 5/8-11 x 1-1/4	
13	0903510	1	Bracket	
14	1001174486	AR	Clamp, Fuel Line	
15	1320323	1	Clamp	
16	1321339	1	Clamp	
17	1701542	1	Decal, Gas (Not Shown - Located on Fuel Tank)	
18	1701543	2	Decal, LPG (Not Shown - Located on Frame)	
19	2180418	1	Fitting, Straight SAE	
20	2220005	1	Fitting, Straight, NPT	
21	2221176	1	Fitting, 90 NPT/Barbed	
22	2300004	AR	Coolant (Machines without Arctic Package) (Not Shown)	
22	2300041	AR	Coolant (Machines with Arctic Package) (Not Shown)	
23	2720392	1	Hose, LP	
24	3290405	1	Nut M4	
25	3290505	1	Nut M5	
26	3311405	4	Nut 1/4-20	
27	3311605	4	Nut 3/8-16	
28	3422446	1	Pin	
29	3790012	1	O-Ring (Not Shown - Located in Console Box)	
30	3841143	1	Keeper	
31	3960389	6 ft/1.5m	Seal	
32	4071122	2	Shim	
33	4360336	1	Switch, Toggle (Not Shown - Located in Console Box)	
34	4569385	1	Tube, Fuel Line	
35	4711400	12	Washer 1/4	
36	4751400	8	Washer 1/4	
37	4751500	2	Washer 5/16	
38	4751600	8	Washer 3/8	
39	4752000	1	Washer 5/8	
40	88521205	2	Nut 5/16-18	

SECTION 2 - TURNTABLE

ITEM	PART NUMBER	QTY	DESCRIPTION	REV
41	91401281	1	Angle, Battery Hold Down	
42	1001093382	2	Bolt, Battery Hold-down	
43	1001153359	1	Mount	
45	1001156819	68 in/1.7m	Hose, Fuel Line (SN 0300183034 through 0300196955)	
45	1001177159	1	Hose, Fuel Line (SN 0300196956 through 0300272376)	
46	1001156823	1	Hose (6in/15cm Length)	
47	1001156824	1	Hose (4ft/1.2m Length)	
48	1001156825	1	Hose	
49	1001156819	68 in /1.7m	Hose, Fuel Line (SN 0300183034 through 0300196955)	
49	1001177165	1	Hose, Fuel Line (SN 0300196956 through 0300272376)	
50	1001174093	2	Coupling, Quick Connect	
70		Ref	Note: Arctic Package Items 70 - 82 (Used on Arctic Machines Only) (Not Shown)	
71	1060625	1	Cable, Immersion Heater (SN 0300183034 through 0300207789)	
71	1001150918	1	Cable, Immersion Heater (SN 0300207790 through 0300272376)	
72	1060626	1	Cord, 3 Way Extension	
73	1320223	3	Clamp	
74	1702941	1	Decal - Battery Heater	
75	1702942	1	Decal - Engine Block Heater	
76	1702943	1	Decal - Hydraulic Tank Heater	
77	1702944	1	Decal - Heater Cord	
79	2580024	1	Heater, Battery	
80	2580050	1	Heater, Hydraulic Tank (SN 0300183034 through 0300207789)	
80	1001188972	1	Heater, Hydraulic Tank (SN 0300207790 through 0300272376)	
81	2580063	1	Heater, Engine Block	
82	3980007	1	Seat, Battery	
	1001156471	Ref	GM ENGINE AND PUMP ASSEMBLY WITHOUT ARCTIC PACKAGE (SN 0300183034 through 0300221629)	E
	1001216715	Ref	GM ENGINE AND PUMP ASSEMBLY WITHOUT ARCTIC PACKAGE (SN 0300221630 through 0300272376)	C
	1001156473	Ref	GM ENGINE AND PUMP ASSEMBLY WITH ARCTIC PACKAGE (SN 0300183034 through 0300221629)	D
	1001216716	Ref	GM ENGINE AND PUMP ASSEMBLY WITH ARCTIC PACKAGE (SN 0300221630 through 0300272376)	C
101	0100011	AR	Compound, Locking	
102	0641407	1	Bolt 1/4-20 x 7/8	
103	0641808	1	Bolt 1/2-13 x 1	
104	0641812	4	Bolt 1/2-13 x 1-1/2	
105	1060637	1	Cable, Lanyard	
106	2902533	1	Battery Cable Kit	B
106A	7027018	1	Cable (Battery - to Ground)	
106B	7027015	1	Cable (Battery + to Auxiliary Relay)	
106C	7027017	1	Cable (Auxiliary Relay to Starter)	
106D	7016824	1	Cable (Auxiliary Relay to Auxiliary Pump)	
106E	7016825	1	Cable (Ground to Auxiliary Pump)	
107	3311405	1	Nut 1/4-20	
108	3311805	1	Nut 1/2-13	
109	3422532	1	Pin, Hitch	
110	1001142522	1	Hydrostatic Pump Assembly with Fittings (See HYDROSTATIC PUMP ASSEMBLY for Breakdown) (SN 0300183034 through 0300207789)	

SECTION 2 - TURNTABLE

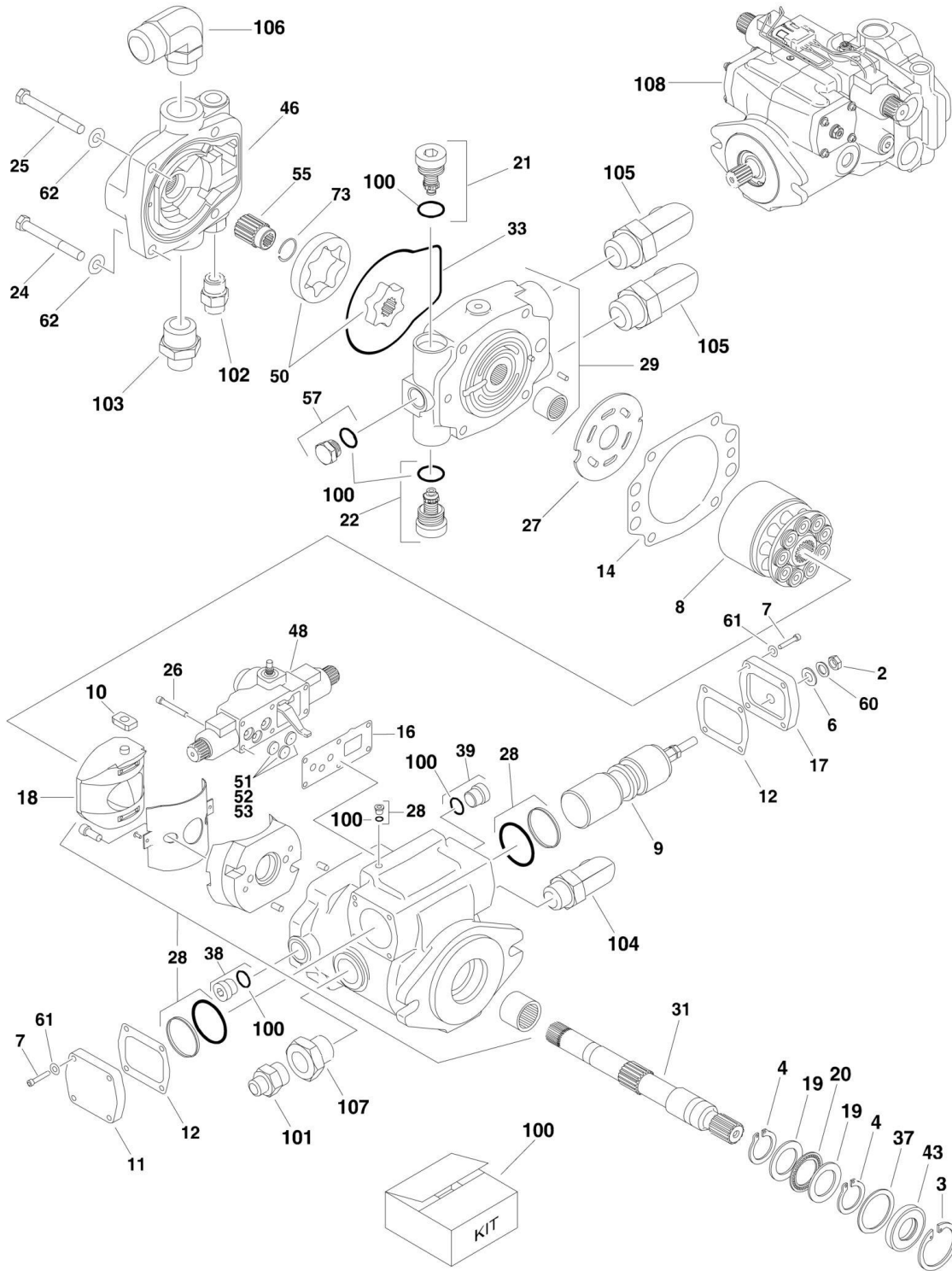
ITEM	PART NUMBER	QTY	DESCRIPTION	REV
110	1001187510	1	Hydrostatic Pump Assembly with Fittings (See HYDROSTATIC PUMP ASSEMBLY for Breakdown) (SN 0300207790 through 0300272376)	
111	3790044	1	O-Ring	
112	4751400	1	Washer 1/4	
113	4751800	1	Washer 1/2	
114	4891800	4	Washer, 1/2	
115	1001094595		Variable Pump Assembly with Fittings (See VARIABLE PUMP ASSEMBLY for Breakdown)	
117	1001115930	AR	Oil, 10W-30 Motor (Machines without Arctic Package)	
117	1001115931	AR	Oil, 5W-30 Motor (Machines with Arctic Package)	
	1001114632	Ref	GM ENGINE ASSEMBLY (SN 0300183034 through 0300221629)	F
	1001216714	Ref	GM ENGINE ASSEMBLY (SN 0300221630 through 0300272376)	B
201	0080201	1	Adapter, Elbow	
202	0100011	AR	Compound, Locking	
203	1001114595	NLA	Engine, GM 3.0L (Use p/n 1001216713) (See GM Engine Supplement P/N 3121245 for Breakdown of Additional Components) (SN 0300183034 through 0300221629)	
203	1001216713	1	Engine, GM 3.0L (See GM Engine Supplement P/N 3121245 for Breakdown of Additional Components) (SN 0300221630 through 0300272376)	
203A	7027965	1	Filter, Oil	
203B	7027972	1	Filter, Fuel	
203C	70002895	1	Module, Control (ECU)	
203D	70000164	4	Spark Plug (Not Shown)	
204	0340041	2	Band, Mounting	
205	0641406	10	Bolt 1/4-20 x 3/4	
206	0641606	3	Bolt 3/8-16 x 3/4	
207	0641608	8	Bolt 3/8-16NC x 1	
208	0641609	4	Bolt 3/8-16 x 1-1/8	
209	0641610	10	Bolt 3/8-16 x 1-1/4	
210	0641612	4	Bolt 3/8-16 x 1-1/2	
211	0641828	2	Bolt 1/2-13 x 3-1/2	
212	0700810	4	Bolt M8 x 20	
213	0940070	1	Bumper	
214	0961986	2	Bearing, Flanged	
215	1320012	3	Clamp	
216	1320016	5	Clamp	
217	1320022	AR	Clamp	
218	1320223	3	Clamp	
219	1340060	1	Air Cleaner Assembly	
219	7012664	1	Element, Air Cleaner	
220	1580011	1	Container, Coolant Overflow	
221	1703162	2	Decal - Caution Fan	
222	0100020	AR	Locking Compound	
223	2060025	1	Fan	
225	2720058	5.5 in /14cm	Hose	
226	1001116544	1	Duct	
227	2720563	1	Hose, Radiator (Top)	
228	2720564	1	Hose, Radiator (Bottom)	
229	2750532	1 ft/0.3m	Hose	
230	1001091794	1	Insulation, Muffler	

SECTION 2 - TURNTABLE

ITEM	PART NUMBER	QTY	DESCRIPTION	REV
231	3200362	4	Mount, Engine	
232	3311405	12	Nut 1/4-20	
233	3311605	26	Nut 3/8-16	
234	3311805	4	Nut 1/2-13	
235	3539872	1	Plate, Radiator Mounting	
236	3572280	1	Plate, Engine Mount	
237	3620040	1	Radiator	
237	8180311	1	Cap, Radiator (was p/n 7019656)	
238	3740067	1	Relay	
239	3960468	1	Seal	
240	3960469	1	Seal	
241	4060805	3 ft/0.9m	Flex-Trim	
242	4341239	1	Tray, Engine	
243	4341241	1	Mount, Engine (Front)	
244	1001116545	1	Tube, Intake	
245	4569394	1	Pipe, Exhaust	
246	4640952	1	Valve, Oil Drain	
247	4711400	12	Washer 1/4	
248	4711600	36	Washer 3/8	
249	4740274	4	Washer, Snubbing	
250	4751400	8	Washer 1/4	
251	4751600	16	Washer 3/8	
252	4751800	4	Washer 1/2	
253	4791400	2	Washer 1/4	
254	4831900	4	Washer M8	
255	4920385	10 ft/3m	Wire, Safety	
256	2180877	1	Fitting Elbow	
257	0641826	2	Bolt 1/2-13 x 3-1/4	
258	2720271	18 in /46cm	Hose	
259	0100062	AR	Retaining Compound	

SECTION 2 - TURNTABLE

FIGURE 2-15. HYDROSTATIC PUMP ASSEMBLY (SN 0300183034 through 0300207789)



SECTION 2 - TURNTABLE

FIGURE 2-15. HYDROSTATIC PUMP ASSEMBLY (SN 0300183034 through 0300207789)

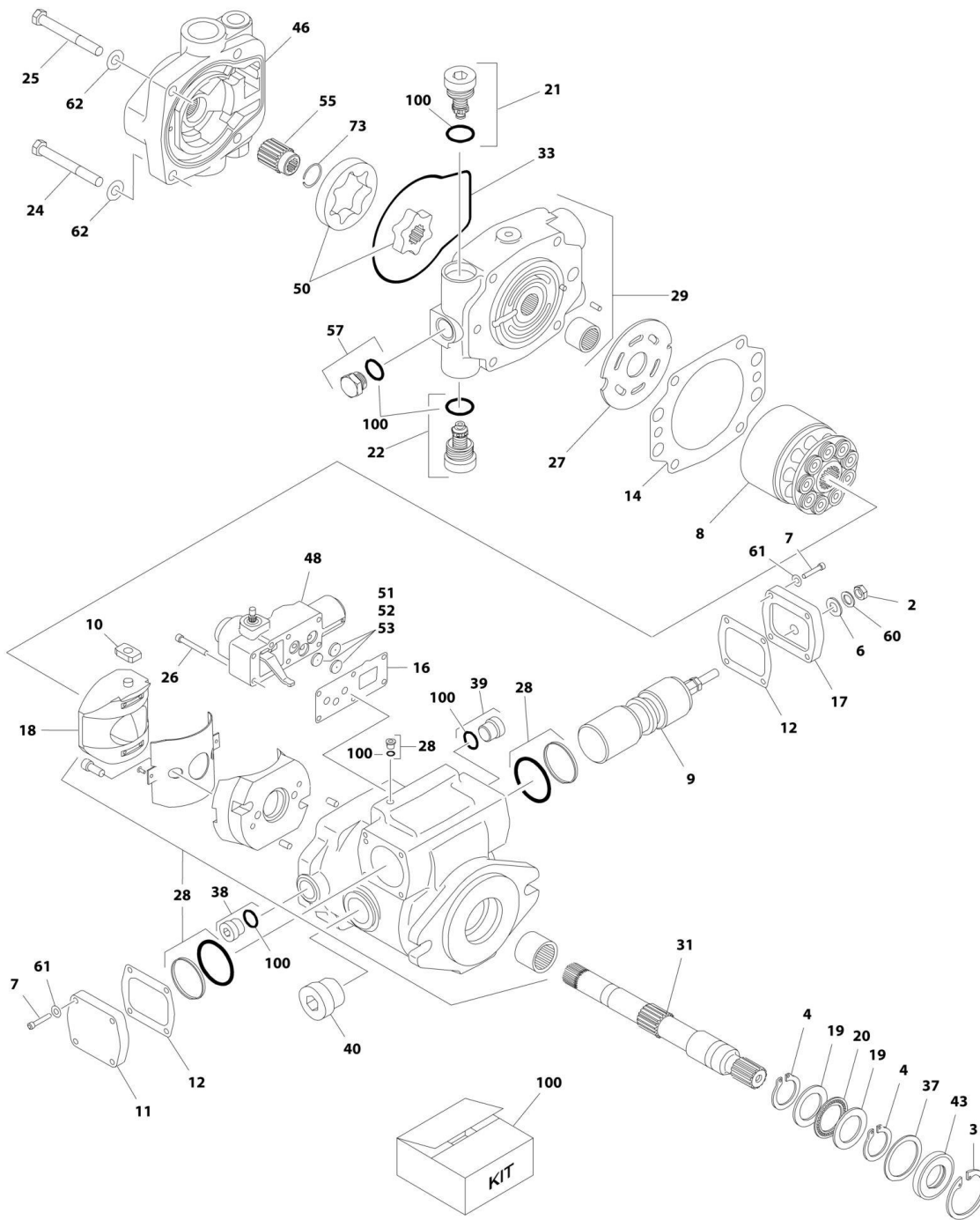
ITEM	PART NUMBER	QTY	DESCRIPTION	REV
	1001142522	Ref	PUMP ASSEMBLY	B
2	70004329	1	Nut	
3	See Note	NSS	Ring, Retaining (Note: Use Item 100)	
4	See Note	NSS	Ring, Retaining (Note: Use Item 100)	
6	See Note	NSS	Washer, Seal (Note: Use Item 100)	
7	70004330	8	Capscrew	
8	70004331	1	Cylinder Block Assembly	
9	70004332	1	Servo Piston Assembly	
10	70004333	1	Follower, Servo Piston	
11	70004334	1	Cover	
12	70005116	2	Gasket, Cover	
14	See Note	NSS	Gasket, Housing (Note: Use Item 100)	
16	See Note	NSS	Gasket, Control Housing (Note: Use Item 100)	
17	70004335	1	Cover	
18	70004336	1	Camplate Assembly	
19	7004907	2	Race, Thrust	
20	7004908	1	Bearing, Thrust	
21	70004337	1	Relief Valve Assembly	
22	70004337	1	Relief Valve Assembly	
24	70004338	2	Capscrew	
25	70004338	2	Capscrew	
26	70004339	6	Capscrew	
27	70004340	1	Plate, Valve	
28	See Note	NSS	Housing (Note: Not Available - Purchase Assembly)	
29	70004341	1	End Cover Assembly	
31	70004342	1	Shaft, Drive	
33	See Note	NSS	O-Ring (Note: Use Item 100)	
37	7004906	1	Washer	
38	See Note	NSS	Plug (Note: Not Available for Purchase)	
39	See Note	NSS	Plug (Note: Not Available for Purchase)	
43	See Note	NSS	Seal, Shaft (Note: Use Item 100)	
46	70004343	1	Adapter, Charge Pump	
48	70004344	1	Servo Control Assembly	
50	70004345	1	Gerotor	
51	70004346	1	Orifice	
52	70004346	1	Orifice	
53	70004346	1	Orifice	
55	70004347	1	Coupler	
57	See Note	NSS	Plug (Note: Not Available for Purchase)	
60	70004348	1	Washer	
61	70004349	8	Washer	
62	70004350	4	Washer	
73	70004351	1	Ring, Retaining	
100	70004352	1	Seal Kit - Pump (Includes Items 3, 4, 6, 12, 14, 16, 33 & 43 and Valve and Plug O-Rings and Seals)	
	1001153622	Ref	PUMP AND FITTING ASSEMBLY	B
101	2220221	1	Fitting, Straight	
102	2220374	1	Fitting, Straight	
103	2220451	1	Fitting, Straight	
104	2220582	1	Fitting, Straight	

SECTION 2 - TURNTABLE

ITEM	PART NUMBER	QTY	DESCRIPTION	REV
105	2220646	2	Fitting, Elbow	
106	2220800	1	Fitting, Straight	
107	8770050	1	Fitting, Elbow	
108	1001142522	1	Pump Assembly (Includes Items 2-73) (SN 0300183034 through 0300207789)	
200	70005663	1	Tool, Port Plate for Pump p/n 1001142522 (Not Shown)	

SECTION 2 - TURNTABLE

FIGURE 2-16. HYDROSTATIC PUMP ASSEMBLY (SN 0300207790 through 0300272376)



ART_1001187510

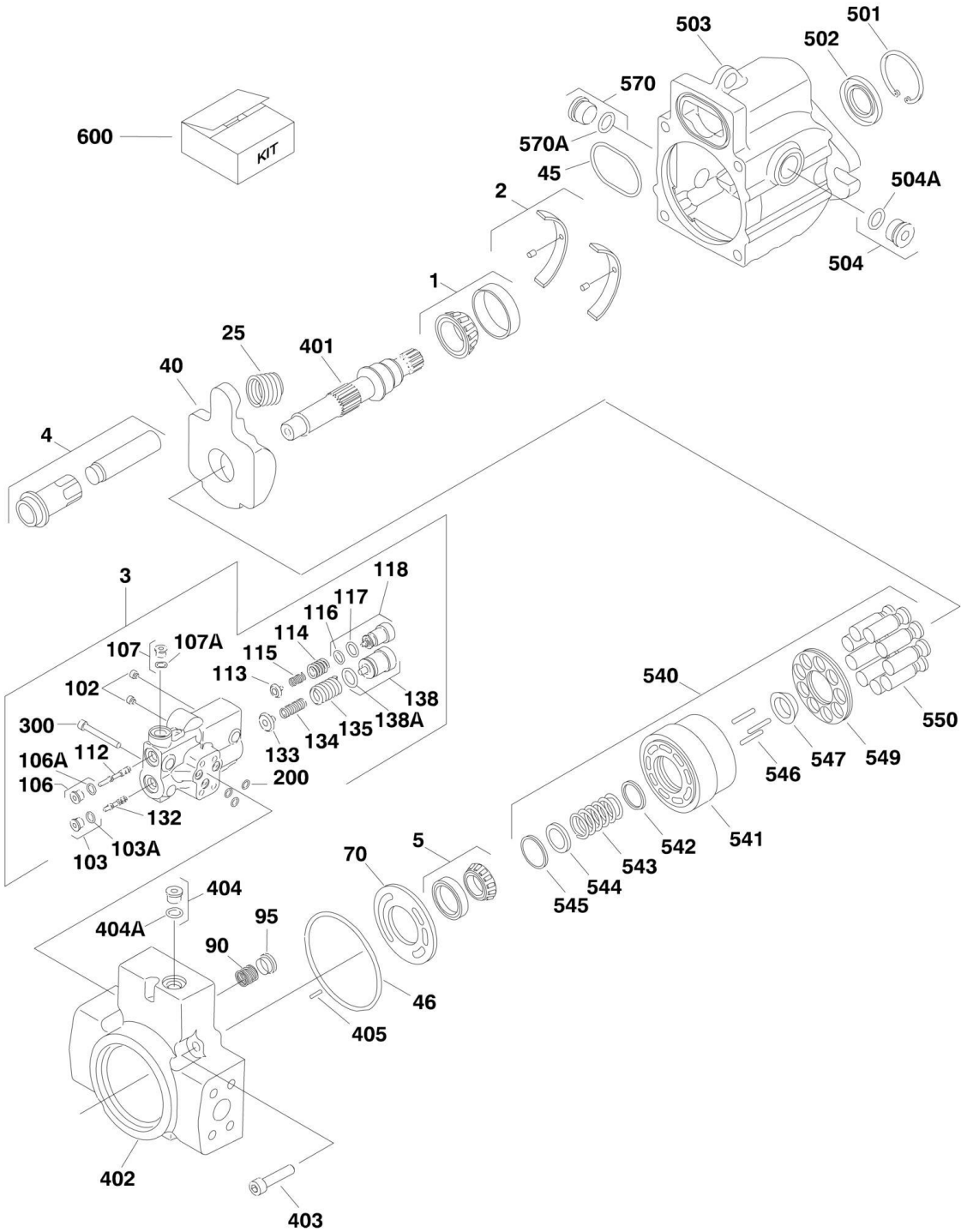
SECTION 2 - TURNTABLE

FIGURE 2-16. HYDROSTATIC PUMP ASSEMBLY (SN 0300207790 through 0300272376)

ITEM	PART NUMBER	QTY	DESCRIPTION	REV
		Ref	HYDROSTATIC PUMP ASSEMBLY	
	1001187510	Ref	HYDROSTATIC PUMP ASSEMBLY (SN 0300207790 through 0300240878)	C
	1001225745	Ref	HYDROSTATIC PUMP ASSEMBLY (SN 0300240879 through 0300272376)	A
2	70004329	1	Nut	
3	See Note	NSS	Ring, Retaining (Note: Use Item 100)	
4	See Note	NSS	Ring, Retaining (Note: Use Item 100)	
6	See Note	NSS	Washer, Seal (Note: Use Item 100)	
7	70005464	8	Capscrew	
8	70004331	1	Cylinder Block Assembly	
9	70004332	1	Servo Piston Assembly	
10	70004333	1	Follower, Servo Piston	
11	70005458	1	Cover	
12	See Note	NSS	Gasket, Cover (Note: Use Item 100)	
14	See Note	NSS	Gasket, Housing (Note: Use Item 100)	
16	See Note	NSS	Gasket, Control Housing (Note: Use Item 100)	
17	70005459	1	Cover	
18	70004336	1	Camplate Assembly	
19	7004907	2	Race, Thrust	
20	7004908	1	Bearing, Thrust	
21	70004337	1	Relief Valve Assembly	
22	70004337	1	Relief Valve Assembly	
24	70004338	2	Capscrew	
25	70004338	2	Capscrew	
26	70005465	6	Capscrew	
27	70004340	1	Plate, Valve	
28	See Note	NSS	Housing (Note: Not Available - Purchase Assembly)	
29	70005460	1	End Cover Assembly	
31	70004342	1	Shaft, Drive	
33	See Note	NSS	O-Ring (Note: Use Item 100)	
37	7004906	1	Washer	
38	70005461	1	Plug	
39	70005461	1	Plug	
40	70005462	1	Plug	
43	See Note	NSS	Seal, Shaft (Note: Use Item 100)	
46	70004343	1	Adapter, Charge Pump	
48	70004344	1	Servo Control Assembly	
50	70004345	1	Gerotor	
51	70004346	1	Orifice	
52	70004346	1	Orifice	
53	70004346	1	Orifice	
55	70004347	1	Coupler	
57	70005463	1	Plug	
60	70004348	1	Washer	
61	70004349	8	Washer	
62	70004350	4	Washer	
73	70004351	1	Ring, Retaining	
100	70004352	1	Seal Kit - Pump (Includes Items 3, 4, 6, 12, 14, 16, 33 & 43 and Valve and Plug O-Rings and Seals)	

SECTION 2 - TURNTABLE

FIGURE 2-17. VARIABLE PUMP ASSEMBLY



SECTION 2 - TURNTABLE

FIGURE 2-17. VARIABLE PUMP ASSEMBLY

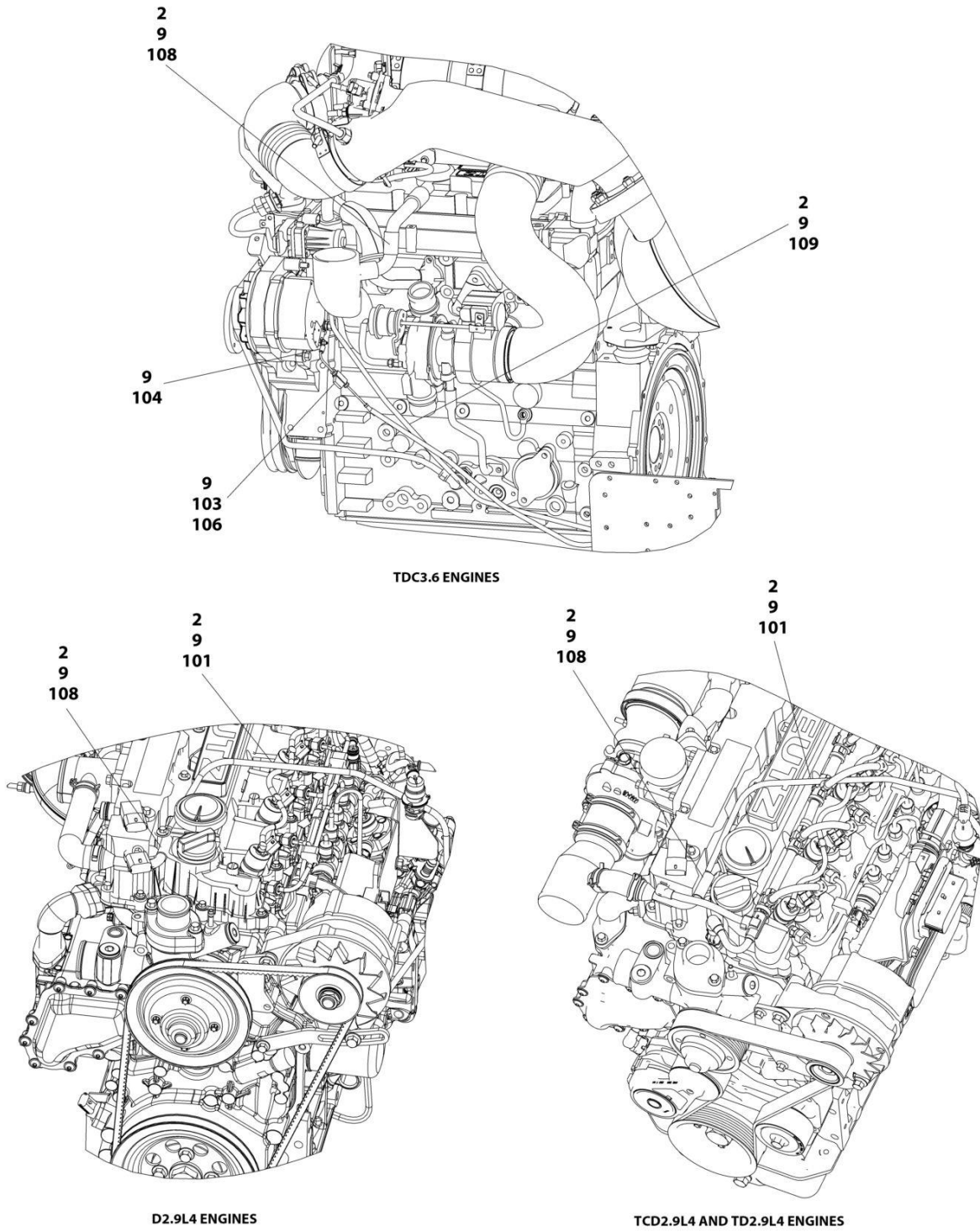
ITEM	PART NUMBER	QTY	DESCRIPTION	REV
	1001094595	Ref	PUMP ASSEMBLY	A
1	7023947	1	Bearing, Front (Includes Cup and Cone)	
2	7023948	1	Bearings, Swash Plate (Includes Both Sides and Pins)	
3	7023956	1	Control Valve Assembly (Includes Items 102-300)	
4	7023949	1	Servo Piston Assembly	
5	7023950	1	Bearing, Rear (Includes Cup and Cone)	
25	7023951	1	Spring	
40	7023952	1	Swash Plate	
45	See Note	NSS	O-Ring (Note: Use Item 600)	
46	See Note	NSS	O-Ring (Note: Use Item 600)	
70	70001954	1	Plate, Valve	
90	70001955	1	Spring, Check Valve	
95	70001956	1	Poppet, Check Valve	
102	See Note	NSS	Setscrew (Note: Use Item 3)	
103	See Note	NSS	Plug (Note: Use Item 3)	
103A	See Note	NSS	O-Ring (Note: Use Item 600)	
106	See Note	NSS	Plug (Note: Use Item 3)	
106A	See Note	NSS	O-Ring (Note: Use Item 600)	
107	See Note	NSS	Plug (Note: Use Item 3)	
107A	See Note	NSS	O-Ring (Note: Use Item 600)	
112	See Note	NSS	Spool, Control (Note: Use Item 3)	
113	See Note	NSS	Guide, Spring (Note: Use Item 3)	
114	See Note	NSS	Spring (Note: Use Item 3)	
115	See Note	NSS	Spring (Note: Use Item 3)	
116	See Note	NSS	O-Ring (Note: Use Item 600)	
117	See Note	NSS	Ring, Back-up (Note: Use Item 600)	
118	See Note	NSS	Plug, Adjusting (Note: Use Item 3)	
132	See Note	NSS	Spool, Control (Note: Use Item 3)	
133	See Note	NSS	Guide, Spring (Note: Use Item 3)	
134	See Note	NSS	Spring (Note: Use Item 3)	
135	See Note	NSS	Spring (Note: Use Item 3)	
138	See Note	NSS	Plug, PC Adjusting (Note: Use Item 3)	
138A	See Note	NSS	O-Ring (Note: Use Item 600)	
200	See Note	NSS	Ring, Seal (Note: Use Item 600)	
300	7023957	4	Screw	
401	7023958	1	Shaft	
402	70001957	1	Cap, End	
403	7023960	4	Screw	
404	7022318	1	Plug	
404A	See Note	NSS	O-Ring (Note: Use Item 600)	
405	7023961	1	Pin	
501	7023962	1	Ring, Retaining	
502	See Note	NSS	Seal, Lip (Note: Use Item 600)	
503	See Note	NSS	Housing (Note: Not Available - Purchase Assembly)	
504	7023964	1	Plug	
504A	7007415	1	O-Ring	
540	7023965	1	Cylinder Block Assembly	
541	See Note	NSS	Block, Cylinder (Note: Use Item 540)	
542	7024868	1	Washer	
543	7024867	1	Spring	

SECTION 2 - TURNTABLE

ITEM	PART NUMBER	QTY	DESCRIPTION	REV
544	7022314	1	Retainer, Spring	
545	7022311	1	Ring, Retaining	
546	7021275	3	Pin, Slipper	
547	7024864	1	Guide, Slipper	
549	7024866	1	Retainer, Slipper	
550	7023966	9	Piston Assembly	
570	7023964	1	Plug	
570A	7007415	1	O-Ring	
600	7023967	1	Seal Kit - Complete (Includes Items 45 , 46, 103A, 106A, 107A, 118, 138A, 200, 444A & 502)	

SECTION 2 - TURNTABLE

FIGURE 2-18. BREATHER HEATER INSTALLATION - DEUTZ D2.9L4 ENGINES WITH ARCTIC PACKAGE



ART_1001233763

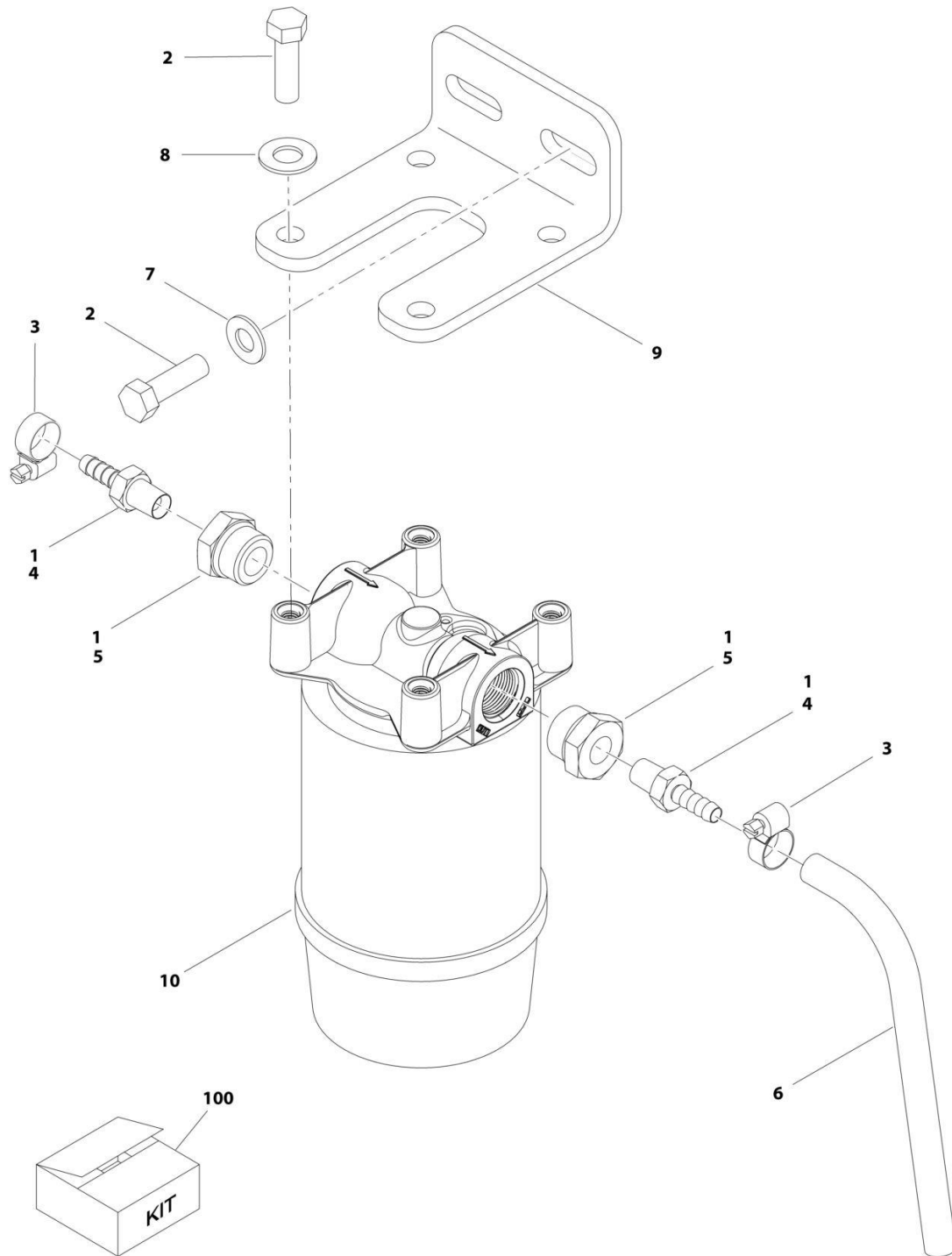
SECTION 2 - TURNTABLE

FIGURE 2-18. BREATHER HEATER INSTALLATION - DEUTZ D2.9L4 ENGINES WITH ARCTIC PACKAGE

ITEM	PART NUMBER	QTY	DESCRIPTION	REV
	1001233763	Ref	BREATHER HEATER INSTALLATION - DEUTZ ENGINES	D
2	4240099	AR	Tie-Strap	
9	1001243895	1	Breather Heater Harness	C
101	2820035	AR	Insulation	
103	2400060	1	Fuseholder with Cover	
104	4460043	1	Terminal, Ring	
105	4460722	1	Terminal, Ring (Not Shown)	
106	1001196634	1	Fuse - 2 Amp	
108	1001232842	1	Breather Heater Kit	

SECTION 2 - TURNTABLE

FIGURE 2-19. FUEL-WATER SEPARATOR INSTALLATION - DEUTZ TD2011 (OPTIONAL)



ART_1001199733

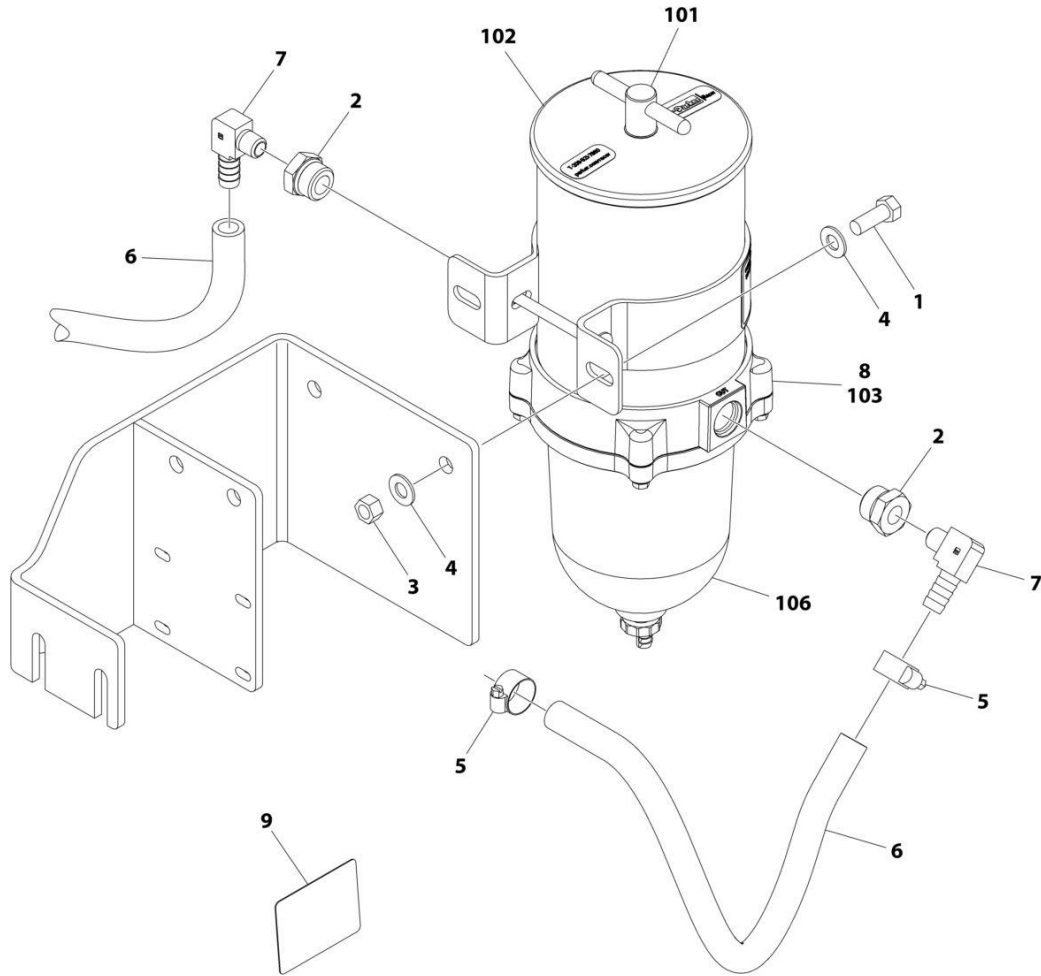
SECTION 2 - TURNTABLE

FIGURE 2-19. FUEL-WATER SEPARATOR INSTALLATION - DEUTZ TD2011 (OPTIONAL)

ITEM	PART NUMBER	QTY	DESCRIPTION	REV
	1001199733	Ref	FUEL-WATER SEPARATOR INSTALLATION - DEUTZ TD2011 (OPTIONAL)	A
1	0100079	1	Sealant	
2	0641610	6	Bolt 3/8-16 X 1-1/4	
3	1320022	2	Clamp	
4	2180348	2	Fitting, Straight	
5	2220816	2	Fitting, Straight	
6	2720058	35 in/ 89cm	Hose	
7	4711600	2	Washer 3/8	
8	4711700	4	Washer 7/16	
9	1001188884	1	Bracket	
10	1001188887	1	Fuel/Water Separator Assembly	
10	1001202280	1	Head	
10	1001202281	1	Element	
100	1001204667	1	Fuel/Water/Separator Add-On Kit	

SECTION 2 - TURNTABLE

FIGURE 2-20. FUEL-WATER SEPARATOR INSTALLATION (CHINA SPECS) (SN 0300238788 through 0300246968)



NOTE : LOCATED ON HOOD

ART_1001226286

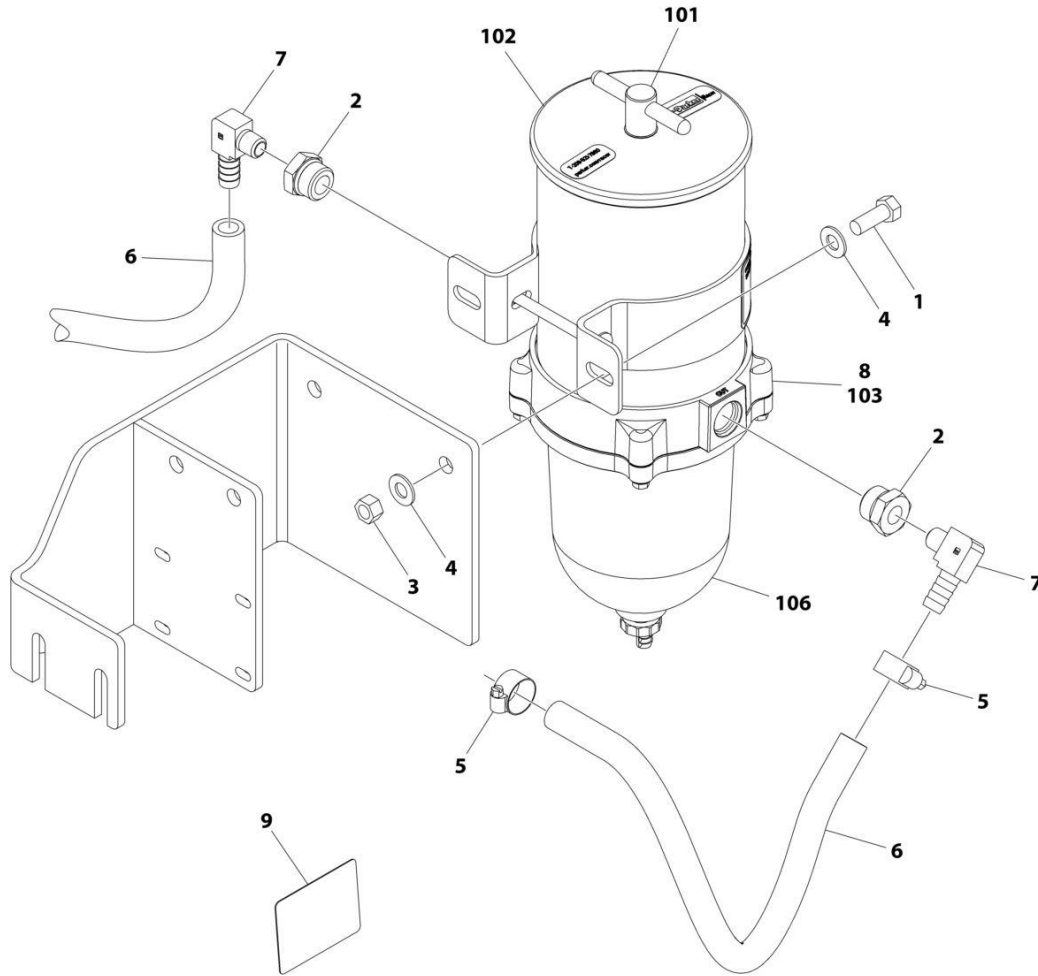
SECTION 2 - TURNTABLE

FIGURE 2-20. FUEL-WATER SEPARATOR INSTALLATION (CHINA SPECS) (SN 0300238788 through 0300246968)

ITEM	PART NUMBER	QTY	DESCRIPTION	REV
	1001226286	Ref	FUEL FILTER INSTALLATION	B
1	0641608	2	Bolt 3/8 x 1	
2	2220816	2	Fitting, Straight NPT	
3	3311605	2	Nut 3/8	
4	4711600	4	Washer 3/8	
5	8405006	2	Clamp	
6	1001154405	54 in/ 1.4m	Hose	
7	1001178797	2	Fitting, 90	
8	1001222817	1	Fuel Filter Assembly (See Items 101-107 for Breakdown)	
9	1001226923	1	Decal - Fuel Water Separator	
	1001222817	Ref	FUEL FILTER ASSEMBLY	
101	70006403	1	T-Handle Kit (Includes O-Ring)	
102	70006404	1	Lid Kit (Includes Gasket)	
103	70006405	1	Element	
104	70006406	1	Checkball & Gasket Kit (Not Shown)	
105	70006407	1	Centrifuge and Baffle Kit (Not Shown)	
106	70006409	1	Bowl Kit (Includes Gasket, O-Ring and Drain)	
106	70006408	1	Gasket, Bowl	
107	70006410	1	Bowl Ring Kit (Includes Gasket & Hardware) (Not Shown)	

SECTION 2 - TURNTABLE

FIGURE 2-21. FUEL-WATER SEPARATOR INSTALLATION (CHINA SPECS) (SN 0300246969 through 0300272376)



NOTE : LOCATED ON HOOD

ART_1001230032

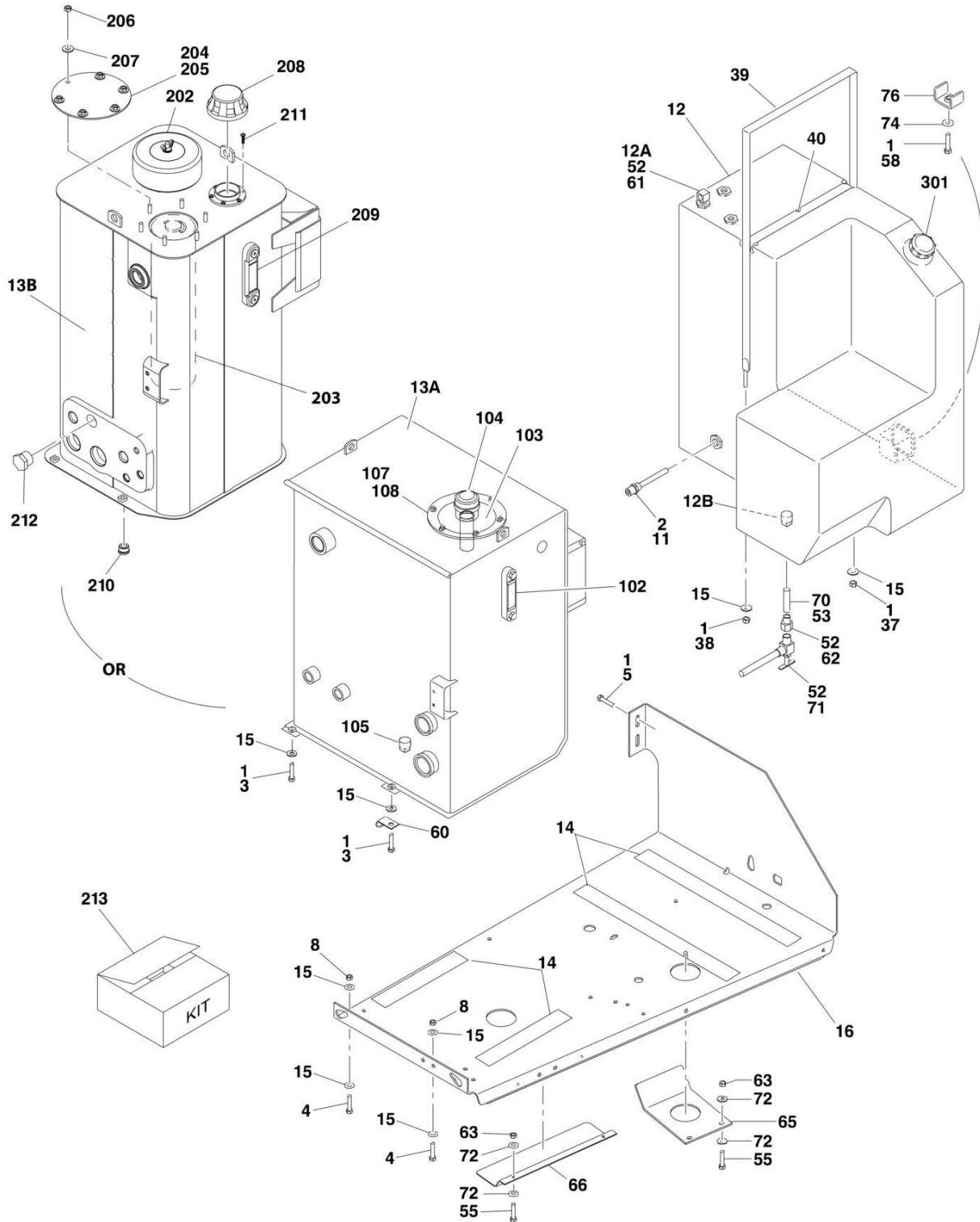
SECTION 2 - TURNTABLE

FIGURE 2-21. FUEL-WATER SEPARATOR INSTALLATION (CHINA SPECS) (SN 0300246969 through 0300272376)

ITEM	PART NUMBER	QTY	DESCRIPTION	REV
	1001230032	Ref	FUEL FILTER INSTALLATION	A
1	0641608	2	Bolt 3/8 x 1	
2	2220816	2	Fitting, Straight NPT	
3	3311605	2	Nut 3/8	
4	4711600	4	Washer 3/8	
5	8405006	2	Clamp	
6	1001154405	54 in/ 1.65m	Hose	
7	1001178797	2	Fitting, 90	
8	1001222817	1	Fuel Filter Assembly (See Items 101-107 for Breakdown)	
9	1001226923	1	Decal - Fuel Water Separator	
	1001222817	Ref	FUEL FILTER ASSEMBLY	
101	70006403	1	T-Handle Kit (Includes O-Ring)	
102	70006404	1	Lid Kit (Includes Gasket)	
103	70006405	1	Element	
104	70006406	1	Checkball & Gasket Kit (Not Shown)	
105	70006407	1	Centrifuge and Baffle Kit (Not Shown)	
106	70006409	1	Bowl Kit (Includes Gasket, O-Ring and Drain)	
106	70006408	1	Gasket, Bowl	
107	70006410	1	Bowl Ring Kit (Includes Gasket & Hardware) (Not Shown)	

SECTION 2 - TURNTABLE

FIGURE 2-22. TANK INSTALLATIONS



SECTION 2 - TURNTABLE

FIGURE 2-22. TANK INSTALLATIONS

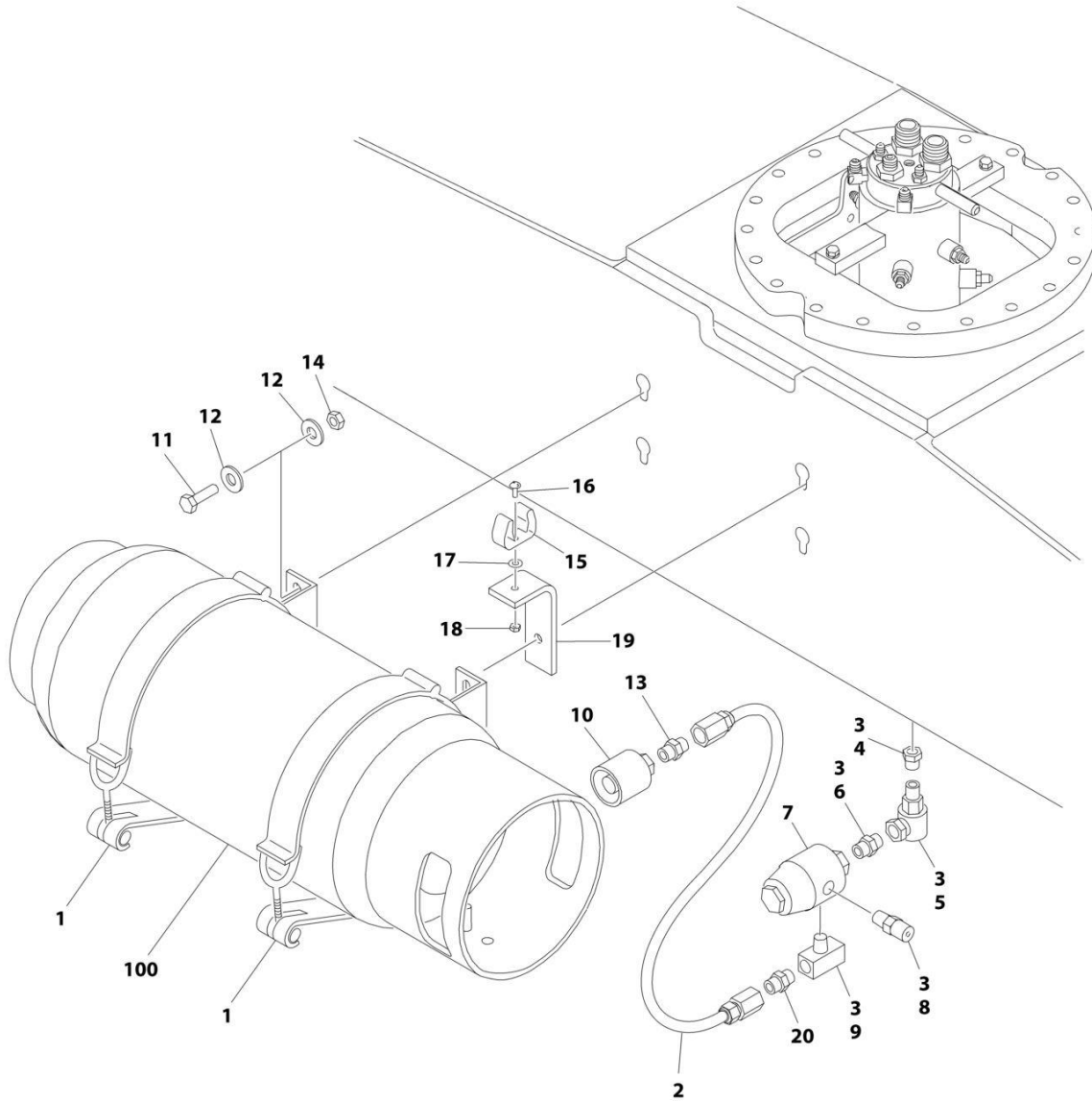
ITEM	PART NUMBER	QTY	DESCRIPTION	REV
	1001156176	Ref	TANKS INSTALLATION - DIESEL MACHINES (SN 0300183034 through 0300196955)	D
	1001178174	Ref	TANKS INSTALLATION - DIESEL MACHINES (SN 0300196956 through 0300272376)	D
	1001156793	Ref	TANKS INSTALLATION - GAS MACHINES (SN 0300183034 through 0300196955)	D
	1001178175	Ref	TANKS INSTALLATION - GAS MACHINES (SN 0300196956 through 0300272376)	B
1	0100011	AR	Compound, Locking	
2	0100079	AR	Sealant (SN 0300183034 through 0300196955)	
2	1001182997	AR	Adhesive (SN 0300196956 through 0300272376)	
3	0641607	4	Bolt 3/8-16 x 7/8	
4	0641614	2	Bolt 3/8-16 x 1-3/4	
5	0811608	2	Bolt 3/8-16 x 1	
8	3311605	2	Nut 3/8-16	
11	4360436	1	Switch, Fuel Level	
12	4400400	1	Tank, Fuel (Includes Non-Locking Cap) (Diesel Machines) (SN 0300183034 through 0300195370)	
12	1001173897	1	Tank, Fuel (Includes Non-Locking Cap) (Diesel Machines) (SN 0300195371 through 0300272376)	
12	1001111514	1	Tank, Fuel (Includes Non-Locking Cap) (Gas Machines)	
12A	7019658	1	Fitting and Pick-up Tube (Diesel Machines) (SN 0300183034 through 0300195370)	
12A	70004148	1	Fitting and Pick-up Tube (Diesel Machines) (SN 0300195371 through 0300272376)	
12A	70004149	1	Fitting and Pick-up Tube (Gas Machines)	
12B	2200222	1	Fitting (Diesel Machines Only)	
12B	0100020	AR	Sealant	
13A	1001161901	1	Hydraulic Tank Assembly (See Items 101-108 for Breakdown) (SN 0300183034 through 0300196955)	
13B	1001178057	1	Hydraulic Tank Assembly (See Items 201-213 for Breakdown) (SN 0300196956 through 0300272376)	
14	4420038	73 in /1.85m	Tape, Rubber (Diesel Machines)	
14	4420038	45 in /1.14m	Tape, Rubber (Gas Machines)	
15	4751600	8	Washer 3/8	
16	1001156190	1	Tray	
30		Ref	Note: Items 38-40 Used on Diesel Machines Only.	
38	3311601	2	Nut 3/8-16 (Diesel Machines Only)	
39	1001231888	1	Strap Assembly (Includes Strap & Protective Strip)	
39	4240113	1	Strap, Tank (Diesel Machines Only)	
40	4280295	25 in /63cm	Strip, Protective (Diesel Machines Only)	
50		Ref	Note: Items 52-76 Used on Gas Machines Only.	
52	0100020	AR	Sealant, Pipe	
53	0100062	AR	Compound, Locking	
55	0641508	4	Bolt 5/16-18 x 1	
58	0641818	2	Bolt 1/2-13 x 2-1/4	
60	1320223	1	Clamp	
61	2200233	1	Plug	
62	2221270	1	Fitting, Brass (SN 0300183034 through 0300187377)	

SECTION 2 - TURNTABLE

ITEM	PART NUMBER	QTY	DESCRIPTION	REV
63	3311505	4	Nut 5/16-18	
65	3572423	1	Plate, Valve Needle	
66	3576755	1	Cover, Fuel Pump	
70	4568119	1	Tube, Fuel	
71	4641022	1	Valve, Needle	
72	4711500	8	Washer 5/16	
74	4751800	2	Washer 1/2	
76	1001118133	2	Bracket	
	1001161901	Ref	HYDRAULIC TANK ASSEMBLY (SN 0300183034 through 0300196955)	C
102	7024441	1	Gauge, Sight	
103	7024443	1	Neck, Fill	
103	7024445	1	Screen	
104	7024444	1	Breather/Fill Cap	
105	7024446	1	Plug, Magnetic	
107	Not Available	1	Cover	
108	7024440	1	Gasket	
	1001178057	Ref	HYDRAULIC TANK ASSEMBLY (SN 0300196956 through 0300272376)	D
202	70005708	1	Breather Assembly (Includes Breather, Element and Wingnut)	
202	See Note	NSS	Element, Breather (Note: Use p/n 70005708 or Item 213)	
203	See Note	NSS	Element, Hydraulic (Note: Use Item 213)	
204	70002839	1	Gasket	
205	See Note	NSS	Cover (Note: Not Available for Purchase)	
206	4751500	6	Washer 5/16	
207	3311501	6	Nut 5/16	
208	70002838	1	Cap, Fill	
209	7024441	1	Gauge, Level	
210	70002112	1	Plug	
211	See Note	NSS	Screw #10 x 3/4 (Note: Not Available - Purchase Locally)	
212	See Note	NSS	Plug (Note: Not Available - Purchase Locally)	
213	70002814	1	Hydraulic Tank Service Kit (Includes Items 202-204)	
		Ref	FUEL TANK CAP INSTALLATION	
301	7016314	Ref	Cap, Standard - Diesel Machines (Part of Item 3)	
301	70002715	Ref	Cap, Standard - Gas Machines (Part of Item 3)	
301	70002716	Ref	Adapter, Cap, Standard - Gas Machines (Part of Item 3)	
301	1120487	Ref	Cap, Optional Lockable - Diesel Machines	

SECTION 2 - TURNTABLE

FIGURE 2-23. LP TANK INSTALLATIONS (FORD AND GM ENGINE MACHINES ONLY)



ART_1001151010

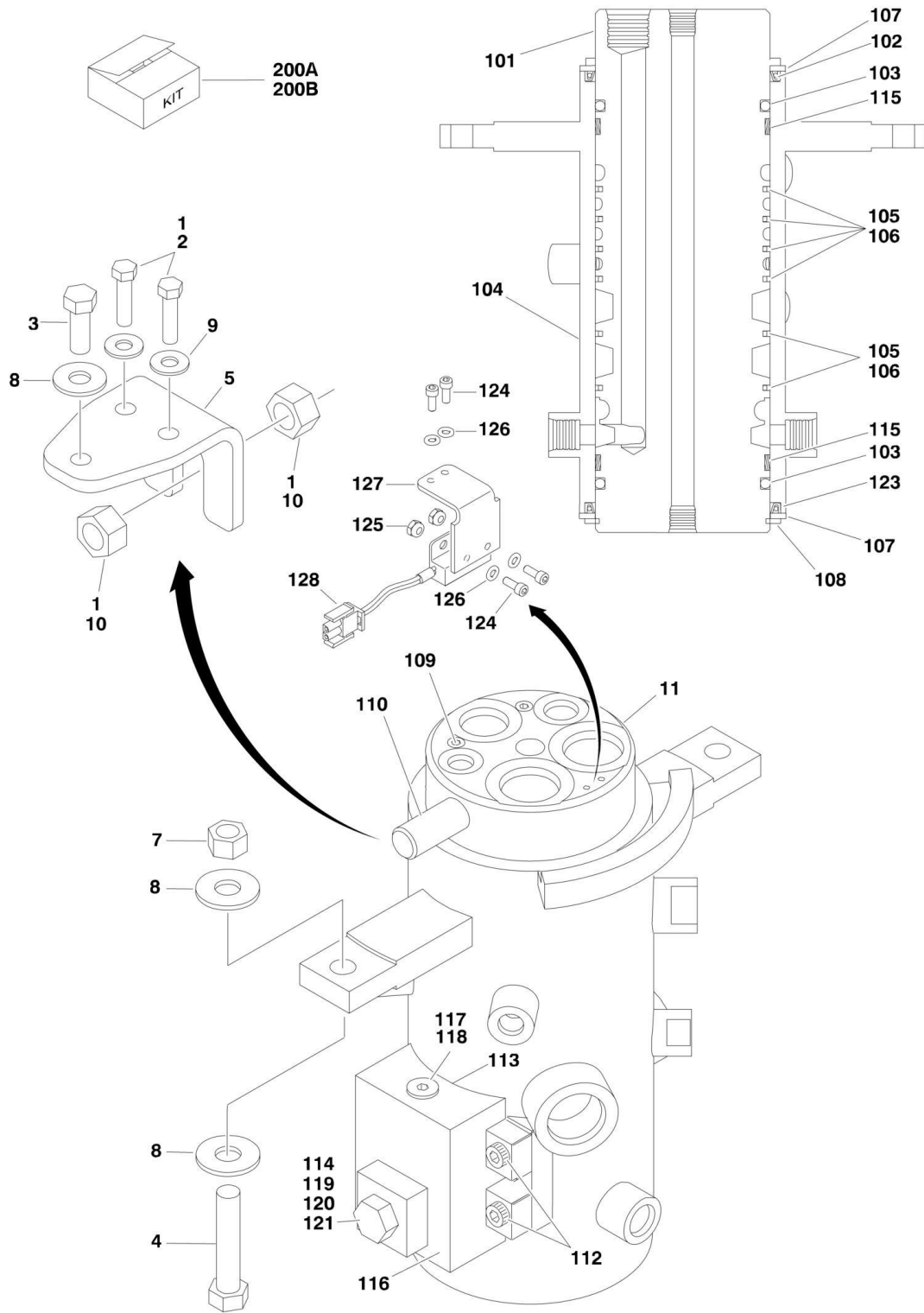
SECTION 2 - TURNTABLE

FIGURE 2-23. LP TANK INSTALLATIONS (FORD AND GM ENGINE MACHINES ONLY)

ITEM	PART NUMBER	QTY	DESCRIPTION	REV
	1001151010	Ref	LP TANK BRACKETS INSTALLATION	E
1	1320220	2	Clamp	
1	1320127	2	Clamp, Toggle (1 Per Clamp)	
2	2720144	2	Hose	
3	0100020	AR	Sealant, Pipe	
4	2221197	1	Fitting, Reducer	
5	1001247358	1	Fitting, 90 Swivel	
6	2220261	1	Fitting, Nipple	
7	2180388	1	Fitting, Bulkhead	
8	2180389	1	Valve, Relief	
9	2220418	1	Fitting, Tee	
10	2180387	2	Fitting, Straight	
11	0641617	8	Bolt 3/8 x 2-1/8	
12	4751600	16	Washer 3/8	
13	2180418	2	Fitting, Connector	
14	3311605	8	Nut 3/8	
15	1320218	2	Clamp, Spring	
16	0720804	2	Screw #8 x 1/2	
17	4750800	4	Washer #8	
18	3310805	2	Nut #8	
19	0181949	2	Angle, Support	
20	2221024	2	Fitting, Union Ball Check	
100	4400275	1	Tank, LP - 43.5 Lbs. (Aluminum)	

SECTION 2 - TURNTABLE

FIGURE 2-24. ROTARY COUPLING INSTALLATION



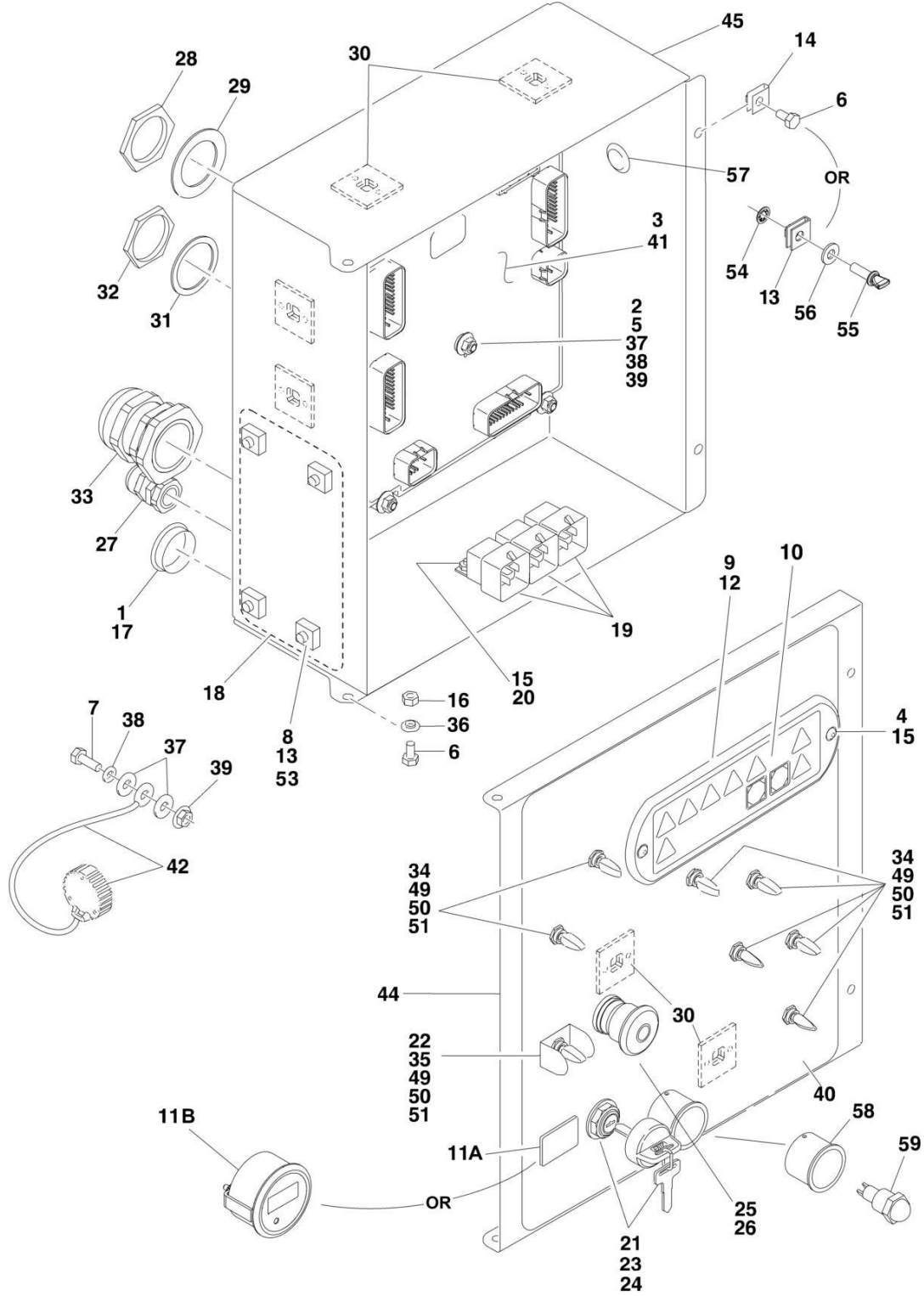
SECTION 2 - TURNTABLE

FIGURE 2-24. ROTARY COUPLING INSTALLATION

ITEM	PART NUMBER	QTY	DESCRIPTION	REV
	1001107529	Ref	ROTARY COUPLING INSTALLATION - 2WS	B
	1001107530	Ref	ROTARY COUPLING INSTALLATION - 4WS	B
1	0100011	AR	Compound, Locking	
2	0641611	2	Bolt 3/8-16 x 1-3/8	
3	0641812	1	Bolt 1/2-13 x 1-1/2	
4	0641820	2	Bolt 1/2-13 x 2-1/2	
5	0903056	1	Bracket (SN 0300183034 through 0300226024)	
5	0903242	1	Bracket (SN 0300226025 through 0300272376)	
7	3271805	2	Nut 1/2-13	
8	4751800	5	Washer 1/2	
9	4891600	2	Washer 3/8	
10	3322201	2	Nut 3/4-16	
11	1001106974	1	Coupling, Rotary - 2WS (See Items 101-128 for Breakdown):	
11	1001106975	1	Coupling, Rotary - 4WS (See Items 101-128 for Breakdown):	
	1001106974	Ref	ROTARY COUPLING ASSEMBLY - 2WS	B
	1001106975	Ref	ROTARY COUPLING ASSEMBLY - 4WS	B
101	See Note	NSS	Body (Note: Not Available - Purchase Complete Assembly)	
102	See Note	NSS	Seal - 2WS (Note: Use Item 200A or 200B)	
103	See Note	NSS	O-Ring (Note: Use Item 200A or 200B)	
104	See Note	NSS	Housing (Note: Not Available - Purchase Complete Assembly)	
105	See Note	NSS	Seal, Cap (Note: Use Item 200A or 200B)	
106	See Note	NSS	O-Ring (Note: Use Item 200A or 200B)	
107	7026503	2	Ring - 2WS	
107	7026511	2	Ring - 4WS	
108	7026504	1	Ring, Retaining - 2WS	
108	7013189	1	Ring, Retaining - 4WS	
109	80934561	AR	Plug	
110	See Note	NSS	Lug, Torque (Note: Not Available for Purchase)	
112	7026197	4	Bolt 5/16-18 x 1-1/4	
113	See Note	NSS	O-Ring (Note: Use Item 200A or 200B)	
114	See Note	NSS	O-Ring (Note: Use Item 200A or 200B)	
115	See Note	NSS	Bearing (Note: Use Item 200A or 200B)	
116	7024404	1	Block Valve Assembly	
117	7026505	1	Plug	
118	7026506	1	Valve, Check	
119	7026507	1	Plug	
120	See Note	NSS	Plunger, Valve (Note Use p/n 7024404)	
121	7026509	1	Spring, Compression	
123	See Note	NSS	Seal (Note: Use Item 200A or 200B)	
124	See Note	NSS	Capscrew #10-24 x 1/2 (Note: Not Available for Purchase)	
125	See Note	NSS	Nut #10-24 (Note: Not Available for Purchase)	
126	See Note	NSS	Flatwasher #10 (Note: Not Available for Purchase)	
127	70003454	1	Bracket, Switch Mounting	
128	4360517	1	Switch, Proximity	
200A	70001248	1	Seal Kit - 2WS (Includes Items 102, 103, 105, 106, 113, 114, 115 & 123)	
200B	70002212	1	Seal Kit - 4WS (Includes Items 102, 103, 105, 106, 113, 114, 115 & 123)	

SECTION 2 - TURNTABLE

FIGURE 2-25. GROUND CONTROL BOX ASSEMBLY



SECTION 2 - TURNTABLE

FIGURE 2-25. GROUND CONTROL BOX ASSEMBLY

ITEM	PART NUMBER	QTY	DESCRIPTION	REV
		Ref	GROUND CONTROL BOX ASSEMBLY - 800A DEUTZ TD2.9L4 ENGINE	
	1001165774	Ref	Ground Control Box Assembly - 800A Deutz TD2.9L4 Engine (All Specs except CE Spec) (SN 0300183034 through 0300194139)	C
	1001171501	Ref	Ground Control Box Assembly - 800A Deutz TD2.9L4 Engine (All Specs except CE Spec) (SN 0300194140 through 0300272376)	D
	1001184176	Ref	Ground Control Box Assembly - 800A Deutz TD2.9L4 Engine (CE Specs) (SN 0300183034 through 0300201003)	B
	1001188007	Ref	Ground Control Box Assembly - 800A Deutz TD2.9L4 Engine (CE Specs) (SN 0300201004 through 0300272376)	B
		Ref	GROUND CONTROL BOX ASSEMBLY - 800A DEUTZ D2011 ENGINE	
	1001153832	Ref	Ground Control Box Assembly - 800A Deutz D2011 Engine (All Specs except CE Spec) (SN 0300183034 through 0300194139)	C
	1001171509	Ref	Ground Control Box Assembly - 800A Deutz D2011 Engine (All Specs except CE Spec) (SN 0300194140 through 0300272376)	C
	1001153834	Ref	Ground Control Box Assembly - 800A Deutz D2011 Engine (CE Specs) (SN 0300183034 through 0300194139)	C
	1001171512	Ref	Ground Control Box Assembly - 800A Deutz D2011 Engine (CE Specs) (SN 0300194140 through 0300201003)	C
	1001193691	Ref	Ground Control Box Assembly - 800A Deutz D2011 Engine (CE Specs) (SN 0300201004 through 0300272376)	A
		Ref	GROUND CONTROL BOX ASSEMBLY - 800A FORD ENGINE	
	1001218777	Ref	Ground Control Box Assembly - 800A Ford Engine	B
	1001218776	Ref	Ground Control Box Assembly - 800AJ Ford Engine	B
		Ref	GROUND CONTROL BOX ASSEMBLY - 800A GM ENGINE	
	1001153830	Ref	Ground Control Box Assembly - 800A GM Engine (SN 0300183034 through 0300194139)	C
	1001171506	Ref	Ground Control Box Assembly - 800A GM Engine (SN 0300194140 through 0300272376)	C
		Ref	GROUND CONTROL BOX ASSEMBLY - 800AJ DEUTZ TD2.9L4 ENGINE	
	1001165775	Ref	Ground Control Box Assembly - 800AJ Deutz TD2.9L4 Engine (All Specs except CE Spec) (SN 0300183034 through 0300194139)	C
	1001171502	Ref	Ground Control Box Assembly - 800AJ Deutz TD2.9L4 Engine (All Specs except CE Spec) (SN 0300194140 through 0300272376)	D
	1001184177	Ref	Ground Control Box Assembly - 800AJ Deutz TD2.9L4 Engine (CE Specs) (SN 0300183034 through 0300201003)	B
	1001188008	Ref	Ground Control Box Assembly - 800AJ Deutz TD2.9L4 Engine (CE Specs) (SN 0300201004 through 0300272376)	B
		Ref	GROUND CONTROL BOX ASSEMBLY - 800AJ DEUTZ D2011 ENGINE	
	1001153833	Ref	Ground Control Box Assembly - 800AJ Deutz D2011 Engine (All Specs except CE Spec) (SN 0300183034 through 0300194139)	C
	1001171510	Ref	Ground Control Box Assembly - 800AJ Deutz D2011 Engine (All Specs except CE Spec) (SN 0300194140 through 0300272376)	C
	1001153835	Ref	Ground Control Box Assembly - 800AJ Deutz D2011 Engine (CE Specs) (SN 0300183034 through 0300194139)	C
	1001171513	Ref	Ground Control Box Assembly - 800AJ Deutz D2011 Engine (CE Specs) (SN 0300194140 through 0300201003)	C
	1001193692	Ref	Ground Control Box Assembly - 800AJ Deutz D2011 Engine (CE Specs) (SN 0300201004 through 0300272376)	A
		Ref	GROUND CONTROL BOX ASSEMBLY - 800AJ GM ENGINE	
	1001153831	Ref	Ground Control Box Assembly - 800AJ GM Engine (SN 0300183034 through 0300194139)	C

SECTION 2 - TURNTABLE

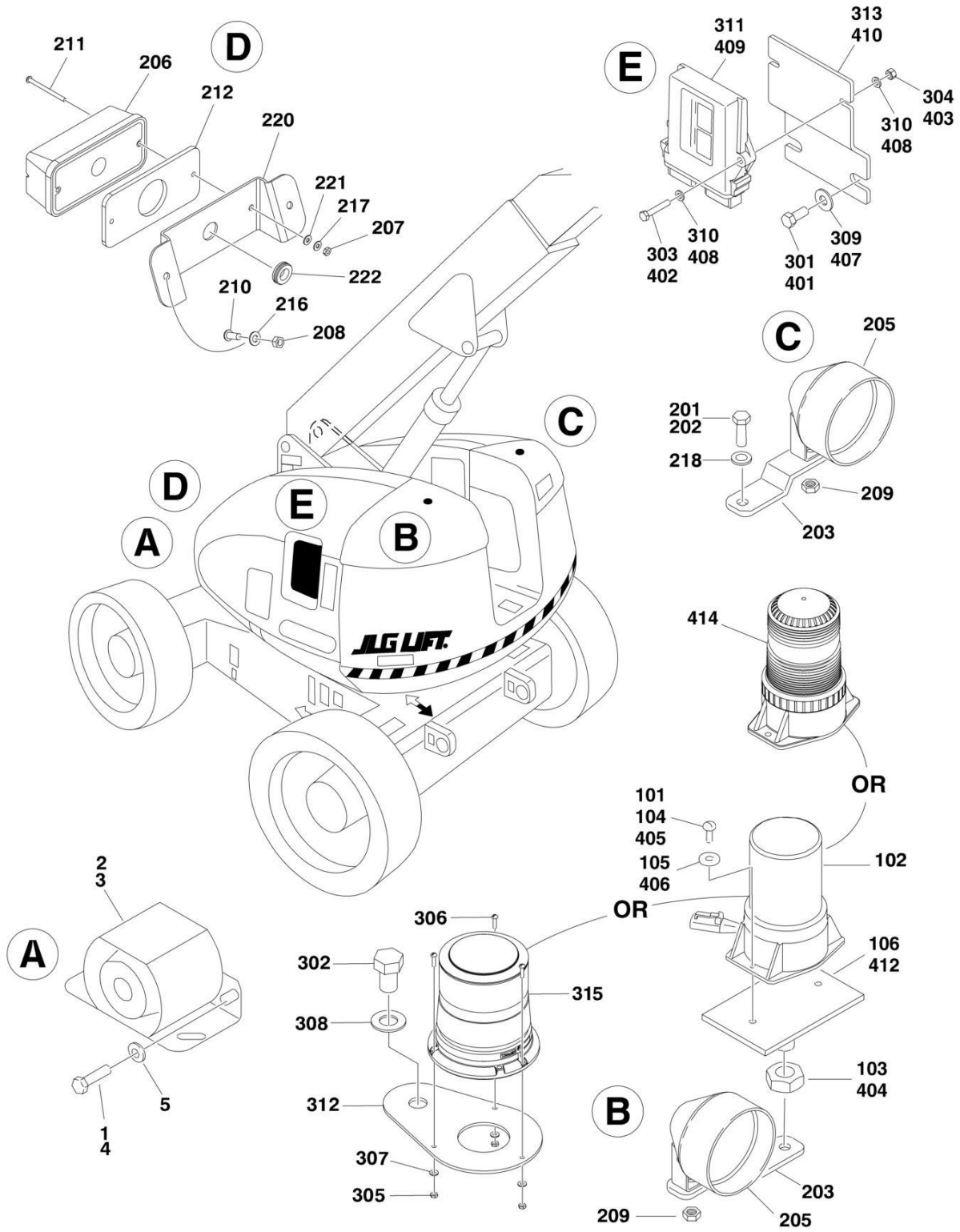
ITEM	PART NUMBER	QTY	DESCRIPTION	REV
	1001171507	Ref	Ground Control Box Assembly - 800AJ GM Engine (SN 0300194140 through 0300272376)	C
1	0100009	AR	Sealant	
2	0100011	AR	Compound, Locking	
3	0100048	AR	Grease, Dielectric	
4	0630518	2	Capscrew, Button Head	
5	0630548	5	Bolt, 2-1/2in Tap	
6	0641404	AR	Bolt 1/4-20 x 1/2	
7	0641407	1	Bolt 1/4-20 x 7/8	
8	0641506	4	Bolt 5/16-18 x 3/4	
9	1670829	1	Bezel	
10	1706712	1	Decal - Ground Control Display	
11A	2420172	1	Gauge, Hourmeter	
11B	1001109503	1	Gauge, Hourmeter	
12	2760105	1	Housing, Display Light	
13	3300205	4	Nut, Retainer	
14	3300353	2	Nut, Tinnerman	
15	3300408	4	Locknut, Plastic Insert	
16	3311405	2	Nut 1/4-20	
17	3520035	1	Plug, Cap	
18	3539219	1	Plate, Reinforcement (SN 0300183034 through 0300200669)	
19	3740049	AR	Relay	
20	3900268	2	Screw #10x1/2	
21	3910804	4	Screw #8-32 x 1/4	
22	4060906	1	Shield, Toggle Switch	
23	4070991	1	Shim	
24	4360469	1	Switch, Key - All Specs except CE Specs	
24	4360470	1	Switch, Key - CE Specs (SN 03001830034 through 0300201003)	
24	4360469	1	Switch, Key - CE Specs (SN 0300201004 through 0300272376)	
24	2860030	1	Key Replacement - All Specs	
25	4360475	1	Switch, Emergency Stop	
25	7020175	1	Cap, Mushroom	
25	7020176	1	Block, Contact	
26	4360476	1	Switch, Contact Block	
27	4460426	1	Connector, Strain Relief	
28	4460470	1	Nut, Terminal	
29	4460471	1	Lockwasher, Terminal	
30	4460488	6	Mounting Base, Terminal	
31	4460496	1	Washer, Terminal	
32	4460497	1	Nut, Terminal	
33	4460526	1	Connector, Strain Relief	
34	4740397	7	Spacer	
35	4740444	1	Washer	
36	4740518	2	Washer	
37	4751400	12	Washer 1/4	
38	4761400	6	Washer 1/4	
39	77143013	11	Nut 1/4-20	
40	1001102599	1	Decal, Faceplate 800A (All Specs except CE)	
40	1001102599	1	Decal, Faceplate 800A (CE Spec) (SN 0300183034 through 0300201003)	
40	1001180093	1	Decal, Faceplate 800A (CE Spec) (SN 0300201004 through 0300272376)	

SECTION 2 - TURNTABLE

ITEM	PART NUMBER	QTY	DESCRIPTION	REV
40	1001102600	1	Decal, Faceplate 800AJ (All Specs except CE)	
40	1001102600	1	Decal, Faceplate 800AJ (CE Spec) (SN 0300183034 through 0300201003)	
40	1001180094	1	Decal, Faceplate 800AJ (CE Spec) (SN 0300201004 through 0300272376)	
41	1001103667	1	Module, Ground Control (Note: Recalibration Required When Replaced.)	
42	1001106736	1	Cap, Dust	
43	1001110225	1	Harness, Ground Control Box (Deutz D2011 Engines - All Specs except CE Specs) (Not Shown - See ELECTRICAL SECTION for Breakdown)	
43	1001110225	1	Harness, Ground Control Box (Deutz D2011 Engines - CE Specs) (Not Shown - See ELECTRICAL SECTION for Breakdown) (SN 0300183034 through 0300201003)	
43	1001185131	1	Harness, Ground Control Box (Deutz D2011 Engines - CE Specs) (Not Shown - See ELECTRICAL SECTION for Breakdown) (SN 0300201004 through 0300272376)	
43	1001145937	1	Harness, Ground Control Box (Deutz TD2.9L4 Engines - All Specs except CE Specs) (Not Shown - See ELECTRICAL SECTION for Breakdown)	
43	1001145937	1	Harness, Ground Control Box (Deutz TD2.9L4 Engines - CE Specs) (Not Shown - See ELECTRICAL SECTION for Breakdown) (SN 0300183034 through 0300201003)	
43	1001185131	1	Harness, Ground Control Box (Deutz TD2.9L4 Engines - CE Specs) (Not Shown - See ELECTRICAL SECTION for Breakdown) (SN 0300201004 through 0300272376)	
43	1001110225	1	Harness, Ground Control Box (Ford & GM Engines) (Not Shown - See ELECTRICAL SECTION for Breakdown)	
44	1001152173	1	Lid (All Specs except CE Spec)	
44	1001152173	1	Lid (CE Spec) (SN 0300183034 through 0300201003)	
44	1001188042	1	Lid (CE Spec) (SN 0300201004 through 0300272376)	
45	1001152175	1	Box	
46	1001165776	1	Harness, Deutz TD2.9L4 Engine (Not Shown - See ELECTRICAL SECTION for Breakdown)	
46	1001153713	1	Harness, Deutz D2011 Engine (Not Shown - See ELECTRICAL SECTION for Breakdown)	
46	1001216230	1	Harness, Ford Engine (Not Shown - See ELECTRICAL SECTION for Breakdown)	
46	1001153712	1	Harness, GM Engine (Not Shown - See ELECTRICAL SECTION for Breakdown)	
47		Ref	Harness, Platform Valve Options: (Not Shown - See ELECTRICAL SECTION for Breakdown)	
47	1001153715	1	Harness, Valve (SN 0300183034 through 0300194139)	
47	1001170808	1	Harness, Valve (SN 0300194140 through 0300272376)	
49	1001155043	AR	Washer	
50	1001155044	AR	Nut 15/32-32	
51	1001155045	AR	Switch, Toggle	
53	4891500	4	Washer 5/16	
54	1001188874	2	Nut	
55	1001103308	2	Screw 1/4	
56	4711400	2	Washer 1/4	
57	3520031	2	Plug	
58	1001176469	1	Shroud (CE Spec) (SN 0300201004 through 0300272376)	
59	4360387	1	Switch, Push Button (CE Spec) (SN 0300201004 through 0300272376)	

SECTION 2 - TURNTABLE

FIGURE 2-26. ELECTRICAL OPTIONS INSTALLATION (TURNTABLE MOUNTED)



SECTION 2 - TURNTABLE

FIGURE 2-26. ELECTRICAL OPTIONS INSTALLATION (TURNTABLE MOUNTED)

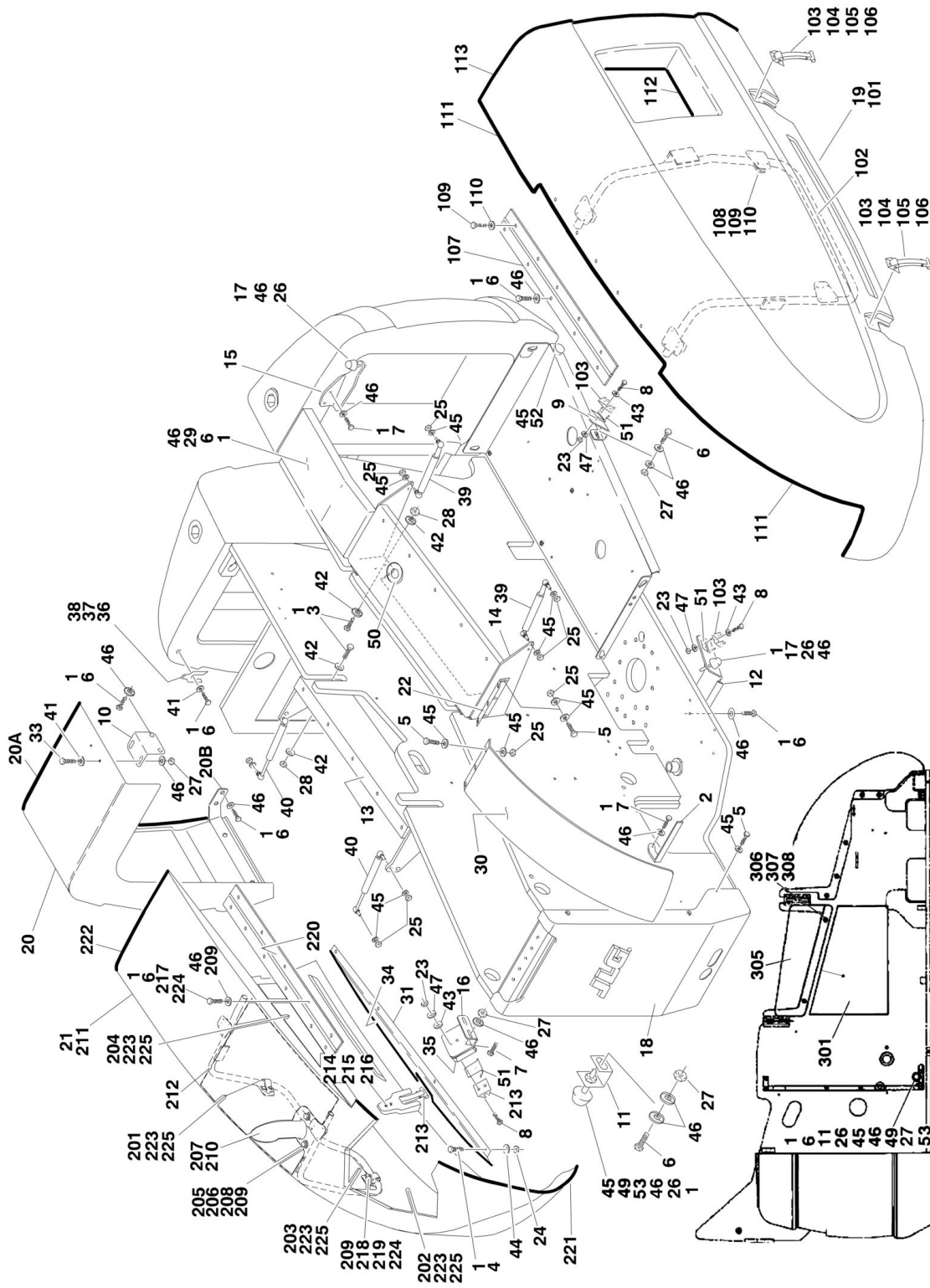
ITEM	PART NUMBER	QTY	DESCRIPTION	REV
	1001155364	Ref	ALARMS INSTALLATION	A
1	0100011	AR	Compound, Locking	
2	0100048	AR	Sealant, Silicone	
3	0140044		Alarm	
4	0641405	2	Bolt 1/4-20 x 5/8	
5	4711400	2	Washer 1/4	
	1001149955	Ref	STROBE LIGHT INSTALLATION (AMBER) (OPTIONAL) (SN 0300183034 through 0300190437)	A
	1001160077	Ref	STROBE LIGHT INSTALLATION (AMBER) (OPTIONAL) (SN 0300190438 through 0300272376)	B
	1001150406	Ref	STROBE LIGHT INSTALLATION (AMBER) (OPTIONAL)	B
101	0100035	AR	Compound, Locking	
102	2920161	1	Strobe Light/Harness Assembly	
102	7016319	1	Bulb	
102	7016372	1	Lens	
103	3312602	1	Nut 1-8	
104	3900085	2	Screw #10-32 x 1/2	
105	4751000	2	Washer 1/4	
106	1001149994	1	Mount Strobe	
112	1001149818	1	Harness, Strobe Light Extension (Not Shown - See ELECTRICAL SECTION for Breakdown)	
	0271768	Ref	HEADLIGHTS AND TAILLIGHTS (ABS HOODS) (OPTIONAL)	E
	1001164786	Ref	HEADLIGHTS AND TAILLIGHTS (STEEL HOODS) (OPTIONAL)	C
201	0100011	AR	Compound, Locking	
202	0642612	2	Bolt 1-8 x 1-1/2	
203	0902206	2	Bracket, Mounting	
204	1705170	1	Decal - Lights (Not Shown - Located on Console)	
205	2920110	2	Headlight	
206	2920113	2	Taillight	
207	3311005	4	Nut #10-24	
208	3311505	4	Nut 5/16-18 (Steel Hoods Only)	
209	3311605	2	Nut 3/8-16	
210	3900210	4	Screw 5/16-18 x 3/4 (Steel Hoods Only)	
211	3911040	4	Screw #10-24 x 2-1/2	
212	3960461	2	Gasket	
213	4240032	AR	Tie-Strap (Not Shown)	
214	4360522	1	Switch, Push Button (Not Shown - Located on Console):	
215	4460234	AR	Mount, Tie-Strap (Not Shown)	
216	4711500	4	Washer 5/16 (Steel Hoods Only)	
217	4751000	4	Washer #10	
218	4892600	2	Washer 1	
220	1001165118	2	Support (Steel Hoods Only)	
221	4220162	4	Spacer (ABS Hoods Only)	
222	1001188354	2	Grommet (SN 0300252004 through 0300272376)	
	1001189173	Ref	STROBE LIGHT AND HARNESS INSTALLATION (BLUE) (OPTIONAL) (SN 0300183034 through 0300217058)	B
	1001207307	Ref	STROBE LIGHT AND HARNESS INSTALLATION (RED) (OPTIONAL) (SN 0300183034 through 0300217058)	B
301	0641610	2	Bolt 3/8 x 1-1/4	
302	0642612	1	Bolt 1 x 1-1/2	
303	0700615	2	Bolt M6 x 35	

SECTION 2 - TURNTABLE

ITEM	PART NUMBER	QTY	DESCRIPTION	REV
304	3290607	2	Nut M6	
305	3311005	3	Nut #10	
306	3911012	3	Screw #10 x 3/4	
307	4711000	3	Washer #10	
308	4712600	1	Washer 1	
309	4751600	2	Washer 3/8	
310	4811700	4	Washer M6	
311	1001142683	1	Module, Beacon Light	
312	1001142694	1	Bracket	
313	1001142722	1	Bracket	
314	1001142736	1	Harness, Beacon Control (Module to Light) (Not Shown)	
315	1001143431	1	Light, Strobe (Blue)	
315	1001197067	1	Light, Strobe (Red)	
316	1001150944	1	Harness, Beacon Control (Module to Ground Control) (Not Shown)	
	1001205493	Ref	STROBE LIGHT AND HARNESS INSTALLATION (BLUE) (OPTIONAL) (SN 0300217059 through 0300259888)	E
	1001242255	Ref	STROBE LIGHT AND HARNESS INSTALLATION (BLUE) (OPTIONAL) (SN 0300259889 through 0300272376)	A
	1001209871	Ref	STROBE LIGHT AND HARNESS INSTALLATION (RED) (OPTIONAL) (SN 0300217059 through 0300259888)	E
	1001242256	Ref	STROBE LIGHT AND HARNESS INSTALLATION RED) (SN 0300240507 through 0300272376)	A
401	0641610	2	Bolt 3/8 x 1-1/4	
402	0700615	2	Bolt M6 x 35	
403	3290607	2	Nut M6	
404	3312602	1	Nut 1	
405	3900085	2	Screw #10 x 1/2	
406	4751000	2	Washer #10	
407	4751600	2	Washer 3/8	
408	4811700	4	Washer M6	
409	1001142683	1	Module, Beacon Light	
410	1001142722	1	Bracket	
411	1001142736	1	Harness, Beacon Control (Module to Light) (Not Shown)	
412	1001149994	1	Mount	
414	1001200910	1	Light, Strobe (Blue)	
414	1001207004	1	Light, Strobe (Red)	
415	4240032	AR	Tie-Strap (Not Shown)	
416	4240033	AR	Tie-Strap (Not Shown)	
417	4460488	AR	Mount, Tie-Strap (Not Shown)	

SECTION 2 - TURNTABLE

FIGURE 2-27. HOODS INSTALLATION (ABS)



SECTION 2 - TURNTABLE

FIGURE 2-27. HOODS INSTALLATION (ABS)

ITEM	PART NUMBER	QTY	DESCRIPTION	REV
	1001099137	Ref	HOODS INSTALLATION (DEUTZ D2011 ENGINES)	E
	1001143609	Ref	HOODS INSTALLATION (DEUTZ TD2.9L4 ENGINES AND DEUTZ TD2.9L4 (STAGE V) ENGINES)	E
1	0100011	AR	Compound, Locking	
2	0362770	1	Bar, Panel Mounting	
3	0630507	8	Bolt, Carriage 1/2-13 x 1-1/4	
3	0811812	8	Bolt	
4	0641406	4	Bolt 1/4-20 x 3/4	
5	0641506	AR	Bolt 5/16-18 x 3/4	
5	0641508	AR	Bolt 5/16-18 x 1	
6	0641608	22	Bolt 3/8-16 x 1	
7	0641609	5	Bolt 3/8-16 x 1-1/8	
8	0721006	6	Screw #10-24 x 3/4	
9	0902143	1	Bracket, Latch (Tank Side)	
10	0902161	1	Bracket, Hood Spacer Mounting (Engine Side)	
11	0902219	2	Bracket, Bumper	
12	0902223	1	Bracket, Latch (Tank Side)	
13	0902351	1	Bracket, Hood Mounting (Engine Side) (SN 0300183034 through 0300216385)	
	1001207558	1	Bracket, Hood Mounting (Engine Side) (SN 0300216386 through 0300272376)	
14	0902412	1	Bracket, Hood Mounting (Tank Side)	
15	0902426	1	Bracket, Bumper - Counterweight Mounted	
16	0902491	1	Bracket, Latch (Engine Side)	
17	0940071	2	Bumper	
18	1670842	1	Cover, Turntable End	
19	1671228	1	Hood Assembly - Tank Side (See Items 101-113 for Breakdown)	
19		Ref	Note: Replacement Decals Must be Ordered Separately - See DECALS SECTION.	
20	1671233	1	Spacer Assembly (Deutz D2011 Engines)	
20	1001149673	1	Spacer Assembly (Deutz TD2.9L4 Engines and Deutz TD2.9L4 (Stage V) Engines)	
20A	3960453	68 in /1.73m	Seal	
20B	0903308	1	Bracket	
21	1001099138	1	Hood Assembly - Engine Side (Deutz D2011 Engines) (See Items 201-225 for Breakdown):	
21	1001143607	1	Hood Assembly - Engine Side (Deutz TD2.9L4 Engines and Deutz TD2.9L4 (Stage V) Engines) (See Items 201-225 for Breakdown):	
21		Ref	Note: Replacement Decals Must be Ordered Separately - See DECAL SECTION.	
22	2600244	1	Adapter, Panel Hinge	
23	3311001	6	Nut #10-24	
24	3311405	4	Nut 1/4-20	
25	3311505	9	Nut 5/16-18	
26	3311601	AR	Nut 3/8-16	
27	3311605	7	Nut 3/8-16	
28	3311805	8	Nut 1/2-13	
28	1001150260	4	Plate, Hinge Block	
29	3380442	1	Cover, Top (Tank Side)	
30	3380444	1	Panel, Adapter	
31	3571712	1	Plate, Seal (Deutz D2011 Engines)	

SECTION 2 - TURNTABLE

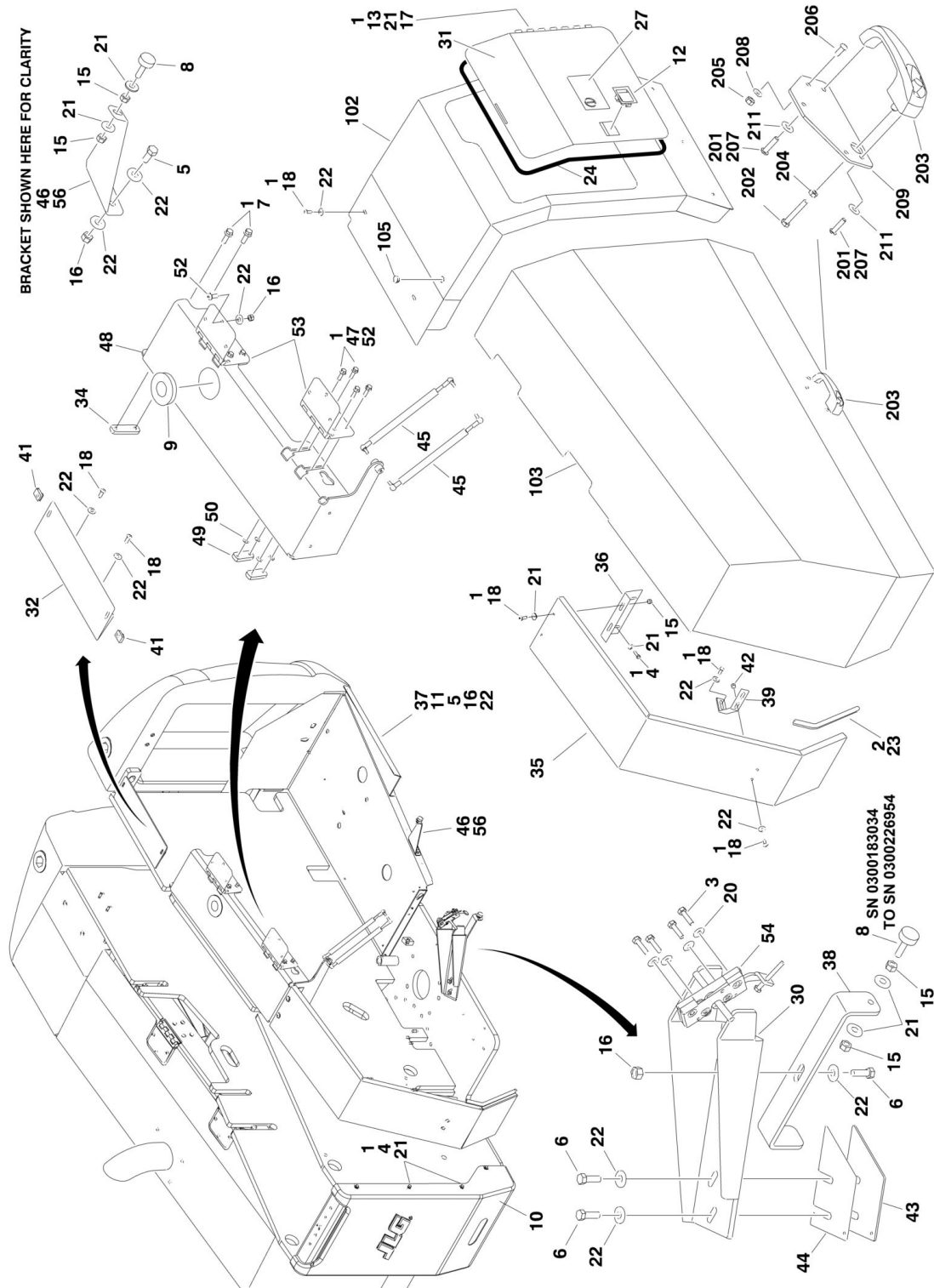
ITEM	PART NUMBER	QTY	DESCRIPTION	REV
31	1001143858	1	Plate, Seal (Deutz TD2.9L4 and Deutz TD2.9L4 (Stage V) Engines)	
33	3900232	2	Screw 3/8-16 x 1-1/4	
34	3960389	3.5 ft/1m	Seal	
35	3960470	1	Seal, Latch	
36	4070410	AR	Shim 1/16	
37	4070411	AR	Shim 1/8	
38	4070412	AR	Shim 3/16	
39	4160139	2	Spring, Gas (Tank Side)	
40	4160143	1	Spring, Gas (Engine Side)	
41	4740076	5	Washer, Fender	
42	4740171	8	Washer, Hardened	
43	4751000	6	Washer #10	
44	4751400	4	Washer 1/4	
45	4751500	AR	Washer 5/16	
46	4751600	AR	Washer 3/8	
47	4761000	6	Washer #10	
49	3321501	AR	Nut 5/16-24	
50	1120601	1	Cap, Plug	
51	2940188	3	Latch, Spring Clip	
52	0940049	1	Stopper, Hood	
52	3311501	2	Nut 5/16-18	
53	0940071	1	Bumper (SN 0300183034 through 0300216385)	
53	0940088	1	Bumper (SN 0300216386 through 0300272376)	
	1671228	Ref	HOOD ASSEMBLY (TANK SIDE)	A
101	1671231	1	Hood	
102	1671232	1	Frame, Tubular	
103	2940088	2	Latch	
104	0721008	4	Screw, Machine #10-24NC x 1in	
105	4751000	4	Flatwasher #10	
106	3311005	4	Locknut #10-24NC	
107	2600233	1	Hinge	
108	1321384	4	Hold Down	
109	0641606	9	Bolt 3/8in-16NC x 3/4in	
110	4711600	9	Flatwasher 3/8in Narrow	
111	3960464	83 in /2.11m	Seal	
112	3960438	55 in/1.4m	Seal	
113	3960462	53 in /1.35m	Seal	
	1001099138	Ref	HOOD ASSEMBLY (ENGINE SIDE) (DEUTZ D2011 ENGINES)	B
	1001143607	Ref	HOOD ASSEMBLY (ENGINE SIDE) (DEUTZ TD2.9L4 AND DEUTZ TD2.9L4 (STAGE V) ENGINES)	F
201	1001101673	1	Insulation/Foam (Deutz D2011 Engines)	
202	2820233	1	Insulation, Rear Sound (Deutz D2011 Engines)	
203	2820234	1	Insulation, Center Sound (Deutz D2011 Engines)	
204	2820235	1	Insulation, Rear Sound (Deutz D2011 Engines)	
205	3311605	AR	Nut 3/8-16	
206	3900232	AR	Screw 3/8-16 x 1-1/4	
206	3900316	AR	Screw 3/8-16 x 1	
207	1001101623	1	Shield, Heat Gasket	
208	4740500	AR	Washer	

SECTION 2 - TURNTABLE

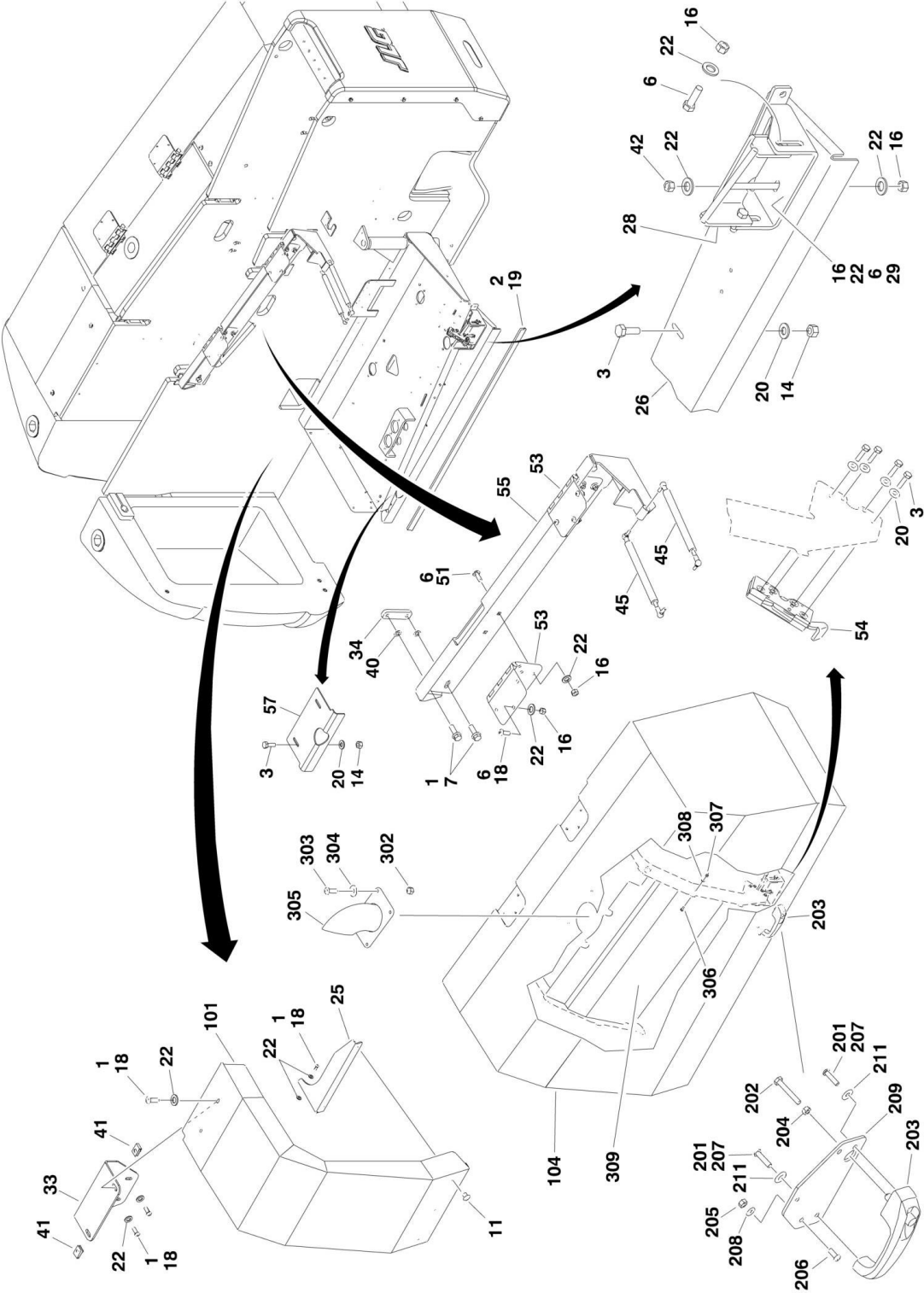
ITEM	PART NUMBER	QTY	DESCRIPTION	REV
209	4751600	AR	Washer 3/8	
210	1001099121	1	Exhaust Tube Weldment (Deutz D2011 Engines)	
210	1001143611	1	Exhaust Tube Weldment (Deutz TD2.9L4 Engines and Deutz TD2.9L4 (Stage V) Engines)	
211	1001099139	1	Hood Kit (Must also purchase Items 201, 202, 203, 204 & 207) (Deutz D2011 Engines)	
211	1001143601	1	Hood Kit (Must also purchase Items 223 & 225) (Deutz TD2.9L4 and Deutz TD2.9L4 (Stage V) Engines)	
211		Ref	Note: Replacement Decals Must be Ordered Separately - See DECALS SECTION.	
212	1671230	1	Frame, Tubular (Deutz D2011 Engines)	
212	1001153435	1	Frame, Tubular (Deutz TD2.9L4 Engines and Deutz TD2.9L4 (Stage V) Engines)	
213	2940088	1	Latch	
214	0721008	2	Screw, Machine #10-24NC x 1in	
215	4751000	2	Washer #10	
216	3311005	2	Nut #10-24NC	
217	0641608	AR	Bolt 3/8-16 x 1	
217	0641606	AR	Bolt 3/8-16 x 3/4	
218	1321384	4	Hold Down	
219	0641606	4	Bolt 3/8-16 x 3/4	
220	2600209	1	Hinge	
221	3960464	65 in /1.67m	Seal	
222	3960462	61 in /1.55m	Seal	
223	1001117140	AR	Tape	
224	0100011	AR	Compound, Locking	
225	1001101673	1	Insulation (Deutz TD2.9L4 Engines and Deutz TD2.9L4 (Stage V) Engines)	
	0256823	Ref	NOISE REDUCTION INSTALLATION	3-C
301	2820078	1	Foam, Acoustical (Turntable Side)	
305	3539955	1	Plate, Baffle	
306	0641506	2	Bolt 5/16-18 x 3/4	
307	4751500	2	Washer 5/16	
308	0100011	AR	Compound, Locking	

SECTION 2 - TURNTABLE

FIGURE 2-28. HOODS INSTALLATION (STEEL)



SECTION 2 - TURNTABLE



SECTION 2 - TURNTABLE

FIGURE 2-28. HOODS INSTALLATION (STEEL)

ITEM	PART NUMBER	QTY	DESCRIPTION	REV
		Ref	NOTE: REPLACEMENT DECALS MUST BE PURCHASED SEPARATELY - SEE DECALS SECTION.	
	1001156188	Ref	HOODS INSTALLATION (DEUTZ D2011 ENGINES MACHINES)	J
	1001173876	Ref	HOODS INSTALLATION (DEUTZ TD2.9L4 ENGINES MACHINES)	F
	1001220190	Ref	HOODS INSTALLATION (FORD ENGINES MACHINES)	B
	1001156188	Ref	HOODS INSTALLATION (GM ENGINES MACHINES)	J
1	0100011	AR	Compound, Locking	
2	0100081	AR	Adhesive	
3	0641408	12	Bolt 1/4-20 x 1	
4	0641508	8	Bolt 5/16-18 x 1	
5	0641607	AR	Bolt 3/8-16 x 7/8	
6	0641609	AR	Bolt 3/8-16 x 1-1/8	
7	0811812	AR	Bolt 1/2-13 x 2-1/4	
8	0940049	AR	Stopper, Hood	
9	1120601	1	Plug	
10	1670842	1	Cover, Turntable End	
11	2080040	AR	Fastener	
12	2940045	1	Latch, Paddle	
13	3300364	3	Nut, Tinnerman 5/16-18	
14	3311405	4	Nut 1/4-20	
15	3311501	AR	Nut 5/16-18	
16	3311605	AR	Nut 3/8-16	
17	3900210	3	Screw 5/16-18 x 3/4	
18	3900316	AR	Screw 3/8-16 x 1	
19	3960389	4.2 ft /1.3m	Seal	
20	4751400	AR	Washer 1/4	
21	4751500	AR	Washer 5/16	
22	4751600	AR	Washer 3/8	
23	1001110166	59 in/1.5m	Seal	
24	1001113047	6.5 ft/2m	Seal	
25	1001117234	1	Bracket	
26	1001117249	1	Plate (Deutz & GM Engine Machines)	
26	1001220067	1	Plate (Ford Engine Machines)	
27	1001117307	1	Decal - Emergency Stop	
28	1001117523	1	Bracket, Striker	
29	1001117525	1	Bracket, Striker Mounting	
30	1001117568	1	Bracket, Striker	
31	1001117598	1	Door	
32	1001158175	1	Bracket, Hood Mounting	
33	1001157867	1	Bracket, Hood Mounting	
34	1001150260	4	Plate, Hinge	
35	1001155899	1	Plate, Spacer	
36	1001157612	1	Bracket, Hood Support	
37	1001157726	1	Bracket, Hood Support	
38	1001157735	1	Bracket, Stop	
39	1001158077	1	Bracket, Spacer Panel	
40	2080072	4	Retainer, Bolt	
41	88662523	4	Nut, Tinnerman	
42	3311601	AR	Nut 3/8-16NC	

SECTION 2 - TURNTABLE

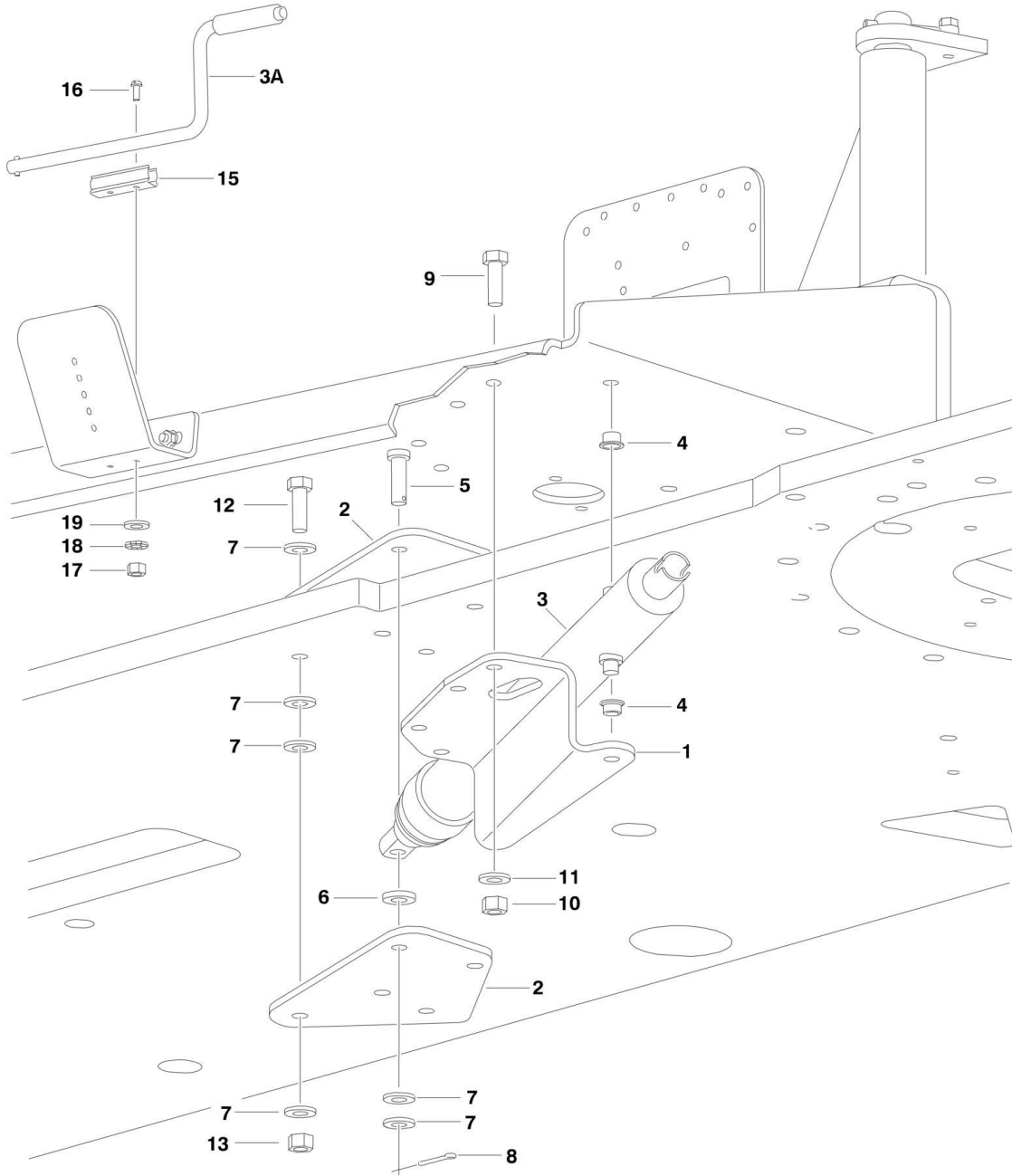
ITEM	PART NUMBER	QTY	DESCRIPTION	REV
43	1001121122	AR	Shim 3	
44	1001121123	AR	Shim 1.5	
45	4160194	4	Spring, Gas	
46	1001161089	1	Bracket, Bumper	
47	0811610	AR	Screw 3/8-16 x 1-1/4	
48	1001155895	1	Mount, Hood	
49	1001169935	4	Plate, Hinge (SN 0300183034 through 0300219218)	
49	1001186251	4	Plate, Hinge (SN 0300219219 through 0300272376)	
50	8310070	8	Nut 3/8	
51	0630485	AR	Bolt 3/8-16 x 1	
52	0641608	AR	Bolt 3/8-16 x 1	
53	2600280	4	Hinge (SN 0300183034 through 0300219218)	
53	1001186254	4	Hinge (SN 0300219219 through 0300272376)	
54	2940173	2	Latch, Rotary	
55	1001150253	1	Mount, Hood (SN 0300183034 through 0300219218)	
55	1001196768	1	Mount, Hood (SN 0300219219 through 0300272376)	
56	1001161089	1	Bracket (GM Engine Machines Only)	
57	1001220002	1	Plate (Ford Engine Machines Only)	
100	1001174408	1	Kit, Hood (Includes Items 101-104) (Deutz D2011 Engine Machines)	
100	1001174277	1	Kit, Hood (Includes Items 101-104) (Deutz TD2.9L4 Engine Machines)	
100	1001174408	1	Kit, Hood (Includes Items 101-104) (Ford & GM Engine Machines)	
101	1001117219	1	Hood, Fixed Engine Side	
102	1001120962	1	Hood, Fixed Tank Side	
103	1001157209	1	Hood Assembly - Tank Side (Includes Items 201-211)	
104	1001157208	1	Hood Assembly - Engine Side (Deutz D2011 Engine Machines) (Includes Items 201-211) (Note: Heat Shield item 309 must be transferred from original hood or replaced before putting machine back in service)	
104	1001162915	1	Hood Assembly - Engine Side (Deutz TD2.9L4 Engine Machines) (Includes Items 201-211) (Note: Heat Shield item 309 must be transferred from original hood or replaced before putting machine back in service)	
104	1001157208	1	Hood Assembly - Engine Side (Ford & GM Engine Machines) (Includes Items 201-211) (Note: Heat Shield item 309 must be transferred from original hood or replaced before putting machine back in service)	
105	3250030	1	Plug	
	1001157208	Ref	HOOD ASSEMBLY - ENGINE SIDE (DEUTZ D2011 ENGINE MACHINES)	D
	1001162915	Ref	HOOD ASSEMBLY - ENGINE SIDE (DEUTZ TD2.9L4 ENGINE MACHINES)	C
	1001157208	Ref	HOOD ASSEMBLY - ENGINE SIDE (FORD & GM ENGINE MACHINES)	D
201	0100011	AR	Compound, Locking	
202	0700617	1	Bolt M6 x 45	
202	0700618	1	Bolt M6 x 50	
203	2560187	1	Handle, Push Button	
204	3290601	1	Nut M6	
205	3311505	3	Nut 5/16-18	
206	3900210	3	Screw 5/16-18 x 3/4	
207	3900363	2	Screw M6 x 25mm	
208	4711500	3	Washer 5/16	

SECTION 2 - TURNTABLE

ITEM	PART NUMBER	QTY	DESCRIPTION	REV
209	1001116290	1	Plate, Latch Mounting	
211	4751400	2	Washer 1/4	
	1001158167	Ref	HOODS INSTALLATION (DEUTZ D2011 ENGINES MACHINES)	D
	1001173878	Ref	HOODS INSTALLATION (DEUTZ TD2.9L4 ENGINES MACHINES)	B
	1001220189	Ref	HOODS INSTALLATION (FORD ENGINE MACHINES)	A
	1001158171	Ref	HOODS INSTALLATION (GM ENGINES MACHINES)	C
302	3311605	4	Nut 3/8-16	
303	3900316	4	Screw 3/8-16 x 1	
303	0641608	4	Bolt 3/8-16 x 1	
304	4751600	AR	Washer 3/8	
305	1001116456	1	Pipe, Exhaust (Deutz D2011 Engine Machines)	
305	1001144527	1	Pipe, Exhaust (Deutz TD2.9L4 Engine Machines)	
305	1001116457	1	Pipe, Exhaust (Ford & GM Engine Machines)	
306	0641406	3	Bolt 1/4-20 x 3/4	
307	3311405	3	Nut 1/4-20	
308	4751400	3	Washer 1/4	
309	1001150561	1	Shield, Heat (Deutz D2011 Engine Machines)	
309	1001163101	1	Shield, Heat (Deutz TD2.9L4 Engine Machines)	
309	1001150561	1	Shield, Heat (Ford Engine Machines) (SN 0300183034 through 0300246269)	
309	1001150561	1	Shield, Heat (GM Engine Machines)	

SECTION 2 - TURNTABLE

FIGURE 2-29. ENGINE TRAY JACK INSTALLATION (OPTIONAL)



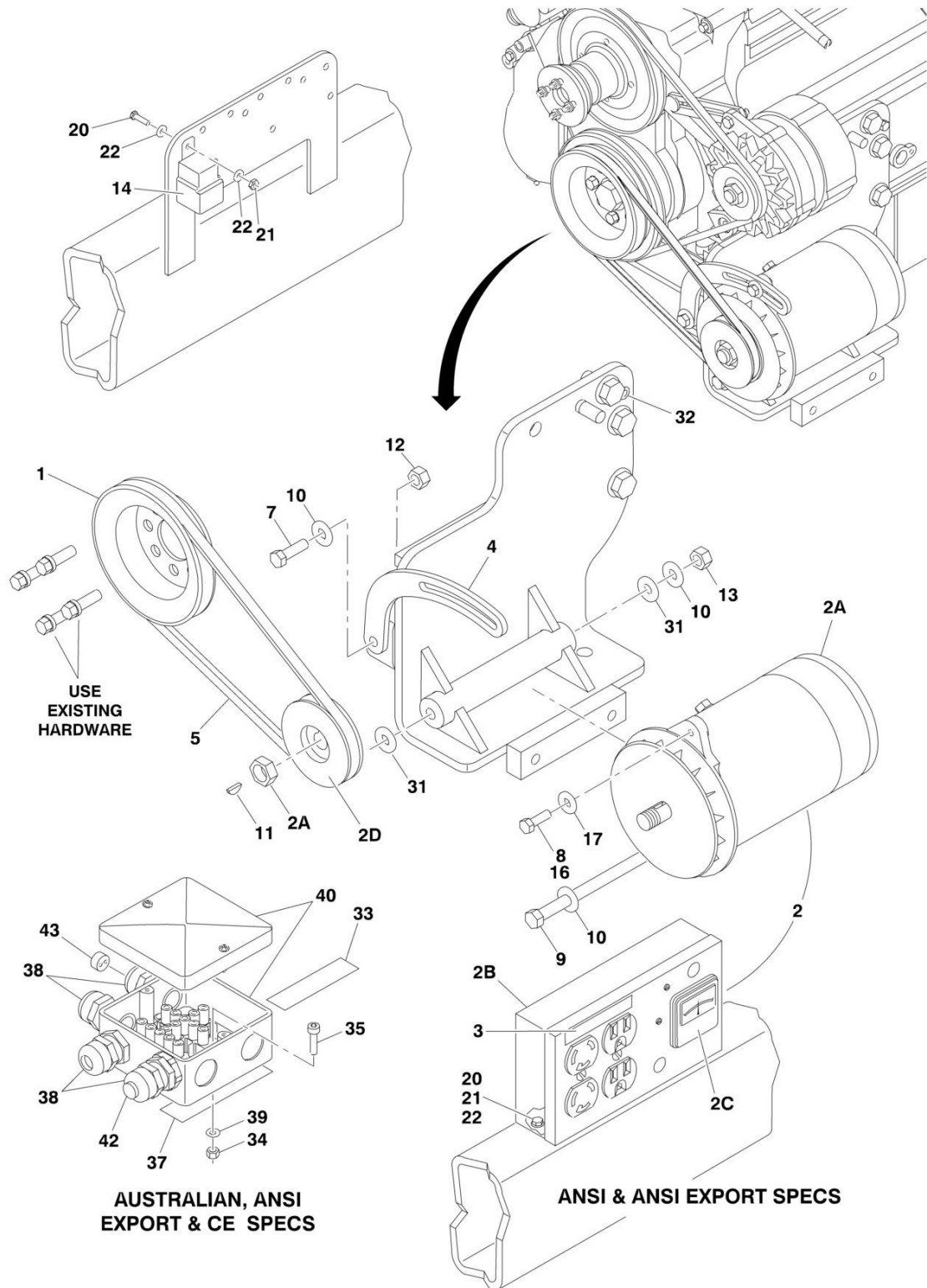
SECTION 2 - TURNTABLE

FIGURE 2-29. ENGINE TRAY JACK INSTALLATION (OPTIONAL)

ITEM	PART NUMBER	QTY	DESCRIPTION	REV
	0258728	Ref	ENGINE TRAY JACK INSTALLATION (DEUTZ & GM ENGINE MACHINES)	2-C
	1001219881	Ref	ENGINE TRAY JACK INSTALLATION (FORD ENGINE MACHINES)	B
1	3537445	1	Bracket (Deutz & GM Engine Machines)	
1	1001218547	1	Bracket (Ford Engine Machines)	
2	3537446	2	Bracket	
3	2840016	1	Jack and Handle Assembly	F
3A	7024598	1	Handle	
4	0962051	2	Bearing, Flange	
5	3430816	1	Pin, Clevis	
6	4891800	1	Washer 1/2	
7	4711800	6	Washer 1/2	
8	3450404	1	Pin, Cotter 1/8 x 1	
9	0641609	AR	Bolt 3/8 x 1-1/8	
9	0761014	AR	Bolt M10 x 30	
10	3311605	AR	Nut 3/8	
10	3291007	AR	Nut M10	
11	4891600	AR	Washer 3/8	
11	4812000	AR	Washer M10	
12	0641818	4	Bolt 1/2-13 x 2-1/4	
13	3311805	4	Nut 1/2-13	
15	1380147	1	Clip, Spring	
16	3910608	2	Screw #6-32 x 1	
17	3310601	2	Nut #6-32	
18	4770600	2	Washer #6	
19	4740119	2	Washer	

SECTION 2 - TURNTABLE

FIGURE 2-30. 2500W GENERATOR INSTALLATION - DEUTZ D2011 MACHINES (OPTIONAL)



SECTION 2 - TURNTABLE

FIGURE 2-30. 2500W GENERATOR INSTALLATION - DEUTZ D2011 MACHINES (OPTIONAL)

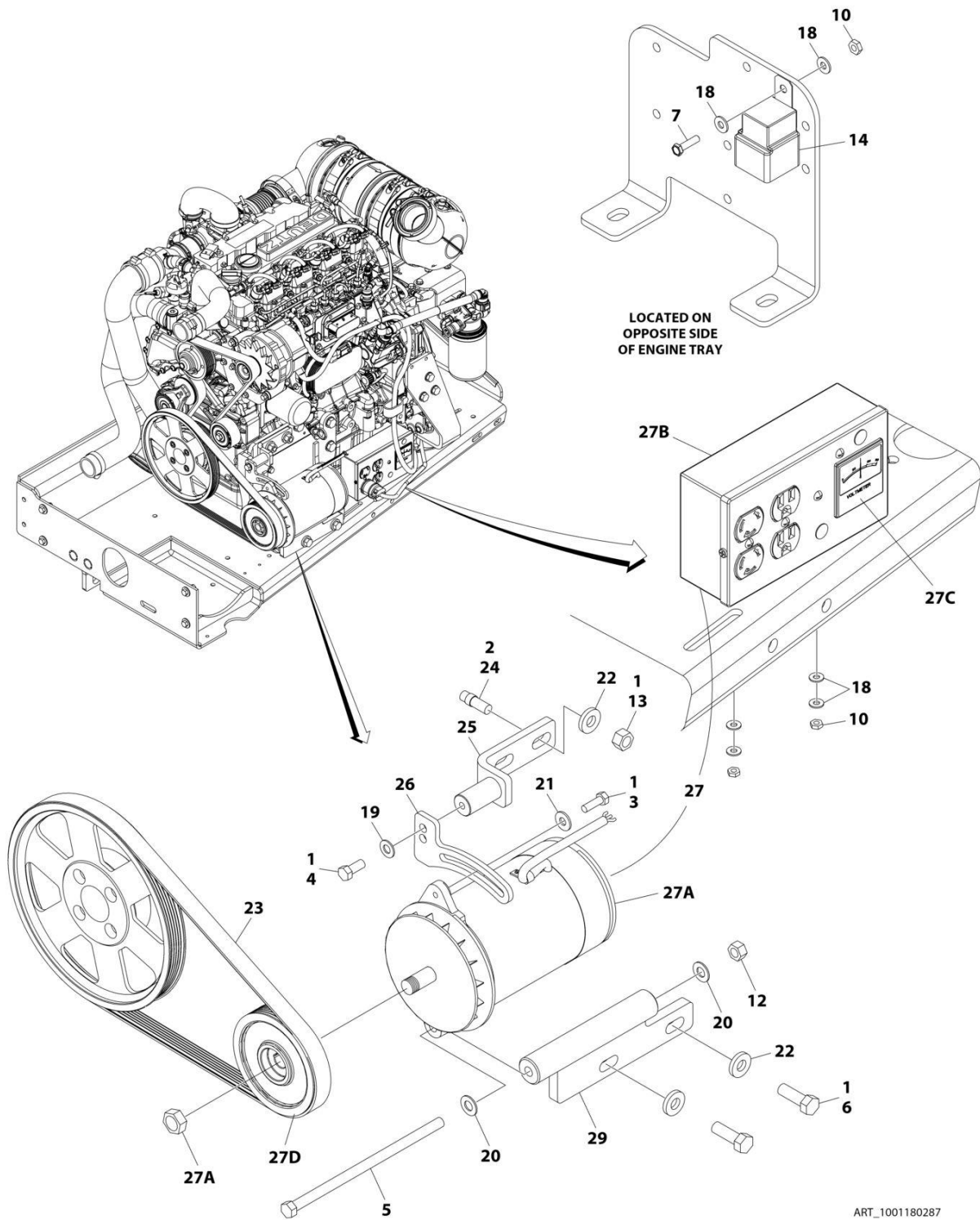
ITEM	PART NUMBER	QTY	DESCRIPTION	REV
		Ref	2500W GENERATOR INSTALLATION - DEUTZ D2011 ENGINES MACHINES (OPTIONAL)	
	1001115405	Ref	110V/60Hz (ANSI and ANSI Export Specs)	B
	1001115406	Ref	220V/50Hz (ANSI Export Specs)	A
	1001115409	Ref	220V/50Hz (Australian and CE Specs)	A
1	3580158	1	Pulley	
2		Ref	Generator and Control Box Assembly Options:	
2	2460055	1	110V/60Hz (ANSI and ANSI Export Specs)	
2	2460056	1	220V/50Hz (ANSI Export Specs):	
2	1001100321	1	220V/50Hz (Australian and CE Specs):	
2A	7012558	1	Generator Only - 110V/60Hz	
2A	1001100321	1	Generator Only - 220V/50Hz	
2A		Ref	Note: Replacement Generators come standard with p/n 3580134 pulley. This pulley may not be correct for all applications. Refer to pulley options below.	
2A		Ref	Armature with Slip Rings Options:	
2A	7026199	1	Armature with Slip Rings - 110V/60Hz	
2A	70000123	1	Armature with Slip Rings - 220V/50Hz	
2A	7012513	4	Cap, Brush Holder	
2A	7020108	4	Brush	
2A	7020109	4	Holder, Brush	
2A	7012514	1	Fan	
2A	7020110	1	Bell, Front	
2A	7020111	1	Bell, Rear	
2A	7020190	1	Bearing	
2B	7019680	1	Box, Control - 110V/60Hz	
2B	70000127	1	Box, Control - 220V/50Hz (ANSI Export Specs)	
2B	Not Required	0	Box, Control - 220V/50Hz (Australian and CE Specs)	
2B		Ref	Receptacle Options:	
2B	4460190	1	Receptacle, Standard (110V Only)	
2B	4460027	1	Receptacle, Twistlock (110V Only)	
2B	70000124	1	Receptacle, Double (220V/50Hz Only)	
2B	70000125	1	Receptacle, Single (220V/50Hz Only)	
2B		Ref	Breaker, Circuit Options:	
2B	4360542	1	Breaker 110V/60Hz	
2B	70000126	1	Breaker 220V/50Hz	
2B	3520028	1	Plug, Hole	
2C		Ref	Voltmeter Options:	
2C	2420203	1	Voltmeter - 110V	
2C	7020192	1	Voltmeter - 220V	
2D		Ref	Pulley Options:	
2D	3580276	1	Pulley - 60Hz	
2D	3580134	1	Pulley - 50Hz	
2D	7027887	1	Key, Woodruff	
3		Ref	Decal Options:	
3	3251243	1	110V/60Hz (ANSI and ANSI Export Specs)	
3	Not Required	0	220V/50Hz (ANSI Export, Australian and CE Specs)	
4	0200742	1	Arm, Adjusting	
5	0480121	1	V-Belt	
7	0641610	1	Bolt 3/8in-16NC x 1-1/4in	

SECTION 2 - TURNTABLE

ITEM	PART NUMBER	QTY	DESCRIPTION	REV
8	0100011	AR	Compound, Locking	
9	0641772	1	Bolt 7/16in-14NC x 9in	
10	4751600	6	Flatwasher 3/8in Regular	
11	2860012	1	Key, Woodruff	
12	3311605	1	Locknut 3/8in-16NC	
13	3311705	1	Locknut 7/16in-14NC	
14	3740080	1	Relay	
16	0641508	1	Bolt 5/16in-18NC x 1in	
17	4751500	AR	Flatwasher 5/16in Regular	
20	0721006	AR	Bolt #10-24NC x 3/4in	
21	3311005	AR	Locknut #10-24NC	
22	4751000	AR	Flatwasher #10 Regular	
25	4360336	1	Switch, Toggle (Not Shown - Located at Platform)	
26	4740397	1	Bushing (Not Shown - Located at Platform)	
27	4060802	1	Guard, Switch (Not Shown - Located at Platform)	
28	3252507	1	Decal - 220V - 50/60Hz (Not Shown - Located on Turntable)	
29	2820031	4 in/10cm	Heat Shrink (Not Shown - Located at Platform)	
30	3251102	1	Decal (Not Shown - Located at Platform)	
		Ref	Note: Items 32-43 Used on ANSI Export, Australian and CE Specs Only.	
32	0641404	1	Bolt 1/4in-20NC x 1/2	
33	3252507	2	Decal - 220V - 50Hz	
		Ref	Note: One Decal Not Shown - Located on the Inside of Platform Rail.	
34	3290505	1	Locknut M5 x 0.8mm	
35	4031608	1	Bolt M5 x 20mm	
36	4240018	1	Tie Strap (Not Shown)	
37	4420060	1	Tape, Double Coated Acrylic Foam	
38	4460968	3	Connector, Strain Relief	
39	4811600	1	Flatwasher M5	
40	1001099869	1	Box, Junction	
42		Ref	Light Red Options:	
42	1001100233	1	125 Vac	
42	1001100234	1	250 Vac	
43	0962449	1	Bushing	

SECTION 2 - TURNTABLE

FIGURE 2-31. 2500W GENERATOR INSTALLATION - DEUTZ TD2.9L4 MACHINES (OPTIONAL)



SECTION 2 - TURNTABLE

FIGURE 2-31. 2500W GENERATOR INSTALLATION - DEUTZ TD2.9L4 MACHINES (OPTIONAL)

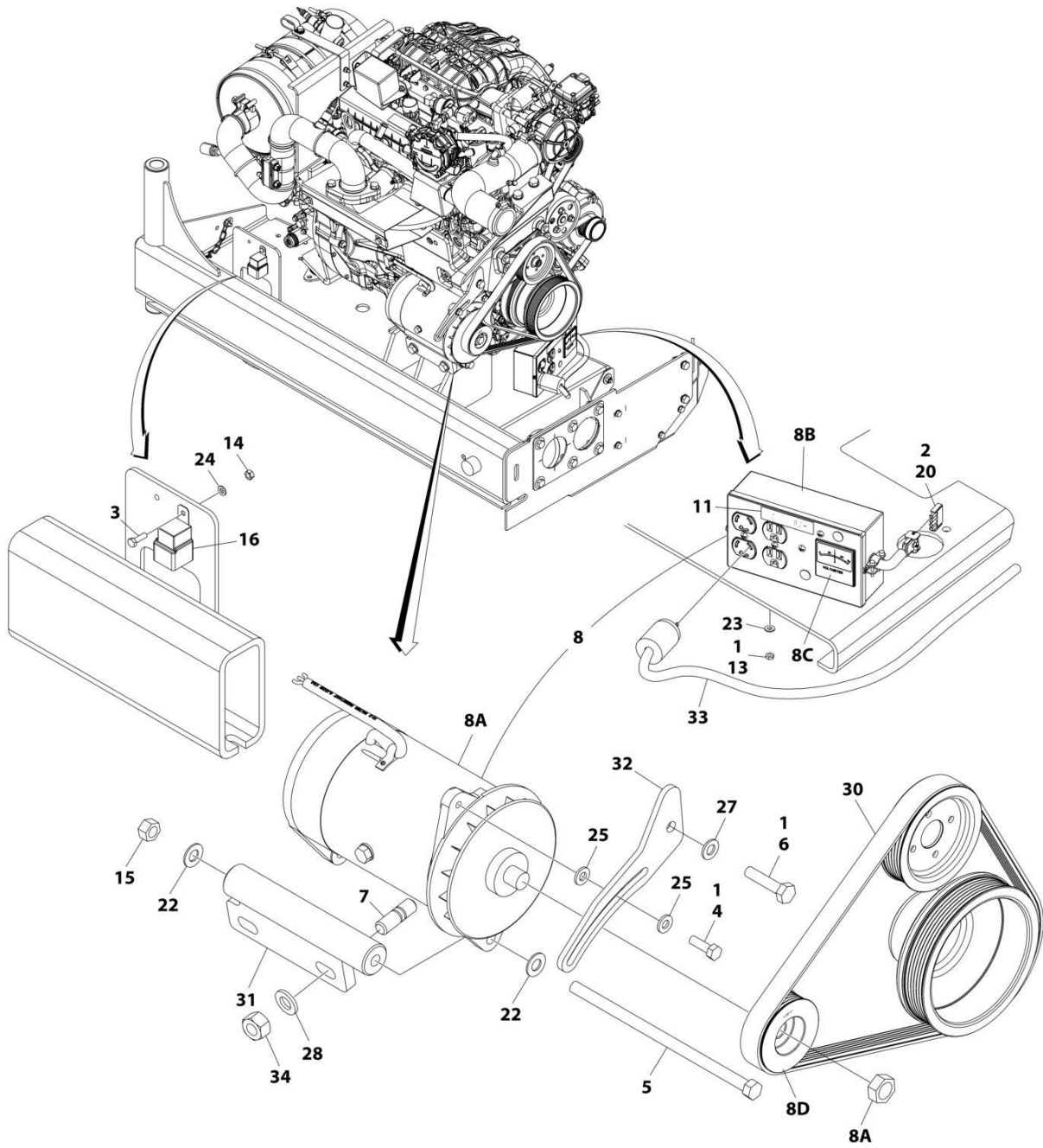
ITEM	PART NUMBER	QTY	DESCRIPTION	REV
	1001180287	Ref	2500W GENERATOR INSTALLATION - DEUTZ TD2.9L4 (OPTIONAL)	C
1	0100011	AR	Compound, Locking	
2	0100019	AR	Compound, Locking	
3	0641508	1	Bolt 5/16 x 1	
4	0641607	1	Bolt 3/8 x 7/8	
5	0641772	1	Bolt 7/16 x 9	
6	0641812	2	Bolt 1/2 x 1-1/2	
7	0721006	1	Screw #10 x 3/4	
8	2820031	AR	Heat Shrink (Not Shown - Located at Platform)	
9	3251102	1	Name Plate - Generator On (Not Shown - Located at Platform)	
10	3311005	3	Nut #10	
12	3311705	1	Nut 7/16	
13	3311801	2	Nut 1/2	
14	3740080	1	Relay	
15	4060802	1	Guard, Switch (Not Shown - Located at Platform)	
16	4240018	AR	Strap, Cable Tie (Not Shown)	
17	4360336	1	Switch, Toggle (Not Shown - Located at Platform)	
18	4711000	6	Washer #10	
19	4711600	1	Washer 3/8	
20	4711700	2	Washer 7/16	
21	4751500	1	Washer 5/16	
22	4891800	4	Washer 1/2	
23	1001148138	1	V-Belt	
24	1001163599	2	Stud	
25	1001216015	1	Bracket	
26	1001179837	1	Arm, Adjustment	
27	1001180001	1	Generator and Control Box Assembly	
27A	7012558	1	Generator Only - 110V/60Hz	
27A		Ref	Note: Replacement Generators come standard with p/n 3580134 pulley. This pulley may not be correct for all applications. Refer to pulley options below.	
27A	7026199	1	Armature with Slip Rings	
27A	7012513	4	Cap, Brush Holder	
27A	7020108	4	Brush	
27A	7020109	4	Holder, Brush	
27A	7012514	1	Fan	
27A	7020110	1	Bell, Front	
27A	7020111	1	Bell, Rear	
27A	7020190	2	Bearing	
27B	7019680	1	Box, Control - 110V/60Hz	
27B		Ref	Receptacle Options:	
27B	4460190	1	Receptacle, Standard (110V Only)	
27B	4460027	1	Receptacle, Twistlock (110V Only)	
27B	4360542	1	Breaker, Circuit	
27B	3520028	1	Plug, Hole	
27C	2420203	1	Voltmeter	
27D	3580276	1	Pulley	
27D	7027887	1	Key, Woodruff	
28		Ref	Wiring Diagram Components (Not Shown)	

SECTION 2 - TURNTABLE

ITEM	PART NUMBER	QTY	DESCRIPTION	REV
28	4922641	1	Generator On/Off Switch Harness (Not Shown - Located at Platform)	
28	1001180052	1	Generator Harness (Not Shown)	
29	1001181243	1	Mount, Generator	

SECTION 2 - TURNTABLE

FIGURE 2-32. 2500W GENERATOR INSTALLATION - FORD MACHINES (OPTIONAL)



ART_1001219619

SECTION 2 - TURNTABLE

FIGURE 2-32. 2500W GENERATOR INSTALLATION - FORD MACHINES (OPTIONAL)

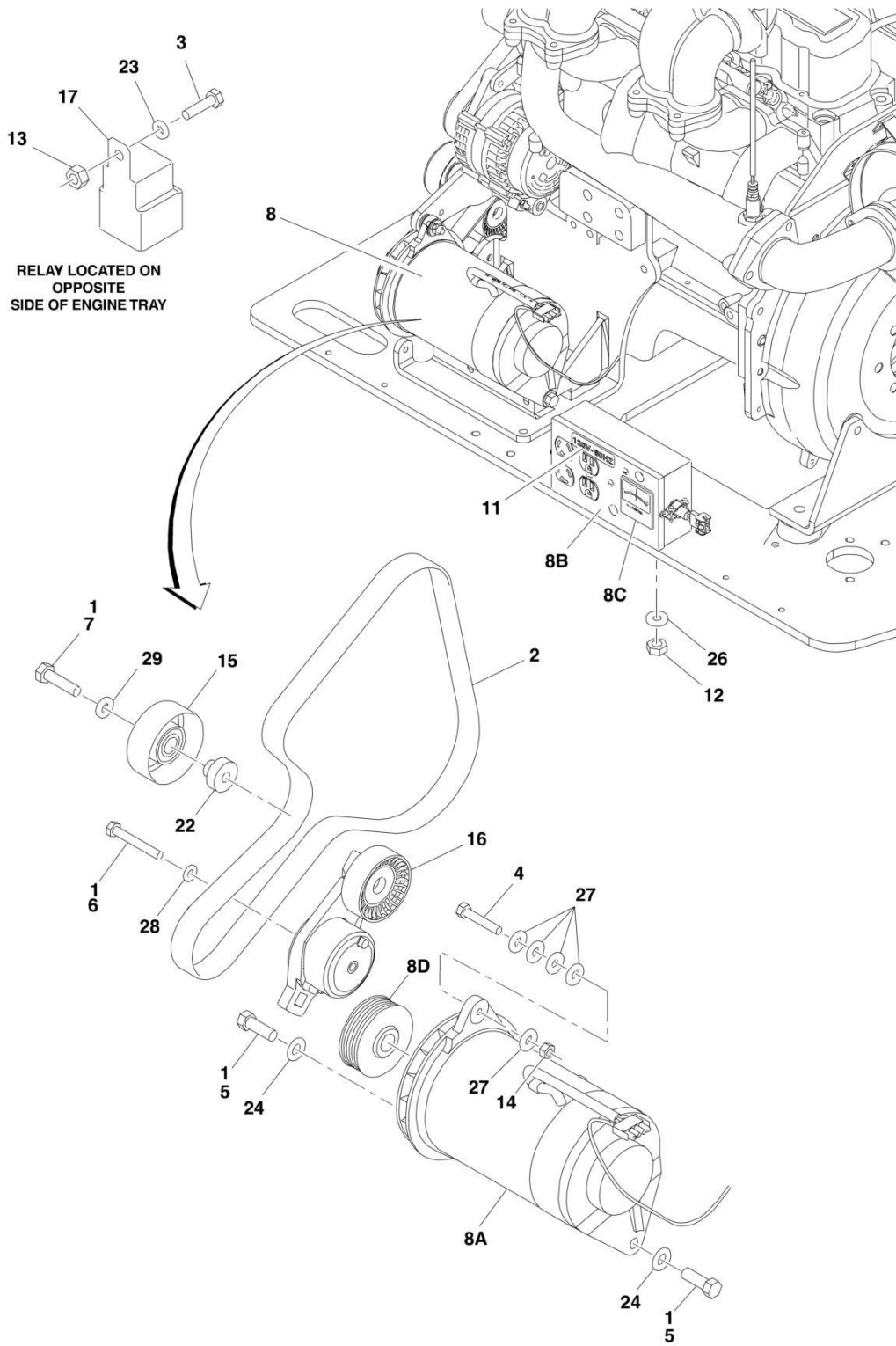
ITEM	PART NUMBER	QTY	DESCRIPTION	REV
	1001219619	Ref	2500W GENERATOR INSTALLATION - FORD MACHINES (OPTIONAL)	E
1	0100011	AR	Compound, Locking	
2	0100048	AR	Grease, Dielectric	
3	0760610	1	Bolt M6 x 20	
4	0641508	1	Bolt 5/16 x 1	
5	0641772	1	Bolt 7/16 x 9	
6	0761016	1	Bolt M10 x 40	
7	1001155041	1	Stud	
8	2460051	1	Generator and Control Box Assembly	
8A	7012558	1	Generator Only - 110V/60Hz	
		Ref	Note: Replacement Generators come standard with pin 3580134 pulley. This pulley may not be correct for all applications. Refer to pulley options below.	
8A	7026199	1	Armature with Slip Rings	
8A	7012513	4	Cap, Brush Holder	
8A	7020108	4	Brush	
8A	7020109	4	Holder, Brush	
8A	7012514	1	Fan	
8A	7020110	1	Bell, Front	
8A	7020111	1	Bell, Rear	
8A	7020190	2	Bearing	
8B	7019680	1	Box, Control - 110V/60Hz	
8B		Ref	Receptacle Options:	
8B	4460190	1	Receptacle, Standard (110V Only)	
8B	4460027	1	Receptacle, Twistlock (110V Only)	
8B	4360542	1	Breaker, Circuit	
8B	3520028	1	Plug, Hole	
8C	2420203	1	Voltmeter	
8D	3580324	1	Pulley	
8D	7027887	1	Key, Woodruff	
9	2820031	1	Heat Shrink (Not Shown - Located at Platform)	
10	3251102	1	Nameplate Generator (Not Shown - Located at Platform)	
11	3251243	1	Decal - 120V-60Hz	
13	3311005	2	Nut #10	
14	3290601	1	Nut M6	
15	3311705	1	Nut 7/16	
16	3740080	1	Relay	
17	4060802	1	Guard Switch (Not Shown - Located at Platform)	
18	4240099	AR	Tie-Strap (Not Shown)	
19	4360336	1	Switch, Toggle (Not Shown - Located at Platform)	
20	4460321	1	Plug, Male - 4 Position	
22	4711700	2	Washer 7/16	
23	4751000	2	Washer #10	
24	4811700	1	Washer M6	
25	4891500	2	Washer 5/16	
27	4812000	1	Washer M10	
28	4812200	2	Washer M14	
29		Ref	Wiring Diagram Components (Not Shown)	

SECTION 2 - TURNTABLE

ITEM	PART NUMBER	QTY	DESCRIPTION	REV
29	4922641	1	Generator On/Off Switch Harness (Not Shown - Located at Platform)	
29	4923445	1	Generator Harness (Not Shown - See Separate Breakdown in ELECTRICAL SECTION)	
30	1001216391	1	V-Belt	
31	1001219630	1	Mount, Generator	
32	1001219632	1	Arm, Adjustment	
33	4921829	1	Harness, Inverter	
34	3291201	2	Nut M12	

SECTION 2 - TURNTABLE

FIGURE 2-33. 2500W GENERATOR INSTALLATION - GM MACHINES (OPTIONAL)



SECTION 2 - TURNTABLE

FIGURE 2-33. 2500W GENERATOR INSTALLATION - GM MACHINES (OPTIONAL)

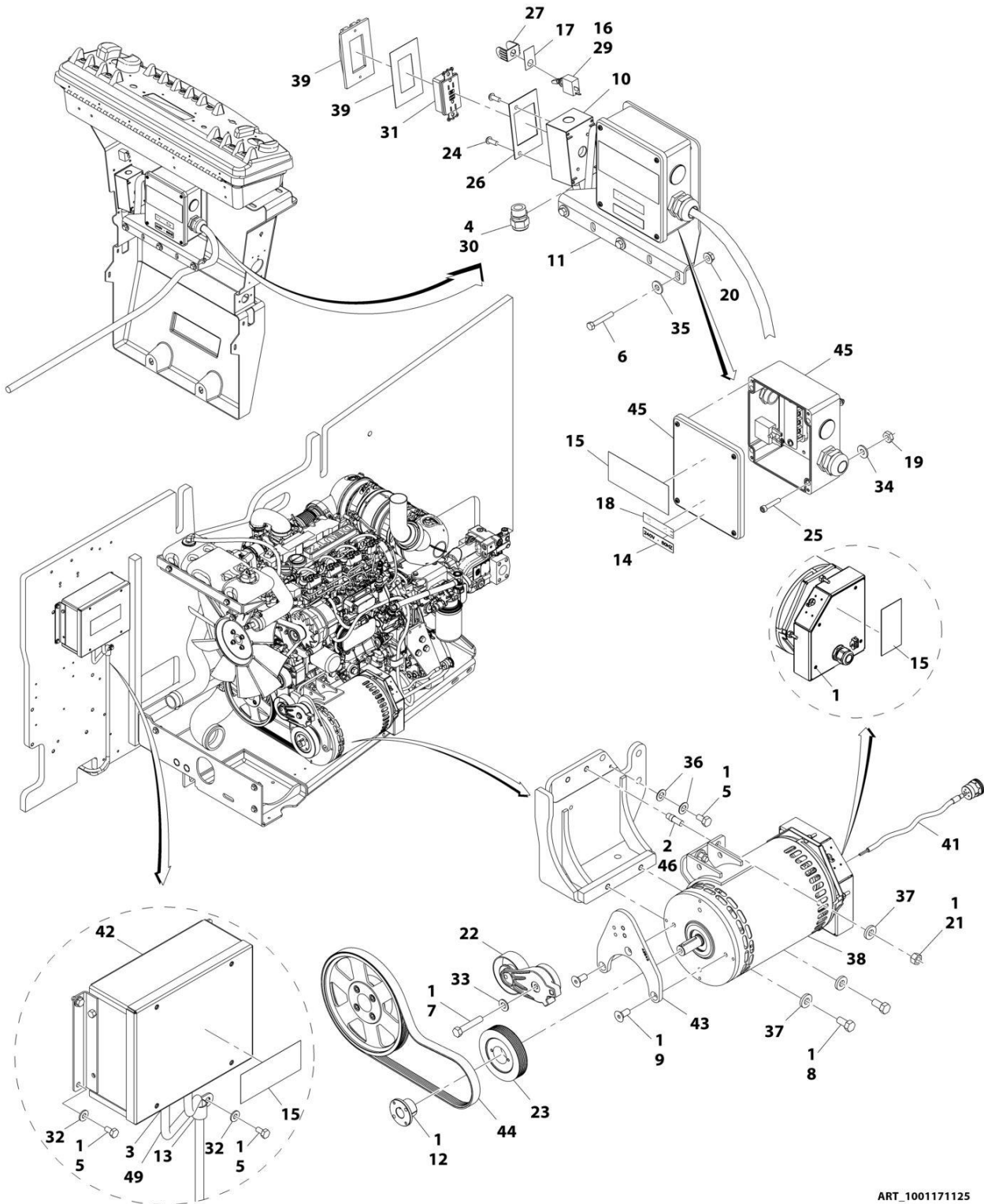
ITEM	PART NUMBER	QTY	DESCRIPTION	REV
		Ref	GENERATOR INSTALLATION - GM ENGINES (OPTIONAL):	
	0275039	Ref	110V Generator	F
1	0100011	AR	Compound, Locking	
2	0480142	1	V-Belt	
3	0641405	1	Bolt 1/4in-20NC x 5/8in	
4		Ref	Bolt Options:	
4	0641514	1	Bolt 5/16in-18NC x 1-3/4in	
4	0641510	1	Bolt 5/16in-18NC x 1-1/4in	
5	0641710	2	Bolt 7/16in-14NC x 1-1/4in	
6	0700820	1	Bolt M8 x 60mm	
7	0701016	1	Bolt M10 x 340mm	
8	2460051	1	Generator and Control Box Assembly	
8A	7012558	1	Generator Only - 110V/60Hz	
		Ref	Note: Replacement Generators come standard with p/n 3580134 pulley. This pulley may not be correct for all applications. Refer to pulley options below.	
8A		Ref	Armature with Slip Rings Options:	
8A	7026199	1	Armature with Slip Rings - 110V/60Hz	
8A	70000123	1	Armature with Slip Rings - 220V/50Hz	
8A	7012513	4	Cap, Brush Holder	
8A	7020108	4	Brush	
8A	7020109	4	Holder, Brush	
8A	7012514	1	Fan	
8A	7020110	1	Bell, Front	
8A	7020111	1	Bell, Front	
8A	7020190	2	Bearing	
8B	7019680	1	Box, Control - 110V/60Hz	
8B		Ref	Receptacle Options:	
8B	4460190	1	Receptacle, Standard (110V Only)	
8B	4460027	1	Receptacle, Twistlock (110V Only)	
8B	4360542	1	Breaker, Circuit	
8B	3520028	1	Plug, Hole	
8C	2420203	1	Voltmeter	
8D	3580324	1	Pulley	
8D	7027887	1	Key, Woodruff	
9	2820031	AR	Heat Shrink (Not Shown - Located at Platform)	
10	3251102	1	Nameplate - Generator (Not Shown - Located at Platform)	
11	3251243	1	Decal - 110 Volt	
12	3311005	2	Locknut # 10-24NC	
13	3311405	1	Locknut 1/4in-20NC	
14	3311505	1	Locknut 5/16in-18NC	
15	3580312	1	Pulley, Idler	
16	3580348	1	Tensioner, Belt	
17	3740080	1	Relay, Bosch	
18	4060802	1	Guard, Switch (Not Shown - Located at Platform)	
19	4240018	AR	Tie-Strap (Not Shown)	
20	4360336	1	Switch, Toggle (Not Shown - Located at Platform)	
21	4460906	3	Terminal (Not Shown)	
22	4568735	1	Spacer, Tube (Idler Pulley Grooved)	
23	4711400	1	Flatwasher 1/4in Thin	

SECTION 2 - TURNTABLE

ITEM	PART NUMBER	QTY	DESCRIPTION	REV
24	4711700	2	Flatwasher 7/16in Thin	
25	4740397	1	Spacer (Not Shown - Located at Platform)	
26	4751000	2	Flatwasher #10 Regular	
27	4751500	AR	Flatwasher 5/16in Regular	
28	4811900	1	Flatwasher M8	
29	4891600	1	Flatwasher 3/8in Hardened	

SECTION 2 - TURNTABLE

FIGURE 2-34. 4000W GENERATOR INSTALLATION - DEUTZ TD2.9L4 ENGINES



ART_1001171125

SECTION 2 - TURNTABLE

FIGURE 2-34. 4000W GENERATOR INSTALLATION - DEUTZ TD2.9L4 ENGINES

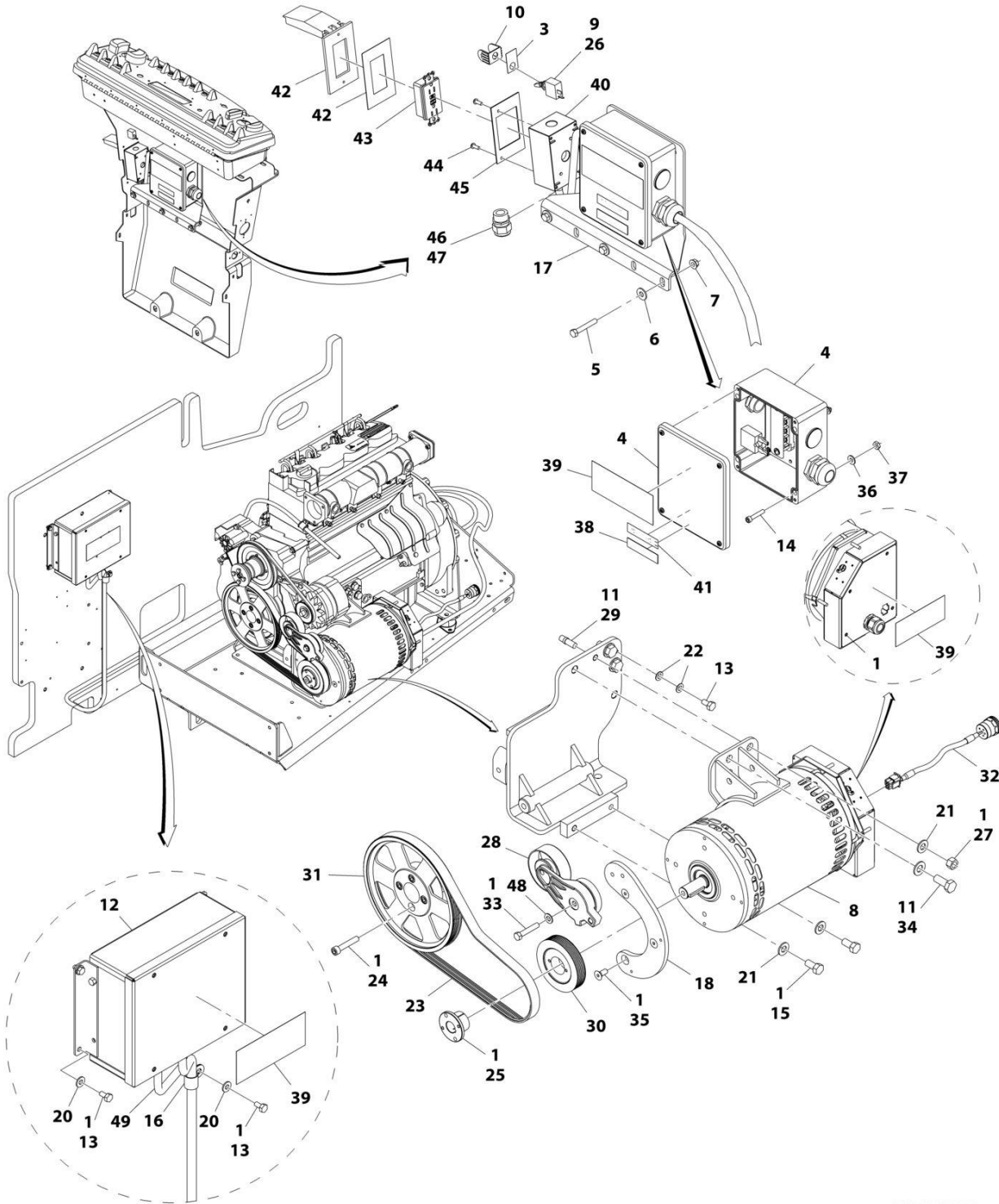
ITEM	PART NUMBER	QTY	DESCRIPTION	REV
		Ref	4000W GENERATOR INSTALLATION - DEUTZ TD2.9L4 ENGINES	
	1001171125	1	4000W/60Hz Generator Installation - Deutz TD2.9L4 Engines	B
	1001180218	1	4000W/50Hz Generator Installation - Deutz TD2.9L4 and Deutz TD2.9L4 (Stage V) Engines	D
1	0100011	AR	Compound, Locking	
2	0100019	AR	Compound, Locking	
3	0100048	AR	Grease Dielectric	
4	0100079	AR	Sealant	
5	0641404	6	Bolt 1/4 x 1/2	
6	0641516	3	Bolt 5/16 x 2	
7	0641616	1	Bolt 3/8 x 2	
8	0641808	2	Bolt 1/2 x 1	
9	0741607	3	Screw 3/8 x 7/8	
10	0860038	1	Box, Switch (60Hz)	
11	0902888	1	Bracket, Junction Box (60Hz)	
12	0962520	1	Bushing, Split	
13	1320318	1	Clamp	
14	1705374	1	Decal - 240V (60Hz)	
15	1705387	3	Decal - Hazardous Voltage (60Hz)	
15	1705389	2	Decal - Hazardous Voltage (50Hz)	
16	2820031	0.33 ft /0.1m	Heat Shrink	
17	3251102	1	Nameplate, Generator	
18	3251243	1	Decal - 120V (60Hz)	
19	3311005	4	Nut #10	
20	3311508	3	Nut 5/16	
21	3311801	2	Nut 1/2	
22	3580317	1	Tensioner, Belt with Pulley	
23	3580318	1	Pulley, Generator (60Hz)	
23	3580319	1	Pulley, Generator (50Hz)	
24	3910606	4	Screw 6 x 3/8	
25	3931016	4	Capscrew #10 x 1	
26	3960422	1	Gasket, AC Receptacle (60Hz)	
27	4060802	1	Guard, Switch	
28	4240018	AR	Tie-Strap (Not Shown)	
29	4360336	1	Switch, Toggle	
30	4460071	1	Connector, Strain Relief (60Hz)	
31	4460346	1	Receptacle (60Hz)	
32	4711400	5	Washer 1/4	
33	4711600	1	Washer 3/8	
34	4751000	4	Washer #10	
35	4751500	3	Washer 5/16	
36	4791400	2	Washer 1/4	
37	4891800	4	Washer 1/2	
38	1001140346	1	Generator Assembly (60Hz)	
38	1001140347	1	Generator Assembly (50Hz)	
38	70003709	1	Ring, Retaining (External)	
38	70003708	1	Ring, Retaining (Internal)	
38	70001966	1	Bearing	
38	70004092	1	Endbell (Shaft End)	

SECTION 2 - TURNTABLE

ITEM	PART NUMBER	QTY	DESCRIPTION	REV
38	70004099	1	Key	
38	70004676	1	Rotor	
38	70004687	1	Stator (60Hz)	
38	70004686	1	Stator (50Hz)	
38	70004678	1	Endbell (Rear)	
38	70004679	1	Cover, Endbell (Rear)	
38	70004680	1	Enclosure, Wiring	
38	70004685	1	Cover, Enclosure (60Hz)	
38	70004681	1	Cover, Enclosure (50Hz)	
38	70004682	1	Switch, Reset (Located on Enclosure Cover)	
38	70004098	1	Connector, Strain Relief (60Hz) (Located on Enclosure Cover)	
38	70004683	1	Connector, Strain Relief (50Hz) (Located on Enclosure Cover)	
38	4460224	1	Connector - 6 Position (50Hz) (Located on Enclosure Cover)	
38	4460294	2	Pin, Male (50Hz) (Located on Enclosure Cover)	
39	1001110873	1	Cover, Receptacle (60Hz)	
41	1001152532	1	Harness, Generator	
42	1001138566	1	Control Box Assembly	
42	70006552	1	Capacitor	
42	70006553	1	Relay	
43	1001142643	1	Support, Tensioner	
44	1001142646	1	Belt, Generator (60Hz)	
44	1001142645	1	Belt, Generator (50Hz)	
45	1001152457	1	Junction Box Assembly (60Hz)	
45	3300396	1	Cover, Breaker	
45	4360070	1	Breaker, Circuit - 15Amp	
45	4460425	1	Connector, Strain Relief (LH Side)	
45	4460426	1	Connector, Strain Relief (RH Side)	
46	1001163599	2	Stud	
49	1001153197	1	Generator Harness (Generator Control Box to Engine Harness) (SN 0300183034 through 0300213719)	
49	1001153259	1	Generator Harness (Generator Control Box to Engine Harness) (SN 0300213720 through 0300272376)	
75	1001096070	1	Breaker Box Kit (Not Shown) (50Hz) (See ELECTRICAL SECTION for Breakdown) (SN 0300183034 through 0300214275)	
75	1001165368	1	Breaker Box Kit (Not Shown) (50Hz) (See ELECTRICAL SECTION for Breakdown) (SN 0300214276 through 0300272376)	
76	1001153636	1	Bracket (Used to Attach Item 75) (Not Shown) (50Hz)	

SECTION 2 - TURNTABLE

FIGURE 2-35. 4000W GENERATOR INSTALLATION - DEUTZ D2011 ENGINES



ART_1001139952

SECTION 2 - TURNTABLE

FIGURE 2-35. 4000W GENERATOR INSTALLATION - DEUTZ D2011 ENGINES

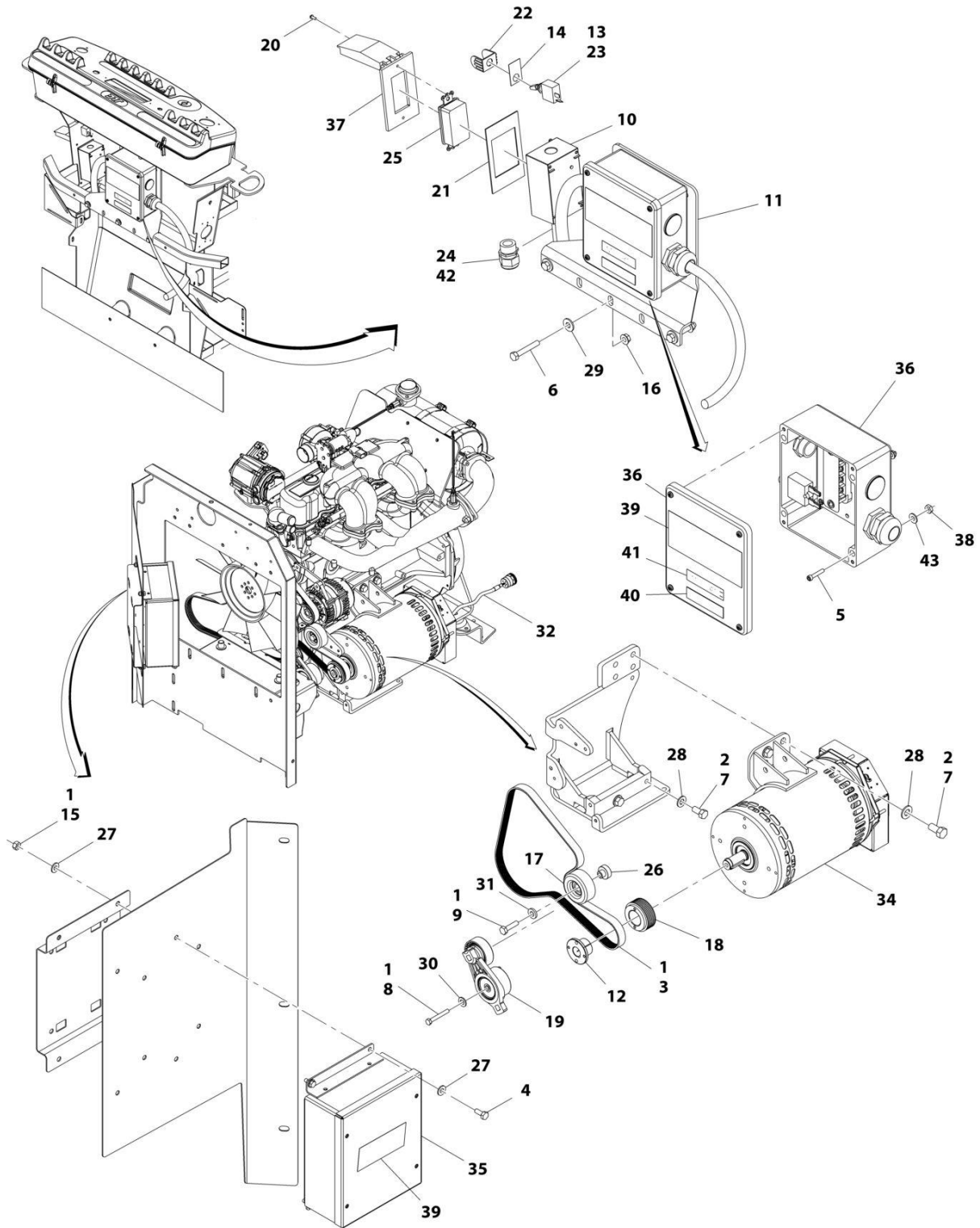
ITEM	PART NUMBER	QTY	DESCRIPTION	REV
		Ref	4000W GENERATOR INSTALLATION - DEUTZ D2011 ENGINES	
	1001139952	Ref	4000W/60Hz Generator Installation - Deutz D2011 Engines	B
	1001139953	Ref	4000W/50Hz Generator Installation - Deutz D2011 Engines (SN 0300183034 through 0300195352)	D
	1001179912	Ref	4000W/50Hz Generator Installation - Deutz D2011 Engines (SN 0300195353 through 0300272376)	E
1	0100011	AR	Compound, Locking	
3	3251102	1	Nameplate - Generator	
4	1001152457	1	Junction Box Assembly (60Hz)	
4	3300396	1	Cover, Breaker	
4	4360070	1	Breaker, Circuit - 15Amp	
4	4460425	1	Connector, Strain Relief (LH Side)	
4	4460426	1	Connector, Strain Relief (RH Side)	
5	0641516	3	Bolt 5/16 x 2	
6	4751500	3	Washer 5/16	
7	3311508	3	Nut 5/16	
8	1001129858	1	Generator Assembly (60Hz)	
8	70003709	1	Ring, Retaining (External)	
8	70003708	1	Ring, Retaining (Internal)	
8	70001966	1	Bearing	
8	70004092	1	Endbell (Shaft End)	
8	70004171	1	Key	
8	70004676	1	Rotor	
8	70004684	1	Stator (60Hz)	
8	70004677	1	Stator (50Hz)	
8	70004678	1	Endbell (Rear)	
8	70004679	1	Cover, Endbell (Rear)	
8	70004680	1	Enclosure, Wiring	
8	70004685	1	Cover, Enclosure (60Hz)	
8	70004681	1	Cover, Enclosure (50Hz)	
8	70004682	1	Switch, Reset (Located on Enclosure Cover)	
8	70004098	1	Connector, Strain Relief (60Hz) (Located on Enclosure Cover)	
8	70004683	1	Connector, Strain Relief (50Hz) (Located on Enclosure Cover)	
8	1001138565	1	Generator Assembly (50Hz)	
9	4360336	1	Switch, Toggle	
10	4060802	1	Guard, Switch	
11	0100019	AR	Compound, Locking	
12	1001138566	1	Control Box Assembly	
12	70006552	1	Capacitor	
12	70006553	1	Relay	
13	0641404	6	Bolt 1/4 x 1/2	
14	3931016	4	Capscrew #10 x 1	
15	0641808	2	Bolt 1/2 x 1	
16	1320318	1	Clamp	
17	0902888	1	Bracket (60Hz)	
18	1001139357	1	Mount, Tensioner	
19	4240018	AR	Tie-Strap (Not Shown)	
20	4711400	5	Washer 1/4	
21	4711800	3	Washer 1/2	
22	4791400	2	Washer 1/4	

SECTION 2 - TURNTABLE

ITEM	PART NUMBER	QTY	DESCRIPTION	REV
23	0480129	1	Belt, Generator (60Hz)	
23	0480126	1	Belt, Generator (50Hz)	
24	4032015	4	Capscrew M10 x 55	
25	0962520	1	Bushing, Split	
26	2820031	0.33 ft /0.1m	Heat Shrink	
27	3311801	1	Nut 1/2	
28	3580317	1	Tensioner, Belt with Pulley	
29	4300157	1	Stud	
30	3580318	1	Pulley, Generator (60Hz)	
30	3580319	1	Pulley, Generator (50Hz)	
31	3580320	1	Pulley, Engine	
32	1001152532	1	Harness, Generator	
33	0641616	1	Bolt 3/8 x 2	
34	0771415	1	Bolt M14 x 35	
35	0741607	3	Screw 3/8 x 7/8	
36	4751000	4	Washer #10	
37	3311005	4	Nut #10	
38	1705374	1	Decal - 240V (60Hz)	
39	1705387	3	Decal - Hazardous Voltage (60Hz)	
39	1705389	1	Decal - Hazardous Voltage (50Hz)	
40	0860038	1	Box, Switch - Weatherhead (60Hz)	
41	3251243	1	Decal - 120V (60Hz)	
42	1001110873	1	Cover, Receptacle (60Hz)	
43	4460346	1	Receptacle (60Hz)	
44	3910606	4	Screw #6 x 3/8	
45	3960422	1	Gasket (60Hz)	
46	0100020	AR	Sealant #567	
47	4460071	1	Connector (60Hz)	
48	4711600	1	Washer 3/8	
49	1001153197	1	Generator Harness (Generator Control Box to Engine Harness)	
61	1001096070	1	Breaker Box Kit (Not Shown) (50Hz) (See ELECTRICAL SECTION for Breakdown) (SN 0300183034 through 0300214275)	
61	1001165368	1	Breaker Box Kit (Not Shown) (50Hz) (See ELECTRICAL SECTION for Breakdown) (SN 0300214276 through 0300272376)	
62	1001153636	1	Bracket (Attaches Item 61) (Not Shown) (50Hz)	

SECTION 2 - TURNTABLE

FIGURE 2-36. 4000W GENERATOR INSTALLATION - GM ENGINES



SECTION 2 - TURNTABLE

FIGURE 2-36. 4000W GENERATOR INSTALLATION - GM ENGINES

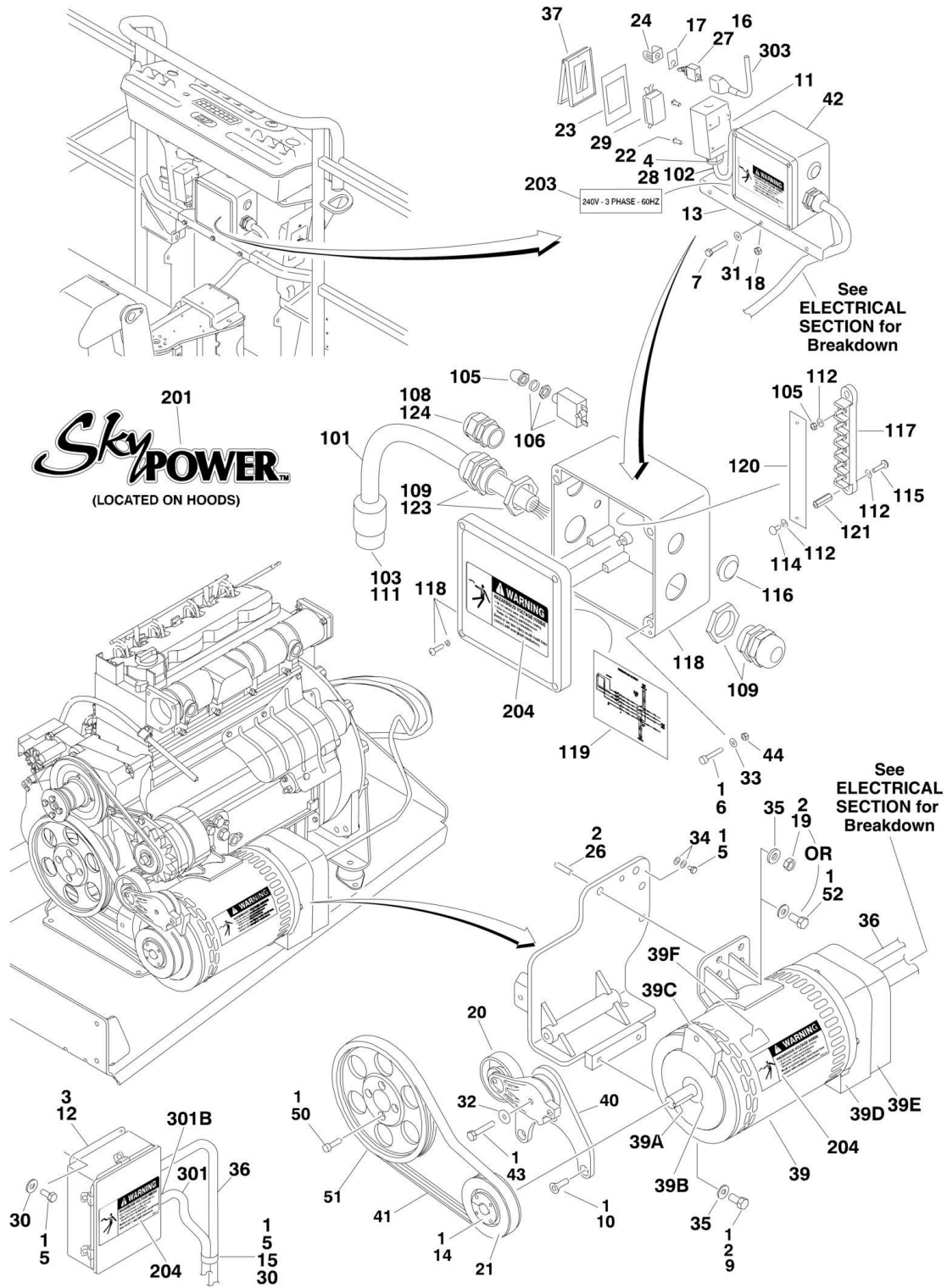
ITEM	PART NUMBER	QTY	DESCRIPTION	REV
	1001139960	Ref	4000W GENERATOR INSTALLATION - GM ENGINES	
1	0100011	AR	Compound, Locking	
2	0100019	AR	Compound, Locking	
3	0480142	1	Belt, Generator	
4	0641405	4	Bolt 1/4 x 5/8	
5	3931016	4	Capscrew #10 x 1	
6	0641516	3	Bolt 5/16 x 2	
7	0641808	4	Bolt 1/2 x 1	
8	0700820	1	Bolt M8 x 60	
9	0701016	1	Bolt M10 x 40	
10	0860038	1	Box, Switch	
11	0902888	1	Bracket, Junction Box	
12	0962520	1	Bushing, Split	
13	2820031	33 ft /10.1m	Heat Shrink	
14	3251102	1	Nameplate, Generator	
15	3311405	4	Nut 1/4	
16	3311508	3	Nut 5/16	
17	3580312	1	Pulley, Idler	
18	3580314	1	Pulley, Drive	
19	3580348	1	Tensioner, Belt with Pulley	
20	3910606	4	Screw #6 x 3/8	
21	3960422	1	Gasket	
22	4060802	1	Guard, Switch	
23	4360336	1	Switch, Toggle	
24	4460071	1	Connector, Strain Relief	
25	4460346	1	Receptacle	
26	4568735	1	Tube, Spacer	
27	4711400	8	Washer 1/4	
28	4711800	4	Washer 1/2	
29	4751500	3	Washer 5/16	
30	4811900	1	Washer M8	
31	4891600	1	Washer 3/8	
32	1001152532	1	Harness, Generator	
34	1001129858	1	Generator Assembly	
34	70003709	1	Ring, Retaining (External)	
34	70003708	1	Ring, Retaining (Internal)	
34	70001966	1	Bearing	
34	70004092	1	Endbell (Shaft End)	
34	70004171	1	Key	
34	70004676	1	Rotor	
34	70004684	1	Stator	
34	70004678	1	Endbell (Rear)	
34	70004679	1	Cover, Endbell (Rear)	
34	70004680	1	Enclosure, Wiring	
34	70004685	1	Cover, Enclosure	
34	70004682	1	Switch, Reset (Located on Enclosure Cover)	
34	70004098	1	Connector, Strain Relief (Located on Enclosure Cover)	
35	1001138566	1	Box, Control	
35	70006552	1	Capacitor	

SECTION 2 - TURNTABLE

ITEM	PART NUMBER	QTY	DESCRIPTION	REV
35	70006553	1	Relay	
36	1001152457	1	Junction Box Assembly	
36	3300396	1	Cover, Breaker	
36	4360070	1	Breaker, Circuit - 15Amp	
36	4460425	1	Connector, Strain Relief (LH Side)	
36	4460426	1	Connector, Strain Relief (RH Side)	
37	1001110873	1	Cover	
38	3311005	4	Nut #10	
39	1705387	3	Decal - Hazardous Voltage	
40	1705374	1	Decal - 240V-60Hz	
41	3251243	1	Decal - 120V-60Hz	
42	0100020	AR	Sealant	
43	4751000	4	Washer #10	

SECTION 2 - TURNTABLE

FIGURE 2-37. 7500W SKYPOWER GENERATOR INSTALLATION - DEUTZ ENGINE MACHINES



SECTION 2 - TURNTABLE

FIGURE 2-37. 7500W SKYPOWER GENERATOR INSTALLATION - DEUTZ ENGINE MACHINES

ITEM	PART NUMBER	QTY	DESCRIPTION	REV
	1001115387	Ref	7500W 60HZ SKYPOWER GENERATOR INSTALLATION - DEUTZ D2011 ENGINE MACHINES	F
	1001115389	Ref	7500W 50HZ SKYPOWER GENERATOR INSTALLATION - DEUTZ D2011 ENGINE MACHINES	E
	1001141421	Ref	7500W 60HZ SKYPOWER GENERATOR INSTALLATION - DEUTZ TD2.9L4 ENGINE MACHINES	F
	1001141422	Ref	7500W 50HZ SKYPOWER GENERATOR INSTALLATION - DEUTZ TD2.9L4 ENGINE AND DEUTZ TD2.9L4 (STAGE V) ENGINE MACHINES	F
1	0100011	AR	Compound, Locking	
2	0100062	AR	Compound, Locking	
2	0100019	AR	Compound, Locking	
3	0100048	AR	Compound, Silicone	
4	0100079	AR	Sealant	
5	0641404	6	Bolt 1/4-20 x 1/2	
6	3931016	4	Capscrew 3/8-16 x 1	
7	0641516	3	Bolt 5/16in-18NC x 2in	
9	0641808	2	Bolt 1/2-13 x 1	
10	0741607	3	Screw 3/8-16 x 7/8 (Deutz TD2.9L4 Engines Only)	
11	0860038	1	Box, Switch (60Hz Spec)	
11	See Note	1	Box, Switch (50Hz Spec) (Note: Not Available - Purchase Locally)	
12	0861538	1	Control Box Assembly (60Hz Spec)	
12	0861572	1	Control Box Assembly (50Hz Spec)	
12	7024488	1	Card, Circuit - Generator Power	
12	See Note	1	Fuse (Note: Not Available - Purchase Locally)	
12	70000619	1	Harness, Control Box (Internal)	
12	7024489	1	Card, Circuit - Control	
		Ref	Note: Same Circuit Card (P/N 7024489) is used for both 60Hz & 50Hz Specs. When replacing card, rocker switch on card must be set for required application.	
13	0902888	1	Bracket, Box Mounting	
14	0962520	1	Bushing, Split Taper	
15	1320318	1	Clamp	
16	2820031	1	Insulator	
17	3252764	1	Nameplate	
18	3311505	3	Nut 5/16-18	
19	3311801	AR	Nut 1/2-13	
20	3580317	1	Tensioner, Belt	
21	3580318	1	Pulley (60Hz Specs)	
21	3580319	1	Pulley (50Hz Specs)	
22	3910606	4	Screw #6-32 x 3/8	
23	3960422	1	Gasket (60Hz Specs)	
23	See Note	1	Gasket (50Hz Specs) (Note: Not Available - Purchase Locally)	
24	4060802	1	Guard, Switch	
25	4240018	AR	Tie-Strap (Not Shown)	
26	4300157	AR	Stud (Deutz D2011 Engines)	
26	1001163599	AR	Stud (Deutz TD2.9L4 Engines)	
27	4360336	1	Switch, Toggle	
28	4460071	1	Connector, Strain Relief (60Hz Specs)	
28	See Note	1	Connector, Strain Relief (50Hz Specs) (Note: Not Available - Purchase Locally)	

SECTION 2 - TURNTABLE

ITEM	PART NUMBER	QTY	DESCRIPTION	REV
29	4460346	1	Receptacle, Female (60Hz Specs)	
29	See Note	1	Receptacle, Female (50Hz Specs) (Note: Not Available - Purchase Locally)	
30	4711400	5	Washer 1/4	
31	4711500	6	Washer 5/16	
31	4751500	3	Washer 5/16	
32	4711600	1	Washer 3/8	
33	4751000	4	Washer #10	
34	4791400	2	Washer 1/4	
35	4711800	4	Washer 1/2 (Deutz D2011 Engines)	
35	4891800	4	Washer 1/2 (Deutz TD2.9L4 Engines)	
36	4922925	1	Harness, Generator	
37	1001110873	1	Cover, Receptacle (60Hz Specs)	
37	See Note	1	Cover, Receptacle (50Hz Specs) (Note: Not Available - Purchase Locally)	
39	2460048	1	Generator Assembly (Deutz D2011 Engines)	
39	1001136988	1	Generator Assembly (Deutz TD2.9L4 Engines) (SN 0300183034 through 0300226047)	
39	1001212223	1	Generator Assembly (Deutz TD2.9L4 Engines) (SN 0300226048 through 0300272376)	
39	70001100	1	Rotor (Includes p/n 70001384 & 70000863) (Not Shown)	
39	70001384	1	Bearing, Ball Radial (Not Shown):	
39	70000863	1	Fan (Not Shown)	
39	70002088	1	Stator - 2460048 Generator	
39	70004093	1	Stator - 1001136988 Generator	
39	70006093	1	Stator - 1001212223 Generator	
39	70002297	1	Stud	
39	7024484	NLA	Brushholder Assembly (Not Shown) (Use p/n 70003631)	
39A	7024561	NLA	Key - 2460048 Generator (Use p/n 70004171)	
39A	70004099	1	Key - 1001136988 & 1001212223 Generators	
39B	70001966	1	Bearing, Ball Radial (Located in Belt Tensioner Endbell)	
39B	70003708	1	Ring, Internal Retaining (Located in Belt Tensioner Endbell)	
39B	70003709	1	Ring, External Retaining (Located in Belt Tensioner Endbell)	
39C	70001953	1	Endbell, Belt Tensioner - 2460048 Generator	
39C	70004092	1	Endbell, Belt Tensioner - 1001136988 & 1001212223 Generators	
39D	70001385	NLA	Endbell, Brush Block - 2460048 Generator (was p/n 70004169)	
39D	70004094	1	Endbell, Brush Block - 1001136988 & 1001212223 Generators	
39E	70002290	NLA	Shroud - 2460048 Generator (Use p/n 70004169)	
39E	70004096	1	Shroud - 1001136988 Generator	
39E	70006094	1	Shroud - 1001212223 Generator	
39E	See Note	NSS	Insulator, Endbell - 2460048 Generator (Note: Not Available for Purchase)	
39E	70004097	1	Insulator, Endbell - 1001136988 Generator	
39E	70002291	1	Insulator, Endbell - 1001212223 Generator	
39E	7027799	1	Block, Connector 6 Position (Not Shown)	
39E	70002460	1	Nut, Brass (Attaches p/n 7027799 to Cover) (Not Shown)	
39E		Ref	Breaker, Circuit 30Amp Options (Not Shown):	
39E	7024485	1	Breaker - 2460048 & 1001136988 Generators	
39E	70006095	1	Breaker - 1001212223 Generator	
39E		Ref	Boot, Breaker Options (Not Shown):	
39E	70001696	1	Boot - 2460048 & 1001136988 Generators (was p/n 7024486)	
39E	70006096	1	Boot - 1001212223 Generator	

SECTION 2 - TURNTABLE

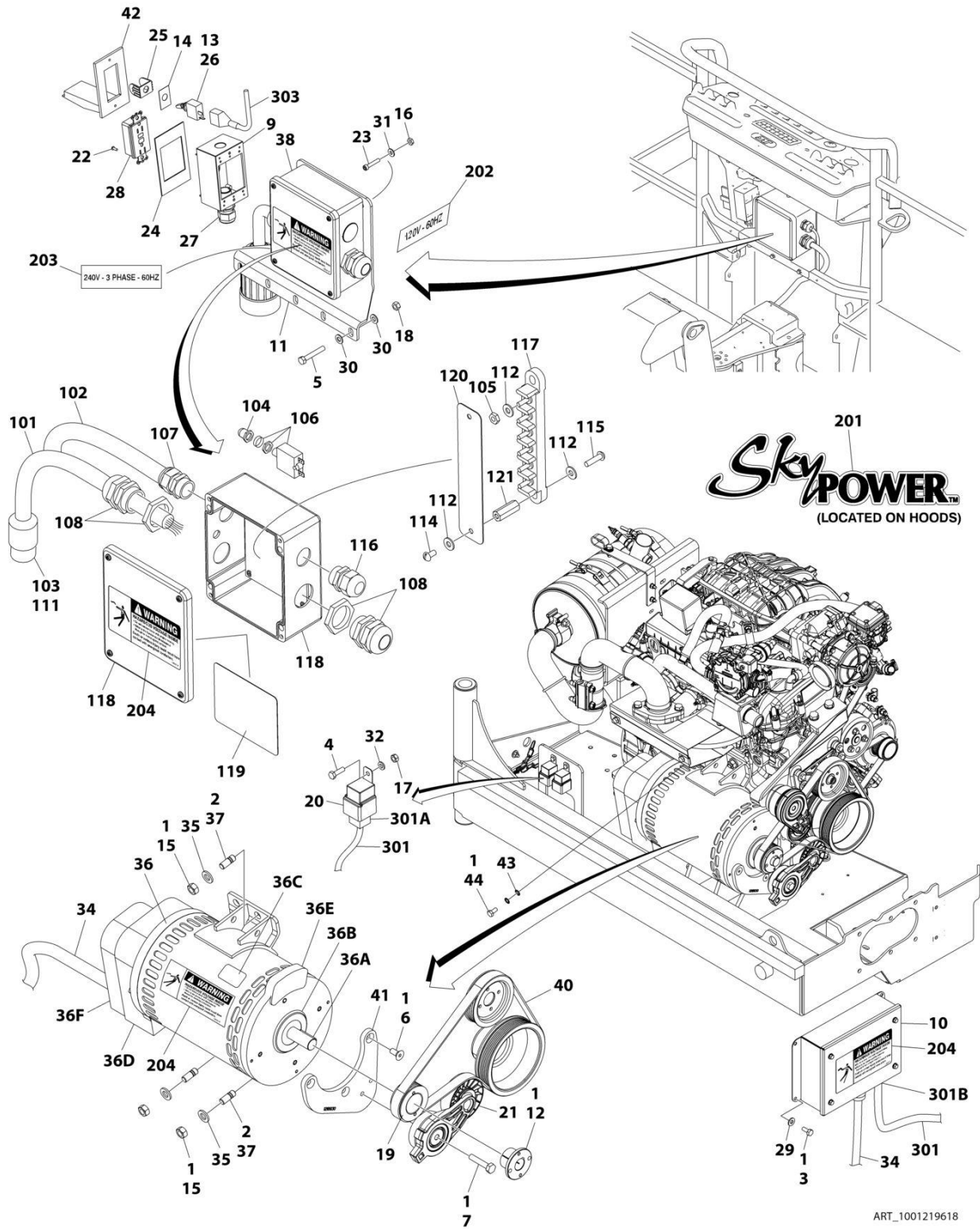
ITEM	PART NUMBER	QTY	DESCRIPTION	REV
39E	7026626	1	Connector, 6 Position (Includes Seal) (Not Shown - Plugs into Item 36)	
39E	7026597	1	Connector, W/Leads (Not Shown)	
39E		Ref	Clamp, Cable (Not Shown)	
39E	7026188	1	Clamp - 2460048 Generator	
39E	70004098	1	Clamp - 1001136988 & 1001212223 Generators	
39E		Ref	Plate, End Panel Options:	
39E	70004169	1	Plate, End Panel - 2460048 Generator	
39E	70004095	1	Plate, End Panel - 1001136988 Generator	
39E	70006097	1	Plate, End Panel - 1001212223 Generator	
39E	70001974	1	Decal - Terminal Connections	
39F	70001973	1	Decal - Warning Moving Parts	
40	1001142643	1	Support (Deutz TD2.9L4 Engines Only)	
41	0480129	1	Belt, Drive (Deutz D2011 Engine with 60Hz Generator)	
41	0480126	1	Belt, Drive (Deutz D2011 Engine with 50Hz Generator)	
41	1001142646	1	Belt, Drive (Deutz TD2.9L4 Engine with 60Hz Generator)	
41	1001142645	1	Belt, Drive (Deutz TD2.9L4 Engine with 50Hz Generator)	
42	1001157592	1	Junction Box Assembly (60Hz Specs) (See Items 101-124 for Breakdown)	
42	1001157525	1	Junction Box Assembly (50Hz Spec) (See Items 101-124 for Breakdown)	
43	0641618	1	Bolt 3/8-16 x 2-1/4 (Deutz D2011 Engines)	
43	0641616	1	Bolt 3/8-16 x 2 (Deutz TD2.9L4 Engines)	
44	3311005	4	Nut #10-24	
50	3931628	4	Capscrew 3/8-16 x 1-3/4 (Deutz TD2.9L4 Engines)	
50	4032015	4	Capscrew M10 x 55 (Deutz D2011 Engines)	
51	3580320	1	Pulley	
52	0771415	1	Bolt M14 x 35mm Grade 10.9 (Deutz D2011 Engine Only)	
	1001157592	Ref	JUNCTION BOX ASSEMBLY (60HZ SPECS)	C
	1001157525	Ref	JUNCTION BOX ASSEMBLY (50HZ SPEC)	B
101	1060343	1.5 ft /.46m	Cable, Electrical 10/4 (60Hz Spec Only)	
102	1060494	2 ft/61cm	Cable, Electrical 12/3 (SN 0300183034 through 0300205491)	
102	1001179154	2.5 ft /.76m	Cable, Electrical 12/3 (SN 0300205492 through 0300272376)	
102	See Note	2 ft /61cm	Cable, Electrical 10/4 (50Hz Spec) (Note: Not Available - Purchase Locally)	
103	1671092	1	Cover (60Hz Spec Only)	
104	3300396	1	Cover, Fuse	
105	3311001	6	Nut #10-24	
106	4360070	1	Circuit Breaker - 15 Amp	
108	4460425	1	Connector, Strain Relief	
109	4460426	2	Connector, Strain Relief	
111	4460963	1	Connector (60Hz Spec Only)	
112	4711000	4	Washer #10	
114	10702077	2	Screw #10-32 x 3/8	
115	10702082	2	Screw #10-32 x 3/4	
116	1001152525	1	Plug	
117	1001157520	1	Block, Terminal	
118	1001157521	1	Box, Junction	
119	1001157528	1	Decal - Wiring Schematic	
120	1001158007	1	Cover, PVC	
121	1001158008	1	Stand-Off	

SECTION 2 - TURNTABLE

ITEM	PART NUMBER	QTY	DESCRIPTION	REV
123	3520189	1	Plug (50Hz Spec Only)	
124	3520192	1	Plug (50Hz Spec Only)	
	0272435	Ref	DECAL INSTALLATION (60HZ SPECS)	D
	0272589	Ref	DECAL INSTALLATION (50HZ SPECS)	A
201	1705460	2	Decal - SkyPower	
202	3251243	1	Decal - 120V - 60Hz (60Hz Spec Only) (Not Shown - Located on Platform Receptacle) (SN 0300222414 through 0300272376)	
203	1705375	1	Decal - 240V - 3 Phase (60Hz Spec)	
203	1705461	1	Decal - 240V - 3 Phase (50Hz Spec)	
204	1705387	3	Decal, Hazardous Voltage(60Hz Spec)	
204	1705489	3	Decal, Hazardous Voltage(50Hz Spec)	
	1001157770	Ref	ELECTRICAL DIAGRAM COMPONENTS (DEUTZ D2011 ENGINES)	A
	1001157769	Ref	ELECTRICAL DIAGRAM COMPONENTS (DEUTZ TD2.9L4 ENGINES)	B
301	1001119968	1	Generator Harness (Deutz D2011 Engines) (See ELECTRICAL SECTION for Breakdown)	C
301	1001152429	1	Generator Harness (Deutz TD2.9L4 Engines) (See ELECTRICAL SECTION for Breakdown)	C
301A	2400060	1	Fuseholder (Includes Fuse and Cap)	
301A	2400064	1	Fuse - 5 Amp (Not Shown)	
301A	1001117078	1	Fuseholder (Includes Fuse and Cap) (Deutz TD2.9L4 Engines) (Not Shown)	
301A	See Note	1	Fuse - 5 Amp (Deutz TD2.9L4 Engines) (Not Shown) (Note: Use 1001117078 Assembly or Purchase Fuse Locally)	
301A	1001096134	1	Cover, Fuseholder (Deutz TD2.9L4 Engines) (Not Shown)	
301B	4460967	1	Plug, Male - 3 Position	
301B	4460465	3	Socket, Female	
303	4922641	1	Switch Harness	

SECTION 2 - TURNTABLE

FIGURE 2-38. 7500W SKYPOWER GENERATOR INSTALLATION - FORD ENGINES



ART_1001219618

SECTION 2 - TURNTABLE

FIGURE 2-38. 7500W SKYPOWER GENERATOR INSTALLATION - FORD ENGINES

ITEM	PART NUMBER	QTY	DESCRIPTION	REV
	1001219618	Ref	7500W SKYPOWER GENERATOR INSTALLATION - FORD ENGINES	D
		Ref	Note: See ELECTRICAL SECTION for Boom Cable Components.	
1	0100011	AR	Compound, Locking	
2	0100019	AR	Compound, Locking	
3	0641405	4	Bolt 1/4 x 5/8	
4	0760610	2	Bolt M6 x 20	
5	0641516	3	Bolt 5/16 x 2	
6	0741607	3	Screw 3/8 x 7/8	
7	0761018	1	Bolt M10 x 50	
9	0860038	1	Box, Switch	
10	0861538	1	Control Box Assembly	
10	7024488	1	Card, Circuit - Generator Power	
10	See Note	1	Fuse (Note: Not Available - Purchase Locally)	
10	7024489	1	Card, Circuit - Control	
10	70000619	1	Harness, Circuit Card	
11	0902888	1	Bracket, Box Mounting	
12	0962520	1	Bushing, Split Taper	
13	2820031	1	Heat Shrink	
14	3252764	1	Nameplate - AC & Weld	
15	3291201	4	Nut M12	
16	3311005	4	Nut #10	
17	3290601	2	Nut M6	
18	3311505	3	Nut 5/16	
19	3580314	1	Pulley	
20	3740080	2	Relay	
21	3580317	1	Tensioner, Belt	
22	3910606	2	Screw #6 x 3/8	
23	3931016	4	Capscrew #10 x 1	
24	3960422	1	Gasket	
25	4060802	1	Guard, Switch	
26	4360336	1	Switch, Toggle	
27	4460071	1	Connector, Strain Relief	
28	4460346	1	Receptacle	
29	4711400	4	Washer 1/4	
30	4711500	6	Washer 5/16	
31	4751000	4	Washer #10	
32	4811700	2	Washer M6	
34	4922925	1	Harness, Generator	
35	5241200	4	Washer M12	
36	1001136104	1	Generator Assembly	
36	70003631	1	Brushholder Assembly (Not Shown) (was p/n 7024484)	
36	7024485	1	Breaker, Circuit 30Amp (Not Shown)	
36	70001696	1	Boot, Breaker (was p/n 7024486 - Not Shown)	
36	70001966	1	Bearing, Ball Radial (Located In Belt Tensioner Endbell - Not Shown)	
36	7027799	1	Block, Connector 6 Position (Not Shown)	
36	70002460	6	Nut, Brass (Attaches p/n 7027799 to Cover) (Not Shown)	
36	7026188	1	Clamp, Cable (Not Shown)	
36	7026597	1	Connector, W/Leads (Not Shown)	

SECTION 2 - TURNTABLE

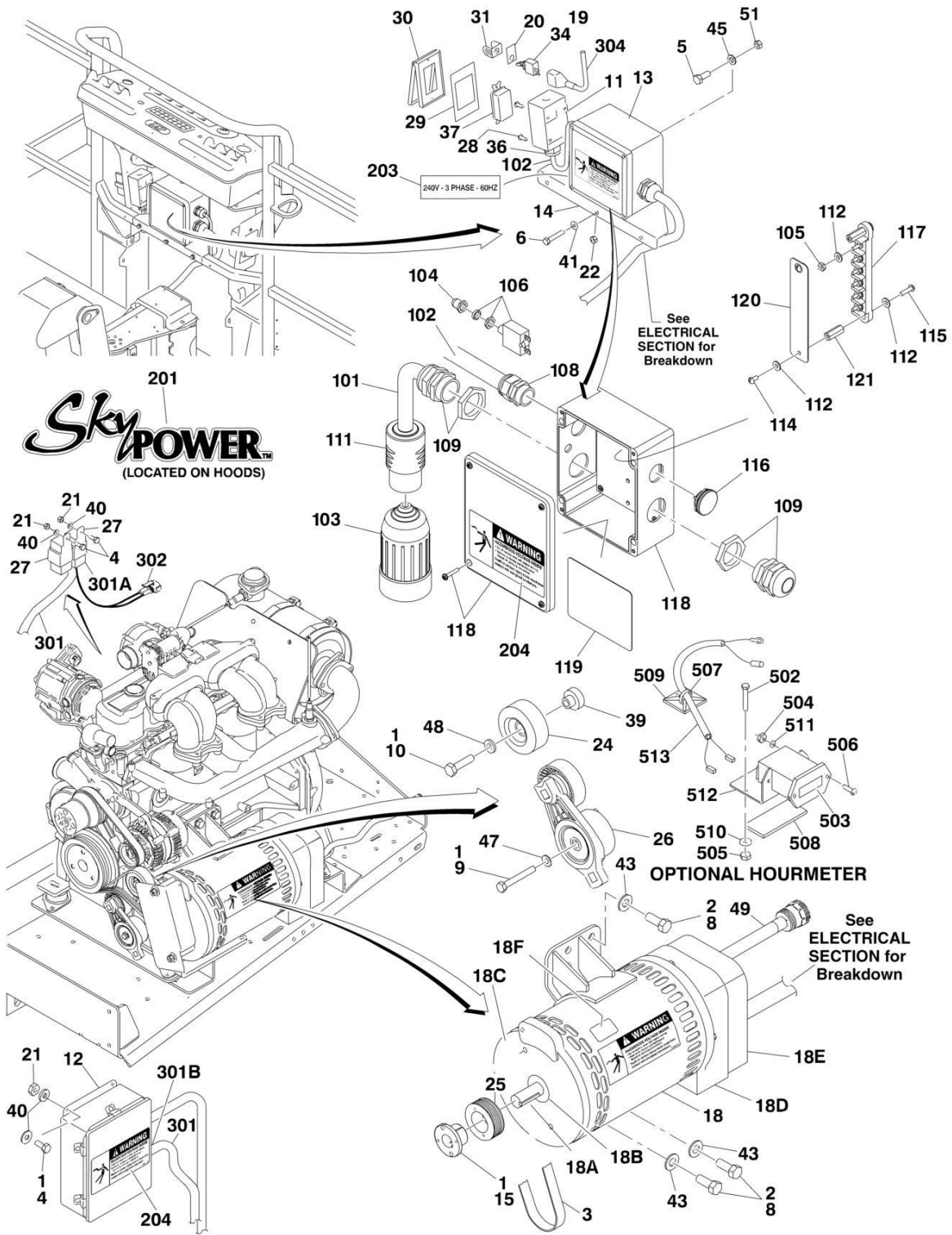
ITEM	PART NUMBER	QTY	DESCRIPTION	REV
36	7026626	1	Connector - 6 Position with Seal (Not Shown)	
36	70002088	1	Stator (Not Shown)	
36	70004169	1	Panel, End (Not Shown) (was p/n 70002255)	
36	70001974	1	Decal - Terminal Connections (Not Shown)	
36	70000863	1	Fan (Not Shown)	
36	70002297	4	Stud (Not Shown)	
36A	70004171	1	Key (was p/n 7024561)	
36A	70001100	1	Armature, Generator (Includes Radial Ball Bearing on End with Brushes and Fan)	
36A	70001384	1	Bearing, Ball Radial	
36B	70001966	1	Bearing, Radial Ball	
36B	70003708	1	Ring, Internal Retaining (Located in Belt Tensioner Endbell)	
36B	70003709	1	Ring, External Retaining (Located in Belt Tensioner Endbell)	
36C	70001973	1	Decal - Warning Moving Parts	
36D	70004169	1	Endbell, Brush Block (was p/n 70001385)	
36E	70001953	1	Endbell, Belt Tensioner	
36F	70004169	1	Endbell, Shroud Assembly (was p/n 70002290)	
37	1001196382	4	Stud	
38	1001157592	1	Junction Box Assembly (See Items 101-121 for Breakdown)	
40	1001216390	1	V-Belt	
41	1001218930	1	Mount, Tensioner	
42	1001110873	1	Cover, Receptacle	
43	4871700	2	Washer M6	
44	0760606	1	Bolt M6 x 12	
	1001157592	Ref	JUNCTION BOX ASSEMBLY	C
101	1060343	1.5 ft /0.46m	Cable, Electrical - 10/4 (60Hz Only)	
102	1001179154	2.5 ft /0.76m	Cable Electrical - 12/3	
103	1671092	1	Cover, Connector	
104	3300396	1	Cover, Fuse	
105	3311001	6	Nut #10	
106	4360070	1	Breaker, Circuit 15Amp	
107	4460425	1	Connector, Strain Relief	
108	4460426	2	Connector, Strain Relief	
111	4460963	1	Receptacle	
112	4711000	10	Washer #10	
114	10702077	2	Screw #10 x 3/8	
115	10702082	2	Screw #10 x 3/4	
116	1001152525	1	Plug, Hole	
117	1001157520	1	Block, Terminal Pole	
118	1001157521	1	Box, Junction	
119	1001157528	1	Decal - Box Junction	
120	1001158007	1	Cover	
121	1001158008	2	Standoff	
	0272435	Ref	DECAL INSTALLATION	D
201	1705460	2	Decal - SkyPower	
202	3251243	1	Decal - 120V - 60Hz (60Hz Spec Only) (Located on Opposite Side)	
203	1705375	1	Decal - 240V - 3 Phase	
204	1705387	3	Decal, Hazardous Voltage	
	1001221498	Ref	ELECTRICAL DIAGRAM COMPONENTS	A

SECTION 2 - TURNTABLE

ITEM	PART NUMBER	QTY	DESCRIPTION	REV
301	1001221208	1	Generator to Engine Harness (See Separate Breakdown in ELECTRICAL SECTION)	
301A	4460374	2	Plug, Sealed Relay	
301A	4460375	8	Terminal	
301B	4460967	1	Plug, Male - 3 Position	
301B	4460465	3	Socket, Female	
301C	2400060	2	Fuseholder (Not Shown)	
301C	2400064	2	Fuse - 5 Amp (Not Shown)	
301D	4460742	1	Plug, Male - 2 Position (Not Shown)	
301D	4460743	2	Socket, Female (Not Shown)	
303	4922641	1	Generator On/Off Switch Harness	

SECTION 2 - TURNTABLE

FIGURE 2-39. 7500W SKYPOWER GENERATOR INSTALLATION - GM MACHINES



SECTION 2 - TURNTABLE

FIGURE 2-39. 7500W SKYPOWER GENERATOR INSTALLATION - GM MACHINES

ITEM	PART NUMBER	QTY	DESCRIPTION	REV
		Ref	Note: Only Available on USA Built Machines.	
	0275257	Ref	7500W SKYPOWER GENERATOR INSTALLATION	G
		Ref	Note: See ELECTRICAL SECTION for Boom Cable Installation.	
1	0100011	AR	Compound, Locking	
2	0100019	AR	Compound, Locking	
3	0480142	1	Belt, Generator	
4	0641405	6	Bolt 1/4-20 x 5/8	
5	3931016	4	Bolt #10 x 1	
6	0641516	3	Bolt 5/16-18 x 2	
8	0641808	4	Bolt 1/2-13 x 1	
9	0700820	1	Bolt M8 x 60	
10	0701016	1	Bolt M10 x 40	
11	0860038	1	Box, Switch	
12	0861538	1	Control Box Assembly	
12	7024488	1	Card, Circuit - Generator Power	
12	See Note	1	Fuse (Note: Not Available - Purchase Locally)	
12	7024489	1	Card, Circuit - Control	
12	70000619	1	Harness, Control Box (Internal)	
13	1001157592	1	Junction Box Assembly (See Items 101-121 for Breakdown)	
14	0902888	1	Bracket, Box Mounting	
15	0962520	1	Bushing, Split Taper	
18	2460048	1	Generator Assembly	
18	70001100	1	Rotor (Includes p/n 70001384 & 70000863) (Not Shown)	
18	70001384	1	Bearing, Ball Radial (Not Shown)	
18	70000863	1	Fan (Not Shown)	
18	70002088	1	Stator (Not Shown)	
18	70002297	1	Stud (Not Shown)	
18	7024484	1	Brushholder Assembly (Not Shown) (Use p/n 70003631)	
18A	7024561	1	Key (Use p/n 70004171)	
18B	70001966	1	Bearing, Shaft (Front)	
18C	70001953	1	Endbell (Front)	
18D	70001385	1	Endbell, Brush Block (Use p/n 70004169)	
18E	70002290	1	Shroud (Use p/n 70004169)	
18E	7027799	1	Block, Connection - 6 Position (Not Shown)	
18E	7026626	1	Connector with Seal - 6 Position (Not Shown)	
18E	70002460	6	Nut, Brass (Attaches p/n 7027799 to Cover) (Not Shown)	
18E	7024485	1	Breaker, Circuit 30Amp (Not Shown)	
18E	70001696	1	Boot, Breaker (Not Shown)	
18E	7026597	1	Connector, W/Lead (Not Shown)	
18E	7026188	1	Connector, Clamp (Not Shown)	
18E	70002255	1	Plate, End Panel (Use p/n 70004169)	
18E	70001974	1	Decal - Terminal Connections (Not Shown)	
18F	70001973	1	Decal - Warning Moving Parts	
19	2820031	1	Insulator	
20	3252764	1	Nameplate	
21	3311405	6	Nut 1/4-20	
22	3311505	3	Nut 5/16-18	
24	3580312	1	Pulley, Idler	
25	3580314	1	Pulley, Drive Grooved	
26	3580348	1	Tensioner, Belt with Pulley	

SECTION 2 - TURNTABLE

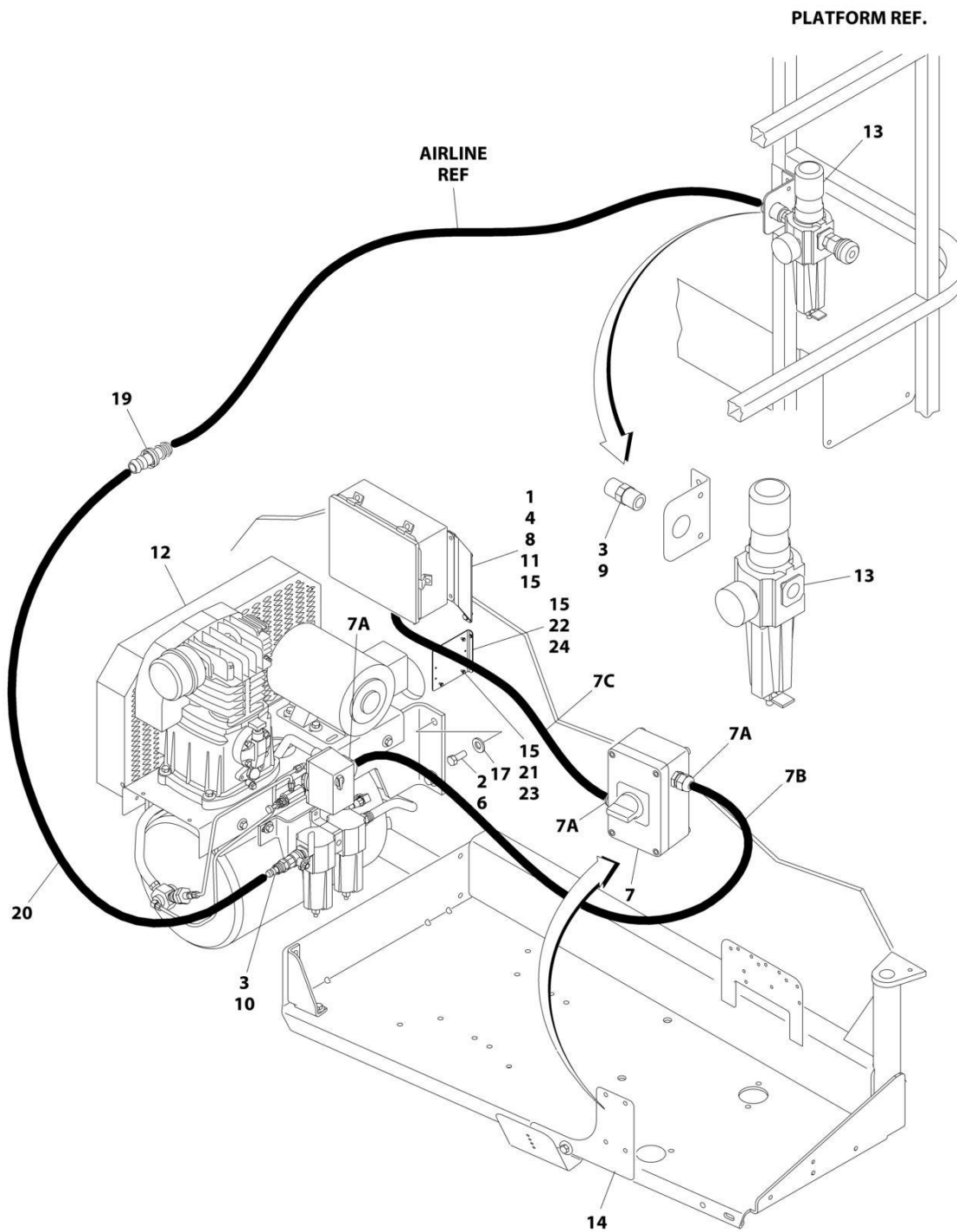
ITEM	PART NUMBER	QTY	DESCRIPTION	REV
27	3740080	2	Relay	
28	3910606	4	Screw #6-32 x 3/8	
29	3960422	1	Gasket	
30	1001110873	1	Cover, Receptacle	
31	4060802	1	Guard, Switch	
34	4360336	1	Switch, Toggle	
36	4460071	1	Connector, Strain Relief	
37	4460346	1	Receptacle	
39	4568735	1	Tube, Spacer Pulley Grooved	
40	4711400	10	Washer 1/4	
41	4711500	6	Washer 5/16	
43	4711800	4	Washer 1/2	
45	4751000	4	Washer #10	
47	4811900	1	Washer M8	
48	4891600	1	Washer 3/8	
49	4922925	1	Harness, Generator	
51	3311005	4	Nut #10	
	1001157592	Ref	JUNCTION BOX ASSEMBLY	C
101	1060343	1.5 ft /.46m	Cable, Electrical - 1014 (60Hz Only)	
102	1060494	2 ft /.6m	Cable, Electrical - 12/3 (SN 0300183034 through 0300205491)	
102	1001179154	2.5 ft /.76m	Cable, Electrical - 12/3 (SN 0300205492 through 0300272376)	
103	1671092	1	Cover, Connector	
104	3300396	1	Cover, Fuse	
105	3311001	6	Nut #10	
106	4360070	1	Breaker, Circuit 15 AMP	
108	4460425	1	Connector, Strain Relief	
109	4460426	2	Connector, Strain Relief	
111	4460963	1	Receptacle	
112	4711000	10	Washer #10	
114	10702077	2	Screw #10 x 3/8	
115	10702082	2	Screw #10 x 3/4	
116	1001152525	1	Plug, Hole	
117	1001157520	1	Block, Terminal Pole	
118	1001157521	1	Box, Junction	
119	1001157528	1	Decal - Box Junction	
120	1001158007	1	Cover	
121	1001158008	2	Standoff	
	0272435	Ref	DECAL INSTALLATION	D
201	1705460	2	Decal - SkyPower	
202	1705374	1	Decal - 240V - 60Hz (SN 0300183034 through 0300202003)	
202	3251243	1	Decal - 120V - 60Hz (Located on Opposite Side) (SN 0300222414 through 0300272376)	
203	1705375	1	Decal - 240V - 3 Phase	
204	1705387	3	Decal, Hazardous Voltage	
	4933349	Ref	ELECTRICAL DIAGRAM COMPONENTS	A
301	4923420	1	Generator Harness	A
301A	4460374	2	Plug, Sealed Relay	
301A	4460375	8	Terminal	
301B	4460967	1	Plug, Male - 3 Position	
301B	4460465	3	Socket, Female	

SECTION 2 - TURNTABLE

ITEM	PART NUMBER	QTY	DESCRIPTION	REV
301C	2400060	2	Fuseholder (Not Shown)	
301C	2400064	2	Fuse - 5 Amp (Not Shown)	
302	4460742	1	Connector - 2 Position	
302	4460743	2	Socket, Female	
302	4460458	2	Seal	
304	4922641	1	Switch Harness	
	1001094475	Ref	HOURMETER INSTALLATION (OPTIONAL)	D
502	0720808	2	Screw #8-32 x 1	
503	2420165	1	Hourmeter	
504	3310601	2	Nut #6-32	
505	3310805	2	Nut #8-32	
506	3910608	2	Screw #6-32 x 1/2	
507	4240032	4	Tie-Strap	
508	4420060	3 in/7cm	Tape, Double-Sided	
509	4460234	3	Mount, Tie-Strap	
510	4750800	2	Washer #8	
511	4760600	2	Washer #6	
512	1001094375	1	Bracket, Hourmeter	
513	1001094509	1	Harness, Hourmeter	
514	4460018	1	Connector, Butt Splice (Not Shown)	

SECTION 2 - TURNTABLE

FIGURE 2-40. SKYAIR AIR COMPRESSOR INSTALLATION



ART_0274031

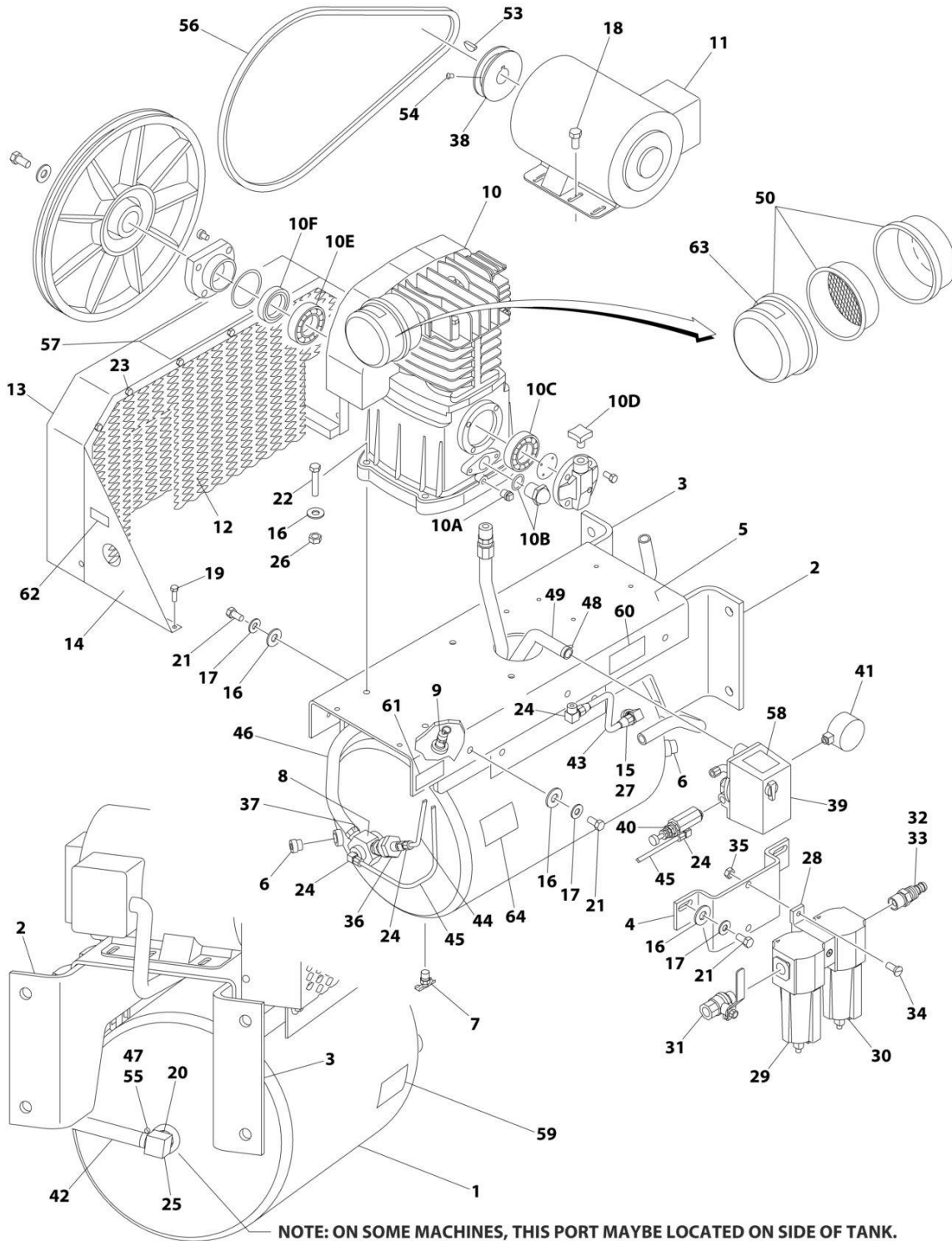
SECTION 2 - TURNTABLE

FIGURE 2-40. SKYAIR AIR COMPRESSOR INSTALLATION

ITEM	PART NUMBER	QTY	DESCRIPTION	REV
		Ref	SKY AIR AIR COMPRESSOR INSTALLATION	
	0274031	Ref	SkyAir Air Compressor Installation (Deutz D2011 & GM Engines)	D
	1001144438	1	SkyAir Air Compressor Installation (Deutz TD2.9L4 Engine)	B
		Ref	Note: ANSI, ANSI Export and CSA Specs Only.	
		Ref	Note: 60Hz Machines Only.	
1	0100011	AR	Compound, Locking	
2	0100019	AR	Compound, Locking	
3	0100020	AR	Sealant	
4	0641405	4	Bolt 1/4 x 5/8	
5	0641410	2	Bolt 1/4 x 1-1/4	
7	0641810	4	Bolt 1/2 x 1-1/4	
8	0861642	1	Control Box Assembly	
8A	4460633	3	Connector, Strain Relief	
8B	70002948	AR	Cable, Electrical - 12/4 (13ft/4m)	
8C	70002948	AR	Cable, Electrical - 12/4 (30in/76cm)	
9	0903088	2	Bracket, Generator Box	
10	2220252	1	Fitting, Adapter NPT	
11	2220750	1	Fitting	
12	2221037	1	Fitting, Barbed	
13	2720545	1	Hose, Air	
14	3300454	4	Nut, Tinnerman 1/4	
15	3311405	AR	Nut 1/4	
16	3311605	3	Nut 3/8	
17	3575874	1	Bracket, Module	
18	3600386	1	Air Compressor Assembly (See AIR COMPRESSOR ASSEMBLY for Breakdown)	
19	3720021	1	Filter/Regulator Assembly	
19	7027781	1	Service Kit (Includes Gaskets and Seals)	
19	7027782	1	Filter	
19	7027784	1	Gauge	
19	7027783	1	Valve, Drain	
20	3931424	AR	Capscrew 1/4 x 1-1/2	
20	0641409	AR	Bolt 1/4 x 1-1/8	
21	4711400	AR	Washer 1/4	
22	4711600	4	Washer 3/8	
23	4751800	4	Washer 1/2	
25	1001110425	AR	Spacer	
26		Ref	Bracket, Control Box	
26A	4340747	1	Bracket (Deutz D2011 and GM Engines)	
26B	1001144447	1	Bracket (Deutz TD2.9L4 Engines)	
27	0641606	1	Bolt 3/8 x 3/4 (Not Shown)	
28	8406201	1	Clip (Not Shown)	
29	0641609	1	Bolt 3/8 x 1-1/6	
	0273687	1	DECAL INSTALLATION	
101	1705836	1	Decal - Hazard Voltage	
102	1705837	1	Decal - Air Compressor	
103	1705886	1	Decal - Skyair	

SECTION 2 - TURNTABLE

FIGURE 2-41. AIR COMPRESSOR ASSEMBLY



NOTE: ON SOME MACHINES, THIS PORT MAYBE LOCATED ON SIDE OF TANK.

ART_3600386

SECTION 2 - TURNTABLE

FIGURE 2-41. AIR COMPRESSOR ASSEMBLY

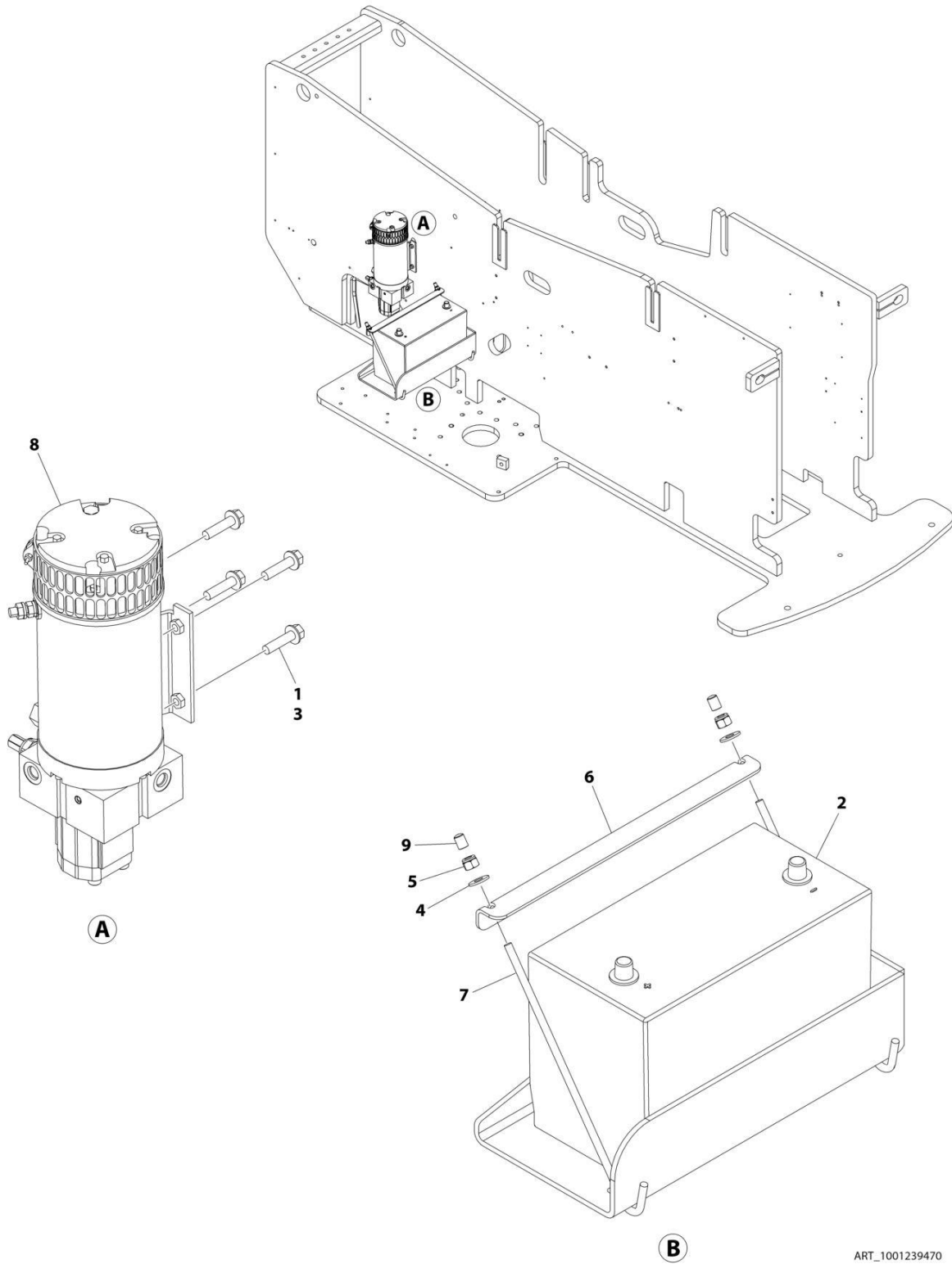
ITEM	PART NUMBER	QTY	DESCRIPTION	REV
	3600386	Ref	AIR COMPRESSOR ASSEMBLY	B
1	7026632	1	Tank	
2	See Note	1	Bracket, Mounting (Note: Not Available for Purchase)	
3	See Note	1	Bracket, Mounting (Note: Not Available for Purchase)	
4	See Note	1	Bracket, Regulator Mounting (Note: Not Available for Purchase)	
5	See Note	1	Deck (Note: Not Available for Purchase)	
6	See Note	2	Plug (Note: Not Available for Purchase)	
7	7026633	1	Valve, Drain	
8	7026634	1	Valve, Check	
9	7026635	1	Valve, Safety	
10	7026636	1	Pump Assembly	
10	7026659	1	Gasket and Seal Kit	
10A	7026651	1	Plug, Oil Drain	
10B	7026652	1	Gauge, Oil Sight	
10C	7026653	1	Bearing	
10D	7026654	1	Cap, Oil Fill	
10E	7026655	1	Bearing	
10F	7026656	1	Seal	
11	7026637	1	Motor Assembly	
11	See Note	1	Brush Kit (Note: Not Available for Purchase)	
12	See Note	1	Screen, Inner (Note: Not Available for Purchase)	
13	See Note	1	Guard, Belt (Note: Not Available for Purchase)	
14	See Note	2	Support (Note: Not Available for Purchase)	
15	See Note	1	Bushing (Note: Not Available for Purchase)	
16	4751600	18	Washer 3/8	
17	4761600	10	Washer 3/8	
18	0641506	4	Bolt 5/16 x 3/4	
19	0641406	8	Bolt 1/4 x 3/4	
20	See Note	1	Bushing (Note: Not Available for Purchase)	
21	0641610	10	Bolt 3/8 x 1-1/4	
22	0641616	4	Bolt 3/8 x 2	
23	See Note	10	Bolt 1/4 x 1/2 (Note: Not Available for Purchase)	
24	See Note	4	Fitting (Note: Not Available for Purchase)	
25	See Note	1	Fitting, Barbed (Note: Not Available for Purchase)	
26	3311605	4	Nut 3/8	
27	See Note	1	Fitting, Compression (Note: Not Available for Purchase)	
28	See Note	1	Bracket, Mounting (Note: Not Available for Purchase)	
29	7026660	1	Filter, Oil Removal	
30	7026661	1	Filter, Water Removal	
31	70001663	1	Valve, Ball Shut-Off	
32	See Note	1	Bushing (Note: Not Available for Purchase)	
33	See Note	1	Fitting, Barbed (Note: Not Available for Purchase)	
34	See Note	2	Screw 1/4 x 1 (Note: Not Available for Purchase)	
35	3311405	2	Nut 1/4	
36	See Note	1	Unloader (Note: Not Available for Purchase)	
37	See Note	1	Fitting (Note: Not Available for Purchase)	
38	See Note	1	Pulley (Note: Not Available for Purchase)	
39	7026638	1	Switch, Pressure	
40	7026639	1	Valve, Pilot	
41	7026640	1	Gauge	

SECTION 2 - TURNTABLE

ITEM	PART NUMBER	QTY	DESCRIPTION	REV
42	See Note	1	Hose (Note: Not Available for Purchase)	
43	See Note	1	Tube, Feed (Note: Not Available for Purchase)	
44	See Note	1	Tube (Note: Not Available for Purchase)	
45	See Note	1	Tube (Note: Not Available for Purchase)	
46	See Note	1	Aftercooler (Note: Not Available for Purchase)	
47	See Note	2	Clamp (Note: Not Available for Purchase)	
48	See Note	2	Clamp (Note: Not Available for Purchase)	
49	See Note	1	Harness, Wiring (Note: Not Available for Purchase)	
50	7026658	1	Filter Assembly	
50	7026641	1	Element, Filter	
51	See Note	23 oz	Oil, Compressor (Note: Not Available for Purchase)	
52	0100020	AR	Sealant	
53	See Note	1	Key (Note: Not Available for Purchase)	
54	See Note	2	Setscrew (Note: Not Available for Purchase)	
55	See Note	2	Cover, Clamp End (Note: Not Available for Purchase)	
56	7026642	1	Belt	
57	7026643	1	Decal - Unit Warning	
58	7026644	1	Decal - Pressure Switch Warning	
59	7026645	1	Decal - Drain Tank Warning	
60	7026646	1	Decal - Compressor Maintenance	
61	7026647	1	Decal - Initial Oil Fill	
62	7026648	1	Decal - Hot Surfaces Warning	
63	7026649	1	Decal - Paper Element Cleaning	
64	7026650	1	Decal - Dual Control	

SECTION 2 - TURNTABLE

FIGURE 2-42. AUXILIARY PUMP WITHOUT BATTERY DISCONNECT (SN 0300259889 through 0300272376)



ART_1001239470

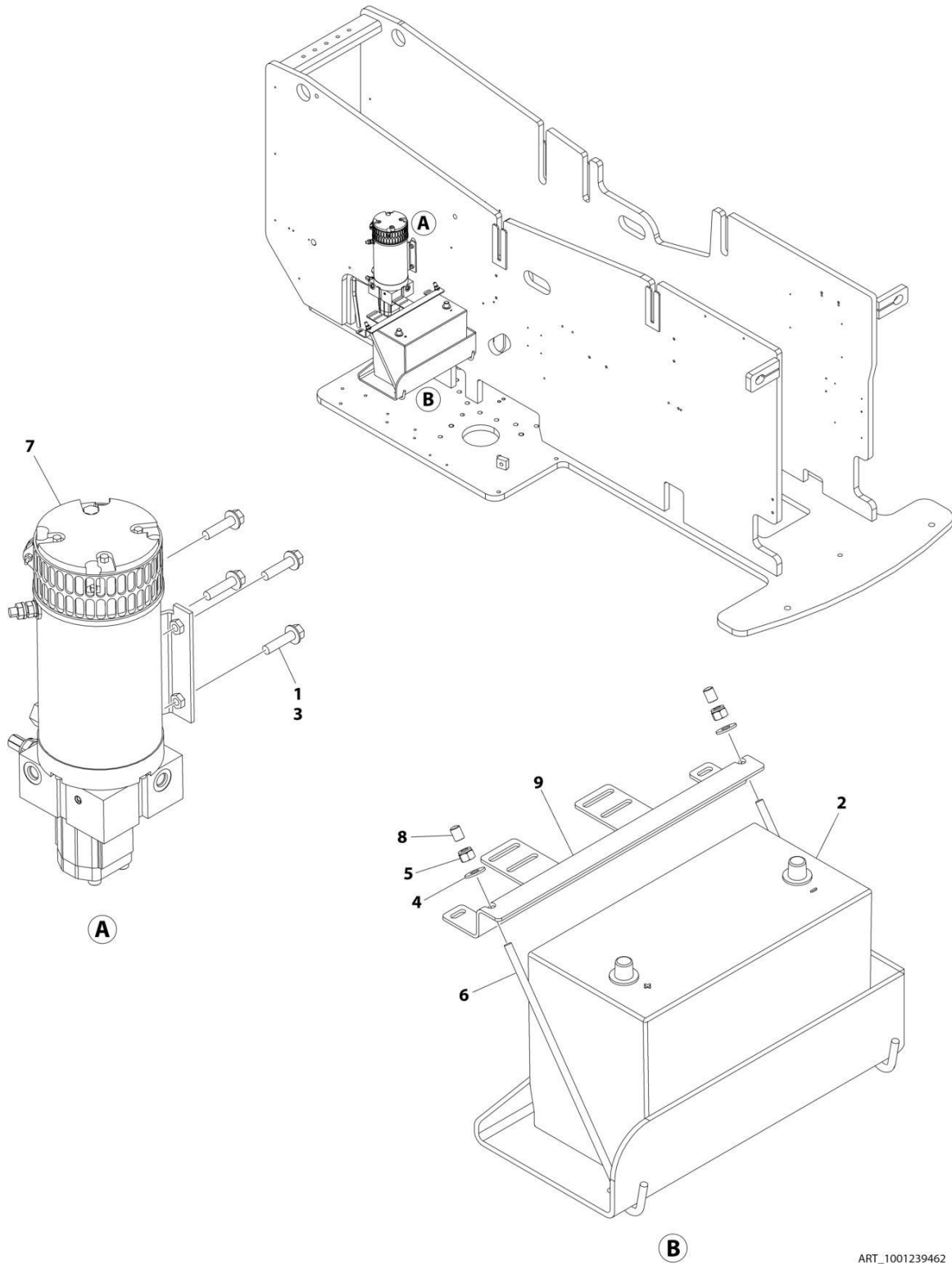
SECTION 2 - TURNTABLE

FIGURE 2-42. AUXILIARY PUMP WITHOUT BATTERY DISCONNECT (SN 0300259889 through 0300272376)

ITEM	PART NUMBER	QTY	DESCRIPTION	REV
	1001239470	Ref	AUXILIARY POWER INSTALLATION	A
1	0100011	AR	Compound, Locking	
2	0400075	1	Battery	
3	0811612	4	Screw 3/8 x 1-1/2	
4	4751500	2	Washer 5/16	
5	88521205	2	Nut 5/16	
6	91401281	1	Bracket, Battery Hold Down	
7	1001093382	2	J - Bolt	
8	1001137460	1	Auxillary Power Pump/ Motor Assembly (See Separate Breakdown in this Section)	
9	1001218572	2	Cap	

SECTION 2 - TURNTABLE

FIGURE 2-43. AUXILIARY PUMP WITH BATTERY DISCONNECT (SN 0300259889 through 0300272376)



ART_1001239462

SECTION 2 - TURNTABLE

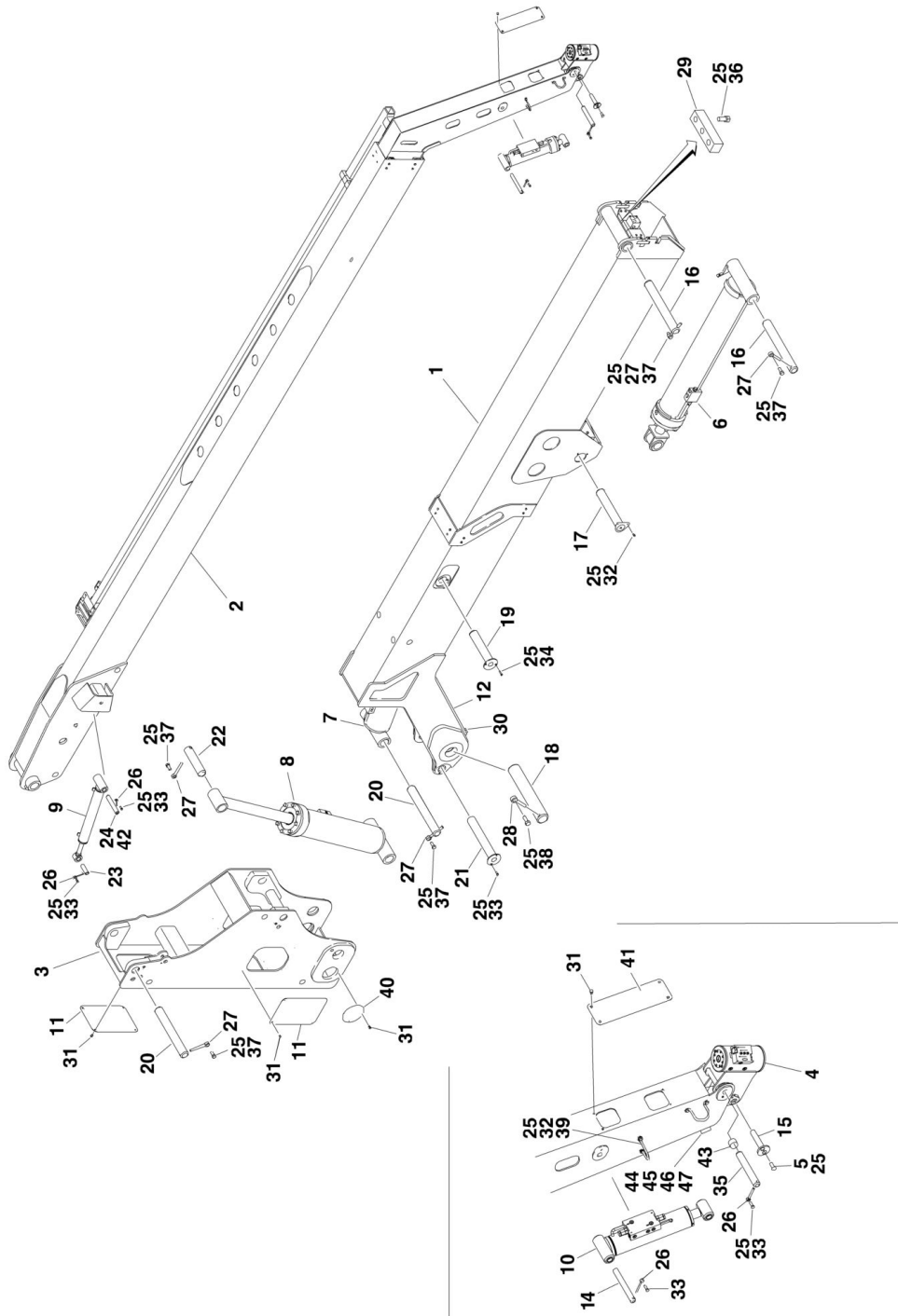
FIGURE 2-43. AUXILIARY PUMP WITH BATTERY DISCONNECT (SN 0300259889 through 0300272376)

ITEM	PART NUMBER	QTY	DESCRIPTION	REV
	1001239462	Ref	AUXILIARY POWER INSTALLATION	A
1	0100011	AR	Compound, Locking	
2	0400075	1	Battery	
3	0811612	4	Screw 3/8 x 1-1/2	
4	4751500	2	Washer 5/16	
5	88521205	2	Nut 5/16	
6	1001093382	2	J - Bolt	
7	1001137460	1	Auxiliary Power Pump/Motor Assembly (See Separate Breakdown in this Section)	
8	1001218572	2	Cap	
9	1001236303	1	Bracket, Battery Hold Down	

SECTION 3 - BOOM

SECTION 3 - BOOM

FIGURE 3-1. BOOM AND CYLINDER INSTALLATION - 800A



SECTION 3 - BOOM

FIGURE 3-1. BOOM AND CYLINDER INSTALLATION - 800A

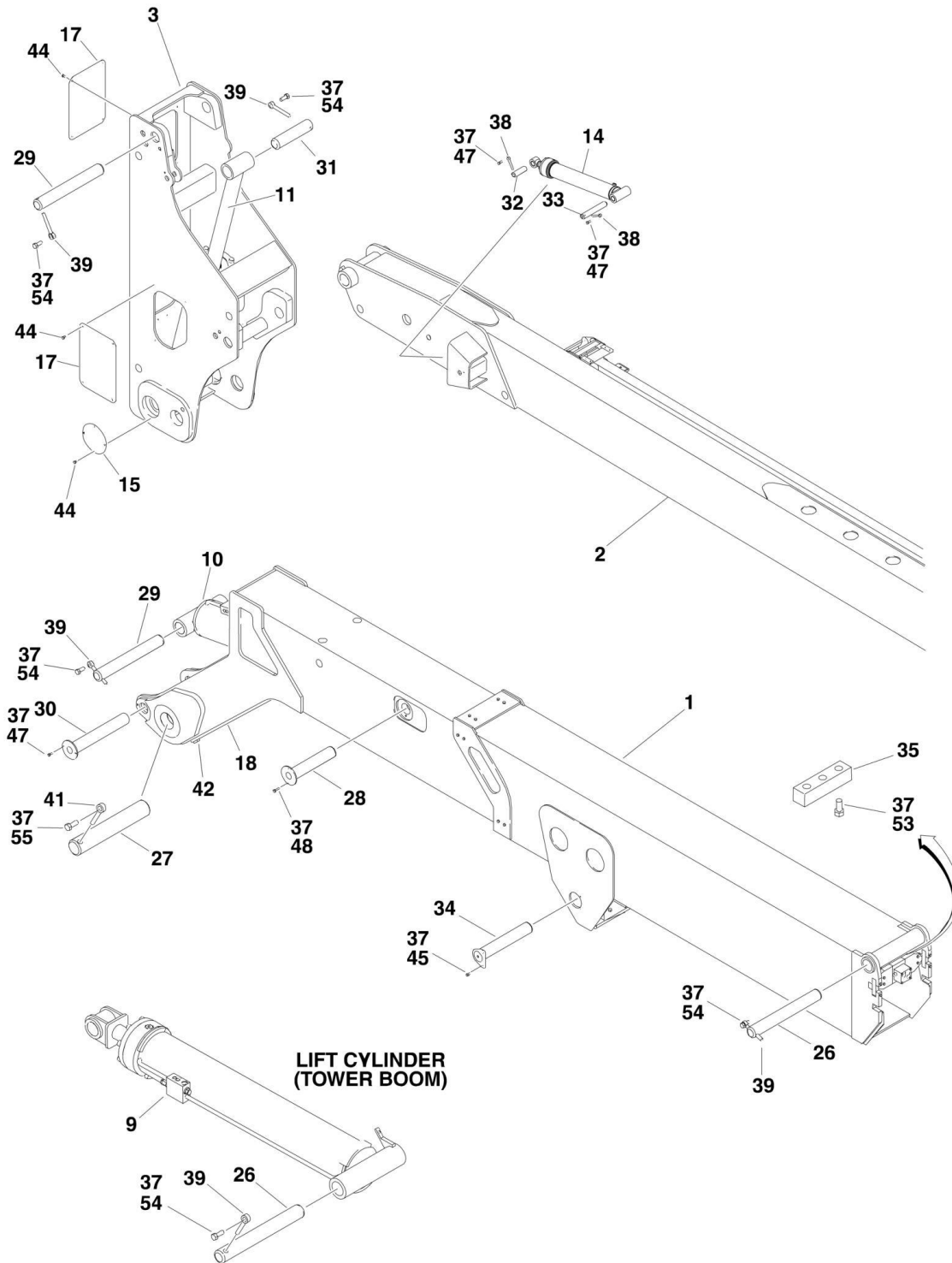
ITEM	PART NUMBER	QTY	DESCRIPTION	REV
		Ref	BOOMS AND CYLINDERS INSTALLATION - 800A	
	0272381	Ref	Booms and Cylinders Installation - 800A (SN 0300183034 through 0300192720)	H
	1001170987	Ref	Booms and Cylinders Installation - 800A (SN 0300192720 through 0300272376)	H
1	0801132	1	Boom Assembly - Tower (See TOWER BOOM ASSEMBLY for Breakdown)	
2	0801135	1	Boom Assembly - Main (See MAIN BOOM ASSEMBLIES for Breakdown)	
3	4845593	1	Upright	
4		Ref	Rotator Actuator Assembly Options: (See ROTATOR ASSEMBLY for Breakdown)	
4	0060069	NLA	Rotator Actuator Assembly (Use p/n 1001170989) (SN 0300183034 through 0300192720)	
4	1001170989	1	Rotator Actuator Assembly (SN 0300192720 through 0300201336)	
4	1001181059	1	Rotator Actuator Assembly (SN 0300201337 through 0300272376)	
5	0741607	1	Screw 3/8-16 x 7/8	
6	1683537	NLA	Tower Boom Lift Cylinder Assembly (Use p/n 1001228009) (See CYLINDER SECTION for Breakdown) (SN 0300183034 through 0300239885)	
6	1001228009	1	Tower Boom Lift Cylinder Assembly (See CYLINDER SECTION for Breakdown) (SN 0300239886 through 0300272376)	
7	1684497	NLA	Upright Level (Slave) Cylinder Assembly (Use p/n 1001228041) (See CYLINDER SECTION for Breakdown) (SN 0300183034 through 0300239885)	
7	1001228041	1	Upright Level (Slave) Cylinder Assembly (See CYLINDER SECTION for Breakdown) (SN 0300239886 through 0300272376)	
8	1683547	NLA	Main Boom Lift Cylinder Assembly (Use p/n 1001228010) (See CYLINDER SECTION for Breakdown) (SN 0300183034 through 0300239885)	
8	1001228010	1	Main Boom Lift Cylinder Assembly (See CYLINDER SECTION for Breakdown) (SN 0300239886 through 0300272376)	
9	1683608	NLA	Master Cylinder Assembly (Use p/n 1001228011) (See CYLINDER SECTION for Breakdown) (SN 0300183034 through 0300245050)	
9	1001228011	1	Master Cylinder Assembly (See CYLINDER SECTION for Breakdown) (SN 0300245051 through 0300272376)	
10	1684408	NLA	Platform Level (Slave) Cylinder Assembly (Use p/n 1001228033) (See CYLINDER SECTION for Breakdown) (SN 0300183034 through 0300245050)	
10	1001228033	1	Platform Level (Slave) Cylinder Assembly (See CYLINDER SECTION for Breakdown) (SN 0300245051 through 0300272376)	
11	1670844	4	Cover, Upright	
12	1670850	1	Cover, Tower Fly	
14	3422578	1	Pin	
15	3422580	1	Pin	
16	3422681	2	Pin	
17	3422729	1	Pin	
18	3422683	1	Pin	
19	3422684	1	Pin	
20	3422685	2	Pin	

SECTION 3 - BOOM

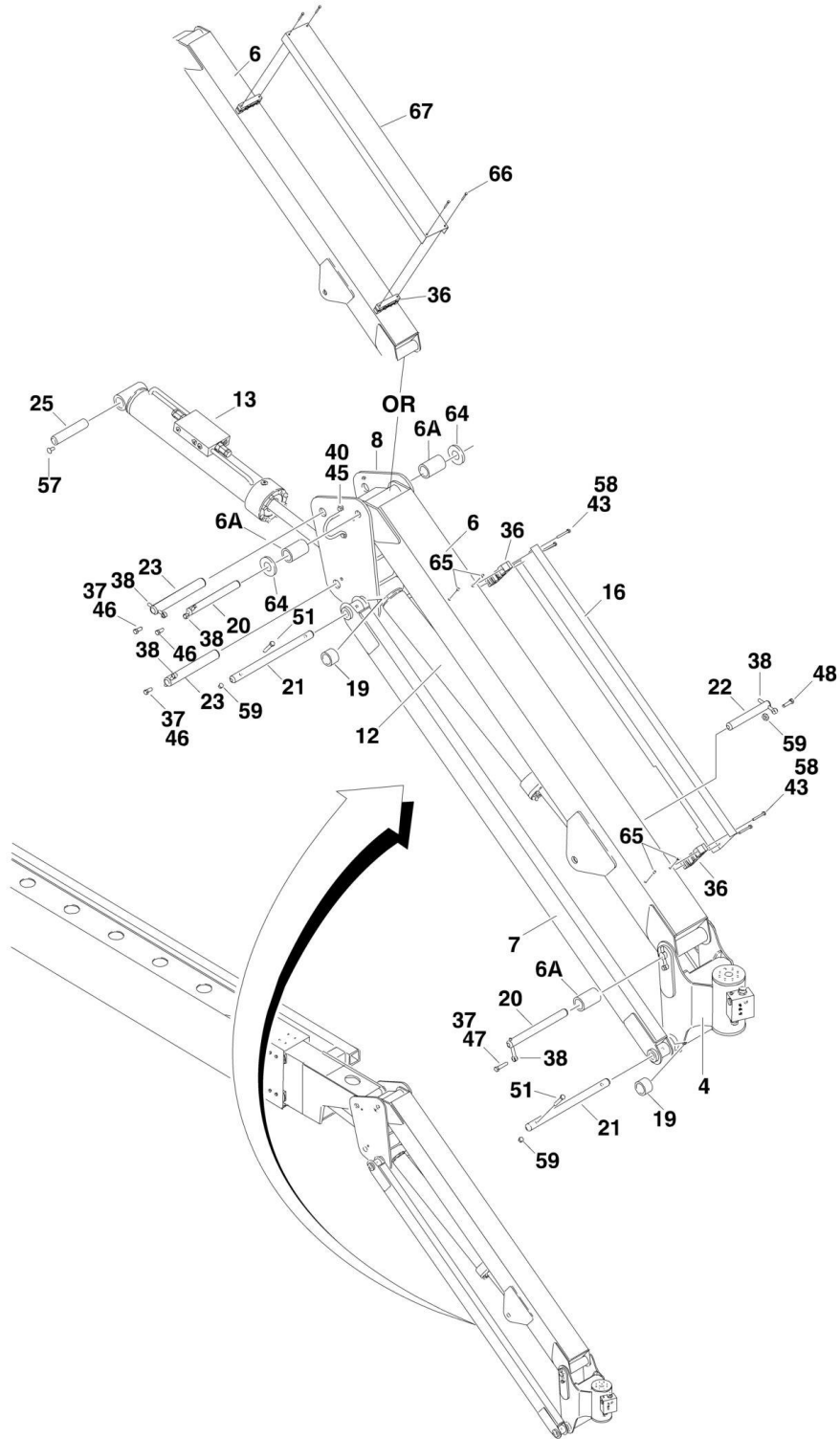
ITEM	PART NUMBER	QTY	DESCRIPTION	REV
21	3422686	1	Pin	
22	3422687	1	Pin	
23	3422688	1	Pin	
24	3422689	1	Pin	
25	0100011	AR	Compound, Locking	
26	3841143	4	Keeper, Pin	
27	3841287	5	Keeper, Pin	
28	3841356	1	Keeper, Pin	
29	3340835	1	Pad, Rest	
30	0641404	4	Bolt 1/4-20 x 1/2	
31	0641604	28	Bolt 3/8-16 x 1/2	
32	0641606	6	Bolt 3/8-16 x 3/4	
33	0641608	6	Bolt 3/8-16 x 1	
34	0641611	2	Bolt 3/8-16 x 1-3/8	
35	3422582	1	Pin	
36	0641820	3	Bolt 1/2-13 x 2-1/2	
36	0641840	3	Bolt 1/2-13 x 5	
37	0642214	5	Bolt 3/4-10 x 1-3/4	
38	0642620	1	Bolt 1-8 x 2-1/2	
39	3841340	2	Rod, Hose Loop	
40	1120510	2	Cover, Upright	
41	1670864	1	Cover, Fly Hose	
42	3900239	1	Setscrew 3/8-16 x 1/2	
43	0961951	2	Bearing	
44	0641516	1	Bolt 5/16-18 x 2	
45	1320159	1	Clamp	
46	4711500	1	Washer 5/16	
47	3311505	1	Nut 5/16-18	
48	1001213705	1	Plug (Not Shown - Located on T/T near item 16 Pin) (SN 0300216163 through 0300272376)	

SECTION 3 - BOOM

FIGURE 3-2. BOOM AND CYLINDER INSTALLATION - 800AJ



SECTION 3 - BOOM



SECTION 3 - BOOM

FIGURE 3-2. BOOM AND CYLINDER INSTALLATION - 800AJ

ITEM	PART NUMBER	QTY	DESCRIPTION	REV
	0272131	Ref	BOOMS AND CYLINDERS INSTALLATION WITHOUT ARCTIC PACKAGE (SN 0300183034 through 0300194139)	N
	1001170448	Ref	BOOMS AND CYLINDERS INSTALLATION WITHOUT ARCTIC PACKAGE (SN 0300194140 through 0300272376)	L
	1001138790	Ref	BOOMS AND CYLINDERS INSTALLATION WITH ARCTIC PACKAGE (SN 0300183034 through 0300194139)	E
	1001170449	Ref	BOOMS AND CYLINDERS INSTALLATION WITH ARCTIC PACKAGE (SN 0300194140 through 0300272376)	L
1	0801132	1	Boom Assembly -Tower (See TOWER BOOM ASSEMBLY for Breakdown)	
2	1001149286	1	Boom Assembly - Main (See MAIN BOOM ASSEMBLY for Breakdown)	
3	4845593	1	Upright	
4		Ref	Rotator Actuator Assembly Options: (See ROTATOR ASSEMBLY for Breakdown)	
4	0060066	NLA	Rotator Actuator Assembly (Use p/n 1001157220) (SN 0300183034 through 0300194139)	
4	1001157220	1	Rotator Actuator Assembly (SN 0300194140 through 0300201336)	
4	1001178256	NLA	Rotator Actuator Assembly (Use p/n 1001217780) (SN 0300201337 through 0300234279)	
4	1001217780	1	Rotator Actuator Assembly (SN 0300234280 through 0300272376)	
6	4844816	1	Tube, Jib (Top)	
6A	0962335	4	Bearing	
7	4844817	2	Tube, Jib (Bottom)	
8	4845716	1	Pivot (SN 0300183034 through 0300194139)	
8	1001170548	1	Pivot (SN 0300194140 through 0300272376)	
9	1683537	NLA	Tower Boom Lift Cylinder Assembly (Use p/n 1001228009) (See CYLINDER SECTION for Breakdown) (SN 0300183034 through 0300239885)	
9	1001228009	1	Tower Boom Lift Cylinder Assembly (See CYLINDER SECTION for Breakdown) (SN 0300239886 through 0300272376)	
10	1684497	NLA	Upright Level (Slave) Cylinder Assembly (Use p/n 1001228041) (See CYLINDER SECTION for Breakdown) (SN 0300183034 through 0300239885)	
10	1001228041	1	Upright Level (Slave) Cylinder Assembly (See CYLINDER SECTION for Breakdown) (SN 0300239886 through 0300272376)	
11	1683547	NLA	Main Boom Lift Cylinder Assembly (Use p/n 1001228010) (See CYLINDER SECTION for Breakdown) (SN 0300183034 through 0300239885)	
11	1001228010	1	Main Boom Lift Cylinder Assembly (See CYLINDER SECTION for Breakdown) (SN 0300239886 through 0300272376)	
12		Ref	Jib Lift Cylinder Assembly Options (See CYLINDER SECTION for Breakdown):	
12	1683609	NLA	Jib Lift Cylinder Assembly (Machines without Arctic Package) (Use p/n 1001248012) (See CYLINDER SECTION for Breakdown) (SN 0300183034 through 0300245050)	
12	1001138792	NLA	Jib Lift Cylinder Assembly (Machines with Arctic Package) (Use p/n 1001248012) (See CYLINDER SECTION for Breakdown) (SN 0300183034 through 0300245050)	
12	1001228012	NLA	Jib Lift Cylinder Assembly (All Machines) (Usage May Vary) (Use p/n 1001248012) (SN 0300245051 through 0300245146)	
12	1001248012	1	Jib Lift Cylinder Assembly (All Machines) (Usage May Vary) (See CYLINDER SECTION for Breakdown) (SN 0300245051 through 0300245146)	

SECTION 3 - BOOM

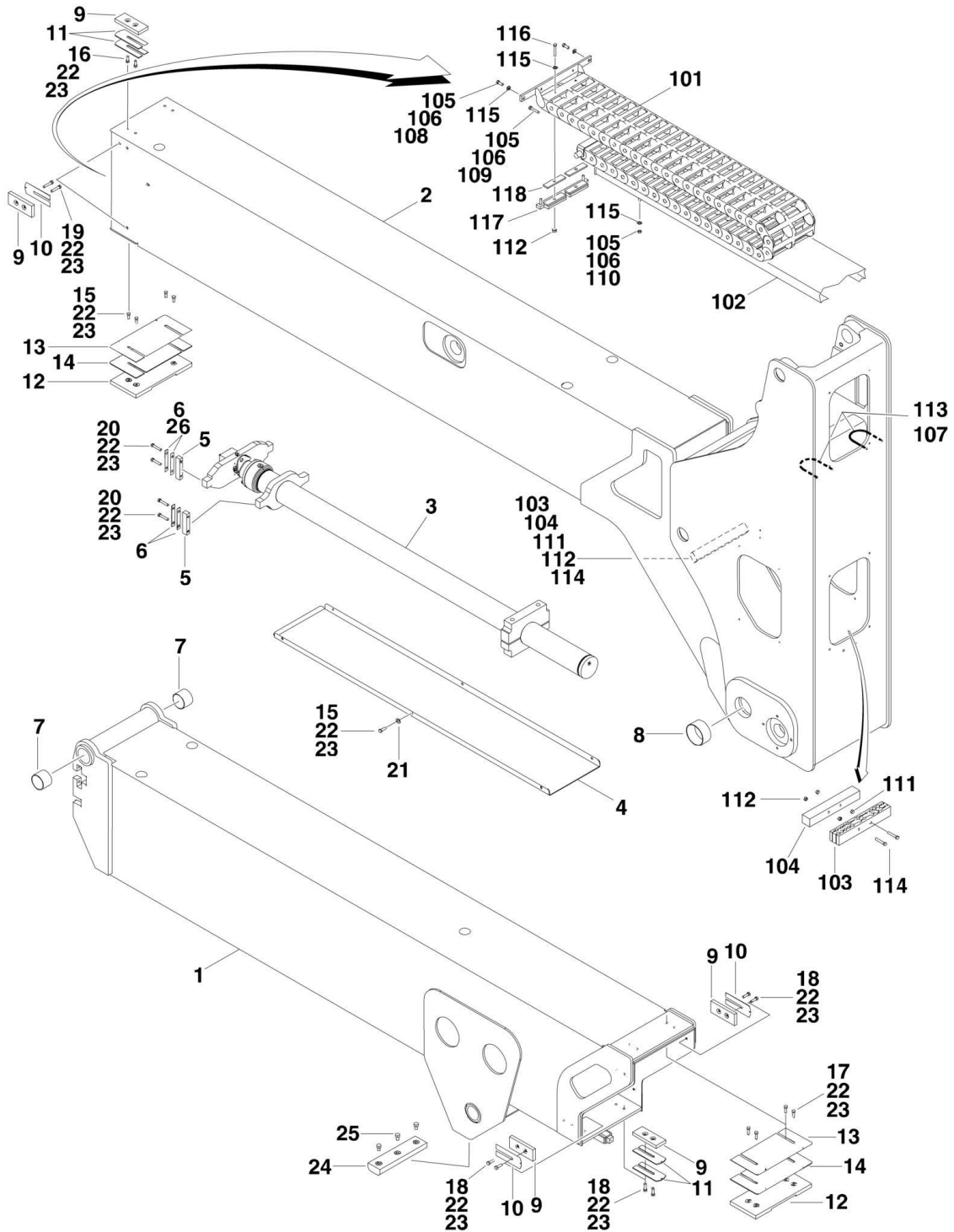
ITEM	PART NUMBER	QTY	DESCRIPTION	REV
12	1001248012	1	Jib Lift Cylinder Assembly (All Machines) (See CYLINDER SECTION for Breakdown) (SN 0300245147 through 0300272376)	
13	1684228	NLA	Jib Level (Slave) Cylinder Assembly (Machines without Arctic Package) (Use pn 101228030)(See CYLINDER SECTION for Breakdown) (SN 0300183034 through 0300240878)	
13	1001138791	NLA	Jib Level (Slave) Cylinder Assembly (Machines with Arctic Package) (Use pn 101228030) (See CYLINDER SECTION for Breakdown) (SN 0300183034 through 0300240878)	
13	1001228030	1	Jib Level (Slave) Cylinder Assembly (See CYLINDER SECTION for Breakdown) (SN 0300240879 through 0300272376)	
14	1683682	NLA	Master Cylinder Assembly (Use p/n 1001228050) (Machines without Arctic Package) (See CYLINDER SECTION for Breakdown) (SN 0300183034 through 0300243317)	
14	1001228050	1	Master Cylinder Assembly (Machines without Arctic Package) (See CYLINDER SECTION for Breakdown) (SN 0300243318 through 0300272376)	
14	1001138793	NLA	Master Cylinder Assembly (Use p/n 1001228050) (Machines with Arctic Package) (See CYLINDER SECTION for Breakdown) (SN 0300183034 through 0300243317)	
14	1001228050	1	Master Cylinder Assembly (Machines with Arctic Package) (See CYLINDER SECTION for Breakdown) (SN 0300243318 through 0300272376)	
15	1120510	2	Cover, Upright	
16	1670769	1	Cover, Cable (SN 0300183034 through 0300194139)	
17	1670844	4	Cover, Upright	
18	1670850	1	Cover, Tower Fly	
19	0961947	6	Bearing	
20	3422860	2	Pin	
21	3422861	2	Pin	
22	3422867	1	Pin	
23	3422561	2	Pin	
25	3422583	1	Pin	
26	3422681	2	Pin	
27	3422683	1	Pin	
28	3422684	1	Pin	
29	3422685	2	Pin	
30	3422686	1	Pin	
31	3422687	1	Pin	
32	3422688	1	Pin	
33	3422689	1	Pin	
34	3422729	1	Pin	
35	3340835	1	Pad, Rest	
36		Ref	Clamp, Block Options:	
36	0561237	2	Clamp, Block (SN 0300183034 through 0300194139)	
36	1001165350	2	Clamp, Block (SN 0300194140 through 0300272376)	
37	0100011	AR	Compound, Locking	
38	3841143	7	Keeper, Pin	
39	3841287	5	Keeper, Pin	
40	3841340	1	Rod, Hose Loop	
41	3841356	1	Keeper, Pin	
42	0641404	4	Bolt 1/4-20 x 1/2	
43	0641416	4	Bolt 1/4-20 x 2	
44	0641604	24	Bolt 3/8-16 x 1/2	
45	0641606	4	Bolt 3/8-16 x 3/4	

SECTION 3 - BOOM

ITEM	PART NUMBER	QTY	DESCRIPTION	REV
46	0641607	3	Bolt 3/8-16 x 7/8	
47	0641608	5	Bolt 3/8-16 x 1	
48	0641611	3	Bolt 3/8-16 x 1-3/8	
51	0641618	4	Bolt 3/8-16 x 2-1/4	
53	0641820	3	Bolt 1/2-13 x 2-1/2	
53	0641840	3	Bolt 1/2-13 x 5	
54	0642214	5	Bolt 3/4-10 x 1-3/4	
55	0642620	1	Bolt 1-8 x 2-1/2	
57	0741607	1	Screw 3/8-16 x 7/8	
58	2080044	4	Rivnut 1/4-20	
59	3311605	5	Nut 3/8-16	
64	4740439	2	Washer, Thrust	
65	3520034	AR	Plug	
66	0641424	4	Bolt 1/4-20 x 3	
67	1671034	1	Cover, Jib	
68	1001213705	1	Plug (Not Shown - Located on T/T near item 26 Pin) (SN 0300216163 through 0300272376)	

SECTION 3 - BOOM

FIGURE 3-3. TOWER BOOM ASSEMBLY



SECTION 3 - BOOM

FIGURE 3-3. TOWER BOOM ASSEMBLY

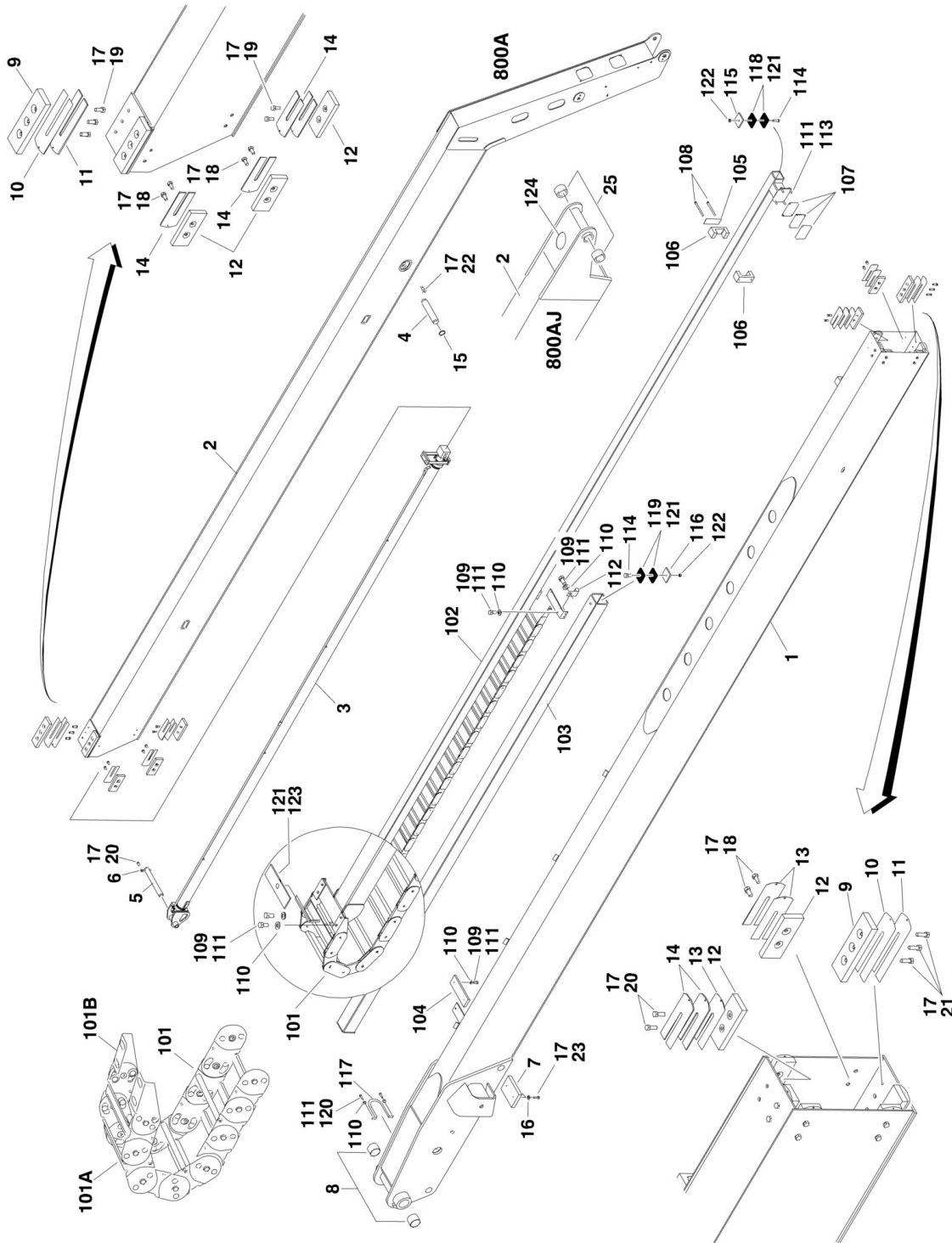
ITEM	PART NUMBER	QTY	DESCRIPTION	REV
	0801132	Ref	TOWER BOOM ASSEMBLY	H
1	0801594	1	Base, Boom	
2	0801496	1	Fly, Boom	
3	1683606	1	Tower Telescope Cylinder Assembly (See CYLINDER SECTION for Breakdown) (SN 0300183034 through 0300200669)	
3	1001188840	NLA	Tower Telescope Cylinder Assembly (Use p/n 1001228086) (See CYLINDER SECTION for Breakdown) (SN 0300200670 through 0300243317)	
3	1001228086	1	Tower Telescope Cylinder Assembly (See CYLINDER SECTION for Breakdown) (SN 0300243318 through 0300272376)	
4	4340706	1	Support	
5	0561185	4	Block, Attach	
6	4070929	8	Shim 1/16	
7	0962102	2	Bushing	
8	0962122	2	Bushing	
9	3340881	12	Pad, Wear	
10	4070897	8	Shim .05	
11	4070898	8	Shim .12	
12	3340828	2	Pad, Wear	
13	4070967	2	Shim .05	
14	4070968	2	Shim .12	
15	0641607	10	Bolt 3/8-16 x 7/8	
16	0641608	4	Bolt 3/8-16 x 1	
17	0641609	4	Bolt 3/8-16 x 1-1/8	
18	0641610	12	Bolt 3/8-16 x 1-1/4	
19	0641615	8	Bolt 3/8-16 x 1-7/8	
20	0641616	8	Bolt 3/8-16 x 2in	
21	4711600	6	Washer 3/8	
22	0100011	AR	Compound, Locking	
23	0100038	AR	Primer, Locking	
24	3340835	1	Pad, Boom Rest	
25	0641806	3	Bolt 1/2-13 x 3/4	
26	4071007	4	Shim 20Ga	
		Ref	POWER TRACK INSTALLATION WITHOUT ARCTIC PACKAGE	
	0257764	Ref	Power Track Installation without Arctic Package (SN 0300183034 through 0300194139)	I
	1001171203	Ref	Power Track Installation without Arctic Package (SN 0300194140 through 0300272376)	D
		Ref	POWER TRACK INSTALLATION WITH ARCTIC PACKAGE	
	1001094661	Ref	Power Track Installation without Arctic Package (SN 0300183034 through 0300194139)	C
	1001171202	Ref	Power Track Installation without Arctic Package (SN 0300194140 through 0300272376)	C
101	1180346	1	Track, Power	
101	7020064	1	Bracket, End (Moving)	
101	7020065	1	Bracket, End (Fixed)	
101	7020066	1	Section, Repair	
101	7020067	1	Link, Repair	
102	4845680	1	Tube, Hose	
103		Ref	Clamp, Block Options: (Without Arctic Package)	
103	1320251	2	Clamp, Block (SN 0300183034 through 0300194139)	

SECTION 3 - BOOM

ITEM	PART NUMBER	QTY	DESCRIPTION	REV
103	1001172179	2	Clamp, Block (SN 0300194140 through 0300272376)	
103		Ref	Clamp, Block Options: (With Arctic Package)	
103	1001094662	2	Clamp, Block (SN 0300183034 through 0300194139)	
103	1001172179	2	Clamp, Block (SN 0300194140 through 0300272376)	
104	1320250	2	Bar, Clamp	
105	0100011	AR	Compound, Locking	
106	0100038	AR	Primer, Locking	
107	0641605	AR	Bolt 3/8-16 x 5/8	
108	0641606	2	Bolt 3/8-16 x 3/4	
109	0641622	2	Bolt 3/8-16 x 2-3/4	
110	3311601	4	Nut 3/8-16	
111	3311602	4	Nut 3/8-16	
112	3311605	6	Nut 3/8-16	
113	3841340	AR	Rod, Hose Loop	
114	3900262	4	Bolt 3/8-16 x 4-3/4	
115	4711600	AR	Washer 3/8	
116	0641624	2	Bolt 3/8-16 x 3	
117	0259420	1	Clamp Assembly	
117	3340859	2	Pad, Rubber	
118	3340859	2	Pad, Rubber	

SECTION 3 - BOOM

FIGURE 3-4. MAIN BOOM ASSEMBLY



SECTION 3 - BOOM

FIGURE 3-4. MAIN BOOM ASSEMBLY

ITEM	PART NUMBER	QTY	DESCRIPTION	REV
	0801135	Ref	MAIN BOOM ASSEMBLY - 800A	L
	1001149286	Ref	MAIN BOOM ASSEMBLY - 800AJ	C
1	0801585	1	Base, Boom (800A)	
1	0801591	1	Base, Boom (800AJ)	
2	0801138	1	Fly, Boom (800A)	
2	0801573	1	Fly, Boom (800AJ)	
3	1683607	1	Telescope Cylinder Assembly (800A) (Use p/n 1001228088) (See CYLINDER SECTION for Breakdown) (SN 0300183034 through 0300200669)	
3	1001188968	NLA	Telescope Cylinder Assembly (800A) (Use p/n 1001228088) (See CYLINDER SECTION for Breakdown) (SN 0300200670 through 0300245050)	
3	1001228088	1	Telescope Cylinder Assembly (800A) (See CYLINDER SECTION for Breakdown) (SN 0300245051 through 0300272376)	
3	1001149284	NLA	Telescope Cylinder Assembly (800AJ) (Use p/n 1001228087) (See CYLINDER SECTION for Breakdown) (SN 0300183034 through 0300243317)	
3	1001228087	1	Telescope Cylinder Assembly (800AJ) (See CYLINDER SECTION for Breakdown) (SN 0300243318 through 0300272376)	
4	3422457	1	Pin	
5	3422690	1	Pin	
6	3841143	1	Keeper, Pin	
7	0561295	1	Block, Boom Rest	
8	0962102	2	Bushing	
9	3340871	4	Pad, Wear	
10	4070863	4	Shim 1/8	
11	4070864	4	Shim .05	
12	1001148652	12	Pad, Wear	
13	4070897	10	Shim .05	
14	4070898	12	Shim 1/8	
15	3760133	2	Ring, Retaining	
16	4711600	2	Washer 3/8	
17	0100011	AR	Compound, Locking	
18	0641606	16	Bolt 3/8-16 x 3/4	
19	0641607	10	Bolt 3/8-16 x 7/8	
20	0641608	5	Bolt 3/8-16 x 1	
21	0641609	6	Bolt 3/8-16 x 1-1/8	
22	3900259	4	Bolt, Shoulder	
23	0641612	2	Bolt 3/8-16 x 1-1/2	
25	Not Required	0	Bushing (800A)	
25	0961951	2	Bushing (800AJ)	
	0258076	Ref	POWER TRACK INSTALLATION (800A)	L
	0258077	Ref	POWER TRACK INSTALLATION (800AJ)	K
101	1001099840	1	Track, Power (800A)	
101	1001099837	1	Track, Power (800AJ)	
101A	70002013	AR	Carrier Repair Section (Includes 1 Pin Assembly for each end)	
101B	70002014	1	Mounting Foot Kit (Includes Both Pair of Feet)	
102	4845701	1	Tube, Push (800A)	
102	4845729	1	Tube, Push (800AJ)	
103	4845702	1	Support (800A)	
103	4845730	1	Support (800AJ)	

SECTION 3 - BOOM

ITEM	PART NUMBER	QTY	DESCRIPTION	REV
104	3340840	1	Pad	
105	3538758	1	Plate, Backing (SN 0300183034 through 0300233689)	
105	1001136400	1	Plate, Backing (SN 0300233690 through 0300272376)	
106	3340764	2	Pad	
107	4070969	3	Shim	
108	0641640	2	Bolt 3/8-16 x 5	
109	0641606	AR	Bolt 3/8-16 x 3/4	
110	4711600	22	Washer 3/8	
111	0100011	AR	Compound, Locking	
112	1320263	1	Clamp (SN 0300183034 through 0300233689)	
112	91203039	1	Clamp (SN 0300233690 through 0300272376)	
113	0641612	4	Bolt 3/8-16 x 1-1/2 (800A)	
113	0641607	4	Bolt 3/8-16 x 7/8 (800AJ)	
114	0641624	2	Bolt 3/8-16 x 3	
115	1320289	1	Clamp, Hose	
116	1320288	1	Clamp, Hose	
117	3841406	1	Loop, Hose	
118	3340943	2	Pad, Rubber	
119	3340941	2	Pad, Rubber	
120	3900283	2	Screw 3/8-16 x 3/4i	
121	0100081	AR	Adhesive	
122	3311605	2	Nut 3/8-16	
123	4071052	2	Shim	
124	Not Required	0	Flex-Trim (800A)	
124	4060805	8 in/20cm	Flex-Trim (800AJ)	

SECTION 3 - BOOM

FIGURE 3-5. ROTATOR ASSEMBLY

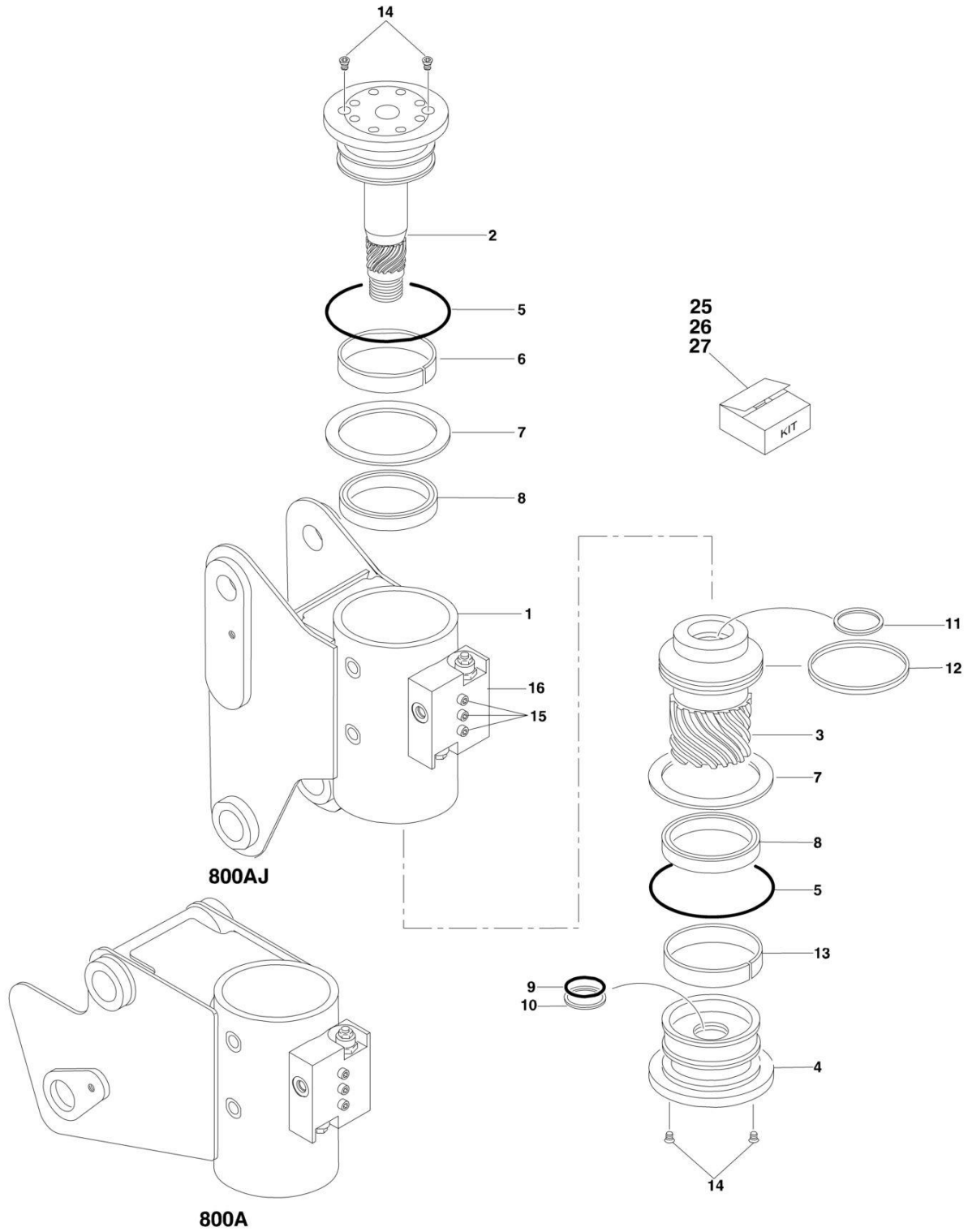
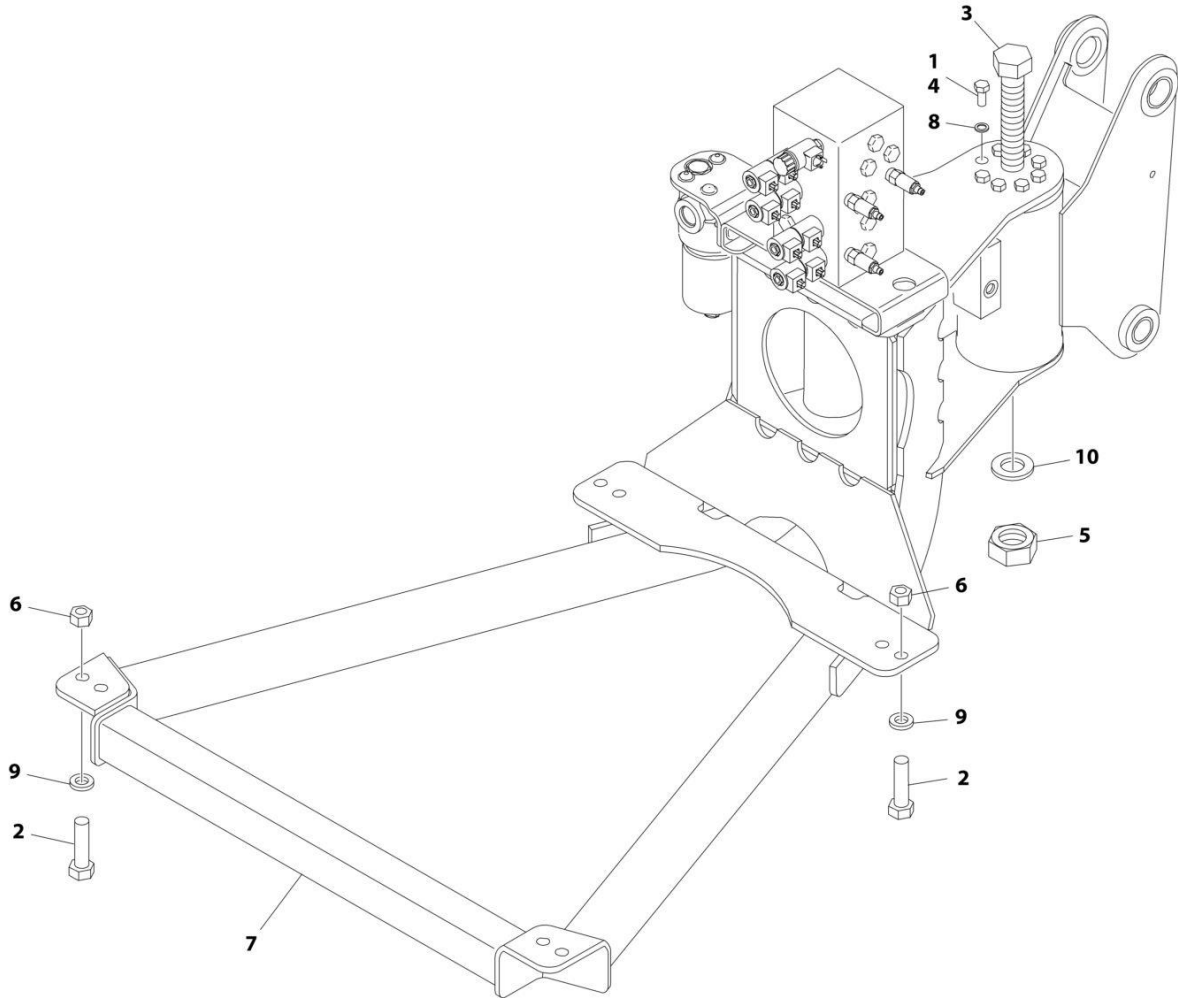


FIGURE 3-5. ROTATOR ASSEMBLY

ITEM	PART NUMBER	QTY	DESCRIPTION	REV
		Ref	ROTATOR ASSEMBLY (800A)	
	0060069	Ref	Rotator Assembly (SN 0300183034 through 0300194139)	B
	1001170989	Ref	Rotator Assembly (SN 0300194140 through 0300201336)	B
	1001181059	Ref	Rotator Assembly (SN 0300201337 through 0300272376)	
		Ref	ROTATOR ASSEMBLY (800AJ)	
	0060066	Ref	Rotator Assembly (SN 0300183034 through 0300194139)	C
	1001157220	Ref	Rotator Assembly (SN 0300194140 through 0300201336)	B
	1001178256	Ref	Rotator Assembly (SN 0300201337 through 0300234279)	B
	1001217780	Ref	Rotator Assembly (SN 0300234280 through 0300272376)	A
1	See Note	1	Housing/Ring Gear Assembly (Note: Not Available - Purchase Complete Assembly)	
2	7017162	1	Shaft	
2	7017195	2	Bushing, Shaft	
3	7017163	1	Piston/Sleeve Assembly	
4	7017164	1	Cap, End	
5	See Note	NSS	O-Ring (Note: Use Item 25)	
6	See Note	NSS	Bearing, Shaft (Note: Use Item 26)	
7	See Note	NSS	Washer, Thrust (Note: Use Item 26)	
8	See Note	NSS	Packing, Bearing (Note: Use Item 25)	
9	See Note	NSS	Seal, Cap (Note: Use Item 25)	
10	See Note	NSS	Ring, Back-up Cap (Note: Use Item 25)	
11	See Note	NSS	Seal, Rod (Note: Use Item 25)	
12	See Note	NSS	Seal, Piston (Note: Use Item 25)	
13	See Note	NSS	Bearing, Cap (Note: Use Item 26)	
14	70001697	6	Capscrew 1/4-20 x 3/8 Grade 8	
15	See Note	3	Bolt 1/4-20 x 1-1/2 Grade 8 (Note: Not Available - Purchase Locally)	
16	7017183	1	Valve Assembly (0060069 & 0060066 Rotators)	
16	7017172	1	Valve Assembly (1001170989, 1001157220, 1001181059, 1001178256 & 1001217780 Rotators)	
16	7017193	2	Cartridge, Valve (0060069 & 0060066 Rotators)	
16	7017192	2	Cartridge, Valve (1001170989, 1001157220, 1001181059, 1001178256 & 1001217780 Rotators)	
16	See Note	NSS	Seal Kit - 7017193 & 7017192 Valve (Note: Not Available - Purchase Cartridge)	
16	See Note	NSS	Cartridge, Valve (Not Shown - Located on Side of Block) (Note: Not Available - Purchase Complete Valve)	
16	See Note	NSS	Seal Kit - Valve Located on Side of Block (Note: Not Available - Purchase Cartridge)	
25	7017158	1	Seal Kit (Standard) (Includes Items 5, 8-12 & 27) (0060066, 0060069, 1001170989 & 1001157220 Rotators)	
25	70000342	1	Seal Kit (Low Temperature) (Includes Items 5, 8-12 & 27) (Std On 1001181059, 1001178256 & 1001217780 Rotators/Optional on All Others)	
26	7017159	1	Bearing Kit (Includes Items 6, 7 & 13)	
27	7017142	1	Hardware Kit (Includes Dowel Pins, Plugs and Item 14)	

SECTION 3 - BOOM

FIGURE 3-6. PLATFORM SUPPORT INSTALLATION - WITHOUT LSS



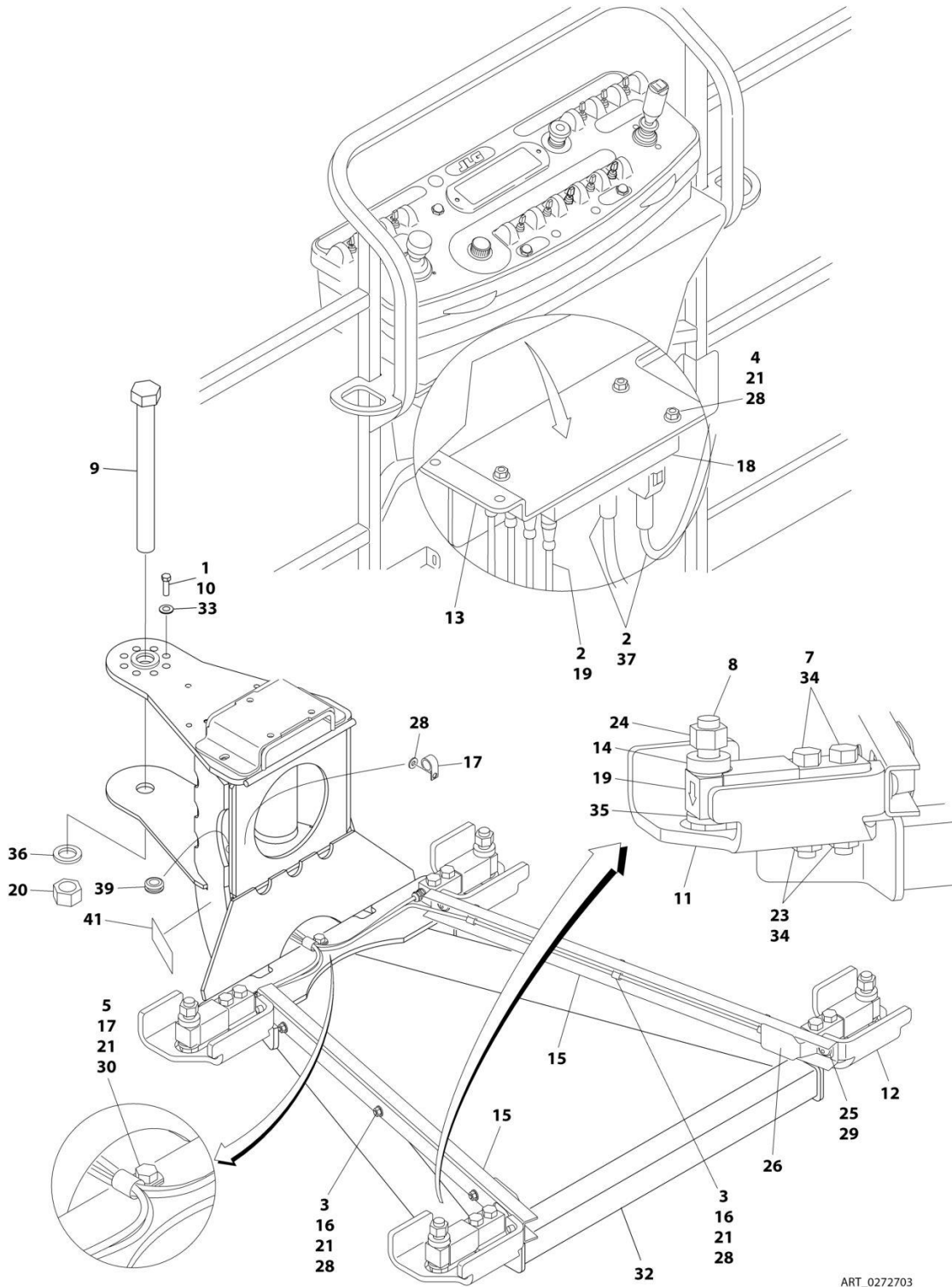
ART_0272070

FIGURE 3-6. PLATFORM SUPPORT INSTALLATION - WITHOUT LSS

ITEM	PART NUMBER	QTY	DESCRIPTION	REV
	0272070	Ref	PLATFORM SUPPORT INSTALLATION - WITHOUT LSS	G
1	0100011	AR	Compound, Locking	
2	0641812	8	Bolt 1/2 x 1-1/2	
3	0642684	1	Bolt 1 x 10-1/4	
4	0681608	8	Bolt 3/8 x 1	
5	3300243	1	Nut 1	
6	3311805	8	Nut 1/2	
7	4846573	1	Support	
8	4891600	8	Washer 3/8	
9	4891800	8	Washer 1/2	
10	4892600	1	Washer 1	

SECTION 3 - BOOM

FIGURE 3-7. PLATFORM SUPPORT INSTALLATION - WITH 4 CELL LSS



ART_0272703

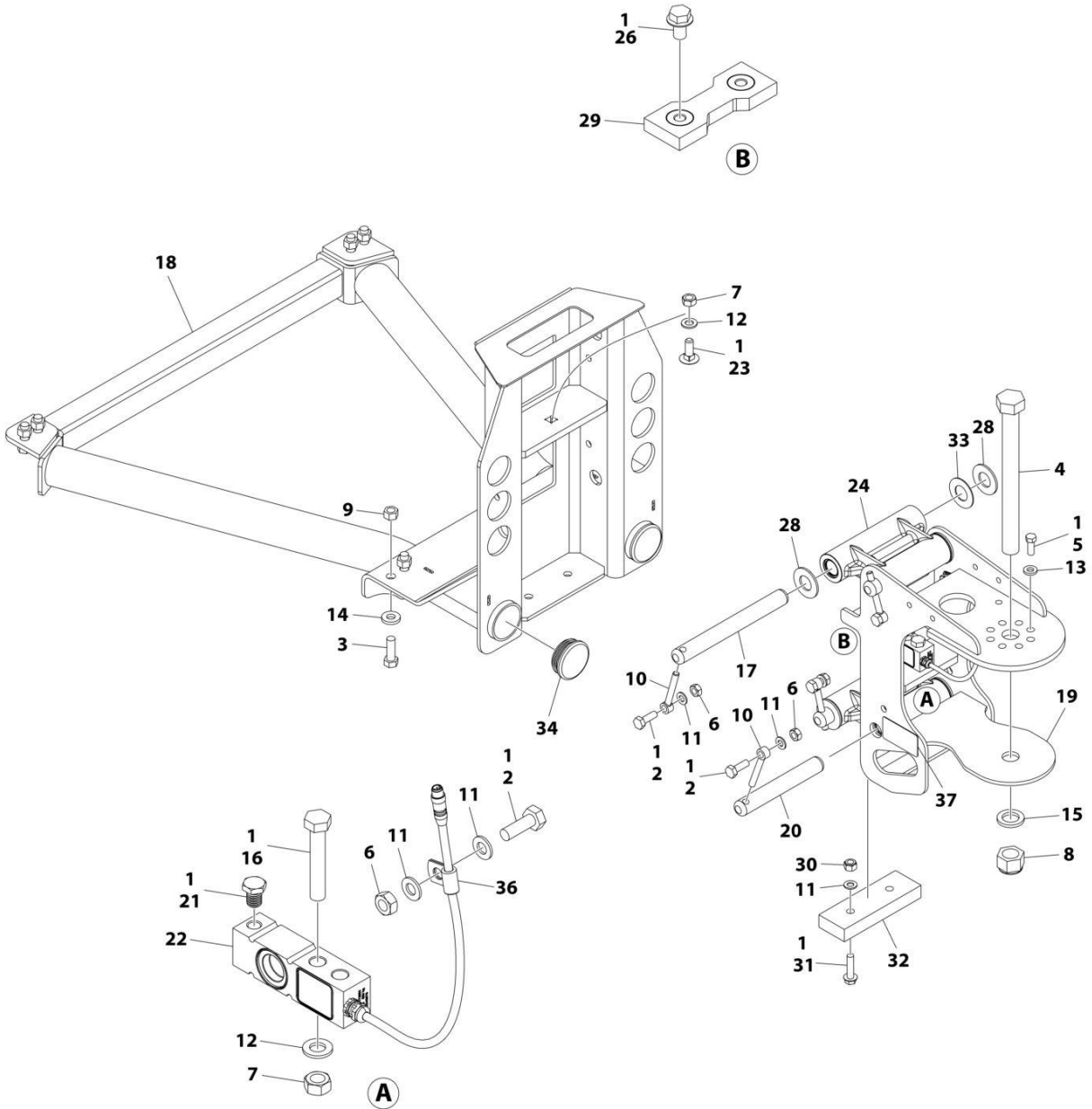
SECTION 3 - BOOM

FIGURE 3-7. PLATFORM SUPPORT INSTALLATION - WITH 4 CELL LSS

ITEM	PART NUMBER	QTY	DESCRIPTION	REV
	0272703	Ref	PLATFORM SUPPORT INSTALLATION - WITH 4 CELL LSS	Q
1	0100011	AR	Compound, Locking	
2	0100048	AR	Grease, Dielectric	
3	0641405	6	Bolt 1/4 x 5/8	
4	0641416	3	Bolt 1/4 x 2	
5	0641407	1	Bolt 1/4 x 7/8	
7	0641822	8	Bolt 1/2 x 2-3/4	
8	0642024	4	Bolt 5/8 x 3	
9	0642684	1	Bolt 1 x 10-1/2	
10	0681608	8	Bolt 3/8 x 1 Grade 8	
11	0902919	2	Bracket, Cell Guard	
12	0902920	2	Bracket, Cell Guard	
13	1001113483	1	Bracket, Module Mount	
14	0962450	4	Bushing, Spacer	
15	1271538	2	Channel	
16	1320136	6	Clamp	
17	1320224	2	Clamp	
18	1600387	1	Module, Control - LSS (Note: Recalibration Required When Replaced)	
19	2420202	4	Cell, Load (Includes Cable)	
20	3272605	1	Nut 1 Grade 8	
21	3311405	10	Nut 1/4	
23	3311805	8	Nut 1/2	
24	3312005	4	Nut 5/8	
25	3900283	4	Screw 3/8 x 3/4	
26	4061054	2	Shield	
27	4240033	AR	Tie-Strap (Not Shown)	
28	4711400	10	Washer 1/4	
29	4711600	4	Washer 3/8	
30	4751400	1	Washer 1/4	
32	4846573	1	Support, Platform	
33	4891600	8	Washer 3/8	
34	4891800	8	Washer 1/2	
35	4892000	4	Washer 5/8	
36	4892600	1	Washer 1	
37	4922869	1	LSS Harness	
37	4922705	1	Analyzer Harness (Not Shown)	
37	4460761	1	Receptacle, Female - 4 Position (Not Shown)	
37	4460226	1	Socket, Female	
37	4460836	1	Connector - 12 Position (Black) (J2)	
37	4460465	1	Socket, Female	
37	4460466	1	Plug, Terminal	
37	0840055	1	Boot	
37	4460933	1	Connector - 12 Position (Grey) (J1)	
37	4460465	1	Socket, Female	
37	4460466	1	Plug, Terminal	
37	0840055	1	Boot	
39	2540038	1	Grommet	
40	2920129	1	Bulb, Light (Not Shown - Located on Ground Control Box)	
41	1001216630	2	Decal - Tie Down/No Lift	

SECTION 3 - BOOM

FIGURE 3-8. PLATFORM SUPPORT INSTALLATION - WITH 1 CELL LSS



ART_1001167596

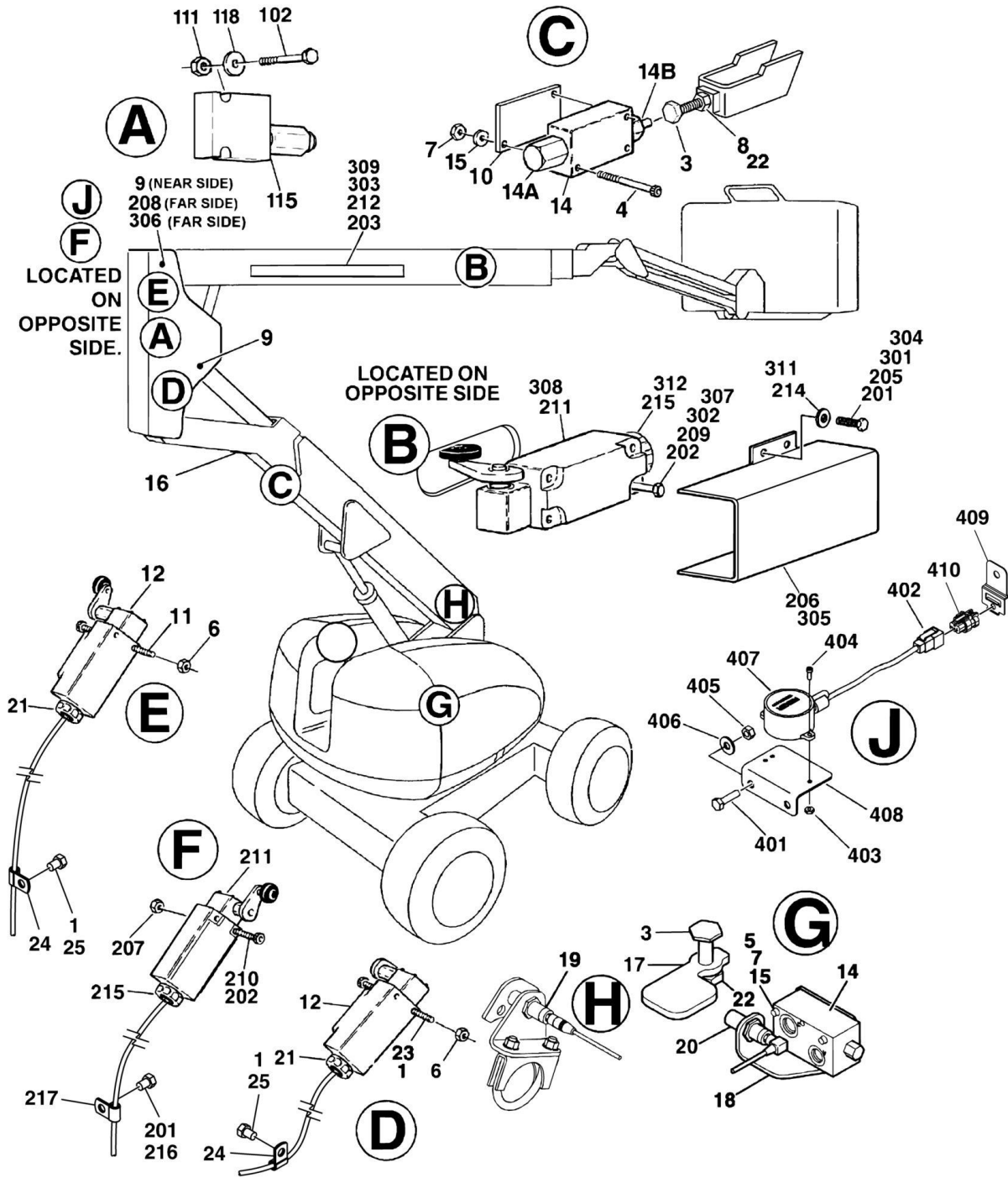
SECTION 3 - BOOM

FIGURE 3-8. PLATFORM SUPPORT INSTALLATION - WITH 1 CELL LSS

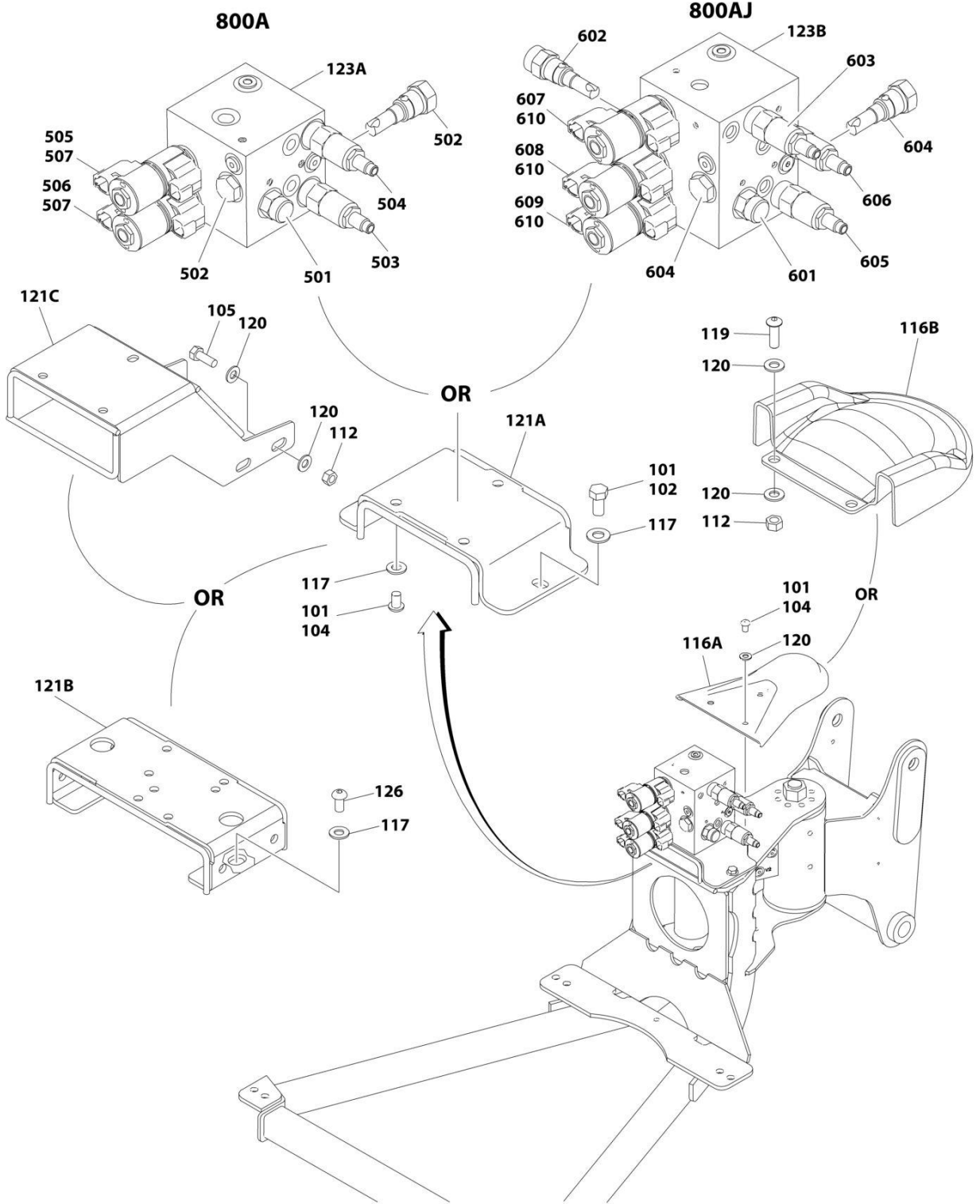
ITEM	PART NUMBER	QTY	DESCRIPTION	REV
	1001167596	Ref	PLATFORM SUPPORT INSTALLATION - WITH 1 CELL LSS	J
1	0100011	AR	Compound, Locking	
2	0761014	5	Bolt M10 x 30	
3	0641812	8	Bolt 1/2 x 1-1/2	
3	0761216	8	Bolt M12 x 40	
4	0642684	1	Bolt 1 x 10-1/2	
5	0681608	8	Bolt 3/8 x 1	
6	3291001	5	Nut M10	
7	3291201	3	Nut M12	
8	3300243	1	Nut 1	
9	3311805	8	Nut 1/2	
9	3291205	8	Nut M12	
10	3841143	4	Keeper, Pin	
11	4812000	8	Washer M10	
12	4812100	3	Washer M12	
13	4891600	8	Washer 3/8	
14	4891800	8	Washer 1/2	
14	5241200	8	Washer M12	
15	4892600	1	Washer 1	
16	1001098828	2	Bolt M12 x 70 Grade 10.9	
17	1001167565	2	Pin	
18	1001200494	1	Support, Platform	
19	1001167567	1	Support, Rotator	
20	1001168402	2	Pin	
21	1001188622	1	Screw	
22	1001172663	1	Gauge, Load Sensing	
23	1001188844	1	Bolt M12 x 35	
24	1001201351	2	Link, LSS Assembly	
26	5251008	2	Bolt M10 x 16	
28	1001189002	8	Bearing	
29	1001190985	1	Pad, Wear	
30	3291005	2	Nut M10	
31	5251016	2	Bolt M10 x 40	
32	1001200491	1	Pad, Wear	
33	1001189001	4	Bearing	
34	1001204725	2	Plug	
36	91203039	1	Clamp	
37	1001216630	2	Decal - Tie Down/No Lift	

SECTION 3 - BOOM

FIGURE 3-9. VALVE AND LIMIT SWITCH INSTALLATIONS (BOOM MOUNTED)



SECTION 3 - BOOM



SECTION 3 - BOOM

FIGURE 3-9. VALVE AND LIMIT SWITCH INSTALLATIONS (BOOM MOUNTED)

ITEM	PART NUMBER	QTY	DESCRIPTION	REV
	0258217	Ref	BOOM VALVES AND LIMIT SWITCHES INSTALLATION	S
1	0100011	AR	Compound, Locking	
3	0630427	2	Bolt, Special	
4	3931436	3	Capscrew 1/4-20 x 2-1/4	
5	3931464	3	Capscrew 1/4-20 x 4	
5	3931432	3	Capscrew 1/4 x 2	
6	3310801	4	Nut #8-32	
7	3311405	AR	Locknut 1/4-20	
8	3311801	1	Nut 1/2-13	
9	3520035	2	Plug, Cap	
10	3570928	2	Plate, Spacer	
11	3930824	2	Capscrew #8-32 x 1-1/2	
12	4360578	2	Switch, Limit	
14	4641435	2	Valve, Switch	
14A	7011342	2	Valve, Check (1 per Assembly)	
14A	7011333	2	Seal Kit - Check Valve (1 per Assembly)	
14B	See Note	NSS	Valve, Plunger (1 per Assembly) (Note: Not Available - Purchase Complete Valve Assembly)	
14B	See Note	NSS	Seal Kit (1 per Assembly) (Note: Not Available for Purchase)	
15	4751400	AR	Washer 1/4	
16	4060805	7 in/25cm	Trim, Edge	
17	3572606	1	Plate, Switch Target	
18	3572607	1	Plate, Switch Mount	
19	4360498	1	Switch Proximity	
20	4360499	1	Switch Proximity	
21	4460968	2	Connector, Strain Relief	
22	88521008	2	Nut 1/2-13	
23	3930824	2	Capscrew #8-32 x 1-1/2	
24	91203039	2	Clamp	
25	0641604	2	Bolt 3/8 x 1/2	
		Ref	VALVES INSTALLATION	
		Ref	Machines without LSS or with 4 Cell LSS:	
	1001156794	Ref	Valves Installation - 800A (2WS) (SN 0300183034 through 0300194139)	C
	1001170128	Ref	Valves Installation - 800A (2WS) (SN 0300194140 through 0300272376)	F
	1001156795	Ref	Valves Installation - 800A (4WS) (SN 0300183034 through 0300194139)	C
	1001170129	Ref	Valves Installation - 800A (4WS) (SN 0300194140 through 0300272376)	F
	1001156796	Ref	Valves Installation - 800AJ (2WS) (SN 0300183034 through 0300194139)	C
	1001170132	Ref	Valves Installation - 800AJ (2WS) (SN 0300194140 through 0300272376)	F
	1001156797	Ref	Valves Installation - 800AJ (4WS) (SN 0300183034 through 0300194139)	C
	1001170134	Ref	Valves Installation - 800AJ (4WS) (SN 0300194140 through 0300272376)	F
		Ref	Machines with 1 Cell LSS:	
	1001219983	Ref	Valves Installation - 800A (2WS)	B
	1001219984	Ref	Valves Installation - 800A (4WS)	B
	1001219985	Ref	Valves Installation - 800AJ (2WS)	A

SECTION 3 - BOOM

ITEM	PART NUMBER	QTY	DESCRIPTION	REV
	1001219986	Ref	Valves Installation - 800AJ (4WS)	A
101	0100011	AR	Compound, Locking	
102	0641416	2	Bolt 1/4-20 x 2	
102	0641418	1	Bolt 1/4 x 2-1/4	
104	0630467	4	Screw 5/16 x 1/2	
105	0641507	4	Bolt 5/16 x 7/8	
107	0641606	2	Bolt 3/8 x 3/4	
111	3311405	2	Nut 1/4-20	
112	3311505	6	Nut 5/16	
115	4640929	1	Valve Assembly (Relief) (SN 0300183034 through 0300213730)	
115	1001200054	1	Valve Assembly (Relief) (SN 0300213731 through 0300272376)	
115	7012970	1	Cartridge	
115	7012953	1	Seal Kit - 7012970 Cartridge	
116A	1670964	1	Cover (Machines without LSS or with 4 Cell LSS) (SN 0300194140 through 0300272376)	
116B	1001207969	1	Cover (Machines with 1 Cell LSS)	
117	4711600	5	Washer 3/8	
118	4711400	4	Washer 1/4	
119	88261024	2	Screw 5/16 x 1	
120	4711500	AR	Washer 5/16	
121A	4846218	1	Bracket, Mounting (Machines without LSS or with 4 Cell LSS) (SN 0300194140 through 0300196955)	
121B	4341264	1	Bracket, Mounting (Machines without LSS or with 4 Cell LSS) (SN 0300196956 through 0300272376)	
121C	1001226744	1	Bracket, Mounting (Machines with 1 Cell LSS)	
123A	1001152564	1	Control Valve Assembly - 800A (See Items 501-509 for Breakdown) (SN 0300194140 through 0300272376)	
123B	1001152565	1	Control Valve Assembly - 800AJ (See Items 601-612 for Breakdown) (SN 0300194140 through 0300272376)	
126	3900283	2	Screw 3/8 x 3/4	
	0258338	Ref	LIMIT SWITCHES INSTALLATION - 800A DUAL CAPACITY (ANSI, ANSI EXPORT, CSA AND JAPANESE SPECS)	I
201	0100011	AR	Compound, Locking	
202	0100035	AR	Compound, Locking	
203	1001106482	1	Bar, Fiberglass	
205	0641403	4	Bolt 1/4-20 x 3/8	
206	3380535	1	Cover	
207	3310801	2	Nut #8-32	
208	3520035	1	Plug, Cap	
209	3930816	2	Capscrew #8-32 x 1	
210	3930824	2	Capscrew #8-32 x 1-1/2	
211	4360578	2	Switch, Limit	
212	4420060	2	Tape, Double Sided	
214	4751400	4	Washer 1/4	
215	4460968	2	Connector, Strain Relief	
216	0641604	1	Bolt 3/8 x 1/2	
217	91203039	1	Clamp	
	0258384	Ref	TRANSPORT POSITION SWITCH INSTALLATION - 800A (CE SPEC)	F
	0258567	Ref	TRANSPORT POSITION SWITCH INSTALLATION - 800AJ (CE SPEC)	F
301	0100011	AR	Compound, Locking	

SECTION 3 - BOOM

ITEM	PART NUMBER	QTY	DESCRIPTION	REV
302	0100035	AR	Compound, Locking	
303	1001106477		Bar, Fiberglass (800A)	
303	1001106481		Bar, Fiberglass (800AJ)	
304	0641403	4	Bolt 1/4-20 x 3/8	
305	3380535	1	Cover, Switch	
306	3520035	1	Plug, Cap	
307	3930816	2	Capscrew #8-32 x 1	
308	4360578	1	Switch, Limit	
309	4420060	AR	Tape, Double Sided Foam	
311	4751400	1	Washer 1/4	
312	4460968	1	Connector, Strain Relief	
	0275733	Ref	TILT SENSOR INSTALLATION	B
401	0641408	2	Bolt 1/4-20 x 1	
402	0100048	AR	Grease, Dielectric	
403	3310605	3	Nut #6-32	
404	3930606	3	Screw #6-32	
405	3311405	2	Nut 1/4-20	
406	4751400	2	Washer 1/4	
407	1001094400	1	Sensor, Dual Axis	
408	1001096736	1	Bracket, Tilt Sensor	
409	1001153749	1	Bracket (SN 0300236625 through 0300272376)	
410	1001200497	1	Connector - 3 Position (SN 0300236625 through 0300272376)	
	1001152564	Ref	CONTROL VALVE ASSEMBLY - 800A	D
501	7012965	1	Valve, Flow	
501	7012953	1	Seal Kit - 7012965 Valves	
502	7012914	2	Valve, Cartridge	
502	7012918	2	Seal Kit - 7012914 Valve	
503	7023911	1	Valve, Relief	
503	7012967	1	Seal Kit - 7023911 Valve	
504	7023912	1	Valve, Relief	
504	7012967	1	Seal Kit - 7023912 Valve	
505	7017452	1	Valve, Solenoid (Platform Level)	
505	7017402	1	Seal Kit - 7017452 Valve	
506	7017452	1	Valve, Solenoid (Rotator)	
506	7017402	2	Seal Kit - 7017452 Valve	
507	70002386	4	Coil	
508	70002064	2	Plug, Orifice (Not Shown)	
509	7017406	2	Plug (Not Shown)	
	1001152565	Ref	CONTROL VALVE ASSEMBLY - 800AJ	C
601	7012989	1	Valve, Flow	
601	7012953	1	Seal Kit - 7012989 Valve	
602	7012965	1	Valve, Flow	
602	7012953	1	Seal Kit - 7012965 Valve	
603	70003790	1	Valve, Relief	
603	7021653	1	Seal Kit - 70003790 Valve	
604	7012914	2	Valve, Cartridge	
604	7012918	2	Seal Kit - 7012914 Valve	
605	7023911	1	Valve, Relief	
605	7012967	1	Seal Kit - 7023911 Valve	
606	7023912	1	Valve, Relief	
606	7012967	1	Seal Kit - 7023912 Valve	

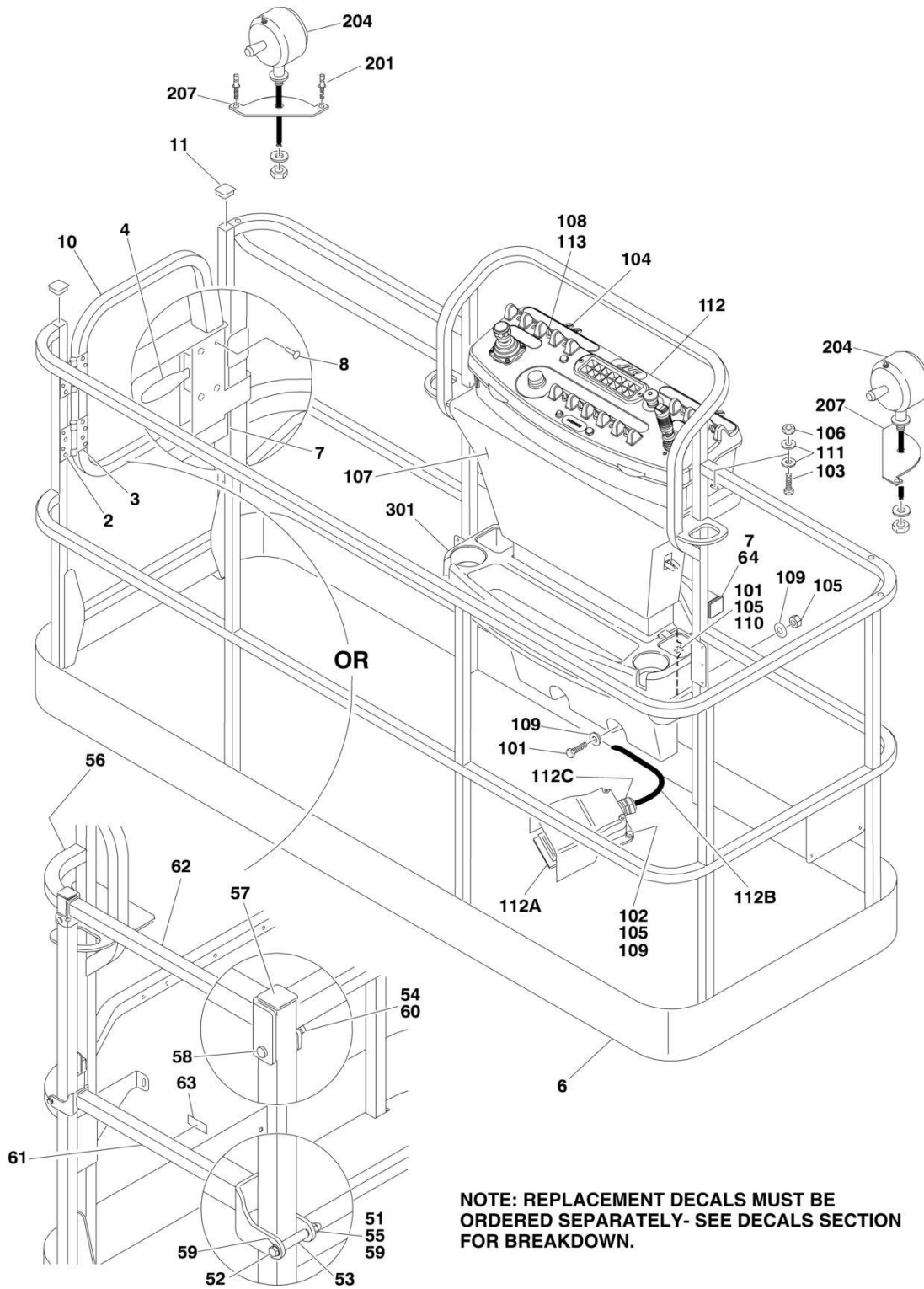
SECTION 3 - BOOM

ITEM	PART NUMBER	QTY	DESCRIPTION	REV
607	7017452	1	Valve, Solenoid (Jib)	
607	7017402	2	Seal Kit - 7017452 Valve	
608	7017452	1	Valve, Solenoid (Platform Level)	
608	7017402	1	Seal Kit - 7017452 Valve	
609	7017452	1	Valve, Solenoid (Rotator)	
609	7017402	2	Seal Kit - 7017452 Valve	
610	70002386	6	Coil	
611	70002064	2	Plug, Orifice (Not Shown)	
612	7017406	2	Plug (Not Shown)	

SECTION 4 - PLATFORM

SECTION 4 - PLATFORM

FIGURE 4-1. PLATFORM COMPONENTS INSTALLATION



SECTION 4 - PLATFORM

FIGURE 4-1. PLATFORM COMPONENTS INSTALLATION

ITEM	PART NUMBER	QTY	DESCRIPTION	REV
	1001144027	Ref	PLATFORM ASSEMBLY WITH GATE - 30IN X 4FT (76CM X 1.22M) (SN 0300183034 through 0300201003)	D
	1001186387	Ref	PLATFORM ASSEMBLY WITH GATE - 30IN X 4FT (76CM X 1.22M) (SN 0300201004 through 0300272376)	C
	1001144025	Ref	PLATFORM ASSEMBLY WITH GATE - 30IN X 6FT (76CM X 1.83M) (SN 0300183034 through 0300201003)	D
	1001186385	Ref	PLATFORM ASSEMBLY WITH GATE - 30IN X 6FT (76CM X 1.83M) (SN 0300201004 through 0300272376)	C
	1001144024	Ref	PLATFORM ASSEMBLY WITH GATE- 36IN X 6FT (91.5CM X 1.83M) (SN 0300183034 through 0300201003)	D
	1001186384	Ref	PLATFORM ASSEMBLY WITH GATE- 36IN X 6FT (91.5CM X 1.83M) (SN 0300201004 through 0300272376)	C
	1001228376	Ref	PLATFORM ASSEMBLY WITH 1 GATE / 2 DROP BARS (TRI-ENTRY) - 36IN X 6FT (91.5CM X 1.83M)	A
	1001144023	Ref	PLATFORM ASSEMBLY WITH GATE - 36IN X 8FT (91.5CM X 2.44M) (SN 0300183034 through 0300201003)	D
	1001186383	Ref	PLATFORM ASSEMBLY WITH GATE - 36IN X 8FT (91.5CM X 2.44M) (SN 0300201004 through 0300272376)	D
		Ref	Note: For Platforms with Mesh, Platforms and Mesh must be ordered separately. See SPECIAL OPTIONS SECTION for Mesh Installations.	
		Ref	Note: Replacement Decals Must be purchased separately - See DECALS SECTION.	
		Ref	Note: When replacing 8ft/2.44m platform with Soft Touch option, new Soft Touch Rail p/n 4846673 must be purchased to accommodate limit switch locations.	
		Ref	Note: When replacing platform on machines with SkyCutter option, new bracket p/n 1001145405 must be purchased to accommodate SkyCutter components.	
2	2080040	16	Fastener, Huck	
3	2600281	2	Hinge, Self-Closing	
4	2940074	1	Latch	
6	See Note	1	Platform (Note: Not Available - Purchase Platform Assembly)	
7	3520072	3	Cap, Plug	
8	3820020	4	Rivet, Pop	
10	1001144629	1	Gate	
11	3520198	2	Cap, Plug	
	1001228215	Ref	PLATFORM ASSEMBLY WITH DROP-BAR - 30IN X 3FT (76CM X 1M)	A
	1001144018	Ref	PLATFORM ASSEMBLY WITH DROP-BAR - 30IN X 4FT (76CM X 1.22M) (SN 0300183034 through 0300201003)	D
	1001186375	Ref	PLATFORM ASSEMBLY WITH DROP-BAR - 30IN X 4FT (76CM X 1.22M) (SN 0300201004 through 0300272376)	B
	1001144020	Ref	PLATFORM ASSEMBLY WITH DROP-BAR - 30IN X 6FT (76CM X 1.83M) (SN 0300183034 through 0300201003)	D
	1001186378	Ref	PLATFORM ASSEMBLY WITH DROP-BAR - 30IN X 6FT (76CM X 1.83M) (SN 0300201004 through 0300272376)	C
	1001144021	Ref	PLATFORM ASSEMBLY WITH DROP-BAR - 36IN X 6FT (91.5CM X 1.83M) (SN 0300183034 through 0300201003)	D
	1001186379	Ref	PLATFORM ASSEMBLY WITH DROP-BAR - 36IN X 6FT (91.5CM X 1.83M) (SN 0300201004 through 0300272376)	B
	1001228377	Ref	PLATFORM ASSEMBLY WITH DROP- BAR (TRI-ENTRY) - 36IN X 6FT (91.5CM X 1.83M)	A
	1001144022	Ref	PLATFORM ASSEMBLY WITH DROP-BAR - 36IN X 8FT (91.5CM X 2.44M) (SN 0300183034 through 0300201003)	D

SECTION 4 - PLATFORM

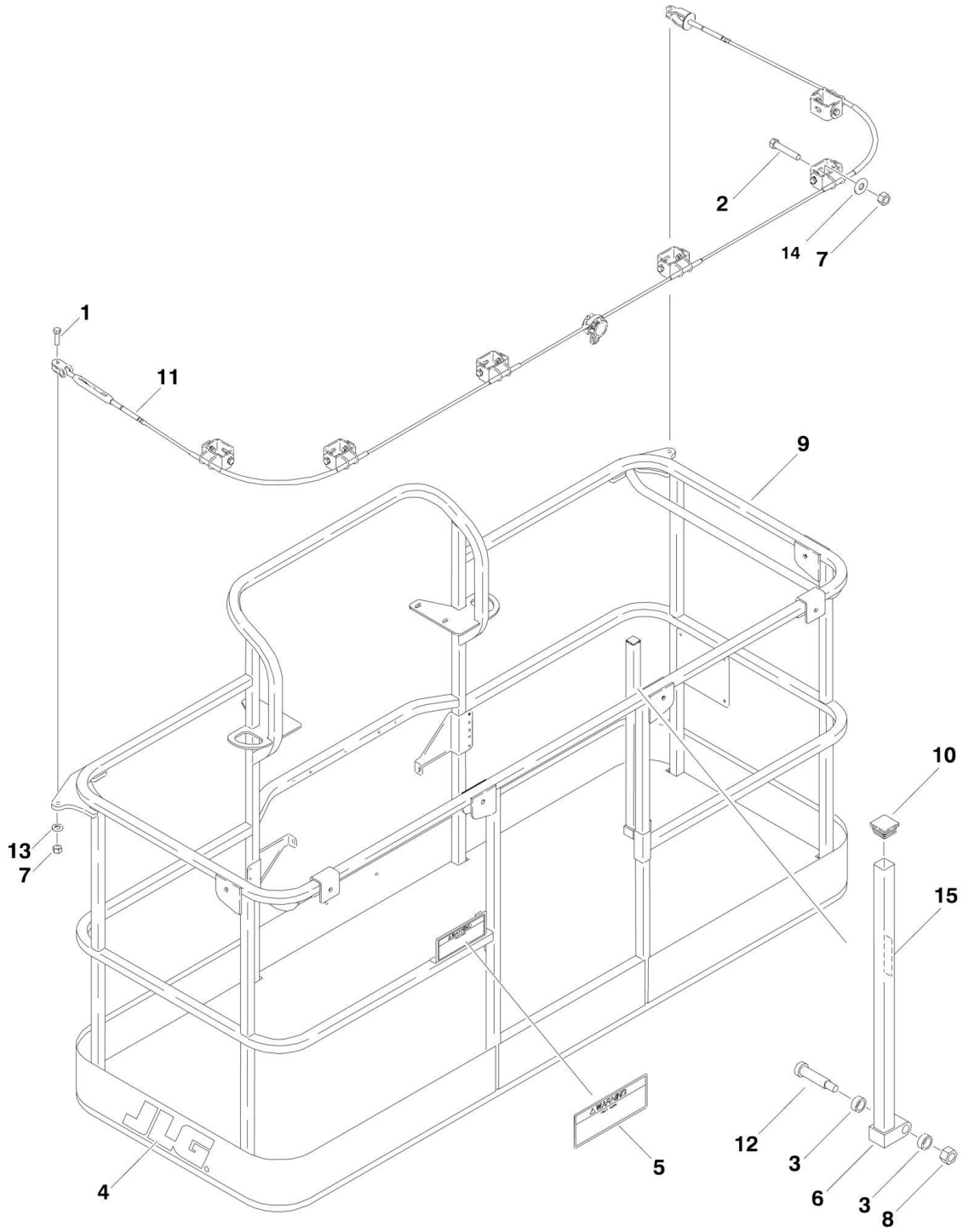
ITEM	PART NUMBER	QTY	DESCRIPTION	REV
	1001186382	1	PLATFORM ASSEMBLY WITH DROP-BAR - 36IN X 8FT (91.5CM X 2.44M) (SN 0300201004 through 0300272376)	C
	1001228243	Ref	PLATFORM ASSEMBLY WITH SWING GATE (TRI-ENTRY) – 36 X 8FT (91.5 CM X 2.44M) (SN 0300258190 through 0300272376)	A
	1001228375	Ref	PLATFORM ASSEMBLY WITH DROP-BAR (TRI-ENTRY) – 36 X 8FT (91.5 CM X 2.44M) (SN 0300258190 through 0300272376)	A
		Ref	Note: For Platforms with Mesh, Platforms and Mesh must be ordered separately. See SPECIAL OPTIONS SECTION for Mesh Installations.	
		Ref	Note: Replacement Decals Must be Ordered Separately - See DECALS SECTION.	
		Ref	Note: When replacing 8ft/2.44m platform with Soft Touch option, new Soft Touch Rail p/n 4846673 must be purchased to accommodate limit switch locations.	
		Ref	Note: When replacing platform on machines with SkyCutter option, new bracket p/n 1001145405 must be purchased to accommodate SkyCutter components.	
51	0100011	AR	Compound, Locking	
52	0641418	2	Bolt 1/4-20 x 2-1/4	
53	0961845	2	Bushing	
54	3290606	2	Nut M6	
55	3300151	2	Nut, Acorn	
56	See Note	1	Platform (Note: Not Available - Purchase Complete Platform Assembly)	
57	3520198	2	Cap, Plug	
58	4010618	2	Screw M6 x 50	
59	4711400	4	Washer 1/4	
60	4811700	2	Washer M6	
61	1001138494	1	Bar, Drop (All except 30IN X 3FT (76CM X 1M) Platform)	
61	1001226872	1	Bar, Drop (30IN X 3FT (76CM X 1M) Platform)	
62	1001138514	1	Rail (Top)	
63	1001140429	1	Decal - Drop-Bar	
64	3520072	2	Cap, Plug	
	1001117427	Ref	CONSOLE BOX INSTALLATION WITHOUT SKYGUARD (MACHINES WITHOUT LSS OR WITH 4 CELL LSS) (SN 0300183034 through 0300190139)	B
	1001159096	Ref	CONSOLE BOX INSTALLATION WITHOUT SKYGUARD (MACHINES WITHOUT LSS OR WITH 4 CELL LSS) (SN 0300190140 through 0300272376)	C
	1001190113	Ref	CONSOLE BOX INSTALLATION WITH SKYGUARD (MACHINES WITHOUT LSS OR WITH 4 CELL LSS)	B
	1001221703	Ref	CONSOLE BOX ASSEMBLY (MACHINES WITH 1 CELL LSS) (SN 0300183034 through 0300259888)	B
	1001221719	Ref	CONSOLE BOX ASSEMBLY (MACHINES WITH 1 CELL LSS) (SN 0300259889 through 0300272376)	A
101	0641406	4	Bolt 1/4-20 x 3/4	
102	0641408	3	Bolt 1/4-20 x 1	
103	0641610	4	Bolt 3/8-16 x 1-1/4	
104	1702676	1	Decal - Horn	
105	3311405	7	Nut 1/4-20	
106	3311605	4	Nut 3/8-16	
107	3380434	1	Panel, Decal Mount	
108	3790012	1	O-Ring	
109	4740362	7	Washer 1/4	
110	4751400	4	Washer 1/4	

SECTION 4 - PLATFORM

ITEM	PART NUMBER	QTY	DESCRIPTION	REV
111	4751600	8	Washer 3/8	
112		Ref	Platform Console Box Assembly Options (See PLATFORM CONSOLE ASSEMBLY for Breakdown):	
		Ref	Machines without LSS or with 4 Cell LSS:	
112	1001117428	NLA	Platform Console Box Assembly (Without SkyGuard) (Use p/n 1001166677) (SN 0300183034 through 0300188905)	
112	1001166677	1	Platform Console Box Assembly (Without SkyGuard) (SN 0300188906 through 0300190139)	
112	1001166672	1	Platform Console Box Assembly (Without SkyGuard) (SN 0300190140 through 0300219553)	
112	1001202577	1	Platform Console Box Assembly (Without SkyGuard) (SN 0300219554 through 0300272376)	
112	1001190089	1	Platform Console Box Assembly (With SkyGuard) (SN 0300183034 through 030219553)	
112	1001202573	1	Platform Console Box Assembly (With SkyGuard) (SN 0300219554 through 0300272376)	
		Ref	Machines with 1 Cell LSS:	
112	1001219973	Ref	Platform Console Assembly (SN 0300183034 through 0300259888)	
112	1001241715	Ref	Platform Console Assembly (SN 0300259888 through 0300272376)	
112A	1001117174	1	Footswitch Assembly (Includes Footswitch and Items 112B-112E)	
112A	1001117172	1	Footswitch Less Cable	
112A	70002902	1	Switch, 20Amp	
112A	70002903	1	Gasket	
112A	70002904	4	Replacement Kit, Bolt	
112A	70002905	1	Cover, Aluminum	
112B	1060918	7 ft/2.14m	Cable, Electrical - 18/3	
112C	4460071	1	Connector, Strain Relief	
112D	4460226	2	Socket, Female (Not Shown - Used with Footswitch) (See ELECTRICAL SECTION for Location)	
112E	4460464	1	Terminal, Deutsch (Not Shown - Used with Footswitch) (See ELECTRICAL SECTION for Location)	
113	4360331	1	Switch, Toggle	
	0273484	Ref	WORKLIGHTS INSTALLATION (OPTIONAL) 800A	E
	0273485	Ref	WORKLIGHTS INSTALLATION (OPTIONAL) 800AJ	E
201	2080040	4	Blind Fastener, Huck	
204	2920140	NLA	Worklight (Use p/n 1001232838) (SN 0300183034 through 0300258882)	
204	7016399	2	Bulb, Replacement (1 Per Worklight)	
204	1001232838	1	Worklight W/Switch Kit (SN 0300258883 through 0300272376)	
204	1001232586	1	Work W/Switch	
204	1001232799	1	Hasness, Light	
207	3536089	2	Plate, Mounting	
213	4460426		Connector, Strain Relief (Not Shown - Located at Console Box)	
217	2820035	9 ft/2.7m	Loom, Vinyl (Not Shown)	
218	4240099	10	Tie-Strap (Not Shown)	
		Ref	TRAY INSTALLATIONS (OPTIONAL)	
301	1580012	1	Tray, Storage (Center)	
302	1580013	1	Tray, Storage (Rail Mounted - Not Shown)	

SECTION 4 - PLATFORM

FIGURE 4-2. PLATFORM COMPONENTS INSTALLATION (FALL ARREST FOR PLATFORM)



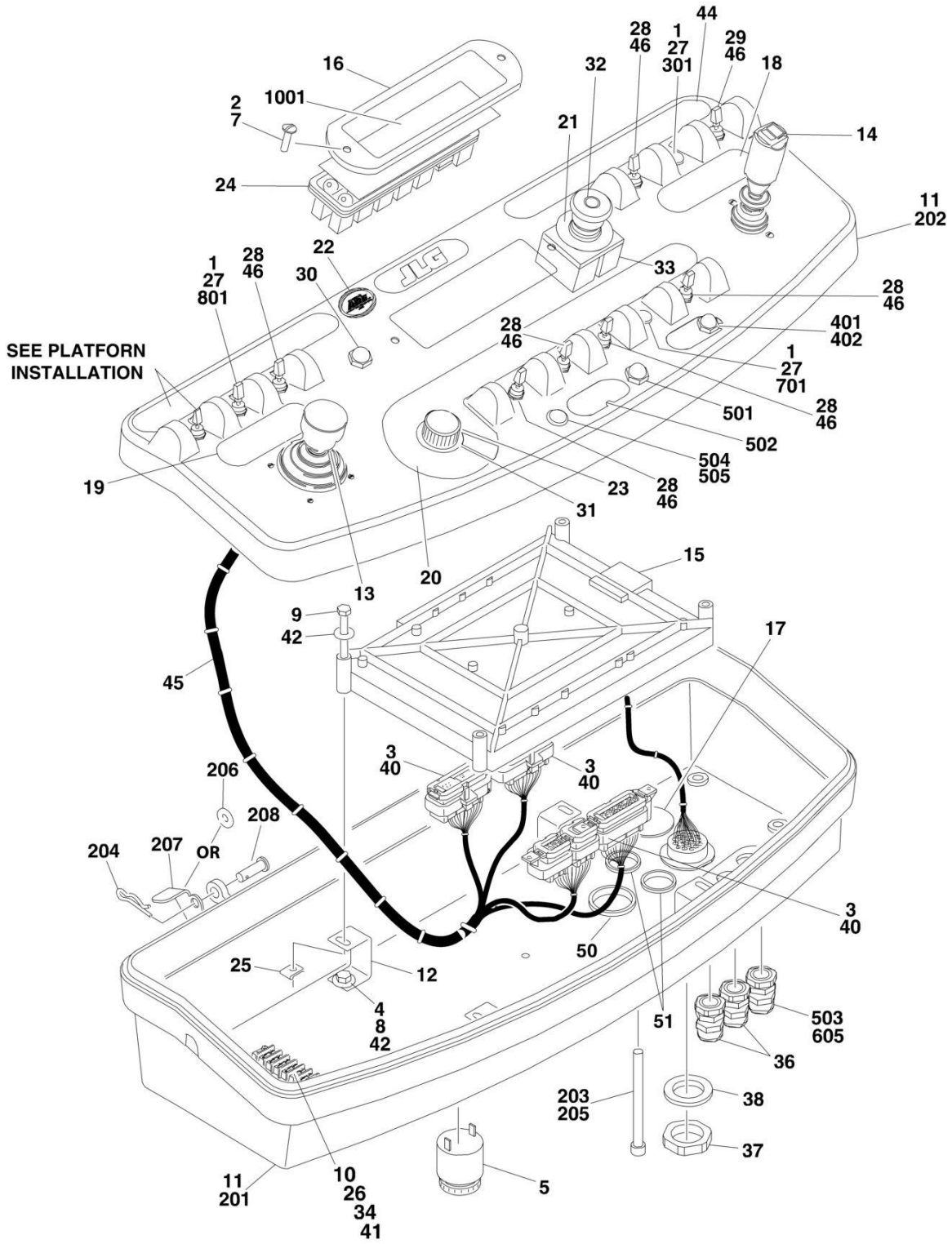
SECTION 4 - PLATFORM

FIGURE 4-2. PLATFORM COMPONENTS INSTALLATION (FALL ARREST FOR PLATFORM)

ITEM	PART NUMBER	QTY	DESCRIPTION	REV
	3510884	Ref	PLATFORM ASSEMBLY WITH FALL ARREST (6FT) (SN 0300183034 through 0300186656)	F
	1001144597	Ref	PLATFORM ASSEMBLY WITH FALL ARREST (6FT) (SN 0300186657 through 0300201003)	D
	1001186333	Ref	PLATFORM ASSEMBLY WITH FALL ARREST (6FT) (SN 0300201004 through 0300272376)	C
	3510868	Ref	PLATFORM ASSEMBLY WITH FALL ARREST (8FT) (SN 0300183034 through 0300186656)	F
	1001144596	Ref	PLATFORM ASSEMBLY WITH FALL ARREST (8FT) (SN 0300186657 through 0300201003)	D
	1001186334	Ref	PLATFORM ASSEMBLY WITH FALL ARREST (8FT) (SN 0300201004 through 0300272376)	D
		Ref	Note: Replacement Decals Must be purchased separately - See DECALS SECTION.	
1	0681814	2	Bolt 1/2-13 x 1-3/4 Grade 8	
2	0681822	AR	Bolt 1/2-13 x 2-3/4 Grade 8	
3	0962270	2	Bearing	
4	1702773	1	Decal - JLG	
5	1705014	1	Decal - Safety	
6	2410014	1	Gate	
7	3271805	AR	Nut 1/2-13 Grade 8	
8	3311605	1	Nut 3/8-16	
9	See Note	1	Platform (Note: Purchase Platform Assembly)	
10	3520072	1	Cap-Plug	
11	1060919	NLA	Cable, Fall Arrest (6ft Platform) (Use p/n 1001203655) (SN 0300183034 through 0300214275)	
11	1001203655	1	Cable, Fall Arrest (6ft Platform) (SN 0300214276 through 0300272376)	
11	3890040	NLA	Cable, Fall Arrest (8ft Platform) (Use p/n 1001203656) (SN 0300183034 through 0300215876)	
11	1001203656	1	Cable, Fall Arrest (8ft Platform) (SN 0300215877 through 0300272376)	
12	3900054	1	Bolt 1/2in-13NC x 1-3/4in	
13	4711800	AR	Washer 1/2	
14	4751800	AR	Washer 1/2	
15	1706385	1	Decal - Drop Bar	

SECTION 4 - PLATFORM

FIGURE 4-3. PLATFORM CONSOLE ASSEMBLY (WITHOUT SKYGUARD)



SECTION 4 - PLATFORM

FIGURE 4-3. PLATFORM CONSOLE ASSEMBLY (WITHOUT SKYGUARD)

ITEM	PART NUMBER	QTY	DESCRIPTION	REV
	1001117428	Ref	CONSOLE BOX ASSEMBLY (SN 0300183034 through 0300188905)	D
	1001166677	Ref	CONSOLE BOX ASSEMBLY (SN 0300188906 through 0300190139)	A
	1001166672	Ref	CONSOLE BOX ASSEMBLY (SN 0300180140 through 0300219553)	C
	1001202577	Ref	CONSOLE BOX ASSEMBLY (SN 0300219554 through 0300272376)	C
1	0100009	AR	Sealant	
2	0100035	AR	Compound, Locking	
3	0100048	AR	Grease, Dielectric	
4	0100081	AR	Adhesive	
5	0140011	1	Alarm	
7	0630464	2	Screw #10-24 x 1/2	
8	0641404	4	Bolt 1/4-20 x 1/2	
9	0641414	4	Bolt 1/4-20 x 1-3/4	
10	0721006	2	Bolt #10-24 x 3/4	
11	0861537	1	Box, Console (See Items 201-208 for Breakdown) (SN 0300183034 through 0300219553)	
11	1001201890	1	Box, Console (See Items 201-208 for Breakdown) (SN 0300219554 through 0300272376)	
12		Ref	Bracket, Card Support Options:	
12	0902751	4	Bracket, Support (SN 0300183034 through 0300188905)	
12	1001172760	4	Bracket, Support (SN 0300188906 through 0300272376)	
13		Ref	Controller Assembly - Lift and Swing (See CONTROLLER ASSEMBLY - SWING AND LIFT for Breakdown) (Use p/n 1001129555)	
13	1001118417	NLA	Controller Assembly - Lift and Swing (Use p/n 1001129555) (SN 0300183034 through 0300188905)	
13	1001166539	NLA	Controller Assembly - Lift and Swing (Use p/n 1001129555) (SN 0300188906 through 0300272376)	
14		Ref	Controller Assembly - Drive and Steer (See CONTROLLER ASSEMBLY - DRIVE AND STEER for Breakdown)	
14	1001118416	NLA	Controller Assembly - Drive and Steer (Use p/n 1001212415) (SN 0300183034 through 0300188905)	
14	1001166538	NLA	Controller Assembly - Drive and Steer (Use p/n 1001212415) (SN 0300188906 through 0300272376)	
15	1001106355	1	Controller, Module (Re-calibration Required when Replaced) (SN 0300183034 through 0300190139)	
15	1001106938	1	Controller, Module (Re-calibration Required when Replaced) (SN 0300190140 through 0300272376)	
16	1670829	1	Bezel	
17	1001110434	1	Plug	
18	1702565	1	Decal (Drive and Steer)	
19	1702566	1	Decal (Lift and Swing)	
20	1702567	1	Decal (Function Speed)	
21	1704260	1	Decal - EMS	
22	1705132	1	Decal - ADE (SN 0300183034 through 0300219553)	
23	2560136	1	Handle, Knob	
24	2760105	1	Housing, Display Light	
25	3300353	4	Nut, Tinnerman	
26	3311005	2	Nut #10-24	
27	3520054	AR	Plug, Hole	

SECTION 4 - PLATFORM

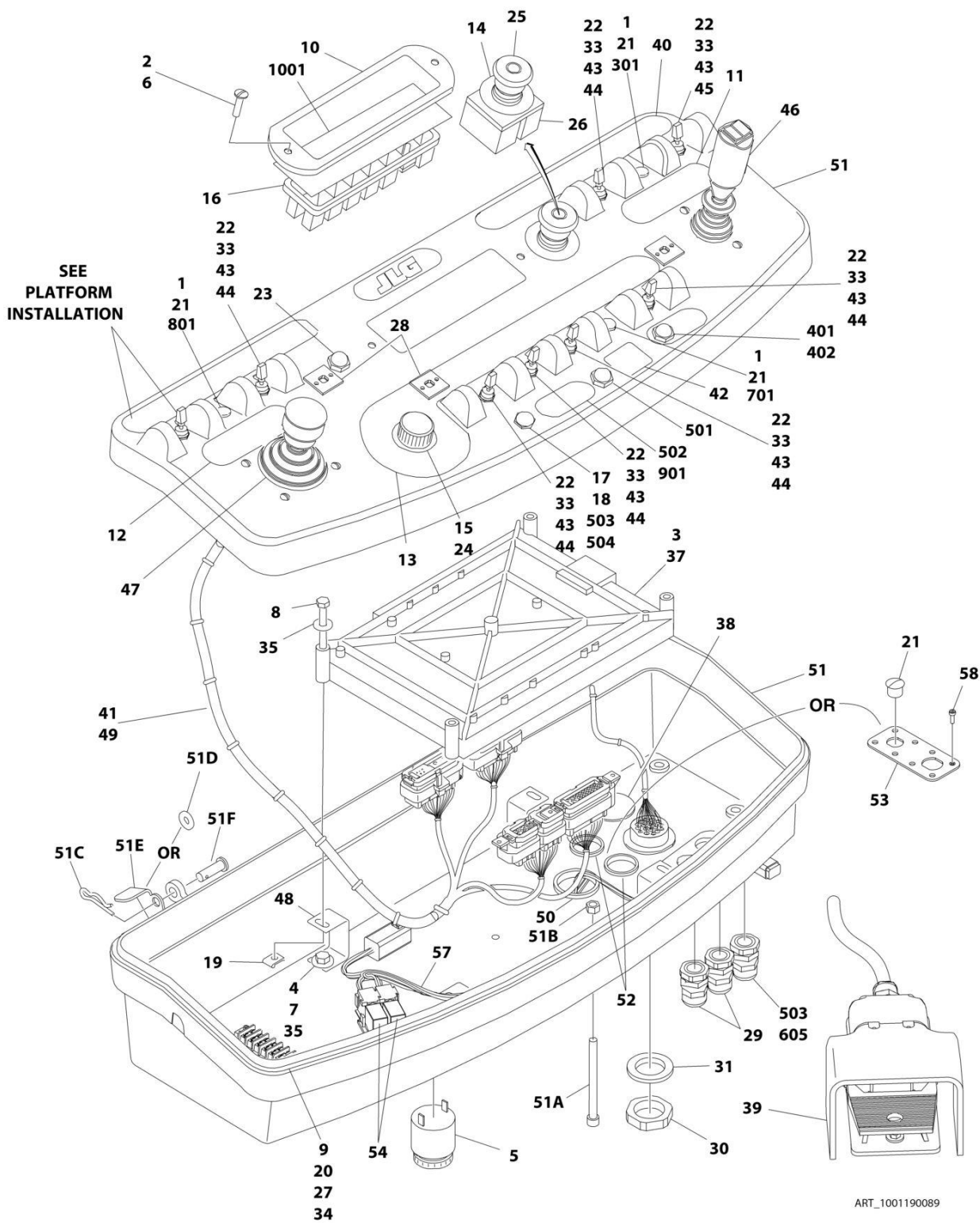
ITEM	PART NUMBER	QTY	DESCRIPTION	REV
28		Ref	Switch, Toggle Options:	
28	4360328	6	Switch, Toggle (SN 0300183034 through 0300188905)	
28	1001155045	6	Switch, Toggle (SN 0300188906 through 0300272376)	
29		Ref	Switch, Toggle Options:	
29	4360330	1	Switch, Toggle (SN 0300183034 through 0300188905)	
29	1001159256	1	Switch, Toggle (SN 0300188906 through 0300272376)	
30	4360387	1	Switch, Push Button	
31	4360407	1	Controller, Speed	
31	See Note	1	Gasket "Top Hat" (Included with Switch) (Note: Not Available for Purchase)	
31	70003784	1	Seal	
32	4360475	1	Switch, Emergency Stop	
32	7020175	1	Cap, Red	
32	7020176	1	Contact Block	
33	4360476	1	Block, Contact	
34	4460007	1	Bar, Buss	
35	4460234	3	Mount, Tie-Strap (Not Shown)	
36	4460428	2	Connector, Strain Relief	
37	4460470	1	Nut	
38	4460471	1	Washer	
39	4460708	2	Terminal, 15 Pin (See ELECTRICAL SECTION for Location)	
40	4460905	5	Plug, Seal (See ELECTRICAL SECTION for Location)	
41	4751000	2	Washer #10	
42	4751400	8	Washer 1/4	
43	4922666	1	Harness, Analyzer Cable (Not Shown - See ELECTRICAL SECTION for Breakdown)	
44	1001131168	1	Decal (Stop)	
45	1001107753	1	Harness, Platform Box (See ELECTRICAL SECTION for Breakdown)	
46	3790012	7	O-Ring	
47	4740397	AR	Washer, Spacer	
48	1001155044	7	Nut, Special	
49	1001139135	1	Platform Valve Harness (Not Shown - See ELECTRICAL SECTION for Breakdown)) (SN 0300194140 through 0300272376)	
50	3520035	1	Plug (SN 0300219554 through 0300272376)	
51	3520033	2	Plug (SN 0300219554 through 0300224293)	
51	1001220486	2	Plug (SN 0300224294 through 0300272376)	
	0861537	Ref	CONSOLE BOX ASSEMBLY (SN 0300183034 through 0300219553)	I
	1001201890	Ref	CONSOLE BOX ASSEMBLY (SN 0300219554 through 0300272376)	B
201	See Note	NSS	Console Bottom (Note: Not Available for Purchase)	
202	See Note	NSS	Console Top (Note: Not Available for Purchase)	
203	3311601	1	Nut 3/8-16	
204	3470003	2	Pin, Hair	
205	0630568	1	Screw 3/8-16 x 4-1/2	
206	4711500	AR	Washer 5/16	
206	4711600	AR	Washer 3/8	
207	1001200575	2	Bracket	
208	3430616	2	Pin (SN 0300219554 through 0300272376)	
	1001156467	Ref	DUAL FUEL SWITCH INSTALLATION (GM ENGINES ONLY)	B
301	4360336	1	Switch, Toggle	

SECTION 4 - PLATFORM

ITEM	PART NUMBER	QTY	DESCRIPTION	REV
301	3790012	1	O-Ring	
	0271768	Ref	HEAD AND TAIL LIGHTS INSTALLATION WITH ABS HOODS (OPTIONAL)	D
	1001164786	Ref	HEAD AND TAIL LIGHTS INSTALLATION WITH STEEL HOODS (OPTIONAL)	A
401	4360522	1	Switch, Push Button	
402	1705170	1	Decal - Lights	
	0273824	Ref	SOFT TOUCH SYSTEM INSTALLATION - 6FT/1.83M PLATFORM (OPTIONAL)	B
	1001108256	Ref	SOFT TOUCH SYSTEM INSTALLATION - 6FT/1.83M FALL ARREST PLATFORM (OPTIONAL)	D
	0272427	Ref	SOFT TOUCH SYSTEM INSTALLATION - 8FT/2.44M PLATFORM (OPTIONAL)	A
	0273706	Ref	SOFT TOUCH SYSTEM INSTALLATION - 8FT/2.44M FALL ARREST PLATFORM (OPTIONAL)	B
501	4360387	1	Switch, Push Button	
502	1702938	1	Decal - Soft Touch Override	
503	4460425	1	Connector, Strain Relief	
504	2920028	1	Lamp, Indicator	
505	2920029	1	Bulb	
	0273484	Ref	PLATFORM WORKLIGHT INSTALLATION (OPTIONAL) (800A)	E
	0273485	Ref	PLATFORM WORKLIGHT INSTALLATION (OPTIONAL) (800AJ)	E
605	4460426	1	Connector, Strain Relief	
	0271340	Ref	JIB SWITCH INSTALLATION (800AJ ONLY)	1
701	4360328	1	Switch, Toggle	
701	3790012	1	O-Ring	
	0258945	Ref	STEER SWITCH (4WS) INSTALLATION (OPTIONAL)	A
801	4360331	1	Switch, Toggle	
801	3790012	1	O-Ring	
	1001108763	Ref	LIGHT PANEL DECAL INSTALLATION - ANSI, ANSI EXPORT AND CSA SPECS	A
	1001108764	Ref	LIGHT PANEL DECAL INSTALLATION - AUSTRALIAN AND CE SPECS	A
1001	1001107927	1	Decal - Light Panel Display (ANSI, ANSI Export, and CSA Specs)	
1001	1001107926	1	Decal - Light Panel Display (Australian and CE Spec)	

SECTION 4 - PLATFORM

FIGURE 4-4. PLATFORM CONSOLE ASSEMBLY - WITH SKYGUARD



SECTION 4 - PLATFORM

FIGURE 4-4. PLATFORM CONSOLE ASSEMBLY - WITH SKYGUARD

ITEM	PART NUMBER	QTY	DESCRIPTION	REV
	1001190089	Ref	PLATFORM CONSOLE ASSEMBLY - WITH SKYGUARD (MACHINES WITHOUT LSS OR WITH 4 CELL LSS) (SN 0300183034 through 0300219553)	C
	1001202573	Ref	PLATFORM CONSOLE ASSEMBLY - WITH SKYGUARD (MACHINES WITHOUT LSS OR WITH 4 CELL LSS) (SN 0300219554 through 0300272376)	D
	1001219973	Ref	PLATFORM CONSOLE ASSEMBLY - WITH SKYGUARD (WITH 1 CELL LSS)	B
1	0100009	AR	Sealant	
2	0100035	AR	Compound, Locking	
3	0100048	AR	Grease, Dielectric	
4	0100081	AR	Adhesive (SN 0300183034 through 0300237343)	
5	0140011	1	Alarm	
6	0630464	2	Screw #10 x 3/4	
7	0641404	4	Bolt 1/4 x 1/2	
8	0641414	4	Bolt 1/4 x 1-3/4	
9	0721006	2	Screw #10 x 3/4	
10	1670829	1	Bezel	
11	1702565	1	Decal - Drive and Steer	
12	1702566	1	Decal - Lift and Swing	
13	1702567	1	Decal - Function Speed	
14	1704260	1	Decal, Emergency Stop	
15	2560136	1	Knob	
16	2760105	1	Fixture, Light	
17	2920028	1	Light, Indicator	
18	2920029	1	Lamp, Bulb	
19	3300353	4	Nut, Tinnerman	
20	3311005	2	Nut #10	
21	3520054	AR	Plug, Hole	
22	3790012	7	O-Ring	
23	4360387	2	Switch, Push Button	
24	4360407	1	Switch, Flow Control	
24	See Note	1	Gasket "Top Hat" (Included with Switch) (Note: Not Available for Purchase)	
24	70003784	1	Seal	
25	4360475	1	Switch, Emergency Stop	
25	7020175	1	Cap, Red	
25	7020176	1	Block, Contact	
26	4360476	1	Switch, Contact	
27	4460007	1	Bussbar	
28	4460234	3	Mount Cable, Tie	
29	4460428	2	Connector, Strain Relief	
30	4460470	1	Terminal, Nut	
31	4460471	1	Terminal, Washer	
32	4460708	2	Connector - 15 Position	
33	4740397	7	Spacer, Washer	
34	4751000	2	Washer #10	
35	4751400	8	Washer 1/4	
36	4922666	1	Harness, Analyzer Cable (See ELECTRICAL SECTION for Breakdown)	
37	1001106938	1	Module, Control	

SECTION 4 - PLATFORM

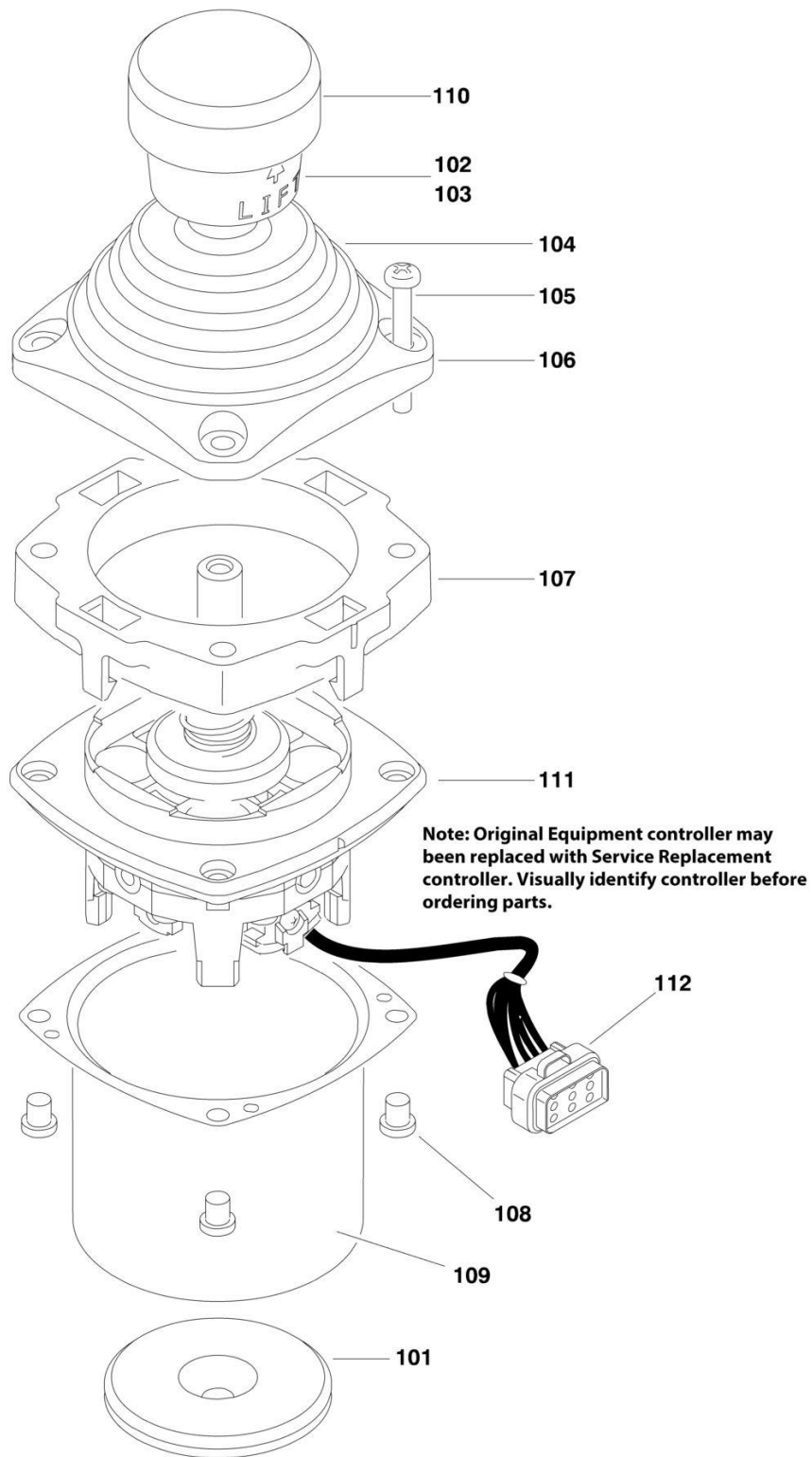
ITEM	PART NUMBER	QTY	DESCRIPTION	REV
38	1001110434	1	Plug, Hole	
39	1001117174	1	Footswitch Assembly	
39	1001117172	1	Footswitch	
39	70002902	1	Block, Contact for 1001117172 Footswitch	
39	70002903	1	Gasket for 1001117172 Footswitch	
39	70002905	1	Cover for 1001117172 Footswitch	
39	70002904	1	Bolt Replacement Kit for 1001117172 Footswitch	
39	1060918	7 ft/ 2.14m	Cable, Electrical - 18/3	
39	4460042	3	Terminal, Ring (Not Shown)	
39	4460464	1	Pin, Male	
39	4460226	2	Socket, Contact	
39	4460071	1	Connector, Strain Relief	
39	0100020	AR	Sealant	
40	1001131168	1	Decal - Stop	
41	1001139135	1	Harness, Platform Valve (See ELECTRICAL SECTION for Breakdown)	
42	1001144433	1	Decal - No Weight SkyGuard	
43	1001155044	7	Nut 15/32	
44	1001155045	6	Switch, Toggle	
45	1001159256	1	Switch, Toggle	
46	1001166538	NLA	Controller Drive/Steer (Use p/n 1001212415) (See CONTROLLER ASSEMBLY (DRIVE AND STEER) for Breakdown)	
47	1001166539	NLA	Controller Lift/Swing (Use p/n 1001129555) (See CONTROLLER ASSEMBLY (LIFT AND SWING) for Breakdown)	
48	1001172760	4	Bracket	
49	1001185280	1	Harness, Console Box (Machines without LSS or with 4 Cell LSS) (See ELECTRICAL SECTION for Breakdown)	
49	1001220281	1	Harness, Console Box (Machines with 1 Cell LSS) (See ELECTRICAL SECTION for Breakdown)	
50	1001185281	1	Plug	
51	1001189116	1	Console Box Assembly (Machines without LSS or with 4 Cell LSS) (SN 0300183034 through 0300219553)	D
51	1001201891	1	Console Box Assembly (Machines without LSS or with 4 Cell LSS) (SN 0300219554 through 0300272376)	A
51	1001215228	1	Console Box Assembly (Machines with 1 Cell LSS)	A
51A	0630568	1	Screw 3/8in-16NC x 4-1/2in	
51B	3311601	1	Nut 3/8in-16NC	
51C	3470003	2	Hairpin	
51D	4711500	AR	Washer 5/16	
51D	4711600	AR	Washer 3/8	
51E	1001200575	2	Bracket	
51F	3430616	2	Pin (SN 0300219554 through 0300272376)	
52	3520033	AR	Plug (SN 0300219554 through 0300224293)	
52	1001220486	AR	Plug (SN 0300224294 through 0300272376)	
53	1001213882	1	Mount (Machines with 1 Cell LSS)	
54	1001186431	2	Relay (Machines with 1 Cell LSS)	
54	4240032	AR	Tie-Strap	
54	4460488	AR	Mount, Tie-Strap	
57	1001225580	1	Interface Harness (Machines with 1 Cell LSS)	
58	3900349	AR	Capscrew M2.5	
	1001156467	Ref	DUAL FUEL SWITCH INSTALLATION (GM ENGINES ONLY)	B
301	4360336	1	Swicth, Toggle	

SECTION 4 - PLATFORM

ITEM	PART NUMBER	QTY	DESCRIPTION	REV
301	3790012	1	O-Ring	
	0271768	Ref	HEAD AND TAILLIGHTS INSTALLATION WITH ABS HOODS (OPTIONAL)	E
	1001164786	Ref	HEAD AND TAILLIGHTS INSTALLATION WITH STEEL HOODS (OPTIONAL)	B
401	4360522	1	Switch, Push Button	
402	1705170	1	Decal - Lights	
	0273824	Ref	SOFT TOUCH SYSTEM INSTALLATION - 6FT/1.83M PLATFORM (OPTIONAL)	B
	1001108256	Ref	SOFT TOUCH SYSTEM INSTALLATION - 6FT/1.83M FALL ARREST PLATFORM (OPTIONAL)	D
	0272427	Ref	SOFT TOUCH SYSTEM INSTALLATION - 8FT/2.44M PLATFORM (OPTIONAL)	A
	0273706	Ref	SOFT TOUCH SYSTEM INSTALLATION - 8FT/2.44M FALL ARREST PLATFORM (OPTIONAL)	B
501	4360387	1	Switch, Push Button	
502	1702938	1	Decal - Soft Touch Override	
503	4460425	1	Connector, Strain Relief	
504	2920028	1	Lamp, Indicator	
505	2920029	1	Bulb, Light	
	0273484	Ref	PLATFORM WORKLIGHTS INSTALLATION (OPTIONAL) (800A)	E
	0273485	Ref	PLATFORM WORKLIGHTS INSTALLATION (OPTIONAL) (800AJ)	E
605	4460426	1	Connector, Strain Relief	
	0271340	Ref	JIB SWITCH INSTALLATION (800AJ ONLY)	1
701	4360328	1	Switch, Toggle	
701	3790012	1	O-Ring	
	0258945	Ref	STEER SWITCH (4WS) INSTALLATION (OPTIONAL)	A
801	4360331	1	Switch, Toggle	
801	3790012	1	O-Ring	
		Ref	SKYGUARD OVERRIDE DECALS INSTALLATION	
901	1001141300	1	Decal - SkyGuard Override	
901	1001141302	1	Decal - SkyGuard Override with Soft Touch	
	1001108763	Ref	LIGHT PANEL DECAL INSTALLATION - DUAL CAPACITY	A
	1001108764	Ref	LIGHT PANEL DECAL INSTALLATION - SINGLE CAPACITY	A
1001	1001107927	1	Decal - Light Panel Display (Dual Capacity)	
1001	1001107926	1	Decal - Light Panel Display (Single Capacity)	

SECTION 4 - PLATFORM

FIGURE 4-5. CONTROLLER ASSEMBLY - SWING AND LIFT (SN 0300183034 through 0300188905)



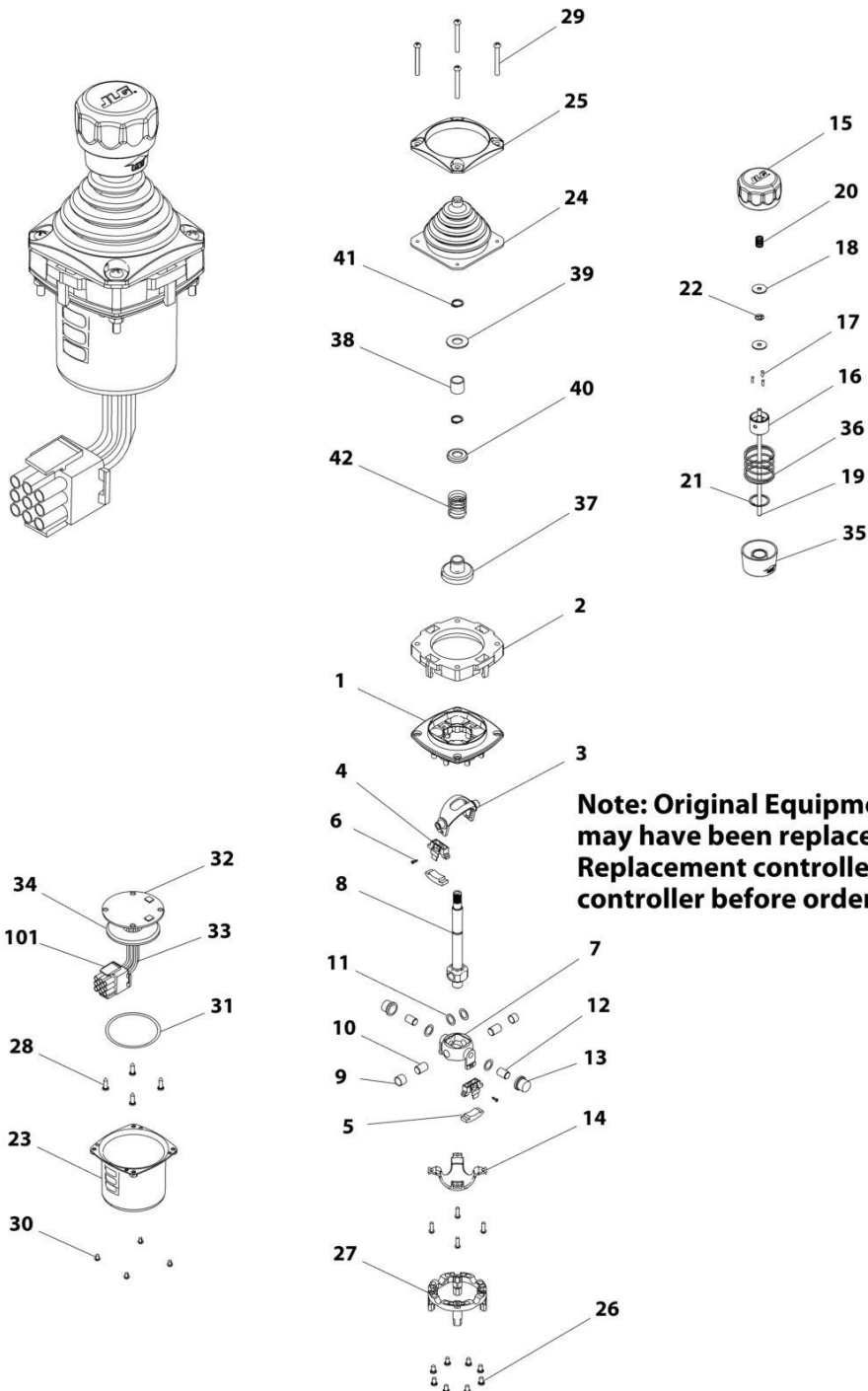
SECTION 4 - PLATFORM

FIGURE 4-5. CONTROLLER ASSEMBLY - SWING AND LIFT (SN 0300183034 through 0300188905)

ITEM	PART NUMBER	QTY	DESCRIPTION	REV
		Ref	Note: Original Equipment controller may have been replaced with a Service Replacement controller. Visually identify controller before ordering parts.	
	1001118417	Ref	CONTROLLER ASSEMBLY (SN 0300183034 through 0300188905)	E
		Ref	Note: Use p/n 1001129555 as Replacement.	
101	70002730	1	Gasket	
102	7003928	1	Spring	
103	7022808	1	Cap, Lift	
104	70002731	1	Boot	
105	70002732	4	Screw	
106	7022815	1	Bezel	
107	70002733	1	Adapter	
108	70002734	4	Screw	
109	70002735	1	Can, Enclosure	
110	70002906	1	Cap	
111	See Note	1	Mechanical Assembly (Note: Not Available - Purchase Complete Assembly)	
112	7022819	1	Plug, Male 8 Position (Natural) (Not Shown)	
112	4460871	6	Socket, Female	

SECTION 4 - PLATFORM

FIGURE 4-6. CONTROLLER ASSEMBLY - SWING AND LIFT (SN 0300188906 through 0300272376)



Note: Original Equipment controller may have been replaced with Service Replacement controller. Visually identify controller before ordering parts.

ART_1001166539

SECTION 4 - PLATFORM

FIGURE 4-6. CONTROLLER ASSEMBLY - SWING AND LIFT (SN 0300188906 through 0300272376)

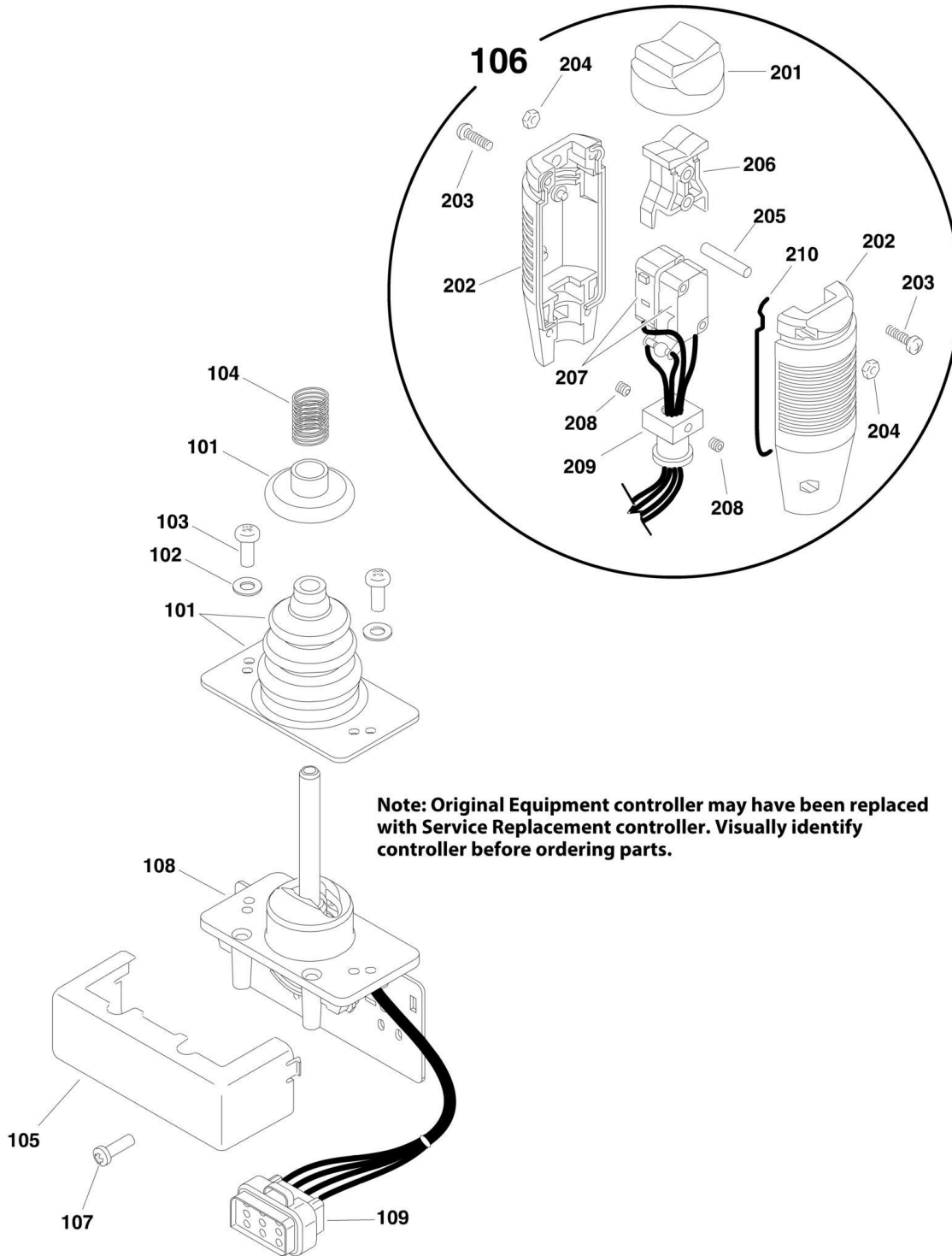
ITEM	PART NUMBER	QTY	DESCRIPTION	REV
		Ref	Note: Original Equipment controller may have been replaced with a Service Replacement controller. Visually identify controller before ordering parts.	
	1001166539	Ref	CONTROLLER ASSEMBLY – SWING AND LIFT (SN 0300188906 through 0300272376)	D
		Ref	Note: Use p/n 1001129555 as replacement.	
1	See Note	1	Main Cast Body (Note: Not Available - Purchase Complete Assembly)	
2	70004752	1	Adapter	
3	See Note	1	Pivot Arm, Plastic (Note: Not Available - Purchase Complete Assembly)	
4	See Note	2	Holder, Magnet (Note: Not Available - Purchase Complete Assembly)	
5	See Note	2	Arc, Magnet (Note: Not Available - Purchase Complete Assembly)	
6	See Note	2	Screw (Note: Not Available for Purchase)	
7	See Note	1	Pivot Arm, Cast (Note: Not Available - Purchase Complete Assembly)	
8	See Note	1	Shaft, Main (Note: Not Available - Purchase Complete Assembly)	
9	See Note	2	Bearing (Note: Not Available - Purchase Complete Assembly)	
10	See Note	2	Pin (Note: Not Available - Purchase Complete Assembly)	
11	See Note	4	Shim (Note: Not Available - Purchase Complete Assembly)	
12	See Note	2	Pin (Note: Not Available - Purchase Complete Assembly)	
13	See Note	2	Bearing (Note: Not Available - Purchase Complete Assembly)	
14	See Note	1	Dome, Centering (Note: Not Available - Purchase Complete Assembly)	
15	70004753	1	Cap	
16	70004754	1	Insert, Cap	
17	70004755	3	Pin	
18	70004756	2	Washer	
19	70004757	1	Pin, Centering	
20	70004758	1	Spring	
21	70004759	1	Ring, Retaining	
22	70004760	1	E-Ring	
23	70004761	1	Can, Enclosure	
24	70004762	1	Boot	
25	70004763	1	Bezel	
26	See Note	8	Screw (Note: Not Available for Purchase)	
27	See Note	1	Base Mounting (Note: Not Available - Purchase Complete Assembly)	
28	See Note	4	Screw (Note: Not Available for Purchase)	
29	70004764	4	Screw	
30	70004765	4	Screw	
31	70004766	1	O-Ring	
32	See Note	1	Plate (Note: Not Available - Purchase Complete Assembly)	
33	See Note	1	Harness (Note: Not Available - Purchase Complete Assembly)	
34	70004767	1	Grommet, Rubber	
35	70004768	1	Housing	
36	70004769	1	Spring	
37	70004770	1	Stopper	
38	70004771	1	Spacer	
39	70004772	1	Washer	
40	70004773	1	Disc	

SECTION 4 - PLATFORM

ITEM	PART NUMBER	QTY	DESCRIPTION	REV
41	70004774	2	Ring, Retaining	
42	70004775	1	Spring	
101	4460265	1	Connector - 9 Position	
101	4460226	6	Socket, Female	

SECTION 4 - PLATFORM

FIGURE 4-7. CONTROLLER ASSEMBLY - DRIVE AND STEER (SN 0300183034 through 0300188905)



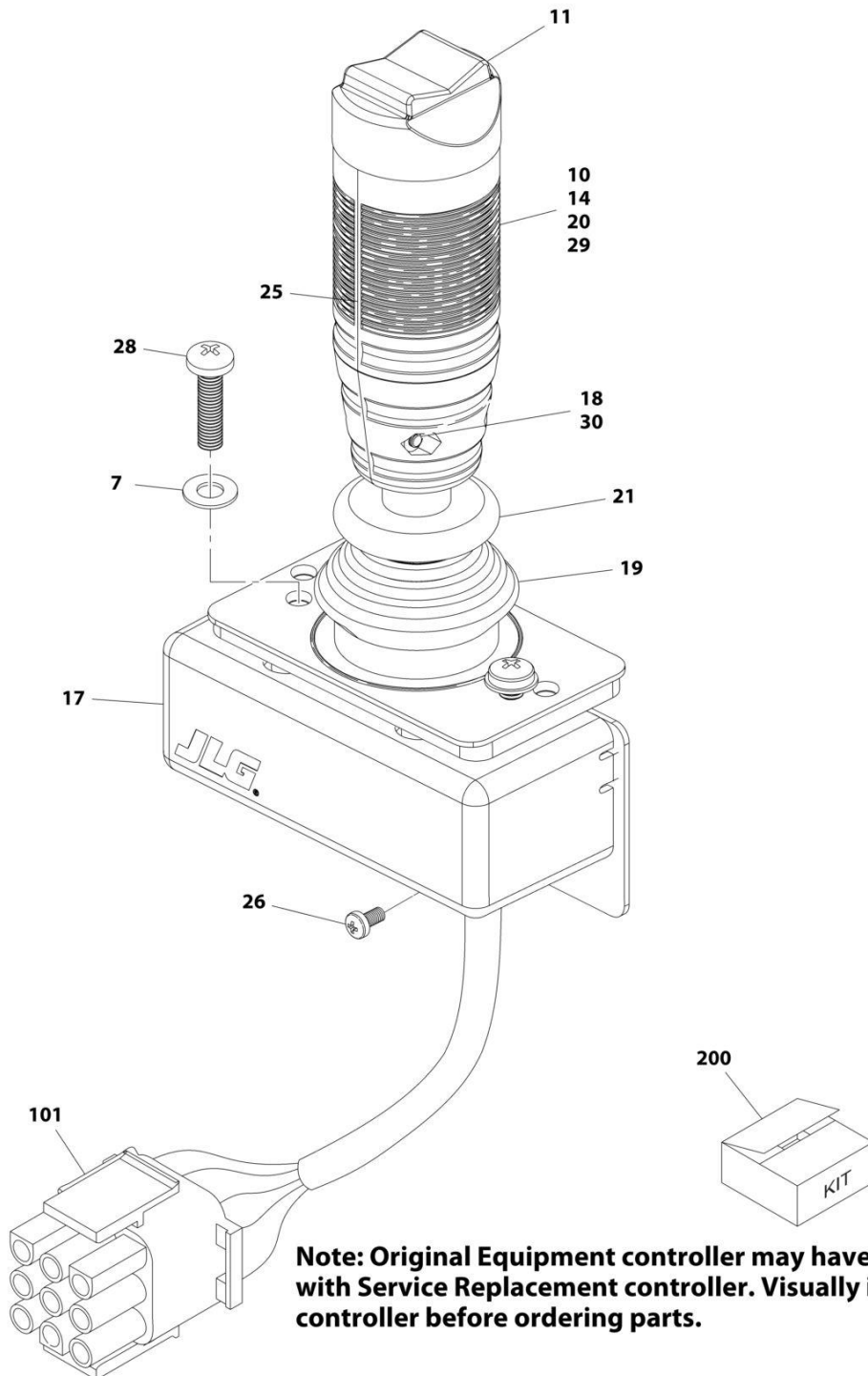
SECTION 4 - PLATFORM

FIGURE 4-7. CONTROLLER ASSEMBLY - DRIVE AND STEER (SN 0300183034 through 0300188905)

ITEM	PART NUMBER	QTY	DESCRIPTION	REV
		Ref	Note: Original Equipment controller may have been replaced with a Service Replacement controller. Visually identify controller before ordering parts.	
	1001118416	Ref	CONTROLLER ASSEMBLY (SN 0300183034 through 0300188905)	D
		Ref	Note: Use p/n 1001212415 as Replacement.	
101	70002724	1	Boot and Control Lock Assembly	
102	7003941	2	Washer	
103	70002725	2	Screw	
104	7019162	1	Spring	
105	70002726	1	Enclosure	
106	70002727	1	Handle Assembly (See Items 201-210 for Breakdown)	
107	70002728	1	Screw	
108	See Note	1	Mechanical Assembly (Note: Not Available - Purchase Complete Assembly)	
109	1001113961	1	Plug, Male - 8 Position (Black) (was p/n 7022825)	
109	4460871	7	Socket, Female	
	70002727	Ref	HANDLE ASSEMBLY	
201	7003972	1	Boot, Switch	
202	7003973	2	Half, Handle	
203	7003980	4	Screw	
204	7019167	4	Nut	
205	7019164	1	Axle	
206	7019165	1	Rocker	
207	70002729	1	Wiring Assembly	
207	7003982	2	Switch, Micro	
208	7003983	2	Setscrew	
209	7019194	1	Coupling	
210	7003989	2	Gasket	

SECTION 4 - PLATFORM

FIGURE 4-8. CONTROLLER ASSEMBLY - DRIVE AND STEER (SN 0300188906 through 0300272376)



Note: Original Equipment controller may have been replaced with Service Replacement controller. Visually identify controller before ordering parts.

ART_1001166538

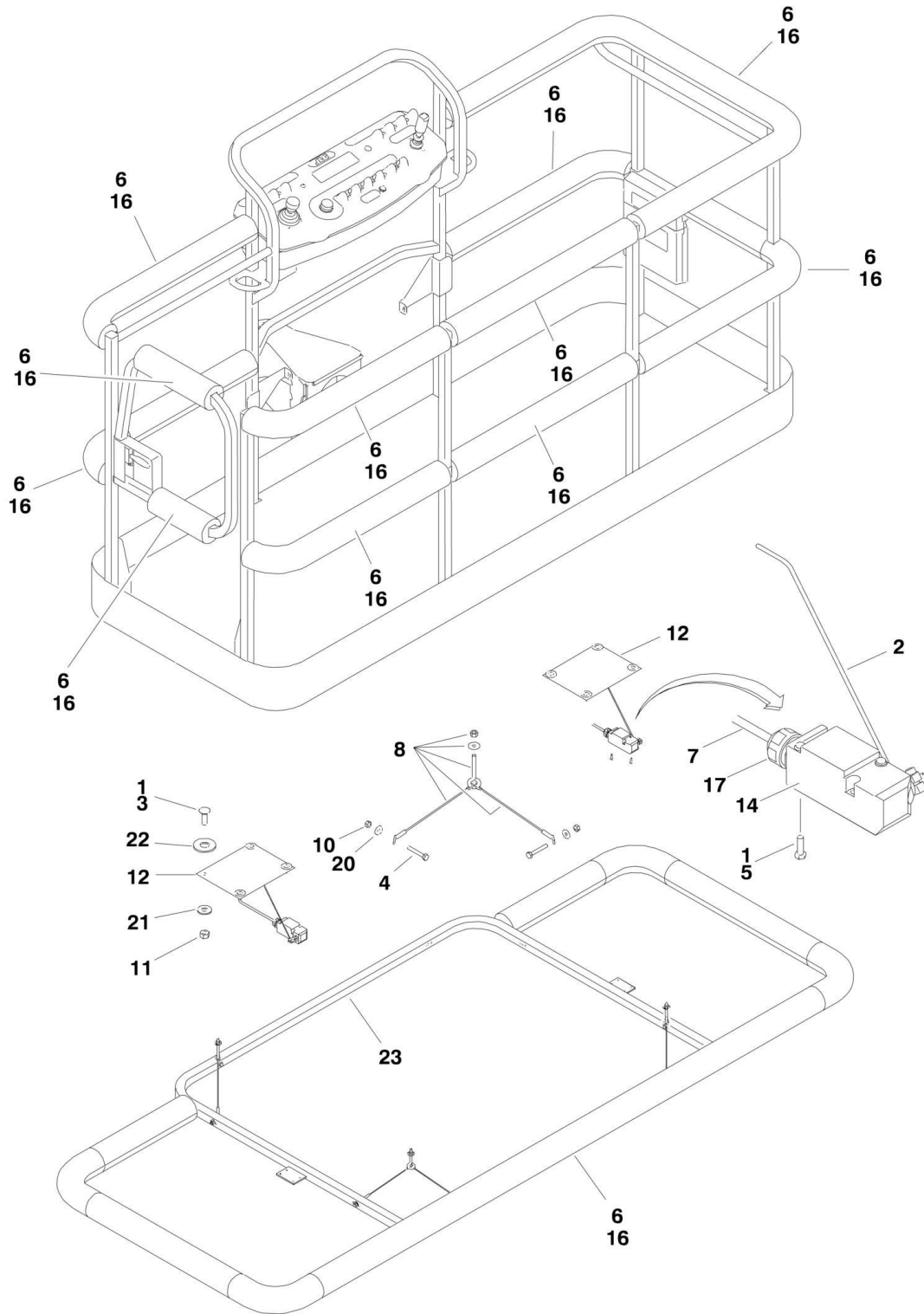
SECTION 4 - PLATFORM

FIGURE 4-8. CONTROLLER ASSEMBLY - DRIVE AND STEER (SN 0300188906 through 0300272376)

ITEM	PART NUMBER	QTY	DESCRIPTION	REV
		Ref	Note: Original Equipment controller may have been replaced with a Service Replacement controller. Visually identify controller before ordering parts.	
	1001166538	Ref	CONTROLLER ASSEMBLY - DRIVE AND STEER (SN 0300188906 through 0300272376)	G
		Ref	Note: Use p/n 1001212415 as Replacement.	
7	70004738	2	Washer	
10	70004739	1	Roller	
11	70004740	1	Boot, Switch	
14	70004741	2	Half, Handle	
17	70004742	1	Enclosure	
18	70004743	4	Nut	
19	70004744	NLA	Boot, Controller (Use Item 200)	
20	70004745	NLA	Tube, Locking (Use Item 200)	
21	70004746	NLA	Disc, Locking (Use Item 200)	
25	70004747	2	Seal, Rope	
26	70004748	1	Screw, M3 x 6mm	
28	70004749	2	Screw, M5 x 20mm	
29	70004750	1	Pin, Dowel	
30	70004751	4	Screw, M3 x 16mm	
101	4460265	1	Connector - 9 Position	
101	4460226	7	Socket, Female	
200	70005230	1	Boot Kit (Includes Items 19-21)	

SECTION 4 - PLATFORM

FIGURE 4-9. SOFT TOUCH SYSTEM INSTALLATION (OPTIONAL)



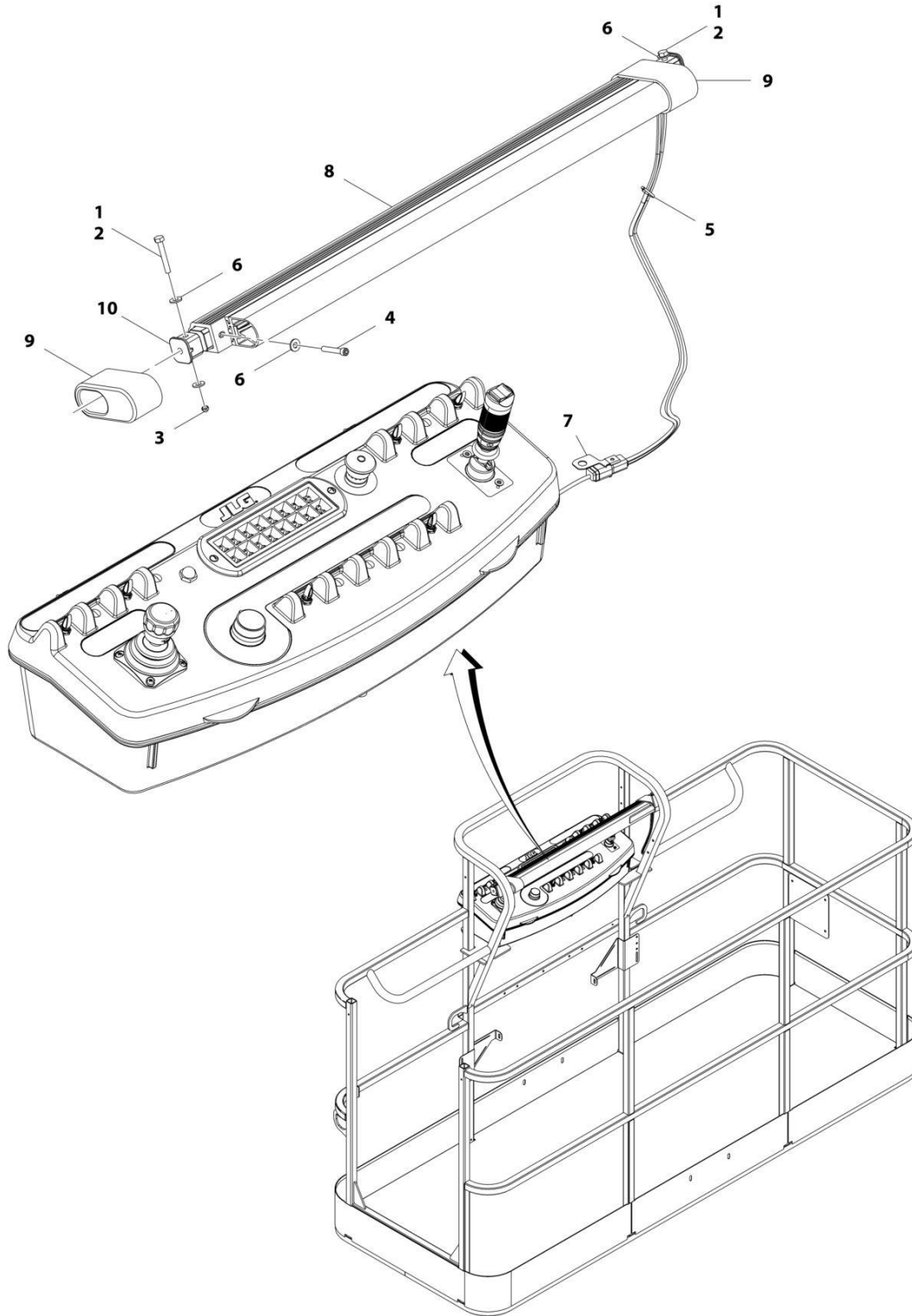
SECTION 4 - PLATFORM

FIGURE 4-9. SOFT TOUCH SYSTEM INSTALLATION (OPTIONAL)

ITEM	PART NUMBER	QTY	DESCRIPTION	REV
	0273824	Ref	SOFT TOUCH SYSTEM INSTALLATION - 6FT/1.83M PLATFORM (OPTIONAL)	D
	1001108256	Ref	SOFT TOUCH SYSTEM INSTALLATION - 6FT/1.83M FALL ARREST PLATFORM (OPTIONAL)	C
	0272427	Ref	SOFT TOUCH SYSTEM INSTALLATION - 8FT/2.44M PLATFORM (OPTIONAL)	G
	0273706	Ref	SOFT TOUCH SYSTEM INSTALLATION - 8FT/2.44M FALL ARREST PLATFORM (OPTIONAL)	D
1	0100011	AR	Compound, Locking	
2	0200048	2	Arm, Switch Activator	
3	0630462	8	Bolt	
4	0641414	8	Bolt 1/4-20 x 1-3/4	
5	0731005	4	Screw #10-32 x 5/8	
6	0940134	1	Bumper Kit (6ft/1.8m Platform)	
6	0940103	1	Bumper Kit (8ft/2.4m Platform)	
6	0940177	1	Bumper Kit (6ft/1.8m Platform with Fall Arrest)	
6	0940133	1	Bumper Kit (8ft/2.4m Platform with Fall Arrest)	
7	1060341	AR	Cable, Electrical - 16/2	
8	1060903	4	Wire Rope and Eyebolt Assembly	
10	3311401	8	Nut 1/4-20	
11	3311501	8	Nut 5/16-18	
12	3575359	2	Plate, Striker (6ft/1.8m Platforms)	
12	3574091	2	Plate, Striker (8ft/2.4m Platforms)	
13	4240099	7	Tie-Strap (Not Shown)	
14	4360057	2	Switch, Limit	
16	4420068	AR	Tape, Yellow Adhesive	
16	1001197017	AR	Tie-Strap (not Shown)	
17	4460425	2	Connector, Strain Relief (6ft/1.8m Platforms)	
17	4460049	2	Connector, Strain Relief (8ft/2.4m Platforms)	
17	4460049	2	Connector, Strain Relief (All Platforms with all Arrest)	
18	4460234	AR	Base, Tie-Strap Mounting (Not Shown)	
20	4751400	8	Washer 1/4	
21	4751500	AR	Washer 5/16	
22	4751800	8	Washer 1/2	
23	3641569	1	Rail, SoftTouch (6ft/1.8m Platforms)	
23	4846673	1	Rail, SoftTouch (8ft/2.4m Platforms)	
	1001157013	Ref	SOFT TOUCH COUNTERWEIGHT INSTALLATION (NOT SHOWN)	C
	1001157012	1	Counterweight (Located in Frame)	

SECTION 4 - PLATFORM

FIGURE 4-10. SKYGUARD SYSTEM INSTALLATION (SN 0300183034 through 0300259888)



ART_1001187508

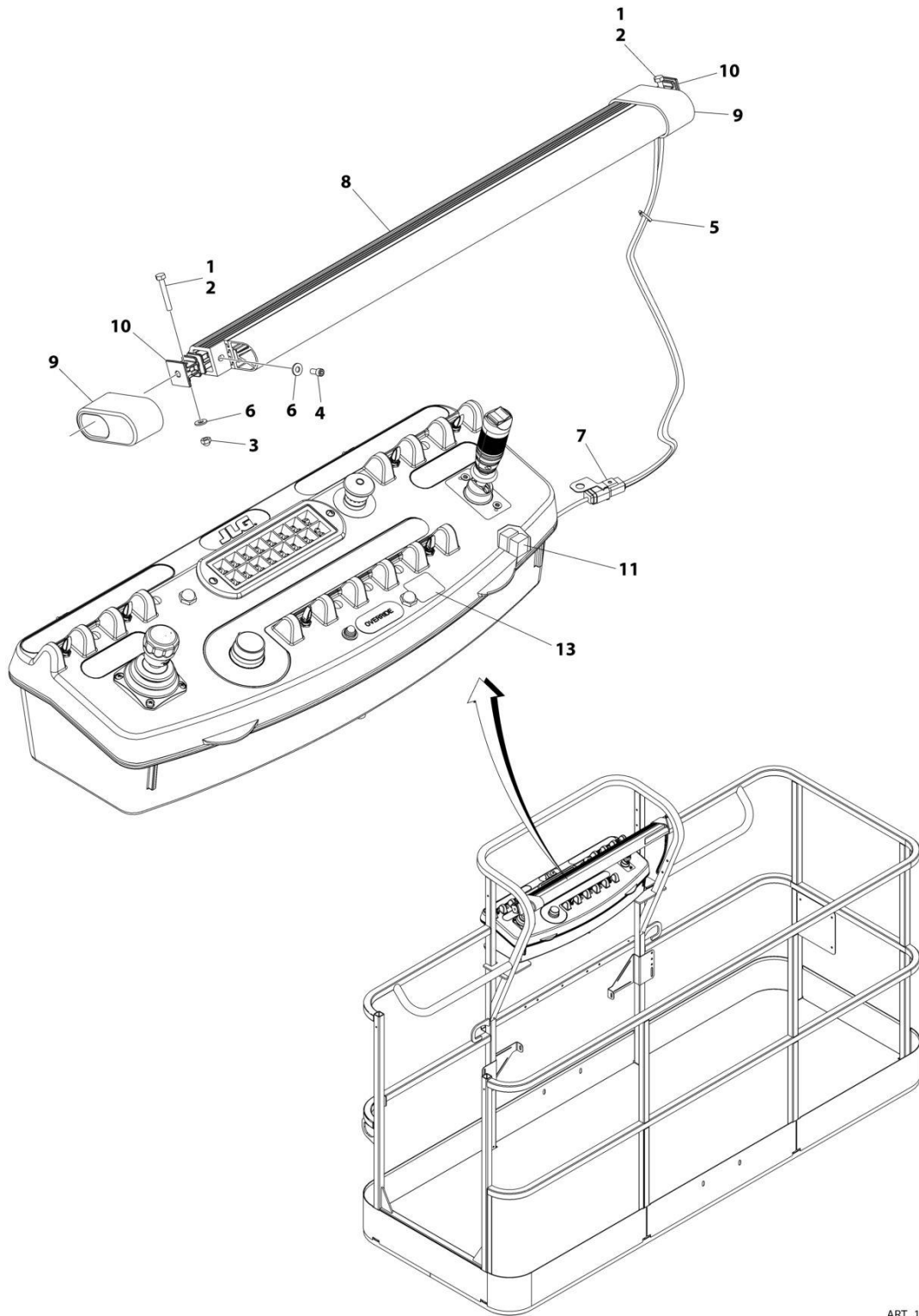
SECTION 4 - PLATFORM

FIGURE 4-10. SKYGUARD SYSTEM INSTALLATION (SN 0300183034 through 0300259888)

ITEM	PART NUMBER	QTY	DESCRIPTION	REV
	1001187508	Ref	SKYGUARD SYSTEM INSTALLATION	C
		Ref	Note: For Machines SN 0300183034 through SN 0300201003, refer to SPECIAL OPTIONS Section.	
1	0100011	AR	Compound, Locking	
2	0641414	2	Bolt, 1/4-20 x 1-3/4	
3	3300430	2	Nut, Acorn 1/4-20	
4	3931424	2	Capscrew, 1/4-20 x 1-1/2	
4	3931408	2	Capscrew 1/4 x 1/2	
5	4240033	AR	Tie-Strap	
6	4711400	AR	Washer, 1/4	
7	1001120328	1	Mount	
8	1001137673	1	Switch, SkyGuard Assembly	
9	1001186517	2	Cover, Platform Sensor	
10	1001188889	NLA	Support, Block (Use p/n 1001209664) (SN 0300200809 through 0300244579)	
10	1001209664	2	Support, Block (SN 0300244580 through 0300272376)	

SECTION 4 - PLATFORM

FIGURE 4-11. SKYGUARD SYSTEM INSTALLATION (SN 0300259889 through 0300272376)



ART_1001238495

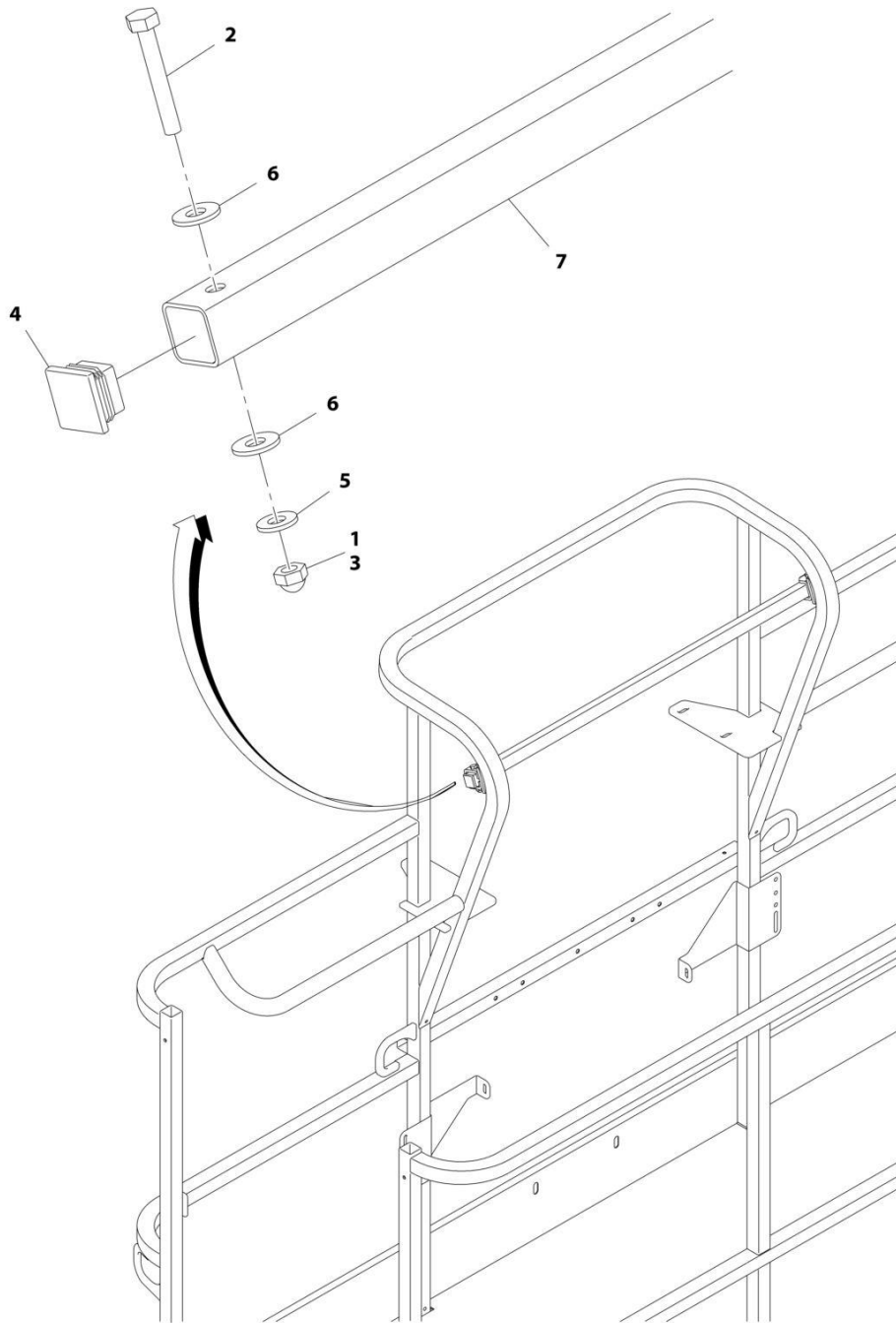
SECTION 4 - PLATFORM

FIGURE 4-11. SKYGUARD SYSTEM INSTALLATION (SN 0300259889 through 0300272376)

ITEM	PART NUMBER	QTY	DESCRIPTION	REV
	1001238495	Ref	SKYGUARD BAR INSTALLATION	A
1	0100011	AR	Compound, Locking	
2	0641414	2	Bolt 1/4 x 1-3/4	
3	3300430	2	Nut 1/4	
4	3931408	2	Capscrew 1/4 x 1/2	
5	4240033	8	Tie-Strap	
6	4711400	6	Washer 1/4	
7	1001120328	1	Mount	
8	1001137673	1	SkyGuard Switch Assembly	
9	1001186517	2	Cover, Platform Sensor	
10	1001209664	2	Support, Block	
11	1001186431	2	Relay	
12	1001225580	1	Interface Harness Assembly (Not Shown - Located Inside Console Box) (See Separate Breakdown in ELECTRICAL Section)	
13	1001144433	1	Decal - No Weight SkyGuard	

SECTION 4 - PLATFORM

FIGURE 4-12. CROSS RAIL INSTALLATION



ART_1001182138

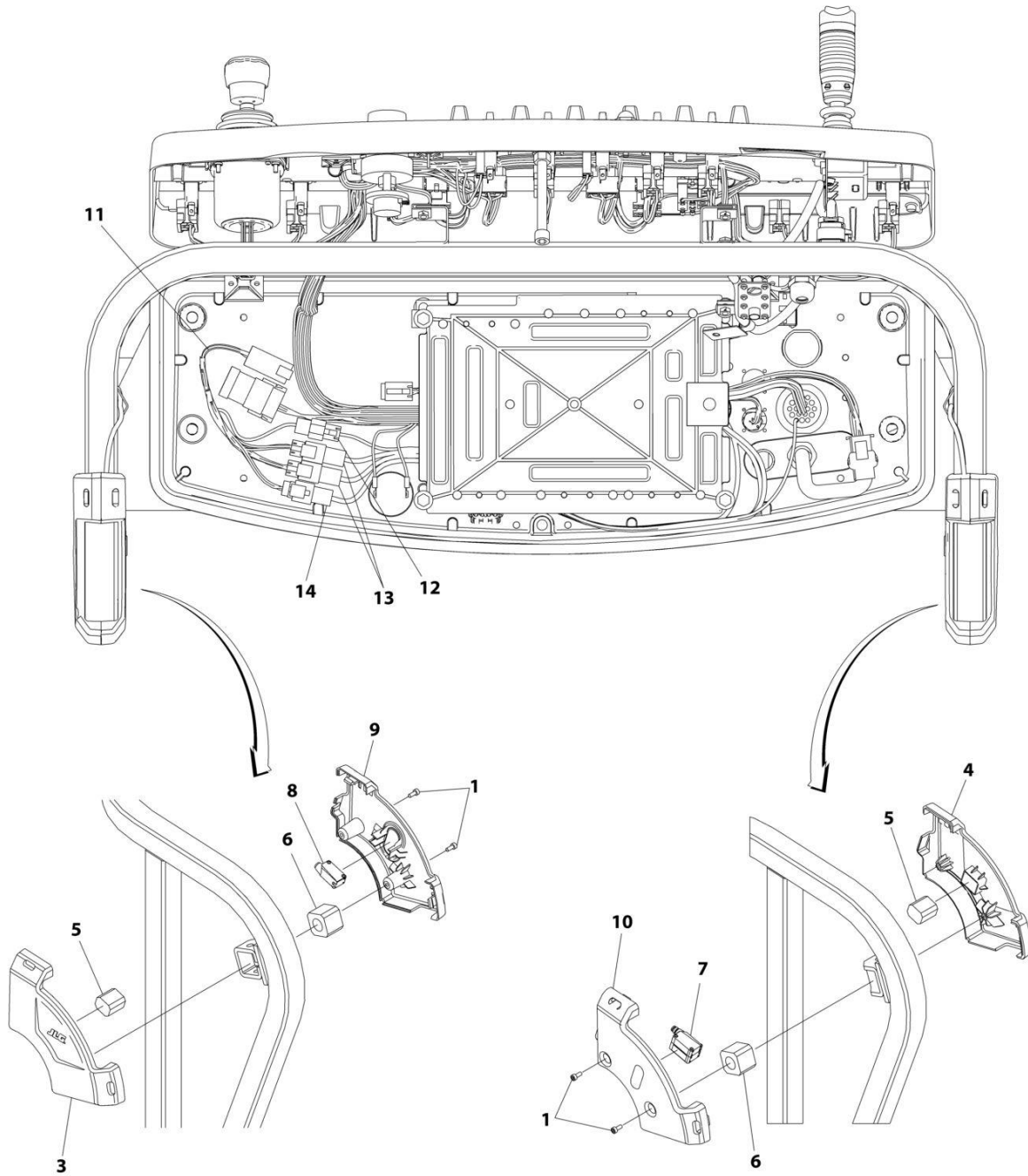
SECTION 4 - PLATFORM

FIGURE 4-12. CROSS RAIL INSTALLATION

ITEM	PART NUMBER	QTY	DESCRIPTION	REV
	1001182138	Ref	CROSS RAIL INSTALLATION	A
1	0100071	AR	Compound, Locking	
2	0641414	2	Bolt 1/4 x 1-3/4	
3	3300430	2	Nut 1/4	
4	3520182	2	Plug	
5	4711400	2	Washer 1/4	
6	4751400	4	Washer 1/4	
7	1001191708	1	Bar	

SECTION 4 - PLATFORM

FIGURE 4-13. SKYEYE INSTALLATION



ART_1001229341

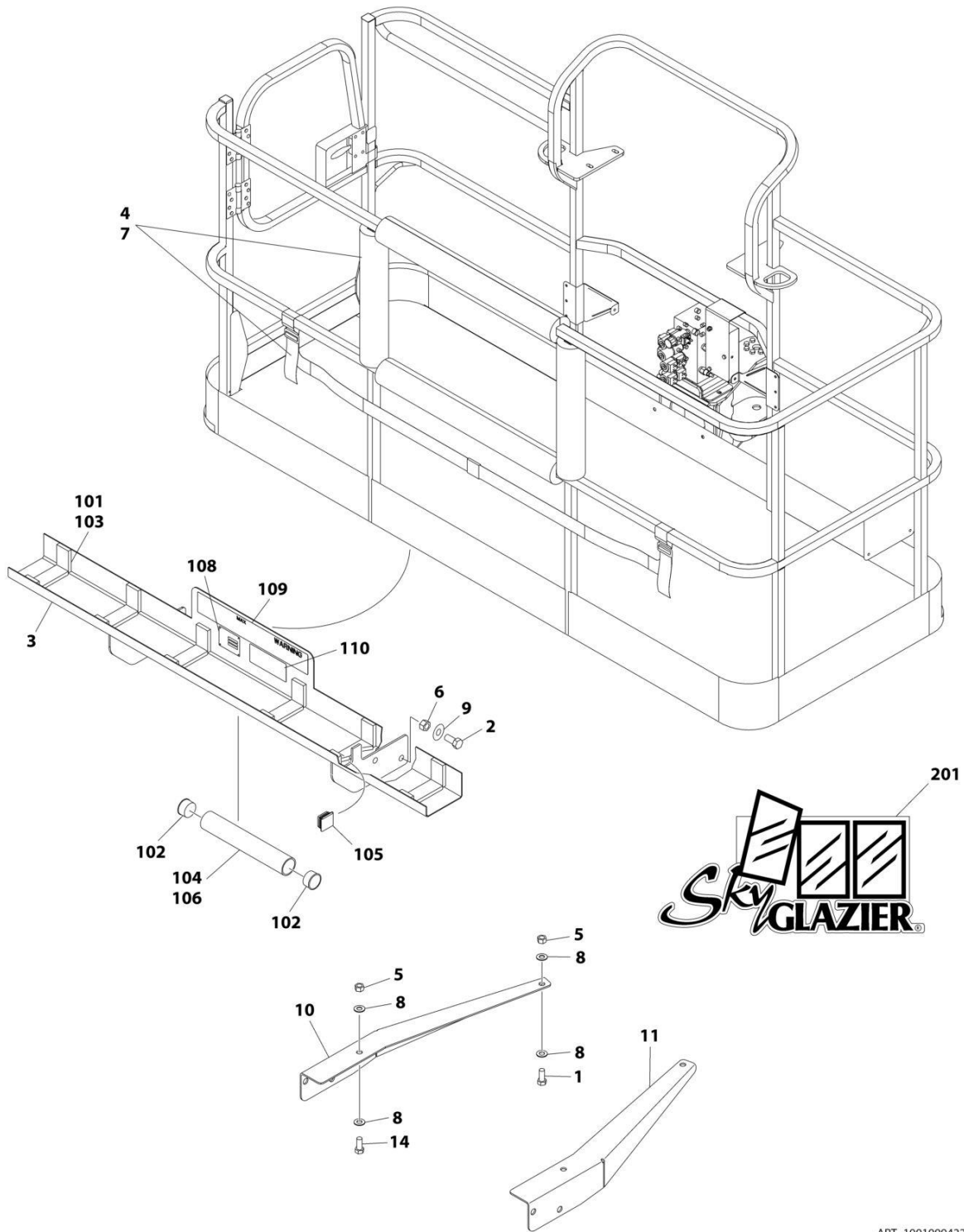
SECTION 4 - PLATFORM

FIGURE 4-13. SKYEYE INSTALLATION

ITEM	PART NUMBER	QTY	DESCRIPTION	REV
	1001229341	Ref	SKYEYE INSTALLATION	B
1	4031505	4	Bolt M4 x 10	
2	4240033	AR	Tie-Strap (Not Shown)	
3	1001227633	1	Housing, LH Outer	
4	1001227634	1	Housing, RH Outer	
5	1001227985	2	Shim	
6	1001227987	2	Shim	
7	1001228224	2	Sensor, Receiver	
8	1001228225	1	Sensor, Emitter	
9	1001232164	1	Housing, LH Inner	
10	1001232165	1	Housing, RH Inner	
11	1001237865	1	Harness, Skyeeye Intermediate (See Separate Breakdown in ELECTRICAL Section)	
12	1001238319	NLA	Harness, Skyeeye Drain Jumper	
12	1001187674	1	Plug, Male - 2 Position	
12	4460942	1	Terminal	
12	4460466	1	Plug, Terminal	
12	4460508	1	Pin, Male	
13	1001237863	2	Harness, Skyeeye Receiver (See Separate Breakdown in ELECTRICAL Section)	
14	1001237864	1	Harness, Skyeeye Emitter (See Separate Breakdown in ELECTRICAL Section)	

SECTION 4 - PLATFORM

FIGURE 4-14. SKYGLAZIER INSTALLATION



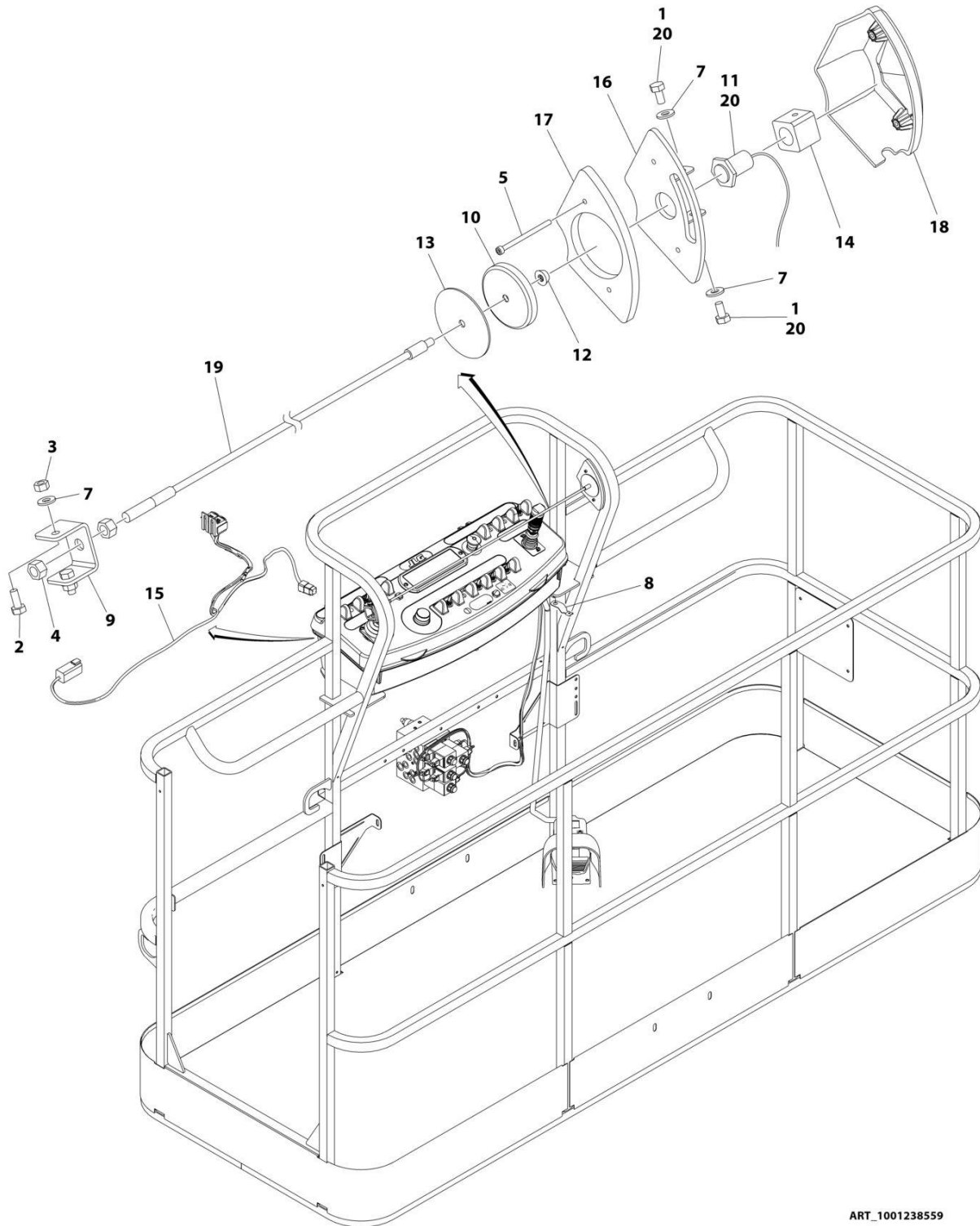
SECTION 4 - PLATFORM

FIGURE 4-14. SKYGLAZIER INSTALLATION

ITEM	PART NUMBER	QTY	DESCRIPTION	REV
	1001101422	Ref	SKYGLAZIER INSTALLATION (ANSI, ANSI EXPORT AND CSA SPECS)	C
	1001102647	Ref	SKYGLAZIER INSTALLATION (AUSTRALIAN SPECS) (SN 0300183034 through 0300234279)	C
	1001101422	Ref	SKYGLAZIER INSTALLATION (AUSTRALIAN SPECS) (SN 0300234280 through 0300272376)	C
	1001099422	Ref	SKYGLAZIER INSTALLATION (BRAZIL SPECS)	C
	1001099421	Ref	SKYGLAZIER INSTALLATION (LATIN AMERICAN SPECS)	C
		Ref	Note: ANSI, ANSI Export (Brazil and Latin American), Australian and CSA Specs Only.	
1	0642012	2	Bolt 5/8 x 1-1/2	
1	0642026	2	Bolt 5/8 x 3-1/4	
2	0642212	4	Bolt 3/4 x 1-1/2	
3	1001101421	1	Tray Assembly (All Spec except Brazil and Latin American Specs) (See Items 101-110 for Breakdown)	
3	0272951	1	Tray Assembly (Brazil Spec) (See Items 101-110 for Breakdown)	
3	0272948	1	Tray Assembly (Latin American Spec) (See Items 101-110 for Breakdown)	
4	2902212	1	Bumpers and Strap Kit	
4	0940102	1	Bumper Only	
4	4240149	1	Strap Only	
5	3312005	4	Nut 5/8	
5	1001149924	AR	Nut, Plastic 5/8	
6	3312205	4	Nut 3/4	
7	4420014	AR	Tape	
8	4712000	6	Washer 5/8	
9	4712200	8	Washer 3/4	
10	1001099366	1	Support	
11	1001099367	1	Support	
14	8310129	2	Bolt 5/8 x 2-1/2	
14	0642026	2	Bolt 5/8 x 3-1/4	
14	8310230	2	Bolt 5/8 x 4	
	1001101421	Ref	TRAY ASSEMBLY (ALL SPECS EXCEPT BRAZIL AND LATIN AMERICAN SPECS)	E
	0272951	Ref	TRAY ASSEMBLY (BRAZIL SPECS)	E
	0272948	Ref	TRAY ASSEMBLY (LATIN AMERICAN SPECS)	E
101	0100081	AR	Adhesive	
102	1120555	2	Cap, Tube	
103	3340956	1	Pad Kit	
104	3460334	1	Tube	
105	3520071	2	Plug	
106	4420066	AR	Tape, Double Sided	
108	See Note	NSS	Nameplate - Serial Number (Note: Not Available for Purchase)	
109	1001163131	1	Decal - Glazier Capacity (All Specs except Brazil and Latin American Specs)	
109	1001163297	2	Decal - Glazier Capacity (Brazil Specs)	
109	1001163296	2	Decal - Glazier Capacity (Latin American Specs)	
110	1701509	2	Decal - Manual	
	0272418	Ref	SKYGLAZIER DECAL INSTALLATION	4
201	1705358	2	Decal - SkyGlazier	

SECTION 4 - PLATFORM

FIGURE 4-15. SKYLINE INSTALLATION



ART_1001238559

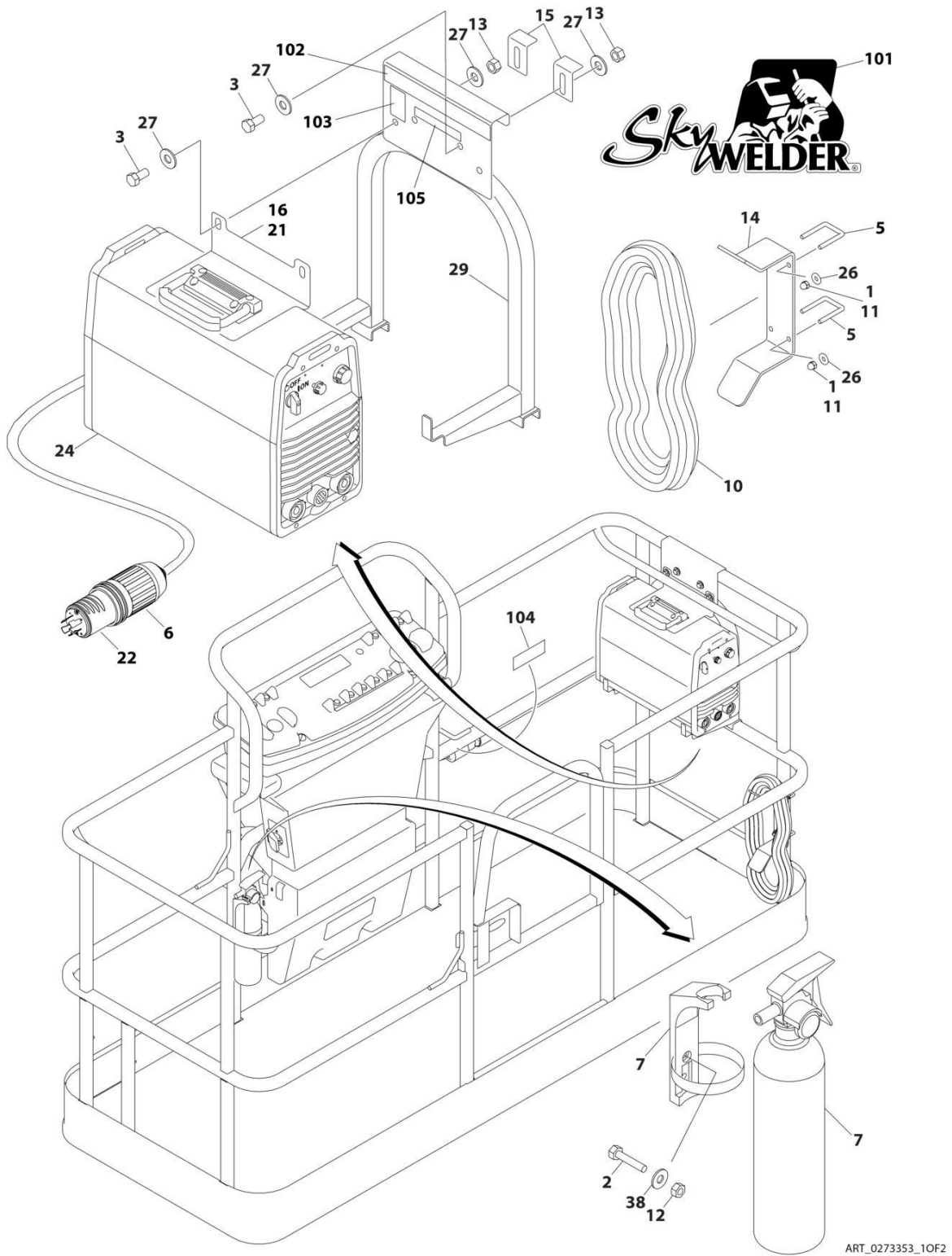
SECTION 4 - PLATFORM

FIGURE 4-15. SKYLINE INSTALLATION

ITEM	PART NUMBER	QTY	DESCRIPTION	REV
	1001238559	Ref	SKYLINE INSTALLATION	B
1	0641404	2	Bolt 1/4 x 1/2	
2	0641405	2	Bolt 1/4 x 5/8	
3	3311405	2	Nut 1/4	
4	3311601	2	Nut 3/8	
5	4031516	2	Capscrew M4 x 60	
6	4240033	AR	Tie-Strap (Not Shown)	
7	4711400	4	Washer 1/4	
8	1001120328	1	Mount	
9	1001232642	1	Bracket	
10	1001232650	1	Magnet	
11	1001232667	1	Sensor, Proximity	
12	1001235011	1	Nut	
13	1001235013	1	Washer	
14	1001236552	1	Block	
15	1001238418	1	Harness, Skyline (See Separate Breakdown in ELECTRICAL Section)	
16	1001238472	1	Mount	
17	1001238477	1	Housing, LH	
18	1001241965	1	Housing, RH	
19	1001238824	1	Rope	
20	0100011	AR	Compound, Locking	

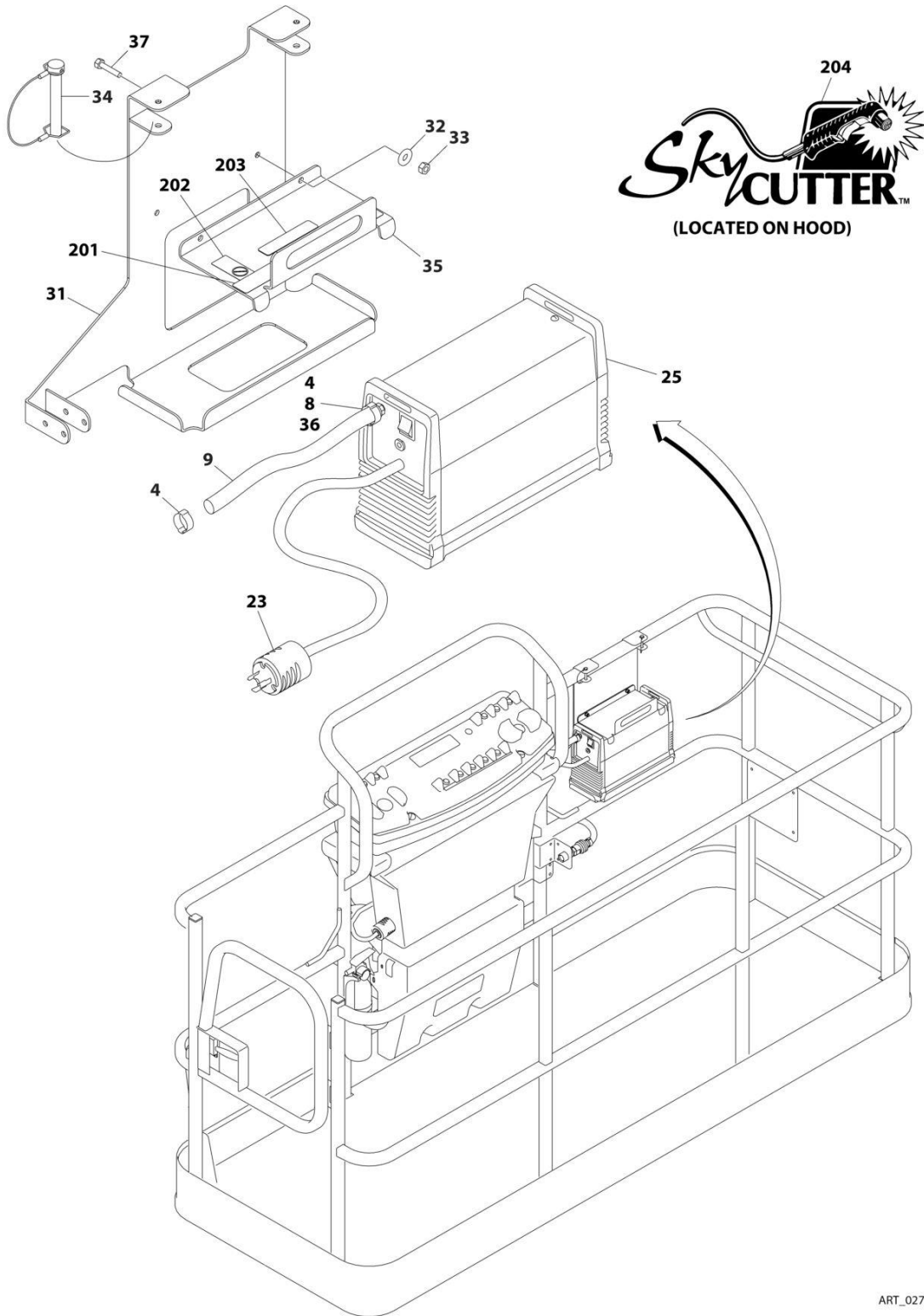
SECTION 4 - PLATFORM

FIGURE 4-16. SKYWELDER/SKYCUTTER COMBO INSTALLATION (60HZ)



ART_0273353_10F2

SECTION 4 - PLATFORM



ART_0273353_20F2

SECTION 4 - PLATFORM

FIGURE 4-16. SKYWELDER/SKYCUTTER COMBO INSTALLATION (60HZ)

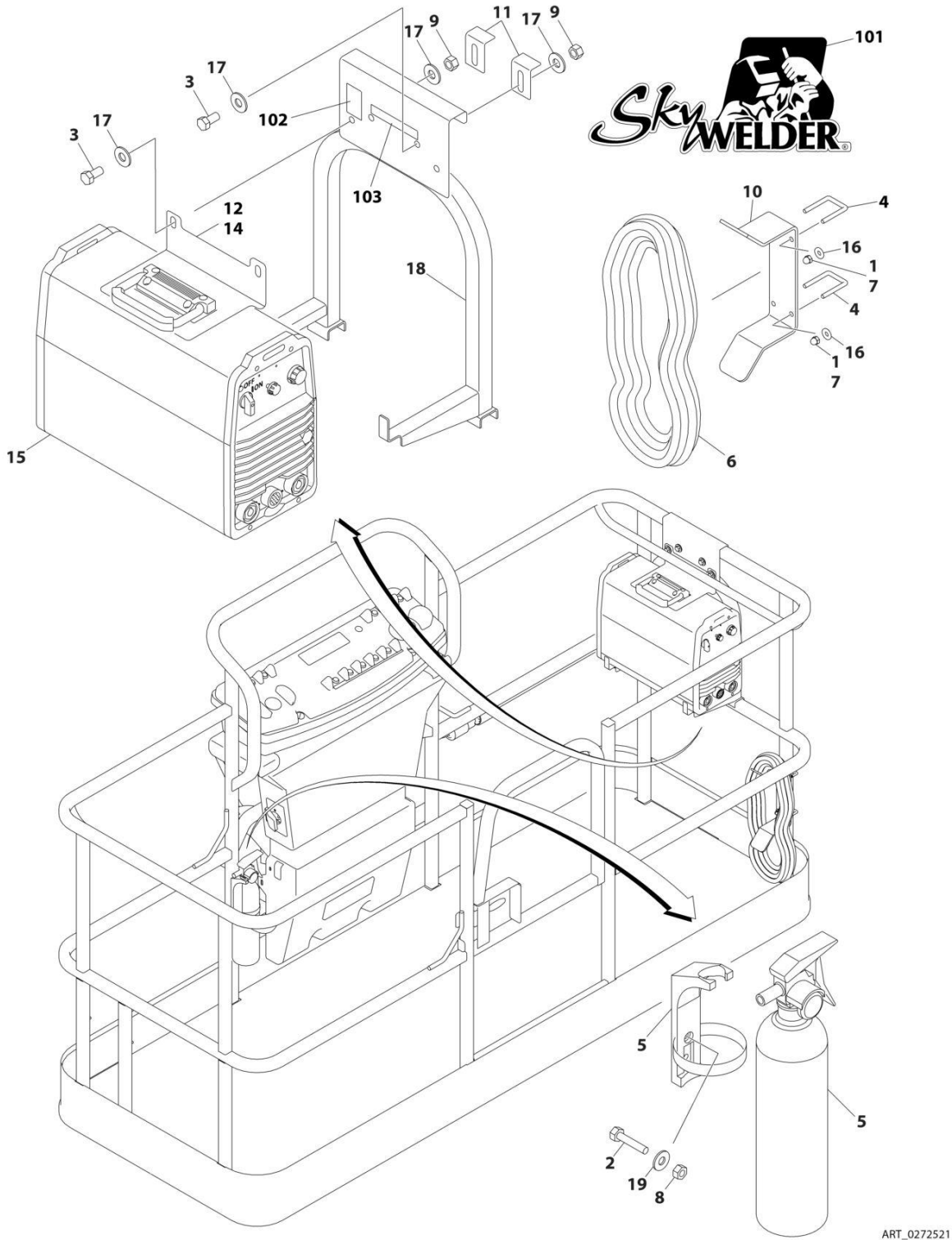
ITEM	PART NUMBER	QTY	DESCRIPTION	REV
	0273353	Ref	SKYWELDER/SKYCUTTER COMBO INSTALLATION (60HZ)	G
		Ref	Note: ANSI, ANSI Export and CSA Spec Only.	
1	0100011	AR	Compound, Locking	
2	0630518	2	Screw #10 x 3/4	
3	0641606	4	Bolt 3/8 x 3/4	
4	1320177	2	Clamp	
5	1320302	2	Clamp	
6	1671093	1	Cover, Plug	
7	2030010	1	Extinguisher, Fire	
8	2180832	1	Fitting, Barbed/NPT	
9	2720160	4.5 ft /1.37m	Hose	
10	2902217	1	Weld Leads Kit	
11	3300151	4	Nut 1/4	
12	3311005	2	Nut #10	
13	3311605	4	Nut 3/8	
14	3573400	1	Bracket	
15	3577121	2	Angle	
16	3573642	1	Plate	
20	4240099	AR	Tie-Strap (Not Shown)	
21	4420037	2.36 ft /.71m	Tape	
22	4460962	1	Plug, Twist Lock	
23	4460971	1	Plug, Twist Lock	
24	4530028	1	Welder Assembly (See WELDER ASSEMBLY for Breakdown)	
25	1001098012	1	Plasma Cutter Assembly (See PLASMA CUTTER ASSEMBLY for Breakdown)	
26	4751400	4	Washer 1/4	
27	4751600	8	Washer 3/8	
29	4846627	1	Support	
31	1001145405	1	Bracket	
32	4811700	2	Washer M6	
33	3290605	2	Nut M6	
34	3421453	3	Pin	
35	3576799	1	Plate, Hold-Down	
36	0100020	1	Sealant	
37	4010608	2	Screw M6 x 16	
38	4751000	2	Washer #10	
	0272448	Ref	SKYWELDER DECAL INSTALLATION	B
101	1705355	2	Decal - SkyWelder	
102	1702868	1	Decal - No Hands	
103	1705305	1	Decal - Weld Leads	
104	1705375	1	Decal - 240V - 3 Phase - 60 Hz	
105	1705466	NLA	Decal - Weight (Use p/n 1001228988) (SN 0300183034 through 0300233689)	
105	1001228988	1	Decal - Weight (SN 0300234690 through 0300272376)	
	0272599	Ref	SKYCUTTER DECAL INSTALLATION	B
201	1702868	1	Decal - No Hands	
202	1705305	1	Decal - Weld Leads	
203	1705466	NLA	Decal - Weight (Use p/n 1001228988) (SN 0300183034 through 0300233689)	

SECTION 4 - PLATFORM

ITEM	PART NUMBER	QTY	DESCRIPTION	REV
203	1001228988	1	Decal - Weight (SN 0300234690 through 0300272376)	
204	1705490	2	Decal - SkyCutter	

SECTION 4 - PLATFORM

FIGURE 4-17. SKYWELDER INSTALLATION (50HZ)



ART_0272521

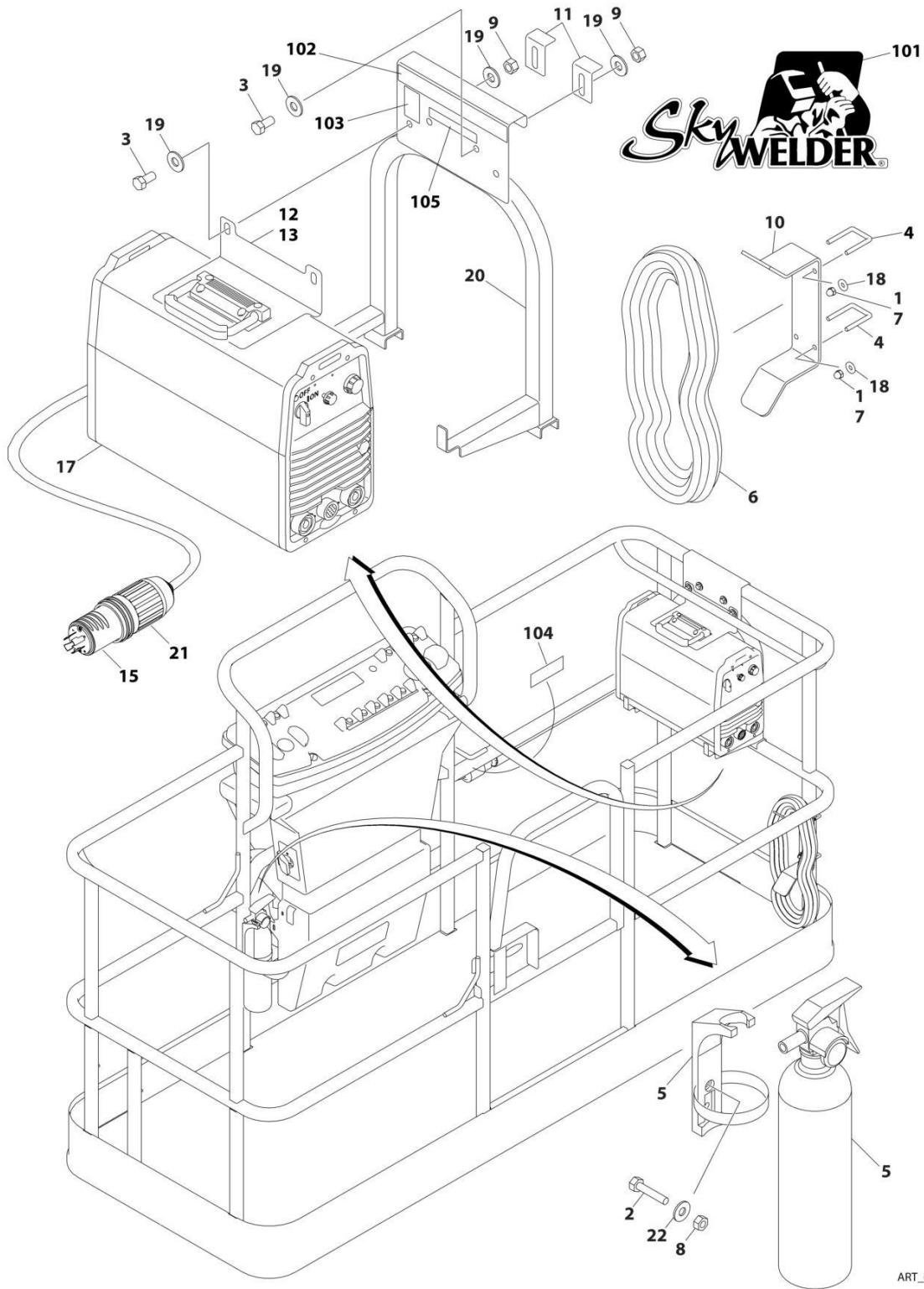
SECTION 4 - PLATFORM

FIGURE 4-17. SKYWELDER INSTALLATION (50HZ)

ITEM	PART NUMBER	QTY	DESCRIPTION	REV
	0272521	Ref	SKYWELDER INSTALLATION (50HZ)	F
		Ref	Note: ANSI Export, Australian, CE and Japanese Specs Only.	
1	0100011	AR	Compound, Locking	
2	0630518	2	Screw #10 x 3/4	
3	0641606	4	Bolt 3/8 x 3/4	
4	1320302	2	U-Clamp	
5	2030010	1	Extinguisher, Fire	
6	2902217	1	Weld Leads Kit	
7	3300151	4	Nut 1/4	
8	3311005	2	Nut #10	
9	3311605	4	Nut 3/8	
10	3573400	1	Bracket	
11	3577121	2	Angle	
12	3573642	1	Plate	
13	4240099	AR	Tie-Strap (Not Shown)	
14	4420037	AR	Tape	
15	4530028	1	Welder Assembly (See WELDER ASSEMBLY for Breakdown)	
16	4751400	4	Washer 1/4	
17	4751600	8	Washer 3/8	
18	4846627	1	Support	
19	4751000	2	Washer #10	
	0272588	Ref	SKYWELDER DECAL INSTALLATION	B
101	1705355	2	Decal - SkyWelder	
102	1705305	1	Decal - Weld Lead	
103	1705466	NLA	Decal - Weight (Use p/n 1001228988) (SN 0300183034 through 0300234689)	
103	1001228988	1	Decal - Weight (SN 0300234690 through 0300272376)	

SECTION 4 - PLATFORM

FIGURE 4-18. SKYWELDER INSTALLATION (60HZ)



ART_0272254

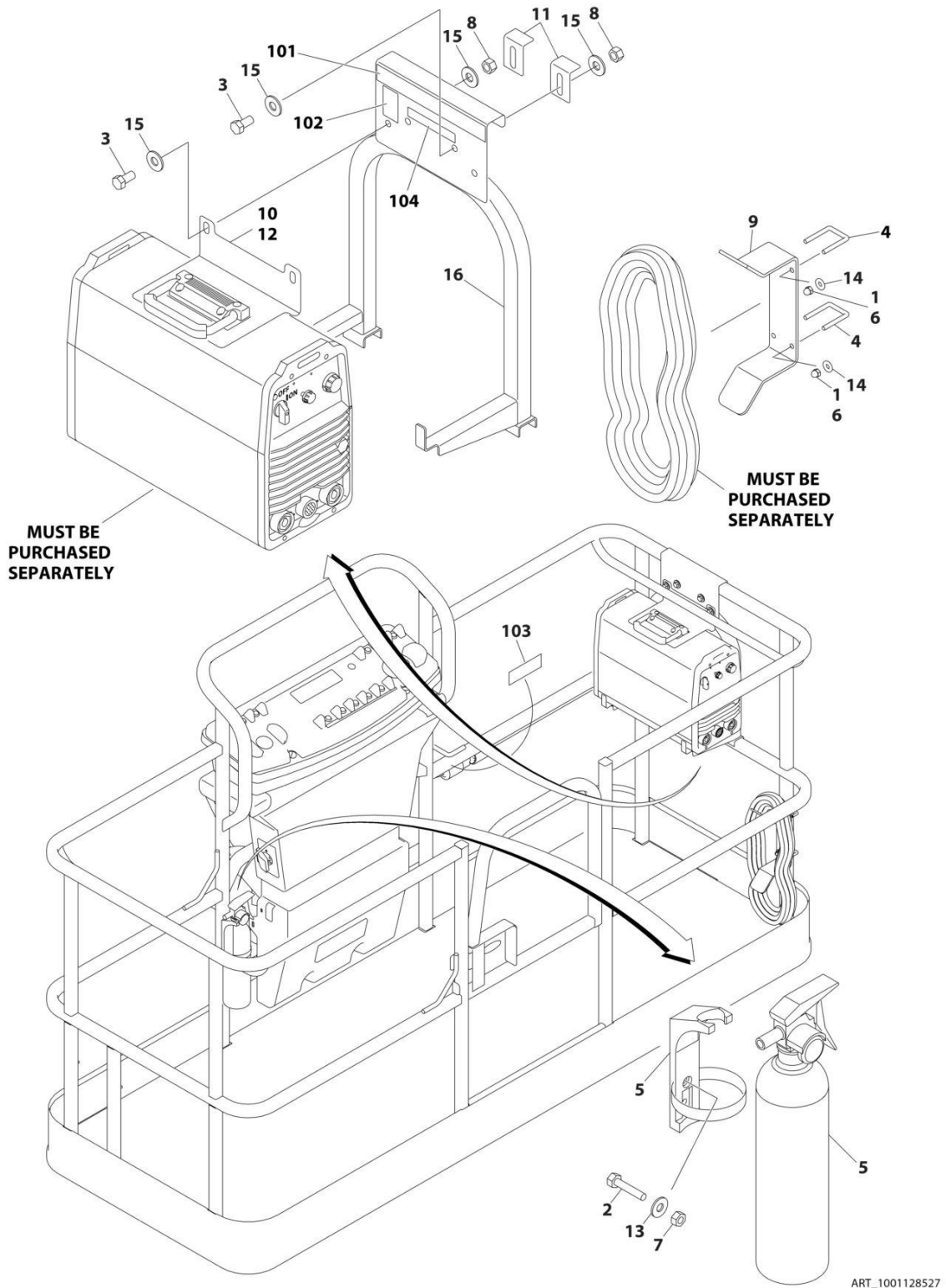
SECTION 4 - PLATFORM

FIGURE 4-18. SKYWELDER INSTALLATION (60HZ)

ITEM	PART NUMBER	QTY	DESCRIPTION	REV
	0272254	Ref	SKYWELDER INSTALLATION (60HZ)	I
		Ref	Note: ANSI, ANSI Export, CSA and Japanese Specs Only.	
1	0100011	AR	Compound, Locking	
2	0630518	2	Screw #10 x 3/4	
3	0641606	4	Bolt 3/8 x 3/4	
4	1320302	2	U-Clamp	
5	2030010	1	Extinguisher, Fire	
6	2902217	1	Weld Leads Kit	
7	3300151	4	Nut 1/4	
8	3311005	2	Nut #10	
9	3311605	4	Nut 3/8	
10	3573400	1	Bracket	
11	3577121	2	Angle	
12	3573642	1	Plate	
13	4420037	AR	Tape	
14	4240099	AR	Tie-Strap (Not Shown)	
15	4460962	1	Plug, Male Twistlock	
17	4530028	1	Welder Assembly (See WELDER ASSEMBLY for Breakdown)	
18	4751400	4	Washer 1/4	
19	4751600	8	Washer 3/8	
20	4846627	1	Support	
21	1671093	1	Cover, Plug	
22	4751000	2	Washer #10	
	0272448	Ref	SKYWELDER DECAL INSTALLATION	B
101	1705355	2	Decal - SkyWelder	
102	1702868	1	Decal - No Hands	
103	1705305	1	Decal - Weld Lead	
104	1705375	1	Decal - 240V - 3 Phase - 60Hz	
105	1705466	NLA	Decal - Weight (Use p/n 1001228988) (SN 0300183034 through 0300234689)	
105	1001228988	1	Decal - Weight (SN 0300234690 through 0300272376)	

SECTION 4 - PLATFORM

FIGURE 4-19. SKYWELDER PREP PACKAGE (60HZ)



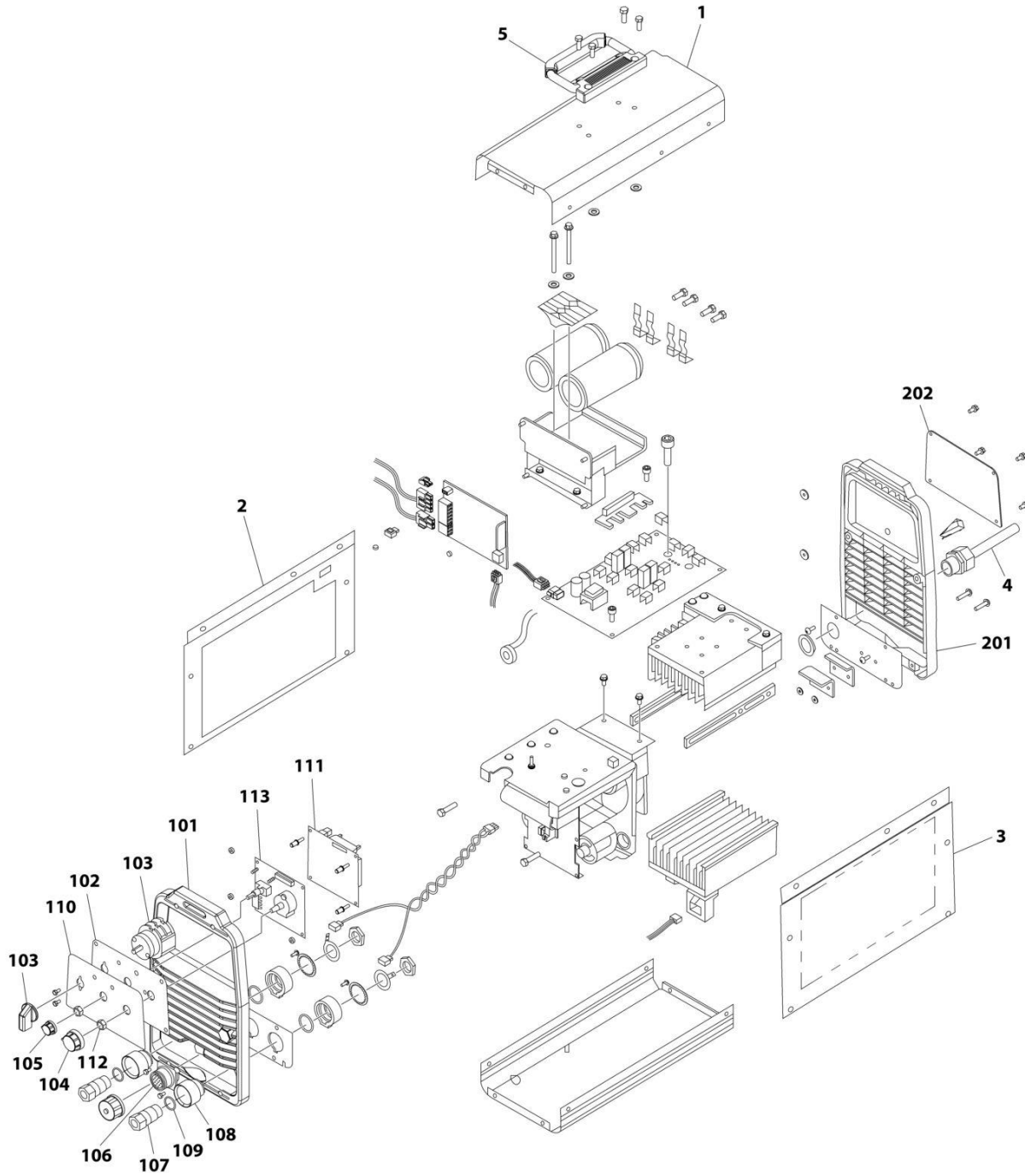
SECTION 4 - PLATFORM

FIGURE 4-19. SKYWELDER PREP PACKAGE (60HZ)

ITEM	PART NUMBER	QTY	DESCRIPTION	REV
	1001128527	Ref	SKYWELDER PREP PACKAGE (60HZ)	B
		Ref	Note: ANSI, ANSI Export and CSA Specs Only.	
1	0100011	AR	Compound, Locking	
2	0630518	2	Screw #10 x 3/4	
3	0641606	4	Bolt 3/8 x 3/4	
4	1320302	2	U-Clamp	
5	2030010	1	Extinguisher, Fire	
6	3300151	4	Nut 1/4	
7	3311005	2	Nut #10	
8	3311605	4	Nut 3/8	
9	3573400	1	Bracket	
10	3573642	1	Plate	
11	3577121	2	Angle	
12	4420037	AR	Tape	
13	4751000	2	Washer #10	
14	4751400	4	Washer 1/4	
15	4751600	8	Washer 3/8	
16	4846627	1	Support	
	1001128556	Ref	SKYWELDER DECAL INSTALLATION	B
101	1702868	1	Decal - No Hands	
102	1705305	1	Decal - Weld Lead	
103	1705375	1	Decal - 240V - 3 Phase - 60Hz	
104	1705466	NLA	Decal - Weight (Use p/n 1001228988) (SN 0300183034 through 0300234689)	
104	1001228988	1	Decal - Weight (SN 0300234690 through 0300272376)	

SECTION 4 - PLATFORM

FIGURE 4-20. WELDER ASSEMBLY



ART_4530028

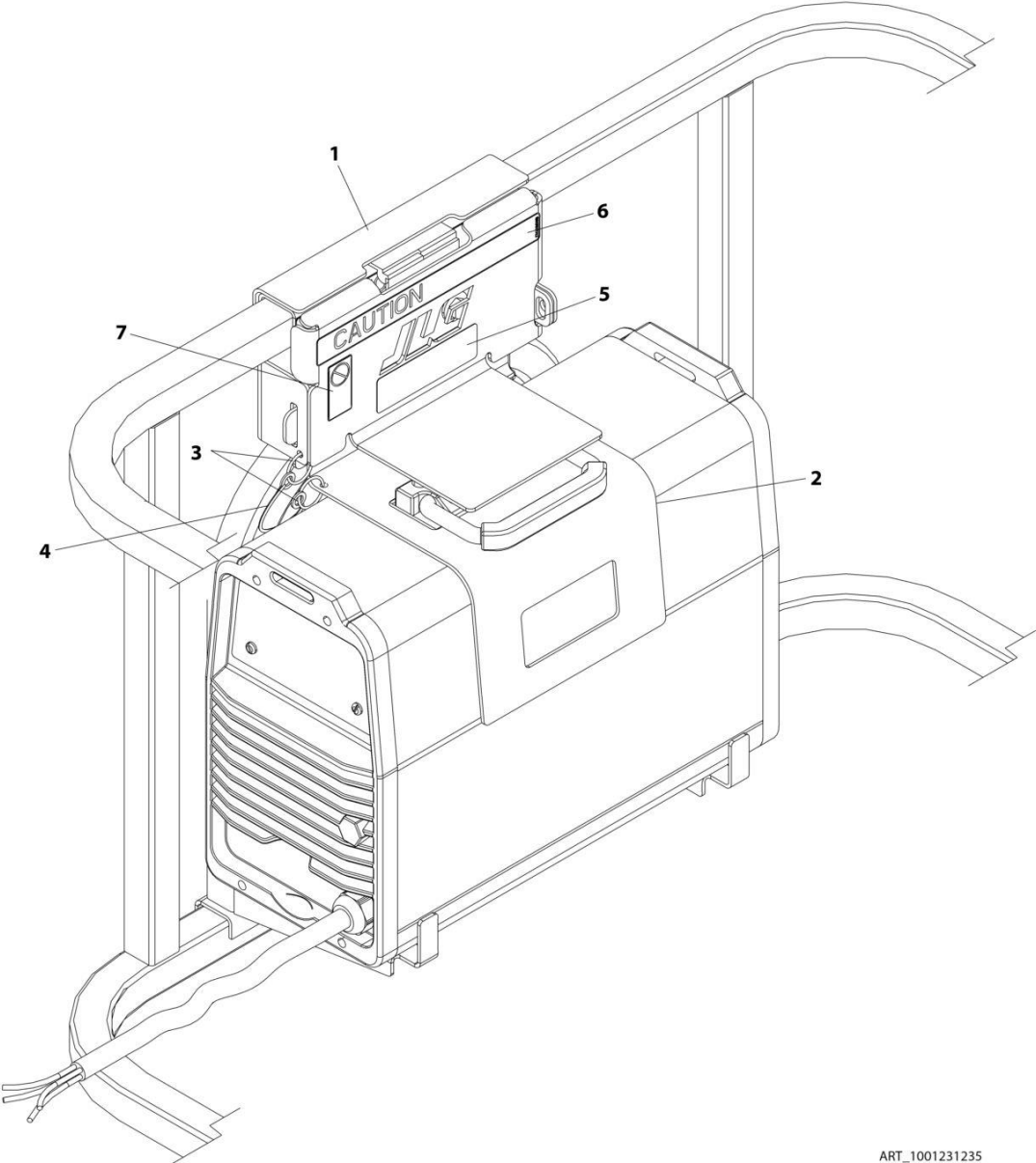
SECTION 4 - PLATFORM

FIGURE 4-20. WELDER ASSEMBLY

ITEM	PART NUMBER	QTY	DESCRIPTION	REV
	4530028	Ref	WELDER ASSEMBLY	B
		Ref	Note: For Other Components, contact your Miller Welder Dealer.	
1	7027773	1	Cover, Top	
1	7027774	1	Decal - Static Precautionary Warning	
2	See Note	NSS	Panel, LH Side (Note: Part of Item 1. Purchase Item 1)	
3	See Note	NSS	Panel, RH Side (Note: Part of Item 1. Purchase Item 1)	
4	7024467	1	Cable, Power	
4	7027775	1	Decal - Electrical Shock Warning (Not Shown)	
5	7027776	1	Handle, Carrying	
101	7024462	1	Panel, Front	
102	7024463	1	Panel, Console	
103	7024469	1	Switch with Lead	
104	7024470	1	Knob	
105	7024471	1	Knob	
106	7024472	1	Receptacle with Leads and Plugs	
107	7024473	2	Receptacle, Twistlock Female	
108	7024474	2	Insulator	
109	7024475	2	O-Ring	
110	7027777	1	Nameplate	
111	7027779	1	Circuit Card Assembly (Process Control)	
112	7024478	2	Nut	
113	7027778	1	Circuit Card Assembly (Operator Interface)	
201	7024462	1	Panel, Rear	
202	7027780	1	Panel, Cover	

SECTION 4 - PLATFORM

FIGURE 4-21. SKYWELDER LOCKING BRACKET INSTALLATION



ART_1001231235

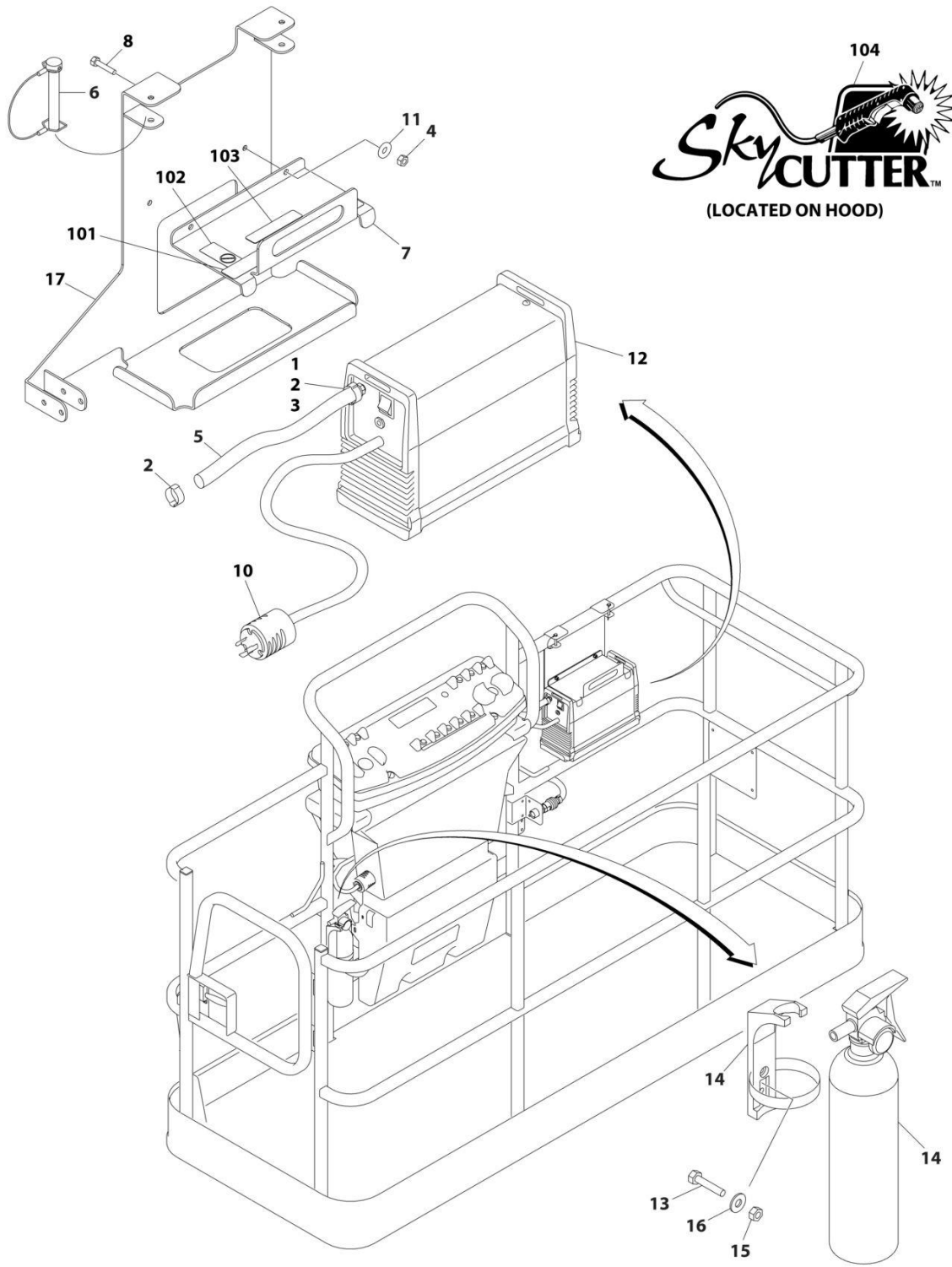
SECTION 4 - PLATFORM

FIGURE 4-21. SKYWELDER LOCKING BRACKET INSTALLATION

ITEM	PART NUMBER	QTY	DESCRIPTION	REV
	1001231235	Ref	SKYWELDER LOCKING BRACKET INSTALLATION	A
1	1001231180	1	Bracket	
2	1001231183	1	Plate	
3	3760170	2	Ring	
4	1060379	1	Lanyard	
5	1001228988	1	Decal - Weight	
6	1702868	1	Decal - No Hands	
7	1705305	1	Decal - Weld Lead	

SECTION 4 - PLATFORM

FIGURE 4-22. SKYCUTTER INSTALLATION



ART_1001098149

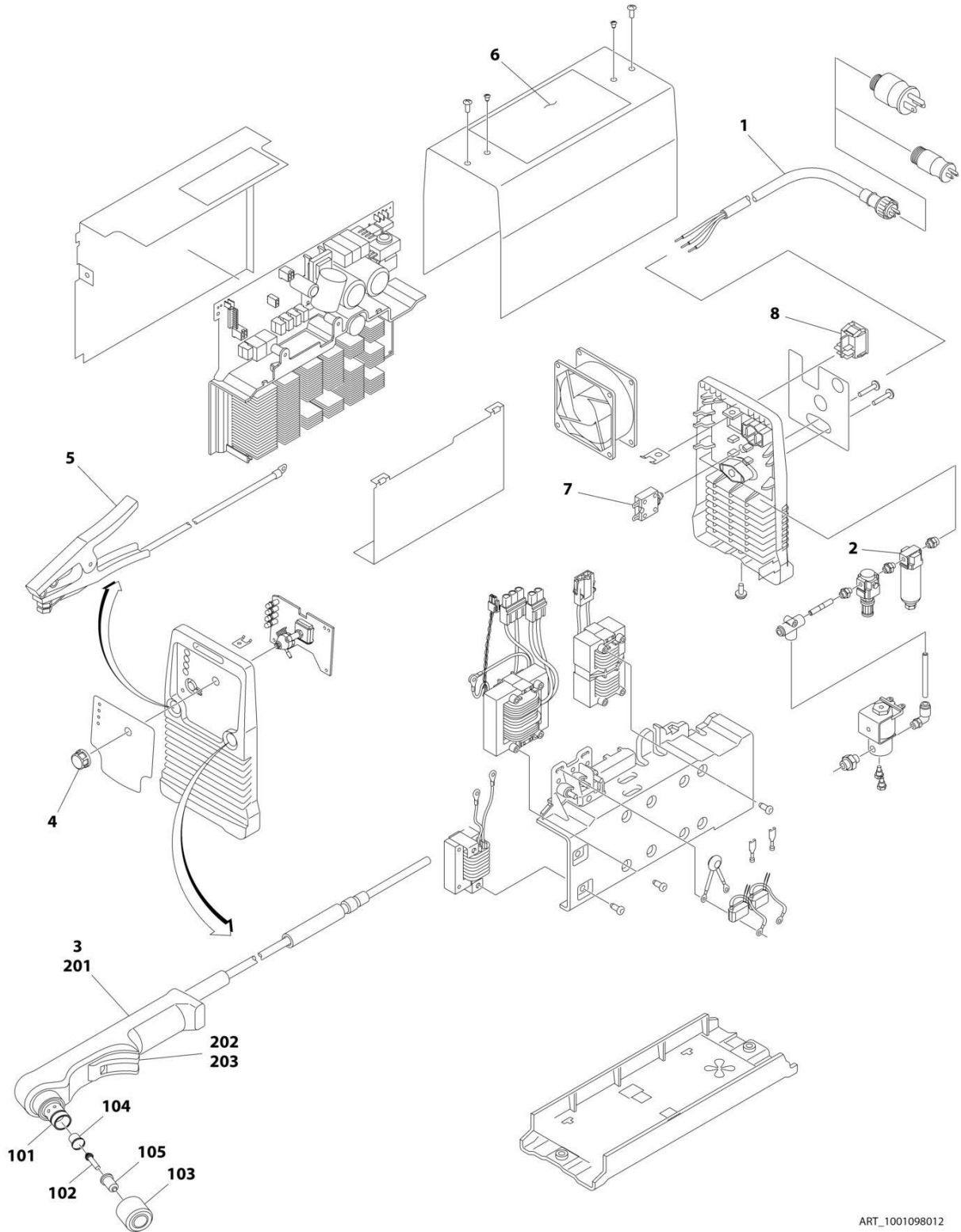
SECTION 4 - PLATFORM

FIGURE 4-22. SKYCUTTER INSTALLATION

ITEM	PART NUMBER	QTY	DESCRIPTION	REV
	1001098149	Ref	SKYCUTTER INSTALLATION	D
		Ref	Note: ANSI, ANSI Export and CSA Specs Only.	
		Ref	Note: When replacing platform on machines with SkyCutter option, new bracket p/n 1001145405 must be purchased to accommodate SkyCutter components.	
1	0100020	AR	Sealant	
2	1320177	2	Clamp, Hose	
3	2180832	1	Fitting, NPT/Barbed	
4	3290605	2	Nut M6	
5	2720160	3 ft /.9m	Hose	
6	3421453	3	Pin	
7	3576799	1	Plate, Hold-Down	
8	4010608	2	Screw M6 x 16	
10	4460971	1	Plug, Twistlock	
11	4811700	2	Washer M6	
12	1001098012	1	Plasma Cutter Assembly (See PLASMA CUTTER ASSEMBLY for Breakdown)	
13	0630518	2	Screw #10 x 3/4	
14	2030010	1	Extinguisher, Fire	
15	3311005	2	Nut #10	
16	4751000	2	Washer #10	
17	1001145405	1	Support	
	0272599	Ref	SKYCUTTER DECAL INSTALLATION (ANSI, ANSI EXPORT AND CSA SPECS)	B
101	1702868	1	Decal - No Hands	
102	1705305	1	Decal - Weld Lead	
103	1705466	NLA	Decal - Weight (Use p/n 1001228988)	
103	1001228988	1	Decal - Weight	
104	1705490	1	Decal - SkyCutter	

SECTION 4 - PLATFORM

FIGURE 4-23. PLASMA CUTTER ASSEMBLY



ART_1001098012

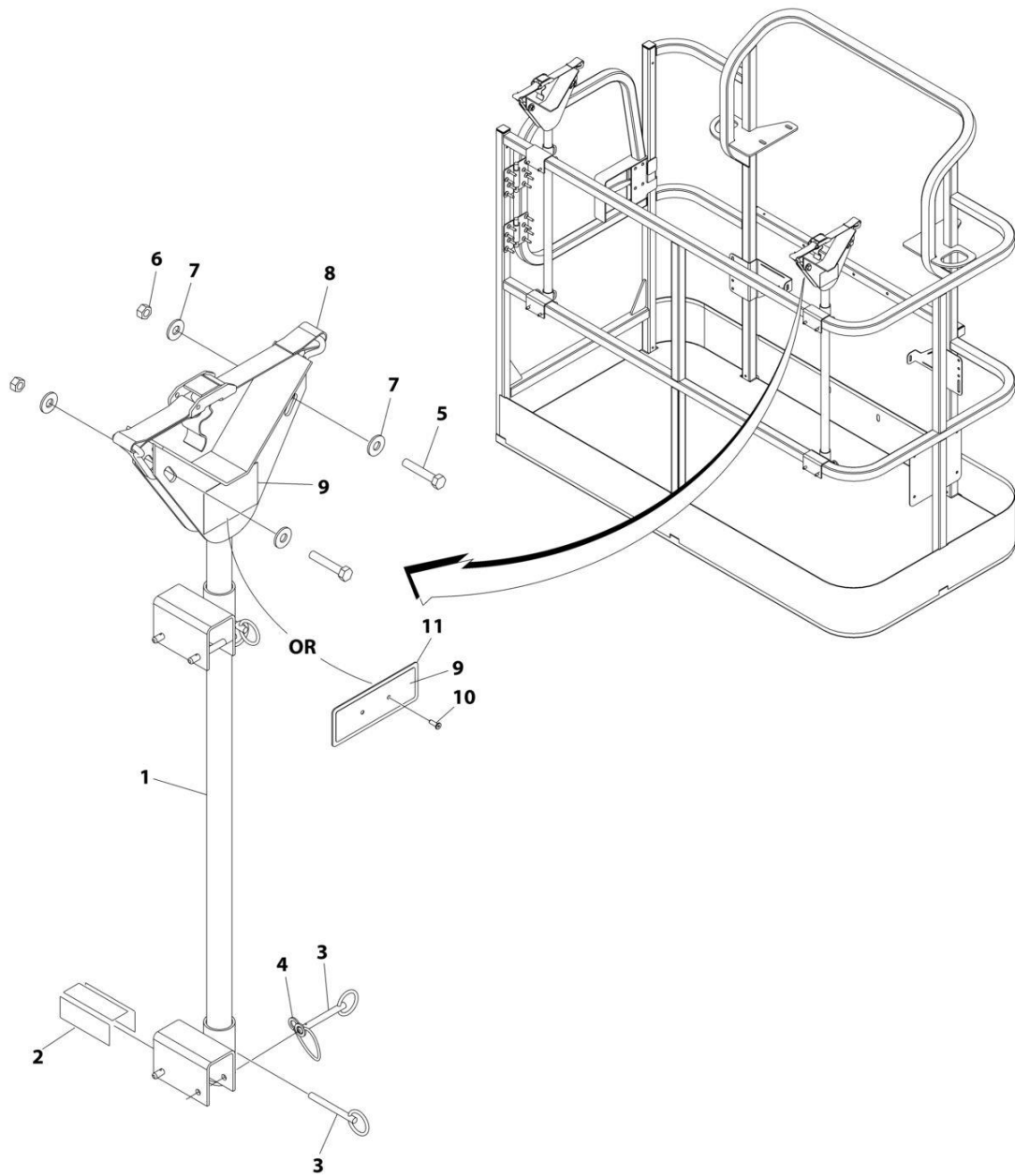
SECTION 4 - PLATFORM

FIGURE 4-23. PLASMA CUTTER ASSEMBLY

ITEM	PART NUMBER	QTY	DESCRIPTION	REV
	1001098012	Ref	PLASMA CUTTER ASSEMBLY	A
		Ref	Note: For Other Components, contact your Miller Welder Dealer.	
1	70001424	1	Cable, Power	
1	70001425	1	Decal - Voltage Warning	
2	70001427	1	Filter, Regulator	
3	70001428	1	Torch Assembly (See Items 101-203 for Breakdown)	
4	7024471	1	Knob	
5	70001429	1	Clamp with Cable	
6	70001430	1	Decal - Caution	
7	70001431	1	Breaker, Circuit	
8	70001432	1	Switch, Rocker	
	70001428	Ref	TORCH ASSEMBLY	
101	7024530	1	O-Ring	
102	7024531	1	Electrode	
103	7024532	1	Cup, Retaining	
104	7024533	1	Swirl Ring	
105	7024534	1	Tip	
201	7024535	1	Handle, Torch	
202	7024536	1	Switch	
203	7024537	1	Trigger	

SECTION 4 - PLATFORM

FIGURE 4-24. PIPE RACKS INSTALLATION



ART_0257728

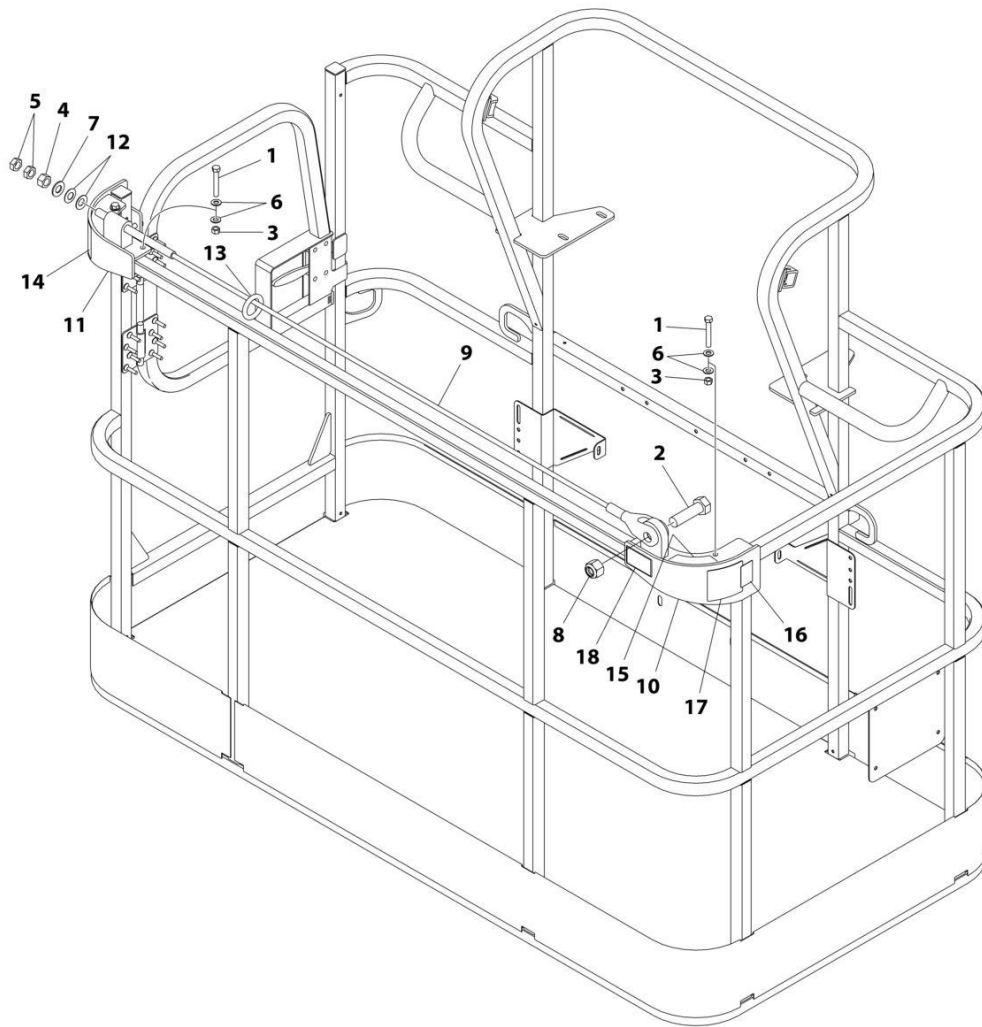
SECTION 4 - PLATFORM

FIGURE 4-24. PIPE RACKS INSTALLATION

ITEM	PART NUMBER	QTY	DESCRIPTION	REV
	0257728	Ref	PIPE RACK INSTALLATION (ANSI AND CSA SPECS)	2/C
	1001107497	Ref	PIPE RACK INSTALLATION (ANSI EXPORT SPECS)	A
	0274661	Ref	PIPE RACK INSTALLATION (AUSTRALIAN SPECS)	1/A
		Ref	Note: Available on ANSI, ANSI Export, Australian and CSA Specs	
1	4845582	2	Rack, Pipe	
2	4420062	AR	Tape	
3	3422661	10	Pin	
4	1060379	4	Lanyard	
5	0641514	4	Bolt 5/16 x 1-3/4	
6	3311505	4	Nut 5/16	
7	4751500	8	Washer 5/16	
8	0480100	2	Tie-Down	
9	1703683	2	Decal - Capacity (ANSI and CSA Specs)	
9	1706510	2	Decal - Capacity (Australian Specs)	
9	1001106450	2	Decal - Capacity (ANSI Export Specs)	
10	3820001	4	Rivet	
11	1001107469	2	Plate, Mounting	

SECTION 4 - PLATFORM

FIGURE 4-25. FALL ARREST INSTALLATION (BOLT-ON EXTERNAL) (6FT/1.82M PLATFORM)



ART_1001236747

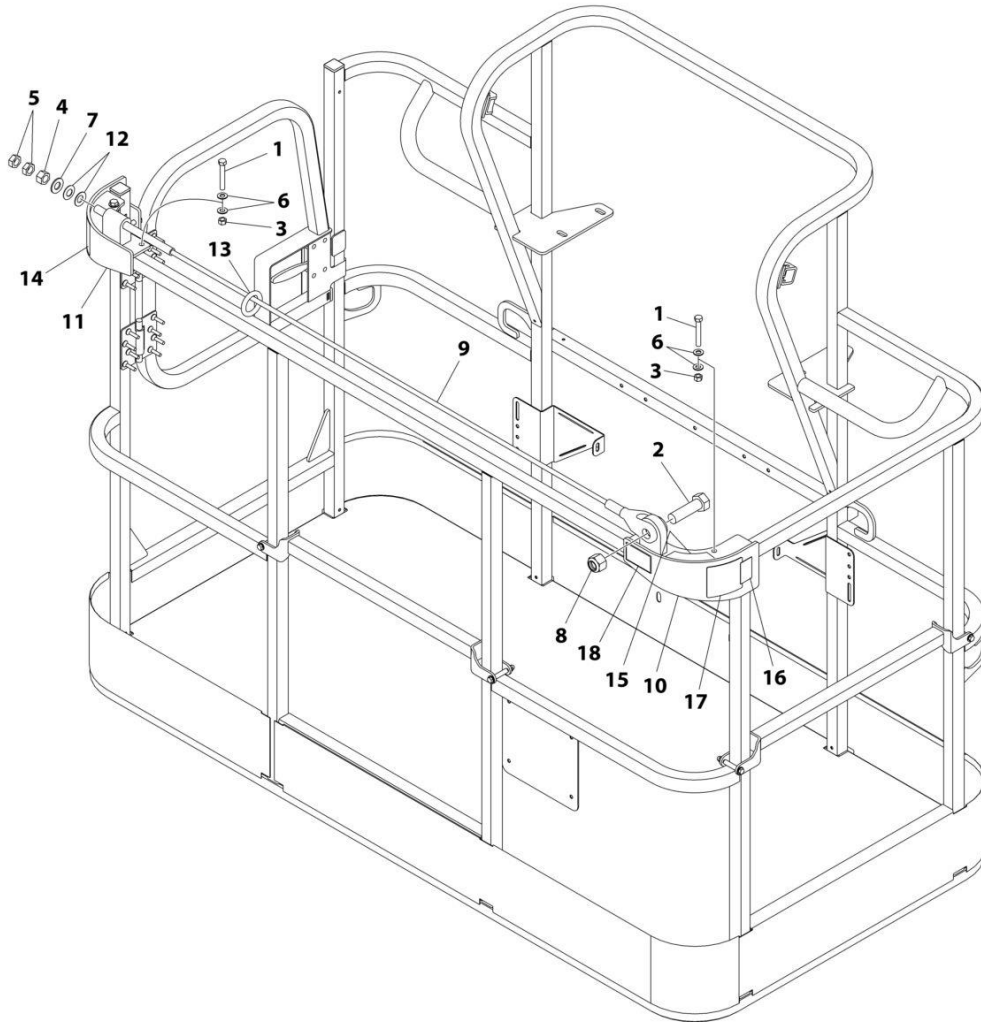
SECTION 4 - PLATFORM

FIGURE 4-25. FALL ARREST INSTALLATION (BOLT-ON EXTERNAL) (6FT/1.82M PLATFORM)

ITEM	PART NUMBER	QTY	DESCRIPTION	REV
	1001236747	Ref	FALL ARREST INSTALLATION (BOLT - ON) 6FT/1.82M PLATFORM	C
1	0681620	6	Bolt 3/8 x 2-1/2	
2	0682424	1	Bolt 7/8 x 3	
3	3271605	6	Nut 3/8	
4	3272001	1	Nut 5/8	
5	3312002	2	Nut 5/8	
6	4711600	12	Washer 3/8	
7	4712000	1	Washer 5/8	
8	88521214	1	Nut 7/8	
9	1001231950	1	Rope	
10	1001232010	1	Bracket (RH)	
11	1001232011	1	Bracket (LH)	
12	1001236891	2	Washer	
13	1001236895	1	Ring	
14	1001238263	1	Decal - Warning Falling Hazard	
15	1001252629	1	Decal - Weight	
16	1001248140	1	Decal - Bolt Fall Arrest Re-Cert	
17	1001248141	1	Decal - Inscription	

SECTION 4 - PLATFORM

FIGURE 4-26. FALL ARREST INSTALLATION (BOLT-ON EXTERNAL) (6FT/1.82M TRI-ENTRY PLATFORM)



ART_1001238463

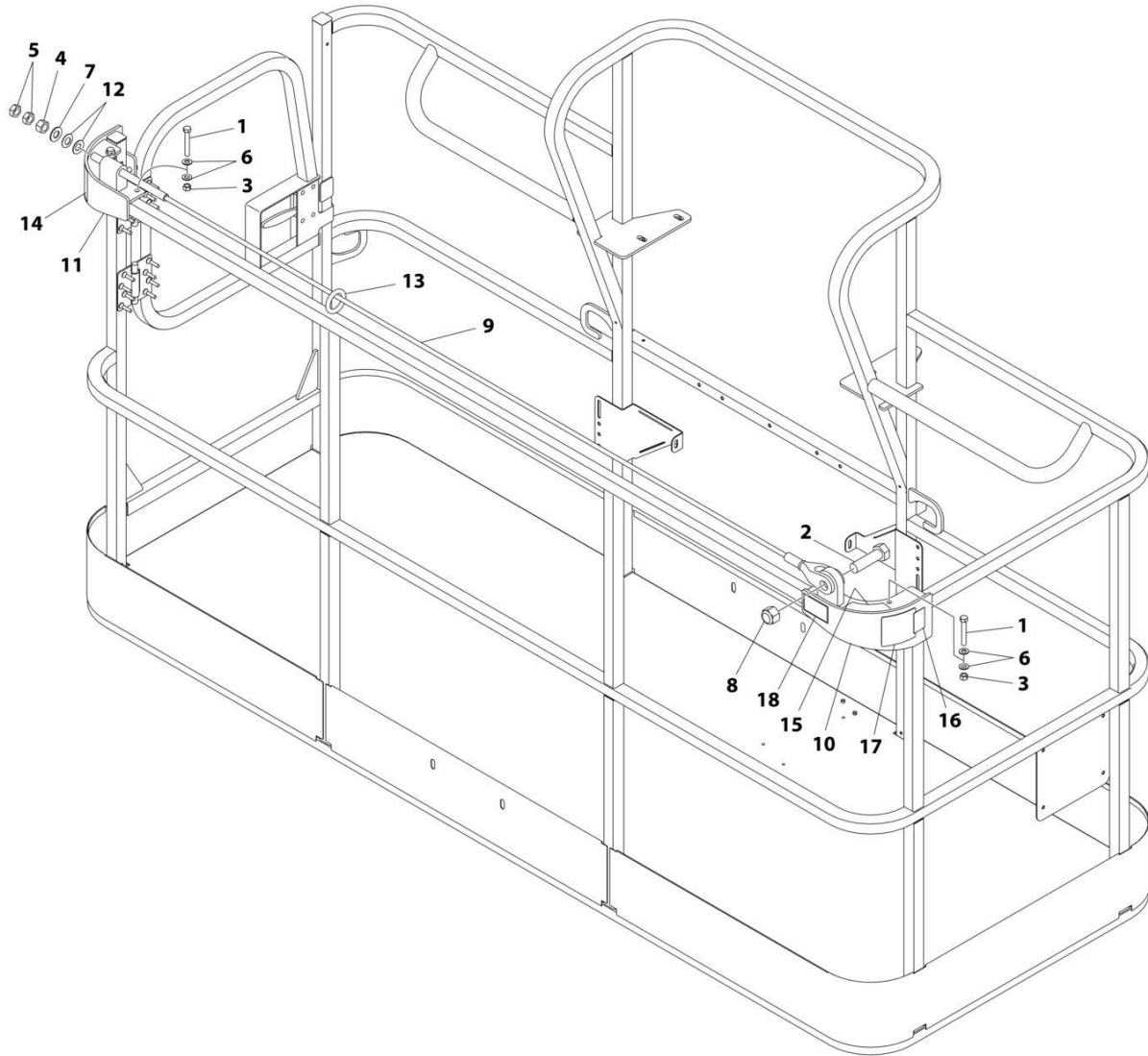
SECTION 4 - PLATFORM

FIGURE 4-26. FALL ARREST INSTALLATION (BOLT-ON EXTERNAL) (6FT/1.82M TRI-ENTRY PLATFORM)

ITEM	PART NUMBER	QTY	DESCRIPTION	REV
	1001238463	Ref	FALL ARREST INSTALLATION (BOLT - ON) 6FT/1.82M PLATFORM	C
1	0681620	6	Bolt 3/8 x 2-1/2	
2	0682424	1	Bolt 7/8 x 3	
3	3271605	6	Nut 3/8	
4	3272001	1	Nut 5/8	
5	3312002	2	Nut 5/8	
6	4711600	12	Washer 3/8	
7	4712000	1	Washer 5/8	
8	88521214	1	Nut 7/8	
9	1001231950	1	Rope	
10	1001232010	1	Bracket (RH)	
11	1001232011	1	Bracket (LH)	
12	1001236891	2	Washer	
13	1001236895	1	Ring	
14	1001238263	1	Decal - Warning Falling Hazard	
15	1001252629	1	Decal - Weight	
16	1001248140	1	Decal - Bolt Fall Arrest Re-Cert	
17	1001248141	1	Decal - Inscription	

SECTION 4 - PLATFORM

FIGURE 4-27. FALL ARREST INSTALLATION (BOLT-ON EXTERNAL) (8FT/2.4M PLATFORM)



ART_1001236746

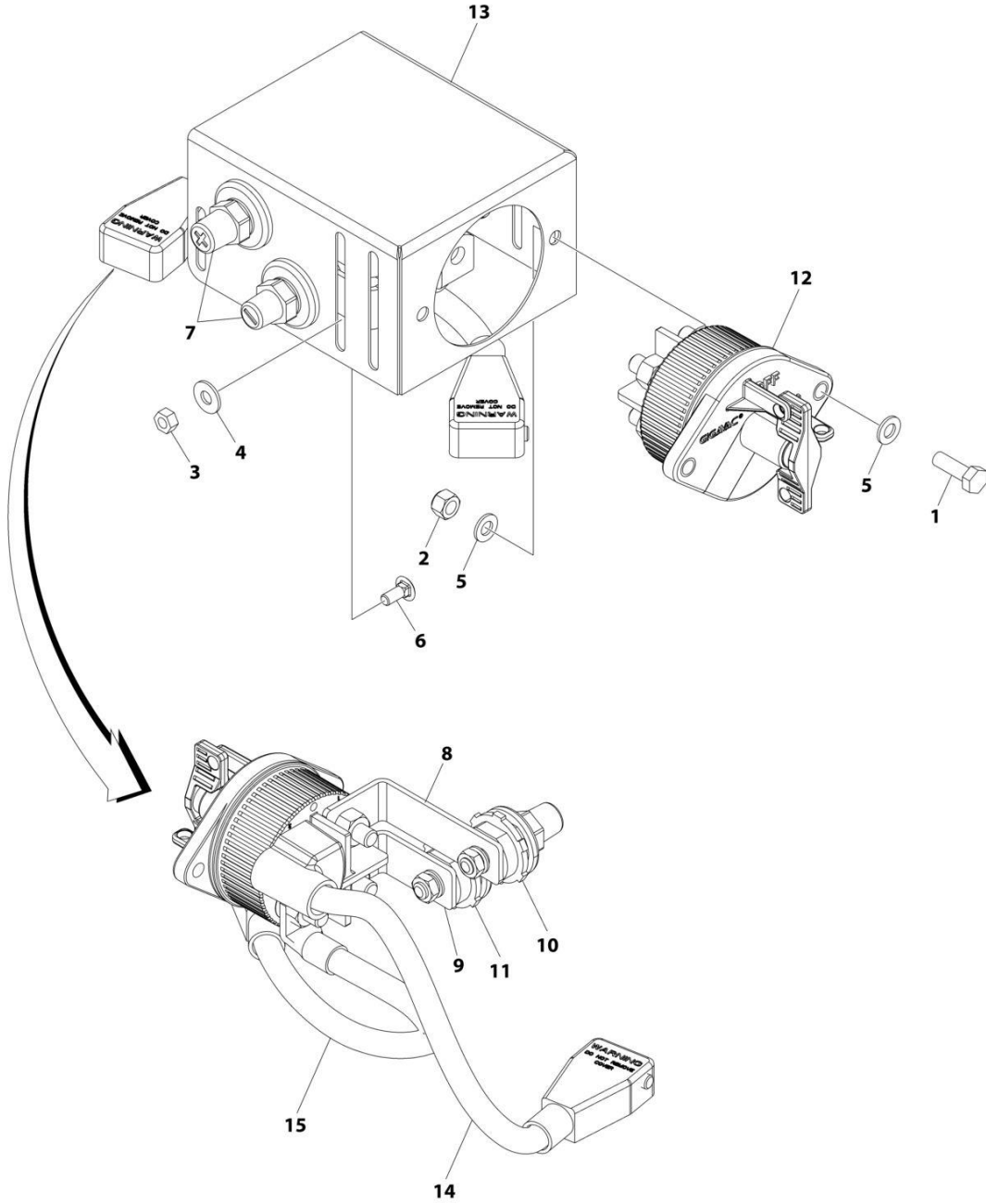
SECTION 4 - PLATFORM

FIGURE 4-27. FALL ARREST INSTALLATION (BOLT-ON EXTERNAL) (8FT/2.4M PLATFORM)

ITEM	PART NUMBER	QTY	DESCRIPTION	REV
	1001236746	Ref	FALL ARREST INSTALLATION (BOLT - ON) 8FT/2.4M PLATFORM	C
1	0681620	6	Bolt 3/8 x 2-1/2	
2	0682424	1	Bolt 7/8 x 3	
3	3271605	6	Nut 3/8	
4	3272001	1	Nut 5/8	
5	3312002	2	Nut 5/8	
6	4711600	12	Washer 3/8	
7	4712000	1	Washer 5/8	
8	88521214	1	Nut 7/8	
9	1001231949	1	Rope	
10	1001232010	1	Bracket (RH)	
11	1001232011	1	Bracket (LH)	
12	1001236891	2	Washer	
13	1001236895	1	Ring	
14	1001238263	1	Decal - Warning Falling Hazard	
15	1001252629	1	Decal - Weight 23LBS/10.4KG	
16	1001248140	1	Decal - Bolt Fall Arrest Re-Cert	
17	1001248141	1	Decal - Inscription	

SECTION 4 - PLATFORM

FIGURE 4-28. BATTERY DISCONNECT (SN 0300240507 through 0300272376)



ART_1001236304

SECTION 4 - PLATFORM

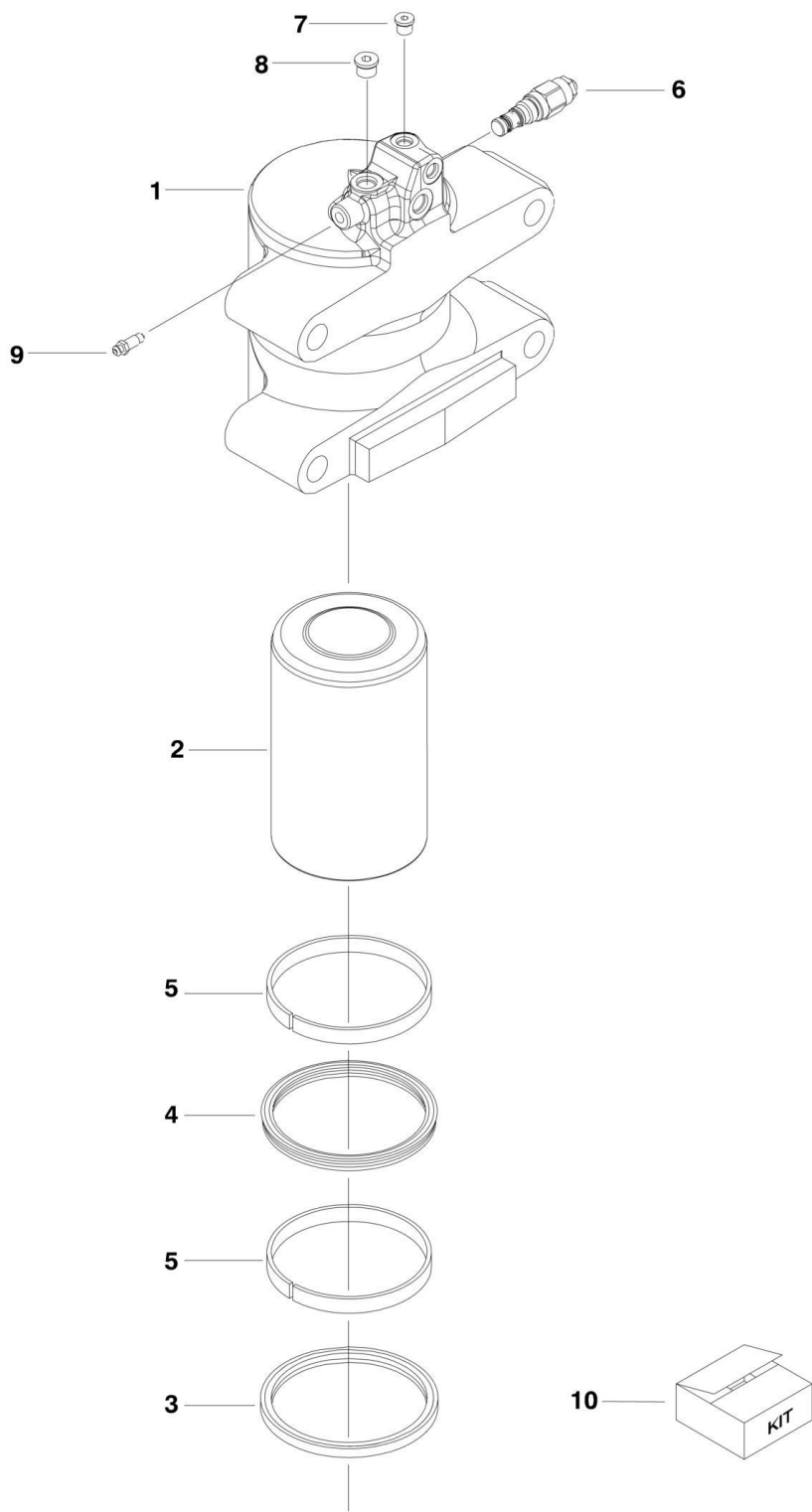
FIGURE 4-28. BATTERY DISCONNECT (SN 0300240507 through 0300272376)

ITEM	PART NUMBER	QTY	DESCRIPTION	REV
	1001236304	Ref	BATTERY DISCONNECT SWITCH INSTALLATION	A
1	0760812	2	Bolt M8 x 25	
2	3290805	2	Nut M8	
3	3311405	3	Nut 1/4	
4	4751400	3	Washer 1/4	
5	4811900	4	Washer M8	
6	88411013	3	Bolt 1/4 x 3/4	
7	1001206476	1	Connectors, Post	
8	1001209432	1	Bussbar	
9	1001209474	1	Bussbar	
10	1001214570	1	Connector (Red)	
11	1001214571	1	Connector (Black)	
12	1001225346	1	Switch, Battery	
13	1001226531	1	Mount	
14	1001236504	1	Cable, Battery (+)	
15	1001236505	1	Cable, Battery (-)	

SECTION 5 - CYLINDER

SECTION 5 - CYLINDER

FIGURE 5-1. AXLE LOCKOUT CYLINDER ASSEMBLY



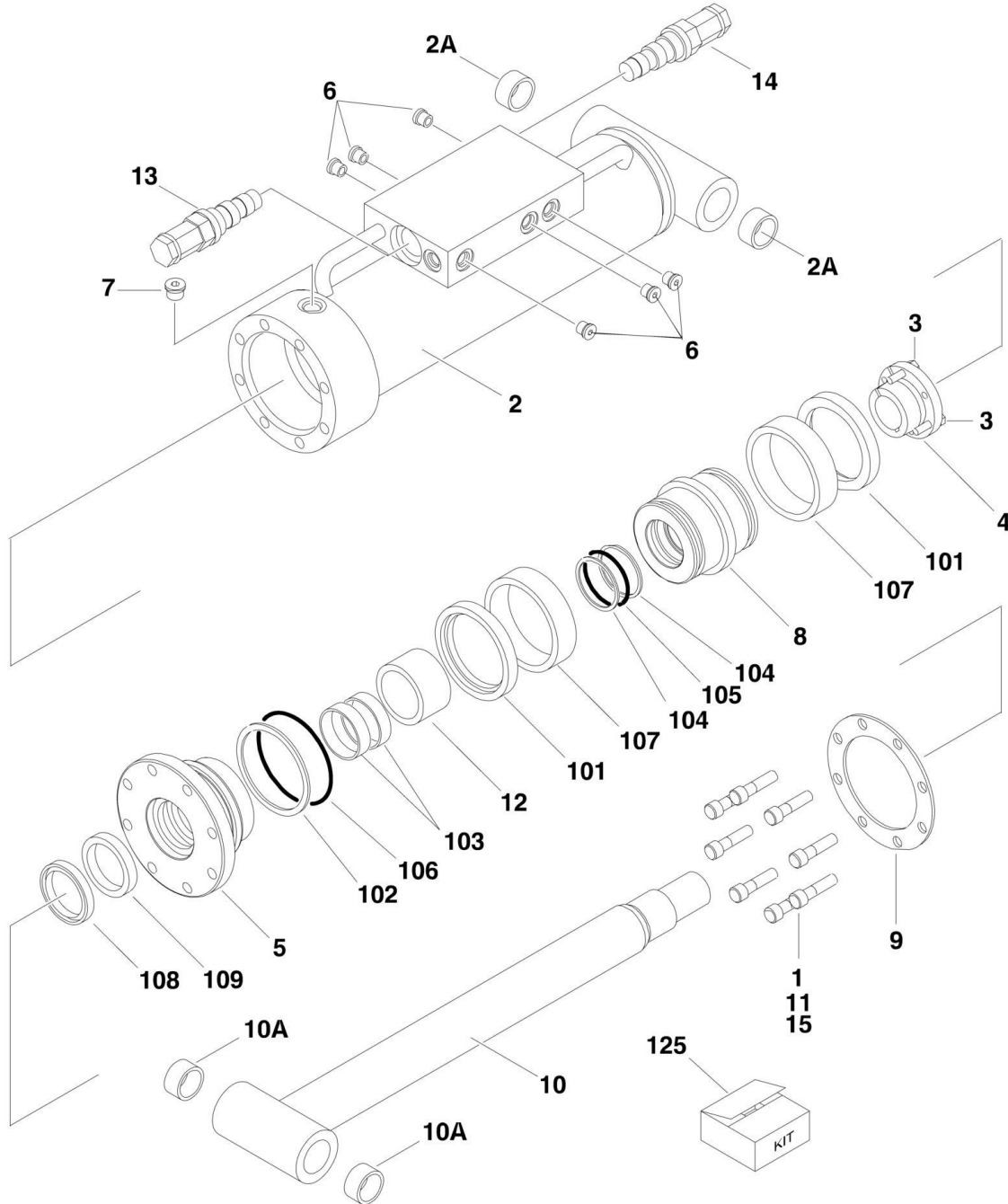
SECTION 5 - CYLINDER

FIGURE 5-1. AXLE LOCKOUT CYLINDER ASSEMBLY

ITEM	PART NUMBER	QTY	DESCRIPTION	REV
	1001154258	Ref	AXLE LOCKOUT CYLINDER ASSEMBLY (SN 0300183034 through 0300214572)	D
	1001204560	Ref	AXLE LOCKOUT CYLINDER ASSEMBLY (SN 0300214573 through 0300272376)	A
		Ref	Note: Original Cylinder may have been replaced with Service Replacement. Identify PN Stamped on Cylinder Before Ordering Parts.	
1	1001154126	1	Barrel	
2	1001154687	1	Rod	
3	See Note	NSS	Wiper (Note: Use Item 10)	
4	See Note	NSS	Seal, Rod (Note: Use Item 10)	
5	See Note	NSS	Ring, Wear (Note: Use Item 10)	
6	1001117372	1	Cartridge, Valve (Counterbalance)	
6	70002842	1	Seal Kit - 1001117372 Valve (1 Per Assembly)	
7	2220883	1	Plug, O-Ring	
8	2220885	1	Plug, O-Ring	
9	4640858	1	Valve, Bleeder	
10	1001098167	1	Seal Kit (Includes Items 3-5)	

SECTION 5 - CYLINDER

FIGURE 5-2. LEVEL (SLAVE) CYLINDER ASSEMBLY - JIB (800AJ ONLY) (SN 0300183034 through 0300240878)



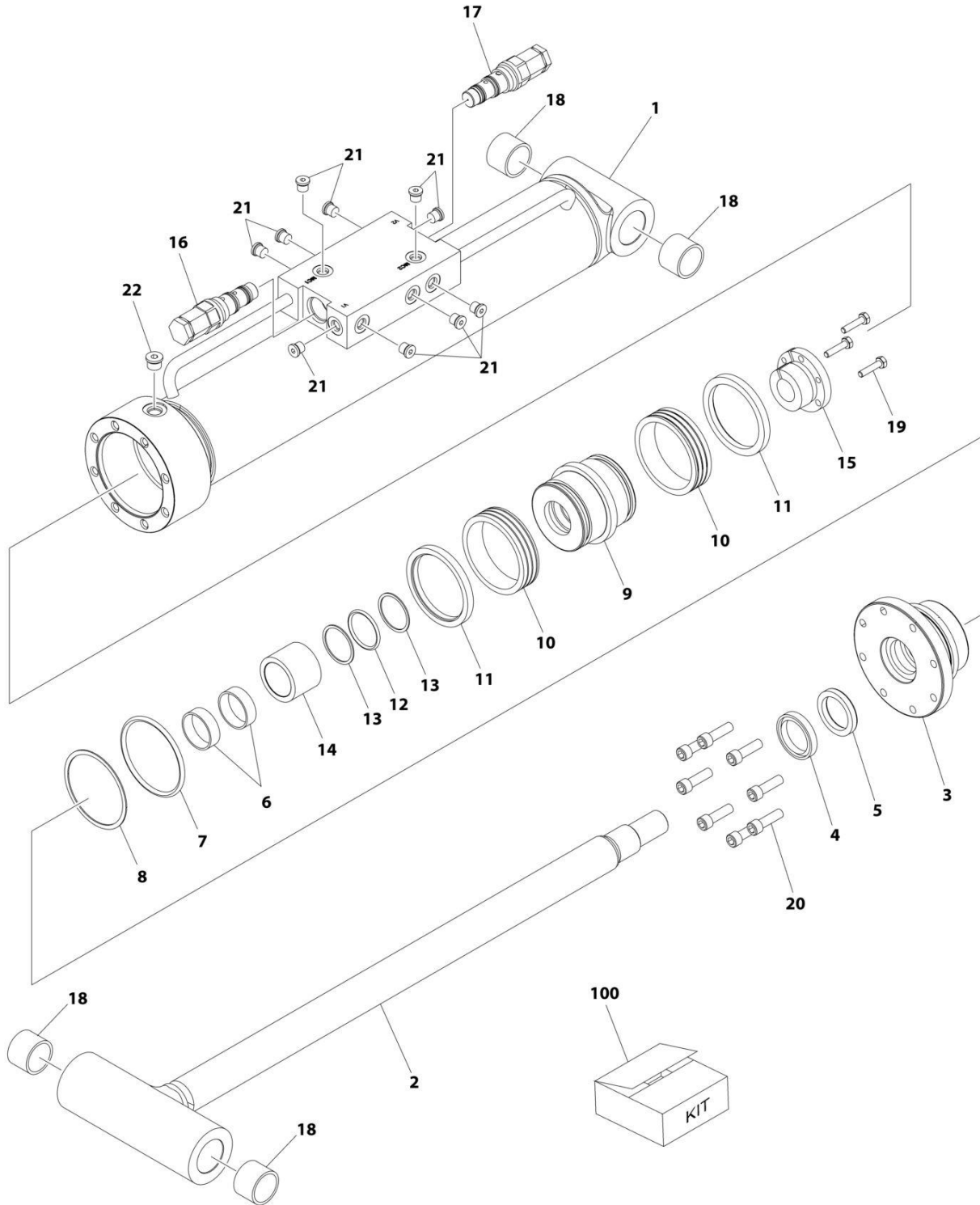
SECTION 5 - CYLINDER

FIGURE 5-2. LEVEL (SLAVE) CYLINDER ASSEMBLY - JIB (800AJ ONLY) (SN 0300183034 through 0300240878)

ITEM	PART NUMBER	QTY	DESCRIPTION	REV
	1684228	Ref	LEVEL (SLAVE) CYLINDER ASSEMBLY - JIB WITHOUT ARCTIC PACKAGE (800AJ)	F
	1001138791	Ref	LEVEL (SLAVE) CYLINDER ASSEMBLY - JIB WITH ARCTIC PACKAGE (800AJ)	B
		Ref	Note: Original Cylinder may have been replaced with Service Replacement. Identify PN Stamped on Cylinder Before Ordering Parts.	
1	0100011	AR	Compound, Locking	
2	1684230	1	Barrel (Note: Includes Item 2A)	
2A	0961951	4	Bushing	
3	0630535	3	Capscrew 1/4-20 x 1	
4	0961894	1	Bushing, Tapered	
5	1683055	1	Head	
6	2220883	6	Plug	
7	2220885	1	Plug	
8	3480188	1	Piston	
9	3760369	1	Ring, Washer	
10	1684232	1	Rod (Note: Includes Item 10A)	
10A	0961951	4	Bushing	
11	3931620	8	Capscrew 3/8-16 x 1-1/4	
12	4566468	1	Spacer, Tube	
13	4640605	1	Valve, Cartridge	
13	2900792	1	Seal Kit - 4640605 Valve	
14	4640932	1	Valve, Cartridge	
14	7011112	1	Seal Kit - 4640932 Valve	
15	0100038	AR	Primer, Locking	
101	See Note	NSS	Ring, Lock (Note: Use Item 125)	
102	See Note	NSS	Ring, Back-up (Note: Use Item 125)	
103	See Note	NSS	Ring, Wear (Note: Use Item 125)	
104	See Note	NSS	Ring, Back-up (Note: Use Item 125)	
105	See Note	NSS	O-Ring (Note: Use Item 125)	
106	See Note	NSS	O-Ring (Note: Use Item 125)	
107	See Note	NSS	Seal (Note: Use Item 125)	
108	See Note	NSS	Wiper (Note: Use Item 125)	
109	See Note	NSS	Seal (Note: Use Item 125)	
125	2901301	1	Seal Kit (Machines without Arctic Package) (Includes Items 101-109)	
125	1001138796	1	Seal Kit (Machines with Arctic Package) (Includes Items 101-109)	

SECTION 5 - CYLINDER

FIGURE 5-3. LEVEL (SLAVE) CYLINDER ASSEMBLY - JIB (800AJ ONLY) (SN 0300240879 through 0300272376)



ART_1001228030

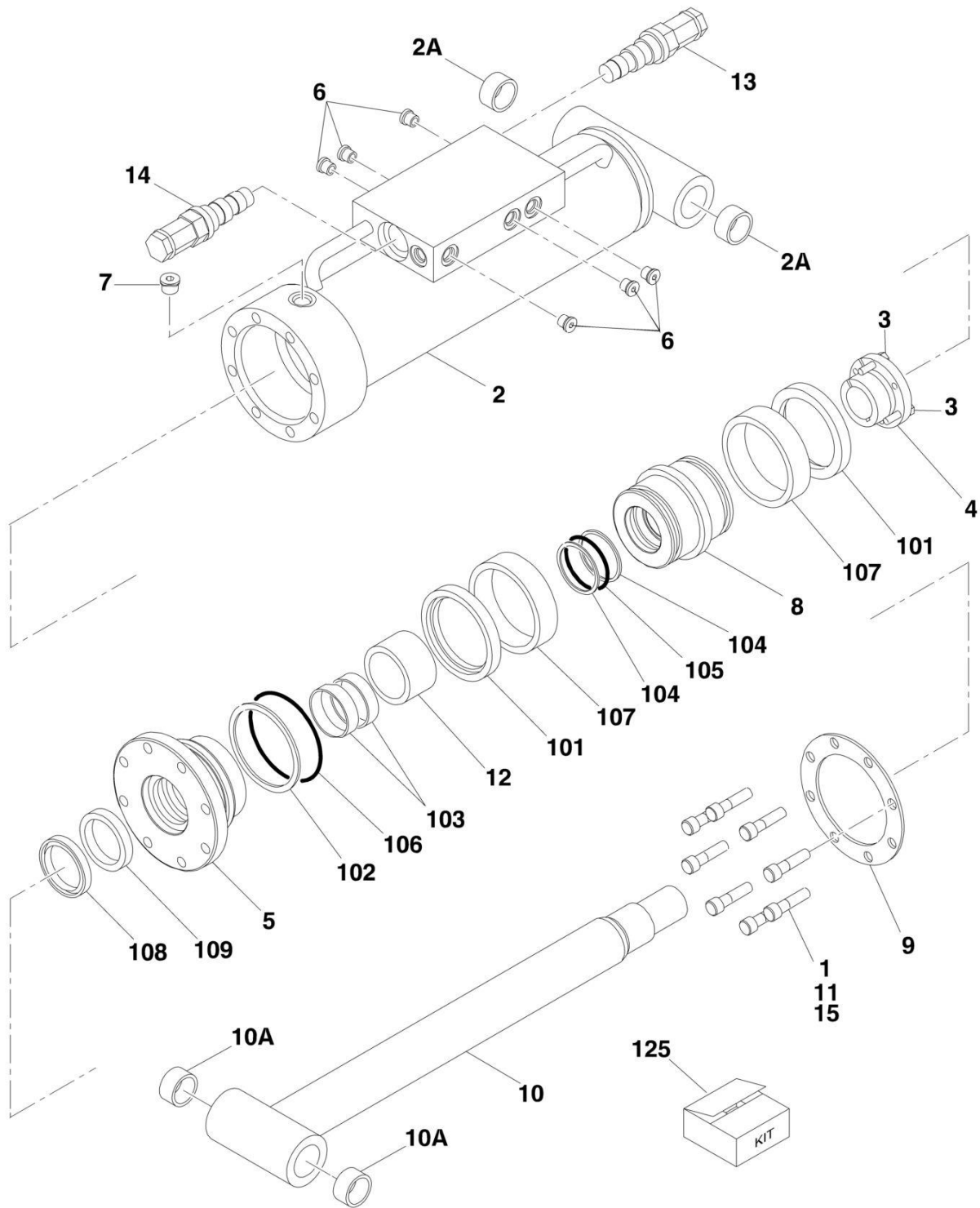
SECTION 5 - CYLINDER

FIGURE 5-3. LEVEL (SLAVE) CYLINDER ASSEMBLY - JIB (800AJ ONLY) (SN 0300240879 through 0300272376)

ITEM	PART NUMBER	QTY	DESCRIPTION	REV
	1001228030	Ref	LEVEL (SLAVE) CYLINDER ASSEMBLY	C
		Ref	Note: Original Cylinder may have been replaced with Service Replacement. Identify PN Stamped on Cylinder Before Ordering Parts.	
1	See Note	NSS	Barrel (Note: Not Available for Purchase)	
2	70006642	1	Rod	
3	70006643	1	Head	
4	See Note	NSS	Wiper (Note: Use Item 100)	
5	See Note	NSS	Seal (Note: Use Item 100)	
6	See Note	NSS	Ring, Wear (Note: Use Item 100)	
7	See Note	NSS	O-Ring (Note: Use Item 100)	
8	See Note	NSS	Ring, Back-up (Note: Use Item 100)	
9	70006644	1	Piston	
10	See Note	NSS	Seal (Note: Use Item 100)	
11	See Note	NSS	Ring, Lock (Note: Use Item 100)	
12	See Note	NSS	O-Ring (Note: Use Item 100)	
13	See Note	NSS	Ring, Back-up (Note: Use Item 100)	
14	70006645	1	Spacer, Tube	
15	0961894	1	Bushing, Tapered	
16	4640932	1	Valve, Cartridge	
16	7011112	1	Seal Kit - 4640932 Valve	
17	4640605	1	Valve, Cartridge	
17	2900792	1	Seal Kit - 4640605 Valve	
18	0961951	4	Bushing	
19	0630535	3	Bolt	
20	3931620	8	Capscrew 3/8-16 x 1-1/4	
21	2220883	10	Plug, O-Ring	
22	2220885	AR	Plug, O-Ring	
100	1001138796	1	Seal Kit (Includes Items 4-8 & 10-13)	

SECTION 5 - CYLINDER

FIGURE 5-4. LEVEL (SLAVE) CYLINDER ASSEMBLY - PLATFORM (800A ONLY) (SN 0300183034 through 0300245050)



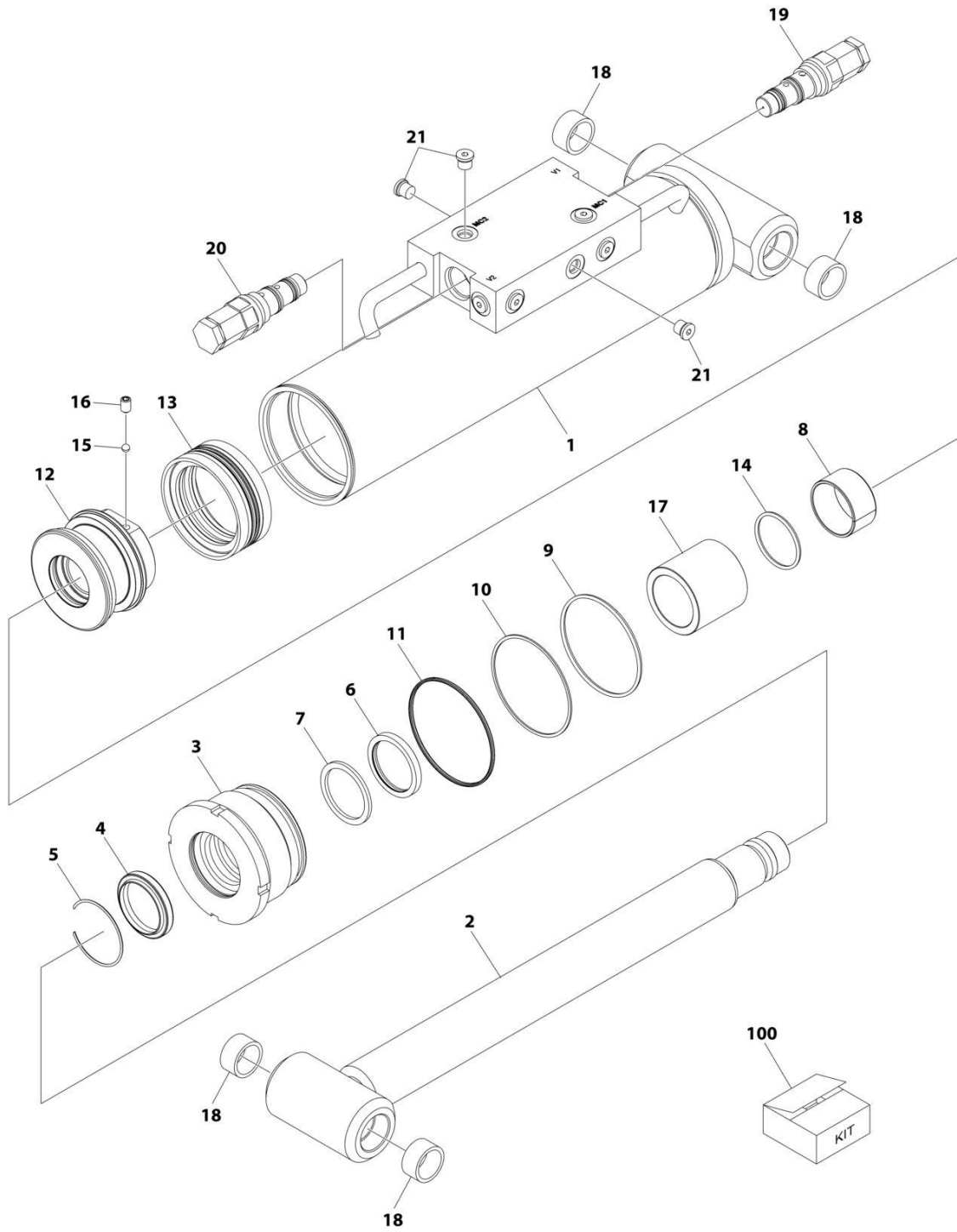
SECTION 5 - CYLINDER

FIGURE 5-4. LEVEL (SLAVE) CYLINDER ASSEMBLY - PLATFORM (800A ONLY) (SN 0300183034 through 0300245050)

ITEM	PART NUMBER	QTY	DESCRIPTION	REV
	1684408	Ref	LEVEL (SLAVE) CYLINDER ASSEMBLY - PLATFORM (800A) (SN 0300183034 through 0300245050)	F
		Ref	Note: Original Cylinder may have been replaced with Service Replacement. Identify PN Stamped on Cylinder Before Ordering Parts.	
1	0100011	AR	Compound, Locking	
2	0370022	1	Barrel (Note: Includes Item 2A)	
2A	0961947	4	Bushing	
3	0630535	3	Capscrew 1/4-20 x 1	
4	0961902	1	Bushing, Tapered	
5	1683074	1	Head	
6	2220883	6	Plug	
7	2220885	1	Plug	
8	3480233	1	Piston	
9	3760369	1	Ring, Washer	
10	3850018	1	Rod (Note: Includes Item 10A)	
10A	0961947	4	Bushing	
11	3931620	8	Capscrew 3/8-16 x 1-1/4	
12	4567434	1	Spacer, Tube	
13	4640605	1	Valve, Cartridge	
13	2900792	1	Seal Kit - 4640605 Valve	
14	4640932	1	Valve, Cartridge	
14	7011112	1	Seal Kit - 4640932 Valve	
15	0100038	AR	Primer, Locking	
101	See Note	NSS	Ring, Lock (Note: Use Item 125)	
102	See Note	NSS	Ring, Back-up (Note: Use Item 125)	
103	See Note	NSS	Ring, Wear (Note: Use Item 125)	
104	See Note	NSS	Ring, Back-up (Note: Use Item 125)	
105	See Note	NSS	O-Ring (Note: Use Item 125)	
106	See Note	NSS	O-Ring (Note: Use Item 125)	
107	See Note	NSS	Seal (Note: Use Item 125)	
108	See Note	NSS	Wiper (Note: Use Item 125)	
109	See Note	NSS	Seal (Note: Use Item 125)	
125	2901556	1	Seal Kit (Includes Items 101-109)	

SECTION 5 - CYLINDER

FIGURE 5-5. LEVEL (SLAVE) CYLINDER ASSEMBLY - PLATFORM (800A ONLY) (SN 0300245051 through 0300272376)



ART_1001228033

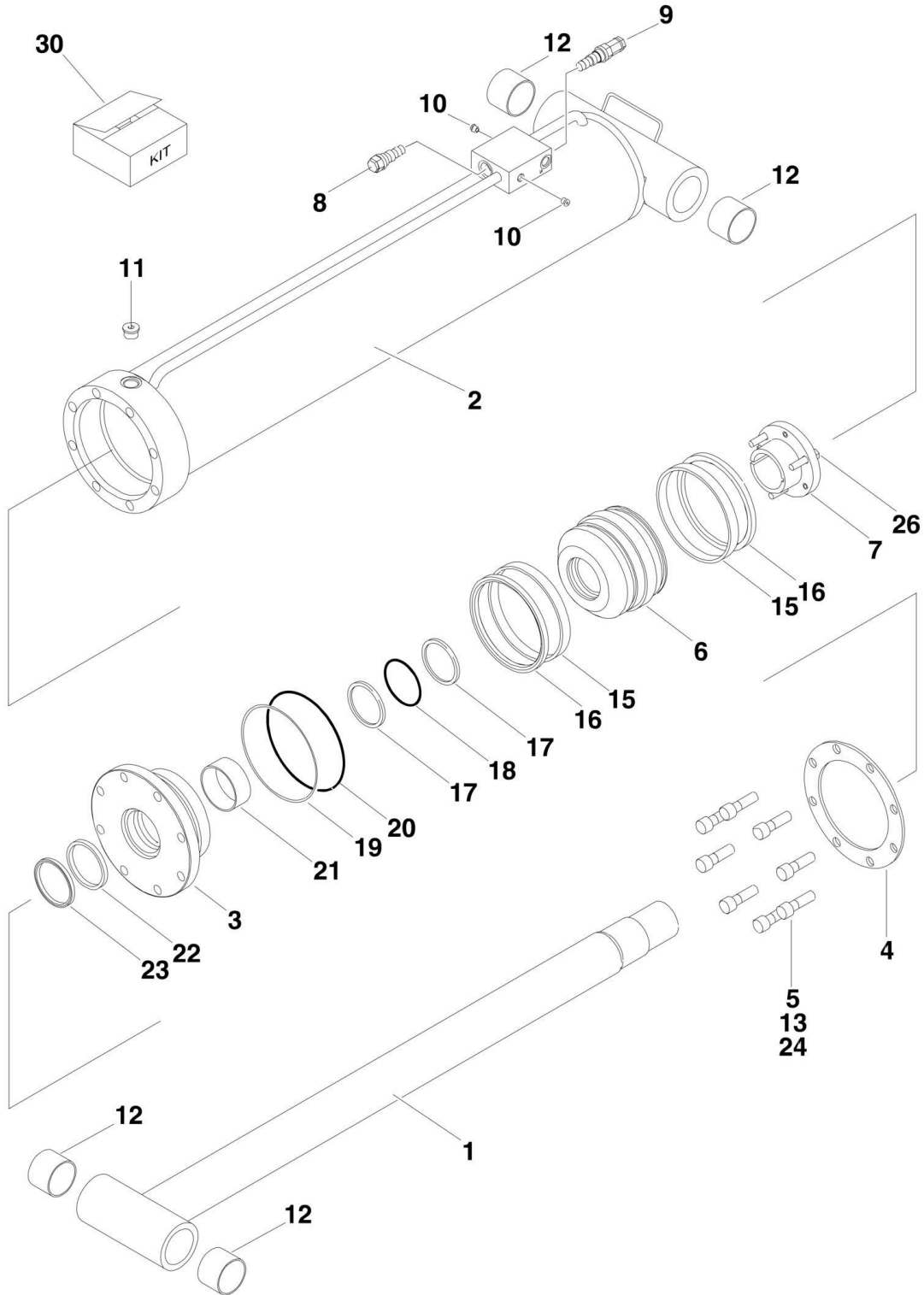
SECTION 5 - CYLINDER

FIGURE 5-5. LEVEL (SLAVE) CYLINDER ASSEMBLY - PLATFORM (800A ONLY) (SN 0300245051 through 0300272376)

ITEM	PART NUMBER	QTY	DESCRIPTION	REV
	1001228033	Ref	LEVEL (SLAVE) CYLINDER ASSEMBLY - PLATFORM	A
		Ref	Note: Original Cylinder may have been replaced with Service Replacement. Identify PN Stamped on Cylinder Before Ordering Parts.	
1	See Note	NSS	Barrel (Note: Not Available for Purchase)	
2	70006782	1	Rod	
3	70006783	1	Head	
4	See Note	NSS	Wiper (Note: Use Item 100)	
5	70002410	1	Ring, Retaining	
6	See Note	NSS	Seal, Rod (Note: Use Item 100)	
7	See Note	NSS	Ring, Back-up (Note: Use Item 100)	
8	70005793	1	Spacer	
9	See Note	NSS	O-Ring (Note: Use Item 100)	
10	See Note	NSS	Ring, Back-up (Note: Use Item 100)	
11	See Note	NSS	O-Ring (Note: Use Item 100)	
12	70006590	1	Piston	
13	See Note	NSS	Seal (Note: Use Item 100)	
14	See Note	NSS	O-Ring (Note: Use Item 100)	
15	70022564	1	Ball (Steel)	
16	70006601	1	Setscrew	
17	70006784	1	Spacer, Tube	
18	0961947	4	Bushing	
19	4640605	1	Valve, Cartridge	
19	2900792	1	Seal Kit - 4640605 Valve	
20	4640932	1	Valve, Cartridge	
20	7011112	1	Seal Kit - 4640932 Valve	
21	2220883	10	Plug	
100	2901526	1	Seal Kit (Includes Items 4, 6, 7, 9-11, 13 & 14)	

SECTION 5 - CYLINDER

FIGURE 5-6. LEVEL (SLAVE) CYLINDER ASSEMBLY - UPRIGHT (SN 0300183034 through 0300239885)



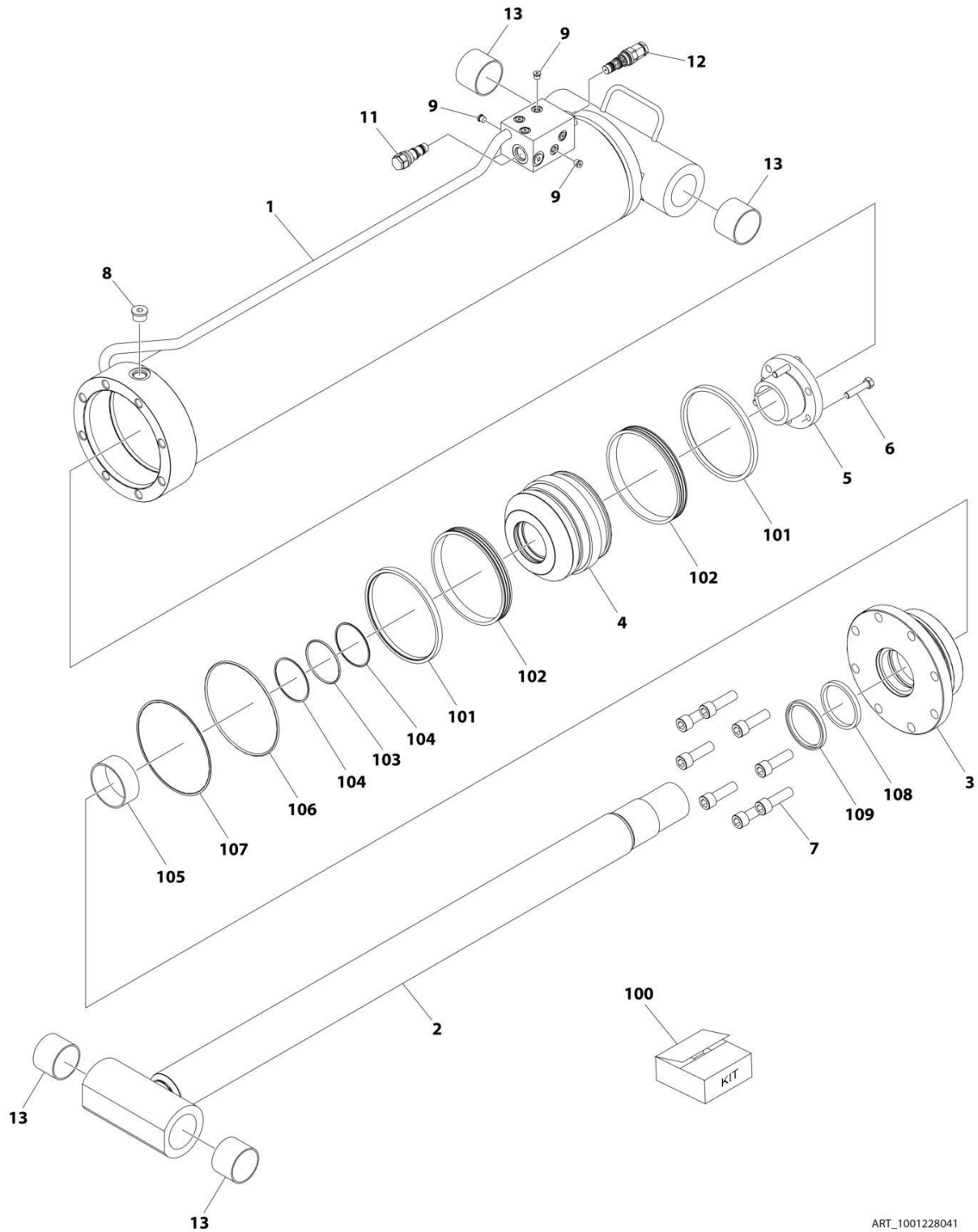
SECTION 5 - CYLINDER

FIGURE 5-6. LEVEL (SLAVE) CYLINDER ASSEMBLY - UPRIGHT (SN 0300183034 through 0300239885)

ITEM	PART NUMBER	QTY	DESCRIPTION	REV
	1684497	Ref	LEVEL (SLAVE) CYLINDER ASSEMBLY - UPRIGHT	D
		Ref	Note: Original Cylinder may have been replaced with Service Replacement. Identify PN Stamped on Cylinder Before Ordering Parts.	
1	1683544	1	Rod	
2	0370034	1	Barrel	
3	1683071	1	Head	
4	3760374	1	Ring, Washer	
5	3932240	8	Capscrew 3/4 x 2-1/2	
6	3480237	1	Piston	
7	0961901	1	Bushing, Tapered	
8	4640509	1	Cartridge, Valve	
8	2900792	1	Seal Kit - 4640509 Valve	
9	4640605	1	Cartridge, Valve	
9	2900792	1	Seal Kit - 4640605 Valve	
10	2220883	2	Plug, O-Ring	
11	2220888	1	Plug, O-Ring	
12	0962102	4	Bushing	
13	0100011	AR	Compound, Locking	
15	See Note	NSS	Seal (Note: Use Item 30)	
16	See Note	NSS	Ring, Lock (Note: Use Item 30)	
17	See Note	NSS	Ring, Back-up (Note: Use Item 30)	
18	See Note	NSS	Ring, Washer (Note: Use Item 30)	
19	See Note	NSS	Ring, Back-up (Note: Use Item 30)	
20	See Note	NSS	O-Ring (Note: Use Item 30)	
21	See Note	NSS	Ring, Wear (Note: Use Item 30)	
22	See Note	NSS	Seal, Rod (Note: Use Item 30)	
23	See Note	NSS	Wiper (Note: Use Item 30)	
24	0100038	AR	Primer, Locking	
26	0630537	3	Bolt	
30	2901526	1	Seal Kit (Includes Items 15-23)	

SECTION 5 - CYLINDER

FIGURE 5-7. LEVEL (SLAVE) CYLINDER ASSEMBLY - UPRIGHT (SN 0300239886 through 0300272376)



ART_1001228041

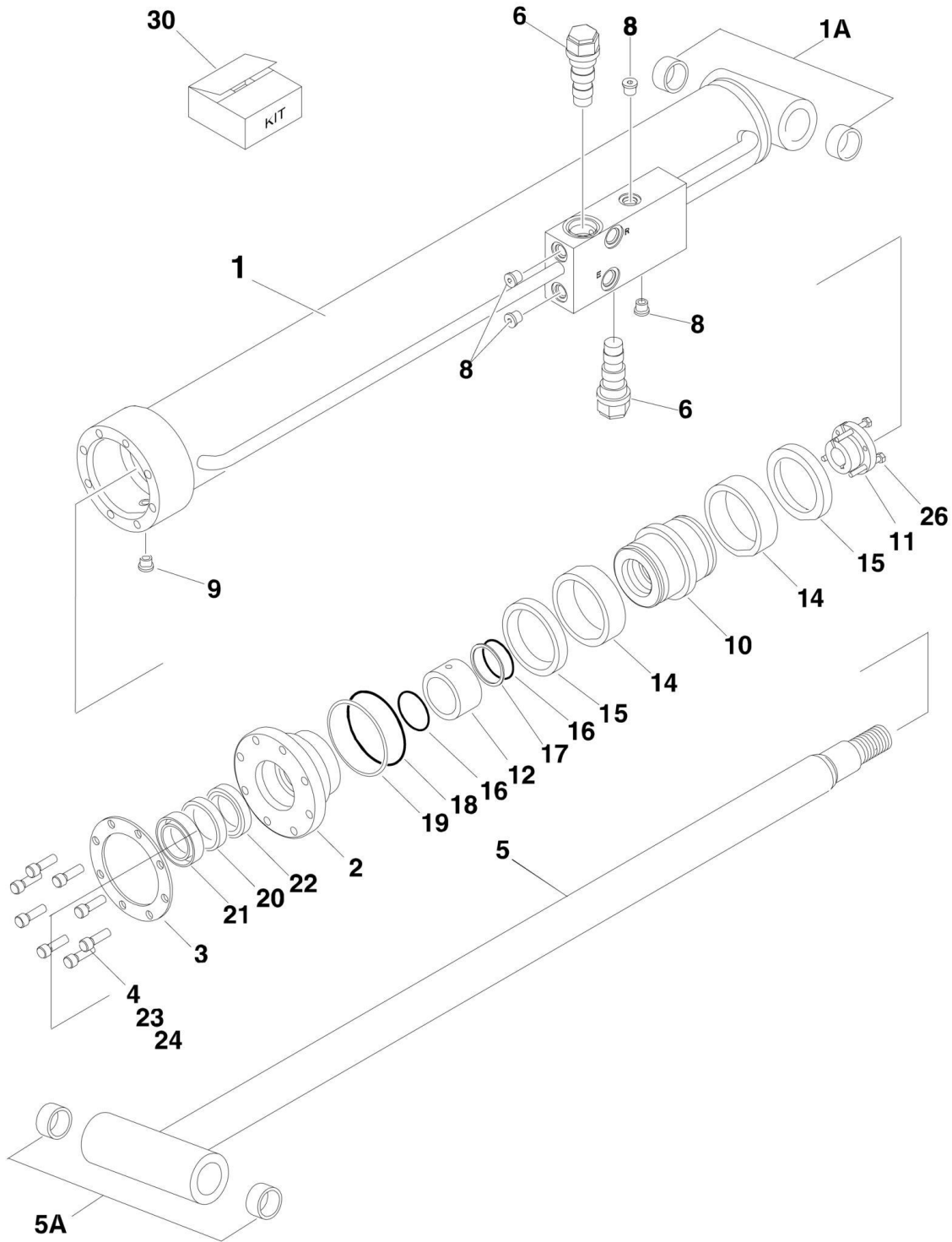
SECTION 5 - CYLINDER

FIGURE 5-7. LEVEL (SLAVE) CYLINDER ASSEMBLY - UPRIGHT (SN 0300239886 through 0300272376)

ITEM	PART NUMBER	QTY	DESCRIPTION	REV
	1001228041	Ref	LEVEL CYLINDER ASSEMBLY	C
		Ref	Note: Original Cylinder may have been replaced with Service Replacement. Identify PN Stamped on Cylinder Before Ordering Parts.	
1	See Note	NSS	Barrel (Note: Not Available for Purchase)	
2	70006391	1	Rod	
3	70006390	1	Head	
4	70006389	1	Piston	
5	70006385	1	Bushing, Tapered	
6	0630537	3	Bolt	
7	3932240	8	Capscrew 3/4 x 2-1/2	
8	2220888	1	Plug, O-Ring	
9	2220883	6	Plug, O-Ring	
11	4640509	1	Cartridge, Valve	
11	2900792	1	Seal Kit - 4640509 Valve	
12	4640605	1	Cartridge, Valve	
12	2900792	1	Seal Kit - 4640605 Valve	
13	0962102	4	Bushing	
100	2901526	1	Seal Kit (Includes Items 101-109)	
101	See Note	NSS	Ring, Lock (Note: Use Item 100)	
102	See Note	NSS	Seal (Note: Use Item 100)	
103	See Note	NSS	Ring, Washer (Note: Use Item 100)	
104	See Note	NSS	Ring, Back-up (Note: Use Item 100)	
105	See Note	NSS	Ring, Wear (Note: Use Item 100)	
106	See Note	NSS	O-Ring (Note: Use Item 100)	
107	See Note	NSS	Ring, Back-up (Note: Use Item 100)	
108	See Note	NSS	Seal, Rod (Note: Use Item 100)	
109	See Note	NSS	Wiper (Note: Use Item 100)	

SECTION 5 - CYLINDER

FIGURE 5-8. LIFT CYLINDER ASSEMBLY - JIB (800AJ ONLY) (SN 0300183034 through 0300245050)



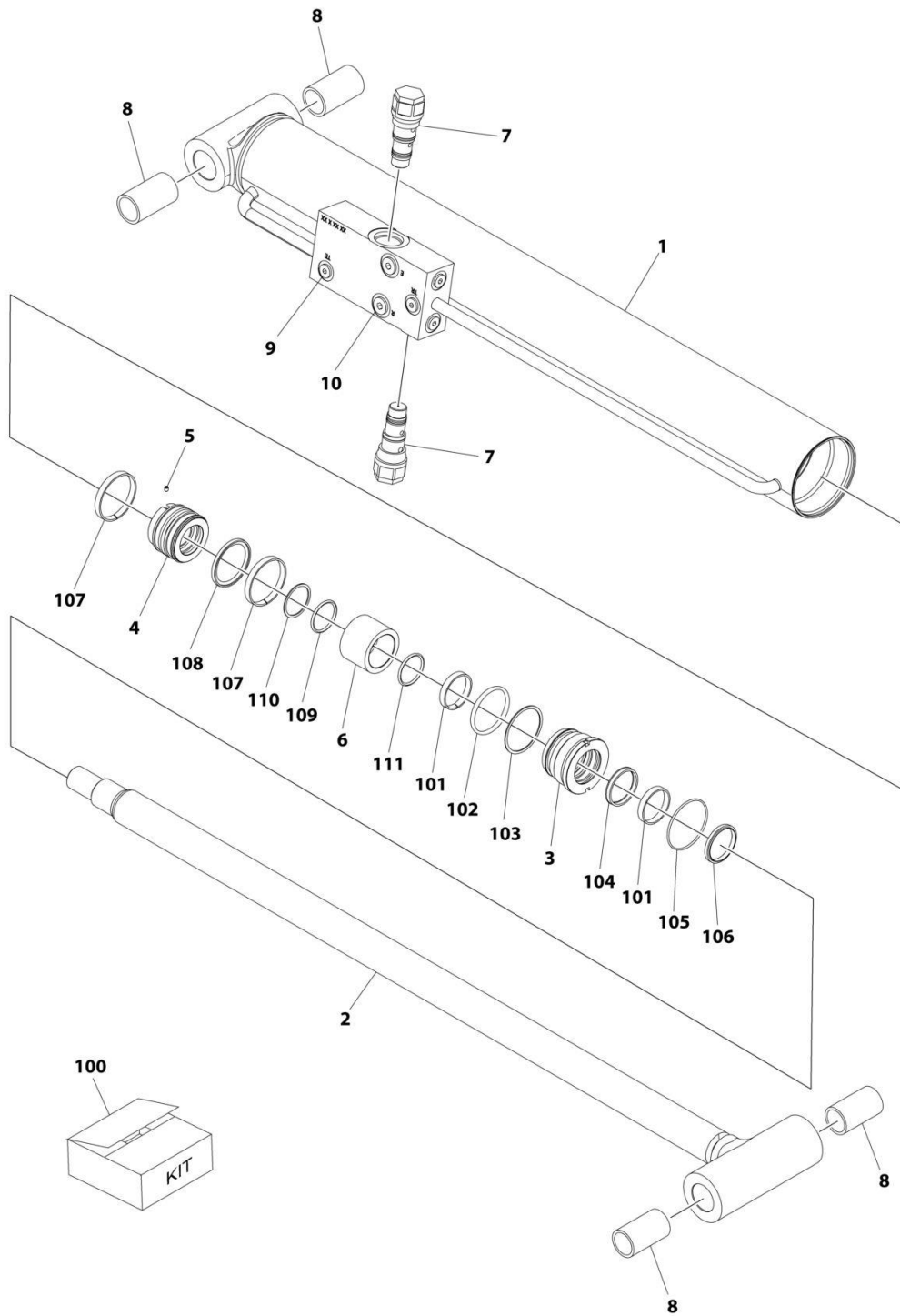
SECTION 5 - CYLINDER

FIGURE 5-8. LIFT CYLINDER ASSEMBLY - JIB (800AJ ONLY) (SN 0300183034 through 0300245050)

ITEM	PART NUMBER	QTY	DESCRIPTION	REV
	1683609	Ref	JIB LIFT CYLINDER ASSEMBLY (MACHINES WITHOUT ARCTIC PACKAGE)	L
	1001138792	Ref	JIB LIFT CYLINDER ASSEMBLY (MACHINES WITH ARCTIC PACKAGE)	B
		Ref	Note: Original Cylinder may have been replaced with Service Replacement. Identify PN Stamped on Cylinder Before Ordering Parts.	
1	1684089	1	Barrel (Note: Includes Item 1A)	
1A	0962336	2	Bushing	
2	1683053	1	Head	
3	3760368	1	Washer, Ring	
4	3931516	8	Capscrew 5/16-18 x 2	
5	1684090	1	Rod (Note: Includes Item 5A)	
5A	0962336	2	Bushing	
6	4640509	2	Cartridge, Valve (Counterbalance Non-Vented)	
6	2900792	2	Seal Kit - 4640509 Valve	
8	2220883	4	Plug, O-Ring	
9	2220885	1	Plug, O-Ring	
10	3480210	1	Piston	
11	0961893	1	Bushing, Tapered	
12	4100100	1	Spacer, Tube	
14	See Note	NSS	Seal, Piston (Note: Use Item 30)	
15	See Note	NSS	Ring, Lock (Note: Use Item 30)	
16	See Note	NSS	O-Ring (Note: Use Item 30)	
17	See Note	NSS	Ring, Back-up (Note: Use Item 30)	
18	See Note	NSS	O-Ring (Note: Use Item 30)	
19	See Note	NSS	Ring, Back-up (Note: Use Item 30)	
20	See Note	NSS	Seal (Note: Use Item 30)	
21	See Note	NSS	Wiper (Note: Use Item 30)	
22	See Note	NSS	Ring, Wear (Note: Use Item 30)	
23	0100011	AR	Compound, Locking	
24	0100038	AR	Primer, Locking	
26	0630534	3	Capscrew #10-24 x 1	
30	2901303	1	Seal Kit (Machines without Arctic Package) (Includes Items 14-22)	
30	1001138795	1	Seal Kit (Machines with Arctic Package) (Includes Items 14-22)	

SECTION 5 - CYLINDER

FIGURE 5-9. LIFT CYLINDER ASSEMBLY - JIB (800AJ ONLY) (USAGE MAY VARY) (SN 0300245051 through 0300245146)



ART_1001228012

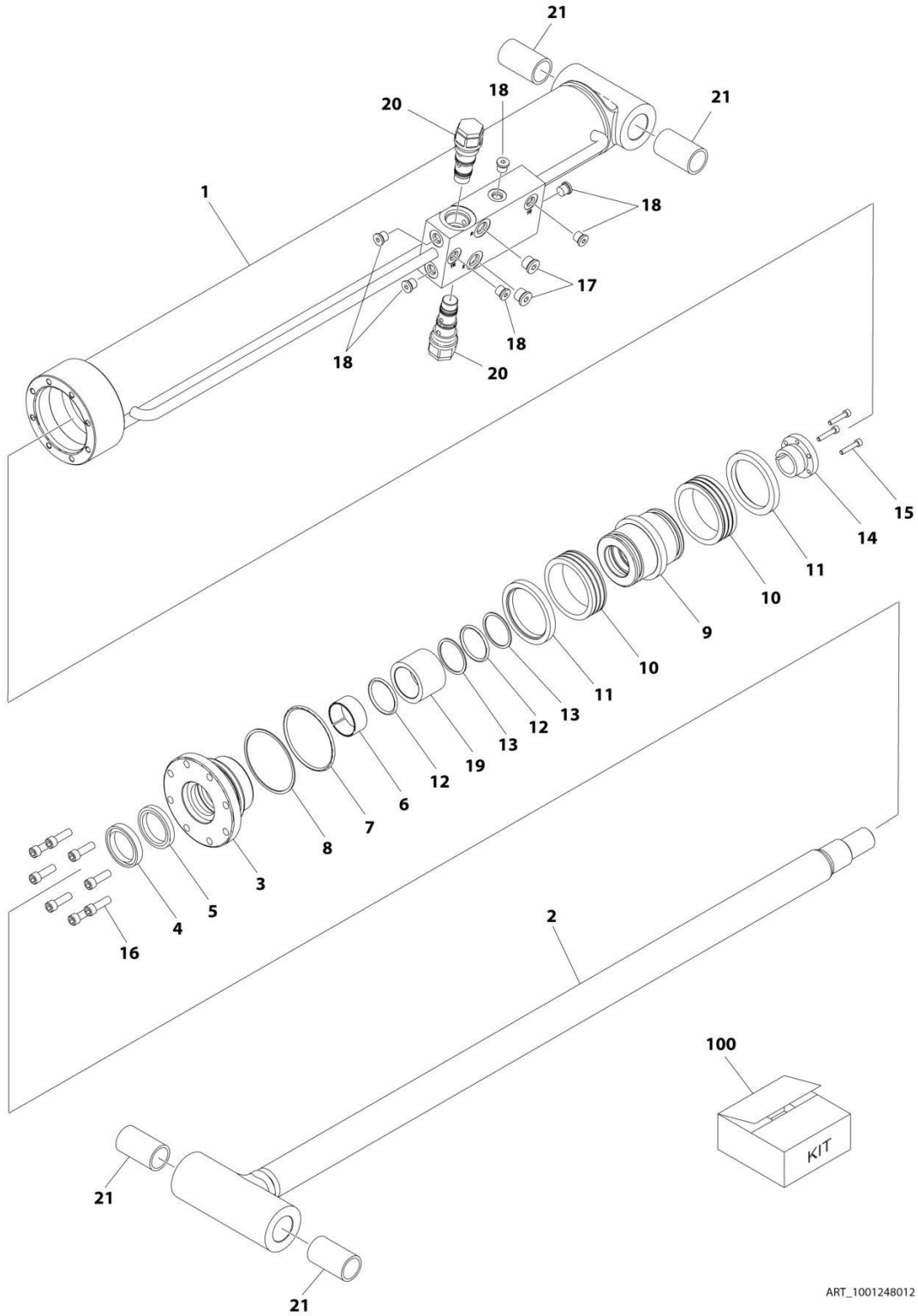
SECTION 5 - CYLINDER

FIGURE 5-9. LIFT CYLINDER ASSEMBLY - JIB (800AJ ONLY) (USAGE MAY VARY) (SN 0300245051 through 0300245146)

ITEM	PART NUMBER	QTY	DESCRIPTION	REV
	1001228012	Ref	LIFT CYLINDER ASSEMBLY - JIB	C
		Ref	Note: Original Cylinder May Have Been Replaced with Service Replacement. Identify PN Stamped on Cylinder Before Ordering Parts.	
1	See Note	NSS	Barrel (Note: Not Available for Purchase)	
2	70006572	1	Rod	
3	70006571	1	Head	
4	70006570	1	Piston	
5	70023915	1	Screw	
6	70006569	1	Spacer	
7	4640509	2	Cartridge, Valve	
7	2900792	2	Seal Kit - 4640509 Valve	
8	0962336	4	Bushing	
9	2220883	6	Plug, O-Ring	
10	2220885	2	Plug, O-Ring	
100	70006568	1	Seal Kit (Includes Items 101-111)	
101	See Note	NSS	Ring, Wear (Note: Use Item 100)	
102	See Note	NSS	O-Ring (Note: Use Item 100)	
103	See Note	NSS	Ring, Back-up (Note: Use Item 100)	
104	See Note	NSS	Seal, Rod (Note: Use Item 100)	
105	See Note	NSS	O-Ring (Note: Use Item 100)	
106	See Note	NSS	Wiper (Note: Use Item 100)	
107	See Note	NSS	Ring, Wear (Note: Use Item 100)	
108	See Note	NSS	Seal (Note: Use Item 100)	
109	See Note	NSS	O-Ring (Note: Use Item 100)	
110	See Note	NSS	Ring, Back-up (Note: Use Item 100)	
111	See Note	NSS	O-Ring (Note: Use Item 100)	

SECTION 5 - CYLINDER

FIGURE 5-10. LIFT CYLINDER ASSEMBLY - JIB (800AJ ONLY) (USAGE MAY VARY) (SN 0300245051 through 0300245146)



ART_1001248012

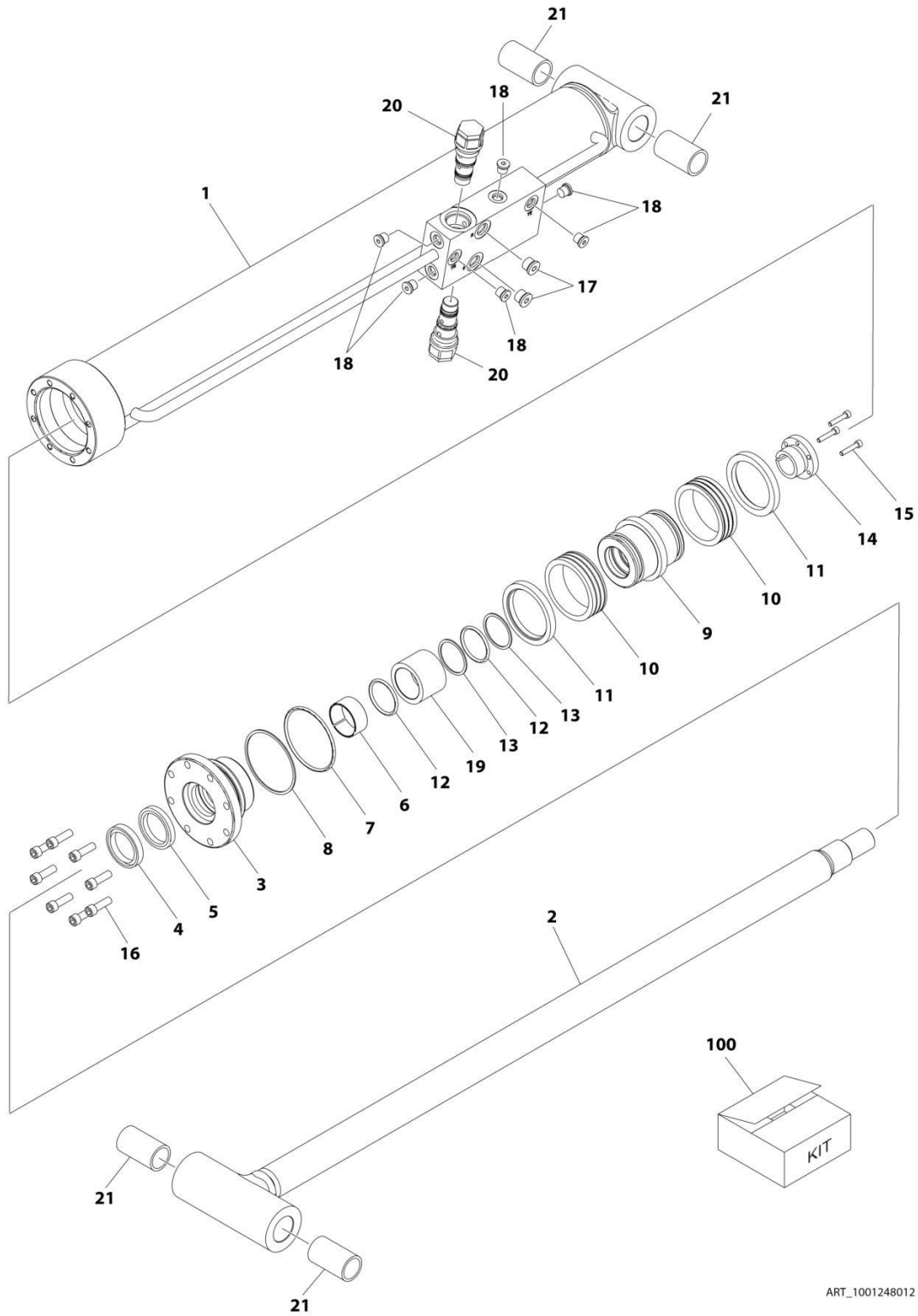
SECTION 5 - CYLINDER

FIGURE 5-10. LIFT CYLINDER ASSEMBLY - JIB (800AJ ONLY) (USAGE MAY VARY) (SN 0300245051 through 0300245146)

ITEM	PART NUMBER	QTY	DESCRIPTION	REV
	1001248012	Ref	LIFT CYLINDER ASSEMBLY - JIB	C
		Ref	Note: Original Cylinder May Have Been Replaced with Service Replacement. Identify PN Stamped on Cylinder Before Ordering Parts.	
1	See Note	NSS	Barrel (Note: Not Available for Purchase)	
2	70006734	1	Rod	
3	70006649	1	Head	
4	See Note	NSS	Wiper (Note: Use Item 100)	
5	See Note	NSS	Seal, Rod (Note: Use Item 100)	
6	See Note	NSS	Ring, Wear (Note: Use Item 100)	
7	See Note	NSS	O-Ring (Note: Use Item 100)	
8	See Note	NSS	Ring, Back-up (Note: Use Item 100)	
9	70006650	1	Piston	
10	See Note	NSS	Seal (Note: Use Item 100)	
11	See Note	NSS	Ring, Lock (Note: Use Item 100)	
12	See Note	NSS	O-Ring (Note: Use Item 100)	
13	See Note	NSS	Ring, Back-up (Note: Use Item 100)	
14	0961893	1	Bushing, Tapered	
15	0630534	3	Capscrew, Socket Head #10 x 1	
16	70006735	8	Capscrew 5/16	
17	2220885	2	Plug, O-Ring	
18	2220883	6	Plug, O-Ring	
19	70006736	1	Spacer	
20	4640509	2	Cartridge, Valve	
20	2900792	2	Seal Kit - 4640509 Valve	
21	0962336	4	Bushing	
100	1001138795	1	Seal Kit (Includes Items 4-8 & 10-13)	

SECTION 5 - CYLINDER

FIGURE 5-11. LIFT CYLINDER ASSEMBLY - JIB (800AJ ONLY) (SN 0300245147 through 0300272376)



ART_1001248012

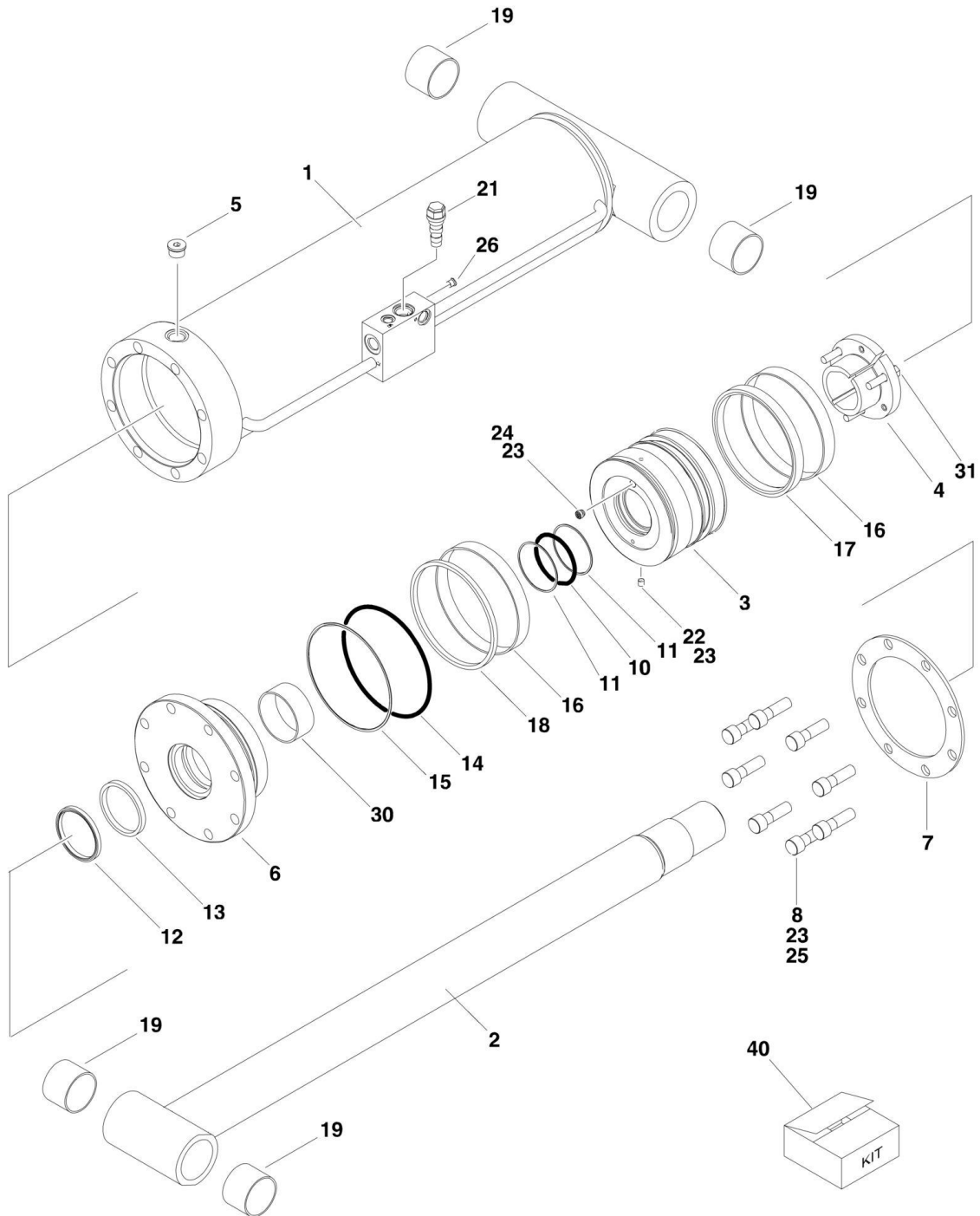
SECTION 5 - CYLINDER

FIGURE 5-11. LIFT CYLINDER ASSEMBLY - JIB (800AJ ONLY) (SN 0300245147 through 0300272376)

ITEM	PART NUMBER	QTY	DESCRIPTION	REV
	1001248012	Ref	LIFT CYLINDER ASSEMBLY - JIB	C
		Ref	Note: Original Cylinder May Have Been Replaced with Service Replacement. Identify PN Stamped on Cylinder Before Ordering Parts.	
1	See Note	NSS	Barrel (Note: Not Available for Purchase)	
2	70006734	1	Rod	
3	70006649	1	Head	
4	See Note	NSS	Wiper (Note: Use Item 100)	
5	See Note	NSS	Seal, Rod (Note: Use Item 100)	
6	See Note	NSS	Ring, Wear (Note: Use Item 100)	
7	See Note	NSS	O-Ring (Note: Use Item 100)	
8	See Note	NSS	Ring, Back-up (Note: Use Item 100)	
9	70006650	1	Piston	
10	See Note	NSS	Seal (Note: Use Item 100)	
11	See Note	NSS	Ring, Lock (Note: Use Item 100)	
12	See Note	NSS	O-Ring (Note: Use Item 100)	
13	See Note	NSS	Ring, Back-up (Note: Use Item 100)	
14	0961893	1	Bushing, Tapered	
15	0630534	3	Capscrew, Socket Head #10 x 1	
16	70006735	8	Capscrew 5/16	
17	2220885	2	Plug, O-Ring	
18	2220883	6	Plug, O-Ring	
19	70006736	1	Spacer	
20	4640509	2	Cartridge, Valve	
20	2900792	2	Seal Kit - 4640509 Valve	
21	0962336	4	Bushing	
100	1001138795	1	Seal Kit (Includes Items 4-8 & 10-13)	

SECTION 5 - CYLINDER

FIGURE 5-12. LIFT CYLINDER ASSEMBLY - MAIN BOOM (SN 0300183034 through 0300239885)



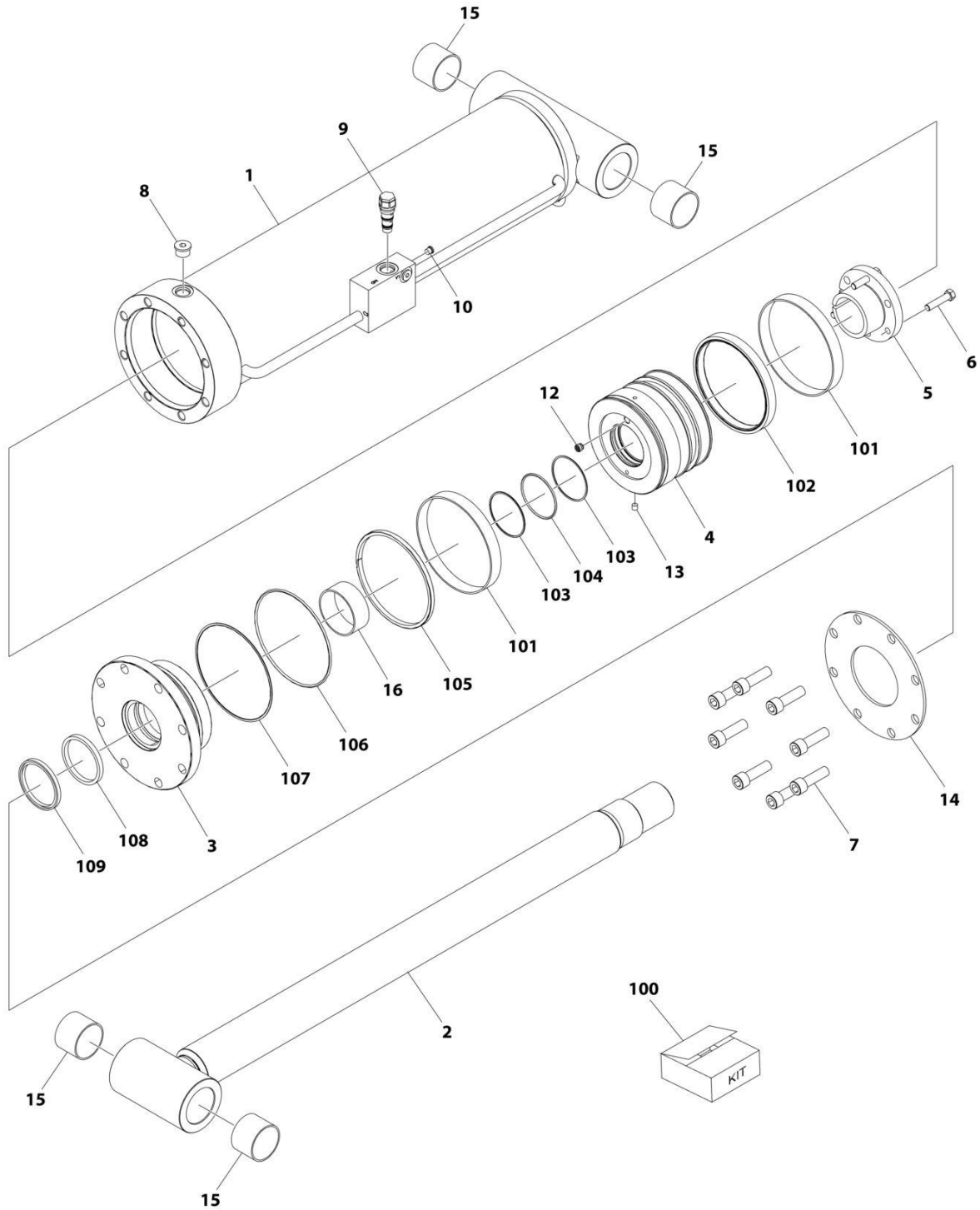
SECTION 5 - CYLINDER

FIGURE 5-12. LIFT CYLINDER ASSEMBLY - MAIN BOOM (SN 0300183034 through 0300239885)

ITEM	PART NUMBER	QTY	DESCRIPTION	REV
	1683547	Ref	LIFT CYLINDER ASSEMBLY - MAIN BOOM	M
		Ref	Note: Original Cylinder may have been replaced with Service Replacement. Identify PN Stamped on Cylinder Before Ordering Parts.	
1	1683821	1	Barrel	
2	1683549	1	Rod	
3	3480238	1	Piston	
4	0961901	1	Bushing, Tapered	
5	2220888	1	Plug, O-Ring	
6	1683071	1	Head	
7	3760374	1	Washer, Ring	
8	3932240	8	Capscrew 3/4 x 2-1/2	
10	See Note	NSS	O-Ring (Note: Use Item 40)	
11	See Note	NSS	Ring, Back-up (Note: Use Item 40)	
12	See Note	NSS	Wiper (Note: Use Item 40)	
13	See Note	NSS	Seal, Rod (Note: Use Item 40)	
14	See Note	NSS	O-Ring (Note: Use Item 40)	
15	See Note	NSS	Ring, Back-up (Note: Use Item 40)	
16	See Note	NSS	Ring, Wear (Note: Use Item 40)	
17	See Note	NSS	T-Seal (Note: Use Item 40)	
18	See Note	NSS	Seal (Note: Use Item 40)	
19	0962102	4	Bushing	
21	4640509	1	Cartridge, Valve	
21	2900792	1	Seal Kit - 4640509 Valve	
22	2180615	1	Orifice	
23	0100011	AR	Compound, Locking	
24	4641027	1	Plug, Check Valve	
25	0100038	AR	Primer, Locking	
26	2220883	1	Plug	
30	See Note	NSS	Ring, Wear (Note: Use Item 40)	
31	0630537	3	Bolt	
40	2901514	1	Seal Kit (Includes Items 10-18 & 30)	

SECTION 5 - CYLINDER

FIGURE 5-13. LIFT CYLINDER ASSEMBLY - MAIN BOOM (SN 0300239886 through 0300272376)



ART_1001228010

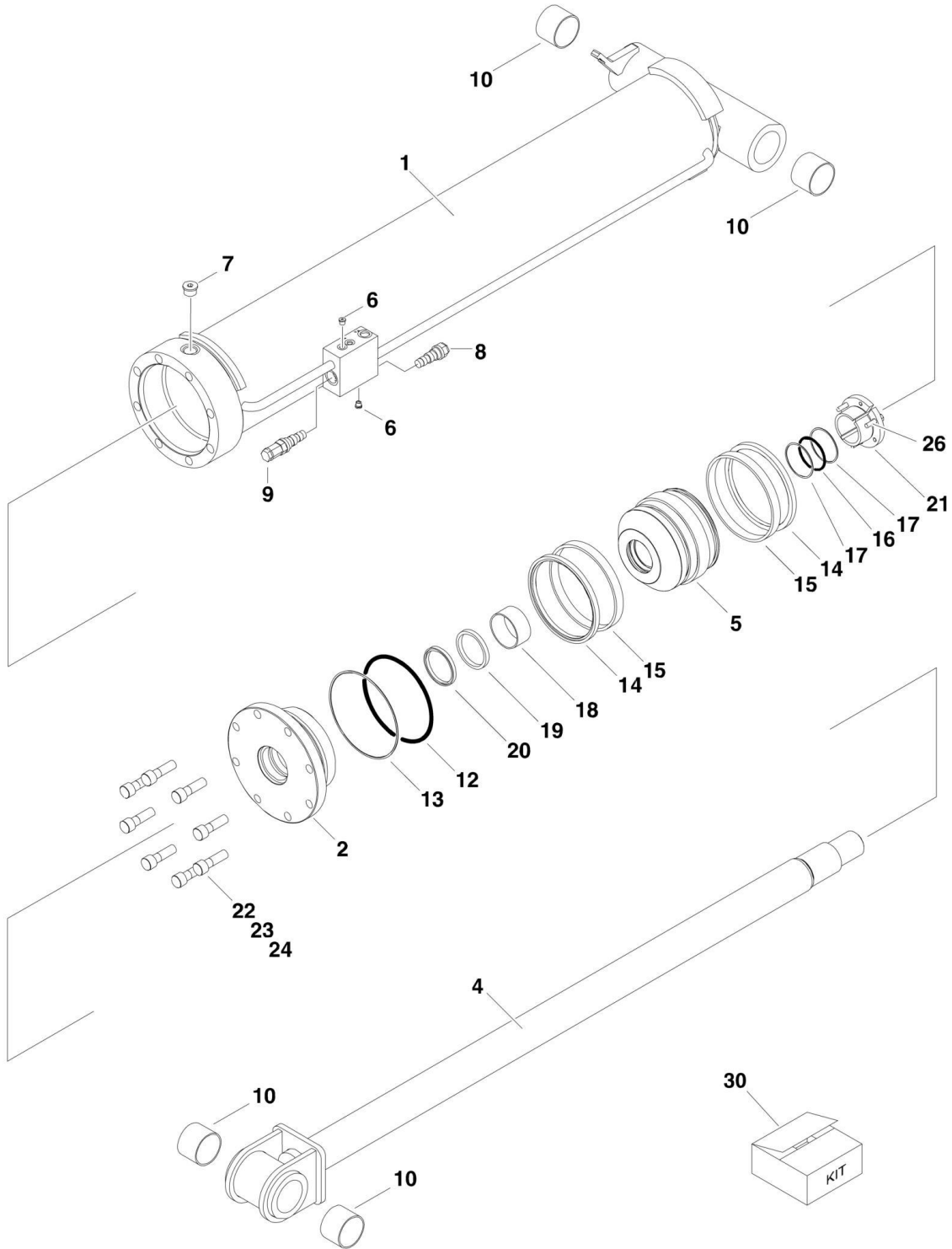
SECTION 5 - CYLINDER

FIGURE 5-13. LIFT CYLINDER ASSEMBLY - MAIN BOOM (SN 0300239886 through 0300272376)

ITEM	PART NUMBER	QTY	DESCRIPTION	REV
	1001228010	Ref	LIFT CYLINDER ASSEMBLY	C
		Ref	Note: Original Cylinder may have been replaced with Service Replacement. Identify PN Stamped on Cylinder Before Ordering Parts.	
1	See Note	NSS	Barrel (Note: Not Available for Purchase)	
2	70006388	1	Rod	
3	70006387	1	Head	
4	70006386	1	Piston	
5	70006385	1	Bushing, Tapered	
6	0630537	3	Bolt	
7	3932240	8	Capscrew 3/4 x 2-1/2	
7	See Note	AR	Compound, Locking (Note: Use Loctite 263)	
8	2220888	1	Plug	
9	4640509	1	Cartridge, Valve	
9	2900792	1	Seal Kit - 4640509 Valve	
10	2220883	1	Plug	
12	4641027	1	Plug, Check Valve	
13	2180615	1	Orifice	
14	70006384	1	Washer, Ring	
15	0962102	4	Bushing	
16	See Note	NSS	Ring, Wear (Note: Use Item 100)	
100	2901514	1	Seal Kit (Includes Items 16 and 101-109)	
101	See Note	NSS	Ring, Wear (Note: Use Item 100)	
102	See Note	NSS	T-Seal (Note: Use Item 100)	
103	See Note	NSS	Ring, Back-up (Note: Use Item 100)	
104	See Note	NSS	O-Ring (Note: Use Item 100)	
105	See Note	NSS	Seal (Note: Use Item 100)	
106	See Note	NSS	O-Ring (Note: Use Item 100)	
107	See Note	NSS	Ring Back-up (Note: Use Item 100)	
108	See Note	NSS	Seal, Rod (Note: Use Item 100)	
109	See Note	NSS	Wiper (Note: Use Item 100)	

SECTION 5 - CYLINDER

FIGURE 5-14. LIFT CYLINDER ASSEMBLY - TOWER BOOM (SN 0300183034 through 0300239885)



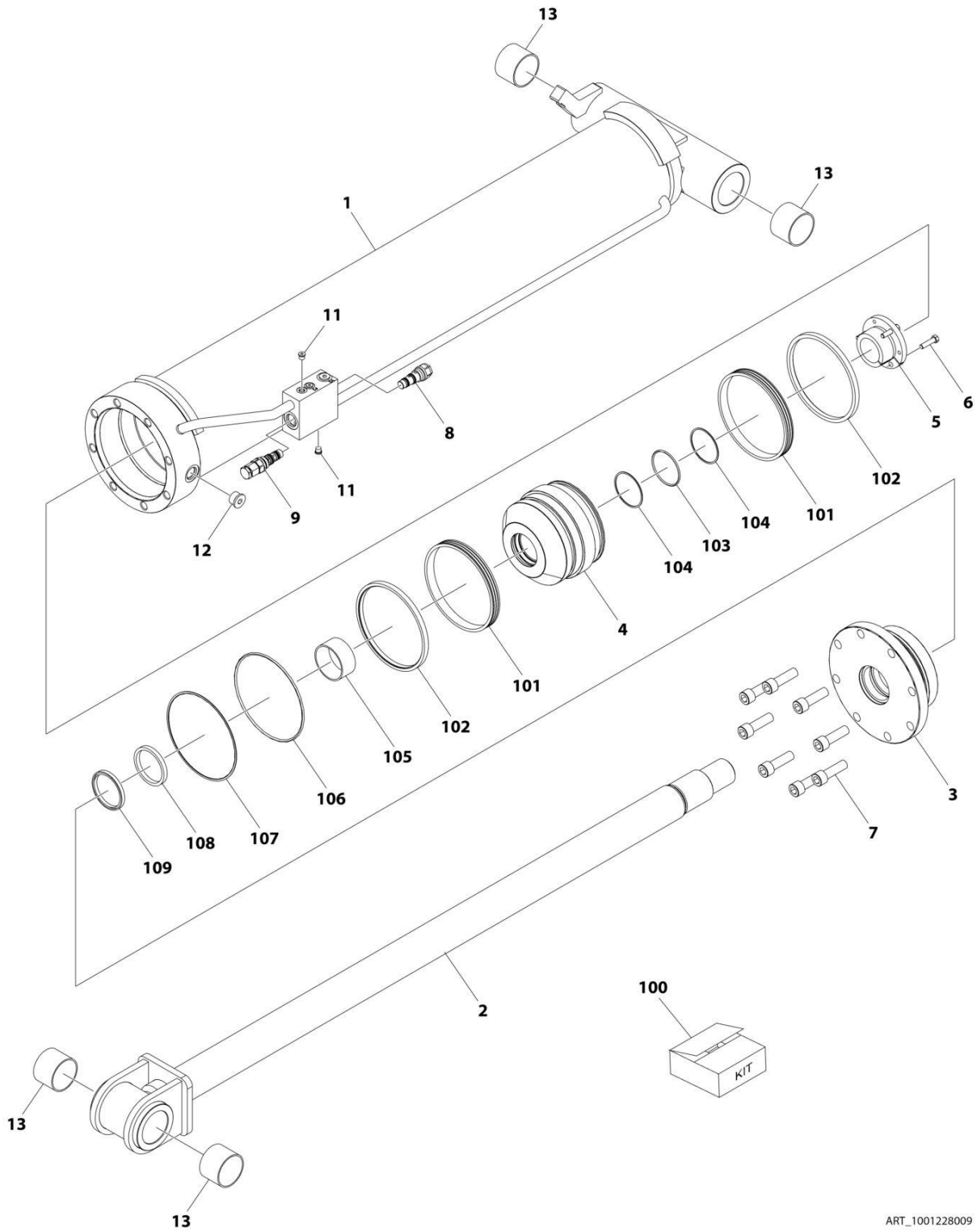
SECTION 5 - CYLINDER

FIGURE 5-14. LIFT CYLINDER ASSEMBLY - TOWER BOOM (SN 0300183034 through 0300239885)

ITEM	PART NUMBER	QTY	DESCRIPTION	REV
	1683537	Ref	LIFT CYLINDER ASSEMBLY - TOWER BOOM	J
		Ref	Note: Original Cylinder may have been replaced with Service Replacement. Identify PN Stamped on Cylinder Before Ordering Parts.	
1	1683823	1	Barrel	
2	1683818	1	Head	
4	1683539	1	Rod	
5	3480236	1	Piston	
6	2220883	2	Plug, O-Ring	
7	2220888	1	Plug, O-Ring	
8	4640509	1	Cartridge, Valve	
8	2900792	1	Seal Kit - 4640999 Valve	
9	4640605	1	Cartridge, Valve	
9	2900792	1	Seal Kit - 4640605 Valve	
10	0962102	4	Bushing	
12	See Note	NSS	O-Ring (Note: Use Item 30)	
13	See Note	NSS	Ring, Back-up (Note: Use Item 30)	
14	See Note	NSS	Ring, Lock (Note: Use Item 30)	
15	See Note	NSS	Seal (Note: Use Item 30)	
16	See Note	NSS	O-Ring (Note: Use Item 30)	
17	See Note	NSS	Ring, Back-up (Note: Use Item 30)	
18	See Note	NSS	Ring, Wear (Note: Use Item 30)	
19	See Note	NSS	Seal (Note: Use Item 30)	
20	See Note	NSS	Wiper (Note: Use Item 30)	
21	0961903	1	Bushing, Tapered	
22	3932240	8	Capscrew 3/4 x 2-1/2	
23	0100011	AR	Compound, Locking	
24	0100038	AR	Primer, Locking	
26	0630536	3	Bolt	
30	2901537	1	Seal Kit (Includes Items 12-20)	

SECTION 5 - CYLINDER

FIGURE 5-15. LIFT CYLINDER ASSEMBLY - TOWER BOOM (SN 0300239886 through 0300272376)



ART_1001228009

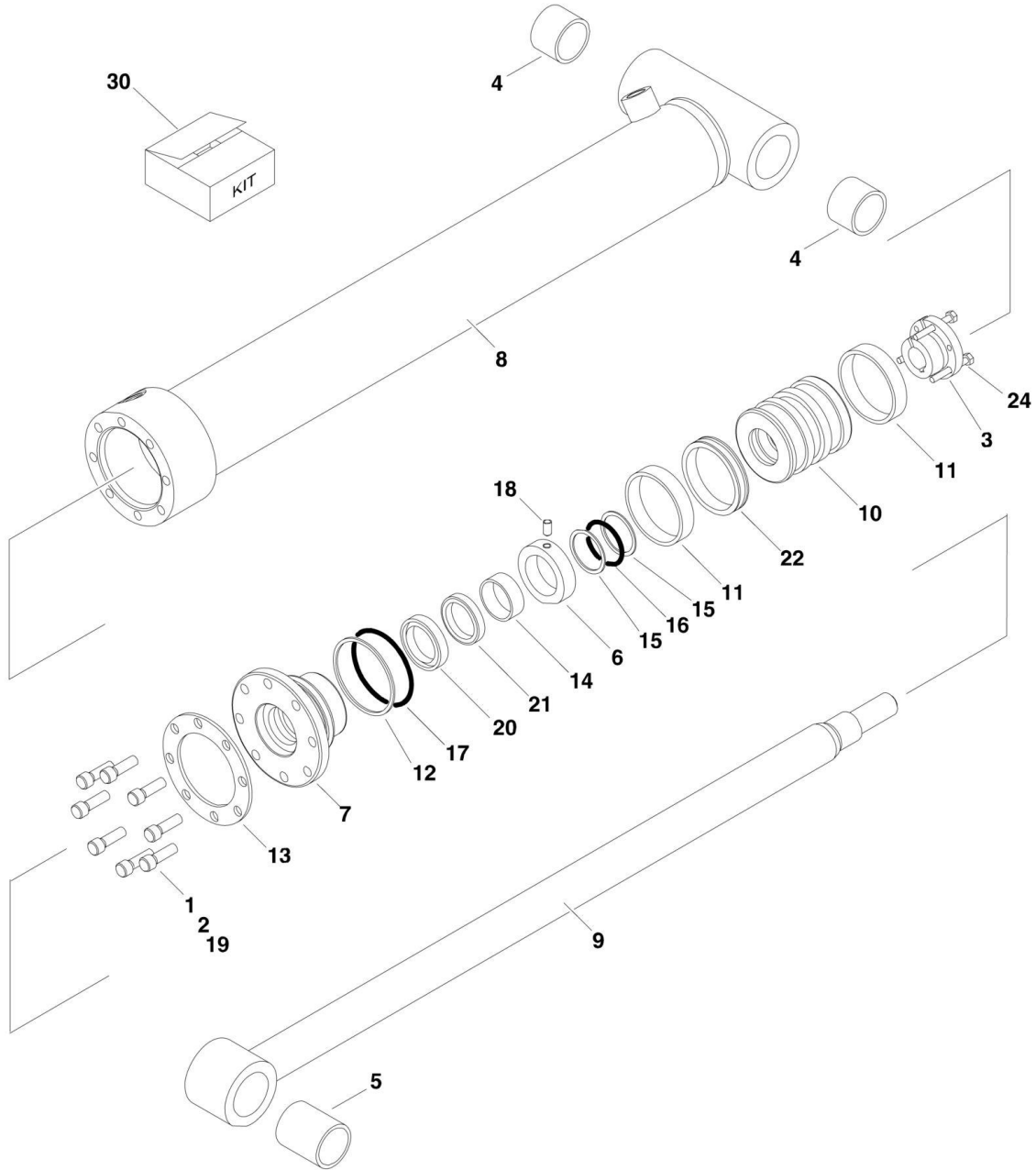
SECTION 5 - CYLINDER

FIGURE 5-15. LIFT CYLINDER ASSEMBLY - TOWER BOOM (SN 0300239886 through 0300272376)

ITEM	PART NUMBER	QTY	DESCRIPTION	REV
	1001228009	Ref	LIFT CYLINDER ASSEMBLY	C
		Ref	Note: Original Cylinder may have been replaced with Service Replacement. Identify PN Stamped on Cylinder Before Ordering Parts.	
1	See Note	NSS	Barrel (Note: Not Available for Purchase)	
2	70006378	1	Rod	
3	70006377	1	Head	
4	70006376	1	Piston	
5	70006375	1	Bushing, Tapered	
6	0630536	3	Bolt	
7	3932240	8	Capscrew 3/4 x 2-1/2	
8	4640509	1	Cartridge, Valve	
8	2900792	1	Seal Kit - 4640999 Valve	
9	4640605	1	Cartridge, Valve	
9	2900792	1	Seal Kit - 4640605 Valve	
11	2220883	4	Plug, O-Ring	
12	2220888	1	Plug, O-Ring	
13	0962102	4	Bushing	
100	2901537	1	Seal Kit (Includes Items 101-109)	
101	See Note	NSS	Seal (Note: Use Item 100)	
102	See Note	NSS	Ring, Lock (Note: Use Item 100)	
103	See Note	NSS	O-Ring (Note: Use Item 100)	
104	See Note	NSS	Ring, Back-up (Note: Use Item 100)	
105	See Note	NSS	Ring, Wear (Note: Use Item 100)	
106	See Note	NSS	O-Ring (Note: Use Item 100)	
107	See Note	NSS	Ring, Back-up (Note: Use Item 100)	
108	See Note	NSS	Seal (Note: Use Item 100)	
109	See Note	NSS	Wiper (Note: Use Item 100)	

SECTION 5 - CYLINDER

FIGURE 5-16. MASTER CYLINDER ASSEMBLY (800A) (SN 0300183034 through 0300245050)



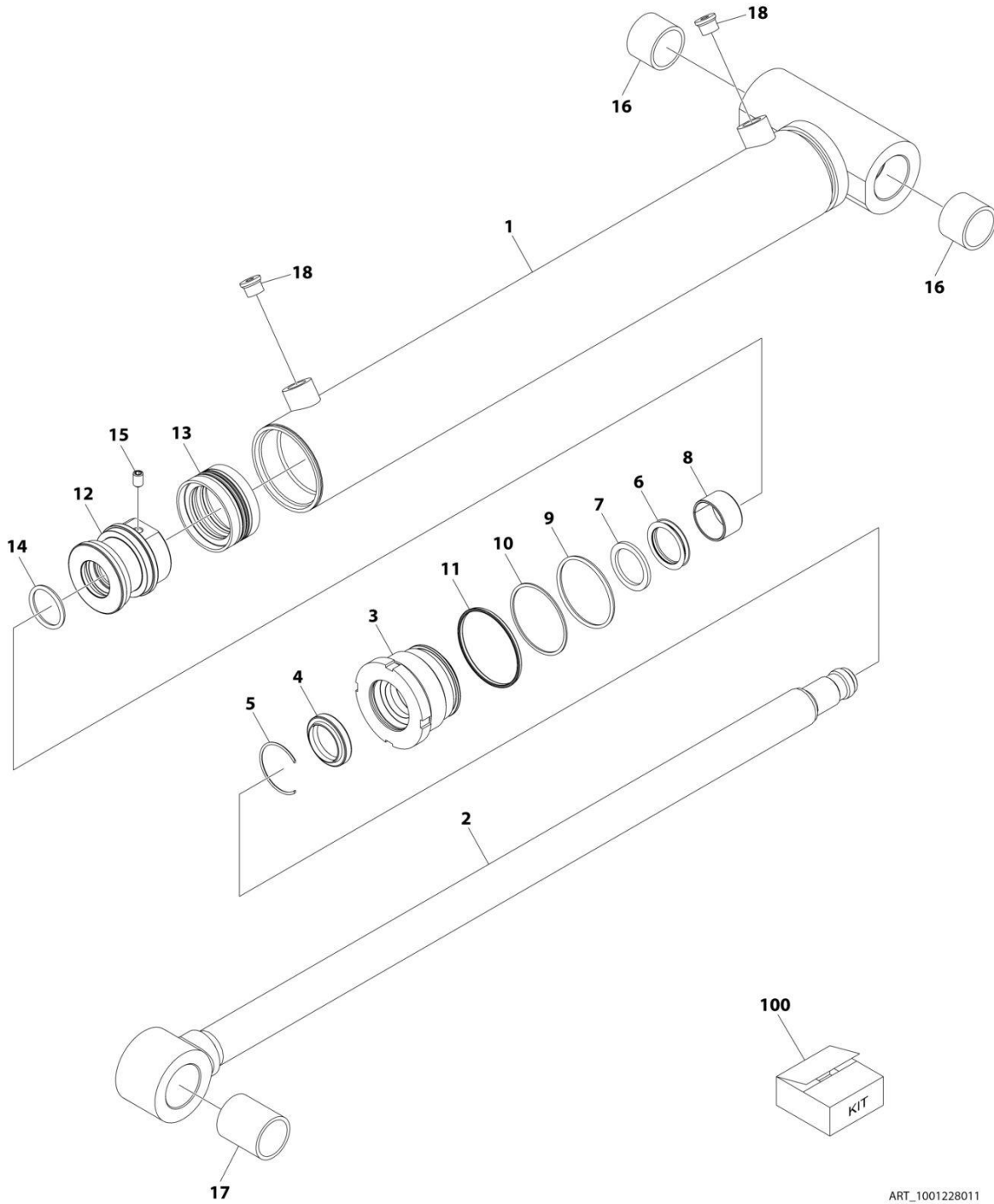
SECTION 5 - CYLINDER

FIGURE 5-16. MASTER CYLINDER ASSEMBLY (800A) (SN 0300183034 through 0300245050)

ITEM	PART NUMBER	QTY	DESCRIPTION	REV
	1683608	Ref	MASTER CYLINDER ASSEMBLY (800A) (SN 0300183034 through 0300245050) Note: Original Cylinder may have been replaced with Service Replacement. Identify PN Stamped on Cylinder Before Ordering Parts.	J
		Ref		
1	0100011	AR	Compound, Locking	
2	0100038	AR	Primer, Locking	
3	0962185	1	Bushing, Tapered	
4	0961951	2	Bushing	
5	0962155	1	Bushing	
6	0962156	1	Spacer, Tube	
7	1683050	1	Head	
8	1684114	1	Barrel	
9	1684115	1	Rod	
10	3480232	1	Piston	
11	See Note	NSS	Ring, Wear (Note: Use Item 30)	
12	See Note	NSS	Ring, Back-up (Note: Use Item 30)	
13	3760367	1	Ring, Washer	
14	See Note	NSS	Ring, Wear (Note: Use Item 30)	
15	See Note	NSS	Ring, Back-up (Note: Use Item 30)	
16	See Note	NSS	O-Ring (Note: Use Item 30)	
17	See Note	NSS	O-Ring (Note: Use Item 30)	
18	3900139	1	Setscrew 1/4-20 x 1/2	
19	3931516	8	Capscrew 5/16-18 x 1	
20	See Note	NSS	Wiper (Note: Use Item 30)	
21	See Note	NSS	Seal (Note: Use Item 30)	
22	See Note	NSS	T-Seal (Note: Use Item 30)	
24	0630534	3	Capscrew #10-24 x 1	
30	2901549	1	Seal Kit - 1683608 Cylinder (Includes Items 11, 12, 14-17 & 20-22)	

SECTION 5 - CYLINDER

FIGURE 5-17. MASTER CYLINDER ASSEMBLY (800A) (SN 0300245051 through 0300272376)



ART_1001228011

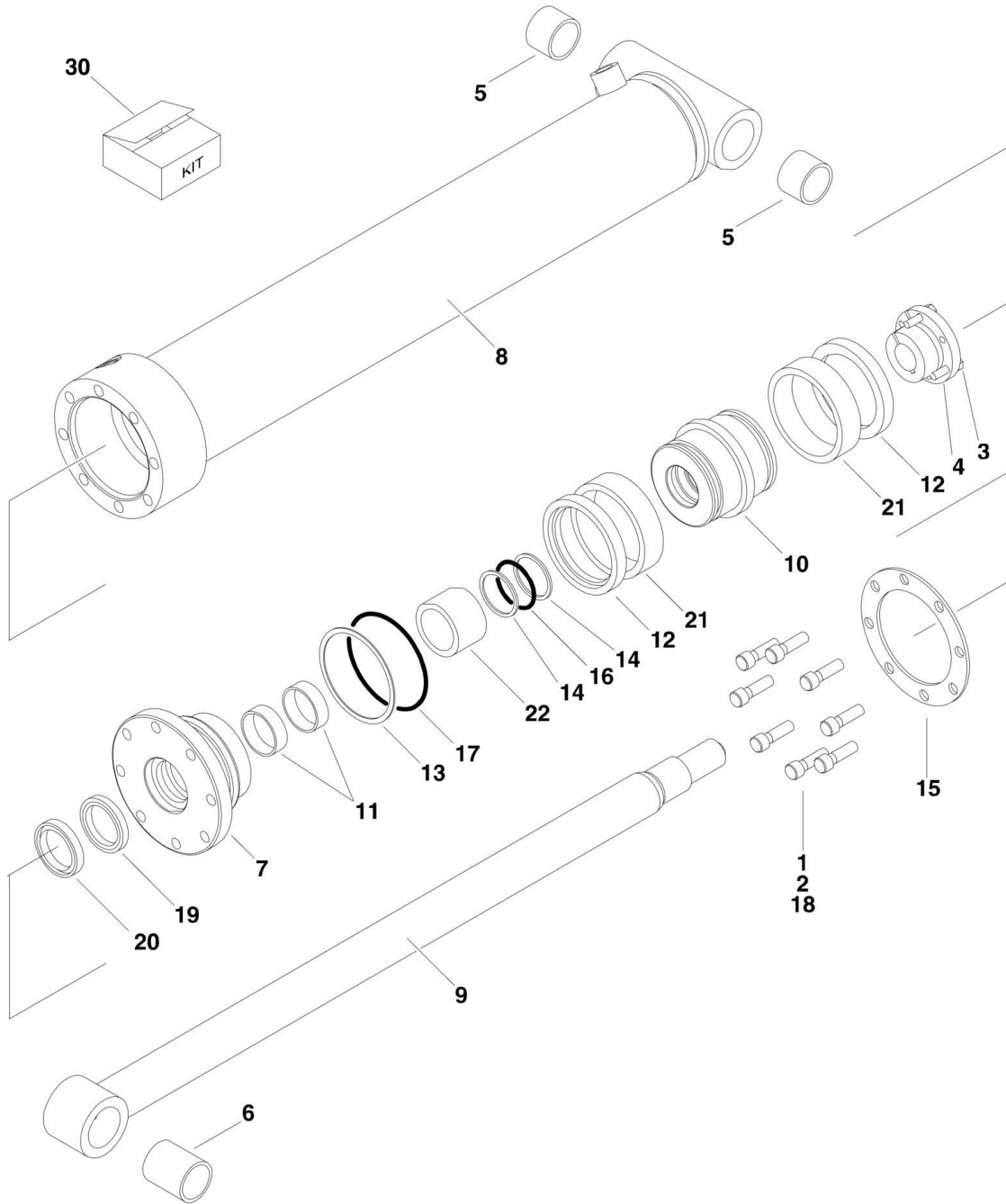
SECTION 5 - CYLINDER

FIGURE 5-17. MASTER CYLINDER ASSEMBLY (800A) (SN 0300245051 through 0300272376)

ITEM	PART NUMBER	QTY	DESCRIPTION	REV
	1001228011	Ref	MASTER CYLINDER ASSEMBLY (800A)	B
		Ref	Note: Original Cylinder may have been replaced with Service Replacement. Identify PN Stamped on Cylinder Before Ordering Parts.	
1	See Note	NSS	Barrel (Note: Not Available for Purchase)	
2	70006777	1	Rod	
3	70006778	1	Head	
4	See Note	NSS	Wiper (Note: Use Item 100)	
5	70002366	1	Ring, Retaining	
6	See Note	NSS	Seal, Rod (Note: Use Item 100)	
7	See Note	NSS	Ring, Back-up (Note: Use Item 100)	
8	70006779	1	Ring, Wear	
9	See Note	NSS	O-Ring (Note: Use Item 100)	
10	See Note	NSS	Ring, Back-up (Note: Use Item 100)	
11	70050801	NSS	O-Ring (Note: Use Item 100)	
12	70006780	1	Piston	
13	See Note	NSS	Seal (Note: Use Item 100)	
14	See Note	NSS	O-Ring (Note: Use Item 100)	
15	70006596	1	Setscrew	
16	0961951	2	Bushing	
17	0962155	1	Bushing	
18	2220885	2	Plug	
100	70006781	1	Seal Kit (Includes Items 4, 6, 7, 9-11, 13 & 14)	

SECTION 5 - CYLINDER

FIGURE 5-18. MASTER CYLINDER ASSEMBLY (800AJ) (SN 0300183034 through 0300243317)



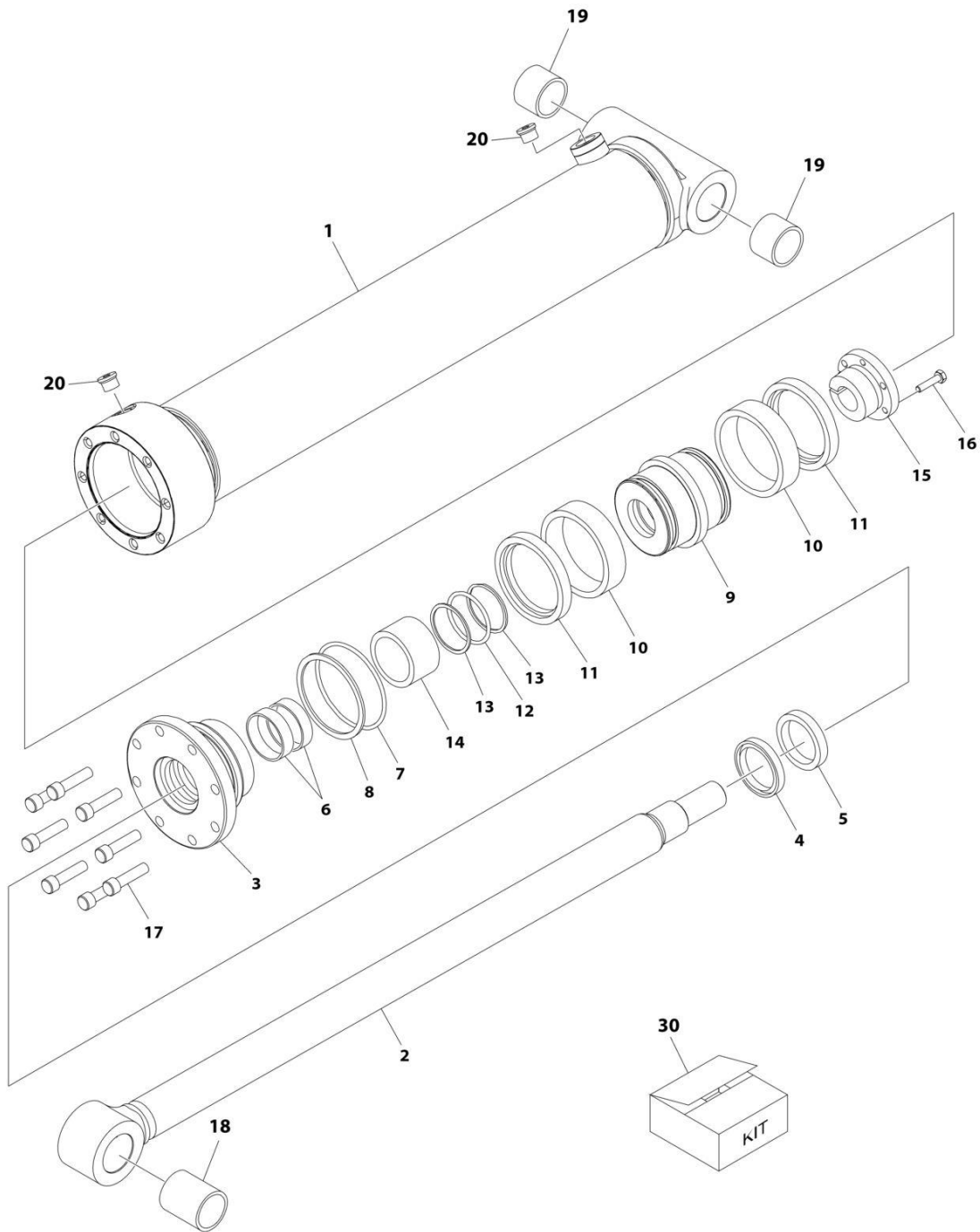
SECTION 5 - CYLINDER

FIGURE 5-18. MASTER CYLINDER ASSEMBLY (800AJ) (SN 0300183034 through 0300243317)

ITEM	PART NUMBER	QTY	DESCRIPTION	REV
	1683682	Ref	MASTER CYLINDER ASSEMBLY (MACHINES WITHOUT ARCTIC PACKAGE)	H
	1001138793	Ref	MASTER CYLINDER ASSEMBLY (MACHINES WITH ARCTIC PACKAGE)	B
		Ref	Note: Original Cylinder may have been replaced with Service Replacement. Identify PN Stamped on Cylinder Before Ordering Parts.	
1	0100011	AR	Compound, Locking	
2	0100038	AR	Primer, Locking	
3	0630535	3	Capscrew 1/4-20 x 1-1/8	
4	0961894	1	Bushing, Tapered	
5	0961951	2	Bushing	
6	0962155	1	Bushing	
7	1683055	1	Head	
8	1684125	1	Barrel	
9	1684126	1	Rod	
10	3480188	1	Piston	
11	See Note	NSS	Ring, Wear (Note: Use Item 30)	
12	See Note	NSS	Ring, Lock (Note: Use Item 30)	
13	See Note	NSS	Ring, Back-up (Note: Use Item 30)	
14	See Note	NSS	Ring, Back-up (Note: Use Item 30)	
15	3760369	1	Ring, Washer	
16	See Note	NSS	O-Ring (Note: Use Item 30)	
17	See Note	NSS	O-Ring (Note: Use Item 30)	
18	3931620	8	Capscrew 3/8-16 x 1-1/4	
19	See Note	NSS	Seal, Rod (Note: Use Item 30)	
20	See Note	NSS	Wiper (Note: Use Item 30)	
21	See Note	NSS	Seal (Note: Use Item 30)	
22	4566468	1	Spacer, Tube	
30	2901301	1	Seal Kit (Machines without Arctic Package) (Includes Items 11-14, 16, 17 & 19-21)	
30	1001138796	1	Seal Kit (Machines with Arctic Package) (Includes Items 11-14, 16, 17 & 19-21)	

SECTION 5 - CYLINDER

FIGURE 5-19. MASTER CYLINDER ASSEMBLY (800AJ) (SN 0300243318 through 0300272376)



ART_1001228050

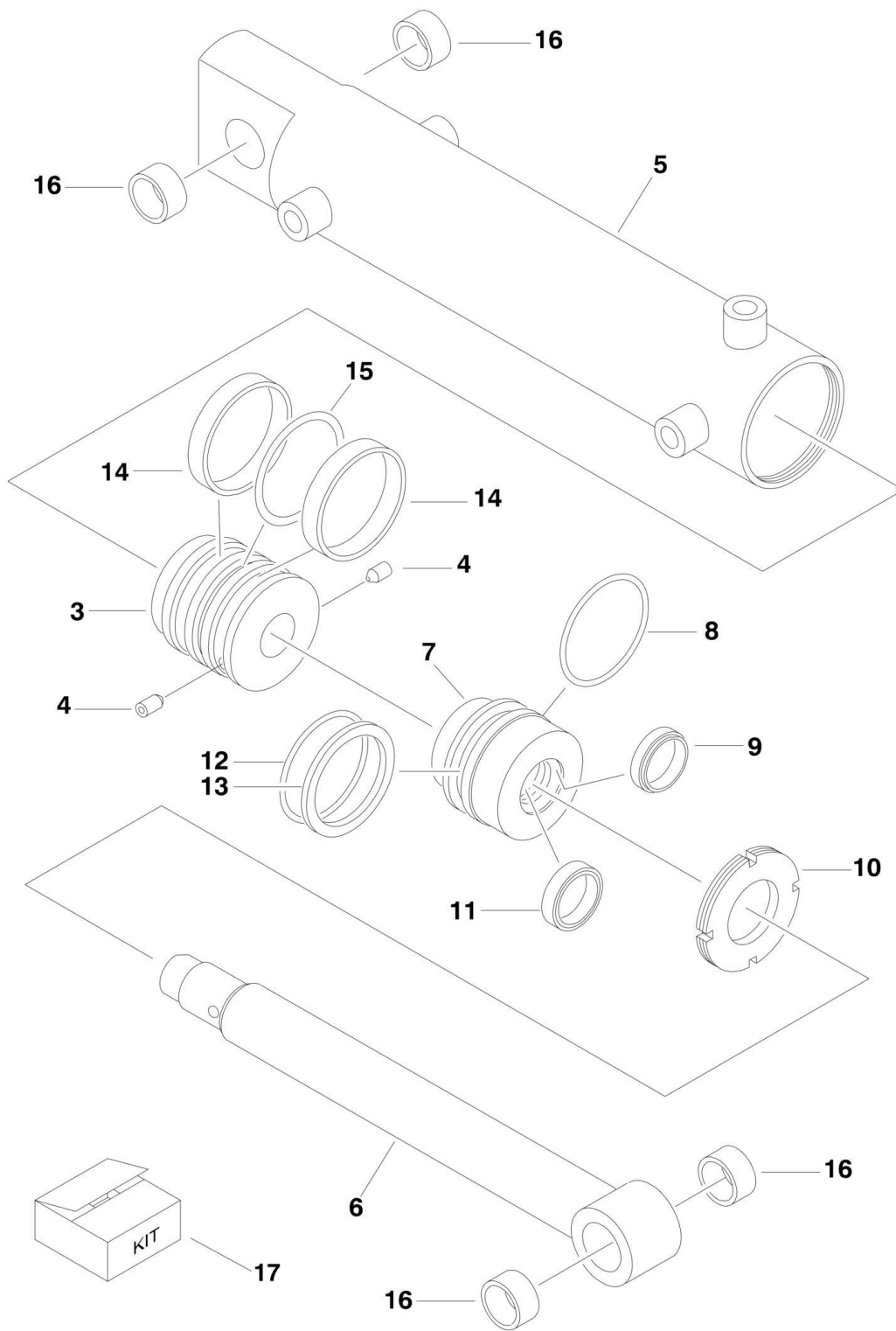
SECTION 5 - CYLINDER

FIGURE 5-19. MASTER CYLINDER ASSEMBLY (800AJ) (SN 0300243318 through 0300272376)

ITEM	PART NUMBER	QTY	DESCRIPTION	REV
	1001228050	Ref	MASTER CYLINDER ASSEMBLY (MACHINES WITHOUT ARCTIC PACKAGE)	A
		Ref	Note: Original Cylinder may have been replaced with Service Replacement. Identify PN Stamped on Cylinder Before Ordering Parts.	
1	See Note	NSS	Barrel (Note: Not Available for Purchase)	
2	70006668	1	Rod	
3	70006643	1	Head	
4	See Note	NSS	Wiper (Note: Use Item 30)	
5	See Note	NSS	Seal, Rod (Note: Use Item 30)	
6	See Note	NSS	Ring, Wear (Note: Use Item 30)	
7	See Note	NSS	O-Ring (Note: Use Item 30)	
8	See Note	NSS	Ring, Back-up (Note: Use Item 30)	
9	70006644	1	Piston	
10	See Note	NSS	Ring, Wear (Note: Use Item 30)	
11	See Note	NSS	Ring, Lock (Note: Use Item 30)	
12	See Note	NSS	O-Ring (Note: Use Item 30)	
13	See Note	NSS	Ring, Back-up (Note: Use Item 30)	
14	70006651	1	Spacer, Tube	
15	0961894	1	Bushing, Tapered	
16	0630535	3	Capscrew 1/4 x 1-1/8	
17	3931620	8	Capscrew 3/8 x 1-1/4	
18	0962155	1	Bushing	
19	0961951	2	Bushing	
20	2220885	2	Plug, O-Ring	
30	1001138796	1	Seal Kit (Machines with Arctic Package) (Includes Items 4-8 & 10-13)	

SECTION 5 - CYLINDER

FIGURE 5-20. STEER CYLINDER ASSEMBLY



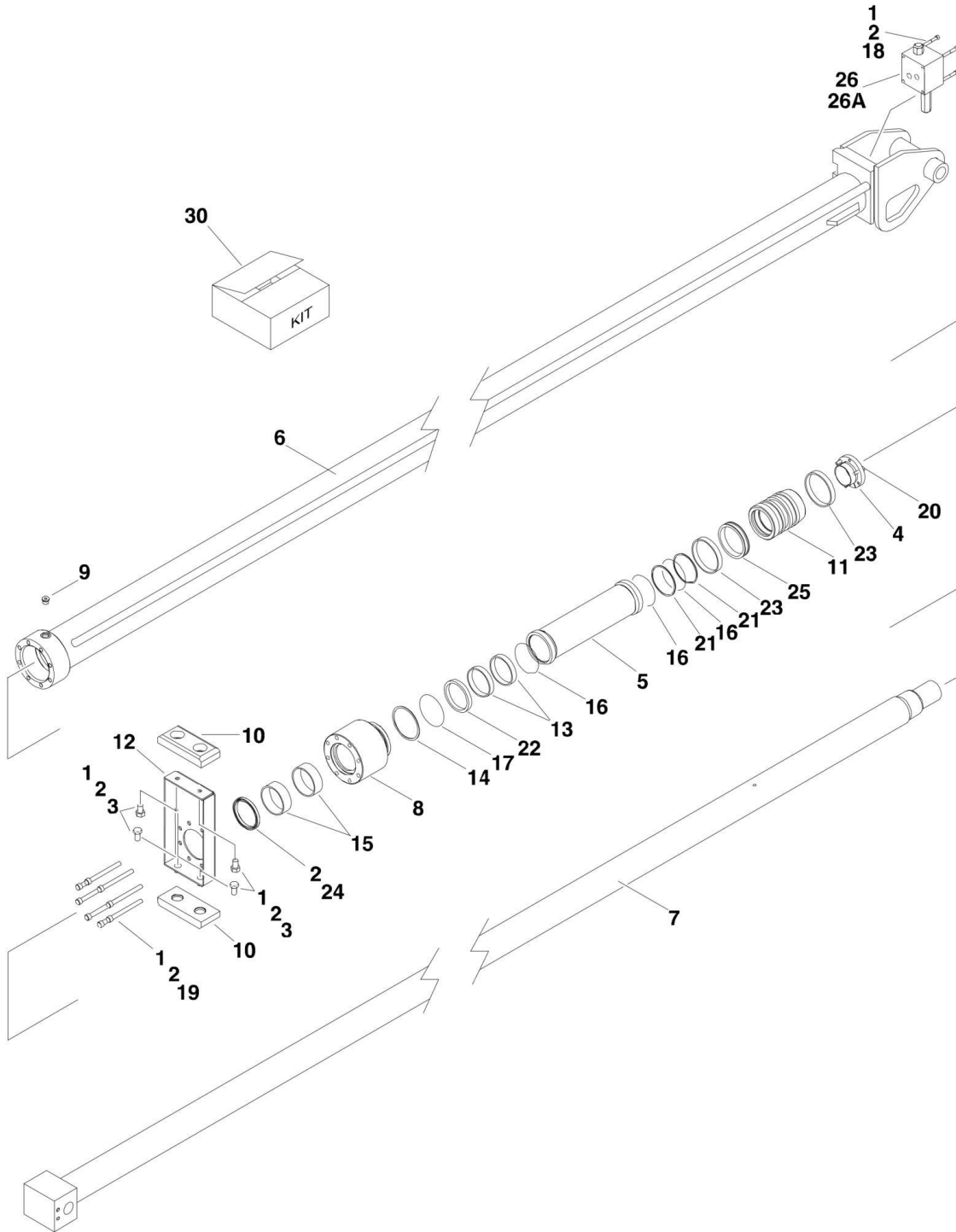
SECTION 5 - CYLINDER

FIGURE 5-20. STEER CYLINDER ASSEMBLY

ITEM	PART NUMBER	QTY	DESCRIPTION	REV
	1001150539	Ref	STEER CYLINDER ASSEMBLY	F
		Ref	Note: Original Cylinder may have been replaced with Service Replacement. Identify PN Stamped on Cylinder Before Ordering Parts.	
3	70002744	1	Piston	
4	70002745	2	Setscrew M6 x 10	
5	70004381	1	Barrel	
6	70004382	1	Rod	
7	70002748	1	Head	
8	See Note	NSS	Ring (Note: Use Item 100)	
9	See Note	NSS	Wiper (Note: Use Item 100)	
10	70002749	1	Nut, Spanner	
11	See Note	NSS	Seal (Note: Use Item 100)	
12	See Note	NSS	O-Ring (Note: Use Item 100)	
13	See Note	NSS	Ring, Back-up (Note: Use Item 100)	
14	See Note	NSS	Ring, Wear (Note: Use Item 100)	
15	See Note	NSS	Seal (Note: Use Item 100)	
16	0962152	4	Bushings	
100	70002751	1	Seal Kit (Includes Items 8, 9 & 11-15)	

SECTION 5 - CYLINDER

FIGURE 5-21. TELESCOPE CYLINDER ASSEMBLY - MAIN BOOM



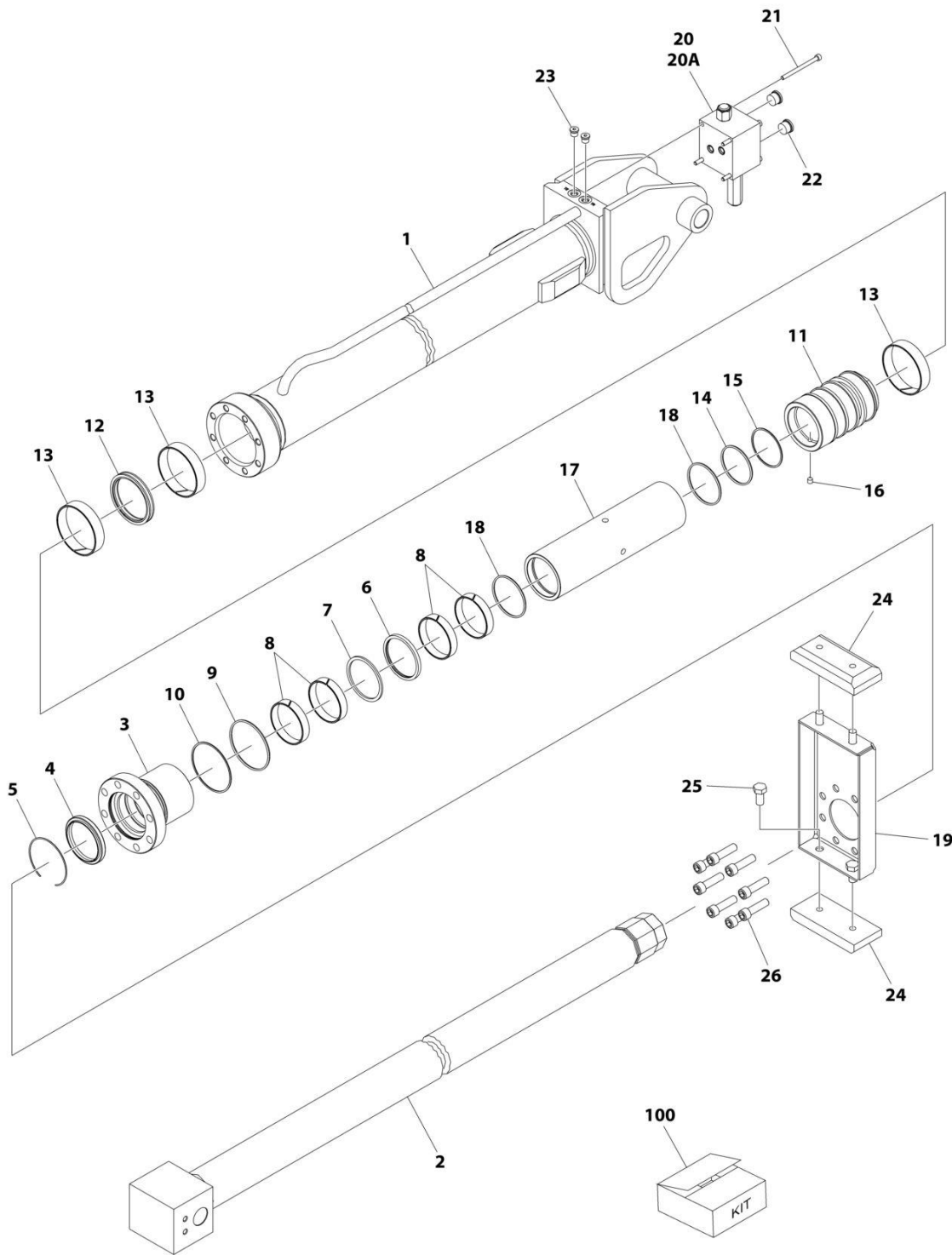
SECTION 5 - CYLINDER

FIGURE 5-21. TELESCOPE CYLINDER ASSEMBLY - MAIN BOOM

ITEM	PART NUMBER	QTY	DESCRIPTION	REV
	1683607	Ref	TELESCOPE CYLINDER ASSEMBLY (800A) (SN 0300183034 through 0300200669)	I
	1001188968	Ref	TELESCOPE CYLINDER ASSEMBLY (800A) (SN 0300200670 through 0300245050)	B
	1001149284	Ref	TELESCOPE CYLINDER ASSEMBLY (800AJ) (SN 0300183034 through 0300243317)	B
		Ref	Note: Original Cylinder may have been replaced with Service Replacement. Identify PN Stamped on Cylinder Before Ordering Parts.	
1	0100011	AR	Compound, Locking	
2	0100038	AR	Primer, Locking	
3	0641806	4	Bolt 1/2-13 x 3/4	
4	0961897	1	Bushing, Tapered	
5	0962524	1	Spacer, Tube	
6	1683647	1	Barrel (800A)	
6	1683673	1	Barrel (800AJ)	
7	1683648	1	Rod (800A)	
7	1683675	1	Rod (800AJ)	
8	1683663	1	Head	
9	2220885	1	Plug, O-Ring	
10	3340838	2	Pad, Wear	
11	3480234	1	Piston	
12	3570775	1	Plate	
13	See Note	NSS	Ring, Wear (Note: Use Item 30)	
14	See Note	NSS	Ring, Back-up (Note: Use Item 30)	
15	See Note	NSS	Ring, Wear (Note: Use Item 30)	
16	See Note	NSS	O-Ring (Note: Use Item 30)	
17	See Note	NSS	O-Ring (Note: Use Item 30)	
18	3931448	4	Capscrew 1/4-20 x 3	
19	3931664	8	Capscrew 3/8-16 x 4	
20	0630535	3	Bolt 1/4-20 x 1-1/8	
21	See Note	NSS	Ring, Back-up (Note: Use Item 30)	
22	See Note	NSS	Seal, Rod (Note: Use Item 30)	
23	See Note	NSS	Ring, Wear (Note: Use Item 30)	
24	See Note	NSS	Wiper (Note: Use Item 30)	
25	See Note	NSS	T-Seal (Note: Use Item 30)	
26	4641033	1	Valve Assembly (No serviceable parts - sold as assembly only)	
26A	7024508	2	O-Ring (Between Valve and Cylinder Barrel)	
30	2901712	NLA	Seal Kit (800A) (Includes Items 13-17 & 21-25) (Use p/n 1001188843) (SN 0300183034 through 0300200669)	
30	1001188843	1	Seal Kit (800A) (Includes Items 13-17 & 21-25) (SN 0300200670 through 0300272376)	
30	1001149391	1	Seal Kit (800AJ) (Includes Items 13-17 & 21-25)	

SECTION 5 - CYLINDER

FIGURE 5-22. TELESCOPE CYLINDER ASSEMBLY - MAIN BOOM (800A) (SN 0300245051 through 0300272376)



ART_1001228088

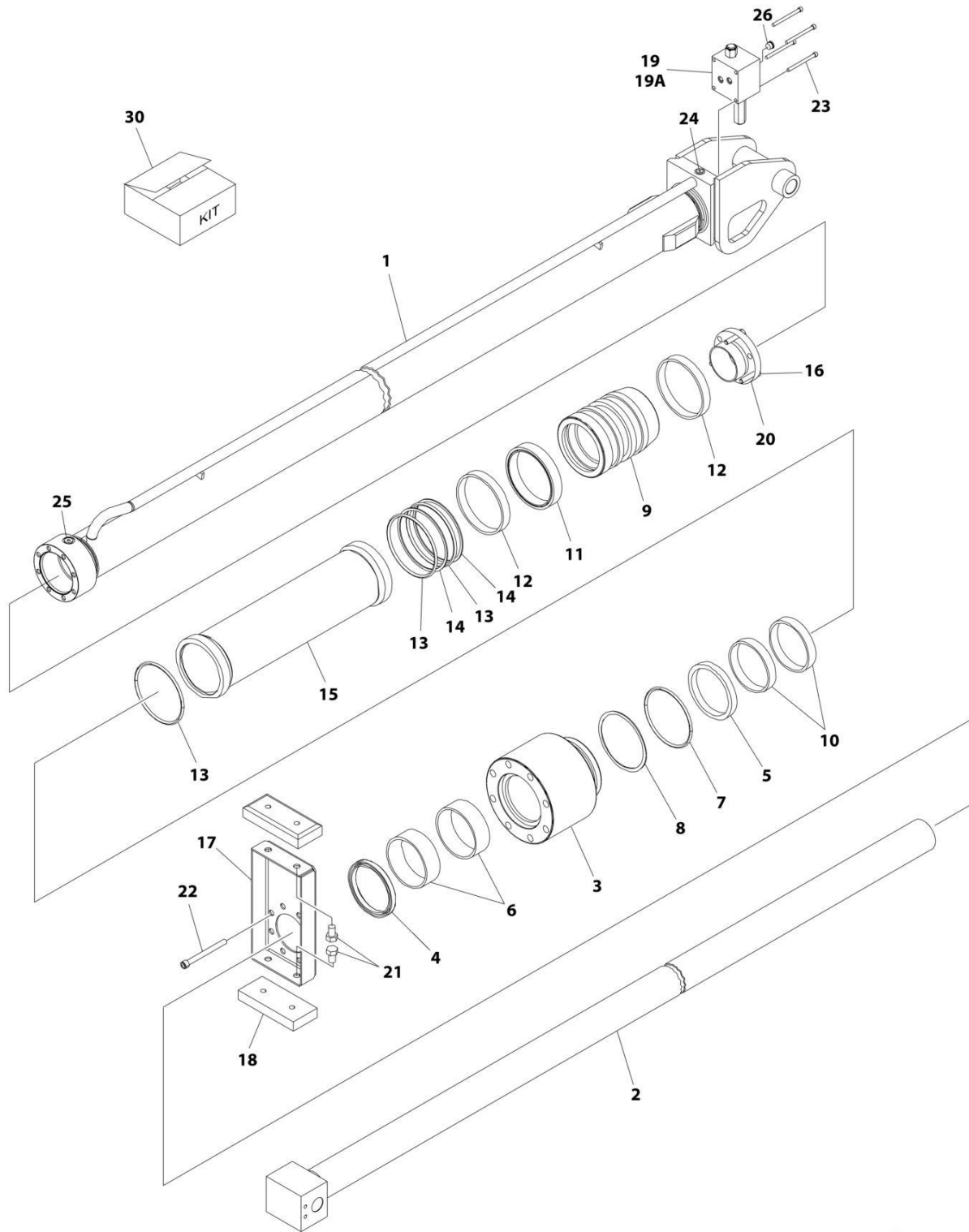
SECTION 5 - CYLINDER

FIGURE 5-22. TELESCOPE CYLINDER ASSEMBLY - MAIN BOOM (800A) (SN 0300245051 through 0300272376)

ITEM	PART NUMBER	QTY	DESCRIPTION	REV
	1001228088	Ref	TELESCOPE CYLINDER ASSEMBLY - MAIN BOOM	C
		Ref	Note: Original Cylinder may have been replaced with Service Replacement. Identify PN Stamped on Cylinder Before Ordering Parts.	
1	See Note	NSS	Barrel (Note: Not Available for Purchase)	
2	70006796	1	Rod	
3	70006797	1	Head	
4	See Note	NSS	Wiper (Note: Use Item 100)	
5	70027259	1	Ring, Retaining	
6	See Note	NSS	Seal, Rod (Note: Use Item 100)	
7	See Note	NSS	Ring, Back-up (Note: Use Item 100)	
8	See Note	NSS	Ring, Wear (Note: Use Item 100)	
9	See Note	NSS	O-Ring (Note: Use Item 100)	
10	See Note	NSS	Ring, Back-up (Note: Use Item 100)	
11	70006798	1	Piston	
12	See Note	NSS	Seal (Note: Use Item 100)	
13	See Note	NSS	Ring, Wear (Note: Use Item 100)	
14	See Note	NSS	O-Ring (Note: Use Item 100)	
15	See Note	NSS	Ring, Back-up (Note: Use Item 100)	
16	70006799	1	Setscrew	
17	70006800	1	Spacer, Tube	
18	See Note	NSS	O-Ring (Note: Use Item 100)	
19	70006801	1	Plate	
20	4641033	1	Valve Assembly (No serviceable parts - sold as assembly only)	
20A	7024508	2	O-Ring (Between Valve and Cylinder Barrel)	
21	70006802	4	Capscrew M6	
22	2220886	2	Plug, O-Ring	
23	2220883	2	Plug, O-Ring	
24	3340838	2	Pad, Wear	
25	0641806	4	Bolt 1/2 x 3/4	
26	70006803	8	Capscrew M12	
100	70006804	1	Seal Kit - 1001228088 Cylinder (Includes Items 4, 6-10, 12-15 & 18)	

SECTION 5 - CYLINDER

FIGURE 5-23. TELESCOPE CYLINDER ASSEMBLY - MAIN BOOM (800AJ) (SN 0300243318 through 0300272376)



ART_1001228087

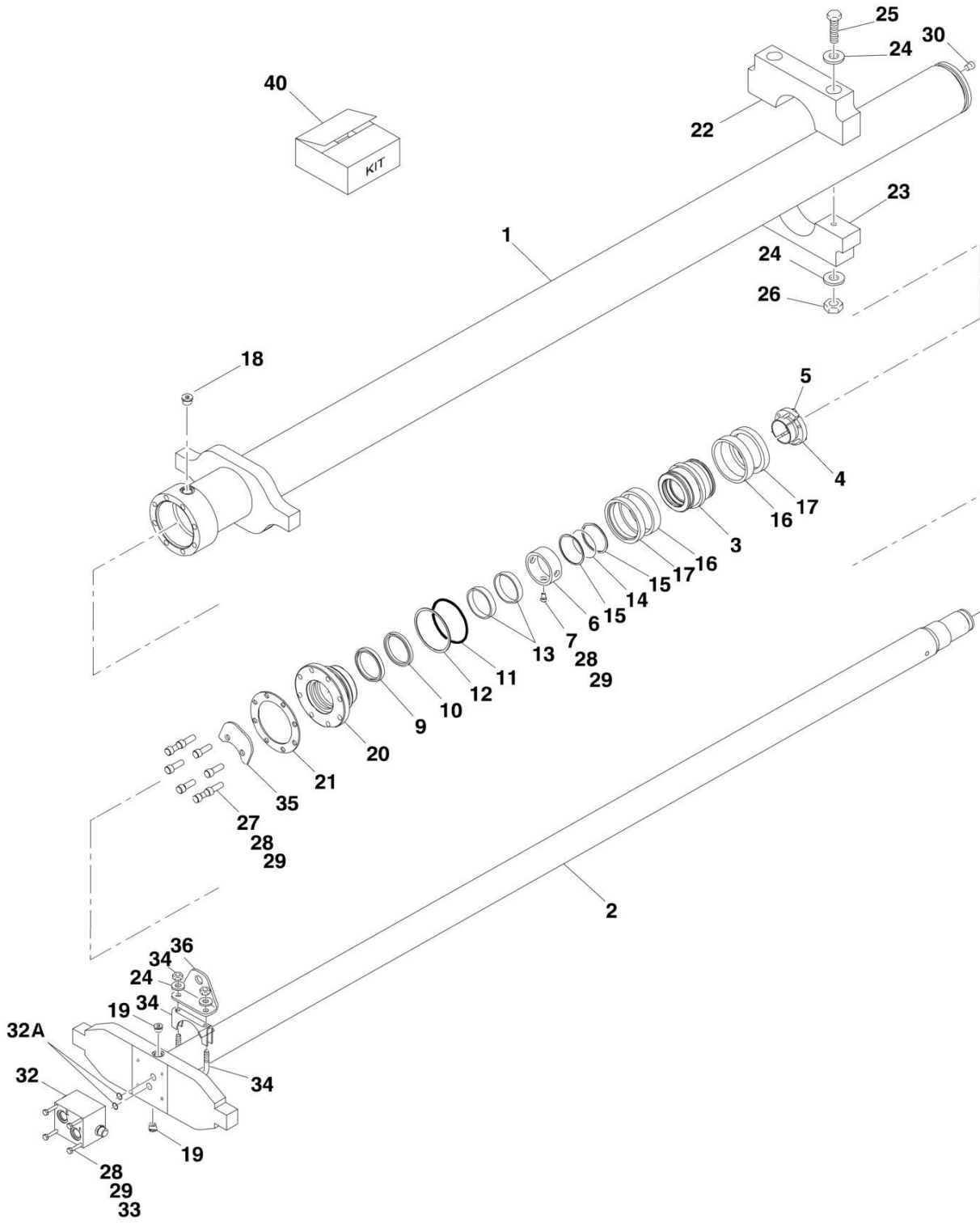
SECTION 5 - CYLINDER

FIGURE 5-23. TELESCOPE CYLINDER ASSEMBLY - MAIN BOOM (800AJ) (SN 0300243318 through 0300272376)

ITEM	PART NUMBER	QTY	DESCRIPTION	REV
	1001228087	Ref	TELESCOPE CYLINDER ASSEMBLY	D
		Ref	Note: Original Cylinder may have been replaced with Service Replacement. Identify PN Stamped on Cylinder Before Ordering Parts.	
1	See Note	NSS	Barrel (Note: Not Available for Purchase)	
2	70006669	1	Rod	
3	70006670	1	Head	
4	See Note	NSS	Wiper (Note: Use Item 30)	
5	See Note	NSS	Seal, Rod (Note: Use Item 30)	
6	See Note	NSS	Ring, Wear (Note: Use Item 30)	
7	See Note	NSS	O-Ring (Note: Use Item 30)	
8	See Note	NSS	Ring, Back-up (Note: Use Item 30)	
9	70006671	1	Piston	
10	See Note	NSS	Ring, Wear (Note: Use Item 30)	
11	See Note	NSS	Seal, Piston (Note: Use Item 30)	
12	See Note	NSS	Ring, Wear (Note: Use Item 30)	
13	See Note	NSS	O-Ring (Note: Use Item 30)	
14	See Note	NSS	Ring, Back-up (Note: Use Item 30)	
15	70006672	1	Spacer	
16	0961897	1	Bushing, Tapered	
17	3570775	1	Plate	
18	3340838	2	Pad, Wear	
19	4641033	1	Valve Assembly (No serviceable parts - sold as assembly only)	
19A	7024508	2	O-Ring (Between Valve and Cylinder Barrel)	
20	0630535	3	Bolt 1/4 x 1-1/8	
21	0641806	4	Bolt 1/2 x 3/4	
22	3931664	8	Capscrew 3/8 x 4	
23	3931448	4	Capscrew 1/4 x 3	
24	2220883	1	Plug, O-Ring	
25	2220885	1	Plug, O-Ring	
26	2220886	1	Plug, O-Ring	
30	1001149391	1	Seal Kit (Includes Items 4-8 & 10-14)	

SECTION 5 - CYLINDER

FIGURE 5-24. TELESCOPE CYLINDER ASSEMBLY - TOWER BOOM



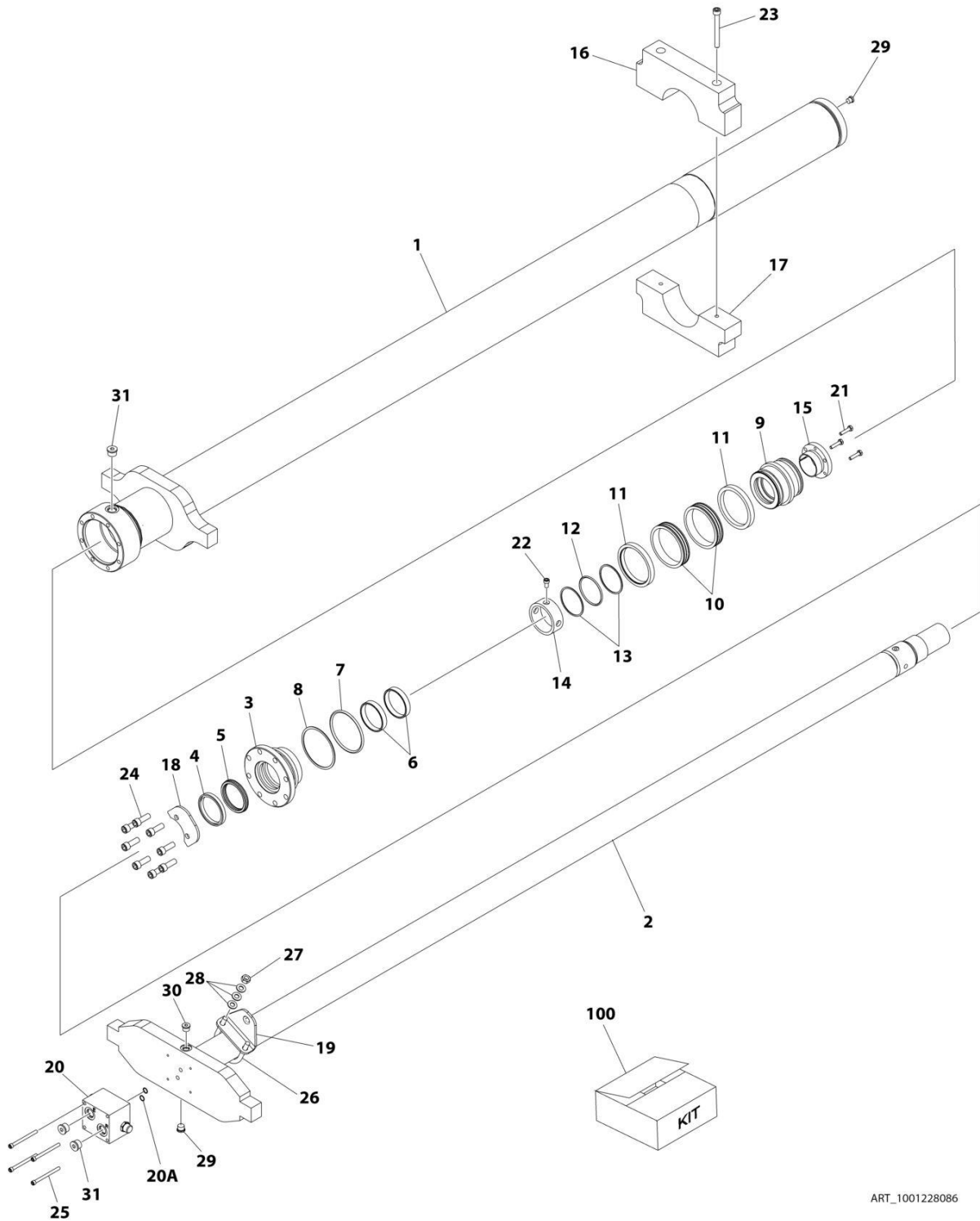
SECTION 5 - CYLINDER

FIGURE 5-24. TELESCOPE CYLINDER ASSEMBLY - TOWER BOOM

ITEM	PART NUMBER	QTY	DESCRIPTION	REV
	1683606	Ref	TELESCOPE CYLINDER ASSEMBLY (SN 0300183034 through 0300200669)	L
	1001188840	Ref	TELESCOPE CYLINDER ASSEMBLY (SN 0300200670 through 0300243317)	C
		Ref	Note: Original Cylinder may have been replaced with Service Replacement. Identify PN Stamped on Cylinder Before Ordering Parts.	
1	1683632	1	Barrel	
2	1683629	1	Rod	
3	3480211	1	Piston	
4	0961897	1	Bushing, Tapered	
5	0630535	3	Bolt 1/4-20 x 1-1/8	
6	4567413	1	Spacer, Tube	
7	3931508	1	Capscrew 5/16-18 x 1/2	
9	See Note	NSS	Wiper (Note: Use Item 40)	
10	See Note	NSS	Seal (Note: Use Item 40)	
11	See Note	NSS	O-Ring (Note: Use Item 40)	
12	See Note	NSS	Ring, Back-up (Note: Use Item 40)	
13	See Note	NSS	Ring, Wear (Note: Use Item 40)	
14	See Note	NSS	O-Ring (Note: Use Item 40)	
15	See Note	NSS	Ring, Back-up (Note: Use Item 40)	
16	See Note	NSS	Seal (Note: Use Item 40)	
17	See Note	NSS	Ring, Lock (Note: use Item 40)	
18	2220886	1	Plug, O-Ring	
19	2220885	2	Plug, O-Ring	
20	1683061	1	Head	
21	3760370	1	Ring, Washer	
22	3340834	1	Pad, Support	
23	3340833	1	Pad, Support	
24	4711600	10	Washer 3/8	
25	0641652	3	Bolt, 3/8 x 6-1/2	
26	3271605	2	Nut 3/8in-16NC	
27	3931720	2	Capscrew 7/16-14 x 1-1/4	
28	0100038	AR	Primer, Locking	
29	0100011	AR	Compound, Locking	
30	2220883	1	Plug, O-Ring	
32	4641032	1	Valve Assembly (No serviceable parts - sold as assembly only)	
32A	7024397	2	O-Ring (Between Valve and Cylinder Barrel)	
33	3931448	4	Capscrew 1/4-20	
34	1320011	1	Clamp, Exhaust (SN 0300183034 through 0300240203)	
34	1001228506	1	U-Bolt (SN 0300240204 through 0300272376)	
35	3572604	1	Plate, Proximity Switch Target	
36	3572605	1	Plate, Proximity Switch Mount	
40	2901273	1	Seal Kit (Includes Items 9-17)	

SECTION 5 - CYLINDER

FIGURE 5-25. TELESCOPE CYLINDER ASSEMBLY - TOWER BOOM (SN 0300243318 through 0300272376)



ART_1001228086

SECTION 5 - CYLINDER

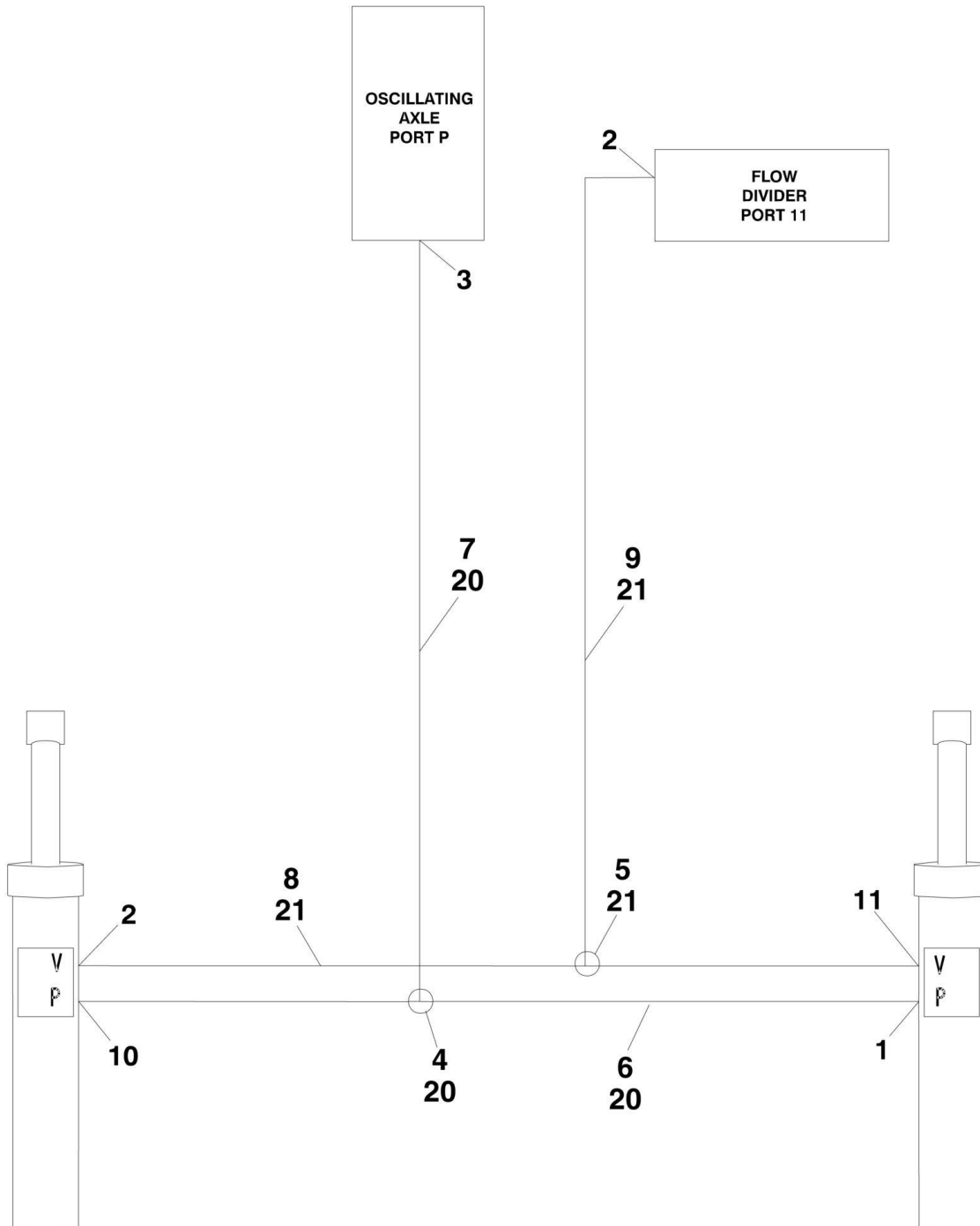
FIGURE 5-25. TELESCOPE CYLINDER ASSEMBLY - TOWER BOOM (SN 0300243318 through 0300272376)

ITEM	PART NUMBER	QTY	DESCRIPTION	REV
	1001228086	Ref	TELESCOPE CYLINDER ASSEMBLY	C
		Ref	Note: Original Cylinder may have been replaced with Service Replacement. Identify PN Stamped on Cylinder Before Ordering Parts.	
1	See Note	NSS	Barrel (Note: Not Available for Purchase)	
2	70006921	1	Rod	
3	70006480	1	Head	
4	See Note	NSS	Wiper (Note: Use Item 100)	
5	See Note	NSS	Seal, Rod (Note: Use Item 100)	
6	See Note	NSS	Ring, Wear (Note: Use Item 100)	
7	See Note	NSS	O-Ring (Note: Use Item 100)	
8	See Note	NSS	Ring, Back-up (Note: Use Item 100)	
9	70006479	1	Piston	
10	See Note	NSS	Seal, Piston (Note: Use Item 100)	
11	See Note	NSS	Ring, Lock (Note: use Item 100)	
12	See Note	NSS	O-Ring (Note: Use Item 100)	
13	See Note	NSS	Ring, Back-up (Note: Use Item 100)	
14	70006922	1	Spacer	
15	0961897	1	Bushing, Tapered	
16	70006923	1	Pad, Wear	
17	70006924	1	Pad, Wear	
18	70006925	1	Plate	
19	70006926	1	Plate	
20	4641032	1	Valve Assembly (No serviceable parts - sold as assembly only)	
20A	7024397	2	O-Ring (Between Valve and Cylinder Barrel)	
21	0630535	3	Bolt 1/4 x 1-1/8	
22	70006731	1	Bolt	
23	70006927	2	Bolt M10	
24	70006728	8	Bolt 7/16	
25	70006733	4	Bolt M8	
26	70006928	1	U-Bolt M10	
27	70005594	2	Nut M10	
28	70006344	6	Washer M10	
29	2220883	2	Plug, O-Ring	
30	2220885	1	Plug, O-Ring	
31	2220886	3	Plug, O-Ring	
100	1001188842	1	Seal Kit - 1001228086 Cylinder (Includes Items 4-8 & 10-13)	

SECTION 6 - HYDRAULIC

SECTION 6 - HYDRAULIC

FIGURE 6-1. AXLE LOCKOUT HYDRAULIC DIAGRAM



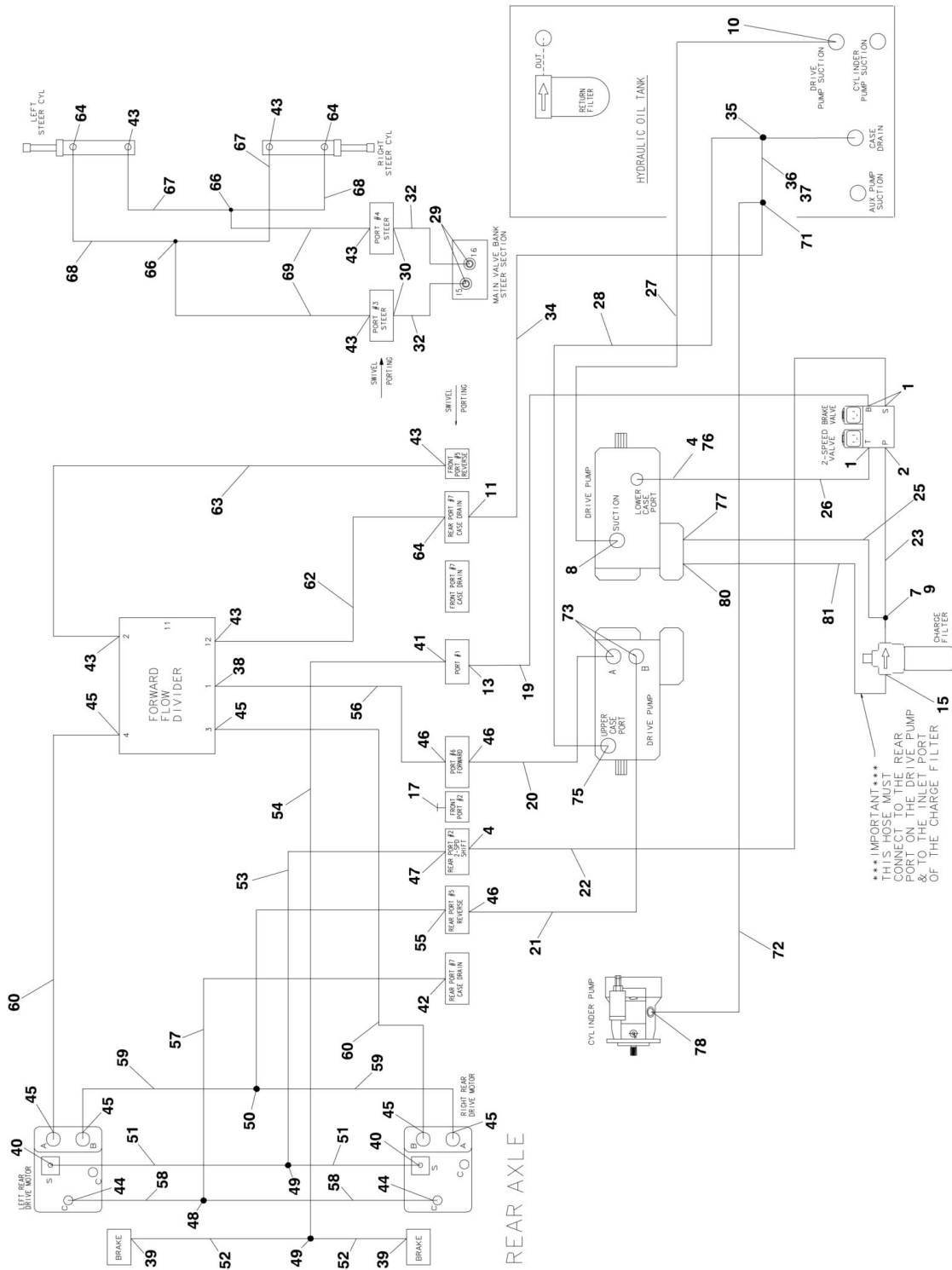
SECTION 6 - HYDRAULIC

FIGURE 6-1. AXLE LOCKOUT HYDRAULIC DIAGRAM

ITEM	PART NUMBER	QTY	DESCRIPTION	REV
	1001157400	Ref	AXLE LOCKOUT HYDRAULIC DIAGRAM	F
1	2110406	1	Fitting, Straight - ORFS/ORB	
2	2110606	2	Fitting, Straight - ORFS/ORB	
3	2110408	1	Fitting, Straight - ORFS/ORB	
4	2170704	1	Fitting, Tee - ORFS/ORFS/ORFS (SN 0300183034 through 0300213730)	
5	2170706	1	Fitting, Tee - ORFS/ORFS/ORFS (SN 0300183034 through 0300213730)	
6	2754337	1	Hose (SN 0300183034 through 0300213730)	
7	1001170644	1	Hose (SN 0300183034 through 0300213730)	
8	2753979	1	Hose (SN 0300183034 through 0300213730)	
9	2753735	1	Hose (SN 0300183034 through 0300213730)	
10	2170104	1	Fitting, Straight - ORFS/ORB (SN 0300183034 through 0300227034)	
10	2110406	1	Fitting, Straight - ORFS/ORB (SN 0300227035 through 0300272376)	
11	2170106	1	Fitting, Straight - ORFS/ORB (SN 0300183034 through 0300227034)	
11	2110606	1	Fitting, Straight - ORFS/ORB (SN 0300227035 through 0300272376)	
20	1001198339	1	Hose with Crimped Tee (SN 0300213731 through 0300272376)	
21	1001198336	1	Hose with Crimped Tee (SN 0300213731 through 0300272376)	

SECTION 6 - HYDRAULIC

FIGURE 6-2. DRIVE HYDRAULIC DIAGRAM - 2WD (SN 0300183034 through 0300196955)



SECTION 6 - HYDRAULIC

FIGURE 6-2. DRIVE HYDRAULIC DIAGRAM - 2WD (SN 0300183034 through 0300196955)

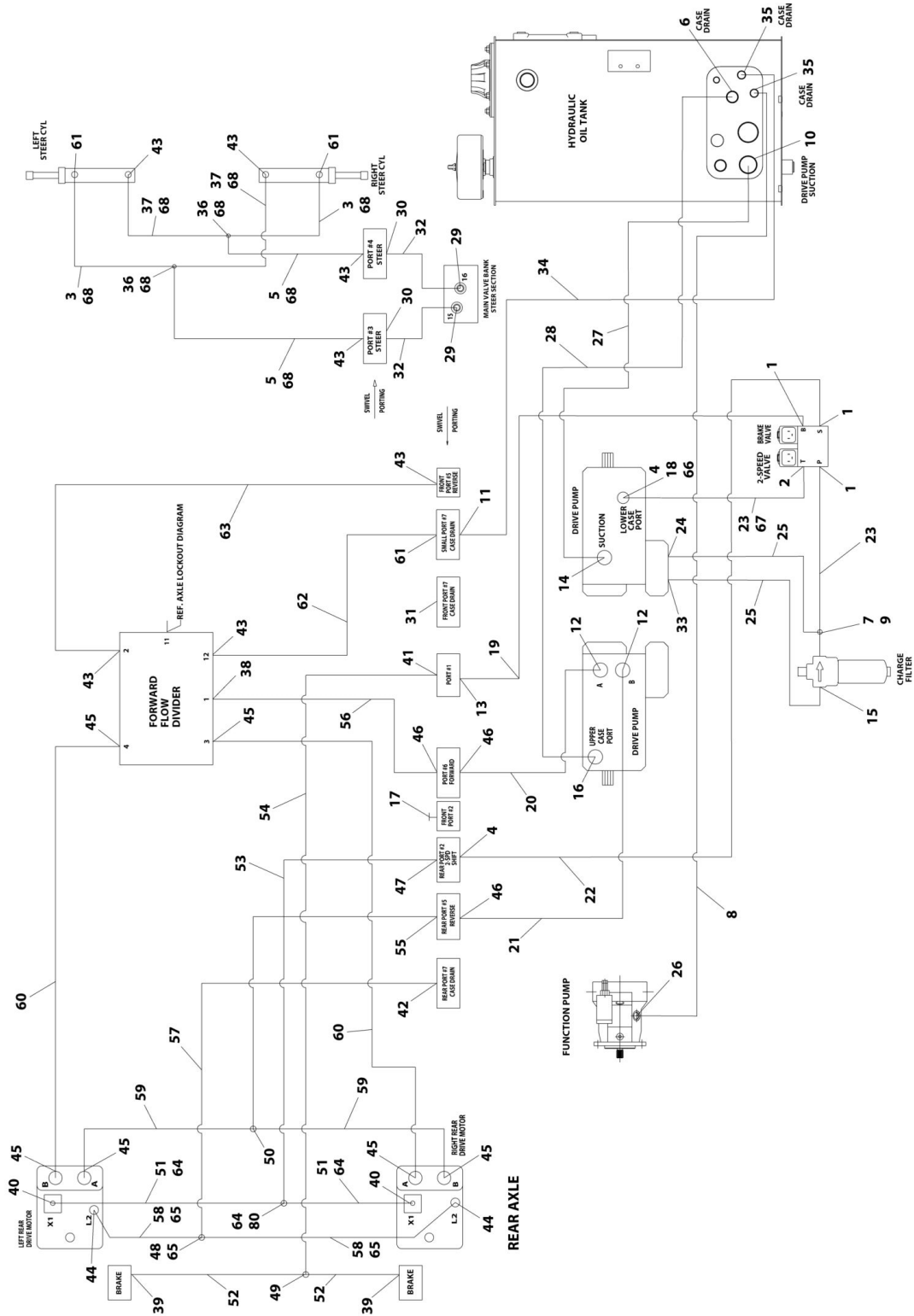
ITEM	PART NUMBER	QTY	DESCRIPTION	REV
	1001157448	Ref	DRIVE HYDRAULIC DIAGRAM - 2WD (SN 0300183034 through 0300196955)	E
1	2220466	3	Fitting, 90 JIC/ORB	
2	2220940	1	Fitting, 90 JIC/ORB	
4	2220582	2	Fitting, Straight JIC/ORB	
7	2220618	1	Fitting, Straight JIC/JIC	
9	2220602	1	Fitting, Tee JIC/ORB	
10	2220380	1	Fitting, Straight JIC/ORB	
11	2220375	1	Fitting, Straight JIC/ORB	
13	2220468	1	Fitting, Straight JIC/ORB	
15	2220596	1	Fitting, 90 JIC/ORB	
17	2220237	1	Fitting, Plug ORB	
19	2752997	1	Hose	
20	1001116332	1	Hose	
21	100116333	1	Hose	
22	2751399	1	Hose	
23	2752434	2	Hose	
25	2752494	1	Hose	
27	2752754	1	Hose	
28	2752651	1	Hose	
29	2220501	2	Fitting, 45 JIC/ORBL	
29	2220371	2	Fitting, Straight JIC/ORB	
30	2220473	2	Fitting, 90 JIC/ORB	
32	2752489	2	Hose	
34	2751500	1	Hose	
35	2220738	1	Fitting, Straight JIC/ORB	
36	2220386	1	Fitting, 90 JIC/JIC	
37	2220622	1	Fitting, Reducer JIC/JIC	
38	2151616	1	Fitting, 45 ORFS/ORB	
39	2110404	2	Fitting, Straight ORFS/ORB	
40	2110406	2	Fitting, Straight ORFS/ORB	
41	2110408	1	Fitting, Straight ORFS/ORB	
42	2130808	1	Fitting, 90 ORFS/ORB	
43	2110606	7	Fitting, Straight ORFS/ORB	
44	2110808	2	Fitting, Straight ORFS/ORB	
45	2111212	6	Fitting, Straight ORFS/ORB	
46	2111616	3	Fitting, Straight ORFS/ORB	
47	2150406	1	Fitting, 45 ORFS/ORB	
48	2170508	1	Fitting, Tee ORFS/ ORFS/ORB	
49	2170504	2	Fitting, Tee ORFS	
50	2170412	1	Fitting, Tee ORFS/ ORFS/ORB	
51	2754401	2	Hose	
52	2753725	2	Hose	
53	2753550	1	Hose	
54	2753622	1	Hose	
55	2220550	1	Fitting, Straight ORB/ORB	
56	2753635	1	Hose	
57	2753685	1	Hose	
58	2754240	2	Hose	
59	1001159854	2	Hose	

SECTION 6 - HYDRAULIC

ITEM	PART NUMBER	QTY	DESCRIPTION	REV
60	2753688	2	Hose	
62	2754242	1	Hose	
63	2754243	1	Hose	
64	2130606	3	Fitting, 90 ORFS/ORB	
66	2170506	2	Fitting, Tee ORFS/ORFS/ORFS	
67	1001159340	2	Hose	
68	2753626	2	Hose	
69	2753732	2	Hose	
71	2220385	1	Fitting, Tee JIC	
72	2752934	1	Hose	
73	2131616	2	Fitting, 90 ORFS/ORB	
74	8770050	1	Fitting, 90 JIC/ORB	
75	2220578	1	Fitting, 90 JIC/ORB	
76	2220221	1	Fitting, Reducer ORB/ORB	
77	2220374	1	Fitting, Straight JIC/ORB	
78	2220671	1	Fitting, 90 JIC/ORB	
79	2220238	1	Fitting, Plug ORB	
80	2220800	1	Fitting, Straight JIC	
81	2752494	1	Hose	

SECTION 6 - HYDRAULIC

FIGURE 6-3. DRIVE HYDRAULIC DIAGRAM - 2WD (SN 0300196956 through 0300272376)



ART_100178203

SECTION 6 - HYDRAULIC

FIGURE 6-3. DRIVE HYDRAULIC DIAGRAM - 2WD (SN 0300196956 through 0300272376)

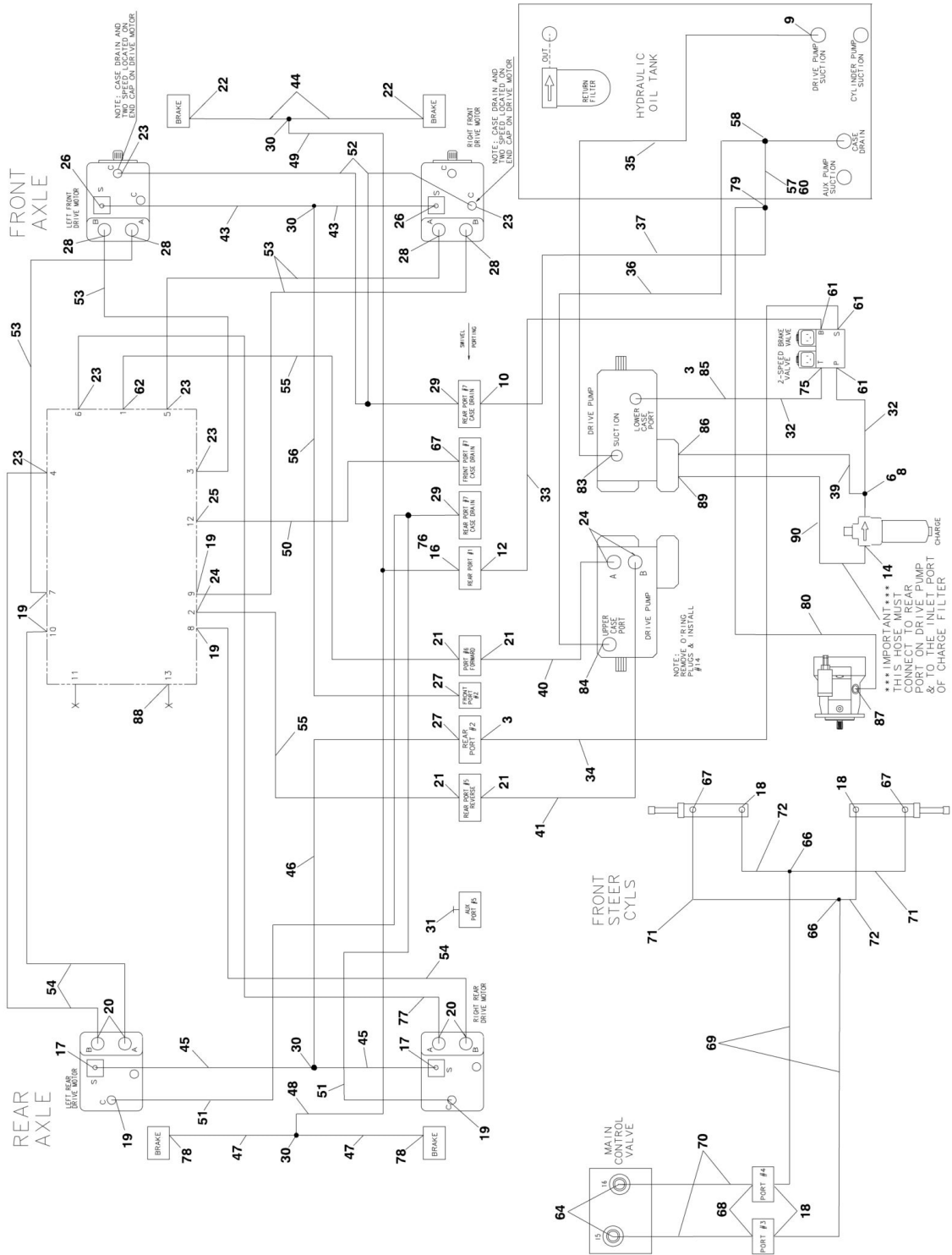
ITEM	PART NUMBER	QTY	DESCRIPTION	REV
	1001178203	Ref	DRIVE HYDRAULIC DIAGRAM - 2WD (SN 0300196956 through 0300272376)	I
1	2220466	3	Fitting, 90 ORB/FL	
2	2220940	1	Fitting, 90 ORB/FL	
3	2753656	2	Hose (SN 0300196956 through 0300227034)	
4	2220582	AR	Fitting, Straight ORB/FL	
5	2753732	2	Hose (SN 0300196956 through 0300227034)	
6	2220451	1	Fitting, Straight JIC/ORB	
7	2220618	1	Fitting, Reducer FL/FL (SN 0300196956 through 0300213730)	
8	2752938	1	Hose	
9	2220602	1	Fitting, Tee ORB/FL (SN 0300196956 through 0300213730)	
9	1001199394	1	Fitting, Tee JIC/ORB/JIC	
10	2220380	1	Fitting, Straight ORB/FL	
11	2220375	1	Fitting, Straight ORB/FL	
12	2131616	2	Fitting, 90 ORFS/ORB	
13	2220468	1	Fitting, Straight ORB/FL	
14	8770050	1	Fitting, 90 JIC/ORB	
15	2220596	1	Fitting, 90 ORB/FL	
16	2220578	1	Fitting, 90 JIC/ORB	
17	2220237	1	Fitting, Plug ORB	
18	2220221	1	Fitting, Reducer ORB/ORB (SN 0300196956 through 0300227034)	
19	2752997	1	Hose	
20	1001156332	1	Hose	
21	1001156333	1	Hose	
22	2751399	1	Hose	
23	2752434	AR	Hose	
24	2220374	1	Fitting, Straight JIC/ORB	
25	2752494	2	Hose (SN 0300196956 through 0300227034)	
25	2752495	2	Hose (SN 0300227035 through 0300272376)	
26	2220671	1	Fitting, 90 JIC/ORB	
27	2752754	1	Hose	
28	1001188135	1	Hose	
29	2220371	2	Fitting, Straight JIC/ORB	
30	2220473	2	Fitting, 90 ORB/FL	
31	2220238	1	Fitting, Plug ORB	
32	2752489	2	Hose	
33	2220800	1	Fitting, Straight ORB/FL	
34	2751500	1	Hose	
35	2220373	2	Fitting, Straight JIC/ORB	
36	2170506	2	Fitting, Tee ORFS (SN 0300196956 through 0300227034)	
37	1001159340	2	Hose (SN 0300196956 through 0300227034)	
38	2151616	1	Fitting, 45 ORFS/ORB	
39	2110404	2	Fitting, Straight ORFS/ORB	
40	2110406	2	Fitting, Straight ORFS/ORB	
41	2110408	1	Fitting, Straight ORFS/ORB	
42	2130808	1	Fitting, 90 ORFS/ORB	
43	2110606	7	Fitting, Straight ORFS/ORB	
44	2110808	2	Fitting, Straight ORFS/ORB	
45	2111212	6	Fitting, Straight ORFS/ORB	

SECTION 6 - HYDRAULIC

ITEM	PART NUMBER	QTY	DESCRIPTION	REV
46	2111616	3	Fitting, Straight ORFS/ORB	
47	2150406	1	Fitting, 45 ORFS/ORB	
48	2170508	1	Fitting, Tee ORFS/ORFS/ORB (SN 0300196956 through 0300213730)	
49	2170504	1	Fitting, Tee ORFS	
50	2170412	1	Fitting, Tee ORFS/ORB/ORFS (SN 0300196956 through 0300213730)	
50	1001199395	1	Fitting, Tee ORFS/ORFS/ORB (SN 0300213731 through 0300272376)	
51	2754401	2	Hose (SN 0300196956 through 0300213730)	
52	2753725	2	Hose (SN 0300196956 through 0300246395)	
52	2754337	2	HOSE ASSY, 1/4 X 34 STR X 90 (SN 0300246396 through 0300272376)	
53	2753550	1	Hose (SN 0300196956 through 0300213730)	
54	2753622	1	Hose	
55	2220550	1	Fitting, Straight FORB/ORB (SN 0300196956 through 0300213730)	
56	2753635	1	Hose	
57	2753685	1	Hose (SN 0300196956 through 0300213730)	
58	2754240	2	Hose (SN 0300196956 through 0300213730)	
59	1001159854	2	Hose	
60	2753688	2	Hose	
61	2130606	3	Fitting, 90 ORFS/ORB	
62	2754242	1	Hose	
63	2754243	1	Hose	
64	1001198340	1	Hose with Crimped Tee (SN 0300213731 through 0300272376)	
65	1001198334	1	Hose with Crimped Tee (SN 0300213731 through 0300272376)	
66	1001215296	1	Fitting, 90 JIC/ORB (SN 0300227035 through 0300272376)	
67	1001151354	1	Hose (SN 0300227035 through 0300272376)	
68	1001198333	2	Hose with Crimped Tee (SN 0300227035 through 0300272376)	
80	2170504	1	Fitting, Tee ORFS (SN 0300196956 through 0300213730)	

SECTION 6 - HYDRAULIC

FIGURE 6-4. DRIVE HYDRAULIC DIAGRAM - 4WD/2WS (SN 0300183034 through 0300196955)



SECTION 6 - HYDRAULIC

FIGURE 6-4. DRIVE HYDRAULIC DIAGRAM - 4WD/2WS (SN 0300183034 through 0300196955)

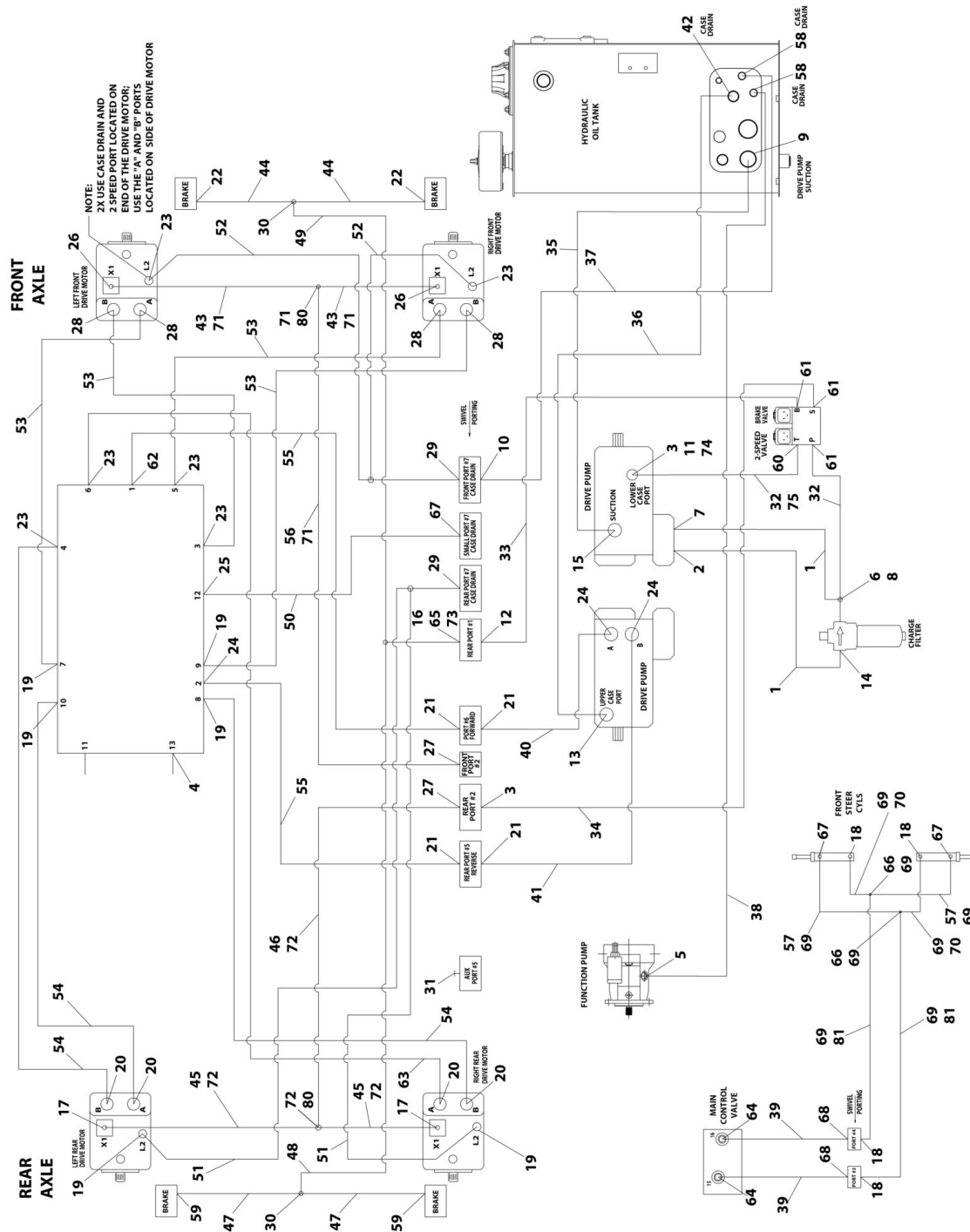
ITEM	PART NUMBER	QTY	DESCRIPTION	REV
	1001157447	Ref	DRIVE HYDRAULIC DIAGRAM - 4WD/2WS MACHINES (SN 0300183034 through 0300196955)	E
	1001157449	Ref	DRIVE HYDRAULIC DIAGRAM - 4WD/2WS MACHINES WITH ARCTIC PACKAGE (SN 0300183034 through 0300196955)	E
3	2220582	2	Fitting, Straight ORB/JIC	
6	2220618	1	Fitting, Straight JIC/JIC	
8	2220602	1	Fitting, Tee ORB/JIC	
9	2220380	1	Fitting, Straight ORB/JIC	
10	2220375	1	Fitting, Straight ORB/JIC	
12	2220468	1	Fitting, Straight ORB/JIC	
14	2220596	1	Fitting, 90 ORB/JIC	
16	2170350	1	Fitting, Tee ORFS/ORFS/OBS	
17	2110406	2	Fitting, Straight ORFS/OBS	
18	2110606	4	Fitting, Straight ORFS/OBS	
19	2110808	6	Fitting, Straight ORFS/OBS	
20	2110812	4	Fitting, Straight ORFS/OBS	
21	2111616	4	Fitting, Straight ORFS/OBS	
22	2110404	2	Fitting, Straight ORFS/OBS	
23	2130808	6	Fitting, 90 ORFS/OBS	
24	2131616	3	Fitting, 90 ORFS/OBS	
25	2130604	1	Fitting, 90 ORFS/OBS	
26	2130406	2	Fitting, 90 ORFS/OBS	
27	2150406	2	Fitting, 45 ORFS/OBS	
28	2110812	4	Fitting, 45 ORFS/OBS	
29	2170408	2	Fitting, Tee ORFS/ORFS/OBS	
30	2170504	4	Fitting, Tee ORFS/ORFS/ORFS	
31	2220237	1	Fitting, Plug OBS	
32	2752434	2	Hose	
33	2752997	1	Hose	
34	2751399	1	Hose	
35	2752754	1	Hose	
36	2752651	1	Hose	
37	2751500	1	Hose	
39	2752494	1	Hose	
40	1001156332	1	Hose	
41	1001156333	1	Hose	
43	2754678	2	Hose (Without Arctic Package)	
43	1001159294	2	Hose (With Arctic Package)	
44	2754512	2	Hose (Without Arctic Package)	
44	1001106957	2	Hose (With Arctic Package)	
45	2754401	2	Hose	
46	2753550	1	Hose	
47	2754337	2	Hose	
48	2753622	1	Hose	
49	2753542	1	Hose	
50	2753626	1	Hose	
51	2753686	2	Hose	
52	2753628	2	Hose (Without Arctic Package)	
52	2754720	2	Hose (With Arctic Package)	
53	2753970	4	Hose (Without Arctic Package)	

SECTION 6 - HYDRAULIC

ITEM	PART NUMBER	QTY	DESCRIPTION	REV
53	2754743	4	Hose (With Arctic Package)	
54	2753971	3	Hose	
55	2753634	2	Hose	
56	2753940	1	Hose	
57	2220386	1	Fitting, 90 JIC/JIC	
58	2220738	1	Fitting, Tee ORB/JIC	
60	2220622	1	Fitting, Reducer JIC/JIC	
61	2220466	3	Fitting, 90 ORB/JIC	
62	2151616	1	Fitting, 45 ORFS/ORB	
64	2220501	2	Fitting, 45 ORB/JIC	
64	2220371	2	Fitting, Straight ORB/JIC	
66	2170506	2	Fitting, Tee ORFS/ORFS/ORFS	
67	2130606	3	Fitting, 90 ORFS/ORB	
68	2220473	2	Fitting, 90 ORB/JIC	
69	2753732	2	Hose	
70	2752489	2	Hose	
71	2753656	2	Hose	
72	1001159340	2	Hose	
75	2220940	1	Fitting, 90 ORB/JIC	
76	2220591	1	Fitting, Reducer ORB/ORB	
77	2754338	1	Hose	
78	2110404	2	Fitting, Straight ORFS/ORB	
79	2220385	1	Fitting, Tee JIC	
80	2752934	1	Hose	
83	8770050	1	Fitting, 90 JIC/ORB	
84	2220578	1	Fitting, 90 JIC/ORB	
85	2220221	1	Fitting, Reducer ORB/ORB	
86	2220374	1	Fitting, Straight JIC/ORB	
87	2220671	1	Fitting, 90 JIC/ORB	
88	2220238	1	Plug ORB	
89	2220800	1	Fitting, Straight ORB/ORB	
90	2752494	1	Hose	

SECTION 6 - HYDRAULIC

FIGURE 6-5. DRIVE HYDRAULIC DIAGRAM - 4WD/2WS (SN 0300196956 through 0300272376)



ART_100175204

SECTION 6 - HYDRAULIC

FIGURE 6-5. DRIVE HYDRAULIC DIAGRAM - 4WD/2WS (SN 0300196956 through 0300272376)

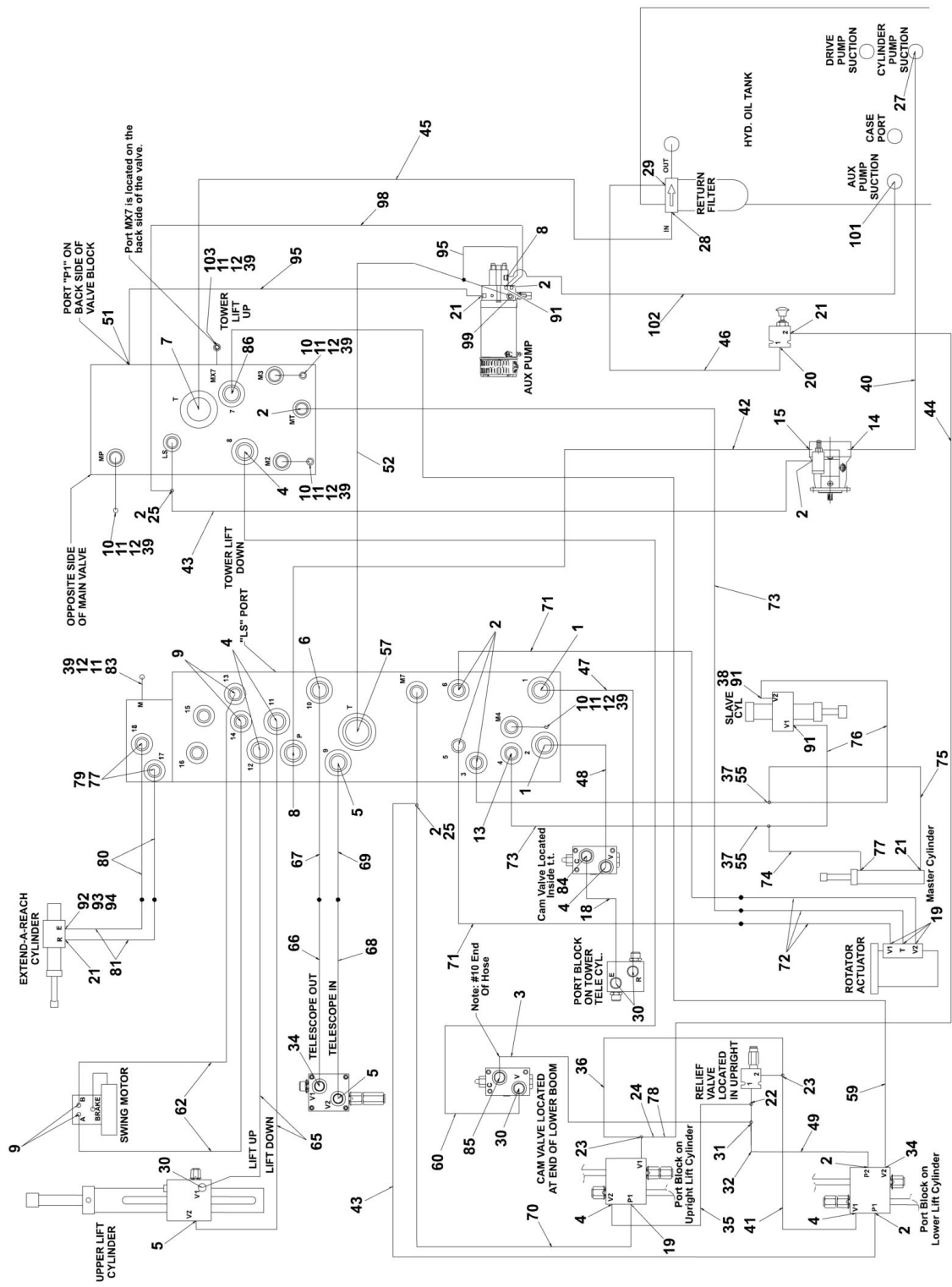
ITEM	PART NUMBER	QTY	DESCRIPTION	REV
	1001178204	Ref	DRIVE HYDRAULIC DIAGRAM - 4WD/2WS MACHINES	H
	1001178205	Ref	DRIVE HYDRAULIC DIAGRAM - 4WD/2WS MACHINES WITH ARCTIC PACKAGE	G
1	2752494	2	Hose (SN 0300196956 through 0300227034)	
1	2752495	2	Hose (SN 0300227035 through 0300272376)	
2	2220800	1	Fitting, Straight ORB/FL	
3	2220582	AR	Fitting, Straight ORB/FL	
4	2220238	1	Fitting, Plug ORB	
5	2220671	1	Fitting, 90 JIC/ORB	
6	2220618	1	Fitting, Reducer FL/FL (SN 0300196956 through 0300213730)	
7	2220374	1	Fitting, Straight JIC/ORB	
8	2220602	1	Fitting, Tee ORB/FL (SN 0300196956 through 0300213730)	
8	1001199394	1	Fitting, Tee JIC/ORB/JIC (SN 0300213731 through 0300272376)	
9	2220380	1	Fitting, Straight ORB/FL	
10	2220375	1	Fitting, Straight ORB/FL	
11	2220221	1	Fitting, Reducer ORB/ORB (SN 0300196956 through 0300227034)	
12	2220468	1	Fitting, Straight ORB/FL	
13	2220578	1	Fitting, 90 JIC/ORB	
14	2220596	1	Fitting, 90 JIC/FL	
15	8770050	1	Fitting, 90 JIC/ORB	
16	2170350	1	Fitting, Tee ORFS/ORFS/ORB (SN 0300196956 through 0300227034)	
17	2110406	2	Fitting, Straight ORFS/ORB	
18	2110606	4	Fitting, Straight ORFS/ORB	
19	2110808	6	Fitting, Straight ORFS/ORB	
20	2110812	4	Fitting, Straight ORFS/ORB	
21	2111616	4	Fitting, Straight ORFS/ORB	
22	2110404	2	Fitting, Straight ORFS/ORB	
23	2130808	6	Fitting, 90 ORFS/ORB	
24	2131616	3	Fitting, 90 ORFS/ORB	
25	2130604	1	Fitting, 90 ORFS/ORB	
26	2130406	2	Fitting, 90 ORFS/ORB	
27	2150406	2	Fitting, 45 ORFS/ORB	
28	2110812	4	Fitting, 45 ORFS/ORB	
29	2170408	2	Fitting, Tee ORFS/ORFS/ORB	
30	2170504	2	Fitting, Tee ORFS	
31	2220237	1	Fitting, Plug ORB	
32	2752434	AR	Hose	
33	2752997	1	Hose	
34	2751399	1	Hose	
35	2752754	1	Hose	
36	1001188135	1	Hose	
37	2751500	1	Hose	
38	2752938	1	Hose	
39	2752489	2	Hose	
40	1001156332	1	Hose	
41	1001156333	1	Hose	
42	2220451	1	Fitting, Straight JIC/ORB	

SECTION 6 - HYDRAULIC

ITEM	PART NUMBER	QTY	DESCRIPTION	REV
43	2754678	2	Hose (Without Arctic Package) (SN 0300196956 through 0300213730)	
43	1001159294	2	Hose (With Arctic Package) (SN 0300196956 through 0300213730)	
44	2754512	2	Hose (Without Arctic Package)	
44	1001106957	2	Hose (With Arctic Package)	
45	2754401	2	Hose (SN 0300196956 through 0300213730)	
46	2753550	1	Hose (SN 0300196956 through 0300213730)	
47	2754337	2	Hose	
48	2753622	1	Hose	
49	2753542	1	Hose	
50	2753626	1	Hose	
51	2753686	2	Hose	
52	2753628	2	Hose (Without Arctic Package)	
52	2754720	2	Hose (With Arctic Package)	
53	2753970	4	Hose (Without Arctic Package)	
53	2754743	4	Hose (With Arctic Package)	
54	2753971	3	Hose	
55	2753634	2	Hose	
56	2753940	1	Hose (SN 0300196956 through 0300213730)	
57	2753656	2	Hose (SN 0300196956 through 0300213730)	
58	2220373	2	Fitting, Straight JIC/ORB	
59	2110404	2	Fitting, Straight ORFS/ORB	
60	2220940	1	Fitting, 90 ORB/FL	
61	2220466	3	Fitting, 90 ORB/FL	
62	2151616	1	Fitting, 90 ORFS/ORB	
63	2754338	1	Hose	
64	2220371	2	Fitting, Straight JIC/ORB	
65	2220591	1	Fitting, Reducer ORB (SN 0300196956 through 0300227034)	
66	2170506	2	Fitting, Tee ORFS (SN 0300196956 through 0300213730)	
67	2130606	3	Fitting, 90 ORFS/ORB	
68	2220473	2	Fitting, 90 ORB/FL	
69	1001198333	2	Hose with Crimped Tee (SN 0300213731 through 0300272376)	
70	1001159340	2	Hose (SN 0300196956 through 0300213730)	
71	1001198341	1	Hose with Crimped Tee (Without Arctic Package) (SN 0300213731 through 0300272376)	
71	1001204269	1	Hose with Crimped Tee (With Arctic Package) (SN 0300213731 through 0300272376)	
72	1001198340	1	Hose with Crimped Tee (SN 0300213731 through 0300272376)	
73	1001198338	1	Fitting, Tee ORFS/ORB (SN 0300227035 through 0300272376)	
74	1001215296	1	Fitting, 90 JIC/ORB (SN 0300227035 through 0300272376)	
75	1001151354	1	Hose (SN 0300227035 through 0300272376)	
80	2170504	2	Fitting, Tee ORFS (SN 0300196956 through 0300213730)	
81	2753732	2	Hose (SN 0300196956 through 0300213730)	

SECTION 6 - HYDRAULIC

FIGURE 6-6. STANDARD HYDRAULIC DIAGRAM (SN 0300183034 through 0300194139)



SECTION 6 - HYDRAULIC

FIGURE 6-6. STANDARD HYDRAULIC DIAGRAM (SN 0300183034 through 0300194139)

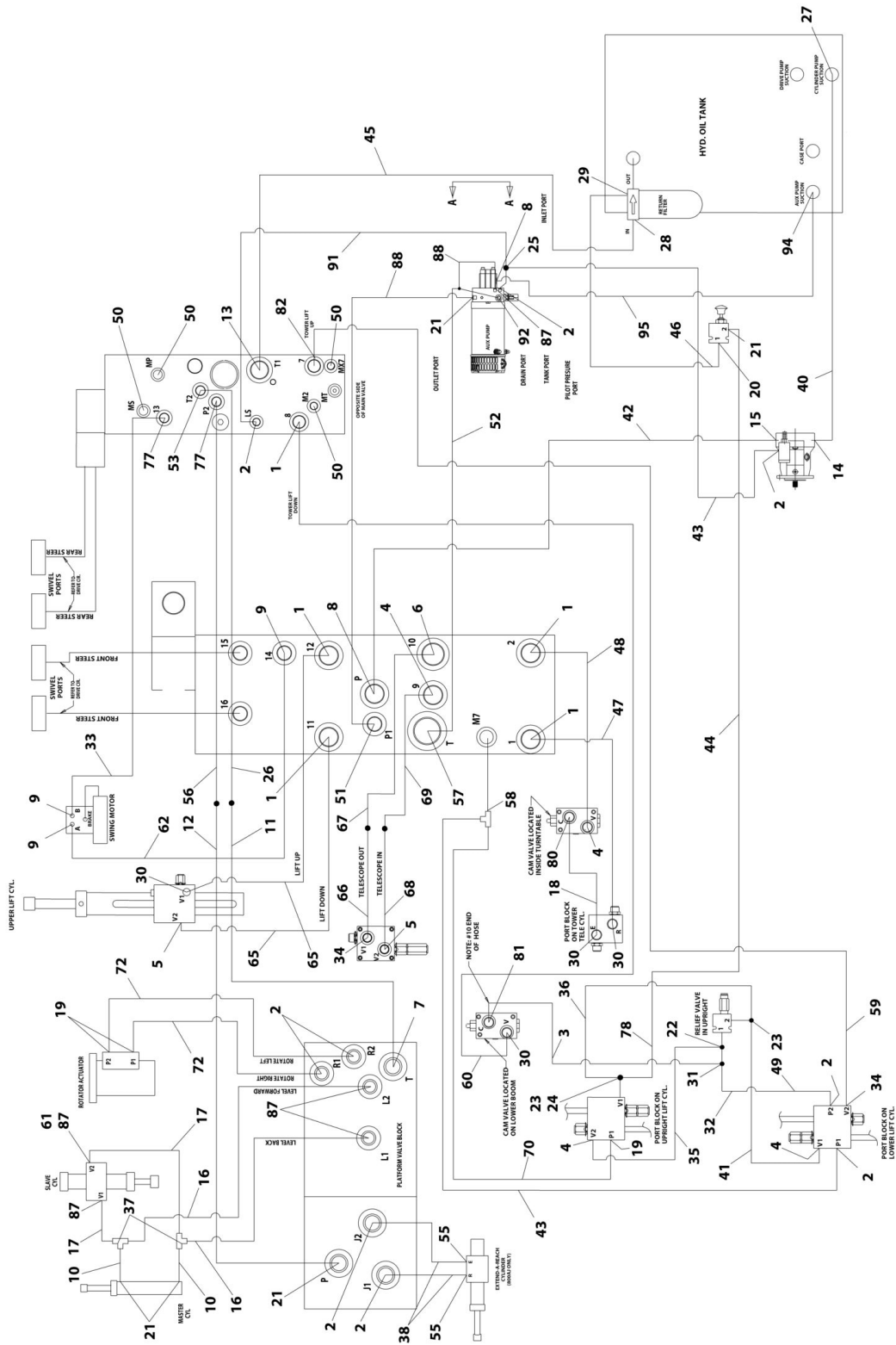
ITEM	PART NUMBER	QTY	DESCRIPTION	REV
	1001156597	Ref	STANDARD HYDRAULIC DIAGRAM (800A) (SN 0300183034 through 0300194139)	C
	1001156598	Ref	STANDARD HYDRAULIC DIAGRAM (800AJ) (SN 0300183034 through 0300194139)	C
1	2220381	2	Fitting, Straight ORB/JIC	
2	2220415	10	Fitting, Straight ORB/JIC	
3	2753199	1	Hose	
4	2220373	6	Fitting, Straight ORB/JIC	
5	2220500	3	Fitting, 45 ORB/JIC	
6	2220947	1	Fitting, Straight ORB/JIC	
7	2220376	1	Fitting, Straight ORB/JIC	
8	2220593	2	Fitting, Straight ORB/JIC	
9	2220371	4	Fitting, Straight ORB/JIC	
10	2220873	4	Fitting, Straight ORB/NPT	
11	2220428	AR	Fitting, Quick Disconnect	
12	2220429	AR	Fitting, Dust Cap	
13	2220502	1	Fitting, 45 ORB/JIC	
14	2220737	1	Split Flange Kit #24	
15	2220478	1	Split Flange Kit #16	
18	2753200	1	Hose	
19	2220466	4	Fitting, 90 ORB/JIC	
20	2220582	1	Fitting, Straight ORB/JIC	
21	2220473	AR	Fitting, 90 ORB/JIC	
22	2220602	1	Fitting, Tee ORB/JIC	
23	2220999	2	Fitting, Tee ORB/JIC	
24	2220619	1	Fitting, Reducer JIC/JIC	
25	2220605	2	Fitting, Tee JIC/JIC	
27	2220765	1	Fitting, Straight ORB/JIC	
28	2220379	1	Fitting, Straight ORB/JIC	
29	2220574	1	Fitting, Straight NPT/JIC	
30	2220596	4	Fitting, 90 ORB/JIC	
31	2220385	1	Fitting, Tee JIC/JIC	
32	2220618	1	Fitting, Reducer JIC/JIC	
34	2220852	2	Fitting, Straight ORB/JIC	
35	2753197	1	Hose	
36	2753196	1	Hose	
37	2220490	2	Fitting, Tee JIC/JIC	
38	4567139	1	Tube	
39	0100020	AR	Sealant, Pipe	
40	2753216	1	Hose	
41	2753195	1	Hose	
42	2753231	1	Hose	
43	2753010	2	Hose	
44	2752468	1	Hose	
45	2752721	1	Hose	
46	2752438	1	Hose	
47	2753192	1	Hose	
48	2752494	1	Hose	
49	2753008	1	Hose	
51	4640780	1	Fitting, Check Valve	

SECTION 6 - HYDRAULIC

ITEM	PART NUMBER	QTY	DESCRIPTION	REV
52	2753118	1	Hose	
55	2220609	2	Fitting, Reducer JIC/JIC	
57	2220577	1	Fitting, Straight ORB/JIC	
59	2752768	1	Hose	
60	2752930	1	Hose	
62	2752462	2	Hose	
65	2753189	2	Hose	
66	2752767	1	Hose	
67	2752766	1	Hose	
68	2753190	1	Hose	
69	2753191	1	Hose	
70	2752978	1	Hose	
71	2752585	2	Hose	
72	2753009	3	Hose (800A)	
72	2753006	3	Hose (800AJ)	
73	2753007	3	Hose	
74	2753124	1	Hose	
75	2753125	1	Hose	
76	2753129	2	Hose (800A)	
76	2753126	2	Hose (800AJ)	
77	2220501	AR	Fitting, 45 ORB/JIC	
78	4567757	1	Tube	
79	Not Required	0	Fitting (800A)	
79	2220591	2	Fitting, Reducer ORB/ORB (800AJ)	
80	Not Required	0	Hose (800A)	
80	2753123	2	Hose (800AJ)	
81	Not Required	0	Hose (800A)	
81	2753128	2	Hose (800AJ)	
82	4100062	4	Protection, Nylon Hose (Not Shown - Located at Tower Boom Power Track)	
83	Not Required	0	Fitting (800A)	
83	2220873	1	Fitting, Straight ORB/NPT (800AJ)	
84	2220947	1	Fitting, Straight JIC/ORB	
85	2221036	1	Fitting, 90 ORB/JIC	
86	2220950	1	Fitting, 45 ORB/JIC	
91	2220603	3	Fitting, Straight ORB/JIC	
92	Not Required	0	Fitting (800A)	
92	2180724	1	Fitting (800AJ)	
93	Not Required	0	Orifice (800A)	
93	2180380	1	Orifice (800AJ)	
94	0100019	AR	Compound, Locking	
95	1001109690	2	Hose	
98	1001143192	1	Hose	
99	2220899	1	Fitting, Tee ORB/JIC/JIC	
101	2220498	1	Fitting, 45 ORB/JIC	
102	1001149410	1	Hose	
103	1001177614	1	Hose	

SECTION 6 - HYDRAULIC

FIGURE 6-7. STANDARD HYDRAULIC DIAGRAM (SN 0300194140 through 0300196955)



SECTION 6 - HYDRAULIC

FIGURE 6-7. STANDARD HYDRAULIC DIAGRAM (SN 0300194140 through 0300196955)

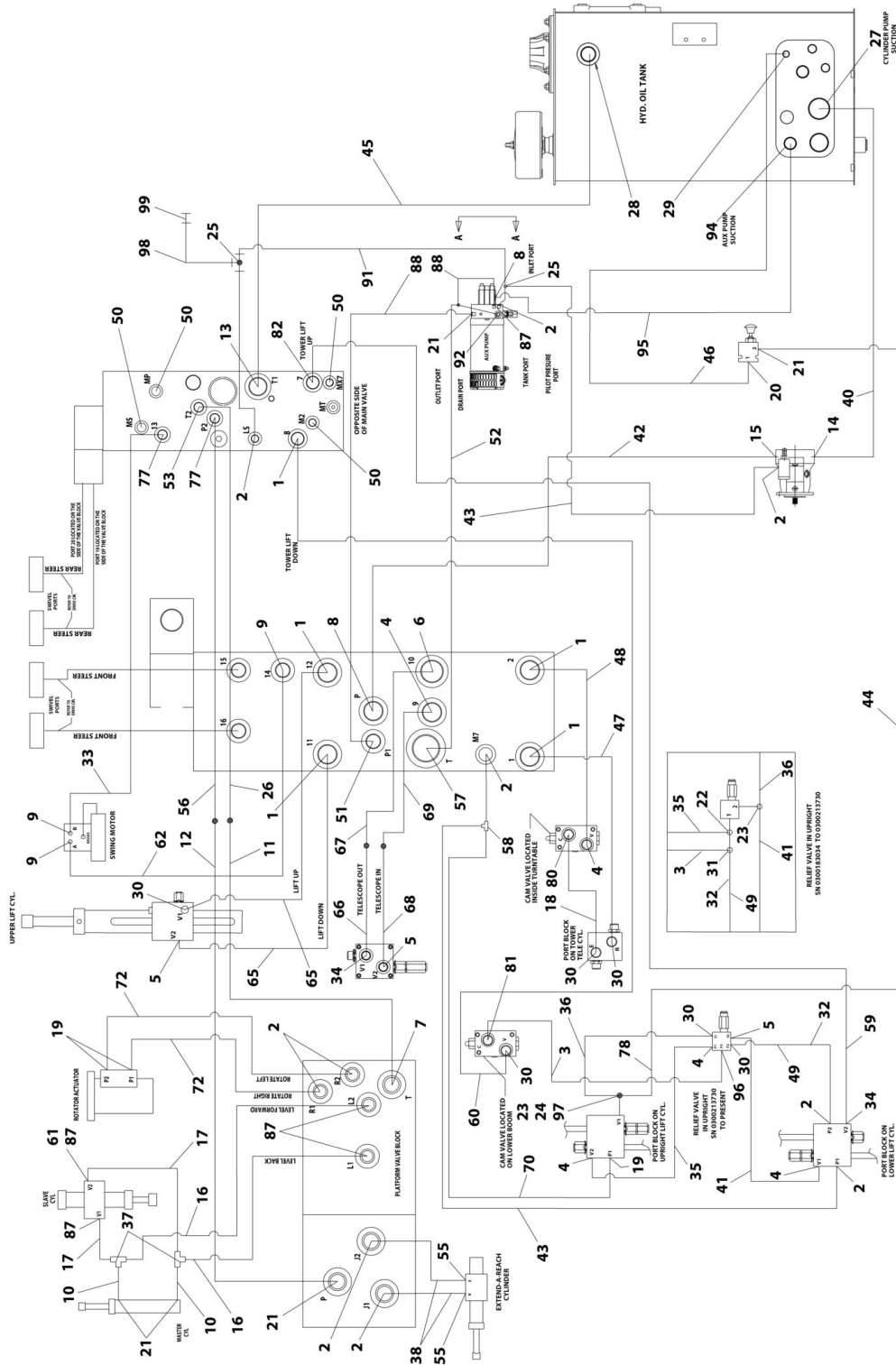
ITEM	PART NUMBER	QTY	DESCRIPTION	REV
	1001173292	Ref	STANDARD HYDRAULIC DIAGRAM (800A) (SN 0300194140 through 0300196955)	E
	1001173293	Ref	STANDARD HYDRAULIC DIAGRAM (800AJ) (SN 0300194140 through 0300196955)	E
1	2220381	2	Fitting, Straight ORB/JIC	
2	2220415	8	Fitting, Straight ORB/JIC	
3	2753199	1	Hose	
4	2220373	6	Fitting, Straight ORB/JIC	
5	2220500	3	Fitting, 45 ORB/JIC	
6	2220947	1	Fitting, Straight ORB/JIC	
7	2220376	1	Fitting, Straight ORB/JIC (800A)	
7	2220600	1	Adapter, Straight/JIC (800AJ)	
8	2220593	2	Fitting, Straight ORB/JIC	
9	2220371	3	Fitting, Straight ORB/JIC	
10	1001179271	2	Hose (800A)	
10	2753126	2	Hose (800AJ)	
11	1001179270	1	Hose (800A)	
11	1001179546	1	Hose (800AJ)	
12	1001179269	1	Hose (800A)	
12	1001179545	1	Hose (800AJ)	
13	1001179329	1	Hose	
14	2220737	1	Split Flange Kit #24	
15	2220478	1	Split Flange Kit #16	
16	1001161033	2	Hose (800A)	
16	1001155673	2	Hose (800AJ)	
17	1001152637	2	Hose (800A)	
17	1001119602	2	Hose (800AJ)	
18	2753200	1	Hose	
19	2220466	3	Fitting, 90 ORB/JIC	
20	2220582	1	Fitting, Straight ORB/JIC	
21	2220473	5	Fitting, 90 ORB/JIC	
22	2220602	1	Fitting, Tee ORB/JIC	
23	2220999	2	Fitting, Tee ORB/JIC	
24	2220619	1	Fitting, Reducer JIC/JIC	
25	2220605	1	Fitting, Tee JIC/JIC	
26	2751512	1	Hose (800 AJ)	
27	2220765	1	Fitting, Straight ORB/JIC	
28	2220379	1	Fitting, Straight ORB/JIC	
29	2220574	1	Fitting, Straight NPT/JIC	
30	2220596	4	Fitting, 90 ORB/JIC	
31	2220385	1	Fitting, Tee JIC/JIC	
32	2220618	1	Fitting, Reducer JIC/JIC	
33	2752484	1	Hose	
34	2220852	2	Fitting, Straight ORB/JIC	
35	2753197	1	Hose	
36	2753196	1	Hose	
37	2220490	2	Fitting, Tee JIC/JIC	
38	Not Required	0	Hose (800A)	
38	2753442	2	Hose (800AJ)	
40	2753216	1	Hose	

SECTION 6 - HYDRAULIC

ITEM	PART NUMBER	QTY	DESCRIPTION	REV
41	2753195	1	Hose	
42	2753231	1	Hose	
43	2753010	2	Hose	
44	2752468	1	Hose	
45	2752721	1	Hose	
46	2752438	1	Hose	
47	2753192	1	Hose	
48	2752494	1	Hose	
49	2753008	1	Hose	
50	2221086	4	Fitting, Diagnostic Test Port	
51	4640780	1	Fitting, Check Valve	
52	2753118	1	Hose	
53	1001136881	1	Fitting, 45 ORB/JIC	
55	2220472	2	Fitting, 90 ORB/FL (800AJ)	
56	2753123	1	Hose	
57	2220577	1	Fitting, Straight ORB/JIC	
58	2221034	1	Fitting, Tee FL/FL/ORB	
59	2752768	1	Hose	
60	2752930	1	Hose	
62	2752462	2	Hose	
65	2753189	2	Hose	
66	2752767	1	Hose	
67	2752766	1	Hose	
68	2753190	1	Hose	
69	2753191	1	Hose	
70	2752978	1	Hose	
71	2752585	2	Hose (800A)	
71	Not Required	0	Hose (800AJ)	
72	1001159707	2	Hose (800A)	
72	2753006	3	Hose (800AJ)	
77	2220501	AR	Fitting, 45 ORB/JIC	
78	4567757	1	Tube	
79	4100062	4	Protection, Hose (Not Shown - Located at Tower Boom Power Track)	
80	2220947	1	Fitting, Straight JIC/ORB	
81	2221036	1	Fitting, 90 ORB/JIC	
82	2220950	1	Fitting, 45 ORB/JIC	
87	2220603	5	Fitting, Straight ORB/JIC	
88	1001109690	2	Hose	
91	2752434	1	Hose	
92	2220899	1	Fitting, Tee ORB/JIC/JIC	
94	2220498	1	Fitting, 45 ORB/JIC	
95	1001149410	1	Hose	

SECTION 6 - HYDRAULIC

FIGURE 6-8. STANDARD HYDRAULIC DIAGRAM (SN 0300196956 through 0300272376)



ART_100178201

SECTION 6 - HYDRAULIC

FIGURE 6-8. STANDARD HYDRAULIC DIAGRAM (SN 0300196956 through 0300272376)

ITEM	PART NUMBER	QTY	DESCRIPTION	REV
	1001178200	Ref	STANDARD HYDRAULIC DIAGRAM (800A)	I
	1001178201	Ref	STANDARD HYDRAULIC DIAGRAM (800AJ)	J
1	2220381	5	Fitting, Straight ORB/FL	
2	2220415	AR	Fitting, Straight ORB/FL	
3	2753199	1	Hose	
4	2220373	AR	Fitting, Straight ORB/FL	
5	2220500	AR	Fitting, 45 ORB/FL	
6	2220947	1	Fitting, Straight ORB/FL	
7	2220600	1	Fitting, Straight JIC/ORB	
8	2220593	2	Fitting, Straight ORB/FL	
9	2220371	3	Fitting, Straight ORB/FL	
10	1001179271	2	Hose (800A)	
10	2753126	2	Hose (800AJ)	
11	1001179270	2	Hose (800A)	
11	1001179546	1	Hose (800AJ)	
12	1001179269	1	Hose (800A)	
12	1001179545	1	Hose (800AJ)	
13	1001179329	1	Fitting, Straight JIC/ORB	
14	2220737	1	Split Flange Kit #24	
15	2220478	1	Split Flange Kit #16	
16	1001155673	2	Hose	
17	1001119602	2	Hose	
18	2753200	1	Hose	
19	2220466	3	Fitting, 90 ORB/FL	
20	2220582	1	Fitting, Straight ORB/FL	
21	2220473	5	Fitting, 90 ORB/FL	
22	2220602	1	Fitting, Tee ORB/FL (SN 0300196956 through 0300213730)	
23	2220999	2	Fitting, Tee ORB/FL (SN 0300196956 through 0300213730)	
24	2220619	1	Fitting, Reducer JIC/JIC (SN 0300196956 through 0300213730)	
24	1001197272	1	Fitting, Tee JIC/ORB/JIC (SN 0300213731 through 0300227034)	
25	2220605	1	Fitting, Tee FL/FL (SN 0300183034 through 0300252003)	
25	2220605	2	Fitting, Tee FL/FL (SN 0300252004 through 0300272376)	
26	1001182162	1	Hose	
27	2220765	1	Fitting, Straight ORB/FL	
28	2220377	1	Fitting, Straight JIC/ORB	
29	2220582	1	Fitting, Straight JIC/ORB	
30	2220596	AR	Fitting, 90 ORB/FL	
31	2220385	1	Fitting, Tee FL/FL (SN 0300196956 through 0300213730)	
32	2220618	1	Fitting, Reducer JIC/JIC (SN 0300196956 through 0300227034)	
33	2752461	1	Hose	
34	2220852	2	Fitting, Straight ORB/FL	
35	2753197	1	Hose	
36	2753196	1	Hose	
37	2220490	2	Fitting, Tee FL/FL	
38	2753442	2	Hose (800AJ)	
40	1001179079	1	Hose	
41	2753195	1	Hose	
42	2753231	1	Hose	
43	2753010	2	Hose	
44	2752468	1	Hose	

SECTION 6 - HYDRAULIC

ITEM	PART NUMBER	QTY	DESCRIPTION	REV
45	2752723	1	Hose	
46	2753274	1	Hose	
47	2753192	1	Hose	
48	2752494	1	Hose	
49	2753008	1	Hose	
50	2221086	4	Fitting, Diagnostic Test Port, EM3A	
51	4640780	1	Fitting, Check Valve	
52	2753118	1	Hose	
53	1001136881	1	Fitting, 45 ORB/FG	
55	2220472	AR	Fitting, 90 ORB/FL (800AJ)	
56	2753123	1	Hose	
57	2220577	1	Fitting, Straight ORB/FL	
58	2221034	1	Fitting, Tee FL/FL/ORB	
59	2752768	1	Hose	
60	2752930	1	Hose	
61	4567139	1	Tube	
62	2752484	1	Hose	
65	2753189	2	Hose	
66	2752767	1	Hose	
67	2752766	1	Hose	
68	2753190	1	Hose	
69	2753191	1	Hose	
70	2752978	1	Hose	
72	1001159707	2	Hose	
77	2220501	2	Fitting, 45 ORB/FL	
78	4567757	1	Tube	
79	4100062	4	Protection, Hose (Not Shown - Located at Tower Boom Power Track)	
80	2220947	1	Fitting, O-Ring FL	
81	2221036	1	Fitting, 90 ORB/FL	
82	2220950	1	Fitting, 45 ORB/FL	
87	2220603	5	Fitting, Straight ORB/FL	
88	1001109690	2	Hose	
91	2752434	1	Hose	
92	2220899	1	Fitting, Tee ORB/FL/FL	
94	2220451	1	Fitting, Straight JIC/ORB	
95	1001149410	1	Hose	
96	2220468	1	Fitting, Straight JIC/ORB (SN 0300213731 through 0300272376)	
97	1001215289	1	Fitting, Tee JIC/ORB/JIC (SN 0300227035 through 0300272376)	
98	2752995	1	Hose (SN 0300252004 through 0300272376)	
99	91143177	1	Fitting - Diagnostic Test Port (SN 0300252004 through 0300272376)	

SECTION 6 - HYDRAULIC

FIGURE 6-9. HYDRAULIC DIAGRAM LIST

ITEM	PART NUMBER	QTY	DESCRIPTION	REV
		Ref	Note: Common diagrams shown in this parts manual. Diagrams not shown are available from JLG Service/Parts Departments.	
	1001157400	Ref	Axle Lockout Hydraulic Diagram (Machines with Oscillating Axle)	
	1001157448	Ref	Drive Hydraulic Diagram - 2WD/2WS Machines (SN 0300183034 through 0300196955)	
	1001178203	Ref	Drive Hydraulic Diagram - 2WD/2WS Machines (Separate Tow Diagram) (SN 0300196956 through 0300272376)	
	1001217194	Ref	Drive Hydraulic Diagram - 2WD/2WS Machines (Includes Tow Diagram) (SN 0300196956 through 0300272376)	
	1001157447	Ref	Drive Hydraulic Diagram - 4WD/2WS Machines (SN 0300183034 through 0300196955)	
	1001178204	Ref	Drive Hydraulic Diagram - 4WD/2WS Machines (Separate Tow Diagram) (SN 0300196956 through 0300272376)	
	1001217195	Ref	Drive Hydraulic Diagram - 4WD/2WS Machines (Includes Tow Diagram) (SN 0300196956 through 0300272376)	
	1001157449	Ref	Drive Hydraulic Diagram - 4WD/2WS Machines with Arctic Package (SN 0300183034 through 0300196955)	
	1001178205	Ref	Drive Hydraulic Diagram - 4WD/2WS Machines with Arctic Package (Separate Tow Diagram) (SN 0300196956 through 0300272376)	
	1001217196	Ref	Drive Hydraulic Diagram - 4WD/2WS Machines with Arctic Package (Includes Tow Diagram) (SN 0300196956 through 0300272376)	
	1001157446	Ref	Drive Hydraulic Diagram - 4WD/4WS Machines (SN 0300183034 through 0300196955)	
	1001178202	Ref	Drive Hydraulic Diagram - 4WD/4WS Machines (Separate Tow Diagram) (SN 0300196956 through 0300272376)	
	1001217197	Ref	Drive Hydraulic Diagram - 4WD/4WS Machines (Includes Tow Diagram) (SN 0300196956 through 0300272376)	
	1001157450	Ref	Drive Hydraulic Diagram - 4WD/4WS Machines with Arctic Package (SN 0300183034 through 0300196955)	
	1001178206	Ref	Drive Hydraulic Diagram - 4WD/4WS Machines with Arctic Package (Separate Tow Diagram) (SN 0300196956 through 0300272376)	
	1001156172	Ref	Oil Cooler Hydraulics - Deutz D2011 Engines	
	1001142677	Ref	Oil Cooler Hydraulics - Deutz TD2.9L4 Engines	
	1283309	Ref	Oil Cooler Hydraulics - GM Engines	
		Ref	Standard Hydraulic Diagram Options- 800A	
	1001156597	Ref	Standard Hydraulic Diagram - 800A (SN 0300183034 through 0300194139)	
	1001173292	Ref	Standard Hydraulic Diagram - 800A (SN 0300194140 through 0300196955)	
	1001178200	Ref	Standard Hydraulic Diagram - 800A (SN 0300196956 through 0300272376)	
		Ref	Standard Hydraulic Diagram Options - 800AJ	
	1001156598	Ref	Standard Hydraulic Diagram - 800AJ (SN 0300183034 through 0300194139)	
	1001173293	Ref	Standard Hydraulic Diagram - 800AJ (SN 0300194140 through 0300196955)	
	1001178201	Ref	Standard Hydraulic Diagram - 800AJ (SN 0300196956 through 0300272376)	
	1001159879	Ref	Standard Hydraulic Schematic (SN 0300183034 through 0300196955)	

SECTION 6 - HYDRAULIC

ITEM	PART NUMBER	QTY	DESCRIPTION	REV
	1001170855	Ref	Standard Hydraulic Schematic (SN 0300196956 through 0300272376)	
	2792700	Ref	Tow Package Hydraulic Diagram Options: Tow Package Hydraulic Diagram (SN 0300183034 through 0300211595)	
	1001157401	Ref	Tow Package Hydraulic Diagram (SN 0300211596 through 0300227034)	
	See Note	Ref	Tow Package Hydraulic Diagram (Note: See Drive Hydraulic Diagrams) (SN 0300227035 through 0300272376)	

SECTION 7 - ELECTRICAL

SECTION 7 - ELECTRICAL

FIGURE 7-1. ELECTRICAL DIAGRAM LIST

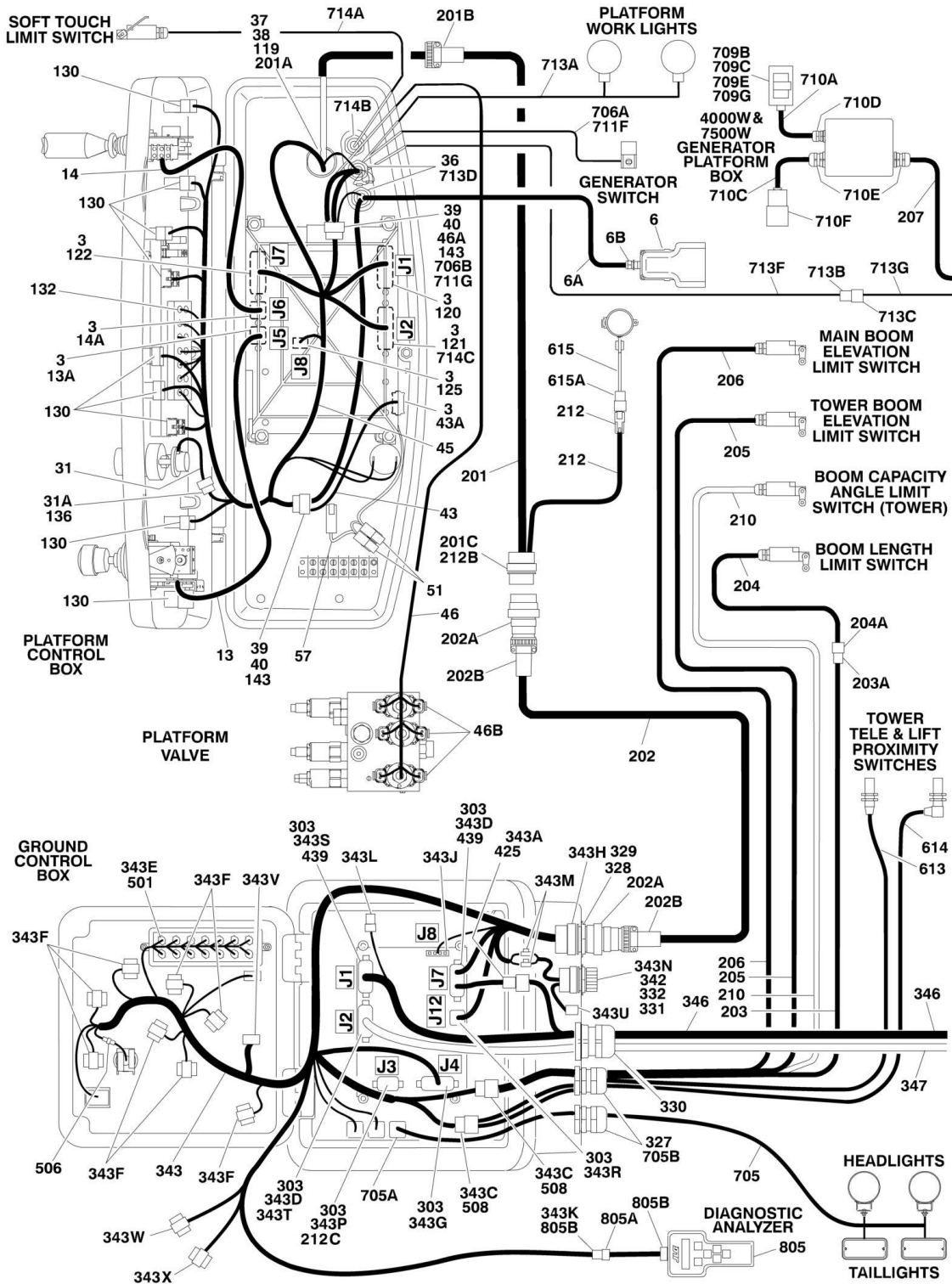
ITEM	PART NUMBER	QTY	DESCRIPTION	REV
		Ref	Note: Diagrams not shown are available from the JLG Service Department. Schematics shown in the Service and Maintenance Manual.	
	1282571	Ref	COLD WEATHER START ELECTRICAL DIAGRAM (GM ENGINE MACHINES)	
	4933350	Ref	GENERATOR (2500W 110V 60Hz) ELECTRICAL DIAGRAM (FORD & GM ENGINES)	
	1001112588	Ref	GENERATOR (2500W 110V 50-60Hz) ELECTRICAL DIAGRAM (DEUTZ D2011 ENGINES)	
	1001112743	Ref	GENERATOR (2500W 220V 50Hz) ELECTRICAL DIAGRAM (DEUTZ D2011 ENGINES)	
	1001180050	Ref	GENERATOR (2500W 60Hz) ELECTRICAL DIAGRAM (DEUTZ TD2.9L4 ENGINES)	
	1001132055	Ref	GENERATOR (4000W 60Hz) ELECTRICAL DIAGRAM (GM ENGINES)	
	1001132055	Ref	GENERATOR (4000W 60Hz) ELECTRICAL DIAGRAM (DEUTZ D2011 ENGINES)	
	1001153257	Ref	GENERATOR (4000W 60Hz) ELECTRICAL DIAGRAM (DEUTZ TD2.9L4 ENGINES)	
	1001153025	Ref	GENERATOR (4000W 50Hz) ELECTRICAL DIAGRAM (DEUTZ D2011 ENGINES) (ANSI EXPORT AND JAPANESE SPECS) (SN 0300183034 through 0300204764)	
	1001194437	Ref	GENERATOR (4000W 50Hz) ELECTRICAL DIAGRAM (DEUTZ D2011 ENGINES) (ANSI EXPORT AND JAPANESE SPECS) (SN 0300204765 through 0300272376)	
	1001159648	Ref	GENERATOR (4000W 50Hz) ELECTRICAL DIAGRAM (DEUTZ D2011 ENGINES) (AUSTRALIAN SPECS)	
	1001153025	Ref	GENERATOR (4000W 50Hz) ELECTRICAL DIAGRAM (DEUTZ D2011 ENGINES) (CE SPECS)	
	1001160271	Ref	GENERATOR (4000W 50Hz) ELECTRICAL DIAGRAM (DEUTZ D2011 ENGINES) (CE UK SPECS)	
	1001221498	Ref	GENERATOR (7500W) ELECTRICAL DIAGRAM (FORD ENGINES)	
	1001157768	Ref	GENERATOR (7500W) ELECTRICAL DIAGRAM (GM ENGINES)	
	1001157769	Ref	GENERATOR (7500W) ELECTRICAL DIAGRAM (DEUTZ D2011 ENGINES)	
	1001157770	Ref	GENERATOR (7500W) ELECTRICAL DIAGRAM (DEUTZ TD2.9L4 ENGINES)	
	1001153719	Ref	GROUND CONTROL BOX ELECTRICAL DIAGRAM (DEUTZ D2011 ENGINES)	
	1001165779	Ref	GROUND CONTROL BOX ELECTRICAL DIAGRAM (DEUTZ TD2.9L4 ENGINES)	
	1001153718	Ref	GROUND CONTROL BOX ELECTRICAL DIAGRAM (FORD & GM ENGINE) (SN 0300183034 through 0300232564)	
	1001224137	Ref	GROUND CONTROL BOX WIRING DIAGRAM - FORD & GM ENGINE (SN 0300232565 through 0300272376)	
	4933231	Ref	HEADLIGHT/TAILLIGHT ELECTRICAL DIAGRAM (ABS HOODS)	
	4933219	Ref	HEADLIGHT/TAILLIGHT LIGHTS ELECTRICAL DIAGRAM (STEEL HOODS)	
	1001094475	Ref	HOURMETER (FOR GENERATOR) ELECTRICAL DIAGRAM	
	4933278	Ref	LSS PLATFORM MODULE ELECTRICAL DIAGRAM	
	4933218	Ref	PLATFORM SOFT TOUCH SYSTEM ELECTRICAL DIAGRAM	
	0273484	Ref	PLATFORM WORKLIGHTS ELECTRICAL DIAGRAM (800A)	
	0273485	Ref	PLATFORM WORKLIGHTS ELECTRICAL DIAGRAM (800AJ)	

SECTION 7 - ELECTRICAL

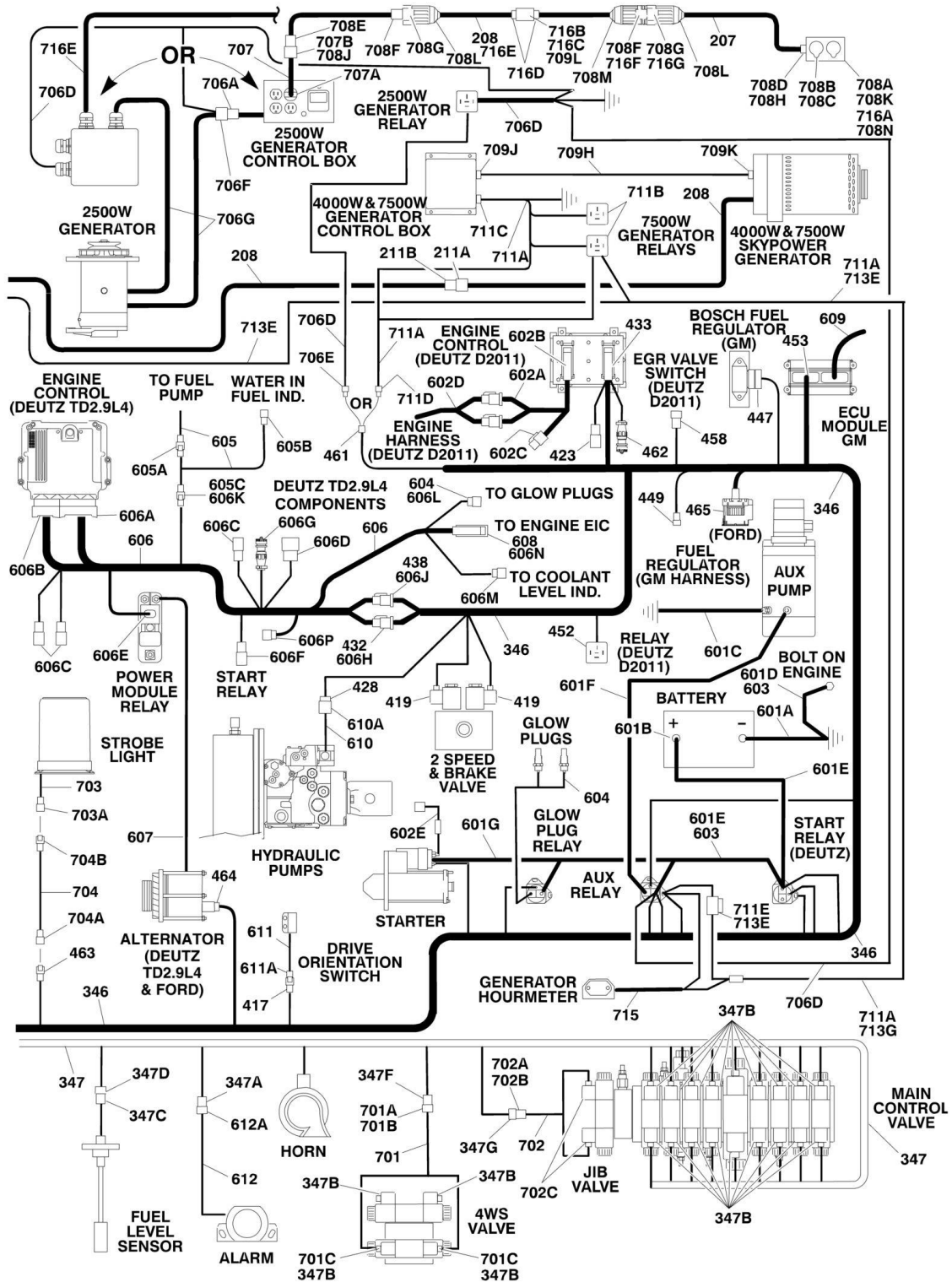
ITEM	PART NUMBER	QTY	DESCRIPTION	REV
	4933304	Ref	SKYAIR ELECTRICAL DIAGRAM	
	1001156225	Ref	STANDARD ELECTRICAL SCHEMATIC (SN 0300183034 through 0300194139)	
	1001176712	Ref	STANDARD ELECTRICAL SCHEMATIC (SN 0300194140 through 0300272376)	
	1001131992	Ref	STANDARD ELECTRICAL SCHEMATIC - GM ENGINE SCHEMATIC (ENGINE SCHEMATIC ONLY. P/N 1001156225 & 1001176712 ARE SCHEMATIC FOR COMPLETE MACHINE)	

SECTION 7 - ELECTRICAL

FIGURE 7-2. HARNESS COMPONENTS INSTALLATION



SECTION 7 - ELECTRICAL



SECTION 7 - ELECTRICAL

FIGURE 7-2. HARNESS COMPONENTS INSTALLATION

ITEM	PART NUMBER	QTY	DESCRIPTION	REV
		Ref	PLATFORM BOX ASSEMBLY COMPONENTS	
3	0100048	AR	Grease, Dielectric	
6		Ref	Footswitch Components:	
6A	1060918	7 ft/2.13m	Cable, Electrical - 18/3	
6A	1001098122	3	Terminal, Ring	
6A	4460226	2	Socket, Female	
6A	4460464	1	Pin, Male	
6B	4460071	2	Connector, Strain Relief	
13	See Note	1	Controller Harness Assembly (Lift and Swing) (Note: Not Available for Purchase)	
13A	7022819	1	Plug, Male - 8 Position (Natural)	
13A	4460871	8	Socket, Female	
14	See Note	1	Controller Harness/Circuit Board Assembly (Drive and Steer) (Note: Not Available for Purchase)	
14A	7022825	1	Plug, Male - 8 Position (Black)	
14A	4460871	7	Socket, Female	
31	See Note	1	Controller Harness (Speed Control) (Note: Not Available for Purchase)	
31A	4460224	1	Receptacle, Female - 6 Position	
31A	4460226	6	Socket, Female	
36	4460428	2	Connector, Strain Relief	
37	4460470	1	Nut, Terminal	
38	4460471	1	Washer, Terminal	
39	4460708	2	Connector, Female 15 Position	
40	4460905	5	Seal, Plug	
43	4922666	1	Harness, Analyzer Cable	C
43	4460226	4	Socket, Female (Not Shown - Located at J2)	
43A	4460761	1	Connector, Female - 4 Position	
43A	4460227	4	Pin, Male	
45	1001107753	1	Harness, Console Box (Without SkyGuard) (See Items 119-157 for Breakdown)	
45	1001185280	1	Harness, Console Box (With SkyGuard) (See Items 119-157 for Breakdown)	
46	1001139135	1	Platform Valve Harness Assembly (SN 0300194140 through 0300272376)	A
46A	4460226	7	Socket, Female	
46B	4460891	6	Plug, Male - 2 Position	
46B	1001116992	12	Socket, Female	
51	1001186431	2	Relay (Machines with 1 Cell LSS)	
57	1001225580	1	Harness, Interface (Machines with 1 Cell LSS)	
	1001107753	Ref	PLATFORM BOX HARNESS ASSEMBLY (WITHOUT SKYGUARD)	F
	1001185280	Ref	PLATFORM BOX HARNESS ASSEMBLY (WITH SKYGUARD)	B
	1001220281	Ref	PLATFORM BOX HARNESS ASSEMBLY (MACHINES WITH SKYGUARD/WITH 1 CELL LSS)	E
119	4460866	1	Connector 19 Position	
119	4460464	7	Pin, Male (16 Gauge)	
119	4460508	3	Pin, Male (12 Gauge)	
120	4460874	1	Plug, Male 35 Position (Natural)	
120	4460871	29	Socket, Female	
121	4460875	1	Plug, Male 35 Position (Gray)	
121	4460871	24	Socket, Female	

SECTION 7 - ELECTRICAL

ITEM	PART NUMBER	QTY	DESCRIPTION	REV
122	4460873	1	Plug, Male 35 Position (Black)	
122	4460871	26	Socket, Female	
125	4460879	1	Plug, Male 2 Position	
125	4460887	2	Terminal (12 Gauge)	
130	4460418	9	Connector 6 Position	
130	4460419	27	Terminal, Female	
132	4120035	13	Base, Light	
132	4460634	13	Terminal, (16 Gauge)	
132	4460635	13	Terminal, (12 Gauge)	
132	2920129	13	Lamp, Indicator	
136	4460225	1	Plug, Male 6 Position	
136	4460227	5	Pin, Male	
143	4460434	2	Plug, Male 15 Position	
143	4460227	25	Pin, Male	
150	4460884	1	Connector - 4 Position (Not Shown - To Platform Sensor) (With SkyGuard)	
150	4460944	4	Socket (Not Shown - To Platform Sensor) (With SkyGuard)	
150	4460932	1	Receptacle - 4 Position (Not Shown -To Platform Sensor) (With SkyGuard)	
154	4460536	1	Receptacle - 3 Position (Not Shown) (With SkyGuard)	
154	4460943	1	Pin, Male (Not Shown) (With SkyGuard)	
155	4460539	1	Plug - 3 Position (Not Shown) (With SkyGuard)	
155	4460944	1	Socket, Female (Not Shown) (With SkyGuard)	
157	4460708	1	Connector - 15 Position (Not Shown - Mates with Item 43) (With SkyGuard)	
157	4460226	3	Socket (Not Shown) (With SkyGuard)	
158	4460894	1	Plug, Male - 6 Position (Not Shown) (Machines with 1 Cell LSS)	
158	4460465	5	Socket, Female (Not Shown) (Machines with 1 Cell LSS)	
159	4460933	1	Plug, Male - 12 Position (Not Shown) (Machines with 1 Cell LSS)	
159	1001119020	1	Bussbar (Not Shown) (Machines with 1 Cell LSS)	
162	1001213447	1	Receptacle, Female - 5 Position (Not Shown) (Machines with 1 Cell LSS)	
	0271374	Ref	BOOM CABLE INSTALLATION (800A WITHOUT GENERATOR - ANSI, ANSI EXPORT AND CSA SPECS) (SN 0300183034 through 0300236624)	G
	1001227519	Ref	BOOM CABLE INSTALLATION (800A WITHOUT GENERATOR - ANSI, ANSI EXPORT AND CSA SPECS) (SN 0300236625 through 0300272376)	A
	0271375	Ref	BOOM CABLE INSTALLATION (800A WITHOUT GENERATOR - CE SPECS) (SN 0300183034 through 0300236624)	F
	1001227779	Ref	BOOM CABLE INSTALLATION (800A WITHOUT GENERATOR - CE SPECS) (SN 0300236625 through 0300272376)	A
	0271374	Ref	BOOM CABLE INSTALLATION (800A WITHOUT GENERATOR - CHINA AND JAPANESE SPECS) (SN 0300183034 through 0300236624)	
	1001232259	Ref	BOOM CABLE INSTALLATION (800A WITHOUT GENERATOR - CHINA AND JAPANESE SPECS) (SN 0300236625 through 0300272376)	
	1001153328	Ref	BOOM CABLE INSTALLATION (800A WITH 4000W GENERATOR) (SN 0300183034 through 0300236624)	B
	1001227524	Ref	BOOM CABLE INSTALLATION (800A WITH 4000W GENERATOR) (SN 0300236625 through 0300272376)	A
	0272429	Ref	BOOM CABLE INSTALLATION (800A WITH 7500W SKYPOWER GENERATOR - ANSI, ANSI EXPORT AND CSA SPECS) (SN 0300183034 through 0300236624)	F

SECTION 7 - ELECTRICAL

ITEM	PART NUMBER	QTY	DESCRIPTION	REV
	1001227780	Ref	BOOM CABLE INSTALLATION (800A WITH 7500W SKYPOWER GENERATOR - ANSI, ANSI EXPORT AND CSA SPECS) (SN 0300236625 through 0300272376)	A
	0272430	Ref	BOOM CABLE INSTALLATION (800A WITH 7500W SKYPOWER GENERATOR - CE SPECS) (SN 0300183034 through 0300236624)	F
	1001227784	Ref	BOOM CABLE INSTALLATION (800A WITH 7500W SKYPOWER GENERATOR - CE SPECS) (SN 0300236625 through 0300272376)	A
	1001093748	Ref	BOOM CABLE INSTALLATION (800A WITH ARCTIC PACKAGE - ANSI, ANSI EXPORT AND CSA SPECS) (SN 0300183034 through 0300236624)	B
	1001227727	Ref	BOOM CABLE INSTALLATION (800A WITH ARCTIC PACKAGE - ANSI, ANSI EXPORT AND CSA SPECS) (SN 0300236625 through 0300272376)	A
	1001091330	Ref	BOOM CABLE INSTALLATION (800A WITH 7500W SKYPOWER GENERATOR AND ARCTIC PACKAGE - ANSI, ANSI EXPORT AND CSA SPECS) (SN 0300183034 through 0300236624)	D
	1001227611	Ref	BOOM CABLE INSTALLATION (800A WITH 7500W SKYPOWER GENERATOR AND ARCTIC PACKAGE - ANSI, ANSI EXPORT AND CSA SPECS) (SN 0300236625 through 0300272376)	A
	0271376	Ref	BOOM CABLE INSTALLATION (800AJ WITHOUT GENERATOR - ALL SPECS EXCEPT AUSTRALIAN AND CE SPECS) (SN 0300183034 through 0300236624)	C
	1001227610	Ref	BOOM CABLE INSTALLATION (800AJ WITHOUT GENERATOR - ALL SPECS EXCEPT AUSTRALIAN AND CE SPECS) (SN 0300236625 through 0300272376)	A
	0273434	Ref	BOOM CABLE INSTALLATION (800AJ WITHOUT GENERATOR - AUSTRALIAN SPECS) (SN 0300183034 through 0300236624)	B
	1001227800	Ref	BOOM CABLE INSTALLATION (800AJ WITHOUT GENERATOR - AUSTRALIAN SPECS) (SN 0300236625 through 0300272376)	A
	0271377	Ref	BOOM CABLE INSTALLATION (800AJ WITHOUT GENERATOR - CE SPECS) (SN 0300183034 through 0300236624)	D
	1001227783	Ref	BOOM CABLE INSTALLATION (800AJ WITHOUT GENERATOR - CE SPECS) (SN 0300236625 through 0300272376)	A
	1001153329	Ref	BOOM CABLE INSTALLATION (800AJ WITH 4000W GENERATOR) (SN 0300183034 through 0300236624)	B
	1001227520	Ref	BOOM CABLE INSTALLATION (800AJ WITH 4000W GENERATOR) (SN 0300236625 through 0300272376)	A
	0272431	Ref	BOOM CABLE INSTALLATION (800AJ WITH 7500W SKYPOWER GENERATOR - ANSI, ANSI EXPORT AND CSA SPECS) (SN 0300183034 through 0300236624)	C
	1001227782	Ref	BOOM CABLE INSTALLATION (800AJ WITH 7500W SKYPOWER GENERATOR - ANSI, ANSI EXPORT AND CSA SPECS) (SN 0300236625 through 0300272376)	B
	0272432	Ref	BOOM CABLE INSTALLATION (800AJ WITH 7500W SKYPOWER GENERATOR - AUSTRALIAN AND CE SPECS) (SN 0300183034 through 0300236624)	C
	1001227781	Ref	BOOM CABLE INSTALLATION (800AJ WITH 7500W SKYPOWER GENERATOR - AUSTRALIAN AND CE SPECS) (SN 0300236625 through 0300272376)	A
	0275204	Ref	BOOM CABLE INSTALLATION (800AJ WITH 7500W SKYPOWER GENERATOR AND ARCTIC PACKAGE - ANSI, ANSI EXPORT AND CSA SPECS) (SN 0300183034 through 0300236624)	B
	1001227785	Ref	BOOM CABLE INSTALLATION (800AJ WITH 7500W SKYPOWER GENERATOR AND ARCTIC PACKAGE - ANSI, ANSI EXPORT AND CSA SPECS) (SN 0300236625 through 0300272376)	A
	1001092093	Ref	BOOM CABLE INSTALLATION (800AJ WITH 7500W SKYPOWER GENERATOR AND ARCTIC PACKAGE - ANSI, ANSI EXPORT AND CSA SPECS) (SN 0300183034 through 0300236624)	B

SECTION 7 - ELECTRICAL

ITEM	PART NUMBER	QTY	DESCRIPTION	REV
	1001227799	Ref	BOOM CABLE INSTALLATION (800AJ WITH 7500W SKYPOWER GENERATOR AND ARCTIC PACKAGE - ANSI, ANSI EXPORT AND CSA SPECS) (SN 0300236625 through 0300272376)	A
	1001116474	Ref	BOOM CABLE INSTALLATION (800AJ WITH ARCTIC PACKAGE - ANSI, ANSI EXPORT AND CSA SPECS) (SN 0300183034 through 0300236624)	B
	1001227801	Ref	BOOM CABLE INSTALLATION (800AJ WITH ARCTIC PACKAGE - ANSI, ANSI EXPORT AND CSA SPECS) (SN 0300236625 through 0300272376)	A
201	4922575	1	Harness Assembly - Main Boom (12/4 -18/8) (800A) (SN 0300183034 through 0300236624)	F
201	1001227488	1	Harness Assembly - Main Boom (12/4 -18/8) (800A) (SN 0300236625 through 0300272376)	A
201	1001091315	1	Harness Assembly - Main Boom (12/4 -18/8) (800A with Arctic Package) (SN 0300183034 through 0300236624)	D
201	1001227302	1	Harness Assembly - Main Boom (12/4 -18/8) (800A with Arctic Package) (SN 0300236625 through 0300272376)	A
201	4922582	1	Harness Assembly - Main Boom (12/4 -18/8) (800AJ) (SN 0300183034 through 0300236624)	G
201	1001227518	1	Harness Assembly - Main Boom (12/4 -18/8) (800AJ) (SN 0300236625 through 0300272376)	A
201	4923490	1	Harness Assembly - Main Boom (12/4 -18/8) (800AJ with Arctic Package) (SN 0300183034 through 0300236624)	D
201	1001227351	1	Harness Assembly - Main Boom (12/4 -18/8) (800AJ with Arctic Package) (SN 0300236625 through 0300272376)	A
201	1060896	AR	Cable, Electrical - 4 #12 AWG, 8 #18 AWG & 1 STP #18 AWG (Without Arctic Package)	
201	4923462	67 ft/ 20.4m	Cable, Electrical - 4 #12 AWG, 8 #18 AWG & 1 STP #18 AWG (800A with Arctic Package)	
201	4923462	64 ft/ 19.5m	Cable, Electrical - 4 #12 AWG, 8 #18 AWG & 1 STP #18 AWG (800AJ with Arctic Package)	
201	0100009	AR	Sealant	
201A	4460865	1	Connector - 19 Position	
201A	4460465	11	Socket, Female	
201A	4460509	4	Socket, Female	
201A	4460466	4	Seal, Plug	
201B	4460473	1	Clamp, Cable	
201C	4460866	1	Connector - 19 Position	
201C	4460464	AR	Pin, Male (16 Gauge)	
201C	4460508	4	Pin, Male (12 Gauge)	
201C	4460466	4	Seal, Plug	
202	4922576	1	Harness Assembly - Tower Boom (12/4 - 18/8) (Without Arctic Package)	E
202	4923489	1	Harness Assembly - Tower Boom (12/4 - 18/8) (With Arctic Package)	B
202	1060896	44 ft/ 13.4m	Cable, Electrical - 4 #12 AWG, 8 #18 AWG & 1 STP #18 AWG (Without Arctic Package)	
202	4923462	44 ft/ 13.4m	Cable, Electrical - 4 #12 AWG, 8 #18 AWG & 1 STP #18 AWG (With Arctic Package)	
202A	4460865	2	Connector - 19 Position	
202A	4460465	22	Socket, Female	
202A	4460509	8	Socket, Female	
202A	4460466	8	Seal, Plug	
202B	4460473	2	Clamp, Cable	
203	4922579	1	Harness Assembly - Tower Boom (18/2) (800A - ANSI, ANSI Export and CSA Specs without Arctic Package)	

SECTION 7 - ELECTRICAL

ITEM	PART NUMBER	QTY	DESCRIPTION	REV
203	1001091323	1	Harness Assembly - Tower Boom (18/2) (800A - ANSI, ANSI Export and CSA Specs with Arctic Package)	
203	4922579	1	Harness Assembly - Tower Boom (18/2) (800AJ - CE Specs)	
203	1060902	47 ft/ 14.3m	Cable, Electrical - 18/2 (Without Arctic Package)	
203	4923466	47 ft/ 14.3m	Cable, Electrical - 18/2 (With Arctic Package)	
203A	4460465	2	Socket, Female	
203A	4460891	1	Connector, Terminal - 2 Position	
204	4922868	1	Harness Assembly - Main Boom (18/2) (800A - ANSI, ANSI Export and CSA Specs without Arctic Package)	
204	1001091319	1	Harness Assembly - Main Boom (18/2) (800A - ANSI, ANSI Export and CSA Specs with Arctic Package)	
204	4922580	1	Harness Assembly - Main Boom (18/2) (800AJ - CE Specs)	
204	1060902	30 ft/9.1m	Cable, Electrical - 18/2 (Without Arctic Package)	
204	4923466	30 ft/9.1m	Cable, Electrical - 18/2 (With Arctic Package)	
204A	4460464	2	Pin, Male	
204A	4460897	1	Plug, Terminal - 2 Position	
205	4922578	1	Harness Assembly - Tower Boom (18/2) (800A without Arctic Package)	
205	4923487	1	Harness Assembly - Tower Boom (18/2) (800A with Arctic Package) (With 7500W Generator)	
205	4922578	1	Harness Assembly - Tower Boom (18/2) (800AJ without Arctic Package)	
205	4923487	1	Harness Assembly - Tower Boom (18/2) (800AJ with Arctic Package - without 7500W Generator)	
205	4923487	1	Harness Assembly - Tower Boom (18/2) (800AJ (With Arctic Package) - with 7500W Generator)	
206	4922578	1	Harness Assembly - Main Boom (18/2) without Arctic Package)	
206	4923487	1	Harness Assembly - Main Boom (18/2) with Arctic Package)	
207	4922215	1	Harness Assembly - Main Boom (800A - All Specs except Australian and CE Specs (10/3) without Arctic Package)	
207	4922218	1	Harness Assembly - Main Boom (800A - CE, China and Japanese Specs (10/3)	
207	1001156695	1	Harness Assembly - Main Boom (800A - All Specs (10/4) with 4000W Generator	
207	1001125127	1	Harness Assembly - Main Boom (800A - All Specs (8/5) without Arctic Package and 7500W SkyPower Generator	
207	1001091324	1	Harness Assembly - Main Boom (800A - ANSI, ANSI Export and CSA Specs (10/3) with Arctic Package	
207	1001125127	1	Harness Assembly - Main Boom (800A - ANSI, ANSI Export and CSA Specs (8/5) with Arctic Package and 7500W SkyPower Generator	
207	4922216	1	Harness Assembly - Main Boom (800AJ - All Specs except Australian Specs (10/3) without Arctic Package	
207	4922219	1	Harness Assembly - Main Boom (800AJ - Australian and CE Specs (10/3)	
207	1001156694	1	Harness Assembly - Main Boom (800AJ - All Specs (10/4) with 4000W Generator	
207	1001125126	1	Harness Assembly - Main Boom (800AJ - All Specs (8/5) with 7500W SkyPower Generator	
207	4923485	1	Harness Assembly - Main Boom (800AJ - ANSI, ANSI Export and CSA Specs (10/3) with Arctic Package	
208	4922217	1	Harness Assembly - Tower Boom - ANSI, ANSI Export and CSA Specs (10/3)	
208	4922220	1	Harness Assembly - Tower Boom - Australian and CE Specs (10/3)	

SECTION 7 - ELECTRICAL

ITEM	PART NUMBER	QTY	DESCRIPTION	REV
208	4922217	1	Harness Assembly - Tower Boom - China and Japanese Specs (SN 0300183034 through 0300236624)	
208	4922220	1	Harness Assembly - Tower Boom - China and Japanese Specs (SN 0300236625 through 0300272376)	
208	1001156693	1	Harness Assembly - Tower Boom - All Specs (10/4) 4000W Generator	
208	1001125125	1	Harness Assembly - Tower Boom - All Specs (8/5) without Arctic Package and 7500W SkyPower Generator	
208	4923486	1	Harness Assembly - Tower Boom - ANSI, ANSI Export and CSA Specs (10/3) with Arctic Package	
208	1001125125	1	All Specs except Australian and CE Specs (8/5) with Arctic Package and 7500W SkyPower Generator	
209	1320256	1	Clamp, Block (Machines without Arctic Package) (Not Shown- Located on back of T/T)	
209	1001092384	1	Clamp, Block (Machines with Arctic Package) (Not Shown- Located on back of T/T)	
210	4922578	1	Harness Assembly (18/2) (800A Only - All Specs except Australian and CE Specs (Without Arctic Package)	
210	4923487	1	Harness Assembly (18/2) (800A Only - ANSI, ANSI Export and CSA Specs (With Arctic Package)	
211	0272433	1	Cable Connector Installation (With 7500W SkyPower Generator)	D
211A	4460959	1	Connector, Male (With 7500W Generator) (SkyPower) (SN 0300183034 through 0300228785)	
211A	1001218622	1	Connector, Male (With 7500W Generator) (SkyPower) (SN 0300228786 through 0300272376)	
211A	1671093	1	Cover, Male Connector (Optional) (SN 0300183034 through 0300228785)	
211B	4460960	1	Connector, Female (With 7500W Generator) (SkyPower) (SN 0300183034 through 0300228785)	
211B	1001218623	1	Connector, Female (With 7500W Generator) (SkyPower) (SN 0300228786 through 0300272376)	
211B	1671092	1	Cover, Female Connector (Optional) (SN 0300183034 through 0300228785)	
212	4923613	1	Harness, Tilt Switch (Part of Main Boom Harness) (SN 0300183034 through 0300236624)	C
212	1001227359	1	Harness Tilt Switch (SN 0300236625 through 0300272376)	A
212A	1001097051	1	Connector - 4 Position	
212A	1001097082	3	Pin, Male (Gold)	
212A	4460466	1	Seal, Plug	
212B	4460464	3	Pin, Male (4923613 Harness)	
212C	4460944	3	Pin, Male (1001227359 Harness)	
		Ref	GROUND CONTROL BOX COMPONENTS	
303	0100048	AR	Grease, Dielectric	
327	4460426	AR	Connector, Strain Relief	
328	4460470	1	Nut, Terminal	
329	4460471	1	Washer, Terminal	
331	4460496	1	Washer, Terminal	
332	4460497	1	Nut, Terminal	
333	4460526	1	Connector, Strain Relief	
342	1001106736	1	Cap, Dust	
343	1001110225	1	Harness, Ground Control Box (Deutz D2011 Engines - All Specs except CE Specs)	G
343	1001110225	1	Harness, Ground Control Box (Deutz D2011 Engines - CE Specs) (SN 0300183034 through 0300201003)	G
343	1001185131	1	Harness, Ground Control Box (Deutz D2011 Engines - CE Specs) (SN 0300201004 through 0300272376)	E

SECTION 7 - ELECTRICAL

ITEM	PART NUMBER	QTY	DESCRIPTION	REV
343	1001145937	1	Harness, Ground Control Box (Deutz TD2.9L4 Engines - All Specs except CE Specs)	F
343	1001145937	1	Harness, Ground Control Box (Deutz TD2.9L4 Engine - CE Specs) (SN 0300183034 through 0300201003)	F
343	1001185131	1	Harness, Ground Control Box (Deutz TD2.9L4 Engines - CE Specs) (SN 0300201004 through 0300272376)	E
343	1001110225	1	Harness, Ground Control Box (Ford & GM Engines)	G
343A	4460536	1	Connector, Female 3 Position	
343A	4460943	3	Pin, Male	
343B	3990010	2	Diode - 6 Amp (Not Shown)	
343C	4460434	2	Plug, Male 15- Position	
343C	4460227	22	Pin	
343D	4460873	1	Connector, 35 Position (Black)	
343D	4460871	21	Socket, Female	
343D	4460905	AR	Seal, Plug	
343E	4120035	AR	Base, Light	
343E	4460634	AR	Terminal (16 Gauge)	
343E	4460635	AR	Terminal (12 Gauge)	
343F	4460418	9	Connector, Female- 6 Position	
343F	4460419	27	Socket, Female	
343G	4460876	1	Connector, 35 Position (Blue)	
343G	4460871	29	Socket, Female	
343G	4460905	AR	Seal, Plug	
343H	4460866	1	Connector - 19 Position	
343H	4460464	7	Pin, Male (16 Gauge)	
343H	4460508	3	Pin, Male (12 Gauge)	
343J	4460878	1	Housing, Terminal - 4 Position	
343J	4460887	3	Terminal (12 Gauge)	
343K	4460761	1	Connector, Female 4- Position	
343K	4460227	4	Pin, Male	
343L	4460894	3	Plug, Male - 6 Position	
343L	4460465	AR	Socket, Female	
343L	4460892	3	Terminal, Buss Connector - 6 Position	
343L	4460466	3	Plug, Terminal	
343M	8229242	2	Fuse 5A	
343M	2400060	2	Holder, Fuse	
343N	1001112612	1	Connector - 9 Position	
343N	4460943	4	Pin, Male	
343P	1001106339	1	Connector, Male - 14 Position	
343P	4460871	2	Socket, Female	
343P	4460905	AR	Plug, Seal	
343R	1001106340	1	Connector, Male - 14 Position	
343R	4460871	5	Socket, Female	
343S	4460874	1	Connector, Natural	
343S	4460871	10	Socket, Female	
343S	4460905	AR	Plug, Seal	
343T	4460875	1	Connector, Gray	
343T	4460871	2	Socket, Female	
343T	4460905	AR	Plug, Seal	
343U	4460884	1	Plug, Male - 4 Position	
343U	1001192401	1	Cap, Dust	
343U	4460365	4	Socket, Female	

SECTION 7 - ELECTRICAL

ITEM	PART NUMBER	QTY	DESCRIPTION	REV
343V	4460868	1	Plug, Male - 6 Position (CE Spec) (SN 0300201004 through 0300272376)	
343V	4460877	4	Terminal (CE Spec) (SN 0300201004 through 0300272376)	
343W	1001200497	1	Plug, Male - 3 Position (SN 0300236625 through 0300272376)	
343W	4460944	3	Socket, Female (SN 0300236625 through 0300272376)	
343X	1001229530	1	Receptacle, Female - 3 Position (SN 0300236625 through 0300272376)	
343X	1001229531	1	Pin, Male (SN 0300236625 through 0300272376)	
346	1001153713	1	Engine Harness Assembly - Deutz D2011 Engine Machines (See 401 to 465 for Breakdown)	
346	1001165776	1	Engine Harness Assembly - Deutz TD2.9L4 Engine Machines (See 401 to 465 for Breakdown)	
346	1001216230	1	Engine Harness Assembly - Ford Engine Machines (See 401 to 465 for Breakdown)	
346	1001153712	1	Engine Harness Assembly - GM Engine Machines (See 401 to 465 for Breakdown)	
347	1001153715	1	Valve Harness Assembly (SN 0300183034 through 0300194139)	E
347	1001170808	1	Valve Harness Assembly (SN 0300194140 through 0300272376)	F
347A	4460539	1	Connector, Male - 3 Position	
347A	4460465	2	Socket, Female	
347A	4460466	1	Seal, Plug	
347B	4460880	AR	Connector, DIN	
347B	4460891	13	Plug, Male - 2 Position (SN 0300194140 through 0300272376)	
347B	4460465	26	Socket, Female (SN 0300194140 through 0300272376)	
347C	4460320	2	Connector, Female - 2 Position (SN 0300183034 through 0300194139)	
347C	4460267	5	Pin, Male (SN 0300183034 through 0300194139)	
347D	4460424	1	Connector, Male- 2 Position	
347D	4460268	2	Pin, Female	
347E	4460871	33	Socket, Female	
347F	4460326	1	Connector, Male - 3 Position (SN 0300183034 through 0300194139)	
347F	4460267	7	Pin, Male (SN 0300183034 through 0300194139)	
347G	4460445	1	Connector, Female - 3 Position (SN 0300183034 through 0300194139)	
347G	4460268	5	Pin, Female (SN 0300183034 through 0300194139)	
348	1001153719	AR	Ground Control Box Wiring Diagram - Deutz D2011 Engine (Not Shown - See Items 501 to 510 for Breakdown)	
348	1001165779	AR	Ground Control Box Wiring Diagram - Deutz TD2.9L4 Engine (Not Shown - See Items 501 to 510 for Breakdown) (SN 0300183034 through 0300232564)	
348	1001153718	AR	Ground Control Box Wiring Diagram - Ford & GM Engine (Not Shown - See Items 501 to 510 for Breakdown) (SN 0300183034 through 0300232564)	
348	1001224137	AR	Ground Control Box Wiring Diagram - Ford & GM Engine (Not Shown - See Items 501 to 510 for Breakdown) (SN 0300232565 through 0300272376)	
	1001153713	Ref	ENGINE HARNESS ASSEMBLY - DEUTZ D2011 ENGINE	B
	1001165776	Ref	ENGINE HARNESS ASSEMBLY - DEUTZ TD2.9L4 ENGINE	D
	1001216230	Ref	ENGINE HARNESS ASSEMBLY - FORD ENGINE	B
	1001153712	Ref	ENGINE HARNESS ASSEMBLY - GM ENGINE	B
417	4460424	1	Receptacle, Female - 2 Position	
417	4460226	2	Socket, Female	
419	4460880	2	DIN Connector without Diode	

SECTION 7 - ELECTRICAL

ITEM	PART NUMBER	QTY	DESCRIPTION	REV
423	4461070	1	Receptacle, Female with Resistor (3 Position) (Deutz D2011 Engine Only)	
423	4461095	1	Plug, Male - 3 Position (Deutz D2011 Engine Only)	
423	4460944	3	Socket, Female (Deutz D2011 Engine Only)	
425	4460539	1	Plug, Male - 3 Position	
425	4460944	3	Socket, Female	
428	4460460	1	Connector, Male - 4 Position	
428	4460457	4	Terminal, Female	
428	4460458	4	Seal, Terminal	
432	4460899	1	Connector, Male - 6 Position (Deutz TD2.9L4 Engine Only)	
432	4460464	6	Pin, Male	
433	4461052	1	Connector, Receptacle - 25 Position (Deutz D2011 Engine Only)	
433	4461005	5	Terminal (Gold) (Deutz D2011 Engine Only)	
433	4461006	5	Seal, Terminal (Deutz D2011 Engine Only)	
433	4461060	2	Terminal (Tin) (Deutz D2011 Engine Only)	
433	4461054	2	Seal, Terminal (Deutz D2011 Engine Only)	
433	4461053	1	Cover, Plug (Deutz D2011 Engine Only)	
433	4461008	18	Plug, Hole (Deutz D2011 Engine Only)	
438	4460931	1	Connector, Male - 8 Position (Deutz TD2.9L4 Engine Only)	
438	4460464	4	Pin, Male	
438	4460466	4	Seal, Plug	
439	4460871	AR	Socket, Female	
447	4461121	1	Plug, Male - 4 Position (GM Engine Only)	
447	4461122	4	Socket, Female (GM Engine Only)	
447	4461123	4	Seal, Terminal (GM Engine Only)	
449	4461124	1	Receptacle, Female - 4 Position (GM Engine Only)	
449	4460693	4	Pin, Male (GM Engine Only)	
449	4460608	4	Seal, Terminal (GM Engine Only)	
449	4461161	1	Lock, Terminal (GM Engine Only)	
452	4460374	1	Plug, Sealed Relay (Deutz D2011 Engine)	
452	4460375	4	Terminal (Deutz D2011 Engine)	
453	4461109	1	Plug, Male - 16 Position (GM Engine Only)	
453	4461111	7	Pin, Male (GM Engine Only)	
453	4461113	7	Seal, Terminal (GM Engine Only)	
453	4461222	9	Plug, Terminal (GM Engine Only)	
458	1001102290	1	Connector, 2 Position (Deutz D2011 Engine)	
458	1001102304	2	Seal (Deutz D2011 Engine)	
458	1001102291	2	Terminal, Receptacle (Deutz D2011 Engine)	
461	4461157	1	Receptacle, Female - 2 Position (Deutz D2011 and GM Engines)	
461	4460979	2	Pin, Male (Deutz D2011 and GM Engines)	
461	4460458	2	Seal, Terminal (Deutz D2011 and GM Engines)	
462	2902443	1	Kit, Receptacle (Deutz D2011 Engine Only)	
462	4461071	8	Terminal, Female (Gold) (Deutz D2011 Engine Only)	
462	4461072	1	Connector, Flange Mount (Deutz D2011 Engine Only)	
462	4461073	1	Connector, Dust Cap (Deutz D2011 Engine Only)	
462	4461074	1	Connector, Shell (Deutz D2011 Engine Only)	
463	4460897	1	Connector, Female - 2 Position	
463	4460464	2	Pin, Male	
464	4461157	1	Plug, Male - 2 Position (Ford Engine Only)	
464	4460979	2	Terminal (Ford Engine Only)	
464	4460458	2	Seal, Terminal (Ford Engine Only)	
465	1001215016	1	Connector - 42 Position (Ford Engine Only)	

SECTION 7 - ELECTRICAL

ITEM	PART NUMBER	QTY	DESCRIPTION	REV
465	1001215091	5	Terminal (Ford Engine Only)	
465	1001215534	33	Plug, Terminal (Ford Engine Only)	
465	1001216212	1	Terminal (Ford Engine Only)	
465	1001216213	3	Plug, Terminal (Ford Engine Only)	
	1001153719	Ref	GROUND CONTROL BOX WIRING DIAGRAM - DEUTZ D2011 ENGINE	E
	1001165779	Ref	GROUND CONTROL BOX WIRING DIAGRAM - DEUTZ TD2.9L4 ENGINE	F
	1001153718	Ref	GROUND CONTROL BOX WIRING DIAGRAM - FORD & GM ENGINE (SN 0300183034 through 0300232564)	F
	1001224137	Ref	GROUND CONTROL BOX WIRING DIAGRAM - FORD & GM ENGINE (SN 0300236625 through 0300272376)	B
501	2920129	AR	Bulb, Light	
506	1001173590	1	Fuse Holder with Fuse - 30AMP	
506	2400065	1	Fuse, 30Amp	
506	2400066	1	Fuse, Holder	
508	4460708	2	Receptacle, Female - 15 Position	
508	4460226	AR	Socket, Female	
508	4460905	AR	Plug, Seal	
510	4922637	1	Harness, Jumper (Not Shown)	
		Ref	STANDARD HARNESS COMPONENTS	
601	1001155143	1	Battery Cable Kit - Deutz D2011 Engines Machines	C
601	1001143736	1	Battery Cable Kit - Deutz TD2.9L4 Engines Machines	E
601	2902533	1	Battery Cable Kit - GM Engine Machines	B
601A	7027092	1	Cable, Battery (Black) (Battery - to Tray Pivot and Relay Grounds) (Deutz D2011 Engines Machines)	
601A	7027084	1	Cable, Battery (Black) (Battery - to Tray Pivot and Relay Grounds) (Deutz TD2.9L4 Engines Machines)	
601A	7027018	1	Cable, Battery (Black) (Battery - to Tray Pivot and Relay Grounds) (GM Engine Machines)	
601B	8270147	1	Terminal, Battery (With Boot) Cable, Battery (Black) (Deutz Engines Only)	
601C	7027093	1	Cable, Battery (Black) (Battery - to Aux Pump Ground) (Deutz D2011 Engines Machines)	
601C	7027085	1	Cable, Battery (Black) (Battery - to Aux Pump Ground) (Deutz TD2.9L4 Engines Machines)	
601C	7016825	1	Cable, Battery (Black) (Battery - to Aux Pump Ground) (GM Engine Machines)	
601D	7027053	1	Cable, Battery (Black) (Engine to Tray Pivot Grd) (Deutz D2011 Engines Machines)	
601D	7027086	1	Cable, Battery (Black) (Engine to Tray Pivot Grd) (Deutz TD2.9L4 Engines Machines)	
601D	Not Required	0	Cable, Battery (Black) (Engine to Tray Pivot Grd) (GM Engine Machines)	
601E	7027094	1	Cable (Red) (Battery + to Relays/Starter) (Deutz D2011 Engines Machines)	
601E	7027087	1	Cable (Red) (Battery + to Relays/Starter) (Deutz TD2.9L4 Engines Machines)	
601E	7027015	1	Cable (Red) (Battery + to Relays/Starter) (GM Engine Machines) (Note: Requires Item 601G to complete run to Starter)	
601F	7027095	1	Cable (Red) (Aux Relay to Aux Pump) (Deutz D2011 Engines Machines)	
601F	7027088	1	Cable (Red) (Aux Relay to Aux Pump) (Deutz TD2.9L4 Engines Machines)	
601F	7016824	1	Cable (Red) (Aux Relay to Aux Pump) (GM Engine Machines)	

SECTION 7 - ELECTRICAL

ITEM	PART NUMBER	QTY	DESCRIPTION	REV
601G	See Note	1	Cable (Auxiliary Relay to Starter) (Deutz D2011 Engines Machines) (Note: Use p/n 7027094)	
601G	See Note	1	Cable (Auxiliary Relay to Starter) (Deutz TD2.9L4 Engines Machines) (Note: Use p/n 7027087)	
601G	7027017	1	Cable (Auxiliary Relay to Starter) (GM Engine Machines)	
602		Ref	Deutz Engine Harness Components (Deutz Engine Machines Only)	
602A	7027796	1	Engine Harness (D2011 Engine Only)	
602B	See Note	1	Receptacle, Female - 25 Position (Note: Not Available - Purchase Complete Harness)	
602C	70004060	1	Plug-In, Connector (Deutz D2011 Engine Only)	
602D	70001872	1	Engine Harness (For other replacement parts refer to Deutz engine dealer) (D2011 Engine Only)	
602E	70004271	1	Cable, Starter Interconnect (Connects Item 602D to Starter) (D2011 Engine Only)	
603	4922737	1	Harness, Engine Grounding Harness (Deutz D2011 Engine Only)	
604	4923379		Harness, Glow Plug (Deutz D2011 Engine Only)	B
604	70025231		Harness, Glow Plug (Deutz TD2.9L4 Engine Only)	
604	70025233		Connector for 70025231 Harness Deutz TD2.9L4 Engine	
604	1001141304		Wire, Fuse Link (Not Shown) (Deutz TD2.9L4 Engine Only)	
605	1001222665	1	Fuel Harness (Deutz TD2.9L4 Engines Only) (Note: Machines requiring Ring Terminals at Pump) (SN 0300183034 through 0300234681)	A
605	1001138491	1	Fuel Harness (Deutz TD2.9L4 Engines and Deutz TD2.9L4 (Stage V) Engines Only) (Note: Machines requiring Push-on Terminals at Pump) (SN 0300234682 through 0300272376)	D
605A	4460897	1	Receptacle, Female - 2 Position	
605A	4460941	2	Pin, Male	
605A	4460891	1	Plug, Male - 2 Position	
605A	4460942	2	Socket, Female	
605A	8220051	AR	Terminal, Ring (SN 0300234682 through 0300272376)	
605B	1001116983	1	Receptacle, Female - 2 Position	
605B	1001116710	2	Terminal	
605B	4461054	2	Seal	
605C	4460932	1	Receptacle, Female - 4 Position	
605C	4460941	2	Pin, Male	
605C	4460464	2	Pin, Male	
606	1001143726	1	Deutz TD2.9L4 Engine and Deutz TD2.9L4 (Stage V) Engine Harness	K
606A	1001133956	1	Connector (Includes Cover, Locks and Retention Plate)	
606A	1001126352	6	Terminal	
606A	1001126353	6	Seal, Terminal	
606A	1001126384	19	Terminal	
606A	1001126351	3	Terminal	
606A	1001126356	63	Plug, Seal	
606A	1001126357	2	Plug, Seal	
606B	1001133957	1	Connector (Includes Cover, Locks and Retention Plate)	
606B	1001126384	17	Terminal	
606B	1001126351	13	Terminal	
606B	1001126356	19	Plug, Seal	
606B	1001126357	11	Plug, Seal	
606C	4461070	3	Receptacle, Female with Resistor (3 Position)	
606C	4461095	6	Plug, Male - 3 Position	
606C	4460944	6	Socket, Female	

SECTION 7 - ELECTRICAL

ITEM	PART NUMBER	QTY	DESCRIPTION	REV
606C	4460466	2	Seal, Plug	
606D	80484084	1	Receptacle, Female - 8 Position	
606D	8229242	1	Fuse - 5A	
606D	80983191	1	Fuse - 10A	
606D	1001147264	1	Cap	
606D	1001116727	8	Plug	
606D	4460458	4	Seal	
606E	1001116952	1	Plug, Male - 2 Position	
606E	4460465	2	Socket, Female	
606F	1001138110	1	Plug, Male - 2 Position	
606F	1001138111	2	Socket, Female	
606F	1001138113	2	Seal	
606G	2902443	1	Kit, Receptacle	
606G	4461071	8	Terminal, Female (Gold)	
606G	4461072	1	Connector, Flange Mount	
606G	4461073	1	Connector, Dust Cap	
606G	4461074	1	Connector, Shell	
606H	4460894	1	Plug, Male - 6 Position	
606H	4460465	3	Socket, Female	
606H	4460944	2	Socket, Female	
606H	4460466	1	Seal, Plug	
606J	4460930	1	Plug, Male - 8 Position	
606J	4460465	1	Socket, Female	
606J	4460466	7	Seal, Plug	
606K	4460884	1	Plug, Male - 4 Position (SN 0300183034 through 0300224727)	
606K	1001220379	1	Plug, Male - 4 Position (SN 0300224728 through 0300272376)	
606K	4460465	2	Socket, Female	
606K	4460942	2	Socket, Female	
606K	4460932	1	Receptacle, Female - 4 Position	
606K	4460466	4	Plug, Terminal	
606L	1001142938	1	Plug, Male - 2 Position	
606L	1001142940	2	Terminal, Female	
606L	1001142941	2	Seal	
606M	1001133714	1	Plug, Male - 4 Position	
606M	1001133715	3	Terminal, Female	
606M	1001135650	3	Seal	
606M	1001135651	1	Plug, Cavity (Use p/n 4461008)	
606N	1001126362	1	Receptacle, Female - 62 Position	
606N	1001126363	33	Terminal	
606N	1001126364	33	Seal	
606N	1001126391	23	Plug	
606N	4461008	4	Plug, Cavity	
606N	1001126365	2	Terminal	
606N	4461054	2	Seal	
606N	4460465	2	Socket, Female (Strobe Light - 2920161)	
606N	1001151856	1	Elbow, Conduct	
606P	4460891	1	Plug, Male - 2 Position	
606P	4460465	2	Socket, Female	
606P	1001171403	1	Resistor Assembly (Note: Not Available for Purchase)	
606P	4460897	1	Receptacle, Female - 2 Position	
606P	See Note	NSS	Resistor (Note: Use p/n 1001171403)	

SECTION 7 - ELECTRICAL

ITEM	PART NUMBER	QTY	DESCRIPTION	REV
607	1001143907	1	Alternator Power Cable (Deutz TD2.9L4 Engines and Deutz TD2.9L4 (Stage V) Engines)	
607	1001098764	1	Boot, Red (Deutz TD2.9L4 Engines and Deutz TD2.9L4 (Stage V) Engines)	
607	70004103	1	Cable, Alternator Interconnect (Not Shown - Connects item 602D to Alternator) (D2011 Engine Only)	
608	70025077	1	Harness, Engine (Deutz TD2.9L4 Engines)	
609	70002898	1	Harness, GM Engine (GM Engine Machines Only)	
609	See Note	1	Box, Fuse (Note: Parts of Harness - Not Available for Purchase)	
609	70002627	1	Cover, Fuse Box	
609	70001950	2	Relay (Power and Fuel Pump)	
609	70001951	1	Relay (Starter)	
609	70001931	1	Fuse - 60 Amp (Alternator)	
609	See Note	1	Fuse - 20 Amp (Note: Not Available - Purchase Locally)	
609	See Note	3	Fuse - 15 Amp (Note: Not Available - Purchase Locally)	
609	See Note	1	Fuse - 10 Amp (Note: Not Available - Purchase Locally)	
609	See Note	1	Fuse - 5 Amp (Note: Not Available - Purchase Locally)	
610	See Note	1	Pump Harness (Note: Not Available for Purchase)	
610A	7007498	1	Plug	
611	4360517	1	Harness, Swivel Coupling Sensor (Includes Sensor)	
611A	4460320	1	Plug, Male - 2 Position	
611A	4460227	2	Pin, Male	
612	0140044	1	Alarm Harness (Includes Alarm)	
612A	4460536	1	Plug, Male - 3 Position	
612A	4460464	2	Pin, Male	
612A	4460466	1	Plug, Sealing	
613	4360498	2	Proximity Switch Harness (Includes Switch)	
614	4360499	2	Proximity Switch Harness (Includes Switch)	
615	1001094400	Ref	Tilt Sensor Harness (Includes Sensor)	C
615A	4461077	1	Plug, Male 4 Position	
615A	4460918	6	Socket, Female (Gold)	
		Ref	OPTIONAL HARNESS COMPONENTS	
701	4921928	1	4WS Valve Harness (SN 0300183034 through 0300194139)	E
701A	4460268	3	Socket, Female	
701B	4460445	1	Connector, Female - 3 Position	
701C	4460499	2	Connector, DIN with Diode	
702	4921927	1	Jib Valve Harness (800AJ Only)	H
702A	4460326	1	Plug, Male - 3 Position	
702B	4460267	3	Pin, Male	
702C	4460499	2	Connector, DIN with Diode	
703	2920161	1	Strobe (Amber) Light Harness (Includes Strobe Light)	
703A	4460891	1	Connector, Male - 2 Position (Strobe Light - 2920161)	
703A	4460465	2	Socket, Female (Strobe Light - 2920161)	
703B	1001142736	1	Strobe (Blue) Light Harness (Module to Light) (Not Shown)	
703C	1001150944	1	Strobe (Blue) Light Harness (Module to Ground Control Box) (Not Shown)	
704	1001149818	1	Strobe (Amber) Light Extension Harness	D
704A	4460320	1	Connector, Female - 2 Position	
704A	4460267	2	Pin, Male	
704B	4460897	1	Connector, Female - 2 Position	
704B	4460464	2	Pin, Male	

SECTION 7 - ELECTRICAL

ITEM	PART NUMBER	QTY	DESCRIPTION	REV
705	See Note	1	Headlight and Taillight/Chassis Illumination Harness (Note: Not Available for Purchase)	
705	1060341	37 ft/ 11.3m	Cable, Electrical 16/2 (ABS Hoods)	
705	1060341	48 ft/14m	Cable, Electrical 16/2 (Steel Hoods)	
705A	3740049	1	Relay	
705A	4460259	3	Terminal	
705A	4460260	4	Housing, Terminal	
705A	4460297	1	Terminal	
705A	4922643	1	Lights Harness for Ground Control Box	C
705A	4460226	2	Socket, Female	
705B	4460426	1	Connector, Strain Relief	
706	1001112743	Ref	2500W Generator Electrical Diagram (50Hz - Deutz D2011 Engines)	B
706	1001112588	Ref	2500W Generator Electrical Diagram (50Hz - 60Hz - Deutz D2011 Engines)	B
706	1001180050	Ref	2500W Generator Electrical Diagram (60Hz - Deutz TD2.9L4 Engines)	B
706	4933350	Ref	2500W Generator Electrical Diagram (60Hz - GM Engines)	C
706A	4460321	1	Connector, Male - 4 Position (ANSI Spec Only)	
706A	4460906	AR	Socket, Female	
706A	4460268	AR	Socket, Female	
706B	4922641	1	Harness - On/Off Switch	
706C	4460268	2	Socket, Female	
706D	1001112589	1	Harness, Control Box to Relay (Deutz D2011 Engines)	A
706D	1001180052	1	Harness, Control Box to Relay (Deutz TD2.9L4 Engines)	
706D	4923445	1	Harness, Control Box to Relay (GM Engines)	A
706D	4460374	1	Plug, Sealed Relay	
706D	4460375	3	Terminal	
706E	4460742	1	Plug, Male - 2 Position (Deutz D2011 and GM Engines)	
706E	4460743	1	Socket, Female (Deutz D2011 and GM Engines)	
706E	4460458	1	Seal, Terminal (Deutz D2011 and GM Engines)	
706F	4460961	1	Connector, Female - 4 Position (ANSI Spec Only)	
706F	4460705	4	Pin, Male	
706G	7020193	1	Harness, Generator Power	
707	4921829	1	Generator to Rear of Boom 110V Harness	2
707	4921955	1	Generator to Rear of Boom 220V Harness	-
707		Ref	Note: Harness used to connect AC at platform harness to 2500W Generator Control Box receptacle.	
707	1060494	6 ft/1.8m	Cable, Electrical - 12/3	
707A	4460205	1	Plug, Male (110V)	
707A	4460233	1	Plug, Male (220V)	
707B	4460134	1	Receptacle, Female (110V)	
707B	4460701	1	Receptacle, Female (220V)	
708		Ref	AC to Platform Receptacle Components Options:	
708	0272259	Ref	AC Cable to 110V GFI Receptacle at Platform Installation (ANSI, ANSI Export, CSA and Japanese Specs without Generator or with 2500W Generator)	C
708	0272260	Ref	AC Cable to 220V GFI Receptacle Platform Installation (ANSI, CSA and Japanese Spec without Generator or with 2500W Generator)	C
708	1001171131	Ref	240V Receptacle with GFCI used with 4000W Generator (Not Shown)	B

SECTION 7 - ELECTRICAL

ITEM	PART NUMBER	QTY	DESCRIPTION	REV
708	1001159121	Ref	240V Receptacle with GFCI used with 7500W Generator (Not Shown)	B
708	0256202	Ref	AC Cable Only/ No Receptacle at Platform Installation (ANSI Export, Australian, CE and Japanese Specs without Generator or with 2500W Generator)	D
708	1001091969	Ref	AC Cable to 110V IEC Yellow Receptacle and Plug and Circuit Breaker (CE Spec without Generator or with 2500W Generator) (Note: Requires 0256202 Cable Only Installation and 1001177710 Breaker Box Installation)	C
708	1001194203	Ref	AC Cable to 110V IEC Yellow Receptacle and Plug and Circuit Breaker (CE Spec with 4000W Generator) (SN 0300183034 through 0300213788)	B
708	1001206253	Ref	AC Cable to 110V IEC Yellow Receptacle and Plug and Circuit Breaker (CE Spec with 4000W Generator) (SN 0300213789 through 0300272376)	A
708	1001091970	Ref	AC Cable to 220V IEC Blue Receptacle and Plug and Circuit Breaker (CE Spec without Generator or with 2500W Generator) (Note: Requires 0256202 Cable Only Installation and 1001077710 Breaker Box Installation)	C
708	1001194204	Ref	AC Cable to 220V IEC Blue Receptacle and Plug and Circuit Breaker (CE Spec with 4000W Generator) (SN 0300183034 through 0300213788)	B
708	1001206254	Ref	AC Cable to 220V IEC Blue Receptacle and Plug and Circuit Breaker (CE Spec with 4000W Generator) (SN 0300213789 through 0300272376)	A
708	1001091971	NLA	AC Cable to 220V CEE 7 Post Ground Receptacle and Plug and Circuit Breaker (70mm x 70mm Box) (Use p/n 1001091973) (CE Spec without Generator or with 2500W Generator) (Note: Requires 0256202 Cable Only Installation and 1001177710 Breaker Box Installation)	C
708	1001091972	NLA	AC Cable to 220V CEE 7 Side Ground Receptacle and Plug and Circuit Breaker (70mm x 70mm Box) (Use p/n 1001091974) (CE Spec without Generator or with 2500W Generator) (Note: Requires 0256202 Cable Only Installation & 1001177710 Breaker Box Installation)	C
708	1001091973	Ref	AC Cable to 220V CEE 7 Post Ground Receptacle and Plug and Circuit Breaker (2x4 Box) (CE Spec without Generator or with 2500W Generator) (Note: Requires 0256202 Cable Only Installation & 1001077710 Breaker Box Installation)	F
708	1001194197	Ref	AC Cable to 220V CEE 7 Post Ground Receptacle and Plug and Circuit Breaker (2x4 Box) (CE Spec with 4000W Generator) (SN 0300183034 through 0300213788)	B
708	1001206250	Ref	AC Cable to 220V CEE 7 Post Ground Receptacle and Plug and Circuit Breaker (2x4 Box) (CE Spec with 4000W Generator) (SN 0300213789 through 0300272376)	A
708	1001091974	Ref	AC Cable to 220V CEE 7 Side Ground Receptacle and Plug and Circuit Breaker (2x4 Box) (CE Spec without Generator or with 2500W Generator) (Note: Requires 0256202 Cable Only Installation & 1001077710 Breaker Box Installation)	F
708	1001194198	Ref	AC Cable to 220V CEE 7 Side Ground Receptacle and Plug and Circuit Breaker (2x4 Box) (CE Spec with 4000W Generator) (SN 0300183034 through 0300213788)	B
708	1001206251	Ref	AC Cable to 220V CEE 7 Side Ground Receptacle and Plug and Circuit Breaker (2x4 Box) (CE Spec with 4000W Generator) (SN 0300213789 through 0300272376)	A
708	1001091975	Ref	AC Cable to 220V AFSINT 107 Keyed Ground Receptacle and Plug and Circuit Breaker (2x4 Box) (CE Spec without Generator or with 2500W Generator) (Note: Requires 0256202 Cable Only Installation & 1001077710 Breaker Box Installation)	D

SECTION 7 - ELECTRICAL

ITEM	PART NUMBER	QTY	DESCRIPTION	REV
708	1001194200	Ref	AC Cable to 220V AFSINT 107 Keyed Ground Receptacle and Plug and Circuit Breaker (2x4 Box) (CE Spec with 4000W Generator) (SN 0300183034 through 0300213788)	B
708	1001206252	Ref	AC Cable to 220V AFSINT 107 Keyed Ground Receptacle and Plug and Circuit Breaker (2x4 Box) (CE Spec with 4000W Generator) (SN 0300213789 through 0300272376)	A
708	1001194365	Ref	AC Receptacle - 220V (2x4 Box) (ANSI Export Spec) (SN 0300183034 through 0300213788)	A
708	1001206255	Ref	AC Receptacle - 220V (2x4 Box) (ANSI Export Spec) (SN 03002137889 through 0300272376)	A
708	1001160272	Ref	AC Cable to Receptacle Platform Installation (Machines with 4000W Generator)	B
708	0272433	Ref	AC Cable to Receptacle Platform Installation (Machines with 7500W SkyPower Generator)	B
708	3251242	1	Decal - 240V/50Hz (Not Shown)	
708A	0860038	1	Box, Switch - 0272259 & 0272260 Installations	
708A	Not Required	0	Box, Switch - 0256202 Installation (Note: Use Receptacle Kit or Purchase Locally)	
708A	0861781	1	Box, Switch - 1001091969, 1001091970, 1001194203, 1001194204 Installations	
708A	0861782	NLA	Box, Switch - 1001091971, 1001091972, 1001100329 Installations (Note: Use p/n 1001141970 CEE 7 Side Ground Service Kit or p/n 1001141971 CEE 7 Post Ground Service Kit. Kits includes Box p/n 1001141967 and items 708B, 708C, 708E & 708J)	
708A	0861731	1	Box, Switch - 1001091969, 1001091970, 1001194197, 1001194198, 1001194200, 1001194365 Installations	
708A	1001141967	1	Box, Switch - 1001100343, 1001100344, 1001141970 & 1001141971 Kits	
708B	4460346	1	Receptacle - 0272259 Installation	
708B	4460125	1	Receptacle - 0272260 Installation	
708B	Not Required	0	Receptacle - 0256202 Installation (Note: Use Receptacle Kit or Purchase Locally)	
708B	4461198	1	Receptacle - 1001091969 & 1001194203 Installations	
708B	4461201	1	Receptacle - 1001091970 & 1001194204 Installations	
708B	4461204	NLA	Receptacle - 1001091971 Installations (Note: Use p/n 100110343)	
708B	4461207	NLA	Receptacle - 1001091972 Installations (Note: Use p/n 100110344)	
708B	4461244	1	Receptacle - 1001091973 & 1001194197 Installations	
708B	4461245	1	Receptacle - 1001091974 & 1001194198 Installations	
708B	4461246	1	Receptacle - 1001091975 & 1001194200 Installations	
708B	1001141968	1	Receptacle - 1001100343 & 1001141971 Kits	
708B	1001141969	1	Receptacle - 1001100344 & 1001141970 Kits	
708C	1001110873	1	Shield, Cover - 0272259 Installation	
708C	4060092	1	Shield, Cover - 0272260 Installation	
708C	Not Required	0	Shield, Cover - 0256202 Installation (Purchase Locally)	
708C	See Note	Ref	Shield, Cover - 1001091973, 1001091974, 1001091975, 1001091969, 1001091970, 1001091971, 1001091972, 1001100331, 1001100333, 1001100337, 1001100326, 1001100327, 1001100328 & 1001100329, 1001194197, 1001194198, 1001194200, 1001194203, 1001194204 Installations (Note: Shield Included with Receptacle - Purchase Item 708B)	
708C	1670603	1	Shield, Cover - 1001194365 Installation	
708C	3960422	1	Gasket, Cover (0272259 & 0272260 Installations Only)	
708D	4460051	1	Connector, Strain Relief - 0272259 & 0272260 Installations	

SECTION 7 - ELECTRICAL

ITEM	PART NUMBER	QTY	DESCRIPTION	REV
708D	Not Required	0	Connector, Strain Relief - 0256202 Installation (Note: Use Receptacle Kit or Purchase Locally)	
708D	1001101191	1	Connector, Strain Relief - 1001091969, 1001091970, 1001091971, 1001091972, 1001091973, 1001091974, 1001091975, 1001206250, 1001206251, 1001206252, 1001206253, 1001206254 & 1001206255 Installations	
708D	4460968	1	Connector, Strain Relief -1001194203 & 1001194204 Installations	
708D	4460662	1	Connector, Strain Relief - 1001194197, 1001194198 & 1001194200 Installations	
708E	4460205	1	Plug, Male - 0272259 Installation	
708E	4460233	1	Plug, Male - 0272260 Installation	
708E	Not Required	0	Plug, Male - 0256202 Installation (Note: Use Receptacle Kit or Purchase Locally)	
708E	4461196	1	Plug, Male - 1001091969 Installation	
708E	4461199	1	Plug, Male - 1001091970 Installation	
708E	4461202	NLA	Plug, Male (Use p/n 44601205) - 1001091971, 1001091973 Installations & 1001100343 & 1001141971 Kits	
708E	4461205	1	Plug, Male - 1001091972, 1001091974 Installations & 1001100344 & 1001141970 Kits	
708E	4461249	1	Plug, Male - 1001091975 Installation	
708E	Not Required	0	Plug, Male - 1001100326, 1001100327, 1001100328, 1001100329, 1001100331, 1001100333 & 1001100337 Installations	
708F	4460205	AR	Plug, Male - 0272259 Installation	
708F	1001213584	AR	Plug, Male - 0272259 Installation	
708F	4460233	AR	Plug, Male - 0272260 Installation	
708F	1001213584	AR	Plug, Male - 0272260 Installation	
708F	4460709	AR	Plug, Male - 0256202, 1001091969, 1001100326, 1001091970, 1001100327 1001091971, 1001100328, 1001091972, 1001100329, 1001091973, 1001100331, 1001091974, 1001100333, 1001091975 & 1001100337 Installations	
708F	1001213584	AR	Plug, Male - 0256202 Installation (SN 0300236850 through 0300272376)	
708F	4460692	1	Plug, Male - 1001160272 Installation	
708F	4460959	1	Plug, Male - 0272433 Installation	
708G	4460134	1	Connector, Female - 0272259 Installation (SN 0300183034 through 0300236849)	
708G	1001213585	1	Connector, Female - 0272259 Installation (SN 0300236850 through 0300272376)	
708G	4460701	1	Connector, Female - 0272260 Installation (SN 0300183034 through 0300236849)	
708G	1001213585	1	Connector, Female - 0272260 Installation (SN 0300236850 through 0300272376)	
708G	4460710	AR	Connector, Female - 0256202, 1001091969, 1001100326, 1001091970, 1001100327 1001091971, 1001100328, 1001091972, 1001100329, 1001091973, 1001100331, 1001091974, 1001100333, 1001091975 & 1001100337 Installations	
708G	1001213585	AR	Connector, Female - 0256202 Installation (SN 0300236850 through 0300272376)	
708G	4460963	2	Connector, Female - 1001160272 Installation	
708G	4460960	2	Connector, Female - 0272433 Installation	
708H	1001101196	1	Connector, Adapter - 1001091969, 1001091970, 1001091971, 1001091972, 1001206253 & 1001206254 Installations	

SECTION 7 - ELECTRICAL

ITEM	PART NUMBER	QTY	DESCRIPTION	REV
708H	1001101197	1	Connector, Adapter - 1001091973, 1001091974, 1001091975, 1001206250, 1001206251, 1001206252 & 1001206255 Installations	
708J	4461197	1	Receptacle, Female - 1001100326 Installation (CE Specs with 2500W Generator Control Box Only)	
708J	4461200	1	Receptacle, Female - 1001100327 Installation (CE Specs with 2500W Generator Control Box Only)	
708J	4461203	1	Receptacle, Female - 1001100328 & 1001100331 Installations & 1001100343 & 1001141971 Kits (CE Specs with 2500W Generator Control Box Only)	
708J	4461206	1	Receptacle, Female - 1001100329 & 1001100333 Installations & 1001100344 & 1001141970 Kits (CE Specs with 2500W Generator Control Box Only)	
708J	4461250	1	1001100337 Installation (CE Specs with 2500W Generator Control Box Only)	
708K	0275216	1	Receptacle Box Kit - 110V IEC Yellow (1001091969 Installation) (For CE Machines without 2500W Generator Only) (Includes Items 708A, 708B, 708C & 708E)	1
708K	0275217	1	Receptacle Box Kit - 220V IEC Blue (1001091970 Installation) (For CE Machines without 2500W Generator Only) (Includes Items 708A, 708B, 708C & 708E)	1
708K	0275218	NLA	Receptacle Box Kit - 220V CEE 7 Post Ground (1001091971 Installation) (Use p/n 1001100343) (For CE Machines without 2500W Generator Only) (Includes Items 708A, 708B, 708C & 708E)	C
708K	0275219	NLA	Receptacle Box Kit - 220V CEE 7 Side Ground (1001091972 Installation) (Use p/n 1001100343)	B
708K	0275452	1	Receptacle Box Kit - 220V CEE 7 Post Ground (1001091973 Installation) (For CE Machines without 2500W Generator Only) (Includes Items 708A, 708B, 708C & 708E)	C
708K	0275453	1	Receptacle Box Kit - 220V CEE 7 Side Ground (1001091974 Installation) (For CE Machines without 2500W Generator Only) (Includes Items 708A, 708B, 708C & 708E)	1
708K	0275454	1	Receptacle Box Kit - 220V AFSINT 107 Keyed Ground (1001091975 Installation) (For CE Machines without 2500W Generator Only) (Includes Items 708A, 708B, 708C & 708E)	1
708K	1001100341	1	Receptacle Box Kit - 110V IEC Yellow (1001100326 Installation) (For CE Machines with 2500W Generator Only) (Includes Items 708A, 708B, 708C, 708E & 708J)	2
708K	1001100342	1	Receptacle Box Kit - 220V IEC Blue (1001100327 Installation) (For CE Machines with 2500W Generator Only) (Includes Items 708A, 708B, 708C, 708E & 708J)	2
708K	1001091971	NLA	Receptacle Box Kit - 220V CEE 7 Post Ground (1001100328 Installation) (Use p/n 1001100343 Kit) (For CE Machines with 2500W Generator Only) (Includes Items 708A, 708B, 708C, 708E & 708J)	B
708K	1001091970	NLA	Receptacle Box Kit - 220V CEE 7 Side Ground (1001100329 Installation) (Use p/n 1001100344 Kit) (For CE Machines with 2500W Generator Only) (Includes Items 708A, 708B, 708C, 708E & 708J)	B
708K	1001100345	1	Receptacle Box Kit - 220V CEE 7 Post Ground (1001100331 Installation) (For CE Machines with 2500W Generator Only) (Includes Items 708A, 708B, 708C, 708E & 708J)	C
708K	1001100347	1	Receptacle Box Kit - 220V CEE 7 Side Ground (1001100333 Installation) (For CE Machines with 2500W Generator Only) (Includes Items 708A, 708B, 708C, 708E & 708J)	2
708K	1001100346	1	Receptacle Box Kit - 220V AFSINT 107 Keyed Ground (1001100337 Installation) (For CE Machines with 2500W Generator Only) (Includes Items 708A, 708B, 708C, 708E & 708J)	2

SECTION 7 - ELECTRICAL

ITEM	PART NUMBER	QTY	DESCRIPTION	REV
708L	1001156351	2	Cover, Connector - 0256202 Installation (SN 0300183034 through 0300236849)	
708L	1671092	1	Cover, Connector - 01001160272 & 0272433 Installations	
708M	1001156352	1	Cover, Plug - 0256202 Installation (SN 0300183034 through 0300236849)	
708M	1671093	1	Cover, Plug - 01001160272 & 0272433 Installations	
708N	1001193018	1	Bracket, Receptacle Box - 1001091969, 1001091970, 1001091971, 1001091972, 1001091973, 1001091974, 1001091975, 1001194203, 1001194204, 1001194197, 1001194198, 1001194200, 1001194365 Installations (SN 0300201004 through 0300272376)	
709	1001139952	Ref	4000W Generator Installation - Deutz D2011 Engine (60Hz)	B
709	1001139953	Ref	4000W Generator Installation - Deutz D2011 Engine (50Hz) (SN 0300183034 through 0300195352)	D
709	1001179912	Ref	4000W Generator Installation - Deutz D2011 Engine (50Hz) (SN 0300195353 through 0300272376)	E
709	1001171125	Ref	4000W Generator Installation - Deutz TD2.9L4 Engine (60Hz)	A
709	1001180218	Ref	4000W Generator Installation - Deutz TD2.9L4 Engine and Deutz DT2.9L4 (Stage V) Engine (50Hz)	D
709	1001139960	Ref	4000W Generator Installation - GM Engine	A
709	1001115387	Ref	7500W SkyPower Generator Installation - Deutz D2011 Engine (60Hz)	F
709	1001115389	Ref	7500W SkyPower Generator Installation - Deutz D2011 Engine (50Hz)	E
709	1001141421	Ref	7500W SkyPower Generator Installation - Deutz TD2.9L4 Engine (60Hz)	E
709	1001141422	Ref	7500W SkyPower Generator Installation - Deutz TD2.9L4 Engine and Deutz DT2.9L4 (Stage V) Engine (50Hz)	E
709	0275257	Ref	7500W SkyPower Generator Installation - GM Engine	G
709B	3960422	1	Gasket - 60Hz Spec	
709B	See Note	NLA	Gasket - 50Hz Spec (Note: Not Available - Purchase Locally)	
709C	1001110873	Ref	Cover, Receptacle - 60Hz Spec (Top Hinged Cover)	
709C	See Note	NLA	Cover, Receptacle - 50Hz Spec (Note: Not Available - Purchase Locally)	
709E	4460346	Ref	Receptacle - 60Hz Spec	
709E	See Note	NLA	Receptacle - 50Hz Spec (Note: Not Available - Purchase Locally)	
709G	4460071	1	Connector, Strain Relief	
709H	1001152532	Ref	Harness, Generator - 4000W Generator	A
709H	4922925	1	Harness, Generator - 7500W SkyPower Generator	C
709J	See Note	NLA	Plug, Male - 6 Position - 7500W SkyPower Generator (Note: Not Available for Purchase)	
709J	77363233	1	Plug, Male - 6 Position - 4000W SkyPower Generator (Note: Not Available for Purchase)	
709J	77363229	6	Socket, Female - 7500W SkyPower Generator	
709J	4460465	2	Socket, Female - 4000W Generator	
709K	4460225	1	Plug, Male - 6 Position	
709K	4460226	6	Socket, Female - 7500W SkyPower Generator	
709K	4460268	2	Socket, Female - 4000W Generator	
709K	4460807	1	Seal - 4000W Generator	
709K	4460808	1	Seal - 4000W Generator	
709L		Ref	Breaker Box Assembly (50Hz) (See Items 716C-716G for Components)	
710	1001152457	Ref	4000W Generator Junction Box Components (60Hz) (Call-out # Not Shown)	B

SECTION 7 - ELECTRICAL

ITEM	PART NUMBER	QTY	DESCRIPTION	REV
710	1001152458	Ref	4000W Generator Junction Box Components (50Hz) (Call-out # Not Shown)	B
710	1001157592	Ref	7500W SkyPower Generator Junction Box Components (60Hz) (Call-out # Not Shown)	D
710	1001157525	Ref	7500W SkyPower Generator Junction Box Components (50Hz) (Call-out # Not Shown)	D
710A	1060494	2 ft/.6m	Cable, Electrical 12/3 - 60Hz Spec (SN 0300183034 through 0300205491)	
710A	1001179154	2.5 ft/.76m	Cable, Electrical 12/3 - 60Hz Spec (SN 0300205492 through 0300272376)	
710C	1060343	1.5 ft/.46m	Cable, Electrical 10/4 (7500W 60Hz Spec Only)	
710D	4460425	1	Connector, Strain Relief	
710E	4460426	2	Connector, Strain Relief (60Hz Spec Only)	
710E	4460426	1	Connector, Strain Relief (50Hz Spec Only)	
710E	3520189	1	Plug (50Hz Spec Only)	
710F	1671092	1	Cover (7500W 60Hz Spec Only)	
710F	4460963	1	Connector (7500W 60Hz Spec Only)	
711	1001132055	Ref	4000W Generator Electrical Diagram - 60Hz - Deutz D2011 & GM Engine Machines	A
711	1001153257	Ref	4000W Generator Electrical Diagram - 60Hz - Deutz TD2.9L4 Engine Machines	A
711	1001153025	Ref	4000W Generator Electrical Diagram - 50Hz - Deutz Engine Machines (ANSI Export & Japanese Specs) (SN 0300183034 through 0300204764)	C
711	1001194437	Ref	4000W Generator Electrical Diagram - 50Hz - Deutz Engine Machines (ANSI Export & Japanese Specs) (SN 0300204765 through 0300272376)	B
711	1001159648	Ref	4000W Generator Electrical Diagram - 50Hz - Deutz Engine Machines with Australian Specs	C
711	1001153025	Ref	4000W Generator Electrical Diagram - 50Hz - Deutz Engine Machines with CE Specs	C
711	1001160271	Ref	4000W Generator Electrical Diagram - 50Hz - Deutz Engine Machines with CE UK Specs	C
711	1001157769	Ref	7500W SkyPower Generator Electrical Diagram - Deutz D2011 Engine Machines (Call-out # Not Shown)	B
711	1001157770	Ref	7500W SkyPower Generator Electrical Diagram - Deutz TD2.9L4 Engine Machines (Call-out # Not Shown)	A
711	1001221498	Ref	7500W SkyPower Generator Electrical Diagram - Ford Engine Machines (Call-out # Not Shown)	A
711	1001157768	Ref	7500W SkyPower Generator Electrical Diagram - GM Engine Machines (Call-out # Not Shown)	A
711A	1001153197	1	Generator Harness - 4000W Generator (Deutz D2011 & GM Engines)	B
711A	1001153197	1	Generator Harness - 4000W Generator (Deutz TD2.9L4 Engines) (SN 0300183034 through 0300213719)	B
711A	1001153259	1	Generator Harness - 4000W Generator (Deutz TD2.9L4 Engines) (SN 0300213720 through 0300272376)	B
711A	1001152429	1	Generator Harness - 7500W/50Hz SkyPower Generator (Deutz Engine Machines)	C
711A	1001119968	1	Generator Harness - 7500W/60Hz SkyPower Generator (Deutz Engine Machines)	C
711A	1001221208	1	Generator Harness - 7500W SkyPower Generator (Ford Engine Machines)	A
711A	4923420	1	Generator Harness - 7500W SkyPower Generator (GM Engine Machines)	A

SECTION 7 - ELECTRICAL

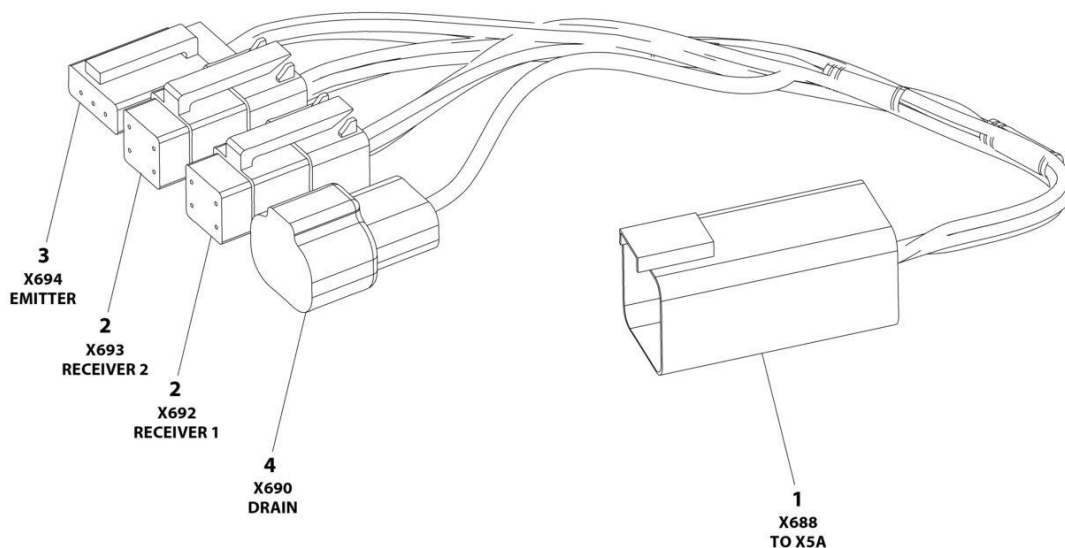
ITEM	PART NUMBER	QTY	DESCRIPTION	REV
711B	4460374	2	Plug, Sealed Relay (7500W SkyPower Generator with Ford & GM Engines Only)	
711B	4460375	7	Terminal (7500W SkyPower Generator with Ford & GM Engines Only)	
711C	4460967	1	Plug, Male - 3 Position	
711C	4460465	3	Socket, Female	
711D	4460742	1	Plug, Male - 2 Position (4000W/60Hz Generator) (Deutz D2011 & GM Engines)	
711D	4460743	2	Socket, Female (4000W/60Hz Generator) (Deutz D2011 & GM Engines)	
711D	4460458	1	Seal (4000W/60Hz Generator) (Deutz D2011 & GM Engines)	
711D	1001116727	1	Seal (4000W/60Hz Generator) (Deutz D2011 & GM Engines)	
711D	4460742	1	Plug, Male - 2 Position (7500W SkyPower Generator 50Hz Deutz & 60Hz - Ford & GM Engines Only)	
711D	4460743	2	Socket, Female (7500W SkyPower Generator 550Hz Deutz & 60Hz - Ford & GM Engines Only)	
711D	4460458	2	Seal (7500W SkyPower Generator 550Hz Deutz & 60Hz - GM Engines Only)	
711E	2400060	1	Fuseholder (50Hz Deutz & 60Hz - GM Engines)	
711E	2400064	1	Fuse - 5 Amp (50Hz Deutz & 60Hz - GM Engines)	
711E	1001117078	1	Fuseholder (Includes Fuse and Cap) (60Hz - Deutz Engine)	
711E	See Note	1	Fuse - 5 Amp (60Hz - Deutz Engines) (Note: Use 1001117078 Assembly or Purchase Fuse Locally)	
711E	1001096134	1	Cover, Fuseholder (60Hz - Deutz Engines)	
711F	4922641	1	Switch Harness	
711G	4460268	2	Socket, Female	
711H	1001164091	1	Harness, Ground (4000W/50Hz) (Not Shown)	
712	See Note	1	Lights Harness (Note: Not Available for Purchase)	
712	1060341	48 ft/ 14.6m	Cable, Electrical - 16/2	
712A	3740049	1	Relay	
712B	4922643	1	Harness, Bagged (Located at Ground Control Box) (Not Shown)	
712C	4460426	1	Connector, Strain Relief	
713A	2920140	2	Platform Worklights Harness (External) Options (Includes Light and Wire Only)	
713B	1001098234	AR	Connector, Female - 3 Position	
713C	1001098349	1	Connector, Male - 3 Position (Platform Worklights Only)	
713D	4460426	1	Connector, Strain Relief	
713E	2400070	1	Fuse - 20 Amp	
713F	4922215	1	Platform Worklights Main Boom Harness (800A)	
713F	4922216	1	Platform Worklights Main Boom Harness (800AJ)	
713G	4922217	1	Platform Worklights Tower Boom Harness	
714A	1060341	23 ft/7.1m	Cable, SoftTouch System - 16/2	
714B	4460425	1	Connector, Strain Relief - 6ft Platforms	
714B	4460049	1	Connector, Strain Relief - 8ft Platforms	
714C	4460226	2	Socket, Female	
715	1001094509	1	Generator Hourmeter Harness	
716	1001206256	Ref	AC Cable to Breaker (Required Only on CE Spec)	A
716	1001177710	Ref	AC Cable to Breaker (Required Only on CE Spec without 2500W Generator Installation)	C
716	1001171016	Ref	AC Cable to Breaker (Required Only on Brazil Spec with AC to Platform without 7500W SkyPower Generator)	
716A	0903484	1	Bracket, Receptacle Box Mounting (CE Spec Only)	
716B	1001177035	1	Bracket, Circuit Breaker Mounting (CE Spec)	

SECTION 7 - ELECTRICAL

ITEM	PART NUMBER	QTY	DESCRIPTION	REV
716B	0903697	1	Bracket, Circuit Breaker Mounting (Brazil Spec)	
716C	1001109654	1	Breaker Box Kit (Without Generator)	B
716C	1001109654	1	Breaker Box Kit (2500W/50Hz & 7500W/50Hz Generators)	B
716C	1001096070	1	Breaker Box Kit (4000W/50Hz Generator) (SN 0300183034 through 0300214275)	E
716C	1001165368	1	Breaker Box Kit (4000W/50Hz Generator) (SN 0300214276 through 0300272376)	B
716C	1001109477	NLA	Circuit Breaker 10A (Use p/n 1001181046) (SN 0300183034 through 0300204765)	
716C	1001109475	NLA	Circuit Breaker 16A (Use p/n 1001181045) (SN 0300183034 through 0300204765)	
716C	1001109482	NLA	Circuit Breaker 30mA (Use p/n 1001181046 When Paired with 10A Breaker / Use p/n 1001181045 When Paired with 16A Breaker) (SN 0300183034 through 0300204765)	
716C	1001181046	1	Circuit, Breaker 10A/30mA Combination (SN 0300204766 through 0300272376)	
716C	1001181045	1	Circuit, Breaker 16A/30mA Combination (SN 0300204766 through 0300272376)	
716C	0861880	1	Breaker Box	
716C	4460956	1	Terminal, Block End Barrier	
716C	1060908	6 ft/1.8m	Cable, Extension	
716C	4460957	1	Terminal Block	
716D	1001101191	1	Connector, Strain Relief (Top) (1001109654 Box)	
716D	1001097150	1	Connector, Strain Relief (Bottom) (1001109654 Box)	
716D	1001097150	2	Connector, Strain Relief (1001096070 Box)	
716D	1001101191	2	Connector, Strain Relief (1001165368 Box)	
716E	1060908	12 ft/3.6m	Cable, Electrical 12/3 (1001109654 & 1001096070 Boxes)	
716E	1060545	12 ft/3.6m	Cable, Electrical 10/3 (1001165368 Box)	
716F	4460709	1	Plug, Male (CE Spec Only)	
716F	1001213584	1	Plug, Male (CE Spec Only) (1001177710 Installation) (SN 0300236850 through 0300272376)	
716G	4460710	1	Connector, Female (CE Spec Only)	
716G	1001213585	1	Connector, Female (CE Spec Only) (1001177710 Installation) (SN 0300236850 through 0300272376)	
		Ref	TOOLS	
801	7002821	1	Crimper (For Wire to Pin/Socket Connections) (Not Shown)	
802	7002823	1	Extractor (For Removal of Pin/Socket from Connectors) (Not Shown)	
803	4460467	1	Extractor, Pin (Blue 16-18 Gauge) (For Removal of Pin/Socket from Connectors) (Not Shown)	
803	4460510	1	Extractor, Pin (Yellow 12-14 Gauge) (For Removal of Pin/Socket from Connectors) (Not Shown)	
804	7002828	1	Stripper, Wire (Not Shown)	
805	1600244	1	Analyzer	
805A	1060633	1	Cable, Analyzer	1-A
805B	4460321	2	Plug, Male	
805B	4460226	8	Socket, Female	

SECTION 7 - ELECTRICAL

FIGURE 7-3. SKYEYE INTERMEDIATE HARNESS



ART_1001237865

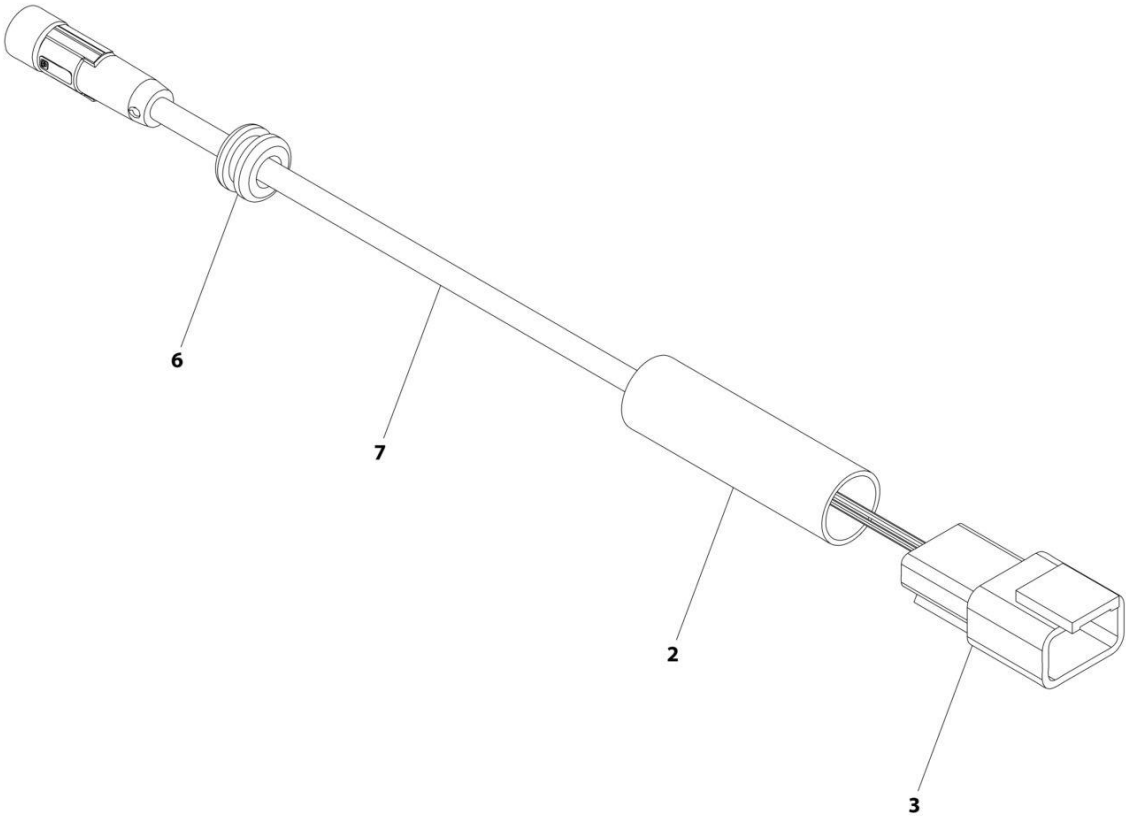
SECTION 7 - ELECTRICAL

FIGURE 7-3. SKYEYE INTERMEDIATE HARNESS

ITEM	PART NUMBER	QTY	DESCRIPTION	REV
	1001237865	Ref	SKYEYE INTERMEDIATE HARNESS	A
1	4460899	1	Connector - 6 Position	
1	4460943	4	Pin, Male	
1	4460466	2	Plug, Terminal	
2	4461077	2	Connector - 4 Position	
2	1001119619	8	Socket, Female	
3	4460911	1	Connector - 3 Position	
3	1001119619	3	Socket, Female	
4	1001187681	1	Connector - 2 Position	
4	4460941	1	Pin, Male	
4	4460466	1	Plug, Terminal	

SECTION 7 - ELECTRICAL

FIGURE 7-4. SKYEYE EMITTER HARNESS



ART_1001237864

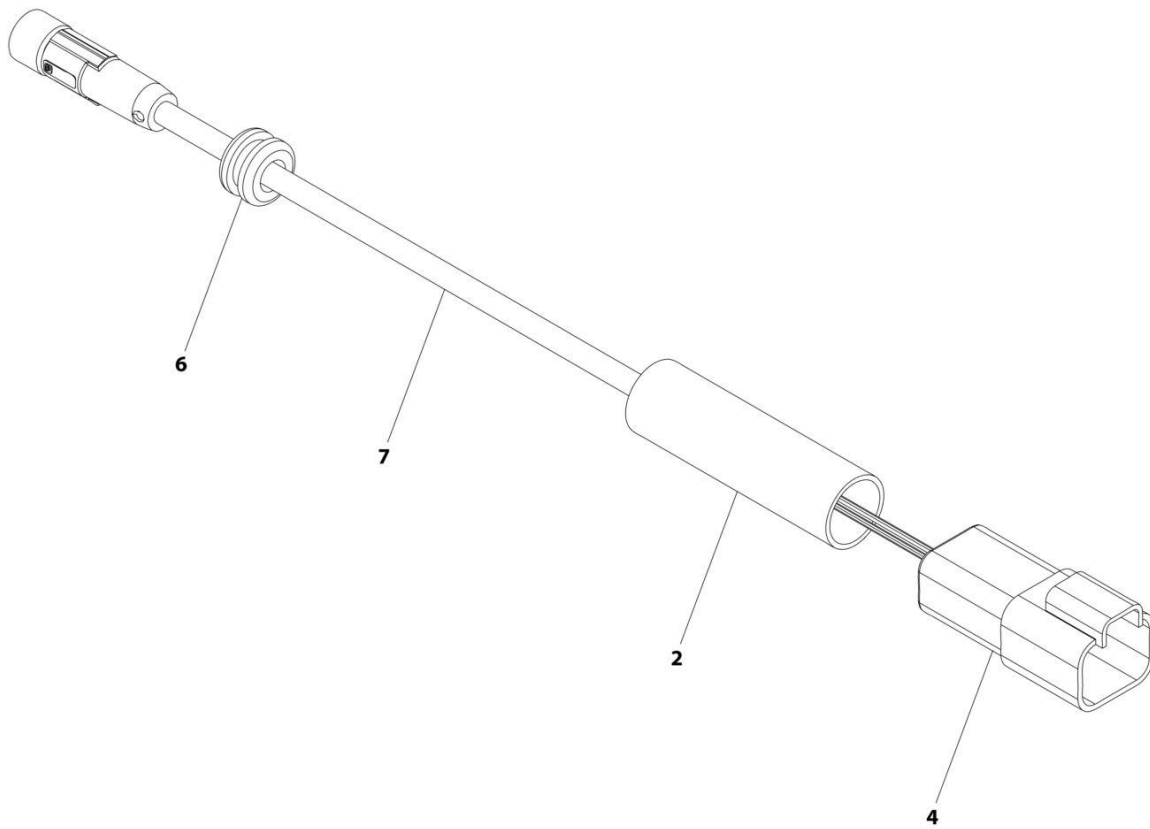
SECTION 7 - ELECTRICAL

FIGURE 7-4. SKYEYE EMITTER HARNESS

ITEM	PART NUMBER	QTY	DESCRIPTION	REV
	1001237864	Ref	SKYEYE EMITTER HARNESS	A
2	2820247	AR	Tubing, Heat Shrink	
3	4460910	1	Connector - 3 Position	
3	1001119620	3	Pin, Male	
6	1001227996	1	Grommet	
7	1001237862	1	Cable, M8 Female Cordset	

SECTION 7 - ELECTRICAL

FIGURE 7-5. SKYEYE RECEIVER HARNESS



ART_1001237863

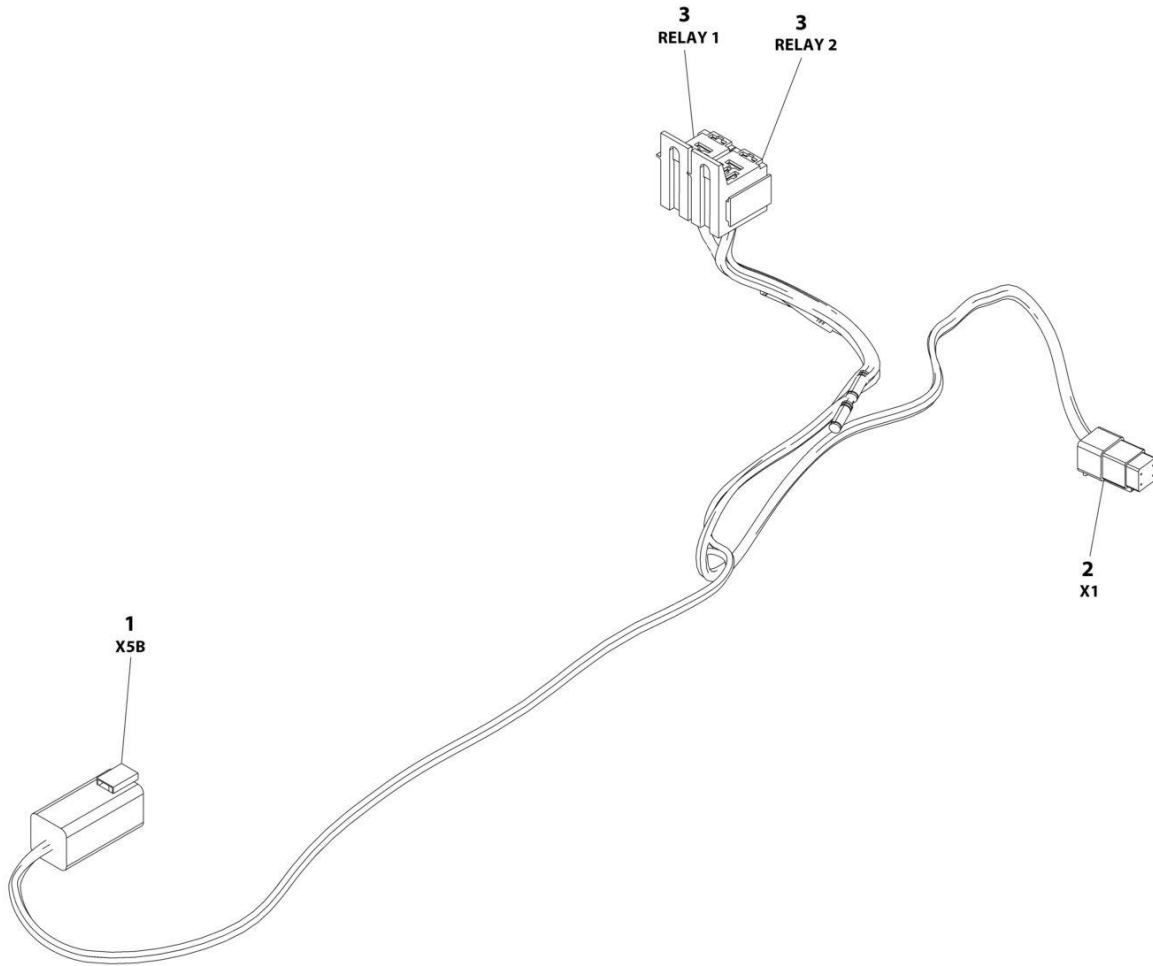
SECTION 7 - ELECTRICAL

FIGURE 7-5. SKYEYE RECEIVER HARNESS

ITEM	PART NUMBER	QTY	DESCRIPTION	REV
	1001237863	Ref	SKYEYE RECEIVER HARNESS	A
2	2820247	AR	Tubing, Heat Shrink	
4	1001097051	1	Connector - 4 Position	
4	1001119620	4	Pin, Male	
6	1001227996	1	Grommet	
7	1001237862	1	Cable, M8 Female Cordset	

SECTION 7 - ELECTRICAL

FIGURE 7-6. SKYLINE HARNESS



ART_1001238418

SECTION 7 - ELECTRICAL

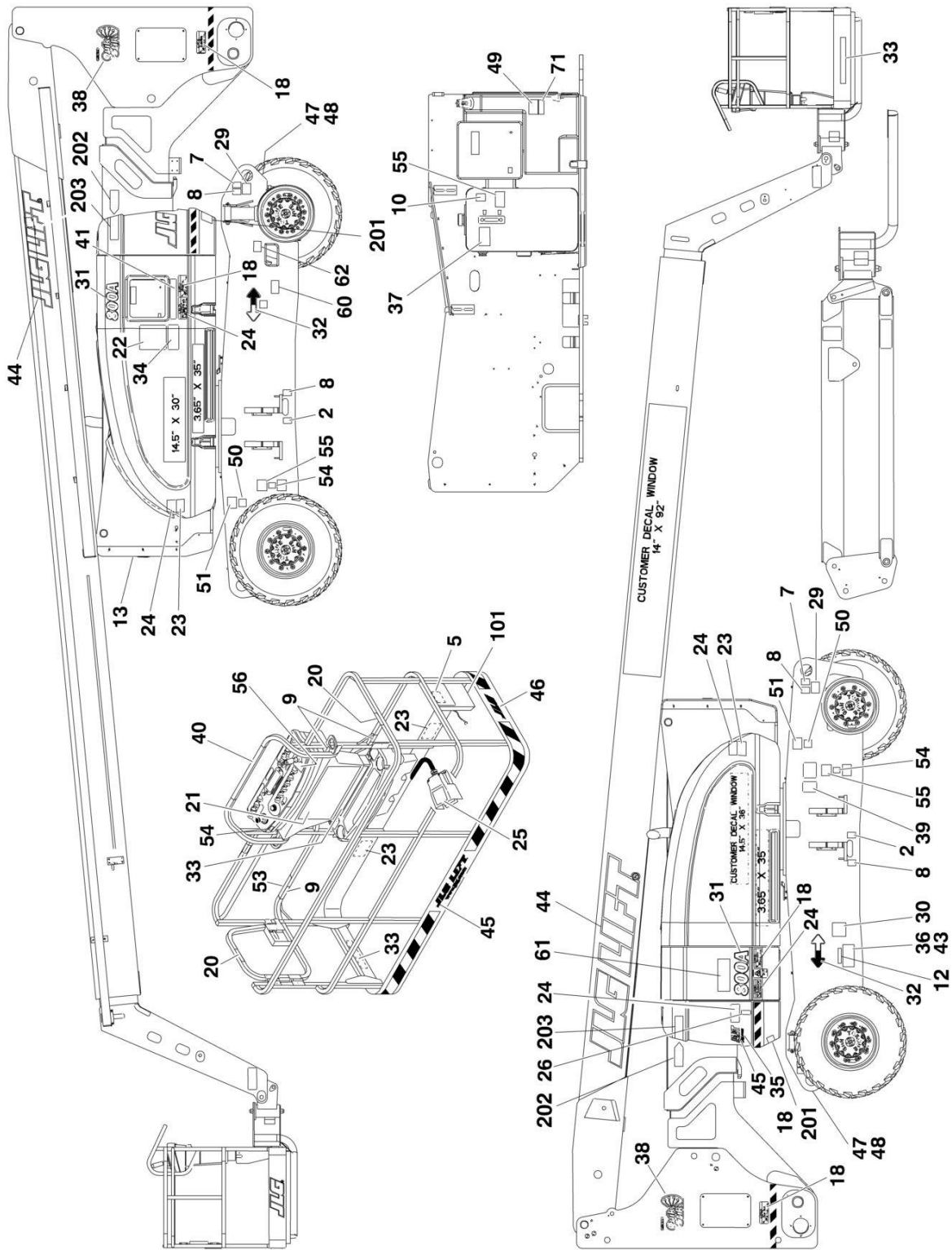
FIGURE 7-6. SKYLINE HARNESS

ITEM	PART NUMBER	QTY	DESCRIPTION	REV
	1001238418	Ref	SKYLINE HARNESS	B
1	4460899	1	Connector - 6 Position	
1	4460464	4	Pin, Male	
1	4460466	2	Plug, Terminal	
2	4461077	1	Connector - 4 Position	
2	1001126009	4	Socket, Female	
3	1001186432	2	Plug, Relay	
3	1001118388	5	Terminal	
3	1001118384	3	Terminal	
3	3740086	2	Relay	

SECTION 8 - DECALS

SECTION 8 - DECALS

FIGURE 8-1. DECAL INSTALLATION (ANSI SPEC)



SECTION 8 - DECALS

FIGURE 8-1. DECAL INSTALLATION (ANSI SPEC)

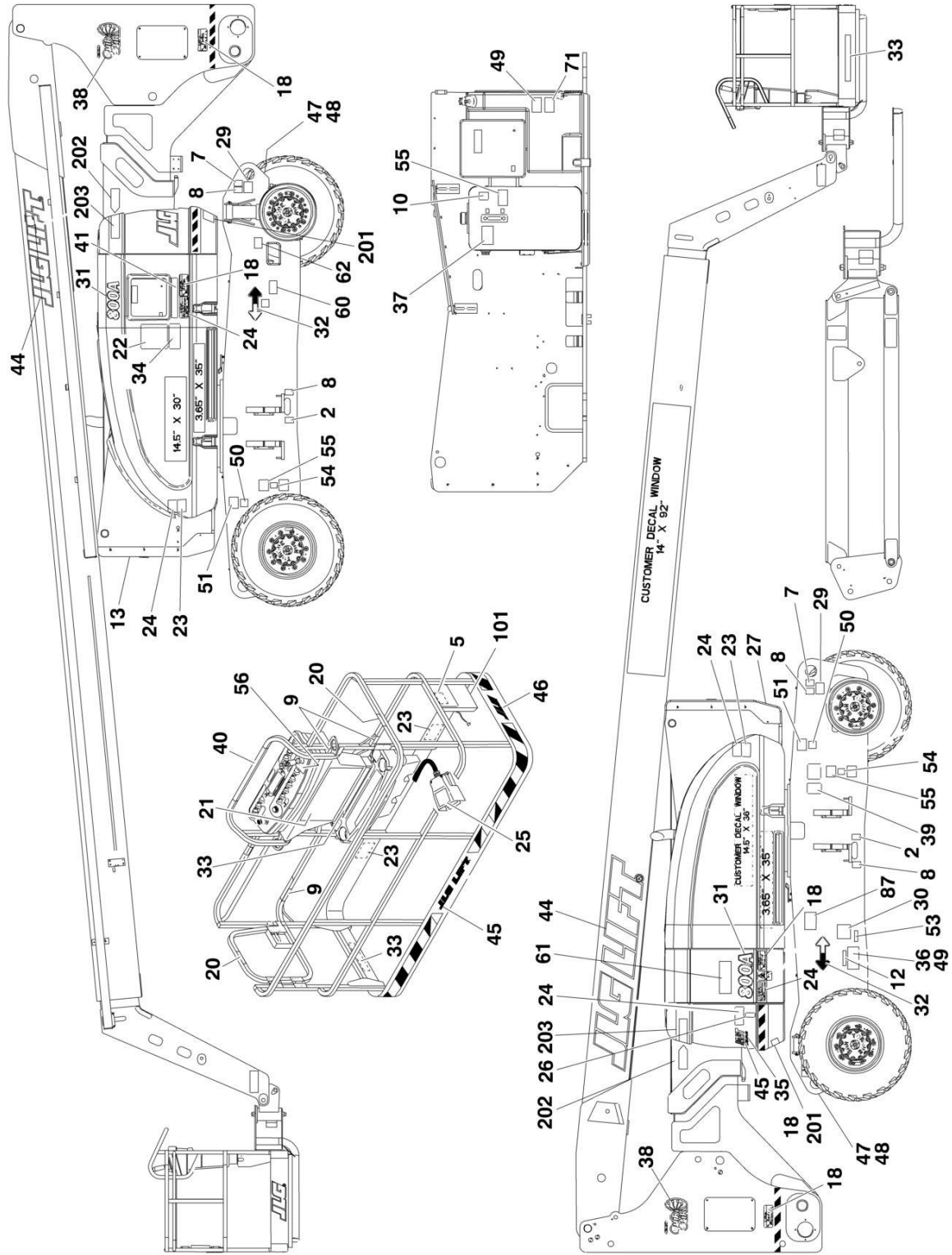
ITEM	PART NUMBER	QTY	DESCRIPTION	REV
	0274519	Ref	DECALS INSTALLATION - JLG LOGO	E
	0274460	Ref	DECALS INSTALLATION - 800A	H
	0274461	Ref	DECALS INSTALLATION - 800AJ	H
2	1701499	2	Decal - No Tie Down/Lift	
5	1701509	1	Decal - Manual	
7	1703811	4	Decal - Tie Down/Lift	
8	1703814	6	Decal - Tie Down	
9	1704277	3	Decal - Attach Lanyard Here	
10	1704412	1	Decal - Hydraulic Oil Chart	
12	1705514	1	Decal - CSA (SN 0300222892 through 0300272376)	
13	3251243	1	Nameplate - 120V-60Hz	
18	1703953	5	Decal - Warning Crushing	
20	1702868	2	Decal - No Hands	
21	1703797	1	Decal - Warning/Danger	
22	1705336	1	Decal - Warning Inspection (MTB)	
23	1703804	4	Decal - Warning Crushing	
24	1703805	5	Decal - Danger Electrocution	
25	3252347	1	Decal - Footswitch	
26	3251813	1	Decal - USA	
29	1703960	4	Decal - Max Tire Load	
30	See Note	1	Decal - Bar Code (Note: Not Available for Purchase)	
31	1703772	2	Decal - 800A	
31	1703773	2	Decal - 800AJ	
32	1701501	4	Decal - Arrow	
33	1001121800	2	Decal - 500LBS Unrestricted Capacity (800A)	
33	1001121801	2	Decal - 500LBS Maximum Capacity (800AJ)	
34	1001121813	1	Decal - 500LBS Unrestricted Capacity (800A)	
34	1001121814	1	Decal - 500LBS Maximum Capacity (800AJ)	
35	1704885	1	Decal - Website	
36	See Note	1	Nameplate - Manufacturers Serial Number (Note: Not Available for Purchase)	
37	1001096141	1	Decal - Upright Level Override	
38	1703959	2	Decal - Quick Stick	
39	1001131269	1	Decal - Patent	
40	1001108495	1	Decal - Legend	
41	1001095809	1	Decal - Legend (MTB)	
43	3820001	4	Rivet	
44	1702861	2	Decal - JLG Lift (8in Height)	
45	1702774	1	Decal - JLG Lift (3-1/2in Height)	
46	1702773	1	Decal - JLG (5in Height)	
47	3250872	1	Nameplate - Steer/Tow Selector	
48	1705090	1	Decal - Towing Instructions	
49	1701505	1	Decal - Fuel (Diesel)	
49	1701542	1	Decal - Fuel (Gas)	
50	1701543	2	Decal - LP Gas (GM Engine Machines Only)	
51	1700818	2	Decal - LP Gas (Liquid) (GM Engine Machines Only)	
53	1703175	1	Decal - Lanyard Attach (GM Spec Only)	
54	1702962	1	Decal - Warning (Proposition 65) (California Spec -Diesel Machines Only) (SN 0300183034 through 0300243317)	

SECTION 8 - DECALS

ITEM	PART NUMBER	QTY	DESCRIPTION	REV
54	1001231801	1	Decal - Warning (Proposition 65) (California Spec -Diesel Machines Only) (SN 0300243318 through 0300272376)	
54	1702961	1	Decal - Warning (Proposition 65) (California Spec -Gas Machines Only) (SN 0300183034 through 0300243317)	
54	1001236338	NLA	Decal - Warning (Proposition 65) (Use p/n 1001231801) (California Spec -Gas Machines Only) (SN 0300243318 through 0300272376)	
55	1702788	1	Decal - Bio Hydraulic Fluid	
56	1705351	1	Decal - Drive Orientation	
60	1001223055	1	Decal - Yearly Inspection (SN 0300234048 through 0300272376)	
61	1001229113	1	Decal - Lift Diagram (SN 0300237344 through 0300272376)	
62	1001223453	1	Decal - ICES (SN 0300243318 through 0300272376)	
71	1001125387	1	Decal - Low Sulfur Fuel (Deutz Engine Machines)	
	0258671	Ref	MANUAL STORAGE BOX INSTALLATION	C
101	0860520	1	Box, Manual Storage	
101	0641406	4	Bolt 1/4-20 x 3/4	
101	4751400	4	Washer 1/4	
101	3311405	4	Nut 1/4-20	
	1001220864	Ref	TRANSPORT DECALS INSTALLATION (SN 0300224236 through 0300272376)	A
201	1001220512	2	Decal - Lower Boom	
202	1001220510	2	Decal - Warning Arrow	
203	1001220511	2	Decal - Warning Stripe	

SECTION 8 - DECALS

FIGURE 8-2. DECAL INSTALLATION (COUNTRY SPEC)



SECTION 8 - DECALS

FIGURE 8-2. DECAL INSTALLATION (COUNTRY SPEC)

ITEM	PART NUMBER	QTY	DESCRIPTION	REV
	0274519	Ref	DECAL INSTALLATION - JLG LOGO	E
	0274470	Ref	DECAL INSTALLATION - 800A DUAL LANGUAGE ENGLISH/CHINESE	F
	0274472	Ref	DECAL INSTALLATION - 800A DUAL LANGUAGE ENGLISH/FRENCH	G
	0274466	Ref	DECAL INSTALLATION - 800A DUAL LANGUAGE ENGLISH/SPANISH	F
	0274468	Ref	DECAL INSTALLATION - 800A DUAL LANGUAGE SPANISH/PORTUGUESE	E
	0274462	Ref	DECAL INSTALLATION - 800A DUAL LANGUAGE ENGLISH/JAPANESE	F
	0274464	Ref	DECAL INSTALLATION - 800A DUAL LANGUAGE ENGLISH/KOREAN	F
	0274471	Ref	DECAL INSTALLATION - 800AJ DUAL LANGUAGE CHINESE/ENGLISH	F
	0274473	Ref	DECAL INSTALLATION - 800AJ DUAL LANGUAGE ENGLISH/FRENCH	G
	0274467	Ref	DECAL INSTALLATION - 800AJ DUAL LANGUAGE ENGLISH/SPANISH	F
	0274469	Ref	DECAL INSTALLATION - 800AJ DUAL LANGUAGE SPANISH/PORTUGUESE	E
	0274463	Ref	DECAL INSTALLATION - 800AJ DUAL LANGUAGE ENGLISH/JAPANESE	F
	0274465	Ref	DECAL INSTALLATION - 800AJ DUAL LANGUAGE ENGLISH/KOREAN	F
2	1701499	2	Decal - No Tie Down/Lift	
5	1701509	1	Decal - Manual	
7	1703811	4	Decal - Tie Down/Lift	
8	1703814	6	Decal - Tie Down	
9	1704277	3	Decal - Attach Lanyard Here	
10	1704412	1	Decal - Hydraulic Oil Chart	
12	1705514	1	Decal - CSA (CSA Spec Only)	
13	Not Required	0	Nameplate - 110V - Dual Language English/Chinese	
13	3251243	1	Nameplate - 110V - Dual Language English/French	
13	3251243	1	Nameplate - 110V - Dual Language English/Spanish	
13	3251243	1	Nameplate - 110V - Dual Language Spanish/Portuguese	
13	Not Required	0	Nameplate - 110V - Dual Language English/Japanese	
13	Not Required	0	Nameplate - 110V - Dual Language English/Korean	
13	3252507	1	Nameplate - 220V - All Specs	
18	1703943	3	Decal - Warning/Crushing - Dual Language English/Chinese	
18	1703942	3	Decal - Warning/Crushing - Dual Language English/French	
18	1703941	3	Decal - Warning/Crushing - Dual Language English/Spanish	
18	1705903	3	Decal - Warning/Crushing - Dual Language Spanish/Portuguese	
18	1703944	3	Decal - Warning/Crushing - Dual Language English/Japanese	
18	1703945	3	Decal - Warning/Crushing - Dual Language English/Korean	
20	1705968	2	Decal - No Hands - Dual Language English/Simplified Chinese	
20	1001116846	2	Decal - No Hands - Dual Language English/Traditional Chinese	
20	1704000	2	Decal - No Hands - Dual Language English/French	
20	1704001	2	Decal - No Hands - Dual Language English/Spanish	
20	1705967	2	Decal - No Hands - Dual Language Spanish/Portuguese	
20	Not Required	0	Decal - No Hands - Dual Language English/Japanese	
20	1705969	2	Decal - No Hands - Dual Language English/Korean	

SECTION 8 - DECALS

ITEM	PART NUMBER	QTY	DESCRIPTION	REV
21	1703925	1	Decal - Danger/Warning - Dual Language English/Chinese	
21	1703924	1	Decal - Danger/Warning - Dual Language English/French	
21	1703923	1	Decal - Danger/Warning - Dual Language English/Spanish	
21	1705895	1	Decal - Danger/Warning - Dual Language Spanish/Portuguese	
21	1703926	1	Decal - Danger/Warning - Dual Language English/Japanese	
21	1703927	1	Decal - Danger/Warning - Dual Language English/Korean	
22	1705348	1	Decal - Warning Inspection - Dual Language English/Simplified Chinese	
22	1001116849	1	Decal - Warning Inspection - Dual Language English/Traditional Chinese	
22	1705347	1	Decal - Warning Inspection - Dual Language English/French	
22	1705917	1	Decal - Warning Inspection - Dual Language English/Spanish	
22	1705896	1	Decal - Warning Inspection - Dual Language Spanish/Portuguese	
22	1705344	1	Decal - Warning Inspection - Dual Language English/Japanese	
22	1705345	1	Decal - Warning Inspection - Dual Language English/Korean	
23	1703949	6	Decal - Crushing - Dual Language English/Chinese	
23	1703948	6	Decal - Crushing - Dual Language English/French	
23	1703947	6	Decal - Crushing - Dual Language English/Spanish	
23	1705898	6	Decal - Crushing - Dual Language Spanish/Portuguese	
23	1703950	6	Decal - Crushing - Dual Language English/Japanese	
23	1703951	6	Decal - Crushing - Dual Language English/Korean	
24	1703937	4	Decal - Danger/Electrocution - Dual Language English/Simplified Chinese	
24	1001116851	4	Decal - Danger/Electrocution - Dual Language English/Traditional Chinese	
24	1703936	4	Decal - Danger/Electrocution - Dual Language English/French	
24	1703935	4	Decal - Danger/Electrocution - Dual Language English/Spanish	
24	1705897	4	Decal - Danger/Electrocution - Dual Language Spanish/Portuguese	
24	1703938	4	Decal - Danger/Electrocution - Dual Language English/Japanese	
24	1703939	4	Decal - Danger/Electrocution - Dual Language English/Korean	
25	1703982	1	Decal - Footswitch - Dual Language English/Chinese	
25	1703984	1	Decal - Footswitch - Dual Language English/French	
25	1703983	1	Decal - Footswitch - Dual Language English/Spanish	
25	1705902	1	Decal - Footswitch - Dual Language Spanish/Portuguese	
25	1703980	1	Decal - Footswitch - Dual Language English/Japanese	
25	1703981	1	Decal - Footswitch - Dual Language English/Korean	
26	3251813	1	Decal - USA	
29	1703960	4	Decal - Max Tire Load	
30	See Note	1	Decal - Bar Code (Note: Not Available for Purchase)	
31	1703772		Decal - 800A	
31	1703773		Decal - 800AJ	
32	1701501	4	Decal- Arrow	
33	1001121809		Decal - 500LBS Max Capacity - 800A Dual Language English/Chinese	
33	1001121810		Decal - 500LBS Max Capacity - 800AJ Dual Language English/Chinese	
33	1001121802		Decal - 500LBS Max Capacity - 800A Dual Language English/French	
33	1001121803		Decal - 500LBS Max Capacity - 800AJ Dual Language English/French	
33	1001121804		Decal - 500LBS Max Capacity - 800A Dual Language English/Spanish	

SECTION 8 - DECALS

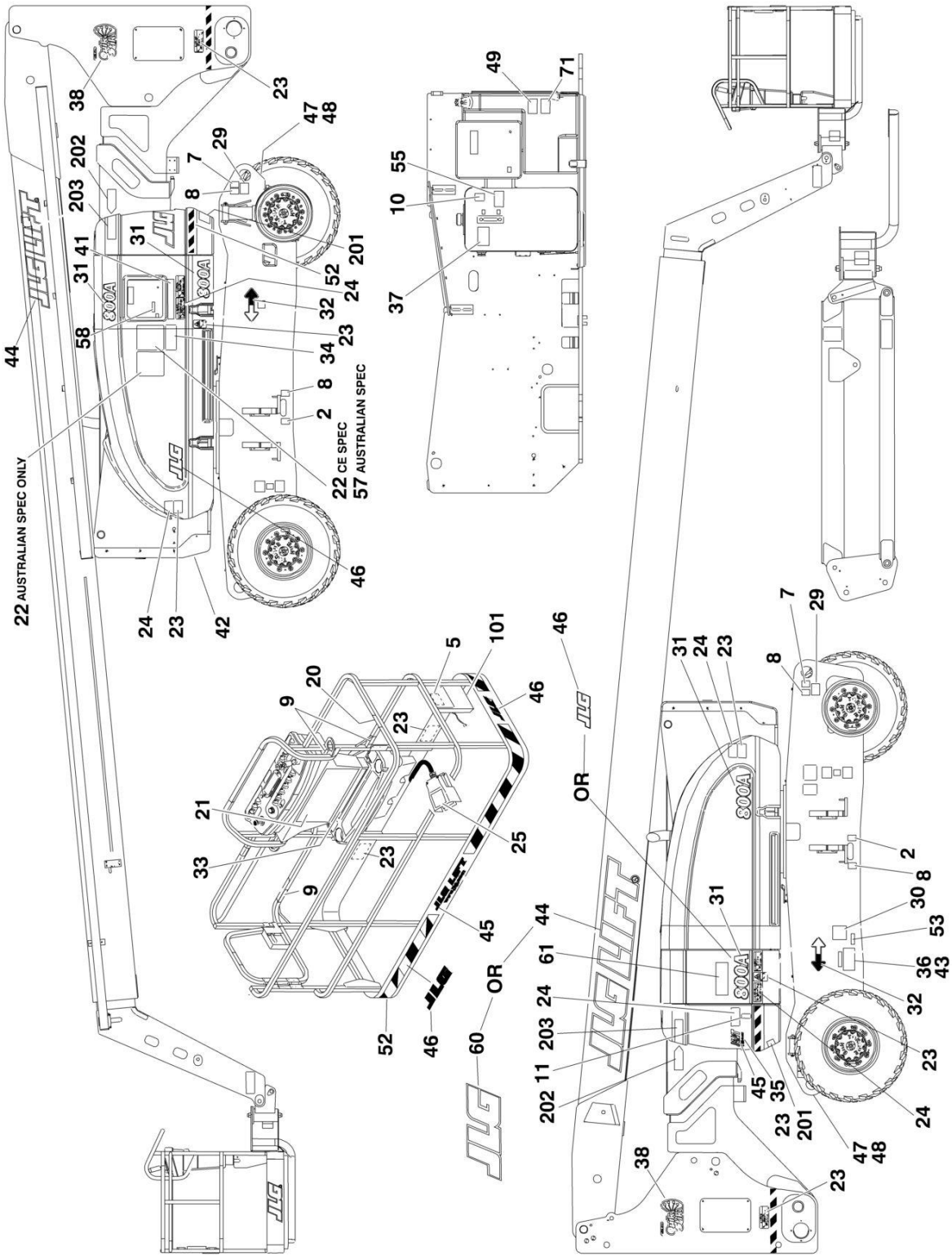
ITEM	PART NUMBER	QTY	DESCRIPTION	REV
33	1001121805		Decal - 500LBS Max Capacity - 800AJ Dual Language English/Spanish	
33	1001121806		Decal - 500LBS Max Capacity - 800A Dual Language Spanish/Portuguese	
33	1001121656		Decal - 500LBS Max Capacity - 800AJ Dual Language Spanish/Portuguese	
33	1001121807		Decal - 500LBS Max Capacity - 800A Dual Language English/Japanese	
33	1001121808		Decal - 500LBS Max Capacity - 800AJ Dual Language English/Japanese	
33	1001122200		Decal - 500LBS Max Capacity - 800A Dual Language English/Korean	
33	1001121918		Decal - 500LBS Max Capacity - 800AJ Dual Language English/Korean	
34	1001121822		Decal - 500LBS Max Capacity - 800A Dual Language English/Chinese Decals	
34	1001121823		Decal - 500LBS Max Capacity - 800AJ Dual Language English/Chinese Decals	
34	1001121815		Decal - 500LBS Max Capacity - 800A Dual Language English/French Decals	
34	1001121816		Decal - 500LBS Max Capacity - 800AJ Dual Language English/French Decals	
34	1001121817		Decal - 500LBS Max Capacity - 800A Dual Language English/Spanish Decals	
34	1001121818		Decal - 500LBS Max Capacity - 800AJ Dual Language English/Spanish Decals	
34	1001121819		Decal - 500LBS Max Capacity - 800A Dual Language Spanish/Portuguese Decals	
34	1001121655		Decal - 500LBS Max Capacity - 800AJ Dual Language Spanish/Portuguese Decals	
34	1001121820		Decal - 500LBS Max Capacity - 800A Dual Language English/Japanese Decals	
34	1001121821		Decal - 500LBS Max Capacity - 800AJ Dual Language English/Japanese Decals	
34	1001122201		Decal - 500LBS Max Capacity - 800A Dual Language English/Korean Decals	
34	1001121921		Decal - 500LBS Max Capacity - 800AJ Dual Language English/Korean Decals	
35	1704885	1	Decal - Website	
36	See Note	1	Nameplate, Manufacturers (Note: Not Available for Purchase)	
37	1705977	1	Decal - Upright Level Override	
38	1703959	2	Decal - Quick Stick	
39	1001131269	1	Decal - Patent	
40	1001108495	1	Decal - Legend	
41	1001095809	1	Decal - Legend (MTB)	
43	3820001	4	Rivet (Not Shown)	
44	1702861	2	Decal - JLG Lift (8in Height)	
45	1702774	2	Decal - JLG Lift (3-1/2in Height)	
46	1702773	1	Decal - JLG (5in Height)	
47	3250872	1	Nameplate - Steer/Tow Selector	
48	1705090	1	Decal - Towing Instructions	
49	1701505	1	Decal - Fuel (Diesel)	
49	1701542	1	Decal - Fuel (Gas)	
50	1701543	2	Decal - LP Gas (GM Engine Machines Only)	
51	1700818	2	Decal - LP Gas (Liquid) (GM Engine Machines Only) (ANSI Spec)	

SECTION 8 - DECALS

ITEM	PART NUMBER	QTY	DESCRIPTION	REV
51	1702720	2	Decal - LP Gas (Liquid) (GM Engine Machines Only) (ANSI Export Spec)	
51	1704271	2	Decal - LP Gas (Liquid) (GM Engine Machines Only) (CSA Spec)	
53	1001143852	1	Decal - Emission Compliance	
55	1702788	1	Decal - Bio Hydraulic Fluid	
56	1705430	1	Decal - Drive Orientation - Dual Language English/Chinese	
56	1705429	1	Decal - Drive Orientation - Dual Language English/French	
56	1705910	1	Decal - Drive Orientation - Dual Language English/Spanish	
56	1705905	1	Decal - Drive Orientation - Dual Language Spanish/Portuguese	
56	1705426	1	Decal - Drive Orientation - Dual Language English/Japanese	
56	1705427	1	Decal - Drive Orientation - Dual Language English/Korean	
60	1001224050	1	Decal - Yearly Inspection - Dual Language English/Chinese (SN 0300234048 through 0300272376)	
60	1001223971	1	Decal - Yearly Inspection - Dual Language English/French (SN 0300234048 through 0300272376)	
60	1001224049	1	Decal - Yearly Inspection - Dual Language English/Spanish (SN 0300234048 through 0300272376)	
60	1001224052	1	Decal - Yearly Inspection - Dual Language English/Portuguese (SN 0300234048 through 0300272376)	
60	1001224053	1	Decal - Yearly Inspection - Dual Language English/Japanese (SN 0300234048 through 0300272376)	
60	1001224048	1	Decal - Yearly Inspection - Dual Language English/Korean (SN 0300234048 through 0300272376)	
61	1001229113	1	Decal - Lift Diagram (SN 0300237344 through 0300272376)	
62	1001223453	1	Decal - ICES - Dual Language English/French (SN 0300243318 through 0300272376)	
71	1001125387	1	Decal - Ultra Low Sulfur Fuel (CSA Spec)	
87	See Note	1	Nameplate - ECO (China Specs) (Note: Not Available for Purchase)	
87	3820001	4	Rivet	
	0258671	Ref	MANUAL STORAGE BOX INSTALLATION	C
101	0860520	1	Box, Manual Storage	
101	0641406	4	Bolt 1/4-20 x 3/4	
101	4751400	4	Washer 1/4	
101	3311405	4	Nut 1/4-20	
	1001220864	Ref	TRANSPORT DECALS INSTALLATION (OPTIONAL) (SN 0300224236 through 0300272376)	A
201	1001220512	2	Decal - Lower Boom	
202	1001220510	2	Decal - Warning Arrow	
203	1001220511	2	Decal - Warning Stripe	

SECTION 8 - DECALS

FIGURE 8-3. DECAL INSTALLATION (AUSTRALIAN AND CE SPEC)



SECTION 8 - DECALS

FIGURE 8-3. DECAL INSTALLATION (AUSTRALIAN AND CE SPEC)

ITEM	PART NUMBER	QTY	DESCRIPTION	REV
	0274519	Ref	STANDARD DECAL INSTALLATION - JLG LOGO (SN 0300183034 through 0300220116)	D
	1001114373	Ref	STANDARD DECAL INSTALLATION - AUSTRALIAN SPEC 800A	E
	1001114374	Ref	STANDARD DECAL INSTALLATION - AUSTRALIAN SPEC 800AJ	F
	0274474	Ref	STANDARD DECAL INSTALLATION - CE SPEC 800A	F
	0274475	Ref	STANDARD DECAL INSTALLATION - CE SPEC 800AJ	F
	1283407	Ref	STANDARD DECAL CHART - AUSTRALIAN SPECS	S
	1283407	Ref	STANDARD DECAL CHART - CE SPECS (SN 0300183034 through 0300220116)	S
	1001217649	Ref	STANDARD DECAL CHART - CE SPECS (SN 0300220117 through 0300272376)	C
2	1701499	2	Decal - No Tie Down/Lift	
5	1701509	1	Decal - Manual	
7	1703811	4	Decal - Tie Down/Lift	
8	1703814	6	Decal - Tie Down	
9	1704277	3	Decal - Attach Lanyard Here	
10	1704412	1	Decal - Hydraulic Oil Chart	
11	1705980	1	Decal - Sound Power Level	
21	1705921	1	Decal - Tipping/Electrical (PLF)	
22	1705822	1	Decal - Electrical/Safety Manual	
23	1701518	10	Decal - Warning Crushing	
24	1705961	5	Decal - Danger Electrocution	
25	1705828	1	Decal - Footswitch	
29	1703960	4	Decal - Max Tire Load	
30	See Note	1	Decal - Bar Code (Note: Not Available for Purchase)	
31	1703772	2	Decal - 800A	
31	1703773	2	Decal - 800AJ	
32	1701501	4	Decal - Arrow	
33	1705978	2	Decal Capacity	
34	1705978	1	Decal Capacity	
35	1704885	AR	Decal - Website	
36	See Note	1	Nameplate, Manufacturers (Note: Not Available for Purchase)	
37	1705977	1	Decal - Upright Level Override	
38	1703959	2	Decal - Quick Stick	
42	3251242	1	Nameplate 240V-50Hz	
43	3820001	2	Rivet	
44	1702861	AR	Decal - JLG Lift (8in Height)	
45	1702774	AR	Decal - JLG Lift (3-1/2in Height)	
46	1702773	AR	Decal - JLG (5in Height)	
47	3250872	1	Nameplate - Steer/Tow Selector	
48	1705090	1	Decal - Towing Instructions	
49	1701505	1	Decal - Fuel	
52	4420051	1	Decal - Safety Striping	
53	1001143852	1	Decal - Emission Compliance	
55	1702788	AR	Decal - Bio Hydraulic Fluid - CE/Australian Spec	
55	1703479	AR	Decal - Bio Hydraulic Fluid - German Spec	
57	1001112551	1	Decal - Emergency Controls - Australian Spec	
57	Not Required	0	Decal - Emergency Controls - CE Spec	
58	1001197408	1	Decal - MSSO - CE Spec	
60	1001159323	AR	Decal - JLG (8in Height)	

SECTION 8 - DECALS

ITEM	PART NUMBER	QTY	DESCRIPTION	REV
61	1001229113	1	Decal - Lift Diagram (SN 0300237344 through 0300272376)	
71	1001139654	1	Decal - Ultra Low Sulfur Fuel (SN 0300201004 through 0300272376)	
	0258671	Ref	MANUAL STORAGE BOX INSTALLATION	C
101	0860520	1	Box, Manual Storage	
101	0641406	4	Bolt 1/4-20 x 3/4	
101	4751400	4	Washer 1/4	
101	3311405	4	Nut 1/4-20	
	1001220864	Ref	TRANSPORT DECAL KIT (OPTIONAL) (SN 0300224236 through 0300272376)	A
201	1001220512	2	Decal - Lower Boom	
202	1001220510	2	Decal - Warning Arrow	
203	1001220511	2	Decal - Warning Stripe	

SECTION 9 - RECOMMENDED SERVICE PARTS STOCK

SECTION 9 - RECOMMENDED SERVICE PARTS STOCK

SECTION 9 - RECOMMENDED SERVICE PARTS STOCK

FIGURE 9-1. MODEL 800A/800AJ STANDARD PARTS

ITEM	PART NUMBER	QTY	DESCRIPTION	REV
	Note	Ref	Note: The following list will service one machine (built to current production per date on the front cover) with emergency repair parts which can be installed in the field. Parts from the list should be replaced when inventory is depleted to keep service parts stock supplied. For further information, contact your JLG dealer or the JLG Industries Parts Department.	
		Ref	STANDARD PARTS	
	2120168	4	Element, Filter	
	2120210	4	Element Filter	
	7012944	1	Coil	
	7018991	1	Coil	
	70004460	1	Coil	
	70000582	1	Coil	
	70004595	1	Coil	
	70004653	1	Coil	
	70004463	1	Coil	
	70004673	1	Coil	
	3740067	1	Relay	
	70002814	1	Hydraulic Tank Service Kit	
	3740049	1	Relay	
	2860030	1	Key, Replacement	
	4360475	1	Switch, Mushroom	
	1001155045	1	Switch, Toggle	
	7020066	1	Power Track Repair Section	
	70002013	1	Power Track Repair Section	
	1001166539	1	Controller (Lift and Swing)	
	1001166538	1	Controller (Drive and Steer)	
	4360328	1	Switch, Toggle	
	4360330	1	Switch, Toggle	
	4360387	1	Switch, Push Button	
	4360407	1	Controller, Speed	
	3990010	2	Diode	
	2400065	2	Fuse - 30 Amp	

SECTION 9 - RECOMMENDED SERVICE PARTS STOCK

FIGURE 9-2. MODEL 800A/800AJ VARIABLE PARTS

ITEM	PART NUMBER	QTY	DESCRIPTION	REV
		Ref	Note: The following list will service one machine (built to current production per date on the front cover) with emergency repair parts which can be installed in the field. Parts from the list should be replaced when inventory is depleted to keep service parts stock supplied. For further information, contact your JLG dealer or the JLG Industries Parts Department.	
		Ref	VARIABLE PARTS	
	3740080	1	Relay (Deutz D2011 Engine Machines)	
	70004020	1 Dozen	Element, Air Cleaner (Deutz D2011 Engine Machines)	
	7016331	1 Dozen	Filter, Oil (Deutz D2011 Engine Machines)	
	7016328	1 Dozen	Filter, Fuel (Deutz D2011 Engine Machines - All Specs except CE Spec)	
	8320270	1 Dozen	Filter, Fuel (Deutz D2011 Engine Machines - CE Specs Only)	
	70004058	1	Relay (Deutz D2011 Engine Machines - All Specs except CE Spec)	
	7026608	1	Relay (Deutz D2011 Engine Machines - CE Specs Only)	
	7027795	1	Module, Engine Control (Deutz D2011 Engine Machines)	
	1001117308	1	Relay (Deutz TD2.9L4 Engine Machines)	
	1001138228	1	Module, Relay (Deutz TD2.9L4 Engine Machines)	
	91403102	1 Dozen	Element, Air Cleaner (Deutz TD2.9L4 Engine Machines)	
	7016331	1 Dozen	Filter, Oil (Deutz TD2.9L4 Engine Machines)	
	70025161	1 Dozen	Filter, Fuel (Deutz TD2.9L4 Engine Machines) (Use p/n 1001225431)	
	70025153	1 Dozen	Filter, Fuel (Deutz TD2.9L4 Engine Machines) (Use p/n 1001225430)	
	70025203	1	Module, Engine Control (Deutz TD2.9L4 Engine Machines)	
	70005008	1	Element, Air Cleaner (Ford Engine Machines)	
	70006213	1	Filter, Oil (Ford Engine Machines)	
	70006155	1	Filter, Fuel (Ford Engine Machines)	
	70006176	1	Module, Engine Control (Ford Engine Machines)	
	70006171	1	Relay (Ford Engine Machines)	
	70006172	1	Relay (Ford Engine Machines)	
	70006175	2	Fuse - 200Amp (Ford Engine Machines)	
	7012664	1 Dozen	Element, Air Cleaner (GM Engine Machines)	
	7027965	1 Dozen	Filter, Oil (GM Engine Machines)	
	7027972	1 Dozen	Filter, Fuel (GM Engine Machines)	
	70002895	1	Module, Engine Control (GM Engine Machines)	
	4360517	1	Switch, Proximity	
	4360469	1	Switch, Key (ANSI and Australian Spec)	
	4360470	1	Switch, Key (CE Spec)	
	1001103667	1	Module, Ground Control	
	4360336	1	Switch, Toggle (Machines with Generator Option)	
	4360070	1	Breaker, Circuit (Machines with SkyPower)	
	2400064	2	Fuse - 5 Amp (Deutz D2011 and GM Engine Machines with SkyPower)	
	4360578	1	Switch, Limit	
	4360498	1	Switch, Proximity	
	4360499	1	Switch, Proximity	
	1001094400	1	Sensor, Dual Axle	
	2940074	1	Latch (Platform with Gate)	
	1001106355	1	Controller, Module Platform	

SECTION 9 - RECOMMENDED SERVICE PARTS STOCK

ITEM	PART NUMBER	QTY	DESCRIPTION	REV
	4360336	1	Switch, Toggle (Machines with Dual Fuel Option)	
	4360522	1	Switch, Toggle (Machines with Lights Option)	
	4360331	1	Switch, Toggle (Machines with 4WD or 4WS Options)	
	4360057	1	Switch, Limit (Machines with Soft Touch Option)	
	8229242	2	Fuse (Deutz TD2.9L4 Engine Machines)	
	80983191	2	Fuse (Deutz TD2.9L4 Engine Machines)	
	70001931	2	Fuse (GM Engine Machines)	
	2400070	2	Fuse (Machines with Platform Worklights)	
	1001181045	1	Circuit Breaker (CE Spec Machines with AC to Platform)	
	1001181046	1	Circuit Breaker (CE Spec Machines with AC to Platform)	

SECTION 10 - SPECIAL OPTIONS

SECTION 10 - SPECIAL OPTIONS

FIGURE 10-1. SPECIAL OPTION

ITEM	PART NUMBER	QTY	DESCRIPTION	REV
		Ref	Note: This list is to accommodate machines ordered with special equipment. Options may not be applicable to all models. For more specific parts information contact JLG Parts Department.	
		Ref	MISCELLANEOUS SPECIAL OPTIONS	
	1340061	Ref	Air Cleaner Pre-Cleaner (SN 0300182743 through 0300236624)	
	See Note	Ref	Air Compressor Installation (Note: See SKY ACCESSORIES)	
	1001229762	Ref	Air Intake Shut-off Valve (Deutz TD2.9L4 Engines)	
	0258802	Ref	Airline to Platform Installation - 1/2in 800A	
	0258805	Ref	Airline to Platform Installation - 1/2in 800AJ	
	1001093746	Ref	Airline to Platform Installation - 1/2in 800A (With Arctic Package)	
	1001092092	Ref	Airline to Platform Installation - 1/2in 800AJ (With Arctic Package)	
	1001205026	Ref	Arctic Package Add-on Kit (800A with Deutz TD2.9L4 Engines & without SkyPower)	
	1001205025	Ref	Arctic Package Add-on Kit (800A with Deutz TD2.9L4 Engines & with SkyPower)	
	1001205029	Ref	Arctic Package Add-on Kit (800AJ with Deutz TD2.9L4 Engines & without SkyPower)	
	1001205028	Ref	Arctic Package Add-on Kit (800AJ with Deutz TD2.9L4 Engines & with SkyPower)	
	1001217005	Ref	Beacon Light Kit (Blue)	
	0258734	Ref	Bellows Installation - Boom 800A	
	0258737	Ref	Bellows Installation - Boom 800AJ	
	1001158259	Ref	Bellows Installation - Chassis (Fixed Axle 2WS)	
	1001158260	Ref	Bellows Installation - Chassis (Fixed Axle 4WS)	
	0258387	Ref	Bellows Installation - Chassis (Oscillating Axle 2WS)	
	0258758	Ref	Bellows Installation - Chassis (Oscillating Axle 4WS)	
	1001220151	Ref	Boom Cables Add-on Kit (4000W/60Hz Generators)	
	2910887	Ref	Boom Wear Pad Kit	
	0258654	Ref	Boom Wipers Installation	
	1001233047	Ref	Breather Heater Kit (Deutz TD2.9L4 Engines)	
	1001172045	Ref	Cable/Ladder Carrier Installation (800AJ Only)	
	1001230834	Ref	Cable/Hose Protection Installation (Boom/Jib) (Without LSS)	
	1001233472	Ref	Cable/Hose Protection Installation (Boom/Jib) (With LSS)	
		Ref	ClearSky Telematics Installation (Factory Installed) (Note: For ClearSky Telematics on Machines SN 0300183034 through 0300234681 Refer to ClearSky (Telematics) Manual p/n 3128499 for Service Parts.) (SN 0300183034 through 0300234681)	
	1001112990	Ref	ClearSky (Telematic) Installation (Factory Installed) - ABS Hoods (ANSI Spec) (Note: Refer to Manual Supplement p/n 3128499 for available replacement parts) (SN 0300183034 through 0300234681)	
	1001112991	Ref	ClearSky (Telematic) Installation (Factory Installed) - ABS Hoods (ANSI Export and Japanese Specs) ClearSky (Note: Refer to Manual Supplement p/n 3128499 for available replacement parts) (SN 0300183034 through 0300234681)	
	1001112992	Ref	SN 0300183034 through 0300234681 (Telematic) Installation (Factory Installed) - ABS Hoods (CSA Spec) (Note: Refer to Manual Supplement p/n 3128499 for available replacement parts)	
	1001118963	Ref	ClearSky (Telematic) Installation (Factory Installed) - Steel Hoods (ANSI Spec) (Note: Refer to Manual Supplement p/n 3128499 for available replacement parts) (SN 0300183034 through 0300234681)	

SECTION 10 - SPECIAL OPTIONS

ITEM	PART NUMBER	QTY	DESCRIPTION	REV
	1001134103	Ref	ClearSky (Telematic) Installation (Factory Installed) - Steel Hoods (Australian Spec) (Note: Refer to Manual Supplement p/n 3128499 for available replacement parts) (SN 0300183034 through 0300234681)	
	1001127087	Ref	ClearSky (Telematic) Installation (Factory Installed) - Steel Hoods (Brazil and New Zealand Specs Only) (Note: Refer to Manual Supplement p/n 3128499 for available replacement parts) (SN 0300183034 through 0300234681)	
	1001118964	Ref	ClearSky (Telematic) Installation (Factory Installed) - Steel Hoods (CSA Spec) (Note: Refer to Manual Supplement p/n 3128499 for available replacement parts) (SN 0300183034 through 0300234681)	
		Ref	ClearSky Telematics Installation (Factory Installed) (SN 0300234682 through 0300272376)	
	1001227448	Ref	ClearSky Telematics Installation - Canbus Connection (Factory Installed) (ANSI & CSA Specs)	
	1001246473	Ref	ClearSky Telematics Installation - Canbus Connection (Factory Installed) (Australian Specs)	
	1001228949	Ref	ClearSky Telematics Installation - Canbus Connection (Factory Installed) (ANSI Export & CE Specs)	
	1001246474	Ref	ClearSky Telematics Installation - Canbus Connection (Factory Installed) (China Specs)	
	1001229107	Ref	ClearSky Telematics Installation - 3 Wire Connection (Factory Installed) (ANSI & CSA Specs)	
	1001242409	Ref	ClearSky Access Control Add-on Kit	
	1001243183	Ref	ClearSky Telematics Access Control Add-on Kit - Canbus (ANSI & CSA Specs)	
	1001243184	Ref	ClearSky Telematics Access Control Add-on Kit - Canbus (ANSI Export & CE Specs)	
	1001233237	Ref	ClearSky Telematics Installation - 3 Wire Connection (Factory Installed) (ANSI Export & CE Specs)	
	1001119939	Ref	ClearSky (Telematic) Kit (Dealer Installed) (ANSI Spec)	
	1001139151	Ref	ClearSky (Telematic) Kit (Dealer Installed) (Australian Spec)	
	1001234099	Ref	ClearSky (Telematic) Kit (Dealer Installed) (CE Spec)	
	1001119947	Ref	ClearSky (Telematic) Kit (Dealer Installed) (CSA Spec)	
	1001155185	Ref	Cold Weather Package Installation - Deutz D2011 Engines (SN 0300183034 through 0300193955)	
	1001178208	Ref	Cold Weather Package Installation - Deutz D2011 Engines (SN 0300196956 through 0300272376)	
	1001151900	Ref	Cold Weather Package Installation - Deutz TD2.9L4 Engines (SN 0300183034 through 0300196955)	
	1001178207	Ref	Cold Weather Package Installation - Deutz TD2.9L4 Engines and Deutz TD2.9L4 (Stage V) Engines (SN 0300196956 through 0300272376)	
	1001219840	Ref	Cold Weather Package Installation - Ford Engines	
	0275262	Ref	Cold Weather Package Installation - GM Engines	
	0274883	Ref	Cold Weather Transformer Installation (ANSI Export, Australian, CE and Japanese Specs Only)	
	1001109263	Ref	Communication System (David Clark) Installation (800AJ ANSI Spec Only)	
	1001232190	Ref	Control Box Kit (Includes Platform Console Box Assembly and Ground Control Box Assembly)	
	1001149126	Ref	Cover, Fan (Deutz TD2.9L4 Engines Only)	
	1001115918	Ref	Cribbing Installation	
	1702788	Ref	Decal - Biodegradable Hydraulic Fluid (All except German Spec)	
	1703479	Ref	Decal - Biodegradable Hydraulic Fluid (German Spec Only)	
	1001116565	Ref	Decal - ClearSky (ANSI Spec) (ABS Hoods)	

SECTION 10 - SPECIAL OPTIONS

ITEM	PART NUMBER	QTY	DESCRIPTION	REV
	1001116566	Ref	Decal - ClearSky (CSA Spec) (ABS Hoods)	
	1001127094	Ref	Decal - ClearSky (Steel Hoods)	
	3252221	Ref	Decal - CSA (CSA Spec)	
	1001214030	Ref	Decal - EAC (CIS & Russian Specs)	
	0257195	Ref	Decal - Government Warranty	
	1703175	Ref	Decal - Lanyard Attach (GM K-1 Spec)	
	1702868	Ref	Decal - No Hands (ANSI/ANSI Export Spec)	
	1705968	Ref	Decal - No Hands (Chinese Specs - English/Chinese)	
	1704000	Ref	Decal - No Hands (CSA Spec)	
	1704001	Ref	Decal - No Hands (ANSI Export - English/Spanish)	
	1705969	Ref	Decal - No Hands (ANSI Export - Korean/English)	
	1705967	Ref	Decal - No Hands (ANSI Export - Portuguese/English)	
	1702962	Ref	Decal - Prop 65 Warning (Diesel Machines) (California Spec) (SN 0300183034 through 0300243317)	
	1001231801	Ref	Decal - Prop 65 Warning (Diesel Machines) (California Spec) (SN 0300243318 through 0300272376)	
	1702961	Ref	Decal - Prop 65 Warning (Gasoline Machines) (California Spec) (SN 0300183034 through 0300243317)	
	1001236338	NLA	Decal - Prop 65 Warning (Gasoline Machines) (Use p/n 1001231801) (California Spec) (SN 0300243318 through 0300272376)	
	1001200124	Ref	Decal - Quick Reference (Danish) (Lomax Rentals)	
	1001200121	Ref	Decal - Quick Reference (Dutch) (Lomax Rentals)	
	1001180861	Ref	Decal - Quick Reference (English) (Lomax Rentals)	
	1001200120	Ref	Decal - Quick Reference (French) (Lomax Rentals)	
	1001200122	Ref	Decal - Quick Reference (German) (Lomax Rentals)	
	1001200127	Ref	Decal - Quick Reference (Norwegian) (Lomax Rentals)	
	1001200126	Ref	Decal - Quick Reference (Spanish) (Lomax Rentals)	
	1001200125	Ref	Decal - Quick Reference (Swedish) (Lomax Rentals)	
	0258541	Ref	Decals - Warning Stripes	
		Ref	Decals Kits:	
	2902307	Ref	Decal Kit - Country Spec (ANSI Spec)	
	2902329	Ref	Decal Kit - Country Spec (Australian and CE Specs)	
	2902312	Ref	Decal Kit - Country Spec (Brazil Specs)	
	2902309	Ref	Decal Kit - Country Spec (Chinese Specs)	
	2902322	Ref	Decal Kit - Country Spec (CSA Spec)	
	2902308	Ref	Decal Kit - Country Spec (Japanese Specs)	
	2902310	Ref	Decal Kit - Country Spec (Korean Specs)	
	2902311	Ref	Decal Kit - Country Spec (Latin American Specs)	
	1001193638	Ref	Decal Kit - Machine	
	2902303	NLA	Decal Kit - Master (Common Decals) (All Specs except CE Specs) (Use p/n 1001229560) (SN 0300183034 through 0300234681)	
	1001229560	Ref	Decal Kit - Master (Common Decals) (All Specs except CE Specs) (SN 0300234682 through 0300272376)	
	2902303	NLA	Decal Kit - Master (Common Decals) (CE Specs) (Use p/n 1001229560) (SN 0300183034 through 0300211595)	
	1001199949	Ref	Decal Kit - Master (Common Decals) (CE Specs) (SN 0300211596 through 0300272376)	
	1001108720	Ref	Decal Kit - Platform (800A)	
	1001108721	Ref	Decal Kit - Platform (800AJ)	
	1001119563	Ref	Decal Kit - Platform Console	
	2902353	Ref	Decal Kit - Tire Load	
	2902396	Ref	Drive/Steer Cutout Kit	

SECTION 10 - SPECIAL OPTIONS

ITEM	PART NUMBER	QTY	DESCRIPTION	REV
	1001121800	Ref	Decal - Warning Dual Capacity (English Specs)	
	1001121801	Ref	Decal - Warning Max. Capacity (English Specs)	
	1001122200	Ref	Decal - Warning Dual Capacity (Korean/English Specs)	
	1001121918	Ref	Decal - Warning 500LB Capacity (Korean/English Specs)	
	1001121804	Ref	Decal - Warning Dual Capacity (English/Spanish Specs)	
	1001121805	Ref	Decal - Warning Max. Capacity (English/Spanish Specs)	
	1001121806	Ref	Decal - Warning Dual Capacity (English/Portuguese Specs)	
	1001121656	Ref	Decal - Warning Max Capacity (English Specs)	
	1001148902	Ref	Electrical Connector Kits - Amp	
	1001148903	Ref	Electrical Connector Kits - Deutsch DT	
	1001148904	Ref	Electrical Connector Kits - Deutsch HD	
	1001148905	Ref	Electrical Connector Kits - Packard	
	1001148906	Ref	Electrical Connector Kits - Various	
	1001218022	Ref	Engine Block Heater Installation - Ford Engines	
	0275261	Ref	Engine Block Heater Installation - GM Engines	
	1001246867	Ref	Enhanced Detection System (EDS) Level 1 (2-Bar) Installation Kit	
	1001246860	Ref	Enhanced Detection System (EDS) Level 2 (3-Bar) Installation Kit	
	1001108962	Ref	Exhaust Rain Cap Installation (Australian and CE Specs)	
	1001121306	Ref	Exhaust Rain Cap Installation (Japanese Spec)	
		Ref	Fan Cover/Grille Options:	
	1001185078	Ref	Fan Cover Add-on Kit (Deutz D2011 Engines)	
	1001182599	Ref	Fan Cover Installation (Deutz D2011 Engines)	
	1001093389	Ref	Fan Grille Installation (Deutz D2011 Engines)	
	1001213223	Ref	Fan & Belt Grille Add-on Kit (Deutz D2011 Engines without Generator)	
	1001202122	Ref	Fan & Belt Grille Installation (Deutz D2011 Engines without Generator)	
	1001213222	Ref	Fan & Belt Grille Add-on Kit (Deutz D2011 Engines with Generator)	
	1001202398	Ref	Fan & Belt Grille Installation (Deutz D2011 Engines without Generator)	
	1001149126	Ref	Fan Grille Installation (Deutz TD2.9L4 Engines) (RCP Radiator)	
	1001177694	Ref	Fan Grille Installation (Deutz TD2.9L4 Engines and Deutz TD2.9L4 (Stage V) Engines) (Modine Radiator)	
	1001213219	Ref	Fan & Belt Grille Add-on Kit (Deutz TD2.9L4 Engines without Generator) (Modine Radiator)	
	1001202397	Ref	Fan & Belt Grille Installation (Deutz TD2.9L4 Engines without Generator) (Modine Radiator)	
	1001213220	Ref	Fan & Belt Grille Add-on Kit (Deutz TD2.9L4 Engines without Generator) (RCP Radiator)	
	1001202082	Ref	Fan & Belt Grille Installation (Deutz TD2.9L4 Engines without Generator) (RCP Radiator)	
	1001213227	Ref	Fan & Belt Grille Add-on Kit (Deutz TD2.9L4 Engines with Generator) (Modine Radiator)	
	1001213181	Ref	Fan & Belt Grille Installation (Deutz TD2.9L4 Engines with Generator) (Modine Radiator)	
	1001213221	Ref	Fan & Belt Grille Add-on Kit (Deutz TD2.9L4 Engines with Generator) (RCP Radiator)	
	1001202331	Ref	Fan & Belt Grille Installation (Deutz TD2.9L4 Engines with Generator) (RCP Radiator)	
	1001093389	Ref	Fan Grille Installation (Ford & GM Engines)	
	1001204616	Ref	Filter (Fuel) Relocation Kit - Deutz TD2.9L4 Engines	
		Ref	Filter Kits:	
		Ref	Combined Filter Kit Options (Hydraulic/Air and Fuel/Engine Oil)	

SECTION 10 - SPECIAL OPTIONS

ITEM	PART NUMBER	QTY	DESCRIPTION	REV
	1001111014	Ref	Deutz D2011 Engine Machines (SN 0300183034 through 0300185827)	
	1001241773	Ref	Deutz D2011 Engine Machines (SN 0300185828 through 0300196954)	
	1001241774	Ref	Deutz D2011 Engine Machines (SN 0300196955 through 0300272376)	
	1001181150	Ref	Deutz TD2.9L4 Engine Machines (SN 0300183034 through 0300196955)	
	1001195533	Ref	Deutz TD2.9L4 Engine Machines (SN 0300196956 through 0300272376)	
	1001114115	Ref	Ford Engine Machines (SN 0300183034 through 0300185827)	
	1001241775	Ref	Ford Engine Machines (SN 0300185828 through 0300196954)	
	1001241776	Ref	Ford Engine Machines (SN 0300196955 through 0300272376)	
	1001114056	Ref	GM Engine Machines (SN 0300183034 through 0300196955)	
	1001225666	Ref	GM Engine Machines (SN 0300196956 through 0300272376)	
		Ref	Hydraulic/Air Filter Kits:	
		Ref	Deutz D2011 & GM Engines (Not Available for Purchase)	
	1001204453	1	Deutz TD2.9L4 Engines (SN 0300183034 through 0300196955)	
	1001204455	1	Deutz TD2.9L4 Engines (SN 0300196956 through 0300272376)	
		Ref	Engine Fuel/Engine Oil Filter Kits:	
		Ref	Deutz D2011 & GM Engines (Not Available for Purchase)	
	1001204460	1	Deutz TD2.9L4 Engines	
	1001139099	Ref	Fire Extinguisher Installation (20lb)	
	2300004	Ref	Fluids - Coolant, Standard (Deutz TD2.9L4/GM Engines without Arctic Package)	
	2300041	Ref	Fluids - Coolant, Standard (Deutz TD2.9L4/GM Engines with Arctic Package)	
	3020016	Ref	Fluids - Engine Oil, (15W-40) (Deutz D2011 without Arctic Package)	
	3020044	Ref	Fluids - Engine Oil, (0W-40) (Deutz D2011 Engines with Arctic Package)	
	1001136079	Ref	Fluids - Engine Oil, (15W-40) (Deutz TD2.9L4 Engines without Arctic Package)	
	1001136172	Ref	Fluids - Engine Oil, (5W-40) (Deutz TD2.9L4 Engines with Arctic Package)	
	1001115930	Ref	Fluids - Engine Oil, (10W-30) (Ford Engine) (SN 0300183034 through 0300240878)	
	1001190775	Ref	Fluids - Engine Oil, (5W-30) (Ford Engine) (SN 0300240879 through 0300272376)	
	1001115930	Ref	Fluids - Engine Oil, (10W-30) (GM Engine without Arctic Package)	
	1001115931	Ref	Fluids - Engine Oil, (5W-30) (GM Engines with Arctic Package)	
	2300014	Ref	Fluids - Hydraulic Fluids - Mobil 424	
	2300027	Ref	Fluids - Hydraulic Fluids - Mobil 224H Bio	
	2300016	Ref	Fluids - Hydraulic Fluids - Mobil DTE 10 Excel 32	
	2300021	Ref	Fluids - Hydraulic Fluids - Union Carbide Ucon HP5046 Fire Resistant	
	2300039	Ref	Fluids - Hydraulic Fluids - Exxon Univis Hvl (Arctic Package Only)	
	3020039	Ref	Fluids - Lubricant (Axle Pivot)	
	3020029	Ref	Fluids - Lubricant (Kingpin)	
	3020037	Ref	Fluids - Lubricant (Engine Pump Coupling)	
	1001117294	Ref	Footswitch Shield (Note: Move Decal to Shield)	
	1001202749	Ref	Fuel Cap Cover Installation (Black) (Note: Lock p/n 1001102157 must be Purchased Separately)	

SECTION 10 - SPECIAL OPTIONS

ITEM	PART NUMBER	QTY	DESCRIPTION	REV
	1001191395	Ref	Fuel Cap Cover Installation (Green) (Diesel Machines) (Note: Lock p/n 1001102157 must be Purchased Separately)	
	1001191394	Ref	Fuel Cap Cover Installation (Red) (Gas Machines) (Note: Lock p/n 1001102157 must be Purchased Separately)	
	2902085	Ref	Generator 2500W Add-on Kit (Deutz D2011 Engines)	
	1001212067	Ref	Generator 4000W 50Hz Add-on Kit (Deutz D2011 Engines)	
	1001213604	Ref	Generator 4000W 60Hz Add-on Kit (Deutz D2011 Engines)	
	1001211798	Ref	Generator 4000W 50Hz Add-on Kit (Deutz TD2.9L4 Engines)	
	1001213602	Ref	Generator 4000W 60Hz Add-on Kit (Deutz TD2.9L4 Engines)	
	1001094475	Ref	Generator Hourmeter Installation	
	1001121736	Ref	Hood Conversion Kit - Caterpillar (ABS to Steel)	
	1001121735	Ref	Hood Conversion Kit - Deutz (ABS to Steel)	
	1001121737	Ref	Hood Conversion Kit - GM (ABS to Steel)	
	1001241410	Ref	Hostile Environment - 2WD Add-on Kit (800A)	
	1001241412	Ref	Hostile Environment - 4WD Add-on Kit (800A)	
	1001241413	Ref	Hostile Environment - 2WD Add-on Kit (800AJ)	
	1001241415	Ref	Hostile Environment - 4WD Add-on Kit (800AJ)	
	1001210685	Ref	Hose Kit - Boom (Upper) (800A) (SN 0300183034 through 0300194139)	
	1001210683	Ref	Hose Kit - Boom (Upper) (800A) (SN 0300194140 through 0300196955)	
	1001210684	Ref	Hose Kit - Boom (Upper) (800A) (SN 0300196956 through 0300272376)	
	1001210687	Ref	Hose Kit - Boom (Upper) (800AJ) (SN 0300183034 through 0300194139)	
	1001210686	Ref	Hose Kit - Boom (Upper) (800AJ) (SN 0300194140 through 0300272376)	
	1001239623	Ref	Hose Kit - Platform Valve (800A) (SN 0300194140 through 0300196955)	
	1001209630	Ref	Hose Kit - Platform Valve (800A) (SN 0300196956 through 0300272376)	
	1001209631	Ref	Hose Kit - Platform Valve (800AJ) (SN 0300194140 through 0300196955)	
	1001209632	Ref	Hose Kit - Platform Valve (800A) (SN 0300196956 through 0300272376)	
	2902457	Ref	Hose Kit - Powertrack (Lower) (800A) (SN 0300183034 through 0300194138)	
	1001204901	Ref	Hose Kit - Powertrack (Lower) (800AJ) (SN 0300183034 through 0300194138)	
	2902456	Ref	Hose Kit - Powertrack (Upper) (800A) (SN 0300183034 through 0300194139)	
	1001239620	Ref	Hose Kit - Powertrack (Upper) (800A) (SN 0300194140 through 0300196955)	
	1001239621	Ref	Hose Kit - Powertrack (Upper) (800A) (SN 0300196956 through 0300272376)	
	2902459	Ref	Hose Kit - Powertrack (Upper) (800AJ) (SN 0300183034 through 0300194138)	
	1001148971	Ref	Lanyard (Bolt-On) Kit Installation	
	1001236211	Ref	Leveling Cylinder Valve Cover Assembly Kit	
	1001183407	Ref	Low Temperature Cutout Installation (Russian Specs) (SN 0300183034 through 0300245050)	
	1001236951	Ref	Low Temperature Cutout Installation (Russian Specs) (SN 0300246051 through 0300272376)	
		Ref	Oil Coller Options:	
	1001156172	Ref	Oil Cooler Installation - Deutz D2011 Engine Machines	

SECTION 10 - SPECIAL OPTIONS

ITEM	PART NUMBER	QTY	DESCRIPTION	REV
	1001142677	Ref	Oil Cooler Installation - Deutz TD2.9L4 Engine Machines (RCP Cooler) (SN 0300183034 through 0300227034)	
	1001184569	Ref	Oil Cooler Installation - Deutz TD2.9L4 Engine and Deutz TD2.9L4 (Stage V) Engine Machines (YMER Cooler) (SN 0300227035 through 0300272376)	
	1001219633	Ref	Oil Cooler Installation - Ford Engine Machines	
	0272040	Ref	Oil Cooler Installation - GM Engine Machines	
	1001200700	Ref	Oil Cooler Replacement Kit (RCP to YMER)	
	0257728	Ref	Pipe Racks Installation - ANSI and CSA Spec	
	0274661	Ref	Pipe Racks Installation - Australian Spec	
	1001107497	Ref	Pipe Racks Installation - ANSI Export Spec (English/Spanish Language)	
	0258703	Ref	Platform Console Cover Installation (SN 0300183034 through 0300201003)	
	1001195304	Ref	Platform Console Cover Installation (Factory Installed) (SN 0300201004 through 0300272376)	
	1001110974	Ref	Platform Console Enclosure Cover Installation - Steel	
	1001122821	Ref	Platform Console Cover Installation (Chinese Spec) (SN 0300201004 through 0300233689)	
	1001110974	Ref	Platform Console Cover Installation (ANSI Export, CE-LRC & Chinese Spec) (SN 0300233690 through 0300272376)	
	1001205175	Ref	Platform Console Cover Add-on Kit (SN 0300201004 through 0300272376)	
	2915228	Ref	Platform Conversion Kit (Front to Side Entry)	
	1001142504	Ref	Platform Entry Kit - Drop Bar (To Replace Swing Gate with Drop Bar)	
	1001142505	Ref	Platform Entry Kit - Swing Gate (To Replace Drop Bar with Swing Gate)	
	0273147	Ref	Platform Mesh to Top Rail Installation - 2.5ft x 4ft Platforms (ANSI/ANSI Export and CSA Specs)	
	0273149	Ref	Platform Mesh to Top Rail Installation - 3ft x 6ft Platforms (ANSI/ANSI Export and CSA Specs)	
	0273145	Ref	Platform Mesh to Top Rail Installation - 3ft x 8ft Platforms (ANSI/ANSI Export and CSA Specs)	
		Ref	Platform Mesh to Top Rail Add-on Kits:	
	1001214552	Ref	30in x 4ft (76cm x 1.22m) with Gate	
	1001214561	Ref	36in x 6ft (91.5cm x 1.83m) with Gate	
	1001214562	Ref	36in x 8ft (91.5cm x 2.44m) with Gate	
	0272733	Ref	Platform, Top Rail Extension Installation - 3ft x 6ft Platforms	
	0272725	Ref	Platform, Top Rail Extension Installation - 3ft x 8ft Platforms	
	1001209059	Ref	Platform Work Surface Installation	
	1001162546	Ref	Pump Coupling Replacement Kit	
	1001139944	Ref	Pump Mounting Bracket Kit (Sauer Danfoss)	
	1001199488	Ref	Radiator Replacement Kit (RCP to Modine Radiator)	
	1001247073	Ref	SkyEye Retrofit Kit	
	1001206477	Ref	SkyGuard Complete Add-On Kit (Blue Beacon) (UGM Machines) (Note: Requires 7500W SkyPower Generator)	
	1001143669	NLA	SkyGuard Complete Add-On Kit (Blue Beacon) (UGM Machines) (Note: Requires 7500W SkyPower Generator) (Use p/n 1001206477)	
	1001210026	Ref	SkyGuard Complete Add-On Kit (Red Beacon) (UGM Machines) (Note: Requires 7500W SkyPower Generator)	
	1001197016	Ref	SkyGuard Platform Sensor Kit (UGM Machines)	
	1001137672	Ref	SkyGuard Platform Sensor Kit (UGM Machines)	
	1001137440	1	SkyGuard Sensor Harness	

SECTION 10 - SPECIAL OPTIONS

ITEM	PART NUMBER	QTY	DESCRIPTION	REV
	1001186431	2	Relay	
	1001206311	Ref	SkyGuard Strobe Light Kit - Hood Mounted (Blue Beacon)	
	1001143256	NLA	SkyGuard Strobe Light Kit - Hood Mounted (Blue Beacon) (Use p/n 1001206311)	
	1001210025	Ref	SkyGuard Strobe Light Kit - Hood Mounted (Red Beacon)	
	1001176372	Ref	SkyGuard Plug Removal Kit	
	1001232643	Ref	SkyLine Kit	
	1001152965	Ref	Strobe Light Installation - Platform Mounted (Amber)	
	1001154231	Ref	Strobe Light Installation - Platform/Ground Mounted (Amber)	
	1001228357	Ref	Telematics Retrofit Harness Kit	
	1001230840	Ref	Tilt Sensor Kit	
	0272324	Ref	Tire Sealant Installation (15IN385/65D 19.5 Tires) (ANSI Spec)	
	1300019	AR	Sealant	
	0272312	1	Decal - Tire Sealant	
	0273364	Ref	Tire Sealant Installation (IN445/55D 19.5 Tires) (ANSI Spec)	
	1300019	AR	Sealant	
	0272313	1	Decal - Tire Sealant	
		Ref	Tools for Service	
	1600244	1	Analyzer, Machine System	
	7002840	1	Antirotation Pin Removal Tool	
	8896941	1	Wire Stripper	
	7002821	1	Wire Crimper (To install wire ends to wires)	
	7002823	1	Pin/Socket Extractor - Universal (To Remove Pins/Sockets from Connectors)	
	4460467	1	Extractor - 16-18 Gauge (For Removal of Pin/Sockets from Deutsch Connectors)	
	4460510	1	Extractor - 12-14 Gauge (For Removal of Pin/Sockets from Deutsch Connectors)	
	7002822	1	Screwdriver, Potentiometer (To Adjust Drive Controllers)	
	7016654	1	Screwdriver, Magnetic	
	7004275	1	Seal Installation Tool - 1in	
	7004276	1	Seal Installation Tool - 1-1/2in	
	7002826	1	Seal Installation Tool - 2in	
	7016655	1	Wire Rope Sheave Gauge	
	7016652	1	Huck Bolt Fastener (For Small Huck Bolts Only)	
	70000017	1	ADE Software CD	
	1001137005	1	Software Cable Kit	
	70005663	1	Tool, Port Plate for Pump p/n 1001142522	
	0258826	Ref	Weld Leads to Platform Installation (800A)	
	0258827	Ref	Weld Leads to Platform Installation (800AJ)	
	0256196	Ref	Wheel Covers Installation	
	1001239347	Ref	White Noise, Motion Alarm	
	1001241385	Ref	White Noise, Motion Alarm Ambient	

PART NUMBER INDEX

SECTION 10 - SPECIAL OPTIONS

0060066.....222, 235	0258671 442, 448, 452	0273485 ... 253, 259, 263,	0630535.....321, 323, 325,
0060069.....217, 235	0258703 466	404	353, 355, 359, 363,
0080201 114	0258728 161	0273687 205	365, 367
0100009.... 144, 257, 261,	0258734 460	0273706 259, 263, 275	0630536.....345, 347
411	0258737 460	0273824 259, 263, 275	0630537.... 329, 331, 341,
0100011.... 13, 17, 19, 33,	0258758 460	0274031 205	343
35, 39, 40, 63, 74, 75,	0258802 460	0274460 441	0630548..... 144
76, 80, 85, 87, 88, 95,	0258805 460	0274461 441	0630568.....258, 262
96, 101, 102, 103, 106,	0258826 467	0274462 445	0641403.....245, 246
107, 112, 113, 114,	0258827 467	0274463 445	0641404.... 144, 164, 179,
135, 141, 144, 147,	0258945 259, 263	0274464 445	183, 191, 218, 223,
151, 153, 156, 157,	0259420 228	0274465 445	257, 261, 287
164, 167, 171, 175,	0270885 19	0274466 445	0641405.... 147, 175, 187,
179, 183, 187, 191,	0270886 19	0274467 445	197, 201, 205, 239, 287
197, 201, 205, 211,	0270888 19	0274468 445	0641406.... 85, 87, 88, 95,
213, 218, 223, 227,	0271083 20	0274469 445	101, 112, 114, 151,
228, 231, 232, 237,	0271084 20	0274470 445	158, 207, 252, 442,
239, 241, 244, 245,	0271085 20	0274471 445	448, 452
252, 275, 277, 279,	0271086 20	0274472 445	0641407..75, 76, 95, 103,
287, 290, 293, 295,	0271090 20	0274473 445	113, 144, 239
297, 321, 325, 329,	0271091 20	0274474 451	0641408.... 101, 102, 156,
333, 341, 345, 349,	0271340 259, 263	0274475 451	246, 252
353, 359, 365	0271374 409	0274519 441, 445, 451	0641409.....75, 205
0100019.....63, 167, 179,	0271375 409	0274661 307, 466	0641410...33, 74, 76, 205
183, 187, 191, 197,	0271376 410	0274883 461	0641412..... 86
201, 205, 390	0271377 410	0275039 175	0641414..... 40, 257, 261,
0100020..74, 85, 91, 101,	0271768 147, 259, 263	0275204 410	275, 277, 279, 281
103, 112, 114, 135,	0272040 466	0275216 425	0641416.....39, 223, 239,
139, 184, 188, 205,	0272070 237	0275217 425	245
208, 262, 290, 303, 389	0272131 222	0275218 425	0641418.....39, 112, 245,
0100035.... 147, 245, 246,	0272254 295	0275219 425	252
257, 261	0272259 421	0275257 201, 426	0641420..... 101
0100038.... 227, 228, 321,	0272260 421	0275261 463	0641424.....224
325, 329, 333, 341,	0272312 467	0275262 461	0641504..... 35
345, 349, 353, 359, 365	0272313 467	0275452 425	0641506.... 144, 151, 153,
0100048.... 101, 112, 144,	0272322 19	0275453 425	207
147, 171, 179, 191,	0272324 467	0275454 425	0641507.....245
239, 246, 257, 261,	0272333 20	0275733 246	0641508.. 35, 74, 87, 101,
408, 413	0272334 20	0340041 114	112, 135, 151, 156,
010006276, 92, 106, 115,	0272381 217	0360406 35	164, 167, 171
135, 191	0272418 285	0362770 151	0641510..... 76, 175
0100071 281	0272427 ... 259, 263, 275	0370022 325	0641512..... 76
0100079.... 129, 135, 179,	0272429 409	0370034 329	0641514..... 175, 307
191	0272430 410	040007574, 85, 101, 112,	0641516.... 179, 183, 187,
0100081.... 156, 232, 257,	0272431 410	211, 213	191, 197, 201, 218
261, 285	0272432 410	0440244 63	0641518..... 91
0140011..... 257, 261	0272433 413, 423	0480100 307	0641542..... 33
0140044..... 147, 420	0272435 ... 194, 198, 202	0480121 163	0641560..... 33
0181949..... 139	0272448 290, 295	0480126 184, 193	0641604.... 218, 223, 244,
0200048..... 275	0272521 293	0480129 184, 193	245
0200742..... 163	0272588 293	0480142 ... 175, 187, 201	0641605..... 91, 228
0232121..... 35	0272589 194	0561185 227	0641606.... 33, 39, 76, 86,
0256196..... 467	0272599 290, 303	0561237 223	114, 152, 153, 205,
0256202..... 422	0272703 239	0561295 231	218, 223, 228, 231,
0256823..... 153	0272725 466	0630407 89	232, 245, 290, 293,
0257195..... 462	0272733 466	0630427 244	295, 297
0257728..... 307, 466	0272948 285	0630462 275	0641607.... 13, 17, 40, 91,
0257764..... 227	0272951 285	0630464 257, 261	101, 135, 156, 167,
0258076..... 231	0273145 466	0630467 245	224, 227, 231, 232
0258077..... 231	0273147 466	0630485 157	064160885, 88, 112, 114,
0258217..... 244	0273149 466	0630507 151	131, 133, 151, 153,
0258338..... 245	0273353 290	0630518 ... 144, 290, 293,	157, 158, 218, 224,
0258384..... 245	0273364 467	295, 297, 303	227, 231
0258387 460	0273434 410	0630534 ... 333, 337, 339,	0641609..76, 80, 88, 114,
0258541 462	0273484 ... 253, 259, 263,	349	151, 156, 161, 205,
0258567 245	404		227, 231
0258654..... 460			

SECTION 10 - SPECIAL OPTIONS

0641610 ... 40, 74, 76, 85, 95, 101, 112, 114, 129, 147, 148, 163, 207, 227, 252	0700818 107	0861538..... 191, 197, 201	0962450 239
0641611 86, 141, 218, 224	0700820 175, 187, 201	0861572..... 191	0962520 ... 179, 184, 187, 191, 197, 201
0641612 91, 101, 112, 114, 231, 232	0701014 107	0861642..... 205	0962524 359
0641614 39, 135	0701016 175, 187, 201	0861731..... 423	1001001939 77
0641615 227	0701026 107	0861781..... 423	1001091315 411
0641616 ... 179, 184, 193, 207, 227	0701224 106	0861782..... 423	1001091319 412
0641617 139	0710827 107	0861880..... 429	1001091323 412
0641618 39, 193, 224	0711014 106	0902143..... 151	1001091324 412
0641622 228	0711020 103	0902206..... 147	1001091330 410
0641624 228, 232	0711216 107	0902219..... 151	1001091460 27
0641640 232	0711223 106	0902223..... 151	1001091461 27
0641652 365	0711414 80	0902351..... 151	1001091794 114
0641708 88	0720804 139	0902412..... 151	1001091969 422
0641710 175	0720808 203	0902426..... 151	1001091970 422, 425
0641772 ... 164, 167, 171	0721006 95, 151, 164, 167, 257, 261	0902491..... 151	1001091971 422, 425
0641806 ... 227, 359, 361, 363	0721008 152, 153	0902751..... 257	1001091972 422
0641808 . 74, 85, 88, 101, 103, 112, 113, 179, 183, 187, 191, 201	0731005 275	0902888.... 179, 183, 187, 191, 197, 201	1001091973 422
0641810 13, 17, 205	0741605 88	0902919..... 239	1001091974 422
0641812 75, 87, 103, 113, 141, 167, 237, 241	0741607 ... 179, 184, 191, 197, 217, 224	0902920..... 239	1001091975 422
0641818 13, 135, 161	0741609 17	0903056..... 141	1001092092 460
0641820 76, 80, 141, 218, 224	0760605 88, 91, 106	0903088..... 205	1001092093 410
0641822 239	0760606 88, 198	0903242..... 141	1001092384 413
0641826 115	0760608 103	0903308..... 151	1001093382 . 74, 86, 102, 113, 211, 213
0641828 114	0760610 ... 101, 103, 107, 171, 197	0903484..... 428	1001093389 463
0641840 218, 224	0760612 103	0903510..... 112	1001093746 460
0642010 74, 101, 112	0760615 107	0903697..... 428	1001093748 410
0642012 86, 285	0760619 101	0940049..... 152, 156	1001094375 203
0642024 239	0760807 106	0940070 . 76, 88, 106, 114	1001094400 246, 420, 456
0642026 285	0760810 . 86, 88, 96, 101, 103	0940071 151, 152	1001094475 203, 404, 465
0642038 35	0760812 ... 101, 103, 106, 315	0940088..... 152	1001094509 203, 428
0642212 13, 17, 285	0760814 103	0940102..... 285	1001094595 . 76, 88, 103, 114, 123
0642214 218, 224	0760815 103	0940103..... 275	1001094661 227
0642612 147	0760817 107	0940133..... 275	1001094662 228
0642620 218, 224	0761008 86, 96, 101	0940134..... 275	1001094662 228
0642684 ... 237, 239, 241	0761014 ... 103, 161, 241	0940177..... 275	1001095809 441, 447
0651406 39	0761015 92, 96, 103	0961845..... 252	1001096070 180, 184, 428
0681608 ... 13, 17, 74, 85, 237, 239, 241	0761016 103, 171	0961893.... 333, 337, 339	1001096134 194, 428
0681620 309, 311, 313	0761018 197	0961894.... 321, 323, 353, 355	1001096141 441
0681814 255	0761210 91	0961897 359, 363, 365, 367	1001096736 246
0681820 91	0761216 241	0961901..... 329, 341	1001097051 413, 435
0681822 19, 91, 255	0771012 102	0961902..... 325	1001097082 413
0682016 19	0771014 103	0961903..... 345	1001097150 429
0682023 63	0771212 85, 88	0961947 223, 325, 327	1001098012 290, 303, 305
0682032 63	0771414 76, 88	0961951 218, 231, 321, 323, 349, 351, 353, 355	1001098122 408
0682216 63	0771415 88, 184, 193	0961986 . 76, 88, 103, 114	1001098149 303
0682236 13, 17	0801132 ... 217, 222, 227	0962051..... 161	1001098167 319
0682424 309, 311, 313	0801135 217, 231	0962102 13, 17, 227, 231, 329, 331, 341, 343, 345, 347	1001098234 428
0700615 147, 148	0801138 231	0962122..... 227	1001098349 428
0700617 157	0801496 227	0962152..... 17, 357	1001098764 420
0700618 157	0801573 231	0962155.... 349, 351, 353, 355	1001098828 106, 241
0700808 76	0801585 231	0962156..... 349	1001099051 79
0700810 103, 114	0801591 231	0962181..... 17	1001099121 153
0700812 103	0801594 227	0962185..... 349	1001099137 151
0700814 92, 103	0811608 135	0962270..... 255	1001099138 151, 152
0700816 106	0811610 157	0962270..... 255	1001099366 285
	0811612 40, 211, 213	0962335..... 222	1001099367 285
	0811812 151, 156	0962336.... 333, 335, 337, 339	1001099421 285
	0840055 239	0962348..... 17	1001099422 285
	0860038 ... 179, 184, 187, 191, 197, 201, 423	0962449..... 164	1001099837 231
	0860520 442, 448, 452		1001099840 231
	0861537 257, 258		

SECTION 10 - SPECIAL OPTIONS

1001099869..... 164	1001110225 145, 413, 414	1001117523 156	1001126357..... 418
1001099870..... 33	1001110425 ... 40, 75, 86, 205	1001117525 156	1001126362..... 419
1001100233..... 164	1001110434 257, 262	1001117568 156	1001126363..... 419
1001100234..... 164	1001110873 180, 184, 188, 192, 198, 202, 423, 426	1001117598 156	1001126364..... 419
1001100321..... 163	10011110974 466	1001118133 136	1001126365..... 419
1001100341..... 425	1001111014 464	1001118384 437	1001126384..... 418
1001100342..... 425	1001111514 135	1001118388 437	1001126391..... 419
1001100345..... 425	1001112551 451	1001118416 257, 271	1001127087..... 461
1001100346..... 425	1001112588 404, 421	1001118417 257, 265	1001127094..... 462
1001100347..... 425	1001112589 421	1001118963 460	1001128527..... 297
1001100825..... 103, 107	1001112612 414	1001118964 461	1001128556..... 297
1001101060..... 63, 66	1001112743 404, 421	1001119020 409	1001128901..... 92, 104
1001101191..... 423, 429	1001112990 460	1001119563 462	1001129858..... 183, 187
1001101196..... 424	1001112991 460	1001119602 393, 397	1001131168..... 258, 262
1001101197..... 424	1001112992 460	1001119619 431	1001131269..... 441, 447
1001101241..... 79	1001113047 156	1001119620 433, 435	1001131992..... 405
1001101421..... 285	1001113483 239	1001119939 461	1001132055..... 404, 427
1001101422..... 285	1001113961 271	1001119947 461	1001133714..... 419
1001101600..... 74	1001114056 464	1001119968 194, 427	1001133715..... 419
1001101623..... 152	1001114115 464	1001120328 277, 279, 287	1001133956..... 418
1001101673..... 152, 153	1001114373 451	1001120962 157	1001133957..... 418
1001102290..... 416	1001114374 451	1001121122 157	1001134103..... 461
1001102291..... 416	1001114595 114	1001121123 157	1001134488..... 89, 105
1001102304..... 416	1001114632 114	1001121306 463	1001135138..... 89
1001102599..... 144	1001115387 191, 426	1001121655 447	1001135650..... 419
1001102600..... 145	1001115389 191, 426	1001121656 447, 463	1001135651..... 419
1001102647..... 285	1001115405 163	1001121735 465	1001135679..... 89
1001103308..... 145	1001115406 163	1001121736 465	1001136079..... 89, 464
1001103667..... 145, 456	1001115409 163	1001121737 465	1001136104..... 197
1001103810..... 14, 17	1001115518 461	1001121800 441, 463	1001136172..... 89, 464
1001106339..... 414	1001115930 103, 114, 464	1001121801 441, 463	1001136400..... 232
1001106340..... 414	1001115931 114, 464	1001121802 446	1001136834..... 89
1001106355..... 257, 456	1001116290 158	1001121803 446	1001136881..... 394, 398
1001106450..... 307	1001116332 373	1001121804 446, 463	1001136988..... 192
1001106477..... 246	1001116456 158	1001121805 446, 463	1001137005..... 467
1001106481..... 246	1001116457 158	1001121806 447, 463	1001137276..... 89
1001106482..... 245	1001116474 411	1001121807 447	1001137440..... 466
1001106736..... 145, 413	1001116544 114	1001121808 447	1001137460.. 40, 61, 211, 213
1001106938..... 257, 261	1001116545 115	1001121809 446	1001137672..... 466
1001106957..... 381, 386	1001116565 461	1001121810 446	1001137673..... 277, 279
1001106974..... 141	1001116566 462	1001121813 441	1001138110..... 419
1001106975..... 141	1001116710 418	1001121814 441	1001138111..... 419
1001107469..... 307	1001116727 419, 428	1001121815 447	1001138113..... 419
1001107497..... 307, 466	1001116846 445	1001121816 447	1001138173..... 89, 104
1001107529..... 141	1001116849 446	1001121817 447	1001138175..... 89, 104
1001107530..... 141	1001116851 446	1001121818 447	1001138228..... 89, 456
1001107753..... 258, 408	1001116952 418	1001121819 447	1001138248..... 90, 105
1001107926..... 259, 263	1001116992 408	1001121820 447	1001138489..... 91
1001107927..... 259, 263	1001117078 194, 428	1001121821 447	1001138491..... 86, 418
1001108256..... 259, 263, 275	1001117140 153	1001121822 447	1001138494..... 252
1001108495..... 441, 447	1001117172 253, 262	1001121823 447	1001138514..... 252
1001108720..... 462	1001117174 253, 262	1001121918 447, 463	1001138557..... 90
1001108721..... 462	1001117219 157	1001121921 447	1001138565..... 183
1001108763..... 259, 263	1001117234 156	1001122200 447, 463	1001138566..... 180, 183, 187
1001108764..... 259, 263	1001117249 156	1001122201 447	1001138717..... 91
1001108962..... 463	1001117294 464	1001122821 466	1001138790..... 222
1001109263..... 461	1001117307 156	1001125125 413	1001138791..... 223, 321
1001109475..... 429	1001117308 89, 456	1001125126 412	1001138792..... 222, 333
1001109477..... 428	1001117372 319	1001125387 442, 448	1001138793..... 223, 353
1001109482..... 429	1001117427 252	1001125492 63	1001138795..... 333, 337, 339
1001109503..... 144	1001117428 253, 257	1001126009 437	1001138796..... 321, 323, 353, 355
1001109654..... 428		1001126351 418	1001138827..... 90
1001109690..... 390, 394, 398		1001126352 418	1001139099..... 464
1001110166..... 156		1001126353 418	
		1001126356 418	

SECTION 10 - SPECIAL OPTIONS

1001139135 258, 262, 408	1001142855..... 85	1001149410.....390, 394, 398	1001153622 117
1001139151 461	1001142938..... 419	1001149639.....104	1001153636 180, 184
1001139240 90	1001142940..... 419	1001149673.....151	1001153712 145, 415
1001139303 90	1001142941..... 419	1001149703.....80	1001153713 145, 415
1001139357 183	1001143192.....390	1001149704.....77	1001153715 145, 415
1001139409 90	1001143256.....467	1001149705.....77	1001153718 404, 415, 417
1001139654 452	1001143390.....77, 91	1001149706.....77	1001153719 404, 415, 417
1001139813 90, 92	1001143431..... 148	1001149793.....77	1001153749 246
1001139944 466	1001143449..... 95	1001149818.....147, 420	1001153779 76
1001139952 183, 426	1001143472..... 95	1001149908.....96	1001153830 143
1001139953 183, 426	1001143483..... 95	1001149924.....285	1001153831 143
1001139960 187, 426	1001143484..... 95	1001149955.....147	1001153832 143
1001140312 92	1001143525..... 95	1001149994.....147, 148	1001153833 143
1001140346 179	1001143575..... 95	1001150253.....157	1001153834 143
1001140347 179	1001143601..... 153	1001150260..... 151, 156	1001153835 143
1001140362 90	1001143607..... 151, 152	1001150372.....14, 17	1001154126 319
1001140412 88	1001143609..... 151	1001150406.....147	1001154231 467
1001140413 87	1001143611..... 153	1001150539...14, 17, 357	1001154236 75
1001140414 85	1001143669.....466	1001150561.....158	1001154237 75
1001140429 252	1001143726.....91, 418	1001150890.....80	1001154238 74
1001140448 90	1001143736.....86, 417	1001150915.....77	1001154239 74
1001140450 90	1001143797.....91	1001150918..75, 87, 102, 113	1001154258..13, 17, 319
1001140454 90	1001143852.....448, 451	1001150937.....14, 17	1001154405 ... 85, 91, 95, 131, 133
1001140466 90	1001143858.....152	1001150944.....148, 420	1001154584 13
1001140487 90	1001143860.....95	1001150998.....77	1001154687 319
1001140535 90	1001143907.....91, 420	1001151010.....139	1001154875 17
1001140564 90	1001144018.....251	1001151034.....13	1001154931 17
1001141300 263	1001144020.....251	1001151035.....13	1001155035 17
1001141302 263	1001144021.....251	1001151037.....13	1001155041 171
1001141304 90, 418	1001144022.....251	1001151070.....74	1001155043 145
1001141370 90	1001144023.....251	1001151252.....80	1001155044 145, 258, 262
1001141419 90	1001144024.....251	1001151253.....80	1001155045 145, 258, 262, 454
1001141421 191, 426	1001144025.....251	1001151354.....378, 386	1001155143 74, 417
1001141422 191, 426	1001144027.....251	1001151856.....419	1001155185 461
1001141546 91	1001144319.....77	1001151900.....461	1001155192 17
1001141583 91	1001144433.....262, 279	1001151980.....14	1001155194 17
1001141584 91	1001144438.....205	1001152173.....145	1001155364 147
1001141585 91, 104	1001144447.....205	1001152175.....145	1001155384 90
1001141586 91	1001144527.....158	1001152429.....194, 427	1001155673 393, 397
1001141711 95	1001144596.....255	1001152457 180, 183, 188, 426	1001155823 86
1001141718 86, 95	1001144597.....255	1001152458.....426	1001155895 157
1001141783 40	1001144629.....251	1001152459.....77	1001155899 156
1001141870 95	1001145154.....91	1001152489.....91	1001156136 63
1001141967 423	1001145405.....290, 303	1001152525.....193, 198, 202	1001156137 40
1001141968 423	1001145750.....96	1001152532.....180, 184, 187, 426	1001156172 400, 465
1001141969 423	1001145751.....96	1001152564.....245, 246	1001156176 135
1001141995 91, 104	1001145937.....145, 414	1001152565.....245, 246	1001156188 156
1001142005 40	1001146273.....77	1001152637.....393	1001156190 135
1001142031 95	1001147264.....419	1001152719.....13	1001156225 405
1001142032 95	1001147812.....77	1001152965.....467	1001156332 377, 381, 385
1001142501 86, 91, 95	1001147813.....77	1001153025.....404, 427	1001156333 377, 381, 385
1001142504 466	1001147820.....77	1001153197 180, 184, 427	1001156351 425
1001142505 466	1001147823.....77	1001153257 404, 427	1001156352 425
1001142522 75, 87, 113, 117, 118	1001148138.....167	1001153259.....180, 427	1001156467 112, 258, 262
1001142623 90	1001148641.....91	1001153282.....77, 89, 92	1001156469 112
1001142643 180, 193	1001148652.....231	1001153328.....409	1001156471 113
1001142645 180, 193	1001148902.....463	1001153329.....410	1001156473 113
1001142646 180, 193	1001148903.....463	1001153359.86, 102, 113	1001156597 389, 400
1001142677 400, 466	1001148904.....463	1001153396.....76	1001156598 389, 400
1001142683 148	1001148905.....463	1001153414.....77	
1001142694 148	1001148906.....463	1001153435.....153	
1001142722 148	1001148971.....465		
1001142736 148, 420	1001149126.....461, 463		
1001142853 88	1001149160.....106		
1001142854 87	1001149284.....231, 359		
	1001149286.....222, 231		
	1001149391.....359, 363		

SECTION 10 - SPECIAL OPTIONS

1001156693.....413	1001159256..... 258, 262	1001169967 104	1001178177.....85
1001156694.....412	1001159294..... 381, 386	1001170035 104	1001178178.....74
1001156695.....412	1001159323..... 451	1001170128 39, 244	1001178179.....112
1001156710.....13, 17	1001159340..... 374, 377, 382, 386	1001170129 39, 244	1001178200.....397, 400
1001156793.....135	1001159648..... 404, 427	1001170132 39, 244	1001178201.....397, 400
1001156794.....39, 244	1001159707..... 394, 398	1001170134 39, 244	1001178202.....400
1001156795.....39, 244	1001159854..... 373, 378	1001170448 222	1001178203.....377, 400
1001156796.....39, 244	1001159879 400	1001170449 222	1001178204.....385, 400
1001156797.....39, 244	1001160077 147	1001170548 222	1001178205.....385, 400
1001156798.....63	1001160271..... 404, 427	1001170644 371	1001178206.....400
1001156819.....113	1001160272 423	1001170808 145, 415	1001178207.....461
1001156823.....113	1001160780 35	1001170855 400	1001178208.....461
1001156824.....113	1001160965 76	1001170987 217	1001178223.....92
1001156825.....113	1001160966 75	1001170989 217, 235	1001178256.....222, 235
1001157012.....275	1001160967 74	1001171016 428	1001178797.....131, 133
1001157013.....275	1001161033 393	1001171125 179, 426	1001178876.....92, 96
1001157015.....19, 33	1001161089 157	1001171131 421	1001179079.....397
1001157016.....19, 33	1001161355 14, 17	1001171202 227	1001179154.....193, 198, 202, 427
1001157049.....63	1001161399 14, 17	1001171203 227	1001179269.....393, 397
1001157058.....63	1001161901..... 135, 136	1001171403 419	1001179270.....393, 397
1001157094.....19, 33	1001162335 86, 95	1001171501 143	1001179271.....393, 397
1001157208.....157	1001162497 .. 74, 86, 102	1001171502 143	1001179329.....393, 397
1001157209.....157	1001162546 466	1001171506 143	1001179545.....393, 397
1001157220.....222, 235	1001162915 157	1001171507 144	1001179546.....393, 397
1001157400.....371, 400	1001163101 158	1001171509 143	1001179837.....167
1001157401.....401	1001163101 158	1001171510 143	1001179912.....183, 426
1001157446.....400	1001163131 285	1001171512 143	1001180001.....167
1001157447.....381, 400	1001163296 285	1001171513 143	1001180050.....404, 421
1001157448.....373, 400	1001163297 285	1001172045 460	1001180052.....168, 421
1001157449.....381, 400	100116333 373	1001172179 228	1001180093.....144
1001157450.....400	1001163599..... 167, 180, 191	1001172218 40, 47	1001180094.....145
1001157520.....193, 198, 202	1001164091 428	1001172219 40, 47	1001180218.....179, 426
1001157521.....193, 198, 202	1001164786..... 147, 259, 263	1001172663 241	1001180287.....167
1001157525.....193, 426	1001165035..... 85, 105	1001172760 257, 262	1001180620.....92, 105
1001157528.....193, 198, 202	1001165118 147	1001173292 393, 400	1001180861.....462
1001157592.....193, 198, 201, 202, 426	1001165350 223	1001173293 393, 400	1001181045.....429, 457
1001157612.....156	1001165368..... 180, 184, 428	1001173535 106	1001181046.....429, 457
1001157726.....156	1001165657 14, 17	1001173590 417	1001181059.....217, 235
1001157735.....156	1001165774 143	1001173876 156	1001181150.....464
1001157768.....404, 427	1001165775 143	1001173878 158	1001181243.....168
1001157769.....194, 404, 427	1001165776..... 145, 415	1001173897 135	1001181895.....92
1001157770.....194, 404, 427	1001165779..... 404, 415, 417	1001174093 113	1001181899.....91
1001157867.....156	1001165842 91	1001174277 157	1001182138.....281
1001158007.....193, 198, 202	1001166538..... 257, 262, 273, 454	1001174408 157	1001182162.....397
1001158008.....193, 198, 202	1001166539..... 257, 262, 267, 454	1001174486..... 102, 112	1001182599.....463
1001158077.....156	1001166672..... 253, 257	1001174745 95	1001182997.....92, 135
1001158167.....158	1001166677..... 253, 257	1001174746 95	1001183407.....465
1001158171.....158	1001166806 35	1001176027 88	1001184176.....143
1001158175.....156	1001167042 90	1001176035 88	1001184177.....143
1001158187.....33	1001167565 241	1001176329 104	1001184569.....466
1001158188.....33	1001167567 241	1001176372 467	1001185078.....463
1001158203.....33	1001167596 241	1001176419 90	1001185131.....145, 413, 414
1001158204.....33	1001168018 104	1001176469 145	1001185280.....262, 408
1001158258.....35	1001168402 241	1001176712 405	1001185281.....262
1001158259.....460	1001169054..... 91, 104	1001177035 428	1001185667.....87
1001158260.....460	1001169138..... 92, 104	1001177159 113	1001185670.....85
1001158522.....35	1001169754 20	1001177165 113	1001185671.....87
1001159096.....252	1001169755 20	1001177359 92	1001185672.....85
1001159121.....421	1001169756 20	1001177614 390	1001186251.....157
	1001169757 20	1001177694 463	1001186254.....157
	1001169935 157	1001177710 428	1001186333.....255
		1001177844 91	1001186334.....255
		1001177845 91	1001186375.....251
		1001178057..... 135, 136	1001186378.....251
		1001178174 135	1001186379.....251
		1001178175 135	
		1001178176 85	

SECTION 10 - SPECIAL OPTIONS

1001186382	252	1001197017	275	1001206254	422	1001215974	105
1001186383	251	1001197067	148	1001206255	423	1001216015	167
1001186384	251	1001197272	397	1001206256	428	1001216065	106
1001186385	251	1001197408	451	1001206311	467	1001216071	107
1001186387	251	1001198333	378, 386	1001206476	315	1001216075	105
1001186426	105	1001198334	378	1001206477	466	1001216092	105
1001186431	262, 279, 408, 467	1001198336	371	1001207004	148	1001216144	107
1001186432	437	1001198338	386	1001207307	147	1001216201	105
1001186517	277, 279	1001198339	371	1001207558	151	1001216212	417
1001186985	90	1001198340	378, 386	1001207969	245	1001216213	417
1001187508	277	1001198341	386	1001209059	466	1001216220	96
1001187510	75, 87, 103, 114, 121	1001199394	377, 385	1001209432	315	1001216230	145, 415
1001187674	283	1001199395	378	1001209474	315	1001216300	107
1001187681	431	1001199488	466	1001209630	465	1001216390	198
1001187781	104	1001199733	129	1001209631	465	1001216391	172
1001188007	143	1001199949	462	1001209632	465	1001216393	106
1001188008	143	1001200054	245	1001209664	277, 279	1001216531	106
1001188042	145	1001200120	462	1001209871	148	1001216532	103
1001188135	377, 385	1001200121	462	1001210025	467	1001216534	103
1001188354	147	1001200122	462	1001210026	466	1001216535	103
1001188622	241	1001200124	462	1001210448	107	1001216568	102
1001188840	227, 365	1001200125	462	1001210683	465	1001216616	107
1001188842	367	1001200126	462	1001210684	465	1001216619	107
1001188843	359	1001200127	462	1001210685	465	1001216630	239, 241
1001188844	241	1001200491	241	1001210686	465	1001216713	114
1001188874	145	1001200494	241	1001210687	465	1001216714	114
1001188884	129	1001200497	246, 415	1001211794	106, 107	1001216715	113
1001188887	129	1001200575	258, 262	1001211798	465	1001216716	113
1001188889	277	1001200700	466	1001212067	465	1001216719	112
1001188968	231, 359	1001200910	148	1001212223	192	1001216720	112
1001188972	75, 86, 102, 113	1001201351	241	1001213045	106	1001216768	106
1001189001	241	1001201890	257, 258	1001213181	463	1001216769	106
1001189002	241	1001201891	262	1001213219	463	1001216810	106
1001189116	262	1001202082	463	1001213220	463	1001216910	106
1001189173	147	1001202122	463	1001213221	463	1001216919	105
1001189979	105	1001202280	129	1001213222	463	1001216995	105
1001190089	253, 261	1001202281	129	1001213223	463	1001217005	460
1001190113	252	1001202311	96	1001213227	463	1001217032	105
1001190610	90	1001202331	463	1001213357	105	1001217046	105
1001190775	103, 464	1001202368	90	1001213447	409	1001217090	105
1001190985	241	1001202397	463	1001213482	105	1001217170	103
1001191394	465	1001202398	463	1001213584	424, 429	1001217174	105
1001191395	465	1001202573	253, 261	1001213585	424, 429	1001217175	105
1001191610	104	1001202577	253, 257	1001213602	465	1001217183	105
1001191708	281	1001202749	464	1001213604	465	1001217185	105
1001192401	414	1001203655	255	1001213705	218, 224	1001217186	105
1001193018	426	1001203656	255	1001213810	106	1001217191	103
1001193638	462	1001204269	386	1001213882	262	1001217192	102
1001193691	143	1001204325	91	1001214030	462	1001217194	400
1001193692	143	1001204453	464	1001214039	90, 92	1001217195	400
1001194197	422	1001204455	464	1001214050	88	1001217196	400
1001194198	422	1001204460	464	1001214552	466	1001217197	400
1001194200	422	1001204560	13, 17, 319	1001214561	466	1001217199	101
1001194203	422	1001204616	463	1001214562	466	1001217317	105
1001194204	422	1001204667	129	1001214570	315	1001217477	107
1001194365	423	1001204725	241	1001214571	315	1001217478	107
1001194368	427	1001204901	465	1001214827	107	1001217543	105
1001194437	404, 427	1001205025	460	1001215016	416	1001217649	451
1001195304	466	1001205026	460	1001215091	417	1001217780	222, 235
1001195533	464	1001205028	460	1001215228	262	1001218022	463
1001195967	95	1001205029	460	1001215289	398	1001218085	103
1001196382	198	1001205175	466	1001215296	378, 386	1001218089	107
1001196634	127	1001205493	148	1001215384	107	1001218362	105
1001196768	157	1001206250	422	1001215474	85, 87, 95	1001218449	105
1001197016	466	1001206251	422	1001215534	417	1001218547	161
		1001206252	422	1001215674	105	1001218572	75, 87, 102, 211, 213
		1001206253	422	1001215681	105		

SECTION 10 - SPECIAL OPTIONS

1001218622.....	413	1001221703.....	252	1001227779.....	409	1001232190.....	461
1001218623.....	413	1001221719.....	252	1001227780.....	410	1001232259.....	409
1001218776.....	143	1001222033.....	106	1001227781.....	410	1001232586.....	253
1001218777.....	143	1001222641.....	107	1001227782.....	410	1001232642.....	287
1001218930.....	198	1001222665.....	418	1001227783.....	410	1001232643.....	467
1001219219.....	19, 27	1001222817.....	131, 133	1001227784.....	410	1001232650.....	287
1001219259.....	105	10012223042.....	105	1001227785.....	410	1001232667.....	287
1001219345.....	105	10012223055.....	442	1001227799.....	411	1001232799.....	253
1001219361.....	105	1001223453.....	442, 448	1001227800.....	410	1001232838.....	253
1001219363.....	105	1001223584.....	104	1001227801.....	411	1001232842.....	127
1001219364.....	102	1001223591.....	90, 92	1001227985.....	283	1001233047.....	460
1001219365.....	102	1001223593.....	92	1001227987.....	283	1001233089.....	92
1001219366.....	102	1001223782.....	87	1001227996.....	433, 435	1001233237.....	461
1001219367.....	102	1001223783.....	85	1001228009.....	217, 222,	1001233472.....	460
1001219368.....	102	1001223923.....	105		347	1001233763.....	87, 127
1001219369.....	102	1001223971.....	448	1001228010.....	217, 222,	1001234099.....	461
1001219370.....	102	1001224048.....	448		343	1001235011.....	287
1001219480.....	105	1001224049.....	448	1001228011.....	217, 351	1001235013.....	287
1001219608.....	103	1001224050.....	448	1001228012.....	222, 335	1001235488.....	88, 92
1001219609.....	102	1001224052.....	448	1001228030.....	223, 323	1001235489.....	88
1001219610.....	101	1001224053.....	448	1001228033.....	217, 327	1001235490.....	87
1001219611.....	105	1001224137.....	404, 415,	1001228041.....	217, 222,	1001235491.....	85
1001219612.....	105		417		331	1001236211.....	465
1001219613.....	105	1001224486.....	106	1001228050.....	223, 355	1001236303.....	213
1001219618.....	197	1001224489.....	106	1001228086.....	227, 367	1001236304.....	315
1001219619.....	171	1001224936.....	92	1001228087.....	231, 363	1001236338.....	442, 462
1001219630.....	172	1001224937.....	92	1001228088.....	231, 361	1001236504.....	315
1001219632.....	172	1001224940.....	92	1001228170.....	40, 51	1001236505.....	315
1001219633.....	466	1001225346.....	315	1001228171.....	40, 55	1001236552.....	287
1001219809.....	102	1001225442.....	105	1001228215.....	251	1001236746.....	313
1001219840.....	461	1001225510.....	106	1001228224.....	283	1001236747.....	309
1001219881.....	161	1001225580.....	262, 279,	1001228225.....	283	1001236891.....	309, 311,
1001219906.....	107		408	1001228243.....	252		313
1001219973.....	253, 261	1001225666.....	464	1001228357.....	467	1001236895.....	309, 311,
1001219983.....	39, 244	1001225745.....	76, 87, 88,	1001228375.....	252		313
1001219984.....	39, 244		103, 121	1001228376.....	251	1001236951.....	465
1001219985.....	39, 244	1001226098.....	94	1001228377.....	251	1001237862.....	433, 435
1001219986.....	39, 245	1001226285.....	95	1001228506.....	365	1001237863.....	283, 435
1001220002.....	157	1001226286.....	131	1001228949.....	461	1001237864.....	283, 433
1001220067.....	156	1001226531.....	315	1001228988.....	290, 291,	1001237865.....	283, 431
1001220141.....	107	1001226744.....	245		293, 295, 297, 301, 303	1001238263.....	309, 311,
1001220151.....	460	1001226872.....	252	1001229107.....	461		313
1001220189.....	158	1001226923.....	131, 133	1001229113.....	442, 448,	1001238319.....	283
1001220190.....	156	1001227224.....	86, 95		452	1001238418.....	287, 437
1001220281.....	262, 408	1001227302.....	411	1001229341.....	283	1001238463.....	311
1001220379.....	419	1001227351.....	411	1001229530.....	415	1001238472.....	287
1001220404.....	107	1001227359.....	413	1001229531.....	415	1001238477.....	287
1001220486.....	258, 262	1001227448.....	461	1001229560.....	462	1001238495.....	279
1001220510.....	442, 448,	1001227488.....	411	1001229762.....	460	1001238559.....	287
	452	1001227518.....	411	1001229810.....	63, 70	1001238824.....	287
1001220511.....	442, 448,	1001227519.....	409	1001230032.....	133	1001239347.....	467
	452	1001227520.....	410	1001230635.....	90	1001239462.....	213
1001220512.....	442, 448,	1001227524.....	409	1001230834.....	460	1001239470.....	211
	452	1001227610.....	410	1001230840.....	467	1001239620.....	465
1001220864.....	442, 448,	1001227611.....	410	1001231180.....	301	1001239621.....	465
	452	1001227614.....	88	1001231183.....	301	1001239623.....	465
1001221203.....	92	1001227615.....	87	1001231235.....	301	1001241385.....	467
1001221208.....	198, 427	1001227616.....	85	1001231801.....	441, 462	1001241410.....	465
1001221212.....	87, 92	1001227617.....	87	1001231888.....	135	1001241412.....	465
1001221219.....	92	1001227620.....	87	1001231949.....	313	1001241413.....	465
1001221397.....	107	1001227633.....	283	1001231950.....	309, 311	1001241415.....	465
1001221464.....	103	1001227634.....	283	1001232010.....	309, 311,	1001241715.....	253
1001221488.....	101	1001227666.....	106		313	1001241773.....	464
1001221498.....	198, 404,	1001227667.....	106	1001232011.....	309, 311,	1001241774.....	464
	427	1001227727.....	410		313	1001241775.....	464
1001221545.....	107	1001227769.....	106	1001232164.....	283	1001241776.....	464
1001221615.....	106	1001227772.....	107	1001232165.....	283	1001241965.....	287

SECTION 10 - SPECIAL OPTIONS

1001242255	148	1320223 75, 76, 113, 114,	1683821	341	1703941	445
1001242256	148	135	1683823	345	1703942	445
1001242409	461	1320224	1684089	333	1703943	445
1001243183	461	75, 239	1684090	333	1703944	445
1001243184	461	1320250	1684114	349	1703945	445
1001243644	20	1320251	1684115	349	1703947	446
1001243645	20	1320256	1684125	353	1703948	446
1001243895	127	1320263	1684126	353	1703949	446
1001246473	461	1320288	1684228	223, 321	1703950	446
1001246474	461	1320289	1684230	321	1703951	446
1001246860	463	1320302 ...	1684232	321	1703953	441
1001246867	463	290, 293, 295,	1684408	217, 325	1703959 ...	441, 447, 451
1001247073	466	297	1684497	217, 222, 329	1703960 ...	441, 446, 451
1001247358	139	1320318	1700818	441, 447	1703980	446
1001248012	222, 223,	179, 183, 191	1701499	441, 445, 451	1703981	446
1001248140	309, 311,	1320323	1701501	441, 446, 451	1703982	446
1001248141	309, 311,	1321283	1701505 74, 85,	441, 447,	1703983	446
1001252629	309, 311,	101, 104	451		1703984	446
1060341	275, 421, 428	1321339 74, 87,	1701509	285, 441, 445,	1704000	445, 462
1060343 ...	193, 198, 202,	101, 112	451		1704001	445, 462
1060379	301, 307	1321384	1701518	451	1704260	257, 261
1060494 ...	193, 202, 421,	152, 153	1701542 ...	101, 112, 441,	1704271	448
1060545	429	1321716	447		1704277 ...	441, 445, 451
1060625	75, 86, 113	1340060	1701543 ...	101, 112, 441,	1704412 ...	441, 445, 451
1060626 75, 86,	102, 113	1340061	447		1704578	35
1060633	429	1380147	1702565	257, 261	1704885 ...	441, 447, 451
1060637 74, 88,	103, 113	1580011	1702566	257, 261	1704972	75, 87
1060896	411	1580012	1702567	257, 261	1705014	255
1060902	412	1580013	1702676	252	1705090 ...	35, 441, 447,
1060903	275	1600244	1702701	20	451	
1060908	429	1600387	1702720	447	1705132	257
1060918 ...	253, 262, 408	1670603	1702773 ...	255, 441, 447,	1705170 ...	147, 259, 263
1060919	255	1670769	451		1705305 ...	290, 293, 295,
10702077 ..	193, 198, 202	1670829 ...	1702774	441, 447, 451	297, 301, 303	
10702082 ..	193, 198, 202	1670842	1702777	442, 448, 451,	1705336	441
1120487	136	1670844	461		1705344	446
1120510	218, 223	1670850	1702861	441, 447, 451	1705345	446
1120552	20	1670864	1702868 ...	290, 295, 297,	1705347	446
1120555	285	1670964	301, 303, 441, 462		1705348	446
1120601	152, 156	1671034	1702938	259, 263	1705351	442
1180346	227	1671092 ...	1702941 75, 86,	102, 113	1705355 ...	290, 293, 295
1260017	35, 63	193, 198, 202,	1702942 75, 86,	102, 113	1705358	285
1260135	35	413, 425, 427	1702943 75, 86,	102, 113	1705364	20
1271538	239	1671093 ...	1702944 75, 86,	102, 113	1705374 ...	179, 184, 188,
1282571	404	425	1702961	442, 462	202	
1283309	400	1671228	1702962	441, 462	1705375 ...	194, 198, 202,
1283407	451	1671230	1703162 76, 92,	104, 114	290, 295, 297	
1300019	20, 467	1671231	1703175	441, 462	1705387 ...	179, 184, 188,
1320011	87, 365	1671232	1703479	451, 461	194, 198, 202	
1320012	114	1671233	1703683	307	1705389	179, 184
1320016	76, 114	1683050	1703772	441, 446, 451	1705426	448
1320022	74, 114, 129	1683053	1703773	441, 446, 451	1705427	448
1320061	86, 96	1683055	1703797	441	1705429	448
1320110	103	1683061	1703804	441	1705430	448
1320127	139	1683071	1703805	441	1705460 ...	194, 198, 202
1320136	239	1683074	1703811	441, 445, 451	1705461	194
1320159	218	1683077	1703814	441, 445, 451	1705466 ...	290, 293, 295,
1320176	74, 107	1683082	1703923	446	297, 303	
1320177	290, 303	1683082	1703924	446	1705489	194
1320218	139	1683082	1703925	446	1705490	291, 303
1320220	139	1683082	1703926	446	1705514	441, 445
		1683082	1703927	446	1705822	451
		1683082	1703935	446	1705828	451
		1683082	1703936	446	1705836	205
		1683082	1703937	446	1705837	205
		1683082	1703938	446	1705886	205
		1683082	1703939	446	1705895	446

SECTION 10 - SPECIAL OPTIONS

1705896.....446	2170412 373, 378	2220500 389, 393, 397	2300004.....89, 104, 112, 464
1705897.....446	2170504 ... 373, 378, 381, 385, 386	2220501 ... 373, 382, 390, 394, 398	2300014.....464
1705898.....446	2170506 ... 374, 377, 382, 386	2220502 389	2300016..... 19, 464
1705902.....446	2170508 373, 378	2220550 373, 378	2300021.....464
1705903.....445	2170704 371	2220574 389, 393	2300027.....464
1705905.....448	2170706 371	2220577 390, 394, 398	2300039.....464
1705910.....448	2180348 74, 106, 129	2220578 ... 374, 377, 382, 385	2300041..... 89, 112, 464
1705917.....446	2180380 390	2220582 ... 117, 373, 377, 381, 385, 389, 393, 397	2400060.... 127, 194, 199, 203, 414, 428
1705921.....451	2180387 139	2220591 382, 386, 390	2400064.... 194, 199, 203, 428, 456
1705961.....451	2180388 139	2220593 389, 393, 397	2400065.....417, 454
1705967.....445, 462	2180389 139	2220596 ... 373, 377, 381, 385, 389, 393, 397	2400066.....417
1705968.....445, 462	2180418 ... 101, 106, 112, 139	2220600 393, 397	2400070.....428, 457
1705969.....445, 462	2180467 104	2220602 ... 373, 377, 381, 385, 389, 393, 397	2410014.....255
1705977.....447, 451	2180615 341, 343	2220603 390, 394, 398	2420165.....203
1705978.....451	2180724 390	2220605 389, 393, 397	2420172.....144
1705980.....451	2180832 85, 290, 303	2220609 390	2420202.....239
1706059.....75	2180877 115	2220618 ... 373, 377, 381, 385, 389, 393, 397	2420203.... 163, 167, 171, 175
1706060.....75, 87	2200222 135	2220619 ... 389, 393, 397	2460048..... 192, 201
1706061.....75	2200233 135	2220622 373, 382	2460051..... 171, 175
1706062.....75	2220005 101, 112	2220646 118	2460055.....163
1706063.....75	2220064 105	2220671 ... 374, 377, 382, 385	2460056.....163
1706064.....75, 87	2220221 ... 117, 374, 377, 382, 385	2220737 389, 393, 397	2540038.....239
1706098.....75, 87	2220237 ... 373, 377, 381, 385	2220738 373, 382	2560024.....102
1706385.....255	2220238 ... 374, 377, 382, 385	2220750 205	2560136.....257, 261
1706510.....307	2220252 205	2220765 389, 393, 397	2560187.....157
1706712.....144	2220261 106, 139	2220800 ... 118, 374, 377, 382, 385	2580024..... 75, 87, 113
1706957.....35	2220313 74, 85	2220816 129, 131, 133	2580050..... 75, 86, 113
1706960.....35	2220315 88	2220852 389, 393, 397	2580062.....77
2030010.... 290, 293, 295, 297, 303	2220371 ... 373, 377, 382, 386, 389, 393, 397	2220873 389, 390	2580063.....113
2060025.....76, 114	2220373 ... 377, 386, 389, 393, 397	2220883 29, 319, 321, 323, 325, 327, 329, 331, 333, 335, 337, 339, 341, 343, 345, 347, 361, 363, 365, 367	2600209.....153
2080040.... 156, 251, 253	2220374 ... 117, 374, 377, 382, 385	2220885 ... 319, 321, 323, 325, 333, 335, 337, 339, 351, 355, 359, 363, 365, 367	2600233.....152
2080044.....224	2220375 ... 373, 377, 381, 385	2220886 29, 361, 363, 365, 367	2600244.....151
2080072.....156	2220376 389, 393	2220888 29, 329, 331, 341, 343, 345, 347	2600280.....157
2110404.... 373, 377, 381, 382, 385, 386	2220377 397	2220893 39	2600281.....251
2110406.... 371, 373, 377, 381, 385	2220379 389, 393	2220899 390, 394, 398	2720015.....89
2110408.... 371, 373, 377	2220380 ... 373, 377, 381, 385	2220940 ... 373, 377, 382, 386	2720058..... 74, 105, 114, 129
2110606.... 371, 373, 377, 381, 385	2220381 389, 393, 397	2220947 ... 389, 390, 393, 394, 397, 398	2720144.....139
2110808.... 373, 377, 381, 385	2220385 ... 374, 382, 389, 393, 397	2220950 390, 394, 398	2720160..... 290, 303
2110812.....381, 385	2220386 373, 382	2220999 389, 393, 397	2720271..... 105, 115
2111212.....373, 377	2220415 389, 393, 397	2221024 139	2720340.....89
2111616.... 373, 378, 381, 385	2220418 139	2221034 394, 398	2720392.....112
2120167.....39	2220428 389	2221036 390, 394, 398	2720398.....76
2120168.....39, 454	2220429 389	2221037 205	2720545.....205
2120209.....39	2220451 76, 117, 377, 385, 398	2221086 394, 398	2720563.....114
2120210.....39, 454	2220466 ... 373, 377, 382, 386, 389, 393, 397	2221176 74, 101, 112	2720564.....114
2130406.....381, 385	2220473 ... 373, 377, 382, 386, 389, 393, 397	2221197 139	2750532..... 74, 85, 114
2130604.....381, 385	2220478 389, 393, 397	2221270 135	2751399.... 373, 377, 381, 385
2130606.... 374, 378, 382, 386	2220490 389, 393, 397		2751500.... 373, 377, 381, 385
2130808.... 373, 377, 381, 385	2220498 390, 394		2751512.....393
2131616.... 374, 377, 381, 385			2752434.... 373, 377, 381, 385, 394, 398
2150406.... 373, 378, 381, 385			2752438..... 389, 394
2151616.... 373, 377, 382, 386			2752461.....397
2170104.....371			2752462.....390, 394
2170106.....371			2752468.... 389, 394, 397
2170350.....381, 385			2752484.....393, 398
2170408.....381, 385			2752489.... 373, 377, 382, 385

SECTION 10 - SPECIAL OPTIONS

2752494 ... 373, 374, 377, 381, 382, 385, 389, 394, 398	2754242 374, 378	2920110.....147	3300454 205
2752495 377, 385	2754243 374, 378	2920113.....147	3310401 91
2752585 390, 394	2754337 ... 371, 378, 381, 386	2920129.....239, 409, 417	3310601 161, 203
2752651 373, 381	2754338 382, 386	2920140.....253, 428	3310605 246
2752721 389, 394	2754401 ... 373, 378, 381, 386	2920161.....147, 420	3310801 244, 245
2752723 398	2754512 381, 386	2940045.....156	3310805 139, 203
2752754 ... 373, 377, 381, 385	2754678 381, 385	2940074.....251, 456	3311001 95, 151, 193, 198, 202
2752766 390, 394, 398	2754720 381, 386	2940088.....152, 153	3311005 ... 147, 148, 152, 153, 164, 167, 171, 175, 179, 184, 188, 193, 197, 202, 257, 261, 290, 293, 295, 297, 303
2752767 390, 394, 398	2754743 382, 386	2940173.....157	3311401 35, 275
2752768 390, 394, 398	2760105 144, 257, 261	2940188.....152	3311405 ... 39, 75, 76, 85, 87, 89, 95, 101, 102, 103, 112, 113, 115, 144, 151, 156, 158, 175, 187, 201, 205, 207, 239, 244, 245, 246, 252, 287, 315, 442, 448, 452
2752930 390, 394, 398	2780105 144, 257, 261	3020008.....19	3311501 ... 136, 152, 156, 275
2752934 374, 382	2780227 23	3020016.....76, 464	3311505 . 33, 76, 91, 136, 147, 151, 157, 175, 191, 197, 201, 218, 245, 307
2752938 377, 385	2780229 19	3020029... 13, 17, 63, 464	3311508 ... 179, 183, 187
2752978 390, 394, 398	2780272 19, 23	3020037.....88, 464	3311601 ... 135, 151, 156, 228, 258, 262, 287
2752995 398	2792700 401	3020039.....13, 17, 464	3311602 228
2752997 ... 373, 377, 381, 385	2820031 ... 164, 167, 171, 175, 179, 184, 187, 191, 197, 201	3020044.....76, 464	3311605 ... 74, 76, 80, 89, 95, 101, 112, 115, 131, 133, 135, 139, 147, 151, 152, 156, 158, 161, 164, 205, 207, 224, 228, 232, 252, 255, 290, 293, 295, 297
2753006 390, 394	2820035 127, 253	3160347.....19, 29	3311705 164, 167, 171
2753007 390	2820078 153	3160348.....19, 29	3311801 . 19, 74, 88, 167, 179, 184, 191, 244
2753008 389, 394, 398	2820233 152	3200362.....115	331180576, 80, 103, 113, 115, 151, 161, 237, 239, 241
2753009 390	2820234 152	3200401 76, 77, 80, 89	3312001 35
2753010 389, 394, 397	2820235 152	3200406.....77	3312002 63, 309, 311, 313
2753118 390, 394, 398	2820247 433, 435	3250030.....157	3312005 239, 285
2753123 390, 394, 398	2840016 161	3250872.....35, 441, 447, 451	3312205 285
2753124 390	2860012 164	3251102.... 164, 167, 171, 175, 179, 183, 187	3312602 147, 148
2753125 390	2860030 144, 454	3251242.....423, 451	3321501 152
2753126 390, 393, 397	2900708 39, 43	3251243.... 163, 171, 175, 179, 184, 188, 194, 198, 202, 441, 445	3322201 141
2753128 390	2900756 33	3251813 441, 446	3340764 232
2753129 390	2900792 ... 321, 323, 325, 327, 329, 331, 333, 335, 337, 339, 341, 343, 345, 347	3252221 462	3340828 227
2753189 390, 394, 398	2901273 365	3252347 441	3340833 365
2753190 390, 394, 398	2901301 321, 353	3252507.....164, 445	3340834 365
2753191 390, 394, 398	2901303 333	3252764.....191, 197, 201	3340835 218, 223, 227
2753192 389, 394, 398	2901514 341, 343	3252765.....191, 197, 201	3340838 359, 361, 363
2753195 389, 394, 397	2901526 327, 329, 331	3271605....309, 311, 313, 365	3340840 232
2753196 389, 393, 397	2901537 345, 347	3271801.....89	3340859 228
2753197 389, 393, 397	2901549 349	3271805.....141, 255	3340871 231
2753199 389, 393, 397	2901556 325	3272001....309, 311, 313	3340881 227
2753200 389, 393, 397	2901712 359	3272605.....239	3340941 232
2753216 389, 393	2901556 325	3290405.....101, 112	3340943 232
2753231 389, 394, 397	2901712 359	3290505.....101, 112, 164	3340956 285
2753274 398	2902085 465	3290601....104, 107, 157, 171, 197	
2753442 393, 397	2902212 285	3290605....104, 290, 303	
2753542 381, 386	2902217 290, 293, 295	3290606.....252	
2753550 ... 373, 378, 381, 386	2902303 462	3290607.... 101, 104, 148	
2753622 ... 373, 378, 381, 386	2902307 462	3290801.....101, 104	
2753626 374, 381, 386	2902308 462	3290805.... 104, 106, 315	
2753628 381, 386	2902309 462	3291001.... 102, 104, 241	
2753634 382, 386	2902310 462	3291005.....96, 104, 241	
2753635 373, 378	2902311 462	3291007.....161	
2753656 377, 382, 386	2902312 462	3291201 104, 172, 197, 241	
2753685 373, 378	2902322 462	3291205.....241	
2753686 381, 386	2902329 462	3300007 19	
2753688 374, 378	2902353 462	3300151 252, 290, 293, 295, 297	
2753725 373, 378	2902396 462	3300205 144	
2753732 ... 374, 377, 382, 386	2902443 416, 419	3300243 237, 241	
2753735 371	2902456 465	3300353.... 144, 257, 261	
2753940 382, 386	2902457 465	3300364 156	
2753970 381, 386	2902459 465	3300396.... 180, 183, 188, 193, 198, 202	
2753971 382, 386	2902533 113, 417	3300408.....144	
2753979 371	2910887 460	3300430....277, 279, 281	
2754240 373, 378	2915094 63		
	2915228 466		
	2920028 259, 261, 263		
	2920029 259, 261, 263		

SECTION 10 - SPECIAL OPTIONS

3340966.....17	3537446 161	3841340 39, 85, 218, 223, 228	3980007.75, 86, 102, 113
3380434.....252	3538047 13, 17	3841356 218, 223	3990010.....414, 454
3380442.....151	3538758 232	3841406 232	4010608.....290, 303
3380444.....151	3539219 144	3841520 13, 17	4010618.....252
3380535.....245, 246	3539872 115	3850018 325	4031505.....283
3420292.....35	3539877 13	3890040 255	4031516.....287
3420372.....35	3539955 153	3900054 255	4031608.....164
3420447.....35	3570775 359, 363	3900085 147, 148	4031711.....104
3421453.....290, 303	3570928 244	3900139 349	4031914.....89
3421565.....63	3571712 151	3900210 ... 147, 156, 157	4032011.....105
3422417.....13, 17	3572280 115	3900232 152	4032014.....89
3422446.74, 85, 101, 112	3572423 136	3900239 218	4032015.....184, 193
3422457.....231	3572604 365	3900259 231	4060092.....423
3422532.75, 87, 103, 113	3572605 365	3900262 228	4060802... 164, 167, 171, 175, 179, 183, 187, 191, 197, 202
3422561.....223	3572606 244	3900268 144	4060805 76, 89, 106, 115, 232, 244
3422578.....217	3572607 244	3900283 ... 232, 239, 245	4060906.....144
3422580.....217	3573400 ... 290, 293, 295, 297	3900293 63	4061054.....239
3422582.....218	3573642 ... 290, 293, 295, 297	3900316 ... 152, 156, 158	4070410.....152
3422583.....223	3574091 275	3900349 262	4070411.....152
3422661.....307	3575359 275	3900363 157	4070412.....152
3422681.....217, 223	3575874 205	3910408 91	4070450.....35
3422683.....217, 223	3576755 136	3910606 ... 179, 184, 187, 191, 197, 202	4070560.....35
3422684.....217, 223	3576799 290, 303	3910608 161, 203	4070561.....35
3422685.....217, 223	3577121 ... 290, 293, 295, 297	3910804 144	4070863.....231
3422686.....218, 223	3580134 163	3911012 148	4070864.....231
3422687.....218, 223	3580158 163	3911040 147	4070878.....13, 17
3422688.....218, 223	3580276 163, 167	3930606 246	4070879.....13, 17
3422689.....218, 223	3580312 ... 175, 187, 201	3930816 245, 246	4070897.....227, 231
3422690.....231	3580314 ... 187, 197, 201	3930824 244, 245	4070898.....227, 231
3422729.....217, 223	3580317 ... 179, 184, 191, 197	3931016 ... 179, 183, 187, 191, 197, 201	4070929.....227
3422790.....13, 17	3580318 ... 179, 184, 191	3931048 44	4070944.....13
3422848.....17	3580319 ... 179, 184, 191	3931408 277, 279	4070945.....13
3422860.....223	3580320 89, 184, 193	3931424 205, 277	4070967.....227
3422861.....223	3580324 171, 175	3931432 89, 244	4070968.....227
3422867.....223	3580348 ... 175, 187, 201	3931436 244	4070969.....232
3430616.....258, 262	3600386 205, 207	3931448 ... 359, 363, 365	4070991.....144
3430816.....161	3620040 115	3931464 244	4071007.....227
3450404.....161	3641569 275	3931508 365	4071052.....232
3460334.....285	3720021 205	3931512 89	4071059.....17
3470003.....258, 262	3740049 ... 144, 421, 428, 454	3931516 333, 349	4071122.....101, 112
3480188.....321, 353	3740067 76, 85, 101, 115, 454	3931620 ... 321, 323, 325, 353, 355	4100062... 390, 394, 398
3480210.....333	3740080 76, 164, 167, 171, 175, 197, 202, 456	3931628 89, 193	4100100.....333
3480211.....365	3740086 437	3931640 104	4120035.....409, 414
3480232.....349	3760133 231	3931664 359, 363	4160139.....152
3480233.....325	3760170 35, 63, 301	3931720 365	4160143.....152
3480234.....359	3760367 349	3932240 ... 329, 331, 341, 343, 345, 347	4160194.....157
3480236.....345	3760368 333	3952020 63	4220162.....147
3480237.....329	3760369 ... 321, 325, 353	3960389 ... 103, 112, 152, 156	4240018... 164, 167, 175, 179, 183, 191
3480238.....341	3760370 365	3960407 76	4240032... 147, 148, 203, 262
3510868.....255	3760374 329, 341	3960422 ... 179, 184, 187, 191, 197, 202, 423, 426	4240033... 86, 148, 239, 277, 279, 283, 287
3510884.....255	3790012 ... 101, 112, 252, 258, 259, 261, 263	3960438 152	4240099... 92, 102, 104, 127, 171, 253, 275, 290, 293, 295
3520028... 163, 167, 171, 175	3790044.76, 88, 103, 114	3960453 151	4240113.....135
3520031.....145	3820001 ... 35, 307, 441, 447, 448, 451	3960461 147	4240149.....285
3520033.....258, 262	3820020 251	3960462 152, 153	4280295.....135
3520034.....224	3841143 74, 85, 101, 112, 218, 223, 231, 241	3960464 152, 153	4280296.....33
3520035... 144, 244, 245, 246, 258	3841287.13, 17, 218, 223	3960468 76, 88, 115	4300157.....184, 191
3520054.....76, 257, 261		3960469 76, 88, 103, 115	4340706.....227
3520071.....285		3960470 152	4340747.....205
3520072... 251, 252, 255		3960526 19	4341239.....115
3520182.....281		3960548 74	
3520189.....194, 427			
3520192.....194			
3520198.....251, 252			
3536089.....253			
3537445.....161			

SECTION 10 - SPECIAL OPTIONS

4341241	115	4460227 ...	408, 409, 414, 420	4460608.....	416	4460967 ...	194, 199, 202, 427
4341264	245	4460233	421, 424	4460633.....	205	4460968 ...	164, 244, 245, 246, 424
4360057	275, 457	4460234 ...	147, 203, 258, 261, 275	4460634.....	409, 414	4460971	290, 303
4360070 ...	180, 183, 188, 193, 198, 202, 456	4460259	421	4460635.....	409, 414	4460979	416
4360328 ...	258, 259, 263, 454	4460260	421	4460662.....	424	4461005	416
4360330	258, 454	4460265	268, 273	4460692.....	424	4461006	416
4360331 ...	253, 259, 263, 457	4460267	415, 420	4460693.....	416	4461008	416, 419
4360336 ...	101, 112, 164, 167, 171, 175, 179, 183, 187, 191, 197, 202, 258, 262, 456, 457	4460268 ...	415, 420, 421, 426, 428	4460701.....	421, 424	4461052	416
4360387 ...	145, 258, 259, 261, 263, 454	4460294	180	4460705.....	421	4461053	416
4360407 ...	258, 261, 454	4460297	421	4460708....	258, 261, 408, 409, 417	4461054	416, 418, 419
4360436	135	4460320	415, 420	4460709.....	424, 429	4461060	416
4360469	144, 456	4460321	171, 421, 429	4460710.....	424, 429	4461070	415, 418
4360470	144, 456	4460326	415, 420	4460722.....	127	4461071	416, 419
4360475 ...	144, 258, 261, 454	4460346 ...	179, 184, 187, 192, 197, 202, 423, 426	4460742....	199, 203, 421, 427, 428	4461072	416, 419
4360476	144, 258, 261	4460365	414	4460743....	199, 203, 421, 427, 428	4461073	416, 419
4360498	244, 420, 456	4460374 ...	199, 202, 416, 421, 427	4460761....	239, 408, 414	4461074	416, 419
4360499	244, 420, 456	4460375 ...	199, 202, 416, 421, 427	4460807.....	426	4461077	420, 431, 437
4360517	141, 420, 456	4460418	409, 414	4460808.....	426	4461095	416, 418
4360522 ...	147, 259, 263, 457	4460419	409, 414	4460836.....	239	4461109	416
4360542 ...	163, 167, 171, 175	4460424	415	4460865.....	411	4461111	416
4360578 ...	244, 245, 246, 456	4460425 ...	180, 183, 188, 193, 198, 202, 259, 263, 275, 427, 428	4460866....	408, 411, 414	4461113	416
4400275	139	4460426 ...	144, 180, 183, 188, 193, 198, 202, 253, 259, 263, 413, 421, 427, 428	4460871....	265, 271, 408, 409, 414, 415, 416	4461121	416
4400400	135	4460428	258, 261, 408	4460873.....	409, 414	4461122	416
4420014	285	4460434	409, 414	4460874.....	408, 414	4461123	416
4420037 ...	290, 293, 295, 297	4460445	415, 420	4460875.....	408, 414	4461124	416
4420038	135	4460457	416	4460876.....	414	4461157	416
4420051	35, 451	4460458 ...	203, 416, 419, 421, 428	4460877.....	415	4461161	416
4420060 ...	164, 203, 245, 246	4460460	416	4460878.....	414	4461196	424
4420062	307	4460464 ...	253, 262, 408, 411, 412, 413, 414, 416, 418, 420, 437	4460879.....	409	4461197	424
4420066	285	4460465 ...	194, 199, 202, 239, 409, 411, 412, 414, 415, 419, 420, 426, 427	4460880.....	415	4461198	423
4420068	275	4460466 ...	239, 283, 411, 413, 414, 415, 416, 419, 420, 431, 437	4460884....	409, 414, 419	4461199	424
4460007	258, 261	4460467	429, 467	4460887....	409, 414	4461200	424
4460018	203	4460470 ...	144, 258, 261, 408, 413	4460889....	416, 431, 437	4461201	423
4460027 ...	163, 167, 171, 175	4460471 ...	144, 258, 261, 408, 413	4460890....	415	4461202	424
4460042	262	4460473	411	4460891....	408, 412, 415, 418, 419, 420	4461203	425
4460043	127	4460488	144, 148, 262	4460892.....	414	4461204	423
4460049	275, 428	4460496	144, 413	4460894....	409, 414, 419	4461205	424
4460051	423	4460497	144, 413	4460897....	412, 416, 418, 419, 420	4461206	425
4460071 ...	179, 184, 187, 191, 197, 202, 253, 262, 408, 426	4460499	59, 420	4460899....	416, 431, 437	4461207	423
4460125	423	4460508 ...	283, 408, 411, 414	4460905....	258, 408, 414, 417	4461222	416
4460134	421, 424	4460509	411	4460906.....	175, 421	4461244	423
4460190 ...	163, 167, 171, 175	4460510	429, 467	4460910.....	433	4461245	423
4460205	421, 424	4460526	144, 413	4460911.....	431	4461246	423
4460224	180, 408	4460536	409, 414, 420	4460918.....	420	4461249	424
4460225	409, 426	4460539	409, 415, 416	4460930.....	419	4461250	425
4460226 ...	239, 253, 262, 268, 273, 408, 409, 415, 417, 421, 426, 428, 429			4460931.....	416	4520252	20
				4460932....	409, 418, 419	4520253	20
				4460933.....	239, 409	4530028 ...	290, 293, 295, 299
				4460941.....	418, 431	4566468	321, 353
				4460942....	283, 418, 419	4567139	389, 398
				4460943....	409, 414, 431	4567413	365
				4460944....	409, 413, 415, 416, 418, 419	4567434	325
				4460956.....	429	4567757	390, 394, 398
				4460957.....	429	4568119	136
				4460959.....	413, 424	4568735	175, 187, 202
				4460960.....	413, 424	4569385	112
				4460961.....	421	4569394	115
				4460962.....	290, 295	4640113	20
				4460963....	193, 198, 202, 424, 427	4640261	35
						4640509 ...	329, 331, 333, 335, 337, 339, 341, 343, 345, 347
						4640605 ...	321, 323, 325, 327, 329, 331, 345, 347

SECTION 10 - SPECIAL OPTIONS

4640751.....89	4750800..... 139, 203	4846627 ... 290, 293, 295,	5251008.....241
4640780.....389, 394, 398	4751000... 147, 148, 152,	297	5251016.....241
4640858.....319	153, 164, 171, 176,	4846673 275	5260600..... 106, 107
4640866.....39	179, 184, 188, 192,	4860224 20	5272010.....105
4640921.....39, 59	197, 202, 258, 261,	4860225 20	70000017.....467
4640922.....39, 59	290, 293, 295, 297, 303	4871700 198	70000044.....77
4640929.....245	4751400... 33, 35, 76, 88,	4891500 89, 145, 171	70000123..... 163, 175
4640932....321, 323, 325,	89, 101, 102, 103, 112,	4891600 ... 141, 161, 176,	70000124.....163
327	114, 115, 144, 152,	187, 202, 237, 239, 241	70000125.....163
4640952.....115	156, 158, 239, 244,	4891800 ... 19, 76, 88, 89,	70000126.....163
4641022.....136	245, 246, 252, 258,	103, 114, 161, 167,	70000127.....163
4641027.....341, 343	261, 275, 281, 290,	179, 192, 237, 239, 241	70000164.....114
4641032.....365, 367	293, 295, 297, 315,	4892000 19, 63, 239	70000342.....235
4641033....359, 361, 363	442, 448, 452	4892200 13, 17	70000345.....79, 93
4641122.....20	475150074, 91, 101, 112,	4892600 ... 147, 237, 239,	70000579.....44, 47
4641192.....43	136, 152, 153, 156,	241	70000580.....44, 47
4641303.....33	164, 167, 176, 179,	4920385 115	70000582.....44, 47, 454
4641317.....39	183, 187, 192, 211,	4921829 172, 421	70000583.....44, 47
4641435.....244	213, 275, 307	4921927 40, 420	70000619... 191, 197, 201
4641453.....40, 43	4751600... 33, 40, 74, 76,	4921928 40, 420	70000781.....33
4711000....95, 148, 167,	80, 86, 89, 101, 112,	4921955 421	70000782.....66
193, 198, 202	115, 135, 139, 148,	4922215 412, 428	70000794.....29
4711400....40, 74, 76, 85,	152, 153, 156, 158,	4922216 412, 428	70000795.....29
89, 95, 101, 102, 112,	164, 207, 253, 290,	4922217 ... 412, 413, 428	70000797.....29
115, 145, 147, 175,	293, 295, 297	4922218 412	70000800.....79
179, 183, 187, 192,	475180074, 88, 103, 114,	4922219 412	70000863... 192, 198, 201
197, 202, 205, 239,	115, 136, 141, 205,	4922220 412, 413	70000912.....78
245, 252, 277, 279,	255, 275	4922575 411	70000913.....78
281, 287	4752000.74, 86, 101, 112	4922576 411	70000914.....78
4711500....33, 35, 85, 89,	4760600 203	4922578 412, 413	70000915.....78
136, 147, 157, 192,	4761000 152	4922579 411, 412	70000916.....78
197, 202, 218, 245,	4761400 144	4922580 412	70000917.....78
258, 262	4761600 207	4922582 411	70000918.....78
4711600....13, 17, 40, 76,	4762000 35	4922637 417	70000919.....78
85, 95, 101, 115, 129,	4770600 161	4922641 ... 168, 171, 194,	70000934.....39
131, 133, 152, 167,	4791400.... 77, 115, 179,	199, 203, 421, 428	70001002.....77
179, 184, 192, 205,	183, 192	4922643 421, 428	70001100... 192, 198, 201
227, 228, 231, 232,	4811600 164	4922666 ... 258, 261, 408	70001126.....79
239, 245, 258, 262,	4811700... 102, 104, 107,	4922705 239	70001132.....78
309, 311, 313, 365	148, 171, 197, 252,	4922737 75, 418	70001181.....79
4711700.....89, 129, 167,	290, 303	4922868 412	70001248.....141
171, 176	4811702.... 89, 102, 105,	4922869 239	70001384... 192, 198, 201
4711800....161, 183, 187,	106	4922925 ... 192, 197, 202,	70001385..... 192, 201
192, 202, 255	481190089, 96, 102, 104,	426	70001424.....305
4712000....285, 309, 311,	106, 107, 176, 187,	4923379 77, 418	70001425.....305
313	202, 315	4923420 202, 427	70001427.....305
4712200.....285	4811902.... 92, 104, 107	4923445 172, 421	70001428.....305
4712600.....148	4812000. 86, 89, 96, 102,	4923462 411	70001429.....305
4740036.....35	104, 107, 161, 171, 241	4923466 412	70001430.....305
4740057.....63	4812002 104, 107	4923485 412	70001431.....305
4740076.....152	4812100.86, 89, 107, 241	4923486 413	70001432.....305
4740119.....161	4812200...77, 80, 89, 171	4923487 412, 413	70001435.....78
4740155.....17	4831900 115	4923489 411	70001663.....207
4740171.....152	4843777 35	4923490 411	70001696... 192, 197, 201
4740256.....13, 17	4844816 222	4923613 413	70001697.....235
4740274.....76, 80, 115	4844817 222	4933218 404	70001835.....78
4740362.....252	4844958 63	4933219 404	70001836.....78
4740397.... 144, 164, 176,	4845582 307	4933231 404	70001837.....78
258, 261	4845593 217, 222	4933278 404	70001838.....78
4740439.....224	4845680 227	4933304 405	70001839.....78
4740444.....144	4845701 231	4933349 202	70001841.....78
4740463.....14, 17	4845702 231	4933350 404, 421	70001844.....79
4740472.....13, 17	4845716 222	5240800 92	70001847.....79
4740473.....14, 17	4845729 231	5241000 104	70001848.....78
4740500.....152	4845730 231	5241200 104, 197, 241	70001850.....78
4740518.....144	4846218 245	5250605 106, 107	70001866.....79
4750400.....91	4846573 237, 239	5250810 92	70001868.....79

SECTION 10 - SPECIAL OPTIONS

70001870	79, 93	7000255	66, 70	70003936.....	33	70004347	117, 121
70001871	78	7000257	66, 70	70003989.....	61	70004348	117, 121
70001872	79, 418	70002627	420	70003992.....	61	70004349	117, 121
70001874	78	7000265	19, 23	70003993.....	61	70004350	117, 121
70001931	420, 457	70002715	136	70004020.....	77, 456	70004351	117, 121
70001950	420	70002716	136	70004037.....	70	70004352	117, 121
70001951	420	70002718	80, 93	70004040.....	70	70004381	357
70001953 ..	192, 198, 201	7000272	23	70004041.....	70	70004382	357
70001954	123	70002724	271	70004042.....	70	70004457	47, 51, 55
70001955	123	70002725	271	70004043.....	70	70004459	47, 51, 55
70001956	123	70002726	271	70004044.....	70	70004460 ..	47, 51, 55, 454
70001957	123	70002727	271	70004045.....	70	70004461 ..	47, 51, 52, 55, 56
70001966 ..	179, 183, 187, 192, 197, 198, 201	70002728	271	70004047.....	70	70004463 ..	47, 51, 55, 454
70001973 ..	193, 198, 201	70002729	271	70004050.....	47, 51, 55	70004504	94
70001974 ..	193, 198, 201	7000273	23	70004051.....	47, 51, 55	70004584	47, 51, 55
70001976	44, 59	70002730	265	70004052.....	47, 48, 51	70004594	47, 51, 55
70002013	231, 454	70002731	265	70004055.....	47, 51, 55	70004595 ..	47, 51, 55, 454
70002014	231	70002732	265	70004056.....	79	70004596	47, 51, 55
70002064	246, 247	70002733	265	70004058.....	79, 456	70004597	47, 51, 55
70002065	66	70002734	265	70004060.....	79, 418	70004598	47, 51, 55
70002066	66, 70	70002735	265	70004092 ..	179, 183, 187, 192	70004653 ..	47, 51, 55, 454
70002067	66	7000274	23	70004093.....	192	70004657	47, 51, 55
70002068	66	70002744	357	70004094.....	192	70004665	47, 51, 55
70002069	66	70002745	357	70004095.....	193	70004667	47, 51, 55
70002070	66	70002748	357	70004096.....	192	70004670	55
70002071	66	70002749	357	70004097.....	192	70004671	48, 56
70002072	66	7000275	23	70004097.....	192	70004673	48, 56, 454
70002073	66	70002751	357	70004098 ..	180, 183, 187, 193	70004676 ..	180, 183, 187
70002074	66	7000281	66	70004099.....	180, 192	70004677	183
70002075	66	70002814	136, 454	70004103.....	420	70004678 ..	180, 183, 187
70002085	67, 70	7000282	23	70004125.....	61	70004679 ..	180, 183, 187
70002086	67	7000283	23, 27	70004148.....	135	70004680 ..	180, 183, 187
70002088 ..	192, 198, 201	70002838	136	70004149.....	135	70004681	180, 183
70002112	136	70002839	136	70004149.....	193, 198	70004682 ..	180, 183, 187
7000213	23, 66, 70	7000284	23, 27	70004169.....	193, 198	70004683	180, 183
7000217	66, 70	70002842	319	70004171 ...	183, 187, 198	70004684	183, 187
7000220	23	7000287	23	70004183.....	77, 92	70004685 ..	180, 183, 187
70002200	78	7000288	23	70004270.....	79	70004686 ..	180
70002212	141	7000289	23, 27	70004271.....	418	70004686 ..	180
70002234	79	70002895	114, 456	70004272.....	79	70004687	180
7000224	23, 27	70002898	420	70004274.....	92	70004738	273
70002255	201	7000290	23	70004275.....	93	70004739	273
7000228	66, 70	70002902	253, 262	70004276.....	94	70004740	273
7000229	66, 70	70002903	253, 262	70004277.....	94	70004741	273
70002290	192, 201	70002904	253, 262	70004278.....	95	70004742	273
70002291	192	70002905	253, 262	70004279.....	93	70004743	273
70002297 ..	192, 198, 201	70002906	265	70004280.....	80, 93	70004744	273
7000230	66, 70	70002946	43	70004287.....	77	70004745	273
7000231	23	70002948	205	70004289.....	80	70004746	273
7000235	23	70003019	47, 48, 51	70004329.....	117, 121	70004747	273
7000236	23	70003136	78	70004330.....	117	70004748	273
70002366	351	70003454	141	70004331.....	117, 121	70004749	273
7000238	23	70003464	78	70004332.....	117, 121	70004750	273
70002386	246, 247	70003465	78	70004333.....	117, 121	70004751	273
7000239	23, 27	70003466	78	70004334.....	117	70004752	267
70002390	33	70003472	78	70004335.....	117	70004753	267
7000240	23, 27	70003475	79	70004336.....	117, 121	70004754	267
70002410	327	70003476	79	70004337.....	117, 121	70004755	267
70002415	79	70003478	78	70004338.....	117, 121	70004756	267
70002416	79	70003631	197	70004339.....	117	70004757	267
70002417	79	70003708 ..	179, 183, 187, 192, 198	70004340.....	117, 121	70004758	267
7000246	66, 70	70003709 ..	179, 183, 187, 192, 198	70004341.....	117	70004759	267
70002460 ..	192, 197, 201	70003784	258, 261	70004342.....	117, 121	70004760	267
7000247	70	70003790	246	70004343.....	117, 121	70004761	267
7000248	66, 70	70003935	33	70004344.....	117, 121	70004762	267
7000253	66, 70			70004345.....	117, 121	70004763	267
				70004346.....	117, 121	70004764	267

SECTION 10 - SPECIAL OPTIONS

70004765.....	267	70006154.....	107	70006386.....	343	70006734.....	337, 339
70004766.....	267	70006155.....	108, 456	70006387.....	343	70006735.....	337, 339
70004767.....	267	70006157.....	108	70006388.....	343	70006736.....	337, 339
70004768.....	267	70006158.....	108	70006389.....	331	70006777.....	351
70004769.....	267	70006159.....	108	70006390.....	331	70006778.....	351
70004770.....	267	70006160.....	108	70006391.....	331	70006779.....	351
70004771.....	267	70006161.....	108	70006403.....	131, 133	70006780.....	351
70004772.....	267	70006162.....	108	70006404.....	131, 133	70006781.....	351
70004773.....	267	70006163.....	108	70006405.....	131, 133	70006782.....	327
70004774.....	268	70006164.....	108	70006406.....	131, 133	70006783.....	327
70004775.....	268	70006165.....	108	70006407.....	131, 133	70006784.....	327
70005008.....	105, 456	70006166.....	108	70006408.....	131, 133	70006796.....	361
70005116.....	117	70006167.....	108	70006409.....	131, 133	70006797.....	361
70005171.....	93	70006168.....	108	70006410.....	131, 133	70006798.....	361
70005172.....	93	70006169.....	108	70006430.....	24	70006799.....	361
70005173.....	93	70006170.....	108	70006431.....	24	70006800.....	361
70005177.....	93	70006171.....	108, 456	70006436.....	67	70006801.....	361
70005184.....	94	70006172.....	108, 456	70006437.....	67	70006802.....	361
70005194.....	47, 51, 55	70006173.....	108	7000645.....	43	70006803.....	361
70005195.....	47, 51, 55	70006174.....	108	70006479.....	367	70006804.....	361
70005196.....	47, 51, 55	70006175.....	108, 456	70006480.....	367	70006832.....	27
70005197.....	47, 51	70006176.....	108, 456	70006552 ..	180, 183, 187	70006833.....	27
70005198.....	47, 51, 55	70006177.....	108	70006553 ..	180, 183, 188	70006921.....	367
70005199.....	48, 52, 56	70006178.....	108	70006568.....	335	70006922.....	367
70005200.....	48, 52, 56	70006179.....	108	70006569.....	335	70006923.....	367
70005201.....	48, 52, 56	70006180.....	108	70006570.....	335	70006924.....	367
70005202.....	48, 52, 56	70006181.....	108	70006571.....	335	70006925.....	367
70005203.....	70	70006182.....	108	70006572.....	335	70006926.....	367
70005230.....	273	70006183.....	108	70006590.....	327	70006927.....	367
70005232.....	48, 56	70006184.....	108	70006596.....	351	70006928.....	367
70005458.....	121	70006185.....	108	70006601.....	327	7000695.....	79
70005459.....	121	70006186.....	108	70006663.....	79	70006955.....	51, 55
70005460.....	121	70006187.....	108	70006642.....	323	70006956.....	51, 55
70005461.....	121	70006188.....	108	70006643.....	323, 355	70006957.....	51, 55
70005462.....	121	70006189.....	108	70006644.....	323, 355	70006959.....	55
70005463.....	121	70006191.....	108	70006645.....	323	70006960.....	55
70005464.....	121	70006194.....	108	70006649.....	337, 339	70006961.....	51, 55
70005465.....	121	70006195.....	108	70006650.....	337, 339	70006962.....	55
70005483.....	24	70006196.....	108	70006651.....	355	70006963.....	56
70005527.....	94	70006197.....	108	70006668.....	355	70007073.....	90
70005594.....	367	70006198.....	108	70006669.....	363	7000731.....	24
70005647.....	94	70006199.....	108	70006670.....	363	70009020.....	102
70005648.....	94	70006200.....	108	70006671.....	363	7001901.....	23
70005663.....	118, 467	70006202.....	109	70006672.....	363	7001902.....	23
70005708.....	136	70006203.....	108	70006673.....	27	7001903.....	23
70005793.....	327	70006205.....	109	70006674.....	27	7001906.....	23
70005916.....	80	70006206.....	109	70006675.....	27	7001928.....	23, 27
70005917.....	80	70006207.....	109	70006676.....	27	70021202.....	48, 56
70005920.....	93	70006208.....	109	70006677.....	27	70021895.....	93
70005929.....	94	70006213.....	109, 456	70006678.....	27	70022564.....	327
70005937.....	95	70006215.....	109	70006679.....	27	70023592.....	90
70005941.....	93	70006217.....	109	70006680.....	27	70023593.....	90
70005942.....	93	70006219.....	108	70006681.....	27	70023859.....	47, 51, 55
70006093.....	192	70006221.....	109	70006682.....	27	70023860.....	47, 51, 55
70006094.....	192	70006225.....	108	70006683.....	27	70023862.....	47, 51, 55
70006095.....	192	70006232.....	109	70006684.....	27	70023915.....	335
70006096.....	192	70006233.....	108	70006685.....	27	70024473.....	94
70006097.....	193	70006235.....	109	70006686.....	27	70024486.....	94
70006134.....	106	70006236.....	109	70006687.....	27	70024488.....	93
70006135.....	106	70006304.....	70	70006688.....	27	70024494.....	93
70006136.....	106	70006344.....	367	70006689.....	27	70024503.....	94
70006145.....	107	70006375.....	347	70006690.....	27	70024504.....	94
70006147.....	107	70006376.....	347	70006691.....	27	70024507.....	94
70006150.....	107	70006377.....	347	70006692.....	27	70024513.....	94
70006151.....	107	70006378.....	347	70006728.....	367	70024515.....	95
70006152.....	107	70006384.....	343	70006731.....	367	70024517.....	93
70006153.....	107	70006385.....	331, 343	70006733.....	367	70024904.....	92

SECTION 10 - SPECIAL OPTIONS

70024905	92	70027259	361	7012918.....	43, 246	7017492.....	33
70024906	93	7002821	429, 467	7012941.....	40, 44	7018912.....	43, 44, 59
70024907	93	7002822	467	7012944.....	39, 44, 454	7018941.....	43
70024910	94	7002823	429, 467	7012953.....	44, 59, 245, 246	7018942... ..	44, 48, 52, 56, 59
70024912	93	7002826	467	7012959.....	39	7018945.....	44, 59
70024914	94	7002828	429	7012965.....	59, 246	7018946.....	59
70024915	94	7002840	467	7012967.....	246	7018947.....	59
70024917	94	7003928	265	7012970.....	245	7018948.....	59
70024918	94	7003941	271	7012989.....	44, 246	7018951.... ..	44, 48, 52, 56
70024920	94	7003972	271	7012998.....	43, 44, 59	7018991... ..	43, 47, 51, 55, 454
70024922	94	7003973	271	7013189.....	141	7018992.... ..	43, 47, 51, 55
70024924	93	7003980	271	7016314.....	136	7018993.....	43
70024925	93	7003982	271	7016319.....	147	7018994.....	43
70024961	94	7003983	271	7016328.....	78, 456	7018999.....	43
70025076	93	7003989	271	7016331.....	78, 93, 456	7019162.....	271
70025077	94, 420	7004035	66	7016372.....	147	7019164.....	271
7002508	93	7004036	66	7016399.....	253	7019165.....	271
70025082	78, 79, 93	7004043	67	7016652.....	467	7019167.....	271
70025084	94	7004044	67	7016654.....	467	7019194.....	271
70025088	93	7004045	67	7016655.....	467	7019658.....	135
70025091	93	7004047	67	7016824.....	113, 417	7019680... ..	163, 167, 171, 175
70025111	93	7004049	67	7016825.....	113, 417	7020020.....	39
70025120	94	7004275	467	7017023.....	66, 70	7020021.....	39
70025135	93	7004276	467	7017027.....	23	7020064.....	227
70025136	93	7004906	117, 121	7017028.....	27, 66, 70	7020065.....	227
70025140	93	7004907	117, 121	7017033.....	23	7020066.....	227, 454
70025142	94	7004908	117, 121	7017047.....	23, 27	7020067.....	227
70025143	94	70050801	351	7017048.....	23	7020108... ..	163, 167, 171, 175
70025144	94	7007415	123, 124	7017050.....	24	7020109... ..	163, 167, 171, 175
70025146	93	7007437	30	7017051.....	19	7020110... ..	163, 167, 171, 175
70025149	94	7007438	29	7017052.....	19	7020111... ..	163, 167, 171, 175
70025151	94	7007439	29	7017053.....	19	7020175.... ..	144, 258, 261
70025152	93	7007446	29	7017054.....	19	7020176.... ..	144, 258, 261
70025153	94, 456	7007498	420	7017055.....	19	7020190... ..	163, 167, 171, 175
70025154	93	7007633	66, 70	7017056.....	19	7020192.....	163
70025156	94	7010404	19	7017057.....	19	7020193.....	421
70025160	94	7010405	19	7017058.....	19	7020403.....	77
70025161	94, 456	7010406	19	7017068.....	24	7020404.....	93
70025164	93	70104570	95	7017070.....	66, 70	7020408.....	78
70025176	93	7010464	23	7017072.....	66, 70	7020449.....	78
70025178	94	7010492	66, 70	7017080.....	66, 70	7020459.....	79
70025179	94	7010542	43	7017082.....	27	7020465.....	78, 93
70025180	94	7010543	40, 43, 44	7017085.....	66, 70	7020468.....	78
70025181	93	7010545	43	7017142.....	235	7020471.....	78, 79
70025200	94	7011112	321, 323, 325, 327	7017158.....	235	7020479.....	79
70025202	93	7011333	244	7017159.....	235	7020487.....	77
70025203	94, 456	7011342	244	7017162.....	235	7020492.....	94
70025206	93	70124410	79	7017163.....	235	7021249.....	29
70025207	93	70124440	79	7017164.....	235	7021275.....	29, 124
70025210	94	70124440	79	7017172.....	235	7021276.....	29
70025212	94	70124530	95	7017183.....	235	7021277.....	29
70025231	93, 418	70124538	95	7017192.....	235	7021310.....	44
70025233	418	7012513	163, 167, 171, 175	7017193.....	235	7021311.....	44
70025235	94	7012514	163, 167, 171, 175	7017195.....	235	7021363.....	47
70025239	94	7012558	163, 167, 171, 175	7017402.....	246, 247	7021375.... ..	47, 51, 52, 55
70025245	95	7012664	114, 456	7017406.....	33, 246, 247	7021601.....	44
70025246	95	7012772	43, 44, 59	7017420.....	43, 59	7021602.....	43
70025416	93	7012773	43, 44, 47, 51, 55, 59	7017421.....	59	7021625.....	33
70025477	94	7012774	44, 59	7017422.....	59	7021639.....	33
70025660	95	7012775	43	7017423.....	43	7021653.....	246
70025752	80	7012776	59	7017427.....	43		
70025753	80	7012777	59	7017428.....	43, 44		
70025768	94	7012778	44, 59	7017452.....	246, 247		
70025799	95	7012779	43	7017466.....	39		
70025801	95	7012780	59	7017475.....	43		
70025877	95	7012781	59	7017477.....	44		
70026210	94	7012914	43, 246	7017478.....	44		

SECTION 10 - SPECIAL OPTIONS

7022162.....	108	7024396.....	67	7026505.....	141	7027784.....	205
7022302.....	29	7024397.....	365, 367	7026506.....	141	7027790.....	79
7022305.....	29	7024404.....	141	7026507.....	141	7027791.....	79
7022310.....	29	7024440.....	136	7026509.....	141	7027792.....	79
7022311.....	29, 124	7024441.....	136	7026511.....	141	7027795.....	79, 456
7022312.....	29	7024443.....	136	7026597....	193, 197, 201	7027796.....	79, 418
7022313.....	29	7024444.....	136	7026608.....	79, 456	7027799....	192, 197, 201
7022314.....	29, 124	7024445.....	136	7026626....	193, 198, 201	7027887....	163, 167, 171, 175
7022318.....	123	7024446.....	136	7026631.....	77	7027965.....	114, 456
7022326.....	30	7024453.....	67	7026632.....	207	7027972.....	114, 456
7022328.....	30	7024454.....	66	7026633.....	207	77143013.....	144
7022368.....	29	7024455.....	67	7026634.....	207	77363229.....	426
7022371.....	30	7024456.....	67	7026635.....	207	77363233.....	426
7022372.....	29	7024457.....	67	7026636.....	207	80344004.....	27
7022397.....	33	7024458.....	67	7026637.....	207	80424002.....	66
7022399.....	33	7024462.....	299	7026638.....	207	80424043.....	67
7022808.....	265	7024463.....	299	7026639.....	207	80484084.....	419
7022815.....	265	7024467.....	299	7026640.....	207	80934561.....	141
7022819.....	265, 408	7024469.....	299	7026641.....	208	80983191.....	419, 457
7022825.....	408	7024470.....	299	7026642.....	208	8180311.....	115
7023318.....	66	7024471.....	299, 305	7026643.....	208	82033995.....	106
7023907.....	29	7024472.....	299	7026644.....	208	8220051.....	418
7023908.....	29	7024473.....	299	7026645.....	208	8229242....	414, 419, 457
7023910.....	29	7024474.....	299	7026646.....	208	8270147.74, 86, 102, 417	
7023911.....	246	7024475.....	299	7026647.....	208	8305401.....	104
7023912.....	246	7024478.....	299	7026648.....	208	8307109.....	104
7023917.....	33	7024484.....	192, 201	7026649.....	208	8310070.....	157
7023933.....	33	7024485....	192, 197, 201	7026650.....	208	8310129.....	285
7023947.....	123	7024488....	191, 197, 201	7026651.....	207	8310230.....	285
7023948.....	123	7024489....	191, 197, 201	7026652.....	207	8310548.....	104
7023949.....	123	7024508....	359, 361, 363	7026653.....	207	8320270.....	78, 456
7023950.....	123	7024530.....	305	7026654.....	207	8405006..86, 91, 95, 104, 131, 133	
7023951.....	123	7024531.....	305	7026655.....	207	8405007.....	91
7023952.....	123	7024532.....	305	7026656.....	207	8405009.....	89, 104
7023956.....	123	7024533.....	305	7026658.....	208	8405102.....	104
7023957.....	123	7024534.....	305	7026659.....	207	8405104.....	89, 104
7023958.....	123	7024535.....	305	7026660.....	207	8405203.....	104
7023960.....	123	7024536.....	305	7026661.....	207	8405204.....	89
7023961.....	123	7024537.....	305	7027015.....	113, 417	8406102.....	87, 91
7023962.....	123	7024561.....	192, 201	7027017.....	113, 418	8406109.....	89, 104
7023964.....	123, 124	7024565.....	79	7027018.....	113, 417	8406110.....	89, 104
7023965.....	123	7024579.....	79, 93	7027053.....	75, 417	8406112.....	86
7023966.....	124	7024598.....	161	7027084....	86, 102, 417	8406201....	102, 106, 205
7023967.....	124	7024704.....	66, 70	7027085....	86, 102, 417	8410001.....	104
7024021.....	51, 55	7024717.....	24	7027086....	86, 102, 417	8410009.....	106
7024100.....	67, 70	7024718.....	24	7027087.....	86, 417	8410011.....	89, 104
7024146.....	23	7024762.....	66, 70	7027088....	86, 102, 417	8410013.....	86, 89
7024147.....	23	7024763.....	24, 66, 70	7027092.....	74, 417	8580420.....	33
7024148.....	23	7024766.....	23	7027093.....	74, 417	85941018.....	102
7024149.....	23, 27	7024781.....	23	7027094.....	75, 417	8770050....	118, 374, 377, 382, 385
7024151.....	23, 27	7024782.....	23, 27	7027095.....	75, 417	88261024.....	245
7024154.....	23, 27	7024783.....	23	7027099.....	75, 417	88411013.....	315
7024155.....	23	7024784.....	66, 70	7027099.....	75, 417	88521008.....	244
7024182.....	24	7024844.....	33	7027099.....	75, 417	88521205....	74, 86, 102, 112, 211, 213
7024189.....	24	7024854.....	30	7027099.....	75, 417	88521214...309, 311, 313	
7024190.....	24, 27	7024862.....	29	7027099.....	75, 417	88662523.....	156
7024191.....	24, 27	7024864.....	124	7027099.....	75, 417	8896941.....	467
7024192.....	24	7024866.....	124	7027099.....	75, 417	91143177.....	398
7024193.....	24	7024867.....	29, 123	7027099.....	75, 417	91203039..	232, 241, 244, 245
7024194.....	24	7024868.....	29, 123	7027099.....	75, 417	91401281....	74, 86, 102, 113, 211
7024195.....	24	7024871.....	30	7027099.....	75, 417	91403102.....	91, 456
7024196.....	24	7024881.....	33	7027099.....	75, 417		
7024197.....	24	7026188....	193, 197, 201	7027099.....	75, 417		
7024379.....	67	7026197.....	141	7027099.....	75, 417		
7024380.....	67	7026199... 163, 167, 171, 175		7027099.....	75, 417		
7024381.....	67	7026503.....	141	7027781.....	205		
7024390.....	67	7026504.....	141	7027782.....	205		
				7027783.....	205		

SECTION 10 - SPECIAL OPTIONS

91474405 48, 56



3121629



An Oshkosh Corporation Company

Corporate Office
JLG Industries, Inc.
1 JLG Drive
McConnellsburg, PA 17233-9533 USA
☎ (717) 485-5161 (Corporate)
☎ (877) 554-5438 (Customer Support)
☎ (717) 485-6417

Visit our website for JLG Worldwide Locations.
www.jlg.com