



Illustrated Parts Manual

Models **1100S** **1100SJP**

SN 0300136673 THROUGH 0300157749

3121257

September 28, 2018 - Rev O

ANSI



An Oshkosh Corporation Company

REVISION LOG

June 15, 2009 - A - Original Issue of Manual (Edited to B/M 1001109343 Revision 7)
October 23, 2009 - B - Revised Manual (Edited to B/M 1001109343 Revision 8)
March 15, 2010 - C - Revised Manual (Edited to B/M 1001109343 Revision 13)
March 17, 2011 - D - Revised Manual (Edited to B/M 1001109343 Revision 16)
June 14, 2011 - E - Revised Manual (Edited to B/M 1001109343 Revision 17)
September 21, 2011 - F - Revised Manual (Edited to B/M 1001109343 Revision 20)
January 12, 2012 - G - Revised Manual (Edited to B/M 1001109343 Revision 20)
June 16, 2012 - H - Revised Manual (Edited to B/M 1001109343 Revision B)
August 10, 2012 - I - Revised Manual (Edited to B/M 1001109343 Revision B)
November 30, 2012 - J - Revised Manual (Edited to B/M 1001109343 Revision B)
April 4, 2013 - K - Revised Manual (Edited to B/M 1001109343 Revision B)
July 8, 2013 - L - Revised Manual (Edited to B/M 1001109343 Revision B)
October 2, 2013 - M - Revised Manual (Edited to B/M 1001109343 Revision B)
January 6, 2017 - N - Revised Manual (Edited to B/M 1001109343 Revision B)
September 28, 2018 - O - Revised Manual

TABLE OF CONTENTS

| | |
|---|-----|
| SECTION 1 - FRAME..... | 7 |
| FIGURE 1-1. AXLE INSTALLATIONS | 8 |
| FIGURE 1-2. STEER INSTALLATION..... | 12 |
| FIGURE 1-3. TIRE AND WHEEL DRIVE INSTALLATION | 16 |
| FIGURE 1-4. DRIVE HUB ASSEMBLY | 18 |
| FIGURE 1-5. DRIVE MOTOR ASSEMBLY | 22 |
| FIGURE 1-6. FRAME VALVES AND COVERS INSTALLATION | 24 |
| FIGURE 1-7. TRACTION VALVE ASSEMBLY (2WD)..... | 28 |
| FIGURE 1-8. TRACTION VALVE ASSEMBLY (4WD)..... | 30 |
| SECTION 2 - TURNTABLE | 33 |
| FIGURE 2-1. VALVE, BATTERY, HORN AND AUXILIARY PUMP INSTALLATIONS | 34 |
| FIGURE 2-2. MAIN VALVE ASSEMBLY | 36 |
| FIGURE 2-3. TURNTABLE SWING DRIVE AND BEARING INSTALLATION..... | 40 |
| FIGURE 2-4. SWING MOTOR/HUB ASSEMBLY | 42 |
| FIGURE 2-5. CATERPILLAR ENGINE INSTALLATION | 48 |
| FIGURE 2-6. DEUTZ ENGINE INSTALLATION..... | 56 |
| FIGURE 2-7. PUMP ASSEMBLY (CATERPILLAR ENGINE MACHINES)..... | 62 |
| FIGURE 2-8. PUMP ASSEMBLY (DEUTZ ENGINE MACHINES)..... | 68 |
| FIGURE 2-9. 2500W GENERATOR INSTALLATION - CATERPILLAR MACHINES (OPTIONAL)..... | 74 |
| FIGURE 2-10. 2500W GENERATOR INSTALLATION - DEUTZ MACHINES (OPTIONAL) | 78 |
| FIGURE 2-11. 7500W SKYPOWER GENERATOR INSTALLATION - CATERPILLAR MACHINES..... | 82 |
| FIGURE 2-12. 7500W SKYPOWER GENERATOR INSTALLATION - DEUTZ MACHINES | 86 |
| FIGURE 2-13. TANK INSTALLATION | 92 |
| FIGURE 2-14. ROTARY COUPLING AND COLLECTOR RING INSTALLATION..... | 94 |
| FIGURE 2-15. HYDRAULIC OIL COOLER INSTALLATION (OPTIONAL)..... | 96 |
| FIGURE 2-16. GROUND CONTROLS INSTALLATION (Prior to SN 0300140836) | 98 |
| FIGURE 2-17. GROUND CONTROLS INSTALLATION (SN 0300140836 to Present) | 102 |
| FIGURE 2-18. ACCESSORIES INSTALLATION..... | 106 |
| FIGURE 2-19. HOOD INSTALLATION..... | 110 |
| FIGURE 2-20. TURNTABLE BEARING SHIELD AND GROUND CONTROL DOOR INSTALLATIONS | 114 |
| SECTION 3 - BOOM | 117 |
| FIGURE 3-1. BOOM INSTALLATION..... | 118 |
| FIGURE 3-2. BOOM ASSEMBLY | 120 |
| FIGURE 3-3. ACTUATOR ASSEMBLIES..... | 128 |
| FIGURE 3-4. POWER TRACK INSTALLATION | 130 |
| FIGURE 3-5. BOOM SENSORS AND SWITCHES INSTALLATION..... | 136 |
| FIGURE 3-6. PLATFORM SUPPORT AND CONTROL VALVES INSTALLATIONS..... | 140 |
| FIGURE 3-7. HOSE/CABLE PROTECTION INSTALLATION (1100S ONLY)..... | 144 |
| SECTION 4 - PLATFORM..... | 147 |
| FIGURE 4-1. PLATFORM COMPONENTS INSTALLATION (1100S)..... | 148 |
| FIGURE 4-2. PLATFORM COMPONENTS INSTALLATION (1100SJP)..... | 152 |
| FIGURE 4-3. PLATFORM CONSOLE ASSEMBLY | 156 |
| FIGURE 4-4. CONTROLLER ASSEMBLY (LIFT AND SWING) | 160 |
| FIGURE 4-5. CONTROLLER ASSEMBLY (LIFT AND SWING)..... | 164 |
| FIGURE 4-6. CONTROLLER ASSEMBLY (LIFT AND SWING)..... | 166 |
| FIGURE 4-7. CONTROLLER ASSEMBLY (DRIVE AND STEER)..... | 170 |
| FIGURE 4-8. CONTROLLER ASSEMBLY (DRIVE AND STEER)..... | 172 |
| FIGURE 4-9. CONTROLLER ASSEMBLY (DRIVE AND STEER)..... | 174 |
| SECTION 5 - CYLINDER | 177 |
| FIGURE 5-1. AXLE EXTENSION CYLINDER ASSEMBLY (ORIGINAL EQUIPMENT) | 178 |
| FIGURE 5-2. AXLE EXTENSION CYLINDER ASSEMBLY (SERVICE REPLACEMENT)..... | 180 |
| FIGURE 5-3. AXLE LOCKOUT CYLINDER ASSEMBLY (ORIGINAL EQUIPMENT)..... | 182 |
| FIGURE 5-4. AXLE LOCKOUT CYLINDER ASSEMBLY (SERVICE REPLACEMENT) | 184 |
| FIGURE 5-5. PLATFORM LEVEL CYLINDER ASSEMBLY (ORIGINAL EQUIPMENT) | 186 |
| FIGURE 5-6. PLATFORM LEVEL CYLINDER ASSEMBLY (SERVICE REPLACEMENT) | 188 |
| FIGURE 5-7. LIFT CYLINDER ASSEMBLY (ORIGINAL EQUIPMENT)..... | 190 |
| FIGURE 5-8. LIFT CYLINDER ASSEMBLY (SERVICE REPLACEMENT) | 192 |

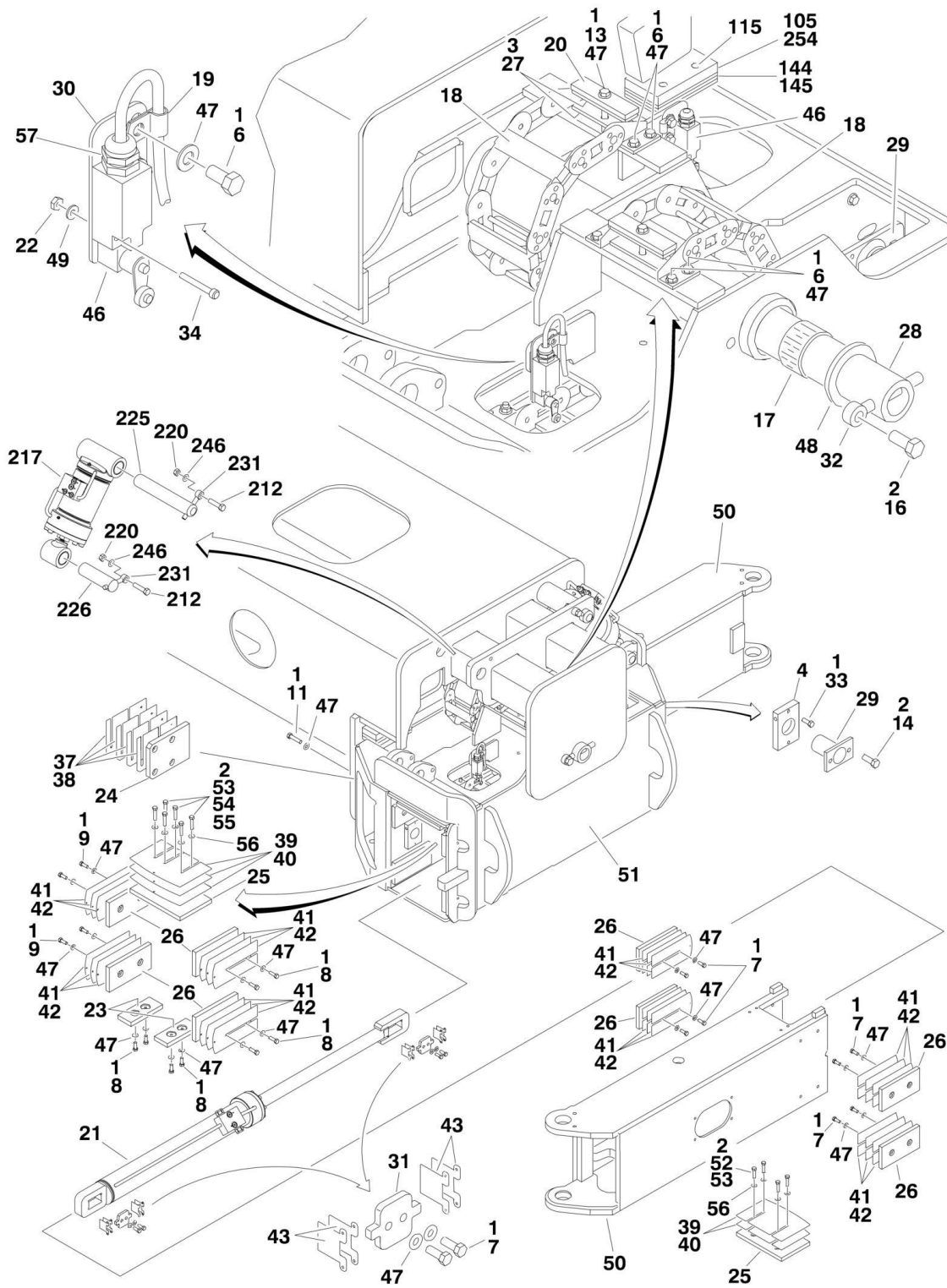
TABLE OF CONTENTS

| | |
|---|-----|
| FIGURE 5-9. JIB CYLINDER ASSEMBLY (ORIGINAL EQUIPMENT) | 194 |
| FIGURE 5-10. JIB CYLINDER ASSEMBLY (SERVICE REPLACEMENT) | 196 |
| FIGURE 5-11. STEER CYLINDER ASSEMBLY (ORIGINAL EQUIPMENT)..... | 198 |
| FIGURE 5-12. STEER CYLINDER ASSEMBLY (SERVICE REPLACEMENT) | 200 |
| FIGURE 5-13. TELESCOPE CYLINDER ASSEMBLY (ORIGINAL EQUIPMENT) | 202 |
| FIGURE 5-14. TELESCOPE CYLINDER ASSEMBLY (SERVICE REPLACEMENT) | 204 |
| SECTION 6 - HYDRAULIC | 207 |
| FIGURE 6-1. HYDRAULIC DIAGRAM - BOOM (1100S) | 208 |
| FIGURE 6-2. HYDRAULIC DIAGRAM - BOOM (1100SJP) | 210 |
| FIGURE 6-3. HYDRAULIC DIAGRAM - CHASSIS (2WD) | 212 |
| FIGURE 6-4. HYDRAULIC DIAGRAM - CHASSIS (4WD) | 214 |
| FIGURE 6-5. HYDRAULIC DIAGRAM - OSCILLATING AXLE (1100SJP) | 216 |
| FIGURE 6-6. HYDRAULIC DIAGRAM - STEER (1100S) | 218 |
| FIGURE 6-7. HYDRAULIC DIAGRAM - STEER (1100SJP) | 220 |
| FIGURE 6-8. HYDRAULIC DIAGRAM - TURNTABLE | 222 |
| FIGURE 6-9. HYDRAULIC DIAGRAM LIST..... | 224 |
| SECTION 7 - ELECTRICAL..... | 225 |
| FIGURE 7-1. ELECTRICAL DIAGRAM LIST | 226 |
| FIGURE 7-2. ELECTRICAL SCHEMATIC (Prior to SN 0300140836)..... | 228 |
| FIGURE 7-3. ELECTRICAL SCHEMATIC (SN 0300140836 to Present) | 234 |
| FIGURE 7-4. HARNESS COMPONENTS INSTALLATION (Prior to SN 0300140836) | 244 |
| FIGURE 7-5. HARNESS COMPONENTS INSTALLATION (SN 0300140836 to Present)..... | 260 |
| SECTION 8 - DECALS | 277 |
| FIGURE 8-1. DECAL INSTALLATION (ANSI SPEC)..... | 278 |
| FIGURE 8-2. DECAL INSTALLATION (ANSI EXPORT SPECS)..... | 282 |
| SECTION 9 - RECOMMENDED SERVICE PARTS STOCK | 287 |
| FIGURE 9-1. MODEL 1100S/1100SJP STANDARD PARTS | 288 |
| FIGURE 9-2. MODEL 1100S/1100SJP VARIABLE PARTS..... | 290 |
| SECTION 10 - SPECIAL OPTIONS | 291 |
| FIGURE 10-1. SPECIAL OPTIONS | 292 |
| PART NUMBER INDEX..... | 295 |

SECTION 1 - FRAME

SECTION 1 - FRAME

FIGURE 1-1. AXLE INSTALLATIONS



SECTION 1 - FRAME

FIGURE 1-1. AXLE INSTALLATIONS

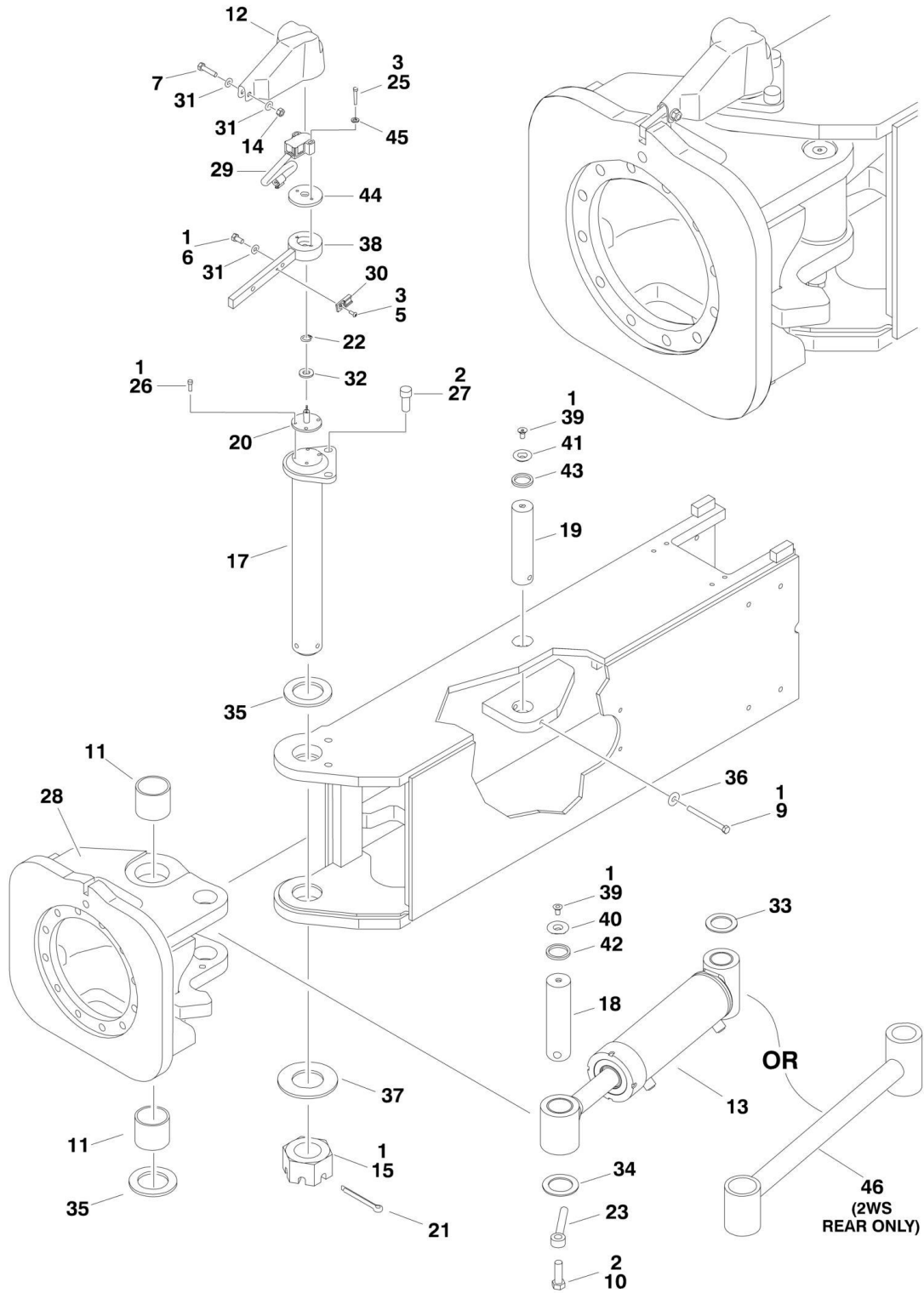
| ITEM | PART NUMBER | QTY | DESCRIPTION | REV |
|------|-------------|-----|---|-----|
| | | Ref | AXLE INSTALLATIONS - COMMON PARTS | |
| | 0271934 | Ref | Fixed Axle | J |
| | 0271521 | Ref | Oscillating Axle | J |
| 1 | 0100011 | AR | Compound, Locking | |
| 2 | 0100019 | AR | Compound, Locking | |
| 3 | 0100081 | AR | Adhesive #454 | |
| 4 | 0363037 | 4 | Bar, Stop | |
| 6 | 0641606 | 40 | Bolt 3/8in-16NC x 3/4in | |
| 7 | 0641608 | 48 | Bolt 3/8in-16NC x 1in | |
| 8 | 0641609 | 32 | Bolt 3/8in-16NC x 1-1/8in | |
| 9 | 0641611 | 16 | Bolt 3/8in-16NC x 1-3/8in | |
| 11 | 0641613 | 8 | Bolt 3/8in-16NC x 1-5/8in | |
| 13 | 0641620 | 4 | Bolt 3/8in-16NC x 2-1/2in | |
| 14 | 0641808 | 8 | Bolt 1/2in-13NC x 1in | |
| 16 | 0642214 | 1 | Bolt 3/4in-10NC x 1-3/4in | |
| 17 | 0962033 | 2 | Bushing | |
| 18 | 1180358 | 4 | Carrier | |
| 18 | 7024365 | AR | 24 in Section Repair Kit (Includes Inner and Outer Links, Joining Bars and Rollers, and Assembling Hardware) | |
| 18 | 7024366 | 1 | Mounting Bracket Kit (Includes Mounting Brackets for Both Ends, 1 Roller Assembly and Assembling Hardware) | |
| 19 | 1320263 | 4 | Clamp, Cable | |
| 20 | 1320298 | 4 | Clamp, Hose | |
| 21 | 1684102 | NLA | Axle Extension Cylinder Assembly (Use p/n 1001228020) (See CYLINDER SECTION for Breakdown) (Original Equipment) | |
| 21 | 1001228020 | 1 | Axle Extension Cylinder Assembly (See CYLINDER SECTION for Breakdown) (Service Replacement) | |
| 22 | 3310805 | 8 | Locknut #8-32NC | |
| 23 | 3340881 | 8 | Pad, Wear | |
| 24 | 3340907 | 2 | Pad, Axle | |
| 25 | 3340946 | 8 | Pad, Wear | |
| 26 | 3340932 | 32 | Pad, Wear | |
| 27 | 3340939 | 8 | Pad, Rubber | |
| 28 | 3422918 | 1 | Pin | |
| 29 | 3422960 | 4 | Pin | |
| 30 | 3573294 | 4 | Plate | |
| 31 | 3573335 | 8 | Plate | |
| 32 | 3841287 | 1 | Keeper, Pin | |
| 33 | 3900270 | 4 | Bolt, Shoulder 1/2in -13NC x 1-1/2in | |
| 34 | 3930820 | 8 | Capscrew #8-32NC x 1-1/4in | |
| 37 | 4071035 | 2 | Shim #18 Gauge | |
| 38 | 4071036 | 4 | Shim #11 Gauge | |
| 39 | 4071054 | 8 | Shim #18 Gauge | |
| 40 | 4071055 | 12 | Shim #11 Gauge | |
| 41 | 4071039 | 24 | Shim #18 Gauge | |
| 42 | 4071040 | 36 | Shim #11 Gauge | |
| 43 | 4071042 | 24 | Shim #16 Gauge | |
| 46 | 4360578 | 4 | Switch, Limit | |
| 47 | 4711600 | 140 | Flatwasher 3/8in Thin | |
| 48 | 4740461 | 1 | Thrustwasher | |

SECTION 1 - FRAME

| ITEM | PART NUMBER | QTY | DESCRIPTION | REV |
|------------|-------------|-----|---|-----|
| 49 | 4750800 | 8 | Flatwasher #8 Regular | |
| 50 | 4846637 | 4 | Extension, Axle | |
| 51 | 4846383 | 1 | Box, Axle Pivot | |
| 52 | 0681813 | 12 | Bolt 1/2in-13NC x 1-5/8in (Grade 8) | |
| 53 | 0681814 | 18 | Bolt 1/2in-13NC x 1-3/4in (Grade 8) | |
| 54 | 0681815 | 12 | Bolt 1/2in-13NC x 1-7/8in (Grade 8) | |
| 55 | 0681816 | 6 | Bolt 1/2in-13NC x 2in (Grade 8) | |
| 56 | 4711800 | 48 | Flatwasher 1/2in Thin | |
| 57 | 4460968 | 4 | Connector, Strain Relief | |
| | | Ref | AXLE INSTALLATION - OPTIONAL PARTS | |
| | 0271934 | Ref | Fixed Axle | I |
| 105 | 0363076 | 2 | Bar, Stop | |
| 115 | 0641814 | 4 | Bolt 1/2in-13NC x 1-3/4in | |
| 144 | 4071049 | 6 | Shim 11 Gauge | |
| 145 | 4071050 | 4 | Shim 16 Gauge | |
| | 0271521 | Ref | Oscillating Axle | J |
| 201 to 211 | | Ref | (Illustration and Parts List Usage) | |
| 212 | 0642020 | 4 | Bolt 5/8in-11NC x 2-1/2in | |
| 217 | 1684081 | NLA | Oscillating Axle Cylinder Assembly (Use p/n 1001228019) (See CYLINDER SECTION for Breakdown) (Original Equipment) | |
| 217 | 1001228019 | 1 | Oscillating Axle Cylinder Assembly See CYLINDER SECTION for Breakdown) (Service Replacement) | |
| 220 | 3312005 | 4 | Locknut 5/8in-11NC | |
| 225 | 3422833 | 2 | Pin | |
| 226 | 3422915 | 2 | Pin | |
| 231 | 3841258 | 4 | Keeper, Pin | |
| 246 | 4712000 | 4 | Flatwasher 5/8in Thin | |
| 254 | 3520054 | 4 | Plug | |

SECTION 1 - FRAME

FIGURE 1-2. STEER INSTALLATION



SECTION 1 - FRAME

FIGURE 1-2. STEER INSTALLATION

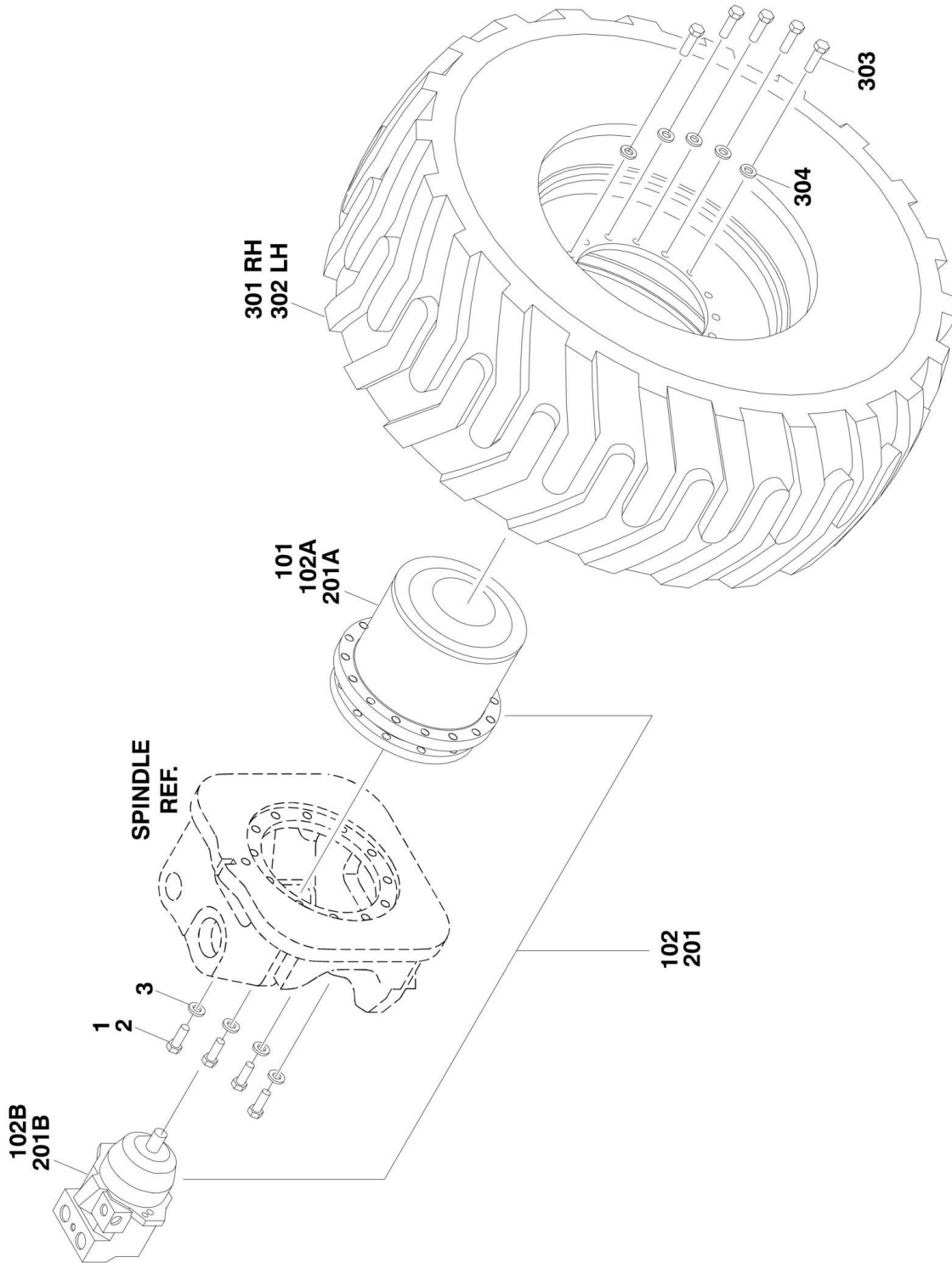
| ITEM | PART NUMBER | QTY | DESCRIPTION | REV |
|------|-------------|-----|--|-----|
| | | Ref | STEER INSTALLATION | |
| | 1001108809 | Ref | 2WS (1100S) | B |
| | 0271520 | Ref | 4WS (1100SJP) (Note: Qtys shown are for 2WS. Double qty for 4WS) | H |
| 1 | 0100011 | AR | Compound, Locking | |
| 2 | 0100019 | AR | Compound, Locking | |
| 3 | 0100035 | AR | Compound, Locking | |
| 5 | 0630464 | 2 | Screw, Button Head #10-24NC x 1/2in | |
| 6 | 0641505 | 2 | Bolt 5/16in-18NC x 5/8in | |
| 7 | 0641511 | 2 | Bolt 5/16in-18NC x 1-3/8in | |
| 9 | 0641634 | 2 | Bolt 3/8in-16NC x 4-1/4in | |
| 10 | 0642016 | 2 | Bolt 5/8in-11NC x 2in | |
| 11 | 0962423 | 4 | Bushing | |
| 12 | | Ref | Cover, Sensor Options: | |
| 12 | 1001109730 | 2 | 2WS (1100S) | |
| 12 | 1671040 | 2 | 4WS (1100SJP) | |
| 13 | 1684314 | NLA | Steer Cylinder Assembly (Use p/n 1001228031) (See CYLINDER SECTION for Breakdown) (Original Equipment) | |
| 13 | 1001228031 | 2 | Steer Cylinder Assembly (See CYLINDER SECTION for Breakdown) (Service Replacement) | |
| 14 | 3311505 | 2 | Locknut 5/16in-18NC | |
| 15 | 3300464 | 2 | Nut, Slotted | |
| 17 | 3422917 | 2 | Kingpin | |
| 18 | 3422940 | 2 | Pin, Steer Cylinder (Outer) | |
| 19 | 3422941 | 2 | Pin, Steer Cylinder (Inner) | |
| 20 | 3423256 | 2 | Pin, Sensor | |
| 21 | 3451214 | 2 | Pin, Cotter 3/8in x 3-1/2in | |
| 22 | 3760383 | 2 | Ring, Retaining | |
| 23 | 3841258 | 2 | Keeper, Pin | |
| 25 | 3931020 | 4 | Capscrew #10-24NC x 1-1/4in | |
| 26 | 3931412 | 8 | Capscrew 1/4in-20NC x 3/4in | |
| 27 | 3932024 | 4 | Capscrew 5/8in-11NC x 1-1/2in | |
| 28 | 1001099632 | 2 | Spindle | |
| 29 | 4360505 | 2 | Switch, Rotary Angle Sensor (Steer) | |
| 30 | 4460914 | 2 | Terminal | |
| 31 | 4711500 | 6 | Flatwasher 5/16in Narrow | |
| 32 | 4711800 | 2 | Flatwasher 1/2in Narrow | |
| 33 | 4740181 | 2 | Washer, Thrust | |
| 34 | 4740229 | 2 | Washer, Thrust | |
| 35 | 4740505 | 4 | Washer, Thrust | |
| 36 | 4751600 | 2 | Flatwasher 3/8in Wide | |
| 37 | 4755000 | 2 | Flatwasher 2-1/2in Wide | |
| 38 | 0200833 | 2 | Arm, Steer | |
| 39 | 0741606 | 4 | Screw, Countersunk 3/8in-16NC x 3/4in | |
| 40 | 1120549 | 2 | Cap, Seal (Outer) | |
| 41 | 1120550 | 2 | Cap, Seal (Inner) | |
| 42 | 3960551 | 2 | Seal (Outer) | |
| 43 | 3960552 | 2 | Seal (Inner) | |
| 44 | 0080277 | 2 | Adapter, Angle Sensor Pilot | |
| 45 | 4750800 | 8 | Flatwasher #8 | |

SECTION 1 - FRAME

| ITEM | PART NUMBER | QTY | DESCRIPTION | REV |
|------|-------------|-----|----------------------|-----|
| 46 | 1001108788 | 2 | Link (2WS Rear Only) | |

SECTION 1 - FRAME

FIGURE 1-3. TIRE AND WHEEL DRIVE INSTALLATION



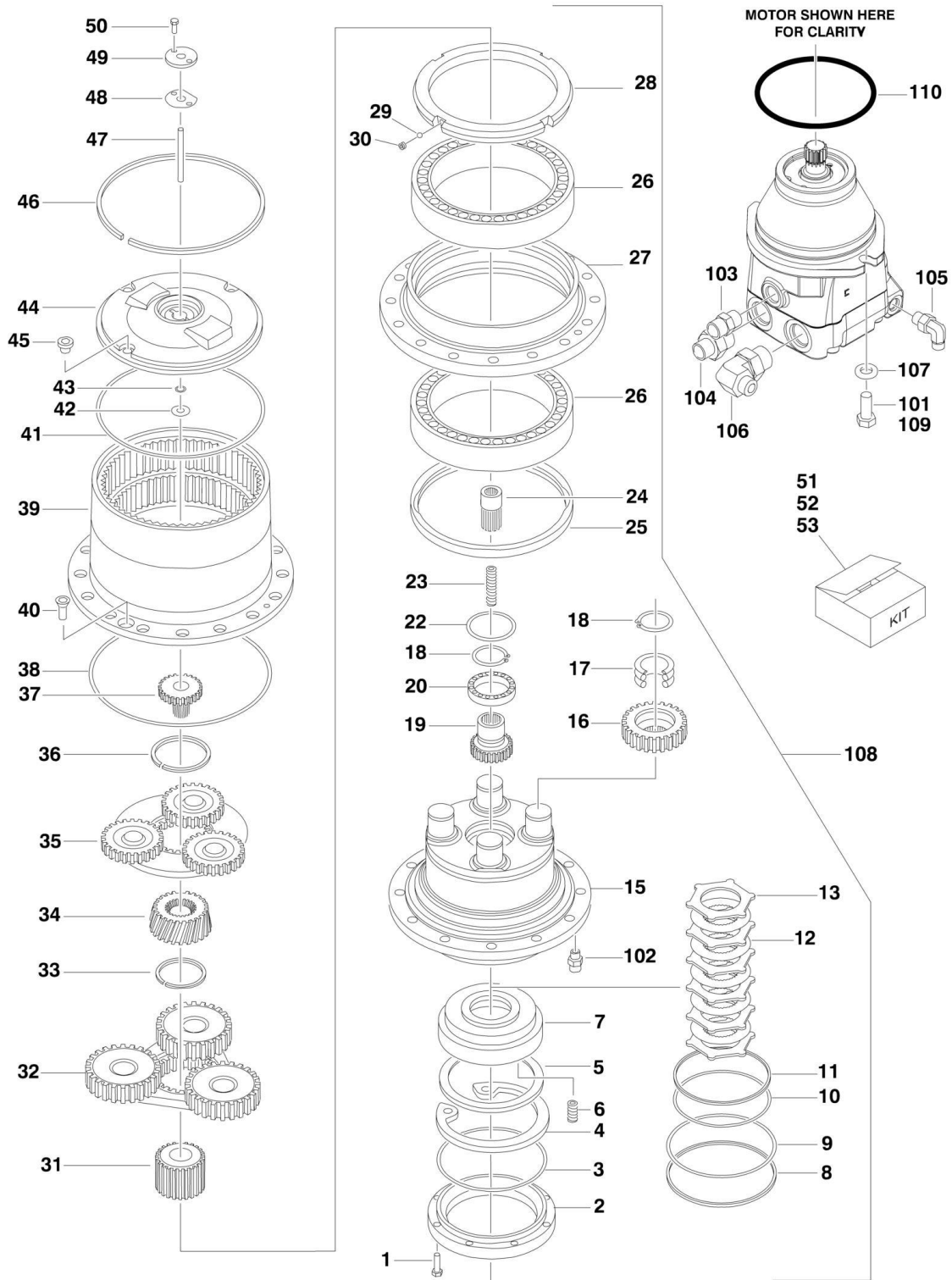
SECTION 1 - FRAME

FIGURE 1-3. TIRE AND WHEEL DRIVE INSTALLATION

| ITEM | PART NUMBER | QTY | DESCRIPTION | REV |
|------|-------------|-----|---|-----|
| | | Ref | WHEEL DRIVE INSTALLATION | |
| | 1001108808 | Ref | 2WD | B |
| | 1001104324 | Ref | 4WD | A |
| 1 | 0100019 | AR | Compound, Locking | |
| 2 | 0701617 | 48 | Bolt M16 x 45mm (12 Per Wheel) | |
| 3 | 4892000 | 48 | Flatwasher 5/8in Hardened (12 Per Wheel) | |
| | 1001108808 | Ref | 2WD Wheel Drive | B |
| 101 | 1001112623 | 2 | Hub Less Motor (Non-Drive Wheel) (See DRIVE HUB ASSEMBLY for Breakdown) | |
| 102 | 1001109797 | 2 | Hub with Motor (Drive Wheel) | |
| 102A | 1001109796 | 2 | Drive Hub Assembly (See DRIVE HUB ASSEMBLY for Breakdown) | |
| 102B | 1001109236 | 2 | Drive Motor Assembly (See DRIVE MOTOR ASSEMBLY for Breakdown) | |
| | 1001104324 | Ref | 4WD Wheel Drive | A |
| 201 | 1001104315 | 2 | Hub with Motor | |
| 201A | 1001104325 | 2 | Drive Hub Assembly (See DRIVE HUB ASSEMBLY for Breakdown) | |
| 201B | 3160339 | 2 | Drive Motor Assembly (See DRIVE MOTOR ASSEMBLY for Breakdown) | |
| | | Ref | TIRE AND WHEEL INSTALLATIONS (FOAM-FILLED) | |
| | 0271852 | Ref | 445/50D70 Foam Filled | B |
| | 1001115961 | Ref | 445/65-24 Solid | A |
| | | Ref | Note: Assemblies may require ballast/foam filling to manufacturer's specifications prior to installing on a machine. Refer to Operation and Safety or Service and Maintenance Manuals. Purchase individual tire and/or rim only if able to foam fill tire and wheel assembly, otherwise, purchase complete assembly. | |
| 301 | | Ref | Tire and Wheel Assembly (Right Side) Options: | |
| 301 | 0272055 | 2 | 445/50D710 Tire and Wheel Assembly (Foam-Filled) | |
| 301 | 4520261 | 2 | 445/50D710 Tire Only | |
| 301 | 4860236 | 2 | Rim, Wheel (Use with 445/50D710 Tire) | |
| 301 | 1001112716 | 2 | 445/65-24 Tire and Wheel Assembly (Solid) (No Serviceable Parts Available - Purchase Complete Assembly) | |
| 302 | | Ref | Tire and Wheel Assembly (Left Side) Options: | |
| 302 | 0272056 | 2 | 445/50D710 Tire and Wheel Assembly (Foam-Filled) | |
| 302 | 4520261 | 2 | 445/50D710 Tire Only | |
| 302 | 4860236 | 2 | Rim, Wheel (Use with 445/50D710 Tire) | |
| 302 | 1001112669 | 2 | 445/65-24 Tire and Wheel Assembly (Solid) (No Serviceable Parts Available - Purchase Complete Assembly) | |
| 303 | 0701619 | 64 | Bolt M16 x 55mm (16 Per Wheel) | |
| 304 | 4892000 | 64 | Flatwasher 5/8in Hardened (16 Per Wheel) | |

SECTION 1 - FRAME

FIGURE 1-4. DRIVE HUB ASSEMBLY



SECTION 1 - FRAME

FIGURE 1-4. DRIVE HUB ASSEMBLY

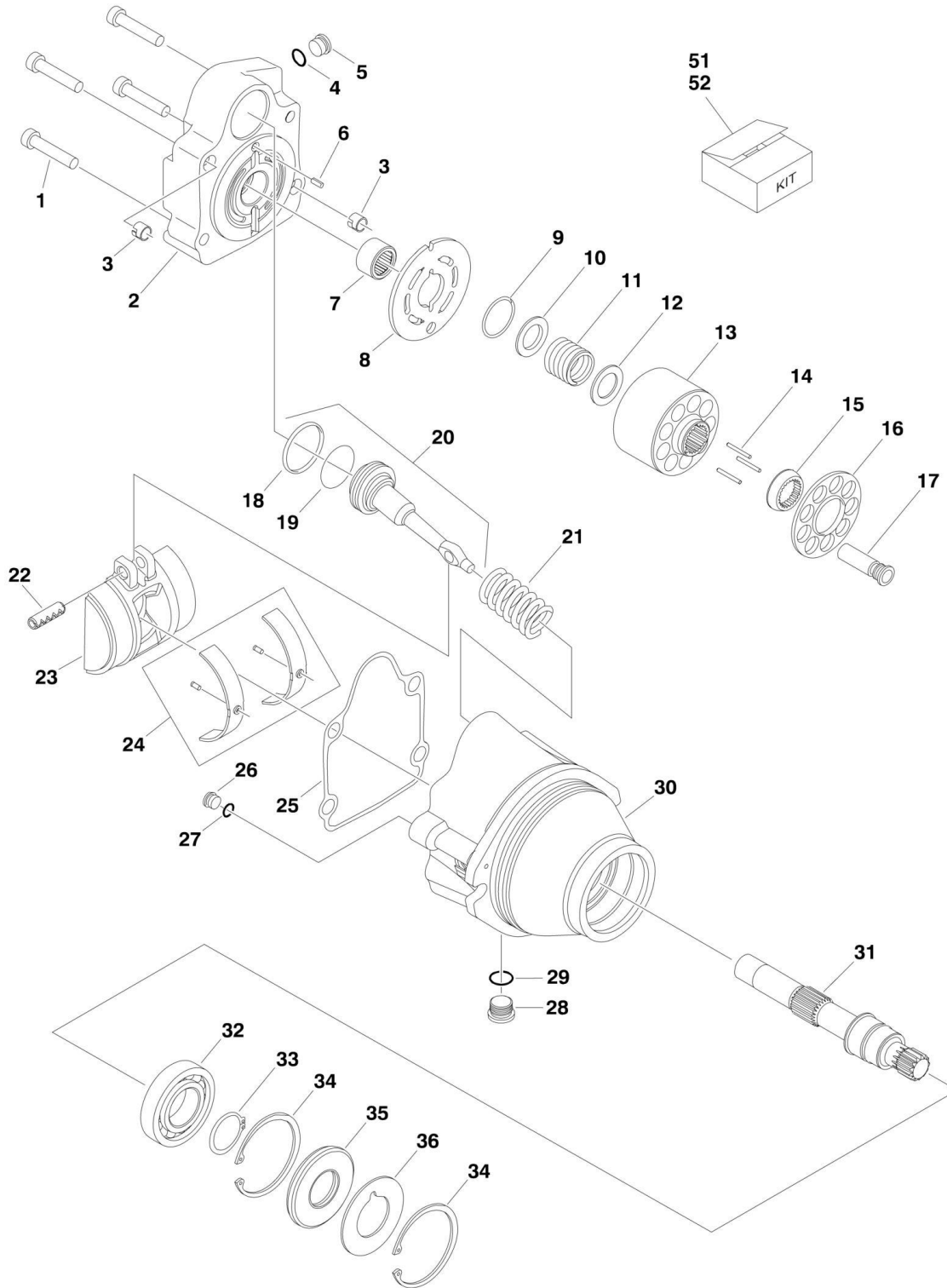
| ITEM | PART NUMBER | QTY | DESCRIPTION | REV |
|------|-------------|-----|---|-----|
| | | Ref | DRIVE HUB ASSEMBLY LESS FITTINGS AND HARDWARE | |
| | 1001112623 | Ref | 2WD Hub (Non-Drive Wheel) | A |
| | 1001101550 | Ref | 2WD Hub (Drive Wheel) | C |
| | 1001101550 | Ref | 4WD | C |
| 1 | 70002015 | 8 | Bolt M8 x 25 | |
| 2 | | Ref | Ring, Motor Support Options: | |
| 2 | 70002681 | 1 | 1001112623 Hub | |
| 2 | 70002016 | 1 | 1001101550 Hub | |
| 3 | 70002248 | 1 | O-Ring | |
| 4 | 70002018 | 1 | Snap Ring (1001101550 Hub Only) | |
| 5 | 70002019 | 1 | Retainer, Spring (1001101550 Hub Only) | |
| 6 | 70002020 | 9 | Spring (1001101550 Hub Only) | |
| 7 | 70002249 | 1 | Piston (1001101550 Hub Only) (was p/n 70002021) | |
| 8 | See Note | 1 | Ring, Backup (1001101550 Hub) (Note: Use Item 51 or 53) | |
| 9 | See Note | 1 | O-Ring (1001101550 Hub) (Note: Use Item 51 or 53) | |
| 10 | See Note | 1 | O-Ring (1001101550 Hub) (Note: Use Item 51 or 53) | |
| 11 | See Note | 1 | Ring, Backup(1001101550 Hub) (Note: Use Item 51 or 53) | |
| 12 | 70002026 | 5 | Disc, Friction (1001101550 Hub Only) | |
| 13 | 70002027 | 6 | Disc, Steel (1001101550 Hub Only) | |
| 15 | 70002029 | 1 | Spindle | |
| 16 | 70002030 | 4 | Gear, Planetary (1001101550 Hub Only) | |
| 17 | 70002031 | 4 | Bearing (1001101550 Hub Only) | |
| 18 | 70002032 | 5 | Snap Ring (1001101550 Hub Only) | |
| 19 | 70002033 | 1 | Gear, Brake/Input (1001101550 Hub Only) | |
| 20 | 70002034 | 1 | Bearing (1001101550 Hub Only) | |
| 22 | 70002035 | 1 | Ring, Wear (1001101550 Hub Only) | |
| 23 | 70002036 | 1 | Spring (1001101550 Hub Only) | |
| 24 | 70002037 | 1 | Shaft, Engagement (1001101550 Hub Only) | |
| 25 | 70002248 | 1 | Seal | |
| 26 | 70002039 | 2 | Bearing Assembly | |
| 27 | 70002040 | 1 | Support, Hub | |
| 28 | 70002041 | 1 | Nut, Retaining | |
| 29 | 70002674 | 4 | Flatwasher (was p/n 70002042) | |
| 30 | 70002674 | 4 | Screw, Flange (was p/n 70002043 Std Screw) | |
| 31 | 70002044 | 1 | Gear, Planetary Sun (1001101550 Hub Only) | |
| 32 | 70002045 | 1 | Reduction Assembly, Secondary (1001101550 Hub Only) | |
| 33 | 70002046 | 1 | Snap Ring (1001101550 Hub Only) | |
| 34 | 70002047 | 1 | Gear, Secondary Input Sun (1001101550 Hub Only) | |
| 35 | 70002048 | 1 | Reduction Assembly, Primary (1001101550 Hub Only) | |
| 36 | 70002049 | 1 | Snap Ring (1001101550 Hub Only) | |
| 37 | 70002050 | 1 | Gear, Primary Input Sun (1001101550 Hub Only) | |
| 38 | 70002248 | 1 | O-Ring | |
| 39 | | Ref | Housing, Hub Options: | |
| 39 | 70002681 | 1 | 1001112623 Hub | |
| 39 | See Note | 1 | 1001101550 Hub (Note: Not Available Purchase Complete Hub Assembly) | |
| 40 | 70002052 | 2 | Screw, Countersunk | |
| 41 | See Note | 1 | O-Ring (Note: Use Item 51 or 52) | |
| 42 | 70002247 | 1 | Thrustwasher (1001101550 Hub Only) | |
| 43 | See Note | 1 | O-Ring (1001101550 Hub Only) (Note: Use Item 51 or 52) | |

SECTION 1 - FRAME

| ITEM | PART NUMBER | QTY | DESCRIPTION | REV |
|------|--------------|-----|---|-----|
| 44 | See Note | 1 | Cover, Hub (Note: Use Item 52) | |
| 45 | 70002057 | 3 | Plug | |
| 46 | See Note | 1 | Snap Ring (Note: Use Item 52) | |
| 47 | 70002247 | 1 | Pin, Engagement (1001101550 Hub Only) | |
| 48 | See Note | 1 | Gasket (Note: Use Item 51 or 52) | |
| 49 | See Note | 1 | Cover, Engagement (Note: Use Item 52) | |
| 50 | See Note | 2 | Screw (Note: Use Item 52) | |
| 51 | 70002248 | 1 | Seal Kit (Includes Items 3, 8-11, 25, 38, 41, 43 & 48) | |
| 52 | | Ref | Cover Kit Options: | |
| 52 | 70002679 | 1 | 1001112623 Hub (Includes Items 41, 44-46 & 48-50) | |
| 52 | 70002247 | 1 | 1001101550 Hub (Includes Items 41-44 & 46-50) | |
| 53 | | Ref | Brake Kit Options: | |
| 53 | Not Required | 0 | 1001112623 Hub | |
| 53 | 70002249 | 1 | 1001101550 Hub (Includes Item 4-13) | |
| 54 | | Ref | Components Kit Options: | |
| 54 | 70002681 | 1 | 1001112623 Hub (Includes Items 1,2,15,27,39 & 40) | |
| 54 | See Note | 1 | 1001101550 Hub (Note: Not Available for Purchase) | |
| | | Ref | DRIVE HUB ASSEMBLY WITH FITTINGS AND HARDWARE | |
| | 1001112623 | Ref | 2WD Hub (Non-Drive Wheel) | A |
| | 1001109796 | Ref | 2WD Hub (Drive Wheel) | C |
| | 1001104325 | Ref | 4WD | D |
| 101 | 0761214 | 2 | Bolt M12 x 30mm (10001109796 & 1001104325 Hubs Only) | |
| 102 | 2110404 | 1 | Fitting, Straight (10001109796 & 1001104325 Hubs Only) | |
| 103 | | Ref | Fitting Options (10001109796 & 1001104325 Hubs Only): | |
| 103 | 2130808 | 1 | Fitting, 90 | |
| 103 | 2110808 | 1 | Fitting, Straight | |
| 104 | | Ref | Fitting Options (10001109796 & 1001104325 Hubs Only): | |
| 104 | 2151012 | 1 | Fitting, 45 | |
| 104 | 2110812 | 1 | Fitting, Straight | |
| 105 | 2130406 | 1 | Fitting, 90 (10001109796 & 1001104325 Hubs Only) | |
| 106 | | Ref | Fitting, Options (10001109796 & 1001104325 Hubs Only): | |
| 106 | 2151012 | 1 | Fitting, 45 | |
| 106 | 2130812 | 1 | Fitting, 90 | |
| 107 | 5241200 | 2 | Flatwasher 12mm Hardened (10001109796 & 1001104325 Hubs Only) | |
| 108 | | Ref | Hub Assembly (Includes Items 1-53) | |
| 108 | 1001112623 | 1 | 2WD Hub (Non-Drive Wheel) | |
| 108 | 1001101550 | 1 | 2WD Hub (Drive Wheel) | |
| 108 | 1001101550 | 1 | 4WD | |
| 109 | 0100011 | AR | Compound, Locking | |
| 110 | 3790158 | 1 | O-Ring | |
| 111 | | Ref | Lubricant Options (Not Shown): | |
| 111 | See Note | AR | 2WD (Note: Refer to Service Manual) | |
| 111 | 3020008 | AR | 4WD (80W-90) | |

SECTION 1 - FRAME

FIGURE 1-5. DRIVE MOTOR ASSEMBLY



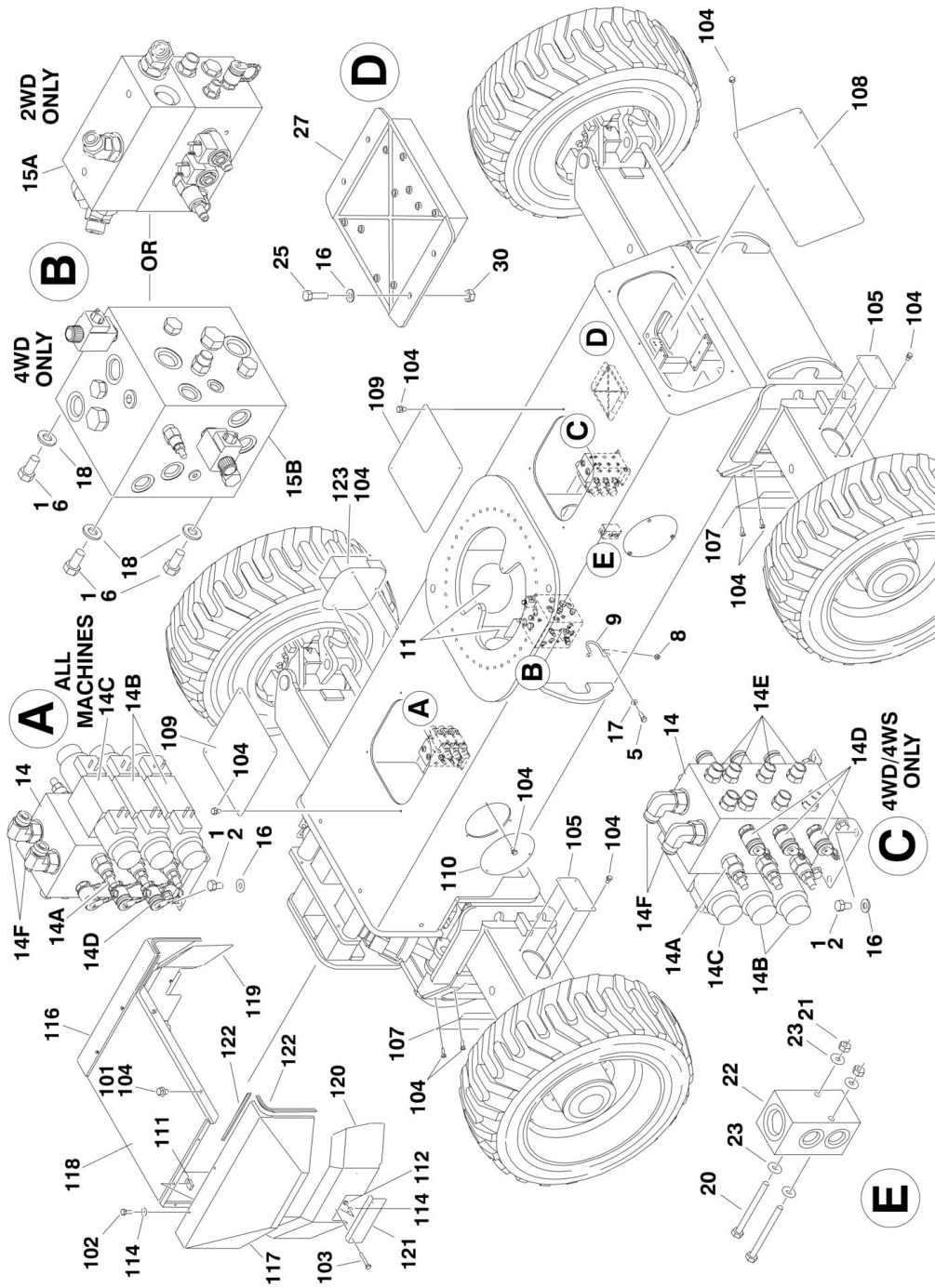
SECTION 1 - FRAME

FIGURE 1-5. DRIVE MOTOR ASSEMBLY

| ITEM | PART NUMBER | QTY | DESCRIPTION | REV |
|------|-------------|-----|---|-----|
| | | Ref | DRIVE MOTOR ASSEMBLY | |
| | 1001109236 | Ref | 2WD | A |
| | 3160339 | Ref | 4WD | B |
| 1 | 7022368 | 4 | Bolt | |
| 2 | 70000859 | 1 | End Cap, Motor | |
| 3 | 70003628 | 2 | Locating Pin | |
| 4 | 7021256 | 1 | O-Ring | |
| 5 | 7007420 | 1 | Plug (Includes Item 4) | |
| 6 | 7007446 | 1 | Pin, Dowel | |
| 7 | 7021249 | 1 | Bearing, Needle | |
| 8 | 70000854 | 1 | Plate, Valve | |
| 9 | 7022311 | 1 | Snap Ring (Part of Item 52) | |
| 10 | 7022314 | 1 | Retainer, Spring (Part of Item 52) | |
| 11 | 7024867 | 1 | Spring (Part of Item 52) | |
| 12 | | Ref | Washer Options (Part of Item 52): | |
| 12 | 7024868 | 1 | Washer for 1001109236 Motor | |
| 12 | 7024868 | 1 | Washer for 3160339 Motor (was p/n 7022313) | |
| 13 | 70000855 | 1 | Block, Cylinder (Part of Item 52) | |
| 14 | 7021275 | 3 | Pin, Slipper (Part of Item 52) | |
| 15 | 70000856 | 1 | Guide (Part of Item 52) | |
| 16 | 70000857 | 1 | Retainer, Slipper (Part of Item 52) | |
| 17 | 7024865 | 9 | Piston, Cylinder (Part of Item 52) | |
| 18 | 70000862 | 1 | Ring, Piston | |
| 19 | 70000862 | 1 | O-Ring | |
| 20 | | Ref | Piston, Servo Options (Includes Items 18 & 19): | |
| 20 | 70002310 | 1 | Piston for 1001109236 Motor | |
| 20 | 70000860 | 1 | Piston for 3160339 Motor | |
| 21 | 70000861 | 1 | Spring | |
| 22 | | Ref | Fastener Options: | |
| 22 | See Note | 1 | Pin for 1001109236 Motor (Note: Not Available for Purchase) | |
| 22 | See Note | 1 | Ring, Retaining for 1001109236 Motor (Note: Not Available for Purchase) | |
| 22 | See Note | 1 | Pin for 3160339 Motor (Note: Not Available for Purchase) | |
| 23 | 70000853 | 1 | Swashplate | |
| 24 | 70000852 | 1 | Bearing Kit | |
| 25 | 70000862 | 1 | Gasket | |
| 26 | 70002133 | 1 | Plug (includes Item 27) | |
| 27 | 7007207 | 1 | O-Ring | |
| 28 | 7022321 | 1 | Plug (Includes Item 29) | |
| 29 | 7022322 | 1 | O-Ring | |
| 30 | See Note | 1 | Housing (Note: Not Available - Purchase Complete Drive Motor Assembly) | |
| 31 | 70000858 | 1 | Shaft | |
| 32 | 7007437 | 1 | Bearing | |
| 33 | 7007439 | 1 | Snap Ring | |
| 34 | 7007438 | 2 | Snap Ring | |
| 35 | 7007459 | 1 | Seal, Lip | |
| 36 | 7022371 | 1 | Washer, Seal Support | |
| 51 | 70000862 | 1 | Motor Seal Kit (Includes Items 4, 18, 19, 25, 27, 29 & 35) | |
| 52 | 7027740 | 1 | Cylinder Block Kit (Includes Items 9 - 17) | |

SECTION 1 - FRAME

FIGURE 1-6. FRAME VALVES AND COVERS INSTALLATION



SECTION 1 - FRAME

FIGURE 1-6. FRAME VALVES AND COVERS INSTALLATION

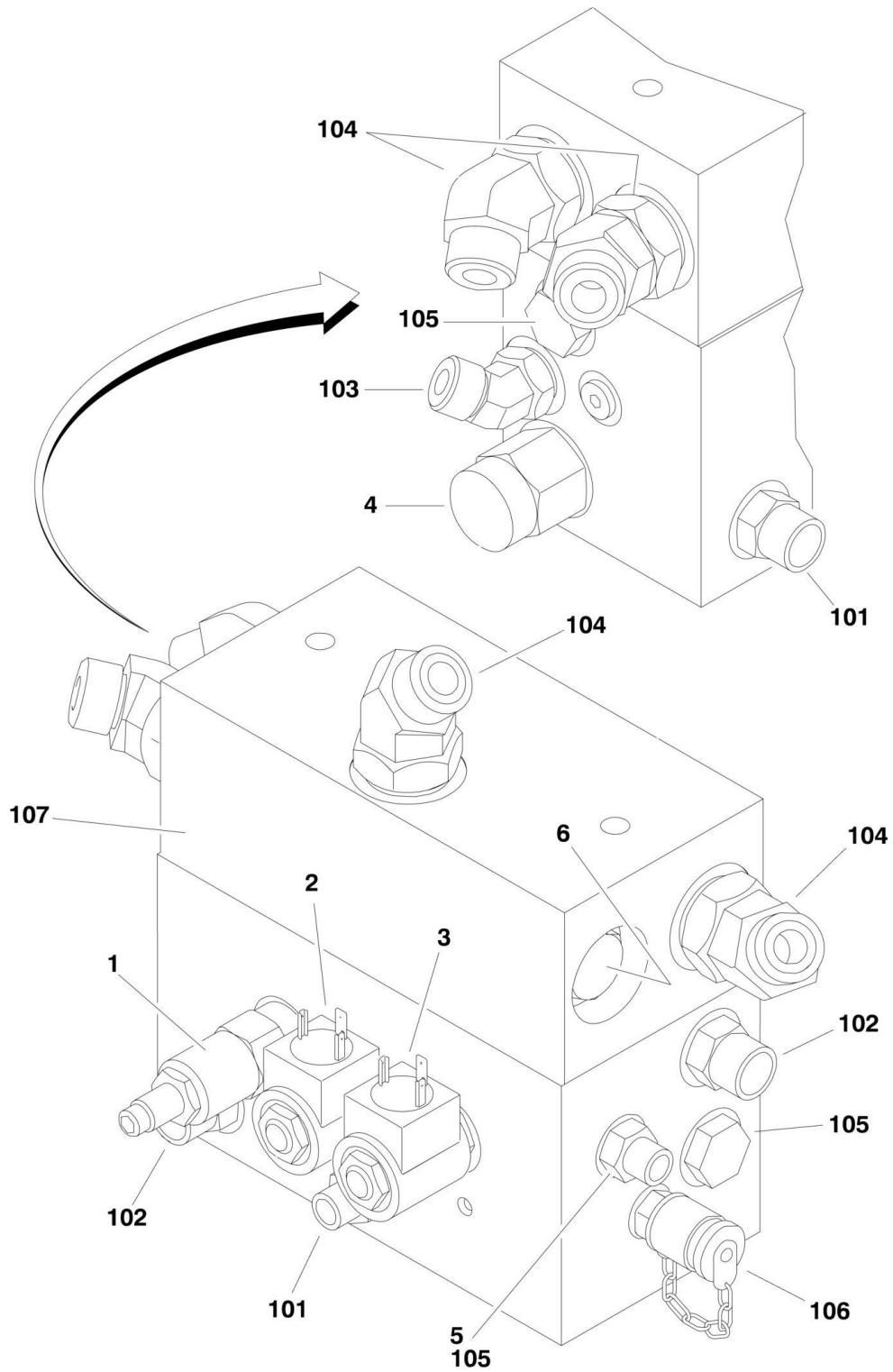
| ITEM | PART NUMBER | QTY | DESCRIPTION | REV |
|------|-------------|----------------|--|-----|
| | | Ref | FRAME VALVES INSTALLATION | |
| | 1001110164 | Ref | 2WD/2WS | D |
| | 1001116398 | Ref | 4WD/2WS | B |
| | 0271802 | Ref | 4WD/4WS | K |
| 1 | 0100011 | AR | Compound, Locking | |
| 2 | 0641504 | AR | Bolt 5/16in-18NC x 1/2in | |
| 5 | 0641608 | 12 | Bolt 3/8in-16NC x 1in | |
| 6 | 0641808 | 4 | Bolt 1/2in-13NC x 1in | |
| 8 | 3311605 | 4 | Locknut 3/8in16NC | |
| 9 | 3841340 | 2 | Loop, Hose | |
| 11 | 4060808 | 124 in/3.2m | Flex-Trim | |
| 14 | 4641268 | Ref | Valve Assembly - Steer | |
| 14 | 4641268 | 1 | 2WD/2WS & 4WD/2WS | |
| 14 | 4641268 | 2 | 4WD/4WS (Note: Qtys below for 1 valve. Double qtys for 4WD) | |
| 14A | 7026028 | 6 | Cartridge (6 Per Valve) | |
| 14A | 7011346 | 6 | Seal Kit - 7026028 Cartridge (1 Per Cartridge) | |
| 14B | 7024927 | 2 | Valve (2 Per Valve) | |
| 14B | 7012773 | 2 | Seal Kit - 7024927 Cartridge (1 Per Cartridge) | |
| 14B | 7018991 | 4 | Coil (2 Per Valve) | |
| 14C | 7012770 | 1 | Valve | |
| 14C | 7012773 | 1 | Seal Kit - 7012770 Cartridge | |
| 14C | 7018991 | 2 | Coil | |
| 14C | 70001939 | 1 | Orifice | |
| 14D | 2221086 | 6 | Check, Pressure | |
| 14E | 2110606 | 8 | Fitting, Straight | |
| 14F | 2130810 | 2 | Fitting, 90 | |
| 15 | | Ref | Valve Assembly - Traction | |
| 15A | 1001110060 | 1 | 2WD/2WS (See TRACTION VALVE ASSEMBLY for Breakdown) | |
| 15B | 4641454 | 1 | 4WD/2WS & 4WD/4WS (See TRACTION VALVE ASSEMBLY for Breakdown) | |
| 16 | 4711500 | AR | Flatwasher 5/16in Thin | |
| 17 | 4711600 | AR | Flatwasher 3/8in Thin | |
| 18 | 4711800 | 4 | Flatwasher 1/2in Thin | |
| 20 | 0641424 | 2 | Bolt 1/4in-20NC x 3in | |
| 21 | 3311405 | 2 | Locknut 1/4in-20NC | |
| 22 | 4641155 | 1 | Manifold, Junction (4WD Only) | |
| 23 | 4711400 | 8 | Flatwasher 1/4in Thin | |
| 25 | 0641509 | 4 | Bolt 5/16in-18NC x1-1/8in | |
| 27 | 1001112758 | 1 | Module (Chassis) (was p/n 1600331) (Note: Control System must be recalibrated when Module is replaced) | |
| 30 | 3311505 | 4 | Locknut 5/16in-18NC | |
| | 1001110114 | Ref | FRAME COVERS INSTALLATION | C |
| 101 | 0100011 | AR | Compound, Locking | |
| 102 | 0641406 | 8 | Bolt 1/4in-20NC x 3/4in | |
| 103 | 0641414 | 4 | Bolt 1/4in-20NC x 1-3/4in | |
| 104 | 0791604 | 63 | Screw 3/8in-16NC x 1/2in | |
| 105 | 1671045 | 4 | Plate, Cover (Axle Side) | |
| 107 | 1671046 | 4 | Plate, Cover (Axle Corner) | |

SECTION 1 - FRAME

| ITEM | PART NUMBER | QTY | DESCRIPTION | REV |
|------|-------------|------------|---------------------------|-----|
| 108 | 1671047 | 1 | Plate, Cover (Rear) | |
| 109 | 1671048 | 2 | Plate, Cover (Frame Top) | |
| 110 | 1671049 | 3 | Plate, Cover (Frame Side) | |
| 111 | 3300454 | 8 | Nut 1/4in-20NC | |
| 112 | 3311405 | 4 | Locknut 1/4in-20NC | |
| 114 | 4711400 | 12 | Flatwasher 1/4in Thin | |
| 116 | 1001110108 | 1 | Panel, Front Right | |
| 117 | 1001110109 | 1 | Panel, Front Left | |
| 118 | 1001110110 | 1 | Panel, Front | |
| 119 | 1001110111 | 1 | Shield, Right Axle | |
| 120 | 1001110112 | 1 | Shield, Left Axle | |
| 121 | 1001110113 | 2 | Plate, Clamp | |
| 122 | 1001110513 | 51 in/1.3m | Seal | |
| 123 | 1001110877 | 1 | Mount, Fire Extinguisher | |

SECTION 1 - FRAME

FIGURE 1-7. TRACTION VALVE ASSEMBLY (2WD)



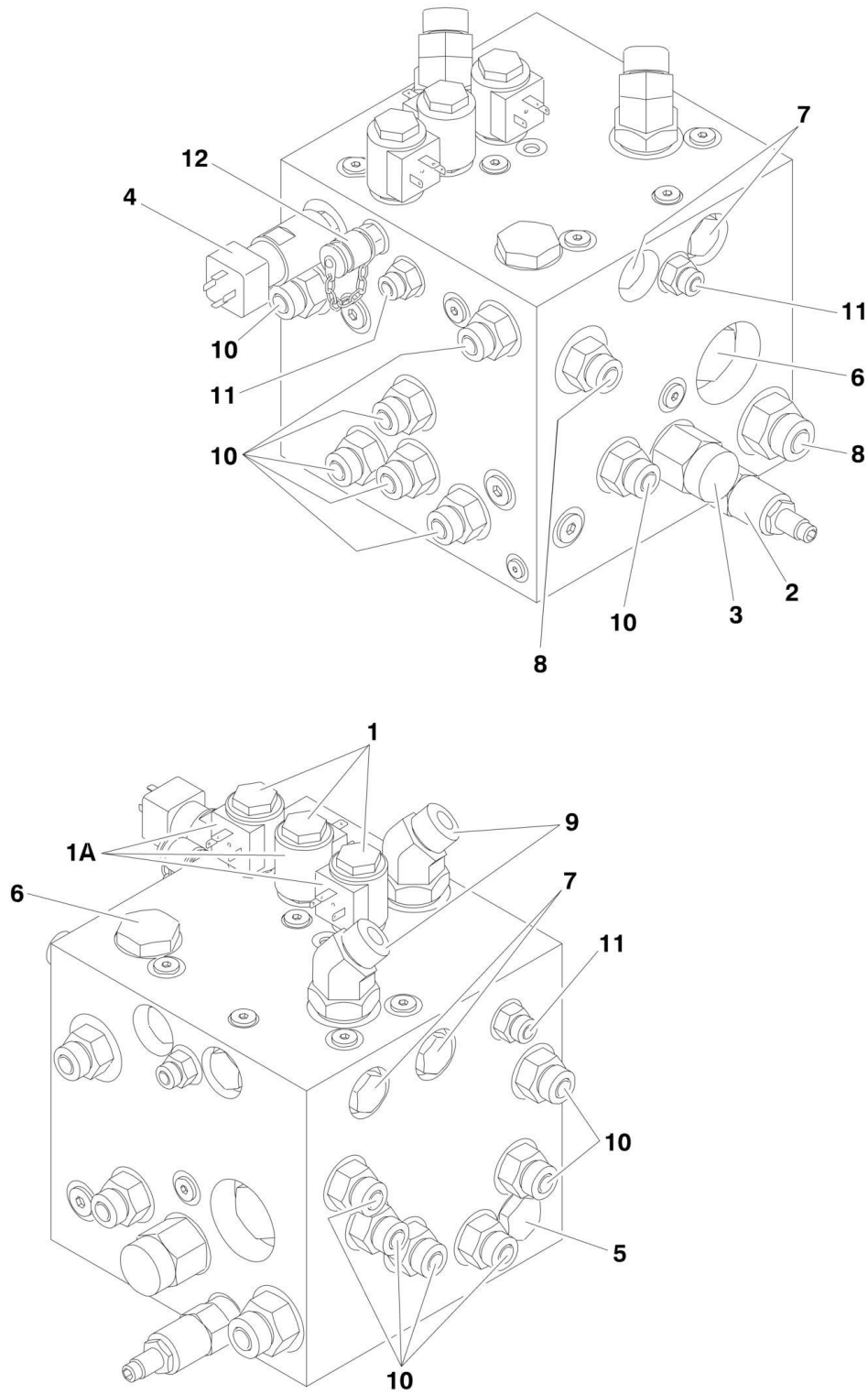
SECTION 1 - FRAME

FIGURE 1-7. TRACTION VALVE ASSEMBLY (2WD)

| ITEM | PART NUMBER | QTY | DESCRIPTION | REV |
|------|-------------|-----|--|-----|
| | 1001113705 | Ref | TRACTION VALVE ASSEMBLY LESS FITTINGS | B |
| 1 | 70002298 | 1 | Cartridge, Valve (Relief) | |
| 1 | 7012998 | 1 | Seal Kit - 70002298 Cartridge | |
| 2 | 7012941 | 1 | Cartridge, Solenoid Valve (2 Speed Shift) | |
| 2 | 7010543 | 1 | Seal Kit - 7012941 Cartridge | |
| 2 | 7012944 | 1 | Coil | |
| 2 | 7017403 | 1 | Water Proofing Kit for 7012944 Coil | |
| 3 | 7012941 | 1 | Cartridge, Solenoid Valve (Brake Release) | |
| 3 | 7010543 | 1 | Seal Kit - 7012941 Cartridge | |
| 3 | 7012944 | 1 | Coil | |
| 3 | 7017403 | 1 | Water Proofing Kit for 7012944 Coil | |
| 4 | 70000802 | 1 | Cartridge, Valve (Pilot) | |
| 4 | 7012942 | 1 | Seal Kit - 7026026 Cartridge | |
| 5 | See Note | 1 | Orifice (Note: Not Available for Purchase) | |
| 6 | 70000804 | 1 | Cartridge, Valve (Shuttle) | |
| 6 | 70000805 | 1 | Seal Kit - Cartridge | |
| | 1001110060 | Ref | TRACTION VALVE ASSEMBLY | F |
| 101 | 2110406 | 2 | Fitting, Straight | |
| 102 | 2110808 | 2 | Fitting, Straight | |
| 103 | 2150808 | 1 | Fitting, 45 | |
| 104 | 2151012 | 4 | Fitting, 45 | |
| 105 | 2220238 | 2 | Plug | |
| 106 | 2221086 | 1 | Fitting, Diagnostic Test Port | |
| 107 | 1001113705 | 1 | Valve Assembly less Fittings (Includes Item 1-6) | |

SECTION 1 - FRAME

FIGURE 1-8. TRACTION VALVE ASSEMBLY (4WD)



SECTION 1 - FRAME

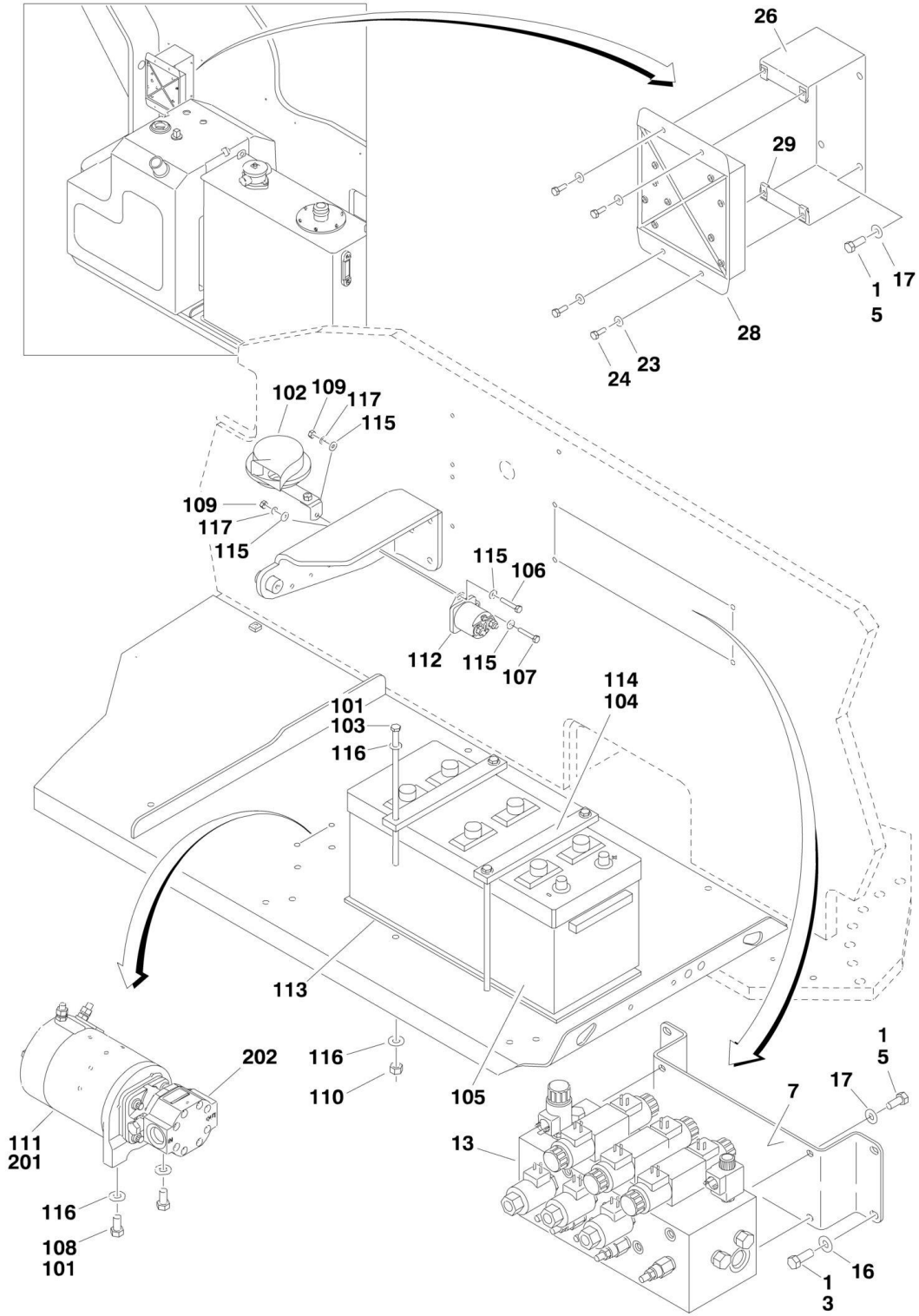
FIGURE 1-8. TRACTION VALVE ASSEMBLY (4WD)

| ITEM | PART NUMBER | QTY | DESCRIPTION | REV |
|------|-------------|-----|---|-----|
| | 4641454 | Ref | TRACTION VALVE ASSEMBLY | E |
| 1 | 7012941 | 3 | Cartridge, Valve (2 Speed/Brake Release/Axle Lockout) | |
| 1 | 7010543 | 3 | Seal Kit - 7012941 Cartridge | |
| 1A | 7012944 | 2 | Coil | |
| 2 | 70000801 | 1 | Cartridge, Valve (Relief) | |
| 2 | 7012998 | 1 | Seal Kit - 70000801 Cartridge | |
| 3 | 70000802 | 1 | Cartridge, Valve (Pilot) | |
| 3 | 7012942 | 1 | Seal Kit - 70000802 Cartridge | |
| 4 | 70000803 | 1 | Switch, Pressure (Axle Lockout) | |
| 5 | 70000804 | 1 | Cartridge, Valve (Shuttle) | |
| 5 | 70000805 | 1 | Seal Kit - 70000804 Cartridge | |
| 6 | 70000806 | 2 | Cartridge, Valve (Flow Divider) | |
| 6 | 7017405 | 2 | Seal Kit - 70000806 Cartridge | |
| 7 | 7012955 | 4 | Cartridge, Valve (Check) | |
| 7 | 7012967 | 4 | Seal Kit - 7012955 Cartridge | |
| 8 | 2111012 | 2 | Fitting, Straight | |
| 9 | 2151012 | 2 | Fitting, 45 | |
| 10 | 2110810 | 13 | Fitting, Straight | |
| 11 | 2110406 | 3 | Fitting, Straight | |
| 12 | 2221086 | 1 | Check, Pressure | |
| 13 | 2220883 | 1 | Plug, #4 (Not Shown) | |

SECTION 2 - TURNTABLE

SECTION 2 - TURNTABLE

FIGURE 2-1. VALVE, BATTERY, HORN AND AUXILIARY PUMP INSTALLATIONS



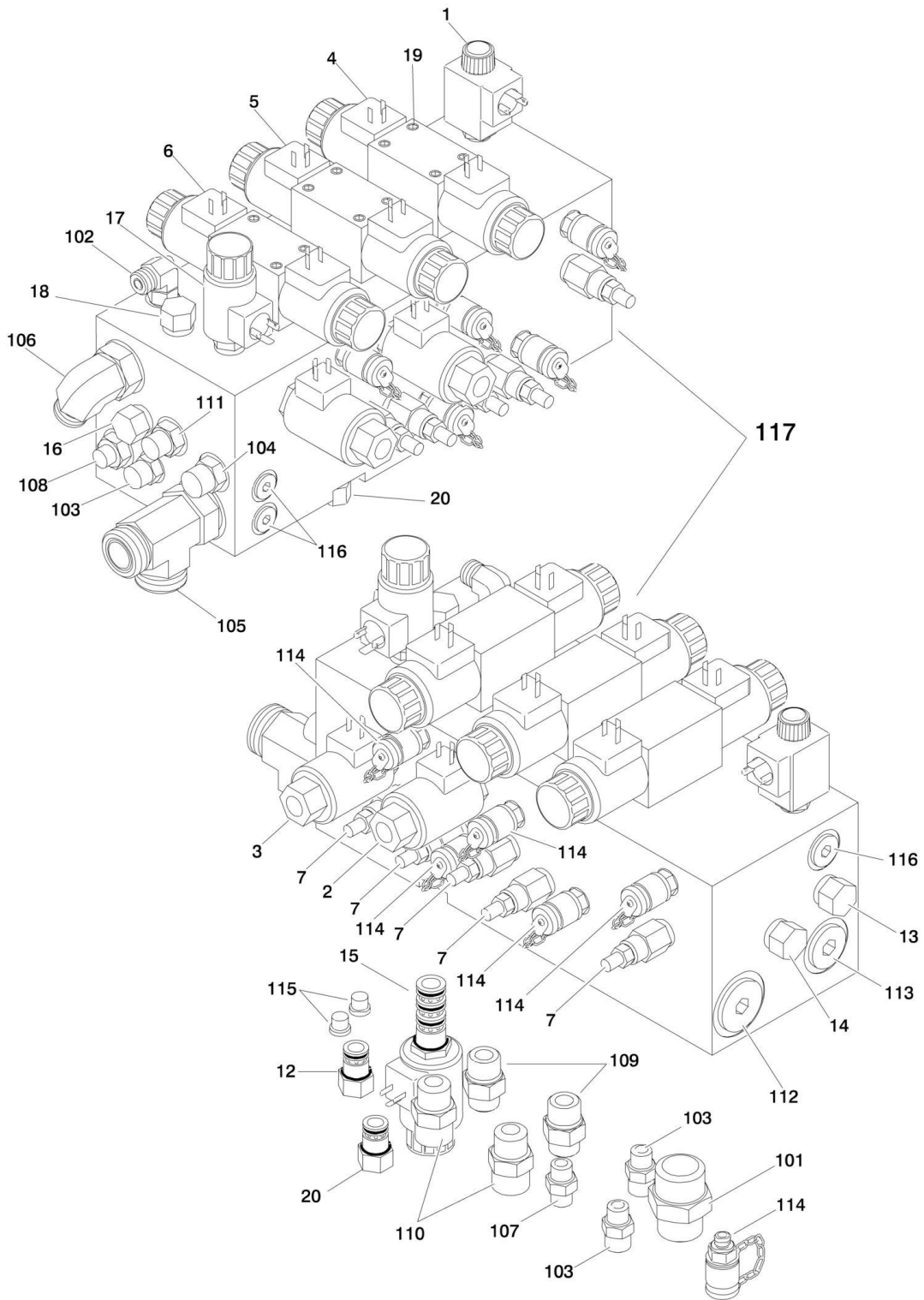
SECTION 2 - TURNTABLE

FIGURE 2-1. VALVE, BATTERY, HORN AND AUXILIARY PUMP INSTALLATIONS

| ITEM | PART NUMBER | QTY | DESCRIPTION | REV |
|------|-------------|---------|--|-----|
| | | Ref | FRAME VALVES INSTALLATION | |
| | 1001110164 | Ref | 2WD/2WS | D |
| | 1001116398 | Ref | 4WD/2WS | B |
| | 0271802 | Ref | 4WD/4WS | K |
| 1 | 0100011 | AR | Compound, Locking | |
| 3 | 0641506 | 4 | Bolt 5/16in-18NC x 3/4in | |
| 5 | 0641608 | 8 | Bolt 3/8in-16NC x 1in | |
| 7 | 0902755 | 1 | Bracket, Valve Mounting | |
| 13 | 4641267 | 1 | Main Valve Assembly (See MAIN VALVE ASSEMBLY for Breakdown) | |
| 16 | 4711500 | 4 | Flatwasher 5 /16in Thin | |
| 17 | 4711600 | 8 | Flatwasher 3/8in Thin | |
| 23 | 4711400 | 4 | Flatwasher 1/4in Thin | |
| 24 | 0641406 | 4 | Bolt 1/4in-20NC x 3/4in | |
| 26 | 0902800 | 1 | Bracket, Module Mounting | |
| 28 | 1001112757 | 1 | Module, B.L.A.M. (was p/n 1600332) (Note: Control System must be recalibrated when Module is replaced) | |
| 29 | 3300454 | 4 | Nut, Special | |
| | 1001110740 | Ref | BATTERY, HORN AND AUXILIARY PUMP INSTALLATION | A |
| 101 | 0100011 | AR | Compound, Locking | |
| 102 | 0140001 | 1 | Horn | |
| 103 | 0236768 | 4 | Rod, Hold-down | |
| 104 | 0363062 | 2 | Bar, Battery | |
| 105 | 0400020 | 1 | Battery | |
| 106 | 0641408 | 1 | Bolt 1/4in-20NC x 1in | |
| 107 | 0641412 | 1 | Bolt 1/4in-20NC x 1-1/2in | |
| 108 | 0641606 | 2 | Bolt 3/8in-16NC x 3/4in | |
| 109 | 3311405 | 3 | Locknut 1/4in-20NC | |
| 110 | 3311601 | 4 | Nut 3/8in-16NC | |
| 111 | 3600424 | 1 | Auxiliary Pump Assembly (See Items 201-202 for Breakdown) | |
| 112 | 3740067 | 1 | Relay | |
| 113 | 3980006 | 1 | Seat, battery | |
| 114 | 4420037 | 17 | Tape, Insulation | |
| | | in/43cm | | |
| 115 | 4711400 | 4 | Flatwasher 1/4in | |
| 116 | 4711600 | 10 | Flatwasher 3/8in | |
| 117 | 4791400 | 2 | Starwasher 1/4in | |
| | 3600424 | | AUXILIARY PUMP ASSEMBLY | |
| 201 | 70001056 | 1 | Motor Kit | |
| 201 | 7011062 | 1 | Bracket, Motor/Pump | |
| 201 | 7011016 | 1 | Coupling | |
| 201 | 7029592 | 2 | Setscrew | |
| 202 | 7029593 | 1 | Pump Kit | |
| 202 | 7011016 | 1 | Coupling | |
| 202 | 7011044 | 1 | Gasket | |
| 202 | 7011048 | 4 | Flatwasher | |
| 202 | 7011043 | 4 | Screw | |

SECTION 2 - TURNTABLE

FIGURE 2-2. MAIN VALVE ASSEMBLY



SECTION 2 - TURNTABLE

FIGURE 2-2. MAIN VALVE ASSEMBLY

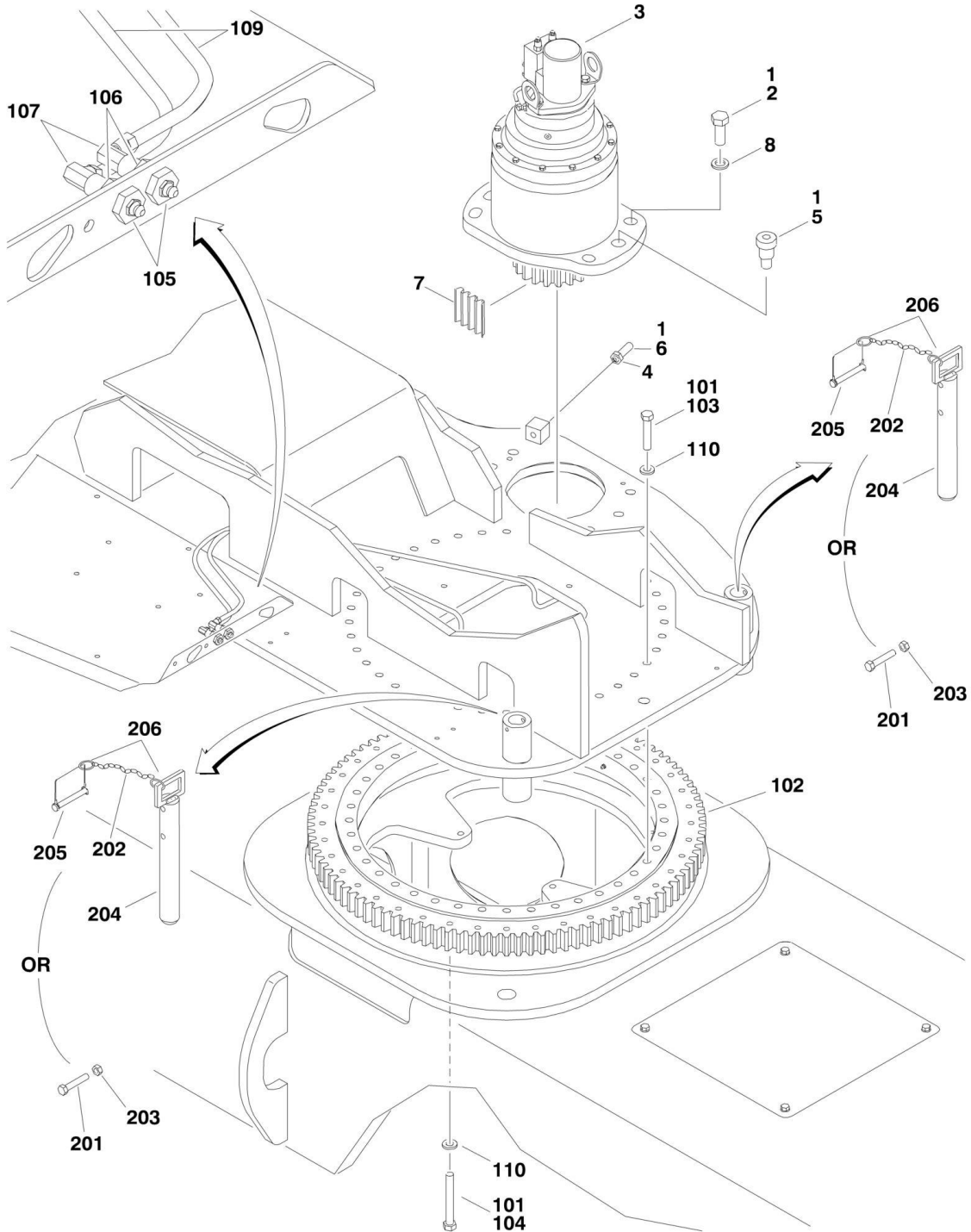
| ITEM | PART NUMBER | QTY | DESCRIPTION | REV |
|------|-------------|-----|--|-----|
| | See Note | Ref | MAIN VALVE ASSEMBLY LESS FITTINGS | C |
| | | Ref | Note: Was p/n 4641222 - Use p/n 4641267 as Replacement | |
| 1 | 7024573 | 1 | Cartridge, Solenoid Valve (Dump) | |
| 1 | 7024574 | 1 | Seal Kit - 7024573 Valve | |
| 1 | 7011354 | 1 | Coil | |
| 2 | 7021636 | 1 | Cartridge, Solenoid Valve (Lift Flow) | |
| 2 | 7017495 | 1 | Seal Kit - 7021636 Valve | |
| 2 | 7017451 | 1 | Coil | |
| 3 | 7021636 | 1 | Cartridge, Solenoid Valve (Tele Flow) | |
| 3 | 7017495 | 1 | Seal Kit - 7021636 Valve | |
| 3 | 7017451 | 1 | Coil | |
| 4 | 7024924 | 1 | Control Valve Assembly (Swing) | |
| 4 | 7012773 | 1 | Seal Kit - 7024924 Valve | |
| 4 | 7018991 | 2 | Coil | |
| 4 | 7021375 | 2 | Nut, Coil | |
| 5 | 7024925 | 1 | Control Valve Assembly (Lift) | |
| 5 | 7012773 | 1 | Seal Kit - 7024924 Valve | |
| 5 | 7018991 | 2 | Coil | |
| 5 | 7021375 | 2 | Nut, Coil | |
| 6 | 70001976 | 1 | Control Valve Assembly (Tele) (was p/n 7012770) | |
| 6 | 7012773 | 1 | Seal Kit - Valve | |
| 6 | 7018991 | 2 | Coil | |
| 6 | 7021375 | 2 | Nut, Coil | |
| 7 | 7026007 | 5 | Cartridge, Relief Valve (Swing/Lift Up/Lift Down/Tele In/Tele Out) | |
| 7 | 7024574 | 1 | Seal Kit - 7026007 Valve | |
| 12 | 7026000 | 1 | Cartridge, Check Valve | |
| 12 | 7011311 | 1 | Seal Kit - 7026001 Valve | |
| 13 | 7026001 | 1 | Cartridge, Check Valve | |
| 13 | 7011311 | 1 | Seal Kit - 7026001 Valve | |
| 14 | 7026002 | 1 | Cartridge, Shuttle Valve | |
| 14 | 2900770 | 1 | Seal Kit - 7026000 Valve | |
| 15 | 7024570 | 1 | Cartridge, Solenoid Valve (Aux Lift Down Select) | |
| 15 | 70001930 | 1 | Seal Kit - 7024570 Valve (was p/n 2900770) | |
| 15 | 7024571 | 1 | Coil | |
| 16 | 7026003 | 1 | Cartridge, Pilot Valve | |
| 16 | 7026004 | 1 | Seal Kit - 7026003 Valve | |
| 17 | 7026005 | 1 | Cartridge, Solenoid Valve (Aux Lift Down) | |
| 17 | 7026006 | 1 | Seal Kit - 7026005 Valve | |
| 17 | 7024571 | 1 | Coil | |
| 18 | 7026008 | 1 | Cartridge, Check Valve | |
| 18 | 7011346 | 1 | Seal Kit - 7026004 Valve | |
| 19 | 7018942 | 12 | Capscrew, Socket Head #10-24NC x 2in | |
| 20 | 7026016 | 1 | Cartridge, Valve | |
| 20 | 7011346 | 1 | Seal Kit - Valve | |
| | 4641267 | Ref | MAIN VALVE ASSEMBLY WITH FITTINGS | B |
| 101 | 2111216 | 1 | Fitting, Straight | |
| 102 | 2130606 | 1 | Fitting, 90 | |
| 103 | 2110606 | 3 | Fitting, Straight | |
| 104 | 2110808 | 1 | Fitting, Straight | |
| 105 | 2170316 | 1 | Fitting, Tee | |

SECTION 2 - TURNTABLE

| ITEM | PART NUMBER | QTY | DESCRIPTION | REV |
|------|-------------|-----|--|-----|
| 106 | 2131012 | 1 | Fitting, 90 | |
| 107 | 2110406 | 1 | Fitting, Straight | |
| 108 | 2110408 | 1 | Fitting, Straight | |
| 109 | 2110810 | 2 | Fitting, Straight | |
| 110 | 2111010 | 2 | Fitting, Straight | |
| 111 | 2110608 | 1 | Fitting, Straight | |
| 112 | 2220890 | 1 | Plug | |
| 113 | 70002760 | 1 | Plug (was p/n 2220888) | |
| 114 | 2221086 | 6 | Check, Pressure | |
| 115 | 70002758 | 2 | Fitting, Plug (was p/n 2220883) | |
| 116 | 88662193 | 7 | Plug w/ O-Ring (was p/n 88662193 & 2220886) | |
| 117 | See Note | 1 | Main Valve Assembly Less Fittings (Includes Items 1-20) (Was p/n 4641222 - Use p/n 4641267 as Replacement) | |

SECTION 2 - TURNTABLE

FIGURE 2-3. TURNTABLE SWING DRIVE AND BEARING INSTALLATION



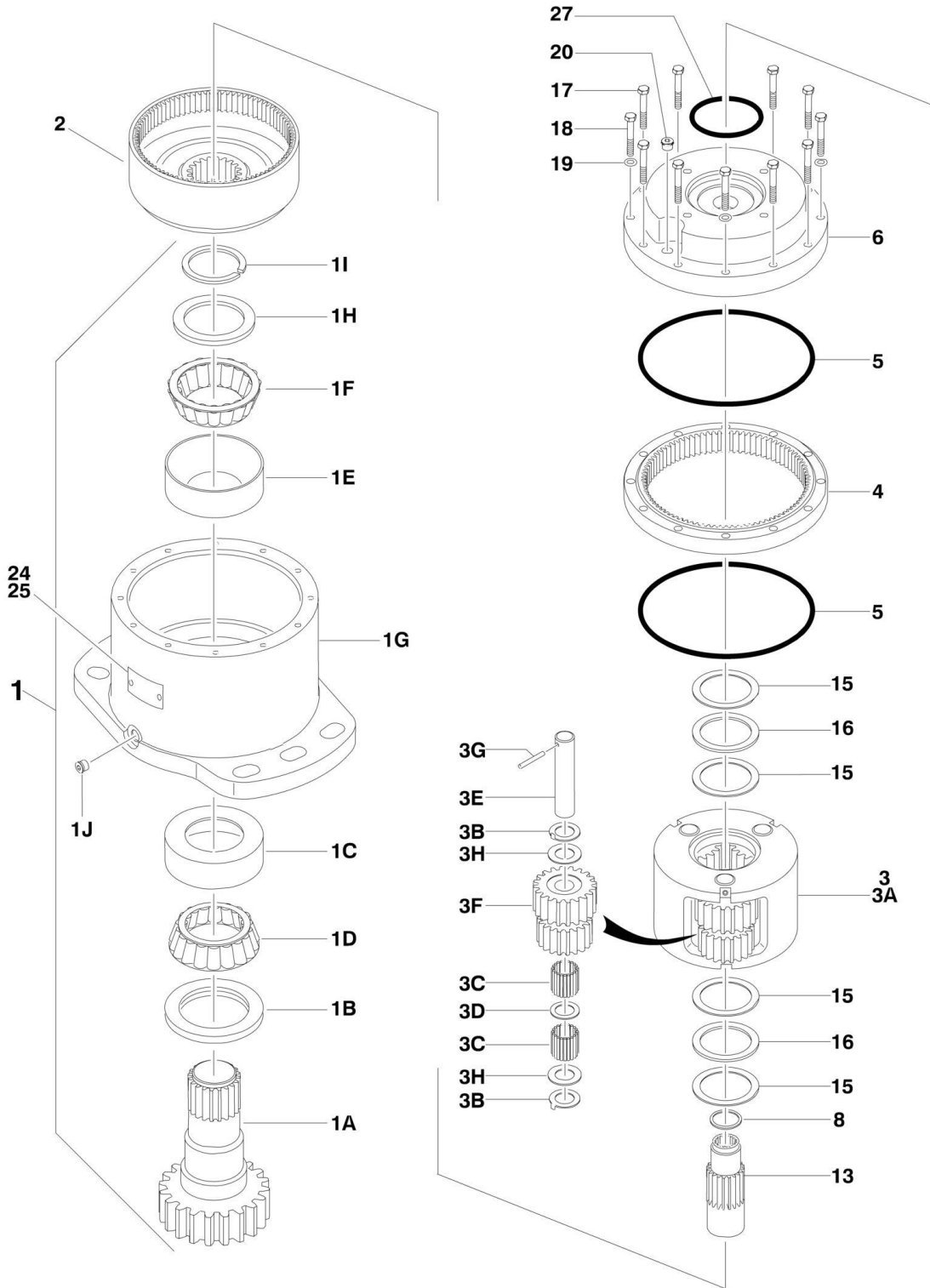
SECTION 2 - TURNTABLE

FIGURE 2-3. TURNTABLE SWING DRIVE AND BEARING INSTALLATION

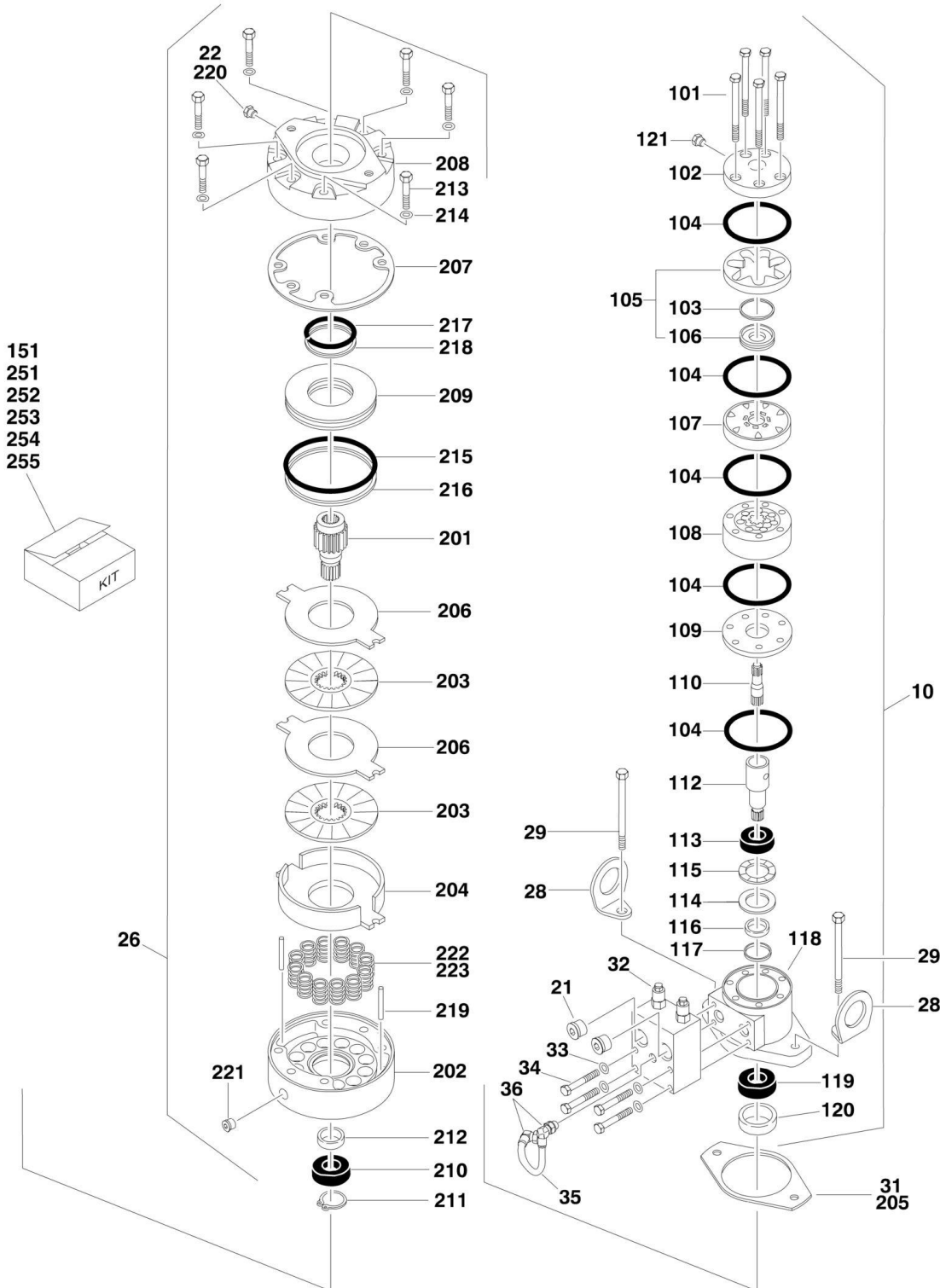
| ITEM | PART NUMBER | QTY | DESCRIPTION | REV |
|------|-------------|-----------|--|-----|
| | 0271596 | Ref | SWING DRIVE INSTALLATION | D |
| 1 | 0100019 | AR | Compound, Locking | |
| 2 | 0682418 | 5 | Bolt 7/8in- 9NC x 2-1/4in (Grade 8) | |
| 3 | | Ref | Swing Motor/Hub Assembly (See SWING MOTOR/HUB ASSEMBLY for Breakdown) | |
| 3 | 1001134098 | 1 | Swing Motor/Hub Assembly (was p/n 3160302) (Prior to SN 0300157749) | |
| 3 | 1001134098 | 1 | Swing Motor/Hub Assembly (SN 0300157749 to Present) | |
| 4 | 3312002 | 1 | Nut, Jam 5/8in-11NC | |
| 5 | 3900223 | 1 | Screw, Shoulder | |
| 6 | 3952020 | 1 | Setscrew 5/8in-11NC x 2-1/2in | |
| 7 | 4071041 | 1 | Shim | |
| 8 | 4892400 | 5 | Flatwasher, 7/8in Hardened | |
| | 0271512 | Ref | TURNTABLE BEARING AND LUBE INSTALLATION | B |
| 101 | 0100019 | AR | Compound, Locking | |
| 102 | 0440251 | 1 | Bearing, Turntable | |
| 103 | 0682026 | 40 | Bolt 5/8in-11NC x 3-1/4in (Grade 8) | |
| 104 | 0682040 | 40 | Bolt 5/8in-11NC x 5in (Grade 8) | |
| 105 | 2180002 | 2 | Fitting, Grease | |
| 106 | 2180344 | 2 | Fitting, Bulkhead | |
| 107 | 2220063 | 2 | Fitting, Adapter | |
| 109 | 2750528 | 2 | Hose | |
| 110 | 4892000 | 80 | Flatwasher 5/8in Hardened | |
| | 2915072 | 1 | Turntable Bearing Kit (Includes Items 102-104 & 110) | |
| | 1001110186 | Ref | TURNTABLE LOCK INSTALLATION | C |
| 201 | 0641524 | 1 | Bolt 5/16in-18NC x 3in | |
| 202 | 1260017 | 9 in/23cm | Chain - #3 | |
| 203 | 3311505 | 1 | Locknut 5/16in-18NC | |
| 204 | 3421563 | 1 | Pin, Turntable Lock | |
| 205 | 3421565 | 1 | Pin, Snap | |
| 206 | 3760170 | 2 | Ring, Quick Release | |

SECTION 2 - TURNTABLE

FIGURE 2-4. SWING MOTOR/HUB ASSEMBLY



SECTION 2 - TURNTABLE



SECTION 2 - TURNTABLE

FIGURE 2-4. SWING MOTOR/HUB ASSEMBLY

| ITEM | PART NUMBER | QTY | DESCRIPTION | REV |
|------|-------------|-----|---|-----|
| | | Ref | SWING MOTOR/HUB ASSEMBLY OPTIONS: | |
| | 3160302 | Ref | Swing Motor/Hub Assembly (Prior to SN 0300157749) | B |
| | 1001134098 | Ref | Swing Motor/Hub Assembly (SN 0300157749 to Present) | B |
| | | Ref | Note: For Machines Prior to S/N 0300157749, Original Equipment Assembly p/n 3160302 may have been replaced with p/n 1001134098 as Service Replacement Assembly. Identify P/N before ordering replacement components. | |
| 1 | See Note | 1 | Housing/Shaft Assembly (Note: Not Available - Purchase Complete Swing Motor/Hub Assembly) | |
| 1A | 7024183 | 1 | Shaft, Out put | |
| 1B | 7000236 | 1 | Seal, Lip | |
| 1C | 1001091460 | 1 | Cup, Bearing (was p/n 7000272 & p/n 90202500) | |
| 1D | 1001091460 | 1 | Cone, Bearing (was p/n 7000273 & p/n 90202501) | |
| 1E | 1001091461 | 1 | Cup, Bearing (was p/n 7000274) | |
| 1F | 1001091461 | 1 | Cone, Bearing (was p/n 7000275 & p/n 90202503) | |
| 1G | 7024184 | 1 | Housing | |
| 1H | 7000239 | 1 | Thrustwasher | |
| 1I | 7000240 | 1 | Ring, Retaining | |
| 1J | 7017072 | 1 | Plug, Pipe | |
| 2 | 7001917 | 1 | Gear, Internal | |
| 3 | 7001918 | 1 | Carrier Assembly | |
| 3A | 7001900 | 1 | Carrier | |
| 3B | 7007645 | 6 | Washer, Tanged | |
| 3C | 7001902 | 84 | Bearing, Needle | |
| 3D | 7007646 | 3 | Thrustwasher | |
| 3E | 7001904 | 3 | Shaft, Planet | |
| 3F | 7001927 | 3 | Gear, Cluster | |
| 3G | 7001906 | 3 | Rollpin | |
| 3H | 7007648 | 6 | Washer | |
| 4 | 7010467 | 1 | Gear, Ring | |
| 5 | 7000224 | 2 | O-Ring | |
| 6 | 7001920 | 1 | Cover, Input | |
| 8 | 7001922 | 1 | Thrustwasher | |
| 10 | 7024188 | 1 | Motor Assembly (See Items 101-121 for Breakdown) | |
| 13 | 7001921 | 1 | Gear, Sun | |
| 15 | 7000287 | 4 | Thrustwasher | |
| 16 | 7000288 | 2 | Bearing, Thrust | |
| 17 | 7001923 | 8 | Bolt 3/8in-16NC x 3in (Grade 8) | |
| 18 | 7001924 | 4 | Bolt, Shoulder 3/8in-16NC x 2-3/4in (Grade 8) | |
| 19 | 7001929 | 4 | Lockwasher (Used with Item 18 Only) | |
| 20 | 7001928 | 1 | Plug, Pipe | |
| 21 | 7001926 | 2 | Plug, Pipe | |
| 22 | 7017082 | 1 | Plug, Pipe | |
| 24 | See Note | 1 | Plate, ID (Note: Not Available For Purchase) | |
| 25 | 7000281 | 2 | Screw, Drive | |
| 26 | | Ref | Brake Assembly Options (See Items 201-223 for Breakdown): | |
| 26 | 7024182 | 1 | Brake Assembly (Prior to SN 0300151138) | |
| 26 | 70003524 | 1 | Brake Assembly (SN 0300151138 to Present) | |
| 27 | 7024763 | 1 | O-Ring | |
| 28 | See Note | 2 | Lug, Lifting (Note: Not Available For Purchase) | |

SECTION 2 - TURNTABLE

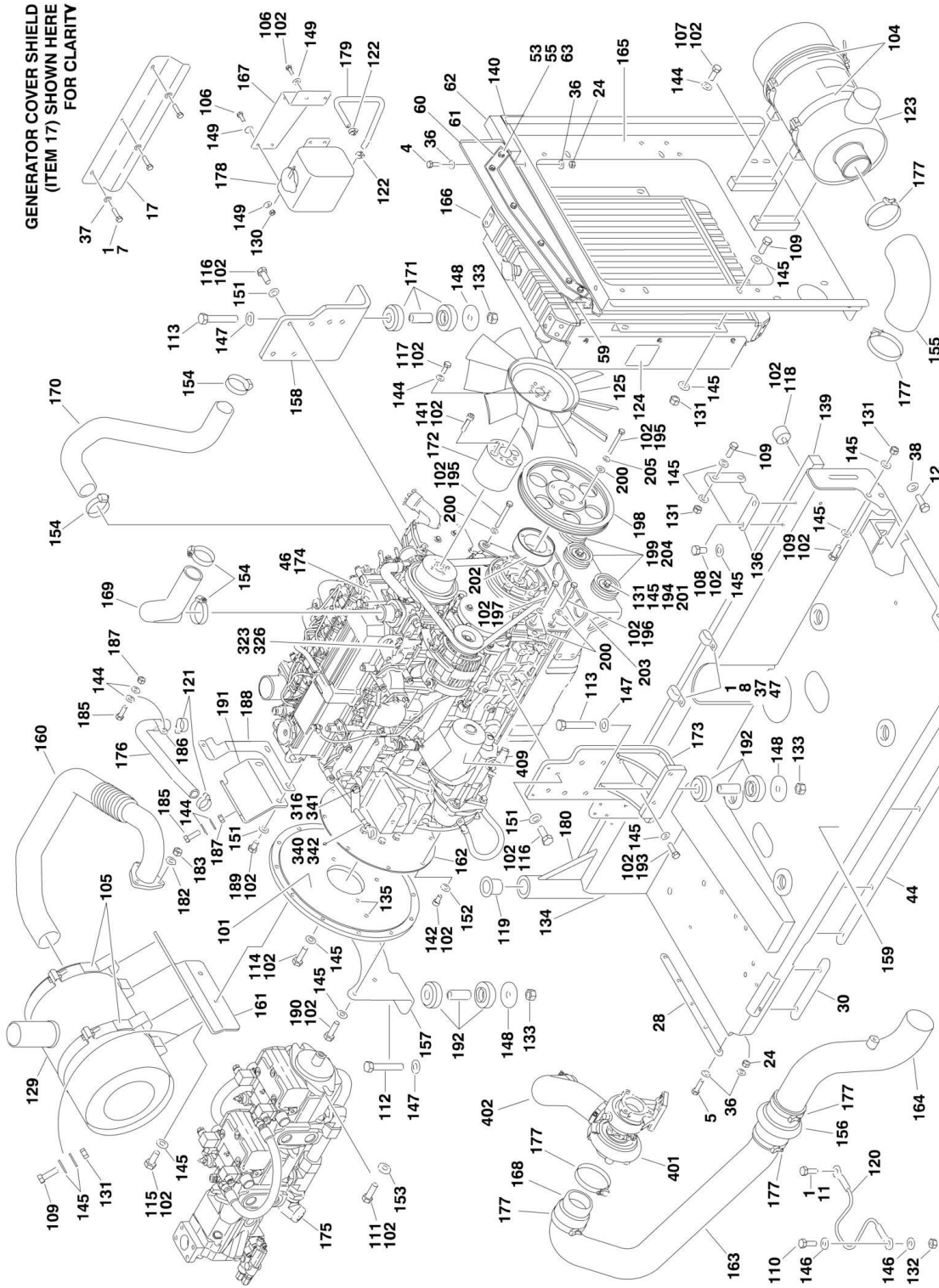
| ITEM | PART NUMBER | QTY | DESCRIPTION | REV |
|------|-------------|-----|---|-----|
| 29 | 7024185 | 2 | Bolt 1/2in-13NC x 5in (Grade 8) | |
| 31 | 7000731 | 1 | Gasket | |
| 32 | | Ref | Valve Options: | |
| 32 | | Ref | Used With Swing Motor/Hub Assembly p/n 3160302 | |
| 32 | 4640741 | 1 | Valve (was p/n 7024187) | |
| 32 | 7011320 | 2 | Cartridge | |
| 32 | 2900770 | 2 | Seal Kit - 7011320 Cartridge (1 Per Cartridge) | |
| 32 | 7000213 | 2 | O-Ring (Between Valve Block and Swing Drive) | |
| 32 | | Ref | Used With Swing Motor/Hub Assembly p/n 1001134098 | |
| 32 | 70003523 | 1 | Valve | |
| 32 | 70003629 | 2 | Cartridge | |
| 32 | 2900770 | 2 | Seal Kit - 70003629 Cartridge (1 Per Cartridge) | |
| 32 | 7000213 | 2 | O-Ring (Between Valve Block and Swing Drive) | |
| 33 | See Note | 4 | Lockwasher (Note: Not Available For Purchase) | |
| 34 | 7024135 | 4 | Bolt 5/16in-18NC x 2-1/2in (Grade 8) | |
| 35 | 7024186 | 1 | Tube | |
| 36 | 7017085 | 2 | Elbow | |
| | 7024188 | Ref | MOTOR ASSEMBLY | |
| 101 | 7024391 | 5 | Bolt | |
| 102 | 7004035 | 1 | Cover, End | |
| 103 | 7024389 | 1 | Seal, Commutator | |
| 104 | 7024389 | 5 | Seal, Ring | |
| 105 | 7024453 | 1 | Commutator and Ring Assembly (was p/n 7004037) | |
| 106 | 7004453 | 1 | Ring (was p/n 7004037) | |
| 107 | 7024379 | | Manifold | |
| 108 | 7024392 | 1 | Rotor Set | |
| 109 | 7024380 | 1 | Plate, Wear | |
| 110 | 7024393 | 1 | Link, Drive | |
| 112 | 7024395 | 1 | Shaft, Coupling | |
| 113 | 7024381 | 1 | Bushing, Bronze | |
| 114 | 7004043 | 1 | Thrustwasher | |
| 115 | 7004044 | 1 | Bearing, Thrust | |
| 116 | 7024389 | | Seal, Inner | |
| 117 | 7024389 | 1 | Washer, Back-up | |
| 118 | 7024394 | 1 | Housing | |
| 119 | 7024390 | 1 | Bearing | |
| 120 | 7024389 | 1 | Seal | |
| 121 | 7010795 | 1 | Plug, O-Ring | |
| 151 | 7024389 | 1 | Seal Kit - 7024188 Motor (Includes Items 103, 104, 116,117 & 120) (was p/n 7024396) | |
| | | Ref | BRAKE ASSEMBLIES | |
| | 7024182 | Ref | Brake Assemblies (Prior to SN 0300151138) | |
| | 70003524 | Ref | Brake Assemblies (SN 0300151138 to Present) | |
| 201 | 7024189 | 1 | Shaft | |
| 202 | 7024182 | 1 | Housing (Note: Not Available For Purchase) | |
| 203 | 7024193 | 2 | Plate, Friction | |
| 204 | 7024193 | 1 | Plate, Pressure | |
| 205 | 7000731 | 1 | Gasket | |
| 206 | 7024193 | 2 | Plate, Outer | |
| 207 | See Note | 1 | Gasket (Note: Use Item 251, 254 or 255) | |
| 208 | 7024191 | 1 | Cylinder | |
| 209 | 7024192 | 1 | Piston | |

SECTION 2 - TURNTABLE

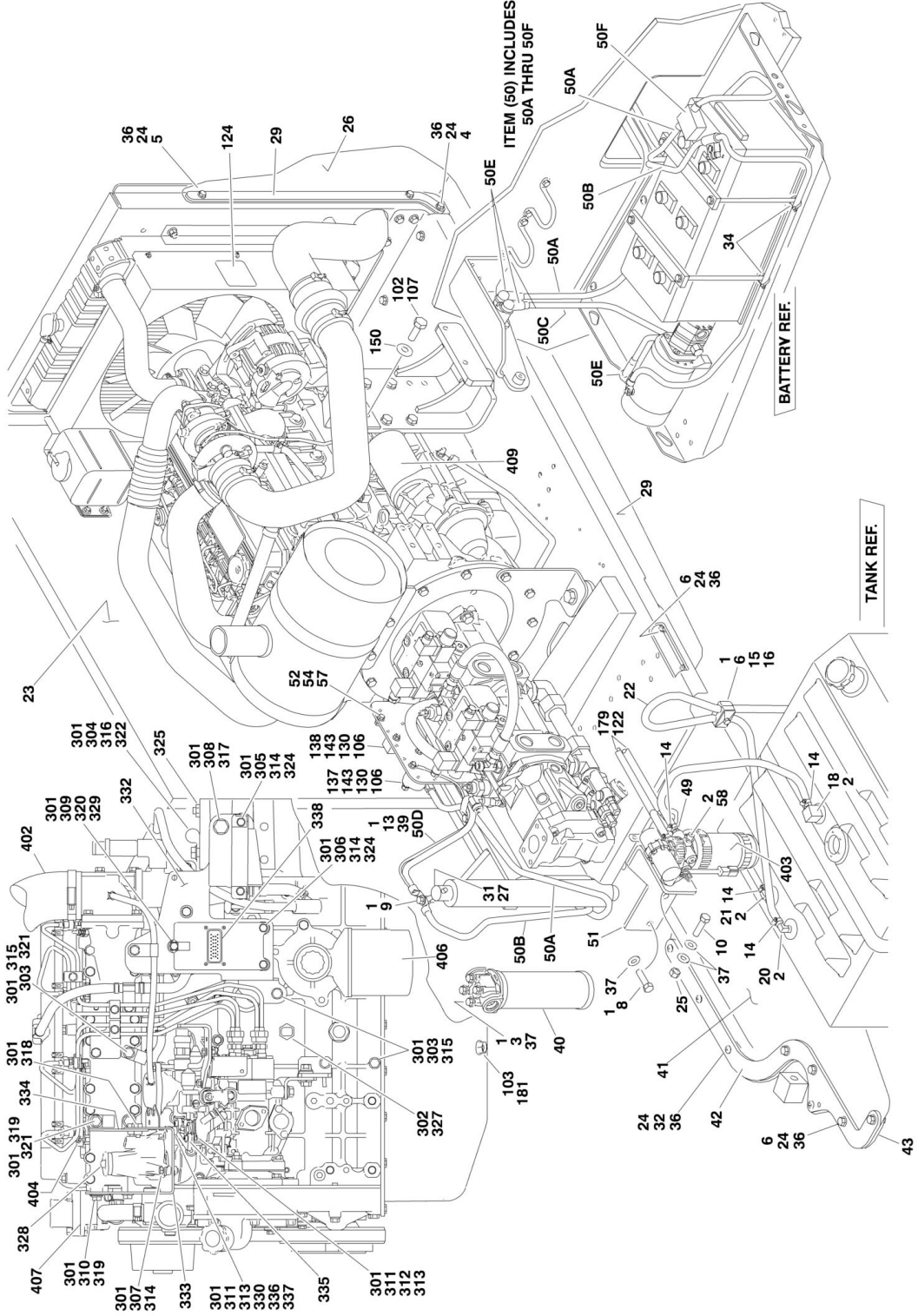
| ITEM | PART NUMBER | QTY | DESCRIPTION | REV |
|------|-------------|-----|--|-----|
| 210 | 7024197 | 1 | Bearing, Ball | |
| 211 | 7024197 | 1 | Ring, Retaining | |
| 212 | 7024197 | 1 | Seal, Shaft | |
| 213 | See Note | 6 | Capscrew (Note: Not Available For Purchase) | |
| 214 | See Note | 6 | Lockwasher (Note: Not Available For Purchase) | |
| 215 | 7024194 | 1 | O-Ring | |
| 216 | 7024194 | 1 | Ring, Back-up | |
| 217 | 7024194 | 1 | O-Ring | |
| 218 | 7024194 | 1 | Ring, Back-up | |
| 219 | 7024190 | 2 | Pin, Dowel | |
| 220 | See Note | 1 | Plug (Note: Not Available For Purchase) | |
| 221 | See Note | 1 | Plug (Note: Not Available For Purchase) | |
| 222 | 7024196 | AR | Spring (Natural) | |
| 223 | 7024196 | AR | Spring, (Blue) | |
| 251 | 7024194 | 1 | Seal Kit - Brake (Includes Items 205, 207 & 215-218) | |
| 252 | 7024196 | 1 | Spring Kit - Brake (Includes 12 Natural Colored Springs) (was p/n 7024195) (Note: Spring Kit p/n 7024195 no Longer Available, Purchase p/n 7024196 for Replacement.) | |
| 253 | 7024196 | 1 | Spring Kit - Brake (Includes 12 Natural & 2 Blue Colored Springs) | |
| 254 | 7024193 | 1 | Friction Disc Kit - Brake (Includes Items 203, 204, 206 & 207) | |
| 255 | 7024197 | 1 | Bearing Kit - Brake (Includes Items 207 & 210-212) | |

SECTION 2 - TURNTABLE

FIGURE 2-5. CATERPILLAR ENGINE INSTALLATION



SECTION 2 - TURNTABLE



SECTION 2 - TURNTABLE

FIGURE 2-5. CATERPILLAR ENGINE INSTALLATION

| ITEM | PART NUMBER | QTY | DESCRIPTION | REV |
|------|-------------|------------|--|----------|
| | 1001120529 | Ref | CATERPILLAR DIESEL ENGINE INSTALLATION | C |
| 1 | 0100011 | AR | Compound, Locking | |
| 2 | 0100079 | AR | Sealant, Pipe | |
| 3 | 0641606 | 4 | Bolt 3/8in-16NC x 3/4in | |
| 4 | 0641506 | AR | Bolt 5/16in-18NC x 3/4in | |
| 5 | 0641509 | AR | Bolt 5/16in-18NC x 1-1/8in | |
| 6 | 0641511 | 13 | Bolt 5/16in-18NC x 1-3/8in | |
| 7 | 0641605 | 3 | Bolt 3/8in-16NC x 5/8in | |
| 8 | 0641608 | AR | Bolt 3/8in-16NC x 1in | |
| 9 | 0641610 | 1 | Bolt 3/8in-16NC x 1-1/4in | |
| 10 | 0641611 | 2 | Bolt 3/8in-16NC x 1-3/8in | |
| 11 | 0641808 | 1 | Bolt 1/2in-13NC x 1in | |
| 12 | 0642010 | 1 | Bolt 5/8in-11NC x 1-1/4in | |
| 13 | 0700808 | 1 | Bolt M8 x 16mm | |
| 13 | 0761210 | 1 | Bolt M12 x 20mm | |
| 14 | 1320022 | 5 | Clamp | |
| 15 | 1320187 | 1 | Clamp, Twin | |
| 16 | 1320190 | 1 | Cover, Clamp | |
| 17 | 1671121 | 1 | Cover, Generator | |
| 18 | 2180348 | 1 | Fitting, Barbed | |
| 19 | 2200222 | 1 | Plug, Pipe (Used in Bottom of Fuel Tank) (Not Shown) | |
| 20 | 2220313 | 1 | Fitting, 90 Barbed | |
| 21 | 2221176 | 1 | Fitting, 90 Elbow | |
| 22 | 2750532 | 55 in/1.4m | Hose | |
| 23 | 2820170 | 1 | Insulation, Sound Absorbing | |
| 24 | 3311505 | AR | Locknut 5/16in-18NC | |
| 25 | 3311605 | AR | Locknut 3/8in-16NC | |
| 26 | 1001128899 | 1 | Panel, Rubber | |
| 27 | 3422446 | 1 | Pin | |
| 28 | 3573644 | 1 | Plate, Tray Clamp | |
| 29 | 1001128898 | 1 | Plate, Clamp | |
| 30 | 3573728 | 1 | Plate, Tray Clamp | |
| 31 | 3841143 | 1 | Keeper, Pin | |
| 32 | 3900272 | 4 | Screw, Button 5/16in-18NC x 1-3/4in | |
| 33 | 4240018 | AR | Strap, Tie (Not Shown) | |
| 34 | 4240033 | AR | Strap, Tie | |
| 36 | 4711500 | AR | Flatwasher 5/16in Thin | |
| 37 | 4711600 | 16 | Flatwasher 3/8in Thin | |
| 38 | 4752000 | 1 | Flatwasher 5/8in Regular | |
| 39 | 4811900 | 1 | Flatwasher M8 | |
| 39 | 4812100 | 1 | Flatwasher M12 | |
| 40 | 1001108617 | | Pressure Filter | |
| 40 | 70002231 | 1 | Element, Filter | |
| 41 | 1001111132 | 1 | Panel, Rubber | |
| 42 | 1001112878 | 1 | Plate, Top Clamp | |
| 43 | 1001112879 | 1 | Plate, Bottom Clamp | |
| 44 | 1001112880 | 1 | Plate, Tray Clamp | |
| 46 | 1001116112 | 1 | Engine, Caterpillar C3.4 Turbo (See Items 401 to 411 for Individually Serviced Components) | |
| 47 | 1001116792 | 3 | Clamp | |

SECTION 2 - TURNTABLE

| ITEM | PART NUMBER | QTY | DESCRIPTION | REV | |
|------|-------------|-----|---|-----|---|
| 48 | 1001119995 | 1 | Harness, Engine (Not Shown - See ELECTRICAL SECTION for Breakdown) | B | |
| 49 | 1001120492 | 2 | Fitting, Straight | | |
| 50 | 1001120743 | 1 | Battery Cable Kit | | |
| 50A | 7027034 | 1 | Cable, Red (To Aux Pump Relay, Battery Positive Terminal, Glow Plug Solenoid and Starter) | | |
| 50B | 7024581 | 1 | Cable, Black (To Aux Pump, Battery Negative Terminal and Ground at Tray Pivot) | | |
| 50C | 7027035 | 1 | Cable, Red (Aux Pump Relay to Aux Pump) | | |
| 50D | 7027039 | 1 | Cable, Black (Tray Pivot to Engine Block) | | |
| 50E | See Note | 4 | Boot, Terminal (Red) (Note: Not Available For Purchase) | | |
| 50F | See Note | 1 | Boot, Square Terminal (Red) (Note: Not Available For Purchase) | | |
| 51 | 1001121236 | 1 | Bracket, Fuel Pump Mounting | | |
| 52 | 3311005 | 1 | Locknut 10-24NC | | |
| 53 | 3311405 | 6 | Locknut 1/4in-20NC | | |
| 54 | 4711000 | 2 | Flatwasher #10 | | |
| 55 | 4711400 | 12 | Flatwasher 1/4in | | |
| 56 | 0641612 | 2 | Bolt 3/8in-16NC x 1-1/2in | | |
| 57 | 0721006 | 1 | Screw #10-24NC x 3/4in | | |
| 58 | 2200221 | 1 | Plug | | |
| 59 | 1001128765 | 1 | Support, Baffle | | |
| 60 | 1001128789 | 1 | Panel, Rubber | | |
| 61 | 1001128797 | 1 | Plate, Clamp | | |
| 62 | 1001130774 | 1 | Seal | | |
| 63 | 0641406 | 6 | Bolt 1/4in-20NC x 3/4in | | |
| | 1001116111 | Ref | CATERPILLAR DIESEL ENGINE ASSEMBLY | | D |
| 101 | 0080181 | 1 | Plate, Pump Mounting Adapter | | |
| 102 | 0100011 | AR | Compound, Locking | | |
| 103 | 0100020 | AR | Sealant, Pipe (Not Shown) | | |
| 104 | 0340003 | 2 | Band, Air Cleaner | | |
| 105 | 0340051 | 2 | Band, Muffler | | |
| 106 | 0641406 | 9 | Bolt 1/4in-20NC x 3/4in | | |
| 107 | 0641506 | 6 | Bolt 5/16in-18NC x 3/4in | | |
| 108 | 0641605 | 2 | Bolt 3/8in-16NC x 5/8in | | |
| 109 | 0641608 | 19 | Bolt 3/8in-16NC x 1in | | |
| 110 | 0641808 | 1 | Bolt 1/2in-13NC x 1in | | |
| 111 | 0641812 | 2 | Bolt 1/2in-13NC x 1-1/2in | | |
| 112 | 0642028 | 2 | Bolt 5/8in-11NC x 3-1/2in | | |
| 113 | 0642030 | 2 | Bolt 5/8in-11NC x 3-3/4in | | |
| 114 | 0701012 | 4 | Bolt M10 x 25mm | | |
| 115 | 0701015 | 2 | Bolt M10 x 35mm | | |
| 116 | 0711214 | 8 | Bolt M12 x 30mm | | |
| 117 | 0760810 | 4 | Bolt M8 x 20mm | | |
| 118 | 0940070 | 1 | Bumper | | |
| 119 | 0961986 | 2 | Bushing, Flanged | | |
| 120 | 1001131542 | 1 | Lanyard | | |
| 121 | 1320017 | 2 | Clamp | | |
| 122 | 1320022 | 4 | Clamp | | |
| 123 | 1340065 | 1 | Air Cleaner Assembly | | |
| 123 | 7003655 | 1 | Element, Air Cleaner | | |
| 123 | 7015013 | 1 | Baffle, Rubber | | |
| 123 | 7015014 | 1 | Clamp, Cap | | |

SECTION 2 - TURNTABLE

| ITEM | PART NUMBER | QTY | DESCRIPTION | REV |
|------|-------------|--------------------|-----------------------------------|-----|
| 123 | 7015015 | 1 | Cup | |
| 123 | 7015003 | 1 | Wingnut | |
| 124 | 1703162 | 2 | Decal - Fan Blade | |
| 125 | 2060025 | 1 | Fan | |
| 126 | 2300004 | 2.95 gl/11.17Li | Anti-Freeze (Not Shown) | |
| 127 | 3020016 | 2.64 gl/9.99Li | Oil, Motor 15W-40 (Not Shown) | |
| 128 | 3020037 | AR | Lube, Coupling Grease (Not Shown) | |
| 129 | 3220126 | 1 | Muffler | |
| 129 | 70003555 | 1 | Clamp | |
| 130 | 3311405 | 7 | Locknut 1/4in-20NC | |
| 131 | 3311605 | AR | Locknut 3/8in-16NC | |
| 132 | 3311805 | 1 | Locknut 1/2in-13NC | |
| 133 | 3312005 | 4 | Locknut 5/8in-11NC | |
| 134 | 3422532 | 1 | Pin, Hitch | |
| 135 | 3520054 | 3 | Plug | |
| 136 | 3573412 | 1 | Gusset | |
| 137 | 3740067 | 1 | Relay | |
| 138 | 3740080 | 1 | Relay | |
| 139 | 3960543 | 1 | Seal | |
| 140 | 3960544 | 1 | Seal | |
| 141 | 4031911 | 4 | Capscrew M8 x 35mm | |
| 142 | 4032008 | 8 | Capscrew M10 x 20mm | |
| 143 | 4711400 | 6 | Flatwasher 1/4in Thin | |
| 144 | 4711500 | AR | Flatwasher 5/16in Thin | |
| 145 | 4711600 | AR | Flatwasher 3/8in Thin | |
| 146 | 4711800 | 2 | Flatwasher 1/2in Thin | |
| 147 | 4712000 | 4 | Flatwasher 5/8in Thin | |
| 148 | 4740242 | 4 | Washer, Snubbing | |
| 149 | 4751400 | 10 | Flatwasher 1/4in Regular | |
| 150 | 4751500 | 2 | Flatwasher 5/16in Regular | |
| 151 | 4812100 | 10 | Flatwasher 12mm | |
| 152 | 4832000 | 8 | Lockwasher 10mm | |
| 153 | 4891800 | 2 | Flatwasher 1/2in Hardened | |
| 154 | 8405104 | 4 | Clamp, Gear | |
| 155 | 91083128 | 1 | Elbow, 90 | |
| 156 | 91403244 | 1 | Rubber, Straight Hump | |
| 157 | 1001129023 | 1 | Plate, Engine Mounting (Rear) | |
| 158 | 1001129304 | 1 | Mount, Motor (Front) | |
| 159 | 1001116153 | 1 | Tray, Engine | |
| 160 | 1001116186 | 1 | Tube, Exhaust | |
| 161 | 1001116201 | 1 | Plate, Muffler Mounting | |
| 162 | 1001116278 | 1 | Coupling, Pump | |
| 163 | 1001116313 | 1 | Tube, Air Intake | |
| 164 | 1001116324 | 1 | Tube, Air Intake | |
| 165 | 1001116348 | 1 | Plate, Radiator Mounting | |
| 166 | 1001116354 | 1 | Radiator | |
| 166 | 7027412 | 1 | Cap, Radiator | |
| 167 | 1001116367 | 1 | Support, Tank Mounting | |
| 168 | 1001116413 | 1 | Hose, Air Intake Reducer | |
| 169 | 1001116436 | 1 | Hose, Radiator (Top) | |

SECTION 2 - TURNTABLE

| ITEM | PART NUMBER | QTY | DESCRIPTION | REV |
|------|-------------|----------------|---|-----|
| 170 | 1001116437 | 1 | Hose, Radiator (Bottom) | |
| 171 | 1001116525 | 2 | Mount, Engine | |
| 172 | 1001116591 | 1 | Spacer, Fan | |
| 173 | 1001117546 | 1 | Mount, Generator | |
| 174 | 1001117874 | 1 | Engine, Caterpillar C3.4 Turbo W/E Controls (See Items 301 to 339 for Individually Serviced Components) | |
| 175 | 1001118368 | 1 | Pump Assembly (Machines with Rexroth Pump Only) (See PUMP ASSEMBLY (CATERPILLAR ENGINE MACHINES) for Breakdown) | |
| 176 | 1001116836 | AR | Hose, Air Intake | |
| 177 | 1320058 | 1 | Clamp | |
| 178 | 1580011 | 1 | Container, Coolant Overflow | |
| 179 | 2720058 | 31.66 ft | Hose | |
| 180 | 4060805 | 5 in/12.7cm | Flex-Trim 1/4in | |
| 181 | 4640750 | 1 | Valve, Oil Drain | |
| 182 | 4812000 | 3 | Flatwasher 10mm | |
| 183 | 1001121004 | 3 | Nut M10 x 1.25 | |
| 185 | 0641508 | 3 | Bolt 5/16in-18NC x 1in | |
| 186 | 1320130 | 1 | Clamp | |
| 187 | 3311505 | 3 | Locknut 5/16in-18NC | |
| 188 | 1001125891 | 1 | Bracket, Valve | |
| 189 | 0761212 | 2 | Bolt M12 x 25mm | |
| 190 | 0701016 | 6 | Bolt M10 x 40mm | |
| 191 | 1001130161 | 1 | Bracket, Muffler Mounting | |
| 192 | 1001130171 | 2 | Mount, Engine | |
| 193 | 0641610 | 4 | Bolt 3/8in-16NC x 1-1/4in | |
| 194 | 0641614 | 3 | Bolt, Hex Head 3/8in-16NC x 1-3/4in | |
| 195 | 0700822 | 5 | Bolt M8 x 70mm | |
| 196 | 0700823 | 2 | Bolt M8 x 75mm | |
| 197 | 0700824 | 1 | Bolt M8 x 80mm | |
| 198 | 3580321 | 1 | Pulley, Engine | |
| 199 | 4568735 | 3 | Tube, Spacer | |
| 200 | 4811900 | 8 | Flatwasher M8 | |
| 201 | 4891600 | 3 | Flatwasher 3/8in Hardened | |
| 202 | 1001117500 | 1 | Spacer, Pulley | |
| 203 | 1001117577 | 1 | Support, Generator Pulleys | |
| 204 | 1001129995 | 3 | Pulley, Idler Grooved | |
| 205 | 4831900 | 4 | Lockwasher 8mm | |
| | 1001117874 | Ref | CATERPILLAR DIESEL ENGINE W/E CONTROLS | B |
| 301 | 0100011 | AR | Compound, Locking | |
| 302 | 0100020 | AR | Sealant, Pipe | |
| 303 | 0700808 | 3 | Bolt M8 x 16mm | |
| 304 | 0701010 | 2 | Bolt M10 x 20mm | |
| 305 | 0760606 | 2 | Bolt M6 x 12mm | |
| 306 | 0760610 | 2 | Bolt M6 x 20mm | |
| 307 | 0760612 | 3 | Bolt M6 x 25mm | |
| 308 | 0761210 | 2 | Bolt M12 x 20mm | |
| 309 | 1320224 | 1 | Clamp | |
| 310 | 1320263 | 1 | Clamp | |
| 311 | 3290501 | 3 | Nut M5 | |
| 312 | 4031607 | 2 | Capscrew M5 x 16mm | |

SECTION 2 - TURNTABLE

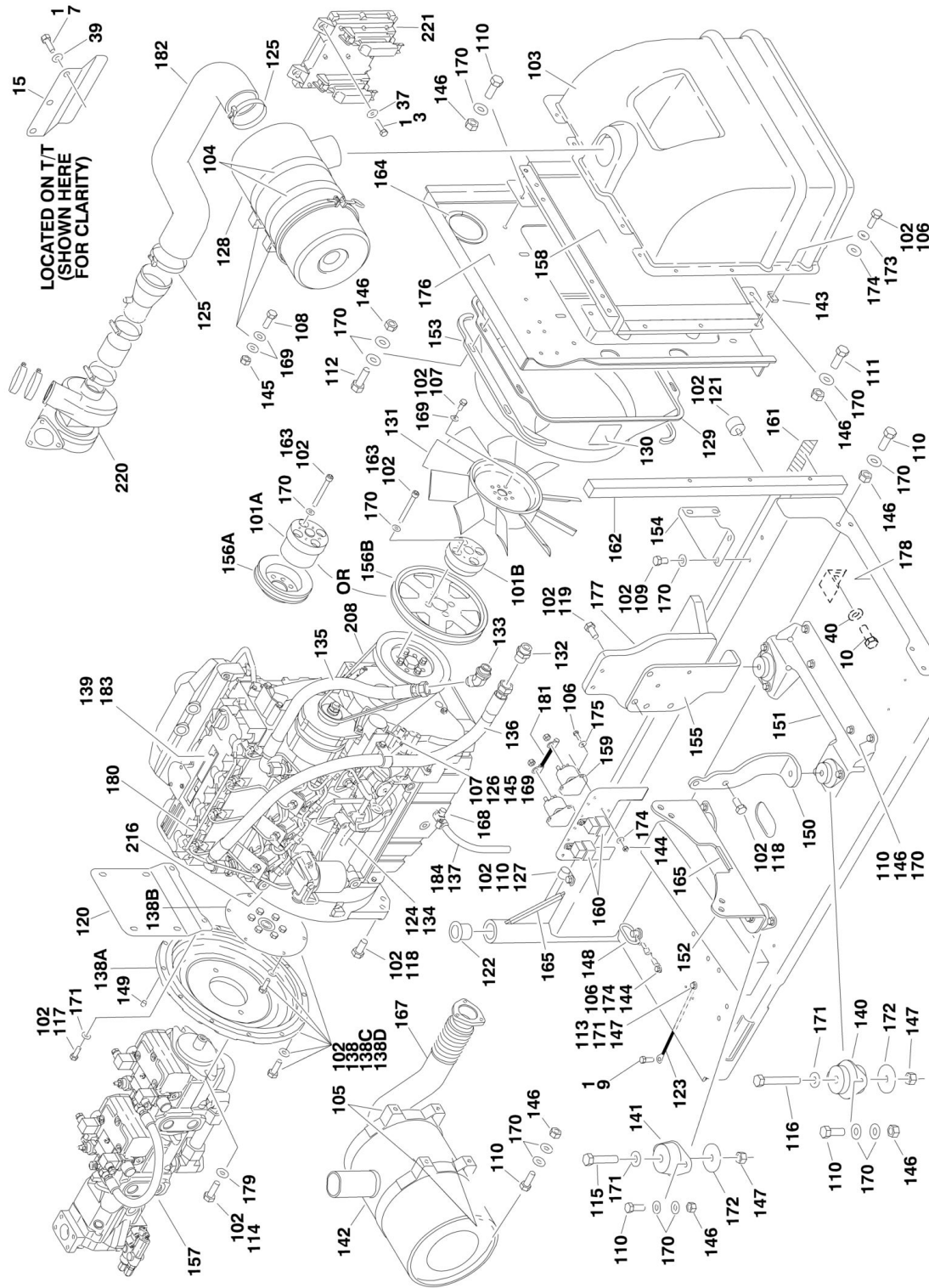
| ITEM | PART NUMBER | QTY | DESCRIPTION | REV |
|------|-------------|-----|---|-----|
| 313 | 4811600 | 3 | Flatwasher M5 | |
| 314 | 4811700 | 8 | Flatwasher M6 | |
| 315 | 4811900 | 3 | Flatwasher M8 | |
| 316 | 4812000 | 3 | Flatwasher M10 | |
| 317 | 4812100 | 2 | Flatwasher M12 | |
| 318 | 5250608 | 2 | Bolt M6 x 16mm | |
| 319 | 5250808 | 4 | Bolt M8 x 16mm | |
| 320 | 8303541 | 1 | Bolt M6 x 1 x 35mm | |
| 321 | 8406101 | 2 | Tube, Clip | |
| 322 | 8406105 | 2 | Tube, Clip | |
| 323 | 1001097553 | 1 | Washer, Coolant Sensor | |
| 324 | 1001112059 | 5 | Bumper | |
| 325 | 1001112068 | 1 | Sensor, Speed | |
| 326 | 1001112069 | 1 | Sensor, Temperature | |
| 327 | 1001112070 | 1 | Switch, Oil Pressure | |
| 328 | 1001112073 | 1 | Actuator | |
| 329 | 1001112570 | 1 | Spacer, Nylon | |
| 330 | 1001112592 | 1 | Bearing | |
| 332 | 1001120769 | 1 | Bracket, ECM/Fuse Box | |
| 333 | 1001120771 | 1 | Bracket, Actuator | |
| 334 | 1001120772 | 1 | Bracket, Actuator | |
| 335 | 1001120773 | 1 | Link, Spacer | |
| 336 | 1001120774 | 1 | Bolt, M5 | |
| 337 | 1001120775 | 1 | Bracket, Actuator | |
| 338 | 1001120810 | 1 | Controller | |
| 339 | 1001120776 | 1 | Engine Harness (Not Shown - See ELECTRICAL SECTION for Breakdown) | |
| 340 | 1001129361 | 1 | Tube, Dipstick | |
| 341 | 0761007 | 1 | Bolt M10 x 14mm | |
| 342 | 1001129360 | 1 | Dipstick, Oil | |
| | 1001116112 | Ref | CATERPILLAR ENGINE COMPONENTS | A |
| 401 | 70002831 | 1 | TurboCharger | |
| 401 | 70002829 | 1 | Gasket, TurboCharger Drain Pipe | |
| 401 | 70002830 | 1 | Gasket, TurboCharger | |
| 402 | 70002832 | 1 | Hose | |
| 403 | 7026839 | 1 | Pump, Fuel | |
| 403 | 70002833 | 1 | Ring, Retaining | |
| 403 | 70002834 | 1 | Bowl, Water Collect | |
| 403 | 7026830 | 1 | Element, Fuel/Water | |
| 403 | 70002835 | 1 | Kit Seal | |
| 404 | 70002837 | 4 | Plug, Glow | |
| 405 | 7026802 | 1 | Flywheel W/Gear (Not Shown) | |
| 405 | 7026803 | 1 | Gear | |
| 406 | 7026811 | 1 | Filter, Oil | |
| 406 | 7026812 | 1 | O-Ring (Between Center Bolt and Oil Filter Bracket) | |
| 406 | 7026813 | 1 | O-Ring (Between Oil Filter Bracket and Engine) | |
| 407 | 7026822 | 1 | Thermostat | |
| 407 | 7026820 | 1 | Gasket, Thermostat (Between Housing and Cylinder Head) | |
| 407 | 7026821 | 1 | Gasket (Between Housing and Thermostat Cover) | |
| 408 | 7026829 | 1 | Gasket, Intake Manifold (Not Shown) | |
| 409 | 7026833 | 1 | Starter | |
| 410 | 7026804 | 1 | Gasket (Not Shown - Located Between Bell Housing and Engine) | |

SECTION 2 - TURNTABLE

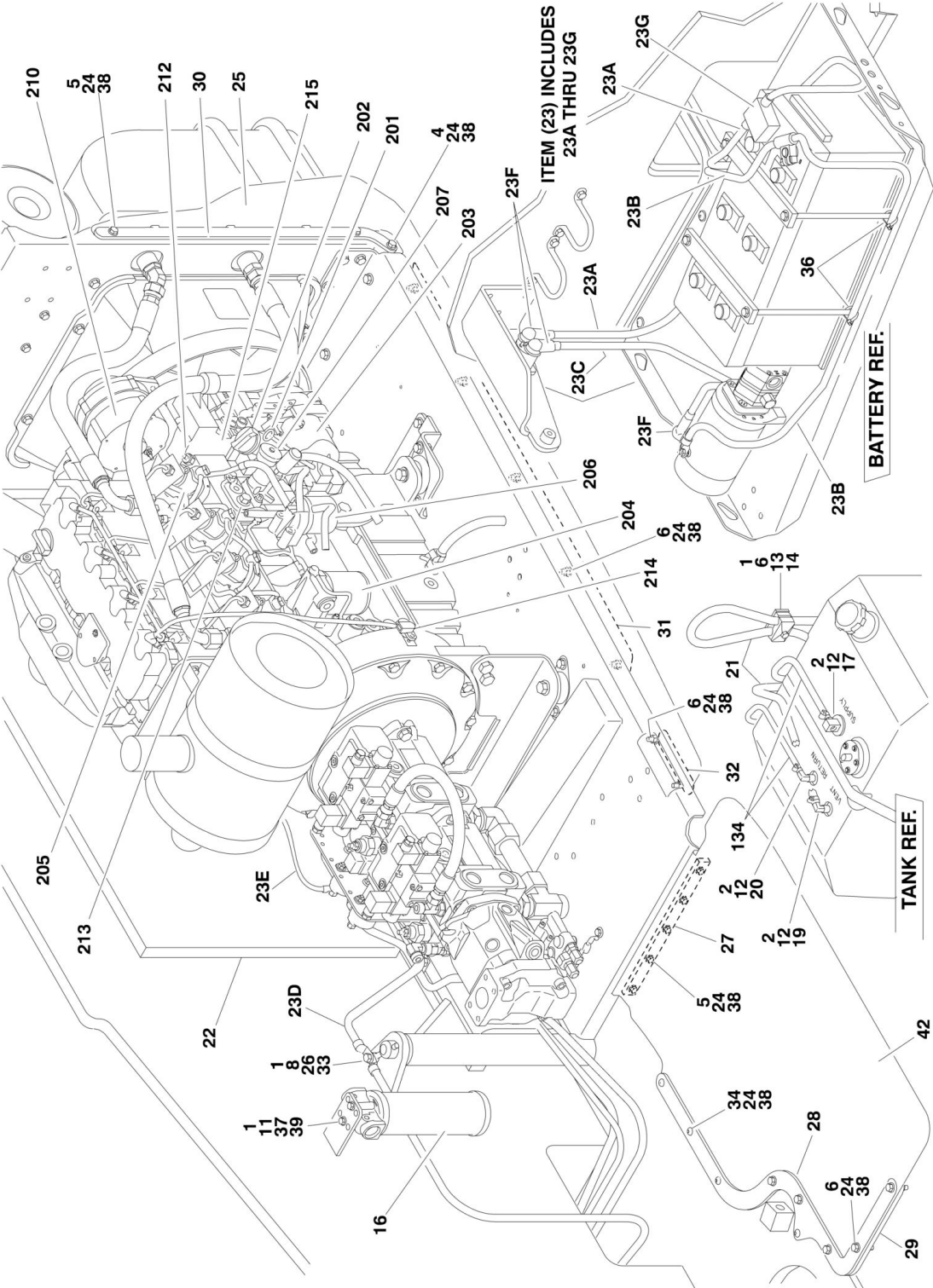
| ITEM | PART NUMBER | QTY | DESCRIPTION | REV |
|------|-------------|-----|---------------------------------------|-----|
| 411 | 7026805 | 1 | Block) Seal, Rear Main (Not Shown) | |

SECTION 2 - TURNTABLE

FIGURE 2-6. DEUTZ ENGINE INSTALLATION



SECTION 2 - TURNTABLE



SECTION 2 - TURNTABLE

FIGURE 2-6. DEUTZ ENGINE INSTALLATION

| ITEM | PART NUMBER | QTY | DESCRIPTION | REV |
|------|-------------|------------|--|-----|
| | | Ref | DEUTZ DIESEL ENGINE INSTALLATION OPTIONS: | |
| | 1001111054 | Ref | Without Skypower (2500W Generator Prep) | D |
| | 1001111352 | Ref | With Skypower (7500W Generator Prep) | D |
| 1 | 0100011 | AR | Compound, Locking | |
| 2 | 0100079 | AR | Sealant, Pipe | |
| 3 | 0641410 | 4 | Bolt 1/4in-20NC x 1-1/4in | |
| 4 | 0641506 | 1 | Bolt 5/16in-18NC x 3/4in | |
| 5 | 0641509 | 7 | Bolt 5/16in-18NC x 1-1/8in | |
| 6 | 0641511 | 13 | Bolt 5/16in-18NC x 1-3/8in | |
| 7 | 0641605 | 3 | Bolt 3/8in-16NC x 5/8in | |
| 8 | 0641610 | 1 | Bolt 3/8in-16NC x 1-1/4in | |
| 9 | 0641808 | 1 | Bolt 1/2in-13NC x 1in | |
| 10 | 0642010 | 1 | Bolt 5/8in-11NC x 1-1/4in | |
| 11 | | Ref | Bolt Options: | |
| 11 | 0641406 | 2 | Bolt 1/4in-20NC x 3/4in | |
| 11 | 0641606 | 4 | Bolt 3/8in-16NC x 3/4in | |
| 12 | 1320022 | 3 | Clamp | |
| 13 | 1320187 | 1 | Clamp | |
| 14 | 1320190 | 1 | Clamp, Cover Plate | |
| 15 | 1671121 | 1 | Cover, Generator | |
| 16 | 1001108617 | 1 | Filter, Hydraulic (Note: Filter Head uses either 2-Bolt or 4-Bolt Mounting Pattern.) | |
| 16 | 70002231 | 1 | Element, Filter | |
| 17 | 2180348 | 1 | Fitting, Straight Barbed | |
| 18 | 2200222 | 1 | Plug (Not Shown - Located in Bottom of Fuel Tank) | |
| 19 | 2220313 | 1 | Fitting, 90 Barbed | |
| 20 | 2221176 | 1 | Fitting, 90 Barbed | |
| 21 | 2750532 | 89 in/2.3m | Hose | |
| 22 | | Ref | Insulation Options: | |
| 22 | 2820148 | 1 | Insulation (Prior to SN 0300138360) | |
| 22 | 2820170 | 1 | Insulation (SN 0300138360 to Present) | |
| 23 | 2902099 | 1 | Battery Cable Kit | C |
| 23A | 7024580 | 1 | Cable, Red (To Aux Pump Relay, Battery Positive Terminal and Start Relay) | |
| 23B | 7024581 | 1 | Cable, Black (To Aux Pump, Battery Negative Terminal and Ground at Tray Pivot) | |
| 23C | 7024582 | 1 | Cable, Red (Aux Pump Relay to Aux Pump) | |
| 23D | 7024583 | 1 | Cable, Black (Tray Pivot to Engine Mount) | |
| 23E | 7024584 | 1 | Cable, Red (Start Relay to Starter) | |
| 23F | See Note | 6 | Boot, Terminal (Red) (Note: Not Available for Purchase) | |
| 23G | See Note | 1 | Boot, Square Terminal (Red) (Note: Not Available for Purchase) | |
| 24 | 3311505 | 24 | Locknut 5/16in-18NC | |
| 25 | 3380473 | 1 | Panel, Rubber | |
| 26 | 3422446 | 1 | Pin | |
| 27 | 3573644 | 1 | Plate, Tray Clamp | |
| 28 | 1001112878 | 1 | Plate, Top Clamp | |
| 29 | 1001112879 | 1 | Plate, Bottom Clamp | |
| 30 | 3573669 | 1 | Plate, Clamp | |
| 31 | 1001112880 | 1 | Plate, Tray Clamp | |
| 32 | 3573728 | 1 | Plate, Tray Clamp | |

SECTION 2 - TURNTABLE

| ITEM | PART NUMBER | QTY | DESCRIPTION | REV |
|------|-------------|-----|--|-----|
| 33 | 3841143 | 1 | Keeper, Pin | |
| 34 | 3900272 | 4 | Screw, Buttonhead 5/16in-18NC x 1-3/4in | |
| 35 | 4240018 | 2 | Tie-Strap (Not Shown) | |
| 36 | 4240099 | AR | Tie-Strap | |
| 37 | 4711400 | AR | Flatwasher 1/4in Thin | |
| 38 | 4711500 | 44 | Flatwasher 5/16in Thin | |
| 39 | 4711600 | AR | Flatwasher 3/8in Thin | |
| 40 | 4752000 | 1 | Flatwasher 5/8in Regular | |
| 42 | 1001111132 | 1 | Panel, Rubber | |
| | | Ref | DEUTZ DIESEL ENGINE ASSEMBLY OPTIONS: | |
| | 1001098513 | Ref | Without Skypower (2500W Generator Prep) | E |
| | 1001098530 | Ref | With Skypower (7500W Generator Prep) | E |
| 101 | | Ref | Spacer, Fan Options: | |
| 101A | 0080237 | 1 | Without Skypower (2500W Generator Prep) | |
| 101B | 0080244 | 1 | With Skypower (7500W Generator Prep) | |
| 102 | 0100011 | AR | Compound, Locking | |
| 103 | 0272060 | 1 | Box, Air Intake | |
| 104 | 0340003 | 2 | Band, Air Cleaner | |
| 105 | 0340051 | 2 | Band, Muffler | |
| 106 | 0641406 | 15 | Bolt 1/4in-20NC x 3/4in | |
| 107 | 0641506 | 5 | Bolt 5/16in-18NC x 3/4in | |
| 108 | 0641507 | 4 | Bolt 5/16in-18NC x 7/8in | |
| 109 | 0641605 | 4 | Bolt 3/8in-16NC x 5/8in | |
| 110 | 0641608 | 25 | Bolt 3/8in-16NC x 1in | |
| 111 | 0641609 | 2 | Bolt 3/8in-16NC x 1-1/8in | |
| 112 | 0641610 | 4 | Bolt 3/8in-16NC x 1-1/4in | |
| 113 | 0641808 | 1 | Bolt 1/2in-13NC x 1in | |
| 114 | 0641812 | 2 | Bolt 1/2in-13NC x 1-1/2in | |
| 115 | 0641818 | 2 | Bolt 1/2in-13NC x 2-1/4in | |
| 116 | 0641826 | 2 | Bolt 1/2in-13NC x 3-1/4in | |
| 117 | 0711214 | 2 | Bolt M12 x 30mm | |
| 118 | 0771414 | 6 | Bolt M14 x 30mm | |
| 119 | | Ref | Bolt M14 x 45mm | |
| 119 | 0771414 | 4 | Without Skypower (2500W Generator Prep) | |
| 119 | 0711417 | 4 | With Skypower (7500W Generator Prep) | |
| 120 | 1001112766 | 1 | Bracket, Muffler | |
| 121 | 0940070 | 1 | Bumper | |
| 122 | 0961986 | 2 | Bushing, Flanged | |
| 123 | | Ref | Lanyard Options: | |
| 123 | 1060637 | 1 | 16in/40.6cm Length | |
| 123 | 1001131542 | 1 | 13in/33cm Length | |
| 124 | 1320022 | 2 | Clamp | |
| 125 | 1320058 | 2 | Clamp | |
| 126 | 1320060 | 1 | Clamp | |
| 127 | 1320223 | 1 | J-Clip | |
| 128 | 1340065 | 1 | Air Cleaner Assembly | |
| 128 | 7003655 | 1 | Element, Air Cleaner | |
| 129 | 1671023 | 1 | Shroud, Fan | |
| 130 | 1703162 | 2 | Decal - Fan Blade | |
| 131 | 2060025 | 1 | Fan | |
| 132 | 2220451 | 1 | Fitting, Straight | |

SECTION 2 - TURNTABLE

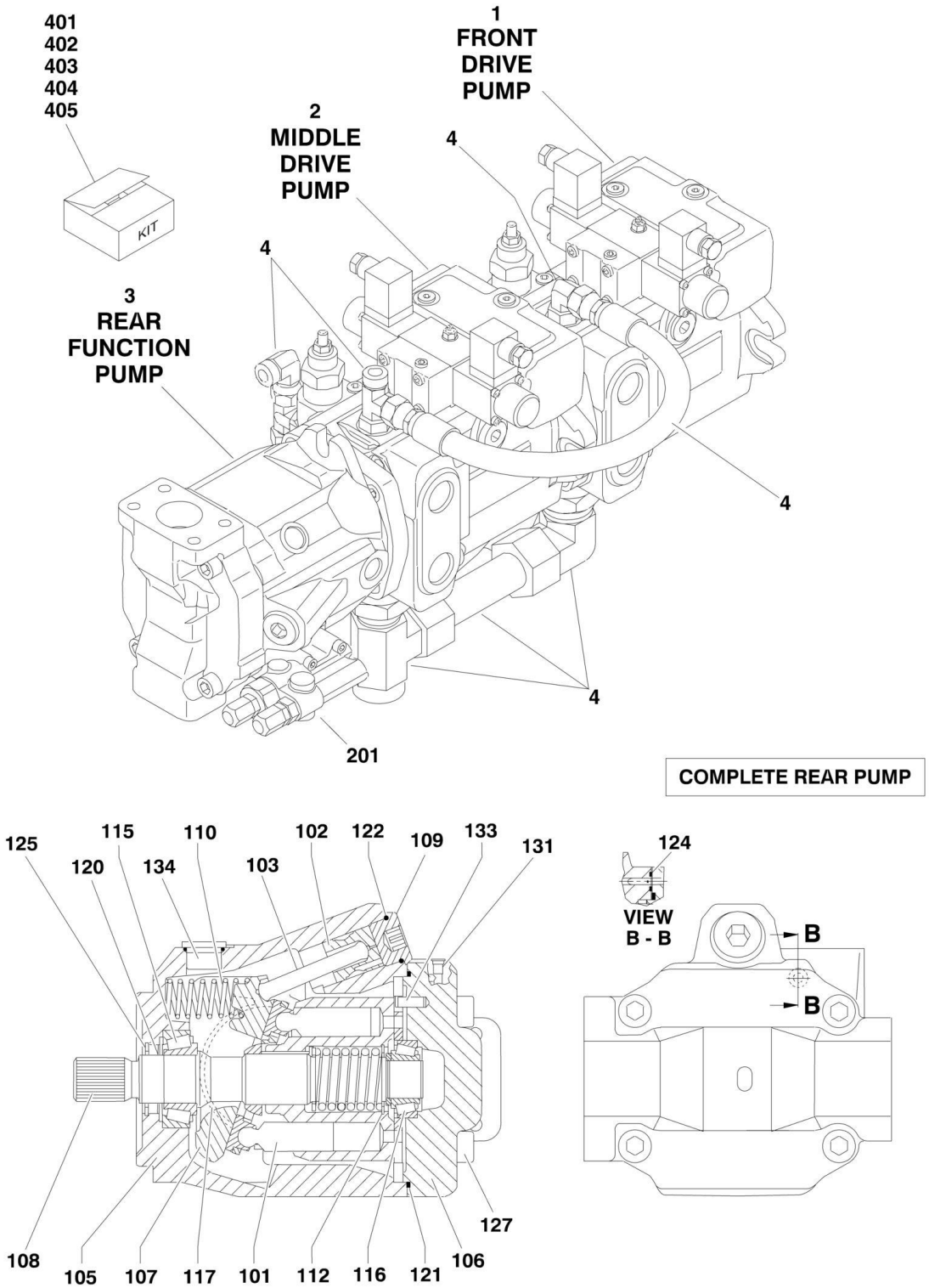
| ITEM | PART NUMBER | QTY | DESCRIPTION | REV |
|------|-------------|----------------|---|-----|
| 133 | 2220498 | 1 | Fitting, 45 | |
| 134 | 2720058 | 34 ft/10.3m | Hose | |
| 135 | 2720500 | 1 | Hose, Oil Cooler (Top) | |
| 136 | 2720501 | 1 | Hose, Oil Cooler (Bottom) | |
| 137 | 2750532 | 9 in/23cm | Hose | |
| 138 | 2902065 | 1 | Pump Coupling Kit | H |
| 138A | 2902065 | 1 | Plate, Pump Mounting | |
| 138B | 70000793 | 1 | Coupling, Flex | |
| 138C | See Note | 20 | Capscrew M10 (Grade 10.9) (Note: Not Available Purchase Locally) | |
| 138D | See Note | 12 | Flatwasher M10 (Note: Not Available Purchase Locally) | |
| 139 | 3020016 | 3.25 gal | Oil, Engine 15W-40 | |
| 140 | 3200362 | 2 | Mount, Motor (Front) | |
| 141 | 3200401 | 2 | Mount, Motor (Rear) | |
| 142 | | Ref | Muffler Options: | |
| 142 | 3220126 | 1 | Standard Spark Arresting Muffler | |
| 142 | 3220130 | 1 | Optional Catalytic Muffler | |
| 142 | 70001017 | 1 | Clamp | |
| 143 | 3300454 | 10 | Nut | |
| 144 | 3311405 | 5 | Locknut 1/4in-20NC | |
| 145 | 3311505 | 5 | Locknut 5/16in-18NC | |
| 146 | 3311605 | 30 | Locknut 3/8in-16NC | |
| 147 | 3311805 | 5 | Locknut 1/2in-13NC | |
| 148 | 3422532 | 1 | Pin, Hitch | |
| 149 | 3520054 | 2 | Plug, Hole | |
| 150 | 3537416 | 1 | Plate, Mounting (Front Right) | |
| 151 | 3539971 | 1 | Bracket, Engine Mounting (Front) | |
| 152 | 3573142 | 1 | Bracket, Engine Mounting (Rear) | |
| 153 | 3573411 | 2 | Plate, Clamp | |
| 154 | 3573412 | 1 | Plate, Gusset | |
| 155 | 3573529 | 1 | Plate, Mounting (Front Left) | |
| 156 | | Ref | Pulley Options: | |
| 156A | 3580158 | 1 | Without Skypower (2500W Generator Prep) | |
| 156B | 3580320 | 1 | With Skypower (7500W Generator Prep) | |
| 157 | 3600339 | 1 | Pump Assembly (See PUMP ASSEMBLY (DEUTZ ENGINE MACHINES) for Breakdown) | |
| 158 | 1001145382 | 1 | Cooler, Engine Oil (was p/n 3620041) | |
| 159 | 3740067 | 2 | Relay | |
| 160 | 3740080 | 2 | Relay | |
| 161 | 3960543 | 1 | Seal | |
| 162 | 3960544 | 1 | Seal | |
| 163 | 4032022 | 4 | Capscrew M10 x 90mm | |
| 164 | 4060804 | 12 in/30cm | Flex-Trim | |
| 165 | 4060805 | 8 in/20cm | Flex-Trim | |
| 166 | 4240099 | AR | Tie, Wire (Not Shown) | |
| 167 | 4568293 | 1 | Pipe, Exhaust | |
| 168 | 4640751 | 1 | Valve, Oil Drain | |
| 169 | 4711500 | 13 | Flatwasher 5/16in Thin | |
| 170 | 4711600 | 68 | Flatwasher 3/8in Thin | |
| 171 | 4711800 | 7 | Flatwasher 1/2in Thin | |

SECTION 2 - TURNTABLE

| ITEM | PART NUMBER | QTY | DESCRIPTION | REV |
|------|--------------|-----|---|-----|
| 172 | 4740274 | 4 | Washer, Snubbing | |
| 173 | 4740518 | 10 | Washer, Nylon | |
| 174 | 4751400 | 20 | Flatwasher 1/4in Regular | |
| 175 | 4791400 | 4 | Starwasher 1/4in | |
| 176 | 4846552 | 1 | Plate, Oil Cooler Mounting | |
| 177 | | Ref | Mount, Generator Options: | |
| 177 | Not Required | 0 | Without Skypower (2500W Generator Prep) | |
| 177 | 4846945 | 1 | With Skypower (7500W Generator Prep) | |
| 178 | 4846946 | 1 | Tray | |
| 179 | 4891800 | 2 | Flatwasher, 1/2in Hardened | |
| 180 | 4923468 | 1 | Harness, Glow Plugs | |
| 181 | 4923592 | AR | Cable, Jumper | |
| 182 | 1001092856 | 1 | Hose, Turbo | |
| 183 | 1001098601 | 1 | Engine, Deutz BF4M2011 (See Items 201 to 222 for Serviced Components) | |
| 184 | 8410013 | 1 | Clamp, Gear | |
| | 1001098601 | Ref | DEUTZ ENGINE COMPONENTS | A |
| 201 | 7027235 | 1 | Dipstick | |
| 202 | 7020465 | 1 | Cap, Filler | |
| 203 | 70001850 | 1 | Pump, Oil Lube | |
| 203 | 7020468 | 1 | Seal Between Oil Pump and Engine Block (Not Shown) | |
| 204 | 7016331 | 1 | Filter, Oil | |
| 205 | | Ref | Injector Pump Options: | |
| | | Ref | Note: Series Letter is shown on label at base of Injector | |
| 205 | 70001128 | AR | "A" Series | |
| 205 | 70001129 | AR | "B" Series | |
| 205 | 70001130 | AR | "C" Series | |
| 205 | 70001131 | AR | "D" Series | |
| 206 | 7016328 | 1 | Filter, Fuel | |
| 207 | 70000916 | 1 | Pump Fuel Supply | |
| 207 | 70001435 | 1 | Repair Kit | |
| 207 | 70000917 | 1 | O-Seal Between Fuel Pump and Engine Block (Not Shown) | |
| 208 | 7020414 | 1 | V-Belt | |
| 209 | 7020471 | 4 | Gasket, Exhaust Manifold to Cylinder Head (Not Shown) | |
| 209 | 7020486 | 1 | Gasket, Exhaust Manifold to Exhaust Pipe (Not Shown) | |
| 210 | 70001867 | 1 | Alternator Options: | |
| 210 | 70001868 | 1 | Regulator, Voltage (Not Shown) | |
| 211 | 7020479 | 1 | Starter (Not Shown - Located on Right Side of Engine) | |
| 211 | 7026608 | 1 | Starter (Not Shown - Located on Right Side of Engine) | |
| 212 | 7027791 | 1 | Sender, Coolant Temperature | |
| 213 | 7027790 | 1 | Sensor, Oil Pressure | |
| 214 | 7024565 | 1 | Sensor, Speed | |
| 215 | 7027792 | 1 | Actuator, Throttle | |
| 215 | 7027276 | 2 | Spring | |
| 216 | 7020459 | 1 | Thermostat | |
| 217 | 7024579 | 1 | Gear, Ring (Not Shown) | |
| 218 | 7027236 | 1 | Sensor, Temperature (Not Shown) | |
| 219 | 7027239 | 1 | Solenoid, Start (Not Shown) | |
| 220 | 7027240 | 1 | Turbocharger | |
| 221 | 1600443 | 1 | Module, EMR2 Controller | |
| 222 | 70002718 | 1 | Seal, Rear Main (Not Shown) | |
| 223 | 70007353 | 1 | Gasket Kit (Not Shown) | |

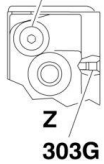
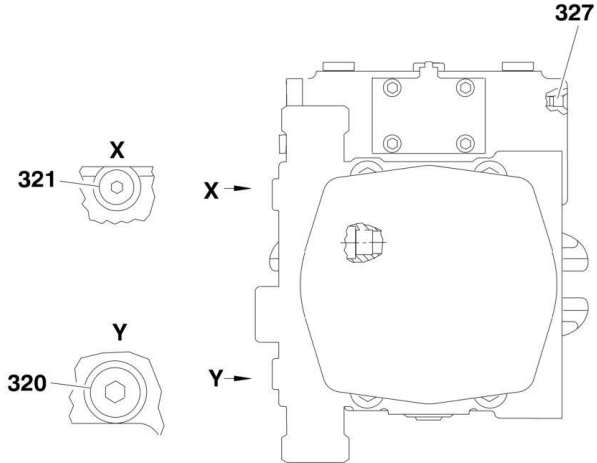
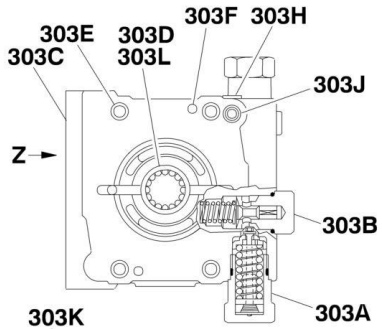
SECTION 2 - TURNTABLE

FIGURE 2-7. PUMP ASSEMBLY (CATERPILLAR ENGINE MACHINES)

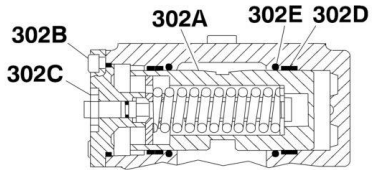


SECTION 2 - TURNTABLE

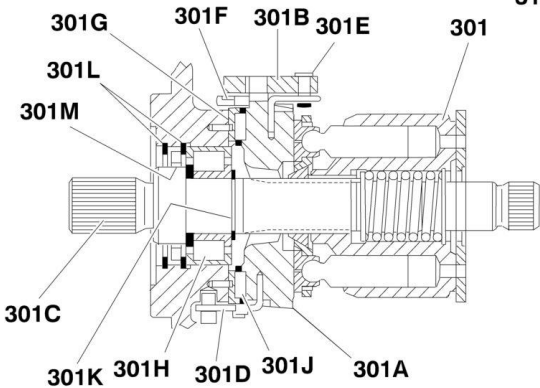
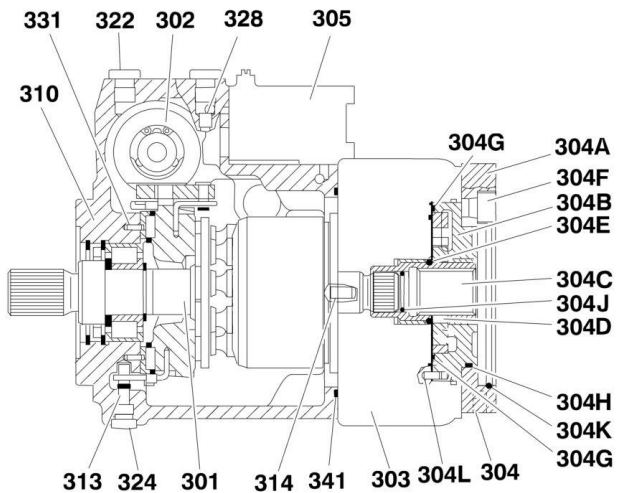
COMPLETE FRONT & MID PUMPS



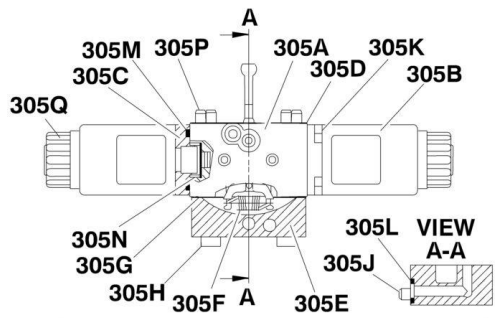
PORT PLATE SECTION FRONT & MID PUMPS (DETAIL OF ITEM 303)



HYD. CONTROL FRONT & MID PUMPS (DETAIL OF ITEM 302)



ROTARY GROUP FRONT & MID PUMPS (DETAIL OF ITEM 301)



CONTROL MODULE FRONT & MID PUMPS (DETAIL OF ITEM 305)

SECTION 2 - TURNTABLE

FIGURE 2-7. PUMP ASSEMBLY (CATERPILLAR ENGINE MACHINES)

| ITEM | PART NUMBER | QTY | DESCRIPTION | REV |
|------|-------------|--------|---|-----|
| | 1001118368 | Ref | PUMP ASSEMBLY | C |
| 1 | 70003163 | 1 | Front Drive Pump Assembly (Includes Items 301- 341) | |
| 2 | 70003164 | 1 | Middle Drive Pump Assembly (Includes Items 301- 341) | |
| 3 | 7024044 | 1 | Rear Function Pump Assembly (Includes Items 101-201 | |
| 4 | See Note | 1 | Hydraulic Kit (Includes all Rexroth Supplied Hydraulic Fittings, Hoses and Tubes) (Note: Not Available for Purchase) | |
| | 7024044 | Ref | REAR FUNCTION PUMP ASSEMBLY | |
| 101 | 70003173 | 1 | Rotary Section | |
| 102 | See Note | 1 | Piston, Control (Note: Not Available for Purchase) | |
| 103 | See Note | 1 | Rod, Piston (Note: Not Available for Purchase) | |
| 105 | See Note | 1 | Housing, Pump (Note: Not Available - Purchase Complete Pump Assembly) | |
| 106 | See Note | 1 | Plate, Port (Note: Not Available for Purchase) | |
| 107 | 70003174 | 1 | Plate, Swash | |
| 108 | 70003175 | 1 | Driveshaft | |
| 109 | See Note | 1 | Plug (Note: Not Available for Purchase) | |
| 110 | See Note | 1 | Spring (Note: Not Available for Purchase) | |
| 112 | 7012709 | 1 | Shim | |
| 115 | 7024038 | 1 | Bearing, Roller | |
| 116 | 7012706 | 1 | Bearing, Roller | |
| 117 | 7024917 | 2 | Shell, Cradle | |
| 120 | 7024918 | 1 | Seal, Shaft | |
| 121 | 70003176 | 1 | O-Ring | |
| 122 | 7024920 | 1 | O-Ring | |
| 124 | 7024950 | 1 | Seal | |
| 125 | 70003177 | 1 | Ring, Retaining | |
| 127 | See Note | 4 | Capscrew M12 x 45-10.9 (Note: Not Available for Purchase) | |
| 131 | See Note | 1 | Plug (Note: Not Available for Purchase) | |
| 133 | See Note | 1 | Pin, Dowel (Note: Not Available for Purchase) | |
| 134 | See Note | 1 | Plug (Note: Not Available for Purchase) | |
| 201 | 7024913 | Ref | Pilot Valve Assembly | |
| | | Ref | Note: Two mounting designs of p/n 7024913 pilot valve exist. Early design uses qty. 3 o-rings. Late design uses qty. 1 sealing plate. Seal designs cannot be interchanged. Verify seal design before ordering. | |
| 201 | 7024922 | 3 | O-Ring (Seals between Pilot Valve and Rear Pump) | |
| 201 | 70021867 | 1 | Plate, Sealing (Seals between Pilot Valve and Rear Pump) | |
| | | Ref | FRONT DRIVE PUMP ASSEMBLIES | |
| | 70003163 | Ref | Front Drive Pump Assembly | |
| | 70003164 | Ref | Middle Drive Pump Assembly | |
| 301 | 7024064 | 1 | Rotary Group | |
| 301A | See Note | 1 | Cradle (Note: Not Available - Purchase p/n 7024064) | |
| 301B | See Note | 1 | Ring, Slide (Note: Not Available - Purchase p/n 7024064) | |
| 301C | See Note | 1 | Driveshaft (Note: Not Available - Purchase p/n 7024064) | |
| 301D | See Note | 1 | Wire (Note: Not Available - Purchase p/n 7024064) | |
| 301E | See Note | 1 | Pin, Joint (Note: Not Available - Purchase p/n 7024064) | |
| 301F | See Note | 1 | Wire (Note: Not Available - Purchase p/n 7024064) | |
| 301G | See Note | 1 Pair | Liner, Bearing (Note: Not Available - Purchase p/n 7024064) | |
| 301H | See Note | 1 | Bearing, Roller (Note: Not Available - Purchase p/n 7024064) | |
| 301J | See Note | 1 Set | Cradle Bearing Assembly (Note: Not Available for Purchase) | |
| 301K | See Note | 1 | Ring, Retaining (Note: Not Available for Purchase) | |

SECTION 2 - TURNTABLE

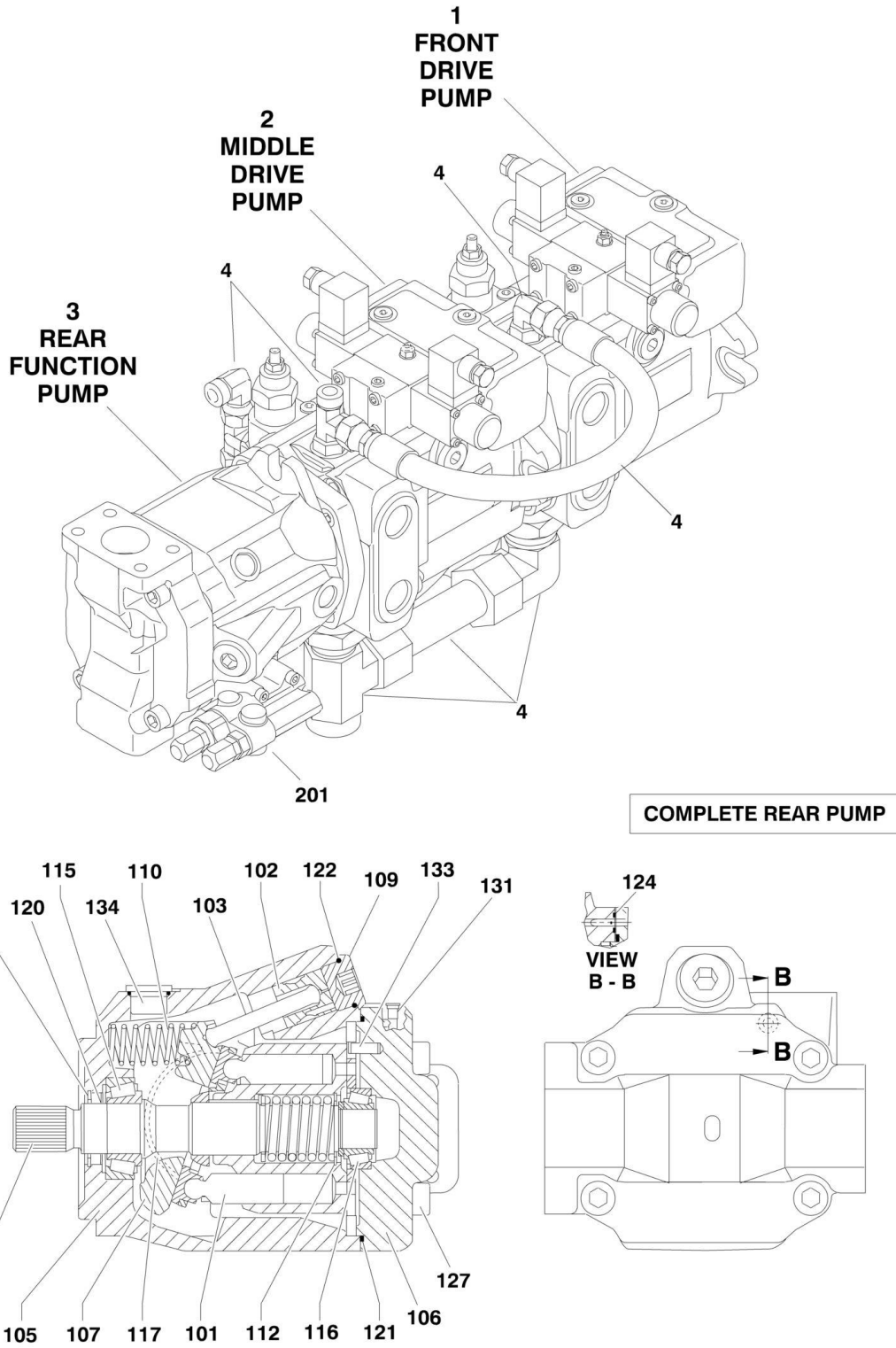
| ITEM | PART NUMBER | QTY | DESCRIPTION | REV |
|------|-------------|-----|--|-----|
| 301L | 70001968 | 2 | Ring, Retaining | |
| 301M | 70003167 | 1 | Seal, Shaft Ring | |
| 302 | 7024065 | 1 | Control Group - Hydraulic | |
| 302A | See Note | 1 | Piston, Positioning - Complete (Note: Not Available - Purchase p/n 7024065) | |
| | | Ref | Note: Sold only in Kit Except Outer Seal O-Ring and Stem O-Ring. | |
| 302A | 7024071 | 1 | O-Ring, Outer Seal | |
| 302A | 7024072 | 1 | O-Ring, Stem | |
| 302B | 70003168 | 4 | Capscrew M6 x 12-8.8 | |
| 302C | See Note | 1 | Nut (Note: Not Available - Purchase p/n 7024065) | |
| 302D | 70003168 | 2 | Ring, Guide | |
| 302E | 70003168 | 2 | Seal, O-Ring | |
| 303 | | Ref | Port Plate Group Options: | |
| 303 | 7024905 | 1 | Front Drive Pump | |
| 303 | 7024911 | 1 | Middle Drive Pump | |
| 303A | 7024073 | 2 | Cartridge, Relief Valve (High Pressure) (Note: Sold as an Assembly Except Outer Seals.) | |
| 303A | 7024075 | 1 | O-Ring | |
| 303A | 7024076 | 1 | Ring, Back-up | |
| 303B | | Ref | Cartridge Options: | |
| 303B | 7024907 | 1 | Front Pump Cartridge (Lock Valve With Orifice) (Note: Sold as an Assembly Except Outer Seals.) | |
| 303B | 7024909 | 1 | Screw, Locking | |
| 303B | 7024075 | 1 | O-Ring | |
| 303B | 70020329 | 1 | Middle Pump Cartridge (Pressure Relief Valve) (Note: Sold as an Assembly Except Outer Seals.) | |
| 303B | 70003172 | 1 | Ring, Sealing (Steel) | |
| 303B | 7024077 | 1 | O-Ring | |
| 303C | See Note | 1 | Plate, Port (Note: Not Available - Purchase p/n 7024905 or 7024911) | |
| 303D | See Note | 1 | Bushing, Bearing (Note: Not Available - Purchase p/n 7024905 or 7024911) | |
| 303E | See Note | 4 | Screw, Socket Head M12 x 70-10.9 (Note: Not Available - Purchase p/n 7024911) | |
| 303F | 70003169 | 2 | Pin, Dowel | |
| 303G | 70003169 | 1 | Pin, Break-Off | |
| 303H | 70003169 | 1 | Screw, Locking M10 x 1 | |
| 303J | 7024908 | 2 | O-Ring | |
| 303K | 70003169 | 2 | Screw, Locking 7/16in-20NF | |
| 303L | See Note | 1 | Bearing, Roller (Note: Not Available - Purchase p/n 7024905 or 7024911) | |
| 304 | 7024906 | 1 | Internal Gear Pump Options: | |
| 304A | See Note | 1 | Flange, Intermediate (Note: Not Available - Purchase p/n 7024906) | |
| 304B | See Note | 1 | Internal Gear Pump Housing (Note: Not Available - Purchase p/n 7024906) | |
| 304C | See Note | 1 | Coupling, Driveshaft Through (Note: Not Available - Purchase p/n 7024906) | |
| 304D | 7024079 | 1 | Key, Driveshaft | |
| 304E | 80934174 | 1 | Ring, Retaining | |
| 304F | See Note | 4 | Capscrew M10 x 20-8.8 (Note: Not Available - Purchase p/n 7024906) | |
| 304G | 7024080 | 2 | Seal | |

SECTION 2 - TURNTABLE

| ITEM | PART NUMBER | QTY | DESCRIPTION | REV |
|------|-------------|-----|--|-----|
| 304H | 7024081 | 1 | O-Ring | |
| 304J | See Note | 1 | Ring, Retaining (Note: Not Available - Purchase p/n 7024906) | |
| 304K | 7024910 | 1 | O-Ring | |
| 304L | See Note | 1 | Pin, Cylinder (Note: Not Available - Purchase p/n 7024906) | |
| 305 | 70003165 | 1 | Control Module | |
| 305A | See Note | 1 | Valve Body, Lever and Internal Components | |
| 305B | 70003170 | 2 | Coil, Solenoid | |
| 305C | See Note | 2 | Spacer, Coil (Note: Not Available - Purchase p/n 70003165) | |
| 305D | 70020336 | 1 | Gasket | |
| 305E | See Note | 1 | Cover W/Filter (Note: Not Available - Purchase p/n 70003165) | |
| 305F | See Note | 1 | Spring, Draw (Note: Not Available - Purchase p/n 70003165) | |
| 305G | 70020336 | 1 | Gasket | |
| 305H | 70020336 | 4 | Capscrew M6 x 65-8.8 | |
| 305J | 70020336 | 1 | Capscrew M6 x 45-8.8 | |
| 305K | See Note | 8 | Capscrew M5 x 10-8.8 (Note: Not Available for Purchase) | |
| 305L | 70020336 | 1 | O-Ring | |
| 305M | See Note | 2 | O-Ring (Note: Not Available for Purchase) | |
| 305N | See Note | 2 | Cup, Spring (Note: Not Available for Purchase) | |
| 305P | 70020336 | 2 | Pin, Cylinder | |
| 305Q | See Note | 2 | Nut, Coil (Note: Not Available for Purchase) | |
| 310 | See Note | 1 | Housing (Note: Not Available - Purchase Complete Pump Assembly) | |
| 313 | See Note | 2 | Pin, Dowel (Note: Not Available for Purchase) | |
| 314 | See Note | 1 | Pin, Cylinder (Note: Not Available for Purchase) | |
| 320 | 70003166 | 1 | Screw 7/8-14NF (Front Drive Pump Only) | |
| 321 | 70003166 | 1 | Screw 9/16-18NF | |
| 322 | 70003166 | 1 | Screw 7/16-20NF | |
| 324 | 70003166 | 1 | Screw M10 x 1 | |
| 327 | 70003166 | 1 | Pin, Double Break-Off | |
| 328 | 70003166 | 2 | Orifice | |
| 331 | 70003166 | 2 | Pin, Clamping | |
| 341 | 70003166 | 1 | O-Ring | |
| | | Ref | Seal Kit Options: | |
| 401 | 70003167 | 1 | Seal Kit - Drive Shaft (Includes Items 301L & 301M) | |
| 402 | 70003168 | 1 | Seal Kit - Control Group - Hydraulic (Includes Items 302B, 302D & 302E) | |
| 403 | 70003169 | 1 | Seal Kit - Port Plate Group (Includes Items 303F-303K) | |
| 404 | 70020336 | 1 | Seal Kit - Control Module (Includes Items 305D, 305G-305J, 305L & 305P) | |
| 405 | 70003166 | 1 | Seal Kit - Front Pump (Includes Items 320-322, 324, 327, 328, 331 & 341) | |

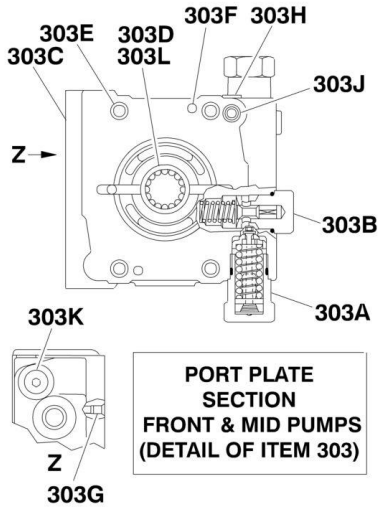
SECTION 2 - TURNTABLE

FIGURE 2-8. PUMP ASSEMBLY (DEUTZ ENGINE MACHINES)

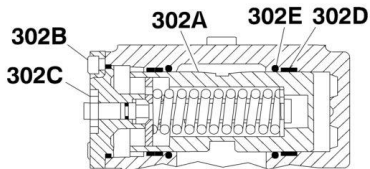


SECTION 2 - TURNTABLE

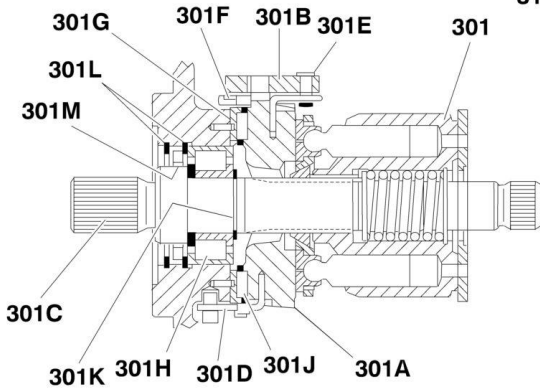
COMPLETE FRONT & MID PUMPS



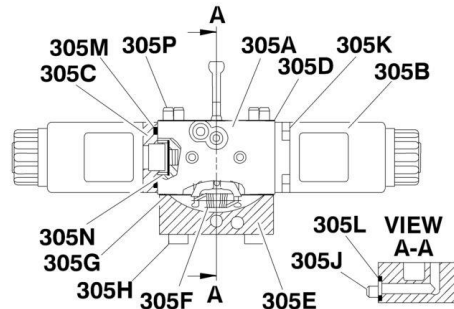
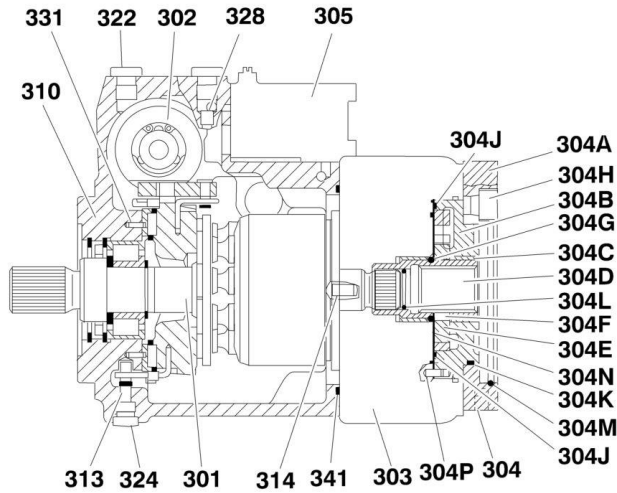
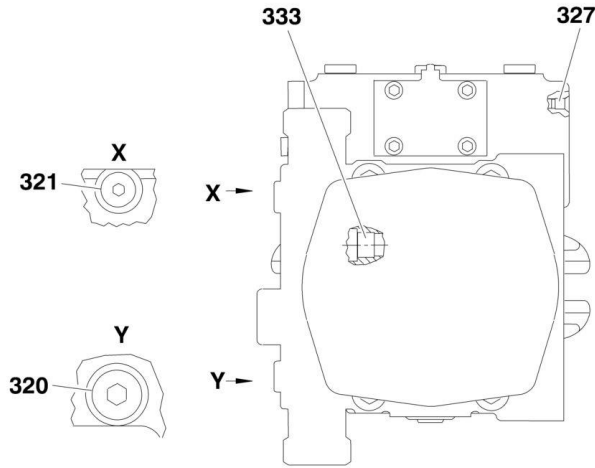
PORT PLATE SECTION FRONT & MID PUMPS (DETAIL OF ITEM 303)



HYD. CONTROL FRONT & MID PUMPS (DETAIL OF ITEM 302)



ROTARY GROUP FRONT & MID PUMPS (DETAIL OF ITEM 301)



CONTROL MODULE FRONT & MID PUMPS (DETAIL OF ITEM 305)

SECTION 2 - TURNTABLE

FIGURE 2-8. PUMP ASSEMBLY (DEUTZ ENGINE MACHINES)

| ITEM | PART NUMBER | QTY | DESCRIPTION | REV |
|------|-------------|--------|---|-----|
| | 3600339 | Ref | PUMP ASSEMBLY | D |
| 1 | 7024042 | 1 | Front Drive Pump Assembly (Includes Items 301- 341) | |
| 2 | 7024043 | 1 | Middle Drive Pump Assembly (Includes Items 301- 341) | |
| 3 | 7024044 | 1 | Rear Function Pump Assembly (Includes Items 101-201) | |
| 4 | 70001952 | 1 | Hydraulic Kit (Includes all Rexroth Supplied Hydraulic Fittings, Hoses and Tubes) | |
| | 7024044 | Ref | REAR FUNCTION PUMP ASSEMBLY | |
| 101 | 7024914 | 1 | Rotary Section | |
| 102 | See Note | 1 | Piston, Control (Note: Not Available for Purchase) | |
| 103 | See Note | 1 | Rod, Piston (Note: Not Available for Purchase) | |
| 105 | See Note | 1 | Housing, Pump (Note: Not Available - Purchase Complete Pump Assembly) | |
| 106 | See Note | 1 | Plate, Port (Note: Not Available for Purchase) | |
| 107 | 7024915 | 1 | Plate, Swash | |
| 108 | 7024916 | 1 | Driveshaft | |
| 109 | See Note | 1 | Plug (Note: Not Available for Purchase) | |
| 110 | See Note | 1 | Spring (Note: Not Available for Purchase) | |
| 112 | 7012709 | 1 | Shim | |
| 115 | 7024038 | 1 | Bearing, Roller | |
| 116 | 7012706 | 1 | Bearing, Roller | |
| 117 | 7024917 | 2 | Shell, Cradle | |
| 120 | 7024918 | 1 | Seal, Shaft | |
| 121 | 7024919 | 1 | O-Ring | |
| 122 | 7024920 | 1 | O-Ring | |
| 124 | 7024921 | 1 | Seal | |
| 125 | 7012715 | 1 | V-Ring | |
| 127 | See Note | 4 | Capscrew M12 x 45-10.9 (Note: Not Available for Purchase) | |
| 131 | See Note | 1 | Plug | |
| 133 | See Note | 1 | Pin, Dowel (Note: Not Available for Purchase) | |
| 134 | See Note | 1 | Plug (Note: Not Available for Purchase) | |
| 201 | 7024913 | Ref | Pilot Valve Assembly | |
| | | Ref | Note: Two mounting designs of p/n 7024913 pilot valve exist. Early design uses qty. 3 o-rings. Late design uses qty. 1 sealing plate. Seal designs cannot be interchanged. Verify seal design before ordering. | |
| 201 | 7024922 | 3 | O-Ring (Seals between Pilot Valve and Rear Pump) | |
| 201 | 70021867 | 1 | Plate, Sealing (Seals between Pilot Valve and Rear Pump) | |
| | | Ref | FRONT DRIVE PUMP ASSEMBLIES | |
| | 7024042 | Ref | Front Drive Pump Assembly | |
| | 7024043 | Ref | Front Drive Pump Assembly | |
| 301 | 7024064 | 1 | Rotary Group | |
| 301A | See Note | 1 | Cradle (Note: Not Available - Purchase p/n 7024064) | |
| 301B | See Note | 1 | Ring, Slide (Note: Not Available - Purchase p/n 7024064) | |
| 301C | See Note | 1 | Driveshaft (Note: Not Available - Purchase p/n 7024064) | |
| 301D | See Note | 1 | Wire (Note: Not Available - Purchase p/n 7024064) | |
| 301E | See Note | 1 | Pin, Joint (Note: Not Available - Purchase p/n 7024064) | |
| 301F | See Note | 1 | Wire (Note: Not Available - Purchase p/n 7024064) | |
| 301G | See Note | 1 Pair | Liner, Bearing (Note: Not Available - Purchase p/n 7024064) | |
| 301H | See Note | 1 | Bearing, Roller (Note: Not Available - Purchase p/n 7024064) | |
| 301J | See Note | 1 Set | Cradle Bearing Assembly (Note: Not Available for Purchase) | |
| 301K | See Note | 1 | Ring, Retaining (Note: Not Available for Purchase) | |

SECTION 2 - TURNTABLE

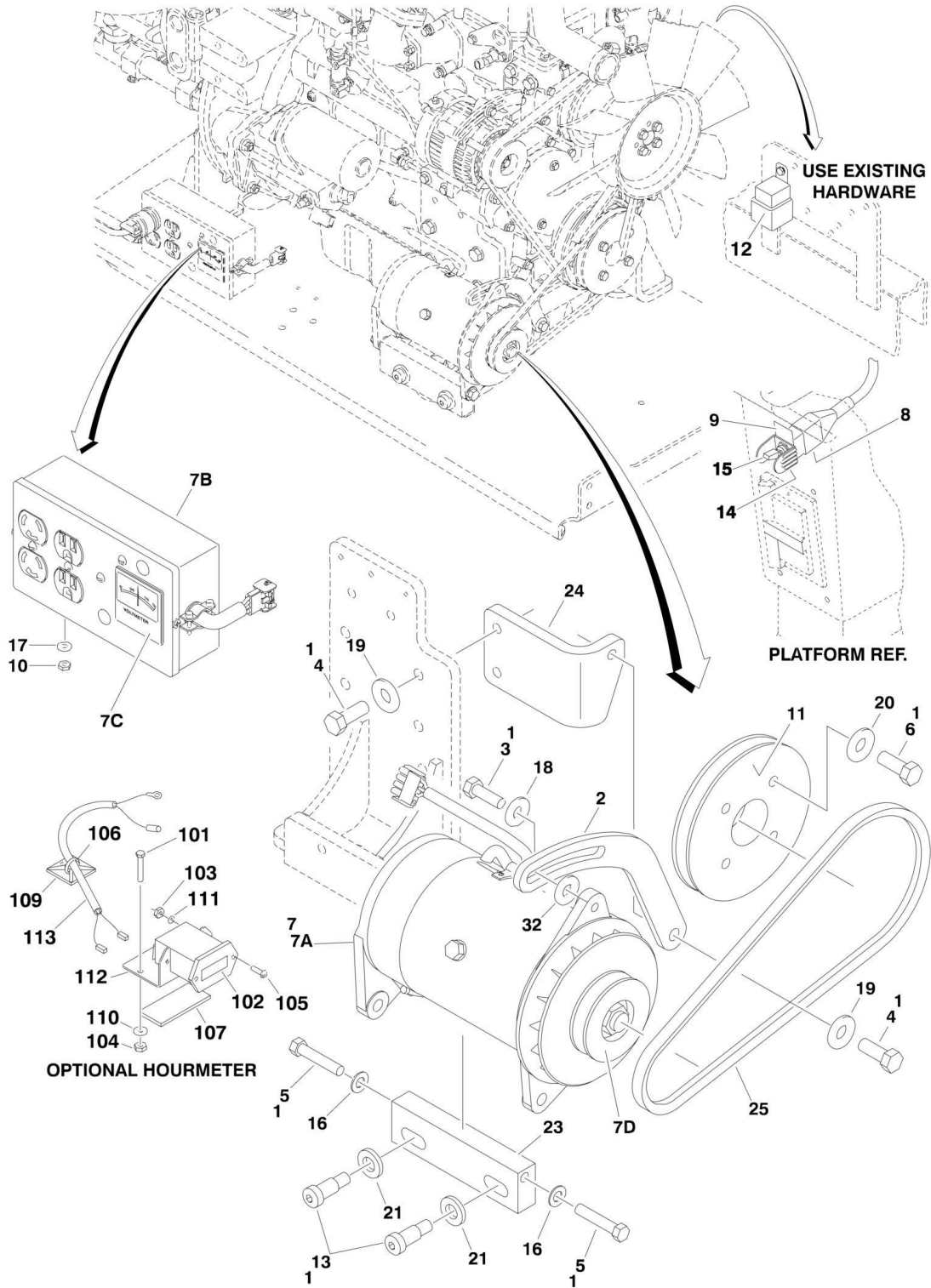
| ITEM | PART NUMBER | QTY | DESCRIPTION | REV |
|------|-------------|-----|---|-----|
| 301L | 70001968 | 2 | Ring, Retaining | |
| 301M | 7024070 | 1 | Seal, Shaft Ring | |
| 302 | 7024065 | 1 | Control Group - Hydraulic | |
| 302A | See Note | 1 | Piston, Positioning - Complete (Note: Not Available - Purchase p/n 7024065) | |
| | | Ref | Note: Sold only in Kit Except Outer Seal O-Ring and Stem O-Ring. | |
| 302A | 7024071 | 1 | O-Ring, Outer Seal | |
| 302A | 7024072 | 1 | O-Ring, Stem | |
| 302B | See Note | 4 | Capscrew M6 x 12-8.8 | |
| 302C | See Note | 1 | Nut (Note: Not Available - Purchase p/n 7024065) | |
| 302D | See Note | 2 | Ring, Guide (Note: Not Available - Purchase p/n 7024065) | |
| 302E | See Note | 2 | Seal, O-Ring (Note: Not Available - Purchase p/n 7024065) | |
| 303 | 7024911 | 1 | Port Plate Group | |
| 303A | 7024073 | 2 | Cartridge, Relief Valve (High Pressure) (Note: Sold as an Assembly Except Outer Seals.) | |
| 303A | 7024075 | 1 | O-Ring | |
| 303A | 7024076 | 1 | Ring, Back-up | |
| 303B | | Ref | Cartridge Options: | |
| 303B | 7024097 | 1 | Front Pump Cartridge (Lock Valve With Orifice) | |
| 303B | 7024075 | 1 | O-Ring | |
| 303B | 7023881 | 1 | Middle Pump Cartridge (Pressure Relief Valve) (Note: Sold as an Assembly Except Outer Seals.) | |
| 303B | 7024077 | 1 | O-Ring | |
| 303C | See Note | 1 | Plate, Port (Note: Not Available - Purchase p/n 7024911) | |
| 303D | See Note | 1 | Bushing, Bearing (Note: Not Available - Purchase p/n 7024911) | |
| 303E | See Note | 4 | Screw, Socket Head M12 x 70-10.9 (Note: Not Available - Purchase p/n 7024911) | |
| 303F | See Note | 2 | Pin, Dowel (Note: Not Available - Purchase p/n 7024911) | |
| 303G | See Note | 1 | Pin, Break-Off (Note: Not Available - Purchase p/n 7024911) | |
| 303H | See Note | 1 | Screw, Locking M10 x 1 (Note: Not Available - Purchase p/n 7024911) | |
| 303J | 7024908 | 2 | O-Ring | |
| 303K | See Note | 2 | Screw, Locking 7/16in-20NF | |
| 303L | See Note | 1 | Bearing, Roller (Note: Not Available - Purchase p/n 7024911) | |
| 304 | 7024906 | 1 | Internal Gear Pump | |
| 304A | See Note | 1 | Flange, Intermediate (Note: Not Available - Purchase p/n 7024906) | |
| 304B | See Note | 1 | IZP-Housing (Note: Not Available - Purchase p/n 7024906) | |
| 304C | See Note | 1 | Bushing, Bearing (Note: Not Available - Purchase p/n 7024906) | |
| 304D | See Note | 1 | Coupling, Driveshaft Through (Note: Not Available - Purchase p/n 7024906) | |
| 304E | 7024078 | 1 | Gear Set | |
| 304F | 7024079 | 1 | Key, Driveshaft | |
| 304G | See Note | 1 | Ring, Retaining (Note: Not Available - Purchase p/n 7024906) | |
| 304H | See Note | 4 | Capscrew M10 x 20-8.8 (Note: Not Available - Purchase p/n 7024906) | |
| 304J | 7024080 | 2 | Seal | |
| 304K | 7024081 | 1 | O-Ring | |
| 304L | See Note | 1 | Ring, Retaining (Note: Not Available - Purchase p/n 7024906) | |
| 304M | 7024910 | 1 | O-Ring | |
| 304N | 7024005 | 1 | Plate, Wear | |
| 304P | See Note | 1 | Pin, Cylinder (Note: Not Available - Purchase p/n 7024906) | |

SECTION 2 - TURNTABLE

| ITEM | PART NUMBER | QTY | DESCRIPTION | REV |
|------|-------------|-----|---|-----|
| 305 | 7024068 | 1 | Control Module | |
| 305A | 7024084 | 1 | Valve Body, Lever and Internal Components | |
| 305B | 7024083 | 2 | Coil, Solenoid | |
| 305B | 70002569 | 2 | Nut, Coil | |
| 305C | See Note | 2 | Spacer, Coil (Note: Not Available - Purchase p/n 7024068) | |
| 305D | 7024085 | 1 | Gasket | |
| 305E | See Note | 1 | Cover (Note: Not Available - Purchase p/n 7024068) | |
| 305F | See Note | 1 | Spring, Draw (Note: Not Available - Purchase p/n 7024068) | |
| 305G | 7024086 | 1 | Gasket | |
| 305H | See Note | 4 | Capscrew M6 x 65-8.8 (Note: Not Available For Purchase) | |
| 305J | See Note | 1 | Capscrew M6 x 45-8.8 (Note: Not Available For Purchase) | |
| 305K | See Note | 8 | Capscrew M5 x 10-8.8 (Note: Not Available For Purchase) | |
| 305L | 7024087 | 1 | O-Ring | |
| 305M | 7024088 | 2 | O-Ring | |
| 305N | 7024089 | 2 | Cup, Spring | |
| 305P | See Note | 2 | Pin, Cylinder (Note: Not Available - Purchase p/n 7024068) | |
| 310 | See Note | 1 | Housing (Note: Not Available - Purchase Complete Pump Assembly) | |
| 313 | See Note | 2 | Pin, Dowel (Note: Not Available For Purchase) | |
| 314 | See Note | 1 | Pin, Cylinder (Note: Not Available For Purchase) | |
| 320 | See Note | 1 | Screw 7/8-14NF (Front Drive Pump Only) (Note: Not Available For Purchase) | |
| 321 | See Note | 1 | Screw 9/16-18NF (Note: Not Available For Purchase) | |
| 322 | See Note | 1 | Screw 7/16-20NF (Note: Not Available For Purchase) | |
| 324 | See Note | 1 | Screw M10 x 1 (Note: Not Available For Purchase) | |
| 327 | See Note | 1 | Pin, Double Break-Off (Note: Not Available For Purchase) | |
| 328 | 7018936 | 2 | Orifice | |
| 331 | See Note | 2 | Pin, Clamping (Note: Not Available For Purchase) | |
| 333 | See Note | 1 | Screw, Locking (Note: Not Available For Purchase) | |
| 341 | 7024069 | 1 | O-Ring | |

SECTION 2 - TURNTABLE

FIGURE 2-9. 2500W GENERATOR INSTALLATION - CATERPILLAR MACHINES (OPTIONAL)



SECTION 2 - TURNTABLE

FIGURE 2-9. 2500W GENERATOR INSTALLATION - CATERPILLAR MACHINES (OPTIONAL)

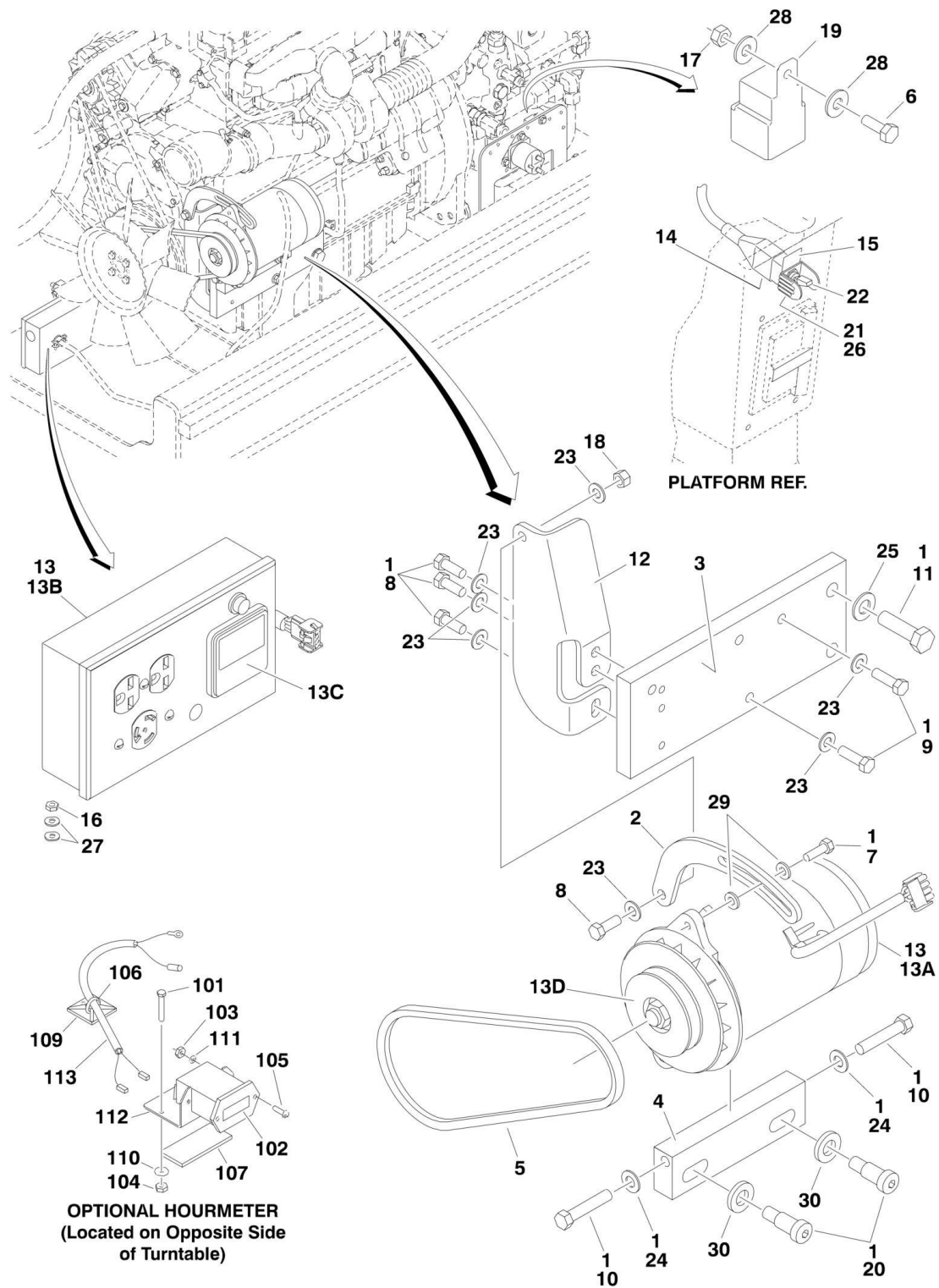
| ITEM | PART NUMBER | QTY | DESCRIPTION | REV |
|------|-------------|-----|--|-----|
| | | Ref | 2500W GENERATOR INSTALLATION | |
| | 1001117509 | Ref | 110Volt - 60Hz (ANSI and ANSI Export Specs Only) | B |
| 1 | 0100011 | AR | Compound, Locking | |
| 2 | 0200530 | 1 | Arm, Adjusting | |
| 3 | 0641508 | 1 | Bolt 5/16in-18NC x 1in | |
| 4 | 0641608 | 3 | Bolt 3/8in-16NC x 1in | |
| 5 | 0641718 | 2 | Bolt 7/16in-14NC x 2-1/4in | |
| 6 | 0700816 | 4 | Bolt, Metric M8 x 40mm | |
| 7 | 2460055 | 1 | Generator and Control Box Assembly | |
| 7A | 7012558 | 1 | Generator - 110V/60Hz | |
| | | Ref | Note: Replacement generators come standard with p/n 3580134 pulley. This pulley maynot be correct for all applications. Refer to pulley options below for correct pulley. | |
| 7A | 7012513 | 4 | Cap, Brush Holder | |
| 7A | 7020108 | 4 | Brush | |
| 7A | 7020109 | 4 | Holder, Brush | |
| 7A | 7012514 | 1 | Fan | |
| 7A | 7020190 | 2 | Bearing | |
| 7A | 7020110 | 1 | End Bell, Front | |
| 7A | 7020111 | 1 | End Bell, Rear | |
| 7B | 7019680 | 1 | Box, Control - 110V/60Hz | |
| 7B | 4360542 | 1 | Breaker, Circuit | |
| 7B | 4460190 | AR | Receptacle, Double (110V) | |
| 7B | 4460027 | AR | Receptacle, Double Twist Lock (110V) | |
| 7C | 2420203 | AR | Voltmeter - 110V/60Hz | |
| 7D | 3580276 | 1 | Pulley | |
| 7D | 7027887 | 1 | Key, Woodruff | |
| 8 | 2820031 | AR | Heatshrink | |
| 9 | 3251102 | 1 | Nameplate - Generator | |
| 10 | 3311005 | 2 | Locknut #10-24NC | |
| 11 | 3580322 | 1 | Pulley | |
| 12 | 3740080 | 1 | Relay | |
| 13 | 3900322 | 2 | Screw, Socket Head Shoulder | |
| 14 | 4060802 | 1 | Guard, Switch | |
| 15 | 4360336 | 1 | Switch, Toggle | |
| 16 | 4711700 | 2 | Flatwasher 7/16in Thin | |
| 17 | 4751000 | 2 | Flatwasher #10 | |
| 18 | 4751500 | 1 | Flatwasher 5/16in Wide | |
| 19 | 4751600 | 3 | Flatwasher 3/8in Wide | |
| 20 | 4811900 | 4 | Flatwasher, Metric 8mm | |
| 21 | 4892000 | 2 | Flatwasher 5/8in Hardened | |
| 23 | 1001117641 | 1 | Bar, Adjusting | |
| 24 | 1001118180 | 1 | Support, Adjusting | |
| 25 | 0480122 | 1 | Belt | |
| | 1001103286 | Ref | HOURLY METER INSTALLATION (OPTIONAL) | A |
| 101 | 0720808 | 1 | Screw #8-32 x 1in | |
| 102 | 2420165 | 1 | Hourmeter | |
| 103 | 3310601 | 2 | Nut #6-32 | |
| 104 | 3310805 | 1 | Locknut #8-32 | |

SECTION 2 - TURNTABLE

| ITEM | PART NUMBER | QTY | DESCRIPTION | REV |
|------|-------------|----------|------------------------------------|-----|
| 105 | 3910608 | 2 | Screw #6-32 x 1/2in | |
| 106 | 4240032 | 3 | Strap, Tie | |
| 107 | 4420060 | 3 in/7cm | Tape, Double-Sided | |
| 108 | 4460018 | 1 | Connector, Butt Splice (Not Shown) | |
| 109 | 4460234 | 2 | Mount, Tie Strap | |
| 110 | 4750800 | 1 | Washer #8 | |
| 111 | 4760600 | 2 | Lockwasher #6 | |
| 112 | 1001094375 | 1 | Bracket, Hourmeter | |
| 113 | 1001094509 | 1 | Harness, Hourmeter | |

SECTION 2 - TURNTABLE

FIGURE 2-10. 2500W GENERATOR INSTALLATION - DEUTZ MACHINES (OPTIONAL)



SECTION 2 - TURNTABLE

FIGURE 2-10. 2500W GENERATOR INSTALLATION - DEUTZ MACHINES (OPTIONAL)

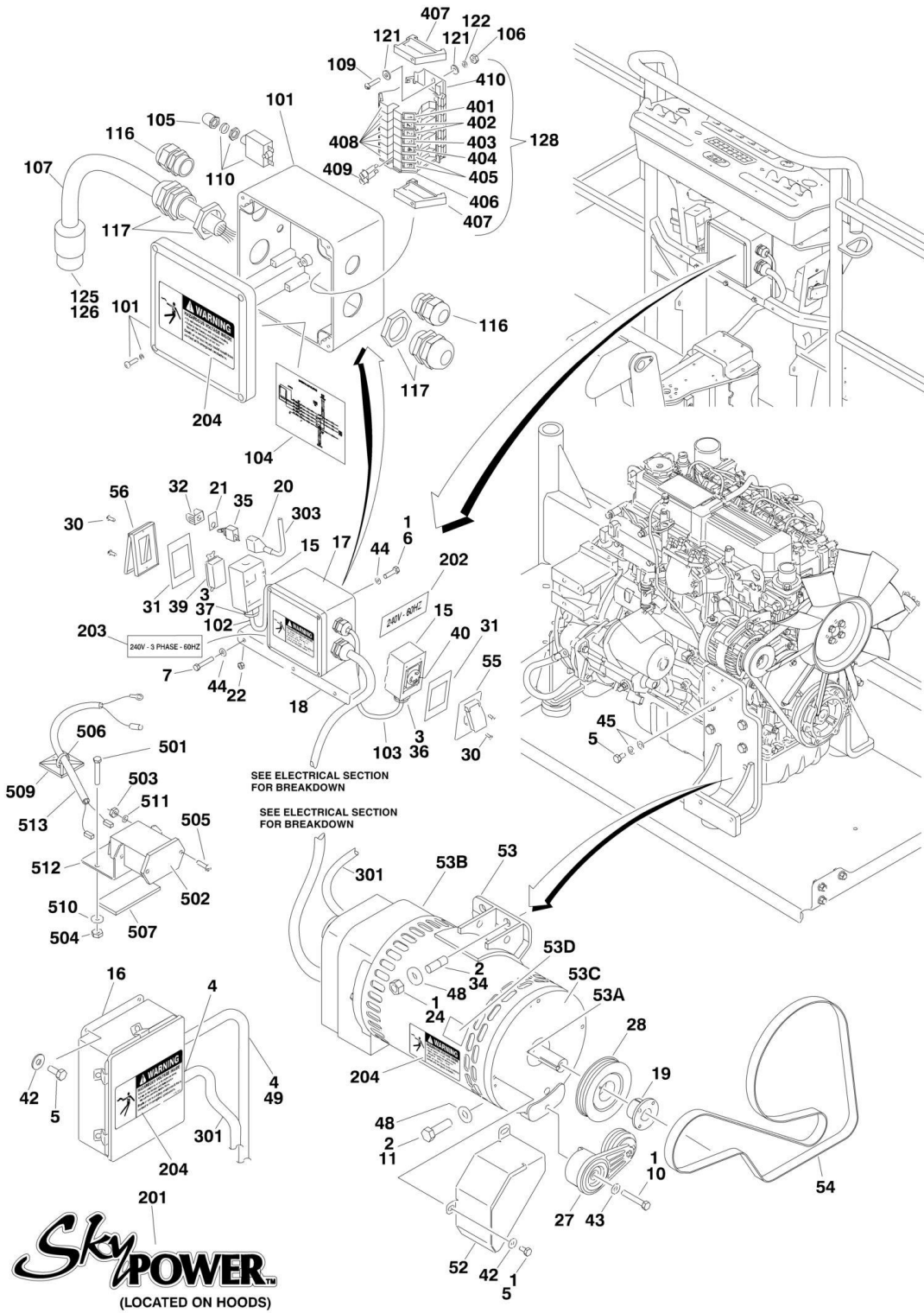
| ITEM | PART NUMBER | QTY | DESCRIPTION | REV |
|------|-------------|-----|--|-----|
| | | Ref | GENERATOR INSTALLATION - DEUTZ | |
| | 0274083 | Ref | 110V/60Hz (ANSI and ANSI Export Specs) (Prior to SN 0300140836) | B |
| | 1001125425 | Ref | 110V/60Hz (ANSI and ANSI Export Specs) (SN 0300140836 to Present) | A |
| 1 | 0100011 | AR | Compound, Locking | |
| 2 | 0200742 | 1 | Arm, Adjusting | |
| 3 | 0363081 | 1 | Bar, Mounting | |
| 4 | 0363082 | 1 | Bar, Adjusting | |
| 5 | 0480127 | 1 | Belt | |
| 6 | 0641406 | 1 | Bolt 1/4in-20NC x 3/4in | |
| 7 | 0641508 | 1 | Bolt 5/16in-18NC x 1in | |
| 8 | 0641608 | 4 | Bolt 3/8in-16NC x 1in | |
| 9 | 0641610 | 2 | Bolt 3/8in-16NC x 1-1/4in | |
| 10 | 0641718 | 2 | Bolt 7/16in-14NC x 2-1/4in | |
| 11 | 0701418 | 2 | Bolt M14 x 50mm | |
| 12 | 0902813 | 1 | Bracket, Arm Mounting | |
| 13 | | Ref | Generator and Control Box Assembly | |
| 13 | 2460055 | 1 | 110V/60Hz Assembly (ANSI and ANSI Export Specs) | |
| 13A | 7012558 | 1 | Replacement Generator 110V/60Hz | |
| | | Ref | Note: Replacement generators come standard with p/n 3580134 pulley. This pulley maynot be correct for all applications. Refer to pulley options below for correct pulley. | |
| 13A | 7012513 | 4 | Cap, Brush Holder | |
| 13A | 7020108 | 4 | Brush | |
| 13A | 7020109 | 4 | Holder, Brush | |
| 13A | 7012514 | 1 | Fan | |
| 13A | 7020190 | 2 | Bearing | |
| 13A | 7020110 | 1 | End Bell, Front | |
| 13A | 7020111 | 1 | End Bell, Rear | |
| 13B | 7019680 | 1 | Box, Control 110V/60Hz | |
| 13B | 4360542 | 1 | Breaker, Circuit | |
| 13B | 4460190 | AR | Receptacle, Double (110V) | |
| 13B | 4460027 | AR | Receptacle, Double Twist Lock (110V) | |
| 13C | 2420203 | 1 | Voltmeter | |
| 13D | 3580276 | 1 | Pulley 110V/60Hz | |
| 13D | 7027887 | 1 | Key, Woodruff | |
| 14 | 2820031 | AR | Heatshrink | |
| 15 | 3251102 | 1 | Nameplate - Generator | |
| 16 | 3311005 | 2 | Locknut #10-24NC | |
| 17 | 3311405 | 1 | Locknut 1/4in-20NC | |
| 18 | 3311605 | 1 | Locknut 3/8in-16NC | |
| 19 | 3740080 | 1 | Relay | |
| 20 | 3900322 | 2 | Screw, Socket Head Shoulder | |
| 21 | 4060802 | 1 | Guard, Switch | |
| 22 | 4360336 | 1 | Switch, Toggle | |
| 23 | 4711600 | 7 | Flatwasher 3/8in Thin | |
| 24 | 4711700 | 2 | Flatwasher 7/16in Thin | |
| 25 | 4711900 | 2 | Flatwasher 9/16in Thin | |
| 26 | 4740397 | 1 | Spacer | |

SECTION 2 - TURNTABLE

| ITEM | PART NUMBER | QTY | DESCRIPTION | REV |
|------|-------------|----------|---|-----|
| 27 | 4751000 | 6 | Flatwasher #10 | A |
| 28 | 4751400 | 2 | Flatwasher 1/4in Regular | |
| 29 | 4891500 | 2 | Flatwasher 5/16in Hardened | |
| 30 | 4892000 | 2 | Flatwasher 5/8in Hardened | |
| | 1001103286 | Ref | HOURLMETER INSTALLATION (OPTIONAL) | |
| 101 | 0720808 | 1 | Screw #8-32 x 1in | |
| 102 | 2420165 | 1 | Hourmeter | |
| 103 | 3310601 | 2 | Nut #6-32 | |
| 104 | 3310805 | 1 | Locknut #8-32 | |
| 105 | 3910608 | 2 | Screw #6-32 x 1/2in | |
| 106 | 4240032 | 3 | Strap, Tie | |
| 107 | 4420060 | 3 in/7cm | Tape, Double-Sided | |
| 108 | 4460018 | 1 | Connector, Butt Splice (Not Shown) | |
| 109 | 4460234 | 2 | Mount, Tie Strap | |
| 110 | 4750800 | 1 | Washer #8 | |
| 111 | 4760600 | 2 | Lockwasher #6 | |
| 112 | 1001094375 | 1 | Bracket, Hourmeter | |
| 113 | 1001094509 | 1 | Harness, Hourmeter | |

SECTION 2 - TURNTABLE

FIGURE 2-11. 7500W SKYPOWER GENERATOR INSTALLATION - CATERPILLAR MACHINES



SECTION 2 - TURNTABLE

FIGURE 2-11. 7500W SKYPOWER GENERATOR INSTALLATION - CATERPILLAR MACHINES

| ITEM | PART NUMBER | QTY | DESCRIPTION | REV |
|------|-------------|-----|---|-----|
| | | Ref | 7500W SKYPOWER GENERATOR INSTALLATION | |
| | 1001117508 | Ref | 60Hz Spec | D |
| | | Ref | Note: SkyPower Generator is Standard On ANSI and CSA Specs. Optional on All Other Specs. | |
| | | Ref | Note: See ELECTRICAL SECTION for Boom Cable Installation. | |
| 1 | 0100011 | AR | Compound, Locking | |
| 2 | 0100019 | AR | Compound, Locking | |
| 3 | 0100020 | AR | Sealant, Pipe (Not Shown) | |
| 4 | 0100048 | AR | Grease, Dielectric | |
| 5 | 0641404 | AR | Bolt 1/4in-20NC x 1/2in | |
| 6 | 0641508 | 4 | Bolt 5/16in-18NC x 1in | |
| 7 | 0641516 | 3 | Bolt, 5/16in-18NC x 2in | |
| 10 | 0641618 | 1 | Bolt 3/8in-16NC x 2-1/4in | |
| 11 | 0641810 | 2 | Bolt 1/2in-13NC x 1 -/4in | |
| 12 | 0700822 | 5 | Bolt M8 x 70mm | |
| 13 | 0700823 | 5 | Bolt M8 x 75mm | |
| 14 | 0700824 | 5 | Bolt M8 x 80mm | |
| 15 | 0860038 | 2 | Box, Switch-Weatherhead | |
| 16 | 0861538 | AR | Box, Generator Control | |
| 16 | 7024488 | 1 | Card, Circuit - Generator Power (Not Shown) | |
| 16 | See Note | 1 | Fuse (Note: Not Available - Purchase Locally) | |
| 16 | 7024489 | 1 | Card, Circuit - Control (Not Shown) | |
| | | Ref | Note: When replacing card, rocker switch on card must be set for required application. | |
| 16 | 70000619 | 1 | Harness, Circuit Card | |
| 17 | 0861542 | 1 | Junction Box Assembly (See Items 101-128 for Breakdown) | |
| 18 | 0902888 | 1 | Bracket, Generator Junction Box | |
| 19 | 0962520 | 1 | Bushing, Taper | |
| 20 | 2820031 | AR | Insulator, Heat Shrink | |
| 21 | 3251102 | 1 | Nameplate, Generator | |
| 22 | 3311508 | 3 | Nut, 5/16in-18NC Serrated Flange | |
| 24 | 3311801 | 2 | Nut, 1/2in-13NC | |
| 27 | 3580317 | 1 | Pulley, Belt Tensioner | |
| 28 | 3580318 | 1 | Pulley, Generator | |
| 30 | 3910606 | AR | Screw, Round Head 6-32NC x 3/8in | |
| 31 | 3960422 | 2 | Gasket, AC Receptacle Options | |
| 32 | 4060802 | 1 | Guard, Switch | |
| 33 | 4240018 | AR | Strap, Tie (Not Shown) | |
| 34 | 4300157 | 2 | Stud | |
| 35 | 4360336 | 1 | Switch, Toggle | |
| 36 | 4460051 | 1 | Connector, Strain Relief | |
| 37 | 4460071 | 1 | Connector, Strain Relief | |
| 38 | 4460315 | 4 | Terminal, Spade (Not Shown - Use 2 each with items 39 & 40) | |
| 39 | 4460346 | 1 | Terminal, Receptacle | |
| 40 | 4460958 | 1 | Receptacle | |
| 42 | 4711400 | AR | Flatwasher 1/4in Thin | |
| 43 | 4711600 | 1 | Flatwasher 3/8in Thin | |
| 44 | 4751500 | 7 | Flatwasher 5/16in Regular | |
| 45 | 4791400 | 2 | Starwasher 1/4in | |
| 48 | 4891800 | 4 | Flatwasher 1/2in Hardened | |

SECTION 2 - TURNTABLE

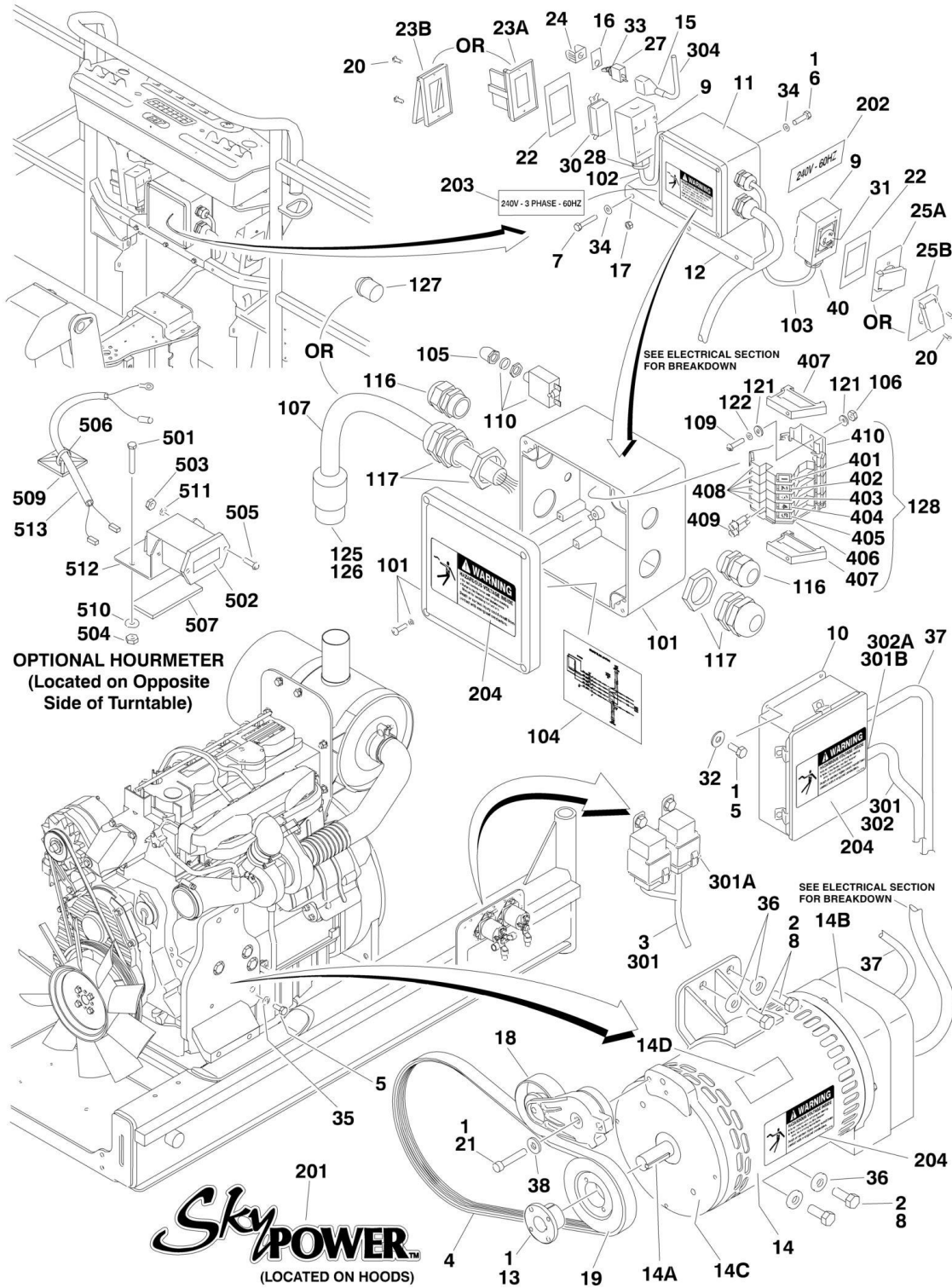
| ITEM | PART NUMBER | QTY | DESCRIPTION | REV |
|------|-------------|-------------|--|-----|
| 49 | 4922972 | 1 | Harness, Generator Cable | B |
| 49 | 4460225 | 1 | Plug, Male 6 Position (Plugs into Generator) | |
| 49 | 4460226 | 6 | Socket, Female (Use with 4460225) | |
| 49 | 4460807 | 1 | Seal, Plug (Use with 4460225) | |
| 49 | 4460808 | 1 | Seal, Interface (Use with 4460225) | |
| 49 | See Note | 1 | Connector, Female 6 Position (Plugs into Control Box) (Note: Not Available For Purchase) | |
| 49 | See Note | 6 | Pin, Male (Note: Not Available For Purchase) | |
| 52 | 1001118599 | 1 | Shield, Pulley (Prior to SN 0300172839) | |
| 53 | 1001119250 | 1 | Generator, 7500W | |
| 53 | 70003631 | 1 | Brushholder Assembly (Not Shown) (was p/n 7024484) | |
| 53 | 70001966 | 1 | Bearing, Ball Radial (Located In Belt Tensioner Endbell - Not Shown) | |
| 53 | 7027799 | 1 | Block, Connector 6 Position (Not Shown) | |
| 53 | 70002460 | 1 | Nut, Brass (Attaches p/n 7027799 to Cover) (Not Shown) | |
| 53 | 7024485 | 1 | Breaker, Circuit 30amp (Not Shown) | |
| 53 | 70001696 | 1 | Boot, Breaker (Not Shown) | |
| 53 | 70002297 | AR | Stud 1/4in-20NC x 12-7/8in (Not Shown) | |
| 53 | 7026188 | 1 | Clamp, Cable (Not Shown) | |
| 53 | 7026597 | 1 | Connector with Leads (Not Shown) | |
| 53 | 70001100 | 1 | Rotor/Armature (Not Shown) | |
| 53 | 70001384 | 1 | Bearing, Ball Radial (Not Shown) | |
| 53 | 70003451 | 1 | Stator (Not Shown) | |
| 53 | 70004170 | 1 | Plate, End Panel (Not Shown) (was p/n 70001972) | |
| 53 | 70000863 | 1 | Fan (Not Shown) | |
| 53 | 70001974 | 1 | Decal - Terminal Connections (Not Shown) | |
| 53A | 70004171 | 1 | Key (was p/n 7024561) | |
| 53B | 70004170 | 1 | Endbell, Rear (Brush Block End) (was p/n 70001385) | |
| 53B | 70004170 | 1 | Shroud, Endbell (was p/n 70002290) | |
| 53B | 70003452 | 1 | Shroud, Endbell Panel | |
| 53C | 70003450 | 1 | Endbell, Front (Tensioner End) | |
| 53D | 70001973 | 1 | Decal - Warning Moving Parts | |
| 54 | 1001119966 | 1 | Belt, Generator | |
| 55 | 1001110872 | 1 | Cover, Receptacle | |
| 56 | 1001110873 | 1 | Shield, Receptacle Cover | |
| | 0861542 | Ref | JUNCTION BOX ASSEMBLY | D |
| 101 | 0861541 | 1 | Box, Junction | |
| 102 | 1060494 | 2 ft/.6m | Cable, Electrical 12/3 | |
| 103 | 1060708 | 2.5 ft/.76m | Cable, Electrical 10/3 | |
| 104 | 1705376 | 1 | Decal - Wiring Schematic | |
| 105 | 3300396 | 1 | Cover, Fuse | |
| 106 | 3310601 | 2 | Nut #6-32NC | |
| 107 | 1060343 | 1.5 ft/.46m | Cable, Electrical 10/4 | |
| 109 | 3910610 | 2 | Bolt #6-32NC x 5/8in | |
| 110 | 4360070 | 1 | Circuit Breaker - 15amp | |
| 116 | 4460425 | 2 | Strain Relief, Terminal | |
| 117 | 4460426 | 2 | Connector, Strain Relief | |
| 121 | 4750600 | 4 | Flatwasher, #6 Regular | |
| 122 | 4760600 | 2 | Lockwasher #6 | |
| 125 | 1671092 | 1 | Cover | |

SECTION 2 - TURNTABLE

| ITEM | PART NUMBER | QTY | DESCRIPTION | REV |
|------|-------------|----------|---|-----|
| 126 | 4460963 | 1 | Connector | |
| 128 | 1001121340 | 1 | Terminal Block Assembly (See Items 401-410 for Breakdown) | |
| | 0272435 | Ref | DECAL INSTALLATION | B |
| 201 | 1705460 | 2 | Decal - SkyPower | |
| 202 | 1705374 | 1 | Decal - 240V - 60Hz | |
| 203 | 1705375 | 1 | Decal - 240V - 3 Phase | |
| 204 | 1705387 | 3 | Decal, Hazardous Voltage | |
| | 1001122528 | Ref | ELECTRICAL DIAGRAM COMPONENTS | A |
| 301 | 1001119968 | 1 | Generator Harness | B |
| 301A | 4460967 | 1 | Plug, Male - 3 Position (Not Shown) | |
| 301A | 4460465 | 6 | Socket, Female | |
| 301B | 1001117078 | 1 | Fuseholder w/Fuse (Not Shown) | |
| 303 | 4922641 | 1 | Switch Harness | |
| | 1001121340 | Ref | TERMINAL BLOCK ASSEMBLY | A |
| 401 | 70002818 | 2 | Marker Strip #1 | |
| 402 | 70002819 | 4 | Marker Strip #2 | |
| 403 | 70002820 | 2 | Marker Strip #3 | |
| 404 | 70002821 | 2 | Marker Strip #4 | |
| 405 | 70002822 | 4 | Marker Strip #5 | |
| 406 | 70002823 | 1 | Terminal, End Barrier | |
| 407 | 70002824 | 2 | Terminal, End Block | |
| 408 | 70002825 | 7 | Terminal, Block | |
| 409 | 70002826 | 2 | Terminal, Cross Connector Jumper | |
| | 1001103286 | Ref | HOURMETER INSTALLATION (OPTIONAL) | A |
| 501 | 0720808 | 1 | Screw #8-32 x 1in | |
| 502 | 2420165 | 1 | Hourmeter | |
| 503 | 3310601 | 2 | Nut #6-32 | |
| 504 | 3310805 | 1 | Locknut #8-32 | |
| 505 | 3910608 | 2 | Screw #6-32 x 1/2in | |
| 506 | 4240032 | 3 | Strap, Tie | |
| 507 | 4420060 | 3 in/7cm | Tape, Double-Sided | |
| 508 | 4460018 | 1 | Connector, Butt Splice (Not Shown) | |
| 509 | 4460234 | 2 | Mount, Tie Strap | |
| 510 | 4750800 | 1 | Flatwasher #8 Regular | |
| 511 | 4760600 | 2 | Lockwasher #6 | |
| 512 | 1001094375 | 1 | Bracket, Hourmeter | |
| 513 | 1001094509 | 1 | Harness, Hourmeter | |

SECTION 2 - TURNTABLE

FIGURE 2-12. 7500W SKYPOWER GENERATOR INSTALLATION - DEUTZ MACHINES



SECTION 2 - TURNTABLE

FIGURE 2-12. 7500W SKYPOWER GENERATOR INSTALLATION - DEUTZ MACHINES

| ITEM | PART NUMBER | QTY | DESCRIPTION | REV |
|------|-------------|-----|---|-----|
| | | Ref | 7500W SKYPOWER GENERATOR INSTALLATION | |
| | 0273455 | Ref | 60Hz Spec (Prior to SN 0300140836) | H |
| | 1001125427 | Ref | 60Hz Spec (SN 0300140836 to Present) | A |
| | 0273456 | Ref | 50Hz Spec (Prior to SN 0300140836) | F |
| | 1001125428 | Ref | 50Hz Spec (SN 0300140836 to Present) | A |
| | | Ref | Note: SkyPower Generator is Standard On ANSI and CSA Specs. Optional on All Other Specs. | |
| | | Ref | Note: See ELECTRICAL SECTION for Boom Cable Installation. | |
| 1 | 0100011 | AR | Compound, Locking | |
| 2 | 0100019 | AR | Compound, Locking | |
| 3 | 0100048 | AR | Grease, Dielectric | |
| 4 | | Ref | Belt, Generator Options: | |
| 4 | 0480128 | 1 | 60Hz Spec | |
| 4 | 0480129 | 1 | 50Hz Spec | |
| 5 | 0641404 | 5 | Bolt 1/4in-20NC x 1/2in | |
| 6 | 0641508 | 4 | Bolt 5/16in-18NC x 1in | |
| 7 | 0641516 | 3 | Bolt, 5/16-18NC x 2in | |
| 8 | 0641810 | 4 | Bolt, 1/2in-13NC x 1-1/4in | |
| 9 | | Ref | Box, Switch-Weatherhead Options: | |
| 9 | 0860038 | 2 | 60Hz Spec | |
| 9 | See Note | 2 | 50Hz Spec (Note: Not Available - Purchase Locally) | |
| 10 | | Ref | Box, Generator Control Options: | |
| 10 | 0861538 | 1 | 60Hz Spec | |
| 10 | 0861572 | 1 | 50Hz Spec | |
| 10 | 7024488 | 1 | Card, Circuit - Generator Power | |
| 10 | See Note | 1 | Fuse (Note: Not Available - Purchase Locally) | |
| 10 | 7024489 | 1 | Card, Circuit - Control | |
| | | Ref | Note: Same Circuit Card (P/N 7024489) is used for both 60Hz and 50Hz. When replacing card, rocker switch on card must be set for required application. | |
| 10 | 70000619 | 1 | Harness, Circuit Card | |
| 11 | | Ref | Junction Box Assembly Options (See Items 101-128 for Breakdown): | |
| 11 | 0861542 | 1 | 60Hz Spec | |
| 11 | 0861567 | 1 | 50Hz Spec | |
| 12 | 0902888 | 1 | Bracket, Generator Junction Box | |
| 13 | 0962520 | 1 | Bushing, Taper | |
| 14 | 2460048 | 1 | Generator, 7500W | |
| 14 | 70003631 | 1 | Brushholder Assembly (Not Shown) (was p/n 7024484) | |
| 14 | 7024485 | 1 | Breaker, Circuit 30amp (Not Shown) | |
| 14 | 70001696 | 1 | Boot, Breaker (was p/n 7024486) (Not Shown) | |
| 14 | 70001966 | 1 | Bearing, Ball Radial (Located In Belt Tensioner Endbell - Not Shown) | |
| 14 | 7027799 | 1 | Block, Connector 6 Position (Not Shown) | |
| 14 | 70002460 | 1 | Nut, Brass (Attaches p/n 7027799 to Cover) (Not Shown) | |
| 14 | 70002297 | AR | Stud 1/4in-20NC x 12-7/8in (Not Shown) | |
| 14 | 7026188 | 1 | Clamp, Cable (Not Shown) | |
| 14 | 7026597 | 1 | Connector with Leads (Not Shown) | |
| 14 | 70001100 | 1 | Rotor/Armature (Not Shown) | |
| 14 | 70001384 | 1 | Bearing, Ball Radial (Not Shown) | |
| 14 | 70002088 | 1 | Stator (Not Shown) | |

SECTION 2 - TURNTABLE

| ITEM | PART NUMBER | QTY | DESCRIPTION | REV |
|------|-------------|-----|---|-----|
| 14 | 70004169 | 1 | Plate, End Panel (Not Shown) (was p/n 70002255) | |
| 14 | 70000863 | 1 | Fan (Not Shown) | |
| 14 | 70001974 | 1 | Decal - Terminal Connections (Not Shown) | |
| 14 | 7026626 | 1 | Connector 6 Position (Not Shown) | |
| 14A | 70004171 | 1 | Key (was p/n 7024561) | |
| 14B | 70004169 | 1 | Endbell, Rear (Brush Block End) (was p/n 70001385) | |
| 14B | 70004169 | 1 | Shroud, Endbell (was p/n 70002290) | |
| 14C | 70001953 | 1 | Endbell, Front (Tensioner End) | |
| 14D | 70001973 | 1 | Decal - Warning Moving Parts | |
| 15 | 2820031 | AR | Insulator, Heat Shrink | |
| 16 | 3251102 | 1 | Nameplate, Generator | |
| 17 | 3311508 | 3 | Nut, 5/16in-18NC Serrated Flange | |
| 18 | 3580317 | 1 | Pulley, Belt Tensioner | |
| 19 | | Ref | Pulley, Generator Options: | |
| 19 | 3580318 | 1 | 60Hz Spec | |
| 19 | 3580319 | 1 | 50Hz Spec | |
| 20 | 3910606 | AR | Screw, Round Head #6-32NC x 3/8in | |
| 21 | 0641618 | 1 | Bolt 3/8in-16NC x 2in | |
| 22 | | Ref | Gasket, AC Receptacle Options: | |
| 22 | 3960422 | 1 | 60Hz Spec | |
| 22 | See Note | 1 | 50Hz Spec (Note: Not Available - Purchase Locally) | |
| 23 | | Ref | Shield, Receptacle Cover Options: | |
| 23 | See Note | 1 | 50Hz Spec (Note: Not Available - Purchase Locally) | |
| 23A | 4060700 | 1 | 60Hz Spec (Side Hinged) | |
| 23B | 1001110873 | 1 | 60Hz Spec (Top Hinged) | |
| 24 | 4060802 | 1 | Guard, Switch | |
| 25 | | Ref | Cover, Receptacle Options: | |
| 25 | See Note | 1 | 50Hz Spec (Note: Not Available - Purchase Locally) | |
| 25A | 4061043 | 1 | 60Hz Spec (Side Hinged) | |
| 25B | 1001110872 | 1 | 60Hz Spec (Top Hinged) | |
| 26 | 4240018 | AR | Strap, Tie (Not Shown) | |
| 27 | 4360336 | 1 | Switch, Toggle | |
| 28 | | Ref | Connector, Strain Relief Options: | |
| 28 | 4460051 | 1 | 60Hz Spec | |
| 28 | See Note | 1 | 50Hz Spec (Note: Not Available - Purchase Locally) | |
| 29 | 4460315 | 1 | Terminal, Spade (Not Shown - Use 2 each with items 30 & 31) | |
| 30 | | Ref | Terminal, Receptacle Options: | |
| 30 | 4460346 | 1 | 60Hz Spec | |
| 30 | See Note | 1 | 50Hz Spec (Note: Not Available - Purchase Locally) | |
| 31 | | Ref | Receptacle Options: | |
| 31 | 4460958 | 1 | 60Hz Spec | |
| 31 | See Note | 1 | 50Hz Spec (Note: Not Available - Purchase Locally) | |
| 32 | 4711400 | 4 | Flatwasher 1/4in Thin | |
| 33 | 4740397 | 1 | Spacer, Washer | |
| 34 | 4751500 | AR | Flatwasher 5/16in Regular | |
| 35 | 4791400 | 2 | Starwasher 1/4in | |
| 36 | 4891800 | 4 | Flatwasher 1/2in Hardened | |
| 37 | 4922972 | 1 | Harness, Generator Cable | B |
| 37 | 4460225 | 1 | Plug, Male 6 Position (Plugs into Generator) | |
| 37 | 4460226 | 6 | Socket, Female (Use with 4460225) | |
| 37 | 4460807 | 1 | Seal, Plug (Use with 4460225) | |

SECTION 2 - TURNTABLE

| ITEM | PART NUMBER | QTY | DESCRIPTION | REV |
|------|-------------|-------------|--|-----|
| 37 | 4460808 | 1 | Seal, Interface (Use with 4460225) | |
| 37 | See Note | 1 | Connector, Female 6 Position (Plugs into Control Box) (Note: Not Available For Purchase) | |
| 37 | See Note | 6 | Pin, Male (Note: Not Available For Purchase) | |
| 38 | 4711600 | 1 | Flatwasher 3/8in Thin | |
| 39 | 0100020 | AR | Sealant, Pipe (Not Shown) | |
| 40 | | Ref | Connector, Strain Relief Options: | |
| 40 | 4460071 | 1 | 60Hz Spec | |
| 40 | See Note | 1 | 50Hz Spec (Note: Not Available - Purchase Locally) | |
| | | Ref | JUNCTION BOX ASSEMBLY | |
| | 0861542 | 1 | 60HZ SPEC | D |
| | 0861567 | 1 | 50Hz Spec | B |
| 101 | 0861541 | 1 | Box, Junction | |
| 102 | | Ref | Cable, Electrical 12/3 | |
| 102 | 1060494 | 2 ft/.6m | 60Hz Spec | |
| 102 | See Note | 2 ft/.6m | 50Hz Spec (Note: Not Available - Purchase Locally) | |
| 103 | | Ref | Cable, Electrical 10/3 | |
| 103 | 1060708 | 2.5 ft/.76m | 60Hz Spec | |
| 103 | See Note | 2.5 ft/.76m | 50Hz Spec (Note: Not Available - Purchase Locally) | |
| 104 | 1705376 | 1 | Decal - Wiring Schematic | |
| 105 | 3300396 | 1 | Cover, Fuse | |
| 106 | 3310601 | 2 | Nut 6-32NC | |
| 107 | 1060343 | 1.5 ft/.46m | Cable, Electrical 10/4 (60Hz Spec Only) | |
| 109 | 3910610 | 2 | Bolt #6-32NC x 5/8in | |
| 110 | 4360070 | 1 | Circuit Breaker - 15amp | |
| 116 | 4460425 | 2 | Strain Relief, Terminal | |
| 117 | 4460426 | 2 | Connector, Strain Relief | |
| 121 | 4750600 | 4 | Flatwasher, #6 Regular | |
| 122 | 4760600 | 2 | Lockwasher #6 | |
| 125 | 1671092 | 1 | Cover (60Hz Spec Only) | |
| 126 | 4460963 | 1 | Connector (60Hz Spec Only) | |
| 127 | 3520189 | 1 | Plug (50Hz Spec Only) | |
| 128 | | Ref | Terminal Block Assembly Options (See Items 401-410 for Breakdown): | |
| 128 | NPN | 1 | Gray Terminal Block Assembly | |
| 128 | 1001121340 | 1 | Tan Terminal Block Assembly | |
| | | Ref | DECAL INSTALLATION | |
| | 0272435 | 1 | 60Hz Spec | B |
| | 0272589 | 1 | 50Hz Spec | A |
| 201 | 1705460 | 2 | Decal - SkyPower | |
| 202 | 1705374 | 1 | Decal - 240V - 60Hz (60Hz Spec Only) | |
| 203 | | Ref | Decal - 240V - 3 Phase Options: | |
| 203 | 1705375 | 1 | 60Hz Spec | |
| 203 | 1705461 | 1 | 50Hz Spec | |
| 204 | | Ref | Decal, Hazardous Voltage Options: | |
| 204 | 1705387 | 3 | 60Hz Spec | |
| 204 | 1705489 | 3 | 50Hz Spec | |
| | 4933264 | Ref | ELECTRICAL DIAGRAM COMPONENTS | C |
| 301 | 4922757 | 1 | Generator Harness | 3-C |

SECTION 2 - TURNTABLE

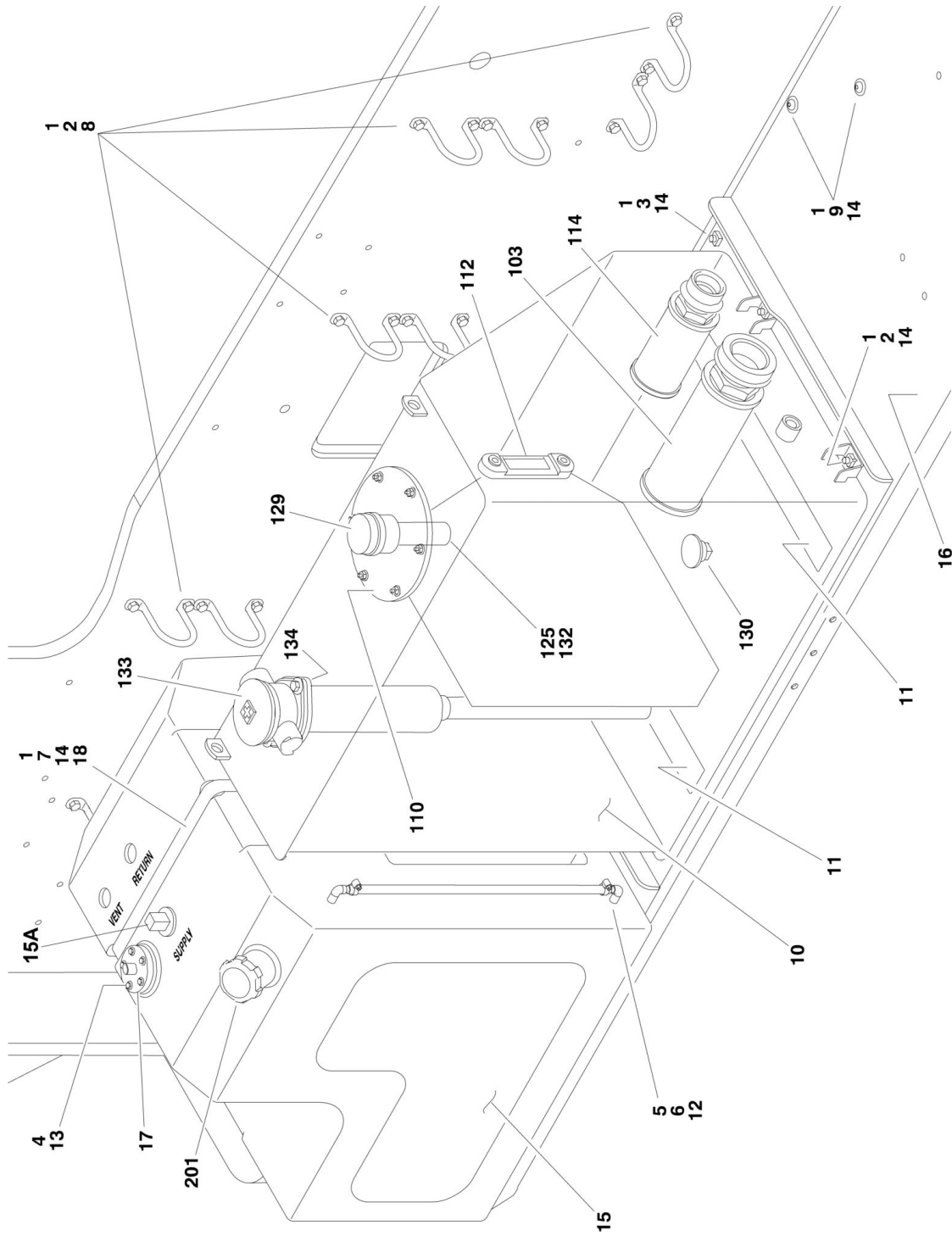
| ITEM | PART NUMBER | QTY | DESCRIPTION | REV |
|------|-------------|----------|--|-----|
| 301A | 4460374 | 2 | Plug, Sealed Relay | |
| 301A | 4460375 | 7 | Terminal | |
| 301B | 4460967 | 1 | Plug, Male - 3 Position | |
| 301B | 4460465 | 3 | Socket, Female | |
| 301C | 2400060 | 1 | Fuseholder (Not Shown) | |
| 301C | 2400064 | 1 | Fuse- 5amp (Not Shown) | |
| 304 | 4922641 | 1 | Switch Harness | |
| | | Ref | TERMINAL BLOCK ASSEMBLY | |
| | NPN | Ref | Gray Terminal Block Assembly (Complete Assembly Not Available - Purchase Individual Components) | |
| | 1001121340 | Ref | Tan Terminal Block Assembly | A |
| 401 | | Ref | Marker Strip #1 Options: | |
| 401 | 4460411 | 2 | Gray Terminal Block Assembly | |
| 401 | 70002818 | 2 | Tan Terminal Block Assembly | |
| 402 | | Ref | Marker Strip #2 Options: | |
| 402 | 4460412 | 4 | Gray Terminal Block Assembly | |
| 402 | 70002819 | 4 | Tan Terminal Block Assembly | |
| 403 | | Ref | Marker Strip #3 Options: | |
| 403 | 4460413 | 2 | Gray Terminal Block Assembly | |
| 403 | 70002820 | 2 | Tan Terminal Block Assembly | |
| 404 | | Ref | Marker Strip #4 Options: | |
| 404 | 4460414 | 2 | Gray Terminal Block Assembly | |
| 404 | 70002821 | 2 | Tan Terminal Block Assembly | |
| 405 | | Ref | Marker Strip #5 Options: | |
| 405 | 4460415 | 4 | Gray Terminal Block Assembly | |
| 405 | 70002822 | 4 | Tan Terminal Block Assembly | |
| 406 | | Ref | Terminal, End Barrier Options: | |
| 406 | 4460956 | 1 | Gray Terminal Block Assembly | |
| 406 | 70002823 | 1 | Tan Terminal Block Assembly | |
| 407 | | Ref | Terminal, End Block Options: | |
| 407 | 4460607 | 2 | Gray Terminal Block Assembly | |
| 407 | 70002824 | 2 | Tan Terminal Block Assembly | |
| 408 | | Ref | Terminal, Block Options: | |
| 408 | 4460957 | 7 | Gray Terminal Block Assembly | |
| 408 | 70002825 | 7 | Tan Terminal Block Assembly | |
| 409 | | Ref | Terminal, Cross Connector Jumper Options: | |
| 409 | 4461001 | 2 | Gray Terminal Block Assembly | |
| 409 | 70002826 | 2 | Tan Terminal Block Assembly | |
| 410 | 3641533 | 1 | Rail, Relay | |
| | 1001103286 | Ref | HOURLY METER INSTALLATION (OPTIONAL) | A |
| 501 | 0720808 | 1 | Screw #8-32 x 1in | |
| 502 | 2420165 | 1 | Hourmeter | |
| 503 | 3310601 | 2 | Nut #6-32 | |
| 504 | 3310805 | 1 | Locknut #8-32 | |
| 505 | 3910608 | 2 | Screw #6-32 x 1/2in | |
| 506 | 4240032 | 3 | Strap, Tie | |
| 507 | 4420060 | 3 in/7cm | Tape, Double-Sided | |
| 508 | 4460018 | 1 | Connector, Butt Splice (Not Shown) | |
| 509 | 4460234 | 2 | Mount, Tie Strap | |
| 510 | 4750800 | 1 | Flatwasher #8 Regular | |
| 511 | 4760600 | 2 | Lockwasher #6 | |
| 512 | 1001094375 | 1 | Bracket, Hourmeter | |

SECTION 2 - TURNTABLE

| ITEM | PART NUMBER | QTY | DESCRIPTION | REV |
|-------------|--------------------|------------|--------------------|------------|
| 513 | 1001094509 | 1 | Harness, Hourmeter | |

SECTION 2 - TURNTABLE

FIGURE 2-13. TANK INSTALLATION



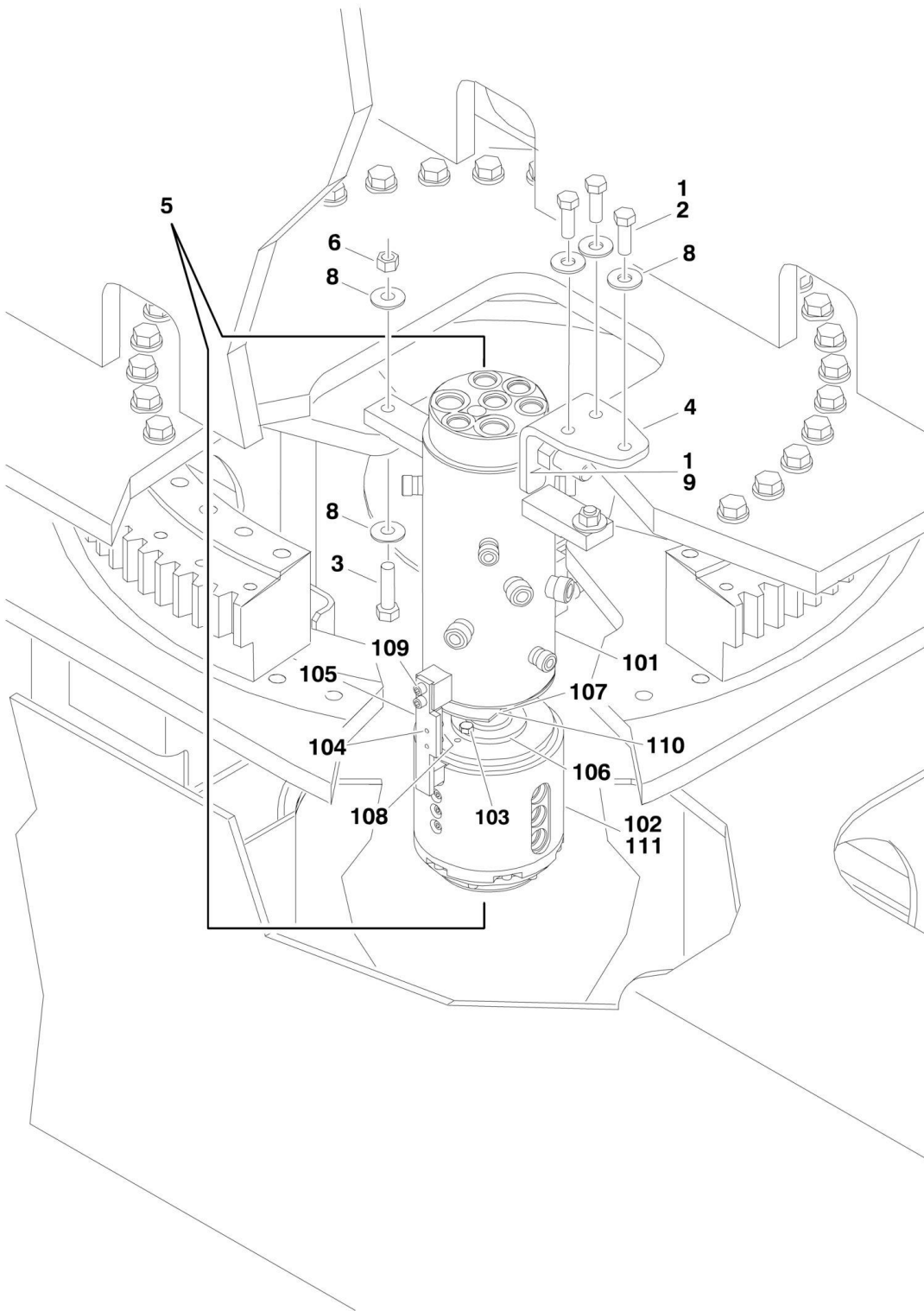
SECTION 2 - TURNTABLE

FIGURE 2-13. TANK INSTALLATION

| ITEM | PART NUMBER | QTY | DESCRIPTION | REV |
|------|-------------|-------------|---|-----|
| | 1001109544 | Ref | TANKS INSTALLATION | C |
| 1 | 0100011 | AR | Compound, Locking | |
| 2 | 0641608 | 22 | Bolt 3/8in-16NC x 1in | |
| 3 | 0641614 | 10 | Bolt 3/8in-16NC x 1-3/4in | |
| 4 | 0731007 | 5 | Screw, Machine #10-32NF x 7/8in | |
| 5 | 8405009 | 2 | Clamp | |
| 6 | 2180467 | 2 | Fitting, 90 Barbed | |
| 7 | 3311601 | 2 | Nut 3/8in-16NC | |
| 8 | 3841340 | 9 | Loop, Hose | |
| 9 | 3900283 | 6 | Screw, Buttonhead 3/8in-16NC x 3/4in | |
| 10 | 4400457 | 1 | Tank, Hydraulic Oil | |
| 11 | 4420038 | 34 in/.9m | Tape | |
| 12 | 1001113103 | 19.5 in/.5m | Tube, Sight | |
| 13 | 4751000 | 5 | Flatwasher #10 Wide | |
| 14 | 4751600 | 22 | Flatwasher 3/8in Wide | |
| 15 | 1001108579 | 1 | Tank, Fuel | |
| 15A | 70004413 | 1 | Tube, Pick up | |
| 16 | 1001108919 | 1 | Tray | |
| 17 | 1001109048 | 1 | Gauge, Fuel | |
| 18 | 1001110059 | 1 | Strap, Tank | |
| | 4400457 | Ref | HYDRAULIC OIL TANK ASSEMBLY | E |
| | 1001111219 | Ref | HOSTILE ENVIRONMENT COMPONENTS | G |
| 103 | 7026571 | 1 | Strainer, Suction | |
| 110 | 7024439 | 1 | Cover | |
| 110 | 7023306 | 1 | Seal, Cover Plate (Not Shown) | |
| 110 | 7024440 | 1 | Gasket (Not Shown) | |
| 112 | 7024441 | 1 | Gauge, Sight | |
| 114 | 7024442 | 1 | Strainer | |
| 125 | 7024445 | 1 | Strainer (Filler Neck) | |
| 129 | | Ref | Breather Filter/Fill Cap Options: | |
| 129 | 1001110940 | 1 | Breather Filter/Fill Cap 1100S (Note: All 1100S use hostile environment pkg) | |
| 129 | 7024444 | 1 | Breather Filter/Fill Cap 1100SJP without Optional Hostile Environment Package | |
| 129 | 1001110940 | 1 | Breather Filter/Fill Cap 1100SJP with Optional Hostile Environment Package | |
| 130 | 7024446 | 1 | Plug, Magnetic | |
| 132 | 7024443 | 1 | Neck, Filler | |
| 133 | 7024374 | 1 | Filter, Hydraulic Oil | |
| 133 | 7024375 | 1 | Element, Filter | |
| 134 | 7023347 | 1 | Gasket, Filter Mounting Flange | |
| | | Ref | FUEL TANK CAP INSTALLATION | |
| 201 | | Ref | Cap Options: | |
| 201 | 7016314 | 1 | Standard Non-Locking (Part of Item 10) | |
| 201 | 1120487 | 1 | Optional Lockable | |

SECTION 2 - TURNTABLE

FIGURE 2-14. ROTARY COUPLING AND COLLECTOR RING INSTALLATION



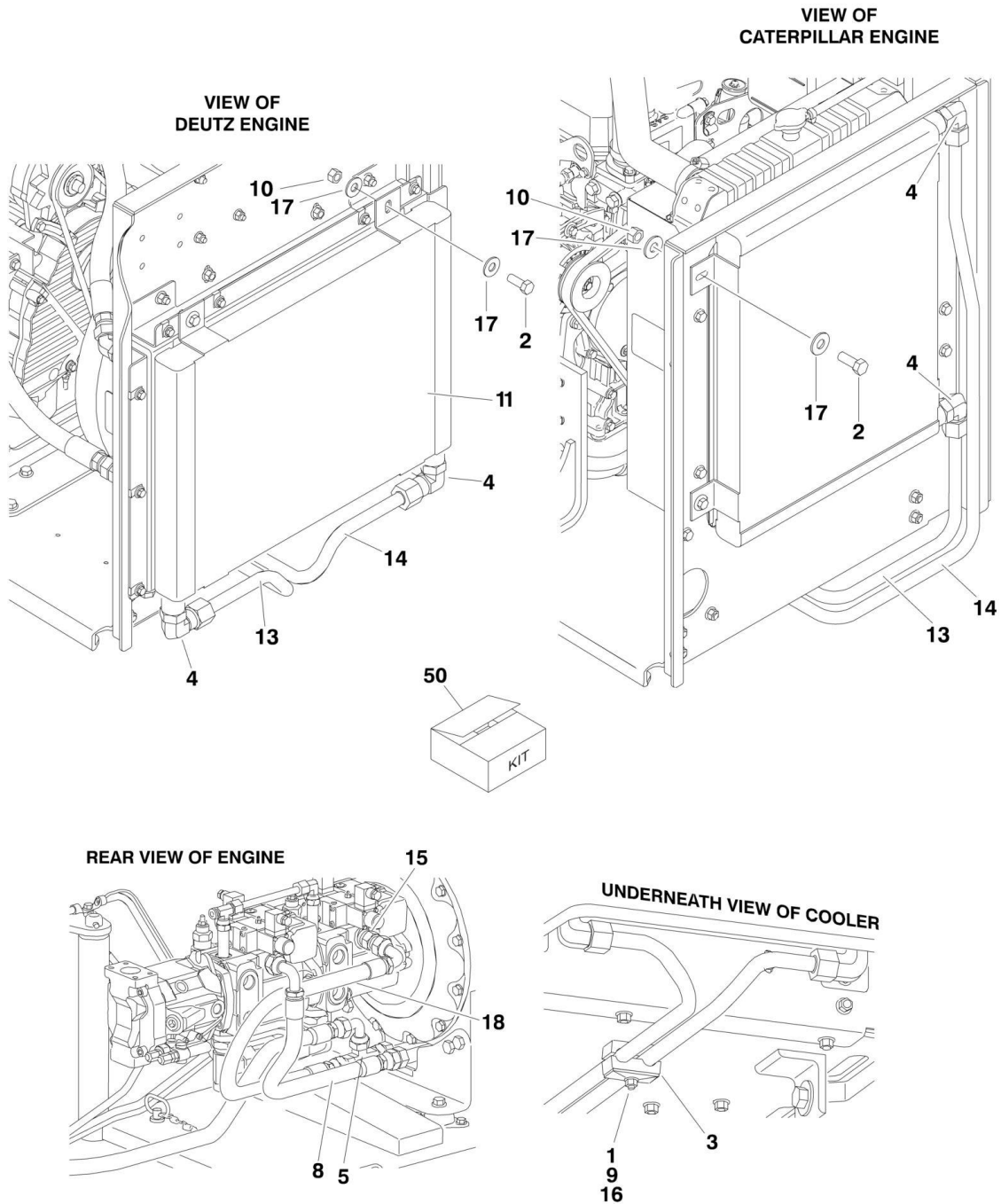
SECTION 2 - TURNTABLE

FIGURE 2-14. ROTARY COUPLING AND COLLECTOR RING INSTALLATION

| ITEM | PART NUMBER | QTY | DESCRIPTION | REV |
|------|-------------|-----|---|-----|
| | 0271688 | Ref | ROTARY COUPLING AND COLLECTOR RING INSTALLATION | D |
| 1 | 0100011 | AR | Compound, Locking | |
| 2 | 0641812 | 3 | Bolt 1/2in-13NC x 1-1/2in | |
| 3 | 0641820 | 2 | Bolt 1/2in-13NC x 2-1/2in | |
| 4 | 0902790 | 1 | Bracket, Swivel | |
| 5 | 1660302 | 1 | Rotary Coupling and Collector Ring Assembly (See Items 101-111 for Breakdown) | |
| 6 | 3311805 | 2 | Locknut 1/2in-13NC | |
| 8 | 4751800 | 7 | Flatwasher 1/2in Regular | |
| 9 | 3322201 | 2 | Nut 3/4in-16NC | |
| | 1660302 | Ref | ROTARY COUPLING AND COLLECTOR RING ASSEMBLY | C |
| 101 | 70001102 | 1 | Coupling, Rotary | |
| 101 | See Note | 1 | Bearing (Note: Not Available For Purchase) | |
| 101 | 70001101 | 1 | Seal Kit - Coupling | |
| 102 | 7026029 | 1 | Contactora, Rotary Circuit (Does not include connector or pins) | |
| 103 | 0641506 | 4 | Bolt 5/16in-18NC x 3/4in | |
| 104 | 3931512 | 2 | Capscrew 5/16in-18NC x 3/4in | |
| 105 | 70000780 | 1 | Arm, Torque | |
| 106 | 80334251 | 1 | Adapter | |
| 107 | 7026030 | 1 | Plate, Cam | |
| 108 | 7026031 | 1 | Sensor, Proximity | |
| 109 | 3931008 | 2 | Capscrew #10-32 x 1/2in | |
| 110 | 7026032 | 1 | Pin, Dowel | |
| 111 | 0100048 | AR | Grease, Silicone (Apply to Contactora Connector) | |

SECTION 2 - TURNTABLE

FIGURE 2-15. HYDRAULIC OIL COOLER INSTALLATION (OPTIONAL)



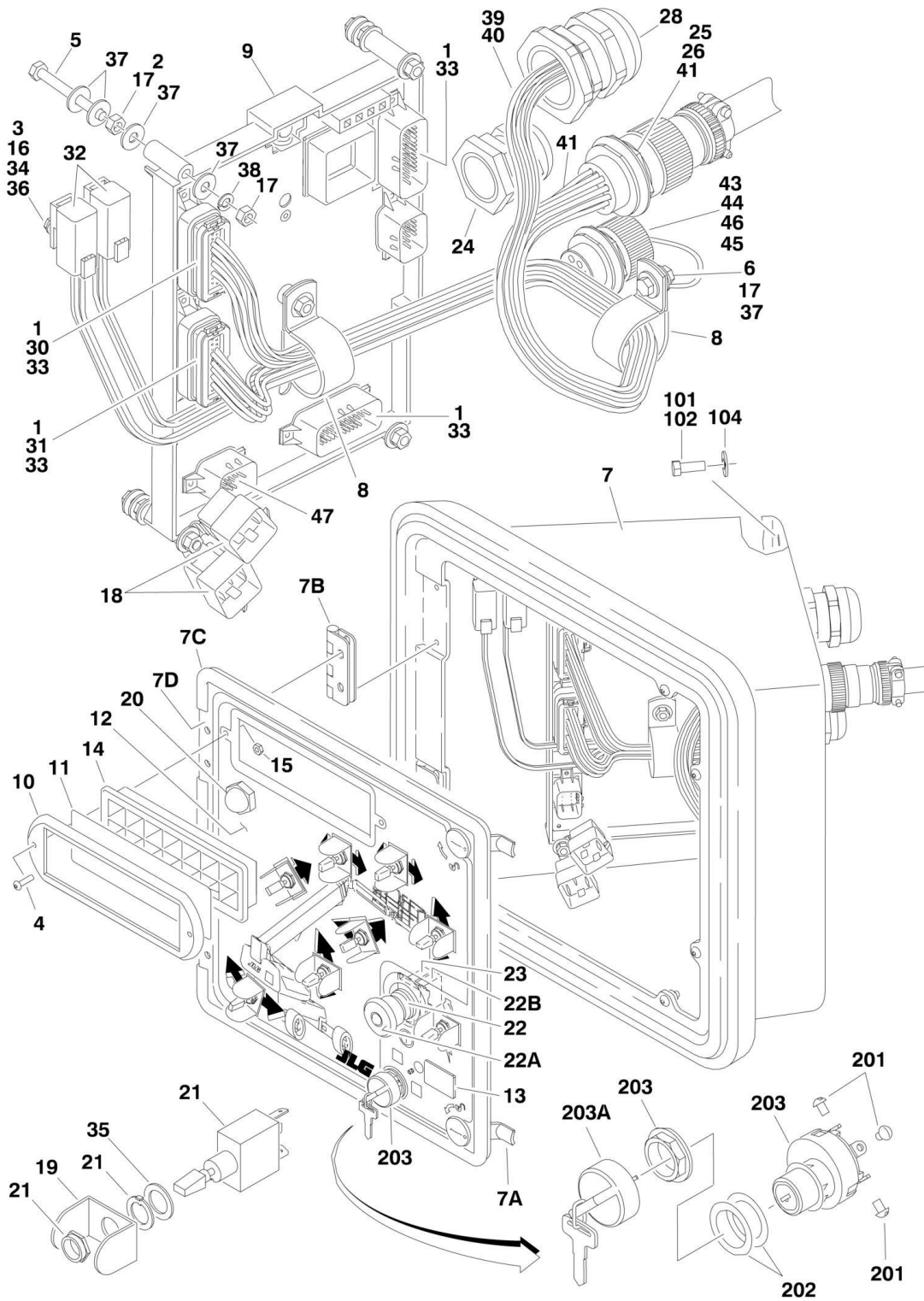
SECTION 2 - TURNTABLE

FIGURE 2-15. HYDRAULIC OIL COOLER INSTALLATION (OPTIONAL)

| ITEM | PART NUMBER | QTY | DESCRIPTION | REV |
|------|-------------|-----|---|-----|
| | | Ref | HYDRAULIC OIL COOLER INSTALLATION (OPTIONAL) | |
| | 1001119859 | Ref | Caterpillar Machines | A |
| | 0272080 | Ref | Deutz Machines | B |
| | | Ref | Note: See Engine Installation for Engine Oil Cooler. | |
| 1 | 0641520 | 2 | Bolt 5/16in-18NC x 2-1/2in | |
| 2 | 0641608 | 4 | Bolt 3/8in-16NC x 1in | |
| 3 | 1320162 | 2 | Clamp, Hose | |
| 4 | 2131212 | 2 | Fitting, 90 | |
| 5 | 2170712 | 1 | Fitting, Tee | |
| 8 | | Ref | Hose Options: | |
| 8 | 2753843 | 1 | Caterpillar Machines | |
| 8 | 2753778 | 1 | Deutz Machines | |
| 9 | 3311505 | 2 | Locknut 5/16in-18NC | |
| 10 | 3311605 | 4 | Locknut 3/8in-16NC | |
| 11 | 3620034 | 1 | Cooler, Hydraulic Oil | |
| 13 | | Ref | Tube Options: | |
| 13 | 1001120196 | 1 | Caterpillar Machines | |
| 13 | 4568426 | 1 | Deutz Machines | |
| 14 | | Ref | Tube Options: | |
| 14 | 1001120195 | 1 | Caterpillar Machines | |
| 14 | 4568427 | 1 | Deutz Machines | |
| 15 | 4641247 | 1 | Valve, Check | |
| 16 | 4711500 | 4 | Flatwasher 5/16in Thin | |
| 17 | 4751600 | 8 | Flatwasher 3/8in Regular | |
| 18 | 2753843 | 1 | Hose | |
| 50 | | Ref | Oil Cooler Add-on Kit Options (Includes Items 1-18): | |
| 50 | See Note | 1 | Caterpillar Machines (Note: Not Available For Purchase) | |
| 50 | 1001120564 | 1 | Deutz Machines | |

SECTION 2 - TURNTABLE

FIGURE 2-16. GROUND CONTROLS INSTALLATION (Prior to SN 0300140836)



SECTION 2 - TURNTABLE

FIGURE 2-16. GROUND CONTROLS INSTALLATION (Prior to SN 0300140836)

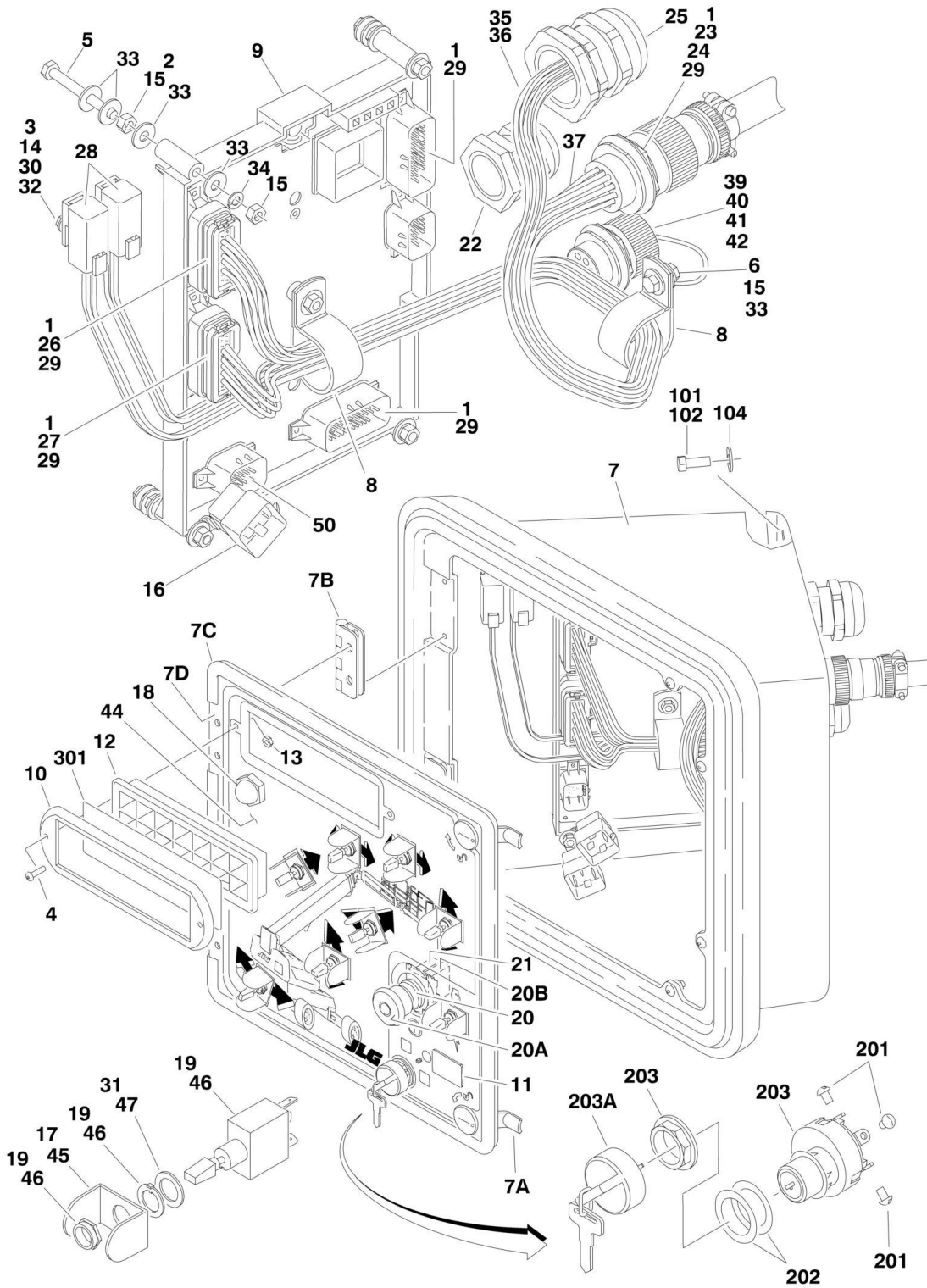
| ITEM | PART NUMBER | QTY | DESCRIPTION | REV |
|------|--------------|------------|--|-----|
| | | Ref | GROUND CONTROLS ASSEMBLIES | |
| | 1001110016 | Ref | Ground Controls Assemblies 1100S | F |
| | 1001119686 | Ref | Ground Controls Assemblies 1100SJP | B |
| 1 | 0100048 | AR | Grease, Dielectric | |
| 2 | 0100081 | AR | Loctite #454 | |
| 3 | 0630464 | 2 | Screw, Button #10-24NC x 1/2in | |
| 4 | 0630518 | 2 | Screw, Button Head #10-24NC x 3/4in | |
| 5 | 0630548 | 5 | Screw, Self Tapping | |
| 6 | 0641406 | 1 | Bolt 1/4in-20NC x 3/4in | |
| 7 | 1001110014 | 1 | Box Assembly | A |
| 7A | 2940139 | 2 | Latch | |
| 7B | 2600279 | 2 | Hinge | |
| 7C | 3960418 | 53 in/1.4m | Seal | |
| 7D | 3380465 | 1 | Panel, Front | |
| 8 | 1320095 | 2 | Clamp | |
| 9 | 1001110084 | 1 | Module, Ground Control (Note: Control System must be recalibrated when Module is replaced) | |
| 10 | 1670829 | 1 | Bezel | |
| 11 | Not Required | 0 | Decal - Light Panel Options: | |
| 11 | 1001112754 | 1 | Decal - Light Panel 1100S | |
| 11 | 1705974 | 1 | Decal - Light Panel 1100SJP | |
| 12 | | Ref | Decal - Lid Options: | |
| 12 | 1001109653 | 1 | Decal - Lid 1100S | |
| 12 | 1706911 | 1 | Decal - Lid 1100SJP | |
| 13 | 2420172 | 1 | Hourmeter | |
| 14 | 2760105 | 1 | Housing, Light | |
| 15 | 3300408 | 2 | Locknut, Nylon | |
| 16 | 3311001 | 2 | Nut #10-24NC | |
| 17 | 3311401 | 11 | Nut 1/4in-20NC | |
| 18 | 3740049 | 2 | Relay | |
| 19 | 4060906 | AR | Guard, Switch | |
| 20 | 4360274 | 1 | Switch, Pushbutton | |
| 21 | 4360328 | AR | Switch, Toggle | |
| 22 | 4360475 | 1 | Switch, Push-Pull Emergency | |
| 22A | 7020175 | 1 | Cap | |
| 22B | 7020176 | 1 | Block, Contact | |
| 23 | 4360476 | 1 | Block, Contact | |
| 24 | 4460426 | 1 | Connector, Strain Relief | |
| 25 | 4460470 | 1 | Nut, Terminal | |
| 26 | 4460471 | 1 | Washer, Terminal | |
| 28 | 4460526 | 1 | Connector, Strain Relief | |
| 30 | 4460874 | 1 | Connector, White | |
| 31 | 4460875 | 1 | Connector, Gray | |
| 32 | 4460892 | 2 | Bar, Buss | |
| 33 | 4460905 | 4 | Connector, Plug | |
| 34 | 4460914 | 2 | Base, Terminal | |
| 35 | 4740444 | 8 | Washer | |
| 36 | 4751000 | 2 | Flatwasher #10 Regular | |
| 37 | 4751400 | 22 | Flatwasher 1/4in Regular | |
| 38 | 4761400 | 5 | Lockwasher 1/4in | |

SECTION 2 - TURNTABLE

| ITEM | PART NUMBER | QTY | DESCRIPTION | REV |
|------|-------------|-----|--|-----|
| 39 | 4923376 | 1 | Harness, Engine (See ELECTRICAL SECTION for Breakdown) | |
| 40 | 4923522 | 1 | Harness, Valve (See ELECTRICAL SECTION for Breakdown) | |
| 41 | 4923574 | 1 | Harness, Ground Control Box (See ELECTRICAL SECTION for Breakdown) | |
| 43 | 4460496 | 1 | Washer, Terminal | |
| 44 | 4460497 | 1 | Nut, Terminal | |
| 45 | 1001106736 | 1 | Cap, Dust | |
| 46 | 1001113734 | 1 | Harness, ClearSky Ready (See ELECTRICAL SECTION for Breakdown) | |
| 47 | 1001113698 | 1 | Harness, Model Selection (See ELECTRICAL SECTION for Breakdown) | |
| | | Ref | GROUND CONTROL BOX INSTALLATIONS | |
| | 1001110015 | Ref | Ground Control Box Installations 1100S | B |
| | 1001119687 | Ref | Ground Control Box Installations 1100SJP | B |
| 101 | 0100011 | AR | Compound, Locking | |
| 102 | 3931616 | 4 | Bolt 3/8in-16NC x 3/4in | |
| 104 | 4751600 | 4 | Flatwasher 3/8in Regular | |
| | | Ref | KEYSWITCH INSTALLATION | |
| | 0259666 | Ref | ANSI and ANSI Export Specs | A |
| 201 | 3910804 | 6 | Screw #8-32NC x 1/8in | |
| 202 | 4070987 | 2 | Shim .015 | |
| 203 | 4360469 | 1 | Keyswitch | |
| 203A | 2860030 | 1 | Key, Replacement | |

SECTION 2 - TURNTABLE

FIGURE 2-17. GROUND CONTROLS INSTALLATION (SN 0300140836 to Present)



SECTION 2 - TURNTABLE

FIGURE 2-17. GROUND CONTROLS INSTALLATION (SN 0300140836 to Present)

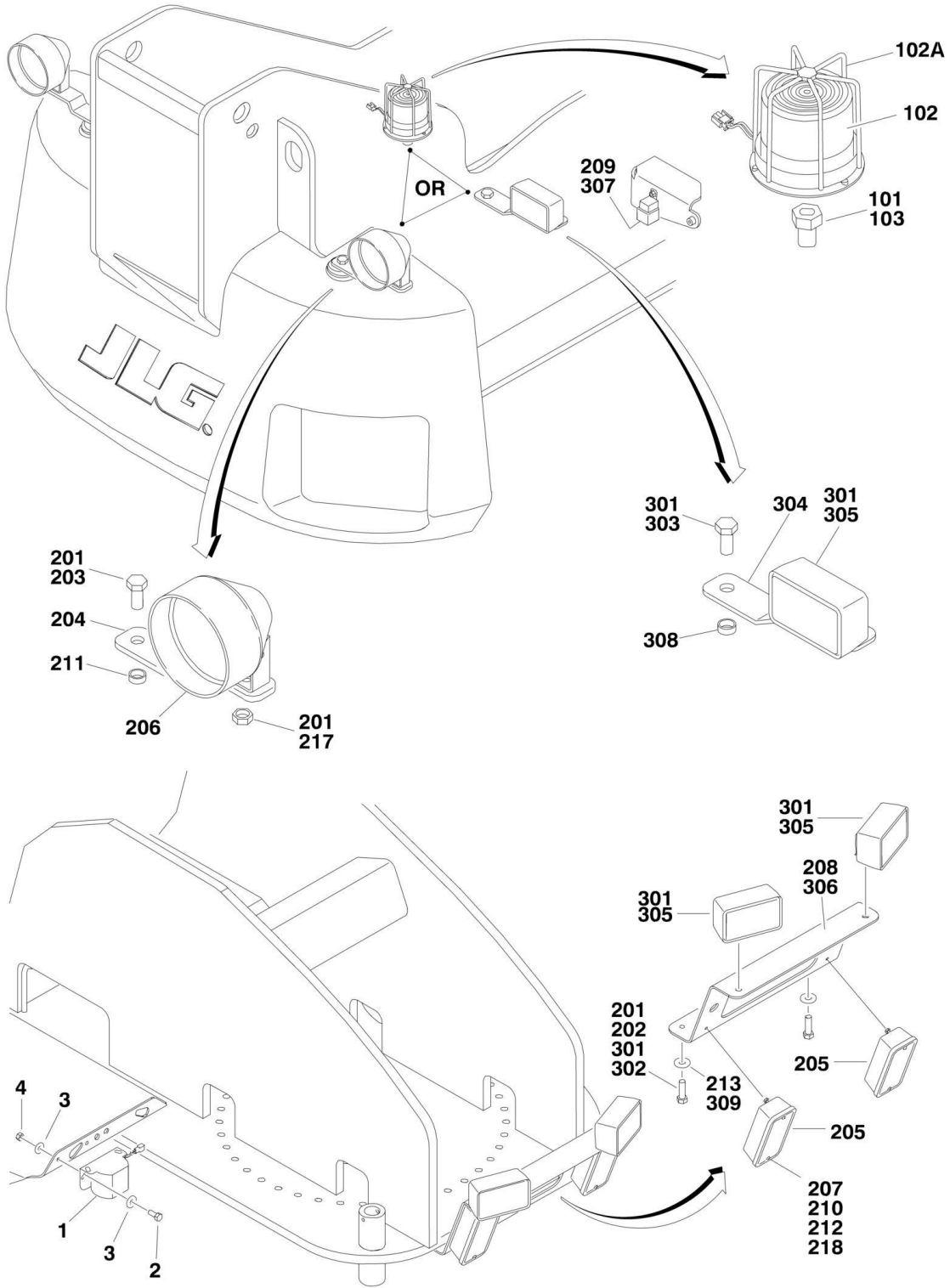
| ITEM | PART NUMBER | QTY | DESCRIPTION | REV |
|------|-------------|------------|--|-----|
| | | Ref | GROUND CONTROLS ASSEMBLIES | |
| | 1001119375 | Ref | Ground Control Box Sub-Assembly 1100S | C |
| | 1001119374 | Ref | Ground Control Box Sub-Assembly 1100SJP | C |
| | 1001119363 | Ref | Ground Controls Assembly 1100S & 1100SJP | J |
| 1 | 0100048 | AR | Grease, Dielectric | |
| 2 | 0100081 | AR | Loctite #454 | |
| 3 | 0630464 | 2 | Screw, Button Head #10-24NC x 1/2in | |
| 4 | 0630518 | 2 | Screw, Button Head #10-24NC x 3/4in | |
| 5 | 0630548 | 5 | Screw, Self Tapping | |
| 6 | 0641406 | 1 | Bolt 1/4in-20NC x 3/4in | |
| 7 | 1001110014 | 1 | Box Assembly | |
| 7A | 2940139 | 2 | Latch | |
| 7B | 2600279 | 2 | Hinge | |
| 7C | 3960418 | 53 in/1.4m | Seal | |
| 7D | 3380465 | 1 | Panel, Front | |
| 8 | 1320095 | 2 | Clamp | |
| 9 | 1001110084 | 1 | Module, Ground Control (Note: Control System must be recalibrated when Module is replaced) | |
| 10 | 1670829 | 1 | Bezel | |
| 11 | 2420172 | 1 | Hourmeter | |
| 12 | 2760105 | 1 | Housing, Light | |
| 13 | 3300408 | 2 | Locknut, Nylon | |
| 14 | 3311001 | 2 | Nut #10-24NC | |
| 15 | 3311401 | 11 | Nut 1/4in-20NC | |
| 16 | 3740049 | 1 | Relay | |
| 17 | 4060906 | 7 | Guard, Switch | |
| 18 | 4360274 | 1 | Switch, Pushbutton | |
| 19 | 4360328 | 7 | Switch, Toggle | |
| 20 | 4360475 | 1 | Switch, Push-Pull Emergency | |
| 20A | 7020175 | 1 | Cap | |
| 20B | 7020176 | 1 | Block, Contact | |
| 21 | 4360476 | 1 | Block, Contact | |
| 22 | 4460426 | 1 | Connector, Strain Relief | |
| 23 | 4460470 | 1 | Nut, Terminal | |
| 24 | 4460471 | 1 | Washer, Terminal | |
| 25 | 4460526 | 1 | Connector, Strain Relief | |
| 26 | 4460874 | 1 | Connector, White | |
| 27 | 4460875 | 1 | Connector, Gray | |
| 28 | 4460892 | 2 | Connector, Buss Bar - 6 Position | |
| 29 | 4460905 | 4 | Connector, Plug | |
| 30 | 4460914 | 2 | Base, Terminal | |
| 31 | 4740444 | 7 | Washer | |
| 32 | 4751000 | 2 | Flatwasher #10 Regular | |
| 33 | 4751400 | 22 | Flatwasher 1/4in Regular | |
| 34 | 4761400 | 5 | Lockwasher 1/4in | |
| 35 | 1001119372 | 1 | Harness, Ground Control Box (See ELECTRICAL SECTION for Breakdown) | |
| 36 | 1001116369 | 1 | Harness, Valve (See ELECTRICAL SECTION for Breakdown) | |
| 37 | 1001120180 | 1 | Harness, Ground Control Box (See ELECTRICAL SECTION for Breakdown) | |

SECTION 2 - TURNTABLE

| ITEM | PART NUMBER | QTY | DESCRIPTION | REV |
|------|-------------|-----|---|-----|
| 39 | 4460496 | 1 | Lockwasher, Strain Relief | |
| 40 | 4460497 | 1 | Nut, Strain Relief | |
| 41 | 1001120337 | 1 | Harness, ClearSky Ready (See ELECTRICAL SECTION for Breakdown) | |
| 42 | 1001106736 | 1 | Cap, Dust | |
| 44 | | Ref | Decal - Lid Options: | |
| 44 | 1001109653 | 1 | Decal - Lid 1100S | |
| 44 | 1706911 | 1 | Decal - Lid 1100SJP | |
| 45 | 4060906 | 1 | Guard, Switch (1100SJP Only) | |
| 46 | 4360328 | 1 | Switch, Toggle (1100SJP Only) | |
| 47 | 4740444 | 1 | Washer (1100SJP Only) | |
| 50 | 1001120294 | 1 | Harness, Model Selection (See ELECTRICAL SECTION for Breakdown) | |
| | | Ref | GROUND CONTROL BOX INSTALLATIONS | |
| | | Ref | Caterpillar Engine Machines | |
| | 1001119356 | Ref | Caterpillar Engine Machines 1100S | 1 |
| | 1001119360 | Ref | Caterpillar Engine Machines 1100SJP | 1 |
| | | Ref | Deutz Engine Machines | |
| | 1001119358 | Ref | Deutz Engine Machines 1100S | 1 |
| | 1001119362 | Ref | Deutz Engine Machines 1100SJP | 1 |
| 101 | 0100011 | AR | Compound, Locking | |
| 102 | 3931616 | 4 | Bolt 3/8in-16NC x 3/4in | |
| 104 | 4751600 | 4 | Flatwasher 3/8in Regular | |
| | | Ref | KEYSWITCH INSTALLATION | |
| | 0259666 | Ref | ANSI and ANSI Export Specs | A |
| 201 | 3910804 | 6 | Screw #8-32NC x 1/8in | |
| 202 | 4070987 | 2 | Shim .015 | |
| 203 | 4360469 | 1 | Keyswitch | |
| 203A | 2860030 | 1 | Key, Replacement | |
| | 1001125966 | Ref | LIGHT PANEL INSTALLATION | A |
| 301 | 1001125949 | 1 | Decal - Light Panel | |

SECTION 2 - TURNTABLE

FIGURE 2-18. ACCESSORIES INSTALLATION



SECTION 2 - TURNTABLE

FIGURE 2-18. ACCESSORIES INSTALLATION

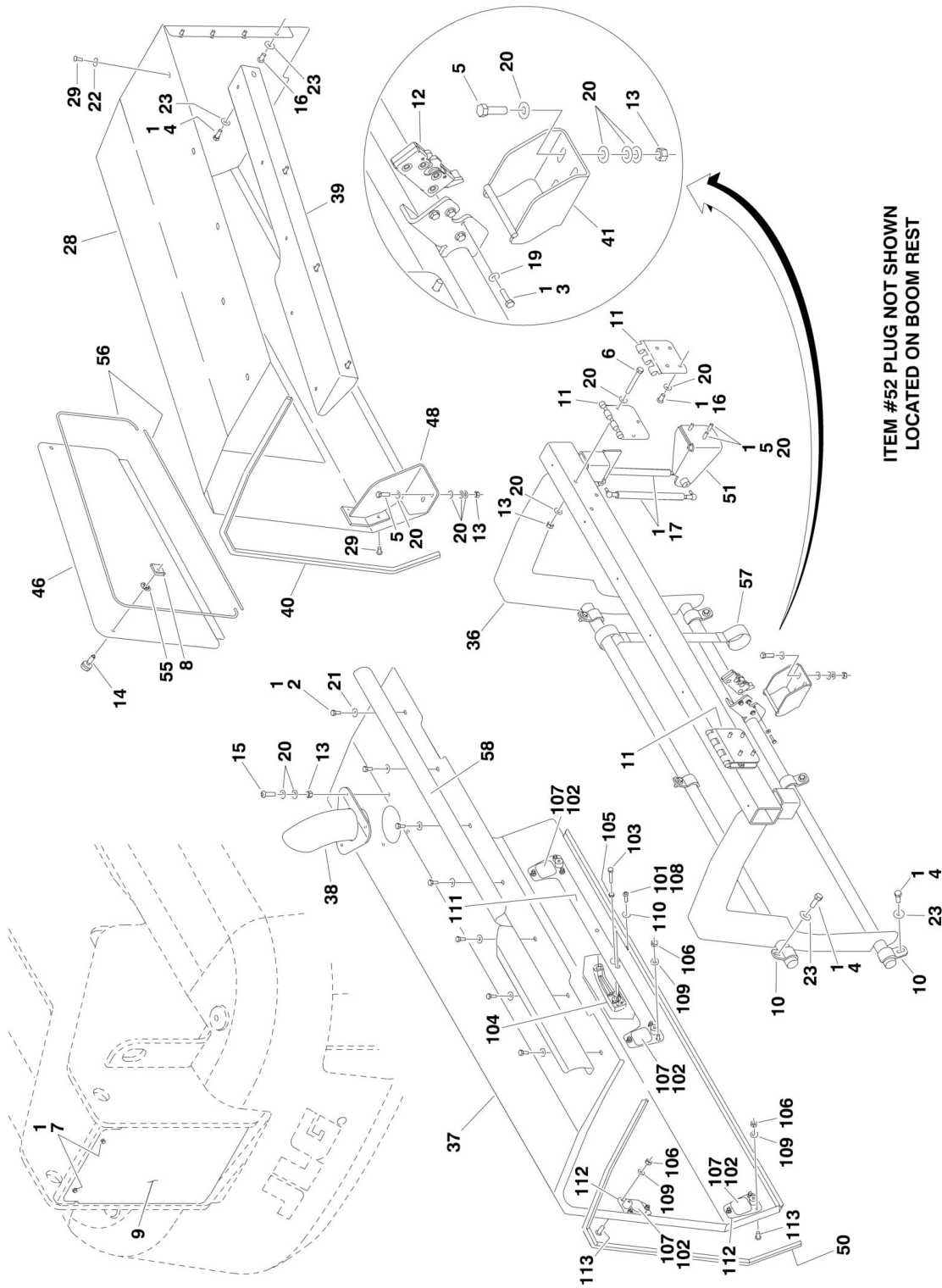
| ITEM | PART NUMBER | QTY | DESCRIPTION | REV |
|------|-------------|-----------|--|-----|
| | 0271806 | Ref | ALARMS INSTALLATION | A |
| 1 | 0257887 | 1 | Alarm | |
| 1 | 0140032 | 1 | Alarm | |
| 1 | 2820035 | 6 in/15cm | Loom | |
| 1 | 4460424 | 1 | Plug | |
| 1 | 4460268 | 2 | Socket, Female | |
| 2 | 0641506 | 2 | Bolt 5/16in-18NC x 3/4in | |
| 3 | 3311505 | 2 | Locknut 5/16in-18NC | |
| 4 | 4751500 | 4 | Flatwasher 5/16in Wide | |
| | 0271807 | Ref | STROBE LIGHT INSTALLATION (AMBER) (OPTIONAL) | C |
| | | Ref | Note: If machine is equipped with BLUE Strobe Light, see Section 10 SkyGuard Kit. | |
| 101 | 0100011 | AR | Compound, Locking | |
| 102 | 0272507 | 1 | Strobe Light/Guard/Harness Assy (Includes Items 102A & 103) | B |
| 102 | | Ref | Bulb, Replacement Options: | |
| 102 | 7016380 | 1 | Bulb for ECCO Model 6640 | |
| 102 | 70001941 | 1 | Bulb for ECCO Model 6650 | |
| 102A | | Ref | Guard Options: | |
| 102A | 4060907 | 1 | Guard used with ECCO Model 6640 | |
| 102A | 2920215 | 1 | Guard used with ECCO Model 6650 | |
| 103 | | Ref | Adapter Options: | |
| 103 | 0630491 | 1 | Adapter used with ECCO Model 6640 | |
| 103 | 0080241 | 1 | Adapter used with ECCO Model 6650 | |
| | 0271769 | Ref | HEADLIGHT AND TAILLIGHTS INSTALLATION (OPTIONAL) | B |
| 201 | 0100011 | AR | Compound, Locking | |
| 202 | 0641610 | 2 | Bolt 3/8in-16NC x 1-1/4in | |
| 203 | 0642612 | 2 | Bolt 1in-8NC x 1-1/2in | |
| 204 | 0902206 | 2 | Bracket, Mounting | |
| 205 | 2920113 | 2 | Taillight | |
| 206 | 2920110 | 2 | Headlight | |
| 206 | 7016628 | 2 | Bulb, Replacement (1 Per Headlight) | |
| 207 | 3311001 | 4 | Nut #10-24NC | |
| 208 | 3573336 | 2 | Plate, Mounting | |
| 209 | 3740080 | 1 | Relay, Bosch | |
| 210 | 3911040 | 4 | Screw #10-24NC x 2-1/2in | |
| 211 | 4220162 | 2 | Spacer | |
| 212 | 4751000 | 4 | Flatwasher #10 | |
| 213 | 4751600 | 2 | Flatwasher 3/8in Wide | |
| 217 | 3311605 | 2 | Locknut 3/8in-16NC | |
| 218 | 0100035 | AR | Compound, Locking | |
| | 0271808 | Ref | ILLUMINATION LIGHTS INSTALLATION (OPTIONAL) | B |
| 301 | 0100011 | AR | Compound, Locking | |
| 302 | 0641610 | 2 | Bolt 3/8in-16NC x 1-1/4in | |
| 303 | 0642612 | 2 | Bolt 1in-8NC x 1-1/2in | |
| 304 | 0902206 | 2 | Bracket, Mounting | |
| 305 | 2920157 | 4 | Headlight | |
| 305 | 7024452 | 4 | Bulb, Replacement (1 Per Light) | |
| 306 | 3573336 | 2 | Plate, Mounting | |
| 307 | 3740080 | 1 | Relay, Bosch | |
| 308 | 4220162 | 2 | Spacer | |

SECTION 2 - TURNTABLE

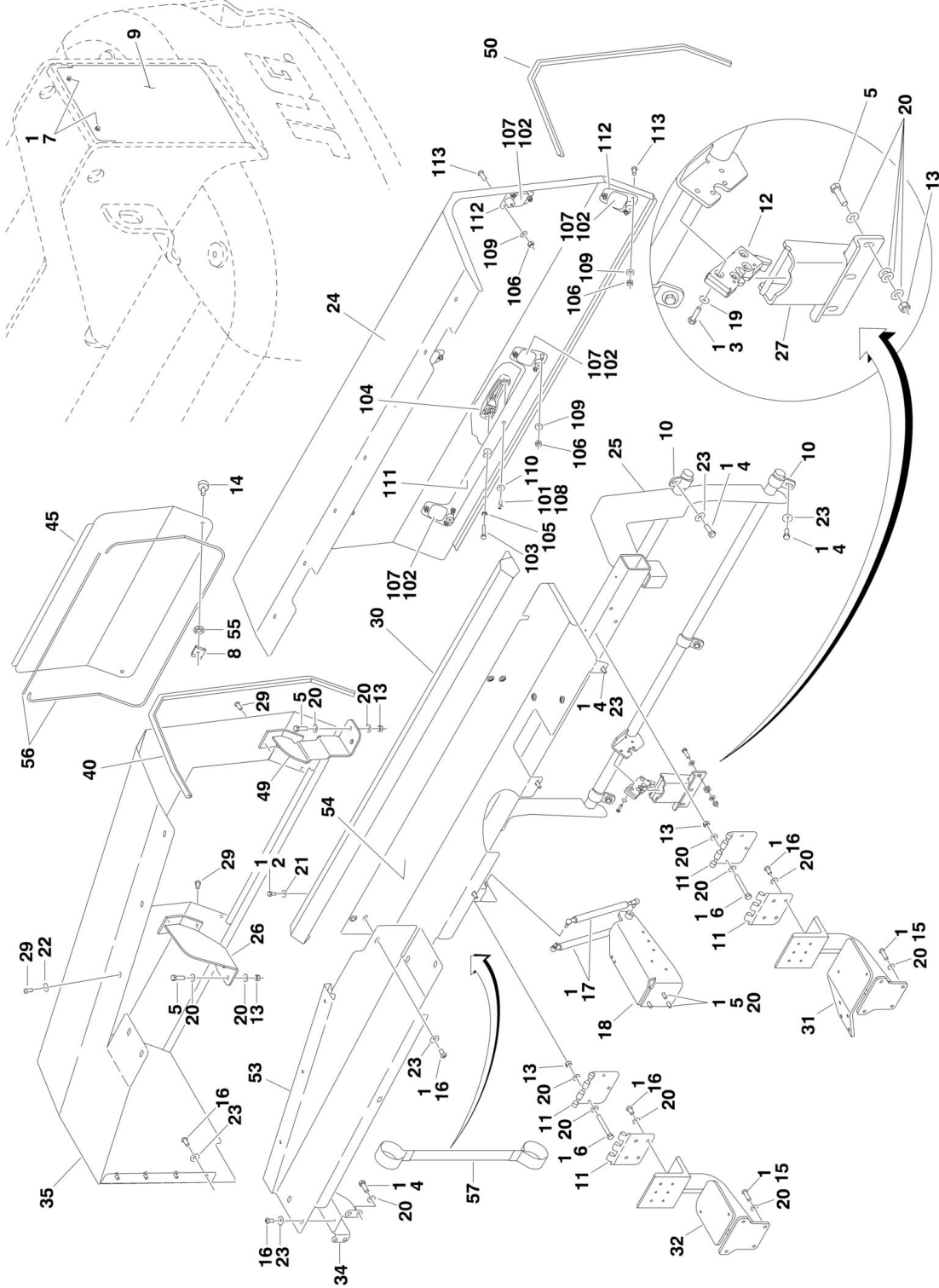
| ITEM | PART NUMBER | QTY | DESCRIPTION | REV |
|------|-------------|-----|-----------------------|-----|
| 309 | 4751600 | 2 | Flatwasher 3/8in Wide | |

SECTION 2 - TURNTABLE

FIGURE 2-19. HOOD INSTALLATION



SECTION 2 - TURNTABLE



SECTION 2 - TURNTABLE

FIGURE 2-19. HOOD INSTALLATION

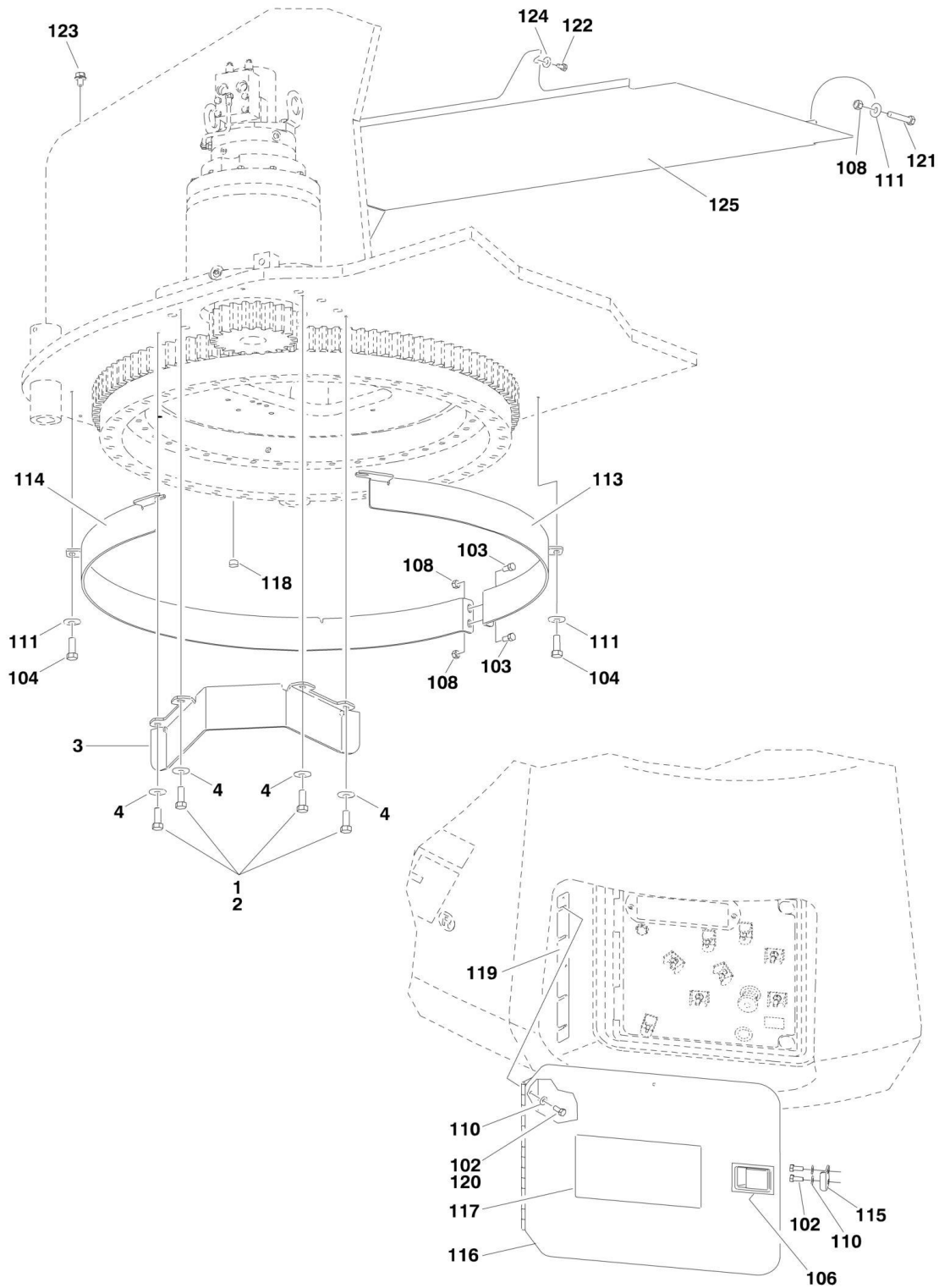
| ITEM | PART NUMBER | QTY | DESCRIPTION | REV |
|------|-------------|----------------|---|-----|
| | 1001109543 | Ref | HOOD INSTALLATION | C |
| 1 | 0100011 | AR | Compound, Locking | |
| 2 | 0641405 | 14 | Bolt 1/4in-20NC x 5/8in | |
| 3 | 0641408 | 8 | Bolt 1/4in-20NC x 1in | |
| 4 | 0641608 | 24 | Bolt 3/8in-16NC x 1in | |
| 5 | 0641610 | 18 | Bolt 3/8in-16NC x 1-1/4in | |
| 6 | 0641630 | 12 | Bolt 3/8in-16NC x 3-3/4in | |
| 7 | 0791604 | 2 | Screw 3/8in-16NC x 1/2in | |
| 8 | 1380169 | 4 | Clip, Receptacle | |
| 9 | 1671038 | 1 | Cover, Turntable | |
| 10 | 2080051 | 12 | Clamp | |
| 11 | 2600280 | 4 | Hinge | |
| 12 | 2940173 | 2 | Latch, Rotary | |
| 13 | 3311605 | 27 | Locknut 3/8in-16NC | |
| 14 | 3900174 | 4 | Screw, Thumb | |
| 15 | 3900232 | 11 | Screw, Button Head 3/8in-16NC x 1-1/4in | |
| 16 | 3900283 | 32 | Screw, Button Head 3/8in-16NC x 3/4in | |
| 17 | 4160194 | 4 | Spring, Gas | |
| 18 | 4340999 | 1 | Mount, Gas Spring | |
| 19 | 4711400 | 8 | Flatwasher 1/4in (Thin) | |
| 20 | 4711600 | 104 | Flatwasher 1/4in Thin | |
| 21 | 4751400 | 14 | Flatwasher 1/4in Regular | |
| 22 | 4751500 | 10 | Flatwasher 5/16in Regular | |
| 23 | 4751600 | 36 | Flatwasher 3/8in Regular | |
| 24 | 1001107176 | 1 | Hood, Tank Side - Front (See Items 101-113 for Breakdown) | |
| | | Ref | NOTE: Replacement decals must be ordered separately - See DECALS SECTION. | |
| 25 | 1001108142 | 1 | Support, Tank Side Hood | |
| 26 | 1001108680 | 1 | Bracket, Hood Support | |
| 27 | 1001113004 | 1 | Bracket, Striker | |
| 28 | 1001108904 | 1 | Hood, Engine Side - Rear | |
| 29 | 3900210 | 16 | Screw, Button Head 5/16in-18NC x 3/4in | |
| 30 | 1001109511 | 1 | Shield, Hinge | |
| 31 | 1001109651 | 1 | Support, Front Hood | |
| 32 | 1001108142 | 1 | Support, Front Hood | |
| 34 | 1001109759 | 1 | Support, Power Track Trough | |
| 35 | 1001109838 | 1 | Hood, Tank Side - Rear | |
| 36 | 1001109941 | 1 | Support, Engine Side | |
| 37 | 1001109989 | 1 | Hood, Engine Side - Front (See Items 101-113 for Breakdown) | |
| | | Ref | NOTE: Replacement decals must be ordered separately - See DECALS SECTION. | |
| 38 | 1001110027 | 1 | Stack, Exhaust | |
| 39 | 1001110146 | 1 | Support, Engine Side | |
| 40 | 1001110166 | 9.5 ft/2.9m | Seal | |
| 41 | 1001110194 | 1 | Bracket, Striker | |
| 45 | 1001110257 | 1 | Cover, Access (Tank Side) | |
| 46 | 1001110258 | 1 | Cover, Access (Engine Side) | |
| 48 | 1001110295 | 1 | Bracket, Hood Support (Note: Bracket is original equipment for all machines. However, if hood has been damaged, original bracket may have been replaced with bracket that includes sliding pad. | |

SECTION 2 - TURNTABLE

| ITEM | PART NUMBER | QTY | DESCRIPTION | REV |
|------|-------------|----------------|--|-----|
| | | | Refer to SPECIAL OPTIONS SECTION for replacement parts.) | |
| 49 | 1001110296 | 1 | Bracket, Hood Support | |
| 50 | 1001110433 | 9.5 ft/2.9m | Seal | |
| 51 | 1001110486 | 1 | Mount, Gas Spring | |
| 52 | 3520034 | 2 | Plug, Hole (Not Shown - Located on Inside Turntable) | |
| 53 | 1001111585 | 1 | Plate, Power Track Trough | |
| 54 | 1001112162 | 1 | Plate, Power Track Trough | |
| 55 | 3760308 | 4 | Retainer | |
| 56 | 1001113047 | 17 ft/5.2m | Seal, Adhesive Backed | |
| 57 | 1001112691 | 2 | Strap, Hand Pull | |
| 58 | 1001114098 | 1 | Shield, Rubber | |
| | | Ref | HOOD COMPONENTS | |
| | 1001107176 | Ref | Tank Side Hood | C |
| | 1001109989 | Ref | Engine Side Hood | C |
| | | Ref | Note: Qtys shown are for 1 Side. Double qty for both sides. | |
| | | Ref | Note: Replacement decals must be ordered separately - See DECALS SECTION. | |
| 101 | 0100011 | AR | Compound, Locking | |
| 102 | 0100081 | AR | Adhesive, Loctite #454 | |
| 103 | 0700616 | 1 | Bolt 5/16in-18NC x 3/4in | |
| 104 | 2560187 | 1 | Handle, Push Button | |
| 105 | 3290601 | 1 | Nut M6 | |
| 106 | 3311505 | 18 | Locknut 5/16in-18NC | |
| 107 | 3340877 | 6 | Pad | |
| 108 | 3900363 | 2 | Screw, Button Head M6 x 1x25mm | |
| 109 | 4711500 | 18 | Flatwasher 5/16in Thin | |
| 110 | 4811900 | 2 | Flatwasher M8 | |
| 111 | 1001107978 | 1 | Mount, Handle | |
| 112 | 1001108024 | 4 | Bracket | |
| 113 | 3900210 | 1 | Screw, Button Head 5/16in-18NC x 3/4in | |

SECTION 2 - TURNTABLE

FIGURE 2-20. TURNTABLE BEARING SHIELD AND GROUND CONTROL DOOR INSTALLATIONS



SECTION 2 - TURNTABLE

FIGURE 2-20. TURNTABLE BEARING SHIELD AND GROUND CONTROL DOOR INSTALLATIONS

| ITEM | PART NUMBER | QTY | DESCRIPTION | REV |
|------|-------------|-----|---|-----|
| | 0271874 | Ref | PINION SHIELD INSTALLATION | A |
| 1 | 0100011 | AR | Compound, Locking | |
| 2 | 0641608 | 4 | Bolt 3/8in-16NC x 1in | |
| 3 | 3573355 | 1 | Plate, Pinion | |
| 4 | 4751600 | 4 | Flatwasher 3/8in Regular | |
| | 1001111219 | Ref | SHIELDS INSTALLATION (STANDARD EQUIPMENT ON 1100S - OPTIONAL ON 1100SJP) | G |
| 102 | 0641506 | 5 | Bolt 5/16in-18NC x 3/4in | |
| 103 | 0641606 | 2 | Bolt 3/8in-16NC x 3/4in | |
| 104 | 0641608 | 3 | Bolt 3/8in-16NC x 1in | |
| 106 | 2940045 | 1 | Latch, Paddle | |
| 108 | 3311605 | AR | Locknut 3/8in-16NC | |
| 110 | 4711500 | 7 | Flatwasher 5/16in Narrow | |
| 111 | 4751600 | AR | Flatwasher 3/8in Regular | |
| 113 | 1001111175 | 1 | Plate, Bearing Cover | |
| 114 | 1001111176 | 1 | Plate, Bearing Cover | |
| 115 | 1001112911 | 1 | Plate, Striker | |
| 116 | 1001111193 | 1 | Door | |
| 117 | 1001113173 | 1 | Decal - Emergency Stop | |
| 118 | 1001114392 | 1 | Plug, Rubber | |
| 119 | 1001115168 | 1 | Shim (SN 0300138349 to Present) | |
| 120 | 0100011 | AR | Compound, Locking (SN 0300138349 to Present) | |
| 121 | 0630511 | 1 | Bolt 3/8in-16NC x 2in (SN 0300139583 to Present) | |
| 122 | 0641404 | 1 | Bolt 1/4in-20NC x 1/2in (SN 0300139583 to Present) | |
| 123 | 0791604 | 2 | Bolt 3/8in-16NC x 1/2in (SN 0300139583 to Present) | |
| 124 | 4751400 | 1 | Flatwasher 1/4in Wide (SN 0300139583 to Present) | |
| 125 | 1001115440 | 1 | Shield, Turntable (SN 0300139583 to Present) | |

SECTION 3 - BOOM

SECTION 3 - BOOM

FIGURE 3-1. BOOM INSTALLATION

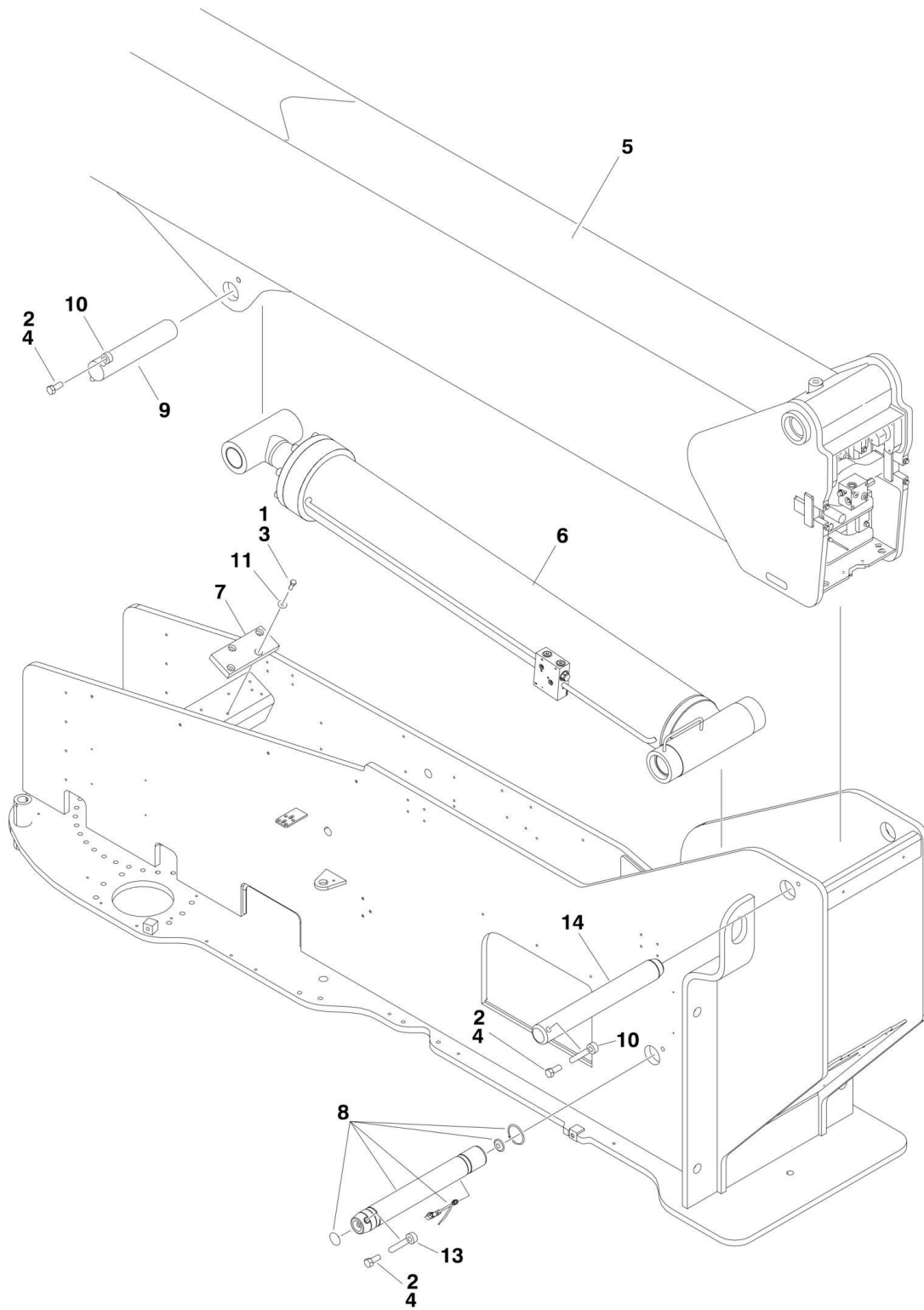
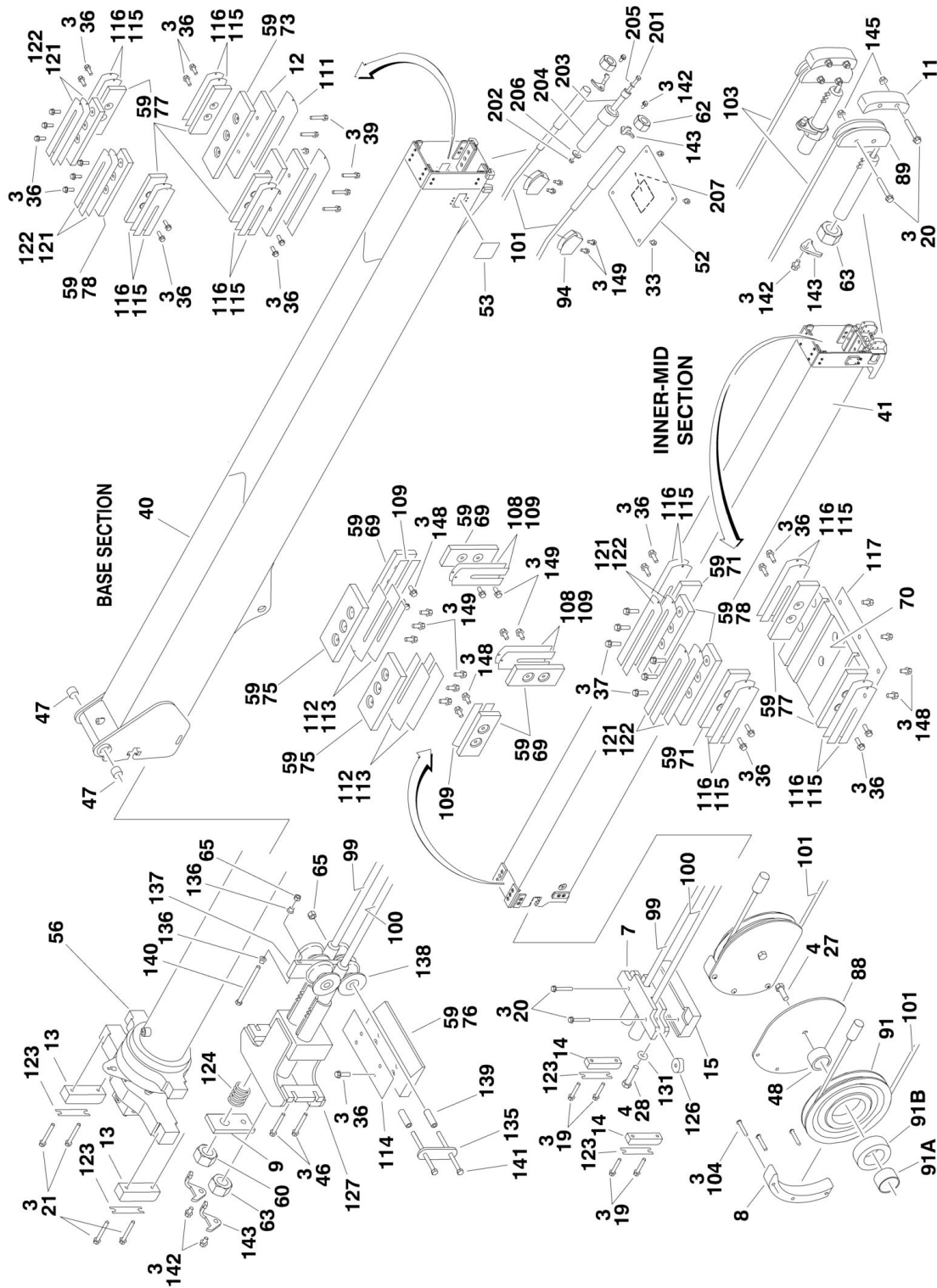


FIGURE 3-1. BOOM INSTALLATION

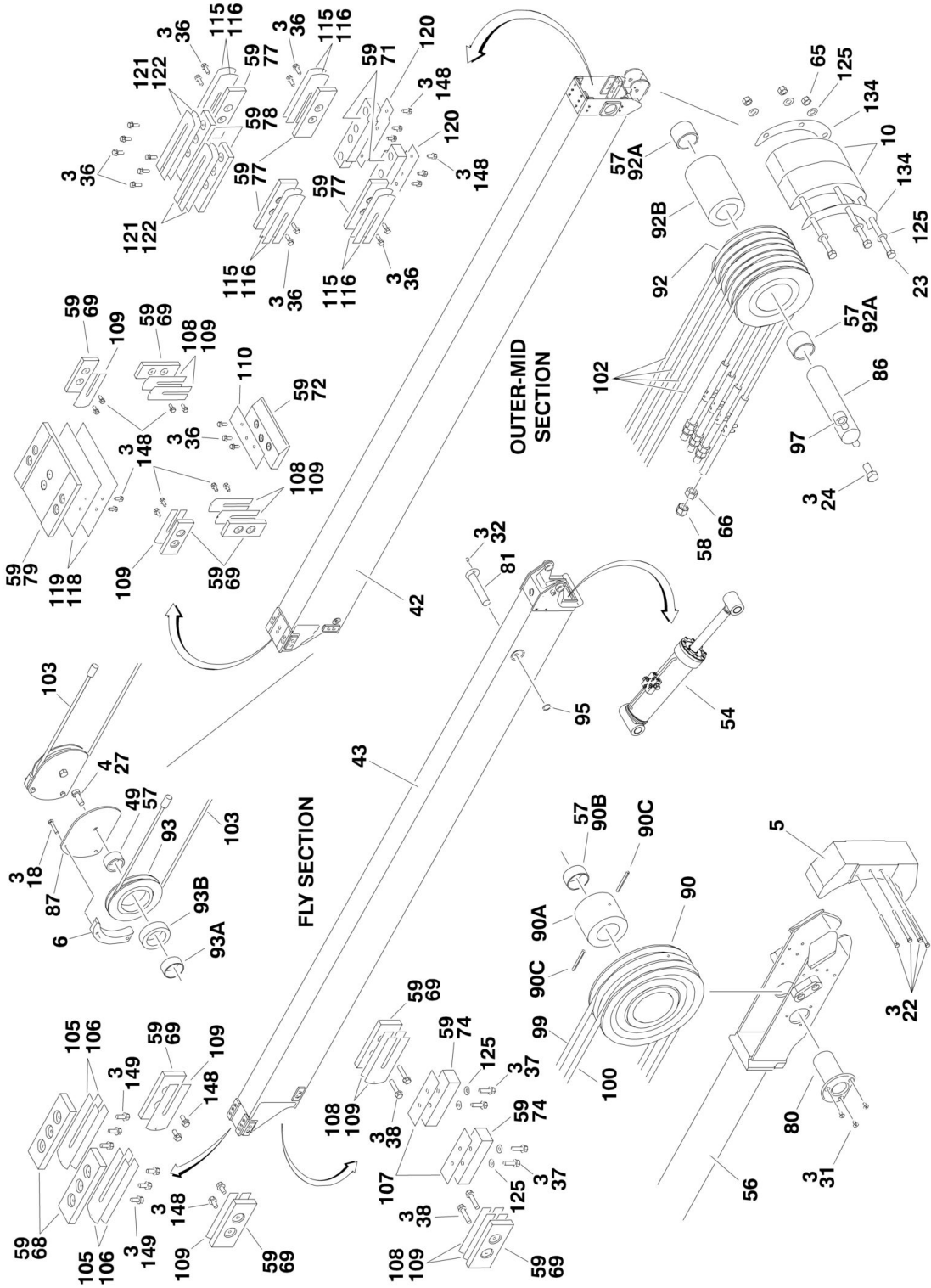
| ITEM | PART NUMBER | QTY | DESCRIPTION | REV |
|------|-------------|-----|---|-----|
| | | Ref | BOOM INSTALLATION | |
| | 1001110705 | Ref | Boom Installation 1100S | B |
| | 0271799 | Ref | Boom Installation 1100SJP | F |
| 1 | 0100011 | AR | Compound, Locking | |
| 2 | 0100019 | AR | Compound, Locking | |
| 3 | 0641608 | 4 | Bolt 3/8in-16NC x 1in | |
| 4 | 0642214 | 3 | Bolt 3/4in-10NC x 1-3/4in | |
| 5 | | Ref | Boom Assembly Options (See BOOM ASSEMBLY for Breakdown) | |
| 5 | 1001110163 | 1 | Boom Assembly 1100S | |
| 5 | 0801320 | 1 | Boom Assembly 1100SJP | |
| 6 | 1684162 | NLA | Lift Cylinder Assembly (Use p/n 1001228024) (See CYLINDER SECTION for Breakdown) (Original Equipment) | |
| 6 | 1001228024 | 2 | Lift Cylinder Assembly (See CYLINDER SECTION for Breakdown) (Service Replacement) | |
| 7 | 3340927 | 1 | Pad | |
| 8 | 3423208 | 1 | Pin, Load Sensing | |
| 9 | 3422955 | 1 | Pin | |
| 10 | 3841287 | 2 | Keeper, Pin | |
| 11 | 4751600 | 4 | Flatwasher 3/8in Regular | |
| 13 | 3841581 | 1 | Keeper, Pin | |
| 14 | 3422988 | 1 | Pin | |

SECTION 3 - BOOM

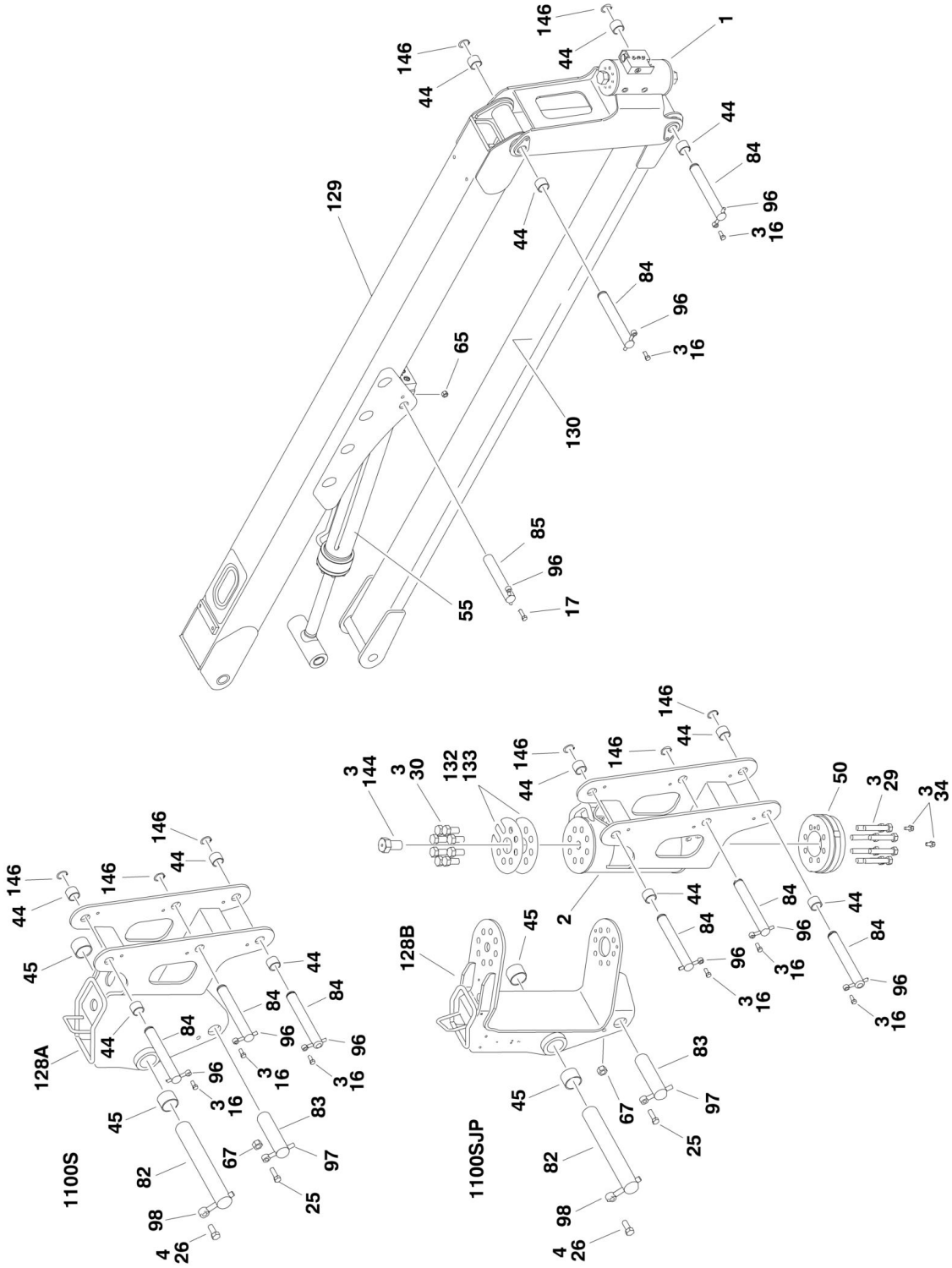
FIGURE 3-2. BOOM ASSEMBLY



SECTION 3 - BOOM



SECTION 3 - BOOM



SECTION 3 - BOOM

FIGURE 3-2. BOOM ASSEMBLY

| ITEM | PART NUMBER | QTY | DESCRIPTION | REV |
|------|--------------|-----|---|-----|
| | | Ref | BOOM ASSEMBLY | |
| | 1001110163 | Ref | Boom Assembly 1100S | D |
| | 0801320 | Ref | Boom Assembly 1100SJP | R |
| 1 | 1001097643 | 1 | Actuator Assembly (Platform Rotate) (See ACTUATOR ASSEMBLIES for Breakdown) | |
| 2 | | Ref | Actuator Assembly Options (Jib Rotate) (See ACTUATOR ASSEMBLIES for Breakdown): | |
| 2 | Not Required | 0 | Actuator Assembly 1100S (Use Item 128A) | |
| 2 | 1001097619 | 1 | Actuator Assembly 1100SJP | |
| 3 | 0100011 | AR | Compound, Locking | |
| 4 | 0100019 | AR | Compound, Locking | |
| 5 | 0561431 | 1 | Block, Rope Retainer | |
| 6 | 0561437 | 2 | Block, Rope Retainer | |
| 7 | 0561439 | 1 | Block, Outer Mid Extend | |
| 8 | 0561444 | 2 | Block, Cable Retainer | |
| 9 | 0561454 | 1 | Block, Switch Adjuster | |
| 10 | 0561457 | 2 | Block, Cable Retainer | |
| 11 | 0561458 | 2 | Block, Cable Retainer | |
| 12 | 0561471 | 2 | Block, Spacer | |
| 13 | | Ref | Block, Trunnion Keeper Options: | |
| 13 | 0561500 | 2 | Block, Trunnion Keeper 1100S | |
| 13 | 0561481 | 2 | Block, Trunnion Keeper 1100SJP | |
| 14 | 0561482 | 2 | Block, Trunnion Keeper | |
| 15 | 3340955 | 1 | Pad | |
| 16 | 0641607 | 5 | Bolt 3/8in-16NC x 7/8in | |
| 17 | 0641610 | 1 | Bolt 3/8in-16NC x 1-1/4in | |
| 18 | 0641615 | 4 | Bolt 3/8in-16NC x 1-7/8in | |
| 19 | 0791618 | 4 | Screw 3/8in-16NC x 2-1/4in | |
| 20 | 0791620 | 10 | Screw 3/8in-16NC x 2-1/2in | |
| 21 | 0791624 | 4 | Screw 3/8in-16NC x 3in | |
| 22 | 0641646 | 4 | Bolt 3/8in-16NC x 5-3/4in | |
| 23 | 0641652 | 3 | Bolt 3/8in-16NC x 6-1/2in | |
| 24 | 0641808 | 1 | Bolt 1/2in-13NC x 1in | |
| 25 | 0641813 | 1 | Bolt 1/2in-13NC x 1-5/8in | |
| 26 | 0642012 | 1 | Bolt 5/8in-11NC x 1-1/2in | |
| 27 | 0642014 | 4 | Bolt 5/8in-11NC x 1-3/4in | |
| 28 | 0642022 | 2 | Bolt 5/8in-11NC x 2-3/4in | |
| 29 | 0682028 | 8 | Bolt 5/8in-11NC x 3-1/2in (Grade 8) (1100SJP Only) | |
| 30 | 0682212 | 8 | Bolt 3/4in-10NC x 1-1/2in (Grade 8) (1100SJP Only) | |
| 31 | 0741606 | 3 | Screw, Flathead 3/8in-16NC x 3/4in | |
| 32 | 0741806 | 1 | Screw, Flathead 1/2in-13NC x 3/4in | |
| 33 | 0791604 | 4 | Screw 3/8in-16NC x 1/2in | |
| 34 | 0791606 | 2 | Screw 3/8in-16NC x 3/4in (1100SJP Only) | |
| 36 | 0811608 | 43 | Screw 3/8in-16NC x 1in | |
| 37 | 0811610 | 10 | Screw 3/8in-16NC x 1-1/4in | |
| 38 | 0811614 | 4 | Screw 3/8in-16NC x 1-3/4in | |
| 39 | 0811616 | 6 | Screw 3/8in-16NC x 2in | |
| 40 | 0801316 | 1 | Base, Boom | |
| 41 | 0801317 | 1 | Mid, Inner | |
| 42 | 0801318 | 1 | Mid, Outer | |

SECTION 3 - BOOM

| ITEM | PART NUMBER | QTY | DESCRIPTION | REV |
|------|--------------|-----|---|-----|
| 43 | 0801319 | 1 | Fly, Boom | |
| 44 | 0961951 | 8 | Bushing | |
| 45 | 0962224 | 2 | Bearing | |
| 46 | 0791612 | 4 | Screw 3/8in-16NC x 1-1/2in | |
| 47 | 0962297 | 2 | Bushing | |
| 48 | 0962409 | 2 | Bushing | |
| 49 | 0962410 | 2 | Bushing | |
| 50 | | Ref | Cam Options: | |
| 50 | Not Required | 0 | Cam 1100S | |
| 50 | 1100131 | | Cam 1100SJP | |
| 52 | 1671032 | 1 | Cover | |
| 53 | 1671033 | 1 | Cover | |
| 54 | 1684149 | NLA | Platform Level Cylinder Assembly (Use p/n 1001228023) (See CYLINDER SECTION for Breakdown) (Original Equipment) | |
| 54 | 1001228023 | 1 | Platform Level Cylinder Assembly (See CYLINDER SECTION for Breakdown) (Service Replacement) | |
| 55 | 1684173 | NLA | Jib Cylinder Assembly (Use p/n 1001228025) (See CYLINDER SECTION for Breakdown) (Original Equipment) | |
| 55 | 1001228025 | 1 | Jib Cylinder Assembly (See CYLINDER SECTION for Breakdown) (Service Replacement) | |
| 56 | 1684178 | NLA | Telescope Cylinder Assembly (Use p/n 1001228026) (See CYLINDER SECTION for Breakdown) (Original Equipment) | |
| 56 | 1001228026 | 1 | Telescope Cylinder Assembly (See CYLINDER SECTION for Breakdown) (Service Replacement) | |
| 57 | 3020039 | AR | Lubricant, Moly | |
| 58 | 3300239 | 4 | Nut, Nylon Insert | |
| 59 | 3020042 | AR | Lubricant w/PTFE | |
| 60 | 3300458 | 1 | Nut 1in-12NF | |
| 62 | 3300460 | 2 | Nut 1-1/4in-7NC | |
| 63 | 3300461 | 3 | Nut 1-3/8in-6NC | |
| 65 | 3311605 | 7 | Locknut 3/8in-16NC | |
| 66 | 3311801 | 4 | Nut 1/2in-13NC | |
| 67 | 3311805 | 1 | Locknut 1/2in-13NC | |
| 68 | 3340871 | 2 | Pad, Wear | |
| 69 | 3340881 | 12 | Pad, Wear | |
| 70 | 3340910 | 1 | Pad, Wear | |
| 71 | 3340912 | 2 | Pad, Wear | |
| 72 | 4700039 | 1 | Pad, Wear | |
| 73 | 3340916 | 2 | Pad, Wear | |
| 74 | 3340917 | 2 | Pad, Wear | |
| 75 | 3340918 | 2 | Pad, Wear | |
| 76 | 4700038 | 1 | Pad, Wear | |
| 77 | 3340921 | 12 | Pad, Wear | |
| 78 | 3340922 | 6 | Pad, Wear | |
| 79 | 3340926 | 1 | Pad, Wear | |
| 80 | 3422926 | 1 | Pin | |
| 81 | 3422937 | 1 | Pin | |
| 82 | 1001119899 | 1 | Pin (was p/n 3422953) | |
| 83 | 3422956 | 1 | Pin | |
| 84 | 3422957 | 5 | Pin | |
| 85 | 3422958 | 1 | Pin | |
| 86 | 3422959 | 1 | Pin | |
| 87 | 3572950 | 2 | Plate, Cable Retract Retainer | |

SECTION 3 - BOOM

| ITEM | PART NUMBER | QTY | DESCRIPTION | REV |
|------|-------------|-----|--|-----|
| 88 | 3572951 | 2 | Plate, Cable Retract Retainer | |
| 89 | 3580342 | 2 | Sheave | |
| 90 | 3580308 | 1 | Sheave | |
| 90A | 0962401 | 1 | Bushing (Outer) | |
| 90B | 0962472 | 1 | Bushing (Inner) | |
| 90C | 3441680 | 8 | Rollpin | |
| 91 | 3580298 | 2 | Sheave | |
| 91A | 0962402 | 1 | Bushing (Outer) | |
| 91B | 0962406 | 1 | Bushing (Inner) | |
| 92 | 3580300 | 1 | Sheave | |
| 92A | 0961948 | 2 | Bushing (Inner) | |
| 92B | 0962403 | 1 | Bushing (Outer) | |
| 93 | 3580302 | 1 | Sheave | |
| 93A | 0962404 | 1 | Bushing (Outer) | |
| 93B | 0962411 | 1 | Bushing (Inner) | |
| 94 | 3580341 | 2 | Sheave | |
| 95 | 3760233 | 1 | Ring, Retaining | |
| 96 | 3841143 | 6 | Keeper, Pin | |
| 97 | 3841203 | 2 | Keeper, Pin | |
| 98 | 3841258 | 1 | Keeper, Pin | |
| 99 | 3890034 | 1 | Cable, Outer Mid Extend | |
| 100 | 3890035 | 1 | Cable, Outer Mid Extend | |
| 101 | 3890036 | 2 | Cable, Outer Mid Retract | |
| 102 | 3890037 | 4 | Cable, Fly Extend | |
| 103 | 3890038 | 2 | Cable, Fly Retract | |
| 104 | 0641618 | 6 | Screw 3/8in-16NC x 2-1/4in | |
| 105 | 4070863 | 2 | Shim #11 Gauge | |
| 106 | 4070864 | 2 | Shim #18 Gauge | |
| 107 | 4070895 | 2 | Shim #16 Gauge | |
| 108 | 4070897 | 6 | Shim #18 Gauge | |
| 109 | 4070898 | 12 | Shim #11 Gauge | |
| 110 | 4071012 | 1 | Shim #16 Gauge | |
| 111 | 4071013 | AR | Shim #16 Gauge | |
| 112 | 4071015 | 2 | Shim #16 Gauge | |
| 113 | 4071016 | AR | Shim #11 Gauge | |
| 114 | 4071017 | 1 | Shim #16 Gauge | |
| 115 | 4071018 | 8 | Shim #16 Gauge | |
| 116 | 4071019 | 12 | Shim #11 Gauge | |
| 117 | 4071024 | 1 | Shim #16 Gauge | |
| 118 | 4071025 | 1 | Shim #16 Gauge | |
| 119 | 4071026 | AR | Shim #11 Gauge | |
| 120 | 4071027 | 2 | Shim #16 Gauge | |
| 121 | 4071028 | 6 | Shim #16 Gauge | |
| 122 | 4071029 | 6 | Shim #11 Gauge | |
| 123 | 4071031 | 4 | Shim #16 Gauge | |
| 124 | 4160197 | 1 | Spring | |
| 125 | 4711600 | 10 | Flatwasher 3/8in Thin | |
| 126 | 4740509 | 2 | Spacer | |
| 127 | 4846453 | 1 | Plate, Mounting | |
| 128 | | Ref | Pivot Options: | |
| 128A | 1001108771 | 1 | Pivot 1100S (Includes Qty 2 of Item 45 Bushings) | |

SECTION 3 - BOOM

| ITEM | PART NUMBER | QTY | DESCRIPTION | REV |
|------|-------------|-----|---|-----|
| 128B | 4846462 | 1 | Pivot 1100SJP (Item 45 Bushings must be Purchased Separately) | |
| 129 | | Ref | Link, Jib (Upper) | |
| 129 | 1001109626 | 1 | Link, Jib 1100S (Includes Qty 4 of Item 44 Bushings) | |
| 129 | 4846482 | 1 | Link, Jib 1100SJP (Item 44 Bushings must be Purchased Separately) | |
| 130 | | Ref | Link, Jib (Lower) Options: | |
| 130 | 1001109628 | 1 | Link, Jib 1100S (Includes Qty 4 of Item 44 Bushings) | |
| 130 | 0801550 | 1 | Link, Jib 1100SJP (Item 44 Bushings must be Purchased Separately) | |
| 131 | 4892000 | 2 | Flatwasher 5/8in Hardened | |
| 132 | 4071044 | 1 | Shim #18 Gauge (1100SJP Only) | |
| 133 | 4071045 | 1 | Shim #11 Gauge (1100SJP Only) | |
| 134 | 4071046 | 2 | Shim #16 Gauge | |
| 135 | 0363066 | 2 | Bar, Stabilizer | |
| 136 | 0962447 | 2 | Bearing, Flanged | |
| 137 | 3573437 | 1 | Plate, Pulley Adjustment | |
| 138 | 3580306 | 4 | Pulley | |
| 139 | 4568423 | 4 | Tube, Spacer | |
| 140 | 0641640 | 1 | Bolt 3/8in-16NC x 5in | |
| 141 | 0641644 | 2 | Bolt 3/8in-16NC x 5-1/2in | |
| 142 | 0791605 | 6 | Screw 3/8in-16NC x 5/8in | |
| 143 | 3573444 | 6 | Plate, Lock | |
| 144 | 0630558 | 1 | Bolt 1-1/8in-7NC x 2in (1100SJP Only) | |
| 145 | 3311608 | 8 | Nut, Castle 3/8in-16NC | |
| 146 | 3760133 | 5 | Ring, Retaining | |
| 148 | 0811606 | AR | Screw 3/8in-16NC x 3/4in | |
| 149 | 0811607 | AR | Screw 3/8in-16NC x 7/8in | |
| | 0272048 | Ref | WIRE ROPE TOOLS INSTALLATION (OPTIONAL) | B |
| 201 | 0641676 | 1 | Bolt 3/8in-16NC x 9-1/2in | |
| 202 | 3311605 | 1 | Locknut 3/8in-16NC | |
| 203 | 4120040 | 1 | Socket 3/4in | |
| 204 | 4120043 | 1 | Socket 2in | |
| 205 | 4711600 | 1 | Flatwasher 3/8in Thin | |
| 206 | 4891600 | 1 | Flatwasher 3/8in Hardened | |
| 207 | 1705307 | 1 | Decal - Tool Location | |

SECTION 3 - BOOM

FIGURE 3-3. ACTUATOR ASSEMBLIES

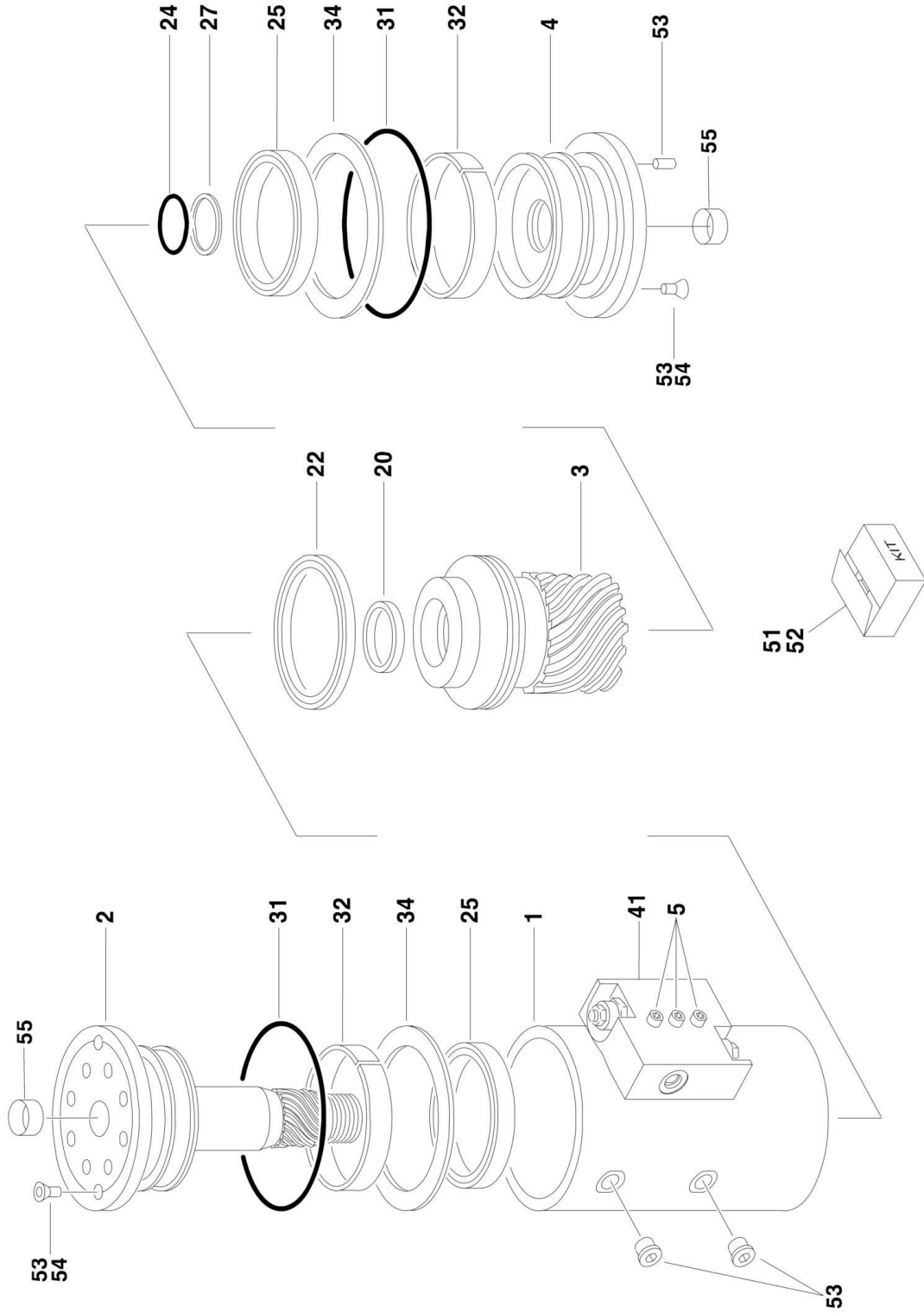
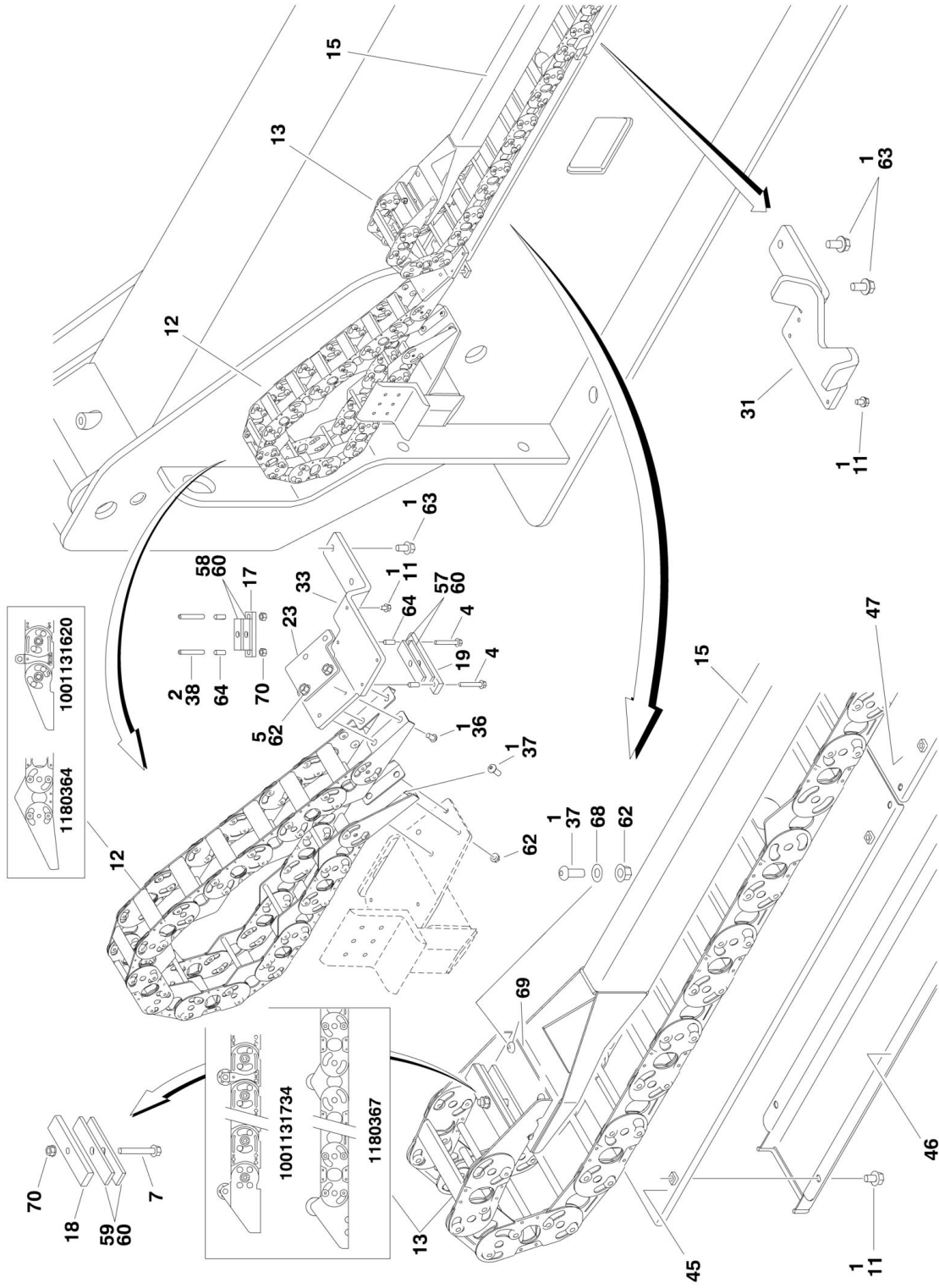


FIGURE 3-3. ACTUATOR ASSEMBLIES

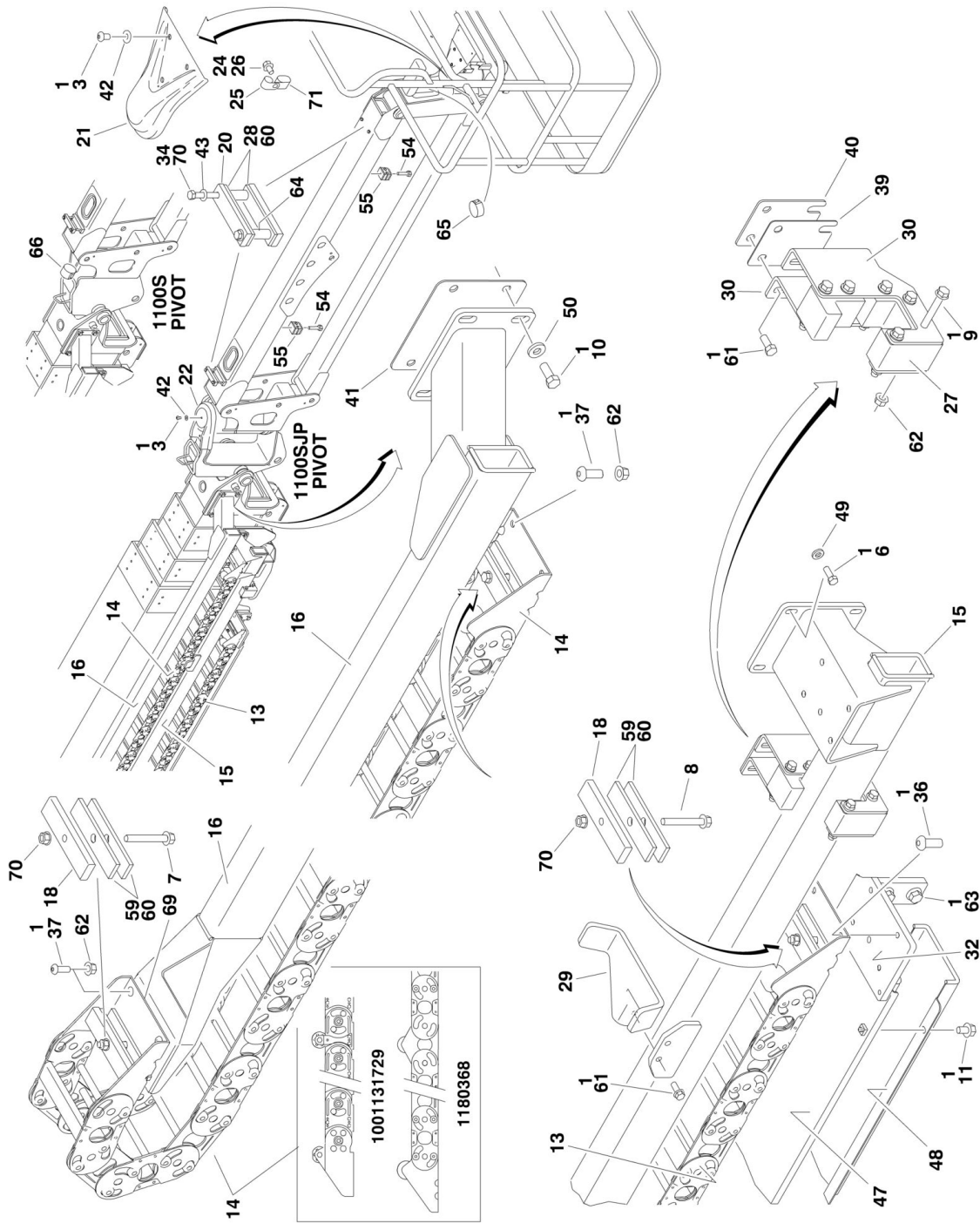
| ITEM | PART NUMBER | QTY | DESCRIPTION | REV |
|------|-------------|-----|---|-----|
| | | Ref | ACTUATOR ASSEMBLIES | |
| | 1001097643 | Ref | Platform Rotate (1100S & 1100SJP) | A |
| | 1001097619 | Ref | Jib Rotate (1100SJP Only) | A |
| 1 | See Note | 1 | Case/Bracket Weldment (Note: Not Available - Purchase Complete Actuator Assembly) | |
| 2 | | Ref | Shaft Options: | |
| 2 | 7017162 | 1 | 1001097643 Platform Rotator | |
| 2 | 7017191 | 1 | 1001097619 Jib Rotator | |
| 3 | | Ref | Sleeve, Piston Options: | |
| 3 | 7017163 | 1 | 1001097643 Platform Rotator | |
| 3 | 7017187 | 1 | 1001097619 Jib Rotator | |
| 4 | | Ref | Cap, End Options: | |
| 4 | 7017164 | 1 | 1001097643 Platform Rotator | |
| 4 | 7017188 | 1 | 1001097619 Jib Rotator | |
| 5 | See Note | 1 | Bolt 1/4in-20NC x 1-1/2in (Grade 8) (Note: Not available for purchase) | |
| 20 | See Note | 1 | Seal, Rod (Note: Use Item 52) | |
| 22 | See Note | 1 | Seal, Piston (Note: Use Item 52) | |
| 24 | See Note | 1 | Seal, Cap (Note: Use Item 52) | |
| 25 | See Note | 2 | Packing, Bearing (Note: Use Item 52) | |
| 27 | See Note | 1 | Ring, Cap Back-Up (Note: Use Item 52) | |
| 31 | See Note | 2 | Seal (Note: Use Item 52) | |
| 32 | See Note | 2 | Bearing, Shaft (Note: Use Item 51) | |
| 34 | See Note | 2 | Thrustwasher (Note: Use Item 51) | |
| 41 | | Ref | Motion Control Valve Assembly Options (Cartridges not serviced separately.): | |
| 41 | 70001639 | 1 | 1001097643 Platform Rotator | |
| 41 | 70002859 | 1 | 1001097619 Jib Rotator (was p/n 70001641) | |
| 51 | | Ref | Bearing Kit Options: (Includes Items 32 & 34) | |
| 51 | 7017159 | 1 | 1001097643 Platform Rotator | |
| 51 | 7017185 | 1 | 1001097619 Jib Rotator | |
| 52 | | Ref | Seal Kit Options: (Includes Items 20, 22, 24, 25, 27 & 31) | |
| 52 | | Ref | 1001097643 Platform Rotator | |
| 52 | 7017158 | 1 | Standard | |
| 52 | 70000342 | 1 | Cold Climate | |
| 52 | | Ref | 1001097619 Jib Rotator | |
| 52 | 7017184 | 1 | Standard | |
| 52 | 70000796 | 1 | Cold Climate | |
| 53 | | Ref | Hardware Kit (Platform Rotator Actuator) Options: | |
| 53 | 7017142 | 1 | 1001097643 Platform Rotator | |
| 53 | See Note | 1 | 1001097619 Jib Rotator (Note: Not available for purchase) | |
| 54 | 70001697 | 4 | Screw, Countersunk 1/4in-20NC x 3/8in (Grade 8) | |
| 55 | 7017195 | 2 | Bushing (Platform Rotator) | |

SECTION 3 - BOOM

FIGURE 3-4. POWER TRACK INSTALLATION



SECTION 3 - BOOM



SECTION 3 - BOOM

FIGURE 3-4. POWER TRACK INSTALLATION

| ITEM | PART NUMBER | QTY | DESCRIPTION | REV |
|------|-------------|-----|---|-----|
| | | Ref | POWER TRACK INSTALLATION | |
| | 1001115385 | Ref | Power Track Installation 1100S | B |
| | 0271800 | Ref | Power Track Installation 1100SJP | N |
| 1 | 0100011 | AR | Compound, Locking | |
| 2 | 0100019 | AR | Compound, Locking | |
| 3 | 0630467 | AR | Screw, Button 5/16in-18NC x 1/2in | |
| 4 | 0791518 | 2 | Screw 5/16in-18NC 2-1/4in | |
| 5 | 3900232 | 2 | Screw, Button 3/8in-16NC x 1-1/4in | |
| 6 | 0641608 | 4 | Bolt 3/8in-16NC x 1in | |
| 7 | 0791620 | 2 | Screw 3/8in-16NC x 2-1/2in | |
| 8 | 0791622 | 2 | Screw 3/8in-16NC x 2-3/4in | |
| 9 | 0791624 | 6 | Screw 3/8in-16NC x 3in | |
| 10 | 0641810 | 4 | Bolt 1/2in-13NC x 1-1/4in | |
| 11 | 0791504 | 48 | Screw 5/16in-18NC x 1/2in | |
| 12 | | Ref | Carrier (T/T to Boom) Options: | |
| | | Ref | Note: Original Equipment Power Track may have been replaced with Service Replacement. Visually identify component before ordering replacement parts. | |
| 12 | 1001131620 | 1 | Carrier (was p/n 1180364) (Prior to SN 0300157749) | |
| 12 | 1001131620 | 1 | Carrier (SN 0300157749 to Present) | |
| 12 | | Ref | Section Repair Kit Options (Includes Inner and Outer Links, Joining Bars and Rollers and Assembling Hardware): | |
| 12 | 7024367 | 1 | Repair Section for 1180364 Power Track | |
| 12 | 70003917 | 1 | Repair Section for 1001131620 Power Track | |
| 12 | | Ref | Mounting Bracket Kit Option (Includes Mounting Brackets for Both Ends, 1 Roller Assembly and Assembling Hardware): | |
| 12 | 7024368 | 1 | Kit for 1180364 Power Track | |
| 12 | 70003918 | 1 | Kit for 1001131620 Power Track | |
| 13 | | Ref | Carrier (Lower) Options: | |
| | | Ref | Note: Original Equipment Power Track may have been replaced with Service Replacement. Visually identify component before ordering replacement parts. | |
| 13 | 1001131734 | 1 | Carrier (was p/n 1180367) (Prior to SN 0300157749) | |
| 13 | 1001131734 | 1 | Carrier (SN 0300157749 to Present) | |
| 13 | | Ref | Section Repair Kit Options (Includes Inner and Outer Links, Joining Bars and Rollers and Assembling Hardware): | |
| 13 | 7024362 | AR | Repair Section for 1180367 Power Track | |
| 13 | 70003913 | AR | Repair Section for 1001131734 Power Track | |
| 13 | | Ref | Mounting Bracket Kit Option (Includes Mounting Brackets for Both Ends, 1 Roller Assembly and Assembling Hardware): | |
| 13 | 7024363 | 1 | Kit for 1180367 Power Track | |
| 13 | 70003915 | 1 | Kit for 1001131734 Power Track | |
| 13 | | Ref | Center Bracket Kit Options (Includes 1 Flat Bar, 1 Round Bar, 1 Roller and Assembling Hardware) | |
| 13 | 7024364 | AR | Kit for 1180367 Power Track | |
| 13 | 70003914 | AR | Kit for 1001131734 Power Track | |
| 14 | | Ref | Carrier (Upper) Options: | |
| | | Ref | Note: Original Equipment Power Track may have been replaced with Service Replacement. Visually identify component before ordering replacement parts. | |
| 14 | 1001131729 | 1 | Carrier (was p/n 1180368) (Prior to SN 0300157749) | |
| 14 | 1001131729 | 1 | Carrier (SN 0300157749 to Present) | |

SECTION 3 - BOOM

| ITEM | PART NUMBER | QTY | DESCRIPTION | REV |
|------|-------------|-----|--|-----|
| 14 | | Ref | Section Repair Kit Options (Includes Inner and Outer Links, Joining Bars and Rollers and Assembling Hardware): | |
| 14 | 7024362 | AR | Repair Section for 1180368 Power Track | |
| 14 | 70003913 | AR | Repair Section for 1001131729 Power Track | |
| 14 | | Ref | Mounting Bracket Kit Option (Includes Mounting Brackets for Both Ends, 1 Roller Assembly and Assembling Hardware): | |
| 14 | 7024363 | 1 | Kit for 1180368 Power Track | |
| 14 | 70003915 | 1 | Kit for 1001131729 Power Track | |
| 14 | | Ref | Center Bracket Kit Options (Includes 1 Flat Bar, 1 Round Bar, 1 Roller and Assembling Hardware) | |
| 14 | 7024364 | AR | Kit for 1180368 Power Track | |
| 14 | 70003914 | AR | Kit for 1001131729 Power Track | |
| 15 | 1180369 | 1 | Tube, Push (Lower) | |
| 16 | 1180370 | 1 | Tube, Push (Upper) | |
| 17 | 1320277 | 1 | Clamp, Hose | |
| 18 | 1320294 | 4 | Clamp, Bar | |
| 19 | 1320295 | 1 | Clamp, Bar | |
| 20 | 1320296 | 3 | Clamp, Bar | |
| 21 | 1670964 | 1 | Cover, Support/Rotator | |
| 22 | 1671043 | 1 | Cover, Jib Pivot (1100SJP Only) | |
| 23 | 4846753 | 1 | Shield, Hose Protection | |
| 24 | 0641406 | 1 | Bolt 1/4in-20NC x 3/4in | |
| 25 | 1320263 | 1 | Clamp, Cable | |
| 26 | 4711400 | 1 | Flatwasher 1/4in Thin | |
| 27 | 3340925 | 1 | Pad | |
| 28 | 3340934 | 4 | Pad, Clamp | |
| 29 | 3573016 | 3 | Support, Track | |
| 30 | 3573179 | 2 | Plate, Mounting | |
| 31 | 3573181 | 4 | Support, Track | |
| 32 | 3573194 | 1 | Plate, Track Mounting | |
| 33 | 3573210 | 1 | Plate, Track Mounting | |
| 34 | 3900260 | 4 | Capscrew 3/8in-16NC x 4in | |
| 36 | 3900283 | 6 | Screw, Button Head 3/8in-16NC x 3/4in | |
| 37 | 3900316 | 16 | Screw, Button Head 3/8in-16NC x 1in | |
| 38 | 3951620 | 2 | Setscrew 3/8in-16NC x 2-1/2in | |
| 39 | 4071021 | 1 | Shim, Adjusting 16Ga | |
| 40 | 4071022 | 1 | Shim, Adjusting 11Ga | |
| 41 | 4071023 | 1 | Shim, Adjusting 11Ga | |
| 42 | 4711500 | AR | Flatwasher 5/16in Thin | |
| 43 | 4711600 | 4 | Flatwasher 3/8in Thin | |
| 45 | 4846431 | 1 | Cover, Cable (Front) | |
| 46 | 4846485 | 1 | Support, Cable (Front) | |
| 47 | 4846515 | 4 | Cover, Cable (Rear) | |
| 48 | 4846516 | 4 | Support, Cable (Rear) | |
| 49 | 4891600 | 4 | Flatwasher, 3/8in Hardened | |
| 50 | 4891800 | 4 | Flatwasher 1/2in Hardened | |
| 54 | 0641510 | AR | Bolt 5/16in-18NC x 1-1/4in | |
| 55 | 1320159 | AR | Clamp | |
| 56 | 4240018 | 10 | Tie-Strap (Not Shown) | |
| 57 | 3340940 | 2 | Pad, Rubber | |
| 58 | 3340941 | 2 | Pad, Rubber | |
| 59 | 3340942 | 8 | Pad, Rubber | |

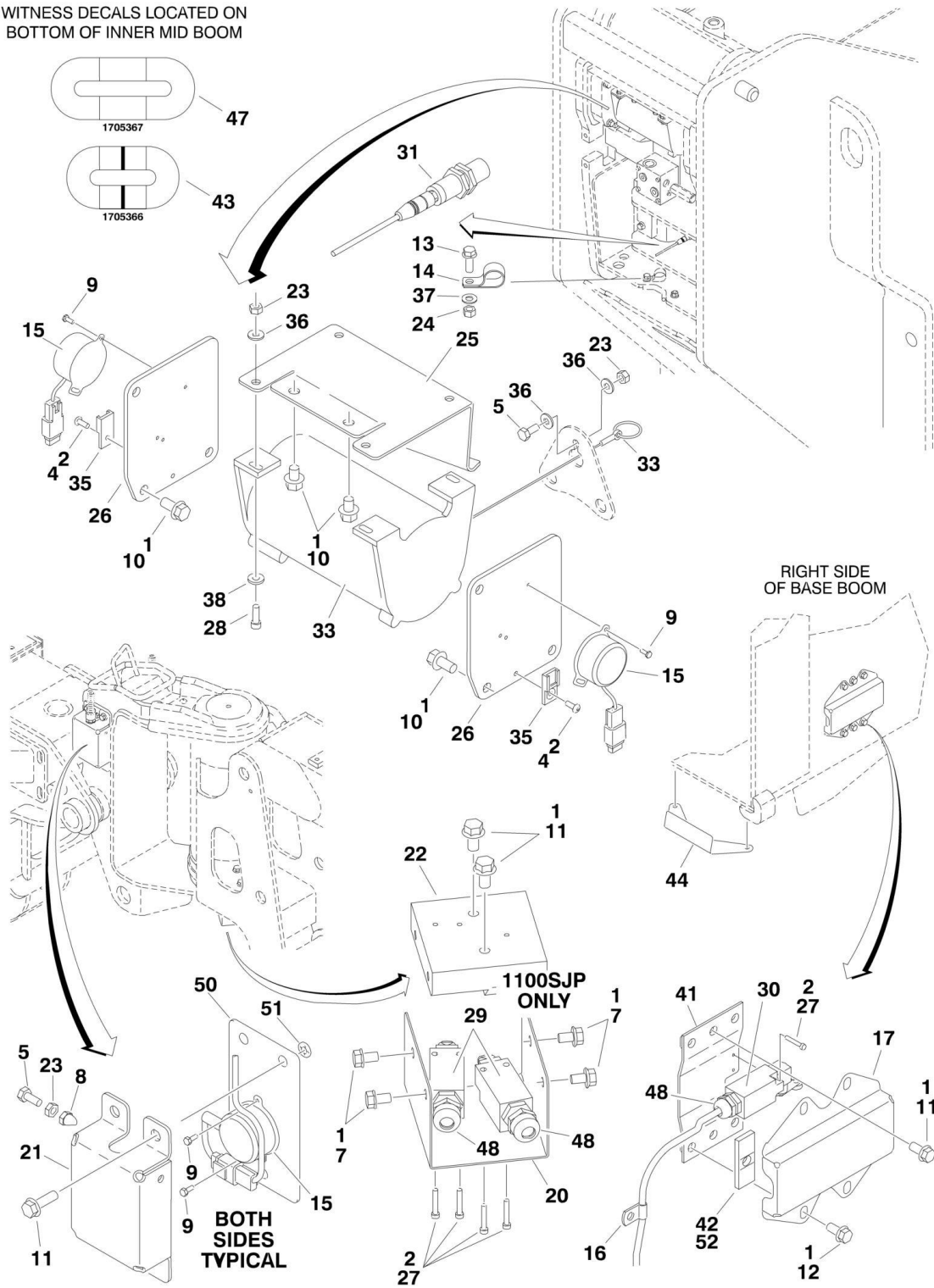
SECTION 3 - BOOM

| ITEM | PART NUMBER | QTY | DESCRIPTION | REV |
|------|-------------|---------------|------------------------------|-----|
| 60 | 0100081 | AR | Adhesive #454 | |
| 61 | 0791607 | 10 | Screw 3/8in-16NC x 7/8in | |
| 62 | 3311608 | AR | Nut, Flanged 3/8in-16NC | |
| 63 | 0791808 | 12 | Screw 1/2in-13NC x 1in | |
| 64 | 4562516 | AR | Tubing, Poly | |
| 65 | 4240153 | AR | Strap, 4in Cinch (Not Shown) | |
| 66 | 4240155 | AR | Strap, 8in Cinch | |
| 67 | 4240156 | AR | Strap, 12in Cinch | |
| 68 | 4751500 | 4 | Flatwasher 5/16in Regular | |
| 69 | 4060804 | 11 in/28cm | Shield, Flex Trim 3/16in | |
| 70 | 3300492 | 8 | Nut, Nylon Insert | |
| 71 | 1321385 | 1 | Clamp, Hose | |

SECTION 3 - BOOM

FIGURE 3-5. BOOM SENSORS AND SWITCHES INSTALLATION

WITNESS DECALS LOCATED ON
BOTTOM OF INNER MID BOOM



SECTION 3 - BOOM

FIGURE 3-5. BOOM SENSORS AND SWITCHES INSTALLATION

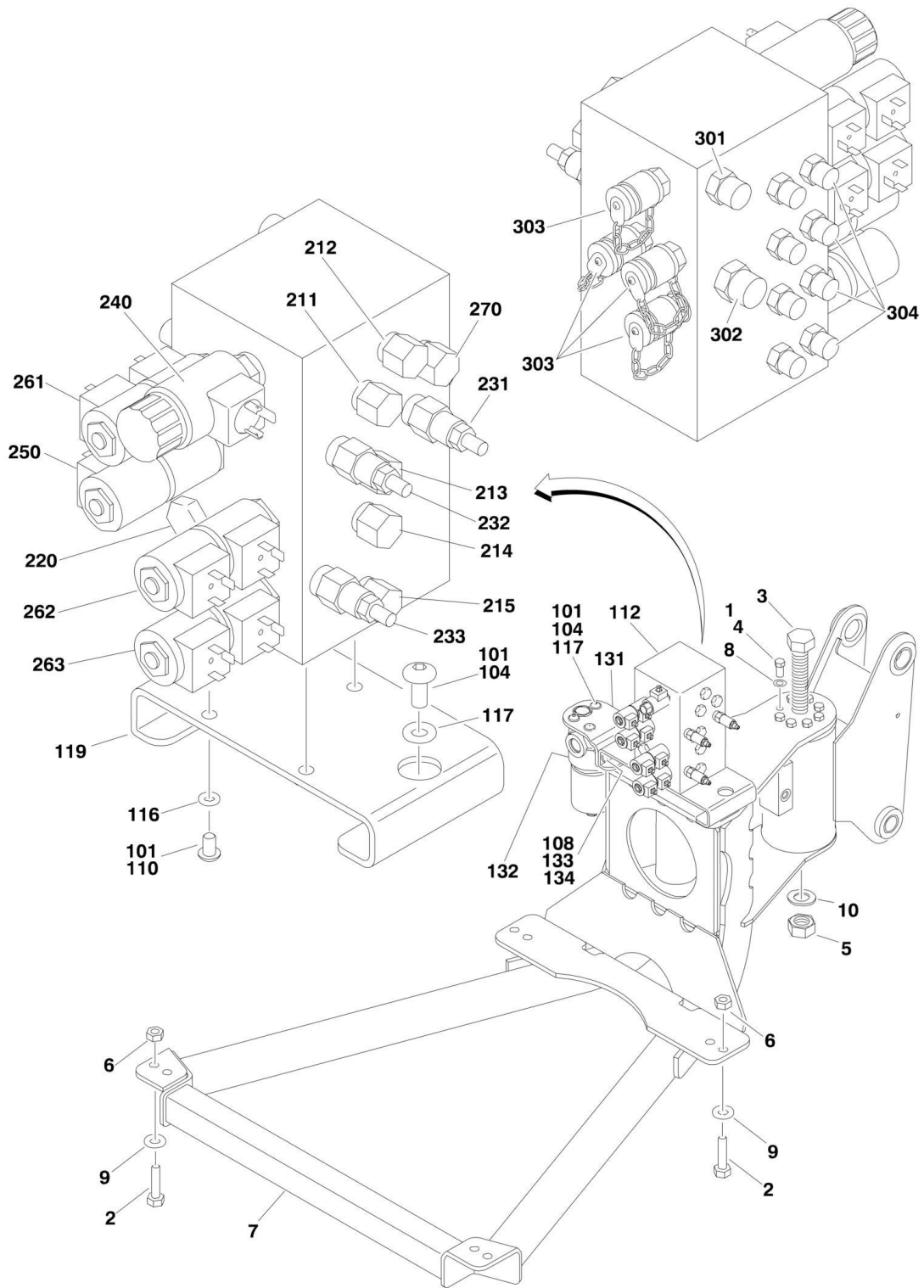
| ITEM | PART NUMBER | QTY | DESCRIPTION | REV |
|------|--------------|-----|--|-----|
| | | Ref | BOOM SENSORS AND SWITCHES INSTALLATIONS | |
| | 1001110558 | Ref | Boom Sensors and Switches Installations 1100S | B |
| | 0273696 | Ref | Boom Sensors and Switches Installations 1100SJP | G |
| 1 | 0100011 | AR | Compound, Locking | |
| 2 | 0100035 | AR | Compound, Locking | |
| 4 | 0630464 | 2 | Screw, Button Head #10-24NC x 1/2in | |
| 5 | 0641405 | 5 | Bolt 1/4in-20NC x 5/8in | |
| 7 | 0791504 | 4 | Screw 5/16in-18NC x 1/2in (1100SJP Only) | |
| 8 | 3300430 | 2 | Nut, Acorn 1/4in-20NC | |
| 9 | 3930606 | 12 | Capscrew #6-32NC x 3/8in | |
| 10 | 0791604 | 8 | Screw 3/8in-16NC x 1/2in | |
| 11 | 0791605 | AR | Screw 3/8in-16NC x 5/8in | |
| 12 | 0791606 | 4 | Screw 3/8in-16NC x 3/4in | |
| 13 | 0791608 | 2 | Screw 3/8in-16NC x 1in | |
| 14 | 1320130 | 2 | Clamp, Hose | |
| 15 | | Ref | Sensor, Angle Indicator Options (Note: Control System must be recalibrated when Sensor is replaced) | |
| 15 | 1001133329 | 4 | Sensor, Angle Indicator (was p/n 4360545) (Prior to SN 0300141600) | |
| 15 | 1001133329 | 4 | Sensor, Angle Indicator (SN 0300141600 to Present) | |
| 16 | 1320301 | 1 | Clamp, Cable | |
| 17 | 1671031 | 1 | Cover, Limit Switch | |
| 20 | | Ref | Cover, Jib Switch Options: | |
| 20 | Not Required | 0 | Cover, Jib Switch 1100S | |
| 20 | 1671039 | 1 | Cover, Jib Switch 1100SJP | |
| 21 | 1671044 | 2 | Cover, Level Sensor | |
| 22 | | Ref | Mount, Jib Switch Options: | |
| 22 | Not Required | 0 | Mount, Jib Switch 1100S | |
| 22 | 3200433 | 1 | Mount, Jib Switch 1100SJP | |
| 23 | 3311405 | 9 | Locknut 1/4in-20NC | |
| 24 | 3311605 | 2 | Locknut 3/8in-16NC | |
| 25 | 3574431 | 1 | Plate, Switch Mounting | |
| 26 | 3573301 | 2 | Plate, Sensor Mounting | |
| 27 | 3930816 | 6 | Capscrew #8-32NC x 1in | |
| 28 | 3931414 | 4 | Capscrew 1/4in-20NC x 7/8in | |
| 29 | | Ref | Switch, Jib Limit Options: (Note: Control System must be recalibrated when Switch is replaced) | |
| 29 | Not Required | 0 | Switch, Jib Limit 1100S | |
| 29 | 4360548 | 2 | Switch, Jib Limit 1100SJP | |
| 30 | 4360578 | 1 | Switch, Boom Length Limit Options: (Note: Control System must be recalibrated when Switch is replaced) | |
| 31 | 4360527 | 1 | Switch, Cable Break Proximity (Note: Control System must be recalibrated when Switch is replaced) | |
| 33 | 4360543 | 1 | Sensor, Boom Length (Note: Control System must be recalibrated when Sensor is replaced) | |
| 35 | 4460914 | 2 | Terminal, Base | |
| 36 | 4711400 | 10 | Flatwasher 1/4in Thin | |
| 37 | 4711600 | 2 | Flatwasher 3/8in Thin | |
| 38 | 4891400 | 4 | Flatwasher 1/4in Hardened | |
| 41 | 4846484 | 1 | Mount, Switch | |
| 42 | 3340941 | 1 | Pad, Rubber | |

SECTION 3 - BOOM

| ITEM | PART NUMBER | QTY | DESCRIPTION | REV |
|------|-------------|-----|----------------------------------|-----|
| 43 | 1705366 | 1 | Decal - Boom Length (500LB Cap) | |
| 44 | 3574616 | 1 | Plate, Boom Length | |
| 47 | 1705367 | 1 | Decal - Boom Length (1000LB Cap) | |
| 48 | 4460968 | AR | Connector, Strain Relief | |
| 48 | 4460968 | 1 | Connector, Strain Relief 1100S | |
| 48 | 4460968 | 3 | Connector, Strain Relief 1100SJP | |
| 49 | 1320136 | 2 | Clamp, Cable (Not Shown) | |
| 50 | 4341158 | 2 | Plate, Mounting Sensor | |
| 51 | 8310070 | 6 | Pushnut 3/8in | |
| 52 | 0100081 | AR | Loctite #454 | |

SECTION 3 - BOOM

FIGURE 3-6. PLATFORM SUPPORT AND CONTROL VALVES INSTALLATIONS



SECTION 3 - BOOM

FIGURE 3-6. PLATFORM SUPPORT AND CONTROL VALVES INSTALLATIONS

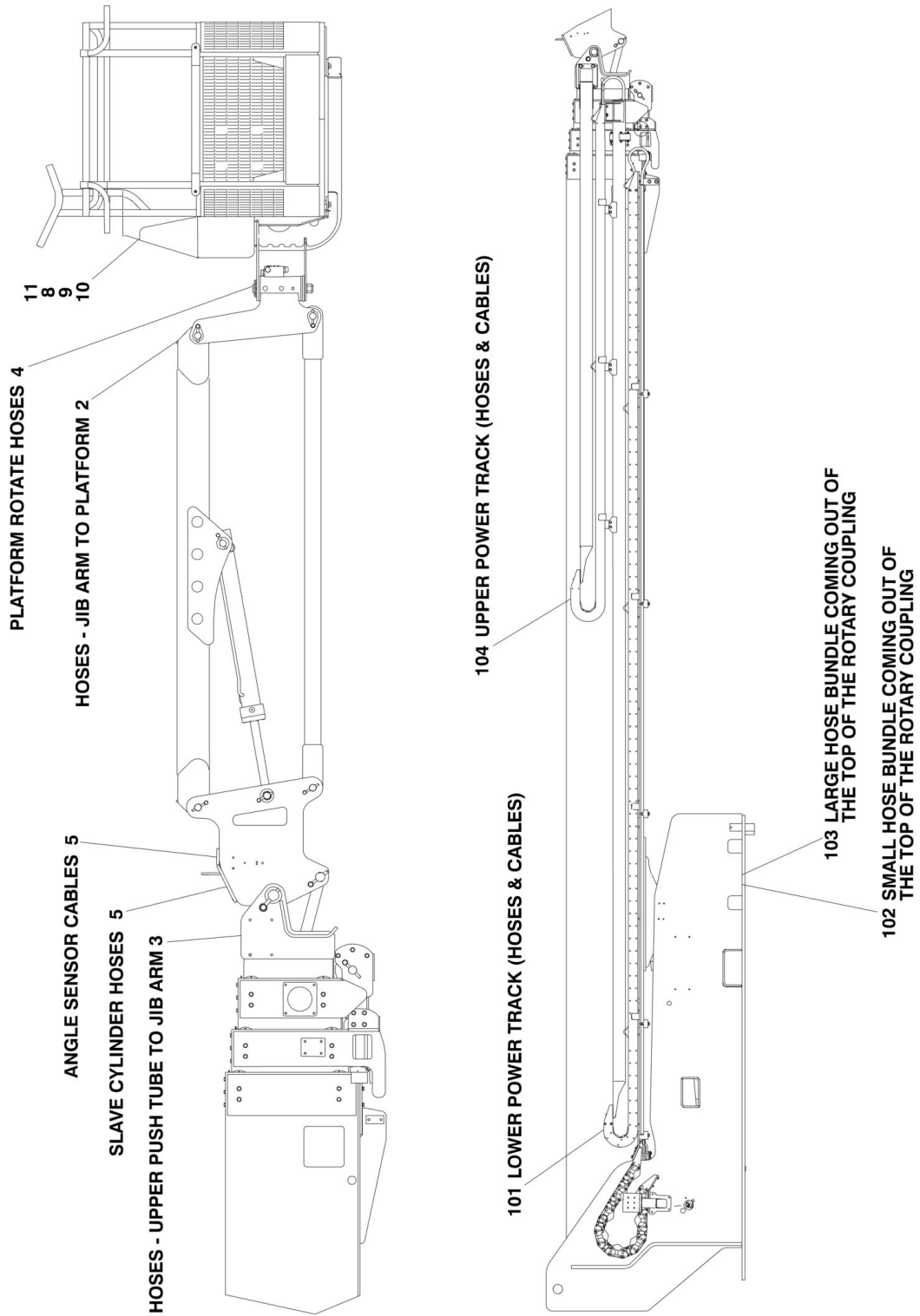
| ITEM | PART NUMBER | QTY | DESCRIPTION | REV |
|------|-------------|-----|---|-----|
| | 0272070 | Ref | PLATFORM SUPPORT INSTALLATION | E |
| 1 | 0100011 | AR | Compound, Locking | |
| 2 | 0641812 | 8 | Bolt 1/2in-13NC x 1-1/2in | |
| 3 | 0642684 | 1 | Bolt 1in-8NC x 10-1/2in | |
| 4 | 0681608 | 8 | Bolt 3/8in-16NC x 1in (Grade 8) | |
| 5 | 3300243 | 1 | Nut 1in-8NC (Grade 8) | |
| 6 | 3311805 | 8 | Locknut 1/2in-13NC | |
| 7 | 4846573 | 1 | Support Weldment | |
| 8 | 4891600 | 8 | Flatwasher 3/8in Hardened | |
| 9 | 4891800 | 8 | Flatwasher 1/2in Hardened | |
| 10 | 4892600 | 1 | Flatwasher 1in Hardened | |
| | | Ref | CONTROL VALVE INSTALLATION | |
| | 1001110164 | Ref | 2WD/2WS | C |
| | 1001116398 | Ref | 4WD/2WS | A |
| | 0271802 | Ref | 4WD/4WS | K |
| 101 | 0100011 | AR | Compound, Locking | |
| 104 | 3900283 | 6 | Screw, Button Head 3/8in-16NC x 3/4in | |
| 108 | 3311605 | 2 | Locknut, 3/8in-16NC | |
| 110 | 3900210 | 3 | Screw, Button Head 5/16in-18NC x 3/4in | |
| 112 | | Ref | Platform Valve Options: | |
| 112 | 1001109238 | 1 | 2WD/2WS | |
| 112 | 1001109238 | 1 | 4WD/2WS | |
| 112 | 4641460 | 1 | 4WD/4WS | |
| 116 | 4711500 | 3 | Flatwasher 5/16in Thin | |
| 117 | 4711600 | 6 | Flatwasher 3/8in Thin | |
| 119 | 4341264 | 1 | Plate, Valve Mounting | |
| 131 | 0903530 | 1 | Bracket, Filter Mounting | |
| 132 | 2120217 | 1 | Filter, Pressure | |
| 132 | 70002097 | 1 | Element | |
| 132 | 70001499 | 1 | Seal Kit - 2120217 Filter | |
| 132 | 70004328 | 1 | Plug, Indicator | |
| 133 | 3900232 | 2 | Screw, Button Head 3/8in-16NC x 1-1/4in | |
| 134 | 4751600 | 4 | Flatwasher, 3/8in Regular | |
| | | Ref | PLATFORM VALVE ASSEMBLIES | |
| | 1001109238 | Ref | 2WD/2WS | A |
| | 1001109238 | Ref | 4WD/2WS | A |
| | 4641460 | Ref | 4WD/4WS | C |
| 211 | 7026018 | 1 | Valve, Cartridge | |
| 211 | 7011346 | 1 | Seal Kit - Valve | |
| 212 | 7026019 | 1 | Valve, Cartridge (Flow Control) | |
| 212 | 7011346 | 1 | Seal Kit - Valve | |
| 213 | 7026020 | 1 | Valve, Cartridge (Rotate) | |
| 213 | 7011346 | 1 | Seal Kit - Valve | |
| 214 | 7026021 | 1 | Valve, Cartridge (Jib Swing) (2WD/2WS & 4WD/2WS Only) | |
| 214 | 7011346 | 1 | Seal Kit - Valve | |
| 215 | 7026019 | 1 | Valve, Cartridge (Jib Lift) | |
| 215 | 7011346 | 1 | Seal Kit - Valve | |
| 220 | 7011355 | 1 | Valve, Cartridge (Jib) | |
| 220 | 2900770 | 1 | Seal Kit - Valve | |
| 231 | 7024572 | 1 | Valve, Relief Cartridge (Platform Level Up) | |

SECTION 3 - BOOM

| ITEM | PART NUMBER | QTY | DESCRIPTION | REV |
|------|-------------|-----|---|-----|
| 231 | 7011346 | 1 | Seal Kit - Valve | |
| 232 | 7024572 | 1 | Valve, Relief Cartridge (Platform Level Down) | |
| 232 | 7011346 | 1 | Seal Kit - Valve | |
| 233 | 7024572 | 1 | Valve, Relief Cartridge (Jib Up/Down) | |
| 233 | 7011346 | 1 | Seal Kit - Valve | |
| 240 | 7026022 | 1 | Valve, Cartridge (Dump) | |
| 240 | 2900770 | 1 | Seal Kit - Valve | |
| 240 | 7024571 | 1 | Coil | |
| 250 | 7023922 | 1 | Valve, Cartridge (Platform Rotate) | |
| 250 | 7017402 | 1 | Seal Kit - Valve | |
| 250 | 7012944 | 2 | Coil | |
| 261 | 7023922 | 1 | Valve, Cartridge (Platform Level) | |
| 261 | 7017402 | 1 | Seal Kit - Valve | |
| 261 | 7012944 | 2 | Coil | |
| 262 | 7023922 | 1 | Valve, Cartridge (Jib Swing) (2WD/2WS & 4WD/2WS Only) | |
| 262 | 7017402 | 1 | Seal Kit - Valve | |
| 262 | 7012944 | 2 | Coil | |
| 263 | 7023922 | 1 | Valve, Cartridge (Jib Lift) | |
| 263 | 7017402 | 1 | Seal Kit - Valve | |
| 263 | 7012944 | 2 | Coil | |
| 270 | 7026023 | 1 | Valve, Cartridge (Check) | |
| 270 | 7011346 | 1 | Seal Kit - Valve | |
| 301 | 2110606 | 1 | Fitting, Straight | |
| 302 | 4641255 | 1 | Fitting | |
| 303 | 2221086 | 4 | Check, Pressure | |
| 304 | 2110404 | Ref | Fitting, Straight | |
| 304 | 2110404 | 6 | 2WD/2WS | |
| 304 | 2110404 | 6 | 4WD/2WS | |
| 304 | 2110404 | 8 | 4WD/4WS | |

SECTION 3 - BOOM

FIGURE 3-7. HOSE/CABLE PROTECTION INSTALLATION (1100S ONLY)



SECTION 3 - BOOM

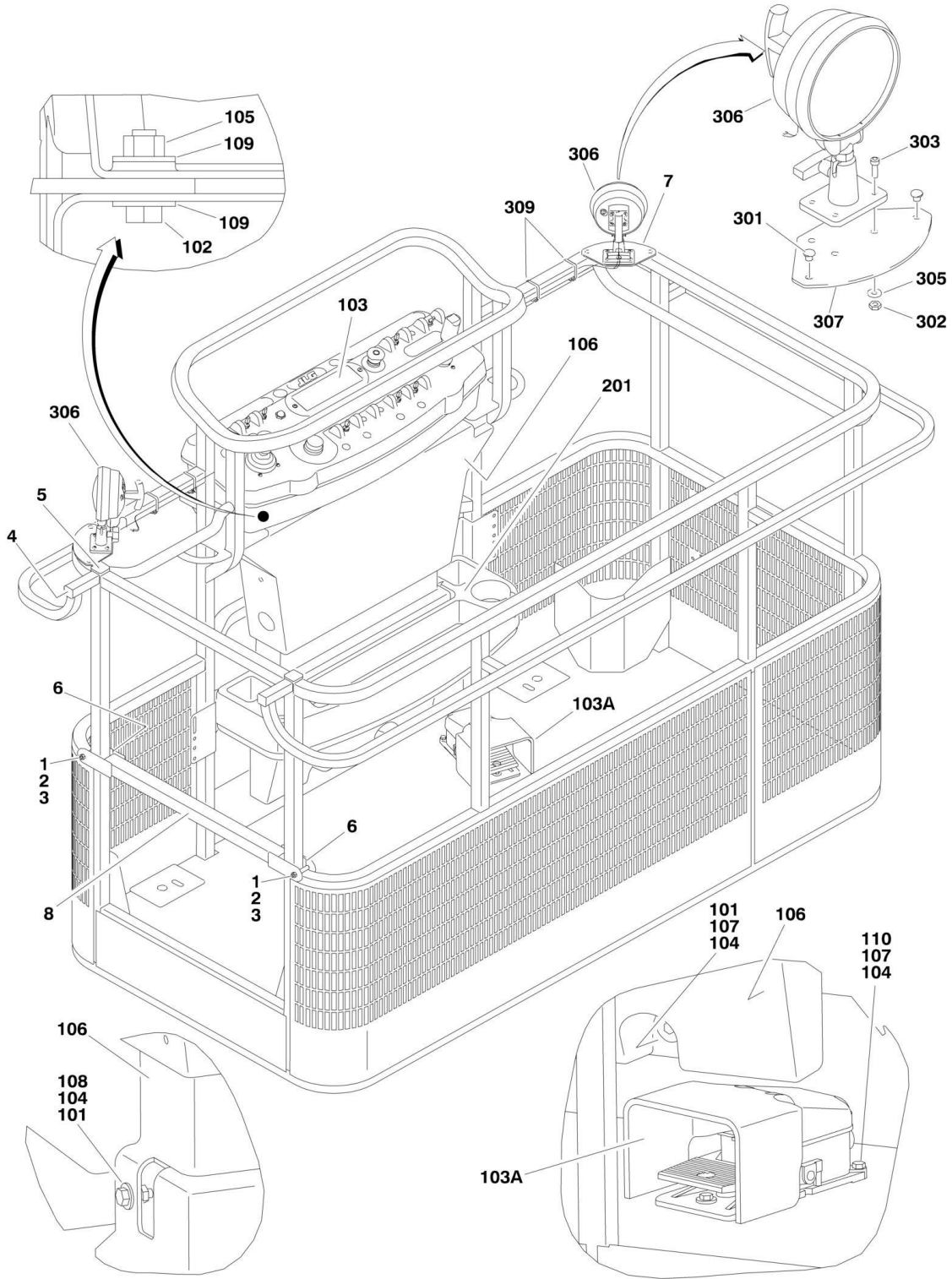
FIGURE 3-7. HOSE/CABLE PROTECTION INSTALLATION (1100S ONLY)

| ITEM | PART NUMBER | QTY | DESCRIPTION | REV |
|------|-------------|-----|---|-----|
| | 1001111396 | Ref | HOSE/CABLE PROTECTION INSTALLATION (JIB AND PLATFORM SUPPORT) (1100s only) | D |
| 2 | 1001111388 | 1 | Cover, Fire Protection (4in/10cm Dia.) | |
| 3 | 1001113243 | 1 | Cover, Fire Protection (2in/5cm Dia.) | |
| 4 | 1001111390 | 1 | Cover, Fire Protection (1 1/2in/3.8cm Dia.) | |
| 5 | 1001113242 | 3 | Cover, Fire Protection (1in/2.5cm Dia.) | |
| 8 | 0641505 | 2 | Bolt 5/16in-18NC x 5/8in | |
| 9 | 3311505 | 2 | Locknut 5/16in-18NC | |
| 10 | 4751500 | 3 | Flatwasher 5/16in Regular | |
| 11 | 1001112929 | 1 | Shield | |
| | | Ref | Kit Options: | |
| | 1001114890 | 1 | Cover, Fire Protection (Boom) (Includes Items 2, 3 & 5) | |
| | 1001114889 | 1 | Cover, Fire Protection (Jib) (Includes Items 4 & 5) | |
| | 1001112741 | Ref | HOSE/CABLE PROTECTION INSTALLATION (BOOM) | D |
| 101 | 1001111387 | 2 | Cover, Fire Protection (7in/18cm OD x 32.25ft/9.8m L) | |
| 102 | | Ref | Cover, Fire Protection Options: | |
| 102 | 1001111391 | 1 | Cover (4in/10cm OD x 1.5ft/.5m L) (Prior to SN 0300139583) | |
| 102 | 1001115440 | 1 | Cover (See TURNTABLE SECTION for Breakdown) (SN 0300139583 to Present) | |
| 103 | | Ref | Cover, Fire Protection (1-1/2in/3.8cm Dia.) | |
| 103 | 1001111392 | 1 | Cover (4in/10cm OD x 1.5ft/.5m L) (Prior to SN 0300139583) | |
| 103 | 1001115440 | 1 | Cover (See TURNTABLE SECTION for Breakdown) (SN 0300139583 to Present) | |
| 104 | 1001111393 | 2 | Cover, Fire Protection (1in/2.5cm Dia.) | |
| | | Ref | Kit Options: | |
| | 1001114891 | 1 | Cover Kit (Power Track) (Includes Items 101 & 104) | |
| | | Ref | Cover Kit (Turntable) Options: | |
| | 1001115440 | 1 | Kit (Includes Items 102 & 103) (was p/n 1001114892) (Prior to SN 0300139583) | |
| | 1001115440 | 1 | Kit (See TURNTABLE SECTION for Breakdown) (SN 0300139583 to Present) | |

SECTION 4 - PLATFORM

SECTION 4 - PLATFORM

FIGURE 4-1. PLATFORM COMPONENTS INSTALLATION (1100S)



SECTION 4 - PLATFORM

FIGURE 4-1. PLATFORM COMPONENTS INSTALLATION (1100S)

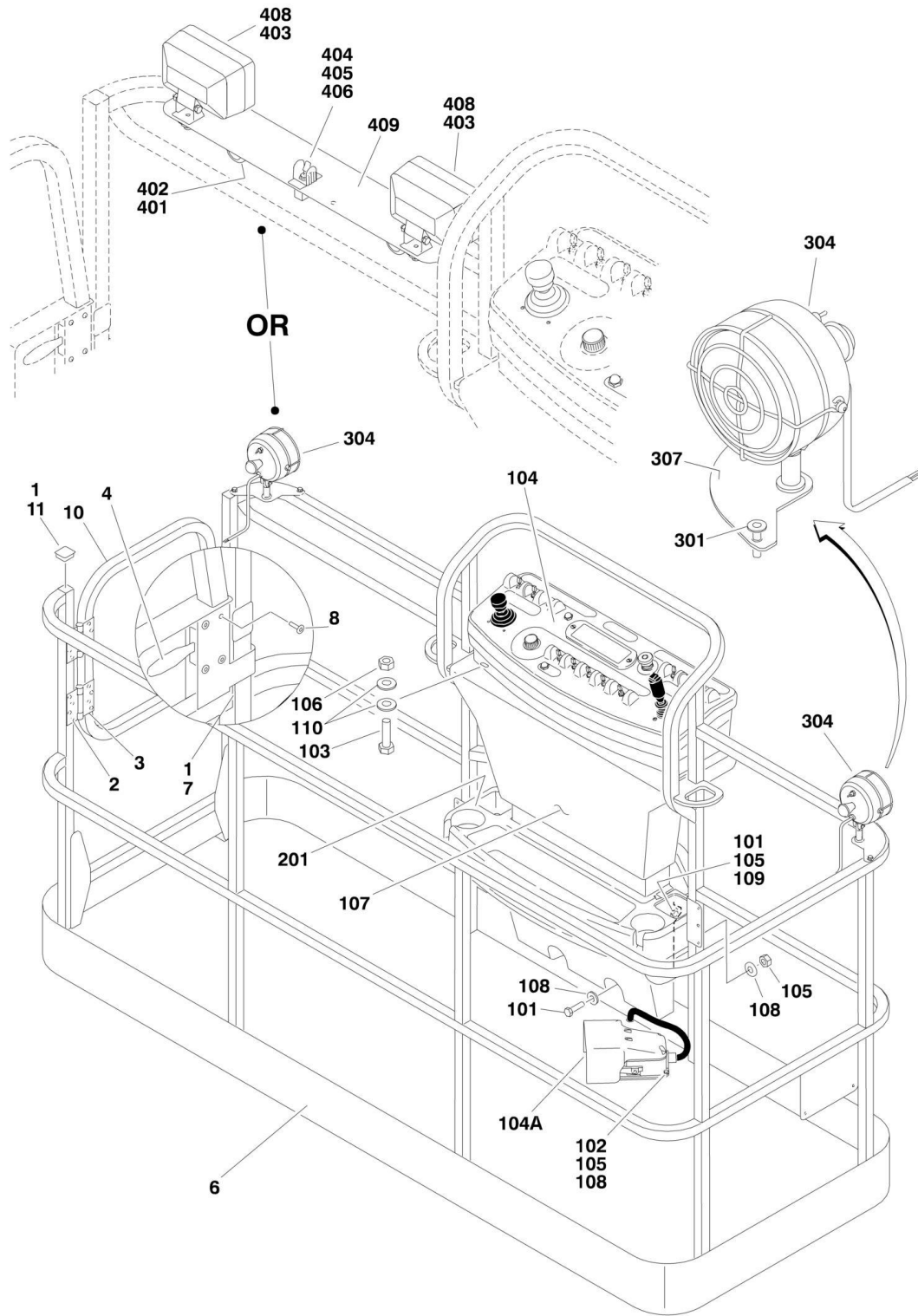
| ITEM | PART NUMBER | QTY | DESCRIPTION | REV |
|------|-------------|-----------|--|-----|
| | | Ref | PLATFORM ASSEMBLIES (1100S) | |
| | 1001111018 | Ref | 6ft (1.83m) with Dropbar and Mesh | F |
| | | Ref | Note: Replacement decals must be ordered separately- SEE DECALS SECTION. | |
| 1 | 0641418 | 2 | Bolt 1/4in-20NC x 2-1/4in | |
| 2 | 0961845 | 2 | Bushing | |
| 3 | 3311405 | 2 | Locknut 1/4in-20NC | |
| 4 | 3520182 | 4 | Plug, Square Tube | |
| 5 | 3520198 | 2 | Plug, Square Tube | |
| 6 | 4420055 | 7 in/18cm | Cap-Plug | |
| 7 | See Note | 1 | Platform Weldment (Note: Not Available - Purchase Platform Assembly) | |
| 8 | 1001111346 | 1 | Slidebar | |
| | | Ref | FOOTSWITCH AND COVERS INSTALLATIONS | |
| | 1001146046 | Ref | Footswitch and Covers Installations (was p/n 1001109954) (Prior to SN 0300157749) | B |
| | 1001146046 | Ref | Footswitch and Covers Installations (SN 0300157749 to Present) | A |
| 101 | 0641406 | 4 | Bolt 1/4in-20NC x 3/4in | |
| 102 | 0641610 | 4 | Bolt 3/8in-16NC x 1-1/4in | |
| 103 | | Ref | Platform Console Box Assembly Options (See PLATFORM CONSOLE ASSEMBLY for Breakdown): | |
| 103 | 1001146045 | 1 | Platform Console Box Assembly (was p/n 1001109953) (Prior to SN 0300157749) | |
| 103 | 1001146045 | 1 | Platform Console Box Assembly (SN 0300157749 to Present) | |
| 103 | | Ref | Footswitch Assembly Options (See ELECTRICAL SECTION for Additional Components): | |
| 103 | 0272970 | 1 | Footswitch Assembly (Prior to SN 0300157749) | B |
| 103 | 1001117174 | 1 | Footswitch Assembly (SN 0300157749 to Present) | B |
| | | Ref | Note: Assembly p/n 0272970 may use either p/n 4360031 or p/n 1001117320. If Original Equipment was replaced as an "assembly," p/n 1001117320 may have been used as part of the Service Replacement. Identify component before ordering parts. | |
| 103A | | Ref | Footswitch Options: | |
| 103A | 4360031 | 1 | Footswitch (Original Equipment) (Prior to SN 0300140836) | |
| 103A | 7000625 | 2 | Block, Contact (4360031 Footswitch) | |
| 103A | 1001117320 | 1 | Footswitch (Service Replacement for p/n 4360031) (SN 0300140836 through 0300157748) | |
| 103A | 70003483 | 1 | Block, Contact (1001117320 Footswitch) | |
| 103A | 1001117172 | 1 | Footswitch (SN 0300157749 to Present) | |
| 103A | 70002902 | 1 | Switch, 20Amp | |
| 103A | 70002903 | 1 | Gasket | |
| 103A | 70002904 | 4 | Replacement Kit, Bolt | |
| 103A | 70002905 | 1 | Cover, Aluminum | |
| 104 | 3311405 | 7 | Locknut 1/4in-20NC | |
| 105 | 3311605 | 4 | Locknut 3/8in-16NC | |
| 106 | 3380434 | 1 | Panel, Molded | |
| 107 | 4740362 | 7 | Washer, Fender | |
| 108 | 4751400 | 4 | Flatwasher 1/4in Regular | |
| 109 | 4751600 | 8 | Flatwasher 3/8in Regular | |
| 110 | 0641408 | 3 | Bolt 1/4in-20NC x 1in | |

SECTION 4 - PLATFORM

| ITEM | PART NUMBER | QTY | DESCRIPTION | REV |
|------|-------------|-----|---|-----|
| | | Ref | TRAY INSTALLATIONS (OPTIONAL) | |
| 201 | 1580012 | 1 | Tray, Storage (Center) | |
| | 1001120466 | Ref | WORKLIGHTS INSTALLATION (OPTIONAL) | B |
| 301 | 2080040 | 4 | Rivet | |
| 302 | 3311005 | 8 | Locknut #10-24NC | |
| 303 | 3931010 | 8 | Capscrew #10-24NC x 5/8in | |
| 304 | 4460428 | 1 | Connector, Strain Relief (Not Shown) | |
| 305 | 4751000 | 8 | Flatwasher #10 Regular | |
| 306 | 1001120474 | 2 | Worklight | |
| 307 | 1001120476 | 2 | Plate, Lamp Mounting | |
| 308 | 1001120484 | 1 | Harness, Worklight (Not Shown - See ELECTRICAL SECTION for Breakdown) | |
| 309 | 4240099 | AR | Tie-Strap | |

SECTION 4 - PLATFORM

FIGURE 4-2. PLATFORM COMPONENTS INSTALLATION (1100SJP)



SECTION 4 - PLATFORM

FIGURE 4-2. PLATFORM COMPONENTS INSTALLATION (1100SJP)

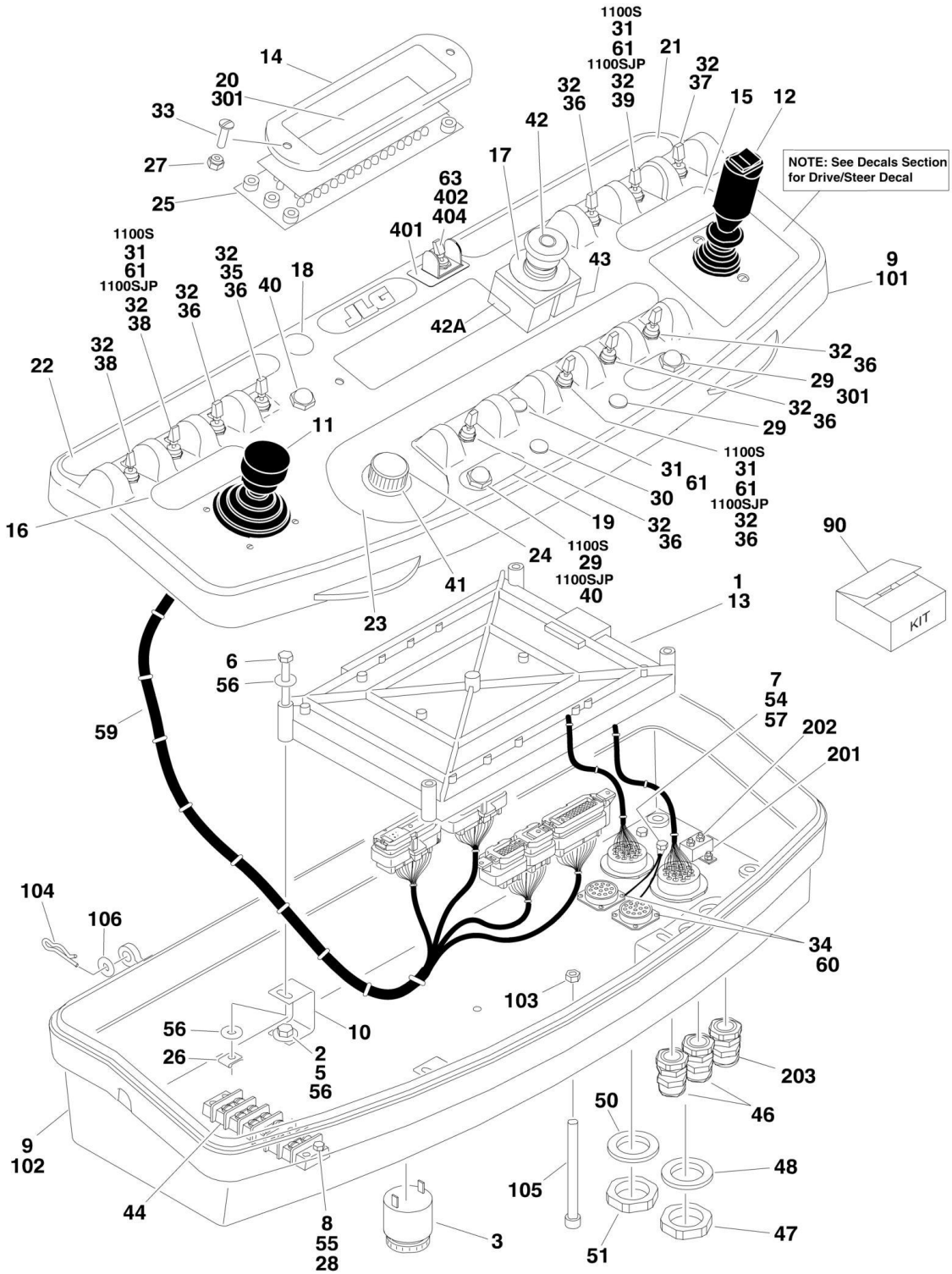
| ITEM | PART NUMBER | QTY | DESCRIPTION | REV |
|------|-------------|-----|--|-----|
| | | Ref | PLATFORM ASSEMBLIES (1100SJP) | |
| | 1001144023 | Ref | 8ft (2.44m) with No Mesh (was p/n 3510822) | B-J |
| | 1001144024 | Ref | 6ft (1.83m) with No Mesh (was p/n 3510833) | B-I |
| | | Ref | Note: Platform and Mesh must be ordered separately for Platforms with Mesh. See SPECIAL OPTIONS SECTION for Mesh Installations. | |
| | | Ref | Note: Replacement decals must be ordered separately- See DECALS SECTION. | |
| | | Ref | Note: When replacing 8ft/2.44m platform with Soft Touch option, new Soft Touch Rail p/n 4846673 must be purchased to accommodate limit switch locations. | |
| 1 | 0100040 | AR | Adhesive | |
| 2 | 2080040 | 16 | Fastener, Huck | |
| 3 | 2600281 | 2 | Hinge, Self-Closing | |
| 4 | 2940074 | 1 | Latch | |
| 6 | See Note | 1 | Platform Weldment (Note: Not Available - Purchase Platform Assembly) | |
| 7 | 3520072 | 1 | Plug, Square Tube | |
| 8 | 3820020 | 4 | Rivet | |
| 10 | | Ref | Gate Weldment Options: | |
| 10 | 4846452 | 1 | Gate for Platform p/ns 3510822 & 3510833 | |
| 10 | 1001144629 | 1 | Gate for Platform p/ns 1001144023 & 1001144024 | |
| 11 | 3520198 | 2 | Plug, Square Tube | |
| | | Ref | FOOTSWITCH AND COVERS INSTALLATIONS | |
| | 1001145785 | Ref | Footswitch and Covers Installations (was p/n 0273400) (Prior to SN 0300157749) | B |
| | 1001145785 | Ref | Footswitch and Covers Installations (SN 0300157749 to Present) | A |
| 101 | 0641406 | 4 | Bolt 1/4in-20NC x 3/4in | |
| 102 | 0641408 | 3 | Bolt 1/4in-20NC x 1in | |
| 103 | 0641610 | 4 | Bolt 3/8in-16NC x 1-1/4in | |
| 104 | | Ref | Platform Console Box Assembly Options (See PLATFORM CONSOLE ASSEMBLY for Breakdown): | |
| 104 | 1001146161 | 1 | Platform Console Box Assembly (was p/n 0861631) (Prior to SN 0300157749) | |
| 104 | 1001146161 | 1 | Platform Console Box Assembly (SN 0300157749 to Present) | |
| 104 | | Ref | Footswitch Assembly Options (See ELECTRICAL SECTION for Additional Components): | |
| 104 | 0272970 | 1 | Footswitch Assembly (Prior to SN 0300157749) | B |
| 104 | 1001117174 | 1 | Footswitch Assembly (SN 0300157749 to Present) | B |
| | | Ref | Note: Assembly p/n 0272970 may use either p/n 4360031 or p/n 1001117320. If Original Equipment was replaced as an "assembly," p/n 1001117320 may have been used as part of the Service Replacement. Identify component before ordering parts. | |
| 104A | | Ref | Footswitch Options: | |
| 104A | 4360031 | 1 | Footswitch (Original Equipment) (Prior to SN 0300140836) | |
| 104A | 7000625 | 2 | Block, Contact (4360031 Footswitch) | |
| 104A | 1001117320 | 1 | Footswitch (Service Replacement for p/n 4360031) (SN 0300140836 through 0300157748) | |
| 104A | 70003483 | 1 | Block, Contact (1001117320 Footswitch) | |
| 104A | 1001117172 | 1 | Footswitch (SN 0300157749 to Present) | |
| 104A | 70002902 | 1 | Switch, 20Amp | |

SECTION 4 - PLATFORM

| ITEM | PART NUMBER | QTY | DESCRIPTION | REV |
|------|-------------|---------------|--|-----|
| 104A | 70002903 | 1 | Gasket | |
| 104A | 70002904 | 4 | Replacement Kit, Bolt | |
| 104A | 70002905 | 1 | Cover, Aluminum | |
| 105 | 3311405 | 7 | Locknut 1/4in-20NC | |
| 106 | 3311605 | 4 | Locknut 3/8in-16NC | |
| 107 | 3380434 | 1 | Panel, Molded | |
| 108 | 4740362 | 7 | Washer, Fender | |
| 109 | 4751400 | 4 | Flatwasher 1/4in Regular | |
| 110 | 4751600 | 8 | Flatwasher 3/8in Regular | |
| | | Ref | TRAY INSTALLATIONS (OPTIONAL) | |
| 201 | 1580012 | 1 | Tray, Storage (Center) | |
| | 0272097 | Ref | WORKLIGHTS INSTALLATION (OPTIONAL) | E |
| 301 | 2080040 | 4 | Rivet | |
| 304 | 2920140 | 2 | Worklight | |
| 304 | 7016399 | 2 | Bulb, Replacement (1 Per Light) | |
| 307 | 3536089 | 2 | Plate, Lamp Mounting | |
| | 0272093 | Ref | FLOODLIGHTS INSTALLATION (OPTIONAL) | B |
| 401 | 0641518 | 2 | Bolt 5/16in-18NC x 2-1/4in | |
| 402 | 2560173 | 2 | Handle, Star Knob | |
| 403 | 2920157 | 2 | Floodlight | |
| 403 | 7024452 | 2 | Bulb, Replacement (1 Per Light) | |
| 404 | 3250585 | 1 | Nameplate - Lights On | |
| 405 | 4060802 | 1 | Guard, Switch | |
| 406 | 4360336 | 1 | Switch, Toggle | |
| 407 | 4420037 | AR | Tape, Insulation (Not Shown) | |
| 408 | 4751800 | 2 | Flatwasher 1/2in Regular | |
| 409 | 4846561 | 1 | Mount, Light | |
| 411 | 1060708 | 144 ft/44m | Cable, Electrical 10/3 (Not Shown) | |

SECTION 4 - PLATFORM

FIGURE 4-3. PLATFORM CONSOLE ASSEMBLY



SECTION 4 - PLATFORM

FIGURE 4-3. PLATFORM CONSOLE ASSEMBLY

| ITEM | PART NUMBER | QTY | DESCRIPTION | REV |
|------|-------------|-----|--|-----|
| | | Ref | CONSOLE BOX ASSEMBLY | |
| | 1001146045 | Ref | Console Box Assembly 1100S (was p/n 1001109953) (Prior to SN 0300157749) | F |
| | 1001146045 | Ref | Console Box Assembly 1100S (SN 0300157749 to Present) | A |
| | 1001146161 | Ref | Console Box Assembly (was p/n 0861631) 1100SJP (Prior to SN 0300157749) | L |
| | 1001146161 | Ref | Console Box Assembly 1100SJP (SN 0300157749 to Present) | B |
| 1 | 0100048 | AR | Grease, Dielectric | |
| 2 | 0100081 | AR | Adhesive, Loctite #454 | |
| 3 | 0140011 | 1 | Alarm | |
| 5 | 0641404 | 4 | Bolt 1/4in-20NC x 1/2in | |
| 6 | 0641414 | 4 | Bolt 1/4in-20NC x 1-3/4in | |
| 7 | 0720804 | 1 | Screw #8-32NC x 1/2in | |
| 8 | 0721006 | 2 | Bolt #10-24NC x 3/4in | |
| 9 | 0861630 | 1 | Box, Console (See Items 101-106 for Breakdown) | |
| 10 | 0902751 | 4 | Bracket, Support | |
| 11 | 1600317 | NLA | Controller Assembly (Lift and Swing) (See CONTROLLER ASSEMBLY (LIFT AND SWING) for Breakdown) (Use p/n 1001129555) | |
| 11 | 1001118417 | NLA | Controller Assembly (Lift and Swing) (See CONTROLLER ASSEMBLY (LIFT AND SWING) for Breakdown) (Use p/n 1001129555) | |
| 11 | 1001166539 | NLA | Controller Assembly (Lift and Swing) (See CONTROLLER ASSEMBLY (LIFT AND SWING) for Breakdown) (Use p/n 1001129555) | |
| 12 | 1600318 | NLA | Controller Assembly (Drive and Steer) (See CONTROLLER ASSEMBLY (DRIVE AND STEER) for Breakdown) (Use p/n 1001212415) | |
| 12 | 1001118416 | NLA | Controller Assembly (Drive and Steer) (See CONTROLLER ASSEMBLY (DRIVE AND STEER) for Breakdown) (Use p/n 1001212415) | |
| 12 | 1001166538 | NLA | Controller Assembly (Drive and Steer) (See CONTROLLER ASSEMBLY (DRIVE AND STEER) for Breakdown) (Use p/n 1001212415) | |
| 13 | 1600343 | 1 | Module, Platform Control (Note: Control System needs recalibrated when replaced) | |
| 14 | 1671176 | 1 | Bezel | |
| 15 | 1702565 | 1 | Decal (Drive and Steer) | |
| 16 | 1702566 | 1 | Decal (Lift and Swing) | |
| 17 | 1704260 | 1 | Decal (EMS) | |
| 18 | 1705132 | 1 | Decal (ADE) | |
| 19 | 1705171 | 1 | Decal (Jib Stow) | |
| 20 | | Ref | Decal (Platform Display) Options) (Prior to SN 0300140836) | |
| 20 | 1001111911 | 1 | Decal 1100S | |
| 20 | 1705973 | 1 | Decal 1100SJP | |
| 21 | | Ref | Decal (Stop) Options: | |
| 21 | 1001109952 | 1 | Decal 1100S | |
| 21 | 1705174 | 1 | Decal 1100SJP | |
| 22 | | Ref | Decal (Horn) Options: | |
| 22 | 1001109649 | 1 | Decal 1100S | |
| 22 | 1705744 | 1 | Decal 1100SJP | |
| 23 | | Ref | Decal (Function Speed) Options: | |
| 23 | 1001109650 | 1 | Decal 1100S | |

SECTION 4 - PLATFORM

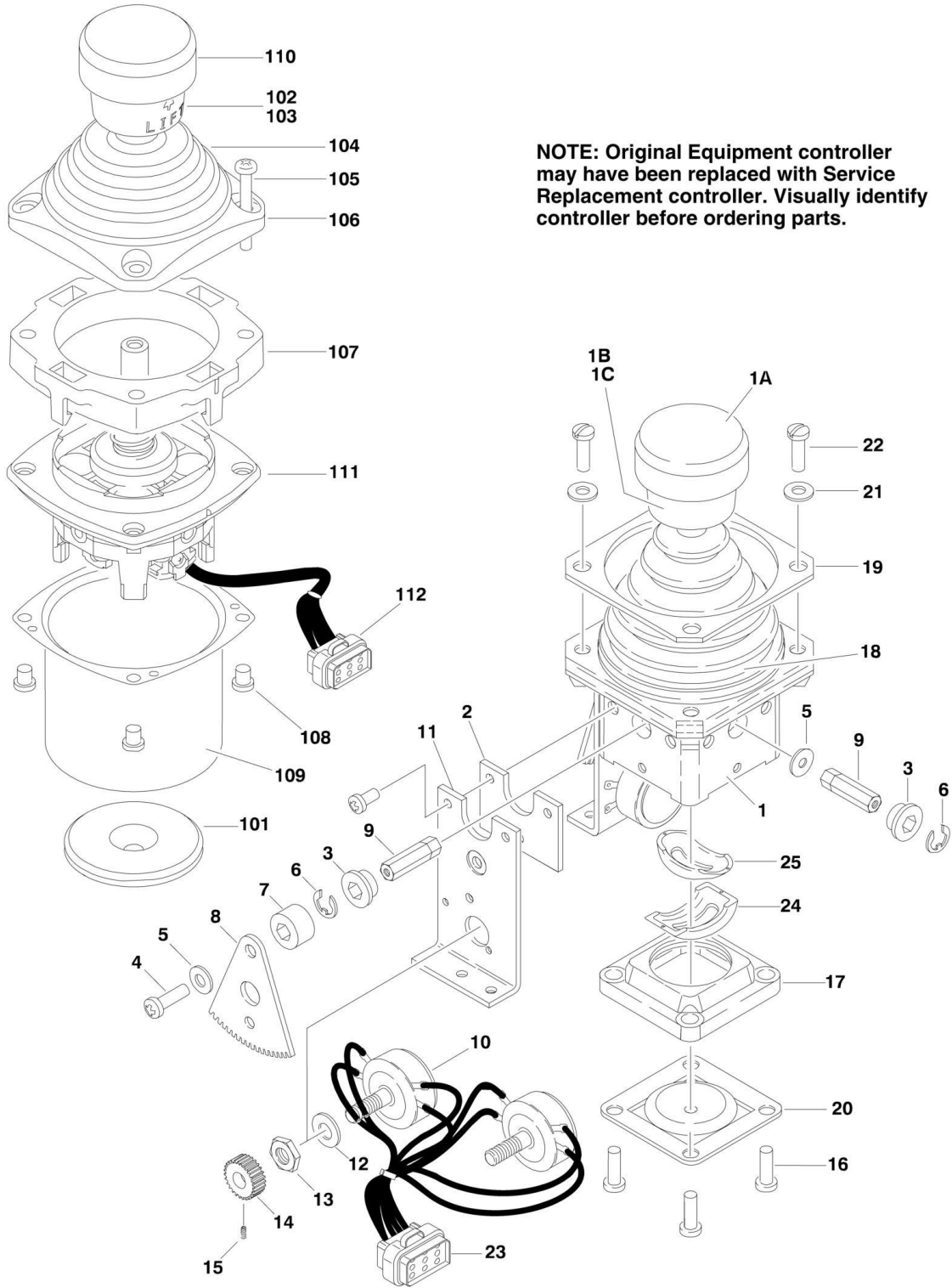
| ITEM | PART NUMBER | QTY | DESCRIPTION | REV |
|------|-------------|-----|--|-----|
| 23 | 1705745 | 1 | Decal 1100SJP | |
| 24 | 2560136 | 1 | Handle, Knob | |
| 25 | 2920154 | 1 | Panel, LED Light | |
| 26 | 3300353 | 4 | Nut, Tinnerman | |
| 27 | 3300408 | 2 | Insert, Nylon | |
| 28 | 3311005 | 2 | Nut #10-24NC | |
| 29 | 3520026 | AR | Plug, Hole | |
| 30 | 3520027 | 1 | Plug, Hole | |
| 31 | 3520054 | AR | Plug, Hole | |
| 32 | 3790012 | AR | O-Ring | |
| 33 | 3900183 | 2 | Screw, Button Head #10-24NC x 1-1/4in | |
| 34 | 3900349 | 8 | Capscrew M2.5 | |
| 35 | 4071074 | 1 | Shim, Toggle Switch | |
| 36 | 4360328 | AR | Switch, Toggle | |
| 37 | 4360330 | 1 | Switch, Toggle | |
| 38 | 4360331 | AR | Switch, Toggle | |
| 39 | 4360336 | AR | Switch, Toggle | |
| 40 | 4360387 | AR | Switch, Pushbutton | |
| 41 | 4360407 | 1 | Controller, Speed | |
| 41 | See Note | 1 | Gasket "Top Hat" (Included with Switch) (Note: Not Available - Purchase Complete Controller) | |
| 41 | 70003784 | 1 | Seal | |
| 42 | 4360475 | 1 | Switch, Emergency Stop | |
| 42 | 7020175 | 1 | Cap, Red | |
| 42A | 7020176 | 1 | Contact Block | |
| 43 | 4360476 | 1 | Block, Contact | |
| 44 | 4460007 | 1 | Bar, Buss | |
| 45 | 4460234 | 3 | Tie-Strap (Not Shown) | |
| 46 | 4460428 | 2 | Connector, Strain Relief | |
| 47 | 4460470 | 1 | Nut, Terminal | |
| 48 | 4460471 | 1 | Lockwasher, Terminal | |
| 50 | 4460496 | 1 | Nut, Terminal | |
| 51 | 4460497 | 1 | Lockwasher, Terminal | |
| 52 | 4460708 | 2 | Connector, Female - 15 Position (Not Shown - See ELECTRICAL SECTION for Location) | |
| 53 | 4460905 | 5 | Plug, Seal (Not Shown - See ELECTRICAL SECTION for Location) | |
| 54 | 4750800 | 1 | Flatwasher #8 Regular | |
| 55 | 4751000 | 2 | Flatwasher #10 Regular | |
| 56 | 4751400 | 8 | Flatwasher 1/4in Regular | |
| 57 | 4760800 | 1 | Lockwasher #8 | |
| 58 | 4922666 | 1 | Harness, Analyzer Cable (Not Shown - See ELECTRICAL SECTION for Breakdown) | |
| 59 | 4923448 | 1 | Harness, Console Box (See ELECTRICAL SECTION for Breakdown) | |
| 60 | 3300482 | 2 | Nut M2.5 | |
| 61 | 0100009 | AR | Sealant | |
| 63 | 1671314 | 1 | Cover, Box | |
| 64 | 3520174 | 3 | Plug, Hole (Not Shown - Located on back of console top) (SN 0300138360 to Present) | |
| 90 | | Ref | Decal Kit Options: | |
| 90 | 1001119565 | 1 | Decal Kit 1100S (Includes Items 15-23, 63 & 401) | 1 |
| 90 | 1001109181 | 1 | Decal Kit (Includes Items 15-23, 63 & 401) 1100SJP (SN | 2 |

SECTION 4 - PLATFORM

| ITEM | PART NUMBER | QTY | DESCRIPTION | REV |
|------|-------------|-----|---|-----|
| | | | 0300079596 to Present) | |
| | 0861630 | Ref | CONSOLE BOX ASSEMBLY | F |
| 101 | See Note | 1 | Console Top (Note: Not Available For Purchase) | |
| 102 | See Note | 1 | Console Bottom (Note: Not Available For Purchase) | |
| 103 | 3311601 | 1 | Nut 3/8in-16NC | |
| 104 | 3470003 | 2 | Pin | |
| 105 | 0630568 | 1 | Screw 3/8in-16NC x 4-1/2in | |
| 106 | 4711500 | 2 | Flatwasher 5/16in Thin | |
| | | Ref | PLATFORM WORKLIGHTS INSTALLATIONS | |
| 201 | 4360232 | 1 | Breaker, Circuit | |
| 201 | 0721003 | 1 | Screw #10-24NC x 3/8in | |
| 201 | 4761000 | 1 | Lockwasher #10 | |
| 202 | 3311001 | 2 | Nut #10-24NC | |
| 203 | 4460426 | 1 | Connector, Strain Relief | |
| | | Ref | CHASSIS LIGHTS COMPONENTS INSTALLATION | |
| 301 | 4360522 | 1 | Switch, Pushbutton | |
| 301 | 1705170 | 1 | Decal - Lights | |
| | 0275098 | Ref | BOOM CONTROL SELECT SWITCH INSTALLATION | B |
| 401 | 1706741 | 1 | Decal - Boom Control Select | |
| 402 | 4060906 | 1 | Guard, Switch | |
| 404 | 4360336 | 1 | Switch Toggle | |
| | 1001125966 | Ref | LIGHT PANEL INSTALLATIONS (SN 0300140836 to Present) | A |
| 301 | 1001125950 | 1 | Decal - Light Panel | |

SECTION 4 - PLATFORM

FIGURE 4-4. CONTROLLER ASSEMBLY (LIFT AND SWING)



SECTION 4 - PLATFORM

FIGURE 4-4. CONTROLLER ASSEMBLY (LIFT AND SWING)

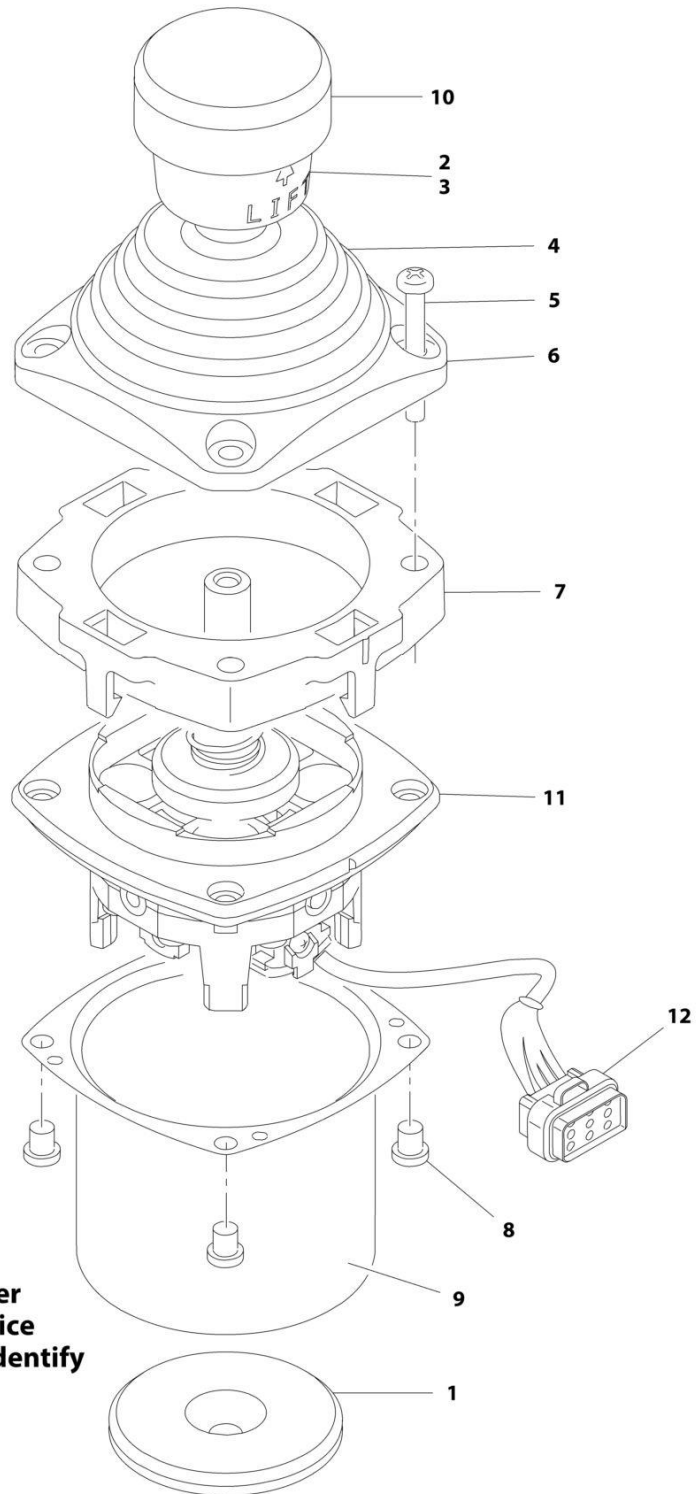
| ITEM | PART NUMBER | QTY | DESCRIPTION | REV |
|------|-------------|-----|--|-----|
| | | Ref | Note: Original Equipment controller may have been replaced with Service Replacement controller. Visually identify controller before ordering parts. | |
| | 1600317 | Ref | CONTROLLER ASSEMBLIES | |
| | | Ref | Controller Assembly (Original Equipment) | B |
| | | Ref | Note: Use p/n 1001129555 as Replacement. | |
| 1 | 7019141 | 1 | Mechanical Assembly (Includes Base, Handle Stem and Items 1A, 1B, 1C & 18) | |
| 1A | 7019197 | 1 | Handle Cap and Rod | |
| 1B | 7003928 | 1 | Spring | |
| 1C | 7022808 | 1 | Cap, Lift | |
| 2 | 7019171 | 2 | Plate | |
| 3 | 7019111 | 4 | Bearing, Gear | |
| 4 | 7019143 | 2 | Screw | |
| 5 | 7019144 | 2 | Spacer, Cam | |
| 6 | 7019145 | 4 | E-Clip | |
| 7 | 7019174 | 2 | Spacer | |
| 8 | 7003977 | 2 | Gear, Drive | |
| 9 | | Ref | Shaft Options: | |
| 9 | 7019147 | 2 | Shaft, Short | |
| 9 | 7019177 | 2 | Shaft, Long | |
| 10 | 7022818 | 2 | Potentiometer | |
| 11 | 7019142 | 2 | Plate | |
| 12 | 7003992 | 2 | Washer | |
| 13 | 7003993 | 2 | Nut | |
| 14 | 7003976 | 2 | Gear, Slave | |
| 15 | 7019149 | 2 | Setscrew | |
| 16 | 7022816 | 4 | Screw | |
| 17 | 7019150 | 1 | Gate | |
| 18 | 7022814 | 1 | Boot | |
| 19 | 7022815 | 1 | Bezel | |
| 20 | See Note | 1 | Center, Detent (Note: Not Available for Purchase) | |
| 21 | 7003953 | 4 | Washer | |
| 22 | 7022817 | 4 | Screw | |
| 23 | 7022819 | 1 | Plug, Male 8 Position (Natural) | |
| 23 | 4460871 | 8 | Socket, Female | |
| 24 | 7019122 | 1 | Gimble, Outer | |
| 25 | 7019123 | 1 | Gimble, Inner | |
| | 1001129555 | Ref | Controller Assembly (Service Replacement) | A |
| | | Ref | Note: Was p/n 1001118417 Assembly - Use p/n 1001129555 Kit as replacement. | |
| 101 | 70002730 | 1 | Gasket | |
| 102 | 7003928 | 1 | Spring | |
| 103 | 7022808 | 1 | Cap, Lift | |
| 104 | 70002731 | 1 | Boot | |
| 105 | 70002732 | 4 | Screw | |
| 106 | 7022815 | 1 | Bezel | |
| 107 | 70002733 | 1 | Adapter | |
| 108 | 70002734 | 4 | Screw | |
| 109 | 70002735 | 1 | Can, Enclosure | |

SECTION 4 - PLATFORM

| ITEM | PART NUMBER | QTY | DESCRIPTION | REV |
|------|-------------|-----|--|-----|
| 110 | 70002906 | 1 | Cap | |
| 111 | 1001129555 | 1 | Mechanical Assembly (Note: Not Available for Purchase) | |
| 112 | 7022819 | 1 | Plug, Male 8 Position (Natural) (Not Shown) | |
| 112 | 4460871 | 6 | Socket, Female | |

SECTION 4 - PLATFORM

FIGURE 4-5. CONTROLLER ASSEMBLY (LIFT AND SWING)



Note: Original Equipment controller may have been replaced with Service Replacement controller. Visually identify controller before ordering parts.

ART_100118417

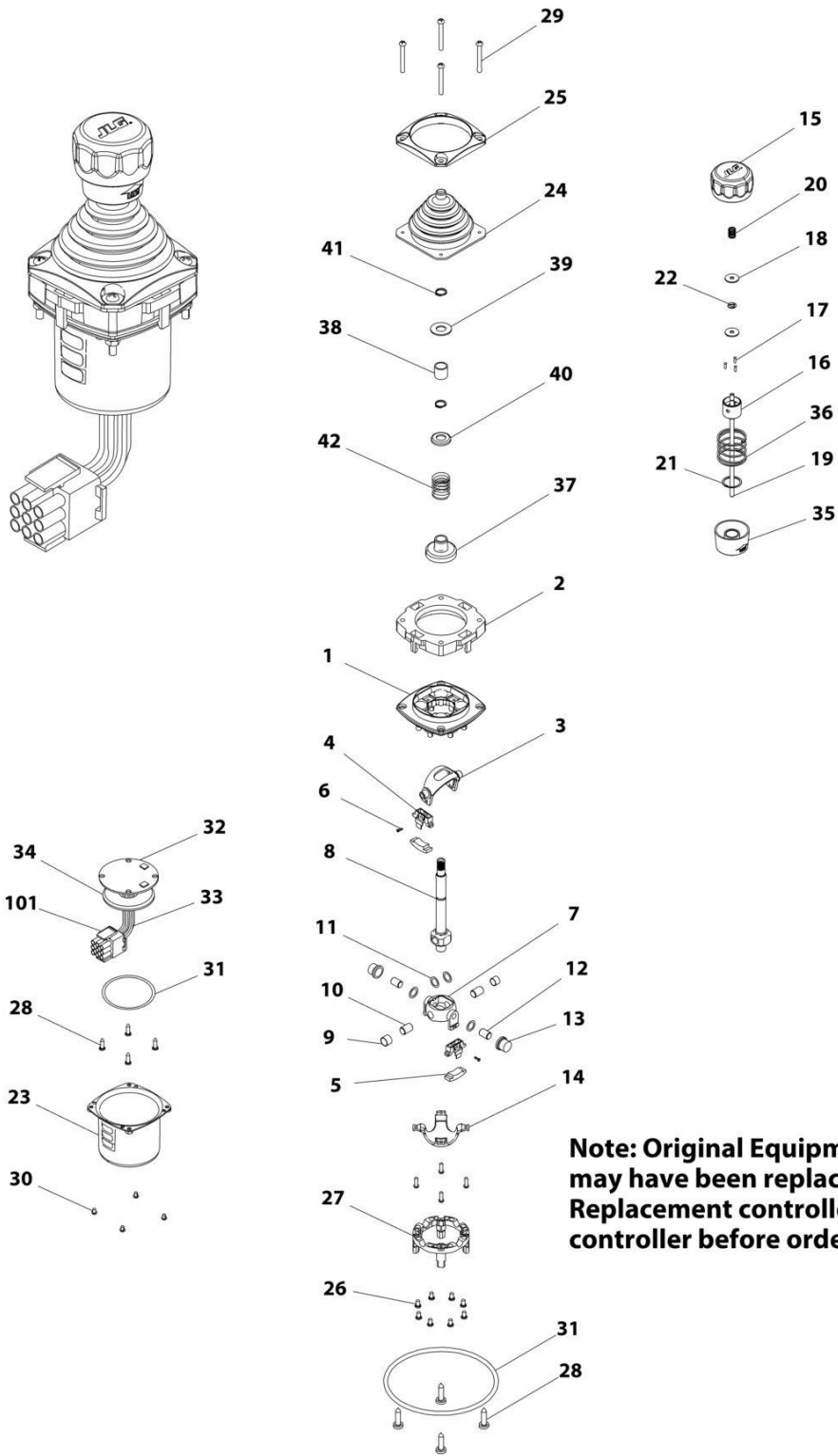
SECTION 4 - PLATFORM

FIGURE 4-5. CONTROLLER ASSEMBLY (LIFT AND SWING)

| ITEM | PART NUMBER | QTY | DESCRIPTION | REV |
|------|-------------|-----|--|-----|
| | | Ref | Note: Original Equipment controller may have been replaced with Service Replacement controller. Visually identify controller before ordering parts. | |
| | 1001118417 | Ref | CONTROLLER ASSEMBLY (LIFT AND SWING) | E |
| | | Ref | Note: Use p/n 1001129555 as Replacement. | |
| 1 | 70002730 | 1 | Gasket | |
| 2 | 7003928 | 1 | Spring | |
| 3 | 7022808 | 1 | Cap, Lift | |
| 4 | 70002731 | 1 | Boot | |
| 5 | 70002732 | 4 | Screw | |
| 6 | 7022815 | 1 | Bezel | |
| 7 | 70002733 | 1 | Adapter | |
| 8 | 70002734 | 4 | Screw | |
| 9 | 70002735 | 1 | Can, Enclosure | |
| 10 | 70002906 | 1 | Cap | |
| 11 | See Note | NSS | Mechanical Assembly (Note: Use p/n 1001129555) | |
| 12 | 7022819 | 1 | Connector - 8 Position | |
| 12 | 4460871 | 6 | Socket, Female | |

SECTION 4 - PLATFORM

FIGURE 4-6. CONTROLLER ASSEMBLY (LIFT AND SWING)



Note: Original Equipment controller may have been replaced with Service Replacement controller. Visually identify controller before ordering parts.

ART_1001166539

SECTION 4 - PLATFORM

FIGURE 4-6. CONTROLLER ASSEMBLY (LIFT AND SWING)

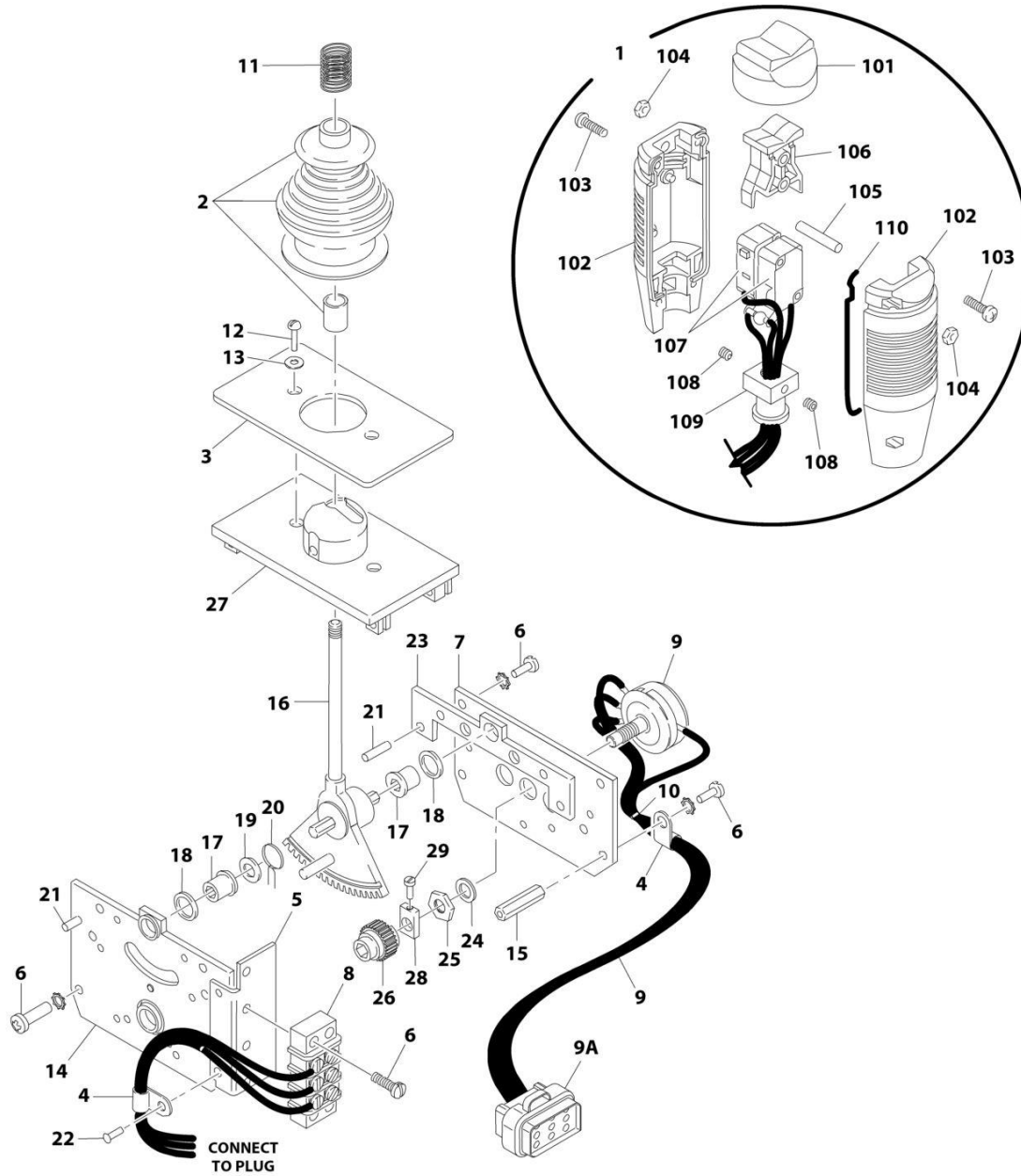
| ITEM | PART NUMBER | QTY | DESCRIPTION | REV |
|------|-------------|-----|--|-----|
| | | Ref | Note: Original Equipment controller may have been replaced with Service Replacement controller. Visually identify controller before ordering parts. | |
| | 1001166539 | Ref | CONTROLLER ASSEMBLY (LIFT AND SWING) | D |
| | | Ref | Note: Use p/n 1001129555 as Replacement. | |
| 1 | See Note | NSS | Main Cast Body (Note: Available - Purchase Complete Assembly) | |
| 2 | 70004752 | 1 | Adapter | |
| 3 | See Note | NSS | Pivot Arm, Plastic (Note: Not Available - Purchase Complete Assembly) | |
| 4 | See Note | NSS | Holder, Magnet (Note: Not Available - Purchase Complete Assembly) | |
| 5 | See Note | NSS | Arc, Magnet (Note: Not Available - Purchase Complete Assembly) | |
| 6 | See Note | NSS | Screw (Note: Not Available for Purchase) | |
| 7 | See Note | NSS | Pivot Arm, Cast (Note: Not Available - Purchase Complete Assembly) | |
| 8 | See Note | NSS | Shaft, Main (Note: Not Available - Purchase Complete Assembly) | |
| 9 | See Note | NSS | Bearing (Note: Not Available - Purchase Complete Assembly) | |
| 10 | See Note | NSS | Pin (Note: Not Available - Purchase Complete Assembly) | |
| 11 | See Note | NSS | Shim (Note: Not Available - Purchase Complete Assembly) | |
| 12 | See Note | NSS | Pin (Note: Not Available - Purchase Complete Assembly) | |
| 13 | See Note | NSS | Bearing (Note: Not Available - Purchase Complete Assembly) | |
| 14 | See Note | NSS | Dome, Centering (Note: Not Available - Purchase Complete Assembly) | |
| 15 | 70004753 | 1 | Cap | |
| 16 | 70004754 | 1 | Insert, Cap | |
| 17 | 70004755 | 3 | Pin | |
| 18 | 70004756 | 2 | Washer | |
| 19 | 70004757 | 1 | Pin, Centering | |
| 20 | 70004758 | 1 | Spring | |
| 21 | 70004759 | 1 | Ring, Retaining | |
| 22 | 70004760 | 1 | E-Ring | |
| 23 | 70004761 | 1 | Can, Enclosure | |
| 24 | 70004762 | 1 | Boot | |
| 25 | 70004763 | 1 | Bezel | |
| 26 | See Note | NSS | Screw (Note: Not Available for Purchase) | |
| 27 | See Note | NSS | Base, Mounting (Note: Not Available - Purchase Complete Assembly) | |
| 28 | See Note | NSS | Screw (Note: Not Available for Purchase) | |
| 29 | 70004764 | 4 | Screw | |
| 30 | 70004765 | 4 | Screw | |
| 31 | 70004766 | 1 | O-Ring | |
| 32 | See Note | NSS | Plate (Note: Not Available - Purchase Complete Assembly) | |
| 33 | See Note | NSS | Harness (Note: Not Available - Purchase Complete Assembly) | |
| 34 | 70004767 | 1 | Grommet, Rubber | |
| 35 | 70004768 | 1 | Housing | |
| 36 | 70004769 | 1 | Spring | |
| 37 | 70004770 | 1 | Stopper | |
| 38 | 70004771 | 1 | Spacer | |
| 39 | 70004772 | 1 | Washer | |
| 40 | 70004773 | 1 | Disc | |

SECTION 4 - PLATFORM

| ITEM | PART NUMBER | QTY | DESCRIPTION | REV |
|------|-------------|-----|------------------------|-----|
| 41 | 70004774 | 2 | Ring, Retaining | |
| 42 | 70004775 | 1 | Spring | |
| 101 | 4460265 | 1 | Connector - 9 Position | |
| 101 | 4460226 | 6 | Socket, Female | |

SECTION 4 - PLATFORM

FIGURE 4-7. CONTROLLER ASSEMBLY (DRIVE AND STEER)



Note: Original Equipment controller may have been replaced with Service Replacement controller. Visually identify controller before ordering parts.

ART_1600318

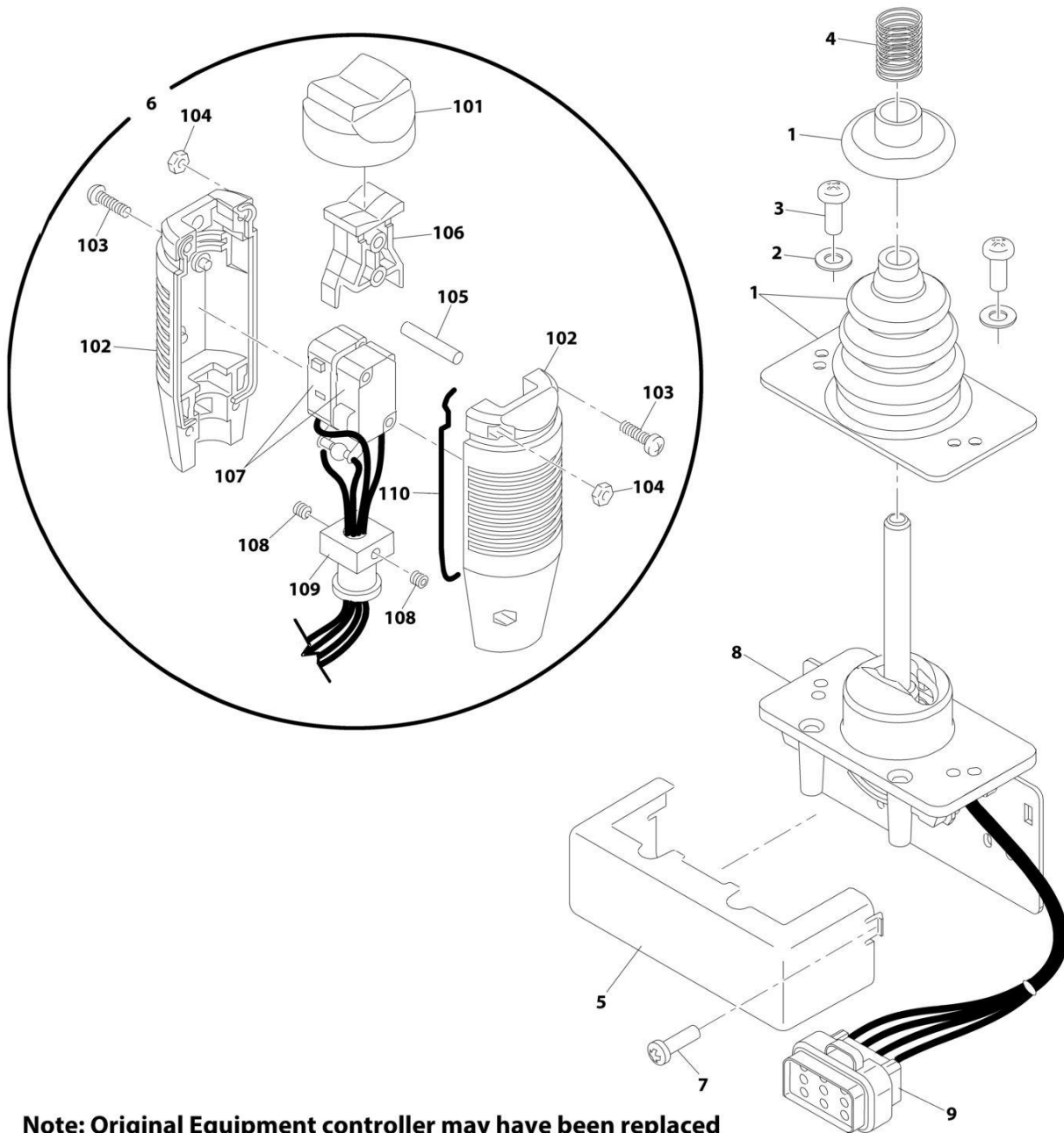
SECTION 4 - PLATFORM

FIGURE 4-7. CONTROLLER ASSEMBLY (DRIVE AND STEER)

| ITEM | PART NUMBER | QTY | DESCRIPTION | REV |
|------|-------------|-----|--|-----|
| | | Ref | Note: Original Equipment controller may have been replaced with Service Replacement controller. Visually identify controller before ordering parts. | |
| | 1600318 | Ref | CONTROLLER ASSEMBLIES | |
| | | Ref | Controller Assembly (Original Equipment) | C |
| | | Ref | Note: Use p/n 1001212415 as Replacement. | |
| 1 | 7022812 | 1 | Handle Assembly (See Items 201-210 for Breakdown) | |
| 2 | 7019161 | 1 | Boot and Sleeve | |
| 3 | 7003933 | 1 | Gasket | |
| 4 | 7019154 | 2 | Clamp, Wire | |
| 5 | 7022823 | 1 | Bracket, Mounting | |
| 6 | 7003994 | 1 | Screw | |
| 7 | 7022822 | 1 | Plate, Pot Mounting | |
| 8 | 7003986 | 1 | Strip, Terminal - 3 Position | |
| 9 | 7022824 | 1 | Electric Assembly | |
| 9A | 1001113961 | 1 | Plug, Male - 8 Position (Black) (was p/n 7022825) | |
| 9A | 4460871 | 7 | Socket, Female | |
| 10 | 7019151 | AR | Tie-Strap | |
| 11 | 7019162 | 1 | Spring | |
| 12 | 7003969 | 2 | Screw | |
| 13 | 7003941 | 2 | Washer | |
| 14 | See Note | 1 | Plate, Mounting (Left Side) (Note: Not Available for Purchase) | |
| 15 | 7019115 | 2 | Stand-Off | |
| 16 | 7019155 | 1 | Shaft 8mm | |
| 17 | 7019111 | 2 | Bearing | |
| 18 | 7019110 | 2 | Spacer, Head Gear | |
| 19 | 7019112 | 1 | Washer | |
| 20 | 7003946 | 1 | Spring, Return | |
| 21 | 7019103 | 4 | Pin | |
| 22 | See Note | 1 | Rivet (Note: Not Available - Purchase Locally) | |
| 23 | 7019168 | 1 | Plate, Mounting (Right Side) | |
| 24 | 7003992 | 1 | Washer | |
| 25 | 7003993 | 1 | Nut | |
| 26 | 7003935 | 1 | Gear, Slave | |
| 27 | 7019160 | 1 | Plate, Base | |
| 28 | 7019114 | 1 | Coupling | |
| 29 | See Note | NSS | Cup Point Screw (Note: Not Available for Purchase) | |
| | 7022812 | Ref | HANDLE ASSEMBLY | |
| 101 | 7003972 | 1 | Boot, Switch | |
| 102 | 7003973 | 2 | Half, Handle | |
| 103 | 7003980 | 4 | Screw | |
| 104 | 7019167 | 4 | Nut | |
| 105 | 7019164 | 1 | Axle | |
| 106 | 7019165 | 1 | Rocker | |
| 107 | | Ref | Wiring Assembly Options: | |
| 107 | 7019166 | 2 | Switch, Micro | |
| 108 | 7003983 | 2 | Setscrew | |
| 109 | 7019194 | 1 | Coupling | |
| 110 | 7003989 | 2 | Gasket | |

SECTION 4 - PLATFORM

FIGURE 4-8. CONTROLLER ASSEMBLY (DRIVE AND STEER)



Note: Original Equipment controller may have been replaced with Service Replacement controller. Visually identify controller before ordering parts.

ART_100118416

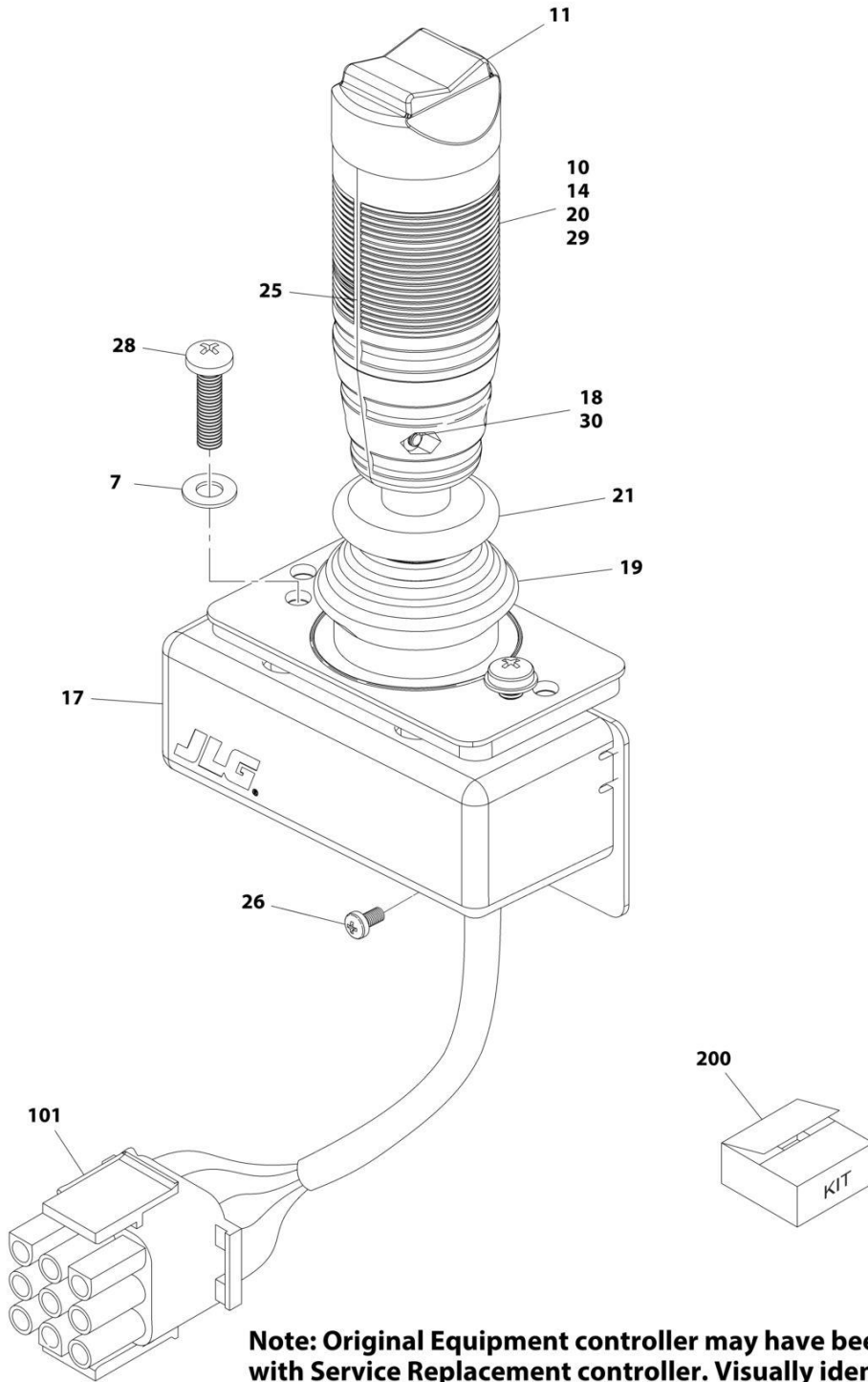
SECTION 4 - PLATFORM

FIGURE 4-8. CONTROLLER ASSEMBLY (DRIVE AND STEER)

| ITEM | PART NUMBER | QTY | DESCRIPTION | REV |
|------|-------------|-----|--|-----|
| | | Ref | Note: Original Equipment controller may have been replaced with Service Replacement controller. Visually identify controller before ordering parts. | |
| | 1001118416 | Ref | CONTROLLER ASSEMBLY (DRIVE AND STEER) | D |
| | | Ref | Note: Use p/n 1001212415 as Replacement. | |
| 1 | 70002724 | 1 | Boot and Control Lock Assembly | |
| 2 | 7003941 | 2 | Washer | |
| 3 | 70002725 | 2 | Screw | |
| 4 | 7019162 | 1 | Spring | |
| 5 | 70002726 | 1 | Enclosure | |
| 6 | 70002727 | 1 | Handle Assembly (See Items 101-110 for Breakdown) | |
| 7 | 70002728 | 1 | Screw | |
| 8 | See Note | NSS | Mechanical Assembly (Note: Use p/n 1001166538) | |
| 9 | 1001113961 | 1 | Plug, Male - 8 Position (Black) (was p/n 7022825) | |
| 9 | 4460871 | 7 | Socket, Female | |
| | 70002727 | Ref | HANDLE ASSEMBLY | |
| 101 | 7003972 | 1 | Boot, Switch | |
| 102 | 7003973 | 2 | Half, Handle | |
| 103 | 7003980 | 4 | Screw | |
| 104 | 7019167 | 4 | Nut | |
| 105 | 7019164 | 1 | Axle | |
| 106 | 7019165 | 1 | Rocker | |
| 107 | 70002729 | 1 | Wiring Assembly | |
| 107 | 7003982 | 2 | Switch, Micro | |
| 108 | 7003983 | 2 | Set Screw | |
| 109 | 7019194 | 1 | Coupling | |
| 110 | 7003989 | 2 | Gasket | |

SECTION 4 - PLATFORM

FIGURE 4-9. CONTROLLER ASSEMBLY (DRIVE AND STEER)



Note: Original Equipment controller may have been replaced with Service Replacement controller. Visually identify controller before ordering parts.

ART_1001166538

SECTION 4 - PLATFORM

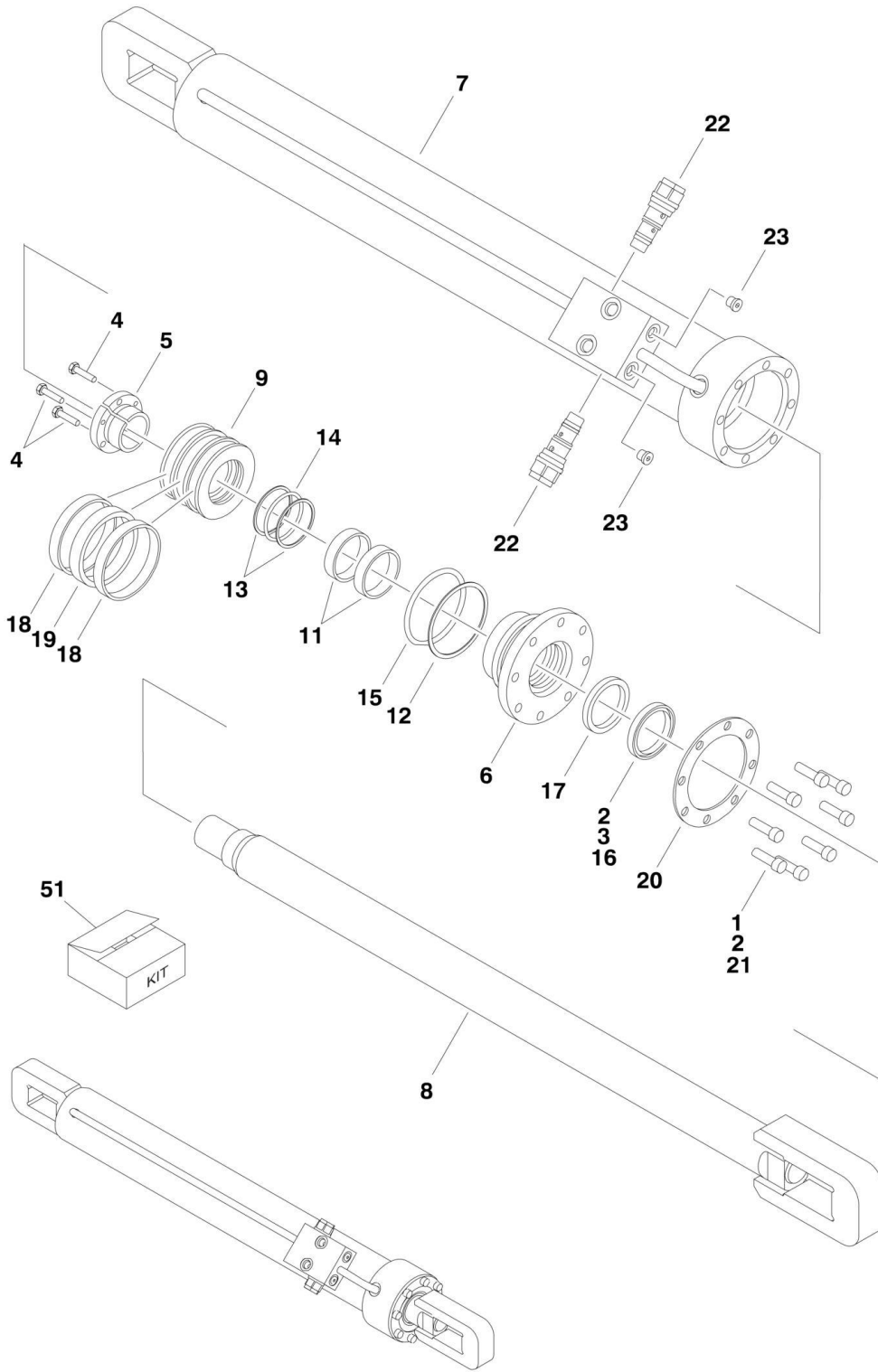
FIGURE 4-9. CONTROLLER ASSEMBLY (DRIVE AND STEER)

| ITEM | PART NUMBER | QTY | DESCRIPTION | REV |
|------|-------------|-----|--|-----|
| | | Ref | Note: Original Equipment controller may have been replaced with Service Replacement controller. Visually identify controller before ordering parts. | |
| | 1001166538 | Ref | CONTROLLER ASSEMBLY (DRIVE AND STEER) | F |
| | | Ref | Note: Use p/n 1001212415 as Replacement. | |
| 7 | 70004738 | 2 | Washer | |
| 10 | 70004739 | 1 | Roller | |
| 11 | 70004740 | 1 | Boot, Switch | |
| 14 | 70004741 | 2 | Half, Handle | |
| 17 | 70004742 | 1 | Enclosure | |
| 18 | 70004743 | 4 | Nut | |
| 19 | 70004744 | NLA | Boot, Controller (Note: Use Item 200) | |
| 20 | 70004745 | NLA | Tube, Locking (Note: Use Item 200) | |
| 21 | 70004746 | NLA | Disc, Locking (Note: Use Item 200) | |
| 25 | 70004747 | 2 | Seal, Rope | |
| 26 | 70004748 | 1 | Screw, M3 x 6 | |
| 28 | 70004749 | 2 | Screw, M5 x 20 | |
| 29 | 70004750 | 1 | Pin, Dowel | |
| 30 | 70004751 | 4 | Screw, M3 x 16 | |
| 101 | 4460265 | 1 | Connector - 9 Position | |
| 101 | 4460226 | 7 | Socket, Female | |
| 200 | 70005230 | 1 | Boot Kit (Includes Items 19-21) | |

SECTION 5 - CYLINDER

SECTION 5 - CYLINDER

FIGURE 5-1. AXLE EXTENSION CYLINDER ASSEMBLY (ORIGINAL EQUIPMENT)



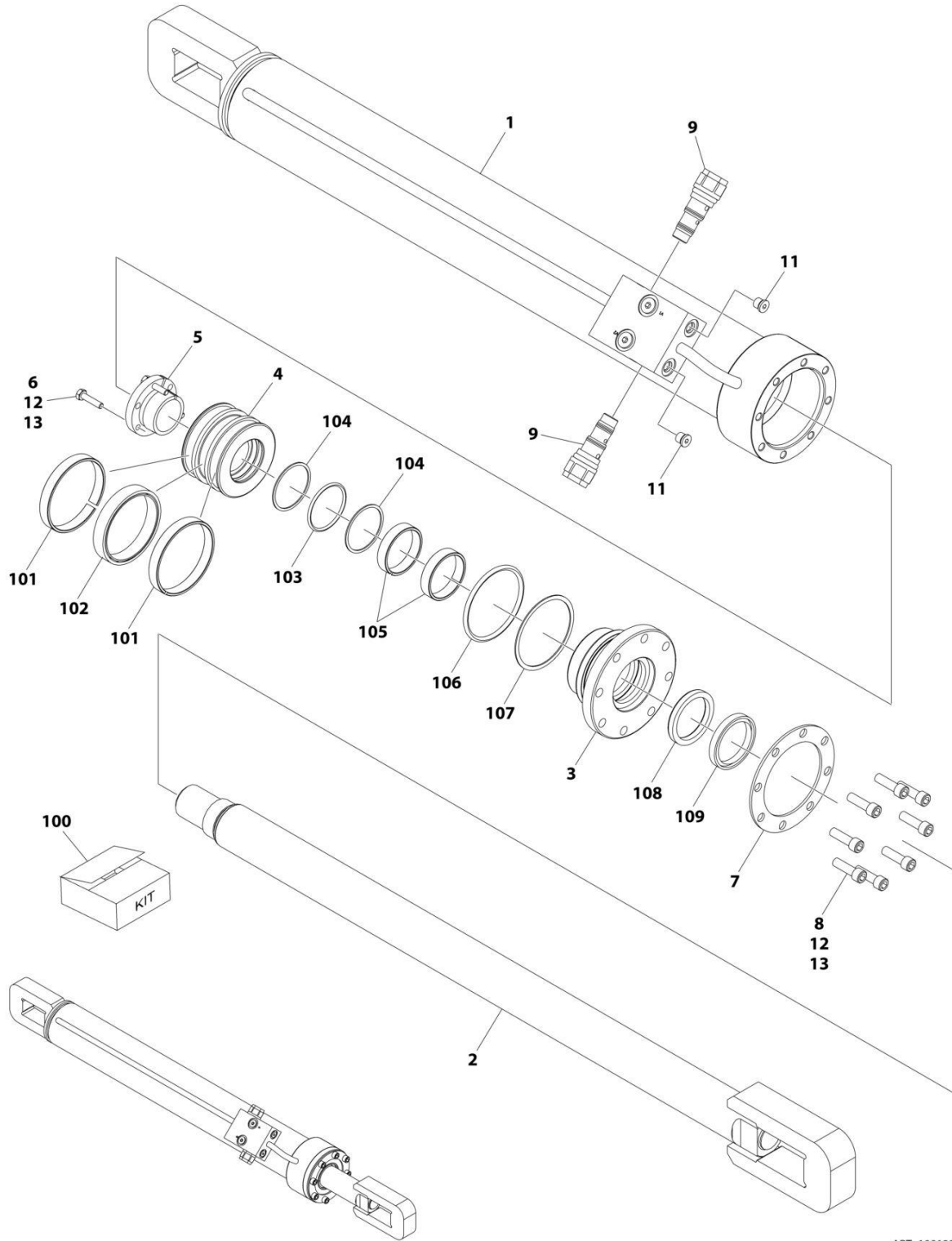
SECTION 5 - CYLINDER

FIGURE 5-1. AXLE EXTENSION CYLINDER ASSEMBLY (ORIGINAL EQUIPMENT)

| ITEM | PART NUMBER | QTY | DESCRIPTION | REV |
|------|-------------|-----|--|-----|
| | 1684102 | Ref | AXLE EXTENSION CYLINDER ASSEMBLY | E |
| | | Ref | | |
| 1 | 0100011 | AR | Compound, Locking | |
| 2 | 0100038 | AR | Primer, Locking | |
| 3 | 0100063 | AR | Loctite #RC 609 | |
| 4 | 0630535 | 3 | Capscrew 1/4in-20NC x 1-1/8in | |
| 5 | 0961896 | 1 | Bushing, Tapered | |
| 6 | 1683056 | 1 | Head | |
| 7 | 1684103 | 1 | Barrel Weldment | |
| 8 | 1684105 | 1 | Rod Weldment | |
| 9 | 3480272 | 1 | Piston | |
| 11 | 2901773 | 2 | Ring, Wear | |
| 12 | 2901773 | 1 | Ring, Back-Up | |
| 13 | 2901773 | 2 | Ring, Back-Up | |
| 14 | 2901773 | 1 | O-Ring | |
| 15 | 2901773 | 1 | O-Ring | |
| 16 | 2901773 | 1 | Wiper, Rod | |
| 17 | 2901773 | 1 | Seal | |
| 18 | 2901773 | 2 | Ring, Wear | |
| 19 | 2901773 | 1 | T-Seal | |
| 20 | 3760369 | 1 | Ring, Washer | |
| 21 | 3931620 | 8 | Bolt 3/8in-16NC x 1-1/4in | |
| 22 | 4640509 | 2 | Cartridge, Holding Valve | |
| 22 | 2900792 | 2 | Seal Kit - 4640509 Cartridge Valve (1 Per Valve) | |
| 23 | 2220883 | 2 | Plug, O-Ring | |
| 51 | 2901773 | 1 | Seal Kit (Includes Items 11-19) | |

SECTION 5 - CYLINDER

FIGURE 5-2. AXLE EXTENSION CYLINDER ASSEMBLY (SERVICE REPLACEMENT)



ART_1001228020

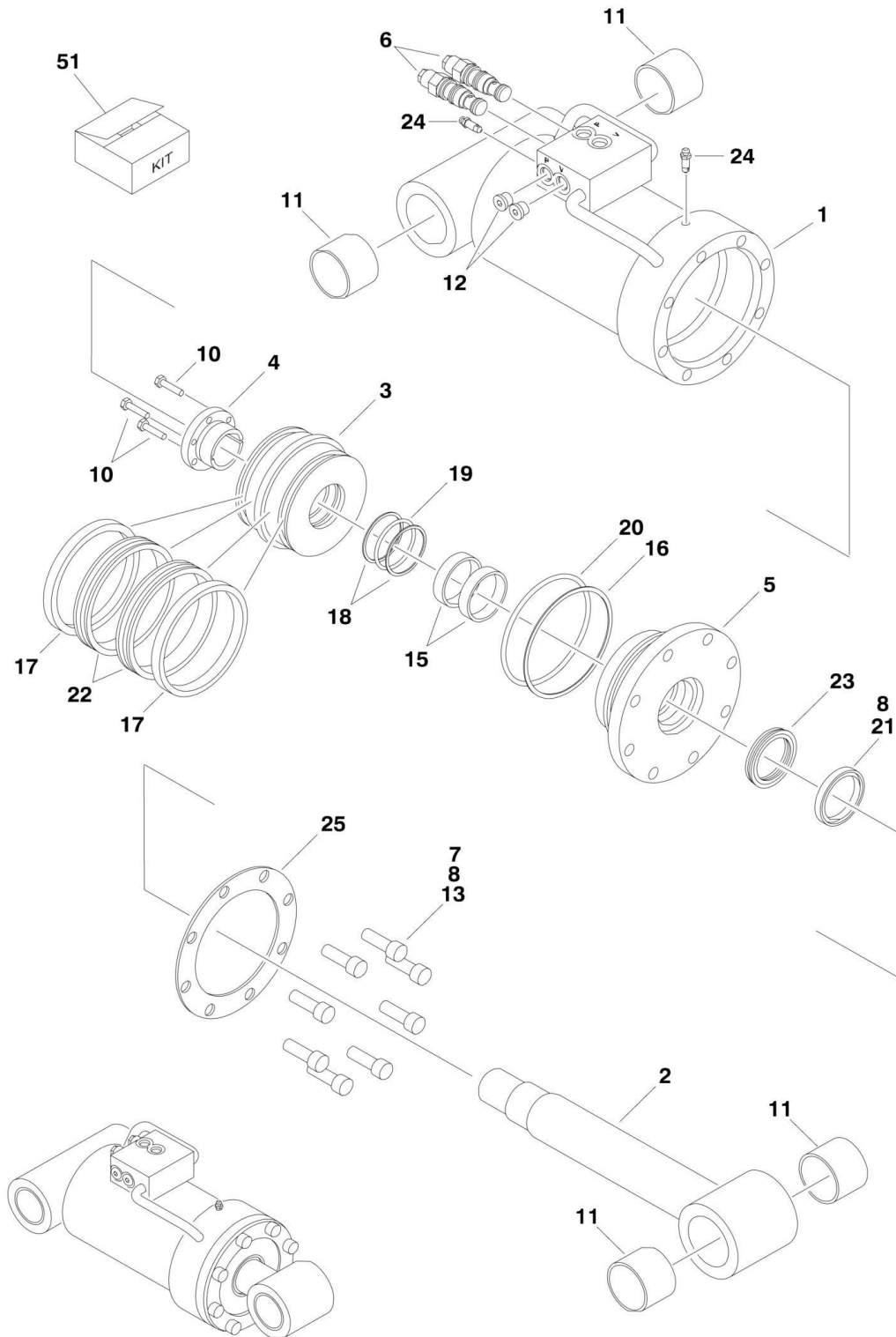
SECTION 5 - CYLINDER

FIGURE 5-2. AXLE EXTENSION CYLINDER ASSEMBLY (SERVICE REPLACEMENT)

| ITEM | PART NUMBER | QTY | DESCRIPTION | REV |
|------|-------------|-----|---|-----|
| | 1001228020 | Ref | AXLE EXTENSION CYLINDER ASSEMBLY | E |
| | | Ref | Note: Original Cylinder May Have Been Replaced with Service Replacement. Identify PN Stamped on Cylinder Before Ordering Parts. | |
| 1 | See Note | NSS | Barrel (Note: Not Available for Purchase) | |
| 2 | 70006363 | 1 | Rod | |
| 3 | 70006362 | 1 | Head | |
| 4 | 70006361 | 1 | Piston | |
| 5 | 70006360 | 1 | Bushing, Tapered | |
| 6 | 0630535 | 3 | Capscrew 1/4 x 1-1/8 | |
| 7 | 70006359 | 1 | Ring, Washer | |
| 8 | 3931620 | 8 | Bolt 3/8 x 1-1/4 | |
| 9 | 4640509 | 2 | Cartridge, Holding Valve | |
| 9 | 2900792 | 2 | Seal Kit - 4640509 Cartridge Valve (1 Per Valve) | |
| 11 | 2220883 | 2 | Plug, O-Ring | |
| 12 | 0100011 | AR | Compound, Locking | |
| 13 | 0100038 | AR | Primer, Locking | |
| 100 | 2901773 | 1 | Seal Kit (Includes Items 101-109) | |
| 101 | See Note | NSS | Ring, Wear (Note: Use Item 100) | |
| 102 | See Note | NSS | T-Seal (Note: Use Item 100) | |
| 103 | See Note | NSS | O-Ring (Note: Use Item 100) | |
| 104 | See Note | NSS | Ring, Back-up (Note: Use Item 100) | |
| 105 | See Note | NSS | Ring, Wear (Note: Use Item 100) | |
| 106 | See Note | NSS | O-Ring (Note: Use Item 100) | |
| 107 | See Note | NSS | Ring, Back-up (Note: Use Item 100) | |
| 108 | See Note | NSS | Seal (Note: Use Item 100) | |
| 109 | See Note | NSS | Wiper, Rod (Note: Use Item 100) | |

SECTION 5 - CYLINDER

FIGURE 5-3. AXLE LOCKOUT CYLINDER ASSEMBLY (ORIGINAL EQUIPMENT)



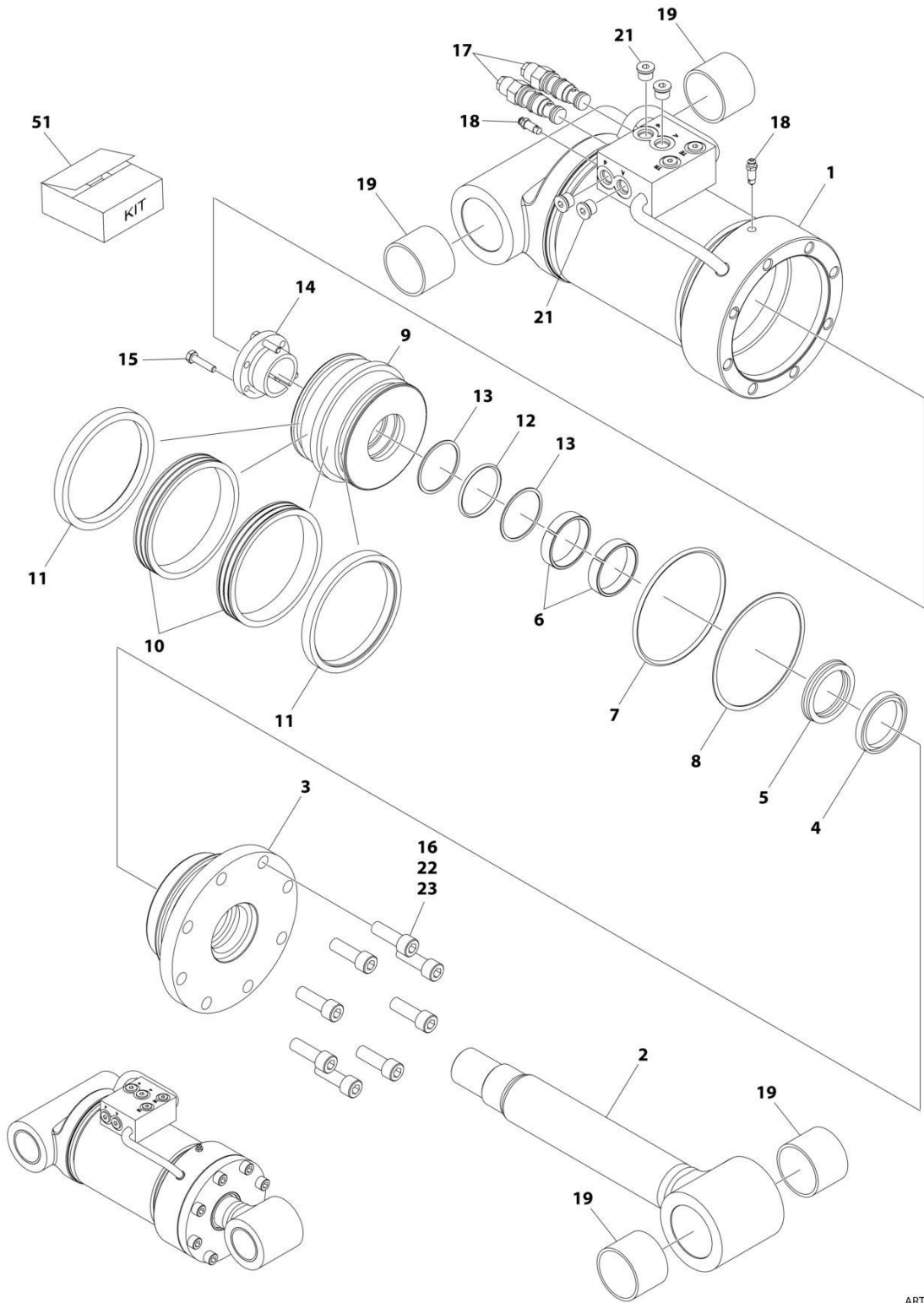
SECTION 5 - CYLINDER

FIGURE 5-3. AXLE LOCKOUT CYLINDER ASSEMBLY (ORIGINAL EQUIPMENT)

| ITEM | PART NUMBER | QTY | DESCRIPTION | REV |
|------|-------------|-----|---|-----|
| | 1684081 | Ref | AXLE LOCKOUT CYLINDER ASSEMBLY | F |
| | | Ref | | |
| 1 | 1684082 | 1 | Barrel Weldment | |
| 2 | 1684083 | 1 | Rod Weldment | |
| 3 | 3480269 | 1 | Piston | |
| 4 | 0961896 | 1 | Bushing | |
| 5 | 1683062 | 1 | Head | |
| 6 | 4641276 | 2 | Cartridge, Valve (Counterbalance) | |
| 6 | 2900770 | 2 | Seal Kit - 4640936 Valve (1 Per Assembly) | |
| 7 | 0100011 | AR | Compound, Locking | |
| 8 | 0100038 | AR | Primer, Locking | |
| 10 | 0630535 | 3 | Bolt 1/4in-20NC x 1-1/8in | |
| 11 | 0961950 | 4 | Bearing | |
| 12 | 2220885 | 2 | Plug, O-Ring | |
| 13 | 3931824 | 8 | Bolt, Socket Head 1/2in-13NC x 1-1/2in | |
| 15 | 2902087 | 2 | Ring, Wear | |
| 16 | 2902087 | 1 | Ring, Back-up | |
| 17 | 2902087 | 2 | Ring, Lock | |
| 18 | 2902087 | 2 | Ring, Back-up | |
| 19 | 2902087 | 1 | O-Ring | |
| 20 | 2902087 | 1 | O-Ring | |
| 21 | 2902087 | 1 | Wiper | |
| 22 | 2902087 | 2 | Seal | |
| 23 | 2902087 | 1 | Seal, Rod | |
| 24 | 4640858 | 2 | Valve, Bleeder | |
| 25 | 3760371 | 1 | Ring, Washer | |
| 51 | 2902087 | 1 | Seal Kit (Includes Items 15-23) | |

SECTION 5 - CYLINDER

FIGURE 5-4. AXLE LOCKOUT CYLINDER ASSEMBLY (SERVICE REPLACEMENT)



ART_1001228019

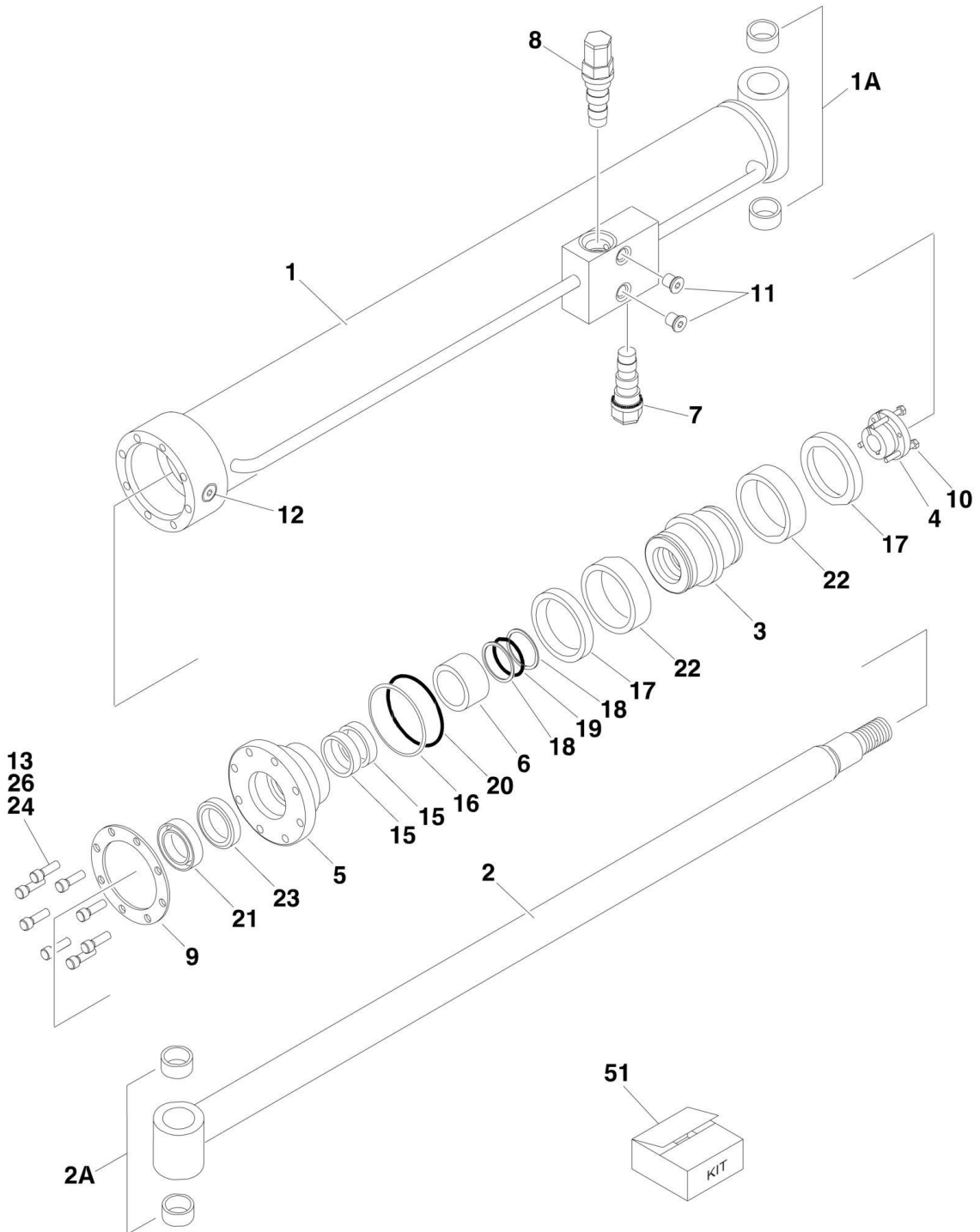
SECTION 5 - CYLINDER

FIGURE 5-4. AXLE LOCKOUT CYLINDER ASSEMBLY (SERVICE REPLACEMENT)

| ITEM | PART NUMBER | QTY | DESCRIPTION | REV |
|------|-------------|-----|---|-----|
| | 1001228019 | Ref | AXLE LOCKOUT CYLINDER ASSEMBLY | D |
| | | Ref | Note: Original Cylinder May Have Been Replaced with Service Replacement. Identify PN Stamped on Cylinder Before Ordering Parts. | |
| 1 | See Note | NSS | Barrel (Note: Not Available for Purchase) | |
| 2 | 70006520 | 1 | Rod | |
| 3 | 70006474 | 1 | Head | |
| 4 | See Note | NSS | Wiper (Note: Use Item 51) | |
| 5 | See Note | NSS | Seal, Rod (Note: Use Item 51) | |
| 6 | See Note | NSS | Ring, Wear (Note: Use Item 51) | |
| 7 | See Note | NSS | O-Ring (Note: Use Item 51) | |
| 8 | See Note | NSS | Ring, Back-up (Note: Use Item 51) | |
| 9 | 70006473 | 1 | Piston | |
| 10 | See Note | NSS | Seal (Note: Use Item 51) | |
| 11 | See Note | NSS | Ring, Lock (Note: Use Item 51) | |
| 12 | See Note | NSS | O-Ring (Note: Use Item 51) | |
| 13 | See Note | NSS | Ring, Back-up (Note: Use Item 51) | |
| 14 | 0961896 | 1 | Bushing | |
| 15 | 0630535 | 3 | Bolt 1/4 x 1-1/8 | |
| 16 | 3931824 | 8 | Bolt 1/2 x 1-1/2 | |
| 17 | 4641276 | 2 | Cartridge, Valve Options: (Counterbalance) | |
| 17 | 2900770 | 2 | Seal Kit - 4641276 Valve (1 Per Assembly) | |
| 18 | 4640858 | 2 | Valve, Bleeder | |
| 19 | 0961950 | 4 | Bearing | |
| 21 | 2220885 | 4 | Plug, O-Ring | |
| 22 | 0100011 | AR | Compound, Locking | |
| 23 | 0100038 | AR | Primer, Locking | |
| 51 | 2902087 | 1 | Seal Kit (Includes Items 4-8 & 10-13) | |

SECTION 5 - CYLINDER

FIGURE 5-5. PLATFORM LEVEL CYLINDER ASSEMBLY (ORIGINAL EQUIPMENT)



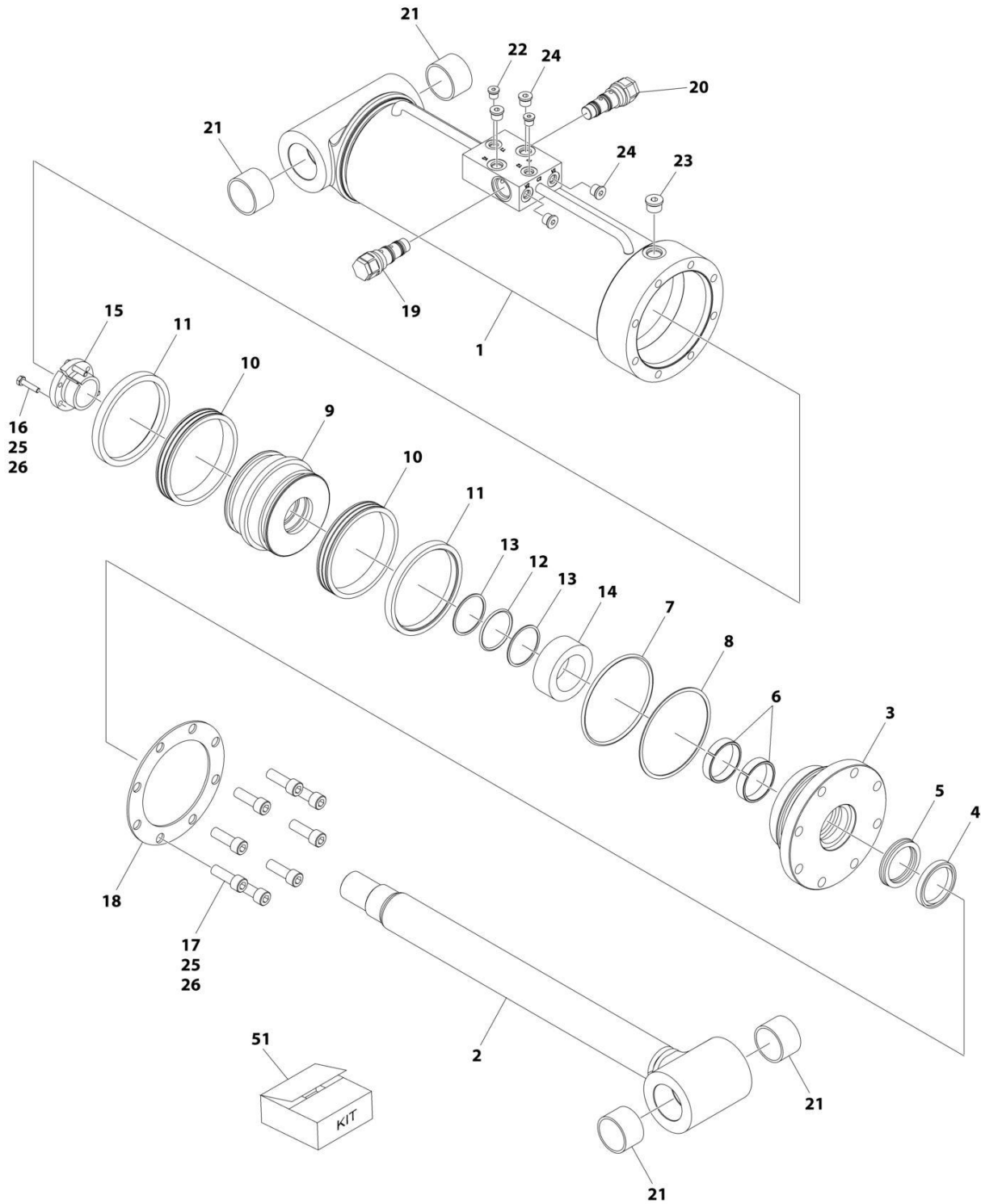
SECTION 5 - CYLINDER

FIGURE 5-5. PLATFORM LEVEL CYLINDER ASSEMBLY (ORIGINAL EQUIPMENT)

| ITEM | PART NUMBER | QTY | DESCRIPTION | REV |
|------|---------------|-----|---|-----|
| | 1684149 | Ref | PLATFORM LEVEL CYLINDER ASSEMBLY | F |
| | | Ref | Note: Original Cylinder May Have Been Replaced with Service Replacement. Identify PN Stamped on Cylinder Before Ordering Parts. | |
| 1 | 1684150 | 1 | Barrel Weldment | |
| 1A | 0961949 | 2 | Bushing | |
| 2 | 1684306 | 1 | Rod Weldment | |
| 2A | 0961949 | 2 | Bushing | |
| 3 | 3480162 | 1 | Piston | |
| 4 | 0961896 | 1 | Bushing, Tapered | |
| 5 | 1683062 | 1 | Head | |
| 6 | 4568345 | 1 | Spacer | |
| 7 | 4640509 | 1 | Cartridge, Holding Valve (Non Vented) | |
| 7 | 2900792 | 1 | Seal Kit - 4640509 Cartridge Valve | |
| 8 | 4641248 | 1 | Cartridge, Holding Valve (Non Vented) | |
| 8 | Not Available | 1 | Seal Kit - 4641248 Cartridge Valve | |
| 9 | 3760371 | 1 | Ring, Washer | |
| 10 | 0630535 | 3 | Capscrew 1/4in-20NC x 1-1/8in | |
| 11 | 2220885 | 2 | Plug, O-Ring | |
| 12 | 2220886 | 1 | Plug, O-Ring | |
| 13 | 3931824 | 8 | Capscrew 1/2in-13NC x 1-1/2in | |
| 15 | 2902087 | 2 | Ring, Wear | |
| 16 | 2902087 | 1 | Ring, Back-up | |
| 17 | 2902087 | 2 | Ring, Lock | |
| 18 | 2902087 | 2 | Ring, Back-up | |
| 19 | 2902087 | 1 | O-Ring | |
| 20 | 2902087 | 1 | O-Ring | |
| 21 | 2902087 | 1 | Wiper, Rod | |
| 22 | 2902087 | 2 | Ring, Guide | |
| 23 | 2902087 | 1 | Seal, Rod | |
| 24 | 0100011 | AR | Compound, Locking | |
| 26 | 0100038 | AR | Primer, Locking | |
| 51 | 2902087 | 1 | Seal Kit (Includes Items 15-23) | |

SECTION 5 - CYLINDER

FIGURE 5-6. PLATFORM LEVEL CYLINDER ASSEMBLY (SERVICE REPLACEMENT)



ART_1001228023

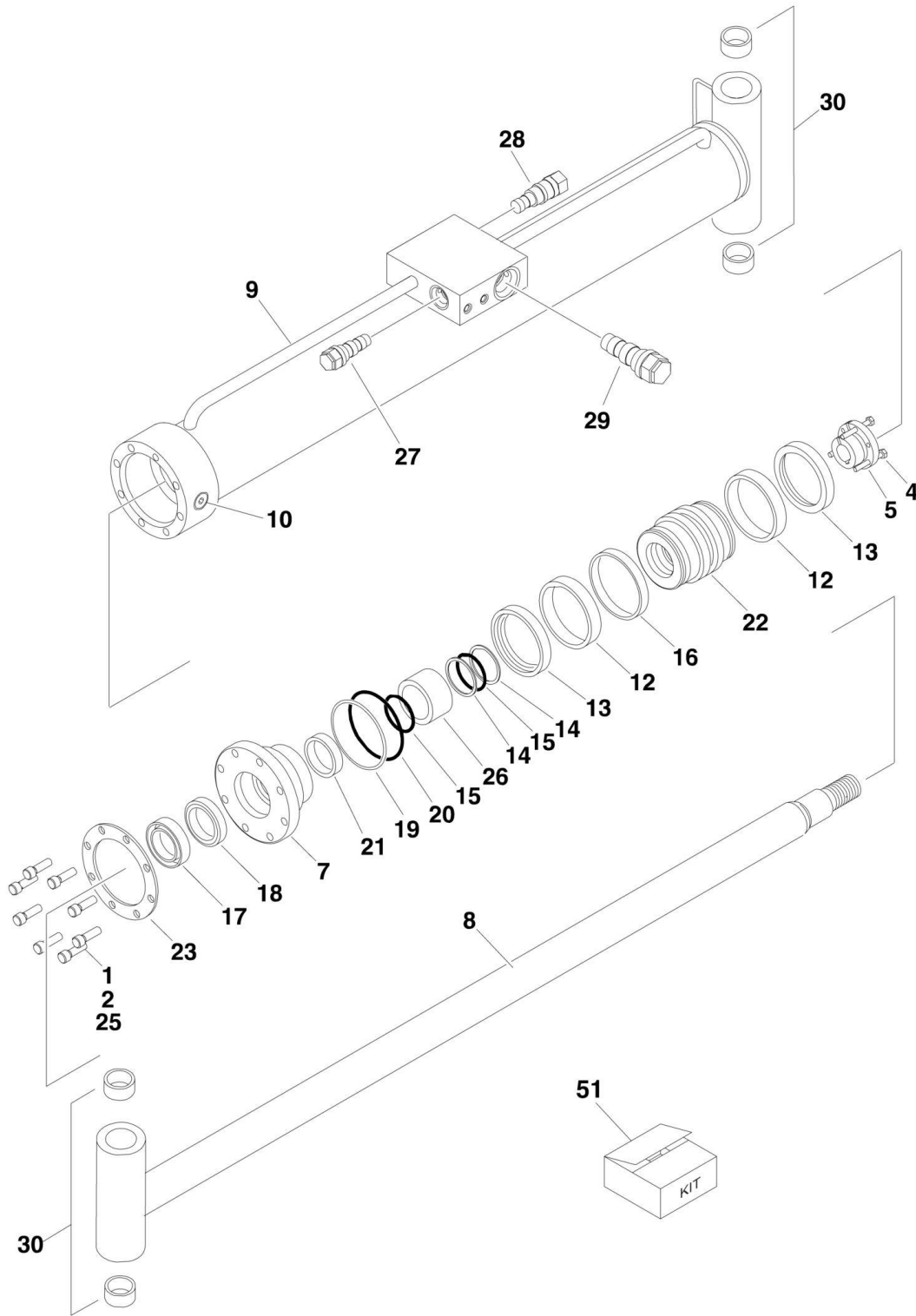
SECTION 5 - CYLINDER

FIGURE 5-6. PLATFORM LEVEL CYLINDER ASSEMBLY (SERVICE REPLACEMENT)

| ITEM | PART NUMBER | QTY | DESCRIPTION | REV |
|------|-------------|-----|---|-----|
| | 1001228023 | Ref | PLATFORM LEVEL CYLINDER ASSEMBLY - WITHOUT COLD WEATHER PLUS PACKAGE | C |
| | | Ref | Note: Original Cylinder May Have Been Replaced with Service Replacement. Identify PN Stamped on Cylinder Before Ordering Parts. | |
| 1 | See Note | NSS | Barrel (Note: Not Available for Purchase) | |
| 2 | 70006550 | 1 | Rod | |
| 3 | 70006549 | 1 | Head | |
| 4 | See Note | NSS | Wiper, Rod (Note: Use Item 51) | |
| 5 | See Note | NSS | Seal, Rod (Note: Use Item 51) | |
| 6 | See Note | NSS | Ring, Wear (Note: Use Item 51) | |
| 7 | See Note | NSS | O-Ring (Note: Use Item 51) | |
| 8 | See Note | NSS | Ring, Back-up (Note: Use Item 51) | |
| 9 | 70006548 | 1 | Piston | |
| 10 | See Note | NSS | Ring, Guide (Note: Use Item 51) | |
| 11 | See Note | NSS | Ring, Lock (Note: Use Item 51) | |
| 12 | See Note | NSS | O-Ring (Note: Use Item 51) | |
| 13 | See Note | NSS | Ring, Back-up (Note: Use Item 51) | |
| 14 | 70006547 | 1 | Spacer | |
| 15 | 0961896 | 1 | Bushing, Tapered | |
| 16 | 0630535 | 3 | Capscrew 1/4 x 1-1/8 | |
| 17 | 3931824 | 8 | Capscrew 1/2 x 1-1/2 | |
| 18 | 3760371 | 1 | Ring, Washer | |
| 19 | 4641248 | 1 | Cartridge, Counterbalance Valve (Non-Vented) | |
| 19 | See Note | NSS | Seal Kit - 4641248 Cartridge Valve (Note: Use p/n 4641248) | |
| 20 | 4640509 | 1 | Cartridge, Holding Valve (Non-Vented) | |
| 20 | 2900792 | 1 | Seal Kit - 4640509 Cartridge Valve | |
| 21 | 0961949 | 4 | Bushing | |
| 22 | 2220883 | 4 | Plug, O-Ring | |
| 23 | 2220886 | 1 | Plug, O-Ring | |
| 24 | 2220885 | 2 | Plug, O-Ring | |
| 25 | 0100011 | AR | Compound, Locking | |
| 26 | 0100038 | AR | Primer, Locking | |
| 51 | 2902087 | 1 | Seal Kit Options (Includes Items 4-8 & 10-13) | |

SECTION 5 - CYLINDER

FIGURE 5-7. LIFT CYLINDER ASSEMBLY (ORIGINAL EQUIPMENT)



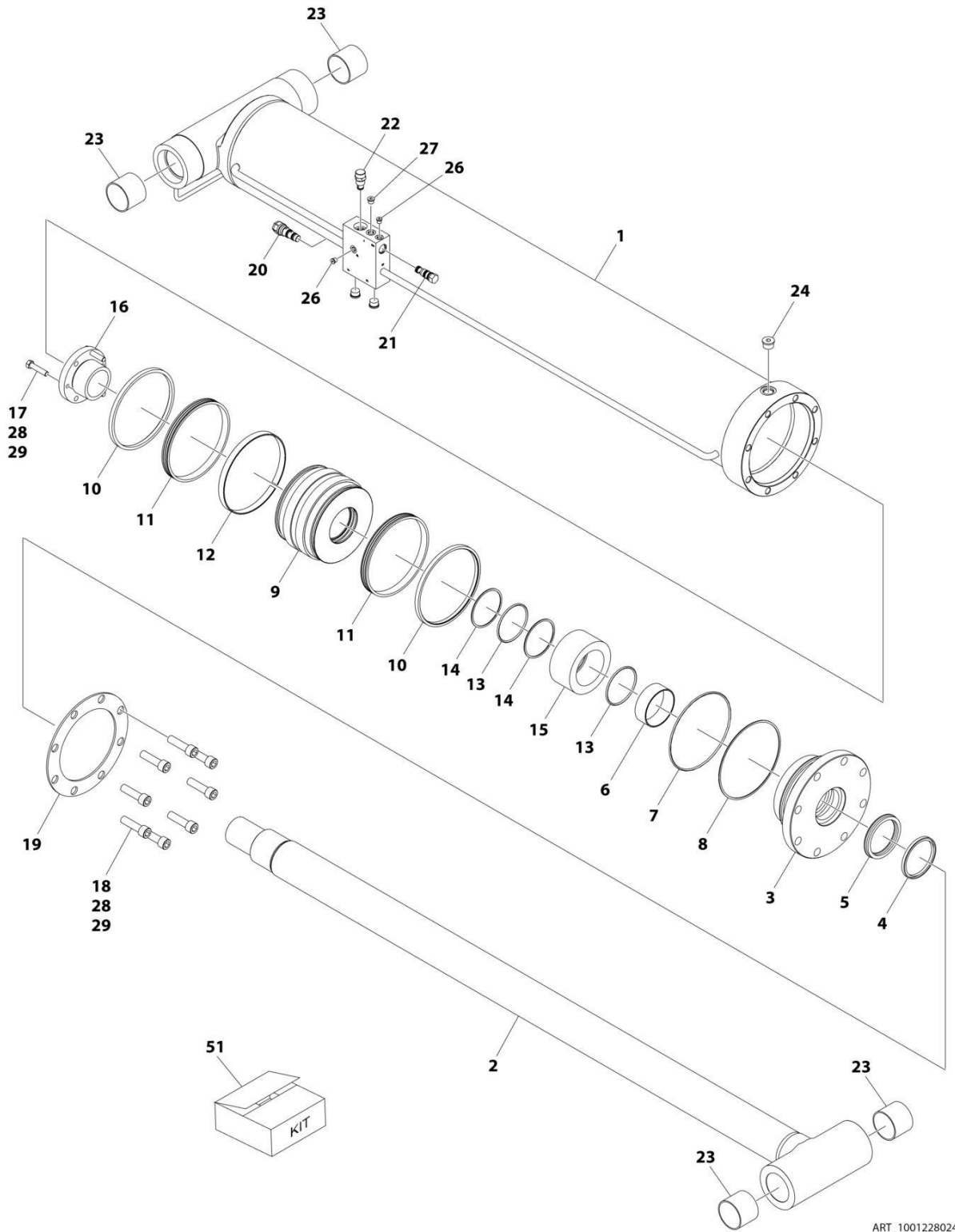
SECTION 5 - CYLINDER

FIGURE 5-7. LIFT CYLINDER ASSEMBLY (ORIGINAL EQUIPMENT)

| ITEM | PART NUMBER | QTY | DESCRIPTION | REV |
|------|-------------|-----|---|-----|
| | 1684162 | Ref | LIFT CYLINDER ASSEMBLY | G |
| | | Ref | Note: Original Cylinder May Have Been Replaced with Service Replacement. Identify PN Stamped on Cylinder Before Ordering Parts. | |
| 1 | 0100011 | AR | Compound, Locking | |
| 2 | 0100038 | AR | Primer, Locking | |
| 4 | 0630537 | 3 | Capscrew | |
| 5 | 0961901 | 1 | Bushing, Tapered | |
| 7 | 1683072 | 1 | Head | |
| 8 | 1684159 | 1 | Rod | |
| 9 | 1684249 | 1 | Barrel | |
| 10 | 2220888 | 1 | Plug, O-Ring | |
| 12 | 2902082 | 2 | Ring, Guide | |
| 13 | 2902082 | 2 | Ring, Lock | |
| 14 | 2902082 | 2 | Ring, Back-Up | |
| 15 | 2902082 | AR | O-Ring | |
| 16 | 2902082 | 1 | Ring, Wear | |
| 17 | 2902082 | 1 | Wiper, Rod | |
| 18 | 2902082 | 1 | Seal, Rod | |
| 19 | 2902082 | 1 | Ring, Back-Up | |
| 20 | 2902082 | 1 | O-Ring | |
| 21 | 2902082 | 1 | Ring, Wear | |
| 22 | 3480270 | 1 | Piston | |
| 23 | 3760375 | 1 | Ring, Washer | |
| 25 | 3932244 | 8 | Capscrew 3/4in-10NC x 2-3/4in | |
| 26 | 4568319 | 1 | Spacer | |
| 27 | 4640438 | 1 | Cartridge, Check Valve | |
| 27 | 2900770 | 1 | Seal Kit - 4640438 Cartridge Valve | |
| 28 | 4640509 | 1 | Cartridge, Holding Valve (Non Vented) | |
| 28 | 2900792 | 1 | Seal Kit - 4640509 Cartridge Valve | |
| 29 | 4641210 | 1 | Cartridge, Pressure Regulator Valve | |
| 29 | 7010545 | 1 | Seal Kit - 4641210 Cartridge Valve | |
| 30 | 0962297 | 4 | Bushing | |
| 51 | 2902082 | 1 | Seal Kit (Includes Items 12-21) | |

SECTION 5 - CYLINDER

FIGURE 5-8. LIFT CYLINDER ASSEMBLY (SERVICE REPLACEMENT)



ART_1001228024

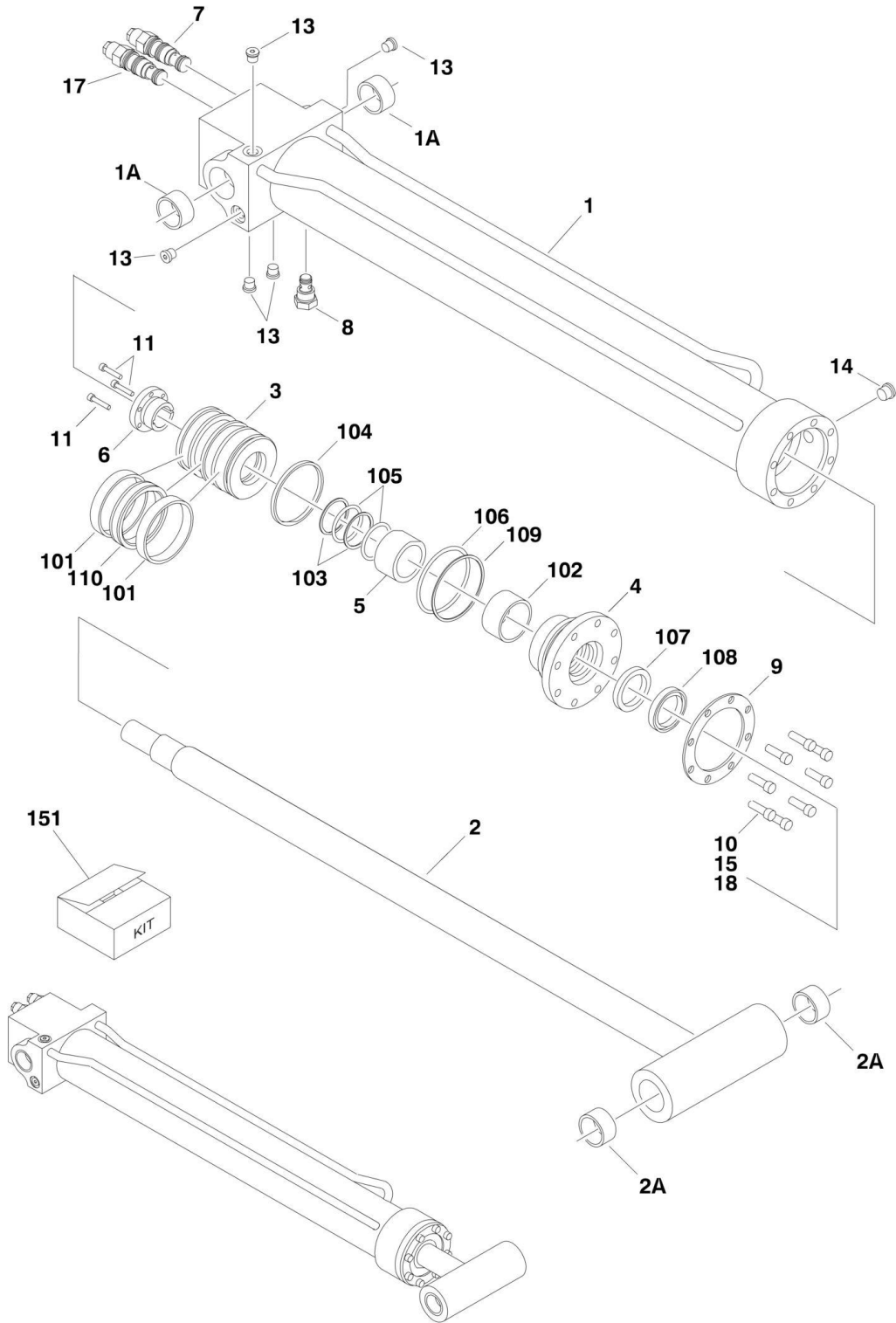
SECTION 5 - CYLINDER

FIGURE 5-8. LIFT CYLINDER ASSEMBLY (SERVICE REPLACEMENT)

| ITEM | PART NUMBER | QTY | DESCRIPTION | REV |
|------|-------------|-----|---|-----|
| | 1001228024 | Ref | LIFT CYLINDER ASSEMBLY | D |
| | | Ref | Note: Original Cylinder May Have Been Replaced with Service Replacement. Identify PN Stamped on Cylinder Before Ordering Parts. | |
| 1 | See Note | NSS | Barrel (Note: Not Available for Purchase) | |
| 2 | 70006530 | 1 | Rod | |
| 3 | 70006529 | 1 | Head | |
| 4 | See Note | NSS | Wiper, Rod (Note: Use Item 51) | |
| 5 | See Note | NSS | Seal, Rod (Note: Use Item 51) | |
| 6 | See Note | NSS | Ring, Wear (Note: Use Item 51) | |
| 7 | See Note | NSS | O-Ring (Note: Use Item 51) | |
| 8 | See Note | NSS | Ring, Back-up (Note: Use Item 51) | |
| 9 | 70006528 | 1 | Piston | |
| 10 | See Note | NSS | Ring, Lock (Note: Use Item 51) | |
| 11 | See Note | NSS | Ring, Guide (Note: Use Item 51) | |
| 12 | See Note | NSS | Ring, Wear (Note: Use Item 51) | |
| 13 | See Note | NSS | O-Ring (Note: Use Item 51) | |
| 14 | See Note | NSS | Ring, Back-up (Note: Use Item 51) | |
| 15 | 70006527 | 1 | Spacer | |
| 16 | 0961901 | 1 | Bushing, Tapered | |
| 17 | 0630537 | 3 | Capscrew | |
| 18 | 3932244 | 8 | Capscrew 3/4 x 2-3/4 | |
| 19 | 3760375 | 1 | Ring, Washer | |
| 20 | 4640509 | 1 | Cartridge, Holding Valve (Non-Vented) | |
| 20 | 2900792 | 1 | Seal Kit - 4640509 Cartridge Valve | |
| 21 | 4640438 | 1 | Cartridge, Check Valve | |
| 21 | 2900770 | 1 | Seal Kit - 4640438 Cartridge Valve | |
| 22 | 4641210 | 1 | Cartridge, Pressure Regulator Valve | |
| 22 | 7010545 | 1 | Seal Kit - 4641210 Cartridge Valve | |
| 23 | 0962297 | 4 | Bushing | |
| 24 | 2220888 | 1 | Plug, O-Ring | |
| 26 | 2220883 | 2 | Plug, O-Ring | |
| 27 | 2220885 | 1 | Plug, O-Ring | |
| 28 | 0100011 | AR | Compound, Locking | |
| 29 | 0100038 | AR | Primer, Locking | |
| 51 | 1001174325 | 1 | Seal Kit (Includes Items 4-8 & 10-14) | |

SECTION 5 - CYLINDER

FIGURE 5-9. JIB CYLINDER ASSEMBLY (ORIGINAL EQUIPMENT)



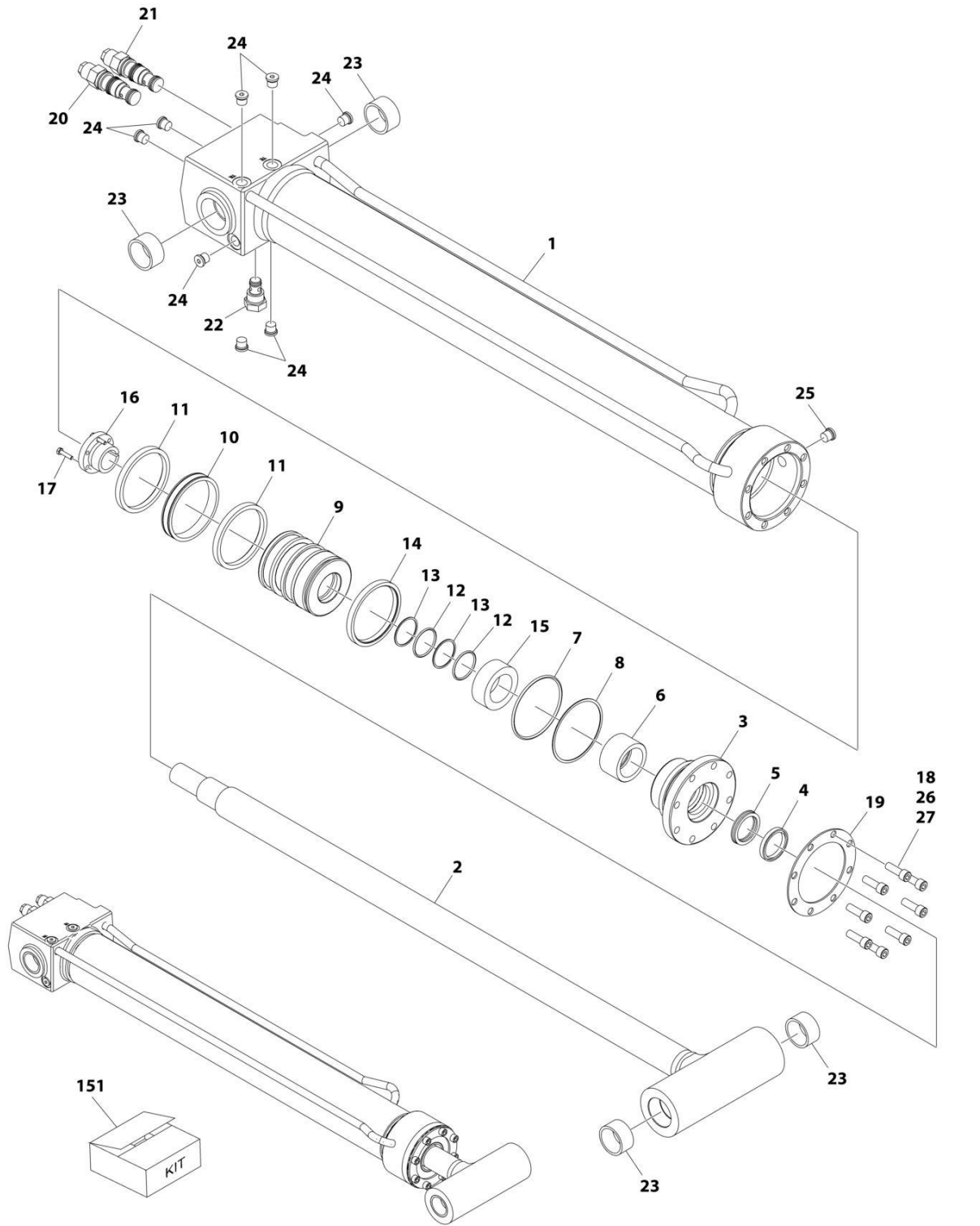
SECTION 5 - CYLINDER

FIGURE 5-9. JIB CYLINDER ASSEMBLY (ORIGINAL EQUIPMENT)

| ITEM | PART NUMBER | QTY | DESCRIPTION | REV |
|------|-------------|-----|--|---|
| | 1684173 | Ref | JIB CYLINDER ASSEMBLY | H |
| | | Ref | | Note: Original Cylinder May Have Been Replaced with Service Replacement. Identify PN Stamped on Cylinder Before Ordering Parts. |
| 1 | 1684174 | 1 | Barrel Weldment | |
| 1A | 0962257 | 2 | Bushing | |
| 2 | 1684176 | 1 | Rod Weldment | |
| 2A | 0962257 | 2 | Bushing | |
| 3 | 3480271 | 1 | Piston | |
| 4 | 1683053 | 1 | Head | |
| 5 | 4100100 | 1 | Spacer | |
| 6 | 0961893 | 1 | Bushing, Tapered | |
| 7 | 4640452 | 1 | Cartridge, Counterbalance (Port above V2) | |
| 7 | 2900770 | 1 | Seal Kit - 4640452 Cartridge Valve (1 Per Valve) | |
| 8 | 4641114 | 1 | Cartridge, Restricted/Check | |
| 8 | 7012967 | 1 | Seal Kit - 4641114 Cartridge Valve (1 Per Valve) | |
| 9 | 3760368 | 1 | Ring, Washer | |
| 10 | 3931516 | 8 | Capscrew 5/16in-18NC x 1in | |
| 11 | 0630534 | 3 | Capscrew #10-24NC x 1in | |
| 13 | 2220883 | 5 | Plug, O-Ring | |
| 14 | 2220885 | 1 | Plug, O-Ring | |
| 15 | 0100011 | AR | Compound, Locking | |
| 17 | 4641260 | 1 | Cartridge, Counterbalance (Port above V1) | |
| 17 | 2900770 | 1 | Seal Kit - 4641260 Cartridge Valve (1 Per Valve) | |
| 18 | 0100038 | AR | Primer, Locking | |
| 101 | 2902092 | 2 | Ring, Wear | |
| 102 | 2902092 | 1 | Ring, Wear | |
| 103 | 2902092 | 2 | Ring, Back-up | |
| 104 | 2902092 | 1 | Seal | |
| 105 | 2902092 | 2 | O-Ring | |
| 106 | 2902092 | 1 | O-Ring | |
| 107 | 2902092 | 1 | Seal | |
| 108 | 2902092 | 1 | Wiper, Rod | |
| 109 | 2902092 | 1 | Ring, Back-up | |
| 110 | 2902092 | 1 | Seal | |
| 151 | 2902092 | 1 | Seal Kit (Includes Items 101-110) | |

SECTION 5 - CYLINDER

FIGURE 5-10. JIB CYLINDER ASSEMBLY (SERVICE REPLACEMENT)



ART_1001228025

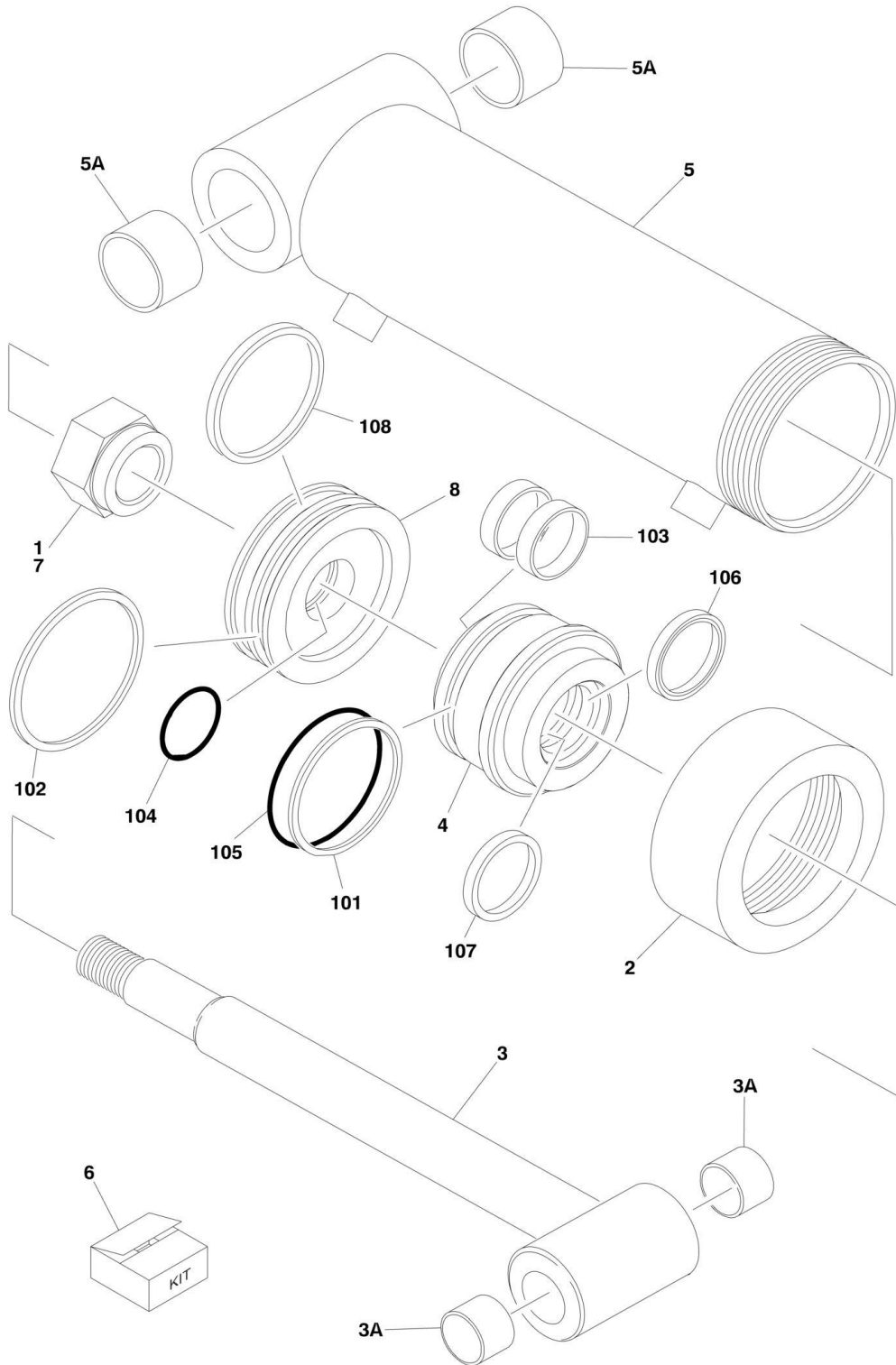
SECTION 5 - CYLINDER

FIGURE 5-10. JIB CYLINDER ASSEMBLY (SERVICE REPLACEMENT)

| ITEM | PART NUMBER | QTY | DESCRIPTION | REV |
|------|-------------|-----|---|-----|
| | 1001228025 | Ref | JIB CYLINDER ASSEMBLY | G |
| | | Ref | Note: Original Cylinder May Have Been Replaced with Service Replacement. Identify PN Stamped on Cylinder Before Ordering Parts. | |
| 1 | See Note | NSS | Barrel (Note: Not Available for Purchase) | |
| 2 | 70006526 | 1 | Rod | |
| 3 | 70006525 | 1 | Head | |
| 4 | See Note | NSS | Wiper, Rod (Note: Use Item 151) | |
| 5 | See Note | NSS | Seal (Note: Use Item 151) | |
| 6 | See Note | NSS | Ring, Wear (Note: Use Item 151) | |
| 7 | See Note | NSS | O-Ring (Note: Use Item 151) | |
| 8 | See Note | NSS | Ring, Back-up (Note: Use Item 151) | |
| 9 | 70006524 | 1 | Piston | |
| 10 | See Note | NSS | Seal (Note: Use Item 151) | |
| 11 | See Note | NSS | Ring, Wear (Note: Use Item 151) | |
| 12 | See Note | NSS | O-Ring (Note: Use Item 151) | |
| 13 | See Note | NSS | Ring, Back-up (Note: Use Item 151) | |
| 14 | See Note | NSS | Seal (Note: Use Item 151) | |
| 15 | 70006523 | 1 | Spacer | |
| 16 | 0961893 | 1 | Bushing, Tapered | |
| 17 | 0630534 | 3 | Capscrew #10 x 1 | |
| 18 | 3931516 | 8 | Capscrew 5/16 x 1 | |
| 19 | 3760368 | 1 | Ring, Washer | |
| 20 | 4641260 | 1 | Cartridge, Counterbalance (Port above V1) | |
| 20 | 2900770 | 1 | Seal Kit - 4641260 Cartridge Valve (1 Per Valve) | |
| 21 | 4640452 | 1 | Cartridge, Counterbalance (Port above V2) | |
| 21 | 2900770 | 1 | Seal Kit - 4640452 Cartridge Valve (1 Per Valve) | |
| 22 | 4641114 | 1 | Cartridge, Restricted/Check | |
| 22 | 7012967 | 1 | Seal Kit - 4641114 Cartridge Valve (1 Per Valve) | |
| 23 | 0962257 | 4 | Bushing | |
| 24 | 2220883 | 8 | Plug, O-Ring | |
| 25 | 2220885 | AR | Plug, O-Ring | |
| 26 | 0100011 | AR | Compound, Locking | |
| 27 | 0100038 | AR | Primer, Locking | |
| 151 | 1001138805 | 1 | Seal Kit (Includes Items 4-8 & 10-14) | |

SECTION 5 - CYLINDER

FIGURE 5-11. STEER CYLINDER ASSEMBLY (ORIGINAL EQUIPMENT)



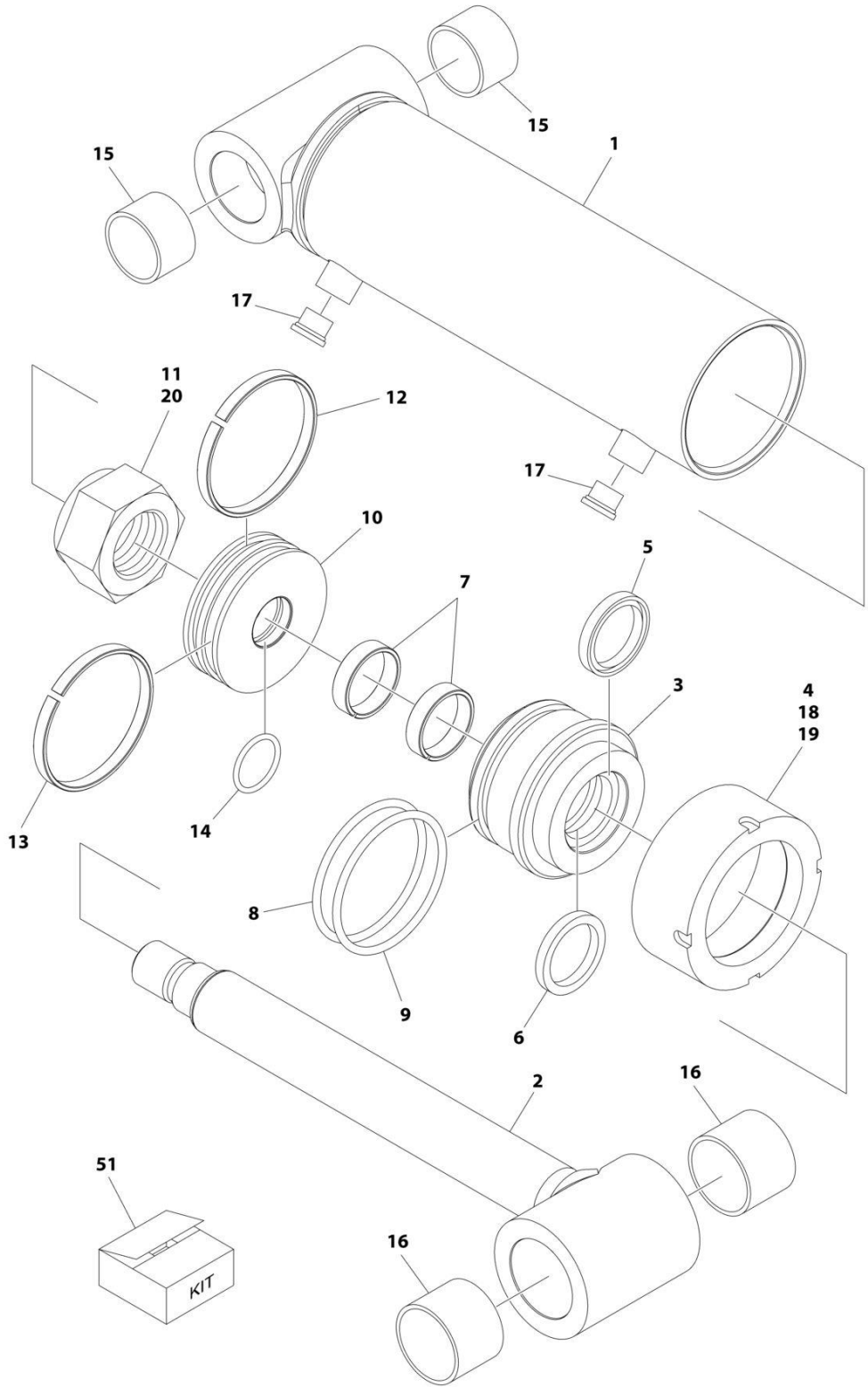
SECTION 5 - CYLINDER

FIGURE 5-11. STEER CYLINDER ASSEMBLY (ORIGINAL EQUIPMENT)

| ITEM | PART NUMBER | QTY | DESCRIPTION | REV |
|------|-------------|-----|---|-----|
| | 1684314 | Ref | STEER CYLINDER | C |
| | | Ref | Note: Original Cylinder May Have Been Replaced with Service Replacement. Identify PN Stamped on Cylinder Before Ordering Parts. | |
| 1 | 0100035 | AR | Compound, Locking | |
| 2 | 1120094 | 1 | Cap, Cylinder | |
| 3 | 1684275 | 1 | Rod | |
| 3A | 0961950 | 2 | Bushing | |
| 4 | 1684315 | 1 | Head | |
| 5 | 1684317 | 1 | Barrel | |
| 5A | 0961949 | 2 | Bushing | |
| 6 | 2902257 | 1 | Seal Kit (Includes Items 101-108) | |
| 7 | 3300465 | 1 | Nut | |
| 8 | 3480278 | 1 | Piston | |
| 101 | 2902257 | 1 | Ring, Back-up | |
| 102 | 2902257 | 1 | Ring, Wear | |
| 103 | 2902257 | 2 | Ring, Wear | |
| 104 | 2902257 | 1 | O-Ring | |
| 105 | 2902257 | 1 | O-Ring | |
| 106 | 2902257 | 1 | Wiper | |
| 107 | 2902257 | 1 | Seal, Piston | |
| 108 | 2902257 | | Seal | |

SECTION 5 - CYLINDER

FIGURE 5-12. STEER CYLINDER ASSEMBLY (SERVICE REPLACEMENT)



ART_1001228031

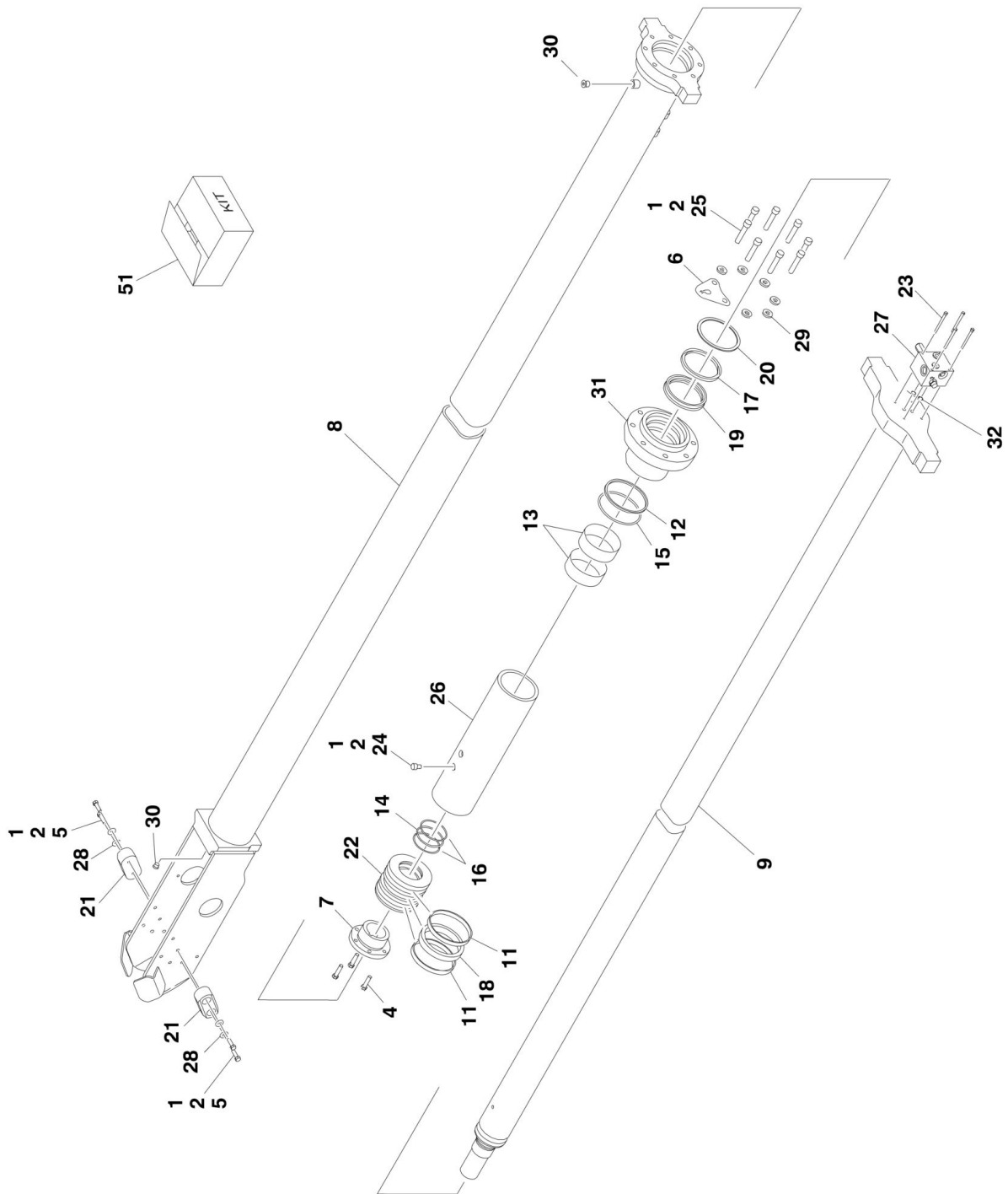
SECTION 5 - CYLINDER

FIGURE 5-12. STEER CYLINDER ASSEMBLY (SERVICE REPLACEMENT)

| ITEM | PART NUMBER | QTY | DESCRIPTION | REV |
|------|-------------|-----|---|-----|
| | 1001228031 | Ref | STEER CYLINDER ASSEMBLY | C |
| | | Ref | Note: Original Cylinder May Have Been Replaced with Service Replacement. Identify PN Stamped on Cylinder Before Ordering Parts. | |
| 1 | See Note | NSS | Barrel (Note: Not Available for Purchase) | |
| 2 | 70006493 | 1 | Rod | |
| 3 | 70006492 | 1 | Head | |
| 4 | 70006491 | 1 | Cap, Cylinder | |
| 5 | See Note | NSS | Wiper (Note: Use Item 51) | |
| 6 | See Note | NSS | Seal, Piston (Note: Use Item 51) | |
| 7 | See Note | NSS | Ring, Wear (Note: Use Item 51) | |
| 8 | See Note | NSS | O-Ring (Note: Use Item 51) | |
| 9 | See Note | NSS | Ring, Back-up (Note: Use Item 51) | |
| 10 | 70006490 | 1 | Piston | |
| 11 | 3300465 | 1 | Nut | |
| 12 | See Note | 1 | Seal (Note: Use Item 51) | |
| 13 | See Note | 1 | Ring, Wear (Note: Use Item 51) | |
| 14 | See Note | 1 | O-Ring (Note: Use Item 51) | |
| 15 | 0961949 | 2 | Bushing | |
| 16 | 0961950 | 2 | Bushing | |
| 17 | 2220885 | 2 | Plug (With O-Ring) | |
| 18 | 0100011 | AR | Compound, Locking | |
| 19 | 0100038 | AR | Primer, Locking | |
| 20 | 0100019 | AR | Compound, Locking | |
| 51 | 2902257 | 1 | Seal Kit (Includes Items 5-9 & 12-14) | |

SECTION 5 - CYLINDER

FIGURE 5-13. TELESCOPE CYLINDER ASSEMBLY (ORIGINAL EQUIPMENT)



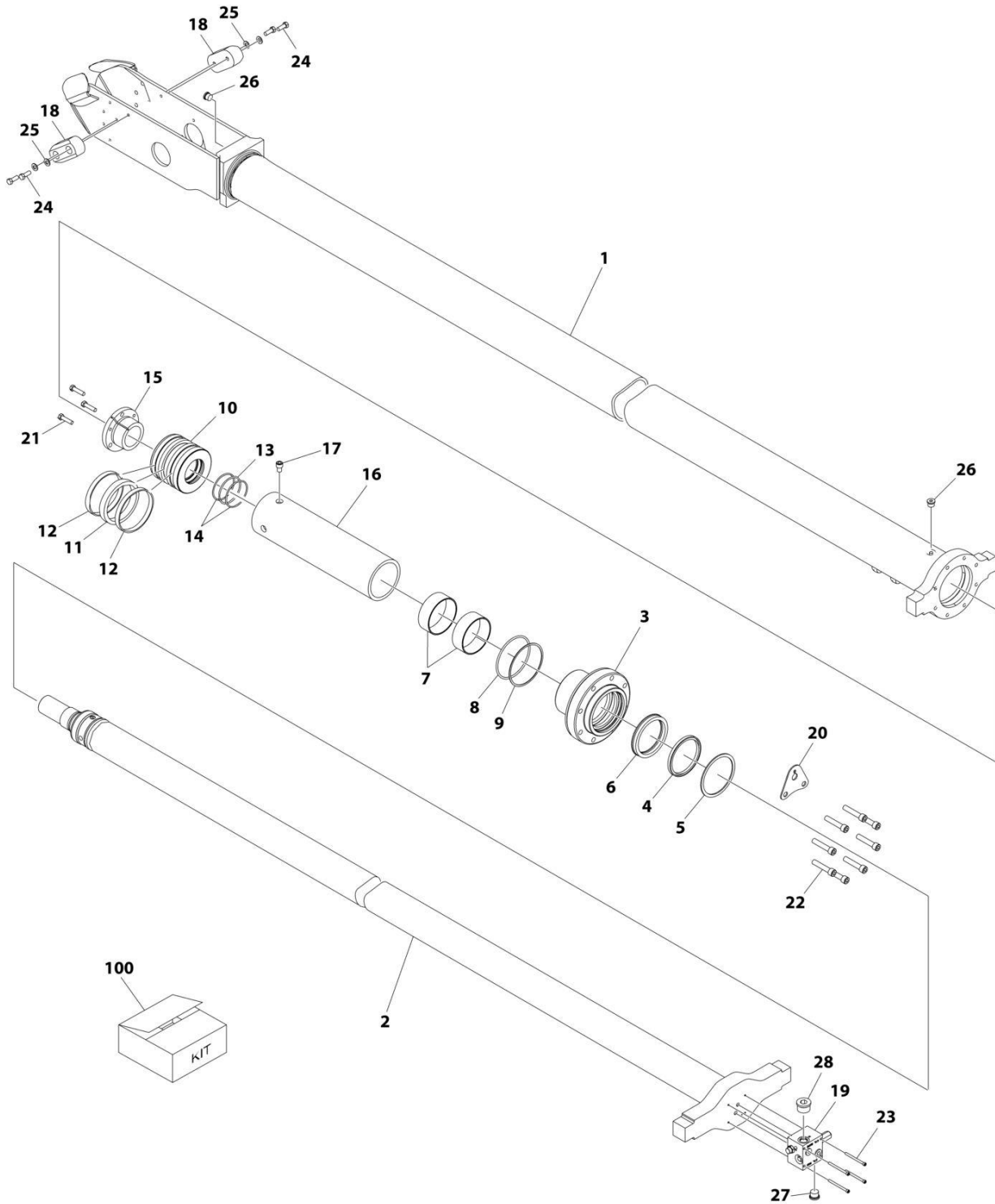
SECTION 5 - CYLINDER

FIGURE 5-13. TELESCOPE CYLINDER ASSEMBLY (ORIGINAL EQUIPMENT)

| ITEM | PART NUMBER | QTY | DESCRIPTION | REV |
|------|-------------|-----|------------------------------------|---|
| | 1684178 | Ref | TELESCOPE CYLINDER ASSEMBLY | 1 |
| | | Ref | | Note: Original Cylinder May Have Been Replaced with Service Replacement. Identify PN Stamped on Cylinder Before Ordering Parts. |
| 1 | 0100011 | AR | Compound, Locking | |
| 2 | 0100038 | AR | Primer, Locking | |
| 4 | 0630535 | 3 | Capscrew | |
| 5 | 0641608 | 4 | Bolt 3/8in-16NC x 1in | |
| 6 | 0902743 | 1 | Bracket | |
| 7 | 0961903 | 1 | Bushing, Tapered | |
| 8 | 1684179 | 1 | Barrel Weldment | |
| 9 | 1001105016 | 1 | Rod Weldment | |
| 11 | 2902081 | 2 | Ring, Wear | |
| 12 | 2902081 | 1 | Ring, Back-Up | |
| 13 | 2902081 | 2 | Ring, Wear | |
| 14 | 2902081 | 1 | O-Ring | |
| 15 | 2902081 | 1 | O-Ring | |
| 16 | 2902081 | 2 | Ring, Back-Up | |
| 17 | 2902081 | 1 | Wiper, Rod | |
| 18 | 2902081 | 1 | T-Seal | |
| 19 | 2902081 | 1 | Seal, Rod | |
| 20 | 2902081 | 1 | Ring, Retaining | |
| 21 | 3340963 | 2 | Pad, Wear | |
| 22 | 3480268 | 1 | Piston | |
| 23 | 3931448 | 4 | Capscrew 1/4in-20NC x 3in | |
| 24 | 3931608 | 1 | Capscrew 3/8in-16NC x 1in | |
| 25 | 3931840 | 8 | Capscrew 1/2in-13NC x 2-1/2in | |
| 26 | 1001105014 | 1 | Spacer | |
| 27 | 4641256 | 1 | Valve Assembly | |
| 27 | 2220884 | 1 | Plug, SAE #5 (with O-Ring) | |
| 27 | 2220885 | 1 | Plug, SAE #6 (with O-Ring) | |
| 28 | 4711600 | 4 | Flatwasher 3/8in Narrow | |
| 29 | 4891800 | 6 | Flatwasher 1/2in Hardened | |
| 30 | 2220885 | 2 | Plug, O-Ring | |
| 31 | 1684141 | 1 | Head | |
| 32 | 3790112 | 2 | O-Ring | |
| 51 | 2902081 | 1 | Seal Kit (Includes Items 11-20) | |

SECTION 5 - CYLINDER

FIGURE 5-14. TELESCOPE CYLINDER ASSEMBLY (SERVICE REPLACEMENT)



ART_1001228026

SECTION 5 - CYLINDER

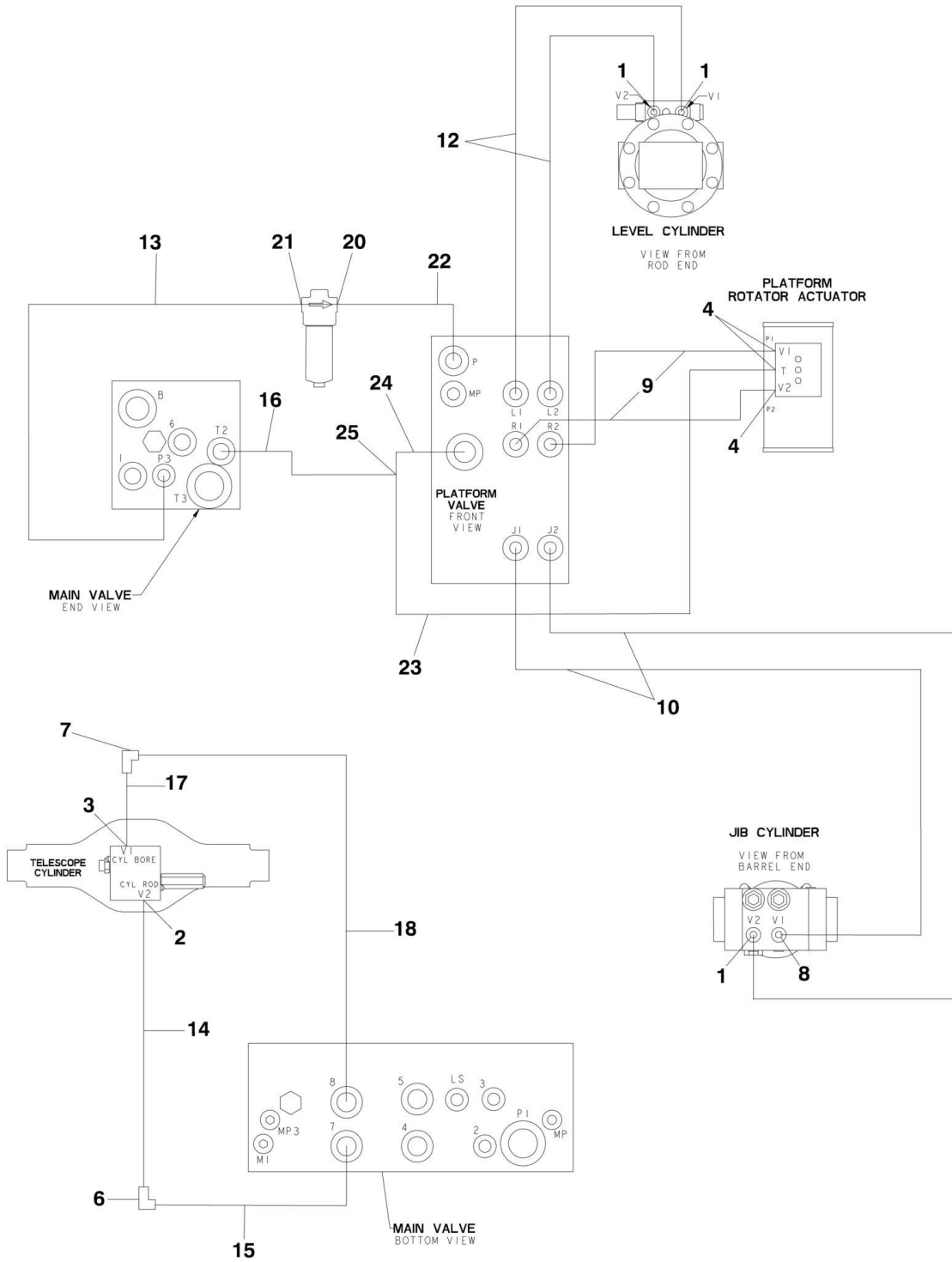
FIGURE 5-14. TELESCOPE CYLINDER ASSEMBLY (SERVICE REPLACEMENT)

| ITEM | PART NUMBER | QTY | DESCRIPTION | REV |
|------|-------------|-----|---|-----|
| | 1001228026 | Ref | TELESCOPE CYLINDER ASSEMBLY | C |
| | | Ref | Note: Original Cylinder May Have Been Replaced with Service Replacement. Identify PN Stamped on Cylinder Before Ordering Parts. | |
| 1 | See Note | NSS | Barrel (Note: Not Available for Purchase) | |
| 2 | 70006656 | 1 | Rod | |
| 3 | 70006657 | 1 | Head | |
| 4 | See Note | NSS | Wiper (Note: Use Item 100) | |
| 5 | See Note | NSS | Ring, Retaining (Note: Use Item 100) | |
| 6 | See Note | NSS | Seal, Rod (Note: Use Item 100) | |
| 7 | See Note | NSS | Ring, Wear (Note: Use Item 100) | |
| 8 | See Note | NSS | O-Ring (Note: Use Item 100) | |
| 9 | See Note | NSS | Ring, Back-up (Note: Use Item 100) | |
| 10 | 70006658 | 1 | Piston | |
| 11 | See Note | NSS | Seal (Note: Use Item 100) | |
| 12 | See Note | NSS | Ring, Wear (Note: Use Item 100) | |
| 13 | See Note | NSS | O-Ring (Note: Use Item 100) | |
| 14 | See Note | NSS | Ring, Back-up (Note: Use Item 100) | |
| 15 | 0961903 | 1 | Bushing, Tapered | |
| 16 | 70006659 | 1 | Spacer | |
| 17 | 3931608 | 1 | Capscrew 3/8 x 1 | |
| 18 | 3340963 | 2 | Pad, Wear | |
| 19 | 4641256 | 1 | Valve Assembly | |
| 19 | 2220884 | 1 | Plug, SAE #5 (With O-Ring) | |
| 19 | 2220885 | 1 | Plug, SAE #6 (With O-Ring) | |
| 20 | 0902743 | 1 | Bracket | |
| 21 | 0630536 | 3 | Capscrew | |
| 22 | 3931840 | 8 | Capscrew 1/2 x 2-1/2 | |
| 23 | 3931448 | 4 | Capscrew 1/4 x 3 | |
| 24 | 0641608 | 4 | Bolt 3/8 x 1 | |
| 25 | 4711600 | 4 | Washer 3/8 | |
| 26 | 2220885 | 2 | Plug, O-Ring | |
| 27 | 2220886 | 1 | Plug, O-Ring | |
| 28 | 70005433 | 1 | Plug, O-Ring | |
| 100 | 2902081 | 1 | Seal Kit (Includes Items 4-9 & 11-14) | |

SECTION 6 - HYDRAULIC

SECTION 6 - HYDRAULIC

FIGURE 6-1. HYDRAULIC DIAGRAM - BOOM (1100S)



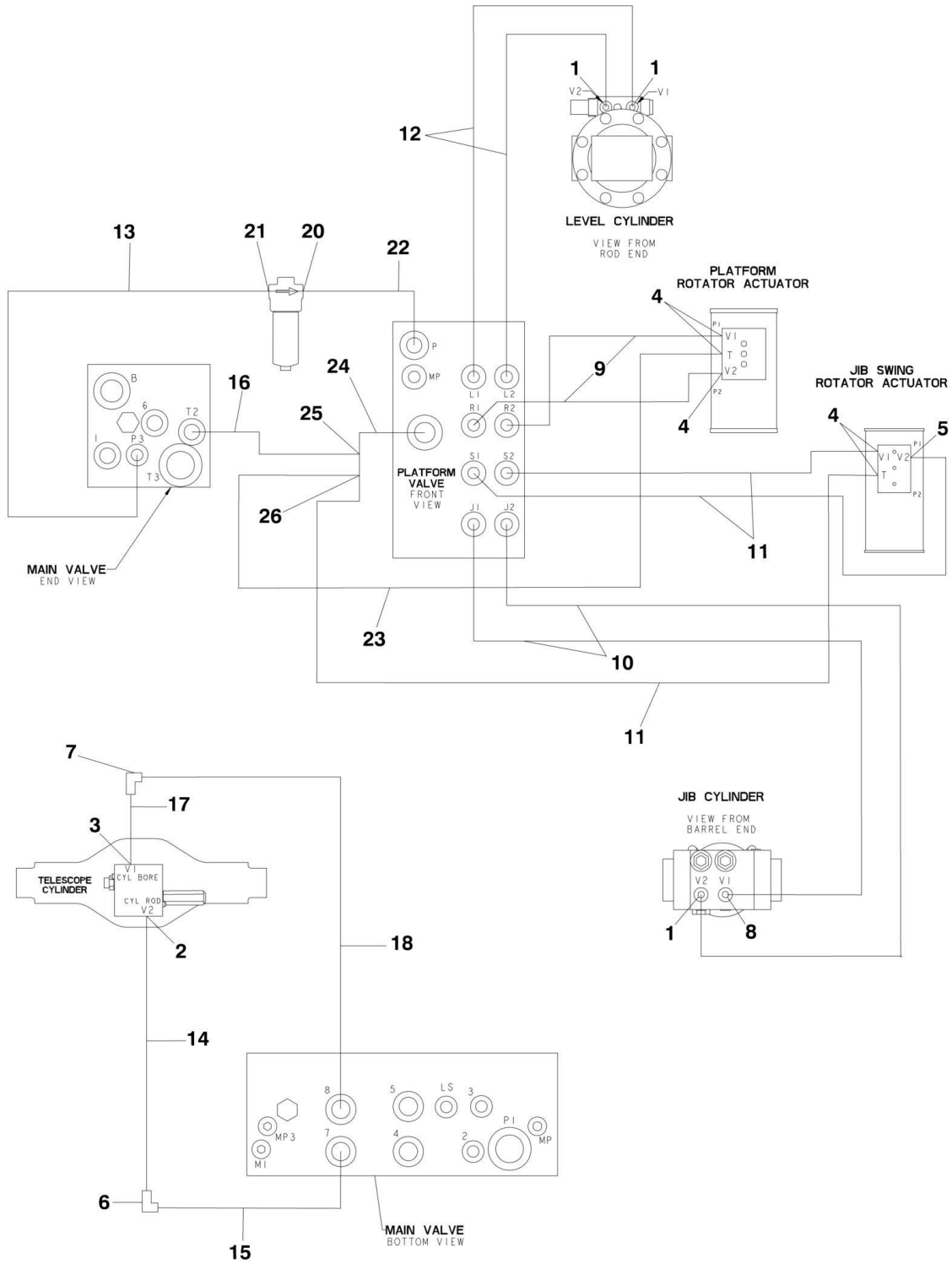
SECTION 6 - HYDRAULIC

FIGURE 6-1. HYDRAULIC DIAGRAM - BOOM (1100S)

| ITEM | PART NUMBER | QTY | DESCRIPTION | REV |
|------|-------------|-----|--|-----|
| | 1001110763 | Ref | HYDRAULIC DIAGRAMS - BOOM (1100S) | F |
| | 1001110788 | Ref | Boom Hydraulic Diagram | 2 |
| | 1001098242 | Ref | Hose Kit | 2 |
| 1 | 2110404 | 3 | Fitting, Straight | |
| 2 | 2110808 | 1 | Fitting, Straight | |
| 3 | 2111010 | 1 | Fitting, Straight | |
| 4 | 2150404 | 3 | Fitting, 45 | |
| 6 | 2171208 | 1 | Fitting, 90 | |
| 7 | 2171210 | 1 | Fitting, 90 | |
| 8 | 2180830 | 1 | Fitting, Orifice | |
| 9 | 2753545 | 2 | Hose | |
| 10 | 2753717 | 2 | Hose | |
| 12 | 2753552 | 2 | Hose | |
| 13 | 2753810 | 1 | Hose | |
| 14 | 2753745 | 1 | Hose | |
| 15 | 2753755 | 1 | Hose | |
| 16 | 2753811 | 1 | Hose | |
| 17 | 2753763 | 1 | Hose | |
| 18 | 2753767 | 1 | Hose | |
| 20 | 2110612 | 1 | Fitting, Straight | |
| 21 | 2130612 | 1 | Fitting, 90 | |
| 22 | 2717059 | 1 | Hose | |
| 23 | 2754288 | 1 | Hose | |
| 24 | 2170708 | 1 | Fitting, Tee | |
| 25 | 1001097820 | 1 | Fitting, Straight | |

SECTION 6 - HYDRAULIC

FIGURE 6-2. HYDRAULIC DIAGRAM - BOOM (1100SJP)



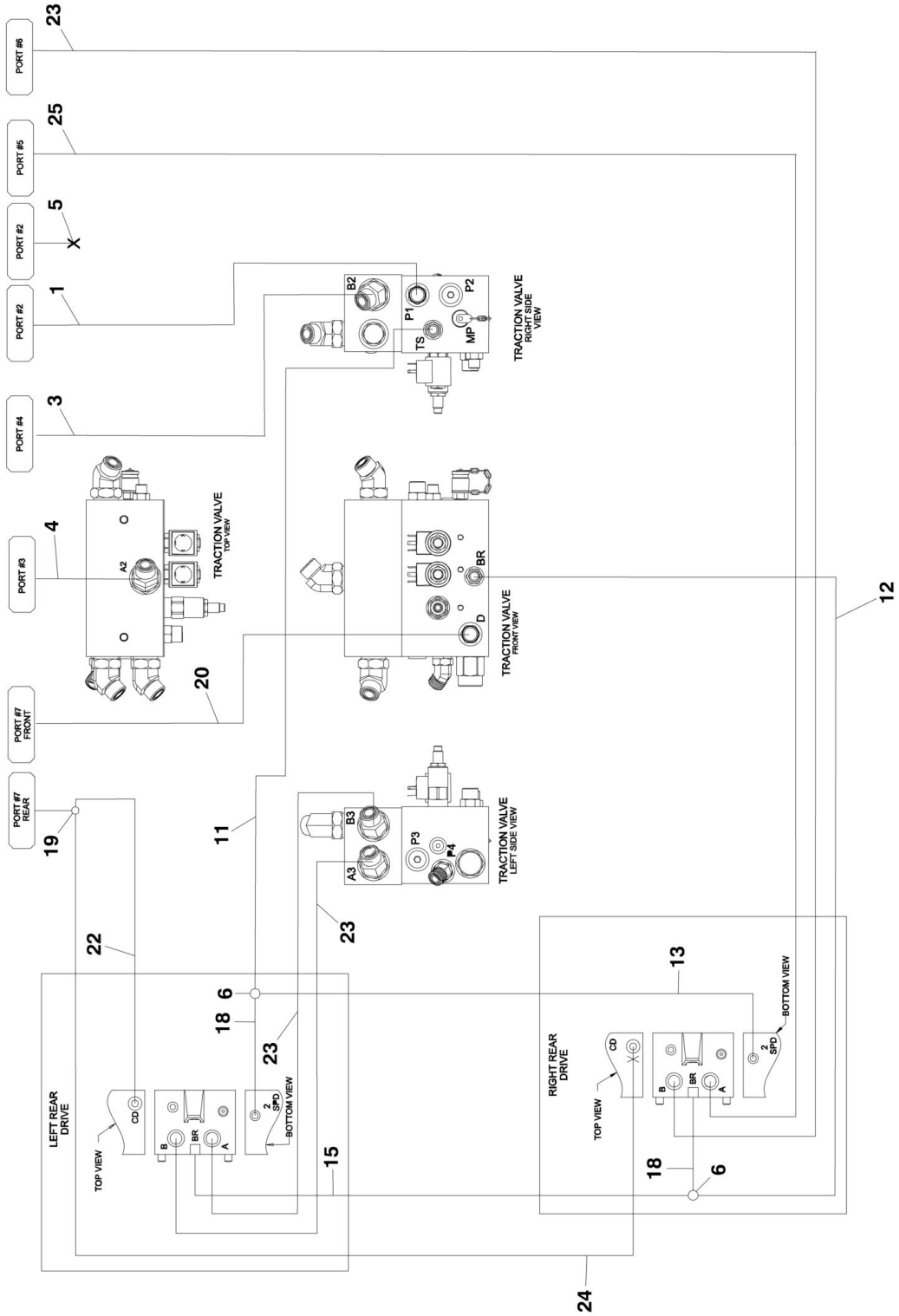
SECTION 6 - HYDRAULIC

FIGURE 6-2. HYDRAULIC DIAGRAM - BOOM (1100SJP)

| ITEM | PART NUMBER | QTY | DESCRIPTION | REV |
|------|-------------|-----|--|-----|
| | 1001110763 | Ref | HYDRAULIC DIAGRAMS - BOOM (1100SJP) | F |
| | 1001098025 | Ref | Boom Hydraulic Diagram | 3 |
| | 1001098242 | Ref | Hose Kit | 2 |
| 1 | 2110404 | 3 | Fitting, Straight | |
| 2 | 2110808 | 1 | Fitting, Straight | |
| 3 | 2111010 | 1 | Fitting, Straight | |
| 4 | 2150404 | 5 | Fitting, 45 | |
| 5 | 2170204 | 1 | Fitting, 90 | |
| 6 | 2171208 | 1 | Fitting, 90 | |
| 7 | 2171210 | 1 | Fitting, 90 | |
| 8 | 2180830 | 1 | Fitting, Orifice | |
| 9 | 2753545 | 2 | Hose | |
| 10 | 2753717 | 2 | Hose | |
| 11 | 2753716 | 3 | Hose | |
| 12 | 2753552 | 2 | Hose | |
| 13 | 2753810 | 1 | Hose | |
| 14 | 2753745 | 1 | Hose | |
| 15 | 2753755 | 1 | Hose | |
| 16 | 2753811 | 1 | Hose | |
| 17 | 2753763 | 1 | Hose | |
| 18 | 2753767 | 1 | Hose | |
| 20 | 2110612 | 1 | Fitting, Straight | |
| 21 | 2130612 | 1 | Fitting, 90 | |
| 22 | 2717059 | 1 | Hose | |
| 23 | 2754288 | 1 | Hose | |
| 24 | 2170708 | 1 | Fitting, Tee | |
| 25 | 1001097820 | 1 | Fitting, Straight | |
| 26 | 2170704 | 1 | Fitting, Tee | |

SECTION 6 - HYDRAULIC

FIGURE 6-3. HYDRAULIC DIAGRAM - CHASSIS (2WD)



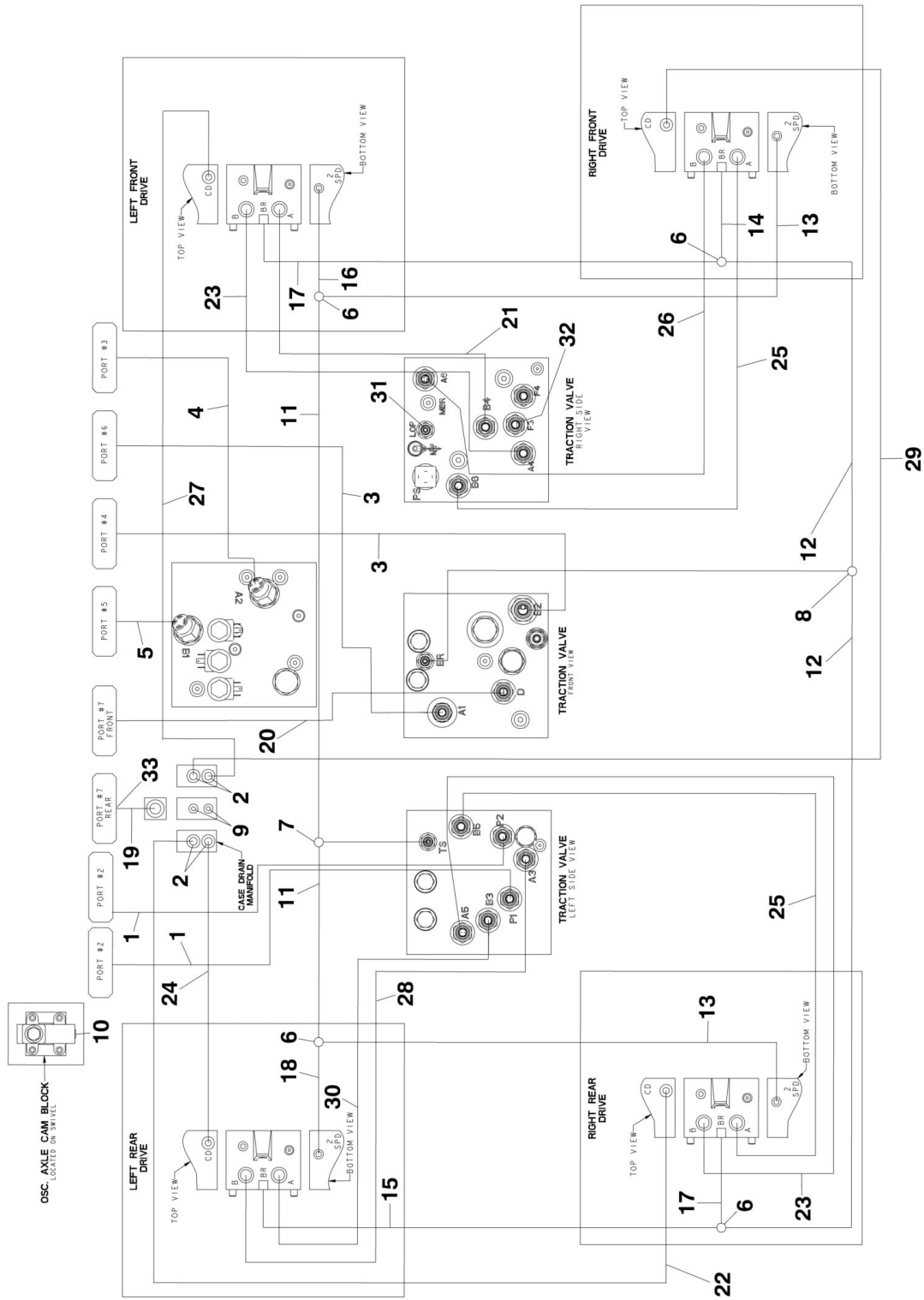
SECTION 6 - HYDRAULIC

FIGURE 6-3. HYDRAULIC DIAGRAM - CHASSIS (2WD)

| ITEM | PART NUMBER | QTY | DESCRIPTION | REV |
|------|-------------|-----|--|-----|
| | 1001110763 | Ref | HYDRAULIC DIAGRAM - DRIVE (2WD) | F |
| | 1001110777 | Ref | DRIVE (2WD) | 4 |
| 1 | 1001112928 | 1 | Hose | |
| 3 | 1001112930 | 1 | Hose | |
| 4 | 1001112931 | 1 | Hose | |
| 5 | 2170908 | 1 | Cap | |
| 6 | 2170504 | 2 | Fitting, Tee | |
| 11 | 2753541 | 1 | Hose | |
| 12 | 2753545 | 1 | Hose | |
| 13 | 1001112932 | 1 | Hose | |
| 15 | 2753977 | 1 | Hose | |
| 18 | 1001112933 | 2 | Hose | |
| 19 | 2170808 | 1 | Fitting, Tee | |
| 20 | 2753582 | 1 | Hose | |
| 22 | 2753835 | 1 | Hose | |
| 23 | 1001112935 | 3 | Hose | |
| 24 | 2753832 | 1 | Hose | |
| 25 | 1001112937 | 1 | Hose | |

SECTION 6 - HYDRAULIC

FIGURE 6-4. HYDRAULIC DIAGRAM - CHASSIS (4WD)



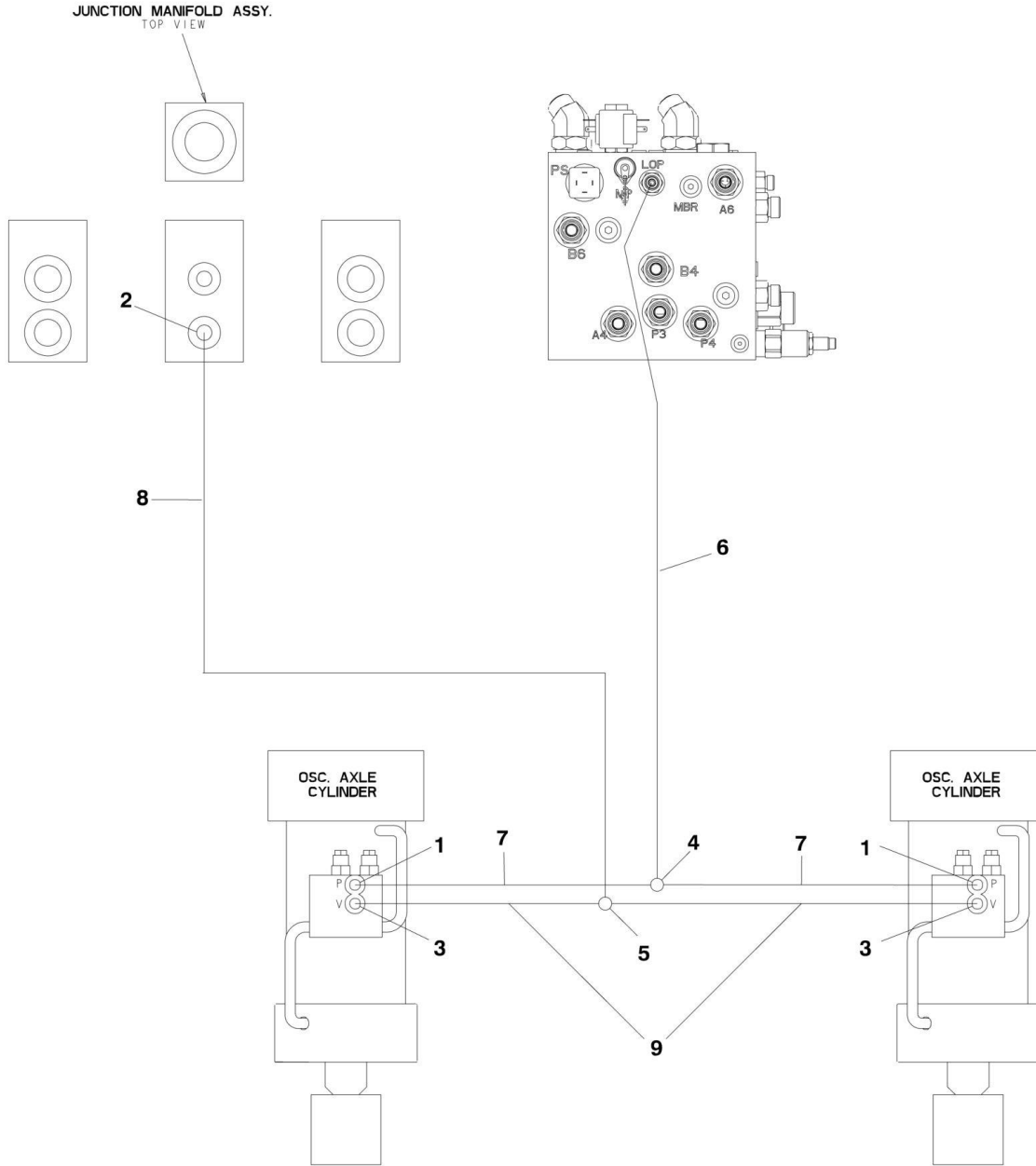
SECTION 6 - HYDRAULIC

FIGURE 6-4. HYDRAULIC DIAGRAM - CHASSIS (4WD)

| ITEM | PART NUMBER | QTY | DESCRIPTION | REV |
|------|-------------|-----|--|-----|
| | 1001110763 | Ref | HYDRAULIC DIAGRAM - DRIVE (4WD) | F |
| | 1001116542 | Ref | 4WD/2WS | 1 |
| | 2792772 | Ref | 4WD/4WS | 4 |
| 1 | 2753685 | 2 | Hose | |
| 2 | 2110808 | 4 | Fitting, Straight | |
| 3 | 2753703 | 2 | Hose | |
| 4 | 2753764 | 1 | Hose | |
| 5 | 2753768 | 1 | Hose | |
| 6 | 2170504 | 4 | Fitting, Tee | |
| 7 | 2170704 | 1 | Fitting, Tee | |
| 8 | 2170804 | 1 | Fitting, Tee | |
| 9 | 2220235 | 2 | Plug | |
| 10 | 2220238 | 1 | Plug | |
| 11 | 2753541 | 2 | Hose | |
| 12 | 2753545 | 2 | Hose | |
| 13 | 2753677 | 2 | Hose | |
| 14 | 2753714 | 1 | Hose | |
| 15 | 2753713 | 1 | Hose | |
| 16 | 2753716 | 1 | Hose | |
| 17 | 2753715 | 2 | Hose | |
| 18 | 2753552 | 1 | Hose | |
| 19 | 2753752 | 1 | Hose | |
| 20 | 2753582 | 1 | Hose | |
| 21 | 2753756 | 1 | Hose | |
| 22 | 2753747 | 1 | Hose | |
| 23 | 2753757 | 2 | Hose | |
| 24 | 2753748 | 1 | Hose | |
| 25 | 2753759 | 2 | Hose | |
| 26 | 2753760 | 1 | Hose | |
| 27 | 2753749 | 1 | Hose | |
| 28 | 2753761 | 1 | Hose | |
| 29 | 2753750 | 1 | Hose | |
| 30 | 2753762 | 1 | Hose | |
| 31 | 2170904 | 1 | Cap (4WD/2WS Only) | |
| 32 | 2170908 | 1 | Cap (4WD/2WS Only) | |
| 33 | 2110812 | 1 | Fitting, Straight (4WD/4WS Only) | |

SECTION 6 - HYDRAULIC

FIGURE 6-5. HYDRAULIC DIAGRAM - OSCILLATING AXLE (1100SJP)



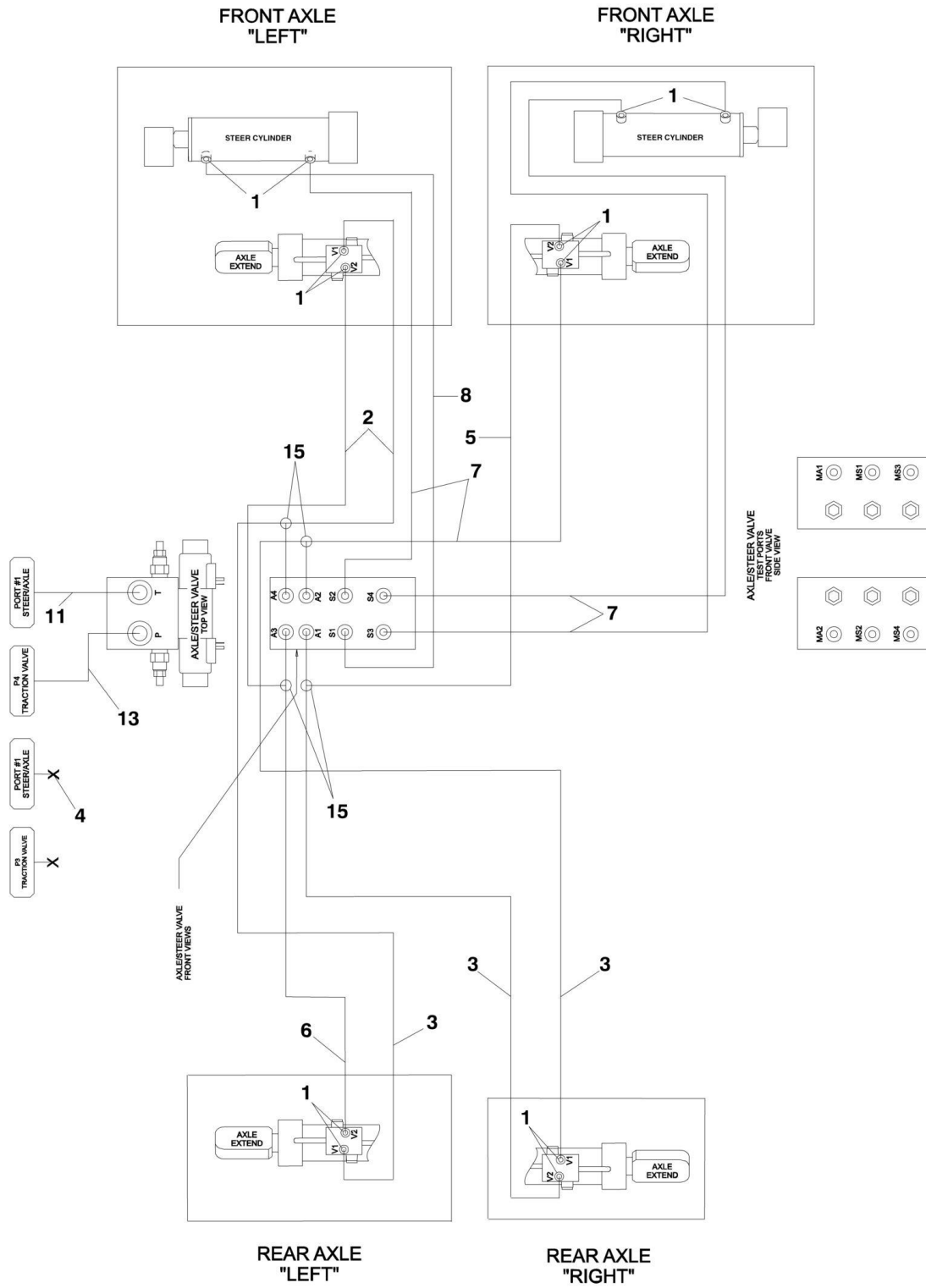
SECTION 6 - HYDRAULIC

FIGURE 6-5. HYDRAULIC DIAGRAM - OSCILLATING AXLE (1100SJP)

| ITEM | PART NUMBER | QTY | DESCRIPTION | REV |
|------|-------------|-----|---|-----|
| | 1001110763 | Ref | HYDRAULIC DIAGRAM - OSCILLATING AXLE (1100SJP) | F |
| | 2792647 | Ref | Oscillating Axle | 4 |
| 1 | 2110406 | 2 | Fitting, Straight | |
| 2 | 2110604 | 1 | Fitting, Straight | |
| 3 | 2110606 | 2 | Fitting, Straight | |
| 4 | 2170504 | 1 | Fitting, Tee | |
| 5 | 2170506 | 1 | Fitting, Tee | |
| 6 | 2753726 | 1 | Hose | |
| 7 | 2753719 | 2 | Hose | |
| 8 | 2753727 | 1 | Hose | |
| 9 | 2753729 | 2 | Hose | |

SECTION 6 - HYDRAULIC

FIGURE 6-6. HYDRAULIC DIAGRAM - STEER (1100S)



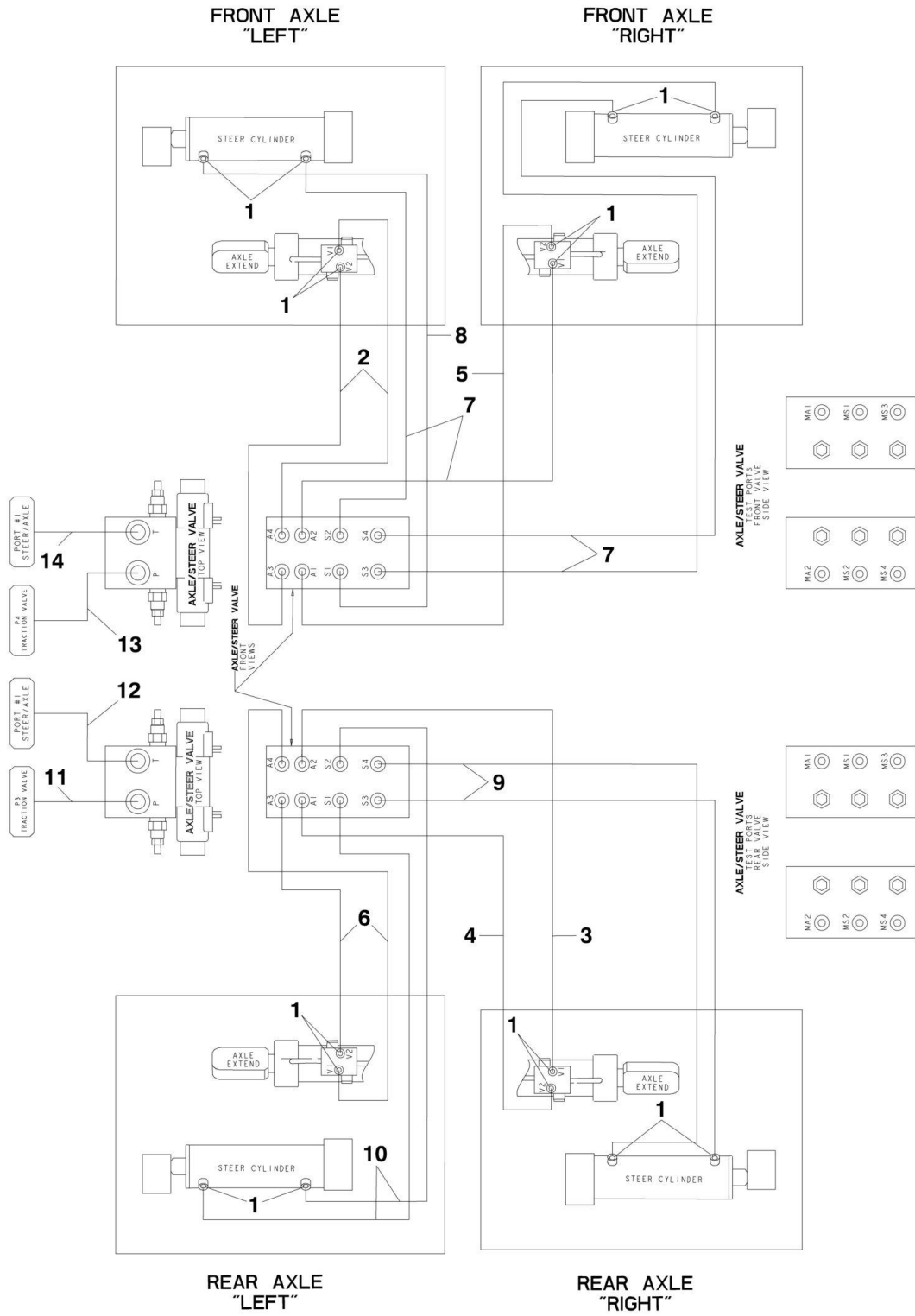
SECTION 6 - HYDRAULIC

FIGURE 6-6. HYDRAULIC DIAGRAM - STEER (1100S)

| ITEM | PART NUMBER | QTY | DESCRIPTION | REV |
|------|-------------|-----|--|-----|
| | 1001110763 | Ref | HYDRAULIC DIAGRAM - STEER (1100S) | F |
| | 1001110787 | Ref | Steer (1100S) | 3 |
| 1 | 2130606 | 12 | Fitting, 90 | |
| 2 | 2753732 | 2 | Hose | |
| 3 | 2753569 | 3 | Hose | |
| 4 | 2170908 | 1 | Cap | |
| 5 | 2753734 | 1 | Hose | |
| 6 | 2753561 | 1 | Hose | |
| 7 | 2753736 | 4 | Hose | |
| 8 | 2753737 | 1 | Hose | |
| 11 | 2753579 | 1 | Hose | |
| 13 | 2753579 | 1 | Hose (was p/n 1001112954) | |
| 15 | 2170706 | 4 | Fitting, Adapter | |

SECTION 6 - HYDRAULIC

FIGURE 6-7. HYDRAULIC DIAGRAM - STEER (1100SJP)



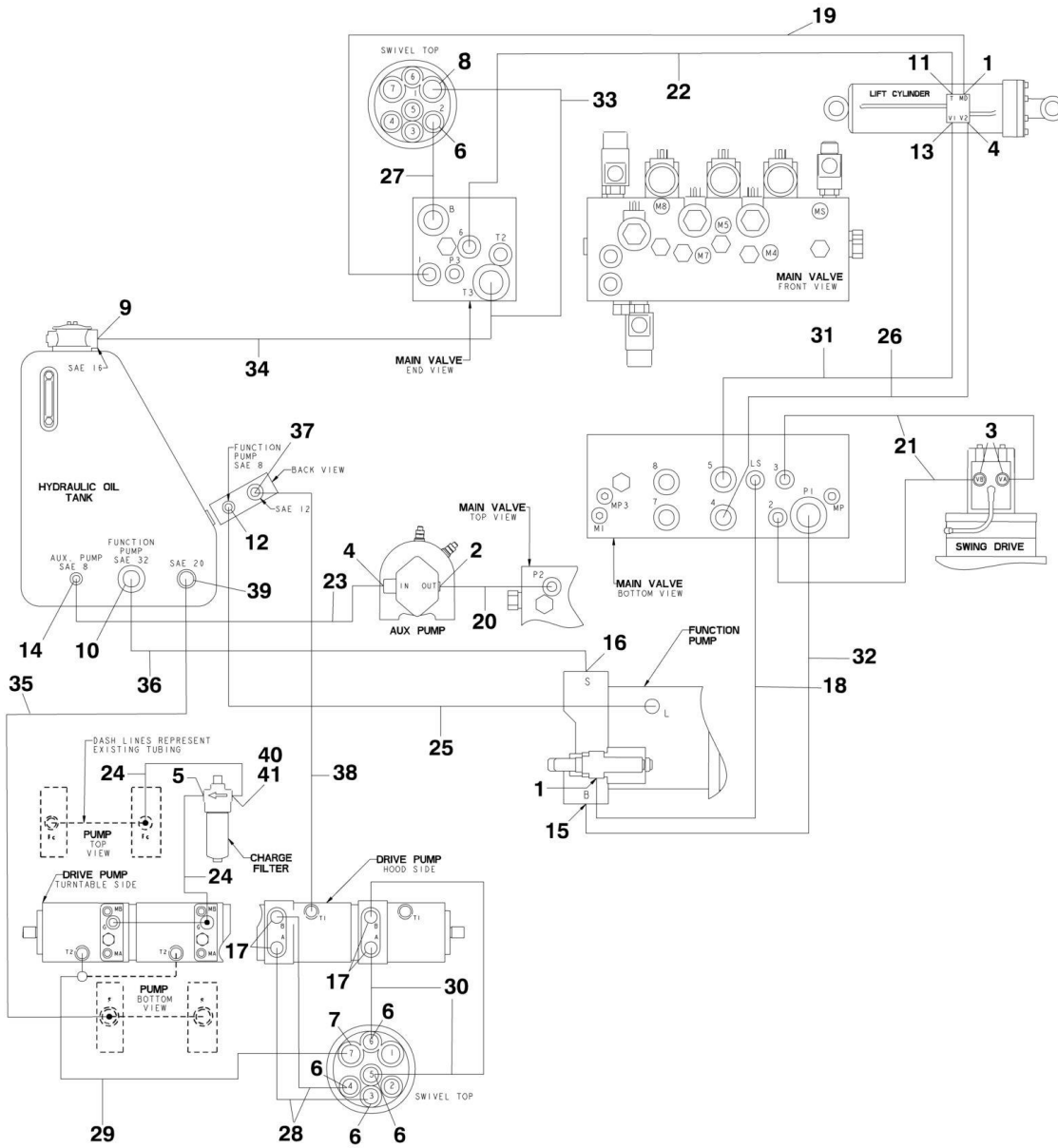
SECTION 6 - HYDRAULIC

FIGURE 6-7. HYDRAULIC DIAGRAM - STEER (1100SJP)

| ITEM | PART NUMBER | QTY | DESCRIPTION | REV |
|------|-------------|-----|--|-----|
| | 1001110763 | Ref | HYDRAULIC DIAGRAM - STEER (1100SJP) | F |
| | 2792773 | Ref | Steer (1100SJP) | 2 |
| 1 | 2130606 | 16 | Fitting, 90 | |
| 2 | 2753732 | 2 | Hose | |
| 3 | 2753733 | 1 | Hose | |
| 4 | 2753728 | 1 | Hose | |
| 5 | 2753734 | 1 | Hose | |
| 6 | 2753735 | 2 | Hose | |
| 7 | 2753736 | 4 | Hose | |
| 8 | 2753737 | 1 | Hose | |
| 9 | 2753738 | 2 | Hose | |
| 10 | 2753739 | 2 | Hose | |
| 11 | 2753753 | 1 | Hose | |
| 12 | 2753742 | 1 | Hose | |
| 13 | 2753754 | 1 | Hose | |
| 14 | 2753743 | 1 | Hose | |

SECTION 6 - HYDRAULIC

FIGURE 6-8. HYDRAULIC DIAGRAM - TURNTABLE



SECTION 6 - HYDRAULIC

FIGURE 6-8. HYDRAULIC DIAGRAM - TURNTABLE

| ITEM | PART NUMBER | QTY | DESCRIPTION | REV |
|------|-------------|-----|---|-----|
| | 1001110763 | Ref | HYDRAULIC DIAGRAM - TURNTABLE | F |
| | 1001114620 | Ref | Turntable | 2 |
| 1 | 2110404 | 1 | Fitting, Straight | |
| 2 | 2110608 | 1 | Fitting, Straight | |
| 3 | 2110610 | 2 | Fitting, Straight | |
| 4 | 2110810 | 2 | Fitting, Straight | |
| 5 | 2110812 | 1 | Fitting, Straight | |
| 6 | 2111010 | 5 | Fitting, Straight | |
| 7 | 2111012 | 1 | Fitting, Straight | |
| 8 | 2111212 | 1 | Fitting, Straight | |
| 9 | 2111616 | 1 | Fitting, Straight | |
| 10 | 2113232 | 1 | Fitting, Straight | |
| 11 | 2130606 | 1 | Fitting, 90 | |
| 12 | 2130808 | 1 | Fitting, 90 | |
| 13 | 2131010 | 1 | Fitting, 90 | |
| 14 | 2150808 | 1 | Fitting, 45 | |
| 15 | 2220478 | 1 | Flange Kit | |
| 16 | 2220737 | 1 | Flange Kit | |
| 17 | 2221117 | 4 | Flange Kit | |
| 18 | 2753622 | 1 | Hose | |
| 19 | 2753718 | 1 | Hose | |
| 20 | 2753730 | 1 | Hose | |
| 21 | 2753731 | 2 | Hose | |
| 22 | 2753734 | 1 | Hose | |
| 23 | 2753758 | 1 | Hose | |
| 24 | 2753746 | 2 | Hose | |
| 25 | 2753741 | 1 | Hose | |
| 26 | 2753744 | 1 | Hose | |
| 27 | 2753766 | 1 | Hose | |
| 28 | 2753769 | 2 | Hose | |
| 29 | 2753708 | 1 | Hose | |
| 30 | 2753770 | 2 | Hose | |
| 31 | 2753765 | 1 | Hose | |
| 32 | 2753771 | 1 | Hose | |
| 33 | 2753772 | 1 | Hose | |
| 34 | 2753774 | 1 | Hose | |
| 35 | 2753775 | 1 | Hose | |
| 36 | 2753776 | 1 | Hose | |
| 37 | 2131212 | 1 | Fitting, 90 | |
| 38 | 2753773 | 1 | Hose | |
| 39 | 2112020 | 1 | Fitting, Straight | |
| 40 | 2221084 | 1 | Fitting, Tee | |
| 41 | 2170908 | 1 | Fitting, Cap | |
| | 2902482 | 1 | Kit, Hose (Includes Items 18-36 & 38) (Prior to SN 0300140836) | |

SECTION 6 - HYDRAULIC

FIGURE 6-9. HYDRAULIC DIAGRAM LIST

| ITEM | PART NUMBER | QTY | DESCRIPTION | REV |
|------|-------------|-----|--|-----|
| | | Ref | Note: Diagrams not shown is available from JLG Service/Parts Departments. | |
| | 1001110763 | Ref | Hydraulic Diagram - Boom Options: | |
| | 1001110788 | Ref | Hydraulic Diagram - Boom 1100S | |
| | 1001098025 | Ref | Hydraulic Diagram - Boom 1100SJP | |
| | 1001110763 | Ref | Hydraulic Diagram - Chassis Options: | |
| | 1001110777 | Ref | 2WD/2WS | |
| | 1001116542 | Ref | 4WD/2WS | |
| | 2792772 | Ref | 4WD/4WS | |
| | 0272080 | Ref | Hydraulic Schematic - Oil Cooler | |
| | 1001110763 | Ref | Hydraulic Diagram - Oscillating Axle | |
| | 2792647 | Ref | Hydraulic Diagram - Oscillating Axle 1100SJP | |
| | 1001110821 | Ref | Hydraulic Schematic - Standard Options | |
| | 1001110763 | Ref | Hydraulic Diagram - Steer Options: | |
| | 1001110787 | Ref | 2WD (1100S) | |
| | 2792773 | Ref | 4WD (1100SJP) | |
| | 1001110763 | Ref | Hydraulic Diagram - Turntable Options: | |
| | 1001114620 | Ref | Hydraulic Diagram - Turntable 1100S & 1100SJP | |

SECTION 7 - ELECTRICAL

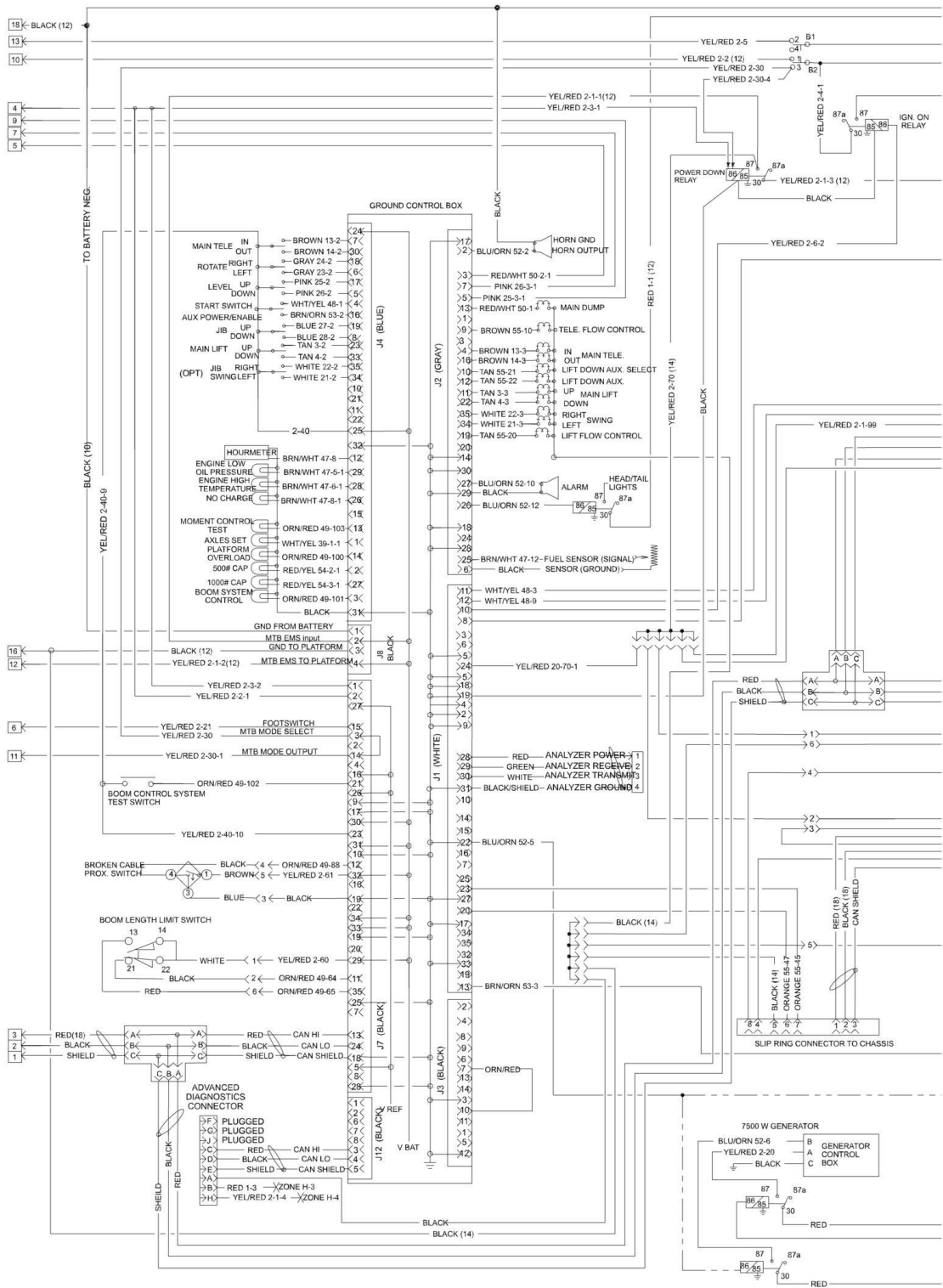
SECTION 7 - ELECTRICAL

FIGURE 7-1. ELECTRICAL DIAGRAM LIST

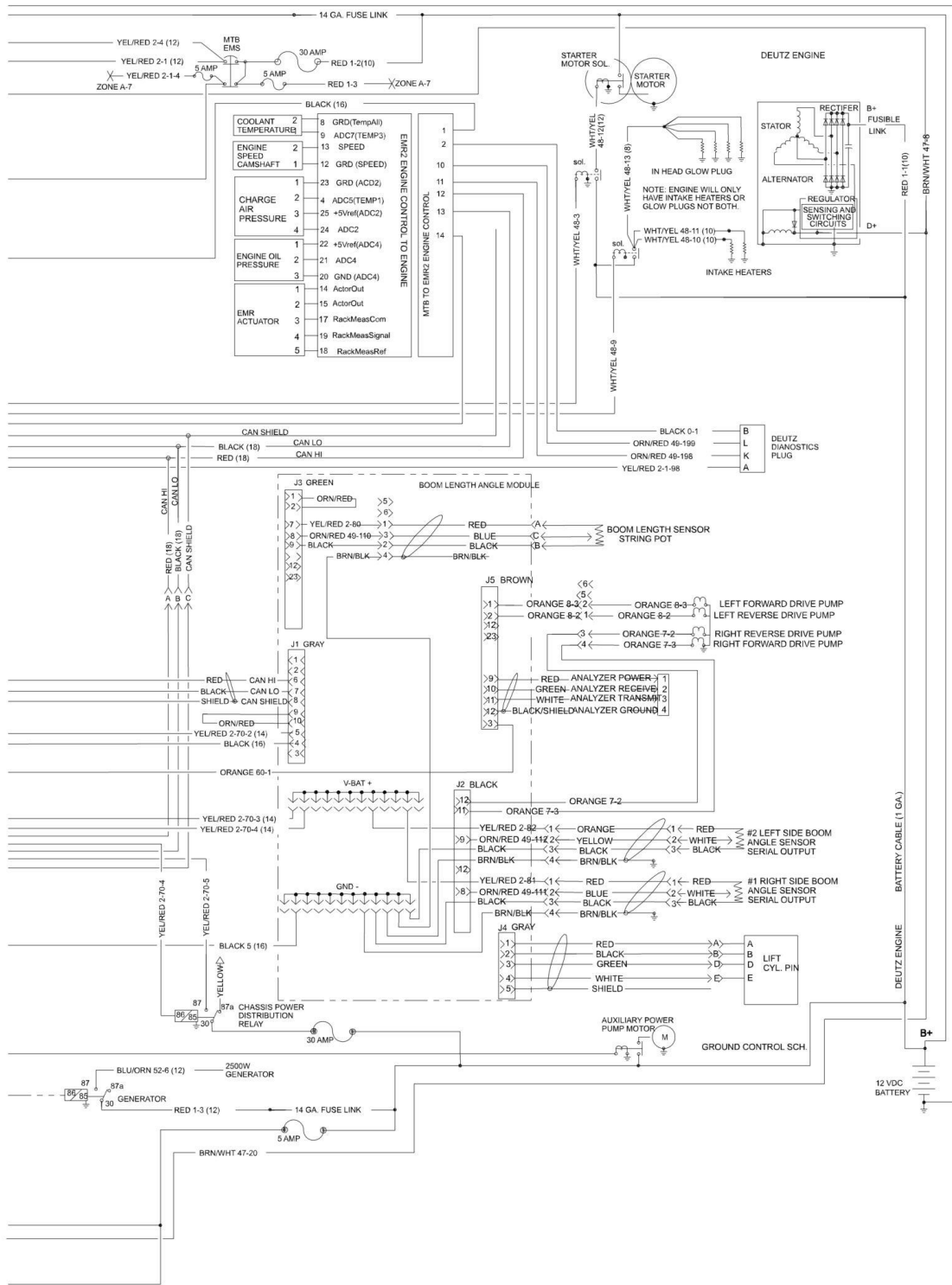
| ITEM | PART NUMBER | QTY | DESCRIPTION | REV |
|------|-------------|-----|--|-----|
| | | Ref | Note: Diagrams not shown are available from the JLG Service Department. | |
| | 4933262 | Ref | CHASSIS ILLUMINATION LIGHTS ELECTRICAL DIAGRAM | |
| | | Ref | GENERATOR ELECTRICAL DIAGRAM | |
| | | Ref | 2500W Generators | |
| | 4933300 | Ref | 110Volt (Prior to SN 0300140836) | |
| | 1001120381 | Ref | 110Volt (SN 0300140836 to Present) | |
| | | Ref | 7500W Generators | |
| | 4933264 | Ref | 7500W Generators (Prior to SN 0300140836) | |
| | 1001122528 | Ref | 7500W Generators (SN 0300140836 to Present) | |
| | | Ref | GROUND CONTROL BOX ELECTRICAL DIAGRAM | |
| | 4933389 | Ref | Ground Control Box Electrical Diagram (Prior to SN 0300140836) | |
| | 1001116206 | Ref | Ground Control Box Electrical Diagram (SN 0300140836 to Present) | |
| | 4933253 | Ref | HEADLIGHT AND TAILLIGHTS ELECTRICAL DIAGRAM | |
| | 4933249 | Ref | PLATFORM FLOODLIGHTS ELECTRICAL DIAGRAM | |
| | 0272097 | Ref | PLATFORM WORKLIGHTS ELECTRICAL DIAGRAM | |
| | | Ref | STANDARD ELECTRICAL SCHEMATIC | |
| | 1001110936 | Ref | Standard Electrical Schematic (Prior to SN 0300140836) | |
| | 1001119860 | Ref | Standard Electrical Schematic (SN 0300140836 to Present) | |

SECTION 7 - ELECTRICAL

FIGURE 7-2. ELECTRICAL SCHEMATIC (Prior to SN 0300140836)

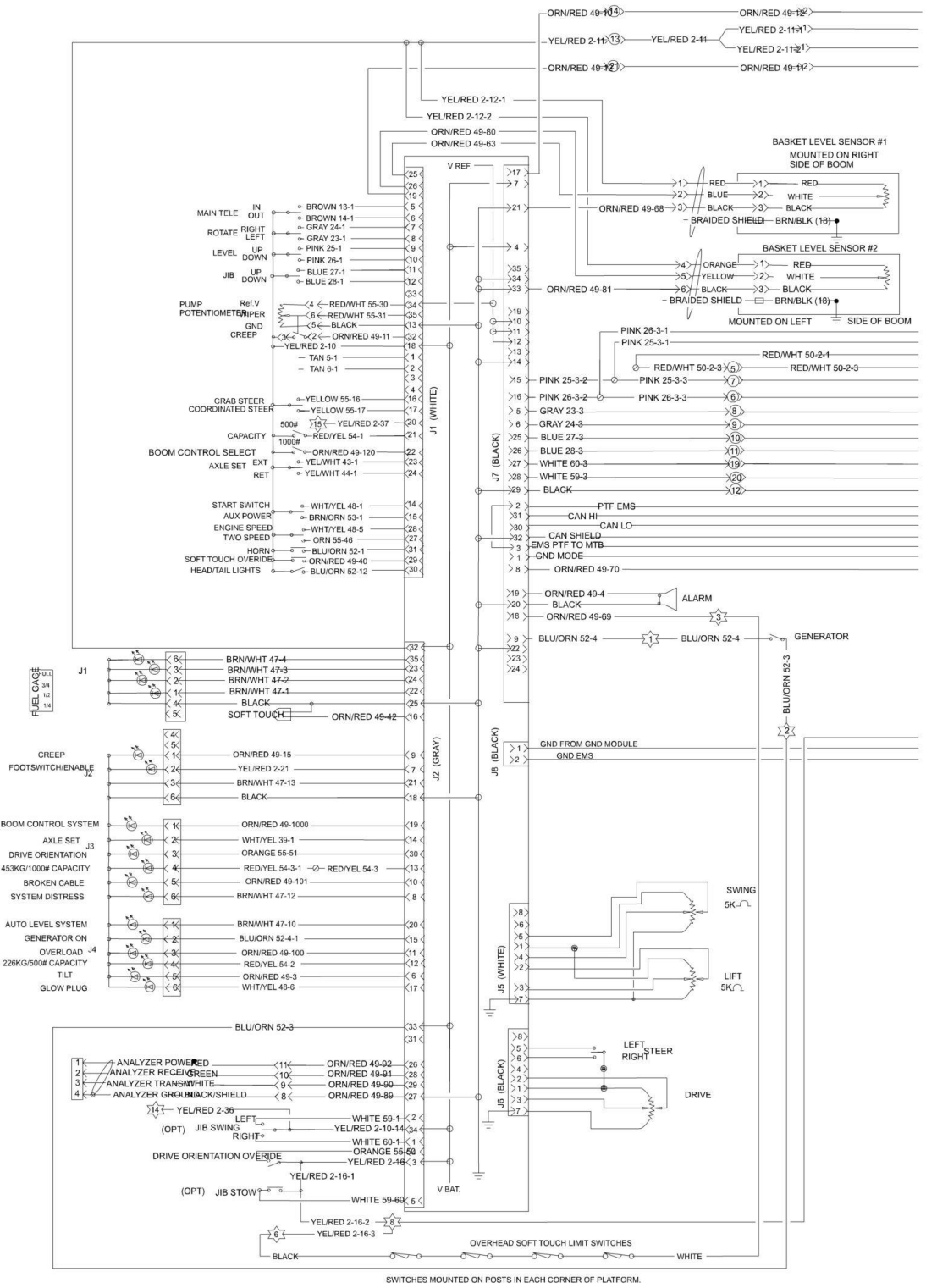


SECTION 7 - ELECTRICAL

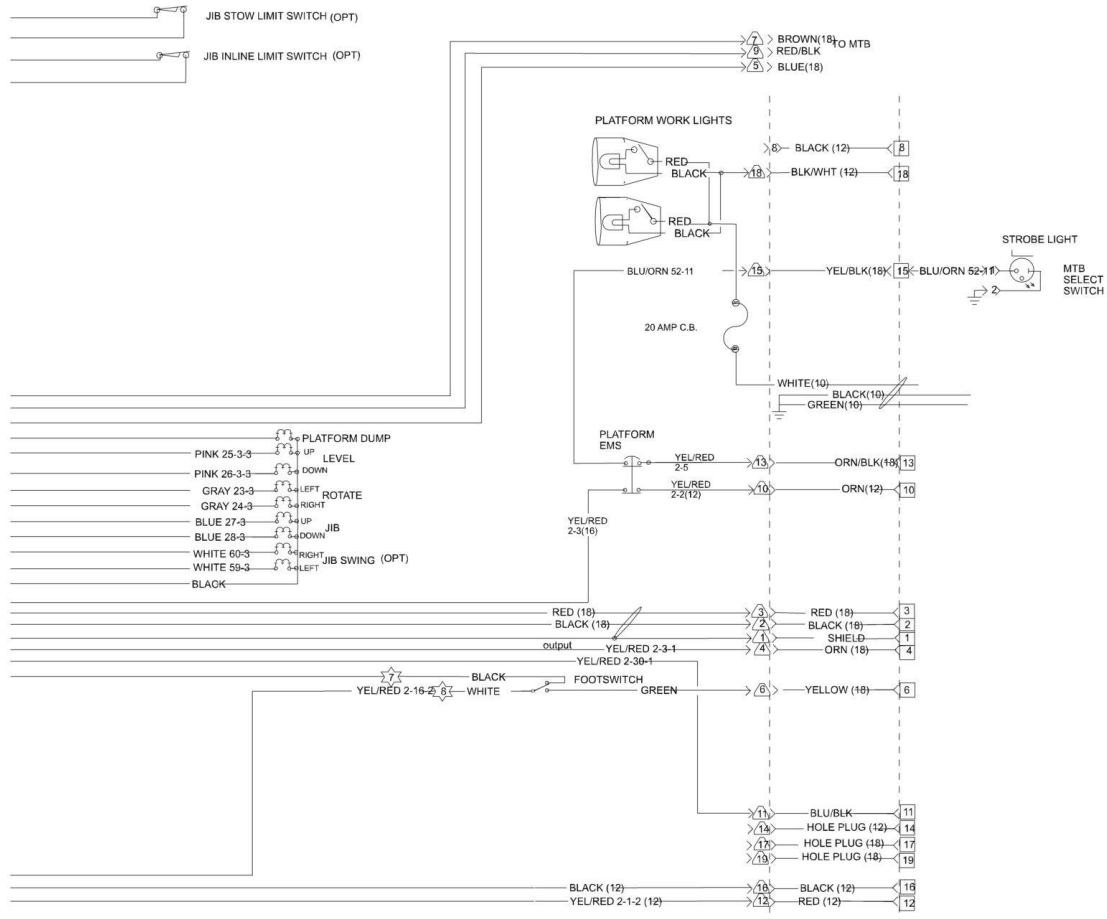


100110936 D

SECTION 7 - ELECTRICAL



SECTION 7 - ELECTRICAL



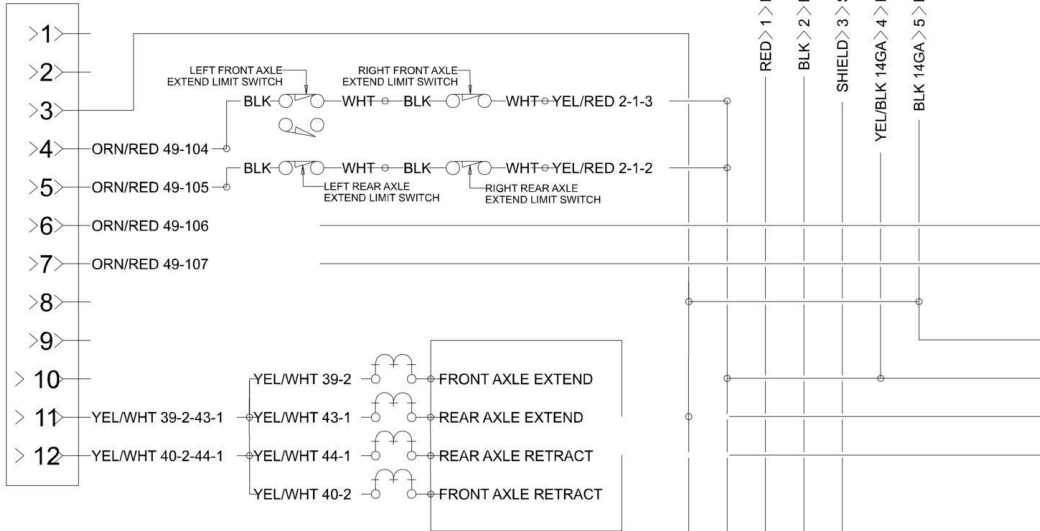
- ⑬ = 19 POSITION DEUTSCH CONNECTOR IN PLATFORM BOX
- ⑭ = 21 POSITION DEUTSCH CONNECTOR IN PLATFORM BOX
- ⑮ = 19 POSITION DEUTSCH CONNECTOR TO MAIN TERMINAL/GROUND BOX
- ⊘ = TERMINAL STRIP IN PLATFORM BOX
- ⊛ = 15 POS. AMP MATE-N-LOCK CONNECTOR (KK2 ON HARNESS DWG.)

PLATFORM SCH.

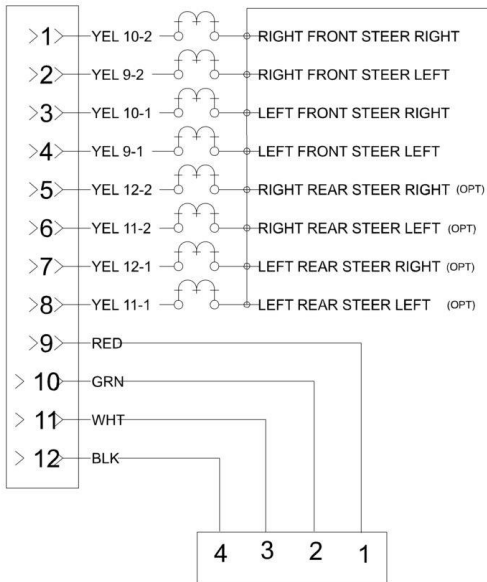
1001110936 D

SECTION 7 - ELECTRICAL

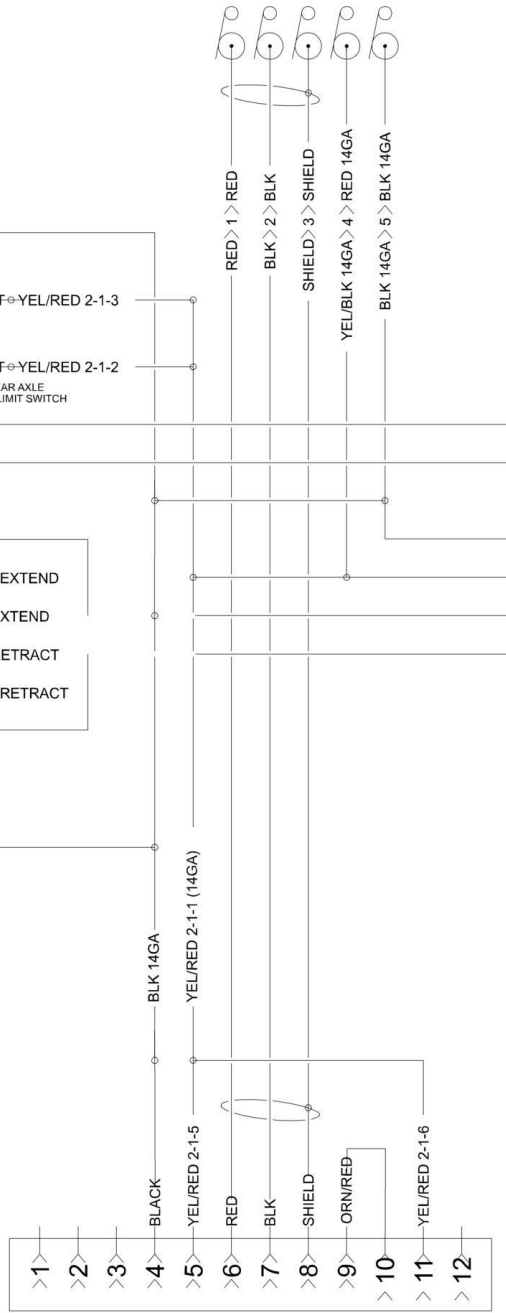
J2 BLACK



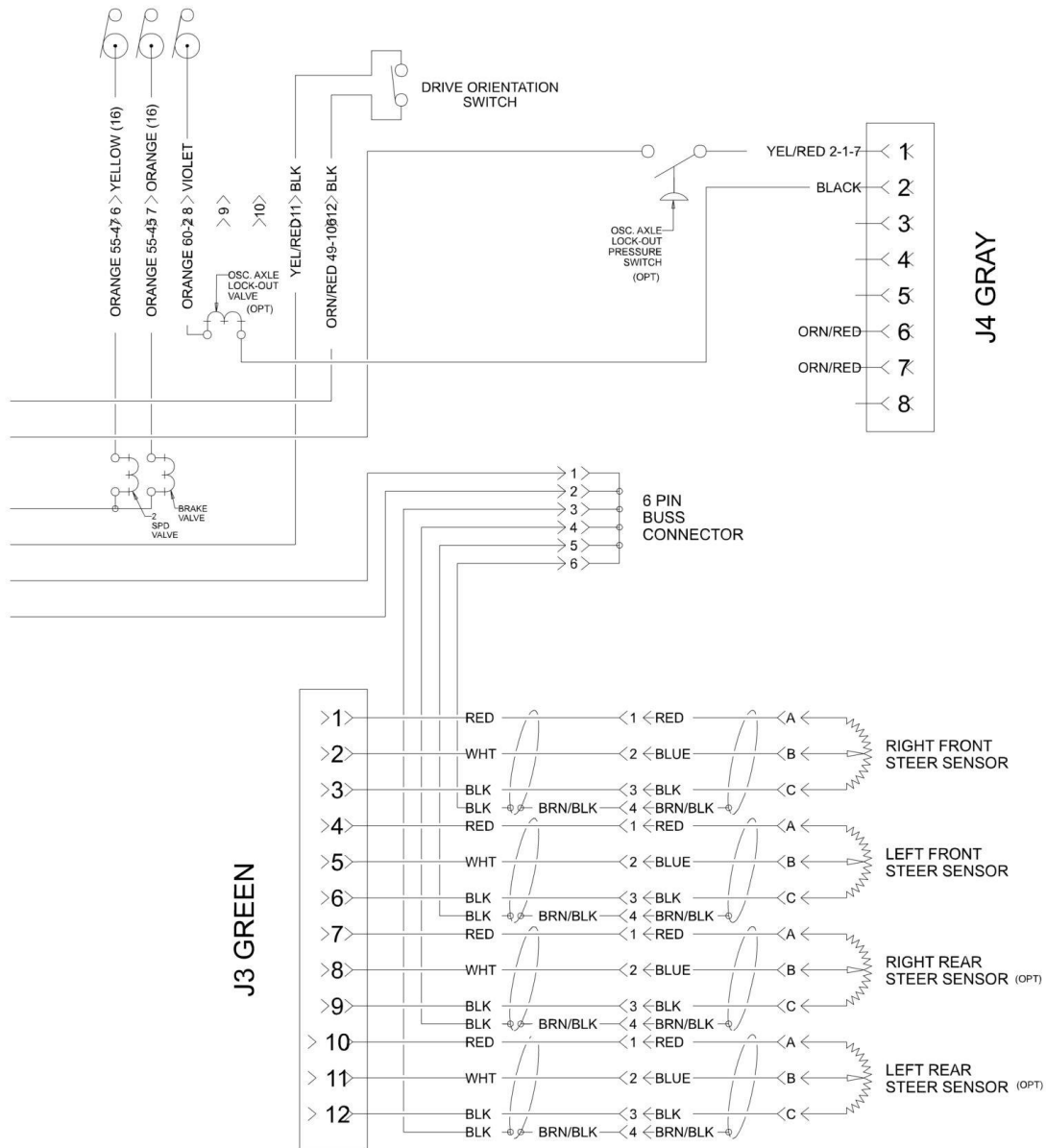
J5 RUST



J1 GRAY



SECTION 7 - ELECTRICAL

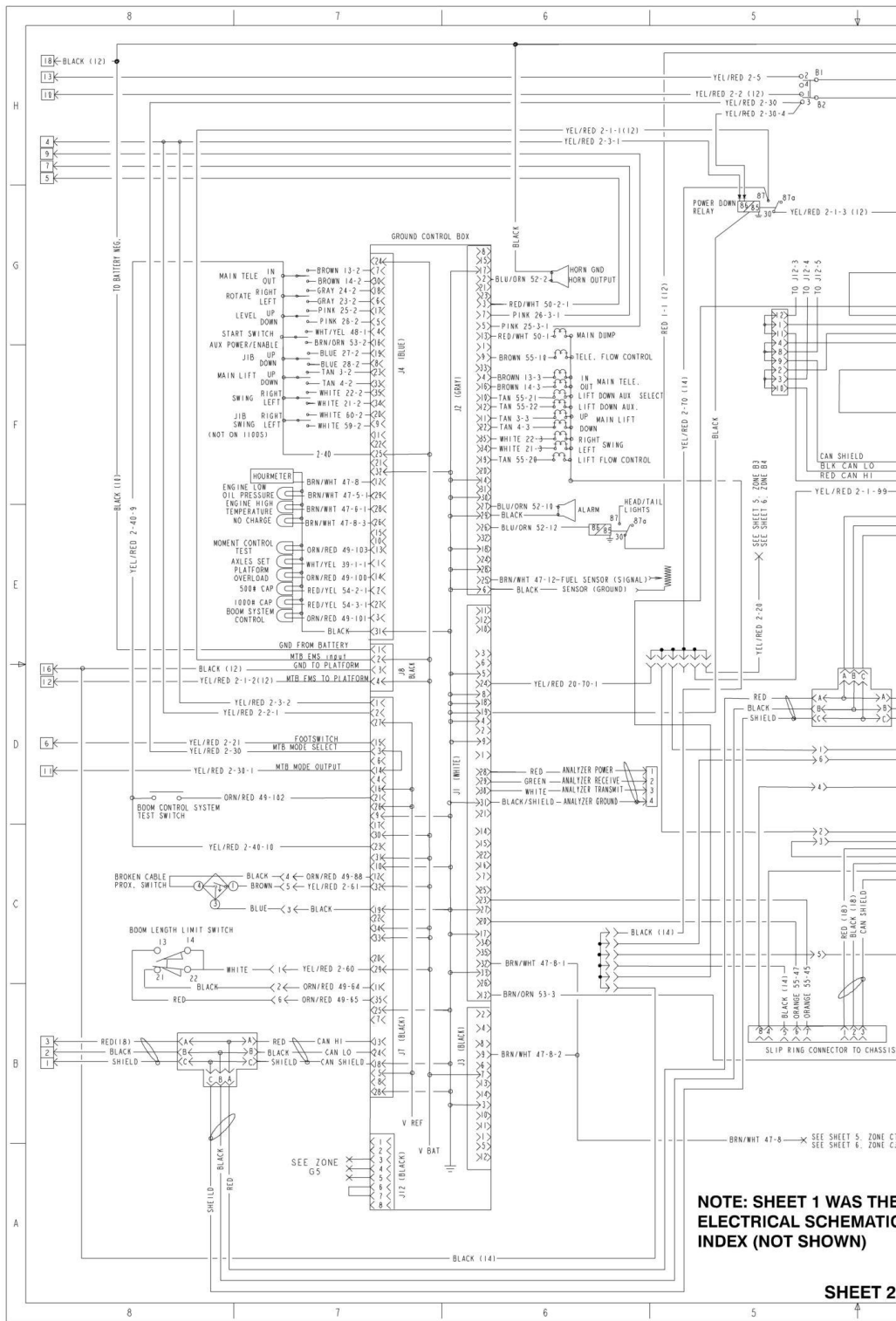


CHASSIS SCH.

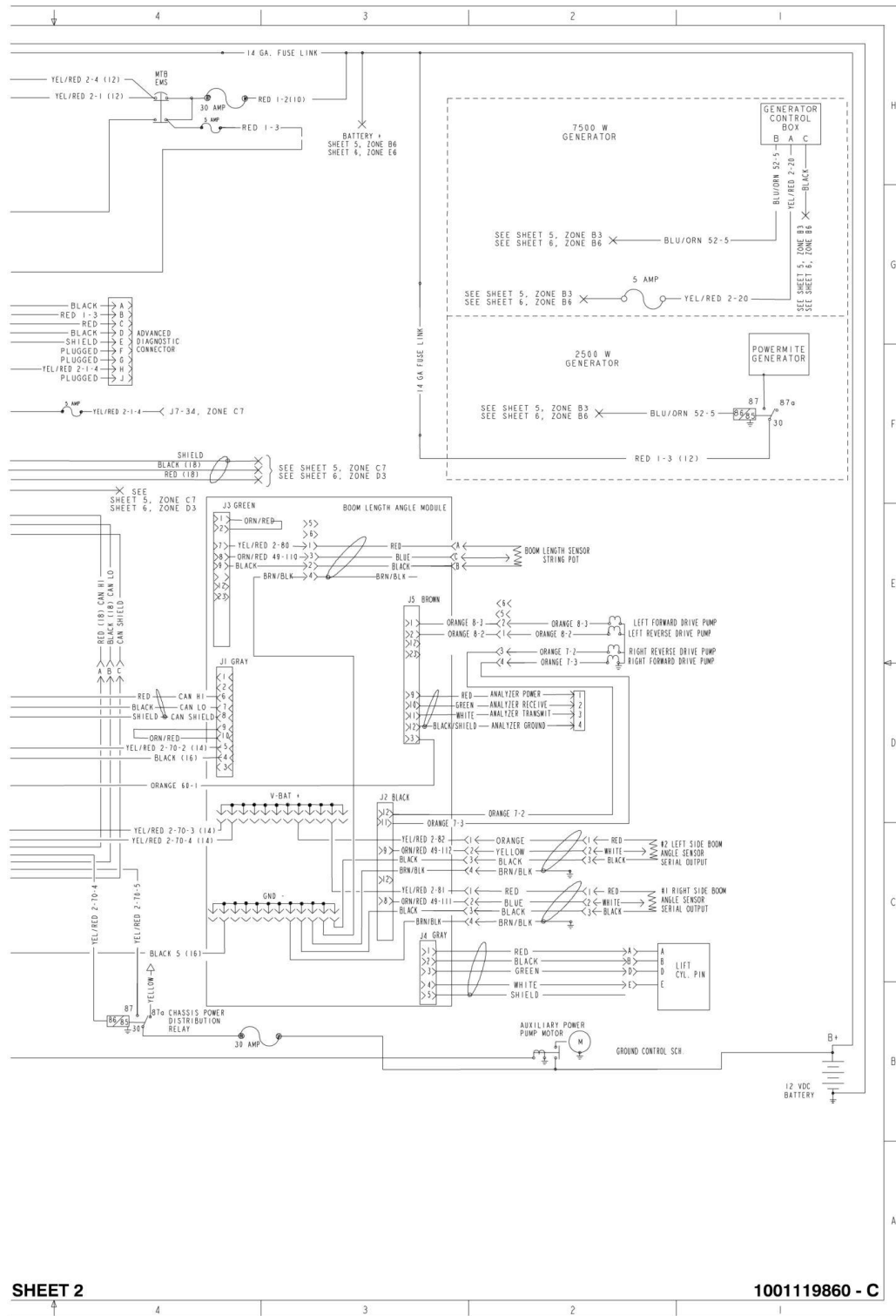
1001110936 D

SECTION 7 - ELECTRICAL

FIGURE 7-3. ELECTRICAL SCHEMATIC (SN 0300140836 to Present)



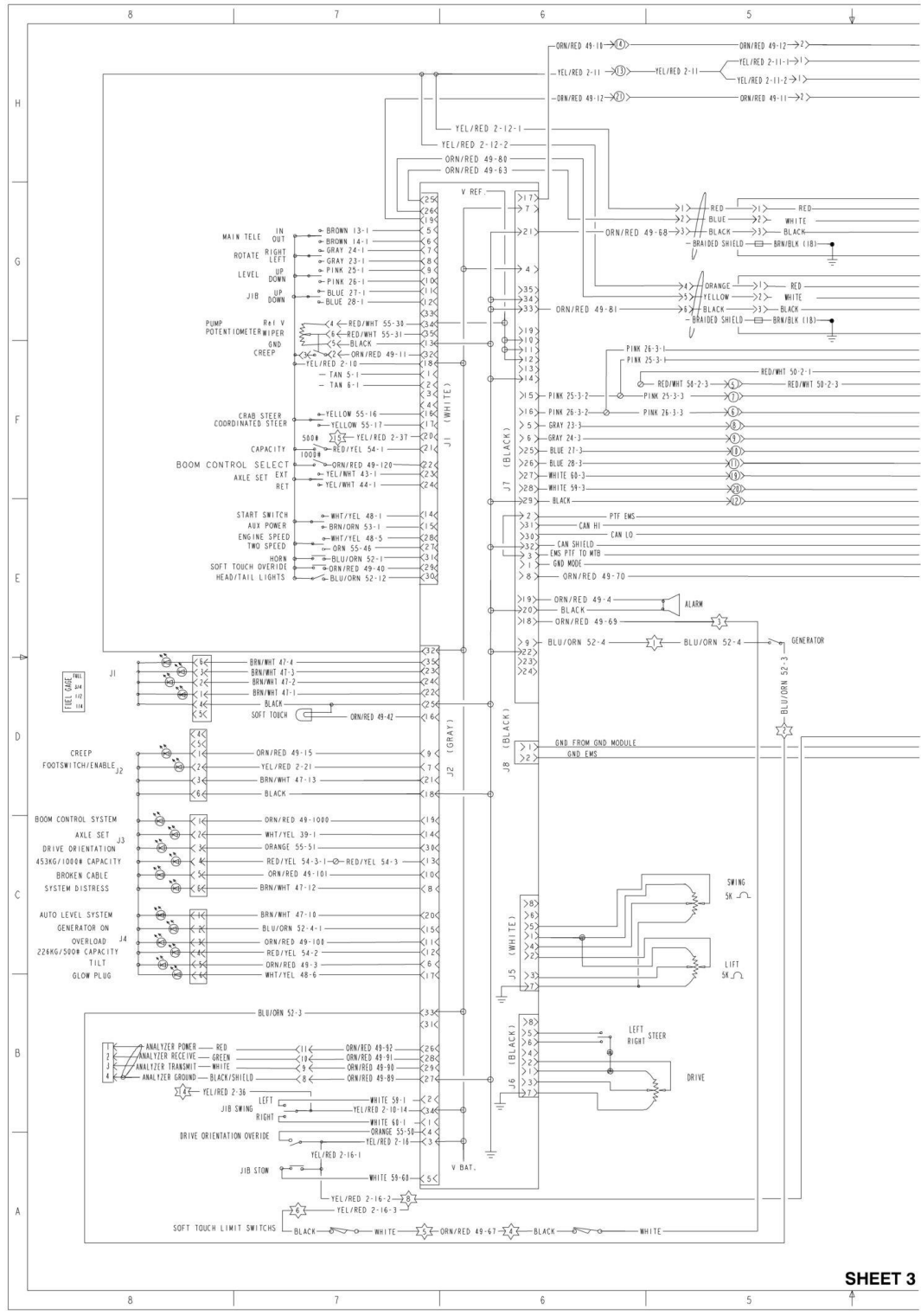
SECTION 7 - ELECTRICAL



SHEET 2

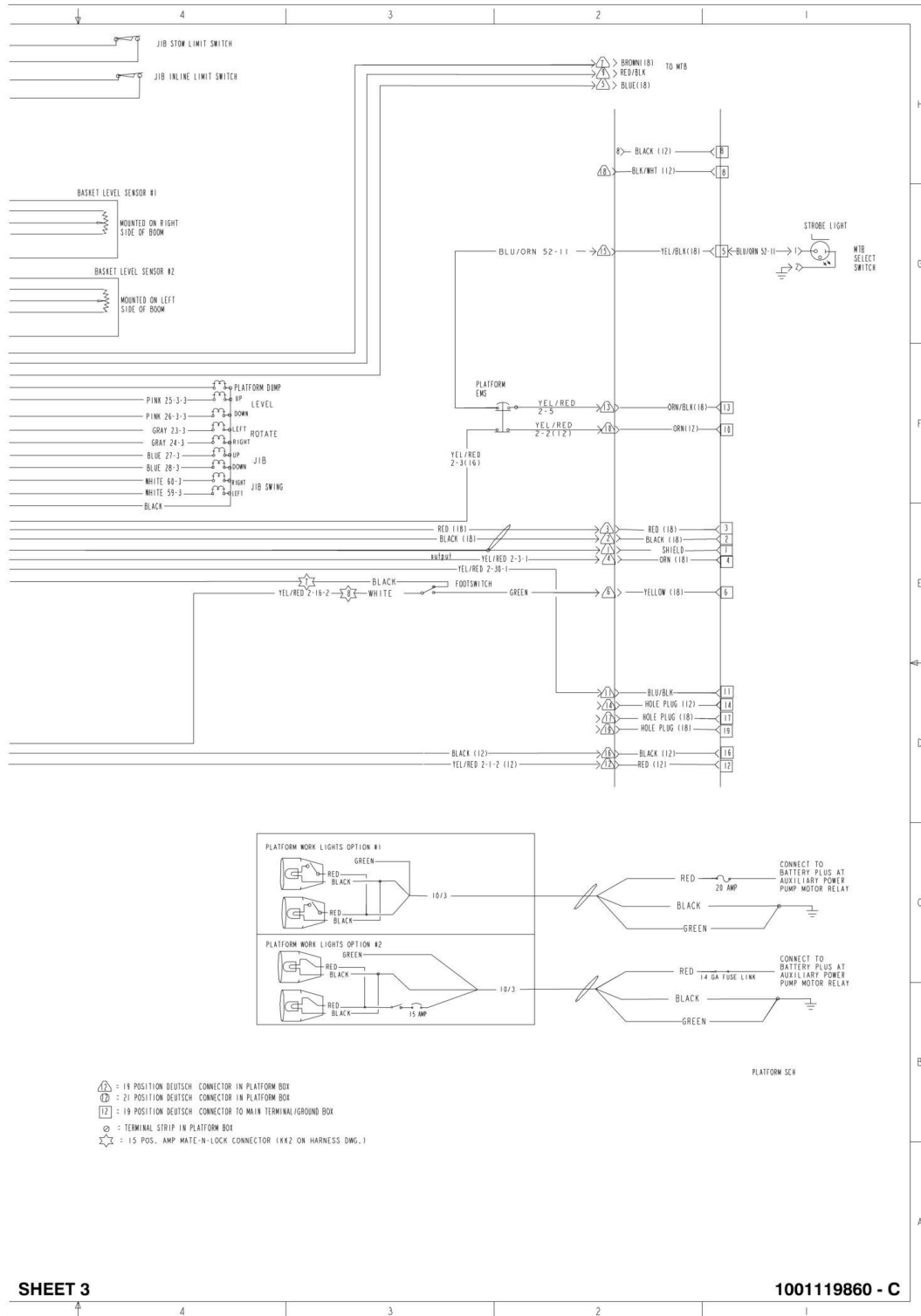
1001119860 - C

SECTION 7 - ELECTRICAL

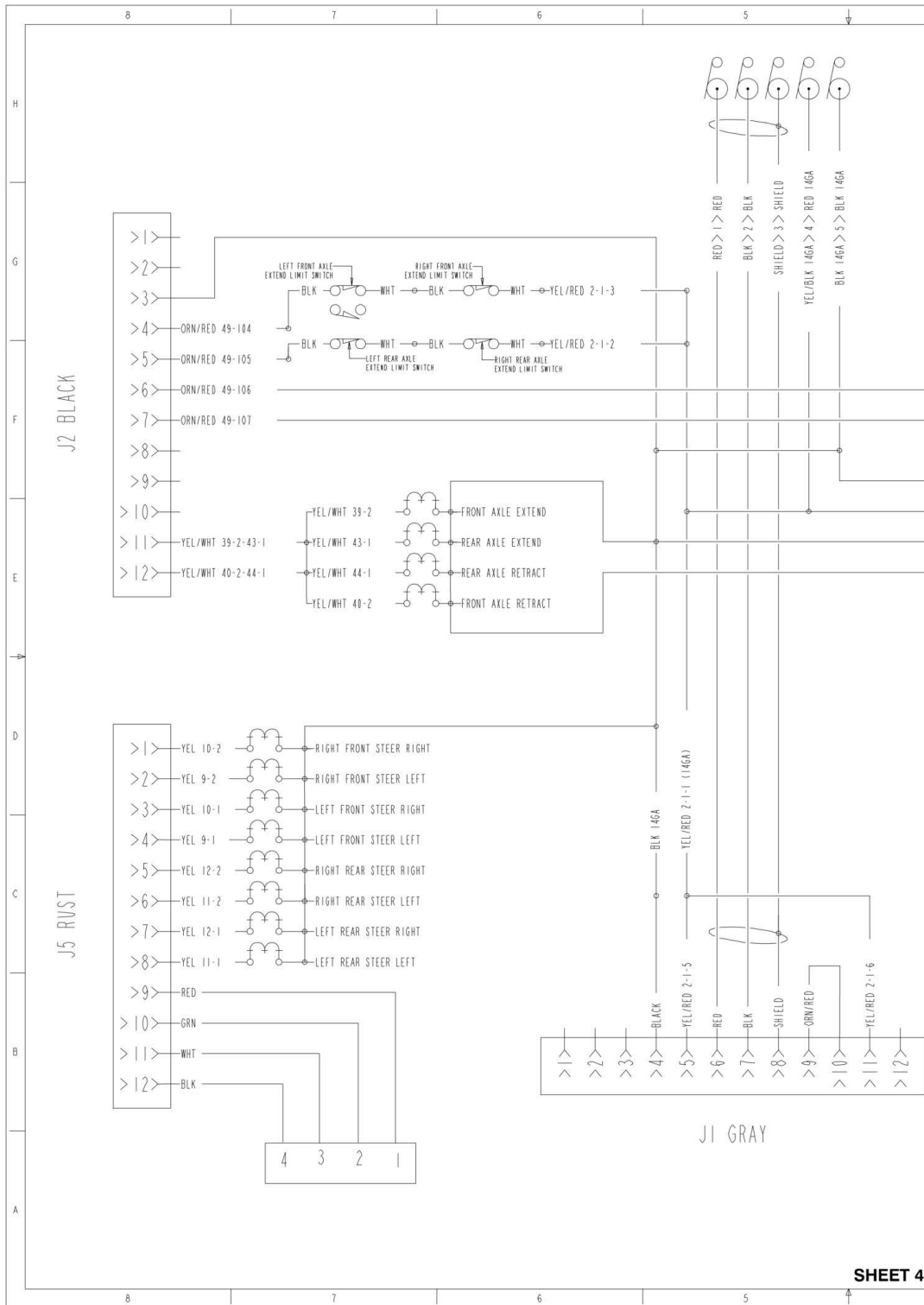


SHEET 3

SECTION 7 - ELECTRICAL

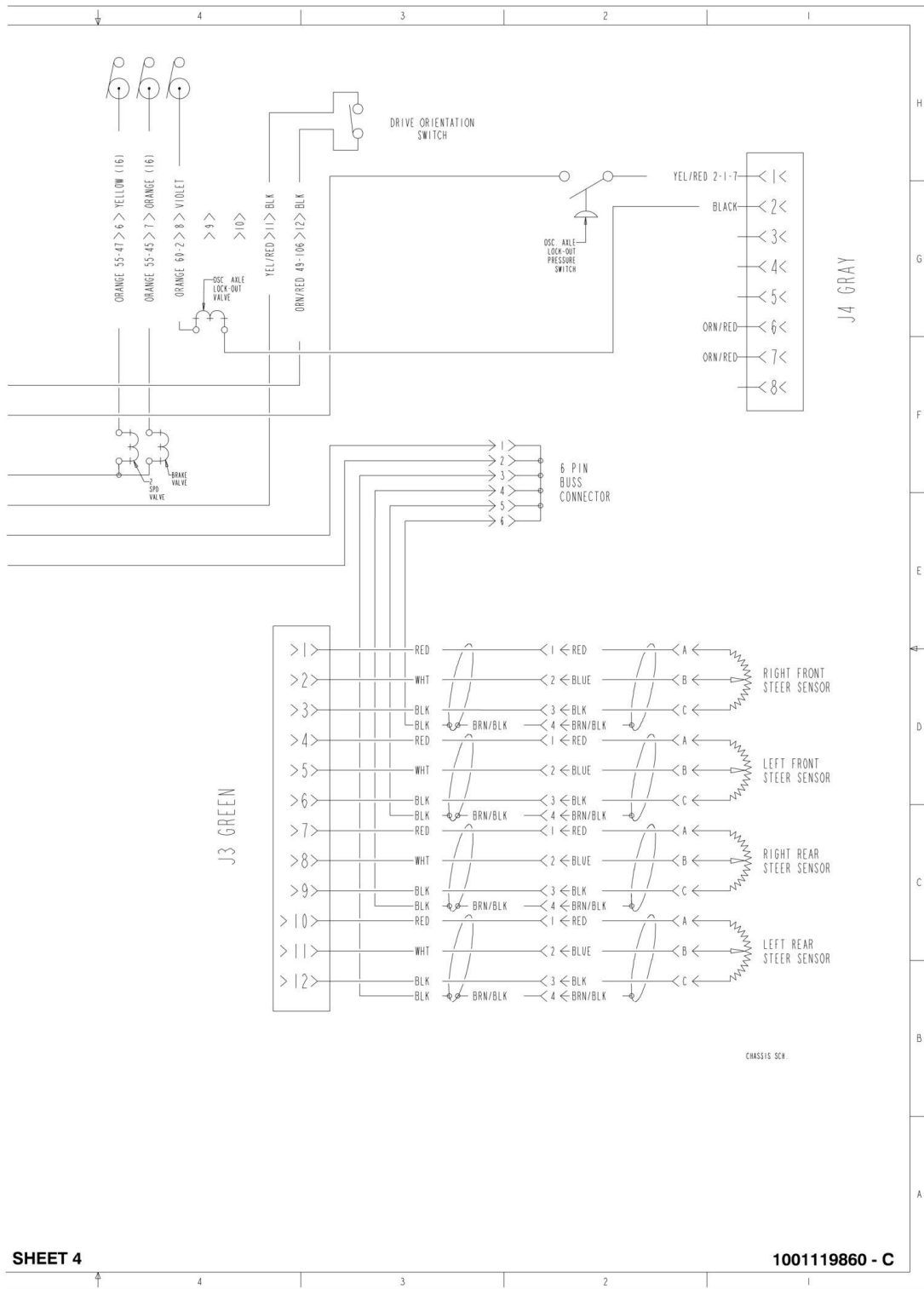


SECTION 7 - ELECTRICAL



SHEET 4

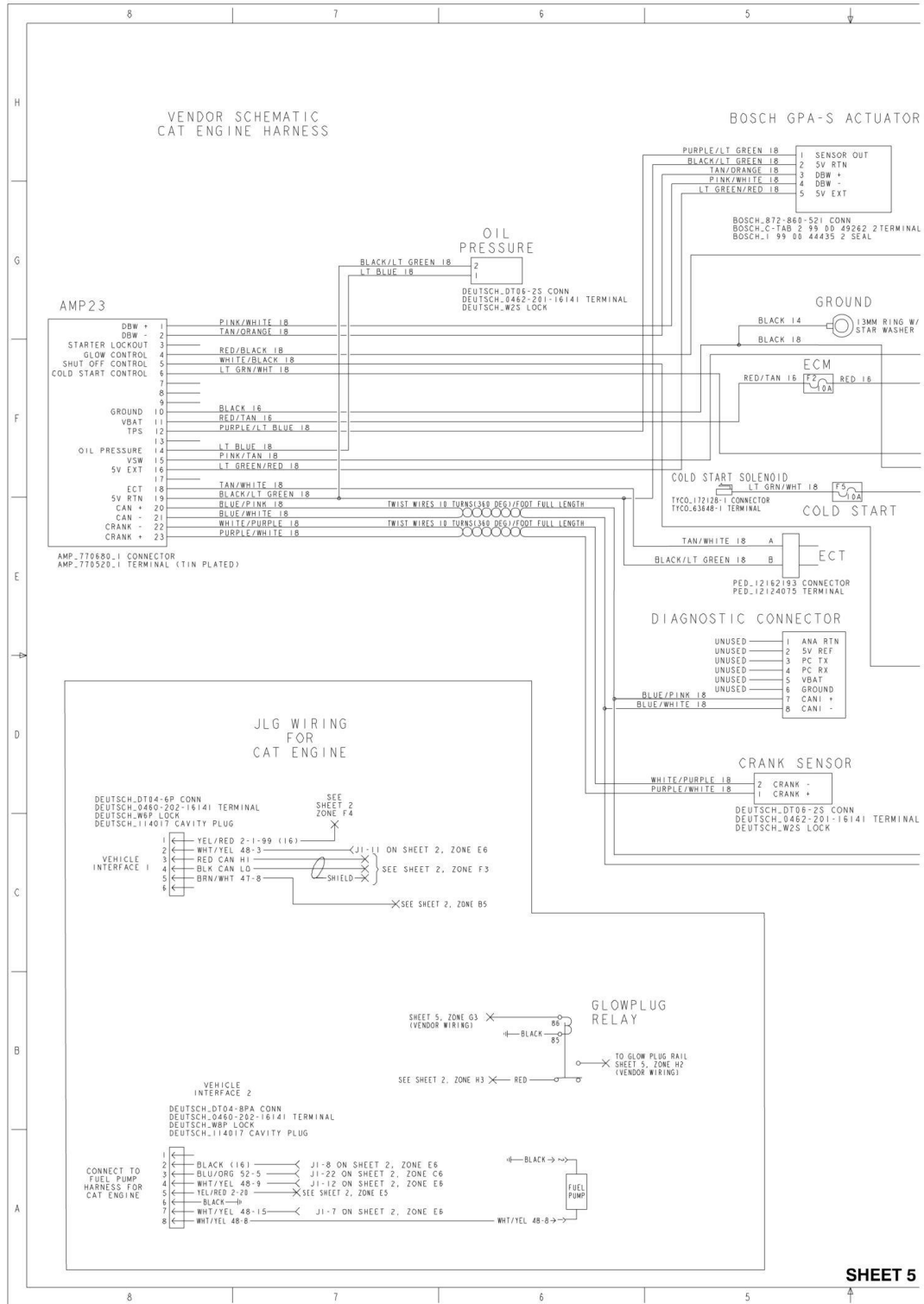
SECTION 7 - ELECTRICAL



SHEET 4

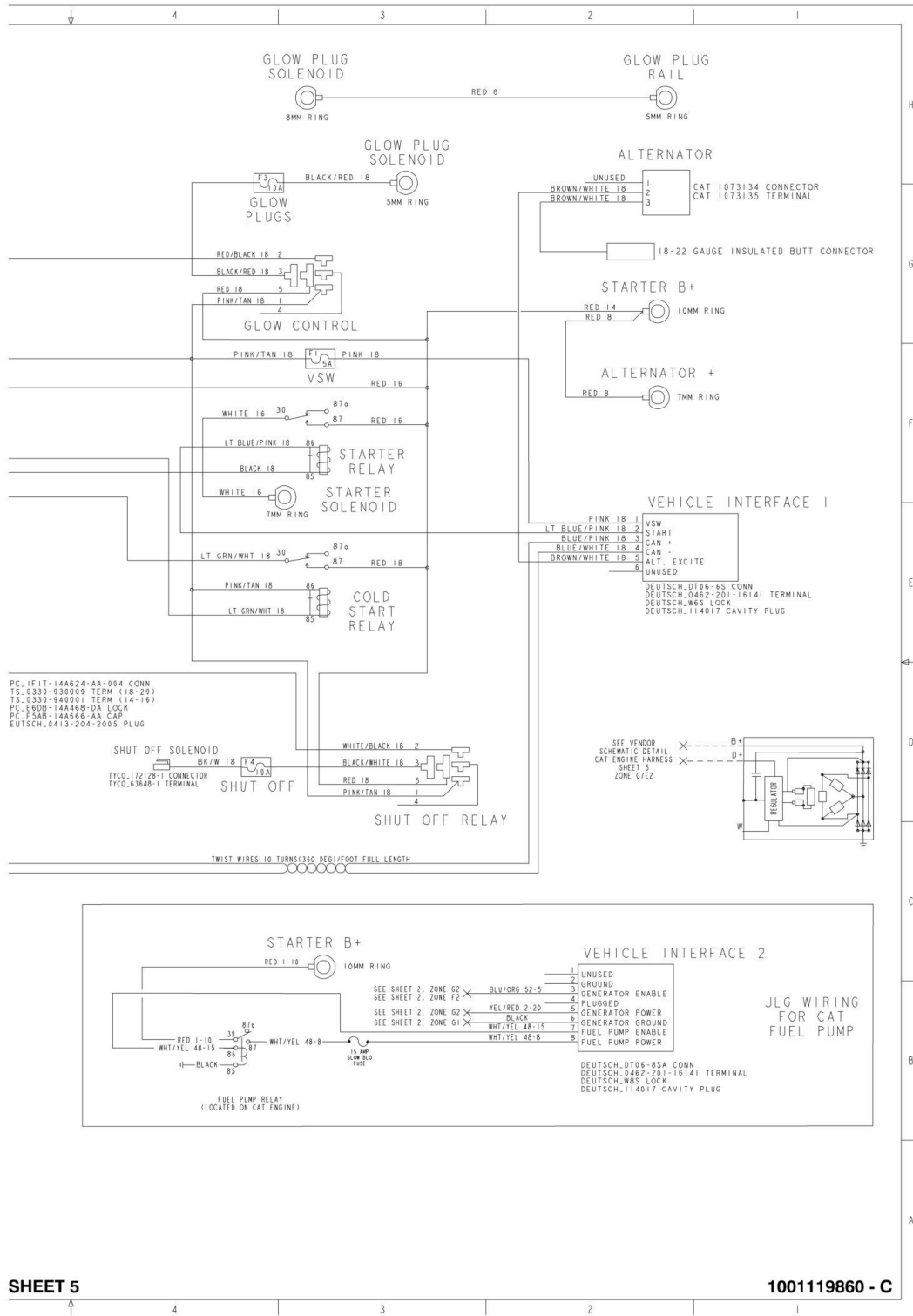
100119860 - C

SECTION 7 - ELECTRICAL



SHEET 5

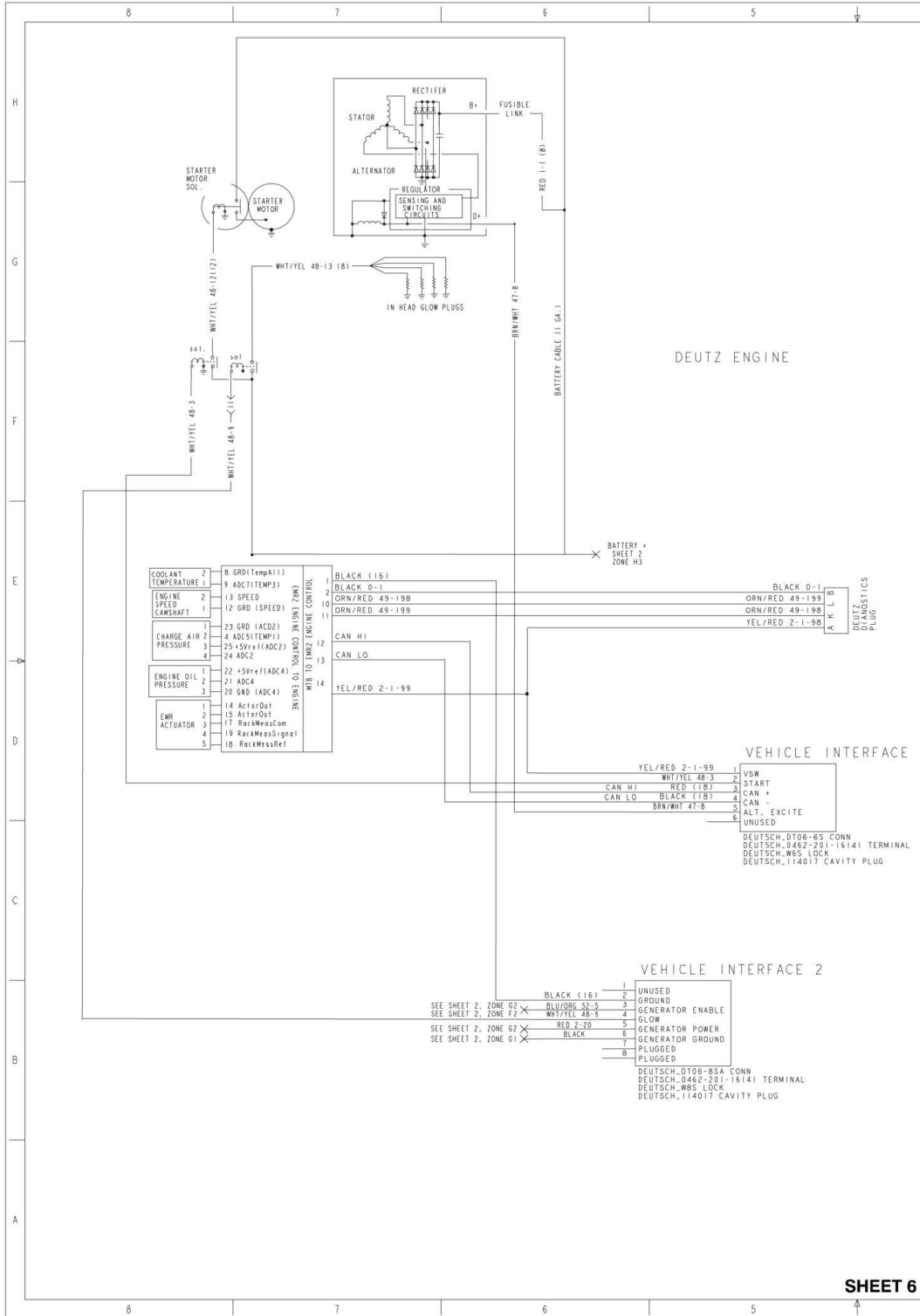
SECTION 7 - ELECTRICAL



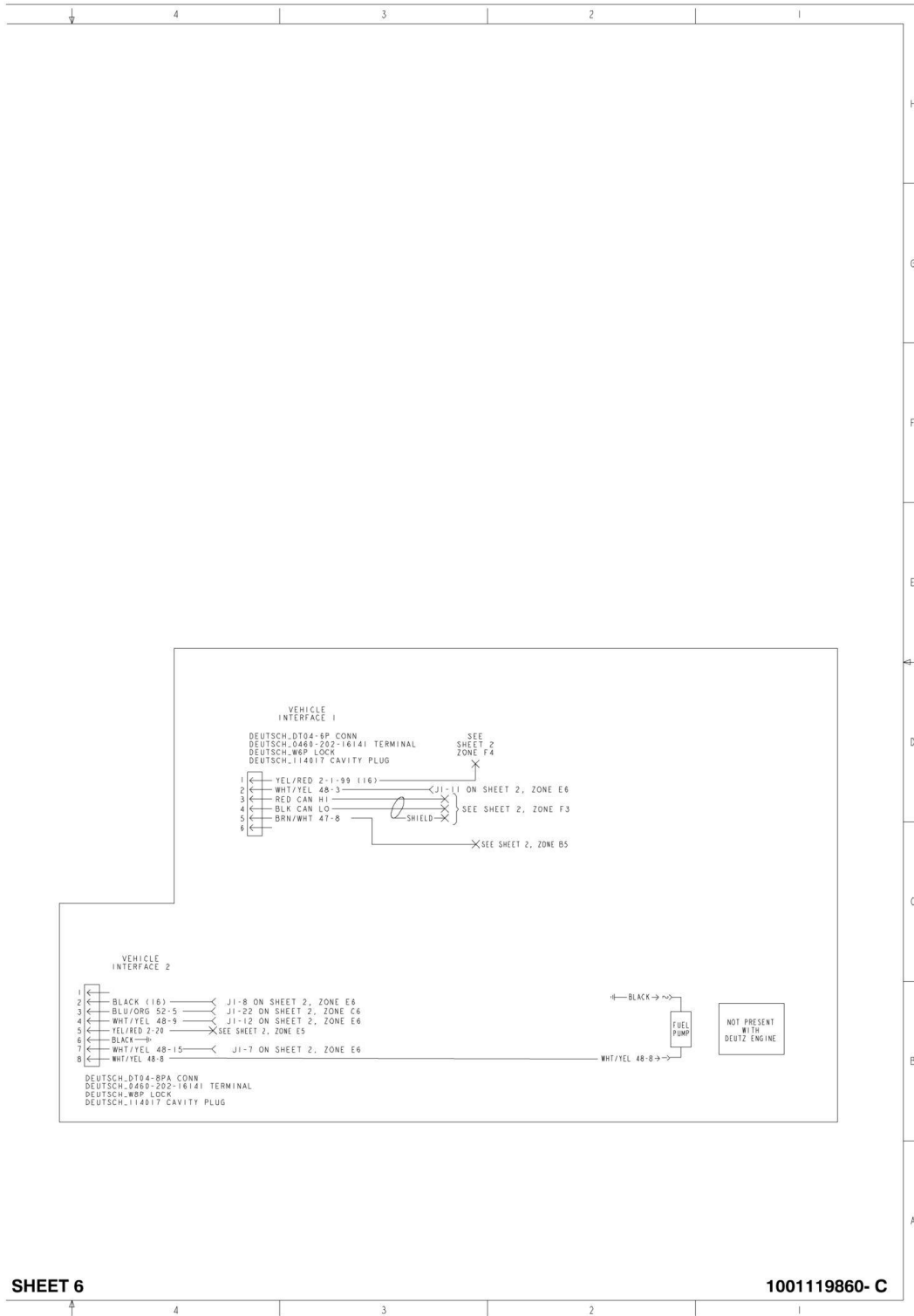
SHEET 5

1001119860 - C

SECTION 7 - ELECTRICAL



SECTION 7 - ELECTRICAL

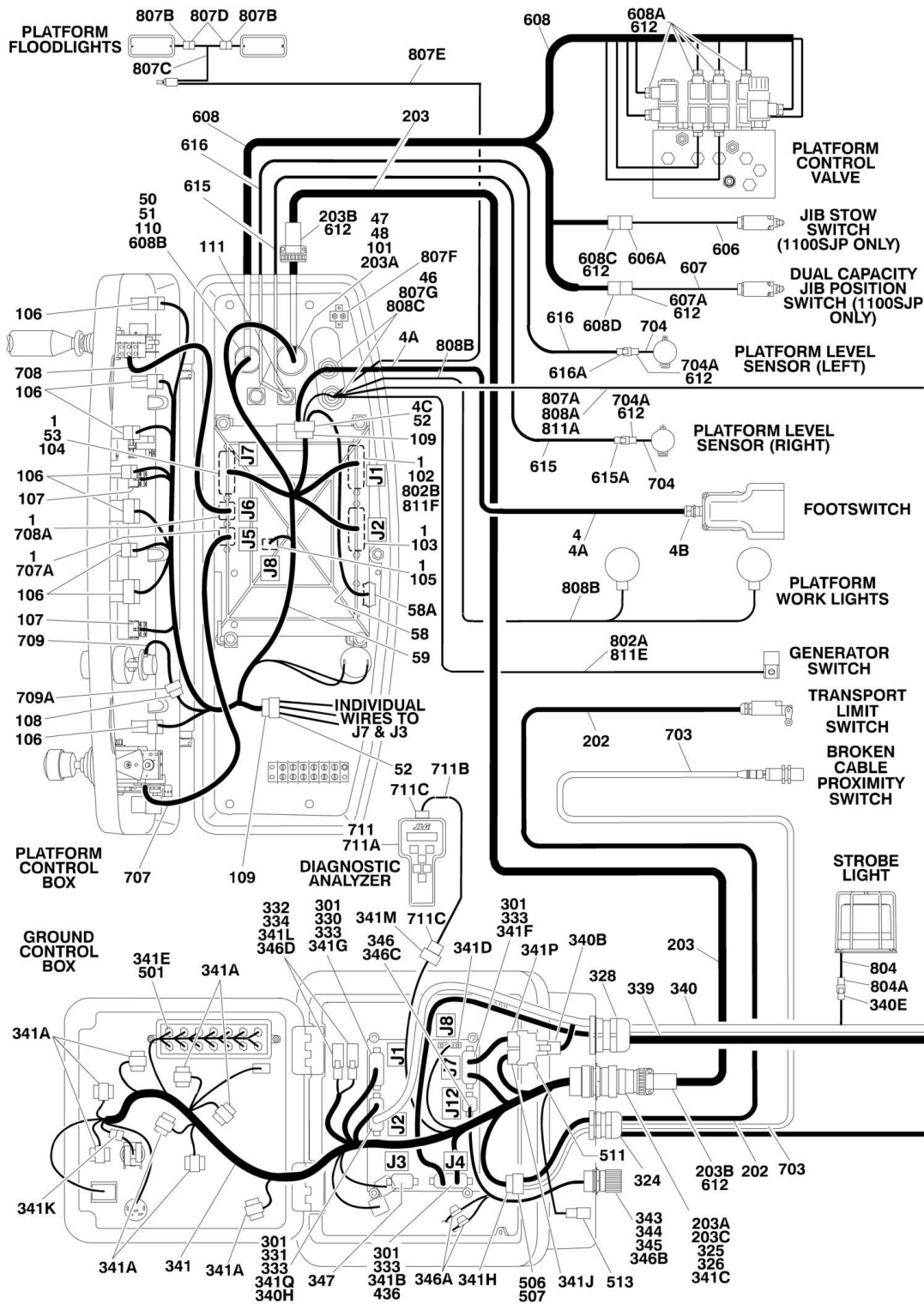


SHEET 6

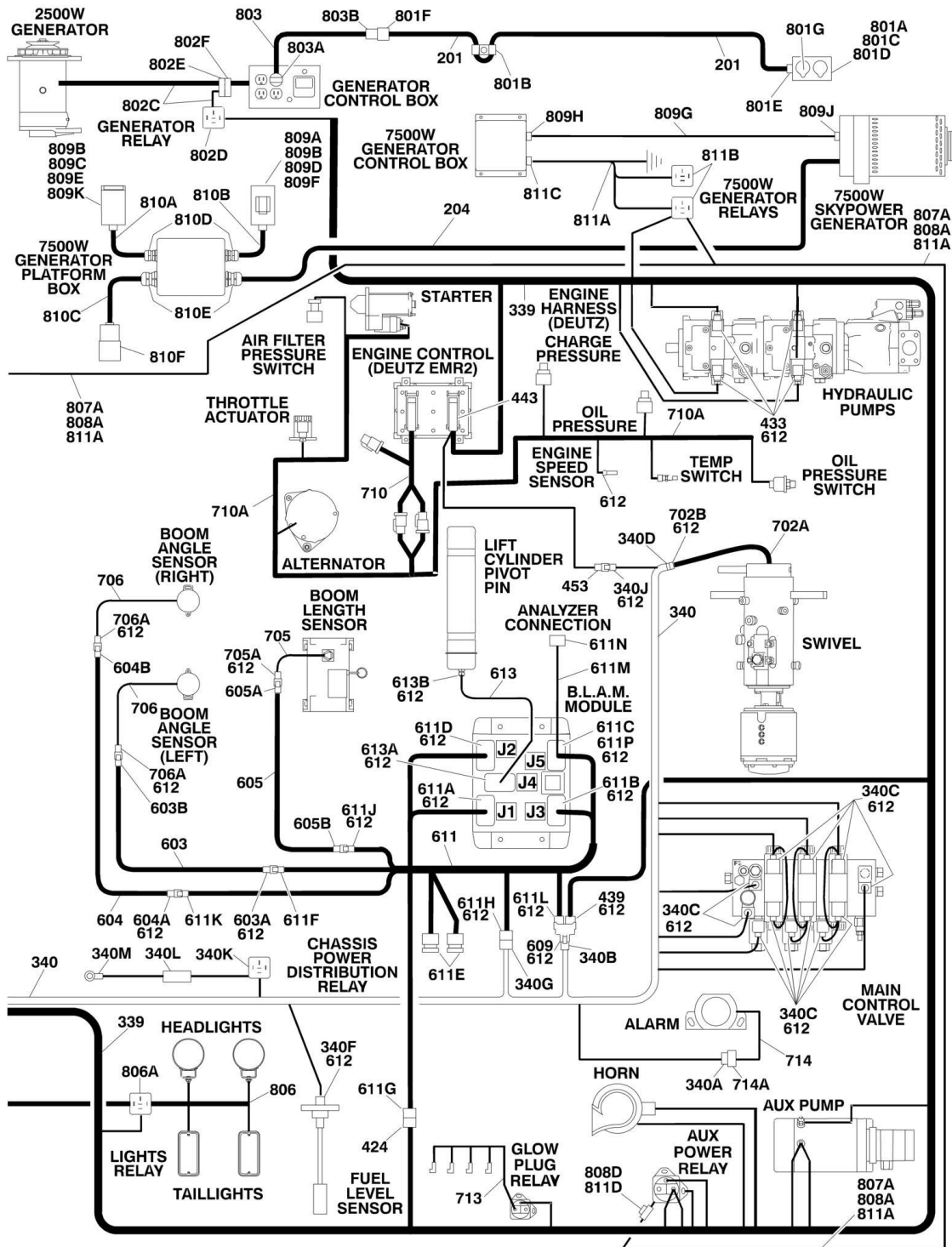
100119860- C

SECTION 7 - ELECTRICAL

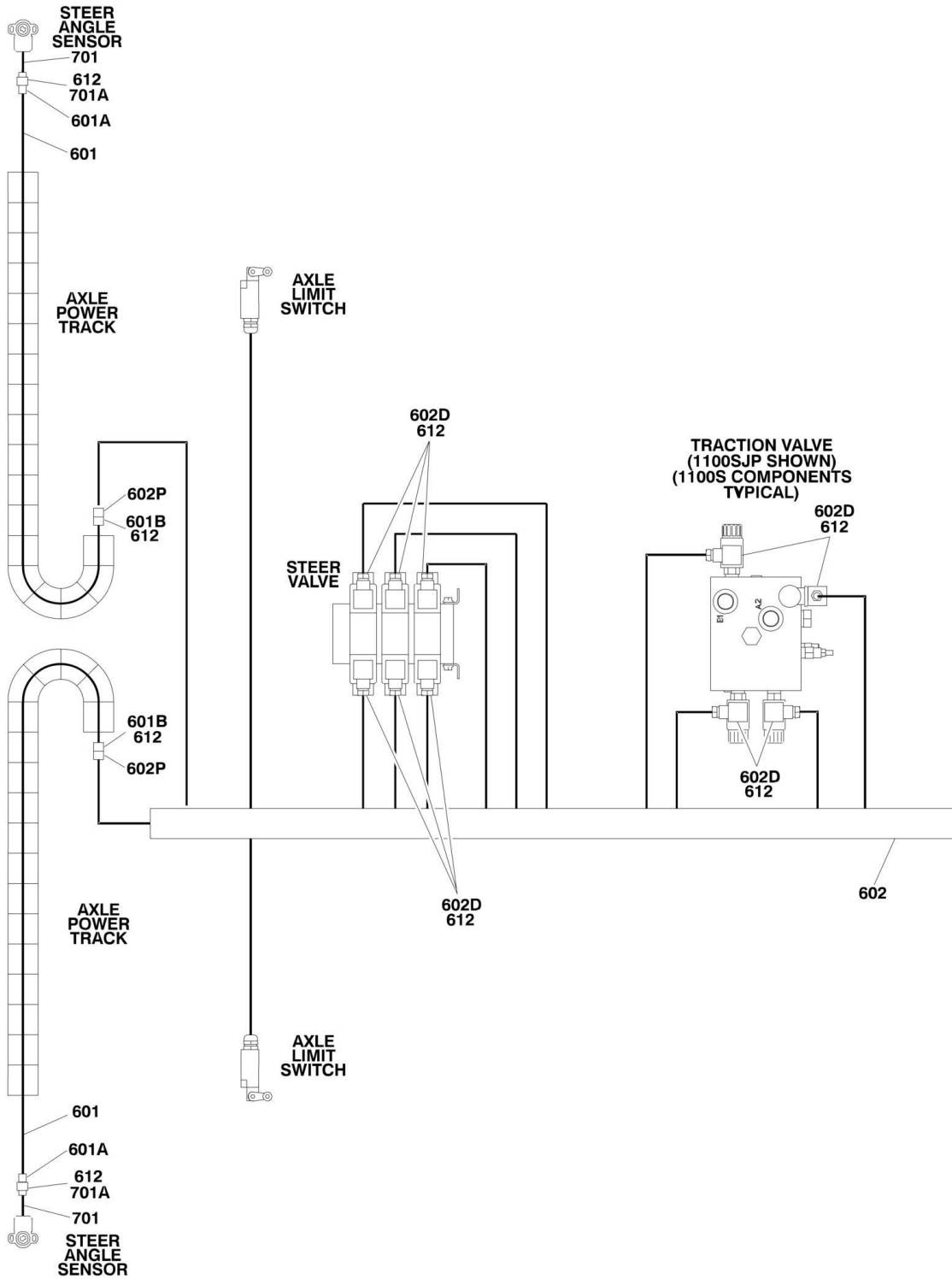
FIGURE 7-4. HARNESS COMPONENTS INSTALLATION (Prior to SN 0300140836)



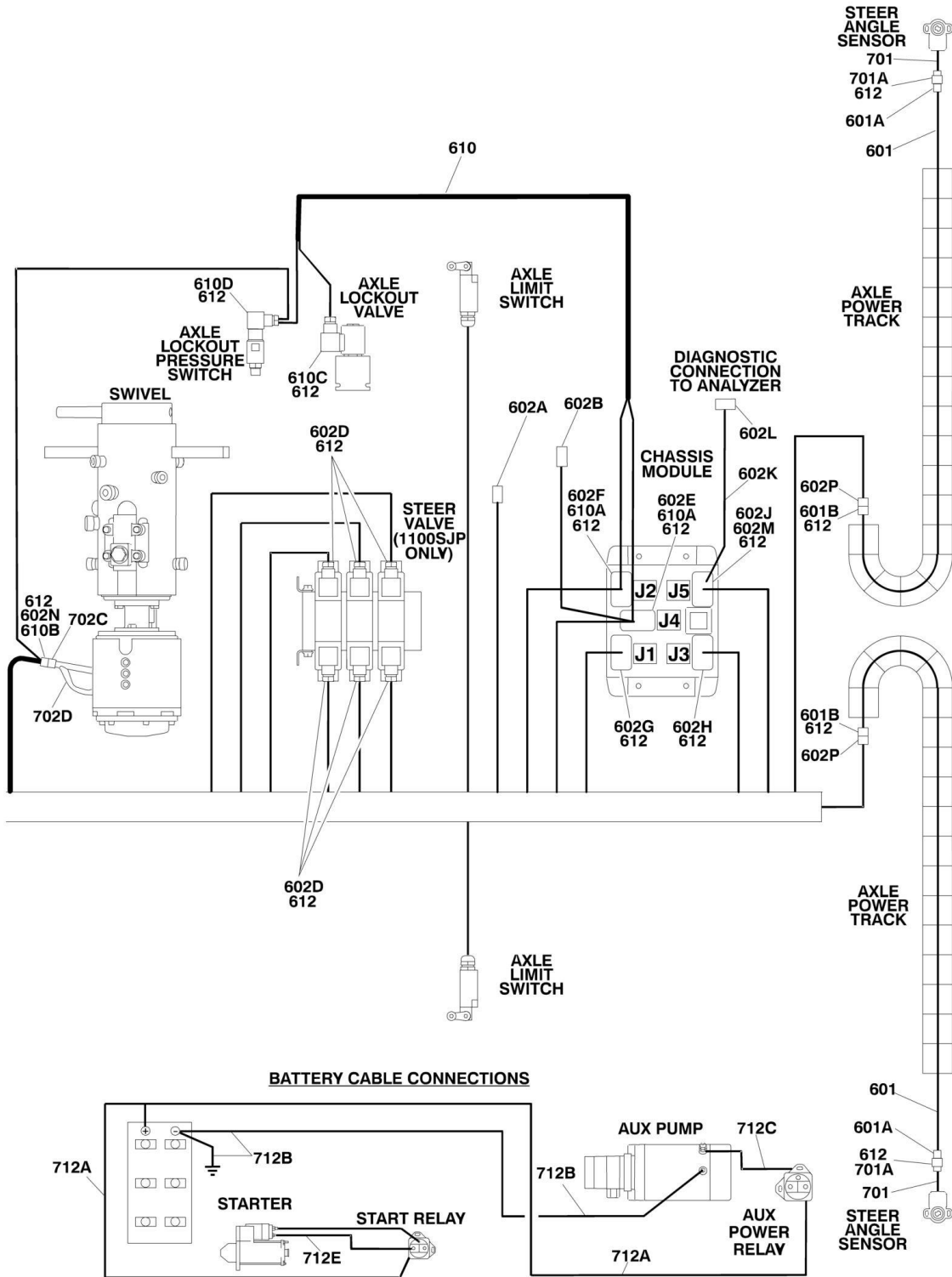
SECTION 7 - ELECTRICAL



SECTION 7 - ELECTRICAL



SECTION 7 - ELECTRICAL



SECTION 7 - ELECTRICAL

FIGURE 7-4. HARNESS COMPONENTS INSTALLATION (Prior to SN 0300140836)

| ITEM | PART NUMBER | QTY | DESCRIPTION | REV |
|------|-------------|------------|---|-----|
| | | Ref | PLATFORM CONSOLE BOX COMPONENTS OPTIONS: | |
| | 1001109953 | Ref | Platform Console Box Components Options 1100S | B |
| | 0861631 | Ref | Platform Console Box Components Options 1100SJP | I |
| 1 | 0100048 | AR | Grease, Dielectric | |
| 4 | | Ref | Footswitch Components: | |
| 4A | 1060918 | 7 ft/2.14m | Cable, Electrical - 18/3 | |
| 4B | 4460071 | 1 | Connector, Strain Relief | |
| 4C | 4460226 | 2 | Socket, Female | |
| 4C | 4460464 | 1 | Pin, Male | |
| 46 | 4460428 | 4 | Connector, Strain Relief | |
| 47 | 4460470 | 1 | Nut, Terminal | |
| 48 | 4460471 | 1 | Lockwasher, Terminal | |
| 50 | 4460496 | 1 | Lockwasher, Terminal | |
| 51 | 4460497 | 1 | Nut, Terminal | |
| 52 | 4460708 | 2 | Receptacle, Female - 15 Position | |
| 53 | 4460905 | 5 | Seal, Plug | |
| 58 | 4922666 | 1 | Harness, Analyzer Cable | 2-B |
| 58 | 4460226 | 4 | Socket, Female (Not Shown - Located at J2) | |
| 58A | 4460761 | 1 | Connector, Female - 4 Position | |
| 58A | 4460227 | 4 | Pin, Male | |
| 59 | 4923448 | 1 | Harness, Platform Box (See Items 101-111 for Breakdown) | |
| | 4923448 | Ref | PLATFORM BOX HARNESS ASSEMBLY | 3-B |
| 101 | 4460866 | 1 | Connector - 19 Pin | |
| 101 | 4460464 | 7 | Pin, Male Deutsch 16 Ga | |
| 101 | 4460508 | 4 | Pin, Male Deutsch 12 Ga | |
| 101 | 4460943 | 3 | Pin, Male 16 Ga (Gold Plated) | |
| 102 | 4460874 | 1 | Connector - 35 Position (Natural) | |
| 102 | 4460871 | 7 | Socket, Female | |
| 102 | 4460905 | 4 | Plug | |
| 103 | 4460876 | 1 | Connector - 35 Position (Blue) | |
| 103 | 4460871 | 32 | Socket, Female | |
| 103 | 4460905 | 3 | Plug | |
| 104 | 4460873 | 1 | Connector - 35 Position (Black) | |
| 104 | 4460871 | 34 | Socket, Female | |
| 104 | 4460905 | 1 | Plug | |
| 105 | 4460879 | 1 | Connector, Male - 2 Position | |
| 105 | 4460887 | 2 | Terminal (12 Gauge) | |
| 106 | 4460418 | 12 | Connector, Female - 6 Position | |
| 106 | 4460419 | 36 | Socket, Female | |
| 107 | 4460225 | 5 | Plug, Male - 6 Position | |
| 107 | 4460226 | 21 | Terminal (16 Gauge) | |
| 108 | 4460225 | 1 | Plug, Male - 6 Position | |
| 108 | 4460227 | 5 | Pin, Male | |
| 109 | 4460434 | 2 | Plug, Male - 15 Position | |
| 109 | 4460227 | 14 | Pin, Male | |
| 110 | 4460925 | 1 | Connector - 21 Pin | |
| 110 | 4460929 | 13 | Pin, Male Deutsch 16 Ga | |
| 110 | 4460466 | 8 | Plug | |
| 111 | 1001121616 | 2 | Connector, 6 Position | |
| 111 | 1001121615 | 2 | Base, Mounting | |

SECTION 7 - ELECTRICAL

| ITEM | PART NUMBER | QTY | DESCRIPTION | REV |
|------|--------------|-----------------|---|-----|
| | | Ref | BOOM CABLES INSTALLATION | |
| | 0271932 | Ref | With no Generator Option | D |
| | 0271932 | Ref | With 2500W Generator Option | D |
| | 0273854 | Ref | With 7500W Generator Option | A |
| 201 | | Ref | Cable, Electrical - 10/3 | |
| 201 | 4922759 | 1 | With no Generator Option | B |
| 201 | 4922759 | 1 | With 2500W Generator Option | B |
| 201 | Not Required | 0 | With 7500W Generator Option | |
| 202 | 4922763 | 1 | Cable, Electrical - 18/3 (46ft/13.8m Length) | B |
| 203 | 4922672 | 1 | Harness Assembly - Boom (12/4 - 18/8) | 2-B |
| 203 | 1060896 | 142 ft/43.3m | Cable, Electrical - 12/4 & 18/8 | |
| 203 | 2820118 | 8 in/18cm | Heat Shrink | |
| 203A | 4460465 | 11 | Socket, Female 18 Gauge | |
| 203A | 4460865 | 2 | Connector - 19 Position | |
| 203A | 4460509 | 4 | Socket, Female 12 Gauge | |
| 203A | 4460466 | 8 | Seal, Plug | |
| 203B | 4460473 | 2 | Clamp, Cable | |
| 203C | 4460465 | 11 | Socket, Female 18 Gauge | |
| 203C | 4460509 | 4 | Socket, Female 12 Gauge | |
| 204 | 4922796 | 1 | Harness, Generator (8/5) (with 7500W Generator Only) | |
| | | Ref | GROUND CONTROL BOX COMPONENTS | |
| | 1001110016 | Ref | Ground Control Box Components 1100S | F |
| | 1810057 | Ref | Ground Control Box Components 1100SJP (Prior to SN 0300139587) | G |
| | 1001119686 | Ref | Ground Control Box Components 1100SJP (SN 0300139587 to Present) | D |
| 301 | 0100048 | AR | Grease, Dielectric | |
| 324 | 4460426 | 1 | Connector, Strain Relief | |
| 325 | 4460470 | 1 | Nut, Terminal | |
| 326 | 4460471 | 1 | Lockwasher, Terminal | |
| 328 | 4460526 | 1 | Connector, Strain Relief | |
| 330 | 4460874 | 1 | Connector, White - 35 Position | |
| 331 | 4460875 | 1 | Connector, Gray - 35 Position | |
| 332 | 4460892 | 2 | Bar, Buss | |
| 333 | 4460905 | 4 | Plug, Connector | |
| 334 | 4460914 | 2 | Base, Terminal | |
| 339 | 4923376 | 1 | Harness, Engine (See Items 401-453 for Breakdown) | |
| 340 | 4923522 | 1 | Valve Harness Assembly | D |
| 340A | 4460320 | 1 | Plug, Male - 2 Position | |
| 340A | 4460267 | 2 | Pin, Male | |
| 340B | 4460965 | 2 | Plug, Male - 3 Position | |
| 340B | 4460944 | 6 | Socket, Female | |
| 340B | 4922099 | AR | Cable, Electrical 18/3 | |
| 340C | 4460880 | 11 | DIN Connector | |
| 340D | 4460836 | 1 | Plug, Male - 12 Position | |
| 340D | 4460466 | 4 | Plug, Socket | |
| 340D | 4460465 | 3 | Socket, Female | |
| 340D | 4460942 | 2 | Socket, Female 14-16 GA | |
| 340D | 4460944 | 3 | Socket, Female 16-18 GA (Gold) | |
| 340E | 4460424 | 1 | Connector, Female - 2 Position | |
| 340E | 4460268 | 2 | Socket, Female | |

SECTION 7 - ELECTRICAL

| ITEM | PART NUMBER | QTY | DESCRIPTION | REV |
|------|-------------|----------|---|-----|
| 340F | 4460843 | 1 | Plug, Male - 2 Position | |
| 340F | 4460842 | 2 | Socket, Female | |
| 340G | 4460894 | 1 | Plug, Male - 6 Position | |
| 340G | 4460465 | 3 | Socket, Female | |
| 340G | 4460942 | 3 | Socket, Female 14-16 GA | |
| 340H | 4460942 | 3 | Socket, Female 14-16 GA | |
| 340H | 4460465 | 2 | Socket, Female | |
| 340H | 4460871 | 17 | Socket, Female | |
| 340H | 4460464 | 1 | Pin, Male | |
| 340J | 4460536 | 1 | Connector, Female - 3 Position | |
| 340J | 4460943 | 3 | Pin, Male | |
| 340J | 4922099 | AR | Cable, Electrical 18/3 | |
| 340K | 3740080 | 1 | Relay, Sealed | |
| 340K | 4460374 | 1 | Plug, Sealed | |
| 340K | 4460375 | 5 | Terminal, Female | |
| 340L | 2400066 | 1 | Fuseholder w/Leads | |
| 340L | 2400065 | 1 | Fuse, 30A | |
| 340M | 4460019 | 1 | Terminal, Ring | |
| 341 | 4923574 | 1 | Ground Control Box Harness Assembly | B |
| 341 | 3990001 | 2 | Diode - 3 Amp (Not Shown - Located at Power Down Relay) | |
| 341A | 4460418 | 8 | Connector, Female - 6 Position | |
| 341A | 4460419 | 24 | Socket, Female | |
| 341B | 4460876 | 1 | Connector, Blue - 35 Position | |
| 341B | 4460871 | 29 | Socket, Female | |
| 341C | 4460866 | 1 | Connector - 19 Pin | |
| 341C | 4460464 | 10 | Pin, Male Deutsch 16 Ga | |
| 341C | 4460508 | 3 | Pin, Male Deutsch 12 Ga | |
| 341D | 4460878 | 1 | Plug, Male - 4 Position | |
| 341D | 4460887 | 3 | Terminal (12 Gauge) | |
| 341E | 4120035 | 10 | Base, Light | |
| 341E | 4460634 | 10 | Terminal (16 Gauge) | |
| 341E | 4460635 | 10 | Terminal (12 Gauge) | |
| 341F | 4460873 | 1 | Connector, Black - 35 Position | |
| 341F | 4460871 | 15 | Socket, Female | |
| 341G | 4460871 | 7 | Socket, Female | |
| 341H | 4460225 | 1 | Plug, Male - 6 Position | |
| 341H | 4460227 | 6 | Pin, Male | |
| 341J | 4460965 | 1 | Plug, Male - 3 Position (Blue Lock) | |
| 341J | 4460944 | 3 | Socket, Female | |
| 341J | 4922099 | 2 ft/.6m | Cable, Can-Buss | |
| 341K | 2400066 | 1 | Fuseholder with Cover | |
| 341K | 2400065 | 1 | Fuse | |
| 341L | 4460894 | 2 | Plug, Male - 6 Position | |
| 341L | 4460465 | 1 | Socket, Female 16-18GA | |
| 341L | 4460942 | 2 | Socket, Female 14GA | |
| 341M | 4460761 | 1 | Connector, Female - 4 Position | |
| 341M | 4460227 | 4 | Pin, Male | |
| 341P | 4460966 | 1 | Plug, Male - 3 Position (Green Lock) | |
| 341P | 4460944 | 3 | Socket, Female | |
| 341P | 4922099 | 2 ft/.6m | Cable, Can-Buss | |
| 341Q | 4460871 | 3 | Socket, Female | |

SECTION 7 - ELECTRICAL

| ITEM | PART NUMBER | QTY | DESCRIPTION | REV |
|------|--------------|-----|---|-----|
| 342 | 4933389 | 1 | Ground Control Wiring Diagram (Not Shown) (See Items 501-513 for Breakdown) | |
| 343 | 4460496 | 1 | Lockwasher, Terminal | |
| 344 | 4460497 | 1 | Nut, Terminal | |
| 345 | 1001106736 | 1 | Cap, Dust | |
| 346 | 1001103734 | 1 | Harness, ClearSky Ready | A |
| 346A | 2400060 | 2 | Fuseholder with Cover | |
| 346A | 2400064 | 2 | Fuse 5Amp | |
| 346B | 1001112612 | 1 | Receptacle, Female - 9 Position | |
| 346B | 4460464 | 6 | Pin, Male | |
| 346B | 4460466 | 3 | Plug, Sealing | |
| 346C | 1001113961 | 1 | Plug, Male - 8 Position | |
| 346C | 4460871 | 3 | Socket, Female | |
| 346C | 4460905 | 5 | Plug, Sealing | |
| 346D | 4460465 | 1 | Socket, Female | |
| 347 | | Ref | Harness, Model Selection Options: | |
| 347 | 1001113698 | 1 | Harness, Model Selection 1100S | A |
| 347 | Not Required | 0 | Harness, Model Selection 1100SJP (Prior to SN 0300139587) | |
| 347 | 1001113698 | 1 | Harness, Model Selection 1100SJP (SN 0300139587 to Present) | A |
| 347 | 4460872 | 1 | Plug, Male - 14 Position | |
| 347 | 4460871 | 2 | Socket, Female | |
| 347 | 4460905 | 12 | Plug, Sealing | |
| | 4923376 | Ref | ENGINE HARNESS ASSEMBLY | E |
| 424 | 4460899 | 1 | Connector, Female - 6 Position | |
| 424 | 4460465 | 1 | Socket, Female | |
| 424 | 4460464 | 4 | Pin, Male | |
| 424 | 4460466 | 2 | Markers, Terminal | |
| 433 | 4460880 | 5 | DIN Connector without Diode | |
| 436 | 4460887 | 1 | Terminal, Molex | |
| 436 | 4460871 | 7 | Socket, Female | |
| 436 | 4460508 | 1 | Terminal, Deutsch | |
| 439 | 4460965 | 1 | Connector, Female - 3 Position | |
| 439 | 4460944 | 3 | Socket, Female (Gold) | |
| 443 | 4461052 | 1 | Connector, Female - 25 Position | |
| 443 | 4461005 | 5 | Terminal | |
| 443 | 4461006 | 5 | Seal | |
| 443 | 4461054 | 2 | Seal, Terminal | |
| 443 | 4461060 | 2 | Terminal (Tin) | |
| 443 | 4461053 | 1 | Cover, Plug | |
| 443 | 4461008 | 18 | Plug, Hole | |
| 453 | 4460539 | 1 | Plug, Male - 3 Position | |
| 453 | 4460944 | 3 | Socket, Female (Gold) | |
| | 4933389 | Ref | GROUND CONTROL BOX WIRING DIAGRAM | C |
| 501 | 2920129 | 10 | Bulb, Light | |
| 506 | 4460226 | 6 | Socket, Female | |
| 507 | 4460224 | 1 | Connector, Female - 6 Position | |
| 511 | 4460945 | 1 | Connector, Female - 3 Way | |
| 513 | 2902443 | 1 | Receptacle Kit | |
| 513 | 4461071 | 8 | Socket, Female | |
| 513 | 4461072 | 1 | Receptacle | |
| 513 | 4461073 | 1 | Cap, Dust | |

SECTION 7 - ELECTRICAL

| ITEM | PART NUMBER | QTY | DESCRIPTION | REV |
|------|-------------|------------|---|-----|
| 513 | 4461074 | 1 | Shell, Black | |
| | | Ref | WIRING HARNESES INSTALLATION | |
| | 1001112761 | Ref | Wiring Harness Installation 1100S | 1-B |
| | 0274660 | Ref | Wiring Harness Installation 1100SJP | 1-D |
| 601 | 4922718 | 4 | Axle Power Track Harness Assembly | B |
| 601A | 4460539 | 1 Per Assy | Plug, Male - 3 Position | |
| 601A | 4460944 | 3 Per Assy | Socket, Female | |
| 601B | 4460932 | 1 Per Assy | Connector, Female - 4 Position | |
| 601B | 4460943 | 4 Per Assy | Pin, Male | |
| 602 | 4922696 | 1 | Chassis Harness Assembly | 3-D |
| 602A | 4460894 | 1 | Plug, Male - 6 Position | |
| 602A | 4460465 | 6 | Socket, Female | |
| 602A | 4460892 | 1 | Bar, Buss - 6 Position | |
| 602B | 4460891 | 1 | Plug, Male - 2 Position | |
| 602B | 4460465 | 2 | Socket, Female | |
| 602C | 4460894 | 1 | Plug, Male - 6 Position (Not Shown) | |
| 602C | 4460465 | 6 | Socket, Female | |
| 602C | 4460892 | 1 | Bar, Buss - 6 Position | |
| 602D | 4460880 | 14 | DIN Connector | |
| 602E | 4460930 | 1 | Connector, Gray - 8 Position | |
| 602E | 4460465 | 3 | Socket, Female | |
| 602E | 4460466 | 5 | Plug, Terminal | |
| 602F | 4460836 | 1 | Connector, Black - 12 Position | |
| 602F | 4460465 | 6 | Socket, Female | |
| 602F | 4460466 | 6 | Plug, Terminal | |
| 602G | 4460933 | 1 | Connector, Gray - 12 Position | |
| 602G | 4460465 | 8 | Socket, Female | |
| 602G | 4460466 | 4 | Plug, Terminal | |
| 602H | 4460934 | 1 | Connector, Green - 12 Position | |
| 602H | 4460944 | 12 | Socket, Female | |
| 602J | 4460935 | 1 | Connector, Brown - 12 Position | |
| 602H | 4460465 | 8 | Socket, Female | |
| 602K | 4922705 | 1 | Analyzer Harness | 2-B |
| 602L | 4460761 | 1 | Connector, Female | |
| 602L | 4460227 | 4 | Pin, Male | |
| 602M | 4460465 | 4 | Socket, Female | |
| 602N | 4460950 | 1 | Connector, Female - 12 Position | |
| 602N | 4460464 | 6 | Pin, Male 16-18 GA | |
| 602N | 4460943 | 3 | Pin, Male 16-18 GA (Gold) | |
| 602N | 4460941 | 2 | Pin, Male 14-16GA | |
| 602P | 4460884 | 4 | Connector, Gray - 4 Position | |
| 602P | 4460944 | 16 | Socket, Female | |
| 603 | 4922781 | 1 | B.L.A.M. to Boom Angle Sensor Harness (Left Side) | 3-B |
| 603A | 4460932 | 1 | Connector, Gray - 4 Position | |
| 603A | 4460943 | 4 | Pin, Male | |
| 603B | 4460911 | 1 | Plug, Male - 3 Position | |
| 603B | 4460918 | 3 | Socket, Female | |
| 603B | 4460912 | 1 | Lock, Wedge - Position | |

SECTION 7 - ELECTRICAL

| ITEM | PART NUMBER | QTY | DESCRIPTION | REV |
|------|-------------|-----|--|-----|
| 604 | 4922780 | 1 | B.L.A.M. to Boom Angle Sensor Harness (Right Side) | 2-B |
| 604A | 4460884 | 1 | Connector, Gray - 4 Position | |
| 604A | 4460944 | 4 | Socket, Female | |
| 604B | 4460911 | 1 | Plug, Male - 3 Position | |
| 604B | 4460918 | 3 | Socket, Female | |
| 604B | 4460912 | 1 | Lock, Wedge - Position | |
| 605 | 4922716 | 1 | B.L.A.M. to Boom Length Sensor Harness | C |
| 605A | 4460539 | 2 | Plug, Male - 3 Position | |
| 605A | 4460944 | 3 | Socket, Female | |
| 605B | 4460894 | 1 | Plug, Male - 6 Position | |
| 605B | 4460944 | 4 | Socket, Female | |
| 605B | 4460466 | 2 | Plug, Sealing | |
| 606 | 4922784 | 1 | Jib Stow Switch Harness (1100SJP Only) | B |
| 606A | 4460891 | 1 | Plug, Male - 2 Position | |
| 606A | 4460465 | 2 | Socket, Female | |
| 607 | 4922785 | 1 | Dual Capacity Jib Position Switch Harness (1100SJP Only) | B |
| 607A | 4460897 | 1 | Connector, Female - 2 Position | |
| 607A | 4460464 | 2 | Pin, Male | |
| 608 | 4922777 | 1 | Platform Valve Harness | 1-C |
| 608A | 4460880 | 9 | DIN Connector | |
| 608B | 4460926 | 1 | Connector - 21 Position | |
| 608B | 4460928 | 13 | Socket, Female | |
| 608B | 4460466 | 8 | Plug, Hole | |
| 608C | 4460897 | 1 | Connector, Female - 2 Position | |
| 608C | 4460464 | 2 | Pin, Male | |
| 608D | 4460891 | 1 | Plug, Male - 2 Position | |
| 608D | 4460465 | 2 | Socket, Female | |
| 609 | 4460945 | 1 | Connector, Female - 3 Way | |
| 610 | 4922767 | 1 | Lockout Valve Harness (1100SJP Only) | 2-C |
| 610A | 4460465 | 3 | Socket, Female | |
| 610B | 4460464 | 1 | Pin, Male | |
| 610C | 4460880 | 2 | Connector, DIN | |
| 610D | 4460449 | 2 | Connector, DIN | |
| 611 | 4922786 | 1 | B.L.A.M. Harness | 4-C |
| 611A | 4460933 | 1 | Plug, Male - 12 Position (Gray) | |
| 611A | 4460466 | 7 | Plug, Seal | |
| 611A | 4460944 | 3 | Socket, Female | |
| 611A | 4460465 | 1 | Socket, Female | |
| 611A | 4460942 | 1 | Socket, Female | |
| 611B | 4460934 | 1 | Plug, Male - 12 Position (Green) | |
| 611B | 4460466 | 7 | Plug, Seal | |
| 611B | 4460944 | 3 | Socket, Female | |
| 611B | 4460465 | 2 | Socket, Female | |
| 611C | 4460935 | 1 | Plug, Male - 12 Position (Brown) | |
| 611C | 4460466 | 5 | Plug, Seal | |
| 611C | 4460465 | 2 | Socket, Female | |
| 611D | 4460836 | 1 | Plug, Male - 12 Position (Black) | |
| 611D | 4460466 | 8 | Plug, Seal | |
| 611D | 4460944 | 2 | Socket, Female | |
| 611D | 4460465 | 2 | Socket, Female | |
| 611E | 4460836 | 2 | Plug, Male - 12 Position (Black) | |

SECTION 7 - ELECTRICAL

| ITEM | PART NUMBER | QTY | DESCRIPTION | REV |
|------|-------------|------------|---|-----|
| 611E | 4460466 | 14 | Plug, Seal | |
| 611E | 4460944 | 5 | Socket, Female | |
| 611E | 4460465 | 5 | Socket, Female | |
| 611E | 4460837 | 2 | Receptacle, Female - 12 Position Buss Bar | |
| 611F | 4460884 | 1 | Plug, Male 4 Position (Gray) | |
| 611F | 4460944 | 4 | Socket, Female | |
| 611G | 4460894 | 1 | Plug, Male - 6 Position (Gray) | |
| 611G | 4460465 | 5 | Socket, Female | |
| 611G | 4460466 | 1 | Plug, Sealing | |
| 611H | 4460899 | 1 | Connector, Female - 6 Position (Gray) | |
| 611H | 4460464 | 3 | Pin, Male | |
| 611H | 4460941 | 3 | Pin, Male (Gold Plated) | |
| 611J | 4460899 | 1 | Connector, Female - 6 Position (Gray) | |
| 611J | 4460466 | 2 | Plug, Sealing | |
| 611J | 4460943 | 4 | Pin, Male (Gold Plated) | |
| 611K | 4460932 | 1 | Plug, Male - 4 Position (Gray) | |
| 611K | 4460943 | 1 | Pin, Male | |
| 611L | 4460966 | 1 | Connector, Female - 3 Position | |
| 611L | 4460944 | 3 | Socket, Female | |
| 611M | 4922705 | 1 | Analyzer Harness | 2-B |
| 611N | 4460761 | 1 | Connector, Female - 4 Position | |
| 611N | 4460227 | 4 | Pin, Male | |
| 611P | 4460465 | 4 | Socket, Female | |
| 612 | 0100048 | AR | Lubricant, Silicone | |
| 613 | 4923256 | 1 | Load Sensing Pin Harness | B |
| 613A | 4460930 | 1 | Connector, Gray - 8 Position | |
| 613A | 4460465 | 4 | Socket, Female | |
| 613A | 4460466 | 3 | Plug, Sealing | |
| 613B | See Note | 1 | Connector, Female - 4 Position (Note: Not Available For Purchase) | |
| 613B | See Note | 4 | Terminal (Note: Not Available For Purchase) | |
| 615 | 4922947 | 1 | Right Level Sensor, Harness | E |
| 615A | 4460911 | 1 | Plug, Male - 3 Position | |
| 615A | 4460918 | 3 | Pin, Male | |
| 615A | 4460912 | 1 | Lock, Wedge - Position | |
| 615A | 1320309 | 1 | Clamp, Cable | |
| 615A | 1560012 | 1 | Nut, Conduit | |
| 615A | 1560011 | 1 | Connector, Conduit | |
| 615A | 4461013 | 1 | Plug, Male - 7 Position | |
| 616 | 4922948 | 1 | Left Level Sensor, Harness | E |
| 616A | 4460911 | 1 | Plug, Male - 3 Position | |
| 616A | 4460918 | 3 | Pin, Male | |
| 616A | 4460912 | 1 | Lock, Wedge - Position | |
| 616A | 1320309 | 1 | Clamp, Cable | |
| 616A | 1560012 | 1 | Nut, Conduit | |
| 616A | 1560011 | 1 | Connector, Conduit | |
| 616A | 4461013 | 1 | Plug, Male - 7 Position | |
| | | Ref | STANDARD HARNESS COMPONENTS | |
| 701 | 4360505 | 4 | Steer Angle Sensor Harness (Includes Sensor) | |
| 701A | 4460536 | 1 Per Assy | Plug, Male - 3 Position | |
| 701A | 4460464 | 3 Per | Pin, Male | |

SECTION 7 - ELECTRICAL

| ITEM | PART NUMBER | QTY | DESCRIPTION | REV |
|------|-------------|------|---|-----|
| | | Assy | | |
| 702 | 1660302 | 1 | Coupling Electrical Components (Note: Not Available For Purchase) | |
| 702A | See Note | 1 | Coupling Turntable Harness (Note: Not Available For Purchase) | |
| 702B | 4460837 | 1 | Connector, Female - 12 Position | |
| 702B | 4460466 | 4 | Plug, Socket | |
| 702B | 4460464 | 3 | Pin, Male 16-18 GA | |
| 702B | 4460943 | 3 | Pin, Male 16-18 GA (Gold) | |
| 702B | 4460941 | 2 | Pin, Male 14-16GA | |
| 702C | See Note | 1 | Coupling Frame Harness (Note: Not Available For Purchase) | |
| 702D | 4460836 | 1 | Plug, Male - 12 Position | |
| 702D | 4460465 | 6 | Socket, Female 16-18 GA | |
| 702D | 4460942 | 2 | Socket, Female 14-16 GA | |
| 702D | 4460944 | 3 | Socket, Female 16-18 GA (Gold) | |
| 702D | 4460466 | 1 | Plug, Socket | |
| 703 | 4360527 | 1 | Broken Cable Proximity Switch Harness (Includes Switch) | |
| 704 | 1001133329 | 2 | Platform Level Sensor Harness (Includes Sensor) (was p/n 4360545) | |
| 704A | 4460910 | 2 | Connector, Female - 3 Position | |
| 704A | 4460917 | 6 | Pin, Male | |
| 704A | 4460913 | 1 | Lock, Wedge | |
| 705 | See Note | 1 | Boom Length Switch Harness (Note: Not available for purchase) | |
| 705A | 4460536 | 1 | Connector, Female - 3 Position | |
| 705A | 4460943 | 3 | Pin, Male | |
| 706 | 1001133329 | 2 | Boom Angle Sensor Harness (Includes Sensor) (was p/n 4360545) | |
| 706A | 4460910 | 2 | Connector, Female Deutsch - 3 Position | |
| 706A | 4460917 | 6 | Pin, Male | |
| 706A | 4460913 | 1 | Lock, Wedge | |
| 707 | See Note | 1 | Controller Harness Assembly (Lift and Swing) (Note: Not Available For Purchase) | |
| 707A | 7022819 | 1 | Plug, Male - 8 Position (Natural) | |
| 707A | 4460871 | 8 | Socket, Female | |
| 708 | 7022824 | 1 | Controller Harness/Circuit Board Assembly (Drive and Steer) | |
| 708A | 7022825 | 1 | Plug, Male - 8 Position (Black) | |
| 708A | 4460871 | 7 | Socket, Female | |
| 709 | See Note | 1 | Speed Control Harness (Note: Not Available For Purchase) | |
| 709A | 4460224 | 1 | Connector, Female - 6 Position | |
| 709A | 4460226 | 5 | Socket, Female | |
| 710 | 7027796 | 1 | Engine Harness | |
| 710A | 70001869 | 1 | Engine Harness (Deutz Tier III Engines) | |
| 710A | 70001872 | 1 | Engine Harness (Deutz Tier IVi Engines) | |
| 711 | 0272621 | 1 | Control System Analyzer Installation | A |
| 711 | 2901443 | 1 | Analyzer/Cable Kit | 1 |
| 711A | 1600244 | 1 | Analyzer | |
| 711B | 1060633 | 1 | Cable, Analyzer | 1-A |
| 711C | 4460321 | 2 | Plug, Male | |
| 711C | 70003407 | 2 | Backshell | |
| 711C | 4460226 | 8 | Socket, Female | |
| 712 | 2902099 | 1 | Battery Cable Kit | B |
| 712A | 7024580 | 1 | Cable, Red (To Aux Pump Relay, Battery Positive Terminal and Start Relay) | |
| 712B | 7024581 | 1 | Cable, Black (To Aux Pump, Battery Negative Terminal and | |

SECTION 7 - ELECTRICAL

| ITEM | PART NUMBER | QTY | DESCRIPTION | REV |
|------|-------------|------------|---|-----|
| 712C | 7024582 | 1 | Ground at Tray Pivot | |
| 712D | 7024583 | 1 | Cable, Red (Aux Pump Relay to Aux Pump) | |
| 712E | 7024584 | 1 | Cable, Black (Tray Pivot to Engine Mount) (Not Shown) | |
| 713 | 4923468 | 1 | Cable, Red (Start Relay to Starter) | |
| 714 | 0257887 | 1 | Harness, Glow Plug | |
| 714 | 0140032 | 1 | Alarm Harness (Includes Alarm) | |
| 714 | 2820035 | 6 in/15cm | Alarm | |
| 714 | 4460424 | 1 | Loom | |
| 714 | 4460268 | 2 | Plug | |
| 714A | 4460424 | 1 | Socket, Female | |
| 714A | 4460268 | 2 | Plug, Male - 2 Position | |
| | | 2 | Socket, Female | |
| | | Ref | OPTIONAL HARNESS COMPONENTS | |
| 801 | | Ref | AC to Platform Receptacle Components Options: | |
| 801 | 0271955 | Ref | 110V (No Plug or Receptacle - ANSI Export & Australian Specs) | 1-C |
| 801A | | Ref | Box, Switch Options: | |
| 801A | See Note | 1 | 0271955 Installation (Note: Not Available - Purchase Locally) | |
| 801B | 1320146 | 1 | Clamp, Cable | |
| 801C | | Ref | Gasket, Cover Options: | |
| 801C | See Note | 1 | 0271955 Installation (Note: Not Available - Purchase Locally) | |
| 801D | | Ref | Shield, Cover Options: | |
| 801D | See Note | 1 | 0271955 Installation (Note: Not Available - Purchase Locally) | |
| 801E | | Ref | Connector, Strain Relief Options: | |
| 801E | See Note | 1 | 0271955 Installation (Note: Not Available - Purchase Locally) | |
| 801F | | Ref | Plug, Male Options (Not used with 2500W Generators): | |
| 801F | See Note | 1 | 0271955 Installation (Note: Not Available - Purchase Locally) | |
| 801G | | Ref | Receptacle Options: | |
| 801G | See Note | 1 | 0271955 Installation (Note: Not Available - Purchase Locally) | |
| 802 | | Ref | 2500W Generator Electrical Components | |
| 802 | | Ref | 2500W Generator Electrical Diagram Components | |
| 802 | 4933300 | Ref | 110Volt Electrical Diagram | B |
| 802A | 4922641 | 1 | Harness - On/Off Switch | |
| 802B | 4460226 | 2 | Socket, Female | |
| 802C | | Ref | Powermite Control Box to Relay Harness Options: | |
| 802C | 4922970 | 1 | 110V Harness | 1-A |
| 802D | 4460374 | AR | Plug, Sealed | |
| 802D | 4460375 | AR | Terminal | |
| 802E | 4460321 | 1 | Connector, Male - 4 Position | |
| 802E | 4460906 | 4 | Socket, Female | |
| 802F | 4460961 | 1 | Connector, Female - 4 Position | |
| 802F | 4460705 | 4 | Pin, Male | |
| 803 | | Ref | Generator to Rear of Boom Harness Options: | |
| | | Ref | Note: Harness used to connect AC at platform harness to generator receptacle to power platform receptacle. | |
| 803 | 4921956 | 1 | ANSI Export, Australian and CE Specs | 1 |
| 803 | | Ref | Cable, Electrical - 12/3 Options: | |
| 803 | 1060461 | 20 ft/6.1m | ANSI Export, Australian and CE Specs | |
| 803A | | Ref | Plug, Male Options: | |
| 803A | See Note | 1 | ANSI Export, Australian and CE Specs (Note: Not Available - Purchase Locally) | |
| 803B | | Ref | Receptacle, Female Options: | |
| 803B | See Note | 1 | ANSI Export, Australian and CE Specs (Note: Not Available - | |

SECTION 7 - ELECTRICAL

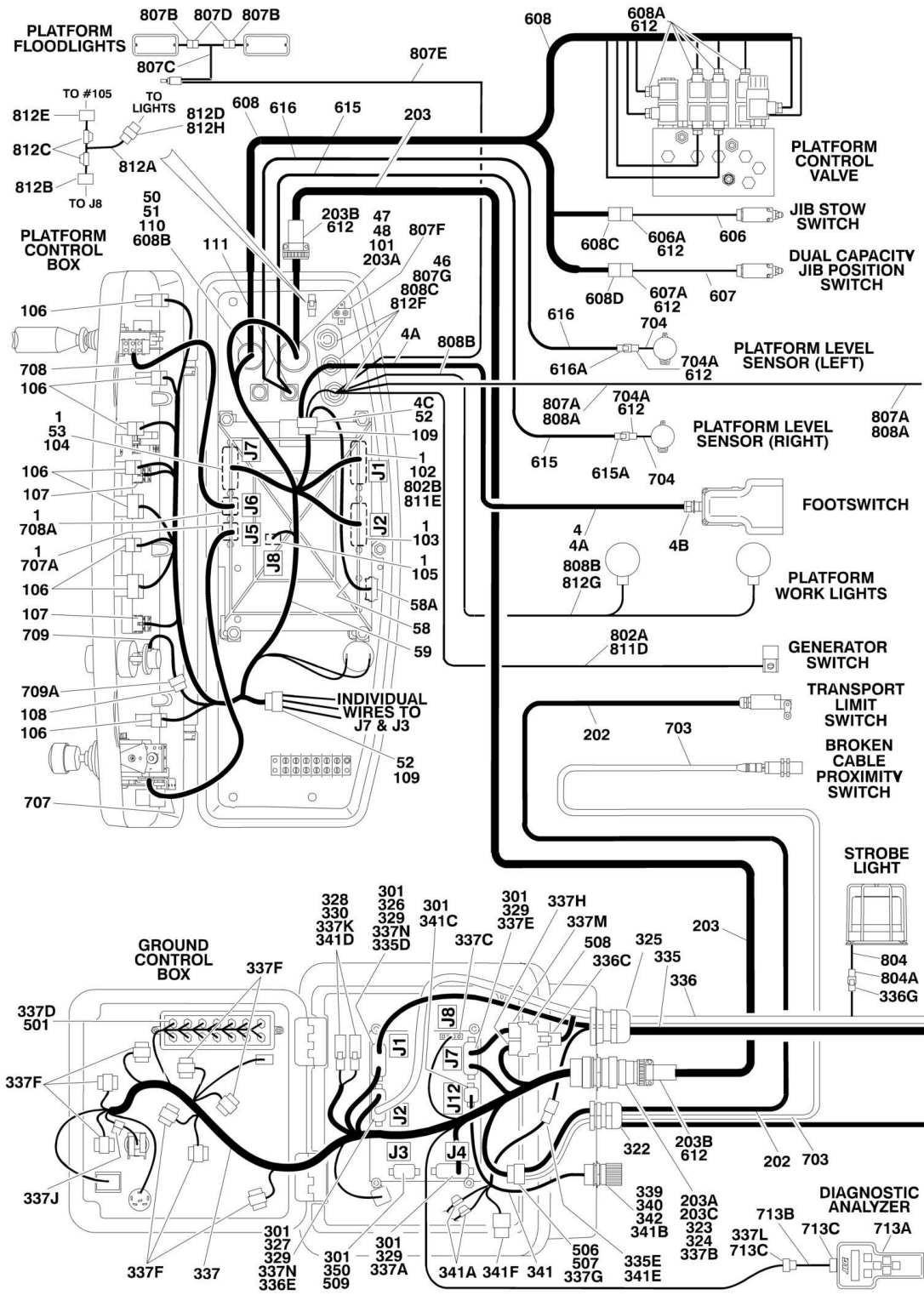
| ITEM | PART NUMBER | QTY | DESCRIPTION | REV |
|------|-------------|-----|--|-----|
| | | | Purchase Locally) | |
| 804 | 0272507 | 1 | Strobe Light Harness (Includes Strobe Light) | B |
| 804A | 4460320 | 1 | Connector, Female - 2 Position | |
| 804A | 4460267 | 2 | Pin, Male | |
| 806 | 4922738 | 1 | Headlight and Taillight and Chassis Illumination Lights Harness | |
| 806A | 4460374 | 1 | Plug, Sealed | |
| 807 | See Note | 1 | Floodlights Harness Components (Note: Not available for purchase) | |
| 807A | 1001099719 | 1 | Harness (Aux Relay to Console Box): | |
| 807B | 4460320 | 2 | Plug, Male - 2 Position | |
| 807B | 4460227 | 4 | Pin, Male | |
| 807C | 4922764 | 1 | Floodlight Harness (Lights to Switch) | |
| 807D | 4460424 | 2 | Connector, Female - 2 Position | |
| 807D | 4460226 | 4 | Socket, Female | |
| 807E | 1060977 | 1 | Cord, 2 Wire Coiled (Console Box Relay to Switch) | |
| 807F | 4360232 | 1 | Breaker, Circuit | |
| 807G | 4460425 | 1 | Connector, Strain Relief | |
| 808 | See Note | 1 | Work Lights Harness Components (1100SJP Only) (Note: Not available for purchase) | |
| 808A | 4922834 | 1 | Harness, Electric 10/3 (Aux Relay to Console Box) | |
| 808A | 4921757 | AR | Fusible Link | |
| 808B | See Note | 2 | Work Light Harness (Supplied with Work Light) (Note: Not Available For Purchase) | |
| 808C | 4460426 | 1 | Connector, Strain Relief | |
| 808D | 2400066 | 1 | Fuseholder with Cover | |
| 808D | 2400070 | 1 | Fuse 20 Amp | |
| 809 | | Ref | 7500W SkyPower Generator Installations | |
| 809 | 0273455 | Ref | 60Hz | H |
| 809 | 0273456 | Ref | 50Hz | F |
| 809A | | Ref | Receptacle, Female Twist-Lock Options: | |
| 809A | 4460958 | 1 | 60Hz Spec | |
| 809A | See Note | 1 | 50Hz Spec (Note: Not Available - Purchase Locally) | |
| 809B | | Ref | Gasket Options: | |
| 809B | 3960422 | 2 | 60Hz Spec | |
| 809B | See Note | 2 | 50Hz Spec (Note: Not Available - Purchase Locally) | |
| 809C | | Ref | Cover, Receptacle Options: | |
| 809C | 1001110873 | 1 | 60Hz Spec | |
| 809C | See Note | 1 | 50Hz Spec (Note: Not Available - Purchase Locally) | |
| 809D | | Ref | Cover, Receptacle Options: | |
| 809D | 1001110872 | 1 | 60Hz Spec | |
| 809D | See Note | 1 | 50Hz Spec (Note: Not Available - Purchase Locally) | |
| 809E | | Ref | Receptacle Options: | |
| 809E | 4460346 | 1 | 60Hz Spec | |
| 809E | See Note | 1 | 50Hz Spec (Note: Not Available - Purchase Locally) | |
| 809F | 4460051 | 1 | Connector, Strain Relief | |
| 809G | 4922972 | 1 | Harness, Generator | |
| 809H | See Note | 1 | Plug, Male - 6 Position (Note: Not Available For Purchase) | |
| 809H | See Note | 6 | Socket, Female (Note: Not available for purchase) | |
| 809J | 4460225 | 1 | Plug, Male - 6 Position | |
| 809J | 4460226 | 6 | Socket, Female | |
| 809K | 4460071 | 1 | Connector, Strain Relief | |
| 810 | | Ref | 7500W SkyPower Generator Junction Box Components | |

SECTION 7 - ELECTRICAL

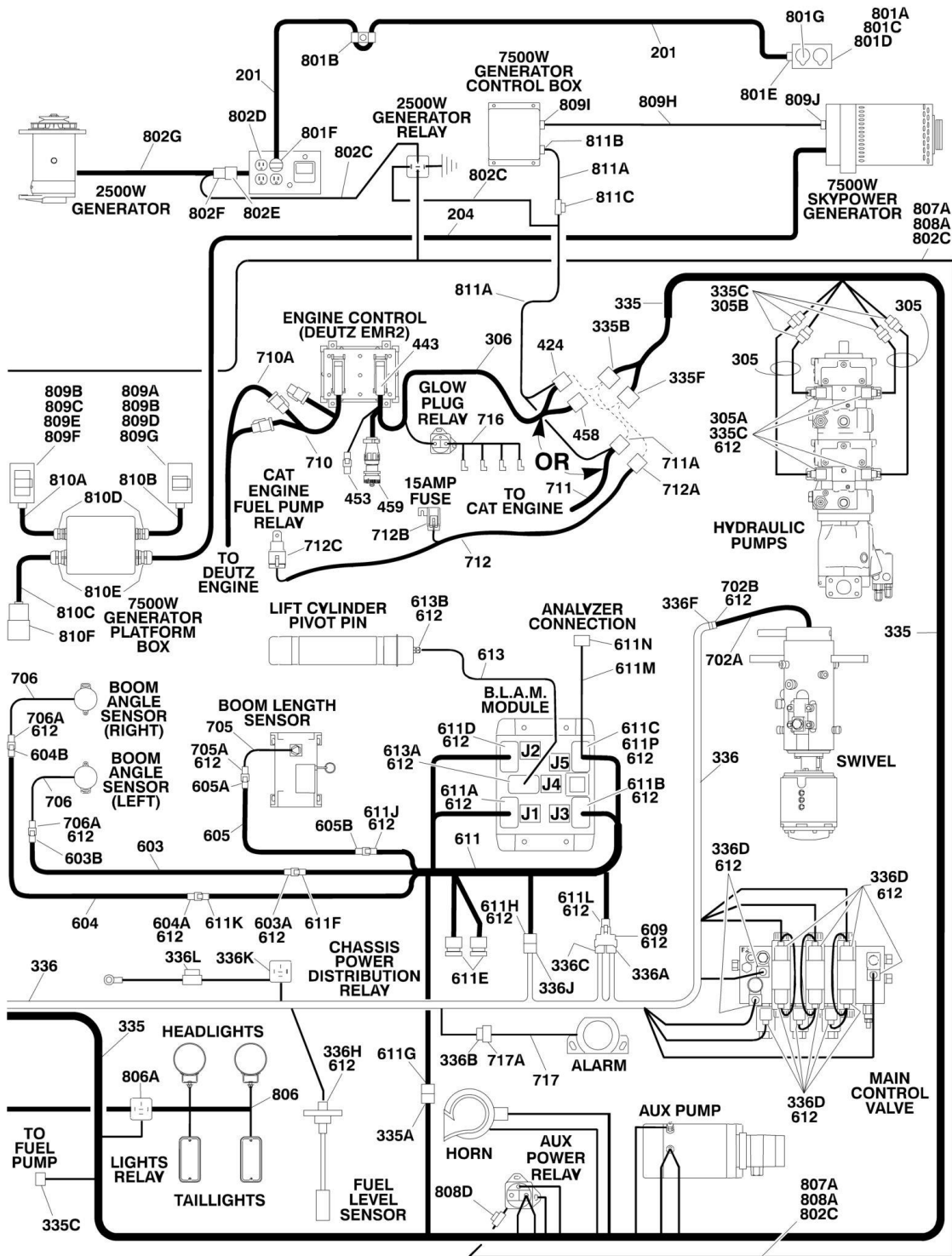
| ITEM | PART NUMBER | QTY | DESCRIPTION | REV |
|------|-------------|----------------|---|-----|
| 810 | 0861542 | Ref | 60Hz Spec | C |
| 810 | 0861567 | Ref | 50Hz Specs | B |
| 810A | | Ref | Cable, Electrical 12/3 | |
| 810A | 1060494 | 2 ft/.6m | 60Hz Spec | |
| 810A | See Note | 2 ft/.6m | 50Hz Spec (Note: Not Available - Purchase Locally) | |
| 810B | | Ref | Cable, Electrical 10/3 | |
| 810B | 1060708 | 2.5 ft/.76m | 60Hz Spec | |
| 810B | See Note | 2.5 ft/.76m | 50Hz Spec (Note: Not Available - Purchase Locally) | |
| 810C | 1060343 | 1.5 ft/.46m | Cable, Electrical 10/4 (60Hz Spec Only) | |
| 810D | 4460425 | 2 | Connector, Strain Relief | |
| 810E | | Ref | Component Options: | |
| 810E | 4460426 | 2 | Connector, Strain Relief (60Hz Spec Only) | |
| 810E | 4460426 | 1 | Connector, Strain Relief (50Hz Spec Only) | |
| 810E | 3520189 | 1 | Plug (50Hz Spec Only) | |
| 810F | 1671092 | 1 | Cover (60Hz Spec Only) | |
| 810F | 4460963 | 1 | Connector (60Hz Spec Only) | |
| 811 | 4933264 | Ref | 7500W Generator Electrical Diagram Components | C |
| 811A | 4922757 | 1 | Generator Harness | 3-C |
| 811B | 4460374 | 2 | Plug, Sealed Relay | |
| 811B | 4460375 | 7 | Terminal | |
| 811C | 4460967 | 1 | Plug, Male - 3 Position | |
| 811C | 4460465 | 3 | Socket, Female | |
| 811D | 2400060 | 1 | Fuseholder | |
| 811D | 2400064 | 1 | Fuse - 5 Amp | |
| 811E | 4922641 | 1 | Switch Harness | |
| 811F | 4460226 | 2 | Socket, Female | |
| | | Ref | TOOLS (NOT SHOWN) | |
| | 7002821 | 1 | Crimper (For Wire to Pin/Socket Connections) | |
| | 7002823 | 1 | Extractor (For Removal of Pin/Socket from Connectors) | |
| | 4460467 | 1 | Extractor, Pin (Blue 16-18 Gauge) (For Removal of Pin/Socket from Connectors) | |
| | 4460510 | 1 | Extractor, Pin (Yellow 12-14 Gauge) (For Removal of Pin/Socket from Connectors) | |
| | 7002828 | 1 | Stripper, Wire | |

SECTION 7 - ELECTRICAL

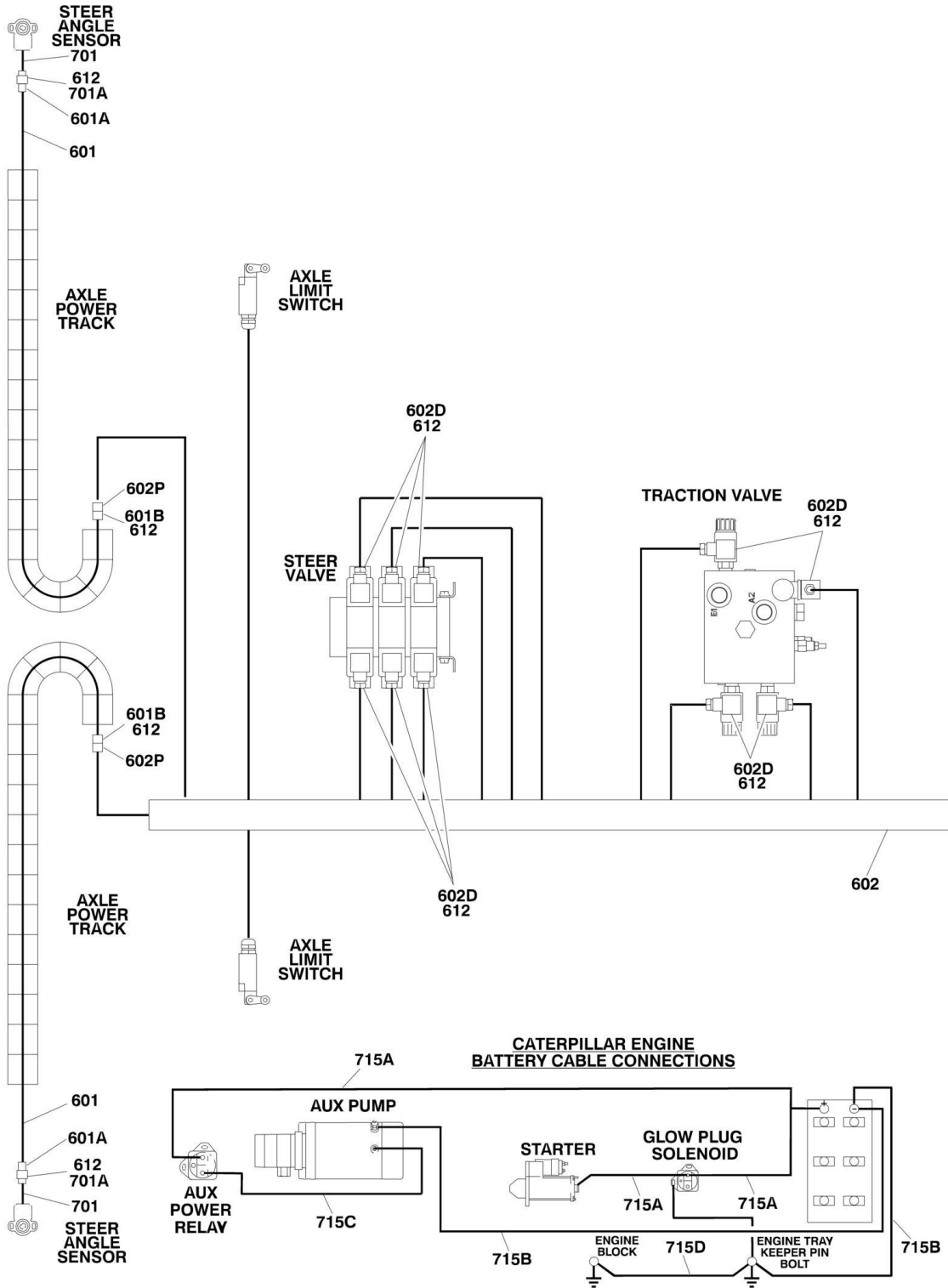
FIGURE 7-5. HARNESS COMPONENTS INSTALLATION (SN 0300140836 to Present)



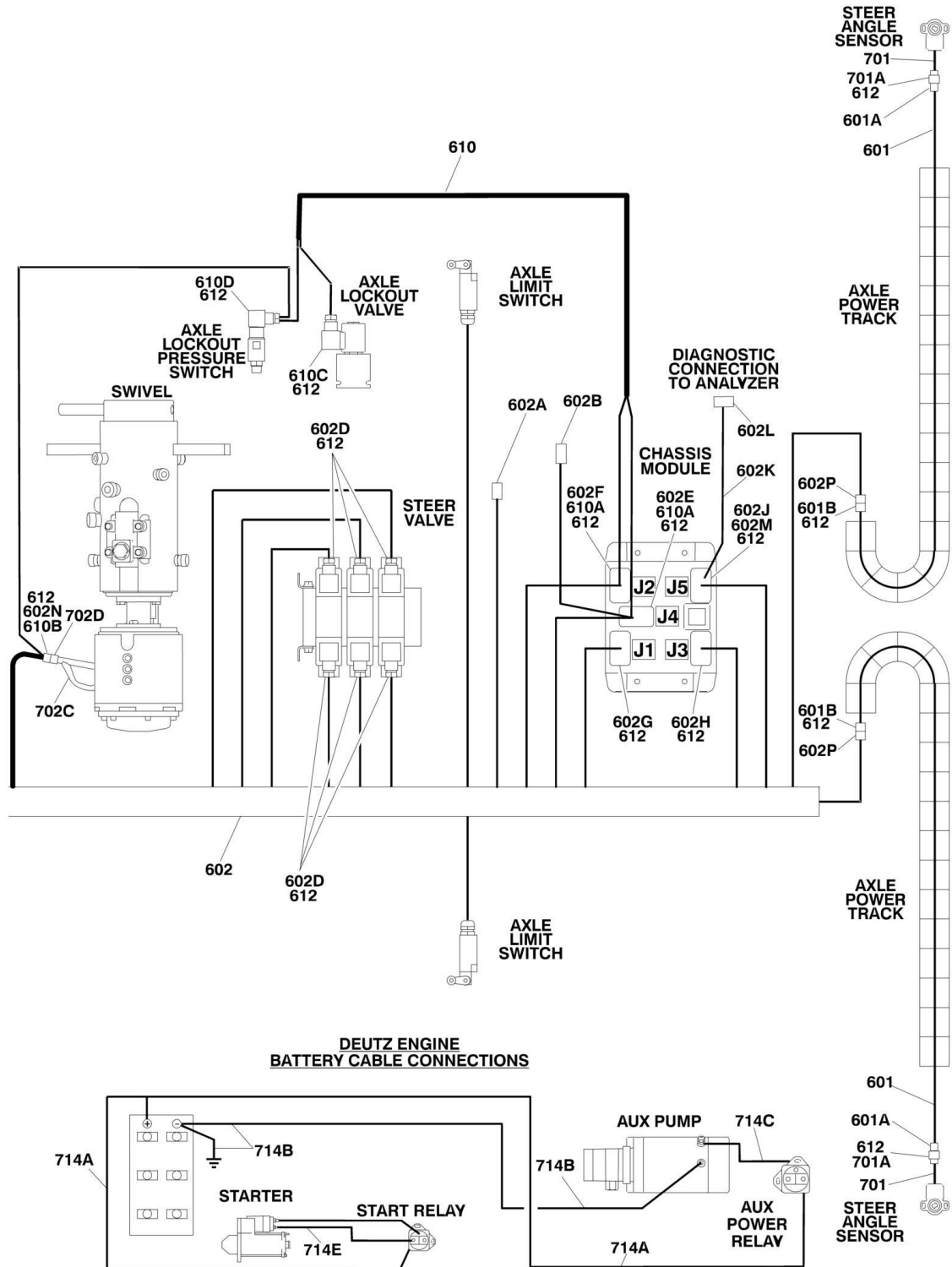
SECTION 7 - ELECTRICAL



SECTION 7 - ELECTRICAL



SECTION 7 - ELECTRICAL



SECTION 7 - ELECTRICAL

FIGURE 7-5. HARNESS COMPONENTS INSTALLATION (SN 0300140836 to Present)

| ITEM | PART NUMBER | QTY | DESCRIPTION | REV |
|------|-------------|------------|--|-----|
| | | Ref | PLATFORM CONSOLE BOX COMPONENTS OPTIONS: | |
| | 1001146045 | Ref | Platform Console Box Components Options (was p/n 1001109953) 1100S (Prior to SN 0300157749) | F |
| | 1001146045 | Ref | Platform Console Box Components Options 1100S (SN 0300157749 to Present) | A |
| | 1001146161 | Ref | Platform Console Box Components Options (was p/n 0861631) 1100SJP (Prior to SN 0300157749) | L |
| | 1001146161 | Ref | Platform Console Box Components Options 1100SJP (SN 0300157749 to Present) | A |
| 1 | 0100048 | AR | Grease, Dielectric | |
| 4 | | Ref | Footswitch Components: | |
| 4A | 1060918 | 7 ft/2.14m | Cable, Electrical - 18/3 | |
| 4B | 4460071 | 1 | Connector, Strain Relief | |
| 4C | 4460226 | 2 | Socket, Female | |
| 4C | 4460464 | 1 | Pin, Male | |
| 46 | 4460428 | 2 | Connector, Strain Relief | |
| 47 | 4460470 | 1 | Nut, Terminal | |
| 48 | 4460471 | 1 | Lockwasher, Terminal | |
| 50 | 4460496 | 1 | Lockwasher, Terminal | |
| 51 | 4460497 | 1 | Nut, Terminal | |
| 52 | 4460708 | 2 | Receptacle, Female - 15 Position | |
| 53 | 4460905 | 5 | Seal, Plug | |
| 58 | 4922666 | 1 | Harness, Analyzer Cable | 2-B |
| 58 | 4460226 | 4 | Socket, Female (Not Shown - Located at J2) | |
| 58A | 4460761 | 1 | Connector, Female - 4 Position | |
| 58A | 4460227 | 4 | Pin, Male | |
| 59 | 4923448 | 1 | Harness, Platform Box (See Items 101-111 for Breakdown) | |
| | 4923448 | Ref | PLATFORM BOX HARNESS ASSEMBLY | 3-B |
| 101 | 4460866 | 1 | Connector - 19 Pin | |
| 101 | 4460464 | 7 | Pin, Male Deutsch 16 Ga | |
| 101 | 4460508 | 4 | Pin, Male Deutsch 12 Ga | |
| 101 | 4460943 | 3 | Pin, Male 16 Ga (Gold Plated) | |
| 102 | 4460874 | 1 | Connector - 35 Position (Natural) | |
| 102 | 4460871 | 7 | Socket, Female | |
| 102 | 4460905 | 4 | Plug | |
| 103 | 4460876 | 1 | Connector - 35 Position (Blue) | |
| 103 | 4460871 | 32 | Socket, Female | |
| 103 | 4460905 | 3 | Plug | |
| 104 | 4460873 | 1 | Connector - 35 Position (Black) | |
| 104 | 4460871 | 34 | Socket, Female | |
| 104 | 4460905 | 1 | Plug | |
| 105 | 4460879 | 1 | Connector, Male - 2 Position | |
| 105 | 4460887 | 2 | Terminal (12 Gauge) | |
| 106 | 4460418 | 12 | Connector, Female - 6 Position | |
| 106 | 4460419 | 36 | Socket, Female | |
| 107 | 4460225 | 5 | Plug, Male - 6 Position | |
| 107 | 4460226 | 21 | Terminal (16 Gauge) | |
| 108 | 4460225 | 1 | Plug, Male - 6 Position | |
| 108 | 4460227 | 5 | Pin, Male | |
| 109 | 4460434 | 2 | Plug, Male - 15 Position | |

SECTION 7 - ELECTRICAL

| ITEM | PART NUMBER | QTY | DESCRIPTION | REV |
|------|--------------|-----------|---|-----|
| 109 | 4460227 | 14 | Pin, Male | |
| 110 | 4460925 | 1 | Connector - 21 Pin | |
| 110 | 4460929 | 13 | Pin, Male Deutsch 16 Ga | |
| 110 | 4460466 | 8 | Plug | |
| 111 | 1001121616 | 2 | Connector, 6 Position | |
| 111 | 1001121615 | 2 | Base, Mounting | |
| | | Ref | BOOM CABLES INSTALLATION | |
| | 0271932 | Ref | With no Generator Option | D |
| | 0271932 | Ref | With 2500W Generator Option | D |
| | 0273854 | Ref | With 7500W Generator Option | A |
| 201 | | Ref | Cable, Electrical - 10/3 | |
| 201 | 4922759 | 1 | With no Generator Option | B |
| 201 | 4922759 | 1 | With 2500W Generator Option | B |
| 201 | Not Required | 0 | With 7500W Generator Option | |
| 202 | 4922763 | 1 | Cable, Electrical - 18/3 (46ft/13.8m Length) | B |
| 203 | 4922672 | 1 | Harness Assembly - Boom (12/4 -18/8) | 2-B |
| 203 | 1060896 | 142 | Cable, Electrical - 12/4 & 18/8 | |
| | | ft/43.3m | | |
| 203 | 2820118 | 8 in/18cm | Heat Shrink | |
| 203A | 4460465 | 11 | Socket, Female 18 Gauge | |
| 203A | 4460865 | 2 | Connector - 19 Position | |
| 203A | 4460509 | 4 | Socket, Female 12 Gauge | |
| 203A | 4460466 | 8 | Seal, Plug | |
| 203B | 4460473 | 2 | Clamp, Cable | |
| 203C | 4460465 | 11 | Socket, Female 18 Gauge | |
| 203C | 4460509 | 4 | Socket, Female 12 Gauge | |
| 204 | 4922796 | 1 | Harness, Generator (8/5) (with 7500W Generator Only) | |
| | | Ref | GROUND CONTROL BOX COMPONENTS | |
| | 1001119375 | Ref | Ground Control Box Components 1100S (Ground Control Box Sub-Assembly) | 5 |
| | 1001119374 | Ref | Ground Control Box Components 1100SJP (Ground Control Box Sub-Assembly) | C |
| | 1001119363 | Ref | Ground Control Box Components 1100S & 1100SJP (Ground Controls Assembly) | J |
| 301 | 0100048 | AR | Grease, Dielectric | |
| 305 | 1001119456 | 2 | Harness, Pump Adapter (Machines with Rexroth Pumps Only) (P/N 1001119456 Includes 2 Adapter Harnesses. Total of qty 4 required) | B |
| 305A | 4460880 | 4 | DIN Connector (1 per Harness) | |
| 305B | 4460897 | 4 | Connector, Female - 2 Position | |
| 305B | 4460464 | 8 | Pin, Male | |
| 306 | 1001119470 | 1 | Harness, Deutz Engine (See Items 401-458 for Breakdown) | |
| 322 | 4460426 | 1 | Connector, Strain Relief | |
| 323 | 4460470 | 1 | Nut, Terminal | |
| 324 | 4460471 | 1 | Lockwasher, Terminal | |
| 325 | 4460526 | 1 | Connector, Strain Relief | |
| 326 | 4460874 | 1 | Connector, White - 35 Position | |
| 327 | 4460875 | 1 | Connector, Gray - 35 Position | |
| 328 | 4460892 | 2 | Bar, Buss | |
| 329 | 4460905 | 4 | Plug, Connector | |
| 330 | 4460914 | 2 | Base, Terminal | |
| 335 | 1001119372 | 1 | Harness, Ground Control to Engine | B |
| 335A | 4460899 | 1 | Receptacle, Female - 6 Position | |

SECTION 7 - ELECTRICAL

| ITEM | PART NUMBER | QTY | DESCRIPTION | REV |
|------|-------------|-----|---|-----|
| 335A | 4460464 | 4 | Pin, Male | |
| 335A | 4460466 | 2 | Plug, Seal | |
| 335B | 4460899 | 1 | Receptacle, Female - 6 Position | |
| 335B | 4460464 | 3 | Pin, Male | |
| 335B | 4460944 | 2 | Socket, Female | |
| 335B | 4460466 | 1 | Plug, Seal | |
| 335C | 4460891 | 5 | Plug, Male - 2 Position | |
| 335C | 4460465 | 10 | Socket, Female | |
| 335D | 4460871 | 10 | Socket, Female | |
| 335E | 4460539 | 1 | Plug, Male - 3 Position | |
| 335E | 4460944 | 3 | Socket, Female (Gold) | |
| 335F | 4460931 | 1 | Receptacle, Female - 8 Position | |
| 335F | 4460464 | 7 | Pin, Male | |
| 335F | 4460466 | 1 | Plug, Seal | |
| 336 | 1001116369 | 1 | Valve Harness Assembly | C |
| 336A | 4460965 | 1 | Plug, Male - 3 Position | |
| 336A | 4460944 | 3 | Socket, Female | |
| 336B | 4460320 | 1 | Plug, Male - 2 Position | |
| 336B | 4460267 | 2 | Pin, Male | |
| 336C | 4460965 | 2 | Plug, Male - 3 Position | |
| 336C | 4460944 | 6 | Socket, Female | |
| 336D | 4460880 | 11 | DIN Connector | |
| 336E | 4460871 | 16 | Socket, Female | |
| 336F | 4460836 | 1 | Plug, Male - 12 Position | |
| 336F | 4460466 | 4 | Plug, Socket | |
| 336F | 4460465 | 3 | Socket, Female | |
| 336F | 4460942 | 2 | Socket, Female 14-16 GA | |
| 336F | 4460944 | 3 | Socket, Female 16-18 GA | |
| 336G | 4460424 | 1 | Connector, Female - 2 Position | |
| 336G | 4460268 | 2 | Socket, Female | |
| 336H | 4460843 | 1 | Plug, Male - 2 Position | |
| 336G | 4460842 | 2 | Socket, Female | |
| 336J | 4460894 | 1 | Plug, Male - 6 Position | |
| 336J | 4460465 | 3 | Socket, Female | |
| 336J | 4460942 | 3 | Socket, Female 14-16 GA | |
| 336K | 3740080 | 1 | Relay, Sealed | |
| 336K | 4460374 | 1 | Plug, Sealed | |
| 336K | 4460375 | 5 | Terminal, Female | |
| 336L | 2400066 | 1 | Fuseholder w/Leads | |
| 336L | 2400065 | 1 | Fuse, 30A | |
| 337 | 1001120180 | 1 | Ground Control Box Harness Assembly | A |
| 337 | 3990001 | 2 | Diode - 3 Amp (Not Shown - Located at Power Down Relay) | |
| 337A | 4460876 | 1 | Connector, Blue - 35 Position | |
| 337A | 4460871 | 29 | Socket, Female | |
| 337B | 4460866 | 1 | Connector - 19 Pin | |
| 337B | 4460464 | 10 | Pin, Male Deutsch 16 Ga | |
| 337B | 4460508 | 3 | Pin, Male Deutsch 12 Ga | |
| 337C | 4460878 | 1 | Plug, Male - 4 Position | |
| 337C | 4460887 | 3 | Terminal (12 Gauge) | |
| 337D | 4120035 | 10 | Base, Light | |
| 337D | 4460634 | 10 | Terminal (16 Gauge) | |

SECTION 7 - ELECTRICAL

| ITEM | PART NUMBER | QTY | DESCRIPTION | REV |
|------|-------------|----------|---|-----|
| 337D | 4460635 | 10 | Terminal (12 Gauge) | |
| 337E | 4460873 | 1 | Connector, Black - 35 Position | |
| 337E | 4460871 | 16 | Socket, Female | |
| 337F | 4460418 | 8 | Connector, Female - 6 Position | |
| 337F | 4460419 | 24 | Socket, Female | |
| 337G | 4460225 | 1 | Plug, Male - 6 Position | |
| 337G | 4460227 | 6 | Pin, Male | |
| 337H | 4460965 | 1 | Plug, Male - 3 Position (Blue Lock) | |
| 337H | 4460944 | 3 | Socket, Female | |
| 337H | 4922099 | 2 ft/.6m | Cable, Can-Buss | |
| 337J | 2400066 | 1 | Fuseholder with Cover | |
| 337J | 2400065 | 1 | Fuse 30 Amp | |
| 337K | 4460894 | 2 | Plug, Male - 6 Position | |
| 337K | 4460465 | 1 | Socket, Female 16-18GA | |
| 337K | 4460942 | 2 | Socket, Female 14GA | |
| 337L | 4460761 | 1 | Connector, Female - 4 Position | |
| 337L | 4460227 | 4 | Pin, Male | |
| 337M | 4460966 | 1 | Plug, Male - 3 Position (Green Lock) | |
| 337M | 4460944 | 3 | Socket, Female | |
| 337M | 4922099 | 2 ft/.6m | Cable, Can-Buss | |
| 337N | 4460871 | 9 | Socket, Female | |
| 338 | 1001116206 | 1 | Ground Control Wiring Diagram (Not Shown) (See Items 501-509 for Breakdown) | |
| 339 | 4460496 | 1 | Lockwasher, Terminal | |
| 340 | 4460497 | 1 | Nut, Terminal | |
| 341 | 1001120337 | 1 | Harness, ClearSky Ready | A |
| 341A | 2400060 | 2 | Fuseholder with Cover | |
| 341A | 2400064 | 2 | Fuse 5Amp | |
| 341B | 1001112612 | 1 | Receptacle, Female - 9 Position | |
| 341B | 4460464 | 6 | Pin, Male | |
| 341B | 4460466 | 3 | Plug, Sealing | |
| 341C | 1001113961 | 1 | Plug, Male - 8 Position | |
| 341C | 4460871 | 3 | Socket, Female | |
| 341C | 4460905 | 5 | Plug, Sealing | |
| 341D | 4460465 | 1 | Socket, Female | |
| 341E | 4460539 | 1 | Plug, Male - 3 Position | |
| 341E | 4460871 | 3 | Pin, Male | |
| 341F | 4460933 | 1 | Plug, Male - 12 Position | |
| 341F | 4460465 | 9 | Socket, Female | |
| 341F | 4460466 | 3 | Plug, Sealing | |
| 341F | 4460898 | 1 | Connector, Female Bussbar - 9 Position | |
| 342 | 1001106736 | 1 | Cap, Dust | |
| 350 | 1001120294 | 1 | Harness, Model Selection | A |
| 350 | 4460871 | 2 | Socket, Female | |
| | 1001119470 | Ref | DEUTZ ENGINE HARNESS ASSEMBLY | B |
| 424 | 4460894 | 1 | Connector, Female - 6 Position | |
| 424 | 4460465 | 2 | Socket, Female | |
| 424 | 4460944 | 3 | Socket, Female | |
| 424 | 4460466 | 1 | Plug, Seal | |
| 443 | 4461052 | 1 | Connector, Female - 25 Position | |
| 443 | 4461005 | 5 | Terminal | |
| 443 | 4461006 | 5 | Seal | |

SECTION 7 - ELECTRICAL

| ITEM | PART NUMBER | QTY | DESCRIPTION | REV |
|------|-------------|------------|---|-----|
| 443 | 4461054 | 2 | Seal, Terminal | |
| 443 | 4461060 | 2 | Terminal (Tin) | |
| 443 | 4461053 | 1 | Cover, Plug | |
| 443 | 4461008 | 18 | Plug, Hole | |
| 453 | 4461095 | 1 | Plug, Male - 3 Position | |
| 453 | 4460944 | 3 | Socket, Female | |
| 453 | 4461070 | 1 | Receptacle, Female with Resistor - 3 Position | |
| 458 | 4460930 | 1 | Connector, Female - 8 Position | |
| 458 | 4460465 | 2 | Socket, Female | |
| 458 | 4460466 | 6 | Plug, Seal | |
| | 1001116206 | Ref | GROUND CONTROL BOX WIRING DIAGRAM | A |
| 501 | 2920129 | 10 | Bulb, Light | |
| 506 | 4460226 | 6 | Socket, Female | |
| 507 | 4460224 | 1 | Connector, Female - 6 Position | |
| 508 | 4460945 | 1 | Connector, Female - 3 Way | |
| 509 | 4460872 | 1 | Plug, Male - 14 Position | |
| 509 | 4460871 | AR | Socket, Female | |
| 509 | 4460905 | AR | Plug, Sealing | |
| | | Ref | WIRING HARNESSES INSTALLATION | |
| | 1001112761 | Ref | Wiring Harnesses Installation 1100S | 1-B |
| | 0274660 | Ref | Wiring Harnesses Installation 1100SJP | 1-D |
| 601 | 4922718 | 4 | Axle Power Track Harness Assembly | B |
| 601A | 4460539 | 1 Per Assy | Plug, Male - 3 Position | |
| 601A | 4460944 | 3 Per Assy | Socket, Female | |
| 601B | 4460932 | 1 Per Assy | Connector, Female - 4 Position | |
| 601B | 4460943 | 4 Per Assy | Pin, Male | |
| 602 | 4922696 | 1 | Chassis Harness Assembly | 3-D |
| 602A | 4460894 | 1 | Plug, Male - 6 Position | |
| 602A | 4460465 | 6 | Socket, Female | |
| 602A | 4460892 | 1 | Bar, Buss - 6 Position | |
| 602B | 4460891 | 1 | Plug, Male - 2 Position | |
| 602B | 4460465 | 2 | Socket, Female | |
| 602C | 4460894 | 1 | Plug, Male - 6 Position (Not Shown) | |
| 602C | 4460465 | 6 | Socket, Female | |
| 602C | 4460892 | 1 | Bar, Buss - 6 Position | |
| 602D | 4460880 | 14 | DIN Connector | |
| 602E | 4460930 | 1 | Connector, Gray - 8 Position | |
| 602E | 4460465 | 3 | Socket, Female | |
| 602E | 4460466 | 5 | Plug, Terminal | |
| 602F | 4460836 | 1 | Connector, Black - 12 Position | |
| 602F | 4460465 | 6 | Socket, Female | |
| 602F | 4460466 | 6 | Plug, Terminal | |
| 602G | 4460933 | 1 | Connector, Gray - 12 Position | |
| 602G | 4460465 | 8 | Socket, Female | |
| 602G | 4460466 | 4 | Plug, Terminal | |
| 602H | 4460934 | 1 | Connector, Green - 12 Position | |
| 602H | 4460944 | 12 | Socket, Female | |
| 602J | 4460935 | 1 | Connector, Brown - 12 Position | |

SECTION 7 - ELECTRICAL

| ITEM | PART NUMBER | QTY | DESCRIPTION | REV |
|------|-------------|-----|--|-----|
| 602J | 4460465 | 8 | Socket, Female | |
| 602K | 4922705 | 1 | Analyzer Harness | 2-B |
| 602L | 4460761 | 1 | Connector, Female | |
| 602L | 4460227 | 4 | Pin, Male | |
| 602M | 4460465 | 4 | Socket, Female | |
| 602N | 4460950 | 1 | Connector, Female - 12 Position | |
| 602N | 4460464 | 6 | Pin, Male 16-18 GA | |
| 602N | 4460943 | 3 | Pin, Male 16-18 GA (Gold) | |
| 602N | 4460941 | 2 | Pin, Male 14-16GA | |
| 602P | 4460884 | 4 | Connector, Gray - 4 Position | |
| 602P | 4460944 | 16 | Socket, Female | |
| 603 | 4922781 | 1 | B.L.A.M. to Boom Angle Sensor Harness (Left Side) | 3-B |
| 603A | 4460932 | 1 | Connector, Gray - 4 Position | |
| 603A | 4460943 | 4 | Pin, Male | |
| 603B | 4460911 | 1 | Plug, Male - 3 Position | |
| 603B | 4460918 | 3 | Socket, Female | |
| 603B | 4460912 | 1 | Lock, Wedge - Position | |
| 604 | 4922780 | 1 | B.L.A.M. to Boom Angle Sensor Harness (Right Side) | 2-B |
| 604A | 4460884 | 1 | Connector, Gray - 4 Position | |
| 604A | 4460944 | 4 | Socket, Female | |
| 604B | 4460911 | 1 | Plug, Male - 3 Position | |
| 604B | 4460918 | 3 | Socket, Female | |
| 604B | 4460912 | 1 | Lock, Wedge - Position | |
| 605 | 4922716 | 1 | B.L.A.M. to Boom Length Sensor Harness | C |
| 605A | 4460539 | 2 | Plug, Male - 3 Position | |
| 605A | 4460944 | 3 | Socket, Female | |
| 605B | 4460894 | 1 | Plug, Male - 6 Position | |
| 605B | 4460944 | 4 | Socket, Female | |
| 605B | 4460466 | 2 | Plug, Sealing | |
| 606 | 4922784 | 1 | Jib Stow Switch Harness (1100SJP Only) | B |
| 606A | 4460891 | 1 | Plug, Male - 2 Position | |
| 606A | 4460465 | 2 | Socket, Female | |
| 607 | 4922785 | 1 | Dual Capacity Jib Position Switch Harness (1100SJP Only) | B |
| 607A | 4460897 | 1 | Connector, Female - 2 Position | |
| 607A | 4460464 | 2 | Pin, Male | |
| 608 | 4922777 | 1 | Platform Valve Harness | 1-C |
| 608A | 4460880 | 9 | DIN Connector | |
| 608B | 4460926 | 1 | Connector - 21 Position | |
| 608B | 4460928 | 13 | Socket, Female | |
| 608B | 4460466 | 8 | Plug, Hole | |
| 608C | 4460897 | 1 | Connector, Female - 2 Position | |
| 608C | 4460464 | 2 | Pin, Male | |
| 608D | 4460891 | 1 | Plug, Male - 2 Position | |
| 608D | 4460465 | 2 | Socket, Female | |
| 609 | 4460945 | 1 | Connector, Female - 3 Way | |
| 610 | 4922767 | 1 | Lockout Valve Harness (1100SJP Only) | 2-C |
| 610A | 4460465 | 3 | Socket, Female | |
| 610B | 4460464 | 1 | Pin, Male | |
| 610C | 4460880 | 2 | Connector, DIN | |
| 610D | 4460449 | 2 | Connector, DIN | |
| 611 | 4922786 | 1 | B.L.A.M. Harness | 4-C |

SECTION 7 - ELECTRICAL

| ITEM | PART NUMBER | QTY | DESCRIPTION | REV |
|------|-------------|-----|---|-----|
| 611A | 4460933 | 1 | Plug, Male - 12 Position (Gray) | |
| 611A | 4460466 | 7 | Plug, Seal | |
| 611A | 4460944 | 3 | Socket, Female | |
| 611A | 4460465 | 1 | Socket, Female | |
| 611A | 4460942 | 1 | Socket, Female | |
| 611B | 4460934 | 1 | Plug, Male - 12 Position (Green) | |
| 611B | 4460466 | 7 | Plug, Seal | |
| 611B | 4460944 | 3 | Socket, Female | |
| 611B | 4460465 | 2 | Socket, Female | |
| 611C | 4460935 | 1 | Plug, Male - 12 Position (Brown) | |
| 611C | 4460466 | 5 | Plug, Seal | |
| 611C | 4460465 | 2 | Socket, Female | |
| 611D | 4460836 | 1 | Plug, Male - 12 Position (Black) | |
| 611D | 4460466 | 8 | Plug, Seal | |
| 611D | 4460944 | 2 | Socket, Female | |
| 611D | 4460465 | 2 | Socket, Female | |
| 611E | 4460836 | 2 | Plug, Male - 12 Position (Black) | |
| 611E | 4460466 | 14 | Plug, Seal | |
| 611E | 4460944 | 5 | Socket, Female | |
| 611E | 4460465 | 5 | Socket, Female | |
| 611E | 4460837 | 2 | Receptacle, Female - 12 Position Buss Bar | |
| 611F | 4460884 | 1 | Plug, Male 4 Position (Gray) | |
| 611F | 4460944 | 4 | Socket, Female | |
| 611G | 4460894 | 1 | Plug, Male - 6 Position (Gray) | |
| 611G | 4460465 | 5 | Socket, Female | |
| 611G | 4460466 | 1 | Plug, Sealing | |
| 611H | 4460899 | 1 | Connector, Female - 6 Position (Gray) | |
| 611H | 4460464 | 3 | Pin, Male | |
| 611H | 4460941 | 3 | Pin, Male (Gold Plated) | |
| 611J | 4460899 | 1 | Connector, Female - 6 Position (Gray) | |
| 611J | 4460466 | 2 | Plug, Sealing | |
| 611J | 4460943 | 4 | Pin, Male (Gold Plated) | |
| 611K | 4460932 | 1 | Plug, Male - 4 Position (Gray) | |
| 611K | 4460943 | 1 | Pin, Male | |
| 611L | 4460966 | 1 | Connector, Female - 3 Position | |
| 611L | 4460944 | 3 | Socket, Female | |
| 611M | 4922705 | 1 | Analyzer Harness | 2-B |
| 611N | 4460761 | 1 | Connector, Female - 4 Position | |
| 611N | 4460227 | 4 | Pin, Male | |
| 611P | 4460465 | 4 | Socket, Female | |
| 612 | 0100048 | AR | Lubricant, Silicone | |
| 613 | 4923256 | 1 | Load Sensing Pin Harness | B |
| 613A | 4460930 | 1 | Connector, Gray - 8 Position | |
| 613A | 4460465 | 4 | Socket, Female | |
| 613A | 4460466 | 3 | Plug, Sealing | |
| 613B | See Note | 1 | Connector, Female - 4 Position (Note: Not Available For Purchase) | |
| 613B | See Note | 4 | Terminal (Note: Not Available For Purchase) | |
| 615 | 4922947 | 1 | Right Level Sensor, Harness | E |
| 615A | 4460911 | 1 | Plug, Male - 3 Position | |
| 615A | 4460918 | 3 | Pin, Male | |
| 615A | 4460912 | 1 | Lock, Wedge - Position | |

SECTION 7 - ELECTRICAL

| ITEM | PART NUMBER | QTY | DESCRIPTION | REV |
|------|-------------|------------|---|-----|
| 615A | 1320309 | 1 | Clamp, Cable | E |
| 615A | 1560012 | 1 | Nut, Conduit | |
| 615A | 1560011 | 1 | Connector, Conduit | |
| 615A | 4461013 | 1 | Plug, Male - 7 Position | |
| 616 | 4922948 | 1 | Left Level Sensor, Harness | |
| 616A | 4460911 | 1 | Plug, Male - 3 Position | |
| 616A | 4460918 | 3 | Pin, Male | |
| 616A | 4460912 | 1 | Lock, Wedge - Position | |
| 616A | 1320309 | 1 | Clamp, Cable | |
| 616A | 1560012 | 1 | Nut, Conduit | |
| 616A | 1560011 | 1 | Connector, Conduit | |
| 616A | 4461013 | 1 | Plug, Male - 7 Position | |
| | | Ref | STANDARD HARNESS COMPONENTS | |
| 701 | 4360505 | 4 | Steer Angle Sensor Harness (Includes Sensor) | |
| 701A | 4460536 | 1 Per Assy | Plug, Male - 3 Position | |
| 701A | 4460464 | 3 Per Assy | Pin, Male | |
| 702 | 1660302 | 1 | Coupling Electrical Components | |
| 702A | See Note | 1 | Coupling Turntable Harness (Note: Not available for purchase) | |
| 702B | 4460837 | 1 | Connector, Female - 12 Position | |
| 702B | 4460466 | 4 | Plug, Socket | |
| 702B | 4460464 | 3 | Pin, Male 16-18 GA | |
| 702B | 4460943 | 3 | Pin, Male 16-18 GA (Gold) | |
| 702B | 4460941 | 2 | Pin, Male 14-16GA | |
| 702C | See Note | 1 | Coupling Frame Harness (Note: Not available for purchase) | |
| 702D | 4460836 | 1 | Plug, Male - 12 Position | |
| 702D | 4460465 | 6 | Socket, Female 16-18 GA | |
| 702D | 4460942 | 2 | Socket, Female 14-16 GA | |
| 702D | 4460944 | 3 | Socket, Female 16-18 GA (Gold) | |
| 702D | 4460466 | 1 | Plug, Socket | |
| 703 | 4360527 | 1 | Broken Cable Proximity Switch Harness (Includes Switch) | |
| 704 | | Ref | Platform Level Sensor Harness Options (Includes Sensor): | |
| 704 | 1001133329 | 2 | Standard Harness Components (was p/n 4360545) (Prior to SN 0300141600) | |
| 704 | 1001133329 | 2 | Standard Harness Components (SN 0300141600 to Present) | |
| 704A | 4460910 | 2 | Connector, Female - 3 Position | |
| 704A | 4460917 | 6 | Pin, Male | |
| 704A | 4460913 | 1 | Lock, Wedge | |
| 705 | See Note | 1 | Boom Length Switch Harness (Note: Not available for purchase) | |
| 705A | 4460536 | 1 | Connector, Female - 3 Position | |
| 705A | 4460943 | 3 | Pin, Male | |
| 706 | | Ref | Boom Angle Sensor Harness Options (Includes Sensor): | |
| 706 | 1001133329 | 2 | Standard Harness Components (was p/n 4360545) (Prior to SN 0300141600) | |
| 706 | 1001133329 | 2 | Standard Harness Components (SN 0300141600 to Present) | |
| 706A | 4460910 | 2 | Connector, Female Deutsch - 3 Position | |
| 706A | 4460917 | 6 | Pin, Male | |
| 706A | 4460913 | 1 | Lock, Wedge | |
| 707 | See Note | 1 | Controller Harness Assembly (Lift and Swing) (Note: Not Available For Purchase) | |
| 707A | 7022819 | 1 | Plug, Male - 8 Position (Natural) | |

SECTION 7 - ELECTRICAL

| ITEM | PART NUMBER | QTY | DESCRIPTION | REV |
|------|-------------|-----------|---|-----|
| 707A | 4460871 | 8 | Socket, Female | |
| 708 | 7022824 | 1 | Controller Harness/Circuit Board Assembly (Drive and Steer) | |
| 708A | 7022825 | 1 | Plug, Male - 8 Position (Black) | |
| 708A | 4460871 | 7 | Socket, Female | |
| 709 | See Note | 1 | Speed Control Harness (Note: Not Available For Purchase) | |
| 709A | 4460224 | 1 | Connector, Female - 6 Position | |
| 709A | 4460226 | 5 | Socket, Female | |
| 710 | 7027796 | 1 | Engine Harness | |
| 710A | 70001869 | 1 | Engine Harness (Deutz Tier III Engines) | |
| 710A | 70001872 | 1 | Engine Harness (Deutz Tier IVi Engines) | |
| 711 | 1001120776 | 1 | Caterpillar Harness Components | A |
| 711A | See Note | 1 | Connector, Female - 6 Position (Note: Not Available For Purchase) | |
| 712 | 1001119995 | 1 | Caterpillar Electric Fuel Pump Harness Components | A |
| 712A | 4460930 | 1 | Plug, Male - 8 Position | |
| 712A | 4460944 | 6 | Socket, Female 16-18GA Gold | |
| 712A | 4460465 | 2 | Socket, Female | |
| 712B | 1001117024 | 1 | Connector, Metri-Pack 15Amp Fuse | |
| 712C | 1001117057 | 1 | Connector, Metri-Pack - 4 Position | |
| 713 | 0272621 | 1 | Control System Analyzer Installation | A |
| 713 | 2901443 | 1 | Analyzer/Cable Kit | 1 |
| 713A | 1600244 | 1 | Analyzer | |
| 713B | 1060633 | 1 | Cable, Analyzer | 1-B |
| 713C | 4460321 | 2 | Plug, Male | |
| 713C | 70003407 | 2 | Shell, Back | |
| 713C | 4460226 | 8 | Socket, Female | |
| 714 | 2902099 | 1 | Deutz Engine Battery Cable Kit | B |
| 714A | 7024580 | 1 | Cable, Red (To Aux Pump Relay, Battery Positive Terminal and Start Relay) | |
| 714B | 7024581 | 1 | Cable, Black (To Aux Pump, Battery Negative Terminal and Ground at Tray Pivot) | |
| 714C | 7024582 | 1 | Cable, Red (Aux Pump Relay to Aux Pump) | |
| 714D | 7024583 | 1 | Cable, Black (Tray Pivot to Engine Mount) (Not Shown) | |
| 714E | 7024584 | 1 | Cable, Red (Start Relay to Starter) | |
| 715 | 1001120743 | 1 | Caterpillar Engine Battery Cable Kit | |
| 715A | 7027034 | 1 | Cable, Red (To Aux Pump Relay, Battery Positive Terminal, Glow Plug Solenoid and Starter) | |
| 715B | 7024581 | 1 | Cable, Black (To Aux Pump, Battery Negative Terminal and Ground at Tray Pivot) | |
| 715C | 7027035 | 1 | Cable, Red (Aux Pump Relay to Aux Pump) | |
| 715D | 7027039 | 1 | Cable, Black (Tray Pivot to Engine Block) | |
| 717 | 0257887 | 1 | Alarm Harness (Includes Alarm) | |
| 717 | 0140032 | 1 | Alarm | |
| 717 | 2820035 | 6 in/15cm | Loom | |
| 717 | 4460424 | 1 | Plug | |
| 717 | 4460268 | 2 | Socket, Female | |
| 717A | 4460424 | 1 | Plug, Male - 2 Position | |
| 717A | 4460268 | 2 | Socket, Female | |
| | | Ref | OPTIONAL HARNESS COMPONENTS | |
| 801 | | Ref | AC to Platform Receptacle Components Options: | |
| 801 | 0271955 | Ref | 110V (No Plug or Receptacle - ANSI Export and Australian Specs) | 1-C |
| 801A | | Ref | Box, Switch Options: | |

SECTION 7 - ELECTRICAL

| ITEM | PART NUMBER | QTY | DESCRIPTION | REV |
|------|-------------|-----|--|-----|
| 801A | See Note | 1 | 0271955 Installation (Note: Not Available - Purchase Locally) | |
| 801B | 1320146 | 1 | Clamp, Cable | |
| 801C | | Ref | Gasket, Cover Options: | |
| 801C | See Note | 1 | 0271955 Installation (Note: Not Available - Purchase Locally) | |
| 801D | | Ref | Shield, Cover Options: | |
| 801D | See Note | 1 | 0271955 Installation (Note: Not Available - Purchase Locally) | |
| 801E | | Ref | Connector, Strain Relief Options: | |
| 801E | See Note | 1 | 0271955 Installation (Note: Not Available - Purchase Locally) | |
| 801F | | Ref | Plug, Male Options (Not used with 2500W Generators): | |
| 801F | See Note | 1 | 0271955 Installation (Note: Not Available - Purchase Locally) | |
| 801G | | Ref | Receptacle Options: | |
| 801G | See Note | 1 | 0271955 Installation (Note: Not Available - Purchase Locally) | |
| 802 | | Ref | 2500W Generator Electrical Diagram Components | |
| 802 | 1001120381 | AR | Caterpillar/Deutz Engine -110V/220V - 60Hz | |
| 802A | 4922641 | 1 | Harness - On/Off Switch | |
| 802B | 4460226 | 2 | Socket, Female | |
| 802C | 1001120378 | 1 | Powermite Control Box to Relay Harness | |
| 802C | 4460374 | 1 | Plug, Sealed | |
| 802C | 4460375 | 4 | Terminal | |
| 802C | 4460465 | 1 | Socket, Female 16-18 GA | |
| 802D | 4460027 | 1 | Receptacle, Twist Lock | |
| 802E | 4460961 | 1 | Connector, Female - 4 Position | |
| 802E | 4460705 | 4 | Pin, Male | |
| 802F | 4460321 | 1 | Connector, Male - 4 Position | |
| 802F | 4460906 | 4 | Socket, Female | |
| 802G | 7020193 | 1 | Harness, Generator Ground Power | |
| 804 | 0272507 | 1 | Strobe Light Harness (Includes Strobe Light) | B |
| 804A | 4460320 | 1 | Connector, Female - 2 Position | |
| 804A | 4460267 | 2 | Pin, Male | |
| 806 | 4922738 | 1 | Headlight and Taillight and Chassis Illumination Lights Harness | |
| 806A | 4460374 | 1 | Plug, Sealed | |
| 807 | See Note | 1 | Floodlights Harness Components (Note: Not available for purchase) | |
| 807A | 1001099719 | 1 | Harness (Aux Relay to Console Box) | |
| 807B | 4460320 | 2 | Plug, Male - 2 Position | |
| 807B | 4460227 | 4 | Pin, Male | |
| 807C | 4922764 | 1 | Floodlight Harness (Lights to Switch) | |
| 807D | 4460424 | 2 | Connector, Female - 2 Position | |
| 807D | 4460226 | 4 | Socket, Female | |
| 807E | 1060977 | 1 | Cord, 2 Wire Coiled (Console Box Relay to Switch) | |
| 807F | 4360232 | 1 | Breaker, Circuit | |
| 807G | 4460425 | 1 | Connector, Strain Relief | |
| 808 | See Note | 1 | Work Lights Harness Components (1100SJP Only) (Note: Not available for purchase) | |
| 808A | 4922834 | 1 | Harness, Electric 10/3 (Aux Relay to Console Box) | |
| 808A | 4921757 | AR | Fusible Link | |
| 808B | See Note | 2 | Work Light Harness (Supplied with Work Light) (Note: Not available for purchase) | |
| 808C | 4460426 | 1 | Connector, Strain Relief | |
| 808D | 2400066 | 1 | Fuseholder with Cover | |
| 808D | 2400070 | 1 | Fuse 20 Amp | |
| 809 | 1001117508 | Ref | 7500W SkyPower Generator Installations | C |

SECTION 7 - ELECTRICAL

| ITEM | PART NUMBER | QTY | DESCRIPTION | REV |
|------|-------------|----------------|---|-----|
| 809A | 4460958 | 1 | Receptacle, Female Twist-Lock | |
| 809B | 3960422 | 2 | Gasket | |
| 809C | 1001110873 | 1 | Cover, Receptacle | |
| 809D | 1001110872 | 1 | Cover, Receptacle | |
| 809E | 4460346 | 1 | Receptacle | |
| 809F | 4460051 | 1 | Connector, Strain Relief | |
| 809G | 4922972 | 1 | Harness, Generator | |
| 809H | See Note | 1 | Plug, Male - 6 Position (Note: Not available for purchase) | |
| 809H | See Note | 6 | Socket, Female (Note: Not available for purchase) | |
| 809J | 4460225 | 1 | Plug, Male - 6 Position | |
| 809J | 4460226 | 6 | Socket, Female | |
| 809K | 4460071 | 1 | Connector, Strain Relief | |
| 810 | 0861542 | Ref | 7500W SkyPower Generator Junction Box Components | C |
| 810A | 1060494 | 2 ft/.6m | Cable, Electrical 12/3 | |
| 810B | 1060708 | 2.5 ft/.76m | Cable, Electrical 10/3 | |
| 810C | 1060343 | 1.5 ft/.46m | Cable, Electrical 10/4 | |
| 810D | 4460425 | 2 | Connector, Strain Relief | |
| 810E | 4460426 | AR | Component | |
| 810F | 1671092 | 1 | Cover | |
| 810F | 4460963 | 1 | Connector | |
| 811 | 1001122528 | Ref | 7500W Generator Electrical Diagram Components | A |
| 811A | 1001119968 | 1 | Generator Harness | B |
| 811B | 4460967 | 1 | Plug, Male - 3 Position | |
| 811B | 4460465 | 3 | Socket, Female | |
| 811C | 1001117078 | 1 | Connector, Metri-Pack W/5Amp Fuse | |
| 811D | 4922641 | 1 | Switch Harness | |
| 811E | 4460226 | 2 | Socket, Female | |
| 812 | See Note | 1 | Work Lights Harness Components (1100S Only) (Note: Not available for purchase) | |
| 812A | 1001120484 | 1 | Floodlights Harness | A |
| 812B | 4460879 | 1 | Plug, Male - 2 Position | |
| 812B | 4460887 | 2 | Terminal (12 Gauge) | |
| 812C | 2400060 | 1 | Fuseholder | |
| 812C | See Note | 2 | Fuse - 3 Amp (Note: Not available for purchase) | |
| 812D | 4460884 | 1 | Connector, Gray - 4 Position | |
| 812D | 4460465 | 4 | Socket, Female | |
| 812E | 1001120471 | 1 | Receptacle, Male - 2 Position | |
| 812E | 1001120477 | 2 | Terminal (12 Gauge) | |
| 812F | 4460428 | 1 | Connector, Strain Relief | |
| 812G | 1001120474 | 2 | Work Light Harness (Supplied with Work Light) | |
| 812H | 4460932 | 2 | Plug, Male - 4 Position (Gray) | |
| 812H | 4460943 | AR | Pin, Male | |
| | | Ref | TOOLS (NOT SHOWN) | |
| | 7002821 | 1 | Crimper (For Wire to Pin/Socket Connections) | |
| | 7002823 | 1 | Extractor (For Removal of Pin/Socket from Connectors) | |
| | 4460467 | 1 | Extractor, Pin (Blue 16-18 Gauge) (For Removal of Pin/Socket from Connectors) | |
| | 4460510 | 1 | Extractor, Pin (Yellow 12-14 Gauge) (For Removal of Pin/Socket from Connectors) | |
| | 7002828 | 1 | Stripper, Wire | |

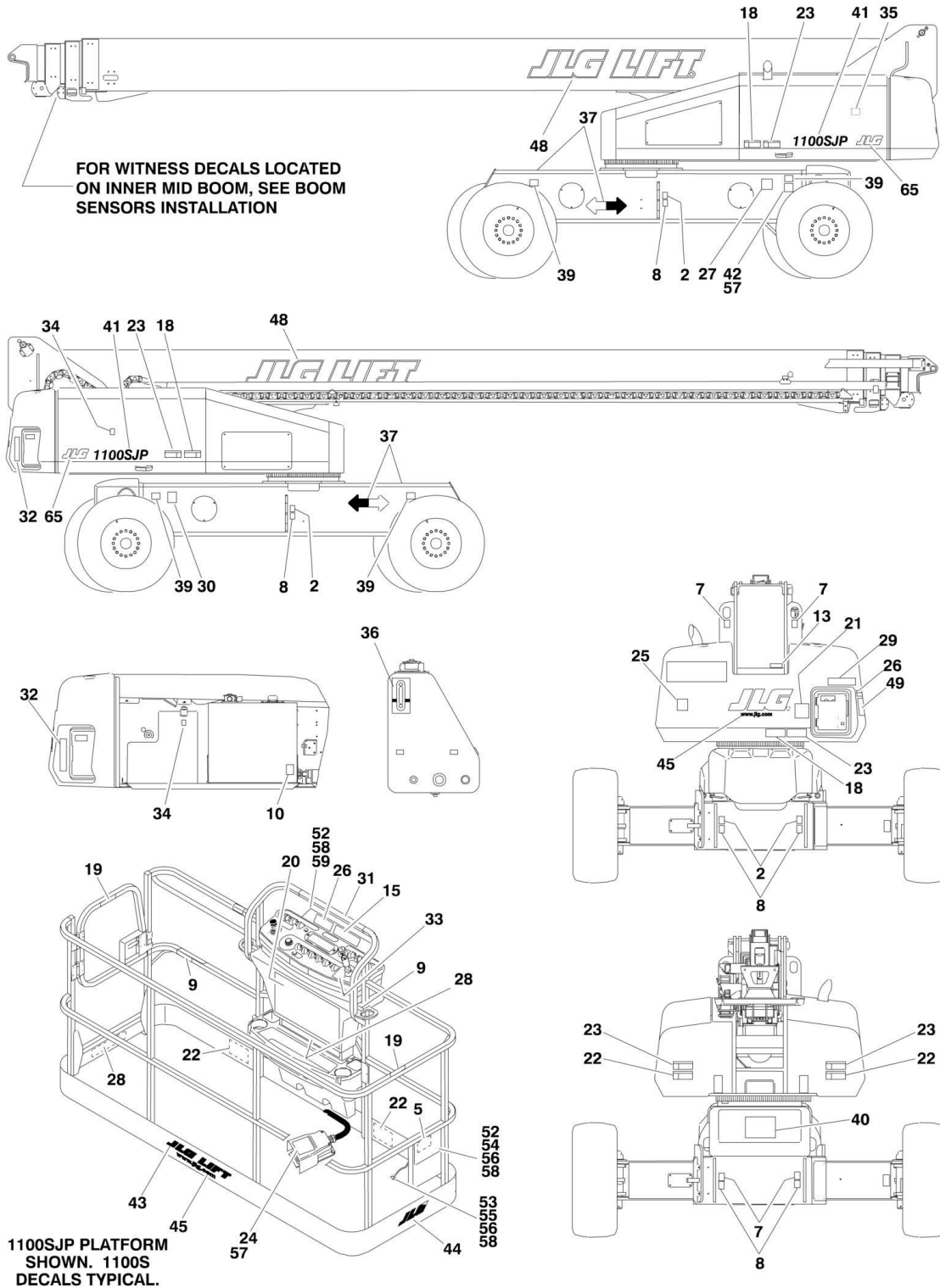
SECTION 7 - ELECTRICAL

| ITEM | PART NUMBER | QTY | DESCRIPTION | REV |
|------|-------------|-----|---------------------------------|-----|
| | 1001137005 | 1 | Cable Kit, Software (Not Shown) | |

SECTION 8 - DECALS

SECTION 8 - DECALS

FIGURE 8-1. DECAL INSTALLATION (ANSI SPEC)



SECTION 8 - DECALS

FIGURE 8-1. DECAL INSTALLATION (ANSI SPEC)

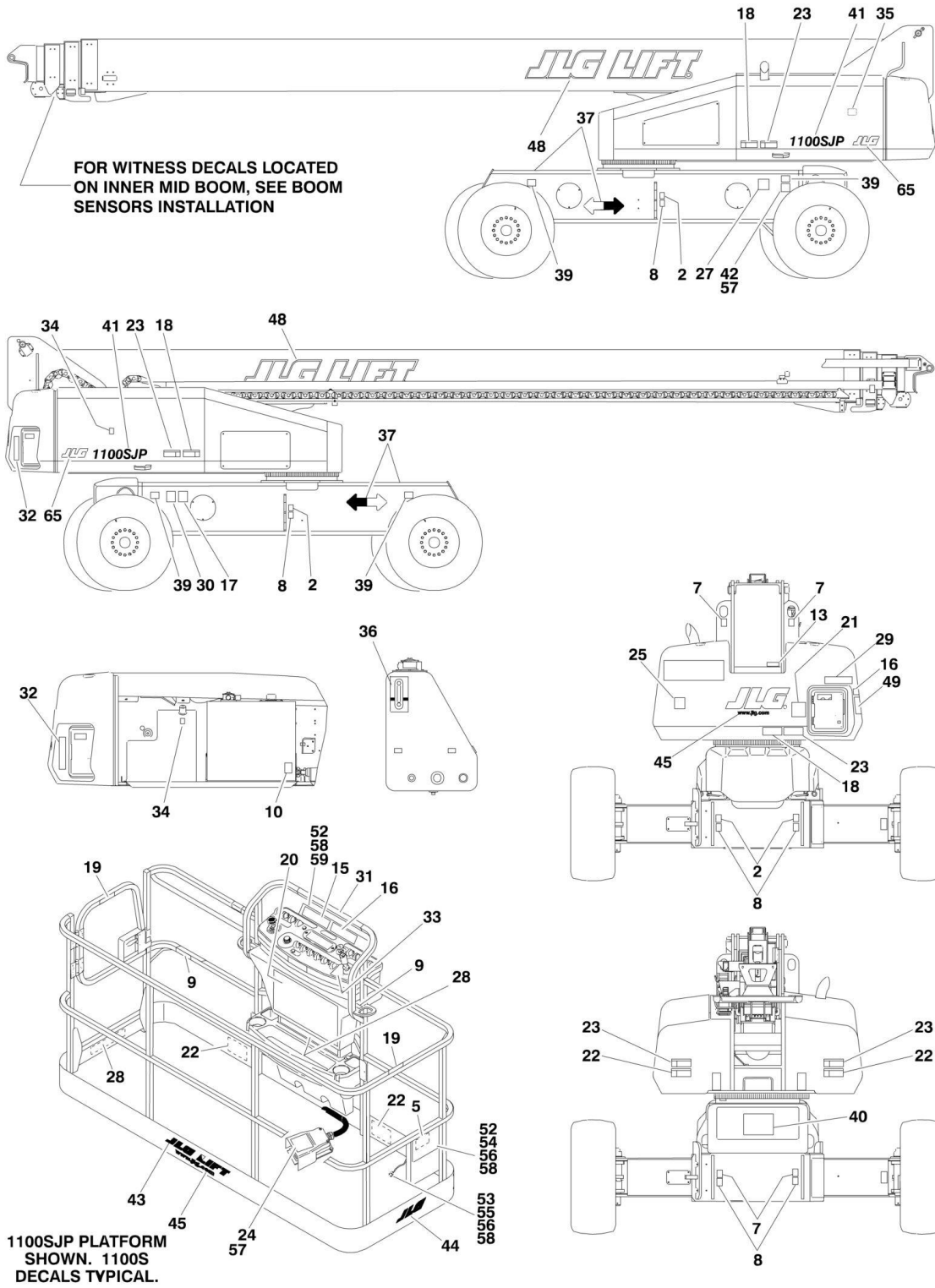
| ITEM | PART NUMBER | QTY | DESCRIPTION | REV |
|------|-------------|-----|---|-----|
| | 1001111089 | Ref | STANDARD DECAL INSTALLATIONS | F |
| | 1001114093 | Ref | Decals - JLG | 1 |
| | 1001111094 | Ref | ANSI Decals (1100S) | 5 |
| | 1001111905 | Ref | ANSI Decals (1100SJP) | 5 |
| | 1001110771 | Ref | Model Designation Decals - 1100S | 2 |
| | 1001110773 | Ref | Model Designation Decals - 1100SJP | 1 |
| 2 | 1701499 | 4 | Decal - No Lift | |
| 5 | 1701509 | 1 | Decal - Manual | |
| 7 | 1703811 | 4 | Decal - Tie Down/Lift | |
| 8 | 1703814 | 6 | Decal - Tie Down | |
| 9 | 1704277 | 4 | Decal - Attach Lanyard Here | |
| 10 | 1704412 | 1 | Decal - Hydraulic Oil Chart | |
| 13 | 3251243 | 1 | Nameplate - 120V-60Hz | |
| 15 | 1705337 | 1 | Decal - Tip Over | |
| 18 | 1703953 | 4 | Decal - Warning/Crushing | |
| 19 | 1702868 | 2 | Decal - No Hands | |
| 20 | 1703797 | 1 | Decal - Danger/Warning (Platform) | |
| 21 | 1705336 | 1 | Decal - Danger/Warning (Ground Control) | |
| 22 | 1703804 | 6 | Decal - Warning Crushing | |
| 23 | 1703805 | 5 | Decal - Danger/Electrocution | |
| 24 | 3252347 | 1 | Decal - Footswitch | |
| 25 | 3251813 | AR | Decal - USA | |
| 26 | 1705492 | 2 | Decal - Tip Over Hazard | |
| 27 | See Note | 1 | Decal - Bar Code (Note: Not available for purchase) (Prior to SN 0300157749) | |
| 28 | | Ref | Decal - Capacity (Platform) Options: | |
| 28 | | Ref | Decal - Model 1100S | |
| 28 | 1001111253 | 2 | Decal - Model (Prior to SN 0300140836) | |
| 28 | 1001125869 | 2 | Decal - Model (SN 0300140836 to Present) | |
| 28 | | Ref | Decal - Model 1100SJP | |
| 28 | 1705168 | 2 | Decal - Model (Prior to SN 0300140836) | |
| 28 | 1001122369 | 2 | Decal - Model (SN 0300140836 to Present) | |
| 29 | | Ref | Decal - Capacity (Ground Control) Options: | |
| 29 | | Ref | Decal - Model 1100S | |
| 29 | 1001111254 | 1 | Decal - Model (Prior to SN 0300140836) | |
| 29 | 1001125875 | 1 | Decal - Model (SN 0300140836 to Present) | |
| 29 | | Ref | Decal - Model 1100SJP | |
| 29 | 1705181 | 1 | Decal - Model (Prior to SN 0300140836) | |
| 29 | 1001122376 | 1 | Decal - Model (SN 0300140836 to Present) | |
| 30 | | Ref | Decal - Patent Options: | |
| 30 | 1700584 | 1 | Decal - Patent (Prior to SN 0300157749) | |
| 30 | 1001131269 | 1 | Decal - Patent (SN 0300157749 to Present) | |
| 31 | 1706751 | 1 | Decal - Legend (Platform) | |
| 32 | 1705868 | 1 | Decal - Legend (Ground Control) | |
| 33 | 1705351 | 1 | Decal - Drive/Steer Instructions | |
| 34 | 1701505 | 2 | Decal - Fuel | |
| 35 | 1704972 | 1 | Decal - Warning Explosion/Fire | |
| 36 | 1705511 | 1 | Decal - Oil Level | |
| 37 | 1701501 | 4 | Decal - Arrow | |
| 39 | 2902355 | 1 | Decal Kit - Tire Load | |

SECTION 8 - DECALS

| ITEM | PART NUMBER | QTY | DESCRIPTION | REV |
|------|-------------|-----|--|-----|
| 39 | 1705178 | 4 | Decal - Tire Load | |
| 40 | | Ref | Decal - Lift Diagram | |
| 40 | 1001110901 | 1 | Decal - Model 1100S | |
| 40 | 1705096 | 1 | Decal - Model 1100SJP | |
| 41 | | Ref | Decal - Model Options: | |
| 41 | 1001109106 | 2 | Decal - Model 1100S | |
| 41 | 1001109502 | 2 | Decal - Model 1100SJP | |
| 42 | See Note | 1 | Nameplate - Serial Number (Note: Not available for purchase) | |
| 43 | 1702774 | 1 | Decal - JLG Lift (3.5in) | |
| 44 | 1702773 | 1 | Decal - JLG (5in) | |
| 45 | 1704885 | 2 | Decal - www.jlg.com | |
| 48 | 1702862 | 2 | Decal - JLG Lift (12in) | |
| 49 | 1705365 | 1 | Decal - Daily Check | |
| 52 | 0641406 | AR | Bolt 1/4in-20NC x 3/4in | |
| 53 | 0641408 | 1 | Bolt 1/4in-20NC x 1in (Prior to SN 0300140836) | |
| 54 | 0860520 | 1 | Box, Manual Storage | |
| 55 | 1060279 | 1 | Cable, Lanyard (Prior to SN 0300140836) | |
| 56 | 3311405 | AR | Locknut 1/4in-20NC | |
| 57 | 3820001 | 2 | Rivet | |
| 58 | 4751400 | AR | Flatwasher 1/4in Regular | |
| 59 | 3380474 | 1 | Plate, Decal Mount | |
| 65 | 1702773 | 1 | Decal - JLG (5in) | |

SECTION 8 - DECALS

FIGURE 8-2. DECAL INSTALLATION (ANSI EXPORT SPECS)



SECTION 8 - DECALS

FIGURE 8-2. DECAL INSTALLATION (ANSI EXPORT SPECS)

| ITEM | PART NUMBER | QTY | DESCRIPTION | REV |
|------|--------------|-----|--|-----|
| | 1001111089 | Ref | STANDARD DECAL INSTALLATIONS | F |
| | 1001114093 | Ref | Decals - JLG | 1 |
| | 1001111097 | Ref | Brazil Spec Decals (Portuguese/English) (1100S) | 6 |
| | 1001111908 | Ref | Brazil Spec Decals (Portuguese/English) (1100SJP) | 6 |
| | 1001111096 | Ref | Chinese Spec Decals (Chinese/English) (1100S) | 5 |
| | 1001111907 | Ref | Chinese Spec Decals (Chinese/English) (1100SJP) | 4 |
| | 1001111095 | Ref | Korean Spec Decals (Korean/English) (1100S) | 5 |
| | 1001111906 | Ref | Korean Spec Decals (Korean/English) (1100SJP) | 4 |
| | 1001111098 | Ref | Latin American Spec Decals (Spanish/English) (1100S) | 5 |
| | 1001111909 | Ref | Latin American Spec Decals (Spanish/English) (1100SJP) | 5 |
| | 1001110771 | Ref | Model Designation Decals - 1100S | 2 |
| | 1001110773 | Ref | Model Designation Decals - 1100SJP | 2 |
| 2 | 1701499 | 4 | Decal - No Lift | |
| 5 | 1701509 | 1 | Decal - Manual | |
| 7 | 1703811 | 4 | Decal - Tie Down/Lift | |
| 8 | 1703814 | 6 | Decal - Tie Down | |
| 9 | 1704277 | 3 | Decal - Attach Lanyard Here | |
| 10 | 1704412 | 1 | Decal - Hydraulic Oil Chart | |
| 13 | 3251243 | 1 | Nameplate - 120V-60Hz | |
| 15 | | Ref | Decal - Tip Over Options: | |
| 15 | 1705904 | AR | Brazil Spec Decals (Portuguese/English) (1100S & 1100SJP) | |
| 15 | Not Required | 0 | Chinese Spec Decals (Chinese/English) (1100S) | |
| 15 | 1705342 | AR | Chinese Spec Decals (Chinese/English) (1100SJP) | |
| 15 | Not Required | 0 | Korean Spec Decals (Korean/English) (1100S) | |
| 15 | 1705339 | AR | Korean Spec Decals (Korean/English) (1100SJP) | |
| 15 | 1705909 | AR | Latin American Spec Decals (Spanish/English) (1100S & 1100SJP) | |
| 16 | | Ref | Decal - Tip Over Hazard Options: | |
| 16 | 1705906 | AR | Brazil Spec Decals (Portuguese/English) | |
| 16 | 1705507 | AR | Chinese Spec Decals (Chinese/English) | |
| 16 | 1705503 | AR | Korean Spec Decals (Korean/English) | |
| 16 | 1705915 | AR | Latin American Spec Decals (Spanish/English) | |
| 17 | | Ref | Decal - Inspection Options: (Prior to SN 0300157749) | |
| 17 | 1705901 | 1 | Brazil Spec Decals (Portuguese/English) | |
| 17 | 1704007 | 1 | Latin American Spec Decals (Spanish/English) | |
| 17 | Not Required | 0 | Chinese/Korean Specs | |
| 18 | | Ref | Decal - Warning/Crushing Options: | |
| 18 | 1705903 | 4 | Brazil Spec Decals (Portuguese/English) | |
| 18 | 1703943 | 4 | Chinese Spec Decals (Chinese/English) | |
| 18 | 1703945 | 4 | Korean Spec Decals (Korean/English) | |
| 18 | 1703941 | 4 | Latin American Spec Decals (Spanish/English) | |
| 19 | | Ref | Decal - No Hands Options | |
| 19 | 1705967 | 2 | Brazil Spec Decals (Portuguese/English) | |
| 19 | 1705968 | 2 | Chinese Spec Decals (Chinese/English) | |
| 19 | 1705969 | 2 | Korean Spec Decals (Korean/English) | |
| 19 | 1704001 | 2 | Latin American Spec Decals (Spanish/English) | |
| 20 | | Ref | Decal - Danger/Warning (Platform) Options: | |
| 20 | 1705895 | 1 | Brazil Spec Decals (Portuguese/English) | |
| 20 | 1703925 | 1 | Chinese Spec Decals (Chinese/English) | |
| 20 | 1703927 | 1 | Korean Spec Decals (Korean/English) | |

SECTION 8 - DECALS

| ITEM | PART NUMBER | QTY | DESCRIPTION | REV |
|------|--------------|-----|---|-----|
| 20 | 1703923 | 1 | Latin American Spec Decals (Spanish/English) | |
| 21 | | Ref | Decal - Danger/Warning (Ground Control) Options: | |
| 21 | 1705896 | 1 | Brazil Spec Decals (Portuguese/English) | |
| 21 | 1705348 | 1 | Chinese Spec Decals (Chinese/English) | |
| 21 | 1705345 | 1 | Korean Spec Decals (Korean/English) | |
| 21 | 1705917 | 1 | Latin American Spec Decals (Spanish/English) | |
| 22 | | Ref | Decal - Warning Crushing Options: | |
| 22 | 1705898 | 6 | Brazil Spec Decals (Portuguese/English) | |
| 22 | 1703949 | 6 | Chinese Spec Decals (Chinese/English) | |
| 22 | 1703951 | 6 | Korean Spec Decals (Korean/English) | |
| 22 | 1703947 | 6 | Latin American Spec Decals (Spanish/English) | |
| 23 | | Ref | Decal - Danger/Electrocution Options: | |
| 23 | 1705897 | 5 | Brazil Spec Decals (Portuguese/English) | |
| 23 | 1703937 | 5 | Chinese Spec Decals (Chinese/English) | |
| 23 | 1703939 | 5 | Korean Spec Decals (Korean/English) | |
| 23 | 1703935 | 5 | Latin American Spec Decals (Spanish/English) | |
| 24 | | Ref | Decal - Footswitch Options: | |
| 24 | 1705902 | 1 | Brazil Spec Decals (Portuguese/English) | |
| 24 | 1703982 | 1 | Chinese Spec Decals (Chinese/English) | |
| 24 | 1703981 | 1 | Korean Spec Decals (Korean/English) | |
| 24 | 1703983 | 1 | Latin American Spec Decals (Spanish/English) | |
| 25 | | Ref | Decal - USA Options: (Prior to SN 0300157749) | |
| 25 | 3251813 | 1 | All Spec Decals Except Korean Spec Decals | |
| 25 | Not Required | 0 | Korean Specs | |
| 27 | See Note | 1 | Decal - Bar Code (Note: Not available for purchase) (Prior to SN 0300157749) | |
| 28 | | Ref | Decal - Capacity (Platform) Options: | |
| 28 | | Ref | Decal - Capacity (Prior to SN 0300140836) | |
| 28 | 1001111259 | 2 | Brazil Spec Decals (Portuguese/English) (1100S) | |
| 28 | 1705899 | 2 | Brazil Spec Decals (Portuguese/English) (1100SJP) | |
| 28 | 1001111257 | 2 | Chinese Spec Decals (Chinese/English) (1100S) | |
| 28 | 1705334 | 2 | Chinese Spec Decals (Chinese/English) (1100SJP) | |
| 28 | 1001111255 | 2 | Korean Spec Decals (Korean/English) (1100S) | |
| 28 | 1705331 | 2 | Korean Spec Decals (Korean/English) (1100SJP) | |
| 28 | 1001111261 | 2 | Latin American Spec Decals (Spanish/English) (1100S) | |
| 28 | 1705908 | 2 | Latin American Spec Decals (Spanish/English) (1100SJP) | |
| 28 | | Ref | Decal - Capacity (SN 0300140836 to Present) | |
| 28 | 1001125873 | 2 | Brazil Spec Decals (Portuguese/English) (1100S) | |
| 28 | 1001122372 | 2 | Brazil Spec Decals (Portuguese/English) (1100SJP) | |
| 28 | 1001125872 | 2 | Chinese Spec Decals (Chinese/English) (1100S) | |
| 28 | 1001122371 | 2 | Chinese Spec Decals (Chinese/English) (1100SJP) | |
| 28 | 1001125871 | 2 | Korean Spec Decals (Korean/English) (1100S) | |
| 28 | 1001122370 | 2 | Korean Spec Decals (Korean/English) (1100SJP) | |
| 28 | 1001125874 | 2 | Latin American Spec Decals (Spanish/English) (1100S) | |
| 28 | 1001122373 | | Latin American Spec Decals (Spanish/English) (1100SJP) | |
| 29 | | Ref | Decal - Capacity (Ground Control) Options: | |
| 29 | | Ref | Decal - Capacity (Prior to SN 0300140836) | |
| 29 | 1001111260 | 1 | Brazil Spec Decals (Portuguese/English) (1100S) | |
| 29 | 1705900 | 1 | Brazil Spec Decals (Portuguese/English) (1100SJP) | |
| 29 | 1001111258 | 1 | Chinese Spec Decals (Chinese/English) (1100S) | |
| 29 | 1705478 | 1 | Chinese Spec Decals (Chinese/English) (1100SJP) | |
| 29 | 1001111256 | 1 | Korean Spec Decals (Korean/English) (1100S) | |

SECTION 8 - DECALS

| ITEM | PART NUMBER | QTY | DESCRIPTION | REV |
|------|-------------|-----|--|-----|
| 29 | 1705481 | 1 | Korean Spec Decals (Korean/English) (1100SJP) | |
| 29 | 1001111262 | 1 | Latin American Spec Decals (Spanish/English) (1100S) | |
| 29 | 1705919 | 1 | Latin American Spec Decals (Spanish/English) (1100SJP) | |
| 29 | | Ref | Decal - Capacity (SN 0300140836 to Present) | |
| 29 | 1001125878 | 1 | Brazil Spec Decals (Portuguese/English) (1100S) | |
| 29 | 1001122379 | 1 | Brazil Spec Decals (Portuguese/English) (1100SJP) | |
| 29 | 1001125877 | 1 | Chinese Spec Decals (Chinese/English) (1100S) | |
| 29 | 1001122378 | 1 | Chinese Spec Decals (Chinese/English) (1100SJP) | |
| 29 | 1001125876 | 1 | Korean Spec Decals (Korean/English) (1100S) | |
| 29 | 1001122377 | 1 | Korean Spec Decals (Korean/English) (1100SJP) | |
| 29 | 1001125879 | 1 | Latin American Spec Decals (Spanish/English) (1100S) | |
| 29 | 1001122380 | 1 | Latin American Spec Decals (Spanish/English) (1100SJP) | |
| 30 | 1700584 | 1 | Decal - Patent (Prior to SN 0300157749) | |
| 31 | 1706751 | 1 | Decal - Legend (Platform) | |
| 32 | 1705868 | 1 | Decal - Legend (Ground Controls) | |
| 33 | | Ref | Decal - Drive/Steer Instructions Options: | |
| 33 | 1705905 | 1 | Brazil Spec Decals (Portuguese/English) | |
| 33 | 1705430 | 1 | Chinese Spec Decals (Chinese/English) | |
| 33 | 1705427 | 1 | Korean Spec Decals (Korean/English) | |
| 33 | 1705910 | 1 | Latin American Spec Decals (Spanish/English) | |
| 34 | 1701505 | 2 | Decal - Fuel | |
| 35 | | Ref | Decal - Warning Explosion/Fire Options | |
| 35 | 1706059 | 1 | Brazil Spec Decals (Portuguese/English) | |
| 35 | 1706060 | 1 | Chinese Spec Decals (Chinese/English) | |
| 35 | 1706061 | 1 | Korean Spec Decals (Korean/English) | |
| 35 | 1706063 | 1 | Latin American Spec Decals (Spanish/English) | |
| 36 | 1705511 | 1 | Decal - Oil Level | |
| 37 | 1701501 | 4 | Decal - Arrow | |
| 39 | 2902355 | 1 | Decal Kit - Tire Load (Model 1200SJP) | |
| 39 | 1705178 | 4 | Decal - Tire Load | |
| 39 | 2902357 | 1 | Decal Kit - Tire Load (Model 1350SJP) | |
| 39 | 1705167 | 4 | Decal - Tire Load | |
| 40 | | Ref | Decal - Lift Diagram | |
| 40 | 1001110901 | 1 | Decal - Model 1100S | |
| 40 | 1705096 | 1 | Decal - Model 1100SJP | |
| 41 | | Ref | Decal - Model Options: | |
| 41 | 1001109106 | 2 | Decal - Model 1100S | |
| 41 | 1001109502 | 2 | Decal - Model 1100SJP | |
| 42 | See Note | 1 | Nameplate - Serial Number (Note: Not available for purchase) | |
| 43 | 1702774 | 1 | Decal - JLG Lift (3.5in) | |
| 44 | 1702773 | 1 | Decal - JLG (5in) | |
| 45 | 1704885 | 2 | Decal - www.jlg.com | |
| 48 | 1702862 | 2 | Decal - JLG Lift (12in) | |
| 49 | | Ref | Decal - Daily Check Options: | |
| 49 | 1705456 | 1 | Brazil Spec Decals (Spanish/Portuguese) | |
| 49 | 1705452 | 1 | Chinese Spec Decals (Chinese/English) | |
| 49 | 1705448 | 1 | Korean Spec Decals (Korean/English) | |
| 49 | 1706904 | 1 | Latin American Spec Decals (English/Spanish) | |
| 52 | 0641406 | AR | Bolt 1/4in-20NC x 3/4in | |
| 53 | 0641408 | 1 | Bolt 1/4in-20NC x 1in | |
| 54 | 0860520 | 1 | Box, Manual Storage | |

SECTION 8 - DECALS

| ITEM | PART NUMBER | QTY | DESCRIPTION | REV |
|------|--------------|-----|--|-----|
| 55 | 1060279 | 1 | Cable, Lanyard | |
| 56 | 3311405 | 5 | Locknut 1/4in-20NC | |
| 57 | 3820001 | AR | Rivet | |
| 58 | 4751400 | AR | Flatwasher 1/4in Regular | |
| 59 | | Ref | Plate, Decal Mount Options: | |
| 59 | 3572327 | 1 | Brazil Spec Decals (Portuguese/English) (1100S & 1100SJP) | |
| 59 | Not Required | 0 | Chinese Spec Decals (Chinese/English) (1100S) | |
| 59 | 3572327 | 1 | Chinese Spec Decals (Chinese/English) (1100SJP) | |
| 59 | Not Required | 0 | Korean Spec Decals (Korean/English) (1100S) | |
| 59 | 3572327 | 1 | Korean Spec Decals (Korean/English) (1100SJP) | |
| 59 | 3572327 | 1 | Latin American Spec Decals (Spanish/English) (1100S & 1100SJP) | |
| 65 | 1702773 | 1 | Decal - JLG (5in) | |

SECTION 9 - RECOMMENDED SERVICE PARTS STOCK

SECTION 9 - RECOMMENDED SERVICE PARTS STOCK

SECTION 9 - RECOMMENDED SERVICE PARTS STOCK

FIGURE 9-1. MODEL 1100S/1100SJP STANDARD PARTS

| ITEM | PART NUMBER | QTY | DESCRIPTION | REV |
|------|-------------|-----|--|-----|
| | Note | Ref | Note: The following list will service one machine (built to current production per date on the front cover) with emergency repair parts which can be installed in the field. Parts from the list should be replaced when inventory is depleted to keep service parts stock supplied. For further information, contact your JLG dealer or the JLG Industries Parts Department. | |
| | | Ref | STANDARD PARTS | |
| | 7024365 | 1 | Axle Powertrack Repair Kit | |
| | 4360505 | 1 | Switch | |
| | 7018991 | 1 | Coil | |
| | 7012944 | 1 | Coil | |
| | 3740067 | 1 | Relay | |
| | 7011354 | 1 | Coil | |
| | 7017451 | 1 | Coil | |
| | 7024571 | 1 | Coil | |
| | 70002231 | 12 | Element, Pressure Filter | |
| | 7003655 | 12 | Element, Air Filter | |
| | 7026811 | 12 | Element, Caterpillar Engine Oil Filter | |
| | 7026830 | 12 | Element, Fuel/Water (Caterpillar Engine) | |
| | 7016331 | 12 | Element, Deutz Engine Oil Filter | |
| | 7016328 | 12 | Element, Deutz Engine Fuel | |
| | 3740080 | 1 | Relay | |
| | 4360336 | 1 | Switch, Toggle | |
| | 7024375 | 12 | Element, Hydraulic Oil Filter | |
| | 3740049 | 1 | Relay | |
| | 4360274 | 1 | Switch, Push Button | |
| | 4360328 | 1 | Switch, Toggle | |
| | 4360475 | 1 | Switch, Mushroom | |
| | 4360476 | 1 | Contact, Switch Block | |
| | 4360469 | 1 | Switch, Key | |
| | 2860030 | 1 | Key, Replacement | |
| | 70003917 | 1 | Boom Powertrack Repair Section | |
| | 70003913 | 1 | Boom Powertrack Repair Section | |
| | 70002097 | 12 | Element, Hydraulic Oil Filter | |
| | 4360330 | 1 | Switch, Toggle | |
| | 4360331 | 1 | Switch, Toggle | |
| | 4360387 | 1 | Switch, Push Button | |
| | 1001129555 | 1 | Controller, Lift and Swing | |
| | 1001212415 | 1 | Controller, Drive and Steer | |
| | 2400065 | 2 | Fuse | |
| | 2400064 | 2 | Fuse | |
| | 3990001 | 2 | Diode - 3 Amp | |

SECTION 9 - RECOMMENDED SERVICE PARTS STOCK

FIGURE 9-2. MODEL 1100S/1100SJP VARIABLE PARTS

| ITEM | PART NUMBER | QTY | DESCRIPTION | REV |
|------|-------------|-----|--|-----|
| | Note | Ref | Note: The following list will service one machine (built to current production per date on the front cover) with emergency repair parts which can be installed in the field. Parts from the list should be replaced when inventory is depleted to keep service parts stock supplied. For further information, contact your JLG dealer or the JLG Industries Parts Department. | |
| | | Ref | VARIABLE PARTS | |
| | 4360578 | 1 | Switch, Limit | |
| | 1600331 | 1 | Module (Chassis) | |
| | 1001112758 | 1 | Module (Chassis) | |
| | 1600332 | 1 | Module, B.L.A.M. | |
| | 1001112757 | 1 | Module, B.L.A.M. | |
| | 1600443 | 1 | Module (Engine) | |
| | 4360070 | 1 | Breaker, Circuit (7500W SkyPower Generator Option) | |
| | 2400064 | 2 | Fuse - 5 Amp (7500W SkyPower Generator Option) | |
| | 1001110940 | 12 | Breather, Hydraulic Oil Tank (1100S) | |
| | 7024444 | 12 | Breather, Hydraulic Oil Tank (1100SJP without Hostile Environment Package) | |
| | 1001110940 | 12 | Breather, Hydraulic Oil Tank (1100SJP with Hostile Environment Package) | |
| | 1001110084 | 1 | Module, Ground Control | |
| | 1001133329 | 1 | Sensor, Angle Indicator | |
| | 4360548 | 1 | Switch, Jib Limit (1100SJP Only) | |
| | 4360527 | 1 | Switch, Cable Break | |
| | 4360543 | 1 | Sensor, Boom Length | |
| | 2940074 | 1 | Latch, Platform (1100SJP Only) | |
| | 1600343 | 1 | Module, Platform Control | |
| | 4360232 | 1 | Breaker, Circuit (Platform Worklights Option) | |
| | 4360522 | 1 | Switch, Push Button (Chassis Illumination Lights Option) | |
| | 2400070 | 2 | Fuse (Platform Worklights Option) | |

SECTION 10 - SPECIAL OPTIONS

SECTION 10 - SPECIAL OPTIONS

FIGURE 10-1. SPECIAL OPTIONS

| ITEM | PART NUMBER | QTY | DESCRIPTION | REV |
|------|-------------|-----|--|-----|
| | Note | Ref | Note: This list is to accommodate machines ordered with special equipment. Options may not be applicable to all models. For more specific parts information contact JLG Parts Department. | |
| | | Ref | MISCELLANEOUS SPECIAL OPTIONS | |
| | 0272078 | Ref | Accessory Counterweight (Required with SkyWelder Option) | |
| | 1340067 | Ref | Air Cleaner Pre-Cleaner | |
| | 0271956 | Ref | Airline Installation - 1/2in (1100SJP Only) | |
| | | Ref | Bellows Installations | |
| | 1001110506 | Ref | Bellows, Cylinder (Axle) (1100S) | |
| | 0271803 | Ref | Bellows, Cylinder (Fixed Axle) (1100SJP) | |
| | 0271804 | Ref | Bellows, Cylinder (Oscillating Axle) (1100SJP) | |
| | 0271805 | Ref | Bellows, Cylinder (Boom) | |
| | 0271875 | Ref | Boom Wipers Installation | |
| | 0256789 | Ref | Camera Mounting Installation | |
| | 1001114649 | Ref | Container Shipment Preparation | |
| | | Ref | Decals Installations | |
| | 0272435 | Ref | SkyPower (60Hz) (ANSI and ANSI Export Specs) | |
| | 0272589 | Ref | SkyPower (50Hz) (ANSI Export Specs) | |
| | 0272448 | Ref | SkyWelder (ANSI and ANSI Export Specs) (60Hz) | |
| | 0272588 | Ref | SkyWelder (ANSI Export Specs) (50Hz) | |
| | 1705307 | 1 | Tool Location | |
| | | Ref | Decal Kits | |
| | 2902307 | Ref | Decal Kit – ANSI Spec | |
| | 2902312 | Ref | Decal Kit – Brazilian Spec | |
| | 2902309 | Ref | Decal Kit – Chinese Spec | |
| | 2902310 | Ref | Decal Kit – Korean Spec | |
| | 2902311 | Ref | Decal Kit – Latin American Spec | |
| | 2902303 | Ref | Decal Kit – Master | |
| | 1001119565 | Ref | Decal Kit – Platform Console (1100S) | |
| | | Ref | Electrical Connector Kits | |
| | 1001148902 | Ref | Amp/Tyco Electrical Connector Kit | |
| | 1001148903 | Ref | Deutsch DT Electrical Connector Kit | |
| | 1001148904 | Ref | Deutsch HD Electrical Connector Kit | |
| | 1001148905 | Ref | Packard Electrical Connector Kit | |
| | 1001148906 | Ref | Various Electrical Connectors Kit | |
| | | Ref | Filter Kits: | |
| | | Ref | Combined Filter Kit (Hydraulic/Air and Fuel/Engine Oil) | |
| | See Note | 1 | Caterpillar Engine Machines (Note: Not Available for Purchase) | |
| | 1001133071 | 1 | Deutz Engine Machines | |
| | | Ref | Fluids | |
| | 3020016 | Ref | Engine Oil 15W-40 | |
| | | Ref | Hydraulic Fluid | |
| | 2300014 | Ref | Mobil 424 | |
| | 2300029 | Ref | Mobil EAL ISO 46 Bio | |
| | 2300016 | Ref | Mobil DTE 10 Excel 32 | |
| | 2300021 | Ref | Union Carbide Ucon HP5046 Fire Resistant | |
| | 2300039 | Ref | Exxon Univis (Cold Climate) | |
| | | Ref | Drive Hub Lubricant | |

SECTION 10 - SPECIAL OPTIONS

| ITEM | PART NUMBER | QTY | DESCRIPTION | REV |
|------|-------------|-----|--|-----|
| | See Note | Ref | 2WD (Note: Refer to Service Manual) | |
| | 3020008 | Ref | 4WD (80W-90) | |
| | 1001142966 | Ref | Hood Bracket Kit (Eliminate any bending of the hood when cranking engine tray open.) | |
| | 1001148971 | Ref | Lanyard (Bolt-On) Installation Kit | |
| | | Ref | Lights Installations | |
| | 0271808 | Ref | Chassis Illumination Lights | |
| | 0272093 | Ref | Platform Flood Lights | |
| | 0272097 | Ref | Platform Work Lights | |
| | 3380652 | Ref | Panel, Foot Switch | |
| | | Ref | Platform Bumper Installations (1100S Only) | |
| | 1001110982 | Ref | 36in X 6ft (91.5cm x 1.83m) (ANSI and ANSI Export Specs) | |
| | | Ref | Platform Console Cover Installations | |
| | 1001110974 | Ref | ANSI/Brazil/Latin American Specs (1100S Only) | |
| | 1001112821 | Ref | Chinese Specs (1100S Only) | |
| | 1001112820 | Ref | Korean Specs (1100S Only) | |
| | | Ref | Platform Entry Kits | |
| | 1001142504 | Ref | Drop Bar (Replacing Swing Gate with Drop Bar) | |
| | 1001142505 | Ref | Swing Gate (Replacing Drop Bar with Swing Gate) | |
| | | Ref | Platform Mesh Installations (1100SJP Only) | |
| | 0273145 | Ref | 36in X 8ft (91.5cm x 2.44m) (ANSI and ANSI Export Specs) | |
| | 0273149 | Ref | 36in X 6ft (91.5cm x 1.83m) (ANSI and ANSI Export Specs) | |
| | 1001149730 | Ref | Platform Mid Rail Repair Kit | |
| | | Ref | Platform Rail Extensions (1100SJP Only) | |
| | 0272733 | Ref | 6ft Platform | |
| | 0272725 | Ref | 8ft Platform | |
| | | Ref | SkyAccessory Options (1100SJP Only) | |
| | 1001143669 | Ref | SkyGuard Installation Kit | |
| | 1001137672 | Ref | Platform Sensor Kit | |
| | 1001143256 | Ref | Optional (Blue) Beacon Light Kit | |
| | 1001176372 | Ref | SkyGuard Hole Plug Removal Kit | |
| | | Ref | SkyPower Installation Options Note: See TURNTABLE SECTION or JLG 3124242 Accessories Manual | |
| | | Ref | SkyWelder Installation Options Note: See JLG 3124242 Accessories Manual | |
| | | Ref | ANSI and ANSI Export Specs (60Hz) | |
| | 0272374 | Ref | SkyWelder Installation (Prior to SN 0300139583) | |
| | 0272254 | Ref | SkyWelder Installation (SN 0300139583 to Present) | |
| | 0272521 | Ref | ANSI Export Specs (50Hz) | |
| | 1001110926 | Ref | Soft Touch (Overhead) Installation (1100S Only) | |
| | | Ref | Tools For Service: | |
| | 2901443 | 1 | Analyzer Kit | |
| | 0272048 | Ref | Boom Cable Tools Installation | |
| | 4120040 | 1 | Socket 3/4in | |
| | 4120043 | 1 | Socket 2in | |
| | 1705307 | 1 | Decal - Tool Location | |
| | 7002821 | Ref | Crimper, Wire | |
| | 7002823 | Ref | Pin Extractor - Universal (For Electrical Connectors with Pins and Sockets) | |
| | 4460467 | 1 | Extractor - 16-18 Gauge (For Removal of Pin/Sockets from Deutsch Connectors) | |
| | 4460510 | 1 | Extractor - 12-14 Gauge (For Removal of Pin/Sockets from Deutsch Connectors) | |

SECTION 10 - SPECIAL OPTIONS

| ITEM | PART NUMBER | QTY | DESCRIPTION | REV |
|------|-------------|-----|---|-----|
| | 70004646 | 1 | Puller (Drive Hub p/n 1001101550) | |
| | 70004648 | 1 | Puller (Drive Hub p/n 1001101550 - Brake Disassembly) | |
| | 7016654 | Ref | Screwdriver, Magnetic | |
| | 7002822 | Ref | Screwdriver, Pontimeter | |
| | 70004647 | 1 | Seal Tool (Drive Hub p/n 1001101550) | |
| | 7004275 | Ref | Seal Tool 1in (For Cylinders) | |
| | 7004276 | Ref | Seal Tool 1-1/2in (For Cylinders) | |
| | 7002828 | Ref | Stripper, Wire | |
| | 4921850 | 1 | Throttle Service Harness | |
| | 70004185 | 1 | Torque Multiplier | |
| | 7016655 | 1 | Wire Rope Sheave Gauge | |
| | 1001137005 | 1 | Cable Kit, Software (Not Shown) | |
| | 0271983 | Ref | Weld Leads at Platform Installation (Requires SkyPower) (1100SJP Only) | |

PART NUMBER INDEX

SECTION 10 - SPECIAL OPTIONS

| | | | |
|----------------------------|----------------------------|-----------------------------|---------------------------|
| 0080181.....51 | 0272056..... 17 | 0641404 83, 87, 115, 157 | 0642022.....123 |
| 0080237.....59 | 0272060..... 59 | 0641405 112, 137 | 0642028.....51 |
| 0080241.....107 | 0272070..... 141 | 0641406 ... 25, 35, 51, 58, | 0642030.....51 |
| 0080244.....59 | 0272078..... 292 | 59, 79, 99, 103, 133, | 0642214.....9, 119 |
| 0080277.....13 | 0272080..... 97, 224 | 149, 153, 280, 285 | 0642612.....107 |
| 0100009.....158 | 0272093..... 154, 293 | 0641408 35, 112, 149, | 0642684.....141 |
| 01000119, 13, 20, 25, 35, | 0272097 ... 154, 226, 293 | 153, 280, 285 | 0681608.....141 |
| 50, 51, 53, 58, 59, 75, | 0272254..... 293 | 0641410 58 | 0681813.....10 |
| 79, 83, 87, 93, 95, 100, | 0272374..... 293 | 0641412 35 | 0681814.....10 |
| 104, 107, 112, 113, | 0272435 85, 89, 292 | 0641414 25, 157 | 0681815.....10 |
| 115, 119, 123, 132, | 0272448..... 292 | 0641418 149 | 0681816.....10 |
| 137, 141, 179, 181, | 0272507 ... 107, 257, 273 | 0641424 25 | 0682026.....41 |
| 183, 185, 187, 189, | 0272521 293 | 0641504 25 | 0682028.....123 |
| 191, 193, 195, 197, | 0272588..... 292 | 0641505 13, 145 | 0682040.....41 |
| 201, 203 | 0272589 89, 292 | 0641506 ... 35, 50, 51, 58, | 0682212.....123 |
| 01000199, 13, 17, 41, 83, | 0272621 255, 272 | 59, 95, 107, 115 | 0682418.....41 |
| 87, 119, 123, 132, 201 | 0272725 293 | 0641507 59 | 0700616.....113 |
| 0100020.....51, 53, 83, 89 | 0272733 293 | 0641508 ... 53, 75, 79, 83, | 0700808.....50, 53 |
| 0100035.....13, 107, 137, | 0272970 149, 153 | 87 | 0700816.....75 |
| 199 | 0273145 293 | 0641509 25, 50, 58 | 0700822.....53, 83 |
| 0100038....179, 181, 183, | 0273149 293 | 0641510 133 | 0700823.....53, 83 |
| 185, 187, 189, 191, | 0273455 87, 257 | 0641511 13, 50, 58 | 0700824.....53, 83 |
| 193, 195, 197, 201, 203 | 0273456 87, 257 | 0641516 83, 87 | 0701010.....53 |
| 0100040.....153 | 0273696 137 | 0641518 154 | 0701012.....51 |
| 0100048....83, 87, 95, 99, | 0273854 249, 265 | 0641520 97 | 0701015.....51 |
| 103, 157, 248, 249, | 0274083 79 | 0641524 41 | 0701016.....53 |
| 254, 264, 265, 270 | 0274660 252, 268 | 0641605 50, 51, 58, 59 | 0701418.....79 |
| 0100063.....179 | 0275098 159 | 0641606 9, 35, 50, 58, | 0701617.....17 |
| 0100079.....50, 58 | 0340003 51, 59 | 115 | 0701619.....17 |
| 0100081..9, 99, 103, 113, | 0340051 51, 59 | 0641607 123 | 0711214.....51, 59 |
| 134, 138, 157 | 0363037 9 | 06416089, 25, 35, 50, 51, | 0711417.....59 |
| 0140001.....35 | 0363062 35 | 59, 75, 79, 93, 97, 112, | 0720804.....157 |
| 0140011.....157 | 0363066 126 | 115, 119, 132, 203, 205 | 0720808....75, 80, 85, 90 |
| 0140032....107, 256, 272 | 0363076 10 | 0641609 9, 59 | 0721003.....159 |
| 0200530.....75 | 0363081 79 | 0641610 ... 50, 53, 58, 59, | 0721006.....51, 157 |
| 0200742.....79 | 0363082 79 | 79, 107, 112, 123, 149, | 0731007.....93 |
| 0200833.....13 | 0400020 35 | 153 | 0741606.....13, 123 |
| 0236768.....35 | 0440251 41 | 0641611 9, 50 | 0741806.....123 |
| 0256789.....292 | 0480122 75 | 0641612 51 | 0760606.....53 |
| 0257887107, 256, 272 | 0480127 79 | 0641613 9 | 0760610.....53 |
| 0259666.....100, 104 | 0480128 87 | 0641614 53, 93 | 0760612.....53 |
| 0271512.....41 | 0480129 87 | 0641615 123 | 0760810.....51 |
| 0271520.....13 | 0561431 123 | 0641618 83, 88, 125 | 0761007.....54 |
| 0271521.....9, 10 | 0561437 123 | 0641620 9 | 0761210.....50, 53 |
| 0271596.....41 | 0561439 123 | 0641630 112 | 0761212.....53 |
| 0271688.....95 | 0561444 123 | 0641634 13 | 0761214.....20 |
| 0271769.....107 | 0561454 123 | 0641640 126 | 0771414.....59 |
| 0271799.....119 | 0561457 123 | 0641644 126 | 0791504.....132, 137 |
| 0271800.....132 | 0561458 123 | 0641646 123 | 0791518.....132 |
| 0271802.....25, 35, 141 | 0561471 123 | 0641652 123 | 0791604....25, 112, 115, |
| 0271803.....292 | 0561481 123 | 0641676 126 | 123, 137 |
| 0271804.....292 | 0561482 123 | 0641718 75, 79 | 0791605.....126, 137 |
| 0271805.....292 | 0561500 123 | 06418089, 25, 50, 51, 58, | 0791606.....123, 137 |
| 0271806.....107 | 0630464 .13, 99, 103, 137 | 59, 123 | 0791607.....134 |
| 0271807.....107 | 0630467 132 | 0641810 83, 87, 132 | 0791608.....137 |
| 0271808.....107, 293 | 0630491 107 | 0641812 ..51, 59, 95, 141 | 0791612.....124 |
| 0271852.....17 | 0630511 115 | 0641813 123 | 0791618.....123 |
| 0271874.....115 | 0630518 99, 103 | 0641814 10 | 0791620.....123, 132 |
| 0271875.....292 | 0630534 195, 197 | 0641818 59 | 0791622.....132 |
| 0271932.....249, 265 | 0630535 ... 179, 181, 183, | 0641820 95 | 0791624.....123, 132 |
| 0271934.....9, 10 | 185, 187, 189, 203 | 0641826 59 | 0791808.....134 |
| 0271955.....256, 272 | 0630536 205 | 0642010 50, 58 | 0801316.....123 |
| 0271956.....292 | 0630537 191, 193 | 0642012 123 | 0801317.....123 |
| 0271983.....294 | 0630548 99, 103 | 0642014 123 | 0801318.....123 |
| 0272048.....126, 293 | 0630558 126 | 0642016 13 | 0801319.....124 |
| 0272055.....17 | 0630568 159 | 0642020 10 | 0801320.....119, 123 |

SECTION 10 - SPECIAL OPTIONS

| | | | | | | | |
|------------------|-----------------------------|-----------------|-----------------------|-----------------|---|-----------------|-----------------------|
| 0801550..... | 126 | 1001098025..... | 211, 224 | 1001110113..... | 26 | 1001111391..... | 145 |
| 0811606..... | 126 | 1001098242..... | 209, 211 | 1001110114..... | 25 | 1001111392..... | 145 |
| 0811607..... | 126 | 1001098513..... | 59 | 1001110146..... | 112 | 1001111393..... | 145 |
| 0811608..... | 123 | 1001098530..... | 59 | 1001110163..... | 119, 123 | 1001111396..... | 145 |
| 0811610..... | 123 | 1001098601..... | 61 | 1001110164..... | 25, 35, 141 | 1001111585..... | 113 |
| 0811614..... | 123 | 1001099632..... | 13 | 1001110166..... | 112 | 1001111905..... | 279 |
| 0811616..... | 123 | 1001099719..... | 257, 273 | 1001110186..... | 41 | 1001111906..... | 283 |
| 0860038..... | 83, 87 | 1001101550..... | 19, 20 | 1001110194..... | 112 | 1001111907..... | 283 |
| 0860520..... | 280, 285 | 1001103286..... | 75, 80, 85, 90 | 1001110257..... | 112 | 1001111908..... | 283 |
| 0861538..... | 83, 87 | 1001103734..... | 251 | 1001110258..... | 112 | 1001111909..... | 283 |
| 0861541..... | 84, 89 | 1001104315..... | 17 | 1001110295..... | 112 | 1001111911..... | 157 |
| 0861542... .. | 83, 84, 87, 89, 258, 274 | 1001104324..... | 17 | 1001110296..... | 113 | 1001112059..... | 54 |
| 0861567..... | 87, 89, 258 | 1001104324..... | 17 | 1001110433..... | 113 | 1001112068..... | 54 |
| 0861572..... | 87 | 1001104325..... | 17, 20 | 1001110486..... | 113 | 1001112069..... | 54 |
| 0861630..... | 157, 159 | 1001105014..... | 203 | 1001110506..... | 292 | 1001112070..... | 54 |
| 0861631..... | 248 | 1001105016..... | 203 | 1001110513..... | 26 | 1001112073..... | 54 |
| 0902206..... | 107 | 1001106736..... | 100, 104, 251, 267 | 1001110558..... | 137 | 1001112162..... | 113 |
| 0902743..... | 203, 205 | 1001107176..... | 112, 113 | 1001110705..... | 119 | 1001112570..... | 54 |
| 0902751..... | 157 | 1001107978..... | 113 | 1001110740..... | 35 | 1001112592..... | 54 |
| 0902755..... | 35 | 1001108024..... | 113 | 1001110763..... | 209, 211, 213, 215, 217, 219, 221, 223, 224 | 1001112612..... | 251, 267 |
| 0902790..... | 95 | 1001108142..... | 112 | 1001110771..... | 279, 283 | 1001112623..... | 17, 19, 20 |
| 0902800..... | 35 | 1001108579..... | 93 | 1001110773..... | 279, 283 | 1001112669..... | 17 |
| 0902813..... | 79 | 1001108617..... | 50, 58 | 1001110777..... | 213, 224 | 1001112691..... | 113 |
| 0902888..... | 83, 87 | 1001108680..... | 112 | 1001110787..... | 219, 224 | 1001112716..... | 17 |
| 0903530..... | 141 | 1001108771..... | 125 | 1001110788..... | 209, 224 | 1001112741..... | 145 |
| 0940070..... | 51, 59 | 1001108788..... | 14 | 1001110821..... | 224 | 1001112754..... | 99 |
| 0961845..... | 149 | 1001108808..... | 17 | 1001110872..... | 84, 88, 257, 274 | 1001112757..... | 35, 290 |
| 0961893..... | 195, 197 | 1001108809..... | 13 | 1001110873..... | 84, 88, 257, 274 | 1001112758..... | 25, 290 |
| 0961896... .. | 179, 183, 185, 187, 189 | 1001108904..... | 112 | 1001110877..... | 26 | 1001112761..... | 252, 268 |
| 0961901..... | 191, 193 | 1001108919..... | 93 | 1001110901..... | 280, 285 | 1001112766..... | 59 |
| 0961903..... | 203, 205 | 1001109048..... | 93 | 1001110926..... | 293 | 1001112820..... | 293 |
| 0961948..... | 125 | 1001109106..... | 280, 285 | 1001110936..... | 226 | 1001112821..... | 293 |
| 0961949... .. | 187, 189, 199, 201 | 1001109181..... | 158 | 1001110940..... | 93, 290 | 1001112878..... | 50, 58 |
| 0961950... .. | 183, 185, 199, 201 | 1001109236..... | 17, 23 | 1001110974..... | 293 | 1001112879..... | 50, 58 |
| 0961951..... | 124 | 1001109238..... | 141 | 1001110982..... | 293 | 1001112880..... | 50, 58 |
| 0961986..... | 51, 59 | 1001109502..... | 280, 285 | 1001111018..... | 149 | 1001112911..... | 115 |
| 0962033..... | 9 | 1001109511..... | 112 | 1001111054..... | 58 | 1001112928..... | 213 |
| 0962224..... | 124 | 1001109543..... | 112 | 1001111089..... | 279, 283 | 1001112929..... | 145 |
| 0962257..... | 195, 197 | 1001109544..... | 93 | 1001111094..... | 293 | 1001112930..... | 213 |
| 0962297... .. | 124, 191, 193 | 1001109626..... | 126 | 1001111098..... | 283 | 1001112931..... | 213 |
| 0962401..... | 125 | 1001109628..... | 126 | 1001111099..... | 279 | 1001112932..... | 213 |
| 0962402..... | 125 | 1001109649..... | 157 | 1001111099..... | 283 | 1001112933..... | 213 |
| 0962403..... | 125 | 1001109650..... | 157 | 1001111099..... | 283 | 1001112935..... | 213 |
| 0962404..... | 125 | 1001109651..... | 112 | 1001111099..... | 283 | 1001112937..... | 213 |
| 0962406..... | 125 | 1001109653..... | 99, 104 | 1001111096..... | 283 | 1001113004..... | 112 |
| 0962409..... | 124 | 1001109730..... | 13 | 1001111097..... | 283 | 1001113047..... | 113 |
| 0962410..... | 124 | 1001109759..... | 112 | 1001111098..... | 283 | 1001113103..... | 93 |
| 0962411..... | 125 | 1001109759..... | 112 | 1001111132..... | 50, 59 | 1001113173..... | 115 |
| 0962423..... | 13 | 1001109796..... | 17, 20 | 1001111175..... | 115 | 1001113242..... | 145 |
| 0962447..... | 126 | 1001109797..... | 17 | 1001111176..... | 115 | 1001113243..... | 145 |
| 0962472..... | 125 | 1001109838..... | 112 | 1001111193..... | 115 | 1001113698..... | 100, 251 |
| 0962520..... | 83, 87 | 1001109941..... | 112 | 1001111219..... | 93, 115 | 1001113705..... | 29 |
| 1001091460..... | 44 | 1001109952..... | 157 | 1001111253..... | 279 | 1001113734..... | 100 |
| 1001091461..... | 44 | 1001109953..... | 248 | 1001111254..... | 279 | 1001113961..... | 171, 173, 251, 267 |
| 1001092856..... | 61 | 1001109989..... | 112, 113 | 1001111255..... | 284 | 1001114093..... | 279, 283 |
| 1001094375... .. | 76, 80, 85, 90 | 1001110014..... | 99, 103 | 1001111256..... | 284 | 1001114098..... | 113 |
| 1001094509... .. | 76, 80, 85, 91 | 1001110015..... | 100 | 1001111257..... | 284 | 1001114392..... | 115 |
| 1001097553..... | 54 | 1001110016..... | 99, 249 | 1001111258..... | 284 | 1001114620..... | 223, 224 |
| 1001097619..... | 123, 129 | 1001110027..... | 112 | 1001111259..... | 284 | 1001114649..... | 292 |
| 1001097643..... | 123, 129 | 1001110059..... | 93 | 1001111260..... | 284 | 1001114889..... | 145 |
| 1001097820..... | 209, 211 | 1001110060..... | 25, 29 | 1001111261..... | 284 | 1001114890..... | 145 |
| | | 1001110084..... | 99, 103, 290 | 1001111262..... | 285 | 1001114891..... | 145 |
| | | 1001110108..... | 26 | 1001111346..... | 149 | 1001115168..... | 115 |
| | | 1001110109..... | 26 | 1001111352..... | 58 | 1001115385..... | 132 |
| | | 1001110110..... | 26 | 1001111387..... | 145 | 1001115440..... | 115, 145 |
| | | 1001110111..... | 26 | 1001111388..... | 145 | 1001115961..... | 17 |
| | | 1001110112..... | 26 | 1001111390..... | 145 | | |

SECTION 10 - SPECIAL OPTIONS

| | | | |
|---------------------------------|----------------------------------|---------------------------------------|-------------------------------|
| 1001116111.....51 | 1001120381..... 226, 273 | 1001131269..... 279 | 1320022..... 50, 51, 58, 59 |
| 1001116112.....50, 54 | 1001120466..... 150 | 1001131542..... 51, 59 | 1320058..... 53, 59 |
| 1001116153.....52 | 1001120471..... 274 | 1001131620..... 132 | 1320060..... 59 |
| 1001116186.....52 | 1001120474..... 150, 274 | 1001131729..... 132 | 1320095..... 99, 103 |
| 1001116201.....52 | 1001120476..... 150 | 1001131734..... 132 | 1320130..... 53, 137 |
| 1001116206.....226, 267, 268 | 1001120477..... 274 | 1001133071..... 292 | 1320136..... 138 |
| 1001116278.....52 | 1001120484..... 150, 274 | 1001133329..... 137, 255, 271, 290 | 1320146..... 256, 273 |
| 1001116313.....52 | 1001120492..... 51 | 1001134098..... 41, 44 | 1320159..... 133 |
| 1001116324.....52 | 1001120529..... 50 | 1001137005..... 275, 294 | 1320162..... 97 |
| 1001116348.....52 | 1001120564..... 97 | 1001137672..... 293 | 1320187..... 50, 58 |
| 1001116354.....52 | 1001120743..... 51, 272 | 1001138805..... 197 | 1320190..... 50, 58 |
| 1001116367.....52 | 1001120769..... 54 | 1001142504..... 293 | 1320223..... 59 |
| 1001116369..... 103, 266 | 1001120771..... 54 | 1001142505..... 293 | 1320224..... 53 |
| 1001116398..... 25, 35, 141 | 1001120772..... 54 | 1001142505..... 293 | 1320263..... 9, 53, 133 |
| 1001116413.....52 | 1001120773..... 54 | 1001142966..... 293 | 1320277..... 133 |
| 1001116436.....52 | 1001120774..... 54 | 1001143256..... 293 | 1320294..... 133 |
| 1001116437.....53 | 1001120775..... 54 | 1001143669..... 293 | 1320295..... 133 |
| 1001116525.....53 | 1001120776..... 54, 272 | 1001144023..... 153 | 1320296..... 133 |
| 1001116542..... 215, 224 | 1001120810..... 54 | 1001144024..... 153 | 1320298..... 9 |
| 1001116591.....53 | 1001121004..... 53 | 1001144629..... 153 | 1320301..... 137 |
| 1001116792.....50 | 1001121236..... 51 | 1001145382..... 60 | 1320309..... 254, 271 |
| 1001116836.....53 | 1001121340..... 85, 89, 90 | 1001145785..... 153 | 1321385..... 134 |
| 1001117024..... 272 | 1001121615..... 248, 265 | 1001146045..... 149, 157, 264 | 1340065..... 51, 59 |
| 1001117057..... 272 | 1001121616..... 248, 265 | 1001146046..... 149 | 1340067..... 292 |
| 1001117078..... 85, 274 | 1001122369..... 279 | 1001146161..... 153, 157, 264 | 1380169..... 112 |
| 1001117172..... 149, 153 | 1001122370..... 284 | 1001148902..... 292 | 1560011..... 254, 271 |
| 1001117174..... 149, 153 | 1001122371..... 284 | 1001148903..... 292 | 1560012..... 254, 271 |
| 1001117320..... 149, 153 | 1001122372..... 284 | 1001148903..... 292 | 1580011..... 53 |
| 1001117500.....53 | 1001122373..... 284 | 1001148904..... 292 | 1580012..... 150, 154 |
| 1001117508..... 83, 273 | 1001122376..... 279 | 1001148905..... 292 | 1600244..... 255, 272 |
| 1001117509..... 75 | 1001122377..... 285 | 1001148906..... 292 | 1600317..... 157, 161 |
| 1001117546.....53 | 1001122378..... 285 | 1001148971..... 293 | 1600318..... 157, 171 |
| 1001117577.....53 | 1001122379..... 285 | 1001149730..... 293 | 1600331..... 290 |
| 1001117641..... 75 | 1001122380..... 285 | 1001166538..... 157, 175 | 1600332..... 290 |
| 1001117874.....53 | 1001122528..... 85, 226, 274 | 1001166539..... 157, 167 | 1600343..... 157, 290 |
| 1001118180..... 75 | 1001125425..... 79 | 1001174325..... 193 | 1600443..... 61, 290 |
| 1001118368..... 53, 64 | 1001125427..... 87 | 1001176372..... 293 | 1660302..... 95, 255, 271 |
| 1001118416..... 157, 173 | 1001125428..... 87 | 1001212415..... 288 | 1670829..... 99, 103 |
| 1001118417..... 157, 165 | 1001125869..... 279 | 1001228019..... 10, 185 | 1670964..... 133 |
| 1001118599..... 84 | 1001125871..... 284 | 1001228020..... 9, 181 | 1671023..... 59 |
| 1001119250..... 84 | 1001125872..... 284 | 1001228023..... 124, 189 | 1671031..... 137 |
| 1001119356..... 104 | 1001125873..... 284 | 1001228024..... 119, 193 | 1671032..... 124 |
| 1001119358..... 104 | 1001125874..... 284 | 1001228025..... 124, 197 | 1671033..... 124 |
| 1001119360..... 104 | 1001125875..... 279 | 1001228026..... 124, 205 | 1671038..... 112 |
| 1001119362..... 104 | 1001125876..... 285 | 1001228031..... 13, 201 | 1671039..... 137 |
| 1001119363..... 103, 265 | 1001125877..... 285 | 1060279..... 280, 286 | 1671040..... 13 |
| 1001119372..... 103, 265 | 1001125878..... 285 | 1060343..... 84, 89, 258, 274 | 1671043..... 133 |
| 1001119374..... 103, 265 | 1001125879..... 285 | 1060461..... 256 | 1671044..... 137 |
| 1001119375..... 103, 265 | 1001125891..... 53 | 1060494..... 84, 89, 258, 274 | 1671045..... 25 |
| 1001119456..... 265 | 1001125949..... 104 | 1060633..... 255, 272 | 1671046..... 25 |
| 1001119470..... 265, 267 | 1001125950..... 159 | 1060637..... 59 | 1671047..... 26 |
| 1001119565..... 158, 292 | 1001125966..... 104, 159 | 1060708..... 84, 89, 154, 258, 274 | 1671048..... 26 |
| 1001119686..... 99, 249 | 1001128765..... 51 | 1060896..... 249, 265 | 1671049..... 26 |
| 1001119687..... 100 | 1001128789..... 51 | 1060918..... 248, 264 | 1671092..... 84, 89, 258, 274 |
| 1001119859..... 97 | 1001128797..... 51 | 1060977..... 257, 273 | 1671121..... 50, 58 |
| 1001119860..... 226 | 1001128898..... 50 | 1100131..... 124 | 1671176..... 157 |
| 1001119899..... 124 | 1001128899..... 50 | 1120094..... 199 | 1671314..... 158 |
| 1001119966..... 84 | 1001129023..... 52 | 1120487..... 93 | 1683053..... 195 |
| 1001119968..... 85, 274 | 1001129304..... 52 | 1120549..... 13 | 1683056..... 179 |
| 1001119995..... 51, 272 | 1001129360..... 54 | 1120550..... 13 | 1683062..... 183, 187 |
| 1001120180..... 103, 266 | 1001129361..... 54 | 1180358..... 9 | 1683072..... 191 |
| 1001120195..... 97 | 1001129555..... 161, 162, 288 | 1180369..... 133 | 1684081..... 10, 183 |
| 1001120196..... 97 | 1001129995..... 53 | 1180370..... 133 | 1684082..... 183 |
| 1001120294..... 104, 267 | 1001130161..... 53 | 1260017..... 41 | 1684083..... 183 |
| 1001120337..... 104, 267 | 1001130171..... 53 | 1320017..... 51 | 1684102..... 9, 179 |
| 1001120378..... 273 | 1001130774..... 51 | | 1684103..... 179 |
| | | | 1684105..... 179 |

SECTION 10 - SPECIAL OPTIONS

| | | | | | | | |
|---------------|---------------|---------------|---------------|--------------------------|------------------|---------------------|-----------------|
| 1684141 | 203 | 1705334 | 284 | 2110404..... | 20, 142, 209, | 2220884 | 203, 205 |
| 1684149 | 124, 187 | 1705336 | 279 | 2110406... | 29, 31, 38, 217 | 2220885 ... | 183, 185, 187, |
| 1684150 | 187 | 1705337 | 279 | 2110408..... | 38 | 189, 193, 195, 197, | |
| 1684159 | 191 | 1705339 | 283 | 2110604..... | 217 | 201, 203, 205 | |
| 1684162 | 119, 191 | 1705342 | 283 | 2110606.25, 37, 142, 217 | | 2220886 | 187, 189, 205 |
| 1684173 | 124, 195 | 1705345 | 284 | 2110608..... | 38, 223 | 2220888 | 191, 193 |
| 1684174 | 195 | 1705348 | 284 | 2110610..... | 223 | 2220890 | 38 |
| 1684176 | 195 | 1705351 | 279 | 2110612..... | 209, 211 | 2221084 | 223 |
| 1684178 | 124, 203 | 1705365 | 280 | 2110808.. | 20, 29, 37, 209, | 2221086 ... | 25, 29, 31, 38, |
| 1684179 | 203 | 1705366 | 138 | 211, 215 | | 142 | |
| 1684249 | 191 | 1705367 | 138 | 2110810..... | 31, 38, 223 | 2221117 | 223 |
| 1684275 | 199 | 1705374 | 85, 89 | 2110812..... | 20, 215, 223 | 2221176 | 50, 58 |
| 1684306 | 187 | 1705375 | 85, 89 | 2111010..... | 38, 209, 211, | 2300004 | 52 |
| 1684314 | 13, 199 | 1705376 | 84, 89 | 223 | | 2300014 | 292 |
| 1684315 | 199 | 1705387 | 85, 89 | 2111012..... | 31, 223 | 2300016 | 292 |
| 1684317 | 199 | 1705427 | 285 | 2111212..... | 223 | 2300021 | 292 |
| 1700584 | 279, 285 | 1705430 | 285 | 2111216..... | 37 | 2300029 | 292 |
| 1701499 | 279, 283 | 1705448 | 285 | 2111616..... | 223 | 2300039 | 292 |
| 1701501 | 279, 285 | 1705452 | 285 | 2112020..... | 223 | 2400060 | 90, 251, 258, |
| 1701505 | 279, 285 | 1705456 | 285 | 2113232..... | 223 | 267, 274 | |
| 1701509 | 279, 283 | 1705460 | 85, 89 | 2113232..... | 223 | 2400064 | 90, 251, 258, |
| 1702565 | 157 | 1705461 | 89 | 2120217..... | 141 | 267, 288, 290 | |
| 1702566 | 157 | 1705478 | 284 | 2130406..... | 20 | 2400065 ... | 250, 266, 267, |
| 1702773 ... | 280, 285, 286 | 1705481 | 285 | 2130606..... | 37, 219, 221, | 288 | |
| 1702774 | 280, 285 | 1705489 | 89 | 223 | | 2400066 ... | 250, 257, 266, |
| 1702862 | 280, 285 | 1705492 | 279 | 2130612..... | 209, 211 | 267, 273 | |
| 1702868 | 279 | 1705503 | 283 | 2130808..... | 20, 223 | 2400070 | 257, 273, 290 |
| 1703162 | 52, 59 | 1705507 | 283 | 2130810..... | 25 | 2420165 ... | 75, 80, 85, 90 |
| 1703797 | 279 | 1705511 | 279, 285 | 2130812..... | 20 | 2420172 | 99, 103 |
| 1703804 | 279 | 1705744 | 157 | 2131010..... | 223 | 2420203 | 75, 79 |
| 1703805 | 279 | 1705745 | 158 | 2131012..... | 38 | 2460048 | 87 |
| 1703811 | 279, 283 | 1705868 | 279, 285 | 2131212..... | 97, 223 | 2460055 | 75, 79 |
| 1703814 | 279, 283 | 1705895 | 283 | 2150404..... | 209, 211 | 2560136 | 158 |
| 1703923 | 284 | 1705896 | 284 | 2150808..... | 29, 223 | 2560173 | 154 |
| 1703925 | 283 | 1705897 | 284 | 2151012..... | 20, 29, 31 | 2560187 | 113 |
| 1703927 | 283 | 1705898 | 284 | 2170204..... | 211 | 2600279 | 99, 103 |
| 1703935 | 284 | 1705899 | 284 | 2170316..... | 37 | 2600280 | 112 |
| 1703937 | 284 | 1705900 | 284 | 2170504.... | 213, 215, 217 | 2600281 | 153 |
| 1703939 | 284 | 1705901 | 283 | 2170506..... | 217 | 2717059 | 209, 211 |
| 1703941 | 283 | 1705902 | 284 | 2170704..... | 211, 215 | 2720058 | 53, 60 |
| 1703943 | 283 | 1705903 | 283 | 2170706..... | 219 | 2720500 | 60 |
| 1703945 | 283 | 1705904 | 283 | 2170708..... | 209, 211 | 2720501 | 60 |
| 1703947 | 284 | 1705905 | 285 | 2170712..... | 97 | 2750528 | 41 |
| 1703949 | 284 | 1705906 | 283 | 2170804..... | 215 | 2750532 | 50, 58, 60 |
| 1703951 | 284 | 1705908 | 284 | 2170808..... | 213 | 2753541 | 213, 215 |
| 1703953 | 279 | 1705909 | 283 | 2170904..... | 215 | 2753545 ... | 209, 211, 213, |
| 1703981 | 284 | 1705910 | 285 | 2170908.... | 213, 215, 219, | 215 | |
| 1703982 | 284 | 1705915 | 283 | 223 | | 2753552 | 209, 211, 215 |
| 1703983 | 284 | 1705917 | 284 | 2171208..... | 209, 211 | 2753561 | 219 |
| 1704001 | 283 | 1705919 | 285 | 2171210..... | 209, 211 | 2753569 | 219 |
| 1704007 | 283 | 1705967 | 283 | 2180002..... | 41 | 2753579 | 219 |
| 1704260 | 157 | 1705968 | 283 | 2180344..... | 41 | 2753582 | 213, 215 |
| 1704277 | 279, 283 | 1705969 | 283 | 2180348..... | 50, 58 | 2753622 | 223 |
| 1704412 | 279, 283 | 1705973 | 157 | 2180467 | 93 | 2753677 | 215 |
| 1704885 | 280, 285 | 1705974 | 99 | 2180830..... | 209, 211 | 2753685 | 215 |
| 1704972 | 279 | 1706059 | 285 | 2200221..... | 51 | 2753703 | 215 |
| 1705096 | 280, 285 | 1706060 | 285 | 2200222..... | 50, 58 | 2753708 | 223 |
| 1705132 | 157 | 1706061 | 285 | 2220063..... | 41 | 2753713 | 215 |
| 1705167 | 285 | 1706063 | 285 | 2220235..... | 215 | 2753714 | 215 |
| 1705168 | 279 | 1706741 | 159 | 2220238..... | 29, 215 | 2753715 | 215 |
| 1705170 | 159 | 1706751 | 279, 285 | 2220313..... | 50, 58 | 2753716 | 211, 215 |
| 1705171 | 157 | 1706904 | 285 | 2220451..... | 59 | 2753717 | 209, 211 |
| 1705174 | 157 | 1706911 | 99, 104 | 2220478..... | 223 | 2753718 | 223 |
| 1705178 | 280, 285 | 1810057 | 249 | 2220498..... | 60 | 2753719 | 217 |
| 1705181 | 279 | 2060025 | 52, 59 | 2220737..... | 223 | 2753726 | 217 |
| 1705307 ... | 126, 292, 293 | 2080040 ... | 150, 153, 154 | 2220883..... | 31, 179, 181, | 2753727 | 217 |
| 1705331 | 284 | 2080051 | 112 | 189, 193, 195, 197 | | 2753728 | 221 |

SECTION 10 - SPECIAL OPTIONS

| | | | |
|--|---|--|-----------------------------|
| 2753729.....217 | 2900792 ... 179, 181, 187, 189, 191, 193 | 3310601 ... 75, 80, 84, 85, 89, 90 | 3422955.....119 |
| 2753730.....223 | 2901443 255, 272, 293 | 3310805 9, 75, 80, 85, 90 | 3422956.....124 |
| 2753731.....223 | 2901773 179, 181 | 3311001 99, 103, 107, 159 | 3422957.....124 |
| 2753732.....219, 221 | 2902065 60 | 3311005 . 51, 75, 79, 150, 158 | 3422958.....124 |
| 2753733.....221 | 2902081 203, 205 | 3311401 99, 103 | 3422959.....124 |
| 2753734.....219, 221, 223 | 2902082 191 | 3311405 ... 25, 26, 35, 51, 52, 60, 79, 137, 149, 154, 280, 286 | 3422960.....9 |
| 2753735.....221 | 2902087 ... 183, 185, 187, 189 | 3311505 ... 13, 25, 41, 50, 53, 58, 60, 97, 107, 113, 145 | 3422988.....119 |
| 2753736.....219, 221 | 2902092 195 | 3311601 83, 88 | 3423208.....119 |
| 2753737.....219, 221 | 2902099 58, 255, 272 | 3311605 ... 25, 50, 52, 60, 79, 97, 107, 112, 115, 124, 126, 137, 141, 149, 154 | 3423256.....13 |
| 2753738.....221 | 2902257 199, 201 | 3311805 83, 124 | 3441680.....125 |
| 2753739.....221 | 2902303 292 | 3311805 . 52, 60, 95, 124, 141 | 3451214.....13 |
| 2753741.....223 | 2902307 292 | 3312002 41 | 3470003.....159 |
| 2753742.....221 | 2902309 292 | 3312005 10, 52 | 3480162.....187 |
| 2753743.....221 | 2902310 292 | 3322201 95 | 3480268.....203 |
| 2753744.....223 | 2902311 292 | 3340871 124 | 3480269.....183 |
| 2753745.....209, 211 | 2902312 292 | 3340877 113 | 3480270.....191 |
| 2753746.....223 | 2902355 279, 285 | 3340881 9, 124 | 3480271.....195 |
| 2753747.....215 | 2902357 285 | 3340907 9 | 3480272.....179 |
| 2753748.....215 | 2902443 251 | 3340910 124 | 3480278.....199 |
| 2753749.....215 | 2902482 223 | 3340912 124 | 3520026.....158 |
| 2753750.....215 | 2915072 41 | 3340916 124 | 3520027.....158 |
| 2753752.....215 | 2920110 107 | 3340917 124 | 3520034.....113 |
| 2753753.....221 | 2920113 107 | 3340918 124 | 3520054 ... 10, 52, 60, 158 |
| 2753754.....221 | 2920129 251, 268 | 3340921 124 | 3520072.....153 |
| 2753755.....209, 211 | 2920140 154 | 3340922 124 | 3520174.....158 |
| 2753756.....215 | 2920154 158 | 3340925 133 | 3520182.....149 |
| 2753757.....215 | 2920157 107, 154 | 3340926 124 | 3520189.....89, 258 |
| 2753758.....223 | 2920215 107 | 3340927 119 | 3520198.....149, 153 |
| 2753759.....215 | 2940045 115 | 3340932 9 | 3536089.....154 |
| 2753760.....215 | 2940074 153, 290 | 3340934 133 | 3537416.....60 |
| 2753761.....215 | 2940139 99, 103 | 3340939 9 | 3539971.....60 |
| 2753762.....215 | 2940173 112 | 3340940 133 | 3572327.....286 |
| 2753763.....209, 211 | 3020008 20, 293 | 3340941 133, 137 | 3572950.....124 |
| 2753764.....215 | 3020016 52, 60, 292 | 3340942 133 | 3572951.....125 |
| 2753765.....223 | 3020037 52 | 3340946 9 | 3573016.....133 |
| 2753766.....223 | 3020039 124 | 3340955 123 | 3573142.....60 |
| 2753767.....209, 211 | 3020042 124 | 3340963 203, 205 | 3573179.....133 |
| 2753768.....215 | 3160302 44 | 3380434 149, 154 | 3573194.....133 |
| 2753769.....223 | 3160339 17, 23 | 3380465 99, 103 | 3573210.....133 |
| 2753770.....223 | 3200362 60 | 3380473 58 | 3573294.....9 |
| 2753771.....223 | 3200401 60 | 3380474 280 | 3573301.....137 |
| 2753772.....223 | 3200433 137 | 3380652 293 | 3573335.....9 |
| 2753773.....223 | 3220126 52, 60 | 3421563 41 | 3573336.....107 |
| 2753774.....223 | 3220130 60 | 3421565 41 | 3573355.....115 |
| 2753775.....223 | 3250585 154 | 3422446 50, 58 | 3573411.....60 |
| 2753776.....223 | 3251102 ... 75, 79, 83, 88 | 3422532 52, 60 | 3573412.....52, 60 |
| 2753777.....97 | 3251243 279, 283 | 3422833 10 | 3573437.....126 |
| 2753778.....97 | 3251813 279, 284 | 3422915 10 | 3573444.....126 |
| 2753810.....209, 211 | 3252347 279 | 3422917 13 | 3573529.....60 |
| 2753811.....209, 211 | 3290501 53 | 3422918 9 | 3573644.....50, 58 |
| 2753832.....213 | 3290601 113 | 3422926 124 | 3573669.....58 |
| 2753835.....213 | 3300239 124 | 3422937 124 | 3573728.....50, 58 |
| 2753843.....97 | 3300243 141 | 3422940 13 | 3574431.....137 |
| 2753977.....213 | 3300353 158 | 3422941 13 | 3574616.....138 |
| 2754288.....209, 211 | 3300396 84, 89 | | 3580158.....60 |
| 2760105.....99, 103 | 3300408 99, 103, 158 | | 3580276.....75, 79 |
| 2792647.....217, 224 | 3300430 137 | | 3580298.....125 |
| 2792772.....215, 224 | 3300454 26, 35, 60 | | 3580300.....125 |
| 2792773.....221, 224 | 3300458 124 | | 3580302.....125 |
| 2820031 75, 79, 83, 88 | 3300460 124 | | 3580306.....126 |
| 2820035 107, 256, 272 | 3300461 124 | | 3580308.....125 |
| 2820118.....249, 265 | 3300464 13 | | 3580317.....83, 88 |
| 2820148.....58 | 3300465 199, 201 | | 3580318.....83, 88 |
| 2820170.....50, 58 | 3300482 158 | | 3580319.....88 |
| 2860030.....100, 104, 288 | 3300492 134 | | 3580320.....60 |
| 2900770 37, 45, 141, 142, 183, 185, 191, 193, 195, 197 | | | 3580321.....53 |

SECTION 10 - SPECIAL OPTIONS

| | | | | | | | |
|--------------------|-----------------|---------------|------------------|--------------------|-------------------|-----------------------------|---------------------|
| 3580322 | 75 | 3931616 | 100, 104 | 4071074 | 158 | 257, 258, 264, 268, | |
| 3580341 | 125 | 3931620 | 179, 181 | 4100100 | 195 | 272, 273, 274 | |
| 3580342 | 125 | 3931824 ... | 183, 185, 187, | 4120035 | 250, 266 | 4460227 ... 248, 250, 252, | |
| 3600339 | 60, 70 | 189 | 3931840 | 203, 205 | 4120040 | 126, 293 | 254, 257, 264, 265, |
| 3600424 | 35 | 3932024 | 13 | 4120043 | 126, 293 | 267, 269, 270, 273 | |
| 3620034 | 97 | 3932244 | 191, 193 | 4160194 | 112 | 4460234 ... 76, 80, 85, 90, | |
| 3641533 | 90 | 3951620 | 133 | 4160197 | 125 | 158 | |
| 3740049 | 99, 103, 288 | 3952020 | 41 | 4220162 | 107 | 4460265 | 168, 175 |
| 3740067 | 35, 52, 60, 288 | 3960418 | 99, 103 | 4240018 | 50, 59, 83, 88, | 4460267 ... 249, 257, 266, | |
| 3740080 ... | 52, 60, 75, 79, | 3960422 | 83, 88, 257, 274 | 133 | 4240032 | 76, 80, 85, 90 | |
| 107, 250, 266, 288 | | 3960543 | 52, 60 | 4240033 | 50 | 4460268 ... 107, 249, 256, | |
| 3760133 | 126 | 3960544 | 52, 60 | 4240099 | 59, 60, 150 | 266, 272 | |
| 3760170 | 41 | 3960551 | 13 | 4240153 | 134 | 4460315 | 83, 88 |
| 3760233 | 125 | 3960552 | 13 | 4240155 | 134 | 4460320 ... 249, 257, 266, | |
| 3760308 | 113 | 3980006 | 35 | 4240156 | 134 | 273 | |
| 3760368 | 195, 197 | 3990001 ... | 250, 266, 288 | 4300157 | 83 | 4460321 ... 255, 256, 272, | |
| 3760369 | 179 | 4031607 | 53 | 4340999 | 112 | 273 | |
| 3760371 ... | 183, 187, 189 | 4031911 | 52 | 4341158 | 138 | 4460346.83, 88, 257, 274 | |
| 3760375 | 191, 193 | 4032008 | 52 | 4341264 | 141 | 4460374 90, 250, 256, | |
| 3760383 | 13 | 4032022 | 60 | 4360031 | 149, 153 | 257, 258, 266, 273 | |
| 3790012 | 158 | 4060700 | 88 | 4360070 | 84, 89, 290 | 4460375 90, 250, 256, | |
| 3790112 | 203 | 4060802 ... | 75, 79, 83, 88, | 4360232 | 159, 257, 273, | 258, 266, 273 | |
| 3790158 | 20 | 154 | 4060804 | 60, 134 | 4360274 | 99, 103, 288 | |
| 3820001 | 280, 286 | 4060805 | 53, 60 | 4360328 | 99, 103, 104, | 4460411 | 90 |
| 3820020 | 153 | 4060808 | 25 | 158, 288 | 4360330 | 158, 288 | |
| 3841143 | 50, 59, 125 | 4060906 ... | 99, 103, 104, | 4360331 | 158, 288 | 4460412 | 90 |
| 3841203 | 125 | 159 | 4060907 | 107 | 4360336 | 75, 79, 83, 88, | |
| 3841258 | 10, 13, 125 | 4061043 | 88 | 154, 158, 159, 288 | 4360387 | 158, 288 | |
| 3841287 | 9, 119 | 4070863 | 125 | 4360387 | 158, 288 | 4460424 ... 107, 249, 256, | |
| 3841340 | 25, 93 | 4070864 | 125 | 4360407 | 158 | 257, 266, 272, 273 | |
| 3841581 | 119 | 4070895 | 125 | 4360469 | 100, 104, 288 | 4460425 84, 89, 257, 258, | |
| 3890034 | 125 | 4070897 | 125 | 4360475 | 99, 103, 158, | 273, 274 | |
| 3890035 | 125 | 4070898 | 125 | 288 | 4360476 | 99, 103, 158, | |
| 3890036 | 125 | 4070987 | 100, 104 | 288 | 4360505 | 13, 254, 271, | |
| 3890037 | 125 | 4071012 | 125 | 288 | 4360522 | 159, 290 | |
| 3890038 | 125 | 4071013 | 125 | 4360527 | 137, 255, 271, | | |
| 3900174 | 112 | 4071015 | 125 | 290 | 4360542 | 75, 79 | |
| 3900183 | 158 | 4071016 | 125 | 4360543 | 137, 290 | 4400457 | 93 |
| 3900210 ... | 112, 113, 141 | 4071022 | 133 | 4360548 | 137, 290 | 4420037 | 35, 154 |
| 3900223 | 41 | 4071023 | 133 | 4360578 | 9, 137, 290 | 4420038 | 93 |
| 3900232 ... | 112, 132, 141 | 4071024 | 125 | 4400457 | 93 | 4420055 | 149 |
| 3900260 | 133 | 4071025 | 125 | 4420037 | 35, 154 | 4420060 | 76, 80, 85, 90 |
| 3900270 | 9 | 4071026 | 125 | 4420038 | 93 | 4460007 | 158 |
| 3900272 | 50, 59 | 4071027 | 125 | 4420055 | 149 | 4460018 | 76, 80, 85, 90 |
| 3900283 ... | 93, 112, 133, | 4071028 | 125 | 4420060 | 76, 80, 85, 90 | 4460019 | 250 |
| 141 | | 4071029 | 125 | 4460007 | 158 | 4460027 | 75, 79, 273 |
| 3900316 | 133 | 4071031 | 125 | 4460018 | 76, 80, 85, 90 | 4460051 | 83, 88, 257, 274 |
| 3900322 | 75, 79 | 4071035 | 9 | 4460019 | 250 | 4460071 | 83, 89, 248, 257, |
| 3900349 | 158 | 4071036 | 9 | 4460027 | 75, 79, 273 | 264, 274 | |
| 3900363 | 113 | 4071039 | 9 | 4460190 | 75, 79 | 4460190 | 75, 79 |
| 3910606 | 83, 88 | 4071040 | 9 | 4460224 | 251, 255, 268, | 272 | |
| 3910608 ... | 76, 80, 85, 90 | 4071041 | 41 | 4460225 | 84, 88, 248, 250, | 4460225 84, 88, 248, 250, | |
| 3910610 | 84, 89 | 4071042 | 9 | 257, 264, 267, 274 | 4460226 | 84, 88, 168, 175, | |
| 3910804 | 100, 104 | 4071044 | 126 | 4460226 | 84, 88, 168, 175, | 248, 251, 255, 256, | |
| 3911040 | 107 | 4071045 | 126 | 4460226 | 84, 88, 168, 175, | 248, 251, 255, 256, | |
| 3930606 | 137 | 4071046 | 126 | 4460226 | 84, 88, 168, 175, | 248, 251, 255, 256, | |
| 3930816 | 137 | 4071049 | 10 | 4460226 | 84, 88, 168, 175, | 248, 251, 255, 256, | |
| 3930820 | 9 | 4071050 | 10 | 4460226 | 84, 88, 168, 175, | 248, 251, 255, 256, | |
| 3931008 | 95 | 4071054 | 9 | 4460226 | 84, 88, 168, 175, | 248, 251, 255, 256, | |
| 3931010 | 150 | 4071055 | 9 | 4460226 | 84, 88, 168, 175, | 248, 251, 255, 256, | |
| 3931020 | 13 | | | | | | |
| 3931412 | 13 | | | | | | |
| 3931414 | 137 | | | | | | |
| 3931448 | 203, 205 | | | | | | |
| 3931512 | 95 | | | | | | |
| 3931516 | 195, 197 | | | | | | |
| 3931608 | 203, 205 | | | | | | |

SECTION 10 - SPECIAL OPTIONS

| | | | |
|--|---|--|---|
| 4460509.....249, 265 | 4460913 255, 271 | 4568426 97 | 4751800.....95, 154 |
| 4460510.....258, 274, 293 | 4460914 13, 99, 103, 137, 249, 265 | 4568427 97 | 4752000.....50, 59 |
| 4460526.....99, 103, 249, 265 | 4460917 255, 271 | 4568735 53 | 4755000.....13 |
| 4460536....250, 254, 255, 271 | 4460918 ... 252, 253, 254, 269, 270, 271 | 4640438 191, 193 | 4760600....76, 80, 84, 85, 89, 90 |
| 4460539....251, 252, 253, 266, 267, 268, 269 | 4460925 248, 265 | 4640452 195, 197 | 4760800.....158 |
| 4460607.....90 | 4460926 253, 269 | 4640509 ... 179, 181, 187, 189, 191, 193 | 4761000.....159 |
| 4460634.....250, 266 | 4460928 253, 269 | 4640741 45 | 4761400.....99, 103 |
| 4460635.....250, 267 | 4460929 248, 265 | 4640750 53 | 4791400....35, 61, 83, 88 |
| 4460705.....256, 273 | 4460930 ... 252, 254, 268, 270, 272 | 4640751 60 | 4811600.....54 |
| 4460708.....158, 248, 264 | 4460931 266 | 4640858 183, 185 | 4811700.....54 |
| 4460761....248, 250, 252, 254, 264, 267, 269, 270 | 4460932 ... 252, 254, 268, 269, 270, 274 | 4641114 195, 197 | 4811900....50, 53, 54, 75, 113 |
| 4460807.....84, 88 | 4460933 ... 252, 253, 267, 268, 270 | 4641155 25 | 4812000.....53, 54 |
| 4460808.....84, 89 | 4460934 ... 252, 253, 268, 270 | 4641210 191, 193 | 4812100.....50, 52, 54 |
| 4460836....249, 252, 253, 255, 266, 268, 270, 271 | 4460935 ... 252, 253, 268, 270 | 4641247 187, 189 | 4831900.....53 |
| 4460837....254, 255, 270, 271 | 4460941 ... 252, 254, 255, 269, 270, 271 | 4641255 142 | 4832000.....52 |
| 4460842.....250, 266 | 4460942 ... 249, 250, 253, 255, 266, 267, 270, 271 | 4641256 203, 205 | 4846383.....10 |
| 4460843.....250, 266 | 4460943 ... 248, 250, 252, 254, 255, 264, 268, 269, 270, 271, 274 | 4641260 195, 197 | 4846431.....133 |
| 4460865.....249, 265 | 4460944 ... 249, 250, 251, 252, 253, 254, 255, 266, 267, 268, 269, 270, 271, 272 | 4641267 35, 37 | 4846452.....153 |
| 4460866....248, 250, 264, 266 | 4460945 ... 251, 253, 268, 269 | 4641268 25 | 4846453.....125 |
| 4460871....161, 162, 165, 171, 173, 248, 250, 251, 255, 264, 266, 267, 268, 272 | 4460950 252, 269 | 4641276 183, 185 | 4846462.....126 |
| 4460872.....251, 268 | 4460956 90 | 4641454 25, 31 | 4846482.....126 |
| 4460873....248, 250, 264, 267 | 4460957 90 | 4641460 141 | 4846484.....137 |
| 4460874.....99, 103, 248, 249, 264, 265 | 4460958 .83, 88, 257, 274 | 4700038 124 | 4846485.....133 |
| 4460875.....99, 103, 249, 265 | 4460961 256, 273 | 4700039 124 | 4846515.....133 |
| 4460876....248, 250, 264, 266 | 4460963 .85, 89, 258, 274 | 4711000 51 | 4846516.....133 |
| 4460878.....250, 266 | 4460965 ... 249, 250, 251, 266, 267 | 4711400 ... 25, 26, 35, 51, 52, 59, 83, 88, 112, 133, 137 | 4846552.....61 |
| 4460879....248, 264, 274 | 4460966 ... 250, 254, 267, 270 | 4711500 ... 13, 25, 35, 50, 52, 59, 60, 97, 113, 115, 133, 141, 159 | 4846561.....154 |
| 4460880....249, 251, 252, 253, 265, 266, 268, 269 | 4460967 .85, 90, 258, 274 | 4711600 9, 25, 35, 50, 52, 59, 60, 79, 83, 89, 112, 125, 126, 133, 137, 141, 203, 205 | 4846573.....141 |
| 4460884....252, 253, 254, 269, 270, 274 | 4460968 10, 138 | 4711700 75, 79 | 4846637.....10 |
| 4460887....248, 250, 251, 264, 266, 274 | 4461001 90 | 4711800 ... 10, 13, 25, 52, 60 | 4846753.....133 |
| 4460891....252, 253, 266, 268, 269 | 4461005 251, 267 | 4711900 79 | 4846945.....61 |
| 4460892.....99, 103, 249, 252, 265, 268 | 4461006 251, 267 | 4712000 10, 52 | 4846946.....61 |
| 4460894....250, 252, 253, 254, 266, 267, 268, 269, 270 | 4461008 251, 268 | 4740181 13 | 4860236.....17 |
| 4460897....253, 265, 269 | 4461013 254, 271 | 4740229 13 | 4891400.....137 |
| 4460898.....267 | 4461052 251, 267 | 4740242 52 | 4891500.....80 |
| 4460899....251, 254, 265, 266, 270 | 4461053 251, 268 | 4740274 61 | 4891600....53, 126, 133, 141 |
| 4460905.....99, 103, 158, 248, 249, 251, 264, 265, 267, 268 | 4461054 251, 268 | 4740362 149, 154 | 4891800....52, 61, 83, 88, 133, 141, 203 |
| 4460906.....256, 273 | 4461060 251, 268 | 4740397 79, 88 | 4892000....17, 41, 75, 80, 126 |
| 4460910.....255, 271 | 4461070 268 | 4740444 99, 103, 104 | 4892400.....41 |
| 4460911....252, 253, 254, 269, 270, 271 | 4461071 251 | 4740461 9 | 4892600.....141 |
| 4460912....252, 253, 254, 269, 270, 271 | 4461072 251 | 4740505 13 | 4921757.....257, 273 |
| | 4461073 251 | 4740509 125 | 4921850.....294 |
| | 4461074 252 | 4740518 61 | 4921956.....256 |
| | 4461095 268 | 4750600 84, 89 | 4922099....249, 250, 267 |
| | 4520261 17 | 4750800 ... 10, 13, 76, 80, 85, 90, 158 | 49222641 85, 90, 256, 258, 273, 274 |
| | 4562516 134 | 4751000 ... 75, 80, 93, 99, 103, 107, 150, 158 | 4922666....158, 248, 264 |
| | 4568293 60 | 4751400 ... 52, 61, 80, 99, 103, 112, 115, 149, 154, 158, 280, 286 | 4922672.....249, 265 |
| | 4568319 191 | 4751500 ... 52, 75, 83, 88, 107, 112, 134, 145 | 4922696.....252, 268 |
| | 4568345 187 | 4751600 ... 13, 75, 93, 97, 100, 104, 107, 108, 112, 115, 119, 141, 149, 154 | 4922705....252, 254, 269, 270 |
| | 4568423 126 | | 4922716.....253, 269 |

SECTION 10 - SPECIAL OPTIONS

| | | | | | | | |
|----------|------------------|----------|-------------|----------|---------------|----------|----------|
| 4922784 | 253, 269 | 70001868 | 61 | 70002729 | 173 | 70004170 | 84 |
| 4922785 | 253, 269 | 70001869 | 255, 272 | 70002730 | 161, 165 | 70004171 | 84, 88 |
| 4922786 | 253, 269 | 70001872 | 255, 272 | 70002731 | 161, 165 | 70004185 | 294 |
| 4922796 | 249, 265 | 70001930 | 37 | 70002732 | 161, 165 | 70004328 | 141 |
| 4922834 | 257, 273 | 70001939 | 25 | 70002733 | 161, 165 | 70004413 | 93 |
| 4922947 | 254, 270 | 70001941 | 107 | 70002734 | 161, 165 | 70004646 | 294 |
| 4922948 | 254, 271 | 70001952 | 70 | 70002735 | 161, 165 | 70004647 | 294 |
| 4922970 | 256 | 70001953 | 88 | 70002758 | 38 | 70004648 | 294 |
| 4922972 | 84, 88, 257, 274 | 70001966 | 84, 87 | 70002760 | 38 | 70004738 | 175 |
| 4923256 | 254, 270 | 70001968 | 65, 71 | 7000281 | 44 | 70004739 | 175 |
| 4923376 | 100, 249, 251 | 70001973 | 84, 88 | 70002818 | 85, 90 | 70004740 | 175 |
| 4923448 | 158, 248, 264 | 70001974 | 84, 88 | 70002819 | 85, 90 | 70004741 | 175 |
| 4923468 | 61, 256 | 70001976 | 37 | 70002820 | 85, 90 | 70004742 | 175 |
| 4923522 | 100, 249 | 70002015 | 19 | 70002821 | 85, 90 | 70004743 | 175 |
| 4923574 | 100, 250 | 70002016 | 19 | 70002822 | 85, 90 | 70004744 | 175 |
| 4923592 | 61 | 70002018 | 19 | 70002823 | 85, 90 | 70004745 | 175 |
| 4933249 | 226 | 70002019 | 19 | 70002824 | 85, 90 | 70004746 | 175 |
| 4933253 | 226 | 70002020 | 19 | 70002825 | 85, 90 | 70004747 | 175 |
| 4933262 | 226 | 70002026 | 19 | 70002826 | 85, 90 | 70004748 | 175 |
| 4933264 | 89, 226, 258 | 70002027 | 19 | 70002829 | 54 | 70004749 | 175 |
| 4933300 | 226, 256 | 70002029 | 19 | 70002830 | 54 | 70004750 | 175 |
| 4933389 | 226, 251 | 70002030 | 19 | 70002831 | 54 | 70004751 | 175 |
| 5241200 | 20 | 70002031 | 19 | 70002832 | 54 | 70004752 | 167 |
| 5250608 | 54 | 70002032 | 19 | 70002833 | 54 | 70004753 | 167 |
| 5250808 | 54 | 70002033 | 19 | 70002834 | 54 | 70004754 | 167 |
| 70000342 | 129 | 70002034 | 19 | 70002835 | 54 | 70004755 | 167 |
| 70000619 | 83, 87 | 70002035 | 19 | 70002837 | 54 | 70004756 | 167 |
| 70000780 | 95 | 70002036 | 19 | 70002859 | 129 | 70004757 | 167 |
| 70000793 | 60 | 70002037 | 19 | 7000287 | 44 | 70004758 | 167 |
| 70000796 | 129 | 70002039 | 19 | 7000288 | 44 | 70004759 | 167 |
| 70000801 | 31 | 70002040 | 19 | 70002902 | 149, 153 | 70004760 | 167 |
| 70000802 | 29, 31 | 70002041 | 19 | 70002903 | 149, 154 | 70004761 | 167 |
| 70000803 | 31 | 70002044 | 19 | 70002904 | 149, 154 | 70004762 | 167 |
| 70000804 | 29, 31 | 70002045 | 19 | 70002905 | 149, 154 | 70004763 | 167 |
| 70000805 | 29, 31 | 70002046 | 19 | 70002906 | 162, 165 | 70004764 | 167 |
| 70000806 | 31 | 70002047 | 19 | 70003163 | 64 | 70004765 | 167 |
| 70000852 | 23 | 70002048 | 19 | 70003164 | 64 | 70004766 | 167 |
| 70000853 | 23 | 70002049 | 19 | 70003165 | 66 | 70004767 | 167 |
| 70000854 | 23 | 70002050 | 19 | 70003166 | 66 | 70004768 | 167 |
| 70000855 | 23 | 70002052 | 19 | 70003167 | 65, 66 | 70004769 | 167 |
| 70000856 | 23 | 70002057 | 20 | 70003168 | 65, 66 | 70004770 | 167 |
| 70000857 | 23 | 70002088 | 87 | 70003169 | 65, 66 | 70004771 | 167 |
| 70000858 | 23 | 70002097 | 141, 288 | 70003170 | 66 | 70004772 | 167 |
| 70000859 | 23 | 7000213 | 45 | 70003172 | 65 | 70004773 | 167 |
| 70000860 | 23 | 70002133 | 23 | 70003173 | 64 | 70004774 | 168 |
| 70000861 | 23 | 70002231 | 50, 58, 288 | 70003174 | 64 | 70004775 | 168 |
| 70000862 | 23 | 7000224 | 44 | 70003175 | 64 | 70005230 | 175 |
| 70000863 | 84, 88 | 70002247 | 19, 20 | 70003176 | 64 | 70005433 | 205 |
| 70000916 | 61 | 70002248 | 19, 20 | 70003177 | 64 | 7000625 | 149, 153 |
| 70000917 | 61 | 70002249 | 19, 20 | 70003407 | 255, 272 | 70006359 | 181 |
| 70001017 | 60 | 70002297 | 84, 87 | 70003450 | 84 | 70006360 | 181 |
| 70001056 | 35 | 70002298 | 29 | 70003451 | 84 | 70006361 | 181 |
| 70001100 | 84, 87 | 70002310 | 23 | 70003452 | 84 | 70006362 | 181 |
| 70001101 | 95 | 7000236 | 44 | 70003483 | 149, 153 | 70006363 | 181 |
| 70001102 | 95 | 7000239 | 44 | 70003523 | 45 | 70006473 | 185 |
| 70001128 | 61 | 7000240 | 44 | 70003524 | 44, 45 | 70006474 | 185 |
| 70001129 | 61 | 70002460 | 84, 87 | 70003555 | 52 | 70006490 | 201 |
| 70001130 | 61 | 70002569 | 72 | 70003628 | 23 | 70006491 | 201 |
| 70001131 | 61 | 70002674 | 19 | 70003629 | 45 | 70006492 | 201 |
| 70001384 | 84, 87 | 70002679 | 20 | 70003631 | 84, 87 | 70006493 | 201 |
| 70001435 | 61 | 70002681 | 19, 20 | 70003784 | 158 | 70006520 | 185 |
| 70001499 | 141 | 70002718 | 61 | 70003913 | 132, 133, 288 | 70006523 | 197 |
| 70001639 | 129 | 70002724 | 173 | 70003914 | 132, 133 | 70006524 | 197 |
| 70001696 | 84, 87 | 70002725 | 173 | 70003915 | 132, 133 | 70006525 | 197 |
| 70001697 | 129 | 70002726 | 173 | 70003917 | 132, 288 | 70006526 | 197 |
| 70001850 | 61 | 70002727 | 173 | 70003918 | 132 | 70006527 | 193 |
| 70001867 | 61 | 70002728 | 173 | 70004169 | 88 | 70006528 | 193 |

SECTION 10 - SPECIAL OPTIONS

| | | | | | | | |
|---------------|---------------|--------------|------------------|--------------|-------------------------|--------------|---------------|
| 70006529..... | 193 | 7007645..... | 44 | 7019110..... | 171 | 7022822..... | 171 |
| 70006530..... | 193 | 7007646..... | 44 | 7019111..... | 161, 171 | 7022823..... | 171 |
| 70006547..... | 189 | 7007648..... | 44 | 7019112..... | 171 | 7022824..... | 171, 255, 272 |
| 70006548..... | 189 | 7010467..... | 44 | 7019114..... | 171 | 7022825..... | 255, 272 |
| 70006549..... | 189 | 7010543..... | 29, 31 | 7019115..... | 171 | 7023306..... | 93 |
| 70006550..... | 189 | 7010545..... | 191, 193 | 7019122..... | 161 | 7023347..... | 93 |
| 70006656..... | 205 | 7010795..... | 45 | 7019123..... | 161 | 7023881..... | 71 |
| 70006657..... | 205 | 7011016..... | 35 | 7019141..... | 161 | 7023922..... | 142 |
| 70006658..... | 205 | 7011043..... | 35 | 7019142..... | 161 | 7024005..... | 71 |
| 70006659..... | 205 | 7011044..... | 35 | 7019143..... | 161 | 7024038..... | 64, 70 |
| 7000731..... | 45 | 7011048..... | 35 | 7019144..... | 161 | 7024042..... | 70 |
| 70007353..... | 61 | 7011062..... | 35 | 7019145..... | 161 | 7024043..... | 70 |
| 7001900..... | 44 | 7011311..... | 37 | 7019147..... | 161 | 7024044..... | 64, 70 |
| 7001902..... | 44 | 7011320..... | 45 | 7019149..... | 161 | 7024064..... | 64, 70 |
| 7001904..... | 44 | 7011346..... | 25, 37, 141, 142 | 7019150..... | 161 | 7024065..... | 65, 71 |
| 7001906..... | 44 | 7011354..... | 37, 288 | 7019151..... | 171 | 7024068..... | 72 |
| 7001917..... | 44 | 7011355..... | 141 | 7019154..... | 171 | 7024069..... | 72 |
| 7001918..... | 44 | 7012513..... | 75, 79 | 7019155..... | 171 | 7024070..... | 71 |
| 7001920..... | 44 | 7012514..... | 75, 79 | 7019160..... | 171 | 7024071..... | 65, 71 |
| 7001921..... | 44 | 7012558..... | 75, 79 | 7019161..... | 171 | 7024072..... | 65, 71 |
| 7001922..... | 44 | 7012706..... | 64, 70 | 7019162..... | 171, 173 | 7024073..... | 65, 71 |
| 7001923..... | 44 | 7012709..... | 64, 70 | 7019164..... | 171, 173 | 7024075..... | 65, 71 |
| 7001924..... | 44 | 7012715..... | 70 | 7019165..... | 171, 173 | 7024076..... | 65, 71 |
| 7001926..... | 44 | 7012770..... | 25 | 7019166..... | 171 | 7024077..... | 65, 71 |
| 7001927..... | 44 | 7012773..... | 25, 37 | 7019167..... | 171, 173 | 7024078..... | 71 |
| 7001928..... | 44 | 7012941..... | 29, 31 | 7019168..... | 171 | 7024079..... | 65, 71 |
| 7001929..... | 44 | 7012942..... | 29, 31 | 7019171..... | 161 | 7024080..... | 65, 71 |
| 70020329..... | 65 | 7012944..... | 29, 31, 142, 288 | 7019174..... | 161 | 7024081..... | 66, 71 |
| 70020336..... | 66 | 7012955..... | 31 | 7019177..... | 161 | 7024083..... | 72 |
| 70021867..... | 64, 70 | 7012967..... | 31, 195, 197 | 7019194..... | 171, 173 | 7024084..... | 72 |
| 7002821..... | 258, 274, 293 | 7012998..... | 29, 31 | 7019197..... | 161 | 7024085..... | 72 |
| 7002822..... | 294 | 7015003..... | 52 | 7019680..... | 75, 79 | 7024086..... | 72 |
| 7002823..... | 258, 274, 293 | 7015013..... | 51 | 7020108..... | 75, 79 | 7024087..... | 72 |
| 7002828..... | 258, 274, 294 | 7015014..... | 51 | 7020109..... | 75, 79 | 7024088..... | 72 |
| 7003655..... | 51, 59, 288 | 7015015..... | 52 | 7020110..... | 75, 79 | 7024089..... | 72 |
| 7003928..... | 161, 165 | 7016314..... | 93 | 7020111..... | 75, 79 | 7024097..... | 71 |
| 7003933..... | 171 | 7016328..... | 61, 288 | 7020175..... | 99, 103, 158 | 7024135..... | 45 |
| 7003935..... | 171 | 7016331..... | 61, 288 | 7020176..... | 99, 103, 158 | 7024182..... | 44, 45 |
| 7003941..... | 171, 173 | 7016380..... | 107 | 7020190..... | 75, 79 | 7024183..... | 44 |
| 7003946..... | 171 | 7016399..... | 154 | 7020193..... | 273 | 7024184..... | 44 |
| 7003953..... | 161 | 7016628..... | 107 | 7020414..... | 61 | 7024185..... | 45 |
| 7003969..... | 171 | 7016654..... | 294 | 7020459..... | 61 | 7024186..... | 45 |
| 7003972..... | 171, 173 | 7016655..... | 294 | 7020465..... | 61 | 7024188..... | 44, 45 |
| 7003973..... | 171, 173 | 7017072..... | 44 | 7020468..... | 61 | 7024189..... | 45 |
| 7003976..... | 161 | 7017082..... | 44 | 7020471..... | 61 | 7024190..... | 46 |
| 7003977..... | 161 | 7017085..... | 45 | 7020479..... | 61 | 7024191..... | 45 |
| 7003980..... | 171, 173 | 7017142..... | 129 | 7020486..... | 61 | 7024192..... | 45 |
| 7003982..... | 173 | 7017158..... | 129 | 7021249..... | 23 | 7024193..... | 45, 46 |
| 7003983..... | 171, 173 | 7017159..... | 129 | 7021256..... | 23 | 7024194..... | 46 |
| 7003986..... | 171 | 7017162..... | 129 | 7021275..... | 23 | 7024196..... | 46 |
| 7003989..... | 171, 173 | 7017163..... | 129 | 7021375..... | 37 | 7024197..... | 46 |
| 7003992..... | 161, 171 | 7017164..... | 129 | 7021636..... | 37 | 7024362..... | 132, 133 |
| 7003993..... | 161, 171 | 7017184..... | 129 | 7022311..... | 23 | 7024363..... | 132, 133 |
| 7003994..... | 171 | 7017185..... | 129 | 7022314..... | 23 | 7024364..... | 132, 133 |
| 7004035..... | 45 | 7017187..... | 129 | 7022321..... | 23 | 7024365..... | 9, 288 |
| 7004043..... | 45 | 7017188..... | 129 | 7022322..... | 23 | 7024366..... | 9 |
| 7004044..... | 45 | 7017191..... | 129 | 7022368..... | 23 | 7024367..... | 132 |
| 7004275..... | 294 | 7017195..... | 129 | 7022371..... | 23 | 7024368..... | 132 |
| 7004276..... | 294 | 7017402..... | 142 | 7022808..... | 161, 165 | 7024374..... | 93 |
| 7004453..... | 45 | 7017403..... | 29 | 7022812..... | 171 | 7024375..... | 93, 288 |
| 7007207..... | 23 | 7017405..... | 31 | 7022814..... | 161 | 7024379..... | 45 |
| 7007420..... | 23 | 7017451..... | 37, 288 | 7022815..... | 161, 165 | 7024380..... | 45 |
| 7007437..... | 23 | 7017495..... | 37 | 7022816..... | 161 | 7024381..... | 45 |
| 7007438..... | 23 | 7018936..... | 72 | 7022817..... | 161 | 7024389..... | 45 |
| 7007439..... | 23 | 7018942..... | 37 | 7022818..... | 161 | 7024390..... | 45 |
| 7007446..... | 23 | 7018991..... | 25, 37, 288 | 7022819..... | 161, 162, 165, 255, 271 | 7024391..... | 45 |
| 7007459..... | 23 | 7019103..... | 171 | | | 7024392..... | 45 |

SECTION 10 - SPECIAL OPTIONS

| | | | | | | | |
|---------------|------------------|---------------|--------|--------------|---------|----------------|----------|
| 7024393 | 45 | 7024868 | 23 | 7026016..... | 37 | 7027034 | 51, 272 |
| 7024394 | 45 | 7024905 | 65 | 7026018..... | 141 | 7027035 | 51, 272 |
| 7024395 | 45 | 7024906 | 65, 71 | 7026019..... | 141 | 7027039 | 51, 272 |
| 7024439 | 93 | 7024907 | 65 | 7026020..... | 141 | 7027235 | 61 |
| 7024440 | 93 | 7024908 | 65, 71 | 7026021..... | 141 | 7027236 | 61 |
| 7024441 | 93 | 7024909 | 65 | 7026022..... | 142 | 7027239 | 61 |
| 7024442 | 93 | 7024910 | 66, 71 | 7026023..... | 142 | 7027240 | 61 |
| 7024443 | 93 | 7024911 | 65, 71 | 7026028..... | 25 | 7027276 | 61 |
| 7024444 | 93, 290 | 7024913 | 64, 70 | 7026029..... | 95 | 7027412 | 52 |
| 7024445 | 93 | 7024914 | 70 | 7026030..... | 95 | 7027740 | 23 |
| 7024446 | 93 | 7024915 | 70 | 7026031..... | 95 | 7027790 | 61 |
| 7024452 | 107, 154 | 7024916 | 70 | 7026032..... | 95 | 7027791 | 61 |
| 7024453 | 45 | 7024917 | 64, 70 | 7026188..... | 84, 87 | 7027792 | 61 |
| 7024485 | 84, 87 | 7024918 | 64, 70 | 7026571..... | 93 | 7027796 | 255, 272 |
| 7024488 | 83, 87 | 7024919 | 70 | 7026597..... | 84, 87 | 7027799 | 84, 87 |
| 7024489 | 83, 87 | 7024920 | 64, 70 | 7026608..... | 61 | 7027887 | 75, 79 |
| 7024565 | 61 | 7024921 | 70 | 7026626..... | 88 | 7029592 | 35 |
| 7024570 | 37 | 7024922 | 64, 70 | 7026802..... | 54 | 7029593 | 35 |
| 7024571 | 37, 142, 288 | 7024924 | 37 | 7026803..... | 54 | 80334251 | 95 |
| 7024572 | 141, 142 | 7024925 | 37 | 7026804..... | 54 | 80934174 | 65 |
| 7024573 | 37 | 7024927 | 25 | 7026805..... | 55 | 8303541 | 54 |
| 7024574 | 37 | 7024950 | 64 | 7026811..... | 54, 288 | 8310070 | 138 |
| 7024579 | 61 | 7026000 | 37 | 7026812..... | 54 | 8405009 | 93 |
| 7024580 | 58, 255, 272 | 7026001 | 37 | 7026813..... | 54 | 8405104 | 52 |
| 7024581 | 51, 58, 255, 272 | 7026002 | 37 | 7026820..... | 54 | 8406101 | 54 |
| 7024582 | 58, 256, 272 | 7026003 | 37 | 7026821..... | 54 | 8406105 | 54 |
| 7024583 | 58, 256, 272 | 7026004 | 37 | 7026822..... | 54 | 8410013 | 61 |
| 7024584 | 58, 256, 272 | 7026005 | 37 | 7026829..... | 54 | 88662193 | 38 |
| 7024763 | 44 | 7026006 | 37 | 7026830..... | 54, 288 | 91083128 | 52 |
| 7024865 | 23 | 7026007 | 37 | 7026833..... | 54 | 91403244 | 52 |
| 7024867 | 23 | 7026008 | 37 | 7026839..... | 54 | | |



3121257



An Oshkosh Corporation Company

Corporate Office
JLG Industries, Inc.
1 JLG Drive
McConnellsburg, PA 17233-9533 USA
☎ (717) 485-5161 (Corporate)
☎ (877) 554-5438 (Customer Support)
☎ (717) 485-6417

Visit our website for JLG Worldwide Locations.
www.jlg.com