



Illustrated Parts Manual

Models
18RS
18RSJ

3121285

August 15, 2018 - Rev P

ANSI

CE

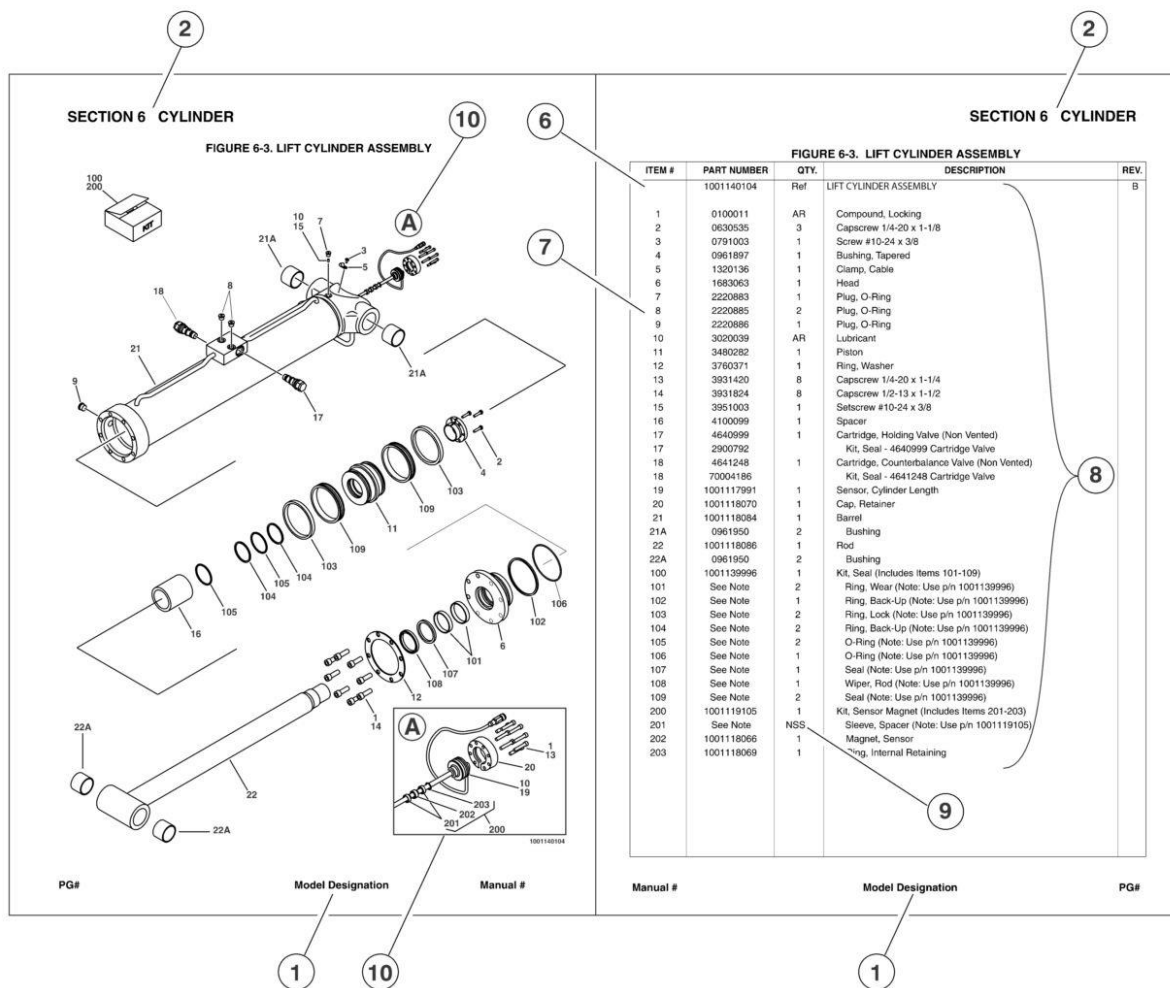


An Oshkosh Corporation Company

REVISION LOG

May 15, 2013 - A - Original Issue of Manual (Edited to B/M 1001135051 Revision D)
September 12, 2013 - B - Revised Manual (Edited to B/M 1001135051 Revision D)
December 30, 2013 - C - Revised Manual (Edited to B/M 1001135051 Revision D)
December 1, 2014 - D - Revised Manual (Edited to B/M 1001135051 Revision F)
September 1, 2015 - E - Revised Manual (Edited to B/M 1001135051 Revision I)
October 30, 2015 - F - Revised Manual (Edited to B/M 1001135051 Revision I)
January 30, 2016 - G - Revised Manual (Edited to B/M 1001135051 Revision J)
April 27, 2016 - H - Revised Manual (Edited to B/M 1001135051 Revision K)
August 17, 2016 - I - Revised Manual (Edited to B/M 1001135051 Revision K)
November 18, 2016 - J - Revised Manual (Edited to B/M 1001135051 Revision K)
February 24, 2017 - K - Revised Manual (Edited to B/M 1001135051 Revision L)
May 31, 2017 - L - Revised Manual (Edited to B/M 1001135051 Revision M)
August 31, 2017 - M - Revised Manual (Edited to B/M 1001135051 Revision O)
November 30, 2017 - N - Revised Manual (Edited to B/M 1001135051 Revision P)
February 16, 2018 - O - Revised Manual (Edited to B/M 1001135051 Revision Q)
August 15, 2018 - Rev - P - Revised Manual (Edited to B/M 1001135051 Revision V)

GENERAL INFORMATION



1) MACHINE IDENTIFICATION

Machines are identified by model and in some cases a combination of models, serial number (SN) or regional standard (i.e. ANSI, CE, CSA). Components may also be identified by SN or manufacturer. Common components that may be identified by these characteristics are engines and hydraulic components.

2) PARTS MANUAL ORGANIZATION

Product information in this manual is organized under section titles. Frame, Cylinder, Hydraulic and Electrical are a few examples. Each section is organized by figure and page number. The information within the Figure is then organized by item number, part number, description and corresponding illustration(s).

3) TABLE OF CONTENTS

A table of contents is found toward the beginning of the manual. Figure number, description and page number are provided for quick reference to the page containing the related information.

4) RECOMMENDED SPARE PARTS

The Recommended Spare Parts, located near the end of the manual, reference most frequently used maintenance parts.

5) PART NUMBER INDEX

A numerical index listing all part numbers and the corresponding page number(s) appears at the back of the manual.

GENERAL INFORMATION

6) NON-SERVICED PARTS

In some instances, it is necessary to display non-serviced parts, assemblies or installations. In the case of assemblies and installations there will be a Ref in the Qty column. In case of parts that are not available for service within assemblies or components, there will be a NSS (Not Sold Separately) or NLA (No Longer Available) listed in the Qty. column of the manual.

7) PARTS LIST ITEM NUMBERS

Numbers shown in the item# column correspond to numbers used in the associated illustration (s). Item numbers which are missing from the sequence in the parts list are not used on that page

8) INDENTED PARTS DESCRIPTION

An indented part description is included in the item under which it is indented.

9) ABB REVIATION AND SYMBOLS

AC.....	.. Alternating Current	LCD Liquid Crystal Display
ADE.....	..Advanced Design Electronics	LED Light Emitting Diodes
ANSIAmerican National Standards Institute	LH.....	.. Left Hand
AR.....	..As Required	LSSLoad Sensing System
ASSY Assembly	M(m).....	.. Metric/Meter
AUX.....	..Auxiliary	MM (mm)Milimeter
AWG.....	..American WireGauge	mA.....	.. Miliamps
B/M.....	.. Bill of Material	NLA.....	..No Longer Available
CE.....	..European Conformity	NPT National Pipe Threads
CCWCounter Clockwise	NSSNot So Id Separately
cm.....	.. Centimeter	OD.....	..Outside Diameter
CWClockwise	ORB.....	.. O-Ring Boss
CSA.....	..Canadian Standards Association	ORFS O-Ring Face Seal
CYL.....	..Cylinder	OZ (oz)Ounces
DIADiameter	PG Page
DC.....	..Direct Current	P/N.....	..Part Number
EMS Emergency Stop	qt.....	..Quarts
ENGEngine	QTY.....	..Quantity
FT(ft).....	..Feet	REFReference
GA(Ga).....	..Gauge	REVRevision Level
HYD.....	..Hydraulic	RH.....	.. Right Hand
HZ.....	.. Hertz	SAE.....	.. Society of A utomotive Engineers
ID.....	..Inside Diameter	SN.....	..Serial Number
in.....	..inches	SPEC(S).....	..Specifications
ISOInternational Organization for Standards	T/T.....	..Turntable
JIC.....	..Joint Industry Council	UGMUniversal Ground Module
KGKilogram	V.....	.. Volts
L.....	..Liter	W.....	.. Watts
LBPounds	#.....	.. Number

10) ILLUSTRATION REFERENCE LETTERS

When necessary, illustrations may contain reference letters that are intended to track information (i. e. hoses, harnesses) from one point to another or to track visual enlargement of components to show details that may be located in another area on the illustration.

Note: Due to continuous product improvements, JLG Industries, Inc. reserves the right to make specification changes without prior notification. Contact JLG Industries, Inc. for updated information.

TABLE OF CONTENTS

SECTION 1 - FRAME.....	11
FIGURE 1-1. STEERING INSTALLATION	12
FIGURE 1-2. WHEEL DRIVE INSTALLATION.....	14
FIGURE 1-3. DRIVE MOTOR ASSEMBLY.....	16
FIGURE 1-4. DRIVE HUB/BRAKE ASSEMBLY.....	18
FIGURE 1-5. TIRE AND WHEEL INSTALLATION.....	22
FIGURE 1-6. DRIVE VALVES INSTALLATION - 18RS.....	24
FIGURE 1-7. DRIVE VALVES INSTALLATION - 18RSJ.....	26
FIGURE 1-8. FLOW DIVIDER VALVE ASSEMBLY	28
FIGURE 1-9. FRAME SHIELDS INSTALLATIONS	30
SECTION 2 - TURNTABLE.....	33
FIGURE 2-1. CONTROL VALVE AND HYDRAULIC FILTERS INSTALLATION - 18RS.....	34
FIGURE 2-2. CONTROL VALVE AND HYDRAULIC FILTERS INSTALLATION - 18RSJ.....	36
FIGURE 2-3. MAIN CONTROL VALVE ASSEMBLY - 18RS.....	38
FIGURE 2-4. MAIN CONTROL VALVE ASSEMBLY - 18RSJ.....	42
FIGURE 2-5. TURNTABLE BEARING AND SWING DRIVE INSTALLATION.....	46
FIGURE 2-6. SWING MOTOR ASSEMBLY	48
FIGURE 2-7. SWING BEARING AND ROTATION BOX ASSEMBLY	50
FIGURE 2-8. TANK INSTALLATIONS.....	52
FIGURE 2-9. HYDRAULIC TANK ASSEMBLY.....	54
FIGURE 2-10. HYDRAULIC TANK LOCK INSTALLATION (SN B300002264 to Present).....	56
FIGURE 2-11. FUEL FILTER INSTALLATION (OPTIONAL).....	58
FIGURE 2-12. WATER SEPARATOR FILTER ASSEMBLY (OPTIONAL)	60
FIGURE 2-13. ELECTRICAL INSTALLATION - 18RS	62
FIGURE 2-14. ELECTRICAL INSTALLATION - 18RSJ.....	64
FIGURE 2-15. GROUND CONTROL PANEL ASSEMBLY - 18RS.....	66
FIGURE 2-16. GROUND CONTROL PANEL ASSEMBLY - 18RSJ.....	68
FIGURE 2-17. KEY SWITCH ASSEMBLY	70
FIGURE 2-18. GROUND CONTROL DOOR INSTALLATION (OPTIONAL)	72
FIGURE 2-19. ELECTRICAL PANEL ASSEMBLY	74
FIGURE 2-20. LIMIT SWITCH INSTALLATION	76
FIGURE 2-21. BEACON LIGHT INSTALLATION (OPTIONAL).....	78
FIGURE 2-22. HOODS INSTALLATION	80
FIGURE 2-23. CENTER HOOD ASSEMBLY (ENGINE SIDE).....	84
FIGURE 2-24. CENTER HOOD ASSEMBLY (TANK SIDE).....	86
SECTION 3 - ENGINE	89
FIGURE 3-1. DEUTZ ENGINE INSTALLATION.....	90
FIGURE 3-2. ENGINE AND PUMP ASSEMBLY	92
FIGURE 3-3. ENGINE ASSEMBLY.....	94
FIGURE 3-4. ENGINE COMPONENTS.....	98
FIGURE 3-5. PUMP COUPLING INSTALLATION.....	102
FIGURE 3-6. PISTON PUMP ASSEMBLY	104
FIGURE 3-7. BATTERY INSTALLATION.....	108
SECTION 4 - BOOM.....	111
FIGURE 4-1. BOOM AND CYLINDERS INSTALLATION - 18RS.....	112
FIGURE 4-2. BOOM AND CYLINDERS INSTALLATION - 18RSJ.....	116
FIGURE 4-3. MAIN BOOM ASSEMBLY - 18RS.....	120
FIGURE 4-4. MAIN BOOM ASSEMBLY - 18RSJ.....	124
FIGURE 4-5. JIB ASSEMBLY.....	128
FIGURE 4-6. POWER TRACK ASSEMBLY	130
FIGURE 4-7. PROXIMITY SWITCH INSTALLATION - 18RS.....	132
FIGURE 4-8. PROXIMITY SWITCH INSTALLATION - 18RSJ.....	134
FIGURE 4-9. PLATFORM ROTATOR ASSEMBLY - 18RS.....	136
FIGURE 4-10. PLATFORM ROTATOR ASSEMBLY - 18RSJ.....	138
FIGURE 4-11. PLATFORM SUPPORT INSTALLATION - WITHOUT LSS - 18RS	140
FIGURE 4-12. PLATFORM SUPPORT INSTALLATION - WITHOUT LSS - 18RSJ	142
FIGURE 4-13. PLATFORM SUPPORT INSTALLATION - WITH LSS.....	144
FIGURE 4-14. PLATFORM SUPPORT INSTALLATION (18RSJ) - WITH LSS.....	146

TABLE OF CONTENTS

SECTION 5 - PLATFORM	149
FIGURE 5-1. PLATFORM ASSEMBLY	150
FIGURE 5-2. PLATFORM CONSOLE AND FOOTSWITCH INSTALLATION - 18RS	152
FIGURE 5-3. PLATFORM CONSOLE AND FOOTSWITCH INSTALLATION - 18RSJ (Prior to SN B300001836)	154
FIGURE 5-4. PLATFORM CONSOLE ASSEMBLY - 18RS (Prior to SN B300001441)	156
FIGURE 5-5. PLATFORM CONSOLE ASSEMBLY - 18RS (SN B300001441 to Present)	160
FIGURE 5-6. PLATFORM CONSOLE ASSEMBLY - 18RSJ	164
FIGURE 5-7. PLATFORM ASSEMBLY - 30IN X 3FT (76CM X .91M) - DROP BAR ENTRY	168
FIGURE 5-8. PLATFORM ASSEMBLY - 3FT X 6FT (91.5CM X 1.83M) WITH TRI-ENTRY (1 GATE / 2 DROP BARS)	170
FIGURE 5-9. PLATFORM ASSEMBLY - 3FT X 6FT (91.5CM X 1.83M) WITH TRI-ENTRY (3 DROP BARS)	172
FIGURE 5-10. CONSOLE BOX ASSEMBLY (Prior to SN B300001540)	174
FIGURE 5-11. CONSOLE BOX ASSEMBLY (SN B300001540 to Present)	176
FIGURE 5-12. CONSOLE BOX ASSEMBLY (SN B300001540 through B300001835)	178
FIGURE 5-13. CONSOLE BOX ASSEMBLY (SN B300001836 to Present)	180
FIGURE 5-14. CONTROLLER ASSEMBLY (LIFT AND SWING)	182
FIGURE 5-15. CONTROLLER ASSEMBLY (LIFT AND SWING)	184
FIGURE 5-16. CONTROLLER ASSEMBLY (DRIVE AND STEER)	188
FIGURE 5-17. CONTROLLER ASSEMBLY (DRIVE AND STEER)	190
SECTION 6 - CYLINDER	193
FIGURE 6-1. LEVEL (PLATFORM SLAVE) CYLINDER ASSEMBLY - 18RS	194
FIGURE 6-2. LEVEL (PLATFORM SLAVE) CYLINDER ASSEMBLY - 18RSJ	196
FIGURE 6-3. LIFT CYLINDER ASSEMBLY - JIB - 18RSJ (Prior to SN B300003130)	198
FIGURE 6-4. LIFT CYLINDER ASSEMBLY - JIB - 18RSJ (SN B300003130 to Present)	200
FIGURE 6-5. LIFT CYLINDER ASSEMBLY - MAIN BOOM - 18RS	202
FIGURE 6-6. LIFT CYLINDER ASSEMBLY - MAIN BOOM - 18RSJ	204
FIGURE 6-7. MASTER CYLINDER ASSEMBLY - 18RS	206
FIGURE 6-8. MASTER CYLINDER ASSEMBLY - 18RSJ	208
FIGURE 6-9. STEER CYLINDER ASSEMBLY	210
FIGURE 6-10. TELESCOPE CYLINDER ASSEMBLY - 18RS (Prior to SN B300001836)	212
FIGURE 6-11. TELESCOPE CYLINDER ASSEMBLY - 18RS (SN B300001836 to Present)	214
FIGURE 6-12. TELESCOPE CYLINDER ASSEMBLY - 18RSJ	216
FIGURE 6-13. VALVE BLOCK ASSEMBLY	218
SECTION 7 - HYDRAULIC	221
FIGURE 7-1. HYDRAULIC INSTALLATION (FRONT AXLE) - 18RS	222
FIGURE 7-2. HYDRAULIC INSTALLATION (FRONT AXLE) - 18RSJ	226
FIGURE 7-3. HYDRAULIC INSTALLATION (REAR AXLE) - 18RS	230
FIGURE 7-4. HYDRAULIC INSTALLATION (REAR AXLE) - 18RSJ	234
FIGURE 7-5. HYDRAULIC INSTALLATION (BOOM) - 18RS	238
FIGURE 7-6. HYDRAULIC INSTALLATION (BOOM) - 18RSJ	242
FIGURE 7-7. HYDRAULIC INSTALLATION (DRIVE PUMP) - 18RS	246
FIGURE 7-8. HYDRAULIC INSTALLATION (DRIVE PUMP) - 18RSJ	250
FIGURE 7-9. HYDRAULIC FLUSHING LOOP INSTALLATION - 18RS	254
FIGURE 7-10. HYDRAULIC FLUSHING LOOP INSTALLATION - 18RSJ	256
FIGURE 7-11. HYDRAULIC DIAGRAM LIST	258
SECTION 8 - ELECTRICAL	259
FIGURE 8-1. ELECTRICAL DIAGRAM LIST	260
FIGURE 8-2. AC AT PLATFORM RECEPTACLE COMPONENTS - 110V GFI (ANSI EXPORT SPECS)	262
FIGURE 8-3. AC AT PLATFORM RECEPTACLE COMPONENTS - 220V (ANSI EXPORT SPECS)	264
FIGURE 8-4. AC AT PLATFORM RECEPTACLE COMPONENTS - DEALER/CUSTOMER SUPPLIED	266
FIGURE 8-5. AC TO PLATFORM CABLE - MAIN BOOM (18RS WITHOUT SKYPOWER)	268
FIGURE 8-6. AC TO PLATFORM CABLE - MAIN BOOM (18RSJ WITHOUT SKYPOWER)	270
FIGURE 8-7. AC TO PLATFORM CABLE - MAIN BOOM (18RS WITH SKYPOWER) (Prior to SN B300001836)	272
FIGURE 8-8. AC TO PLATFORM CABLE - MAIN BOOM (18RS WITH SKYPOWER) (SN B300001836 to Present)	274
FIGURE 8-9. AC TO PLATFORM CABLE - MAIN BOOM (18RSJ WITH SKYPOWER) (Prior to SN B300001836)	276
FIGURE 8-10. AC TO PLATFORM CABLE - MAIN BOOM (18RSJ WITH SKYPOWER) (SN B300001836 to Present)	278
FIGURE 8-11. AC TO PLATFORM CABLE - TOWER BOOM (WITHOUT SKYPOWER)	280
FIGURE 8-12. AC TO PLATFORM CABLE - TOWER BOOM (WITH SKYPOWER) (Prior to SN B300001836)	282
FIGURE 8-13. AC TO PLATFORM CABLE - TOWER BOOM (WITH SKYPOWER) (SN B300001836 to Present)	284
FIGURE 8-14. BEACON HARNESS	286
FIGURE 8-15. BOOM CABLES INSTALLATION - 18RS WITHOUT SKYPOWER	288

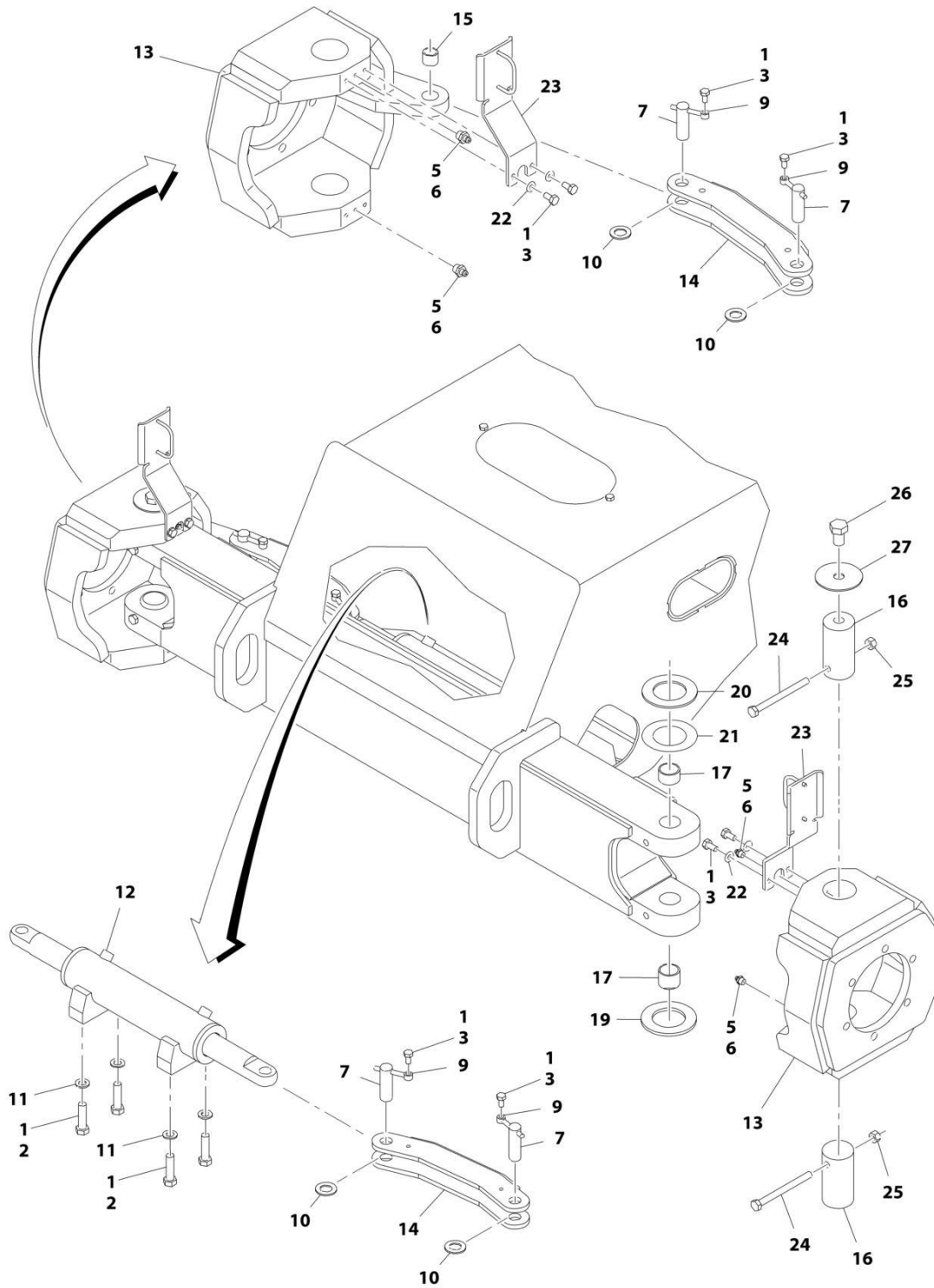
TABLE OF CONTENTS

FIGURE 8-16. BOOM CABLES INSTALLATION - 18RS WITH SKYPOWER.....	290
FIGURE 8-17. BOOM CABLES INSTALLATION - 18RSJ WITHOUT SKYPOWER	292
FIGURE 8-18. BOOM CABLES INSTALLATION - 18RSJ WITH SKYPOWER.....	294
FIGURE 8-19. BOOM HARNESS - MAIN BOOM - 18RS.....	296
FIGURE 8-20. BOOM HARNESS - MAIN BOOM - 18RSJ.....	298
FIGURE 8-21. BOOM HARNESS - TOWER BOOM	300
FIGURE 8-22. CHASSIS HARNESS.....	302
FIGURE 8-23. EMR2 POWER HARNESS.....	304
FIGURE 8-24. ENGINE HARNESS.....	306
FIGURE 8-25. GROUND CONTROL PANEL HARNESS - 18RS.....	308
FIGURE 8-26. GROUND CONTROL PANEL HARNESS - 18RSJ.....	310
FIGURE 8-27. JIB HARNESS.....	312
FIGURE 8-28. LIFT DOWN HARNESS.....	314
FIGURE 8-29. PLATFORM BOX HARNESS - 18RS (Prior to SN B300001836).....	316
FIGURE 8-30. PLATFORM BOX HARNESS - 18RS (SN B300001836 to Present).....	318
FIGURE 8-31. PLATFORM BOX HARNESS - 18RSJ.....	320
FIGURE 8-32. PROXIMITY SENSOR HARNESS.....	322
FIGURE 8-33. TURNTABLE HARNESS	324
FIGURE 8-34. VALVE HARNESS - 18RS	328
FIGURE 8-35. VALVE HARNESS - 18RSJ	330
SECTION 9 - DECALS.....	333
FIGURE 9-1. DECAL INSTALLATION - ANSI SPEC	334
FIGURE 9-2. DECAL INSTALLATION - BRAZIL SPEC	338
FIGURE 9-3. DECAL INSTALLATION - CHINESE SPEC.....	342
FIGURE 9-4. DECAL INSTALLATION - JAPANESE SPEC	346
FIGURE 9-5. DECAL INSTALLATION - KOREAN SPEC.....	350
FIGURE 9-6. DECAL INSTALLATION - LATIN AMERICAN SPEC.....	354
FIGURE 9-7. DECAL INSTALLATION - OPTIONS	358
SECTION 10 - RECOMMENDED SERVICE PARTS STOCK.....	361
FIGURE 10-1. RECOMMENDED SERVICE PARTS STOCK	362
SECTION 11 - SPECIAL OPTIONS.....	363
FIGURE 11-1. SPECIAL OPTIONS.....	364
PART NUMBER INDEX	367

SECTION 1 - FRAME

SECTION 1 - FRAME

FIGURE 1-1. STEERING INSTALLATION



ART_1001133419

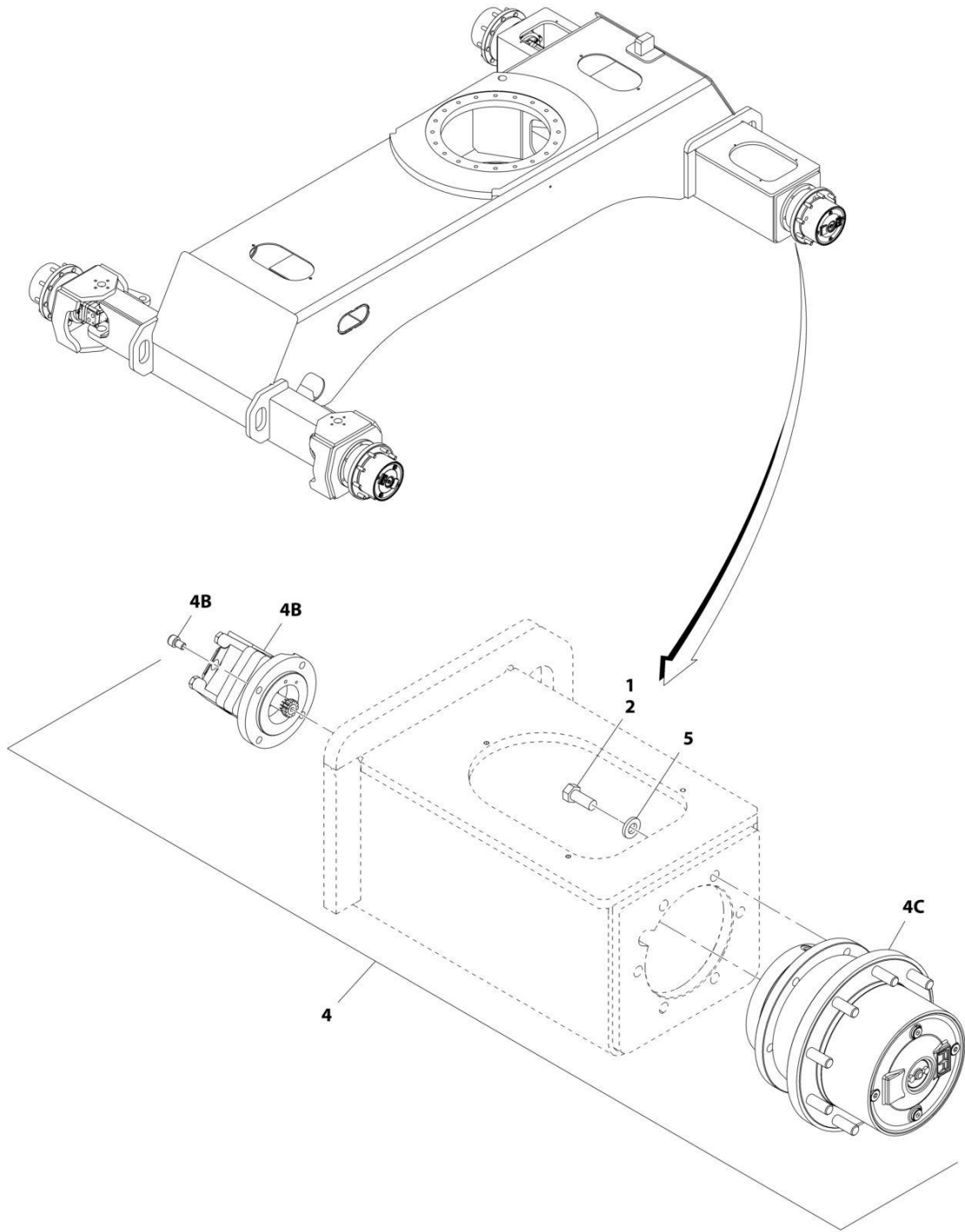
SECTION 1 - FRAME

FIGURE 1-1. STEERING INSTALLATION

ITEM	PART NUMBER	QTY	DESCRIPTION	REV
	1001133419	Ref	STEERING INSTALLATION	C
1	0100011	AR	Compound, Locking	
2	0711620	4	Bolt M16 x 60	
3	0761010	8	Bolt M10 x 20	
5	2160016	4	Fitting, Grease	
6	3020029	AR	Grease, Bearing	
7	3422813	4	Pin	
9	3841143	4	Keeper, Pin	
10	4740111	4	Thrustwasher	
11	4812300	4	Washer M16	
12	1001130477	1	Steer Cylinder Assembly (See CYLINDER SECTION for Breakdown)	
13	1001148486	2	Spindle	
14	1001131788	2	Link, Tie-Rod	
15	1001134289	2	Bearing	
16	1001148425	4	Kingpin	
17	1001148430	4	Bearing	
19	1001148482	2	Thrustwasher	
20	1001148537	2	Thrustwasher	
21	1001148538	2	Thrustwasher	
22	4812100	4	Washer M10	
23	1001148540	2	Support, Hose	
24	0711231	4	Bolt M12 x 140	
25	3291205	4	Nut M12	
26	0762014	2	Bolt M20 x 30	
27	1001148610	2	Cover, Kingpin	

SECTION 1 - FRAME

FIGURE 1-2. WHEEL DRIVE INSTALLATION



ART_1001133308

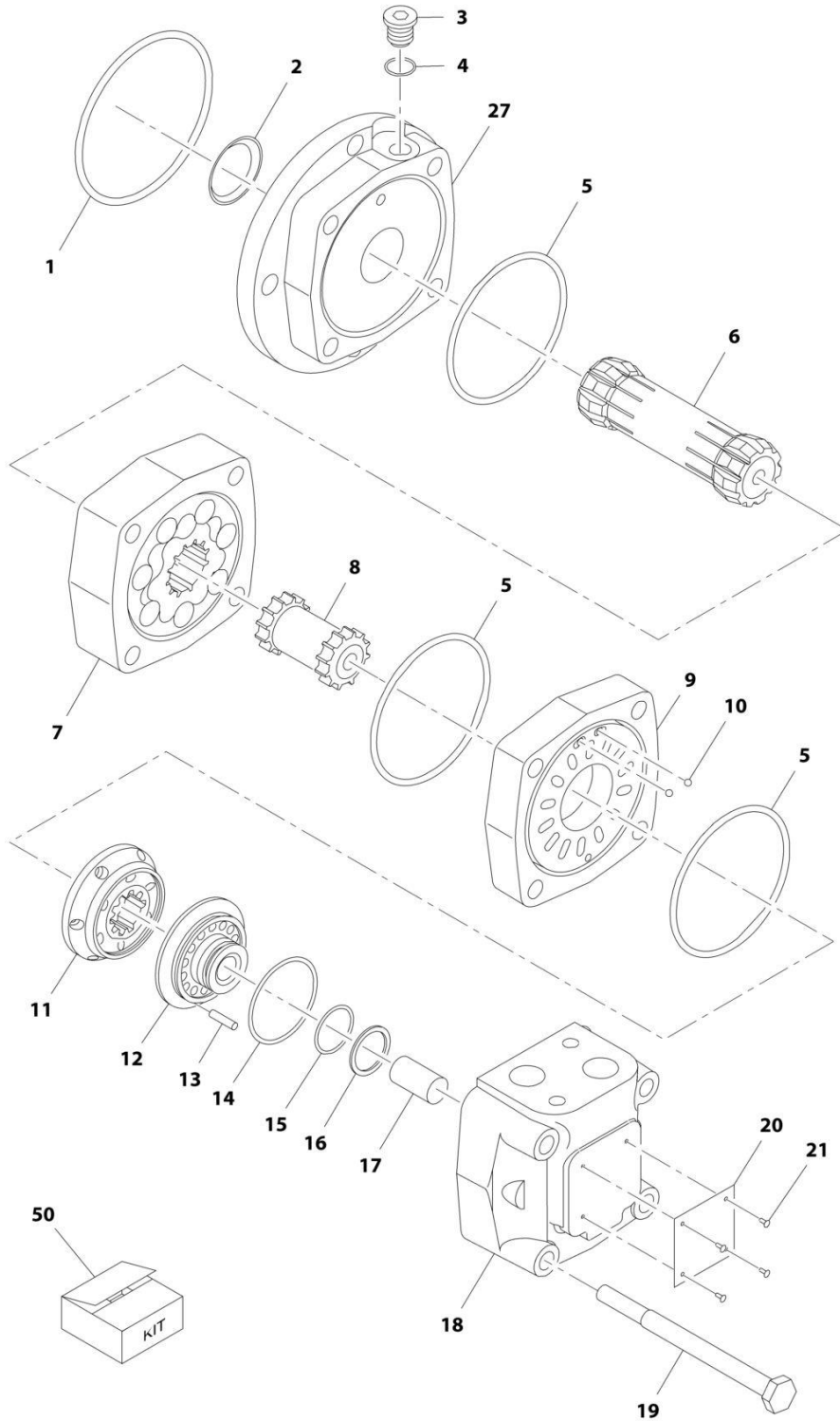
SECTION 1 - FRAME

FIGURE 1-2. WHEEL DRIVE INSTALLATION

ITEM	PART NUMBER	QTY	DESCRIPTION	REV
	1001133308	Ref	WHEEL DRIVE INSTALLATION	C
1	0100019	AR	Compound, Locking	
2	0682013	24	Bolt 5/8 x 1-5/8 Grade 8	
4	1001132519	4	Drive Motor/Hub/Brake Assembly	H
4A	0100011	AR	Compound, Locking (Not Shown)	
4B	1001132500	4	Drive Motor Assembly (See DRIVE MOTOR ASSEMBLY for Breakdown)	
4C	1001132499	4	Drive Hub/Brake Assembly (See DRIVE HUB/BRAKE ASSEMBLY for Breakdown)	
5	4892000	24	Washer 5/8	

SECTION 1 - FRAME

FIGURE 1-3. DRIVE MOTOR ASSEMBLY



ART_1001132500

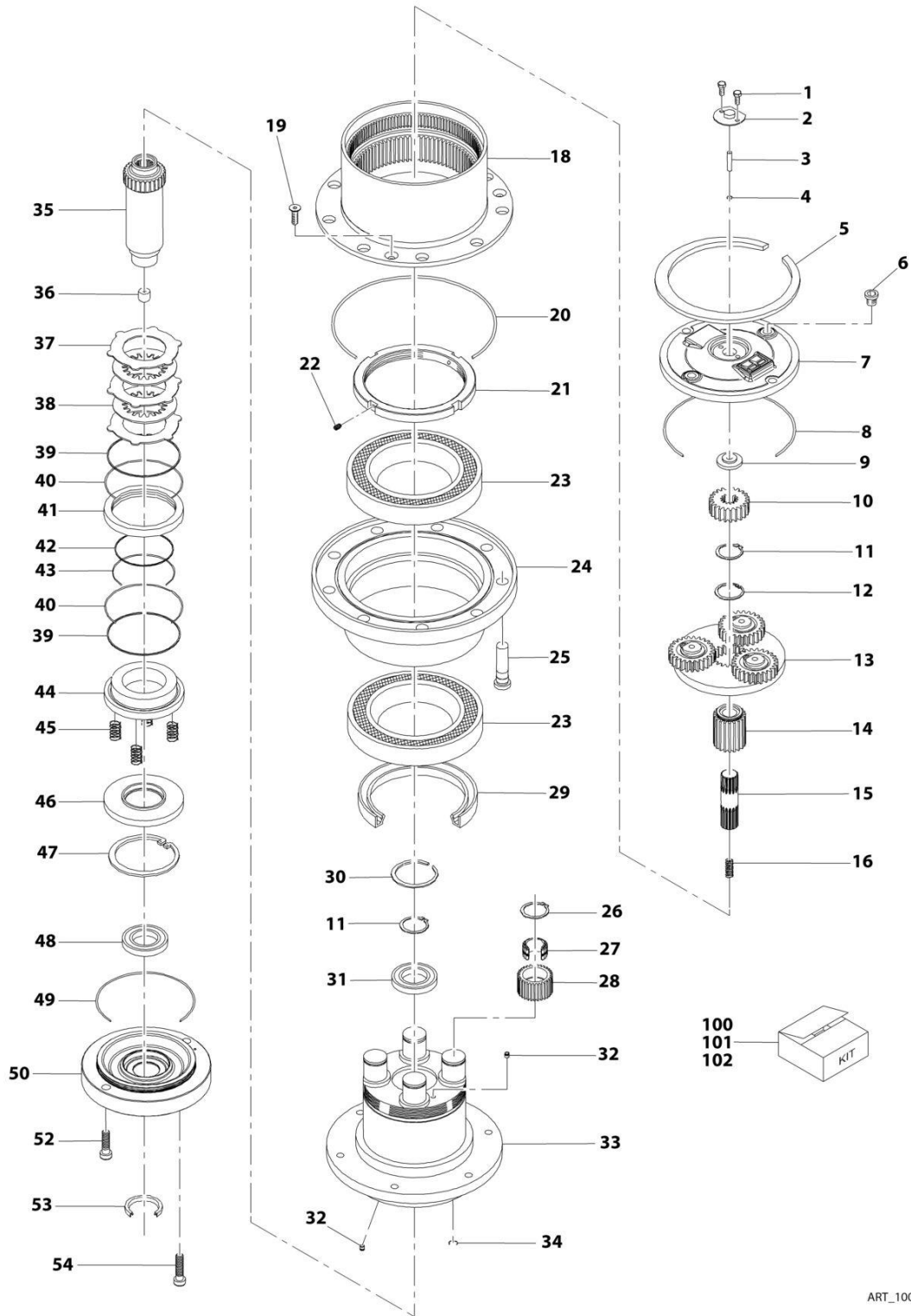
SECTION 1 - FRAME

FIGURE 1-3. DRIVE MOTOR ASSEMBLY

ITEM	PART NUMBER	QTY	DESCRIPTION	REV
	1001132500	Ref	DRIVE MOTOR ASSEMBLY	E
1	70004126	1	O-Ring	
2	70004075	1	Seal, Shaft	
3	70004076	1	Plug	
4	See Note	NSS	O-Ring (Note: Use Item 50)	
5	See Note	NSS	O-Ring (Note: Use Item 50)	
6	70004077	NLA	Shaft (Note: Purchase Complete Motor)	
7	70004078	NLA	Gear Set (Note: Purchase Complete Motor)	
8	70004079	NLA	Coupling, Drive (Note: Purchase Complete Motor)	
9	70004080	NLA	Plate (Note: Purchase Complete Motor)	
10	70004081	NLA	Ball (Note: Purchase Complete Motor)	
11	70004082	NLA	Plate, Valve (Note: Purchase Complete Motor)	
12	70004083	NLA	Plate, Balance (Note: Purchase Complete Motor)	
13	70004084	NLA	Pin (Note: Purchase Complete Motor)	
14	See Note	NSS	O-Ring (Note: Use Item 50)	
15	See Note	NSS	O-Ring (Note: Use Item 50)	
16	70004085	NLA	Washer (Note: Purchase Complete Motor)	
17	70004086	NLA	Spacer (Note: Purchase Complete Motor)	
18	70004087	NLA	Cover, End (Note: Purchase Complete Motor)	
19	70004088	4	Screw M10	
20	See Note	1	Nameplate (Note: Not Available for Purchase)	
21	See Note	4	Rivet (Note: Not Available - Purchase Locally)	
27	70004089	NLA	Flange, Mounting (Note: Purchase Complete Motor)	
50	70004090	1	Seal Kit - Motor (Includes Items 1, 2, 4, 5, 14 & 15)	

SECTION 1 - FRAME

FIGURE 1-4. DRIVE HUB/BRAKE ASSEMBLY



ART_1001132499

SECTION 1 - FRAME

FIGURE 1-4. DRIVE HUB/BRAKE ASSEMBLY

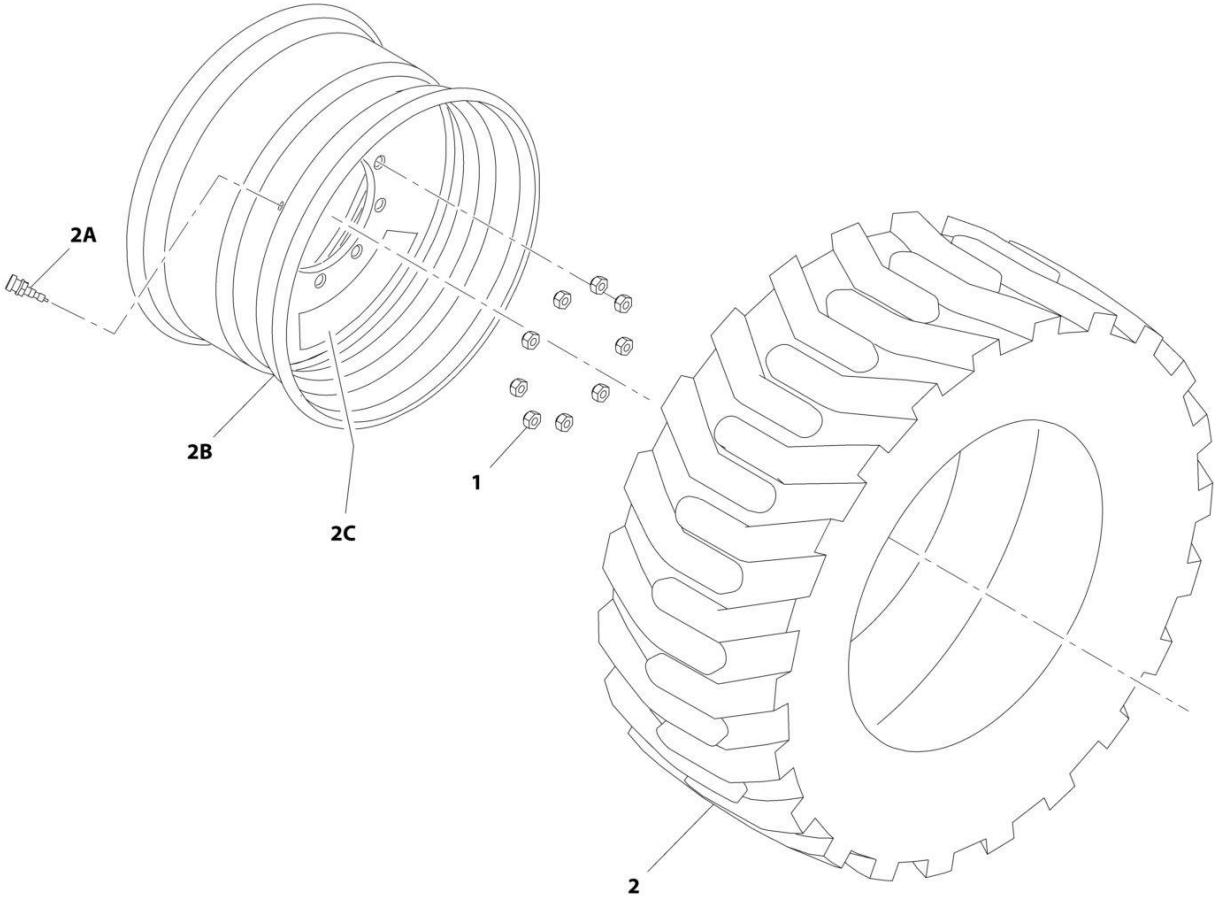
ITEM	PART NUMBER	QTY	DESCRIPTION	REV
	1001132499	Ref	DRIVE HUB/BRAKE ASSEMBLY	G
1	70004353	2	Screw 1/4-20 x 1/2	
2	See Note	NSS	Cover (Note: Use Item 101)	
3	See Note	NSS	Pin (Note: Use Item 101)	
4	See Note	NSS	O-Ring (Note: Use Item 100 or 101)	
5	See Note	NSS	Ring (Note: Use Item 101)	
6	See Note	NSS	Plug with O-Ring (Note: Use Item 101)	
7	See Note	NSS	Cover (Note: Use Item 101)	
8	See Note	NSS	O-Ring (Note: Use Item 100 or 101)	
9	See Note	NSS	Shim (Note: Use Item 101)	
10	70004354	1	Gear, Pinion	
11	70004355	2	Ring, Retaining	
12	70004356	1	Ring, Retaining	
13	70004357	1	Gear Assembly	
14	70004358	1	Gear, Pinion	
15	70004359	1	Shaft, Coupling	
16	70004360	1	Spring	
18	See Note	NSS	Housing, Planetary Gear (Note: Purchase Complete Hub)	
19	70004361	3	Screw M8 x 20 Grade 10.9	
20	See Note	NSS	O-Ring (Note: Use Item 100)	
21	70004362	1	Nut, Ring	
22	70004363	2	Screw M6 x 10	
23	70004364	2	Bearing	
24	70004365	1	Support, Hub	
25	70004366	9	Bolt, Wheel	
26	70004367	4	Ring, Retaining	
27	70004368	4	Bearing	
28	70004369	4	Gear	
29	See Note	NSS	Seal (Note: Use Item 100)	
30	70004370	1	Ring	
31	70004371	1	Bearing	
32	See Note	NSS	Plug (Note: Not Available for Purchase)	
33	70004372	1	Stub, Axle	
34	See Note	NSS	O-Ring (Note: Use Item 100)	
35	70004373	1	Shaft, Input	
36	70004374	1	Shim	
37	See Note	NSS	Disc, Metal (Note: Use Item 102)	
38	See Note	NSS	Disc, Composite (Note: Use Item 102)	
39	See Note	NSS	Seal (Note: Use Item 100 or 102)	
40	See Note	NSS	O-Ring (Note: Use Item 100 or 102)	
41	See Note	NSS	Spacer (Note: Use Item 102)	
42	See Note	NSS	Seal (Note: Use Item 100 or 102)	
43	See Note	NSS	O-Ring (Note: Use Item 100 or 102)	
44	See Note	NSS	Piston (Note: Use Item 102)	
45	See Note	NSS	Spring (Note: Use Item 102)	
46	See Note	NSS	Spacer (Note: Use Item 102)	
47	See Note	NSS	Ring, Retaining (Note: Use Item 102)	
48	70004375	1	Bearing	
49	See Note	NSS	O-Ring (Note: Use Item 100)	
50	70004376	1	Support, Input	

SECTION 1 - FRAME

ITEM	PART NUMBER	QTY	DESCRIPTION	REV
52	See Note	NSS	Screw 7/16 x 1 (Note: Use Item 101)	
53	See Note	NSS	Seal (Note: Use Item 100)	
54	70004377	4	Screw M10 x 30	
100	70004378	1	Seal Kit (Includes Items 4, 8, 20, 29, 34, 39, 40, 42, 43, 49 & 53)	
101	70004379	1	Cover Kit (Includes Items 2-9 & 52)	
102	70004380	1	Brake Kit (Includes Items 37-47)	

SECTION 1 - FRAME

FIGURE 1-5. TIRE AND WHEEL INSTALLATION



ART_1001139014

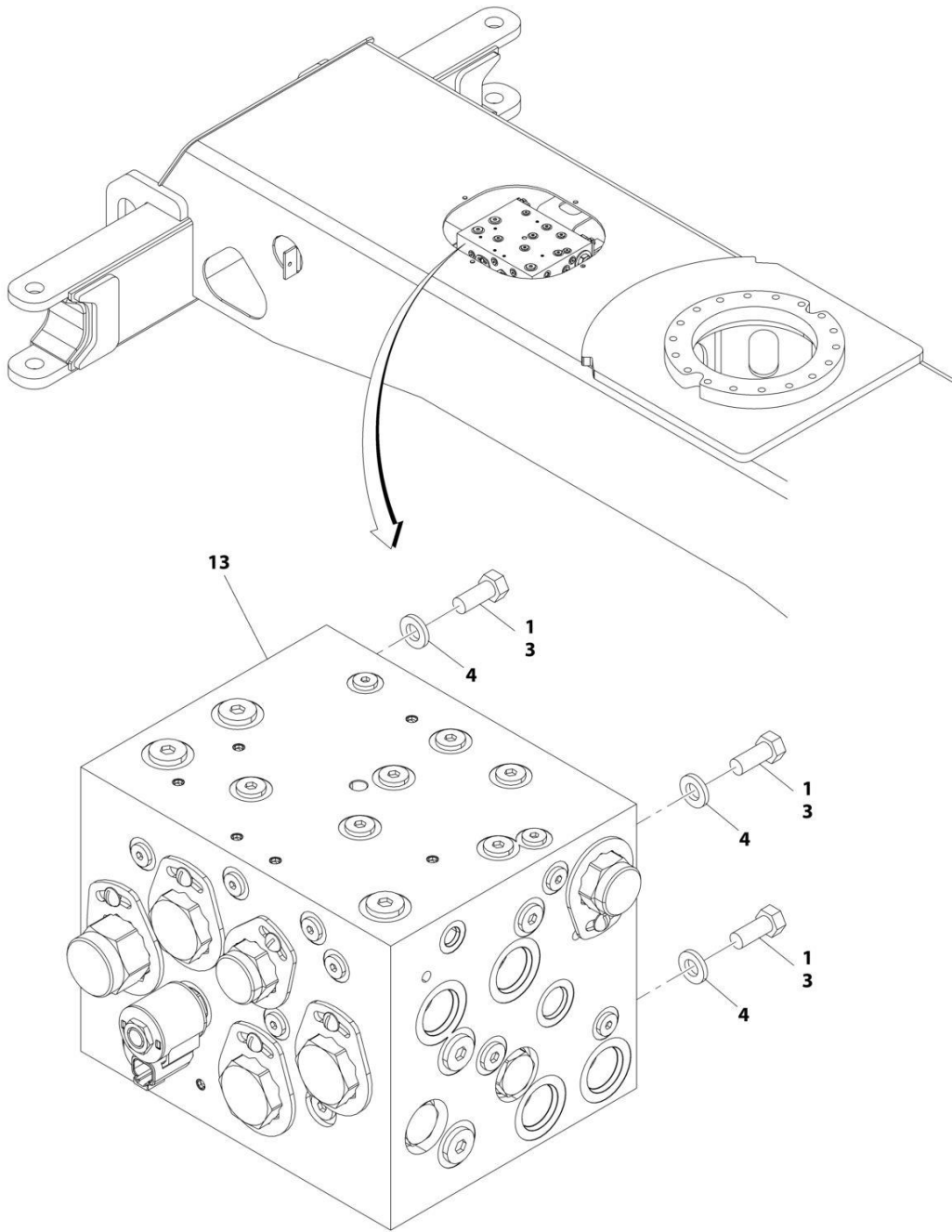
SECTION 1 - FRAME

FIGURE 1-5. TIRE AND WHEEL INSTALLATION

ITEM	PART NUMBER	QTY	DESCRIPTION	REV
	1001139014	Ref	TIRE AND WHEEL INSTALLATION	C
1	3300106	36	Nut, Wheel (9 per Wheel)	
2		Ref	Tire and Wheel Assembly Options:	
2	1001134196	2	315/55D20 Foam-Filled Left Side	E
2	1001134197	2	315/55D20 Foam-Filled Right Side	E
		Ref	Note: Assemblies may require ballast/foam filling to manufacture's specifications prior to installing on a machine. Refer to Operation and Safety or Service and Maintenance Manuals. Purchase individual tire and/or rim only if able to foam fill tire and wheel assembly, otherwise, purchase complete assembly.	
2	1001134195	1	Tire 315/55D20	
2A	4640113	NLA	Valve Stem, Air (Use p/n 8786514)	
2B	1001134194	1	Rim, Wheel	
2C	1001144655	1	Decal - Transport Wheels	

SECTION 1 - FRAME

FIGURE 1-6. DRIVE VALVES INSTALLATION - 18RS



ART_1001133907_10F2

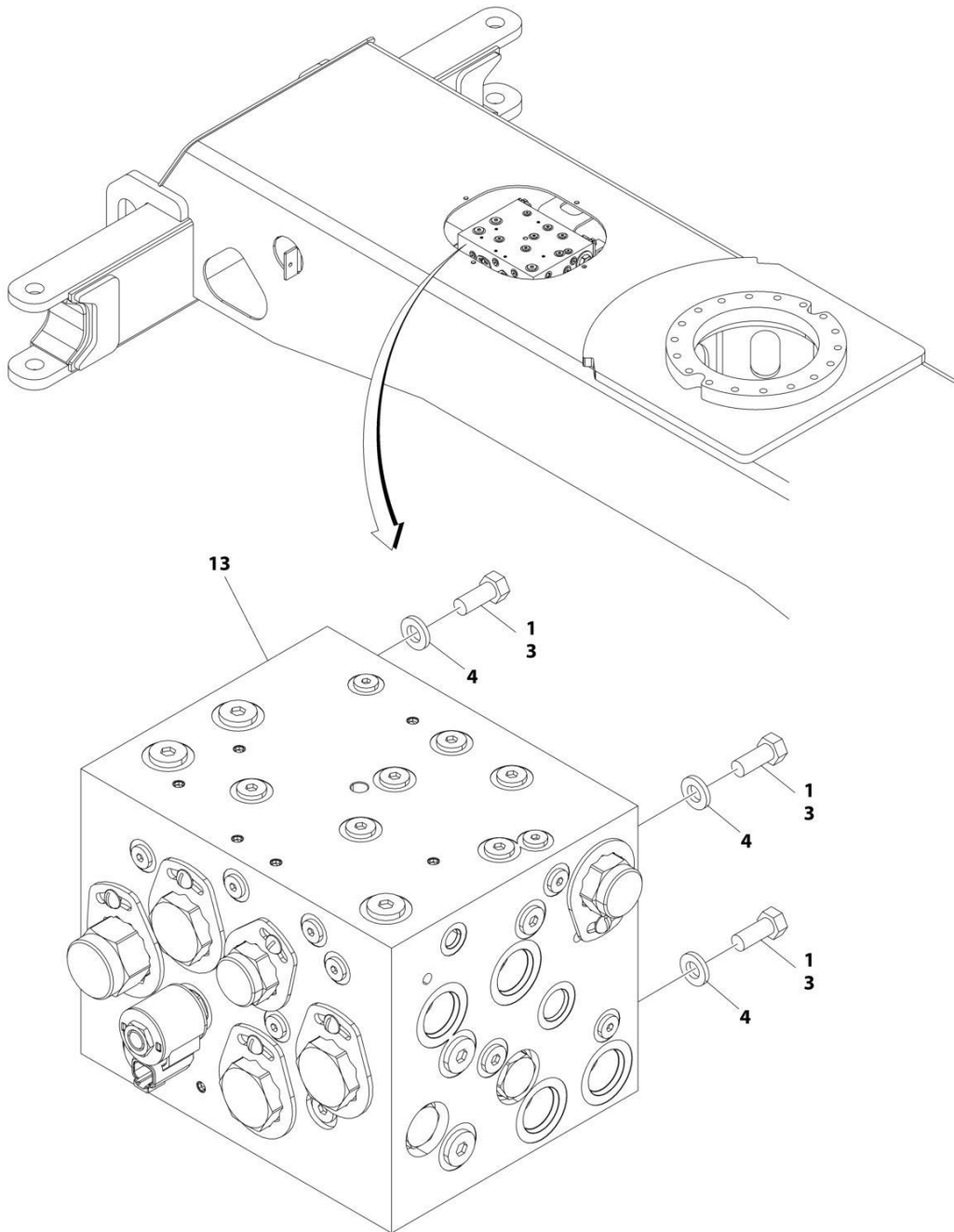
SECTION 1 - FRAME

FIGURE 1-6. DRIVE VALVES INSTALLATION - 18RS

ITEM	PART NUMBER	QTY	DESCRIPTION	REV
	1001133907	Ref	DRIVE VALVES INSTALLATION - 18RS	B
1	0100011	AR	Compound, Locking	
3	0761012	4	Bolt M10 x 25	
4	4812000	4	Washer M10	
13	1001149866	1	Flow Divider Valve Assembly (See FLOW DIVIDER VALVE ASSEMBLY for Breakdown)	

SECTION 1 - FRAME

FIGURE 1-7. DRIVE VALVES INSTALLATION - 18RSJ



ART_1001180517_10F2

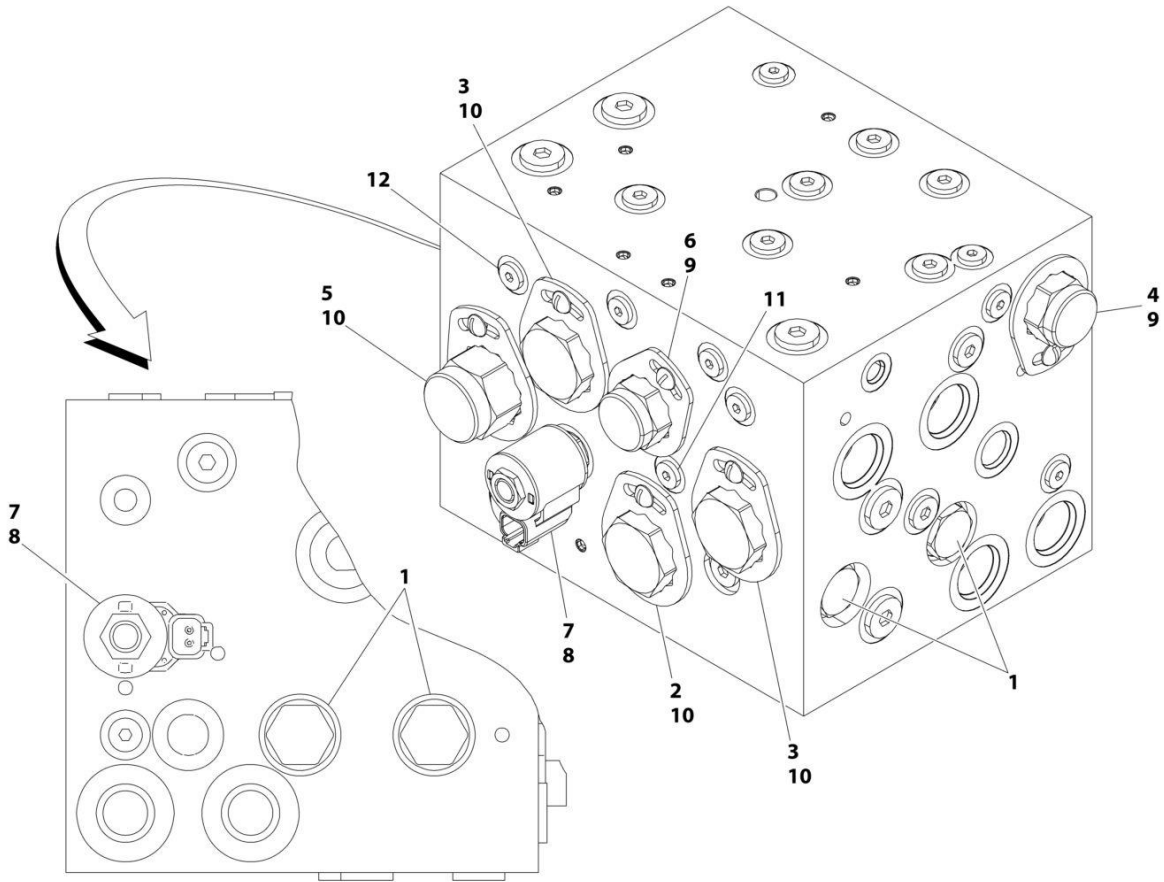
SECTION 1 - FRAME

FIGURE 1-7. DRIVE VALVES INSTALLATION - 18RSJ

ITEM	PART NUMBER	QTY	DESCRIPTION	REV
	1001180517	Ref	DRIVE VALVES INSTALLATION - 18RSJ	B
1	0100011	AR	Compound, Locking	
3	0761012	4	Bolt M10 x 25	
4	4812000	4	Washer M10	
13	1001149866	1	Flow Divider Valve Assembly (See FLOW DIVIDER VALVE ASSEMBLY for Breakdown)	

SECTION 1 - FRAME

FIGURE 1-8. FLOW DIVIDER VALVE ASSEMBLY



ART_1001149866

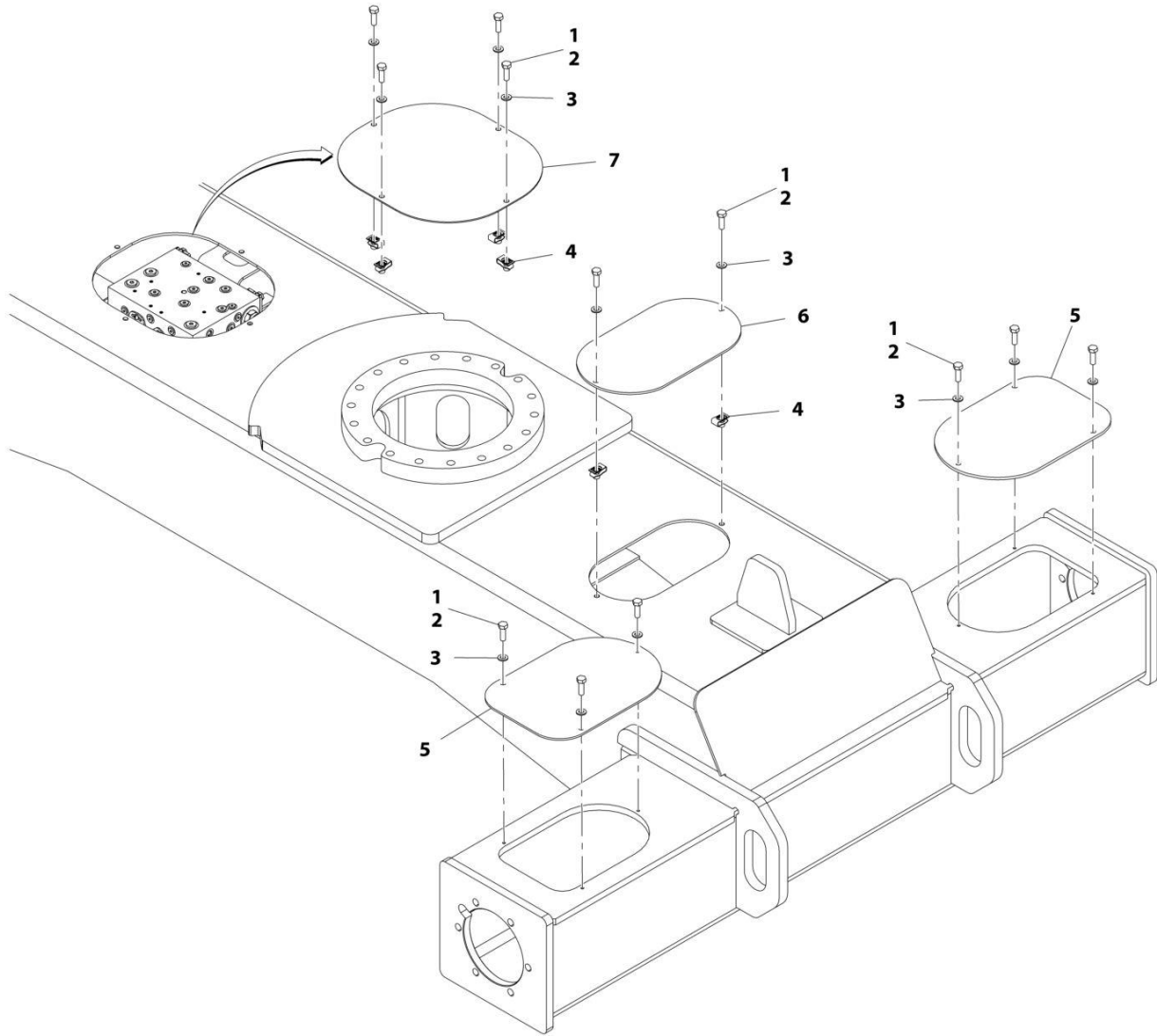
SECTION 1 - FRAME

FIGURE 1-8. FLOW DIVIDER VALVE ASSEMBLY

ITEM	PART NUMBER	QTY	DESCRIPTION	REV
	1001149866	Ref	FLOW DIVIDER VALVE ASSEMBLY	B
1	7022397	4	Valve, Check	
1	7022399	4	Seal Kit - 7022397 Cartridge	
2	70004017	1	Valve, Flow Divider	
2	7021625	1	Seal Kit - 70004017 Cartridge	
3	70004018	2	Valve, Flow Divider	
3	7021625	2	Seal Kit - 70004018 Cartridge	
4	70003957	1	Valve, Pilot	
4	70003980	1	Seal Kit - 70003957 Cartridge	
5	70003958	1	Valve, Pilot	
5	70003981	1	Seal Kit - 70003958 Cartridge	
6	70003959	1	Valve, Pilot	
6	70003980	1	Seal Kit - 70003959 Cartridge	
7	7012974	2	Valve, Solenoid (Less Coil)	
7	7010543	2	Seal Kit - 7012974 Cartridge	
8	70002386	2	Coil	
9	70002962	2	Lock Kit	
10	70000781	4	Lock Kit	
11	70003960	1	Orifice	
12	70002209	2	Orifice	
13		Ref	Plug Options (Note: Not called out on Drawing):	
13	7017406	11	Plug 1/4 (#4)	
13	7024844	15	Plug 3/8 (#6)	
13	7024845	11	Plug 1/2 (#8)	
13	See Note	1	Plug 5/8 (#10) (Note: Not Available - Purchase Locally)	

SECTION 1 - FRAME

FIGURE 1-9. FRAME SHIELDS INSTALLATIONS



ART_1001134994

SECTION 1 - FRAME

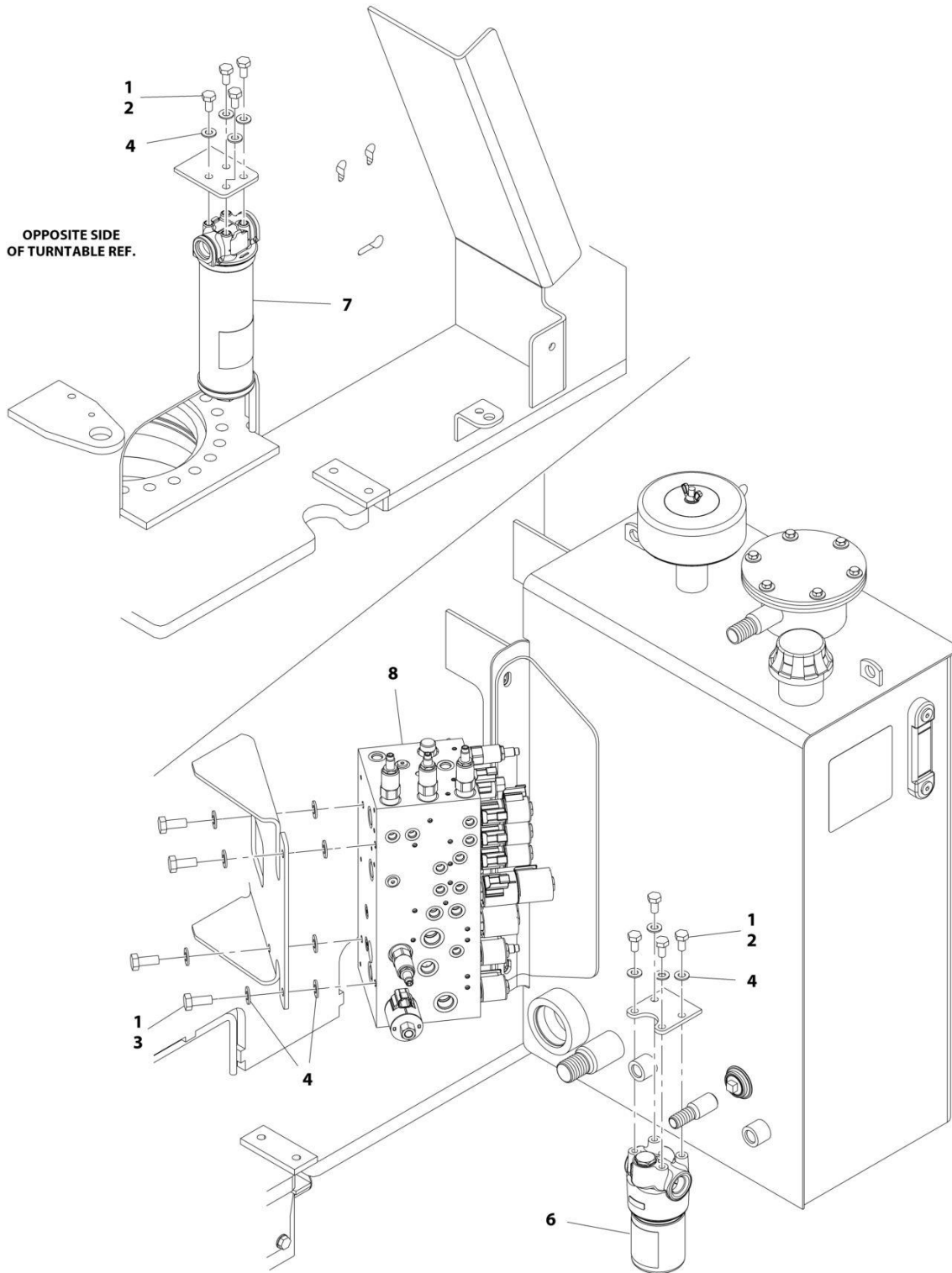
FIGURE 1-9. FRAME SHIELDS INSTALLATIONS

ITEM	PART NUMBER	QTY	DESCRIPTION	REV
	1001134994	Ref	FRAME SHIELDS INSTALLATIONS	A
1	0100011	AR	Compound, Locking	
2	0700812	12	Bolt M8 x 25	
3	4811900	12	Washer M8	
4	1001118274	6	Nut, Clip M8	
5	1001133909	2	Cover, Axle	
6	1001133911	1	Cover, Frame	
7	1001145004	1	Cover, Frame	

SECTION 2 - TURNTABLE

SECTION 2 - TURNTABLE

FIGURE 2-1. CONTROL VALVE AND HYDRAULIC FILTERS INSTALLATION - 18RS



ART_1001133907_2OF2

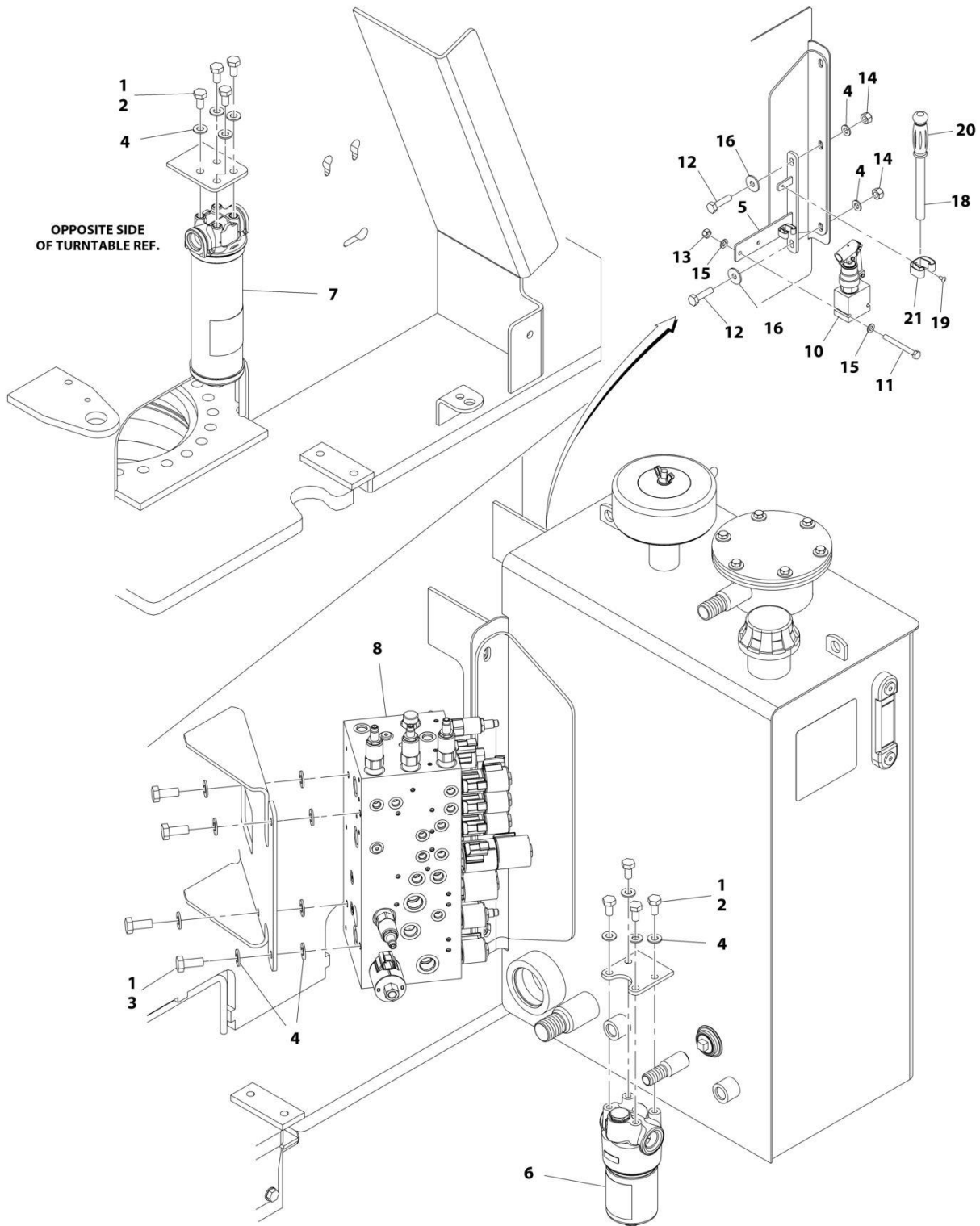
SECTION 2 - TURNTABLE

FIGURE 2-1. CONTROL VALVE AND HYDRAULIC FILTERS INSTALLATION - 18RS

ITEM	PART NUMBER	QTY	DESCRIPTION	REV
	1001133907	Ref	CONTROL VALVE AND HYDRAULIC FILTERS INSTALLATION - 18RS	B
1	0100011	AR	Compound, Locking	
2	0761010	8	Bolt M10 x 20	
3	0761012	4	Bolt M10 x 25	
4	4812000	16	Washer M10	
6	1001132296	1	High Pressure Filter Assembly	C
6	70003545	1	Element, Filter (Includes O-Ring)	
7	1001132299	1	Medium Pressure Filter Assembly	B
7	70002231	1	Element, Filter (Includes O-Ring)	
8	1001132303	1	Main Control Valve Assembly (See MAIN CONTROL VALVE ASSEMBLY for Breakdown)	

SECTION 2 - TURNTABLE

FIGURE 2-2. CONTROL VALVE AND HYDRAULIC FILTERS INSTALLATION - 18RSJ



ART_1001180517_20F2

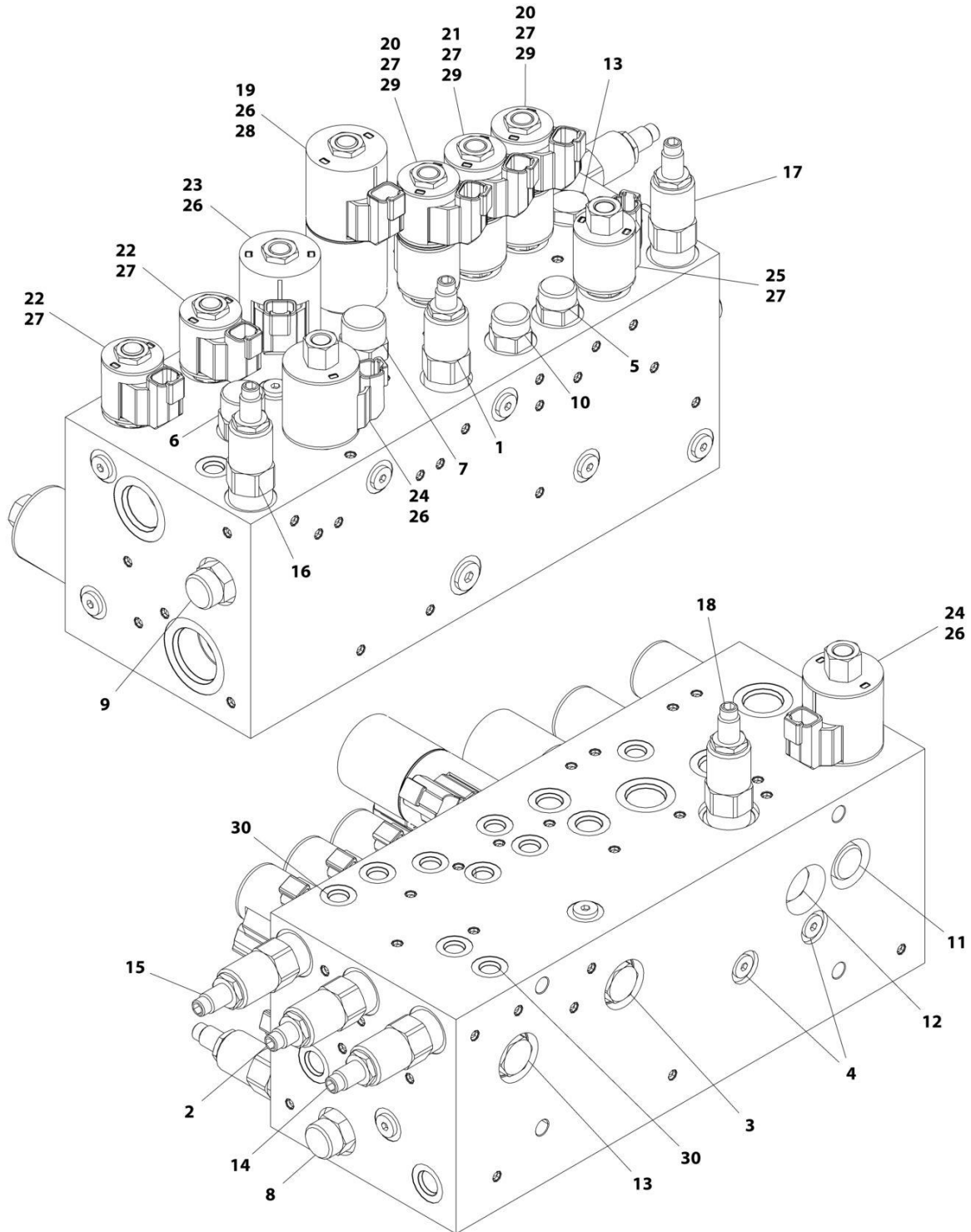
SECTION 2 - TURNTABLE

FIGURE 2-2. CONTROL VALVE AND HYDRAULIC FILTERS INSTALLATION - 18RSJ

ITEM	PART NUMBER	QTY	DESCRIPTION	REV
	1001180517	Ref	CONTROL VALVE AND HYDRAULIC FILTERS INSTALLATION - 18RSJ	B
1	0100011	AR	Compound, Locking	
2	0761010	8	Bolt M10 x 20	
3	0761012	8	Bolt M10 x 25	
4	4812000	22	Washer M10	
5	1001186435	1	Bracket, Pump	
6	1001132296	1	High Pressure Filter Assembly	C
6	70003545	1	Element, Filter (Includes O-Ring)	
7	1001132299	1	Medium Pressure Filter Assembly	B
7	70002231	1	Element, Filter (Includes O-Ring)	
8	1001179923	1	Main Control Valve Assembly (See MAIN CONTROL VALVE ASSEMBLY for Breakdown)	
10	1001186846	1	Hand Pump Assembly	
10	70005440	1	Cartridge, Valve	
10	7024896	1	Seal Kit - 70005440 Valve	
11	0700823	2	Bolt M8 x 75	
12	0761016	2	Bolt M10 x 40	
13	3290805	2	Nut M8	
14	3291005	2	Nut M10	
15	4811900	4	Washer M8	
16	4812002	2	Washer M10	
18	2560122	1	Handle, Pump	
19	3820020	2	Rivet	
20	1001114761	1	Grip, Handle	
21	1380136	2	Clip, Gripper	

SECTION 2 - TURNTABLE

FIGURE 2-3. MAIN CONTROL VALVE ASSEMBLY - 18RS



ART_1001132303

SECTION 2 - TURNTABLE

FIGURE 2-3. MAIN CONTROL VALVE ASSEMBLY - 18RS

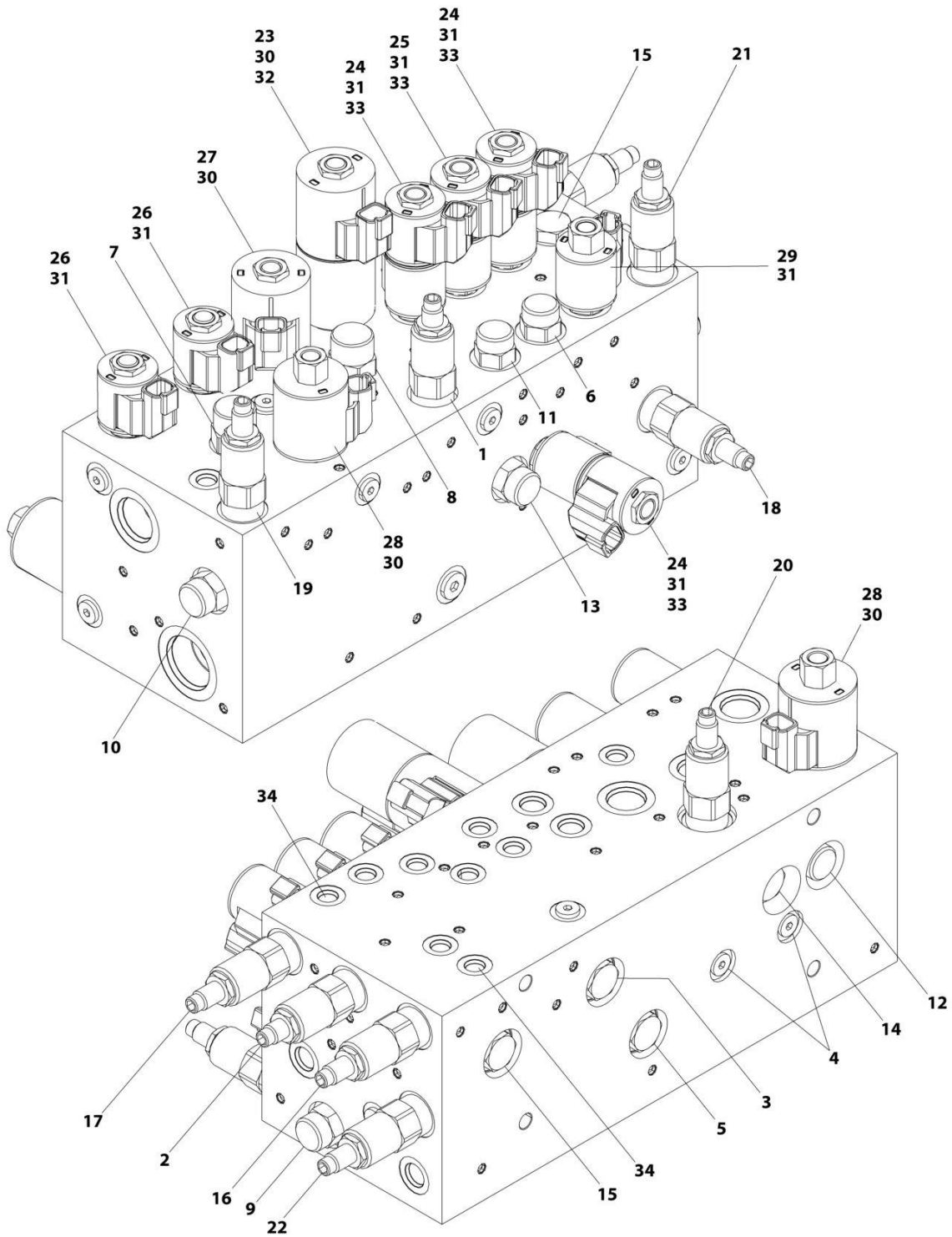
ITEM	PART NUMBER	QTY	DESCRIPTION	REV
	1001132303	Ref	MAIN CONTROL VALVE ASSEMBLY - 18RS	C
1	70003961	1	Cartridge, Crossover Relief	
1	7021653	1	Seal Kit - 70003961 Cartridge	
2	70004151	1	Cartridge, Crossover Relief	
2	7021653	1	Seal Kit - 70004151 Cartridge	
3	7012975	1	Cartridge, Check	
3	7012540	1	Seal Kit - 7012975 Cartridge	
4	70002975	2	Cartridge, Check	
4	70002976	2	Seal Kit - 70002975 Cartridge	
5	70003963	1	Cartridge, Compensator	
5	7010543	1	Seal Kit - 7003963 Cartridge	
6	70002973	1	Cartridge, Compensator	
6	2900707	1	Seal Kit - 70002973 Cartridge	
7	70004152	1	Cartridge, Compensator	
7	2900707	1	Seal Kit - 70004152 Cartridge	
8	70006291	1	Cartridge, Flow Control	
8	7010543	1	Seal Kit - 70006291 Cartridge	
9	70002972	1	Cartridge, Flow Control	
9	7010543	1	Seal Kit - 70002972 Cartridge	
10	7012989	1	Cartridge, Flow Regulator	
10	7012953	1	Seal Kit - 7012989 Cartridge	
11	7023984	1	Cartridge, Flow Regulator	
11	7012953	1	Seal Kit - 7023984 Cartridge	
12	10837580	1	Cartridge, Load Shuttle	
12	7010543	1	Seal Kit - 10837580 Cartridge	
13	7012914	2	Cartridge, Pilot Check	
13	7012918	2	Seal Kit - 7012914 Cartridge	
14	70004153	1	Cartridge, Relief	
14	7012998	1	Seal Kit - 70004153 Cartridge	
15	70003968	1	Cartridge, Relief	
15	7012998	1	Seal Kit - 70003968 Cartridge	
16	7023913	1	Cartridge, Relief	
16	7012998	1	Seal Kit - 7023913 Cartridge	
17	7017422	1	Cartridge, Relief	
17	7012998	1	Seal Kit - 7017422 Cartridge	
18	70004154	1	Cartridge, Relief	
18	7017496	1	Seal Kit - 70004154 Cartridge	
19	70003970	1	Cartridge, Solenoid (Without Coil)	
19	70003976	1	Seal Kit - 70003970 Cartridge	
19	7022390	1	Nut, Coil	
20	70003971	2	Cartridge, Solenoid (Without Coil)	
20	70002967	2	Seal Kit - 70003971 Cartridge	
20	7022390	2	Nut, Coil	
21	70002966	1	Cartridge, Solenoid (Without Coil)	
21	70003976	1	Seal Kit - 70002966 Cartridge	
21	7022390	1	Nut, Coil	
22	7024884	2	Cartridge, Solenoid (Without Coil)	
22	7012967	2	Seal Kit - 7024884 Cartridge	
22	7022390	2	Nut, Coil	
23	70002401	1	Cartridge, Solenoid (Without Coil)	

SECTION 2 - TURNTABLE

ITEM	PART NUMBER	QTY	DESCRIPTION	REV
23	7017496	1	Seal Kit - 70002401 Cartridge	
23	7022390	1	Nut, Coil	
24	7012910	2	Cartridge, Solenoid (Without Coil)	
24	2900708	2	Seal Kit - 7012910 Cartridge	
24	70003977	2	Nut, Coil	
25	7017410	1	Cartridge, Solenoid (Without Coil)	
25	7012967	1	Seal Kit - 7017410 Cartridge	
25	70003978	1	Nut, Coil	
26	70003788	5	Coil	
27	70002386	9	Coil	
28	70003974	1	Disc, Check Valve	
29	70002974	3	Disc, Check Valve	
30	70003975	2	Orifice	
31	See Note	AR	Plug Options (Not Shown)	
31	7024844	1	Plug 3/8 (#6)	
31	7017406	9	Plug 1/4 (#4)	

SECTION 2 - TURNTABLE

FIGURE 2-4. MAIN CONTROL VALVE ASSEMBLY - 18RSJ



ART_1001179923

SECTION 2 - TURNTABLE

FIGURE 2-4. MAIN CONTROL VALVE ASSEMBLY - 18RSJ

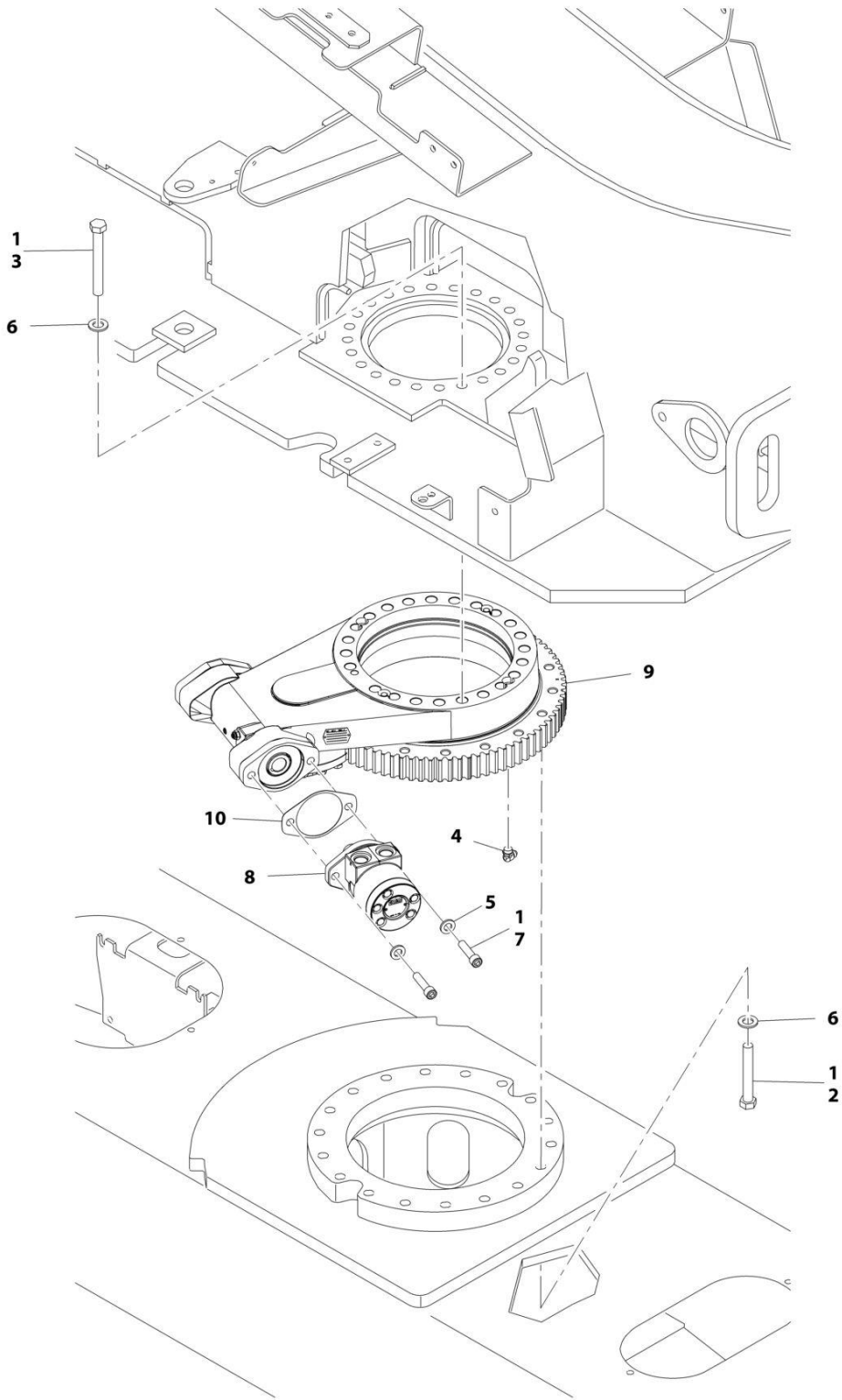
ITEM	PART NUMBER	QTY	DESCRIPTION	REV
	1001179923	Ref	MAIN CONTROL VALVE ASSEMBLY - 18RSJ	B
1	70003961	1	Cartridge, Crossover Relief	
1	7021653	1	Seal Kit - 70003961 Cartridge	
2	70004151	1	Cartridge, Crossover Relief	
2	7021653	1	Seal Kit - 70004151 Cartridge	
3	7012975	1	Cartridge, Check	
3	7012540	1	Seal Kit - 7012975 Cartridge	
4	70002975	2	Cartridge, Check	
4	70002976	2	Seal Kit - 70002975 Cartridge	
5	7022391	1	Cartridge, Check	
5	7012967	1	Seal Kit - 7022391 Cartridge	
6	70003963	1	Cartridge, Compensator	
6	7010543	1	Seal Kit - 7003963 Cartridge	
7	70002973	1	Cartridge, Compensator	
7	2900707	1	Seal Kit - 70002973 Cartridge	
8	70004152	1	Cartridge, Compensator	
8	2900707	1	Seal Kit - 70004152 Cartridge	
9	70002972	2	Cartridge, Flow Control	
9	7010543	2	Seal Kit - 70002972 Cartridge	
10	7012989	1	Cartridge, Flow Regulator	
10	7012953	1	Seal Kit - 7012989 Cartridge	
11	7023984	1	Cartridge, Flow Regulator	
11	7012953	1	Seal Kit - 7023984 Cartridge	
12	7012965	1	Cartridge, Flow Regulator	
12	7012953	1	Seal Kit - 702965 Cartridge	
13	10837580	1	Cartridge, Load Shuttle	
13	7010543	1	Seal Kit - 10837580 Cartridge	
14	7012914	2	Cartridge, Pilot Check	
14	7012918	2	Seal Kit - 7012914 Cartridge	
15	70004153	1	Cartridge, Relief	
15	7012998	1	Seal Kit - 70004153 Cartridge	
16	70003968	1	Cartridge, Relief	
16	7012998	1	Seal Kit - 70003968 Cartridge	
17	7017420	1	Cartridge, Relief	
17	7012998	1	Seal Kit - 7017420 Cartridge	
18	7023913	1	Cartridge, Relief	
18	7012998	1	Seal Kit - 7023913 Cartridge	
19	70004154	1	Cartridge, Relief	
19	7017496	1	Seal Kit - 70004154 Cartridge	
20	7017422	1	Cartridge, Relief	
20	7012998	1	Seal Kit - 7017422 Cartridge	
21	7017421	1	Cartridge, Relief	
21	7012998	1	Seal Kit - 7017421 Cartridge	
22	70003970	1	Cartridge, Solenoid (Without Coil)	
22	70003976	1	Seal Kit - 70003970 Cartridge	
22	7022390	1	Nut, Coil	
23	70003971	3	Cartridge, Solenoid (Without Coil)	
23	70002967	3	Seal Kit - 70003971 Cartridge	
23	7022390	3	Nut, Coil	
24	70002966	1	Cartridge, Solenoid (Without Coil)	

SECTION 2 - TURNTABLE

ITEM	PART NUMBER	QTY	DESCRIPTION	REV
24	70003976	1	Seal Kit - 70002966 Cartridge	
24	7022390	1	Nut, Coil	
25	7024884	2	Cartridge, Solenoid (Without Coil)	
25	7012967	2	Seal Kit - 7024884 Cartridge	
25	7022390	2	Nut, Coil	
26	70002401	1	Cartridge, Solenoid (Without Coil)	
26	7017496	1	Seal Kit - 70002401 Cartridge	
26	7022390	1	Nut, Coil	
27	7012910	2	Cartridge, Solenoid (Without Coil)	
27	2900708	2	Seal Kit - 7012910 Cartridge	
27	70003977	2	Nut, Coil	
28	7017410	1	Cartridge, Solenoid (Without Coil)	
28	7012967	1	Seal Kit - 7017410 Cartridge	
28	70003978	1	Nut, Coil	
29	70003788	5	Coil	
30	70002386	11	Coil	
31	70003974	1	Disc, Check Valve	
32	70002974	4	Disc, Check Valve	
33	70003975	2	Orifice	
34	See Note	AR	Plug Options (Not Shown)	
34	7024844	1	Plug 3/8 (#6)	
34	7017406	9	Plug 1/4 (#4)	

SECTION 2 - TURNTABLE

FIGURE 2-5. TURNTABLE BEARING AND SWING DRIVE INSTALLATION



ART_1001134069

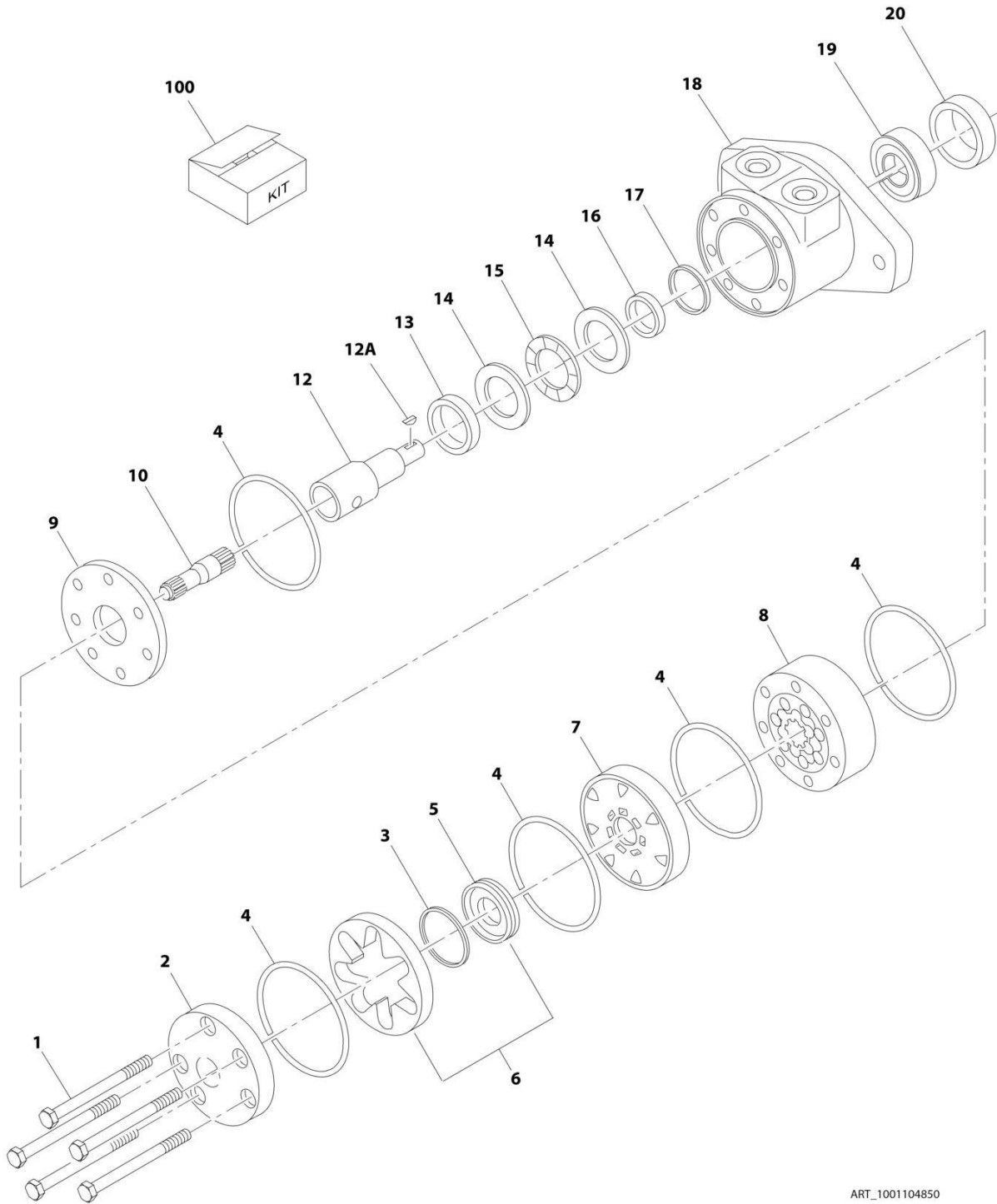
SECTION 2 - TURNTABLE

FIGURE 2-5. TURNTABLE BEARING AND SWING DRIVE INSTALLATION

ITEM	PART NUMBER	QTY	DESCRIPTION	REV
	1001134069	Ref	TURNTABLE BEARING AND SWING DRIVE INSTALLATION	G
1	0100019	AR	Compound, Locking	
2	0711628	18	Bolt M16 x 110 (Grade 10.9)	
3	0711630	23	Bolt M16 x 130 (Grade 10.9)	
4	2160001	2	Fitting, Grease	
5	5241200	2	Washer M12	
6	5241600	41	Washer M16	
7	5272114	2	Capscrew M12 x 50	
8	1001104850	1	Swing Motor Assembly (See SWING MOTOR ASSEMBLY for Breakdown)	
9	1001133972	1	Swing Bearing and Rotation Box Assembly (See SWING BEARING AND ROTATION BOX ASSEMBLY for Breakdown)	
10	1001155744	1	Gasket	

SECTION 2 - TURNTABLE

FIGURE 2-6. SWING MOTOR ASSEMBLY



ART_1001104850

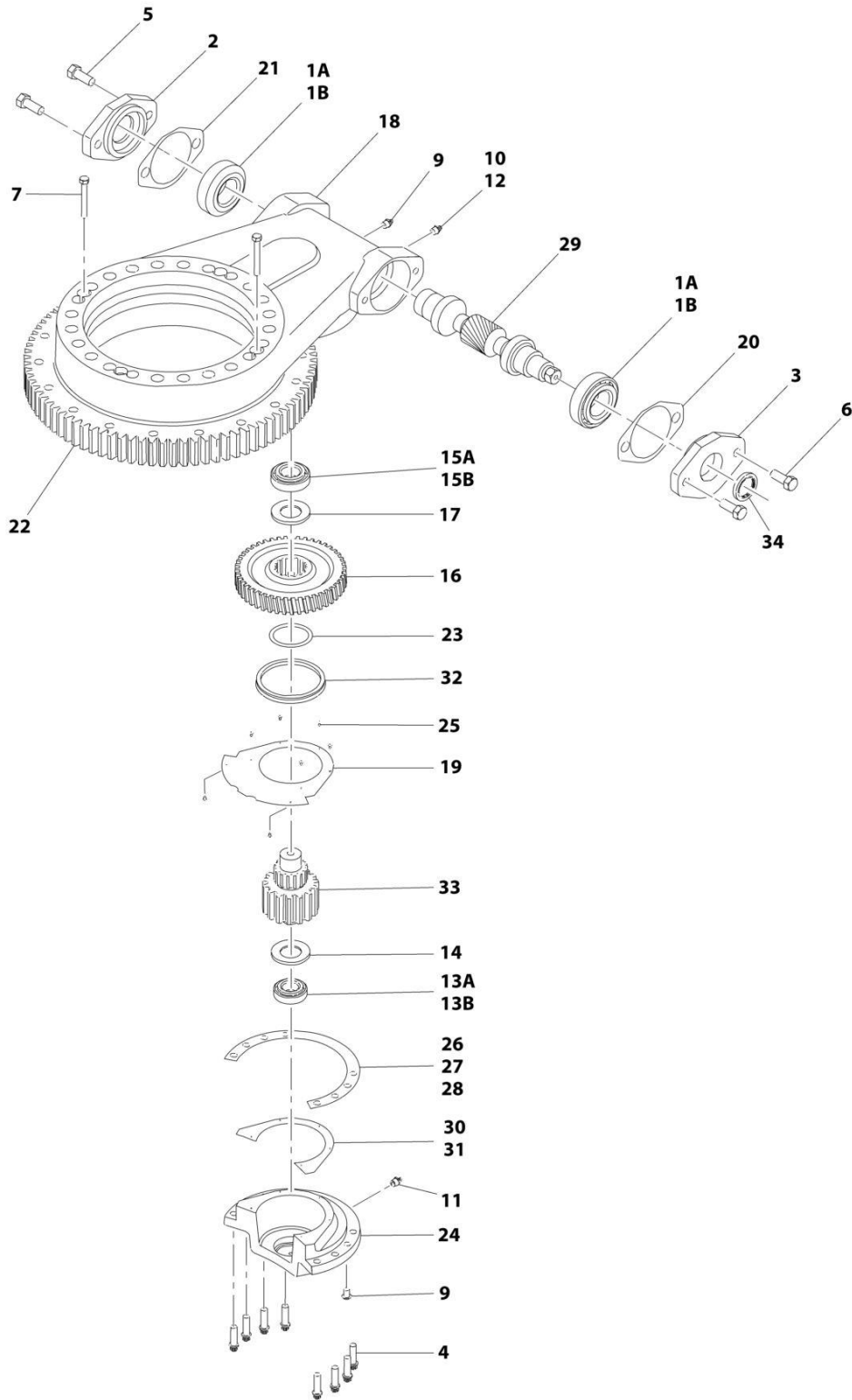
SECTION 2 - TURNTABLE

FIGURE 2-6. SWING MOTOR ASSEMBLY

ITEM	PART NUMBER	QTY	DESCRIPTION	REV
	1001104850	Ref	SWING MOTOR ASSEMBLY	A
1	See Note	NSS	Bolt (Note: Not Available for Purchase)	
2	7004035	1	Cover, End	
3	7023318	1	Seal, Commutator	
4	7004036	5	O-Ring	
5	See Note	NSS	Commutator (Note: Use p/n 7024453)	
6	7024453	1	Commutator and Ring Assembly (Includes Items 3 & 5)	
7	7024379	1	Manifold	
8	70002206	1	Rotor Set	
9	7024380	1	Plate, Wear	
10	70002207	1	Link, Drive	
12	70000088	1	Shaft, Coupling	
12A	70000089	1	Key	
13	7024381	1	Bushing, Inner	
14	7004043	1	Thrustwasher	
15	7004044	1	Bearing, Thrust	
16	7004049	1	Seal, Inner Shaft	
17	7004045	1	Ring, Backup	
18	See Note	NSS	Housing (Note: Not Available - Purchase Complete Motor)	
19	7024390	1	Bearing	
20	7004047	1	Seal, Outer Shaft	
100	7024389	1	Seal Kit (Includes Items 3, 4, 16, 17 & 20)	

SECTION 2 - TURNTABLE

FIGURE 2-7. SWING BEARING AND ROTATION BOX ASSEMBLY



ART_1001133972

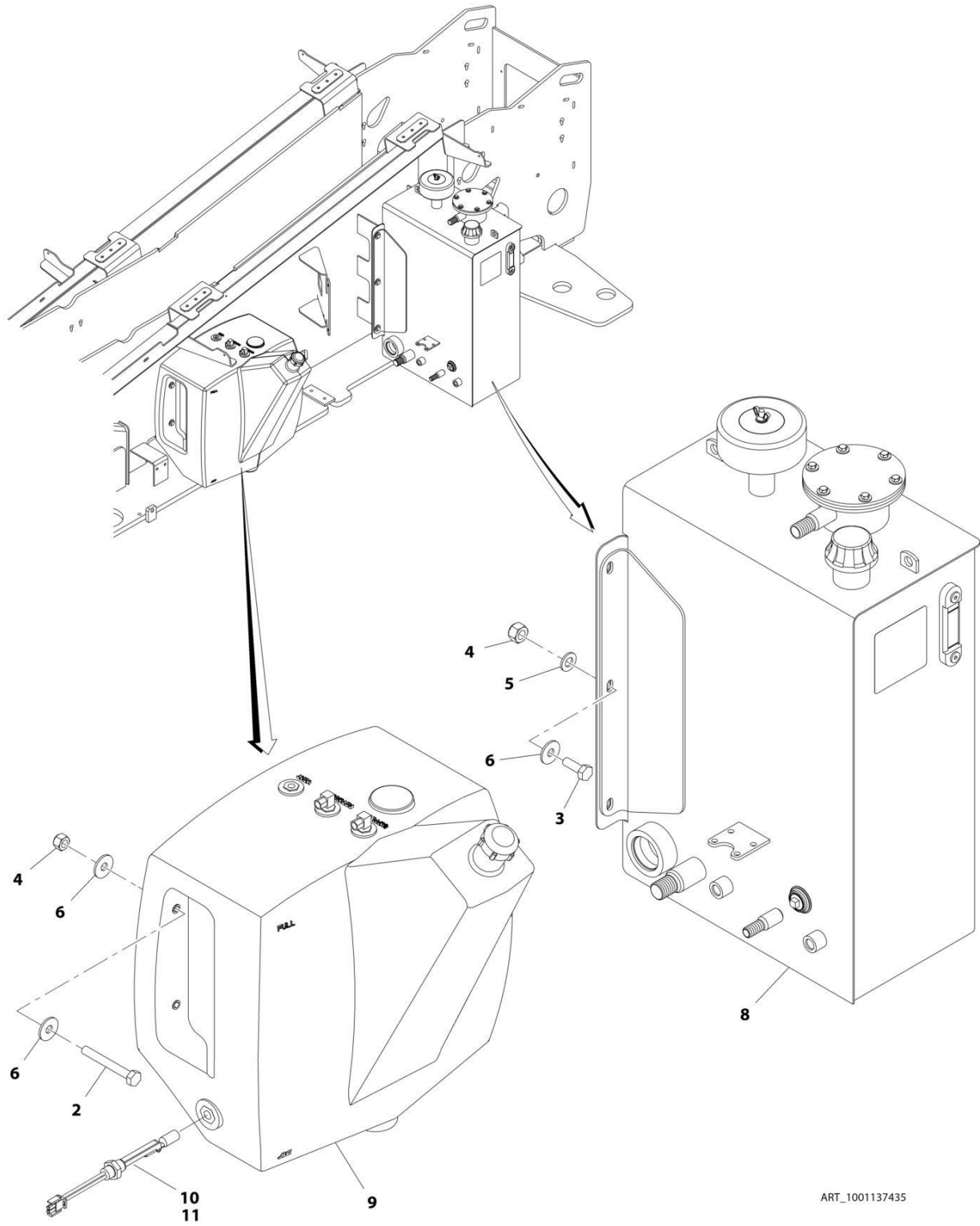
SECTION 2 - TURNTABLE

FIGURE 2-7. SWING BEARING AND ROTATION BOX ASSEMBLY

ITEM	PART NUMBER	QTY	DESCRIPTION	REV
	1001133972	Ref	SWING BEARING AND ROTATION BOX ASSEMBLY	D
1A	7026042	2	Cup, Bearing	
1B	7026043	2	Cone, Bearing	
2	7027356	1	Adapter, Motor	
3	7027354	1	Cap, Worm	
4	70004249	8	Bolt M10 x 35 Grade 10.9	
5	70004250	2	Bolt M12 x 30 Grade 10.9	
6	70004251	2	Bolt M12 x 40 Grade 10.9	
7	70004252	2	Bolt M8 x 65	
9	70000865	1	Plug	
10	70002649	1	Vent, Pressure	
11	70002651	1	Fitting, Grease	
12	7026044	1	Bushing, Reducer	
13A	7026045	1	Cup, Bearing	
13B	7026047	1	Cone, Bearing	
14	7026046	1	Ring, Grease	
15A	7026048	1	Cup, Bearing	
15B	7026049	1	Cone, Bearing	
16	7026050	1	Worm-Gear	
17	7026052	1	Spacer, Washer	
18	See Note	NSS	Housing (Note: Not Available - Purchase Complete Assembly)	
19	7026053	1	Cover, Gear	
20	7027350	AR	Shim, Blue (.005in)	
20	7027351	AR	Shim, Clear (.0075in)	
20	7027352	AR	Shim, Brown (.010in)	
21	7027353	AR	Shim, Yellow (.020in)	
22	70004253	1	Bearing, Turntable	
23	70004254	1	O-Ring	
24	70004255	1	Cap, Gear	
25	70004256	8	Bolt M4 x 8	
26	70004257	AR	Shim, Green (.003)	
27	70004258	AR	Shim, Blue (.005)	
28	70004259	AR	Shim, Natural (.0075)	
29	7026057	1	Gear, Worm	
30	70004260	AR	Shim, Blue (.005)	
31	70004261	AR	Shim, Yellow (.020)	
32	70004262	1	Seal, Oil	
33	7026051	1	Pinion, Output	
34	70004263	1	Seal, Oil	

SECTION 2 - TURNTABLE

FIGURE 2-8. TANK INSTALLATIONS



ART_1001137435

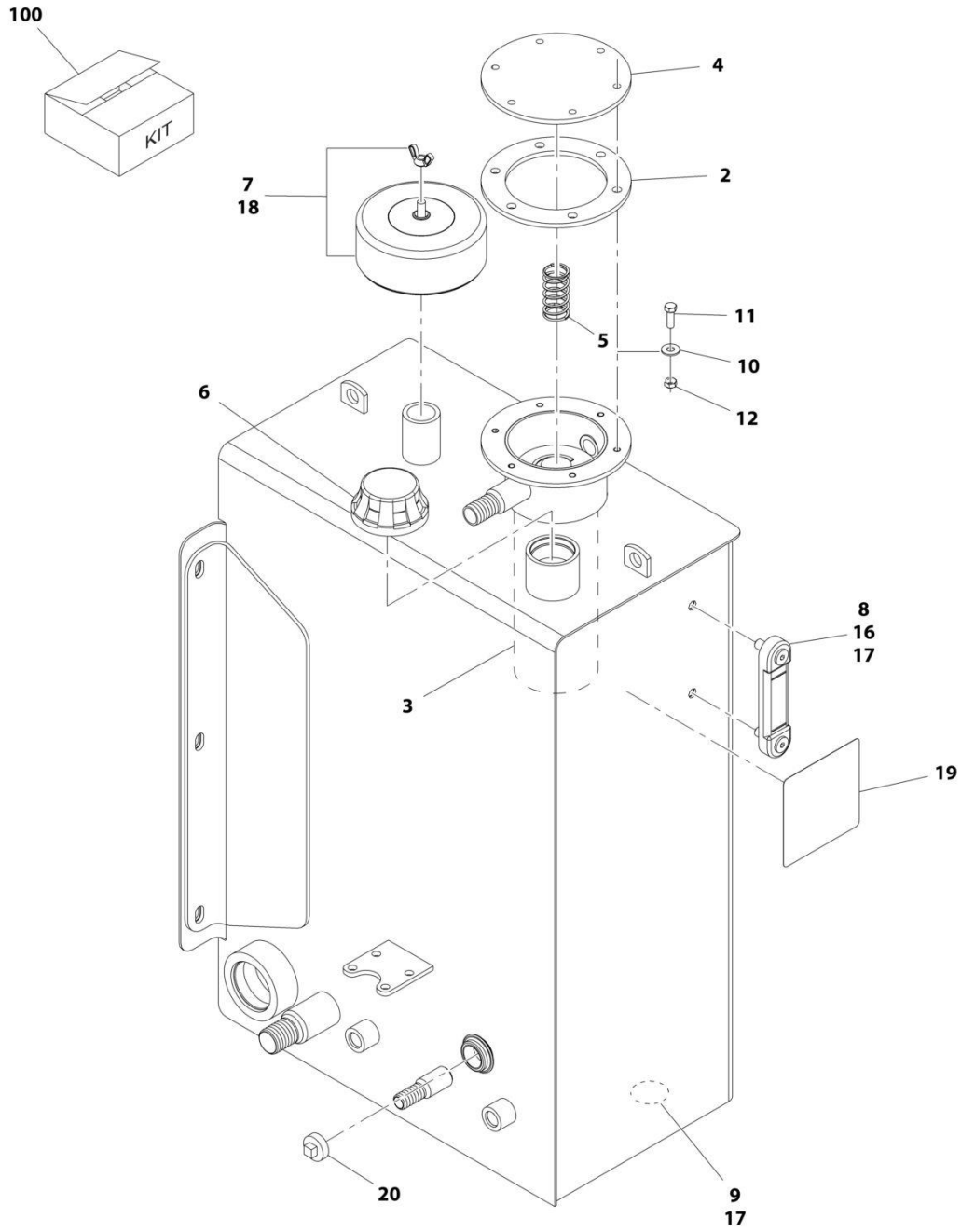
SECTION 2 - TURNTABLE

FIGURE 2-8. TANK INSTALLATIONS

ITEM	PART NUMBER	QTY	DESCRIPTION	REV
	1001137435	Ref	TANK INSTALLATIONS	C
2	0701024	4	Bolt M10 x 80	
3	0761014	6	Bolt M10 x 30	
4	3291005	10	Nut M10	
5	4812000	6	Washer M10	
6	4812002	14	Washer M10	
8	1001132232	1	Hydraulic Tank Assembly (See HYDRAULIC TANK ASSEMBLY for Breakdown)	
9	1001136300	1	Fuel Tank Assembly	
9	70005064	1	Cap, Fill	
9	See Note	NSS	Tube, Supply/Return (Note: Not Available for Purchase)	
10	4360436	1	Switch, Fuel Level (SN B300001515 to Present)	
11	1001182997	1	Adhesive (SN B300001515 to Present)	

SECTION 2 - TURNTABLE

FIGURE 2-9. HYDRAULIC TANK ASSEMBLY



ART_1001132232

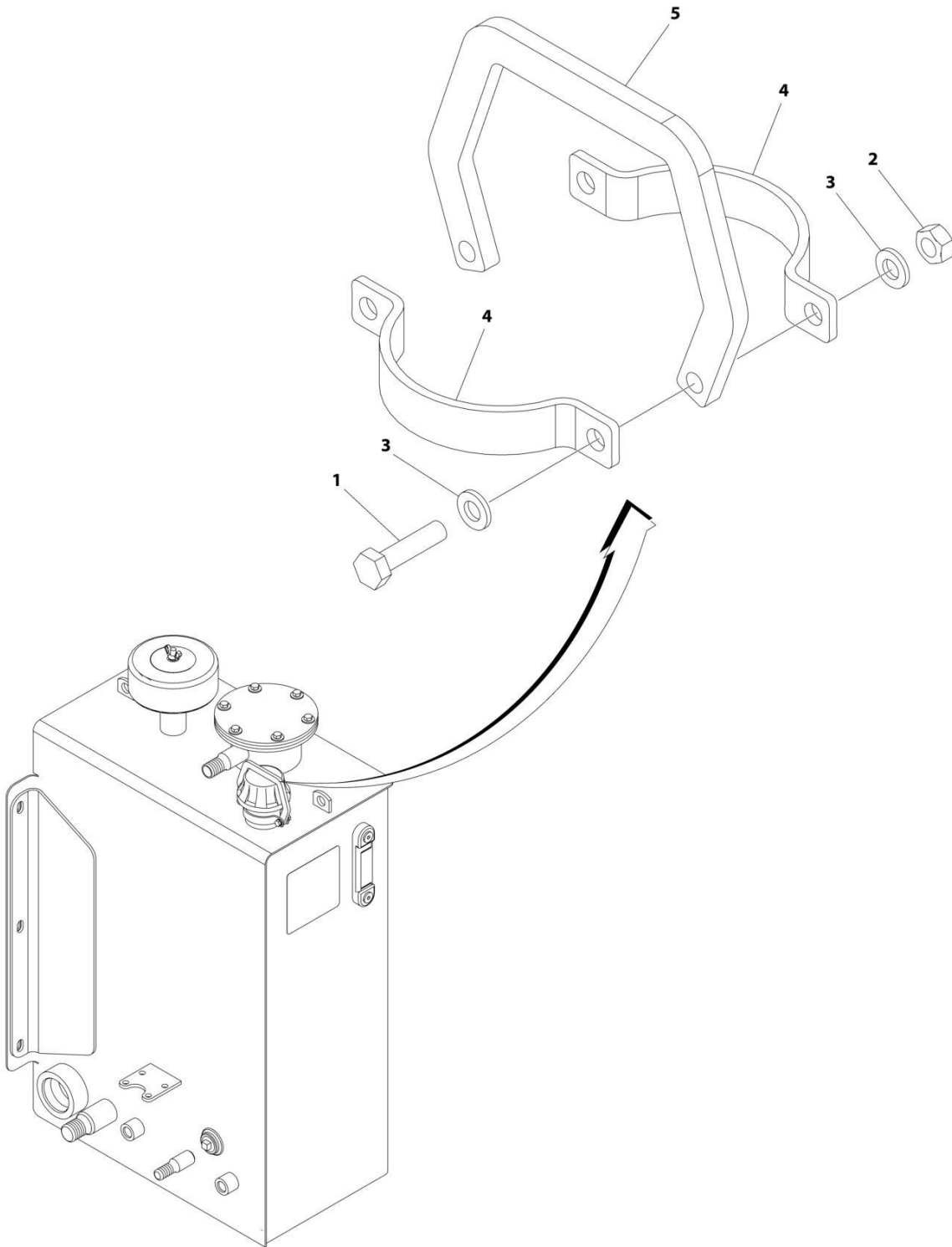
SECTION 2 - TURNTABLE

FIGURE 2-9. HYDRAULIC TANK ASSEMBLY

ITEM	PART NUMBER	QTY	DESCRIPTION	REV
	1001132232	Ref	HYDRAULIC TANK ASSEMBLY	H
2	70002839	1	Gasket, Filter	
3	See Note	NSS	Element, Filter (Note: Use Item 100)	
4	See Note	NSS	Cover (Note: Not Available for Purchase)	
5	70004195	1	Spring	
6	70002838	1	Fill Cap Assembly	
7	See Note	NSS	Breather Assembly (Note: Use Item 100)	
8	7024441	1	Gauge	
9	70004196	1	Plug	
10	70004197	6	Washer 5/16 Stainless Steel	
11	70004198	6	Bolt 5/16 x 1 Stainless Steel	
12	70004199	6	Nut 5/16 Stainless Steel	
16	See Note	AR	Compound, Locking (Note: Use Loctite #243)	
17	See Note	AR	Lubricant (Note: Not Available)	
18	See Note	AR	Sealant (Note: Use Loctite #565)	
19	70004200	1	Decal - Service	
20	See Note	NSS	Plug (Note: Not Available - Purchase Locally)	
100	70003614	1	Filter Kit (Includes Items 3 & 7)	

SECTION 2 - TURNTABLE

FIGURE 2-10. HYDRAULIC TANK LOCK INSTALLATION (SN B30002264 to Present)



ART_1001229941

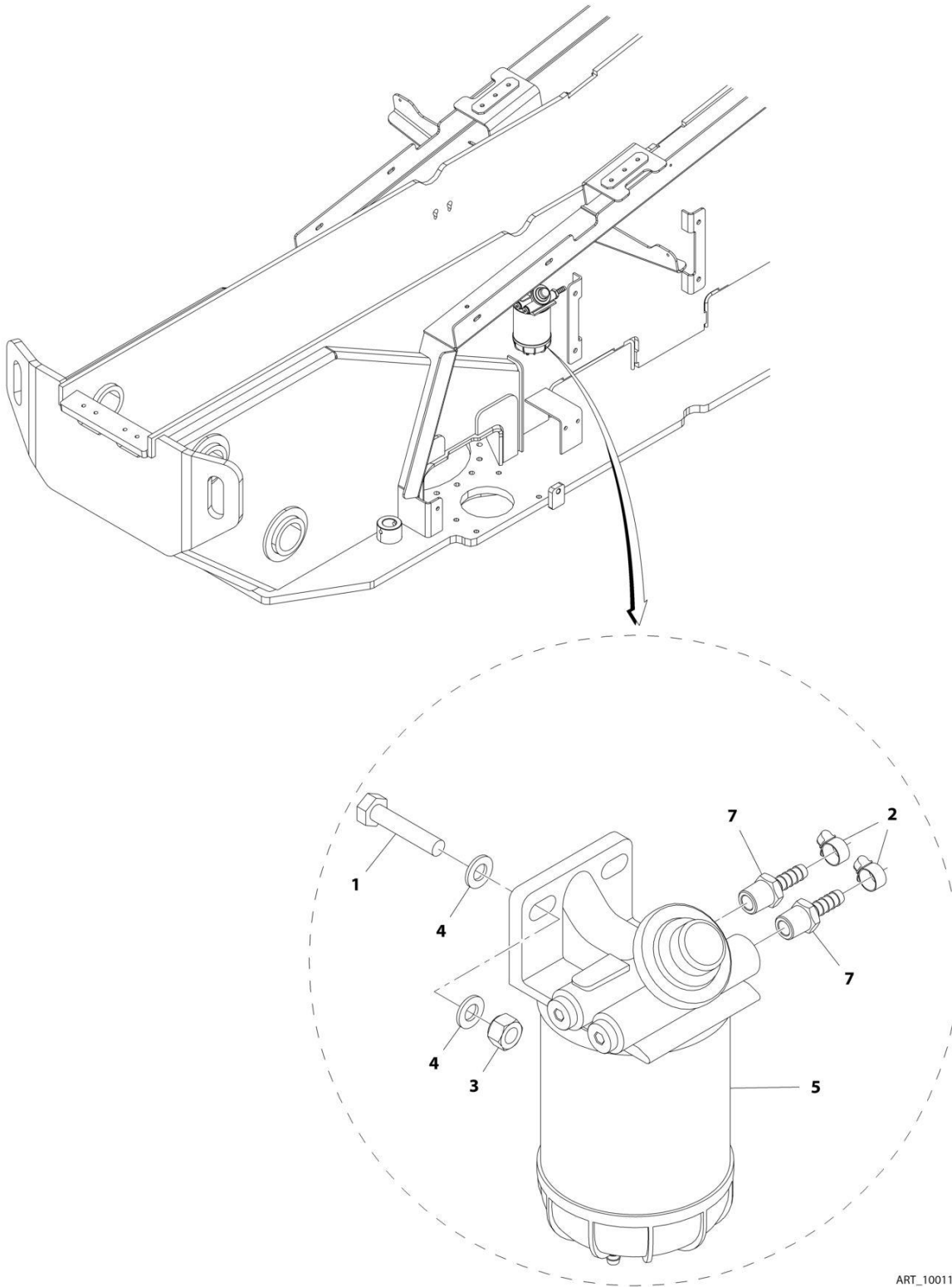
SECTION 2 - TURNTABLE

FIGURE 2-10. HYDRAULIC TANK LOCK INSTALLATION (SN B300002264 to Present)

ITEM	PART NUMBER	QTY	DESCRIPTION	REV
	1001229941	Ref	HYDRAULIC TANK LOCK INSTALLATION (SN B300002264 to Present)	A
1	0760612	2	Bolt M6 x 25	
2	3290601	2	Nut M6	
3	4811700	4	Washer M6	
4	1001229942	2	Bracket	
5	1001229943	1	Bracket	

SECTION 2 - TURNTABLE

FIGURE 2-11. FUEL FILTER INSTALLATION (OPTIONAL)



ART_1001146991

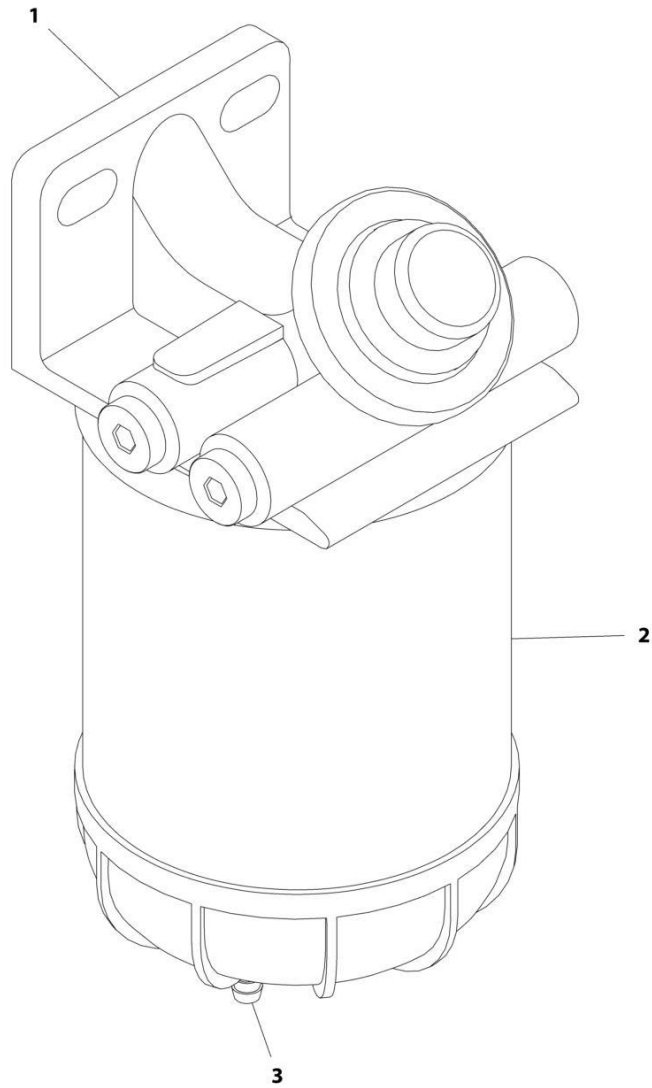
SECTION 2 - TURNTABLE

FIGURE 2-11. FUEL FILTER INSTALLATION (OPTIONAL)

ITEM	PART NUMBER	QTY	DESCRIPTION	REV
	1001146991	Ref	FUEL FILTER INSTALLATION (OPTIONAL)	B
1	0701018	2	Bolt M10 x 50	
2	1320022	2	Clamp	
3	3291005	2	Nut M10	
4	4812000	4	Washer M10	
5	1001136173	1	Water Separator Filter Assembly (See WATER SEPARATOR FILTER ASSEMBLY (OPTIONAL) for Breakdown)	
7	2180876	2	Fitting, Straight Barbed	

SECTION 2 - TURNTABLE

FIGURE 2-12. WATER SEPARATOR FILTER ASSEMBLY (OPTIONAL)



ART_1001136173

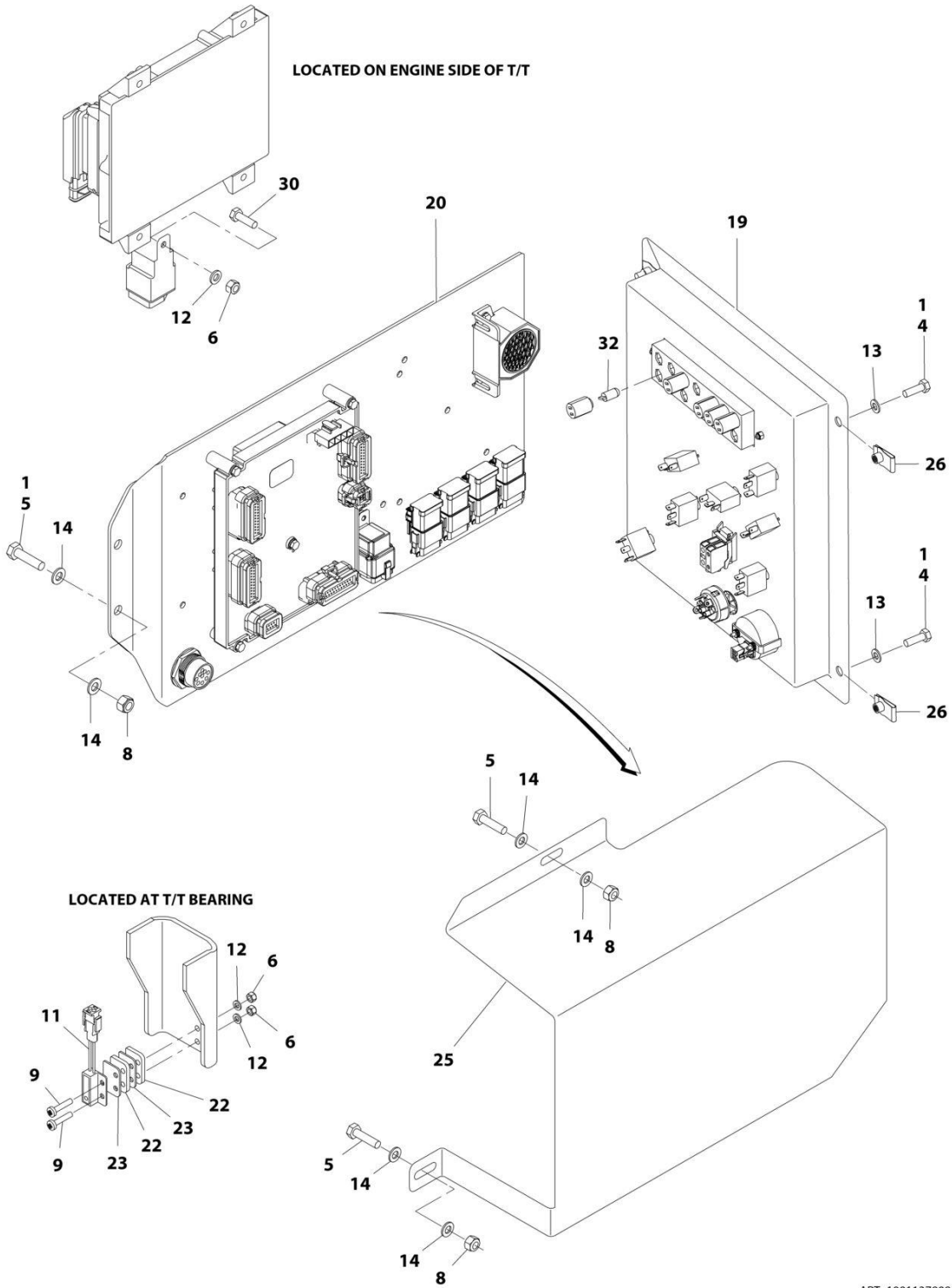
SECTION 2 - TURNTABLE

FIGURE 2-12. WATER SEPARATOR FILTER ASSEMBLY (OPTIONAL)

ITEM	PART NUMBER	QTY	DESCRIPTION	REV
	1001136173	Ref	WATER SEPARATOR FILTER ASSEMBLY (OPTIONAL)	B
1	70004063	1	Head, Mounting Kit (Includes Plugs and #4 Bypass Valve)	
1	70004064	1	Valve, Bypass	
1	70004065	1	Gasket - Head to Element	
2	70004066	1	Element, Filter	
3	70004065	1	Gasket - Element to Bowl	
3	70004068	1	Bowl Kit (Includes Bowl, #3 Element Plug and Drain)	
3	70004069	1	Plug	
3	70004070	1	Drain, Self-Vented	

SECTION 2 - TURNTABLE

FIGURE 2-13. ELECTRICAL INSTALLATION - 18RS



ART_1001137908_TOF2

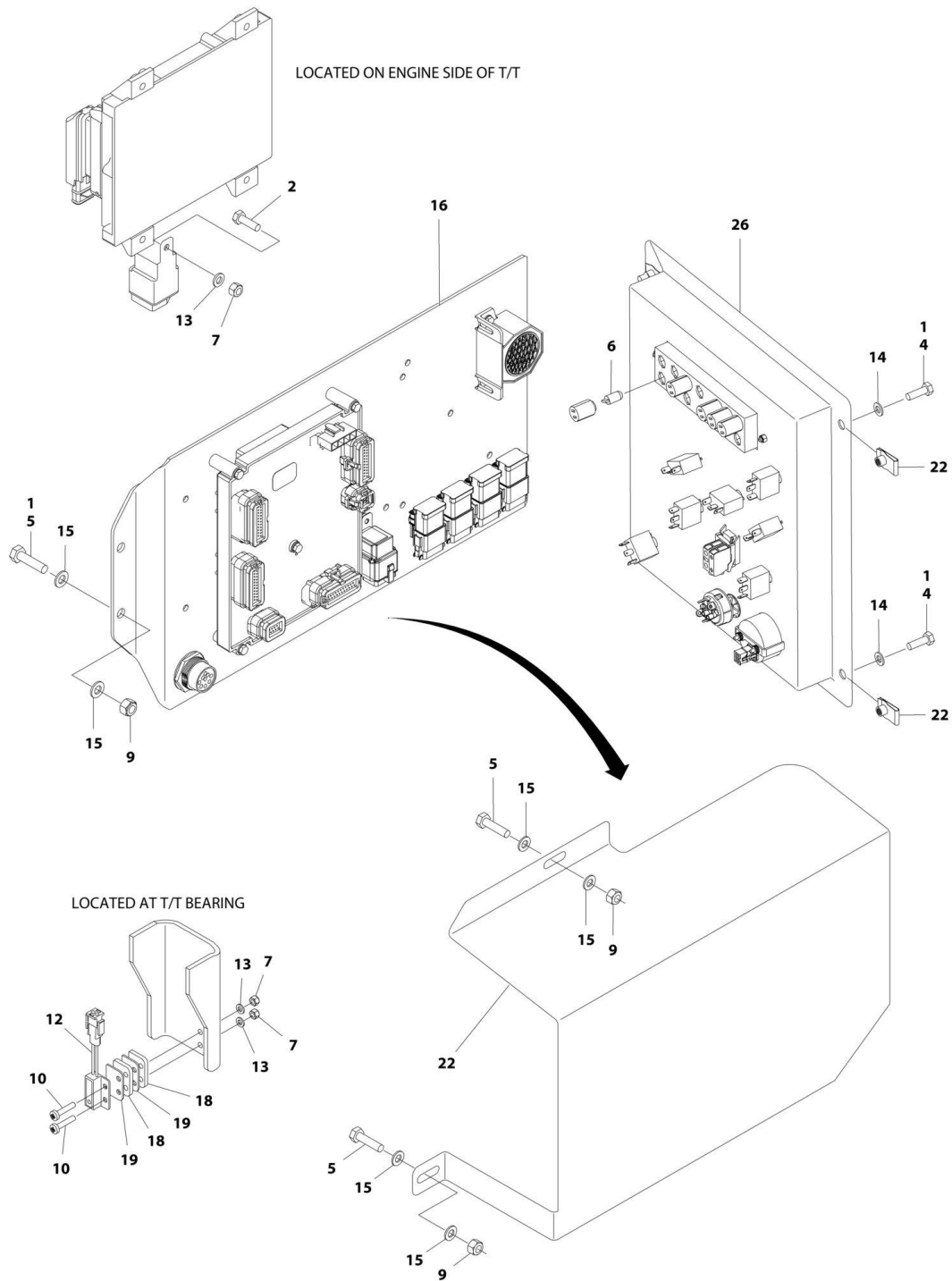
SECTION 2 - TURNTABLE

FIGURE 2-13. ELECTRICAL INSTALLATION - 18RS

ITEM	PART NUMBER	QTY	DESCRIPTION	REV
	1001137908	Ref	ELECTRICAL INSTALLATION - 18RS	G
1	0100011	AR	Compound, Locking	
4	0760812	4	Bolt M8 x 25	
5	0761016	6	Bolt M10 x 40	
6	3290605	3	Nut M6	
8	3291005	6	Nut M10	
9	3900392	2	Screw M6 x 30	
10	4240018	6	Tie-Strap (Not Shown)	
11	4360514	1	Switch, Proximity	
11	4460424	1	Receptacle, Female - 2 Position	
11	4460227	2	Pin, Male	
12	4811700	4	Washer M6	
13	4811900	6	Washer M8	
14	4812000	12	Washer M10	
15	1001132511	1	Turntable Harness (Not Shown - See ELECTRICAL SECTION for Breakdown)	
16	1001132556	1	Engine Harness (Not Shown - See ELECTRICAL SECTION for Breakdown)	
17	1001134067	1	Valve Harness (Not Shown - See ELECTRICAL SECTION for Breakdown)	
19	1001134791	1	Ground Control Panel Assembly (See GROUND CONTROL PANEL ASSEMBLY for Breakdown)	
20	1001134830	1	Electrical Panel Assembly (See ELECTRICAL PANEL ASSEMBLY for Breakdown)	
21	1001135506	1	Ground Control Panel Harness (Not Shown - See ELECTRICAL SECTION for Breakdown)	
22	1001140710	2	Shim	
23	1001141075	2	Shim	
24	1001145874	1	Chassis Harness (Not Shown - See ELECTRICAL SECTION for Breakdown)	
25	1001148387	1	Cover	
26	1001149160	4	Nut, Tinnerman M8	
30	0760610	1	Bolt M6 x 20	
31	1001159284	1	EMR2 Power Harness (Not Shown - See ELECTRICAL SECTION for Breakdown)	
32	2920129	5	Lamp	

SECTION 2 - TURNTABLE

FIGURE 2-14. ELECTRICAL INSTALLATION - 18RSJ



ART_1001185923_10F2

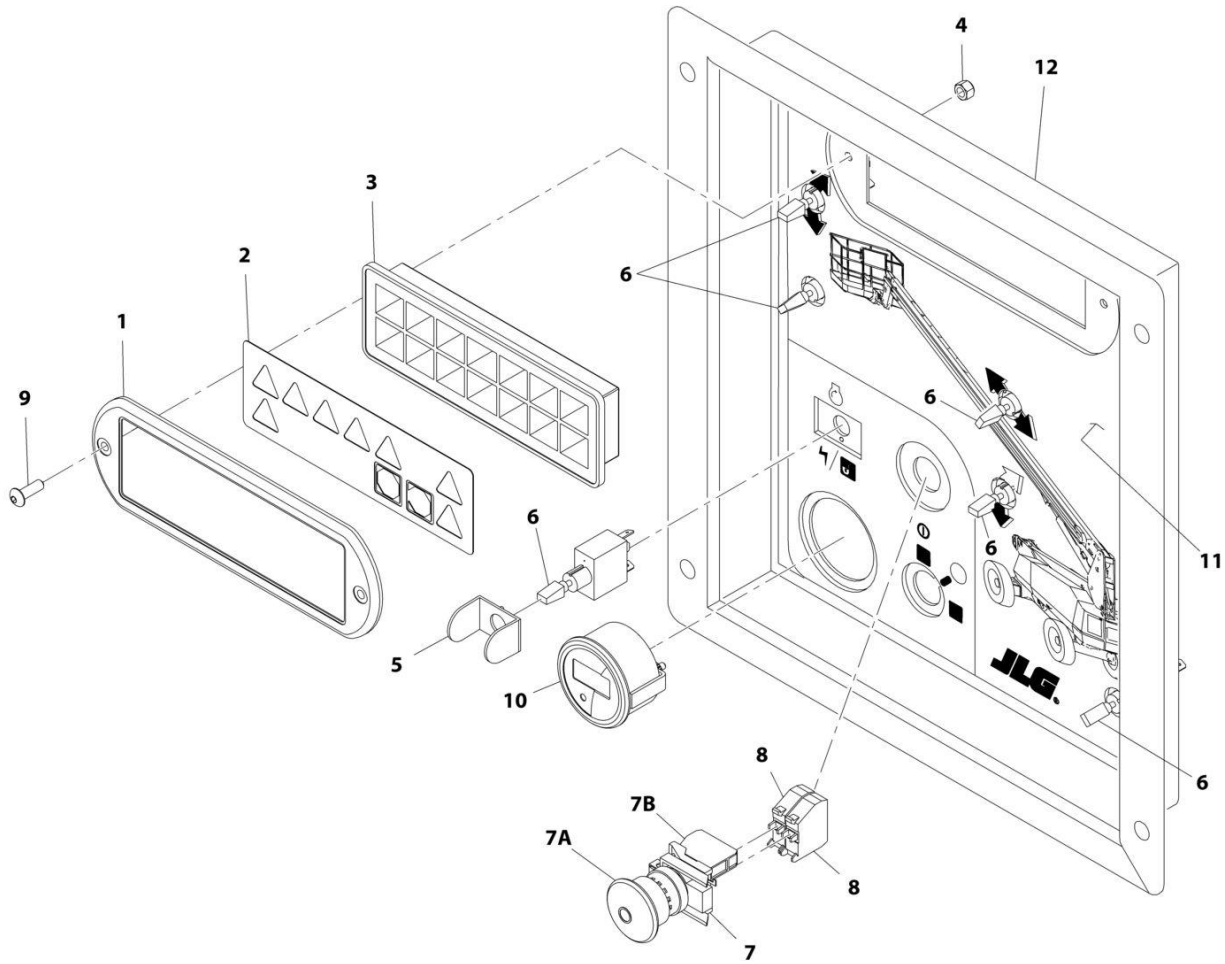
SECTION 2 - TURNTABLE

FIGURE 2-14. ELECTRICAL INSTALLATION - 18RSJ

ITEM	PART NUMBER	QTY	DESCRIPTION	REV
	1001185923	Ref	ELECTRICAL INSTALLATION - 18RSJ	B
1	0100011	AR	Compound, Locking	
2	0760610	1	Bolt M6 x 20	
4	0760812	4	Bolt M8 x 25	
5	0761016	6	Bolt M10 x 40	
6	2920129	5	Lamp	
7	3290605	3	Nut M6	
8	3290801	1	Nut M8	
9	3291005	6	Nut M10	
10	3900392	2	Screw M6 x 30	
11	4240018	6	Tie-Strap (Not Shown)	
12	4360514	1	Switch, Proximity	
12	4460424	1	Receptacle, Female - 2 Position	
12	4460227	2	Pin, Male	
13	4811700	4	Washer M6	
14	4811900	6	Washer M8	
15	4812000	12	Washer M10	
16	1001134830	1	Electrical Panel Assembly (See ELECTRICAL PANEL ASSEMBLY for Breakdown)	
17	1001203478	1	Ground Control Panel Harness (Not Shown - See ELECTRICAL SECTION for Breakdown)	
18	1001140710	2	Shim	
19	1001141075	2	Shim	
20	1001145874	1	Chassis Harness (Not Shown - See ELECTRICAL SECTION for Breakdown)	
21	1001148387	1	Cover	
22	1001149160	4	Nut, Tinnerman M8	
25	1001185833	1	JIB Valve Harness (Not Shown - See ELECTRICAL SECTION for Breakdown)	
26	1001187208	1	Ground Control Panel Assembly (See GROUND CONTROL PANEL ASSEMBLY for Breakdown)	
27	1001132511	1	Turntable Harness (Not Shown - See ELECTRICAL SECTION for Breakdown)	
28	1001132556	1	Engine Harness (Not Shown - See ELECTRICAL SECTION for Breakdown)	
29	1001203479	1	Valve Harness (Not Shown - See ELECTRICAL SECTION for Breakdown)	
31	1001159284	1	EMR2 Power Harness (Not Shown - See ELECTRICAL SECTION for Breakdown)	

SECTION 2 - TURNTABLE

FIGURE 2-15. GROUND CONTROL PANEL ASSEMBLY - 18RS



ART_1001134791

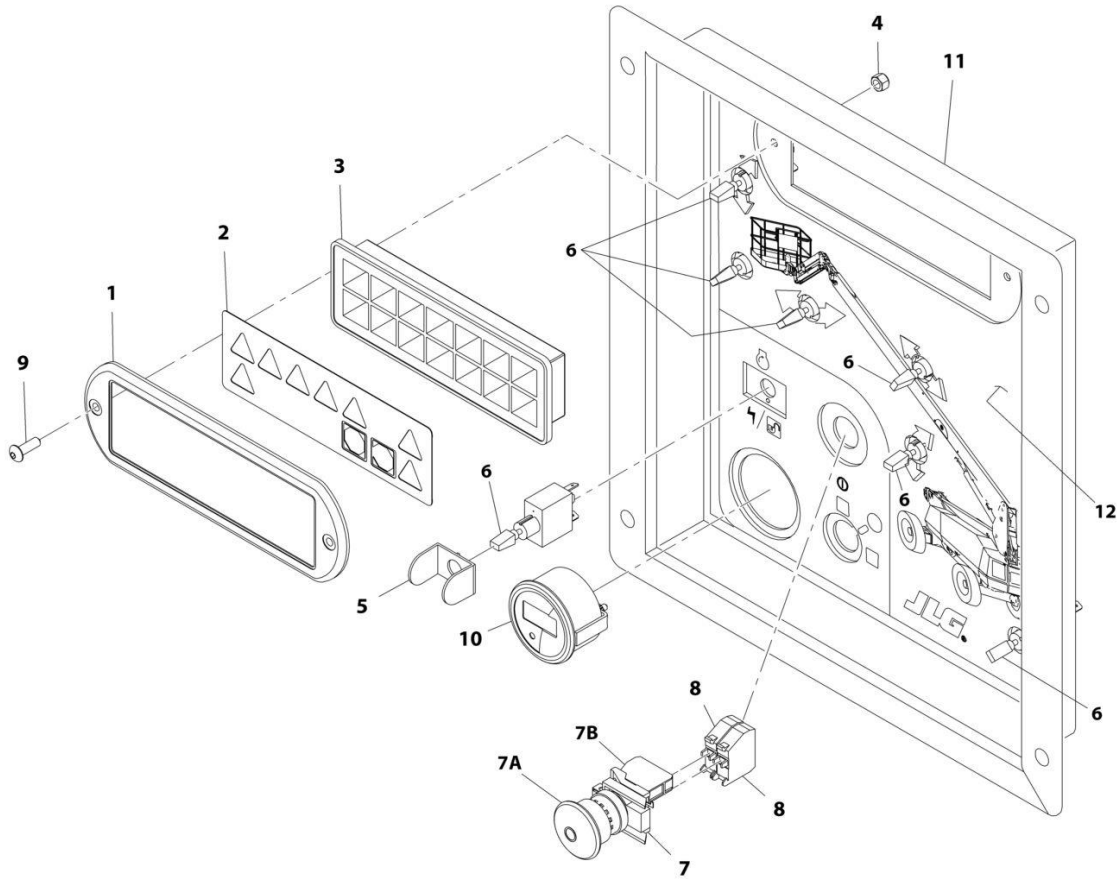
SECTION 2 - TURNTABLE

FIGURE 2-15. GROUND CONTROL PANEL ASSEMBLY - 18RS

ITEM	PART NUMBER	QTY	DESCRIPTION	REV
	1001134791	Ref	GROUND CONTROL PANEL ASSEMBLY - 18RS	A
1	1670829	1	Bezel	
2	1706712	1	Decal - Display Panel	
3	2760105	1	Housing, Display Light	
4	3290505	2	Nut M5	
5	4060906	1	Shield, Toggle Switch	
6	4360328	6	Switch, Toggle	
7	4360475	1	Switch, Emergency Stop	
7A	7020175	1	Cap, Mushroom Head	
7B	7020176	1	Block, Contact	
8	4360476	1	Switch, Contact Block	
9	1001099125	2	Screw M5 x 16	
10	1001109503	1	Gauge, Indicator	
11	1001133881	1	Decal - Ground Control	
12	1001134790	1	Panel	

SECTION 2 - TURNTABLE

FIGURE 2-16. GROUND CONTROL PANEL ASSEMBLY - 18RSJ



ART_1001187208

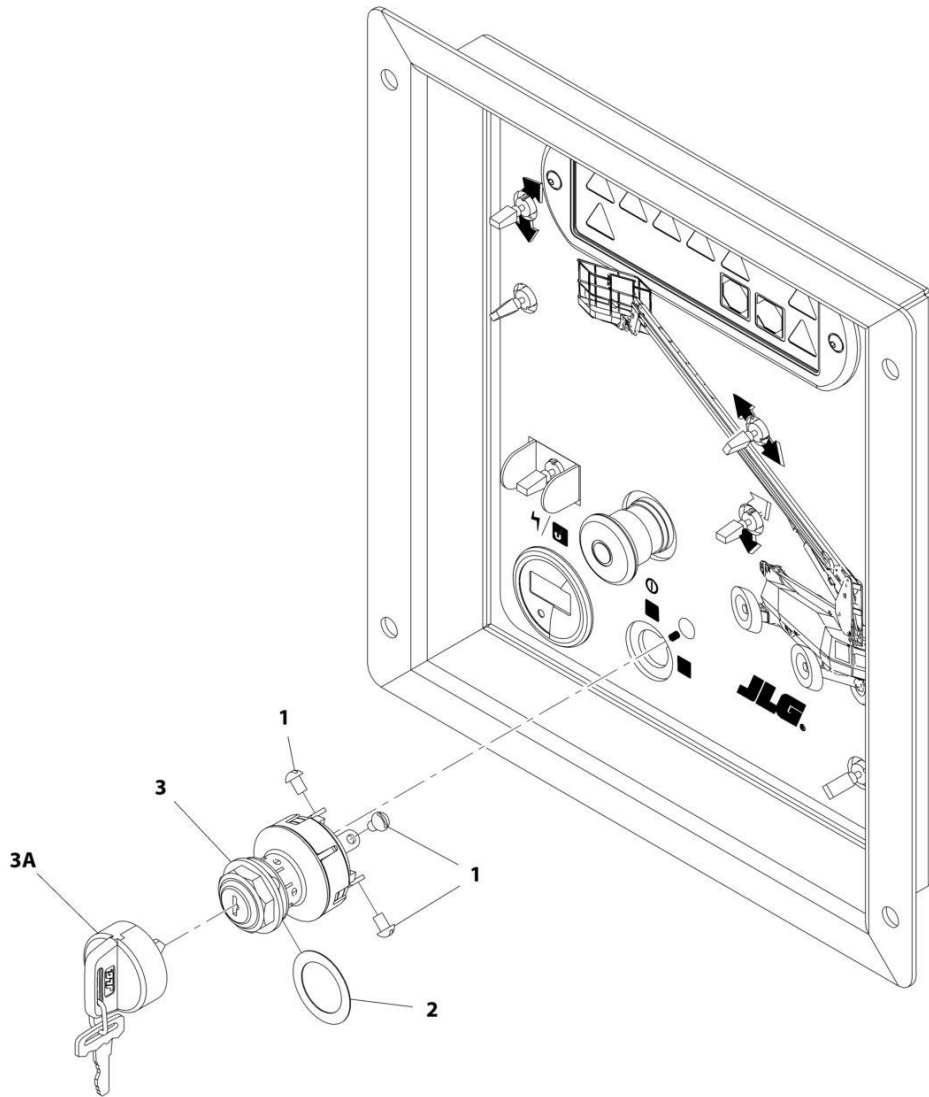
SECTION 2 - TURNTABLE

FIGURE 2-16. GROUND CONTROL PANEL ASSEMBLY - 18RSJ

ITEM	PART NUMBER	QTY	DESCRIPTION	REV
	1001187208	Ref	GROUND CONTROL PANEL ASSEMBLY - 18RSJ	A
1	1670829	1	Bezel	
2	1706712	1	Decal - Display Panel	
3	2760105	1	Housing, Display Light	
4	3290505	2	Nut M5	
5	4060906	1	Shield, Toggle Switch	
6	4360328	6	Switch, Toggle	
7	4360475	1	Switch, Emergency Stop	
7A	7020175	1	Cap, Mushroom Head	
7B	7020176	1	Block, Contact	
8	4360476	1	Switch, Contact Block	
9	1001099125	2	Screw M5 x 16	
10	1001109503	1	Gauge, Indicator	
11	1001134790	1	Panel	
12	1001185707	1	Decal - Ground Control	

SECTION 2 - TURNTABLE

FIGURE 2-17. KEY SWITCH ASSEMBLY



ART_1001140733

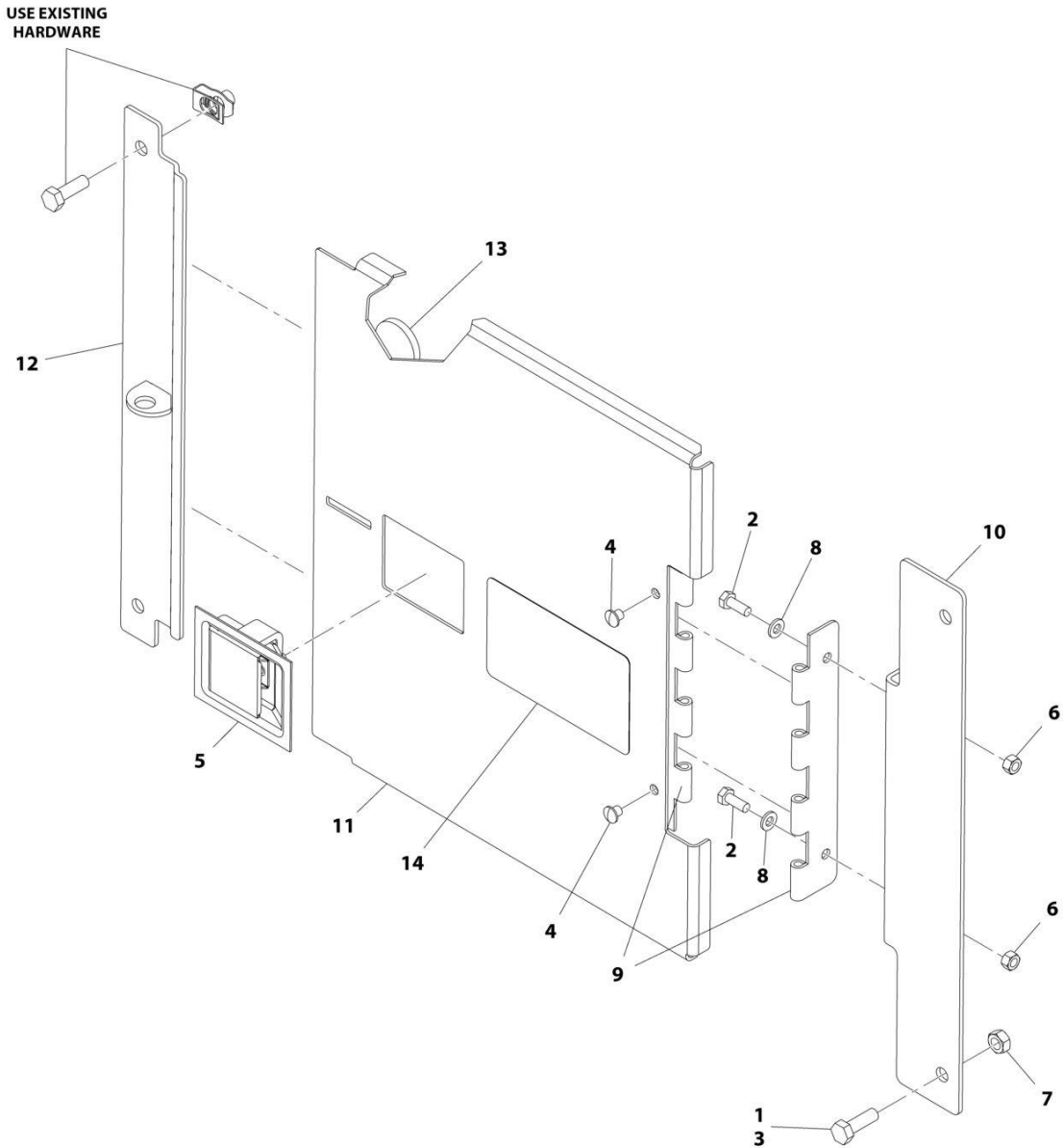
SECTION 2 - TURNTABLE

FIGURE 2-17. KEY SWITCH ASSEMBLY

ITEM	PART NUMBER	QTY	DESCRIPTION	REV
	1001140733	Ref	KEY SWITCH ASSEMBLY	A
1	3910804	6	Screw #8 x 1/4	
2	4070987	1	Shim	
3	4360469	1	Switch, Key	
3A	2860030	1 Set	Key	

SECTION 2 - TURNTABLE

FIGURE 2-18. GROUND CONTROL DOOR INSTALLATION (OPTIONAL)



ART_1001145713

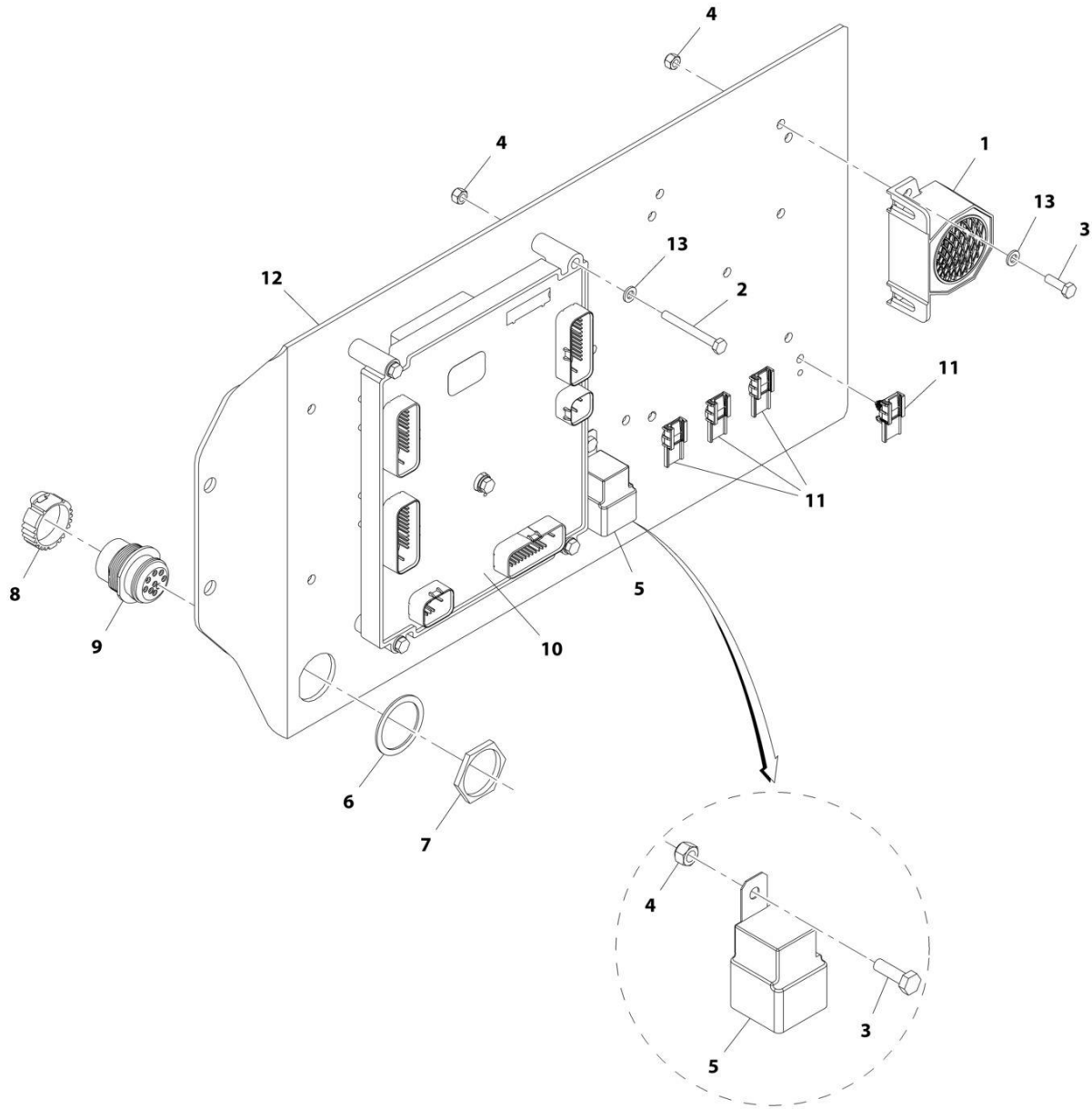
SECTION 2 - TURNTABLE

FIGURE 2-18. GROUND CONTROL DOOR INSTALLATION (OPTIONAL)

ITEM	PART NUMBER	QTY	DESCRIPTION	REV
	1001145713	Ref	GROUND CONTROL DOOR INSTALLATION (OPTIONAL)	B
1	0100019	AR	Compound, Locking	
2	0760608	2	Bolt M6 x 16	
3	0760814	2	Bolt M8 x 30	
4	2080040	2	Fastener, Huck	
5	2940045	1	Latch	
6	3290607	2	Nut M6	
7	3290801	2	Nut M8	
8	4811700	2	Washer M6	
9	1001120092	1	Hinge	
10	1001147054	1	Plate, Mounting	
11	1001147055	1	Door	
12	1001149749	1	Bracket	
13	7189000015	2	Bumper	
14	1001151250	1	Decal - Emergency Stop	

SECTION 2 - TURNTABLE

FIGURE 2-19. ELECTRICAL PANEL ASSEMBLY



ART_1001134830

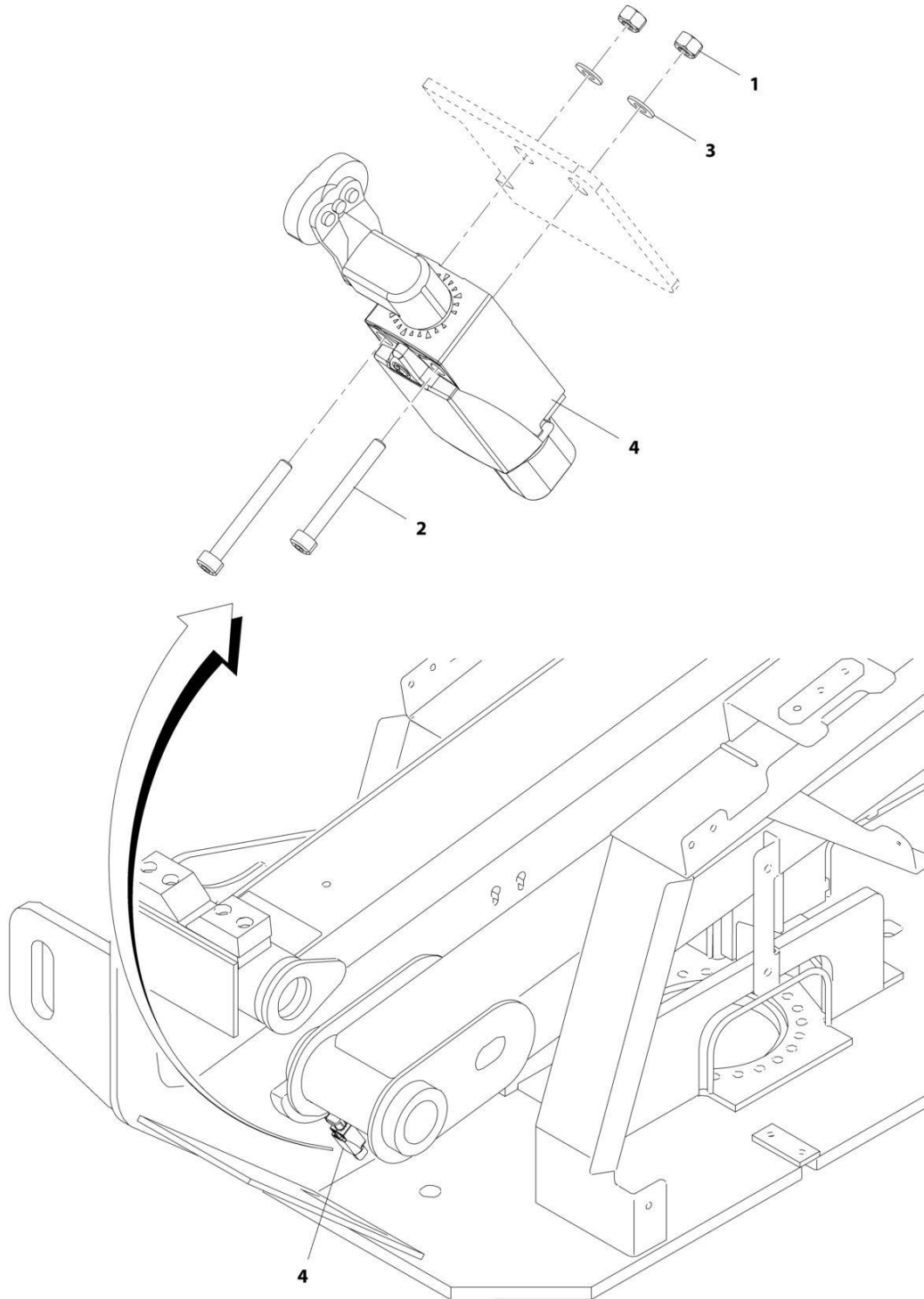
SECTION 2 - TURNTABLE

FIGURE 2-19. ELECTRICAL PANEL ASSEMBLY

ITEM	PART NUMBER	QTY	DESCRIPTION	REV
	1001134830	Ref	ELECTRICAL PANEL ASSEMBLY	D
1	0140043	1	Alarm, Motion	
1	4460536	1	Receptacle, Female - 3 Position	
1	4460464	3	Pin, Male	
2	0700619	5	Bolt M6 x 55	
3	0760610	3	Bolt M6 x 20	
4	3290605	8	Nut M6	
5	3740080	1	Relay	
6	4460496	1	Washer, Terminal	
7	4460497	1	Nut, Terminal	
8	1001106736	1	Cap, Dust	
9	1001112612	1	Connector, Electrical	
10	1001120431	1	Module, Ground Control	
10		Ref	Note: Recalibration Required when Replaced.	
11	1001121172	4	Bracket, Mounting	
12	1001134767	1	Panel	
13	4811700	7	Washer M6	

SECTION 2 - TURNTABLE

FIGURE 2-20. LIMIT SWITCH INSTALLATION



ART_1001139015

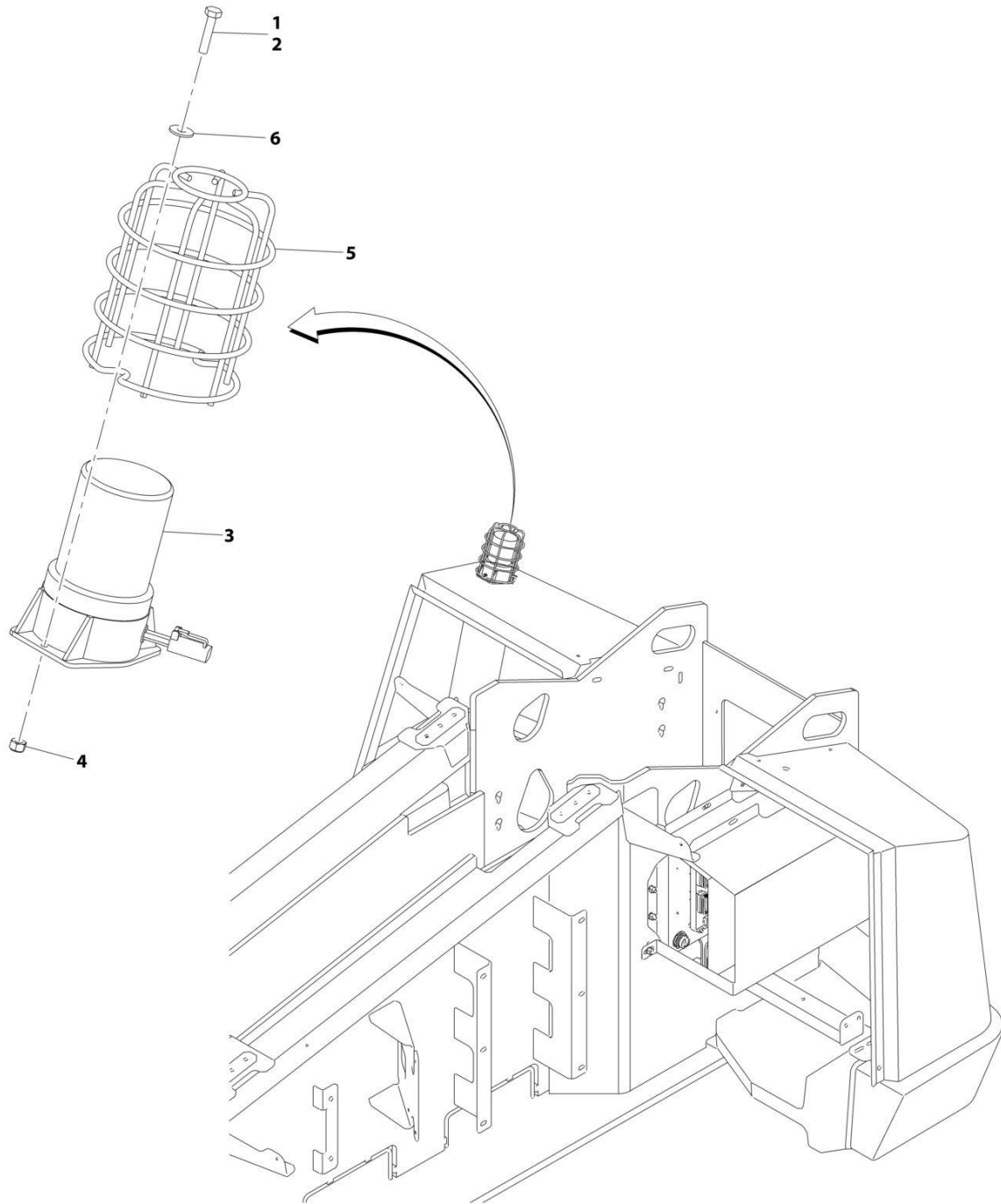
SECTION 2 - TURNTABLE

FIGURE 2-20. LIMIT SWITCH INSTALLATION

ITEM	PART NUMBER	QTY	DESCRIPTION	REV
	1001139015	Ref	LIMIT SWITCH INSTALLATION	B
1	3290405	2	Nut M4	
2	4031511	2	Capscrew M4 x 35	
3	4811400	2	Washer M4	
4	1001145548	1	Switch, Limit	

SECTION 2 - TURNTABLE

FIGURE 2-21. BEACON LIGHT INSTALLATION (OPTIONAL)



ART_1001139023

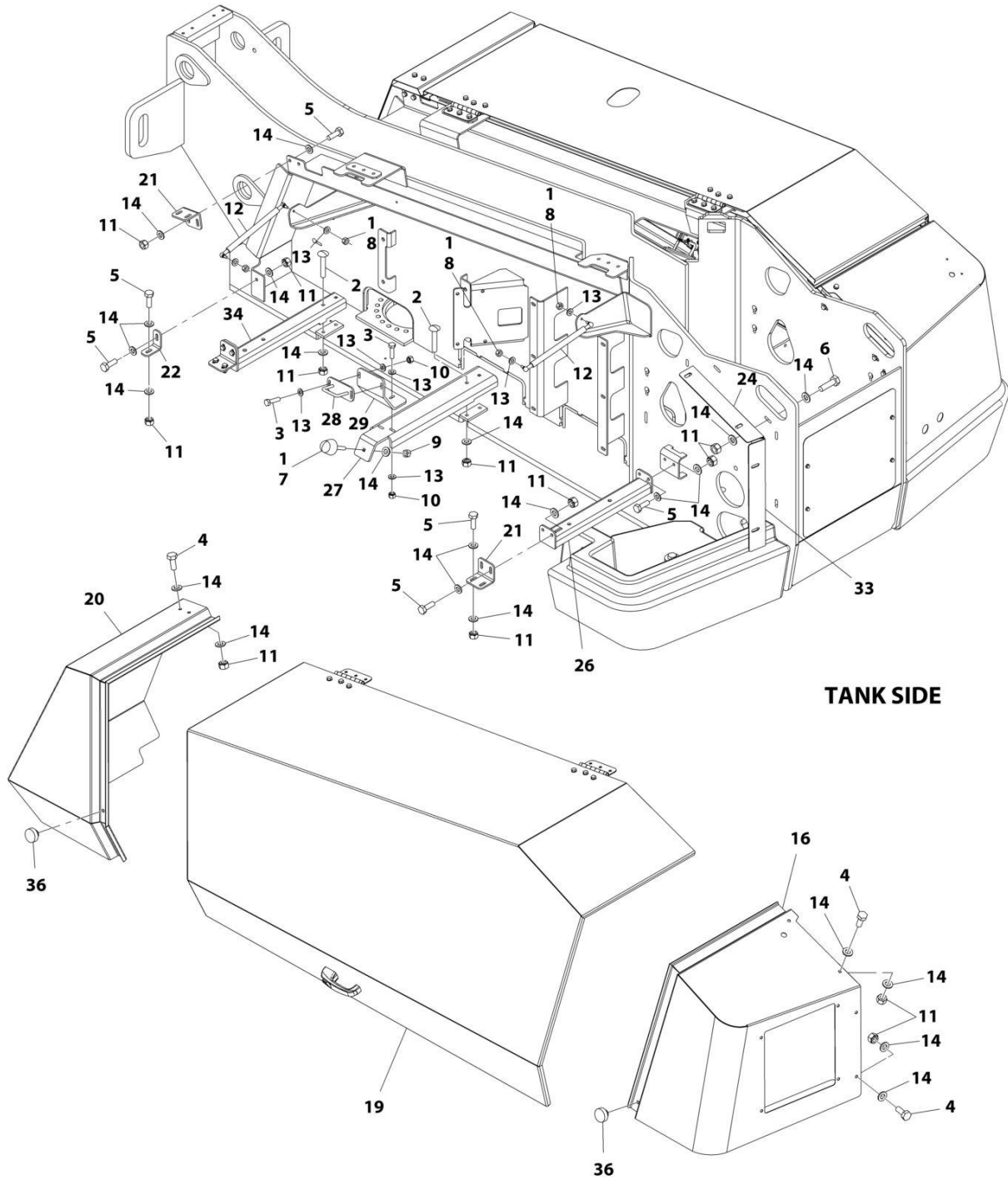
SECTION 2 - TURNTABLE

FIGURE 2-21. BEACON LIGHT INSTALLATION (OPTIONAL)

ITEM	PART NUMBER	QTY	DESCRIPTION	REV
	1001139023	Ref	BEACON LIGHT INSTALLATION (OPTIONAL)	B
1	0100011	AR	Compound, Locking	
2	0760410	2	Bolt M4 x 20	
3	2920161	1	Strobe Light Assembly	
3	7016319	1	Bulb, Replacement	
3	7016372	1	Lens	
3	4460891	1	Plug, Male - 2 Position	
3	4460465	2	Socket, Female	
4	3290405	2	Nut M4	
5	4060865	1	Guard	
6	1001091102	2	Washer M4	

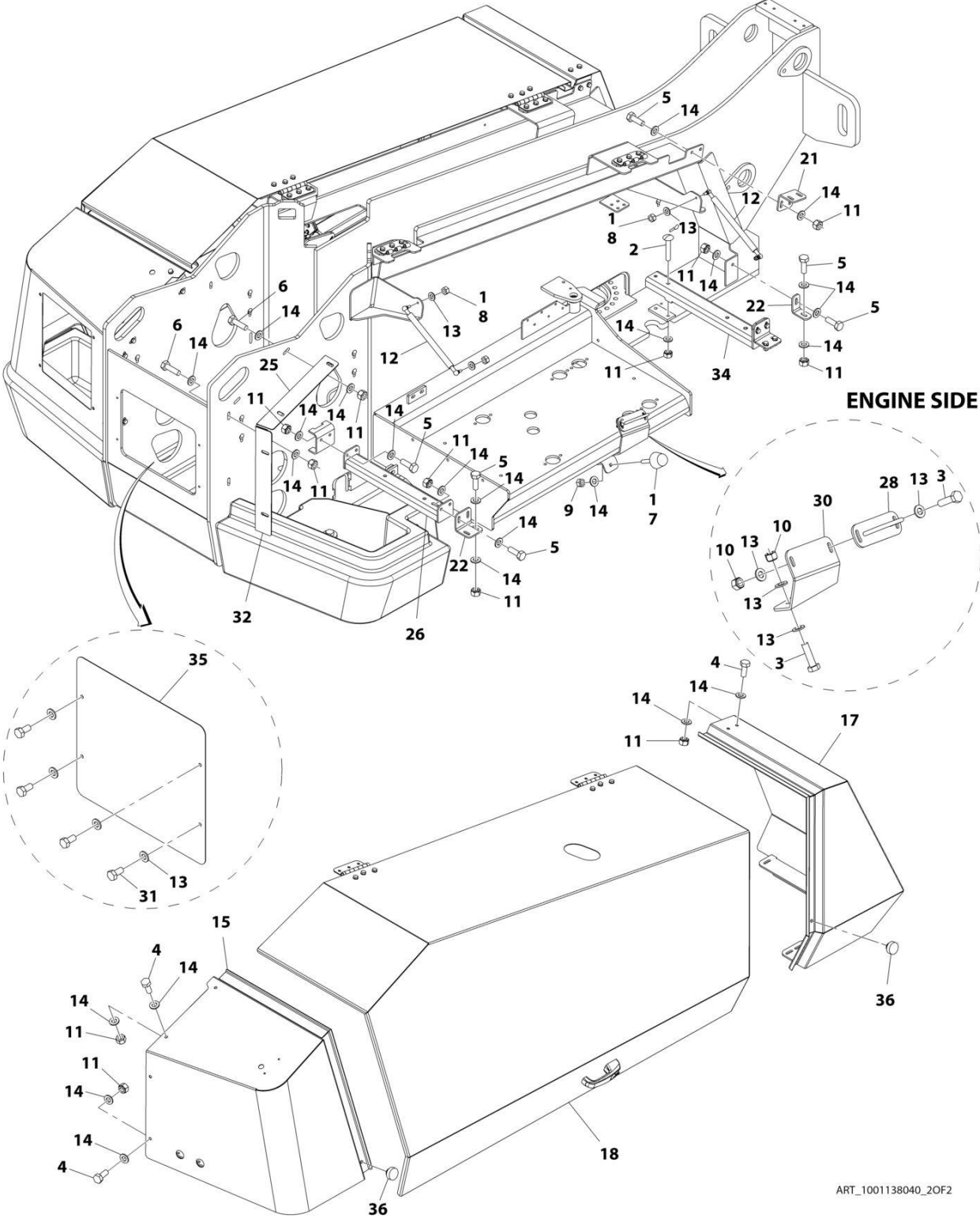
SECTION 2 - TURNTABLE

FIGURE 2-22. HOODS INSTALLATION



ART_1001138040_1OF2

SECTION 2 - TURNTABLE



ART_1001138040_20F2

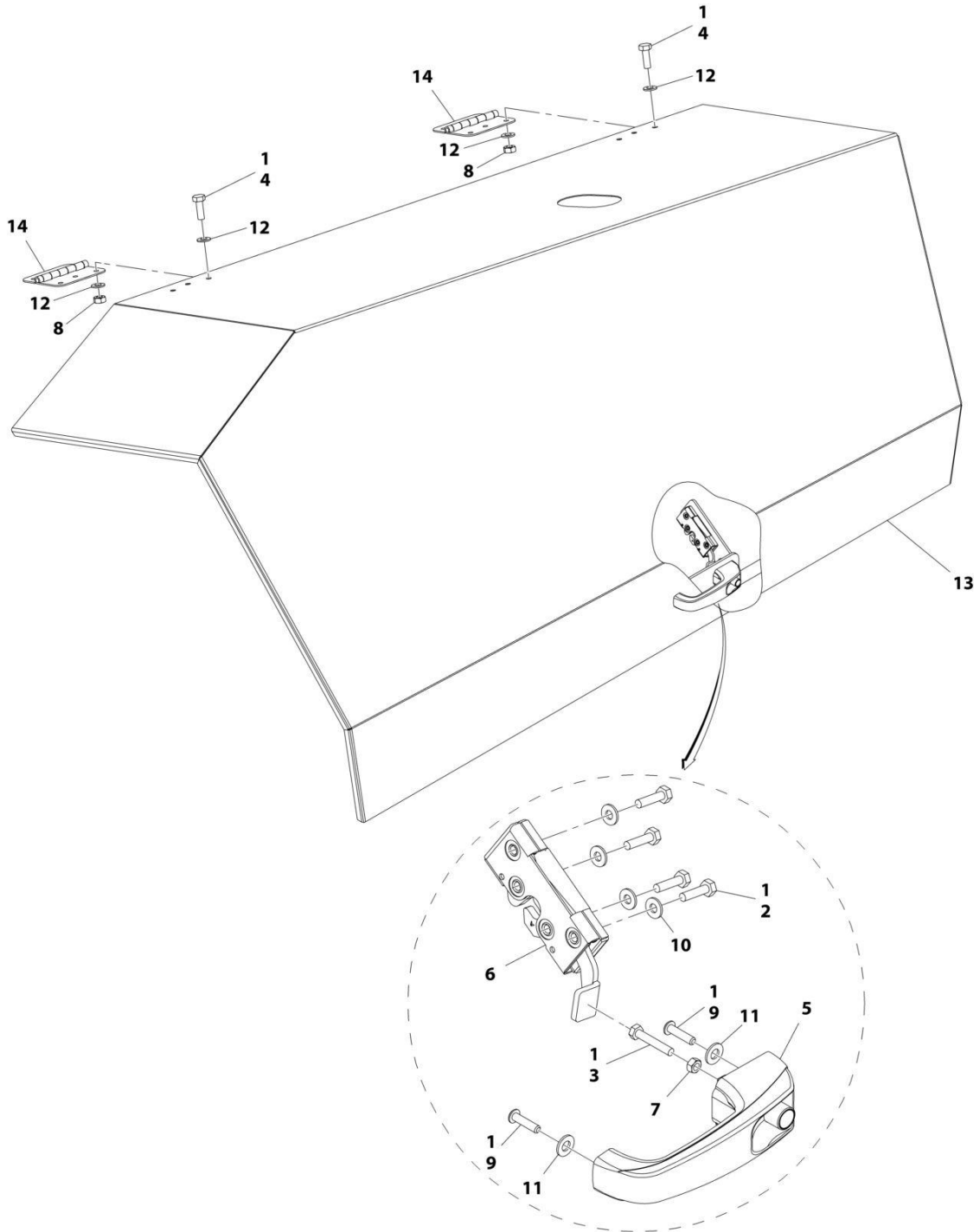
SECTION 2 - TURNTABLE

FIGURE 2-22. HOODS INSTALLATION

ITEM	PART NUMBER	QTY	DESCRIPTION	REV
	1001138040	Ref	HOODS INSTALLATION	E
1	0100011	AR	Compound, Locking	
2	0630563	6	Bolt, Carriage M10 x 60	
3	0760814	8	Bolt M8 x 30	
4	0761012	12	Bolt M10 x 25	
5	0761014	28	Bolt M10 x 30	
6	0761015	20	Bolt M10 x 35	
7	0940071	2	Bumper	
8	3271501	8	Nut 5/16 Grade 8	
9	3271601	2	Nut 3/8 Grade 8	
10	3290805	8	Nut M8	
11	3291005	66	Nut M10	
12	4160194	4	Spring, Gas	
13	4811900	28	Washer M8	
14	4812000	128	Washer M10	
15	1001134979	1	Engine Side Front Hood	
16	1001134982	1	Tank Side Front Hood	
17	1001138243	1	Engine Side Rear Hood	
18	1001138722	1	Engine Side Center Hood Assembly (See CENTER HOOD ASSEMBLY (ENGINE SIDE) for Breakdown)	
19	1001138748	1	Tank Side Center Hood Assembly (See CENTER HOOD ASSEMBLY (TANK SIDE) for Breakdown)	
20	1001139180	1	Tank Side Rear Hood	
21	1001139521	6	Bracket	
22	1001139522	2	Bracket	
24	1001143683	1	Bracket	
25	1001143684	1	Bracket	
26	1001139528	2	Brace	
27	1001139531	1	Channel	
28	1001139532	2	Plate, Striker	
29	1001139533	1	Bracket	
30	1001139534	1	Bracket	
31	0760808	4	Bolt M8 x 16	
32	1001143340	1	Bracket	
33	1001143417	1	Bracket	
34	1001143723	2	Brace	
35	1001143446	1	Cover	
36	1001130651	4	Bumper	

SECTION 2 - TURNTABLE

FIGURE 2-23. CENTER HOOD ASSEMBLY (ENGINE SIDE)



ART_1001138722

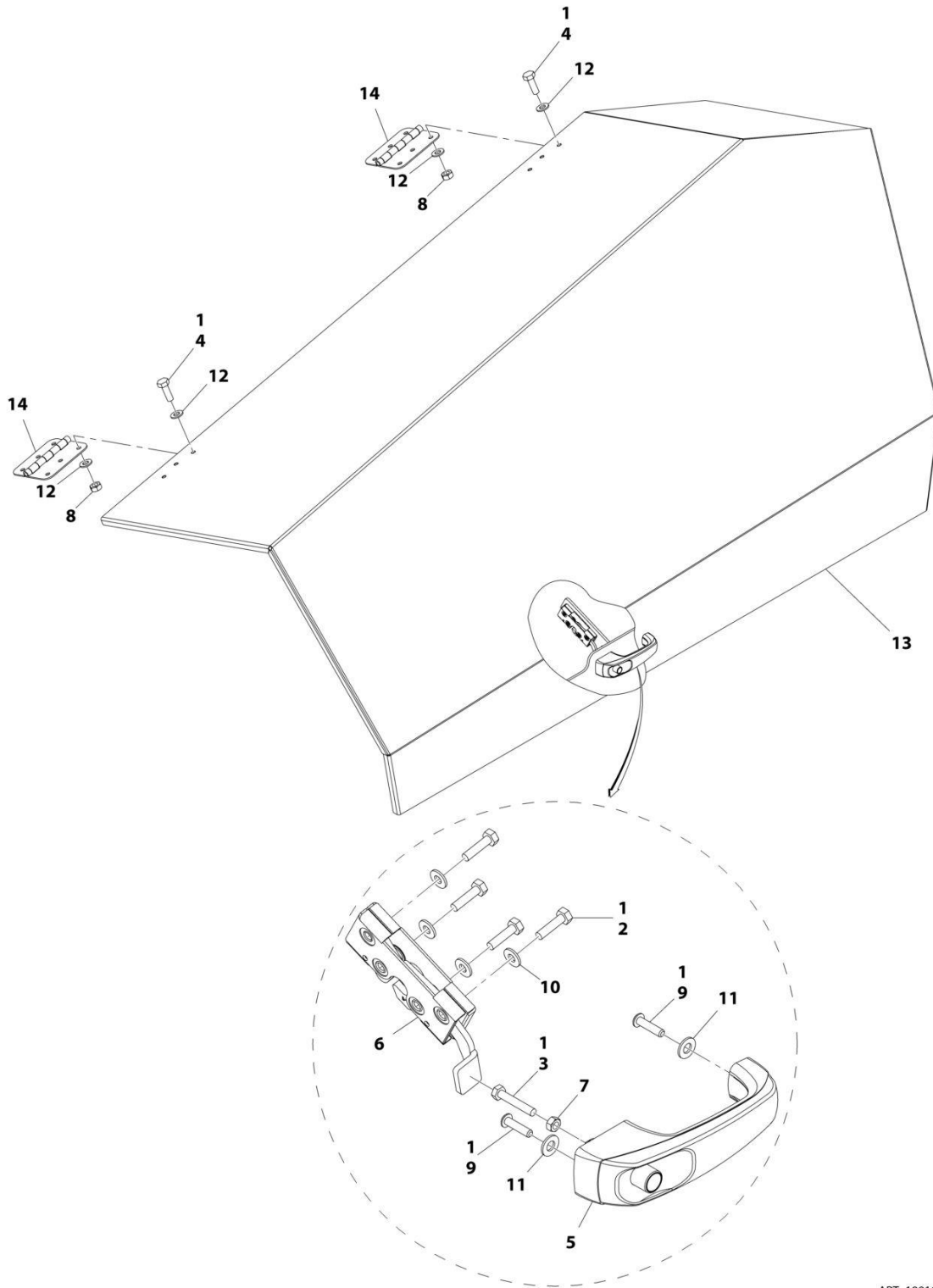
SECTION 2 - TURNTABLE

FIGURE 2-23. CENTER HOOD ASSEMBLY (ENGINE SIDE)

ITEM	PART NUMBER	QTY	DESCRIPTION	REV
	1001138722	Ref	CENTER HOOD ASSEMBLY (ENGINE SIDE)	B
1	0100011	AR	Compound, Locking	
2	0641408	4	Bolt 1/4 x 1	
3	0700615	1	Bolt M6 x 35	
4	0761014	6	Bolt M6 x 30	
5	2560187	1	Handle	
6	2940173	1	Latch	
7	3290601	1	Nut M6	
8	3291001	6	Nut M10	
9	3900363	2	Screw M6 x 25	
10	4711400	4	Washer 1/4	
11	4811900	2	Washer M8	
12	4812000	12	Washer M10	
13	1001134980	NLA	Hood, Replacement (Use p/n 1001138722)	
14	1001139384	2	Hinge	

SECTION 2 - TURNTABLE

FIGURE 2-24. CENTER HOOD ASSEMBLY (TANK SIDE)



ART_1001138748

SECTION 2 - TURNTABLE

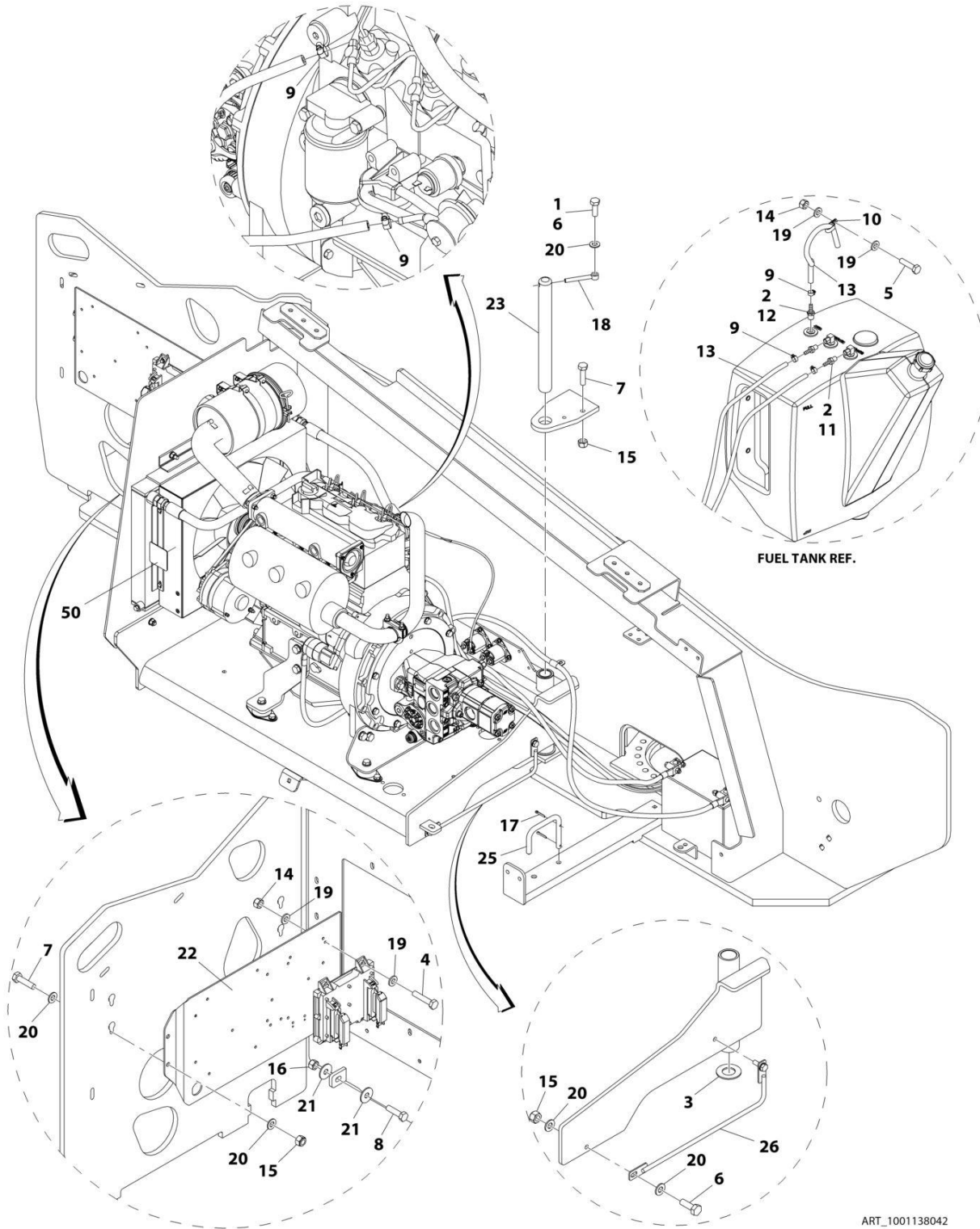
FIGURE 2-24. CENTER HOOD ASSEMBLY (TANK SIDE)

ITEM	PART NUMBER	QTY	DESCRIPTION	REV
	1001138748	Ref	CENTER HOOD ASSEMBLY (TANK SIDE)	B
1	0100011	AR	Compound, Locking	
2	0641408	4	Bolt 1/4 x 1	
3	0700615	1	Bolt M6 x 35	
4	0761014	6	Bolt M6 x 30	
5	2560187	1	Handle	
6	2940173	1	Latch	
7	3290601	1	Nut M6	
8	3291001	6	Nut M10	
9	3900363	2	Screw M6 x 25	
10	4711400	4	Washer 1/4	
11	4811900	2	Washer M8	
12	4812000	12	Washer M10	
13	1001134983	NLA	Hood, Replacement (Use p/n 1001138748)	
14	1001139384	2	Hinge	

SECTION 3 - ENGINE

SECTION 3 - ENGINE

FIGURE 3-1. DEUTZ ENGINE INSTALLATION



ART_1001138042

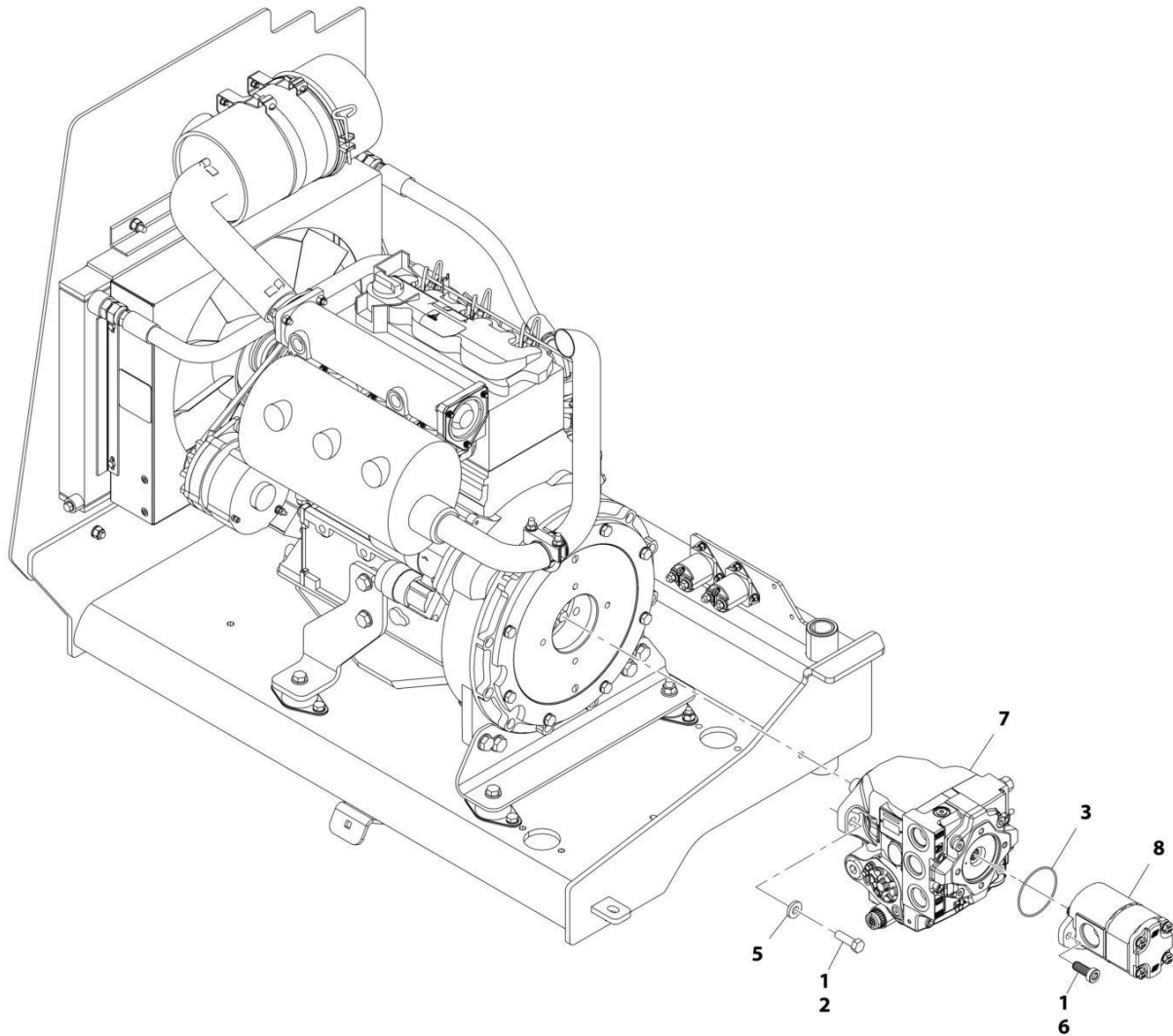
SECTION 3 - ENGINE

FIGURE 3-1. DEUTZ ENGINE INSTALLATION

ITEM	PART NUMBER	QTY	DESCRIPTION	REV
	1001138042	Ref	DEUTZ ENGINE INSTALLATION	E
1	0100011	AR	Compound, Locking	
2	0100020	AR	Sealant	
3	0440162	1	Thrustwasher	
4	0700614	4	Bolt M6 x 30	
5	0760612	1	Bolt M6 x 25	
6	0761014	3	Bolt M10 x 30	
7	0761016	5	Bolt M10 x 40	
8	0761217	1	Bolt M12 x 45	
9	1320022	5	Clamp	
10	1321385	1	Clamp, Hose	
11	2180348	2	Fitting, Straight Barbed	
12	2180876	1	Fitting, Straight Barbed	
13	2720058	18 ft/5.6m	Hose	
14	3290605	5	Nut M6	
15	3291005	7	Nut M10	
16	3291205	1	Nut M12	
17	3391408	2	Roll Pin M4 x 20	
18	3841143	1	Keeper, Pin	
19	4811700	10	Washer M6	
20	4812000	13	Washer M10	
21	4812102	2	Washer M12	
22	1001134767	1	Plate, Electrical Panel	
23	1001135196	1	Pin	
25	1001144325	1	Support, Tray	
26	1001150601	1	Support, Hose	
50		Ref	Decal - Warning Explosion/Fire Options:	
50	1704972	1	ANSI Spec	
50	1706059	1	Brazilian Spec	
50	1706060	1	Chinese Spec	
50	1706062	1	Japanese Spec	
50	1706061	1	Korean Spec	
50	1706063	1	Spanish Language	

SECTION 3 - ENGINE

FIGURE 3-2. ENGINE AND PUMP ASSEMBLY



ART_1001141216

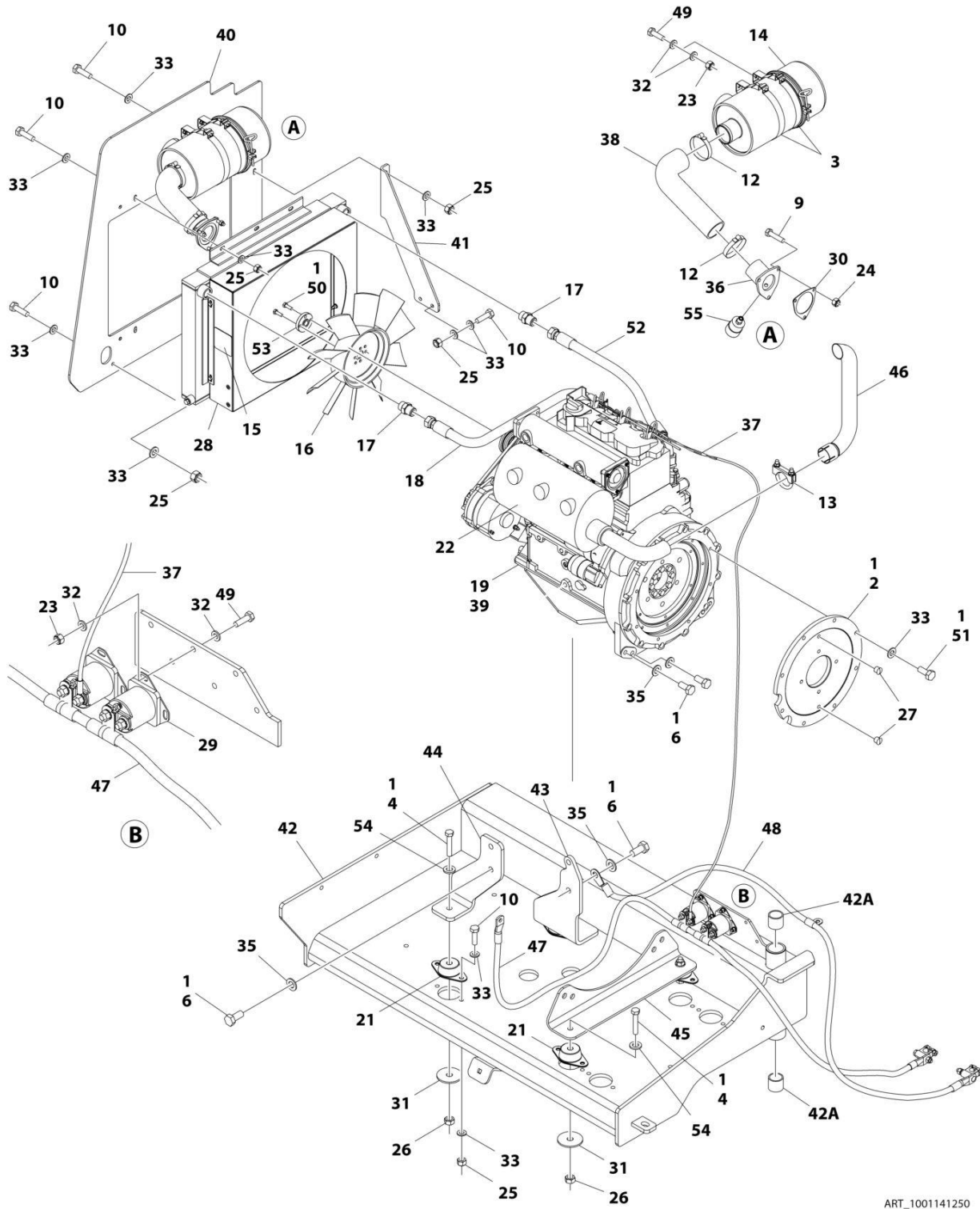
SECTION 3 - ENGINE

FIGURE 3-2. ENGINE AND PUMP ASSEMBLY

ITEM	PART NUMBER	QTY	DESCRIPTION	REV
	1001141216	Ref	ENGINE AND PUMP ASSEMBLY	F
1	0100011	1	Compound, Locking	
2	0641813	2	Bolt 1/2 x 1-5/8	
3	3790152	1	O-Ring	
5	4891800	2	Washer 1/2	
6	1001150756	NLA	Bolt (Use p/n 1001157442)	
7	1001132305	1	Piston Pump Assembly (See PISTON PUMP ASSEMBLY for Breakdown)	
8	1001132306	1	Gear Pump Assembly (Note: Only Serviceable Parts is the Seal Kit)	
8	70004326	1	Seal Kit	
8	70004327	1	Seal, Lip	

SECTION 3 - ENGINE

FIGURE 3-3. ENGINE ASSEMBLY



ART_1001141250

SECTION 3 - ENGINE

FIGURE 3-3. ENGINE ASSEMBLY

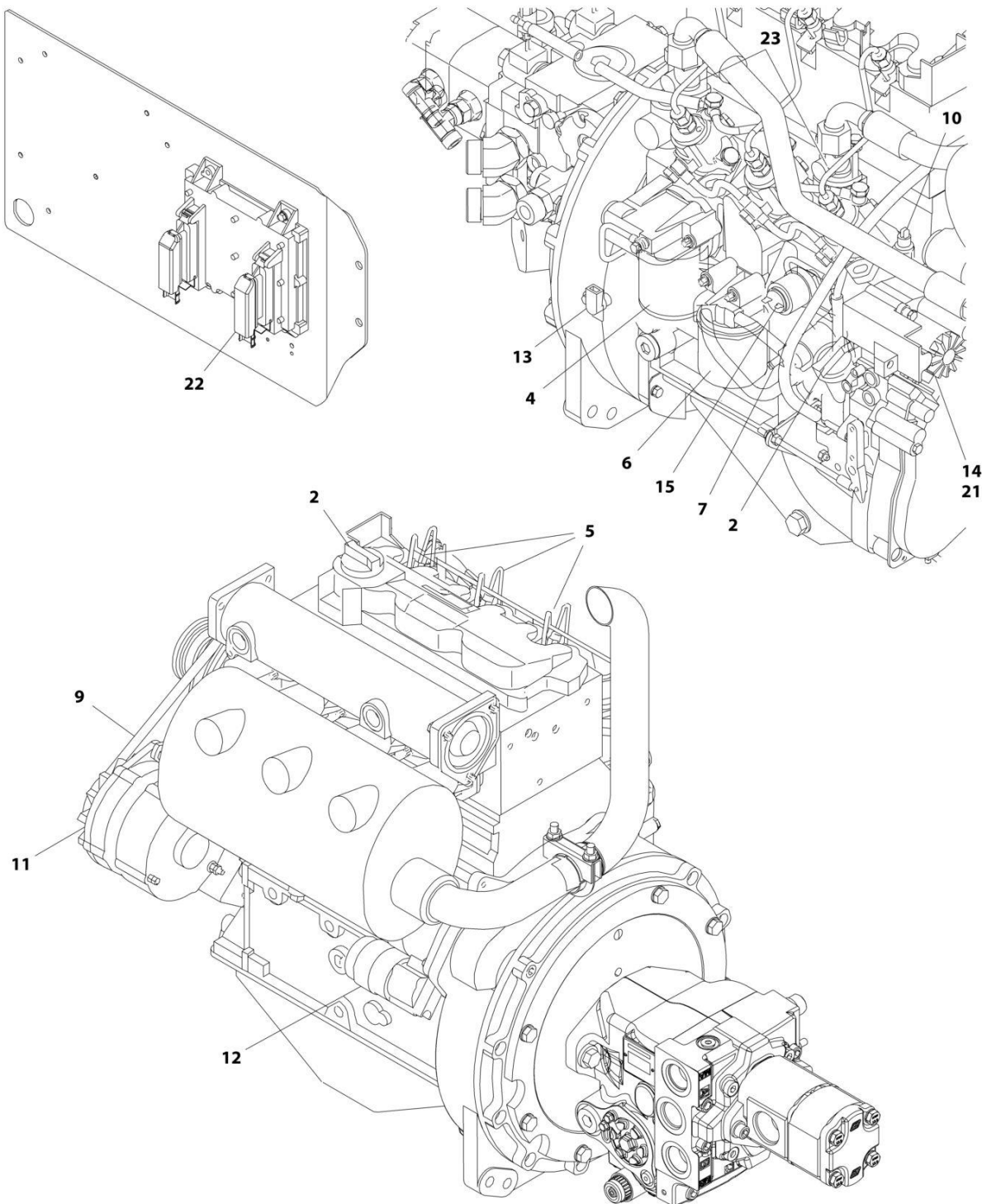
ITEM	PART NUMBER	QTY	DESCRIPTION	REV
	1001141250	Ref	ENGINE ASSEMBLY	M
1	0100011	AR	Compound, Locking	
2	0256847	1	Pump Coupling Installation (See PUMP COUPLING INSTALLATION for Breakdown)	
3	0340041	2	Band, Air Cleaner	
4	0711221	4	Bolt M12 x 65 Grade 10.9	
6	0711414	8	Bolt M14 x 30 Grade 10.9	
9	0760815	3	Bolt M8 x 35	
10	0761015	21	Bolt M10 x 35	
12	1320016	2	Clamp	
13	1320176	1	U-Bolt	
14	1340060	1	Air Cleaner Assembly Filter Element	A
14	7012664	1	Element, Filter (Not Shown)	
15	1703162	2	Decal - Caution Fan Blade	
16	2060025	1	Fan	
17	2220451	2	Fitting, Straight	
18	2720398	1	Hose, Oil Cooler	
19	3020016	AR	Oil, Motor (Not Shown)	
21	3200406	4	Mount, Motor	
22	1001156545	1	Muffler	
22	7024560	1	Plug, Brass	
23	3290605	8	Nut M6	
24	3290805	3	Nut M8	
25	3291005	21	Nut M10	
26	3331211	4	Nut M12	
27	3520054	2	Plug, Hole	
28	1001150998	1	Radiator	
29	3740067	2	Relay	
30	3960407	1	Gasket, Air Intake	
31	1001139409	4	Washer	
32	4811700	16	Washer M6	
33	4812000	50	Washer M10	
35	4812200	8	Washer M14	
36	4845395	1	Adapter, Air Intake (Prior to SN B300001836)	
36	1001224965	1	Adapter, Air Intake (SN B300001836 to Present)	
37	4923451	1	Harness, Glow Plug	
38	1001091179	1	Elbow (Air Intake)	
39	1001092723	1	Engine, Deutz - D2011L03 (See ENGINE COMPONENTS for Breakdown)	
40	1001131564	1	Plate, Radiator Mounting	
41	1001131565	1	Support, Radiator Plate	
42	1001131568	1	Tray, Engine	
42A	0961951	2	Bushing	
43	1001132195	1	Bracket, Engine Mounting (Right)	
44	1001132196	1	Bracket, Engine Mounting (Left)	
45	1001132197	1	Bracket, Engine Mounting (Rear)	
46	1001139388	1	Pipe, Exhaust	
47	1001140605	1	Cable, Positive Battery	
48	1001139628	1	Cable, Negative Battery	
49	0760610	8	Bolt M6 x 20	

SECTION 3 - ENGINE

ITEM	PART NUMBER	QTY	DESCRIPTION	REV
50	0760812	4	Bolt M8 x 25	
51	0761012	8	Bolt M10 x 25	
52	2720447	1	Hose, Oil Cooler	
53	1001144548	1	Spacer, Fan	
54	5241200	4	Washer M12	
55	1001143390	1	Indicator, Air Intake Restriction (SN B300001836 to Present)	

SECTION 3 - ENGINE

FIGURE 3-4. ENGINE COMPONENTS



ART_1001092723

SECTION 3 - ENGINE

FIGURE 3-4. ENGINE COMPONENTS

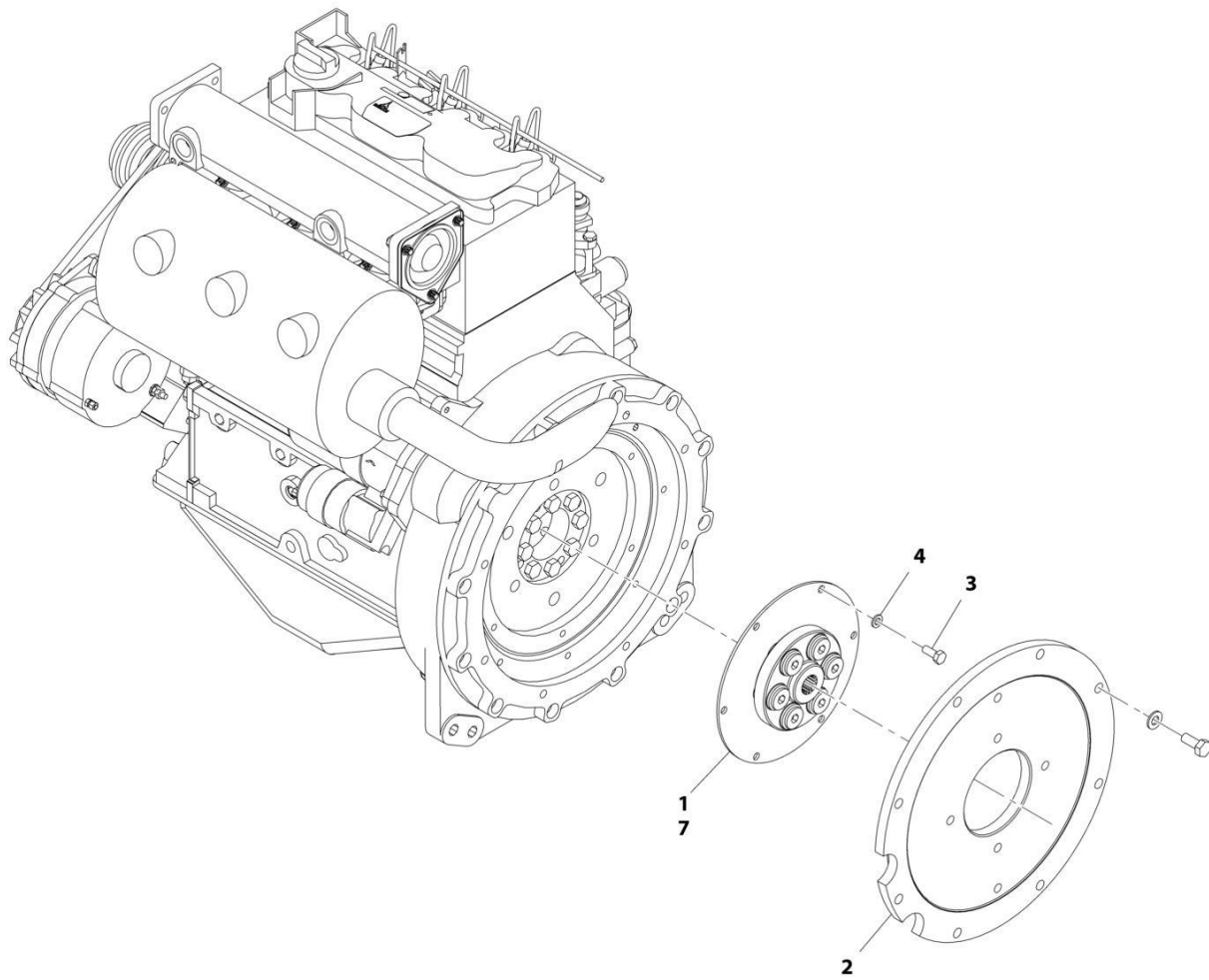
ITEM	PART NUMBER	QTY	DESCRIPTION	REV
	1001092723	Ref	ENGINE COMPONENTS	E
1	7020026	1	Dipstick (was p/n 7027244) (Not Shown)	
1	70001002	1	Tube, Dipstick	
2	7020465	2	Cap, Filler	
3	7020495	1	Pump, Oil Lube	
3	7020468	1	Seal Between Oil Pump and Engine Block (Not Shown)	
4	7016331	1	Filter, Oil	
4	7027236	1	Sensor, Oil Temperature (Not Shown - Located in Rear of Filter Mount)	
5		Ref	Pump, Injector Options:	
5	7027242	3	Series A Injector	
5	7027611	3	Series B Injector	
5	7027612	3	Series C Injector	
5	7027613	3	Series D Injector	
5	7020447	3	Gasket, Injector Pump	
5	7000345	3	Plug, Glow	
6	7020023	1	Filter, Fuel	
6	70001423	1	Bracket, Fuel Filter	
7	70000916	1	Pump Fuel Supply (was p/n 7027238)	
7	70000919	1	Pump, Hand	
7	7020411	1	O-Seal Between Fuel Pump and Engine Block (Not Shown)	
7	70001435	1	Replacement Filter	
8	7020449	3	Gasket, Intake Manifold (Not Shown)	
8	7020471	3	Gasket, Exhaust (Not Shown)	
8	70002200	6	Stud, Exhaust (Not Shown)	
9	7020408	1	V-Belt	
10	7027791	1	Sensor, Temperature	
11	7020410	1	Alternator	
11	70002234	1	Bracket, Adjustment	
11	7020464	1	Regulator, Voltage (Not Shown)	
12	7020479	1	Starter	
12	7026608	1	Relay, Starter	
13	7024565	1	Tacho-Generator	
13	70003932	1	Spacer, Sensor	
14	7027792	1	Actuator, Throttle	
14	7027276	2	Spring, Replacement	
15	7027790	1	Sensor, Oil Pressure	
18	7020459	1	Thermostat (Not Shown)	
18	7020460	1	Spring, Compression (Not Shown)	
19	See Note	1	Flywheel (Note: Not Available for Purchase)	
19	7024579	1	Rim, Gear (Not Shown)	
20	7027245	1	Filter, Fuel (In-line) (Not Shown)	
21	7027239	1	Solenoid	
22	7027795	1	Module, EMR2	
22	7027793	1	Connector, Plug-in (Connects to Deutz Engine Harness p/n 7027796)	
22	7027796	1	Harness, Deutz Engine Harness (Connects to LH Terminal on Module)	
22	7027794	1	Harness, Deutz Engine Harness (Connects to Harness p/n 7027796)	

SECTION 3 - ENGINE

ITEM	PART NUMBER	QTY	DESCRIPTION	REV
23	7027769	2	Connector, Radiator	

SECTION 3 - ENGINE

FIGURE 3-5. PUMP COUPLING INSTALLATION



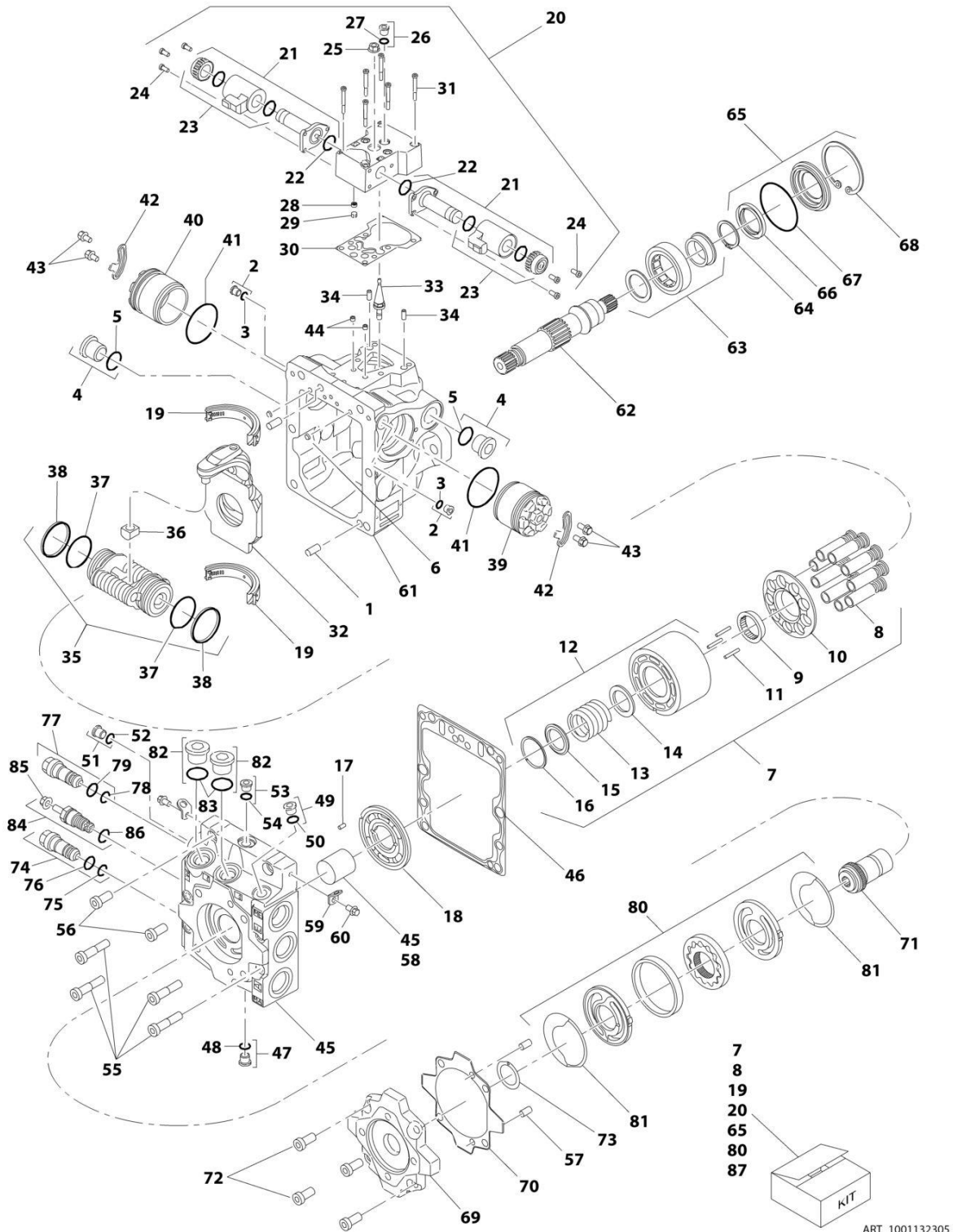
ART_0256847

FIGURE 3-5. PUMP COUPLING INSTALLATION

ITEM	PART NUMBER	QTY	DESCRIPTION	REV
	0256847	Ref	PUMP COUPLING INSTALLATION	2
1	1660234	1	Coupling, Hayes	
2	0080163	1	Plate, Pump Adapter	
3	0700810	6	Bolt M8 x 20	
4	4831900	6	Washer M8	
7	3020021	AR	Grease, Coupling	

SECTION 3 - ENGINE

FIGURE 3-6. PISTON PUMP ASSEMBLY



ART_1001132305

SECTION 3 - ENGINE

FIGURE 3-6. PISTON PUMP ASSEMBLY

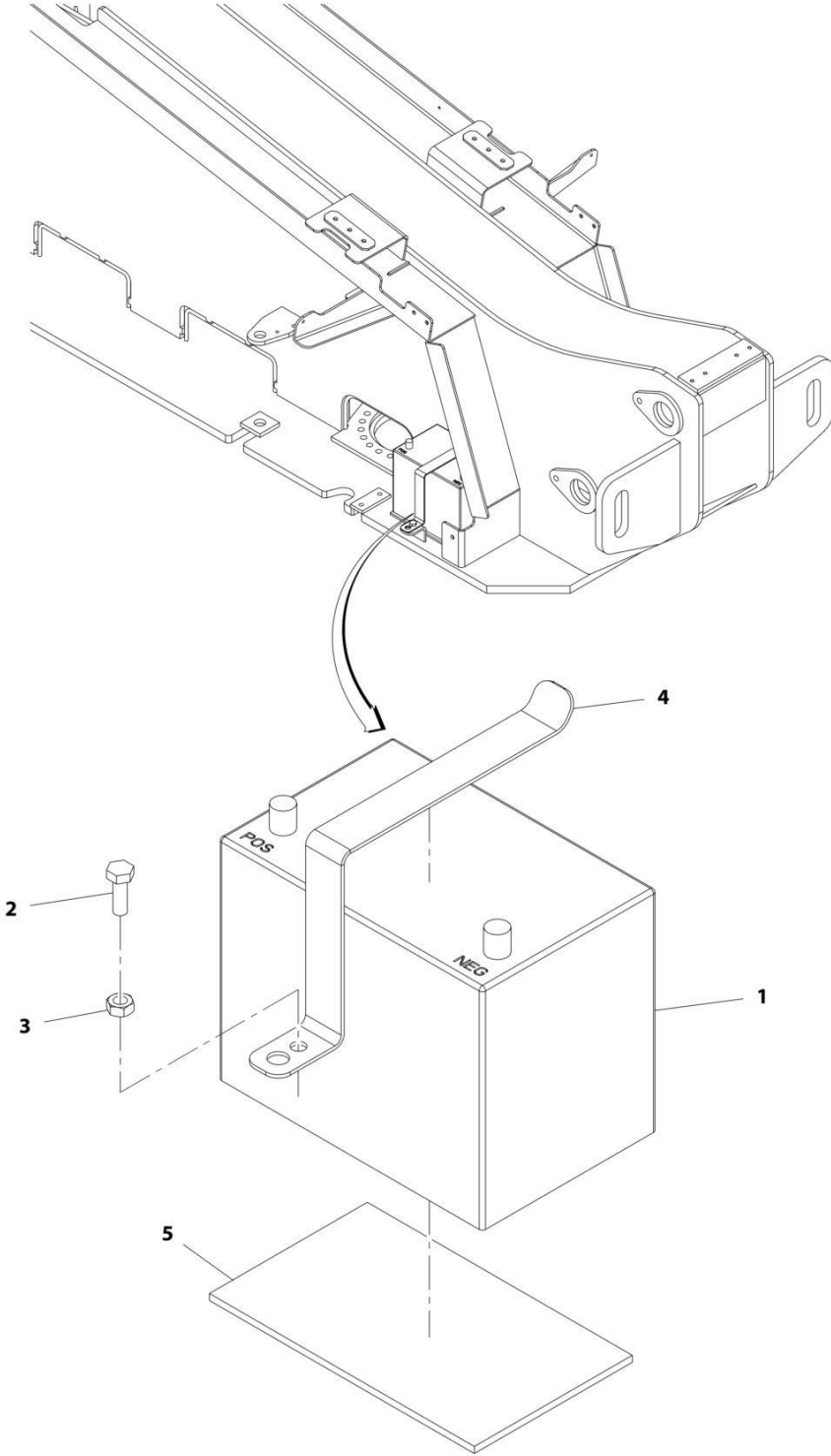
ITEM	PART NUMBER	QTY	DESCRIPTION	REV
	1001132305	Ref	PISTON PUMP ASSEMBLY	C
1	70002132	2	Pin	
2	70002133	2	Plug Assembly (Includes Item 3)	
3	7007207	2	O-Ring (Part of Item 2)	
4	7007419	2	Plug Assembly (Includes Item 5)	
5	7007418	2	O-Ring (Part of Item 4)	
6	70002134	2	Screen	
7	70004021	1	Cylinder Block Kit (Includes Items 8-16)	
8	70004027	1	Piston Assembly Kit (Includes Qty 9 Piston Assemblies) (Part of Item 7)	
9	70002137	1	Guide, Slipper Retainer (Part of Item 7)	
10	70002138	1	Retainer, Slipper (Part of Item 7)	
11	7021275	3	Pin, Slipper Retainer Holddown (Part of Item 7)	
12	70004022	1	Cylinder Block Assembly (Includes Items 13-16) (Part of Item 7)	
13	See Note	NSS	Spring (Note: Not Available for Purchase)	
14	See Note	NSS	Washer (Note: Not Available for Purchase)	
15	See Note	NSS	Washer (Note: Not Available for Purchase)	
16	See Note	NSS	Ring, Retaining (Note: Not Available for Purchase)	
17	7007446	1	Pin	
18	70002601	1	Plate, CW Valve	
19	70002145	1	Swash Plate Bearing Kit (Includes Qty 2 Bearings)	
20	70004028	1	EDC Kit (Includes Items 21-31)	
21	70002147	2	Solenoid Valve Assembly (Includes Items 22 & 23) (Part of Item 20)	
22	70002148	2	O-Ring (1 Per Valve Assembly) (Part of Item 21)	
23	70002149	2	Coil, Nut and Seals Kit (1 Per Valve Assembly) (Part of Item 21)	
24	70002150	6	Screw (Part of Item 20)	
25	7022301	1	Nut, Seal (Part of Item 20)	
26	70002151	1	Plug Assembly (Part of Item 20) (Includes Item 27)	
27	7007207	1	O-Ring (Part of Item 26)	
28	70002134	1	Screen (Part of Item 20)	
29	70002153	1	Ring, Locking (Part of Item 20)	
30	70002154	1	Gasket, Control (Part of Item 20)	
31	70002156	6	Capscrew (Part of Item 20)	
32	70002152	1	Swash Plate	
33	70002155	1	Link, Swash Plate	
34	70002157	2	Pin, Dowel	
35	70004024	1	Servo Piston Assembly (Includes Items 36-38)	
36	70004025	1	Block, Slider (Part of Item 35)	
37	70002160	2	O-Ring (Part of Item 35)	
38	70002161	2	Ring, Piston (Part of Item 35)	
39	70002603	1	Cylinder, Servo (Includes Item 41)	
40	70002603	1	Cylinder, Servo (Includes Item 41)	
41	70002163	2	O-Ring (Part of Items 39 & 40)	
42	70002164	2	Plate, Locking	
43	70002165	4	Screw	
44	70002604	2	Orifice	
45	70002863	1	Cap, End (Includes Item 58)	
46	70002168	1	Gasket, End Cap	
47	70001958	1	Plug Assembly (Includes Item 48)	

SECTION 3 - ENGINE

ITEM	PART NUMBER	QTY	DESCRIPTION	REV
48	7021256	1	O-Ring (Part of Item 47)	
49	70001958	1	Plug Assembly (Includes Item 50)	
50	7021256	1	O-Ring (Part of Item 49)	
51	70001958	1	Plug Assembly (Includes Item 52)	
52	7021256	1	O-Ring (Part of Item 51)	
53	70001958	1	Plug Assembly (Includes Item 54)	
54	7021256	1	O-Ring (Part of Item 53)	
55	70002169	4	Capscrew	
56	70002170	2	Capscrew	
57	70002132	2	Pin	
58	70002172	1	Bearing, Journal (Part of Item 45)	
59	7022340	2	Bracket, Lifting	
60	70002165	2	Screw	
61	See Note	NSS	Housing (Note: Not Available - Purchase Complete Assembly)	
62	70002175	1	Shaft	
63	70002176	1	Ball Bearing Kit	
64	70007439	1	Ring, Retaining	
65	70002174	1	Shaft Seal Kit (Includes Items 66-68)	
66	70002177	1	Seal, Lip	
67	70002178	1	O-Ring	
68	7007438	1	Ring, Retaining	
69	70002180	1	Adapter	
70	70002181	1	Seal, Adapter	
71	70002182	1	Coupling	
72	70002185	4	Capscrew	
73	70002186	1	Plate, Thrust	
74	70002188	1	High Pressure Relief Valve Cartridge Assembly (Includes Items 75 & 76)	
75	70002187	1	O-Ring (1 Per Cartridge) (Part of Item 74)	
76	7007415	1	O-Ring (1 Per Cartridge) (Part of Item 74)	
77	70004026	1	High Pressure Relief Valve Cartridge Assembly (Includes Items 75 & 76)	
78	70002187	1	O-Ring (1 Per Cartridge) (Part of Item 74)	
79	7007415	1	O-Ring (1 Per Cartridge) (Part of Item 74)	
80	70002189	1	Charge Pump Kit (Includes Item 81)	
81	70002867	2	Ring, Seal (Part of Item 80)	
82	7023964	2	Plug Assembly (Includes Item 83)	
83	7007415	2	O-Ring (Part of Item 82)	
84	70002191	1	Charge Relief Valve Cartridge Assembly (Includes Items 85 & 86)	
85	7022301	1	Nut, Seal (Part of Item 84)	
86	7007415	1	O-Ring (Part of Item 84)	
87	70002192	1	Overhaul Seal Kit (Includes Items 3, 5, 22, 27, 30, 37, 38, 41, 48, 50, 52, 54, 66, 67, 70, 75, 76, 78, 79, 81, 83 & 86)	

SECTION 3 - ENGINE

FIGURE 3-7. BATTERY INSTALLATION



ART_1001139019

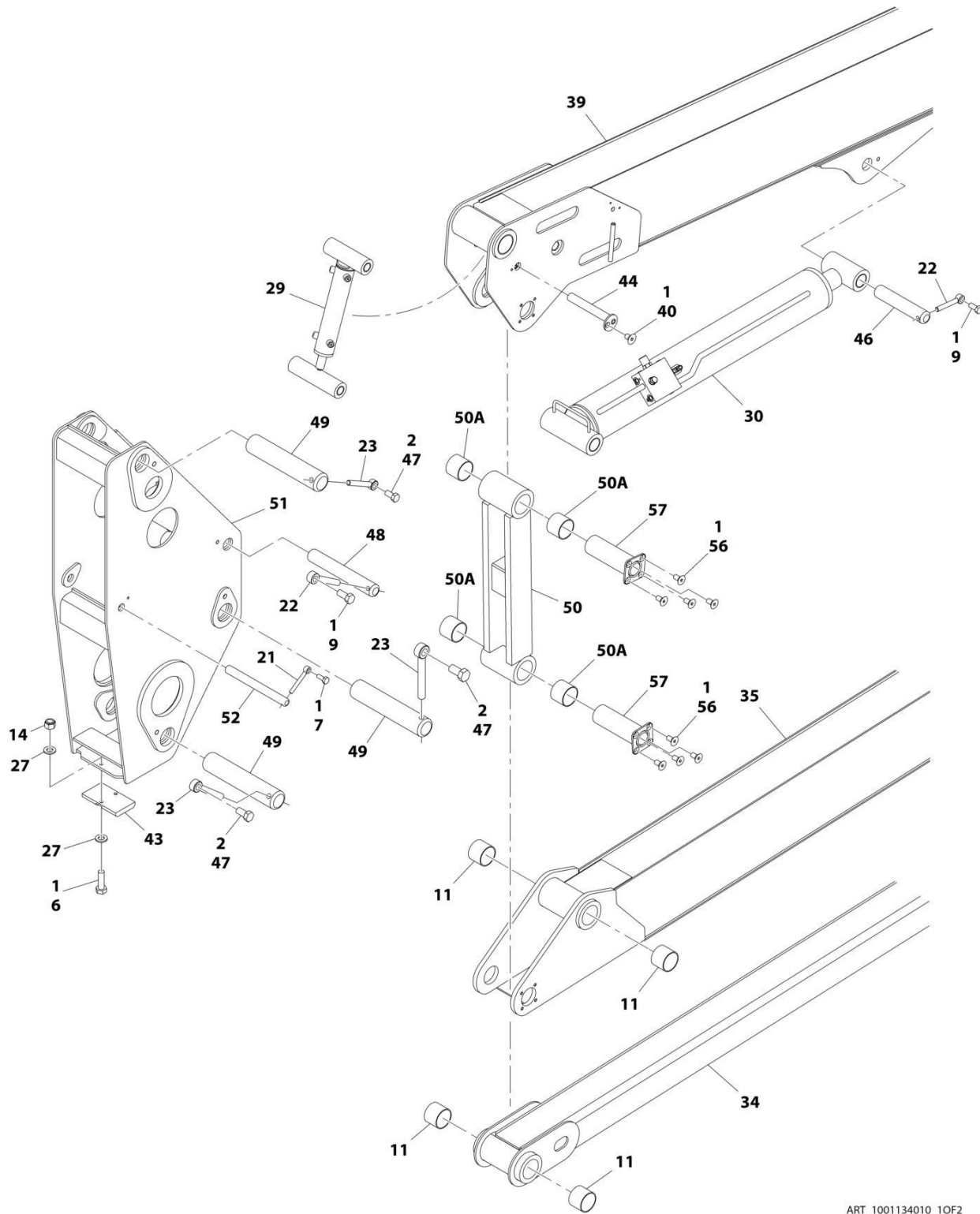
FIGURE 3-7. BATTERY INSTALLATION

ITEM	PART NUMBER	QTY	DESCRIPTION	REV
	1001139019	Ref	BATTERY INSTALLATION	D
1	0400003	1	Battery	
2	0761014	1	Bolt M10 x 30	
3	3291001	1	Nut M10	
4	1001139751	1	Strap, Battery	
5	1001140252	1	Seat, Battery	

SECTION 4 - BOOM

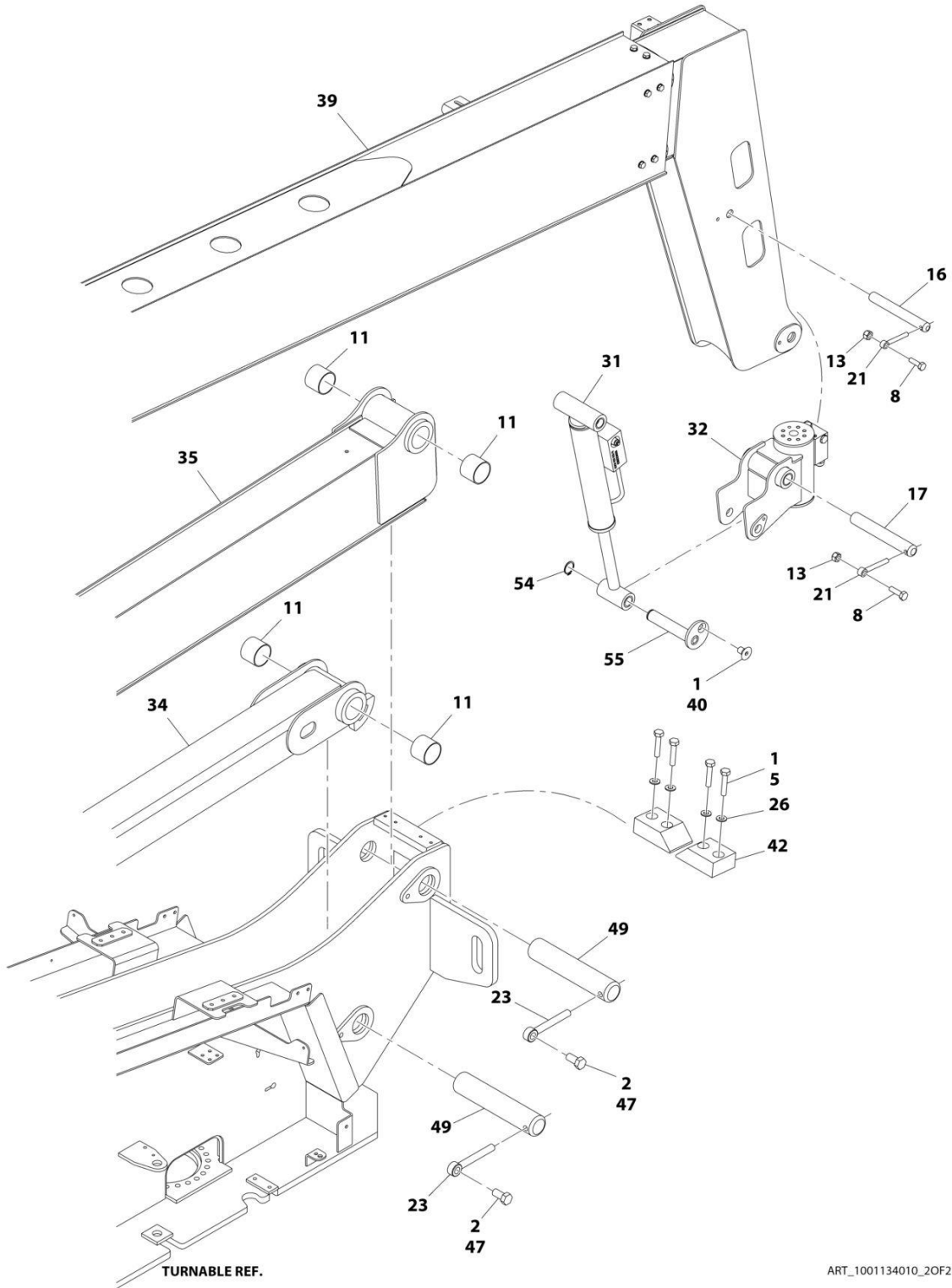
SECTION 4 - BOOM

FIGURE 4-1. BOOM AND CYLINDERS INSTALLATION - 18RS



ART_1001134010_10F2

SECTION 4 - BOOM



ART_1001134010_20F2

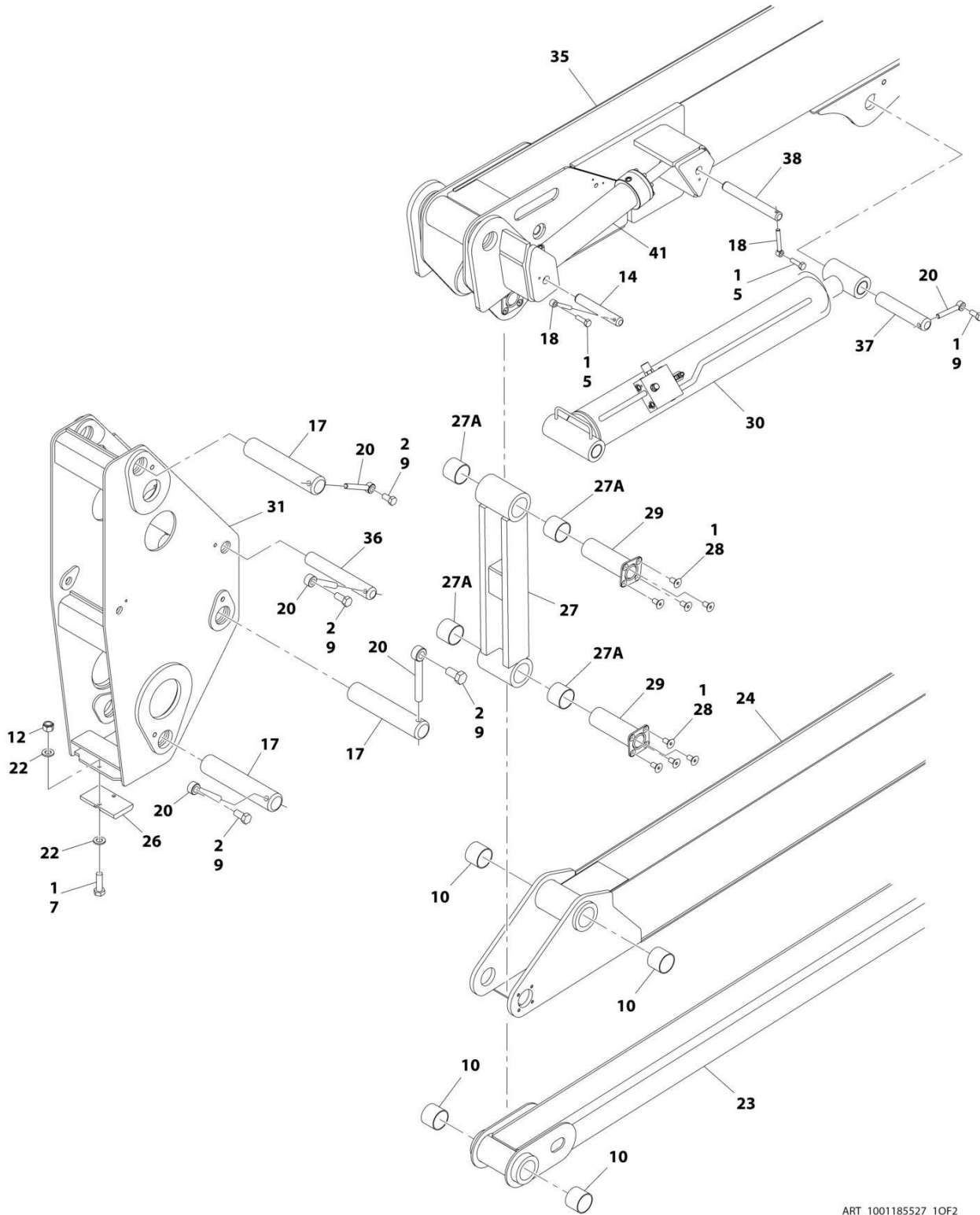
SECTION 4 - BOOM

FIGURE 4-1. BOOM AND CYLINDERS INSTALLATION - 18RS

ITEM	PART NUMBER	QTY	DESCRIPTION	REV
	1001134010	Ref	BOOM AND CYLINDERS INSTALLATION - 18RS	C
1	0100011	AR	Compound, Locking	
2	0100019	AR	Compound, Locking	
5	0701018	4	Bolt M10 x 50	
6	0701216	2	Bolt M12 x 40	
7	0761012	1	Bolt M10 x 25	
8	0761015	2	Bolt M10 x 35	
9	0761615	2	Bolt M16 x 40	
11	0962297	8	Bushing	
13	3291005	2	Nut M10	
14	3291205	2	Nut M12	
16	3422578	1	Pin	
17	3422582	1	Pin	
21	3841143	3	Keeper, Pin	
22	3841258	2	Keeper, Pin	
23	3841287	5	Keeper, Pin	
26	4812000	4	Washer M10	
27	4812100	4	Washer M12	
29	1001130478	1	Master Cylinder Assembly (See CYLINDER SECTION for Breakdown)	
30	1001130480	1	Lift Cylinder Assembly - Main Boom (See CYLINDER SECTION for Breakdown)	
31	1001132163	1	Level (Platform Slave) Cylinder Assembly (See CYLINDER SECTION for Breakdown)	
32	1001132275	1	Platform Rotator Assembly (See PLATFORM ROTATOR ASSEMBLY for Breakdown)	
34	1001134172	1	Link, Tower	
35	1001115672	1	Boom, Tower	
39	1001136557	1	Main Boom Assembly (See MAIN BOOM ASSEMBLY for Breakdown)	
40	1001137032	2	Screw M10 x 16	
42	1001138459	2	Pad, Boom Rest	
43	1001138778	1	Pad	
44	1001138828	1	Pin	
46	1001138865	1	Pin	
47	0762016	5	Bolt M20 x 40	
48	3422913	1	Pin	
49	3423061	5	Pin	
50	1001143955	1	Link, Timing	
50A	0962297	4	Bushing	
51	1001145465	1	Upright	
52	1001146299	1	Pin	
54	3760115	1	Ring, Retaining	
55	1001148892	1	Pin	
56	1001155441	8	Screw M10 x 20 Grade 10.9	
57	1001155455	2	Pin	

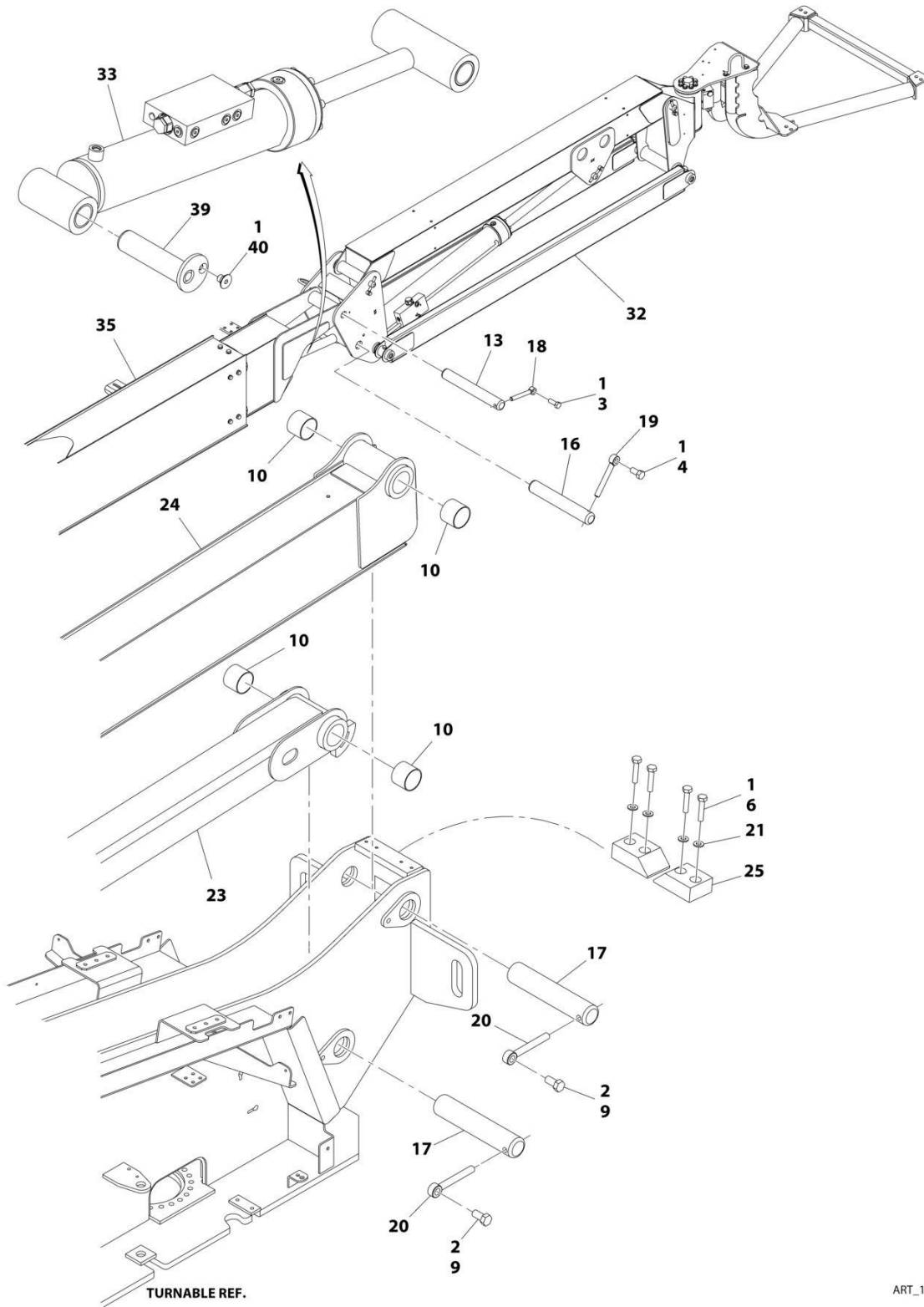
SECTION 4 - BOOM

FIGURE 4-2. BOOM AND CYLINDERS INSTALLATION - 18RSJ



ART_1001185527_1OF2

SECTION 4 - BOOM



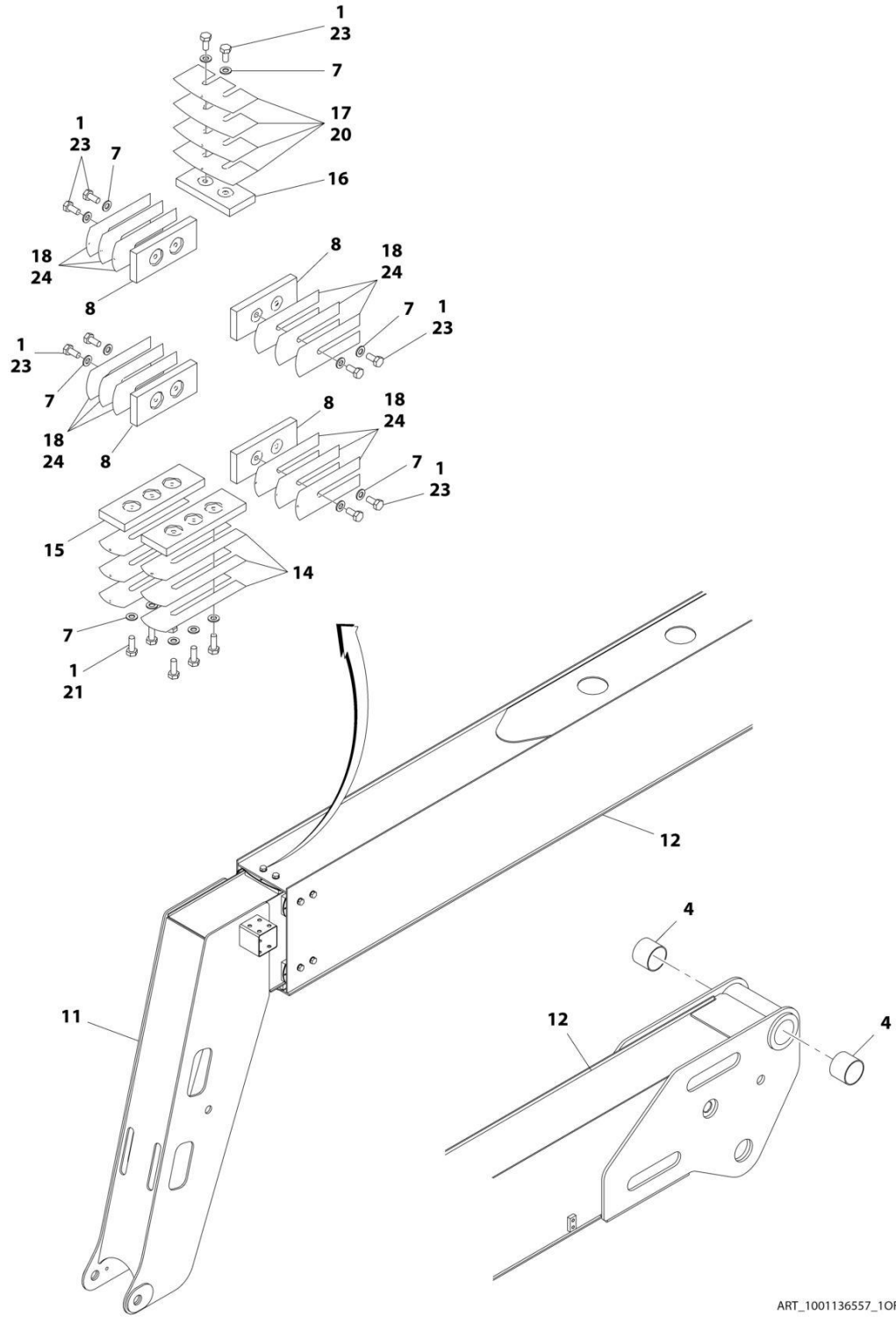
SECTION 4 - BOOM

FIGURE 4-2. BOOM AND CYLINDERS INSTALLATION - 18RSJ

ITEM	PART NUMBER	QTY	DESCRIPTION	REV
	1001185527	Ref	BOOM AND CYLINDERS INSTALLATION - 18RSJ	A
1	0100011	AR	Compound, Locking	
2	0100019	AR	Compound, Locking	
3	0641608	1	Bolt 3/8 x 1	
4	0641808	1	Bolt 1/2 x 1	
5	0701015	2	Bolt M10 x 35	
6	0701018	4	Bolt M10 x 50	
7	0701216	2	Bolt M12 x 40	
9	0762016	7	Bolt M20 x 40	
10	0962297	8	Bushing	
12	3291205	2	Nut M12	
13	3422561	1	Pin	
14	3422669	1	Pin	
16	3422793	1	Pin	
17	3423061	5	Pin	
18	3841143	3	Keeper, Pin	
19	3841203	1	Keeper, Pin	
20	3841287	7	Keeper, Pin	
21	4812000	4	Washer M10	
22	4812100	4	Washer M12	
23	1001134172	1	Link, Tower	
24	1001134312	1	Boom, Tower	
25	1001138459	2	Pad, Boom Rest	
26	1001138778	1	Pad	
27	1001143955	1	Link, Timing	
27A	0962297	4	Bushing	
28	1001155441	8	Screw M10 x 20 Grade 10.9	
29	1001155455	2	Pin	
30	1001185157	1	Lift Cylinder Assembly - Boom (See CYLINDER SECTION for Breakdown)	
31	1001185192	1	Upright	
32	1001185314	1	Jib Assembly (See JIB ASSEMBLY for Breakdown)	
33	1001185318	1	Level Cylinder Assembly - Platform Slave (See CYLINDER SECTION for Breakdown)	
35	1001185554	1	Main Boom Assembly (See MAIN BOOM ASSEMBLY for Breakdown)	
36	1001185577	1	Pin	
37	1001185578	1	Pin	
38	3422792	1	Pin	
39	3422932	1	Pin	
40	3900192	1	Screw 3/8 x 1/2	
41	1001186733	1	Master Cylinder Assembly (See CYLINDER SECTION for Breakdown)	
42	3790012	1	O-Ring (Not Shown - Located on Platform Box)	
43	4360328	1	Switch, Toggle (Not Shown - Located on Platform Box)	

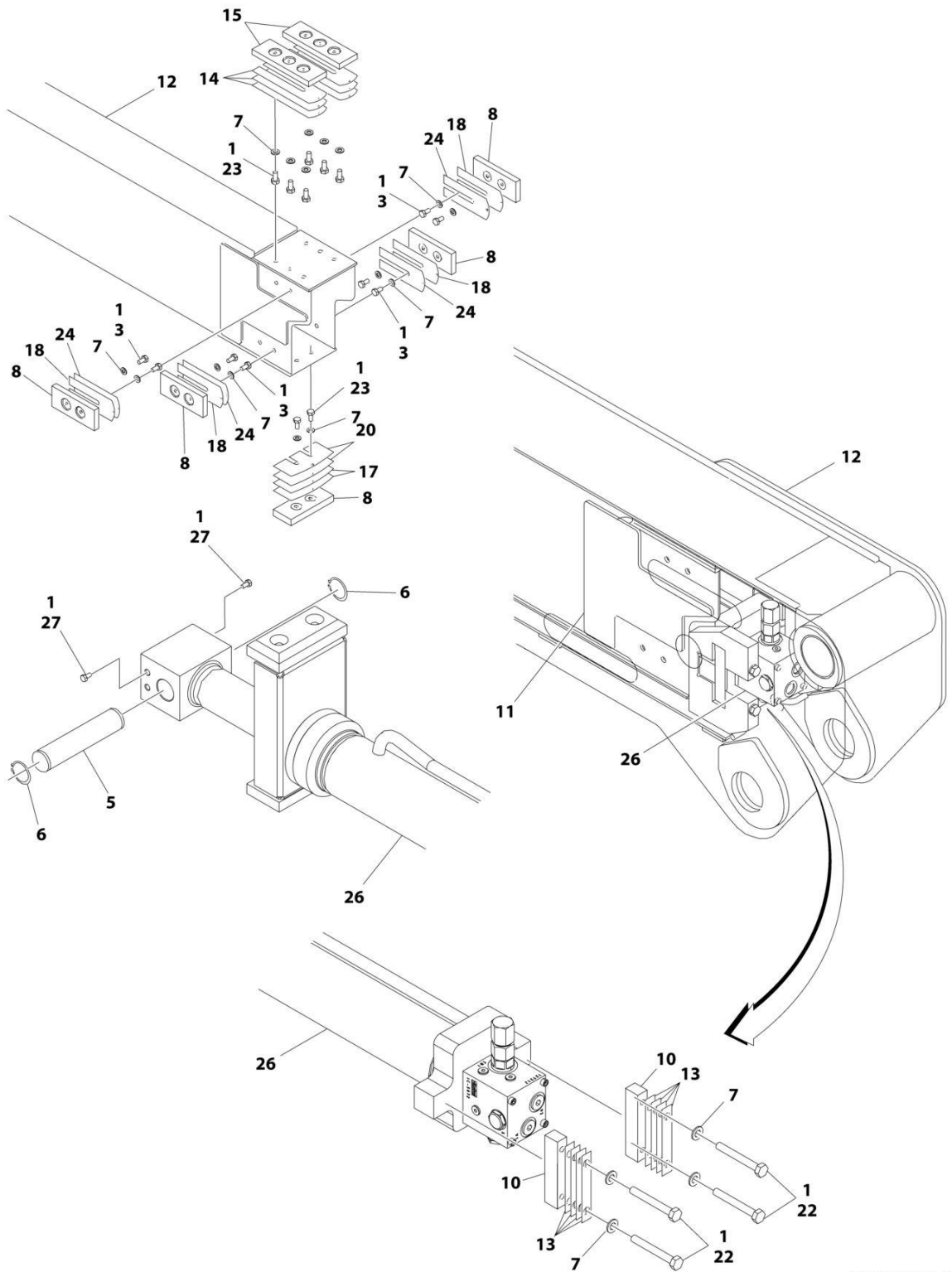
SECTION 4 - BOOM

FIGURE 4-3. MAIN BOOM ASSEMBLY - 18RS



ART_1001136557_10F2

SECTION 4 - BOOM



ART_1001136557_2OF2

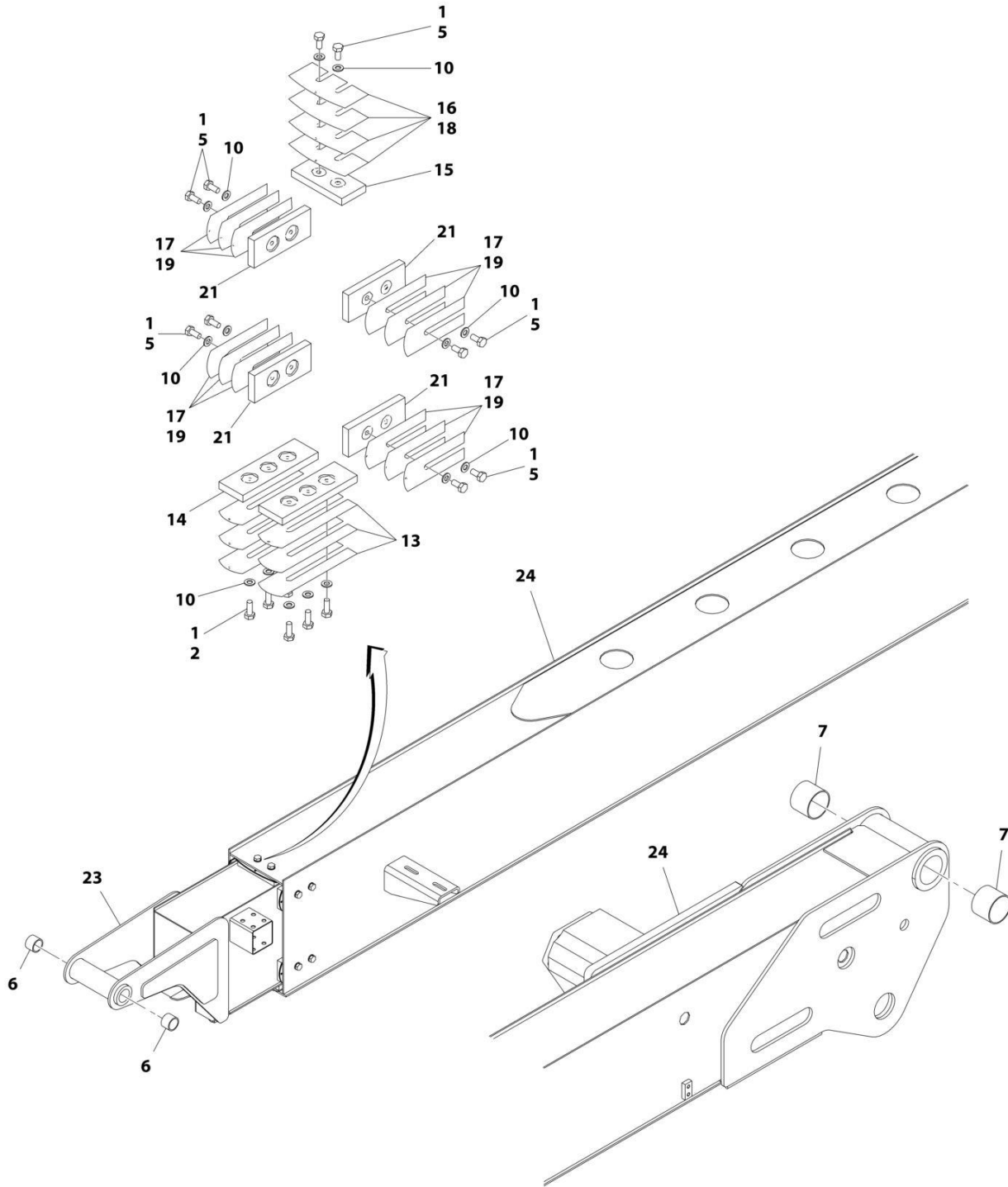
SECTION 4 - BOOM

FIGURE 4-3. MAIN BOOM ASSEMBLY - 18RS

ITEM	PART NUMBER	QTY	DESCRIPTION	REV
	1001136557	Ref	MAIN BOOM ASSEMBLY - 18RS	E
1	0100011	AR	Compound, Locking	
3	0761010	8	Bolt M10 x 20	
4	0962297	2	Bushing	
5	1001145202	1	Pin	
6	3760133	2	Ring, Retaining	
7	4812000	36	Washer M8	
8	1001153398	8	Pad, Wear	
10	1001135488	2	Block, Attaching	
11	1001135697	1	Boom, Fly	
12	1001130688	1	Boom, Base	
13	1001136571	6	Shim	
14	1001136575	4	Shim	
15	1001136583	4	Pad, Wear	
16	1001136587	1	Pad, Wear	
17	1001136590	4	Shim	
18	1001136592	8	Shim	
20	1001138436	3	Shim	
21	0701013	6	Bolt M10 x 28	
22	0701024	4	Bolt M10 x 80	
23	0761011	18	Bolt M10 x 22	
24	1001143713	4	Shim	
26	1001150646	NLA	Telescope Cylinder Assembly (See CYLINDER SECTION for Breakdown) (Prior to SN B300001836)	
26	1001228060	1	Telescope Cylinder Assembly (See CYLINDER SECTION for Breakdown) (SN B300001836 to Present)	
27	3900259	4	Bolt 1/2 x 3/4	

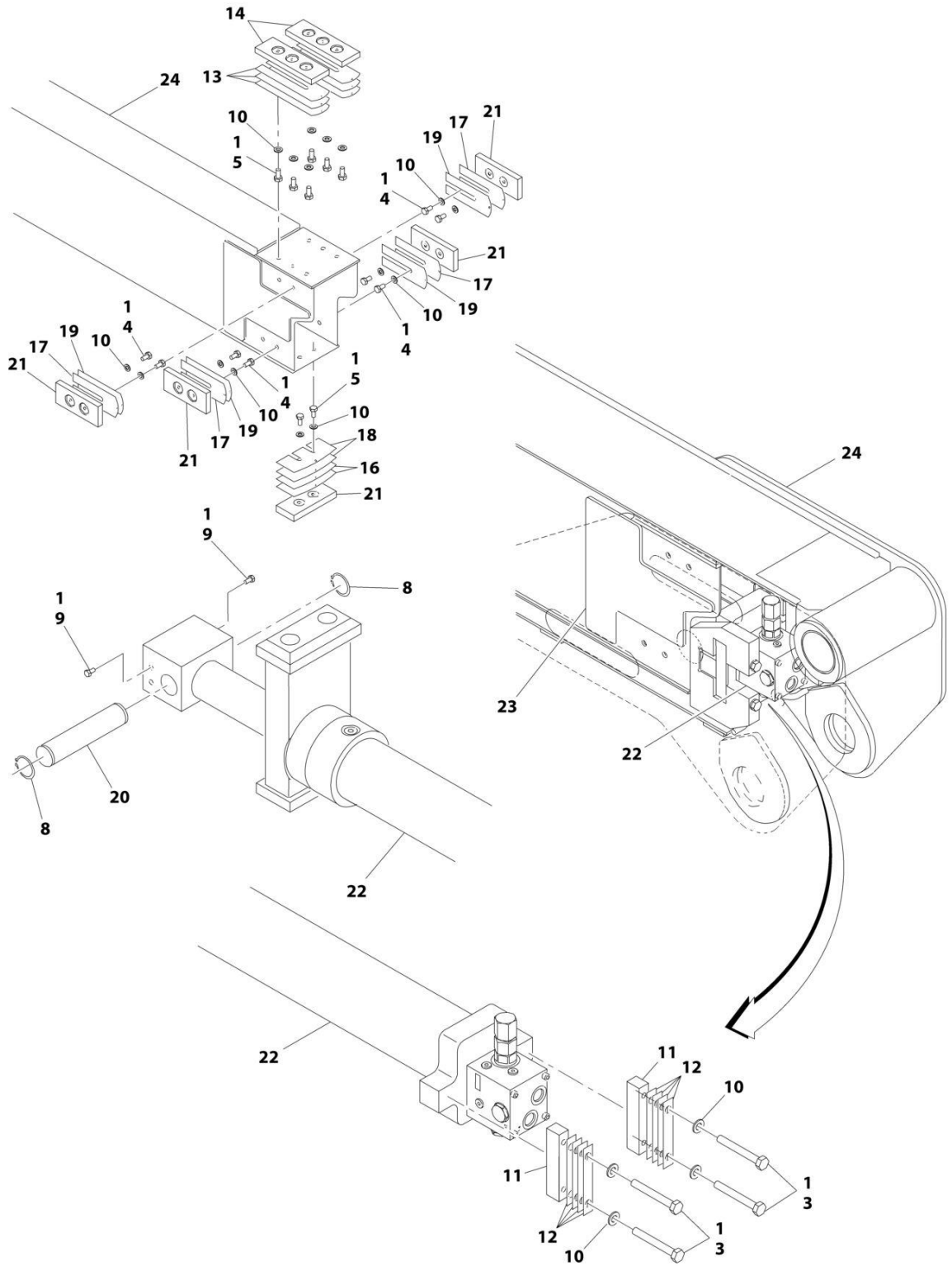
SECTION 4 - BOOM

FIGURE 4-4. MAIN BOOM ASSEMBLY - 18RSJ



ART_1001185554_10F2

SECTION 4 - BOOM



ART_1001185554_20F2

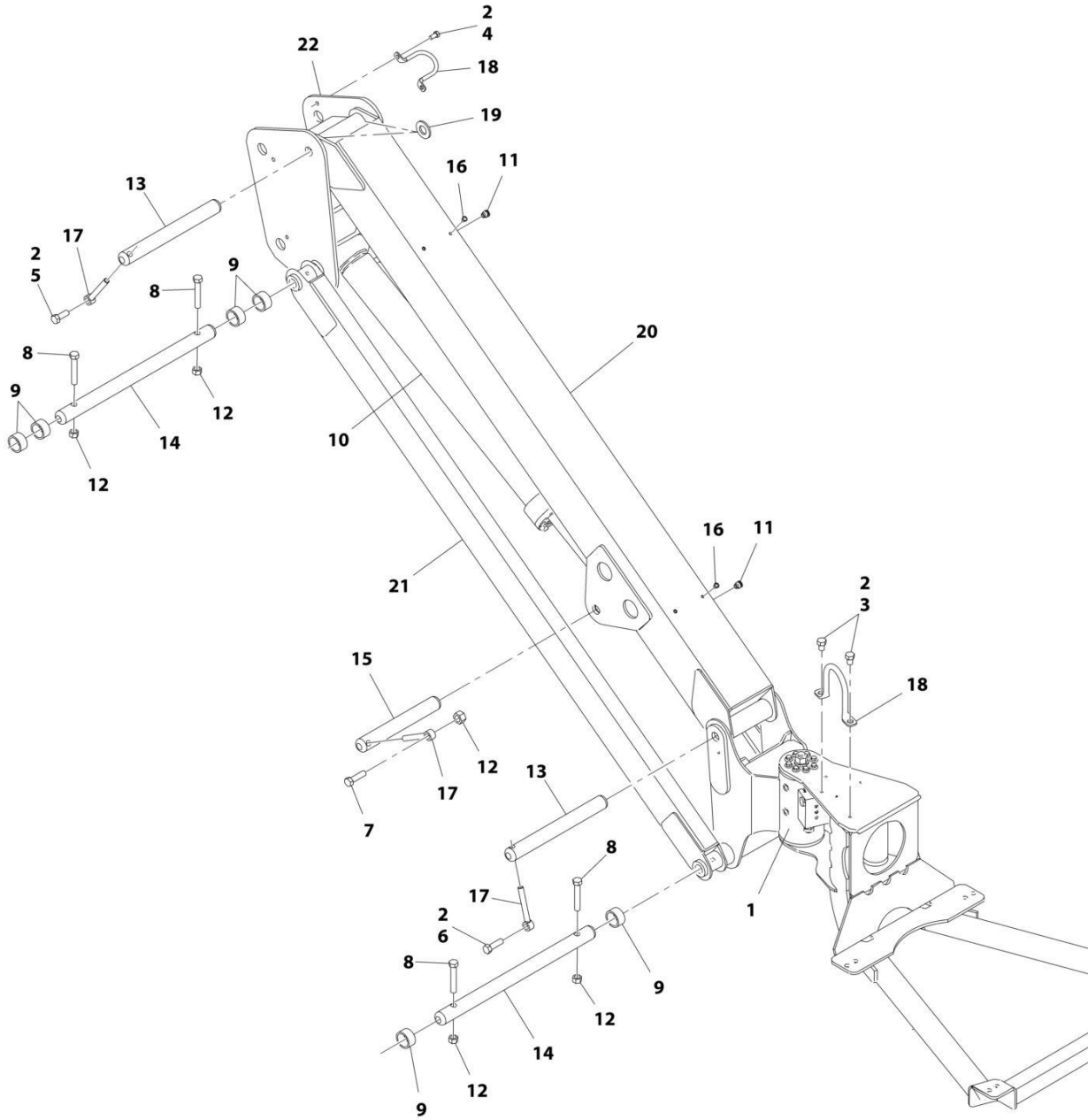
SECTION 4 - BOOM

FIGURE 4-4. MAIN BOOM ASSEMBLY - 18RSJ

ITEM	PART NUMBER	QTY	DESCRIPTION	REV
	1001185554	Ref	MAIN BOOM ASSEMBLY - 18RSJ	B
1	0100011	AR	Compound, Locking	
2	0701013	6	Bolt M10 x 28	
3	0701024	4	Bolt M10 x 80	
4	0761010	8	Bolt M10 x 20	
5	0761011	18	Bolt M10 x 22	
6	0961951	2	Bushing	
7	0962297	2	Bushing	
8	3760133	2	Ring, Retaining	
9	3900259	4	Bolt 1/2 x 3/4	
10	4812000	36	Washer M10	
11	1001135488	2	Block, Attaching	
12	1001136571	6	Shim	
13	1001136575	4	Shim	
14	1001136583	4	Pad, Wear	
15	1001136587	1	Pad, Wear	
16	1001136590	4	Shim	
17	1001136592	8	Shim	
18	1001138436	3	Shim	
19	1001143713	4	Shim	
20	1001145202	1	Pin	
21	1001153398	9	Pad, Wear	
22	1001180026	1	Telescope Cylinder Assembly (See CYLINDER SECTION for Breakdown)	
23	1001185524	1	Boom, Fly	
24	1001185785	1	Boom, Base	

SECTION 4 - BOOM

FIGURE 4-5. JIB ASSEMBLY



ART_1001185314

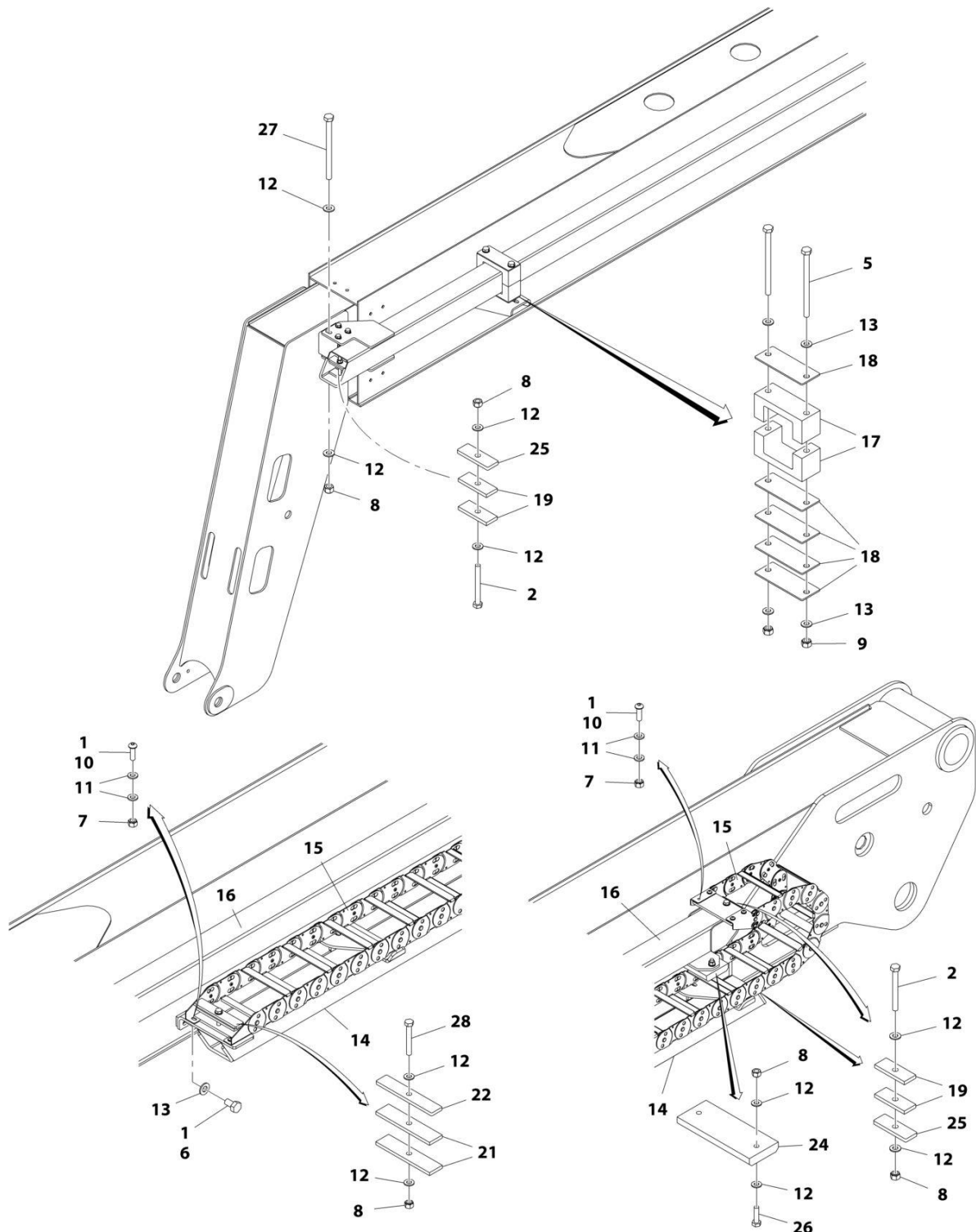
SECTION 4 - BOOM

FIGURE 4-5. JIB ASSEMBLY

ITEM	PART NUMBER	QTY	DESCRIPTION	REV
	1001185314	Ref	JIB ASSEMBLY	C
1	1001178269	1	Platform Rotator Assembly (See PLATFORM ROTATOR ASSEMBLY for Breakdown)	
2	0100011	AR	Compound, Locking	
3	0641604	2	Bolt 3/8 x 1/2	
4	0641606	2	Bolt 3/8 x 3/4	
5	0641608	1	Bolt 3/8 x 1	
6	0641610	1	Bolt 3/8 x 1-1/4	
7	0641611	1	Bolt 3/8 x 1-3/8	
8	0641618	4	Bolt 3/8 x 2-1/4	
9	0961947	6	Bearing	
10		Ref	Jib Lift Cylinder Assembly Options (See CYLINDER SECTION for Breakdown)	
10	1683609	NLA	Jib Cylinder - (Use p/n 1001248012) (Prior to SN B300003130)	
10	1001248012	1	Jib Cylinder (SN B300003130 to Present)	
11	2080044	4	Fastner, Rivnut 1/4	
12	3311605	5	Nut 3/8	
13	3422860	2	Pin	
14	3422861	2	Pin	
15	3422867	1	Pin	
16	3520034	4	Plug	
17	3841143	3	Keeper, Pin	
18	3841340	2	Loop, Hose	
19	4740439	2	Washer	
20	1001113386	1	Boom, Top Jib	
21	1001113407	2	Boom, Bottom Jib	
22	1001185317	1	Support	

SECTION 4 - BOOM

FIGURE 4-6. POWER TRACK ASSEMBLY



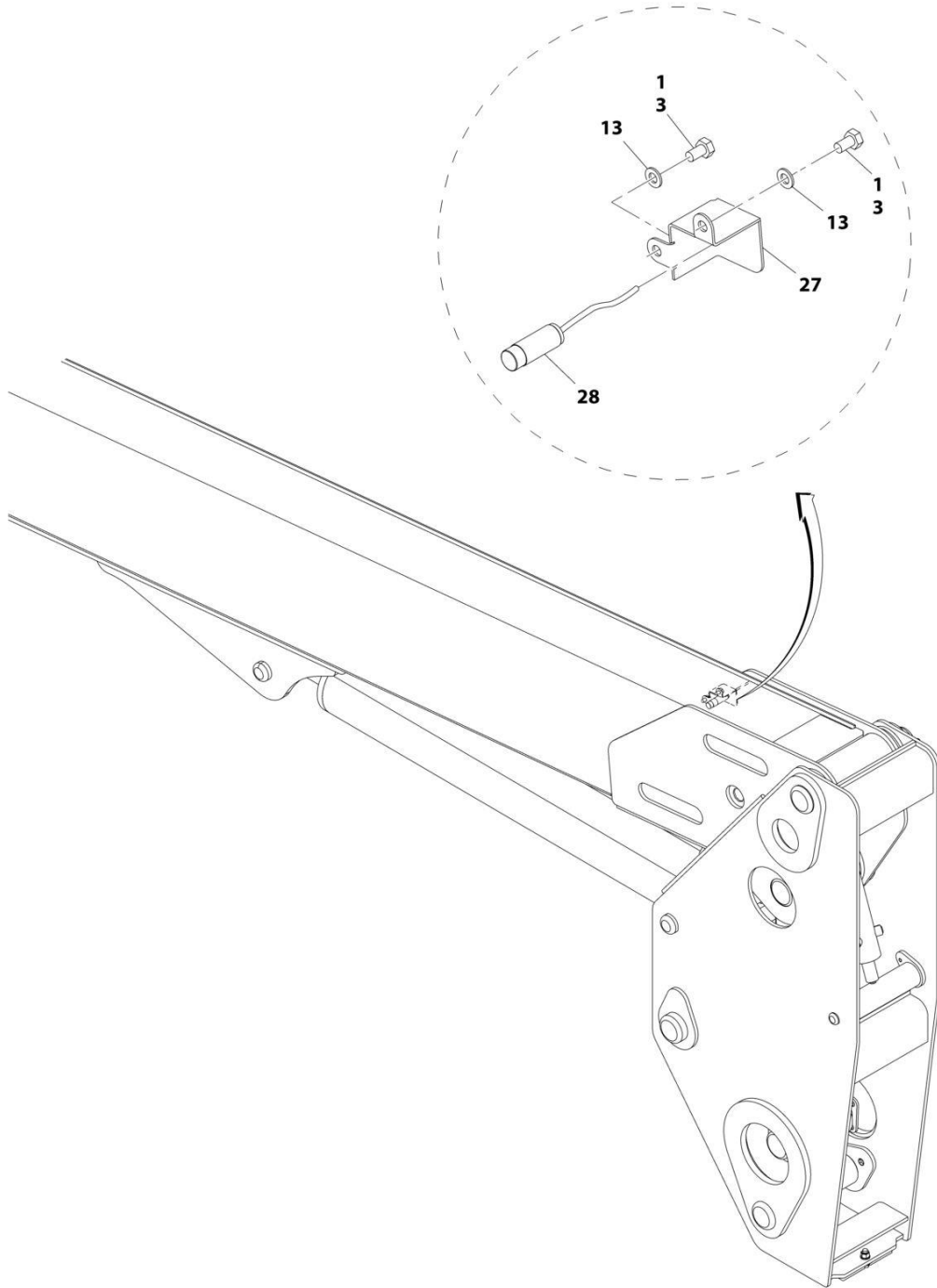
ART_1001136478

FIGURE 4-6. POWER TRACK ASSEMBLY

ITEM	PART NUMBER	QTY	DESCRIPTION	REV
	1001136478	Ref	POWER TRACK ASSEMBLY	F
1	0100011	AR	Compound, Locking	
2	0700823	3	Bolt M8 x 75	
5	0761032	2	Bolt M10 x 150	
6	0761009	10	Bolt M10 x 18	
7	3290605	8	Nut M6	
8	3290805	10	Nut M8	
9	3291005	2	Nut M10	
10	3900364	8	Capscrew M6 x 20	
11	4811700	16	Washer M6	
12	4811900	20	Washer M8	
13	4812000	14	Washer M10	
14	1001136223	1	Support	
15	1001136242	1	Carrier, Power Track	
15	70004073	1	Repair Kit (Includes One Repair Section)	
15	70004074	1	Bracket Kit (Includes Mounting Feet for Both Ends and Attaching Hardware)	
16	1001136331	1	Tube, Push	
17	1001136398	2	Pad, Push Tube	
18	1001136400	5	Mount	
19	1001136402	6	Pad	
21	1001136407	2	Pad	
22	1001136461	1	Plate	
24	1001136469	1	Pad (Prior to SN B300003130)	
24	3340787	1	Pad (SN B300003130 to Present)	
25	1001139078	3	Plate	
26	0760814	2	Bolt M8 x 30	
27	0700828	4	Bolt M8 x 110	
28	0700820	1	Bolt M8 x 60	

SECTION 4 - BOOM

FIGURE 4-7. PROXIMITY SWITCH INSTALLATION - 18RS



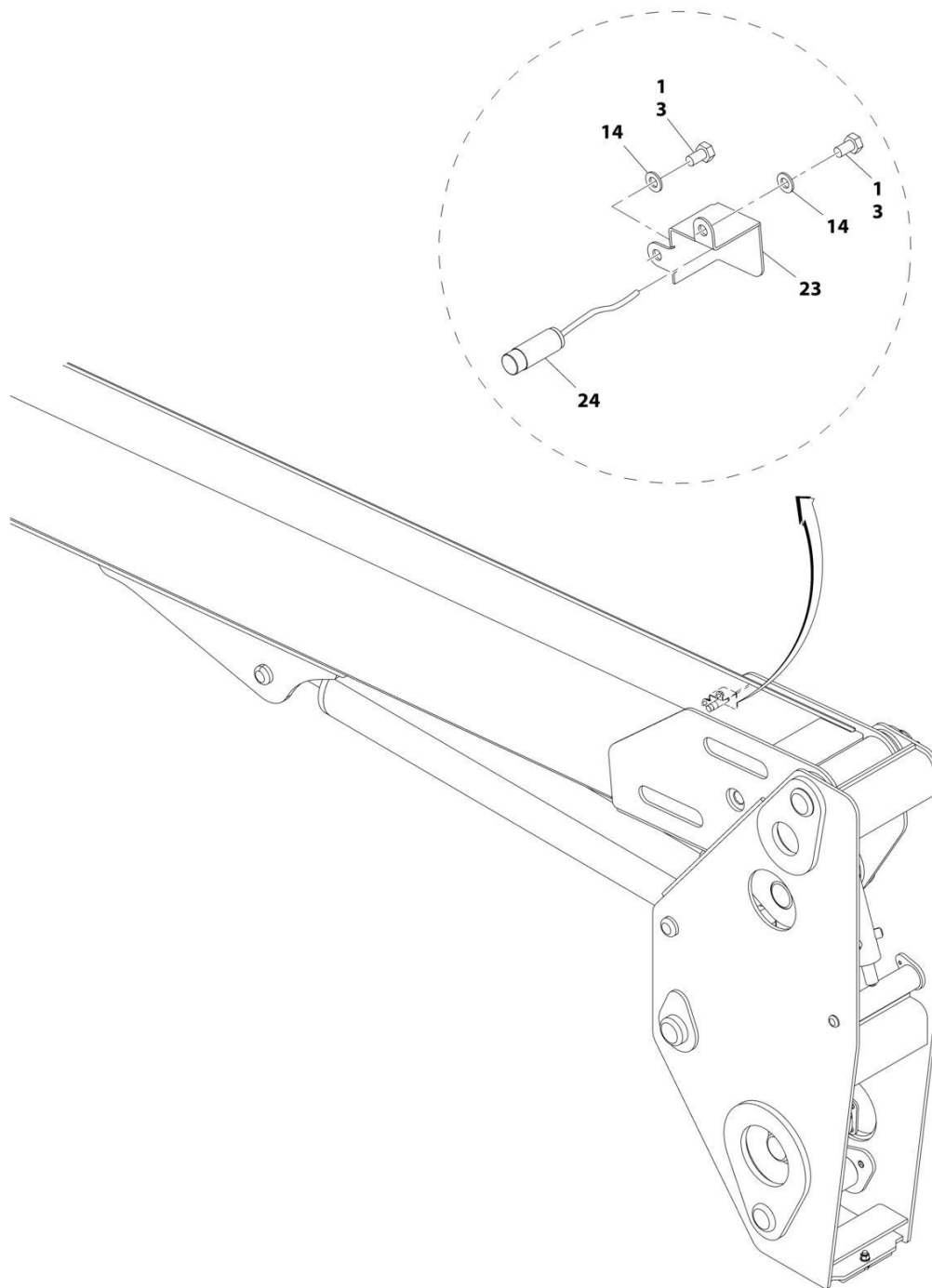
ART_1001137908_2OF2

FIGURE 4-7. PROXIMITY SWITCH INSTALLATION - 18RS

ITEM	PART NUMBER	QTY	DESCRIPTION	REV
	1001137908	Ref	PROXIMITY SWITCH INSTALLATION - 18RS	G
1	0100011	AR	Compound, Locking	
3	0760807	2	Bolt M8 x 14	
13	4811900	2	Washer M8	
27	1001149922	1	Cover	
28	1001150772	1	Sensor, Proximity	
28	4460536	1	Receptacle, Female - 3 Position	
28	4460464	3	Pin, Male	
29	1001155121	1	Proximity Sensor Harness (Not Shown - See ELECTRICAL SECTION for Breakdown)	

SECTION 4 - BOOM

FIGURE 4-8. PROXIMITY SWITCH INSTALLATION - 18RSJ



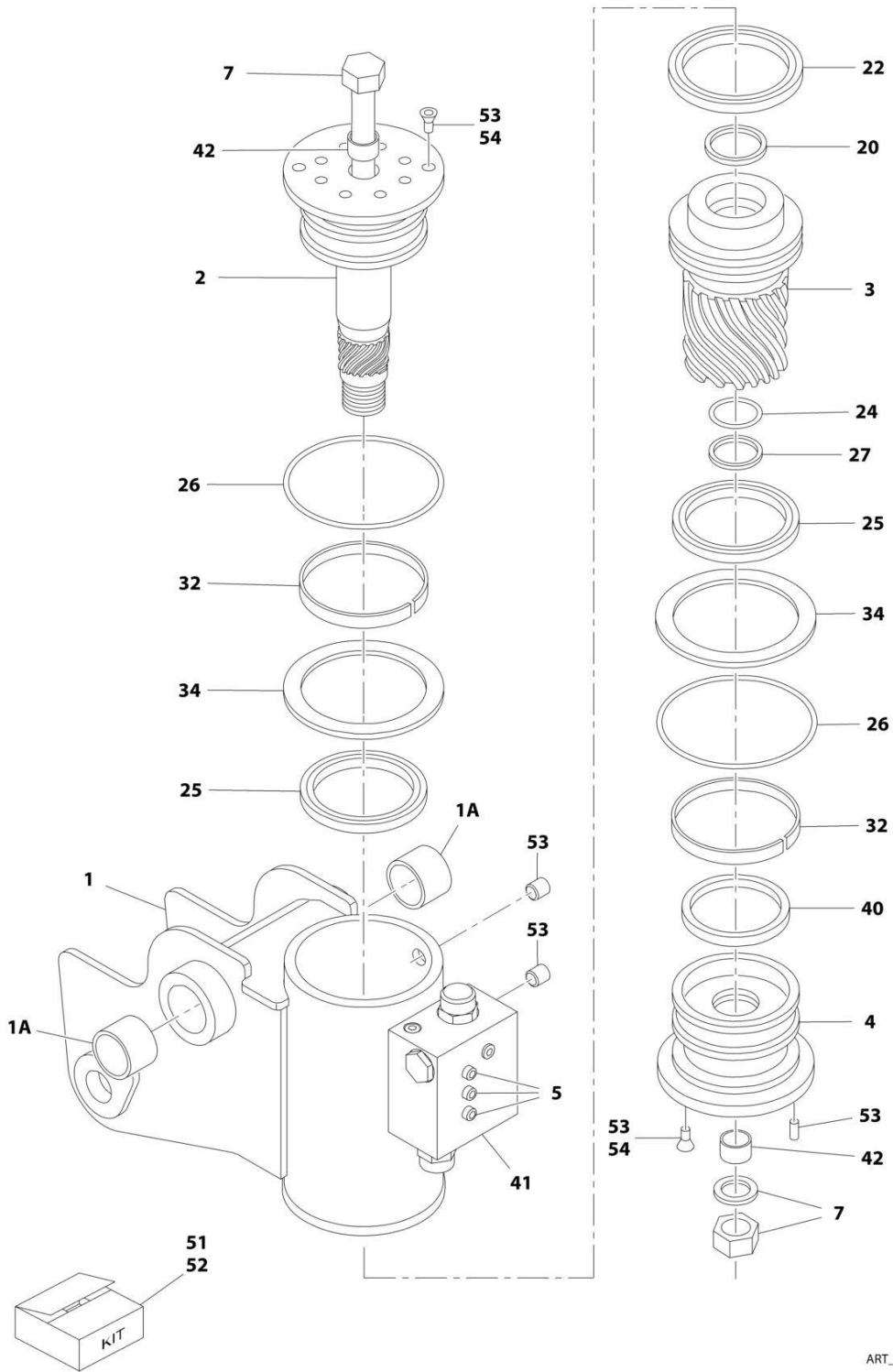
ART_1001185923_2OF2

FIGURE 4-8. PROXIMITY SWITCH INSTALLATION - 18RSJ

ITEM	PART NUMBER	QTY	DESCRIPTION	REV
	1001185923	Ref	PROXIMITY SWITCH INSTALLATION - 18RSJ	G
1	0100011	AR	Compound, Locking	
3	0760807	2	Bolt M8 x 14	
14	4811900	2	Washer M8	
23	1001149922	1	Cover	
24	1001150772	1	Sensor, Proximity	
24	4460536	1	Receptacle, Female - 3 Position	
24	4460464	3	Pin, Male	
30	1001155121	1	Proximity Sensor Harness (Not Shown - See ELECTRICAL SECTION for Breakdown)	

SECTION 4 - BOOM

FIGURE 4-9. PLATFORM ROTATOR ASSEMBLY - 18RS



ART_1001132275

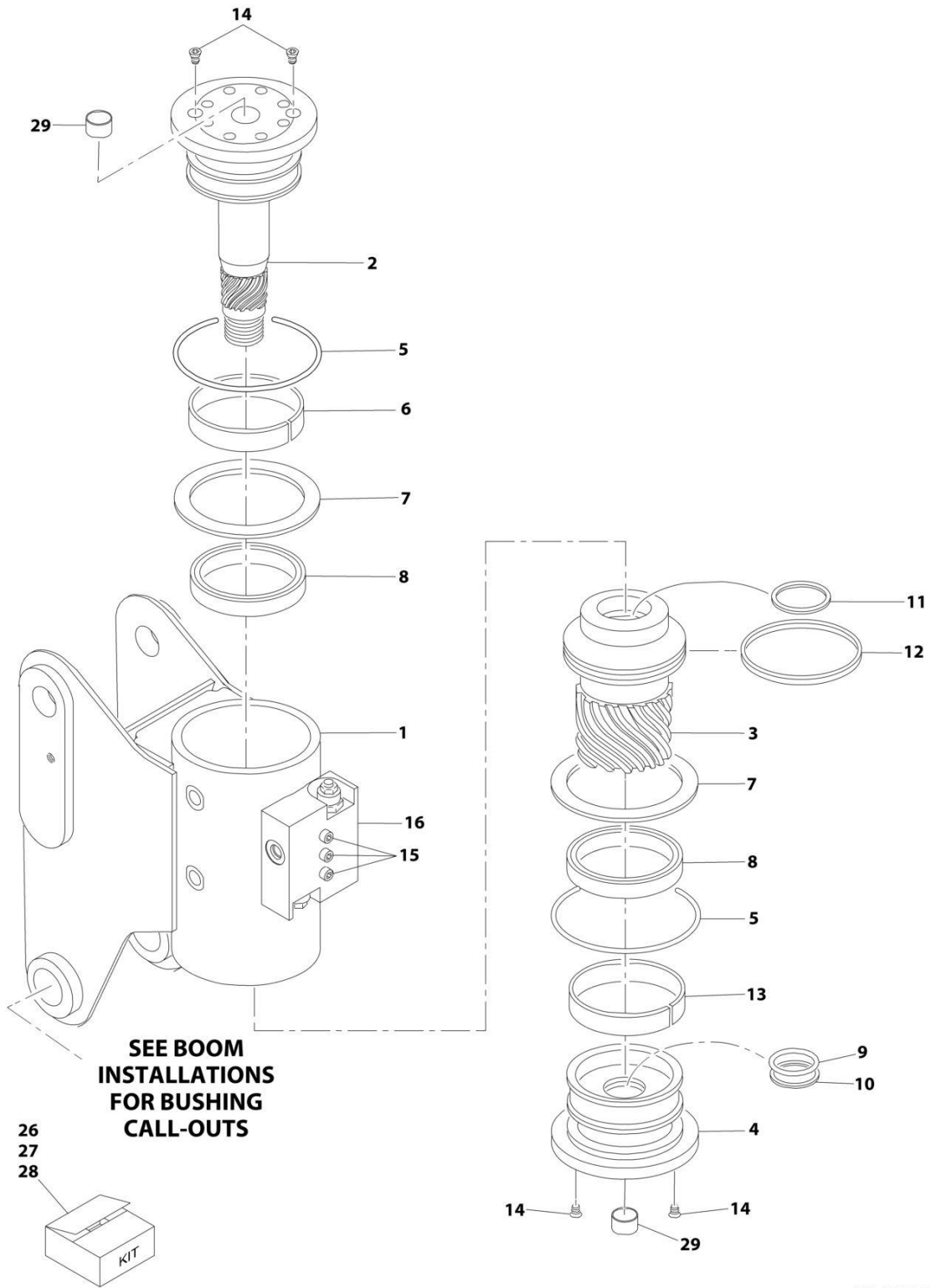
SECTION 4 - BOOM

FIGURE 4-9. PLATFORM ROTATOR ASSEMBLY - 18RS

ITEM	PART NUMBER	QTY	DESCRIPTION	REV
	1001132275	Ref	PLATFORM ROTATOR ASSEMBLY - 18RS	E
1	See Note	1	Case/Bracket Weldment (Note: Not Available - Purchase Complete Rotator)	
1A	7017147	2	Bearing	
2	70003948	1	Shaft	
3	7017163	1	Piston	
4	7017164	1	Cap, End	
5	See Note	3	Capscrew 1/4-20 x 1-1/2 (Grade 8) (Note: Not Available - Purchase Locally)	
7	7017126	1	Tie Rod Assembly	
20	See Note	NSS	T-Seal, Rod (Note: Use Item 52)	
22	See Note	NSS	T-Seal, Piston (Note: Use Item 52)	
24	See Note	NSS	O-Ring (Note: Use Item 52)	
25	See Note	NSS	Seal (Note: Use Item 52)	
26	See Note	NSS	O-Ring (Note: Use Item 52)	
27	See Note	NSS	Ring, Back-up (Note: Use Item 52)	
32	See Note	NSS	Bearing, Shaft (Note: Use Item 51)	
34	See Note	NSS	Thrustwasher (Note: Use Item 51)	
40	70003949	1	Spacer, Stop	
41	7017183	1	Counterbalance Valve Assembly	
41	7017193	2	Cartridge, Valve (Note: No Seal Kit Available)	
42	7017195	2	Bushing, Shaft	
51	7017159	1	Bearing Kit (Includes Items 32 & 34)	
52		Ref	Seal Kit Options (Includes Items 20, 22, 24, 25, 26 & 27)	
52	7017158	1	Standard Seal Kit	
52	70000341	1	Cold Climate Seal Kit	
53	7017142	1	Hardware Kit (Includes Plugs, Dowel Pin and Item 54)	
54	70001697	4	Screw, Countersunk 1/4-20 x 3/8 (Grade 8)	

SECTION 4 - BOOM

FIGURE 4-10. PLATFORM ROTATOR ASSEMBLY - 18RSJ



ART_1001178269

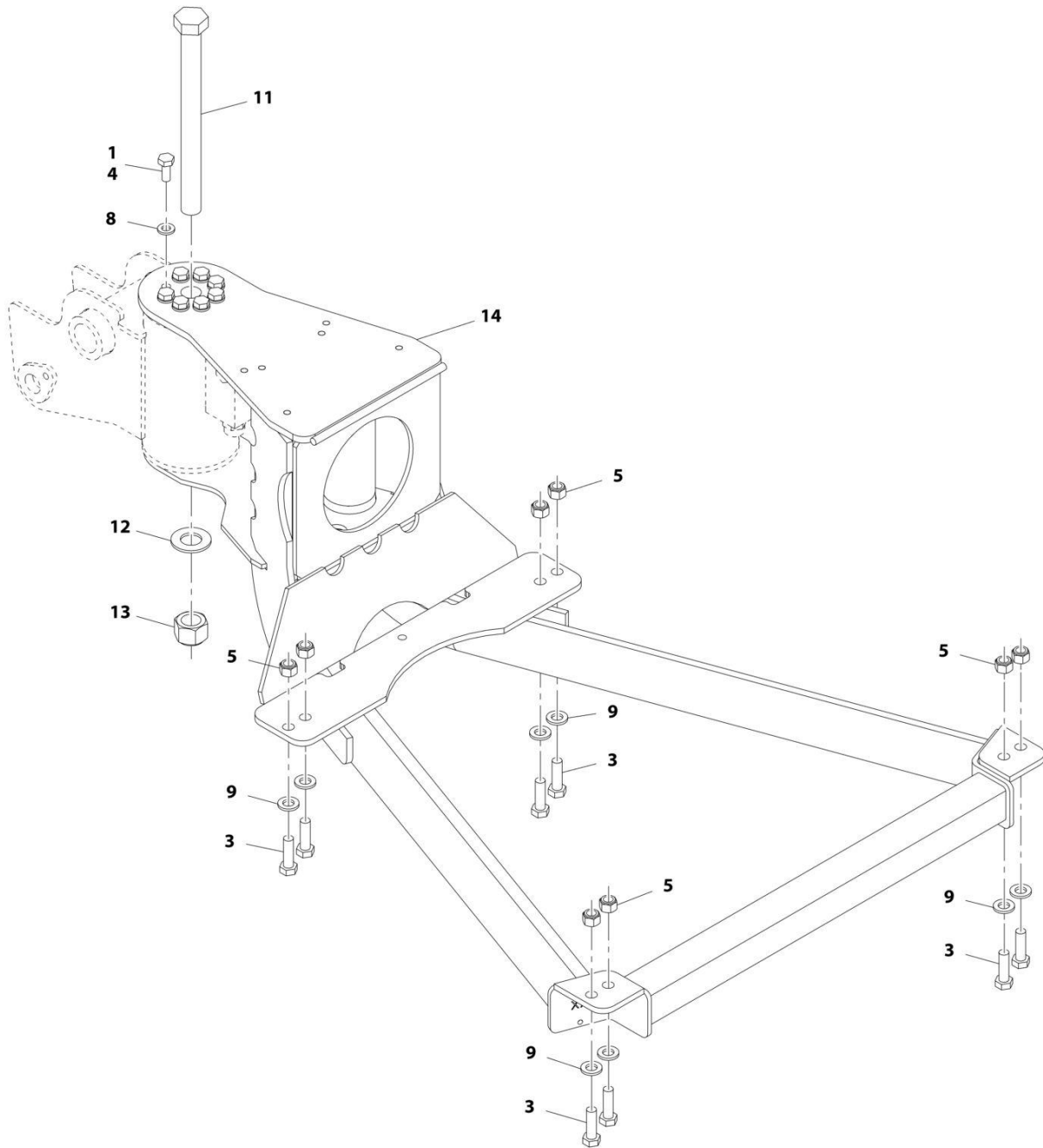
SECTION 4 - BOOM

FIGURE 4-10. PLATFORM ROTATOR ASSEMBLY - 18RSJ

ITEM	PART NUMBER	QTY	DESCRIPTION	REV
	1001178269	Ref	PLATFORM ROTATOR ASSEMBLY - 18RSJ	A
1	See Note	NSS	Housing/Ring Gear Assembly (Note: Not Available - Purchase Complete Assembly)	
2	7017162	1	Weldment, Shaft	
3	7017163	1	Piston/Sleeve Assembly	
4	7017164	1	Cap, End	
5	See Note	NSS	O-Ring (Note: Use Item 26)	
6	See Note	NSS	Bearing, Shaft (Note: Use p/n 7017159)	
7	See Note	NSS	Thrustwasher (Note: Use p/n 7017159)	
8	See Note	NSS	Packing, Bearing (Note: Use Item 26)	
9	See Note	NSS	Seal, Cap (Note: Use Item 26)	
10	See Note	NSS	Ring, Back-Up Cap (Note: Use Item 26)	
11	See Note	NSS	Seal, Rod (Note: Use Item 26)	
12	See Note	NSS	Seal, Piston (Note: Use Item 26)	
13	See Note	NSS	Bearing, Cap (Note: Use p/n 7017159)	
14	70001697	6	Capscrew 1/4 x 3/8 (Grade 8)	
15	See Note	3	Bolt 1/4 x 1-1/2 (Grade 8) (Note: Not Available for Purchase)	
16	7017183	1	Valve Assembly	
16	7017193	2	Cartridge, Valve	
16	See Note	NSS	Seal Kit - 7017193 Valve (Note: Not Available - Purchase Complete Assembly)	
16	See Note	NSS	Cartridge, Valve (Not Shown - Located on Side of Block) (Note: Not Available - Purchase Complete Assembly)	
16	See Note	NSS	Seal Kit - Valve Located on Side of Block (Note: Not Available - Purchase Complete Assembly)	
26	70000342	1	Seal Kit (Includes Items 5 & 8-12)	
27	7017159	1	Bearing Kit (Includes Items 6, 7 & 13)	
28	7017142	1	Hardware Kit (Includes Qty 2 Plugs, Qty 2 Dowel Pins and Item 14)	
29	7017195	2	Bushing	

SECTION 4 - BOOM

FIGURE 4-11. PLATFORM SUPPORT INSTALLATION - WITHOUT LSS - 18RS



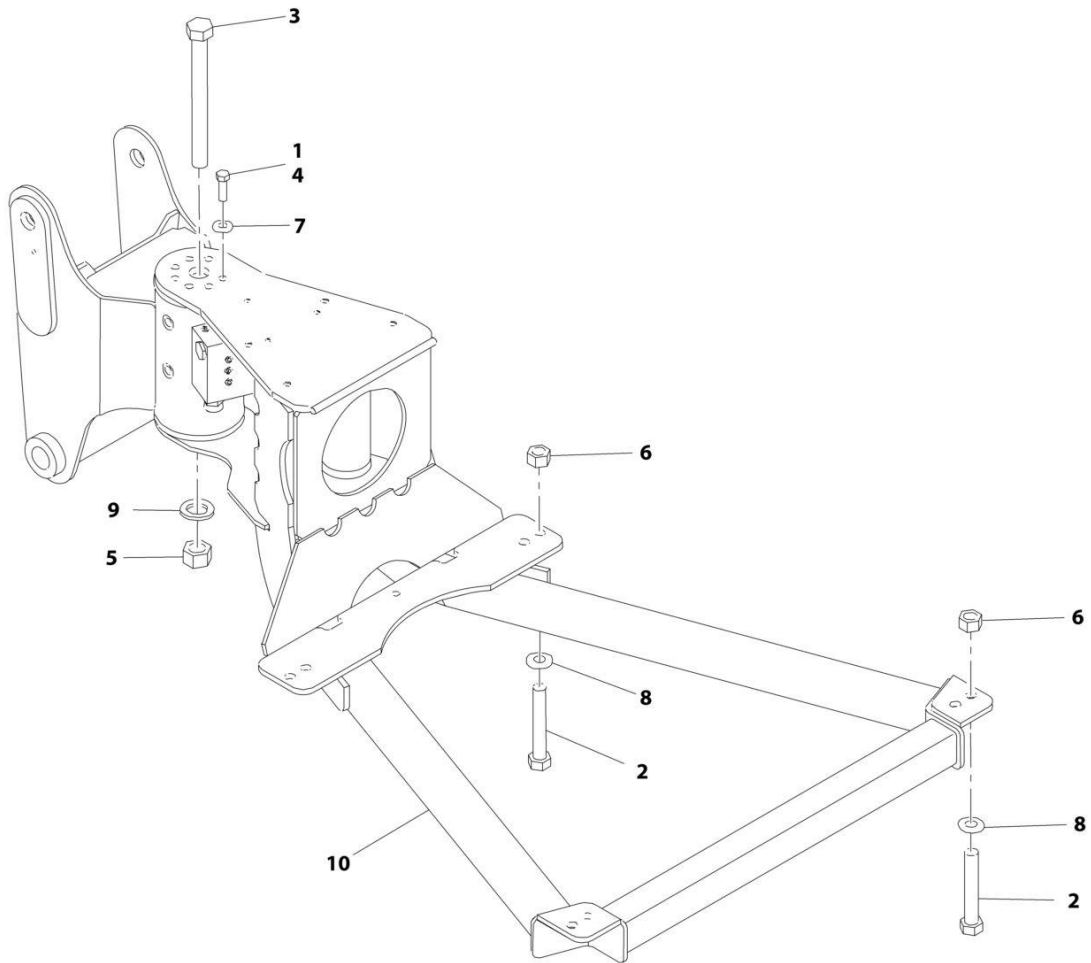
ART_1001139032

SECTION 4 - BOOM**FIGURE 4-11. PLATFORM SUPPORT INSTALLATION - WITHOUT LSS - 18RS**

ITEM	PART NUMBER	QTY	DESCRIPTION	REV
	1001139032	Ref	PLATFORM SUPPORT INSTALLATION - WITHOUT LSS - 18RS	D
1	0100011	AR	Compound, Locking	
3	0761216	8	Bolt M12 x 40	
4	0771012	8	Bolt M10 x 25 Grade 10.9	
5	3291205	8	Nut M12	
8	5241000	8	Washer M10	
9	5241200	8	Washer M12	
11	0712444	1	Bolt M24 x 270 Grade 10.9	
12	5242400	1	Washer M24	
13	1001098827	1	Nut M24 Grade 10.9	
14	1001149734	1	Support	

SECTION 4 - BOOM

FIGURE 4-12. PLATFORM SUPPORT INSTALLATION - WITHOUT LSS - 18RSJ



ART_1001115098

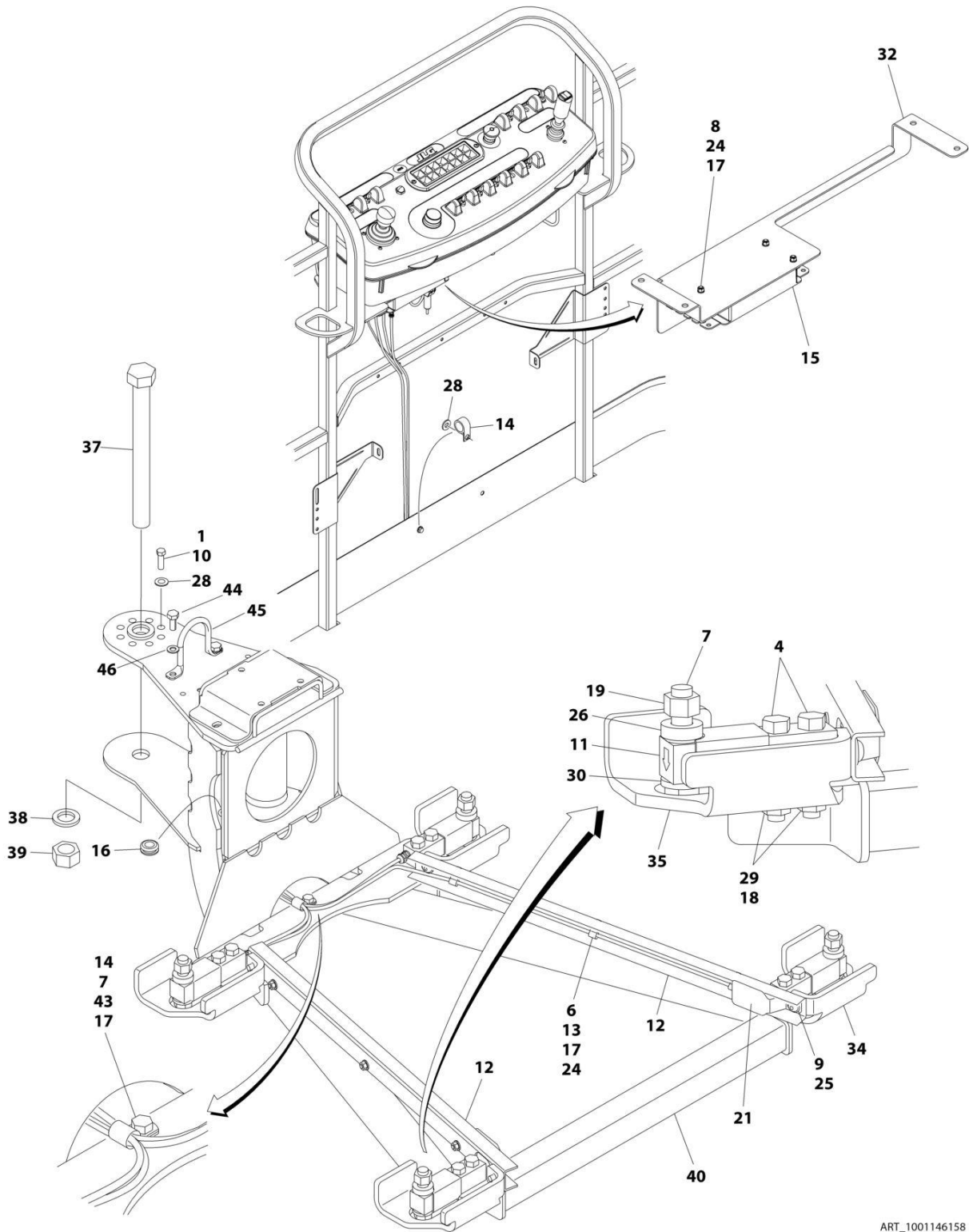
SECTION 4 - BOOM

FIGURE 4-12. PLATFORM SUPPORT INSTALLATION - WITHOUT LSS - 18RSJ

ITEM	PART NUMBER	QTY	DESCRIPTION	REV
	1001115098	Ref	PLATFORM SUPPORT INSTALLATION - WITHOUT LSS -18RSJ	A
1	0100011	AR	Compound, Locking	
2	0641812	8	Bolt 1/2 x 1-1/2	
3	0642684	1	Bolt 1 x 10-1/2	
4	0681608	8	Bolt 3/8 x 1	
5	3272605	NLA	Nut 1 (Use p/n 3300243)	
6	3311805	8	Nut 1/2	
7	4891600	8	Washer 3/8	
8	4891800	8	Washer 1/2	
9	4892600	1	Washer 1	
10	1001113465	1	Support Weldment	

SECTION 4 - BOOM

FIGURE 4-13. PLATFORM SUPPORT INSTALLATION - WITH LSS



ART_1001146158

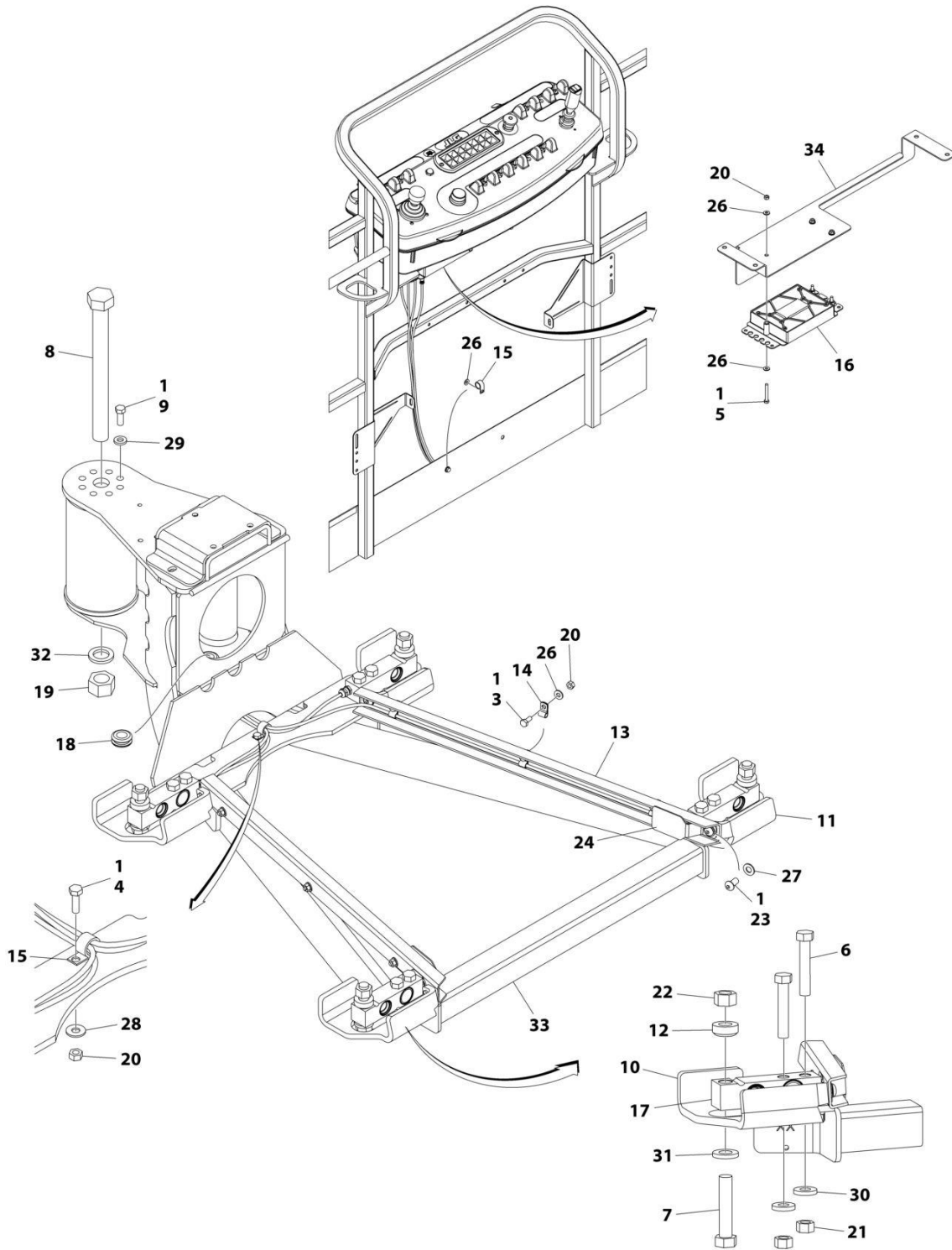
SECTION 4 - BOOM

FIGURE 4-13. PLATFORM SUPPORT INSTALLATION - WITH LSS

ITEM	PART NUMBER	QTY	DESCRIPTION	REV
	1001146158	Ref	INSTALL, PLATFORM SUPPORT W/LSS	E
1	0100011	AR	Compound, Locking	
4	0701222	8	Bolt 12mm x 70mm	
5	0701624	4	Bolt M16 x 80mm	
6	0760608	6	Bolt 6mm x 16mm	
7	0760610	1	Bolt 6mm x 20mm	
8	0760618	3	Bolt 6mm x 50mm	
9	0760808	4	Bolt 8mm x 16mm	
10	0771012	8	Bolt 10mm x 25mm	
11	0962450	4	Bushing, Spacer	
12	1271538	2	Channel, Load Cell Wire	
13	1320136	6	Clamp, Cable	
14	1320224	2	Clamp, Cable	
15	1600387	1	Controller, Load Sense	
16	2540038	1	Grommet	
17	3290605	10	Nut M6 x 1	
18	3291205	8	Nut, M12 x 1.75	
19	3291605	4	Nut M16 x 2	
21	4061054	2	Shield, Strain Relief	
22	4240033	1	Tie Wire	
23	4460428	1	Connector, Strain Relief	
24	4811700	12	Washer 6mm	
25	4811900	4	Washer 8mm	
26	4812300	4	Washer 16mm	
28	5241000	8	Washer 10mm	
29	5241200	8	Washer 12mm	
30	5241600	4	Washer 16mm	
32	1001113483	1	Bracket	
34	1001146213	2	Bracket	
35	1001146214	2	Bracket	
36	2420202	4	Gauge	
37	0712444	1	Bolt 24mm x 270mm	
38	5242400	1	Washer 24mm	
39	1001098827	1	Nut GR10 M24	
40	1001149734	1	Support, Platform	
41	1001150159	1	LSS Harness (Not Shown - See ELECTRICAL Section)	
42	1001150197	1	LSS Harness (Not Shown - See ELECTRICAL Section)	
43	4811702	1	Washer 6mm	
44	0761012	2	Bolt 10mm x 25mm	
45	3841340	1	Hose, Loop	
46	4812000	2	Washer 10mm	

SECTION 4 - BOOM

FIGURE 4-14. PLATFORM SUPPORT INSTALLATION (18RSJ) - WITH LSS



ART_1001232516

SECTION 4 - BOOM

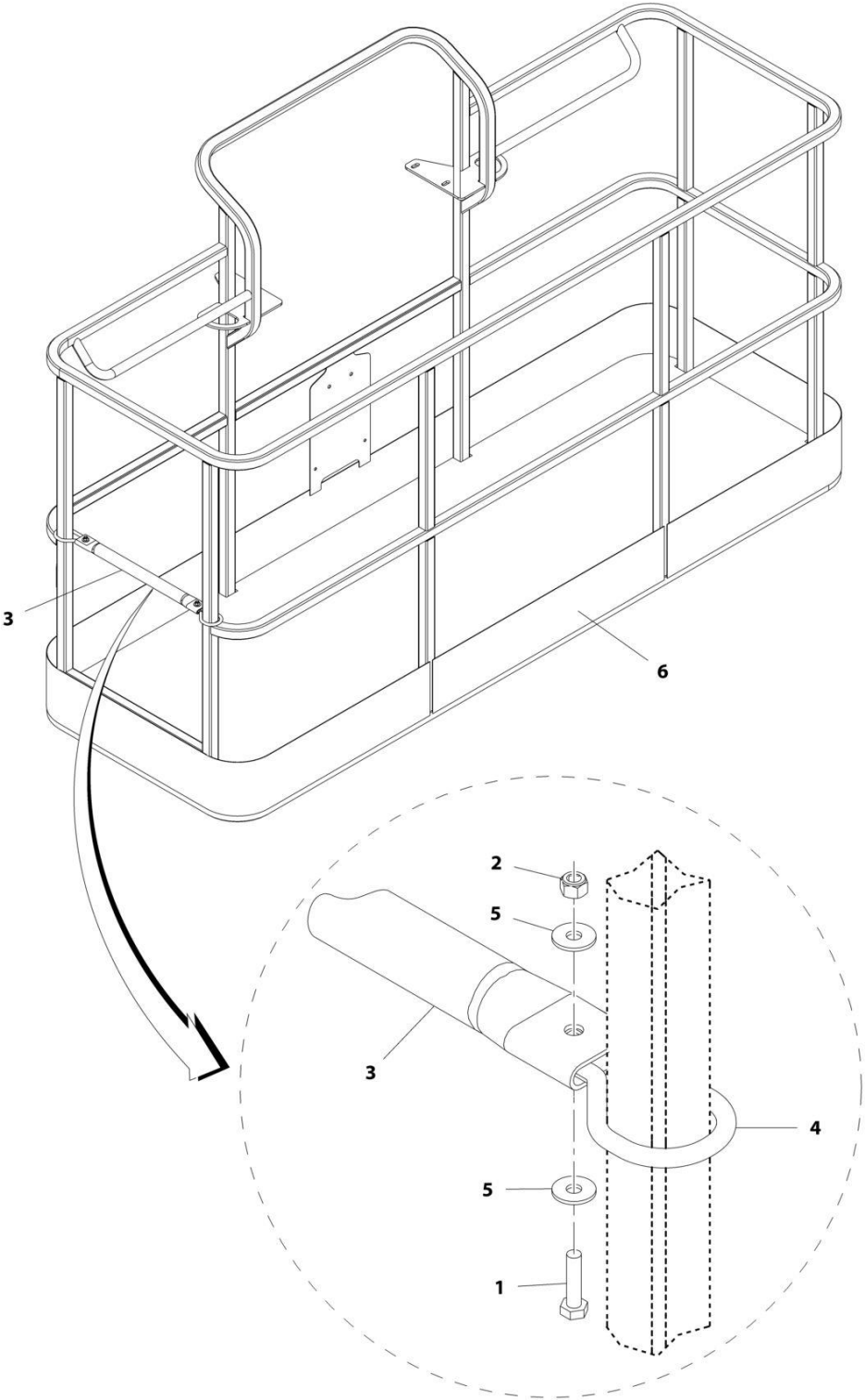
FIGURE 4-14. PLATFORM SUPPORT INSTALLATION (18RSJ) - WITH LSS

ITEM	PART NUMBER	QTY	DESCRIPTION	REV
	1001232516	Ref	PLATFORM SUPPORT INSTALLATION (18RSJ) - WITH LSS	A
1	0100011	AR	Compound, Locking	
2	0100048	AR	Grease, Dielectric (Not Shown)	
3	0641405	6	Screw 1/4 x 5/8	
4	0641407	1	Screw 1/4 x 7/8	
5	0641416	3	Screw 1/4 x 2	
6	0641822	8	Screw 1/2 x 2-3/4	
7	0642024	4	Screw 5/8 x 3	
8	0642684	1	Screw 1/8 x 10-1/2	
9	0681608	8	Screw 3/8 x 1	
10	0902919	2	Bracket, LH Cell Load Guard	
11	0902920	2	Bracket, RH Cell Load Guard	
12	0962450	4	Bushing, Spacer	
13	1271538	2	Channel, Load Cell Wire	
14	1320136	6	Clamp, Cable	
15	1320224	2	Clamp, Cable	
16	1600387	1	Controller, Load Sense	
17	2420202	4	Gauge	
18	2540038	1	Grommet	
19	3272605	1	Nut 1	
20	3311405	10	Nut 1/4	
21	3311805	8	Nut 1/2	
22	3312005	4	Nut 5/8	
23	3900283	4	Screw 3/8 x 3/4	
24	4061054	2	Shield, Strain Relief	
25	4240033	AR	Tie-Strap (Not Shown)	
26	4711400	13	Washer 1/4	
27	4711600	4	Washer 3/8	
28	4751400	1	Washer 1/4	
29	4891600	8	Washer 3/8	
30	4891800	8	Washer 1/2	
31	4892000	4	Washer 5/8	
32	4892600	1	Washer 1	
33	1001113465	1	Support, Platform	
34	1001113483	1	Bracket	
35	1001150197	1	LSS Harness (Not Shown - See ELECTRICAL Section)	

SECTION 5 - PLATFORM

SECTION 5 - PLATFORM

FIGURE 5-1. PLATFORM ASSEMBLY



ART_1001134293

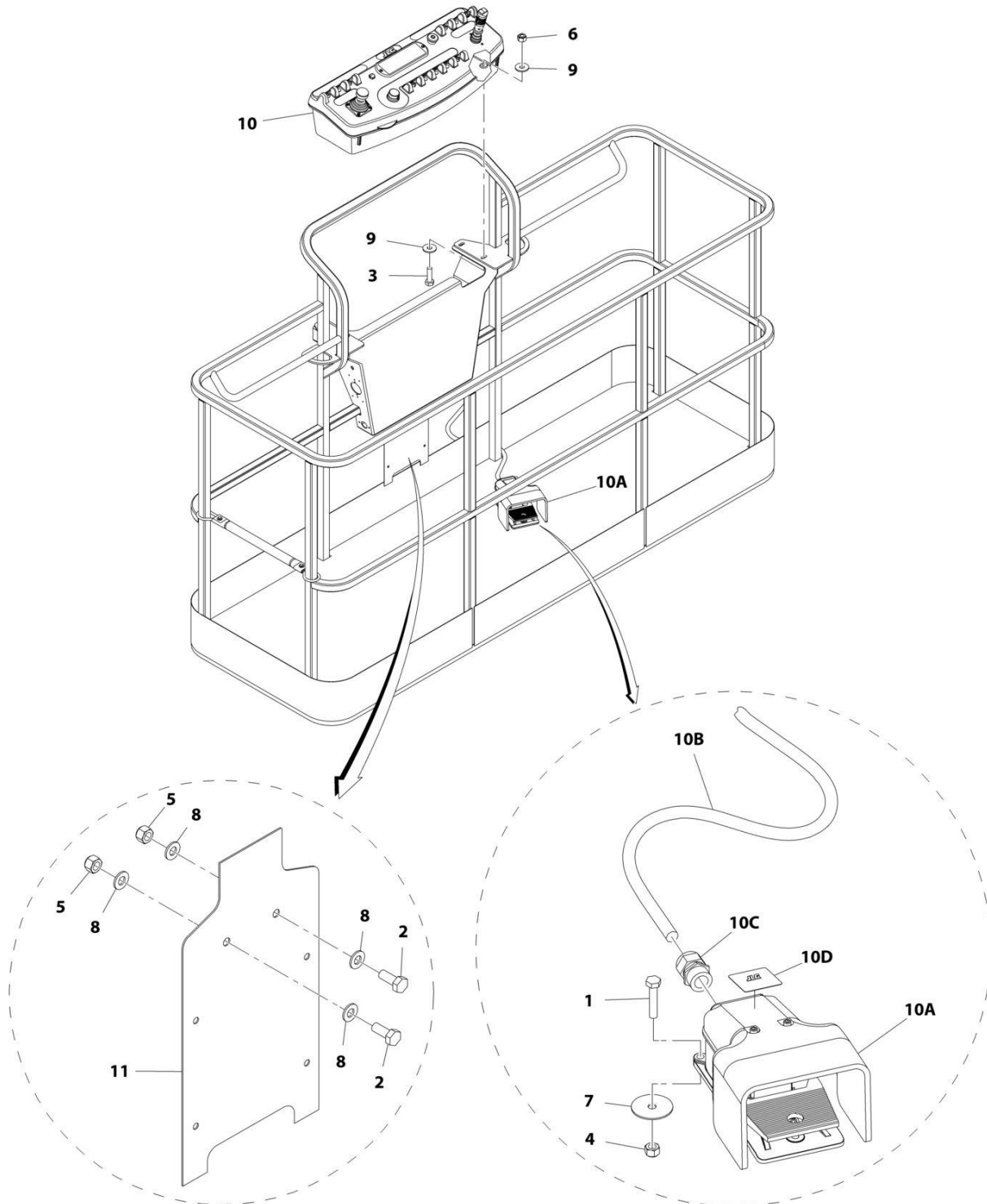
SECTION 5 - PLATFORM

FIGURE 5-1. PLATFORM ASSEMBLY

ITEM	PART NUMBER	QTY	DESCRIPTION	REV
	1001134293	Ref	PLATFORM ASSEMBLY (Prior to SN B300001836)	D
	1001227180	Ref	PLATFORM ASSEMBLY (SN B300001836 to Present)	A
		Ref	Note: Replacement Decals Must be Ordered Separately - See DECAL SECTION.	
1	0760612	2	Bolt M6 x 25	
2	3290605	2	Nut M6	
3	3641585	1	Rail	
4	3841692	2	Loop, Rod	
5	4811702	4	Washer M6	
6	See Note	NLA	Platform (Note: Purchase Platform Assembly)	

SECTION 5 - PLATFORM

FIGURE 5-2. PLATFORM CONSOLE AND FOOTSWITCH INSTALLATION - 18RS



ART_1001133423

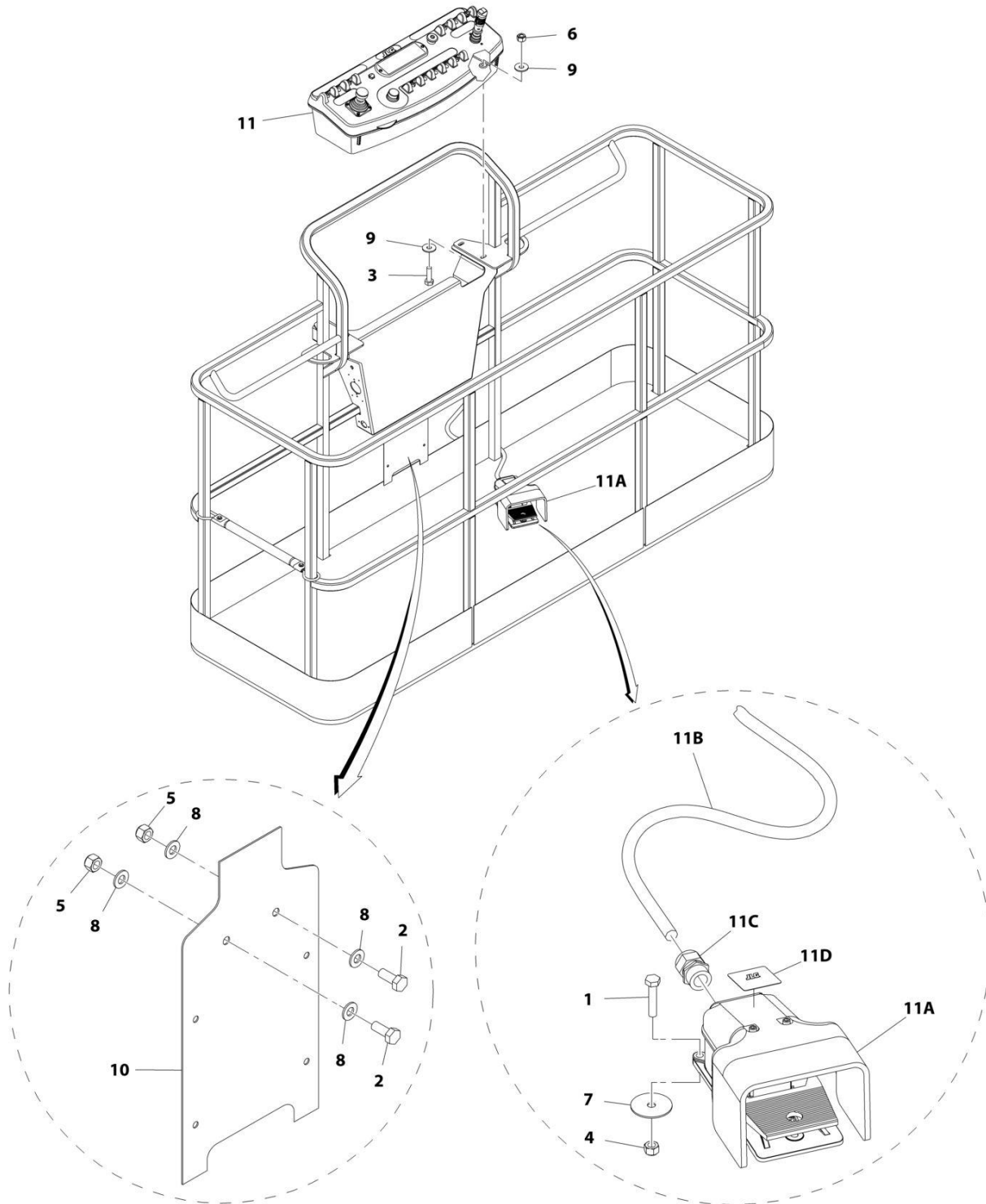
SECTION 5 - PLATFORM

FIGURE 5-2. PLATFORM CONSOLE AND FOOTSWITCH INSTALLATION - 18RS

ITEM	PART NUMBER	QTY	DESCRIPTION	REV
	1001133423	Ref	PLATFORM CONSOLE AND FOOTSWITCH INSTALLATION - 18RS	C
1	0760614	3	Bolt M6 x 30	
2	0760810	2	Bolt M8 x 20	
3	0761015	4	Bolt M10 x 35	
4	3290605	3	Nut M6	
5	3290805	2	Nut M8	
6	3291005	4	Nut M10	
7	4740362	3	Washer 1/4	
8	4811900	4	Washer M8	
9	4812002	8	Washer M10	
10	1001133602	1	Console Box Assembly (See PLATFORM CONSOLE ASSEMBLY for Breakdown) (Prior to SN B300001441)	
10	1001184188	1	Console Box Assembly (See PLATFORM CONSOLE ASSEMBLY for Breakdown) (SN B300001441 to Present)	
10A	0272970	1	Footswitch Assembly	B
10A	1001117320	1	Footswitch	
10A	70003483	1	Block, Contact	
10B	1060918	7 ft/2.2m	Cable, Electrical - 18/3	
10C	4460071	1	Connector, Strain Relief	
10D	3252347	1	Nameplate (Note: See DECAL SECTION for Other Languages)	
11	1001145439	1	Panel, Pedestal	

SECTION 5 - PLATFORM

FIGURE 5-3. PLATFORM CONSOLE AND FOOTSWITCH INSTALLATION - 18RSJ (Prior to SN B300001836)



ART_1001203480

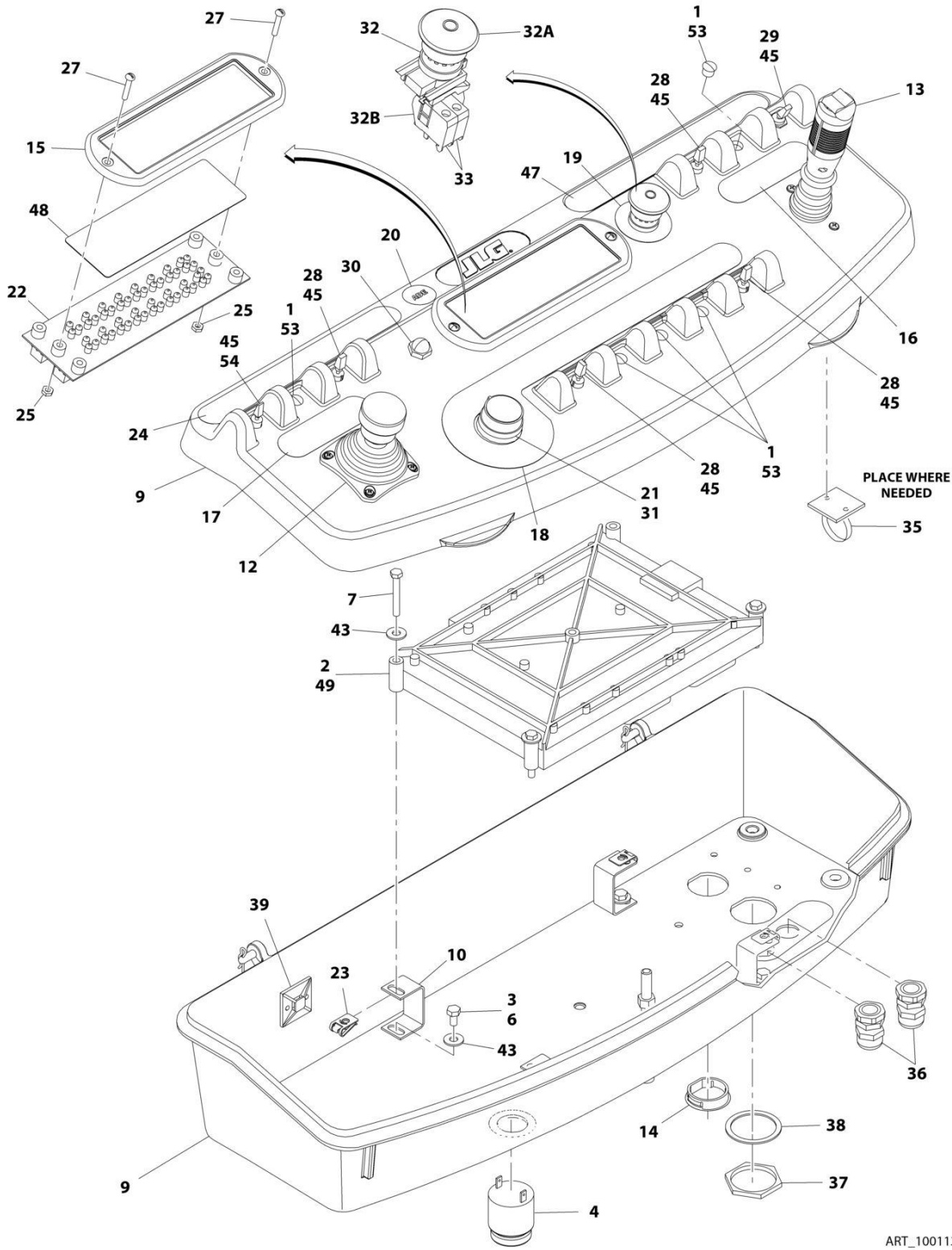
SECTION 5 - PLATFORM

FIGURE 5-3. PLATFORM CONSOLE AND FOOTSWITCH INSTALLATION - 18RSJ (Prior to SN B300001836)

ITEM	PART NUMBER	QTY	DESCRIPTION	REV
	1001203480	Ref	PLATFORM CONSOLE AND FOOTSWITCH INSTALLATION - 18RSJ (Prior to SN B300001836)	A
1	0760614	3	Bolt M6 x 30	
2	0760810	2	Bolt M8 x 20	
3	0761015	4	Bolt M10 x 35	
4	3290605	3	Nut M6	
5	3290805	2	Nut M8	
6	3291005	4	Nut M10	
7	4740362	3	Washer 1/4	
8	4811900	4	Washer M8	
9	4812002	8	Washer M10	
10	1001145439	1	Panel, Pedestal	
11	1001203481	1	Console Box Assembly (See PLATFORM CONSOLE ASSEMBLY for Breakdown)	
11A	0272970	1	Footswitch Assembly	B
11A	1001117320	1	Footswitch	
11A	70003483	1	Block, Contact	
11B	1060918	7 ft/2.2m	Cable, Electrical - 18/3	
11C	4460071	1	Connector, Strain Relief	
11D	3252347	1	Nameplate (Note: See DECAL SECTION for Other Languages)	

SECTION 5 - PLATFORM

FIGURE 5-4. PLATFORM CONSOLE ASSEMBLY - 18RS (Prior to SN B30001441)



ART_1001133602

SECTION 5 - PLATFORM

FIGURE 5-4. PLATFORM CONSOLE ASSEMBLY - 18RS (Prior to SN B300001441)

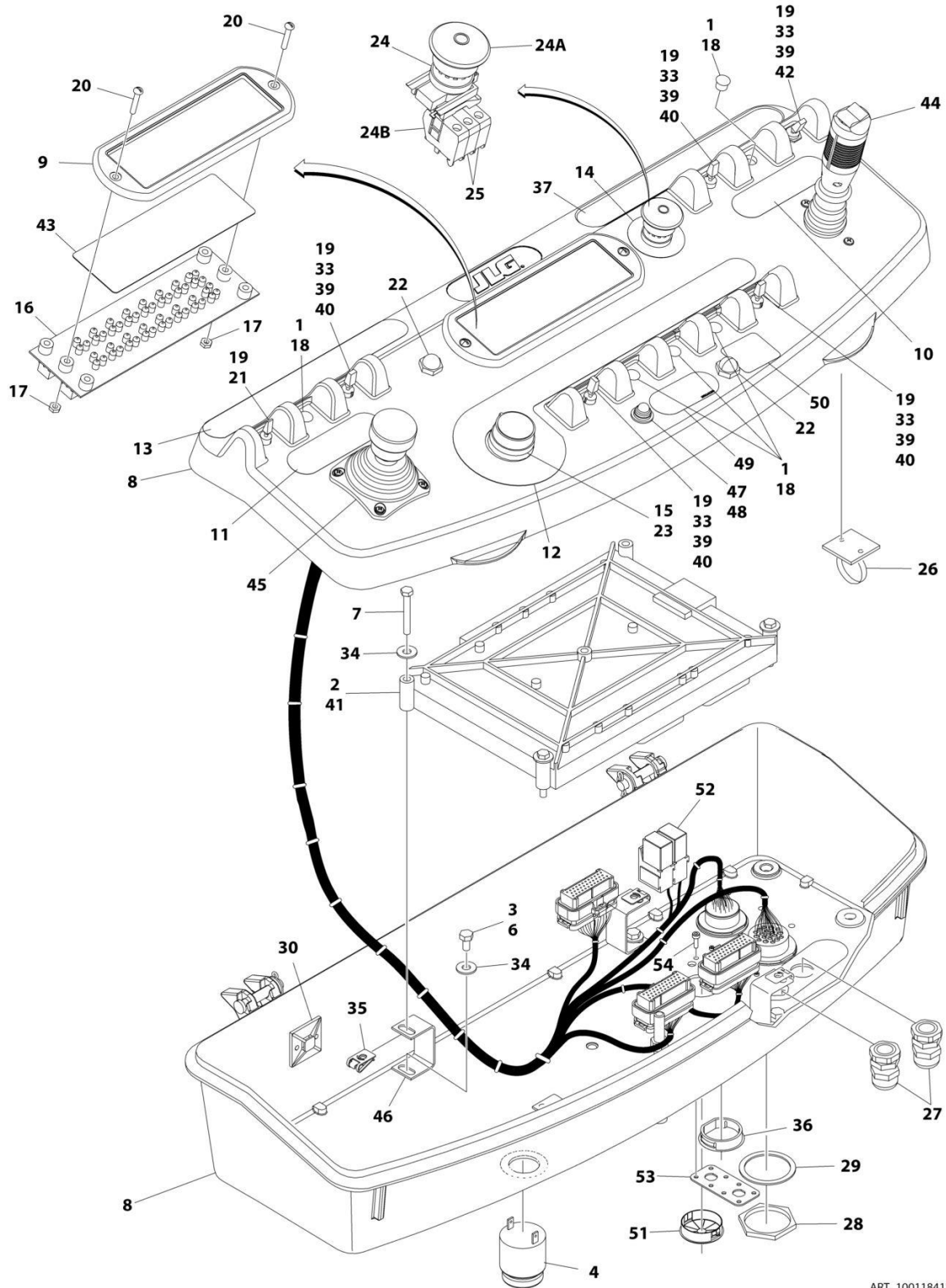
ITEM	PART NUMBER	QTY	DESCRIPTION	REV
	1001133602	Ref	PLATFORM CONSOLE ASSEMBLY - 18RS (Prior to SN B300001441)	F
1	0100009	AR	Sealant	
2	0100048	AR	Grease, Dielectric	
3	0100081	AR	Adhesive	
4	0140011	1	Alarm	
6	0641404	4	Bolt 1/4 x 1/2	
7	0700617	4	Bolt M6 x 45	
8	1001133752	1	Platform Box Harness (Not Shown - See ELECTRICAL SECTION for Breakdown) (Prior to SN B300001836)	
8	1001217358	1	Platform Box Harness (Not Shown - See ELECTRICAL SECTION for Breakdown) (SN B300001836 to Present)	
9	0861441	NLA	Box, Console (See CONSOLE BOX ASSEMBLY for Breakdown) (Use p/n 1001218068)	
10	0902571	4	Bracket, Support	
12	1001118417	NLA	Controller Assembly (Lift and Swing) (See CONTROLLER ASSEMBLY (LIFT AND SWING) for Breakdown) (Use p/n 1001129555)	
13	1001118416	NLA	Controller Assembly (Drive and Steer) (See CONTROLLER ASSEMBLY (DRIVE AND STEER) for Breakdown) (Use p/n 1001166538)	
14	1001110434	1	Plug, Hole	
15	1671176	1	Bezel	
16	1702565	1	Decal - Drive and Steer	
17	1702566	1	Decal - Lift and Swing	
18	1702567	1	Decal - Function Speed	
19	1704260	1	Decal - EMS	
20	1705132	1	Decal - ADE	
21	2560136	1	Handle, Knob	
22	2920154	1	Panel, LED Light	
23	8305919	4	Nut, Retainer M6	
24	1702676	1	Decal - Horn	
25	3311005	2	Nut #10	
27	3911018	2	Bolt #10 x 1-1/8	
28	4360328	4	Switch, Toggle	
29	4360330	1	Switch, Toggle	
30	4360387	1	Switch, Pushbutton	
31	4360407	1	Controller, Speed	
31	See Note	1	Gasket "Top Hat" (Included with Switch) (Note: Not Available - Purchase Complete Controller)	
31	70003784	1	Seal	
32	4360475	1	Switch, Emergency Stop	
32A	7020175	1	Cap, Red	
32B	7020176	1	Contact Block	
33	4360476	1	Block, Contact	
35	4460234	3	Base, Mounting	
36	4460428	2	Connector, Strain Relief	
37	4460470	1	Nut, Terminal	
38	4460471	1	Lockwasher, Terminal	
39	4460488	1	Base, Mounting	
41	4460905	5	Seal, Plug (Not Shown)	
43	4751400	8	Washer 1/4	

SECTION 5 - PLATFORM

ITEM	PART NUMBER	QTY	DESCRIPTION	REV
45	3790012	8	O-Ring	
47	1001131168	1	Decal - Stop	
48	1001107952	1	Decal - Display (Prior to SN B300001025)	
48	1001164374	1	Decal - Display (SN B300001025 to Present)	
49	1001118412	1	Controller, Module (Re-calibration Required when Replaced) (Prior to SN B300001025)	
49	1001157196	1	Controller, Module (Re-calibration Required when Replaced) (SN B300001025 to Present)	
52	4460708	1	Receptacle, Female 15 Position (Not Shown)	
53	3520054	5	Plug, Hole	
54	4360331	1	Switch, Toggle	

SECTION 5 - PLATFORM

FIGURE 5-5. PLATFORM CONSOLE ASSEMBLY - 18RS (SN B30001441 to Present)



ART_1001184188

SECTION 5 - PLATFORM

FIGURE 5-5. PLATFORM CONSOLE ASSEMBLY - 18RS (SN B300001441 to Present)

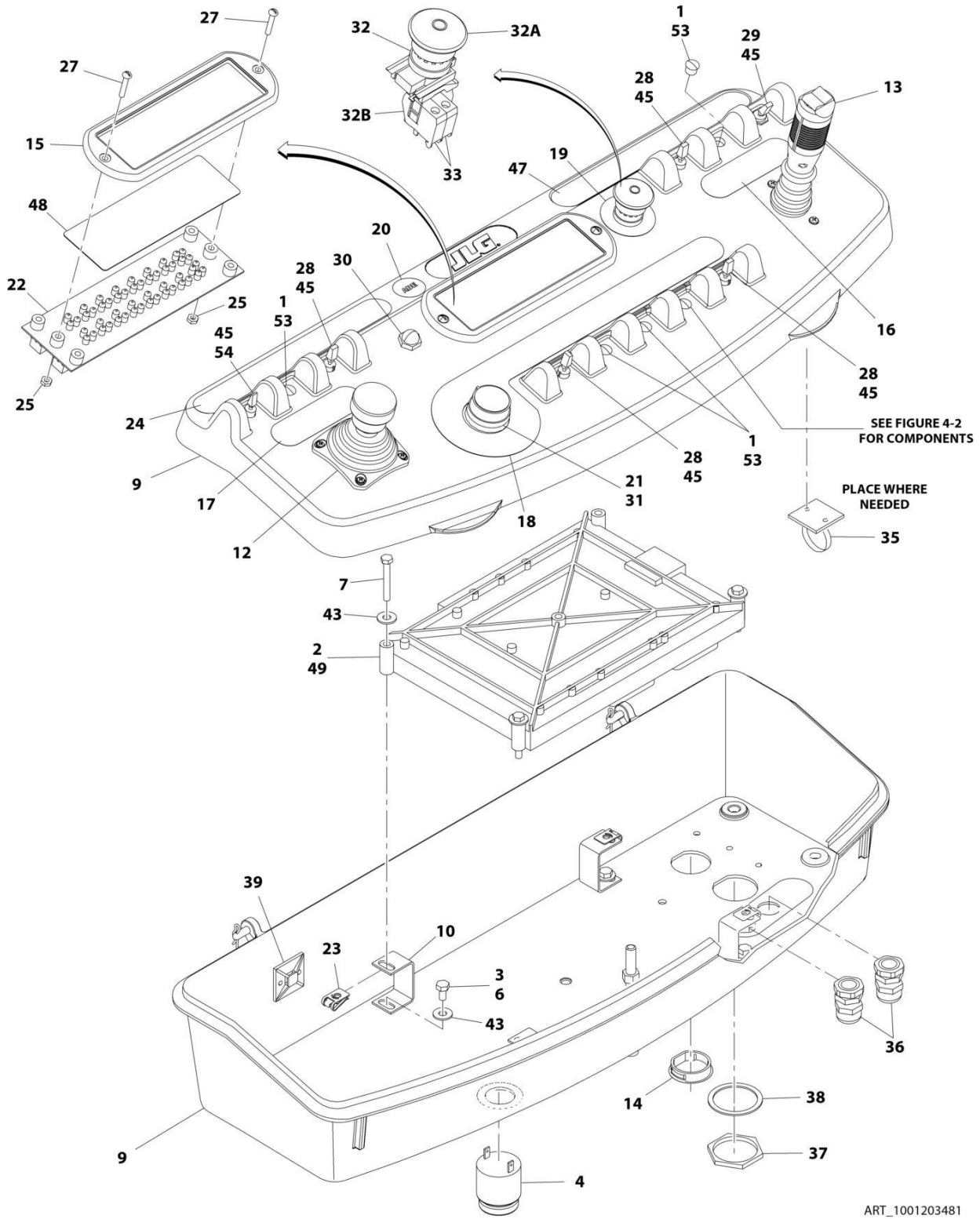
ITEM	PART NUMBER	QTY	DESCRIPTION	REV
	1001184188	Ref	PLATFORM CONSOLE ASSEMBLY - 18RS (SN B300001441 to Present)	A
1	0100009	AR	Sealant	
3	0100048	AR	Grease, Dielectric	
2	0100011	AR	Compound, Locking	
4	0140011	1	Alarm	
6	0641404	4	Bolt 1/4 x 1/2	
7	0700617	4	Bolt M6 x 45	
8	0861441	NLA	Box, Console (See CONSOLE BOX ASSEMBLY for Breakdown) (Use p/n 1001201886) (Prior to SN B300001540)	
8	1001201886	1	Box, Console (See CONSOLE BOX ASSEMBLY for Breakdown) (SN B300001540 to Present)	
9	1671176	1	Bezel	
10	1702565	1	Decal - Drive and Steer	
11	1702566	1	Decal - Lift and Swing	
12	1702567	1	Decal - Function Speed	
13	1702676	1	Decal - Horn	
14	1704260	1	Decal - EMS	
15	2560136	1	Handle, Knob	
16	2920154	1	Panel, LED Light	
17	3311005	2	Nut #10	
18	3520054	5	Plug, Hole	
19	3790012	8	O-Ring	
20	3911018	2	Bolt #10 x 1-1/8	
21	4360331	1	Switch, Toggle	
22	4360387	1	Switch, Pushbutton	
23	4360407	1	Controller, Speed	
23	See Note	1	Gasket "Top Hat" (Included with Switch) (Note: Not Available - Purchase Complete Controller)	
23	70003784	1	Seal	
24	4360475	1	Switch, Emergency Stop	
24A	7020175	1	Cap, Red	
24B	7020176	1	Contact Block	
25	4360476	2	Block, Contact	
26	4460234	3	Base, Mounting	
27	4460428	2	Connector, Strain Relief	
28	4460470	1	Nut, Terminal	
29	4460471	1	Lockwasher, Terminal	
30	4460488	1	Base, Mounting	
31	4460708	1	Receptacle, Female 15 Position (Not Shown)	
32	4460905	5	Seal, Plug (Not Shown)	
33	4740397	5	Washer, Spacer	
34	4751400	8	Washer 1/4	
35	8305919	4	Nut, Retainer M6	
36	1001110434	1	Plug, Hole	
37	1001131168	1	Decal - Stop	
38	1001133752	1	Platform Box Harness (Not Shown - See ELECTRICAL SECTION for Breakdown)	
39	1001155044	5	Nut 15/32	
40	1001155045	4	Switch, Toggle	
41	1001157196	1	Controller, Module (Re-calibration Required when Replaced)	

SECTION 5 - PLATFORM

ITEM	PART NUMBER	QTY	DESCRIPTION	REV
42	1001159256	1	Switch, Toggle	
43	1001164374	1	Decal - Display	
44	1001166538	1	Controller Assembly (Drive and Steer) (See CONTROLLER ASSEMBLY (DRIVE AND STEER) for Breakdown)	
45	1001166539	1	Controller Assembly (Lift and Swing) (See CONTROLLER ASSEMBLY (LIFT AND SWING) for Breakdown) (Use p/n 1001129555)	
46	1001172760	4	Bracket	

SECTION 5 - PLATFORM

FIGURE 5-6. PLATFORM CONSOLE ASSEMBLY - 18RSJ



ART_1001203481

SECTION 5 - PLATFORM

FIGURE 5-6. PLATFORM CONSOLE ASSEMBLY - 18RSJ

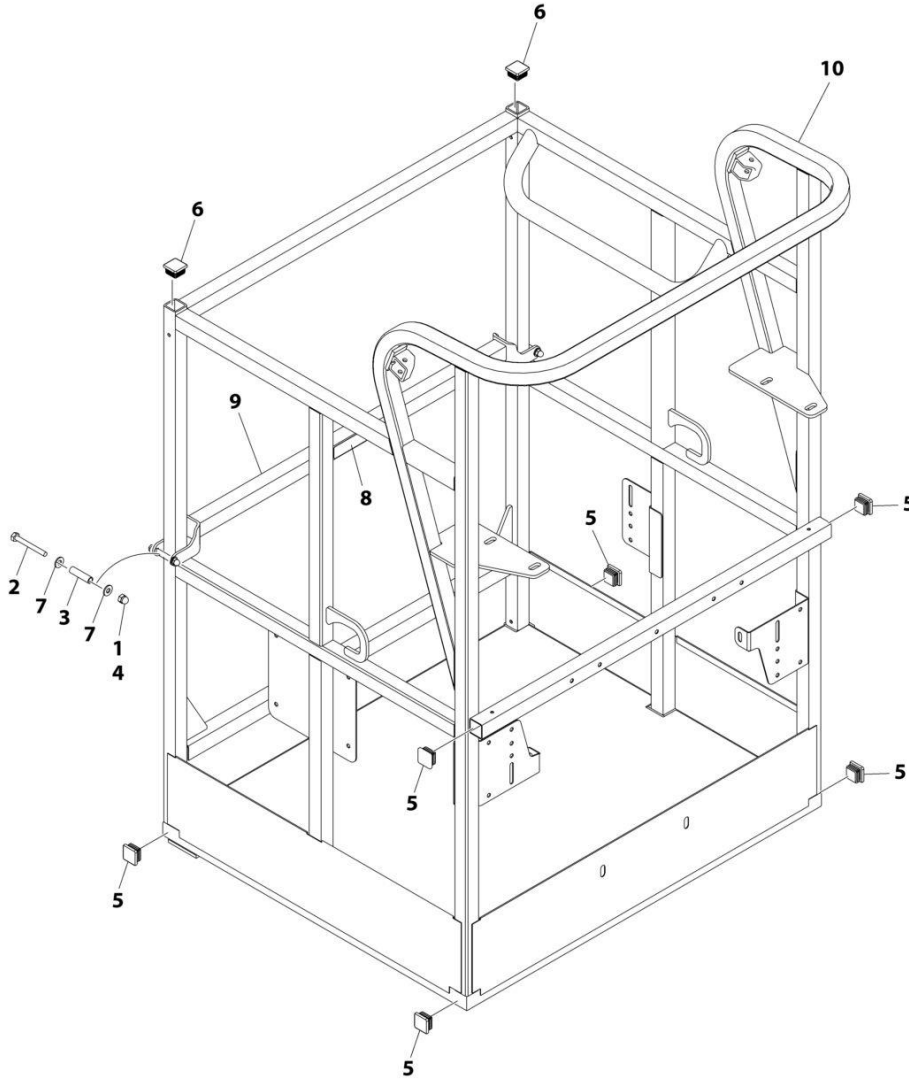
ITEM	PART NUMBER	QTY	DESCRIPTION	REV
	1001203481	Ref	PLATFORM CONSOLE ASSEMBLY - 18RSJ	E
1	0100009	AR	Sealant	
2	0100048	AR	Grease, Dielectric	
3	0100011	AR	Compound, Locking	
4	0140011	1	Alarm	
6	0641404	4	Bolt 1/4 x 1/2	
7	0700617	4	Bolt M6 x 45	
8	1001203482	1	Platform Box Harness (Not Shown - See ELECTRICAL SECTION for Breakdown)	
9	0861441	1	Box, Console (See CONSOLE BOX ASSEMBLY for Breakdown)	
10	0902571	4	Bracket, Support	
12	1001118417	NLA	Controller Assembly (Lift and Swing) (Original Equipment) (See CONTROLLER ASSEMBLY (LIFT AND SWING) for Breakdown) (Use p/n 1001129555)	
12	1001129555	1	Controller Assembly (Lift and Swing) (Service Replacement) (See CONTROLLER ASSEMBLY (LIFT AND SWING) for Breakdown)	
13	1001118416	NLA	Controller Assembly (Drive and Steer) (Original Equipment) (See CONTROLLER ASSEMBLY (DRIVE AND STEER) for Breakdown)	
13	1001166538	1	Controller Assembly (Drive and Steer) (Service Replacement) (See CONTROLLER ASSEMBLY (DRIVE AND STEER) for Breakdown)	
14	1001110434	1	Plug, Hole	
15	1671176	1	Bezel	
16	1702565	1	Decal - Drive and Steer	
17	1702566	1	Decal - Lift and Swing	
18	1702567	1	Decal - Function Speed	
19	1704260	1	Decal - EMS	
20	1705132	1	Decal - ADE	
21	2560136	1	Handle, Knob	
22	2920154	1	Panel, LED Light	
23	8305919	4	Nut, Retainer M6	
24	1702676	1	Decal - Horn	
25	3311005	2	Nut #10	
27	3911018	2	Bolt #10 x 1-1/8	
28	4360328	4	Switch, Toggle	
29	4360330	1	Switch, Toggle	
30	4360387	1	Switch, Pushbutton	
31	4360407	1	Controller, Speed	
31	See Note	1	Gasket "Top Hat" (Included with Switch) (Note: Not Available - Purchase Complete Controller)	
31	70003784	1	Seal	
32	4360475	1	Switch, Emergency Stop	
32A	7020175	1	Cap, Red	
32B	7020176	1	Contact Block	
33	4360476	2	Block, Contact	
35	4460234	3	Base, Mounting	
36	4460428	2	Connector, Strain Relief	
37	4460470	1	Nut, Terminal	
38	4460471	1	Lockwasher, Terminal	
39	4460488	1	Base, Mounting	
41	4460905	5	Seal, Plug (Not Shown)	

SECTION 5 - PLATFORM

ITEM	PART NUMBER	QTY	DESCRIPTION	REV
43	4751400	8	Washer 1/4	
45	3790012	8	O-Ring	
47	1001131168	1	Decal - Stop	
48	1001164374	1	Decal - Display	
49	1001157196	1	Controller, Module (Re-calibration Required when Replaced)	
52	4460708	1	Receptacle, Female 15 Position (Not Shown)	
53	3520054	5	Plug, Hole	
54	4360331	1	Switch, Toggle	

SECTION 5 - PLATFORM

FIGURE 5-7. PLATFORM ASSEMBLY - 30IN X 3FT (76CM X .91M) - DROP BAR ENTRY



ART_1001228215

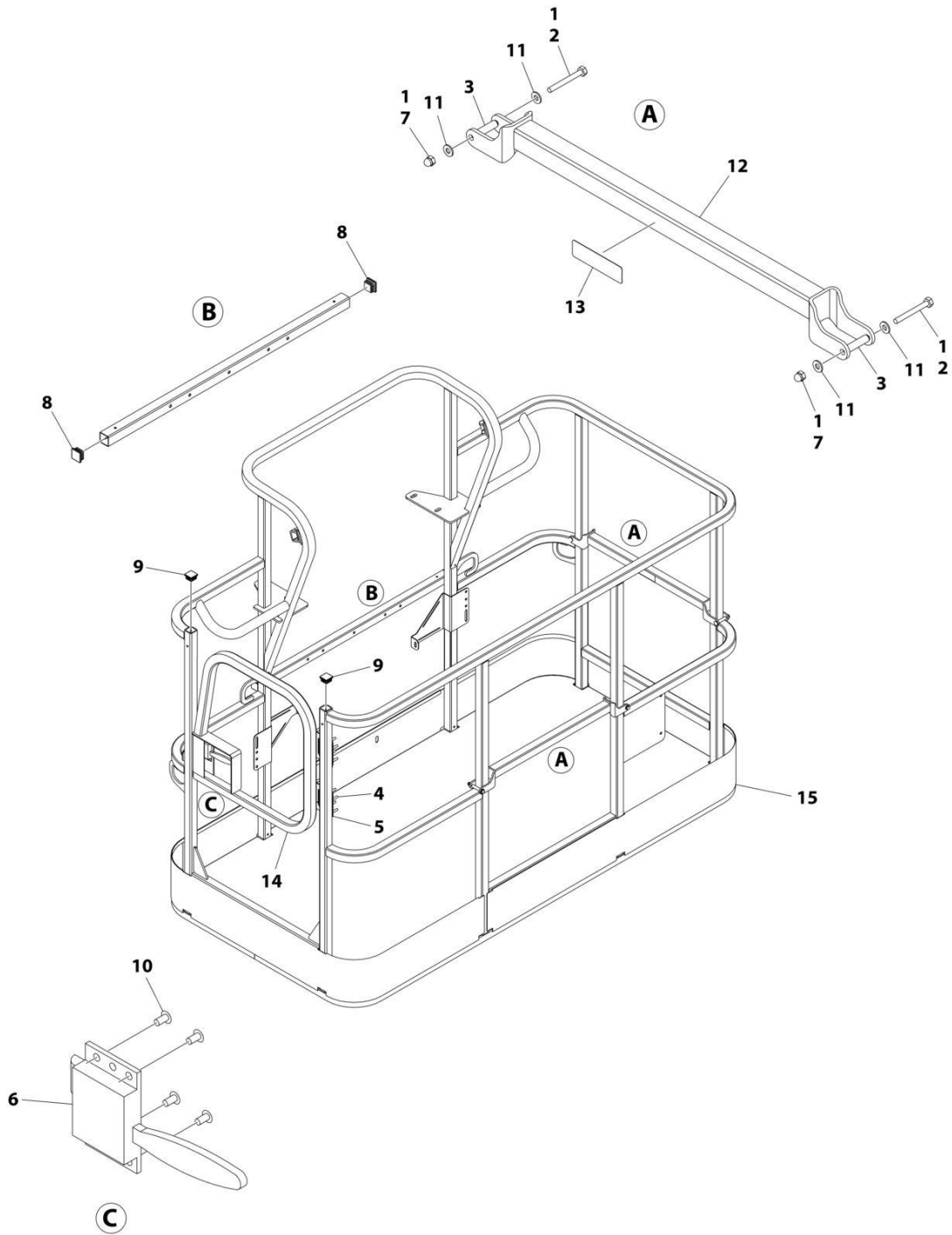
SECTION 5 - PLATFORM

FIGURE 5-7. PLATFORM ASSEMBLY - 30IN X 3FT (76CM X .91M) - DROP BAR ENTRY

ITEM	PART NUMBER	QTY	DESCRIPTION	REV
	1001228215	Ref	PLATFORM ASSEMBLY	A
	See Note	Ref	Note: Platform and Mesh must be ordered separately for Platforms with Mesh. See SPECIAL OPTIONS SECTION for Mesh Installations.	
	See Note	Ref	Note: Replacement Decals Must be Ordered Separately - See DECAL SECTION.	
1	0100011	AR	Compound, Locking	
2	0641418	2	Bolt 1/4 x 2-1/4	
3	0961845	2	Bushing	
4	3300151	2	Nut 1/4	
5	3520072	6	Cap, Plug	
6	3520198	2	Cap, Plug	
7	4711400	4	Washer 1/4	
8	1001140429	1	Decal - Drop Bar	
9	1001226872	1	Bar, Drop	
10	See Note	NSS	Platform (Note: Not Available - Purchase Platform Assembly)	

SECTION 5 - PLATFORM

FIGURE 5-8. PLATFORM ASSEMBLY - 3FT X 6FT (91.5CM X 1.83M) WITH TRI-ENTRY (1 GATE / 2 DROP BARS)



ART_1001228376

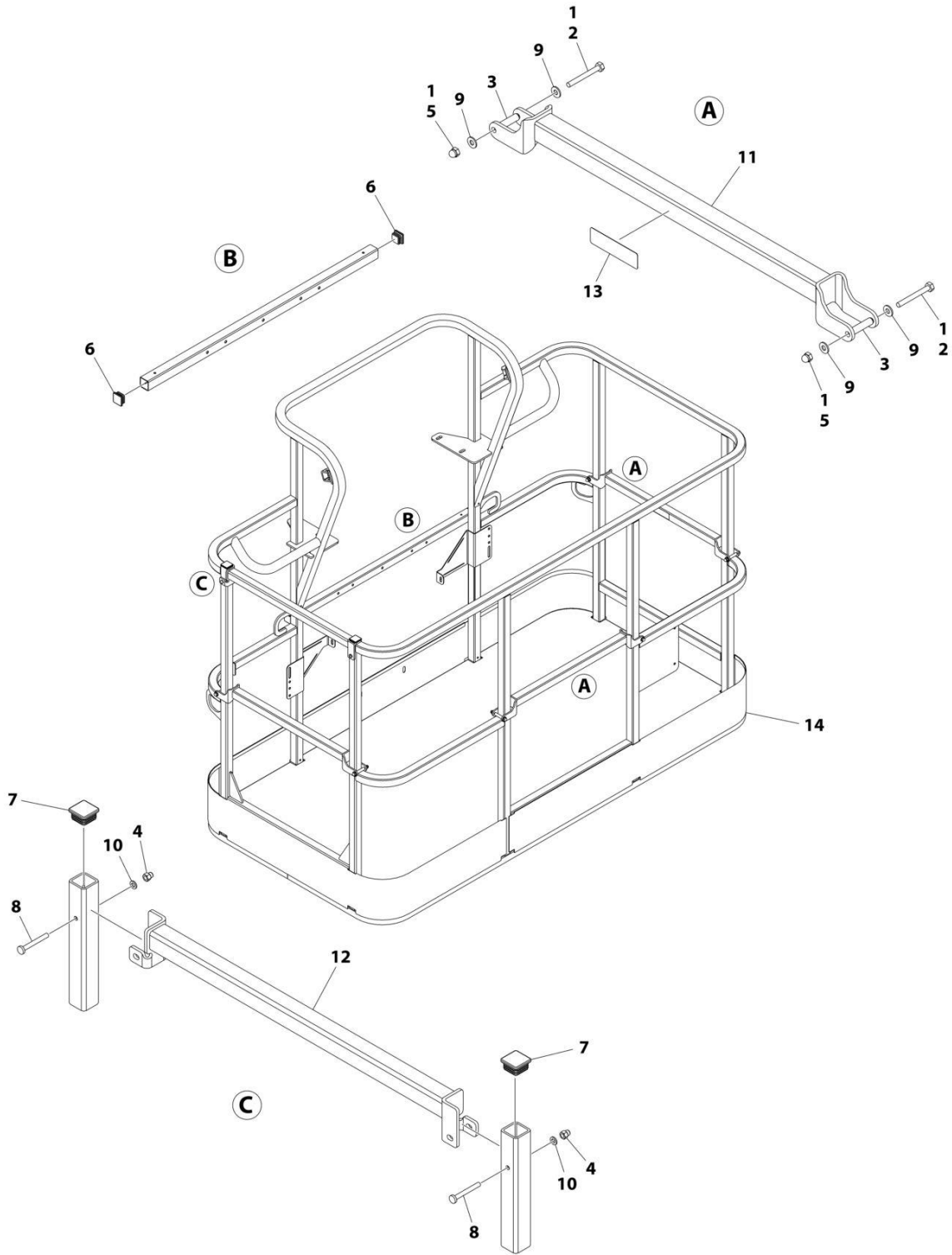
SECTION 5 - PLATFORM

FIGURE 5-8. PLATFORM ASSEMBLY - 3FT X 6FT (91.5CM X 1.83M) WITH TRI-ENTRY (1 GATE / 2 DROP BARS)

ITEM	PART NUMBER	QTY	DESCRIPTION	REV
	1001228376	Ref	PLATFORM ASSEMBLY - 36IN x 6FT (91.5CM x 1.83M)	B
		Ref	Note: Platform and Mesh must be ordered separately for Platforms with Mesh. See SPECIAL OPTIONS SECTION for Mesh Installations.	
		Ref	Note: Replacement Decals Must be Ordered Separately - See DECAL SECTION.	
1	0100011	AR	Compound, Locking	
2	0641418	4	Bolt 1/4 x 2-1/4	
3	0961845	4	Bushing	
4	2080040	16	Fastener	
5	2600281	2	Hinge	
6	2940074	1	Latch	
7	3300151	4	Nut 1/4	
8	3520072	3	Plug	
9	3520198	2	Plug	
10	3820020	4	Rivet	
11	4711400	8	Washer 1/4	
12	1001138494	2	Bar, Drop	
13	1001140429	2	Decal - Drop Bar	
14	1001144629	1	Gate	
15	See Note	NSS	Platform (Note: Not Available - Purchase Platform Assembly)	

SECTION 5 - PLATFORM

FIGURE 5-9. PLATFORM ASSEMBLY – 3FT X 6FT (91.5CM X 1.83M) WITH TRI-ENTRY (3 DROP BARS)



ART_1001228377

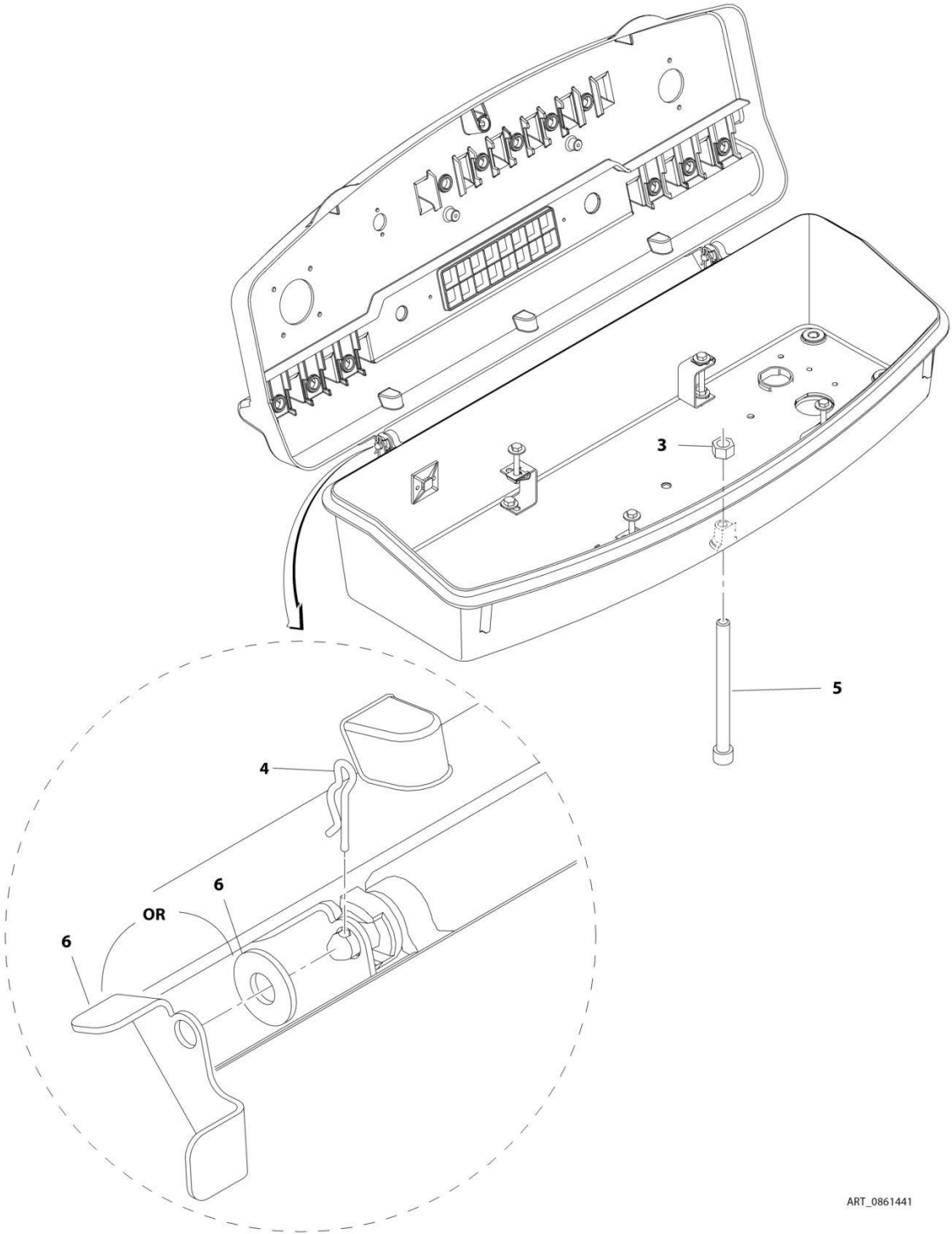
SECTION 5 - PLATFORM

FIGURE 5-9. PLATFORM ASSEMBLY – 3FT X 6FT (91.5CM X 1.83M) WITH TRI-ENTRY (3 DROP BARS)

ITEM	PART NUMBER	QTY	DESCRIPTION	REV
	1001228377	Ref	PLATFORM ASSEMBLY - 36IN x 6FT (91.5CM x 1.83M)	B
		Ref	Note: Platform and Mesh must be ordered separately for Platforms with Mesh. See SPECIAL OPTIONS SECTION for Mesh Installations.	
		Ref	Note: Replacement Decals Must be Ordered Separately - See DECAL SECTION.	
1	0100011	1	Compound, Locking	
2	0641418	6	Bolt 1/4 x 2-1/4	
3	0961845	6	Bushing	
4	3290606	2	Nut M6	
5	3300151	6	Nut 1/4	
6	3520072	2	Plug	
7	3520198	2	Plug	
8	4010618	2	Screw M6 x 50	
9	4711400	12	Washer 1/4	
10	4811700	2	Washer M6	
11	1001138494	3	Bar, Drop	
12	1001138514	1	Rail (Top)	
13	1001140429	3	Decal - Drop Bar	
14	See Note	NSS	Platform, Weldment (Note: Not Available - Purchase Platform Assembly)	

SECTION 5 - PLATFORM

FIGURE 5-10. CONSOLE BOX ASSEMBLY (Prior to SN B300001540)



ART_0861441

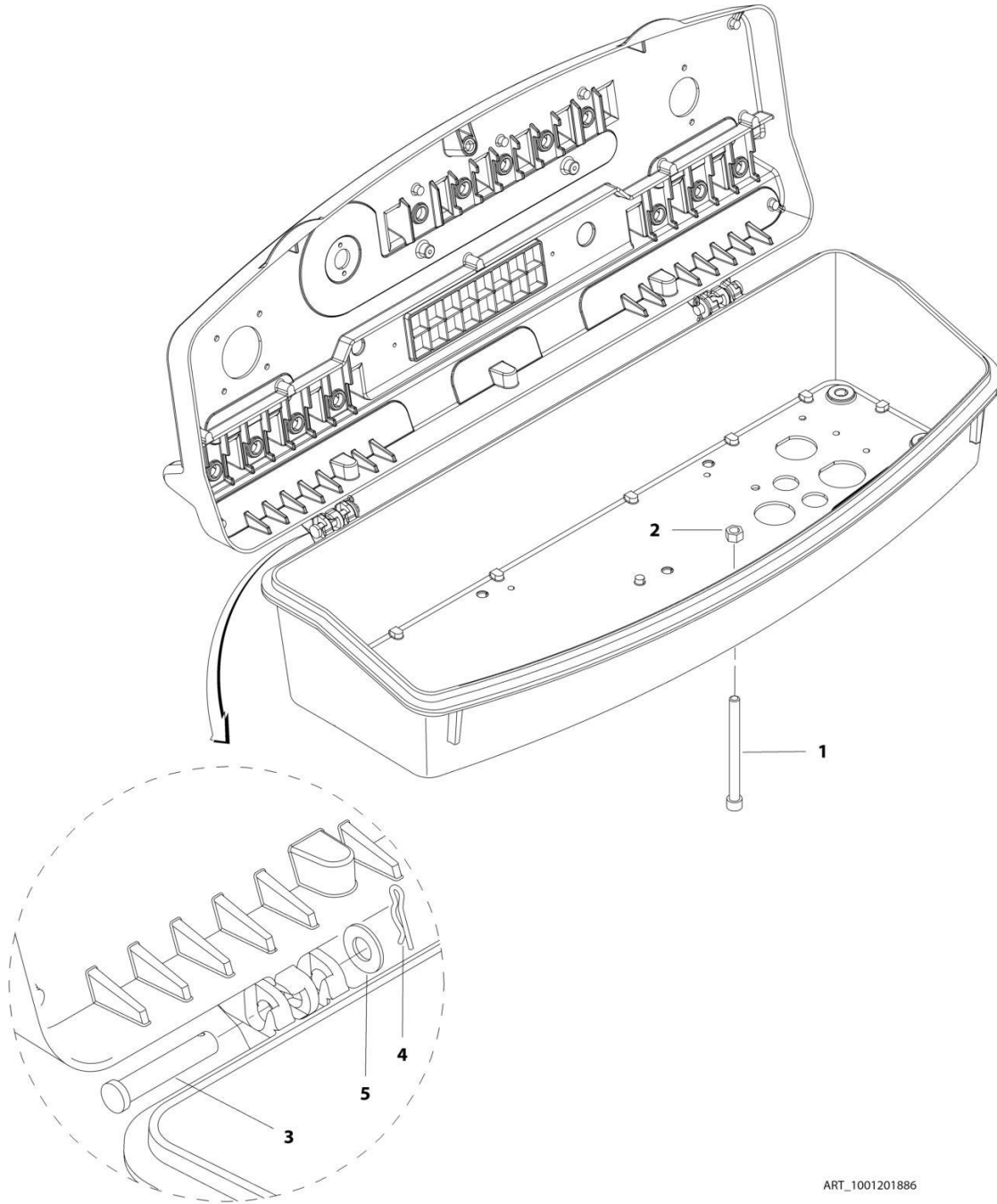
SECTION 5 - PLATFORM

FIGURE 5-10. CONSOLE BOX ASSEMBLY (Prior to SN B300001540)

ITEM	PART NUMBER	QTY	DESCRIPTION	REV
	0861441	Ref	CONSOLE BOX ASSEMBLY (Prior to SN B300001540)	F
3	3311601	1	Nut 3/8	
4	3470003	2	Pin, Cotter	
5	0630568	1	Screw 3/8 x 4-1/2	
6	4711500	2	Washer 5/16	
6	1001200575	2	Bracket, Stop	

SECTION 5 - PLATFORM

FIGURE 5-11. CONSOLE BOX ASSEMBLY (SN B300001540 to Present)



ART_1001201886

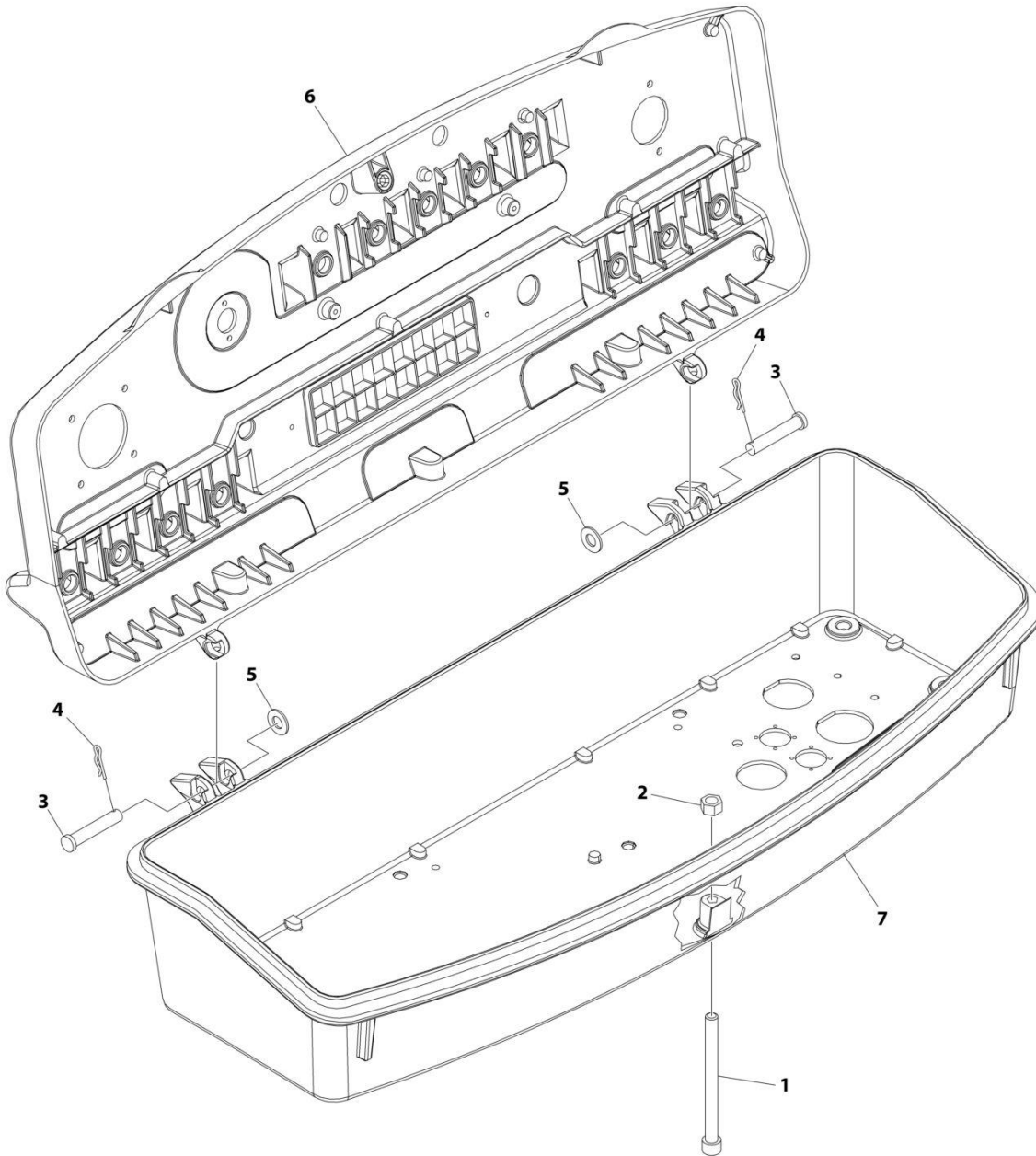
SECTION 5 - PLATFORM

FIGURE 5-11. CONSOLE BOX ASSEMBLY (SN B300001540 to Present)

ITEM	PART NUMBER	QTY	DESCRIPTION	REV
	1001201886	1	CONSOLE BOX ASSEMBLY (SN B300001540 to Present)	
1	0630568	1	Screw 3/8 x 4-1/2	
2	3311601	1	Nut 3/8	
3	3430616	2	Pin, Clevis	
4	3470003	2	Pin, Cotter	
5	4711600	2	Washer 3/8	

SECTION 5 - PLATFORM

FIGURE 5-12. CONSOLE BOX ASSEMBLY (SN B300001540 through B300001835)



ART_1001225679

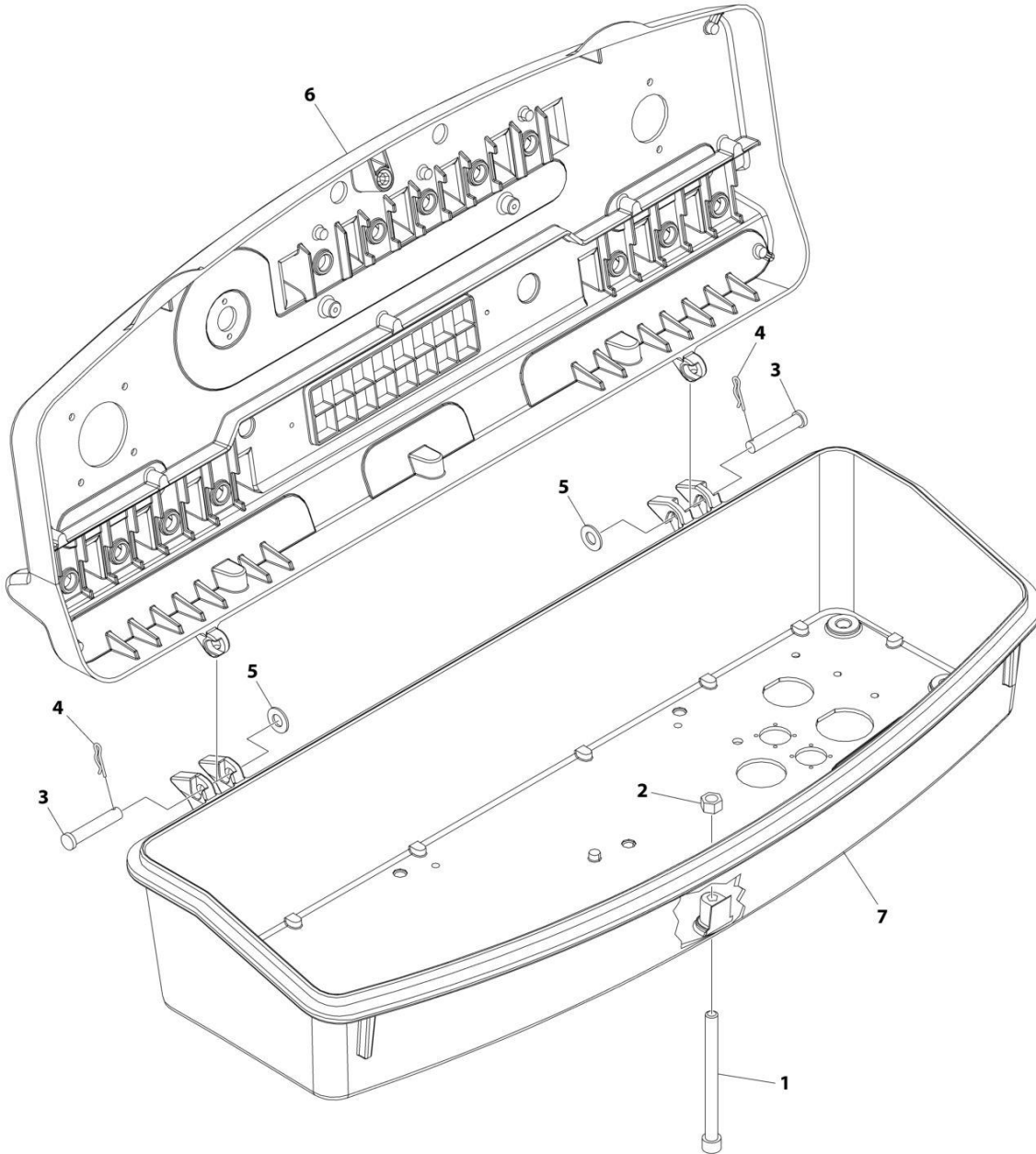
SECTION 5 - PLATFORM

FIGURE 5-12. CONSOLE BOX ASSEMBLY (SN B300001540 through B300001835)

ITEM	PART NUMBER	QTY	DESCRIPTION	REV
	1001225679	Ref	CONSOLE BOX ASSEMBLY (SN B300001540 through B300001835)	B
1	0630568	1	Screw 3/8 x 4-1/2	
2	3311601	1	Nut 3/8	
3	3430616	2	Pin, Clevis	
4	3470003	2	Pin, Cotter	
5	4711600	2	Washer 3/8	
6	1001200803	1	Console Box, Top	
7	1001201436	1	Console Box, Bottom	

SECTION 5 - PLATFORM

FIGURE 5-13. CONSOLE BOX ASSEMBLY (SN B300001836 to Present)



ART_1001218068

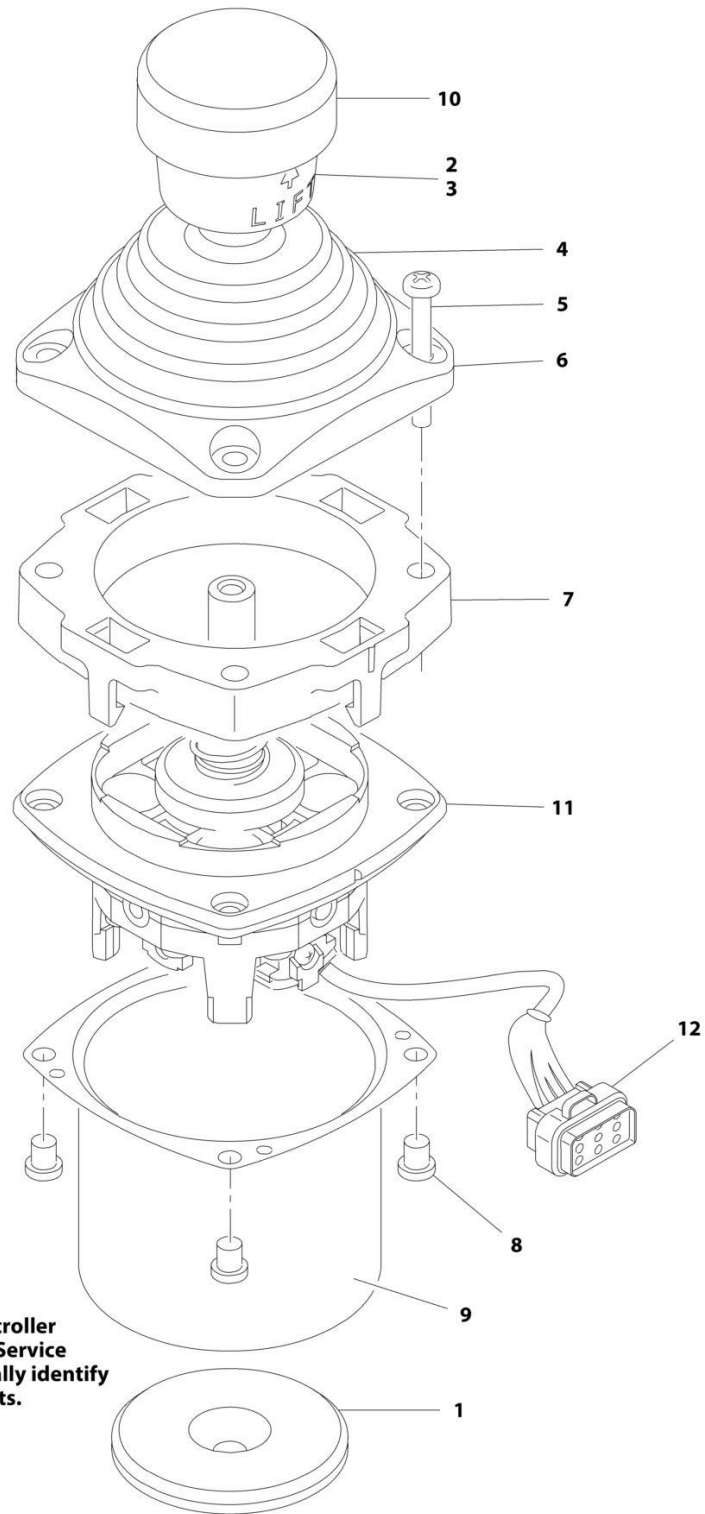
SECTION 5 - PLATFORM

FIGURE 5-13. CONSOLE BOX ASSEMBLY (SN B300001836 to Present)

ITEM	PART NUMBER	QTY	DESCRIPTION	REV
	1001218068	Ref	CONSOLE BOX ASSEMBLY (SN B300001836 to Present)	C
1	0630568	1	Screw 3/8 x 4-1/2	
2	3311601	1	Nut 3/8	
3	3430616	2	Pin, Clevis	
4	3470003	2	Pin, Cotter	
5	4711600	2	Washer 3/8	
6	1001200803	1	Console Box, Top	
7	1001201436	1	Console Box, Bottom	

SECTION 5 - PLATFORM

FIGURE 5-14. CONTROLLER ASSEMBLY (LIFT AND SWING)



Note: Original Equipment controller may have been replaced with Service Replacement controller. Visually identify controller before ordering parts.

ART_1001118417

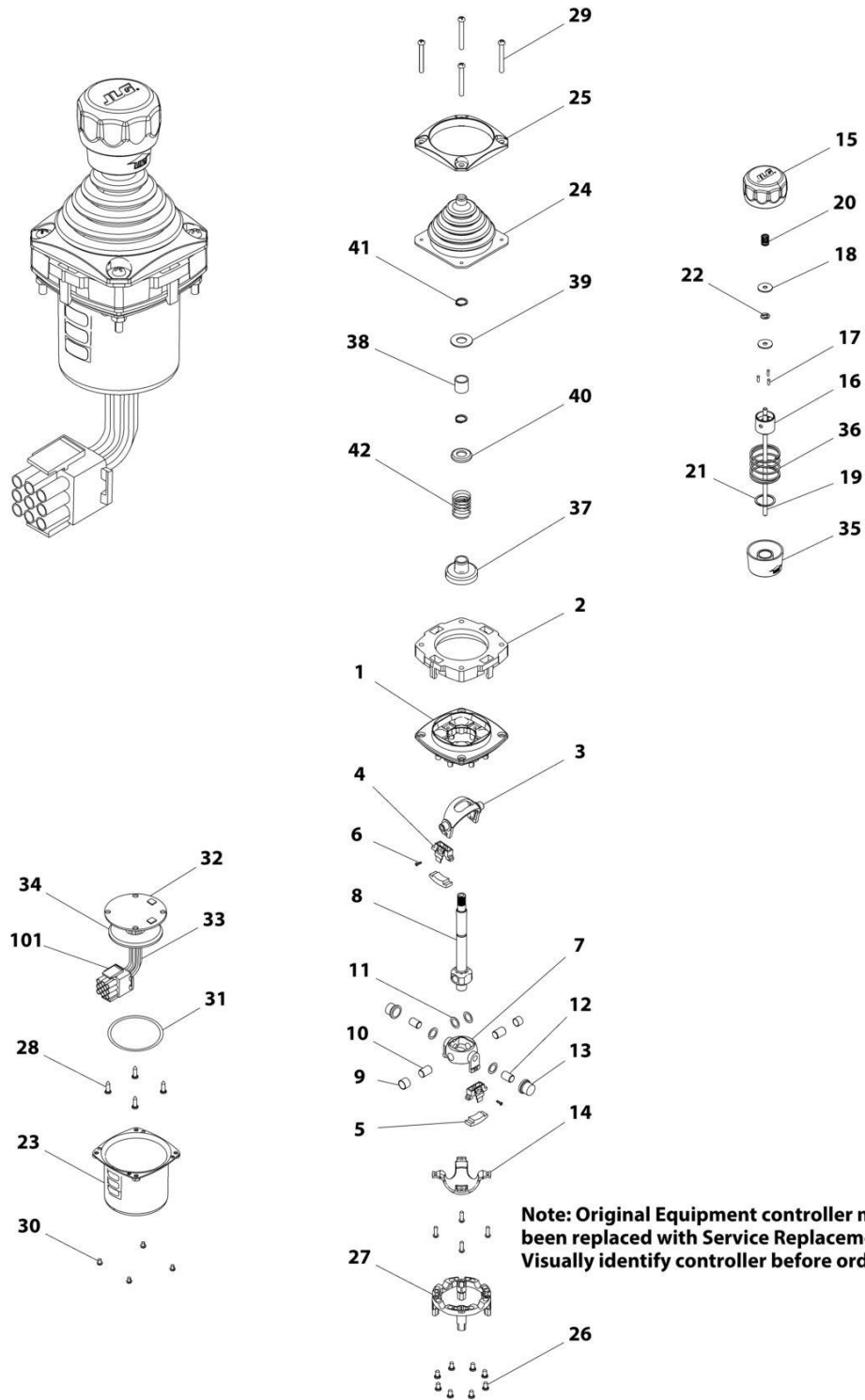
SECTION 5 - PLATFORM

FIGURE 5-14. CONTROLLER ASSEMBLY (LIFT AND SWING)

ITEM	PART NUMBER	QTY	DESCRIPTION	REV
		Ref	USAGE CHART:	
		Ref	- 18RS (Original Equipment) (Prior to SN B300001441)	
		Ref	- 18RSJ (Original Equipment)	
		Ref	Note: Original Equipment controller may have been replaced with Service Replacement controller. Visually identify controller before ordering parts.	
	1001118417	Ref	CONTROLLER ASSEMBLY (LIFT AND SWING)	E
		Ref	Note: Use p/n 1001129555 as Replacement.	
1	70002730	1	Gasket	
2	7003928	1	Spring	
3	7022808	1	Cap, Lift	
4	70002731	1	Boot	
5	70002732	4	Screw	
6	7022815	1	Bezel	
7	70002733	1	Adapter	
8	70002734	4	Screw	
9	70002735	1	Can, Enclosure	
10	70002906	1	Cap	
11	See Note	NSS	Mechanical Assembly (Note: Purchase Kit p/n 1001129555)	
12	7022819	1	Connector - 8 Position	
12	4460871	6	Socket, Female	

SECTION 5 - PLATFORM

FIGURE 5-15. CONTROLLER ASSEMBLY (LIFT AND SWING)



ART_1001166539

SECTION 5 - PLATFORM

FIGURE 5-15. CONTROLLER ASSEMBLY (LIFT AND SWING)

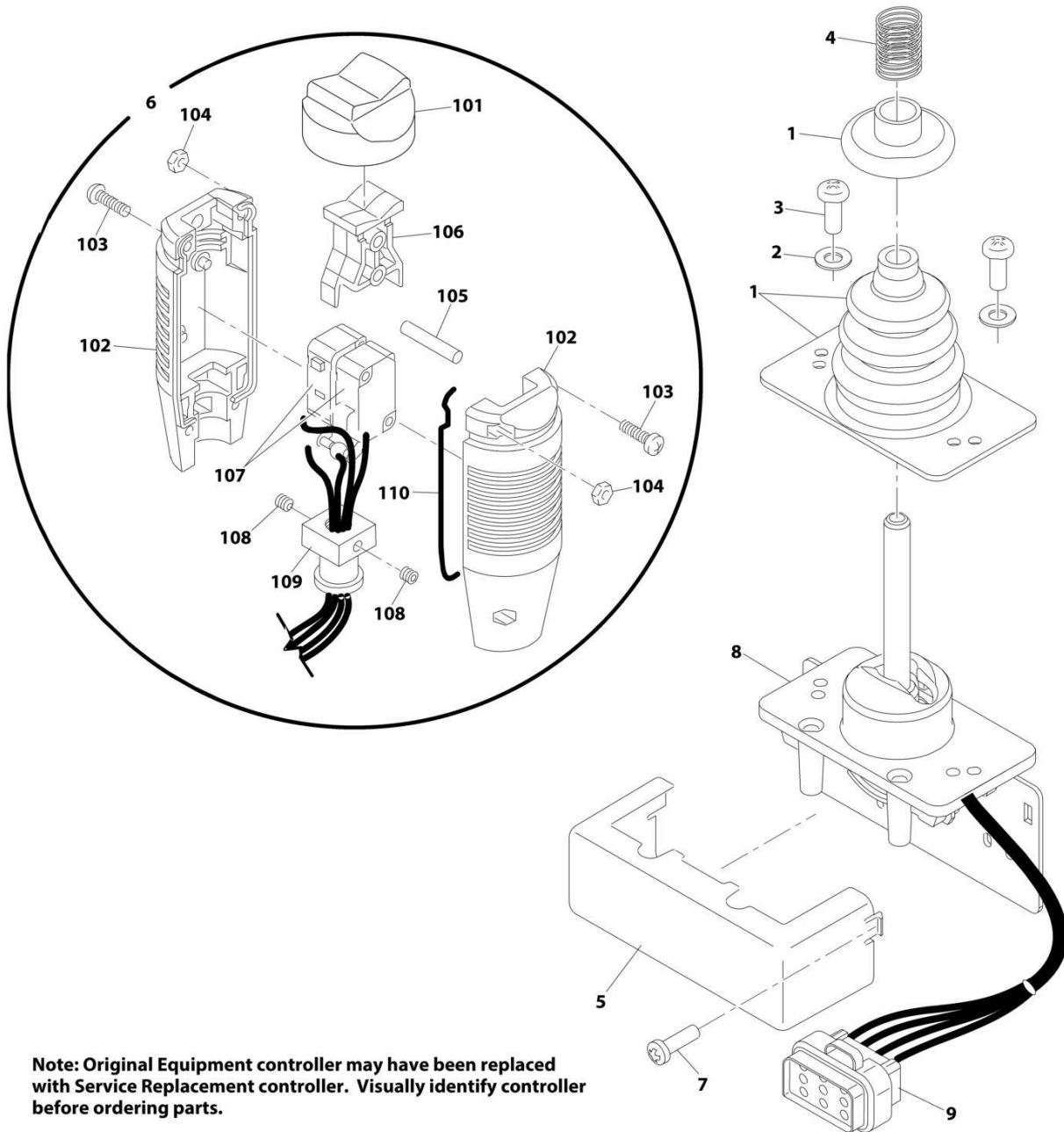
ITEM	PART NUMBER	QTY	DESCRIPTION	REV
		Ref	USAGE CHART:	
		Ref	- 18RS (Service Replacement) (Prior to SN B300001441)	
		Ref	- 18RS (Original Equipment) (SN B300001441 to Present)	
		Ref	- 18RSJ (Service Replacement)	
		Ref	Note: Original Equipment controller may have been replaced with Service Replacement controller. Visually identify controller before ordering parts.	
	1001166539	Ref	CONTROLLER ASSEMBLY (LIFT AND SWING) (SERVICE REPLACEMENT)	D
		Ref	Note: Use p/n 1001129555 as Replacement	
1	See Note	1	Main Cast Body (Note: Not Available - Purchase complete Assembly)	
2	70004752	1	Adapter	
3	See Note	NSS	Pivot Arm, Plastic (Note: Not Available - Purchase Complete Assembly)	
4	See Note	NSS	Holder, Magnet (Note: Not Available - Purchase Complete Assembly)	
5	See Note	NSS	Arc, Magnet (Note: Not Available - Purchase Complete Assembly)	
6	See Note	NSS	Screw (Note: Not Available for Purchase)	
7	See Note	NSS	Pivot Arm, Cast (Note: Not Available - Purchase Complete Assembly)	
8	See Note	NSS	Shaft, Main (Note: Not Available - Purchase Complete Assembly)	
9	See Note	NSS	Bearing (Note: Not Available - Purchase Complete Assembly)	
10	See Note	NSS	Pin (Note: Not Available - Purchase Complete Assembly)	
11	See Note	NSS	Shim (Note: Not Available - Purchase Complete Assembly)	
12	See Note	NSS	Pin (Note: Not Available - Purchase Complete Assembly)	
13	See Note	NSS	Bearing (Note: Not Available - Purchase Complete Assembly)	
14	See Note	NSS	Dome, Centering (Note: Not Available - Purchase Complete Assembly)	
15	70004753	1	Cap	
16	70004754	1	Insert, Cap	
17	70004755	3	Pin	
18	70004756	2	Washer	
19	70004757	1	Pin, Centering	
20	70004758	1	Spring	
21	70004759	1	Ring, Retaining	
22	70004760	1	E-Ring	
23	70004761	1	Can, Enclosure	
24	70004762	1	Boot	
25	70004763	1	Bezel	
26	See Note	NSS	Screw (Note: Not Available for Purchase)	
27	See Note	NSS	Base Mounting (Note: Not Available - Purchase Complete Assembly)	
28	See Note	NSS	Screw (Note: Not Available for Purchase)	
29	70004764	4	Screw	
30	70004765	4	Screw	
31	70004766	1	O-Ring	
32	See Note	NSS	Plate (Note: Not Available - Purchase Complete Assembly)	
33	See Note	NSS	Harness (Note: Not Available - Purchase Complete Assembly)	
34	70004767	1	Gromment, Rubber	
35	70004768	1	Housing	
36	70004769	1	Spring	

SECTION 5 - PLATFORM

ITEM	PART NUMBER	QTY	DESCRIPTION	REV
37	70004770	1	Stopper	
38	70004771	1	Spacer	
39	70004772	1	Washer	
40	70004773	1	Disc	
41	70004774	2	Ring, Retaining	
42	70004775	1	Spring	
101	4460265	1	Connector - 9 Position	
101	4460226	6	Socket, Female	

SECTION 5 - PLATFORM

FIGURE 5-16. CONTROLLER ASSEMBLY (DRIVE AND STEER)



Note: Original Equipment controller may have been replaced with Service Replacement controller. Visually identify controller before ordering parts.

ART_100118416

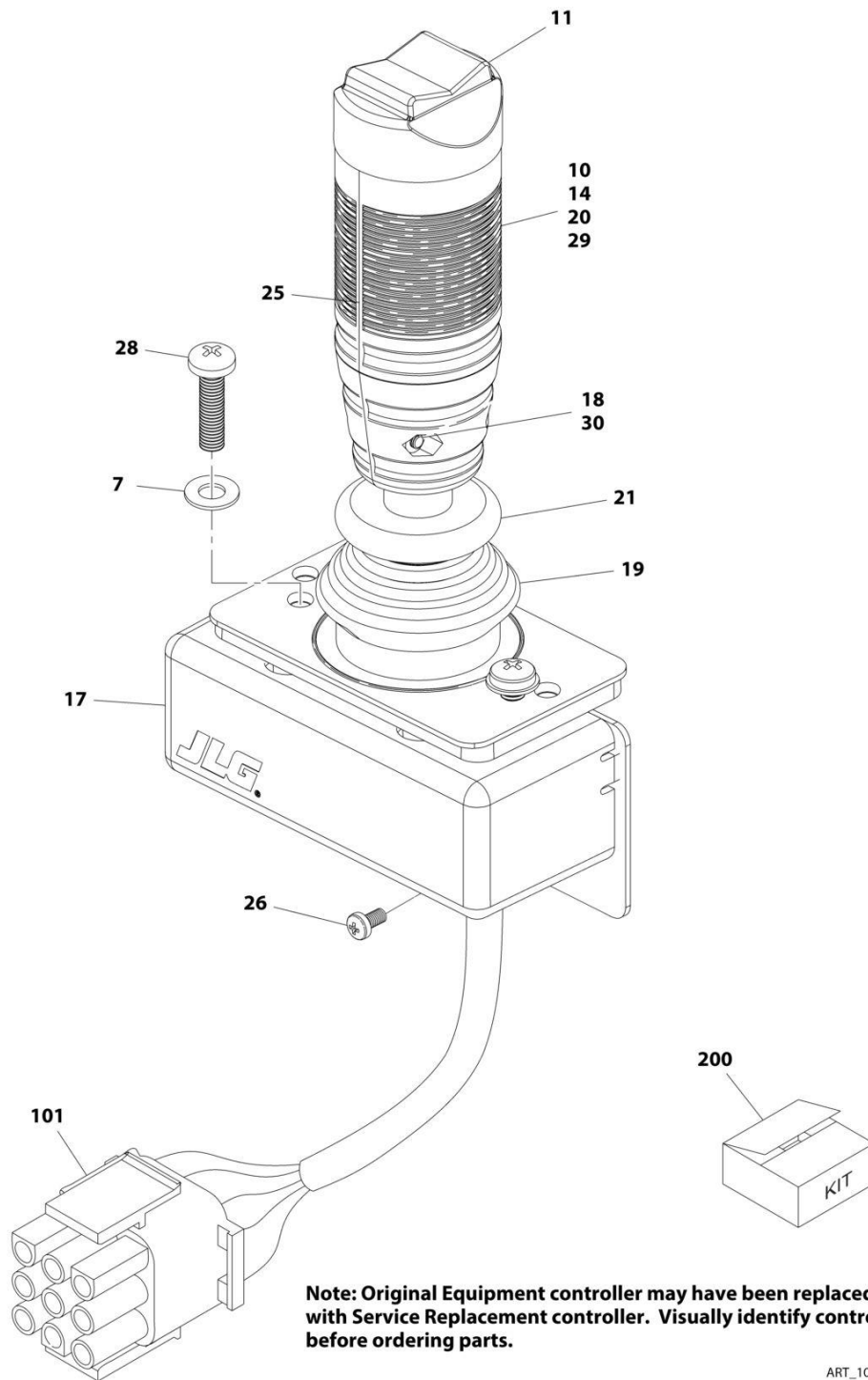
SECTION 5 - PLATFORM

FIGURE 5-16. CONTROLLER ASSEMBLY (DRIVE AND STEER)

ITEM	PART NUMBER	QTY	DESCRIPTION	REV
		Ref	USAGE CHART:	
		Ref	- 18RS (Original Equipment) (Prior to SN B300001441)	
		Ref	- 18RSJ (Original Equipment)	
		Ref	Note: Original Equipment controller may have been replaced with Service Replacement controller. Visually identify controller before ordering parts.	
	1001118416	Ref	CONTROLLER ASSEMBLY (DRIVE AND STEER) (ORIGINAL EQUIPMENT)	D
1	70002724	1	Boot and Control Lock Assembly	
2	7003941	2	Washer	
3	70002725	2	Screw	
4	7019162	1	Spring	
5	70002726	1	Enclosure	
6	70002727	1	Handle Assembly (See Items 101-110 for Breakdown)	
7	70002728	1	Screw	
8	See Note	NSS	Mechanical Assembly (Note: Use p/n 1001166538)	
9	1001113961	1	Plug, Male - 8 Position (Black) (was p/n 7022825)	
9	4460871	7	Socket, Female	
	70002727	Ref	HANDLE ASSEMBLY	
101	7003972	1	Boot, Switch	
102	7003973	2	Half, Handle	
103	7003980	4	Screw	
104	7019167	4	Nut	
105	7019164	1	Axle	
106	7019165	1	Rocker	
107	70002729	1	Wiring Assembly	
107	7003982	2	Switch, Micro	
108	7003983	2	Setscrew	
109	7019194	1	Coupling	
110	7003989	2	Gasket	

SECTION 5 - PLATFORM

FIGURE 5-17. CONTROLLER ASSEMBLY (DRIVE AND STEER)



Note: Original Equipment controller may have been replaced with Service Replacement controller. Visually identify controller before ordering parts.

ART_1001166538

SECTION 5 - PLATFORM

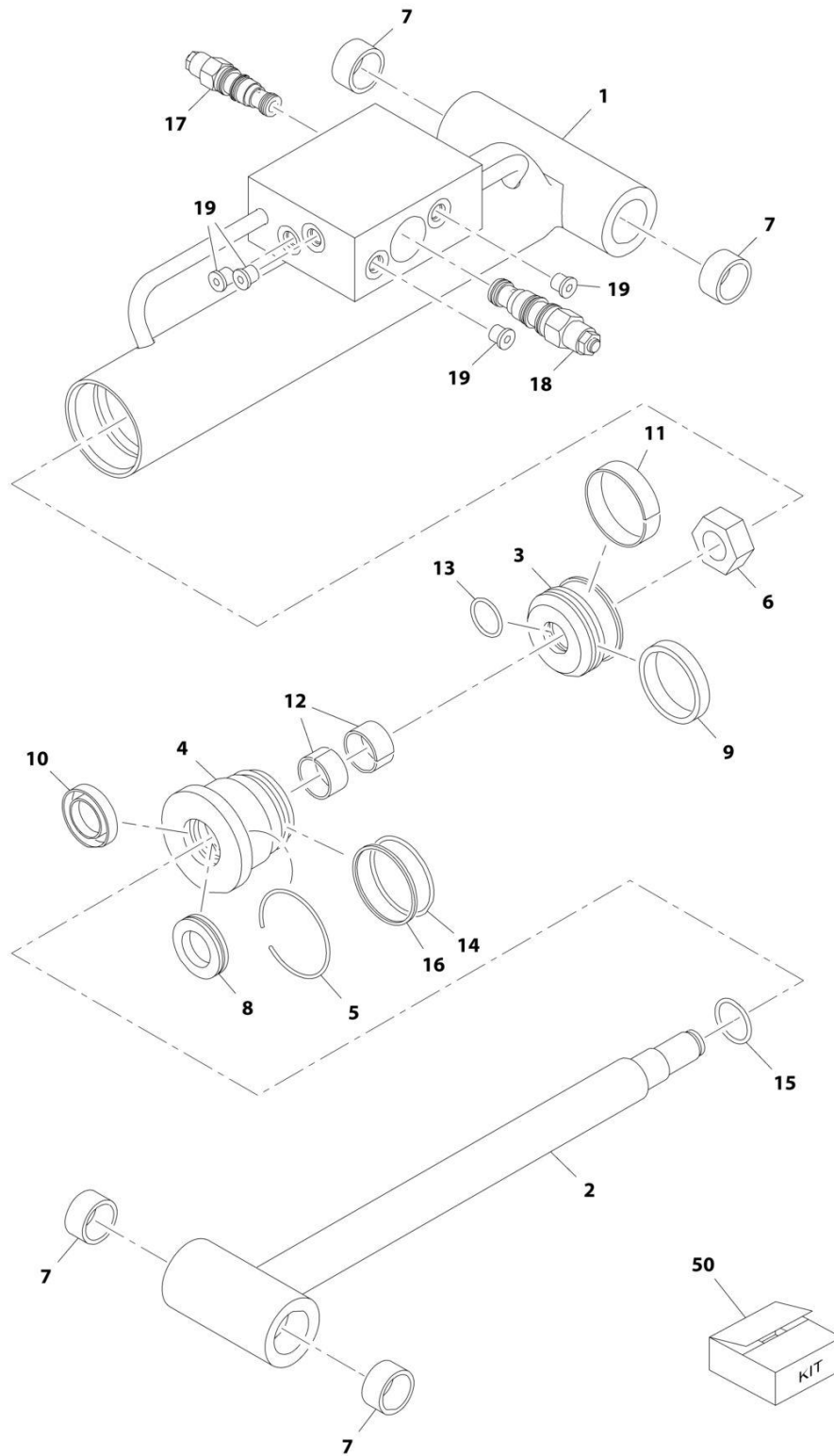
FIGURE 5-17. CONTROLLER ASSEMBLY (DRIVE AND STEER)

ITEM	PART NUMBER	QTY	DESCRIPTION	REV
		Ref	USAGE CHART:	
		Ref	- 18RS (Service Replacement) (Prior to SN B300001441)	
		Ref	- 18RS (Original Equipment) (SN B300001441 to Present)	
		Ref	- 18RSJ (Service Replacement)	
		Ref	Note: Original Equipment controller may have been replaced with Service Replacement controller. Visually identify controller before ordering parts.	
	1001166538	Ref	CONTROLLER ASSEMBLY (DRIVE AND STEER) (SERVICE REPLACEMENT)	G
7	70004738	2	Washer	
10	70004739	1	Roller	
11	70004740	1	Boot, Switch	
14	70004741	2	Half, Handle	
17	70004742	1	Enclosure	
18	70004743	4	Nut	
19	70004744	NLA	Boot, Controller (Note: Use Item 200)	
20	70004745	NLA	Tube, Locking (Note: Use Item 200)	
21	70004746	NLA	Disc, Looking (Note: Use Item 200)	
25	70004747	2	Seal, Rope	
26	70004748	1	Screw, M3 x 6	
28	70004749	2	Screw, M5 x 20	
29	70004750	1	Pin, Dowel	
30	70004751	4	Screw, M3 x 16	
101	4460265	1	Connector - 9 Position	
101	4460226	7	Socket, Female	
200	70005230	1	Boot Kit (Includes Items 19-21)	

SECTION 6 - CYLINDER

SECTION 6 - CYLINDER

FIGURE 6-1. LEVEL (PLATFORM SLAVE) CYLINDER ASSEMBLY - 18RS



ART_1001132163

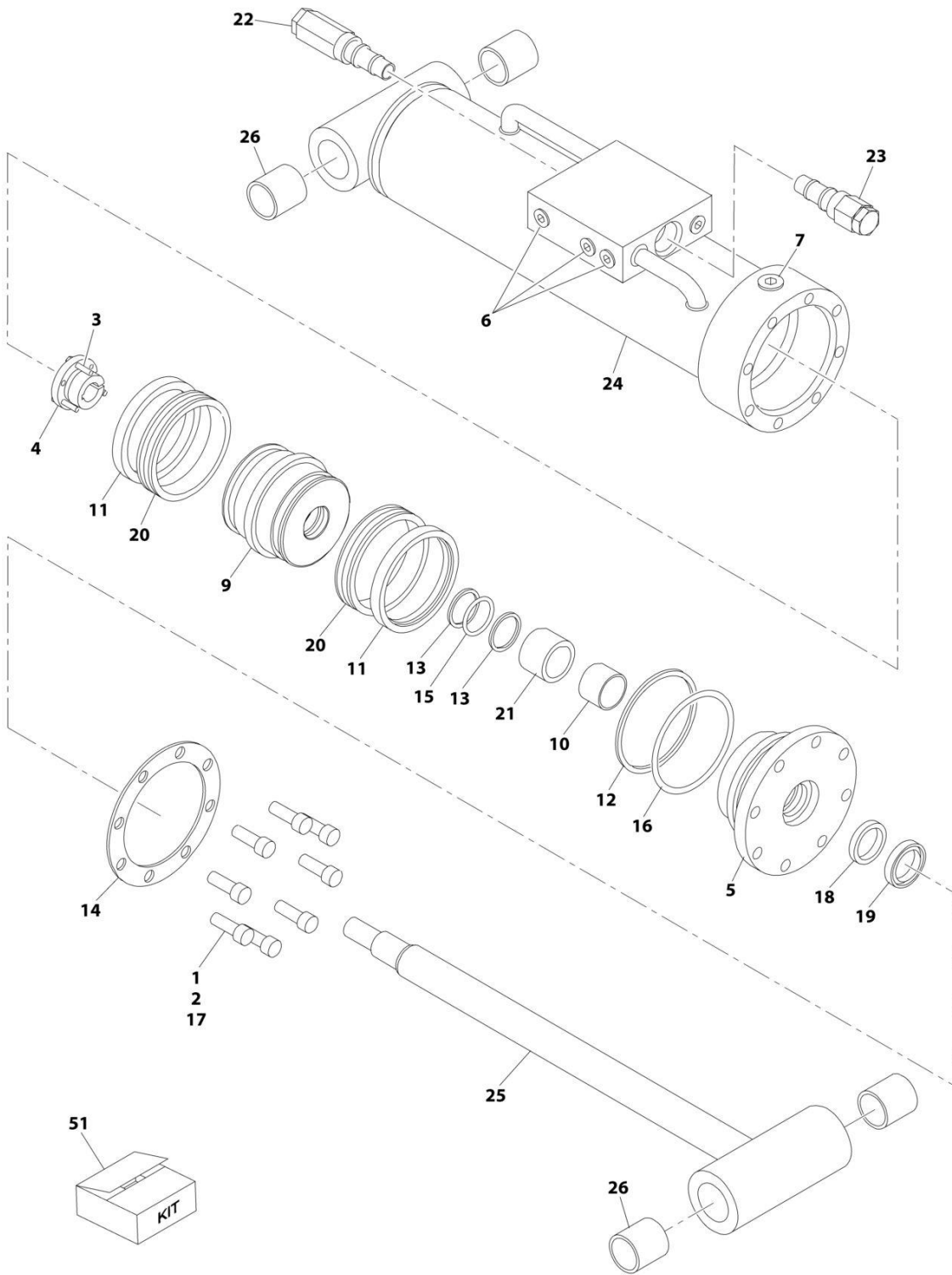
SECTION 6 - CYLINDER

FIGURE 6-1. LEVEL (PLATFORM SLAVE) CYLINDER ASSEMBLY - 18RS

ITEM	PART NUMBER	QTY	DESCRIPTION	REV
	1001132163	Ref	LEVEL (PLATFORM SLAVE) CYLINDER ASSEMBLY - 18RS	D
1	70004217	1	Barrel	
2	70004218	1	Rod	
3	70004212	1	Piston	
4	70004210	1	Head	
5	70004214	1	Lock Wire	
6	70004213	1	Locknut	
7	70004219	4	Bearing	
8	See Note	NSS	Seal, Rod (Use Item 50)	
9	See Note	NSS	Seal, Piston (Use Item 50)	
10	See Note	NSS	Wiper (Use Item 50)	
11	See Note	NSS	Ring, Wear (Use Item 50)	
12	See Note	NSS	Ring, Wear (Use Item 50)	
13	See Note	NSS	O-Ring (Use Item 50)	
14	See Note	NSS	O-Ring (Use Item 50)	
15	See Note	NSS	O-Ring (Use Item 50)	
16	See Note	NSS	Ring, Back-up (Use Item 50)	
17	70002413	NLA	Cartridge, Valve (Use p/n 70005209) (SN B300001100 through B300001209)	
17	70005209	1	Cartridge, Valve (SN B300001210 to Present)	
17	2900770	1	Seal Kit - Valve	
18	70002388	1	Cartridge, Valve	
18	2900770	1	Seal Kit - Valve	
19	See Note	4	Plug (Note: Not Available - Purchase Locally)	
50	70004216	1	Seal Kit (Includes Items 8-16)	

SECTION 6 - CYLINDER

FIGURE 6-2. LEVEL (PLATFORM SLAVE) CYLINDER ASSEMBLY - 18RSJ



ART_1001185318

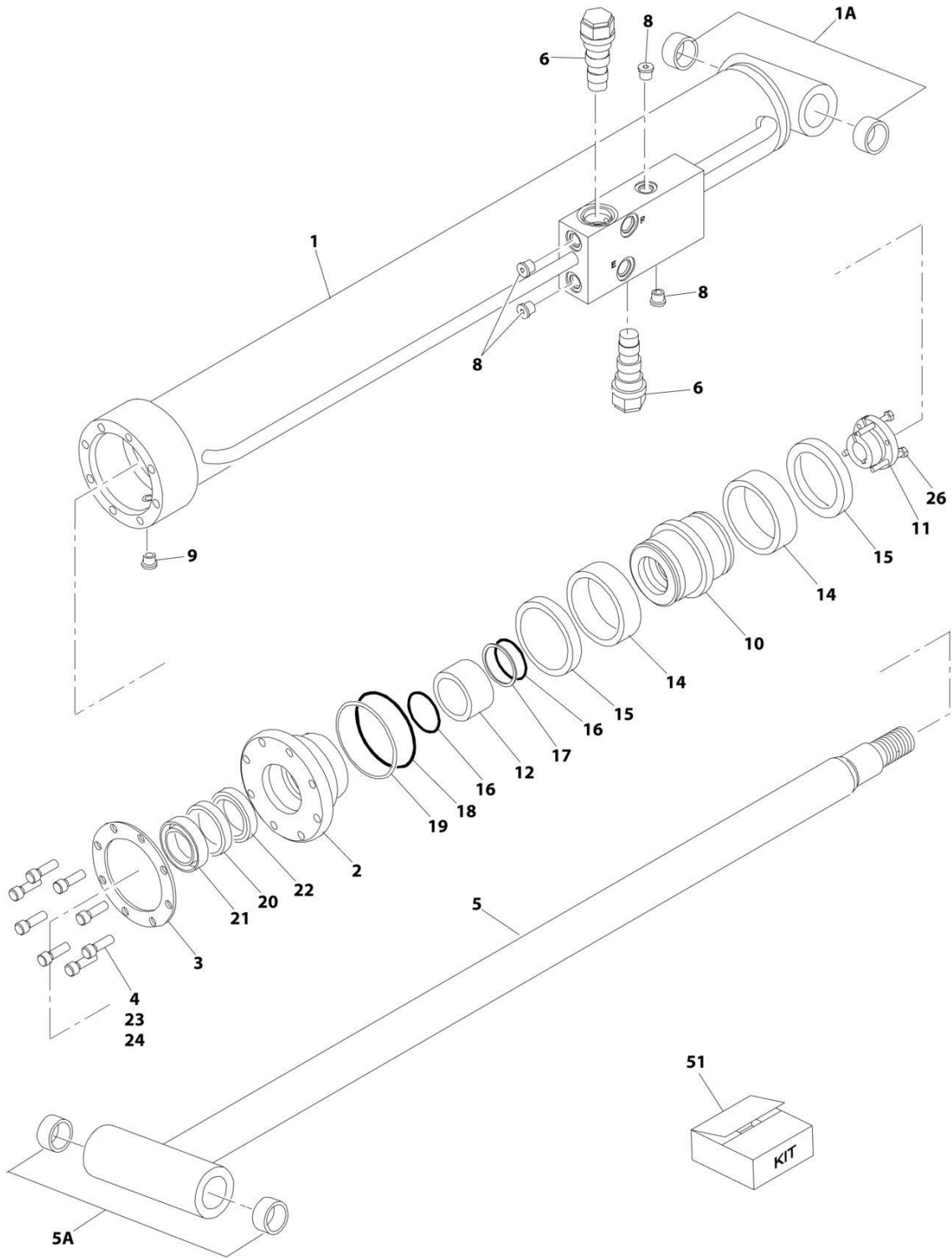
SECTION 6 - CYLINDER

FIGURE 6-2. LEVEL (PLATFORM SLAVE) CYLINDER ASSEMBLY - 18RSJ

ITEM	PART NUMBER	QTY	DESCRIPTION	REV
	1001185318	Ref	LEVEL (PLATFORM SLAVE) CYLINDER ASSEMBLY - 18RSJ	A
1	0100011	AR	Compound, Locking	
2	0100038	AR	Primer, Locking	
3	0630535	3	Bolt 1/4 x 1-1/8	
4	0961894	1	Bushing, Tapered (Includes Item 25)	
5	1683055	1	Head	
6	2220883	8	Plug, O-Ring	
7	2220885	1	Plug, O-Ring	
9	3480188	1	Piston	
10	See Note	NSS	Ring, Wear (Note: Use Item 51)	
11	See Note	NSS	Ring, Lock (Note: Use Item 51)	
12	See Note	NSS	Ring, Back-up (Note: Use Item 51)	
13	See Note	NSS	Ring, Back-up (Note: Use Item 51)	
14	3760369	1	Ring, Washer	
15	See Note	NSS	O-Ring (Note: Use Item 51)	
16	See Note	NSS	O-Ring (Note: Use Item 51)	
17	3931620	8	Capscrew 3/8 x 1-1/4	
18	See Note	NSS	Seal, Rod (Note: Use Item 51)	
19	See Note	NSS	Wiper (Note: Use Item 51)	
20	See Note	NSS	Seal (Note: Use Item 51)	
21	4566468	1	Spacer	
22	4640509	1	Cartridge, Valve	
22	2900792	1	Seal Kit - 4640509 Valve	
23	4640932	1	Cartridge, Valve	
23	7011112	1	Seal Kit - 4640932 Valve	
24	1001185319	1	Barrel Weldment	
25	1001185321	1	Rod Weldment	
26	0961948	4	Bushing	
51	2901301	1	Seal Kit (Includes Items 10-13, 15, 16 & 18-20)	

SECTION 6 - CYLINDER

FIGURE 6-3. LIFT CYLINDER ASSEMBLY - JIB - 18RSJ (Prior to SN B300003130)



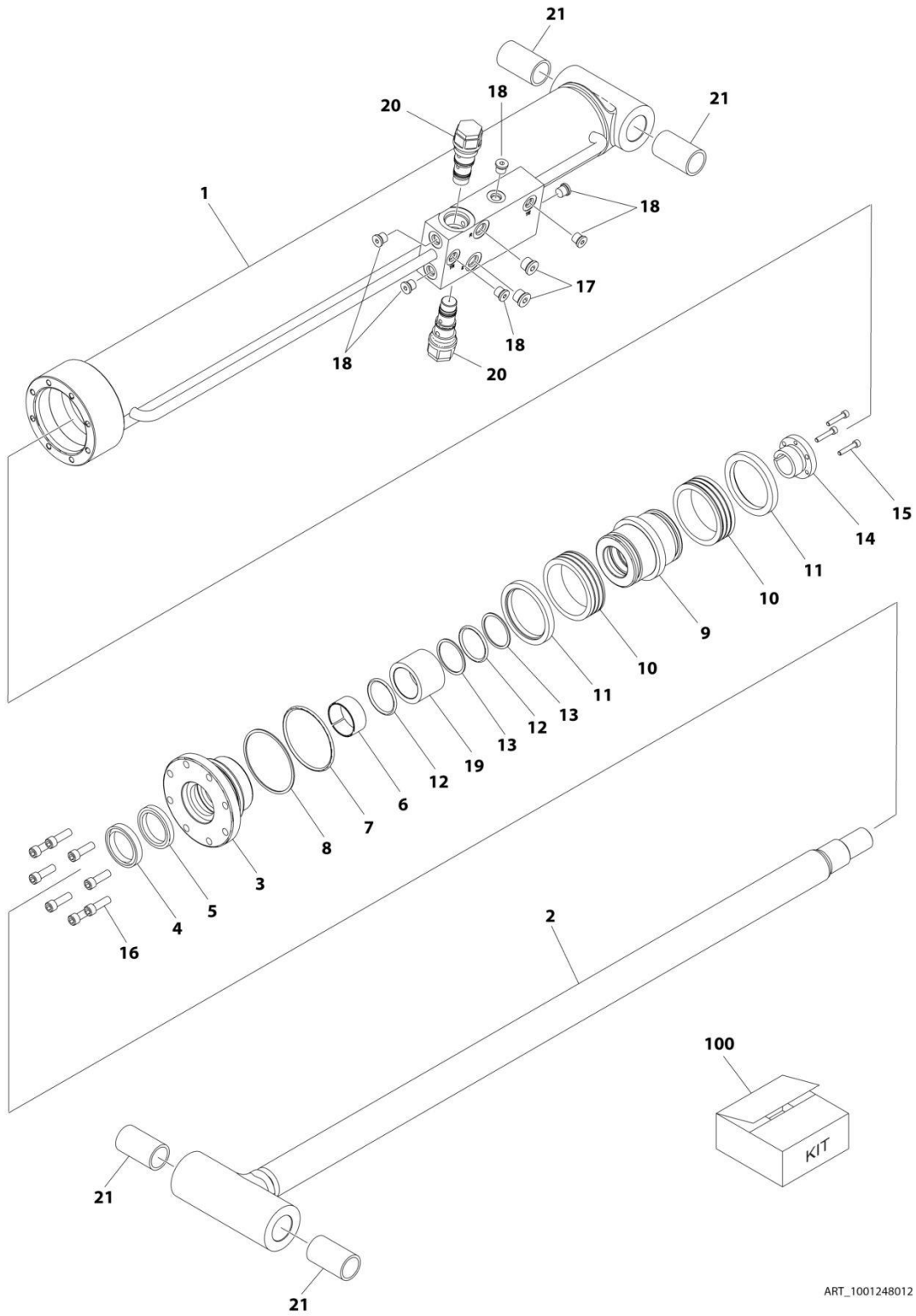
SECTION 6 - CYLINDER

FIGURE 6-3. LIFT CYLINDER ASSEMBLY - JIB - 18RSJ (Prior to SN B300003130)

ITEM	PART NUMBER	QTY	DESCRIPTION	REV
	1683609	Ref	LIFT CYLINDER ASSEMBLY - JIB - 18RSJ (Prior to SN B300003130)	I
1	1684089	1	Barrel	
1A	0962336	2	Bushing	
2	1683053	1	Head	
3	3760368	1	Ring, Washer	
4	3931516	8	Capscrew 5/16 x 1	
5	1684090	1	Rod	
5A	0962336	2	Bushing	
6	4640509	2	Cartridge, Valve	
6	2900792	2	Seal Kit - 4640509 Valve	
8	2220883	2	Plug, O-Ring #4	
9	2220885	1	Plug, O-Ring #6	
10	3480210	1	Piston	
11	0961893	1	Bushing, Tapered	
12	4100100	1	Spacer, Tube	
14	See Note	NSS	Seal (Note: Use Item 51)	
15	See Note	NSS	Ring, Lock (Note: Use Item 51)	
16	See Note	NSS	O-Ring (Note: Use Item 51)	
17	See Note	NSS	Ring, Back-up (Note: Use Item 51)	
18	See Note	NSS	O-Ring (Note: Use Item 51)	
19	See Note	NSS	Ring, Back-up (Note: Use Item 51)	
20	See Note	NSS	Seal, Rod (Note: Use Item 51)	
21	See Note	NSS	Wiper (Note: Use Item 51)	
22	See Note	NSS	Ring, Wear (Note: Use Item 51)	
23	0100011	AR	Compound, Locking	
24	0100038	AR	Primer, Locking	
26	0630534	3	Bolt #10 x 1	
51	2901303	1	Seal Kit Options (Includes Items 14-22)	

SECTION 6 - CYLINDER

FIGURE 6-4. LIFT CYLINDER ASSEMBLY - JIB - 18RSJ (SN B30003130 to Present)



ART_1001248012

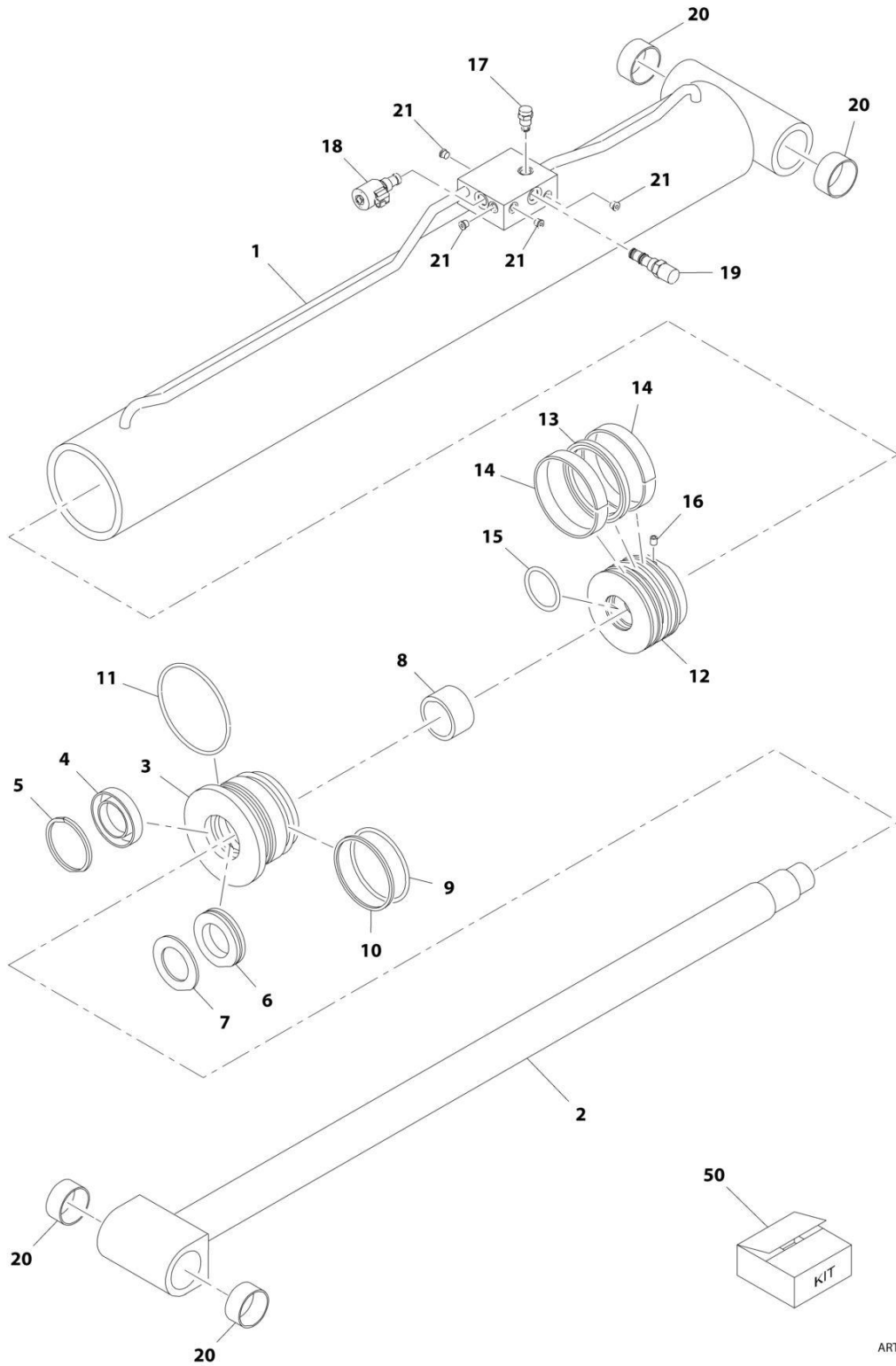
SECTION 6 - CYLINDER

FIGURE 6-4. LIFT CYLINDER ASSEMBLY - JIB - 18RSJ (SN B300003130 to Present)

ITEM	PART NUMBER	QTY	DESCRIPTION	REV
	1001248012	Ref	LIFT CYLINDER ASSEMBLY - JIB	C
		Ref	Note: Original Cylinder May Have Been Replaced with Service Replacement. Identify PN Stamped on Cylinder Before Ordering Parts.	
1	See Note	NSS	Barrel (Note: Not Available for Purchase)	
2	70006734	1	Rod	
3	70006649	1	Head	
4	See Note	NSS	Wiper (Note: Use Item 100)	
5	See Note	NSS	Seal, Rod (Note: Use Item 100)	
6	See Note	NSS	Ring, Wear (Note: Use Item 100)	
7	See Note	NSS	O-Ring (Note: Use Item 100)	
8	See Note	NSS	Ring, Back-up (Note: Use Item 100)	
9	70006650	1	Piston	
10	See Note	NSS	Seal (Note: Use Item 100)	
11	See Note	NSS	Ring, Lock (Note: Use Item 100)	
12	See Note	NSS	O-Ring (Note: Use Item 100)	
13	See Note	NSS	Ring, Back-up (Note: Use Item 100)	
14	0961893	1	Bushing, Tapered	
15	0630534	3	Capscrew, Socket Head #10 x 1	
16	70006735	8	Capscrew 5/16	
17	2220885	2	Plug, O-Ring	
18	2220883	6	Plug, O-Ring	
19	70006736	1	Spacer	
20	4640509	2	Cartridge, Valve	
20	2900792	2	Seal Kit - 4640509 Valve	
21	0962336	4	Bushing	
100	1001138795	1	Seal Kit (Includes Items 4-8 & 10-13)	

SECTION 6 - CYLINDER

FIGURE 6-5. LIFT CYLINDER ASSEMBLY - MAIN BOOM - 18RS



ART_1001130480

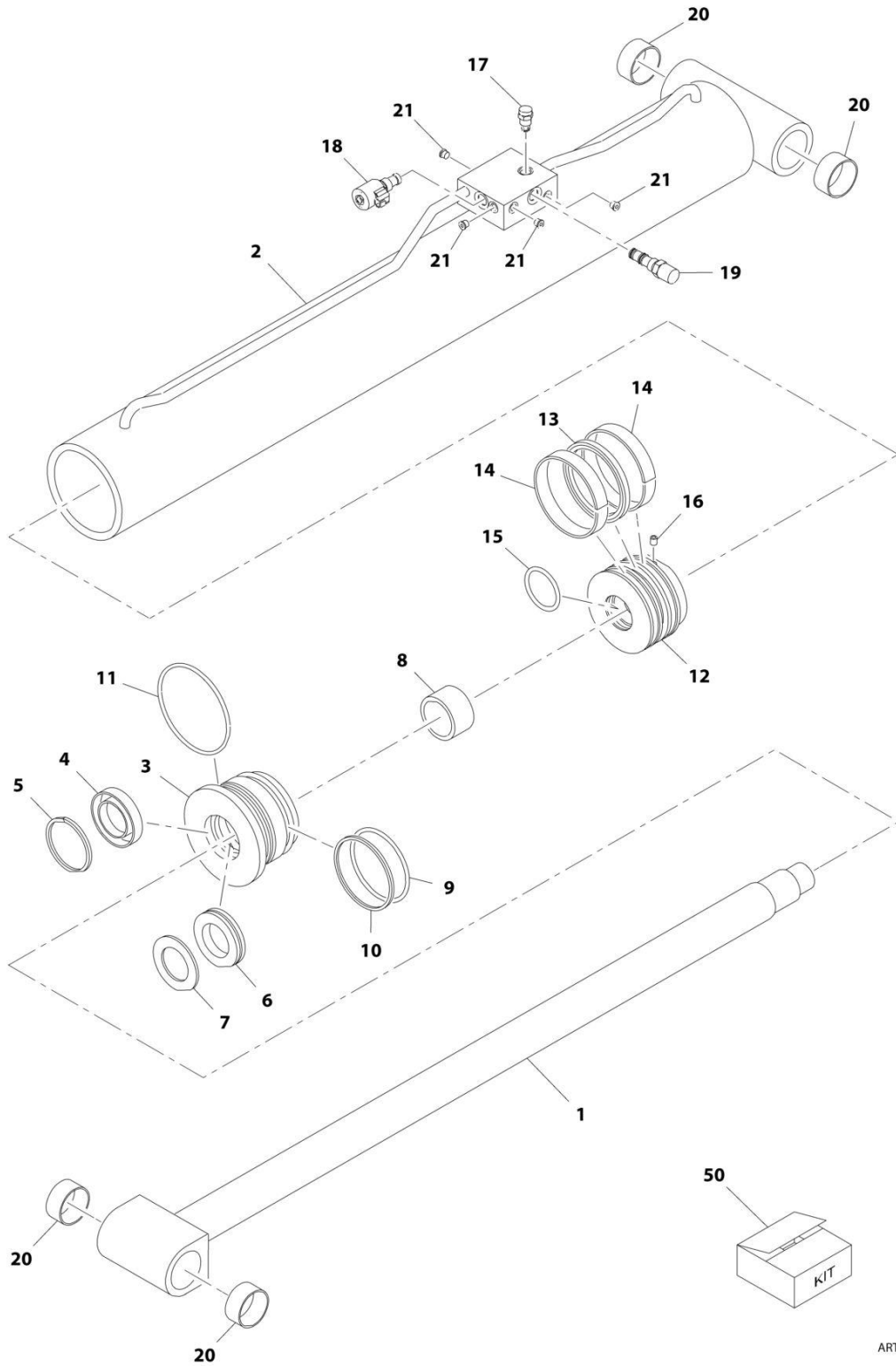
SECTION 6 - CYLINDER

FIGURE 6-5. LIFT CYLINDER ASSEMBLY - MAIN BOOM - 18RS

ITEM	PART NUMBER	QTY	DESCRIPTION	REV
	1001130480	Ref	LIFT CYLINDER ASSEMBLY - MAIN BOOM - 18RS	B
1	70004192	1	Barrel	
2	70004191	1	Rod	
3	70004190	1	Head	
4	See Note	NSS	Wiper (Note: Use Item 50)	
5	70023379	1	Ring, Retaining	
6	See Note	NSS	Seal, Rod (Note: Use Item 50)	
7	See Note	NSS	Ring, Back-up (Note: Use Item 50)	
8	70023377	1	Bearing	
9	See Note	NSS	O-Ring (Note: Use Item 50)	
10	See Note	NSS	Ring, Back-up (Note: Use Item 50)	
11	See Note	NSS	O-Ring (Note: Use Item 50)	
12	70004189	1	Piston	
13	See Note	NSS	Seal, Piston (Note: Use Item 50)	
14	See Note	NSS	Ring, Wear (Note: Use Item 50)	
15	See Note	NSS	O-Ring (Note: Use Item 50)	
16	See Note	1	Setscrew (Note: Not Available - Purchase Locally)	
17	4641390	1	Cartridge, Check Valve	
17	7017496	1	Seal Kit - Valve	
18	70002401	1	Cartridge, Solenoid Valve	
18	7017496	1	Seal Kit - Valve	
18	70003788	1	Coil	
18	7022390	1	Nut, Coil	
19	70004123	1	Cartridge, Pressure Valve	
19	7012925	1	Seal Kit - Valve	
20	70004188	4	Bearing	
21	2220885	4	Plug 9/16	
50	70004187	1	Seal Kit (Includes Items 4, 6, 7, 9-11 & 13-15)	

SECTION 6 - CYLINDER

FIGURE 6-6. LIFT CYLINDER ASSEMBLY - MAIN BOOM - 18RSJ



ART_1001185157

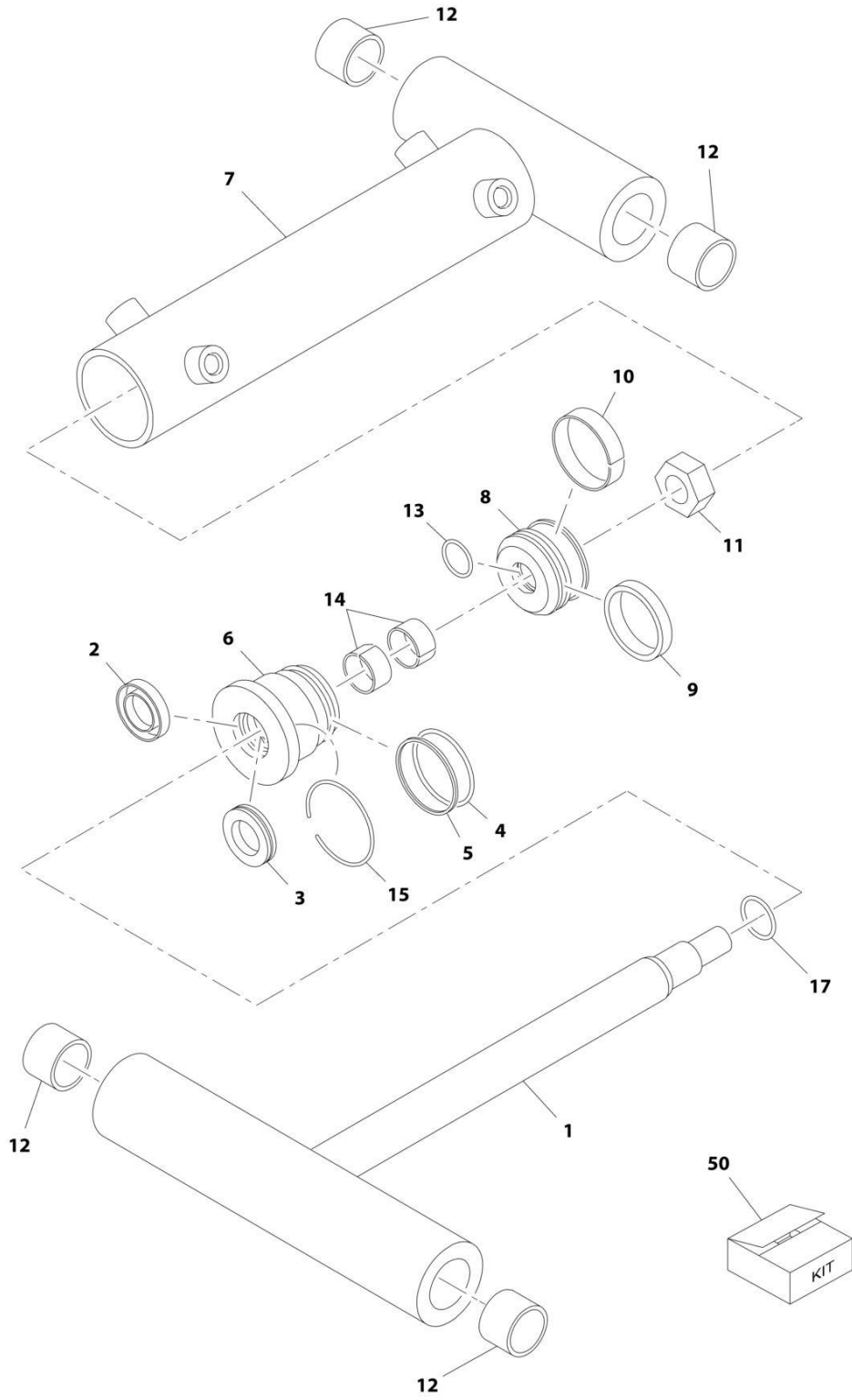
SECTION 6 - CYLINDER

FIGURE 6-6. LIFT CYLINDER ASSEMBLY - MAIN BOOM - 18RSJ

ITEM	PART NUMBER	QTY	DESCRIPTION	REV
	1001185157	Ref	LIFT CYLINDER ASSEMBLY - MAIN BOOM - 18RSJ	A
1	70005437	1	Rod	
2	70005436	1	Barrel	
3	70004190	1	Head	
4	See Note	NSS	Wiper (Note: Use Item 50)	
5	70023379	1	Ring, Retaining	
6	See Note	NSS	Seal, Rod (Note: Use Item 50)	
7	See Note	NSS	Ring, Back-up (Note: Use Item 50)	
8	70023377	1	Bearing	
9	See Note	NSS	O-Ring (Note: Use Item 50)	
10	See Note	NSS	Ring, Back-up (Note: Use Item 50)	
11	See Note	NSS	O-Ring (Note: Use Item 50)	
12	70004189	1	Piston	
13	See Note	NSS	Seal, Piston (Note: Use Item 50)	
14	See Note	NSS	Ring, Wear (Note: Use Item 50)	
15	See Note	NSS	O-Ring (Note: Use Item 50)	
16	70005435	1	Setscrew	
17	4641390	1	Cartridge, Check Valve	
17	7017496	1	Seal Kit - Valve	
18	70002401	1	Cartridge, Solenoid Valve	
18	7017496	1	Seal Kit - Valve	
18	70003788	1	Coil	
18	7022390	1	Nut, Coil	
19	1001165131	1	Cartridge, Pressure Valve	
19	7012925	1	Seal Kit - Valve	
20	70005434	4	Bearing	
21	2220885	4	Plug 9/16	
50	70005432	1	Seal Kit (Includes Items 4, 6, 7, 9-11 & 13-15)	

SECTION 6 - CYLINDER

FIGURE 6-7. MASTER CYLINDER ASSEMBLY - 18RS



ART_1001130478

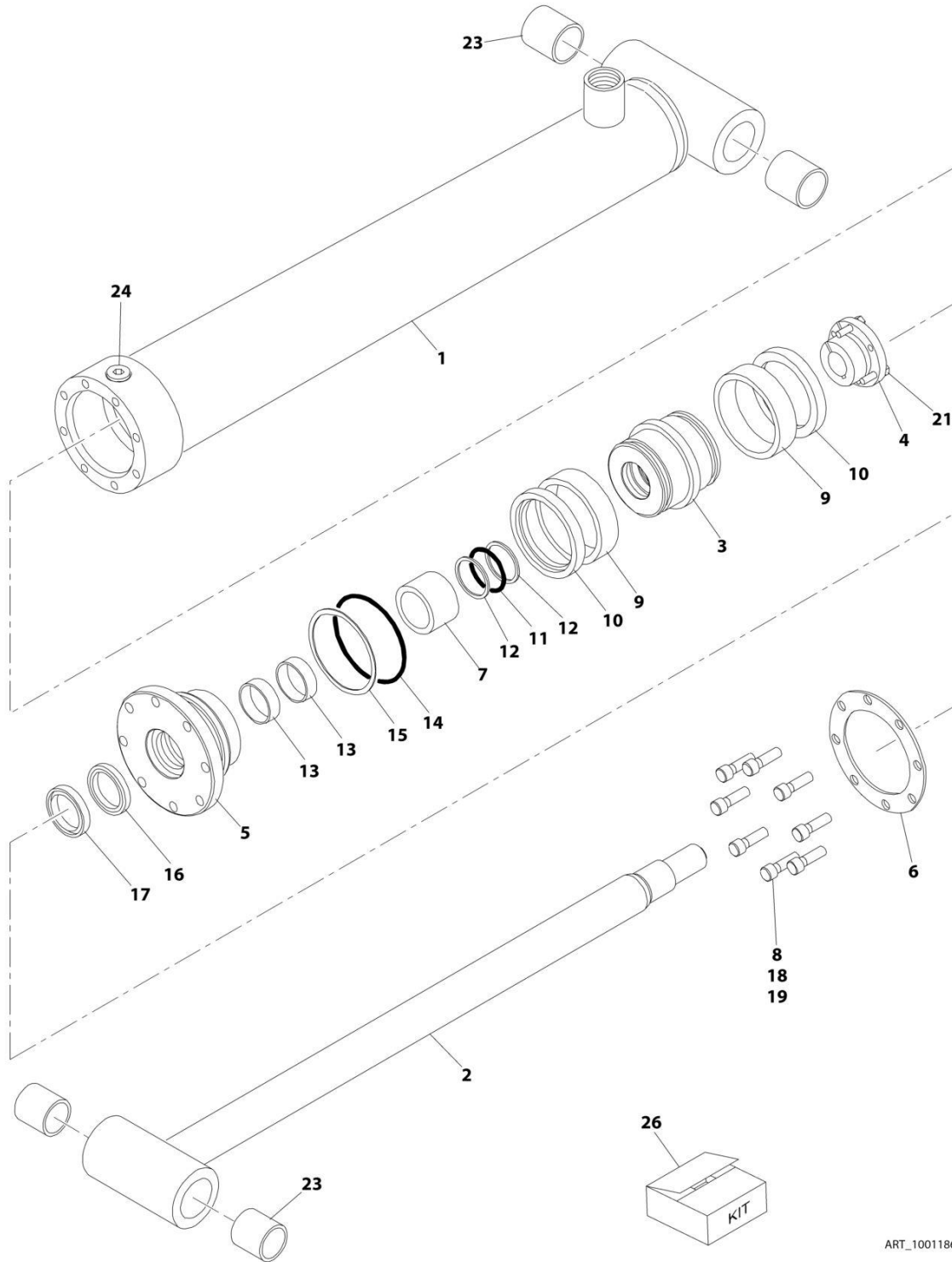
SECTION 6 - CYLINDER

FIGURE 6-7. MASTER CYLINDER ASSEMBLY - 18RS

ITEM	PART NUMBER	QTY	DESCRIPTION	REV
	1001130478	Ref	MASTER CYLINDER ASSEMBLY - 18RS	D
1	70004247	1	Rod	
2	See Note	NSS	Wiper (Note: Use Item 50)	
3	See Note	NSS	Seal, Rod (Note: Use Item 50)	
4	See Note	NSS	O-Ring (Note: Use Item 50)	
5	See Note	NSS	Ring, Back-up (Note: Use Item 50)	
6	70004210	1	Head	
7	70004246	1	Barrel	
8	70004212	1	Piston	
9	See Note	NSS	Seal, Piston (Note: Use Item 50)	
10	See Note	NSS	Ring, Wear (Note: Use Item 50)	
11	70004213	1	Locknut	
12	0961951	4	Bearing	
13	See Note	NSS	O-Ring (Use Item 50)	
14	See Note	NSS	Ring, Wear (Note: Use Item 50)	
15	70004214	1	Lock Wire	
17	70004215	1	O-Ring	
50	70004248	1	Seal Kit (Includes Items 2-5, 9, 10, 13 & 14)	

SECTION 6 - CYLINDER

FIGURE 6-8. MASTER CYLINDER ASSEMBLY - 18RSJ



ART_1001186733

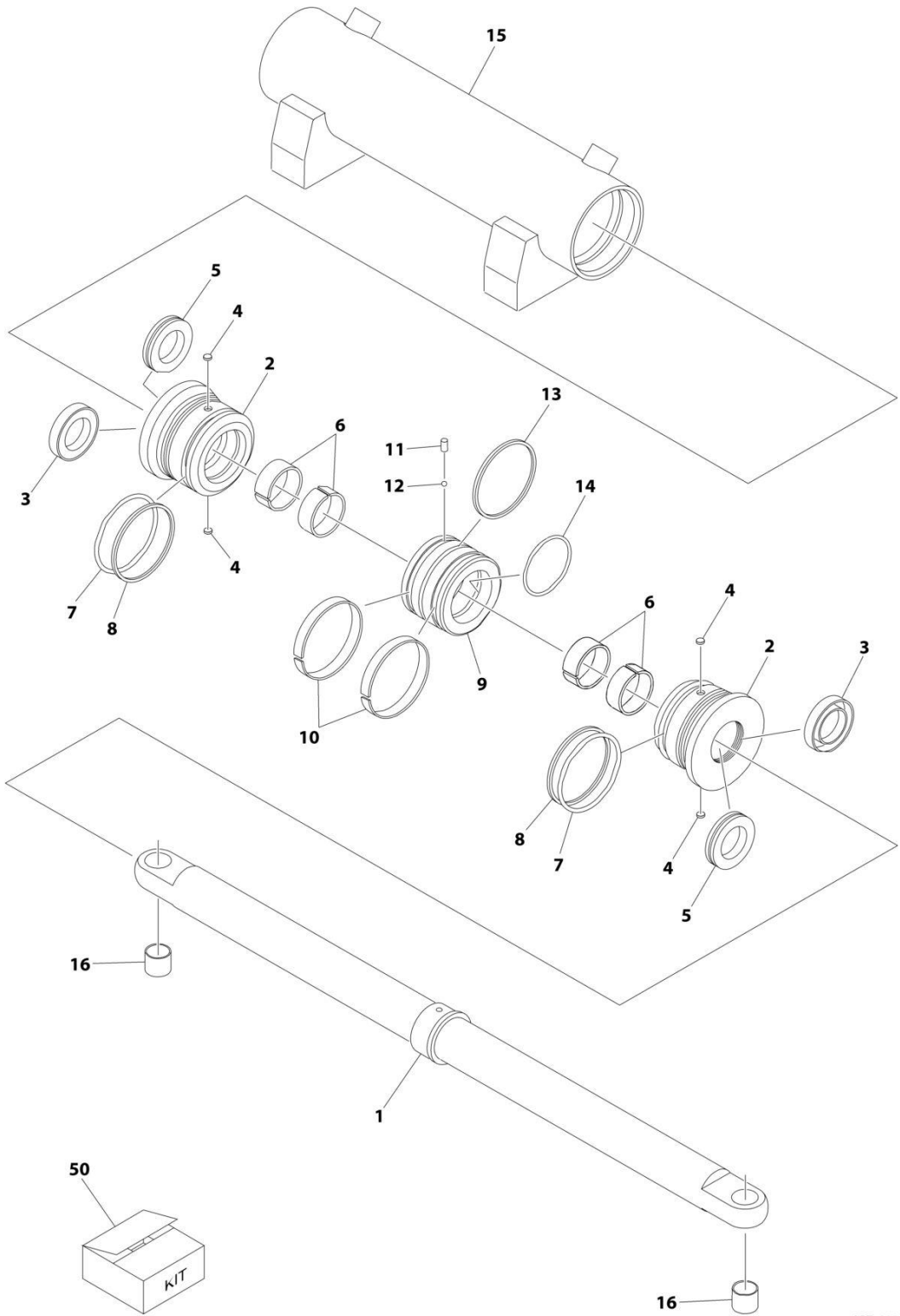
SECTION 6 - CYLINDER

FIGURE 6-8. MASTER CYLINDER ASSEMBLY - 18RSJ

ITEM	PART NUMBER	QTY	DESCRIPTION	REV
	1001186733	Ref	MASTER CYLINDER ASSEMBLY - 18RSJ	A
1	1683949	1	Barrel	
2	1683963	1	Rod	
3	3480188	1	Piston	
4	0961894	1	Bushing, Tapered (Use Item 8 in place of supplied Bolts)	
5	1683055	1	Head	
6	3760369	1	Ring, Washer	
7	1001186734	1	Spacer	
8	3931620	8	Capscrew 3/8 x 1-1/4	
9	See Note	NSS	Seal (Note: Use Item 26)	
10	See Note	NSS	Ring, Lock (Note: Use Item 26)	
11	See Note	NSS	O-Ring (Note: Use Item 26)	
12	See Note	NSS	Ring, Back-up (Note: Use Item 26)	
13	See Note	NSS	Ring, Wear (Note: Use Item 26)	
14	See Note	NSS	Ring, Back-up (Note: Use Item 26)	
15	See Note	NSS	O-Ring (Note: Use Item 26)	
16	See Note	NSS	Seal, Rod (Note: Use Item 26)	
17	See Note	NSS	Wiper (Note: Use Item 26)	
18	0100011	AR	Compound, Locking	
19	0100038	AR	Primer, Locking	
21	0630535	3	Bolt 1/4 x 1-1/8	
23	0961951	4	Bushing	
24	2220885	1	Plug, O-Ring #6	
26	2901301	1	Seal Kit (Includes Items 9-17)	

SECTION 6 - CYLINDER

FIGURE 6-9. STEER CYLINDER ASSEMBLY



ART_1001130477_18RS

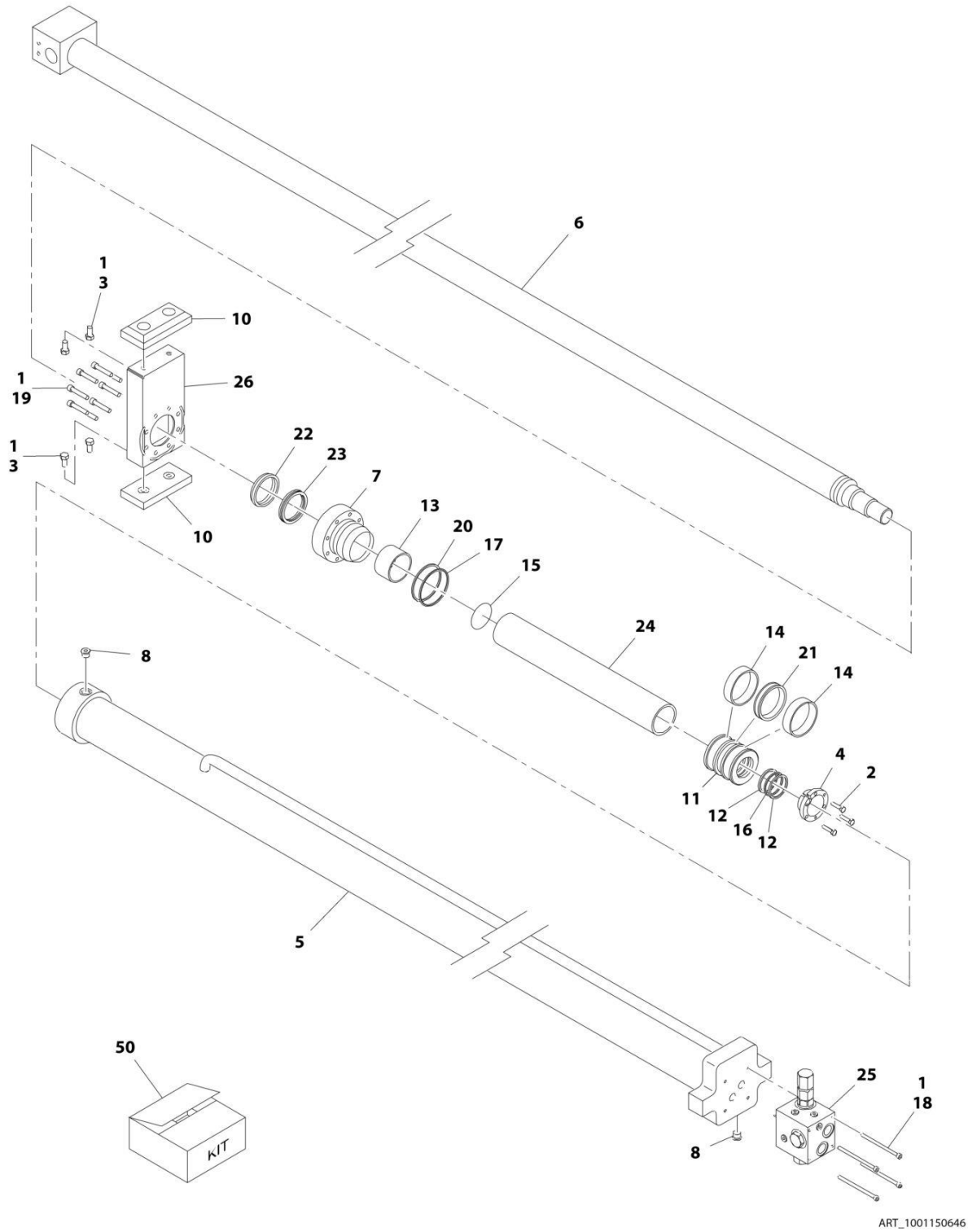
SECTION 6 - CYLINDER

FIGURE 6-9. STEER CYLINDER ASSEMBLY

ITEM	PART NUMBER	QTY	DESCRIPTION	REV
	1001130477	Ref	STEER CYLINDER ASSEMBLY	E
		Ref	Note: Original Cylinder May Have Been Replaced with Service Replacement. Identify PN Stamped on Cylinder Before Ordering Parts.	
1	70004220	1	Rod	
2	70004221	2	Head	
3	See Note	NSS	Wiper (Note: Use Item 50)	
4	70003636	4	Insert, Locking	
5	See Note	NSS	Seal, Rod (Note: Use Item 50)	
6	See Note	NSS	Ring, Wear (Note: Use Item 50)	
7	See Note	NSS	O-Ring (Note: Use Item 50)	
8	See Note	NSS	Ring, Back-up (Note: Use Item 50)	
9	70004222	1	Piston	
10	See Note	NSS	Ring, Wear (Note: Use Item 50)	
11	70004223	1	Setscrew	
12	70004224	1	Ball	
13	See Note	NSS	Seal, Piston (Note: Use Item 50)	
14	See Note	NSS	O-Ring (Note: Use Item 50)	
15	70004225	1	Barrel	
16	70004226	2	Bearing	
50	70004227	1	Seal Kit (Includes Items 3, 5-8, 10, 13 & 14)	

SECTION 6 - CYLINDER

FIGURE 6-10. TELESCOPE CYLINDER ASSEMBLY - 18RS (Prior to SN B300001836)



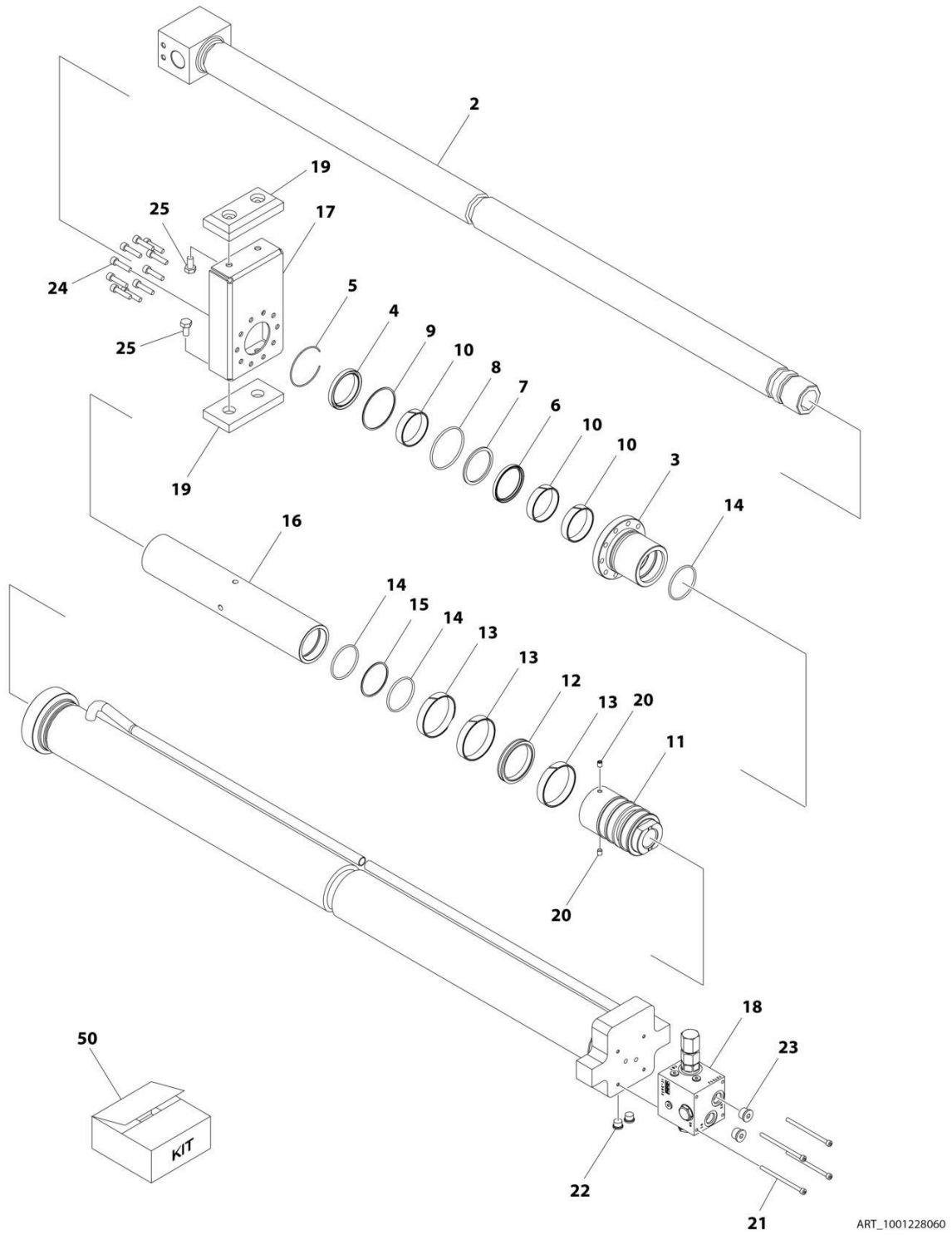
SECTION 6 - CYLINDER

FIGURE 6-10. TELESCOPE CYLINDER ASSEMBLY - 18RS (Prior to SN B300001836)

ITEM	PART NUMBER	QTY	DESCRIPTION	REV
	1001150646	Ref	TELESCOPE CYLINDER ASSEMBLY - 18RS (Prior to SN B300001836)	B
1	0100011	AR	Compound, Locking	
2	0630535	3	Bolt 1/4 x 1-1/8	
3	0641606	4	Bolt 3/8 x 3/4	
4	0961902	1	Bushing, Tapered	
5	1683905	1	Barrel	
6	1683907	1	Rod	
7	1684008	1	Ring, Back-up	
8	220885	2	Plug	
10	3340880	2	Pad	
11	3480257	1	Piston	
12	See Note	NSS	Ring, Back-up (Note: Use Item 50)	
13	See Note	NSS	Ring, Wear (Note: Use Item 50)	
14	See Note	NSS	Ring, Wear (Note: Use Item 50)	
15	See Note	NSS	O-Ring (Note: Use Item 50)	
16	See Note	NSS	O-Ring (Note: Use Item 50)	
17	See Note	NSS	O-Ring (Note: Use Item 50)	
18	3931464	4	Capscrew 1/4 x 4	
19	3931528	8	Capscrew 5/16 x 1-3/4	
20	See Note	NSS	Ring, Back-up (Note: Use Item 50)	
21	See Note	NSS	Seal (Note: Use Item 50)	
22	See Note	NSS	Wiper (Note: Use Item 50)	
23	See Note	NSS	Seal (Note: Use Item 50)	
24	4568030	1	Spacer	
25	1001133245	1	Valve Block Assembly (See VALVE BLOCK ASSEMBLY for Breakdown)	
26	1001150645	1	Support	
50	2902019	1	Seal Kit (Includes Items 12-17 & 20-23)	

SECTION 6 - CYLINDER

FIGURE 6-11. TELESCOPE CYLINDER ASSEMBLY - 18RS (SN B300001836 to Present)



ART_1001228060

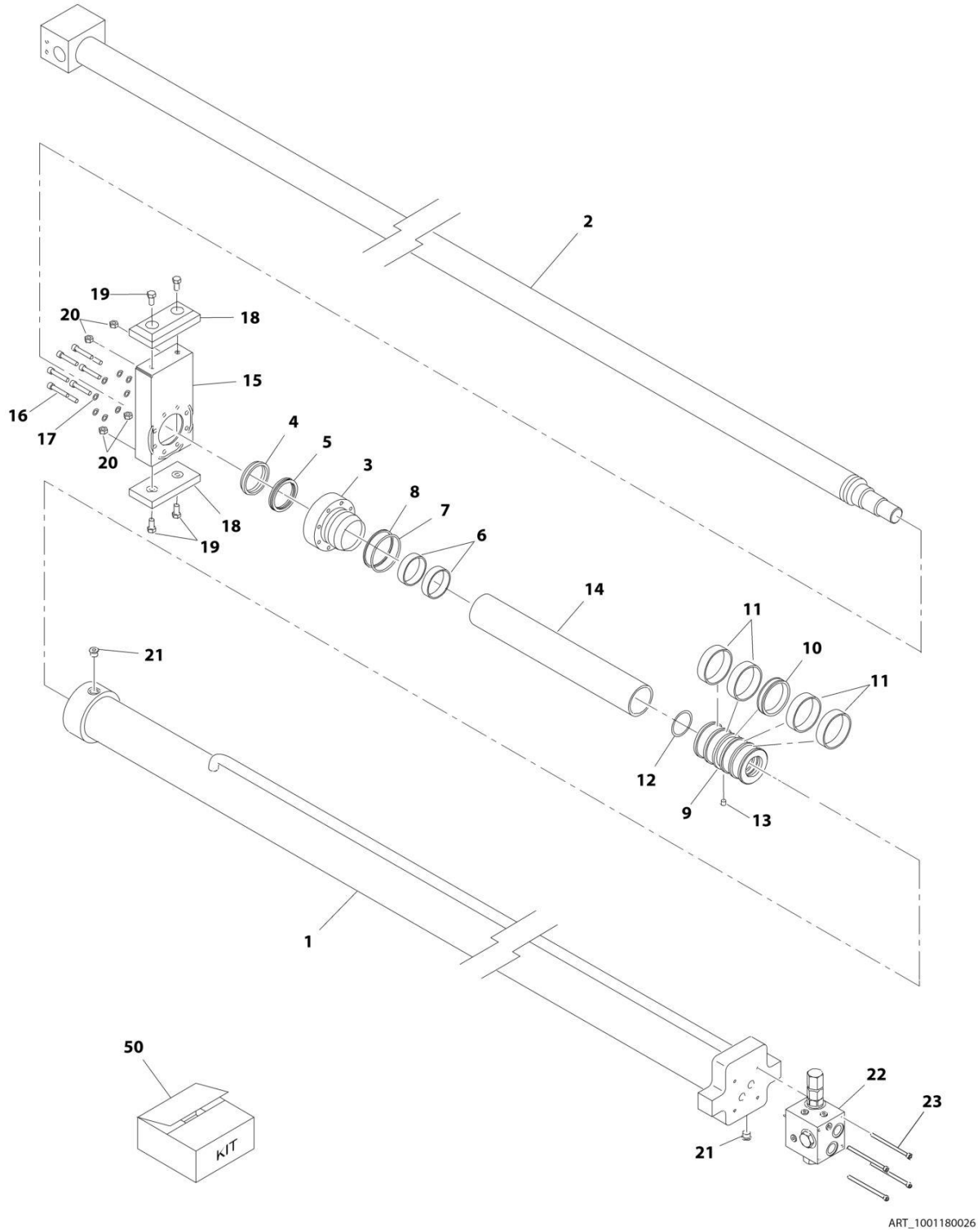
SECTION 6 - CYLINDER

FIGURE 6-11. TELESCOPE CYLINDER ASSEMBLY - 18RS (SN B300001836 to Present)

ITEM	PART NUMBER	QTY	DESCRIPTION	REV
	1001228060	Ref	TELESCOPE CYLINDER ASSEMBLY - 18RS (SN B300001836 to Present)	C
		Ref	Note: Original Cylinder may have been replaced with Service Replacement. Identify PN Stamped on Cylinder Before Ordering Parts.	
2	70006787	1	Rod	
3	70006788	1	Head	
4	See Note	NSS	Wiper (Note: Use Item 50)	
5	70027244	1	Ring, Retain	
6	See Note	NSS	Seal, Rod (Note: Use Item 50)	
7	See Note	NSS	Ring, Back-up (Note: Use Item 50)	
8	See Note	NSS	O-Ring (Note: Use Item 50)	
9	See Note	NSS	Ring, Back-up (Note: Use Item 50)	
10	See Note	NSS	Ring, Wear (Note: Use Item 50)	
11	70006789	1	Piston	
12	See Note	NSS	Seal, Piston (Note: Use Item 50)	
13	See Note	NSS	Ring, Wear (Note: Use Item 50)	
14	See Note	NSS	O-Ring (Note: Use Item 50)	
15	See Note	NSS	Ring, Back-up (Note: Use Item 50)	
16	70006790	1	Spacer	
17	70006791	1	Plate	
18	1001133245	1	Valve Block Assembly (See VALVE BLOCK ASSEMBLY for Breakdown)	
19	70006792	2	Assembly, Wear Pad	
20	70023369	2	Set Screw	
21	70005595	4	Bolt, Hex-Socket	
22	2220885	2	Plug, Hex-Socket	
23	2220886	2	Plug, Hex-Socket	
24	70006793	10	Bolt, Hex-Socket	
25	70006794	4	Bolt, Hex	
50	70006795	1	Seal Kit (Includes Items 4, 6-10 & 12-15)	

SECTION 6 - CYLINDER

FIGURE 6-12. TELESCOPE CYLINDER ASSEMBLY - 18RSJ



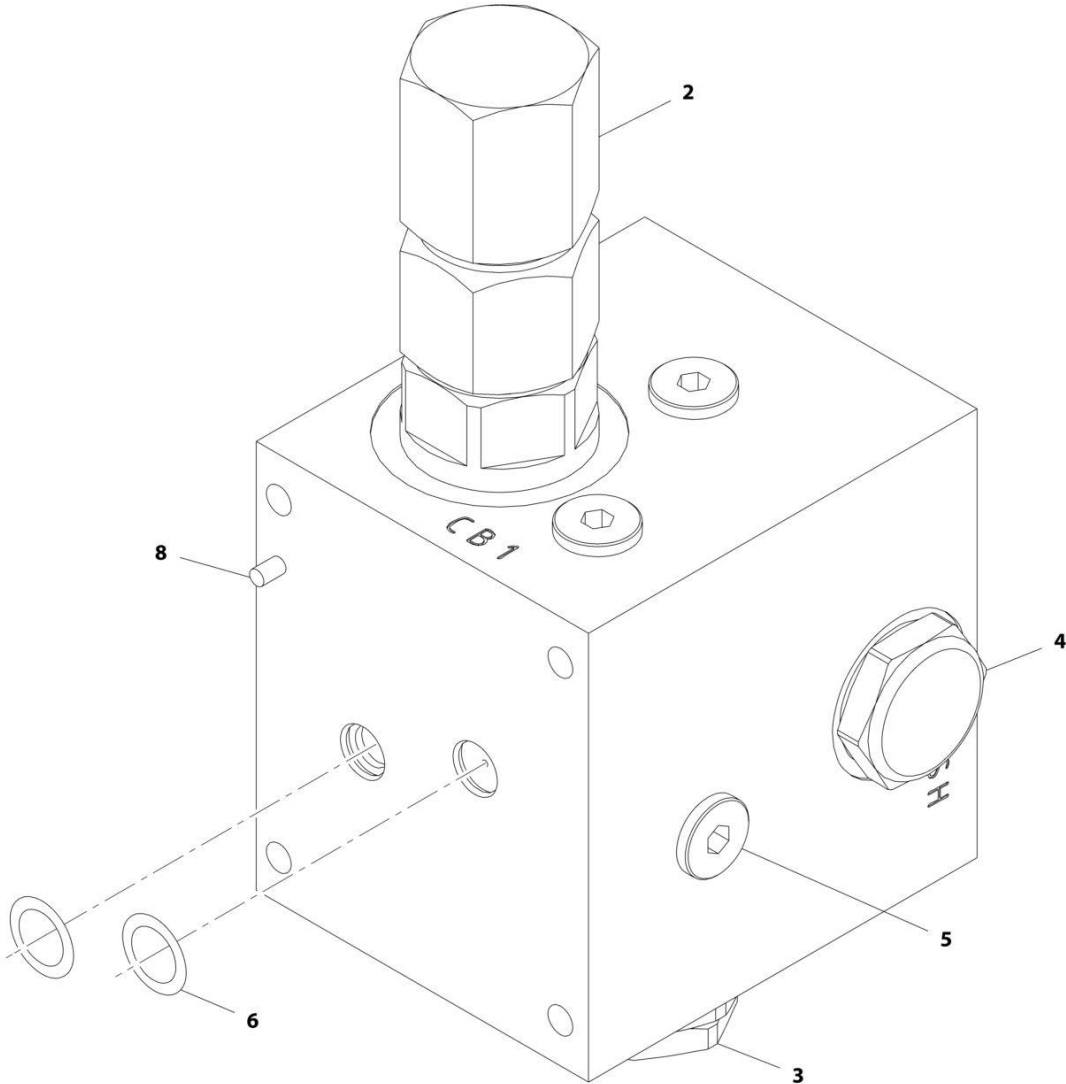
SECTION 6 - CYLINDER

FIGURE 6-12. TELESCOPE CYLINDER ASSEMBLY - 18RSJ

ITEM	PART NUMBER	QTY	DESCRIPTION	REV
	1001180026	Ref	TELESCOPE CYLINDER ASSEMBLY - 18RSJ	B
1	70005583	1	Barrel	
2	70005584	1	Rod	
3	70005585	1	Head	
4	See Note	NSS	Wiper (Note: Use Item 50)	
5	See Note	NSS	Seal, Rod (Note: Use Item 50)	
6	See Note	NSS	Ring, Wear (Note: Use Item 50)	
7	See Note	NSS	O-Ring (Note: Use Item 50)	
8	See Note	NSS	Ring, Back-up (Note: Use Item 50)	
9	70005586	1	Piston	
10	See Note	NSS	Seal, Piston (Note: Use Item 50)	
11	See Note	NSS	Ring, Wear (Note: Use Item 50)	
12	See Note	NSS	O-Ring (Note: Use Item 50)	
13	70005587	1	Setscrew M6 x 6	
14	70005588	1	Spacer	
15	70005589	1	Bracket	
16	70005590	8	Capscrew M8 x 55	
17	70005591	8	Washer M8	
18	70005592	2	Pad, Wear	
19	70005593	4	Capscrew M10 x 30	
20	70005594	4	Nut M10	
21	70023371	2	Plug 9/16	
22	1001133245	1	Valve Block Assembly (See VALVE BLOCK ASSEMBLY for Breakdown)	
23	70005595	4	Capscrew M6 x 100	
50	70005596	1	Seal Kit - 1001180026 Cylinder (Includes Items 4-7 & 10-12)	

SECTION 6 - CYLINDER

FIGURE 6-13. VALVE BLOCK ASSEMBLY



ART_1001133245

SECTION 6 - CYLINDER

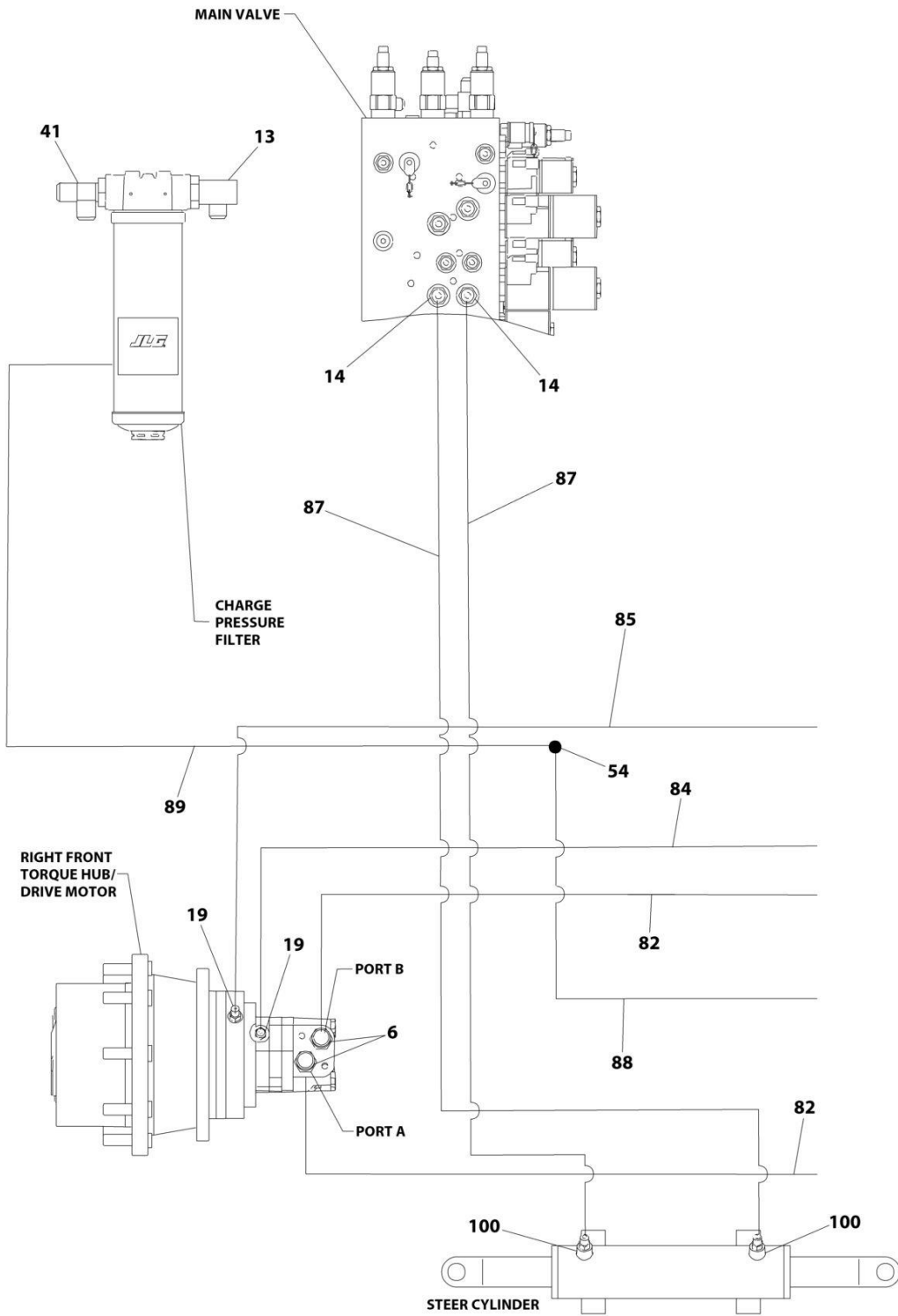
FIGURE 6-13. VALVE BLOCK ASSEMBLY

ITEM	PART NUMBER	QTY	DESCRIPTION	REV
	1001133245	Ref	VALVE BLOCK ASSEMBLY	B
2	70003926	1	Cartridge, Counterbalance Valve	
2	70004186	1	Seal Kit - 70003926 Valve	
3	70004155	1	Cartridge, Counterbalance Valve	
3	70004186	1	Seal Kit - 70004155 Valve	
4	70003928	1	Cartridge, Shuttle	
4	70003929	1	Seal Kit -70003928 Valve	
5	2220883	7	Plug 1/4	
6	70003982	2	O-Ring	
8	70003930	1	Roll Pin	

SECTION 7 - HYDRAULIC

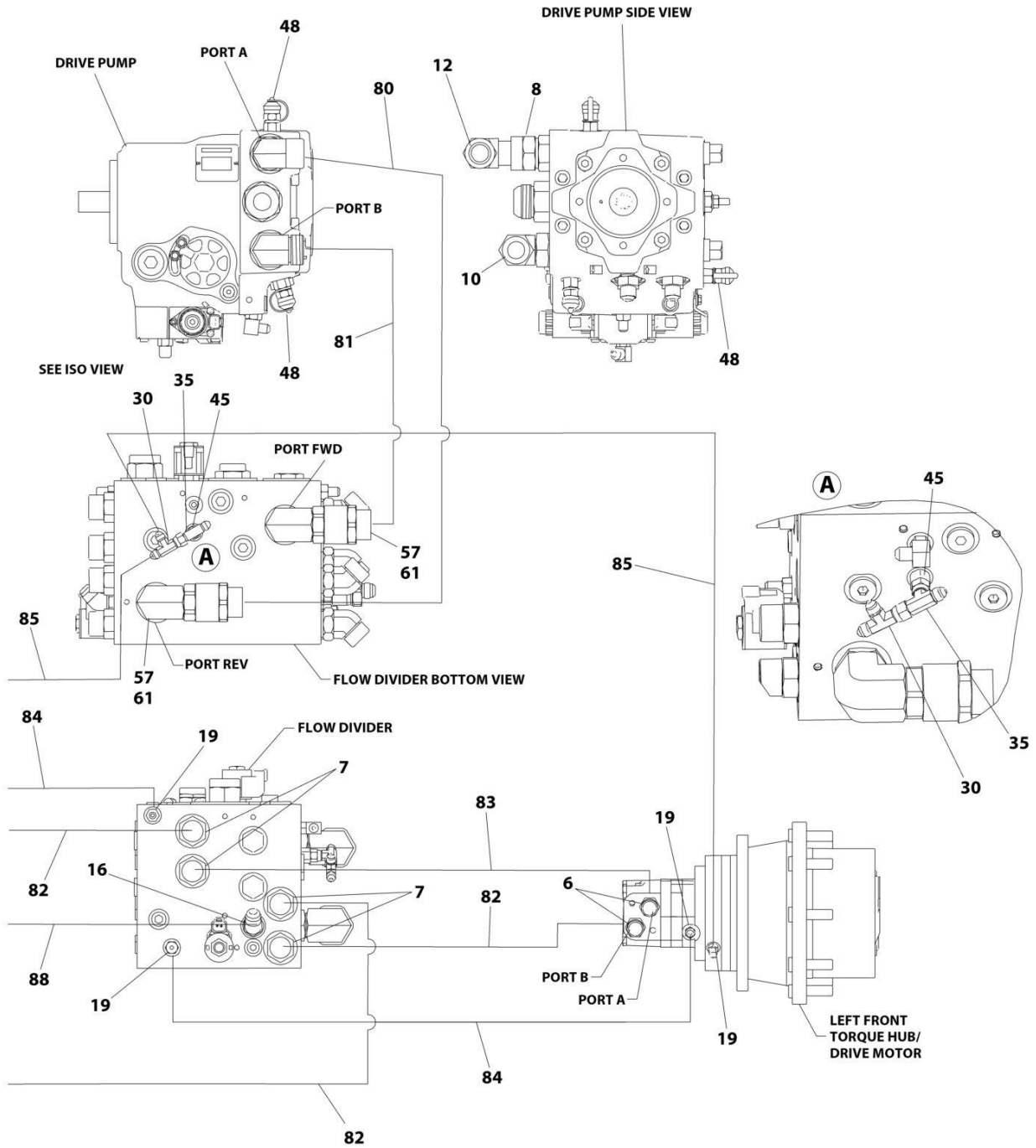
SECTION 7 - HYDRAULIC

FIGURE 7-1. HYDRAULIC INSTALLATION (FRONT AXLE) - 18RS



ART_1001143680_1OF8

SECTION 7 - HYDRAULIC



ART_1001143680_20F8

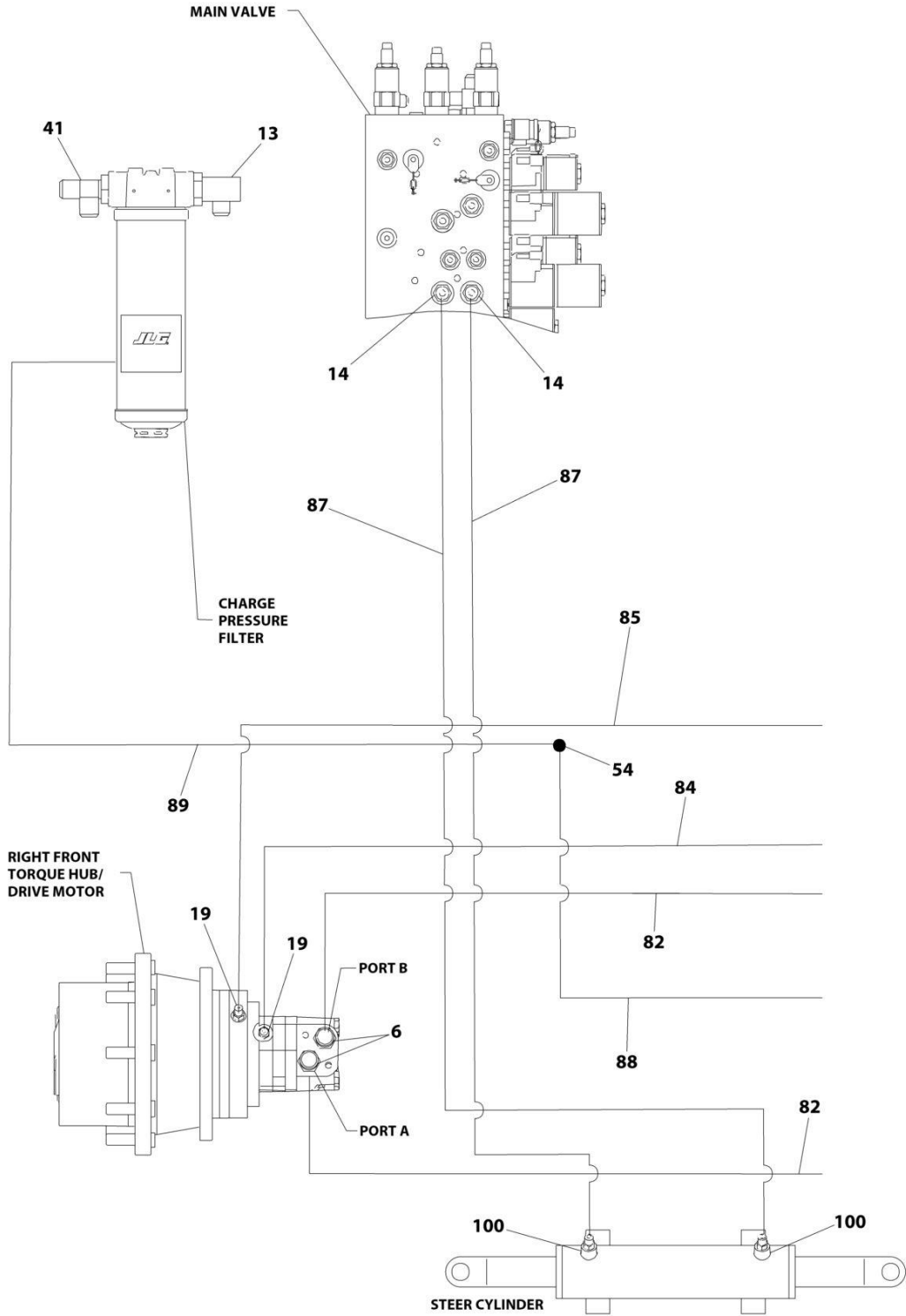
SECTION 7 - HYDRAULIC

FIGURE 7-1. HYDRAULIC INSTALLATION (FRONT AXLE) - 18RS

ITEM	PART NUMBER	QTY	DESCRIPTION	REV
	1001143680	Ref	HYDRAULIC INSTALLATION (FRONT AXLE) - 18RS	F
6	2111010	AR	Fitting, Straight ORFS/ORB	
7	2111212	AR	Fitting, Straight ORFS/ORB	
8	2111616	AR	Fitting, Straight ORFS/ORB	
10	2131616	AR	Fitting, 90 ORFS/ORB	
12	2172116	AR	Fitting, 90 ORFS/FSORBS	
14	2220371	AR	Fitting, Straight JIC/ORB	
16	2220373	AR	Fitting, Straight JIC/ORB	
19	2220415	AR	Fitting, Straight JIC/ORB	
30	2220605	AR	Fitting, Tee JIC/FSJIC/JIC	
35	2220861	AR	Fitting, Tee JIC/FSJIC/JIC	
41	2221041	AR	Fitting, Tee	
45	4641282	AR	Valve, Orifice Check	
48	77133089	AR	Valve, Mini Check	
54	1001141014	AR	Fitting, Straight JIC/JIC	
57	1001142679	AR	Fitting, Straight ORFS/ORB	
61	1001143936	AR	Fitting, 90 FORB/ORB	
80	1001146316	AR	Hose	
81	1001146317	AR	Hose	
82	1001146319	AR	Hose	
83	1001146320	AR	Hose	
84	1001146321	AR	Hose	
85	1001146322	AR	Hose	
87	1001146324	AR	Hose	
88	1001146325	AR	Hose	
89	1001146326	AR	Hose	
100	1001152155	AR	Fitting, Straight JIC/ORB	

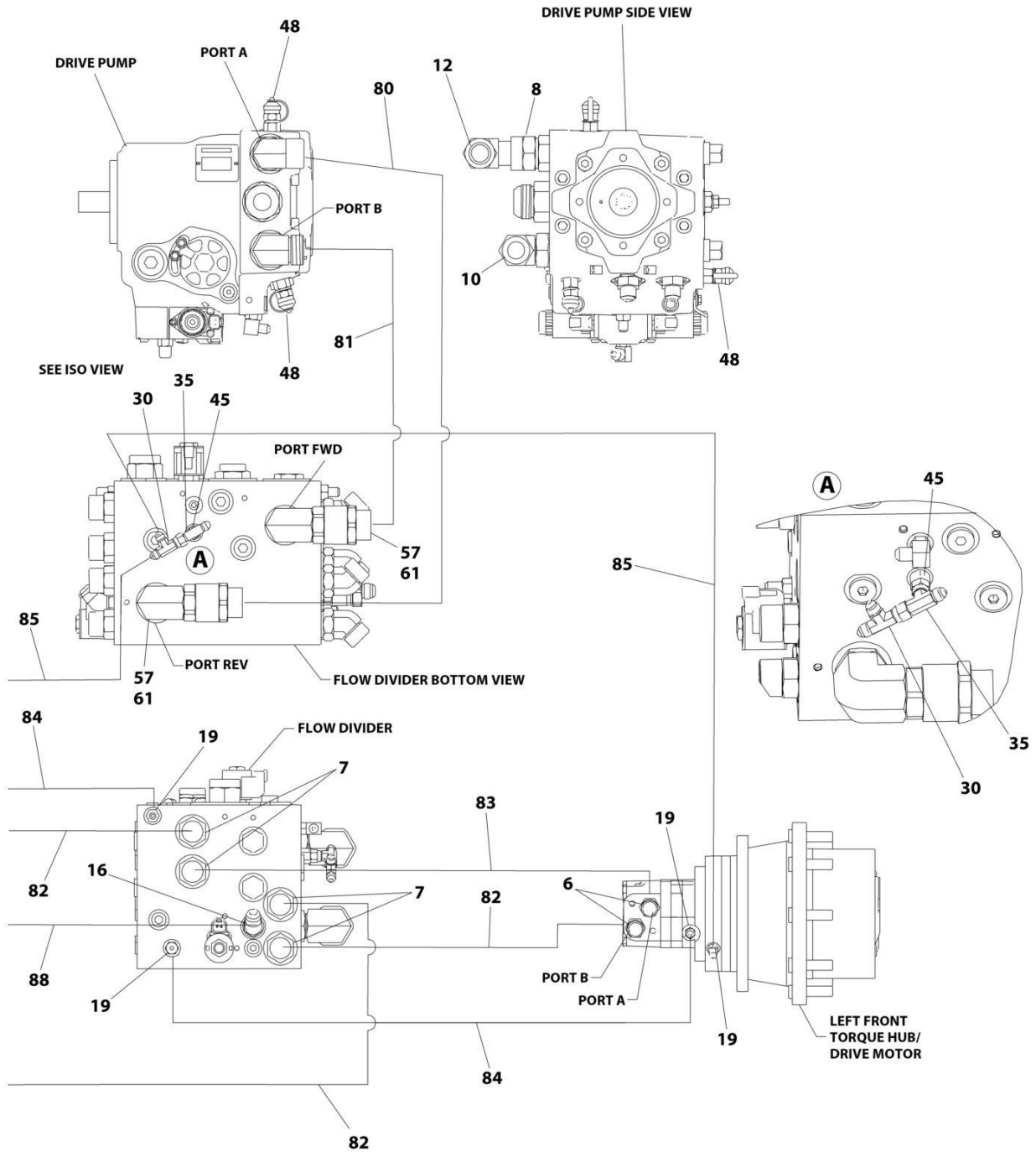
SECTION 7 - HYDRAULIC

FIGURE 7-2. HYDRAULIC INSTALLATION (FRONT AXLE) - 18RSJ



ART_1001180572_1OF8

SECTION 7 - HYDRAULIC



ART_1001180572_2OF8

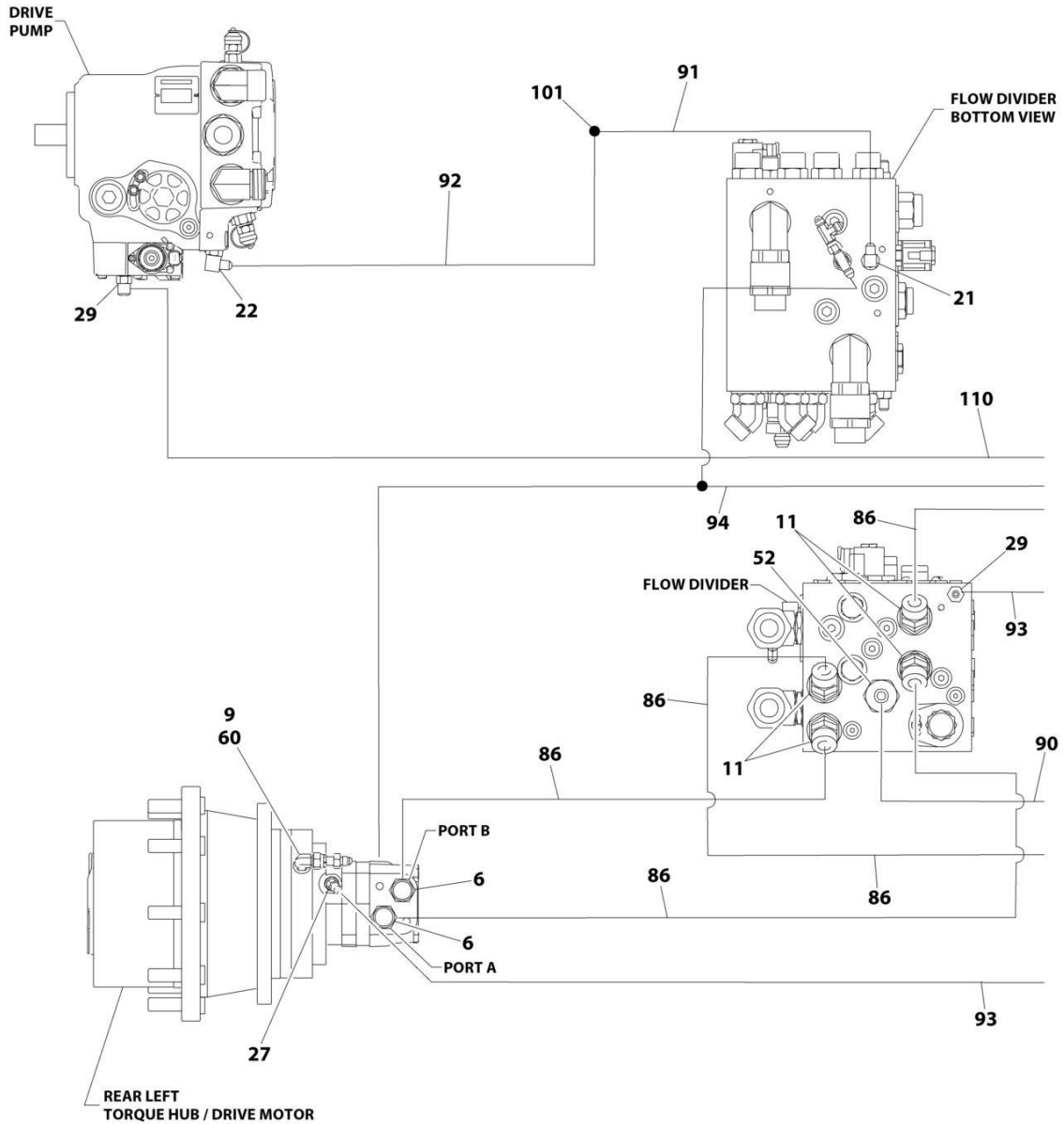
SECTION 7 - HYDRAULIC

FIGURE 7-2. HYDRAULIC INSTALLATION (FRONT AXLE) - 18RSJ

ITEM	PART NUMBER	QTY	DESCRIPTION	REV
	1001180572	Ref	HYDRAULIC INSTALLATION (FRONT AXLE) - 18RSJ	B
6	2111010	AR	Fitting, Straight ORFS/ORB	
7	2111212	AR	Fitting, Straight ORFS/ORB	
8	2111616	AR	Fitting, Straight ORFS/ORB	
10	2131616	AR	Fitting, 90 ORFS/ORB	
12	2172116	AR	Fitting, 90 ORFS/FSORBS	
13	2220366	AR	Fitting, 90 JIC/ORB	
14	2220371	AR	Fitting, Straight JIC/ORB	
16	2220373	AR	Fitting, Straight JIC/ORB	
19	2220415	AR	Fitting, Straight JIC/ORB	
30	2220605	AR	Fitting, Tee JIC/FSJIC/JIC	
35	2220861	AR	Fitting, Tee JIC/FSJIC/JIC	
41	2221041	AR	Fitting, Tee	
45	4641282	AR	Valve, Orifice Check	
48	77133089	AR	Valve, Mini Check	
54	1001141014	AR	Fitting, Straight JIC/JIC	
57	1001142679	AR	Fitting, Straight ORFS/ORB	
61	1001143936	AR	Fitting, 90 FORB/ORB	
80	1001146316	AR	Hose	
81	1001146317	AR	Hose	
82	1001146319	AR	Hose	
83	1001146320	AR	Hose	
84	1001146321	AR	Hose	
85	1001146322	AR	Hose	
87	1001146324	AR	Hose	
88	1001146325	AR	Hose	
89	1001146326	AR	Hose	
100	1001152155	AR	Fitting, Straight JIC/ORB	

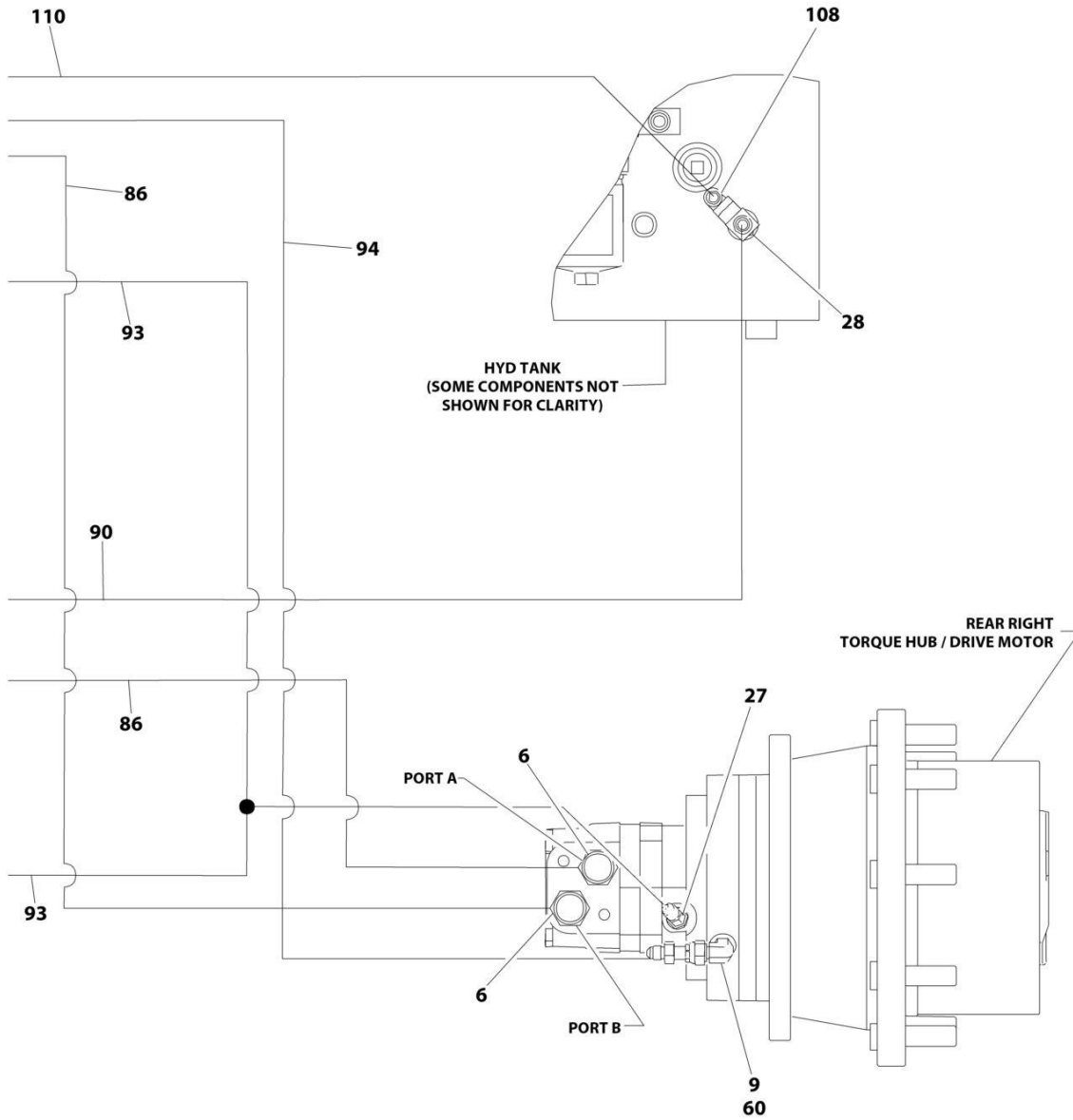
SECTION 7 - HYDRAULIC

FIGURE 7-3. HYDRAULIC INSTALLATION (REAR AXLE) - 18RS



ART_1001143680_30F8

SECTION 7 - HYDRAULIC



ART_1001143680_4OF8

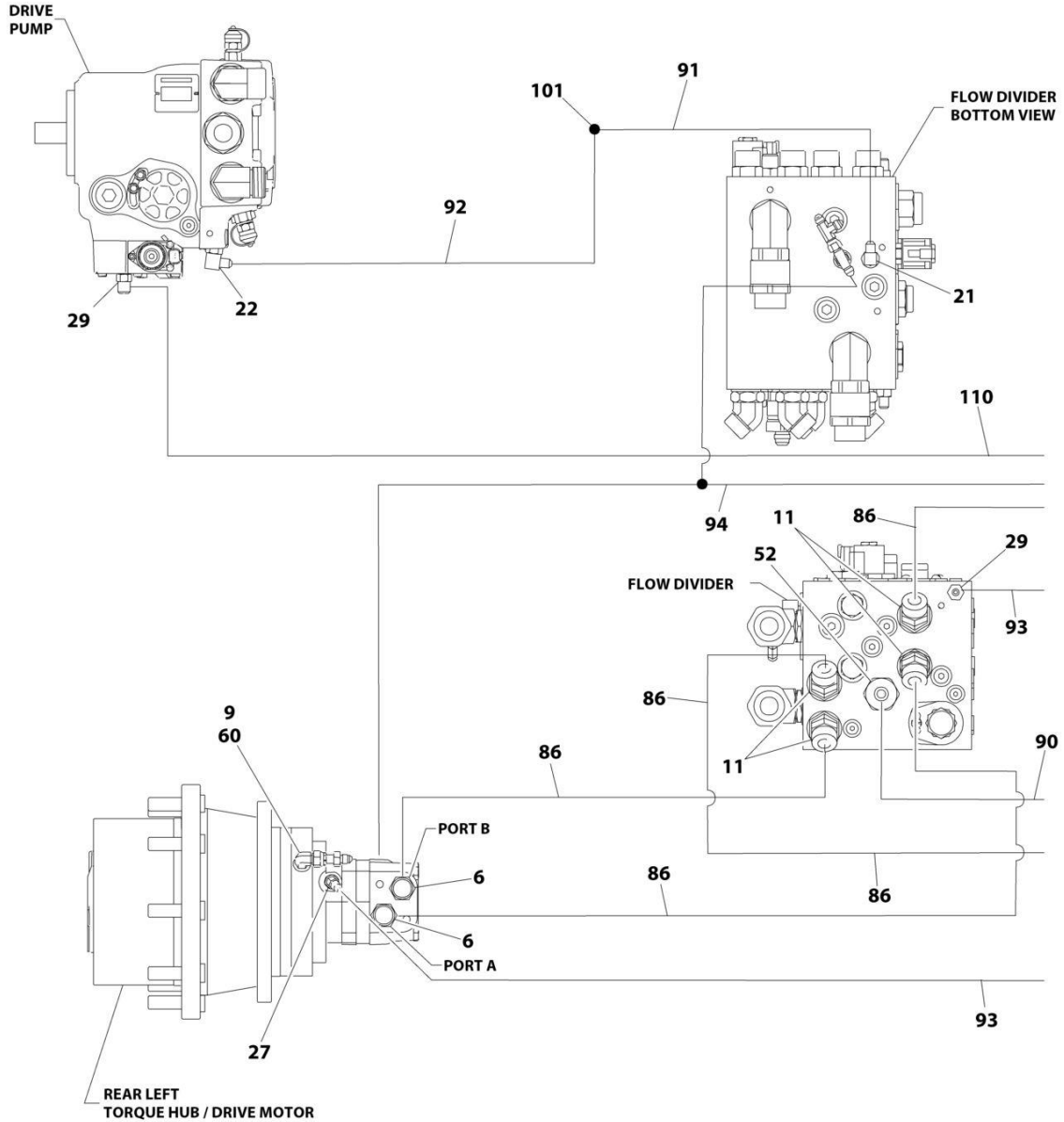
SECTION 7 - HYDRAULIC

FIGURE 7-3. HYDRAULIC INSTALLATION (REAR AXLE) - 18RS

ITEM	PART NUMBER	QTY	DESCRIPTION	REV
	1001143680	Ref	HYDRAULIC INSTALLATION (REAR AXLE) - 18RS	F
6	2111010	AR	Fitting, Straight ORFS/ORB	
9	2130404	AR	Fitting, 90 ORFS/ORB	
11	2151212	AR	Fitting, 45 ORFS/ORB	
21	2220466	AR	Fitting, 90 JIC/ORB	
22	2220472	AR	Fitting, 90 JIC/ORB	
27	2220502	AR	Fitting, 45 JIC/ORB	
28	2220602	AR	Fitting, Tee JIC/ORB/JIC	
29	2220603	AR	Fitting, Straight JIC/ORB	
52	1001119627	AR	Fitting, Straight JIC/ORB	
60	1001143602	AR	Fitting, Straight JIC/FSORBFS	
86	1001146323	AR	Hose	
90	1001146328	AR	Hose	
91	1001146332	AR	Hose	
92	1001146333	AR	Hose	
93	1001146334	AR	Hose	
94	1001146335	AR	Hose	
101	1001152170	AR	Fitting, Straight JIC/JIC	
108	8765204	AR	Fitting, 90 JIC/JIC	
110	1001157318	AR	Hose	

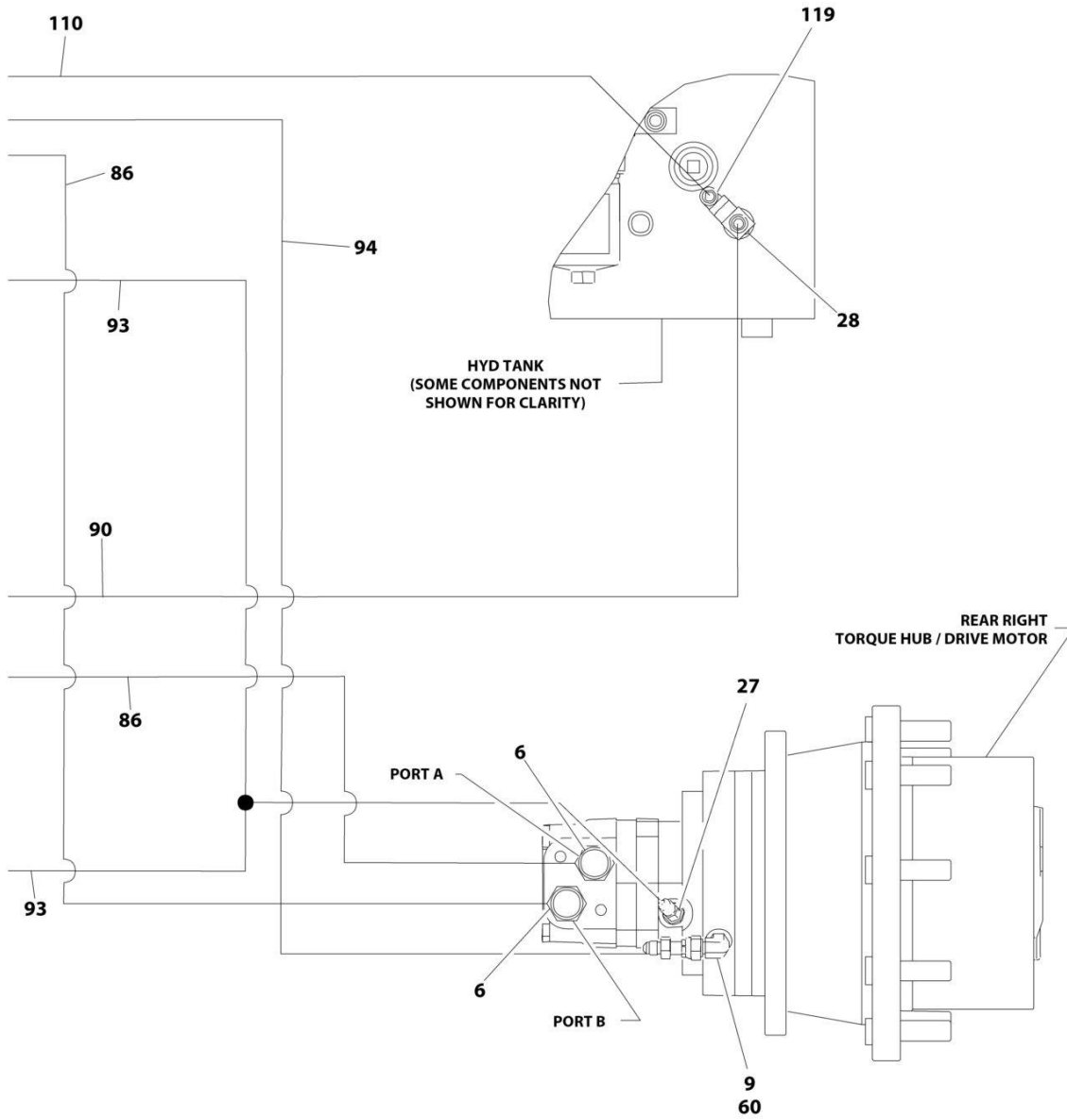
SECTION 7 - HYDRAULIC

FIGURE 7-4. HYDRAULIC INSTALLATION (REAR AXLE) - 18RSJ



ART_1001180572_30F8

SECTION 7 - HYDRAULIC



ART_1001180572_40F8

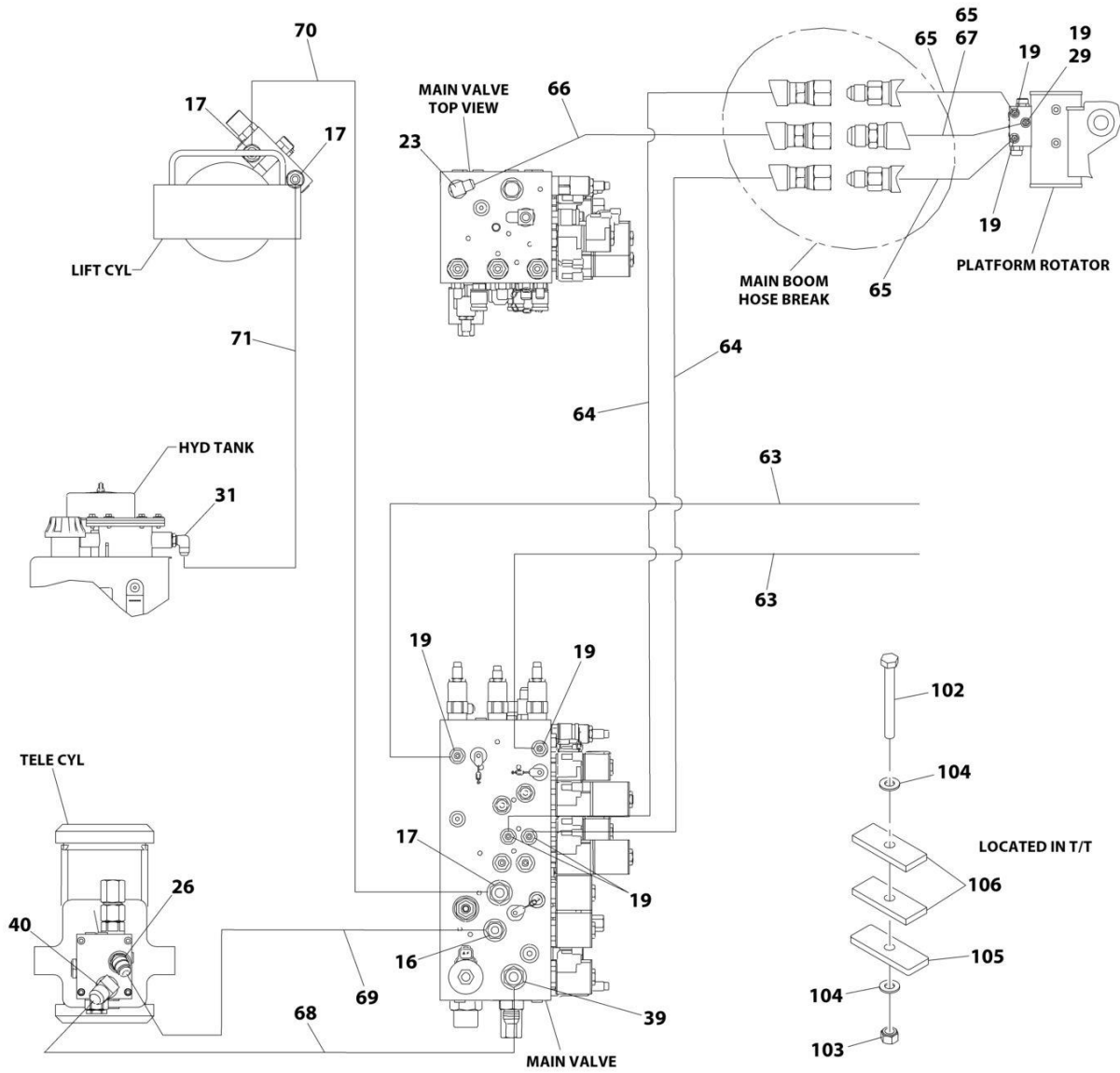
SECTION 7 - HYDRAULIC

FIGURE 7-4. HYDRAULIC INSTALLATION (REAR AXLE) - 18RSJ

ITEM	PART NUMBER	QTY	DESCRIPTION	REV
	1001180572	Ref	HYDRAULIC INSTALLATION (REAR AXLE) - 18RSJ	B
6	2111010	AR	Fitting, Straight ORFS/ORB	
9	2130404	AR	Fitting, 90 ORFS/ORB	
11	2151212	AR	Fitting, 45 ORFS/ORB	
21	2220466	AR	Fitting, 90 JIC/ORB	
22	2220472	AR	Fitting, 90 JIC/ORB	
27	2220502	AR	Fitting, 45 JIC/ORB	
28	2220602	AR	Fitting, Tee JIC/ORB/JIC	
29	2220603	AR	Fitting, Straight JIC/ORB	
52	1001119627	AR	Fitting, Straight JIC/ORB	
60	1001143602	AR	Fitting, Straight JIC/FSORBFS	
86	1001146323	AR	Hose	
90	1001146328	AR	Hose	
91	1001146332	AR	Hose	
92	1001146333	AR	Hose	
93	1001146334	AR	Hose	
94	1001146335	AR	Hose	
101	1001152170	AR	Fitting, Straight JIC/JIC	
110	1001157318	AR	Hose	
119	8765204	AR	Fitting, 90 JIC/JIC	

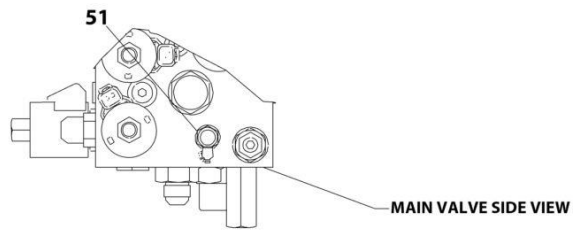
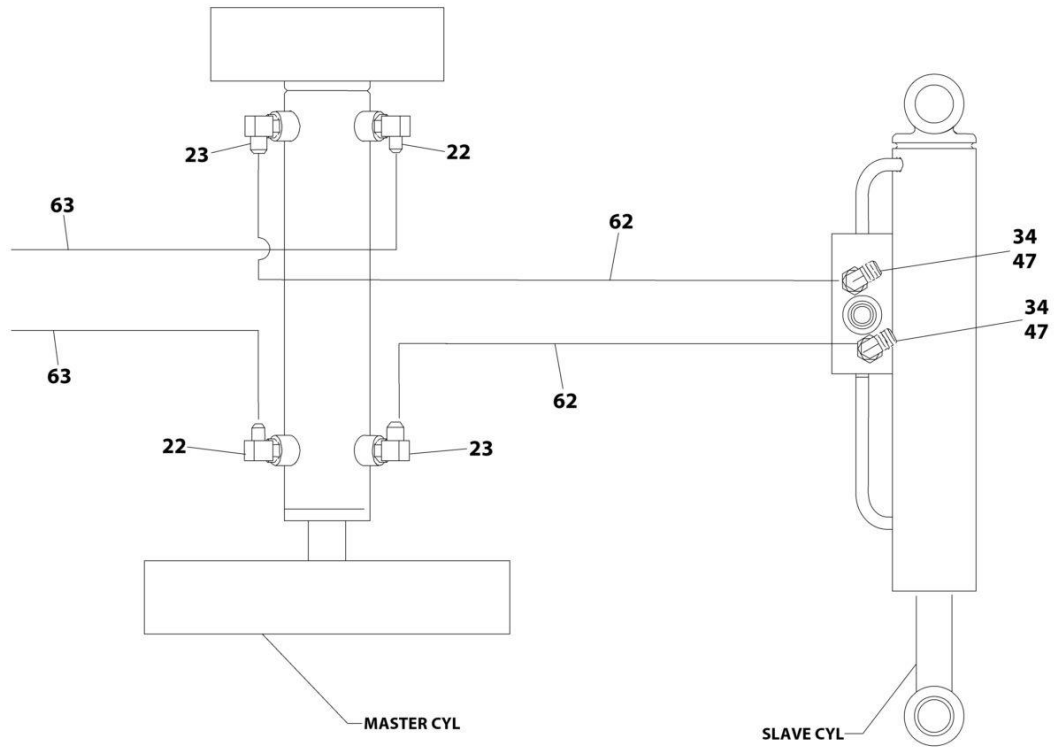
SECTION 7 - HYDRAULIC

FIGURE 7-5. HYDRAULIC INSTALLATION (BOOM) - 18RS



ART_1001143680_50F8

SECTION 7 - HYDRAULIC



ART_1001143680_60F8

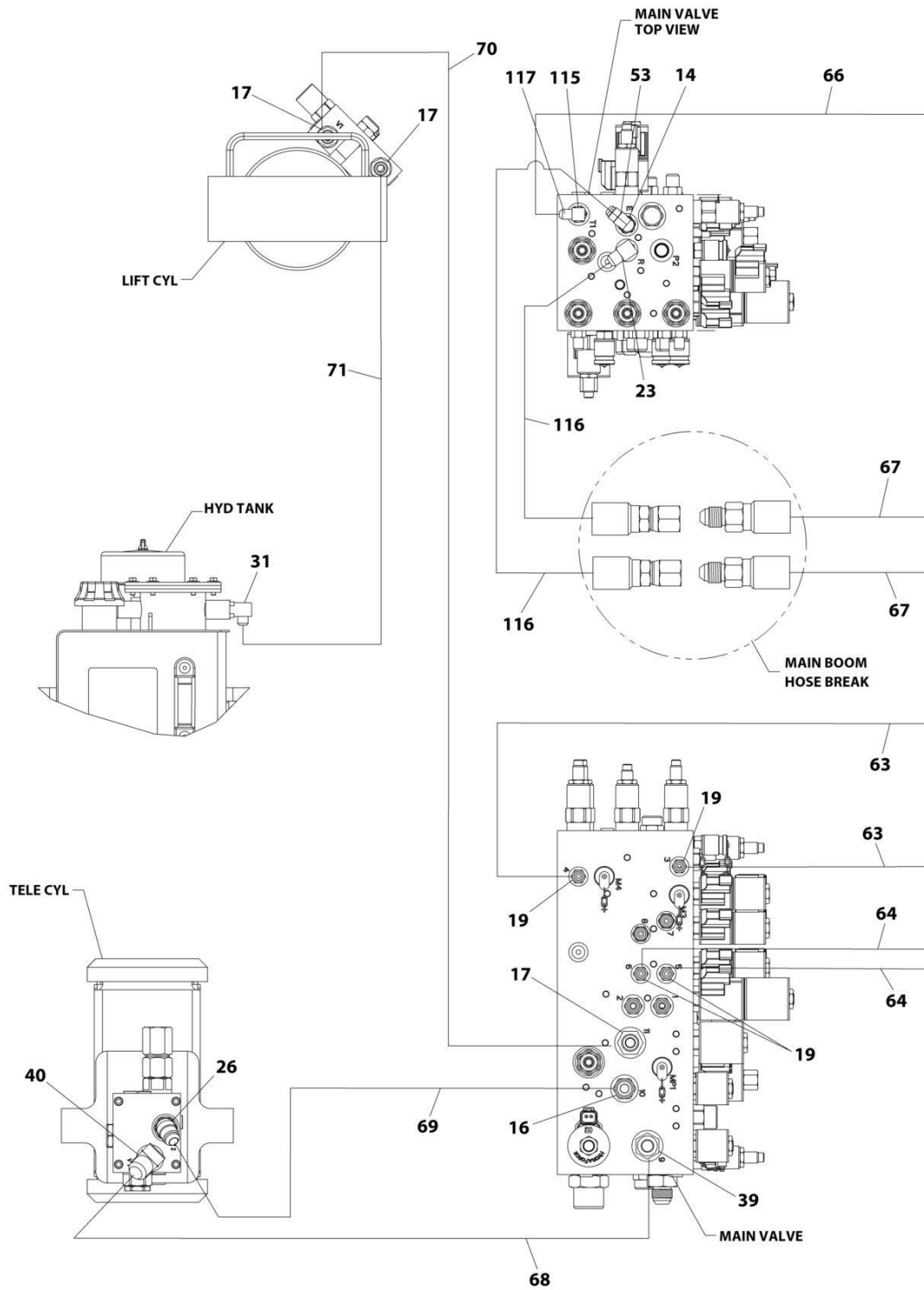
SECTION 7 - HYDRAULIC

FIGURE 7-5. HYDRAULIC INSTALLATION (BOOM) - 18RS

ITEM	PART NUMBER	QTY	DESCRIPTION	REV
	1001143680	Ref	HYDRAULIC INSTALLATION (BOOM) - 18RS	F
16	2220373	AR	Fitting, Straight JIC/ORB	
17	2220374	AR	Fitting, Straight JIC/ORB	
19	2220415	AR	Fitting, Straight JIC/ORB	
22	2220472	AR	Fitting, 90 JIC/ORB	
23	2220473	AR	Fitting, 90 JIC/ORB	
26	2220500	AR	Fitting, 45 JIC/ORB	
29	2220603	AR	Fitting, Straight JIC/ORB (Prior to SN B300001152)	
31	2220671	AR	Fitting, 90 JIC/ORB	
34	2220819	AR	Fitting, 90 JIC/ORB	
39	2220947	AR	Fitting, Straight JIC/ORB	
40	2220950	AR	Fitting, 45 JIC/ORB	
47	8770016	AR	Fitting, Straight FORB/ORB	
51	1001119455	AR	Valve, Oil Sampling	
62	1001144270	AR	Hose	
63	1001144273	AR	Hose	
64	1001144274	AR	Hose	
65	1001144275	AR	Hose	
66	1001144279	AR	Hose	
67	1001144280	AR	Hose (Prior to SN B300001152)	
68	1001144281	AR	Hose	
69	1001144282	AR	Hose	
70	1001144284	AR	Hose	
71	1001144285	AR	Hose	
102	0761229	1	Bolt M12 x 120	
103	3291205	1	Nut M12	
104	4812100	2	Washer M12	
105	1001153787	1	Bar	
106	1001153788	2	Pad	

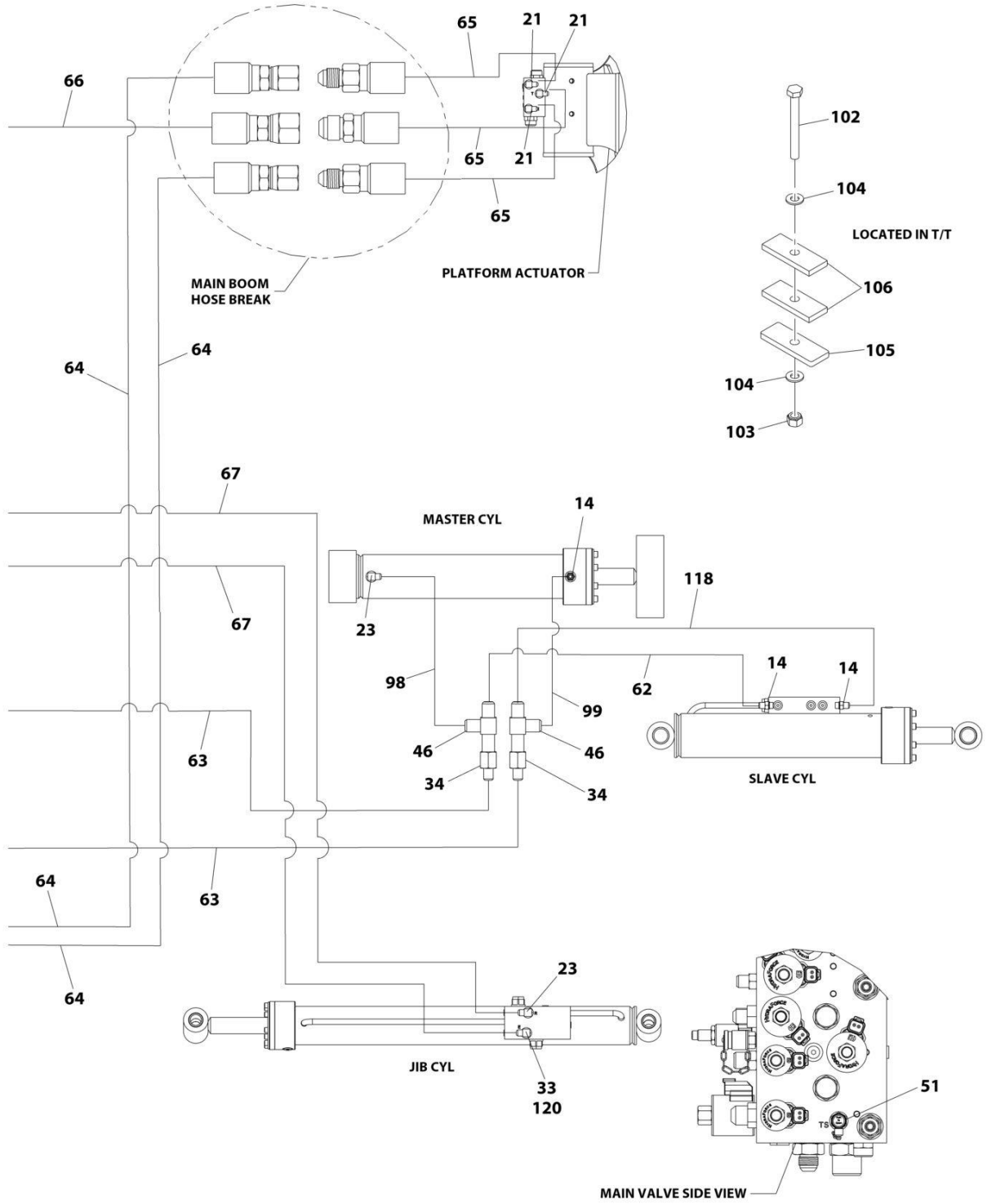
SECTION 7 - HYDRAULIC

FIGURE 7-6. HYDRAULIC INSTALLATION (BOOM) - 18RSJ



ART_1001180572_SOF8

SECTION 7 - HYDRAULIC



ART_1001180572_GOF8

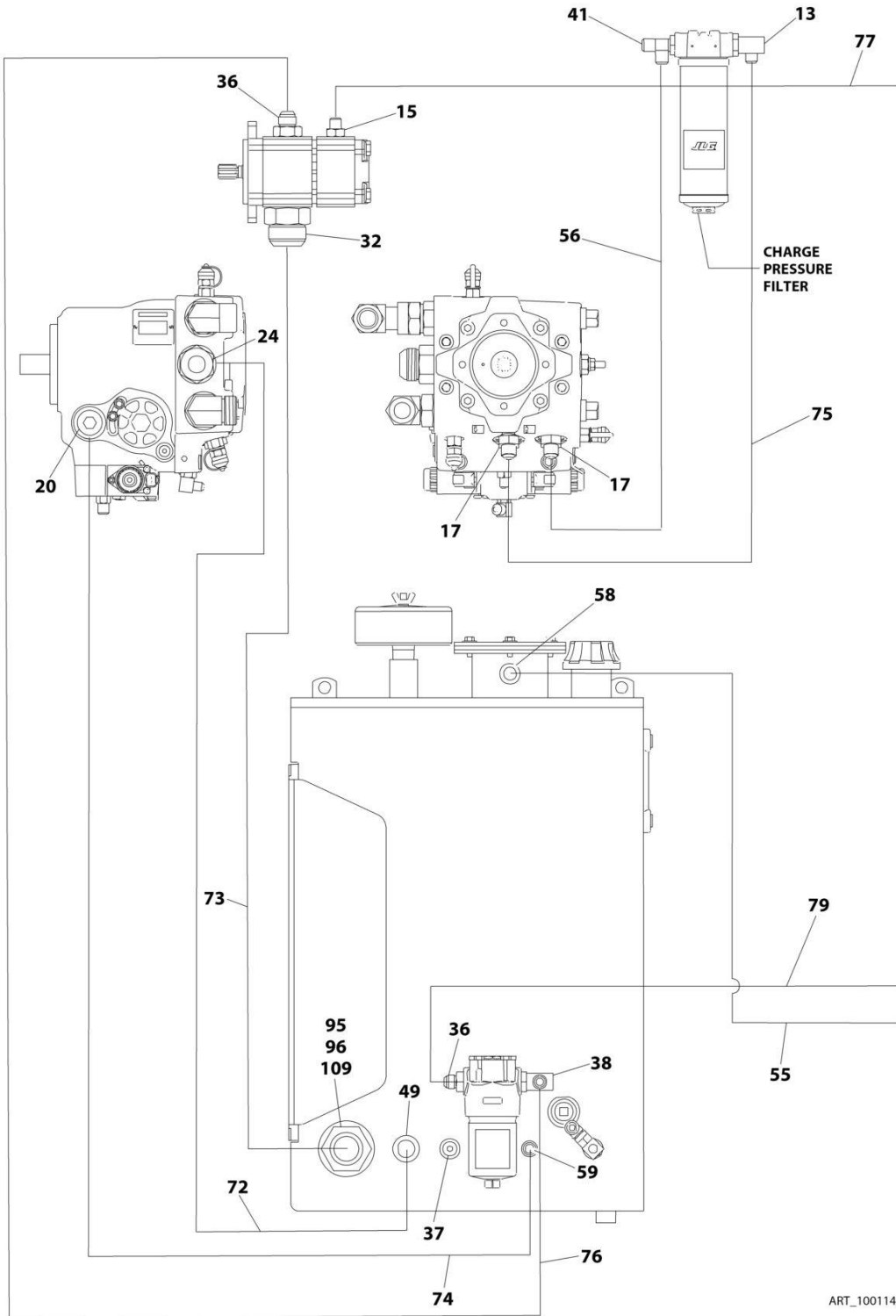
SECTION 7 - HYDRAULIC

FIGURE 7-6. HYDRAULIC INSTALLATION (BOOM) - 18RSJ

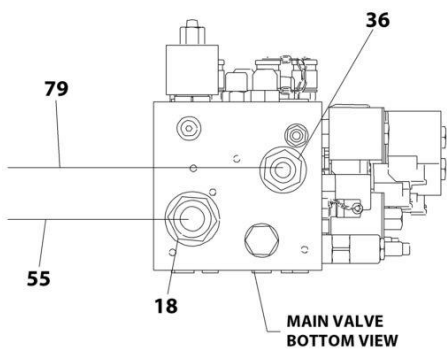
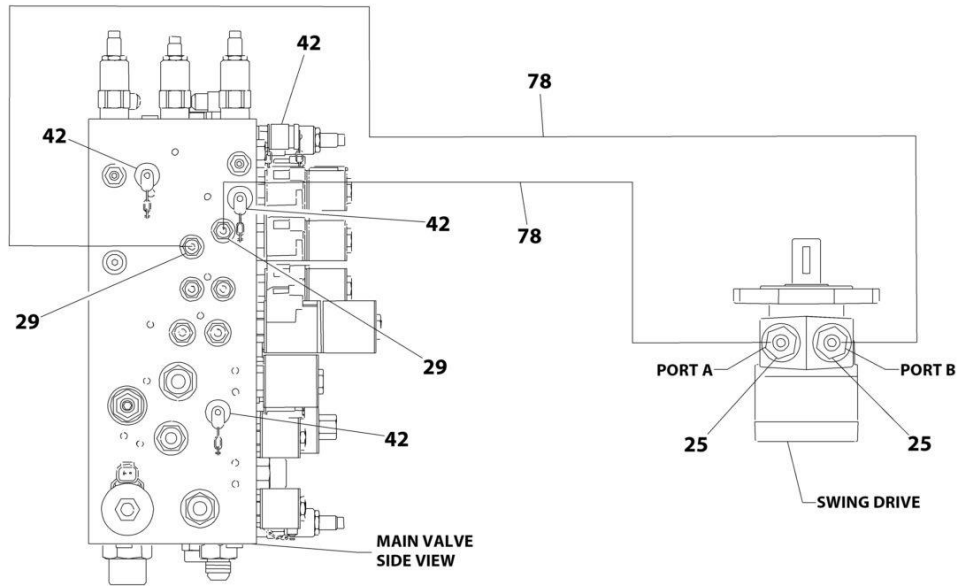
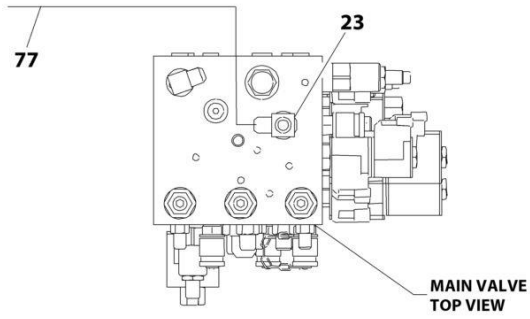
ITEM	PART NUMBER	QTY	DESCRIPTION	REV
	1001180572	Ref	HYDRAULIC INSTALLATION (BOOM) - 18RSJ	B
14	2220371	AR	Fitting, Straight JIC/ORB	
16	2220373	AR	Fitting, Straight JIC/ORB	
17	2220374	AR	Fitting, Straight JIC/ORB	
19	2220415	AR	Fitting, Straight JIC/ORB	
21	2220466	AR	Fitting, 90 JIC/ORB	
23	2220473	AR	Fitting, 90 JIC/ORB	
26	2220500	AR	Fitting, 45 JIC/ORB	
31	2220671	AR	Fitting, 90 JIC/ORB	
33	2180380	AR	Plug NPTF	
34	2220609	AR	Fitting, Straight JIC/FSJIC	
39	2220947	AR	Fitting, Straight JIC/ORB	
40	2220950	AR	Fitting, 45 JIC/ORB	
46	10725302	AR	Fitting, Tee JIC/JIC/JIC	
47	8770016	AR	Fitting, Straight FORB/ORB	
51	1001119455	AR	Valve, Oil Sampling	
53	8760268	AR	Fitting, 90 JIC/FSJIC	
62	1001144270	AR	Hose	
63	1001185921	AR	Hose	
64	1001144274	AR	Hose	
65	1001186138	AR	Hose	
66	1001144279	AR	Hose	
67	1001186137	AR	Hose	
68	1001144281	AR	Hose	
69	1001144282	AR	Hose	
70	1001144284	AR	Hose	
71	1001144285	AR	Hose	
98	1001184251	AR	Hose	
99	1001184256	AR	Hose	
102	0761229	1	Bolt M12 x 120	
103	3291205	1	Nut M12	
104	4812100	2	Washer M12	
105	1001153787	1	Bar	
106	1001153788	2	Pad	
115	2220582	AR	Fitting, Straight JIC/ORB	
116	1001187259	AR	Hose	
117	2220654	AR	Fitting, 90 JIC/FSJIC	
118	1001194343	AR	Hose	
120	2180724	AR	Fitting, 90	

SECTION 7 - HYDRAULIC

FIGURE 7-7. HYDRAULIC INSTALLATION (DRIVE PUMP) - 18RS



SECTION 7 - HYDRAULIC



ART_1001143680_80F8

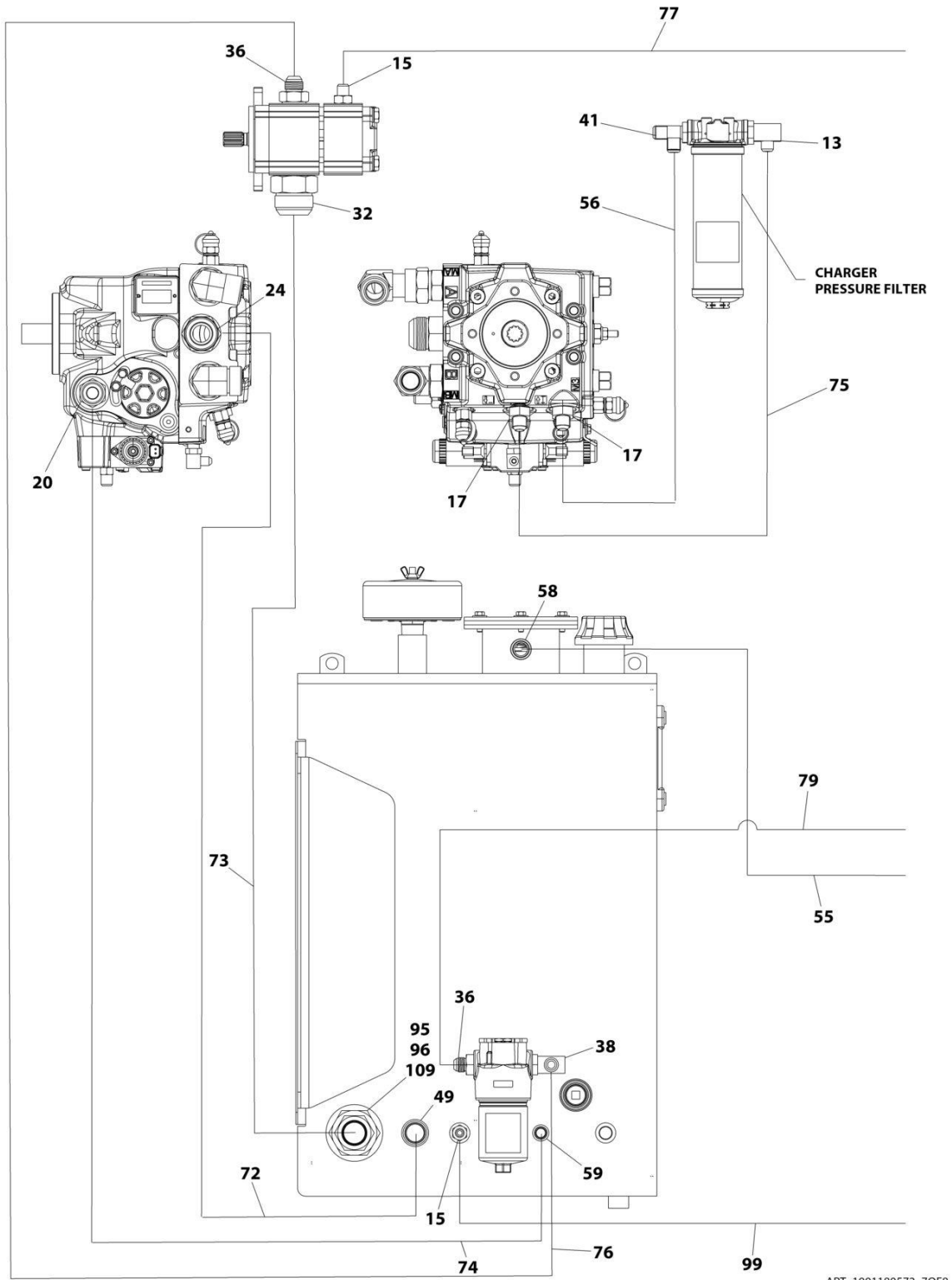
SECTION 7 - HYDRAULIC

FIGURE 7-7. HYDRAULIC INSTALLATION (DRIVE PUMP) - 18RS

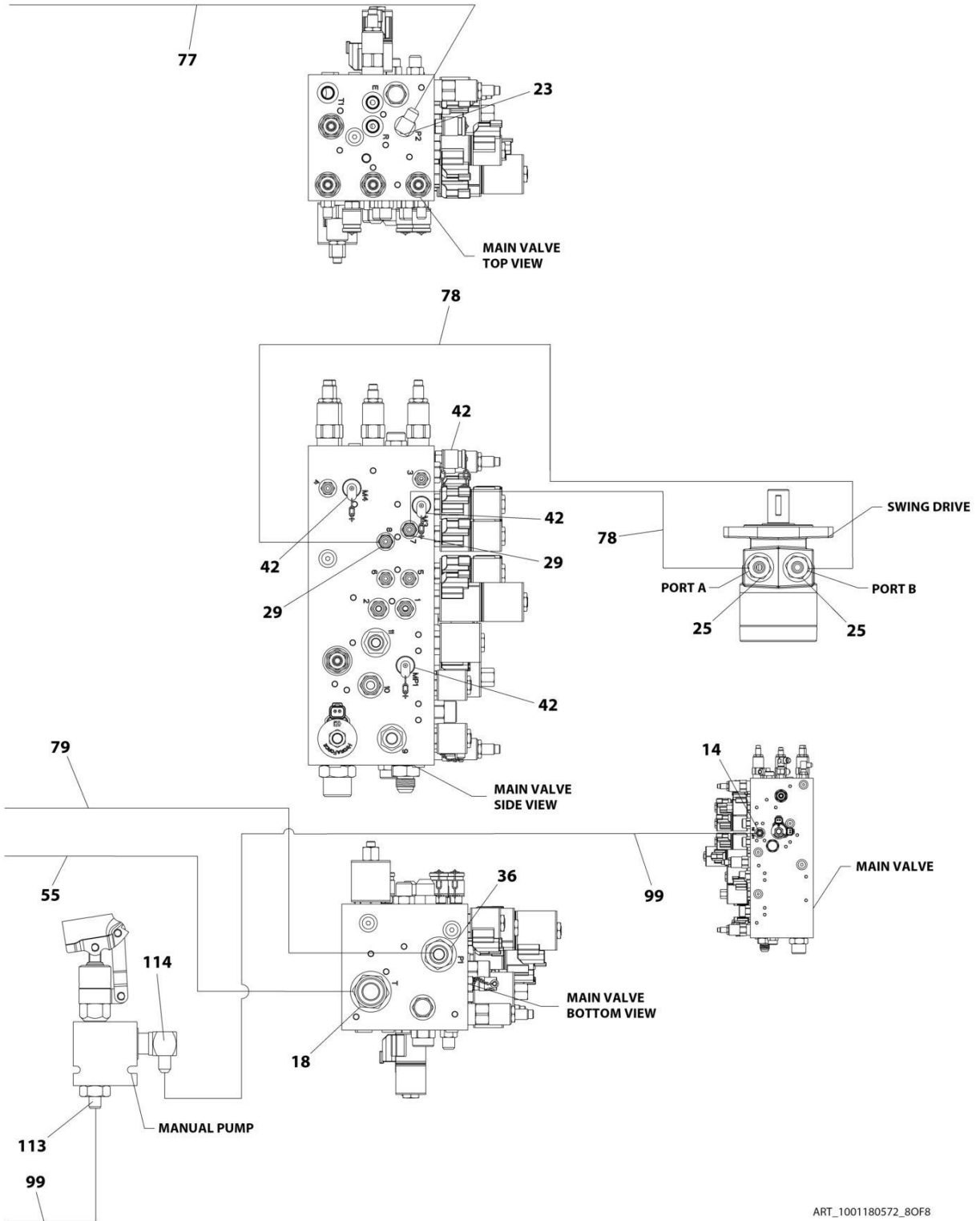
ITEM	PART NUMBER	QTY	DESCRIPTION	REV
	1001143680	Ref	HYDRAULIC INSTALLATION (DRIVE PUMP) - 18RS	F
13	2220366	AR	Fitting, 90 JIC/ORB	
15	2220372	AR	Fitting, Straight JIC/ORB	
17	2220374	AR	Fitting, Straight JIC/ORB	
18	2220377	AR	Fitting, Straight JIC/ORB	
20	2220451	AR	Fitting, Straight JIC/ORB	
23	2220473	AR	Fitting, 90 JIC/ORB	
24	2220479	AR	Fitting, Straight JIC/ORB	
25	2220497	AR	Fitting, Straight JIC/ORB	
29	2220603	AR	Fitting, Straight JIC/ORB	
32	2220689	AR	Fitting, Straight JIC/ORB	
36	2220865	AR	Fitting, Straight JIC/ORB	
37	2220886	AR	Fitting, Plug ORB	
38	2220906	4	Fitting, 90 JIC/ORB	
42	2221086	AR	Fitting, Test	
49	80633030	1	Clamp	
55	1001141373	AR	Hose	
56	1001142246	AR	Hose	
58	1001143501	1	Clamp	
59	1001143517	1	Clamp	
72	1001145002	AR	Hose	
73	1001146307	AR	Hose	
74	1001146308	AR	Hose	
75	1001146310	AR	Hose	
76	1001146311	AR	Hose	
77	1001146312	AR	Hose	
78	1001146313	1	Hose	
79	1001146315	1	Hose	
95	1001146391	AR	Fitting, Straight MORB/FORB	
96	1001146392	AR	Fitting, Straight BARBED/ORB	
109	90028482	1	Clamp	

SECTION 7 - HYDRAULIC

FIGURE 7-8. HYDRAULIC INSTALLATION (DRIVE PUMP) - 18RSJ



SECTION 7 - HYDRAULIC



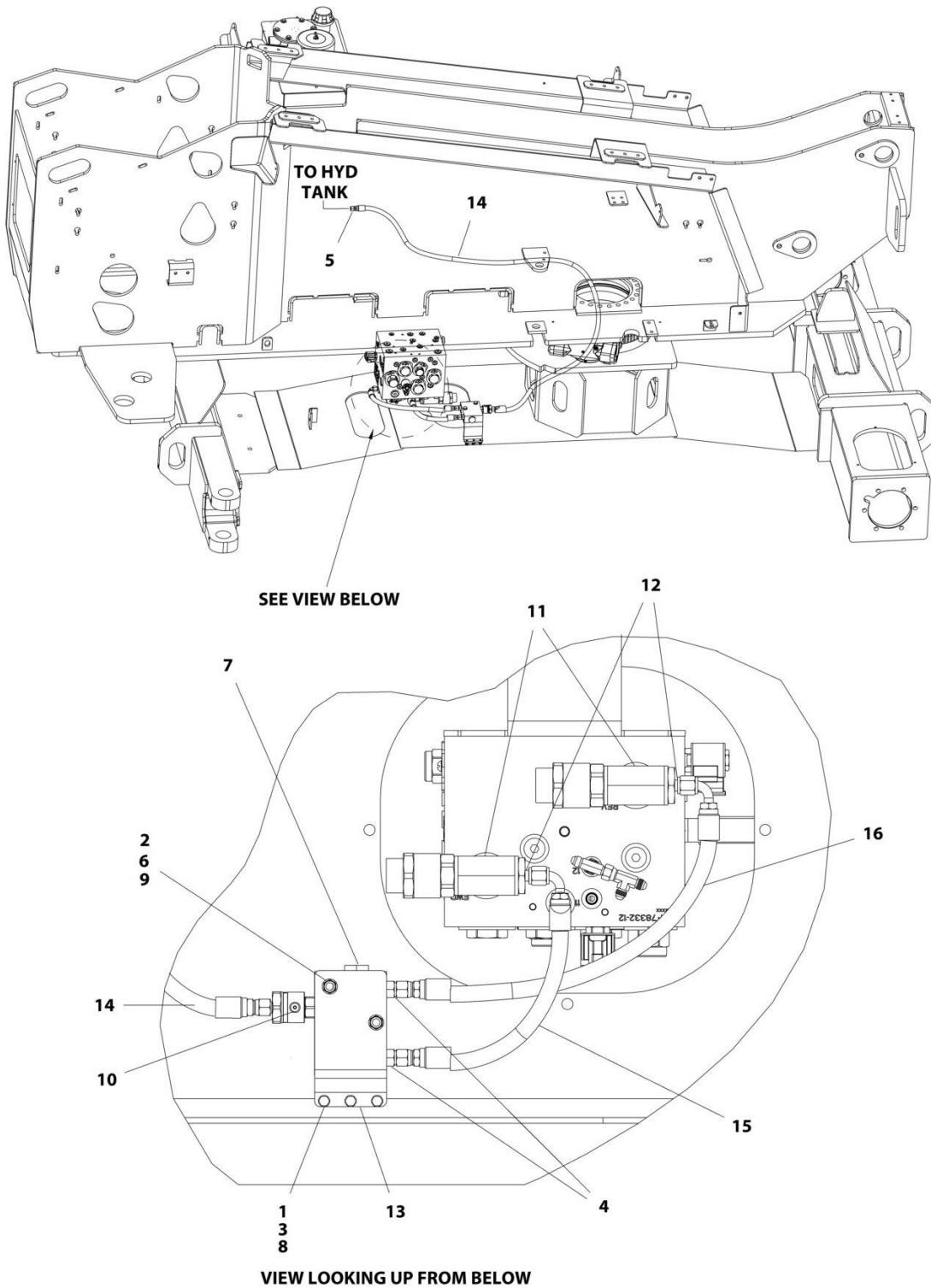
SECTION 7 - HYDRAULIC

FIGURE 7-8. HYDRAULIC INSTALLATION (DRIVE PUMP) - 18RSJ

ITEM	PART NUMBER	QTY	DESCRIPTION	REV
	1001180572	Ref	HYDRAULIC INSTALLATION (DRIVE PUMP) - 18RSJ	B
13	2220366	AR	Fitting, 90 JIC/ORB	
14	2220371	AR	Fitting, Straight JIC/ORB	
15	2220372	AR	Fitting, Straight JIC/ORB	
17	2220374	AR	Fitting, Straight JIC/ORB	
18	2220377	AR	Fitting, Straight JIC/ORB	
20	2220451	AR	Fitting, Straight JIC/ORB	
23	2220473	AR	Fitting, 90 JIC/ORB	
24	2220479	AR	Fitting, Straight JIC/ORB	
25	2220497	AR	Fitting, Straight JIC/ORB	
29	2220603	AR	Fitting, Straight JIC/ORB	
32	2220689	AR	Fitting, Straight JIC/ORB	
36	2220865	AR	Fitting, Straight JIC/ORB	
38	2220906	4	Fitting, 90 JIC/ORB	
41	2221041	AR	Fitting, Tee	
42	2221086	AR	Fitting, Test	
49	80633030	1	Clamp	
55	1001141373	AR	Hose	
56	1001142246	AR	Hose	
58	1001143501	1	Clamp	
59	1001143517	1	Clamp	
72	1001145002	AR	Hose	
73	1001146307	AR	Hose	
74	1001146308	AR	Hose	
75	1001146310	AR	Hose	
76	1001146311	AR	Hose	
77	1001146312	AR	Hose	
78	1001146313	1	Hose	
79	1001146315	1	Hose	
95	1001146391	AR	Fitting, Straight MORB/FORB	
96	1001146392	AR	Fitting, Straight BARBED/ORB	
99	1001184256	AR	Hose	
109	90028482	1	Clamp	
112	2220619	AR	Fitting, Straight JIC/FSJIC (Not Shown)	
113	2220577	AR	Fitting, Straight	
114	2221048	AR	Fitting, 90	

SECTION 7 - HYDRAULIC

FIGURE 7-9. HYDRAULIC FLUSHING LOOP INSTALLATION - 18RS



ART_1001200016

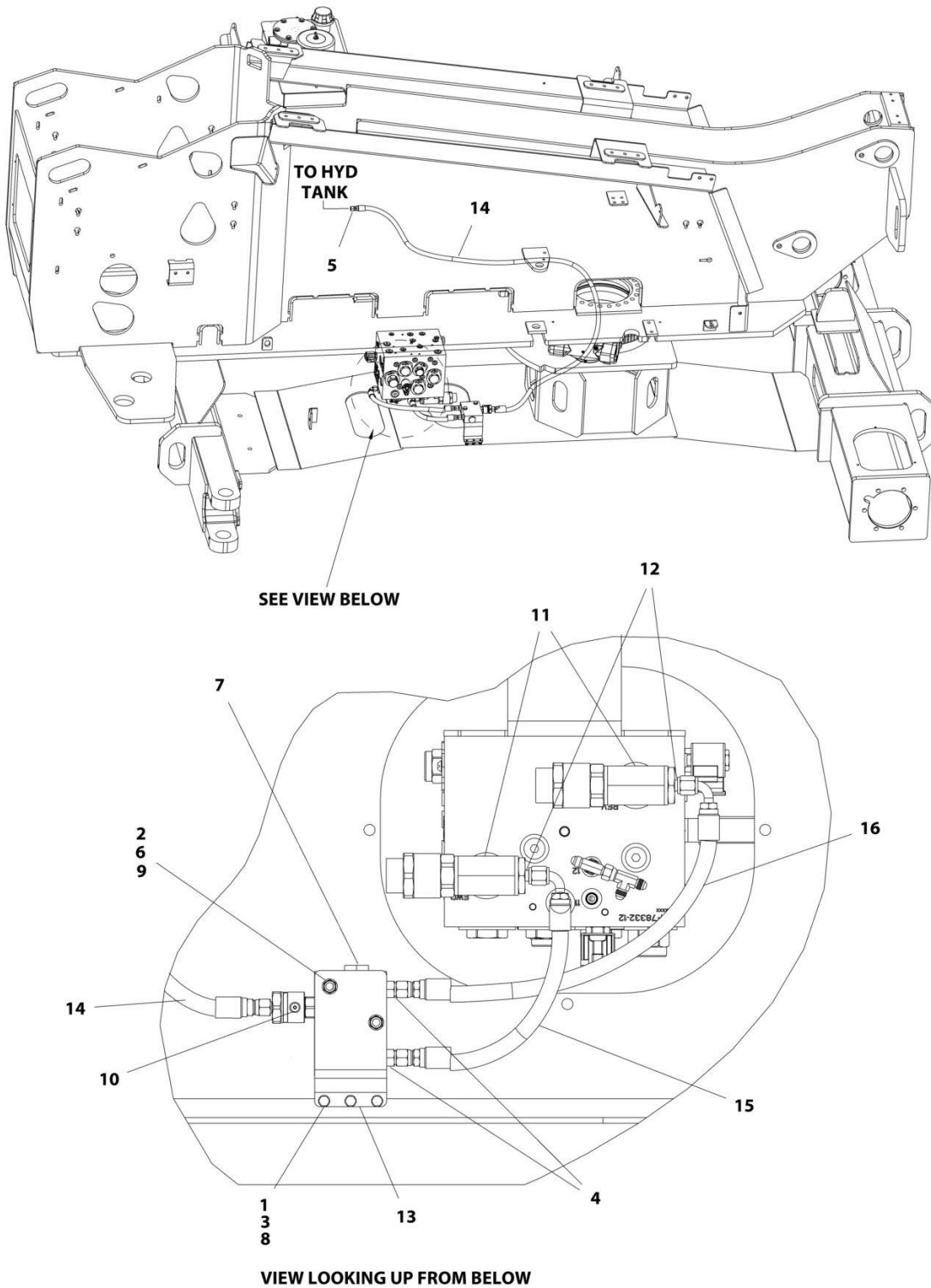
SECTION 7 - HYDRAULIC

FIGURE 7-9. HYDRAULIC FLUSHING LOOP INSTALLATION - 18RS

ITEM	PART NUMBER	QTY	DESCRIPTION	REV
	1001200016	Ref	HYDRAULIC FLUSHING LOOP INSTALLATION - 18RS	A
1	0100011	AR	Compound, Locking	
2	0700819	2	Bolt M8 X 55	
3	0760608	3	Bolt M6 X 16	
4	2220371	2	Fitting, Straight JIC/ORB	
5	2220372	1	Fitting, Straight JIC/ORB	
6	3290805	2	Nut M8	
7	4641329	1	Valve, Flushing Loop	
7	7021639	2	Cartridge, Valve	
7	7017496	2	Seal Kit - 7021639 Cartridge	
8	4811700	3	Washer M6	
9	4811900	4	Washer M8	
10	1001152155	1	Fitting, Straight JIC/ORB	
11	1001199923	2	Fitting, Tee FORB/FORB/ORB	
12	1001199929	2	Fitting, Straight JIC/ORB	
13	1001200018	1	Bracket	
14	1001146312	1	Hose	
15	1001200020	1	Hose	
16	1001200021	1	Hose	

SECTION 7 - HYDRAULIC

FIGURE 7-10. HYDRAULIC FLUSHING LOOP INSTALLATION - 18RSJ



ART_1001200017

SECTION 7 - HYDRAULIC

FIGURE 7-10. HYDRAULIC FLUSHING LOOP INSTALLATION - 18RSJ

ITEM	PART NUMBER	QTY	DESCRIPTION	REV
	1001200017	Ref	HYDRAULIC FLUSHING LOOP INSTALLATION - 18RSJ	B
1	0100011	AR	Compound, Locking	
2	0700819	2	Bolt M8 X 55	
3	0760608	3	Bolt M6 X 16	
4	2220371	2	Fitting, Straight JIC/ORB	
5	2220635	1	Fitting, Straight JIC/ORB	
6	3290805	2	Nut M8	
7	4641329	1	Valve, Flushing Loop	
7	7021639	2	Cartridge, Valve	
7	7017496	2	Seal Kit - 7021639 Cartridge	
8	4811700	3	Washer M6	
9	4811900	4	Washer M8	
10	1001152155	1	Fitting, Straight JIC/ORB	
11	1001199923	2	Fitting, Tee FORB/FORB/ORB	
12	1001199929	2	Fitting, Straight JIC/ORB	
13	1001200018	1	Bracket	
14	1001146312	1	Hose	
15	1001200020	1	Hose	
16	1001200021	1	Hose	

SECTION 7 - HYDRAULIC

FIGURE 7-11. HYDRAULIC DIAGRAM LIST

ITEM	PART NUMBER	QTY	DESCRIPTION	REV
		Ref	Note: Information on diagrams not shown is available from JLG Service/Parts Departments. See Service and Maintenance Manual for schematics.	
		Ref	HYDRAULIC DIAGRAM LIST	
	1001143680	Ref	Hydraulic Diagram Installation - 18RS	
	1001180572	Ref	Hydraulic Diagram Installation - 18RSJ	
	1001131499	Ref	Standard Hydraulic Schematic	

SECTION 8 - ELECTRICAL

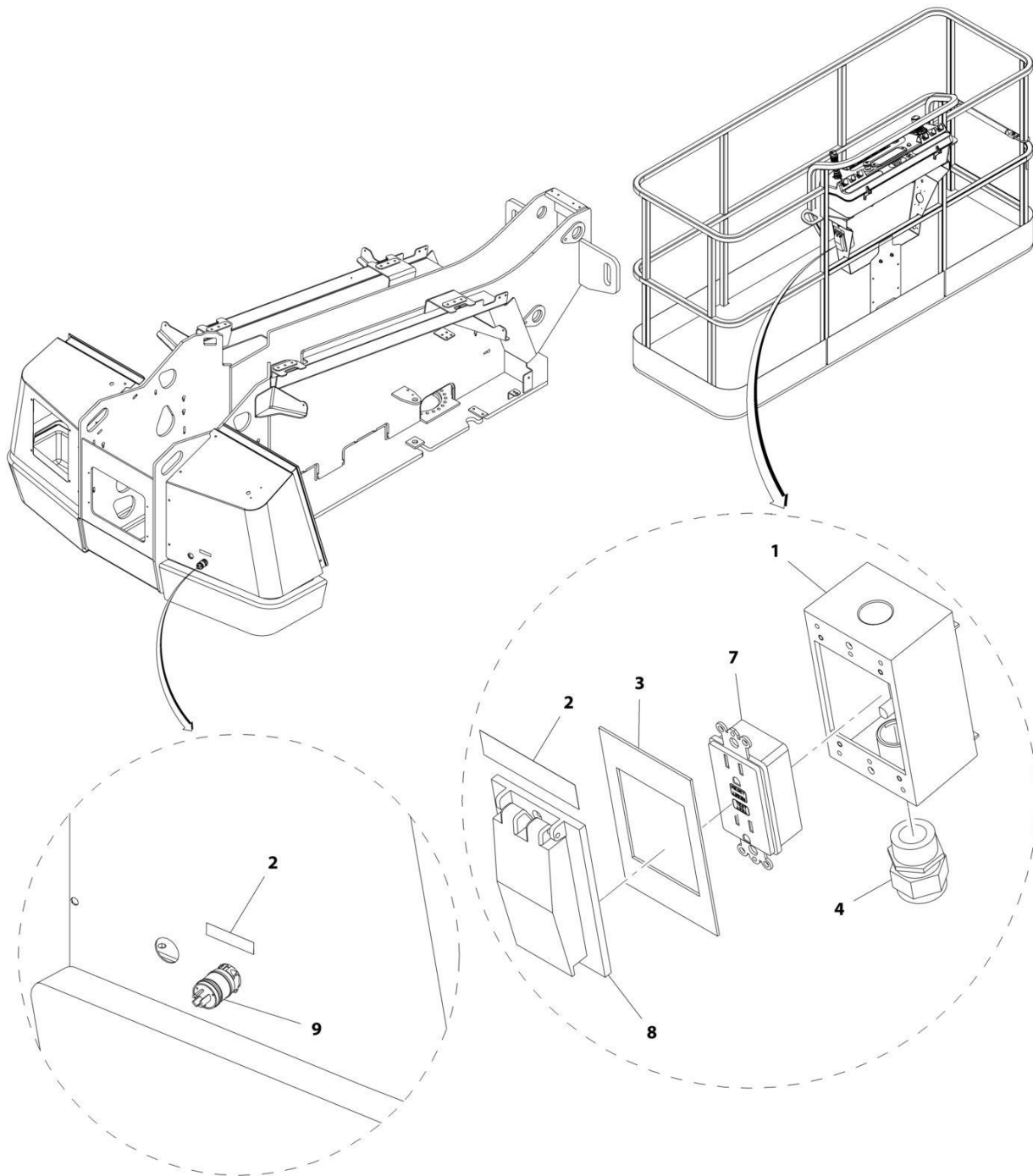
SECTION 8 - ELECTRICAL

FIGURE 8-1. ELECTRICAL DIAGRAM LIST

ITEM	PART NUMBER	QTY	DESCRIPTION	REV
		Ref	Note: Diagrams are available from the JLG Service Department. See Service and Maintenance Manual for schematics.	
		Ref	ELECTRICAL DIAGRAM LIST	
	1001145950	Ref	7500W Generator Electrical Diagram	
	1001129238	Ref	Standard Electrical Schematic	

SECTION 8 - ELECTRICAL

FIGURE 8-2. AC AT PLATFORM RECEPTACLE COMPONENTS - 110V GFI (ANSI EXPORT SPECS)



ART_1001141620

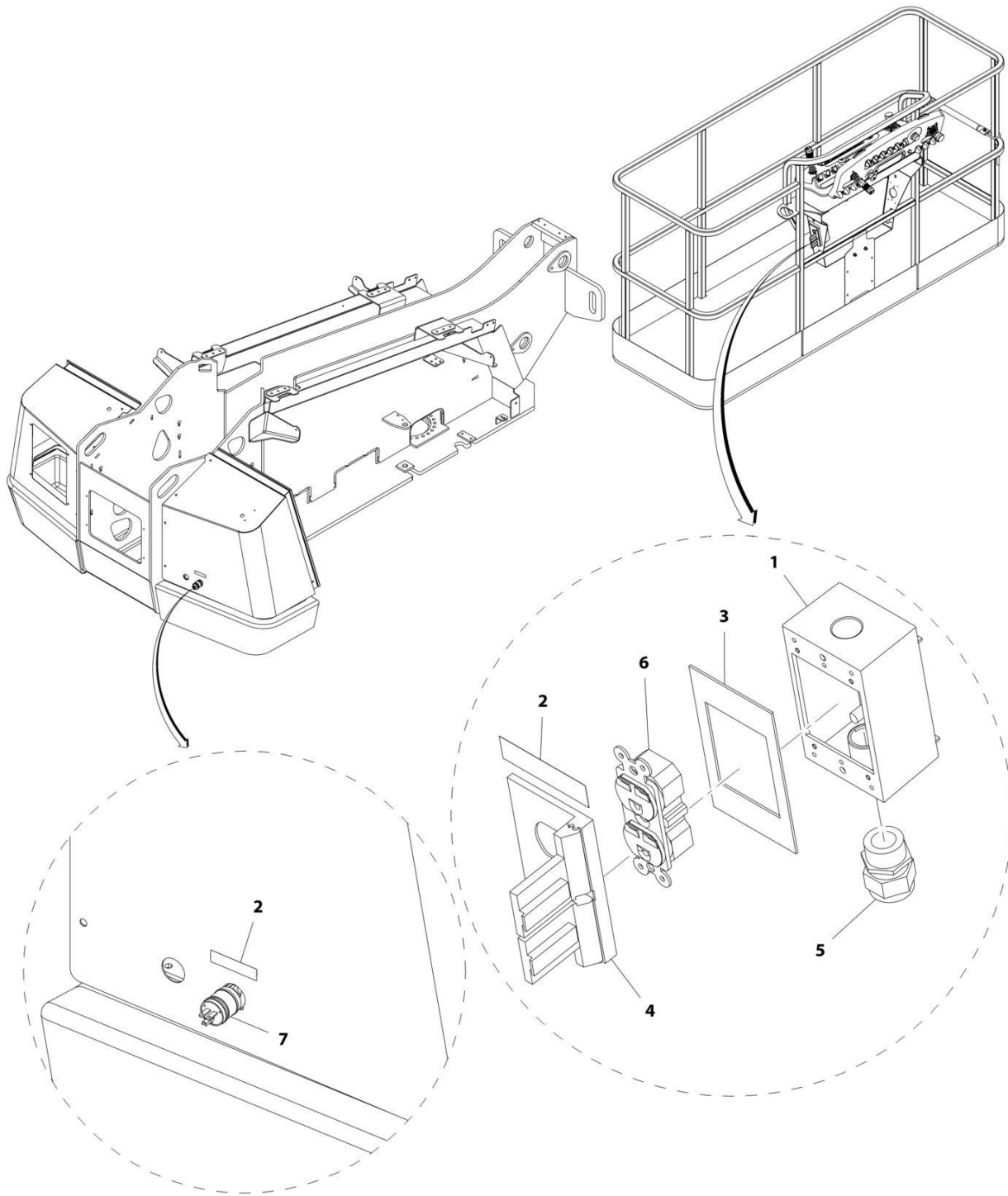
SECTION 8 - ELECTRICAL

FIGURE 8-2. AC AT PLATFORM RECEPTACLE COMPONENTS - 110V GFI (ANSI EXPORT SPECS)

ITEM	PART NUMBER	QTY	DESCRIPTION	REV
	1001141620	Ref	AC AT PLATFORM RECEPTACLE COMPONENTS - 110V GFI (ANSI EXPORT SPECS)	B
1	0860038	1	Box, Switch	
2	3251243	2	Decal - Voltage	
3	3960422	1	Gasket	
4	4460071	1	Connector, Strain Relief	
6	4460315	1	Receptacle (Not Shown)	
7	4460346	1	Receptacle	
8	1001110873	1	Shield, Cover	
9	4460205	1	Plug, Male	

SECTION 8 - ELECTRICAL

FIGURE 8-3. AC AT PLATFORM RECEPTACLE COMPONENTS - 220V (ANSI EXPORT SPECS)



ART_1001141622

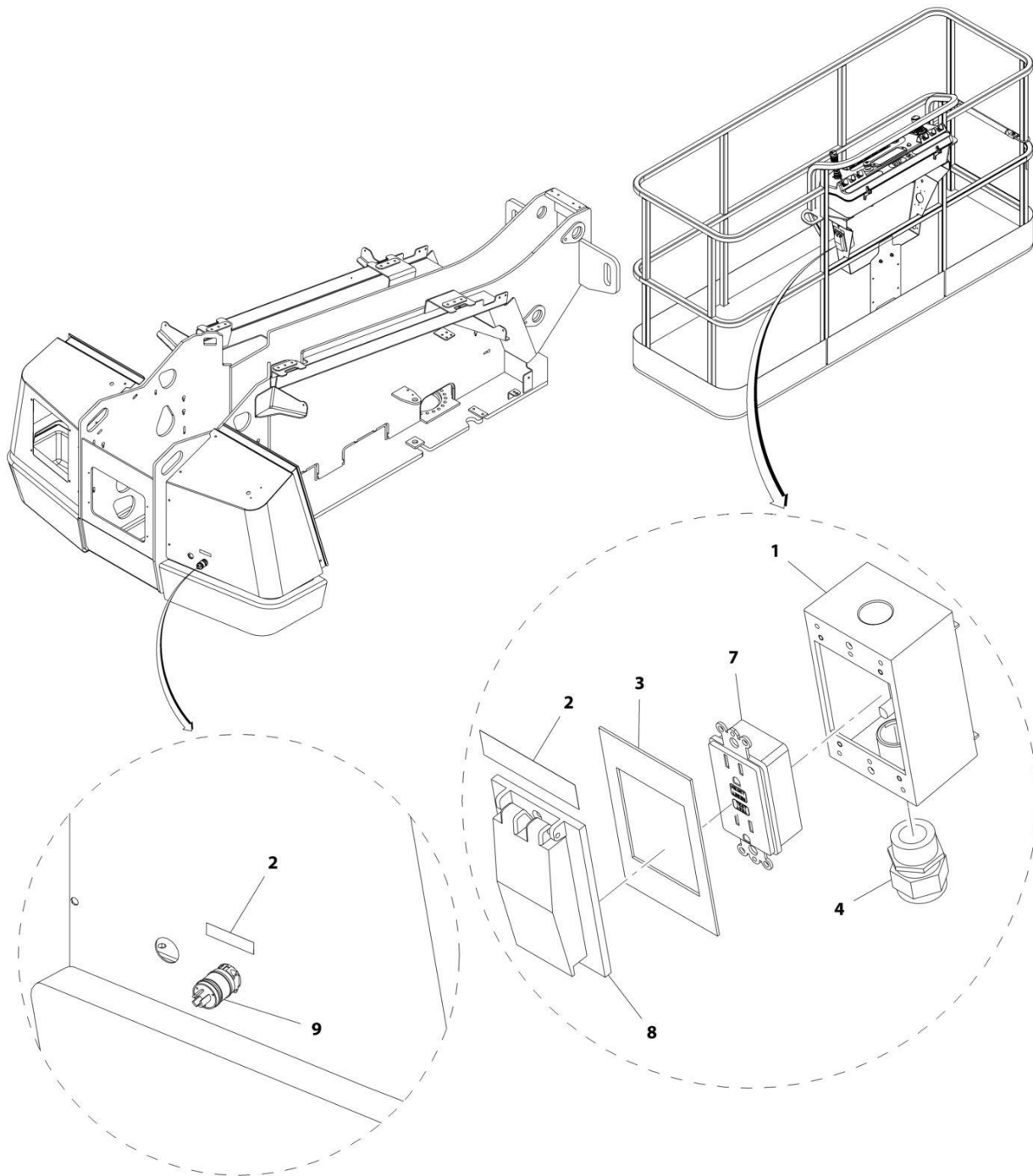
SECTION 8 - ELECTRICAL

FIGURE 8-3. AC AT PLATFORM RECEPTACLE COMPONENTS - 220V (ANSI EXPORT SPECS)

ITEM	PART NUMBER	QTY	DESCRIPTION	REV
	1001141622	Ref	AC AT PLATFORM RECEPTACLE COMPONENTS - 220V (ANSI EXPORT SPECS)	A
1	0860038	1	Box, Switch	
2	3252507	2	Decal - Voltage	
3	3960422	1	Gasket	
4	4060092	1	Shield, Cover	
5	4460071	1	Connector, Strain Relief	
6	4460125	1	Receptacle	
7	4460233	1	Plug, Male	

SECTION 8 - ELECTRICAL

FIGURE 8-4. AC AT PLATFORM RECEPTACLE COMPONENTS - DEALER/CUSTOMER SUPPLIED



ART_1001141621

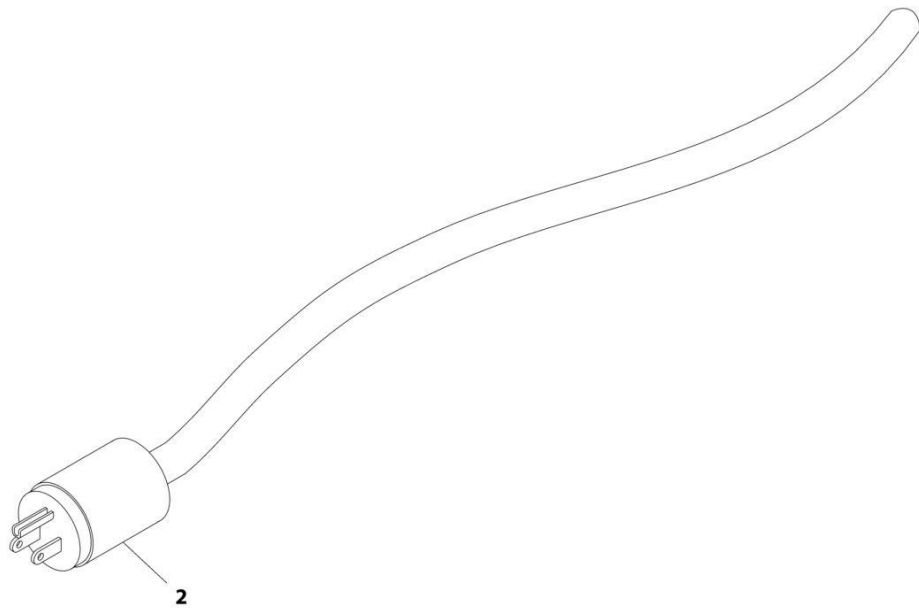
SECTION 8 - ELECTRICAL

FIGURE 8-4. AC AT PLATFORM RECEPTACLE COMPONENTS - DEALER/CUSTOMER SUPPLIED

ITEM	PART NUMBER	QTY	DESCRIPTION	REV
	1001141621	Ref	AC AT PLATFORM RECEPTACLE COMPONENTS - DEALER/CUSTOMER SUPPLIED	B
1	See Note	1	Box, Switch (Note: Not Available - Purchase Locally)	
2	See Note	2	Decal - Voltage (Note: Not Available - Purchase Locally)	
3	See Note	1	Gasket (Note: Not Available - Purchase Locally)	
4	See Note	1	Connector, Strain Relief (Note: Not Available - Purchase Locally)	
7	See Note	1	Receptacle (Note: Not Available - Purchase Locally)	
8	See Note	1	Shield, Cover (Note: Not Available - Purchase Locally)	
9	See Note	1	Plug, Male (Note: Not Available - Purchase Locally)	

SECTION 8 - ELECTRICAL

FIGURE 8-5. AC TO PLATFORM CABLE - MAIN BOOM (18RS WITHOUT SKYPOWER)



ART_1001145920

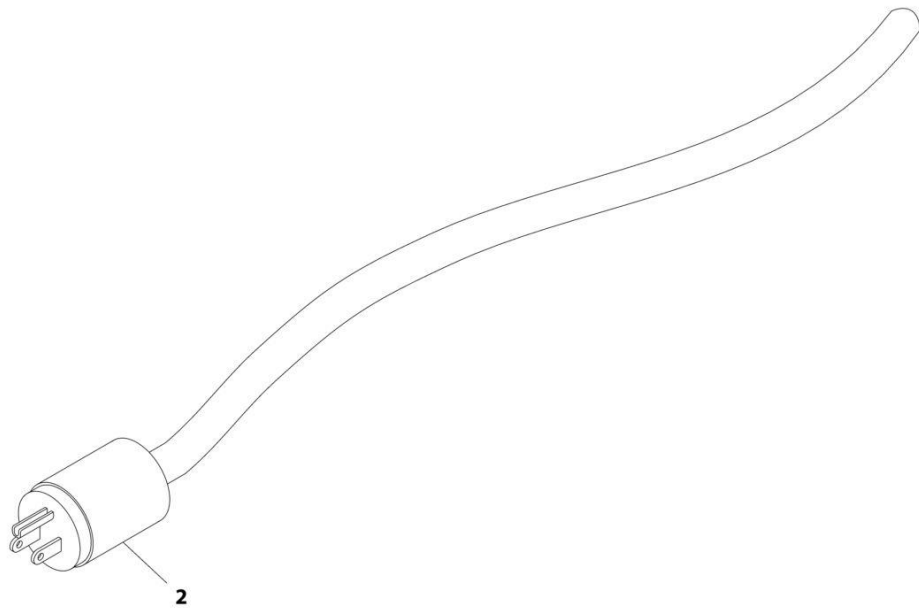
SECTION 8 - ELECTRICAL

FIGURE 8-5. AC TO PLATFORM CABLE - MAIN BOOM (18RS WITHOUT SKYPOWER)

ITEM	PART NUMBER	QTY	DESCRIPTION	REV
	1001145920	Ref	AC TO PLATFORM CABLE - MAIN BOOM (18RS WITHOUT SKYPOWER)	B
2	4460205	1	Plug, Male	

SECTION 8 - ELECTRICAL

FIGURE 8-6. AC TO PLATFORM CABLE - MAIN BOOM (18RSJ WITHOUT SKYPOWER)



ART_1001184960

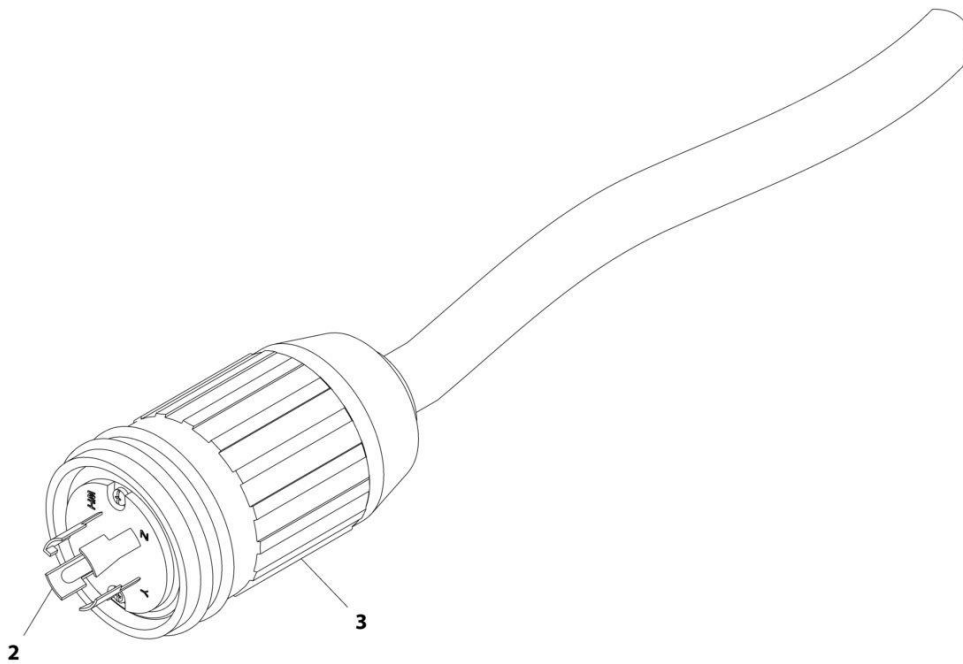
SECTION 8 - ELECTRICAL

FIGURE 8-6. AC TO PLATFORM CABLE - MAIN BOOM (18RSJ WITHOUT SKYPOWER)

ITEM	PART NUMBER	QTY	DESCRIPTION	REV
	1001184960	Ref	AC TO PLATFORM CABLE - MAIN BOOM (18RSJ WITHOUT SKYPOWER)	B
2	4460205	1	Plug, Male	

SECTION 8 - ELECTRICAL

FIGURE 8-7. AC TO PLATFORM CABLE - MAIN BOOM (18RS WITH SKYPOWER) (Prior to SN B300001836)



ART_1001145922

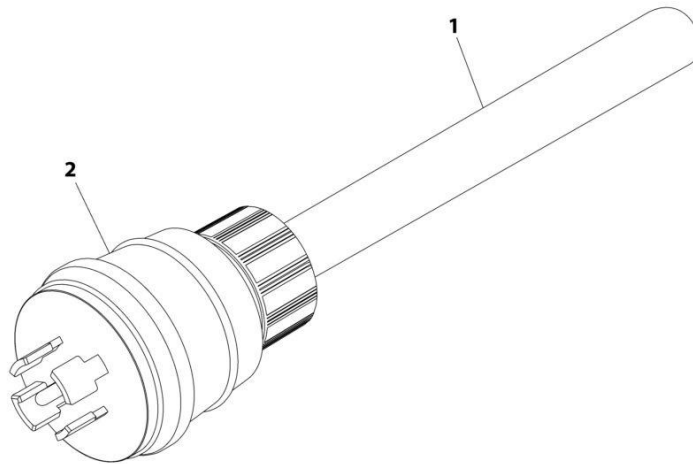
SECTION 8 - ELECTRICAL

FIGURE 8-7. AC TO PLATFORM CABLE - MAIN BOOM (18RS WITH SKYPOWER) (Prior to SN B300001836)

ITEM	PART NUMBER	QTY	DESCRIPTION	REV
	1001145922	Ref	AC TO PLATFORM CABLE - MAIN BOOM (18RS WITH SKYPOWER) (Prior to SN B300001836)	C
2	4460959	1	Plug, Male	
3	1671093	1	Cover, Plug	

SECTION 8 - ELECTRICAL

FIGURE 8-8. AC TO PLATFORM CABLE - MAIN BOOM (18RS WITH SKYPOWER) (SN B300001836 to Present)



ART_1001226302

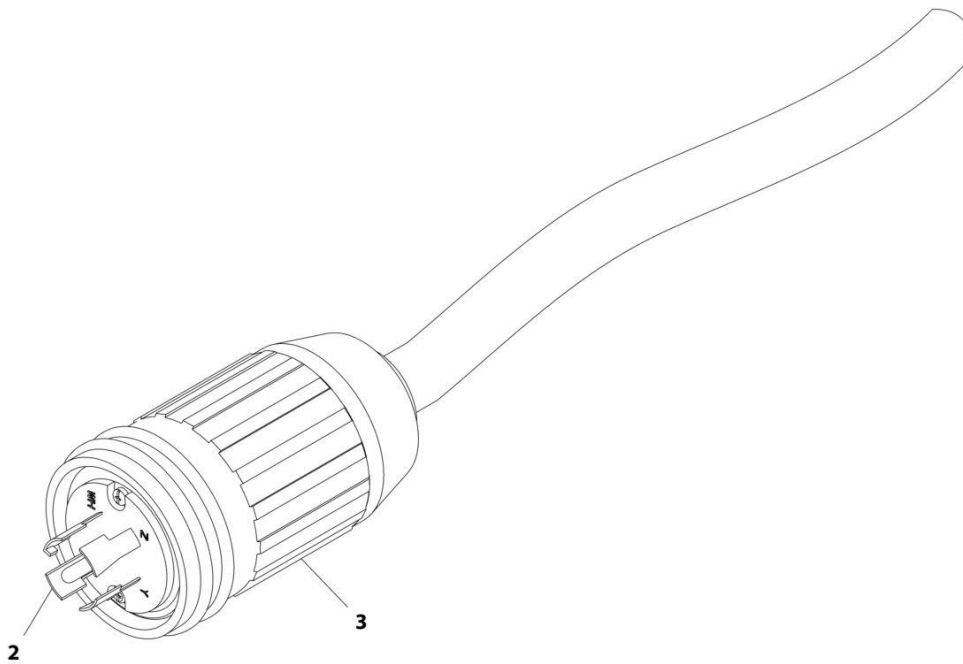
SECTION 8 - ELECTRICAL

FIGURE 8-8. AC TO PLATFORM CABLE - MAIN BOOM (18RS WITH SKYPOWER) (SN B300001836 to Present)

ITEM	PART NUMBER	QTY	DESCRIPTION	REV
	1001226302	Ref	AC TO PLATFORM CABLE - MAIN BOOM (18RS WITH SKYPOWER) (SN B300001836 to Present)	A
1	1060945	55.2 ft /16.8m	Cable	
2	4460959	1	Plug, Male	

SECTION 8 - ELECTRICAL

FIGURE 8-9. AC TO PLATFORM CABLE - MAIN BOOM (18RSJ WITH SKYPOWER) (Prior to SN B300001836)



ART_1001184961

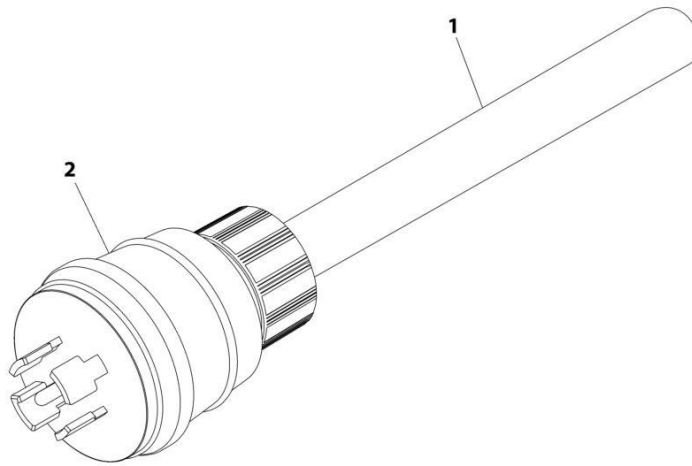
SECTION 8 - ELECTRICAL

FIGURE 8-9. AC TO PLATFORM CABLE - MAIN BOOM (18RSJ WITH SKYPOWER) (Prior to SN B300001836)

ITEM	PART NUMBER	QTY	DESCRIPTION	REV
	1001184961	Ref	AC TO PLATFORM CABLE - MAIN BOOM (18RSJ WITH SKYPOWER) (Prior to SN B300001836)	C
2	4460959	1	Plug, Male	
3	1671093	1	Cover, Plug	

SECTION 8 - ELECTRICAL

FIGURE 8-10. AC TO PLATFORM CABLE - MAIN BOOM (18RSJ WITH SKYPOWER) (SN B300001836 to Present)



ART_1001226303

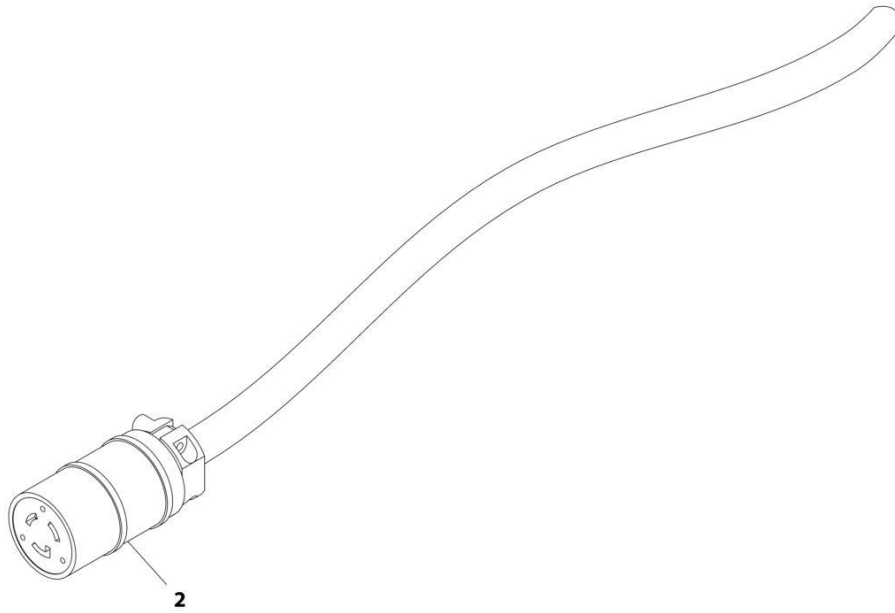
SECTION 8 - ELECTRICAL

FIGURE 8-10. AC TO PLATFORM CABLE - MAIN BOOM (18RSJ WITH SKYPOWER) (SN B300001836 to Present)

ITEM	PART NUMBER	QTY	DESCRIPTION	REV
	1001226303	Ref	AC TO PLATFORM CABLE - MAIN BOOM (18RSJ WITH SKYPOWER) (SN B300001836 to Present)	A
1	1060945	60.53 ft /18.45m	Cable	
2	1001218622	1	Plug, Male	

SECTION 8 - ELECTRICAL

FIGURE 8-11. AC TO PLATFORM CABLE - TOWER BOOM (WITHOUT SKYPOWER)



ART_1001145921

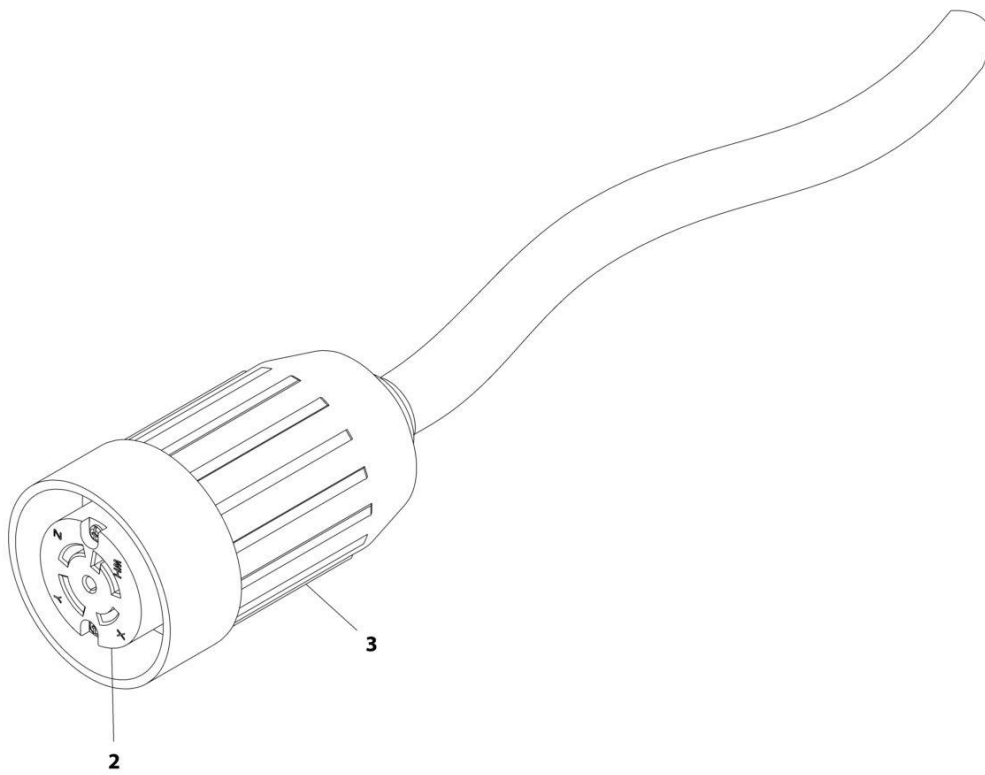
SECTION 8 - ELECTRICAL

FIGURE 8-11. AC TO PLATFORM CABLE - TOWER BOOM (WITHOUT SKYPOWER)

ITEM	PART NUMBER	QTY	DESCRIPTION	REV
	1001145921	Ref	AC TO PLATFORM CABLE - TOWER BOOM (WITHOUT SKYPOWER)	B
2	4460134	1	Receptacle, Female Twist Lock	

SECTION 8 - ELECTRICAL

FIGURE 8-12. AC TO PLATFORM CABLE - TOWER BOOM (WITH SKYPOWER) (Prior to SN B300001836)



ART_1001145923

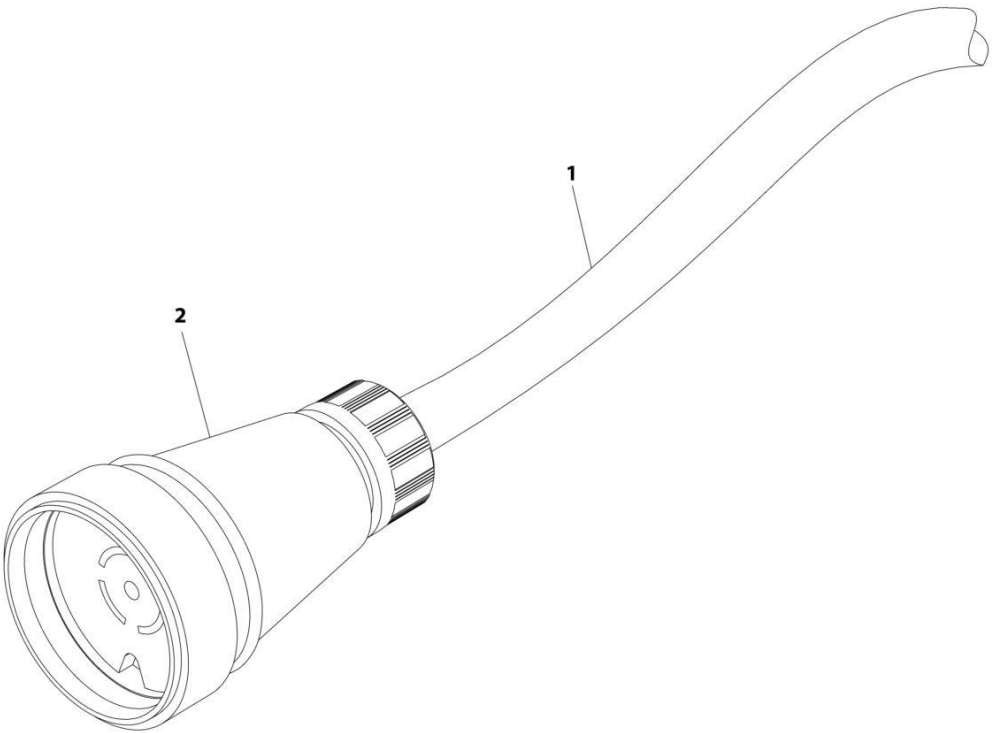
SECTION 8 - ELECTRICAL

FIGURE 8-12. AC TO PLATFORM CABLE - TOWER BOOM (WITH SKYPOWER) (Prior to SN B300001836)

ITEM	PART NUMBER	QTY	DESCRIPTION	REV
	1001145923	Ref	AC TO PLATFORM CABLE - TOWER BOOM (WITH SKYPOWER) (Prior to SN B300001836)	B
2	4460960	1	Receptacle, Female Twist Lock	
3	1671092	1	Cover, Plug	

SECTION 8 - ELECTRICAL

FIGURE 8-13. AC TO PLATFORM CABLE - TOWER BOOM (WITH SKYPOWER) (SN B300001836 to Present)



ART_1001226301

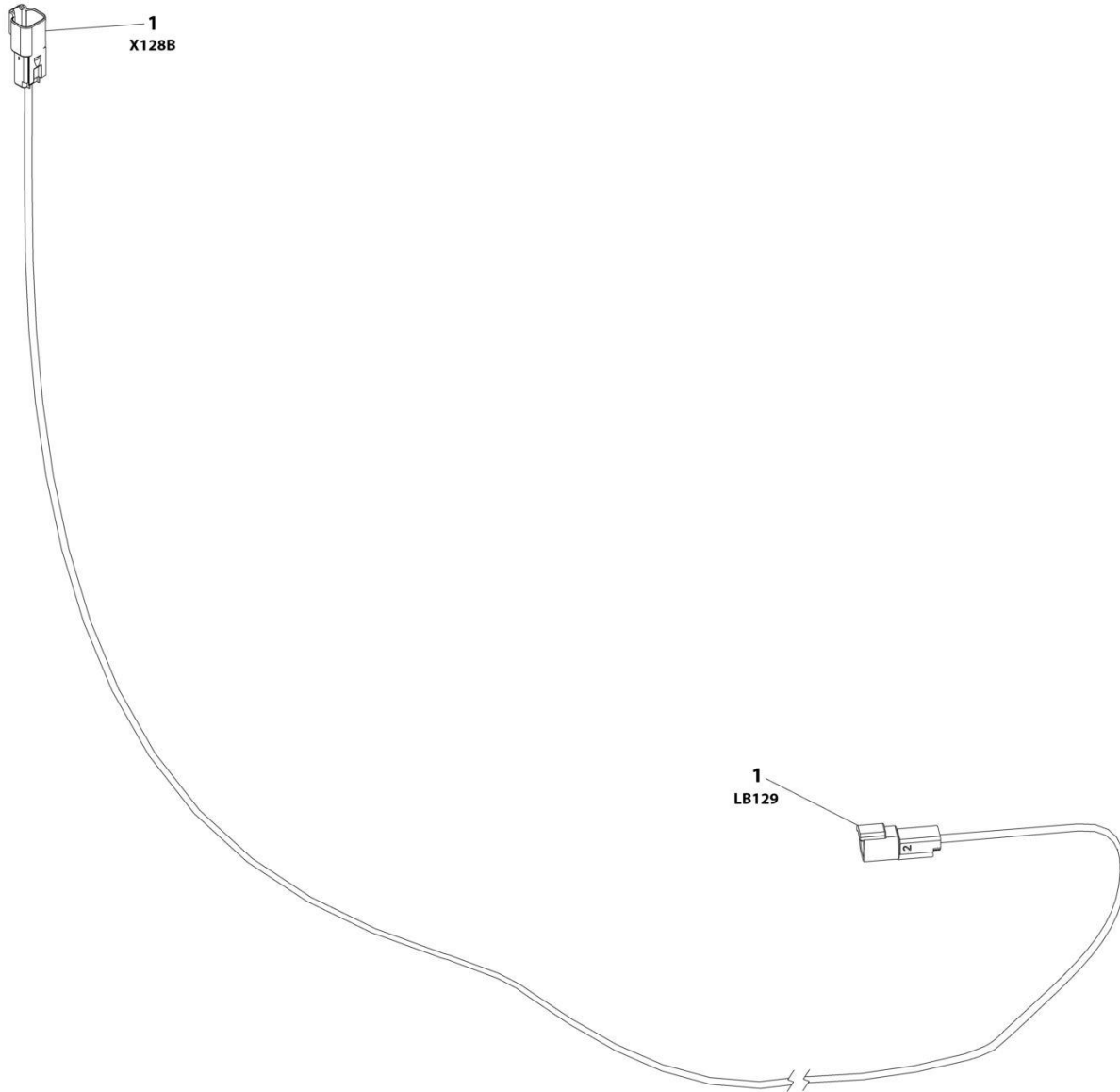
SECTION 8 - ELECTRICAL

FIGURE 8-13. AC TO PLATFORM CABLE - TOWER BOOM (WITH SKYPOWER) (SN B300001836 to Present)

ITEM	PART NUMBER	QTY	DESCRIPTION	REV
	1001226301	Ref	AC TO PLATFORM CABLE - TOWER BOOM (WITH SKYPOWER) (SN B300001836 to Present)	A
1	1060945	24.99 ft /76.2m	Cable	
2	1001218623	1	Receptacle, Female Twist Lock	

SECTION 8 - ELECTRICAL

FIGURE 8-14. BEACON HARNES



ART_1001138512

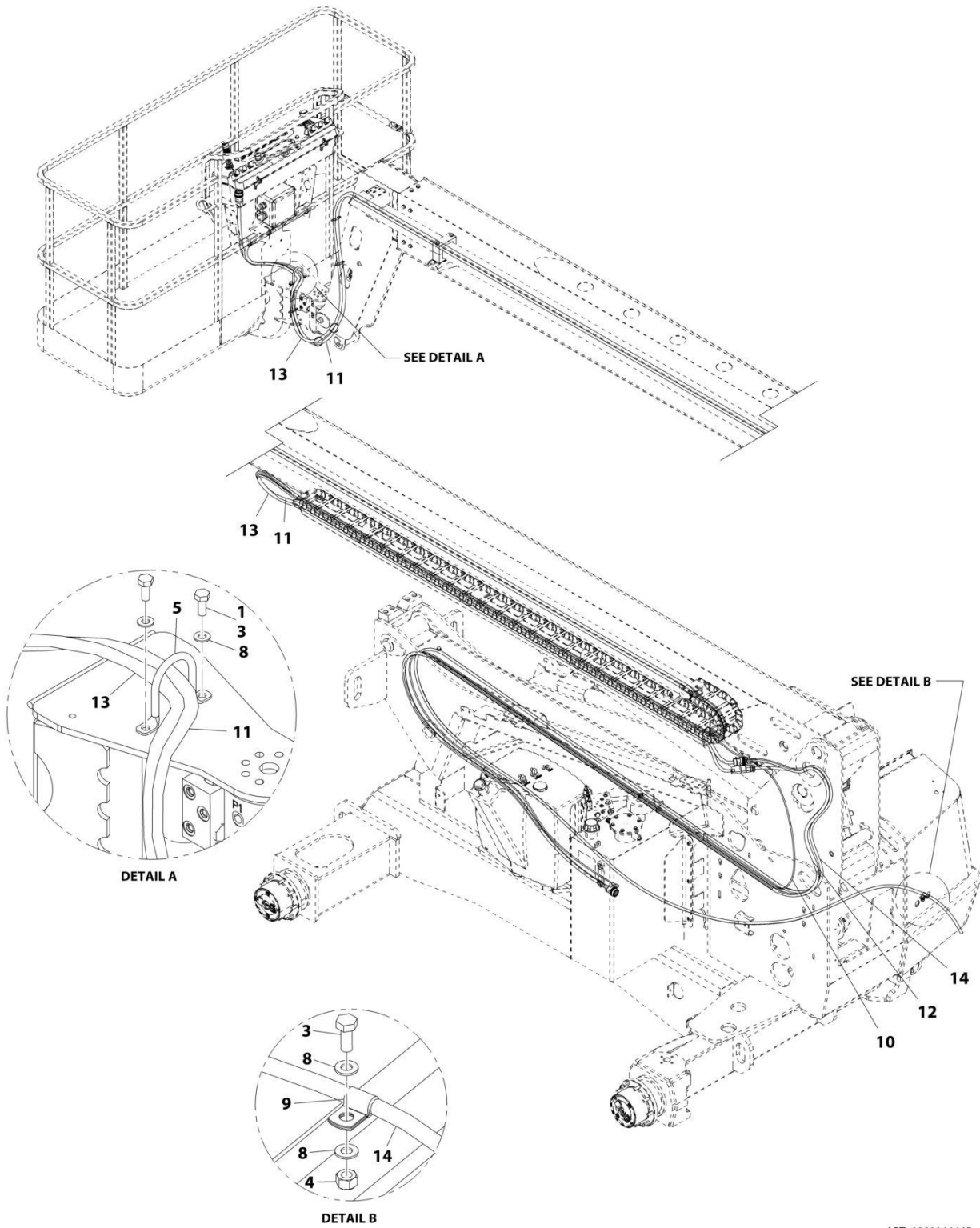
SECTION 8 - ELECTRICAL

FIGURE 8-14. BEACON HARNESS

ITEM	PART NUMBER	QTY	DESCRIPTION	REV
	1001138512	Ref	BEACON HARNESS	A
1	4460897	2	Receptacle, Female - 2 Position	
1	4460464	4	Pin, Male	

SECTION 8 - ELECTRICAL

FIGURE 8-15. BOOM CABLES INSTALLATION - 18RS WITHOUT SKYPOWER



ART_1001144445

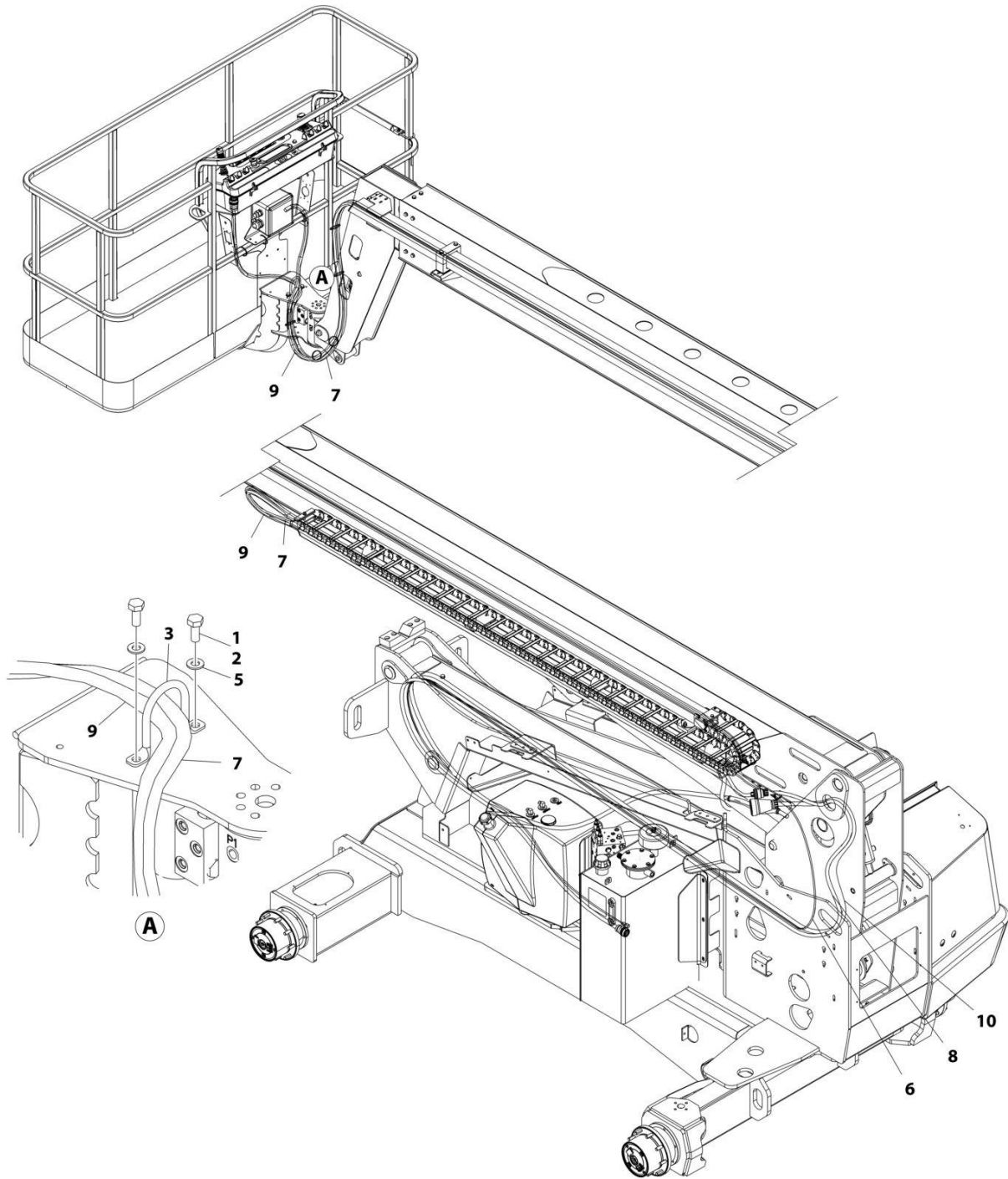
SECTION 8 - ELECTRICAL

FIGURE 8-15. BOOM CABLES INSTALLATION - 18RS WITHOUT SKYPOWER

ITEM	PART NUMBER	QTY	DESCRIPTION	REV
	1001144445	Ref	BOOM CABLES INSTALLATION - 18RS WITHOUT SKYPOWER	D
1	0100011	AR	Compound, Locking	
3	0761012	3	Bolt M10 x 25	
4	3291005	1	Nut M10	
5	3841340	1	Loop, Hose	
6	4240018	7	Tie-Strap (Not Shown)	
8	4812000	4	Washer M10	
9	1001080996	1	Clamp	
10	1001138511	1	Lift Down Harness (See LIFT DOWN HARNESS for Breakdown)	
11	1001145918	1	Boom Harness - Main Boom (See BOOM HARNESS - MAIN BOOM - 18RS for Breakdown)	
12	1001145919	1	Boom Harness - Tower Boom (See BOOM HARNESS - TOWER BOOM for Breakdown)	
13	1001145920	1	AC to Platform Cable - Main Boom (See AC TO PLATFORM CABLE - MAIN BOOM (18RS WITHOUT SKYPOWER) for Breakdown)	
14	1001145921	1	AC to Platform Cable - Tower Boom (See AC TO PLATFORM CABLE - TOWER BOOM (WITHOUT SKYPOWER) for Breakdown)	

SECTION 8 - ELECTRICAL

FIGURE 8-16. BOOM CABLES INSTALLATION - 18RS WITH SKYPOWER



ART_1001142574

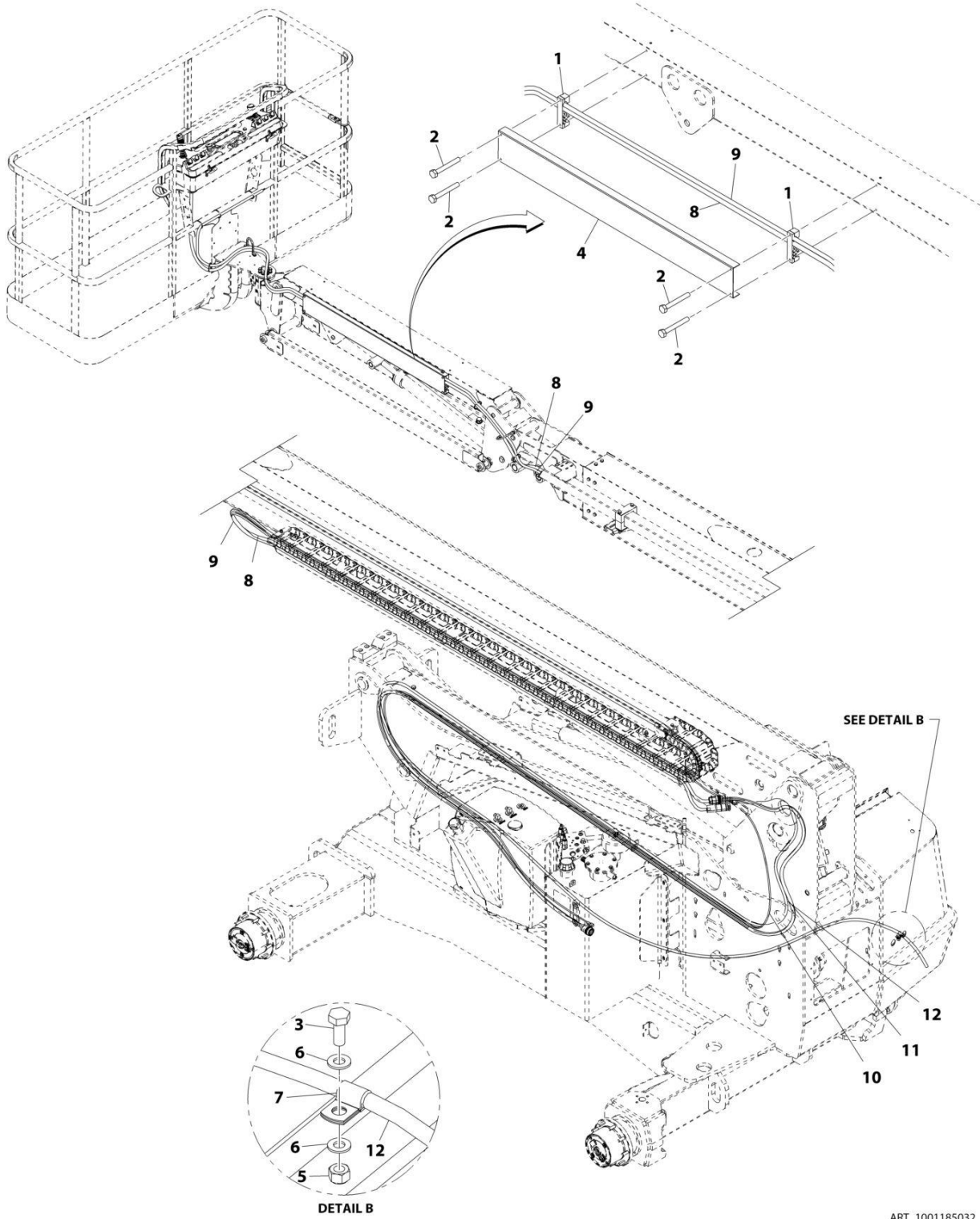
SECTION 8 - ELECTRICAL

FIGURE 8-16. BOOM CABLES INSTALLATION - 18RS WITH SKYPOWER

ITEM	PART NUMBER	QTY	DESCRIPTION	REV
	1001142574	Ref	BOOM CABLES INSTALLATION - 18RS WITH SKYPOWER	F
1	0100011	AR	Compound, Locking	
2	0761012	2	Bolt M10 x 25 (Prior to SN B300001679)	
3	3841340	1	Loop, Hose (Prior to SN B300001679)	
4	4240018	6	Tie-Strap (Not Shown)	
5	4812000	2	Washer M10 (Prior to SN B300001679)	
6	1001138511	1	Lift Down Harness (See LIFT DOWN HARNESS for Breakdown)	
7	1001145918	1	Boom Harness - Main Boom (See BOOM HARNESS - MAIN BOOM - 18RS for Breakdown)	
8	1001145919	1	Boom Harness - Tower Boom (See BOOM HARNESS - TOWER BOOM for Breakdown)	
9	1001145922	1	AC to Platform Cable - Main Boom (See AC TO PLATFORM CABLE - MAIN BOOM (18RS WITHOUT SKYPOWER) for Breakdown) (Prior to SN B300001836)	
9	1001226302	1	AC to Platform Cable - Main Boom (See AC TO PLATFORM CABLE - MAIN BOOM (18RS WITHOUT SKYPOWER) for Breakdown) (SN B300001836 to Present)	
10	1001145923	1	AC to Platform Cable - Tower Boom (See AC TO PLATFORM CABLE - TOWER BOOM (WITH SKYPOWER) for Breakdown) (Prior to SN B300001836)	
10	1001226301	1	AC to Platform Cable - Tower Boom (See AC TO PLATFORM CABLE - TOWER BOOM (WITH SKYPOWER) for Breakdown) (SN B300001836 to Present)	

SECTION 8 - ELECTRICAL

FIGURE 8-17. BOOM CABLES INSTALLATION - 18RSJ WITHOUT SKYPOWER



ART_1001185032

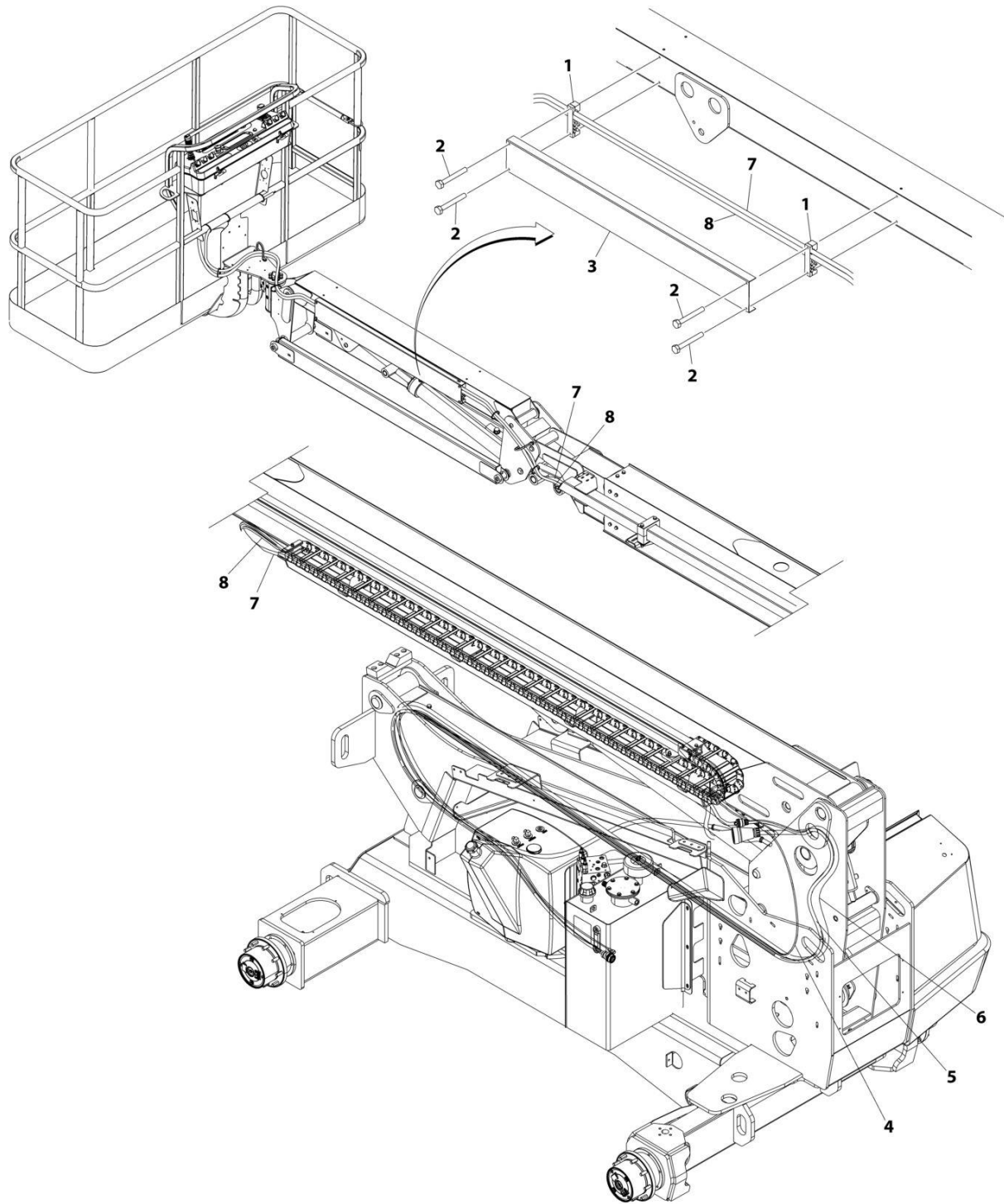
SECTION 8 - ELECTRICAL

FIGURE 8-17. BOOM CABLES INSTALLATION - 18RSJ WITHOUT SKYPOWER

ITEM	PART NUMBER	QTY	DESCRIPTION	REV
	1001185032	Ref	BOOM CABLES INSTALLATION - 18RSJ WITHOUT SKYPOWER	A
1	0561237	2	Block, Clamp	
2	0641416	4	Bolt 1/4 x 2	
3	0761012	1	Bolt M10 x 25	
4	1670769	1	Cover	
5	3291005	1	Nut M10	
6	4812000	2	Washer M10	
7	1001080996	1	Clamp	
8	1001184959	1	Boom Harness - Main boom (See BOOM HARNESS - MAIN BOOM - 18RSJ for Breakdown)	
9	1001184960	1	AC to Platform Cable - Main Boom (See AC TO PLATFORM CABLE - MAIN BOOM (18RSJ WITHOUT SKYPOWER) for Breakdown)	
10	1001138511	1	Lift Down Harness (See LIFT DOWN HARNESS for Breakdown)	
11	1001145919	1	Boom Harness - Tower Boom (See BOOM HARNESS - TOWER BOOM for Breakdown)	
12	1001145921	1	AC to Platform Cable - Tower Boom (See AC TO PLATFORM CABLE - TOWER BOOM (WITHOUT SKYPOWER) for Breakdown)	
13	4240018	6	Tie-Strap (Not Shown)	

SECTION 8 - ELECTRICAL

FIGURE 8-18. BOOM CABLES INSTALLATION - 18RSJ WITH SKYPOWER



ART_1001185033

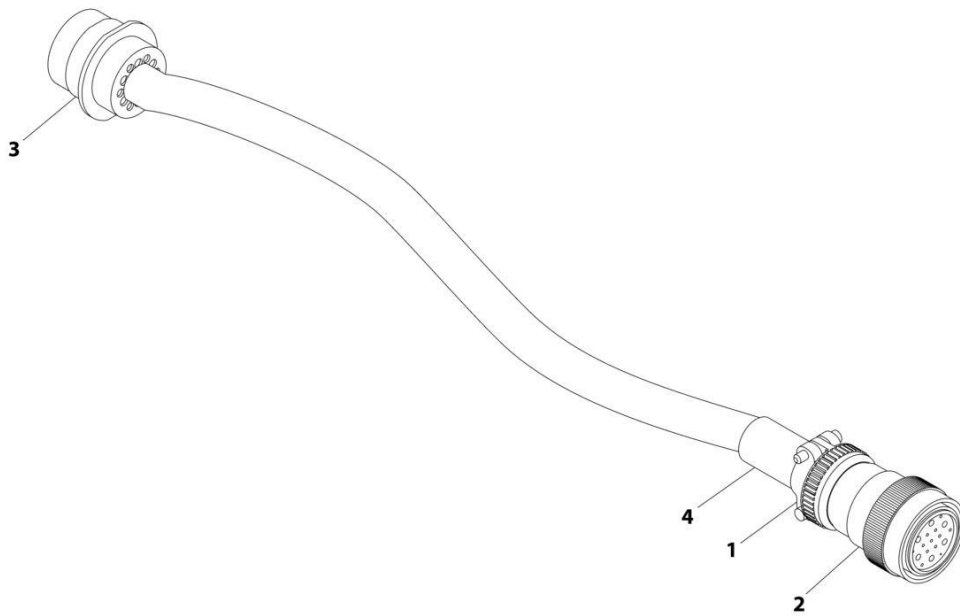
SECTION 8 - ELECTRICAL

FIGURE 8-18. BOOM CABLES INSTALLATION - 18RSJ WITH SKYPOWER

ITEM	PART NUMBER	QTY	DESCRIPTION	REV
	1001185033	Ref	BOOM CABLES INSTALLATION - 18RSJ WITH SKYPOWER	B
1	0561237	2	Block, Clamp	
2	0641416	4	Bolt 1/4 x 2	
3	1670769	1	Cover	
4	1001138511	1	Lift Down Harness (See LIFT DOWN HARNESS for Breakdown)	
5	1001145919	1	Boom Harness - Tower Boom (See BOOM HARNESS - TOWER BOOM for Breakdown)	
6	1001145923	1	AC to Platform Cable - Tower Boom (See AC TO PLATFORM CABLE - TOWER BOOM (WITH SKYPOWER) for Breakdown) (Prior to SN B300001836)	
6	1001226301	1	AC to Platform Cable - Tower Boom (See AC TO PLATFORM CABLE - TOWER BOOM (WITH SKYPOWER) for Breakdown) (SN B300001836 to Present)	
7	1001184959	1	Boom Harness - Main Boom (See BOOM HARNESS - MAIN BOOM - 18RSJ for Breakdown)	
8	1001184961	1	AC to Platform Cable - Main Boom (See AC TO PLATFORM CABLE - MAIN BOOM for Breakdown) (Prior to SN B300001836)	
8	1001226303	1	AC to Platform Cable - Main Boom (See AC TO PLATFORM CABLE - MAIN BOOM for Breakdown) (SN B300001836 to Present)	
9	4240018	6	Tie-Strap (Not Shown)	

SECTION 8 - ELECTRICAL

FIGURE 8-19. BOOM HARNESS - MAIN BOOM - 18RS



ART_1001145918

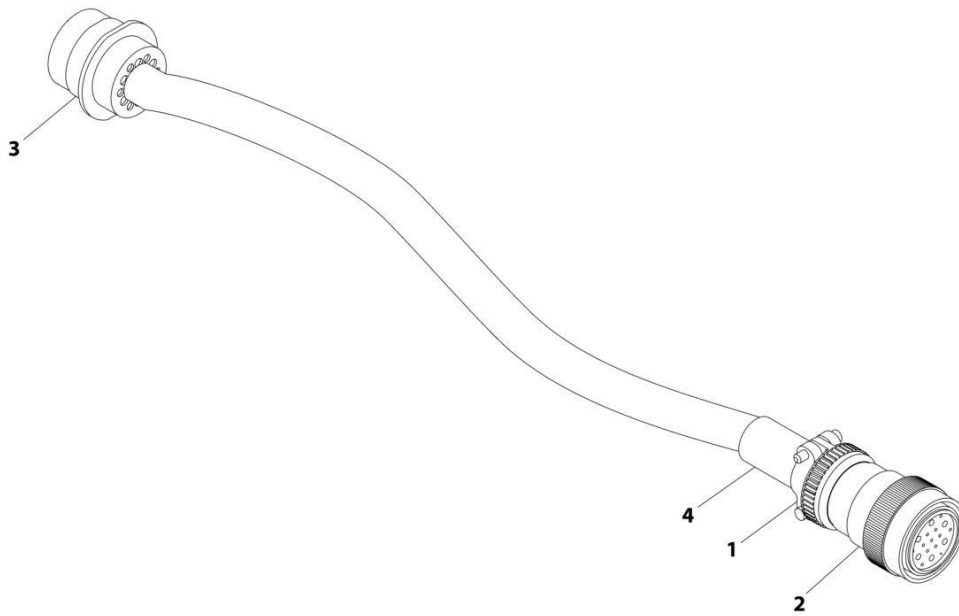
SECTION 8 - ELECTRICAL

FIGURE 8-19. BOOM HARNESS - MAIN BOOM - 18RS

ITEM	PART NUMBER	QTY	DESCRIPTION	REV
	1001145918	Ref	BOOM HARNESS - MAIN BOOM - 18RS	D
1	4460473	1	Clamp, Cable	
2	4460865	1	Connector - 19 Position	
2	2820031	AR	Heat Shrink	
2	4460465	11	Socket, Female	
2	4460509	4	Socket, Female	
2	4460466	4	Plug, Sealing	
2	2820118	AR	Insulator, Tubing	
3	4460866	1	Connector - 19 Position	
3	2820031	AR	Heat Shrink	
3	4460464	11	Pin, Female	
3	4460508	4	Pin, Female	
3	2820118	AR	Insulator, Tubing	
3	4460466	4	Plug, Sealing	
4	1001226400	1	Heat Shrink	

SECTION 8 - ELECTRICAL

FIGURE 8-20. BOOM HARNESS - MAIN BOOM - 18RSJ



ART_1001184959

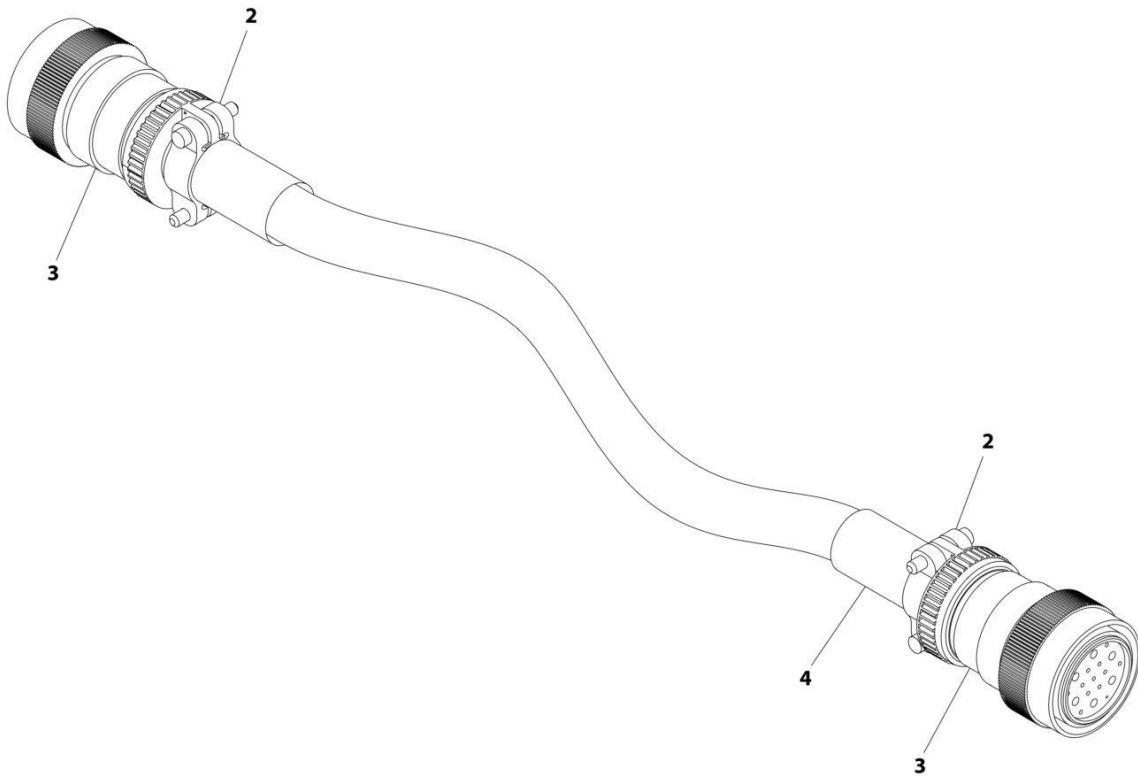
SECTION 8 - ELECTRICAL

FIGURE 8-20. BOOM HARNESS - MAIN BOOM - 18RSJ

ITEM	PART NUMBER	QTY	DESCRIPTION	REV
	1001184959	Ref	BOOM HARNESS - MAIN BOOM - 18RSJ	B
1	4460473	1	Clamp, Cable	
2	4460865	1	Connector - 19 Position	
2	2820031	AR	Heat Shrink	
2	4460465	11	Socket, Female	
2	4460509	4	Socket, Female	
2	4460466	4	Plug, Sealing	
2	2820118	AR	Insulator, Tubing	
3	4460866	1	Connector - 19 Position	
3	2820031	AR	Heat Shrink	
3	4460464	11	Pin, Female	
3	4460508	4	Pin, Female	
3	2820118	AR	Insulator, Tubing	
3	4460466	4	Plug, Sealing	
4	1001226400	1	Heat Shrink	

SECTION 8 - ELECTRICAL

FIGURE 8-21. BOOM HARNESS - TOWER BOOM



ART_1001145919

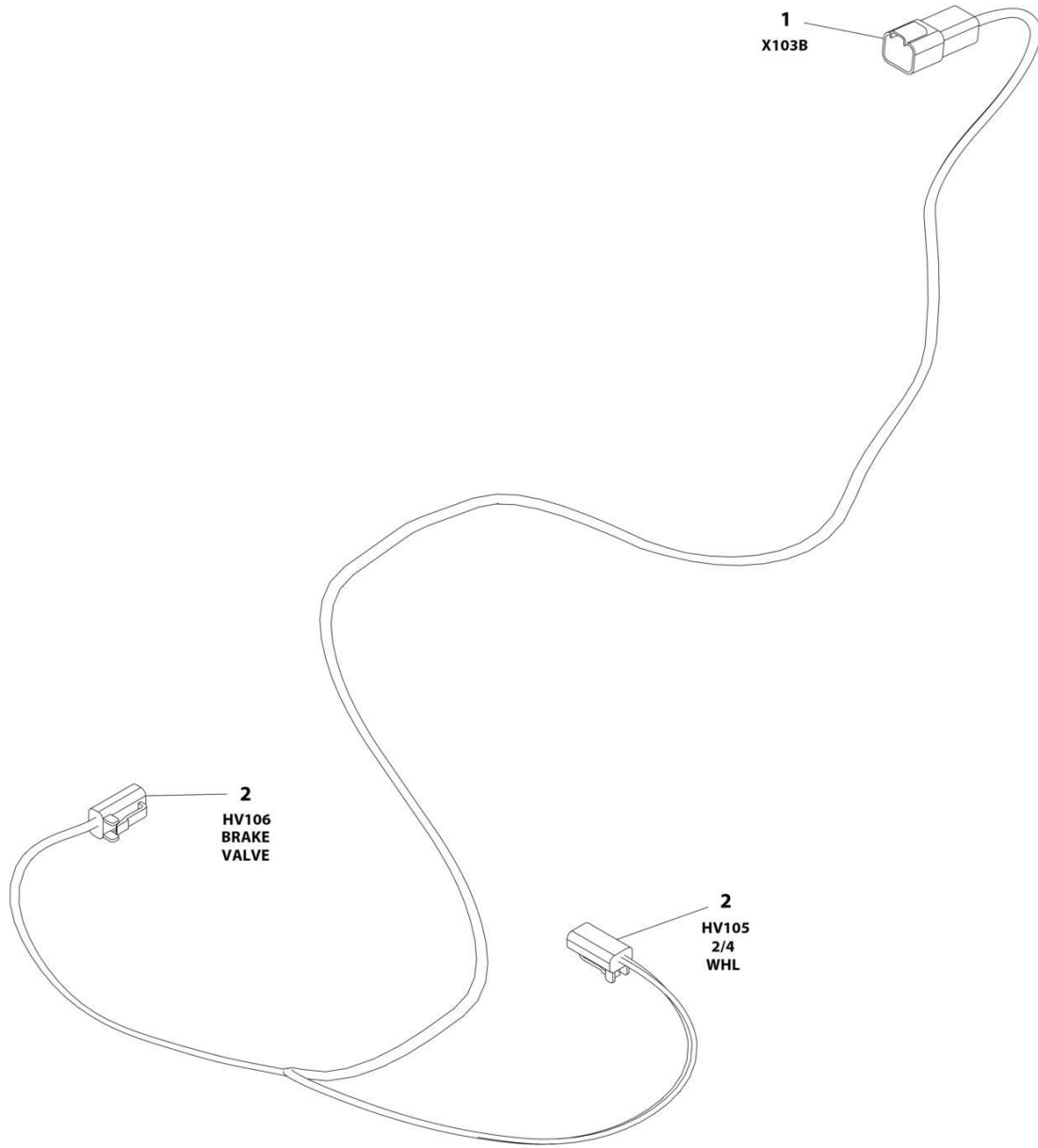
SECTION 8 - ELECTRICAL

FIGURE 8-21. BOOM HARNESS - TOWER BOOM

ITEM	PART NUMBER	QTY	DESCRIPTION	REV
	1001145919	Ref	BOOM HARNESS - TOWER BOOM	B
1	2820118	AR	Insulator, Tubing (Not Shown)	
2	4460473	2	Clamp, Cable	
2	2820031	AR	Heat Shrink	
3	4460865	2	Connector - 19 Position	
3	4460465	22	Socket, Female	
3	4460509	8	Socket, Female	
3	4460466	8	Plug, Sealing	
4	1001226400	1	Heat Shrink	

SECTION 8 - ELECTRICAL

FIGURE 8-22. CHASSIS HARNESS



ART_1001145874

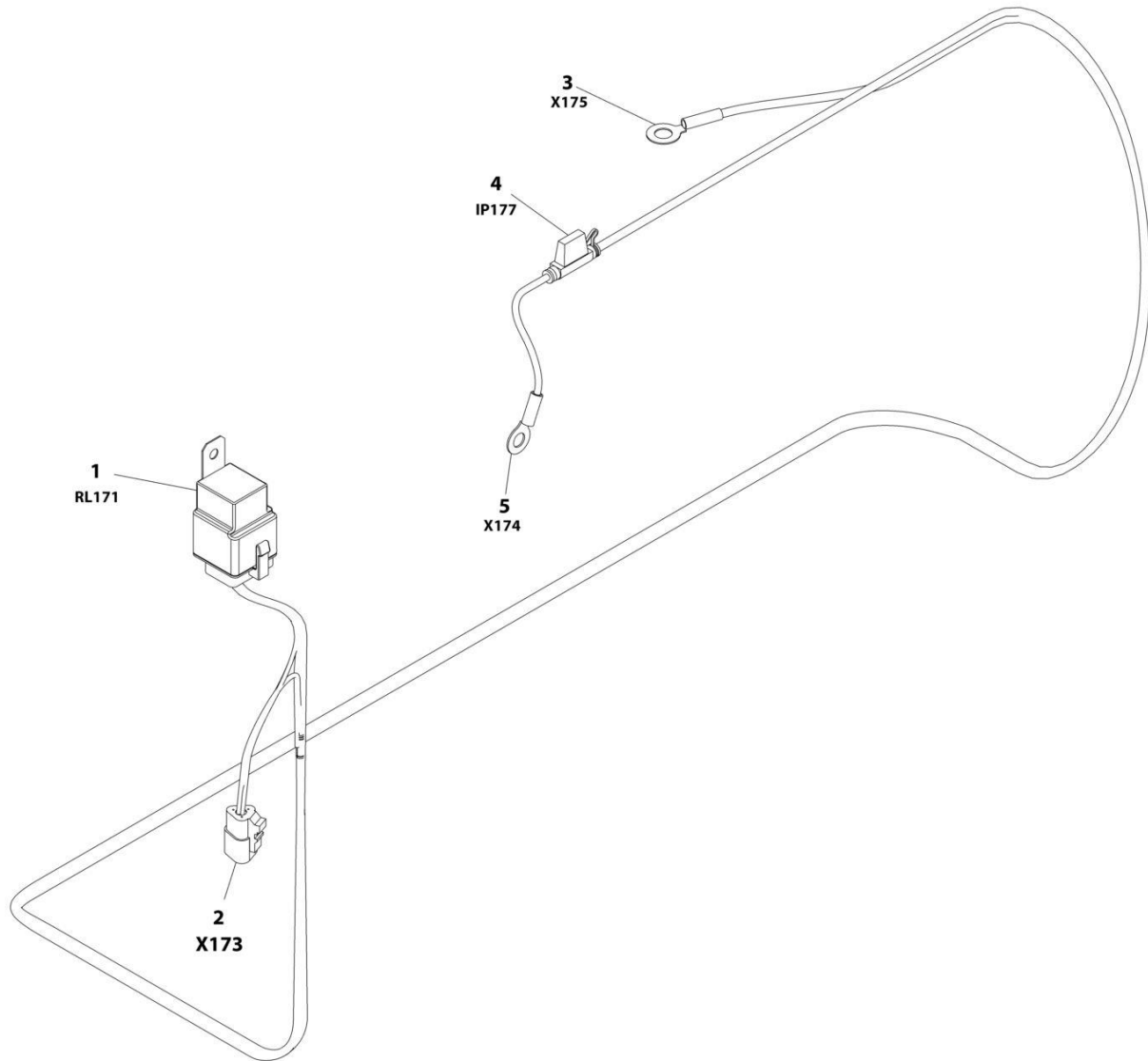
SECTION 8 - ELECTRICAL

FIGURE 8-22. CHASSIS HARNESS

ITEM	PART NUMBER	QTY	DESCRIPTION	REV
	1001145874	Ref	CHASSIS HARNESS	A
1	4460932	1	Receptacle, Female - 4 Position	
1	4460464	4	Pin, Male	
2	4460891	2	Plug, Male - 2 Position	
2	4460465	4	Socket, Female	

SECTION 8 - ELECTRICAL

FIGURE 8-23. EMR2 POWER HARNESS



ART_1001159284

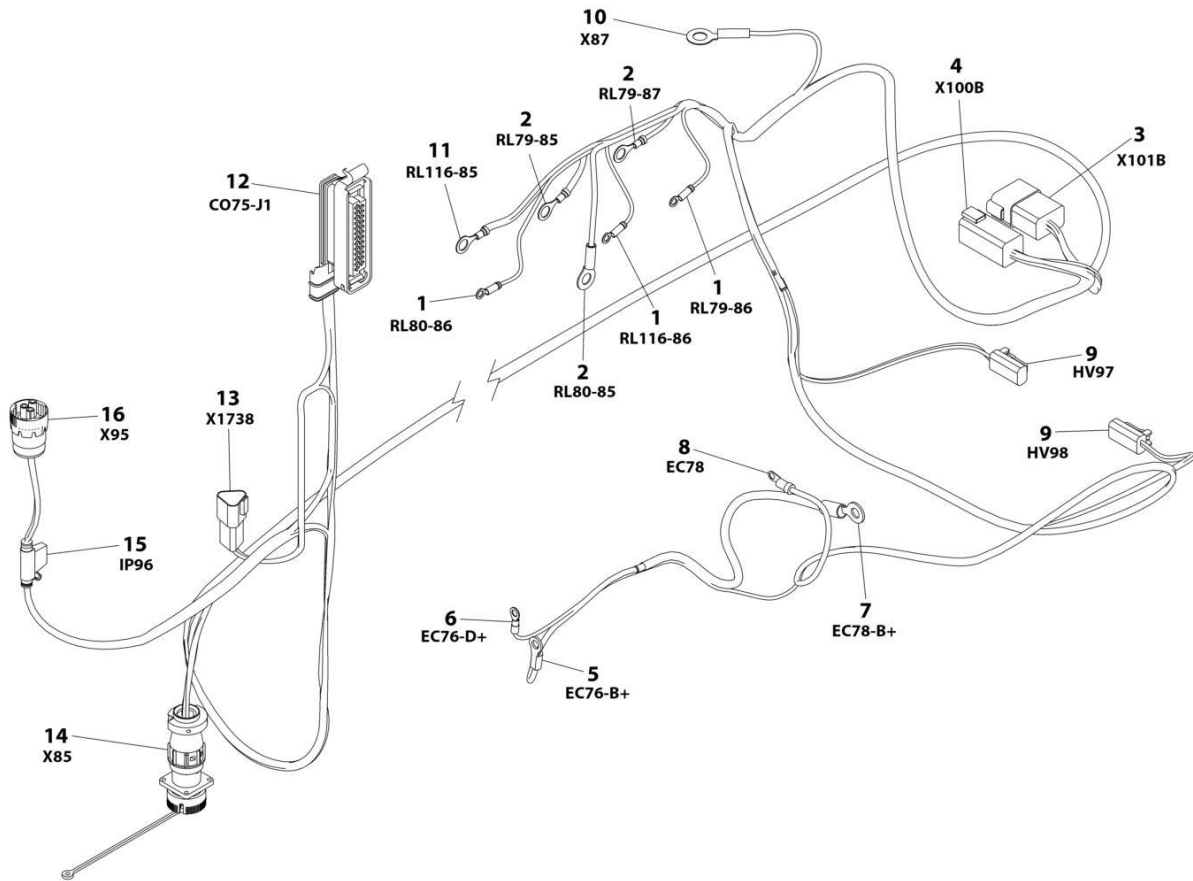
SECTION 8 - ELECTRICAL

FIGURE 8-23. EMR2 POWER HARNESS

ITEM	PART NUMBER	QTY	DESCRIPTION	REV
	1001159284	Ref	EMR2 POWER HARNESS	A
1	1001118282	1	Relay	
1	1001116734	1	Terminal	
1	1001116732	3	Terminal	
1	1001128128	1	Terminal	
2	4460539	1	Plug, Male - 3 Position	
2	4460465	3	Socket, Female	
3	1001117110	1	Ring Terminal	
4	2400066	1	Fuseholder	
4	2400064	1	Fuse - 5Amp	
5	8220045	1	Ring Terminal	

SECTION 8 - ELECTRICAL

FIGURE 8-24. ENGINE HARNESS



ART_1001132556

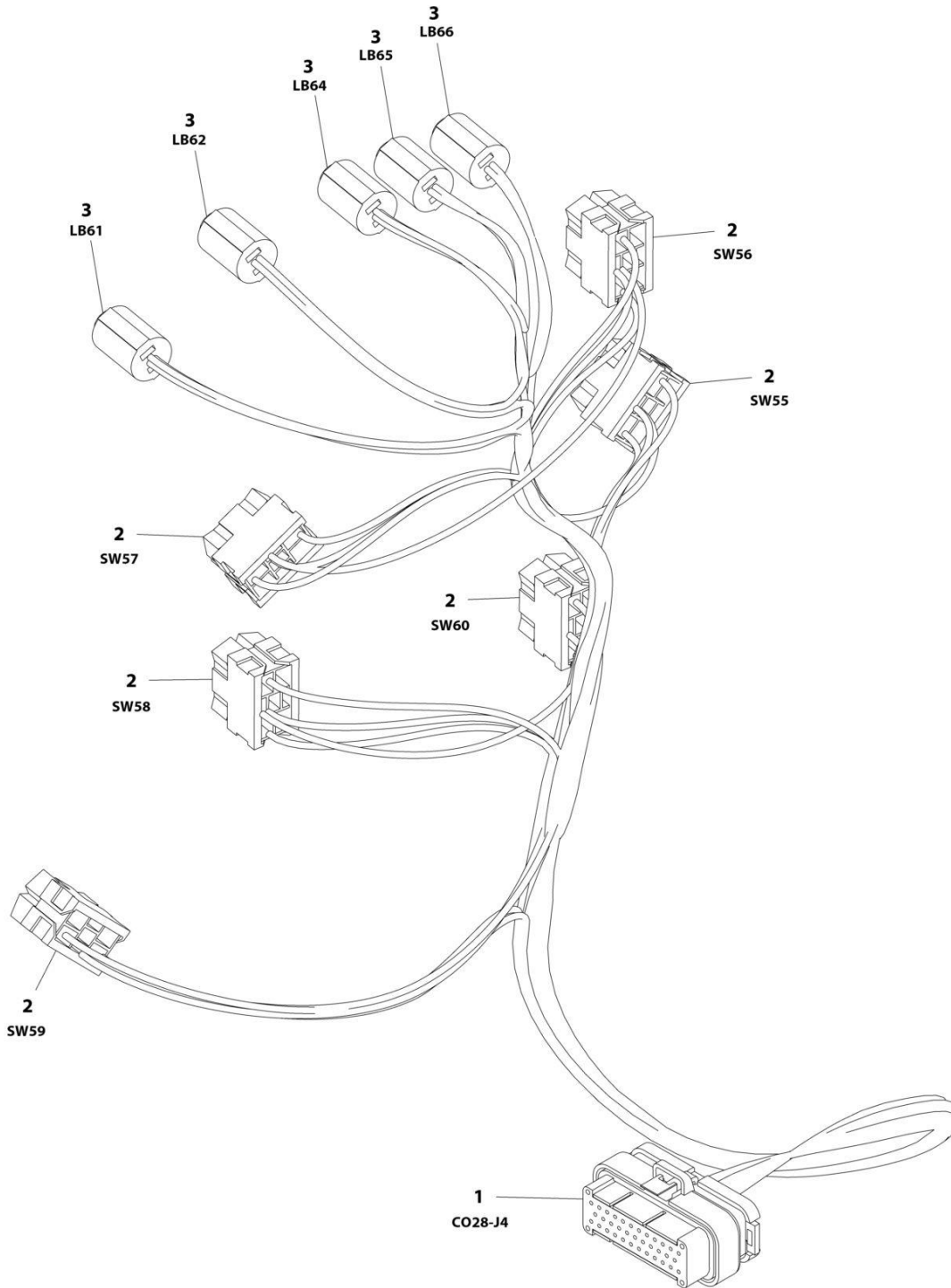
SECTION 8 - ELECTRICAL

FIGURE 8-24. ENGINE HARNESS

ITEM	PART NUMBER	QTY	DESCRIPTION	REV
	1001132556	Ref	ENGINE HARNESS	F
1	4460247	3	Terminal	
2	8220045	3	Terminal	
3	4460931	1	Receptacle, Female - 8 Position (Gray)	
3	4460464	8	Pin, Male	
4	4460899	1	Receptacle, Male - 6 Position (Gray)	
4	4460464	4	Pin, Male	
4	4460943	2	Pin, Male (Gold)	
5	4460043	1	Terminal	
6	4460313	1	Terminal	
7	1001117107	1	Terminal	
8	4460142	1	Terminal	
9	4460891	2	Plug, Male - 2 Position	
9	4460465	4	Socket, Female	
10	1001117110	1	Terminal	
11	4460670	1	Terminal	
12	4461052	1	Connector, Receptacle - 25 Position (Deutz Engine Only)	
12	4461005	2	Terminal (Gold) (Deutz Engine Only)	
12	4461006	AR	Seal, Terminal (Deutz Engine Only)	
12	4461060	5	Terminal (Tin) (Deutz Engine Only)	
12	4461054	AR	Seal, Terminal (Deutz Engine Only)	
12	4461053	1	Cover, Plug (Deutz Engine Only)	
12	4461008	AR	Plug, Hole (Deutz Engine Only)	
13	4460536	1	Receptacle, Female - 3 Position (Triangular)	
13	4460943	3	Pin, Male (Gold)	
14	2902443	1	Receptacle Kit (Deutz Engine Only)	
14	4461071	8	Socket, Female (Gold)	
14	4461072	1	Receptacle 8 Position with Mounting Flange	
14	4461073	1	Cap, Dust	
14	4461074	1	Shell	
15	2400060	1	Fuseholder	
15	2400064	1	Fuse - 5Amp	
16	4460967	1	Plug, Male - 3 Position	
16	4460465	3	Socket, Female	

SECTION 8 - ELECTRICAL

FIGURE 8-25. GROUND CONTROL PANEL HARNESS - 18RS



ART_1001135506

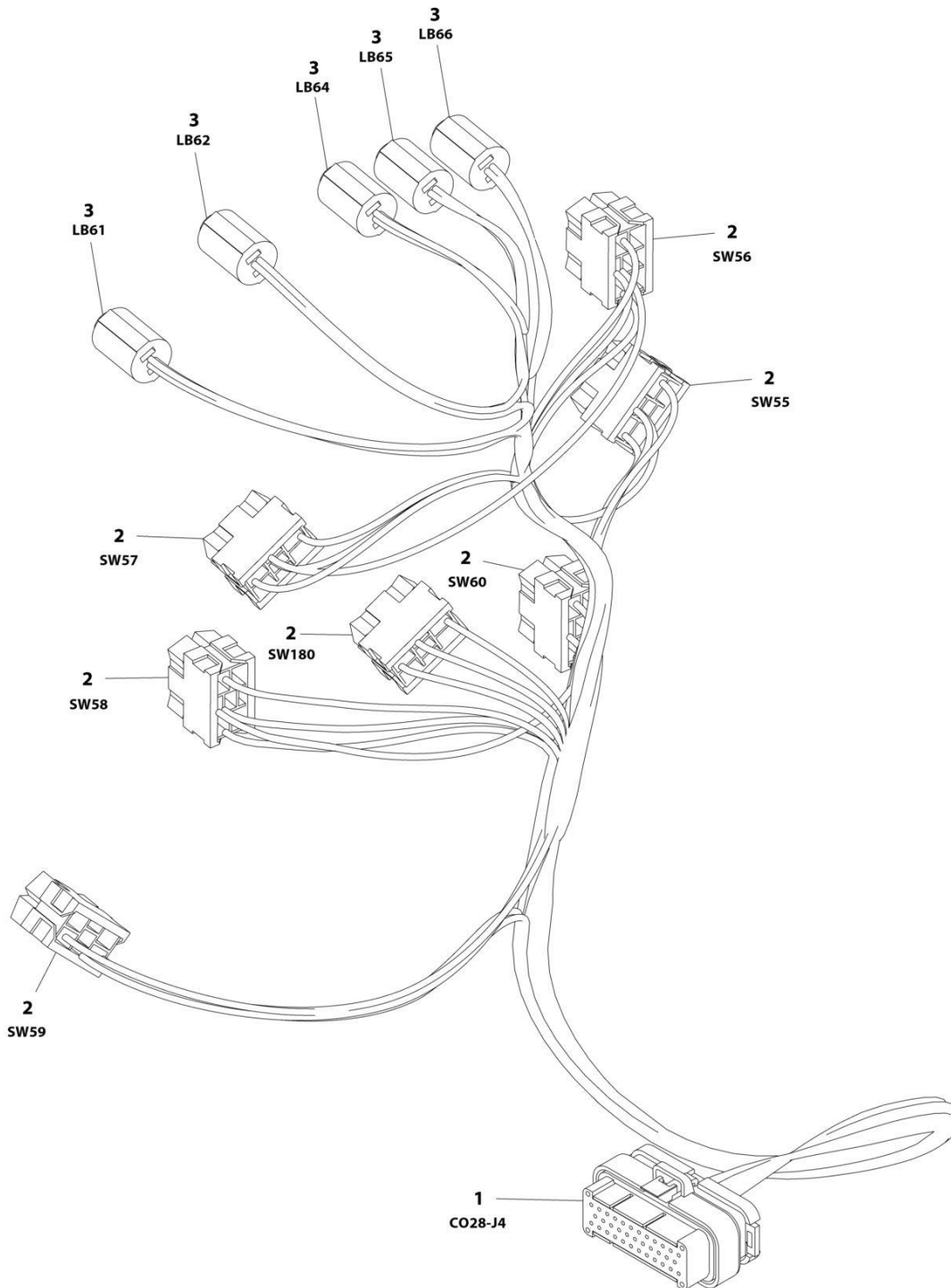
SECTION 8 - ELECTRICAL

FIGURE 8-25. GROUND CONTROL PANEL HARNESS - 18RS

ITEM	PART NUMBER	QTY	DESCRIPTION	REV
	1001135506	Ref	GROUND CONTROL PANEL HARNESS - 18RS	A
1	4460876	1	Connector - 35 Position (Blue)	
1	4460871	19	Socket, Female	
1	4460905	16	Seal, Plug	
2	4460418	6	Connector, Female - 6 Position	
2	4460419	23	Socket, Female	
3	4120035	5	Base, Light	
3	4460634	6	Terminal (16 Gauge)	
3	4460635	8	Terminal (12 Gauge)	

SECTION 8 - ELECTRICAL

FIGURE 8-26. GROUND CONTROL PANEL HARNESS - 18RSJ



ART_1001203478

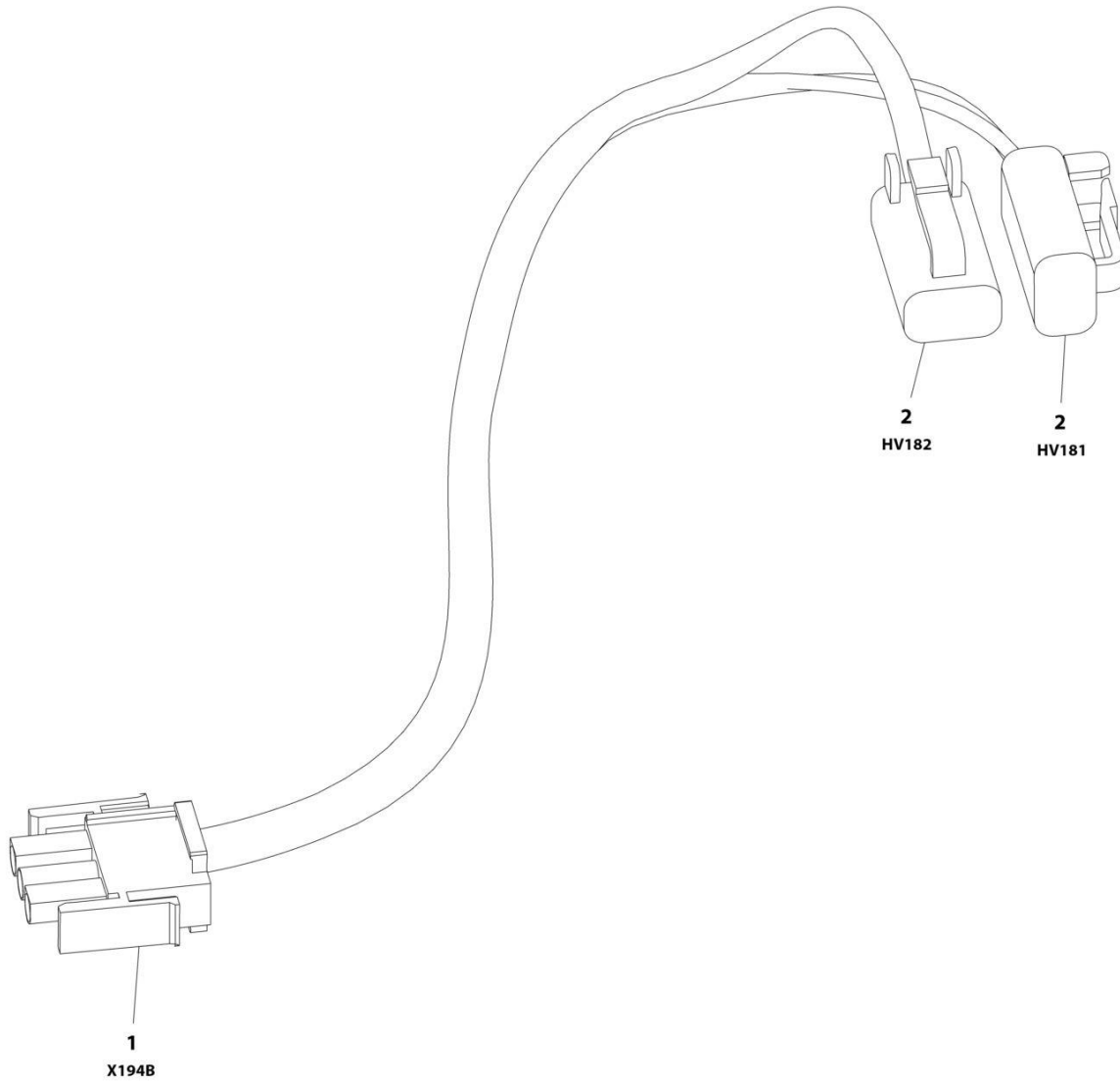
SECTION 8 - ELECTRICAL

FIGURE 8-26. GROUND CONTROL PANEL HARNESS - 18RSJ

ITEM	PART NUMBER	QTY	DESCRIPTION	REV
	1001203478	Ref	GROUND CONTROL PANEL HARNESS - 18RSJ	A
1	4460876	1	Connector - 35 Position (Blue)	
1	4460871	19	Socket, Female	
1	4460905	16	Seal, Plug	
2	4460418	7	Connector, Female - 6 Position	
2	4460419	28	Socket, Female	
3	4120035	5	Base, Light	
3	4460634	6	Terminal (16 Gauge)	
3	4460635	8	Terminal (12 Gauge)	

SECTION 8 - ELECTRICAL

FIGURE 8-27. JIB HARNESS



ART_1001185833

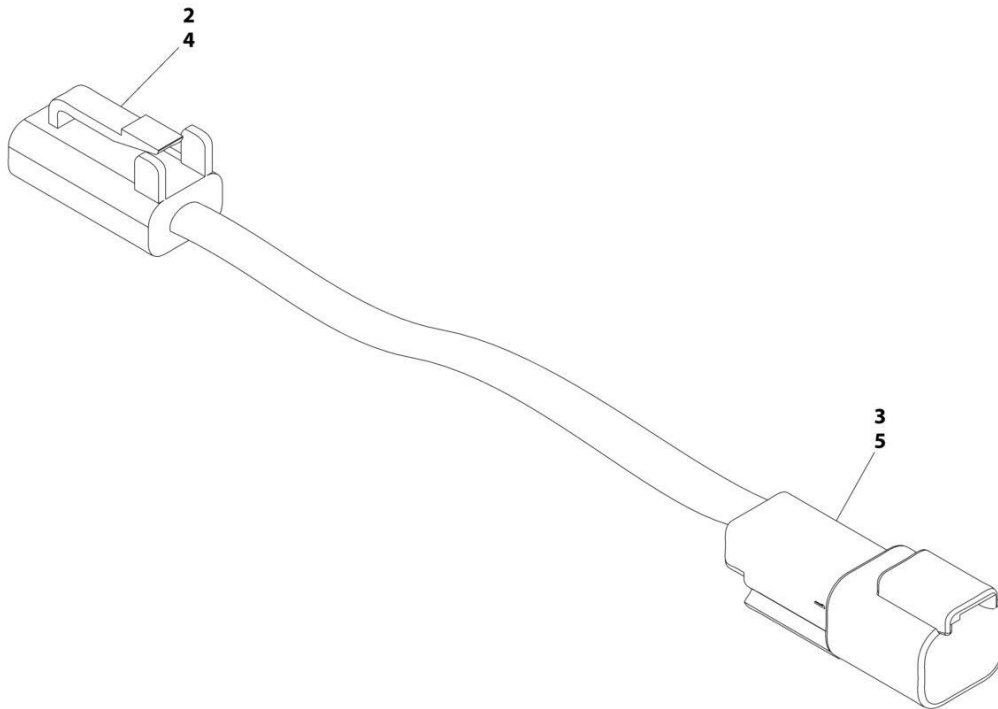
SECTION 8 - ELECTRICAL

FIGURE 8-27. JIB HARNESS

ITEM	PART NUMBER	QTY	DESCRIPTION	REV
	1001185833	Ref	JIB HARNESS	A
1	4460326	1	Plug, Male - 3 Position	
1	4460267	3	Terminal	
2	4460891	2	Plug, Male - 2 Position	
2	4460465	4	Socket, Female	

SECTION 8 - ELECTRICAL

FIGURE 8-28. LIFT DOWN HARNESS



ART_1001138511

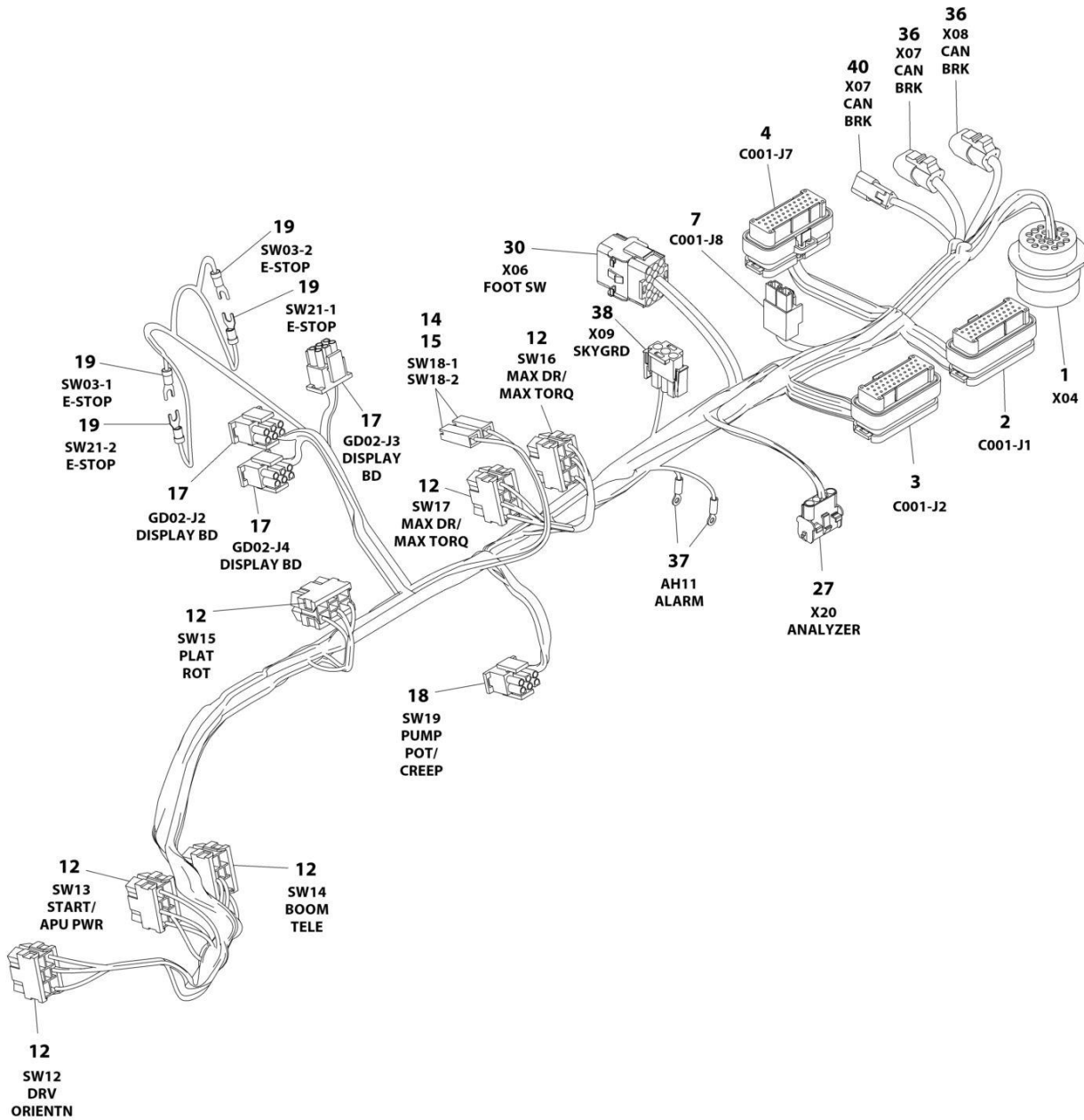
SECTION 8 - ELECTRICAL

FIGURE 8-28. LIFT DOWN HARNESS

ITEM	PART NUMBER	QTY	DESCRIPTION	REV
	1001138511	Ref	LIFT DOWN HARNESS	A
2	4460891	1	Plug, Male - 2 Position (Gray)	
3	4460897	1	Receptacle, Female - 2 Position	
4	4460465	2	Socket, Female	
5	4460464	2	Pin, Male	

SECTION 8 - ELECTRICAL

FIGURE 8-29. PLATFORM BOX HARNESS - 18RS (Prior to SN B30001836)



ART_1001133752

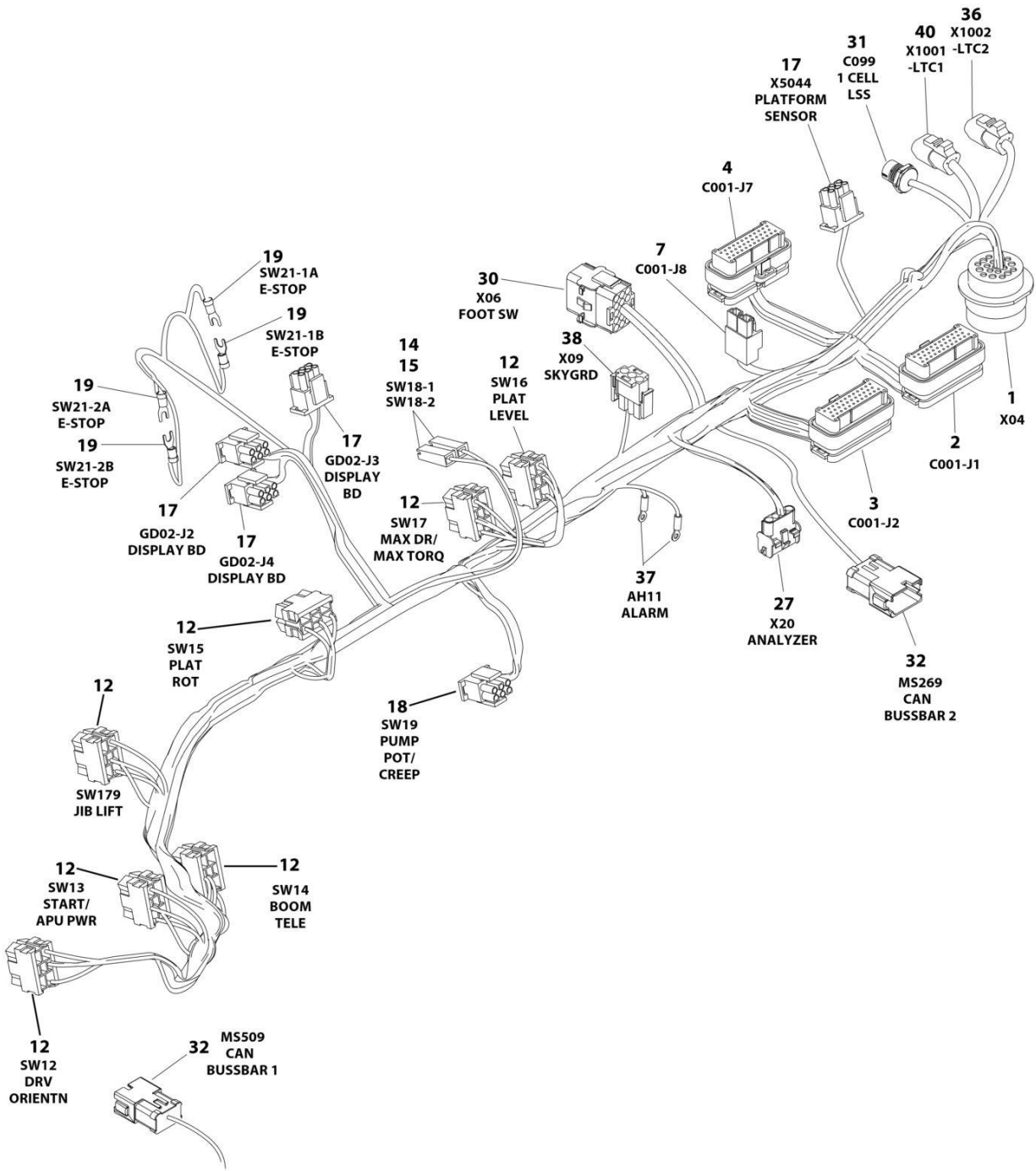
SECTION 8 - ELECTRICAL

FIGURE 8-29. PLATFORM BOX HARNESS - 18RS (Prior to SN B300001836)

ITEM	PART NUMBER	QTY	DESCRIPTION	REV
	1001133752	Ref	PLATFORM BOX HARNESS - 18RS (Prior to SN B300001836)	E
1	4460866	1	Connector - 19 Position	
1	4460464	5	Pin, Male 16 Ga	
1	4460508	2	Pin, Male 12 Ga	
1	4460943	3	Pin, Male 16 Ga (Gold)	
1	4460466	9	Plug, Sealing	
2	4460874	1	Connector - 35 Position (Natural)	
2	4460871	17	Socket, Female	
3	4460875	1	Connector - 35 Position (Gray)	
3	4460871	14	Socket, Female	
4	4460873	1	Connector - 35 Position (Black)	
4	4460871	16	Socket, Female	
7	4460879	1	Connector, Male - 2 Position	
7	4460887	2	Terminal	
12	4460418	6	Connector, Female - 6 Position	
12	4460419	17	Socket, Female	
14	4460260	2	Ring Terminal	
15	4460259	2	Ring Terminal	
17	4460225	3	Plug, Male - 6 Position	
17	4460226	9	Socket, Female	
18	4460225	1	Plug, Male - 6 Position	
18	4460227	5	Pin, Male	
19	4460888	4	Fork Terminal	
27	4460761	1	Plug, Male - 4 Position	
27	4460227	4	Pin, Male	
30	4460434	1	Plug, Male - 15 Position	
30	4460227	6	Pin, Male	
36	4460539	2	Plug, Male - 3 Position (Triangular)	
36	4460944	6	Socket, Female (Gold)	
37	4460247	2	Ring Terminal	
38	4460326	1	Plug, Male - 3 Position (To SkyGuard Option)	
38	4460227	3	Pin, Male	
40	4460536	1	Receptacle, Female - 3 Position (Triangular)	
40	4460943	3	Pin, Male (Gold)	

SECTION 8 - ELECTRICAL

FIGURE 8-30. PLATFORM BOX HARNESS - 18RS (SN B30001836 to Present)



ART_1001217358

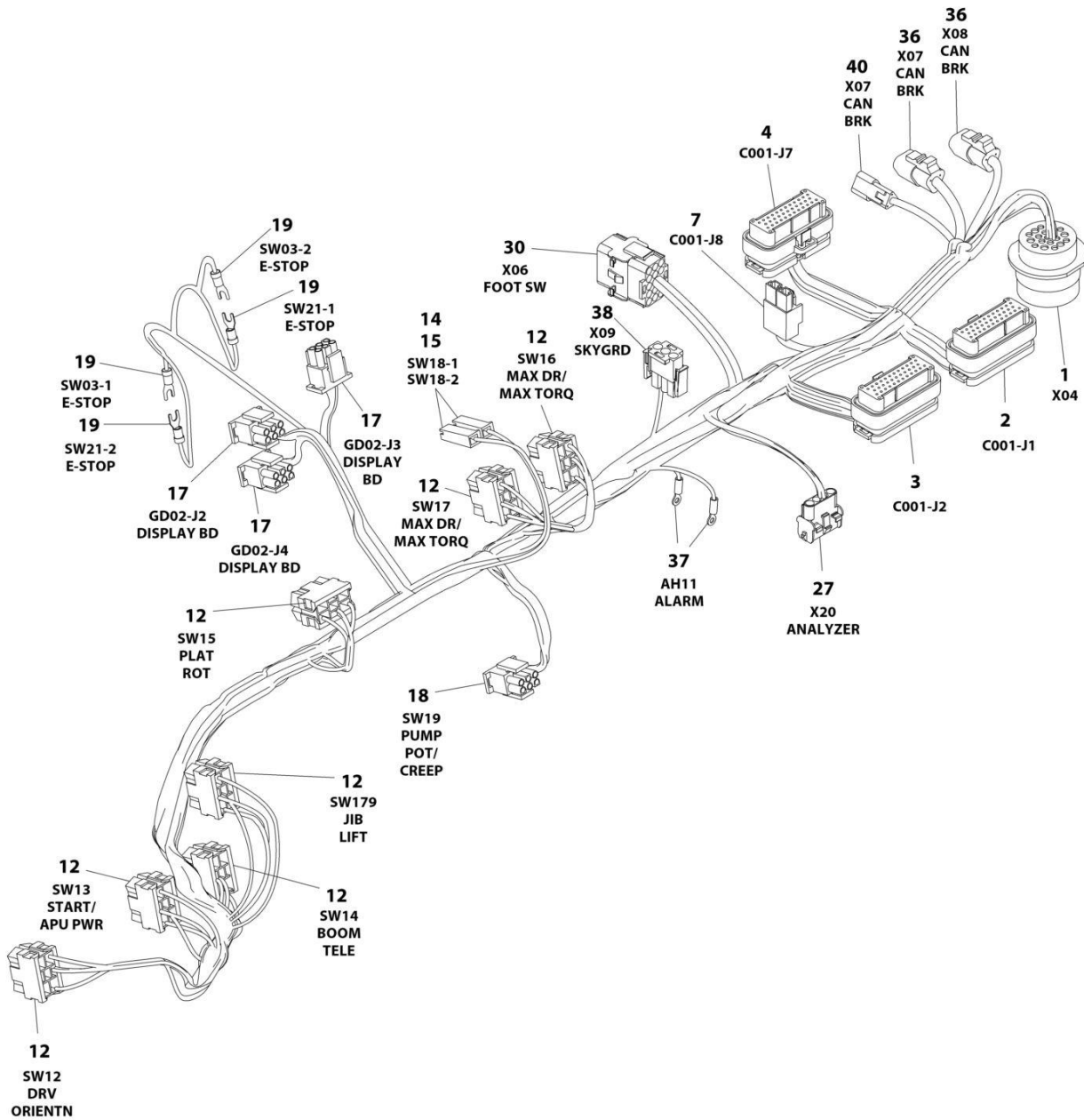
SECTION 8 - ELECTRICAL

FIGURE 8-30. PLATFORM BOX HARNESS - 18RS (SN B300001836 to Present)

ITEM	PART NUMBER	QTY	DESCRIPTION	REV
	1001217358	Ref	PLATFORM BOX HARNESS - 18RS (SN B300001836 to Present)	A
1	4460866	1	Connector - 19 Position	
1	4460464	5	Pin, Male 16 Ga	
1	4460508	2	Pin, Male 12 Ga	
1	4460943	3	Pin, Male 16 Ga (Gold)	
1	4460466	9	Plug, Sealing	
2	4460874	1	Connector - 35 Position (Natural)	
2	4460871	20	Socket, Female	
3	4460875	1	Connector - 35 Position (Gray)	
3	4460871	16	Socket, Female	
4	4460873	1	Connector - 35 Position (Black)	
4	4460871	16	Socket, Female	
7	4460879	1	Connector, Male - 2 Position	
7	4460887	2	Terminal	
12	4460418	7	Connector, Female - 6 Position	
12	4460419	21	Socket, Female	
14	4460260	4	Ring Terminal	
15	4460259	4	Ring Terminal	
17	4460225	4	Plug, Male - 6 Position	
17	4460226	14	Socket, Female	
18	4460225	18	Plug, Male - 6 Position	
18	4460227	5	Pin, Male	
19	4460888	4	Fork Terminal	
27	4460761	1	Plug, Male - 4 Position	
27	4460227	18	Pin, Male	
30	4460434	1	Plug, Male - 15 Position	
31	1001213447	1	Connector, Female - 5 Position	
32	1001119020	2	Connector, Buss Bar	
36	4460539	1	Plug, Male - 3 Position (Triangular)	
36	4460944	20	Socket, Female (Gold)	
37	4460247	2	Ring, Terminal	
40	4460536	1	Receptacle, Female - 3 Position (Triangular)	
40	4460943	6	Pin, Male (Gold)	
41	2820019	AR	Tubing, Heat Shrink (Not Shown)	

SECTION 8 - ELECTRICAL

FIGURE 8-31. PLATFORM BOX HARNESS - 18RSJ



ART_1001203482

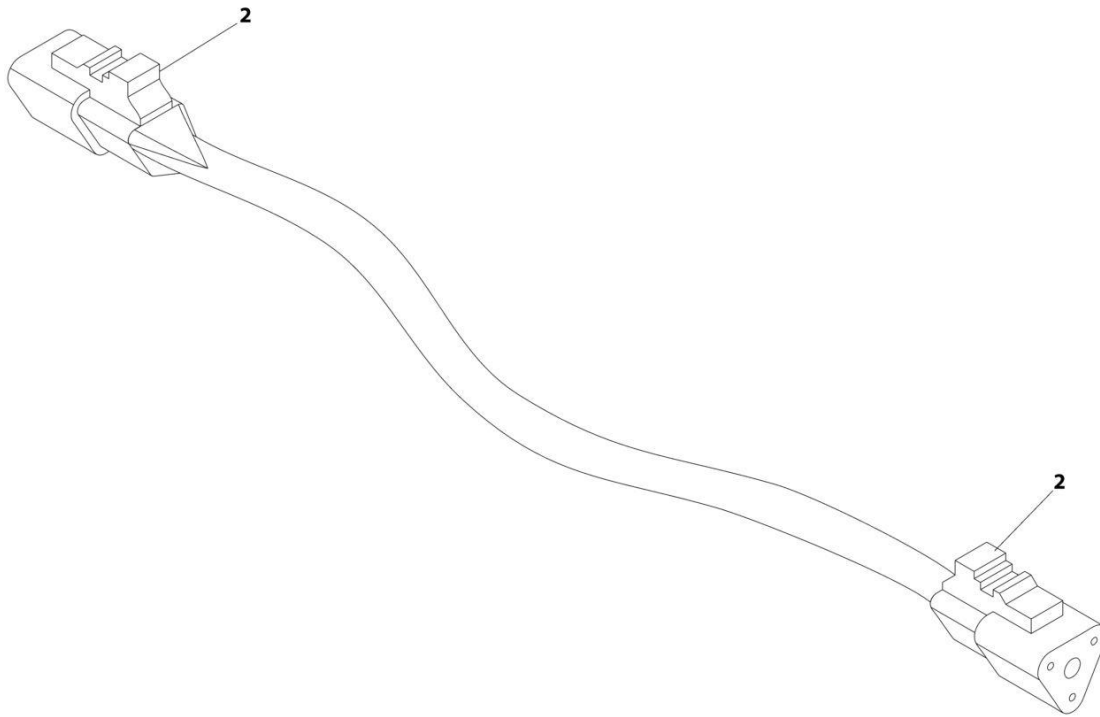
SECTION 8 - ELECTRICAL

FIGURE 8-31. PLATFORM BOX HARNESS - 18RSJ

ITEM	PART NUMBER	QTY	DESCRIPTION	REV
	1001203482	Ref	PLATFORM BOX HARNESS - 18RSJ	E
1	4460866	1	Connector - 19 Position	
1	4460464	5	Pin, Male 16 Ga	
1	4460508	2	Pin, Male 12 Ga	
1	4460943	3	Pin, Male 16 Ga (Gold)	
1	4460466	9	Plug, Sealing	
2	4460874	1	Connector - 35 Position (Natural)	
2	4460871	17	Socket, Female	
3	4460875	1	Connector - 35 Position (Gray)	
3	4460871	14	Socket, Female	
4	4460873	1	Connector - 35 Position (Black)	
4	4460871	16	Socket, Female	
7	4460879	1	Connector, Male - 2 Position	
7	4460887	2	Terminal	
12	4460418	7	Connector, Female - 6 Position	
12	4460419	20	Socket, Female	
14	4460260	2	Ring, Terminal	
15	4460259	2	Ring, Terminal	
17	4460225	3	Plug, Male - 6 Position	
17	4460226	11	Socket, Female	
18	4460225	1	Plug, Male - 6 Position	
18	4460227	5	Pin, Male	
19	4460888	4	Fork Terminal	
27	4460761	1	Plug, Male - 4 Position	
27	4460227	4	Pin, Male	
30	4460434	1	Plug, Male - 15 Position	
30	4460227	6	Pin, Male	
36	4460539	2	Plug, Male - 3 Position (Triangular)	
36	4460944	6	Socket, Female (Gold)	
37	4460247	2	Ring, Terminal	
38	4460326	1	Plug, Male - 3 Position (To SkyGuard Option)	
38	4460227	3	Pin, Male	
40	4460536	1	Receptacle, Female - 3 Position (Triangular)	
40	4460943	3	Pin, Male (Gold)	

SECTION 8 - ELECTRICAL

FIGURE 8-32. PROXIMITY SENSOR HARNESS



ART_1001151521

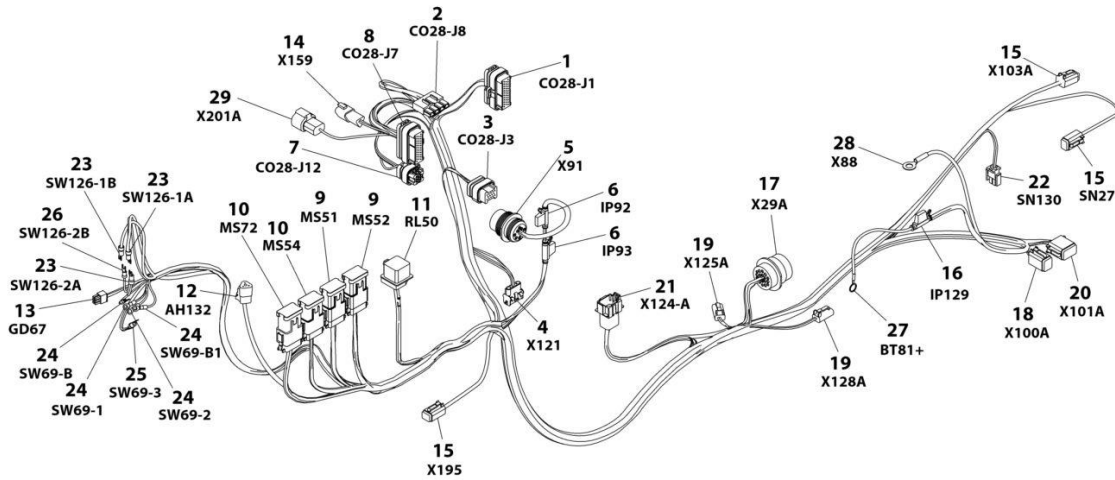
SECTION 8 - ELECTRICAL

FIGURE 8-32. PROXIMITY SENSOR HARNESS

ITEM	PART NUMBER	QTY	DESCRIPTION	REV
	1001151521	Ref	PROXIMITY SENSOR HARNESS	B
2	4460539	2	Receptacle, Female - 3 Position	
2	4460465	6	Socket, Female	

SECTION 8 - ELECTRICAL

FIGURE 8-33. TURNTABLE HARNESS



ART_1001132511

SECTION 8 - ELECTRICAL

FIGURE 8-33. TURNTABLE HARNESS

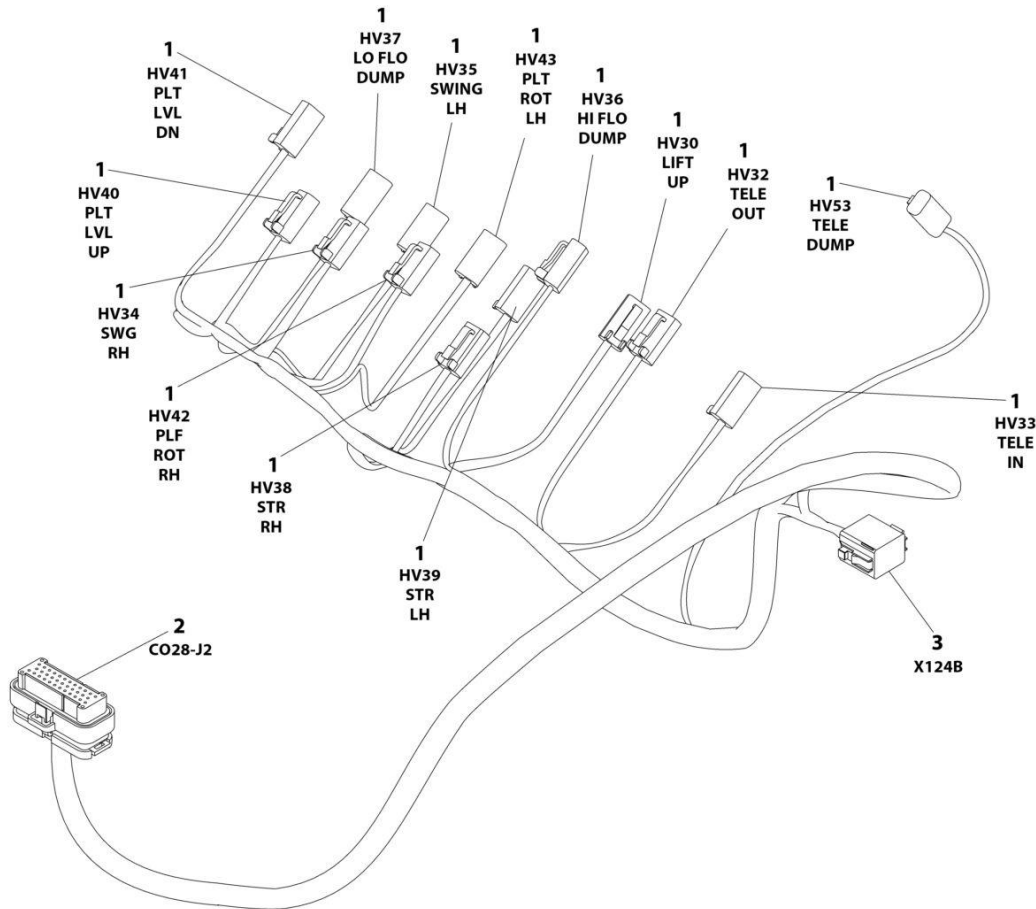
ITEM	PART NUMBER	QTY	DESCRIPTION	REV
	1001132511	Ref	TURNTABLE HARNESS	H
1	4460874	1	Connector - 35 Position (Natural)	
1	4460871	15	Socket, Female	
1	4460905	20	Plug, Seal	
2	4460878	1	Housing, Terminal - 4 Position	
2	4460887	4	Terminal	
3	4460872	1	Connector, Male - 14 Position (Black)	
3	4460871	4	Socket, Female	
3	4460905	10	Seal, Plug	
4	4460761	1	Plug, Male - 4 Position	
4	4460267	4	Pin, Male	
5	1001112612	1	Connector - 9 Position (Includes Nut and Lockwasher)	
5	4460496	1	Locknut, Terminal	
5	4460497	1	Nut, Terminal	
5	4460944	3	Socket, Female (Gold)	
5	4460465	3	Socket, Female	
5	4460466	3	Seal, Plug	
5	1001106736	1	Cap, Dust	
6	2400066	2	Fuseholder	
6	260305	2	Fuse 5Amp	
7	1001113961	1	Connector - 8 Position (Black)	
7	4460871	5	Socket, Female	
7	4460905	3	Seal, Plug	
8	4460873	1	Connector - 35 Position (Black)	
8	4460871	21	Socket, Female	
8	4460905	14	Seal, Plug	
9	4460836	2	Plug, Male - 12 Position (Black)	
9	4460837	2	Connector, Bussbar - 12 Position (Black)	
9	1001121172	2	Bracket, Terminal Mounting	
9	4460465	3	Socket, Female	
9	4460942	7	Socket, Female	
9	4460466	13	Seal, Plug	
10	4460933	2	Plug, Male - 12 Position (Gray)	
10	1001119020	2	Connector, Bussbar - 12 Position (Gray)	
10	1001121172	2	Bracket, Terminal Mounting	
10	4460465	9	Socket, Female	
10	4460944	8	Socket, Female	
10	4460466	7	Seal, Plug	
11	1001117057	1	Plug, Male - 5 Position	
11	1001116734	2	Terminal	
11	1001116733	2	Terminal	
11	1001116728	1	Terminal	
11	70020199	2	Diode - 6Amp	
12	4460539	1	Plug, Male - 3 Position (Triangular)	
12	4460465	3	Socket, Female	
13	4460868	1	Plug, Male - 6 Position	
13	4460877	4	Socket, Female	
14	4460536	1	Receptacle, Female - 3 Position (Triangular)	
14	4460464	3	Pin, Male	
15	4460884	3	Plug, Male - 4 Position	

SECTION 8 - ELECTRICAL

ITEM	PART NUMBER	QTY	DESCRIPTION	REV
15	4460465	10	Socket, Female	
15	4460466	2	Seal, Plug	
16	2400066	1	Fuseholder	
16	2400065	1	Fuse, 30Amp	
17	4460866	1	Connector - 19 Position	
17	4460464	9	Pin, Male 16 Ga	
17	4460508	2	Pin, Male 12 Ga	
17	4460466	8	Plug, Sealing	
18	4460894	1	Plug, Male - 6 Position	
18	4460465	6	Socket, Female	
19	4460891	2	Plug, Male - 2 Position	
19	4460465	4	Socket, Female	
20	4460930	1	Plug, Male - 8 Position (Gray)	
20	4460465	8	Socket, Female	
21	1001116813	1	Receptacle, Female - 8 Position (Black)	
21	4460464	7	Pin, Male	
21	4460466	1	Plug, Sealing	
22	4460320	1	Receptacle, Female - 2 Position	
22	4460226	2	Pin, Male	
23	4460806	3	Terminal	
24	4460313	4	Terminal	
25	4460042	1	Terminal	
26	4460183	1	Terminal	
27	4460019	1	Terminal	
28	1001117110	1	Terminal	
29	4460897	1	Receptacle, Female - 2 Position	
29	4460464	2	Pin, Male	
29	4460891	1	Plug, Male - 2 Position	

SECTION 8 - ELECTRICAL

FIGURE 8-34. VALVE HARNESS - 18RS



ART_1001134067

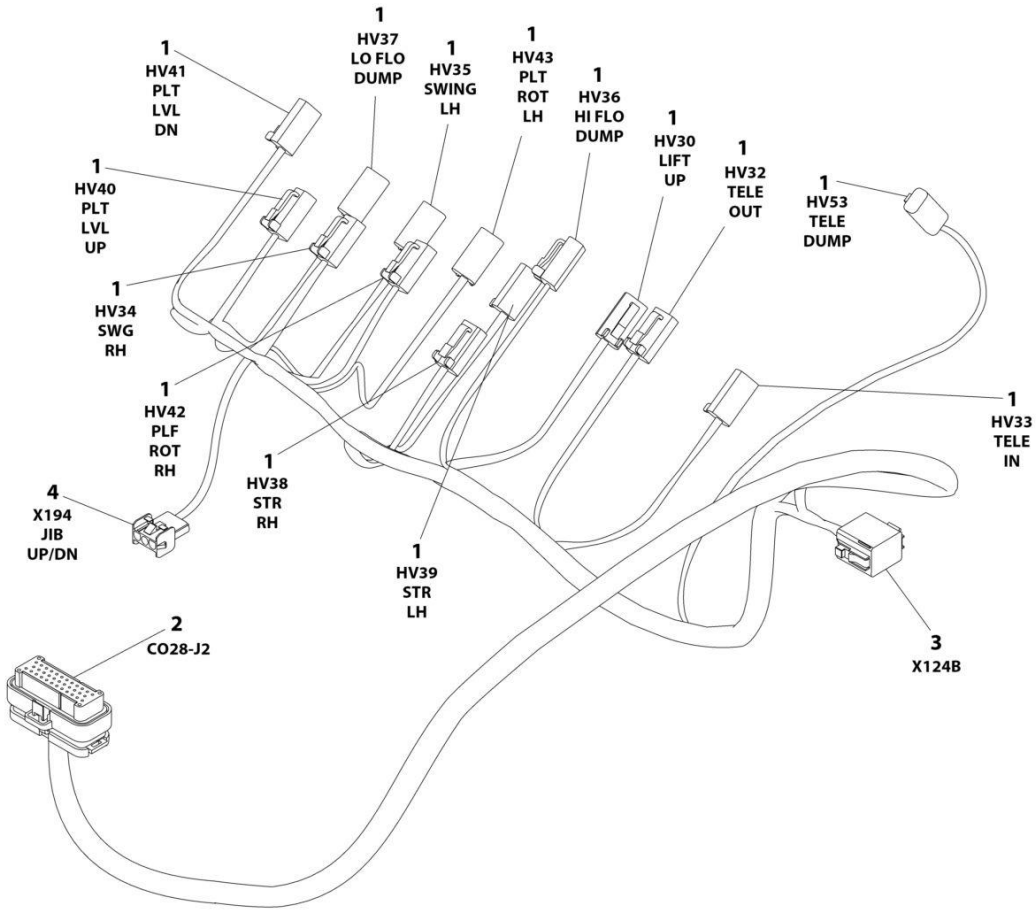
SECTION 8 - ELECTRICAL

FIGURE 8-34. VALVE HARNESS - 18RS

ITEM	PART NUMBER	QTY	DESCRIPTION	REV
	1001134067	Ref	VALVE HARNESS - 18RS	C
1	4460891	14	Plug, Male - 2 Position	
1	4460465	28	Socket, Female	
2	4460875	1	Connector - 35 Position (Gray)	
2	4460871	22	Socket, Female	
2	4460905	13	Seal, Plug	
3	4460851	1	Plug, Male - 8 Position (Black)	
3	4460465	7	Socket, Female	
3	4460466	1	Seal, Plug	

SECTION 8 - ELECTRICAL

FIGURE 8-35. VALVE HARNESS - 18RSJ



ART_1001203479

SECTION 8 - ELECTRICAL

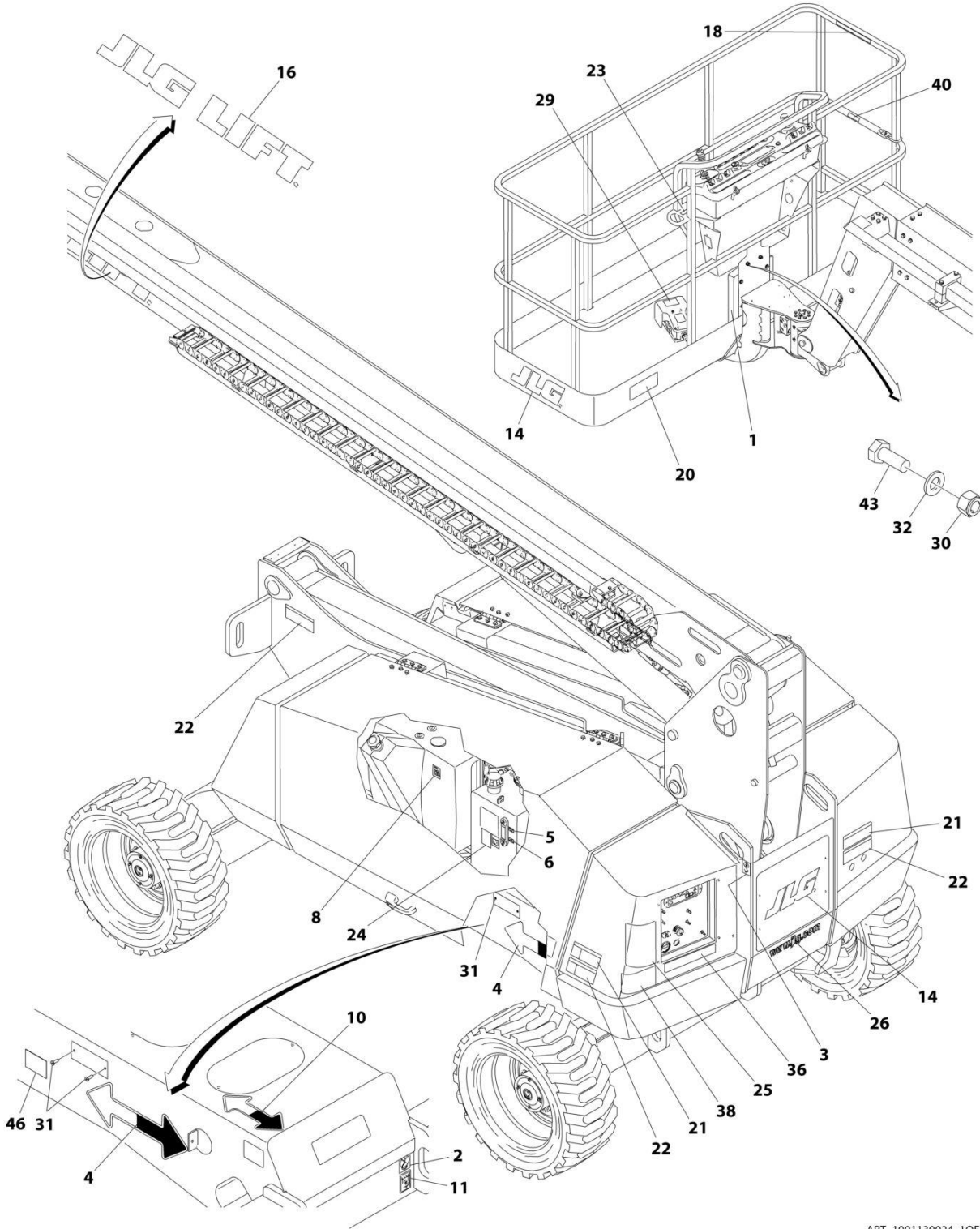
FIGURE 8-35. VALVE HARNESS - 18RSJ

ITEM	PART NUMBER	QTY	DESCRIPTION	REV
	1001203479	Ref	VALVE HARNESS - 18RSJ	A
1	4460891	14	Plug, Male - 2 Position	
1	4460465	28	Socket, Female	
2	4460875	1	Connector - 35 Position (Gray)	
2	4460871	22	Socket, Female	
2	4460905	13	Seal, Plug	
3	4460851	1	Plug, Male - 8 Position (Black)	
3	4460465	7	Socket, Female	
3	4460466	1	Seal, Plug	
4	4460445	1	Receptacle, Female - 3 Position	
4	4460268	3	Terminal	

SECTION 9 - DECALS

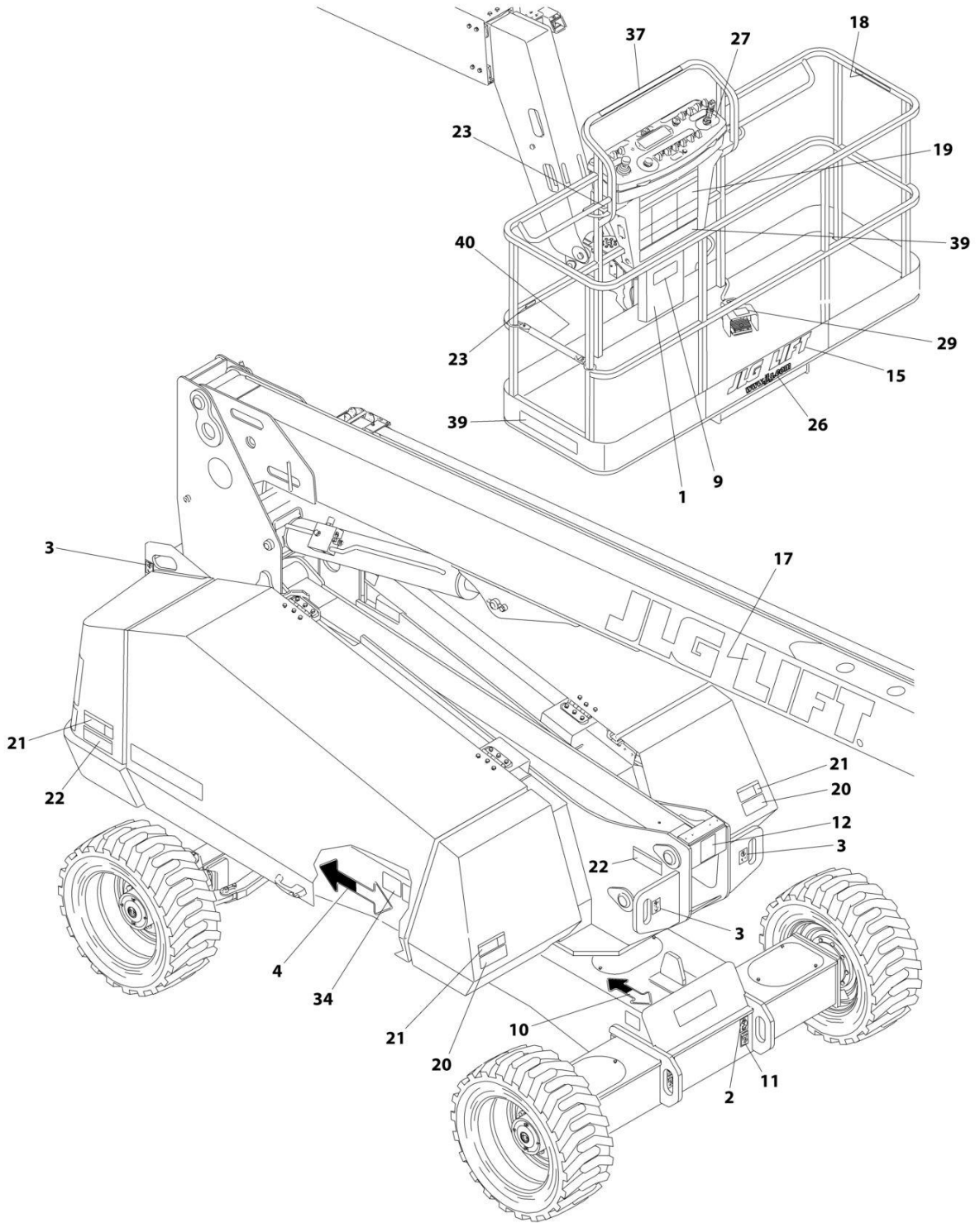
SECTION 9 - DECALS

FIGURE 9-1. DECAL INSTALLATION - ANSI SPEC



ART_1001139024_10F2

SECTION 9 - DECALS



ART_1001139024_20F2

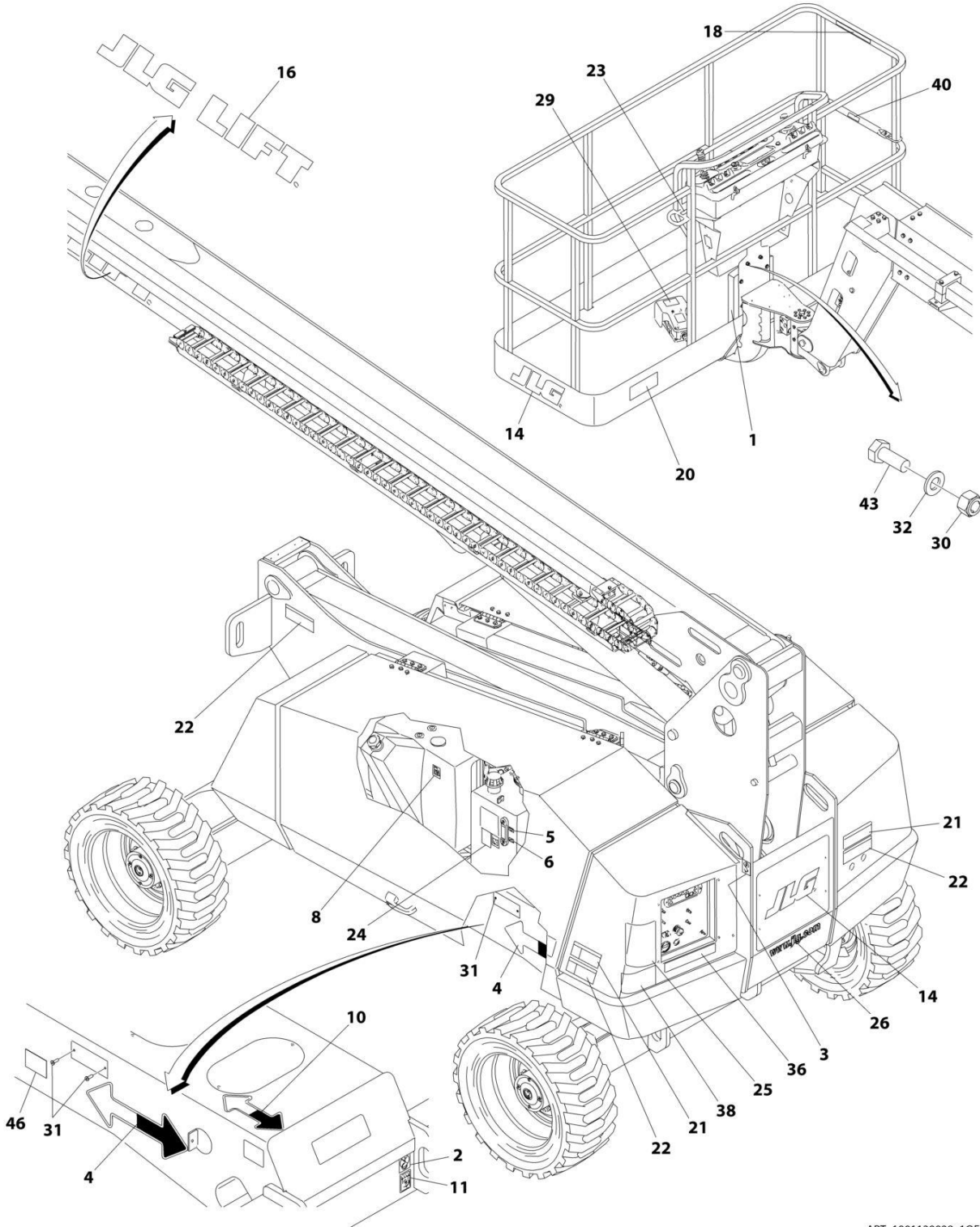
SECTION 9 - DECALS

FIGURE 9-1. DECAL INSTALLATION - ANSI SPEC

ITEM	PART NUMBER	QTY	DESCRIPTION	REV
	1001139024	Ref	DECAL INSTALLATION - ANSI SPEC	E
1	0860520	1	Box, Manual Storage	
2	1701499	4	Decal - No Tie Down /Lift	
3	1701500	4	Decal - Tie Down /Lift	
4	1701501	2	Decal - Arrow	
5	1701502	1	Decal - High Oil Level	
6	1701503	1	Decal - Low Oil Level	
8	1701505	1	Decal - Fuel	
9	1701509	1	Decal - Manual	
10	1701529	2	Decal - Arrow	
11	1702300	4	Decal - Tie Down /Lift	
12	1702391	1	Decal - Crushing Hazard	
14	1702773	2	Decal - JLG	
15	1702774	1	Decal - JLG Lift	
16	1702861	1	Decal - JLG Lift	
17	1702862	1	Decal - JLG Lift	
18	1702868	2	Decal - No Hands	
19	1703797	1	Decal - Danger/Warning	
20	1703804	4	Decal - Warning/Crushing	
21	1703805	5	Decal - Danger/Electrocution	
22	1703953	5	Decal - Warning/Crushing	
23	1704277	3	Decal - Attach Lanyard Here	
24	1704412	1	Decal - Hydraulic Fluid	
25	1704575	1	Decal - Danger/Warning	
26	1704885	2	Decal - Website	
27	1705351	1	Decal - Drive/Steer	
29	3252347	1	Decal - Footswitch	
30	3311405	4	Nut 1/4	
31	3820001	2	Rivet	
32	4751400	4	Washer 1/4	
34	1001131269	1	Decal - Patent	
36	1001140402	1	Decal - Legend (Ground Controls)	
37	1001140403	1	Decal - Legend (Platform)	
38	1001140405	1	Decal - Warning/Maximum Capacity	
39	1001140406	2	Decal - Warning/Maximum Capacity	
40	1001140429	1	Decal - Drop Bar	
43	0641406	4	Bolt 1/4 x 3/4	
46	1001223055	1	Decal - Yearly Inspection (SN B300002150 to Present)	

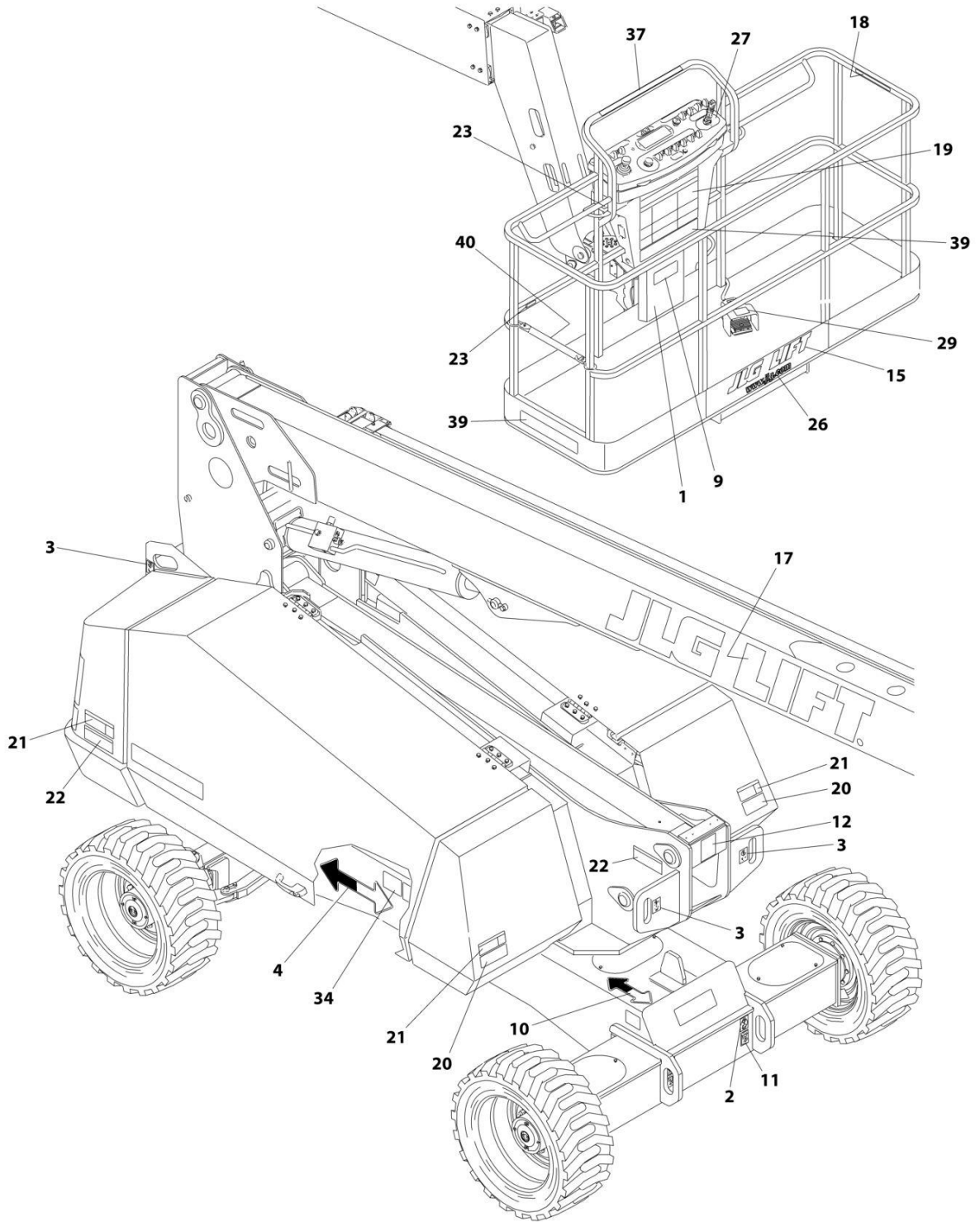
SECTION 9 - DECALS

FIGURE 9-2. DECAL INSTALLATION - BRAZIL SPEC



ART_1001139028_10F2

SECTION 9 - DECALS



ART_1001139028_20F2

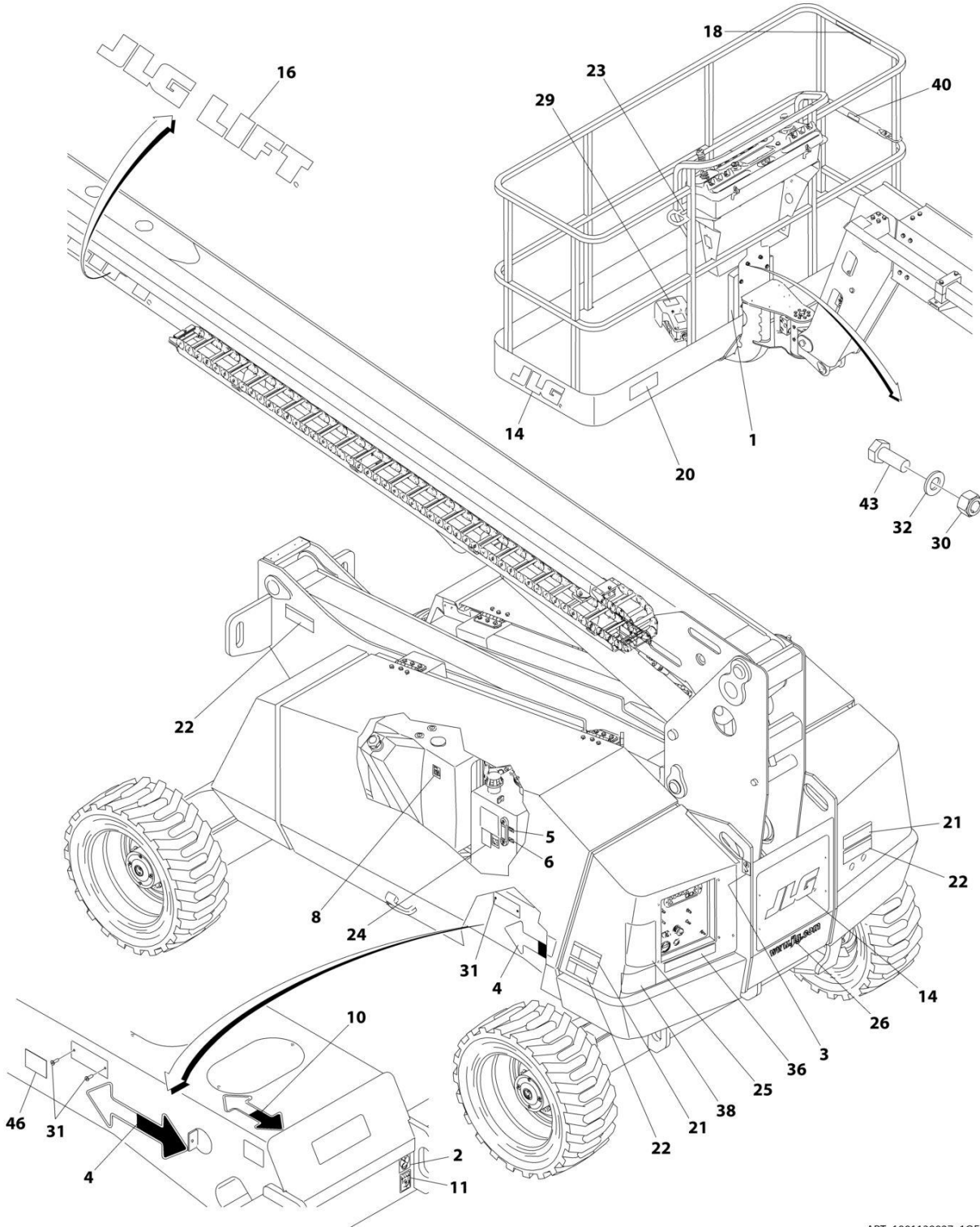
SECTION 9 - DECALS

FIGURE 9-2. DECAL INSTALLATION - BRAZIL SPEC

ITEM	PART NUMBER	QTY	DESCRIPTION	REV
	1001139028	Ref	DECAL INSTALLATION - BRAZIL SPEC	E
1	0860520	1	Box, Manual Storage	
2	1701499	4	Decal - No Tie Down /Lift	
3	1701500	4	Decal - Tie Down /Lift	
4	1701501	2	Decal - Arrow	
5	1701502	1	Decal - High Oil Level	
6	1701503	1	Decal - Low Oil Level	
8	1701505	1	Decal - Fuel	
9	1701509	1	Decal - Manual	
10	1701529	2	Decal - Arrow	
11	1702300	4	Decal - Tie Down /Lift	
12	1702391	1	Decal - Crushing Hazard	
14	1702773	2	Decal - JLG	
15	1702774	1	Decal - JLG Lift	
16	1702861	1	Decal - JLG Lift	
17	1702862	1	Decal - JLG Lift	
18	1705967	2	Decal - No Hands	
19	1705895	1	Decal - Danger/Warning	
20	1705898	4	Decal - Warning/Crushing	
21	1705897	5	Decal - Danger/Electrocution	
22	1705903	5	Decal - Warning/Crushing	
23	1704277	3	Decal - Attach Lanyard Here	
24	1704412	1	Decal - Hydraulic Fluid	
25	1705896	1	Decal - Danger/Warning	
26	1704885	2	Decal - Website	
27	1705905	1	Decal - Drive/Steer	
29	1705902	1	Decal - Footswitch	
30	3311405	4	Nut 1/4	
31	3820001	2	Rivet	
32	4751400	4	Washer 1/4	
34	1001131269	1	Decal - Patent	
36	1001140402	1	Decal - Legend (Ground Controls)	
37	1001140403	1	Decal - Legend (Platform)	
38	1001121923	1	Decal - Warning/Maximum Capacity	
39	1001121920	2	Decal - Warning/Maximum Capacity	
40	1001140429	1	Decal - Drop Bar	
43	0641406	4	Bolt 1/4 x 3/4	
46	1001224052	1	Decal - Yearly Inspection (SN B300002150 to Present)	

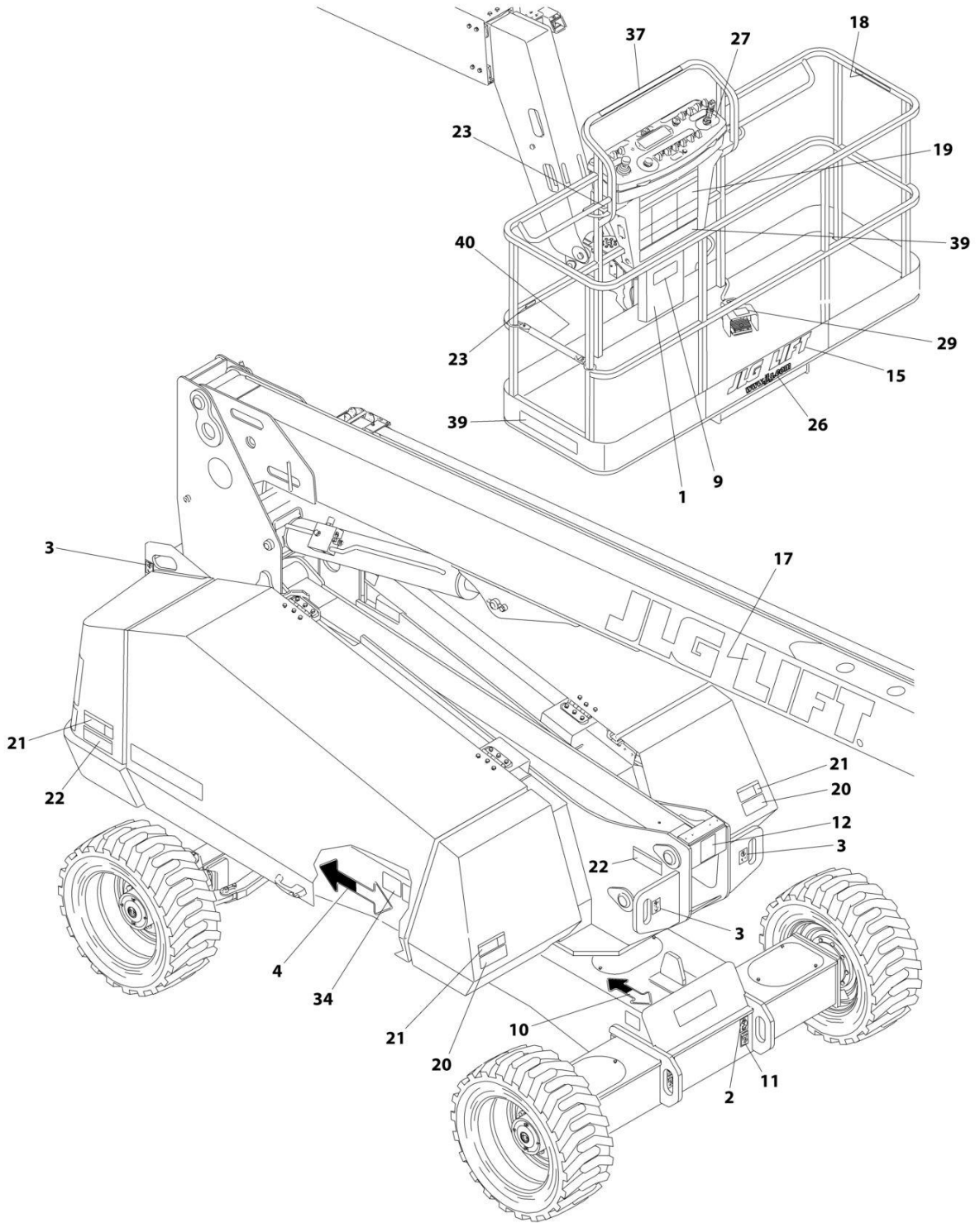
SECTION 9 - DECALS

FIGURE 9-3. DECAL INSTALLATION - CHINESE SPEC



ART_1001139027_10F2

SECTION 9 - DECALS



ART_1001139027_20F2

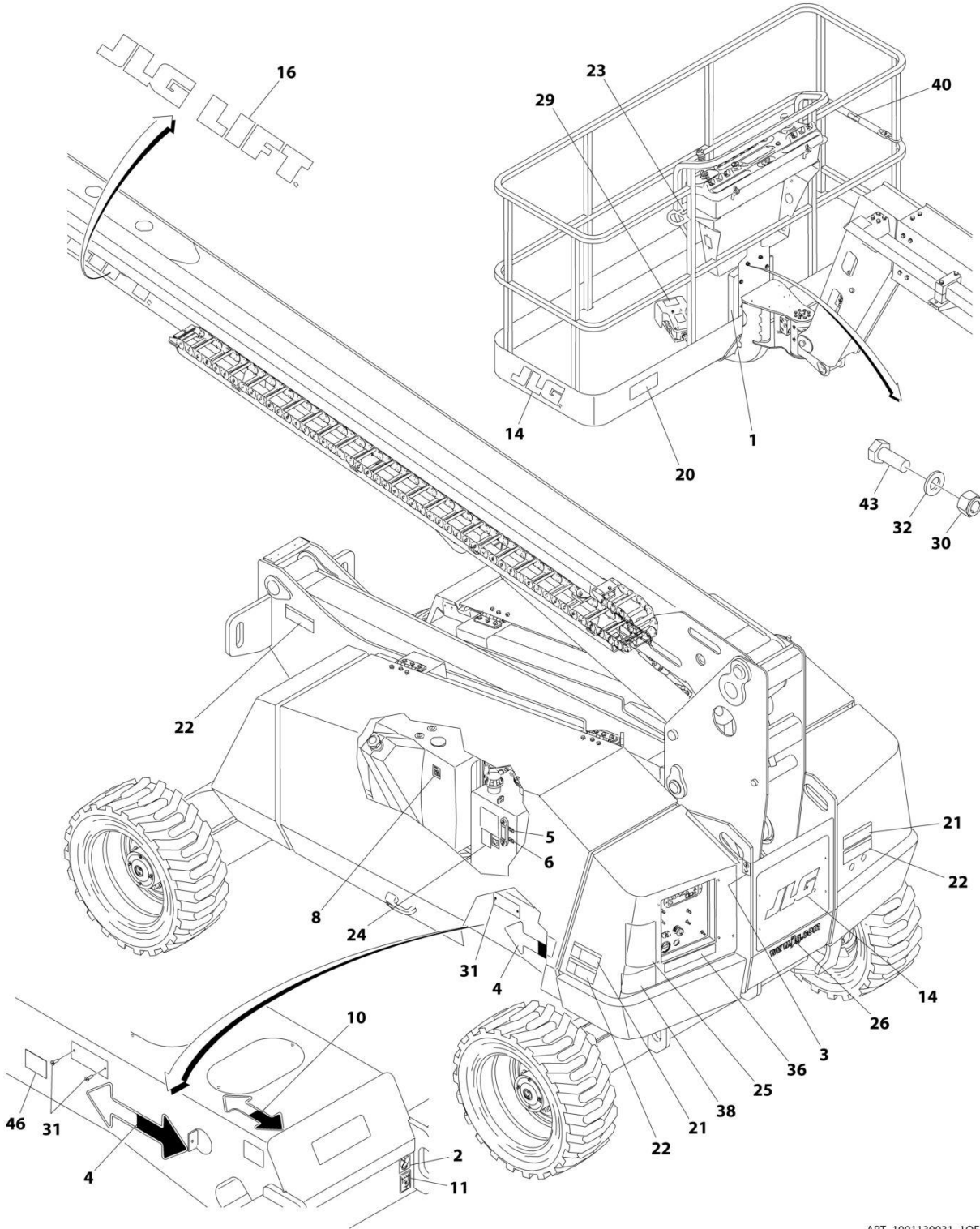
SECTION 9 - DECALS

FIGURE 9-3. DECAL INSTALLATION - CHINESE SPEC

ITEM	PART NUMBER	QTY	DESCRIPTION	REV
	1001139027	Ref	DECAL INSTALLATION - CHINESE SPEC	F
1	0860520	1	Box, Manual Storage	
2	1701499	4	Decal - No Tie Down /Lift	
3	1701500	4	Decal - Tie Down /Lift	
4	1701501	2	Decal - Arrow	
5	1701502	1	Decal - High Oil Level	
6	1701503	1	Decal - Low Oil Level	
8	1701505	1	Decal - Fuel	
9	1701509	1	Decal - Manual	
10	1701529	2	Decal - Arrow	
11	1702300	4	Decal - Tie Down /Lift	
12	1001113168	1	Decal - Crushing Hazard	
14	1702773	2	Decal - JLG	
15	1702774	1	Decal - JLG Lift	
16	1702861	1	Decal - JLG Lift	
17	1702862	1	Decal - JLG Lift	
18	1705968	2	Decal - No Hands	
19	1703925	1	Decal - Danger/Warning	
20	1703949	4	Decal - Warning/Crushing	
21	1703937	5	Decal - Danger/Electrocution	
22	1703943	5	Decal - Warning/Crushing	
23	1704277	3	Decal - Attach Lanyard Here	
24	1704412	1	Decal - Hydraulic Fluid	
25	1001116849	1	Decal - Danger/Warning	
26	1704885	2	Decal - Website	
27	1705351	1	Decal - Drive/Steer	
29	1703982	1	Decal - Footswitch	
30	3311405	4	Nut 1/4	
31	3820001	2	Rivet	
32	4751400	4	Washer 1/4	
34	1001131269	1	Decal - Patent	
36	1001140402	1	Decal - Legend (Ground Controls)	
37	1001140403	1	Decal - Legend (Platform)	
38	1001121823	1	Decal - Warning/Maximum Capacity	
39	1001121810	2	Decal - Warning/Maximum Capacity	
40	1001140429	1	Decal - Drop Bar	
43	0641406	4	Bolt 1/4 x 3/4	
46	1001224051	1	Decal - Yearly Inspection (SN B300002150 to Present)	

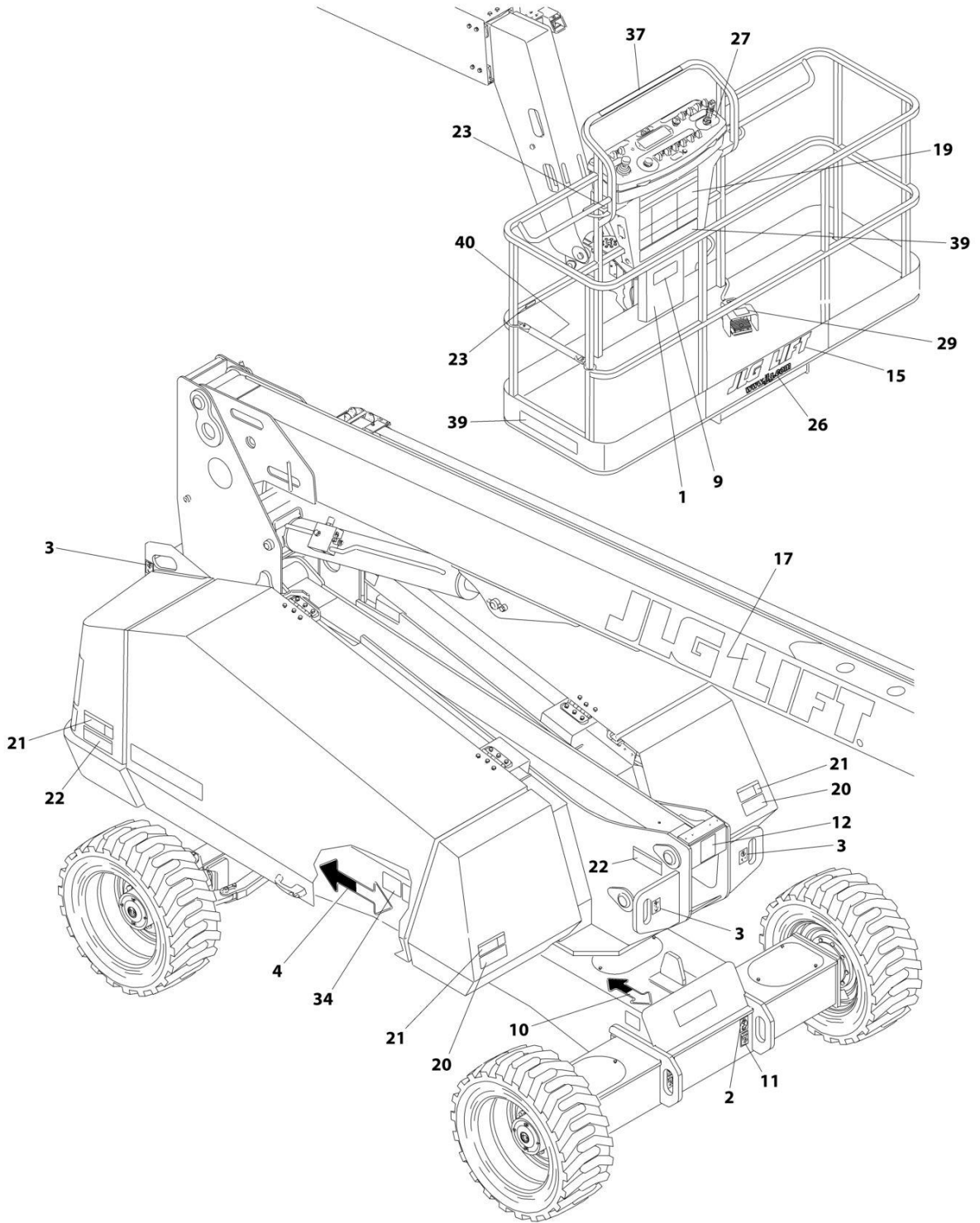
SECTION 9 - DECALS

FIGURE 9-4. DECAL INSTALLATION - JAPANESE SPEC



ART_1001139031_10F2

SECTION 9 - DECALS



ART_1001139031_20F2

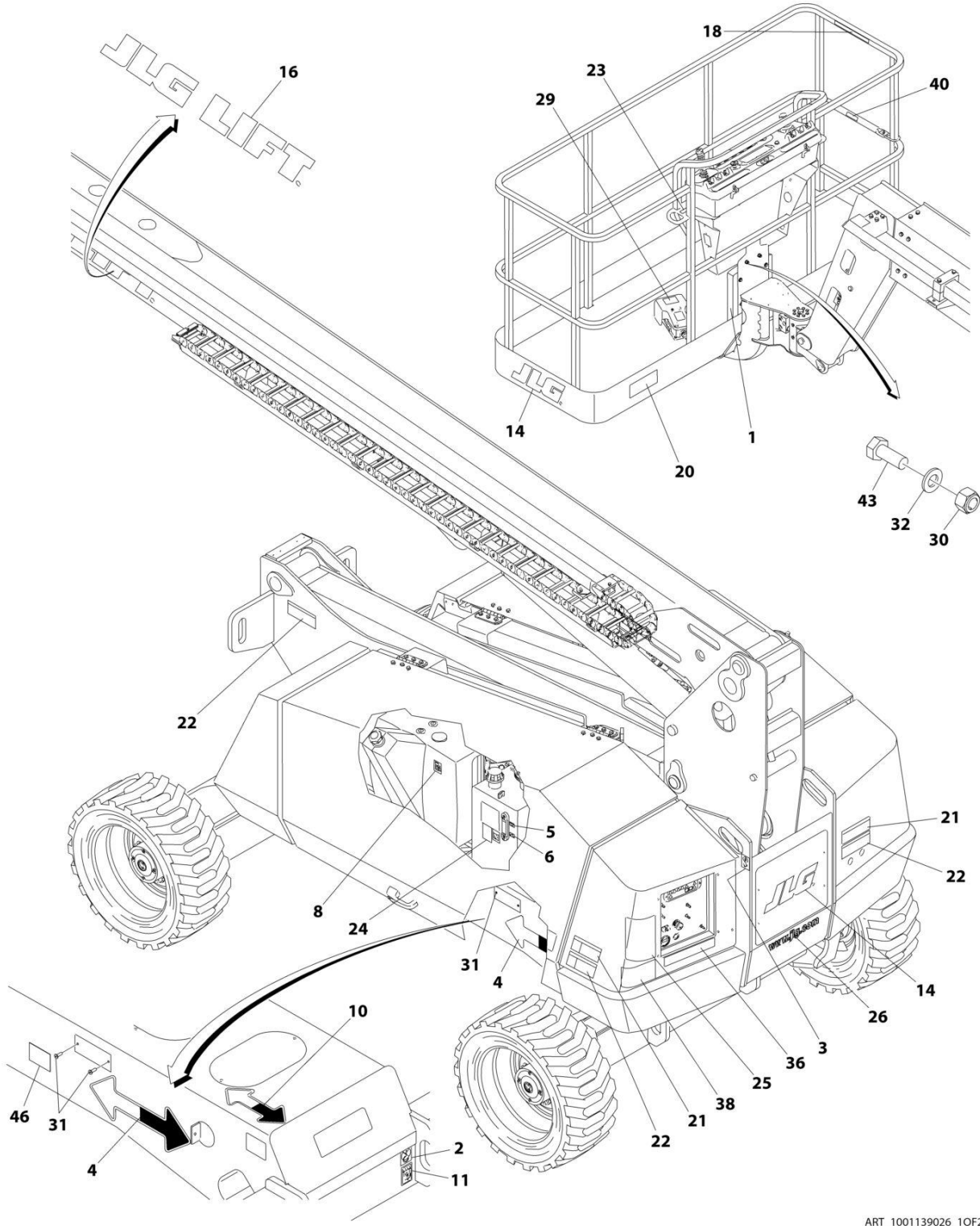
SECTION 9 - DECALS

FIGURE 9-4. DECAL INSTALLATION - JAPANESE SPEC

ITEM	PART NUMBER	QTY	DESCRIPTION	REV
	1001139031	Ref	DECAL INSTALLATION - JAPANESE SPEC	E
1	0860520	1	Box, Manual Storage	
2	1701499	4	Decal - No Tie Down /Lift	
3	1701500	4	Decal - Tie Down /Lift	
4	1701501	2	Decal - Arrow	
5	1701502	1	Decal - High Oil Level	
6	1701503	1	Decal - Low Oil Level	
8	1701505	1	Decal - Fuel	
9	1701509	1	Decal - Manual	
10	1701529	2	Decal - Arrow	
11	1702300	4	Decal - Tie Down /Lift	
12	1001113166	1	Decal - Crushing Hazard	
14	1702773	2	Decal - JLG	
15	1702774	1	Decal - JLG Lift	
16	1702861	1	Decal - JLG Lift	
17	1702862	1	Decal - JLG Lift	
19	1703926	1	Decal - Danger/Warning	
20	1703950	4	Decal - Warning/Crushing	
21	1703938	5	Decal - Danger/Electrocution	
22	1703944	5	Decal - Warning/Crushing	
23	1704277	3	Decal - Attach Lanyard Here	
24	1704412	1	Decal - Hydraulic Fluid	
25	1705344	1	Decal - Danger/Warning	
26	1704885	2	Decal - Website	
27	1705426	1	Decal - Drive/Steer	
29	1703980	1	Decal - Footswitch	
30	3311405	4	Nut 1/4	
31	3820001	2	Rivet	
32	4751400	4	Washer 1/4	
34	1001131269	1	Decal - Patent	
36	1001140402	1	Decal - Legend (Ground Controls)	
37	1001140403	1	Decal - Legend (Platform)	
38	1001121821	1	Decal - Warning/Maximum Capacity	
39	1001121808	2	Decal - Warning/Maximum Capacity	
40	1001140429	1	Decal - Drop Bar	
43	0641406	4	Bolt 1/4 x 3/4	
46	1001224053	1	Decal - Yearly Inspection (SN B300002150 to Present)	

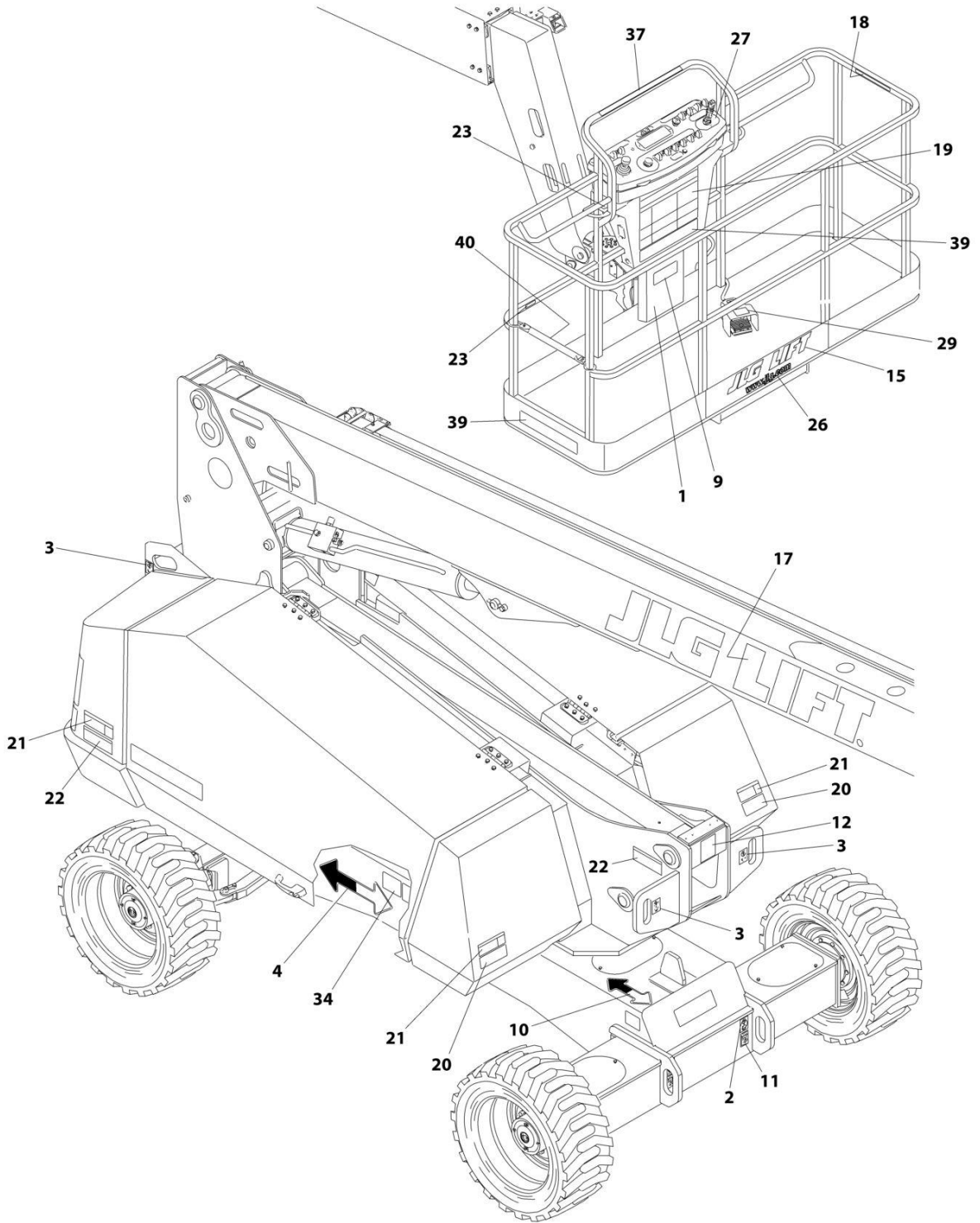
SECTION 9 - DECALS

FIGURE 9-5. DECAL INSTALLATION - KOREAN SPEC



ART_1001139026_10F2

SECTION 9 - DECALS



ART_1001139026_20F2

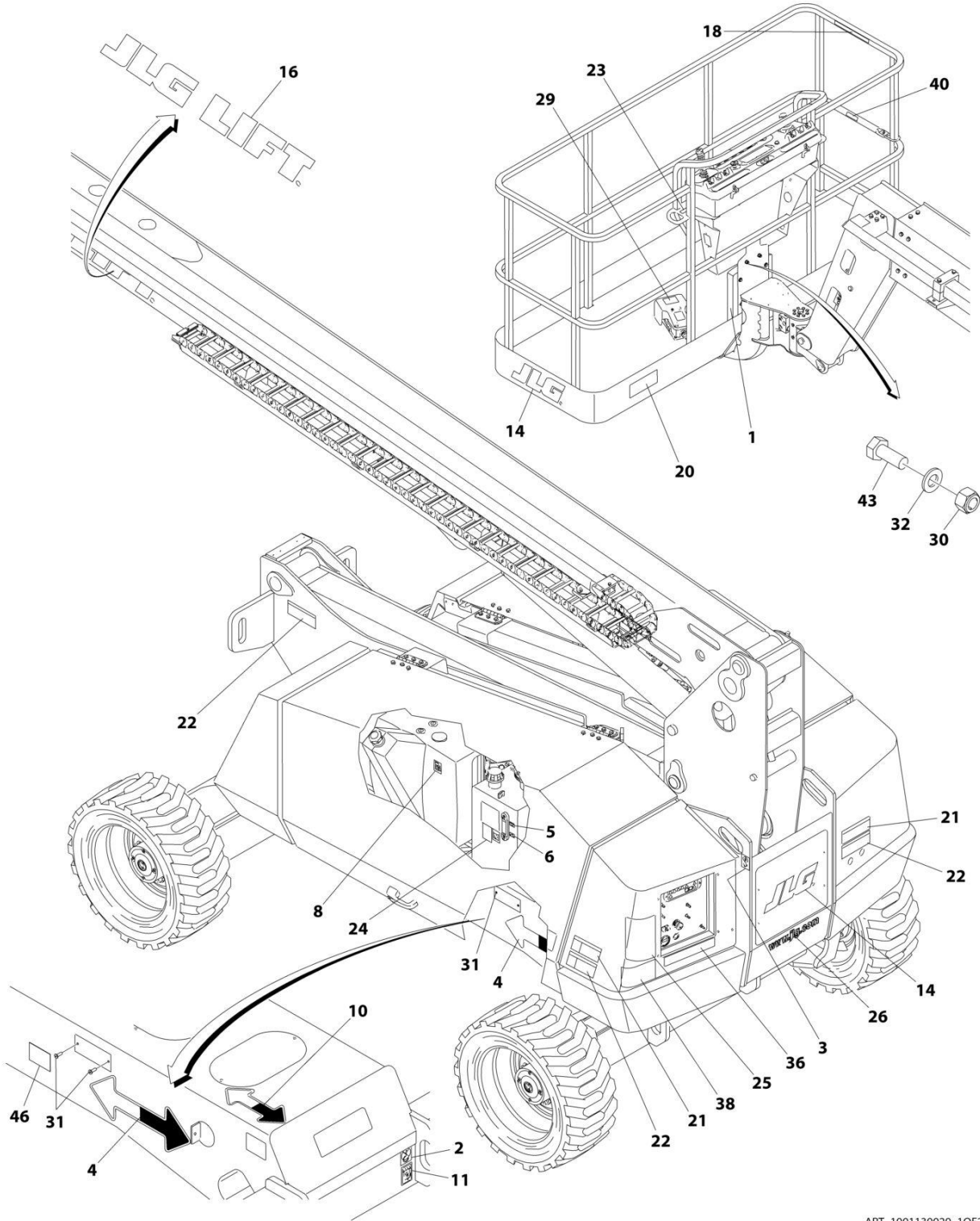
SECTION 9 - DECALS

FIGURE 9-5. DECAL INSTALLATION - KOREAN SPEC

ITEM	PART NUMBER	QTY	DESCRIPTION	REV
	1001139026	Ref	DECAL INSTALLATION - KOREAN SPEC	E
1	0860520	1	Box, Manual Storage	
2	1701499	4	Decal - No Tie Down /Lift	
3	1701500	4	Decal - Tie Down /Lift	
4	1701501	2	Decal - Arrow	
5	1701502	1	Decal - High Oil Level	
6	1701503	1	Decal - Low Oil Level	
8	1701505	1	Decal - Fuel	
9	1701509	1	Decal - Manual	
10	1701529	2	Decal - Arrow	
11	1702300	4	Decal - Tie Down /Lift	
12	1001113509	1	Decal - Crushing Hazard	
14	1702773	2	Decal - JLG	
15	1702774	1	Decal - JLG Lift	
16	1702861	1	Decal - JLG Lift	
17	1702862	1	Decal - JLG Lift	
18	1705969	2	Decal - No Hands	
19	1703927	1	Decal - Danger/Warning	
20	1703951	4	Decal - Warning/Crushing	
21	1703939	5	Decal - Danger/Electrocution	
22	1703945	5	Decal - Warning/Crushing	
23	1704277	3	Decal - Attach Lanyard Here	
24	1704412	1	Decal - Hydraulic Fluid	
25	1705345	1	Decal - Danger/Warning	
26	1704885	2	Decal - Website	
27	1705427	1	Decal - Drive/Steer	
29	1703981	1	Decal - Footswitch	
30	3311405	4	Nut 1/4	
31	3820001	2	Rivet	
32	4751400	4	Washer 1/4	
34	1001131269	1	Decal - Patent	
36	1001140402	1	Decal - Legend (Ground Controls)	
37	1001140403	1	Decal - Legend (Platform)	
38	1001121921	1	Decal - Warning/Maximum Capacity	
39	1001121918	2	Decal - Warning/Maximum Capacity	
40	1001140429	1	Decal - Drop Bar	
43	0641406	4	Bolt 1/4 x 3/4	
46	1001224048	1	Decal - Yearly Inspection (SN B300002150 to Present)	

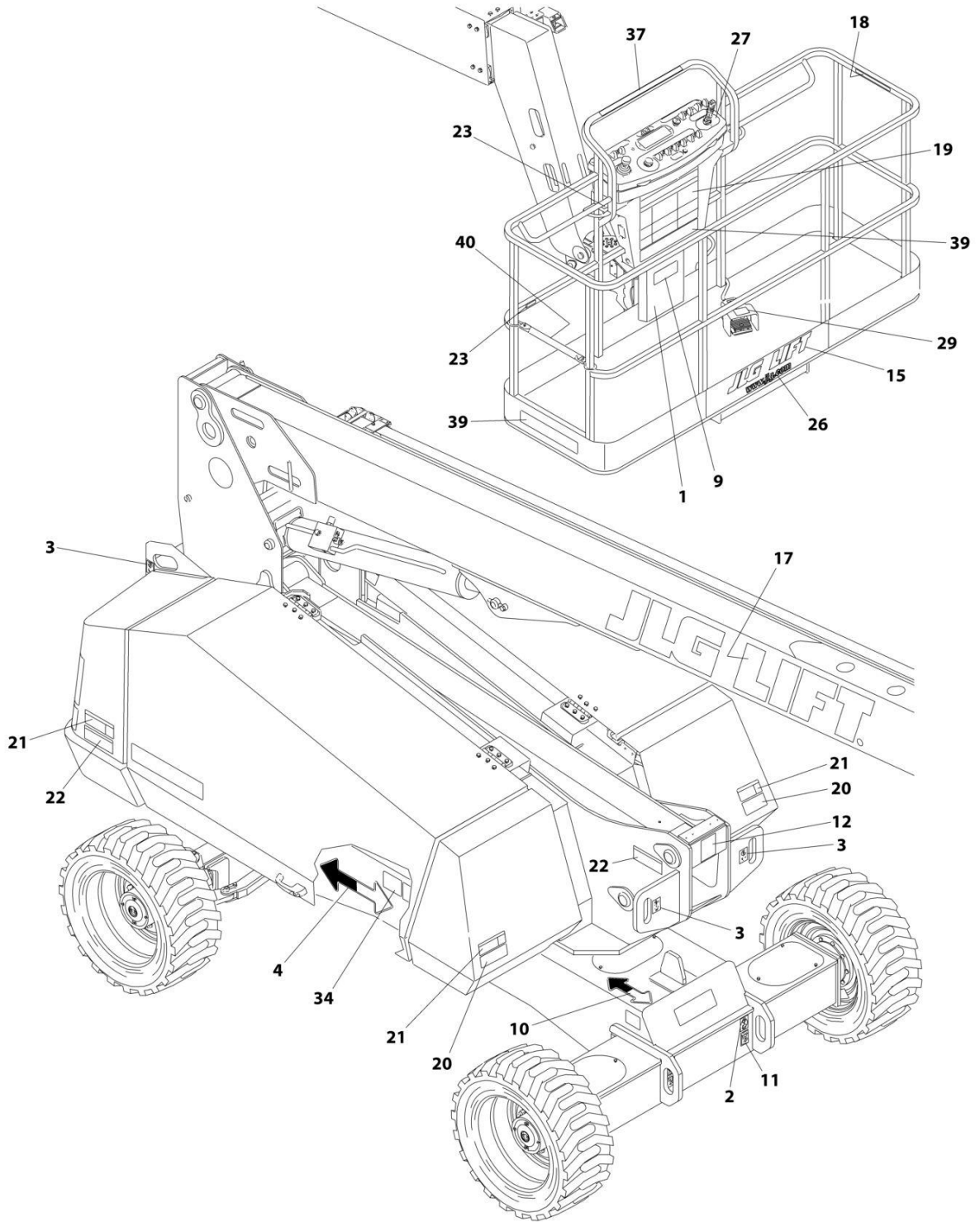
SECTION 9 - DECALS

FIGURE 9-6. DECAL INSTALLATION - LATIN AMERICAN SPEC



ART_1001139029_10F2

SECTION 9 - DECALS



ART_1001139029_20F2

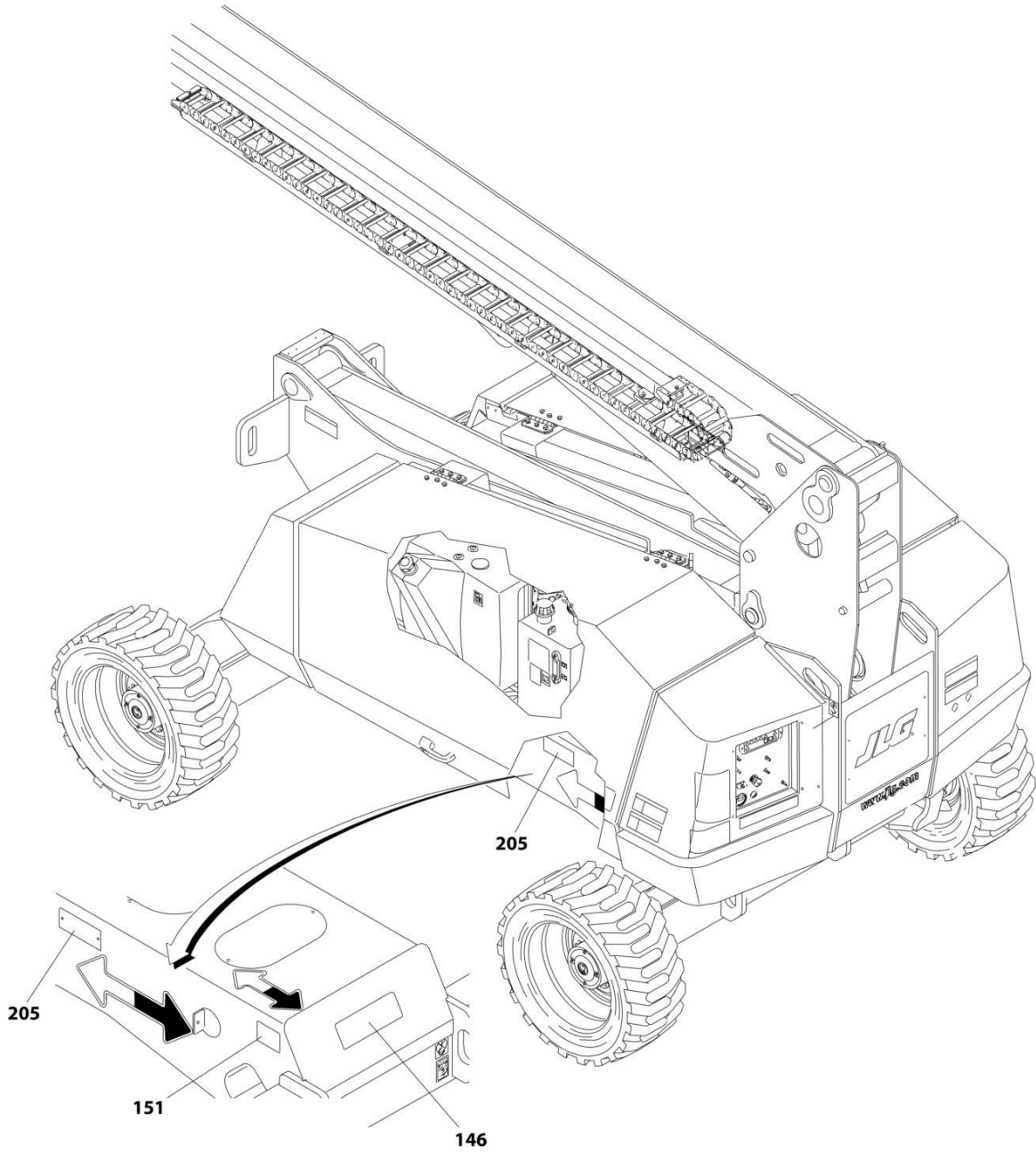
SECTION 9 - DECALS

FIGURE 9-6. DECAL INSTALLATION - LATIN AMERICAN SPEC

ITEM	PART NUMBER	QTY	DESCRIPTION	REV
	1001139029	Ref	DECAL INSTALLATION - LATIN AMERICAN SPEC	E
1	0860520	1	Box, Manual Storage	
2	1701499	4	Decal - No Tie Down /Lift	
3	1701500	4	Decal - Tie Down /Lift	
4	1701501	2	Decal - Arrow	
5	1701502	1	Decal - High Oil Level	
6	1701503	1	Decal - Low Oil Level	
8	1701505	1	Decal - Fuel	
9	1701509	1	Decal - Manual	
10	1701529	2	Decal - Arrow	
11	1702300	4	Decal - Tie Down /Lift	
12	1001113171	1	Decal - Crushing Hazard	
14	1702773	2	Decal - JLG	
15	1702774	1	Decal - JLG Lift	
16	1702861	1	Decal - JLG Lift	
17	1702862	1	Decal - JLG Lift	
18	1704001	2	Decal - No Hands	
19	1703923	1	Decal - Danger/Warning	
20	1703947	4	Decal - Warning/Crushing	
21	1703935	5	Decal - Danger/Electrocution	
22	1703941	5	Decal - Warning/Crushing	
23	1704277	3	Decal - Attach Lanyard Here	
24	1704412	1	Decal - Hydraulic Fluid	
25	1705917	1	Decal - Danger/Warning	
26	1704885	2	Decal - Website	
27	1705910	1	Decal - Drive/Steer	
29	1703983	1	Decal - Footswitch	
30	3311405	4	Nut 1/4	
31	3820001	2	Rivet	
32	4751400	4	Washer 1/4	
34	1001131269	1	Decal - Patent	
36	1001140402	1	Decal - Legend (Ground Controls)	
37	1001140403	1	Decal - Legend (Platform)	
38	1001121818	1	Decal - Warning/Maximum Capacity	
39	1001121805	2	Decal - Warning/Maximum Capacity	
40	1001140429	1	Decal - Drop Bar	
43	0641406	4	Bolt 1/4 x 3/4	
46	1001224049	1	Decal - Yearly Inspection (SN B300002150 to Present)	

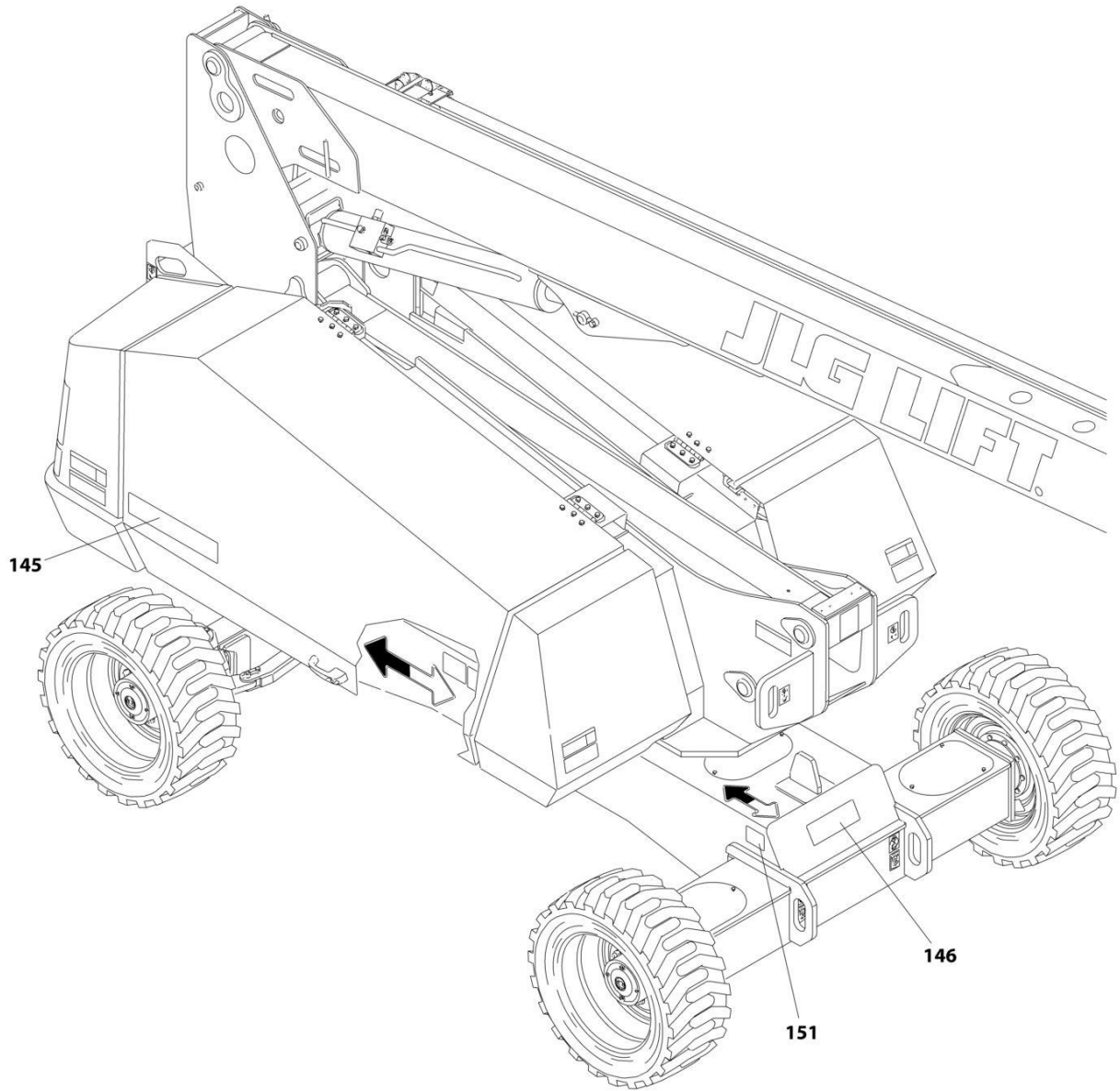
SECTION 9 - DECALS

FIGURE 9-7. DECAL INSTALLATION - OPTIONS



ART_1001135051_10F2

SECTION 9 - DECALS



ART_1001135051_20F2

SECTION 9 - DECALS

FIGURE 9-7. DECAL INSTALLATION - OPTIONS

ITEM	PART NUMBER	QTY	DESCRIPTION	REV
	1001135051	Ref	DECAL INSTALLATION - OPTIONS	
145	1001140398	2	Decal - Model Designation 18RS	
145	1001186683	2	Decal - Model Designation 18RSJ	
146	1001140719	2	Decal - Lift Diagram	
151	1001144131	4	Decal - Tire Load	
205	See Note	NSS	Nameplate - Serial Number (Note: Not Available for Purchase)	

SECTION 10 - RECOMMENDED SERVICE PARTS STOCK

SECTION 10 - RECOMMENDED SERVICE PARTS STOCK

SECTION 10 - RECOMMENDED SERVICE PARTS STOCK

FIGURE 10-1. RECOMMENDED SERVICE PARTS STOCK

ITEM	PART NUMBER	QTY	DESCRIPTION	REV
		Ref	Note: The following list will service one machine (built to current production per date on the front cover) with emergency repair parts which can be installed in the field. Parts from the list should be replaced when inventory is depleted to keep service parts stock supplied. For further information, contact your JLG dealer or the JLG Industries Parts Department.	
		Ref	STANDARD PARTS	
	70002386	1	Coil	
	70003545	1	Element, Filter	
	70002231	1	Element, Filter	
	70003788	1	Coil	
	70003614	1	Element/Breather Kit	
	4360328	1	Switch, Toggle	
	4360475	1	Switch, Mushroom	
	4360476	1	Contact, Switch Block	
	4360469	1	Switch, Key	
	2860030	1	Key, Replacement	
	3740080	1	Relay	
	7012664	1	Element, Air Cleaner	
	3740067	1	Coil	
	7016331	1	Filter, Oil Element	
	7027245	1	Filter, Fuel	
	70004073	1	Carrier Repair Section	
	1001129555	1	Controller (Lift and Swing)	
	1001166538	1	Drive/Steer Controller Assembly	
	4360330	1	Switch, Toggle	
	4360387	1	Switch, Push Button	
	4360407	1	Control, Speed	
	4360331	1	Switch, Toggle	
	1001118282	1	Relay	
	2400064	2	Fuse 5 Amp	
	260305	2	Fuse 5 Amp	
	70020199	2	Diode	
	2400065	2	Fuse 30 Amp	
		Ref	VARIABLE PARTS	
	70004066	1	Filter, Fuel-Water Separator	
	4360514	1	Switch, Proximity	
	1001120431	1	Module, Ground Control	
	1001145548	1	Switch, Limit	
	7027795	1	Module, Engine Control	
	1001150772	1	Sensor/Switch, Proximity	
	0272970	1	Footswitch Assembly	
	1001157196	1	Module, Platform Control	

SECTION 11 - SPECIAL OPTIONS

SECTION 11 - SPECIAL OPTIONS

FIGURE 11-1. SPECIAL OPTIONS

ITEM	PART NUMBER	QTY	DESCRIPTION	REV
		Ref	Note: This list is to accommodate machines ordered with special equipment. Options may not be applicable to all models. For more specific parts information contact the JLG Parts Department.	
		Ref	SPECIAL OPTIONS	
	1001139022	Ref	Air Line at Platform Installation (18RS)	
	1001186945	Ref	Air Line at Platform Installation (18RSJ)	
	1001177373	Ref	Bellows Installation (18RS Only)	
	1001225978	1	Bellows Installation (18RSJ Only)	
	1001177499	Ref	Boom Wipers Installation (18RS Only)	
		Ref	ClearSky Telematic Installation	
		Ref	Note: Refer to Manual Supplement p/n 3128499 for available replacement parts.	
	1001140732	Ref	Brazil Spec	
	See Note	Ref	All Other Specs (Note: Not Available)	
	1001143279	Ref	Container Transport Wheels Installation (18RS)	
	1001186944	Ref	Container Transport Wheels Installation (18RSJ)	
		Ref	Decal Installations	
	1001140725	Ref	Decal - ClearSky	
	1001143681	Ref	Decal - SkyPower 50Hz	
	1001146382	Ref	Decal - SkyPower 60Hz	
	1001143672	Ref	Decal - SkyWelder 50Hz	
	1001146373	Ref	Decal - SkyWelder 60Hz	
	1001233401	Ref	Decal - ECO Label	
	1702962	Ref	Decal - Warning Proposition 65	
		Ref	Electrical Connector Kits	
	1001148902	Ref	Amp Connector Kit	
	1001148903	Ref	Deutsch DT Connector Kit	
	1001148904	Ref	Deutsch HD Connector Kit	
	1001148905	Ref	Packard Connector Kit	
	1001148906	Ref	Various Connector Kit	
		Ref	Fluids	
	3020029	Ref	Grease, Bearing (Axle Spindles)	
	2300014	Ref	Hydraulic Fluid - Mobil 424	
	3020016	Ref	Motor Oil	
	1001145713	Ref	Ground Control Cover Installation	
	1001148971	Ref	Lanyard (Bolt-On) Kit (Platform)	
	1001236951	Ref	Low Temperature Cutout Installation (Russian Specs Only)	
	1001201543	Ref	Oil Cooler Installation	
	0274661	Ref	Pipe Racks Installation	
		Ref	Platform Entry Kits	
	1001142504	Ref	Drop Bar (Replacing Swing Gate with Drop Bar)	
	1001142505	Ref	Swing Gate (Replacing Drop Bar with Swing Gate)	
	1001209059	Ref	Platform Work Surface Installation	
		Ref	SkyAccessories Options	
		Ref	Note: Refer to Manual Supplement p/n 3124242 for available replacement parts.	
		Ref	SkyGuard Options	
	1001225680	Ref	SkyGuard with Beacon	
	1001225070	Ref	SkyGuard System	

SECTION 11 - SPECIAL OPTIONS

ITEM	PART NUMBER	QTY	DESCRIPTION	REV
		Ref	SkyPower Options	
	1001141957	Ref	7500W 50Hz Generator	
	1001141956	Ref	7500W 60Hz Generator (Not Available in Japan)	
		Ref	SkyWelder Options	
	0272521	Ref	7500W 50Hz Welder	
	0242254	Ref	7500W 60Hz Welder (Not Available in Japan)	
	1001128527	Ref	SkyWelder prep Kit 60HZ Welder (Not Available in Japan)	
	1001231235	Ref	SkyWelder Locking Bracket	
		Ref	Tools for Service	
	2901443	Ref	Analyzer Kit	
	8896941	Ref	Wire Stripper	
	7002821	Ref	Wire Crimper (To install wire ends to wires)	
	7002823	Ref	Pin/Socket Extractor - Universal (To Remove Pins/Sockets from Connectors)	
	4460467	Ref	Extractor - 16-18 Gauge (For Removal of Pin/Sockets from Deutsch Connectors)	
	4460510	Ref	Extractor - 12-14 Gauge (For Removal of Pin/Sockets from Deutsch Connectors)	
	7002822	Ref	Screwdriver, Potentiometer (To Adjust Drive Controllers)	
	7016654	Ref	Screwdriver, Magnetic	
	7004275	Ref	Seal Installation Tool - 1	
	7004276	Ref	Seal Installation Tool - 1-1/2	
	7002826	Ref	Seal Installation Tool - 2	
	7016655	Ref	Wire Rope Sheave Gauge	
	1001137005	Ref	Software Cable Kit	
	1001178904	Ref	Turntable Bearing Cover Installation	

PART NUMBER INDEX

SECTION 11 - SPECIAL OPTIONS

0080163.....103	0701013122, 126	0962297 ... 114, 118, 122,	1001129238.....260
0100009..... 157, 161, 165	0701015 118	126	1001129555..... 165, 362
0100011.... 13, 15, 25, 27,	070101859, 114, 118	0962336 199, 201	1001130477..... 13, 211
31, 35, 37, 63, 65, 79,	070102453, 122, 126	0962450 145, 147	1001130478..... 114, 207
82, 85, 87, 91, 93, 95,	0701216114, 118	1001080996 289, 293	1001130480..... 114, 203
114, 118, 122, 126,	0701222 145	1001091102 79	1001130651.....82
129, 131, 133, 135,	0701624 145	1001091179 95	1001130688.....122
141, 143, 145, 147,	0711221 95	1001092723 95, 99	1001131168..... 158, 161,
161, 165, 169, 171,	0711231 13	1001098827 141, 145	166
173, 197, 199, 209,	0711414 95	1001099125 67, 69	1001131269.....336, 340,
213, 255, 257, 289, 291	0711620 13	1001104850 47, 49	344, 348, 352, 356
0100019...15, 47, 73, 114,	0711628 47	1001106736 75, 325	1001131499.....258
118	0711630 47	1001107952 158	1001131564.....95
0100020.....91	0712444141, 145	1001109503 67, 69	1001131565.....95
0100038..... 197, 199, 209	0760410 79	1001110434 157, 161,	1001131568.....95
0100048....147, 157, 161,	0760608 73, 145, 255,	165	1001131788.....13
165	257	1001110873 263	1001132163..... 114, 195
0100081..... 157	0760610 ... 63, 65, 75, 95,	1001112612 75, 325	1001132195.....95
0140011..... 157, 161, 165	145	1001113166 348	1001132196.....95
0140043.....75	076061257, 91, 151	1001113168 344	1001132197.....95
0242254.....365	0760614153, 155	1001113171 356	1001132232..... 53, 55
0256847 95, 103	0760618 145	1001113386 129	1001132275..... 114, 137
0272521365	0760807133, 135	1001113407 129	1001132296..... 35, 37
0272970.... 153, 155, 362	076080882, 145	1001113465 143, 147	1001132299..... 35, 37
0274661364	0760810153, 155	1001113483 145, 147	1001132303..... 35, 39
034004195	076081263, 65, 96	1001113509 352	1001132305..... 93, 105
0400003..... 109	076081473, 82, 131	1001113961 189, 325	1001132306.....93
0440162.....91	0760815 95	1001114761 37	1001132499..... 15, 19
0561237293, 295	0761009 131	1001115098 143	1001132500..... 15, 17
0630534..... 199, 201	0761010. 13, 35, 37, 122,	1001115672 114	1001132511... 63, 65, 325
0630535.... 197, 209, 213	126	1001116728 325	1001132519..... 15
0630563.....82	0761011122, 126	1001116732 305	1001132556...63, 65, 307
0630568....175, 177, 179,	0761012 ... 25, 27, 35, 37,	1001116733 325	1001133245.....213, 215,
181	82, 96, 114, 145, 289,	1001116734 305, 325	217, 219
0641404.... 157, 161, 165	291, 293	1001116813 326	1001133308..... 15
0641405..... 147	0761014 ... 53, 82, 85, 87,	1001116849 344	1001133419..... 13
0641406....336, 340, 344,	91, 109	1001117057 325	1001133423..... 153
348, 352, 356	076101582, 95, 114, 153,	1001117107 307	1001133602..... 153, 157
0641407 147	155	1001117110 305, 307,	1001133752..... 157, 161,
0641408.....85, 87	076101637, 63, 65, 91	326	317
0641416..... 147, 293, 295	0761032 131	1001117320 153, 155	1001133881.....67
0641418.... 169, 171, 173	0761216 141	1001118274 31	1001133907..... 25, 35
0641604.....129	0761217 91	1001118282 305, 362	1001133909.....31
0641606..... 129, 213	0761229240, 244	1001118412 158	1001133911.....31
0641608..... 118, 129	0761615 114	1001118416 157, 165,	1001133972..... 47, 51
0641610.....129	0762014 13	189	1001134010..... 114
0641611.....129	0762016114, 118	1001118417 157, 165,	1001134067..... 63, 329
0641618.....129	0771012141, 145	183	1001134069..... 47
0641808.....118	0860038263, 265	1001119020 319, 325	1001134172..... 114, 118
0641812.....143	0860520 ... 336, 340, 344,	1001119455 240, 244	1001134194.....23
0641813.....93	348, 352, 356	1001119627 232, 236	1001134195.....23
0641822..... 147	0861441 ... 157, 161, 165,	1001120092 73	1001134196.....23
0642024..... 147	175	1001120431 75, 362	1001134197.....23
0642684..... 143, 147	0902571157, 165	1001121172 75, 325	1001134289..... 13
0681608..... 143, 147	0902919 147	1001121805 356	1001134293..... 151
0682013.....15	0902920 147	1001121808 348	1001134312..... 118
0700614.....91	0940071 82	1001121810 344	1001134767..... 75, 91
0700615.....85, 87	0961845 169, 171, 173	1001121818 356	1001134790..... 67, 69
0700617.... 157, 161, 165	0961893199, 201	1001121821 348	1001134791..... 63, 67
0700619.....75	0961894197, 209	1001121823 344	1001134830.... 63, 65, 75
0700810..... 103	0961902 213	1001121918 352	1001134979.....82
0700812.....31	0961947 129	1001121920 340	1001134980.....85
0700819.....255, 257	0961948 197	1001121921 352	1001134982.....82
0700820.....131	0961951 95, 126, 207,	1001121923 340	1001134983.....87
0700823.....37, 131	209	1001128128 305	1001134994.....31
0700828.....131		1001128527 365	1001135051.....360

SECTION 11 - SPECIAL OPTIONS

1001135196.....	91	1001139628.....	95	1001144655.....	23	1001148905.....	364
1001135488.....	122, 126	1001139751.....	109	1001145002.....	248, 252	1001148906.....	364
1001135506.....	63, 309	1001140252.....	109	1001145004.....	31	1001148971.....	364
1001135697.....	122	1001140398.....	360	1001145202.....	122, 126	1001149160.....	63, 65
1001136173.....	59, 61	1001140402.....	336, 340, 344, 348, 352, 356	1001145439.....	153, 155	1001149734.....	141, 145
1001136223.....	131	1001140403.....	336, 340, 344, 348, 352, 356	1001145465.....	114	1001149749.....	73
1001136242.....	131	1001140405.....	336	1001145548.....	77, 362	1001149866.....	25, 27, 29
1001136300.....	53	1001140406.....	336	1001145713.....	73, 364	1001149922.....	133, 135
1001136331.....	131	1001140429.....	169, 171, 173, 336, 340, 344, 348, 352, 356	1001145874.....	63, 65, 303	1001150159.....	145
1001136398.....	131	1001140605.....	95	1001145918.....	289, 291, 297	1001150197.....	145, 147
1001136400.....	131	1001140710.....	63, 65	1001145919.....	289, 291, 293, 295, 301	1001150601.....	91
1001136402.....	131	1001140719.....	360	1001145920.....	269, 289	1001150645.....	213
1001136407.....	131	1001140725.....	364	1001145921.....	281, 289, 293	1001150646.....	122, 213
1001136461.....	131	1001140732.....	364	1001145922.....	273, 291	1001150756.....	93
1001136469.....	131	1001140733.....	71	1001145923.....	283, 291, 295	1001150772.....	133, 135, 362
1001136557.....	114, 122	1001141014.....	224, 228	1001145950.....	260	1001150998.....	95
1001136571.....	122, 126	1001141075.....	63, 65	1001146158.....	145	1001151250.....	73
1001136575.....	122, 126	1001141216.....	93	1001146213.....	145	1001151521.....	323
1001136583.....	122, 126	1001141250.....	95	1001146214.....	145	1001152155.....	224, 228, 255, 257
1001136587.....	122, 126	1001141373.....	248, 252	1001146299.....	114	1001152170.....	232, 236
1001136590.....	122, 126	1001141620.....	263	1001146307.....	248, 252	1001153398.....	122, 126
1001136592.....	122, 126	1001141621.....	267	1001146308.....	248, 252	1001153787.....	240, 244
1001137005.....	365	1001141622.....	265	1001146310.....	248, 252	1001153788.....	240, 244
1001137032.....	114	1001141956.....	365	1001146311.....	248, 252	1001155044.....	161
1001137435.....	53	1001141957.....	365	1001146312.....	248, 252, 255, 257	1001155045.....	161
1001137908.....	63, 133	1001142246.....	248, 252	1001146313.....	248, 252	1001155121.....	133, 135
1001138040.....	82	1001142504.....	364	1001146315.....	248, 252	1001155441.....	114, 118
1001138042.....	91	1001142505.....	364	1001146316.....	224, 228	1001155455.....	114, 118
1001138243.....	82	1001142574.....	291	1001146317.....	224, 228	1001155744.....	47
1001138436.....	122, 126	1001142679.....	224, 228	1001146319.....	224, 228	1001156545.....	95
1001138459.....	114, 118	1001143279.....	364	1001146320.....	224, 228	1001157196.....	158, 161, 166, 362
1001138494.....	171, 173	1001143340.....	82	1001146321.....	224, 228	1001157318.....	232, 236
1001138511.....	289, 291, 293, 295, 315	1001143390.....	96	1001146322.....	224, 228	1001159256.....	162
1001138512.....	287	1001143417.....	82	1001146323.....	232, 236	1001159284.....	63, 65, 305
1001138514.....	173	1001143446.....	82	1001146324.....	224, 228	1001164374.....	158, 162, 166
1001138722.....	82, 85	1001143501.....	248, 252	1001146325.....	224, 228	1001165131.....	205
1001138748.....	82, 87	1001143517.....	248, 252	1001146325.....	224, 228	1001166538.....	162, 165, 191, 362
1001138778.....	114, 118	1001143602.....	232, 236	1001146326.....	224, 228	1001166539.....	162, 185
1001138795.....	201	1001143672.....	364	1001146328.....	232, 236	1001172760.....	162
1001138828.....	114	1001143680.....	224, 232, 240, 248, 258	1001146332.....	232, 236	1001177373.....	364
1001138865.....	114	1001143681.....	364	1001146333.....	232, 236	1001177499.....	364
1001139014.....	23	1001143683.....	82	1001146334.....	232, 236	1001178269.....	129, 139
1001139015.....	77	1001143684.....	82	1001146335.....	232, 236	1001178904.....	365
1001139019.....	109	1001143713.....	122, 126	1001146373.....	364	1001179923.....	37, 43
1001139022.....	364	1001143713.....	122, 126	1001146382.....	364	1001180026.....	126, 217
1001139023.....	79	1001143723.....	82	1001146391.....	248, 252	1001180517.....	27, 37
1001139024.....	336	1001143936.....	224, 228	1001146392.....	248, 252	1001180572.....	228, 236, 244, 252, 258
1001139026.....	352	1001143955.....	114, 118	1001146991.....	59	1001182997.....	53
1001139027.....	344	1001144131.....	360	1001147054.....	73	1001184188.....	153, 161
1001139028.....	340	1001144270.....	240, 244	1001147055.....	73	1001184251.....	244
1001139029.....	356	1001144273.....	240	1001148387.....	63, 65	1001184256.....	244, 252
1001139031.....	348	1001144274.....	240, 244	1001148425.....	13	1001184959.....	293, 295, 299
1001139032.....	141	1001144275.....	240	1001148430.....	13	1001184960.....	271, 293
1001139078.....	131	1001144279.....	240, 244	1001148482.....	13	1001184961.....	277, 295
1001139180.....	82	1001144280.....	240	1001148486.....	13	1001185032.....	293
1001139384.....	85, 87	1001144281.....	240, 244	1001148537.....	13	1001185033.....	295
1001139388.....	95	1001144282.....	240, 244	1001148538.....	13	1001185157.....	118, 205
1001139409.....	95	1001144284.....	240, 244	1001148540.....	13	1001185192.....	118
1001139521.....	82	1001144285.....	240, 244	1001148610.....	13	1001185314.....	118, 129
1001139522.....	82	1001144325.....	91	1001148892.....	114	1001185317.....	129
1001139528.....	82	1001144445.....	289	1001148902.....	364		
1001139531.....	82	1001144548.....	96	1001148903.....	364		
1001139532.....	82	1001144629.....	171	1001148904.....	364		
1001139533.....	82						
1001139534.....	82						

SECTION 11 - SPECIAL OPTIONS

1001185318.....	118, 197	1001228060.....	122, 215	1702774 ...	336, 340, 344, 348, 352, 356	2060025.....	95
1001185319.....	197	1001228215.....	169	1702861 ...	336, 340, 344, 348, 352, 356	2080040.....	73, 171
1001185321.....	197	1001228376.....	171	1702862 ...	336, 340, 344, 348, 352, 356	2080044.....	129
1001185524.....	126	1001228377.....	173	1702866 ...	336, 340, 344, 348, 352, 356	2111010....	224, 228, 232, 236
1001185527.....	118	1001229941.....	57	1702868	336	2111212.....	224, 228
1001185554.....	118, 126	1001229942.....	57	1702962	364	2111616.....	224, 228
1001185577.....	118	1001229943.....	57	1703162	95	2130404.....	232, 236
1001185578.....	118	1001231235.....	365	1703797	336	2131616.....	224, 228
1001185707.....	69	1001232516.....	147	1703804	336	2151212.....	232, 236
1001185785.....	126	1001233401.....	364	1703805	336	2160001.....	47
1001185833.....	65, 313	1001236951.....	364	1703923	356	2160016.....	13
1001185921.....	244	1001248012.....	129, 201	1703925	344	2172116.....	224, 228
1001185923.....	65, 135	1060918	153, 155	1703926	348	2180348.....	91
1001186137.....	244	1060945	275, 279, 285	1703927	352	2180380.....	244
1001186138.....	244	10725302.....	244	1703935	356	2180724.....	244
1001186435.....	37	10837580.....	39, 43	1703937	344	2180876.....	59, 91
1001186683.....	360	1271538	145, 147	1703938	348	220885.....	213
1001186733.....	118, 209	1320016	95	1703939	352	2220366....	228, 248, 252
1001186734.....	209	1320022	59, 91	1703941	356	2220371....	224, 228, 244, 252, 255, 257
1001186846.....	37	1320136	145, 147	1703943	344	2220372....	248, 252, 255
1001186944.....	364	1320176	95	1703944	348	2220373....	224, 228, 240, 244
1001186945.....	364	1320224	145, 147	1703945	352	2220374....	240, 244, 248, 252
1001187208.....	65, 69	1321385	91	1703947	356	2220377.....	248, 252
1001187259.....	244	1340060	95	1703949	344	2220415....	224, 228, 240, 244
1001194343.....	244	1380136	37	1703950	348	2220451.....	95, 248, 252
1001199923.....	255, 257	1600387	145, 147	1703951	352	2220466....	232, 236, 244
1001199929.....	255, 257	1660234	103	1703953	336	2220472....	232, 236, 240
1001200016.....	255	1670769	293, 295	1703981	352	2220473....	240, 244, 248, 252
1001200017.....	257	1670829	67, 69	1703982	344	2220479.....	248, 252
1001200018.....	255, 257	1671092	283	1703983	356	2220497.....	248, 252
1001200020.....	255, 257	1671093	273, 277	1704001	356	2220500.....	240, 244
1001200021.....	255, 257	1671176	157, 161, 165	1704260 ...	157, 161, 165	2220502.....	232, 236
1001200575.....	175	1683053	199	1704277 ...	336, 340, 344, 348, 352, 356	2220577.....	252
1001200803.....	179, 181	1683055	197, 209	1704412 ...	336, 340, 344, 348, 352, 356	2220582.....	244
1001201436.....	179, 181	1683609	129, 199	1704885 ...	336, 340, 344, 348, 352, 356	2220602.....	232, 236
1001201543.....	364	1683905	213	1704972	91	2220603....	232, 236, 240, 248, 252
1001201886.....	161, 177	1683907	213	1705132	157, 165	2220605.....	224, 228
1001203478.....	65, 311	1683949	209	1705344	348	2220609.....	244
1001203479.....	65, 331	1683963	209	1705345	352	2220619.....	252
1001203480.....	155	1684008	213	1705351	336, 344	2220635.....	257
1001203481.....	155, 165	1684089	199	1705426	348	2220654.....	244
1001203482.....	165, 321	1684090	199	1705427	352	2220671.....	240, 244
1001209059.....	364	1701499 ...	336, 340, 344, 348, 352, 356	1705895	340	2220689.....	248, 252
1001213447.....	319	1701500 ...	336, 340, 344, 348, 352, 356	1705896	340	2220819.....	240
1001217358.....	157, 319	1701501 ...	336, 340, 344, 348, 352, 356	1705897	340	2220861.....	224, 228
1001218068.....	181	1701502 ...	336, 340, 344, 348, 352, 356	1705898	340	2220865.....	248, 252
1001218622.....	279	1701503 ...	336, 340, 344, 348, 352, 356	1705902	340	2220883....	197, 199, 201, 219
1001218623.....	285	1701504 ...	336, 340, 344, 348, 352, 356	1705903	340	2220885....	197, 199, 201, 203, 205, 209, 215
1001223055.....	336	1701505 ...	336, 340, 344, 348, 352, 356	1705905	340	2220886.....	215, 248
1001224048.....	352	1701509 ...	336, 340, 344, 348, 352, 356	1705910	356	2220906.....	248, 252
1001224049.....	356	1701529 ...	336, 340, 344, 348, 352, 356	1705917	356	2220947.....	240, 244
1001224051.....	344	1702300 ...	336, 340, 344, 348, 352, 356	1705967	340	2220950.....	240, 244
1001224052.....	340	1702391	336, 340	1705968	344	2221041....	224, 228, 252
1001224053.....	348	1702565	157, 161, 165	1705969	352	2221048.....	252
1001224965.....	95	1702566	157, 161, 165	1706059	91	2221086.....	248, 252
1001225070.....	364	1702567	157, 161, 165	1706060	91	2300014.....	364
1001225679.....	179	1702676	157, 161, 165	1706061	91	2400060.....	307
1001225680.....	364	1702773 ...	336, 340, 344, 348, 352, 356	1706062	91	2400064....	305, 307, 362
1001225978.....	364			1706063	91		
1001226301.....	285, 291, 295			1706712	67, 69		
1001226302.....	275, 291						
1001226303.....	279, 295						
1001226400.....	297, 299, 301						
1001226872.....	169						
1001227180.....	151						

SECTION 11 - SPECIAL OPTIONS

2400065.....	326, 362	3311605.....	129	4031511.....	77	4460464.....	75, 133, 135, 287, 297, 299, 303, 307, 315, 317, 319, 321, 325, 326
2400066....	305, 325, 326	3311805.....	143, 147	4060092.....	265	4460465.....	79, 297, 299, 301, 303, 305, 307, 313, 315, 323, 325, 326, 329, 331
2420202.....	145, 147	3312005.....	147	4060865.....	79	4460466... 297, 299, 301, 317, 319, 321, 325, 326, 329, 331	
2540038.....	145, 147	3331211.....	95	4060906.....	67, 69	4460467.....	365
2560122.....	37	3340787.....	131	4061054.....	145, 147	4460470.....	157, 161, 165
2560136....	157, 161, 165	3340880.....	213	4070987.....	71	4460471.....	157, 161, 165
2560187.....	85, 87	3391408.....	91	4100100.....	199	4460473.....	297, 299, 301
2600281.....	171	3422561.....	118	4120035.....	309, 311	4460488.....	157, 161, 165
260305.....	325, 362	3422578.....	114	4160194.....	82	4460496.....	75, 325
2720058.....	91	3422582.....	114	424001863, 65, 289, 291, 293, 295		4460497.....	75, 325
2720398.....	95	3422669.....	118	4240033.....	145, 147	4460508... 297, 299, 317, 319, 321, 326	
2720447.....	96	3422792.....	118	436032867, 69, 118, 157, 165, 362		4460509.....	297, 299, 301
2760105.....	67, 69	3422793.....	118	4360330.....	157, 165, 362	4460510.....	365
2820019.....	319	3422813.....	13	4360331....	158, 161, 166, 362	4460536.....	75, 133, 135, 307, 317, 319, 321, 325
2820031....	297, 299, 301	3422860.....	129	4360387....	157, 161, 165, 362	4460539... 305, 317, 319, 321, 323, 325	
2820118....	297, 299, 301	3422861.....	129	4360407....	157, 161, 165, 362	4460634.....	309, 311
2860030.....	71, 362	3422867.....	129	4360436.....	53	4460635.....	309, 311
2900707.....	39, 43	3422913.....	114	4360469.....	71, 362	4460670.....	307
2900708.....	40, 44	3422932.....	118	436047567, 69, 157, 161, 165, 362		4460708.....	158, 161, 166
2900770.....	195	3423061.....	114, 118	436047667, 69, 157, 161, 165, 362		4460761... 317, 319, 321, 325	
2900792....	197, 199, 201	3430616....	177, 179, 181	4360514.....	63, 65, 362	4460806.....	326
2901301.....	197, 209	3470003....	175, 177, 179, 181	4460019.....	326	4460836.....	325
2901303.....	199	3480188.....	197, 209	4460042.....	326	4460837.....	325
2901443.....	365	3480210.....	199	4460043.....	307	4460851.....	329, 331
2902019.....	213	3480257.....	213	4460071....	153, 155, 263, 265	4460865.....	297, 299, 301
2902443.....	307	3520034.....	129	4460125.....	265	4460866... 297, 299, 317, 319, 321, 326	
2920129.....	63, 65	3520054....	95, 158, 161, 166	4460134.....	281	4460872.....	325
2920154....	157, 161, 165	3520072....	169, 171, 173	4460142.....	307	4460873... 317, 319, 321, 325	
2920161.....	79	3520198....	169, 171, 173	4460183.....	326	4460874... 317, 319, 321, 325	
2940045.....	73	3641585.....	151	4460205.....	263, 269, 271	4460875... 317, 319, 321, 329, 331	
2940074.....	171	3740067.....	95, 362	4460225....	317, 319, 321	4460876.....	309, 311
2940173.....	85, 87	3740080.....	75, 362	4460226....	186, 191, 317, 319, 321, 326	4460877.....	325
3020016.....	95, 364	3760115.....	114	446022763, 65, 317, 319, 321		4460878.....	325
3020021.....	103	3760133.....	122, 126	4460233.....	265	4460879.....	317, 319, 321
3020029.....	13, 364	3760368.....	199	4460234....	157, 161, 165	4460884.....	325
3200406.....	95	3760369.....	197, 209	4460247....	307, 317, 319, 321	4460887... 317, 319, 321, 325	
3251243.....	263	3790012....	118, 158, 161, 166	4460259....	317, 319, 321	4460888.....	317, 319, 321
3252347....	153, 155, 336	3790152.....	93	4460260....	317, 319, 321	4460891.....	79, 303, 307, 313, 315, 326, 329, 331
3252507.....	265	3820001....	336, 340, 344, 348, 352, 356	4460265.....	186, 191	4460894.....	326
3271501.....	82	3820020.....	37, 171	4460267.....	313, 325	4460897.....	287, 315, 326
3271601.....	82	384114313, 91, 114, 118, 129		4460268.....	331	4460899.....	307
3272605.....	143, 147	3841258.....	114	4460313.....	307, 326	4460905... 157, 161, 165, 309, 311, 325, 329, 331	
3290405.....	77, 79	3841287.....	114, 118	4460315.....	263	4460930.....	326
3290505.....	67, 69	3841340....	129, 145, 289, 291	4460320.....	326	4460931.....	307
3290601.....	57, 85, 87	3841692.....	151	4460326....	313, 317, 321		
3290605... 63, 65, 75, 91, 95, 131, 145, 151, 153, 155		3900192.....	118	4460346.....	263		
3290606.....	173	3900259.....	122, 126	4460418....	309, 311, 317, 319, 321		
3290607.....	73	3900283.....	147	4460419....	309, 311, 317, 319, 321		
3290801.....	65, 73	3900363.....	85, 87	4460424.....	63, 65		
3290805... 37, 82, 95, 131, 153, 155, 255, 257		3900364.....	131	4460428....	145, 157, 161, 165		
3291001.....	85, 87, 109	3900392.....	63, 65	4460434....	317, 319, 321		
3291005... 37, 53, 59, 63, 65, 82, 91, 95, 114, 131, 153, 155, 289, 293		3910804.....	71	4460445.....	331		
329120513, 91, 114, 118, 141, 145, 240, 244		3911018....	157, 161, 165				
3291605.....	145	3931464.....	213				
3300106.....	23	3931516.....	199				
3300151....	169, 171, 173	3931528.....	213				
3311005....	157, 161, 165	3931620.....	197, 209				
3311405... 147, 336, 340, 344, 348, 352, 356		3960407.....	95				
3311601... 175, 177, 179, 181		3960422.....	263, 265				
		4010618.....	173				

SECTION 11 - SPECIAL OPTIONS

4460932.....	303	4923451	95	70002386 29, 40, 44, 362	70004018.....	29
4460933.....	325	5241000	141, 145	70002388	70004021.....	105
4460942.....	325	5241200 47, 96, 141, 145		70002401	70004022.....	105
4460943.....	307, 317, 319, 321	5241600	47, 145	70002413	70004024.....	105
4460944.....	317, 319, 321, 325	5242400	141, 145	70002601	70004025.....	105
4460959.....	273, 275, 277	5272114	47	70002603	70004026.....	106
4460960.....	283	70000088	49	70002604	70004027.....	105
4460967.....	307	70000089	49	70002649	70004028.....	105
4461005.....	307	70000341	137	70002651	70004063.....	61
4461006.....	307	70000342	139	70002724	70004064.....	61
4461008.....	307	700003949.....	137	70002725	70004065.....	61
4461052.....	307	70000781	29	70002726	70004066.....	61, 362
4461053.....	307	70000865	51	70002727	70004068.....	61
4461054.....	307	70000916	99	70002728	70004069.....	61
4461060.....	307	70000919	99	70002729	70004070.....	61
4461071.....	307	70001002	99	70002730	70004073.....	131, 362
4461072.....	307	70001423	99	70002731	70004074.....	131
4461073.....	307	70001435	99	70002732	70004075.....	17
4461074.....	307	70001697	137, 139	70002733	70004076.....	17
4566468.....	197	70001958	105, 106	70002734	70004077.....	17
4568030.....	213	70002132	105, 106	70002735	70004078.....	17
4640113.....	23	70002133	105	70002736	70004079.....	17
4640509.....	197, 199, 201	70002134	105	70002838	70004080.....	17
4640932.....	197	70002137	105	70002839	70004081.....	17
4641282.....	224, 228	70002138	105	70002863	70004082.....	17
4641329.....	255, 257	70002145	105	70002867	70004083.....	17
4641390.....	203, 205	70002147	105	70002906	70004084.....	17
471140085, 87, 147, 169, 171, 173		70002148	105	70002962	70004085.....	17
4711500.....	175	70002149	105	70002966	70004086.....	17
4711600.....	147, 177, 179, 181	70002150	105	70002967	70004087.....	17
4740111.....	13	70002151	105	70002972	70004088.....	17
4740362.....	153, 155	70002152	105	70002973	70004089.....	17
4740397.....	161	70002153	105	70002974	70004090.....	17
4740439.....	129	70002154	105	70002975	70004123.....	203
4751400.....	147, 157, 161, 166, 336, 340, 344, 348, 352, 356	70002155	105	70002976	70004126.....	17
4811400.....	77	70002156	105	7000345	70004151.....	39, 43
4811700.....	57, 63, 65, 73, 75, 91, 95, 131, 145, 173, 255, 257	70002157	105	70003483	70004152.....	39, 43
4811702.....	145, 151	70002160	105	70003545	70004153.....	39, 43
4811900.....	31, 37, 63, 65, 82, 85, 87, 131, 133, 135, 145, 153, 155, 255, 257	70002161	105	70003614	70004154.....	39, 43
4812000.....	25, 27, 35, 37, 53, 59, 63, 65, 82, 85, 87, 91, 95, 114, 118, 122, 126, 131, 145, 289, 291, 293	70002163	105	70003636	70004155.....	219
4812002.....	37, 53, 153, 155	70002164	105	70003784	70004186.....	219
4812100.....	13, 114, 118, 240, 244	70002165	105, 106	70003788	70004187.....	203
4812102.....	91	70002168	105	70003926	70004188.....	203
4812200.....	95	70002169	106	70003928	70004189.....	203, 205
4812300.....	13, 145	70002170	106	70003929	70004190.....	203, 205
4831900.....	103	70002172	106	70003930	70004191.....	203
4845395.....	95	70002174	106	70003932	70004192.....	203
4891600.....	143, 147	70002175	106	70003937	70004195.....	55
4891800.....	93, 143, 147	70002176	106	70003948	70004196.....	55
4892000.....	15, 147	70002177	106	70003957	70004197.....	55
4892600.....	143, 147	70002178	106	70003958	70004198.....	55
		70002180	106	70003959	70004199.....	55
		70002181	106	70003960	70004200.....	55
		70002182	106	70003961	70004210.....	195, 207
		70002185	106	70003963	70004212.....	195, 207
		70002186	106	70003968	70004213.....	195, 207
		70002187	106	70003970	70004214.....	195, 207
		70002188	106	70003971	70004215.....	207
		70002189	106	70003974	70004216.....	195
		70002191	106	70003975	70004217.....	195
		70002192	106	70003976	70004218.....	195
		70002200	99	70003977	70004219.....	195
		70002206	49	70003978	70004220.....	211
		70002207	49	70003980	70004221.....	211
		70002209	29	70003981	70004222.....	211
		70002231	35, 37, 362	70003982	70004223.....	211
		70002234	99	70004017	70004224.....	211

SECTION 11 - SPECIAL OPTIONS

70004225.....	211	70004754.....	185	7002821.....	365	7019165.....	189
70004226.....	211	70004755.....	185	7002822.....	365	7019167.....	189
70004227.....	211	70004756.....	185	7002823.....	365	7019194.....	189
70004246.....	207	70004757.....	185	7002826.....	365	7020023.....	99
70004247.....	207	70004758.....	185	7003928.....	183	7020026.....	99
70004248.....	207	70004759.....	185	7003941.....	189	702017567, 69, 157, 161,	
70004249.....	51	70004760.....	185	7003972.....	189	165	
70004250.....	51	70004761.....	185	7003973.....	189	702017667, 69, 157, 161,	
70004251.....	51	70004762.....	185	7003980.....	189	165	
70004252.....	51	70004763.....	185	7003982.....	189	7020408.....	99
70004253.....	51	70004764.....	185	7003983.....	189	7020410.....	99
70004254.....	51	70004765.....	185	7003989.....	189	7020411.....	99
70004255.....	51	70004766.....	185	7004035.....	49	7020447.....	99
70004256.....	51	70004767.....	185	7004036.....	49	7020449.....	99
70004257.....	51	70004768.....	185	7004043.....	49	7020459.....	99
70004258.....	51	70004769.....	185	7004044.....	49	7020460.....	99
70004259.....	51	70004770.....	186	7004045.....	49	7020464.....	99
70004260.....	51	70004771.....	186	7004047.....	49	7020465.....	99
70004261.....	51	70004772.....	186	7004049.....	49	7020468.....	99
70004262.....	51	70004773.....	186	7004275.....	365	7020471.....	99
70004263.....	51	70004774.....	186	7004276.....	365	7020479.....	99
70004326.....	93	70004775.....	186	7007207.....	105	7020495.....	99
70004327.....	93	70005064.....	53	7007415.....	106	7021256.....	106
70004353.....	19	70005209.....	195	7007418.....	105	7021275.....	105
70004354.....	19	70005230.....	191	7007419.....	105	7021625.....	29
70004355.....	19	70005432.....	205	7007438.....	106	7021639.....	255, 257
70004356.....	19	70005434.....	205	7007446.....	105	7021653.....	39, 43
70004357.....	19	70005435.....	205	7010543.....	29, 39, 43	7022301.....	105, 106
70004358.....	19	70005436.....	205	7011112.....	197	7022340.....	106
70004359.....	19	70005437.....	205	7012540.....	39, 43	7022390... 39, 40, 43, 44,	
70004360.....	19	70005440.....	37	7012664.....	95, 362	203, 205	
70004361.....	19	70005583.....	217	7012910.....	40, 44	7022391.....	43
70004362.....	19	70005584.....	217	7012914.....	39, 43	7022397.....	29
70004363.....	19	70005585.....	217	7012918.....	39, 43	7022399.....	29
70004364.....	19	70005586.....	217	7012925.....	203, 205	7022808.....	183
70004365.....	19	70005587.....	217	7012953.....	39, 43	7022815.....	183
70004366.....	19	70005588.....	217	7012965.....	43	7022819.....	183
70004367.....	19	70005589.....	217	7012967... 39, 40, 43, 44		7023318.....	49
70004368.....	19	70005590.....	217	7012974.....	29	7023913.....	39, 43
70004369.....	19	70005591.....	217	7012975.....	39, 43	7023964.....	106
70004370.....	19	70005592.....	217	7012989.....	39, 43	7023984.....	39, 43
70004371.....	19	70005593.....	217	7012998.....	39, 43	7024379.....	49
70004372.....	19	70005594.....	217	7016319.....	79	7024380.....	49
70004373.....	19	70005595..... 215, 217		7016331.....	99, 362	7024381.....	49
70004374.....	19	70005596.....	217	7016372.....	79	7024389.....	49
70004375.....	19	70006291.....	39	7016654.....	365	7024390.....	49
70004376.....	19	70006649.....	201	7016655.....	365	7024441.....	55
70004377.....	20	70006650.....	201	7017126.....	137	7024453.....	49
70004378.....	20	70006734.....	201	7017142.....	137, 139	7024560.....	95
70004379.....	20	70006735.....	201	7017147.....	137	7024565.....	99
70004380.....	20	70006736.....	201	7017158.....	137	7024579.....	99
70004738.....	191	70006787.....	215	7017159.....	137, 139	7024844.....	29, 40, 44
70004739.....	191	70006788.....	215	7017162.....	139	7024845.....	29
70004740.....	191	70006789.....	215	7017163.....	137, 139	7024884.....	39, 44
70004741.....	191	70006790.....	215	7017164.....	137, 139	7024896.....	37
70004742.....	191	70006791.....	215	7017183.....	137, 139	7026042.....	51
70004743.....	191	70006792.....	215	7017193.....	137, 139	7026043.....	51
70004744.....	191	70006793.....	215	7017195.....	137, 139	7026044.....	51
70004745.....	191	70006794.....	215	7017406.....	29, 40, 44	7026045.....	51
70004746.....	191	70006795.....	215	7017410.....	40, 44	7026046.....	51
70004747.....	191	70007439.....	106	7017420.....	43	7026047.....	51
70004748.....	191	70020199.....	325, 362	7017421.....	43	7026048.....	51
70004749.....	191	70023369.....	215	7017422.....	39, 43	7026049.....	51
70004750.....	191	70023371.....	217	7017496... 39, 40, 43, 44,		7026050.....	51
70004751.....	191	70023377.....	203, 205	203, 205, 255, 257		7026051.....	51
70004752.....	185	70023379.....	203, 205	7019162.....	189	7026052.....	51
70004753.....	185	70027244.....	215	7019164.....	189	7026053.....	51

SECTION 11 - SPECIAL OPTIONS

7026057.....	51	7027352.....	51	7027791.....	99	8220045.....	305, 307
7026608.....	99	7027353.....	51	7027792.....	99	8305919.....	157, 161, 165
7027236.....	99	7027354.....	51	7027793.....	99	8760268.....	244
7027239.....	99	7027356.....	51	7027794.....	99	8765204.....	232, 236
7027242.....	99	7027611.....	99	7027795.....	99, 362	8770016.....	240, 244
7027245.....	99, 362	7027612.....	99	7027796.....	99	8896941.....	365
7027276.....	99	7027613.....	99	7189000015.....	73	90028482.....	248, 252
7027350.....	51	7027769.....	100	77133089.....	224, 228		
7027351.....	51	7027790.....	99	80633030.....	248, 252		



3121285



An Oshkosh Corporation Company

Corporate Office
JLG Industries, Inc.
1 JLG Drive
McConnellsburg, PA 17233-9533 USA
☎ (717) 485-5161 (Corporate)
☎ (877) 554-5438 (Customer Support)
☎ (717) 485-6417

Visit our website for JLG Worldwide Locations.
www.jlg.com