



Illustrated Parts Manual

***Model
660SJC***

**PVC
2107**

**P/N
31219063**

November 15, 2021 - Rev C

ANSI

CE



**UK
CA**

AS/NZS

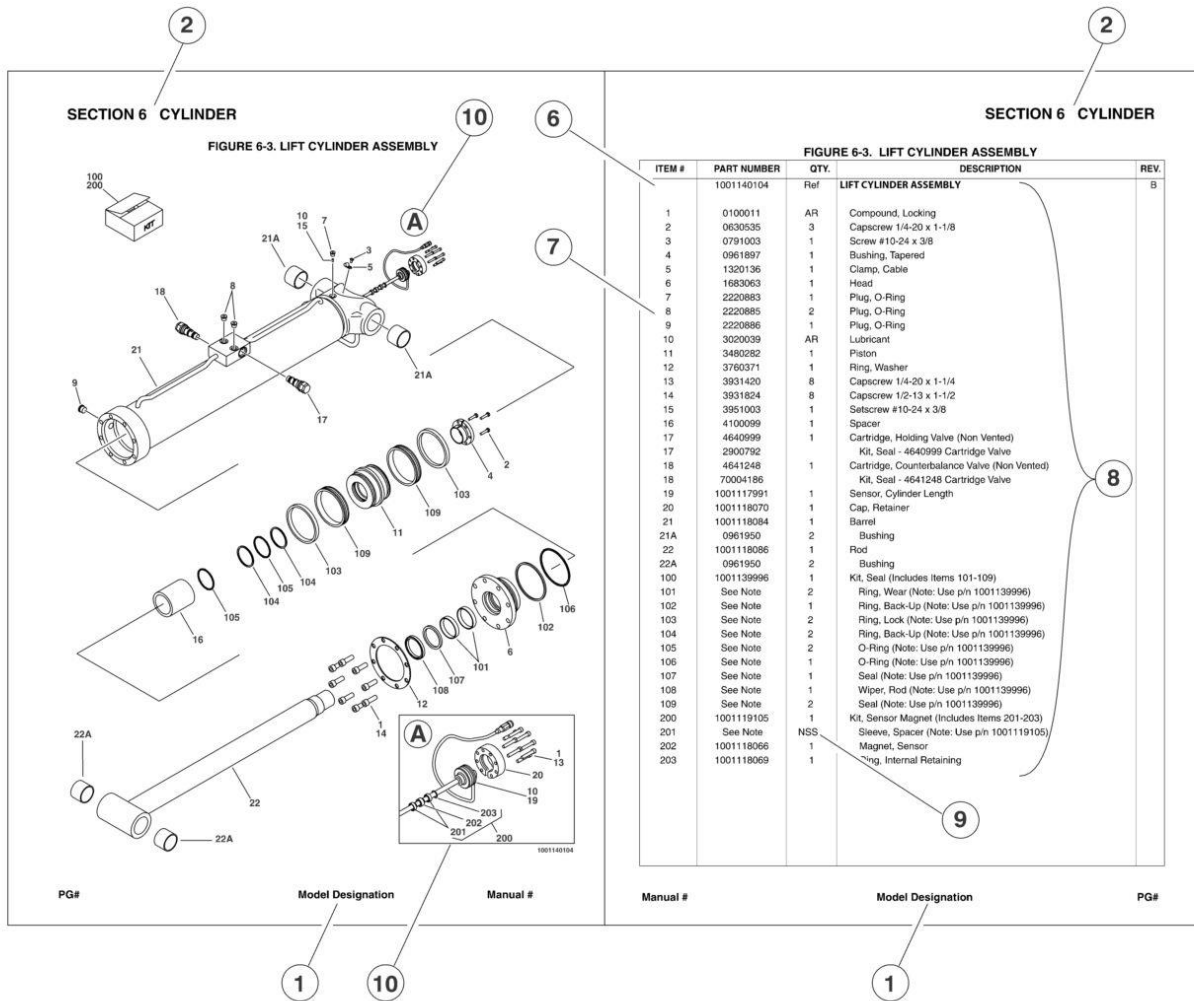


An Oshkosh Corporation Company

REVISION LOG

July 1, 2021 - A - Original Issue of Manual (Edited to B/M 1001250516 Rev. U)
October 15, 2021 - B - Revised Manual (Edited to B/M 1001250516 Rev. U)
November 15, 2021 - C - Revised Manual (Edited to B/M 1001250516 Rev. U)

GENERAL INFORMATION



1) MACHINE IDENTIFICATION

Machines are identified by model and in some cases a combination of models, serial number (SN) or regional standard (i.e. ANSI, CE, CSA). Components may also be identified by SN or manufacturer. Common components that may be identified by these characteristics are engines and hydraulic components.

2) PARTS MANUAL ORGANIZATION

Product information in this manual is organized under section titles. Frame, Cylinder, Hydraulic and Electrical are a few examples. Each section is organized by figure and page number. The information within the Figure is then organized by item number, part number, description and corresponding illustration(s).

3) TABLE OF CONTENTS

A table of contents is found toward the beginning of the manual. Figure number, description and page number are provided for quick reference to the page containing the related information.

4) RECOMMENDED SPARE PARTS

The Recommended Spare Parts, located near the end of the manual, reference most frequently used maintenance parts.

5) PART NUMBER INDEX

A numerical index listing all part numbers and the corresponding page number(s) appears at the back of the manual.

GENERAL INFORMATION

6) NON-SERVICED PARTS

In some instances, it is necessary to display non-serviced parts, assemblies or installations. In the case of assemblies and installations there will be a Ref in the Qty column. In case of parts that are not available for service within assemblies and components, there will be a NSS (Not Sold Separately) or NLA (No Longer Available) listed in the Qty. column of the manual.

7) PARTS LIST ITEM NUMBERS

Numbers shown in the item# column correspond to numbers used in the associated illustration (s). Item numbers which are missing from the sequence in the parts list are not used on that page

8) INDENTED PARTS DESCRIPTION

An indented part description is included in the item under which it is indented.

9) ABBREVIATION AND SYMBOLS

AC.....	.. Alternating Current	LCD.....	.. Liquid Crystal Display
ADE.....	..Advanced Design Electronics	LED.....	.. Light Emitting Diodes
ANSI.....	..American National Standards Institute	LH.....	..Left Hand
AR.....	..As Required	LSS.....	..Load Sensing System
ASSY.....	.. Assembly	M(m).....	..Metric/Meter
AUX.....	..Auxiliary	MM (mm).....	..Milimeter
AWG.....	..American Wire Gauge	mA.....	..Miliamps
B/M.....	..Bill of Material	NLA.....	..No Longer Available
CE.....	..European Conformity	NPT.....	..National Pipe Threads
CCW.....	..Counter Clockwise	NSS.....	..Not Sold Separately
cm.....	..Centimeter	OD.....	..Outside Diameter
CW.....	..Clockwise	ORB.....	..O-Ring Boss
CSA.....	..Canadian Standard Association	ORFS.....	..O-Ring Face Seal
CYL.....	..Cylinder	OZ (oz).....	..Ounces
DIA.....	..Diameter	PG.....	..Page
DC.....	..Direct Current	P/N.....	..Part Number
EMS.....	..Emergency Stop	qt.....	..Quarts
ENG.....	..Engine	QTY.....	..Quantity
FT(ft).....	..Feet	REF.....	..Reference
GA(Ga).....	..Gauge	REV.....	..Revision Level
HYD.....	..Hydraulic	RH.....	..Right Hand
Hz.....	..Hertz	SAE.....	..Society of Automotive Engineers
ID.....	..Inside Diameter	SN.....	..Serial Number
in.....	..inches	SPEC(S).....	..Specifications
ISO.....	..International Organization for Standards	T/T.....	..Turntable
JIC.....	..Joint Industry Council	UGM.....	..Universal Ground Module
KG.....	..Kilogram	V.....	..Volts
L.....	..Liter	W.....	..Watts
LB.....	..Pounds	#.....	..Number

10) ILLUSTRATION REFERENCE LETTERS

When necessary, illustrations may contain reference letters that are intended to track information (i. e. hoses, harness) from one point to another or to track visual enlargement of components to show details that may be located in another area on the illustration.

Note: Due to continuous product improvements, JLG Industries, Inc. reserves the right to make specification changes without prior notification. Contact JLG Industries, Inc. for updated information.

TABLE OF CONTENTS

SECTION 1 - FRAME.....	13
FIGURE 1-1. HINOWA FRAME ASSEMBLY (WITH STEEL TRACKS)	14
FIGURE 1-2. HINOWA FRAME ASSEMBLY (WITH RUBBER TRACKS)	16
FIGURE 1-3. HINOWA FRAME ASSEMBLY (WITH RUBBER PADS)	18
SECTION 2 - TURNTABLE	21
FIGURE 2-1. VALVE INSTALLATION	22
FIGURE 2-2. MAIN VALVE ASSEMBLY	24
FIGURE 2-3. SWING DRIVE INSTALLATION	28
FIGURE 2-4. SWING MOTOR/HUB ASSEMBLY	30
FIGURE 2-5. TURNTABLE BEARING AND LUBE INSTALLATION	34
FIGURE 2-6. TURNTABLE LOCK INSTALLATION	36
FIGURE 2-7. ROTARY COUPLING INSTALLATION	38
FIGURE 2-8. TANKS INSTALLATION - DIESEL MACHINES (POLY FUEL TANK)	40
FIGURE 2-9. TANKS INSTALLATION - DIESEL MACHINES (STEEL FUEL TANK)	42
FIGURE 2-10. HYDRAULIC TANK ASSEMBLY	44
FIGURE 2-11. BATTERY AND AUXILIARY PUMP INSTALLATION	46
FIGURE 2-12. BATTERY AND AUXILIARY PUMP W/DISCONNECT SWITCH INSTALLATION	48
FIGURE 2-13. ELECTRICAL COMPONENTS INSTALLATION	50
FIGURE 2-14. ELECTRICAL COMPONENTS INSTALLATION (DEUTZ TD2.9L4 (STAGE V) ENGINES)	52
FIGURE 2-15. GROUND CONTROL PANEL ASSEMBLY	54
FIGURE 2-16. GROUND CONTROL PANEL ASSEMBLY - WITH DEUTZ TD2.9L4 (STAGE V) ENGINE	56
FIGURE 2-17. KEYSWITCH INSTALLATION (ALL SPECS EXCEPT CE & UK CA SPECS)	58
FIGURE 2-18. KEYSWITCH INSTALLATION (CE & UK CA SPECS) (PVC 2001)	60
FIGURE 2-19. KEYSWITCH INSTALLATION (CE & UK CA SPECS) (PVC 2007)	62
FIGURE 2-20. LIGHT PANEL INSTALLTION	64
FIGURE 2-21. STROBE LIGHT INSTALLATION - AMBER (OPTIONAL)	66
FIGURE 2-22. STROBE LIGHT INSTALLATION - BLUE (OPTIONAL)	68
FIGURE 2-23. STROBE LIGHT INSTALLATION	70
FIGURE 2-24. WHITE NOISE ALARM INSTALLATION	72
FIGURE 2-25. HOODS INSTALLATIONS - ABS	74
FIGURE 2-26. HOOD ASSEMBLY - TANK SIDE (ABS)	78
FIGURE 2-27. HOOD ASSEMBLY - ENGINE SIDE (ABS)	80
FIGURE 2-28. HOODS INSTALLATIONS - STEEL	82
FIGURE 2-29. HOOD ASSEMBLY - TANK SIDE (STEEL)	86
FIGURE 2-30. HOOD ASSEMBLY - ENGINE SIDE (STEEL)	88
FIGURE 2-31. HOOD INSULATION INSTALLATION (STEEL HOODS)	90
FIGURE 2-32. NOISE REDUCTION PACKAGE	92
FIGURE 2-33. COVERS INSTALLATION	94
SECTION 3 - ENGINE	97
FIGURE 3-1. DEUTZ D2011 ENGINE INSTALLATION - WITHOUT ARCTIC PACKAGE	98
FIGURE 3-2. DEUTZ D2011 ENGINE AND PUMPS SUB-ASSEMBLY - WITHOUT ARCTIC PACKAGE	100
FIGURE 3-3. DEUTZ D2011 ENGINE ASSEMBLY - WITHOUT ARCTIC PACKAGE	102
FIGURE 3-4. DEUTZ D2011 ENGINE INSTALLATION - WITH ARCTIC PACKAGE	106
FIGURE 3-5. DEUTZ D2011 ENGINE AND PUMPS SUB-ASSEMBLY - WITH ARCTIC PACKAGE	108
FIGURE 3-6. DEUTZ D2011 ENGINE ASSEMBLY - WITH ARCTIC PACKAGE	110
FIGURE 3-7. DEUTZ D2011 ENGINE COMPONENTS	114
FIGURE 3-8. DEUTZ TD2.9L4 ENGINE INSTALLATION - WITHOUT ARCTIC PACKAGE	118
FIGURE 3-9. DEUTZ TD2.9L4 ENGINE AND PUMPS SUB-ASSEMBLY - WITHOUT ARCTIC PACKAGE	120
FIGURE 3-10. DEUTZ TD2.9L4 ENGINE ASSEMBLY - WITHOUT ARCTIC PACKAGE (PVC 2001)	124
FIGURE 3-11. DEUTZ TD2.9L4 ENGINE ASSEMBLY - WITHOUT ARCTIC PACKAGE (PVC 2007)	128
FIGURE 3-12. DEUTZ TD2.9L4 ENGINE INST ALLATION - WITH ARCTIC PACKAGE	132
FIGURE 3-13. DEUTZ TD2.9L4 ENGINE AND PUMPS SUB-ASSEMBLY - WITH ARCTIC PACKAGE	136
FIGURE 3-14. DEUTZ TD2.9L4 ENGINE ASSEMBLY - WITH ARCTIC PACKAGE (PVC 2001)	140
FIGURE 3-15. DEUTZ TD2.9L4 ENGINE ASSEMBLY - WITH ARCTIC PACKAGE (PVC 2007)	144
FIGURE 3-16. DEUTZ TD2.9L4 ENGINE COMPONENTS	148
FIGURE 3-17. DEUTZ TD2.9L4 ENGINE INSTALLATION - WITHOUT ARCTIC PACKAGE (CHINA SPECS ONLY)	154
FIGURE 3-18. DEUTZ TD2.9L4 ENGINE AND PUMPS SUB-ASSEMBLY - WITHOUT ARCTIC PACKAGE (CHINA SPECS ONLY) (PVC 2001)	156
FIGURE 3-19. DEUTZ TD2.9L4 ENGINE AND PUMPS SUB-ASSEMBLY - WITHOUT ARCTIC PACKAGE (CHINA SPECS ONLY) (PVC 2007)	158
FIGURE 3-20. DEUTZ TD2.9L4 ENGINE ASSEMBLY - WITHOUT ARCTIC PACKAGE (CHINA SPECS ONLY) (PVC 2001) ...	160

TABLE OF CONTENTS

FIGURE 3-21. DEUTZ TD2.9L4 ENGINE ASSEMBLY - WITHOUT ARCTIC PACKAGE (CHINA SPECS ONLY) (PVC 2007)	164
FIGURE 3-22. DEUTZ TD2.9L4 ENGINE INSTALLATION - WITH ARCTIC PACKAGE (CHINA SPECS ONLY)	168
FIGURE 3-23. DEUTZ TD2.9L4 ENGINE AND PUMPS SUB-ASSEMBLY - WITH ARCTIC PACKAGE (CHINA SPECS ONLY) (PVC 2001)	172
FIGURE 3-24. DEUTZ TD2.9L4 ENGINE AND PUMPS SUB-ASSEMBLY - WITH ARCTIC PACKAGE (CHINA SPECS ONLY) (PVC 2007)	174
FIGURE 3-25. DEUTZ TD2.9L4 ENGINE ASSEMBLY - WITH ARCTIC PACKAGE (CHINA SPECS ONLY) (PVC 2001)	176
FIGURE 3-26. DEUTZ TD2.9L4 ENGINE ASSEMBLY - WITH ARCTIC PACKAGE (CHINA SPECS ONLY) (PVC 2007)	180
FIGURE 3-27. DEUTZ TD2.9L4 ENGINE COMPONENTS (CHINA SPECS ONLY)	184
FIGURE 3-28. DEUTZ TD2.9L4 (STAGE V PRE-BUY) ENGINE INSTALLATION	188
FIGURE 3-29. DEUTZ TD2.9L4 (STAGE V PRE-BUY) ENGINE AND PUMP SUB-ASSEMBLY	190
FIGURE 3-30. DEUTZ TD2.9L4 (STAGE V PRE-BUY) ENGINE ASSEMBLY	194
FIGURE 3-31. DEUTZ TD2.9L4 (STAGE V PRE-BUY) ENGINE COMPONENTS	198
FIGURE 3-32. DEUTZ TD2.9L4 (STAGE V) ENGINE INSTALLATION	204
FIGURE 3-33. DEUTZ TD2.9L4 (STAGE V) ENGINE AND PUMP SUB-ASSEMBLY	208
FIGURE 3-34. DEUTZ TD2.9L4 (STAGE V) ENGINE ASSEMBLY	210
FIGURE 3-35. PUMP COUPLING KIT (DEUTZ ENGINES)	216
FIGURE 3-36. PISTON PUMP ASSEMBLY- FRONT	218
FIGURE 3-37. PISTON PUMP ASSEMBLY- REAR	222
FIGURE 3-38. FUEL FILTER INSTALLATION (STEEL FUEL TANK) (DEUTZ D2011 ENGINES)	226
FIGURE 3-39. FUEL FILTER INSTALLATION (DEUTZ TD2.9L4 ENGINES)	228
FIGURE 3-40. FUEL FILTER ASSEMBLY (DEUTZ TD2.9L4 ENGINES)	230
FIGURE 3-41. BREATHER HEATER INSTALLATION - DEUTZ D2.9L4 ENGINE WITH ARCTIC PACKAGE	232
FIGURE 3-42. DEUTZ 2.9L4 EXHAUST INSTALLATION (CHINA SPECS ONLY) (PVC 2001)	234
FIGURE 3-43. DEUTZ 2.9L4 EXHAUST INSTALLATION (CHINA SPECS ONLY) (PVC 2007)	236
FIGURE 3-44. ENGINE HOOD BAFFLES INSTALLATION - ABS HOODS	238
FIGURE 3-45. ENGINE HOOD BAFFLES INSTALLATION - STEEL HOODS	240
FIGURE 3-46. TRAY JACK INSTALLATION	242
FIGURE 3-47. MOTOR MOUNT INSTALLATION - WITHOUT GENERATOR (DEUTZ D2011 ENGINES)	244
FIGURE 3-48. MOTOR MOUNT INSTALLATION - WITH GENERATOR (DEUTZ D2011 ENGINES)	246
FIGURE 3-49. MOTOR MOUNT INSTALLATION - WITHOUT GENERATOR (DEUTZ TD2.9L4 ENGINES)	248
FIGURE 3-50. MOTOR MOUNT INSTALLATION - WITH GENERATOR (DEUTZ TD2.9L4 ENGINES)	250
FIGURE 3-51. 2500W GENERATOR INSTALLATION - 220V/50HZ (DEUTZ D2011 ENGINES) (OPTIONAL)	252
FIGURE 3-52. 2500W GENERATOR INSTALLATION - 110V/60HZ (DEUTZ D2011 ENGINES) (OPTIONAL)	254
FIGURE 3-53. 2500W GENERATOR INSTALLATION - 110V/60HZ (DEUTZ TD2.9L4 ENGINES) (OPTIONAL)	256
FIGURE 3-54. 4000W GENERATOR INSTALLATION - 220V/50HZ (DEUTZ D2011 ENGINES) (OPTIONAL)	260
FIGURE 3-55. 4000W GENERATOR INSTALLATION - 110V/60HZ (DEUTZ D2011 ENGINES) (OPTIONAL)	264
FIGURE 3-56. 4000W GENERATOR INSTALLATION - 220V/50HZ (DEUTZ TD2.9L4 ENGINES) (OPTIONAL)	268
FIGURE 3-57. 4000W GENERATOR INSTALLATION - 110V/60HZ (DEUTZ TD2.9L4 ENGINES) (OPTIONAL)	272
FIGURE 3-58. 7500W SKYPOWER GENERATOR INSTALLATION - 220V/50HZ (DEUTZ D2011 ENGINES) (OPTIONAL)	276
FIGURE 3-59. 7500W SKYPOWER GENERATOR INSTALLATION - 110V/60HZ (DEUTZ D2011 ENGINES) (OPTIONAL)	280
FIGURE 3-60. 7500W GENERATOR INSTALLATION - 220V/50HZ (DEUTZ TD2.9L4 ENGINES) (OPTIONAL)	284
FIGURE 3-61. 7500W SKYPOWER GENERATOR INSTALLATION - 110V/60HZ (DEUTZ TD2.9L4 ENGINES) (OPTIONAL)	288
 SECTION 4 - BOOM	 293
FIGURE 4-1. BOOM INSTALLATION	294
FIGURE 4-2. BOOM ASSEMBLY	298
FIGURE 4-3. JIB ASSEMBLY	302
FIGURE 4-4. PLATFORM ROTATOR ASSEMBLY	304
FIGURE 4-5. POWER TRACK INSTALLATION (PVC 2001)	306
FIGURE 4-6. POWER TRACK INSTALLATION (PVC 2007)	308
FIGURE 4-7. BOOM VALVES INSTALLATION	310
FIGURE 4-8. PLATFORM VALVE ASSEMBLY	312
FIGURE 4-9. BOOM SENSORS INSTALLATION (Prior to SN 0300287168)	314
FIGURE 4-10. BOOM SENSORS INSTALLATION (SN 0300287168 to Present)	316
FIGURE 4-11. PLATFORM SUPPORT INSTALLATION - WITH LSS	318
 SECTION 5 - PLATFORM	 321
FIGURE 5-1. PLATFORM ASSEMBLY - 30IN X 3FT (76CM X .91M) - DROP BAR ENTRY	322
FIGURE 5-2. PLATFORM ASSEMBLY - 36IN X 6FT (91.5CM X 1.83M) WITH SWING GATE	324
FIGURE 5-3. PLATFORM ASSEMBLY - 36IN X 6FT (91.5CM X 1.83M) WITH DROP BAR	326
FIGURE 5-4. PLATFORM ASSEMBLY - 36IN X 6FT (91.5CM X 1.83M) TRI-ENTRY WITH SWING GATE	328
FIGURE 5-5. PLATFORM ASSEMBLY - 36IN X 6FT (91.5CM X 1.83M) TRI-ENTRY WITH DROPBAR	330
FIGURE 5-6. PLATFORM ASSEMBLY - 36IN X 8FT (91.5CM X 2.44M) TRI-ENTRY WITH DROPBAR	332
FIGURE 5-7. PLATFORM ASSEMBLY - 36IN X 8FT (91.5CM X 2.44M) TRI-ENTRY WITH DROPGATE	334

TABLE OF CONTENTS

FIGURE 5-8. PLATFORM ASSEMBLY - 36IN X 8FT (91.5CM X 2.44M) WITH SWING GATE	336
FIGURE 5-9. PLATFORM ASSEMBLY - 36IN X 8FT (91.5CM X 2.44M) WITH DROP BAR	338
FIGURE 5-10. TRAY ASSEMBLY	340
FIGURE 5-11. PLATFORM CONSOLE AND FOOTSWITCH INSTALLATION	342
FIGURE 5-12. CONSOLE BOX ASSEMBLY	344
FIGURE 5-13. CONTROLLER ASSEMBLY (DRIVE AND STEER)	346
FIGURE 5-14. CONTROLLER ASSEMBLY (LIFT AND SWING)	348
FIGURE 5-15. LIGHT PANEL INSTALLATION	352
FIGURE 5-16. FOOTSWITCH ASSEMBLY	354
FIGURE 5-17. SKYGUARD BAR INSTALLATION	356
FIGURE 5-18. SKYEYE INSTALLATION	358
FIGURE 5-19. SKYGLAZIER INSTALLATION (ANSI, AUSTRALIAN AND CSA SPECS)	360
FIGURE 5-20. SKYLINE INSTALLATION	362
FIGURE 5-21. SKYWELDER INSTALLATION (50HZ)	364
FIGURE 5-22. SKYWELDER INSTALLATION (60HZ)	366
FIGURE 5-23. SKYWELDER PREP PACKAGE (60HZ)	368
FIGURE 5-24. USB CHARGER INSTALLATION	370
FIGURE 5-25. WELDER ASSEMBLY	372
SECTION 6 - CYLINDER	375
FIGURE 6-1. LEVEL CYLINDER ASSEMBLY - PLATFORM SLAVE	376
FIGURE 6-2. LIFT CYLINDER ASSEMBLY - BOOM	378
FIGURE 6-3. LIFT CYLINDER ASSEMBLY - JIB	380
FIGURE 6-4. TELESCOPE CYLINDER ASSEMBLY	382
SECTION 7 - HYDRAULIC	385
FIGURE 7-1. STANDARD HYDRAULIC DIAGRAM	386
SECTION 8 - ELECTRICAL	395
FIGURE 8-1. 660SJC ELECTRICAL LAYOUT	396
FIGURE 8-2. AC BOX AT PLATFORM INSTALLATION -110V (ALL SPECS EXCEPT AUSTRALIAN, CE & UK CA SPECS)	408
FIGURE 8-3. AC BOX AT PLATFORM INSTALLATION - 110V IEC YELLOW (CE & UK CA SPECS WITHOUT 4000W/50HZ GENERATOR)	410
FIGURE 8-4. AC BOX AT PLATFORM INSTALLATION - 110V IEC YELLOW (CE & UK CA SPECS WITH 4000W/50HZ GENERATOR)	412
FIGURE 8-5. AC BOX AT PLATFORM INSTALLATION - 220V IEC BLUE (CE & UK CA SPECS WITHOUT 4000W/50HZ GENERATOR)	414
FIGURE 8-6. AC BOX AT PLATFORM INSTALLATION - 220V IEC BLUE (CE & UK CA SPECS WITH 4000W/50HZ GENERATOR)	416
FIGURE 8-7. AC BOX AT PLATFORM INSTALLATION - 220V CEE7 2IN X 4IN POST GROUND (CE & UK CA SPECS WITHOUT 4000W/50HZ GENERATOR)	418
FIGURE 8-8. AC BOX AT PLATFORM INSTALLATION - 220V CEE7 2IN X 4IN POST GROUND (CE & UK CA SPECS WITH 4000W/50HZ GENERATOR)	420
FIGURE 8-9. AC BOX AT PLATFORM INSTALLATION - 220V CEE7 2IN X 4IN SIDE GROUND (CE & UK CA SPECS WITHOUT 4000W/50HZ GENERATOR)	422
FIGURE 8-10. AC BOX AT PLATFORM INSTALLATION - 220V CEE7 2IN X 4IN SIDE GROUND (CE & UK CA SPECS WITH 4000W/50HZ GENERATOR)	424
FIGURE 8-11. AC BOX AT PLATFORM INSTALLATION - 220V AFSINT107 (CE & UK CA SPECS WITHOUT 4000W/50HZ GENERATOR)	426
FIGURE 8-12. AC BOX AT PLATFORM INSTALLATION - 220V AFSINT107 (CE & UK CA SPECS WITH 4000W/50HZ GENERATOR)	428
FIGURE 8-13. AC BOX AT PLATFORM INSTALLATION - 220V CUSTOMER SUPPLIED COMPONENTS (ANSI EXPORT, AUSTRALIAN, CHINA, CE & UK CA SPECS)	430
FIGURE 8-14. AC BOX AT PLATFORM INSTALLATION - 240V (WITH 4000W GENERATOR) (ALL SPECS EXCEPT AUSTRALIAN, CE & UK CA SPECS)	432
FIGURE 8-15. AC BOX AT PLATFORM INSTALLATION - 240V (WITH 7500WSKYPOWER GENERATOR) (ALL SPECS EXCEPT AUSTRALIAN, CE & UK CA SPECS)	434
FIGURE 8-16. AC BREAKER BOX INSTALLATION - SINGLE DOUBLE POLE BREAKER	436
FIGURE 8-17. AC BREAKER BOX INSTALLATION - 3 BREAKERS	438
FIGURE 8-18. AC CABLES AND CLAMPS INSTALLATION - WITHOUT GENERATOR (ALL SPECS EXCEPT ANSI & CSA SPECS)	440
FIGURE 8-19. AC CABLES AND CLAMPS INSTALLATION - WITHOUT GENERATOR (ANSI & CSA SPECS)	442
FIGURE 8-20. AC CABLES AND CLAMPS INSTALLATION - WITH 2500W GENERATOR	444
FIGURE 8-21. AC CABLES AND CLAMPS INSTALLATION - WITH 4000W-50HZ GENERATOR	446

TABLE OF CONTENTS

FIGURE 8-22. AC CABLES AND CLAMPS INSTALLATION - WITH 4000W-60HZ GENERATOR	448
FIGURE 8-23. AC CABLES AND CLAMPS INSTALLATION - WITH 7500W SKYPOWER GENERATOR	450
FIGURE 8-24. BATTERY DISCONNECT SWITCH INSTALLATION	452
FIGURE 8-25. BREAKER BOX KIT - SINGLE DOUBLE POLE BREAKER (WITHOUT 4000W/50HZ GENERATOR)	454
FIGURE 8-26. BREAKER BOX KIT - SINGLE DOUBLE POLE BREAKER (WITH 4000W/50HZ GENERATOR)	456
FIGURE 8-27. BREAKER BOX KIT - 3 BREAKERS	458
FIGURE 8-28. BOOM ANGLE SENSOR HARNESS	460
FIGURE 8-29. BOOM CABLE - LOWER	462
FIGURE 8-30. BOOM CABLE - UPPER	464
FIGURE 8-31. CAPACITY PROXIMITY HARNESS	466
FIGURE 8-32. CAPACITY PROXIMITY HARNESS	468
FIGURE 8-33. CAPACITY PROXIMITY HARNESS (DEUTZ TD2.9L4 (STAGE V) ENGINES)	470
FIGURE 8-34. ELECTRICAL COMPONENTS INSTALLATION	472
FIGURE 8-35. ELECTRICAL COMPONENTS INSTALLATION (DEUTZ TD2.9L4 (STAGE V) ENGINES)	474
FIGURE 8-36. ENGINE HARNESS - DEUTZ D2011 ENGINES	476
FIGURE 8-37. ENGINE HARNESS - DEUTZ TD2.9L4 ENGINES AND DEUTZ TD2.9L4 (STAGE V PRE-BUY) ENGINES (PVC 2001)	478
FIGURE 8-38. ENGINE HARNESS - DEUTZ TD2.9L4 ENGINES AND DEUTZ TD2.9L4 (STAGE V PRE-BUY) ENGINES (PVC 2007)	482
FIGURE 8-39. ENGINE HARNESS - DEUTZ TD2.9L4 (STAGE V) ENGINES	486
FIGURE 8-40. FUEL PUMP HARNESS - DEUTZ TD2.9L4 ENGINE	490
FIGURE 8-41. FUEL HARNESS - DEUTZ TD2.2L4 (STAGE V) ENGINE	492
FIGURE 8-42. GENERATOR HARNESS - 2500W	494
FIGURE 8-43. GENERATOR HARNESS - 4000W	496
FIGURE 8-44. GENERATOR HARNESS - 7500W SKYPOWER	498
FIGURE 8-45. GENERATOR TO ENGINE HARNESS - 7500W SKYPOWER GENERATOR (DEUTZ D2011 ONLY)	500
FIGURE 8-46. GROUND CONTROL HARNESS	502
FIGURE 8-47. INTERFACE HARNESS - WITH 1 CELL LSS	504
FIGURE 8-48. LEFT DRIVE HARNESS	506
FIGURE 8-49. LIFT CYLINDER HARNESS	508
FIGURE 8-50. MAIN VALVE HARNESS	510
FIGURE 8-51. PLATFORM CONSOLE HARNESS	512
FIGURE 8-52. PLATFORM VALVE HARNESS	516
FIGURE 8-53. RECEPTACLE BOX KIT - 110V IEC YELLOW (CE & UK CA SPEC)	518
FIGURE 8-54. RECEPTACLE BOX KIT - 220V IEC BLUE (CE & UK CA SPEC)	520
FIGURE 8-55. RECEPTACLE BOX KIT - 220V CEE7 POST GROUND 2X4 BOX (CE & UK CA SPEC)	522
FIGURE 8-56. RECEPTACLE BOX KIT - 220V CEE7 SIDE GROUND (CE & UK CA SPEC)	524
FIGURE 8-57. RECEPTACLE BOX KIT - 220V AFSINT 107 (CE & UK CA SPEC)	526
FIGURE 8-58. SKYEYE INTERMEDIATE HARNESS	528
FIGURE 8-59. SKYEYE EMITTER HARNESS	530
FIGURE 8-60. 4. SKYEYE RECEIVER HARNESS	532
FIGURE 8-61. SKYLINE HARNESS	534
FIGURE 8-62. STROBE LIGHT CONTROL HARNESS	536
FIGURE 8-63. TELE PROXIMITY HARNESS	538
FIGURE 8-64. TURNTABLE HARNESS	540
FIGURE 8-65. WHITE NOISE ALARM HARNESS	544
SECTION 9 - DECALS	547
FIGURE 9-1. DECAL INSTALLATION - 660SJC (ANSI SPECS - ENGLISH LANGUAGE)	548
FIGURE 9-2. DECAL INSTALLATION - 660SJC (BRAZIL SPECS - PORTUGUESE/SPANISH LANGUAGES)	550
FIGURE 9-3. DECAL INSTALLATION - 660SJC (CE & UK CA SPECS - ENGLISH LANGUAGE)	552
FIGURE 9-4. DECAL INSTALLATION - 660SJC (CHINESE SPECS - ENGLISH/SIMPLIFIED CHINESE LANGUAGES)	554
FIGURE 9-5. DECAL INSTALLATION - 660SJC (CHINESE SPECS - ENGLISH/TRADITIONAL CHINESE LANGUAGES)	556
FIGURE 9-6. DECAL INSTALLATION - 660SJC (CSA SPECS - ENGLISH/FRENCH LANGUAGES)	558
FIGURE 9-7. DECAL INSTALLATION - 660SJC (JAPANESE SPECS - ENGLISH/JAPANESE LANGUAGES)	560
FIGURE 9-8. DECAL INSTALLATION - 660SJC (KOREAN SPECS - ENGLISH/KOREAN LANGUAGES)	562
FIGURE 9-9. DECAL INSTALLATION - 660SJC (LATIN AMERICA SPECS - ENGLISH/SPANISH LANGUAGES)	564
FIGURE 9-10. DECAL INSTALLATION - OPTIONS	566
FIGURE 9-11. SKYWELDER DECAL INSTALLATION - 50HZ (AUSTRALIAN, CE & UK CA SPECS)	568
FIGURE 9-12. SKYWELDER DECAL INSTALLATION - 60HZ (ALL SPECS EXCEPT AUSTRALIAN, CE & UK CA SPECS) (PVC 2001)	570
FIGURE 9-13. SKYWELDER DECAL INSTALLATION - 60HZ (ALL SPECS EXCEPT AUSTRALIAN, CE & UK CA SPECS) (PVC 2007)	572
SECTION 10 - RECOMMENDED SERVICE PARTS STOCK	575

TABLE OF CONTENTS

FIGURE 10-1. RECOMMENDED SERVICE PARTS STOCK 576

SECTION 11 - SPECIAL OPTIONS/ACCESSORIES/KITS..... 579

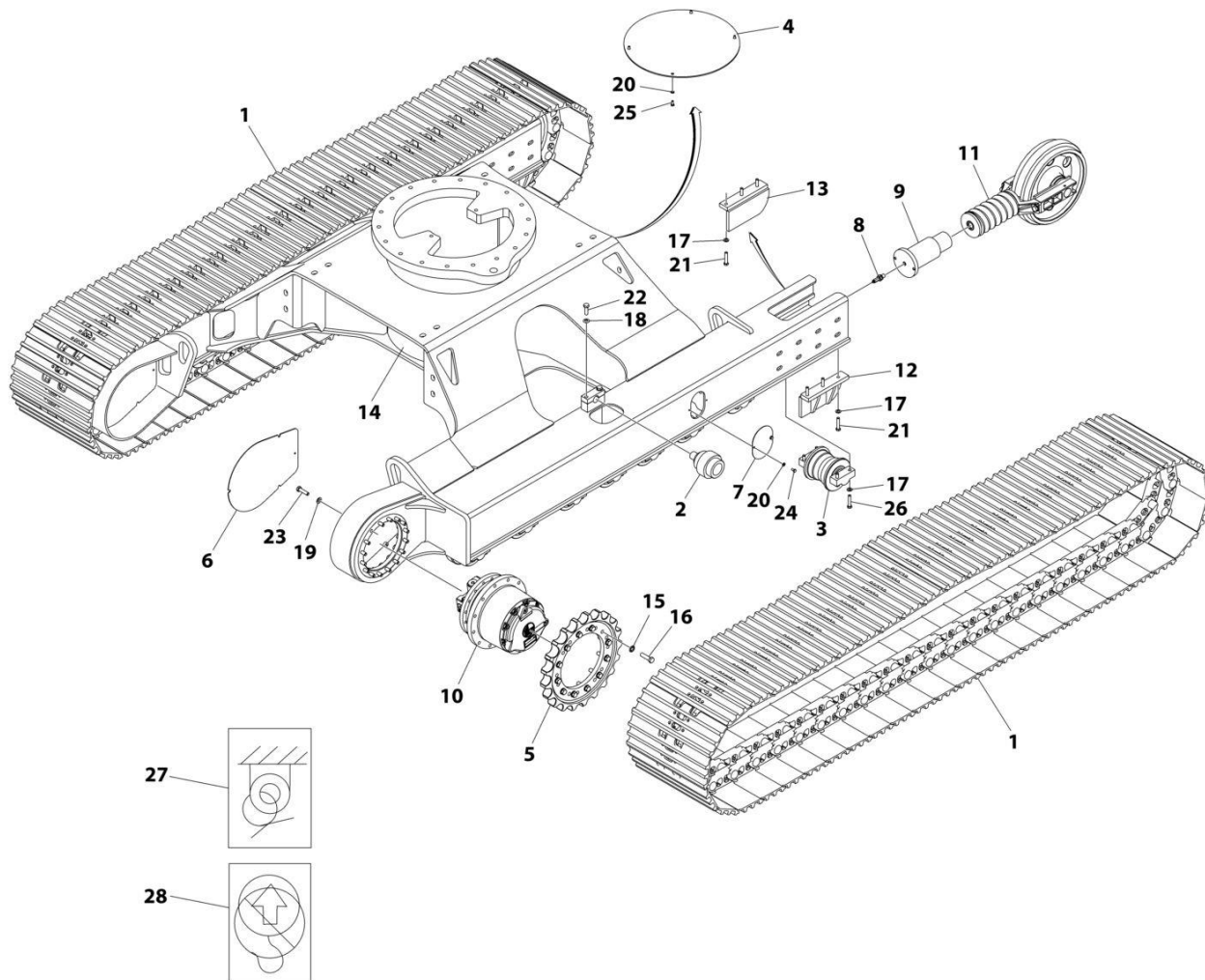
 FIGURE 11-1. SPECIAL OPTIONS/ACCESSORIES/KITS 580

PART NUMBER INDEX 583

SECTION 1 - FRAME

SECTION 1 - FRAME

FIGURE 1-1. HINOWA FRAME ASSEMBLY (WITH STEEL TRACKS)



ART_1001231884

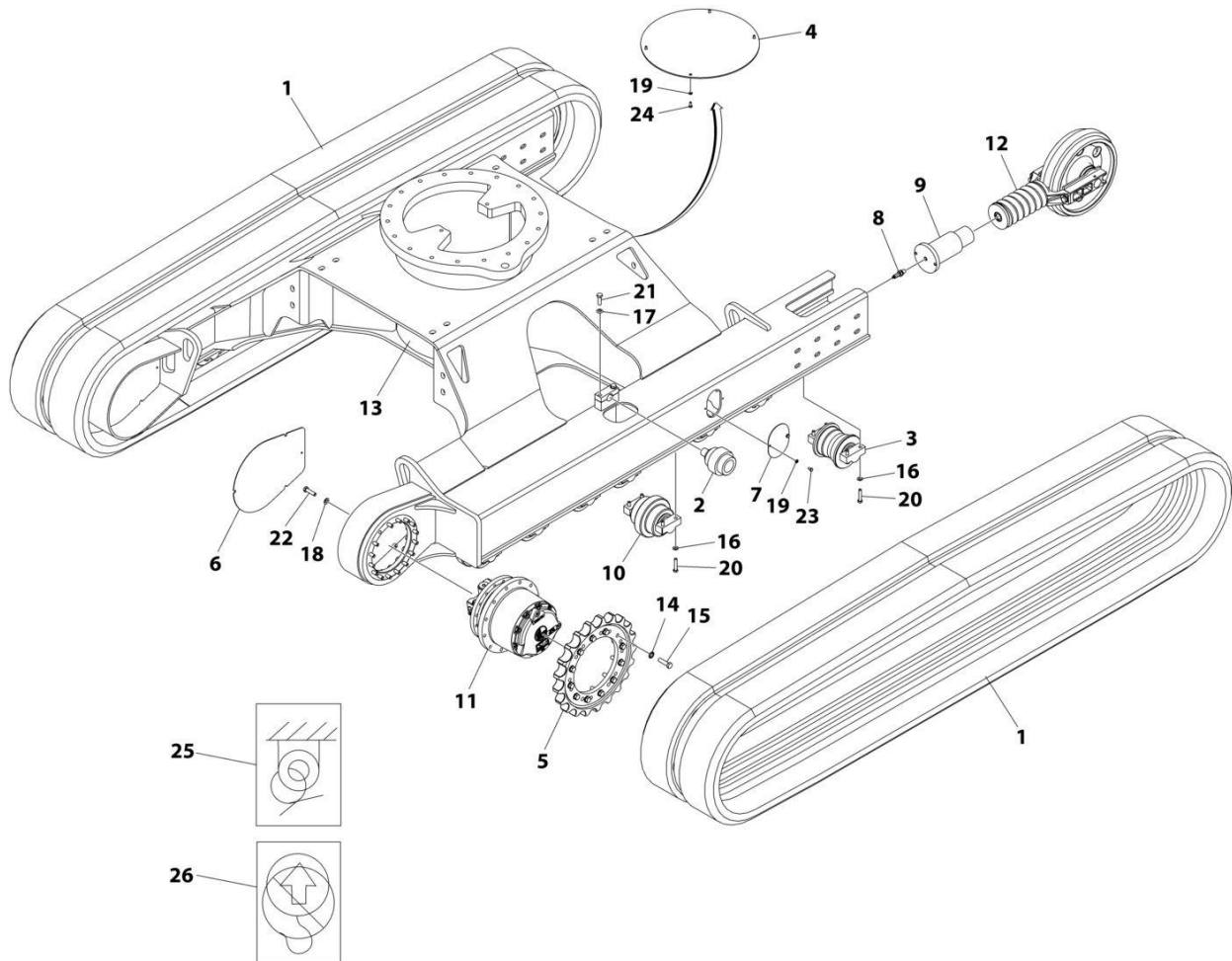
SECTION 1 - FRAME

FIGURE 1-1. HINOWA FRAME ASSEMBLY (WITH STEEL TRACKS)

ITEM	PART NUMBER	QTY	DESCRIPTION	REV
	1001231884	Ref	FRAME ASSEMBLY	B
1	70007394	2	Track (Steel)	
2	70007395	2	Roller	
3	70007396	2	Roller	
4	70005283	1	Plate, Cover	
5	70007397	2	Sprocket	
6	70007398	2	Cover	
7	70007399	2	Cover	
8	70007400	2	Fitting, Grease	
9	70007401	2	Track Tension Cylinder	
10	70007402	2	Hub	
11	70007403	2	Wheel, Idler Tension	
12	70007404	2	Bracket (Right)	
13	70007405	2	Bracket (Left)	
14	See Note	NSS	Frame (Note: Use p/n 1001231884)	
15	70007406	36	Washer	
16	70007407	36	Screw	
17	70007408	14	Washer	
18	70007409	4	Washer	
19	70007410	AR	Washer	
20	70005284	6	Washer	
21	70007411	6	Screw M12 x 60	
22	70007412	4	Screw M14 x 45	
23	70007413	AR	Screw M14 x 55	
24	70005286	2	Bolt, M8 x 16	
25	70005285	4	Bolt, M8 x 20	
26	70007414	8	Screw M12 x 40	
27	1703814	4	Decal - Tie Down	
28	1701499	4	Decal - No Lift	

SECTION 1 - FRAME

FIGURE 1-2. HINOWA FRAME ASSEMBLY (WITH RUBBER TRACKS)



ART_1001232368

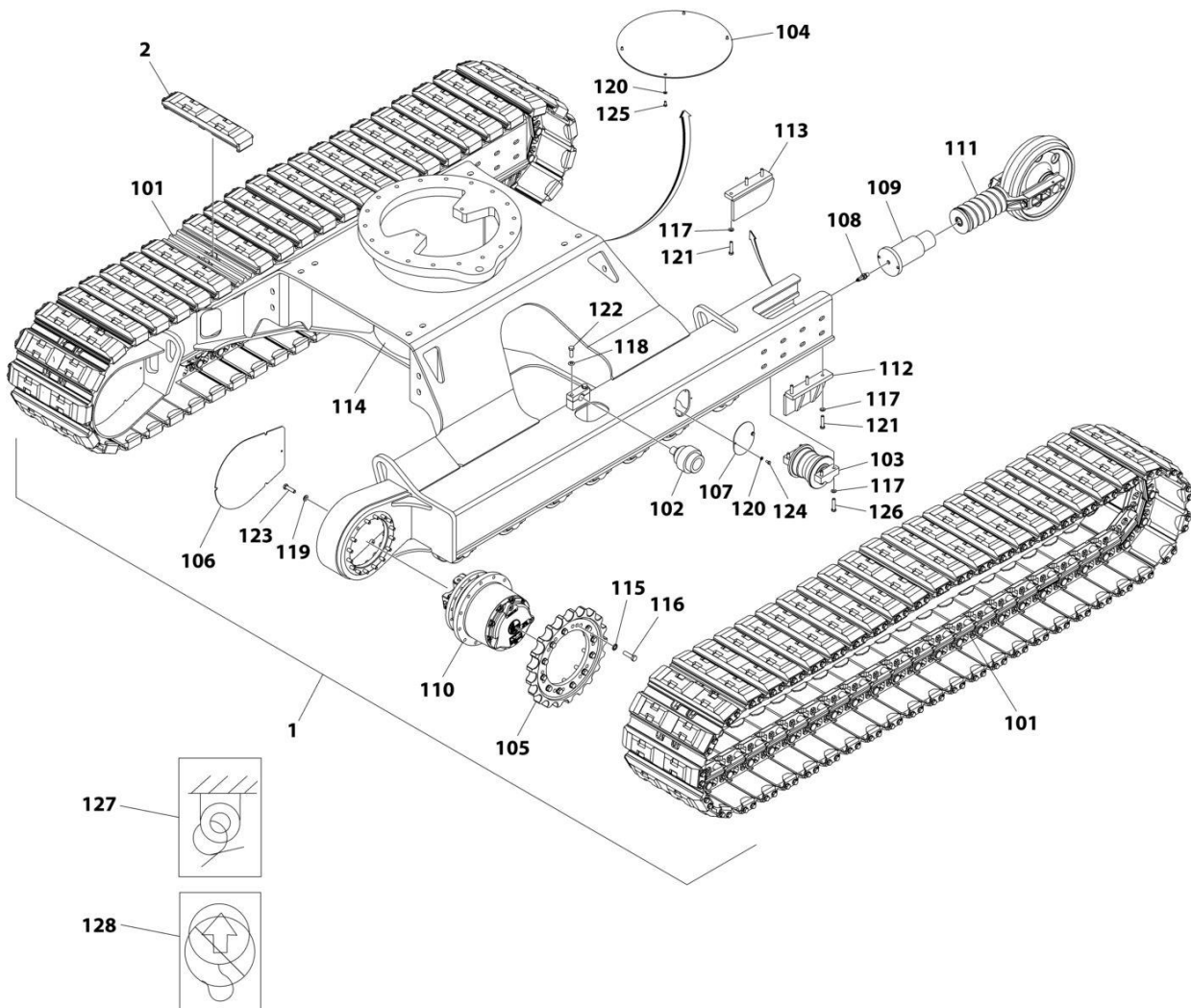
SECTION 1 - FRAME

FIGURE 1-2. HINOWA FRAME ASSEMBLY (WITH RUBBER TRACKS)

ITEM	PART NUMBER	QTY	DESCRIPTION	REV
	1001232368	Ref	FRAME ASSEMBLY	B
1	70007417	2	Track (Rubber)	
2	70007395	2	Roller	
3	70007396	2	Roller	
4	70005283	1	Plate, Cover	
5	70007397	2	Sprocket	
6	70007398	2	Cover	
7	70007399	2	Cover	
8	70007400	2	Fitting, Grease	
9	70007401	2	Track Tension Cylinder	
10	70007415	1	Roller	
11	70007402	2	Hub	
12	70007416	1	Wheel, Idler Tension	
13	See Note	NSS	Frame (Note: Use p/n 1001232368)	
14	70007406	36	Washer	
15	70007407	36	Screw	
16	70007408	16	Washer	
17	70007409	4	Washer	
18	70007410	AR	Washer	
19	70005284	8	Washer	
20	70007411	16	Screw M12 x 60	
21	70007412	4	Screw M14 x 45	
22	70007413	AR	Screw M14 x 55	
23	70005286	4	Bolt, M8 x 16	
24	70005285	4	Bolt, M8 x 20	
25	1703814	4	Decal - Tie Down	
26	1701499	4	Decal - No Lift	

SECTION 1 - FRAME

FIGURE 1-3. HINOWA FRAME ASSEMBLY (WITH RUBBER PADS)



ART_1001233220

SECTION 1 - FRAME

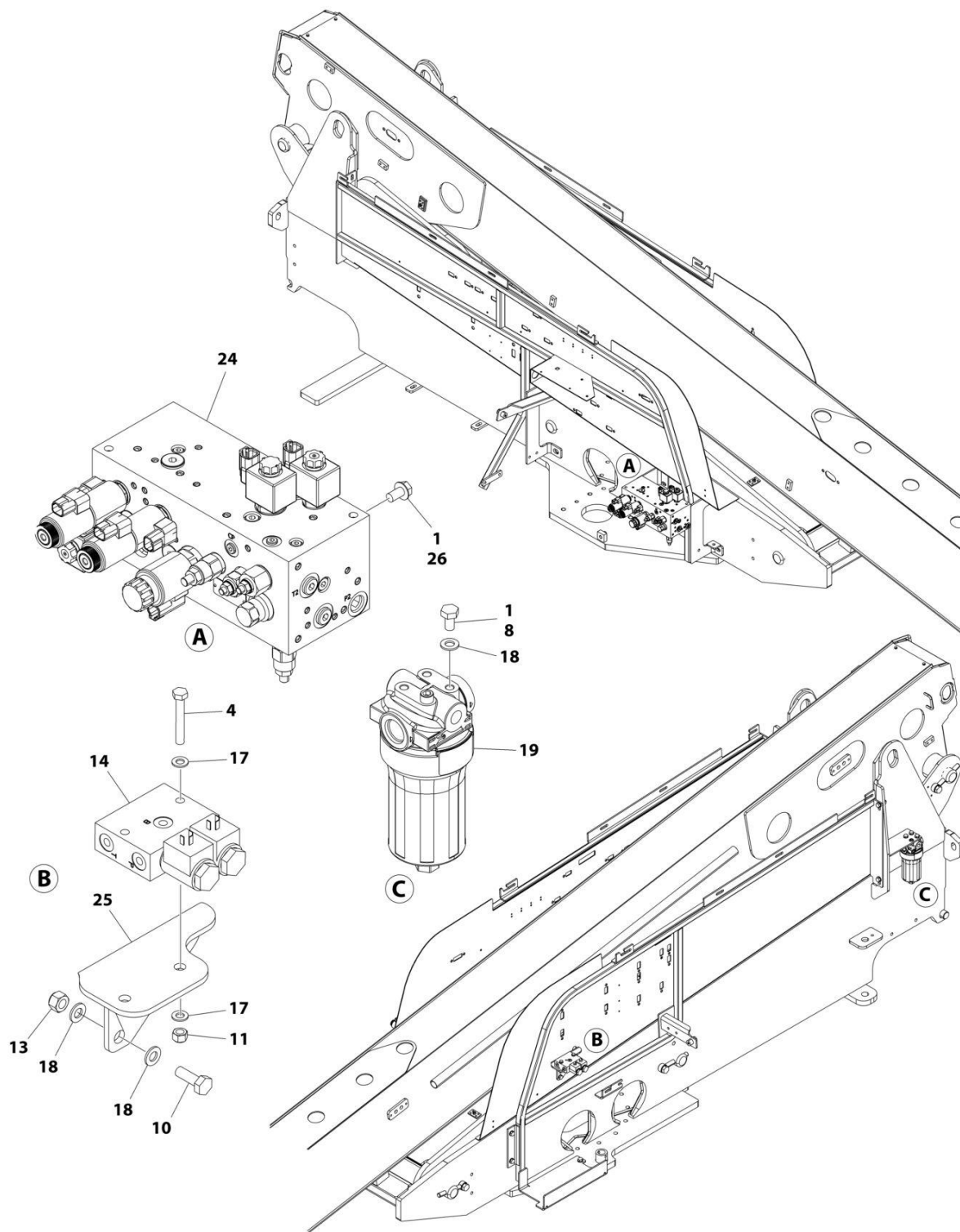
FIGURE 1-3. HINOWA FRAME ASSEMBLY (WITH RUBBER PADS)

ITEM	PART NUMBER	QTY	DESCRIPTION	REV
	1001233220	Ref	FRAME ASSEMBLY WITH PADS	A
1	1001231884	1	Frame Assembly without Pads (See Items 101-128 for Breakdown)	
2	1001233218	1	Pad, Rubber Track	
	1001231884	Ref	FRAME ASSEMBLY WITHOUT PADS	B
101	70007394	2	Track (Steel)	
102	70007395	2	Roller	
103	70007396	2	Roller	
104	70005283	1	Plate, Cover	
105	70007397	2	Sprocket	
106	70007398	2	Cover	
107	70007399	2	Cover	
108	70007400	2	Fitting, Grease	
109	70007401	2	Track Tension Cylinder	
110	70007402	2	Hub	
111	70007403	2	Wheel, Idler Tension	
112	70007404	2	Bracket (Right)	
113	70007405	2	Bracket (Left)	
114	See Note	NSS	Frame (Note: Use p/n 1001231884)	
115	70007406	36	Washer	
116	70007407	36	Screw	
117	70007408	14	Washer	
118	70007409	4	Washer	
119	70007410	AR	Washer	
120	70005284	6	Washer	
121	70007411	6	Screw M12 x 60	
122	70007412	4	Screw M14 x 45	
123	70007413	AR	Screw M14 x 55	
124	70005286	2	Bolt, M8 x 16	
125	70005285	4	Bolt, M8 x 20	
126	70007414	8	Screw M12 x 40	
127	1703814	4	Decal - Tie Down	
128	1701499	4	Decal - No Lift	

SECTION 2 - TURNTABLE

SECTION 2 - TURNTABLE

FIGURE 2-1. VALVE INSTALLATION



ART_1001197143_10F2

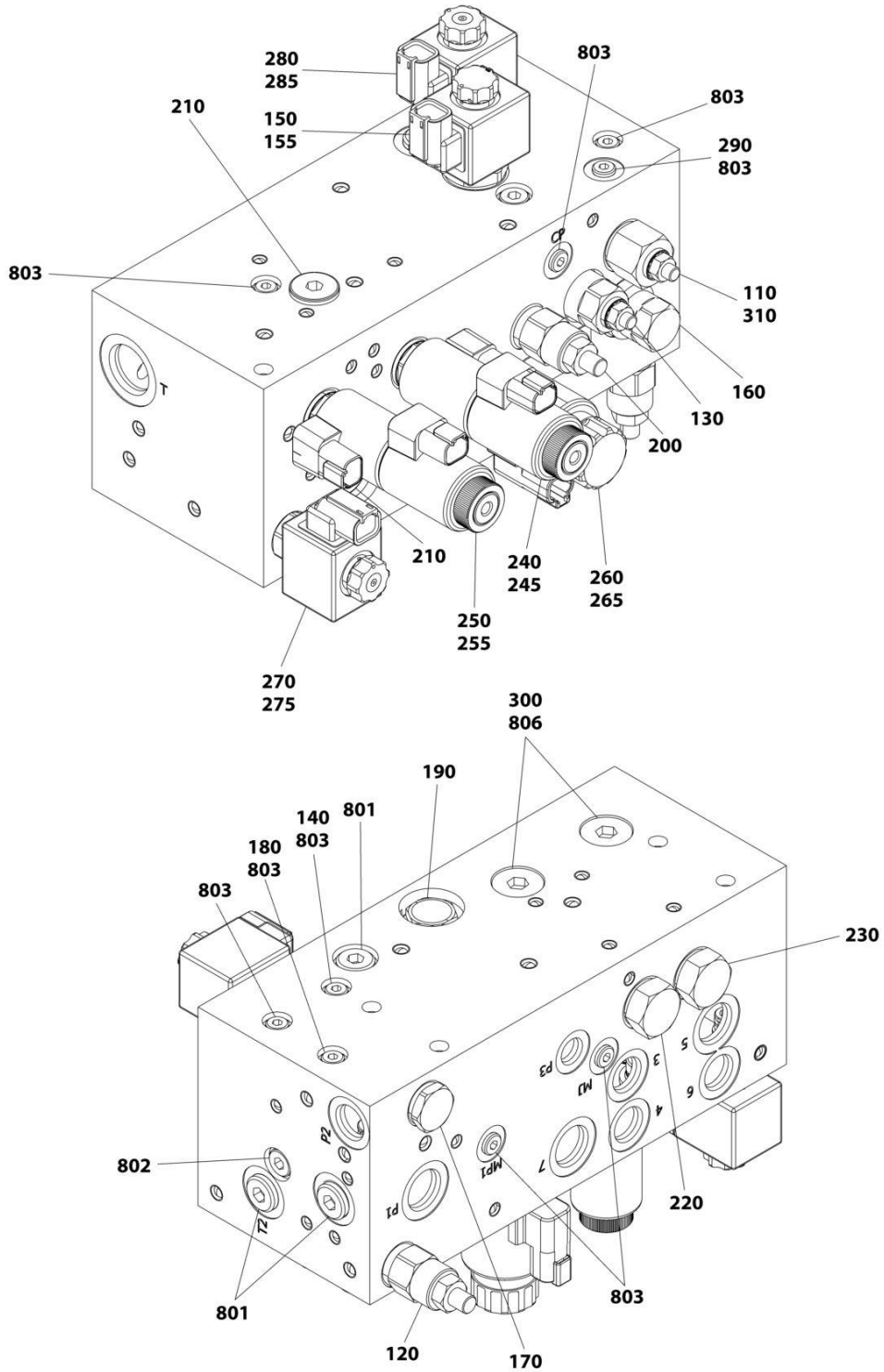
SECTION 2 - TURNTABLE

FIGURE 2-1. VALVE INSTALLATION

ITEM	PART NUMBER	QTY	DESCRIPTION	REV
	1001197143	Ref	VALVE INSTALLATION	E
1	0100011	AR	Compound, Locking	
4	0700819	2	Bolt M8 x 55	
8	0761009	6	Bolt M10 x 18	
10	0761014	2	Bolt M10 x 30	
11	3290805	4	Nut M8	
13	3291005	2	Nut M10	
14	4641317	1	Brake/Two Speed Valve Assembly	
14	7012941	2	Cartridge Less Coil	
14	7010543	2	Seal Kit - 7012941 Valve	
14	7012944	2	Coil	
17	4811900	9	Washer M8	
18	4812000	10	Washer M10	
19	1001208874	1	Filter, Hydraulic	
19	70010383	1	Element, Filter	
24	1001196595	1	Main Valve Assembly (See Separate Breakdown in this Section)	
25	1001196803	1	Bracket	
26	5251009	4	Bolt M10 x 18	

SECTION 2 - TURNTABLE

FIGURE 2-2. MAIN VALVE ASSEMBLY



ART_1001196595

SECTION 2 - TURNTABLE

FIGURE 2-2. MAIN VALVE ASSEMBLY

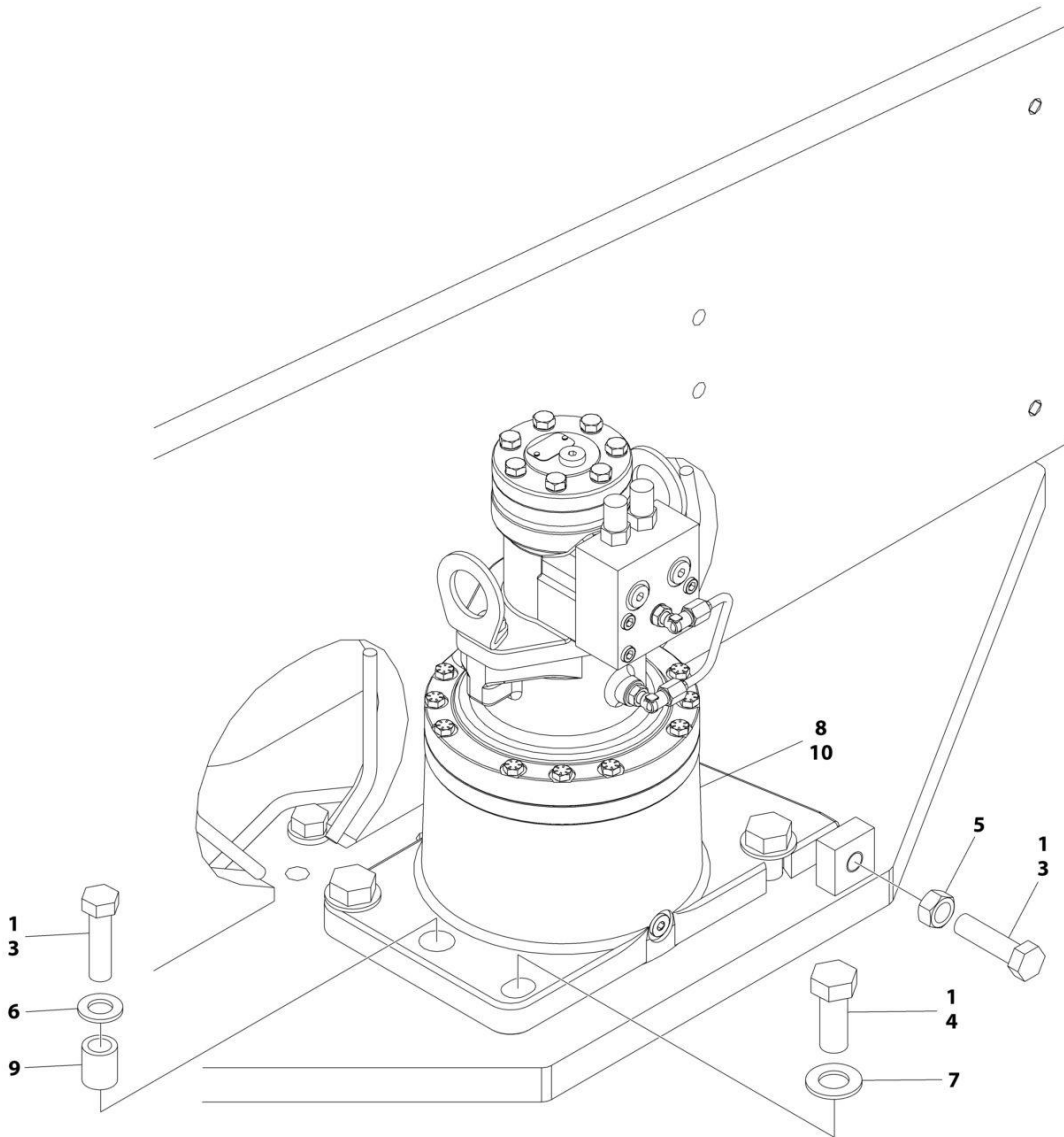
ITEM	PART NUMBER	QTY	DESCRIPTION	REV
	1001196595	Ref	MAIN VALVE ASSEMBLY	C
110	70006109	1	Valve, Flow/Pressure Control	
110	70006110	1	Cap	
110	70004656	1	Seal Kit - 70006109 Valve	
120	70003019	1	Valve, Relief	
120	70004052	1	Seal Kit - 70003019 Valve	
130	70004607	1	Valve, Relief	
130	70004602	1	Seal Kit - 70004607 Valve	
140	70004668	1	Orifice	
150	70006111	1	Valve, Solenoid without Coil	
150	70004584	1	Seal Kit - 70006111 Valve	
150	70004051	1	Coil Nut & Pole Tube O-Ring Kit	
155	70004653	1	Coil	
160	70006112	1	Valve, Load Sense	
160	70006113	1	Seal Kit - 70006112 Valve	
170	70005952	1	Valve, Check	
170	70004052	1	Seal Kit - 70005952 Valve	
180	7022527	1	Orifice 2mm	
190	70003027	1	Valve, Flow/Pressure Control	
190	70004052	1	Seal Kit - 70003027 Valve	
200	70003019	1	Valve, Relief	
200	70004052	1	Seal Kit - 70003019 Valve	
210	70023859	4	Valve, Relief	
210	70023860	4	Seal Kit - 70023859 Valve	
220	70006114	1	Valve, Pressure Compensator	
220	70004656	1	Seal Kit - 70006114 Valve	
230	70006114	1	Valve, Pressure Compensator	
230	70004656	1	Seal Kit - 70006114 Valve	
240	70006115	1	Valve, Solenoid without Coil (Swing)	
240	70006116	1	Seal Kit - 70006115 Valve	
240	70004661	1	Nut, Coil	
240	70024457	1	O-Ring at Coil Nut	
240	70004662	1	O-Ring at Bottom of Pole Tube	
245	80434249	2	Coil	
250	70006117	1	Valve, Solenoid without Coil (Tele)	
250	70006116	1	Seal Kit - 70006117 Valve	
250	70004661	1	Nut, Coil	
250	70024457	1	O-Ring at Coil Nut	
250	70004662	1	O-Ring at Bottom of Pole Tube	
255	80434249	2	Coil	
260	70004657	1	Valve, Solenoid (Lift)	
260	70004594	1	Seal Kit - 70004657 Valve	
260	70004597	1	Nut, Coil	
260	70004596	1	O-Ring at Coil Nut	
265	70004595	1	Coil	
270	70004598	1	Valve, Solenoid (Lift)	
270	70004055	1	Seal Kit - 70004598 Valve	
270	70005947	1	Coil Nut & Pole Tube O-Ring Kit	
275	70004653	1	Coil	
280	70006118	1	Valve, Solenoid (Lift)	

SECTION 2 - TURNTABLE

ITEM	PART NUMBER	QTY	DESCRIPTION	REV
280	70004052	1	Seal Kit - 70006118 Valve	
280	70004051	1	Coil Nut & Pole Tube O-Ring Kit	
285	70004653	1	Coil	
290	7023821	1	Orifice .8mm	
300	70006119	1	Valve, Check	
310	70006357	1	Orifice 4mm	
801	70002759	4	Plug	
802	70004617	2	Plug	
803	70002758	9	Plug	
806	70006120	2	Plug	

SECTION 2 - TURNTABLE

FIGURE 2-3. SWING DRIVE INSTALLATION



ART_1001185842

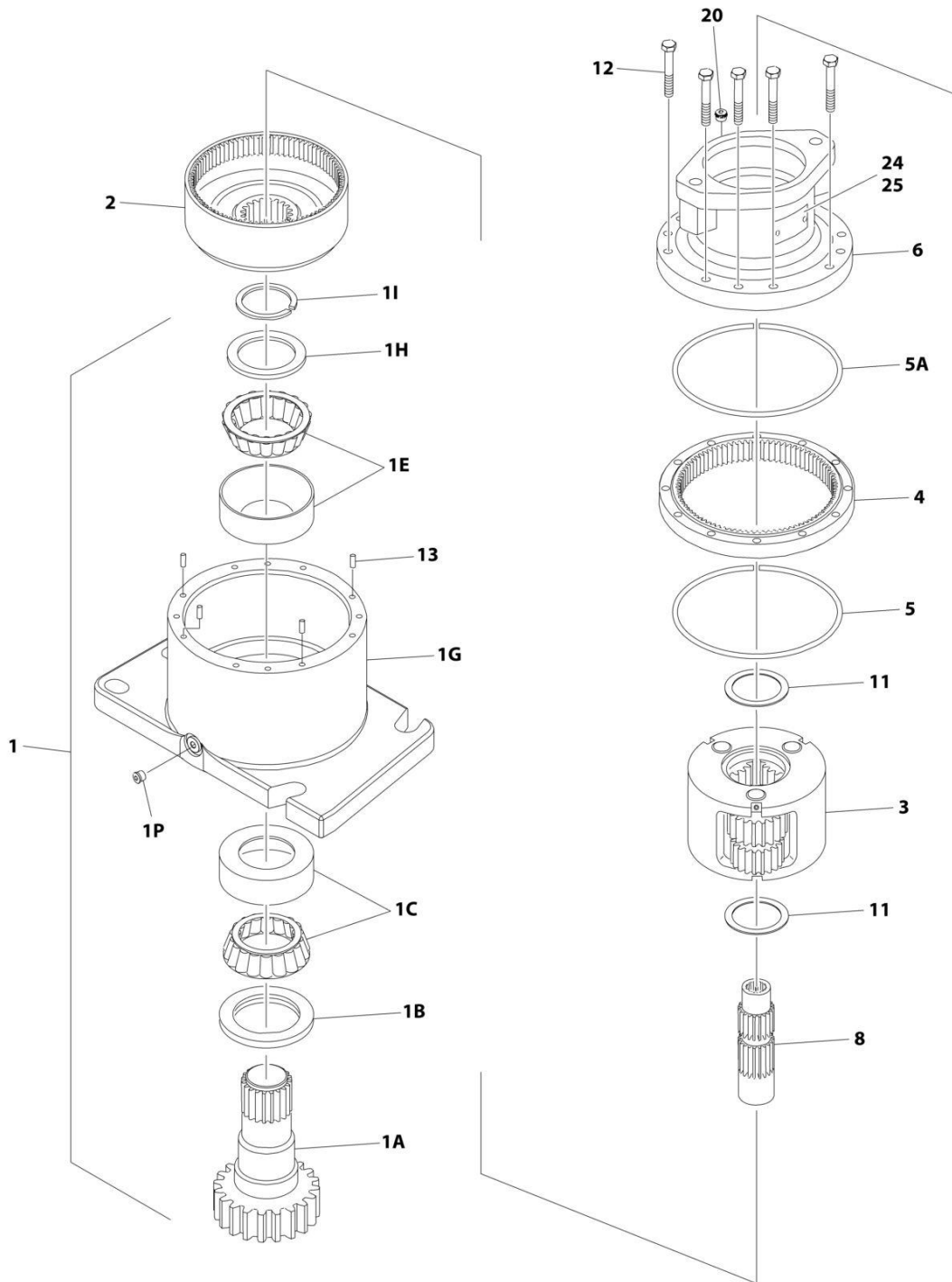
SECTION 2 - TURNTABLE

FIGURE 2-3. SWING DRIVE INSTALLATION

ITEM	PART NUMBER	QTY	DESCRIPTION	REV
	1001185842	Ref	SWING DRIVE INSTALLATION	B
1	0100019	AR	Compound, Locking	
3	0771620	2	Bolt M16 x 60	
4	0772018	4	Bolt M20 x 50	
5	3291601	1	Nut M16	
6	5241600	1	Washer M16	
7	5242000	4	Washer M20	
8	1001125492	1	Shim	
9	1001134543	1	Spacer	
10	1001187855	1	Swing Motor/Hub Assembly (See Separate Breakdown in this Section)	

SECTION 2 - TURNTABLE

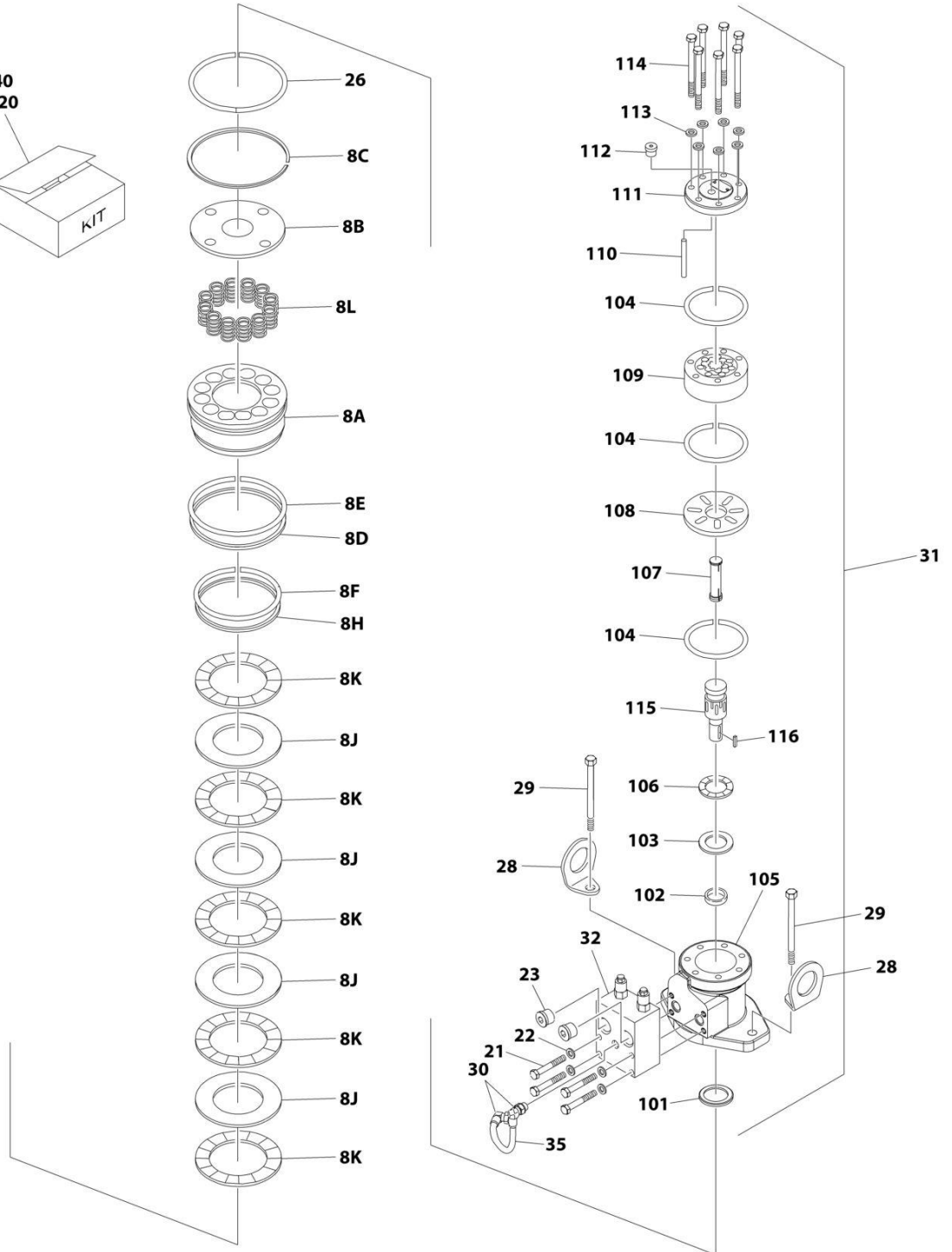
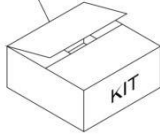
FIGURE 2-4. SWING MOTOR/HUB ASSEMBLY



ART_1001187855_10F2

SECTION 2 - TURNTABLE

40
120



ART_1001187855_2OF2

SECTION 2 - TURNTABLE

FIGURE 2-4. SWING MOTOR/HUB ASSEMBLY

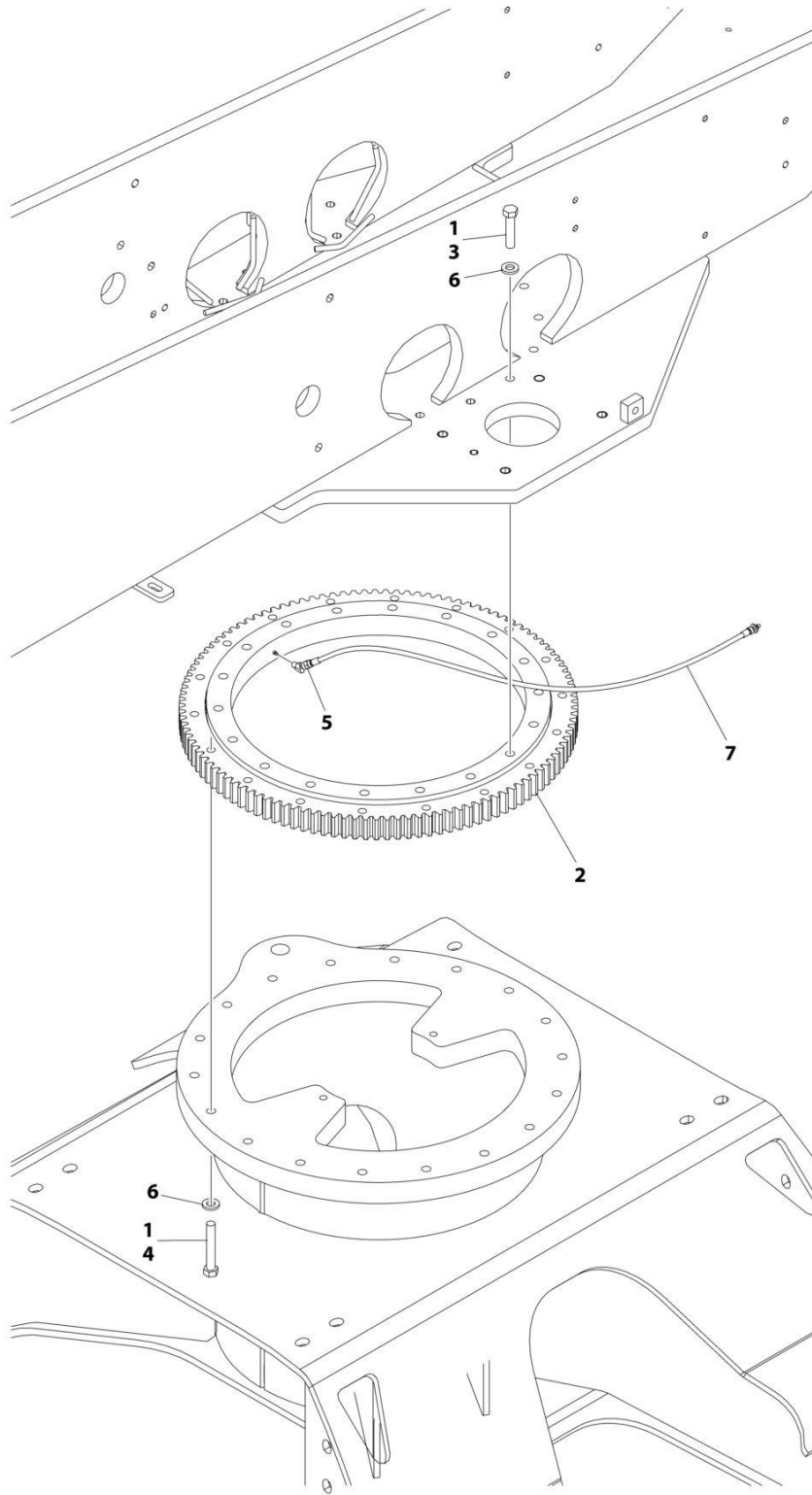
ITEM	PART NUMBER	QTY	DESCRIPTION	REV
	1001187855	Ref	SWING MOTOR/HUB ASSEMBLY	D
1	See Note	NSS	Housing/Shaft Assembly (Note: Not Available - Purchase Complete Swing Motor/Hub Assembly)	
1A	7010492	1	Shaft, Output	
1B	7000228	1	Seal, Lip	
1C	7000255	1	Bearing Kit (Includes Cup and Cone)	
1E	7000257	1	Bearing Kit (Includes Cup and Cone)	
1G	See Note	1	Housing (Note: Not Available for Purchase)	
1H	7007633	1	Thrustwasher	
1I	7000229	1	Ring, Retaining	
1P	7017072	1	Plug, Pipe	
2	7000246	1	Gear, Internal	
3	7000247	1	Carrier Assembly	
3A	7001931	1	Carrier	
3B	7001985	6	Washer, Tanged	
3C	7001909	96	Bearing, Needle	
3D	7000263	3	Thrustwasher	
3E	7001911	3	Shaft, Planet	
3F	7001912	3	Gear, Cluster	
3G	7010474	3	Roll Pin	
4	7000248	1	Gear, Ring	
5	7000230	1	O-Ring (Black)	
5A	7017070	1	O-Ring (White)	
6	See Note	NSS	Housing, Brake (Note: Not Available for Purchase)	
7	70005203	1	Gear, Sun	
8		Ref	Brake Components	
8A	70004037	1	Piston, Brake	
8B	7024743	1	Plate, Pressure	
8C	70004039	1	Ring, Retaining	
8D	70004041	1	O-Ring	
8E	70004044	1	Ring, Back-up	
8F	70004042	1	O-Ring	
8H	70004043	1	Ring, Back-up	
8J	See Note	NSS	Rotor, Brake (Note: Use p/n 70002085)	
8K	See Note	NSS	Stator, Brake (Note: Use p/n 70002085)	
8L	70002066	7	Spring, Brake	
11	7000253	2	Thrustwasher	
12	7000217	12	Bolt, 5/16 x 2-1/4 Grade 8	
13	7017080	4	Pin, Dowel	
20	7017072	1	Plug, Pipe	
21	7024704	4	Bolt 5/16 x 2 Grade 8	
22	70004045	4	Lockwasher	
23	7017023	2	Plug, Pipe	
24	See Note	NSS	Plate, ID (Note: Not Available for Purchase)	
25	See Note	NSS	Rivet	
26	7024763	1	O-Ring	
28	See Note	NSS	Lug, Lifting (Note: Not Available for Purchase)	
29	70004040	2	Bolt 1/2 x 1-1/2 Grade 8	
30	7017085	2	Elbow	
31	70006304	1	Motor Assembly (See Items 101-120 for Breakdown)	

SECTION 2 - TURNTABLE

ITEM	PART NUMBER	QTY	DESCRIPTION	REV
32	7024784	1	Valve (No Serviceable Parts)	
33	7017082	1	Plug, Pipe (Not Shown)	
35	70004047	1	Tube	
40	7024100	1	Seal Kit - Hub (Includes Items 1B, 1I, 5, 5A & 11)	
	70006304	Ref	Motor Assembly	
101	See Note	NSS	Seal, Dust (Note: Use Item 120)	
102	See Note	NSS	Seal, Shaft (Note: Use Item 120)	
103	See Note	NSS	Thrustwasher (Note: Use Item 120)	
104	See Note	NSS	Seal, Ring (Note: Use Item 120)	
105	See Note	NSS	Housing (Note: Purchase Complete Assembly)	
106	70006306	1	Bearing, Thrust	
107	7005889	1	Link, Drive	
108	70006307	1	Plate, Wear	
109	70006310	1	Rotor Set	
110	7005891	1	Pin	
111	70006308	1	Cover, End	
112	See Note	NSS	Plug (Note: Purchase Complete Assembly)	
113	70006309	1	Washer Kit (Includes 7 Washers)	
114	70006313	1	Bolt Kit (Includes 7 Bolts)	
115	See Note	NSS	Shaft (Note: Purchase Complete Assembly)	
116	See Note	NSS	Key (Note: Purchase Complete Assembly)	
120	70006305	1	Seal Kit - Motor (Includes Items 101-104)	

SECTION 2 - TURNTABLE

FIGURE 2-5. TURNTABLE BEARING AND LUBE INSTALLATION



ART_1001233176

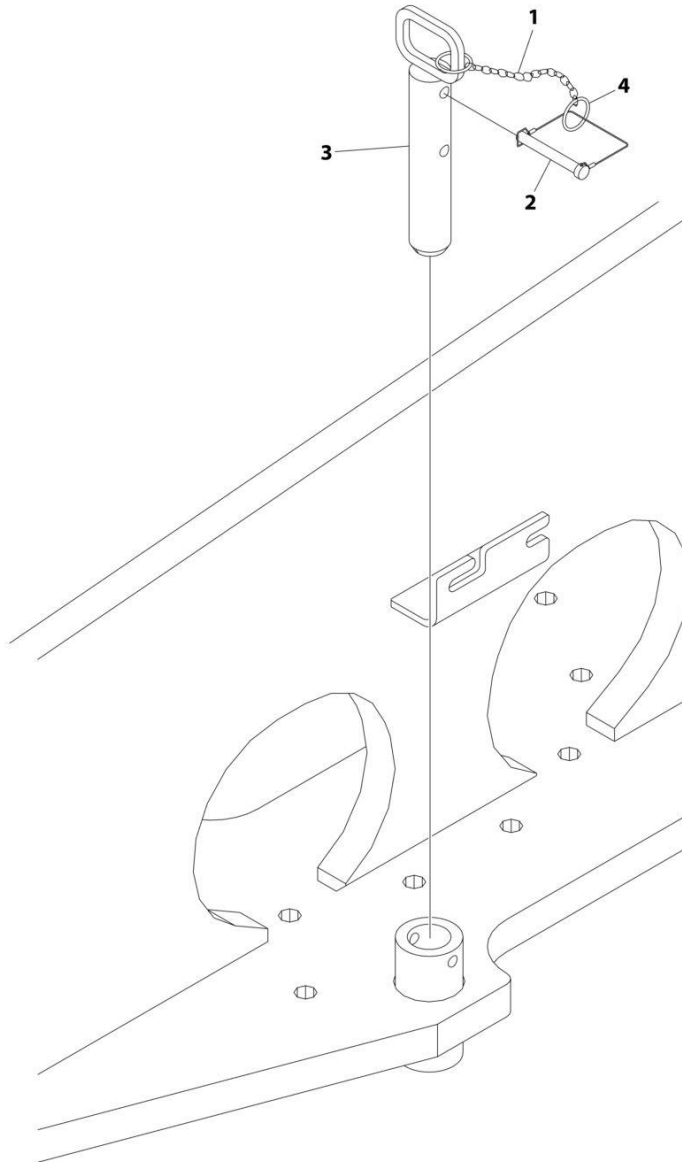
SECTION 2 - TURNTABLE

FIGURE 2-5. TURNTABLE BEARING AND LUBE INSTALLATION

ITEM	PART NUMBER	QTY	DESCRIPTION	REV
	1001233176	Ref	TURNTABLE BEARING AND LUBE INSTALLATION	A
1	0100019	AR	Compound, Locking	
2	0440233	1	Turntable Bearing	
3	0682023	18	Bolt 5/8 x 2-7/8, Grade 8	
4	0682032	18	Bolt 5/8 x 2-4, Grade 8	
5	2220124	1	Fitting	
6	4892000	36	Washer 5/8	
7	1001188125	1	Hose	

SECTION 2 - TURNTABLE

FIGURE 2-6. TURNTABLE LOCK INSTALLATION



ART_1001187022_B

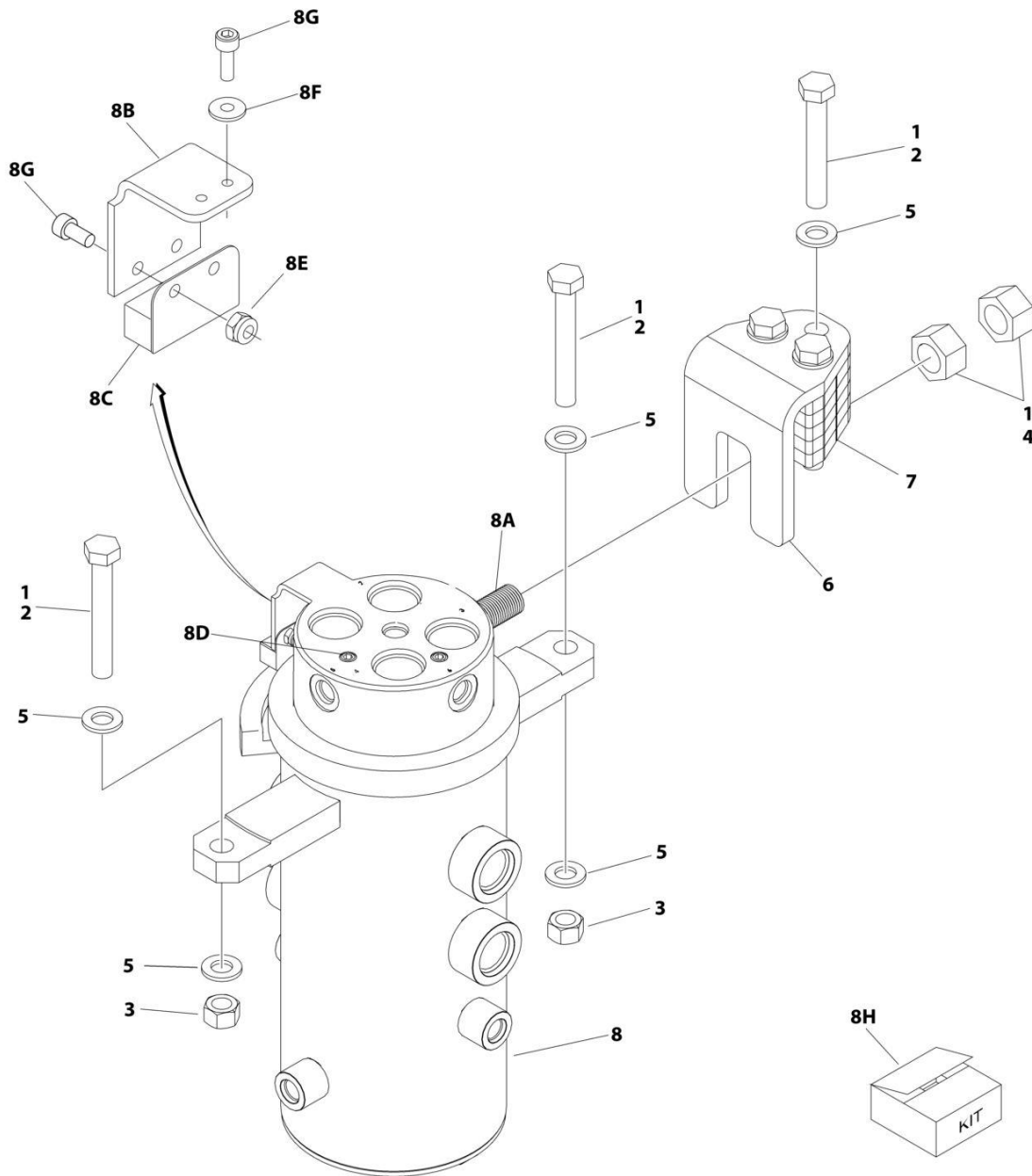
SECTION 2 - TURNTABLE

FIGURE 2-6. TURNTABLE LOCK INSTALLATION

ITEM	PART NUMBER	QTY	DESCRIPTION	REV
	1001187022	Ref	TURNTABLE LOCK INSTALLATION	B
1	1260017	9 in/23cm	Chain	
2	3421565	1	Snap-Pin	
3	1001169582	1	Pin, Lock	
4	3760170	2	Ring	

SECTION 2 - TURNTABLE

FIGURE 2-7. ROTARY COUPLING INSTALLATION



ART_1001233177

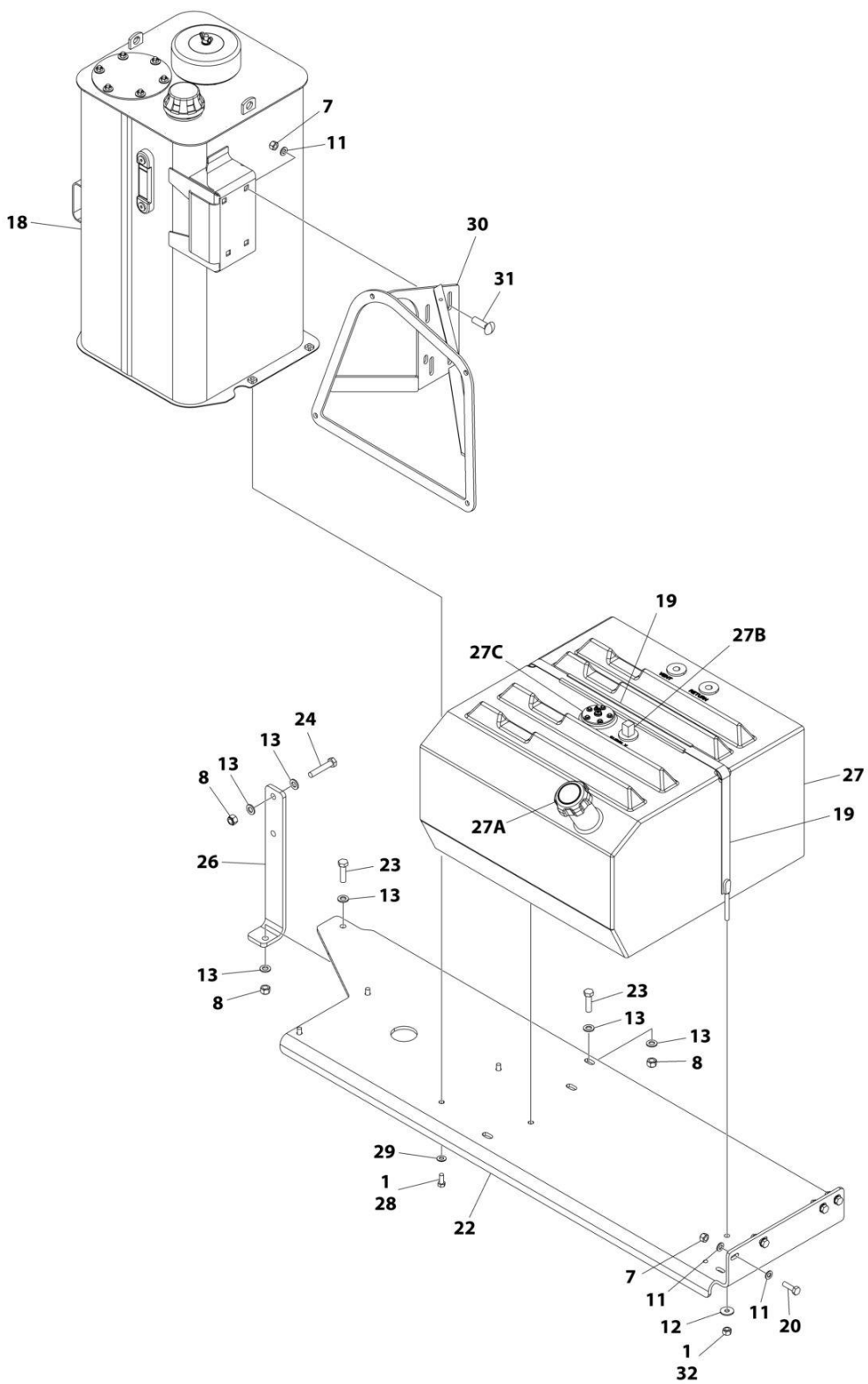
SECTION 2 - TURNTABLE

FIGURE 2-7. ROTARY COUPLING INSTALLATION

ITEM	PART NUMBER	QTY	DESCRIPTION	REV
	1001233177	Ref	ROTARY COUPLING INSTALLATION	A
1	0100011	AR	Compound, Locking	
2	0701226	5	Bolt M12 x 90	
3	3291207	2	Nut M12	
4	3322201	2	Nut 3/4	
5	4812100	7	Washer M12	
6	1001103837	1	Mount	
7	1001189522	5	Shim, Swivel Mount	
8	1001189523	1	Coupling, Swivel 7 Port	
8A	70005244	1	Lug	
8B	70003454	1	Bracket, Switch Mounting	
8C	4360517	1	Switch, Proximity	
8D	2200221	2	Plug	
8E	3311005	2	Nut, Lock #10	
8F	4711000	2	Washer #10	
8G	3931008	2	Screw #10 x 1/2	
8H	70005322	1	Seal Kit - 1001233177 Coupling	

SECTION 2 - TURNTABLE

FIGURE 2-8. TANKS INSTALLATION - DIESEL MACHINES (POLY FUEL TANK)



ART_1001188257

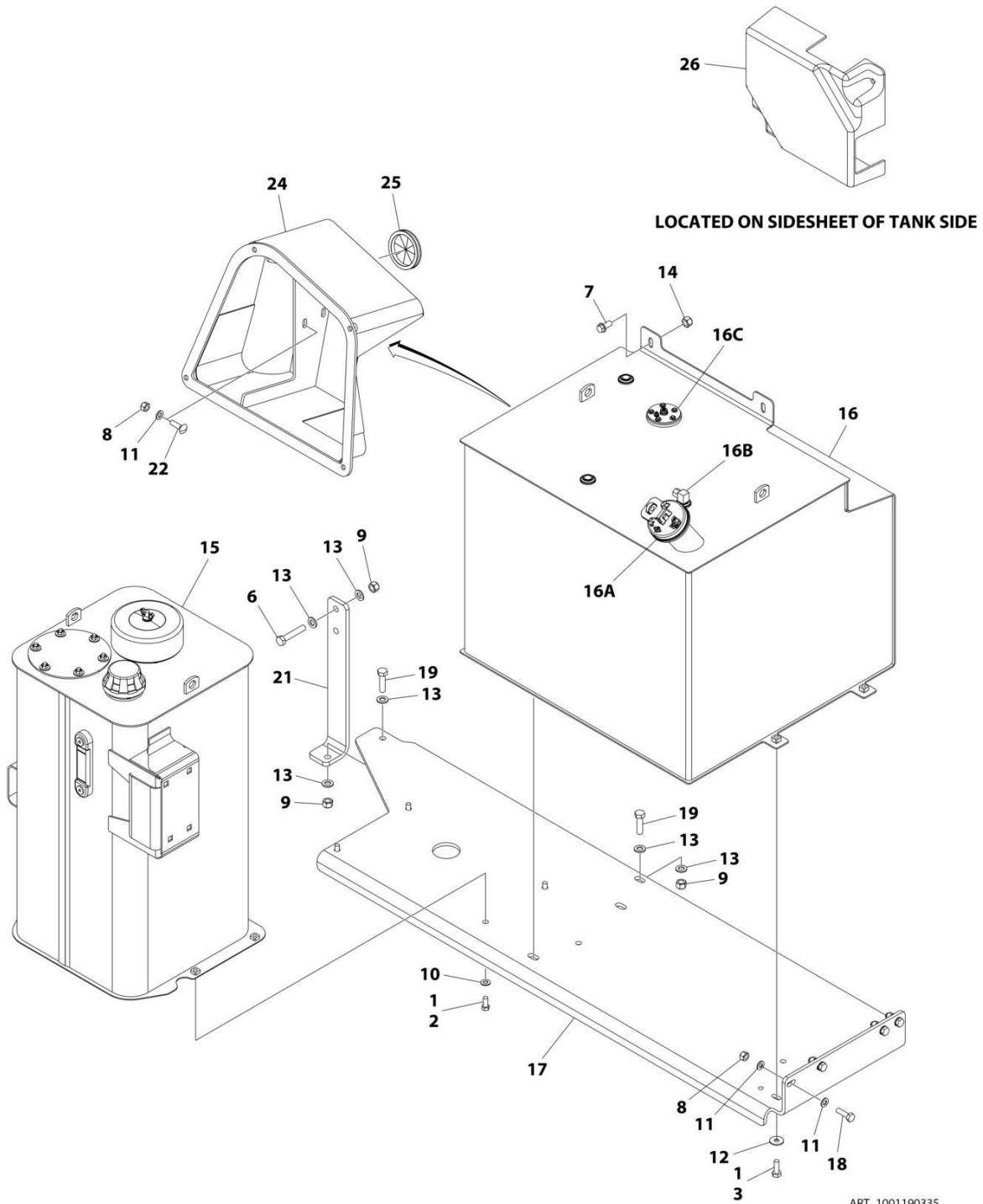
SECTION 2 - TURNTABLE

FIGURE 2-8. TANKS INSTALLATION - DIESEL MACHINES (POLY FUEL TANK)

ITEM	PART NUMBER	QTY	DESCRIPTION	REV
	1001188257	Ref	TANKS INSTALLATION	K
1	0100011	AR	Compound, Locking	
7	3291005	8	Nut M10	
8	3291205	4	Nut M12	
11	4812000	12	Washer M10	
12	4812002	2	Washer M10	
13	4812100	8	Washer M12	
18	1001178057	1	Hydraulic Tank Assembly (See Separate Breakdown in this Section)	
19	1001238954	1	Strap Assembly	
19	1001189119	1	Strap	
19	4280295	48 in/ 122cm	Strip, Protector	
20	0701015	4	Bolt M10 x 35	
22	1001199933	1	Tray	
23	0701217	2	Bolt M12 x 45	
24	0701221	2	Bolt M12 x 65	
26	1001199883	1	Support	
27	1001201325	1	Tank, Fuel	
27A	70004414	1	Cap, Fill	
27B	7020043	1	Tube, Pickup	
27C	1001148607	1	Sender, Fuel Level	
27C	0731005	5	Screw #10 x 5/8	
27C	4751000	5	Washer #10	
28	0641607	4	Bolt 3/8 x 7/8	
28	0641608	4	Bolt 3/8 x 1	
29	4711600	4	Washer 3/8	
30	1001213251	1	Support, Ground Control	
31	1001228406	4	Bolt M10 x 35	
31	0630613	4	Bolt M10 x 30	
32	3291005	2	Nut M10	
32	3291001	2	Nut M10	

SECTION 2 - TURNTABLE

FIGURE 2-9. TANKS INSTALLATION - DIESEL MACHINES (STEEL FUEL TANK)



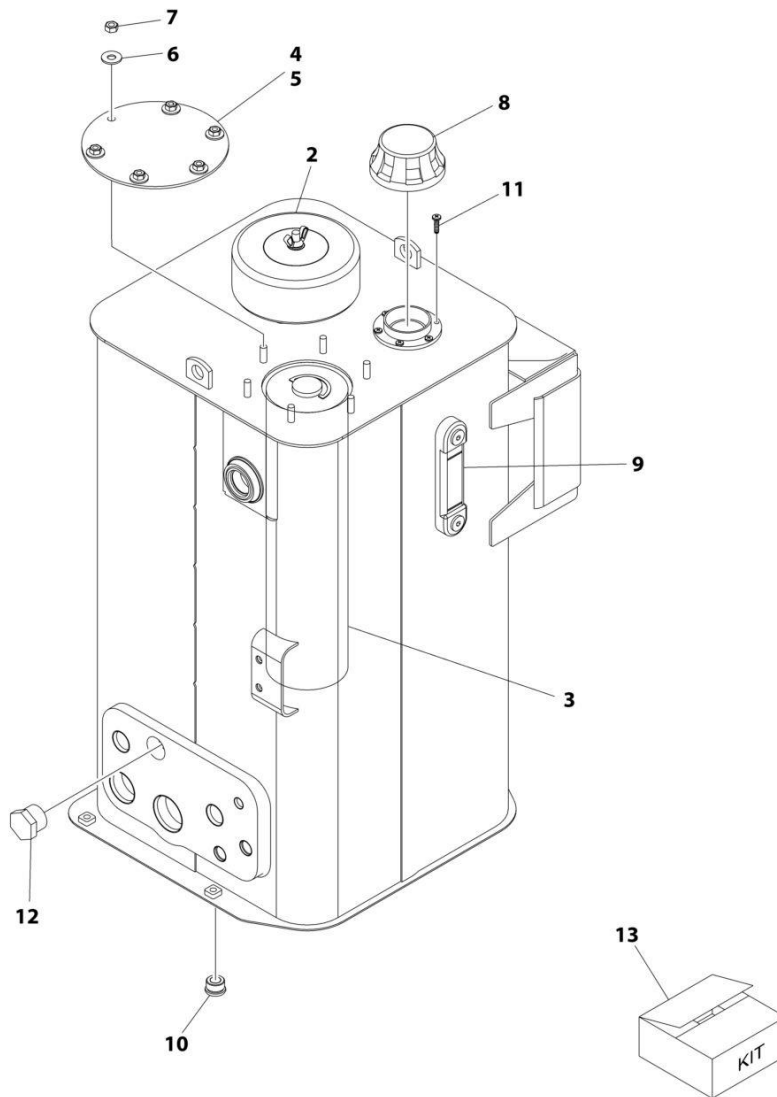
SECTION 2 - TURNTABLE

FIGURE 2-9. TANKS INSTALLATION - DIESEL MACHINES (STEEL FUEL TANK)

ITEM	PART NUMBER	QTY	DESCRIPTION	REV
	1001190335	Ref	TANKS INSTALLATION	1
1	0100011	AR	Compound, Locking	
2	0641607	4	Bolt 3/8 x 7/8	
2	0641608	4	Bolt 3/8 x 1	
3	0761014	4	Bolt M10 x 30	
6	0701221	2	Bolt M12 x 65	
7	5251012	2	Bolt M10 x 25	
8	3291005	8	Nut M10	
9	3291205	4	Nut M12	
10	4711600	4	Washer 3/8	
11	4812000	12	Washer M10	
12	4812002	4	Washer M10	
13	4812100	8	Washer M12	
14	1001118972	1	Nut, Tinnerman M10	
15	1001178057	1	Hydraulic Tank Assembly (See Separate Breakdown in this Section)	
16	1001189764	1	Tank, Fuel	
16A	1001080707	1	Cap, Fill	
16B	70006314	1	Tube, Pickup	
16C	1001189800	1	Sender, Fuel Level	
16C	0731005	5	Screw #10 x 5/8	
16C	4751000	5	Washer #10	
17	1001199933	1	Tray	
18	0701015	4	Bolt M10 x 35	
19	0701217	2	Bolt M12 x 45	
21	1001199883	1	Support	
22	1001228406	4	Bolt M10 x 35	
22	0630613	4	Bolt M10 x 30	
24	1001229572	1	Mount, Ground Control	
25	1001218676	1	Grommet	
26	1001218539	1	Cover	

SECTION 2 - TURNTABLE

FIGURE 2-10. HYDRAULIC TANK ASSEMBLY



ART_1001178057

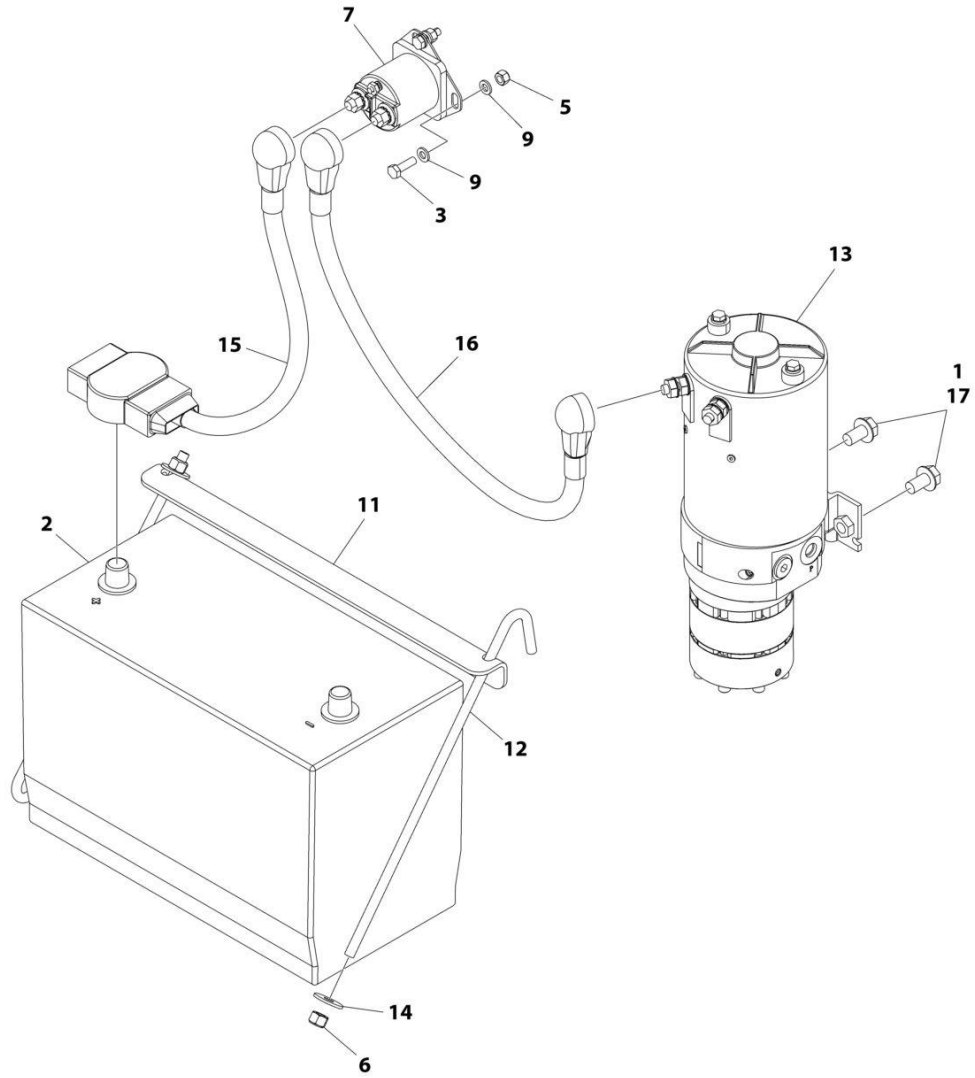
SECTION 2 - TURNTABLE

FIGURE 2-10. HYDRAULIC TANK ASSEMBLY

ITEM	PART NUMBER	QTY	DESCRIPTION	REV
	1001178057	Ref	HYDRAULIC TANK ASSEMBLY	D
2	70005708	1	Breather Assembly (Includes Breather, Element and Wingnut)	
2	See Note	NSS	Element, Breather (Note: Use p/n 70005708 or Item 13)	
3	See Note	NSS	Element, Hydraulic (Note: Use Item 13)	
4	70002839	1	Gasket	
5	See Note	NSS	Cover (Note: Not Available for Purchase)	
6	83304173	6	Washer 5/16	
7	70004199	6	Nut 5/16	
8	70002838	1	Cap, Fill	
9	7024441	1	Gauge, Level	
10	70002112	1	Plug	
11	70004795	6	Screw #10 x 3/4	
12	See Note	NSS	Plug (Note: Not Available - Purchase Locally)	
13	70002814	1	Hydraulic Tank Service Kit (Includes Items 2-4)	

SECTION 2 - TURNTABLE

FIGURE 2-11. BATTERY AND AUXILIARY PUMP INSTALLATION



ART_1001186346

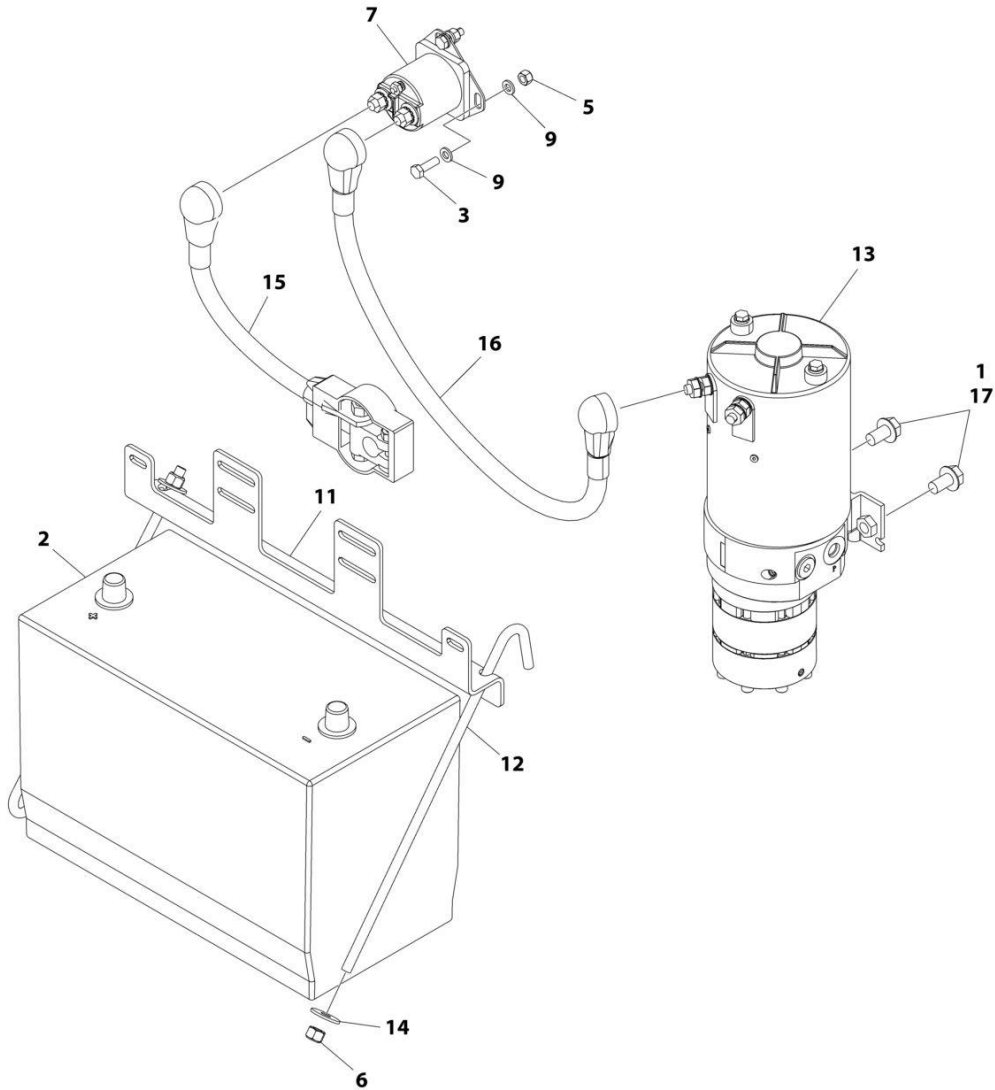
SECTION 2 - TURNTABLE

FIGURE 2-11. BATTERY AND AUXILIARY PUMP INSTALLATION

ITEM	PART NUMBER	QTY	DESCRIPTION	REV
	1001186346	Ref	BATTERY AND AUXILIARY PUMP INSTALLATION	G
1	0100011	AR	Compound, Locking	
2	0400075	1	Battery	
3	0700610	2	Bolt M6 x 20	
5	3290605	2	Nut M6	
6	3290805	2	Nut M8	
7	3740067	1	Relay	
9	4811700	4	Washer M6	
11	91401281	1	Bracket, Hold Down	
12	1001192012	2	J-Bolt	
13	1001187808	1	Auxiliary Pump/Motor Assembly (Note: Replacement Motor is only Service Component Available. For Other Components, Replace Complete Assembly.)	
13	70003998	1	Motor, Replacement	
14	4811902	2	Washer M8	
15	1001188664	1	Cable, Battery (+)	
16	1001188666	1	Cable, Aux Relay to Aux Pump	
17	5251009	2	Bolt M10 x 18	

SECTION 2 - TURNTABLE

FIGURE 2-12. BATTERY AND AUXILIARY PUMP W/DISCONNECT SWITCH INSTALLATION



ART_1001238663

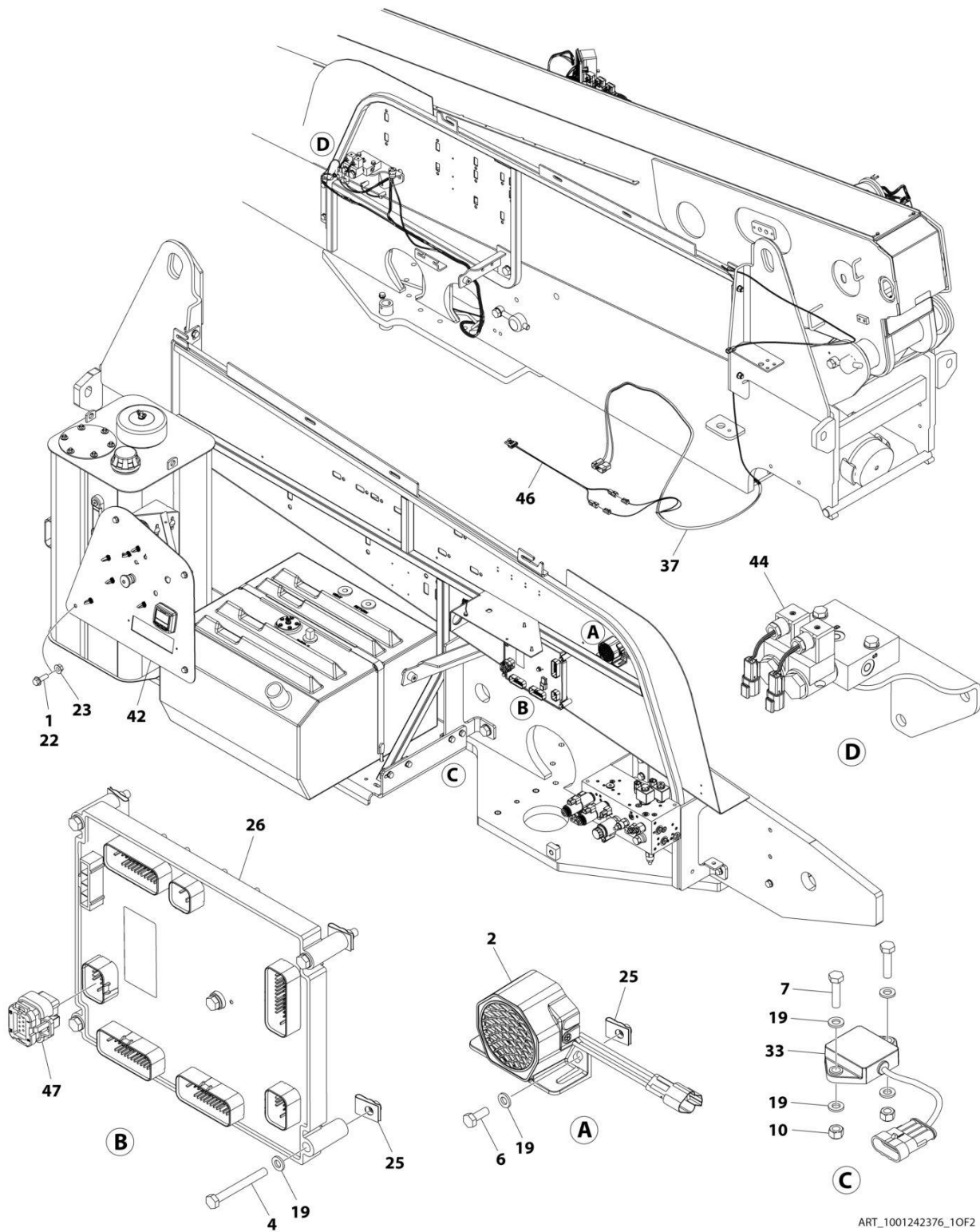
SECTION 2 - TURNTABLE

FIGURE 2-12. BATTERY AND AUXILIARY PUMP W/DISCONNECT SWITCH INSTALLATION

ITEM	PART NUMBER	QTY	DESCRIPTION	REV
	1001238663	Ref	BATTERY AND AUXILIARY PUMP W/DISCONNECT SWITCH INSTALLATION	B
1	0100011	AR	Compound, Locking	
2	0400075	1	Battery	
3	0700610	2	Bolt M6 x 20	
5	3290605	2	Nut M6	
6	3290805	2	Nut M8	
7	3740067	1	Relay	
9	4811700	4	Washer M6	
11	1001236303	1	Bracket, Hold Down	
12	1001192012	2	J-Bolt	
13	1001187808	1	Auxiliary Pump/Motor Assembly (Note: Replacement Motor is only Service Component Available. For Other Components, Replace Complete Assembly.)	
13	70003998	1	Motor, Replacement	
14	4811902	2	Washer M8	
15	1001188664	1	Cable, Battery (+)	
16	1001188666	1	Cable, Aux Relay to Aux Pump	
17	5251009	2	Bolt M10 x 18	

SECTION 2 - TURNTABLE

FIGURE 2-13. ELECTRICAL COMPONENTS INSTALLATION



ART_1001242376_10F2

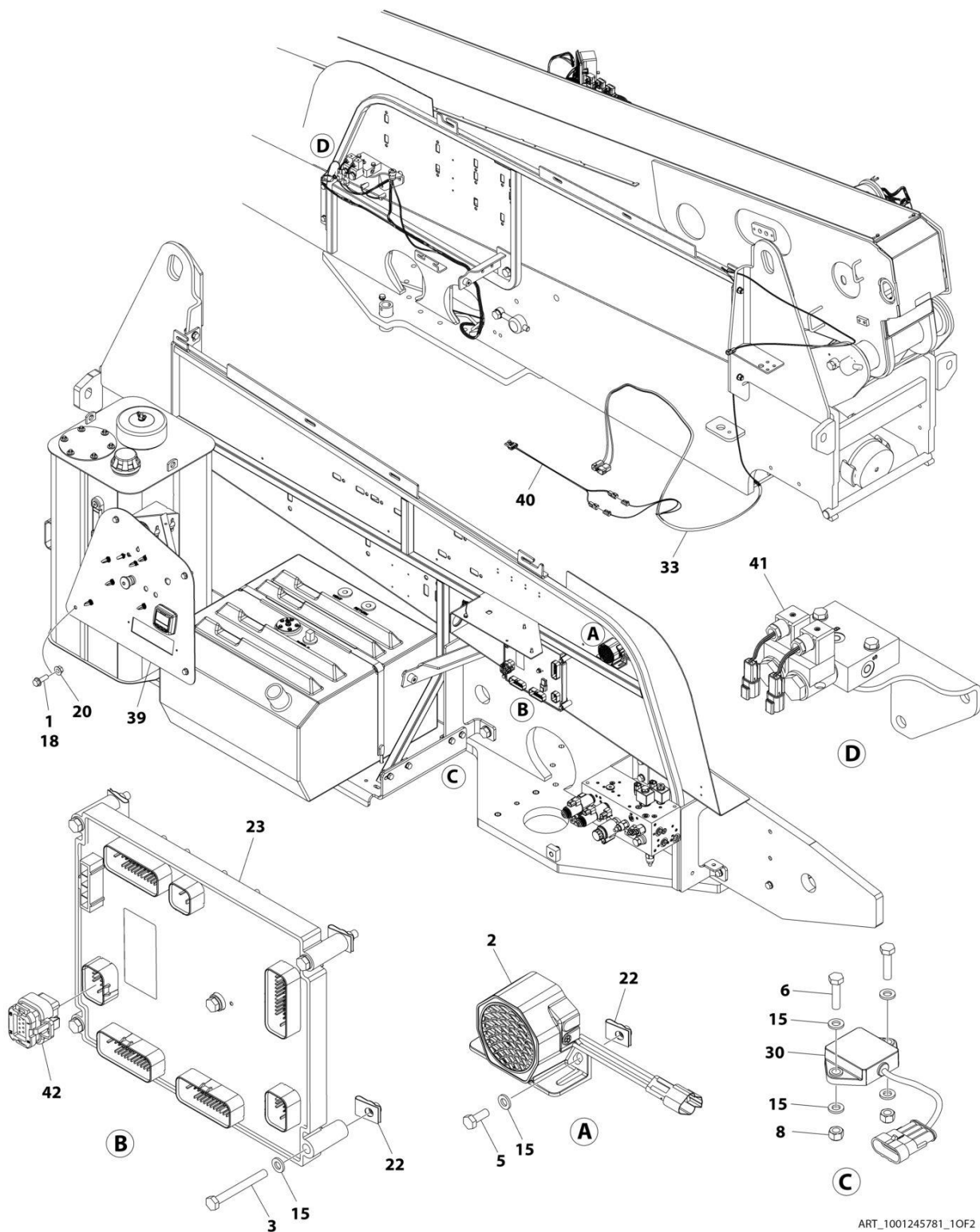
SECTION 2 - TURNTABLE

FIGURE 2-13. ELECTRICAL COMPONENTS INSTALLATION

ITEM	PART NUMBER	QTY	DESCRIPTION	REV
	1001242376	Ref	ELECTRICAL COMPONENTS INSTALLATION	F
1	0100011	AR	Compound, Locking	
2	0140043	1	Alarm	
4	0700619	5	Bolt M6 X 55	
6	0760608	5	Bolt M6 X 16	
7	0760612	2	Bolt M6 X 25	
10	3290605	5	Bolt M6 X 1	
19	4811700	17	Washer M6	
22	5251014	4	Bolt M10 x 30	
23	5261000	4	Nut M10	
25	1001130220	7	Nut M6	
26	1001187200	1	Module, Ground Control (Note: Re-calibration Required when Replaced)	
26	1001280340	1	Module, Ground Control (Note: Re-calibration Required when Replaced)	
33	1001219601	1	Tilt Sensor, Dual Axis	
37	1001238405	1	Turntable Harness Assembly (See Separate Breakdown ELECTRICAL Section)	
42	1001241588	1	Control Panel Installation (See Separate Breakdown in this Section)	
44	1001246010	2	Can Field Harness	
44	4460897	1	Receptacle, Female - 2 Position	
44	4640464	2	Pin, Male	
44	4460880	1	Connector, DIN	
46	1001241304	1	Left Drive Harness (See Separate Breakdown ELECTRICAL Section)	
47	1001246859	1	Connector, 14 Position Gray	

SECTION 2 - TURNTABLE

FIGURE 2-14. ELECTRICAL COMPONENTS INSTALLATION (DEUTZ TD2.9L4 (STAGE V) ENGINES)



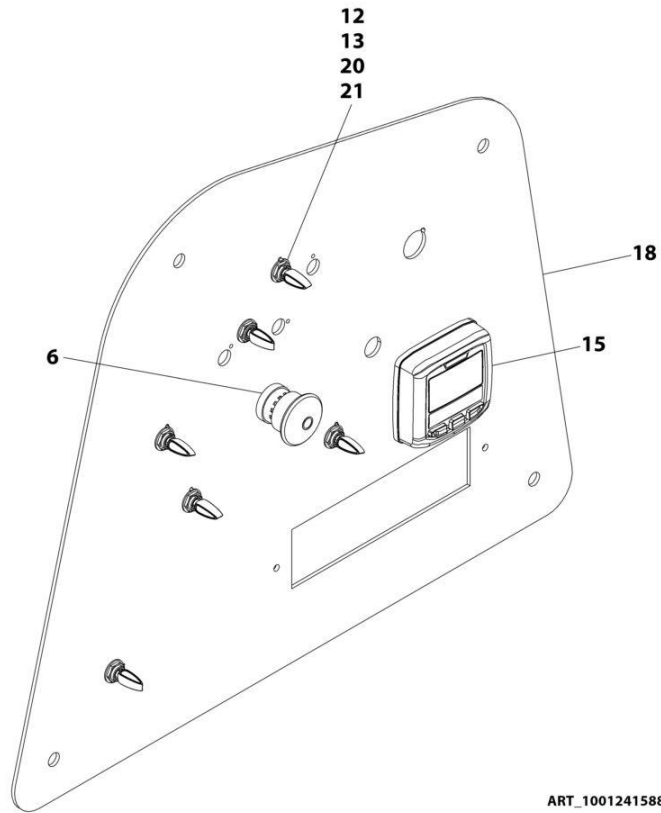
SECTION 2 - TURNTABLE

FIGURE 2-14. ELECTRICAL COMPONENTS INSTALLATION (DEUTZ TD2.9L4 (STAGE V) ENGINES)

ITEM	PART NUMBER	QTY	DESCRIPTION	REV
	1001245781	Ref	ELECTRICAL COMPONENTS INSTALLATION	F
1	0100011	AR	Compound, Locking	
2	0140043	1	Alarm	
3	0700619	5	Bolt M6 X 55	
5	0760608	2	Bolt M6 X 16	
6	0760612	2	Bolt M6 X 25	
8	3290605	2	Nut M6	
15	4811700	11	Washer M6	
18	5251014	4	Bolt M10 x 30	
20	5261000	4	Nut M10	
22	1001130220	7	Nut M6	
23	1001187200	1	Module, Ground Control (Note: Re-calibration Required when Replaced)	
23	1001280340	1	Module, Ground Control (Note: Re-calibration Required when Replaced)	
30	1001219601	1	Tilt Sensor, Dual Axis	
33	1001238405	1	Turntable Harness Assembly (See Separate Breakdown ELECTRICAL Section)	
39	1001245775	1	Control Panel Installation (See Separate Breakdown in this Section)	
40	1001241304	1	Left Drive Harness (See Separate Breakdown ELECTRICAL Section)	
41	1001246010	2	Can Field Harness	
41	4460897	1	Receptacle, Female - 2 Position	
41	4640464	2	Pin, Male	
41	4460880	1	Connector, DIN	
42	1001246859	1	Connector, 14 Position Gray	

SECTION 2 - TURNTABLE

FIGURE 2-15. GROUND CONTROL PANEL ASSEMBLY



ART_1001241588

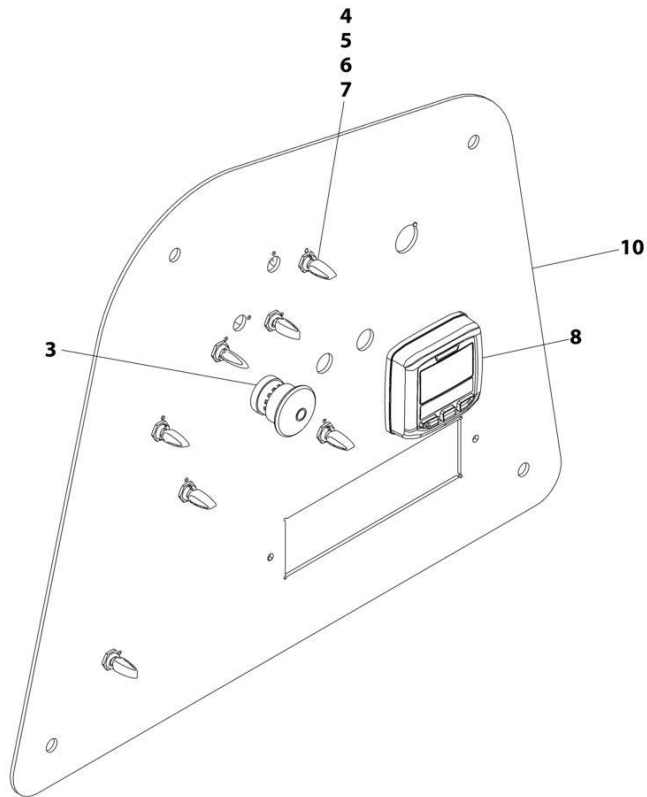
SECTION 2 - TURNTABLE

FIGURE 2-15. GROUND CONTROL PANEL ASSEMBLY

ITEM	PART NUMBER	QTY	DESCRIPTION	REV
	1001241588	Ref	GROUND CONTROL PANEL ASSEMBLY	B
6	4360475	1	Switch, Emergency Stop	
6	7020175	1	Cap	
6	7020176	1	Block, Contact	
12	1001155043	6	Washer	
13	1001155044	6	Nut 15/32	
15	1001171482	1	Gauge	
18	1001191126	1	Plate	
20	4740397	6	Washer	
21	1001155045	6	Switch, Toggle	

SECTION 2 - TURNTABLE

FIGURE 2-16. GROUND CONTROL PANEL ASSEMBLY - WITH DEUTZ TD2.9L4 (STAGE V) ENGINE



ART_1001245775

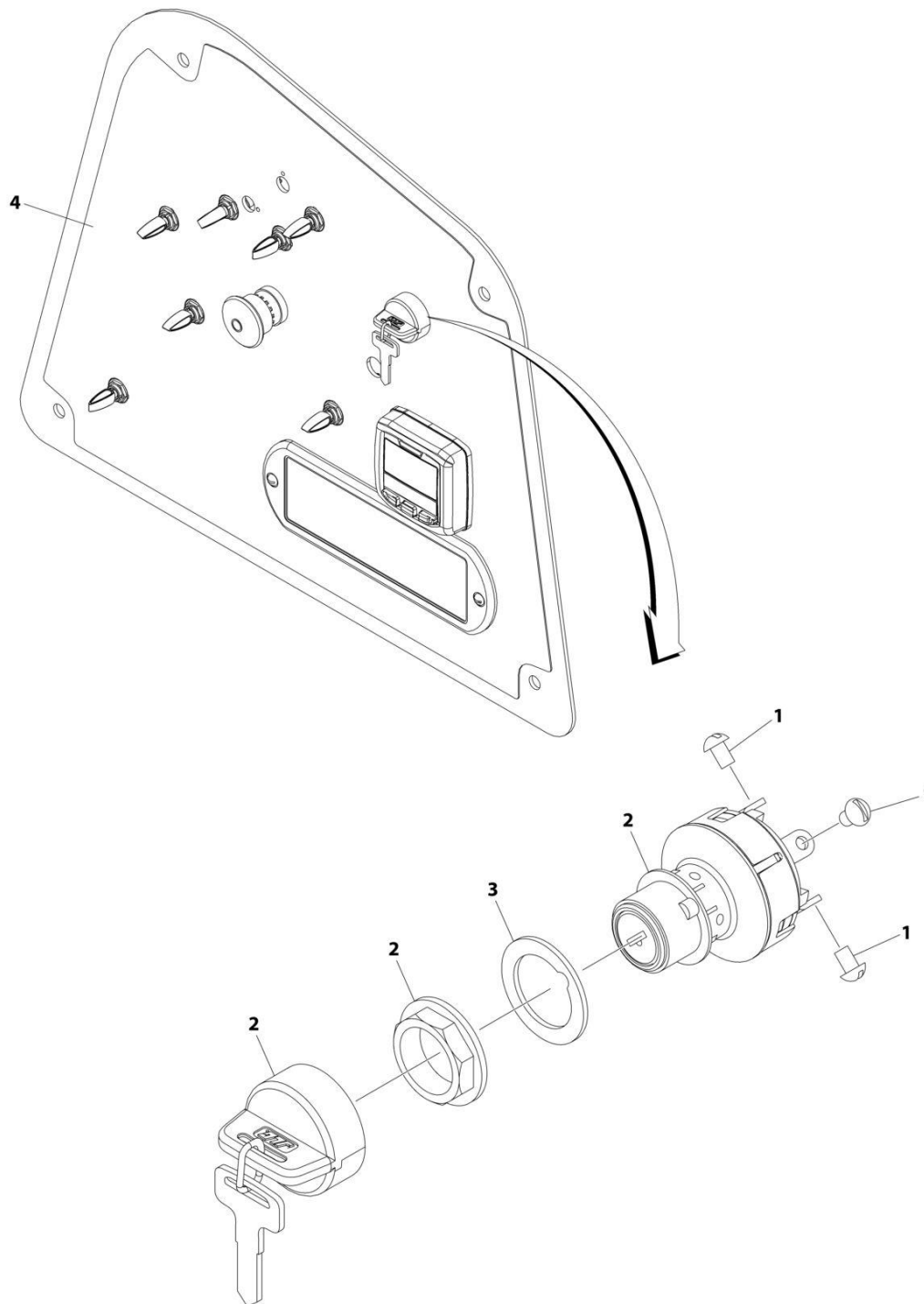
SECTION 2 - TURNTABLE

FIGURE 2-16. GROUND CONTROL PANEL ASSEMBLY - WITH DEUTZ TD2.9L4 (STAGE V) ENGINE

ITEM	PART NUMBER	QTY	DESCRIPTION	REV
	1001245775	Ref	GROUND CONTROL PANEL ASSEMBLY	B
3	4360475	1	Switch, Emergency Stop	
3	7020175	1	Cap	
3	7020176	1	Block, Contact	
4	4740397	7	Washer	
5	1001155043	7	Washer	
6	1001155044	7	Nut 15/32	
7	1001155045	7	Switch, Toggle	
8	1001171482	1	Gauge	
10	1001245773	1	Plate	

SECTION 2 - TURNTABLE

FIGURE 2-17. KEYSWITCH INSTALLATION (ALL SPECS EXCEPT CE & UK CA SPECS)



ART_1001250629

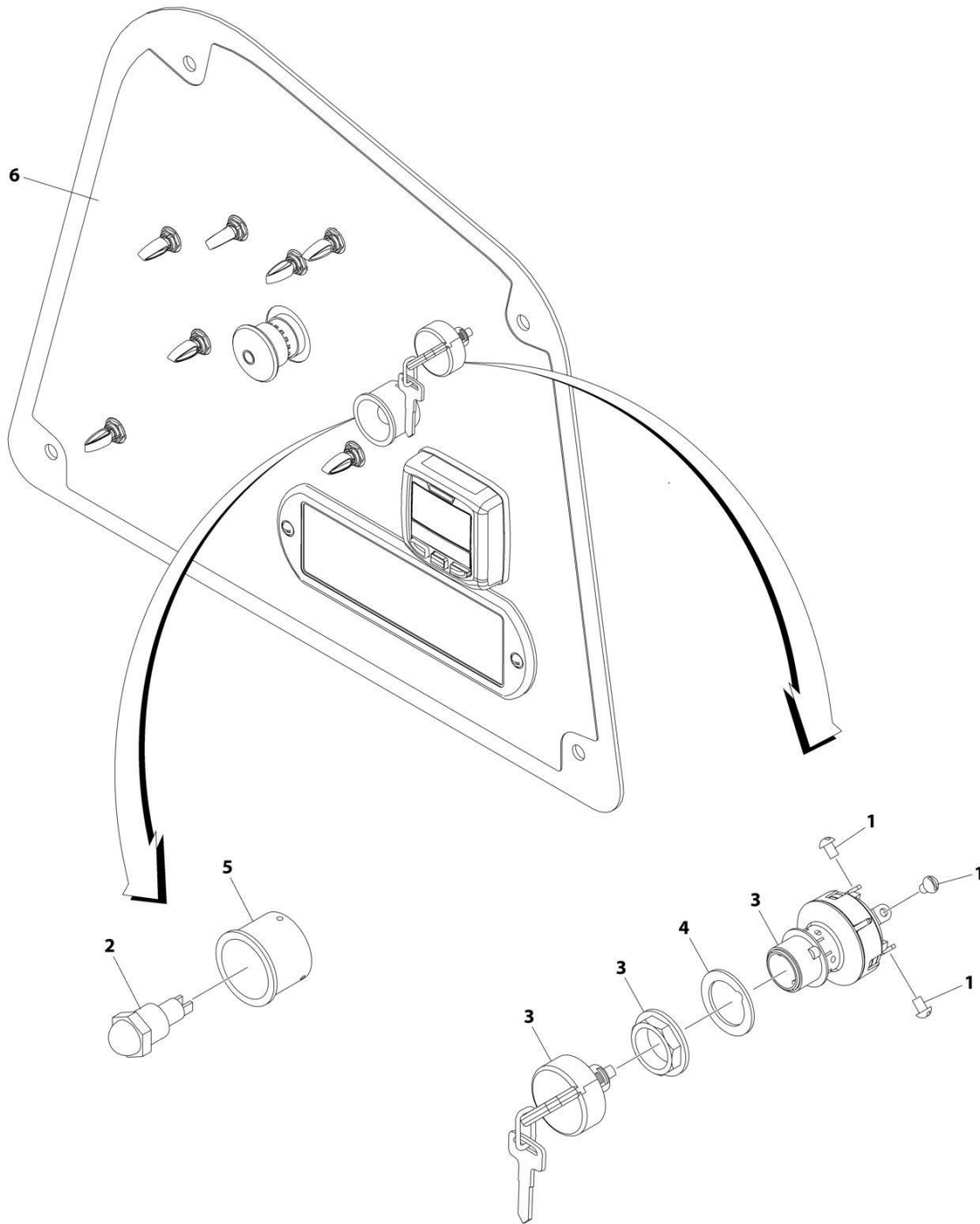
SECTION 2 - TURNTABLE

FIGURE 2-17. KEYSWITCH INSTALLATION (ALL SPECS EXCEPT CE & UK CA SPECS)

ITEM	PART NUMBER	QTY	DESCRIPTION	REV
	1001250629	Ref	KEYSWITCH INSTALLATION	A
1	3910804	6	Screw #8 x 1/4	
2	4360469	1	Switch, Key	
2A	2860030	1 Set	Key, Replacement	
3	1001151393	1	Shim	
4	1001250633	1	Decal - Ground Control Panel	

SECTION 2 - TURNTABLE

FIGURE 2-18. KEYSWITCH INSTALLATION (CE & UK CA SPECS) (PVC 2001)



ART_1001250631

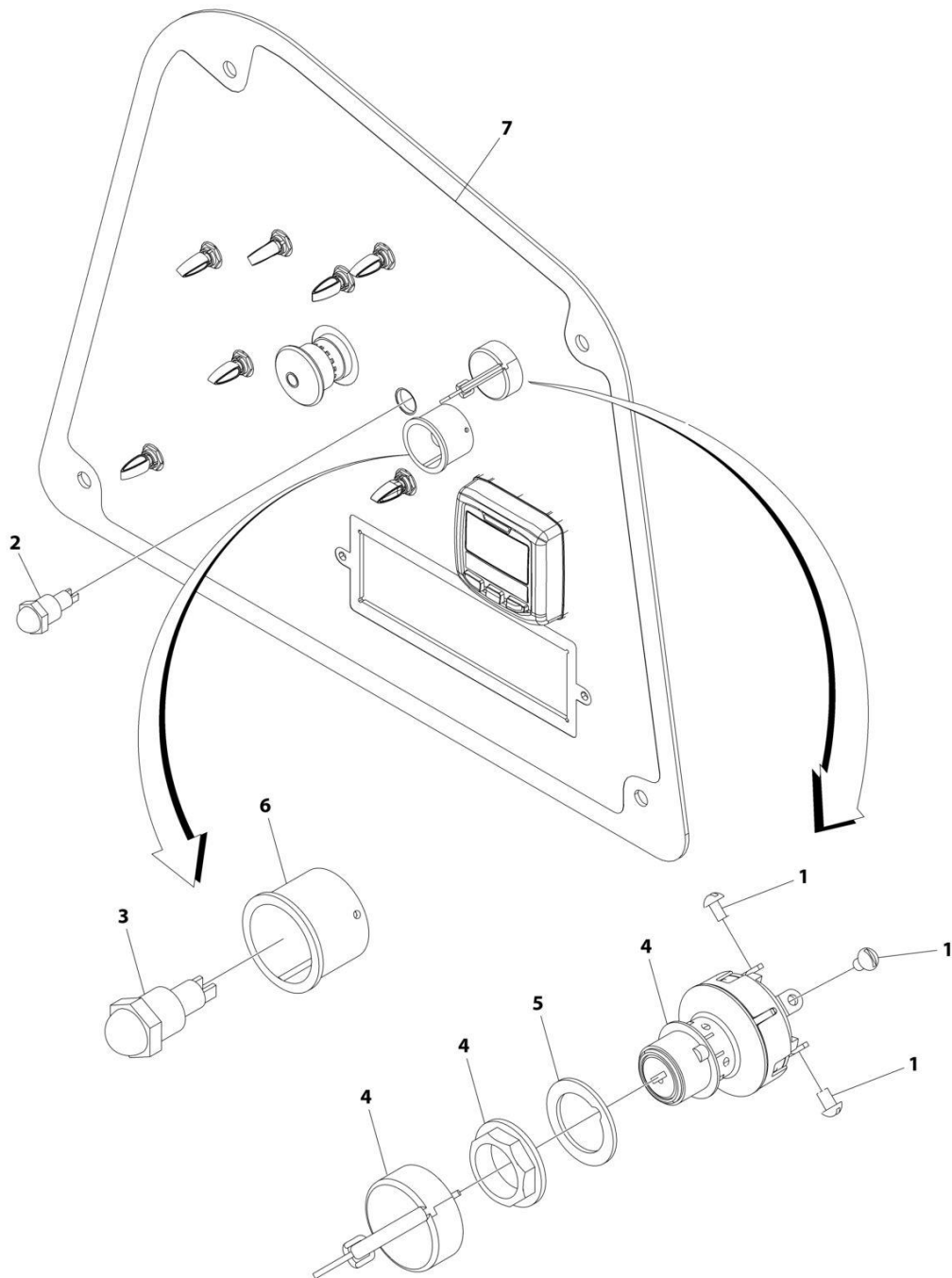
SECTION 2 - TURNTABLE

FIGURE 2-18. KEYSWITCH INSTALLATION (CE & UK CA SPECS) (PVC 2001)

ITEM	PART NUMBER	QTY	DESCRIPTION	REV
	1001250631	Ref	KEYSWITCH INSTALLATION	A
1	3910804	6	Screw #8 x 1/4	
2	4360387	1	Switch, Push Button	
3	4360469	1	Switch, Key	
3A	2860030	1 Set	Key, Replacement	
4	1001151393	1	Shim	
5	1001176469	1	Shroud, Switch	
6	1001250635	1	Decal - Ground Control Panel	

SECTION 2 - TURNTABLE

FIGURE 2-19. KEYSWITCH INSTALLATION (CE & UK CA SPECS) (PVC 2007)



ART_1001245785

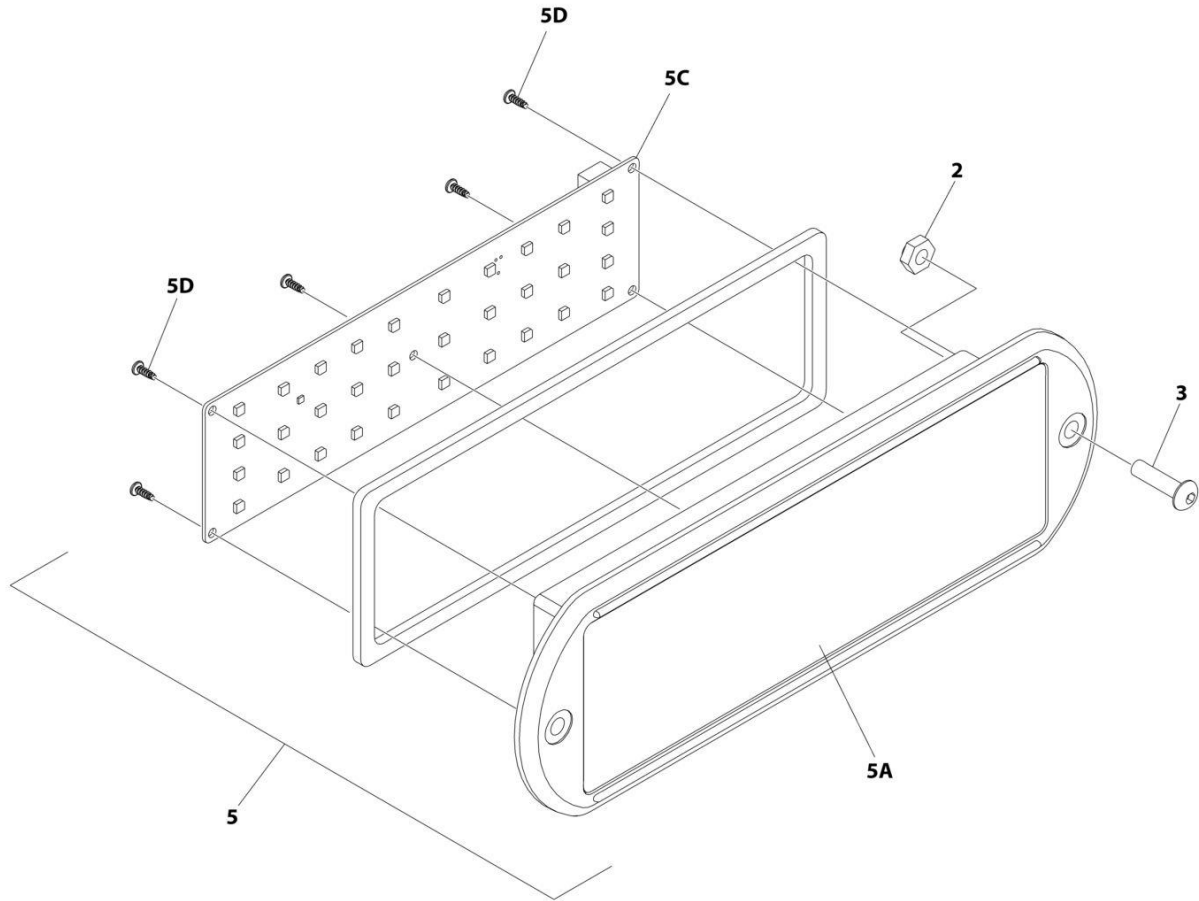
SECTION 2 - TURNTABLE

FIGURE 2-19. KEYSWITCH INSTALLATION (CE & UK CA SPECS) (PVC 2007)

ITEM	PART NUMBER	QTY	DESCRIPTION	REV
	1001245785	Ref	KEYSWITCH INSTALLATION	B
1	3910804	6	Screw #8 x 1/4	
2	4360274	1	Switch, Push Button	
3	4360387	1	Switch, Push Button	
4	4360469	1	Switch, Key	
4A	2860030	1 Set	Key, Replacement	
5	1001151393	1	Shim	
6	1001176469	1	Shroud, Switch	
7	1001245772	1	Decal - Ground Control Panel	

SECTION 2 - TURNTABLE

FIGURE 2-20. LIGHT PANEL INSTALLTION



ART_1001233959_C_10F2

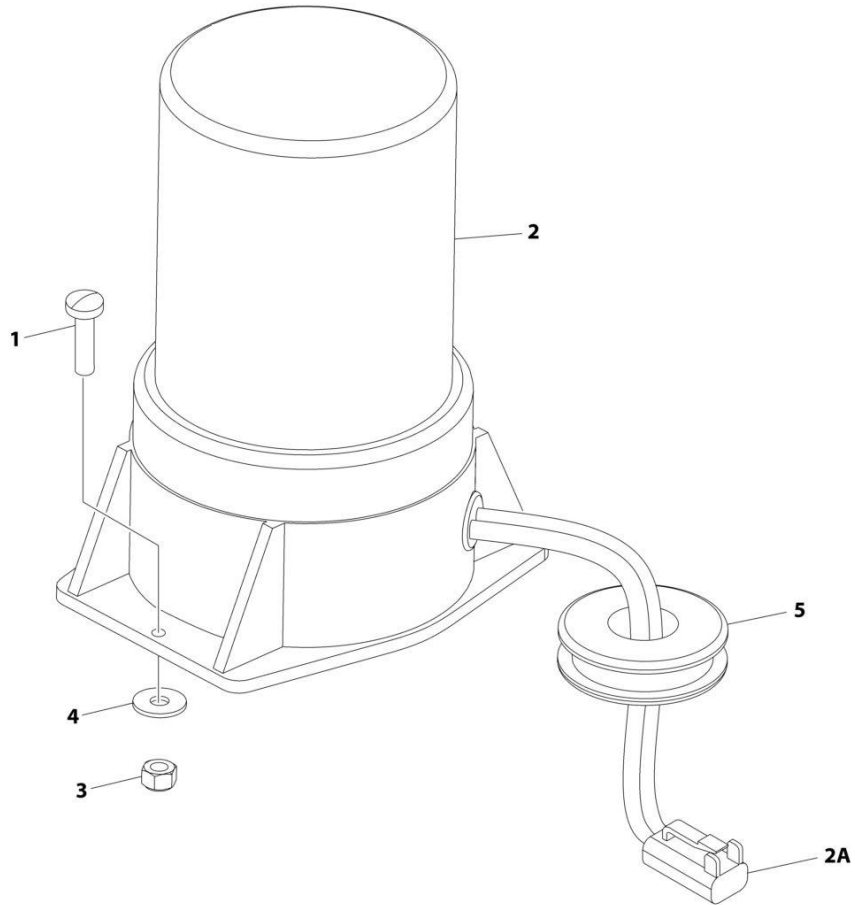
SECTION 2 - TURNTABLE

FIGURE 2-20. LIGHT PANEL INSTALLTION

ITEM	PART NUMBER	QTY	DESCRIPTION	REV
	1001233959	Ref	LIGHT PANEL INSTALLATION	C
2	3300408	2	Nut, Nylon Insert	
3	0630518	2	Screw #10 x 3/4	
5	1001237546	1	Light Panel Assembly	H
5A	1001236091	1	Lens, I-Con	
5C	1001187807	1	Panel, LED Light	
5D		Ref	Screw	

SECTION 2 - TURNTABLE

FIGURE 2-21. STROBE LIGHT INSTALLATION - AMBER (OPTIONAL)



ART_1001191557

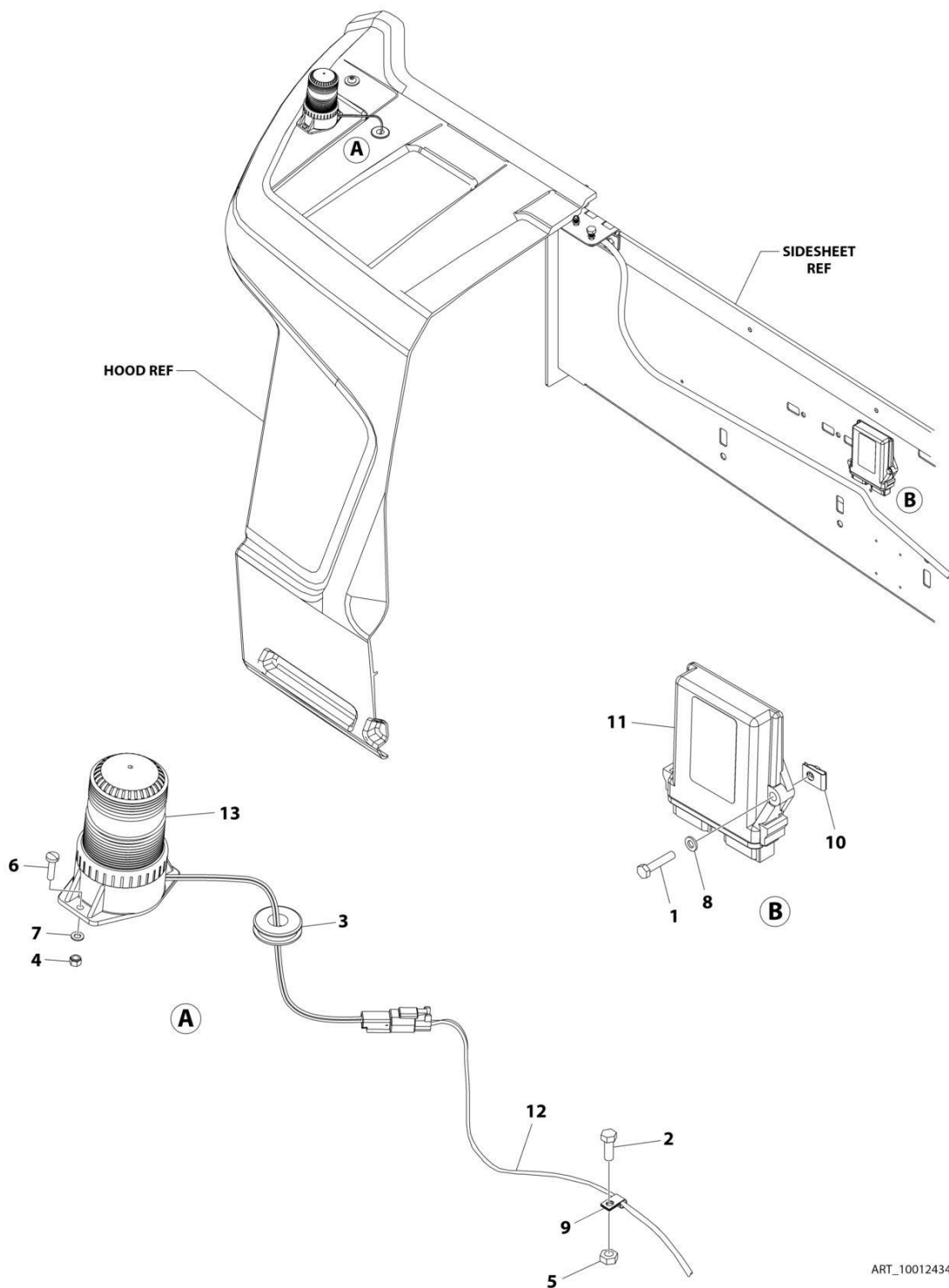
SECTION 2 - TURNTABLE

FIGURE 2-21. STROBE LIGHT INSTALLATION - AMBER (OPTIONAL)

ITEM	PART NUMBER	QTY	DESCRIPTION	REV
	1001191557	Ref	STROBE LIGHT INSTALLATION	D
1	4010510	2	Screw M5 x 20	
2	2920161	1	Light Strobe (Amber)	
2	7016319	1	Bulb	
2	7016372	1	Lens	
2A	4460891	1	Plug, Male - 2 Position	
2A	4460465	2	Socket, Female	
3	3290505	2	Nut M5	
4	4811600	2	Washer M5	
5	2540020	1	Grommet	
7	4240099	1	Tie-Strap (Not Shown)	

SECTION 2 - TURNTABLE

FIGURE 2-22. STROBE LIGHT INSTALLATION - BLUE (OPTIONAL)



ART_1001243464

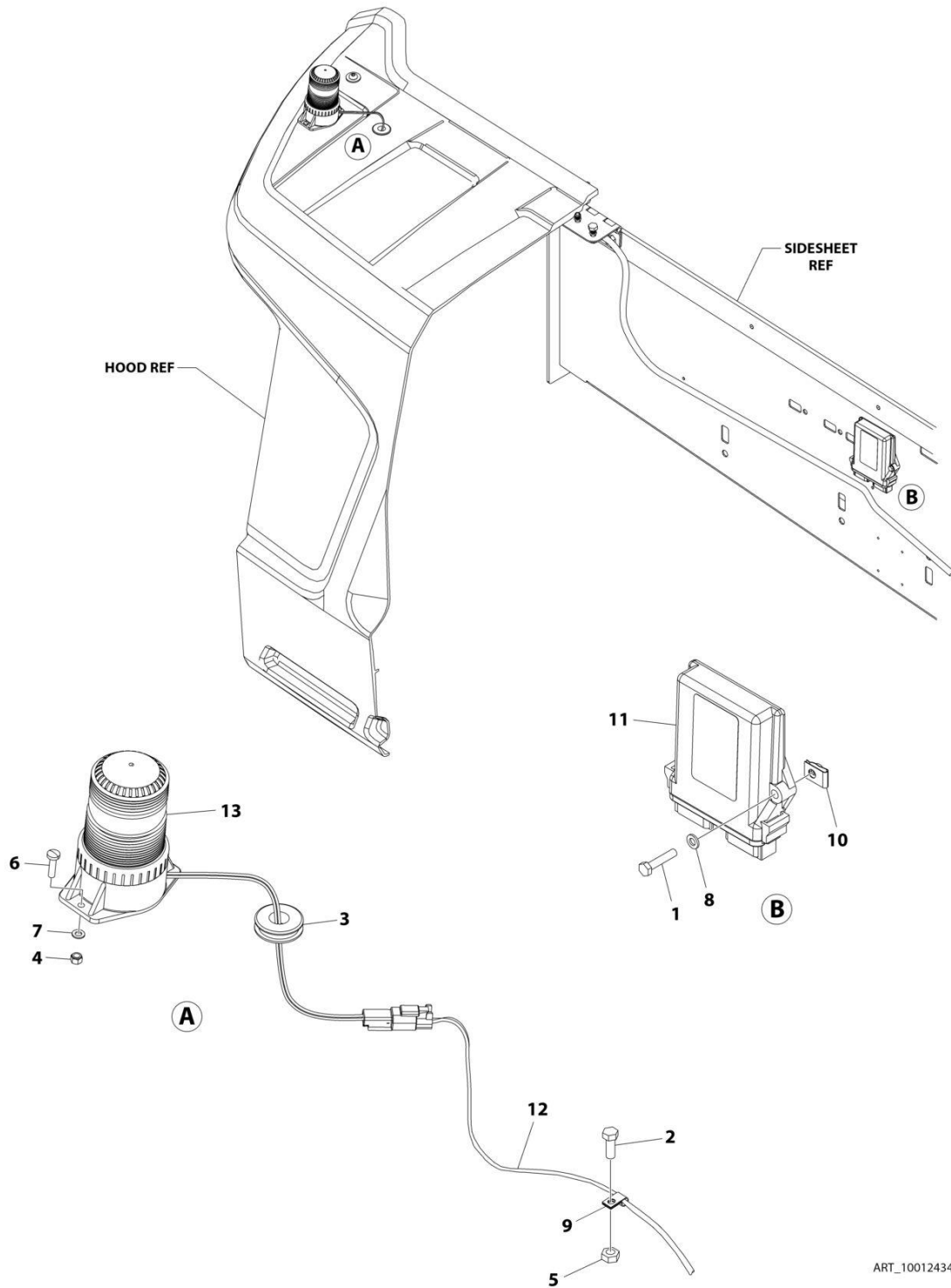
SECTION 2 - TURNTABLE

FIGURE 2-22. STROBE LIGHT INSTALLATION - BLUE (OPTIONAL)

ITEM	PART NUMBER	QTY	DESCRIPTION	REV
	1001243464	Ref	STROBE LIGHT INSTALLATION	A
1	0760614	2	Bolt M6 x 30	
2	0761016	1	Bolt M10 x 40	
3	2540020	1	Grommet	
4	3290505	2	Nut M5	
5	3291005	1	Nut M10	
6	4010510	2	Screw M5 x 20	
7	4811600	2	Washer M5	
8	4811700	2	Washer M6	
9	8406110	1	Clip	
10	1001130220	2	Nut, Tinnerman M6	
11	1001142683	1	Module, Beacon Control	
12	1001142736	1	Strobe Light Control Harness (See Separate Breakdown in ELECTRICAL SECTION)	
13	1001200910	1	Light, Strobe (Blue)	
13	4460897	2	Receptacle, Female - 2 Position	
13	4460464	4	Pin, Male	

SECTION 2 - TURNTABLE

FIGURE 2-23. STROBE LIGHT INSTALLATION



ART_1001243465

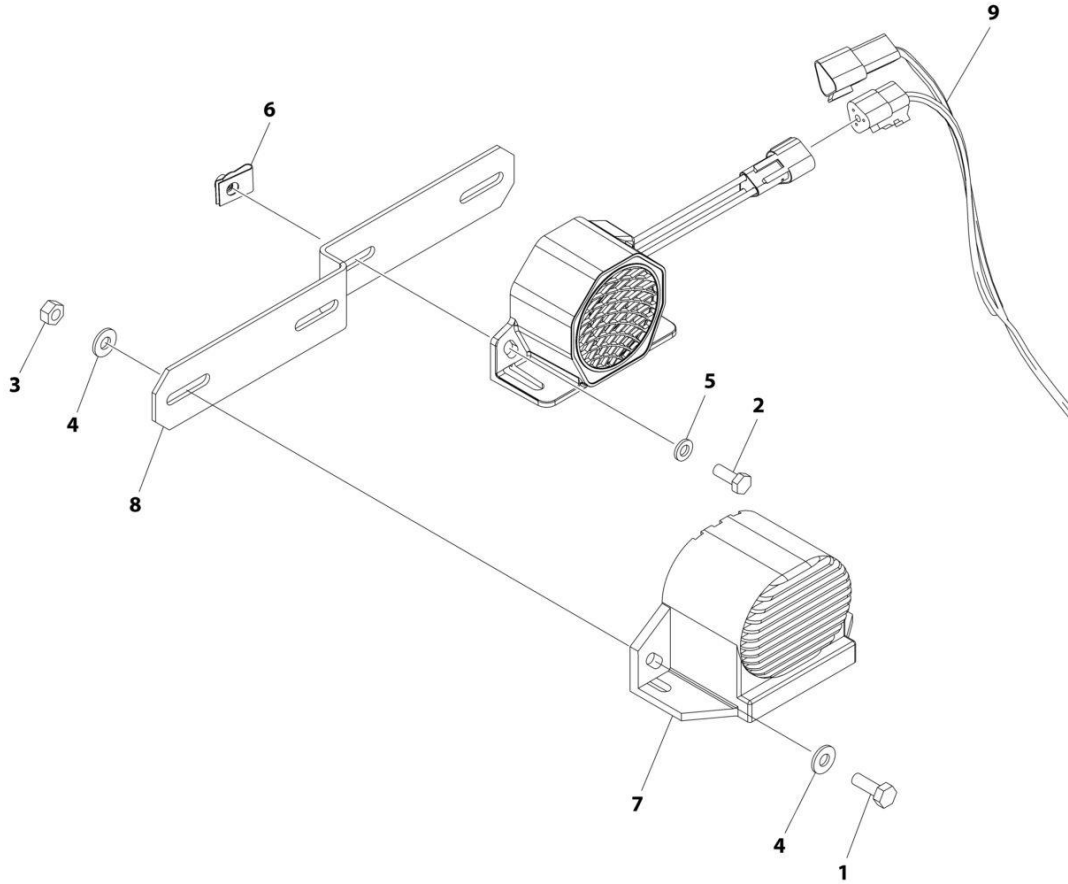
SECTION 2 - TURNTABLE

FIGURE 2-23. STROBE LIGHT INSTALLATION

ITEM	PART NUMBER	QTY	DESCRIPTION	REV
	1001243465	Ref	STROBE LIGHT INSTALLATION	A
1	0760614	2	Bolt M6 x 30	
2	0761016	1	Bolt M10 x 40	
3	2540020	1	Grommet	
4	3290505	2	Nut M5	
5	3291005	1	Nut M10	
6	4010510	2	Screw M5 x 20	
7	4811600	2	Washer M5	
8	4811700	2	Washer M6	
9	8406110	1	Clip	
10	1001130220	2	Nut, Tinnerman M6	
11	1001142683	1	Module, Beacon Control	
12	1001142736	1	Strobe Light Control Harness (See Separate Breakdown in ELECTRICAL SECTION)	
13	1001207004	1	Light, Strobe (Red)	
13	4460897	2	Receptacle, Female - 2 Position	
13	4460464	4	Pin, Male	

SECTION 2 - TURNTABLE

FIGURE 2-24. WHITE NOISE ALARM INSTALLATION



ART_1001247386

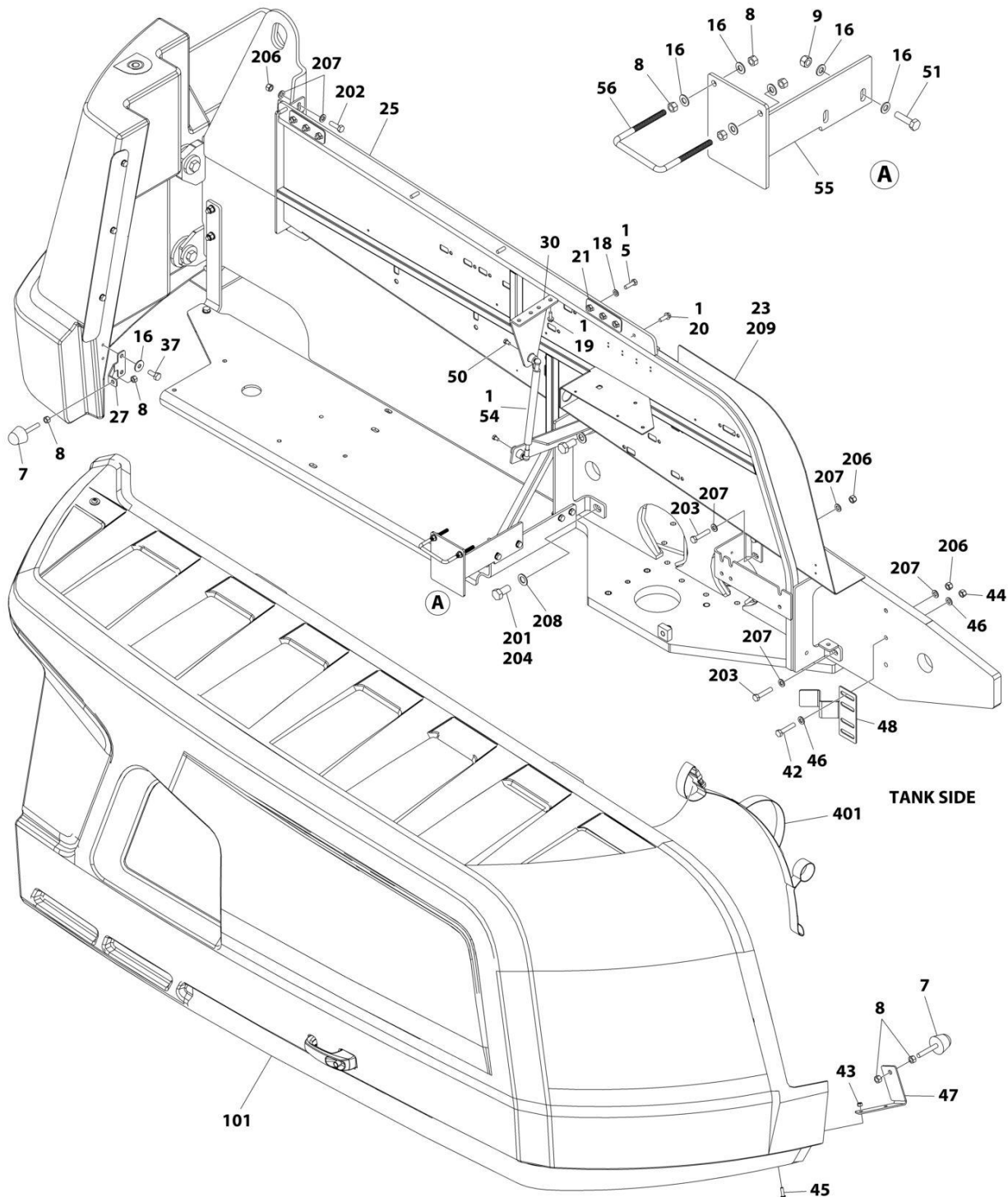
SECTION 2 - TURNTABLE

FIGURE 2-24. WHITE NOISE ALARM INSTALLATION

ITEM	PART NUMBER	QTY	DESCRIPTION	REV
	1001247386	Ref	WHITE NOISE ALARM INSTALLATION	A
1	0641406	2	Bolt 1/4 x 3/4	
2	0760608	2	Bolt M6 x 16	
3	3311405	2	Nut 1/4	
4	4711400	4	Washer 1/4	
5	4811700	2	Washer M6	
6	1001130220	2	Nut, Tinnerman M6	
7	1001182806	1	Alarm	
8	1001231711	1	Bracket	
9	1001243682	1	White Noise Alarm Harness (See Separate Breakdown in ELECTRICAL SECTION)	

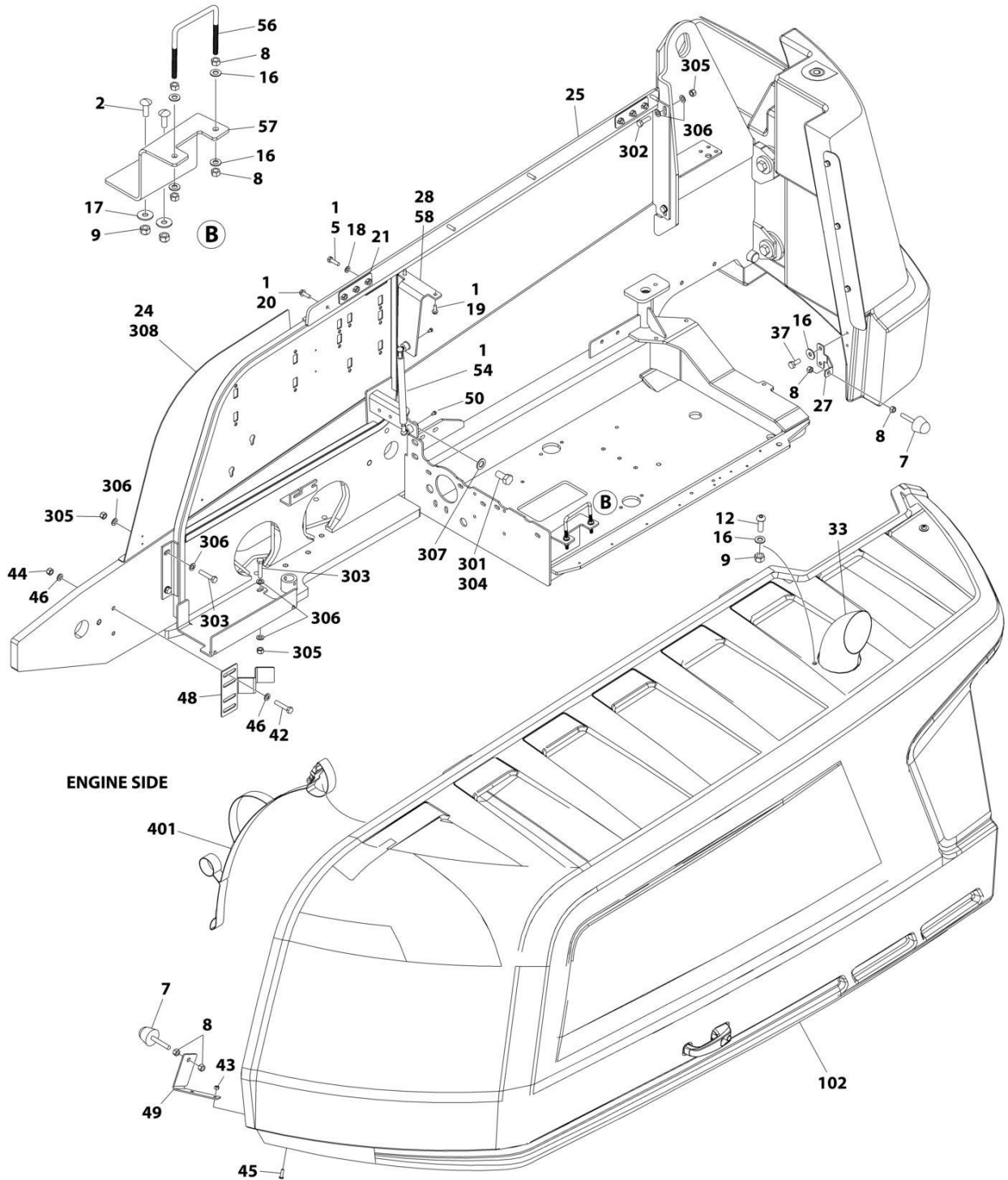
SECTION 2 - TURNTABLE

FIGURE 2-25. HOODS INSTALLATIONS - ABS



ART_1001186186_H_10F2

SECTION 2 - TURNTABLE



ART_1001186186_H_2OF2

SECTION 2 - TURNTABLE

FIGURE 2-25. HOODS INSTALLATIONS - ABS

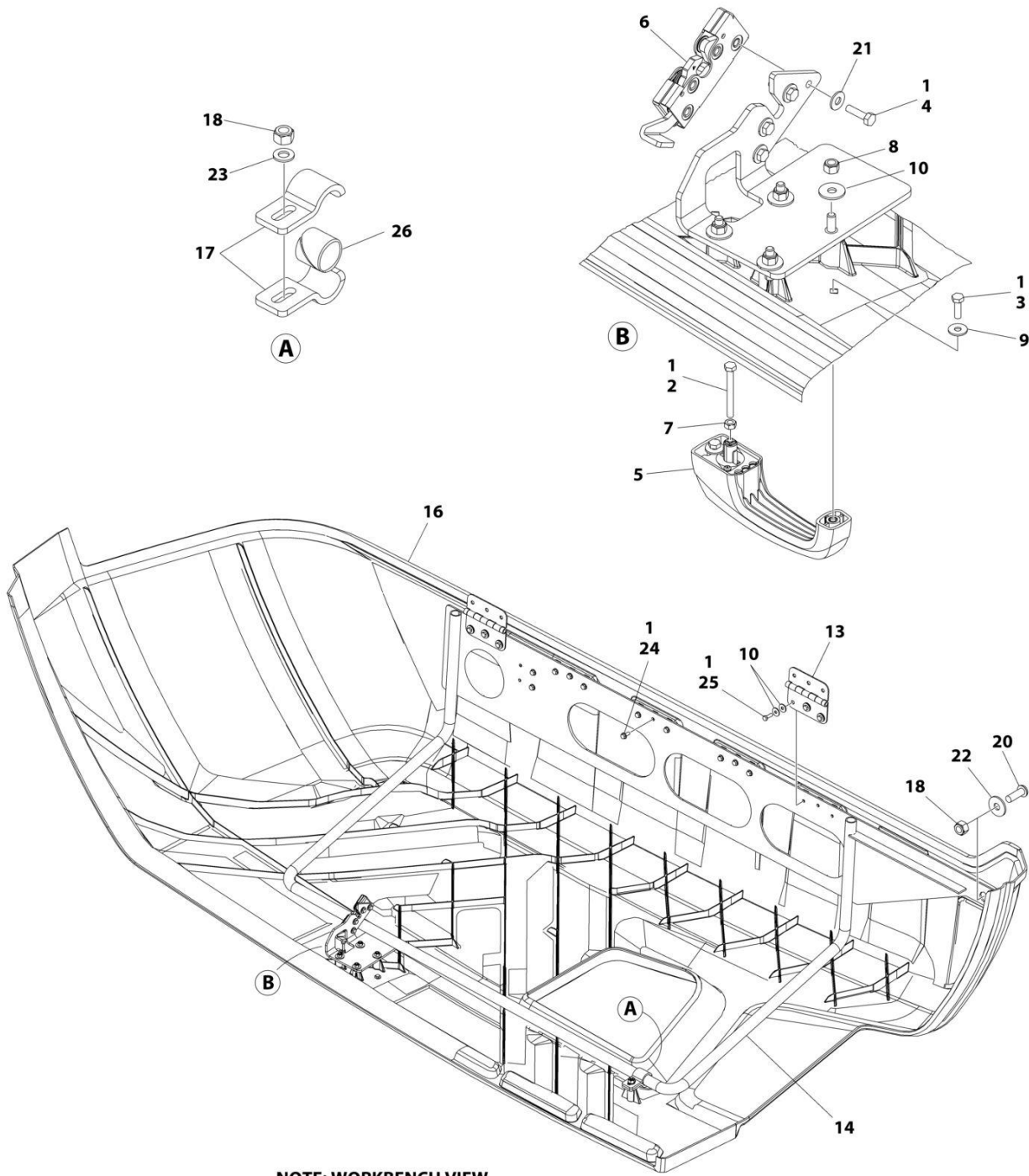
ITEM	PART NUMBER	QTY	DESCRIPTION	REV
	1001186186	Ref	HOODS INSTALLATIONS	H
1	0100011	AR	Compound, Locking	
2	0630613	2	Bolt M10 x 30	
4	0760810	8	Bolt M8 x 20	
5	0761015	12	Bolt M10 x 35	
7	1001206314	4	Bumper	
8	3311601	16	Nut 3/8	
9	3291005	6	Nut M10	
12	1001174673	2	Screw M10 x 30	
16	4812000	14	Washer M10	
17	4812002	4	Washer M10	
18	5241000	12	Washer M10	
19	5250812	4	Bolt M8 x 25	
20	5251014	8	Bolt M10 x 30	
21	1001169046	4	Nut, Hinge	
23	1001187950	1	Side-Sheet Assembly - Tank Side (See Items 201-209 for Breakdown)	
24	1001187951	1	Side-Sheet Assembly - Engine Side (See Items 301-308 for Breakdown)	
25	1001189067	2	Mount	
27	1001190338	2	Bracket	
30	1001192841	1	Bracket	
33	1001193760	1	Pipe, Exhaust	
37	0701012	2	Bolt M10 x 25	
42	0701220	2	Bolt M12 x 60	
43	3290605	4	Nut M6	
44	3291205	2	Nut M12	
45	3900364	4	Screw M6 x 20	
46	4812100	4	Washer M12	
47	1001213543	1	Bracket	
48	1001231310	2	Bracket	
49	1001213744	1	Bracket	
50	0641504	4	Bolt 5/16 x 1/2	
51	0701016	2	Bolt M10 x 40	
54	1001213794	2	Spring, Gas	
55	1001243171	1	Support	
56	1001243414	2	U-Bolt 3/8	
57	1001243522	1	Bracket	
58	1001243654	1	Bracket	
100	1001227887	1	Hood Kit (Not Shown)	
101	1001195454	1	Hood Assembly - Tank Side (See Separate Breakdown in this Section)	
102	1001195455	1	Hood Assembly - Engine Side (See Separate Breakdown in this Section)	
	1001187950	Ref	SIDE-SHEET ASSEMBLY - TANK SIDE	C
201	0100011	AR	Compound, Locking	
202	0701216	2	Bolt M12 x 40	
203	0701220	4	Bolt M12 x 60	
204	0762016	2	Bolt M20 x 40	
206	3291205	6	Nut M12	

SECTION 2 - TURNTABLE

ITEM	PART NUMBER	QTY	DESCRIPTION	REV
207	4812100	12	Washer M12	
208	4812500	2	Washer M20	
209	1001188194	1	Side-Sheet, Tank Side	
	1001187951	Ref	SIDE-SHEET ASSEMBLY - ENGINE SIDE	B
301	0100011	AR	Compound, Locking	
302	0701216	2	Bolt M12 x 40	
303	0701220	3	Bolt M12 x 60	
304	0762016	1	Bolt M20 x 40	
305	3291205	5	Nut M12	
306	4812100	10	Washer M12	
307	4812500	1	Washer M20	
308	1001188187	1	Side-Sheet, Engine Side	
	1001253940	Ref	STRAP INSTALLATION	A
401	1001160505	2	Strap, Hand	

SECTION 2 - TURNTABLE

FIGURE 2-26. HOOD ASSEMBLY - TANK SIDE (ABS)



NOTE: WORKBENCH VIEW

ART_1001195454

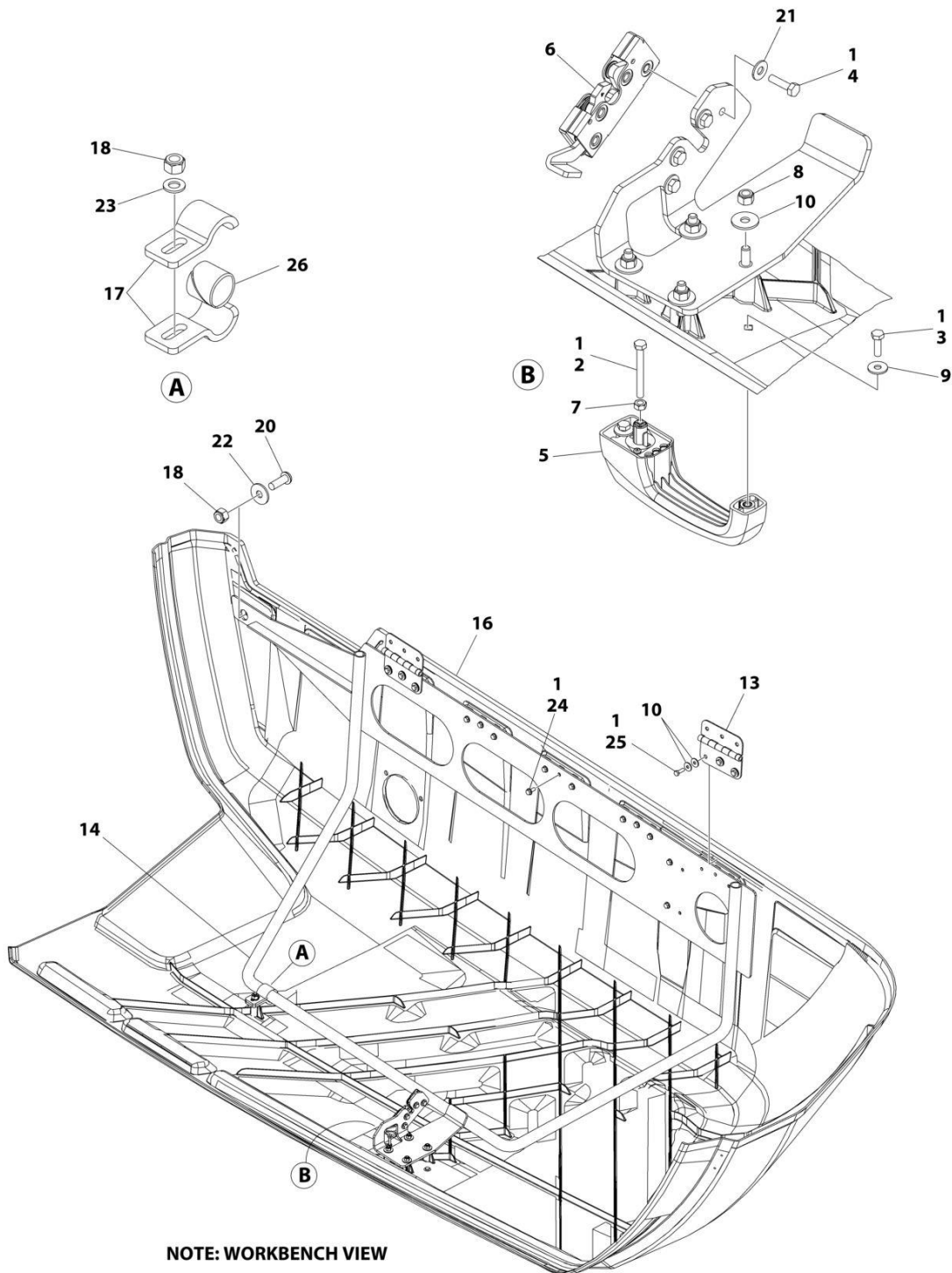
SECTION 2 - TURNTABLE

FIGURE 2-26. HOOD ASSEMBLY - TANK SIDE (ABS)

ITEM	PART NUMBER	QTY	DESCRIPTION	REV
	1001195454	Ref	HOOD ASSEMBLY	G
1	0100011	AR	Compound, Locking	
2	0700619	1	Bolt M6 x 55	
3	0760610	2	Bolt M6 x 20	
4	0641408	4	Bolt 1/4 x 1	
5	2560187	1	Handle, Push Button	
6	2940173	1	Latch, Rotary	
7	3290601	1	Nut M6	
8	3290805	4	Nut M8	
9	4811702	2	Washer M6	
10	4811902	16	Washer M8	
13	1001139384	2	Hinge	
14	1001204303	1	Support	
16	1001193168	1	Hood	
17	1321384	2	Clamp	
18	3291005	2	Nut M10	
20	1001174673	1	Screw M10 x 30	
21	4751400	4	Washer 1/4	
22	4812002	1	Washer M10	
23	4812000	1	Washer M10	
24	5250810	11	Bolt M8 x 20	
25	0760812	6	Bolt M8 x 25	
26	1001227367	1	Bearing	

SECTION 2 - TURNTABLE

FIGURE 2-27. HOOD ASSEMBLY - ENGINE SIDE (ABS)



NOTE: WORKBENCH VIEW

ART_1001195455

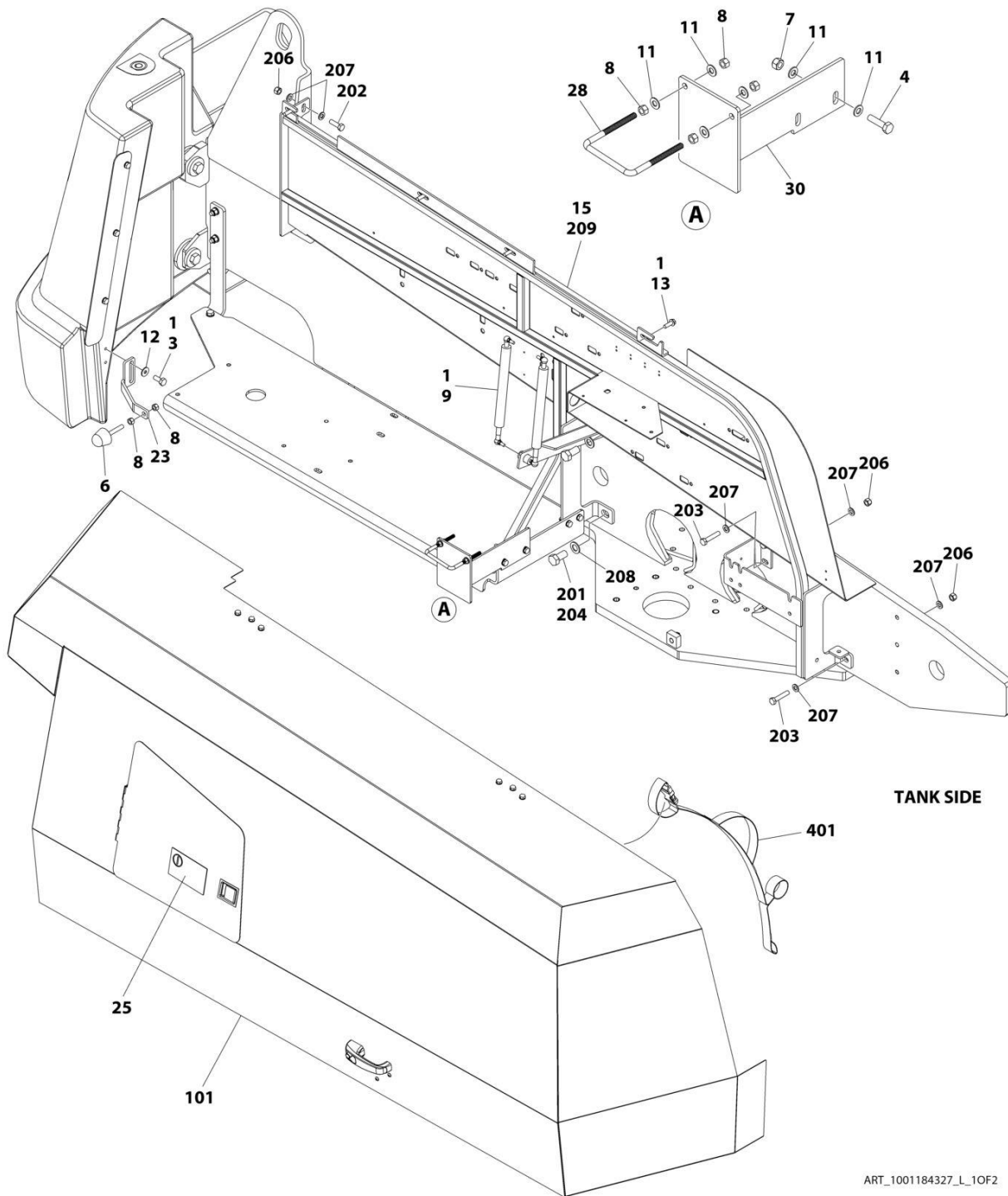
SECTION 2 - TURNTABLE

FIGURE 2-27. HOOD ASSEMBLY - ENGINE SIDE (ABS)

ITEM	PART NUMBER	QTY	DESCRIPTION	REV
	1001195455	Ref	HOOD ASSEMBLY	H
1	0100011	AR	Compound, Locking	
2	0700619	1	Bolt M6 x 55	
3	0760610	2	Bolt M6 x 20	
4	0641408	4	Bolt 1/4 x 1	
5	2560187	1	Handle, Push Button	
6	2940173	1	Latch, Rotary	
7	3290601	1	Nut M6	
8	3290805	4	Nut M8	
9	4811702	2	Washer M6	
10	4811902	16	Washer M8	
13	1001139384	2	Hinge	
14	1001204251	1	Support	
16	1001193169	1	Hood	
17	1321384	2	Clamp	
18	3291005	2	Nut M10	
20	1001174673	1	Screw M10 x 30	
21	4751400	4	Washer 1/4	
22	4812002	1	Washer M10	
23	4812000	1	Washer M10	
24	5250810	11	Bolt M8 x 20	
25	0760812	6	Bolt M8 x 25	
26	1001227367	1	Bearing	

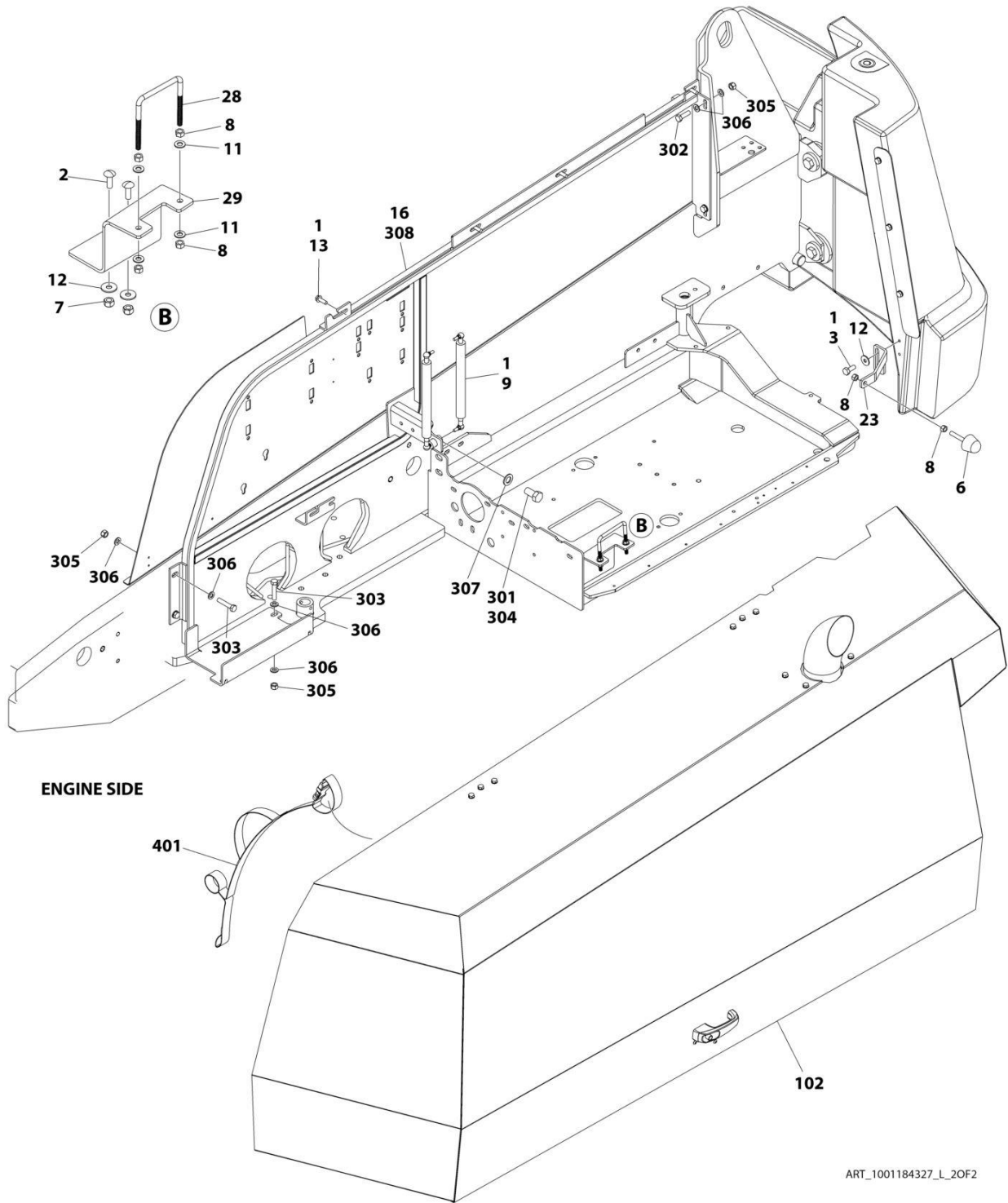
SECTION 2 - TURNTABLE

FIGURE 2-28. HOODS INSTALLATIONS - STEEL



ART_1001184327_L_10F2

SECTION 2 - TURNTABLE



ART_1001184327_L_2OF2

SECTION 2 - TURNTABLE

FIGURE 2-28. HOODS INSTALLATIONS - STEEL

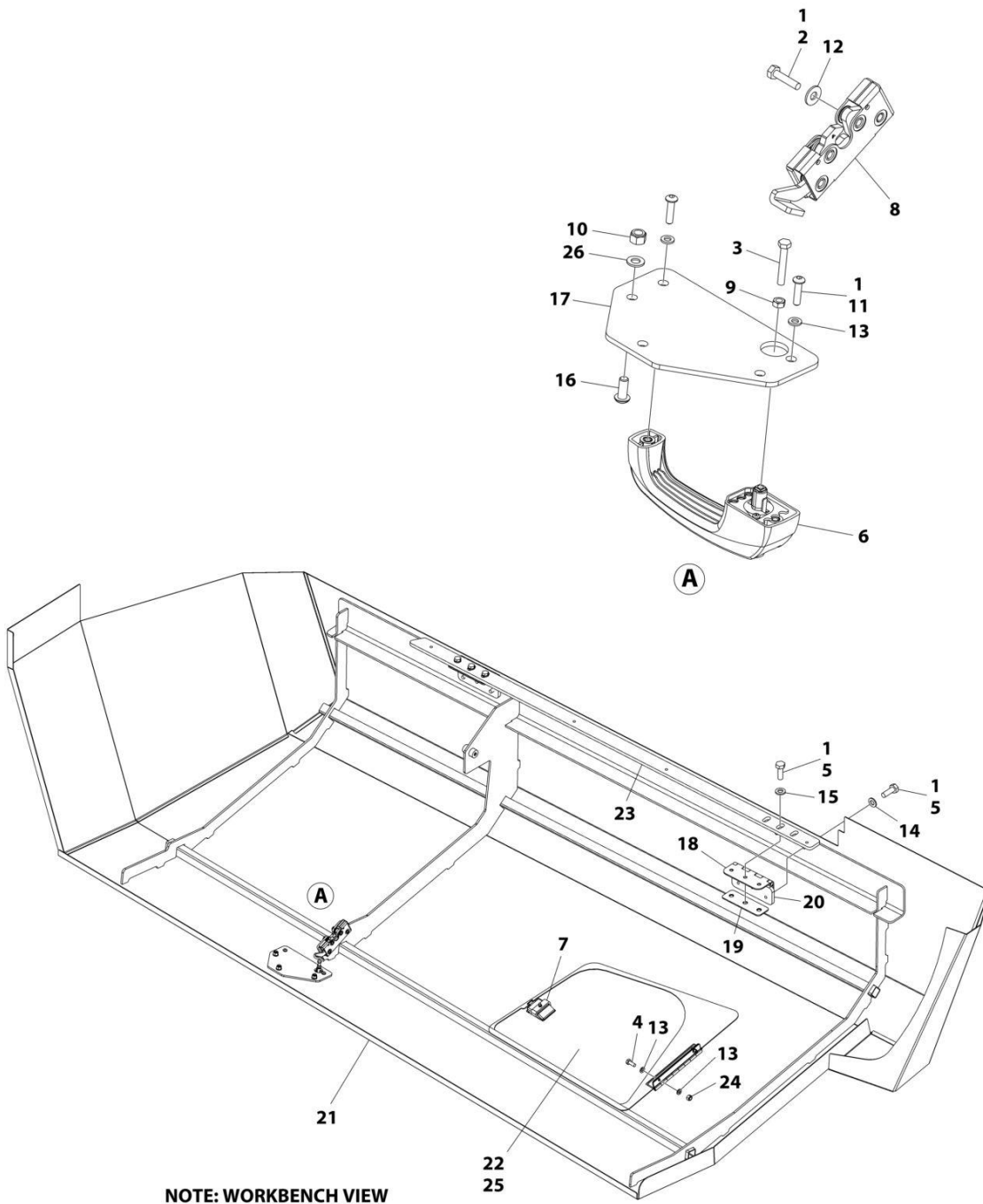
ITEM	PART NUMBER	QTY	DESCRIPTION	REV
	1001184327	Ref	HOODS INSTALLATIONS	L
1	0100011	AR	Compound, Locking	
2	0630613	AR	Bolt M10 x 30	
3	0701012	4	Bolt M10 x 25	
4	0701016	2	Bolt M10 x 40	
5	0760810	8	Bolt M8 x 20	
6	1001206314	2	Bumper	
7	3291005	AR	Nut M10	
8	3311601	12	Nut 3/8	
9	1001219138	4	Spring, Gas	
10	4811902	8	Washer M8	
11	4812000	12	Washer M10	
12	4812002	AR	Washer M10	
13	5251014	8	Bolt M10 x 30	
14	1001172615	1	Mount	
15	1001187950	1	Side-Sheet Assembly - Tank Side (See Items 201-209 for Breakdown)	
16	1001187951	1	Side-Sheet Assembly - Engine Side (See Items 301-308 for Breakdown)	
17	1001190756	1	Support	
18	1001192842	1	Mount	
19	1001192843	1	Support	
20	1001195535	1	Mount	
23	1001212333	2	Bracket	
25	1001117307	1	Decal - Emergency Stop	
28	1001243414	2	U-Bolt 3/8	
29	1001243522	1	Bracket	
30	1001243171	1	Support	
100	1001227888	1	Hood Kit (Not Shown)	
101	1001211762	1	Hood Assembly - Tank Side (See Separate Breakdown in this Section)	
102	1001211774	1	Hood Assembly - Engine Side (See Separate Breakdown in this Section)	
	1001187950	Ref	SIDE-SHEET ASSEMBLY - TANK SIDE	C
201	0100011	AR	Compound, Locking	
202	0701216	2	Bolt M12 x 40	
203	0701220	4	Bolt M12 x 60	
204	0762016	2	Bolt M20 x 40	
206	3291205	6	Nut M12	
207	4812100	12	Washer M12	
208	4812500	2	Washer M20	
209	1001188194	1	Side-Sheet, Tank Side	
	1001187951	Ref	SIDE-SHEET ASSEMBLY - ENGINE SIDE	B
301	0100011	AR	Compound, Locking	
302	0701216	2	Bolt M12 x 40	
303	0701220	3	Bolt M12 x 60	
304	0762016	1	Bolt M20 x 40	
305	3291205	5	Nut M12	
306	4812100	10	Washer M12	
307	4812500	1	Washer M20	

SECTION 2 - TURNTABLE

ITEM	PART NUMBER	QTY	DESCRIPTION	REV
308	1001188187	1	Side-Sheet, Engine Side	B
	1001253953	Ref	STRAP INSTALLATION	
401	1001160505	2	Strap, Hand	

SECTION 2 - TURNTABLE

FIGURE 2-29. HOOD ASSEMBLY - TANK SIDE (STEEL)



ART_1001211762

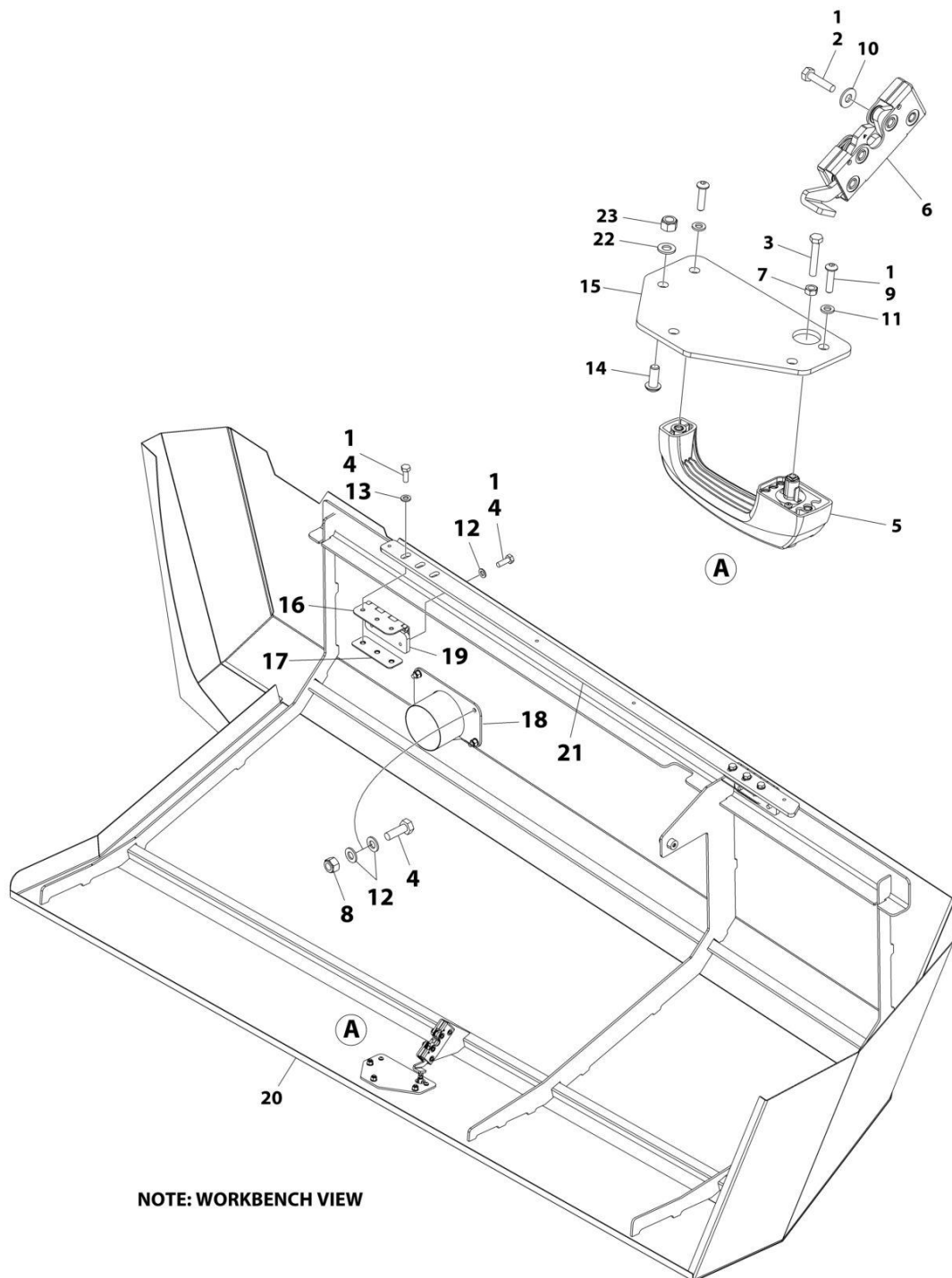
SECTION 2 - TURNTABLE

FIGURE 2-29. HOOD ASSEMBLY - TANK SIDE (STEEL)

ITEM	PART NUMBER	QTY	DESCRIPTION	REV
	1001211762	Ref	HOOD ASSEMBLY	J
1	0100011	AR	Compound, Locking	
2	0641409	4	Bolt 1/4 x 1-1/8	
3	0700616	1	Bolt M6 x 40	
4	0760608	2	Bolt M6 x 16	
5	0761014	12	Bolt M10 x 30	
6	2560187	1	Handle, Push Button	
7	2940045	1	Latch, Paddle	
8	2940173	1	Latch, Rotary	
9	3290601	1	Nut M6	
10	3290805	3	Nut M8	
11	3900363	2	Screw M6 x 25	
12	4751400	4	Washer 1/4	
13	4811700	6	Washer M6	
14	4812000	6	Washer M10	
15	5241000	6	Washer M10	
16	1001164726	3	Screw M8 x 20	
17	1001116290	1	Plate	
18	1001139384	2	Hinge	
19	1001169046	2	Nut, Hinge	
20	1001202333	2	Plate, Nut	
21	1001211752	1	Hood	
22	1001211760	1	Door	
23	1001211761	1	Plate	
24	3290605	2	Nut M6	
25	1001113047	78 in/2m	Seal	
26	4811900	3	Washer M8	

SECTION 2 - TURNTABLE

FIGURE 2-30. HOOD ASSEMBLY - ENGINE SIDE (STEEL)



NOTE: WORKBENCH VIEW

ART_1001211774

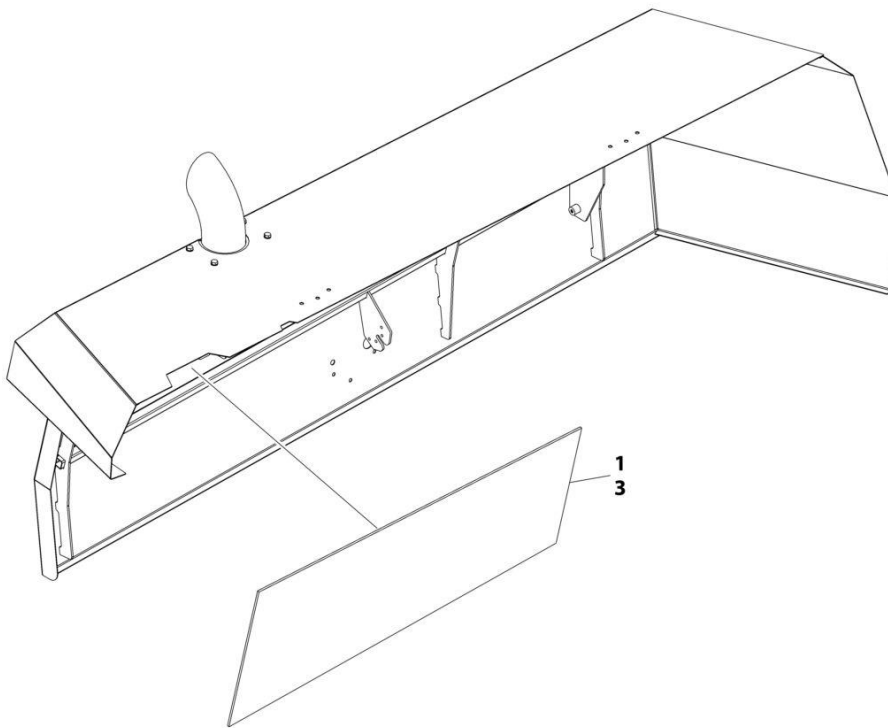
SECTION 2 - TURNTABLE

FIGURE 2-30. HOOD ASSEMBLY - ENGINE SIDE (STEEL)

ITEM	PART NUMBER	QTY	DESCRIPTION	REV
	1001211774	Ref	HOOD ASSEMBLY	J
1	0100011	AR	Compound, Locking	
2	0641409	4	Bolt 1/4 x 1-1/8	
3	0700615	1	Bolt M6 x 35	
4	0761014	16	Bolt M10 x 30	
5	2560187	1	Handle , Push Button	
6	2940173	1	Latch, Rotary	
7	3290601	1	Nut M6	
8	3291005	4	Nut M10	
9	3900363	2	Screw M6 x 25	
10	4751400	4	Washer 1/4	
11	4811700	2	Washer M6	
12	4812000	14	Washer M10	
13	5241000	6	Washer M10	
14	1001164726	3	Screw M8 x 20	
15	1001116290	1	Plate	
16	1001139384	2	Hinge	
17	1001169046	2	Nut, Hinge	
18	1001194888	1	Pipe, Exhaust	
19	1001202333	2	Plate, Nut	
20	1001211767	1	Hood	
21	1001211773	1	Plate	
22	4811900	3	Washer M8	
23	3290805	3	Nut M8	

SECTION 2 - TURNTABLE

FIGURE 2-31. HOOD INSULATION INSTALLATION (STEEL HOODS)



ART_1001237894

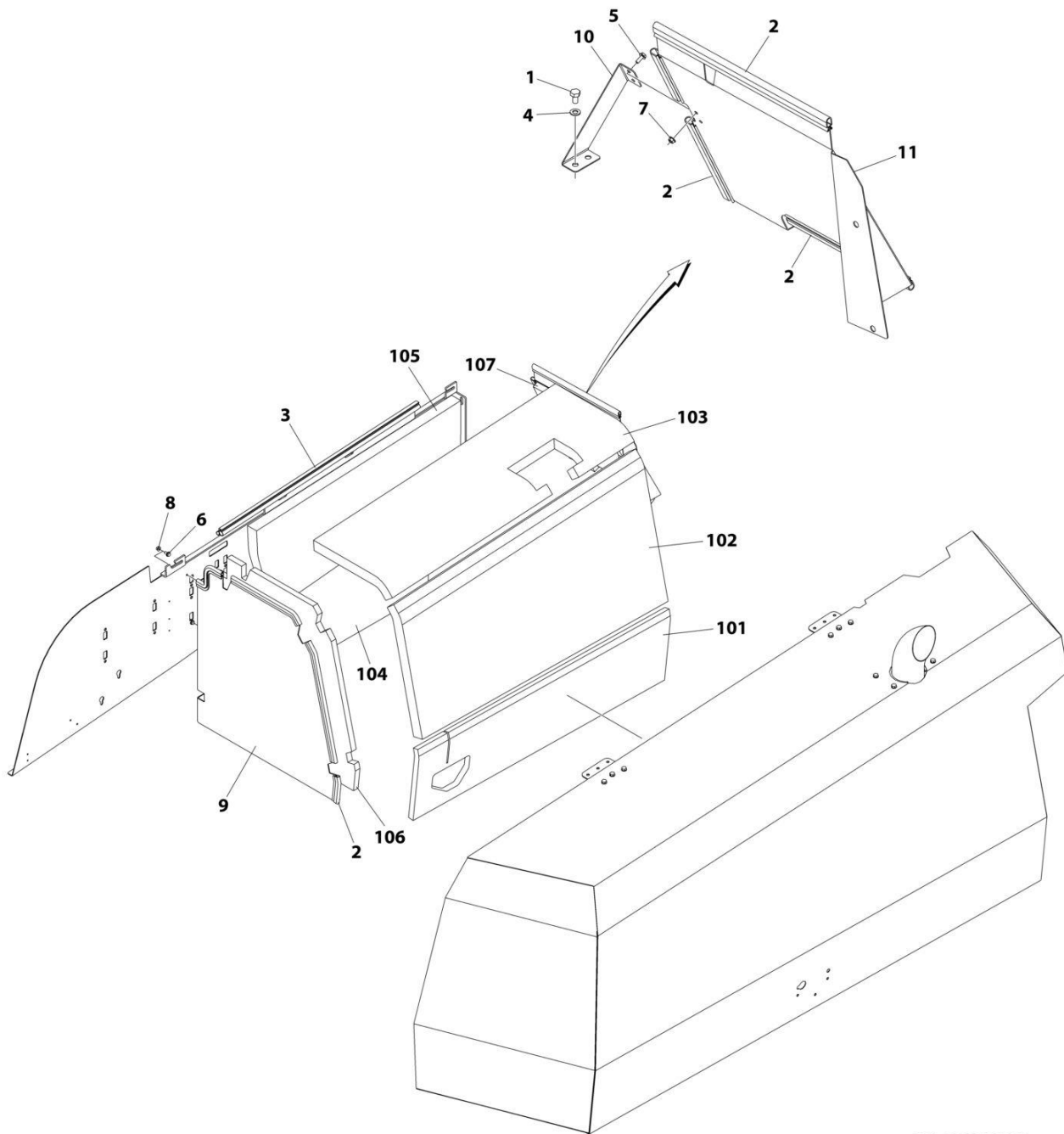
SECTION 2 - TURNTABLE

FIGURE 2-31. HOOD INSULATION INSTALLATION (STEEL HOODS)

ITEM	PART NUMBER	QTY	DESCRIPTION	REV
	1001237894	Ref	HOOD INSULATION INSTALLATION (STEEL HOODS)	A
1	1001117140	AR	Tape	
2	1001184327	1	Hood Installation (Not Shown - See Separate Breakdown in this Section)	
3	1001237895	1	Insulate, Heat Shield	

SECTION 2 - TURNTABLE

FIGURE 2-32. NOISE REDUCTION PACKAGE



ART_1001234080_B

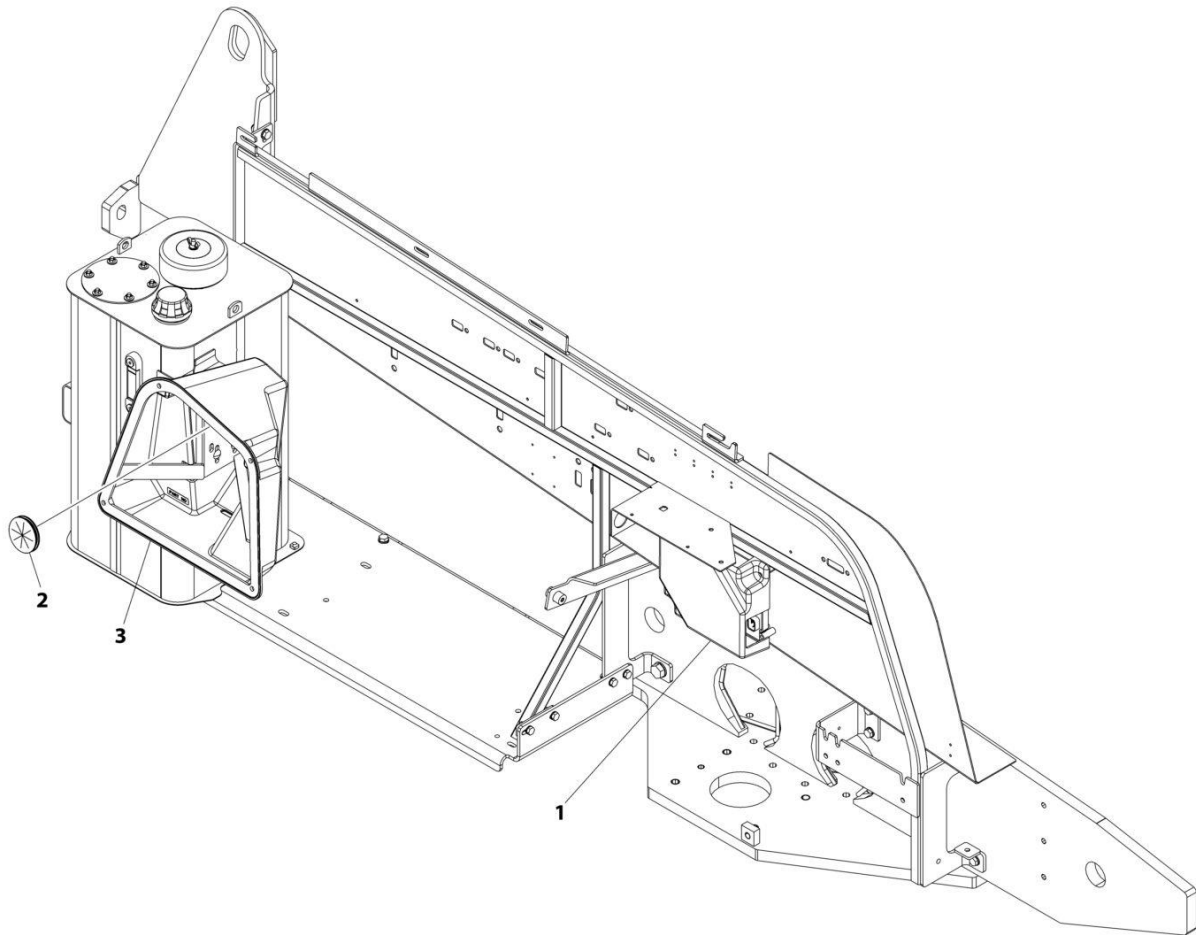
SECTION 2 - TURNTABLE

FIGURE 2-32. NOISE REDUCTION PACKAGE

ITEM	PART NUMBER	QTY	DESCRIPTION	REV
	1001234080	Ref	SOUND REDUCTION PACKAGE	B
1	0761009	2	Bolt M10 x 18	
2	3960389	8.2 ft/ 2.49m	Seal	
3	3960464	3.6 ft/ 1.10m	Seal	
4	4812000	2	Washer M10	
5	5250608	2	Bolt M6 x 16	
6	5250808	2	Bolt M8 x 16	
7	5260600	2	Nut M6	
8	5260800	2	Nut M8	
9	1001241729	1	Plate	
10	1001233948	1	Bracket	
11	1001233949	1	Plate	
100	1001237550	1	Sound Foam Insulate Kit (Includes Items 101-107)	B
101	1001233953	1	Insulate	
102	1001233954	1	Insulate	
103	1001233955	1	Insulate	
104	1001233966	1	Insulate	
105	1001233967	1	Insulate	
106	1001234269	1	Insulate	
107	1001234270	1	Insulate	

SECTION 2 - TURNTABLE

FIGURE 2-33. COVERS INSTALLATION



ART_1001219128

SECTION 2 - TURNTABLE

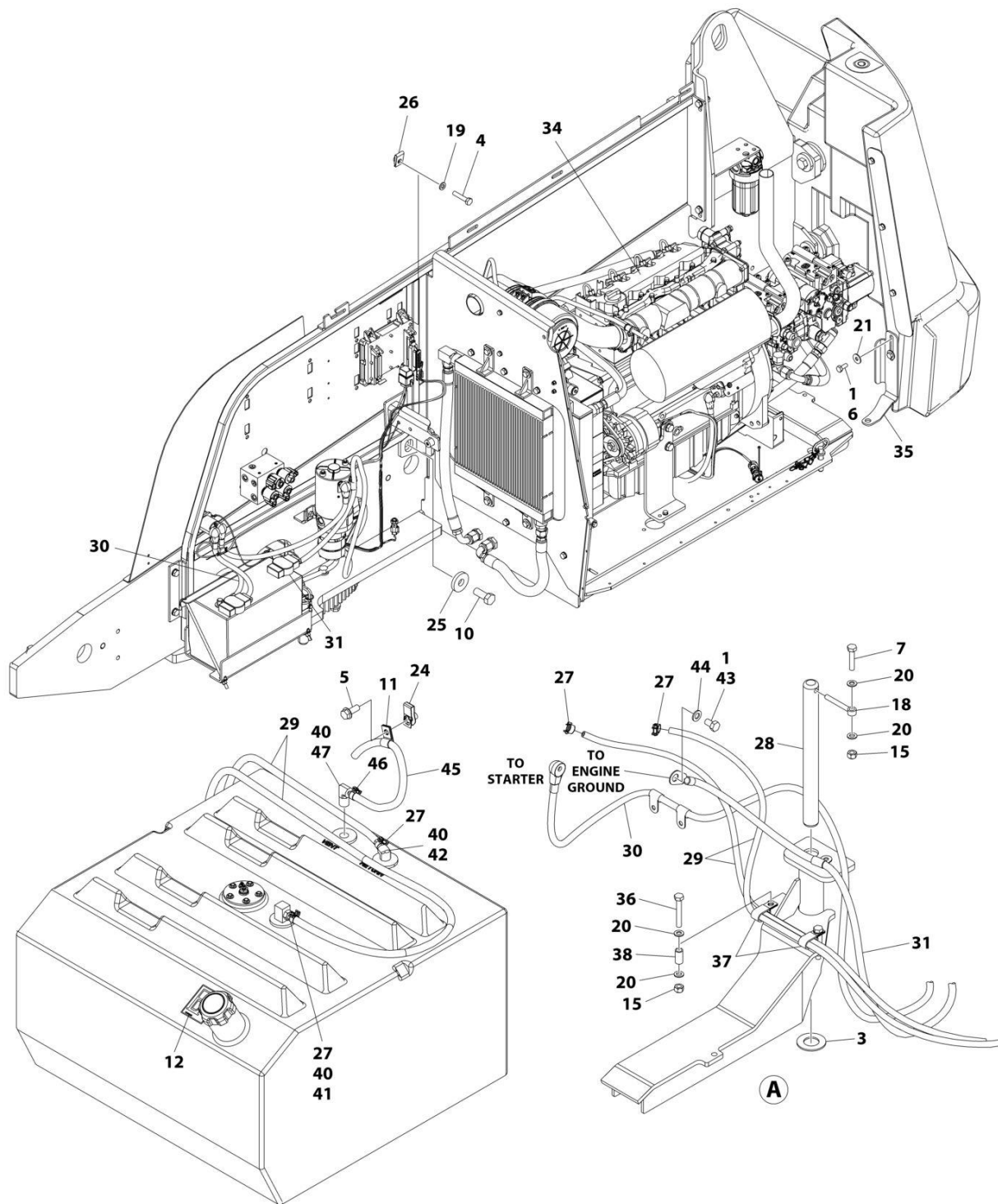
FIGURE 2-33. COVERS INSTALLATION

ITEM	PART NUMBER	QTY	DESCRIPTION	REV
	1001219128	Ref	COVERS INSTALLATION	A
1	1001218539	1	Cover, Controller	
2	1001218676	1	Grommet	
3	1001220638	1	Cover, Ground Control	

SECTION 3 - ENGINE

SECTION 3 - ENGINE

FIGURE 3-1. DEUTZ D2011 ENGINE INSTALLATION - WITHOUT ARCTIC PACKAGE



ART_1001196565_G

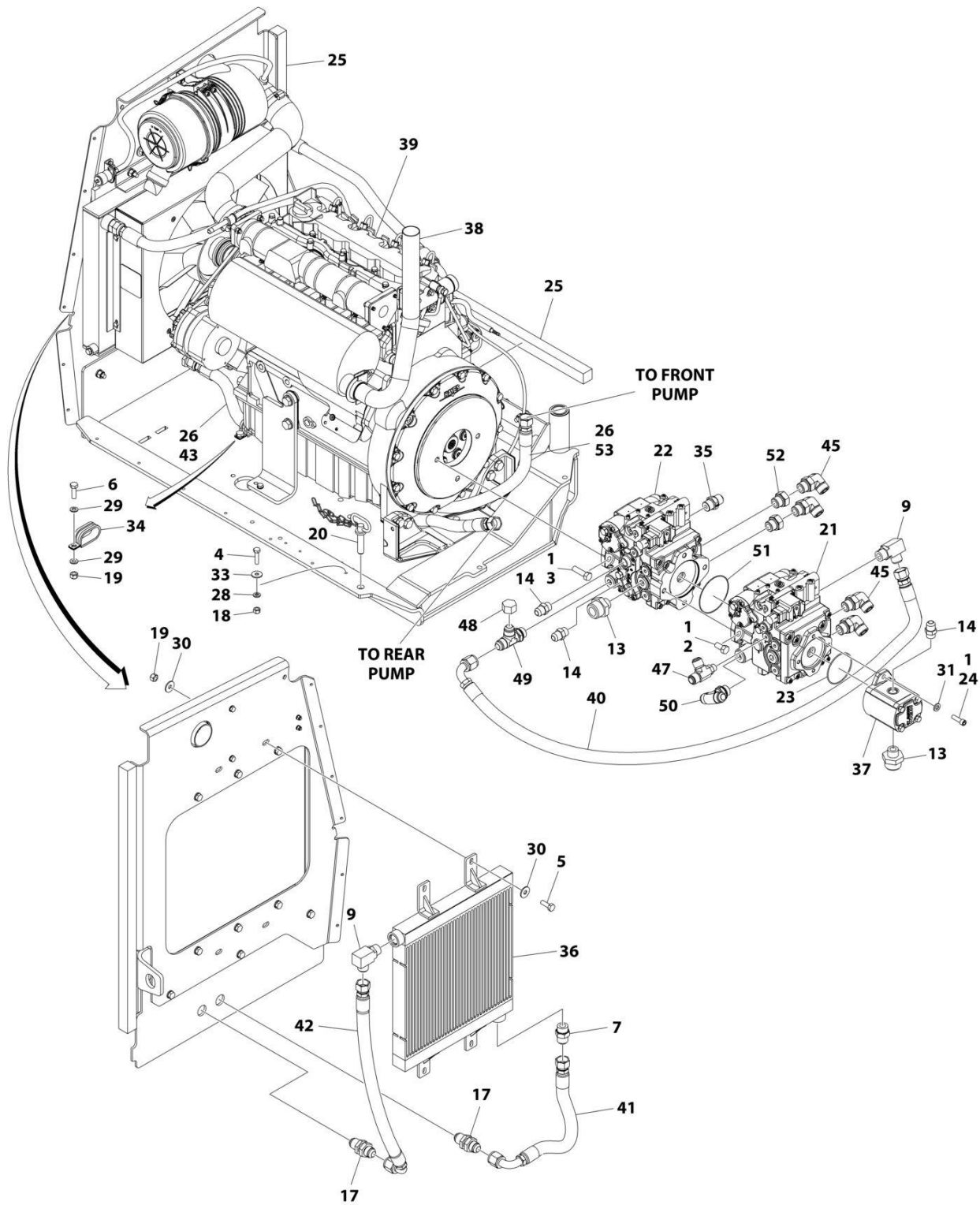
SECTION 3 - ENGINE

FIGURE 3-1. DEUTZ D2011 ENGINE INSTALLATION - WITHOUT ARCTIC PACKAGE

ITEM	PART NUMBER	QTY	DESCRIPTION	REV
	1001196565	Ref	DEUTZ D2011 ENGINE INSTALLATION	G
1	0100011	AR	Compound, Locking	
3	0440162	1	Bearing	
4	0700614	4	Bolt M6 x 30	
5	5251012	1	Bolt M10 x 25	
6	0701012	2	Bolt M10 x 25	
7	0711018	1	Bolt M10 x 50	
10	0772018	1	Bolt M20 x 50	
11	8406110	1	Clip	
12	1701505	1	Decal - Diesel Fuel	
15	3291005	3	Nut M10	
18	3841143	1	Keeper, Pin	
19	4811700	4	Washer M6	
20	4812000	6	Washer M10	
21	4812002	2	Washer M10	
24	1001118972	1	Nut, Tinnerman M10	
25	1001119051	1	Washer	
26	1001130220	4	Nut, Tinnerman M6	
27	1001174486	4	Clamp	
28	1001155094	1	Pin	
29	2720058	288 in/ 7.3m	Hose, Fuel	
30	1001188667	1	Cable, Battery (+) to Aux Relay to Starter	
31	1001188670	1	Cable, Battery (-) to Aux Pump and Ground	
34	1001196572	1	Deutz D2011 Engine and Pumps Sub-Assembly (See Separate Breakdown in this Section)	
35	1001197881	1	Bracket	
36	0701022	2	Bolt M10 x 70	
37	1001026127	2	Clamp	
38	1001200731	2	Tube	
39	4240099	6	Tie-Strap (Not Shown)	
40	0100020	AR	Sealant	
41	2180348	1	Fitting, Straight NPT x Barb	
42	2221176	1	Fitting, 90 Barbed	
43	0761210	1	Bolt M12 x 20	
44	4812100	1	Washer M12	
45	1001165035	20 in/ 0.5m	Hose	
46	1001136975	1	Clamp	
47	2220313	1	Fitting, 90 NPTF/Barb	
100	1001235699	1	Battery Cable Kit (Includes Items 30 & 31) (Not Shown)	

SECTION 3 - ENGINE

FIGURE 3-2. DEUTZ D2011 ENGINE AND PUMPS SUB-ASSEMBLY - WITHOUT ARCTIC PACKAGE



ART_1001196572_G

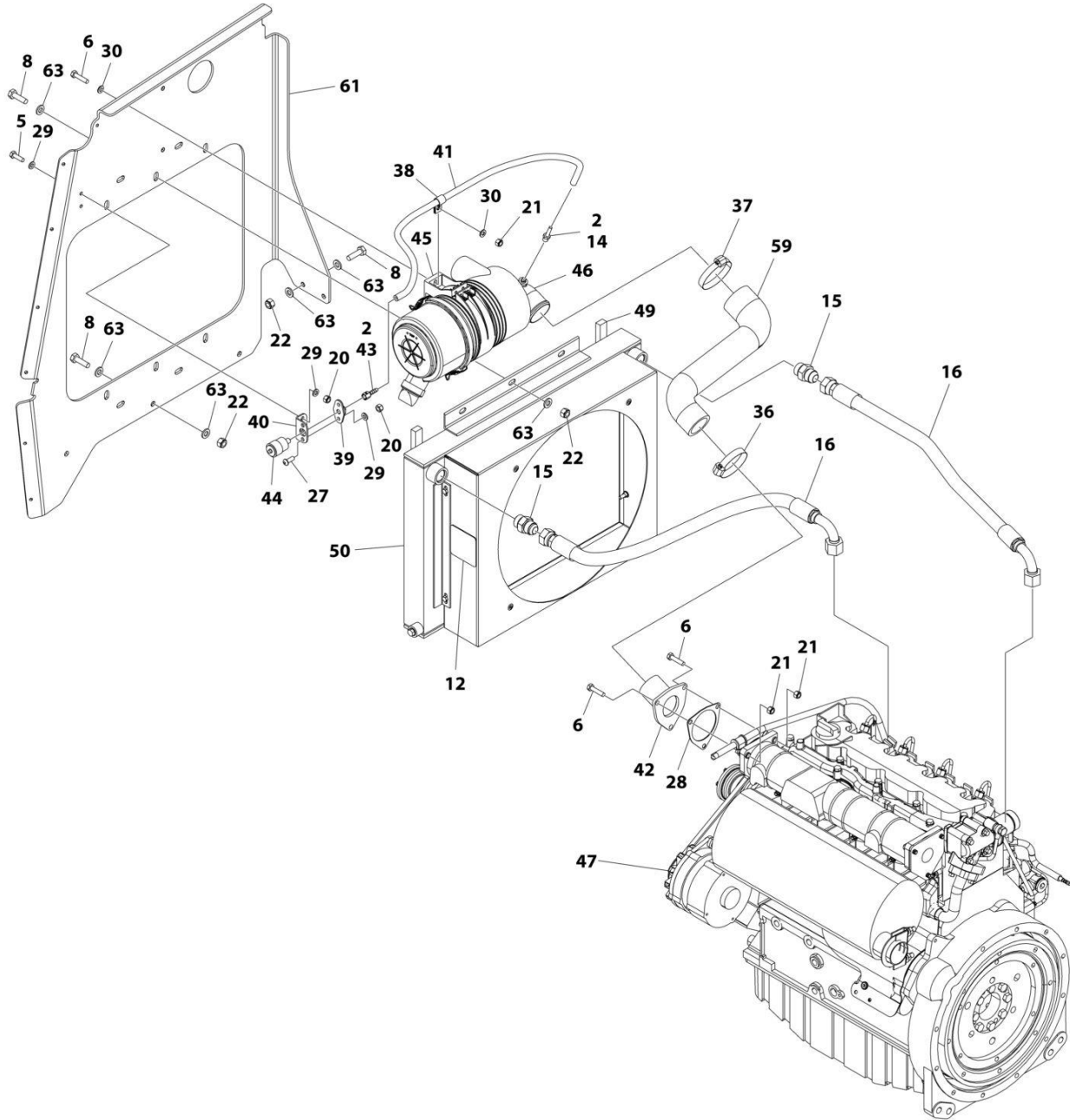
SECTION 3 - ENGINE

FIGURE 3-2. DEUTZ D2011 ENGINE AND PUMPS SUB-ASSEMBLY - WITHOUT ARCTIC PACKAGE

ITEM	PART NUMBER	QTY	DESCRIPTION	REV
	1001196572	Ref	DEUTZ D2011 ENGINE AND PUMPS SUB-ASSEMBLY	G
1	0100011	AR	Compound, Locking	
2	0641808	2	Bolt 1/2 x 1	
3	0641814	2	Bolt 1/2 x 1-3/4	
4	0760612	1	Bolt M6 x 25	
5	0761014	4	Bolt M10 x 30	
6	0761015	2	Bolt M10 x 35	
7	2220451	1	Fitting, Straight JIC/ORB	
9	2220578	2	Fitting, 90 JIC/ORB	
13	2220946	2	Fitting, Straight JIC/ORB	
14	2220947	3	Fitting, Straight JIC/ORB	
17	2230027	2	Fitting, Straight	
18	3290605	1	Nut M6	
19	3291005	6	Nut M10	
20	3422532	1	Pin	
21	3600359	1	Piston Pump Assembly - Rear (See Separate Breakdown in this Section)	
22	3600363	1	Piston Pump Assembly - Front (See Separate Breakdown in this Section)	
23	3790152	1	O-Ring	
24	3931618	2	Capscrew 3/8 x 1-1/8	
25	3960469	2	Seal	
26	4061032	3	Shield	
27	4240099	AR	Tie-Strap (Not Shown)	
28	4811700	1	Washer M6	
29	4812000	4	Washer M10	
30	4812002	8	Washer M10	
31	5241000	2	Washer M10	
33	4811702	1	Washer M6	
34	1001164196	2	Clamp	
35	1001179156	1	Valve, Check	
36	1001188601	1	Radiator, Oil Cooler	
37	1001190143	1	Gear Pump Assembly	
37	70006356	1	Seal Kit - 1001190143 Pump	
38	1001191273	1	Pipe, Exhaust	
39	1001196571	1	Deutz D2011 Engine Assembly (See Separate Breakdown in this Section)	
40	1001200216	1	Hose	
41	1001195504	1	Hose	
42	1001195505	1	Hose	
43	1001195509	1	Hose	
45	2131212	4	Fitting, 90 ORFS/ORB	
47	1001213814	1	Fitting, Tee JIC/ORB/JIC	
48	2220518	1	Cap	
49	2220738	1	Fitting, Tee JIC/ORB/JIC	
50	2220695	1	Fitting, Tee JIC/ORB/JIC	
51	3790045	1	O-Ring	
52	1001233450	2	Fitting, Straight ORB/ORB	
53	1001235110	1	Hose	

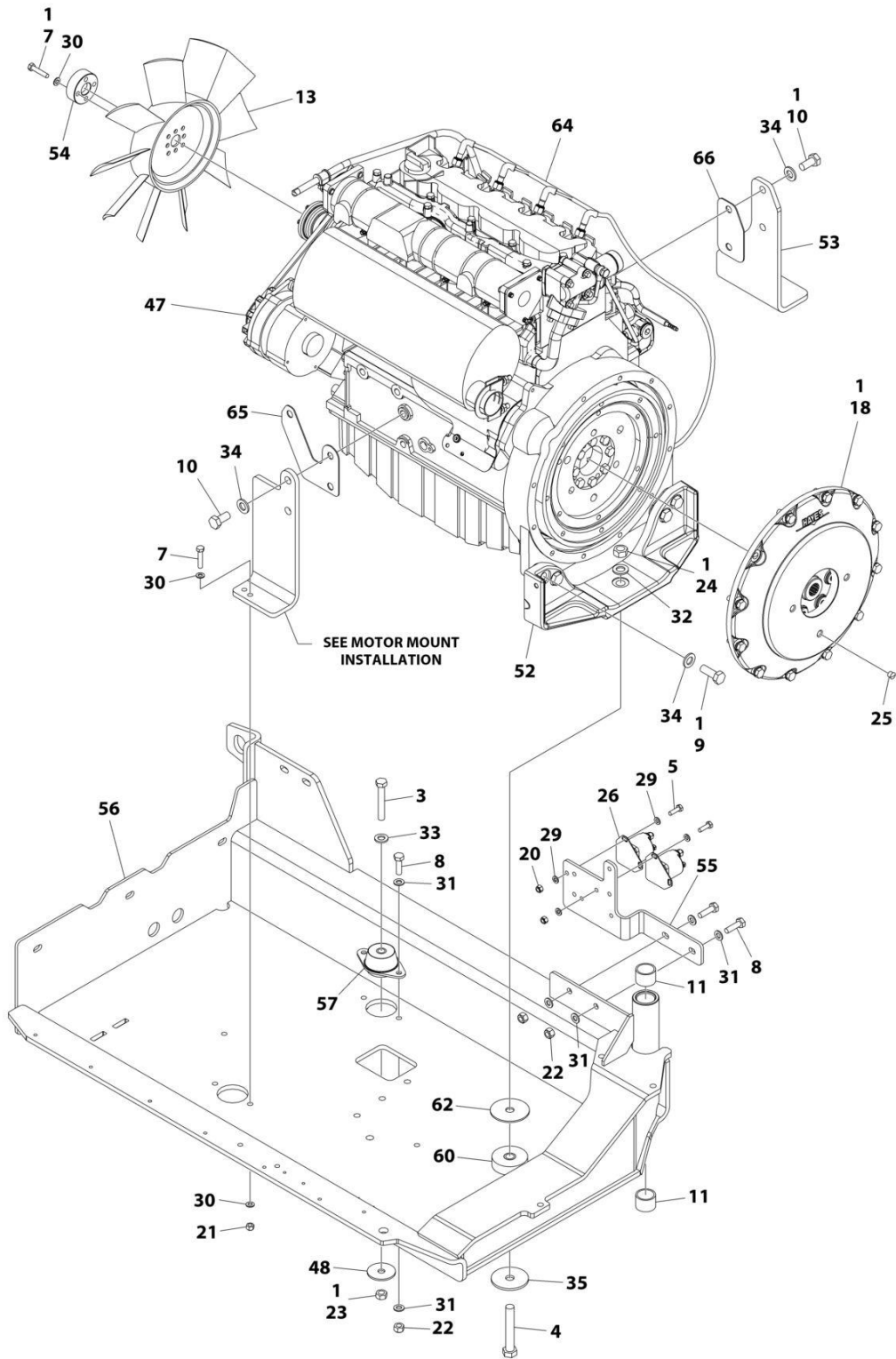
SECTION 3 - ENGINE

FIGURE 3-3. DEUTZ D2011 ENGINE ASSEMBLY - WITHOUT ARCTIC PACKAGE



ART_1001196571_O_10F2

SECTION 3 - ENGINE



ART_1001196571_O_2OF2

SECTION 3 - ENGINE

FIGURE 3-3. DEUTZ D2011 ENGINE ASSEMBLY - WITHOUT ARCTIC PACKAGE

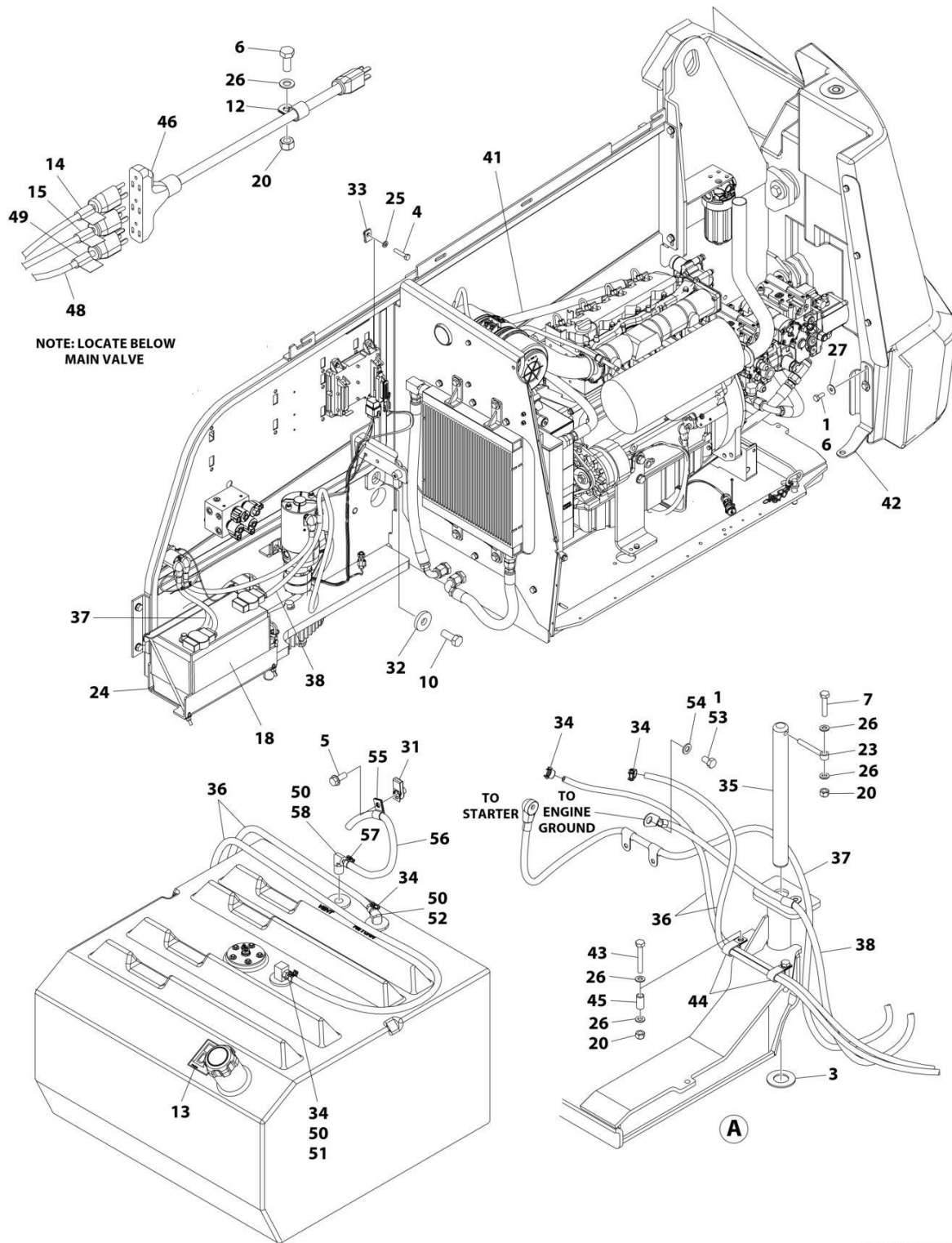
ITEM	PART NUMBER	QTY	DESCRIPTION	REV
	1001196571	Ref	DEUTZ D2011 ENGINE ASSEMBLY	O
1	0100011	AR	Compound, Locking	
2	0100020	AR	Sealant	
3	0711224	1	Bolt M12 x 80	
4	0711627	1	Bolt M16 x 100	
5	0760610	6	Bolt M6 x 20	
6	0760815	5	Bolt M8 x 35	
7	0760816	5	Bolt M8 x 40	
8	0761015	15	Bolt M10 x 35	
9	0771416	4	Bolt M14 x 40	
10	0771414	4	Bolt M14 x 30	
11	0961951	2	Bushing	
12	1703162	2	Decal - Fan Blade	
13	2060025	1	Fan	
14	2220315	1	Fitting, Straight Barbed	
15	2220451	2	Fitting, Straight ORB/JIC	
16	2720398	2	Hose	
18	2902065	1	Pump Coupling Kit (See Separate Breakdown in this Section)	
20	3290605	8	Nut M6	
21	3290805	6	Nut M8	
22	3291005	15	Nut M10	
23	3331211	1	Nut M12	
24	3331611	1	Nut M16	
25	3520054	2	Plug	
26	3740067	2	Relay	
27	3900357	2	Screw M6 x 16	
28	3960407	1	Gasket, Air Intake Adapter	
29	4811700	14	Washer M6	
30	4811900	10	Washer M8	
31	4812000	8	Washer M10	
32	4812300	1	Washer M16	
33	5241200	1	Washer M12	
34	5241400	8	Washer M14	
35	7300435	1	Washer	
36	8405203	1	Clamp	
37	8405204	1	Clamp	
38	8406109	1	Clip	
39	1001138173	1	Support	
40	1001138175	1	Bracket	
41	1001138248	29.6 in/ 0.7m	Tube	
42	1001139819	1	Adapter	
43	1001141995	1	Fitting, Straight NPT/Barbed	
44	1001143390	1	Indicator, Air Filter Service	
45	1001147812	1	Clamp	
46	1001147813	1	Filter, Air	
46	70004020	1	Element, Filter	
47	1001147823	1	Deutz D2011 Engine Components (See Separate Breakdown in this Section)	
48	1001168018	1	Washer	

SECTION 3 - ENGINE

ITEM	PART NUMBER	QTY	DESCRIPTION	REV
49	1001168166	2	Seal	
50	1001187082	1	Radiator	
51	1001188236	1	Engine Harness - Deutz D2011 Engines (Not Shown) (See Separate Breakdown in ELECTRICAL Section)	
52	1001188535	1	Bracket, Engine - Rear	
53	1001189026	1	Bracket, Engine - Right	
54	1001189161	1	Adapter, Fan	
55	1001203885	1	Plate	
56	1001200435	1	Tray	
57	1001191610	1	Mount, Motor	
59	1001195711	1	Hose	
60	1001197149	1	Support	
61	1001200793	1	Support	
62	1001197725	1	Spacer	
63	5241000	22	Washer M10	
64	1001234396	1	Glow Plug Harness	
65	1001201843	1	Shim .079	
66	1001201844	1	Shim .079	

SECTION 3 - ENGINE

FIGURE 3-4. DEUTZ D2011 ENGINE INSTALLATION - WITH ARCTIC PACKAGE



ART_1001196566_G

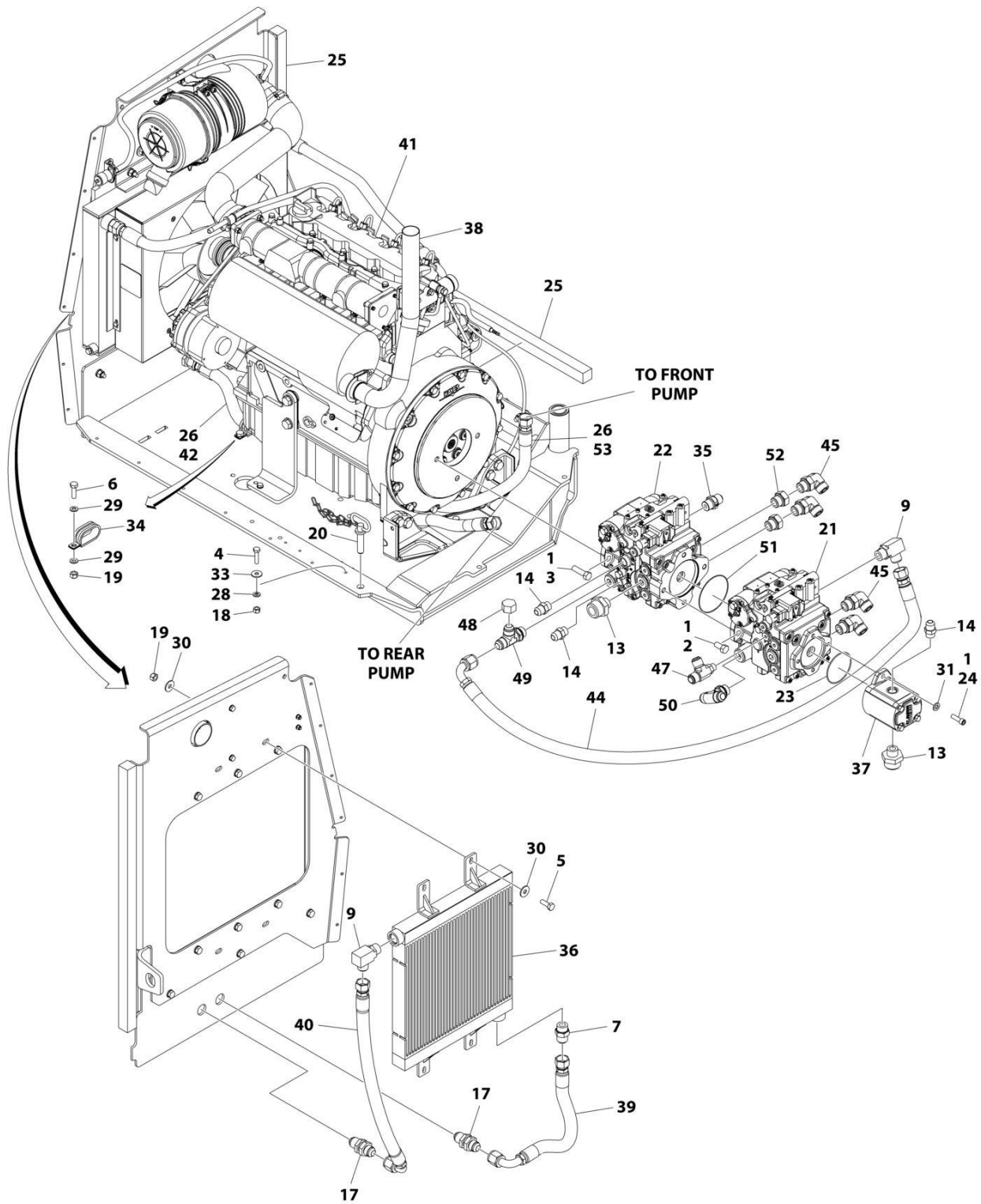
SECTION 3 - ENGINE

FIGURE 3-4. DEUTZ D2011 ENGINE INSTALLATION - WITH ARCTIC PACKAGE

ITEM	PART NUMBER	QTY	DESCRIPTION	REV
	1001196566	Ref	DEUTZ D2011 ENGINE INSTALLATION	G
1	0100011	AR	Compound, Locking	
3	0440162	1	Bearing	
4	0700614	4	Bolt M6 x 30	
5	5251012	1	Bolt M10 x 25	
6	0701012	3	Bolt M10 x 25	
7	0711018	1	Bolt M10 x 50	
10	0772018	1	Bolt M20 x 50	
12	1320061	1	Clamp	
13	1701505	1	Decal - Diesel Fuel	
14	1702941	1	Decal - Battery Heater	
15	1702943	1	Decal - Hydraulic Tank Heater	
18	2580024	1	Heater, Battery	
19	1001188972	1	Heater, Immersion (Not Shown - Located on Hydraulic Tank)	
20	3291005	4	Nut M10	
23	3841143	1	Keeper, Pin	
24	3980007	1	Seal, Battery	
25	4811700	4	Washer M6	
26	4812000	7	Washer M10	
27	4812002	2	Washer M10	
31	1001118972	1	Nut, Tinnerman M10	
32	1001119051	1	Washer	
33	1001130220	4	Nut, Tinnerman M6	
34	1001174486	5	Clamp	
35	1001155094	1	Pin	
36	2720058	308 in/ 7.9m	Hose, Fuel	
37	1001188667	1	Cable, Battery (+) to Aux Relay to Starter	
38	1001188670	1	Cable, Battery (-) to Aux Pump and Ground	
41	1001196574	1	Deutz D2011 Engine and Pumps Sub-Assembly (See Separate Breakdown in this Section)	
42	1001197881	1	Bracket	
43	0701022	2	Bolt M10 x 70	
44	1001026127	2	Clamp	
45	1001200731	2	Tube	
46	1060626	1	Plug, 3 Way	
47	4240099	1	Tie-Strap (Not Shown)	
48	1001150918	1	Cable, Extension	
49	1702942	1	Decal - Engine Block Heater	
50	0100020	AR	Sealant	
51	2180348	1	Fitting, Straight NPT/Barbed	
52	2221176	1	Fitting, 90 Barbed	
53	0761210	1	Bolt M12 x 20	
54	4812100	1	Washer M12	
55	8406110	1	Clip	
56	1001165035	20 in/ 0.5m	Hose	
57	1001136975	1	Clamp	
58	2220313	1	Fitting, 90 NPTF/Barb	
100	1001235699	1	Battery Cable Kit (Includes Items 37 & 38) (Not Shown)	

SECTION 3 - ENGINE

FIGURE 3-5. DEUTZ D2011 ENGINE AND PUMPS SUB-ASSEMBLY - WITH ARCTIC PACKAGE



ART_1001196574_G

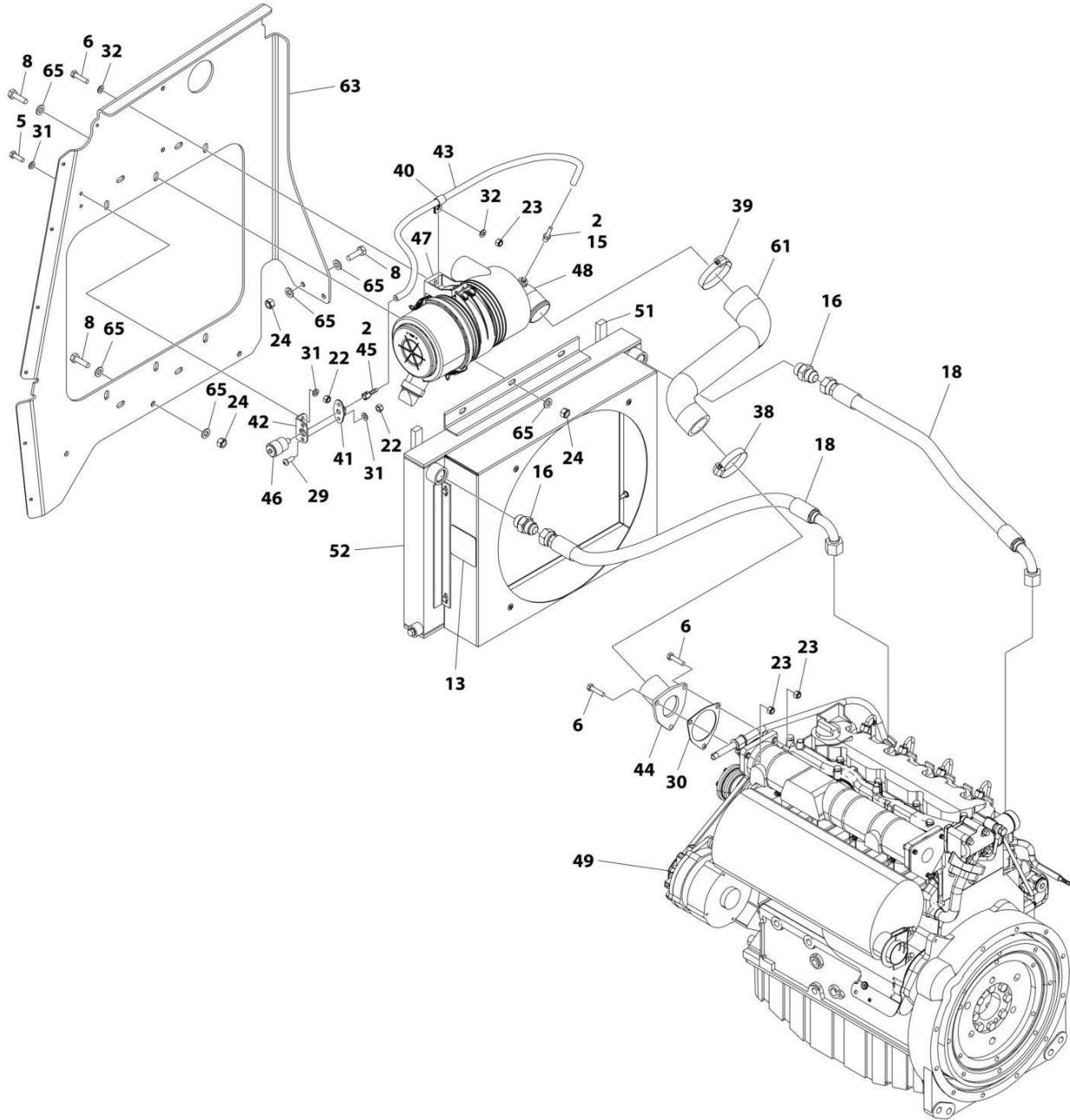
SECTION 3 - ENGINE

FIGURE 3-5. DEUTZ D2011 ENGINE AND PUMPS SUB-ASSEMBLY - WITH ARCTIC PACKAGE

ITEM	PART NUMBER	QTY	DESCRIPTION	REV
	1001196574	Ref	DEUTZ D2011 ENGINE AND PUMPS SUB-ASSEMBLY	G
1	0100011	AR	Compound, Locking	
2	0641808	2	Bolt 1/2 x 1	
3	0641814	2	Bolt 1/2 x 1-3/4	
4	0760612	1	Bolt M6 x 25	
5	0761014	4	Bolt M10 x 30	
6	0761015	2	Bolt M10 x 35	
7	2220451	1	Fitting, Straight JIC/ORB	
9	2220578	1	Fitting, 90 JIC/ORB	
13	2220946	2	Fitting, Straight JIC/ORB	
14	2220947	3	Fitting, Straight JIC/ORB	
17	2230027	2	Fitting, Straight	
18	3290605	1	Nut M6	
19	3291005	6	Nut M10	
20	3422532	1	Pin	
21	3600359	1	Piston Pump Assembly - Rear (See Separate Breakdown in this Section)	
22	3600363	1	Piston Pump Assembly - Front (See Separate Breakdown in this Section)	
23	3790152	1	O-Ring	
24	3931618	2	Capscrew 3/8 x 1-1/8	
25	3960469	2	Seal	
26	4061032	3	Shield	
27	4240099	AR	Tie-Strap (Not Shown)	
28	4811700	1	Washer M6	
29	4812000	4	Washer M10	
30	4812002	8	Washer M10	
31	5241000	2	Washer M10	
33	4811702	1	Washer M6	
34	1001164196	2	Clamp	
35	1001179156	1	Valve, Check	
36	1001188601	1	Radiator, Oil Cooler	
37	1001190143	1	Gear Pump Assembly	
37	70006356	1	Seal Kit - 1001190143 Pump	
38	1001191273	1	Pipe	
39	1001195504	1	Hose	
40	1001195505	1	Hose	
41	1001196573	1	Deutz D2011 Engine Assembly (See Separate Breakdown in this Section)	
42	1001195509	1	Hose	
44	1001200216	1	Hose	
45	2131212	4	Fitting, 90 ORFS/ORB	
47	1001213814	1	Fitting, Tee JIC/ORB/JIC	
48	2220518	1	Cap	
49	2220738	1	Fitting, Tee JIC/ORB/JIC	
50	2220695	1	Fitting, Tee JIC/ORB/JIC	
51	3790045	1	O-Ring	
52	1001233450	2	Fitting, Straight ORB/ORB	
53	1001235110	1	Hose	

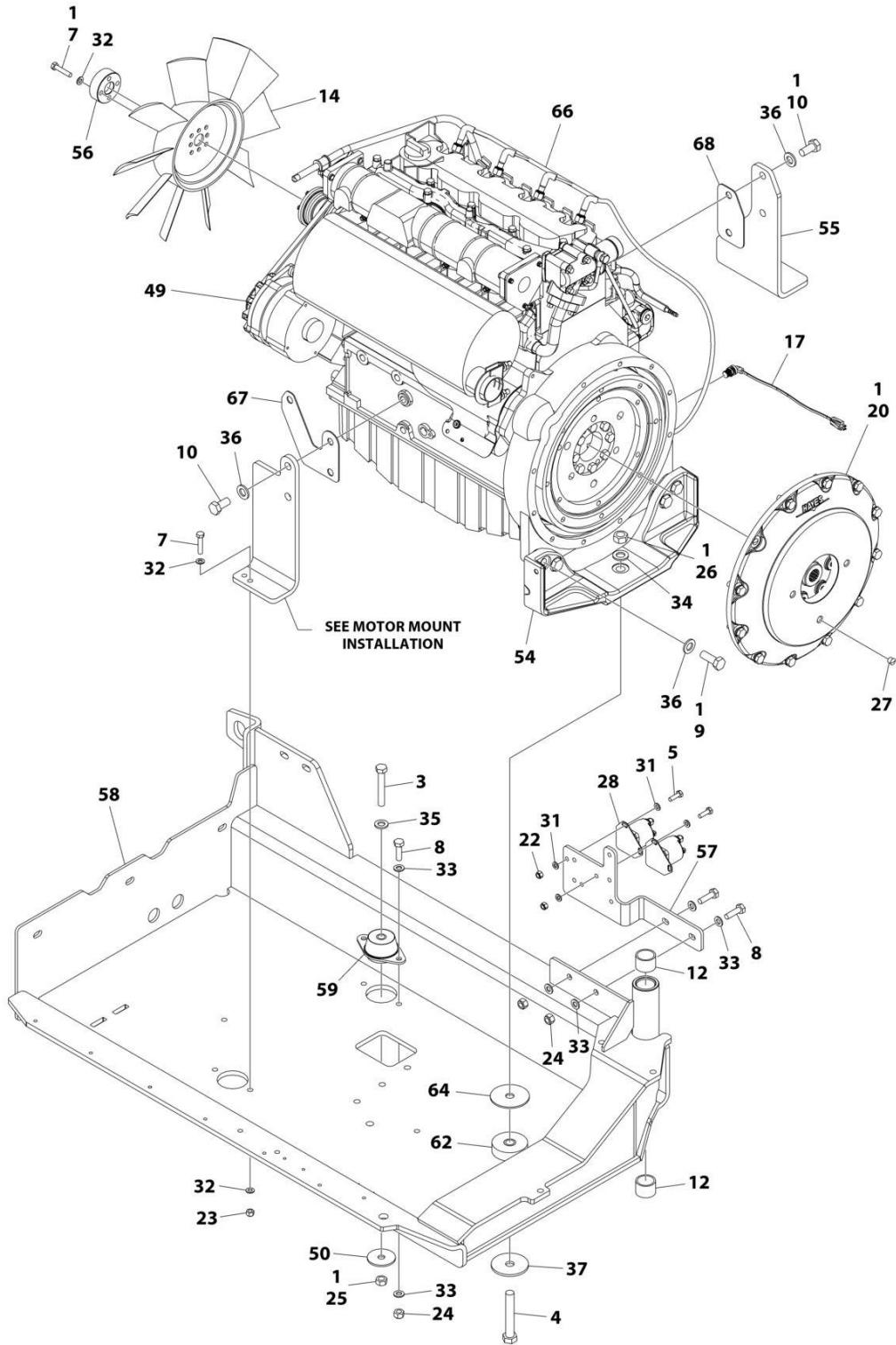
SECTION 3 - ENGINE

FIGURE 3-6. DEUTZ D2011 ENGINE ASSEMBLY - WITH ARCTIC PACKAGE



ART_1001196573_O_10F2

SECTION 3 - ENGINE



ART_1001196573_O_20F2

SECTION 3 - ENGINE

FIGURE 3-6. DEUTZ D2011 ENGINE ASSEMBLY - WITH ARCTIC PACKAGE

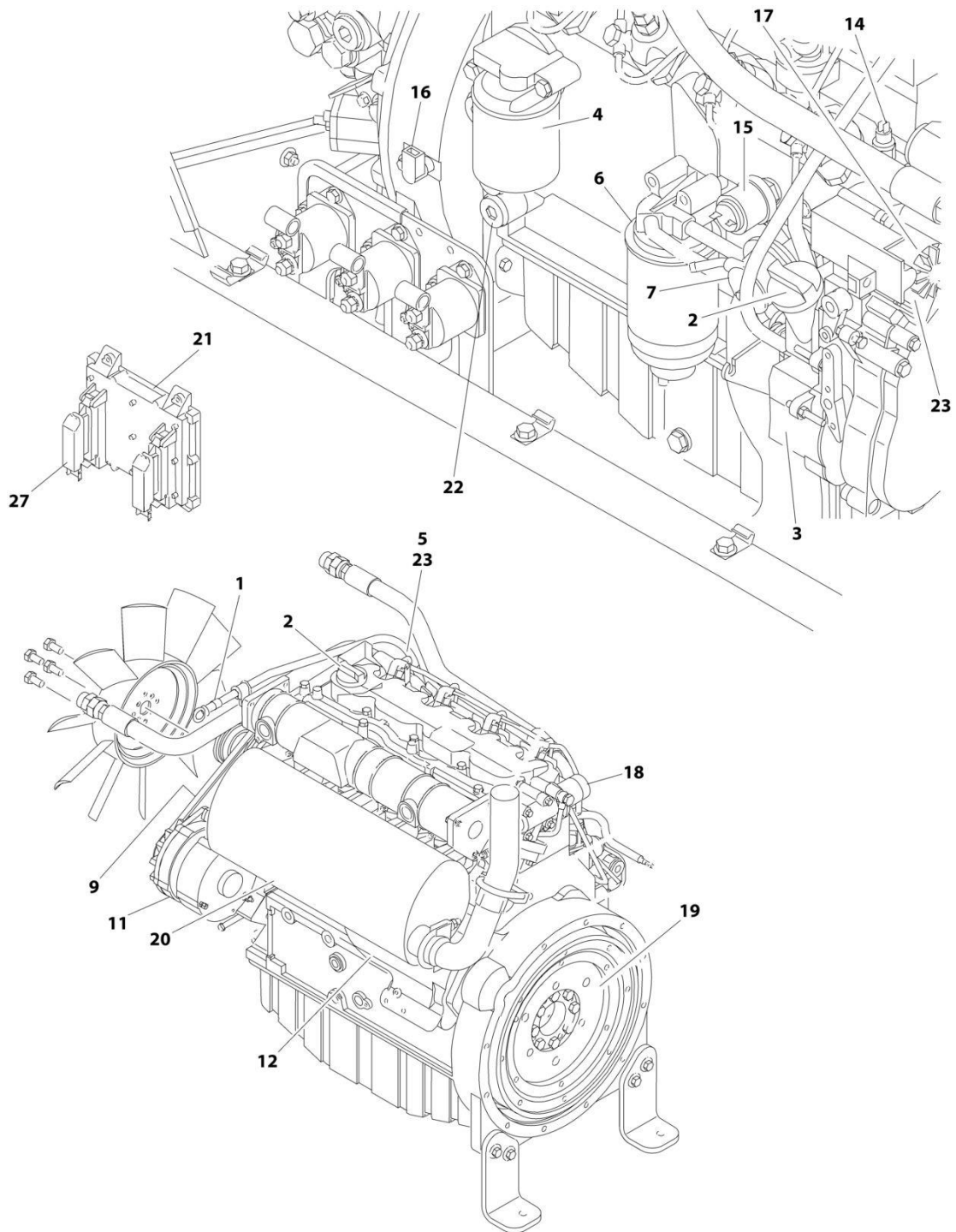
ITEM	PART NUMBER	QTY	DESCRIPTION	REV
	1001196573	Ref	DEUTZ D2011 ENGINE ASSEMBLY	O
1	0100011	AR	Compound, Locking	
2	0100020	AR	Sealant	
3	0701224	1	Bolt M12 x 80	
4	0711627	1	Bolt M16 x 100	
5	0760610	6	Bolt M6 x 20	
6	0760815	5	Bolt M8 x 35	
7	0760816	5	Bolt M8 x 40	
8	0761015	15	Bolt M10 x 35	
9	0771416	4	Bolt M14 x 40	
10	0771414	4	Bolt M14 x 30	
12	0961951	2	Bushing	
13	1703162	2	Decal - Fan Blade	
14	2060025	1	Fan	
15	2220315	1	Fitting, Straight Barbed	
16	2220451	2	Fitting, Straight ORB/JIC	
17	2580062	1	Heater, Engine Block	
18	2720398	2	Hose	
20	2902065	1	Pump Coupling Kit (See Separate Breakdown in this Section)	
22	3290605	8	Nut M6	
23	3290805	6	Nut M8	
24	3291005	15	Nut M10	
25	3331211	1	Nut M12	
26	3331611	1	Nut M16	
27	3520054	2	Plug	
28	3740067	2	Relay	
29	3900357	2	Screw M6 x 16	
30	3960407	1	Gasket, Air Intake Adapter	
31	4811700	14	Washer M6	
32	4811900	10	Washer M8	
33	4812000	8	Washer M10	
34	4812300	1	Washer M16	
35	5241200	1	Washer M12	
36	5241400	8	Washer M14	
37	7300435	1	Washer	
38	8405203	1	Clamp	
39	8405204	1	Clamp	
40	8406109	1	Clip	
41	1001138173	1	Support	
42	1001138175	1	Bracket	
43	1001138248	29.6 in/ 0.7m	Tube	
44	1001139819	1	Adapter	
45	1001141995	1	Fitting, Straight NPT/Barbed	
46	1001143390	1	Indicator, Air Filter Service	
47	1001147812	1	Clamp	
48	1001147813	1	Filter, Air	
48	70004020	1	Element, Filter	
49	1001147823	1	Deutz D2011 Engine Components (See Separate Breakdown in this Section)	

SECTION 3 - ENGINE

ITEM	PART NUMBER	QTY	DESCRIPTION	REV
50	1001168018	1	Washer	
51	1001168166	2	Seal	
52	1001187082	1	Radiator	
53	1001188236	1	Engine Harness - Deutz D2011 Engines (Not Shown) (See Separate Breakdown in ELECTRICAL Section)	
54	1001188535	1	Bracket, Engine - Rear	
55	1001189026	1	Bracket, Engine - Right	
56	1001189161	1	Adapter, Fan	
57	1001203885	1	Plate	
58	1001200435	1	Tray	
59	1001191610	1	Mount, Motor	
61	1001195711	1	Hose	
62	1001197149	1	Support	
63	1001200793	1	Support	
64	1001197725	1	Spacer	
65	5241000	22	Washer M10	
66	1001234396	1	Glow Plug Harness	
67	1001201843	1	Shim .079	
68	1001201844	1	Shim .079	

SECTION 3 - ENGINE

FIGURE 3-7. DEUTZ D2011 ENGINE COMPONENTS



ART_1001147823

SECTION 3 - ENGINE

FIGURE 3-7. DEUTZ D2011 ENGINE COMPONENTS

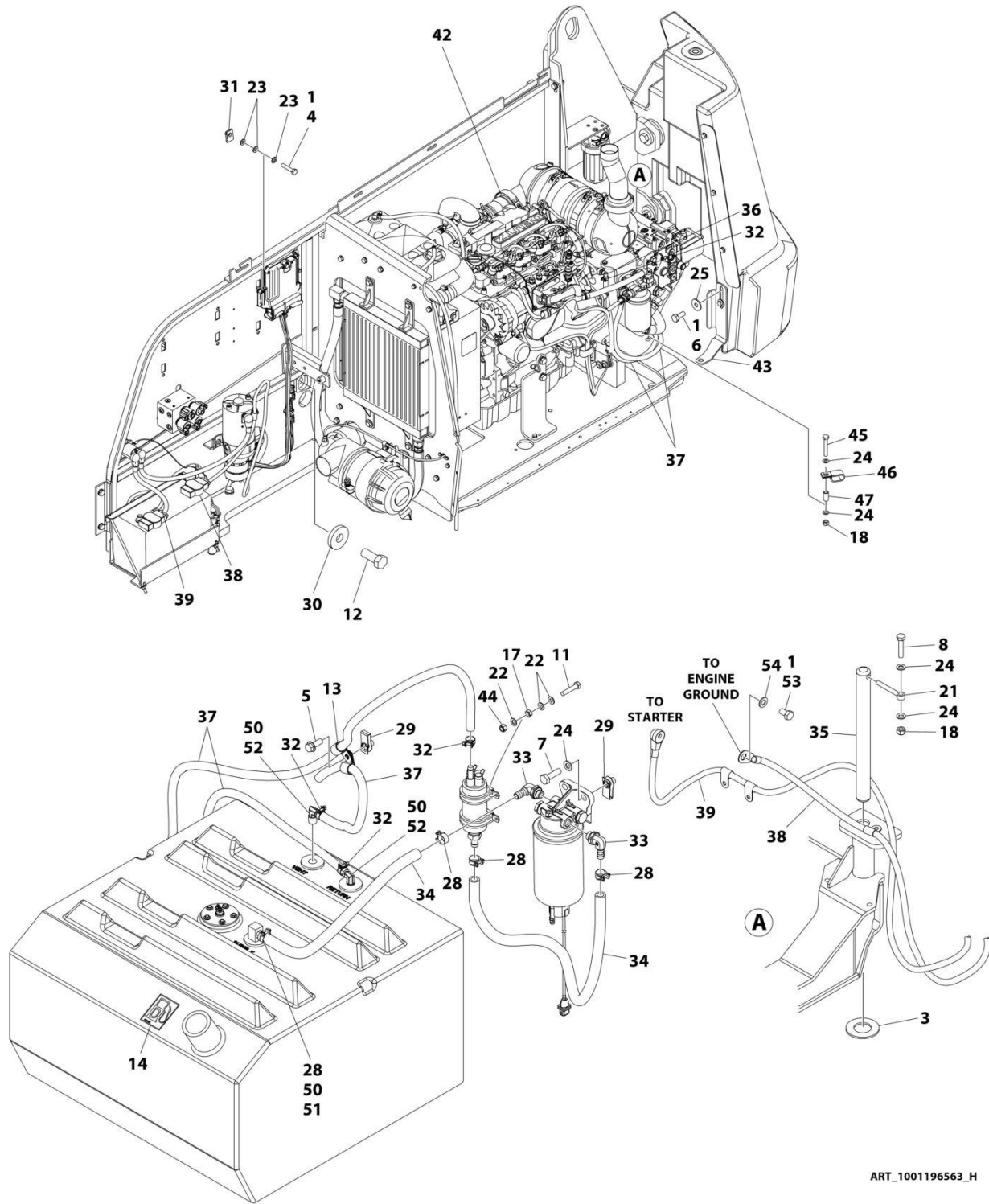
ITEM	PART NUMBER	QTY	DESCRIPTION	REV
	1001147823	Ref	ENGINE COMPONENTS	B
1	70004287	1	Dipstick	
1	70000044	1	Seal, Dipstick	
1	70001002	1	Tube, Dipstick	
1	7020403	1	Seal, Dipstick Tube	
2	7020465	2	Cap, Filler	
3	70001850	1	Pump, Oil Lube	
3	7020468	1	Seal Between Oil Pump and Engine Block (Not Shown)	
4	7016331	1	Filter, Oil	
4	70003472	1	Bracket, Oil Filter	
4	7027236	1	Sender, Temperature	
4	70025082	1	Ring, Sealing	
5	70000912	4	Series A Injector	
5	70000913	4	Series B Injector	
5	70000914	4	Series C Injector	
5	70000915	4	Series D Injector	
5	70003464	4	Seal/Gasket, Pump (1 Per Injector)	
5	70003478	4	Injector, Fuel	
5	70003136	4	Seal/Gasket, Pump (1 Per Injector)	
6	7016328	1	Filter, Fuel	
6	70003465	1	Sensor	
6	70003466	1	Seal, Sensor	
7	70000916	1	Pump, Fuel Supply	
7	70001435	1	Repair Kit for Fuel Supply Pump	
7	70000919	1	Hand Pump for Fuel Supply Pump	
7	70000917	1	O - Seal Between Fuel Pump and Engine Block	
7	70000918	1	O - Seal Between Fuel Pump and Hand Pump	
8	70001871	4	Gasket, Intake Manifold	
9	7020408	1	V-Belt	
10		Ref	Exhaust Manifold Components (Not Shown)	
10	70001835	1	Gasket, Exhaust Adapter to Exhaust Rail	
10	70001841	1	Valve, Exhaust (Fits into Exhaust Adapter)	
10	70001836	1	Gasket, Exhaust Rail to Cylinder Head	
10	70001837	1	Gasket, Exhaust Manifold to Muffler	
10	70002200	4	Stud, Mounting	
10	See Note	AR	Nut, Exhaust Manifold	
11	70004056	1	Alternator	
11	70001868	1	Regulator, Voltage (Not Shown)	
11	70001866	1	Seal, Gasket for Voltage Regulator (Not Shown)	
11	70002234	1	Bar, Alternator Adjustment	
12	7020479	1	Starter	
12	70004058	1	Relay	
13	70004060	2	Plug-In Connector	
14	7027791	1	Transmitter, Temperature	
15	7027790	1	Sensor, Oil Pressure	
16	70004272	1	Sensor, Speed	
17	7027792	1	Throttle Actuator	
17	7027276	2	Spring	
18	70003475	1	Thermostat (Located at rear of engine block - Not Shown)	
19	70001870	1	Flywheel with Ring Gear	

SECTION 3 - ENGINE

ITEM	PART NUMBER	QTY	DESCRIPTION	REV
19	7024579	1	Gear, Ring 110 Tooth	
20	7000695	1	Muffler	
20	70001844	1	U-Ciamp	
20	7020471	4	Gasket	
21	7027795	1	Module, Control	
22	70001181	1	Valve, Pressure Control	
22	70124410	1	Spring	
22	70025082	1	Seal	
22	70124440	1	Screw, Locking	
23	70000345	4	Plug, Glow	
24	70000800	1	Camshaft Pulley Repair Kit (Not Shown)	
26	70002415	1	Gasket, Head with 1 Notch (Not Shown)	
62	70002416	1	Gasket, Head with 2 Notch (Not Shown)	
26	70002417	1	Gasket, Head with 3 Notch (Not Shown)	
27	7027796	1	Harness, Engine (Connects to Item 421)	
27	70001872	1	Harness, Engine (Connects to p/n 7027796)	
28		Ref	Gaskets and Seals - Miscellaneous (Not Shown)	
28	70004289	1	Gasket Set	
28	70002718	1	Seal, Rear Main	
28	70004280	1	Seal, Front Main	
29	70025752	1	Valve, Pressure Relief (Not Shown - Located at Engine Front Left)	
29	70025753	1	Spring	
29	70005916	1	Seal	
29	70005917	1	Plug, Locking	

SECTION 3 - ENGINE

FIGURE 3-8. DEUTZ TD2.9L4 ENGINE INSTALLATION - WITHOUT ARCTIC PACKAGE



ART_1001196563_H

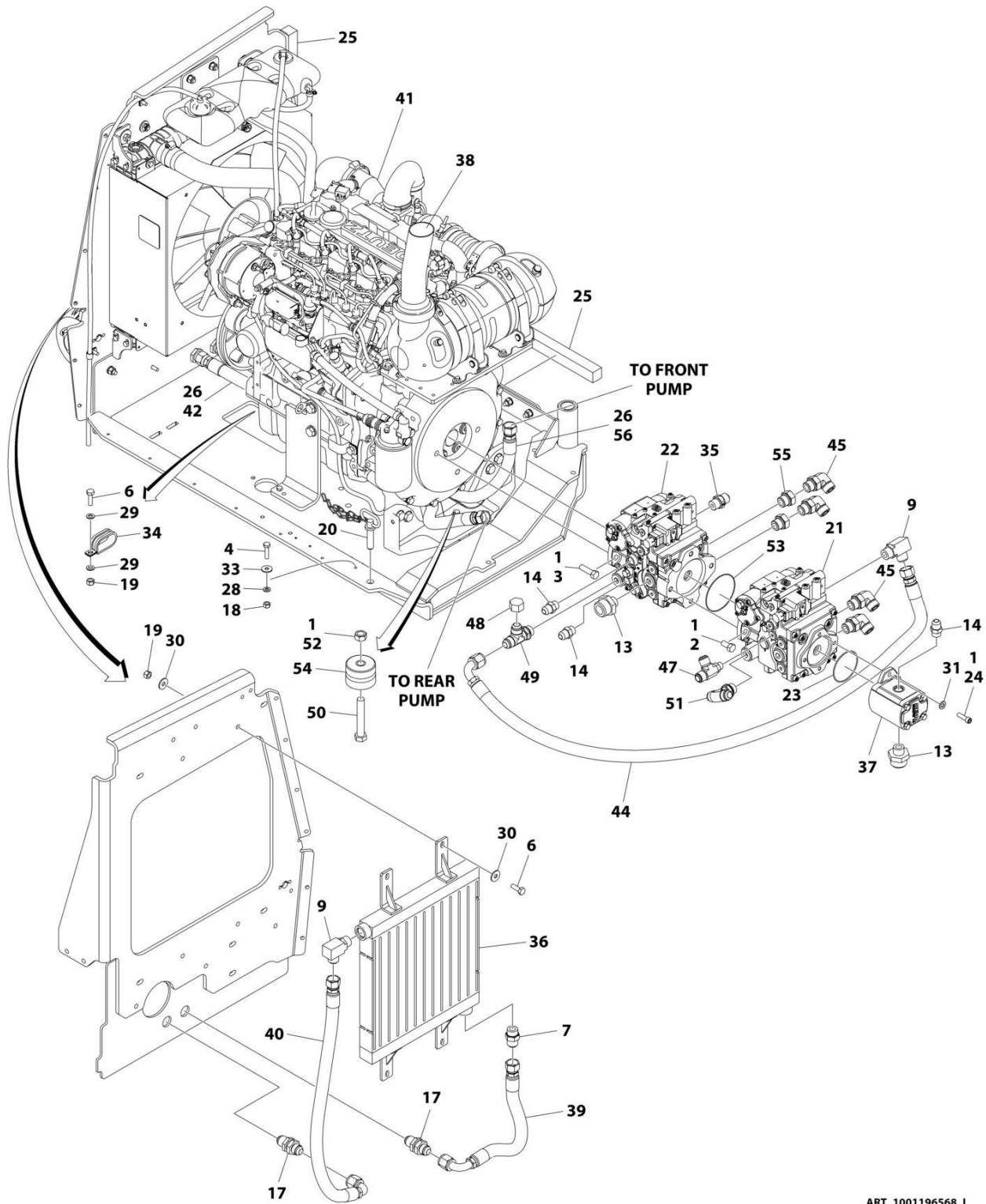
SECTION 3 - ENGINE

FIGURE 3-8. DEUTZ TD2.9L4 ENGINE INSTALLATION - WITHOUT ARCTIC PACKAGE

ITEM	PART NUMBER	QTY	DESCRIPTION	REV
	1001196563	Ref	DEUTZ TD2.9L4 ENGINE INSTALLATION	H
1	0100011	AR	Compound, Locking	
3	0440162	1	Bearing	
4	0700614	4	Bolt M6 x 30	
5	5251012	1	Bolt M10 x 25	
6	0701012	2	Bolt M10 x 25	
7	0701015	2	Bolt M10 x 35	
8	0711018	1	Bolt M10 x 50	
11	0760512	4	Bolt M5 x 25	
12	0772018	1	Bolt M20 x 50	
13	1320061	2	Clamp	
14	1701505	1	Decal - Diesel Fuel	
17	3290501	4	Nut M5	
18	3291005	2	Nut M10	
21	3841143	1	Keeper, Pin	
22	4811600	12	Washer M5	
23	4811700	12	Washer M6	
24	4812000	6	Washer M10	
25	4812002	2	Washer M10	
28	1001175568	4	Clip	
29	1001118972	3	Nut, Tinnerman M10	
30	1001119051	1	Washer	
31	1001130220	4	Nut, Tinnerman M6	
32	1001136975	5	Clamp	
33	1001142501	2	Fitting, 90 Barbed	
34	1001154405	33 in/ 0.8m	Hose	
35	1001155094	1	Pin	
36	1001155823	1	Fitting, 90 Quick Connect	
37	1001165035	27 ft/ 8.2m	Hose	
38	1001188668	1	Cable, Battery (-) to Aux Pump and Ground	
39	1001188669	1	Cable, Battery (+) to Aux Relay to Starter	
42	1001196568	1	Deutz TD2.9L4 T4F Engine and Pump Sub-Assembly (See Separate Breakdown in this Section)	
43	1001197881	1	Bracket	
44	3290505	4	Nut M5	
45	0701022	1	Bolt M10 x 70	
46	1001026127	1	Clamp	
47	1001200731	1	Tube	
48	4240099	1	Tie-Strap (Not Shown)	
49	1001190444	1	Fuel Pump Harness - Deutz TD2.9L4 Engine (Not Shown) (See Separate Breakdown in ELECTRICAL SECTION)	
50	0100020	AR	Sealant	
51	2180832	1	Fitting, Straight Barbed	
52	2220313	2	Fitting, 90 NPTF/Barb	
53	0761210	1	Bolt M12 x 20	
54	4812100	1	Washer M12	
100	1001235532	1	Battery Cable Kit (Includes Items 38 & 39) (Not Shown)	

SECTION 3 - ENGINE

FIGURE 3-9. DEUTZ TD2.9L4 ENGINE AND PUMPS SUB-ASSEMBLY - WITHOUT ARCTIC PACKAGE



ART_1001196568_I

SECTION 3 - ENGINE

FIGURE 3-9. DEUTZ TD2.9L4 ENGINE AND PUMPS SUB-ASSEMBLY - WITHOUT ARCTIC PACKAGE

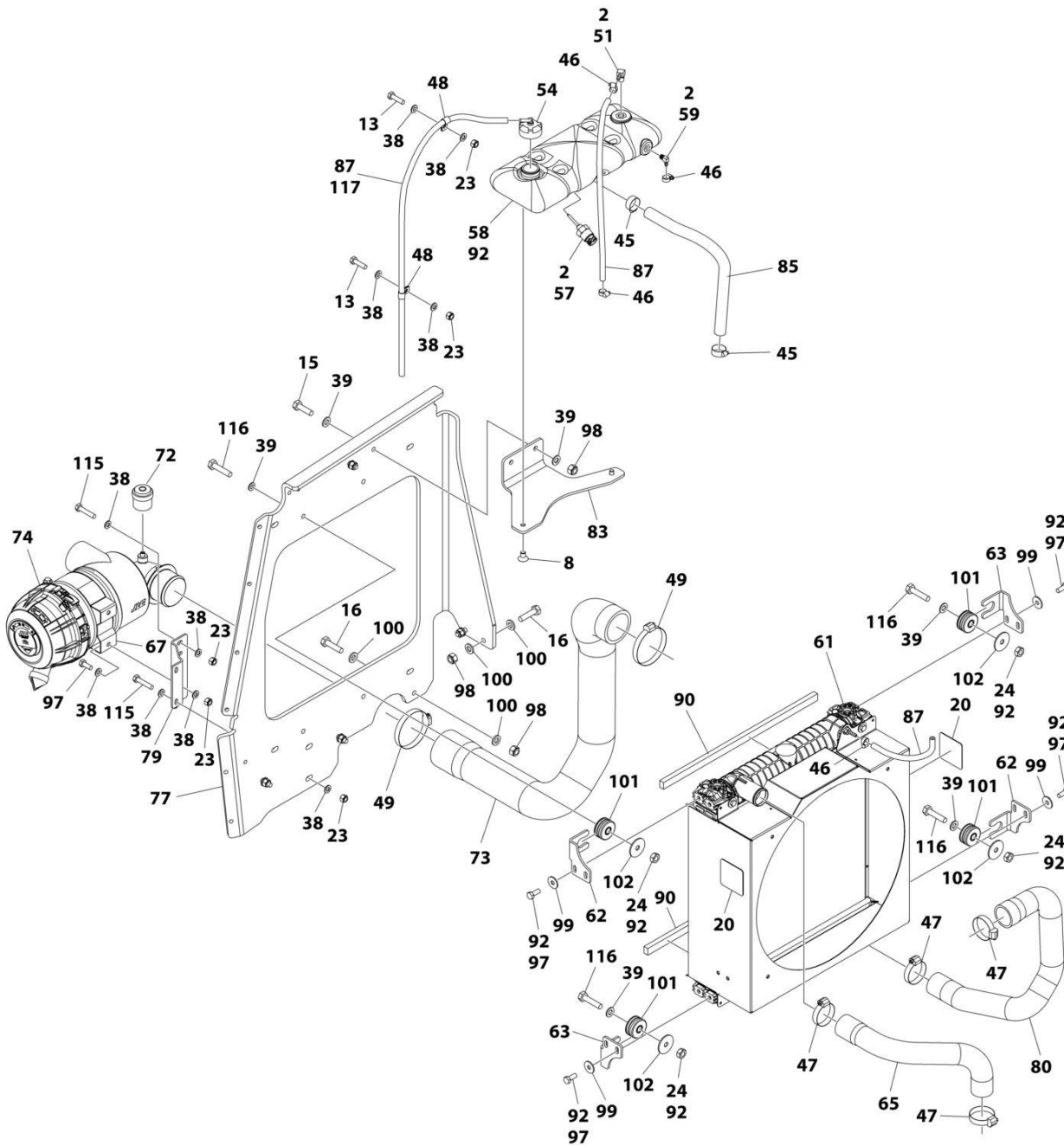
ITEM	PART NUMBER	QTY	DESCRIPTION	REV
	1001196568	Ref	DEUTZ TD2.9L4 ENGINE AND PUMPS SUB-ASSEMBLY	I
1	0100011	AR	Compound, Locking	
2	0641808	2	Bolt 1/2 x 1	
3	0641814	2	Bolt 1/2 x 1-3/4	
4	0760612	1	Bolt M6 x 25	
6	0761015	6	Bolt M10 x 35	
7	2220451	1	Fitting, Straight JIC/ORB	
9	2220578	2	Fitting, 90 JIC/ORB	
13	2220946	2	Fitting, Straight JIC/ORB	
14	2220947	3	Fitting, Straight JIC/ORB	
17	2230027	2	Fitting, Straight	
18	3290605	1	Nut M6	
19	3291005	6	Nut M10	
20	3422532	1	Pin	
21	3600359	1	Piston Pump Assembly - Rear (See Separate Breakdown in this Section)	
22	3600363	1	Piston Pump Assembly - Front (See Separate Breakdown in this Section)	
23	3790152	1	O-Ring	
24	3931620	2	Capscrew 3/8 x 1-1/4	
24	3931618	2	Capscrew 3/8 x 1-1/8	
25	3960469	2	Seal	
26	4061032	AR	Shield	
27	4240099	AR	Tie-Strap (Not Shown)	
28	4811700	1	Washer M6	
29	4812000	4	Washer M10	
30	4812002	8	Washer M10	
31	5241000	2	Washer M10	
33	4811702	1	Washer M6	
34	1001164196	2	Clamp	
35	1001179156	1	Valve, Check	
36	1001188171	1	Radiator, Oil Cooler	
37	1001190143	1	Gear Pump Assembly	
37	70006356	1	Seal Kit - 1001190143 Pump	
38	1001239207	1	Pipe, Exhaust	
39	1001195504	1	Hose	
40	1001195506	1	Hose	
41	1001186812	1	Deutz TD2.9L4 Engine Assembly (See Separate Breakdown in this Section)	
42	1001195509	1	Hose	
44	1001200216	1	Hose	
45	2131212	4	Fitting, 90 ORFS/ORB	
47	1001213814	1	Fitting, Tee JIC/ORB/JIC	
48	2220518	1	Cap	
49	2220738	1	Fitting, Tee JIC/ORB/JIC	
50	0711627	1	Bolt M16 x 100	
51	2220695	1	Fitting, Tee JIC/ORB/JIC	
52	3331611	1	Nut M16	
53	3790045	1	O-Ring	
54	1001197149	1	Mount, Engine	

SECTION 3 - ENGINE

ITEM	PART NUMBER	QTY	DESCRIPTION	REV
55	1001233450	2	Fitting, Straight ORB/ORB	
56	1001235110	1	Hose	

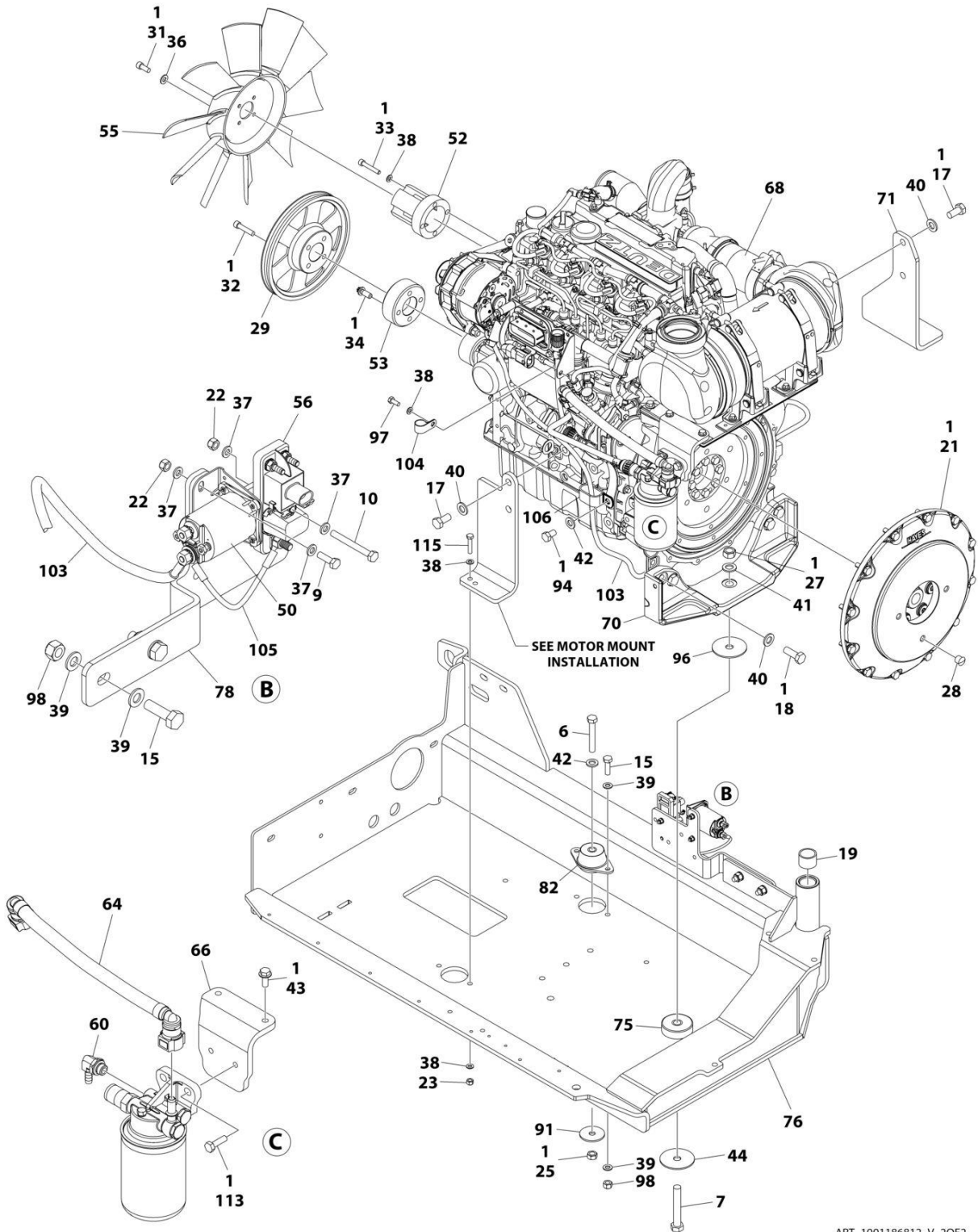
SECTION 3 - ENGINE

FIGURE 3-10. DEUTZ TD2.9L4 ENGINE ASSEMBLY - WITHOUT ARCTIC PACKAGE (PVC 2001)



ART_1001186812_V_10F2

SECTION 3 - ENGINE



ART_1001186812_V_20F2

SECTION 3 - ENGINE

FIGURE 3-10. DEUTZ TD2.9L4 ENGINE ASSEMBLY - WITHOUT ARCTIC PACKAGE (PVC 2001)

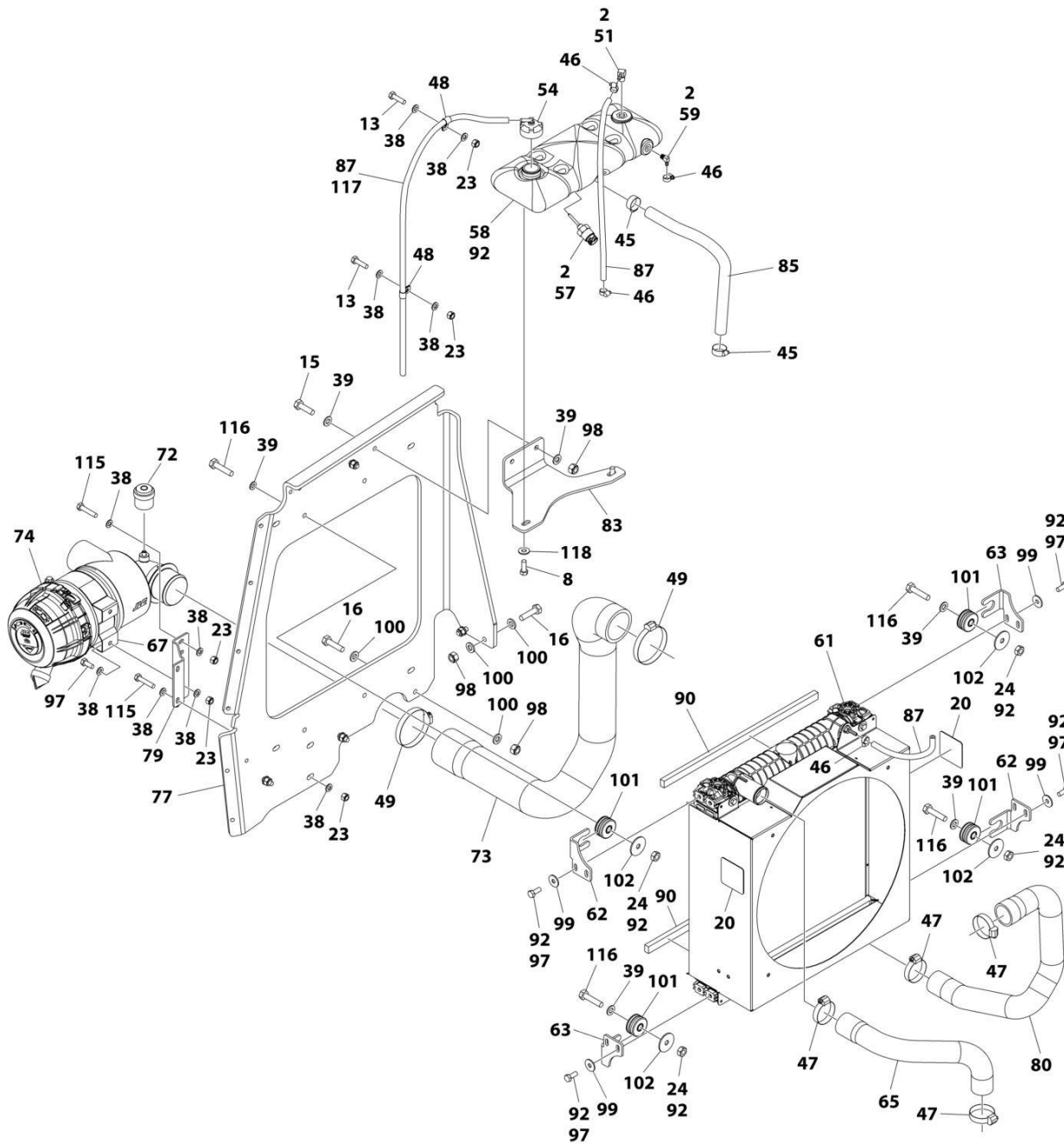
ITEM	PART NUMBER	QTY	DESCRIPTION	REV
	1001186812	Ref	DEUTZ TD2.9L4 - 67HP ENGINE ASSEMBLY	V
1	0100011	AR	Compound, Locking	
2	0100020	AR	Sealant	
6	0711224	1	Bolt M12 x 80	
7	0711627	1	Bolt M16 x 100	
8	0741605	2	Screw 3/8 x 5/8	
9	0760610	2	Bolt M6 x 20	
10	0760619	1	Bolt M6 x 55	
13	0760814	AR	Bolt M8 x 30	
15	0761015	6	Bolt M10 x 35	
16	0761016	5	Bolt M10 x 40	
17	0771414	4	Bolt M14 x 30	
18	0771416	4	Bolt M14 x 40	
19	0961951	2	Bushing	
20	1703162	2	Decal - Fan Blade	
21	2902065	1	Pump Coupling Kit (See Separate Breakdown in this Section)	
22	3290605	AR	Nut M6	
23	3290805	AR	Nut M8	
24	3291001	4	Nut M10	
25	3331211	1	Nut M12	
27	3331611	1	Nut M16	
28	3520054	1	Plug	
29	3580320	1	Pulley	
31	3931512	4	Capscrew 5/16 x 3/4	
32	3931628	4	Capscrew 3/8 x 1-3/4	
33	4031914	4	Capscrew M8 x 50	
34	4032014	4	Capscrew M10 x 50	
36	4711500	4	Washer 5/16	
37	4811700	AR	Washer M6	
38	4811900	AR	Washer M8	
39	4812000	20	Washer M10	
40	5241400	8	Washer M14	
41	4812300	1	Washer M16	
42	5241200	2	Washer M12	
43	5250810	2	Bolt M8 x 20	
44	7300435	1	Washer	
45	8405007	2	Clamp	
46	8405009	4	Clamp	
47	8405104	4	Clamp	
48	8406109	AR	Clip	
49	8410011	2	Clamp	
50	1001117308	1	Contactactor	
51	1001134488	1	Fitting, 90 Barbed (Part of Item 58)	
52	1001135138	1	Adapter, Fan	
53	1001135679	1	Adapter	
54	1001136834	1	Cap, Tank	
55	1001137276	1	Fan	
56	1001138228	1	Relay	
57	1001138827	1	Sensor, Coolant Level (Part of Item 58)	
58	1001230635	1	Tank, Surge (Include Items 51, 57 & 59)	

SECTION 3 - ENGINE

ITEM	PART NUMBER	QTY	DESCRIPTION	REV
59	1001140564	1	Fitting, 90 Barbed (Part of Item 58)	
60	1001152489	1	Fitting, 90 Barbed	
61	1001167042	1	Radiator	
62	1001169967	2	Bracket	
63	1001170035	2	Bracket	
64	1001177359	1	Hose	
65	1001177844	1	Hose, Radiator (Top)	
66	1001231805	1	Mount	
67	1001186426	1	Clamp, Air Cleaner	
68	1001249943	1	Deutz TD2.9L4 - 67HP Engine (See Separate Breakdown in this Section)	
69	1001233895	1	Engine Harness - Deutz TD2.9L4 - 67HP Engines (Not Shown) (See Separate Breakdown in ELECTRICAL Section)	
70	1001188535	1	Bracket, Engine - Rear	
71	1001189026	1	Bracket, Engine - Right	
72	1001166716	1	Restriction, Indicator	
73	1001189913	1	Hose	
74	1001189979	1	Filter, Air	
74	70005008	1	Element, Filter	
75	1001190164	1	Mount, Motor	
76	1001200745	1	Tray	
77	1001229091	1	Support, Radiator	
78	1001203885	1	Plate	
79	1001190942	1	Support	
80	1001191025	1	Hose, Radiator (Bottom)	
82	1001191610	1	Mount, Motor	
83	1001192400	1	Bracket	
85	1001193049	1	Hose	
87	2720015	AR	Hose	
90	1001168166	2	Seal	
91	1001168018	1	Washer	
92	1001180620	AR	Adhesive	
94	0761210	1	Bolt M12 x 20	
96	1001197725	1	Spacer	
97	0760810	11	Bolt M8 x 20	
98	3291005	11	Nut M10	
99	4811902	8	Washer M8	
100	5241000	10	Washer M10	
101	1001169054	4	Isolator	
102	1001169138	4	Pad, Snubbing	
103	1001190442	1	Harness, Alternator Power	
103	1001098764	1	Boot - Red	
104	1320202	1	Clamp	
105	1001141304	1	Harness, Glow Fuse	
106	1001181899	1	Clamp	
108	4240099	1	Tie-Strap (Not Shown)	
113	5251012	2	Bolt M10 x 25	
115	0760816	3	Bolt M8 x 40	
116	0761017	4	Bolt M10 x 45	
117	1001138248	4 ft/1.25m	Tube	

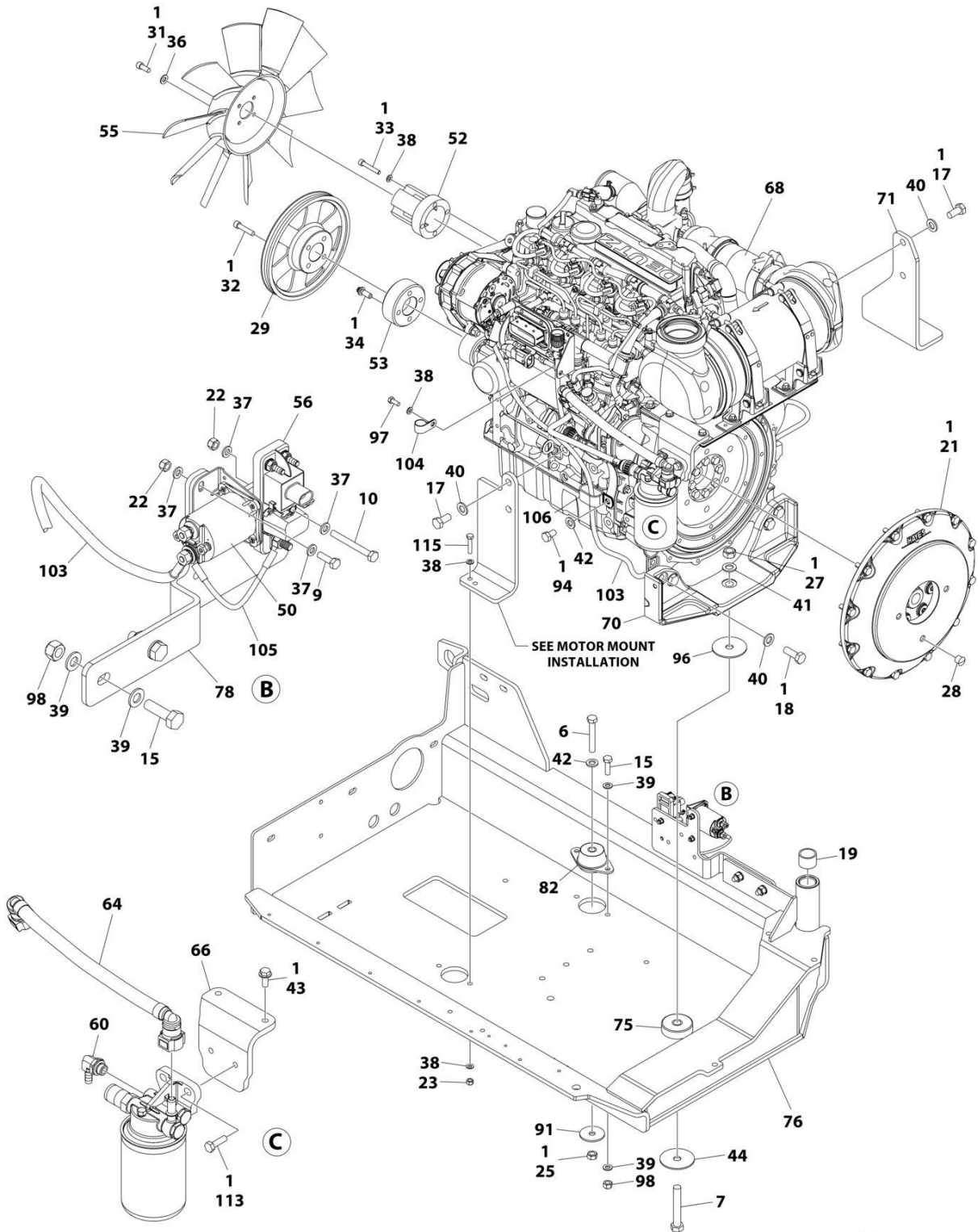
SECTION 3 - ENGINE

FIGURE 3-11. DEUTZ TD2.9L4 ENGINE ASSEMBLY - WITHOUT ARCTIC PACKAGE (PVC 2007)



ART_1001186812_Y_10F2

SECTION 3 - ENGINE



ART_1001186812_Y_2OF2

SECTION 3 - ENGINE

FIGURE 3-11. DEUTZ TD2.9L4 ENGINE ASSEMBLY - WITHOUT ARCTIC PACKAGE (PVC 2007)

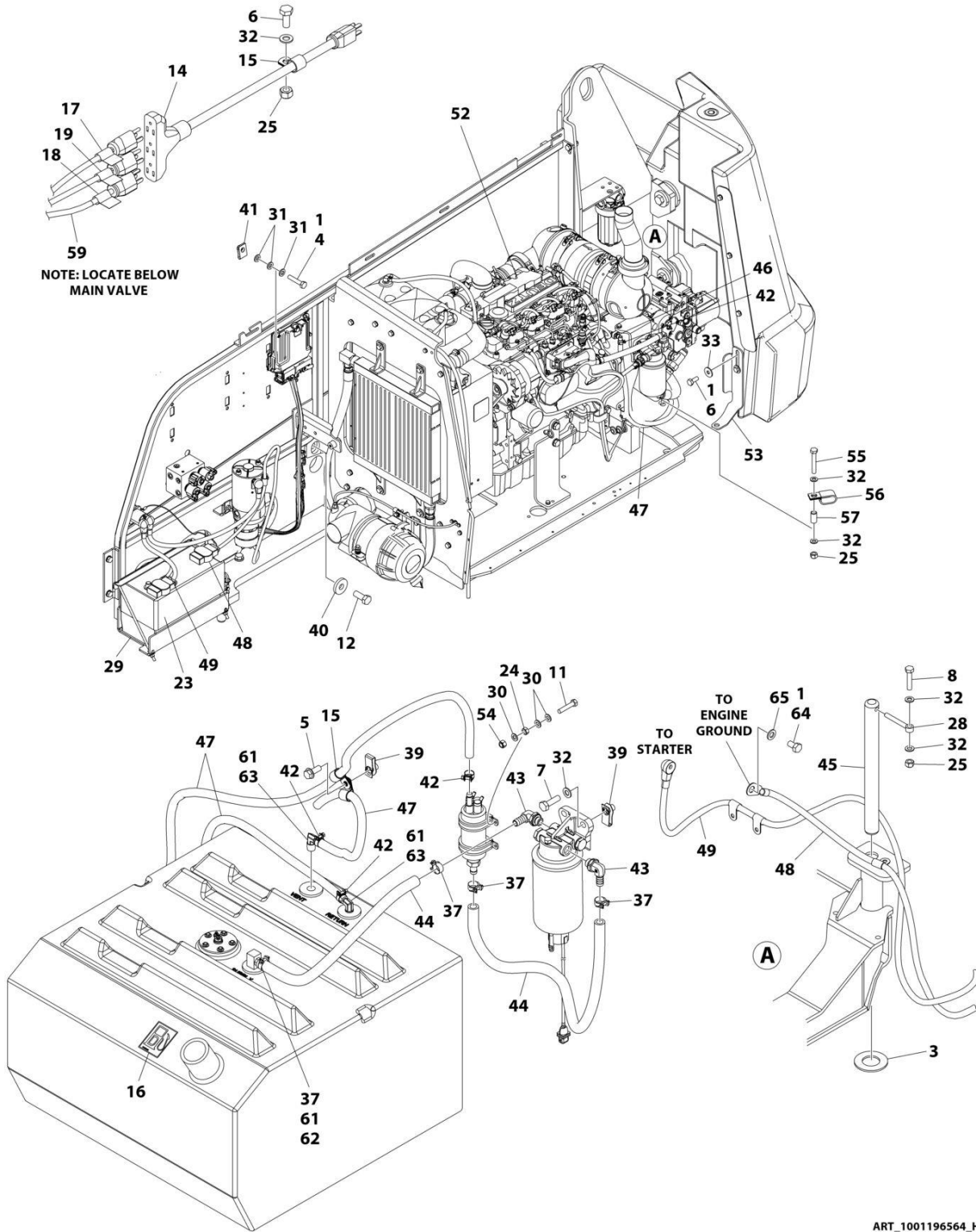
ITEM	PART NUMBER	QTY	DESCRIPTION	REV
	1001186812	Ref	DEUTZ TD2.9L4 - 67HP ENGINE ASSEMBLY	Y
1	0100011	AR	Compound, Locking	
2	0100020	AR	Sealant	
6	0711224	1	Bolt M12 x 80	
7	0711627	1	Bolt M16 x 100	
8	0681608	2	Bolt 3/8 x 1	
9	0760610	2	Bolt M6 x 20	
10	0760619	1	Bolt M6 x 55	
13	0760814	AR	Bolt M8 x 30	
15	0761015	6	Bolt M10 x 35	
16	0761016	5	Bolt M10 x 40	
17	0771414	4	Bolt M14 x 30	
18	0771416	4	Bolt M14 x 40	
19	0961951	2	Bushing	
20	1703162	2	Decal - Fan Blade	
21	2902065	1	Pump Coupling Kit (See Separate Breakdown in this Section)	
22	3290605	AR	Nut M6	
23	3290805	AR	Nut M8	
24	3291001	4	Nut M10	
25	3331211	1	Nut M12	
27	3331611	1	Nut M16	
28	3520054	1	Plug	
29	3580320	1	Pulley	
31	3931512	4	Capscrew 5/16 x 3/4	
32	3931628	4	Capscrew 3/8 x 1-3/4	
33	4031914	4	Capscrew M8 x 50	
34	4032014	4	Capscrew M10 x 50	
36	4711500	4	Washer 5/16	
37	4811700	AR	Washer M6	
38	4811900	AR	Washer M8	
39	4812000	20	Washer M10	
40	5241400	8	Washer M14	
41	4812300	1	Washer M16	
42	5241200	2	Washer M12	
43	5250810	2	Bolt M8 x 20	
44	7300435	1	Washer	
45	8405007	2	Clamp	
46	8405009	4	Clamp	
47	8405104	4	Clamp	
48	8406109	AR	Clip	
49	8410011	2	Clamp	
50	1001117308	1	Contactactor	
51	1001134488	1	Fitting, 90 Barbed (Part of Item 58)	
52	1001135138	1	Adapter, Fan	
53	1001135679	1	Adapter	
54	1001136834	1	Cap, Tank	
55	1001137276	1	Fan	
56	1001138228	1	Relay	
57	1001138827	1	Sensor, Coolant Level (Part of Item 58)	
58	1001230635	1	Tank, Surge (Include Items 51, 57 & 59)	

SECTION 3 - ENGINE

ITEM	PART NUMBER	QTY	DESCRIPTION	REV
59	1001140564	1	Fitting, 90 Barbed (Part of Item 58)	
60	1001152489	1	Fitting, 90 Barbed	
61	1001167042	1	Radiator	
62	1001169967	2	Bracket	
63	1001170035	2	Bracket	
64	1001177359	1	Hose	
65	1001177844	1	Hose, Radiator (Top)	
66	1001231805	1	Mount	
67	1001186426	1	Clamp, Air Cleaner	
68	1001249943	1	Deutz TD2.9L4 - 67HP Engine (See Separate Breakdown in this Section)	
69	1001233895	1	Engine Harness - Deutz TD2.9L4 - 67HP Engines (Not Shown) (See Separate Breakdown in ELECTRICAL Section)	
70	1001188535	1	Bracket, Engine - Rear	
71	1001189026	1	Bracket, Engine - Right	
72	1001166716	1	Restriction, Indicator	
73	1001189913	1	Hose	
74	1001189979	1	Filter, Air	
74	70005008	1	Element, Filter	
75	1001190164	1	Mount, Motor	
76	1001200745	1	Tray	
77	1001229091	1	Support, Radiator	
78	1001203885	1	Plate	
79	1001190942	1	Support	
80	1001191025	1	Hose, Radiator (Bottom)	
82	1001191610	1	Mount, Motor	
83	1001192400	1	Bracket	
85	1001193049	1	Hose	
87	2720015	AR	Hose	
90	1001168166	2	Seal	
91	1001168018	1	Washer	
92	1001180620	AR	Adhesive	
94	0761210	1	Bolt M12 x 20	
96	1001197725	1	Spacer	
97	0760810	11	Bolt M8 x 20	
98	3291005	11	Nut M10	
99	4811902	8	Washer M8	
100	5241000	10	Washer M10	
101	1001169054	4	Isolator	
102	1001169138	4	Pad, Snubbing	
103	1001190442	1	Harness, Alternator Power	
103	1001098764	1	Boot - Red	
104	1320202	1	Clamp	
105	1001141304	1	Harness, Glow Fuse	
106	1001181899	1	Clamp	
108	4240099	1	Tie-Strap (Not Shown)	
113	5251012	2	Bolt M10 x 25	
115	0760816	3	Bolt M8 x 40	
116	0761017	4	Bolt M10 x 45	
117	1001138248	4 ft/1.25m	Tube	
118	4751600	2	Washer 3/8	

SECTION 3 - ENGINE

FIGURE 3-12. DEUTZ TD2.9L4 ENGINE INSTALLATION - WITH ARCTIC PACKAGE



SECTION 3 - ENGINE

FIGURE 3-12. DEUTZ TD2.9L4 ENGINE INSTALLATION - WITH ARCTIC PACKAGE

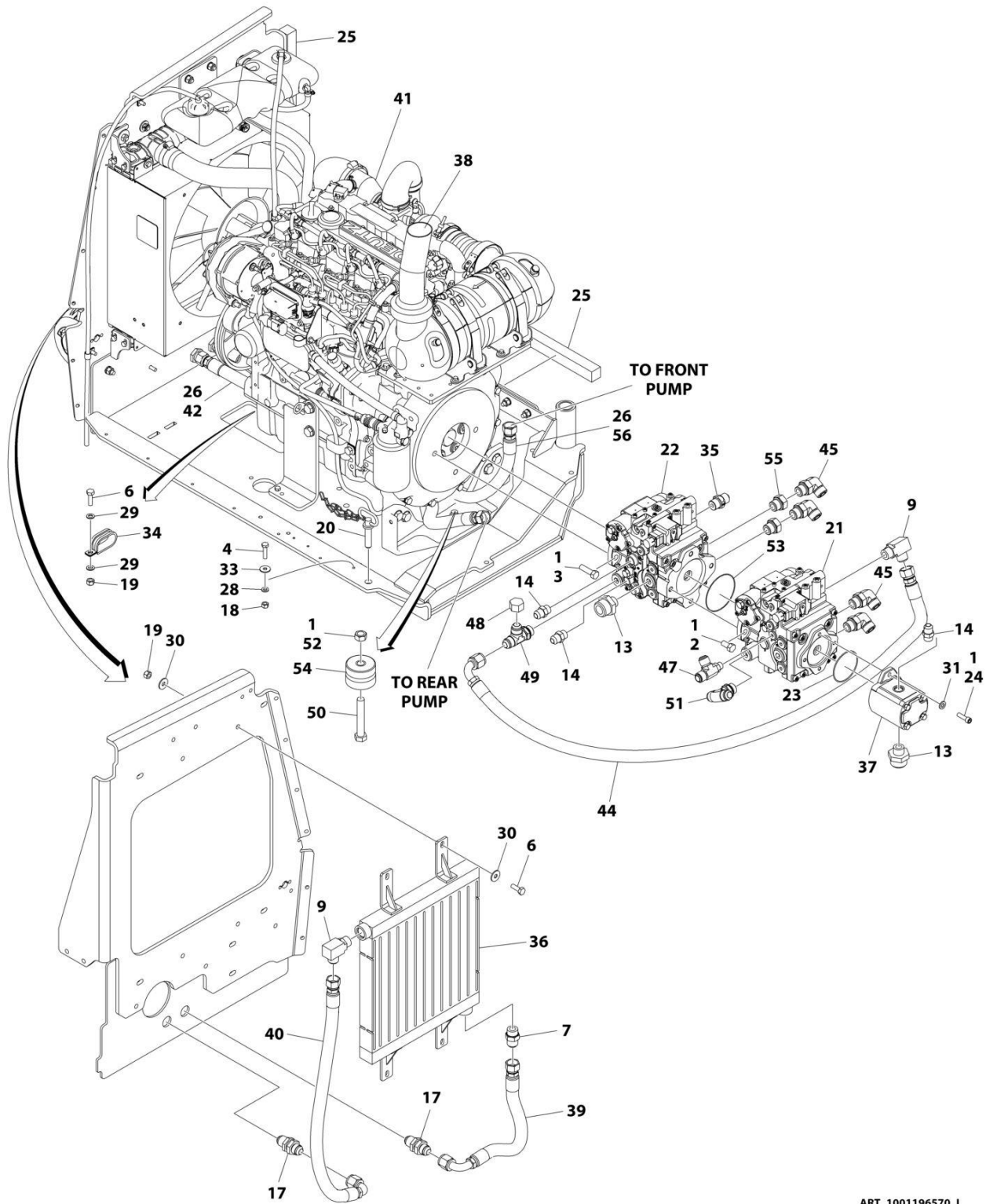
ITEM	PART NUMBER	QTY	DESCRIPTION	REV
	1001196564	Ref	DEUTZ TD2.9L4 ENGINE INSTALLATION	H
1	0100011	AR	Compound, Locking	
3	0440162	1	Bearing	
4	0700614	4	Bolt M6 x 30	
5	5251012	1	Bolt M10 x 25	
6	0701012	3	Bolt M10 x 25	
7	0701015	2	Bolt M10 x 35	
8	0711018	1	Bolt M10 x 50	
11	0760512	4	Bolt M5 x 25	
12	0772018	1	Bolt M20 x 50	
14	1060626	1	Plug, 3 Way	
15	1320061	3	Clamp	
16	1701505	1	Decal - Diesel Fuel	
17	1702941	1	Decal - Battery Heater	
18	1702942	1	Decal - Engine Block Heater	
19	1702943	1	Decal - Hydraulic Tank Heater	
23	2580024	1	Heater, Battery	
24	3290501	4	Nut M5	
25	3291005	3	Nut M10	
28	3841143	1	Keeper, Pin	
29	3980007	1	Seat, Battery	
30	4811600	12	Washer M5	
31	4811700	12	Washer M6	
32	4812000	7	Washer M10	
33	4812002	2	Washer M10	
37	1001175568	4	Clip	
38	1001188972	1	Heater, Immersion (Not Shown - Located on Hydraulic Tank)	
39	1001118972	3	Nut, Tinnerman M10	
40	1001119051	1	Washer	
41	1001130220	4	Nut, Tinnerman M6	
42	1001136975	5	Clamp	
43	1001142501	2	Fitting, 90 Barbed	
44	1001154405	33 in/ 0.8m	Hose	
45	1001155094	1	Pin	
46	1001155823	1	Fitting, 90 Quick Connect	
47	1001165035	27 ft/ 8.2m	Hose	
48	1001188668	1	Cable, Battery (-) to Aux Pump and Ground	
49	1001188669	1	Cable, Battery (+) to Aux Relay to Starter	
52	1001196570	1	Deutz TH2.9L4 Engine and Pumps Sub-Assembly (See Separate Breakdown in this Section)	
53	1001197881	1	Bracket	
54	3290505	4	Nut M5	
55	0701022	1	Bolt M10 x 70	
56	1001026127	1	Clamp	
57	1001200731	1	Tube	
58	4240099	1	Tie-Strap (Not Shown)	
59	1001150918	1	Cable, Extension	
60	1001190444	1	Engine Harness - Deutz TD2.9L4 Engines (Not Shown) (See	

SECTION 3 - ENGINE

ITEM	PART NUMBER	QTY	DESCRIPTION	REV
61	0100020	AR	Separate Breakdown in ELECTRICAL SECTION) Sealant	
62	2180832	1	Fitting, Straight Barbed	
63	2220313	2	Fitting, 90 NPTF/Barb	
64	0761210	1	Bolt M12 x 20	
65	4812100	1	Washer M12	
66	1001233763	1	Deutz Breather Heater Installation (Not Shown - See Separate Breakdown in this Section)	
66	4240099	AR	Tie-Strap	
66	1001196634	1	Fuse 2amp	
66	1001232842	1	Heater, Deutz Breather Kit	
66	2400060	1	Fuse, Holder	
100	1001235532	1	Battery Cable Kit (Includes Items 48 & 49) (Not Shown)	

SECTION 3 - ENGINE

FIGURE 3-13. DEUTZ TD2.9L4 ENGINE AND PUMPS SUB-ASSEMBLY - WITH ARCTIC PACKAGE



ART_1001196570_1

SECTION 3 - ENGINE

FIGURE 3-13. DEUTZ TD2.9L4 ENGINE AND PUMPS SUB-ASSEMBLY - WITH ARCTIC PACKAGE

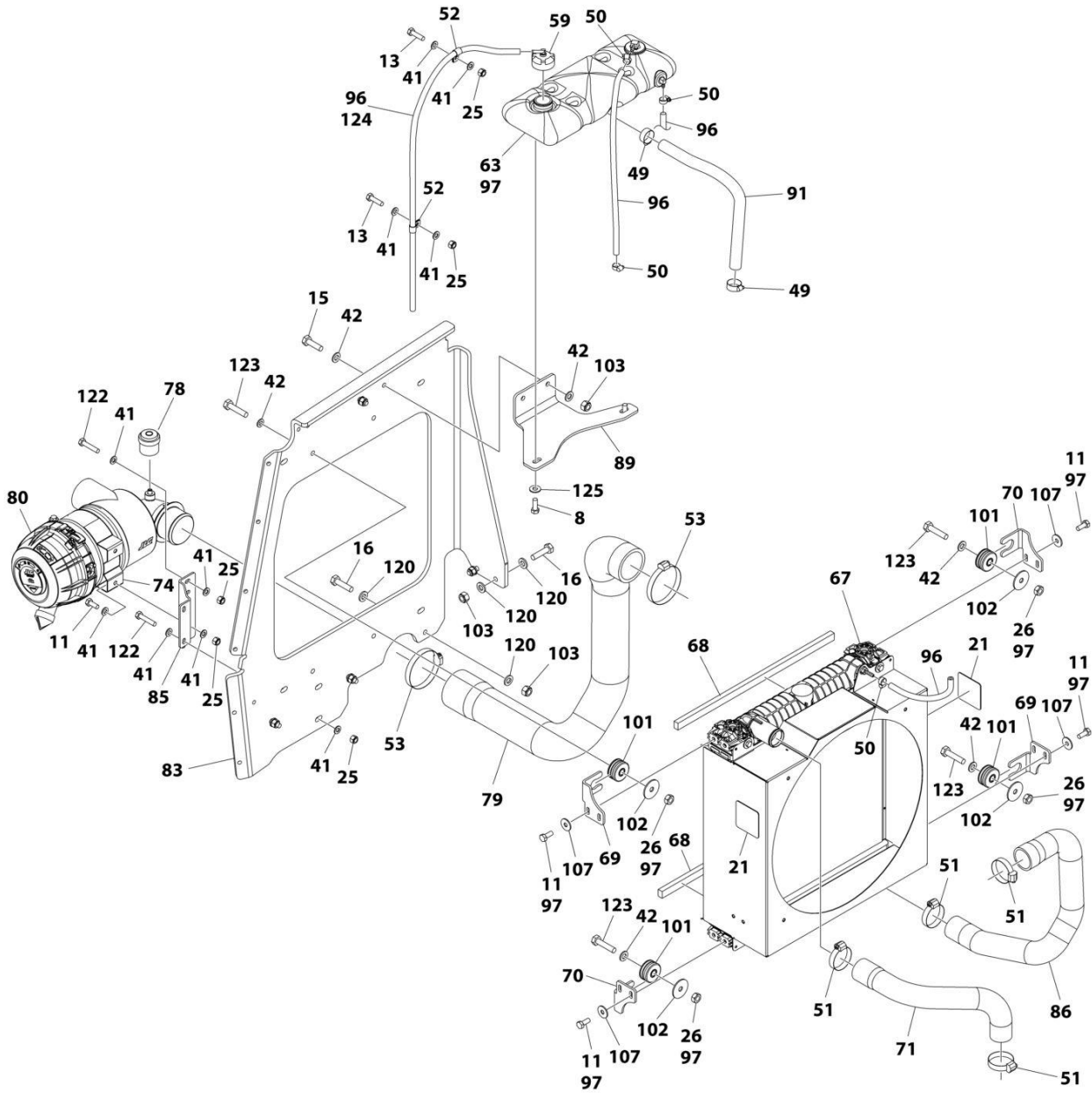
ITEM	PART NUMBER	QTY	DESCRIPTION	REV
	1001196570	Ref	DEUTZ TD2.9L4 ENGINE AND PUMPS SUB-ASSEMBLY	I
1	0100011	AR	Compound, Locking	
2	0641808	2	Bolt 1/2 x 1	
3	0641814	2	Bolt 1/2 x 1-3/4	
4	0760612	1	Bolt M6 x 25	
6	0761015	6	Bolt M10 x 35	
7	2220451	1	Fitting, Straight JIC/ORB	
9	2220578	2	Fitting, 90 JIC/ORB	
13	2220946	2	Fitting, Straight JIC/ORB	
14	2220947	3	Fitting, Straight JIC/ORB	
17	2230027	2	Fitting, Straight	
18	3290605	1	Nut M6	
19	3291005	6	Nut M10	
20	3422532	1	Pin	
21	3600359	1	Piston Pump Assembly - Rear (See Separate Breakdown in this Section)	
22	3600363	1	Piston Pump Assembly - Front (See Separate Breakdown in this Section)	
23	3790152	1	O-Ring	
24	3931618	2	Capscrew 3/8 x 1-1/8	
25	3960469	2	Seal	
26	4061032	AR	Shield	
27	4240099	AR	Tie-Strap (Not Shown)	
28	4811700	1	Washer M6	
29	4812000	4	Washer M10	
30	4812002	8	Washer M10	
31	5241000	2	Washer M10	
33	4811702	1	Washer M6	
34	1001164196	2	Clamp	
35	1001179156	1	Valve, Check	
36	1001188171	1	Radiator, Oil Cooler	
37	1001190143	1	Gear Pump Assembly	
37	70006356	1	Seal Kit - 1001190143 Pump	
38	1001239207	1	Pipe, Exhaust	
39	1001195504	1	Hose	
40	1001195506	1	Hose	
41	1001186814	1	Deutz TD2.9L4 Engine Assembly (See Separate Breakdown in this Section)	
42	1001195509	1	Hose	
44	1001200216	1	Hose	
45	2131212	4	Fitting, 90 ORFS/ORB	
47	1001213814	1	Fitting, Tee JIC/ORB/JIC	
48	2220518	1	Cap	
49	2220738	1	Fitting, Tee JIC/ORB/JIC	
50	0711627	1	Bolt M16 x 100	
51	2220695	1	Fitting, Tee JIC/ORB/JIC	
52	3331611	1	Nut M16	
53	3790045	1	O-Ring	
54	1001197149	1	Mount	
55	1001233450	2	Fitting, Straight ORB/ORB	

SECTION 3 - ENGINE

ITEM	PART NUMBER	QTY	DESCRIPTION	REV
56	1001235110	1	Hose	

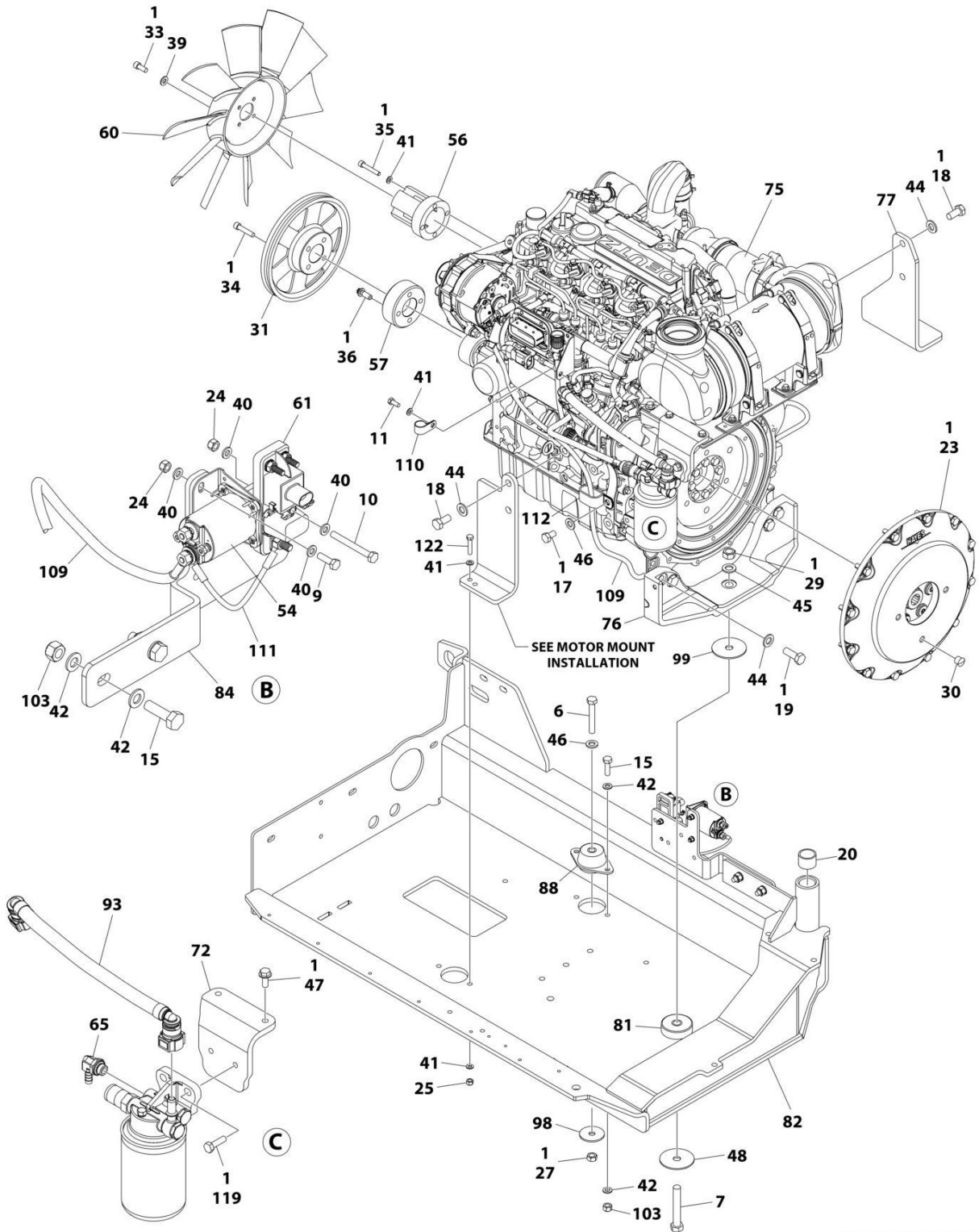
SECTION 3 - ENGINE

FIGURE 3-14. DEUTZ TD2.9L4 ENGINE ASSEMBLY - WITH ARCTIC PACKAGE (PVC 2001)



ART_1001186814_W_10F2

SECTION 3 - ENGINE



ART_1001186814_W_20F2

SECTION 3 - ENGINE

FIGURE 3-14. DEUTZ TD2.9L4 ENGINE ASSEMBLY - WITH ARCTIC PACKAGE (PVC 2001)

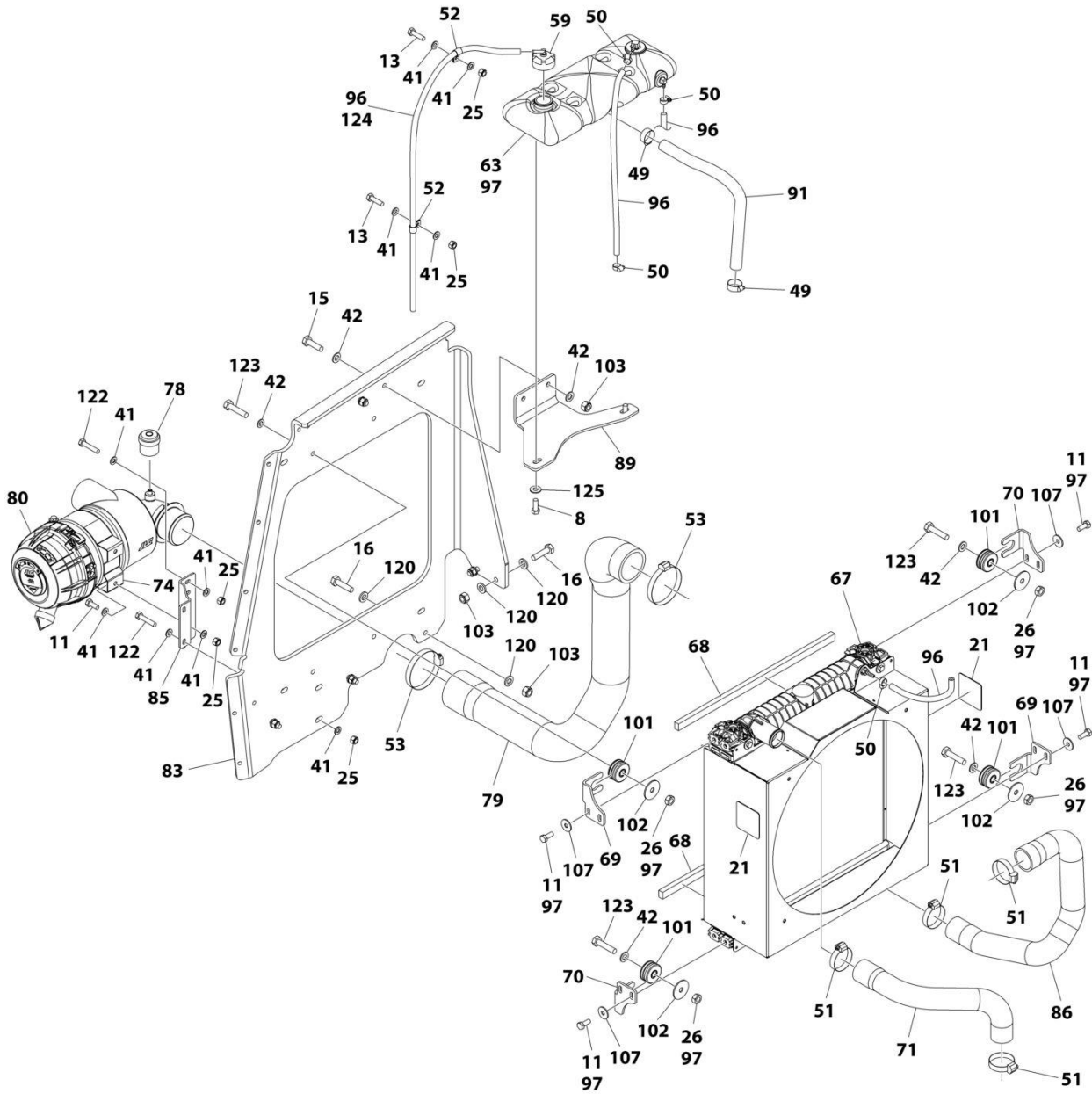
ITEM	PART NUMBER	QTY	DESCRIPTION	REV
	1001186814	Ref	DEUTZ TD2.9L4 - 67HP ENGINE ASSEMBLY	W
1	0100011	AR	Compound, Locking	
6	0711224	1	Bolt M12 x 80	
7	0711627	1	Bolt M16 x 100	
8	0681608	2	Bolt 3/8 x 1	
9	0760610	2	Bolt M6 x 20	
10	0760619	1	Bolt M6 x 55	
11	0760810	11	Bolt M8 x 20	
13	0760814	AR	Bolt M8 x 30	
15	0761015	6	Bolt M10 x 35	
16	0761016	5	Bolt M10 x 40	
17	0761210	1	Bolt M12 x 20	
18	0771414	4	Bolt M14 x 30	
19	0771416	4	Bolt M14 x 40	
20	0961951	2	Bushing	
21	1703162	2	Decal - Fan Blade	
23	2902065	1	Pump Coupling Kit (See Separate Breakdown in this Section)	
24	3290605	AR	Nut M6	
25	3290805	AR	Nut M8	
26	3291001	4	Nut M10	
27	3331211	1	Nut M12	
29	3331611	1	Nut M16	
30	3520054	1	Plug	
31	3580320	1	Pulley	
33	3931512	4	Capscrew 5/16 x 3/4	
34	3931628	4	Capscrew 3/8 x 1-3/4	
35	4031914	4	Capscrew M8 x 50	
36	4032014	4	Capscrew M10 x 50	
39	4711500	4	Washer 5/16	
40	4811700	AR	Washer M6	
41	4811900	AR	Washer M8	
42	4812000	20	Washer M10	
44	5241400	8	Washer M14	
45	4812300	1	Washer M16	
46	5241200	2	Washer M12	
47	5250810	2	Bolt M8 x 20	
48	7300435	1	Washer	
49	8405007	2	Clamp	
50	8405009	4	Clamp	
51	8405104	4	Clamp	
52	8406109	AR	Clip	
53	8410011	2	Clamp	
54	1001117308	1	Contactactor	
56	1001135138	1	Adapter	
57	1001135679	1	Adapter	
59	1001136834	1	Cap, Tank	
60	1001137276	1	Fan	
61	1001138228	1	Relay	
63	1001230635	1	Tank, Surge	
65	1001152489	1	Fitting, 90 Pipe/Barbed	

SECTION 3 - ENGINE

ITEM	PART NUMBER	QTY	DESCRIPTION	REV
67	1001167042	1	Radiator	
68	1001168166	2	Seal	
69	1001169967	2	Bracket	
70	1001170035	2	Bracket	
71	1001177844	1	Hose, Radiator (Top)	
72	1001231805	1	Mount	
74	1001186426	1	Clamp, Air Cleaner	
75	1001249943	1	Deutz TD2.9L4 - 67HP Engine (See Separate Breakdown in this Section)	
76	1001188535	1	Bracket, Engine - Rear	
77	1001189026	1	Bracket, Engine - Right	
78	1001166716	1	Restriction, Indicator	
79	1001189913	1	Hose	
80	1001189979	1	Filter, Air	
80	70005008	1	Element, Filter	
81	1001190164	1	Mount, Motor	
82	1001200745	1	Tray	
83	1001229091	1	Support, Radiator	
84	1001203885	1	Plate	
85	1001190942	1	Support	
86	1001191025	1	Hose, Radiator (Bottom)	
88	1001191610	1	Mount, Motor	
89	1001192400	1	Bracket	
91	1001193049	1	Hose	
92	1001140312	1	Heater, Engine Block	
93	1001177359	1	Hose	
94	1001233895	1	Engine Harness - Deutz TD2.9L4 - 67HP Engines (Not Shown) (See Separate Breakdown in ELECTRICAL Section)	
96	2720015	AR	Hose	
97	1001180620	AR	Adhesive	
98	1001168018	1	Washer	
99	1001197725	1	Spacer	
101	1001169054	4	Isolator	
102	1001169138	4	Pad, Snubbing	
103	3291005	11	Nut M10	
107	4811902	8	Washer M8	
108	1001181895	AR	Adhesive	
109	1001190442	1	Harness, Alternator Power	
109	1001098764	1	Boot - Red	
110	1320202	1	Clamp	
111	1001141304	1	Harness, Glow Fuse	
112	1001181899	1	Clamp	
114	4240099	3	Tie-Strap (Not Shown)	
119	5251012	2	Bolt M10 x 25	
120	5241000	10	Washer M10	
122	0760816	3	Bolt M8 x 40	
123	0761017	4	Bolt M10 x 45	
124	1001138248	4 ft/1.25m	Tube	
125	4751600	2	Washer 3/8	

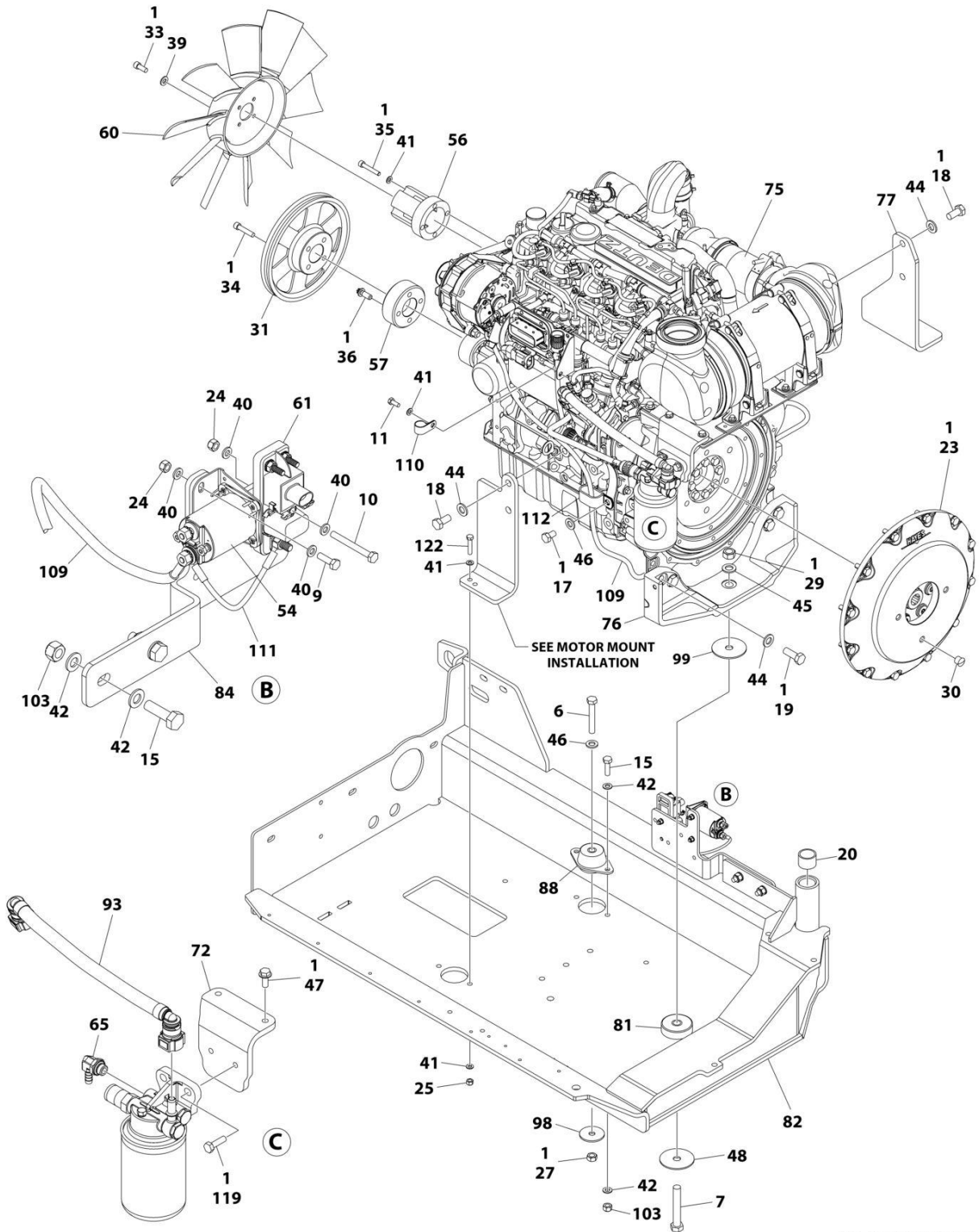
SECTION 3 - ENGINE

FIGURE 3-15. DEUTZ TD2.9L4 ENGINE ASSEMBLY - WITH ARCTIC PACKAGE (PVC 2007)



ART_1001186814_X_10F2

SECTION 3 - ENGINE



ART_1001186814_X_2OF2

SECTION 3 - ENGINE

FIGURE 3-15. DEUTZ TD2.9L4 ENGINE ASSEMBLY - WITH ARCTIC PACKAGE (PVC 2007)

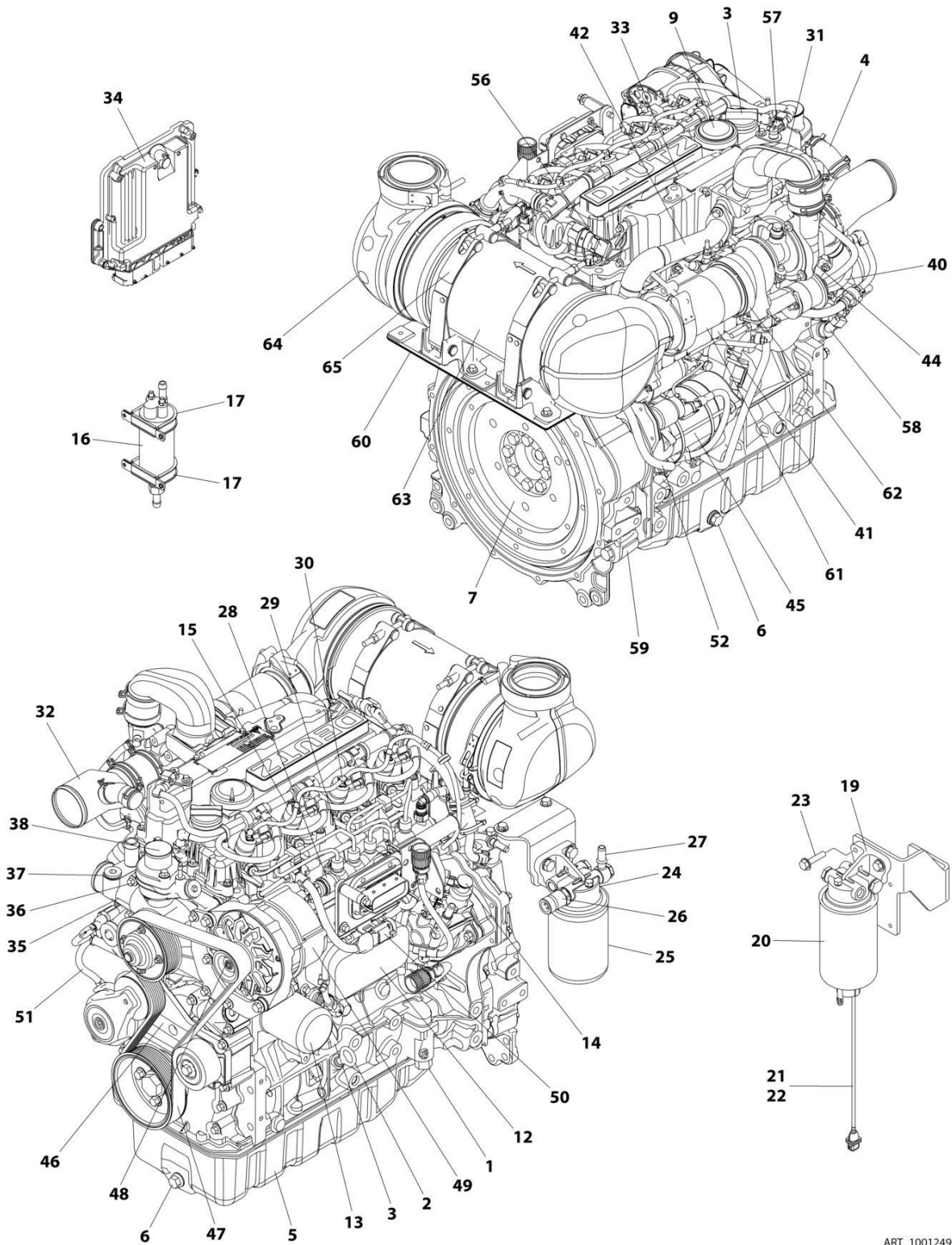
ITEM	PART NUMBER	QTY	DESCRIPTION	REV
	1001186814	Ref	DEUTZ TD2.9L4 - 67HP ENGINE ASSEMBLY	X
1	0100011	AR	Compound, Locking	
6	0711224	1	Bolt M12 x 80	
7	0711627	1	Bolt M16 x 100	
8	0681608	2	Bolt 3/8 x 1	
9	0760610	2	Bolt M6 x 20	
10	0760619	1	Bolt M6 x 55	
11	0760810	11	Bolt M8 x 20	
13	0760814	AR	Bolt M8 x 30	
15	0761015	6	Bolt M10 x 35	
16	0761016	5	Bolt M10 x 40	
17	0761210	1	Bolt M12 x 20	
18	0771414	4	Bolt M14 x 30	
19	0771416	4	Bolt M14 x 40	
20	0961951	2	Bushing	
21	1703162	2	Decal - Fan Blade	
23	2902065	1	Pump Coupling Kit (See Separate Breakdown in this Section)	
24	3290605	AR	Nut M6	
25	3290805	AR	Nut M8	
26	3291001	4	Nut M10	
27	3331211	1	Nut M12	
29	3331611	1	Nut M16	
30	3520054	1	Plug	
31	3580320	1	Pulley	
33	3931512	4	Capscrew 5/16 x 3/4	
34	3931628	4	Capscrew 3/8 x 1-3/4	
35	4031914	4	Capscrew M8 x 50	
36	4032014	4	Capscrew M10 x 50	
39	4711500	4	Washer 5/16	
40	4811700	AR	Washer M6	
41	4811900	AR	Washer M8	
42	4812000	20	Washer M10	
44	5241400	8	Washer M14	
45	4812300	1	Washer M16	
46	5241200	2	Washer M12	
47	5250810	2	Bolt M8 x 20	
48	7300435	1	Washer	
49	8405007	2	Clamp	
50	8405009	4	Clamp	
51	8405104	4	Clamp	
52	8406109	AR	Clip	
53	8410011	2	Clamp	
54	1001117308	1	Contactactor	
56	1001135138	1	Adapter	
57	1001135679	1	Adapter	
59	1001136834	1	Cap, Tank	
60	1001137276	1	Fan	
61	1001138228	1	Relay	
63	1001230635	1	Tank, Surge	
65	1001152489	1	Fitting, 90 Pipe/Barbed	

SECTION 3 - ENGINE

ITEM	PART NUMBER	QTY	DESCRIPTION	REV
67	1001167042	1	Radiator	
68	1001168166	2	Seal	
69	1001169967	2	Bracket	
70	1001170035	2	Bracket	
71	1001177844	1	Hose, Radiator (Top)	
72	1001231805	1	Mount	
74	1001186426	1	Clamp, Air Cleaner	
75	1001249943	1	Deutz TD2.9L4 - 67HP Engine (See Separate Breakdown in this Section)	
76	1001188535	1	Bracket, Engine - Rear	
77	1001189026	1	Bracket, Engine - Right	
78	1001166716	1	Restriction, Indicator	
79	1001189913	1	Hose	
80	1001189979	1	Filter, Air	
80	70005008	1	Element, Filter	
81	1001190164	1	Mount, Motor	
82	1001200745	1	Tray	
83	1001229091	1	Support, Radiator	
84	1001203885	1	Plate	
85	1001190942	1	Support	
86	1001191025	1	Hose, Radiator (Bottom)	
88	1001191610	1	Mount, Motor	
89	1001192400	1	Bracket	
91	1001193049	1	Hose	
92	1001140312	1	Heater, Engine Block	
93	1001177359	1	Hose	
94	1001233895	1	Engine Harness - Deutz TD2.9L4 - 67HP Engines (Not Shown) (See Separate Breakdown in ELECTRICAL Section)	
96	2720015	AR	Hose	
97	1001180620	AR	Adhesive	
98	1001168018	1	Washer	
99	1001197725	1	Spacer	
101	1001169054	4	Isolator	
102	1001169138	4	Pad, Snubbing	
103	3291005	11	Nut M10	
107	4811902	8	Washer M8	
108	1001181895	AR	Adhesive	
109	1001190442	1	Harness, Alternator Power	
109	1001098764	1	Boot - Red	
110	1320202	1	Clamp	
111	1001141304	1	Harness, Glow Fuse	
112	1001181899	1	Clamp	
114	4240099	3	Tie-Strap (Not Shown)	
119	5251012	2	Bolt M10 x 25	
120	5241000	10	Washer M10	
122	0760816	3	Bolt M8 x 40	
123	0761017	4	Bolt M10 x 45	
124	1001138248	4 ft/1.25m	Tube	
125	4751600	2	Washer 3/8	

SECTION 3 - ENGINE

FIGURE 3-16. DEUTZ TD2.9L4 ENGINE COMPONENTS



ART_1001249943

SECTION 3 - ENGINE

FIGURE 3-16. DEUTZ TD2.9L4 ENGINE COMPONENTS

ITEM	PART NUMBER	QTY	DESCRIPTION	REV
	1001249943	Ref	ENGINE ASSEMBLY	A
1	70006265	1	Spring	
1	70006266	1	Seal	
1	70025660	1	Plug	
1	70006264	1	Valve, Plunger	
2	70024904	1	Dipstick	
2	70024905	2	Seal	
3	7020465	1	Cap, Fill	
4	70005920	1	Line, Breather	
4	70025111	2	Clamp	
5	70025162	1	Oil Pan	
6	70005942	1	Seal	
6	70005941	1	Plug	
7	70001870	1	Flywheel	
7	7024579	1	Ring Gear	
7	70025139	8	Bolt	
8	70024906	1	Gasket, Cylinder Head (Not Shown)	
9	70005921	1	Valve Cover	
9	70025205	1	Gasket	
10		Ref	Gasket & Seal Options (Not Shown)	
10	70005938	1	Gasket Kit	
10	70005171	1	Gasket	
10	70002718	1	Seal, Rear Main	
10	70028185	1	Gasket, Front Cover	
10	70004280	1	Seal, Front Main	
11	70005172	1	Pump, Lube (Not Shown - Located RH Rear)	
11	70025125	4	Bolt	
11	70025135	1	O-Seal	
11	70005173	1	Gasket	
12	70024494	1	Cooler, Oil	
12	70024925	1	Gasket, Oil Filter	
12	70025125	6	Bolt	
13	70025137	1	Bushing, Oil Filter	
13	7016331	1	Filter, Oil	
14	70024924	1	Pump, High Pressure	
14	70024517	1	Gasket (Spacer to Block)	
14	70025104	3	Nut	
14	70025152	1	Gasket (Spacer to Pump)	
14	70004505	1	Valve, Overflow	
14	70004506	1	Gasket, Overflow	
14	70004507	1	Gasket, Overflow	
14	70004508	1	Valve, Volume Control	
14	70004509	1	Seal, Ring	
14	70004510	1	Gasket	
14	70027415	2	Bolt	
15	70025181	4	Injector	
15	70025140	4	Washer, Sealing	
15	70025146	4	Clamp	
15	70025145	4	O-Seal	
15	70025154	4	Shoe/Pad, Clamping	

SECTION 3 - ENGINE

ITEM	PART NUMBER	QTY	DESCRIPTION	REV
15	70025147	4	Bolt	
16	70006144	1	Pump, Fuel Supply	
17	70025144	2	Clip, Clamp	
18	70029393	2	Receptacle Plug (Not Shown)	
19	70024961	1	Fuel Filter Assembly	
20	1001225430	1	Element, Filter	
21	70024513	1	Cable, Sensor	
22	70025239	1	Seal, Ring	
23	70025121	4	Bolt	
24	70029451	1	Fuel Filter Assembly	
25	1001225431	1	Element, Filter	
26	70028538	1	Cable, Sensor	
26	70024920	1	O-Seal	
27	70004513	2	Seal (at Hollow Bolt)	
28	70025151	1	Rail, Fuel	
28	70028186	2	Bolt	
28	70025235	1	Repair Kit - Fuel Rail	
28	70025240	1	O-Ring	
29	70025182	1	Tube, Fuel - Cylinders 1 & 2	
29	70025183	1	Tube, Fuel - Cylinders 3 & 4	
29	70025184	1	Tube, Fuel	
30	70024502	1	Pipe, Fuel Leakage	
30	70025185	1	Hose, Fuel	
30	70025158	1	Manifold	
30	70025109	2	Clamp, Spring	
30	70025115	1	Clamp	
30	70001655	1	Bolt	
30	70025101	2	Clamp	
30	70025148	1	Connector, Plug-in	
31	70005928	1	Elbow, Air Charge	
31	70025122	2	Bolt	
32	70004501	1	Sleeve, Rubber	
32	70025112	2	Clamp	
32	70005926	1	Elbow	
33	70005176	1	O-Ring	
33	70005177	1	Gasket, Charger Air Manifold	
33	70005178	2	Bolt	
33	70005179	9	Bolt	
34	70025210	1	Module, ECU	
35	70029797	1	Pump, Coolant	
35	70025200	1	Ring, Sealing (Pump to Block)	
35	70007325	1	Gasket, Coolant Pump	
36	70025129	4	Bolt	
37	7020492	2	Ring, Sealing	
38	70005929	1	Thermostat	
38	70005184	1	O-Seal (Thermostat to Housing)	
38	70025142	1	Cover, Thermostat	
38	70025124	2	Bolt	
38	70005931	1	O-Seal (Thermostat to Pump)	
39	70004282	1	Manifold, Exhaust (Not Shown)	
39	70025130	8	Bolt, Manifold (Not Shown)	

SECTION 3 - ENGINE

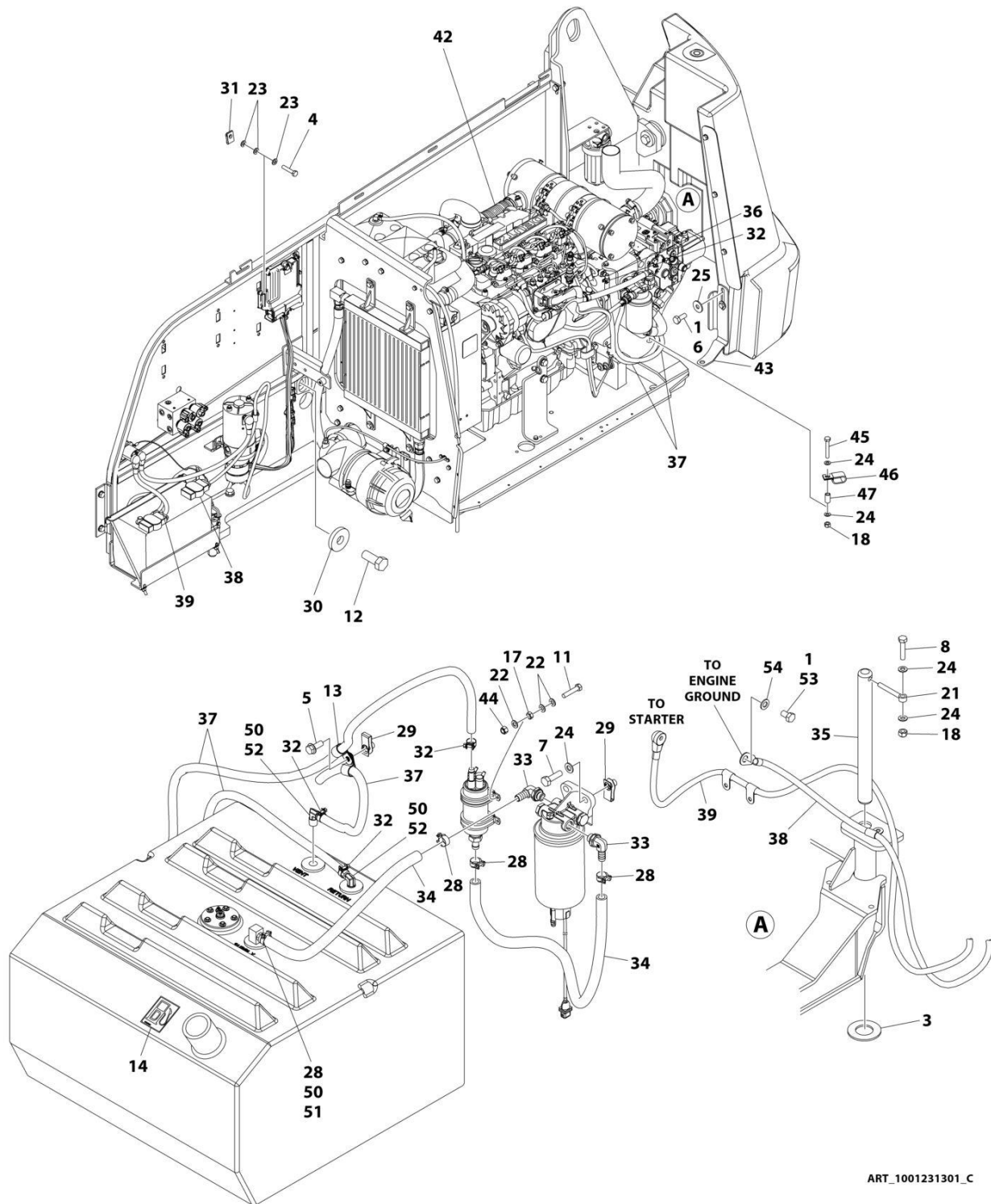
ITEM	PART NUMBER	QTY	DESCRIPTION	REV
39	70025164	1	Gasket, Manifold to Head (Not Shown)	
40	70025179	1	Gasket, Manifold to Elbow	
40	70007354	1	Gasket, Elbow End	
41	70007326	1	Gasket, EGR	
41	70007327	1	Valve, EGR Control	
41	70027428	4	Bolt	
41	70025106	4	Bolt, EGR Module	
41	70025155	2	Plug, EGR	
41	70025696	2	Bolt, EGR Valve Housing	
42	70029557	2	Gasket, Exhaust Pipe	
42	70025098	4	Bolt, Exhaust Pipe	
43	70024912	1	Gasket, Exhaust Manifold (Not Shown)	
43	70025676	4	Bolt, Exhaust Manifold (Not Shown)	
44	70004276	1	Turbocharger	
44	70024509	1	Gasket (Turbocharger to Oil Return Tube Housing)	
44	70025095	2	Bolt, Turbocharger	
44	70006294	1	O-Seal	
45	70024915	1	Starter	
45	70005647	1	Switch, Solenoid	
45	70005648	1	Relay	
45	70025099	2	Starter Bolt	
46	70028699	1	Belt Tensioner	
47	70004277	1	Belt	
48	70025733	1	Pulley, Alternator	
49	70006652	1	Generator	
49	70006653	1	Voltage, Regulator	
49	70029015	1	Fan	
49	70029402	1	Nut, Pulley	
49	70029403	1	Nut	
49	70029404	1	Washer	
50	70025231	1	Harness, Glow Plug	
50	70025233	1	Connector, Plug-in	
50	70000345	4	Glow Plug (Not Shown)	
51	70025226	1	Plug-In Connector	
51	70007086	4	Plug-In Connector	
51	70007087	5	Plug-In Connector	
51	70007088	1	Plug-In Connector	
51	70007089	1	Plug-In Connector	
51	70027440	1	Plug-In Connector	
51	70025221	2	Plug-In Connector	
51	70025327	1	Plug-In Connector	
51	70025216	1	Adapter	
51	70025215	1	Fixing, Bracket	
51	70025134	4	Screw	
51	70025165	1	Retaining Plate	
51	70025228	2	Bracket	
51	70025229	1	Wire Fastener	
51	70025217	4	Clamping Band	
51	70025224	3	Clamping Band	
51	70025225	2	Support, Cable	
51	70027446	1	Clamp, Support	

SECTION 3 - ENGINE

ITEM	PART NUMBER	QTY	DESCRIPTION	REV
51	70025214	1	Cover, Cap	
52	70025166	1	Angle, Support	
52	70001655	1	Bolt	
52	70025126	6	Bolt	
53	70028540	1	Sender, Temperature (Not Shown)	
54	70028538	1	Sensor, Pressure (Not Shown)	
54	70024920	1	O-Seal	
55	70026210	1	Tacho-Generator (Not Shown)	
55	70005191	1	Ring, Seal	
56	70005179	2	Bolt	
56	70005933	1	Adapter	
56	70005934	1	O-Seal	
56	70024507	1	Sensor, Pressure	
56	70025120	1	O-Seal	
56	70001655	2	Bolt	
57	70024922	1	Sender, Temperature	
57	70025212	1	O-Seal	
58	70025128	1	Bolt	
58	70026210	1	Sensor, Speed	
58	70024917	1	O-Seal	
59	70025192	1	Housing	
59	70025113	2	Straight, Pin	
59	70025108	4	Bolt	
60	70005935	1	Bracket	
60	70005936	4	Bolt	
61	70004504	1	Compensator	
61	70025242	1	Gasket	
62	70005527	1	Clip	
62	70029433	1	Clip	
62	70025788	1	Nut, Clip	
63	70007355	1	Inlet, Muffler	
63	70029517	1	Clip	
63	70029250	1	Gasket, Inlet	
64	70007331	1	Outlet, Muffler	
64	70029517	1	Clip	
64	70029250	1	Gasket, Outlet	
65	70029415	2	Bracket, Muffler	
65	70025098	8	Bolt	

SECTION 3 - ENGINE

FIGURE 3-17. DEUTZ TD2.9L4 ENGINE INSTALLATION - WITHOUT ARCTIC PACKAGE (CHINA SPECS ONLY)



ART_1001231301_C

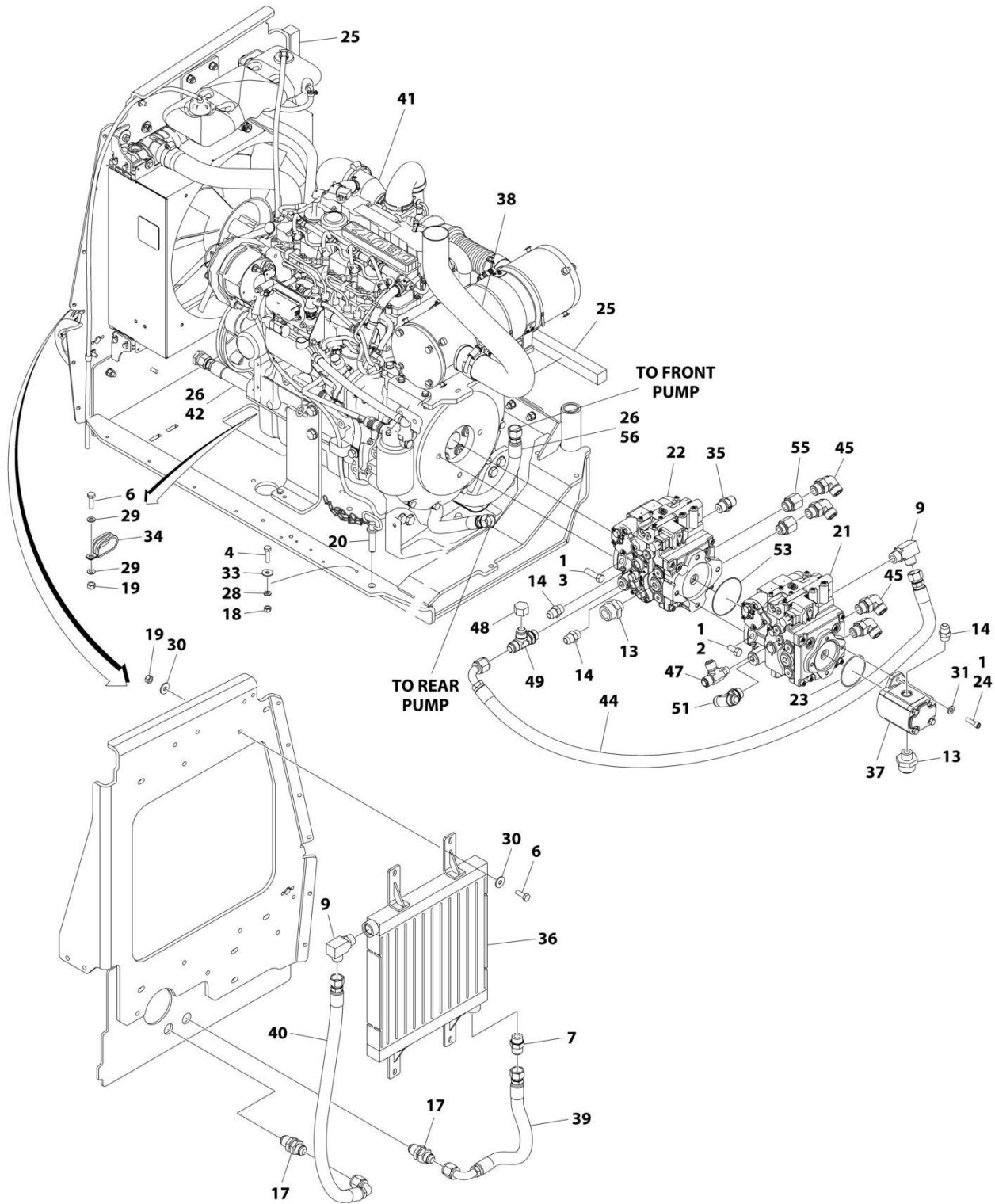
SECTION 3 - ENGINE

FIGURE 3-17. DEUTZ TD2.9L4 ENGINE INSTALLATION - WITHOUT ARCTIC PACKAGE (CHINA SPECS ONLY)

ITEM	PART NUMBER	QTY	DESCRIPTION	REV
	1001231301	Ref	DEUTZ TD2.9L4 ENGINE INSTALLATION	C
1	0100011	AR	Compound, Locking	
3	0440162	1	Bearing	
4	0700614	4	Bolt M6 x 30	
5	5251012	1	Bolt M10 x 25	
6	0701012	2	Bolt M10 x 25	
7	0701015	2	Bolt M10 x 35	
8	0711018	1	Bolt M10 x 50	
11	0760512	4	Bolt M5 x 25	
12	0772018	1	Bolt M20 x 50	
13	1320061	2	Clamp	
14	1701505	1	Decal - Diesel Fuel	
17	3290501	4	Nut M5	
18	3291005	2	Nut M10	
21	3841143	1	Keeper, Pin	
22	4811600	12	Washer M5	
23	4811700	12	Washer M6	
24	4812000	6	Washer M10	
25	4812002	2	Washer M10	
28	1001175568	4	Clip	
29	1001118972	3	Nut, Tinnerman M10	
30	1001119051	1	Washer	
31	1001130220	4	Nut, Tinnerman M6	
32	1001136975	5	Clamp	
33	1001142501	2	Fitting, 90 Barbed	
34	1001154405	33 in/ 0.8m	Hose	
35	1001155094	1	Pin	
36	1001155823	1	Fitting, 90 Quick Connect	
37	1001165035	27 ft/ 8.2m	Hose	
38	1001188668	1	Cable, Battery (-) to Aux Pump and Ground	
39	1001188669	1	Cable, Battery (+) to Aux Relay to Starter	
42	1001231302	1	Deutz TD2.9L4 T4F Engine and Pump Sub-Assembly (See Separate Breakdown in this Section)	
43	1001197881	1	Bracket	
44	3290505	4	Nut M5	
45	0701022	1	Bolt M10 x 70	
46	1001026127	1	Clamp	
47	1001200731	1	Tube	
48	4240099	7	Tie-Strap (Not Shown)	
49	1001190444	1	Fuel Pump Harness - Deutz TD2.9L4 Engine (Not Shown) (See Separate Breakdown in ELECTRICAL SECTION)	
50	0100020	AR	Sealant	
51	2180832	1	Fitting, Straight Barbed	
52	2220313	2	Fitting, 90 NPTF/Barb	
53	0761210	1	Bolt M12 x 20	
54	4812100	1	Washer M12	
100	1001235532	1	Battery Cable Kit (Includes Items 38 & 39) (Not Shown)	

SECTION 3 - ENGINE

FIGURE 3-18. DEUTZ TD2.9L4 ENGINE AND PUMPS SUB-ASSEMBLY - WITHOUT ARCTIC PACKAGE (CHINA SPECS ONLY) (PVC 2001)



ART_1001231302_C

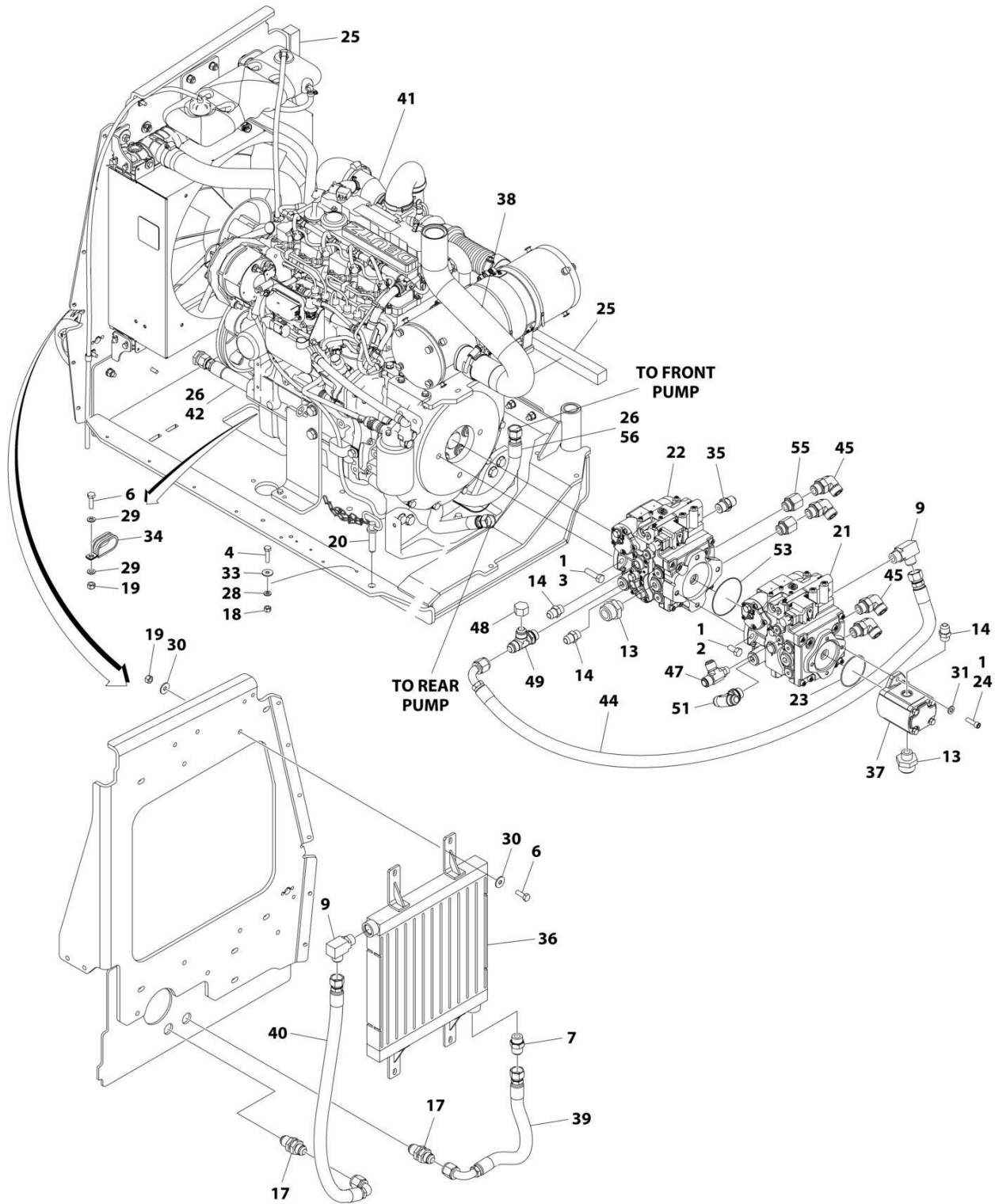
SECTION 3 - ENGINE

**FIGURE 3-18. DEUTZ TD2.9L4 ENGINE AND PUMPS SUB-ASSEMBLY - WITHOUT ARCTIC PACKAGE
(CHINA SPECS ONLY) (PVC 2001)**

ITEM	PART NUMBER	QTY	DESCRIPTION	REV
	1001231302	Ref	DEUTZ TD2.9L4 ENGINE AND PUMPS SUB-ASSEMBLY	C
1	0100011	AR	Compound, Locking	
2	0641808	2	Bolt 1/2 x 1	
3	0641814	2	Bolt 1/2 x 1-3/4	
4	0760612	1	Bolt M6 x 25	
6	0761015	6	Bolt M10 x 35	
7	2220451	1	Fitting, Straight JIC/ORB	
9	2220578	2	Fitting, 90 JIC/ORB	
13	2220946	2	Fitting, Straight JIC/ORB	
14	2220947	3	Fitting, Straight JIC/ORB	
17	2230027	2	Fitting, Straight	
18	3290605	1	Nut M6	
19	3291005	6	Nut M10	
20	3422532	1	Pin	
21	3600359	1	Piston Pump Assembly - Rear (See Separate Breakdown in this Section)	
22	3600363	1	Piston Pump Assembly - Front (See Separate Breakdown in this Section)	
23	3790152	1	O-Ring	
24	3931618	2	Capscrew 3/8 x 1-1/8	
25	3960469	2	Seal	
26	4061032	3	Shield	
27	4240099	AR	Tie-Strap (Not Shown)	
28	4811700	1	Washer M6	
29	4812000	4	Washer M10	
30	4812002	8	Washer M10	
31	5241000	2	Washer M10	
33	4811702	1	Washer M6	
34	1001164196	2	Clamp	
35	1001179156	1	Valve, Check	
36	1001188171	1	Radiator, Oil Cooler	
37	1001190143	1	Gear Pump Assembly	
37	70006356	1	Seal Kit - 1001190143 Pump	
38	1001231690	1	Pipe, Exhaust	
39	1001195504	1	Hose	
40	1001195506	1	Hose	
41	1001231308	1	Deutz TD2.9L4 Engine Assembly (See Separate Breakdown in this Section)	
42	1001195509	1	Hose	
44	1001200216	1	Hose	
45	2131212	4	Fitting, 90 ORFS/ORB	
47	1001213814	1	Fitting, Tee JIC/ORB/JIC	
48	2220518	1	Cap	
49	2220738	1	Fitting, Tee JIC/ORB/JIC	
51	2220695	1	Fitting, Tee JIC/ORB/JIC	
53	3790045	1	O-Ring	
55	1001233450	2	Fitting, Straight ORB/ORB	
56	1001235110	1	Hose	

SECTION 3 - ENGINE

**FIGURE 3-19. DEUTZ TD2.9L4 ENGINE AND PUMPS SUB-ASSEMBLY - WITHOUT ARCTIC PACKAGE
(CHINA SPECS ONLY) (PVC 2007)**



ART_1001231302_D

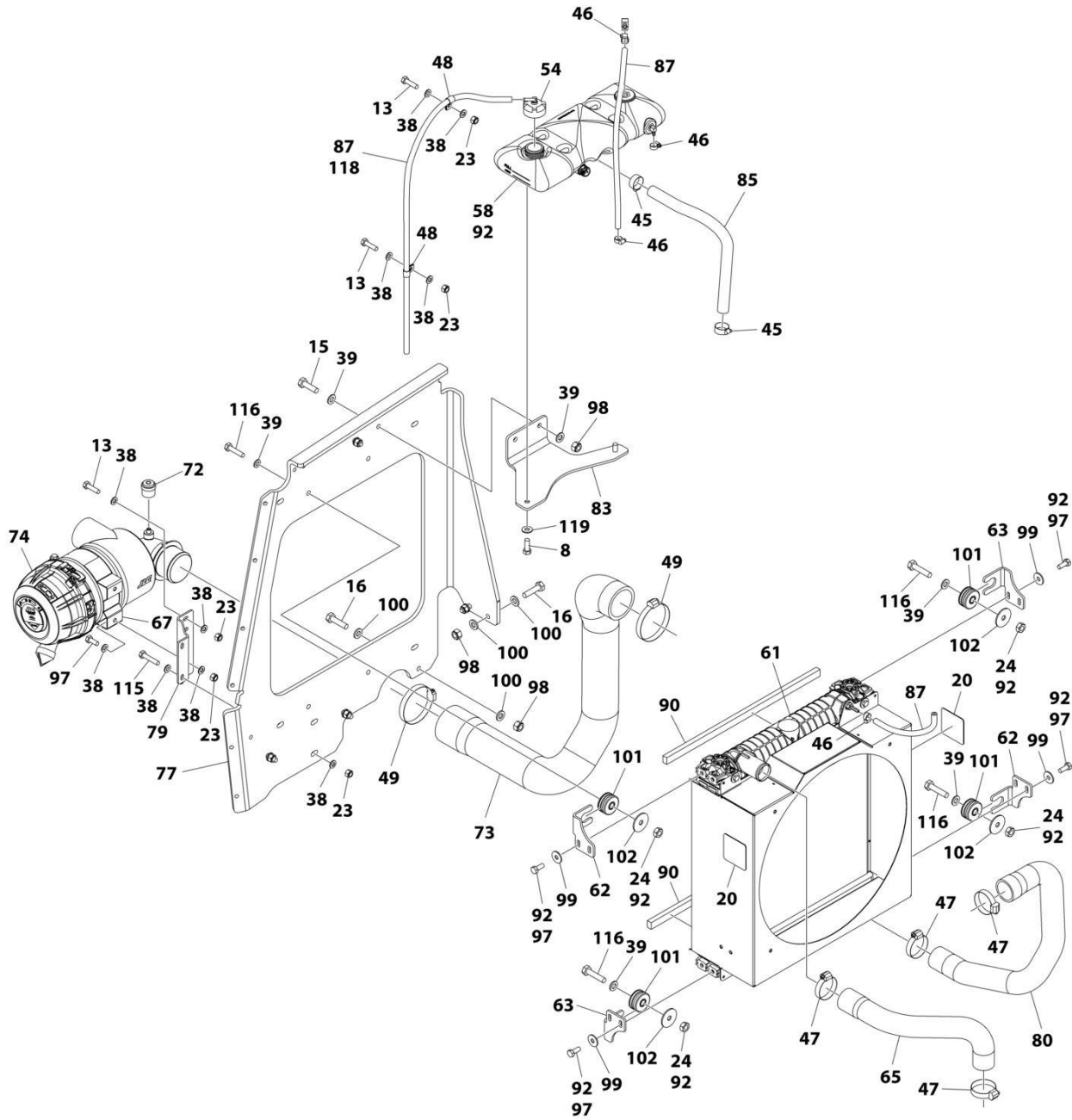
SECTION 3 - ENGINE

**FIGURE 3-19. DEUTZ TD2.9L4 ENGINE AND PUMPS SUB-ASSEMBLY - WITHOUT ARCTIC PACKAGE
(CHINA SPECS ONLY) (PVC 2007)**

ITEM	PART NUMBER	QTY	DESCRIPTION	REV
	1001231302	Ref	DEUTZ TD2.9L4 ENGINE AND PUMPS SUB-ASSEMBLY	D
1	0100011	AR	Compound, Locking	
2	0641808	2	Bolt 1/2 x 1	
3	0641814	2	Bolt 1/2 x 1-3/4	
4	0760612	1	Bolt M6 x 25	
6	0761015	6	Bolt M10 x 35	
7	2220451	1	Fitting, Straight JIC/ORB	
9	2220578	2	Fitting, 90 JIC/ORB	
13	2220946	2	Fitting, Straight JIC/ORB	
14	2220947	3	Fitting, Straight JIC/ORB	
17	2230027	2	Fitting, Straight	
18	3290605	1	Nut M6	
19	3291005	6	Nut M10	
20	3422532	1	Pin	
21	3600359	1	Piston Pump Assembly - Rear (See Separate Breakdown in this Section)	
22	3600363	1	Piston Pump Assembly - Front (See Separate Breakdown in this Section)	
23	3790152	1	O-Ring	
24	3931618	2	Capscrew 3/8 x 1-1/8	
25	3960469	2	Seal	
26	4061032	3	Shield	
27	4240099	AR	Tie-Strap (Not Shown)	
28	4811700	1	Washer M6	
29	4812000	4	Washer M10	
30	4812002	8	Washer M10	
31	5241000	2	Washer M10	
33	4811702	1	Washer M6	
34	1001164196	2	Clamp	
35	1001179156	1	Valve, Check	
36	1001188171	1	Radiator, Oil Cooler	
37	1001190143	1	Gear Pump Assembly	
37	70006356	1	Seal Kit - 1001190143 Pump	
38	1001257156	1	Pipe, Exhaust	
39	1001195504	1	Hose	
40	1001195506	1	Hose	
41	1001231308	1	Deutz TD2.9L4 Engine Assembly (See Separate Breakdown in this Section)	
42	1001195509	1	Hose	
44	1001200216	1	Hose	
45	2131212	4	Fitting, 90 ORFS/ORB	
47	1001213814	1	Fitting, Tee JIC/ORB/JIC	
48	2220518	1	Cap	
49	2220738	1	Fitting, Tee JIC/ORB/JIC	
51	2220695	1	Fitting, Tee JIC/ORB/JIC	
53	3790045	1	O-Ring	
55	1001233450	2	Fitting, Straight ORB/ORB	
56	1001235110	1	Hose	

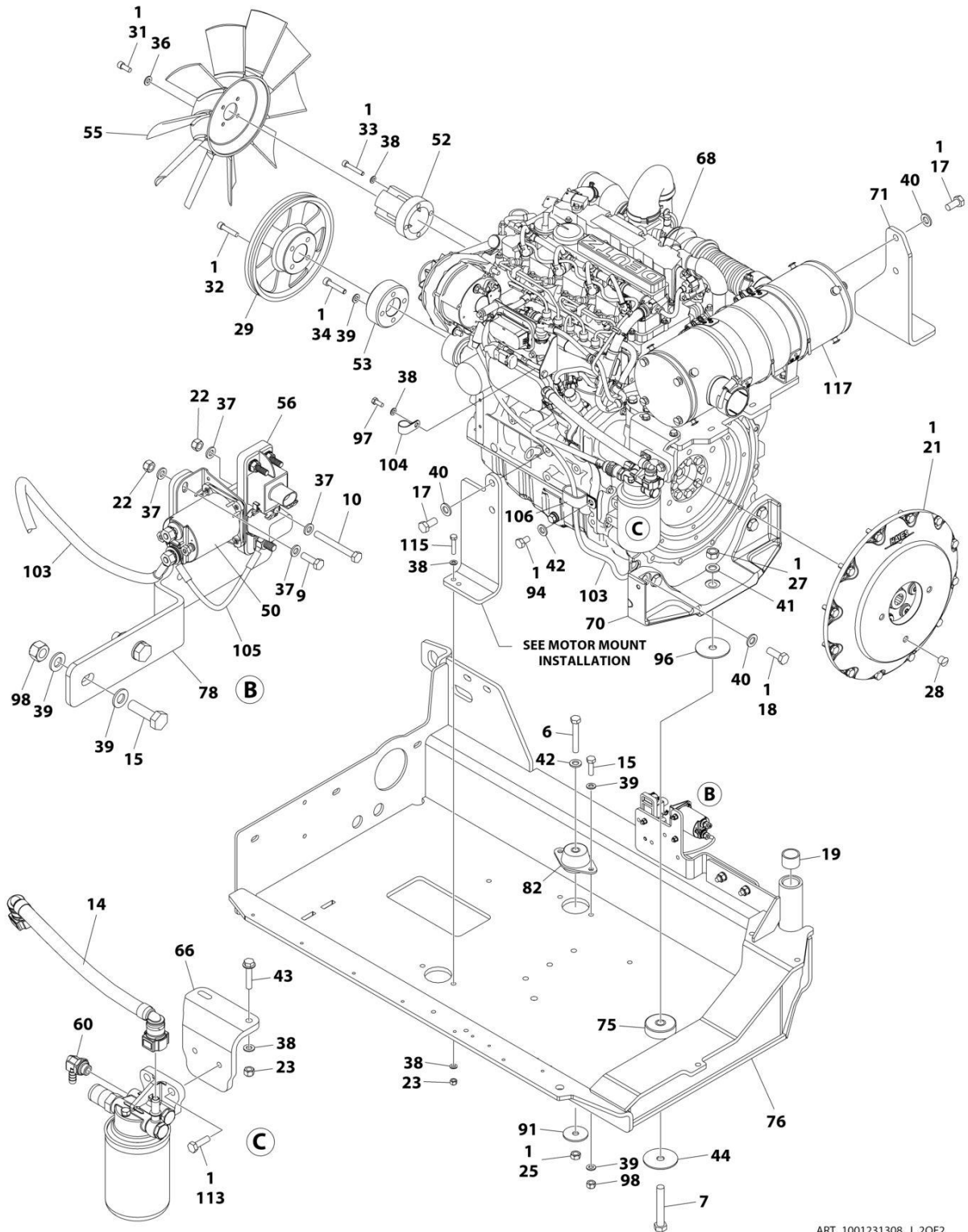
SECTION 3 - ENGINE

FIGURE 3-20. DEUTZ TD2.9L4 ENGINE ASSEMBLY - WITHOUT ARCTIC PACKAGE (CHINA SPECS ONLY) (PVC 2001)



ART_1001231308_J_10F2

SECTION 3 - ENGINE



ART_1001231308_J_20F2

SECTION 3 - ENGINE

FIGURE 3-20. DEUTZ TD2.9L4 ENGINE ASSEMBLY - WITHOUT ARCTIC PACKAGE (CHINA SPECS ONLY) (PVC 2001)

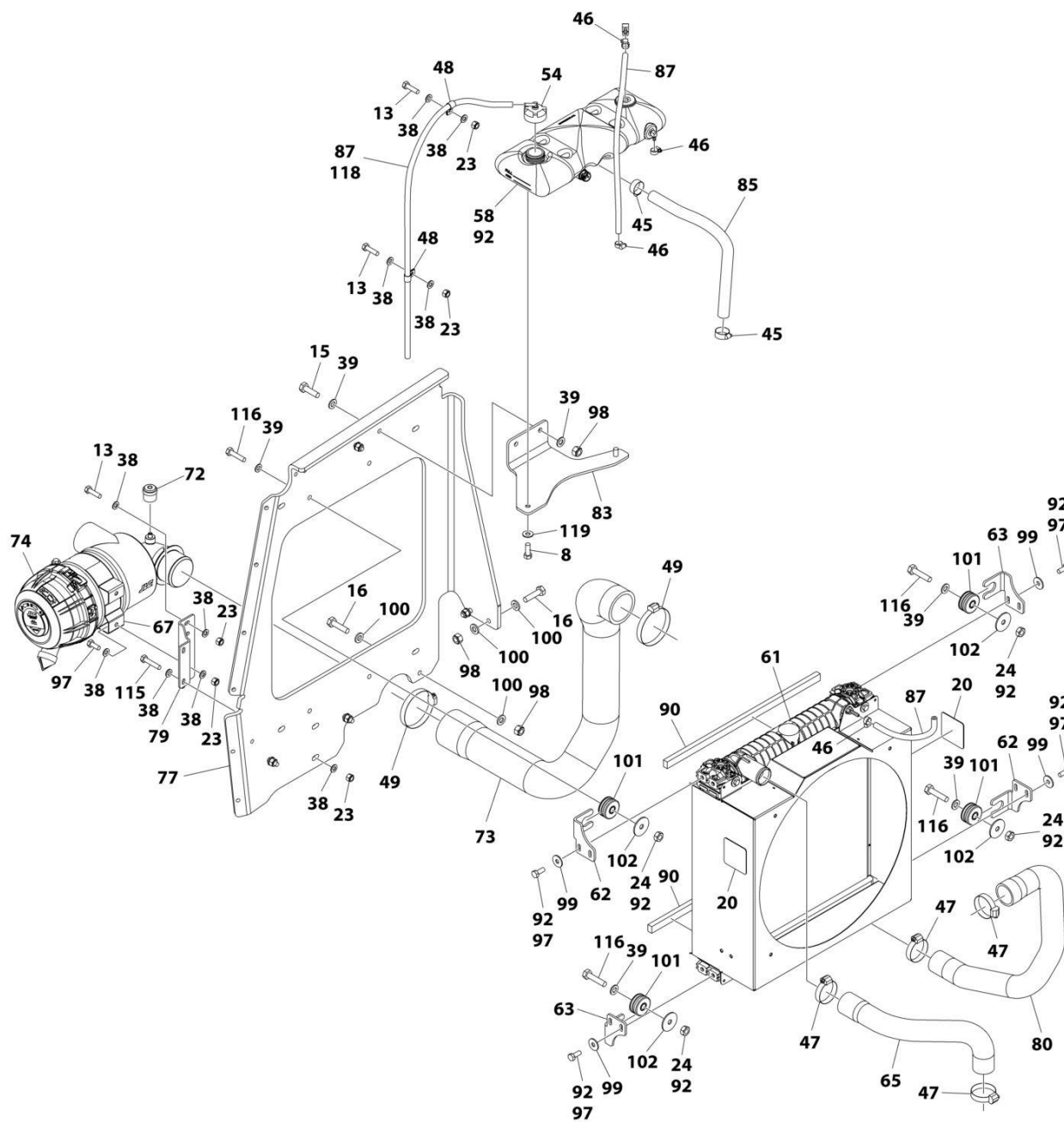
ITEM	PART NUMBER	QTY	DESCRIPTION	REV
	1001231308	Ref	DEUTZ TD2.9L4 ENGINE ASSEMBLY	J
1	0100011	AR	Compound, Locking	
6	0711224	1	Bolt M12 x 80	
7	0711627	1	Bolt M16 x 100	
8	0681608	2	Screw 3/8 x 1	
9	0760610	2	Bolt M6 x 20	
10	0760619	1	Bolt M6 x 55	
13	0760814	2	Bolt M8 x 30	
14	1001177359	1	Hose	
15	0761015	6	Bolt M10 x 35	
16	0761016	5	Bolt M10 x 40	
17	0771414	4	Bolt M14 x 30	
18	0771416	4	Bolt M14 x 40	
19	0961951	2	Bushing	
20	1703162	2	Decal - Fan Blade	
21	2902065	1	Pump Coupling Kit (See Separate Breakdown in this Section)	
22	3290605	3	Nut M6	
23	3290805	9	Nut M8	
24	3291001	4	Nut M10	
25	3331211	1	Nut M12	
27	3331611	1	Nut M16	
28	3520054	1	Plug	
29	3580320	1	Pulley	
31	3931512	4	Capscrew 5/16 x 3/4	
32	3931628	4	Capscrew 3/8 x 1-3/4	
33	4031914	4	Capscrew M8 x 50	
34	4032014	4	Capscrew M10 x 50	
36	4711500	4	Washer 5/16	
37	4811700	6	Washer M6	
38	4811900	21	Washer M8	
39	4812000	20	Washer M10	
40	5241400	8	Washer M14	
41	4812300	1	Washer M16	
42	5241200	2	Washer M12	
43	5250816	2	Bolt M8 x 40	
44	7300435	1	Washer	
45	8405007	2	Clamp	
46	8405009	4	Clamp	
47	8405104	4	Clamp	
48	8406109	2	Clip	
49	8410011	2	Clamp	
50	1001117308	1	Contactactor	
52	1001135138	1	Adapter, Fan	
53	1001135679	1	Adapter	
54	1001136834	1	Cap, Tank	
55	1001137276	1	Fan	
56	1001138228	1	Relay	
58	1001230635	1	Tank, Surge	
60	1001152489	1	Fitting, 90 Barbed	

SECTION 3 - ENGINE

ITEM	PART NUMBER	QTY	DESCRIPTION	REV
61	1001167042	1	Radiator	
62	1001169967	2	Bracket	
63	1001170035	2	Bracket	
65	1001177844	1	Hose, Radiator (Top)	
66	1001231805	1	Bracket	
67	1001186426	1	Clamp, Air Cleaner	
68	1001223591	1	Deutz TD2.9L4 Engine (See Separate Breakdown in this Section)	
69	1001233895	1	Engine Harness - Deutz TD2.9L4 Engines (Not Shown) (See Separate Breakdown in ELECTRICAL Section)	
70	1001188535	1	Bracket, Engine - Rear	
71	1001189026	1	Bracket, Engine - Right	
72	1001166716	1	Restriction, Indicator	
73	1001189913	1	Hose	
74	1001189979	1	Filter, Air	
74	70005008	1	Element, Filter	
75	1001197149	1	Mount, Motor	
76	1001200745	1	Tray	
77	1001229091	1	Support, Radiator	
78	1001203885	1	Plate	
79	1001190942	1	Support	
80	1001191025	1	Hose, Radiator (Bottom)	
82	1001191610	1	Mount, Motor	
83	1001192400	1	Bracket	
85	1001193049	1	Hose	
87	2720015	AR	Hose	
90	1001168166	2	Seal	
91	1001168018	1	Washer	
92	1001180620	AR	Adhesive	
94	0761210	1	Bolt M12 x 20	
96	1001197725	1	Spacer	
97	0760810	11	Bolt M8 x 20	
98	3291005	11	Nut M10	
99	4811902	8	Washer M8	
100	5241000	10	Washer M10	
101	1001169054	4	Isolator	
102	1001169138	4	Pad, Snubbing	
103	1001190442	1	Harness, Alternator Power	
103	1001098764	1	Boot - Red	
104	1320202	1	Clamp	
105	1001141304	1	Harness, Glow Fuse	
106	1001181899	1	Clamp	
108	4240099	3	Tie-Strap (Not Shown)	
113	5251012	2	Bolt M10 x 25	
115	0760816	3	Bolt M8 x 40	
116	0761017	4	Bolt M10 x 45	
117	1001231649	1	Deutz TD2.9L4 Engine Exhaust Installation (See Separate Breakdown in this Section)	
118	1001138248	4 ft/1.25m	Tube	
119	4751600	2	Washer 3/8	

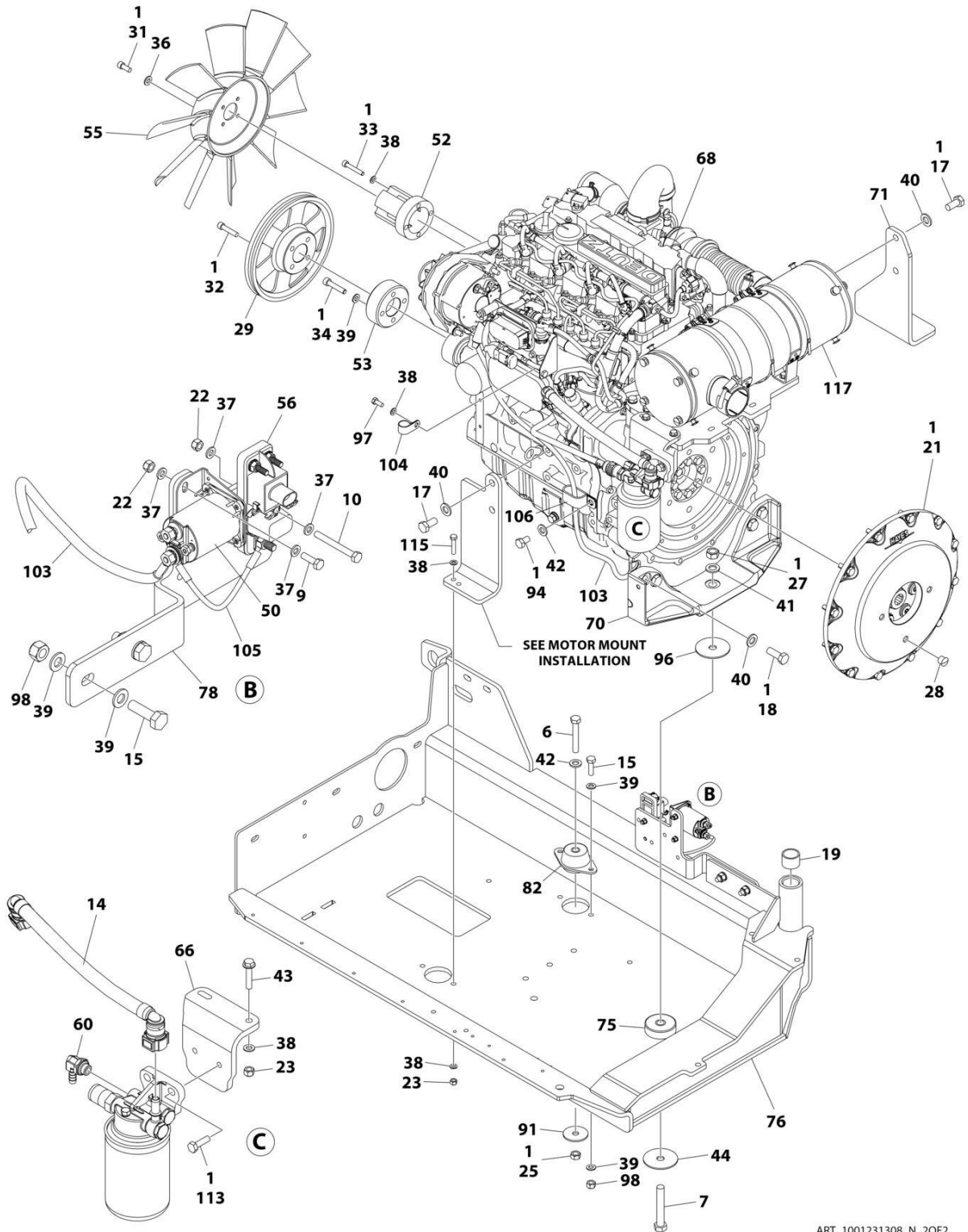
SECTION 3 - ENGINE

FIGURE 3-21. DEUTZ TD2.9L4 ENGINE ASSEMBLY - WITHOUT ARCTIC PACKAGE (CHINA SPECS ONLY) (PVC 2007)



ART_1001231308_N_1OF2

SECTION 3 - ENGINE



ART_1001231308_N_20F2

SECTION 3 - ENGINE

FIGURE 3-21. DEUTZ TD2.9L4 ENGINE ASSEMBLY - WITHOUT ARCTIC PACKAGE (CHINA SPECS ONLY) (PVC 2007)

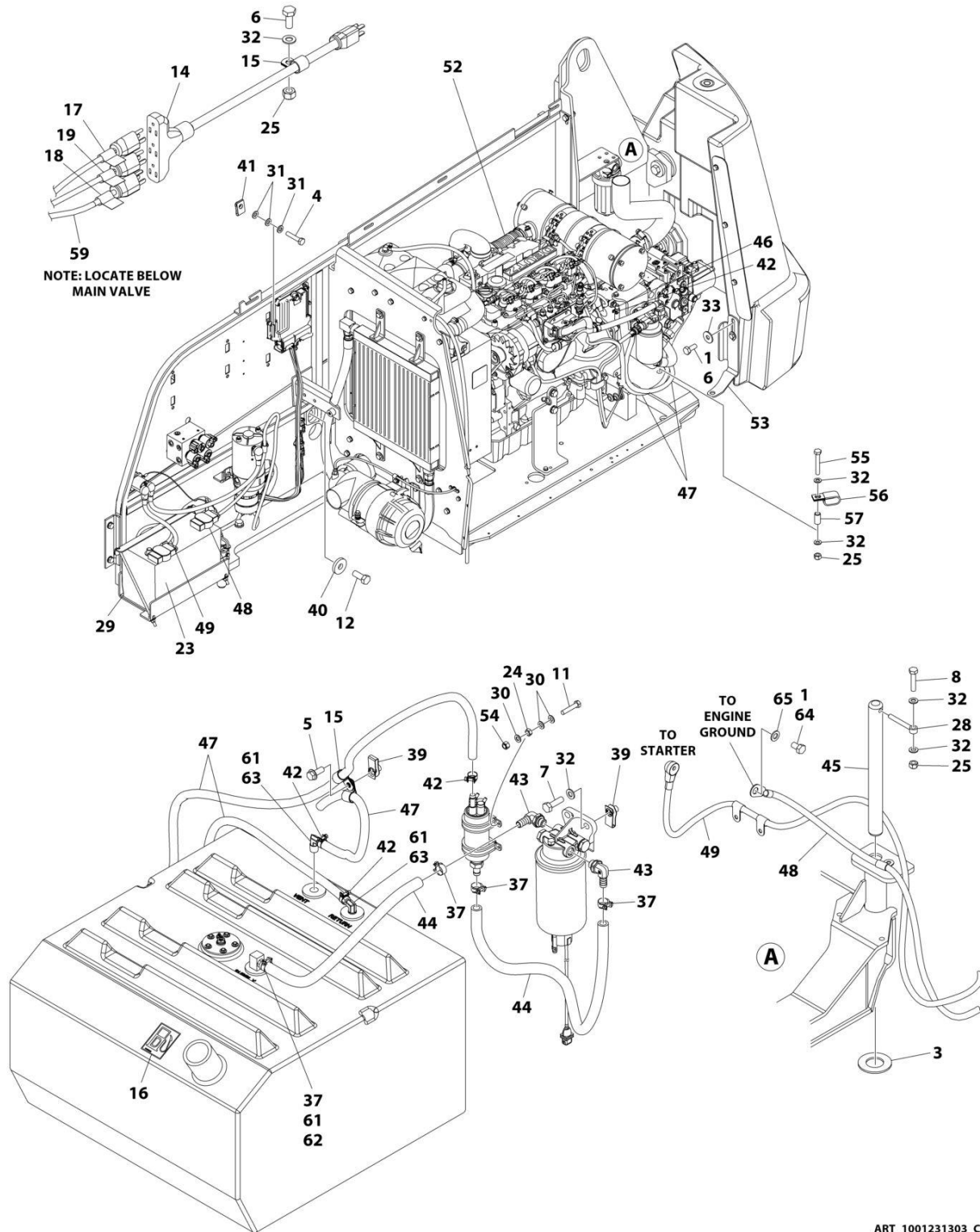
ITEM	PART NUMBER	QTY	DESCRIPTION	REV
	1001231308	Ref	DEUTZ TD2.9L4 ENGINE ASSEMBLY	N
1	0100011	AR	Compound, Locking	
6	0711224	1	Bolt M12 x 80	
7	0711627	1	Bolt M16 x 100	
8	0681608	2	Screw 3/8 x 1	
9	0760610	2	Bolt M6 x 20	
10	0760619	1	Bolt M6 x 55	
13	0760814	2	Bolt M8 x 30	
14	1001177359	1	Hose	
15	0761015	6	Bolt M10 x 35	
16	0761016	5	Bolt M10 x 40	
17	0771414	4	Bolt M14 x 30	
18	0771416	4	Bolt M14 x 40	
19	0961951	2	Bushing	
20	1703162	2	Decal - Fan Blade	
21	2902065	1	Pump Coupling Kit (See Separate Breakdown in this Section)	
22	3290605	3	Nut M6	
23	3290805	9	Nut M8	
24	3291001	4	Nut M10	
25	3331211	1	Nut M12	
27	3331611	1	Nut M16	
28	3520054	1	Plug	
29	3580320	1	Pulley	
31	3931512	4	Capscrew 5/16 x 3/4	
32	3931628	4	Capscrew 3/8 x 1-3/4	
33	4031914	4	Capscrew M8 x 50	
34	4032014	4	Capscrew M10 x 50	
36	4711500	4	Washer 5/16	
37	4811700	6	Washer M6	
38	4811900	21	Washer M8	
39	4812000	20	Washer M10	
40	5241400	8	Washer M14	
41	4812300	1	Washer M16	
42	5241200	2	Washer M12	
43	5250816	2	Bolt M8 x 40	
44	7300435	1	Washer	
45	8405007	2	Clamp	
46	8405009	4	Clamp	
47	8405104	4	Clamp	
48	8406109	2	Clip	
49	8410011	2	Clamp	
50	1001117308	1	Contactactor	
52	1001135138	1	Adapter, Fan	
53	1001135679	1	Adapter	
54	1001136834	1	Cap, Tank	
55	1001137276	1	Fan	
56	1001138228	1	Relay	
58	1001230635	1	Tank, Surge	
60	1001152489	1	Fitting, 90 Barbed	

SECTION 3 - ENGINE

ITEM	PART NUMBER	QTY	DESCRIPTION	REV
61	1001167042	1	Radiator	
62	1001169967	2	Bracket	
63	1001170035	2	Bracket	
65	1001177844	1	Hose, Radiator (Top)	
66	1001231805	1	Bracket	
67	1001186426	1	Clamp, Air Cleaner	
68	1001223591	1	Deutz TD2.9L4 Engine (See Separate Breakdown in this Section)	
69	1001233895	1	Engine Harness - Deutz TD2.9L4 Engines (Not Shown) (See Separate Breakdown in ELECTRICAL Section)	
70	1001188535	1	Bracket, Engine - Rear	
71	1001189026	1	Bracket, Engine - Right	
72	1001166716	1	Restriction, Indicator	
73	1001189913	1	Hose	
74	1001189979	1	Filter, Air	
74	70005008	1	Element, Filter	
75	1001197149	1	Mount, Motor	
76	1001200745	1	Tray	
77	1001229091	1	Support, Radiator	
78	1001203885	1	Plate	
79	1001190942	1	Support	
80	1001191025	1	Hose, Radiator (Bottom)	
82	1001191610	1	Mount, Motor	
83	1001192400	1	Bracket	
85	1001193049	1	Hose	
87	2720015	AR	Hose	
90	1001168166	2	Seal	
91	1001168018	1	Washer	
92	1001180620	AR	Adhesive	
94	0761210	1	Bolt M12 x 20	
96	1001197725	1	Spacer	
97	0760810	11	Bolt M8 x 20	
98	3291005	11	Nut M10	
99	4811902	8	Washer M8	
100	5241000	10	Washer M10	
101	1001169054	4	Isolator	
102	1001169138	4	Pad, Snubbing	
103	1001190442	1	Harness, Alternator Power	
103	1001098764	1	Boot - Red	
104	1320202	1	Clamp	
105	1001141304	1	Harness, Glow Fuse	
106	1001181899	1	Clamp	
108	4240099	3	Tie-Strap (Not Shown)	
113	5251012	2	Bolt M10 x 25	
115	0760816	3	Bolt M8 x 40	
116	0761017	4	Bolt M10 x 45	
117	1001231649	1	Deutz TD2.9L4 Engine Exhaust Installation (See Separate Breakdown in this Section)	
118	1001138248	4 ft/1.25m	Tube	
119	4751600	2	Washer 3/8	

SECTION 3 - ENGINE

FIGURE 3-22. DEUTZ TD2.9L4 ENGINE INSTALLATION - WITH ARCTIC PACKAGE (CHINA SPECS ONLY)



ART_1001231303_C

SECTION 3 - ENGINE

FIGURE 3-22. DEUTZ TD2.9L4 ENGINE INSTALLATION - WITH ARCTIC PACKAGE (CHINA SPECS ONLY)

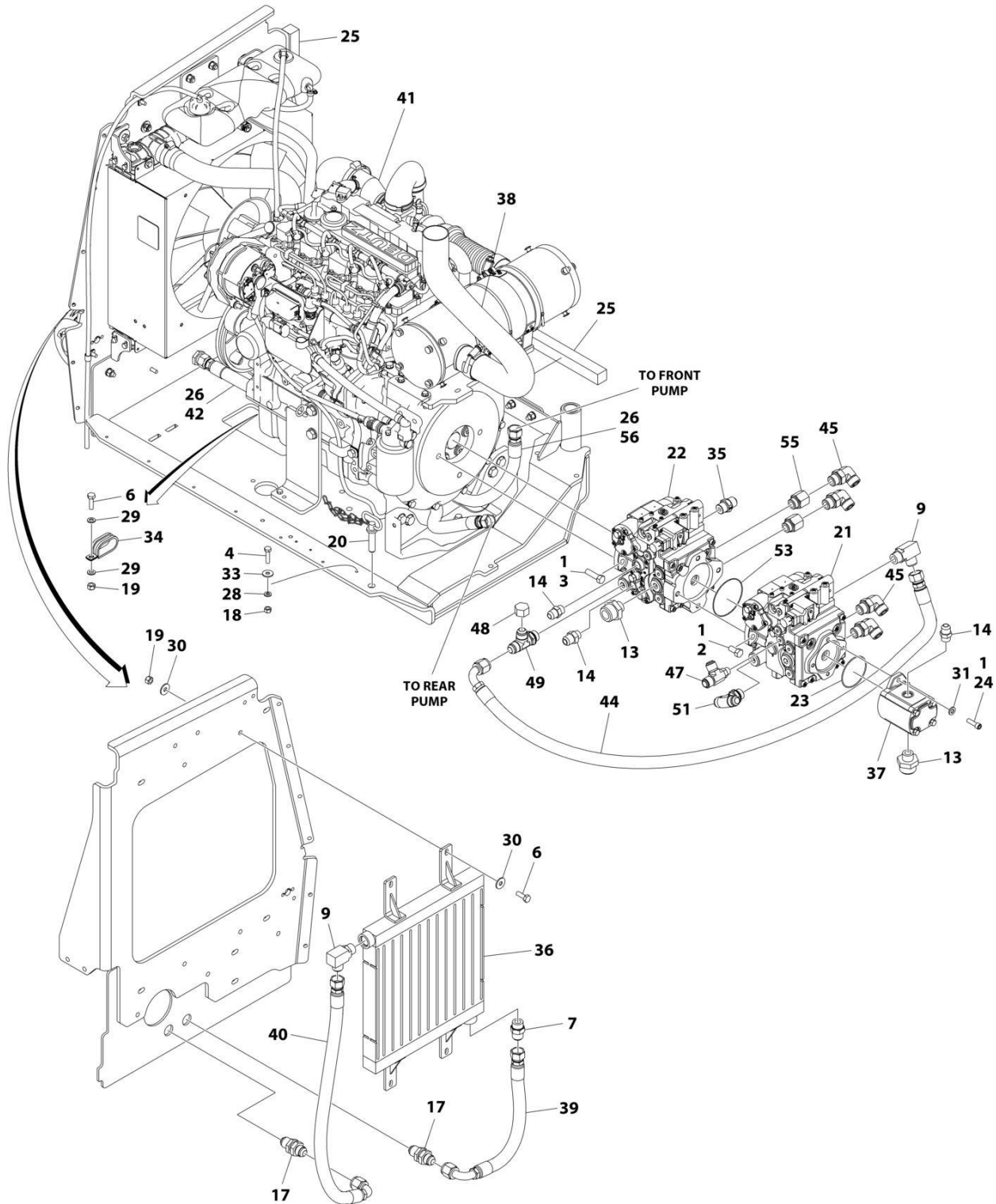
ITEM	PART NUMBER	QTY	DESCRIPTION	REV
	1001231303	Ref	DEUTZ TD2.9L4 ENGINE INSTALLATION	C
1	0100011	AR	Compound, Locking	
3	0440162	1	Bearing	
4	0700614	4	Bolt M6 x 30	
5	5251012	1	Bolt M10 x 25	
6	0701012	3	Bolt M10 x 25	
7	0701015	2	Bolt M10 x 35	
8	0711018	1	Bolt M10 x 50	
11	0760512	4	Bolt M5 x 25	
12	0772018	1	Bolt M20 x 50	
14	1060626	1	Plug, 3 Way	
15	1320061	3	Clamp	
16	1701505	1	Decal - Diesel Fuel	
17	1702941	1	Decal - Battery Heater	
18	1702942	1	Decal - Engine Block Heater	
19	1702943	1	Decal - Hydraulic Tank Heater	
23	2580024	1	Heater, Battery	
24	3290501	4	Nut M5	
25	3291005	3	Nut M10	
28	3841143	1	Keeper, Pin	
29	3980007	1	Seat, Battery	
30	4811600	12	Washer M5	
31	4811700	12	Washer M6	
32	4812000	7	Washer M10	
33	4812002	2	Washer M10	
37	1001175568	4	Clip	
38	1001188972	1	Heater, Immersion (Not Shown - Located on Hydraulic Tank)	
39	1001118972	3	Nut, Tinnerman M10	
40	1001119051	1	Washer	
41	1001130220	4	Nut, Tinnerman M6	
42	1001136975	5	Clamp	
43	1001142501	2	Fitting, 90 Barbed	
44	1001154405	42 in/ 1.1m	Hose	
45	1001155094	1	Pin	
46	1001155823	1	Fitting, 90 Quick Connect	
47	1001165035	25 ft/ 7.6m	Hose	
48	1001188668	1	Cable, Battery (-) to Aux Pump and Ground	
49	1001188669	1	Cable, Battery (+) to Aux Relay to Starter	
52	1001231305	1	Deutz TH2.9L4 Engine and Pumps Sub-Assembly (See Separate Breakdown in this Section)	
53	1001197881	1	Bracket	
54	3290505	4	Nut M5	
55	0701022	1	Bolt M10 x 70	
56	1001026127	1	Clamp	
57	1001200731	1	Tube	
58	4240099	1	Tie-Strap (Not Shown)	
59	1001150918	1	Cable, Extension	

SECTION 3 - ENGINE

ITEM	PART NUMBER	QTY	DESCRIPTION	REV
60	1001190444	1	Engine Harness - Deutz TD2.9L4 Engines (Not Shown) (See Separate Breakdown in ELECTRICAL SECTION)	
61	0100020	AR	Sealant	
62	2180832	1	Fitting, Straight Barbed	
63	2220313	2	Fitting, 90 NPTF/Barb	
64	0761210	1	Bolt M12 x 20	
65	4812100	1	Washer M12	
66	1001233763	1	Deutz Breather Heater Installation (Not Shown - See Separate Breakdown in this Section)	
66	4240099	AR	Tie-Strap	
66	1001196634	1	Fuse 2amp	
66	1001232842	1	Heater, Deutz Breather Kit	
66	2400060	1	Fuse, Holder	
100	1001235532	1	Battery Cable Kit (Includes Items 48 & 49) (Not Shown)	

SECTION 3 - ENGINE

FIGURE 3-23. DEUTZ TD2.9L4 ENGINE AND PUMPS SUB-ASSEMBLY - WITH ARCTIC PACKAGE (CHINA SPECS ONLY) (PVC 2001)



ART_1001231305_C

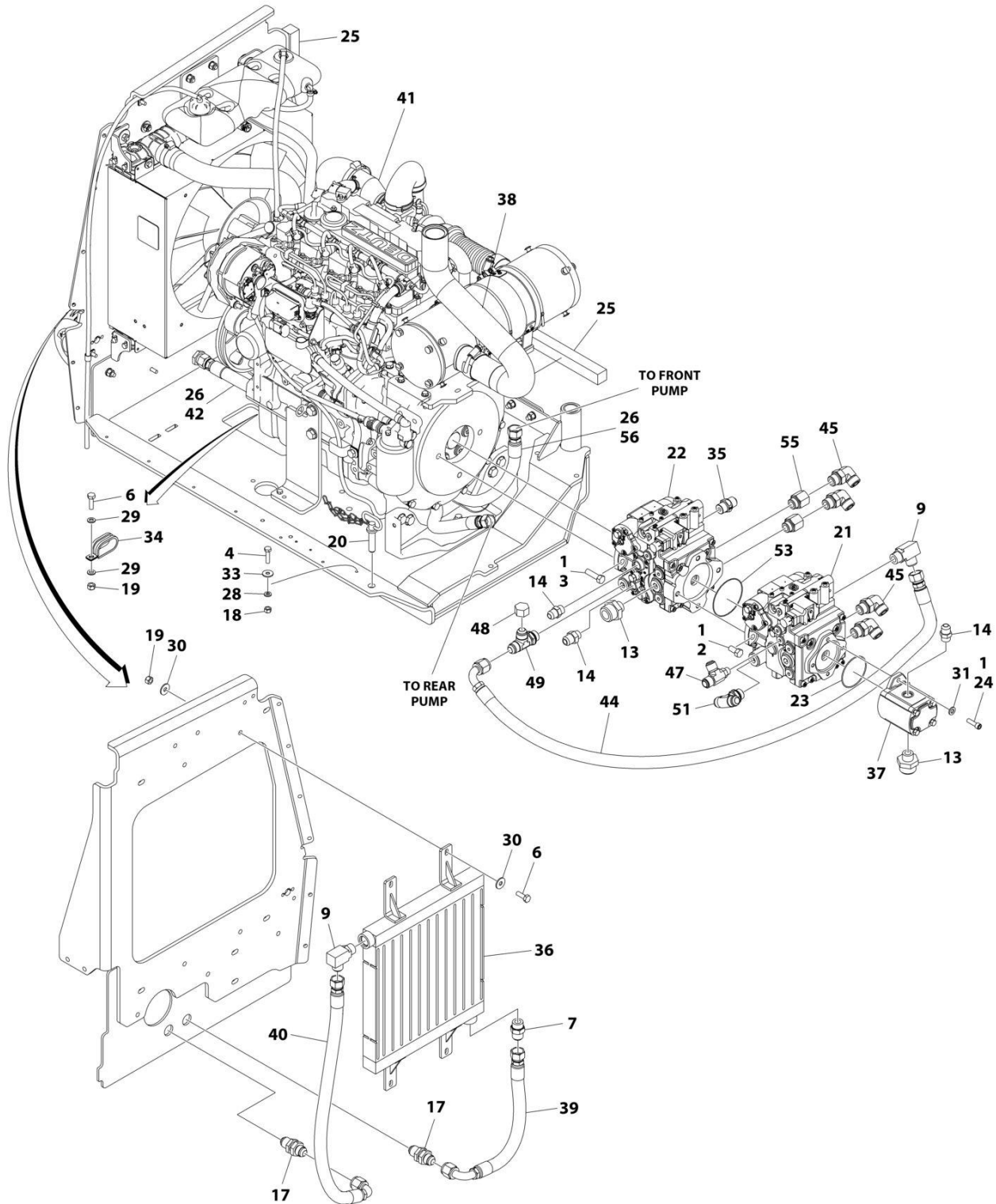
SECTION 3 - ENGINE

**FIGURE 3-23. DEUTZ TD2.9L4 ENGINE AND PUMPS SUB-ASSEMBLY - WITH ARCTIC PACKAGE
(CHINA SPECS ONLY) (PVC 2001)**

ITEM	PART NUMBER	QTY	DESCRIPTION	REV
	1001231305	Ref	DEUTZ TD2.9L4 ENGINE AND PUMPS SUB-ASSEMBLY	C
1	0100011	AR	Compound, Locking	
2	0641808	2	Bolt 1/2 x 1	
3	0641814	2	Bolt 1/2 x 1-3/4	
4	0760612	1	Bolt M6 x 25	
6	0761015	6	Bolt M10 x 35	
7	2220451	1	Fitting, Straight JIC/ORB	
9	2220578	2	Fitting, 90 JIC/ORB	
13	2220946	2	Fitting, Straight JIC/ORB	
14	2220947	3	Fitting, Straight JIC/ORB	
17	2230027	2	Fitting, Straight	
18	3290605	1	Nut M6	
19	3291005	6	Nut M10	
20	3422532	1	Pin	
21	3600359	1	Piston Pump Assembly - Rear (See Separate Breakdown in this Section)	
22	3600363	1	Piston Pump Assembly - Front (See Separate Breakdown in this Section)	
23	3790152	1	O-Ring	
24	3931618	2	Capscrew 3/8 x 1-1/8	
25	3960469	2	Seal	
26	4061032	3	Shield	
27	4240099	AR	Tie-Strap (Not Shown)	
28	4811700	1	Washer M6	
29	4812000	4	Washer M10	
30	4812002	8	Washer M10	
31	5241000	2	Washer M10	
33	4811702	1	Washer M6	
34	1001164196	2	Clamp	
35	1001179156	1	Valve, Check	
36	1001188171	1	Radiator, Oil Cooler	
37	1001190143	1	Gear Pump Assembly	
37	70006356	1	Seal Kit - 1001190143 Pump	
38	1001231690	1	Pipe, Exhaust	
39	1001195504	1	Hose	
40	1001195506	1	Hose	
41	1001231307	1	Deutz TD2.9L4 Engine Assembly (See Separate Breakdown in this Section)	
42	1001195509	1	Hose	
44	1001200216	1	Hose	
45	2131212	4	Fitting, 90 ORFS/ORB	
47	1001213814	1	Fitting, Tee JIC/ORB/JIC	
48	2220518	1	Cap	
49	2220738	1	Fitting, Tee JIC/ORB/JIC	
51	2220695	1	Fitting, Tee JIC/ORB/JIC	
53	3790045	1	O-Ring	
55	1001233450	2	Fitting, Straight ORB/ORB	
56	1001235110	1	Hose	

SECTION 3 - ENGINE

FIGURE 3-24. DEUTZ TD2.9L4 ENGINE AND PUMPS SUB-ASSEMBLY - WITH ARCTIC PACKAGE (CHINA SPECS ONLY) (PVC 2007)



ART_1001231305_D

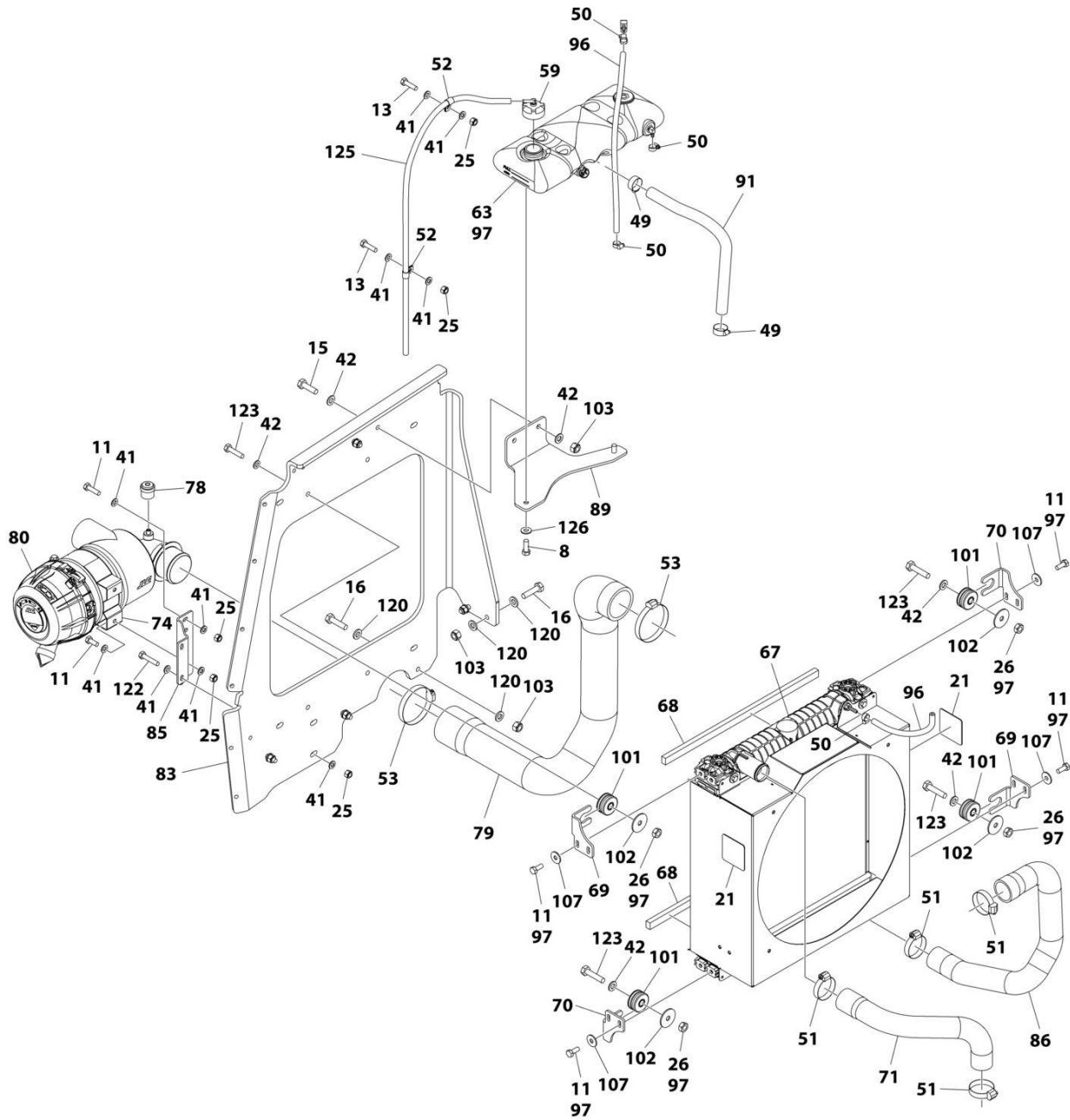
SECTION 3 - ENGINE

**FIGURE 3-24. DEUTZ TD2.9L4 ENGINE AND PUMPS SUB-ASSEMBLY - WITH ARCTIC PACKAGE
(CHINA SPECS ONLY) (PVC 2007)**

ITEM	PART NUMBER	QTY	DESCRIPTION	REV
	1001231305	Ref	DEUTZ TD2.9L4 ENGINE AND PUMPS SUB-ASSEMBLY	D
1	0100011	AR	Compound, Locking	
2	0641808	2	Bolt 1/2 x 1	
3	0641814	2	Bolt 1/2 x 1-3/4	
4	0760612	1	Bolt M6 x 25	
6	0761015	6	Bolt M10 x 35	
7	2220451	1	Fitting, Straight JIC/ORB	
9	2220578	2	Fitting, 90 JIC/ORB	
13	2220946	2	Fitting, Straight JIC/ORB	
14	2220947	3	Fitting, Straight JIC/ORB	
17	2230027	2	Fitting, Straight	
18	3290605	1	Nut M6	
19	3291005	6	Nut M10	
20	3422532	1	Pin	
21	3600359	1	Piston Pump Assembly - Rear (See Separate Breakdown in this Section)	
22	3600363	1	Piston Pump Assembly - Front (See Separate Breakdown in this Section)	
23	3790152	1	O-Ring	
24	3931618	2	Capscrew 3/8 x 1-1/8	
25	3960469	2	Seal	
26	4061032	3	Shield	
27	4240099	AR	Tie-Strap (Not Shown)	
28	4811700	1	Washer M6	
29	4812000	4	Washer M10	
30	4812002	8	Washer M10	
31	5241000	2	Washer M10	
33	4811702	1	Washer M6	
34	1001164196	2	Clamp	
35	1001179156	1	Valve, Check	
36	1001188171	1	Radiator, Oil Cooler	
37	1001190143	1	Gear Pump Assembly	
37	70006356	1	Seal Kit - 1001190143 Pump	
38	1001257156	1	Pipe, Exhaust	
39	1001195504	1	Hose	
40	1001195506	1	Hose	
41	1001231307	1	Deutz TD2.9L4 Engine Assembly (See Separate Breakdown in this Section)	
42	1001195509	1	Hose	
44	1001200216	1	Hose	
45	2131212	4	Fitting, 90 ORFS/ORB	
47	1001213814	1	Fitting, Tee JIC/ORB/JIC	
48	2220518	1	Cap	
49	2220738	1	Fitting, Tee JIC/ORB/JIC	
51	2220695	1	Fitting, Tee JIC/ORB/JIC	
53	3790045	1	O-Ring	
55	1001233450	2	Fitting, Straight ORB/ORB	
56	1001235110	1	Hose	

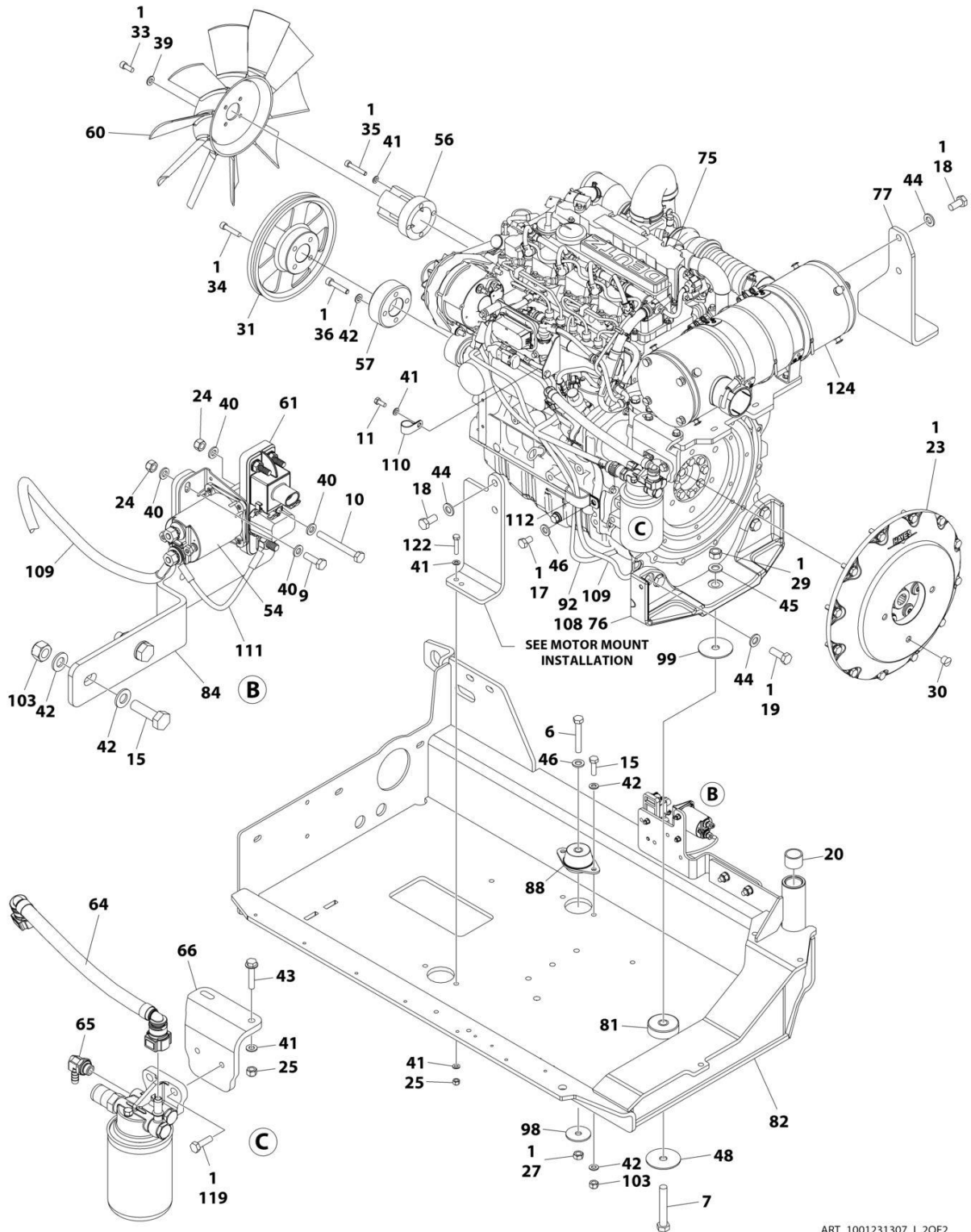
SECTION 3 - ENGINE

FIGURE 3-25. DEUTZ TD2.9L4 ENGINE ASSEMBLY - WITH ARCTIC PACKAGE (CHINA SPECS ONLY) (PVC 2001)



ART_1001231307_L_10F2

SECTION 3 - ENGINE



ART_1001231307_L_20F2

SECTION 3 - ENGINE

**FIGURE 3-25. DEUTZ TD2.9L4 ENGINE ASSEMBLY - WITH ARCTIC PACKAGE (CHINA SPECS ONLY)
(PVC 2001)**

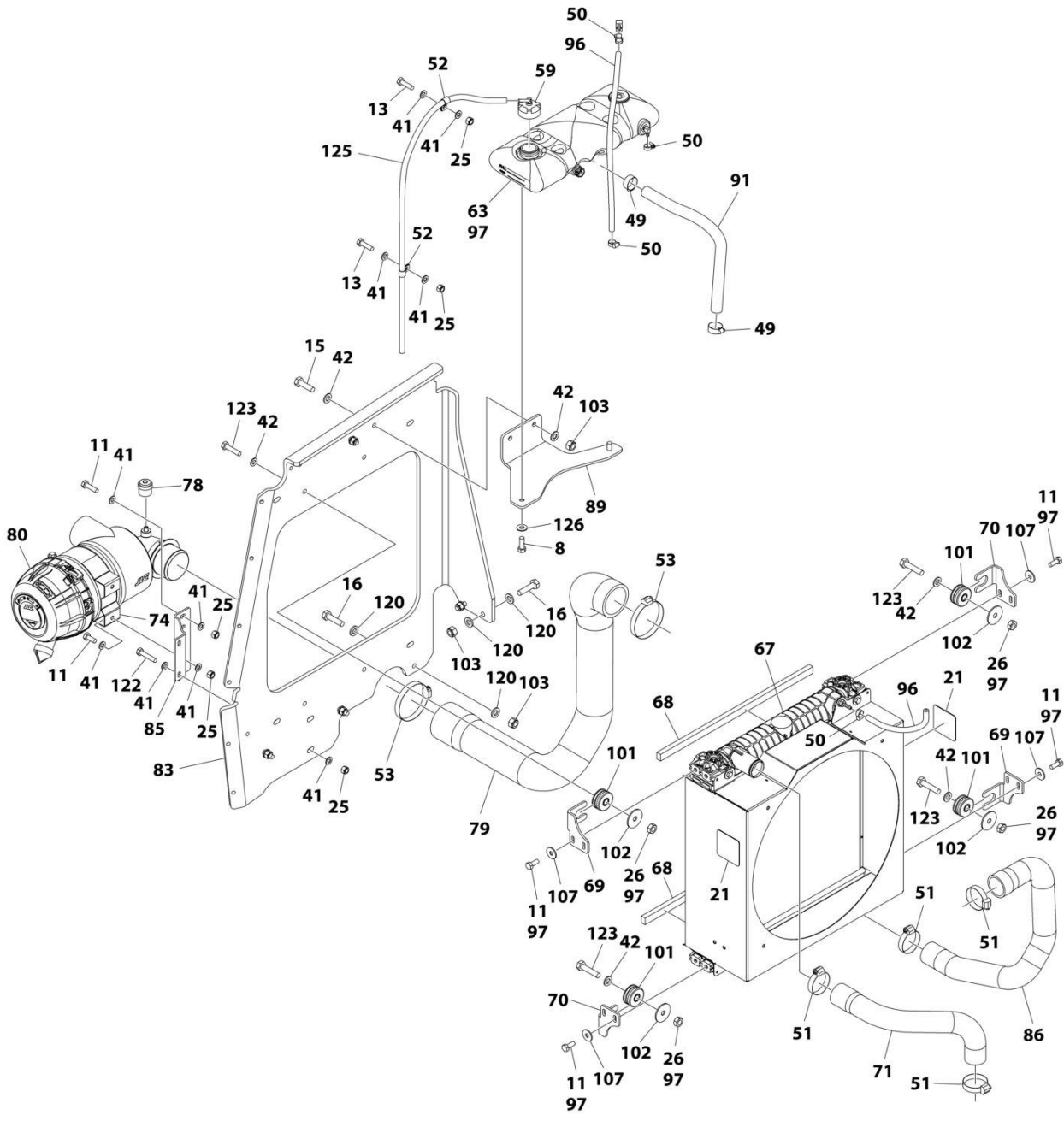
ITEM	PART NUMBER	QTY	DESCRIPTION	REV
	1001231307	Ref	DEUTZ TD2.9L4 ENGINE ASSEMBLY	I
1	0100011	AR	Compound, Locking	
6	0711224	1	Bolt M12 x 80	
7	0711627	1	Bolt M16 x 100	
8	0681608	2	Screw 3/8 x 1	
9	0760610	2	Bolt M6 x 20	
10	0760619	1	Bolt M6 x 55	
11	0760810	11	Bolt M8 x 20	
13	0760814	2	Bolt M8 x 30	
15	0761015	6	Bolt M10 x 35	
16	0761016	5	Bolt M10 x 40	
17	0761210	1	Bolt M12 x 20	
18	0771414	4	Bolt M14 x 30	
19	0771416	4	Bolt M14 x 40	
20	0961951	2	Bushing	
21	1703162	2	Decal - Fan Blade	
23	2902065	1	Pump Coupling Kit (See Separate Breakdown in this Section)	
24	3290605	3	Nut M6	
25	3290805	9	Nut M8	
26	3291001	4	Nut M10	
27	3331211	1	Nut M12	
29	3331611	1	Nut M16	
30	3520054	1	Plug	
31	3580320	1	Pulley	
33	3931512	4	Capscrew 5/16 x 3/4	
34	3931628	4	Capscrew 3/8 x 1-3/4	
35	4031914	4	Capscrew M8 x 50	
36	4032014	4	Capscrew M10 x 50	
39	4711500	4	Washer 5/16	
40	4811700	6	Washer M6	
41	4811900	21	Washer M8	
42	4812000	20	Washer M10	
43	5250816	2	Bolt M8 x 40	
44	5241400	8	Washer M14	
45	4812300	1	Washer M16	
46	5241200	2	Washer M12	
48	7300435	1	Washer	
49	8405007	2	Clamp	
50	8405009	4	Clamp	
51	8405104	4	Clamp	
52	8406109	2	Clip	
53	8410011	AR	Clamp	
54	1001117308	1	Contactactor	
56	1001135138	1	Adapter	
57	1001135679	1	Adapter	
59	1001136834	1	Cap, Tank	
60	1001137276	1	Fan	
61	1001138228	1	Relay	
63	1001230635	1	Tank, Surge	

SECTION 3 - ENGINE

ITEM	PART NUMBER	QTY	DESCRIPTION	REV
64	1001177359	1	Hose	
65	1001152489	1	Fitting, 90 Pipe/Barbed	
66	1001231805	1	Bracket	
67	1001167042	1	Radiator	
68	1001168166	2	Seal	
69	1001169967	2	Bracket	
70	1001170035	2	Bracket	
71	1001177844	1	Hose, Radiator (Top)	
74	1001186426	1	Clamp, Air Cleaner	
75	1001223591	1	Deutz TD2.9L4 Engine (See Separate Breakdown in this Section)	
76	1001188535	1	Bracket, Engine - Rear	
77	1001189026	1	Bracket, Engine - Right	
78	1001166716	1	Restriction, Indicator	
79	1001189913	1	Hose	
80	1001189979	1	Filter, Air	
80	70005008	1	Element, Filter	
81	1001197149	1	Mount, Motor	
82	1001200745	1	Tray	
83	1001229091	1	Support, Radiator	
84	1001203885	1	Plate	
85	1001190942	1	Support	
86	1001191025	1	Hose, Radiator (Bottom)	
88	1001191610	1	Mount, Motor	
89	1001192400	1	Bracket	
91	1001193049	1	Hose	
92	1001140312	1	Heater, Engine Block	
94	1001233895	1	Engine Harness - Deutz TD2.9L4 Engines (Not Shown) (See Separate Breakdown in ELECTRICAL Section)	
96	2720015	AR	Hose	
97	1001180620	AR	Adhesive	
98	1001168018	1	Washer	
99	1001197725	1	Spacer	
101	1001169054	4	Isolator	
102	1001169138	4	Pad, Snubbing	
103	3291005	11	Nut M10	
107	4811902	8	Washer M8	
108	1001181895	AR	Adhesive	
109	1001190442	1	Harness, Alternator Power	
109	1001098764	1	Boot - Red	
110	1320202	1	Clamp	
111	1001141304	1	Harness, Glow Fuse	
112	1001181899	1	Clamp	
114	4240099	3	Tie-Strap (Not Shown)	
119	5251012	2	Bolt M10 x 25	
120	5241000	10	Washer M10	
122	0760816	3	Bolt M8 x 40	
123	0761017	4	Bolt M10 x 45	
124	1001231649	1	Deutz TD2.9L4 Engine Exhaust Installation (See Separate Breakdown in this Section)	
125	1001138248	4 ft/1.25m	Tube	
126	4751600	2	Washer 3/8	

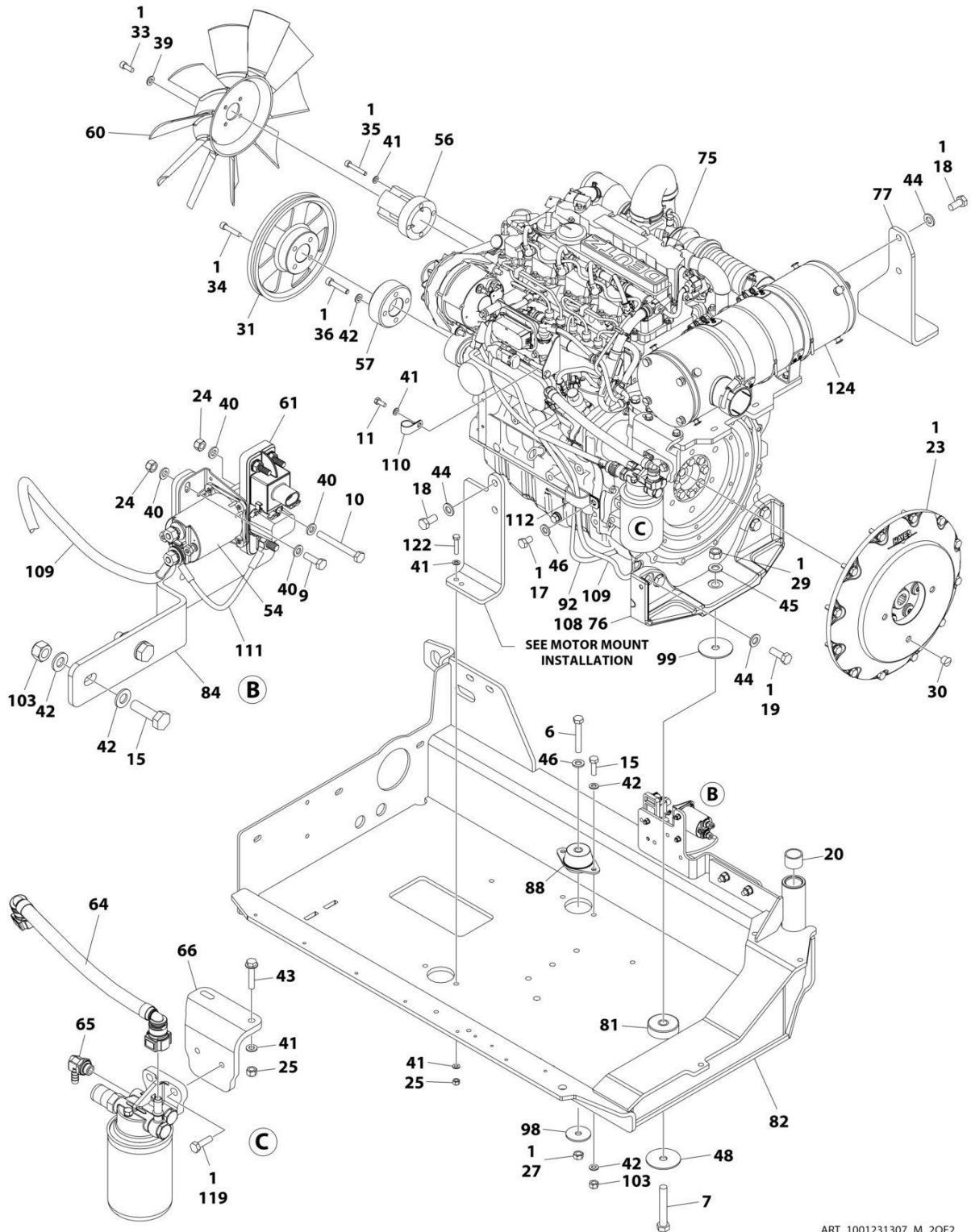
SECTION 3 - ENGINE

FIGURE 3-26. DEUTZ TD2.9L4 ENGINE ASSEMBLY - WITH ARCTIC PACKAGE (CHINA SPECS ONLY) (PVC 2007)



ART_1001231307_M_10F2

SECTION 3 - ENGINE



ART_1001231307_M_20F2

SECTION 3 - ENGINE

**FIGURE 3-26. DEUTZ TD2.9L4 ENGINE ASSEMBLY - WITH ARCTIC PACKAGE (CHINA SPECS ONLY)
(PVC 2007)**

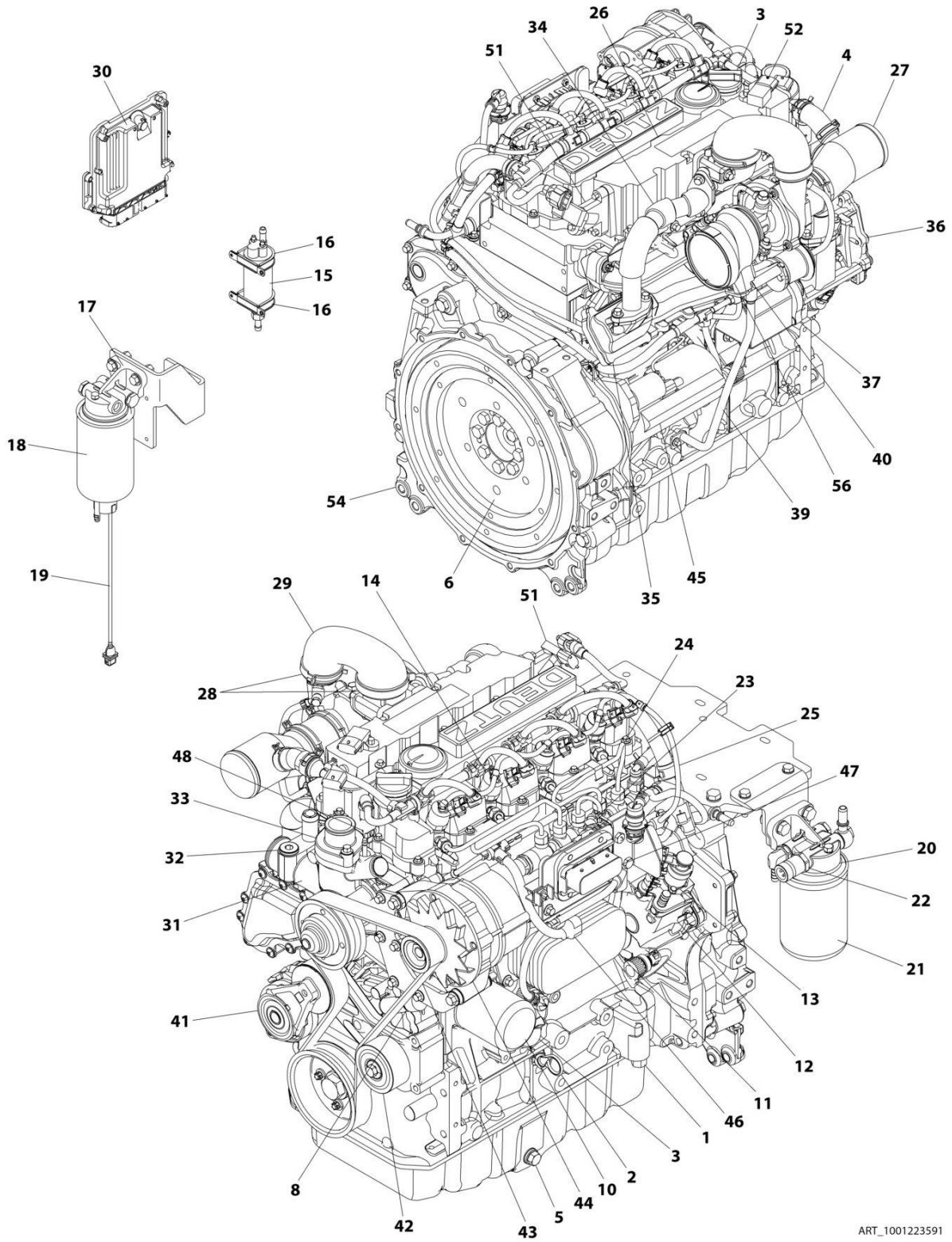
ITEM	PART NUMBER	QTY	DESCRIPTION	REV
	1001231307	Ref	DEUTZ TD2.9L4 ENGINE ASSEMBLY	M
1	0100011	AR	Compound, Locking	
6	0711224	1	Bolt M12 x 80	
7	0711627	1	Bolt M16 x 100	
8	0681608	2	Screw 3/8 x 1	
9	0760610	2	Bolt M6 x 20	
10	0760619	1	Bolt M6 x 55	
11	0760810	11	Bolt M8 x 20	
13	0760814	2	Bolt M8 x 30	
15	0761015	6	Bolt M10 x 35	
16	0761016	5	Bolt M10 x 40	
17	0761210	1	Bolt M12 x 20	
18	0771414	4	Bolt M14 x 30	
19	0771416	4	Bolt M14 x 40	
20	0961951	2	Bushing	
21	1703162	2	Decal - Fan Blade	
23	2902065	1	Pump Coupling Kit (See Separate Breakdown in this Section)	
24	3290605	3	Nut M6	
25	3290805	9	Nut M8	
26	3291001	4	Nut M10	
27	3331211	1	Nut M12	
29	3331611	1	Nut M16	
30	3520054	1	Plug	
31	3580320	1	Pulley	
33	3931512	4	Capscrew 5/16 x 3/4	
34	3931628	4	Capscrew 3/8 x 1-3/4	
35	4031914	4	Capscrew M8 x 50	
36	4032014	4	Capscrew M10 x 50	
39	4711500	4	Washer 5/16	
40	4811700	6	Washer M6	
41	4811900	21	Washer M8	
42	4812000	20	Washer M10	
43	5250816	2	Bolt M8 x 40	
44	5241400	8	Washer M14	
45	4812300	1	Washer M16	
46	5241200	2	Washer M12	
48	7300435	1	Washer	
49	8405007	2	Clamp	
50	8405009	4	Clamp	
51	8405104	4	Clamp	
52	8406109	2	Clip	
53	8410011	AR	Clamp	
54	1001117308	1	Contactactor	
56	1001135138	1	Adapter	
57	1001135679	1	Adapter	
59	1001136834	1	Cap, Tank	
60	1001137276	1	Fan	
61	1001138228	1	Relay	
63	1001230635	1	Tank, Surge	

SECTION 3 - ENGINE

ITEM	PART NUMBER	QTY	DESCRIPTION	REV
64	1001177359	1	Hose	
65	1001152489	1	Fitting, 90 Pipe/Barbed	
66	1001231805	1	Bracket	
67	1001167042	1	Radiator	
68	1001168166	2	Seal	
69	1001169967	2	Bracket	
70	1001170035	2	Bracket	
71	1001177844	1	Hose, Radiator (Top)	
74	1001186426	1	Clamp, Air Cleaner	
75	1001223591	1	Deutz TD2.9L4 Engine (See Separate Breakdown in this Section)	
76	1001188535	1	Bracket, Engine - Rear	
77	1001189026	1	Bracket, Engine - Right	
78	1001166716	1	Restriction, Indicator	
79	1001189913	1	Hose	
80	1001189979	1	Filter, Air	
80	70005008	1	Element, Filter	
81	1001197149	1	Mount, Motor	
82	1001200745	1	Tray	
83	1001229091	1	Support, Radiator	
84	1001203885	1	Plate	
85	1001190942	1	Support	
86	1001191025	1	Hose, Radiator (Bottom)	
88	1001191610	1	Mount, Motor	
89	1001192400	1	Bracket	
91	1001193049	1	Hose	
92	1001140312	1	Heater, Engine Block	
94	1001233895	1	Engine Harness - Deutz TD2.9L4 Engines (Not Shown) (See Separate Breakdown in ELECTRICAL Section)	
96	2720015	AR	Hose	
97	1001180620	AR	Adhesive	
98	1001168018	1	Washer	
99	1001197725	1	Spacer	
101	1001169054	4	Isolator	
102	1001169138	4	Pad, Snubbing	
103	3291005	11	Nut M10	
107	4811902	8	Washer M8	
108	1001181895	AR	Adhesive	
109	1001190442	1	Harness, Alternator Power	
109	1001098764	1	Boot - Red	
110	1320202	1	Clamp	
111	1001141304	1	Harness, Glow Fuse	
112	1001181899	1	Clamp	
114	4240099	3	Tie-Strap (Not Shown)	
119	5251012	2	Bolt M10 x 25	
120	5241000	10	Washer M10	
122	0760816	3	Bolt M8 x 40	
123	0761017	4	Bolt M10 x 45	
124	1001231649	1	Deutz TD2.9L4 Engine Exhaust Installation (See Separate Breakdown in this Section)	
125	1001138248	4 ft/1.25m	Tube	
126	4751600	2	Washer 3/8	

SECTION 3 - ENGINE

FIGURE 3-27. DEUTZ TD2.9L4 ENGINE COMPONENTS (CHINA SPECS ONLY)



ART_1001223591

SECTION 3 - ENGINE

FIGURE 3-27. DEUTZ TD2.9L4 ENGINE COMPONENTS (CHINA SPECS ONLY)

ITEM	PART NUMBER	QTY	DESCRIPTION	REV
	1001223591	Ref	DEUTZ TD2.9L4 ENGINE COMPONENTS	C
1	70025660	1	Plug	
1	70006264	1	Valve, Plunger	
1	70006265	1	Spring	
1	70006266	1	Seal	
2	70024904	1	Dipstick	
2	70024905	2	Seal	
3	7020465	2	Cap, Fill	
4	70005920	1	Line, Breather	
4	70025111	2	Clamp	
5	70006941	2	Plug	
5	70005942	2	Seal	
6	70001870	1	Flywheel	
6	7024579	1	Ring Gear	
6	70025139	8	Bolt	
7		Ref	Gasket & Seal Options (Not Shown):	
7	70005938	1	Gasket Kit	
7	70024906	1	Gasket, Head	
7	70005922	1	Gasket, Valve Cover	
7	70028185	1	Gasket, Front Cover	
7	70004280	1	Seal, Front Main	
7	70002718	1	Seal, Rear Main	
8	See Note	NSS	Valve, Slide (Note: Not Available for Purchase)	
8	70025082	1	Seal	
9	70005172	1	Pump, Lube (Not Shown - Located RH Rear)	
9	70025135	1	O-Seal	
9	70005173	1	Gasket	
10	7016331	1	Filter, Oil	
11	70024494	1	Cooler, Oil	
11	70024925	1	Gasket, Oil Filter	
12	70024924	1	Pump, High Pressure	
12	70025152	1	Gasket (Spacer to Pump)	
12	70024488	1	Spacer	
12	70024517	1	Gasket (Spacer to Block)	
12	70004505	1	Valve, Overflow	
12	70004506	1	Gasket, Overflow	
12	70004507	1	Gasket, Overflow	
13	70004508	1	Valve, Volume Control	
13	70004509	1	O-Ring	
13	70004510	1	Gasket	
14	70025181	4	Injector	
14	70025140	4	Washer, Sealing	
14	70025146	4	Clamp	
14	70025145	4	O-Seal	
14	70025154	4	Shoe/Pad, Clamping	
15	70006144	NLA	Pump, Fuel Supply (Use p/n 1001226098)	
16	70025144	2	Clip, Clamp	
17	70024961	1	Fuel Filter Assembly	
18	1001225430	1	Element, Filter	
19	70024513	1	Cable, Sensor	

SECTION 3 - ENGINE

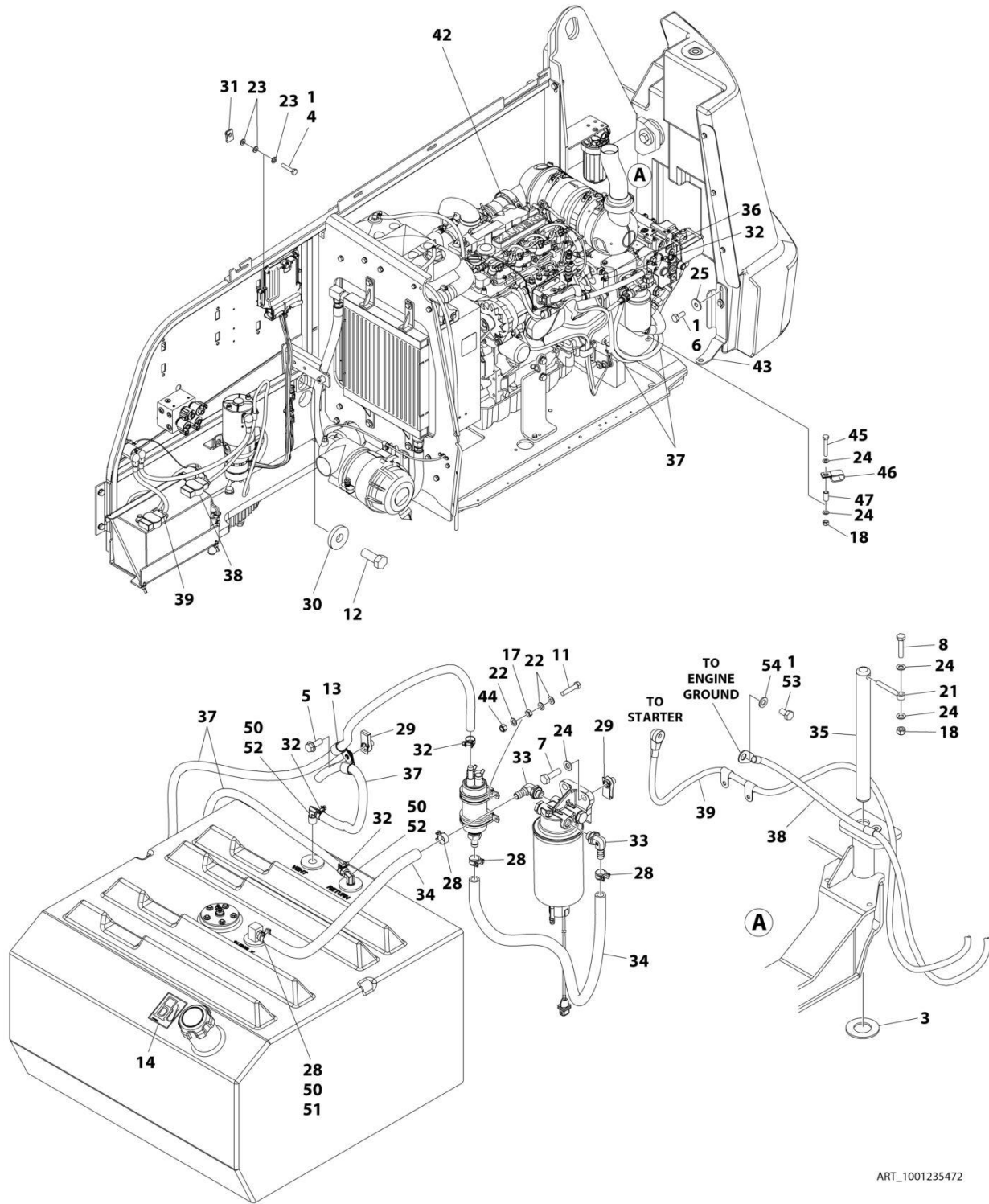
ITEM	PART NUMBER	QTY	DESCRIPTION	REV
19	70025239	1	Seal, Ring	
20	70004511	1	Fuel Filter Assembly	
20	70004513	2	Seal (at Hollow Bolt)	
21	1001225432	1	Element, Filter	
22	70028538	1	Sensor, Pressure	
22	70024920	1	O-Seal	
23	70025151	1	Rail, Fuel	
23	70025235	1	Repair Kit - Fuel Rail	
23	70025240	1	O-Ring	
24	70025182	1	Tube, Fuel - Cylinders 1 & 2	
24	70025183	1	Tube, Fuel - Cylinders 3 & 4	
24	70025184	1	Tube, Fuel	
25	70024502	1	Pipe, Fuel Leakage	
25	70025185	1	Hose, Fuel	
25	70025158	1	Manifold	
25	70025109	2	Clamp, Spring	
25	70025115	1	Clamp	
25	70025133	1	Hose	
25	70025101	2	Clamp	
25	70025148	1	Connector, Plug-in	
26	70005923	1	Manifold, Charger Air	
26	70005177	1	Gasket, Charger Air Manifold	
26	70005924	1	Seal (Manifold to Elbow)	
26	7000180	1	Line, Breather (Not Shown)	
26	70005181	1	O-Seal (Breather to Manifold)	
27	70005926	1	Elbow	
27	70025112	2	Clamp	
27	70004501	1	Sleeve, Rubber	
28	See Note	NSS	Sleeve (Note: Not Available for Purchase)	
28	70025107	2	Clamp	
29	70005928	1	Elbow, Air Charge	
30	70025210	1	Module, ECU	
31	70028802	1	Pump, Coolant	
31	70025200	1	Ring, Sealing (Pump to Block)	
32	70025084	2	Plug	
32	7020492	2	Ring, Sealing	
33	70005929	1	Thermostat	
33	70005184	1	O-Seal (Thermostat to Housing)	
33	70025142	1	Housing, Thermostat	
33	70005931	1	O-Seal (Thermostat to Pump)	
33	70025124	2	Bolt	
34	See Note	NSS	Tube (Note: Not Available for Purchase)	
34	70025179	2	Gasket (at Either End of Tube)	
35	See Note	NSS	Valve, Shuttle (Note: Not Available for Purchase)	
35	70025180	1	Gasket	
35	See Note	NSS	Housing, Shuttle Valve (Note: Not Available for Purchase)	
35	70025175	1	Cap, Shuttle Valve	
36	70025203	1	Module, EGR	
36	70025155	1	Plug (Not Shown)	
37	70005188	1	Valve, EGR Control	
37	70005189	1	Seal (Valve to Module)	

SECTION 3 - ENGINE

ITEM	PART NUMBER	QTY	DESCRIPTION	REV
38	70004282	1	Manifold, Exhaust (Not Shown)	
38	70025164	1	Gasket, Manifold to Head (Not Shown)	
38	70025130	8	Bolt, Manifold (Not Shown)	
38	70026995	1	Elbow, Exhaust (Not Shown)	
38	70025179	2	Gasket, Manifold to Elbow (Not Shown)	
39	70005932	1	Tube, Oil Return	
39	70025132	1	O-Seal	
40	70004276	1	Turbocharger	
40	70024509	1	Gasket (Turbocharger to Oil Return Tube Housing)	
40	1001191599	1	Gasket (Turbocharger to Exhaust)	
41	70025477	1	Tensioner, Belt	
42	70024484	1	Roller, Idler	
43	70004277	1	Belt	
44	70025733	1	Pulley, Alternator	
44	70006652	1	Alternator	
44	70006653	1	Controller	
44	See Note	NSS	Fan (Note: Not Available for Purchase)	
45	70024915	1	Starter	
45	70005647	1	Switch, Solenoid	
45	70005648	1	Relay	
46	70000345	4	Glow Plug	
46	70025231	1	Harness, Glow Plug	
46	70025233	1	Connector, Plug-in	
47	70025077	1	Harness, Engine	
48	70024918	1	Sender, Temperature	
49	70028538	1	Sensor, Pressure (Not Shown - RH Front)	
49	70024920	1	O-Seal	
50	70026210	1	Sensor, Speed (Not Shown - Front)	
50	70005191	1	Ring, Seal	
51	70024507	1	Sensor, Pressure	
51	70025120	1	O-Seal	
51	70005933	1	Adapter	
51	70005934	1	O-Seal	
52	70024922	1	Sender, Temperature	
52	70025212	1	O-Seal	
53	70026210	1	Sensor, Speed (Not Shown - Front)	
53	70024917	1	O-Seal	
54	70025192	1	Housing	
56	70005527	1	Clip	

SECTION 3 - ENGINE

FIGURE 3-28. DEUTZ TD2.9L4 (STAGE V PRE-BUY) ENGINE INSTALLATION



ART_1001235472

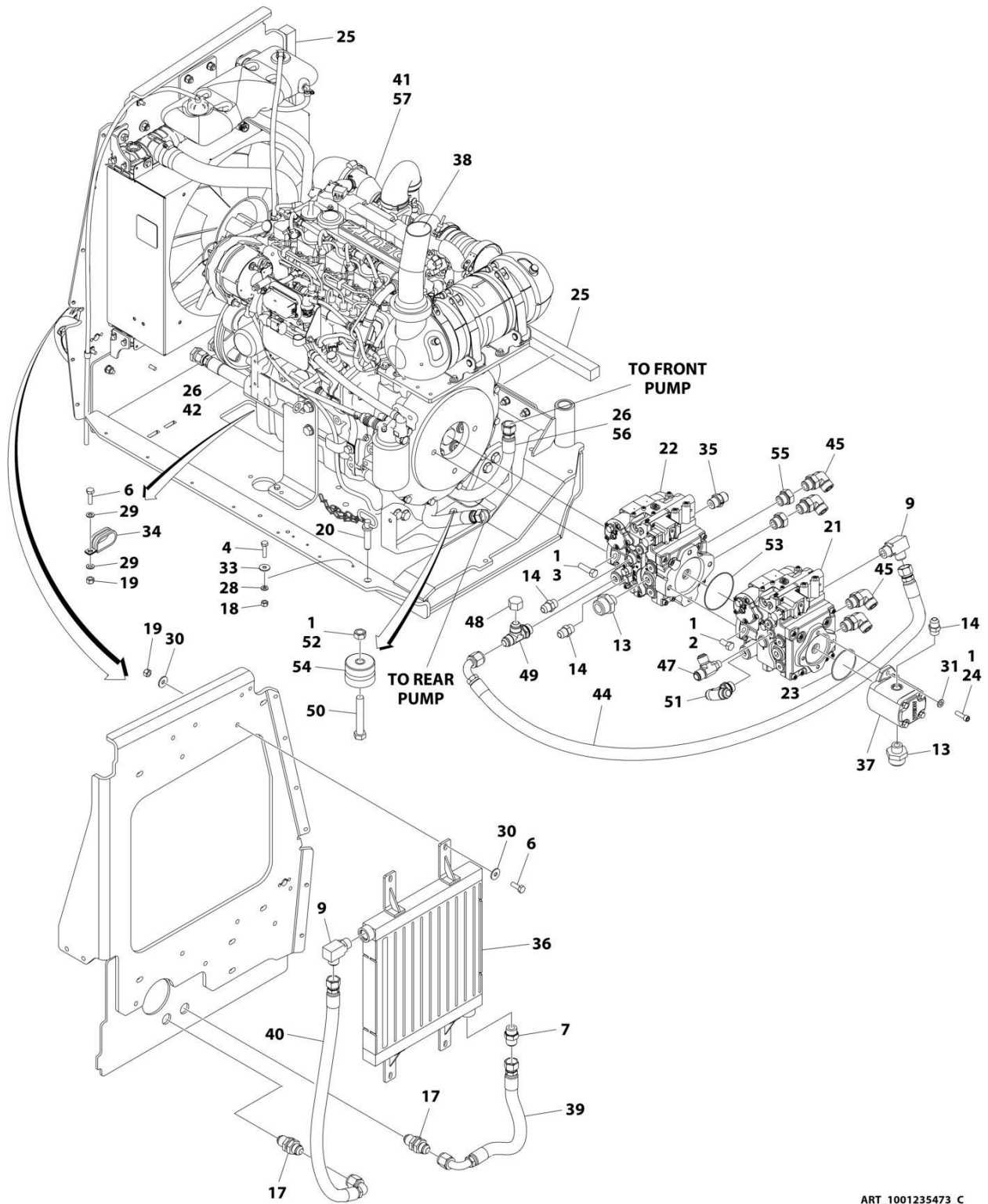
SECTION 3 - ENGINE

FIGURE 3-28. DEUTZ TD2.9L4 (STAGE V PRE-BUY) ENGINE INSTALLATION

ITEM	PART NUMBER	QTY	DESCRIPTION	REV
	1001235472	Ref	DEUTZ TD2.9L4 (STAGE V) ENGINE INSTALLATION	C
1	0100011	AR	Compound, Locking	
3	0440162	1	Bearing	
4	0700614	4	Bolt M6 x 30	
5	5251012	1	Bolt M10 x 25	
6	0701012	2	Bolt M10 x 25	
7	0701015	2	Bolt M10 x 35	
8	0711018	1	Bolt M10 x 50	
11	0760512	4	Bolt M5 x 25	
12	0772018	1	Bolt M20 x 50	
13	1320061	2	Clamp	
14	1701505	1	Decal - Diesel Fuel	
17	3290501	4	Nut M5	
18	3291005	2	Nut M10	
21	3841143	1	Keeper, Pin	
22	4811600	12	Washer M5	
23	4811700	12	Washer M6	
24	4812000	6	Washer M10	
25	4812002	2	Washer M10	
28	1001175568	4	Clip	
29	1001118972	3	Nut, Tinnerman M10	
30	1001119051	1	Washer	
31	1001130220	4	Nut, Tinnerman M6	
32	1001136975	5	Clamp	
33	1001142501	2	Fitting, 90 Barbed	
34	1001154405	33 in/ 0.8m	Hose	
35	1001155094	1	Pin	
36	1001155823	1	Fitting, 90 Quick Connect	
37	1001165035	27 ft/ 8.2m	Hose	
38	1001188668	1	Cable, Battery (-) to Aux Pump and Ground	
39	1001188669	1	Cable, Battery (+) to Aux Relay to Starter	
42	1001235473	1	Deutz TD2.9L4 (Stage V) Engine and Pump Sub-Assembly (See Separate Breakdown in this Section)	
43	1001197881	1	Bracket	
44	3290505	4	Nut M5	
45	0701022	1	Bolt M10 x 70	
46	1001026127	1	Clamp	
47	1001200731	1	Tube	
48	4240099	1	Tie-Strap (Not Shown)	
49	1001190444	1	Fuel Pump Harness - Deutz TD2.9L4 Engine (Not Shown) (See Separate Breakdown in ELECTRICAL Section)	
50	0100020	AR	Sealant	
51	2180832	1	Fitting, Straight Barbed	
52	2220313	2	Fitting, 90 NPTF/Barb	
53	0761210	1	Bolt M12 x 20	
54	4812100	1	Washer M12	
100	1001235532	1	Battery Cable Kit (Includes Items 38 & 39) (Not Shown)	

SECTION 3 - ENGINE

FIGURE 3-29. DEUTZ TD2.9L4 (STAGE V PRE-BUY) ENGINE AND PUMP SUB-ASSEMBLY



ART_1001235473_C

SECTION 3 - ENGINE

FIGURE 3-29. DEUTZ TD2.9L4 (STAGE V PRE-BUY) ENGINE AND PUMP SUB-ASSEMBLY

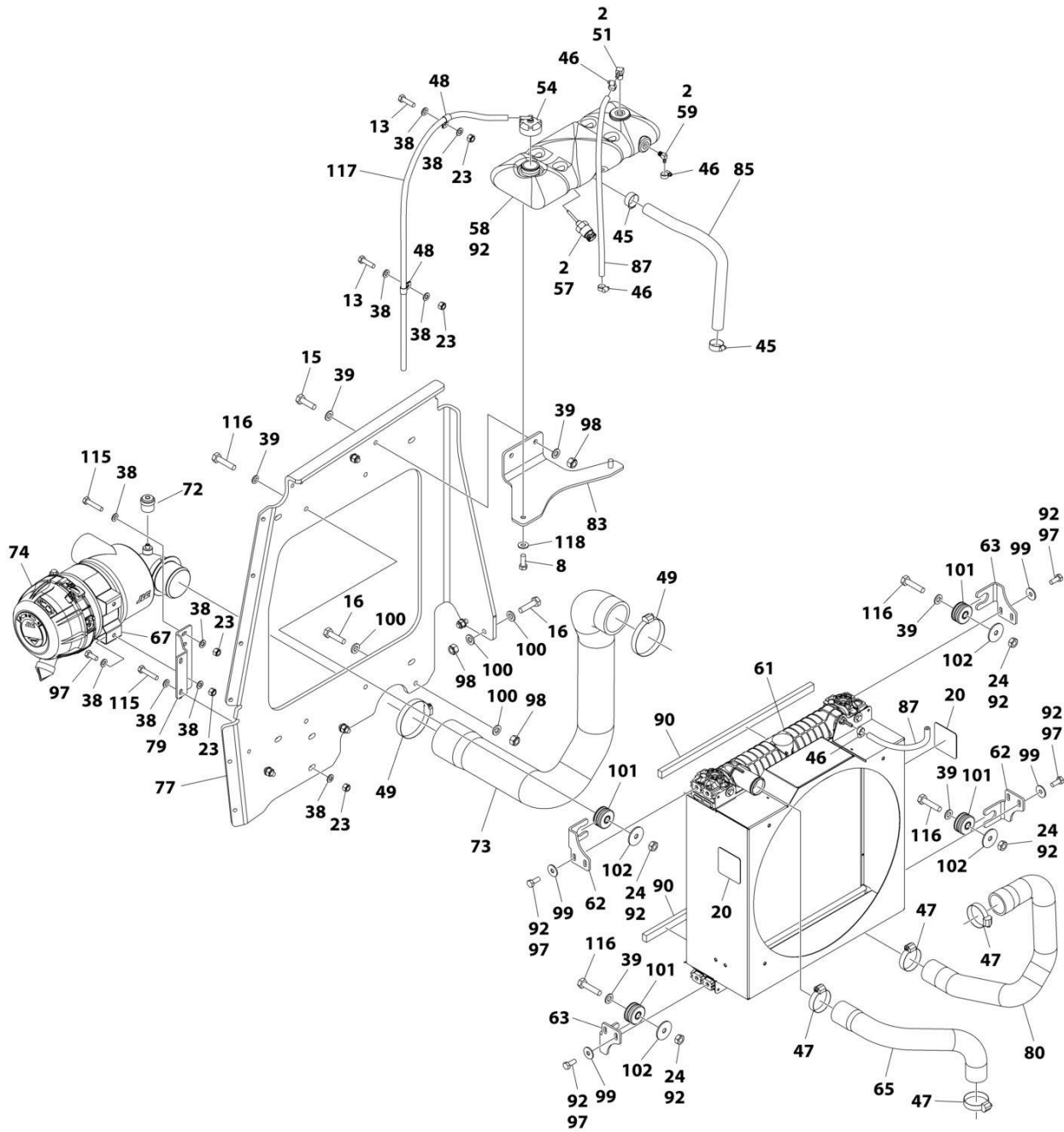
ITEM	PART NUMBER	QTY	DESCRIPTION	REV
	1001235473	Ref	DEUTZ TD2.9L4 (STAGE V) ENGINE AND PUMP SUB-ASSEMBLY	C
1	0100011	AR	Compound, Locking	
2	0641808	2	Bolt 1/2 x 1	
3	0641814	2	Bolt 1/2 x 1-3/4	
4	0760612	1	Bolt M6 x 25	
6	0761015	6	Bolt M10 x 35	
7	2220451	1	Fitting, Straight JIC/ORB	
9	2220578	2	Fitting, 90 JIC/ORB	
13	2220946	2	Fitting, Straight JIC/ORB	
14	2220947	3	Fitting, Straight JIC/ORB	
17	2230027	2	Fitting, Straight	
18	3290605	1	Nut M6	
19	3291005	6	Nut M10	
20	3422532	1	Pin	
21	3600359	1	Piston Pump Assembly - Rear (See Separate Breakdown in this Section)	
22	3600363	1	Piston Pump Assembly - Front (See Separate Breakdown in this Section)	
23	3790152	1	O-Ring	
24	3931618	2	Capscrew 3/8 x 1-1/8	
25	3960469	2	Seal	
26	4061032	3	Shield	
27	4240099	AR	Tie-Strap (Not Shown)	
28	4811700	1	Washer M6	
29	4812000	4	Washer M10	
30	4812002	8	Washer M10	
31	5241000	2	Washer M10	
33	4811702	1	Washer M6	
34	1001164196	2	Clamp	
35	1001179156	1	Valve, Check	
36	1001188171	1	Radiator, Oil Cooler	
37	1001190143	1	Gear Pump Assembly	
37	70006356	1	Seal Kit - 1001190143 Pump	
38	1001239207	1	Pipe, Exhaust	
39	1001195504	1	Hose	
40	1001195506	1	Hose	
41	1001235474	1	Deutz TD2.9L4 (Stage V) Engine Assembly (See Separate Breakdown in this Section)	
42	1001195509	1	Hose	
44	1001200216	1	Hose	
45	2131212	4	Fitting, 90 ORFS/ORB	
47	1001213814	1	Fitting, Tee JIC/ORB/JIC	
48	2220518	1	Cap	
49	2220738	1	Fitting, Tee JIC/ORB/JIC	
50	0711627	1	Bolt M16 x 100	
51	2220695	1	Fitting, Tee JIC/ORB/JIC	
52	3331611	1	Nut M16	
53	3790045	1	O-Ring	
54	1001197149	1	Mount, Engine	

SECTION 3 - ENGINE

ITEM	PART NUMBER	QTY	DESCRIPTION	REV
55	1001233450	2	Fitting, Straight ORB/ORB	
56	1001235110	1	Hose	
57	1001235458	1	Deutz TD2.9L4 (Stage V) Engine (See Separate Breakdown in this Section)	

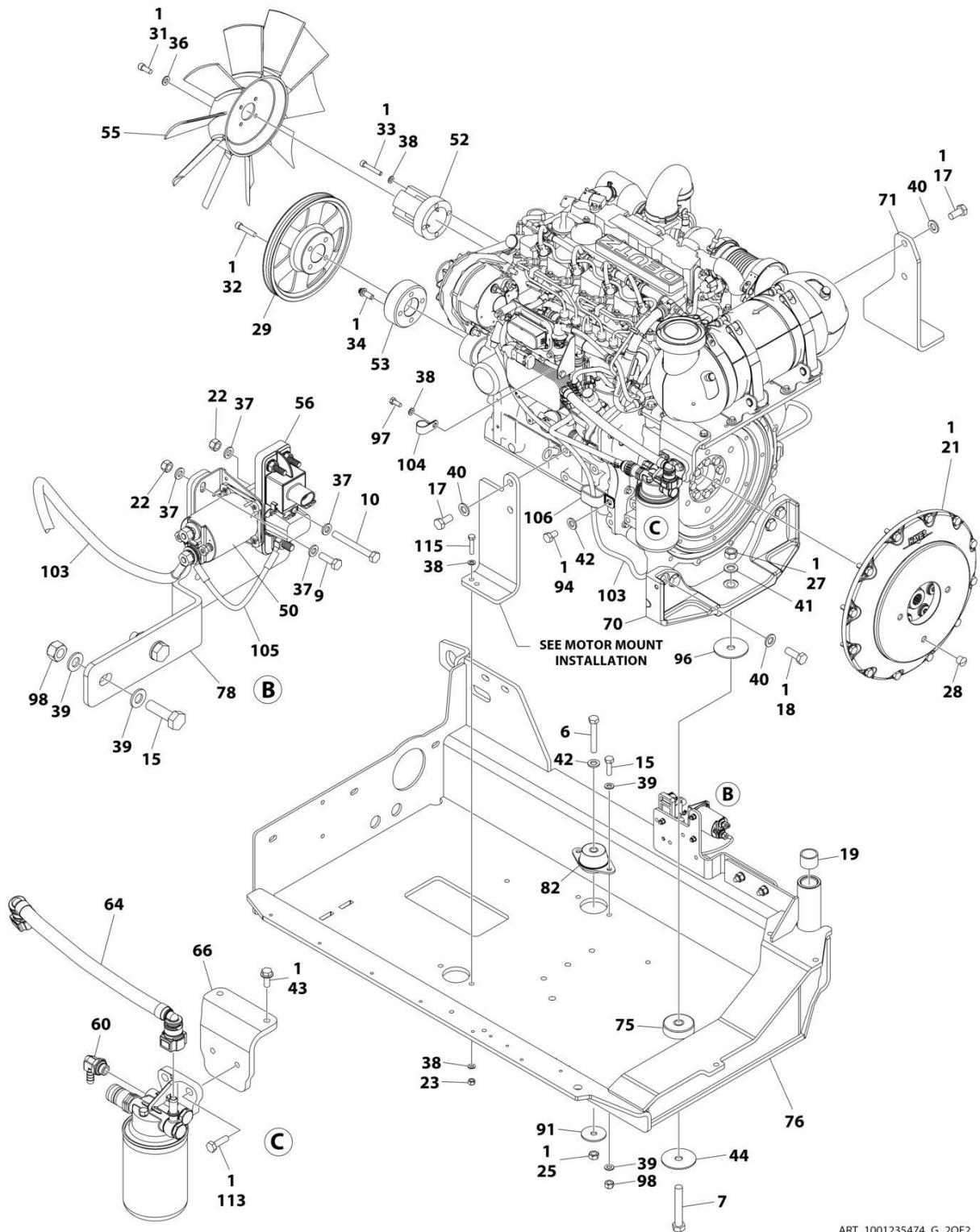
SECTION 3 - ENGINE

FIGURE 3-30. DEUTZ TD2.9L4 (STAGE V PRE-BUY) ENGINE ASSEMBLY



ART_1001235474_G_10F2

SECTION 3 - ENGINE



ART_1001235474_G_20F2

SECTION 3 - ENGINE

FIGURE 3-30. DEUTZ TD2.9L4 (STAGE VPRE-BUY) ENGINE ASSEMBLY

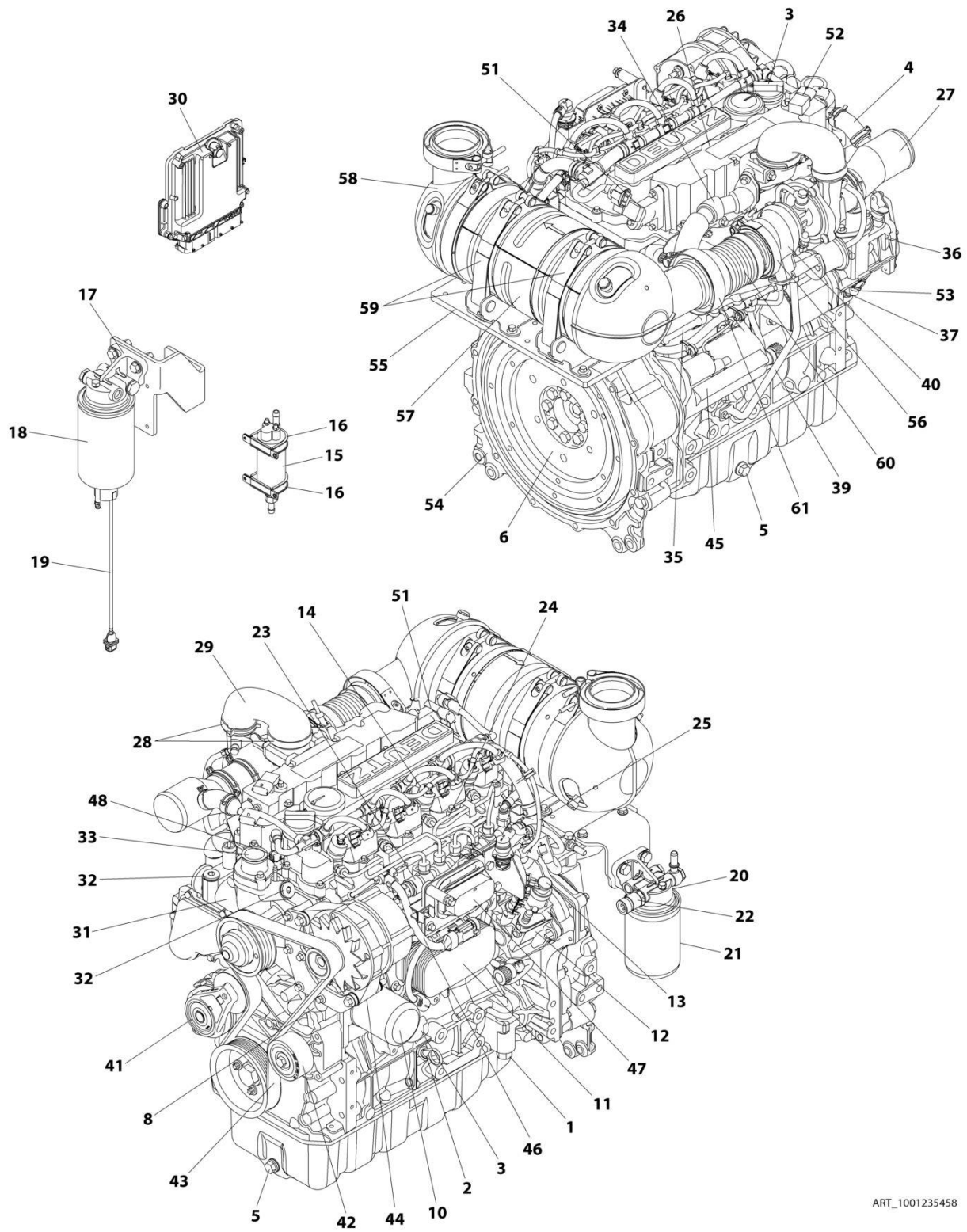
ITEM	PART NUMBER	QTY	DESCRIPTION	REV
	1001235474	Ref	DEUTZ TD2.9L4 (STAGE V) ENGINE ASSEMBLY	G
1	0100011	AR	Compound, Locking	
2	0100020	AR	Sealant (Part of Item 58)	
6	0711224	1	Bolt M12 x 80	
7	0711627	1	Bolt M16 x 100	
8	0681608	2	Screw 3/8 x 1	
9	0760610	2	Bolt M6 x 20	
10	0760619	1	Bolt M6 x 55	
13	0760814	2	Bolt M8 x 30	
15	0761015	6	Bolt M10 x 35	
16	0761016	5	Bolt M10 x 40	
17	0771414	4	Bolt M14 x 30	
18	0771416	4	Bolt M14 x 40	
19	0961951	2	Bushing	
20	1703162	2	Decal - Fan Blade	
21	2902065	1	Pump Coupling Kit (See Separate Breakdown in this Section)	
22	3290605	3	Nut M6	
23	3290805	7	Nut M8	
24	3291001	4	Nut M10	
25	3331211	1	Nut M12	
27	3331611	1	Nut M16	
28	3520054	1	Plug	
29	3580320	1	Pulley	
31	3931512	4	Capscrew 5/16 x 3/4	
32	3931628	4	Capscrew 3/8 x 1-3/4	
33	4031914	4	Capscrew M8 x 50	
34	4032014	4	Capscrew M10 x 50	
36	4711500	4	Washer 5/16	
37	4811700	6	Washer M6	
38	4811900	19	Washer M8	
39	4812000	20	Washer M10	
40	5241400	8	Washer M14	
41	4812300	1	Washer M16	
42	5241200	2	Washer M12	
43	5250810	2	Bolt M8 x 20	
44	7300435	1	Washer	
45	8405007	2	Clamp	
46	8405009	4	Clamp	
47	8405104	4	Clamp	
48	8406109	2	Clip	
49	8410011	2	Clamp	
50	1001117308	1	Contactactor	
51	1001134488	1	Fitting, 90 Barbed (Part of Item 58)	
52	1001135138	1	Adapter, Fan	
53	1001135679	1	Adapter	
54	1001136834	1	Cap, Tank	
55	1001137276	1	Fan	
56	1001138228	1	Relay	
57	1001138827	1	Sensor, Coolant Level (Part of Item 58)	
58	1001230635	1	Tank, Surge (Include Items 2, 51, 57 & 59)	

SECTION 3 - ENGINE

ITEM	PART NUMBER	QTY	DESCRIPTION	REV
59	1001140564	1	Fitting, 90 Barbed (Part of Item 58)	
60	1001152489	1	Fitting, 90 Barbed	
61	1001167042	1	Radiator	
62	1001169967	2	Bracket	
63	1001170035	2	Bracket	
64	1001177359	1	Hose	
65	1001177844	1	Hose, Radiator (Top)	
66	1001231805	1	Mount	
67	1001186426	1	Clamp, Air Cleaner	
69	1001233895	1	Engine Harness - Deutz Engines (Not Shown) (See Separate Breakdown in ELECTRICAL Section)	
70	1001188535	1	Bracket, Engine - Rear	
71	1001189026	1	Bracket, Engine - Right	
72	1001166716	1	Restriction, Indicator	
73	1001189913	1	Hose	
74	1001189979	1	Filter, Air	
74	70005008	1	Element, Filter	
75	1001190164	1	Mount, Motor	
76	1001200745	1	Tray	
77	1001229091	1	Support, Radiator	
78	1001203885	1	Plate	
79	1001190942	1	Support	
80	1001191025	1	Hose, Radiator (Bottom)	
82	1001191610	1	Mount, Motor	
83	1001192400	1	Bracket	
85	1001193049	1	Hose	
87	2720015	AR	Hose	
90	1001168166	2	Seal	
91	1001168018	1	Washer	
92	1001180620	AR	Adhesive	
94	0761210	1	Bolt M12 x 20	
96	1001197725	1	Spacer	
97	0760810	11	Bolt M8 x 20	
98	3291005	11	Nut M10	
99	4811902	8	Washer M8	
100	5241000	10	Washer M10	
101	1001169054	4	Isolator	
102	1001169138	4	Pad, Snubbing	
103	1001190442	1	Harness, Alternator Power	
103	1001098764	1	Boot - Red	
104	1320202	1	Clamp	
105	1001141304	1	Harness, Glow Fuse	
106	1001181899	1	Clamp	
108	4240099	1	Tie-Strap (Not Shown)	
113	5251012	2	Bolt M10 x 25	
115	0760816	3	Bolt M8 x 40	
116	0761017	4	Bolt M10 x 45	
117	1001138248	4 ft/1.25m	Tube	
118	4751600	2	Washer 3/8	

SECTION 3 - ENGINE

FIGURE 3-31. DEUTZ TD2.9L4 (STAGE V PRE-BUY) ENGINE COMPONENTS



ART_1001235458

SECTION 3 - ENGINE

FIGURE 3-31. DEUTZ TD2.9L4 (STAGE V PRE-BUY) ENGINE COMPONENTS

ITEM	PART NUMBER	QTY	DESCRIPTION	REV
	1001235458	Ref	DEUTZ TD2.9L4 (STAGE V) ENGINE COMPONENTS	B
1	70025660	1	Plug	
1	70006264	1	Valve, Plunger	
1	70006265	1	Spring	
1	70006266	1	Seal	
2	70024904	1	Dipstick	
2	70024905	2	Seal	
3	7020465	2	Cap, Fill	
4	70005920	1	Line, Breather	
4	70025111	2	Clamp	
5	70006941	2	Plug	
5	70005942	2	Seal	
6	70001870	1	Flywheel	
6	7024579	1	Ring Gear	
6	70025139	8	Bolt	
7		Ref	Gasket & Seal Options (Not Shown):	
7	70005938	1	Gasket Kit	
7	70024906	1	Gasket, Head	
7	70005922	1	Gasket, Valve Cover	
7	70028185	1	Gasket, Front Cover	
7	70004280	1	Seal, Front Main	
7	70002718	1	Seal, Rear Main	
8	70025091	1	Plug	
8	70025076	1	Valve, Plunger	
8	70025176	1	Spring	
8	70025082	1	Seal	
9	70005172	1	Pump, Lube (Not Shown - Located RH Rear)	
9	70025135	1	O-Seal	
9	70005173	1	Gasket	
10	7016331	1	Filter, Oil	
10	70025137	1	Bushing, Oil Filter	
11	70024494	1	Cooler, Oil	
11	70024925	1	Gasket, Oil Filter	
12	70024924	1	Pump, High Pressure	
12	70025152	1	Gasket (Spacer to Pump)	
12	70024488	1	Spacer	
12	70024517	1	Gasket (Spacer to Block)	
12	70004505	1	Valve, Overflow	
12	70004506	1	Gasket, Overflow	
12	70004507	1	Gasket, Overflow	
13	70004508	1	Valve, Volume Control	
13	70004509	1	O-Ring	
13	70004510	1	Gasket	
14	70025181	4	Injector	
14	70025140	4	Washer, Sealing	
14	70025146	4	Clamp	
14	70025145	4	O-Seal	
14	70025154	4	Shoe/Pad, Clamping	
15	1001226098	1	Pump, Fuel Supply (was p/n 70005174 & 70006144)	
16	70025144	2	Clip, Clamp	

SECTION 3 - ENGINE

ITEM	PART NUMBER	QTY	DESCRIPTION	REV
17	70024961	1	Fuel Filter Assembly	
18	70025153	1	Element, Filter	
19	70024513	1	Cable, Sensor	
19	70025239	1	Seal, Ring	
20	70025160	1	Fuel Filter Assembly	
20	70004513	2	Seal (at Hollow Bolt)	
21	70025161	1	Element, Filter	
22	70024504	1	Sensor, Pressure	
22	70024920	1	O-Seal	
23	70025151	1	Rail, Fuel	
23	70025235	1	Repair Kit - Fuel Rail	
23	70025240	1	O-Ring	
24	70025182	1	Tube, Fuel - Cylinders 1 & 2	
24	70025183	1	Tube, Fuel - Cylinders 3 & 4	
24	70025184	1	Tube, Fuel	
25	70024502	1	Pipe, Fuel Leakage	
25	70025185	1	Hose, Fuel	
25	70025158	1	Manifold	
25	70025109	2	Clamp, Spring	
25	70025115	1	Clamp	
25	70025133	1	Hose	
25	70025101	2	Clamp	
25	70025148	1	Connector, Plug-in	
26	70005923	1	Manifold, Charger Air	
26	70005177	1	Gasket, Charger Air Manifold	
26	70005924	1	Seal (Manifold to Elbow)	
26	70005925	1	Line, Breather (Not Shown)	
26	70005181	1	O-Seal (Breather to Manifold)	
27	70005926	1	Elbow	
27	70025112	2	Clamp	
27	70004501	1	Sleeve, Rubber	
28	70005927	1	Sleeve	
28	70025107	2	Clamp	
29	70005928	1	Elbow, Air Charge	
30	70025210	1	Module, ECU	
31	70024910	1	Pump, Coolant	
31	70025200	1	Ring, Sealing (Pump to Block)	
32	70025084	2	Plug	
32	7020492	2	Ring, Sealing	
33	70005929	1	Thermostat	
33	70005184	1	O-Seal (Thermostat to Housing)	
33	70005930	1	Housing, Thermostat	
33	70005931	1	O-Seal (Thermostat to Pump)	
33	70025124	2	Bolt	
34	70025178	1	Tube	
34	70025179	2	Gasket (at Either End of Tube)	
35	70025768	1	Valve, Shuttle	
35	70025180	1	Gasket	
35	70025174	1	Housing, Shuttle Valve	
35	70025175	1	Cap, Shuttle Valve	
36	70025203	1	Module, EGR	

SECTION 3 - ENGINE

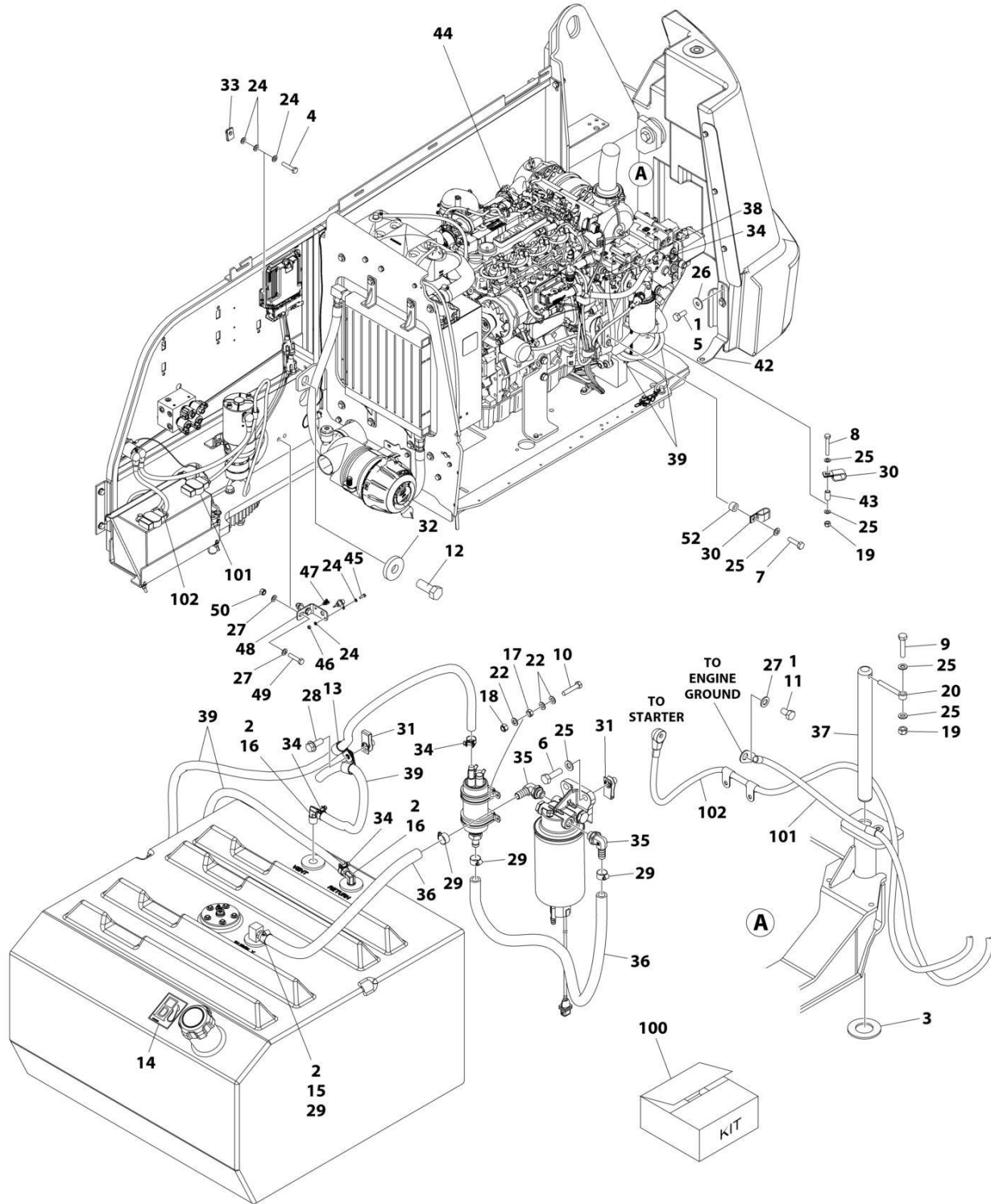
ITEM	PART NUMBER	QTY	DESCRIPTION	REV
36	70025155	1	Plug (Not Shown)	
37	70005188	1	Valve, EGR Control	
37	70005189	1	Seal (Valve to Module)	
38	70004282	1	Manifold, Exhaust (Not Shown)	
38	70025164	1	Gasket, Manifold to Head (Not Shown)	
38	70025130	8	Bolt, Manifold (Not Shown)	
38	70026995	1	Elbow, Exhaust (Not Shown)	
38	70025179	2	Gasket, Manifold to Elbow (Not Shown)	
39	70005932	1	Tube, Oil Return	
39	70025132	1	O-Seal	
40	70004276	1	Turbocharger	
40	70024509	1	Gasket (Turbocharger to Oil Return Tube Housing)	
40	1001191599	1	Gasket (Turbocharger to Exhaust)	
41	70025477	1	Tensioner, Belt	
42	70024484	1	Roller, Idler	
43	70004277	1	Belt	
44	70025733	1	Pulley, Alternator	
44	70024914	1	Alternator	
44	70025149	1	Controller	
44	70025131	1	Fan	
45	70024915	1	Starter	
45	70005647	1	Switch, Solenoid	
45	70005648	1	Relay	
46	70000345	4	Glow Plug	
46	70025231	1	Harness, Glow Plug	
46	70025233	1	Connector, Plug-in	
47	70025077	1	Harness, Engine	
48	70024918	1	Sender, Temperature	
49	70024504	1	Sensor, Pressure (Not Shown - RH Front)	
49	70024920	1	O-Seal	
50	70026210	1	Sensor, Speed (Not Shown - Front)	
50	70005191	1	Ring, Seal	
51	70024507	1	Sensor, Pressure	
51	70025120	1	O-Seal	
51	70005933	1	Adapter	
51	70005934	1	O-Seal	
52	70024922	1	Sender, Temperature	
52	70025212	1	O-Seal	
53	70026210	1	Sensor, Speed (Not Shown - Front)	
53	70024917	1	O-Seal	
54	70025192	1	Housing	
55	70005935	1	Bracket	
56	70025877	1	Clip	
56	70025242	1	Gasket	
56	70025877	1	Clip	
56	70025242	1	Gasket	
57	70005937	1	Muffler, DOC	
58	70025246	1	Outlet, Muffler	
59	70025245	2	Clamp	
60	70004504	1	Compensator	
60	70025242	1	Gasket	

SECTION 3 - ENGINE

ITEM	PART NUMBER	QTY	DESCRIPTION	REV
60	70005527	1	Clip	
61	70025877	1	Clip	

SECTION 3 - ENGINE

FIGURE 3-32. DEUTZ TD2.9L4 (STAGE V) ENGINE INSTALLATION



ART_1001243749_G

SECTION 3 - ENGINE

FIGURE 3-32. DEUTZ TD2.9L4 (STAGE V) ENGINE INSTALLATION

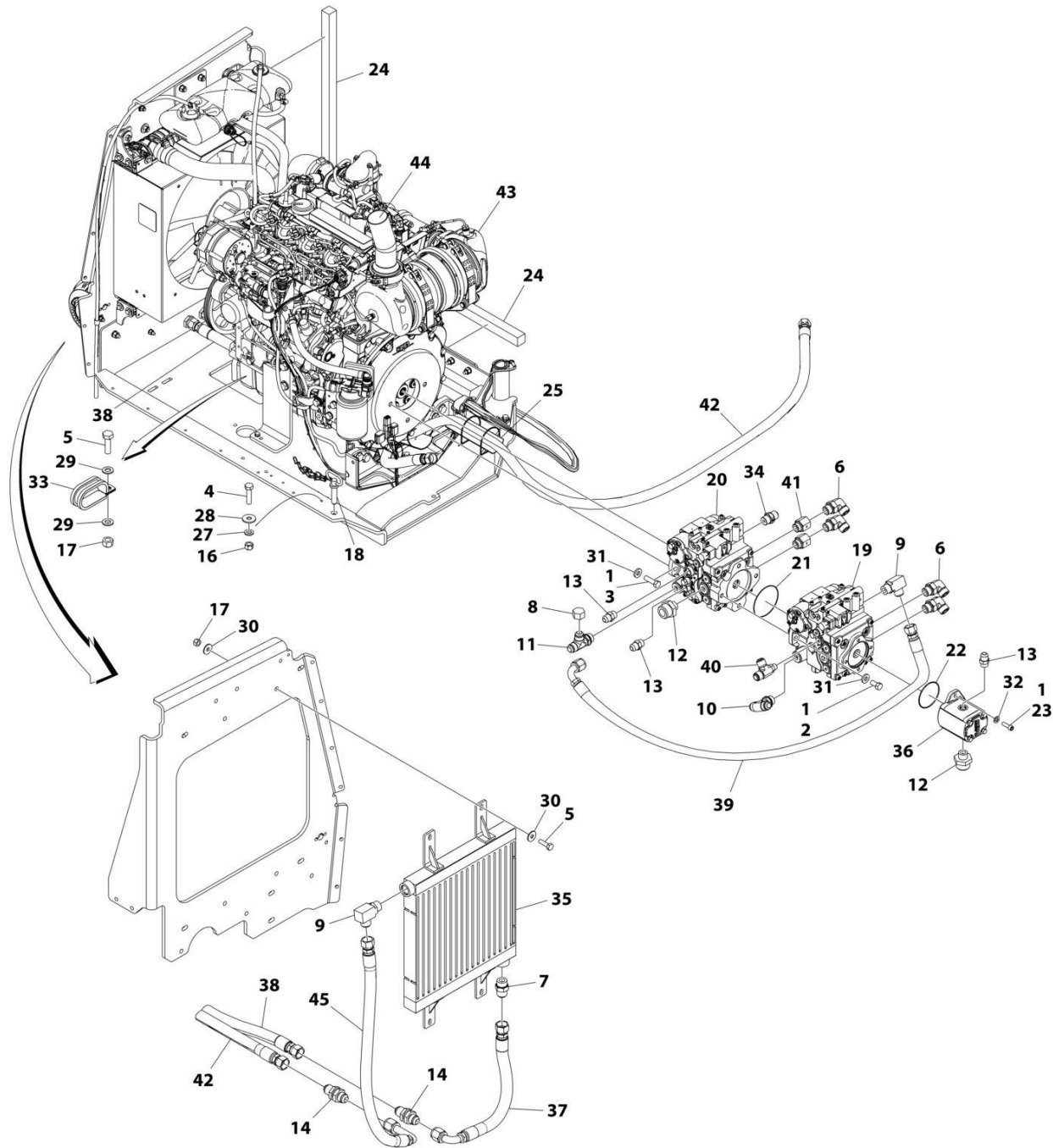
ITEM	PART NUMBER	QTY	DESCRIPTION	REV
	1001243749	Ref	DEUTZ TD2.9L4 (STAGE V) ENGINE INSTALLATION	G
1	0100011	AR	Compound, Locking	
2	0100020	AR	Sealant	
3	0440162	1	Bearing	
4	0700614	4	Bolt M6 x 30	
5	0701012	2	Bolt M10 x 25	
6	0701015	2	Bolt M10 x 35	
7	0761014	1	Bolt M10 x 30	
8	0701022	1	Bolt M10 x 70	
9	0711018	1	Bolt M10 x 50	
10	0760512	4	Bolt M5 x 25	
11	0761210	1	Bolt M12 x 20	
12	0772018	1	Bolt M20 x 50	
13	1320061	2	Clamp	
14	1701505	1	Decal - Diesel Fuel	
15	2180832	1	Fitting, Straight Barbed	
16	2220313	2	Fitting, 90 NPTF/Barb	
17	3290501	4	Nut M5	
18	3290505	4	Nut M5	
19	3291005	2	Nut M10	
20	3841143	1	Keeper, Pin	
21	4240099	AR	Tie-Strap (Not Shown)	
22	4811600	12	Washer M5	
24	4811700	14	Washer M6	
25	4812000	7	Washer M10	
26	4812002	2	Washer M10	
27	4812100	5	Washer M12	
28	5251012	1	Bolt M10 x 25	
29	8405006	4	Clamp	
30	1001026127	2	Clamp	
31	1001118972	3	Nut, Tinnerman M10	
32	1001119051	1	Washer	
33	1001130220	4	Nut, Tinnerman M6	
34	1001136975	5	Clamp	
35	1001142501	2	Fitting, 90 Barbed	
36	1001154405	33 in/ 0.8m	Hose	
37	1001155094	1	Pin	
38	1001155823	1	Fitting, 90 Quick Connect	
39	1001165035	27 ft/ 8.2m	Hose	
40	1001190444	1	Fuel Pump Harness - Deutz TD2.9L4 Engine (Not Shown) (See Separate Breakdown in ELECTRICAL Section)	
42	1001197881	1	Bracket	
43	1001200731	1	Tube	
44	1001243750	1	Deutz TD2.9L4 (Stage V) Engine and Pump Sub-Assembly (See Separate Breakdown in this Section)	
45	0641406	1	Bolt 1/4 x 3/4	
46	3311405	1	Nut 1/4	
47	1001146588	1	Tie-Strap (Not Shown)	

SECTION 3 - ENGINE

ITEM	PART NUMBER	QTY	DESCRIPTION	REV
48	1001256879	1	Bracket	
49	0701220	2	Bolt M12 x 60	
50	3291205	2	Nut M12	
51	1062255	1	Tie Strap (Not Shown)	
52	1001220266	1	Spacer M12	
100	1001235532	1	Battery Cable Kit (Includes Items 38 & 39) (Not Shown)	
101	1001188668	1	Cable, Battery (-) to Aux Pump and Ground	
102	1001188669	1	Cable, Battery (+) to Aux Relay to Starter	

SECTION 3 - ENGINE

FIGURE 3-33. DEUTZ TD2.9L4 (STAGE V) ENGINE AND PUMP SUB-ASSEMBLY



ART_1001243750

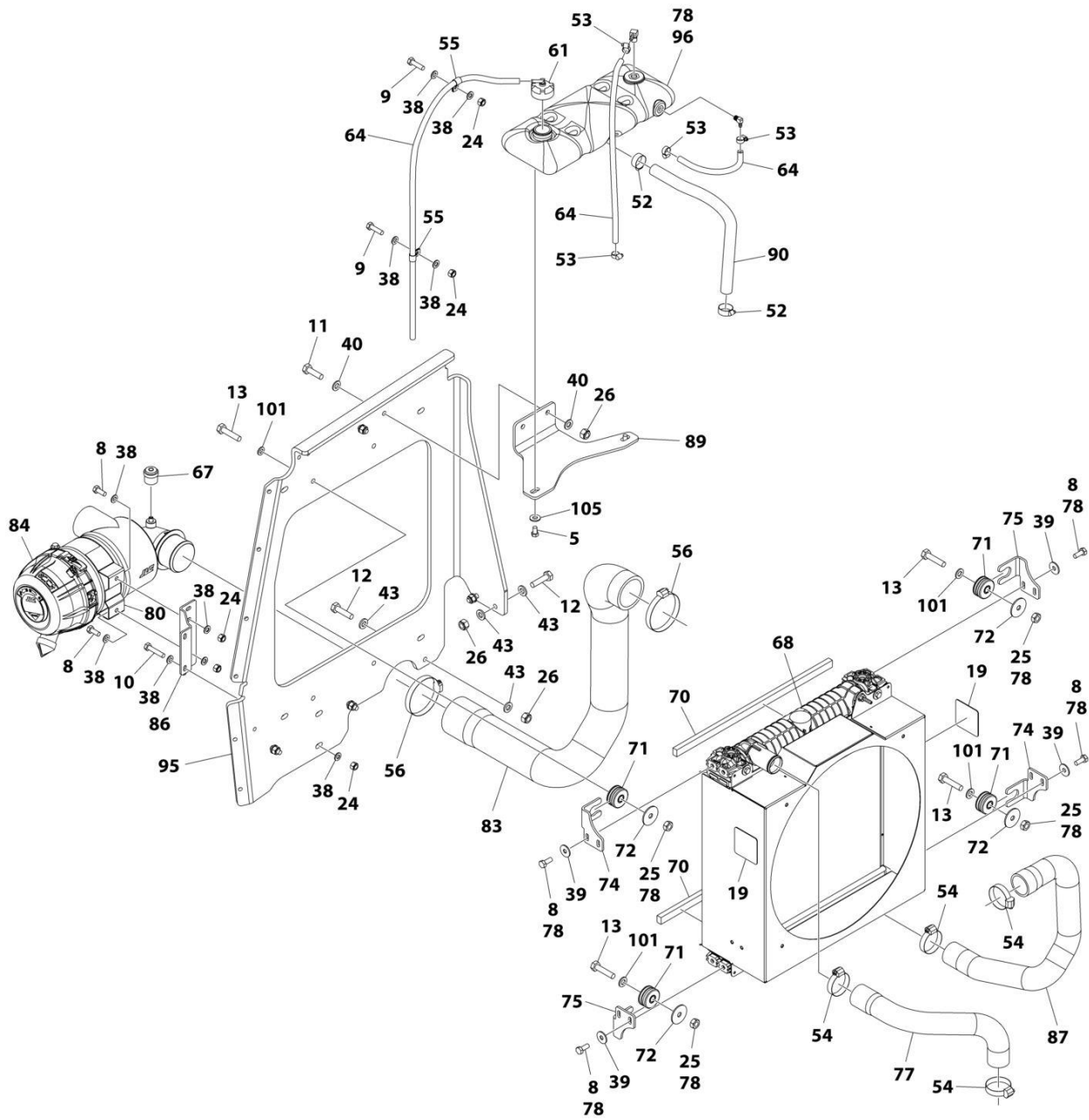
SECTION 3 - ENGINE

FIGURE 3-33. DEUTZ TD2.9L4 (STAGE V) ENGINE AND PUMP SUB-ASSEMBLY

ITEM	PART NUMBER	QTY	DESCRIPTION	REV
	1001243750	Ref	DEUTZ TD2.9L4 (STAGE V) ENGINE AND PUMP SUB-ASSEMBLY	C
1	0100011	AR	Compound, Locking	
2	0641808	2	Bolt 1/2 x 1	
3	0641814	2	Bolt 1/2 x 1-3/4	
4	0760612	1	Bolt M6 x 25	
5	0761015	6	Bolt M10 x 35	
6	2131212	4	Fitting, 90 ORFS/ORB	
7	2220451	1	Fitting, Straight JIC/ORB	
8	2220518	1	Cap	
9	2220578	2	Fitting, 90 JIC/ORB	
10	2220695	1	Fitting, Tee JIC/ORB/JIC	
11	2220738	1	Fitting, Tee JIC/ORB/JIC	
12	2220946	2	Fitting, Straight JIC/ORB	
13	2220947	3	Fitting, Straight JIC/ORB	
14	2230027	2	Fitting, Straight	
16	3290605	1	Nut M6	
17	3291005	6	Nut M10	
18	3422532	1	Pin	
19	3600359	1	Piston Pump Assembly - Rear (See Separate Breakdown in this Section)	
20	3600363	1	Piston Pump Assembly - Front (See Separate Breakdown in this Section)	
21	3790045	1	O-Ring	
22	3790152	1	O-Ring	
23	3931618	2	Capscrew 3/8 x 1-1/8	
24	3960469	2	Seal	
25	4061032	3	Shield	
26	4240099	AR	Tie-Strap (Not Shown)	
27	4811700	1	Washer M6	
28	4811702	1	Washer M6	
29	4812000	4	Washer M10	
30	4812002	8	Washer M10	
31	4891800	4	Washer 1/2	
32	5241000	2	Washer M10	
33	1001164196	2	Clamp	
34	1001179156	1	Valve, Check	
35	1001188171	1	Radiator, Oil Cooler	
36	1001190143	1	Gear Pump Assembly	
36	70006356	1	Seal Kit - 1001190143 Pump	
37	1001195504	1	Hose	
38	1001195509	1	Hose	
39	1001200216	1	Hose	
40	1001213814	1	Fitting, Tee JIC/ORB/JIC	
41	1001233450	2	Fitting, Straight ORB/ORB	
42	1001235110	1	Hose	
43	1001243751	1	Deutz TD2.9L4 (Stage V) Engine Assembly (See Separate Breakdown in this Section)	
44	1001244880	1	Pipe, Exhaust	
45	1001247544	1	Hose	

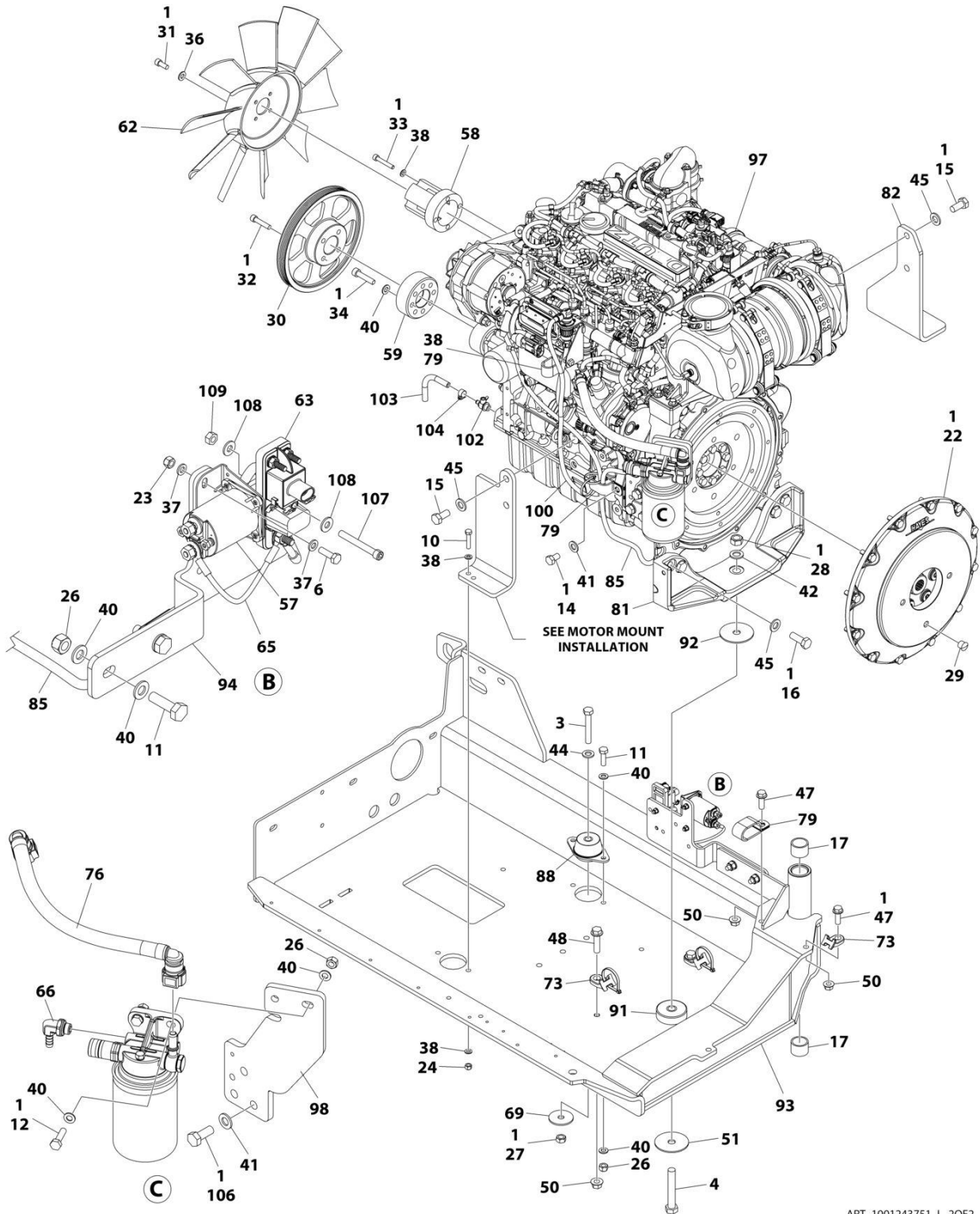
SECTION 3 - ENGINE

FIGURE 3-34. DEUTZ TD2.9L4 (STAGE V) ENGINE ASSEMBLY



ART_1001243751_L_10F2

SECTION 3 - ENGINE



ART_1001243751_L_20F2

SECTION 3 - ENGINE

FIGURE 3-34. DEUTZ TD2.9L4 (STAGE V) ENGINE ASSEMBLY

ITEM	PART NUMBER	QTY	DESCRIPTION	REV
	1001243751	Ref	DEUTZ TD2.9L4 (STAGE V) ENGINE ASSEMBLY	L
1	0100011	AR	Compound, Locking	
3	0711224	1	Bolt M12 x 80	
4	0711627	1	Bolt M16 x 100	
5	0681605	2	Bolt 3/8 x 5/8	
6	0760610	2	Bolt M6 x 20	
8	0760810	10	Bolt M8 x 20	
9	0760814	2	Bolt M8 x 30	
10	0760816	3	Bolt M8 x 40	
11	0761015	6	Bolt M10 x 35	
12	0761016	7	Bolt M10 x 40	
13	0761017	4	Bolt M10 x 45	
14	0761210	1	Bolt M12 x 20	
15	0771414	4	Bolt M14 x 30	
16	0771416	4	Bolt M14 x 40	
17	0961951	2	Bushing	
19	1703162	2	Decal - Fan Blade	
22	2902065	1	Pump Coupling Kit (See Separate Breakdown in this Section)	
23	3290605	2	Nut M6	
24	3290805	7	Nut M8	
25	3291001	4	Nut M10	
26	3291005	13	Nut M10	
27	3331211	1	Nut M12	
28	3331611	1	Nut M16	
29	3520054	1	Plug	
30	1001260432	1	Pulley	
31	3931512	4	Capscrew 5/16 x 3/4	
32	1001261085	4	Capscrew M10 x 85	
33	4031914	4	Capscrew M8 x 50	
34	1001261045	4	Capscrew M10 x 45	
35	4240099	AR	Tie-Strap (Not Shown)	
36	4711500	4	Washer 5/16	
37	4811700	4	Washer M6	
38	4811900	19	Washer M8	
39	4811902	8	Washer M8	
40	4812000	20	Washer M10	
41	4812100	4	Washer M12	
42	4812300	1	Washer M16	
43	5241000	10	Washer M10	
44	5241200	1	Washer M12	
45	5241400	8	Washer M14	
47	5251014	2	Bolt M10 x 30	
48	5251016	2	Bolt M10 x 40	
50	5261000	4	Nut M10	
51	7300435	1	Washer	
52	8405007	2	Clamp	
53	8405009	4	Clamp	
54	8405104	4	Clamp	
55	8406109	2	Clip	
56	8410011	2	Clamp	

SECTION 3 - ENGINE

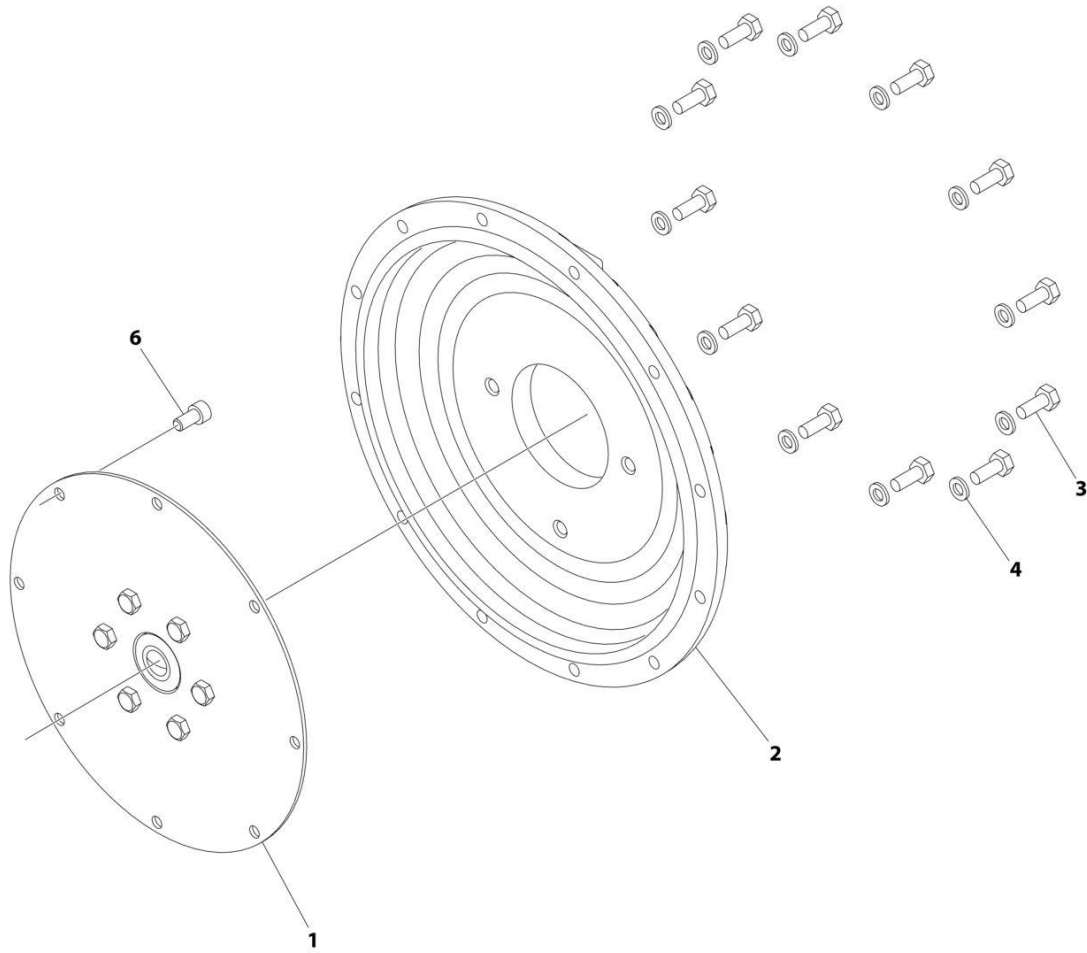
ITEM	PART NUMBER	QTY	DESCRIPTION	REV
57	1001117308	1	Contactora	
58	1001135138	1	Adapter, Fan	
59	1001258800	1	Adapter	
61	1001136834	1	Cap, Tank	
62	1001137276	1	Fan	
63	1001138228	1	Relay	
64	1001138248	6.6 ft/ 2.02m	Tube	
65	1001141304	1	Harness, Glow Fuse	
66	1001152489	1	Fitting, 90 Barbed	
67	1001166716	1	Restriction, Indicator	
68	1001167042	1	Radiator	
69	1001168018	1	Washer	
70	1001168166	2	Seal	
71	1001169054	4	Isolator	
72	1001169138	4	Pad, Snubbing	
73	1001169146	3	Mount	
74	1001169967	2	Bracket	
75	1001170035	2	Bracket	
76	1001177359	1	Hose	
77	1001177844	1	Hose, Radiator (Top)	
78	1001180620	AR	Adhesive	
79	1001181899	3	Clamp	
80	1001186426	1	Clamp, Air Cleaner	
81	1001188535	1	Bracket, Engine - Rear	
82	1001189026	1	Bracket, Engine - Right	
83	1001189913	1	Hose	
84	1001189979	1	Filter, Air	
84	70005008	1	Element, Filter	
85	1001190442	1	Harness, Alternator Power	
85	1001098764	1	Boot - Red	
86	1001190942	1	Support	
87	1001191025	1	Hose, Radiator (Bottom)	
88	1001191610	1	Mount, Motor	
89	1001192400	1	Bracket	
90	1001193049	1	Hose	
91	1001197149	1	Mount, Engine	
92	1001197725	1	Spacer	
93	1001200745	1	Tray	
94	1001203885	1	Plate	
95	1001229091	1	Support, Radiator	
96	1001230635	1	Tank, Surge	
96	1001134488	1	Fitting, 90 Barbed	
96	1001138827	1	Sensor, Coolant Level	
96	1001140564	1	Fitting, 90 Barbed	
97	1001232598	1	Deutz TD2.9L4 (Stage V) Engine (See Separate Breakdown in this Section)	
98	1001237947	1	Mount	
99	1001238878	1	Engine Harness - Deutz Engines (Not Shown) (See Separate Breakdown in ELECTRICAL Section)	
100	1001245913	1	Harness, Fuel Filter (Deutz TD2.2L4 (Stage V) Engine) (See Separate Breakdown in ELECTRICAL Section)	

SECTION 3 - ENGINE

ITEM	PART NUMBER	QTY	DESCRIPTION	REV
101	4812002	4	Washer M10	
102	4640751	1	Valve, Oil Drain	
103	1001165035	0.59 ft/ 0.18m	Hose	
104	8410013	1	Clamp	
105	4751600	2	Washer 3/8	
106	0761214	3	Bolt M12 x 30	
107	3931432	1	Screw 1/4 x 2	
108	4711400	2	Washer 1/4	
109	3311405	1	Nut 1/4	

SECTION 3 - ENGINE

FIGURE 3-35. PUMP COUPLING KIT (DEUTZ ENGINES)



ART_2902065

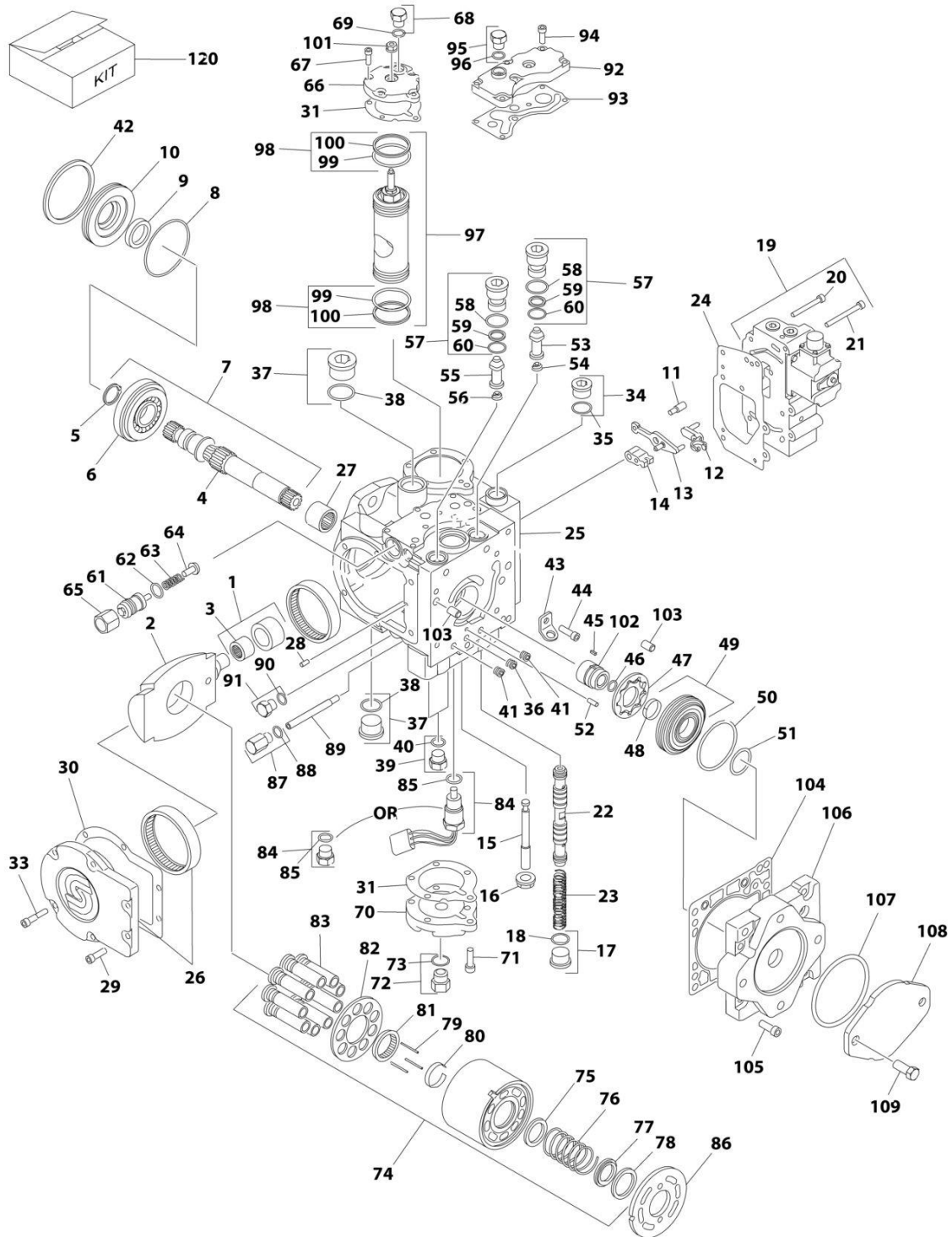
SECTION 3 - ENGINE

FIGURE 3-35. PUMP COUPLING KIT (DEUTZ ENGINES)

ITEM	PART NUMBER	QTY	DESCRIPTION	REV
	2902065	Ref	PUMP COUPLING KIT	L
1	70000793	1	Coupling, Hayes	
2	See Note	NSS	Plate, Pump Adapter (Note: Use p/n 2902065)	
3	See Note	NSS	Bolt M10 x 30 Grade 10.9 (Note: Use p/n 2902065)	
4	See Note	NSS	Washer M10 (Note: Use p/n 2902065)	
6	See Note	NSS	Bolt M10 x 20 Grade 10.9 (Note: Use p/n 2902065)	

SECTION 3 - ENGINE

FIGURE 3-36. PISTON PUMP ASSEMBLY- FRONT



ART_3600363

SECTION 3 - ENGINE

FIGURE 3-36. PISTON PUMP ASSEMBLY- FRONT

ITEM	PART NUMBER	QTY	DESCRIPTION	REV
	3600363	Ref	PISTON PUMP ASSEMBLY	B
1	7024805	1	Cam Follower Bearing Assembly (Includes Item 3)	
2	7022330	1	Swashplate	
3	7021236	1	Bearing, Needle	
4	7021237	1	Shaft	
5	7021238	1	Ring, Retaining	
6	7021239	1	Bearing, Roller	
7	7021240	1	Shaft (Includes Items 4-6)	
8	See Note	NSS	O-Ring (Note: Use Item 120)	
9	See Note	NSS	Seal, Lip (Note: Use Item 120)	
10	7021243	1	Carrier, Shaft Seal	
11	7023996	1	Screw	
12	7022331	1	Link, Control Summing	
13	7022332	1	Link, Control Feedback	
14	7022333	1	Link, Neutral Adjust	
15	7022334	1	Screw, Neutral Adjust	
16	7023997	1	Nut, Seal	
17	7022321	1	Plug (Includes Item 18)	
18	See Note	NSS	O-Ring (Note: Use Item 17 or 120)	
19	7022335	1	Control Kit (Includes Items 20 & 21)	
20	7023998	4	Screw	
21	7021267	3	Screw	
22	7022336	1	Spool Assembly	
23	7022337	1	Spring	
24	7022338	1	Gasket, Control	
25	7023999	1	Housing Assembly (Includes Items 27, 32, 36 & 41)	
26	7021248	1	Side Cover Assembly	
27	7021249	1	Bearing, Needle	
28	7021250	1	Pin	
29	7021251	2	Screw	
30	See Note	NSS	Gasket, Side Cover (Note: Use Item 120)	
31	7021253	2	Gasket, Servo Cover	
33	7021255	4	Screw	
34	7022321	1	Plug (Includes Item 35)	
35	See Note	NSS	O-Ring (Note: Use Item 34 or 120)	
36	7001485	1	Plug	
37	7007419	2	Plug (Includes Item 38)	
38	See Note	NSS	O-Ring (Note: Use Item 37 or 120)	
39	7007470	2	Plug (Includes Item 40)	
40	See Note	NSS	O-Ring (Note: Use Item 39 or 120)	
41	7001485	2	Plug, Pipe	
42	7021257	1	Ring, Retaining	
43	7022340	1	Bracket, Lifting	
44	7021251	1	Screw	
45	7022342	1	Key	
46	7022341	1	Ring, Retaining	
47	7022343	1	Gerotor Assembly	
48	7021259	1	Bearing, Journal	
49	7022344	1	Cover Assembly (Gerotor) (Includes Item 48):	
50	See Note	1	O-Ring (Note: No longer required per supplier. Pressure is the	

SECTION 3 - ENGINE

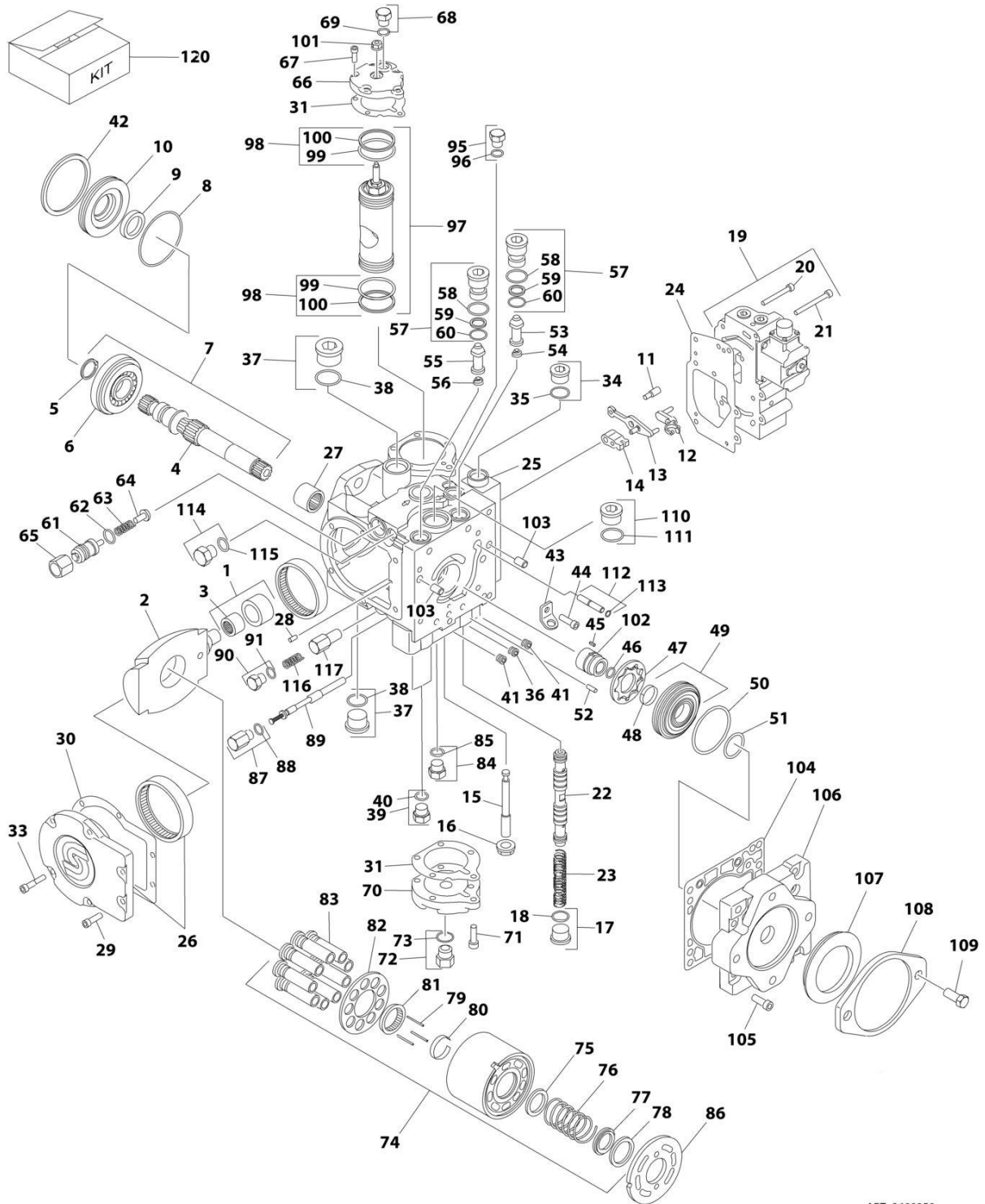
ITEM	PART NUMBER	QTY	DESCRIPTION	REV
			same on either side of o-ring)	
51	See Note	NSS	O-Ring (Note: Use Item 120)	
52	See Note	1	Pin (Note: Not Available for Purchase)	
53	7022345	1	Valve, SCR	
54	7024800	1	Spring	
55	7022345	1	Valve, SCR	
56	7024800	1	Spring	
57	7021265	2	Bypass Valve Assembly (Includes Items 58, 59 & 60)	
58	See Note	NSS	O-Ring (Note: Use Item 57 or 120)	
59	See Note	NSS	Ring, Back-up (Note: Use Item 57 or 120)	
60	See Note	NSS	O-Ring (Note: Use Item 57 or 120)	
61	7022346	1	Adjuster	
62	7021289	1	O-Ring	
63	7022347	1	Spring	
64	7024804	1	Poppet	
65	7022190	1	Nut	
66	7022348	1	Cover, Servo	
67	7021255	5	Screw, Torx	
68	7007470	1	Plug (Includes Item 69)	
69	See Note	NSS	O-Ring (Note: Use Item 68 or 120)	
70	7001268	1	Cover, Servo	
71	7021255	5	Screw, Torx	
72	7007470	1	Plug (Includes Item 73)	
73	See Note	NSS	O-Ring (Note: Use Item 72 or 120)	
74	7022349	1	Cylinder Block Kit Options (Includes Items 75 to 83)	
75	7021271	1	Washer, Special	
76	7021272	1	Spring, Cylinder Block	
77	7021273	1	Washer, Special	
78	7021274	1	Ring, Retaining	
79	7021275	3	Pin, Slipper Hold Down	
80	7021276	1	Retainer, Pin	
81	7021277	1	Guide, Retainer	
82	7021278	1	Retainer, Slipper	
83	7021279	9	Piston Assembly	
84	7022350	1	Sensor, Speed (Includes Item 85)	
85	See Note	NSS	O-Ring (Note: Use Item 84 or 120)	
86	7021281	1	Plate, Valve (Right Side)	
87	7007470	1	Plug (Includes Item 88)	
88	See Note	NSS	O-Ring (Note: Use Item 87 or 120)	
89	7024801	1	Spool, Loop Flushing	
90	7021283	1	Plug (Includes Item 91)	
91	See Note	NSS	O-Ring (Note: Use Item 90 or 120)	
92	7021285	1	Adapter, Remote Filter	
93	See Note	NSS	Gasket, Filter Adapter	
94	7021255	7	Screw (Front Pump Only)	
95	7007470	1	Plug (Includes Item 96)	
96	See Note	NSS	O-Ring (Note: Use Item 95 or 120)	
97	7022351	1	Servo Piston Kit (Includes Qty 2 of Item 98)	
98	7007412	2	Servo Piston Ring Kit (Includes Items 99 & 100)	
99	See Note	NSS	O-Ring (Note: Use Item 97, 98 or 120)	
100	See Note	NSS	Ring, Piston (Note: Use Item 97, 98 or 120)	

SECTION 3 - ENGINE

ITEM	PART NUMBER	QTY	DESCRIPTION	REV
101	See Note	NSS	Nut, Seal (Note: Use Item 120)	
102	7022352	1	Coupling	
103	7001481	2	Pin	
104	See Note	NSS	Gasket, Charge Pump (Note: Use Item 120)	
105	7021296	6	Screw, Torx	
106	7022353	1	Cover, Charge Pump	
107	See Note	NSS	O-Ring (Note: Use Item 120)	
108	7021229	1	Cover, Flange	
109	7007289	2	Screw	
120	7021280	1	Seal Kit - Complete (Includes Items 8, 9, 16, 18, 30, 31, 35, 38, 40, 51, 58, 59, 60, 69, 73, 85, 88, 91, 93, 96, 99, 100, 101, 104, 107, 111, 113 & 115)	

SECTION 3 - ENGINE

FIGURE 3-37. PISTON PUMP ASSEMBLY- REAR



ART_3600359

SECTION 3 - ENGINE

FIGURE 3-37. PISTON PUMP ASSEMBLY- REAR

ITEM	PART NUMBER	QTY	DESCRIPTION	REV
	3600359	Ref	PISTON PUMP ASSEMBLY	A
1	7024805	1	Cam Follower Bearing Assembly (Includes Item 3)	
2	7022330	1	Swashplate	
3	7021236	1	Bearing, Needle	
4	7022354	1	Shaft	
5	7021238	1	Ring, Retaining	
6	7021239	1	Bearing, Roller	
7	7022355	1	Shaft (Includes Items 4, 5 & 6)	
8	See Note	NSS	O-Ring (Note: Use Item 120)	
9	See Note	NSS	Seal, Lip (Note: Use Item 120)	
10	7021243	1	Carrier, Shaft Seal	
11	7023996	1	Screw	
12	7022331	1	Link, Control Summing	
13	7022332	1	Link, Control Feedback	
14	7022333	1	Link, Neutral Adjust	
15	7022334	1	Screw, Neutral Adjust	
16	7023997	1	Nut, Seal	
17	7022321	1	Plug (Includes Item 18)	
18	See Note	NSS	O-Ring (Note: Use Item 17 or 120)	
19	7022335	1	Control Kit (Includes Items 20 & 21)	
20	7023998	4	Screw	
21	7021267	3	Screw	
22	7022336	1	Spool Assembly	
23	7022337	1	Spring	
24	7022338	1	Gasket, Control	
25	See Note	NLA	Housing Assembly (Note: Not Available - Purchase Complete Rear Pump)	
26	7021248	1	Side Cover Assembly	
27	7021249	1	Bearing, Needle	
28	7021250	1	Pin	
29	7021251	2	Screw	
30	See Note	NSS	Gasket, Side Cover (Note: Use Item 120)	
31	7021253	2	Gasket, Servo Cover	
33	7021255	4	Screw	
34	7022321	1	Plug (Includes Item 35)	
35	See Note	NSS	O-Ring (Note: Use Item 34 or 120)	
36	7001485	1	Plug	
37	7007419	2	Plug (Includes Item 38)	
38	See Note	NSS	O-Ring (Note: Use Item 37 or 120)	
39	7007470	2	Plug (Includes Item 40)	
40	See Note	NSS	O-Ring (Note: Use Item 39 or 120)	
41	7001485	2	Plug, Pipe	
42	7021257	1	Ring, Retaining	
43	7022340	1	Bracket, Lifting	
44	7021251	1	Screw	
45	7022342	1	Key	
46	7022341	1	Ring, Retaining	
47	7022357	1	Spacer	
48	7021259	1	Bearing, Journal	
49	7021260	1	Cover Assembly (Includes Item 48)	

SECTION 3 - ENGINE

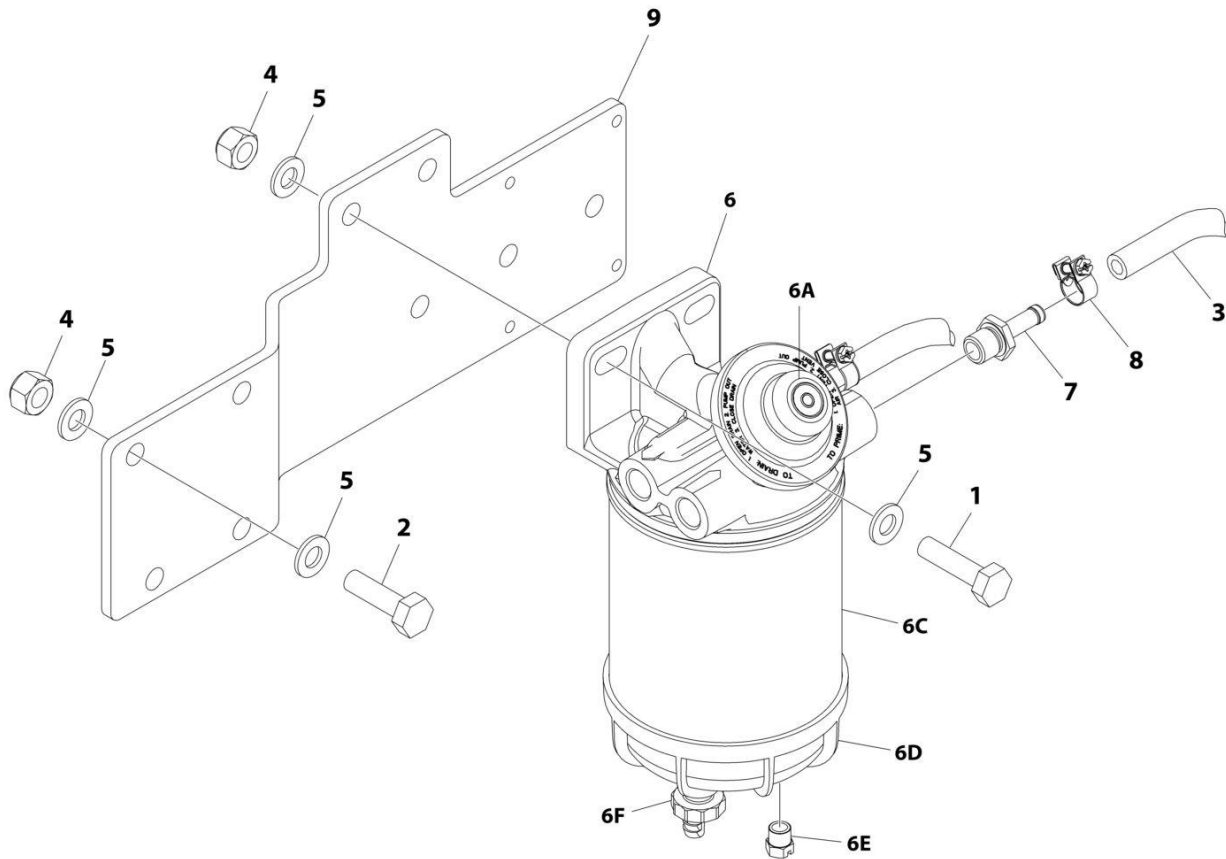
ITEM	PART NUMBER	QTY	DESCRIPTION	REV
50	See Note	1	O-Ring (Note: No longer required per supplier. Pressure is the same on either side of o-ring)	
51	See Note	NSS	O-Ring (Note: Use Item 120)	
52	See Note	1	Pin (Note: Not Available for Purchase)	
53	7022345	1	Valve, SCR	
54	7024800	1	Spring	
55	7022345	1	Valve, SCR	
56	7024800	1	Spring	
57	7021265	2	Bypass Valve Assembly (Includes Items 58, 59 & 60)	
58	See Note	NSS	O-Ring (Note: Use Item 57 or 120)	
59	See Note	NSS	Ring, Back-up (Note: Use Item 57 or 120)	
60	See Note	NSS	O-Ring (Note: Use Item 57 or 120)	
61	7022346	1	Adjuster	
62	7021289	1	O-Ring	
63	7022347	1	Spring	
64	7024804	1	Poppet	
65	7022190	1	Nut	
66	7022348	1	Cover, Servo	
67	7021255	5	Screw, Torx	
68	7007470	1	Plug (Includes Item 69)	
69	See Note	NSS	O-Ring (Note: Use Item 68 or 120)	
70	7001268	1	Cover, Servo	
71	7021255	5	Screw, Torx	
72	7007470	1	Plug (Includes Item 73)	
73	See Note	NSS	O-Ring (Note: Use Item 72 or 120)	
74	7021269	1	Cylinder Block Kit (Includes Items 75 to 83)	
75	7021271	1	Washer, Special	
76	7021272	1	Spring, Cylinder Block	
77	7021273	1	Washer, Special	
78	7021274	1	Ring, Retaining	
79	7021275	3	Pin, Slipper Hold Down	
80	7021276	1	Retainer, Pin	
81	7021277	1	Guide, Retainer	
82	7021278	1	Retainer, Slipper	
83	7021279	9	Piston Assembly	
84	7007470	1	Plug (Includes Item 85)	
85	See Note	NSS	O-Ring (Note: Use Item 84 or 120)	
86	7021281	1	Plate, Valve (Right Side)	
87	7007470	1	Plug (Includes Item 88)	
88	See Note	NSS	O-Ring (Note: Use Item 87 or 120)	
89	7024801	1	Spool, Loop Flushing	
90	7021283	1	Plug (Includes Item 91)	
91	See Note	NSS	O-Ring (Note: Use Item 90 or 120)	
95	7007470	1	Plug (Includes Item 96)	
96	See Note	NSS	O-Ring (Note: Use Item 95 or 120)	
97	7022351	1	Servo Piston Kit (Includes Qty 2 of Item 98)	
98	7007412	2	Servo Piston Ring Kit (Includes Items 99 & 100)	
99	See Note	NSS	O-Ring (Note: Use Item 97, 98 or 120)	
100	See Note	NSS	Ring, Piston (Note: Use Item 97, 98 or 120)	
101	See Note	NSS	Nut, Seal (Note: Use Item 120)	
102	7022359	1	Coupling	
103	7001481	2	Pin	

SECTION 3 - ENGINE

ITEM	PART NUMBER	QTY	DESCRIPTION	REV
104	See Note	NSS	Gasket, Charge Pump (Note: Use Item 120)	
105	7021296	6	Screw, Torx	
106	7021297	1	Cover, Charge Pump	
107	7021298	1	Seal	
108	7021299	1	Cover, Flange	
109	7007289	2	Screw	
110	7007419	1	Plug (Rear Pump Only)	
111	See Note	NSS	O-Ring (Rear Pump Only) (Note: Use Item 110 or 120)	
112	7022358	1	Plug (Include Item 113)	
113	See Note	NSS	O-Ring (Note: Use Item 112 or 120)	
114	7021256	1	Plug (Include Item 115) (Rear Pump Only)	
115	See Note	NSS	O-Ring (Rear Pump Only) (Note: Use Item 114 or 120)	
116	7024802	1	Spring	
117	7024803	1	Poppet	
120	7021280	1	Seal Kit - Complete (Includes Items 8, 9, 16, 18, 30, 31, 35, 38, 40, 51, 58, 59, 60, 69, 73, 85, 88, 91, 93, 96, 99, 100, 101, 104, 107, 111, 113 & 115)	

SECTION 3 - ENGINE

FIGURE 3-38. FUEL FILTER INSTALLATION (STEEL FUEL TANK) (DEUTZ D2011 ENGINES)



ART_1001225054

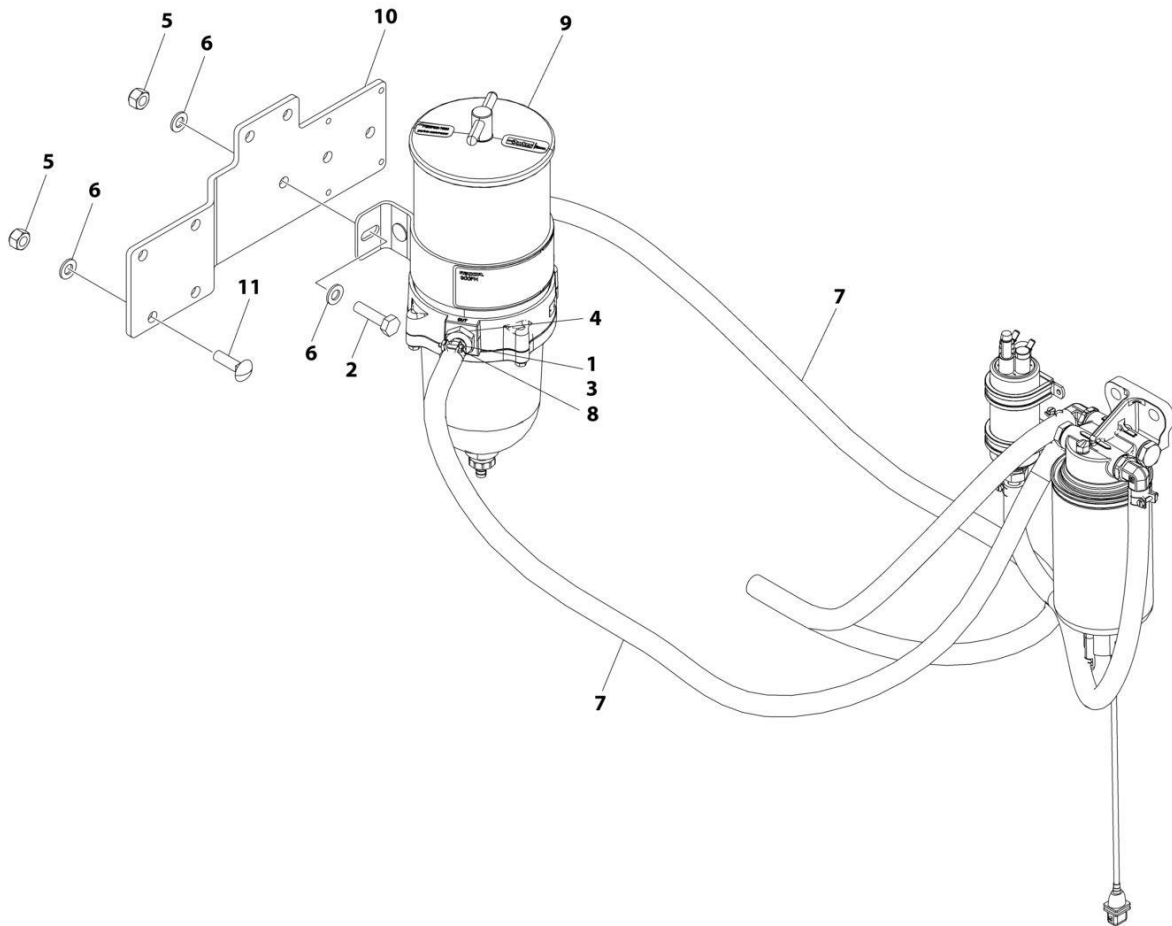
SECTION 3 - ENGINE

FIGURE 3-38. FUEL FILTER INSTALLATION (STEEL FUEL TANK) (DEUTZ D2011 ENGINES)

ITEM	PART NUMBER	QTY	DESCRIPTION	REV
	1001225054	Ref	FUEL FILTER INSTALLATION	B
1	0761016	2	Bolt M10 x 40	
2	0761015	2	Bolt M10 x 35	
2	1001228406	2	Bolt M10 x 35	
3	2720058	32 in/ 80cm	Hose, Fuel Line	
4	3291005	4	Nut M10	
5	4812000	AR	Washer M10	
6	1001149452	1	Fuel Filter/Water Separator Assembly	
6A	See Note	NSS	Indicator, Restriction (Note: Use p/n 1001149452)	
6B	70004064	1	Bypass Valve Kit (Not Shown)	
6C	70004065	1	Gasket, Head to Element	
6C	70004066	1	Element, Filter	
6D	70004067	1	Gasket, Element to Bowl	
6D	70004068	1	Bowl Kit (Includes Bowl, Element and Plug)	
6E	70004069	1	Plug	
6F	70004070	1	Drain	
7	1001149469	2	Fitting, Straight Barbed	
8	1001174486	2	Clamp	
9	1001224967	1	Bracket	

SECTION 3 - ENGINE

FIGURE 3-39. FUEL FILTER INSTALLATION (DEUTZ TD2.9L4 ENGINES)



ART_1001224474

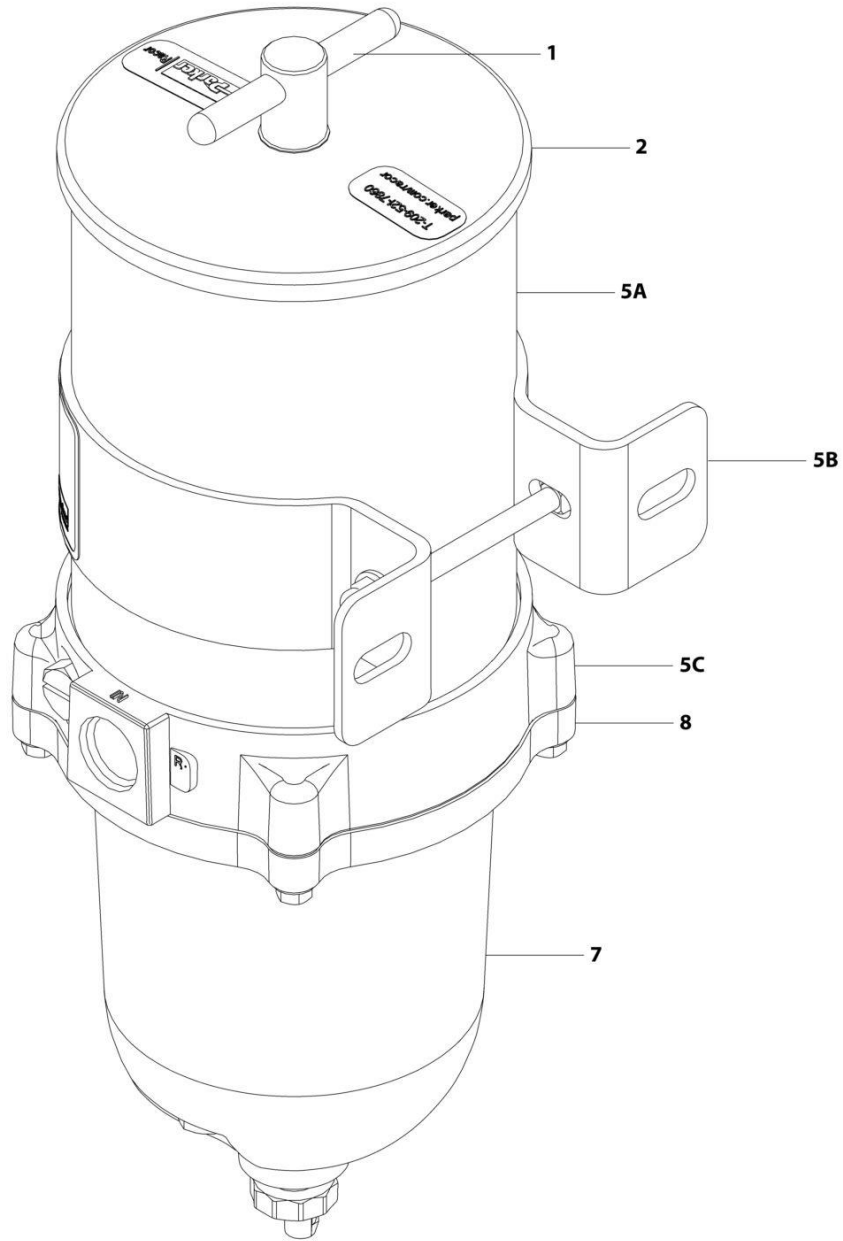
SECTION 3 - ENGINE

FIGURE 3-39. FUEL FILTER INSTALLATION (DEUTZ TD2.9L4 ENGINES)

ITEM	PART NUMBER	QTY	DESCRIPTION	REV
	1001224473	Ref	FUEL FILTER INSTALLATION	B
1	0100020	AR	Sealant	
2	0761016	2	Bolt M10 x 40	
3	2180832	2	Fitting, Straight Barbed	
4	2220816	2	Fitting, Straight NPT	
5	3291005	4	Nut M10	
6	4812000	6	Washer M10	
7	1001154405	42 in/ 1.1m	Hose	
8	1001175568	2	Clip	
9	1001222817	1	Fuel Filter Assembly (See Separate Breakdown in this Section)	
10	1001224967	1	Bracket	
11	1001228406	2	Bolt M10 x 35, GRADE 8.8	

SECTION 3 - ENGINE

FIGURE 3-40. FUEL FILTER ASSEMBLY (DEUTZ TD2.9L4 ENGINES)



ART_1001222817

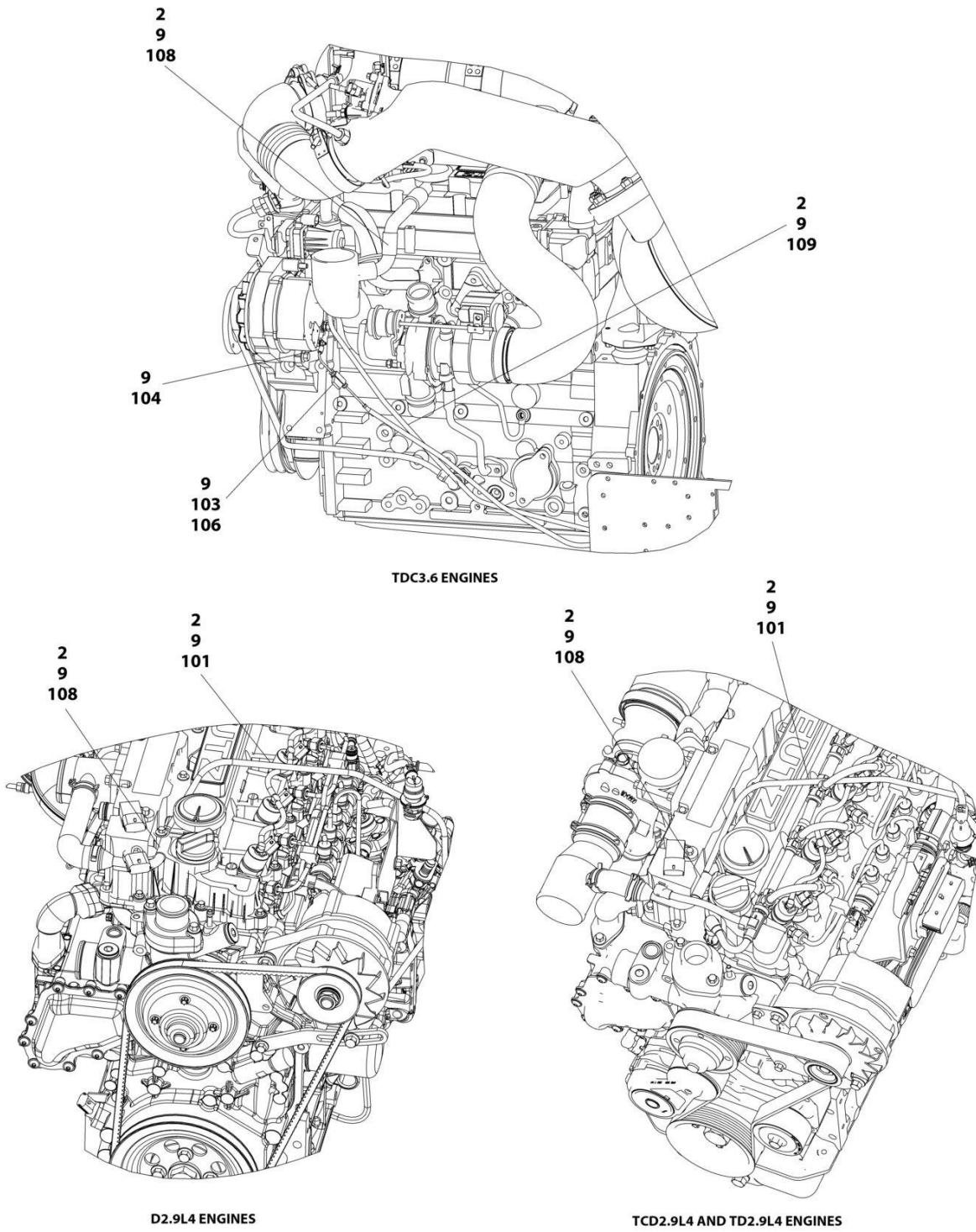
SECTION 3 - ENGINE

FIGURE 3-40. FUEL FILTER ASSEMBLY (DEUTZ TD2.9L4 ENGINES)

ITEM	PART NUMBER	QTY	DESCRIPTION	REV
	1001222817	Ref	FUEL FILTER ASSEMBLY	A
1	70006403	1	Handle Kit (Includes Handle, Handle O-Ring & Lid Gasket)	
2	70006404	1	Lid Kit (Includes Lid, Handle O-Ring & Lid Gasket)	
3	70006405	1	Element, Filter (Not Shown)	
5A	See Note	NSS	Housing (Note: Use p/n 1001222817)	
5B	See Note	NSS	Bracket (Note: Use p/n 1001222817)	
5C	See Note	NSS	Tube, Return (Note: Use p/n 1001222817)	
6	70006407	1	Certrfuge & Baffle Kit (Not Shown - Located at Bottom of 5C) (Also Includes p/n 70006406 & Bowl Gasket)	
6	70006406	1	Checkball & Gasket Kit (Not Shown - Located at Bottom of 5C)	
7	70006409	1	Bowl Kit (Includes Bowl Gasket, Plug with O-Ring & Drain)	
7	70006408	1	Gasket, Bowl	
8	70006410	1	Bowl Ring Kit (Includes Bowl Gasket & Bolts)	

SECTION 3 - ENGINE

FIGURE 3-41. BREATHER HEATER INSTALLATION - DEUTZ D2.9L4 ENGINE WITH ARCTIC PACKAGE



ART_1001233763

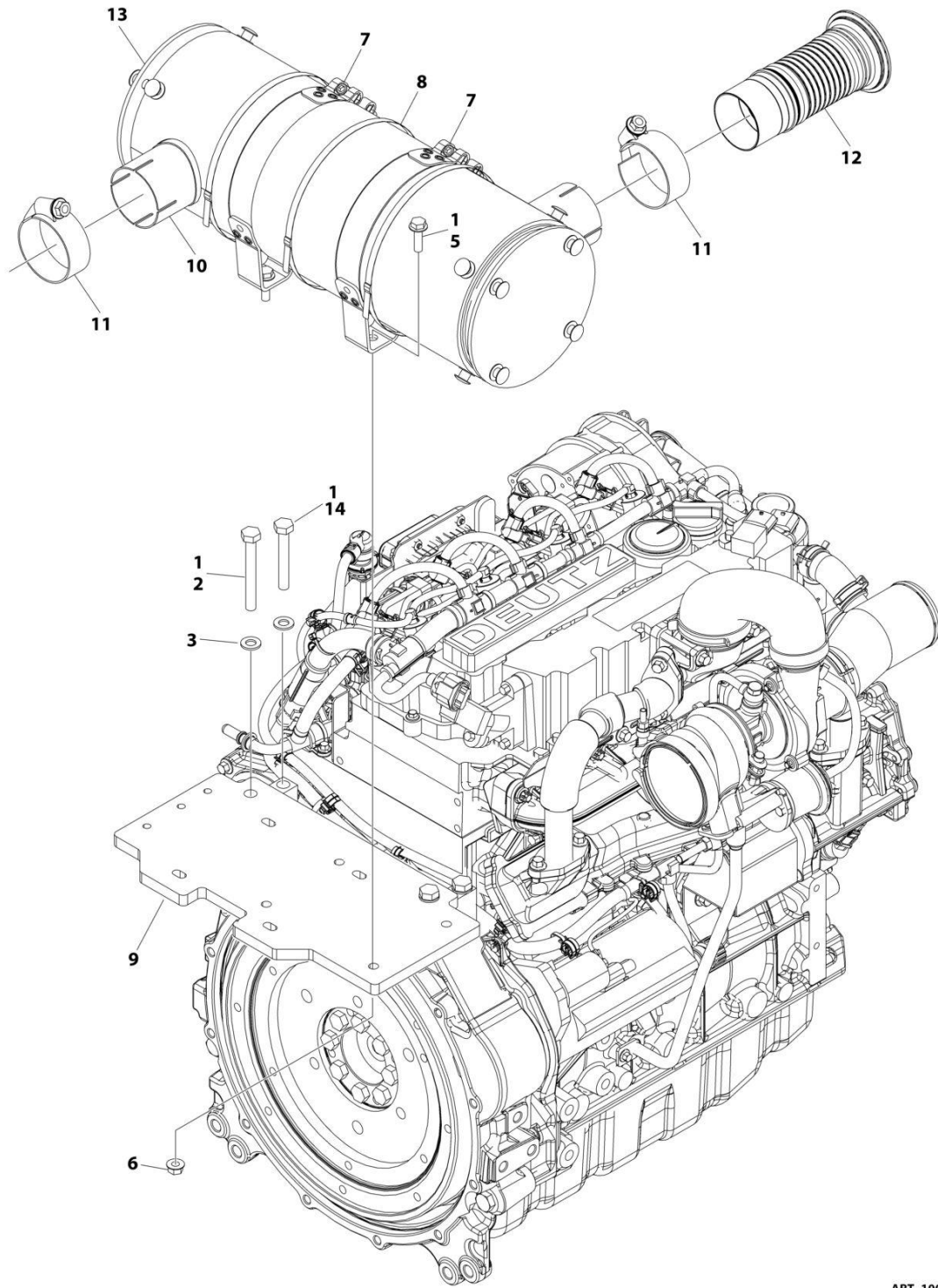
SECTION 3 - ENGINE

FIGURE 3-41. BREATHER HEATER INSTALLATION - DEUTZ D2.9L4 ENGINE WITH ARCTIC PACKAGE

ITEM	PART NUMBER	QTY	DESCRIPTION	REV
	1001233763	Ref	BREATHER HEATER INSTALLATION - DEUTZ ENGINES	D
2	4240099	AR	Tie-Strap	
9	1001243895	1	Breather Heater Harness	C
101	2820035	AR	Insulation	
103	2400060	1	Fuseholder with Cover	
104	4460043	1	Terminal, Ring	
105	4460722	1	Terminal, Ring (Not Shown)	
106	1001196634	1	Fuse - 2 Amp	
108	1001232842	1	Breather Heater Kit	

SECTION 3 - ENGINE

FIGURE 3-42. DEUTZ 2.9L4 EXHAUST INSTALLATION (CHINA SPECS ONLY) (PVC 2001)



ART_1001231649_B

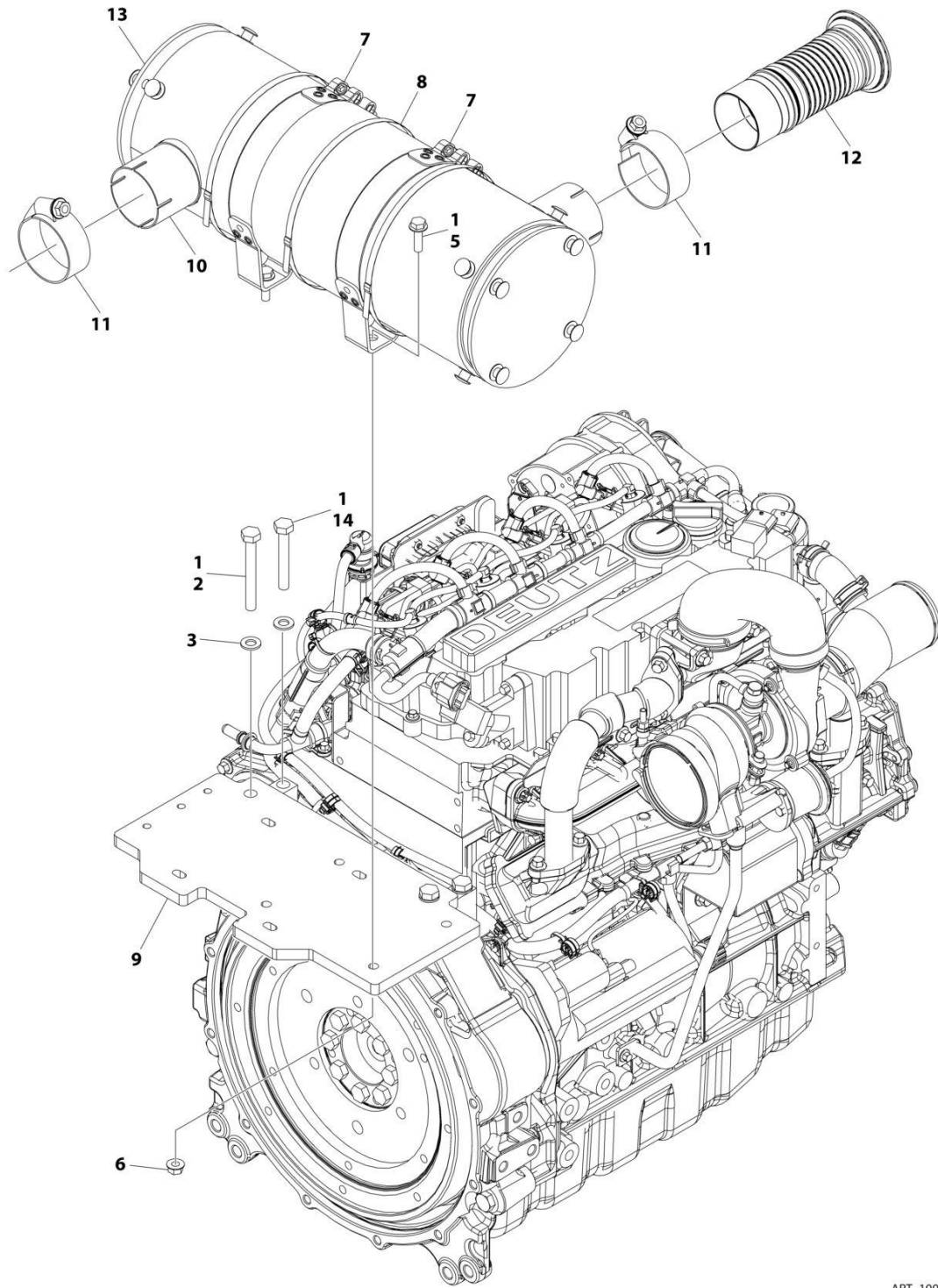
SECTION 3 - ENGINE

FIGURE 3-42. DEUTZ 2.9L4 EXHAUST INSTALLATION (CHINA SPECS ONLY) (PVC 2001)

ITEM	PART NUMBER	QTY	DESCRIPTION	REV
	1001231649	Ref	DEUTZ 2.9L4 EXHAUST INSTALLATION	B
1	0100011	AR	Compound, Locking	
2	0701025	2	Bolt M10 x 85	
3	4812000	4	Washer M10	
4	4920385	AR	Wire, Safety (Not Shown)	
5	5250813	4	Bolt M8 x 28	
6	5260800	4	Nut M8 Grade 10.9	
7	1001119727	2	Clamp	
8	1001137336	3	Strap	
9	1001221203	1	Bracket	
10	1001221207	1	Muffler	
11	1001221212	2	Clamp	
12	1001221217	1	Pipe	
13	1001221427	1	Wrap, Muffler	
14	0701022	2	Bolt M10 x 70	

SECTION 3 - ENGINE

FIGURE 3-43. DEUTZ 2.9L4 EXHAUST INSTALLATION (CHINA SPECS ONLY) (PVC 2007)



ART_1001231649_E

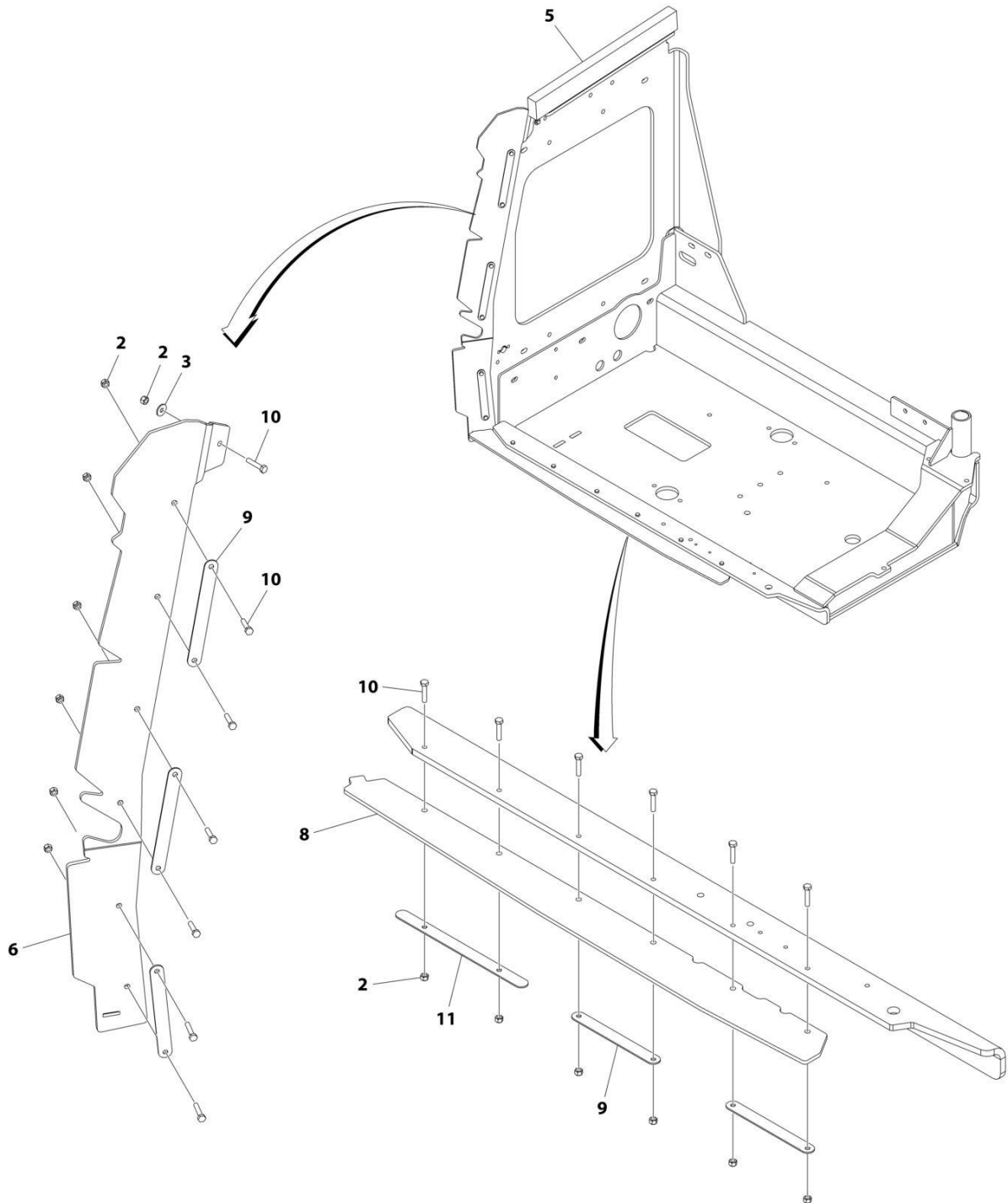
SECTION 3 - ENGINE

FIGURE 3-43. DEUTZ 2.9L4 EXHAUST INSTALLATION (CHINA SPECS ONLY) (PVC 2007)

ITEM	PART NUMBER	QTY	DESCRIPTION	REV
	1001231649	Ref	DEUTZ 2.9L4 EXHAUST INSTALLATION	E
1	0100011	AR	Compound, Locking	
2	0701025	2	Bolt M10 x 85	
3	4812000	4	Washer M10	
4	4920385	AR	Wire, Safety (Not Shown)	
5	5250813	4	Bolt M8 x 28	
6	5260800	4	Nut M8 Grade 10.9	
7	1001119727	2	Clamp	
8	1001137336	3	Strap	
9	1001221203	1	Bracket	
10	1001151432	1	Muffler	
11	1001221212	2	Clamp	
12	1001221217	1	Pipe	
13	1001221427	1	Wrap, Muffler	
14	0701022	2	Bolt M10 x 70	

SECTION 3 - ENGINE

FIGURE 3-44. ENGINE HOOD Baffles INSTALLATION - ABS HOODS



ART_1001197268_G

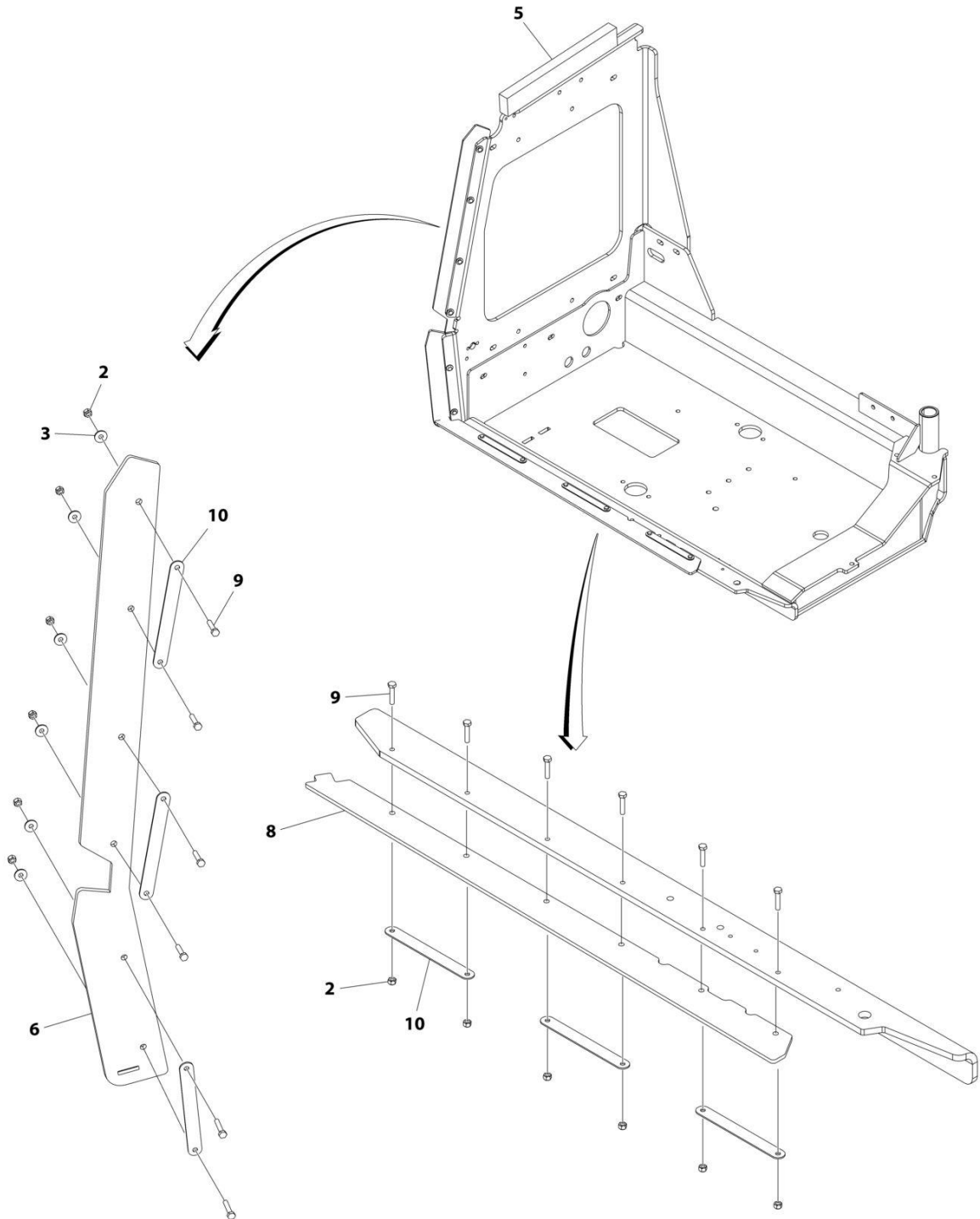
SECTION 3 - ENGINE

FIGURE 3-44. ENGINE HOOD BAFFLES INSTALLATION - ABS HOODS

ITEM	PART NUMBER	QTY	DESCRIPTION	REV
	1001197268	Ref	ENGINE HOOD BAFFLES INSTALLATION	G
2	3290605	13	Nut M6	
3	4811702	8	Washer M6	
5	1001197389	1	Seal	
6	1001234370	1	Seal	
8	1001234371	1	Seal	
9	1001167164	5	Support	
10	0760614	13	Bolt M6 x 30	
11	1001233429	1	Support	

SECTION 3 - ENGINE

FIGURE 3-45. ENGINE HOOD Baffles INSTALLATION - STEEL HOODS



ART_1001197269_F

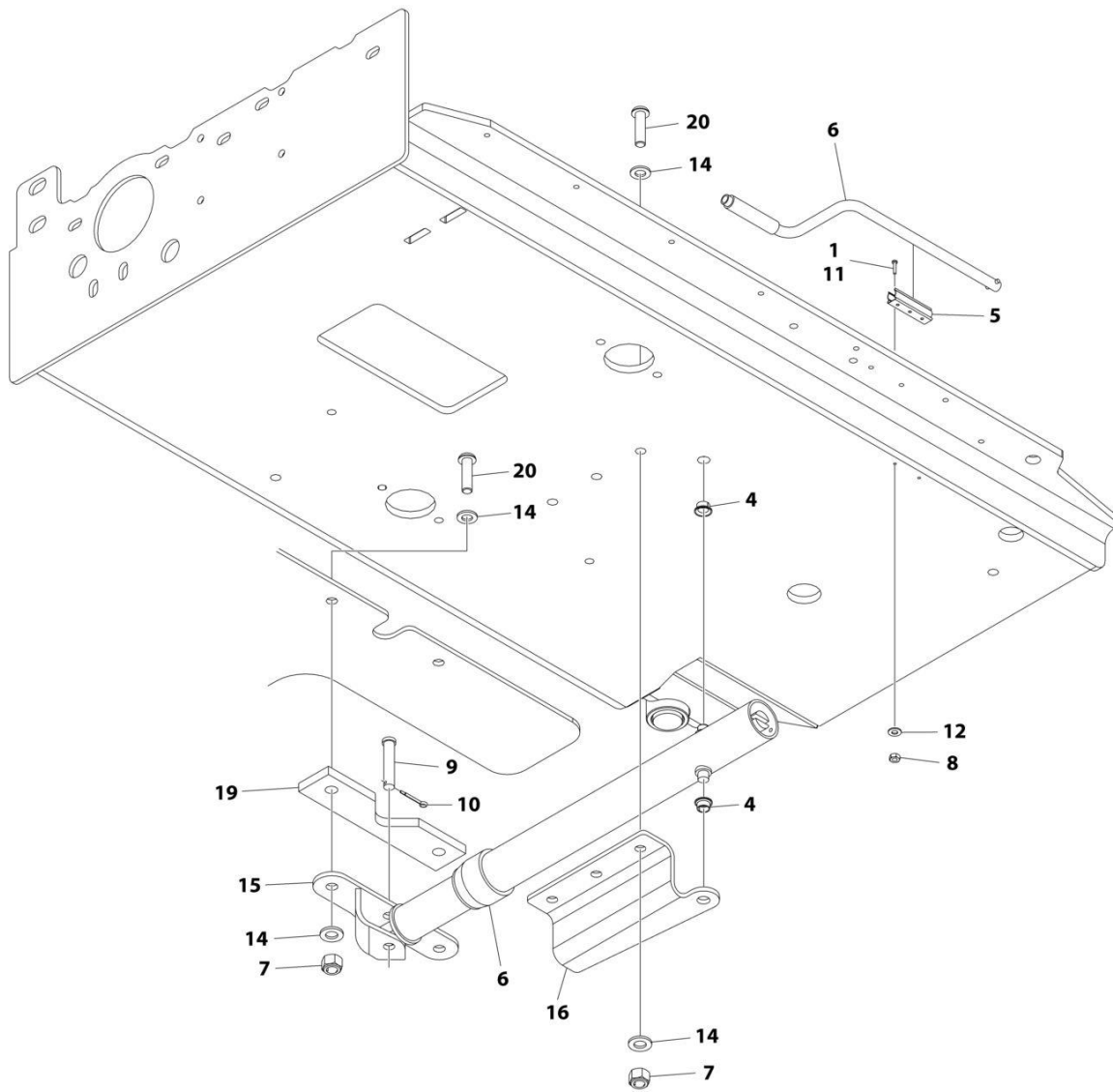
SECTION 3 - ENGINE

FIGURE 3-45. ENGINE HOOD BAFFLES INSTALLATION - STEEL HOODS

ITEM	PART NUMBER	QTY	DESCRIPTION	REV
	1001197269	Ref	ENGINE HOOD BAFFLES INSTALLATION	F
2	3290605	AR	Nut M6	
3	4811702	AR	Washer M6	
5	1001234281	1	Seal	
6	1001234299	1	Seal	
8	1001234283	1	Seal	
9	0760614	AR	Bolt M6 x 30	
10	1001167164	6	Support	

SECTION 3 - ENGINE

FIGURE 3-46. TRAY JACK INSTALLATION



ART_1001186980_E

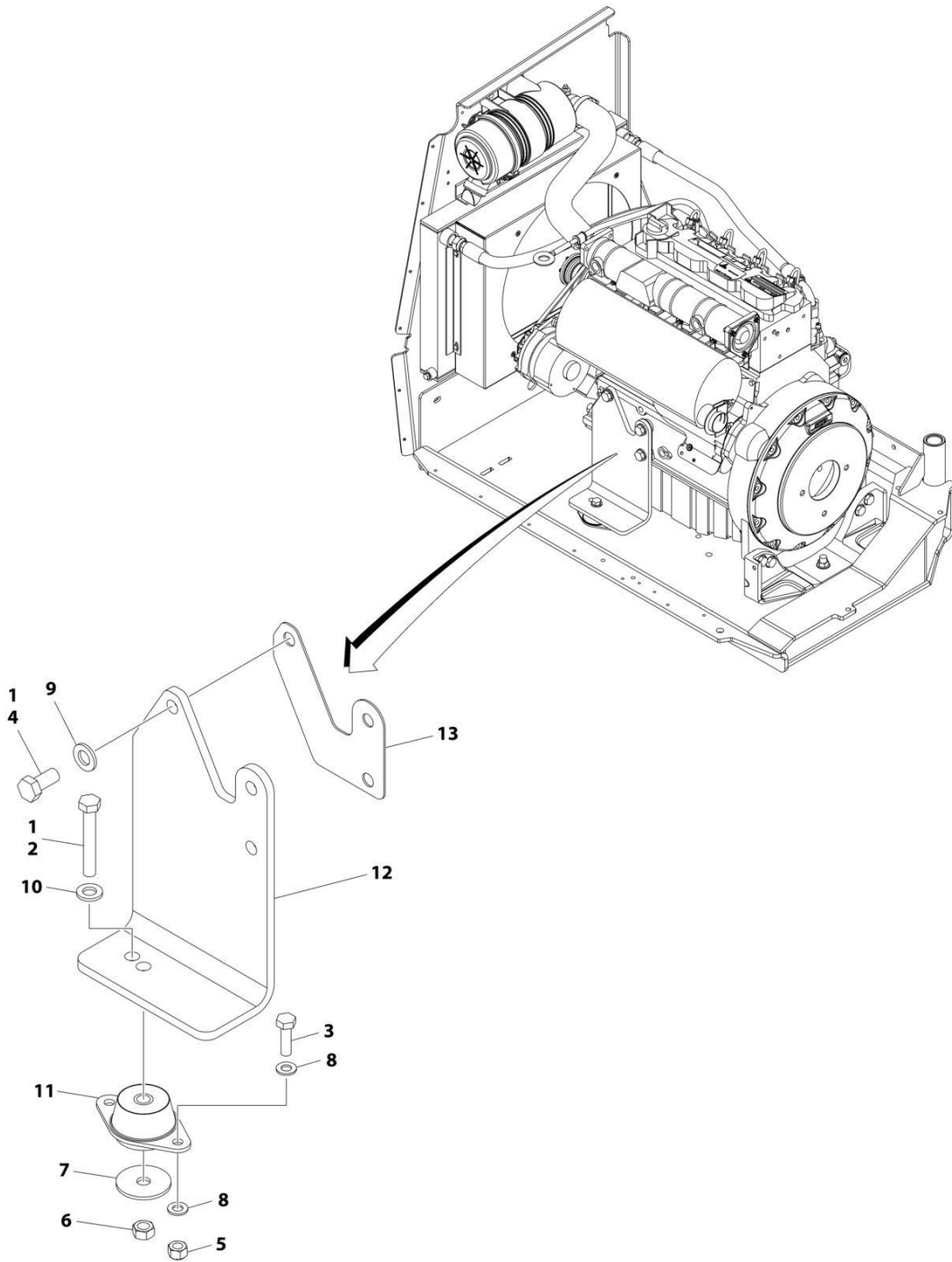
SECTION 3 - ENGINE

FIGURE 3-46. TRAY JACK INSTALLATION

ITEM	PART NUMBER	QTY	DESCRIPTION	REV
	1001186980	Ref	TRAY JACK INSTALLATION	E
1	0100011	AR	Compound, Locking	
4	0962051	2	Bearing	
5	1380147	1	Clip	
6	2840016	1	Jack and Handle Assembly	
6	7024598	1	Handle	
7	3291205	5	Nut M12	
8	3290301	2	Nut M3	
9	3430820	1	Pin	
10	1001236121	1	Pin	
11	4010308	2	Screw M3 x 16	
12	4811400	2	Washer M4	
14	4812100	10	Washer M12	
15	1001166894	1	Support	
16	1001175073	1	Support	
19	1001186981	1	Plate	
20	1001102978	5	Screw M12 x 45 Grade 10.9	

SECTION 3 - ENGINE

FIGURE 3-47. MOTOR MOUNT INSTALLATION - WITHOUT GENERATOR (DEUTZ D2011 ENGINES)



ART_1001192443

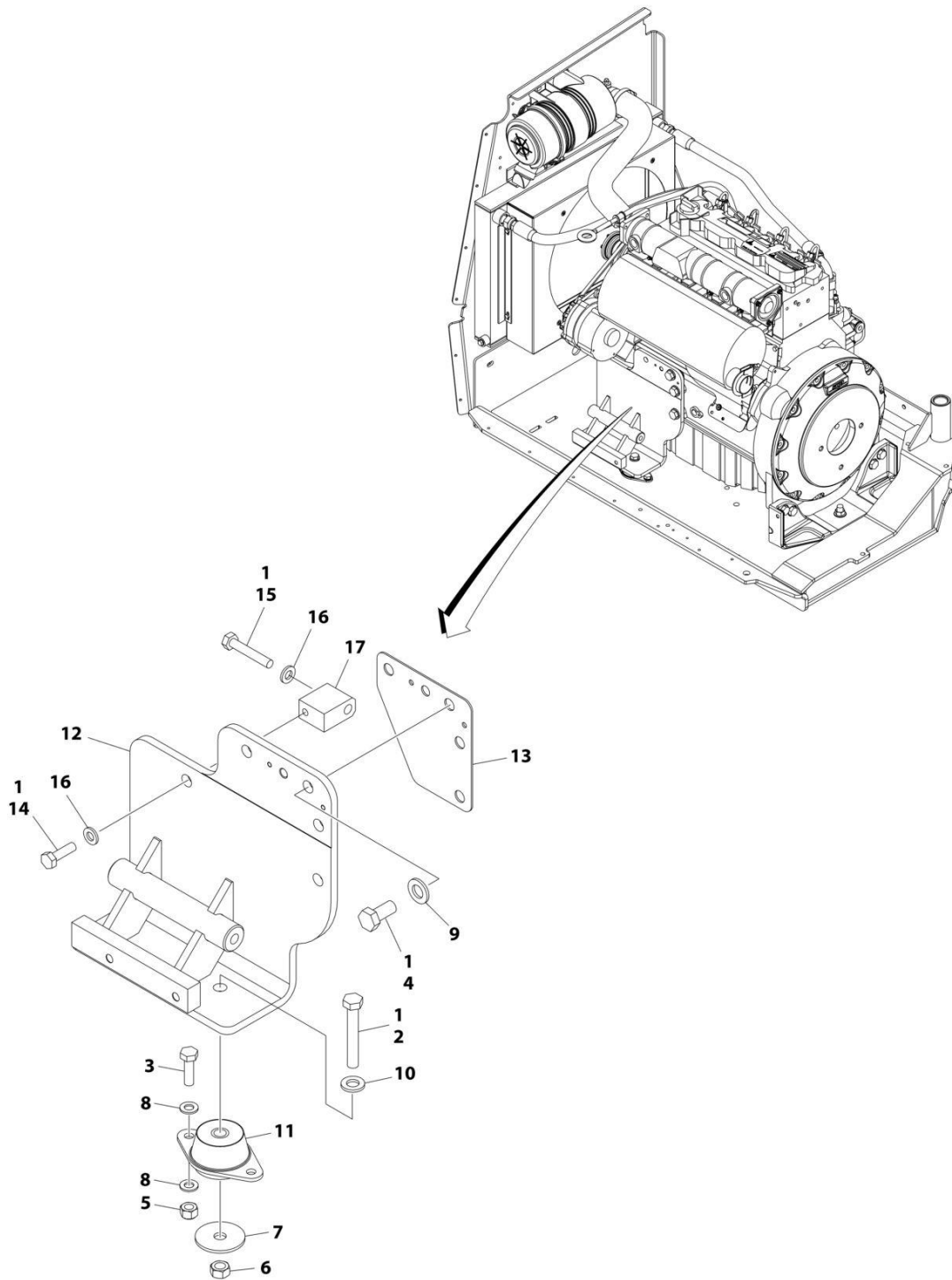
SECTION 3 - ENGINE

FIGURE 3-47. MOTOR MOUNT INSTALLATION - WITHOUT GENERATOR (DEUTZ D2011 ENGINES)

ITEM	PART NUMBER	QTY	DESCRIPTION	REV
	1001192443	Ref	MOTOR MOUNT INSTALLATION	D
1	0100011	AR	Compound, Locking	
2	0711224	1	Bolt M12 x 80	
3	0761015	2	Bolt M10 x 35	
4	0771414	3	Bolt M14 x 30	
5	3291005	2	Nut M10	
6	3331211	1	Nut M12	
7	1001168018	1	Washer	
8	4812000	4	Washer M10	
9	5241400	3	Washer M14	
10	5241200	1	Washer M12	
11	1001191610	1	Mount, Motor	
12	1001189227	1	Mount	
13	1001201843	1	Shim	

SECTION 3 - ENGINE

FIGURE 3-48. MOTOR MOUNT INSTALLATION - WITH GENERATOR (DEUTZ D2011 ENGINES)



ART_1001191856

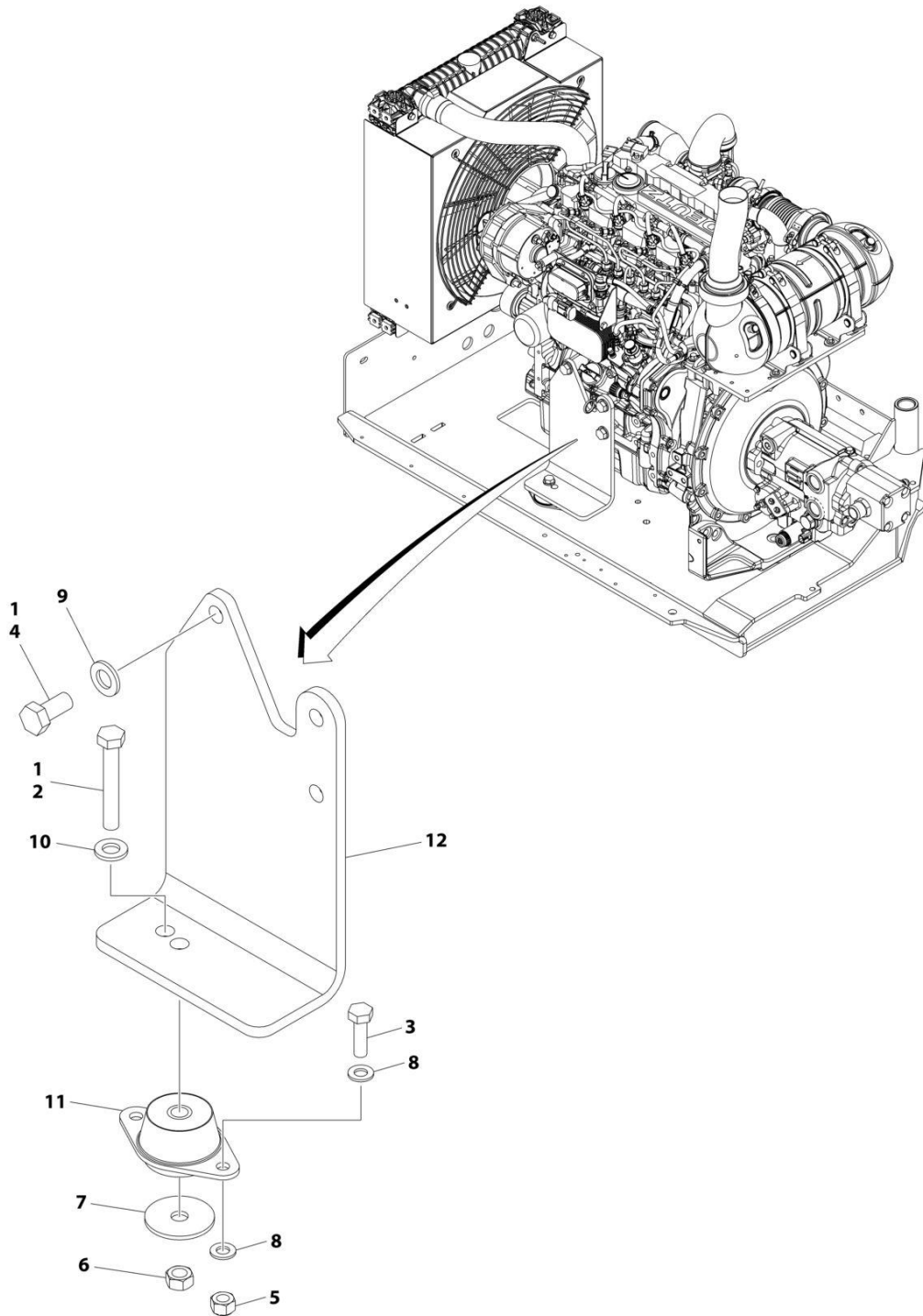
SECTION 3 - ENGINE

FIGURE 3-48. MOTOR MOUNT INSTALLATION - WITH GENERATOR (DEUTZ D2011 ENGINES)

ITEM	PART NUMBER	QTY	DESCRIPTION	REV
	1001191856	Ref	MOTOR MOUNT INSTALLATION	F
1	0100011	AR	Compound, Locking	
2	0711224	1	Bolt M12 x 80	
3	0761015	2	Bolt M10 x 35	
4	0771415	3	Bolt M14 x 35	
5	3291005	2	Nut M10	
6	3331211	1	Nut M12	
7	1001168018	1	Washer	
8	4812000	4	Washer M10	
9	5241400	3	Washer M14	
10	5241200	1	Washer M12	
11	1001191610	1	Mount, Engine	
12	1001239710	1	Bracket	
13	1001205957	1	Shim	
14	0711015	1	Bolt M10 x 35	
15	0711020	1	Bolt M10 x 60	
16	5241000	2	Washer M10	
17	1001239715	1	Block	

SECTION 3 - ENGINE

FIGURE 3-49. MOTOR MOUNT INSTALLATION - WITHOUT GENERATOR (DEUTZ TD2.9L4 ENGINES)



ART_1001192442

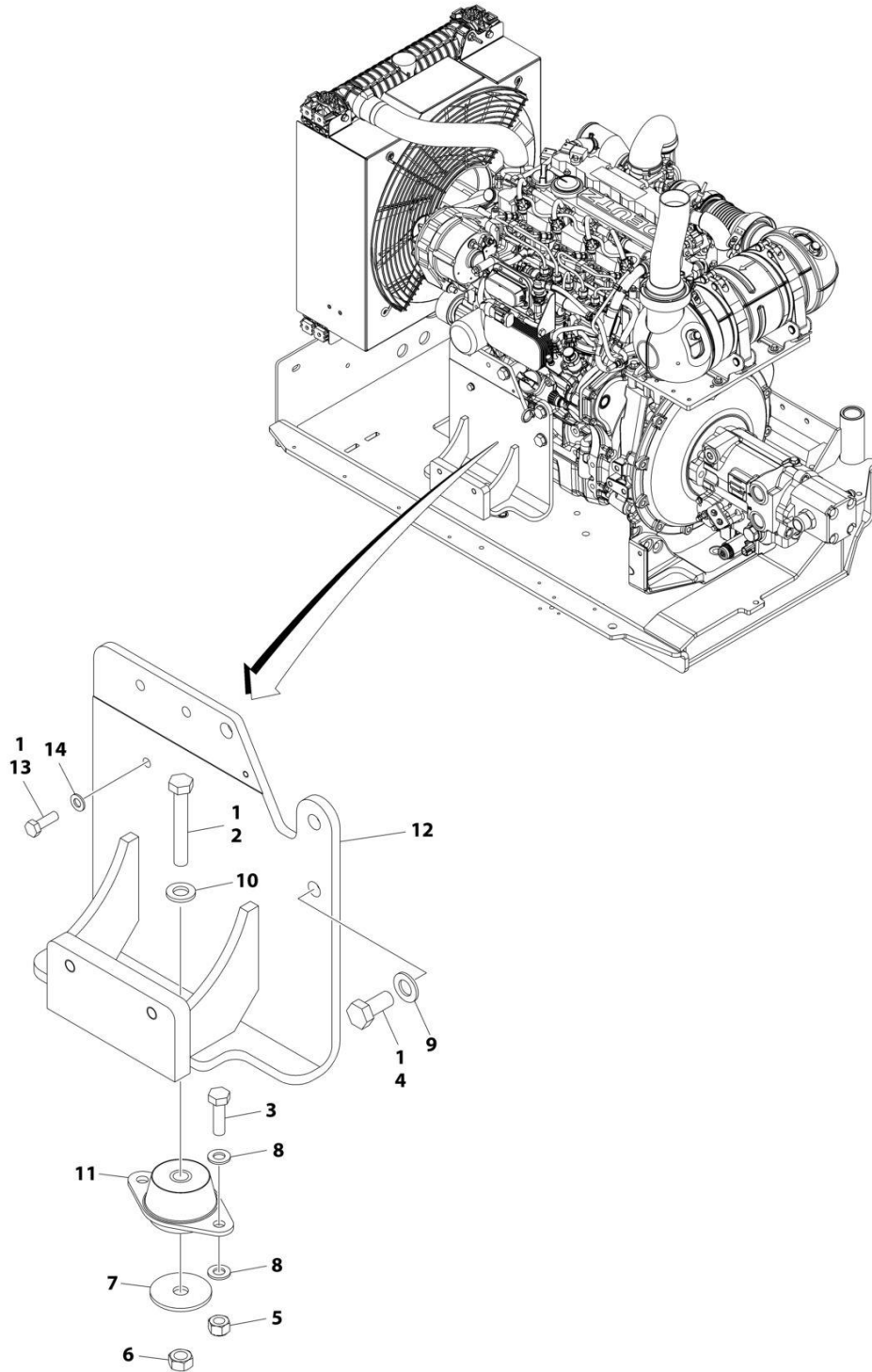
SECTION 3 - ENGINE

FIGURE 3-49. MOTOR MOUNT INSTALLATION - WITHOUT GENERATOR (DEUTZ TD2.9L4 ENGINES)

ITEM	PART NUMBER	QTY	DESCRIPTION	REV
	1001192442	Ref	MOTOR MOUNT INSTALLATION	D
1	0100011	AR	Compound, Locking	
2	0711224	1	Bolt M12 x 80	
3	0761015	2	Bolt M10 x 35	
4	0771414	3	Bolt M14 x 30	
5	3291005	2	Nut M10	
6	3331211	1	Nut M12	
7	1001168018	1	Washer	
8	4812000	4	Washer M10	
9	5241400	3	Washer M14	
10	5241200	1	Washer M12	
11	1001191610	1	Mount, Motor	
12	1001189227	1	Mount	

SECTION 3 - ENGINE

FIGURE 3-50. MOTOR MOUNT INSTALLATION - WITH GENERATOR (DEUTZ TD2.9L4 ENGINES)



ART_1001192008

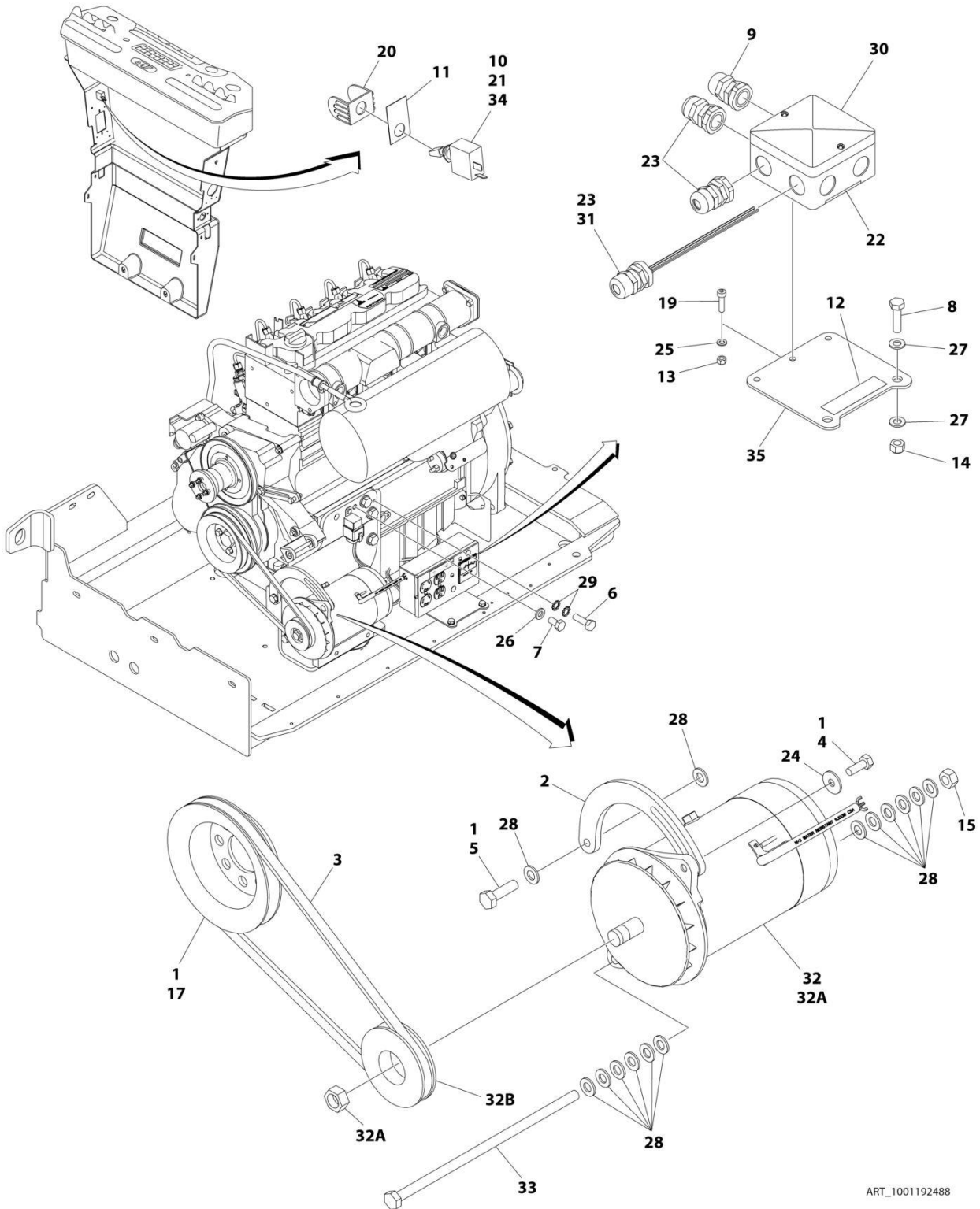
SECTION 3 - ENGINE

FIGURE 3-50. MOTOR MOUNT INSTALLATION - WITH GENERATOR (DEUTZ TD2.9L4 ENGINES)

ITEM	PART NUMBER	QTY	DESCRIPTION	REV
	1001192008	Ref	MOTOR MOUNT INSTALLATION	F
1	0100011	AR	Compound, Locking	
2	0711224	1	Bolt M12 x 80	
3	0761015	2	Bolt M10 x 35	
4	0771415	3	Bolt M14 x 35	
5	3291005	2	Nut M10	
6	3331211	1	Nut M12	
7	1001168018	1	Washer	
8	4812000	4	Washer M10	
9	5241400	3	Washer M14	
10	5241200	1	Washer M12	
11	1001191610	1	Mount, Motor	
12	1001209016	1	Mount	
13	0770814	1	Bolt M8 x 30	
14	5240800	1	Washer M8	

SECTION 3 - ENGINE

FIGURE 3-51. 2500W GENERATOR INSTALLATION - 220V/50HZ (DEUTZ D2011 ENGINES) (OPTIONAL)



ART_1001192488

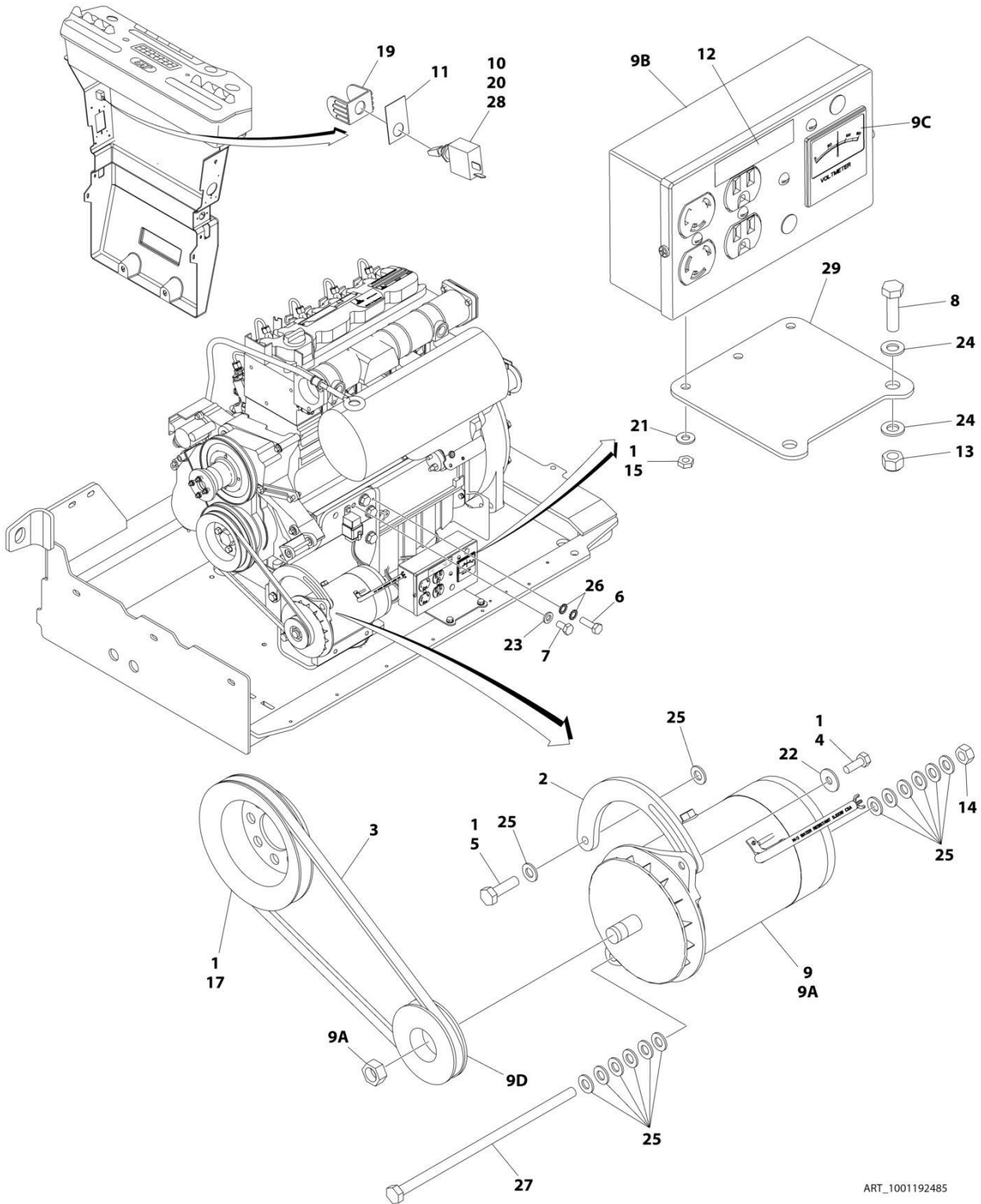
SECTION 3 - ENGINE

**FIGURE 3-51. 2500W GENERATOR INSTALLATION - 220V/50HZ (DEUTZ D2011 ENGINES)
(OPTIONAL)**

ITEM	PART NUMBER	QTY	DESCRIPTION	REV
	1001192488	Ref	2500W GENERATOR INSTALLATION	F
1	0100011	AR	Compound, Locking	
2	1001239716	1	Arm, Adjusting	
3	0480124	1	Belt, Generator	
4	0641508	1	Bolt 5/16 x 1	
5	0761012	1	Bolt M10 x 25	
6	0700610	1	Bolt M6 x 20	
7	0760606	1	Bolt M6 x 12	
8	0760814	2	Bolt M8 x 30	
9	0962449	1	Bushing	
10	2820031	AR	Heat Shrink	
11	3251102	1	Nameplate - Generator On/Off	
12	3252507	1	Decal - 220 Volt	
13	3290505	1	Nut M5	
14	3290805	2	Nut M8	
15	3291007	1	Nut M10	
17	3580158	1	Pulley	
19	4031608	1	Capscrew M5 x 20	
20	4060802	1	Guard, Switch	
21	4360336	1	Switch, Toggle	
22	4420060	1	Tape	
23	4460968	3	Connector, Strain Relief	
24	4811902	1	Washer M8	
25	4811600	1	Washer M5	
26	4811700	1	Washer M6	
27	4811900	4	Washer M8	
28	4812000	14	Washer M10	
29	4871700	2	Washer M6	
30	1001099869	1	Box, Junction	
31	1001100234	1	Lamp, Red	
32	1001100321	1	Generator Assembly	
32A		Ref	Note: Replacement Generators come standard with p/n 3580134 pulley. This pulley may not be correct for all applications. Refer to pulley options below.	
32A	70000123	1	Armature with Slip Rings	
32A	7012513	4	Cap, Brush Holder	
32A	7020108	4	Brush	
32A	7020109	4	Holder, Brush	
32A	7012514	1	Fan	
32A	7020110	1	Bell, Front	
32A	7020111	1	Bell, Rear	
32A	7020190	2	Bearing	
32B	3580134	1	Pulley	
32B	7027887	1	Key, Woodruff	
33	1001119280	1	Bolt M10 x 260	
34	4922641	1	Generator Switch Harness	
35	1001193167	1	Plate	
36	1001194114	1	Generator Harness - 2500W (Not Shown) (See Separate Breakdown in ELECTRICAL SECTION)	

SECTION 3 - ENGINE

FIGURE 3-52. 2500W GENERATOR INSTALLATION - 110V/60HZ (DEUTZ D2011 ENGINES) (OPTIONAL)



ART_1001192485

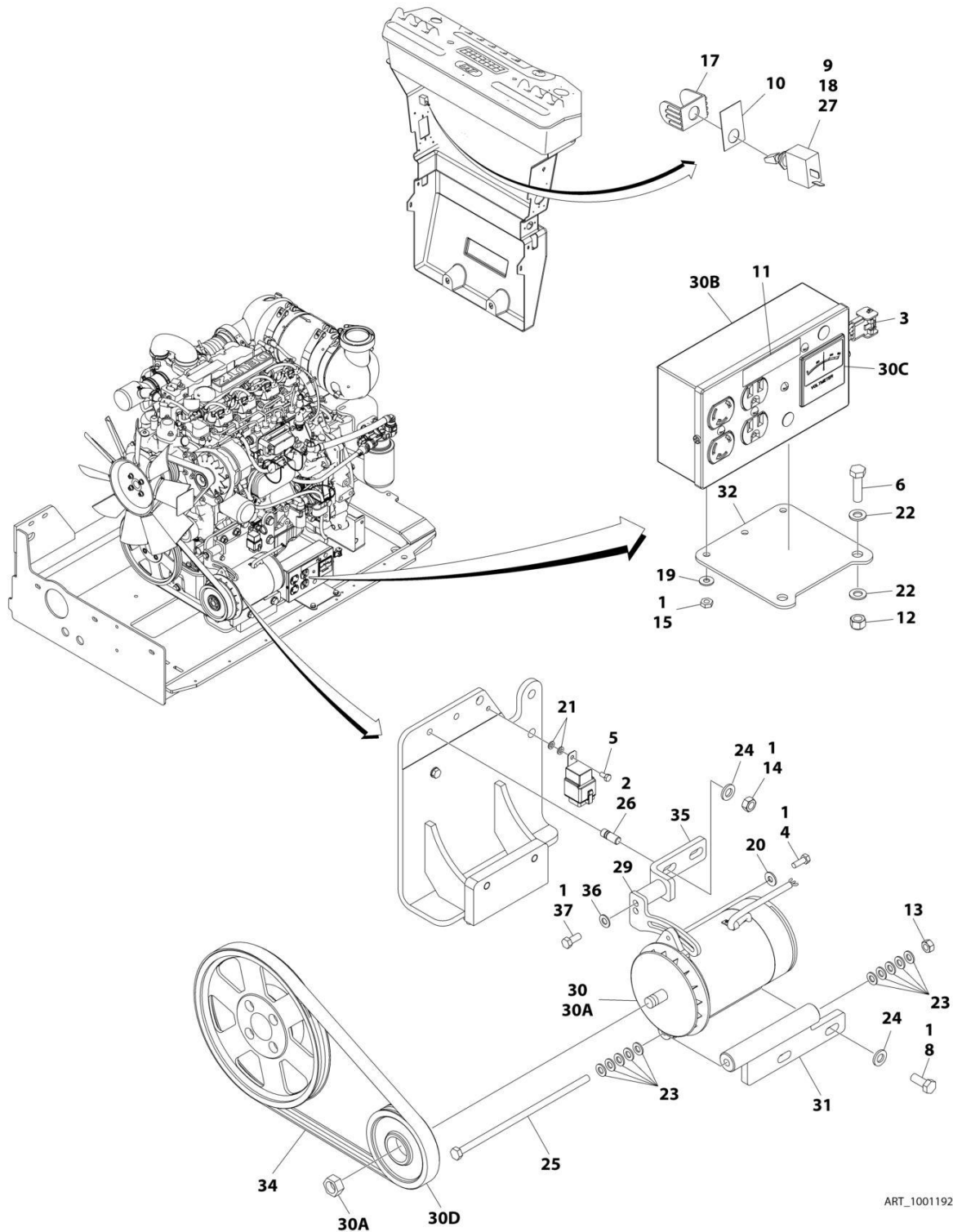
SECTION 3 - ENGINE

**FIGURE 3-52. 2500W GENERATOR INSTALLATION - 110V/60HZ (DEUTZ D2011 ENGINES)
(OPTIONAL)**

ITEM	PART NUMBER	QTY	DESCRIPTION	REV
	1001192485	Ref	2500W GENERATOR INSTALLATION	F
1	0100011	AR	Compound, Locking	
2	1001239716	1	Arm, Adjusting	
3	0480124	1	Belt	
4	0641508	1	Bolt 5/16 x 1	
5	0761012	1	Bolt M10 x 25	
6	0700610	1	Bolt M6 x 20	
7	0760606	1	Bolt M6 x 12	
8	0760814	2	Bolt M8 x 30	
9	2460055	1	Generator and Control Box Assembly	
9A	7012558	1	Generator, Replacement	
9A		Ref	Note: Replacement Generators come standard with p/n 3580134 pulley. This pulley may not be correct for all applications. Refer to pulley options below.	
9A	7012513	4	Cap, Brush Holder	
9A	7020108	4	Brush	
9A	7020109	4	Holder, Brush	
9A	7012514	1	Fan	
9A	7020190	2	Bearing	
9A	7020110	1	Bell, Front	
9A	7020111	1	Bell, Rear	
9B	7019680	1	Box, Control	
9B	4360542	1	Breaker, Circuit	
9B	4460190	AR	Receptacle, Standard	
9B	4460027	AR	Receptacle, Twistlock	
9C	2420203	1	Voltmeter	
9D	3580276	1	Pulley	
9D	7027887	1	Key, Woodruff	
10	2820031	AR	Heat Shrink	
11	3251102	1	Nameplate - Generator On/Off	
12	3251243	1	Decal - 120V-60Hz	
13	3290805	2	Nut M8	
14	3291007	1	Nut M10	
15	3311001	2	Nut #10	
17	3580158	1	Pulley	
19	4060802	1	Guard, Switch	
20	4360336	1	Switch, Toggle	
21	4751000	1	Washer #10	
22	4811902	1	Washer M8	
23	4811700	1	Washer M6	
24	4811900	4	Washer M8	
25	4812000	14	Washer M10	
26	4871700	2	Washer M6	
27	1001119280	1	Bolt M10 x 260	
28	4922641	1	Generator Switch Harness	
29	1001193167	1	Plate, Mounting	
30	1001194114	1	Generator Harness - 2500W (Not Shown) (See Separate Breakdown in ELECTRICAL SECTION)	

SECTION 3 - ENGINE

FIGURE 3-53. 2500W GENERATOR INSTALLATION - 110V/60HZ (DEUTZ TD2.9L4 ENGINES) (OPTIONAL)



ART_1001192280

SECTION 3 - ENGINE

**FIGURE 3-53. 2500W GENERATOR INSTALLATION - 110V/60HZ (DEUTZ TD2.9L4 ENGINES)
(OPTIONAL)**

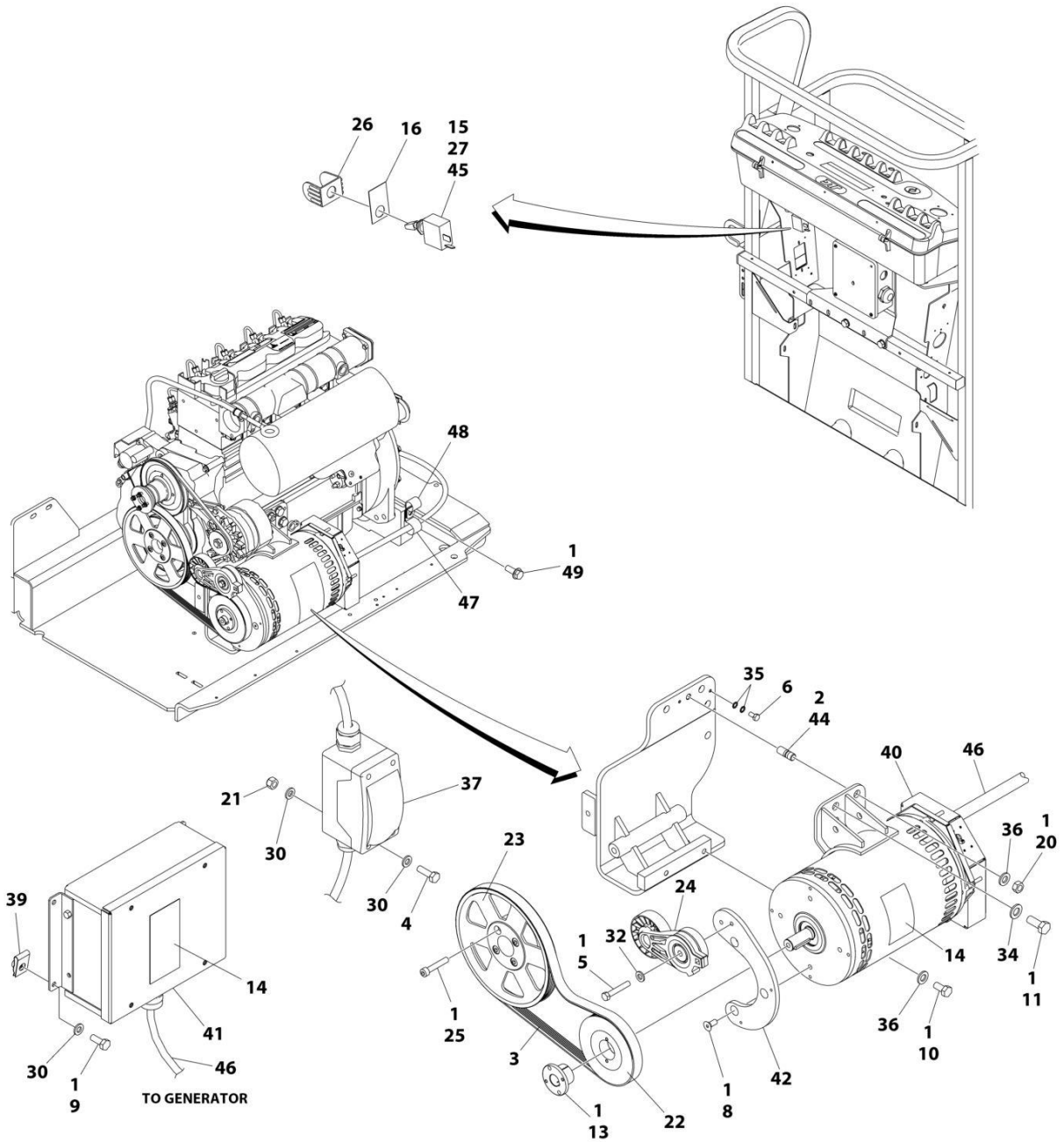
ITEM	PART NUMBER	QTY	DESCRIPTION	REV
	1001192280	Ref	2500W GENERATOR INSTALLATION	F
1	0100011	AR	Compound, Locking	
2	0100019	AR	Compound, Locking	
3	0100048	AR	Silicone	
4	0641507	1	Bolt 5/16 x 7/8	
5	0760606	1	Bolt M6 x 12	
6	0760814	2	Bolt M8 x 30	
8	0761214	2	Bolt M12 x 30	
9	2820031	AR	Heat Shrink	
10	3251102	1	Nameplate - Generator On/Off	
11	3251243	1	Decal - 120V-60Hz	
12	3290805	2	Nut M8	
13	3291007	1	Nut M10	
14	3291201	2	Nut M12	
15	3311001	2	Nut #10	
17	4060802	1	Guard, Switch	
18	4360336	1	Switch, Toggle	
19	4751000	2	Washer #10	
20	4751500	1	Washer 5/16	
21	4811700	2	Washer M6	
22	4811900	4	Washer M8	
23	4812000	10	Washer M10	
24	5241200	4	Washer M12	
25	1001119280	1	Bolt M10 x 260	
26	1001196382	2	Stud	
27	4922641	1	Generator Switch Harness	
29	1001179837	1	Arm, Adjusting	
30	1001180001	1	Generator and Control Box Assembly	
30A	7012558	1	Generator, Replacement	
30A		Ref	Note: Replacement Generators come standard with p/n 3580134 pulley. This Pulley may not be correct for all applications. Refer to Pulley options below.	
30A	7026199	1	Armature with Slip Rings	
30A	7012513	4	Cap, Brush Holder	
30A	7020108	4	Brush	
30A	7020109	4	Holder, Brush	
30A	7012514	1	Fan	
30A	7020110	1	Bell, Front	
30A	7020111	1	Bell, Rear	
30A	7020190	2	Bearing	
30B	7019680	1	Box, Control	
30B		Ref	Receptacle Options:	
30B	4460190	1	Receptacle, Standard	
30B	4460027	1	Receptacle, Twistlock	
30B	4360542	1	Breaker, Circuit	
30B	3520028	1	Plug, Hole	
30C	2420203	1	Voltmeter	
30D	3580276	1	Pulley	
30D	7027887	1	Key, Woodruff	

SECTION 3 - ENGINE

ITEM	PART NUMBER	QTY	DESCRIPTION	REV
31	1001181243	1	Mount (Lower)	
32	1001193167	1	Plate	
33	1001194114	1	Generator Harness - 2500W (Not Shown) (See Separate Breakdown in ELECTRICAL SECTION)	
34	1001148138	1	Belt	
35	1001216015	1	Mount (Upper)	
36	4711600	1	Washer 3/8	
37	0641607	1	Bolt 3/8 x 7/8	

SECTION 3 - ENGINE

FIGURE 3-54. 4000W GENERATOR INSTALLATION - 220V/50HZ (DEUTZ D2011 ENGINES) (OPTIONAL)



ART_1001192487

SECTION 3 - ENGINE

**FIGURE 3-54. 4000W GENERATOR INSTALLATION - 220V/50HZ (DEUTZ D2011 ENGINES)
(OPTIONAL)**

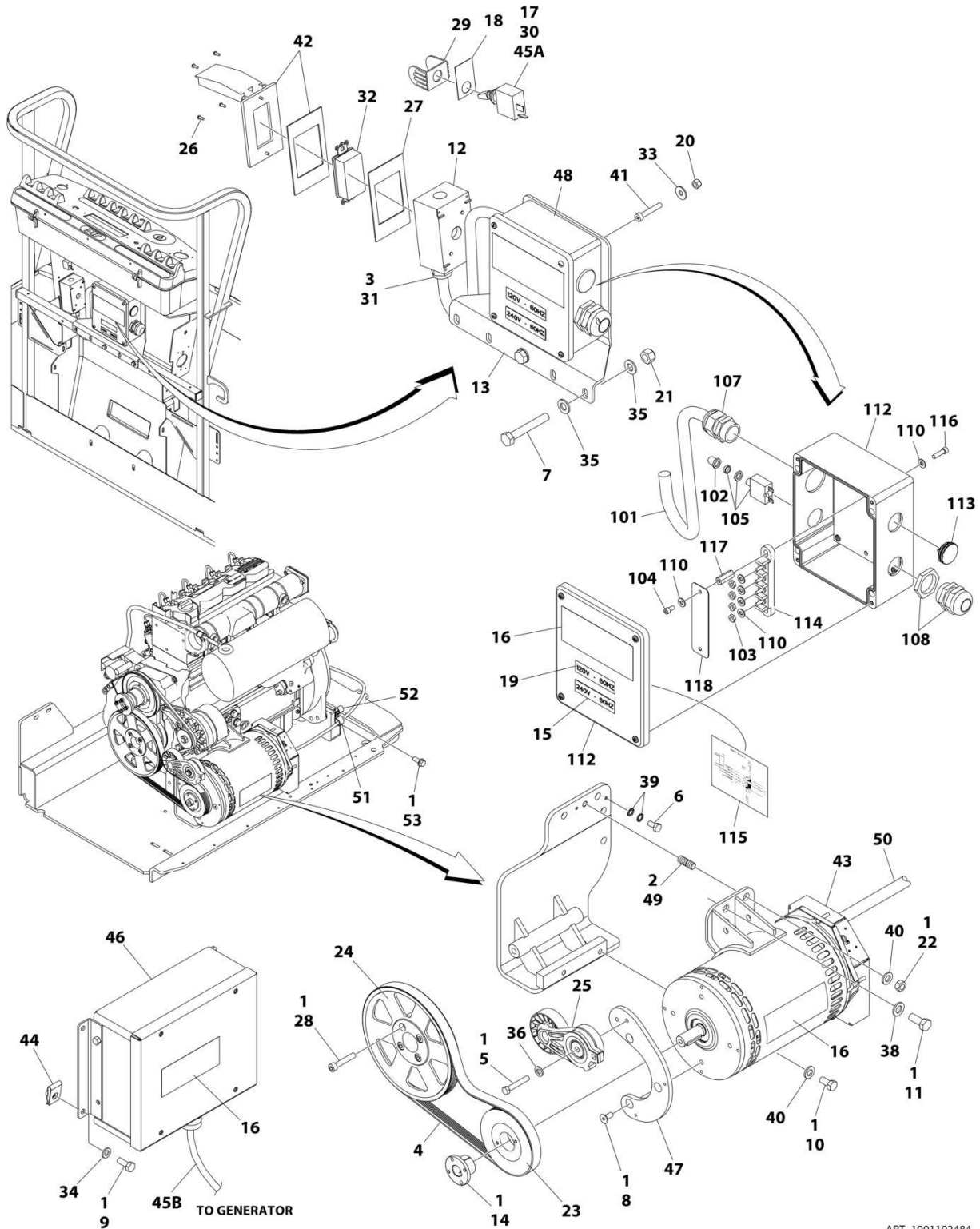
ITEM	PART NUMBER	QTY	DESCRIPTION	REV
	1001192487	Ref	4000W GENERATOR INSTALLATION	H
1	0100011	AR	Compound, Locking	
2	0100019	AR	Compound, Locking	
3	1001141814	1	Belt	
4	0760610	2	Bolt M6 x 20	
5	0641618	1	Bolt 3/8 x 2-1/4	
6	0760606	1	Bolt M6 x 12	
8	0741607	3	Screw 3/8 x 7/8	
9	0760608	4	Bolt M6 x 16	
10	0761212	2	Bolt M12 x 25	
11	0771415	1	Bolt 14 x 35	
13	0962520	1	Bushing, Split	
14	1705489	2	Decal - Hazardous Voltage	
15	2820031	AR	Heat Shrink	
16	3251102	1	Nameplate - Generator On/Off	
20	3291201	1	Nut M12	
21	3290605	2	Nut M6	
22	3580319	1	Pulley	
23	3580320	1	Pulley	
24	3580317	1	Tensioner, Belt	
25	4032015	4	Capscrew M10 x 55	
26	4060802	1	Guard, Switch	
27	4360336	1	Switch, Toggle	
30	4811700	8	Washer M6	
32	5241000	1	Washer M10	
34	5241400	1	Washer M14	
35	4871700	2	Washer M6	
36	5241200	3	Washer M12	
37	1001096070	1	Breaker Box Kit (See Separate Breakdown in ELECTRICAL SECTION)	
39	1001130220	4	Nut, Tinnerman M6	
40	1001138565	1	Generator Assembly (50Hz)	
40	70003709	1	Ring, Retaining (External)	
40	70003708	1	Ring, Retaining (Internal)	
40	70001966	1	Bearing	
40	70004092	1	Endbell (Shaft End)	
40	70004171	1	Key	
40	70004676	1	Rotor	
40	70004677	1	Stator	
40	70004678	1	Endbell (Rear)	
40	70004679	1	Cover, Endbell (Rear)	
40	70004680	1	Enclosure, Wiring	
40	70004681	1	Cover, Enclosure	
40	70004682	1	Switch, Reset (Located on Enclosure Cover)	
40	70004683	1	Connector, Strain Relief (Located on Enclosure Cover)	
41	1001138566	1	Box, Control	
41	70006552	1	Capacitor	
41	70006553	1	Relay	
42	1001139357	1	Mount	

SECTION 3 - ENGINE

ITEM	PART NUMBER	QTY	DESCRIPTION	REV
44	1001196382	1	Stud	
45	4922641	1	Generator Switch Harness	
46	1001152532	1	Generator Harness (See Separate Breakdown in ELECTRICAL SECTION)	
47	7274000040	1	Clamp	
48	1320061	1	Clamp	
49	5251012	1	Bolt M10 x 25	

SECTION 3 - ENGINE

**FIGURE 3-55. 4000W GENERATOR INSTALLATION - 110V/60HZ (DEUTZ D2011 ENGINES)
(OPTIONAL)**



ART_1001192484

SECTION 3 - ENGINE

**FIGURE 3-55. 4000W GENERATOR INSTALLATION - 110V/60HZ (DEUTZ D2011 ENGINES)
(OPTIONAL)**

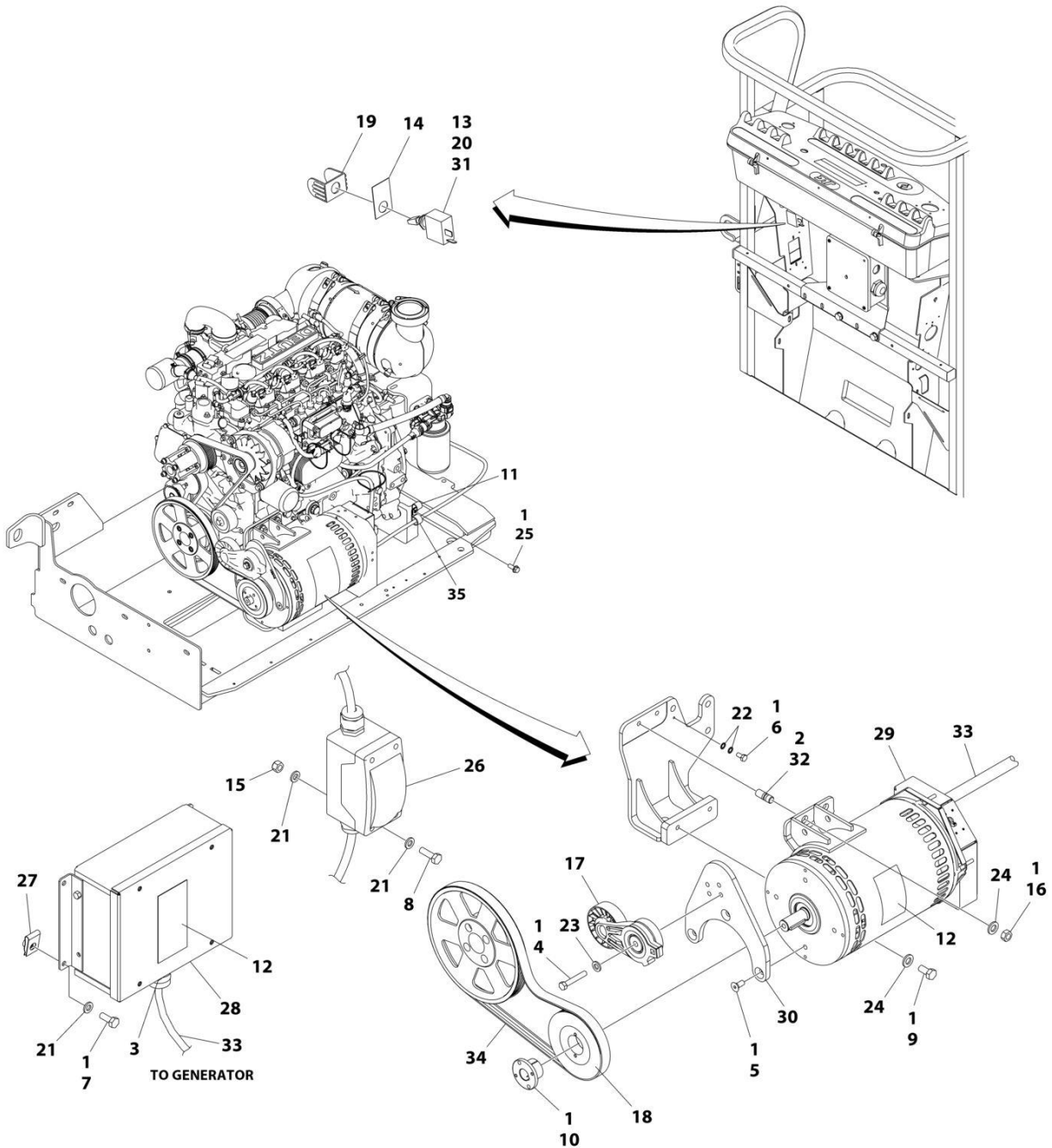
ITEM	PART NUMBER	QTY	DESCRIPTION	REV
	1001192484	Ref	4000W GENERATOR INSTALLATION	H
1	0100011	AR	Compound, Locking	
2	0100019	AR	Compound, Locking	
3	0100079	AR	Sealant	
4	1001136356	1	Belt	
5	0641618	1	Bolt 3/8 x 2-1/4	
6	0760606	1	Bolt M6 x 12	
7	0700819	1	Bolt M8 x 55	
8	0741607	3	Screw 3/8 x 7/8	
9	0760608	4	Bolt M6 x 16	
10	0761212	2	Bolt M12 x 25	
11	0771415	1	Bolt M14 x 35	
12	0860038	1	Box, Receptacle	
13	0902888	1	Bracket	
14	0962520	1	Bushing, Split	
15	1705374	1	Decal - 240V-60Hz	
16	1705387	3	Decal - Hazardous Voltage	
17	2820031	AR	Heat Shrink	
18	3251102	1	Nameplate - Generator On/Off	
19	3251243	1	Decal - 120V-60Hz	
20	3290505	4	Nut M5	
21	3290805	2	Nut M8	
22	3291201	1	Nut M12	
23	3580318	1	Pulley	
24	3580320	1	Pulley	
25	3580317	1	Tensioner, Belt	
26	3910606	4	Screw #6 x 3/8	
27	3960422	1	Gasket	
28	4032015	4	Capscrew M10 x 55	
29	4060802	1	Guard, Switch	
30	4360336	1	Switch, Toggle	
31	4460071	1	Connector, Strain Relief	
32	4460346	1	Receptacle	
33	4811602	4	Washer M5	
34	4811700	4	Washer M6	
35	4811900	4	Washer M8	
36	5241000	1	Washer M10	
38	5241400	1	Washer M14	
39	4871700	2	Washer M6	
40	5241200	3	Washer M12	
41	1001104029	4	Capscrew M5 x 30 Grade 12.9	
42	1001110873	1	Cover, Receptacle	
43	1001129858	1	Generator Assembly (60Hz)	
43	70003709	1	Ring, Retaining (External)	
43	70003708	1	Ring, Retaining (Internal)	
43	70001966	1	Bearing	
43	70004092	1	Endbell (Shaft End)	
43	70004171	1	Key	
43	70004676	1	Rotor	

SECTION 3 - ENGINE

ITEM	PART NUMBER	QTY	DESCRIPTION	REV
43	70004684	1	Stator	
43	70004678	1	Endbell (Rear)	
43	70004679	1	Cover, Endbell (Rear)	
43	70004680	1	Enclosure, Wiring	
43	70004685	1	Cover, Enclosure	
43	70004682	1	Switch, Reset (Located on Enclosure Cover)	
43	70004098	1	Connector, Strain Relief (Located on Enclosure Cover)	
44	1001130220	4	Nut, Tinnerman M6	
45A	4922641	1	Generator Switch Harness	
45B	1001153197	1	Generator to Engine Harness	
45B	4460967	1	Connector - 3 Position	
45B	4460465	2	Socket, Female	
46	1001138566	1	Box, Control	
46	70006552	1	Capacitor	
46	70006553	1	Relay	
47	1001139357	1	Mount	
48	1001152457	1	Junction Box Assembly (See Items 101-118 for Breakdown)	
49	1001196382	1	Stud	
50	1001152532	1	Generator Harness (See Separate Breakdown in ELECTRICAL SECTION)	
51	7274000040	1	Clamp	
52	1320061	1	Clamp	
53	5251012	1	Bolt M10 x 25	
	1001152457	Ref	JUNCTION BOX ASSEMBLY	
101	1001179154	2.5 ft/ 0.8m	Cable, Electrical - 12/3	
102	3300396	1	Cover, Breaker	
103	3311001	4	Nut #10	
104	3900300	2	Screw	
105	4360070	1	Breaker, Circuit - 15Amp	
107	4460425	1	Connector, Strain Relief (LH Side)	
108	4460426	1	Connector, Strain Relief (RH Side)	
110	4711000	8	Washer #10	
112	1001152456	1	Box, Junction	
113	1001152525	1	Plug	
114	1001152530	1	Terminal, Block	
115	1001153260	1	Decal - Wiring Diagram	
116	3900267	2	Screw	
117	1001158008	2	Stand-Off	
118	1001158363	1	Cover, Terminal Block	

SECTION 3 - ENGINE

FIGURE 3-56. 4000W GENERATOR INSTALLATION - 220V/50HZ (DEUTZ TD2.9L4 ENGINES) (OPTIONAL)



ART_1001230953

SECTION 3 - ENGINE

**FIGURE 3-56. 4000W GENERATOR INSTALLATION - 220V/50HZ (DEUTZ TD2.9L4 ENGINES)
(OPTIONAL)**

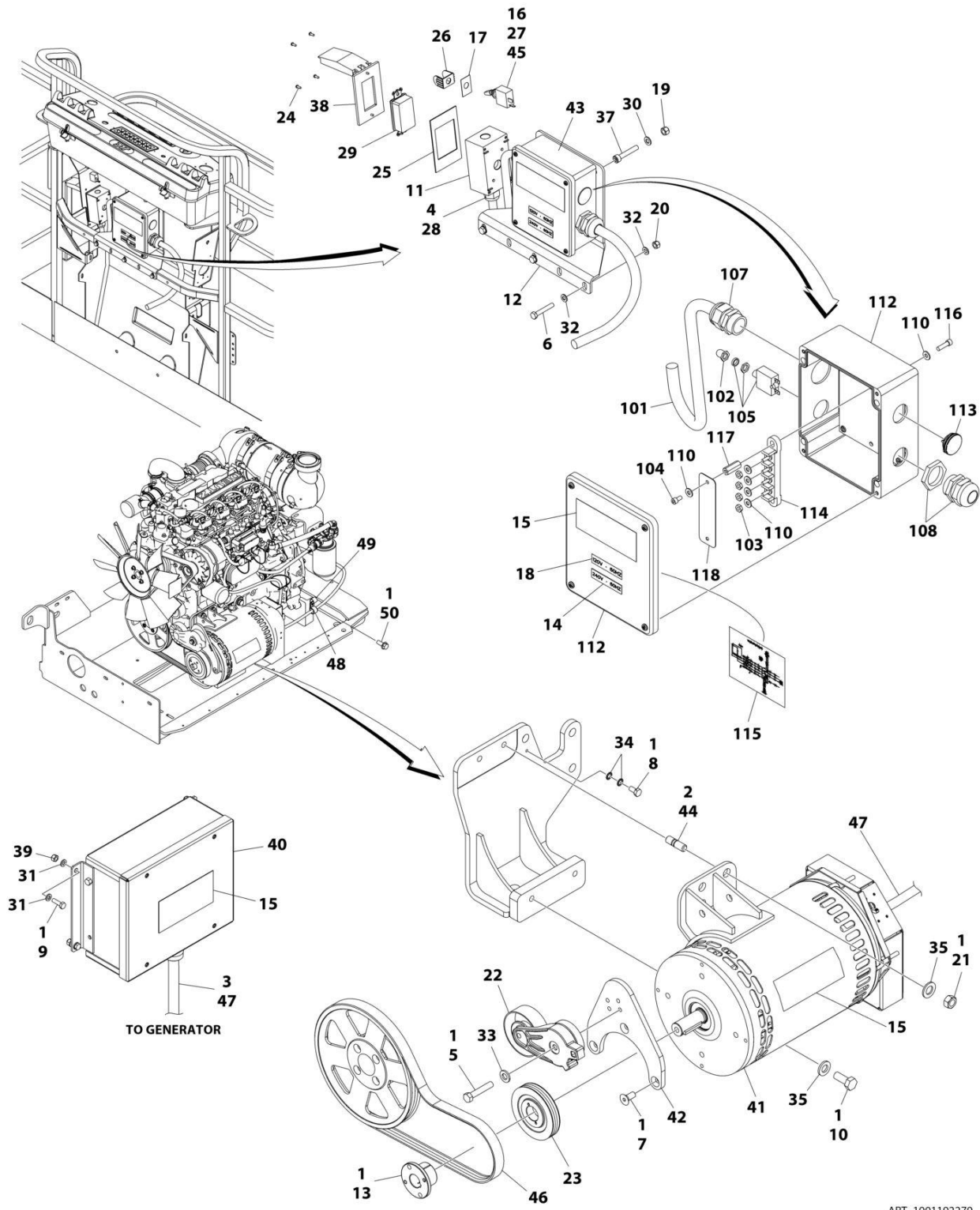
ITEM	PART NUMBER	QTY	DESCRIPTION	REV
	1001230953	Ref	4000W GENERATOR INSTALLATION	A
1	0100011	AR	Compound, Locking	
2	0100019	AR	Compound, Locking	
3	0100048	AR	Grease, Terminal	
4	0641616	1	Bolt 3/8 x 2	
5	0741607	3	Screw 3/8 x 7/8	
6	0760606	1	Bolt M6 x 12	
7	0760608	4	Bolt M6 x 16	
8	0760610	2	Bolt M6 x 20	
9	0761212	2	Bolt M12 x 25	
10	0962520	1	Bushing, Split	
11	1320061	1	Clamp	
12	1705489	2	Decal - Hazardous Voltage	
13	2820031	AR	Heatshrink	
14	3251102	1	Nameplate - Generator	
15	3290605	2	Nut M6	
16	3291201	2	Nut M12	
17	3580317	1	Tensioner, Belt	
18	3580319	1	Pulley	
19	4060802	1	Guard, Switch	
20	4360336	1	Switch, Toggle	
21	4811700	8	Washer M6	
22	4871700	2	Washer M6	
23	5241000	1	Washer M10	
24	5241200	4	Washer M12	
25	5251012	1	Bolt M10 x 25	
26	1001096070	1	Box & Breaker Kit (See Separate Breakdown in ELECTRICAL SECTION)	
27	1001130220	4	Nut, Tinnerman M6	
28	1001138566	1	Box, Control	
28	70006552	1	Capacitor	
28	70006553	1	Relay	
29	1001140347	1	Generator Assembly - 50Hz	
29	70003709	1	Ring, Retaining (External)	
29	70003708	1	Ring, Retaining (Internal)	
29	70001966	1	Bearing	
29	70004092	1	Endbell (Shaft End)	
29	70004099	1	Key	
29	70004676	1	Rotor	
29	70004686	1	Stator	
29	70004678	1	Endbell (Rear)	
29	70004679	1	Cover, Endbell (Rear)	
29	70004680	1	Enclosure, Wiring	
29	70004681	1	Cover, Enclosure	
29	70004682	1	Switch, Reset (Located on Enclosure Cover)	
29	70004683	1	Connector, Strain Relief (Located on Enclosure Cover)	
29	4460224	1	Connector - 6 Position (Located on Enclosure Cover)	
29	4460294	1	Pin, Male (Located on Enclosure Cover)	
30	1001142643	1	Support	

SECTION 3 - ENGINE

ITEM	PART NUMBER	QTY	DESCRIPTION	REV
31	4922641	1	Switch Harness	
32	1001196382	2	Stud	
33	1001152532	1	Generator Harness (See Separate Breakdown in ELECTRICAL SECTION)	
34	1001214683	1	V-Belt	
35	7274000040	1	Clamp	

SECTION 3 - ENGINE

FIGURE 3-57. 4000W GENERATOR INSTALLATION - 110V/60HZ (DEUTZ TD2.9L4 ENGINES) (OPTIONAL)



ART_1001192279

SECTION 3 - ENGINE

**FIGURE 3-57. 4000W GENERATOR INSTALLATION - 110V/60HZ (DEUTZ TD2.9L4 ENGINES)
(OPTIONAL)**

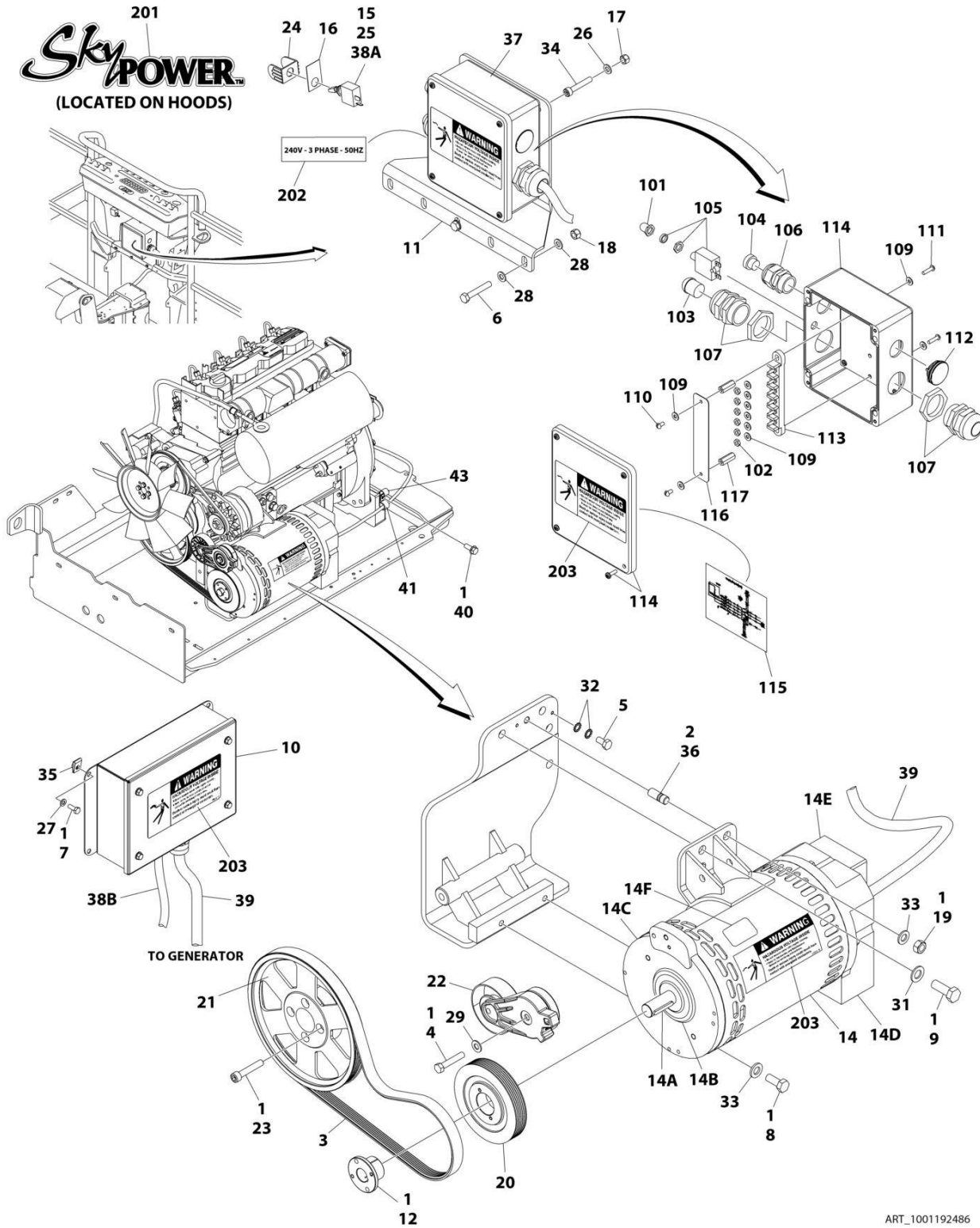
ITEM	PART NUMBER	QTY	DESCRIPTION	REV
	1001192279	Ref	4000W GENERATOR INSTALLATION	F
1	0100011	AR	Compound, Locking	
2	0100019	AR	Compound, Locking	
3	0100048	AR	Compound, Locking	
4	0100079	AR	Sealant	
5	0641616	1	Bolt 3/8 x 2	
6	0700819	2	Bolt M8 x 55	
7	0741607	3	Screw 3/8 x 7/8	
8	0760606	1	Bolt M6 x 12	
9	0760608	4	Bolt M6 x 16	
10	0761212	2	Bolt M12 x 25	
11	0860038	1	Box, Receptacle	
12	0902888	1	Bracket	
13	0962520	1	Bushing, Split	
14	1705374	1	Decal - 240V-60Hz	
15	1705387	3	Decal - Hazardous Voltage	
16	2820031	AR	Heat Shrink	
17	3251102	1	Nameplate - Generator On/Off	
18	3251243	1	Decal - 120V-60Hz	
19	3290505	4	Nut M5	
20	3290805	2	Nut M8	
21	3291201	2	Nut M12	
22	3580317	1	Tensioner, Belt	
23	3580318	1	Pulley	
24	3910606	4	Screw #6 x 3/8	
25	3960422	1	Gasket	
26	4060802	1	Guard, Switch	
27	4360336	1	Switch, Toggle	
28	4460071	1	Connector, Strain Relief	
29	4460346	1	Receptacle	
30	4811602	4	Washer M5	
31	4811700	4	Washer M6	
32	4811900	4	Washer M8	
33	5241000	1	Washer M10	
34	4871700	2	Washer M6	
35	5241200	4	Washer M12	
37	1001104029	4	Capscrew M5 x 30 Grade 12.9	
38	1001110873	1	Cover	
39	1001130220	4	Nut, Tinnerman M6	
40	1001138566	1	Box, Control	
40	70006552	1	Capacitor	
40	70006553	1	Relay	
41	1001140346	1	Generator Assembly (60Hz)	
41	70003709	1	Ring, Retaining (External)	
41	70003708	1	Ring, Retaining (Internal)	
41	70001966	1	Bearing	
41	70004092	1	Endbell (Shaft End)	
41	70004099	1	Key	
41	70004676	1	Rotor	

SECTION 3 - ENGINE

ITEM	PART NUMBER	QTY	DESCRIPTION	REV
41	70004687	1	Stator	
41	70004678	1	Endbell (Rear)	
41	70004679	1	Cover, Endbell (Rear)	
41	70004680	1	Enclosure, Wiring	
41	70004685	1	Cover, Enclosure	
41	70004682	1	Switch, Reset (Located on Enclosure Cover)	
41	70004098	1	Connector, Strain Relief (Located on Enclosure Cover)	
42	1001142643	1	Support	
43	1001152457	1	Junction Box Assembly (See Items 101-118 for Breakdown)	
44	1001196382	2	Stud	
45	4922641	1	Generator Switch Harness	
46	1001142646	1	Belt	
47	1001152532	1	Generator Harness (See Separate Breakdown in ELECTRICAL SECTION)	
48	7274000040	1	Clamp	
49	1320061	1	Clamp	
50	5251012	1	Bolt M10 x 25	
	1001152457	Ref	JUNCTION BOX ASSEMBLY	
101	1001179154	2.5 ft/ 0.8m	Cable, Electrical - 12/3	
102	3300396	1	Cover, Breaker	
103	3311001	4	Nut #10	
104	3900300	2	Screw	
105	4360070	1	Breaker, Circuit - 15Amp	
107	4460425	1	Connector, Strain Relief (LH Side)	
108	4460426	1	Connector, Strain Relief (RH Side)	
110	4711000	8	Washer #10	
112	1001152456	1	Box, Junction	
113	1001152525	1	Plug	
114	1001152530	1	Terminal, Block	
115	1001153260	1	Decal - Wiring Diagram	
116	3900267	2	Screw	
117	1001158008	2	Stand-Off	
118	1001158363	1	Cover, Terminal Block	

SECTION 3 - ENGINE

FIGURE 3-58. 7500W SKYPOWER GENERATOR INSTALLATION - 220V/50HZ (DEUTZ D2011 ENGINES) (OPTIONAL)



SECTION 3 - ENGINE

FIGURE 3-58. 7500W SKYPOWER GENERATOR INSTALLATION - 220V/50HZ (DEUTZ D2011 ENGINES) (OPTIONAL)

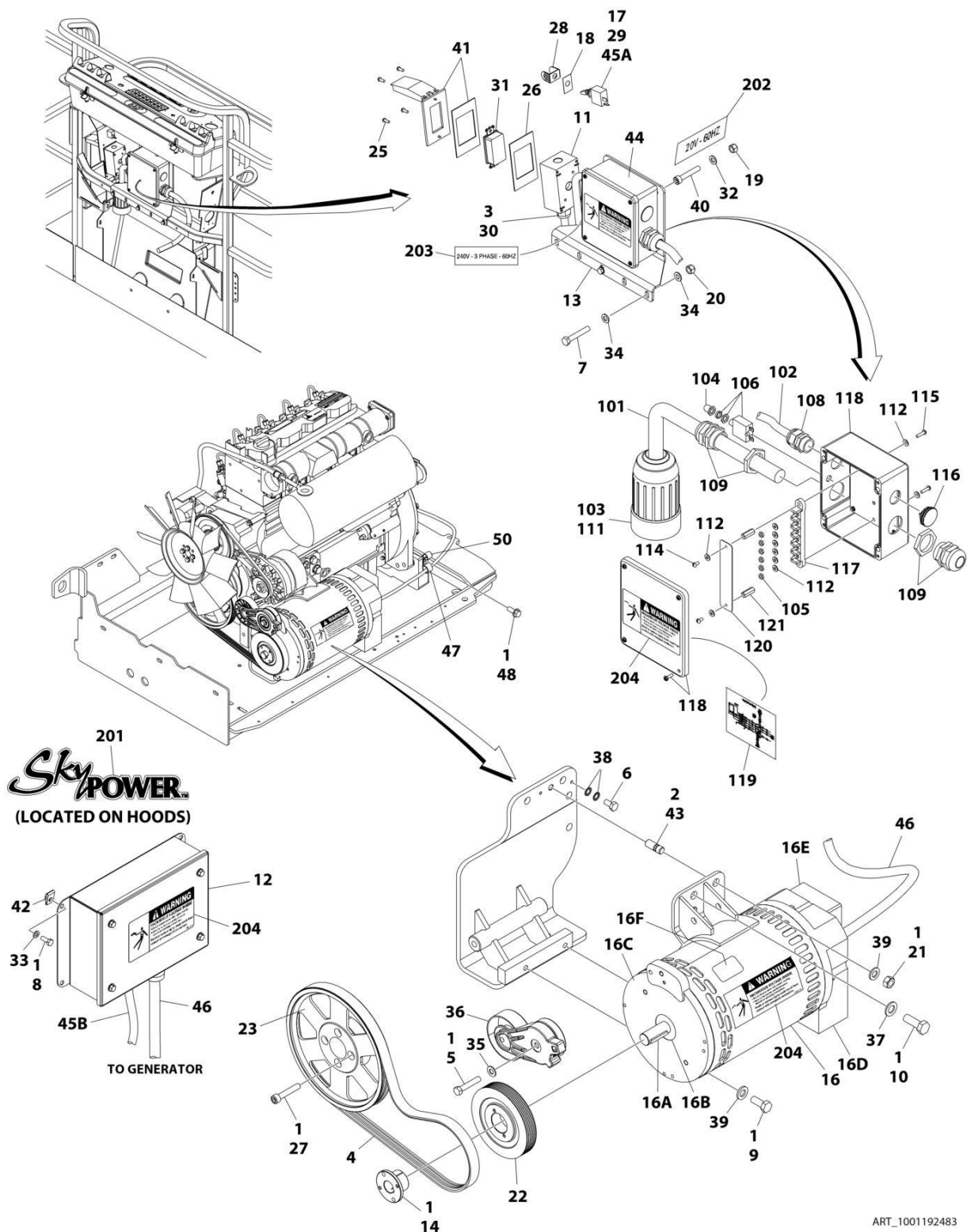
ITEM	PART NUMBER	QTY	DESCRIPTION	REV
	1001192486	Ref	7500W SKYPOWER GENERATOR INSTALLATION	I
1	0100011	AR	Compound, Locking	
2	0100019	AR	Compound, Locking	
3	1001141814	1	Belt	
4	0641618	1	Bolt 3/8 x 2-1/4	
5	0760606	1	Bolt M6 x 12	
6	0700819	2	Bolt M8 x 55	
7	0760608	4	Bolt M6 x 16	
8	0761212	2	Bolt M12 x 25	
9	0771415	1	Bolt M14 x 35	
10	0861572	1	Control Box Assembly	
10	7024488	1	Card, Circuit - Generator Power	
10	See Note	NSS	Fuse (Note: Not Available - Purchase Locally)	
10	7024489	1	Card, Circuit - Control	
10	70000619	1	Harness, Control Box (Internal)	
11	0902888	1	Bracket	
12	0962520	1	Bushing, Split	
14	2460048	1	Generator Assembly	
14	70001100	1	Rotor (Includes p/n 70001384 & 70000863) (Not Shown)	
14	70001384	1	Bearing, Ball Radial (Not Shown)	
14	70000863	1	Fan (Not Shown)	
14	70002088	1	Stator (Not Shown)	
14	70002297	1	Stud	
14	70003631	1	Brushholder Assembly (Not Shown)	
14A	70004171	1	Key	
14B	70001966	1	Bearing, Ball Radial (Located in Belt Tensioner Endbell)	
14B	70003708	1	Ring, Internal Retaining (Located in Belt Tensioner Endbell)	
14B	70003709	1	Ring, External Retaining (Located in Belt Tensioner Endbell)	
14C	70001953	1	Endbell, Belt Tensioner	
14D	70004169	1	Endbell, Brush Block	
14E	70004169	1	Shroud	
14E	See Note	NSS	Insulator, Endbell (Note: Not Available for Purchase)	
14E	7027799	1	Block, Connector 6 Position (Not Shown)	
14E	70002460	1	Nut, Brass (Attaches p/n 7027799 to Cover) (Not Shown)	
14E	7024485	1	Breaker, Circuit 30Amp (Not Shown)	
14E	70001696	1	Boot, Breaker (Not Shown)	
14E	7026626	1	Connector, 6 Position (Includes Seal) (Not Shown - Plugs into Item 39)	
14E	7026597	1	Connector, with Leads (Not Shown)	
14E	7026188	1	Clamp, Cable Options (Not Shown)	
14E	70004169	1	Plate, End Panel	
14E	70001974	1	Decal - Terminal Connections	
14F	70001973	1	Decal - Warning Moving Parts	
15	2820031	AR	Heat Shrink	
16	3252764	1	Nameplate - AC & Weld	
17	3290505	4	Nut M5	
18	3290805	2	Nut M8	
19	3291201	1	Nut M12	
20	3580319	1	Pulley	

SECTION 3 - ENGINE

ITEM	PART NUMBER	QTY	DESCRIPTION	REV
21	3580320	1	Pulley	
22	3580317	1	Tensioner, Belt	
23	4032015	4	Capscrew M10 x 55	
24	4060802	1	Guard, Switch	
25	4360336	1	Switch, Toggle	
26	4811602	4	Washer M5	
27	4811700	4	Washer M6	
28	4811900	4	Washer M8	
29	5241000	1	Washer M10	
31	5241400	1	Washer M14	
32	4871700	2	Washer M6	
33	5241200	3	Washer M12	
34	1001104029	4	Capscrew M5 x 30 Grade 12.9	
35	1001130220	4	Nut, Tinnerman M6	
36	1001196382	1	Stud	
37	1001157525	1	Junction Box Assembly (See Items 101-117 for Breakdown)	
38A	4922641	1	Generator Switch Harness	
38B	1001152429	1	Generator to Engine Harness (See Separate Breakdown in ELECTRICAL SECTION)	
39	4922925	1	Generator Harness (See Separate Breakdown in ELECTRICAL SECTION)	
40	5251012	1	Bolt M10 x 25	
41	7274000040	1	Clamp	
43	1320061	1	Clamp	
	1001157525	Ref	JUNCTION BOX ASSEMBLY	B
101	3300396	1	Cover, Fuse	
102	3311001	6	Nut #10	
103	3520189	1	Plug	
104	3520192	1	Plug	
105	4360070	1	Circuit Breaker - 15Amp	
106	4460425	1	Connector, Strain Relief	
107	4460426	2	Connector, Strain Relief	
109	4711000	30	Washer #10	
110	10702077	2	Screw #10 x 3/8	
111	10702082	2	Screw #10 x 3/4	
112	1001152525	1	Plug	
113	1001152520	1	Block, Terminal	
114	1001157521	1	Box, Junction	
115	1001157528	1	Decal - Wiring Schematic	
116	1001158007	1	Cover, PVC	
117	1001158008	2	Stand-Off	
	0272589	Ref	DECAL INSTALLATION	A
201	1705460	2	Decal - SkyPower	
202	1705461	1	Decal - 240V - 3 Phase - 50Hz	
203	1705489	3	Decal - Hazardous Voltage	

SECTION 3 - ENGINE

FIGURE 3-59. 7500W SKYPOWER GENERATOR INSTALLATION - 110V/60HZ (DEUTZ D2011 ENGINES) (OPTIONAL)



SECTION 3 - ENGINE

FIGURE 3-59. 7500W SKYPOWER GENERATOR INSTALLATION - 110V/60HZ (DEUTZ D2011 ENGINES) (OPTIONAL)

ITEM	PART NUMBER	QTY	DESCRIPTION	REV
	1001192483	Ref	7500W SKYPOWER GENERATOR INSTALLATION	I
1	0100011	AR	Compound, Locking	
2	0100019	AR	Compound, Locking	
3	0100079	AR	Sealant	
4	1001136356	1	Belt	
5	0641618	1	Bolt 3/8 x 2-1/4	
6	0760606	1	Bolt M6 x 12	
7	0700819	2	Bolt M8 x 55	
8	0760608	4	Bolt M6 x 16	
9	0761212	2	Bolt M12 x 25	
10	0771415	1	Bolt M14 x 35	
11	0860038	1	Box, Receptacle	
12	0861538	1	Control Box Assembly	
12	7024488	1	Card, Circuit - Generator Power	
12	See Note	NSS	Fuse (Note: Not Available - Purchase Locally)	
12	7024489	1	Card, Circuit - Control	
12	70000619	1	Harness, Control Box (Internal)	
13	0902888	1	Bracket	
14	0962520	1	Bushing, Split	
16	2460048	1	Generator Assembly	
16	70001100	1	Rotor (Includes p/n 70001384 & 70000863) (Not Shown)	
16	70001384	1	Bearing, Ball Radial (Not Shown)	
16	70000863	1	Fan (Not Shown)	
16	70002088	1	Stator (Not Shown)	
16	70002297	1	Stud	
16	70003631	1	Brushholder Assembly (Not Shown)	
16A	70004171	1	Key	
16B	70001966	1	Bearing, Ball Radial (Located in Belt Tensioner Endbell)	
16B	70003708	1	Ring, Internal Retaining (Located in Belt Tensioner Endbell)	
16B	70003709	1	Ring, External Retaining (Located in Belt Tensioner Endbell)	
16C	70001953	1	Endbell, Belt Tensioner	
16D	70004169	1	Endbell, Brush Block	
16E	70004169	1	Shroud	
16E	See Note	NSS	Insulator, Endbell (Note: Not Available for Purchase)	
16E	7027799	1	Block, Connector - 6 Position (Not Shown)	
16E	70002460	1	Nut, Brass (Attaches p/n 7027799 to Cover) (Not Shown)	
16E	7024485	1	Breaker, Circuit 30Amp (Not Shown)	
16E	70001696	1	Boot, Breaker (Not Shown)	
16E	7026626	1	Connector, 6 Position (Includes Seal) (Not Shown - Plugs into Item 39)	
16E	7026597	1	Connector, with Leads (Not Shown)	
16E	7026188	1	Clamp, Cable Options (Not Shown)	
16E	70004169	1	Plate, End Panel	
16E	70001974	1	Decal - Terminal Connections	
16F	70001973	1	Decal - Warning Moving Parts	
17	2820031	AR	Heat Shrink	
18	3252764	1	Nameplate - AC & Weld	
19	3290505	4	Nut M5	
20	3290805	2	Nut M8	

SECTION 3 - ENGINE

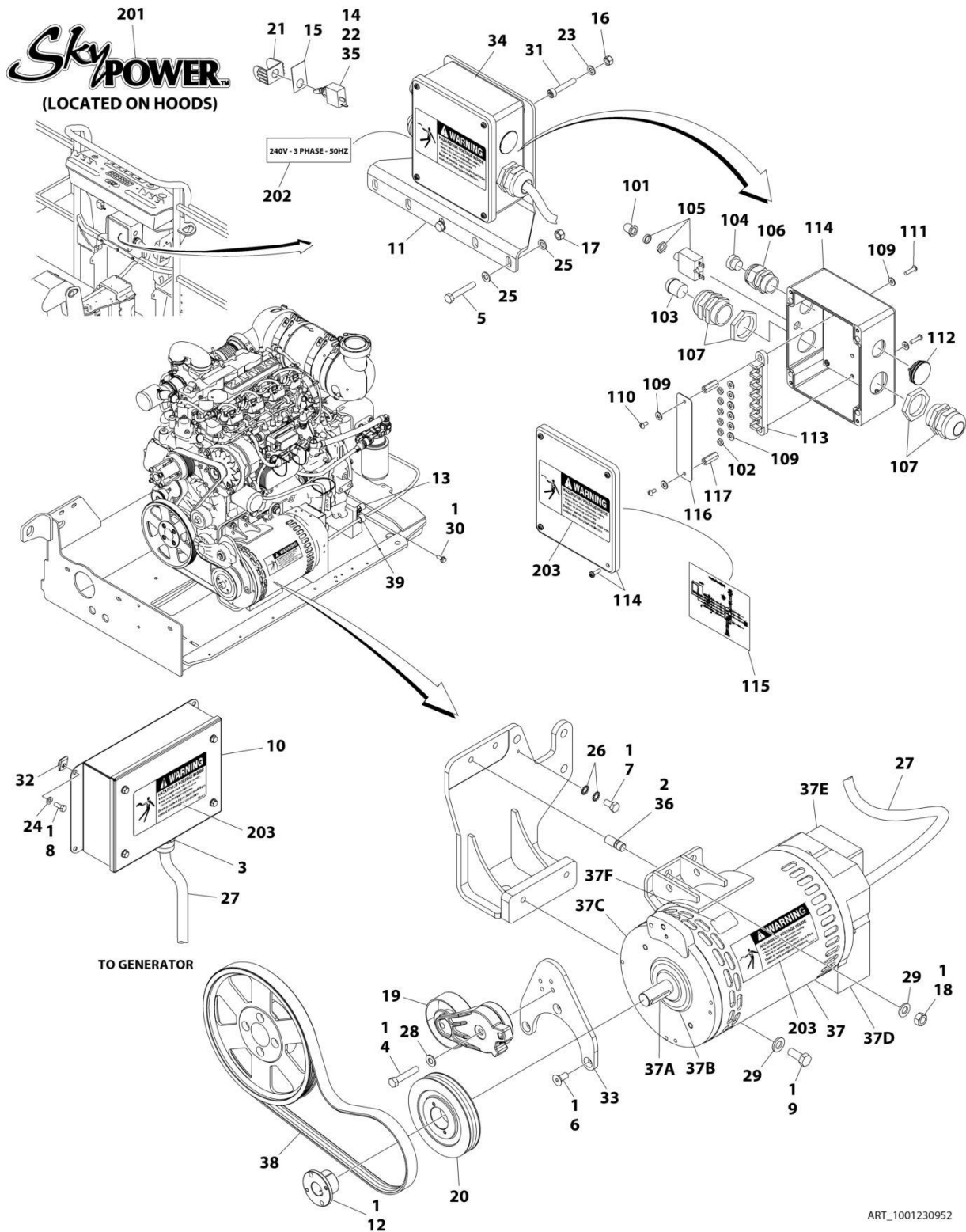
ITEM	PART NUMBER	QTY	DESCRIPTION	REV
21	3291201	1	Nut M12	
22	3580318	1	Pulley	
23	3580320	1	Pulley	
25	3910606	4	Screw #6 x 3/8	
26	3960422	1	Gasket	
27	4032015	4	Capscrew M10 x 55	
28	4060802	1	Guard, Switch	
29	4360336	1	Switch, Toggle	
30	4460071	1	Connector, Strain Relief	
31	4460346	1	Receptacle	
32	4811602	4	Washer M5	
33	4811700	4	Washer M6	
34	4811900	4	Washer M8	
35	5241000	1	Washer M10	
36	3580317	1	Tensioner, Belt	
37	5241400	1	Washer M14	
38	4871700	2	Washer M6	
39	5241200	3	Washer M12	
40	1001104029	4	Capscrew M5 x 30 Grade 12.9	
41	1001110873	1	Cover	
42	1001130220	4	Nut, Tinnerman M6	
43	1001196382	1	Stud	
44	1001157592	1	Junction Box Assembly (See Items 101-121 for Breakdown)	
45A	4922641	1	Generator Switch Harness	
45B	1001152429	1	Generator to Engine Harness (See Separate Breakdown in ELECTRICAL SECTION)	
46	4922925	1	Generator Harness (See Separate Breakdown in ELECTRICAL SECTION)	
47	7274000040	1	Clamp	
48	5251012	1	Bolt M10 x 25	
50	1320061	1	Clamp	
	1001157592	Ref	JUNCTION BOX ASSEMBLY	C
101	1060343	1.5 ft/ 0.5m	Cable, Electrical 10/4	
102	1001179154	2.5 ft/ 0.8m	Cable, Electrical 12/3	
103	1671092	1	Cover	
104	3300396	1	Cover, Fuse	
105	3311001	6	Nut #10	
106	4360070	1	Circuit Breaker - 15Amp	
108	4460425	1	Connector, Strain Relief	
109	4460426	2	Connector, Strain Relief	
111	4460963	1	Connector	
112	4711000	10	Washer #10	
114	10702077	2	Screw #10 x 3/8	
115	10702082	2	Screw #10 x 3/4	
116	1001152525	1	Plug	
117	1001157520	1	Block, Terminal	
118	1001157521	1	Box, Junction	
119	1001157528	1	Decal - Wiring Schematic	
120	1001158007	1	Cover, PVC	
121	1001158008	2	Stand-Off	

SECTION 3 - ENGINE

ITEM	PART NUMBER	QTY	DESCRIPTION	REV
	0272435	Ref	DECAL INSTALLATION	D
201	1705460	2	Decal - SkyPower	
202	3251243	1	Decal - 120V-60Hz	
203	1705375	1	Decal - 240V - 3 Phase - 60Hz	
204	1705387	3	Decal - Hazardous Voltage	

SECTION 3 - ENGINE

FIGURE 3-60. 7500W GENERATOR INSTALLATION - 220V/50HZ (DEUTZ TD2.9L4 ENGINES) (OPTIONAL)



SECTION 3 - ENGINE

**FIGURE 3-60. 7500W GENERATOR INSTALLATION - 220V/50HZ (DEUTZ TD2.9L4 ENGINES)
(OPTIONAL)**

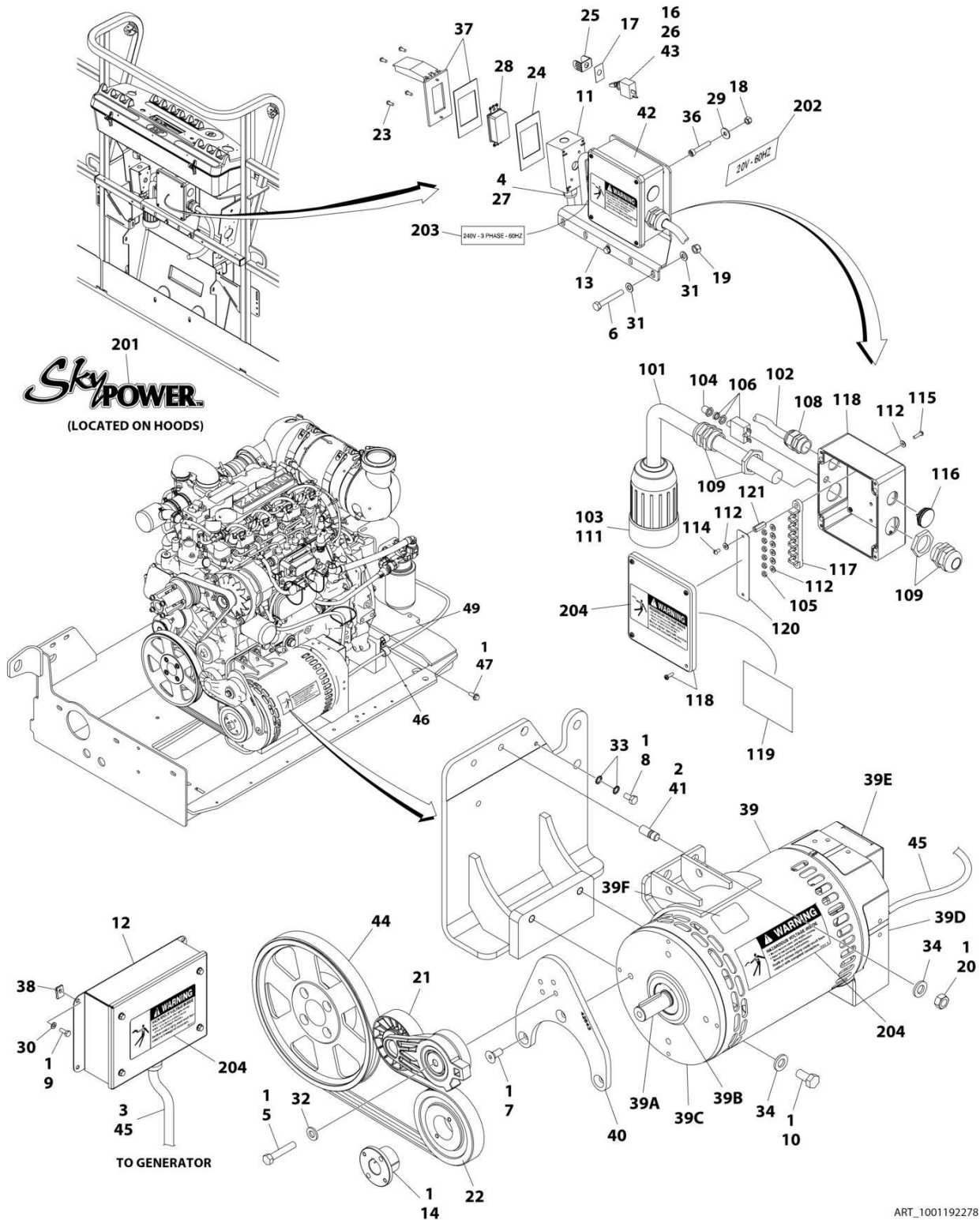
ITEM	PART NUMBER	QTY	DESCRIPTION	REV
	1001230952	Ref	7500W GENERATOR INSTALLATION	A
1	0100011	AR	Compound, Locking	
2	0100019	AR	Compound, Locking	
3	0100048	AR	Grease, Terminal	
4	0641616	1	Bolt 3/8 x 2	
5	0700819	2	Bolt M8 x 55	
6	0741607	3	Screw 3/8 x 7/8	
7	0760606	1	Bolt M6 x 12	
8	0760608	4	Bolt M6 x 16	
9	0761212	2	Bolt M12 x 25	
10	0861572	1	Control Box Assembly	
10	7024488	1	Card, Circuit - Generator Power	
10	See Note	NSS	Fuse (Note: Not Available - Purchase Locally)	
10	7024489	1	Card, Circuit - Control	
10	70000619	1	Harness, Control Box (Internal)	
11	0902888	1	Bracket	
12	0962520	1	Bushing, Split	
13	1320061	1	Clamp	
14	2820031	AR	Heatshrink	
15	3252764	1	Nameplate - AC & Weld	
16	3290505	4	Nut M5	
17	3290805	2	Nut M8	
18	3291201	2	Nut M12	
19	3580317	1	Tensioner, Belt	
20	3580319	1	Pulley	
21	4060802	1	Guard, Switch	
22	4360336	1	Switch, Toggle	
23	4811602	4	Washer M5	
24	4811700	4	Washer M6	
25	4811900	4	Washer M8	
26	4871700	2	Washer M6	
27	4922925	1	Generator Harness (See Separate Breakdown in ELECTRICAL SECTION)	
28	5241000	1	Washer M10	
29	5241200	4	Washer M12	
30	5251012	1	Bolt M10 x 25	
31	1001104029	4	Capscrew M5 x 30, Grade 12.9	
32	1001130220	4	Nut, Tinnerman M6	
33	1001142643	1	Support	
34	1001157525	1	Junction Box Assembly (See Items 101-117 for Breakdown)	
35	4922641	1	Switch Harness	
36	1001196382	2	Stud	
37	1001212223	1	Generator Assembly - 50Hz	
37	70001100	1	Rotor (Includes p/n 70001384 & 70000863) (Not Shown)	
37	70001384	1	Bearing, Ball Radial (Not Shown)	
37	70000863	1	Fan (Not Shown)	
37	70006093	1	Stator (Not Shown)	
37	70002297	1	Stud	
37	70003631	1	Brushholder Assembly (Not Shown) (was p/n 7024484)	

SECTION 3 - ENGINE

ITEM	PART NUMBER	QTY	DESCRIPTION	REV
37A	70004099	1	Key	
37B	70001966	1	Bearing, Ball Radial (Located in Belt Tensioner Endbell)	
37B	70003708	1	Ring, Internal Retaining (Located in Belt Tensioner Endbell)	
37B	70003709	1	Ring, External Retaining (Located in Belt Tensioner Endbell)	
37C	70004092	1	Endbell, Belt Tensioner	
37D	70004094	1	Endbell, Brush Block	
37E	70006094	1	Shroud	
37E	70002291	1	Insulator, Endbell	
37E	7027799	1	Block, Connector - 6 Position (Not Shown)	
37E	70002460	1	Nut, Brass (Attaches p/n 7027799 to Cover) (Not Shown)	
37E	70006095	1	Breaker, Circuit 30Amp (Not Shown)	
37E	70006096	1	Boot, Breaker (Not Shown)	
37E	7026626	1	Connector - 6 Position (Includes Seal) (Not Shown - Plugs into Item 36)	
37E	7026597	1	Connector with Leads (Not Shown)	
37E	70004098	1	Clamp, Cable (Not Shown)	
37E	70006097	1	Plate, End Panel	
37E	70001974	1	Decal - Terminal Connections	
37F	70001973	1	Decal - Warning Moving Parts	
38	1001214683	1	Belt	
39	7274000040	1	Clamp	
	1001157525	1	JUNCTION BOX ASSEMBLY	B
101	3300396	1	Cover, Fuse	
102	3311001	6	Nut #10	
103	3520189	1	Plug	
104	3520192	1	Plug	
105	4360070	1	Circuit Breaker - 15Amp	
106	4460425	1	Connector, Strain Relief	
107	4460426	2	Connector, Strain Relief	
109	4711000	10	Washer #10	
110	10702077	2	Screw #10 x 3/8	
111	10702082	2	Screw #10 x 3/4	
112	1001152525	1	Plug	
113	1001157520	1	Block, Terminal	
114	1001157521	1	Box, Junction	
115	1001157528	1	Decal - Wiring Schematic	
116	1001158007	1	Cover, PVC	
117	1001158008	2	Stand-Off	
	0272589	Ref	DECAL INSTALLATION	A
201	1705460	2	Decal - SkyPower	
202	1705461	1	Decal - 240V - 3 Phase - 50Hz	
203	1705489	3	Decal - Hazardous Voltage	

SECTION 3 - ENGINE

FIGURE 3-61. 7500W SKYPOWER GENERATOR INSTALLATION - 110V/60HZ (DEUTZ TD2.9L4 ENGINES) (OPTIONAL)



SECTION 3 - ENGINE

FIGURE 3-61. 7500W SKYPOWER GENERATOR INSTALLATION - 110V/60HZ (DEUTZ TD2.9L4 ENGINES) (OPTIONAL)

ITEM	PART NUMBER	QTY	DESCRIPTION	REV
	1001192278	Ref	7500W SKYPOWER GENERATOR INSTALLATION	G
1	0100011	AR	Compound, Locking	
2	0100019	AR	Compound, Locking	
3	0100048	AR	Compound Terminal	
4	0100079	AR	Sealant	
5	0641616	1	Bolt 3/8 x 2	
6	0700819	2	Bolt M8 x 55	
7	0741607	3	Screw 3/8 x 7/8	
8	0760606	1	Bolt M6 x 12	
9	0760608	4	Bolt M6 x 16	
10	0761212	2	Bolt M12 x 25	
11	0860038	1	Box, Receptacle	
12	0861538	1	Control Box Assembly	
12	7024488	1	Card, Circuit - Generator Power	
12	See Note	NSS	Fuse (Note: Not Available - Purchase Locally)	
12	7024489	1	Card, Circuit - Control	
12	70000619	1	Harness, Control Box (Internal)	
		Ref	Note: Same Circuit Card (P/N 7024489) is used for both 60Hz and 50Hz. When replacing card, rocker switch on card must be set for required application.	
13	0902888	1	Bracket	
14	0962520	1	Bushing, Split	
16	2820031	AR	Heat Shrink	
17	3252764	1	Nameplate - AC & Weld	
18	3290505	4	Nut M5	
19	3290805	2	Nut M8	
20	3291201	2	Nut M12	
21	3580317	1	Tensioner, Belt	
22	3580318	1	Pulley	
23	3910606	4	Screw #6 x 3/8	
24	3960422	1	Gasket	
25	4060802	1	Guard, Switch	
26	4360336	1	Switch, Toggle	
27	4460071	1	Connector, Strain Relief	
28	4460346	1	Receptacle	
29	4811602	4	Washer M5	
30	4811700	4	Washer M6	
31	4811900	4	Washer M8	
32	5241000	1	Washer M10	
33	4871700	2	Washer M6	
34	5241200	4	Washer M12	
36	1001104029	1	Capscrew M5 x 30 Grade 12.9	
37	1001110873	1	Cover	
38	1001130220	4	Nut, Tinnerman M6	
39	1001212223	1	Generator Assembly	
39	70001100	1	Rotor (Includes p/n 70001384 & 70000863) (Not Shown)	
39	70001384	1	Bearing, Ball Radial (Not Shown)	
39	70000863	1	Fan (Not Shown)	

SECTION 3 - ENGINE

ITEM	PART NUMBER	QTY	DESCRIPTION	REV
39	70006093	1	Stator (Not Shown)	
39	70002297	1	Stud	
39	70003631	1	Brushholder Assembly (Not Shown) (was p/n 7024484)	
39A	70004099	1	Key	
39B	70001966	1	Bearing, Ball Radial (Located in Belt Tensioner Endbell)	
39B	70003708	1	Ring, Internal Retaining (Located in Belt Tensioner Endbell)	
39B	70003709	1	Ring, External Retaining (Located in Belt Tensioner Endbell)	
39C	70004092	1	Endbell, Belt Tensioner	
39D	70004094	1	Endbell, Brush Block	
39E	70006094	1	Shroud	
39E	70002291	1	Insulator, Endbell	
39E	7027799	1	Block, Connector - 6 Position (Not Shown)	
39E	70002460	1	Nut, Brass (Attaches p/n 7027799 to Cover) (Not Shown)	
39E	70006095	1	Breaker, Circuit 30Amp (Not Shown)	
39E	70006096	1	Boot, Breaker (Not Shown)	
39E	7026626	1	Connector, 6 Position (Includes Seal) (Not Shown - Plugs into Item 45)	
39E	7026597	1	Connector with Leads (Not Shown)	
39E	70004098	1	Clamp, Cable (Not Shown)	
39E	70006097	1	Plate, End Panel	
39E	70001974	1	Decal - Terminal Connections	
39F	70001973	1	Decal - Warning Moving Parts	
40	1001142643	1	Support	
41	1001196382	2	Stud	
42	1001157592	1	Junction Box Assembly (See Items 101-121 for Breakdown)	
43	4922641	1	Generator Switch Harness	
44	1001142646	1	Belt	
45	4922925	1	Generator Harness (See Separate Breakdown in ELECTRICAL SECTION)	
46	7274000040	1	Clamp	
47	5251012	1	Bolt M10 x 25	
49	1320061	1	Clamp	
	1001157592	Ref	JUNCTION BOX ASSEMBLY	C
101	1060343	1.5 ft/ 0.5m	Cable, Electrical 10/4	
102	1001179154	2.5 ft/ 76cm	Cable, Electrical 12/3	
103	1671092	1	Cover, Connector	
104	3300396	1	Cover, Fuse	
105	3311001	6	Nut #10	
106	4360070	1	Circuit Breaker - 15Amp	
108	4460425	1	Connector, Strain Relief	
109	4460426	2	Connector, Strain Relief	
111	4460963	1	Connector	
112	4711000	4	Washer #10	
114	10702077	2	Screw #10 x 3/8	
115	10702082	2	Screw #10 x 3/4	
116	1001152525	1	Plug	
117	1001157520	1	Block, Terminal	
118	1001157521	1	Box, Junction	
119	1001157528	1	Decal - Wiring Schematic	
120	1001158007	1	Cover, PVC	

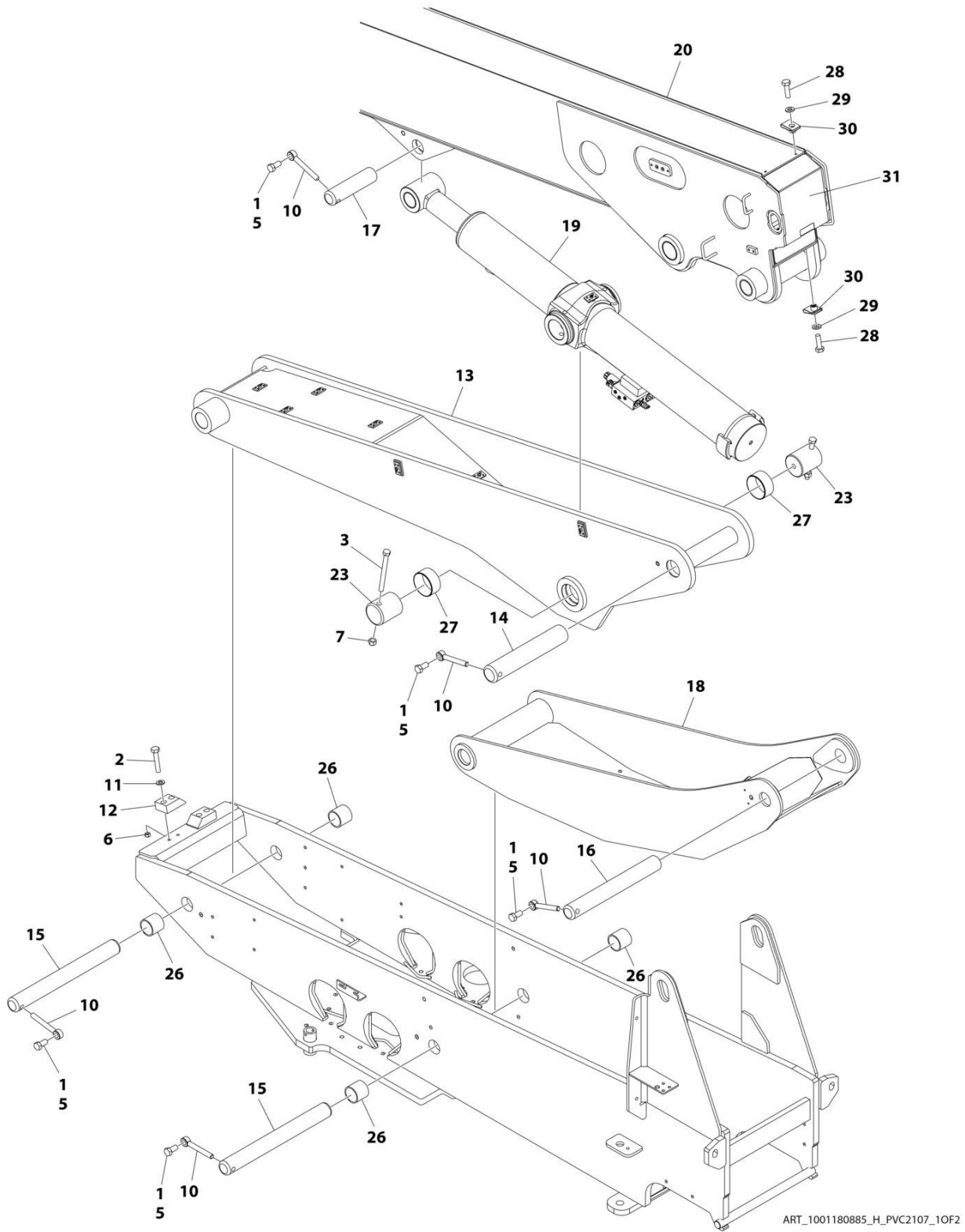
SECTION 3 - ENGINE

ITEM	PART NUMBER	QTY	DESCRIPTION	REV
121	1001158008	1	Stand-Off	D
	0272435	Ref	DECAL INSTALLATION	
201	1705460	2	Decal - SkyPower	
202	3251243	1	Decal - 120V-60Hz	
203	1705375	1	Decal - 240V - 3 Phase - 60Hz	
204	1705387	3	Decal - Hazardous Voltage	

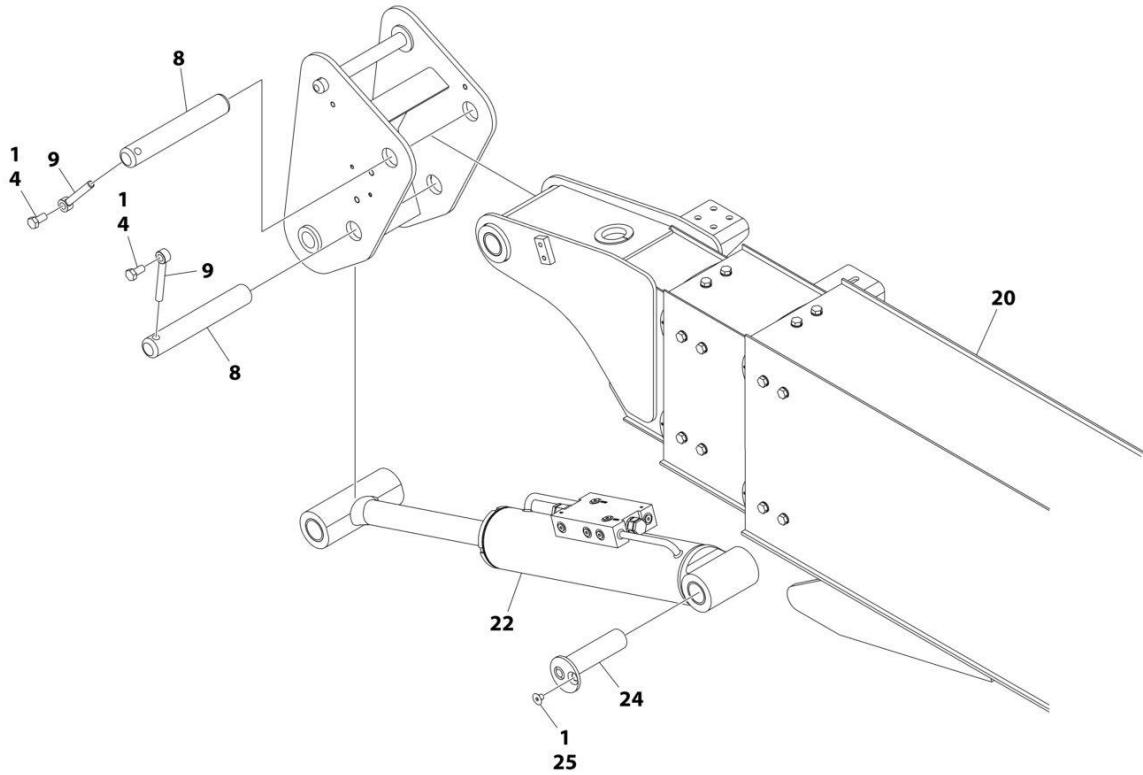
SECTION 4 - BOOM

SECTION 4 - BOOM

FIGURE 4-1. BOOM INSTALLATION



SECTION 4 - BOOM



ART_1001180885_H_PVC2107_20F2

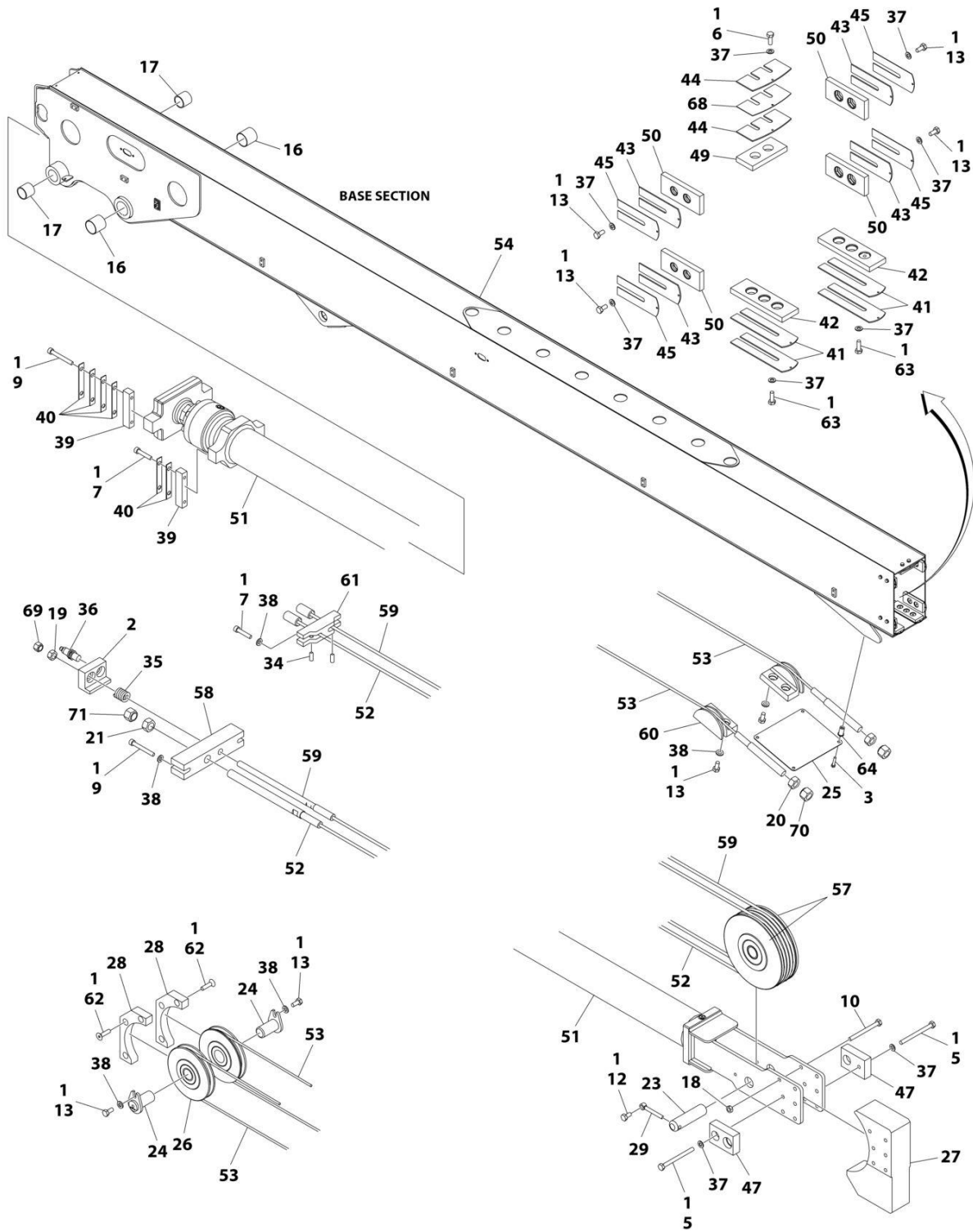
SECTION 4 - BOOM

FIGURE 4-1. BOOM INSTALLATION

ITEM	PART NUMBER	QTY	DESCRIPTION	REV
	1001180885	Ref	BOOM INSTALLATION	H
1	0100011	AR	Compound, Locking	
2	0701019	4	Bolt M10 x 55	
3	0711635	2	Bolt M16 x 180	
4	0761212	2	Bolt M12 x 25	
5	0762016	5	Bolt M20 x 40	
6	3291005	4	Nut M10	
7	3291605	2	Nut M16	
8	3422793	2	Pin	
9	3841203	2	Keeper, Pin	
10	3841287	5	Keeper, Pin	
11	4812000	4	Washer M10	
12	1001138459	2	Pad	
13	1001174231	1	Link	
14	1001174250	1	Pin	
15	1001174252	2	Pin	
16	1001174253	1	Pin	
17	1001174254	1	Pin	
18	1001174256	1	Link	
19	1001272076	1	Lift Cylinder Assembly (See Separate Breakdown in CYLINDER Section)	
20	1001176217	1	Boom Assembly (See Separate Breakdown in this Section)	
22	1001184957	1	Level Cylinder Assembly - Platform Slave (See Separate Breakdown in CYLINDER Section)	
23	1001183926	2	Pin	
24	1001192052	1	Pin	
25	1001192027	1	Screw M10 x 12	
26	0962423	4	Bearing	
27	1001174251	2	Bearing	
28	0760610	4	Bolt M6 x 20	
29	4811700	4	Washer M6	
30	1001130220	4	Nut - Tinnerman M6	
31	1001228177	1	Cover	

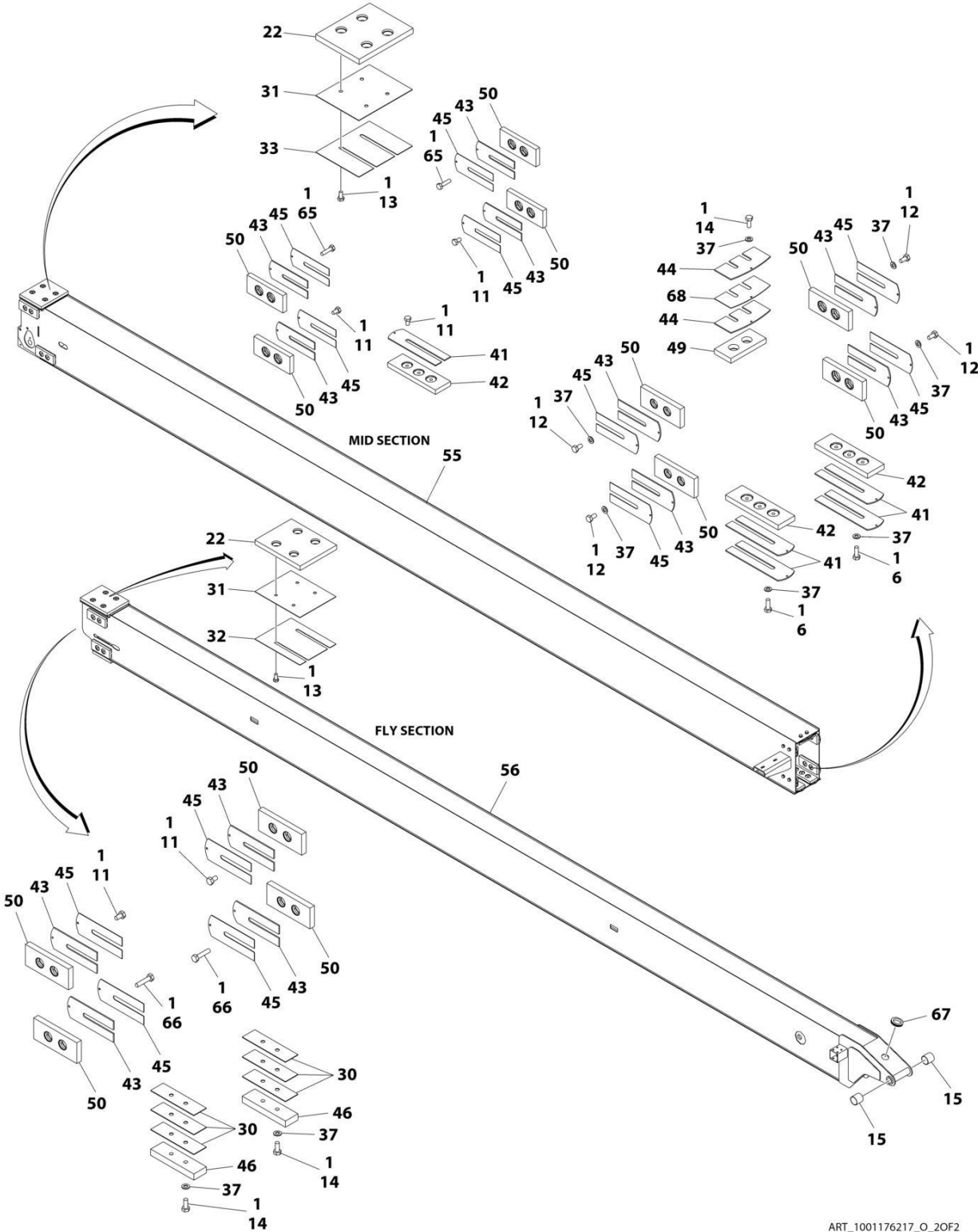
SECTION 4 - BOOM

FIGURE 4-2. BOOM ASSEMBLY



ART_1001176217_O_10F2

SECTION 4 - BOOM



ART_1001176217_O_2OF2

SECTION 4 - BOOM

FIGURE 4-2. BOOM ASSEMBLY

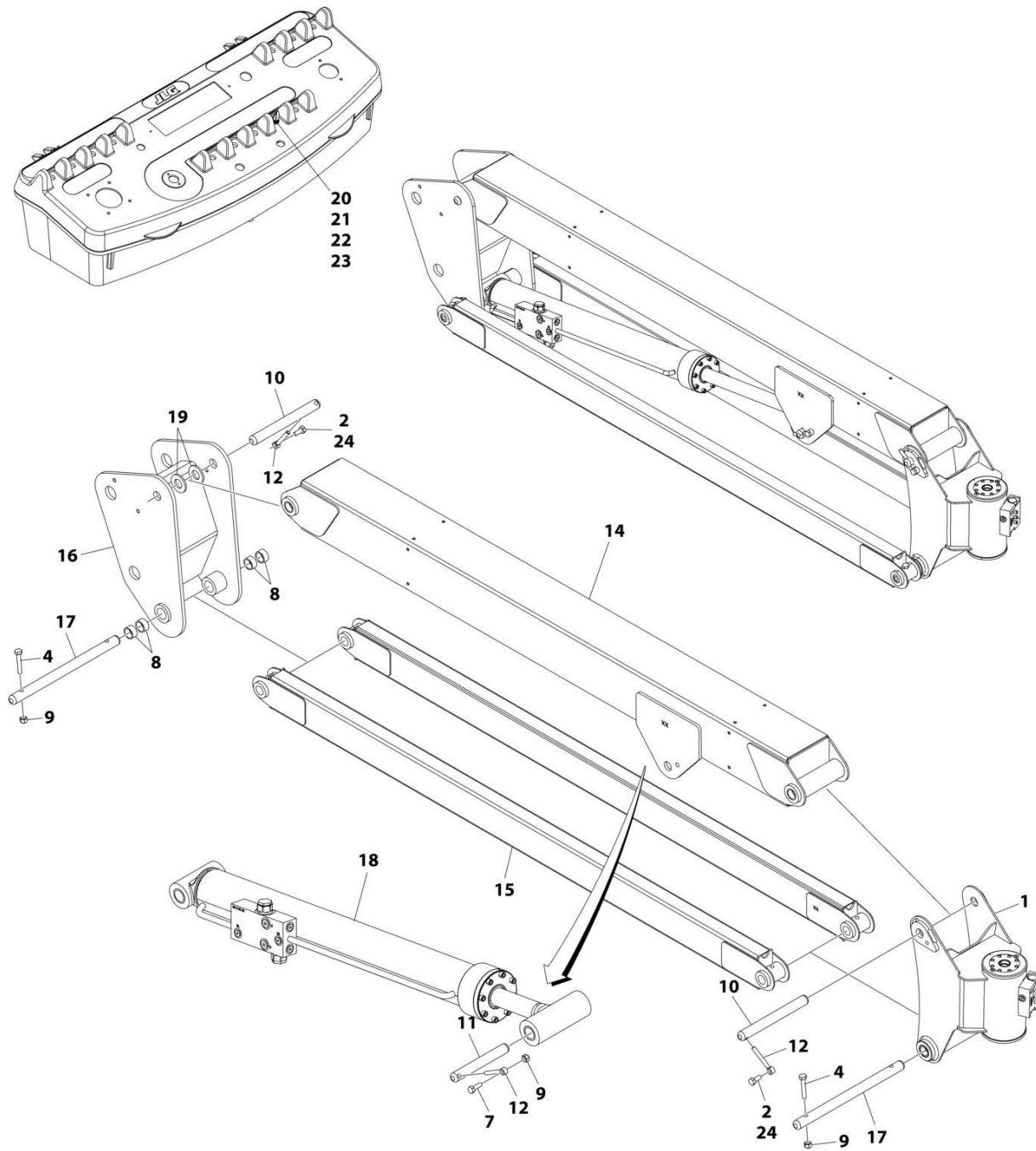
ITEM	PART NUMBER	QTY	DESCRIPTION	REV
	1001176217	Ref	BOOM ASSEMBLY	O
1	0100011	AR	Compound, Locking	
2	0561508	1	Block	
3	0760614	4	Bolt M6 x 30	
5	0701029	2	Bolt M10 x 120	
6	0701013	8	Bolt M10 x 28	
7	4032014	6	Capscrew M10 x 50	
9	4032020	6	Capscrew M10 x 80	
10	0701028	4	Bolt M10 x 110	
11	0761009	10	Bolt M10 x 18	
12	0761010	9	Bolt M10 x 20	
13	0761011	22	Bolt M10 x 22	
14	0761012	6	Bolt M10 x 25	
15	0961948	2	Bearing	
16	0962033	2	Bushing	
17	0962423	2	Bearing	
18	3291001	4	Nut M10	
19	3291601	1	Nut M16	
20	3292001	2	Nut M20	
21	3292201	1	Nut M22	
22	1001191385	2	Pad, Wear	
23	3422417	1	Pin	
24	3422424	2	Pin	
25	3539622	1	Cover	
26	3580243	2	Sheave, Retract	
26	0961951	2	Bushing (1 Per Sheave)	
27	3580248	1	Guard, Sheave (Extend)	
28	3580249	2	Guard, Sheave (Retract)	
29	3841143	1	Keeper, Pin	
30	4070895	6	Shim 16Ga	
31	4070896	2	Shim .06	
32	4070939	1	Shim 16Ga	
33	4070940	1	Shim 16Ga	
34	4092009	2	Setscrew M10 x 25	
35	4160149	1	Spring	
36	1001214831	1	Switch, Proximity	
37	4812000	38	Washer M10	
38	5241000	10	Washer M10	
39	1001135488	4	Block	
40	1001136571	12	Shim 16Ga	
41	1001136575	9	Shim 11Ga	
42	1001136583	5	Pad, Wear	
43	4070898	16	Shim, Wear Pad	
44	1001138436	4	Shim 11Ga	
45	4070897	16	Shim, Wear Pad	
46	1001148650	2	Pad, Wear	
47	1001191384	2	Pad, Wear	
49	1001136587	2	Pad, Wear	
50	1001153398	16	Pad, Wear	
51	1001251079	1	Telescope Cylinder Assembly (See Separate Breakdown in	

SECTION 4 - BOOM

ITEM	PART NUMBER	QTY	DESCRIPTION	REV
			CYLINDER SECTION)	
52	1001175998	1	Rope, Wire (Extend)	
53	1001175999	2	Rope, Wire (Retract)	
54	1001176208	1	Base, Boom	
55	1001176212	1	Mid, Boom	
56	1001176216	1	Fly, Boom	
57	1001184913	2	Sheave, Extend	
57	1001184918	2	Bushing (1 per Sheave)	
57	1001184917	2	Sleeve, Bronze (1 per Sheave)	
57	1001184915	2	Ring, Retaining (1 per Sheave)	
58	1001186541	1	Block	
59	1001189859	1	Rope, Wire (Extend)	
60	1001191048	2	Sheave, Block	
61	1001191202	1	Block	
62	1001191205	6	Screw M10 x 40	
63	0761014	6	Bolt M10 x 30	
64	1001203719	4	WellNut M6	
65	0761016	4	Bolt M10 x 40	
66	0761017	4	Bolt M10 x45	
67	4060805	6 in/ 16cm	Flex - Trim	
68	1001136590	2	Shim	
69	3291605	1	Nut M16	
70	3292005	2	Nut M20	
71	3292205	1	Nut M22	

SECTION 4 - BOOM

FIGURE 4-3. JIB ASSEMBLY



ART_1001182046_H

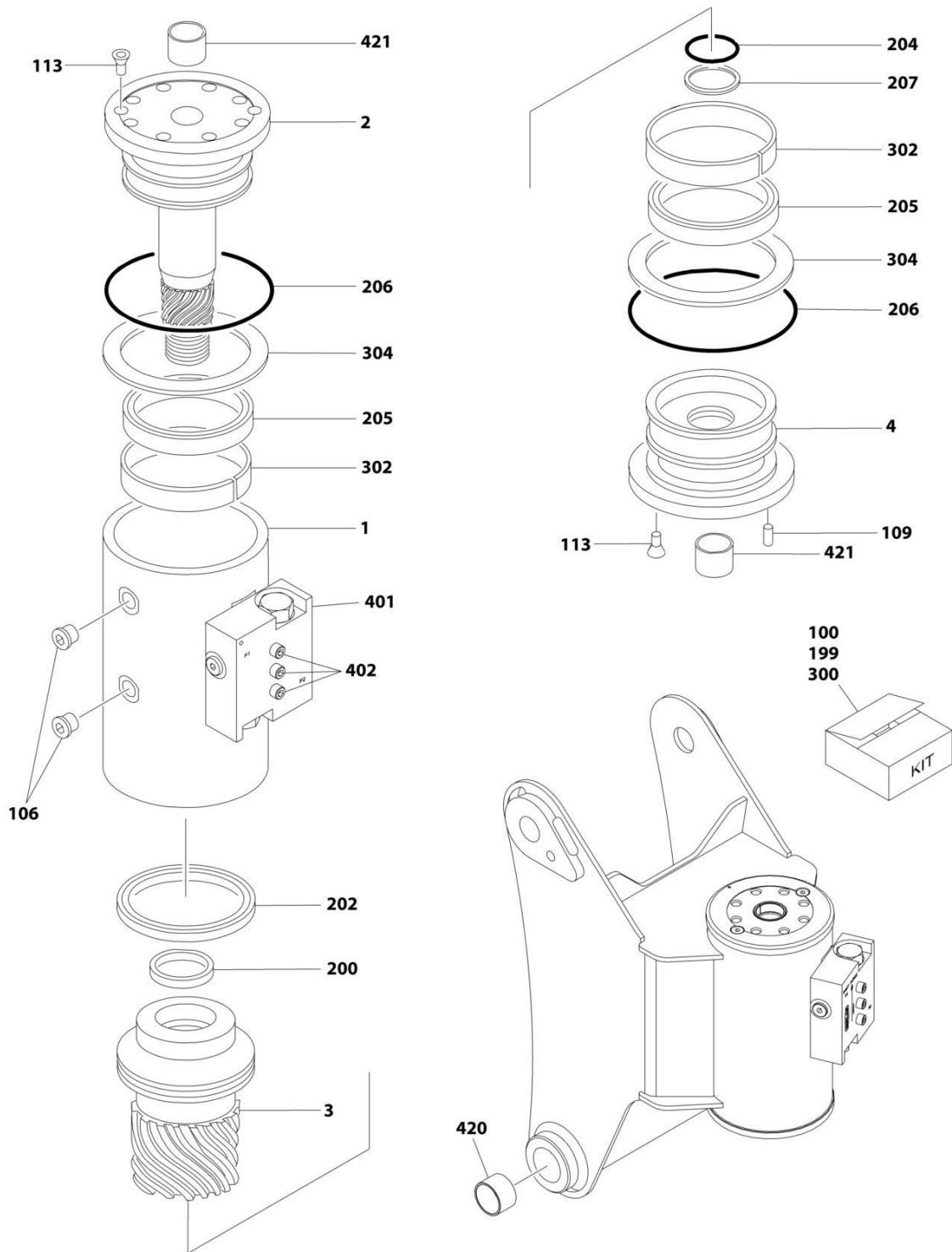
SECTION 4 - BOOM

FIGURE 4-3. JIB ASSEMBLY

ITEM	PART NUMBER	QTY	DESCRIPTION	REV
	1001182046	Ref	JIB ASSEMBLY	H
1	1001190580	1	Platform Rotator Assembly (See Separate Breakdown in this Section)	
2	0100011	AR	Compound, Locking	
4	0701020	4	Bolt M10 x 60	
7	0761014	1	Bolt M10 x 30	
8	0961947	4	Bearing	
9	3291005	1	Nut M10	
10	3422860	2	Pin	
11	3422867	1	Pin	
12	3841143	3	Keeper, Pin	
14	4844816	1	Tube, JIB	
14	0962335	4	Bushing	
15	4844817	2	Link	
16	1001181962	1	Pivot	
17	3422861	2	Pin	
18	1001228013	1	Lift Cylinder Assembly - JIB (See Separate Breakdown in CYLINDER Section)	
19	4740439	2	Washer	
20	3790012	1	O-Ring	
21	4740397	1	Spacer	
22	1001155044	1	Nut 15/32	
23	1001155045	1	Switch, Toggle	
24	0761012	2	Bolt M10 x 25	

SECTION 4 - BOOM

FIGURE 4-4. PLATFORM ROTATOR ASSEMBLY



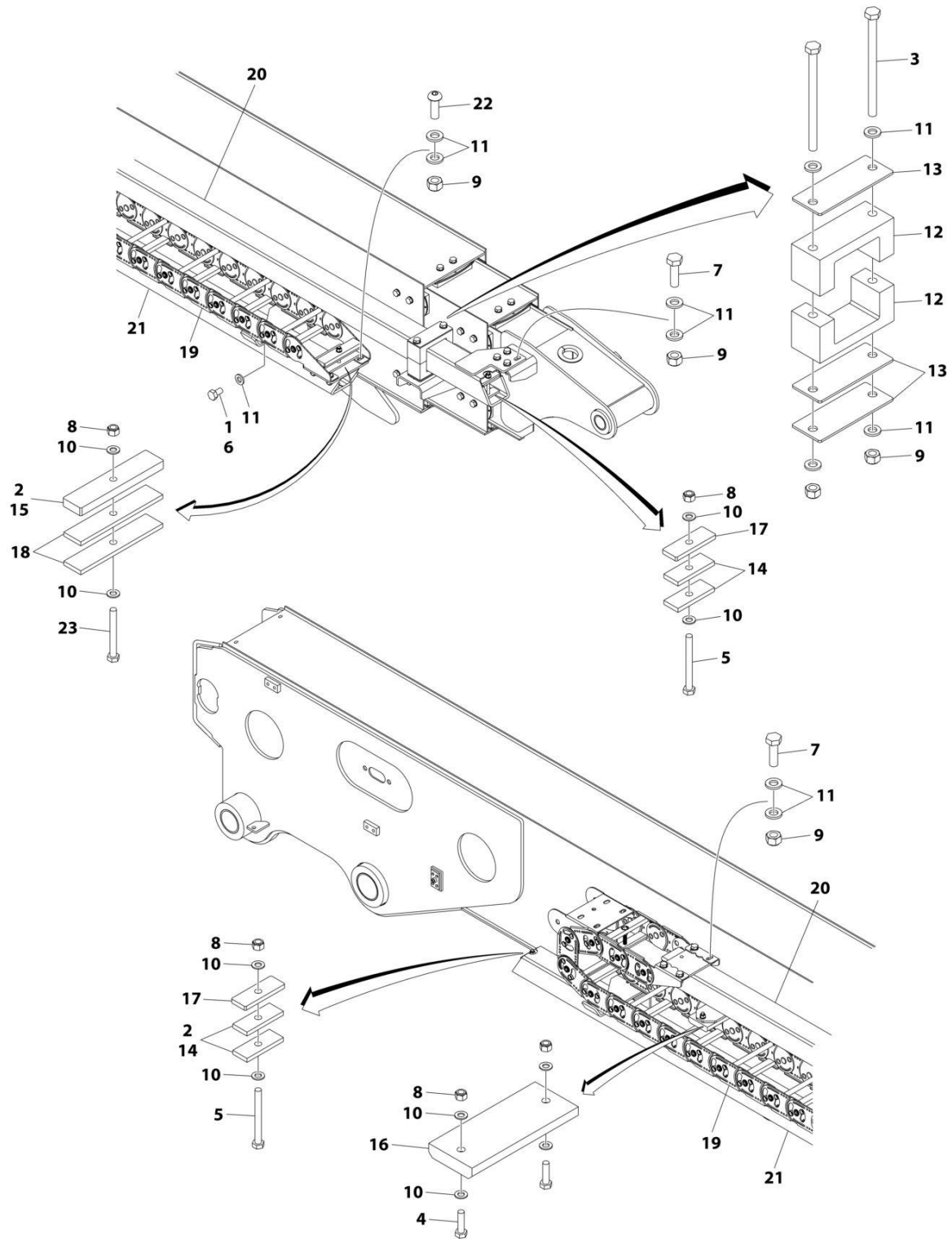
ART_1001190580

FIGURE 4-4. PLATFORM ROTATOR ASSEMBLY

ITEM	PART NUMBER	QTY	DESCRIPTION	REV
	1001190580	Ref	PLATFORM ROTATOR ASSEMBLY	F
1	See Note	NSS	Housing/Ring Gear (Note: Purchase Complete Assembly)	
2	7017162	1	Shaft	
3	7017163	1	Piston	
4	7017164	1	Cap	
100	7017142	1	Hardware Kit (Includes Items 106-109)	
106	See Note	NSS	Plug (Note: Use Item 100)	
109	See Note	NSS	Pin, Dowel (Note: Use Item 100)	
113	70001697	6	Screw 1/4 x 3/8	
199	70000342	1	Seal Kit - Low Temperature (Includes Items 200-207)	
200	See Note	NSS	T-Seal (Note: Use Item 199)	
202	See Note	NSS	T-Seal (Note: Use Item 199)	
204	See Note	NSS	O-Ring (Note: Use Item 199)	
205	See Note	NSS	Seal (Note: Use Item 199)	
206	See Note	NSS	Ring, Back-up (Note: Use Item 199)	
207	See Note	NSS	Ring, Back-up (Note: Use Item 199)	
300	7017159	1	Bearing Kit (Includes Items 302-304)	
302	See Note	NSS	Bearing (Note: Use Item 300)	
304	See Note	NSS	Washer, Thrust (Note: Use Item 300)	
401	7017172	1	Valve, Control (Note: Sold as Assembly Only)	
401	7017192	2	Cartridge, Valve - Counterbalance (Seal Kit Not Available)	
401	See Note	1	Cartridge, Valve - Check (Seal Kit Not Available) (Note: Use p/n 7017172)	
402	See Note	NSS	Bolt 1/4 x 1-1/2 Grade 8 (Note: Purchase Locally)	
420	0961947	2	Bushing	
421	7017195	1	Bushing	

SECTION 4 - BOOM

FIGURE 4-5. POWER TRACK INSTALLATION (PVC 2001)



ART_1001174630_F

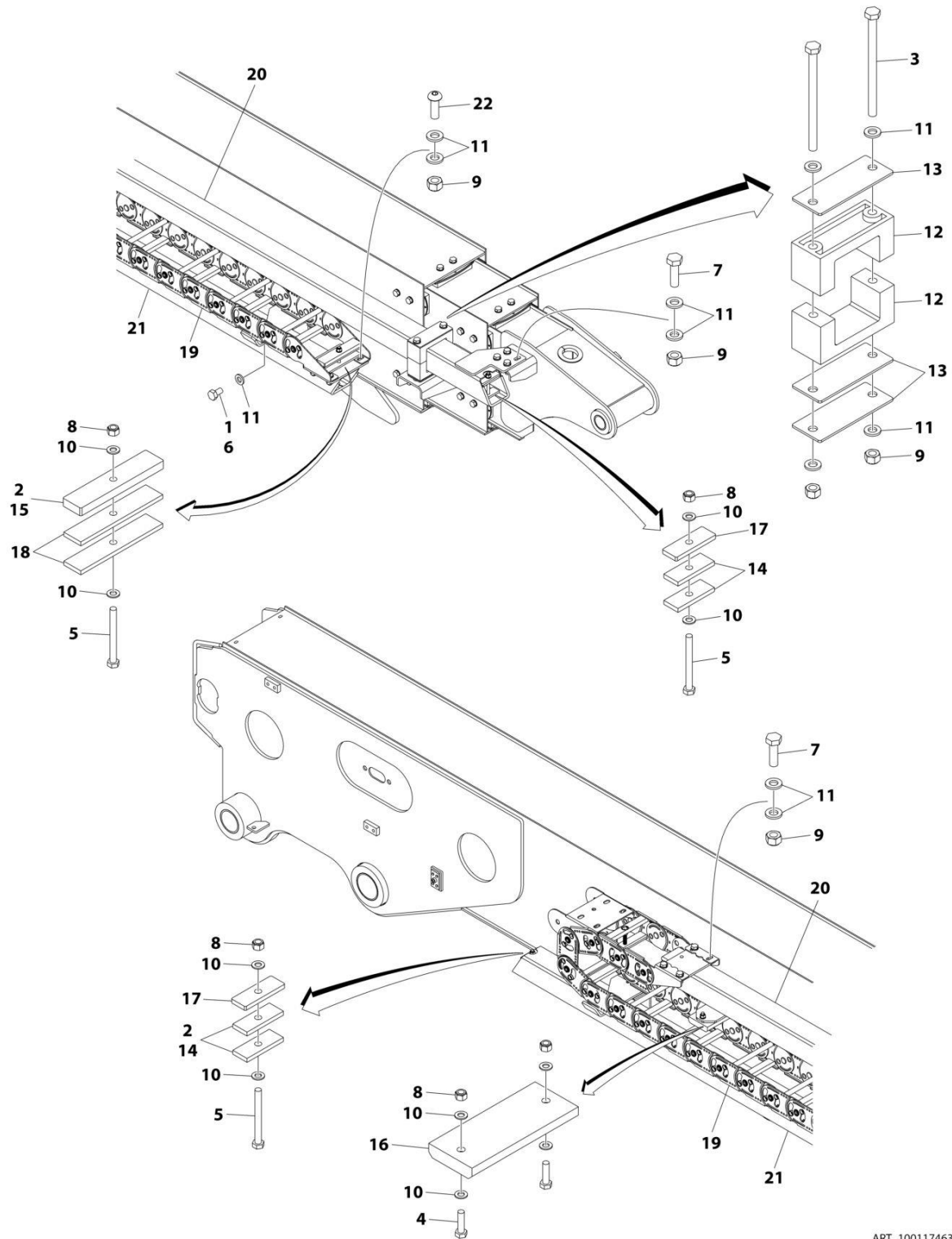
SECTION 4 - BOOM

FIGURE 4-5. POWER TRACK INSTALLATION (PVC 2001)

ITEM	PART NUMBER	QTY	DESCRIPTION	REV
	1001174630	Ref	POWER TRACK INSTALLATION	F
1	0100011	AR	Compound, Locking	
2	0100081	AR	Adhesive	
3	0701032	2	Bolt M10 x 150	
4	0760814	2	Bolt M8 x 30	
5	0760824	2	Bolt M8 x 80	
6	0761009	8	Bolt M10 x 18	
7	0761015	8	Bolt M10 x 35	
8	3290805	5	Nut M8	
9	3291005	14	Nut M10	
10	4811900	10	Washer M8	
11	5241000	36	Washer M10	
12	1001136398	2	Pad	
13	1001136400	AR	Plate	
14	1001136402	4	Pad	
15	1001136461	1	Plate	
16	3340787	1	Pad, Wear	
17	1001139078	2	Plate	
18	1001151192	2	Pad	
19	1001174631	1	Powertrack Assembly	
19	70005683	AR	Repair Section - Power Track	
19	70005684	1	Mounting Kit - Power Track (Includes Mounting Feet and Hardware)	
20	1001174632	1	Tube, Push	
21	1001174636	1	Support	
22	1001174673	4	Screw M10 x 30	
23	0760822	1	Bolt M8 x 70	

SECTION 4 - BOOM

FIGURE 4-6. POWER TRACK INSTALLATION (PVC 2007)



ART_1001174630_H

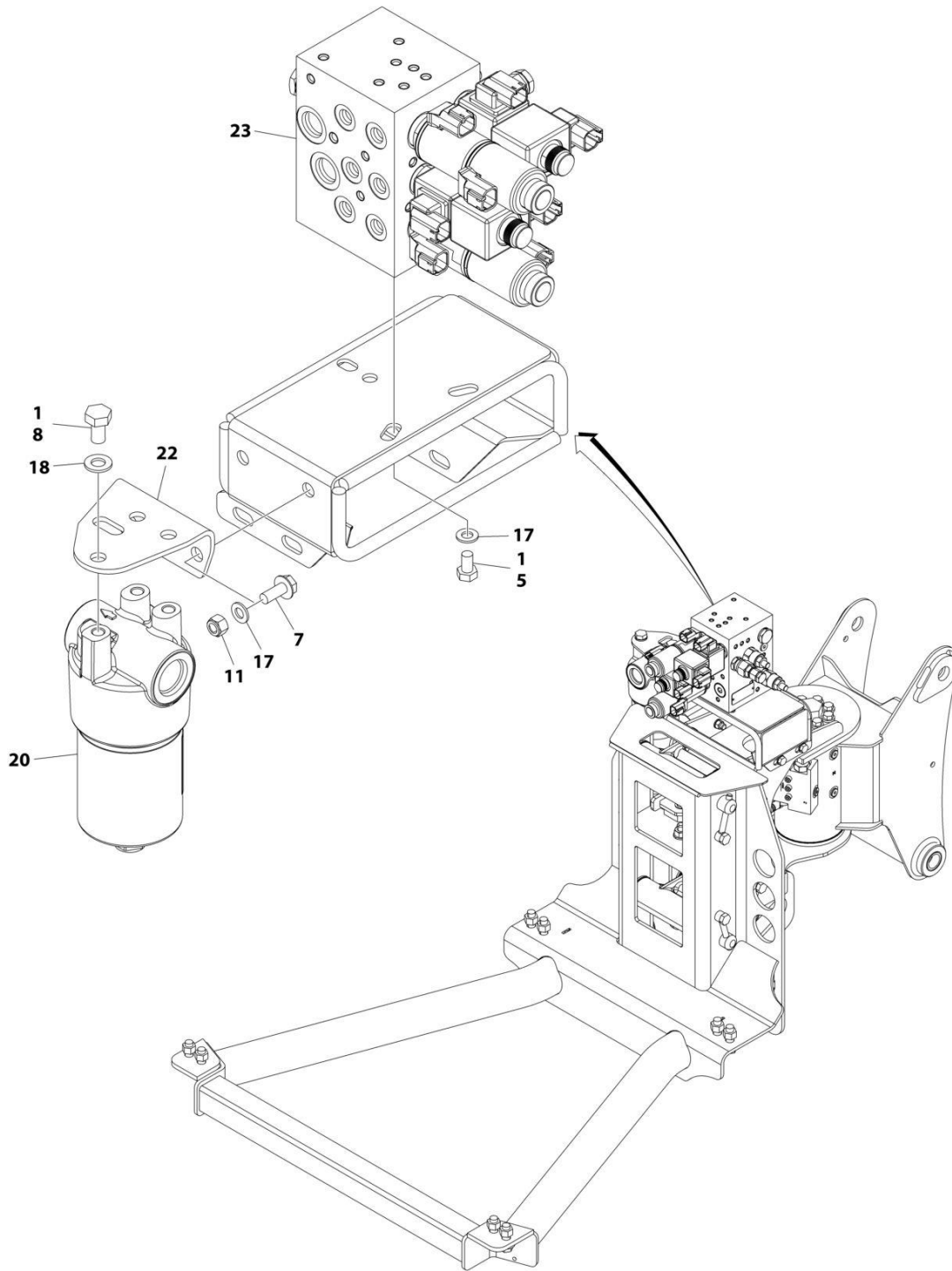
SECTION 4 - BOOM

FIGURE 4-6. POWER TRACK INSTALLATION (PVC 2007)

ITEM	PART NUMBER	QTY	DESCRIPTION	REV
	1001174630	Ref	POWER TRACK INSTALLATION	H
1	0100011	AR	Compound, Locking	
2	0100081	AR	Adhesive	
3	0701032	2	Bolt M10 x 150	
4	0760814	2	Bolt M8 x 30	
5	0700823	3	Bolt M8 x 75	
6	0761009	8	Bolt M10 x 18	
7	0761015	8	Bolt M10 x 35	
8	3290805	5	Nut M8	
9	3291005	14	Nut M10	
10	4811900	10	Washer M8	
11	5241000	36	Washer M10	
12	3340764	2	Pad	
13	1001136400	AR	Plate	
14	1001136402	4	Pad	
15	1001136461	1	Plate	
16	3340787	1	Pad, Wear	
17	1001139078	2	Plate	
18	1001151192	2	Pad	
19	1001174631	1	Powertrack Assembly	
19	70005683	AR	Repair Section - Power Track	
19	70005684	1	Mounting Kit - Power Track (Includes Mounting Feet and Hardware)	
20	1001174632	1	Tube, Push	
21	1001174636	1	Support	
22	1001174673	4	Screw M10 x 30	

SECTION 4 - BOOM

FIGURE 4-7. BOOM VALVES INSTALLATION



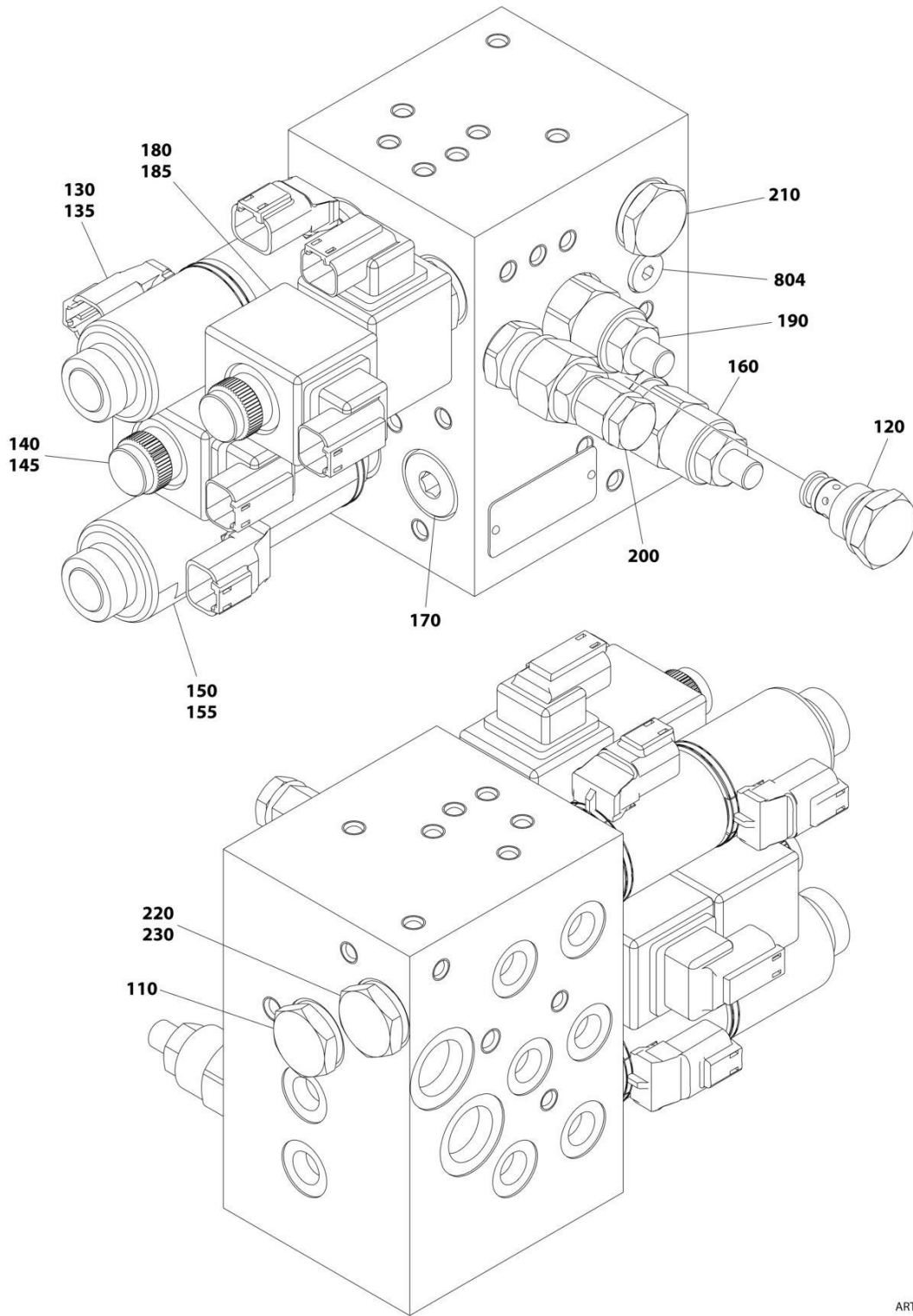
ART_1001197143_2OF2

FIGURE 4-7. BOOM VALVES INSTALLATION

ITEM	PART NUMBER	QTY	DESCRIPTION	REV
	1001197143	Ref	BOOM VALVES INSTALLATION	E
1	0100011	AR	Compound, Locking	
5	0760807	3	Bolt M8 x 14	
7	5250810	2	Bolt M8 x 20	
8	0761009	3	Bolt M10 x 18	
11	3290805	2	Nut M8	
17	4811900	5	Washer M8	
18	4812000	3	Washer M10	
20	1001201511	1	Filter, High Pressure	
20	70005335	1	Element, Filter	
20	70005682	1	Repair Kit (Includes Element O-Ring, Bowl O-Ring & Back-up Ring)	
22	1001188302	1	Plate	
23	1001190286	1	Platform Valve Assembly - 660SJC (See Separate Breakdown in this Section)	

SECTION 4 - BOOM

FIGURE 4-8. PLATFORM VALVE ASSEMBLY



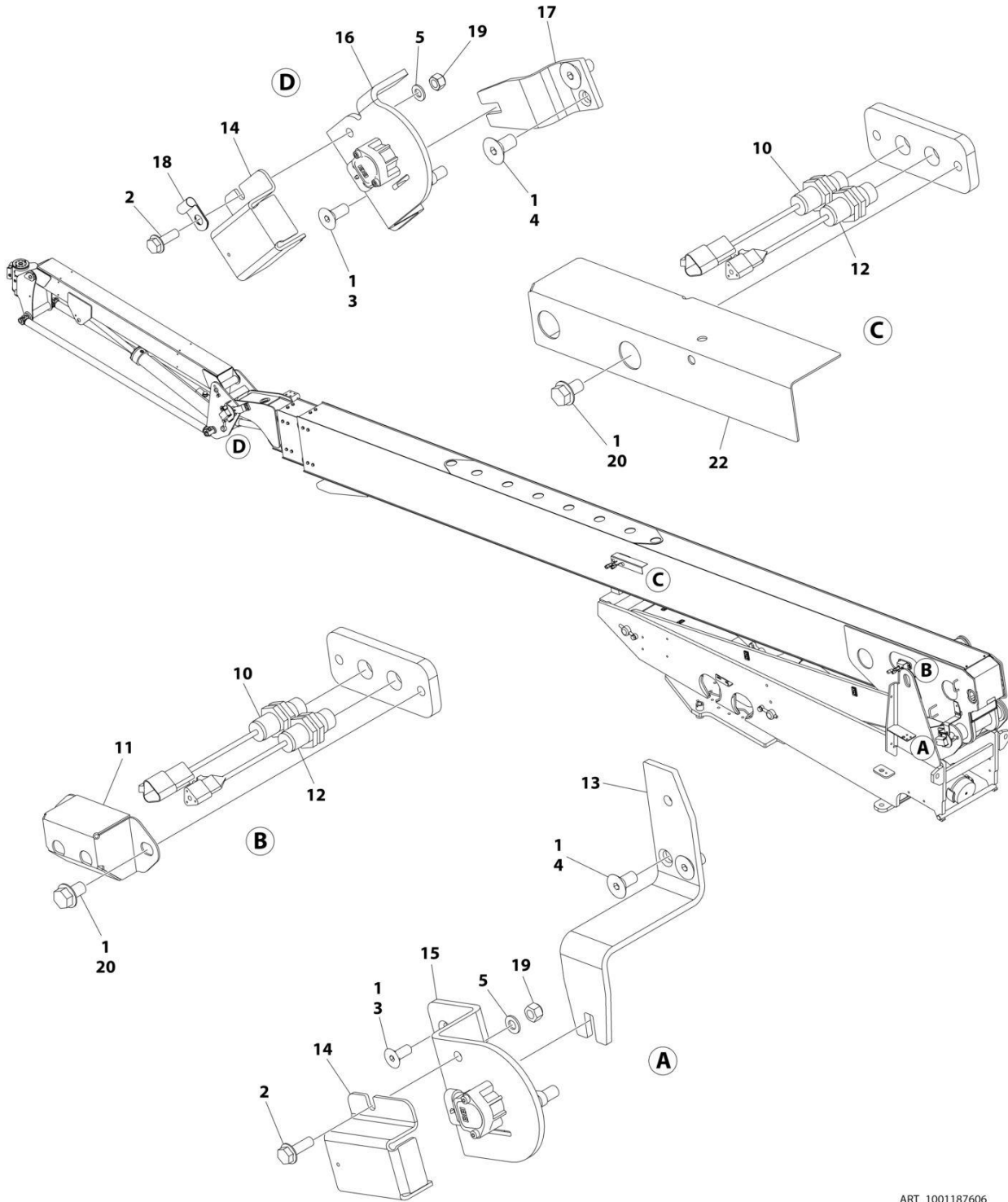
ART_1001190286

FIGURE 4-8. PLATFORM VALVE ASSEMBLY

ITEM	PART NUMBER	QTY	DESCRIPTION	REV
	1001190286	Ref	PLATFORM VALVE ASSEMBLY	D
110	70005951	1	Valve, Check	
110	70004052	1	Seal Kit - 70005951 Valve	
120	70003027	1	Valve, Flow/Pressure Control	
120	70004052	1	Seal Kit - 70003027 Valve	
130	70006121	1	Valve, Solenoid (Platform Level)	
130	70006116	1	Seal Kit - 70006121 Valve	
135	70006122	2	Coil	
140	70005627	1	Valve, Solenoid (Platform Swing)	
140	70004053	1	Seal Kit - 70005627 Valve	
140	70006123	1	Coil Nut & Pole Tube O-Ring Kit	
145	70004653	2	Coil	
150	70006121	1	Valve, Solenoid (JIB Up/Down)	
150	70006116	1	Seal Kit - 70006121 Valve	
155	70006122	2	Coil	
160	70003019	1	Valve, Relief	
160	70004052	1	Seal Kit - 70003019 Valve	
170	70004613	1	Valve, Relief	
170	70023860	1	Seal Kit - 70004613 Valve	
180	70006124	1	Valve, Solenoid	
180	70023862	1	Seal Kit - 70006124 Valve	
180	70006123	1	Coil Nut & Pole Tube O-Ring Kit	
185	70004653	2	Coil	
190	70003019	1	Valve, Relief	
190	70004052	1	Seal Kit - 70003019 Valve	
200	70006125	1	Valve, Relief	
200	70006126	1	Seal Kit - 70006125 Valve	
210	70005952	1	Valve, Check	
210	70004052	1	Seal Kit - 70003019 Valve	
220	7022524	1	Orifice 0.5mm	
230	70005952	1	Valve, Check	
230	70004052	1	Seal Kit - 70005952 Valve	
804	70005200	1	Plug	

SECTION 4 - BOOM

FIGURE 4-9. BOOM SENSORS INSTALLATION (Prior to SN 0300287168)



ART_1001187606

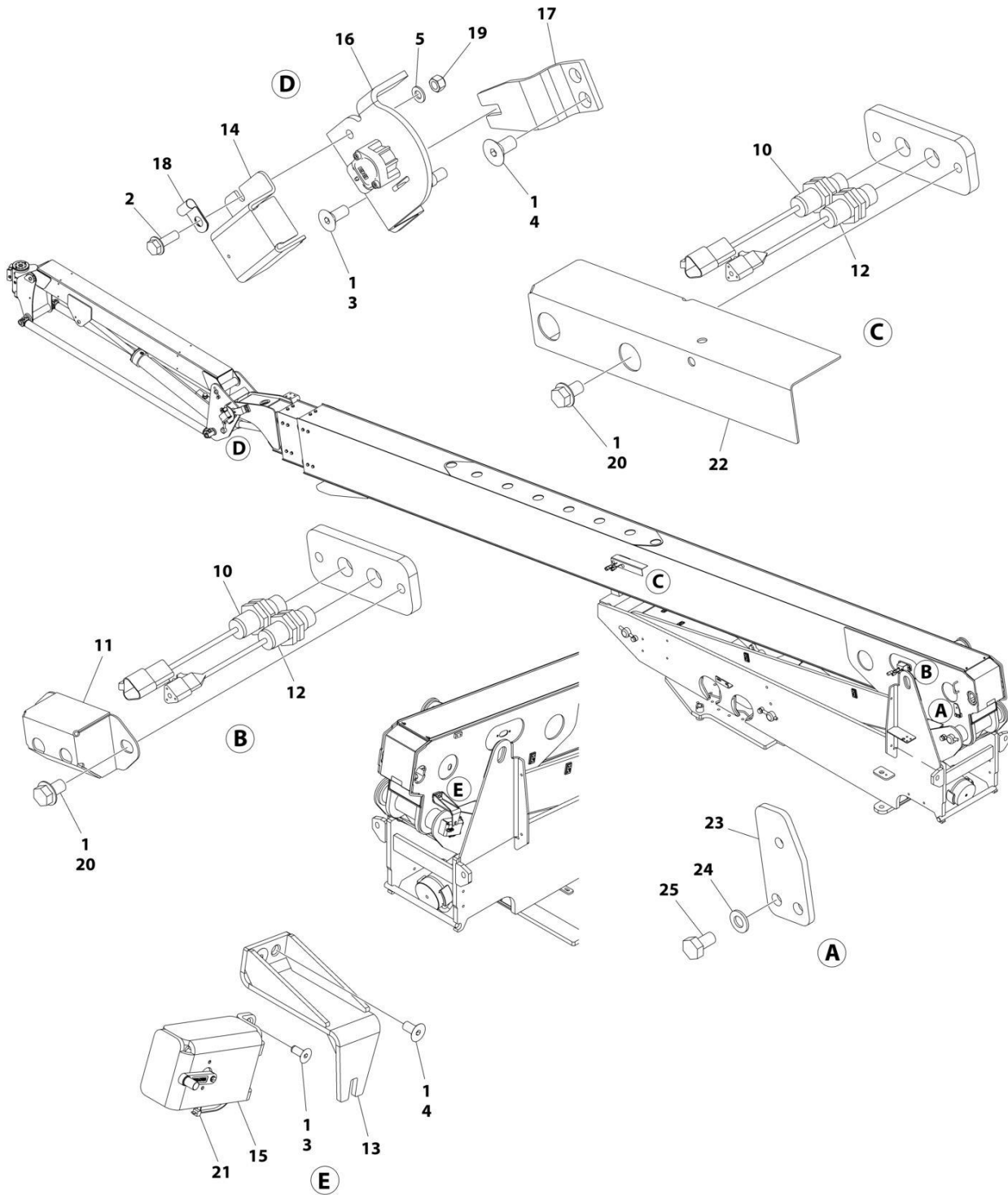
SECTION 4 - BOOM

FIGURE 4-9. BOOM SENSORS INSTALLATION (Prior to SN 0300287168)

ITEM	PART NUMBER	QTY	DESCRIPTION	REV
	1001187606	Ref	BOOM SENSORS INSTALLATION	E
1	0100011	AR	Compound, Locking	
2	5250812	2	Bolt M8 x 25	
3	1001137125	4	Screw M8 x 20	
4	1001155441	4	Screw M10 x 20 Grade 10.9	
5	4811900	2	Washer M8	
10	1001170847	2	Sensor, Proximity	
11	1001204715	1	Bracket	
12	1001182570	2	Sensor, Proximity	
13	1001211585	1	Plate	
14	1001211588	2	Shield	
15	1001211577	1	Sensor (Lower)	
15	4010303	1	Screw Posi-drive M3 x 6	
15	1001204939	1	Sensor, Angle	
15	1001211580	1	Bracket	
15	1001211582	1	Link, Angle Sensor Arm	
16	1001211579	1	Sensor (Upper)	
16	4010303	1	Screw Posi-drive M3 x 6	
16	1001191020	1	Sensor, Angle	
16	1001211581	1	Bracket	
16	1001211584	1	Link, Angle Sensor Arm	
17	1001211587	1	Plate	
18	8406003	1	Clip	
19	3290805	2	Nut M8	
20	5251008	4	Bolt M10 x 16	
21	4240033	2	Tie-Strap (Not Shown)	
22	1001227792	1	Plate	

SECTION 4 - BOOM

FIGURE 4-10. BOOM SENSORS INSTALLATION (SN 0300287168 to Present)



ART_1001187606_F

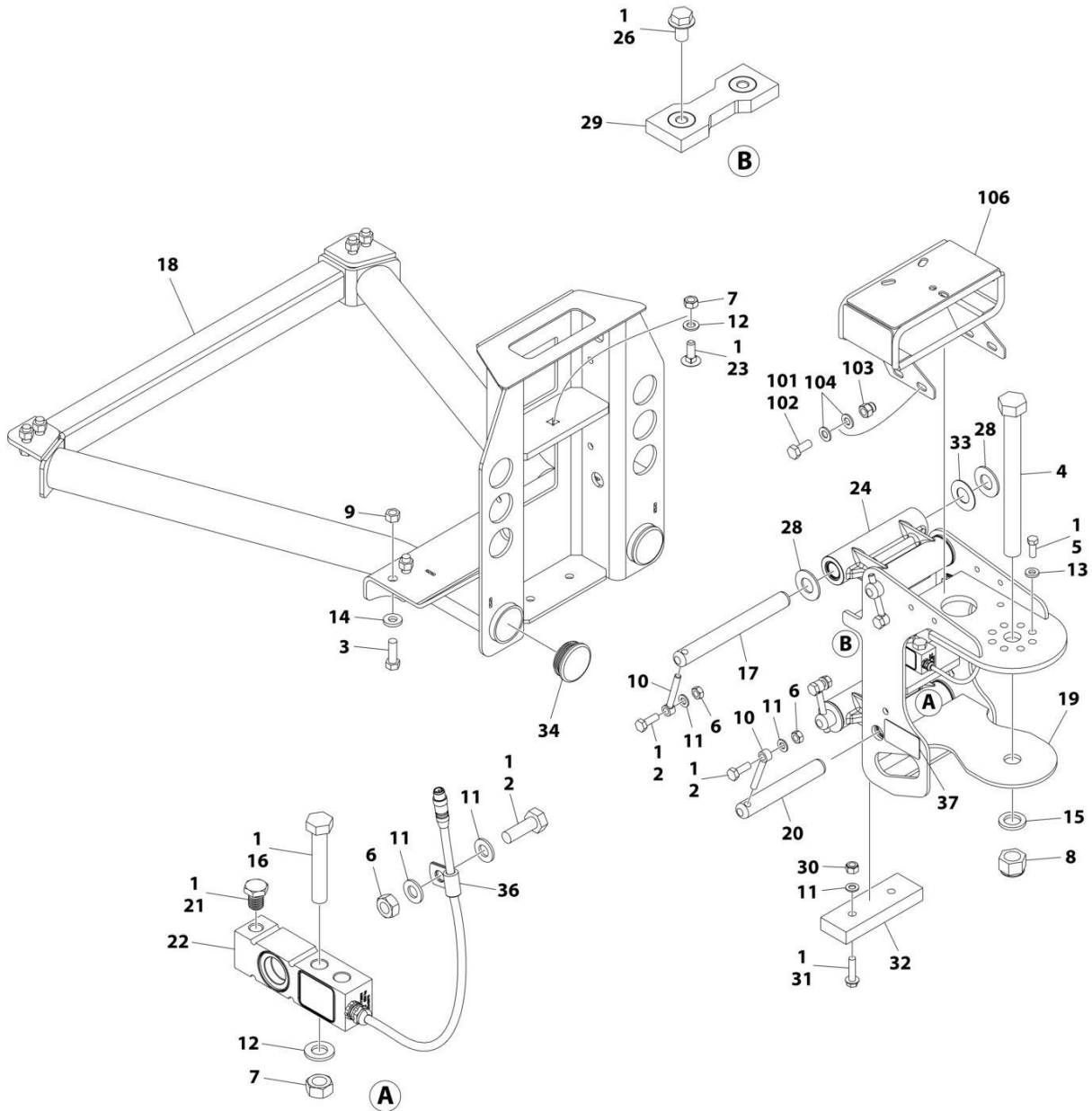
SECTION 4 - BOOM

FIGURE 4-10. BOOM SENSORS INSTALLATION (SN 0300287168 to Present)

ITEM	PART NUMBER	QTY	DESCRIPTION	REV
	1001187606	Ref	BOOM SENSORS INSTALLATION	F
1	0100011	AR	Compound, Locking	
2	5250812	1	Bolt M8 x 25	
3	1001137125	4	Screw M8 x 20	
4	1001155441	4	Screw M10 x 20 Grade 10.9	
5	4811900	1	Washer M8	
10	1001170847	2	Sensor, Proximity	
11	1001204715	1	Bracket	
12	1001182570	2	Sensor, Proximity	
13	1001272835	1	Plate	
14	1001211588	1	Shield	
15	1001277991	1	Sensor (Lower)	
15	4010303	1	Screw Posi-drive M3 x 6	
15	1001204939	1	Sensor, Angle	
15	1001273619	1	Bracket	
15	1001211582	1	Link, Angle Sensor Arm	
16	1001211579	1	Sensor (Upper)	
16	4010303	1	Screw Posi-drive M3 x 6	
16	1001191020	1	Sensor, Angle	
16	1001211581	1	Bracket	
16	1001211584	1	Link, Angle Sensor Arm	
17	1001211587	1	Plate	
18	8406003	1	Clip	
19	3290805	1	Nut M8	
20	5251008	4	Bolt M10 x 16	
21	4240033	2	Tie-Strap (Not Shown)	
22	1001227792	1	Plate	
23	1001278387	1	Plate	
24	4812000	2	Washer M10	
25	0761009	2	Bolt M10 x 18	

SECTION 4 - BOOM

FIGURE 4-11. PLATFORM SUPPORT INSTALLATION - WITH LSS



ART_1001167596

SECTION 4 - BOOM

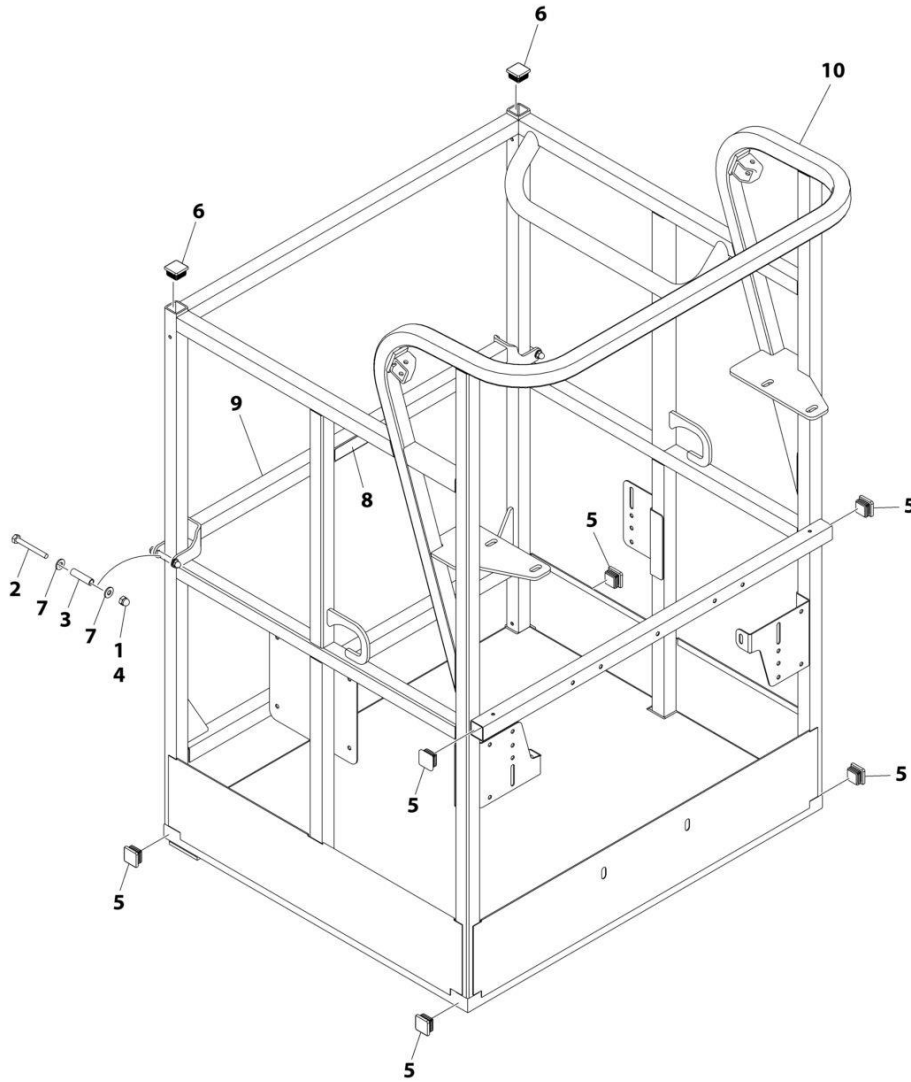
FIGURE 4-11. PLATFORM SUPPORT INSTALLATION - WITH LSS

ITEM	PART NUMBER	QTY	DESCRIPTION	REV
	1001167596	Ref	PLATFORM SUPPORT INSTALLATION	N
1	0100011	AR	Compound, Locking	
2	0761014	5	Bolt M10 x 30	
3	0761216	8	Bolt M12 x 40	
4	1001255133	1	Bolt 1 x 11	
5	0681608	8	Bolt 3/8 x 1	
6	3291001	5	Nut M10	
7	3291201	3	Nut M12	
8	1001174040	1	Nut 1	
9	3291205	8	Nut M12	
10	3841143	4	Keeper, Pin	
11	4812000	8	Washer M10	
12	4812100	3	Washer M12	
13	4891600	8	Washer 3/8	
14	5241200	8	Washer M12	
15	4892600001	1	Washer 1	
16	1001098828	2	Bolt M12 x 70 Grade 10.9	
17	1001167565	2	Pin	
18	1001200494	1	Support, Platform	
19	1001167567	1	Support, Rotator	
20	1001168402	2	Pin	
21	1001188622	1	Screw	
22	1001247468	1	Gauge, Load Sensing	
23	1001188844	1	Bolt M12 x 35	
24	1001201351	2	Link	
26	5251008	2	Bolt M10 x 16	
28	1001189002	8	Bearing	
29	1001190985	1	Pad, Wear	
30	3291005	2	Nut M10	
31	5251016	2	Bolt M10 x 40	
32	1001200491	1	Pad, Wear	
33	1001189001	4	Bearing	
34	1001204725	2	Plug	
36	91203039	1	Clamp	
37	1001216630	2	Decal - Tie Down/No Lift	
38	1001238421	Ref	Kit, Platform Leveling (Not Shown)	
	1001202687	Ref	VALVE MOUNT INSTALLATION	B
101	0100011	AR	Compound, Locking	
102	0760810	4	Bolt M8 x 20	
103	3290806	4	Nut M8	
104	4811900	8	Washer M8	
106	1001208994	1	Mount, Valve	

SECTION 5 - PLATFORM

SECTION 5 - PLATFORM

FIGURE 5-1. PLATFORM ASSEMBLY - 30IN X 3FT (76CM X .91M) - DROP BAR ENTRY



ART_1001228215

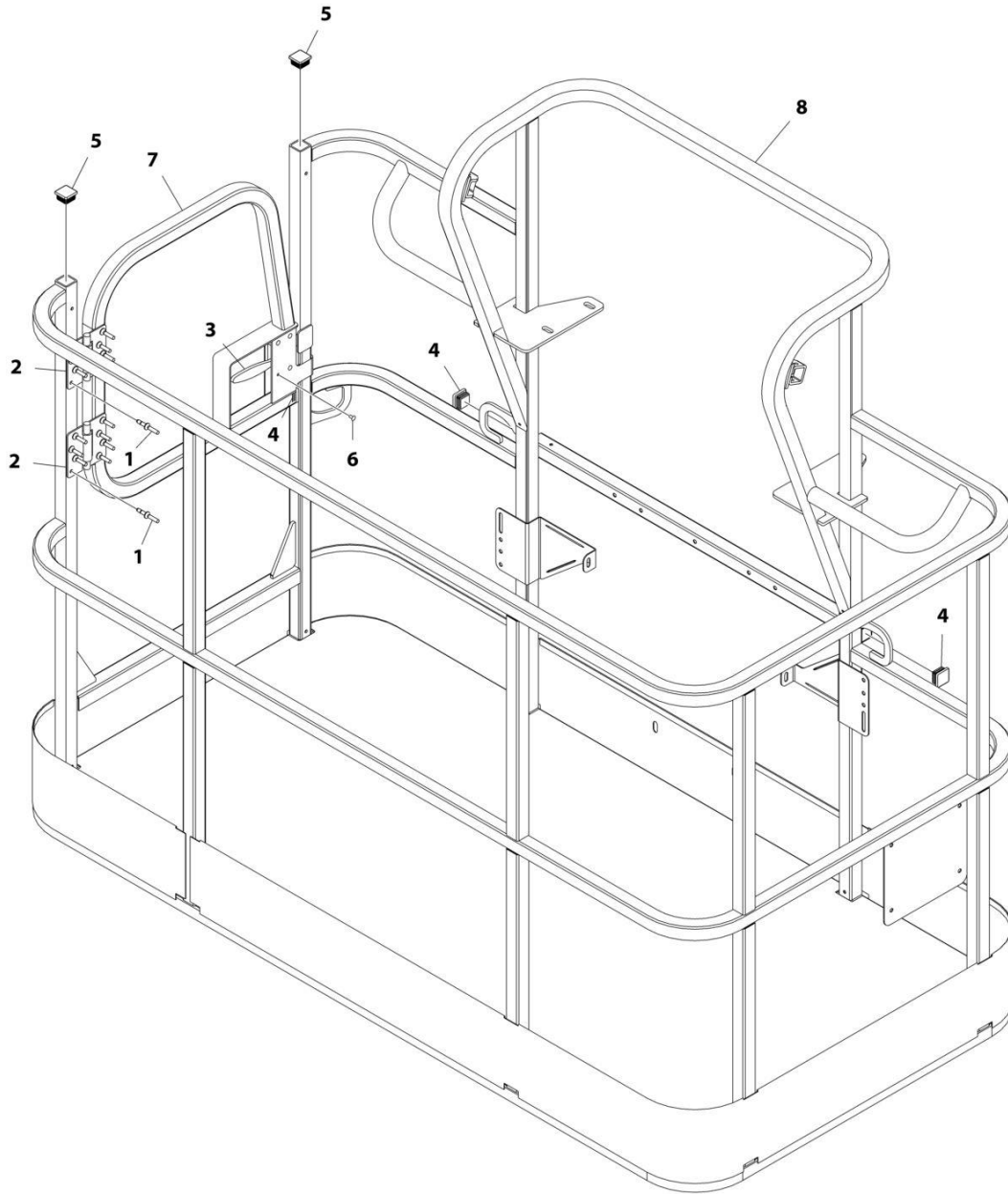
SECTION 5 - PLATFORM

FIGURE 5-1. PLATFORM ASSEMBLY - 30IN X 3FT (76CM X .91M) - DROP BAR ENTRY

ITEM	PART NUMBER	QTY	DESCRIPTION	REV
	1001228215	Ref	PLATFORM ASSEMBLY	A
	See Note	Ref	Note: Platform and Mesh must be ordered separately for Platforms with Mesh. See SPECIAL OPTIONS SECTION for Mesh Installations.	
	See Note	Ref	Note: Replacement Decals Must be Ordered Separately - See DECAL SECTION.	
1	0100011	AR	Compound, Locking	
2	0641418	2	Bolt 1/4 x 2-1/4	
3	0961845	2	Bushing	
4	3300151	2	Nut 1/4	
5	3520072	6	Cap, Plug	
6	3520198	2	Cap, Plug	
7	4711400	4	Washer 1/4	
8	1001140429	1	Decal - Drop Bar	
9	1001226872	1	Bar, Drop	
10	See Note	NSS	Platform (Note: Not Available - Purchase Platform Assembly)	

SECTION 5 - PLATFORM

FIGURE 5-2. PLATFORM ASSEMBLY - 36IN X 6FT (91.5CM X 1.83M) WITH SWING GATE



ART_1001186384

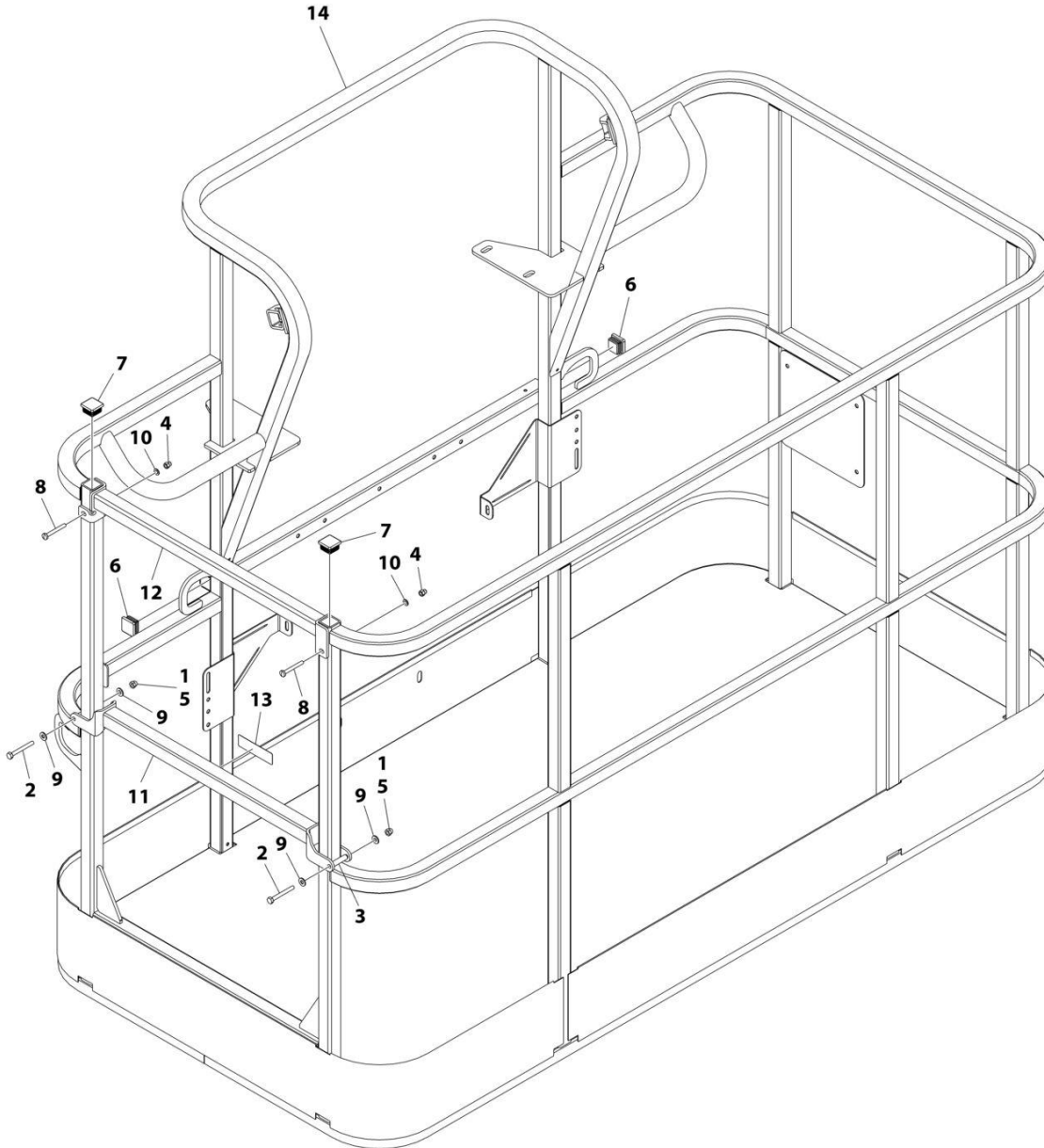
SECTION 5 - PLATFORM

FIGURE 5-2. PLATFORM ASSEMBLY - 36IN X 6FT (91.5CM X 1.83M) WITH SWING GATE

ITEM	PART NUMBER	QTY	DESCRIPTION	REV
	1001186384	Ref	PLATFORM ASSEMBLY - 36IN X 6FT (91.5CM X 1.83M) WITH SWING GATE	C
	See Note	Ref	Note: Platform and Mesh must be ordered separately for Platforms with Mesh. See SPECIAL OPTIONS SECTION for Mesh Installations.	
	See Note	Ref	Note: Replacement Decals Must be Ordered Separately - See DECALS SECTION.	
1	2080040	16	Fastener, Huck	
2	2600281	2	Hinge	
3	2940074	1	Latch	
4	3520072	3	Plug	
5	3520198	2	Plug	
6	3820020	4	Rivet	
7	1001144629	1	Gate	
8	See Note	NSS	Platform (Note: Not Available - Purchase Platform Assembly)	

SECTION 5 - PLATFORM

FIGURE 5-3. PLATFORM ASSEMBLY - 36IN X 6FT (91.5CM X 1.83M) WITH DROP BAR



ART_1001186379

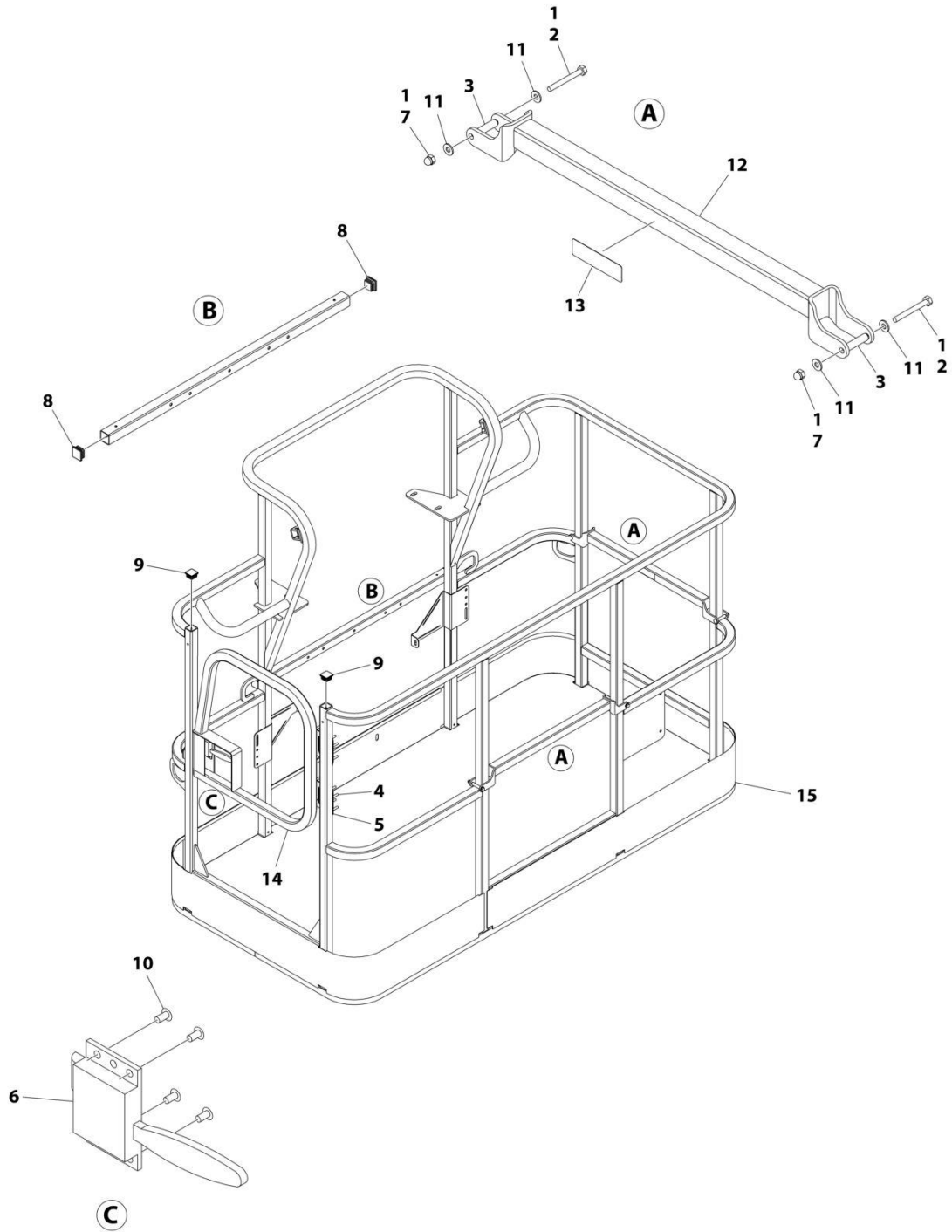
SECTION 5 - PLATFORM

FIGURE 5-3. PLATFORM ASSEMBLY - 36IN X 6FT (91.5CM X 1.83M) WITH DROP BAR

ITEM	PART NUMBER	QTY	DESCRIPTION	REV
	1001186379	Ref	PLATFORM ASSEMBLY - 36IN X 6FT (91.5CM X 1.83M) WITH DROP BAR	B
		Ref	Note: Platform and Mesh must be ordered separately for Platforms with Mesh. See SPECIAL OPTIONS SECTION for Mesh Installations.	
		Ref	Note: Replacement Decals Must be Ordered Separately - See DECALS SECTION.	
1	0100011	AR	Compound, Locking	
2	0641418	2	Bolt 1/4 x 2-1/4	
3	0961845	2	Bushing	
4	3290606	2	Nut M6	
5	3300151	2	Nut 1/4	
6	3520072	2	Plug	
7	3520198	2	Plug	
8	4010618	2	Screw M6 x 50	
9	4711400	4	Washer 1/4	
10	4811700	2	Washer M6	
11	1001138494	1	Bar, Drop	
12	1001138514	1	Rail (Top)	
13	1001140429	1	Decal - Drop Bar	
14	See Note	NSS	Platform (Note: Not Available - Purchase Platform Assembly)	

SECTION 5 - PLATFORM

FIGURE 5-4. PLATFORM ASSEMBLY - 36IN X 6FT (91.5CM X 1.83M) TRI-ENTRY WITH SWING GATE



ART_1001228376

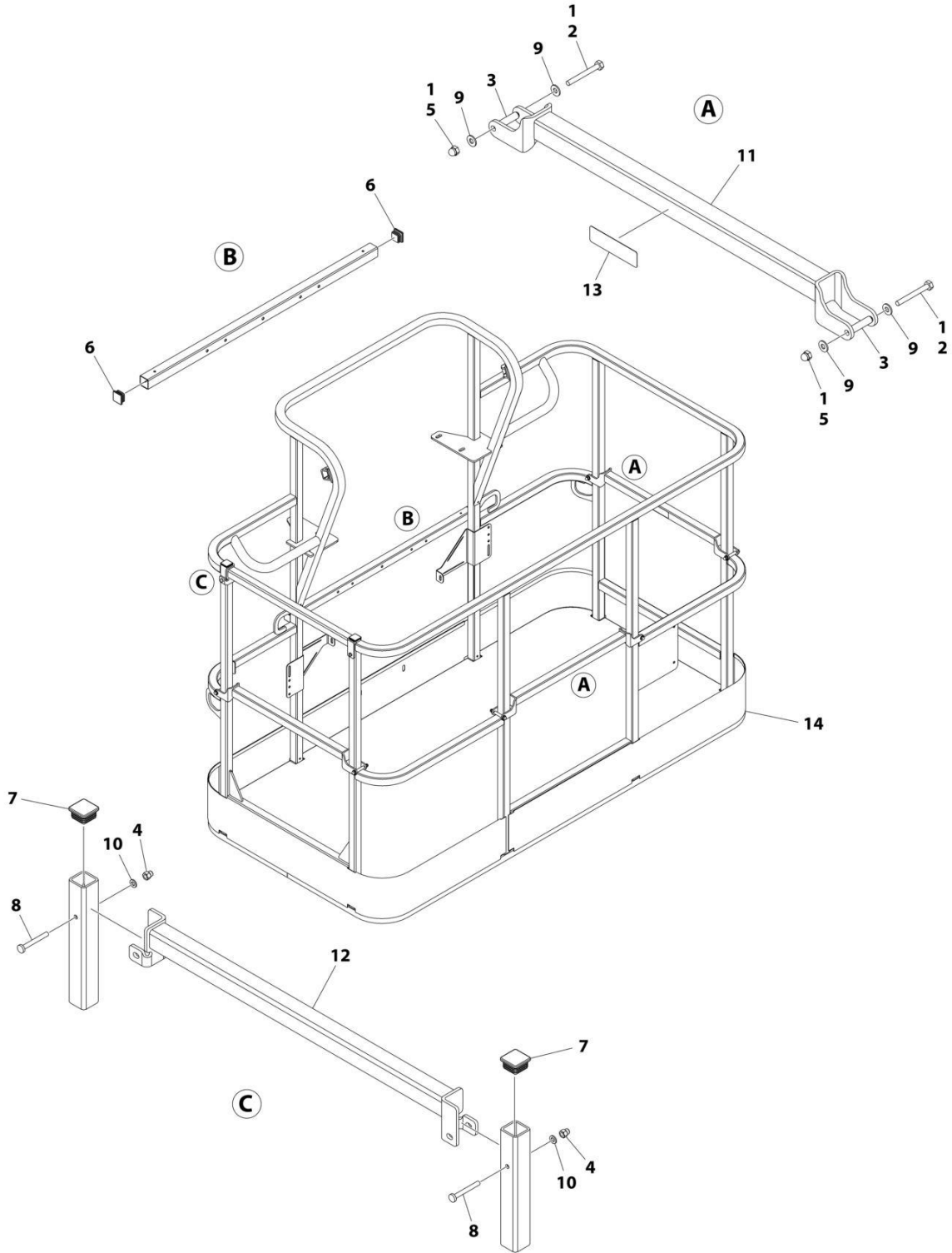
SECTION 5 - PLATFORM

FIGURE 5-4. PLATFORM ASSEMBLY - 36IN X 6FT (91.5CM X 1.83M) TRI-ENTRY WITH SWING GATE

ITEM	PART NUMBER	QTY	DESCRIPTION	REV
	1001228376	Ref	PLATFORM ASSEMBLY - 36IN x 6FT (91.5CM x 1.83M)	B
		Ref	Note: Platform and Mesh must be ordered separately for Platforms with Mesh. See SPECIAL OPTIONS SECTION for Mesh Installations.	
		Ref	Note: Replacement Decals Must be Ordered Separately - See DECAL SECTION.	
1	0100011	AR	Compound, Locking	
2	0641418	4	Bolt 1/4 x 2-1/4	
3	0961845	4	Bushing	
4	2080040	16	Fastener	
5	2600281	2	Hinge	
6	2940074	1	Latch	
7	3300151	4	Nut 1/4	
8	3520072	3	Plug	
9	3520198	2	Plug	
10	3820020	4	Rivet	
11	4711400	8	Washer 1/4	
12	1001138494	2	Bar, Drop	
13	1001140429	2	Decal - Drop Bar	
14	1001144629	1	Gate	
15	See Note	NSS	Platform (Note: Not Available - Purchase Platform Assembly)	

SECTION 5 - PLATFORM

FIGURE 5-5. PLATFORM ASSEMBLY - 36IN X 6FT (91.5CM X 1.83M) TRI-ENTRY WITH DROPBAR



ART_1001228377

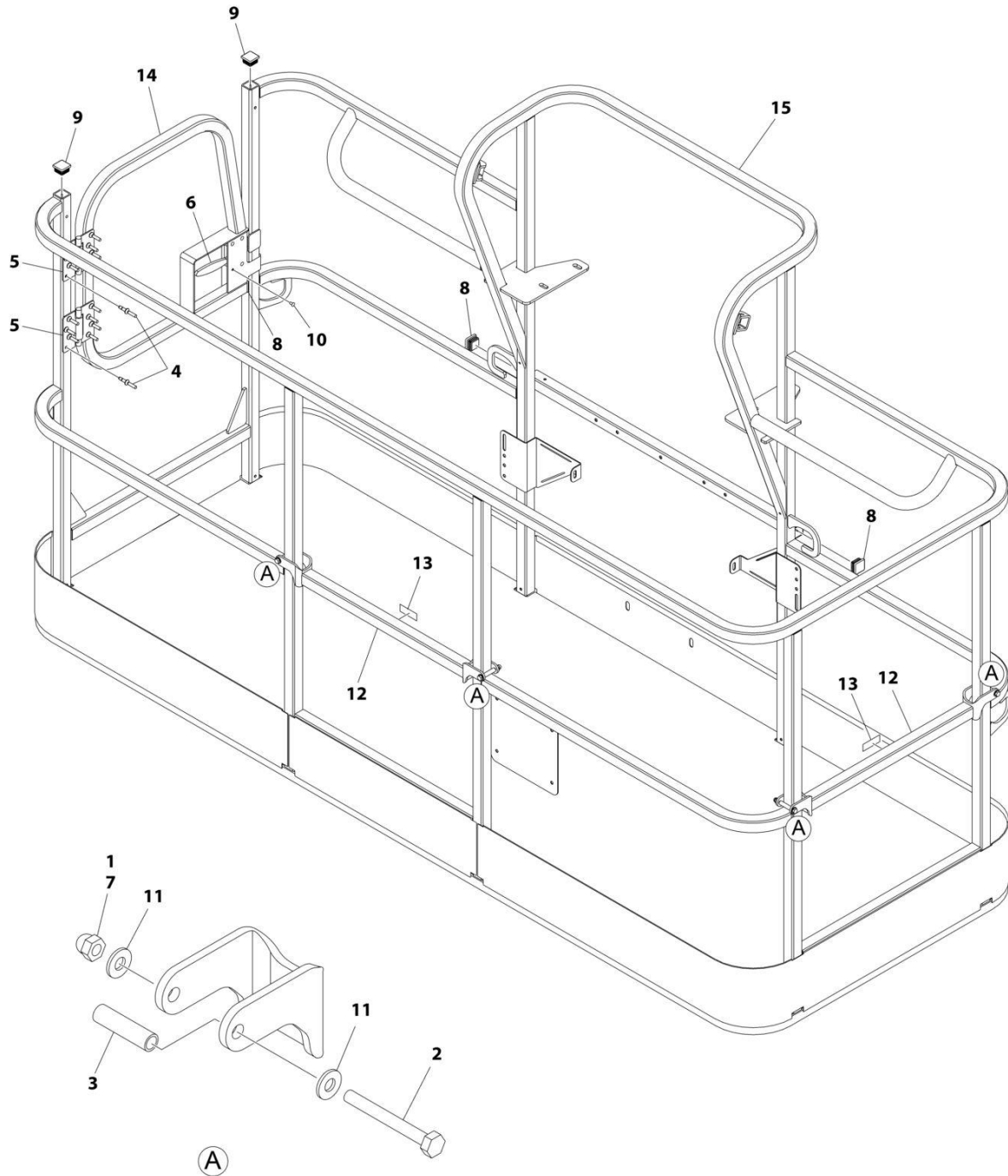
SECTION 5 - PLATFORM

FIGURE 5-5. PLATFORM ASSEMBLY - 36IN X 6FT (91.5CM X 1.83M) TRI-ENTRY WITH DROPBAR

ITEM	PART NUMBER	QTY	DESCRIPTION	REV
	1001228377	Ref	PLATFORM ASSEMBLY - 36IN x 6FT (91.5CM x 1.83M)	B
		Ref	Note: Platform and Mesh must be ordered separately for Platforms with Mesh. See SPECIAL OPTIONS SECTION for Mesh Installations.	
		Ref	Note: Replacement Decals Must be Ordered Separately - See DECAL SECTION.	
1	0100011	1	Compound, Locking	
2	0641418	6	Bolt 1/4 x 2-1/4	
3	0961845	6	Bushing	
4	3290606	2	Nut M6	
5	3300151	6	Nut 1/4	
6	3520072	2	Plug	
7	3520198	2	Plug	
8	4010618	2	Screw M6 x 50	
9	4711400	12	Washer 1/4	
10	4811700	2	Washer M6	
11	1001138494	3	Bar, Drop	
12	1001138514	1	Rail (Top)	
13	1001140429	3	Decal - Drop Bar	
14	See Note	NSS	Platform, Weldment (Note: Not Available - Purchase Platform Assembly)	

SECTION 5 - PLATFORM

FIGURE 5-6. PLATFORM ASSEMBLY - 36IN X 8FT (91.5CM X 2.44M) TRI-ENTRY WITH DROPBAR



ART_1001228243

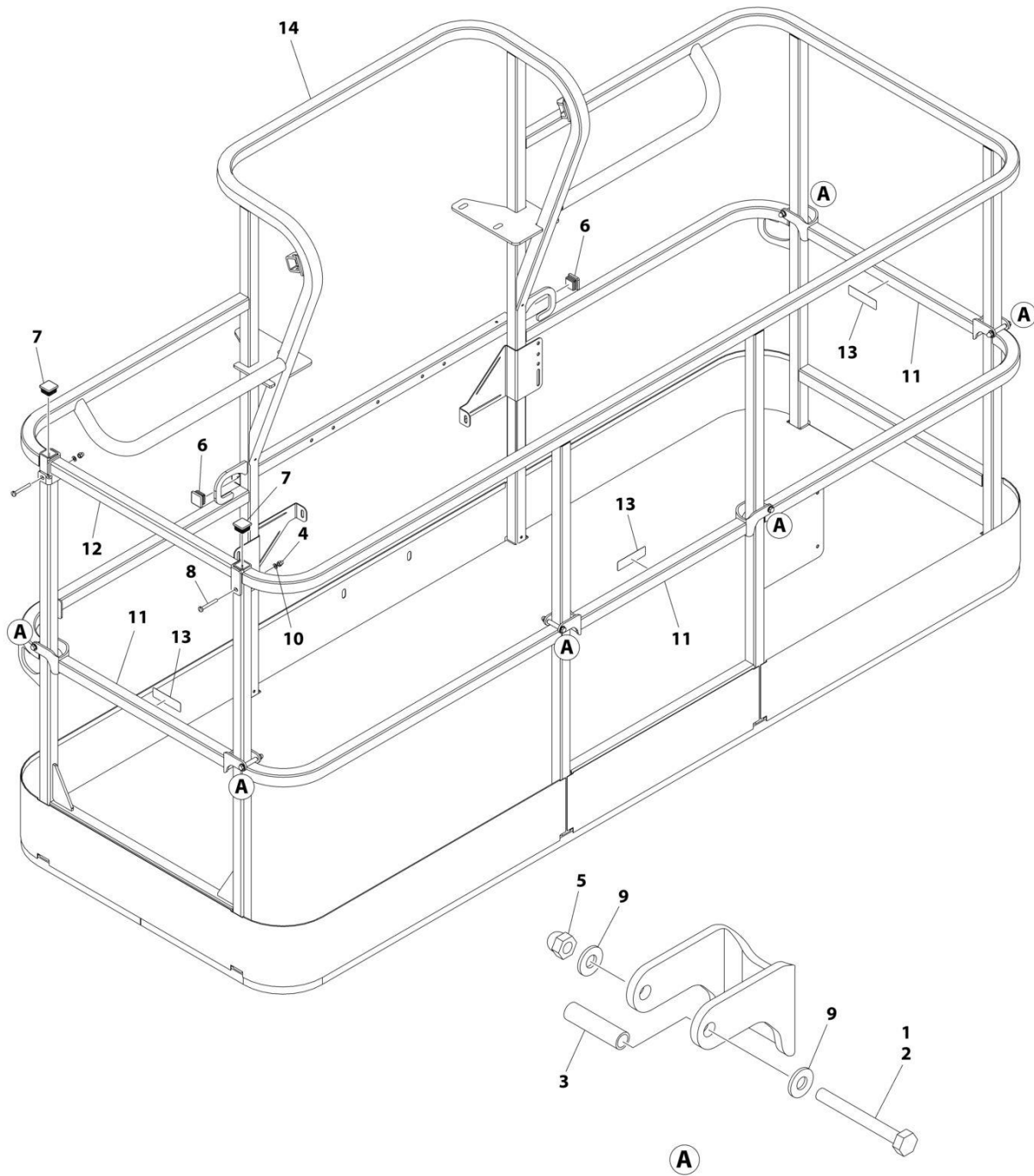
SECTION 5 - PLATFORM

FIGURE 5-6. PLATFORM ASSEMBLY - 36IN X 8FT (91.5CM X 2.44M) TRI-ENTRY WITH DROPBAR

ITEM	PART NUMBER	QTY	DESCRIPTION	REV
	1001228243	Ref	PLATFORM ASSEMBLY - 36IN X 8FT (91.5CM X 2.44M) WITH TRI-ENTRY	A
		Ref	Note: Platform and Mesh must be ordered separately for Platforms with Mesh. See SPECIAL OPTIONS SECTION for Mesh Installations.	
1	0100011	AR	Compound, Locking	
2	0641418	4	Bolt 1/4 x 2-1/4	
3	0961845	4	Bushing	
4	2080040	16	Fastener, Huck	
5	2600281	2	Hinge, Self-Closing	
6	2940074	1	Latch	
7	3300151	4	Nut 1/4	
8	3520072	3	Cap, Plug	
9	3520198	2	Cap, Plug	
10	3820020	4	Rivet	
11	4711400	8	Washer 1/4	
12	1001138494	2	Bar, Drop	
13	1001140429	2	Decal - Drop Bar	
14	1001144629	1	Gate, Weldment	
15	See Note	1	Platform (Note: Not Available - Purchase Platform Assembly)	

SECTION 5 - PLATFORM

FIGURE 5-7. PLATFORM ASSEMBLY - 36IN X 8FT (91.5CM X 2.44M) TRI-ENTRY WITH DROPGATE



ART_1001228375

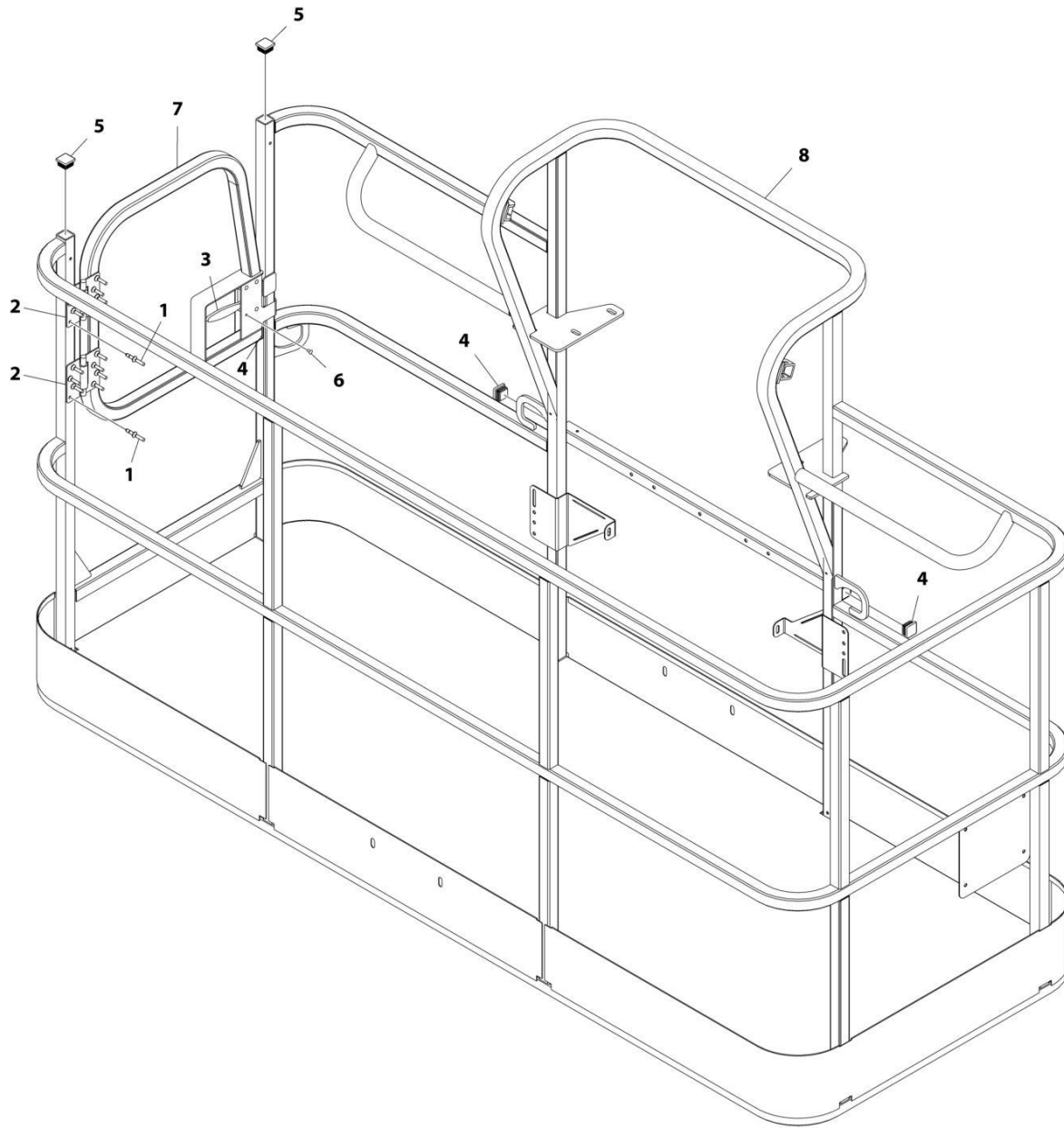
SECTION 5 - PLATFORM

FIGURE 5-7. PLATFORM ASSEMBLY - 36IN X 8FT (91.5CM X 2.44M) TRI-ENTRY WITH DROPGATE

ITEM	PART NUMBER	QTY	DESCRIPTION	REV
	1001228375	Ref	PLATFORM ASSEMBLY - 36IN X 8FT (91.5CM X 2.44M) WITH TRI-ENTRY	A
		Ref	Note: Platform and Mesh must be ordered separately for Platforms with Mesh. See SPECIAL OPTIONS SECTION for Mesh Installations.	
		Ref	Note: Replacement Decals Must be Ordered Separately - See DECAL SECTION.	
1	0100011	AR	Compound, Locking	
2	0641418	6	Bolt 1/4 x 2-1/4	
3	0961845	6	Bushing	
4	3290606	2	Nut M6 x 1	
5	3300151	6	Nut 1/4	
6	3520072	2	Cap, Plug	
7	3520198	2	Cap, Plug	
8	4010618	2	Screw M6 x 50	
9	4711400	12	Washer 1/4	
10	4811700	2	Washer M6	
11	1001138494	3	Bar, Drop	
12	1001138514	1	Rail (Top)	
13	1001140429	3	Decal - Drop Bar	
14	See Note	1	Platform (Note: Not Available - Purchase Platform Assembly)	

SECTION 5 - PLATFORM

FIGURE 5-8. PLATFORM ASSEMBLY - 36IN X 8FT (91.5CM X 2.44M) WITH SWING GATE



ART_1001186383

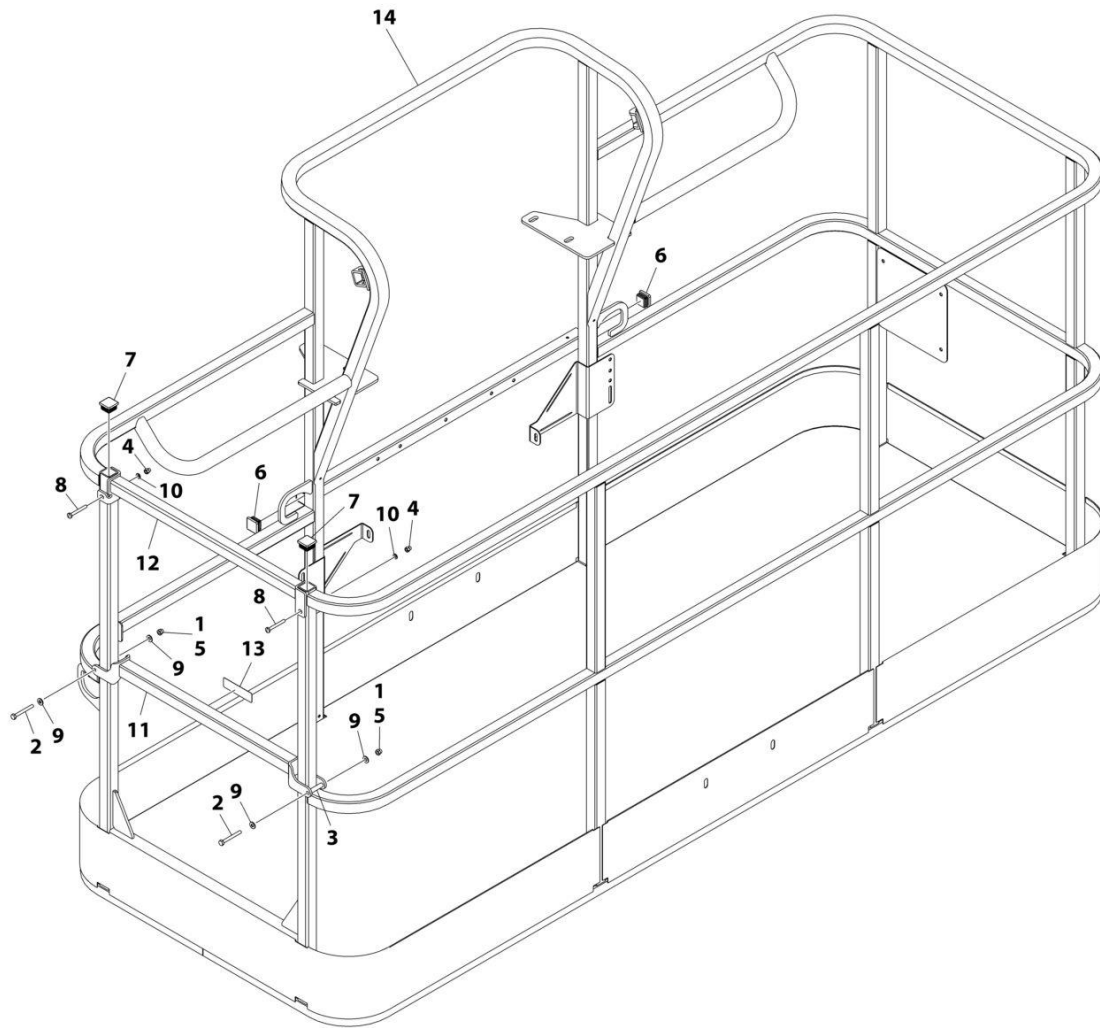
SECTION 5 - PLATFORM

FIGURE 5-8. PLATFORM ASSEMBLY - 36IN X 8FT (91.5CM X 2.44M) WITH SWING GATE

ITEM	PART NUMBER	QTY	DESCRIPTION	REV
	1001186383	Ref	PLATFORM ASSEMBLY - 36IN X 8FT (91.5CM X 2.44M) WITH SWING GATE	D
		Ref	Note: Platform and Mesh must be ordered separately for Platforms with Mesh. See SPECIAL OPTIONS SECTION for Mesh Installations.	
		Ref	Note: Replacement Decals Must be Ordered Separately - See DECALS SECTION.	
1	2080040	16	Fastener, Huck	
2	2600281	2	Hinge	
3	2940074	1	Latch	
4	3520072	3	Plug	
5	3520198	2	Plug	
6	3820020	4	Rivet	
7	1001144629	1	Gate	
8	See Note	NSS	Platform (Note: Not Available - Purchase Platform Assembly)	

SECTION 5 - PLATFORM

FIGURE 5-9. PLATFORM ASSEMBLY - 36IN X 8FT (91.5CM X 2.44M) WITH DROP BAR



ART_1001186382

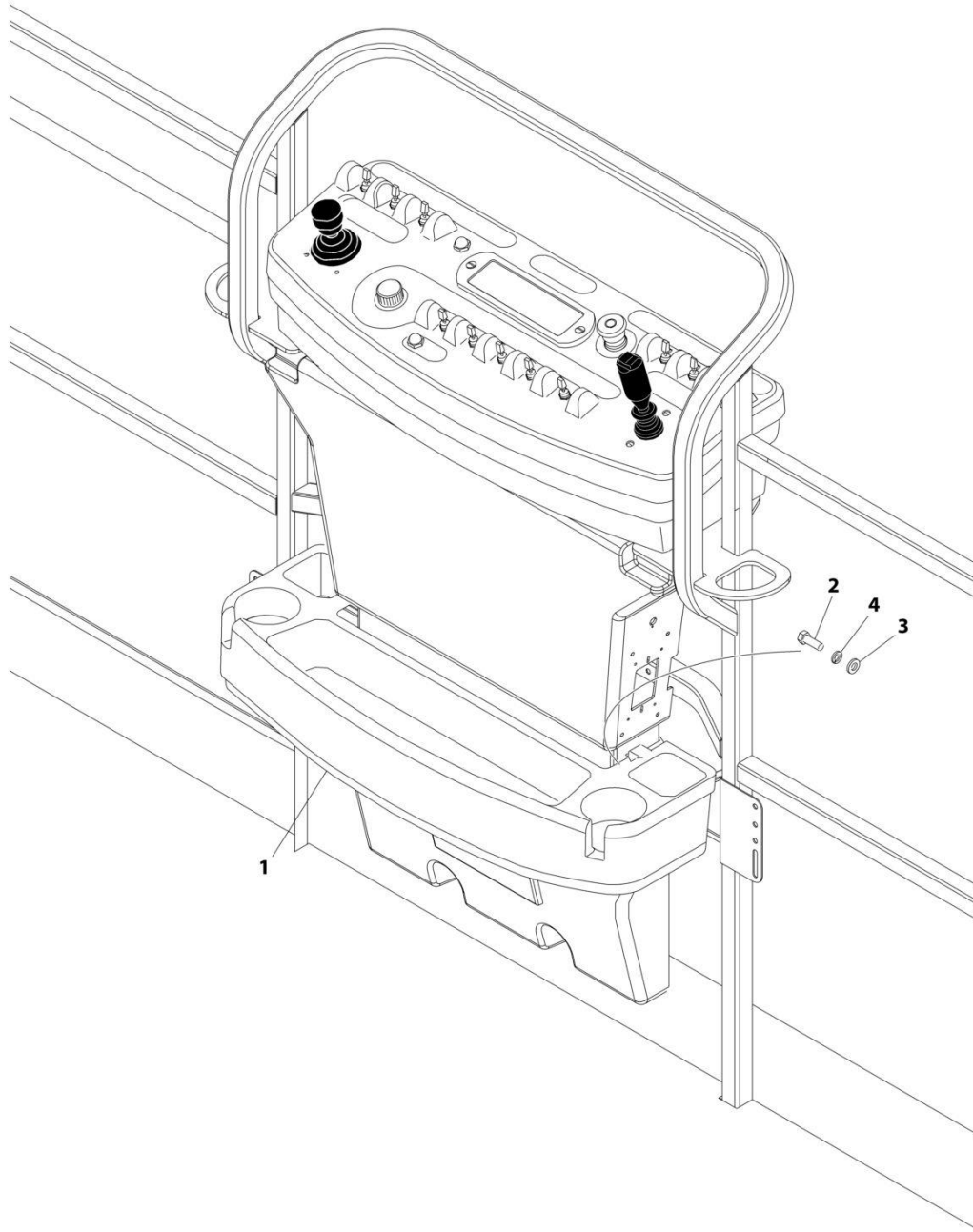
SECTION 5 - PLATFORM

FIGURE 5-9. PLATFORM ASSEMBLY - 36IN X 8FT (91.5CM X 2.44M) WITH DROP BAR

ITEM	PART NUMBER	QTY	DESCRIPTION	REV
	1001186382	Ref	PLATFORM ASSEMBLY - 36IN X 8FT (91.5CM X 2.44M) WITH DROP BAR	C
		Ref	Note: Platform and Mesh must be ordered separately for Platforms with Mesh. See SPECIAL OPTIONS SECTION for Mesh Installations.	
		Ref	Note: Replacement Decals Must be Ordered Separately - See DECALS SECTION.	
1	0100011	AR	Compound, Locking	
2	0641418	2	Bolt 1/4 x 2-1/4	
3	0961845	2	Bushing	
4	3290606	2	Nut M6	
5	3300151	2	Nut 1/4	
6	3520072	2	Plug	
7	3520198	2	Plug	
8	4010618	2	Screw M6 x 50	
9	4711400	4	Washer 1/4	
10	4811700	2	Washer M6	
11	1001138494	1	Bar, Drop	
12	1001138514	1	Rail (Top)	
13	1001140429	1	Decal - Drop Bar	
14	See Note	NSS	Platform (Note: Not Available - Purchase Platform Assembly)	

SECTION 5 - PLATFORM

FIGURE 5-10. TRAY ASSEMBLY



ART_1580012

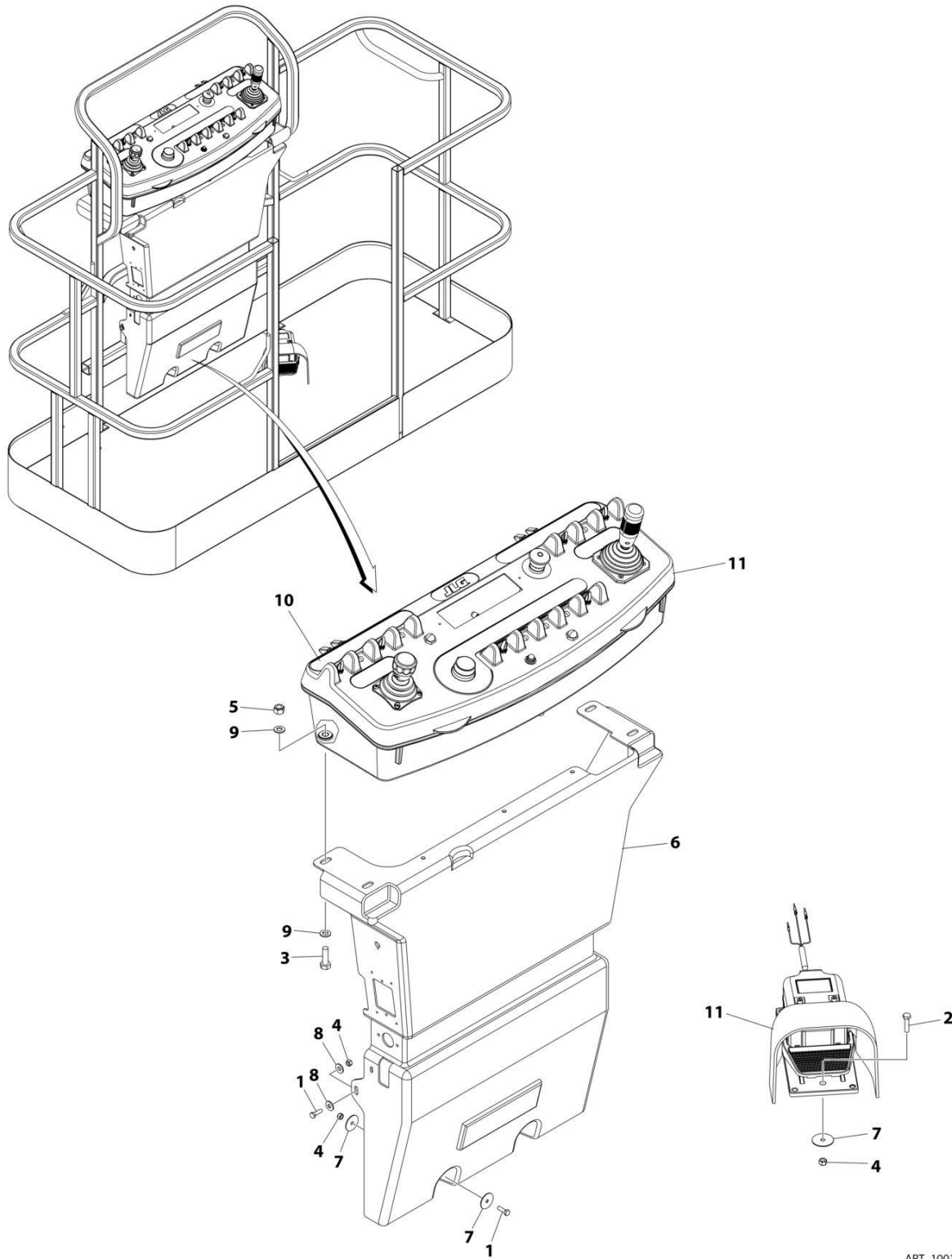
SECTION 5 - PLATFORM

FIGURE 5-10. TRAY ASSEMBLY

ITEM	PART NUMBER	QTY	DESCRIPTION	REV
	1580012	Ref	TRAY ASSEMBLY	C
1	See Note	NSS	Tray, Storage (Center) (Note: Purchase p/n 1580012)	
2	0641406	2	Bolt 1/4 x 3/4	
3	4751400	2	Washer 1/4	
4	4761400	2	Washer 1/4	

SECTION 5 - PLATFORM

FIGURE 5-11. PLATFORM CONSOLE AND FOOTSWITCH INSTALLATION



ART_1001242200

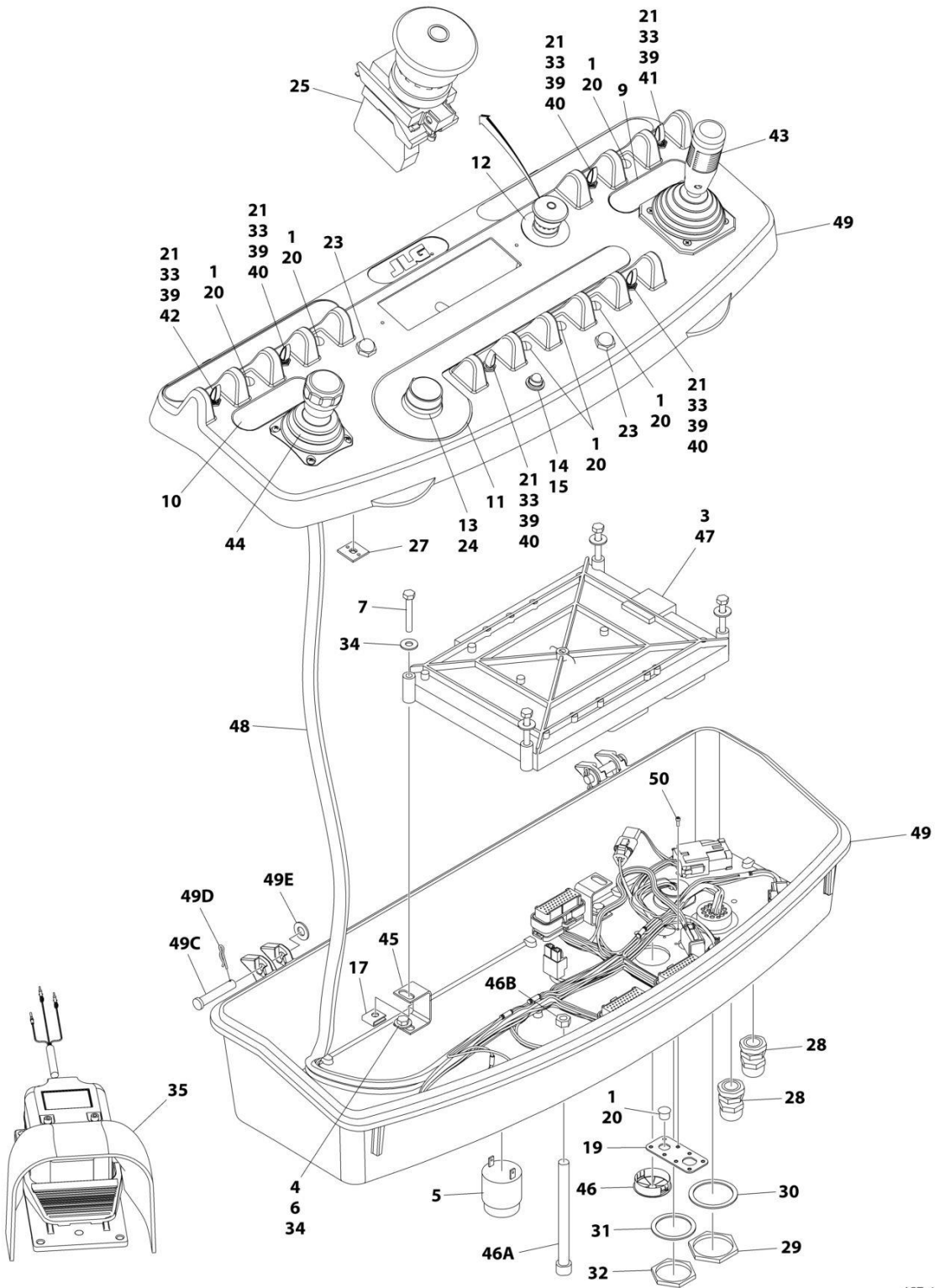
SECTION 5 - PLATFORM

FIGURE 5-11. PLATFORM CONSOLE AND FOOTSWITCH INSTALLATION

ITEM	PART NUMBER	QTY	DESCRIPTION	REV
	1001242200	Ref	PLATFORM CONSOLE AND FOOTSWITCH INSTALLATION	A
1	0700610	4	Bolt M6 x 20	
2	0700612	3	Bolt M6 x 25	
3	0761015	4	Bolt M10 x 35	
4	3290605	7	Nut M6	
5	3291005	4	Nut M10	
6	3380434	1	Panel	
7	4740362	7	Washer 1/4	
8	4751400	4	Washer 1/4	
9	4812000	8	Washer M10	
10	1001184626	1	Decal - Horn	
11	1001242201	1	Platform Console Assembly (See Separate Breakdown in this Section)	

SECTION 5 - PLATFORM

FIGURE 5-12. CONSOLE BOX ASSEMBLY



ART_1001242201

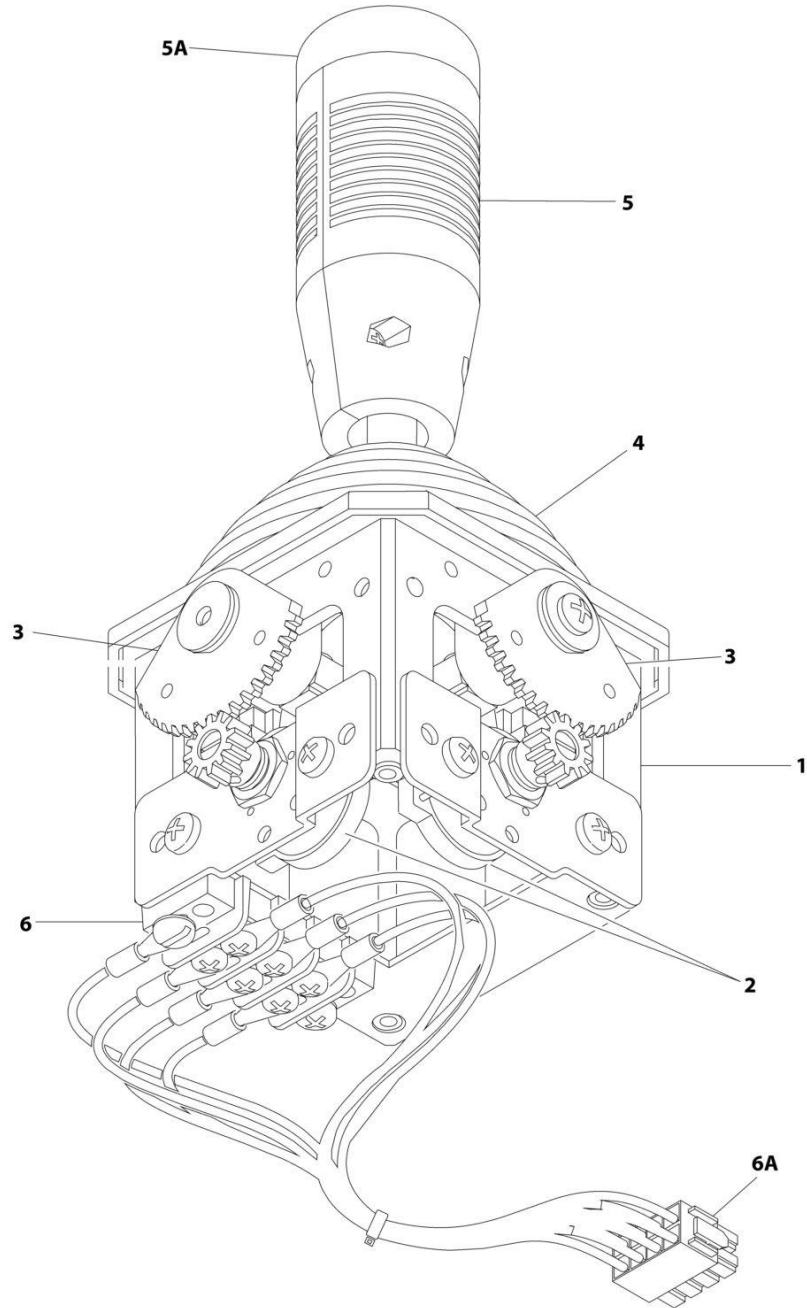
SECTION 5 - PLATFORM

FIGURE 5-12. CONSOLE BOX ASSEMBLY

ITEM	PART NUMBER	QTY	DESCRIPTION	REV
	1001242201	Ref	CONSOLE BOX ASSEMBLY	A
1	0100009	AR	Sealant	
2	0100048	AR	Grease, Dielectric	
3	0100035	AR	Compound, Locking	
5	0140011	1	Alarm	
6	0641404	4	Bolt 1/4 x 1/2	
7	0641414	4	Bolt 1/4 x 1-3/4	
9	1704460	1	Decal - Drive and Steer	
10	1702566	1	Decal - Lift and Swing	
11	1702567	1	Decal - Function Speed	
12	1704260	1	Decal - Emergency Stop	
14	2560136	1	Handle, Knob	
14	2920028	1	Light, Indicator	
15	2920029	1	Bulb, Light	
17	3300353	4	Nut, Tinnerman	
19	1001213882	1	Mount, Connector	
20	3520054	7	Plug	
21	3790012	6	O-Ring	
23	4360387	2	Switch, Push Button	
24	4360407	1	Controller, Speed	
25	4360475	1	Switch, Emergency Stop	
27	4460234	3	Mount, Tie-Strap	
28	4460428	2	Connector, Strain Relief	
29	4460470	1	Nut, Terminal	
30	4460471	1	Washer, Terminal	
31	4460496	1	Washer, Terminal	
32	4460497	1	Nut, Terminal	
33	4740397	6	Washer	
34	4751400	8	Washer 1/4	
35	1001117174	1	Footswitch Assembly (See Separate Breakdown in this Section)	
39	1001155044	6	Nut 15/32	
40	1001155045	4	Switch, Toggle	
41	1001159256	1	Switch, Toggle	
42	1001161709	1	Switch, Toggle	
43	1600359	1	Controller Assembly (Drive and Steer) (See Separate Breakdown in this Section)	
44	1001166539	NLA	Controller Assembly (Lift and Swing) (Use p/n 1001129555) (See Separate Breakdown in this Section)	
45	1001172760	4	Bracket	
46	1001185281	1	Plug	
47	1001185726	1	Module, Platform (Note: Re-calibration Required when Replaced)	
48	1001238409	1	Platform Console Harness (See Separate Breakdown in ELECTRICAL SECTION)	
49	1001215229	1	Console Box Assembly	
49A	3900349	8	Capscrew M2.5 x 8	
49B	0630568	1	Capscrew 3/8 x 4-1/2	
49C	3311601	1	Nut 3/8	
49D	3430616	2	Pin	
49E	3470003	2	Hairpin	
49F	4711600	2	Washer 3/8	

SECTION 5 - PLATFORM

FIGURE 5-13. CONTROLLER ASSEMBLY (DRIVE AND STEER)



ART_1600359

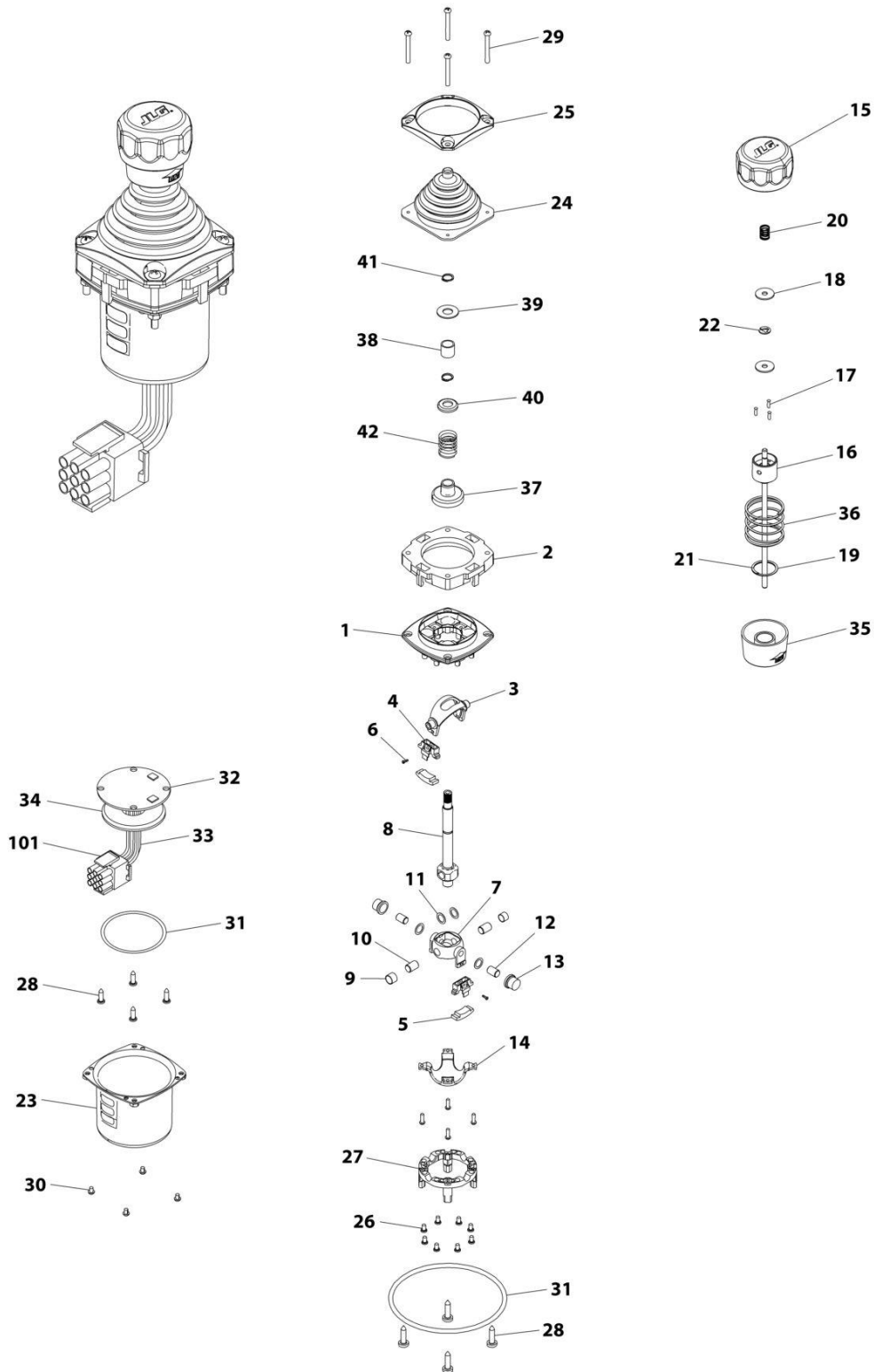
SECTION 5 - PLATFORM

FIGURE 5-13. CONTROLLER ASSEMBLY (DRIVE AND STEER)

ITEM	PART NUMBER	QTY	DESCRIPTION	REV
	1600359	Ref	CONTROLLER ASSEMBLY	A
1	7022832	1	Housing Assembly (Includes Casting, Gimbles, etc)	
2	7022833	2	Potentiometer Plate	
2	7003974	2	Potentiometer	
3	7022834	2	Drive Gear Assembly	
4	7022835	1	Boot Assembly	
5	7022836	1	Handle Assembly	
5A	7022839	1	Cap, Rubber	
5A	7022838	1	Switch, Push Button	
6	7022837	1	Terminal Block/PC Board Assembly	
6A	See Note	NSS	Plug, Male 8 Position (Note: Not Available for Purchase)	
6A	4460871	6	Socket, Female	

SECTION 5 - PLATFORM

FIGURE 5-14. CONTROLLER ASSEMBLY (LIFT AND SWING)



ART_1001166539

SECTION 5 - PLATFORM

FIGURE 5-14. CONTROLLER ASSEMBLY (LIFT AND SWING)

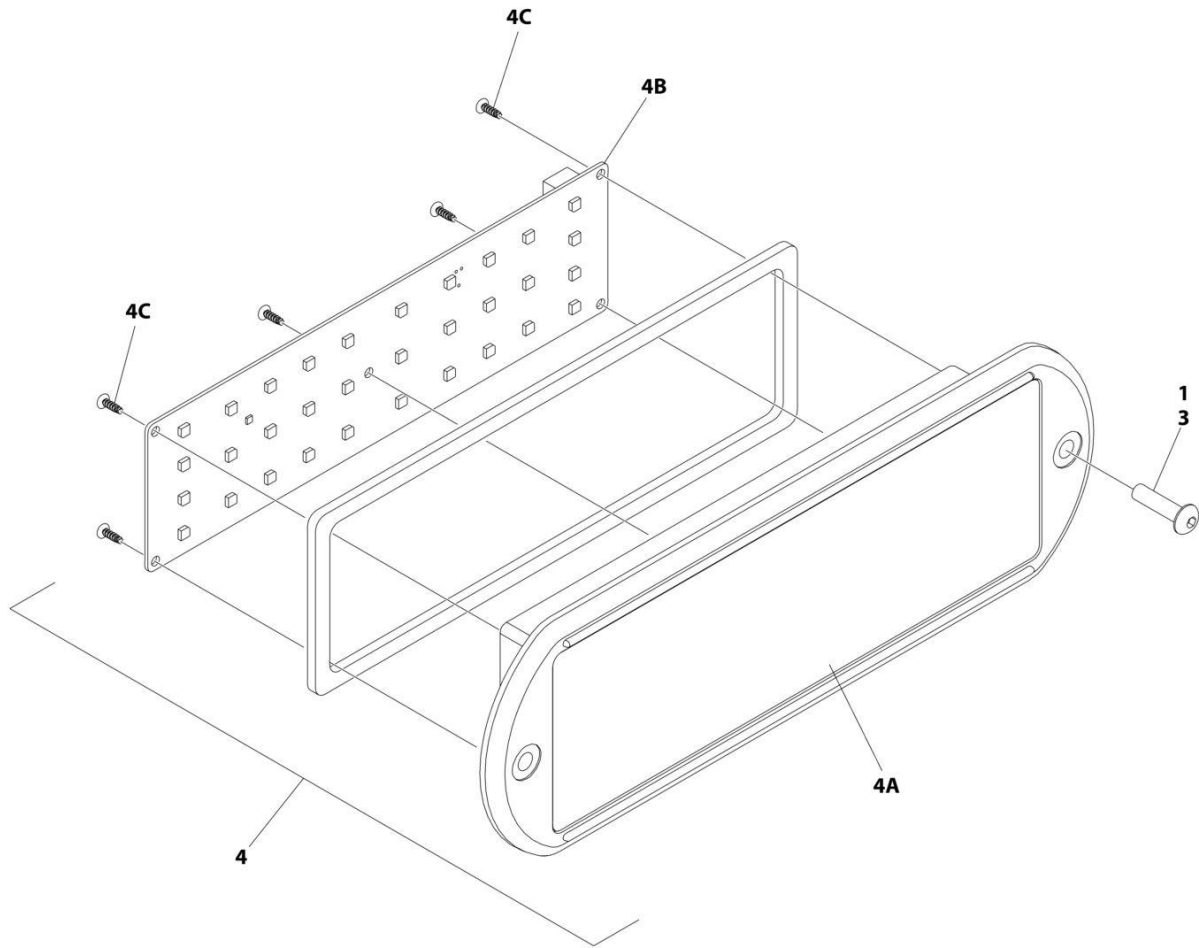
ITEM	PART NUMBER	QTY	DESCRIPTION	REV
	1001166539	Ref	CONTROLLER ASSEMBLY	E
		Ref	Note: Original Equipment Controller May Have Been Replaced with Service Replacement Controller. Visually Identify Controller Before Ordering Parts.	
		Ref	Note: For Replacement, Use p/n 1001129555	
1	See Note	NSS	Main Cast Body (Note: Not Available - Purchase Complete Assembly)	
2	70004752	1	Adapter	
3	See Note	NSS	Pivot Arm, Plastic (Note: Not Available - Purchase Complete Assembly)	
4	See Note	NSS	Holder, Magnet (Note: Not Available - Purchase Complete Assembly)	
5	See Note	NSS	Arc, Magnet (Note: Not Available - Purchase Complete Assembly)	
6	See Note	NSS	Screw (Note: Not Available for Purchase)	
7	See Note	NSS	Pivot Arm, Cast (Note: Not Available - Purchase Complete Assembly)	
8	See Note	NSS	Shaft, Main (Note: Not Available - Purchase Complete Assembly)	
9	See Note	NSS	Bearing (Note: Not Available - Purchase Complete Assembly)	
10	See Note	NSS	Pin (Note: Not Available - Purchase Complete Assembly)	
11	See Note	NSS	Shim (Note: Not Available - Purchase Complete Assembly)	
12	See Note	NSS	Pin (Note: Not Available - Purchase Complete Assembly)	
13	See Note	NSS	Bearing (Note: Not Available - Purchase Complete Assembly)	
14	See Note	NSS	Dome, Centering (Note: Not Available - Purchase Complete Assembly)	
15	70004753	1	Cap	
16	70004754	1	Insert, Cap	
17	70004755	3	Pin	
18	70004756	2	Washer	
19	70004757	1	Pin, Centering	
20	70004758	1	Spring	
21	70004759	1	Ring, Retaining	
22	70004760	1	E-Ring	
23	70004761	1	Can, Enclosure	
24	70004762	1	Boot	
25	70004763	1	Bezel	
26	See Note	NSS	Screw (Note: Not Available for Purchase)	
27	See Note	NSS	Base Mounting (Note: Not Available - Purchase Complete Assembly)	
28	See Note	NSS	Screw (Note: Not Available for Purchase)	
29	70004764	4	Screw	
30	70004765	4	Screw	
31	70004766	1	O-Ring	
32	See Note	NSS	Plate (Note: Not Available - Purchase Complete Assembly)	
33	See Note	NSS	Harness (Note: Not Available - Purchase Complete Assembly)	
34	70004767	1	Grommet, Rubber	
35	70004768	1	Housing	
36	70004769	1	Spring	
37	70004770	1	Stopper	
38	70004771	1	Spacer	
39	70004772	1	Washer	
40	70004773	1	Disc	

SECTION 5 - PLATFORM

ITEM	PART NUMBER	QTY	DESCRIPTION	REV
41	70004774	2	Ring, Retaining	
42	70004775	1	Spring	
101	4460265	1	Connector - 9 Position	
101	4460226	6	Socket, Female	

SECTION 5 - PLATFORM

FIGURE 5-15. LIGHT PANEL INSTALLATION



ART_1001233959_C_20F2

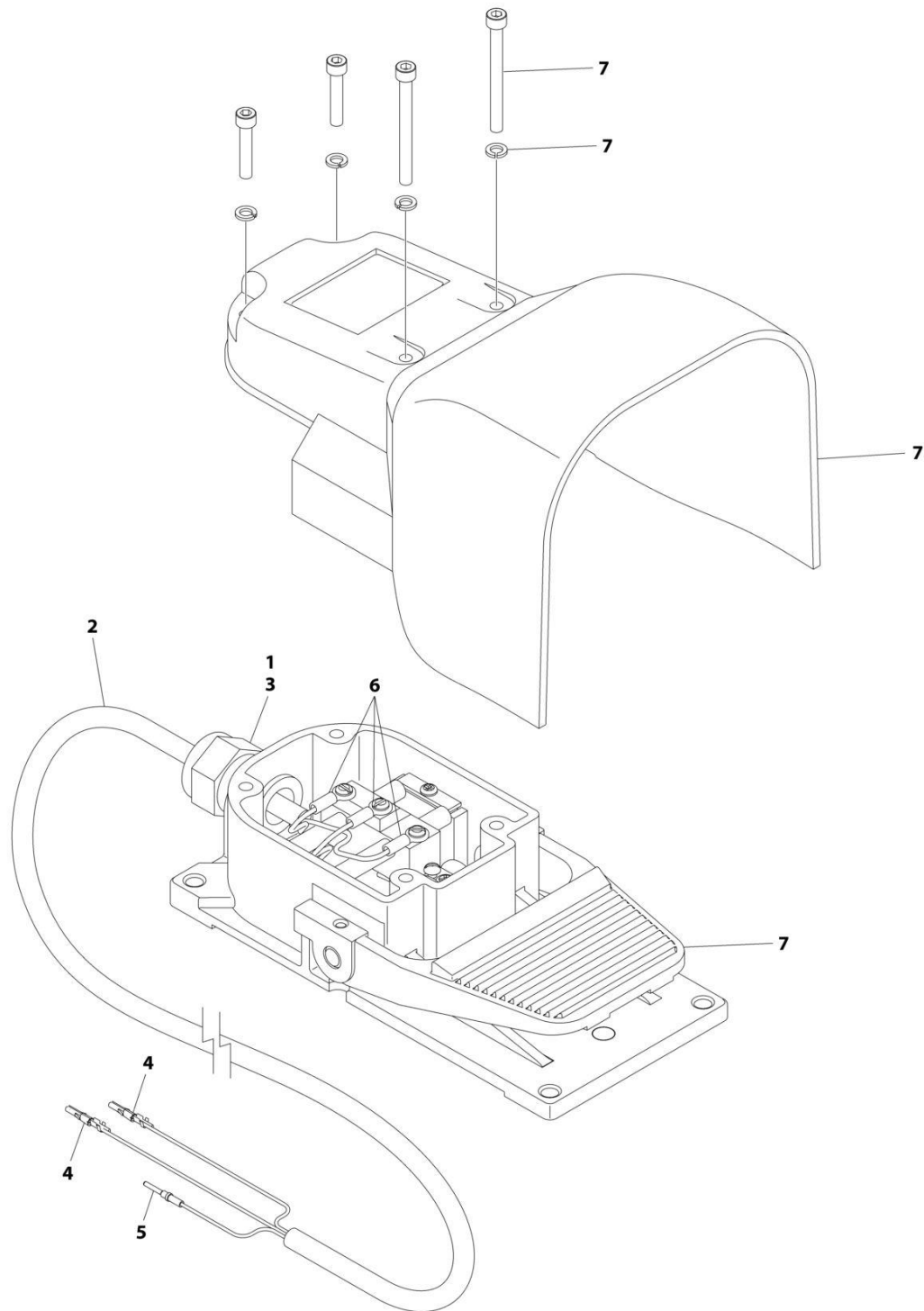
SECTION 5 - PLATFORM

FIGURE 5-15. LIGHT PANEL INSTALLATION

ITEM	PART NUMBER	QTY	DESCRIPTION	REV
	1001233959	Ref	LIGHT PANEL INSTALLATION - PLATFORM CONSOLE	C
1	0100035	AR	Compound, Locking	
3	0630518	2	Screw #10 x 3/4	
4	1001237544	1	Light Panel Assembly	H
4A	1001236087	1	Lens, I-Con	
4B	1001187807	1	Panel, LED Light	
4C		Ref	Screw	

SECTION 5 - PLATFORM

FIGURE 5-16. FOOTSWITCH ASSEMBLY



ART_1001117174

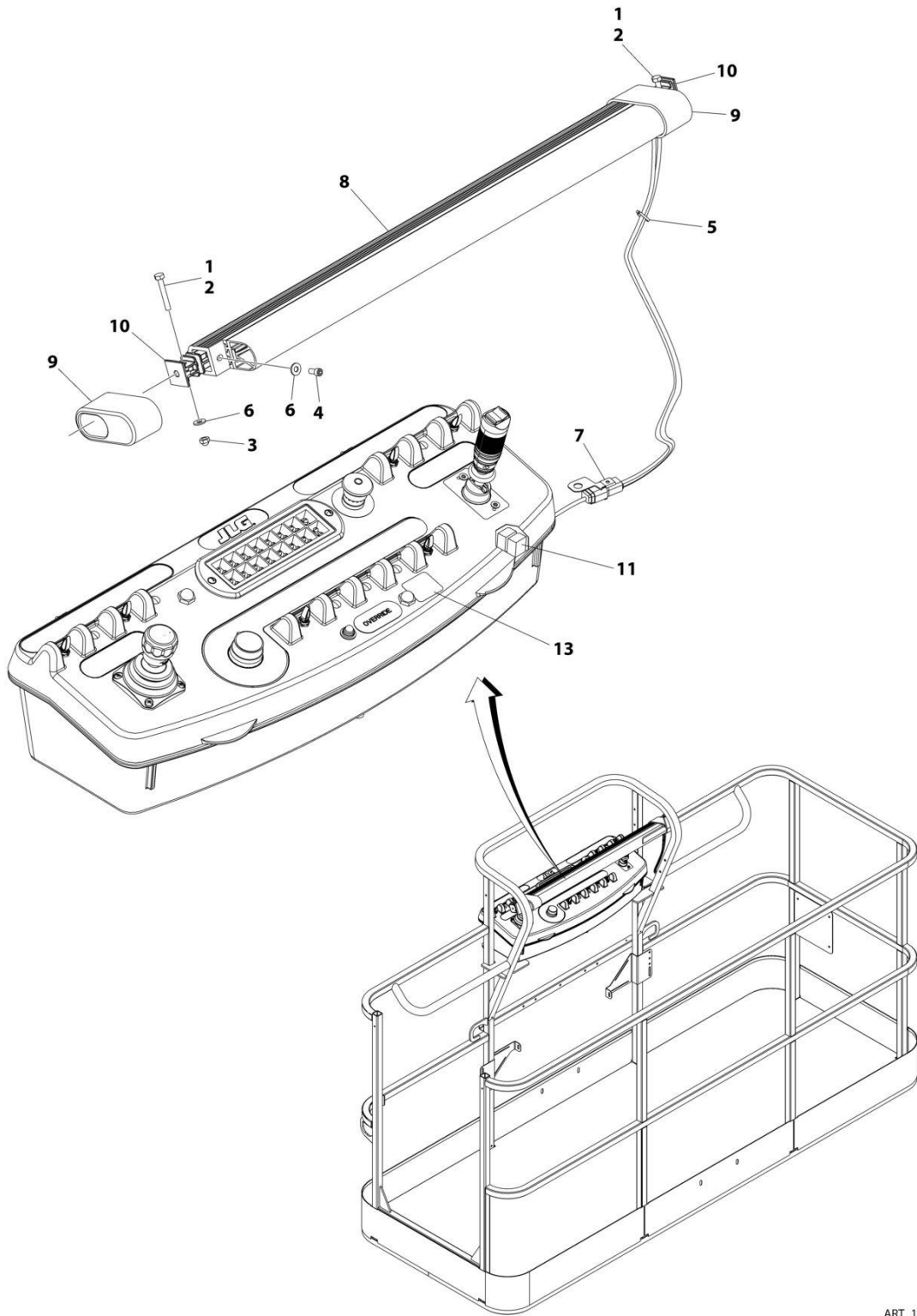
SECTION 5 - PLATFORM

FIGURE 5-16. FOOTSWITCH ASSEMBLY

ITEM	PART NUMBER	QTY	DESCRIPTION	REV
	1001117174	Ref	FOOTSWITCH ASSEMBLY	B
1	0100020	AR	Sealant	
2	1060918	7.5 ft/ 2.3m	Cable, Electrical - 18/3	
3	4460071	1	Connector, Strain Relief	
4	4460226	2	Socket, Female	
5	4460464	1	Pin, Male	
6	1001098122	3	Terminal	
7	1001117172	1	Footswitch	
7	70002902	1	Switch, 20Amp	
7	70002903	1	Gasket	
7	70002905	1	Cover	
7	70002904	1	Kit, Replacement Bolt	

SECTION 5 - PLATFORM

FIGURE 5-17. SKYGUARD BAR INSTALLATION



ART_1001238495

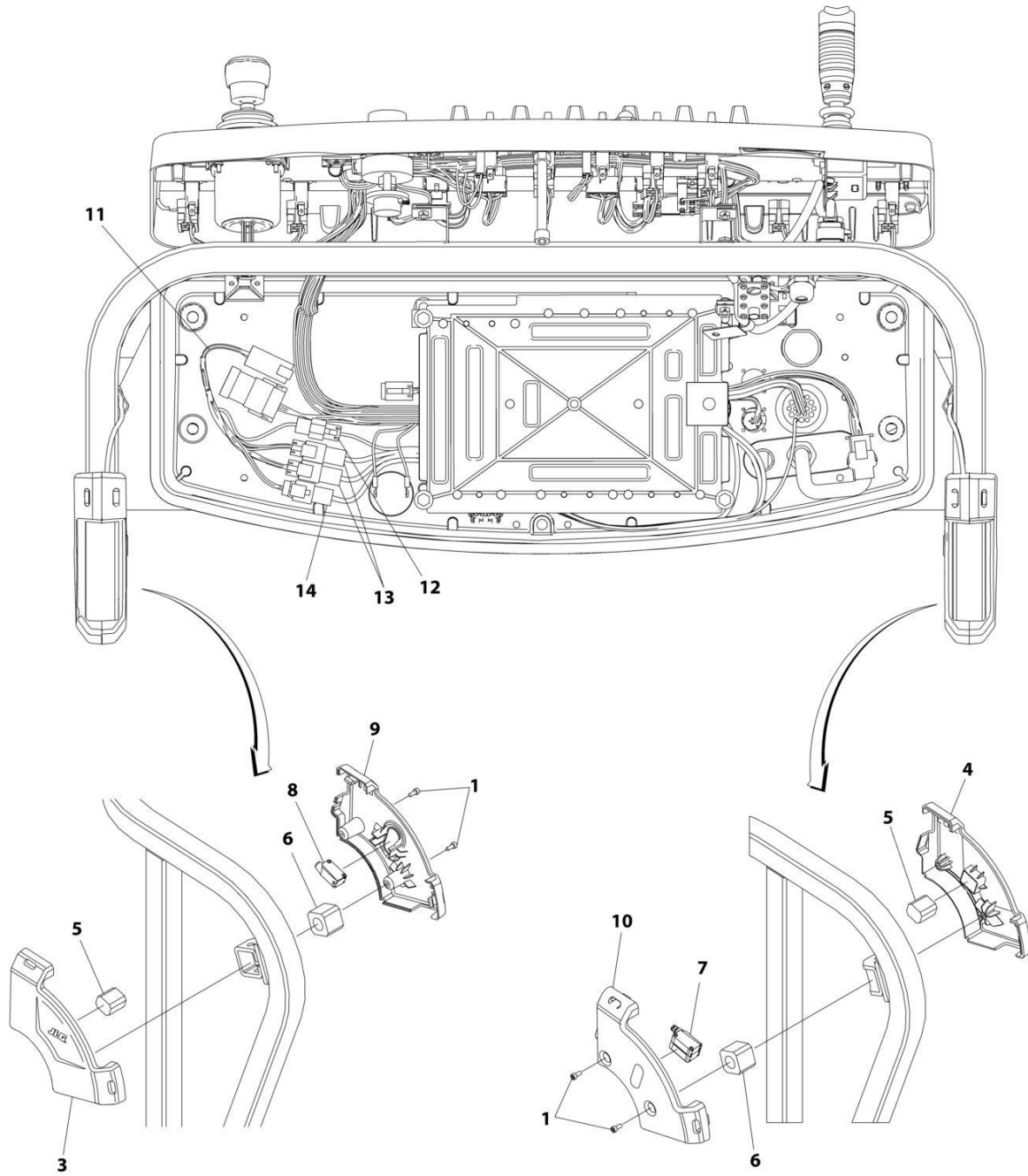
SECTION 5 - PLATFORM

FIGURE 5-17. SKYGUARD BAR INSTALLATION

ITEM	PART NUMBER	QTY	DESCRIPTION	REV
	1001238495	Ref	SKYGUARD BAR INSTALLATION	A
1	0100011	AR	Compound, Locking	
2	0641414	2	Bolt 1/4 x 1-3/4	
3	3300430	2	Nut 1/4	
4	3931408	2	Capscrew 1/4 x 1/2	
5	4240033	8	Tie-Strap	
6	4711400	6	Washer 1/4	
7	1001120328	1	Mount	
8	1001137673	1	SkyGuard Switch Assembly	
9	1001186517	2	Cover, Platform Sensor	
10	1001209664	2	Support, Block	
11	1001186431	2	Relay	
12	1001225580	1	Interface Harness Assembly (Not Shown - Located Inside Console Box) (See Separate Breakdown in ELECTRICAL Section)	
13	1001144433	1	Decal - No Weight SkyGuard	

SECTION 5 - PLATFORM

FIGURE 5-18. SKYEYE INSTALLATION



ART_1001229341

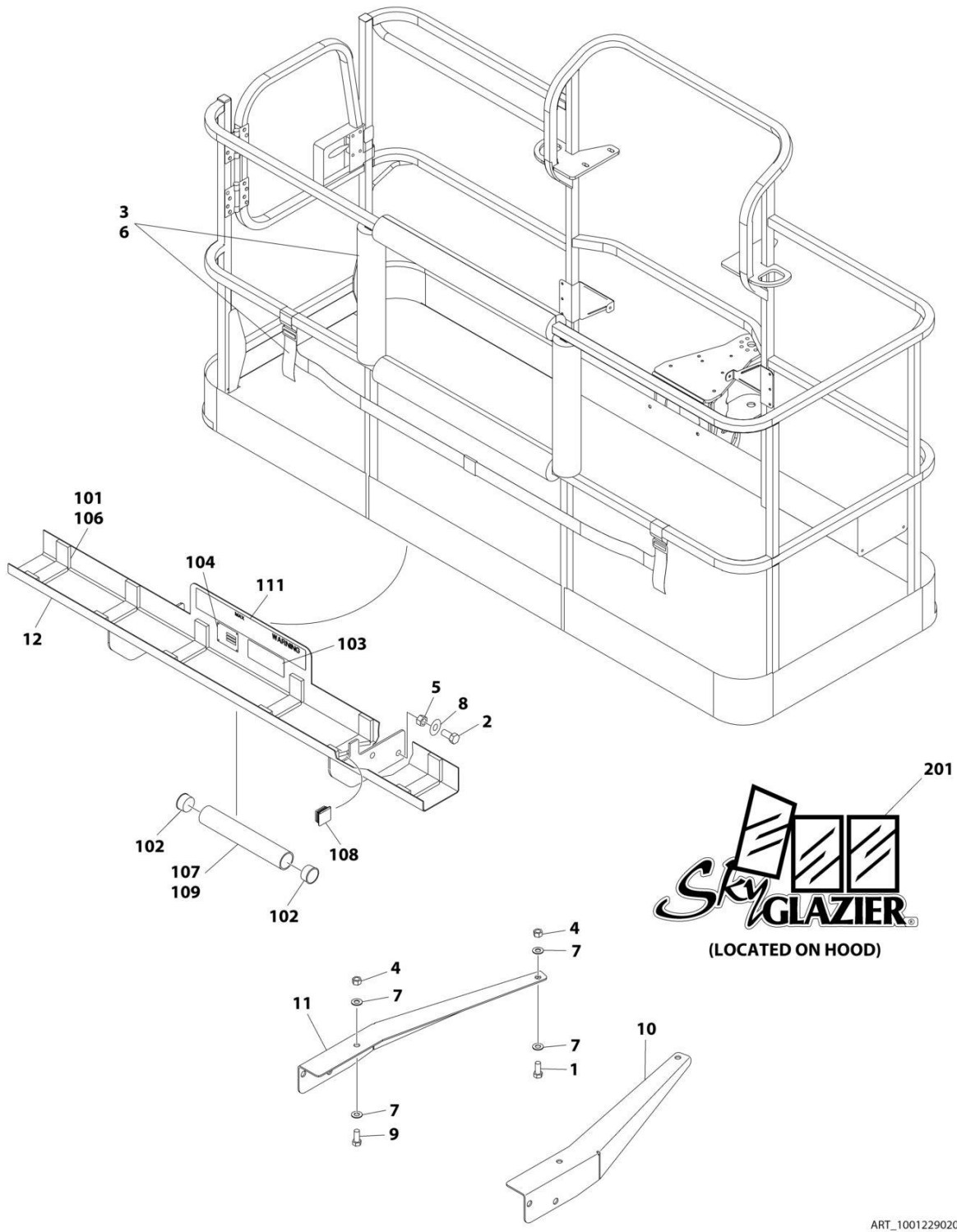
SECTION 5 - PLATFORM

FIGURE 5-18. SKYEYE INSTALLATION

ITEM	PART NUMBER	QTY	DESCRIPTION	REV
	1001229341	Ref	SKYEYE INSTALLATION	B
1	4031505	4	Bolt M4 x 10	
2	4240033	AR	Tie-Strap (Not Shown)	
3	1001227633	1	Housing, LH Outer	
4	1001227634	1	Housing, RH Outer	
5	1001227985	2	Shim	
6	1001227987	2	Shim	
7	1001228224	2	Sensor, Receiver	
8	1001228225	1	Sensor, Emitter	
9	1001232164	1	Housing, LH Inner	
10	1001232165	1	Housing, RH Inner	
11	1001237865	1	Harness, Skyeeye Intermediate (See Separate Breakdown in ELECTRICAL Section)	
12	1001238319	NLA	Harness, Skyeeye Drain Jumper	
12	1001187674	1	Plug, Male - 2 Position	
12	4460942	1	Terminal	
12	4460466	1	Plug, Terminal	
12	4460508	1	Pin, Male	
13	1001237863	2	Harness, Skyeeye Receiver (See Separate Breakdown in ELECTRICAL Section)	
14	1001237864	1	Harness, Skyeeye Emitter (See Separate Breakdown in ELECTRICAL Section)	

SECTION 5 - PLATFORM

FIGURE 5-19. SKYGLAZIER INSTALLATION (ANSI, AUSTRALIAN AND CSA SPECS)



ART_1001229020

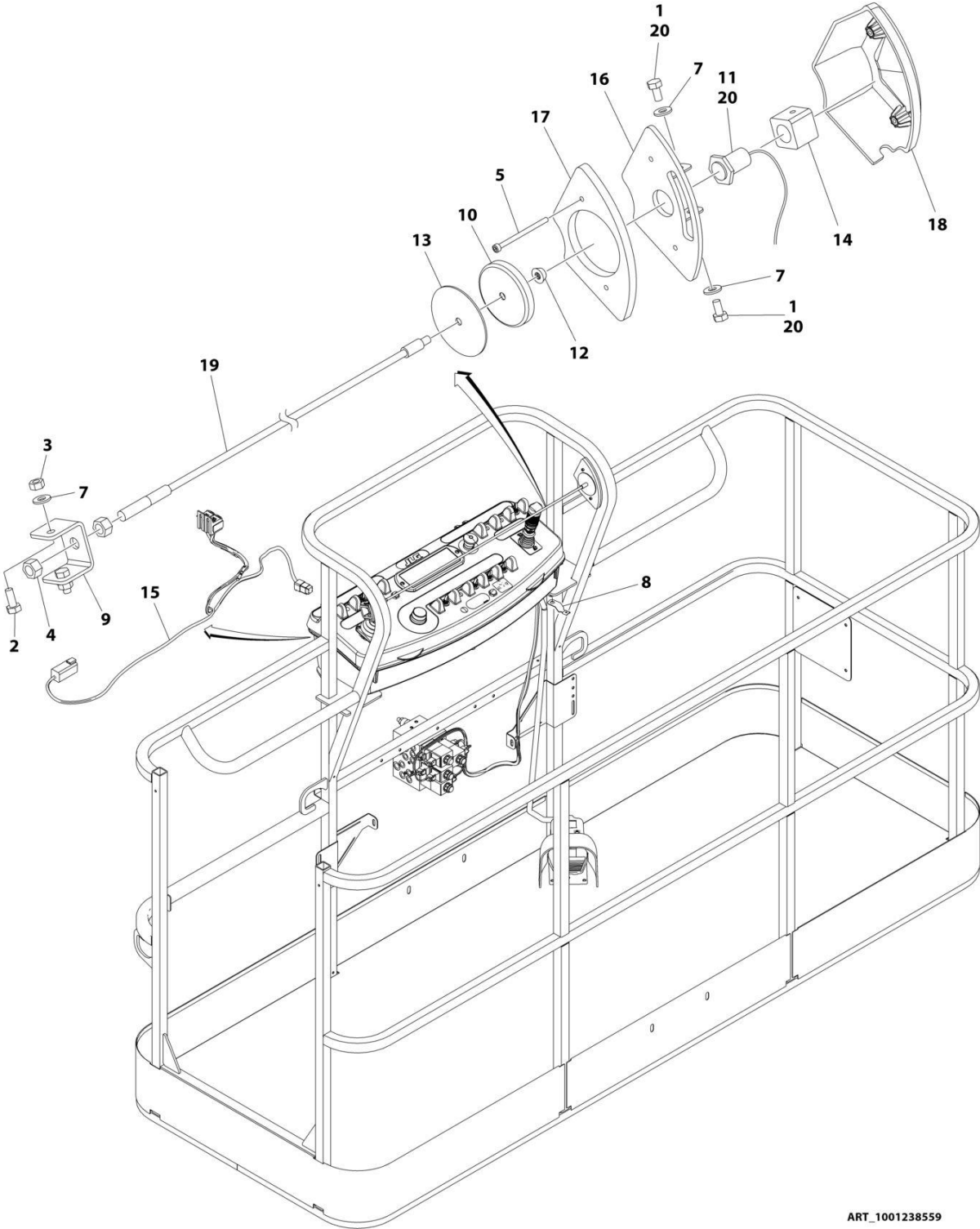
SECTION 5 - PLATFORM

FIGURE 5-19. SKYGLAZIER INSTALLATION (ANSI, AUSTRALIAN AND CSA SPECS)

ITEM	PART NUMBER	QTY	DESCRIPTION	REV
	1001229020	Ref	SKYGLAZIER INSTALLATION	A
1	0642012	2	Bolt 5/8 x 1-1/2	
2	0642212	4	Bolt 3/4 x 1-1/2	
3	2902212	1	Bumpers and Strap Kit	
3	0940102	1	Bumper Only	
3	4240149	1	Strap Only	
4	3312005	4	Nut 5/8	
5	3312205	4	Nut 3/4	
6	4420014	AR	Tape	
7	4712000	6	Washer 5/8	
8	4712200	8	Washer 3/4	
9	8310129	2	Bolt 3/4 x 2-1/2	
10	1001099366	1	Support	
11	1001099367	1	Support	
12	1001229082	1	Tray Assembly (See Items 101-111 for Breakdown)	
	1001229082	Ref	TRAY ASSEMBLY	B
101	0100081	AR	Adhesive	
102	1120555	2	Cap, Tube	
103	1701509	1	Decal - Manual	
104	See Note	NSS	Nameplate - Serial Number (Note: Not Available for Purchase)	
106	3340956	1	Pad Kit	
107	3460334	1	Tube	
108	3520071	2	Plug	
109	4420066	AR	Tape, Double Sided	
111	1001199035	2	Decal - Glazier Capacity	
	0272418	Ref	SKYGLAZIER DECAL INSTALLATION	4
201	1705358	2	Decal - SkyGlazier	

SECTION 5 - PLATFORM

FIGURE 5-20. SKYLINE INSTALLATION



ART_1001238559

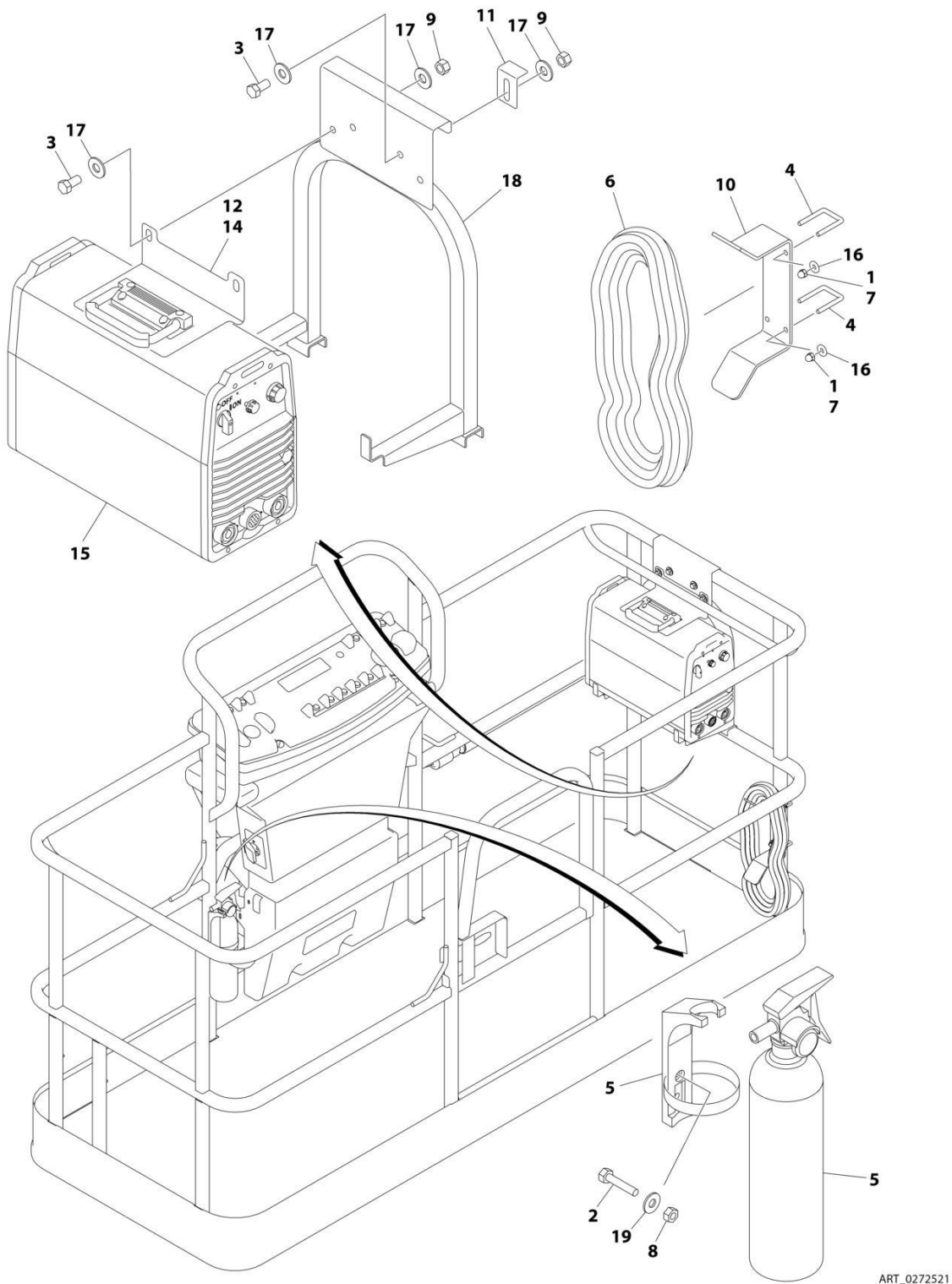
SECTION 5 - PLATFORM

FIGURE 5-20. SKYLINE INSTALLATION

ITEM	PART NUMBER	QTY	DESCRIPTION	REV
	1001238559	Ref	SKYLINE INSTALLATION	B
1	0641404	2	Bolt 1/4 x 1/2	
2	0641405	2	Bolt 1/4 x 5/8	
3	3311405	2	Nut 1/4	
4	3311601	2	Nut 3/8	
5	4031516	2	Capscrew M4 x 60	
6	4240033	AR	Tie-Strap (Not Shown)	
7	4711400	4	Washer 1/4	
8	1001120328	1	Mount	
9	1001232642	1	Bracket	
10	1001232650	1	Magnet	
11	1001232667	1	Sensor, Proximity	
12	1001235011	1	Nut	
13	1001235013	1	Washer	
14	1001236552	1	Block	
15	1001238418	1	Harness, Skyline (See Separate Breakdown in ELECTRICAL Section)	
16	1001238472	1	Mount	
17	1001238477	1	Housing, LH	
18	1001241965	1	Housing, RH	
19	1001238824	1	Rope	
20	0100011	AR	Compound, Locking	

SECTION 5 - PLATFORM

FIGURE 5-21. SKYWELDER INSTALLATION (50HZ)



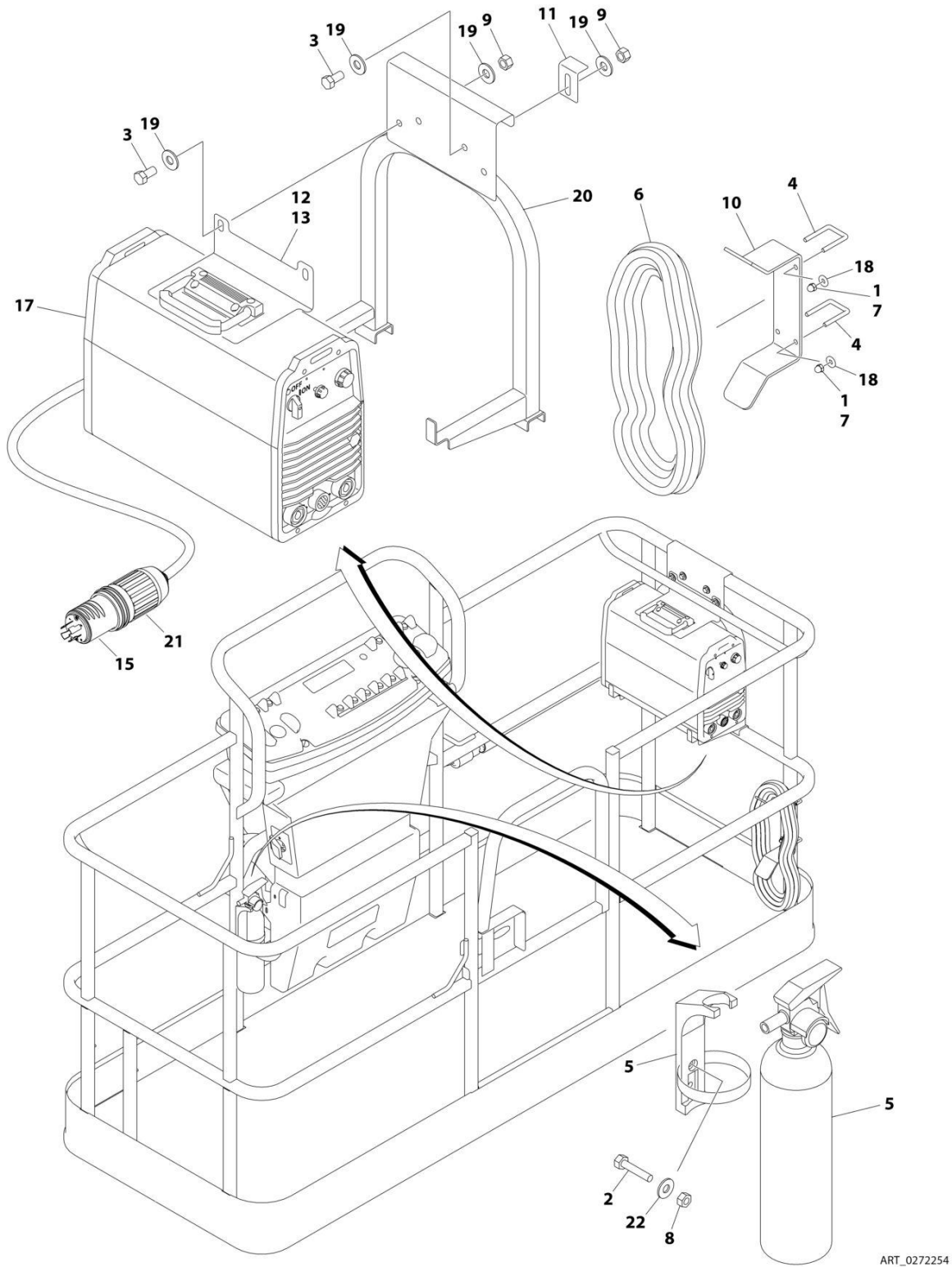
SECTION 5 - PLATFORM

FIGURE 5-21. SKYWELDER INSTALLATION (50HZ)

ITEM	PART NUMBER	QTY	DESCRIPTION	REV
	0272521	Ref	SKYWELDER INSTALLATION	F
1	0100011	AR	Compound, Locking	
2	0630518	2	Screw #10 x 3/4	
3	0641606	4	Bolt 3/8 x 3/4	
4	1320302	2	U-Clamp	
5	2030010	1	Extinguisher, Fire	
6	2902217	1	Weld Leads Kit	
7	3300151	4	Nut 1/4	
8	3311005	2	Nut #10	
9	3311605	4	Nut 3/8	
10	3573400	1	Bracket	
11	3577121	2	Angle	
12	3573642	1	Plate	
13	4240099	AR	Tie-Strap (Not Shown)	
14	4420037	AR	Tape	
15	4530028	1	Welder Assembly (See Separate Breakdown in this Section)	
16	4751400	4	Washer 1/4	
17	4751600	8	Washer 3/8	
18	4846627	1	Support	
19	4751000	2	Washer #10	

SECTION 5 - PLATFORM

FIGURE 5-22. SKYWELDER INSTALLATION (60HZ)



ART_0272254

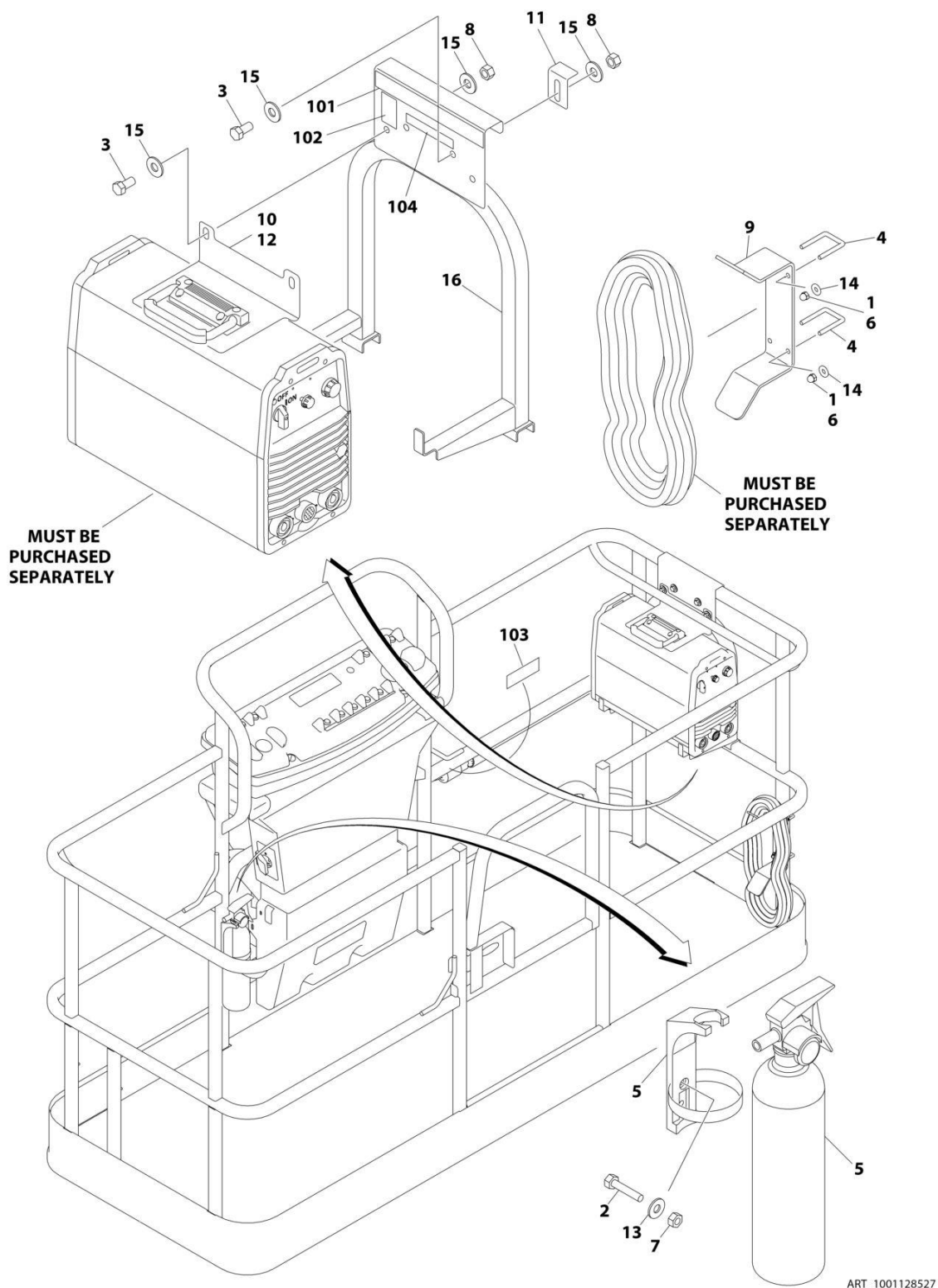
SECTION 5 - PLATFORM

FIGURE 5-22. SKYWELDER INSTALLATION (60HZ)

ITEM	PART NUMBER	QTY	DESCRIPTION	REV
	0272254	Ref	SKYWELDER INSTALLATION	I
1	0100011	AR	Compound, Locking	
2	0630518	2	Screw #10 x 3/4	
3	0641606	4	Bolt 3/8 x 3/4	
4	1320302	2	U-Clamp	
5	2030010	1	Extinguisher, Fire	
6	2902217	1	Weld Leads Kit	
7	3300151	4	Nut 1/4	
8	3311005	2	Nut #10	
9	3311605	4	Nut 3/8	
10	3573400	1	Bracket	
11	3577121	2	Angle	
12	3573642	1	Plate	
13	4420037	AR	Tape	
14	4240099	AR	Tie-Strap (Not Shown)	
15	4460962	1	Plug, Male Twistlock	
17	4530028	1	Welder Assembly (See Separate Breakdown in this Section)	
18	4751400	4	Washer 1/4	
19	4751600	8	Washer 3/8	
20	4846627	1	Support	
21	1671093	1	Cover, Plug	
22	4751000	2	Washer #10	

SECTION 5 - PLATFORM

FIGURE 5-23. SKYWELDER PREP PACKAGE (60HZ)



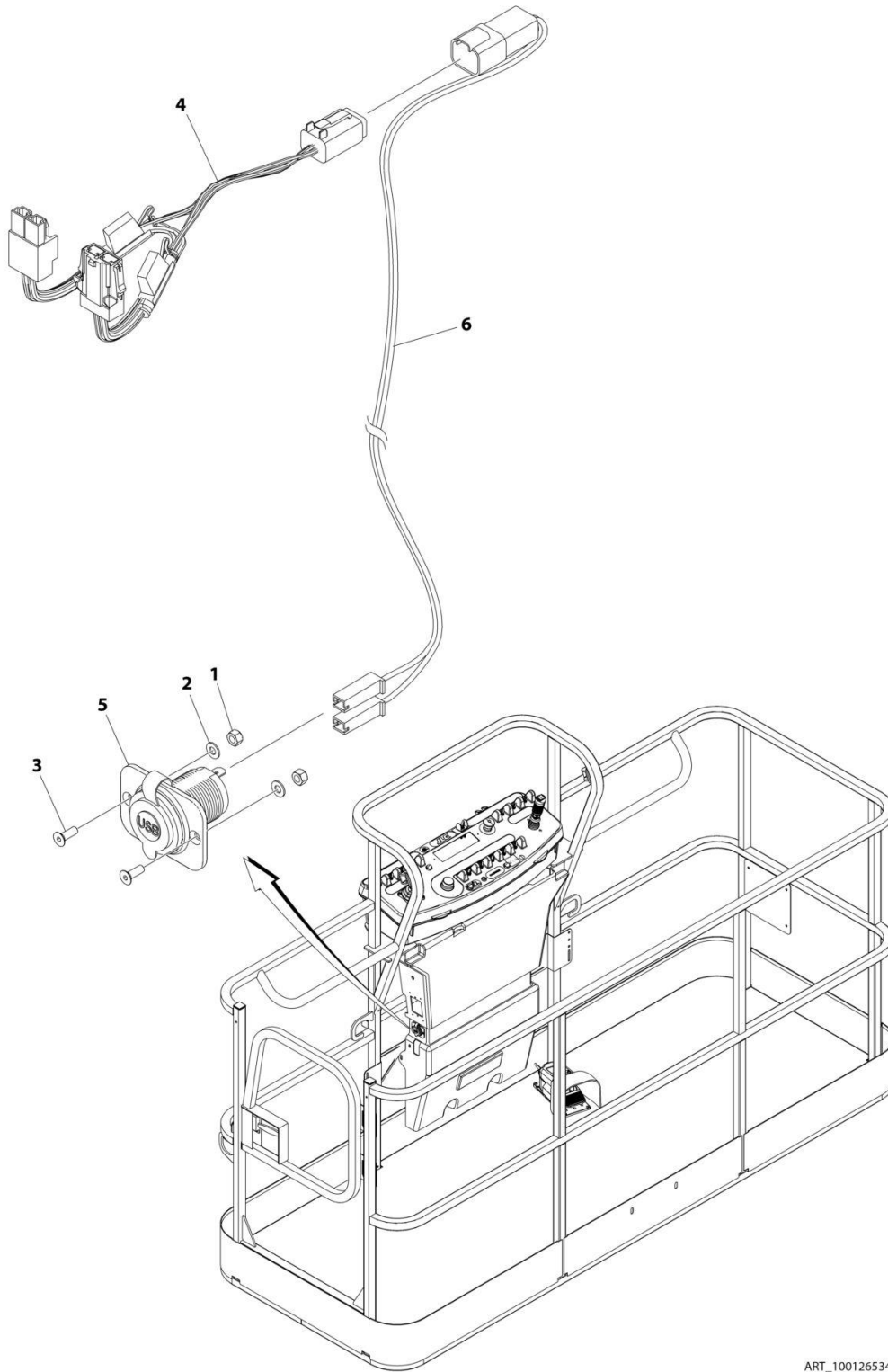
SECTION 5 - PLATFORM

FIGURE 5-23. SKYWELDER PREP PACKAGE (60HZ)

ITEM	PART NUMBER	QTY	DESCRIPTION	REV
	1001128527	Ref	SKYWELDER PREP PACKAGE (60HZ)	B
1	0100011	AR	Compound, Locking	
2	0630518	2	Screw #10 x 3/4	
3	0641606	4	Bolt 3/8 x 3/4	
4	1320302	2	U-Clamp	
5	2030010	1	Extinguisher, Fire	
6	3300151	4	Nut 1/4	
7	3311005	2	Nut #10	
8	3311605	4	Nut 3/8	
9	3573400	1	Bracket	
10	3573642	1	Plate	
11	3577121	2	Angle	
12	4420037	AR	Tape	
13	4751000	2	Washer #10	
14	4751400	4	Washer 1/4	
15	4751600	8	Washer 3/8	
16	4846627	1	Support	
	1001128556	Ref	SKYWELDER DECAL INSTALLATION	C
101	1702868	1	Decal - No Hands	
102	1705305	1	Decal - Weld Lead	
103	1705375	1	Decal - 240V - 3 Phase - 60Hz	
104	1001228988	1	Decal - Weight	

SECTION 5 - PLATFORM

FIGURE 5-24. USB CHARGER INSTALLATION



ART_1001265342

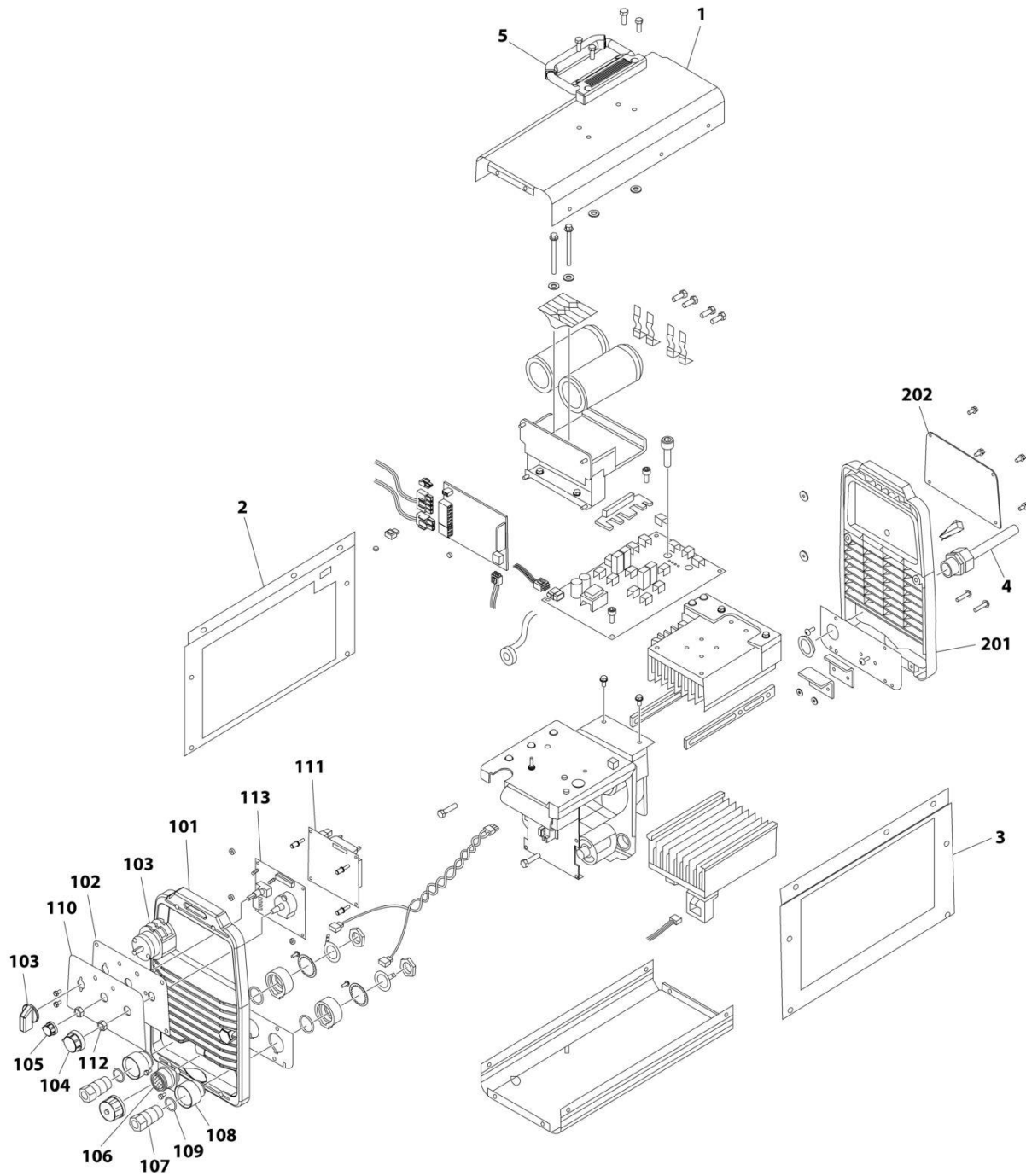
SECTION 5 - PLATFORM

FIGURE 5-24. USB CHARGER INSTALLATION

ITEM	PART NUMBER	QTY	DESCRIPTION	REV
	1001265342	Ref	USB CHARGER INSTALLATION	A
1	3290405	2	Nut M4	
2	4811400	2	Washer M4	
3	1001097244	2	Screw M4 x 12	
4	1001120484	1	Harness, Work Lights	
4	4460879	1	Plug, Male - 2 Position	
4	4460887	2	Terminal	
4	2400060	2	Fuseholder Includes Cover	
4	8229249	2	Fuse, 3 Amp	
4	4460884	1	Connector - 4 Position	
4	4460465	4	Socket, Female	
4	1001120471	1	Connector - 2 Position	
4	1001120477	2	Terminal	
5	1001210636	1	Receptacle, USB	
6	1001265163	1	Harness, USB	A
6	4460260	2	Cover, Terminal	
6	4460259	2	Terminal	
6	4460932	1	Receptacle, Bussbar - 4 Position	
6	4460464	2	Pin, Male	
6	4460466	2	Plug, Terminal	

SECTION 5 - PLATFORM

FIGURE 5-25. WELDER ASSEMBLY



ART_4530028

SECTION 5 - PLATFORM

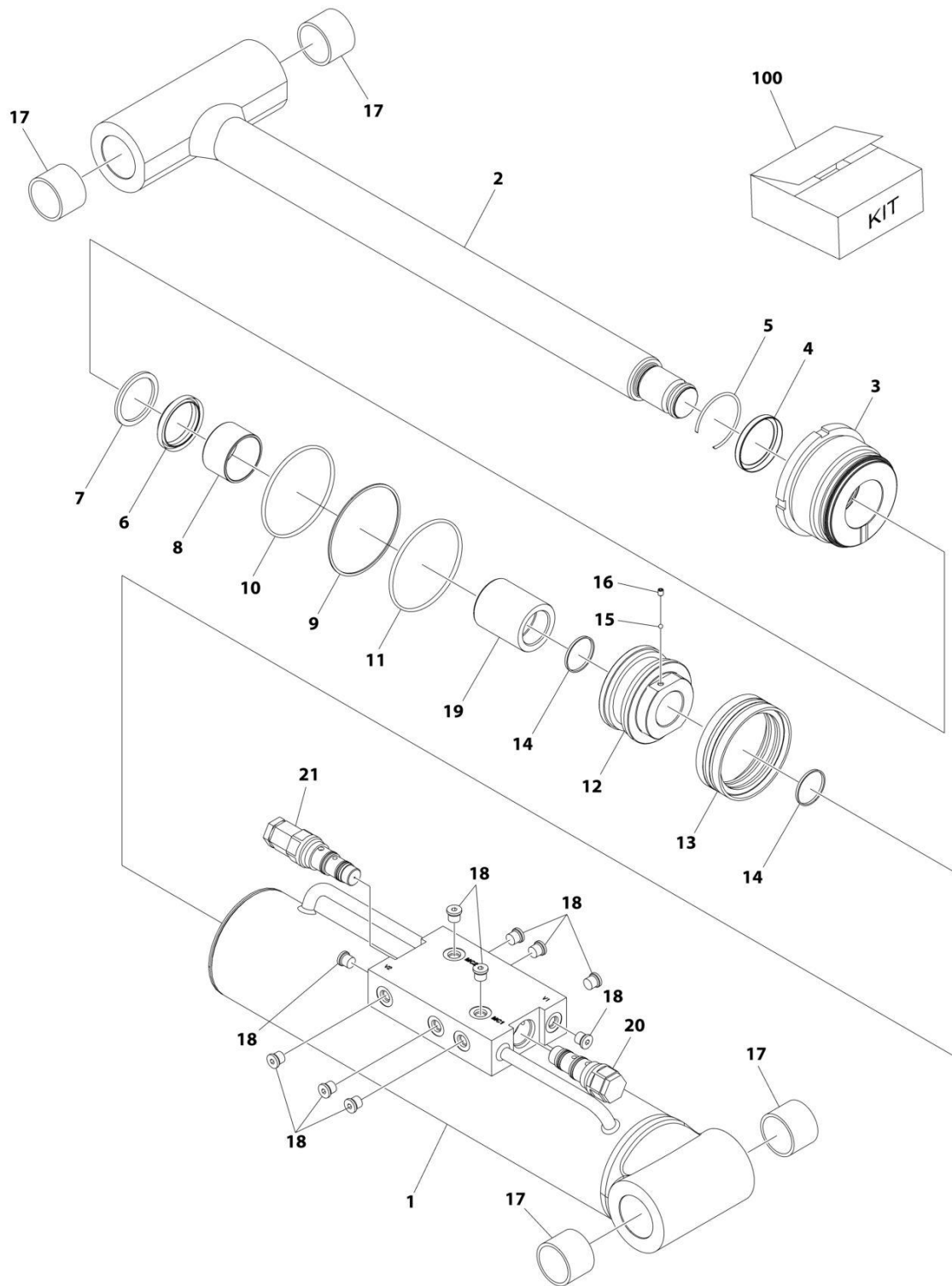
FIGURE 5-25. WELDER ASSEMBLY

ITEM	PART NUMBER	QTY	DESCRIPTION	REV
	4530028	Ref	WELDER ASSEMBLY	B
		Ref	Note: For Other Components, contact your Miller Welder Dealer.	
1	7027773	1	Cover, Top	
1	7027774	1	Decal - Static Precautionary Warning	
2	See Note	NSS	Panel, LH Side (Note: Part of Item 1. Purchase Item 1)	
3	See Note	NSS	Panel, RH Side (Note: Part of Item 1. Purchase Item 1)	
4	7024467	1	Cable, Power	
4	7027775	1	Decal - Electrical Shock Warning (Not Shown)	
5	7027776	1	Handle, Carrying	
101	7024462	1	Panel, Front	
102	7024463	1	Panel, Console	
103	7024469	1	Switch with Lead	
104	7024470	1	Knob	
105	7024471	1	Knob	
106	7024472	1	Receptacle with Leads and Plugs	
107	7024473	2	Receptacle, Twistlock Female	
108	7024474	2	Insulator	
109	7024475	2	O-Ring	
110	7027777	1	Nameplate	
111	7027779	1	Circuit Card Assembly (Process Control)	
112	7024478	2	Nut	
113	7027778	1	Circuit Card Assembly (Operator Interface)	
201	7024462	1	Panel, Rear	
202	7027780	1	Panel, Cover	

SECTION 6 - CYLINDER

SECTION 6 - CYLINDER

FIGURE 6-1. LEVEL CYLINDER ASSEMBLY - PLATFORM SLAVE



ART_1001184957

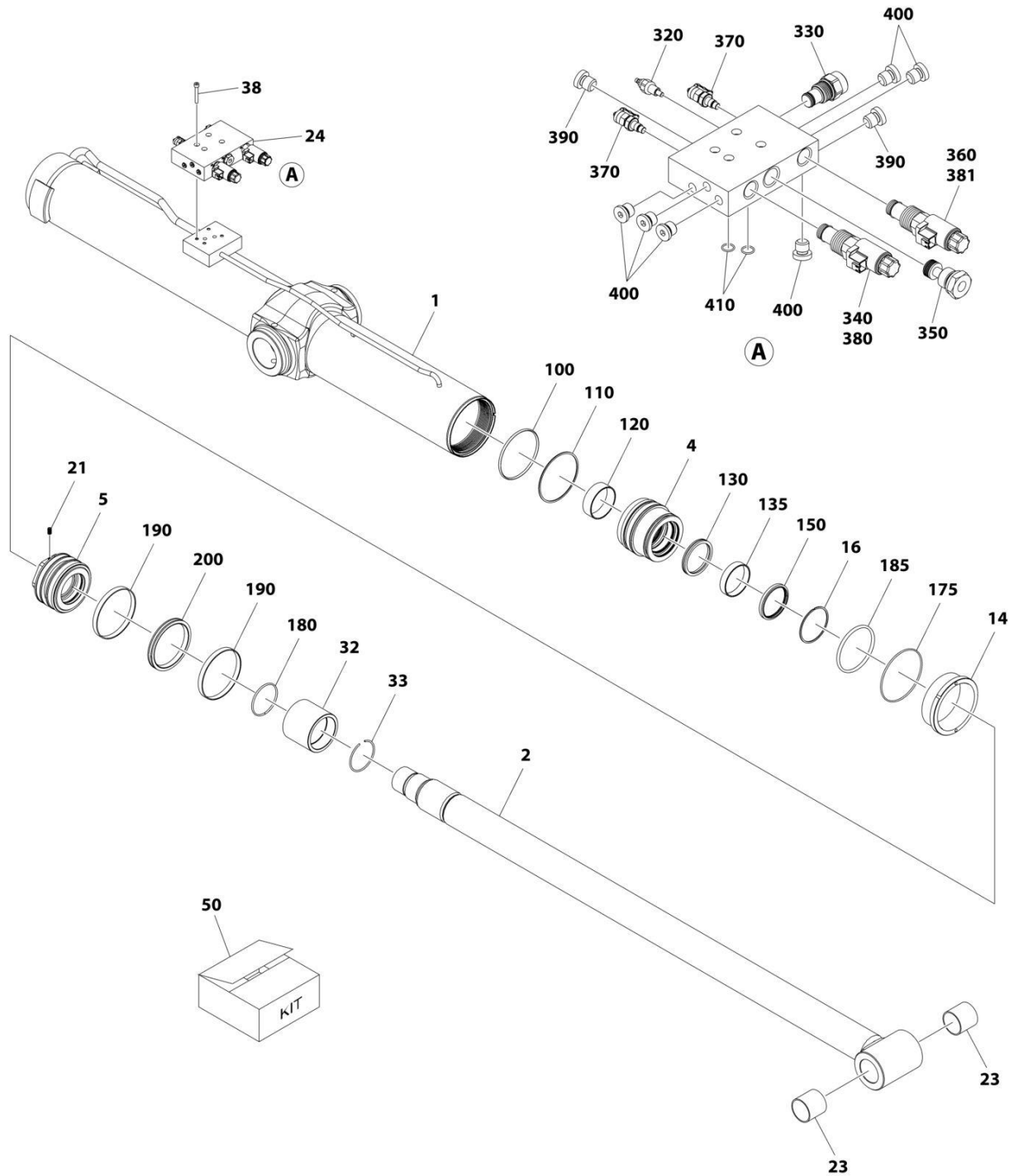
SECTION 6 - CYLINDER

FIGURE 6-1. LEVEL CYLINDER ASSEMBLY - PLATFORM SLAVE

ITEM	PART NUMBER	QTY	DESCRIPTION	REV
	1001184957	Ref	LEVEL CYLINDER ASSEMBLY	D
		Ref	Note: Original Cylinder may have been replaced with Service Replacement. Identify PN Stamped on Cylinder Before Ordering Parts.	
1	70005698	1	Barrel	
2	70005699	1	Rod	
3	70005700	1	Head	
4	See Note	NSS	Wiper (Note: Use Item 100)	
5	70002410	1	Ring, Retaining	
6	See Note	NSS	Seal, Rod (Note: Use Item 100)	
7	See Note	NSS	Ring, Back-up (Note: Use Item 100)	
8	70004237	1	Bearing	
9	See Note	NSS	O-Ring (Note: Use Item 100)	
10	See Note	NSS	Ring, Back-up (Note: Use Item 100)	
11	See Note	NSS	O-Ring (Note: Use Item 100)	
12	70005701	1	Piston	
13	See Note	NSS	Seal, Piston (Note: Use Item 100)	
14	See Note	NSS	O-Ring (Note: Use Item 100)	
15	70022564	1	Ball	
16	70023369	1	Setscrew	
17	0961948	4	Bearing	
18	2220883	10	Plug	
19	70005702	1	Spacer	
20	4640999	1	Valve, Counterbalance	
20	2900792	1	Seal Kit - 4640999 Valve	
21	4640932	1	Valve, Counterbalance	
21	7011112	1	Seal Kit - 4640932 Valve	
100	70005703	1	Seal Kit - 1001184957 Cylinder (Include Items 4, 6, 7, 9, 10, 11, 13 & 14)	

SECTION 6 - CYLINDER

FIGURE 6-2. LIFT CYLINDER ASSEMBLY - BOOM



ART_1001272076

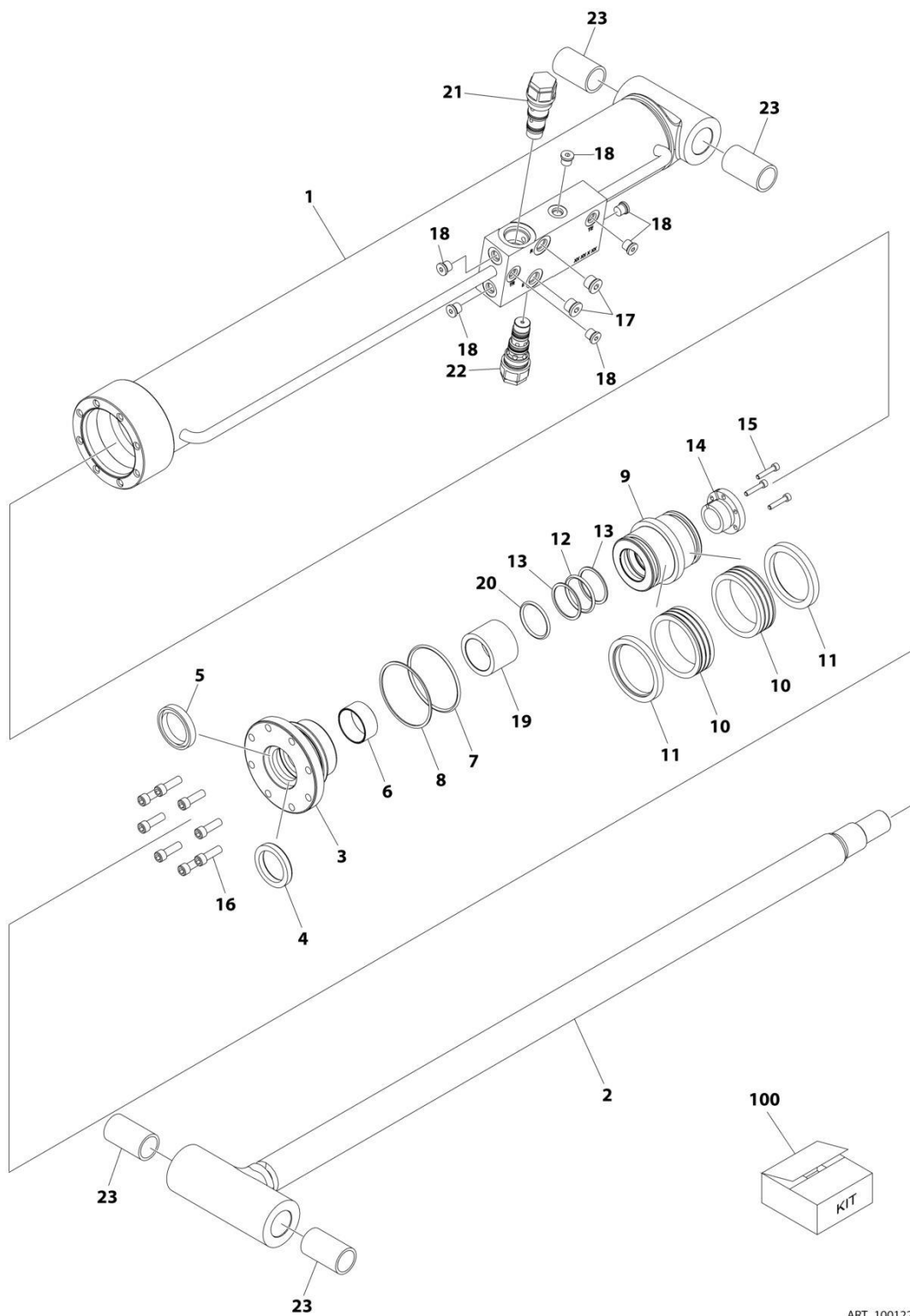
SECTION 6 - CYLINDER

FIGURE 6-2. LIFT CYLINDER ASSEMBLY - BOOM

ITEM	PART NUMBER	QTY	DESCRIPTION	REV
	1001272076	Ref	LIFT CYLINDER ASSEMBLY	A
		Ref	Note: Original Cylinder May Have Been Replaced with Service Replacement. Identify PN Stamped on Cylinder Before Ordering Parts.	
1	See Note	NSS	Barrel (Note: Use PN 1001272076)	
2	See Note	NSS	Rod (Note: Use PN 1001272076)	
4	70005572	1	Head	
5	70025580	1	Piston	
14	70026164	1	Lock	
16	70000699	1	Ring, Retaining	
21	70025582	1	Set Screw M10 x 20	
23	70007838	2	Bushing	
24	See Note	NSS	Valve Assembly (Note: Complete Assembly Not Available - Purchase Individual Components) (See Items 320-410)	
32	70006260	1	Spacer	
33	70005575	1	Ring, Retaining	
38	70007334	4	Capscrew M8 x 55	
50	70005563	1	Seal Kit - 1001272076 Cylinder (Includes Items 100-200)	
100	See Note	NSS	O-Ring (Note: Use Item 50)	
110	See Note	NSS	Ring, Back-Up (Note: Use Item 50)	
120	See Note	NSS	Ring, Wear (Note: Use Item 50)	
130	See Note	NSS	Seal (Note: Use Item 50)	
135	See Note	NSS	Ring, Wear (Note: Use Item 50)	
150	See Note	NSS	Wiper (Note: Use Item 50)	
175	See Note	NSS	O-Ring (Note: Use Item 50)	
180	See Note	NSS	O-Ring (Note: Use Item 50)	
185	See Note	NSS	O-Ring (Note: Use Item 50)	
190	See Note	NSS	Ring (Note: Use Item 50)	
200	See Note	NSS	Seal (Note: Use Item 50)	
320	70007341	1	Cartridge	
320	70004867	1	Seal Kit - 70007341 Valve	
330	70007342	1	Cartridge, Relief	
330	7024502	1	Seal Kit - 70007342 Valve	
340	70007343	1	Cartridge, Solenoid	
350	1001271454	1	Plug	
360	70007345	1	Cartridge, Solenoid	
360	7024503	1	Seal Kit - 70007345 Valve	
370	2221086	2	Fitting, Test	
380	70007323	1	Coil	
381	70006004	1	Coil	
390	70007346	2	Orifice	
400	70026973	6	Plug 1/8	
410	70007347	2	O-Ring	

SECTION 6 - CYLINDER

FIGURE 6-3. LIFT CYLINDER ASSEMBLY - JIB



ART_1001228013

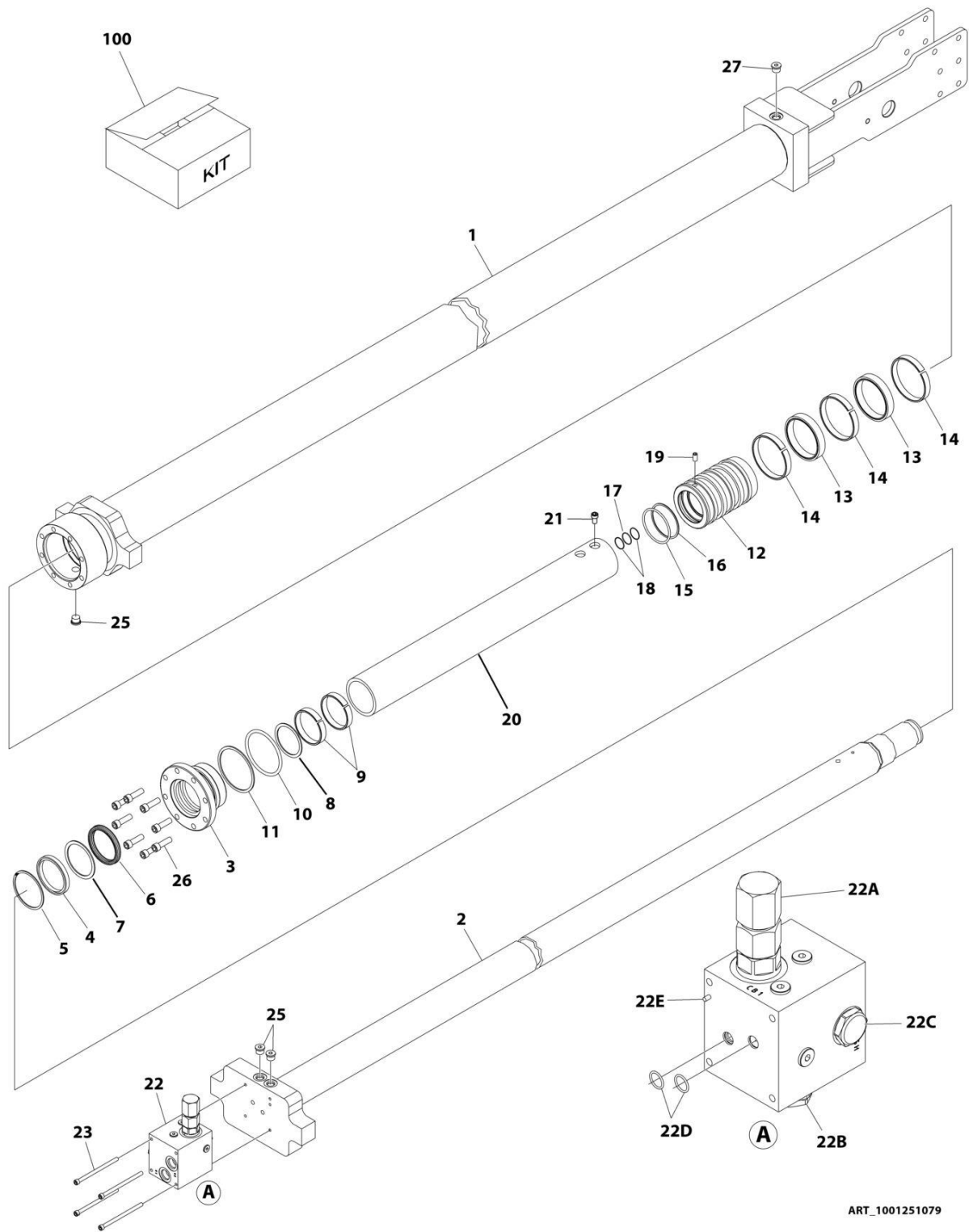
SECTION 6 - CYLINDER

FIGURE 6-3. LIFT CYLINDER ASSEMBLY - JIB

ITEM	PART NUMBER	QTY	DESCRIPTION	REV
	1001228013	Ref	LIFT CYLINDER ASSEMBLY	D
		Ref	Note: Original Cylinder May Have Been Replaced with Service Replacement. Identify PN Stamped on Cylinder Before Ordering Parts.	
1	See Note	NSS	Barrel (Note: Not Available for Purchase)	
2	70006734	1	Rod	
3	70006649	1	Head	
4	See Note	NSS	Wiper (Note: Use Item 100)	
5	See Note	NSS	Seal, Rod (Note: Use Item 100)	
6	See Note	NSS	Ring, Wear (Note: Use Item 100)	
7	See Note	NSS	O-Ring (Note: Use Item 100)	
8	See Note	NSS	Ring, Back-up (Note: Use Item 100)	
9	70006650	1	Piston	
10	See Note	NSS	Seal (Note: Use Item 100)	
11	See Note	NSS	Ring, Lock (Note: Use Item 100)	
12	See Note	NSS	O-Ring (Note: Use Item 100)	
13	See Note	NSS	Ring, Back-up (Note: Use Item 100)	
14	0961893	1	Bushing, Tapered	
15	0630534	3	Bolt #10-24NC x 1in	
16	70006735	8	Capscrew 5/16 x 1	
17	2220885	2	Plug, O-Ring #6	
18	2220883	6	Plug, O-Ring #4	
19	70006736	1	Spacer, Tube	
20	See Note	NSS	O-Ring (Note: Use Item 100)	
21	4640509	1	Cartridge, Valve	
21	2900792	1	Seal Kit - 4640509 Valve	
22	1001231963	1	Cartridge, Valve	
22	70004186	1	Seal Kit - 1001231963 Valve	
23	0962336	4	Bushing	
100	2901303	1	Seal Kit (Includes Items 4-8, 10-13 & 20)	

SECTION 6 - CYLINDER

FIGURE 6-4. TELESCOPE CYLINDER ASSEMBLY



ART_1001251079

SECTION 6 - CYLINDER

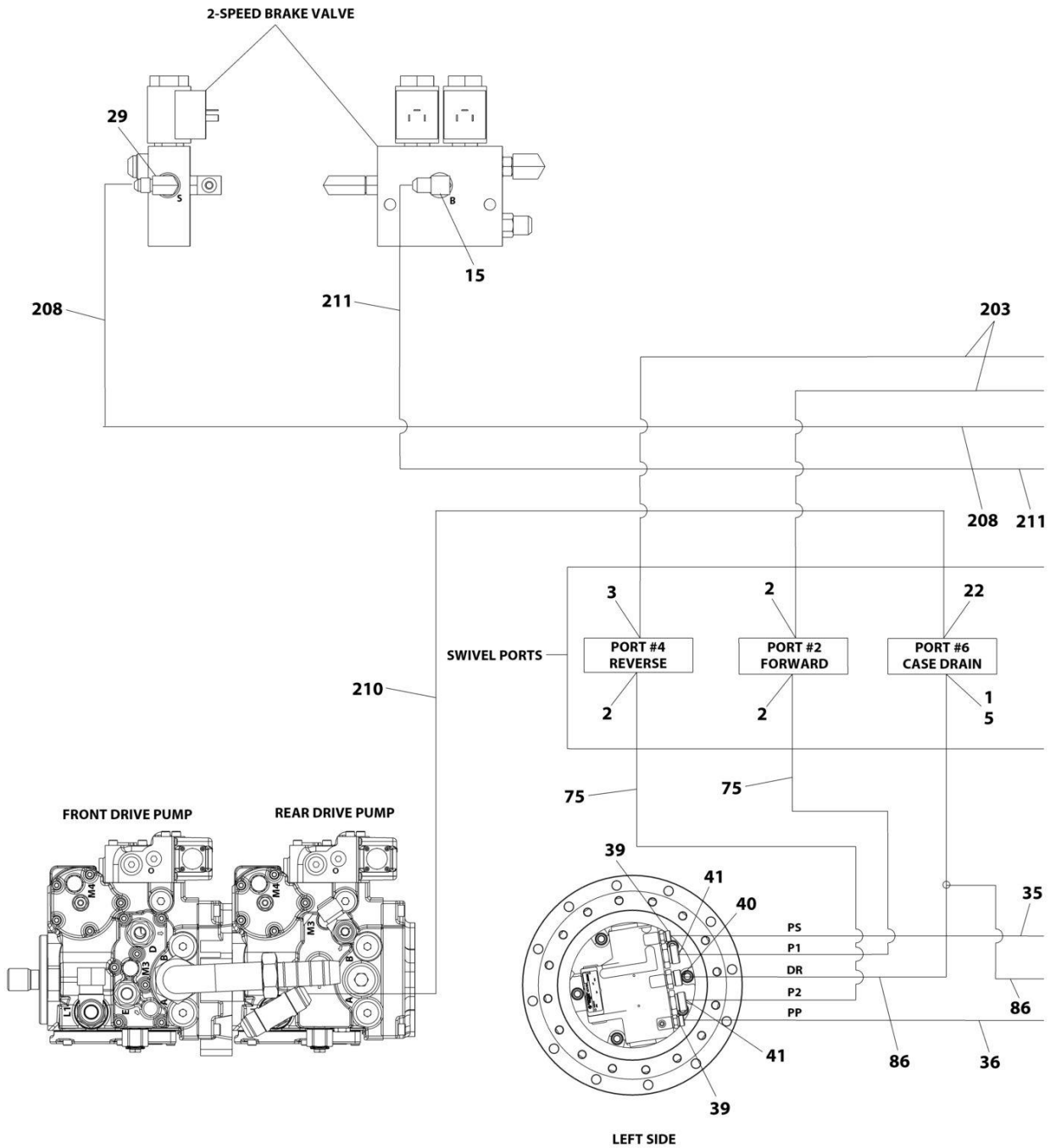
FIGURE 6-4. TELESCOPE CYLINDER ASSEMBLY

ITEM	PART NUMBER	QTY	DESCRIPTION	REV
	1001251079	Ref	TELESCOPE CYLINDER ASSEMBLY	B
	See Note	Ref	Note: Original Cylinder may have been replaced with Service Replacement. Identify PN Stamped on Cylinder Before Ordering Parts.	
1	See Note	NSS	Barrel (Note: Use PN 1001251079)	
2	70006978	1	Rod	
3	70006979	1	Head	
4	See Note	NSS	Wiper (Note: Use Item 100)	
5	70050795	1	Ring, Retaining	
6	See Note	NSS	Seal, Rod (Note: Use Item 100)	
7	See Note	NSS	Ring, Back-up (Note: Use Item 100)	
8	See Note	NSS	Ring, Buffer (Note: Use Item 100)	
9	See Note	NSS	Ring, Wear (Note: Use Item 100)	
10	See Note	NSS	O-Ring (Note: Use Item 100)	
11	See Note	NSS	Ring, Back-up (Note: Use Item 100)	
12	70006980	1	Piston	
13	See Note	NSS	Seal, Piston (Note: Use Item 100)	
14	See Note	NSS	Ring, Wear (Note: Use Item 100)	
15	See Note	NSS	O-Ring (Note: Use Item 100)	
16	See Note	NSS	Ring, Back-up (Note: Use Item 100)	
17	See Note	NSS	O-Ring (Note: Use Item 100)	
18	See Note	NSS	Ring, Back-up (Note: Use Item 100)	
19	70005839	1	Setscrew M8 x 12	
20	70006981	1	Spacer	
21	70006731	1	Bolt M8 x 12	
22	1001133245	1	Valve Assembly	
22A	70003926	1	Cartridge, Valve	
22A	70004186	1	Seal Kit - 70003926 Valve	
22B	70004155	1	Cartridge, Valve	
22B	70004186	1	Seal Kit - 70004155 Valve	
22C	70003928	1	Cartridge, Valve	
22C	70003929	1	Seal Kit - 70003928 Valve	
22D	70003982	2	Seal	
22E	70003930	1	Roll Pin	
23	70005595	4	Bolt M6 x 100	
25	2220885	3	Plug 9/16	
26	70006982	8	Bolt M10 x 45	
27	2220883	1	Plug 7/16	
100	70006983	1	Seal Kit - 1001251079 Cylinder (Includes Items 4, 6-11 & 13-18)	

SECTION 7 - HYDRAULIC

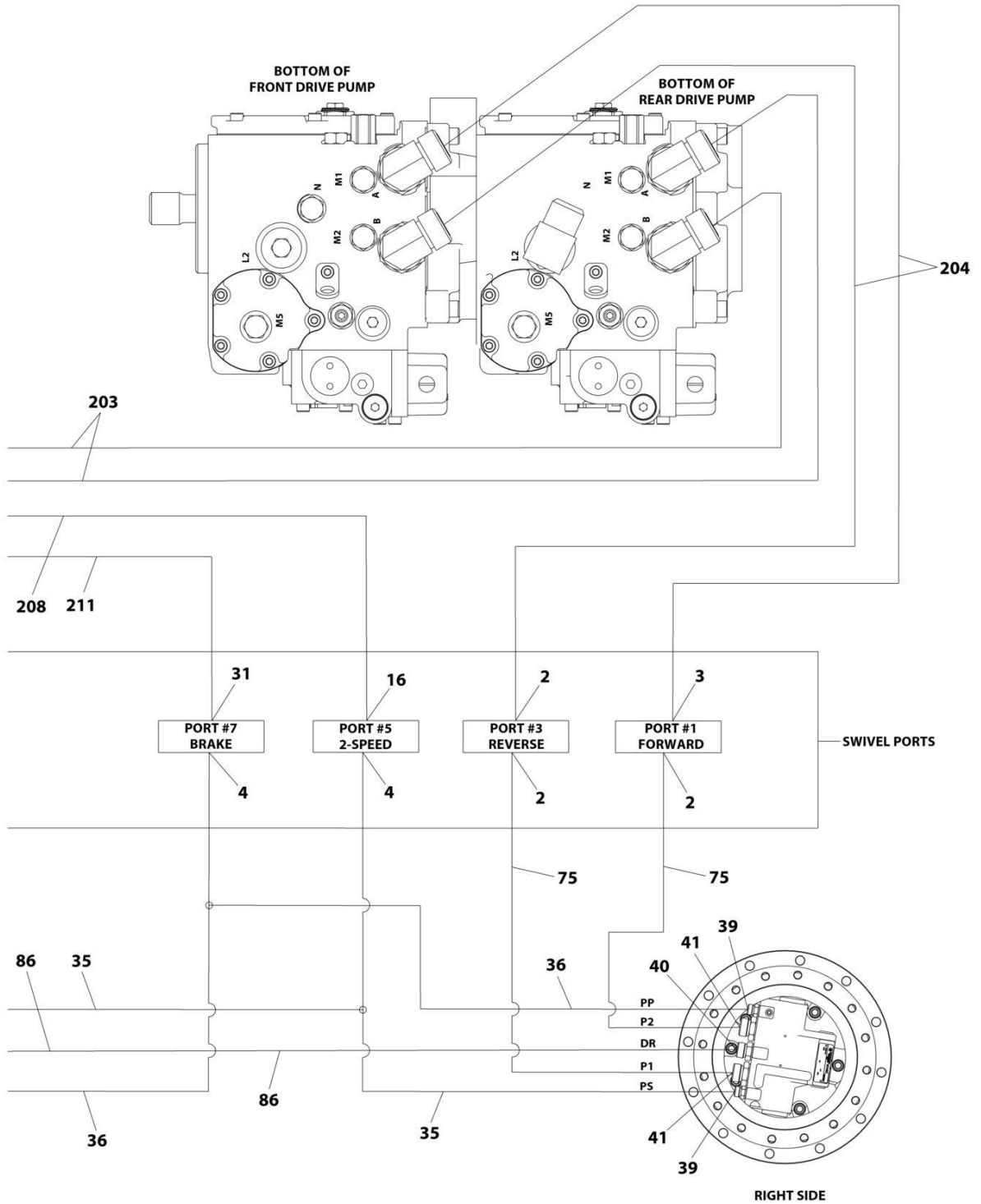
SECTION 7 - HYDRAULIC

FIGURE 7-1. STANDARD HYDRAULIC DIAGRAM



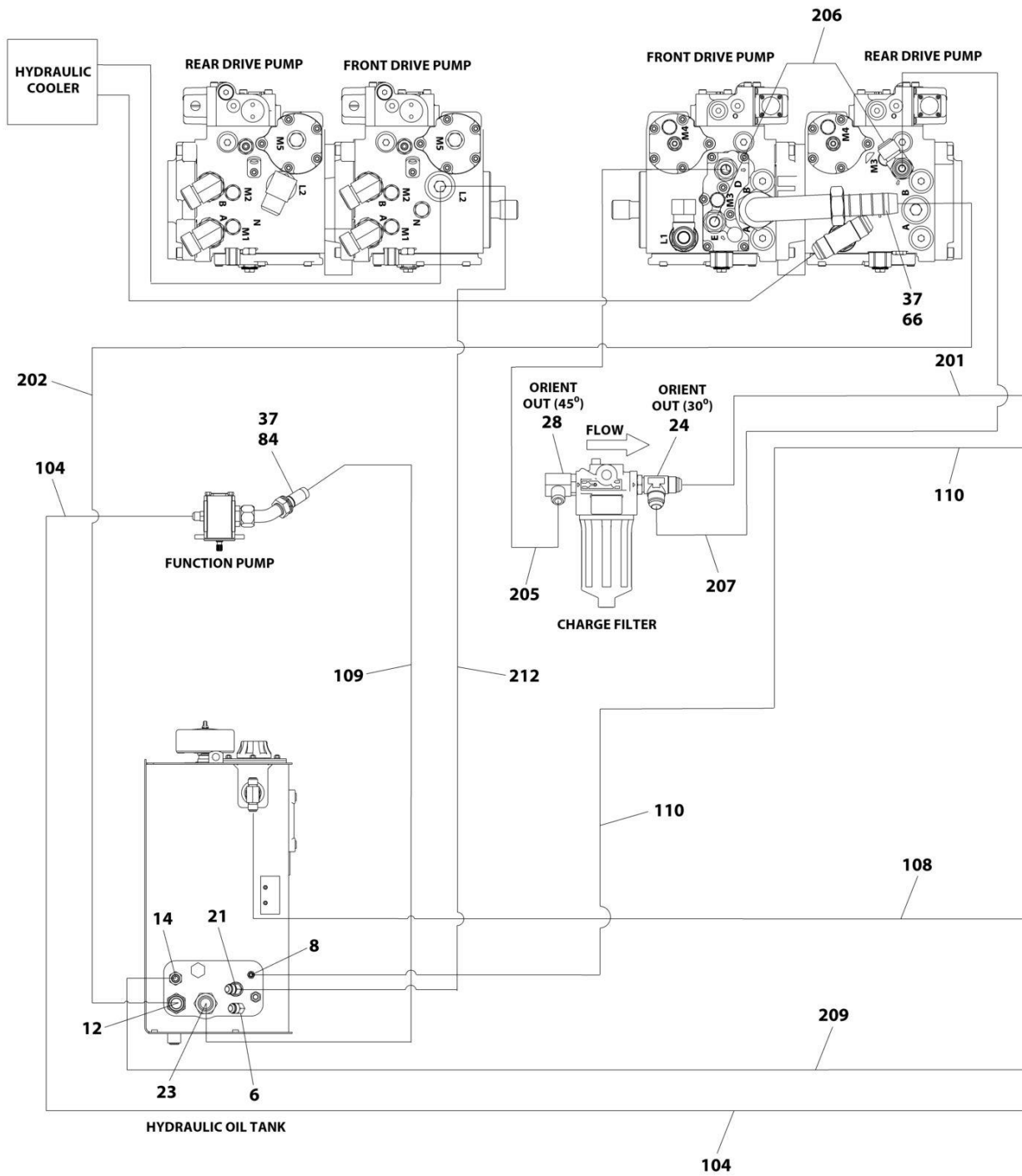
ART_1001234795_10F6

SECTION 7 - HYDRAULIC



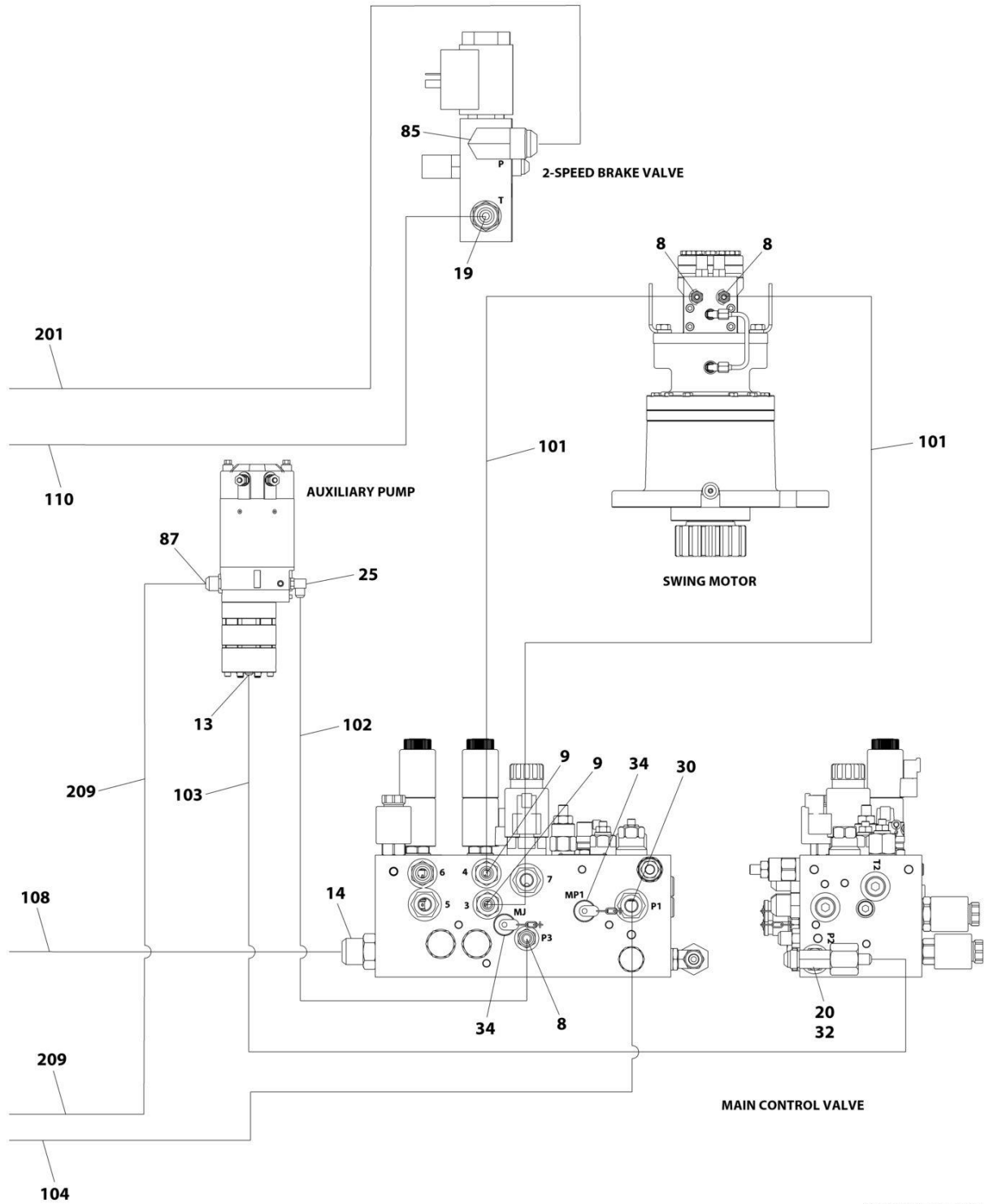
ART_1001234795_20F6

SECTION 7 - HYDRAULIC



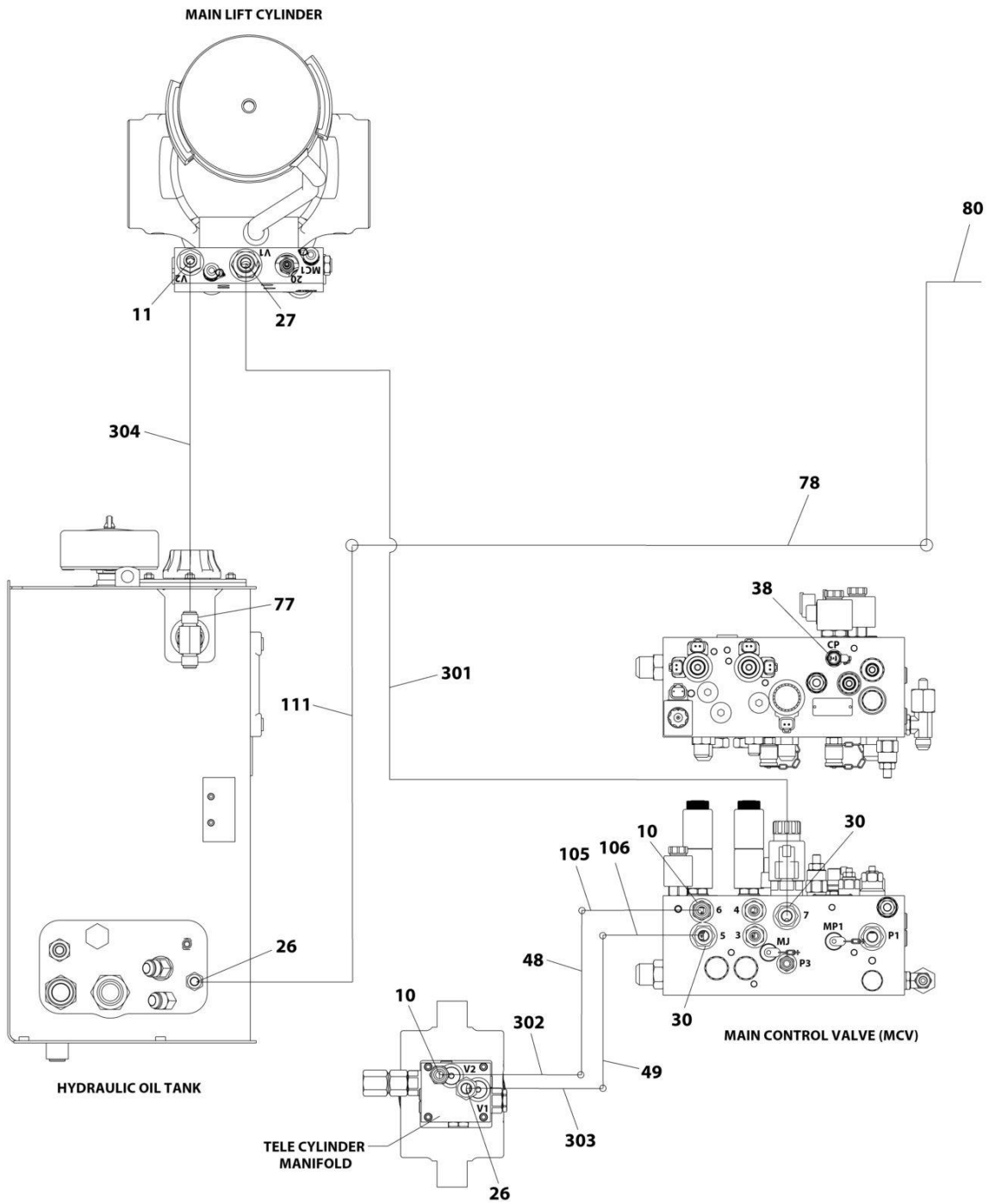
ART_1001234795_3OF6

SECTION 7 - HYDRAULIC



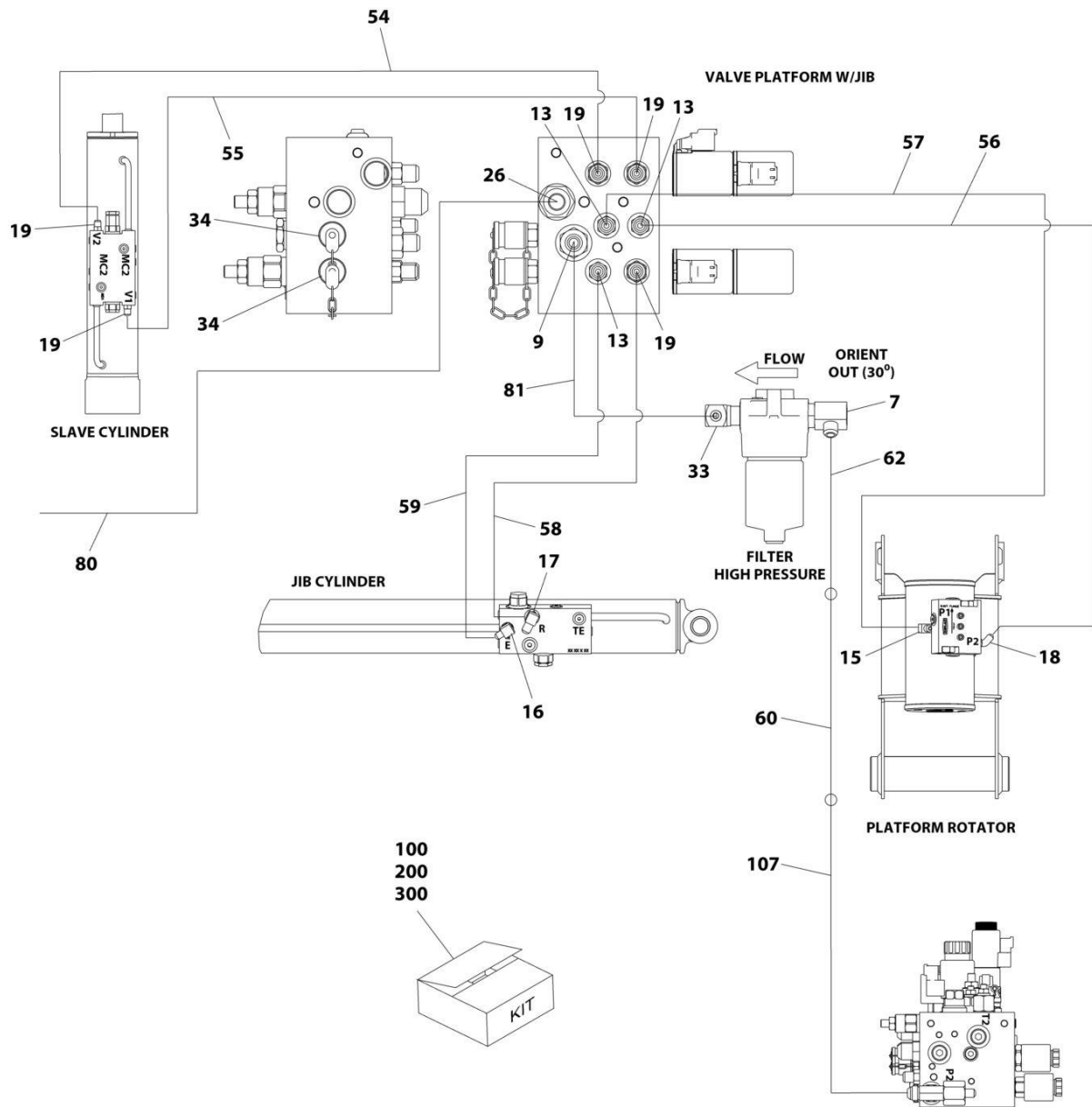
ART_1001234795_4OF6

SECTION 7 - HYDRAULIC



ART_1001234795_50F6

SECTION 7 - HYDRAULIC



ART_1001234795_60F6

SECTION 7 - HYDRAULIC

FIGURE 7-1. STANDARD HYDRAULIC DIAGRAM

ITEM	PART NUMBER	QTY	DESCRIPTION	REV
	1001234795	Ref	HYDRAULIC DIAGRAM	F
1	2110806	1	Fitting, Straight	
2	2111212	6	Fitting, Straight	
3	2170112	2	Fitting, Straight	
4	2170406	2	Fitting	
5	2170708	1	Fitting	
6	2221345	1	Fitting, 45	
7	2220366	1	Fitting, 90	
8	2220371	4	Fitting, Straight	
9	2220372	3	Fitting, Straight	
10	2220373	2	Fitting, Straight	
11	2220374	1	Fitting, Straight	
12	2220380	1	Fitting, Straight	
13	2220415	4	Fitting, Straight	
14	2220451	2	Fitting, Straight	
15	2220466	2	Fitting, 90	
16	2220472	2	Fitting, 90	
17	2220473	1	Fitting, 90	
18	2220502	1	Fitting, 45	
19	2220603	6	Fitting, Straight	
20	2220618	1	Fitting, Straight	
21	2220498	1	Fitting, 45	
22	2220726	1	Fitting, 90	
23	2220733	1	Fitting, Straight	
24	2220738	1	Fitting	
25	2220775	1	Fitting, 90	
26	2220852	3	Fitting, Straight	
27	2220865	1	Fitting, Straight	
28	2220906	1	Fitting, 90	
29	2220940	1	Fitting, Elbow	
30	2220947	3	Fitting, Straight	
31	2220998	1	Fitting, Straight	
32	2220999	1	Fitting	
33	2221048	1	Fitting, 90	
34	2221086	4	Fitting	
35	2753727	2	Hose	
36	2754472	2	Hose	
37	80633030	2	Clamp	
38	1001119455	1	Valve, Oil Sampling	
39	1001191362	4	Fitting, Straight	
40	1001191364	2	Fitting, Straight	
41	1001191365	4	Fitting, Straight	
48	1001192693	1	Pipe	
49	1001192694	1	Pipe	
54	1001193927	1	Hose	
55	1001193928	1	Hose	
56	1001193929	1	Hose	
57	1001193930	1	Hose	
58	1001269096	1	Hose	
59	1001269097	1	Hose	

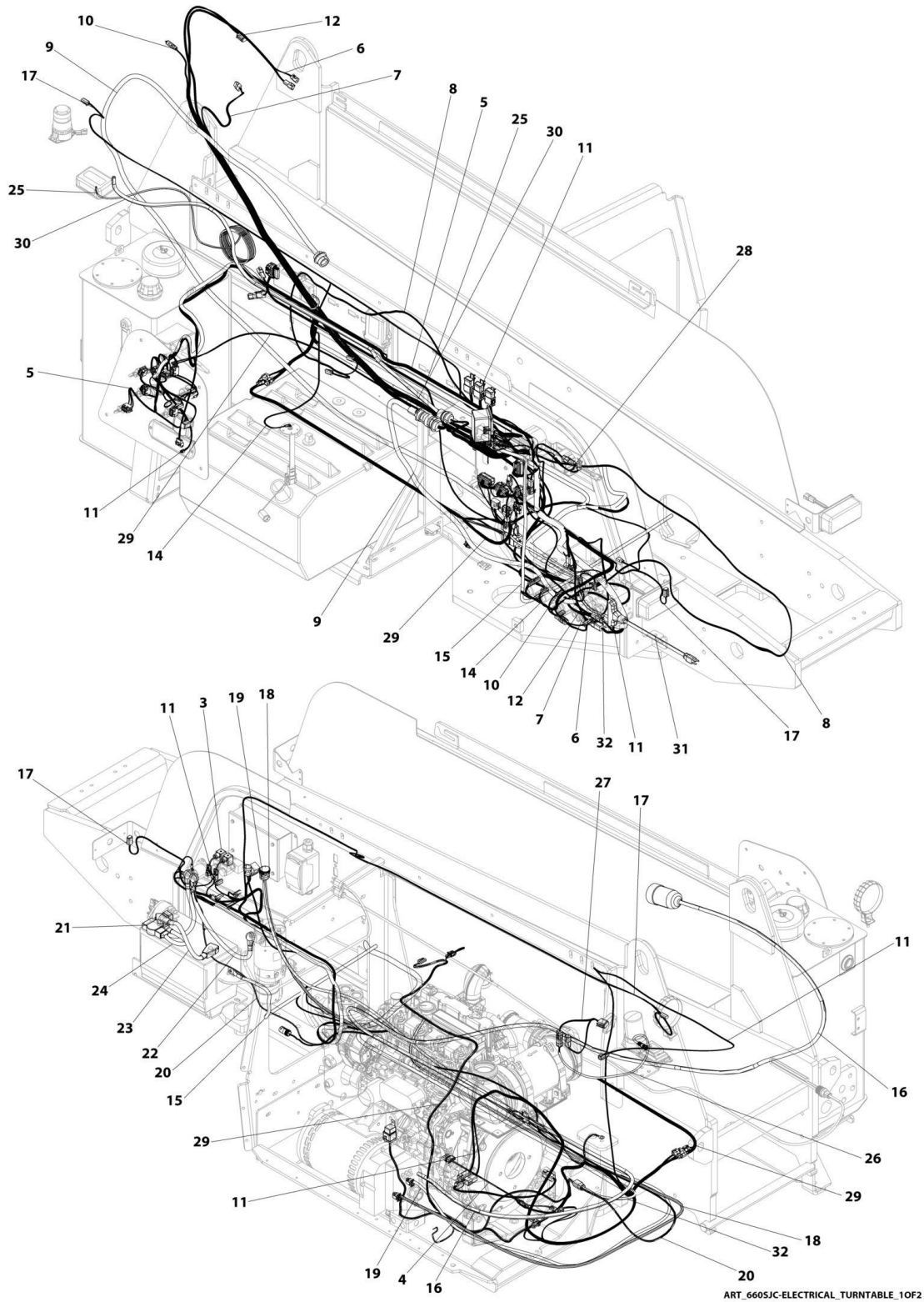
SECTION 7 - HYDRAULIC

ITEM	PART NUMBER	QTY	DESCRIPTION	REV
60	1001201255	1	Pipe	
62	1001203426	1	Hose	
66	1001205824	1	Fitting, 90	
75	1001213673	4	Hose	
77	1001214408	1	Fitting, Tee	
78	1001220903	1	Pipe	
80	1001221016	1	Hose	
81	1001222522	1	Hose	
84	1001230217	1	Fitting, 45	
85	1001232948	1	Fitting, 90	
86	1001233073	2	Hose	
87	2220408	1	Fitting, Straight	
100	1001269916	1	Hose Kit - Turntable (Tank Side)	
101	1001192651	2	Hose	
102	1001192654	1	Hose	
103	1001192655	1	Hose	
104	1001192679	1	Hose	
105	1001192695	1	Hose	
106	1001192698	1	Hose	
107	1001203424	1	Hose	
108	1001203430	1	Hose	
109	1001211283	1	Hose	
110	1001214149	1	Hose	
111	1001220912	1	Hose	
200	1001269917	1	Hose Kit - Turntable (Engine Side)	
201	1001192673	1	Hose	
202	1001203432	1	Hose	
203	1001211281	2	Hose	
204	1001211282	2	Hose	
205	1001211286	1	Hose	
206	1001211287	1	Hose	
207	1001211288	1	Hose	
208	1001211292	1	Hose	
209	1001274118	1	Hose	
210	1001229337	1	Hose	
211	1001234071	1	Hose	
212	1001235487	1	Hose	
300	1001269914	1	Hose Kit - Boom	
301	1001192641	1	Hose	
302	1001192696	1	Hose	
303	1001192699	1	Hose	
304	1001204645	1	Hose	

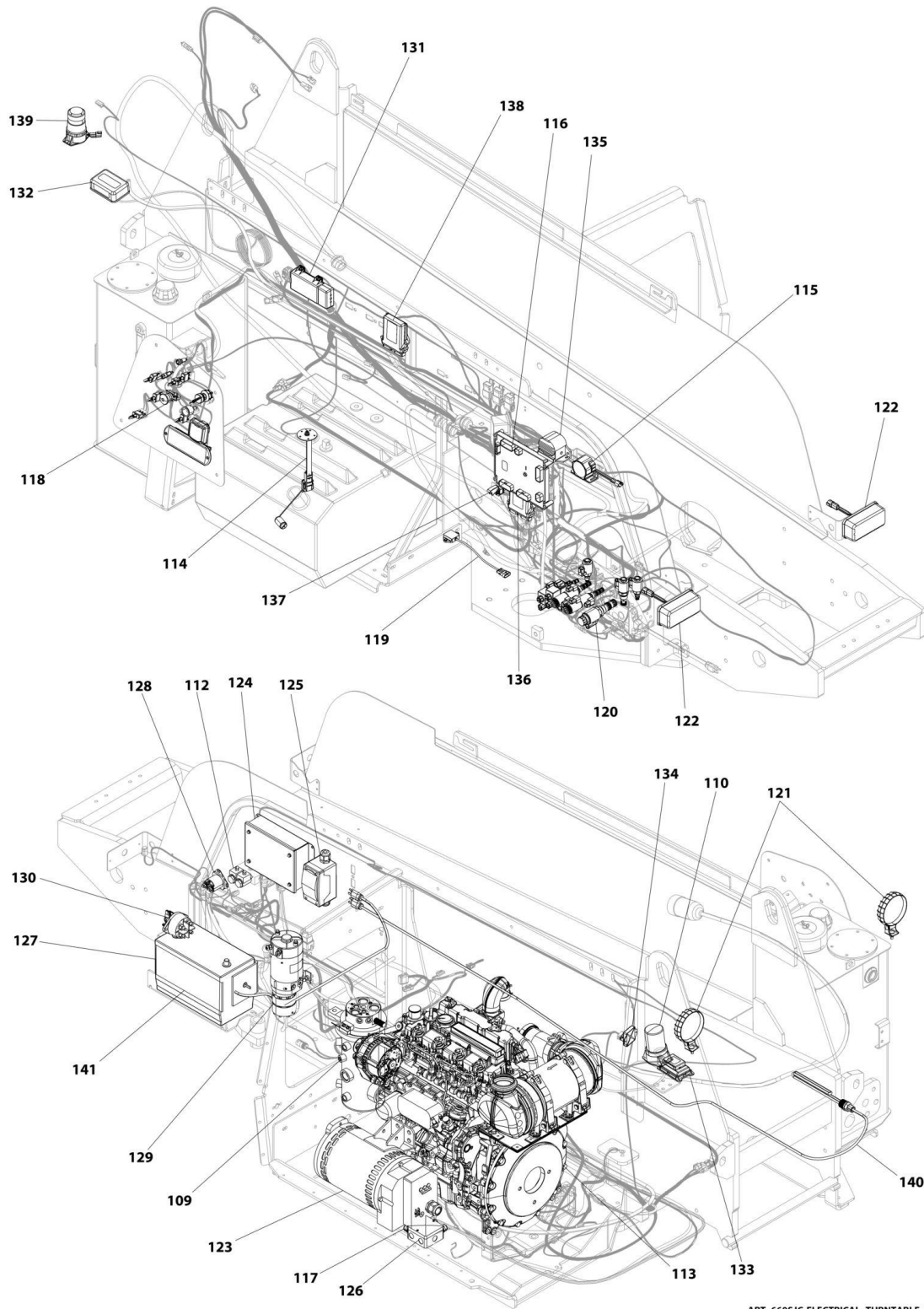
SECTION 8 - ELECTRICAL

SECTION 8 - ELECTRICAL

FIGURE 8-1. 660SJC ELECTRICAL LAYOUT

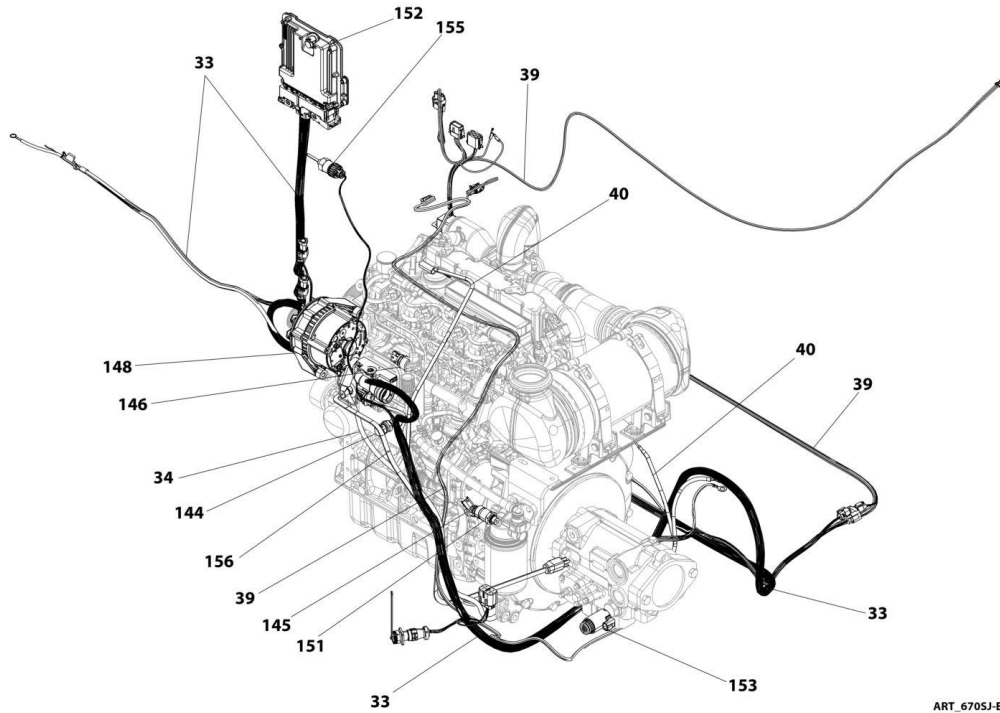
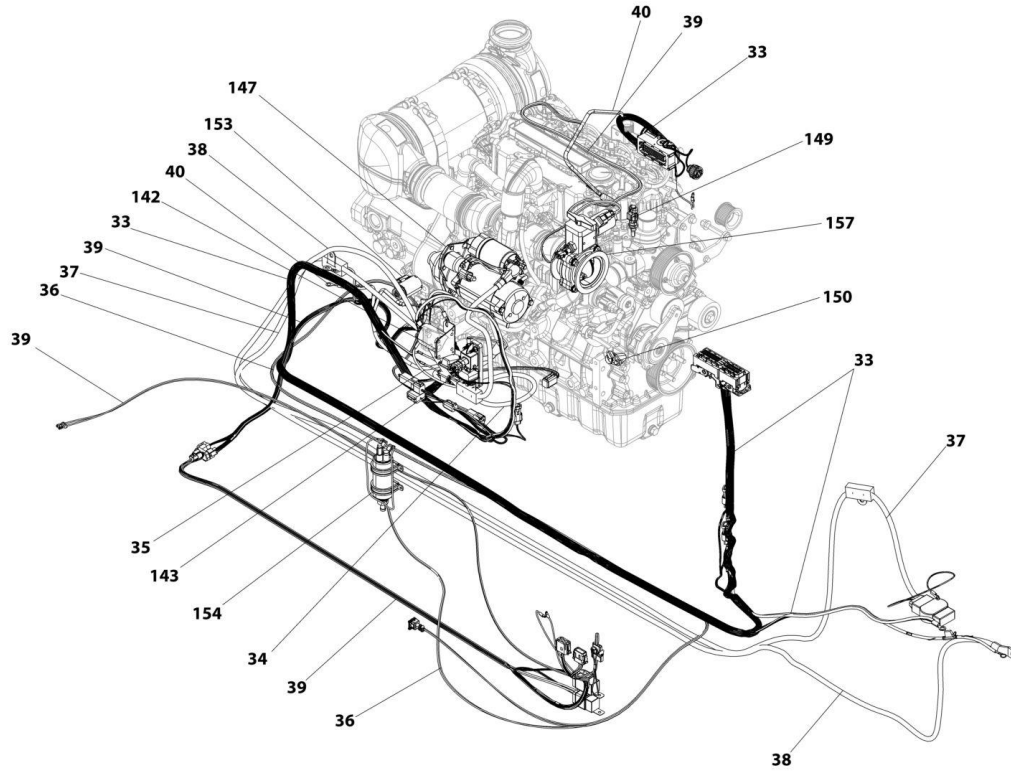


SECTION 8 - ELECTRICAL



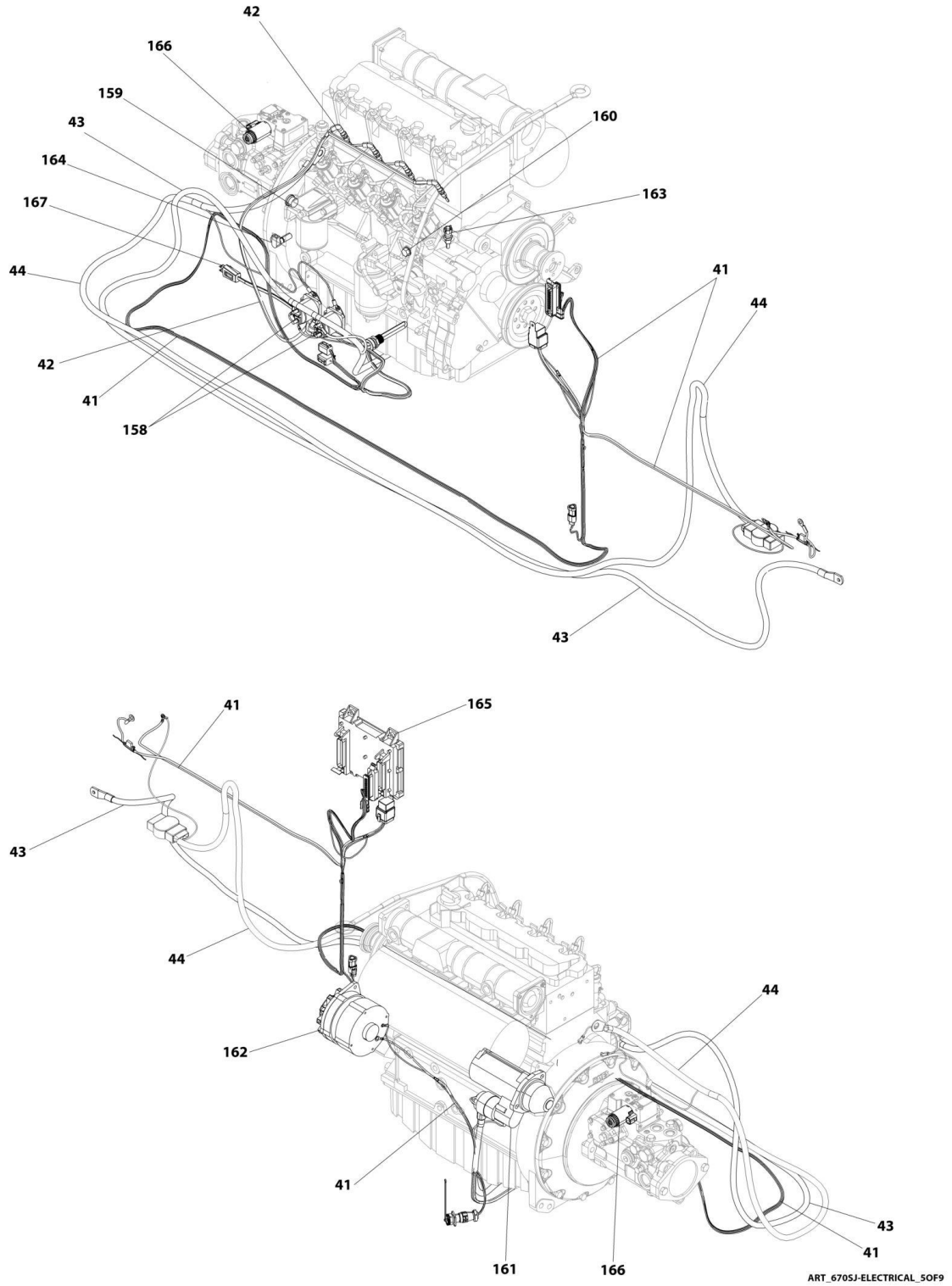
ART_660SJC-ELECTRICAL_TURNTABLE_20F2

SECTION 8 - ELECTRICAL

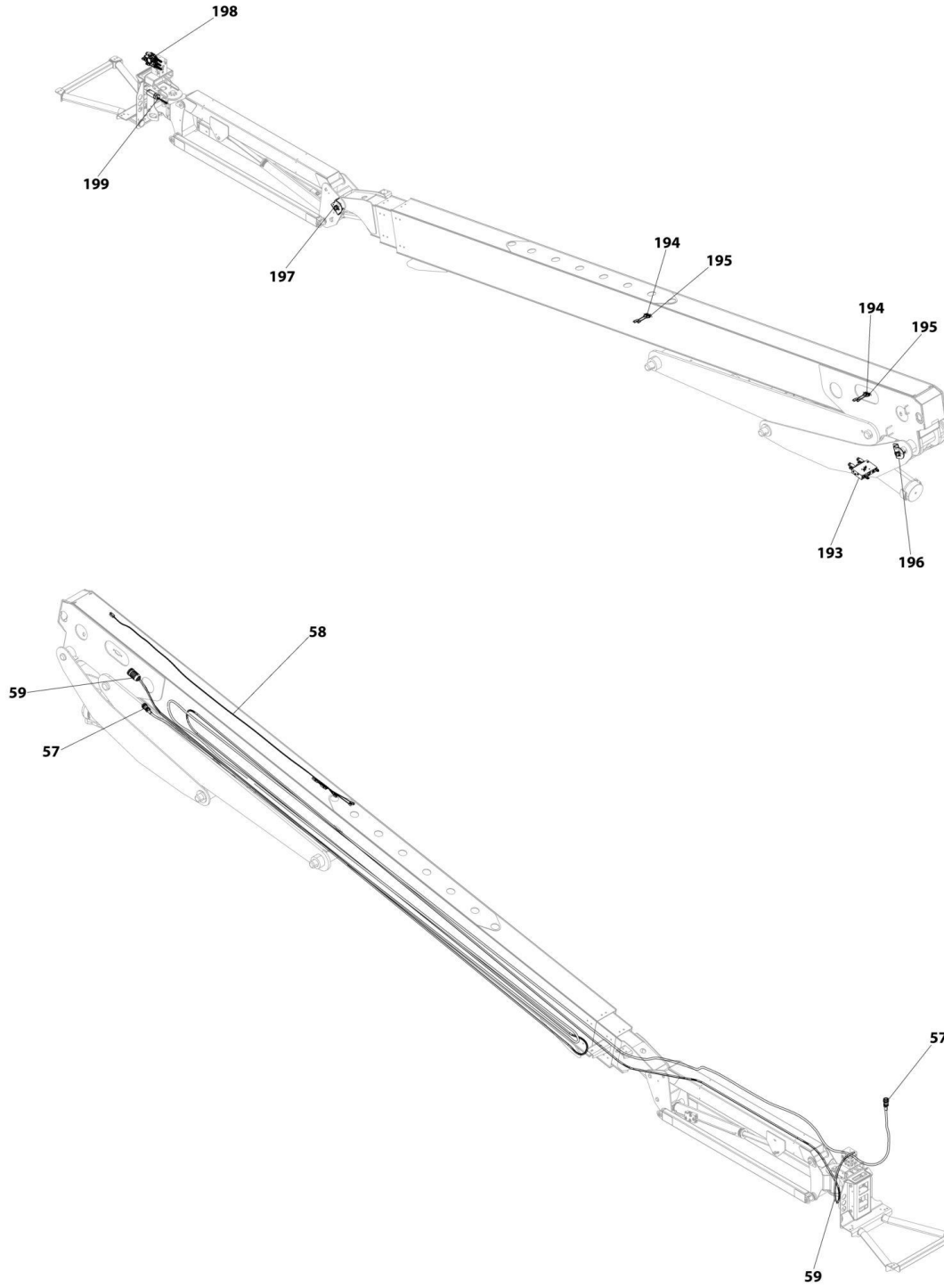


ART_6705J-ELECTRICAL_40F9

SECTION 8 - ELECTRICAL

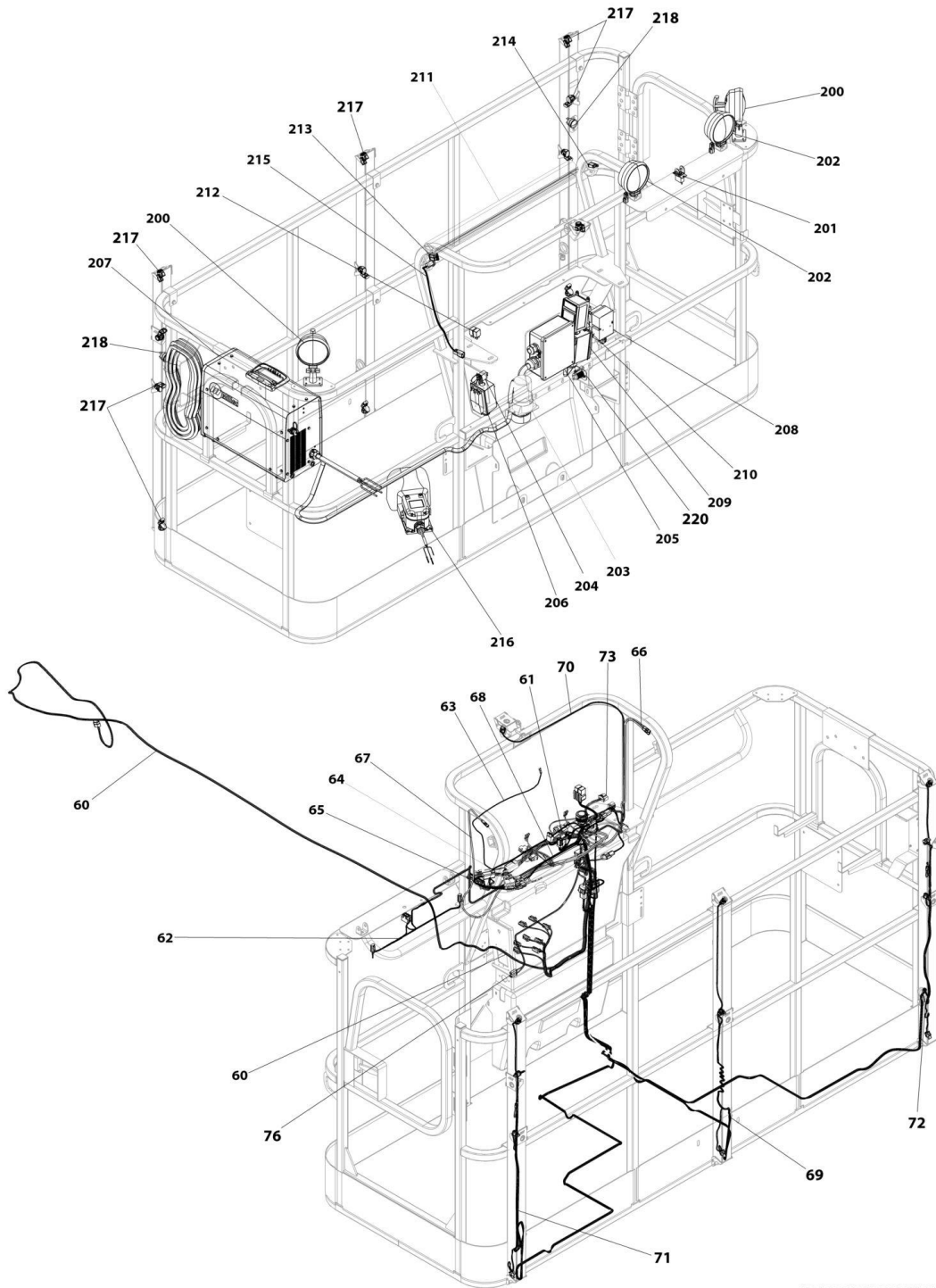


SECTION 8 - ELECTRICAL



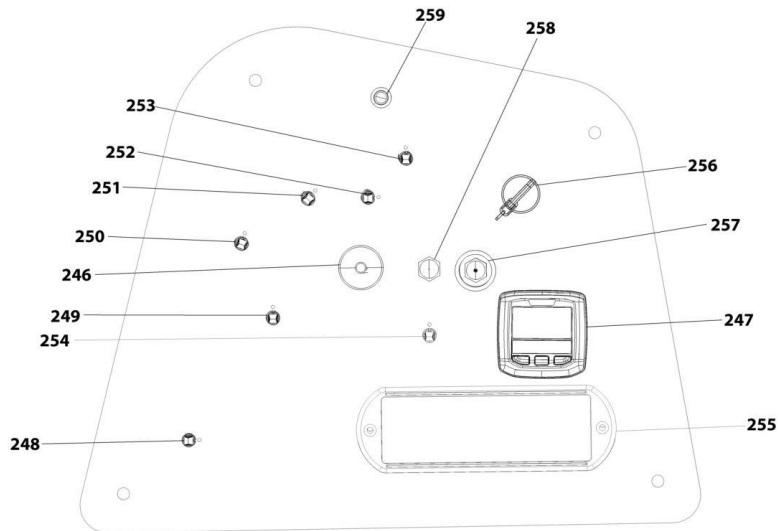
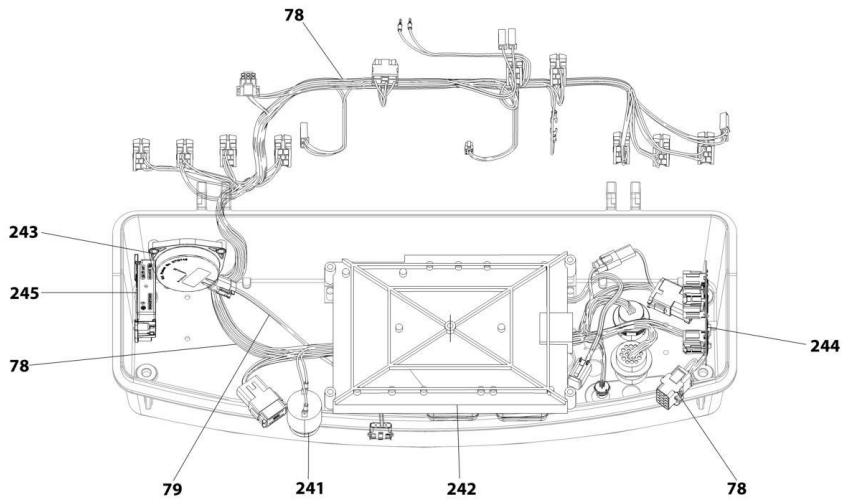
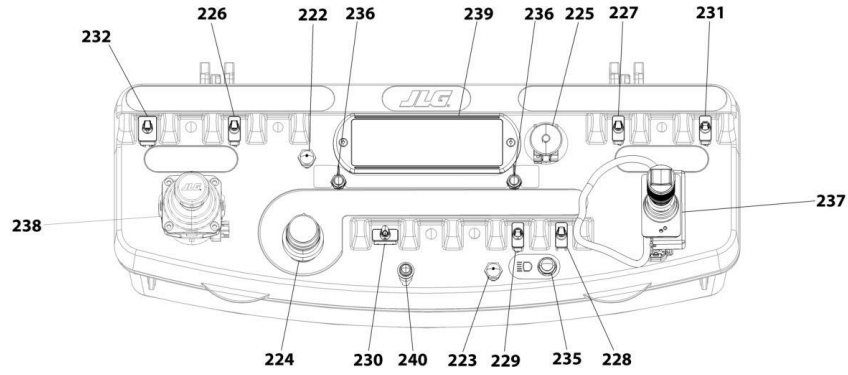
ART_6605J-ELECTRICAL_BOOM

SECTION 8 - ELECTRICAL



ART_660SJC-ELECTRICAL_PLATFORM

SECTION 8 - ELECTRICAL



ART_660SJC-ELECTRICAL_CONTROLS

SECTION 8 - ELECTRICAL

FIGURE 8-1. 660SJC ELECTRICAL LAYOUT

ITEM	PART NUMBER	QTY	DESCRIPTION	REV
		Ref	HARNESS LIST	
		Ref	Note: This figure is for part identification only.	
3		Ref	Harness, Can Field	
4		Ref	Harness, Left Drive	
5		Ref	Harness, Ground Control	
6		Ref	Harness, Tele Retract	
7		Ref	Harness, Boom Angle Sensor	
8		Ref	Harness, Lift Cylinder	
9		Ref	Cable, Boom (Lower)	
10		Ref	Harness, Boom Cable Service	
11		Ref	Harness, Turntable	
12		Ref	Harness, Capacity (Lower)	
14		Ref	Harness, Main Valve	
15		Ref	Harness, Ground Module	
16		Ref	Cable, AC Ground to Platform	
17		Ref	Harness, Head and Tail Light	
18		Ref	Harness, 7500W Generator	
19		Ref	Harness, 4000W Generator	
20		Ref	Harness, 2500W Generator	
21		Ref	Cable, Battery (+) to Aux Relay	
22		Ref	Cable, Aux Relay to Aux Pump	
23		Ref	Cable, Battery (+) to Disconnect	
24		Ref	Cable, Battery (-) to Disconnect	
25		Ref	Harness, Clearsky	
26		Ref	Harness, Telematics	
27		Ref	Harness, Xirgo Jumper	
28		Ref	Harness, White Noise Alarm	
29		Ref	Harness, ASOV	
30		Ref	Harness, Strobe Light Control	
31		Ref	3-Way Plug	
32		Ref	Cable, Extension	
33		Ref	Harness, Engine	
34		Ref	Harness, Alternator Power	
35		Ref	Harness, Glow Plug Fuse	
36		Ref	Harness, Fuel Pump	
37		Ref	Cable, Battery (-) to Aux Pump to Ground	
38		Ref	Cable, Battery (+) to Relay to Starter	
39		Ref	Harness, ASOV	
40		Ref	Breather Tube Heater	
41		Ref	Harness, Engine	
42		Ref	Harness, Glow Plug Fuse	
43		Ref	Cable, Battery (+) to Relay to Starter	
44		Ref	Cable, Battery (-) to Aux Pump to Ground	
57		Ref	Cable, Boom (Upper)	
58		Ref	Harness, Capacity (Upper)	
59		Ref	Cable, AC Ground to Platform	
60		Ref	Harness, Platform Valve	
61		Ref	Harness, Platform Work Light	
62		Ref	Harness, Platform Flood Light	
63		Ref	Harness, Platform Strobe Light	

SECTION 8 - ELECTRICAL

ITEM	PART NUMBER	QTY	DESCRIPTION	REV
64		Ref	Harness, SkyGuard	
65		Ref	Harness, SkyEye Intermediate	
66		Ref	Harness, SkyEye Receiver	
67		Ref	Harness, SkyEye Emitter	
68		Ref	Harness, SkyLine	
69		Ref	Harness, SkySense Mid Tube	
70		Ref	Harness SkySense Overhead Sensor	
71		Ref	Harness, SkySense Left Tube	
72		Ref	Harness, SkySense Right Tube	
73		Ref	Harness, SkySense Main	
76		Ref	Harness, USB	
78		Ref	Harness, Platform Console	
79		Ref	Harness, Tilt Sensor	
		Ref	COMPONENT LIST	
109		Ref	Rotary Coupling	
110		Ref	Light, Strobe (Amber)	
112		Ref	Solenoids, Axle Valve	
113		Ref	Engine	
114		Ref	Sensor, Fuel Level	
115		Ref	Alarm	
116		Ref	Module, Ground Control	
117		Ref	Light, Generator	
118		Ref	Ground Control Panel	
119		Ref	Sensor, Tilt	
120		Ref	Solenoids, Main Control Valve	
121		Ref	Headlight	
122		Ref	Taillight	
123		Ref	Generator	
124		Ref	Box, Generator Control	
125		Ref	AC Breaker Box	
126		Ref	Generator Junction Box	
127		Ref	Battery	
128		Ref	Relay	
129		Ref	Auxiliary Pump/Motor	
130		Ref	Switch, Battery Disconnect	
131		Ref	Module, ClearSky Telematics CANBUS	
132		Ref	Antenna, ClearSky Telematics	
133		Ref	Module, ClearSky Telematics 3-Wire	
134		Ref	Voltage Regulator, ClearSky Telematics	
135		Ref	Alarm, White Noise	
136		Ref	Module, ASOV Control	
137		Ref	Switch, ASOV	
138		Ref	Module, Strobe Control	
139		Ref	Light, Strobe	
140		Ref	Heater, Immersion	
141		Ref	Heater, Battery	
142		Ref	Contactactor	
143		Ref	Relay	
144		Ref	Sensor, Oil Pressure	
145		Ref	Sensor, Speed	
146		Ref	Sensor, Fuel Rail Pressure	

SECTION 8 - ELECTRICAL

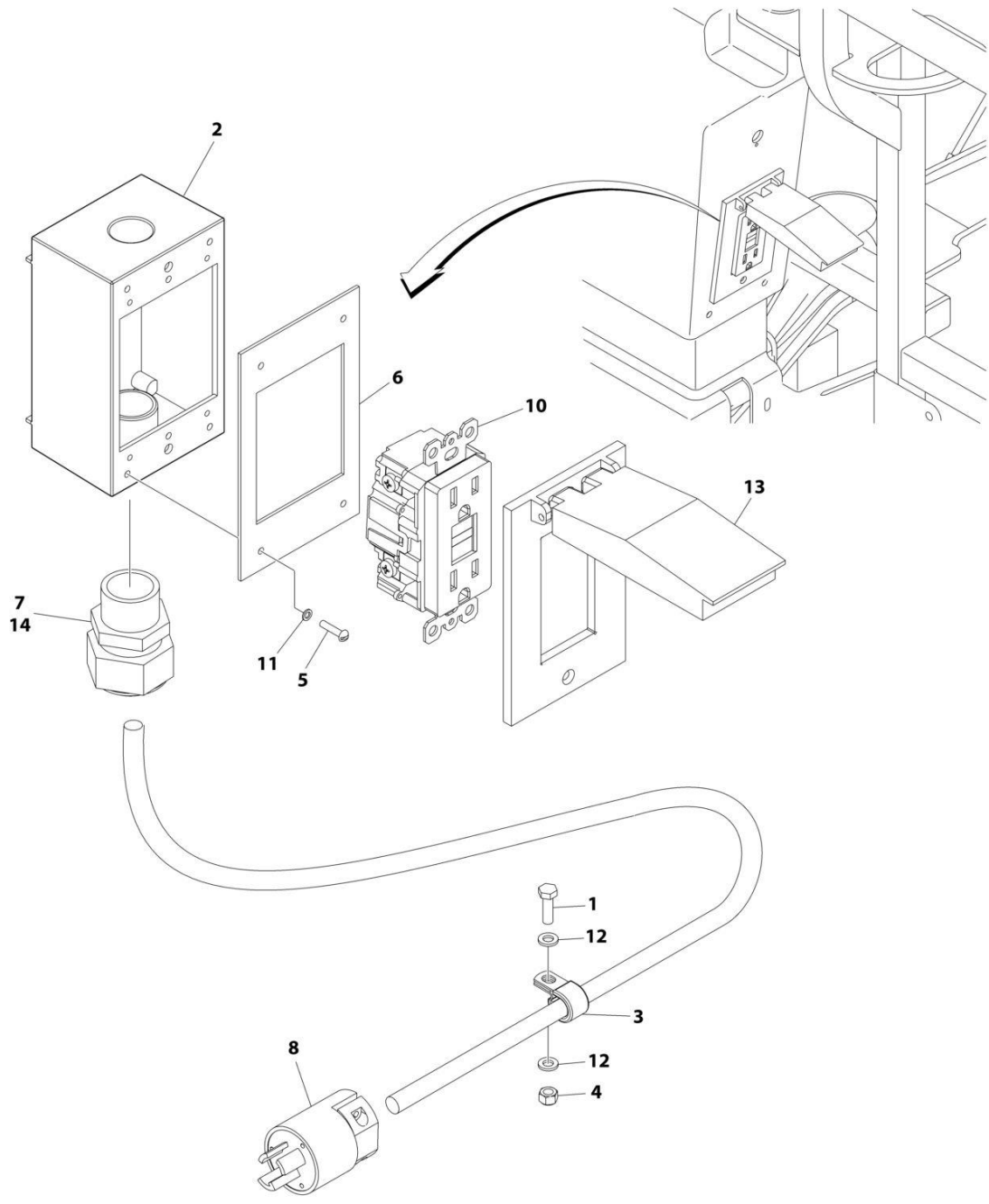
ITEM	PART NUMBER	QTY	DESCRIPTION	REV
147		Ref	Starter	
148		Ref	Alternator	
149		Ref	Engine Coolant Temperature Sensor	
150		Ref	Sensor, Speed	
151		Ref	Sensor, Fuel Pressure	
152		Ref	Module, Engine Control	
153		Ref	Solenoids, Piston Pump	
154		Ref	Fuel Pump	
155		Ref	Sensor, Coolant Level	
156		Ref	Heater, Engine Block	
157		Ref	Air Shut Off Valve (ASOV)	
158		Ref	Relay	
159		Ref	Sensor, Temperature	
160		Ref	Sensor, Oil Pressure	
161		Ref	Starter	
162		Ref	Alternator	
163		Ref	Engine Coolant Temperature Sensor	
164		Ref	Sensor, Speed	
165		Ref	Module, Engine Control	
166		Ref	Solenoids, Gear Pump	
167		Ref	Heater, Engine Block	
193		Ref	Solenoid, Lift Cylinder	
194		Ref	Sensor, Proximity	
195		Ref	Sensor, Proximity	
196		Ref	Sensor, Lower Angle	
197		Ref	Sensor, Upper Angle	
198		Ref	Solenoids, Platform Valve	
199		Ref	Cell, Load Sensing	
200		Ref	Platform Work Light	
201		Ref	Switch, Platform Flood Light	
202		Ref	Platform Flood Light	
203		Ref	Light, Platform Strobe	
204		Ref	Switch, Generator	
205		Ref	Junction Box	
206		Ref	AC Receptacle	
207		Ref	Welding Machine	
208		Ref	AC Receptacle	
209		Ref	AC Receptacle	
210		Ref	AC Receptacle/Breaker Box	
211		Ref	Switch, SkyGuard	
212		Ref	Relay	
213		Ref	Sensor, SkyEye Receiver	
214		Ref	Sensor, SkyEye Emitter	
215		Ref	Sensor, SkyLine Proximity	
216		Ref	Footswitch	
217		Ref	Sensor, SkySense	
218		Ref	Alarm	
220		Ref	USB Receptacle	
222		Ref	Switch, Horn	
223		Ref	Switch, Soft Touch/SkyGuard/SkySense Override	
224		Ref	Switch, Function Speed Control	

SECTION 8 - ELECTRICAL

ITEM	PART NUMBER	QTY	DESCRIPTION	REV
225		Ref	Switch, Power/Emergency Stop	
226		Ref	Switch, Platform Leveling Override	
227		Ref	Switch, Start/Auxilliary Power	
228		Ref	Switch, Boom Telescope	
229		Ref	Switch, Jib Up/Down	
230		Ref	Switch, Platform Rotate	
231		Ref	Switch, Drive Orientation Override	
232		Ref	Switch, Drive Speed/ Torque Select	
235		Ref	Switch, Lights	
236		Ref	Light, SkySense Indicator	
237		Ref	Controller, Drive/Steer	
238		Ref	Controller, Main Lift/Swing	
239		Ref	Display, Platform	
240		Ref	Light, Soft Touch/SkyGuard/SkySense Indicator	
241		Ref	Alarm	
242		Ref	Module, Platform	
243		Ref	Sensor, Tilt	
244		Ref	Module, SkySense Control	
245		Ref	Module, SkySense Sensor	
246		Ref	Switch, Emergency Stop	
247		Ref	Display, Ground	
248		Ref	Switch, Turntable Swing	
249		Ref	Switch, Boom Lift	
250		Ref	Switch, Boom Telescope	
251		Ref	Switch, Jib Up/Down	
252		Ref	Switch, Platform Rotate	
253		Ref	Switch, Platform Leveling Override	
254		Ref	Switch, Engine Start/ Auxiliary Power	
255		Ref	Indicator Panel	
256		Ref	Switch, Key	
257		Ref	Switch, Machine Safety System Override (MSSO)	
258		Ref	Switch, Diesel Particulate Filter (DPF)	
259		Ref	Light, ASOV	

SECTION 8 - ELECTRICAL

FIGURE 8-2. AC BOX AT PLATFORM INSTALLATION -110V (ALL SPECS EXCEPT AUSTRALIAN, CE & UK CA SPECS)



ART_1001190773

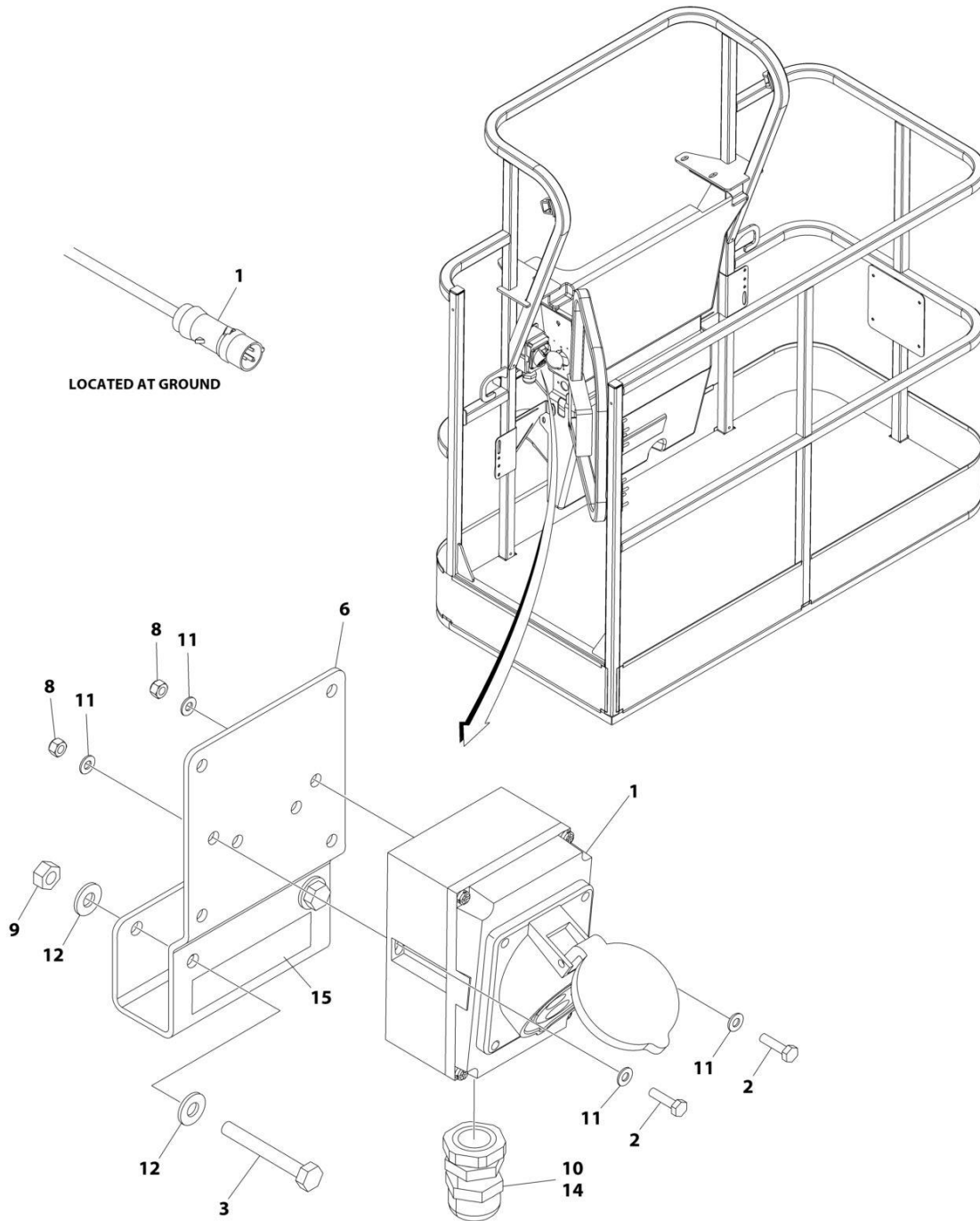
SECTION 8 - ELECTRICAL

FIGURE 8-2. AC BOX AT PLATFORM INSTALLATION -110V (ALL SPECS EXCEPT AUSTRALIAN, CE & UK CA SPECS)

ITEM	PART NUMBER	QTY	DESCRIPTION	REV
	1001190773	Ref	AC BOX AT PLATFORM INSTALLATION	C
1	0760610	1	Bolt M6 x 20	
2	0860038	1	Box, Switch	
3	1320041	1	Clamp	
4	3290605	1	Nut M6	
5	3910610	4	Screw #6 x 5/8	
6	3960422	1	Gasket	
7	4460071	1	Connector, Strain Relief	
8	4460205	1	Plug, Male	
9	4460315	1	Terminal, Spade (Not Shown)	
10	4460346	1	Receptacle	
11	4760600	4	Washer #6	
12	4811700	2	Washer M6	
13	1001110873	1	Shield, Cover	
14	0100079	AR	Sealant	

SECTION 8 - ELECTRICAL

FIGURE 8-3. AC BOX AT PLATFORM INSTALLATION - 110V IEC YELLOW (CE & UK CA SPECS WITHOUT 4000W/50HZ GENERATOR)



ART_1001190493

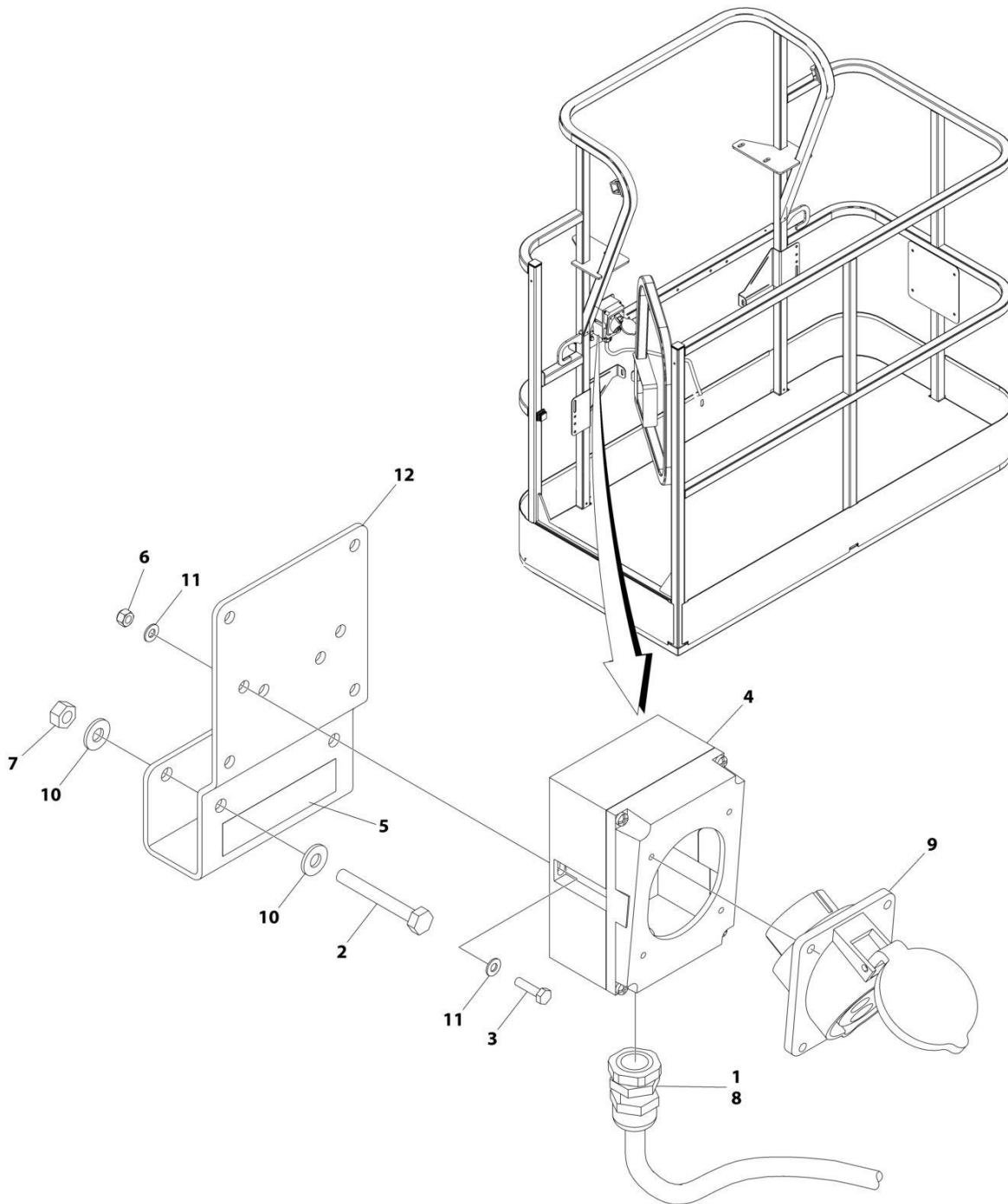
SECTION 8 - ELECTRICAL

FIGURE 8-3. AC BOX AT PLATFORM INSTALLATION - 110V IEC YELLOW (CE & UK CA SPECS WITHOUT 4000W/50HZ GENERATOR)

ITEM	PART NUMBER	QTY	DESCRIPTION	REV
	1001190493	Ref	AC BOX AT PLATFORM INSTALLATION	C
1	0275216	1	Receptacle Box Kit - 110V IEC Yellow (See Separate Breakdown in this Section)	
2	0700408	2	Bolt M4 x 16	
3	0700618	2	Bolt M6 x 50	
6	1001193018	1	Bracket	
8	3290405	2	Nut M4	
9	3290605	2	Nut M6	
10	4460968	1	Connector, Strain Relief	
11	4811400	4	Washer M4	
12	4811700	4	Washer M6	
14	0100079	AR	Sealant	
15	1705325	1	Decal - 110V	

SECTION 8 - ELECTRICAL

FIGURE 8-4. AC BOX AT PLATFORM INSTALLATION - 110V IEC YELLOW (CE & UK CA SPECS WITH 4000W/50HZ GENERATOR)



ART_1001194203

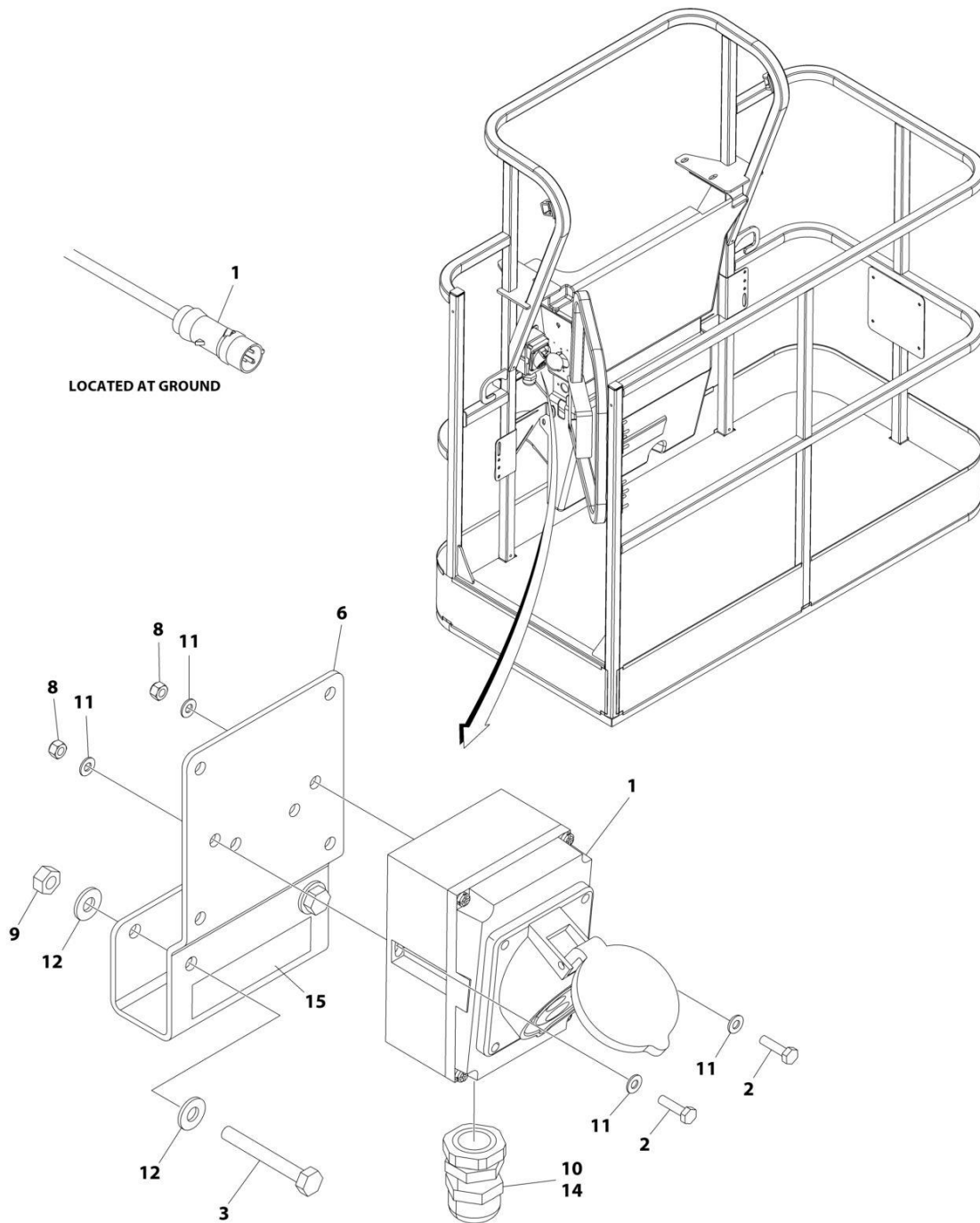
SECTION 8 - ELECTRICAL

FIGURE 8-4. AC BOX AT PLATFORM INSTALLATION - 110V IEC YELLOW (CE & UK CA SPECS WITH 4000W/50HZ GENERATOR)

ITEM	PART NUMBER	QTY	DESCRIPTION	REV
	1001194203	Ref	AC BOX AT PLATFORM INSTALLATION	B
1	0100020	AR	Sealant, Pipe	
2	0641416	2	Bolt 1/4 x 2	
3	0700408	2	Bolt M4 x 16	
4	0861781	1	Box, Switch	
5	1705325	1	Decal - 110V	
6	3290405	2	Nut M4	
7	3311405	2	Nut 1/4	
8	4460968	1	Connector, Strain Relief	
9	4461198	1	Receptacle	
10	4711400	4	Washer 1/4	
11	4811400	4	Washer M4	
12	1001193018	1	Bracket, AC Receptacle	

SECTION 8 - ELECTRICAL

FIGURE 8-5. AC BOX AT PLATFORM INSTALLATION - 220V IEC BLUE (CE & UK CA SPECS WITHOUT 4000W/50HZ GENERATOR)



ART_1001190495

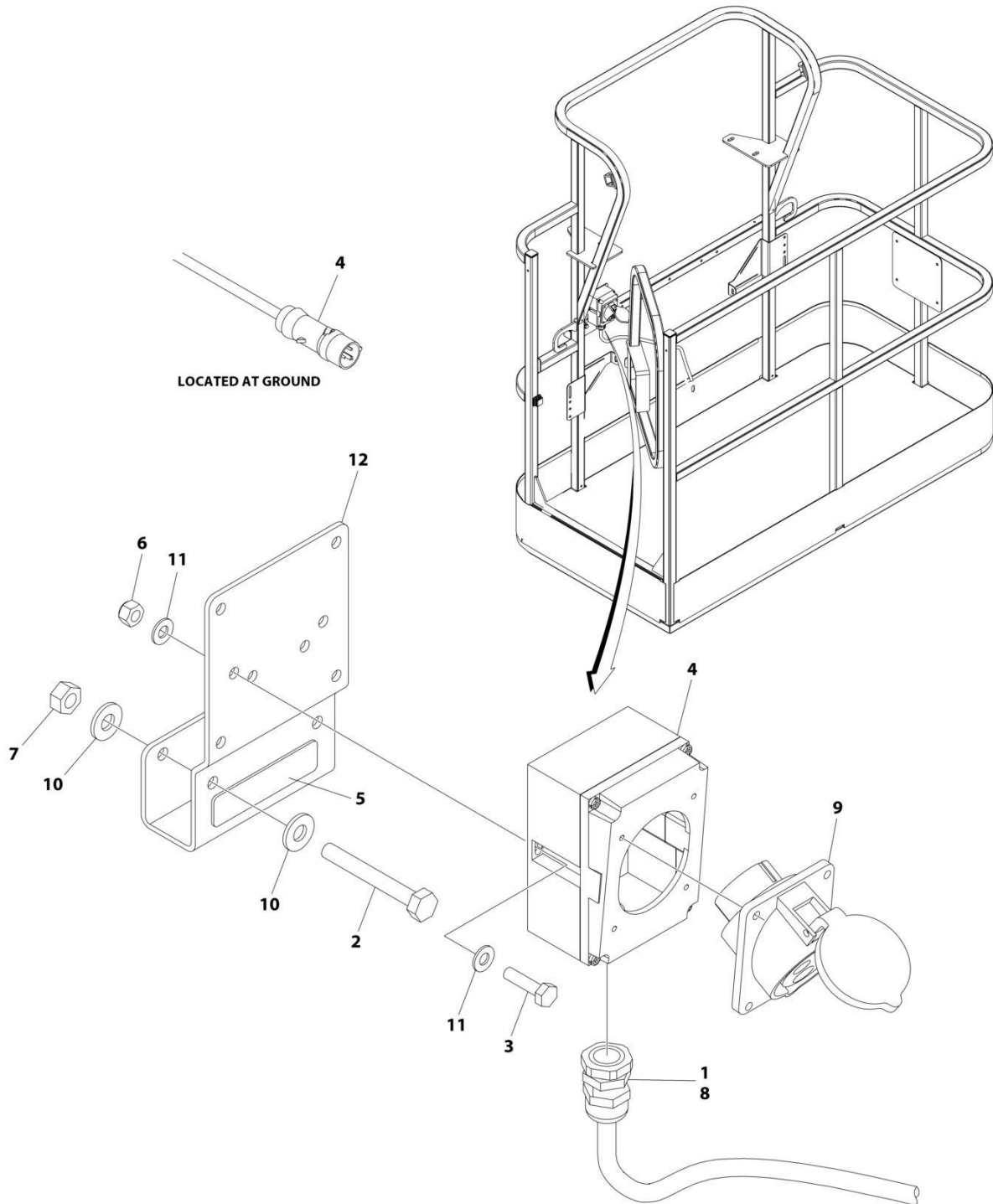
SECTION 8 - ELECTRICAL

FIGURE 8-5. AC BOX AT PLATFORM INSTALLATION - 220V IEC BLUE (CE & UK CA SPECS WITHOUT 4000W/50HZ GENERATOR)

ITEM	PART NUMBER	QTY	DESCRIPTION	REV
	1001190495	Ref	AC BOX AT PLATFORM INSTALLATION	C
1	0275217	1	Receptacle Box Kit - 220V IEC Blue (See Separate Breakdown in this Section)	
2	0700408	2	Bolt M4 x 16	
3	0700618	2	Bolt M6 x 50	
6	1001193018	1	Bracket	
8	3290405	2	Nut M4	
9	3290605	2	Nut M6	
10	4460968	1	Connector, Strain Relief	
11	4811400	4	Washer M4	
12	4811700	4	Washer M6	
14	0100079	AR	Sealant	
15	3252507	1	Decal - 220 Volt	

SECTION 8 - ELECTRICAL

FIGURE 8-6. AC BOX AT PLATFORM INSTALLATION - 220V IEC BLUE (CE & UK CA SPECS WITH 4000W/50HZ GENERATOR)



ART_1001194204

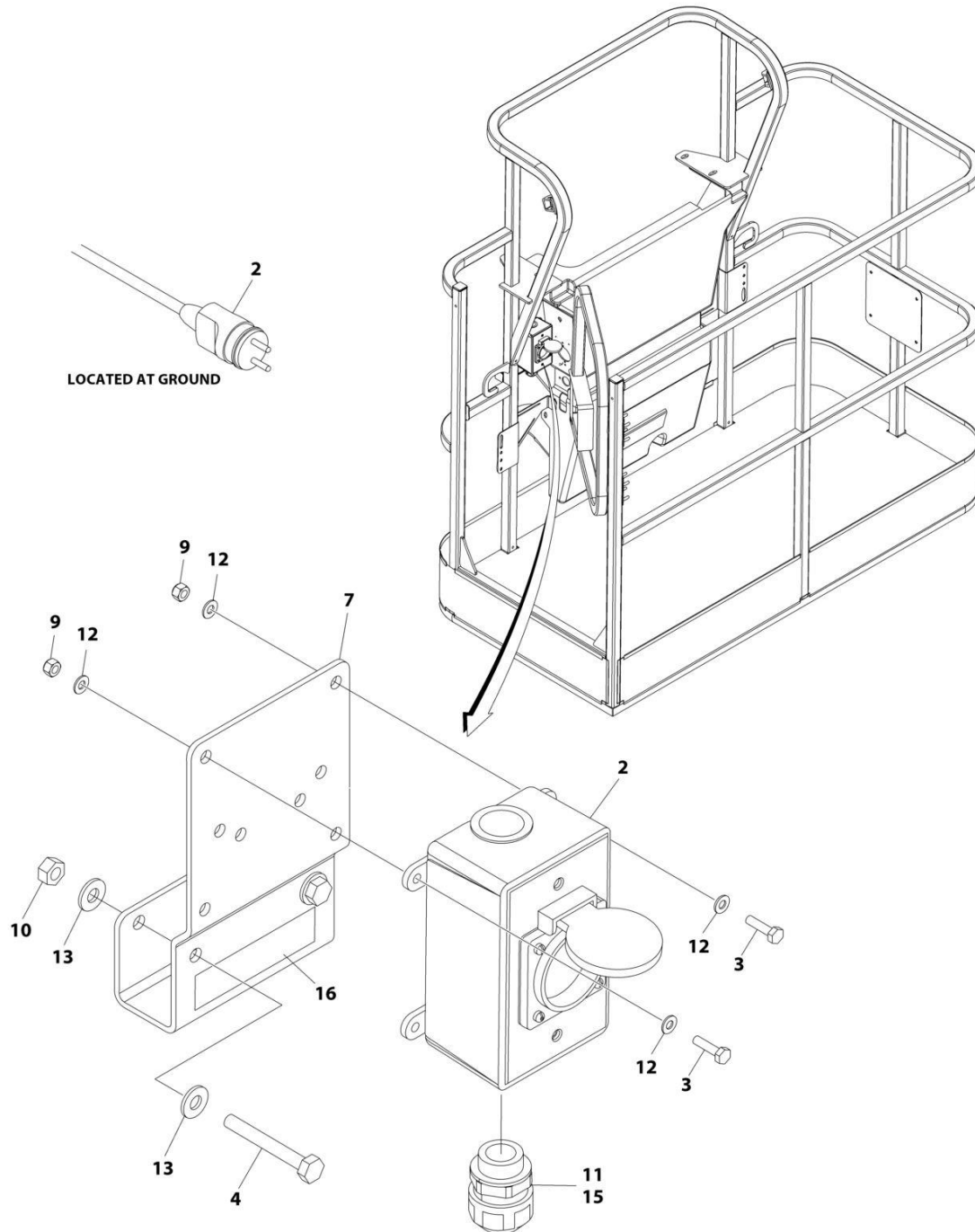
SECTION 8 - ELECTRICAL

FIGURE 8-6. AC BOX AT PLATFORM INSTALLATION - 220V IEC BLUE (CE & UK CA SPECS WITH 4000W/50HZ GENERATOR)

ITEM	PART NUMBER	QTY	DESCRIPTION	REV
	1001194204	Ref	AC BOX AT PLATFORM INSTALLATION	B
1	0100020	AR	Sealant, Pipe	
2	0641416	2	Bolt 1/4 x 2	
3	0700408	2	Bolt M4 x 16	
4	0861781	1	Box, Switch	
5	3251242	1	Decal - 240V/50Hz	
6	3290405	2	Nut M4	
7	3311405	2	Nut 1/4	
8	4460968	1	Connector, Strain Relief	
9	4461201	1	Receptacle	
10	4711400	4	Washer 1/4	
11	4811400	4	Washer M4	
12	1001193018	1	Bracket, AC Receptacle	

SECTION 8 - ELECTRICAL

FIGURE 8-7. AC BOX AT PLATFORM INSTALLATION - 220V CEE7 2IN X 4IN POST GROUND (CE & UK CA SPECS WITHOUT 4000W/50HZ GENERATOR)



ART_1001190441

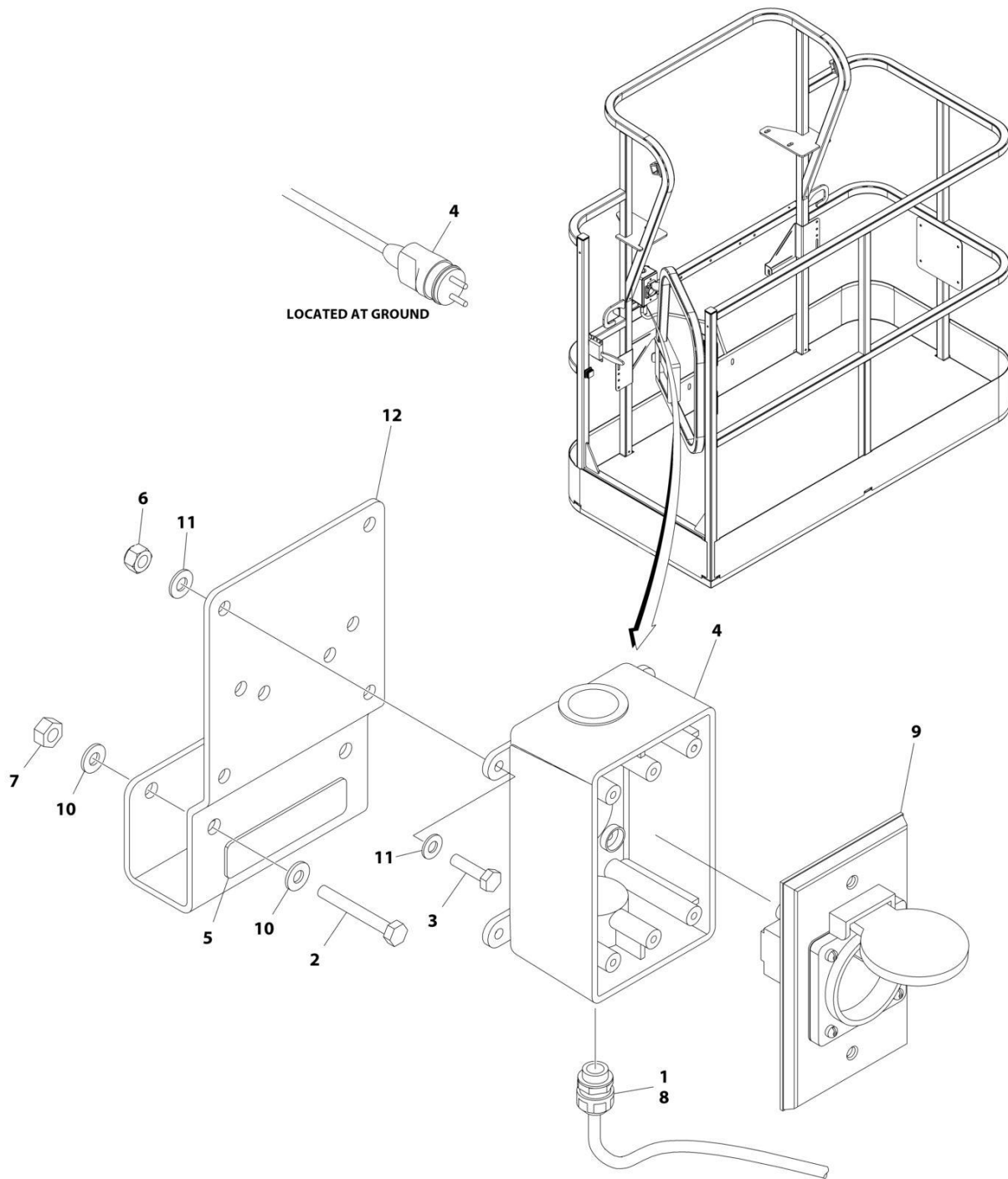
SECTION 8 - ELECTRICAL

FIGURE 8-7. AC BOX AT PLATFORM INSTALLATION - 220V CEE7 2IN X 4IN POST GROUND (CE & UK CA SPECS WITHOUT 4000W/50HZ GENERATOR)

ITEM	PART NUMBER	QTY	DESCRIPTION	REV
	1001190441	Ref	AC BOX AT PLATFORM INSTALLATION	D
2	0275452	1	Receptacle Box Kit - 220V CEE7 Post Ground 2in x 4in (See Separate Breakdown in this Section)	
3	0700408	4	Bolt M4 x 16	
4	0700618	2	Bolt M6 x 50	
7	1001193018	1	Bracket	
9	3290405	4	Nut M4	
10	3290605	2	Nut M6	
11	4460662	1	Connector, Strain Relief	
12	4811400	8	Washer M4	
13	4811700	4	Washer M6	
15	0100079	AR	Sealant	
16	3252507	1	Decal - 220 Volt	

SECTION 8 - ELECTRICAL

FIGURE 8-8. AC BOX AT PLATFORM INSTALLATION - 220V CEE7 2IN X 4IN POST GROUND (CE & UK CA SPECS WITH 4000W/50HZ GENERATOR)



ART_1001194197

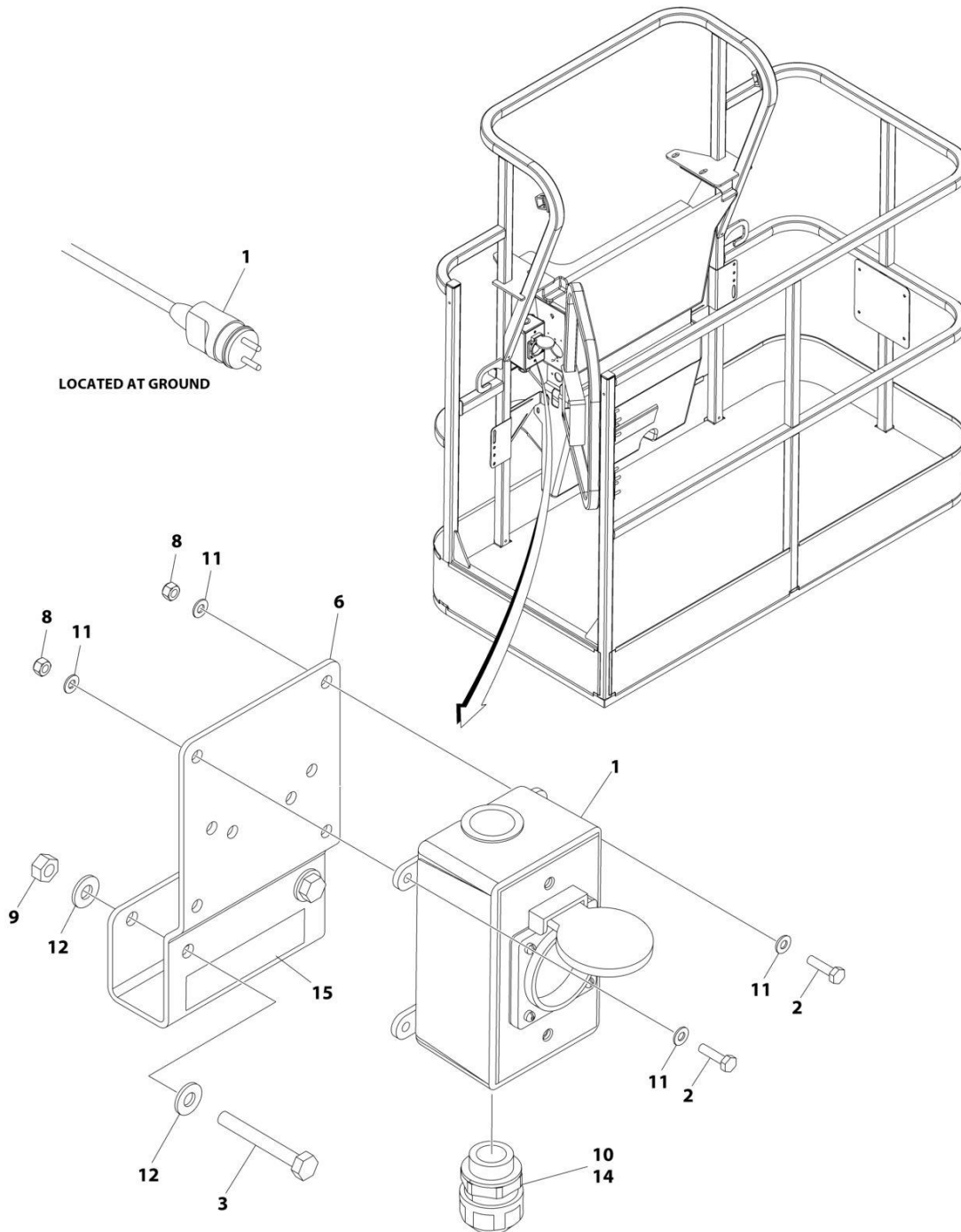
SECTION 8 - ELECTRICAL

FIGURE 8-8. AC BOX AT PLATFORM INSTALLATION - 220V CEE7 2IN X 4IN POST GROUND (CE & UK CA SPECS WITH 4000W/50HZ GENERATOR)

ITEM	PART NUMBER	QTY	DESCRIPTION	REV
	1001194197	Ref	AC BOX AT PLATFORM INSTALLATION	B
1	0100020	AR	Sealant, Pipe	
2	0641416	2	Bolt 1/4 x 2	
3	0700408	4	Bolt M4 x 16	
4	0861731	1	Box, Switch	
5	3251242	1	Decal - 240V/50Hz	
6	3290405	4	Nut M4	
7	3311405	2	Nut 1/4	
8	4460662	1	Connector, Strain Relief	
9	4461244	1	Receptacle	
10	4711400	4	Washer 1/4	
11	4811400	8	Washer M4	
12	1001193018	1	Bracket, AC Receptacle	
13	4460806	2	Terminal, Fork (Not Shown)	
14	1001205958	1	Terminal (Not Shown)	

SECTION 8 - ELECTRICAL

FIGURE 8-9. AC BOX AT PLATFORM INSTALLATION - 220V CEE7 2IN X 4IN SIDE GROUND (CE & UK CA SPECS WITHOUT 4000W/50HZ GENERATOR)



ART_1001190484

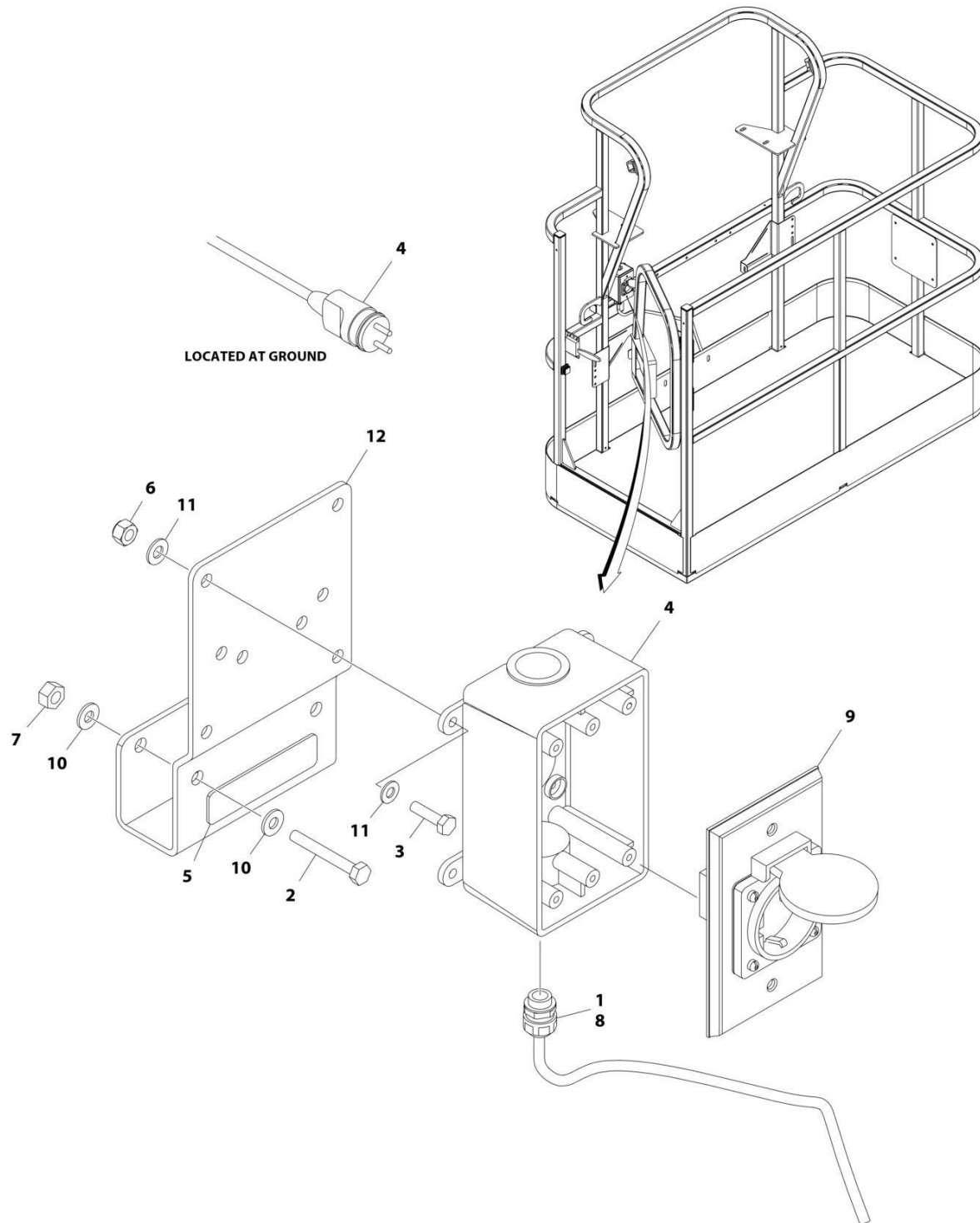
SECTION 8 - ELECTRICAL

FIGURE 8-9. AC BOX AT PLATFORM INSTALLATION - 220V CEE7 2IN X 4IN SIDE GROUND (CE & UK CA SPECS WITHOUT 4000W/50HZ GENERATOR)

ITEM	PART NUMBER	QTY	DESCRIPTION	REV
	1001190484	Ref	AC BOX AT PLATFORM INSTALLATION	D
1	0275453	1	Receptacle Box Kit - 220V CEE7 Side Ground 2in x 4in (See Separate Breakdown in this Section)	
2	0700408	4	Bolt M4 x 16	
3	0700618	2	Bolt M6 x 50	
6	1001193018	1	Bracket	
8	3290405	4	Nut M4	
9	3290605	2	Nut M6	
10	4460662	1	Connector, Strain Relief	
11	4811400	8	Washer M4	
12	4811700	4	Washer M6	
14	0100079	AR	Sealant	
15	3252507	1	Decal - 220 Volt	

SECTION 8 - ELECTRICAL

FIGURE 8-10. AC BOX AT PLATFORM INSTALLATION - 220V CEE7 2IN X 4IN SIDE GROUND (CE & UK CA SPECS WITH 4000W/50HZ GENERATOR)



ART_1001194198

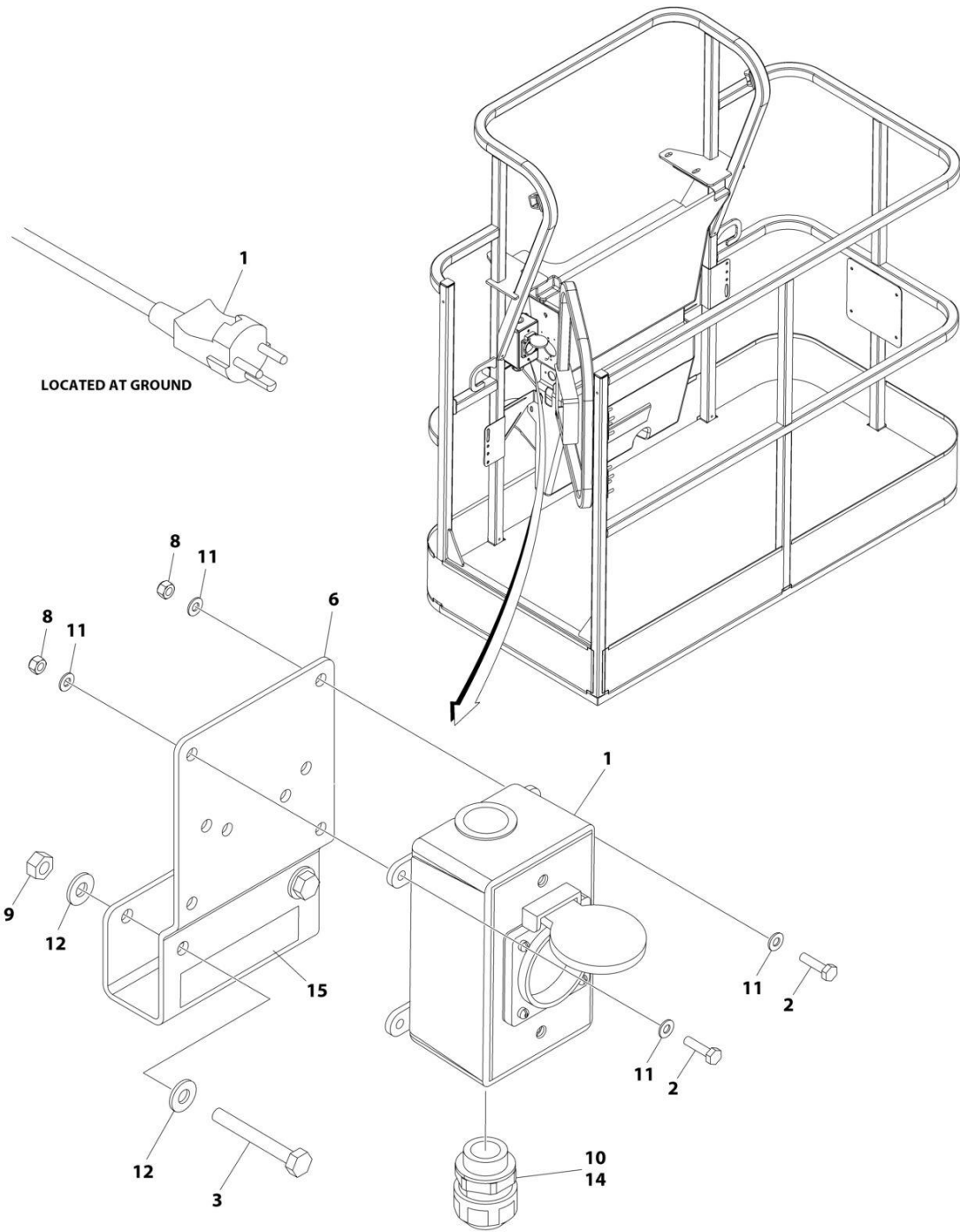
SECTION 8 - ELECTRICAL

FIGURE 8-10. AC BOX AT PLATFORM INSTALLATION - 220V CEE7 2IN X 4IN SIDE GROUND (CE & UK CA SPECS WITH 4000W/50HZ GENERATOR)

ITEM	PART NUMBER	QTY	DESCRIPTION	REV
	1001194198	Ref	AC BOX AT PLATFORM INSTALLATION	B
1	0100020	AR	Sealant, Pipe	
2	0641416	2	Bolt 1/4 x 2	
3	0700408	4	Bolt M4 x 16	
4	0861731	1	Box, Switch	
5	3251242	1	Decal - 240V/50Hz	
6	3290405	4	Nut M4	
7	3311405	2	Nut 1/4	
8	4460662	1	Connector, Strain Relief	
9	4461245	1	Receptacle	
10	4711400	4	Washer 1/4	
11	4811400	8	Washer M4	
12	1001193018	1	Bracket, AC Receptacle	
13	4460806	2	Terminal, Fork (Not Shown)	
14	1001205958	1	Terminal (Not Shown)	

SECTION 8 - ELECTRICAL

FIGURE 8-11. AC BOX AT PLATFORM INSTALLATION - 220V AFSINT107 (CE & UK CA SPECS WITHOUT 4000W/50HZ GENERATOR)



ART_1001190485

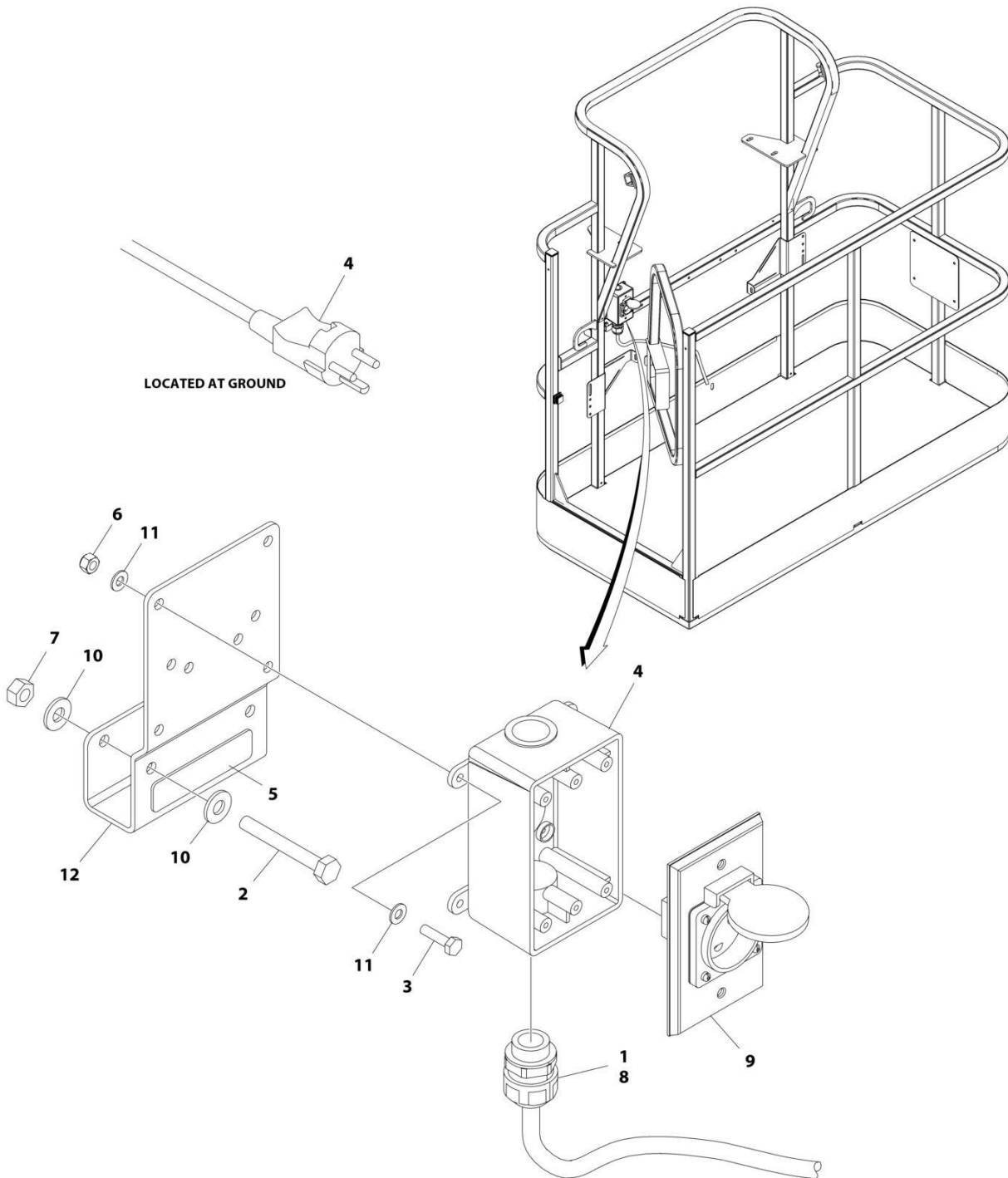
SECTION 8 - ELECTRICAL

FIGURE 8-11. AC BOX AT PLATFORM INSTALLATION - 220V AFSINT107 (CE & UK CA SPECS WITHOUT 4000W/50HZ GENERATOR)

ITEM	PART NUMBER	QTY	DESCRIPTION	REV
	1001190485	Ref	AC BOX AT PLATFORM INSTALLATION	C
1	0275454	1	Receptacle Box Kit - 220V AFSINT107 (See Separate Breakdown in this Section)	
2	0700408	4	Bolt M4 x 16	
3	0700618	2	Bolt M6 x 50	
6	1001193018	1	Bracket	
8	3290405	4	Nut M4	
9	3290605	2	Nut M6	
10	4460662	1	Connector, Strain Relief	
11	4811400	8	Washer M4	
12	4811700	4	Washer M6	
14	0100079	AR	Sealant	
15	3252507	1	Decal - 220 Volt	

SECTION 8 - ELECTRICAL

FIGURE 8-12. AC BOX AT PLATFORM INSTALLATION - 220V AFSINT107 (CE & UK CA SPECS WITH 4000W/50HZ GENERATOR)



ART_1001194200

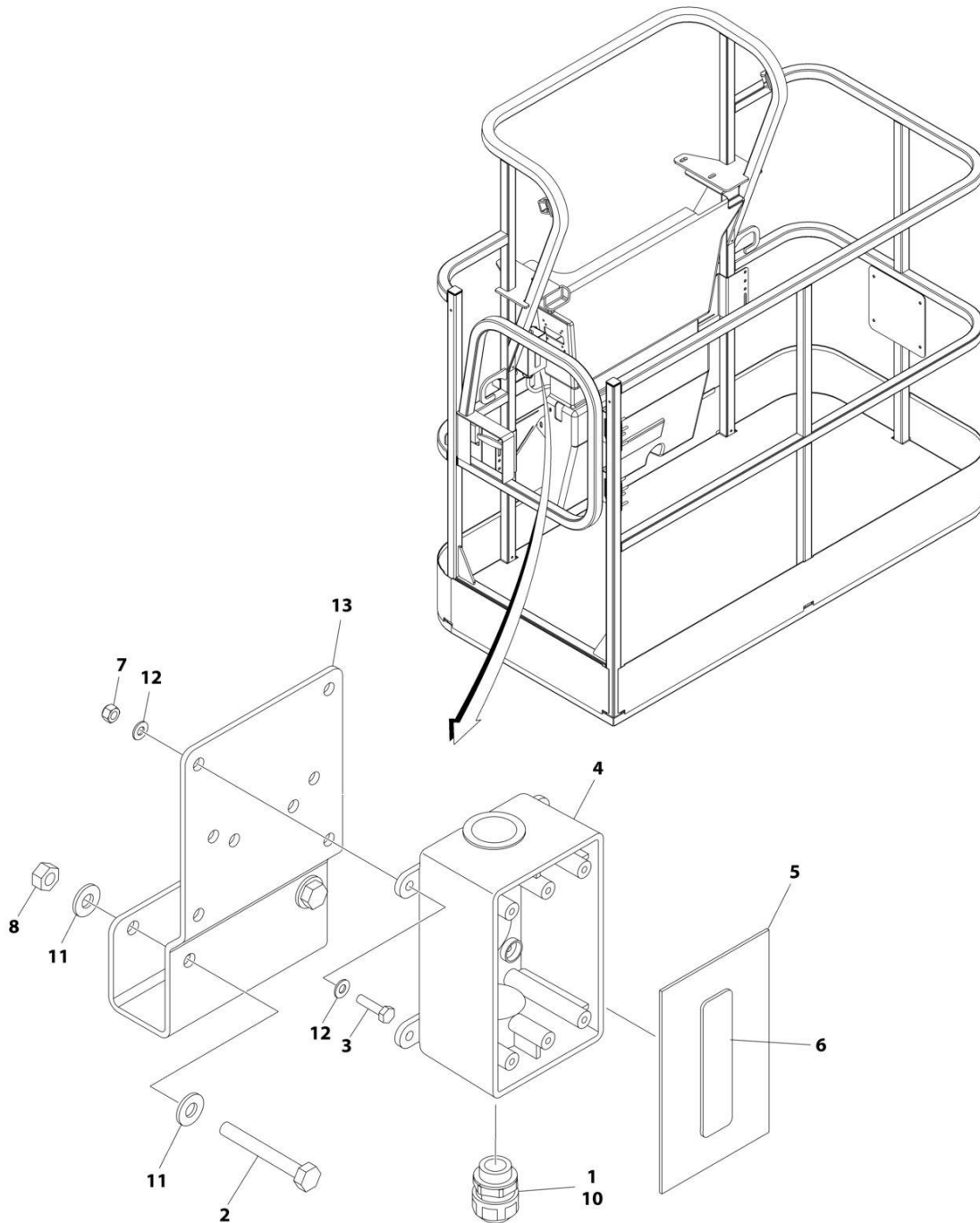
SECTION 8 - ELECTRICAL

FIGURE 8-12. AC BOX AT PLATFORM INSTALLATION - 220V AFSINT107 (CE & UK CA SPECS WITH 4000W/50HZ GENERATOR)

ITEM	PART NUMBER	QTY	DESCRIPTION	REV
	1001194200	Ref	AC BOX AT PLATFORM INSTALLATION	B
1	0100020	AR	Sealant, Pipe	
2	0641416	2	Bolt 1/4 x 2	
3	0700408	4	Bolt M4 x 16	
4	0861731	1	Box, Switch	
5	3251242	1	Decal - 240V/50Hz	
6	3290405	4	Nut M4	
7	3311405	2	Nut 1/4	
8	4460662	1	Connector, Strain Relief	
9	4461246	1	Receptacle	
10	4711400	4	Washer 1/4	
11	4811400	8	Washer M4	
12	1001193018	1	Bracket, AC Receptacle	
13	1001205958	1	Terminal (Not Shown)	

SECTION 8 - ELECTRICAL

FIGURE 8-13. AC BOX AT PLATFORM INSTALLATION - 220V CUSTOMER SUPPLIED COMPONENTS
(ANSI EXPORT, AUSTRALIAN, CHINA, CE & UK CA SPECS)



ART_1001194365

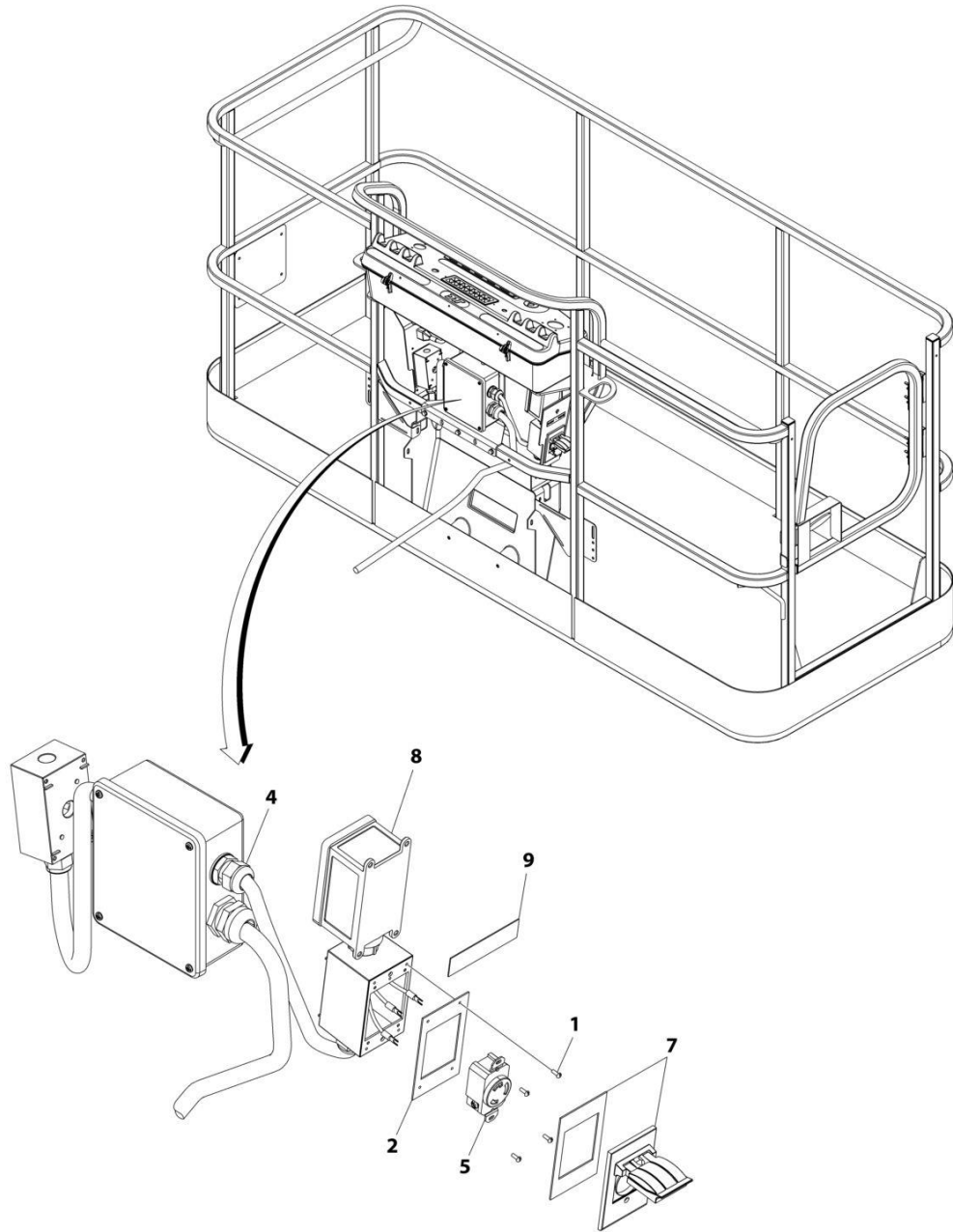
SECTION 8 - ELECTRICAL

**FIGURE 8-13. AC BOX AT PLATFORM INSTALLATION - 220V CUSTOMER SUPPLIED COMPONENTS
(ANSI EXPORT, AUSTRALIAN, CHINA, CE & UK CA SPECS)**

ITEM	PART NUMBER	QTY	DESCRIPTION	REV
	1001194365	Ref	AC BOX AT PLATFORM INSTALLATION - BOX WITH COVER (2X4 BOX)	A
1	0100020	AR	Sealant	
2	0641416	2	Bolt 1/4 x 2	
3	0700408	4	Bolt M4 x 16	
4	0861731	1	Box, Switch	
5	1670603	1	Cover	
6	3251242	1	Decal - 240V/50Hz	
7	3290405	4	Nut M4	
8	3311405	2	Nut 1/4	
9	4460384	3	Terminal (Not Shown)	
10	4460662	1	Connector, Strain Relief	
11	4711400	4	Washer 1/4	
12	4811400	8	Washer M4	
13	1001193018	1	Bracket, AC Receptacle	

SECTION 8 - ELECTRICAL

FIGURE 8-14. AC BOX AT PLATFORM INSTALLATION - 240V (WITH 4000W GENERATOR) (ALL SPECS EXCEPT AUSTRALIAN, CE & UK CA SPECS)



ART_1001171131

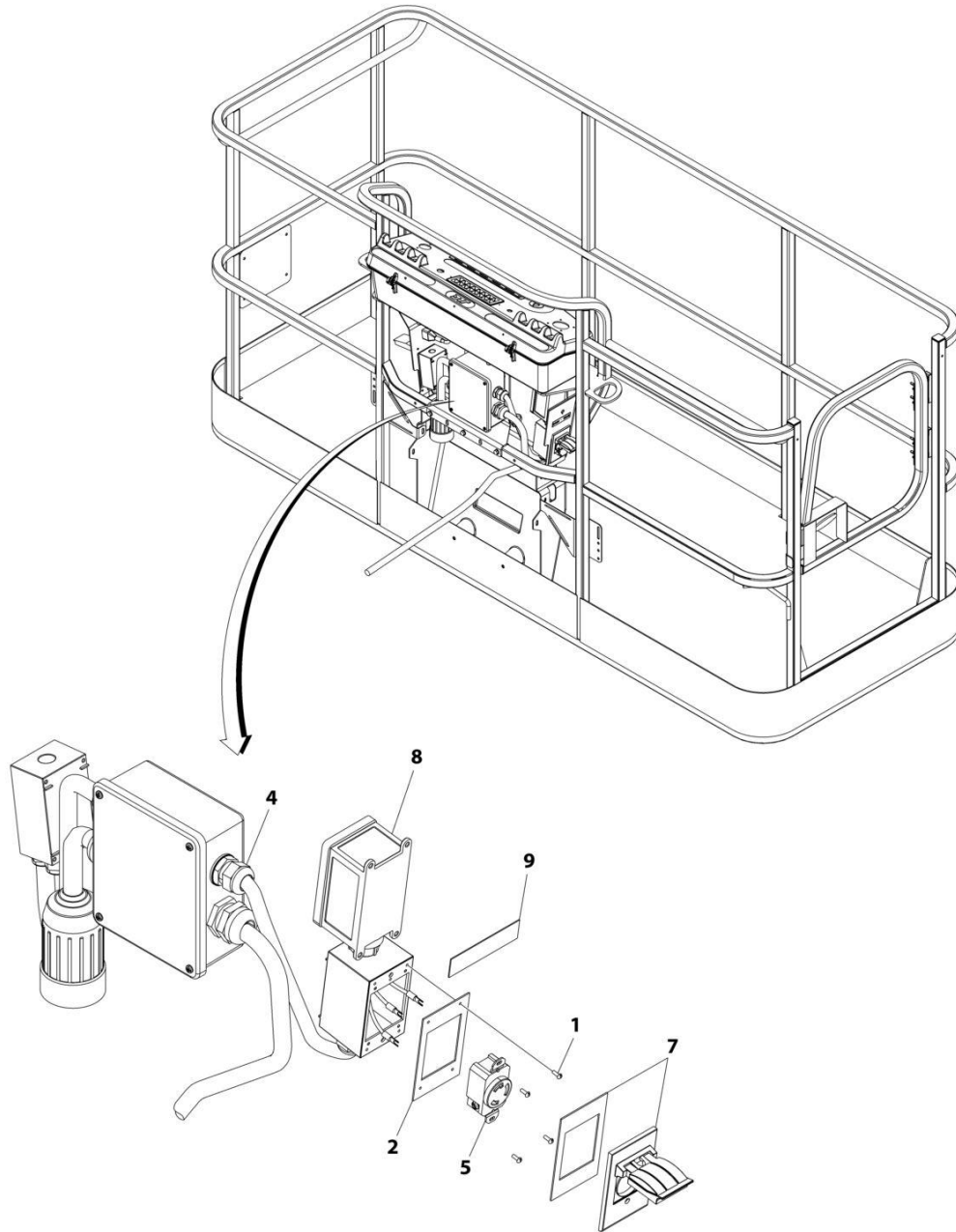
SECTION 8 - ELECTRICAL

FIGURE 8-14. AC BOX AT PLATFORM INSTALLATION - 240V (WITH 4000W GENERATOR) (ALL SPECS EXCEPT AUSTRALIAN, CE & UK CA SPECS)

ITEM	PART NUMBER	QTY	DESCRIPTION	REV
	1001171131	Ref	AC BOX AT PLATFORM INSTALLATION - 240V RECEPTACLE	B
1	3910606	4	Screw 6 x 3/8	
2	3960422	1	Gasket	
3	4240018	AR	Tie-Strap (Not Shown)	
4	4460425	1	Connector, Strain Relief	
5	1001176862	1	Receptacle	
7	1001110872	1	Cover, Receptacle	
8	1001159120	1	Receptacle/Breaker Box Assembly	
8	1001148675	1	Box, Receptacle	
8	1001159118	1	Breaker GFCI 30Amp 240VAC	
8	4460612	1	Connector, Strain Relief	
8	1001159119	1	Connector (Between Boxes)	
9	1705374	1	Decal - 240V/60Hz	

SECTION 8 - ELECTRICAL

FIGURE 8-15. AC BOX AT PLATFORM INSTALLATION - 240V (WITH 7500WSKYPOWER GENERATOR) (ALL SPECS EXCEPT AUSTRALIAN, CE & UK CA SPECS)



ART_1001159121

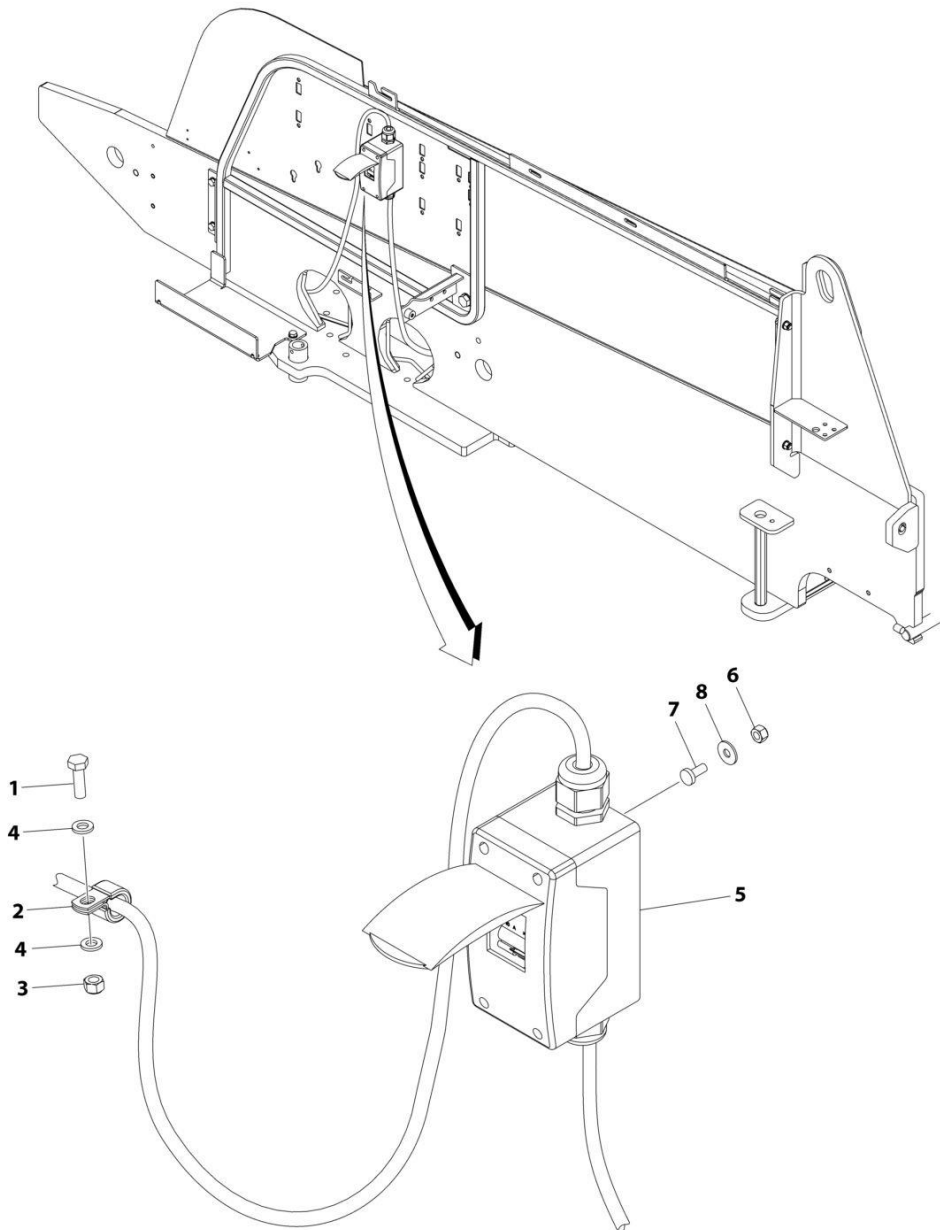
SECTION 8 - ELECTRICAL

FIGURE 8-15. AC BOX AT PLATFORM INSTALLATION - 240V (WITH 7500WSKYPower GENERATOR) (ALL SPECS EXCEPT AUSTRALIAN, CE & UK CA SPECS)

ITEM	PART NUMBER	QTY	DESCRIPTION	REV
	1001159121	Ref	AC BOX AT PLATFORM INSTALLATION - 240V RECEPTACLE	B
1	3910606	4	Screw 6 x 3/8	
2	3960422	1	Gasket	
3	4240018	AR	Tie-Strap (Not Shown)	
4	4460425	1	Connector, Strain Relief	
5	4460958	1	Receptacle	
7	1001110872	1	Cover, Receptacle	
8	1001159120	1	Receptacle/Breaker Box Assembly	
8	1001148675	1	Box, Receptacle	
8	1001159118	1	Breaker Box Assembly	
8	4460612	1	Connector, Strain Relief	
8	1001159119	1	Connector (Between Boxes)	
9	1705374	1	Decal - 240V/60Hz	

SECTION 8 - ELECTRICAL

FIGURE 8-16. AC BREAKER BOX INSTALLATION - SINGLE DOUBLE POLE BREAKER



ART_1001190774

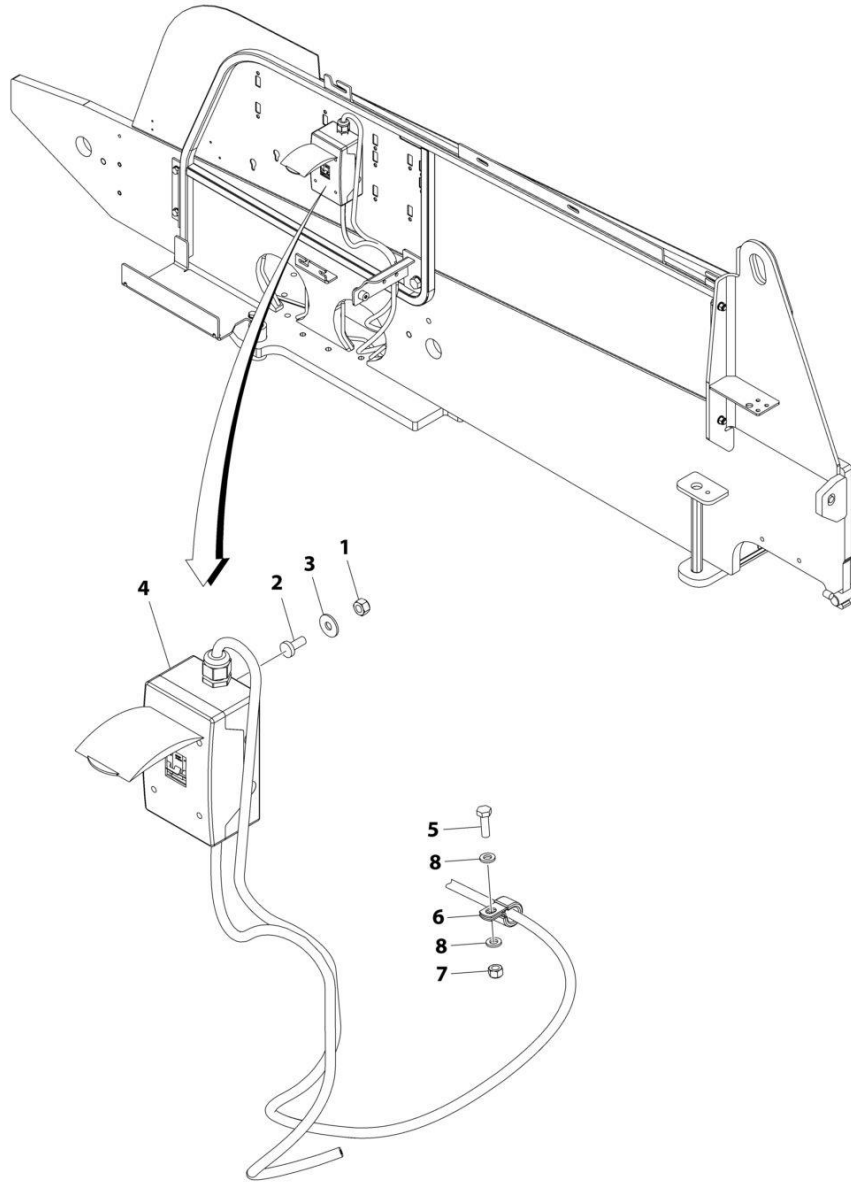
SECTION 8 - ELECTRICAL

FIGURE 8-16. AC BREAKER BOX INSTALLATION - SINGLE DOUBLE POLE BREAKER

ITEM	PART NUMBER	QTY	DESCRIPTION	REV
	1001190774	Ref	AC BREAKER BOX INSTALLATION	C
1	0760610	1	Bolt M6 x 20	
2	1320041	1	Clamp	
3	3290605	1	Nut M6	
4	4811700	2	Washer M6	
5	2902549	1	Breaker Box Kit - Single Double Pole Breaker (See Separate Breakdown in this Section)	
6	3290405	2	Nut M4	
7	4010405	2	Screw M4 x 10	
8	1001091102	2	Washer M4	

SECTION 8 - ELECTRICAL

FIGURE 8-17. AC BREAKER BOX INSTALLATION - 3 BREAKERS



ART_1001211049_C

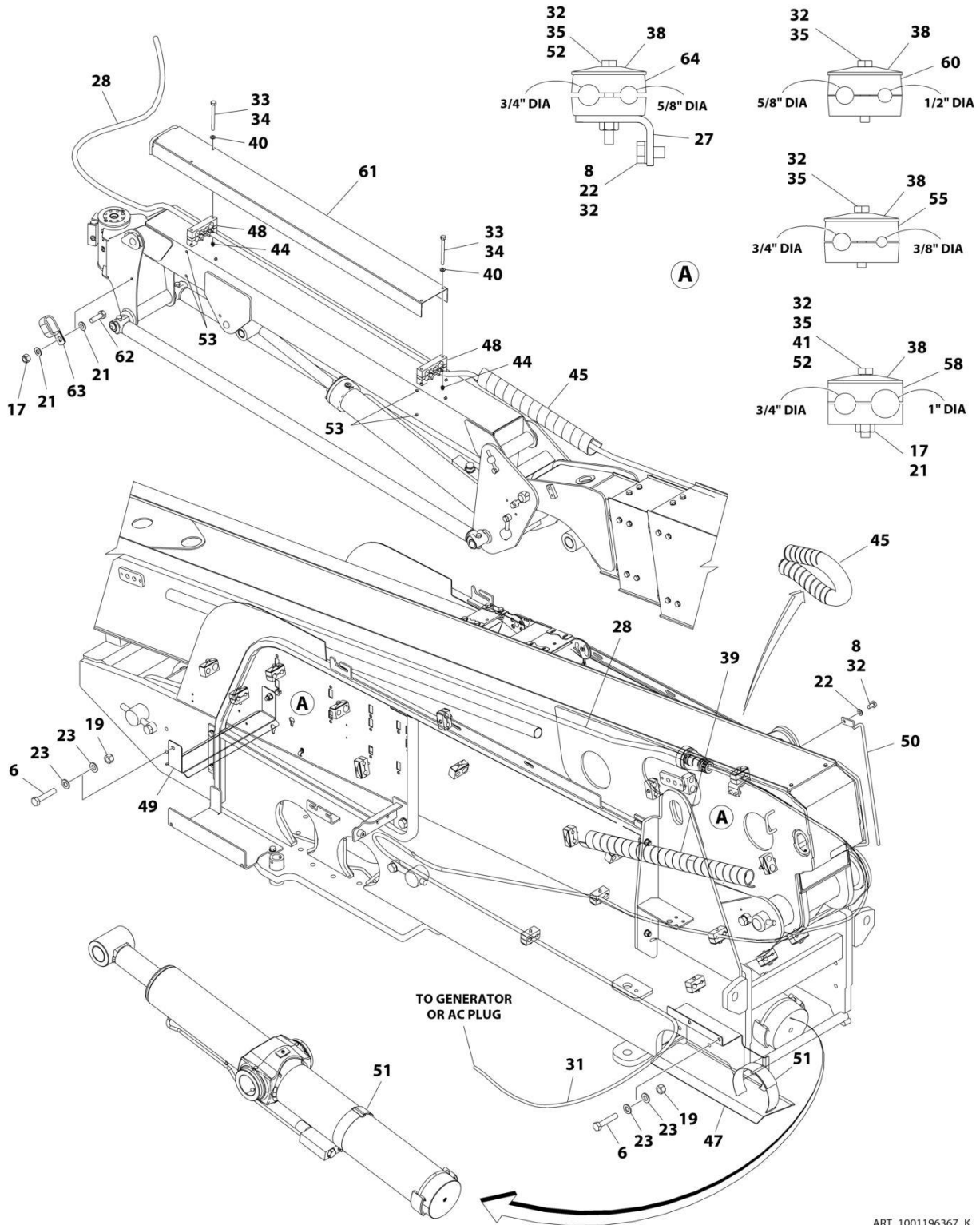
SECTION 8 - ELECTRICAL

FIGURE 8-17. AC BREAKER BOX INSTALLATION - 3 BREAKERS

ITEM	PART NUMBER	QTY	DESCRIPTION	REV
	1001211049	Ref	AC BREAKER BOX INSTALLATION	C
1	3290405	2	Nut M4	
2	4010405	2	Screw M4 x 10	
3	1001091102	2	Washer M4	
4	1001152486	1	Breaker Box Kit - 3 Breakers (See Separate Breakdown in this Section)	
5	0760610	1	Bolt M6 x 20	
6	1320041	1	Clamp	
7	3290605	1	Nut M6	
8	4811700	2	Washer M6	

SECTION 8 - ELECTRICAL

FIGURE 8-18. AC CABLES AND CLAMPS INSTALLATION - WITHOUT GENERATOR (ALL SPECS EXCEPT ANSI & CSA SPECS)



ART_1001196367_K

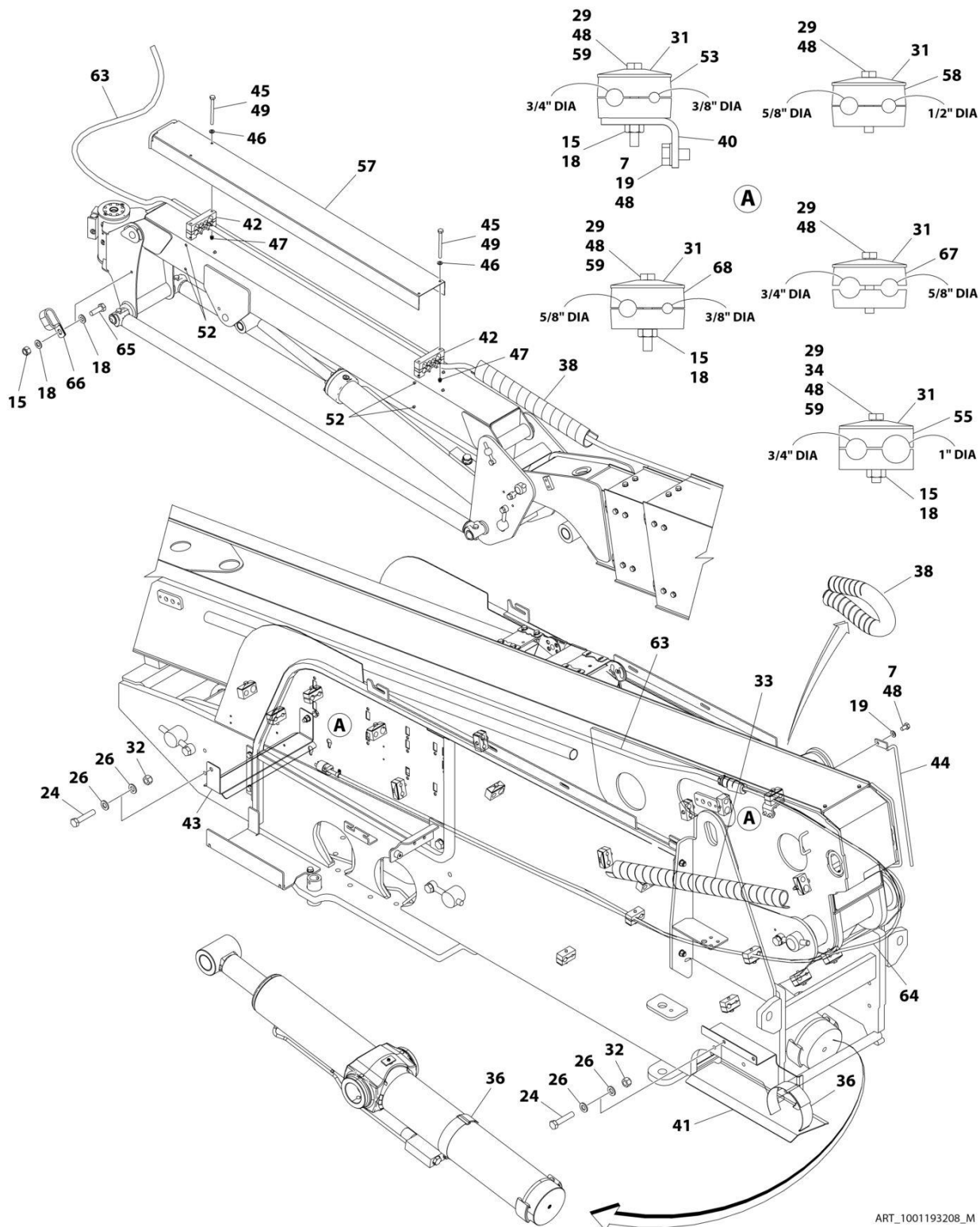
SECTION 8 - ELECTRICAL

FIGURE 8-18. AC CABLES AND CLAMPS INSTALLATION - WITHOUT GENERATOR (ALL SPECS EXCEPT ANSI & CSA SPECS)

ITEM	PART NUMBER	QTY	DESCRIPTION	REV
	1001196367	Ref	AC CABLES AND CLAMPS INSTALLATION	K
6	0701220	4	Bolt M12 x 60	
8	0761009	3	Bolt M10 x 18	
17	3290805	4	Nut M8	
19	3291205	4	Nut M12	
21	4811900	5	Washer M8	
22	4812000	3	Washer M10	
23	4812100	8	Washer M12	
24	1001146588	4	Tie-Strap (Not Shown)	
27	1001229637	1	Bracket	
28	1001195226	1	AC Ground to Platform Cable (Upper)	
28	1001214095	1	Plug, Male	
31	1001196368	1	AC Ground to Platform Cable (Lower)	
31	1001214096	1	Receptacle, Female	
32	0100011	AR	Compound, Locking	
33	0100035	AR	Compound, Locking	
34	0700626	AR	Bolt M6 x 90	
34	0641424	AR	Bolt 1/4 x 3	
35	0700818	16	Bolt M8 x 50	
38	77133137	AR	Cover, Clamp	
39	1001204690	1	Shield, Tube	
40	4811700	4	Washer M6	
41	5281918	1	Capscrew M8 x 70	
44	1001176636	AR	Rivet - Nut M6	
44	2080044	AR	Rivet - Nut 1/4	
45	1001181923	AR	Shield, Tube	
47	1001252945	1	Support	
48	1001201090	2	Block, Clamp	
49	1001201342	1	Support	
50	1001202936	1	Guide	
51	1001143645	2	Strap, Cinch	
52	0700822	2	Bolt M8 x 70	
53	3520034	8	Plug	
54	4240018	4	Tie-Strap (Not Shown)	
55	1001209948	3	Clamp	
58	1001209951	6	Clamp	
60	1001209953	7	Clamp	
61	1001209957	1	Cover	
62	0760812	1	Bolt M8 x 25	
63	1001116792	1	Clamp	
64	1001209949	3	Clamp	

SECTION 8 - ELECTRICAL

FIGURE 8-19. AC CABLES AND CLAMPS INSTALLATION - WITHOUT GENERATOR (ANSI & CSA SPECS)



ART_1001193208_M

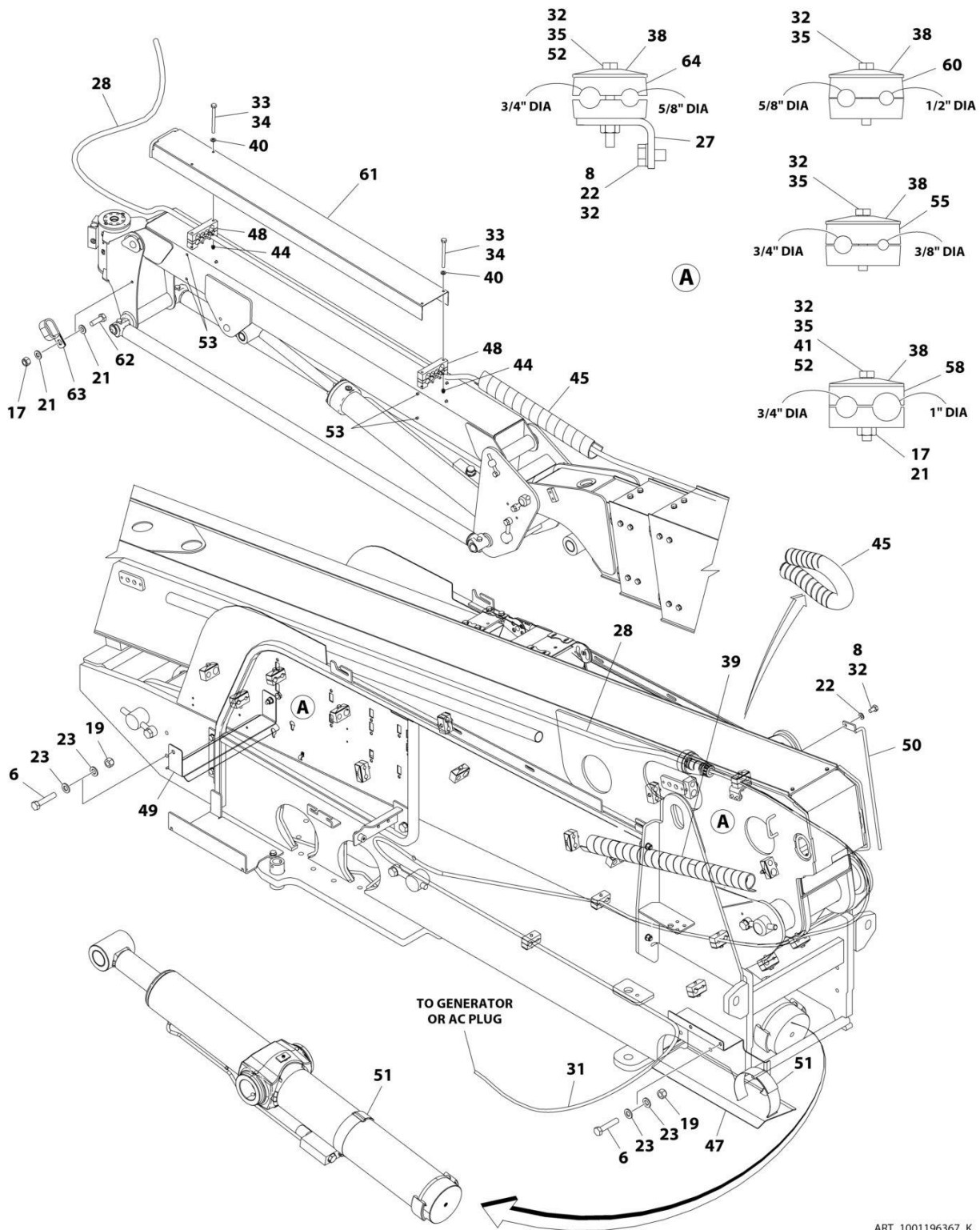
SECTION 8 - ELECTRICAL

FIGURE 8-19. AC CABLES AND CLAMPS INSTALLATION - WITHOUT GENERATOR (ANSI & CSA SPECS)

ITEM	PART NUMBER	QTY	DESCRIPTION	REV
	1001193208	Ref	AC CABLES AND CLAMPS INSTALLATION	M
7	0761009	3	Bolt M10 x 18	
15	3290805	3	Nut M8	
18	4811900	3	Washer M8	
19	4812000	3	Washer M10	
20	1001146588	4	Tie-Strap (Not Shown)	
24	0701220	4	Bolt M12 x 60	
26	4812100	8	Washer M12	
29	0700818	16	Bolt M8 x 50	
31	77133137	19	Cover, Clamp	
32	3291205	4	Nut M12	
33	1001204690	1	Shield, Tube	
34	5281918	1	Capscrew M8 x 70	
36	1001143645	2	Strap, Cinch	
38	1001181923	AR	Shield, Tube	
40	1001229637	1	Bracket	
41	1001252945	1	Support	
42	1001201090	2	Block, Clamp	
43	1001201342	1	Support	
44	1001202936	1	Guide	
45	0641424	4	Bolt 1/4 x 3	
46	4811700	4	Washer M6	
47	2080044	4	Rivet - Nut 1/4	
48	0100011	AR	Compound, Locking	
49	0100035	AR	Compound, Locking	
51	4240018	4	Tie-Strap (Not Shown)	
52	3520034	8	Plug	
53	1001209948	3	Clamp	
55	1001209951	6	Clamp	
57	1001209957	1	Cover	
58	1001209953	3	Clamp	
59	0700822	2	Bolt M8 x 70	
63	1001195228	1	AC Ground to Platform Cable (Upper)	
63	1001120204	1	Plug, Male	
64	1001195525	1	AC Ground to Platform Cable (Lower)	
64	1001120205	1	Receptacle, Female	
65	0760812	1	Bolt M8 x 25	
66	1001116792	1	Clamp	
67	1001209949	3	Clamp	
68	1001228809	4	Clamp	

SECTION 8 - ELECTRICAL

FIGURE 8-20. AC CABLES AND CLAMPS INSTALLATION - WITH 2500W GENERATOR



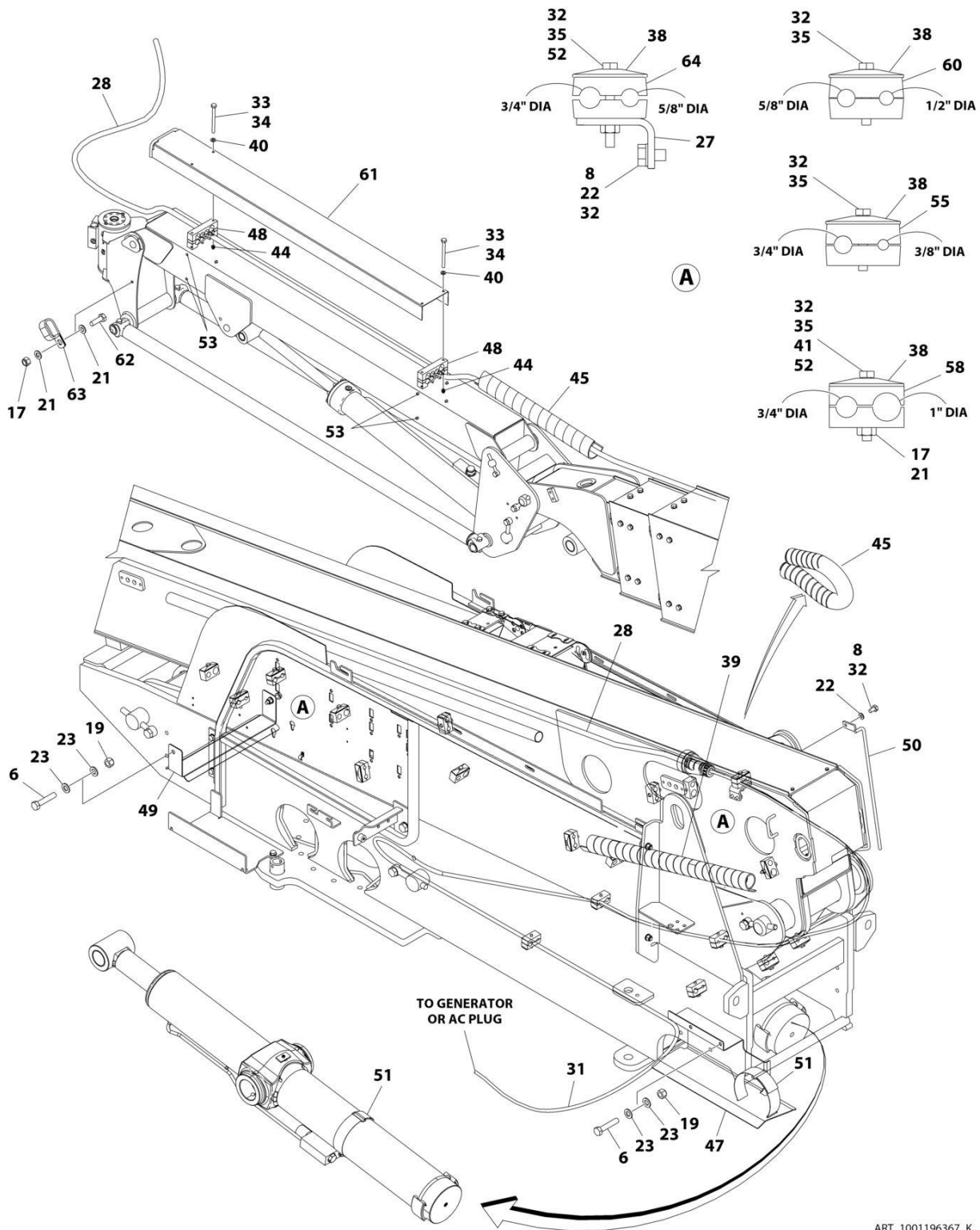
SECTION 8 - ELECTRICAL

FIGURE 8-20. AC CABLES AND CLAMPS INSTALLATION - WITH 2500W GENERATOR

ITEM	PART NUMBER	QTY	DESCRIPTION	REV
	1001196367	Ref	AC CABLES AND CLAMPS INSTALLATION	K
6	0701220	4	Bolt M12 x 60	
8	0761009	3	Bolt M10 x 18	
17	3290805	4	Nut M8	
19	3291205	4	Nut M12	
21	4811900	5	Washer M8	
22	4812000	3	Washer M10	
23	4812100	8	Washer M12	
24	1001146588	4	Tie-Strap (Not Shown)	
27	1001229637	1	Bracket	
28	1001195226	1	AC Ground to Platform Cable (Upper)	
28	1001214095	1	Plug, Male	
31	1001196368	1	AC Ground to Platform Cable (Lower)	
31	1001214096	1	Receptacle, Female	
32	0100011	AR	Compound, Locking	
33	0100035	AR	Compound, Locking	
34	0700626	AR	Bolt M6 x 90	
34	0641424	AR	Bolt 1/4 x 3	
35	0700818	16	Bolt M8 x 50	
38	77133137	AR	Cover, Clamp	
39	1001204690	1	Shield, Tube	
40	4811700	4	Washer M6	
41	5281918	1	Capscrew M8 x 70	
44	1001176636	AR	Rivet - Nut M6	
44	2080044	AR	Rivet - Nut 1/4	
45	1001181923	AR	Shield, Tube	
47	1001252945	1	Support	
48	1001201090	2	Block, Clamp	
49	1001201342	1	Support	
50	1001202936	1	Guide	
51	1001143645	2	Strap, Cinch	
52	0700822	2	Bolt M8 x 70	
53	3520034	8	Plug	
54	4240018	4	Tie-Strap (Not Shown)	
55	1001209948	3	Clamp	
58	1001209951	6	Clamp	
60	1001209953	7	Clamp	
61	1001209957	1	Cover	
62	0760812	1	Bolt M8 x 25	
63	1001116792	1	Clamp	
64	1001209949	3	Clamp	

SECTION 8 - ELECTRICAL

FIGURE 8-21. AC CABLES AND CLAMPS INSTALLATION - WITH 4000W-50HZ GENERATOR



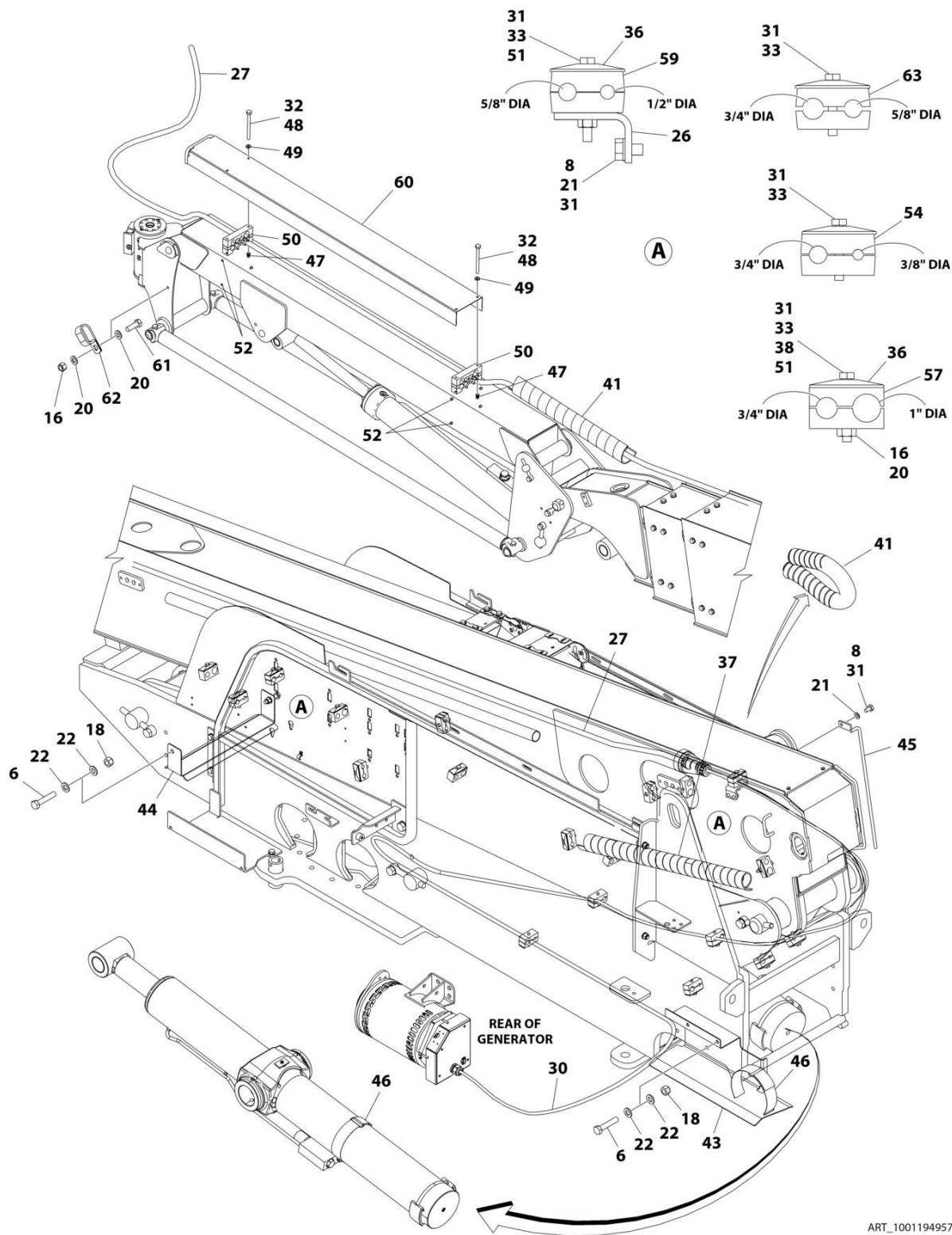
SECTION 8 - ELECTRICAL

FIGURE 8-21. AC CABLES AND CLAMPS INSTALLATION - WITH 4000W-50HZ GENERATOR

ITEM	PART NUMBER	QTY	DESCRIPTION	REV
	1001196367	Ref	AC CABLES AND CLAMPS INSTALLATION	K
6	0701220	4	Bolt M12 x 60	
8	0761009	3	Bolt M10 x 18	
17	3290805	4	Nut M8	
19	3291205	4	Nut M12	
21	4811900	5	Washer M8	
22	4812000	3	Washer M10	
23	4812100	8	Washer M12	
24	1001146588	4	Tie-Strap (Not Shown)	
27	1001229637	1	Bracket	
28	1001195226	1	AC Ground to Platform Cable (Upper)	
28	1001214095	1	Plug, Male	
31	1001196368	1	AC Ground to Platform Cable (Lower)	
31	1001214096	1	Receptacle, Female	
32	0100011	AR	Compound, Locking	
33	0100035	AR	Compound, Locking	
34	0700626	AR	Bolt M6 x 90	
34	0641424	AR	Bolt 1/4 x 3	
35	0700818	16	Bolt M8 x 50	
38	77133137	AR	Cover, Clamp	
39	1001204690	1	Shield, Tube	
40	4811700	4	Washer M6	
41	5281918	1	Capscrew M8 x 70	
44	1001176636	AR	Rivet - Nut M6	
44	2080044	AR	Rivet - Nut 1/4	
45	1001181923	AR	Shield, Tube	
47	1001252945	1	Support	
48	1001201090	2	Block, Clamp	
49	1001201342	1	Support	
50	1001202936	1	Guide	
51	1001143645	2	Strap, Cinch	
52	0700822	2	Bolt M8 x 70	
53	3520034	8	Plug	
54	4240018	4	Tie-Strap (Not Shown)	
55	1001209948	3	Clamp	
58	1001209951	6	Clamp	
60	1001209953	7	Clamp	
61	1001209957	1	Cover	
62	0760812	1	Bolt M8 x 25	
63	1001116792	1	Clamp	
64	1001209949	3	Clamp	

SECTION 8 - ELECTRICAL

FIGURE 8-22. AC CABLES AND CLAMPS INSTALLATION - WITH 4000W-60HZ GENERATOR



ART_1001194957_L

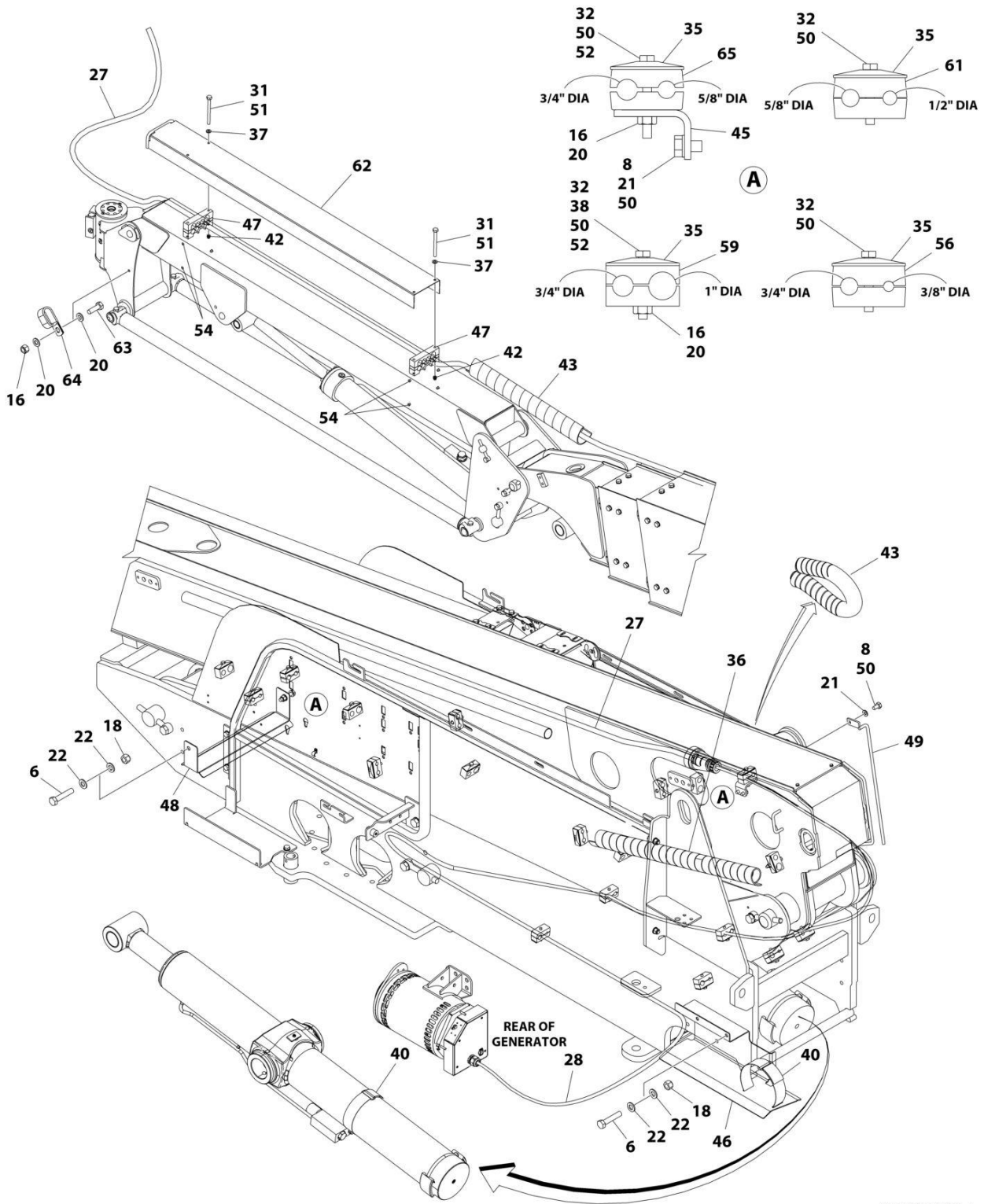
SECTION 8 - ELECTRICAL

FIGURE 8-22. AC CABLES AND CLAMPS INSTALLATION - WITH 4000W-60HZ GENERATOR

ITEM	PART NUMBER	QTY	DESCRIPTION	REV
	1001194957	Ref	AC CABLES AND CLAMPS INSTALLATION	L
6	0701220	4	Bolt M12 x 60	
8	0761009	3	Bolt M10 x 18	
16	3290805	4	Nut M8	
18	3291205	4	Nut M12	
20	4811900	5	Washer M8	
21	4812000	3	Washer M10	
22	4812100	8	Washer M12	
23	1001146588	4	Tie-Strap (Not Shown)	
26	1001229637	1	Bracket	
27	1001228187	1	AC Ground to Platform Cable (Upper)	
27	4460959	1	Plug, Male	
27	1671093	1	Cover, Plug	
30	1001228188	1	AC Ground to Platform Cable (Lower)	
30	4460960	1	Receptacle, Female	
30	1671092	1	Cover, Receptacle	
31	0100011	AR	Compound, Locking	
32	0100035	AR	Compound, Locking	
33	0700818	16	Bolt M8 x 50	
36	77133137	13	Cover, Clamp	
37	1001204690	1	Shield, Tube	
38	5281918	1	Capscrew M8 x 70	
41	1001181923	AR	Shield, Tube	
43	1001252945	1	Support	
44	1001201342	1	Support	
45	1001202936	1	Guide	
46	1001143645	2	Strap, Cinch	
47	1001176636	4	Rivet - Nut M6	
48	0700626	4	Bolt M6 x 90	
49	4811700	4	Washer M6	
50	1001201090	2	Block, Clamp	
51	0700822	2	Bolt M8 x 70	
52	3520034	8	Plug	
53	4240018	4	Tie-Strap (Not Shown)	
54	1001209948	3	Clamp	
57	1001209951	6	Clamp	
59	1001209953	7	Clamp	
60	1001209957	1	Cover	
61	0760812	1	Bolt M8 x 25	
62	1001116792	1	Clamp	
63	1001209949	3	Clamp	

SECTION 8 - ELECTRICAL

FIGURE 8-23. AC CABLES AND CLAMPS INSTALLATION - WITH 7500W SKYPOWER GENERATOR



ART_1001194962_L

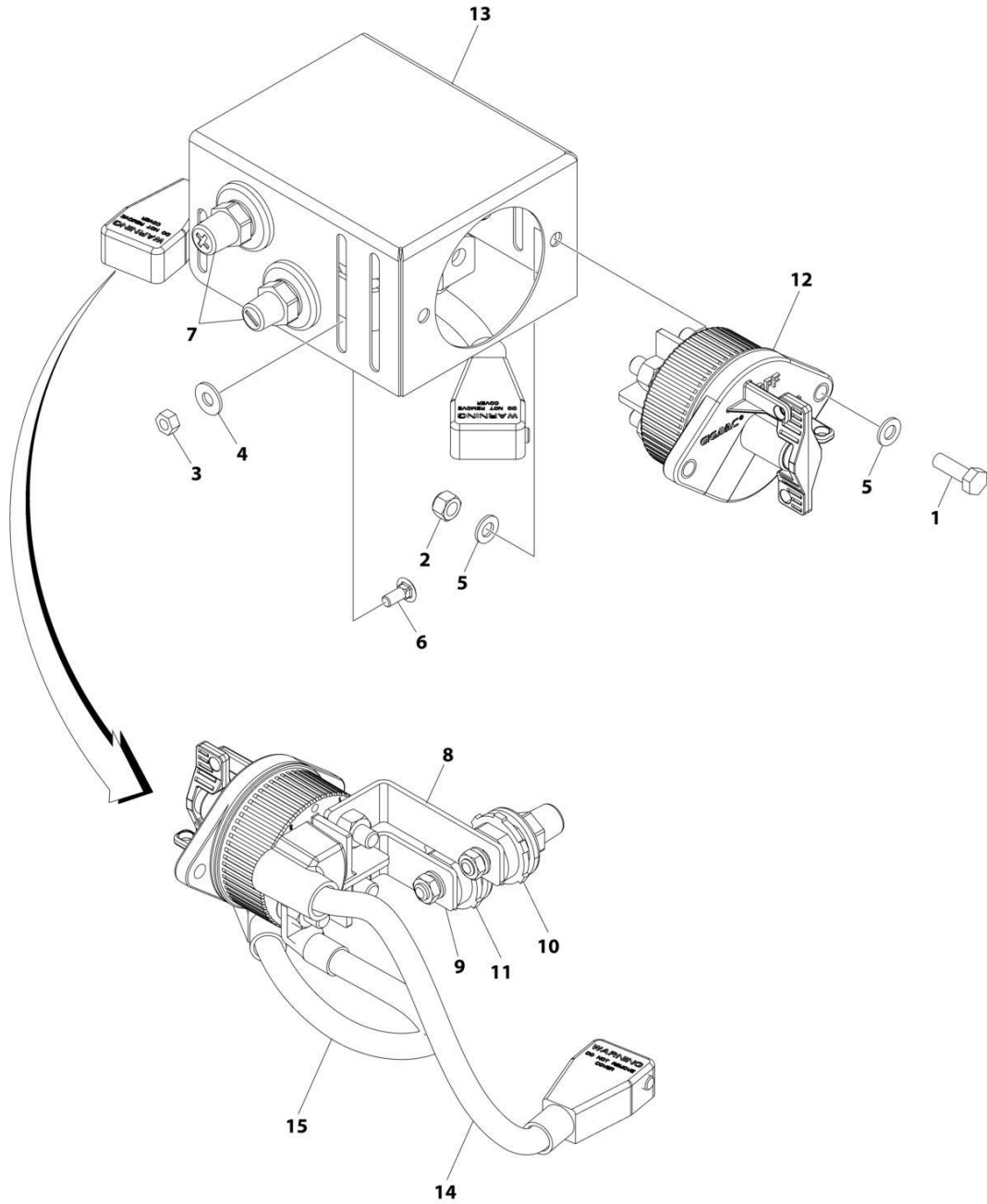
SECTION 8 - ELECTRICAL

FIGURE 8-23. AC CABLES AND CLAMPS INSTALLATION - WITH 7500W SKYPOWER GENERATOR

ITEM	PART NUMBER	QTY	DESCRIPTION	REV
	1001194962	Ref	AC CABLES AND CLAMPS INSTALLATION	L
6	0701220	4	Bolt M12 x 60	
8	0761009	3	Bolt M10 x 18	
16	3290805	4	Nut M8	
18	3291205	4	Nut M12	
20	4811900	5	Washer M8	
21	4812000	3	Washer M10	
22	4812100	8	Washer M12	
23	1001146588	4	Tie-Strap (Not Shown)	
27	1001227075	1	AC Ground to Platform Cable (Upper)	
27	4460959	1	Plug, Male	
27	1671093	1	Cover, Plug	
28	1001226304	1	AC Ground to Platform Cable (Lower)	
28	4460960	1	Receptacle, Female	
28	1671092	1	Cover, Receptacle	
31	0700626	AR	Bolt M6 x 90	
31	0641424	AR	Bolt 1/4 x 3	
32	0700818	16	Bolt M8 x 50	
35	77133137	AR	Cover, Clamp	
36	1001204690	1	Shield, Tube	
37	4811700	4	Washer M6	
38	5281918	1	Capscrew M8 x 70	
40	1001143645	2	Strap, Cinch	
42	1001176636	AR	Rivet - Nut M6	
42	2080044	AR	Rivet - Nut 1/4	
43	1001181923	AR	Shield, Tube	
45	1001229637	1	Bracket	
46	1001252945	1	Support	
47	1001201090	2	Block, Clamp	
48	1001201342	1	Support	
49	1001202936	1	Guide	
50	0100011	AR	Compound, Locking	
51	0100035	AR	Compound, Locking	
52	0700822	2	Bolt M8 x 70	
54	3520034	8	Plug	
55	4240018	4	Tie-Strap (Not Shown)	
56	1001209948	3	Clamp	
59	1001209951	6	Clamp	
61	1001209953	3	Clamp	
62	1001209957	1	Cover	
63	0760812	1	Bolt M8 x 25	
64	1001116792	1	Clamp	
65	1001209949	7	Clamp	
66	0700819	1	Bolt M8 x 55 (Not Shown)	

SECTION 8 - ELECTRICAL

FIGURE 8-24. BATTERY DISCONNECT SWITCH INSTALLATION



ART_1001236304

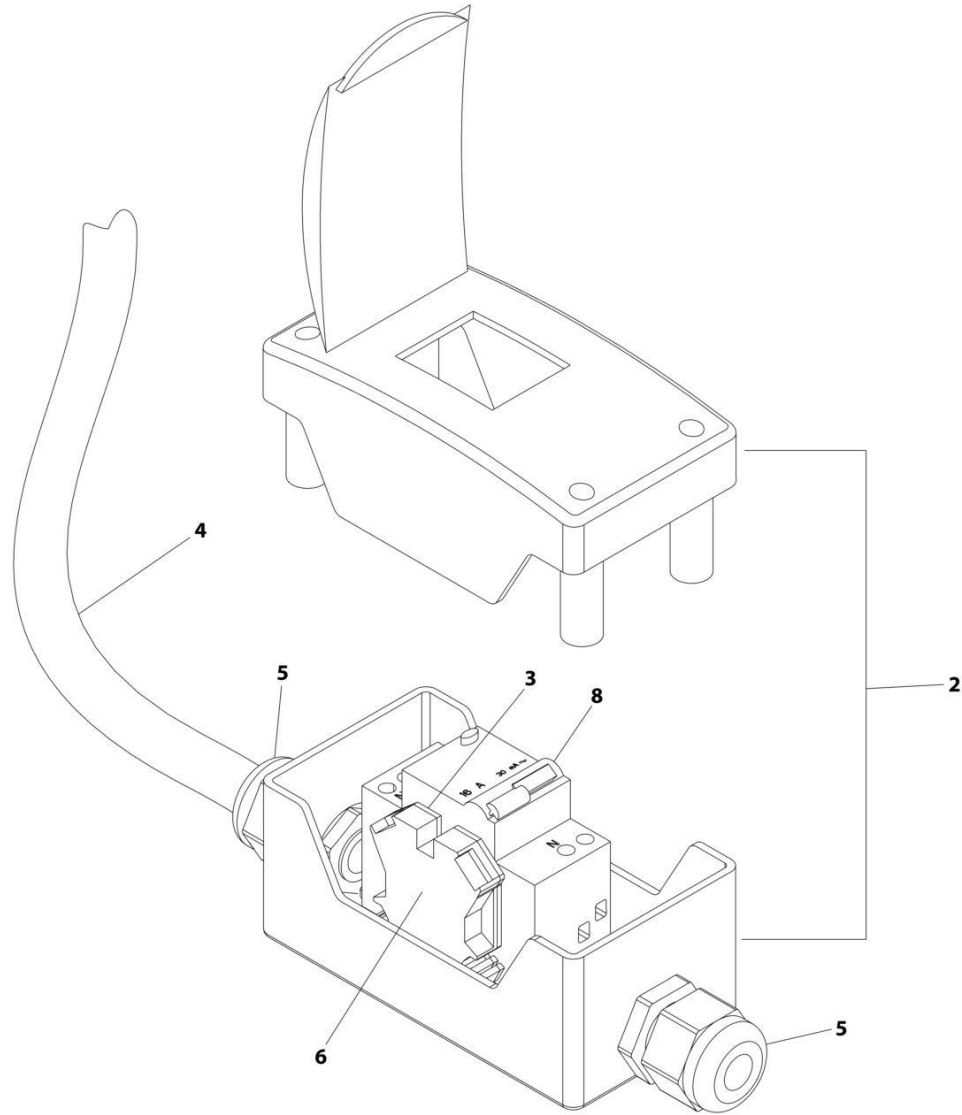
SECTION 8 - ELECTRICAL

FIGURE 8-24. BATTERY DISCONNECT SWITCH INSTALLATION

ITEM	PART NUMBER	QTY	DESCRIPTION	REV
	1001236304	Ref	BATTERY DISCONNECT SWITCH INSTALLATION	A
1	0760812	2	Bolt M8 x 25	
2	3290805	2	Nut M8	
3	3311405	3	Nut 1/4	
4	4751400	3	Washer 1/4	
5	4811900	4	Washer M8	
6	88411013	3	Bolt 1/4 x 3/4	
7	1001206476	1	Connectors, Post	
8	1001209432	1	Bussbar	
9	1001209474	1	Bussbar	
10	1001214570	1	Connector (Red)	
11	1001214571	1	Connector (Black)	
12	1001225346	1	Switch, Battery	
13	1001226531	1	Mount	
14	1001236504	1	Cable, Battery (+)	
15	1001236505	1	Cable, Battery (-)	

SECTION 8 - ELECTRICAL

FIGURE 8-25. BREAKER BOX KIT - SINGLE DOUBLE POLE BREAKER (WITHOUT 4000W/50HZ GENERATOR)



ART_2902549

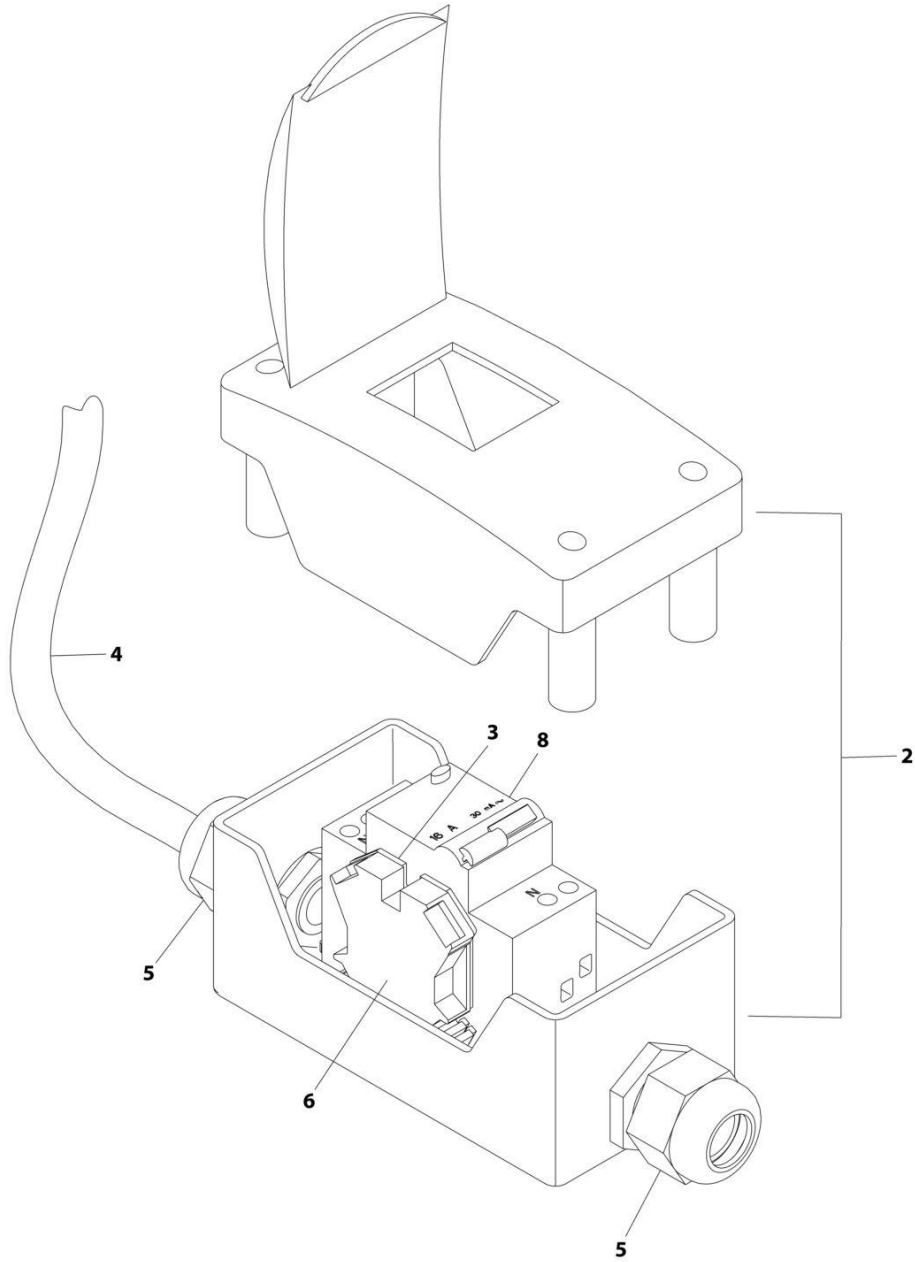
SECTION 8 - ELECTRICAL

FIGURE 8-25. BREAKER BOX KIT - SINGLE DOUBLE POLE BREAKER (WITHOUT 4000W/50HZ GENERATOR)

ITEM	PART NUMBER	QTY	DESCRIPTION	REV
	2902549	Ref	BREAKER BOX KIT - 110/220V 16AMP BREAKER	F
2	0861880	1	Box	
3	4460956	1	Barrier, Terminal	
4	1060908	6 ft/1.8m	Cable, 12/3	
5	1001097150	2	Connector, Strain Relief	
6	4460957	1	Block, Terminal	
8	1001181045	1	Breaker, Combination 16Amp/30mAmp	

SECTION 8 - ELECTRICAL

FIGURE 8-26. BREAKER BOX KIT - SINGLE DOUBLE POLE BREAKER (WITH 4000W/50HZ GENERATOR)



ART_1001096070

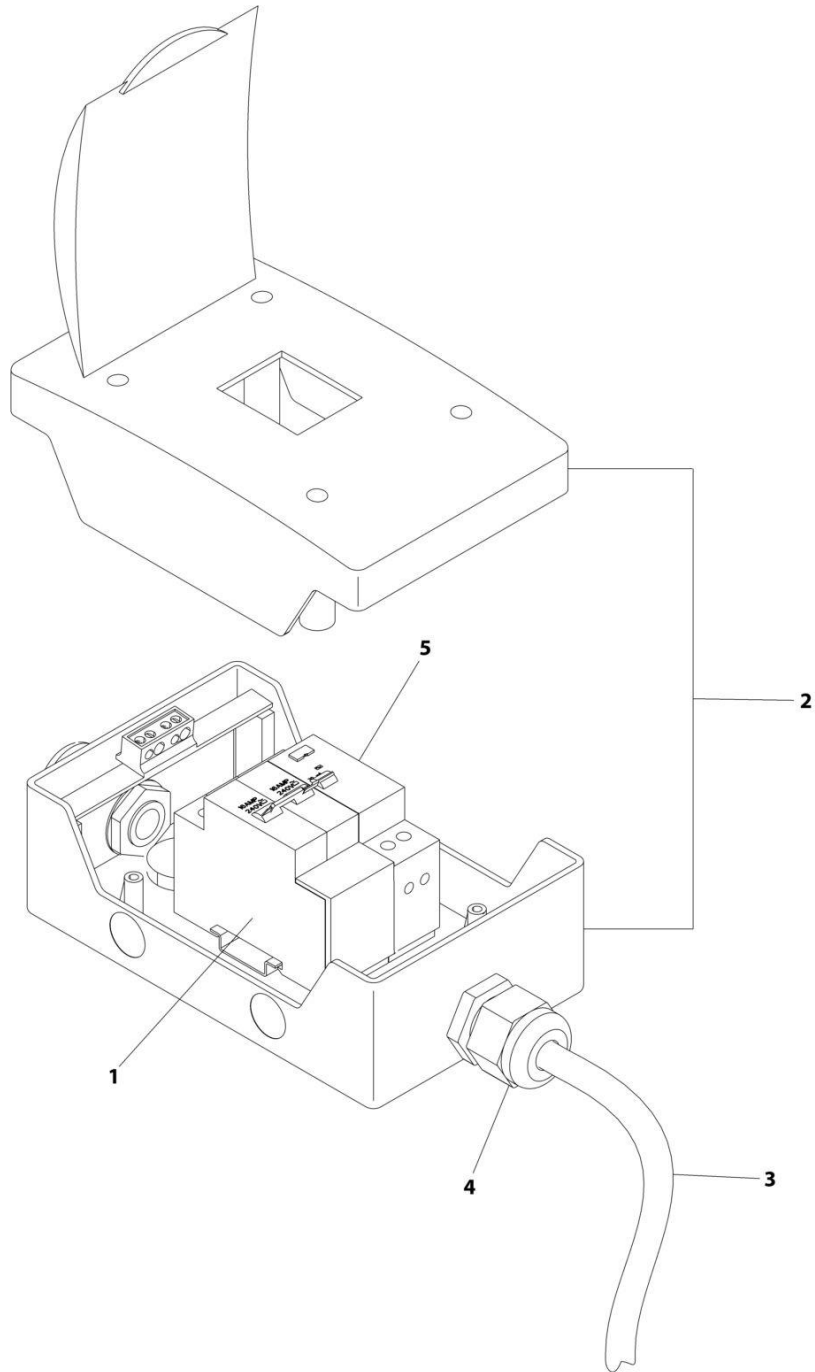
SECTION 8 - ELECTRICAL

FIGURE 8-26. BREAKER BOX KIT - SINGLE DOUBLE POLE BREAKER (WITH 4000W/50HZ GENERATOR)

ITEM	PART NUMBER	QTY	DESCRIPTION	REV
	1001096070	Ref	BREAKER BOX KIT	E
2	0861880	1	Box	
3	4460956	1	Barrier, Terminal Block End	
4	1060908	12 ft/ 3.6m	Cable, 12/3	
5	1001097150	2	Connector, Strain Relief	
6	4460957	1	Block, Terminal	
8	1001181045	1	Breaker, 16Amp	

SECTION 8 - ELECTRICAL

FIGURE 8-27. BREAKER BOX KIT - 3 BREAKERS



ART_1001152486

SECTION 8 - ELECTRICAL

FIGURE 8-27. BREAKER BOX KIT - 3 BREAKERS

ITEM	PART NUMBER	QTY	DESCRIPTION	REV
	1001152486	Ref	BREAKER BOX KIT	A
1	1001152479	1	Breaker, 16 Amp (Double)	
2	1001152483	1	Box	
3	1060908	12 ft/ 3.66m	Cable, 12/3	
4	1001097150	1	Connector, Strain Relief	
5	1001152482	1	Breaker, 30mA	

SECTION 8 - ELECTRICAL

FIGURE 8-28. BOOM ANGLE SENSOR HARNESS



ART_1001189005

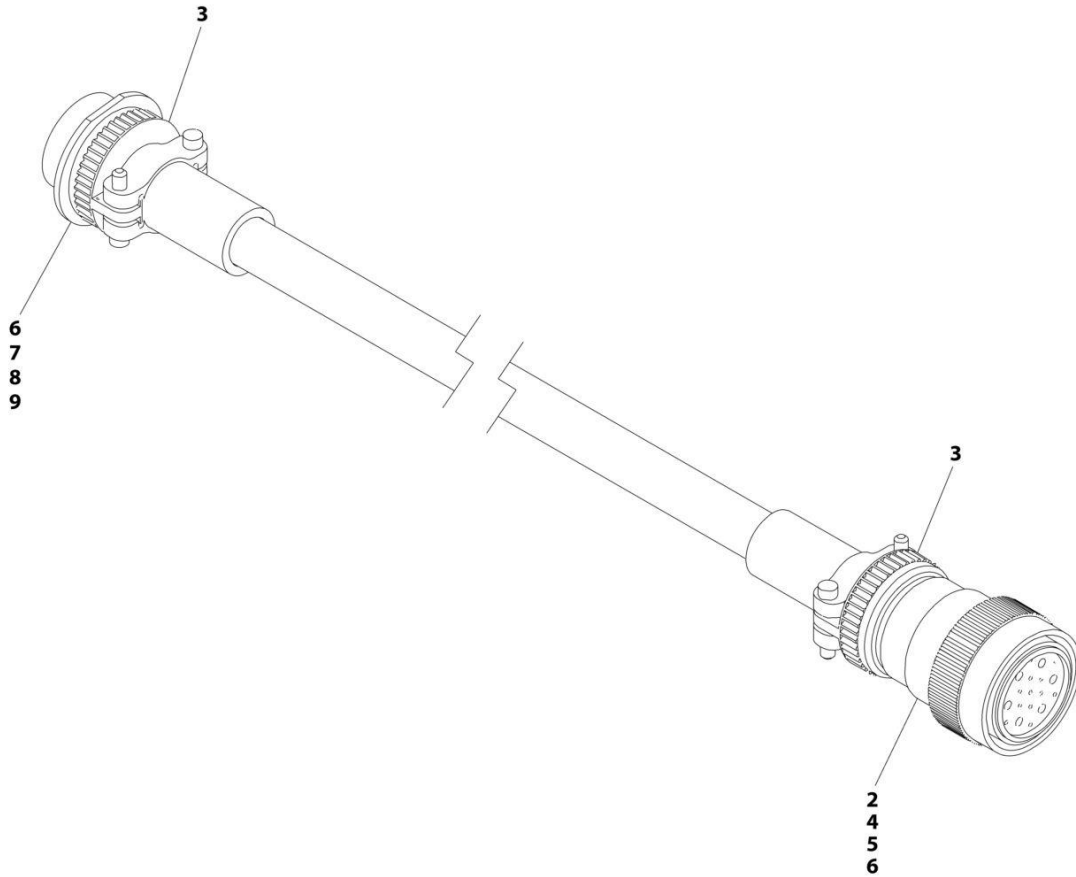
SECTION 8 - ELECTRICAL

FIGURE 8-28. BOOM ANGLE SENSOR HARNESS

ITEM	PART NUMBER	QTY	DESCRIPTION	REV
	1001189005	Ref	BOOM ANGLE SENSOR HARNESS	D
1	1001230931	1	Plug, Male - 6 Position	
1	1001116748	6	Terminal	
2	4460932	1	Receptacle, Female - 4 Position	
2	4460464	4	Pin, Male	

SECTION 8 - ELECTRICAL

FIGURE 8-29. BOOM CABLE - LOWER



ART_1001206082

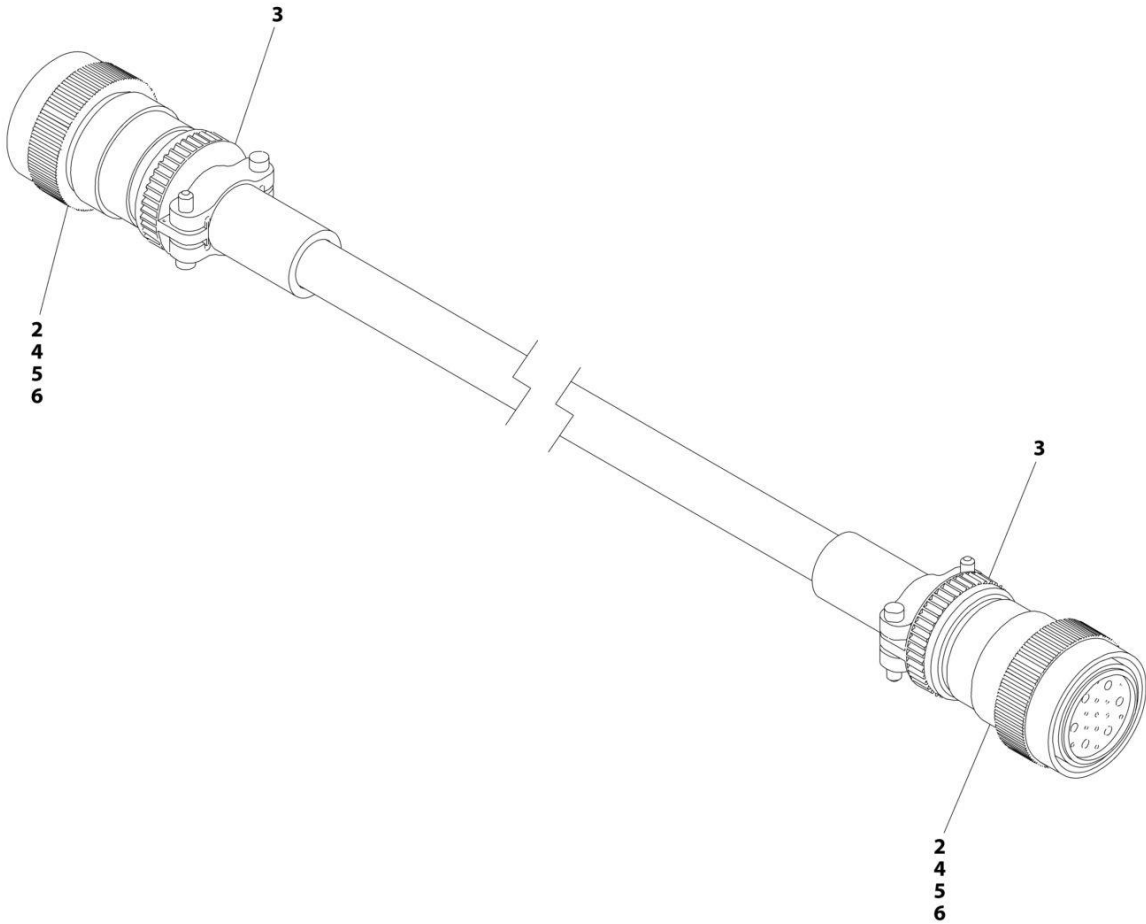
SECTION 8 - ELECTRICAL

FIGURE 8-29. BOOM CABLE - LOWER

ITEM	PART NUMBER	QTY	DESCRIPTION	REV
	1001206082	Ref	BOOM CABLE	C
2	4460865	1	Connector - 19 Position	
3	4460473	2	Clamp	
4	4460465	10	Socket, Female	
5	4460509	4	Socket, Female	
6	4460466	10	Plug, Socket	
7	4460866	1	Connector - 19 Position	
8	4460508	4	Pin, Male	
9	4460464	10	Pin, Male	

SECTION 8 - ELECTRICAL

FIGURE 8-30. BOOM CABLE - UPPER



ART_1001188534

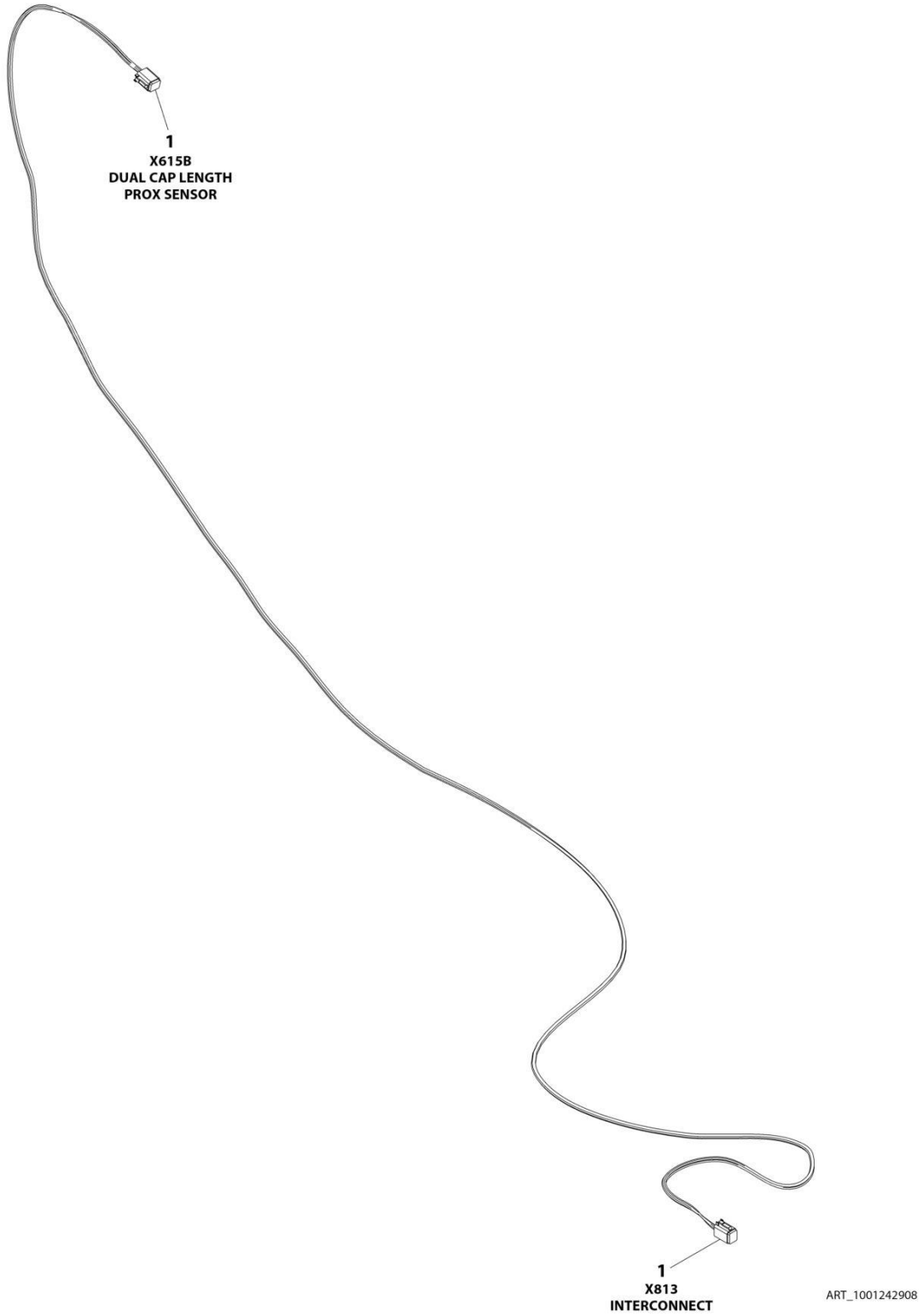
SECTION 8 - ELECTRICAL

FIGURE 8-30. BOOM CABLE - UPPER

ITEM	PART NUMBER	QTY	DESCRIPTION	REV
	1001188534	Ref	BOOM CABLE	C
2	4460865	2	Connector - 19 Position	
3	4460473	2	Clamp	
4	4460465	20	Socket, Female	
5	4460509	8	Socket, Female	
6	4460466	10	Plug, Socket	
7	1001226400	2	Heat Shrink (Not Shown)	

SECTION 8 - ELECTRICAL

FIGURE 8-31. CAPACITY PROXIMITY HARNESS



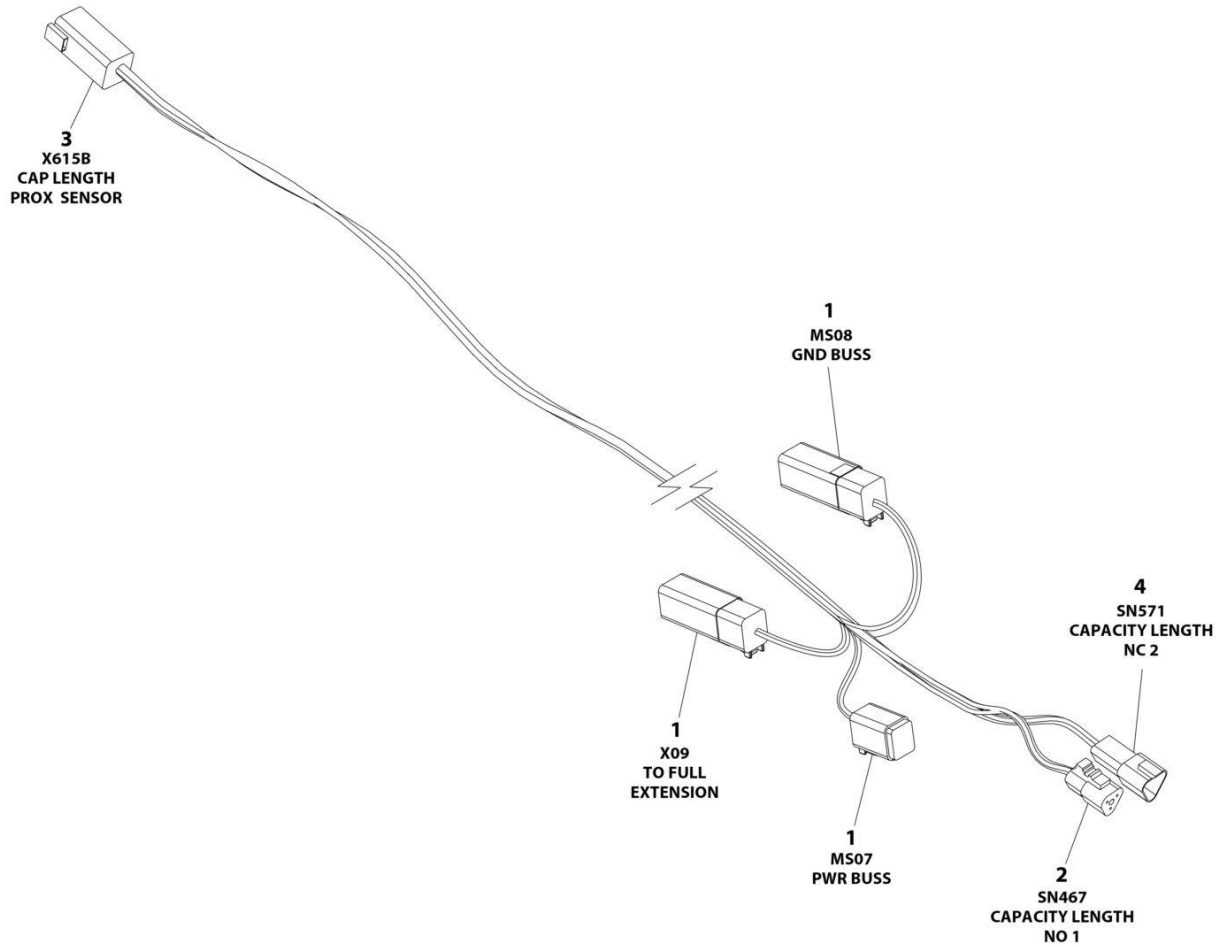
SECTION 8 - ELECTRICAL

FIGURE 8-31. CAPACITY PROXIMITY HARNESS

ITEM	PART NUMBER	QTY	DESCRIPTION	REV
	1001242908	Ref	CAPACITY PROXIMITY HARNESS	B
1	4460894	2	Plug, Male - 6 Position	
1	4460465	12	Socket, Female	

SECTION 8 - ELECTRICAL

FIGURE 8-32. CAPACITY PROXIMITY HARNESS



ART_1001238191

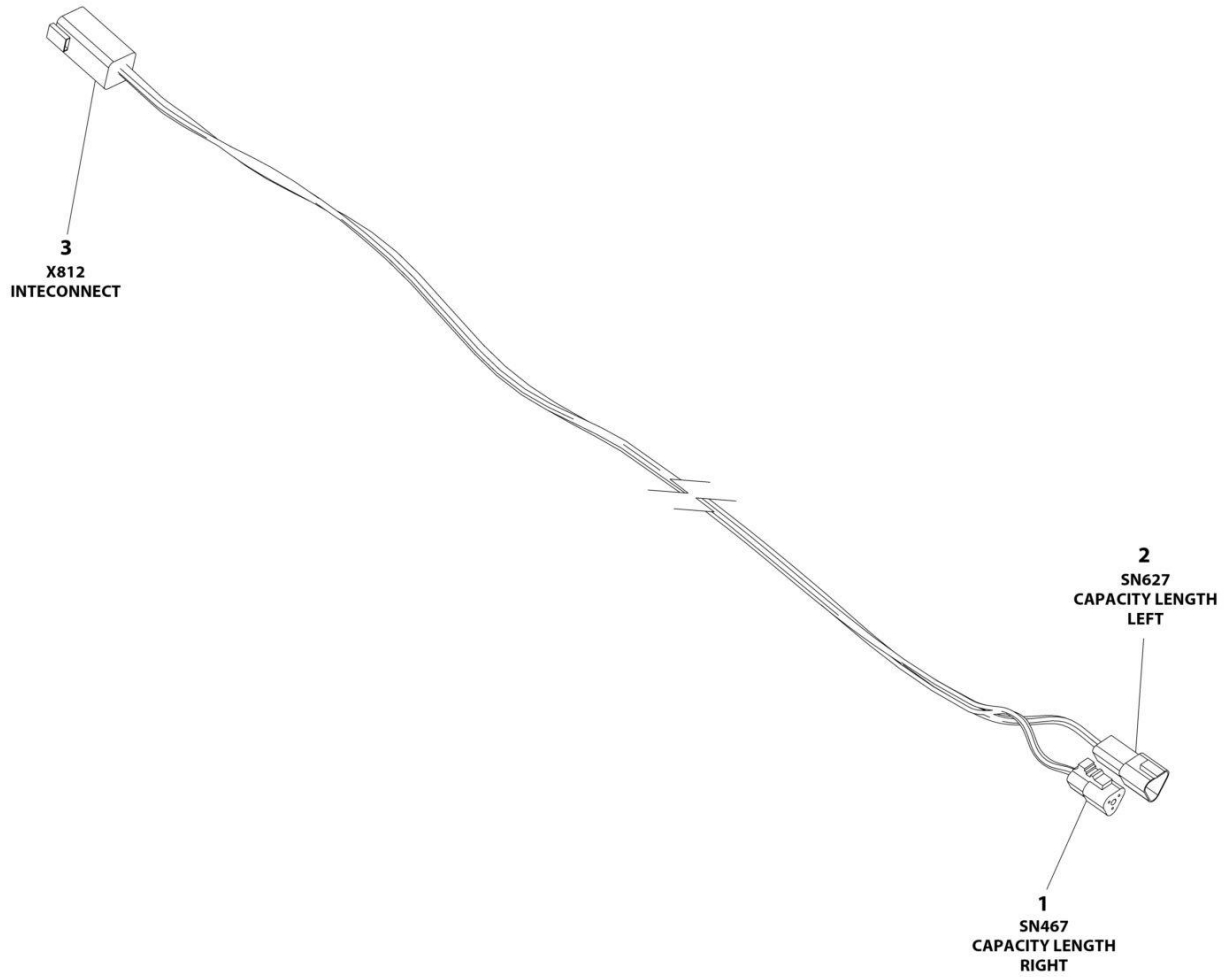
SECTION 8 - ELECTRICAL

FIGURE 8-32. CAPACITY PROXIMITY HARNESS

ITEM	PART NUMBER	QTY	DESCRIPTION	REV
	1001238191	Ref	CAPACITY PROXIMITY HARNESS	D
1	4460894	3	Plug, Male - 6 Position	
1	4460465	16	Socket, Female	
1	4460466	2	Plug, Terminal	
1	4460892	2	Bussbar - 6 Position	
2	4460539	1	Plug, Male - 3 Position	
2	4460465	3	Socket, Female	
3	4460899	1	Receptacle, Female - 6 Position	
3	4460464	6	Pin, Male	
4	4460536	1	Receptacle, Female - 3 Position	
4	4640464	3	Pin, Male	

SECTION 8 - ELECTRICAL

FIGURE 8-33. CAPACITY PROXIMITY HARNESS (DEUTZ TD2.9L4 (STAGE V) ENGINES)



ART_1001242907

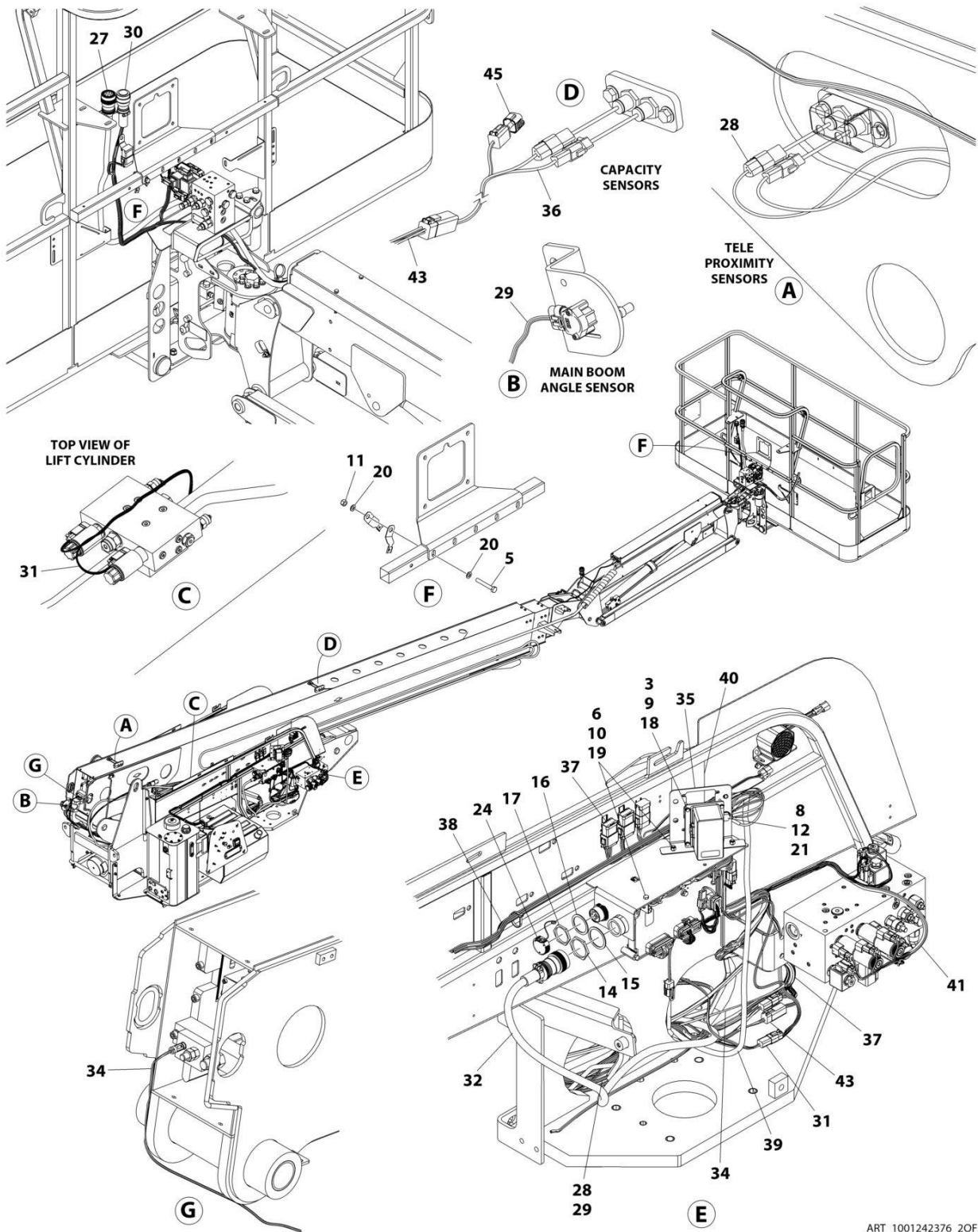
SECTION 8 - ELECTRICAL

FIGURE 8-33. CAPACITY PROXIMITY HARNESS (DEUTZ TD2.9L4 (STAGE V) ENGINES)

ITEM	PART NUMBER	QTY	DESCRIPTION	REV
	1001242907	Ref	CAPACITY PROXIMITY HARNESS	B
1	4460539	1	Plug, Male - 3 Position	
1	4460465	3	Socket, Female	
2	4460536	1	Receptacle, Female - 3 Position	
2	4640464	3	Pin, Male	
3	4460899	1	Receptacle, Female - 6 Position	
3	4460464	6	Pin, Male	

SECTION 8 - ELECTRICAL

FIGURE 8-34. ELECTRICAL COMPONENTS INSTALLATION



ART_1001242376_20F2

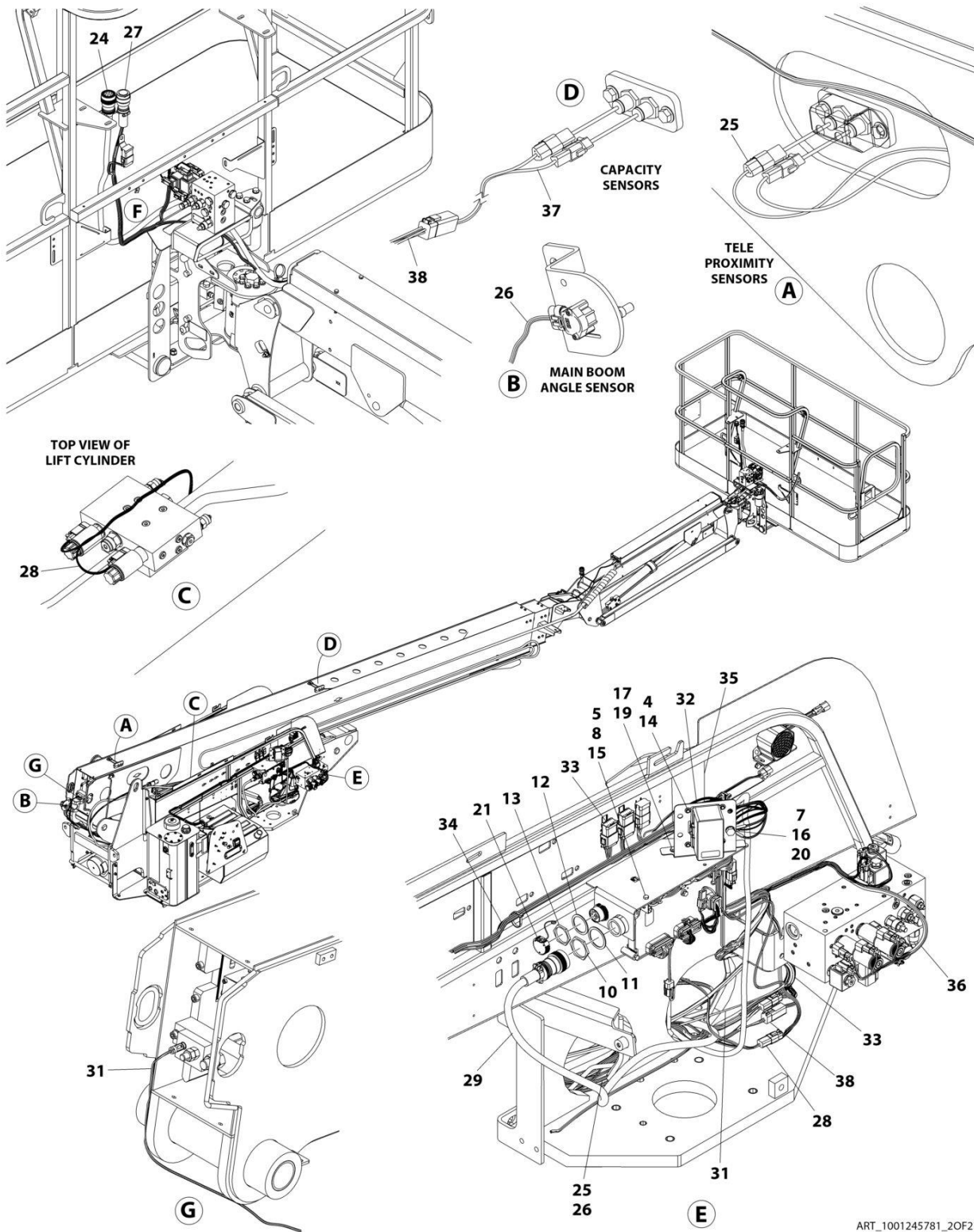
SECTION 8 - ELECTRICAL

FIGURE 8-34. ELECTRICAL COMPONENTS INSTALLATION

ITEM	PART NUMBER	QTY	DESCRIPTION	REV
	1001242376	Ref	ELECTRICAL COMPONENTS INSTALLATION	F
3	0700412	4	Bolt M4 x 25	
5	0700819	1	Bolt M8 x 55	
6	0760608	5	Bolt M6 x 16	
7	0760612	2	Bolt M6 x 25	
8	0761014	1	Bolt M10 x 30	
9	3290405	4	Nut M4 x 0.7	
10	3290605	5	Nut M6	
11	3290805	1	Nut M8	
12	3291001	1	Nut M10 x 1.5	
13	4240099	AR	Tie-Strap (Not Shown)	
14	4460470	1	Nut, Terminal	
15	4460471	1	Washer, Terminal	
16	4460496	1	Washer, Terminal	
17	4460497	1	Nut, Terminal	
18	4811400	8	Washer M4	
19	4811700	17	Washer M6	
20	4811900	2	Washer M8	
21	4812000	2	Washer M10	
24	1001106736	1	Cap, Dust	
27	1001188534	1	Boom Cable - Upper (See Separate Breakdown in this Section)	
28	1001189003	1	Tele Proximity Harness (See Separate Breakdown in this Section)	
29	1001189005	1	Boom Angle Sensor Harness (See Separate Breakdown in this Section)	
30	1001264338	1	Valve Harness - Platform Valve (See Separate Breakdown in this Section)	
31	1001205923	1	Lift Cylinder Harness (See Separate Breakdown in this Section)	
32	1001206082	1	Boom Cable - Lower (See Separate Breakdown in this Section)	
34	1001227527	1	Cable Service	
35	1001237822	1	Plate, Fuse Box	
36	1001238191	1	Capacity Proximity Harness (See Separate Breakdown in this Section)	
37	1001238405	1	Turntable Harness (See Separate Breakdown in this Section)	
38	1001238408	1	Ground Control Harness (See Separate Breakdown in this Section)	
39	1001239290	1	UGM Ground Cable	
40	1001239512	1	Decal - Fuse Box	
41	1001239613	1	Valve Harness - Main Valve (See Separate Breakdown in this Section)	
43	1001242908	1	Capacity Proximity Harness (See Separate Breakdown in this Section)	
45	1001213448	1	Connector, Dust Cap	

SECTION 8 - ELECTRICAL

FIGURE 8-35. ELECTRICAL COMPONENTS INSTALLATION (DEUTZ TD2.9L4 (STAGE V) ENGINES)



ART_1001245781_20F2

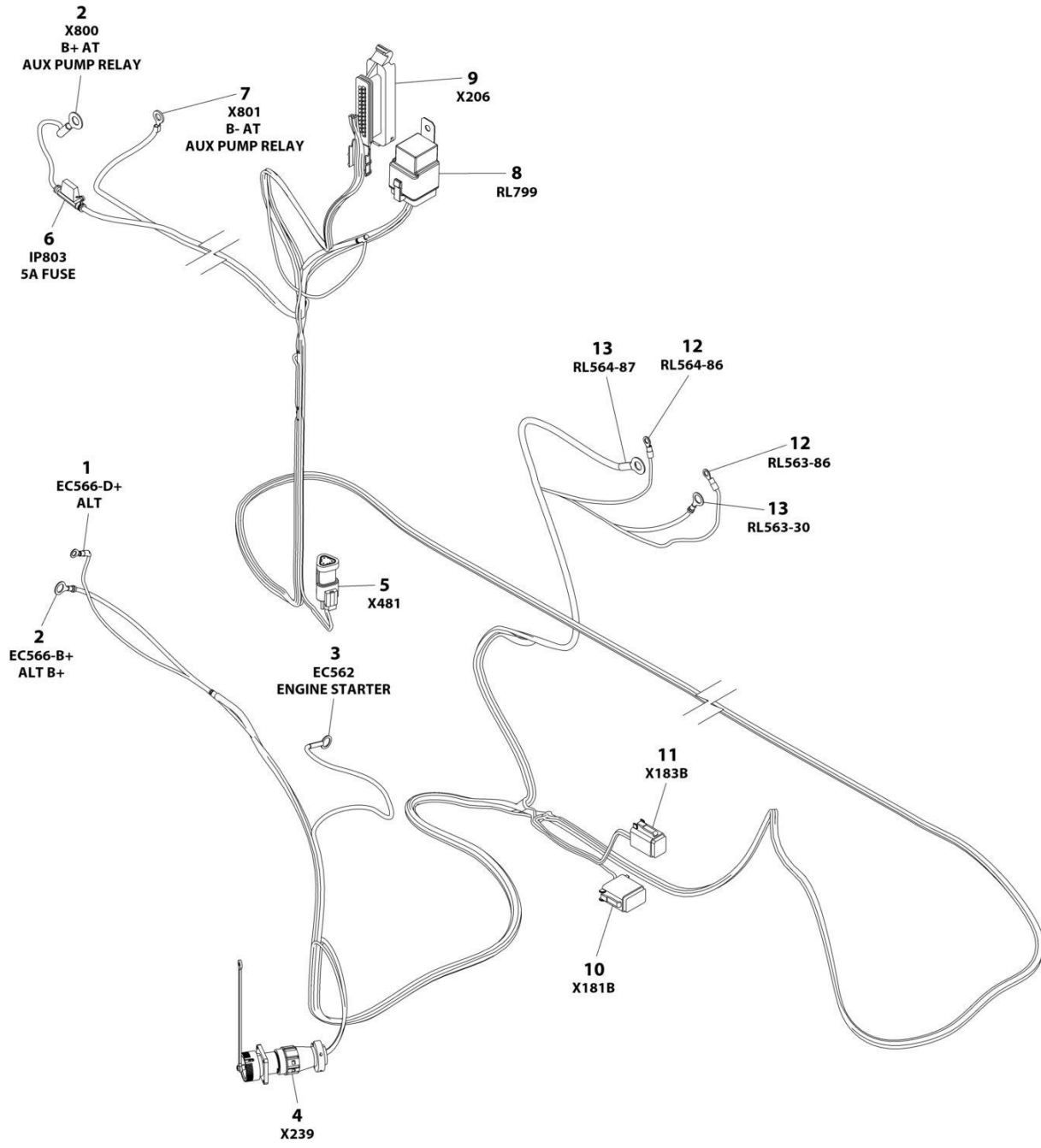
SECTION 8 - ELECTRICAL

FIGURE 8-35. ELECTRICAL COMPONENTS INSTALLATION (DEUTZ TD2.9L4 (STAGE V) ENGINES)

ITEM	PART NUMBER	QTY	DESCRIPTION	REV
	1001245781	Ref	ELECTRICAL COMPONENTS INSTALLATION	F
4	0731005	4	Screw #10 x 5/8	
5	0760608	1	Bolt M6 x 16	
7	0761012	1	Bolt M10 x 25	
8	3290605	1	Nut M6	
9	4240099	AR	Tie-Strap (Not Shown)	
10	4460470	1	Nut, Terminal	
11	4460471	1	Washer, Terminal	
12	4460496	1	Washer, Terminal	
13	4460497	1	Nut, Terminal	
14	4711000	4	Washer #10	
15	4811700	2	Washer M6	
16	4812000	2	Washer M10	
17	5250608	2	Bolt M6 x 16	
19	5260600	1	Nut M6 (Not Shown – Located on back of Fuse Box)	
20	5261000	1	Nut M10	
21	1001106736	1	Cap, Dust	
24	1001188534	1	Boom Cable - Upper (See Separate Breakdown in this Section)	
25	1001189003	1	Tele Proximity Harness (See Separate Breakdown in this Section)	
26	1001189005	1	Boom Angle Sensor Harness (See Separate Breakdown in this Section)	
27	1001264338	1	Valve Harness - Platform Valve (See Separate Breakdown in this Section)	
28	1001205923	1	Lift Cylinder Harness (See Separate Breakdown in this Section)	
29	1001206082	1	Boom Cable - Lower (See Separate Breakdown in this Section)	
31	1001227527	1	Cable Service	
32	1001237822	1	Plate, Fuse Box	
33	1001238405	1	Turntable Harness (See Separate Breakdown in this Section)	
34	1001238408	1	Ground Control Harness (See Separate Breakdown in this Section)	
35	1001239512	1	Decal - Fuse Box	
36	1001239613	1	Valve Harness - Main Valve (See Separate Breakdown in this Section)	
37	1001238191	1	Capacity Proximity Harness (See Separate Breakdown in this Section)	
38	1001242908	1	Capacity Proximity Harness (See Separate Breakdown in this Section)	

SECTION 8 - ELECTRICAL

FIGURE 8-36. ENGINE HARNESS - DEUTZ D2011 ENGINES



ART_1001188236_F

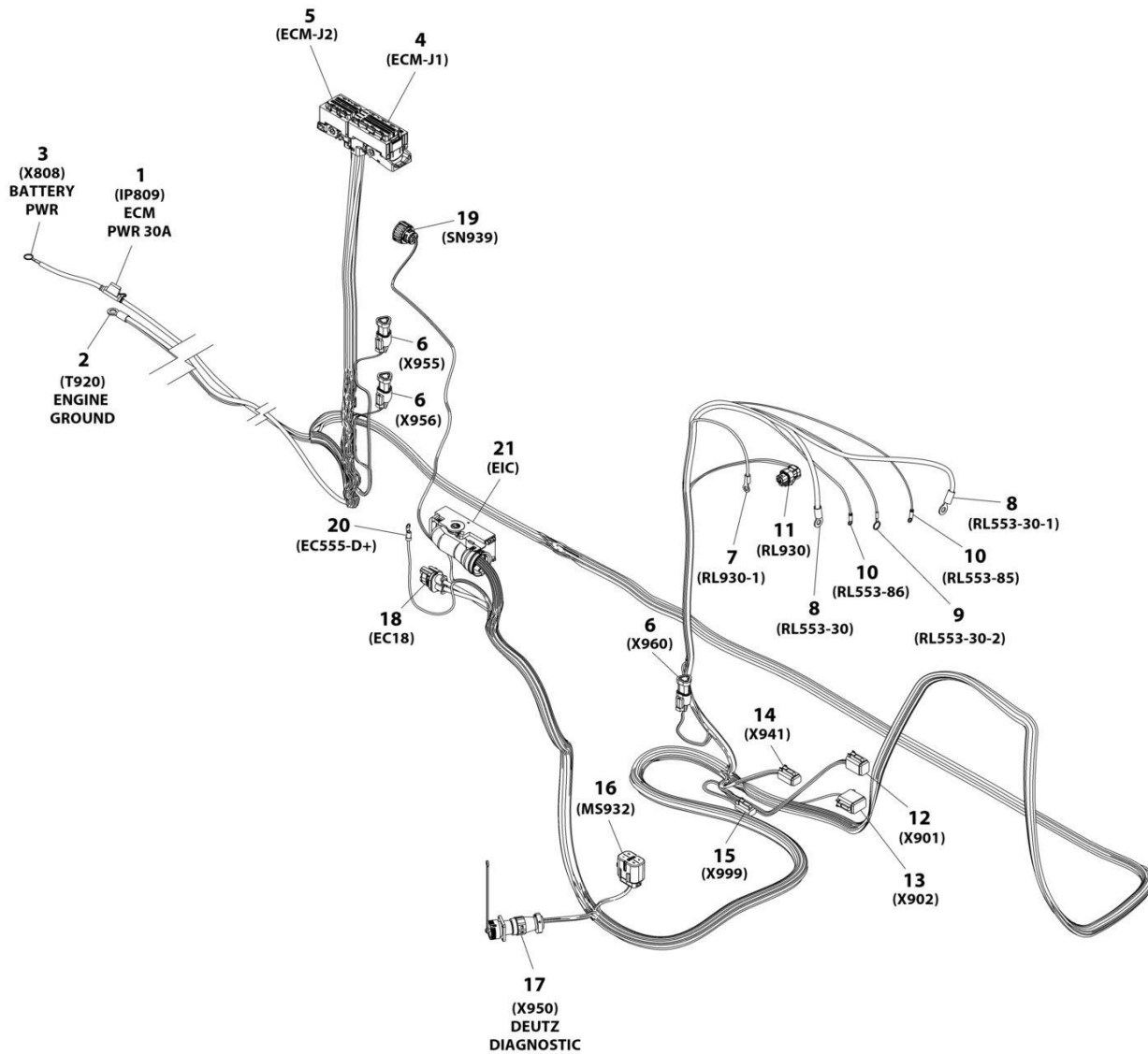
SECTION 8 - ELECTRICAL

FIGURE 8-36. ENGINE HARNESS - DEUTZ D2011 ENGINES

ITEM	PART NUMBER	QTY	DESCRIPTION	REV
	1001188236	Ref	ENGINE HARNESS	F
1	4460042	1	Terminal, Ring	
2	8220045	2	Terminal, Ring	
3	4460142	1	Terminal, Ring	
4	2902443	1	Receptacle Kit	
4	4461073	1	Cap, Dust	
5	4461095	1	Plug, Male - 3 Position	
5	4460944	2	Socket, Female	
5	4460466	1	Plug, Terminal	
5	4461070	1	Receptacle, Female - 3 Position	
5	4460943	3	Pin, Male	
6	2600066	2	Fuseholder with 5Amp Fuse	
6	See Note	NSS	Fuse - 5Amp (Note: Purchase Locally)	
7	4460312	1	Terminal, Ring	
8	1001117025	1	Plug, Relay	
8	1001116734	1	Terminal	
8	1001116732	3	Terminal	
8	1001128128	1	Plug, Terminal	
9	4461052	1	Connector - 25 Position	
9	4461060	1	Terminal	
9	4461005	6	Terminal	
9	4461008	18	Plug, Terminal	
9	4461054	1	Seal	
9	4461006	6	Seal	
9	4461053	1	Cover	
10	4460930	1	Plug, Male - 8 Position	
10	4460465	8	Socket, Female	
10	4460466	7	Plug, Terminal	
11	4460894	1	Plug, Male - 6 Position	
11	4460465	3	Socket, Female	
11	4460944	2	Socket, Female	
11	4460466	1	Plug, Terminal	
12	4460313	2	Terminal, Ring	
13	8220164	2	Terminal, Ring	

SECTION 8 - ELECTRICAL

FIGURE 8-37. ENGINE HARNESS - DEUTZ TD2.9L4 ENGINES AND DEUTZ TD2.9L4 (STAGE V PRE-BUY) ENGINES (PVC 2001)



ART_1001233895_G

SECTION 8 - ELECTRICAL

FIGURE 8-37. ENGINE HARNESS - DEUTZ TD2.9L4 ENGINES AND DEUTZ TD2.9L4 (STAGE V PRE-BUY) ENGINES (PVC 2001)

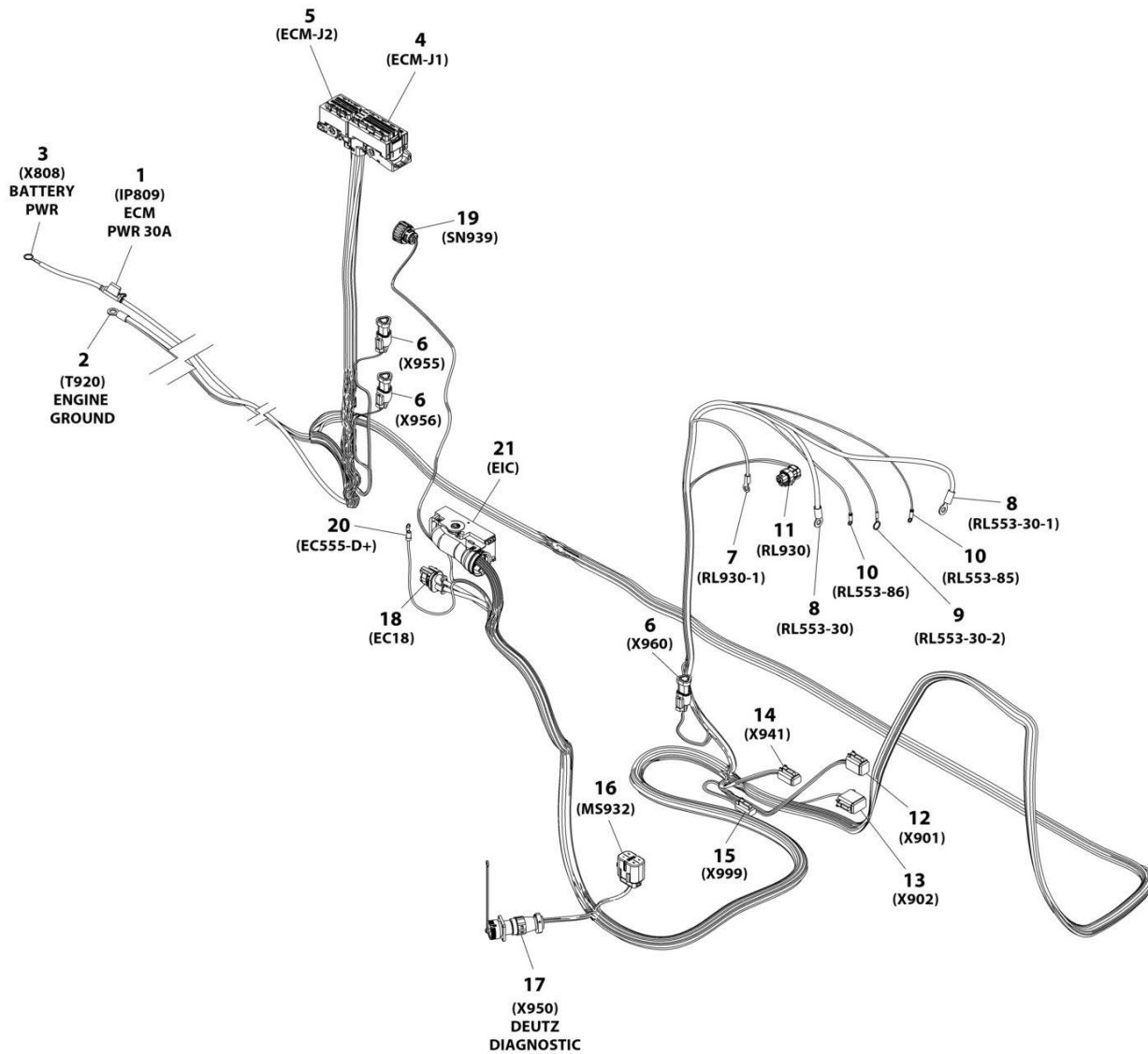
ITEM	PART NUMBER	QTY	DESCRIPTION	REV
	1001233895	Ref	ENGINE HARNESS	G
1	1001172064	1	Fuseholder with 30Amp Fuse	
1	1001172065	1	Fuse - 30A	
2	8220115	1	Terminal, Ring	
3	4460019	1	Terminal, Ring	
4	1001133956	1	Connector - 94 Position	
4	1001182361	6	Terminal	
4	1001230934	17	Terminal	
4	1001126351	2	Terminal	
4	1001252527	4	Terminal	
4	1001230936	2	Plug, Terminal	
4	1001230935	63	Plug, Terminal	
4	1001182365	6	Seal, Terminal	
5	1001133957	1	Connector - 60 Position	
5	1001126351	13	Terminal	
5	1001230934	11	Terminal	
5	1001252527	6	Terminal	
5	1001230936	11	Plug, Terminal	
5	1001230935	19	Plug, Terminal	
6	4461095	3	Plug, Male - 3 Position	
6	4460944	6	Socket, Female	
6	4460466	3	Plug, Terminal	
6	4461070	3	Receptacle, Female - 3 Position	
7	4460043	1	Terminal, Ring	
8	1001117107	2	Terminal, Ring	
9	4460703	1	Terminal, Ring	
10	4460313	2	Terminal, Ring	
11	1001116952	1	Plug, Male - 2 Position	
11	4460465	2	Socket, Female	
12	4460894	1	Plug, Male - 6 Position	
12	4460465	3	Socket, Female	
12	4460944	2	Socket, Female	
12	4460466	1	Plug, Terminal	
13	4460930	1	Plug, Male - 8 Position	
13	4460465	1	Socket, Female	
13	4460466	7	Plug, Terminal	
14	1001220379	1	Plug, Male - 4 Position	
14	4460465	2	Socket, Female	
14	4460942	2	Socket, Female	
15	4460891	1	Plug, Male - 4 Position	
15	4460465	2	Socket, Female	
16	80484084	1	Plug, Male - 8 Position	
16	8229242	1	Fuse - 5Amp	
16	80983191	1	Fuse - 10Amp	
16	4460746	3	Socket, Female	
16	1001234800	1	Socket, Female	
16	4460748	4	Plug, Terminal	
16	4460458	4	Plug, Terminal	
16	1001147264	1	Cap	

SECTION 8 - ELECTRICAL

ITEM	PART NUMBER	QTY	DESCRIPTION	REV
17	2902443	1	Receptacle Kit	
17	4461073	1	Cap, Dust	
17	4461071	6	Terminal	
18	1001142938	1	Plug, Male - 2 Position	
18	1001142940	2	Terminal	
18	1001142941	2	Seal	
19	1001133714	1	Connector - 4 Position	
19	1001133715	3	Terminal	
19	1001135651	1	Plug, Terminal	
19	1001135650	3	Seal, Terminal	
20	4460042	1	Terminal, Ring	
21	1001126362	1	Connector - 62 Position	
21	1001126363	25	Terminal	
21	1001126365	2	Terminal	
21	1001126392	10	Terminal	
21	1001126391	21	Plug, Terminal	
21	4461008	4	Plug, Terminal	
21	1001126364	19	Seal, Terminal	
21	1001223459	16	Seal, Terminal	
21	4461054	2	Seal	
21	1001151856	1	Elbow	

SECTION 8 - ELECTRICAL

FIGURE 8-38. ENGINE HARNESS - DEUTZ TD2.9L4 ENGINES AND DEUTZ TD2.9L4 (STAGE V PRE-BUY) ENGINES (PVC 2007)



ART_1001233895_H

SECTION 8 - ELECTRICAL

FIGURE 8-38. ENGINE HARNESS - DEUTZ TD2.9L4 ENGINES AND DEUTZ TD2.9L4 (STAGE V PRE-BUY) ENGINES (PVC 2007)

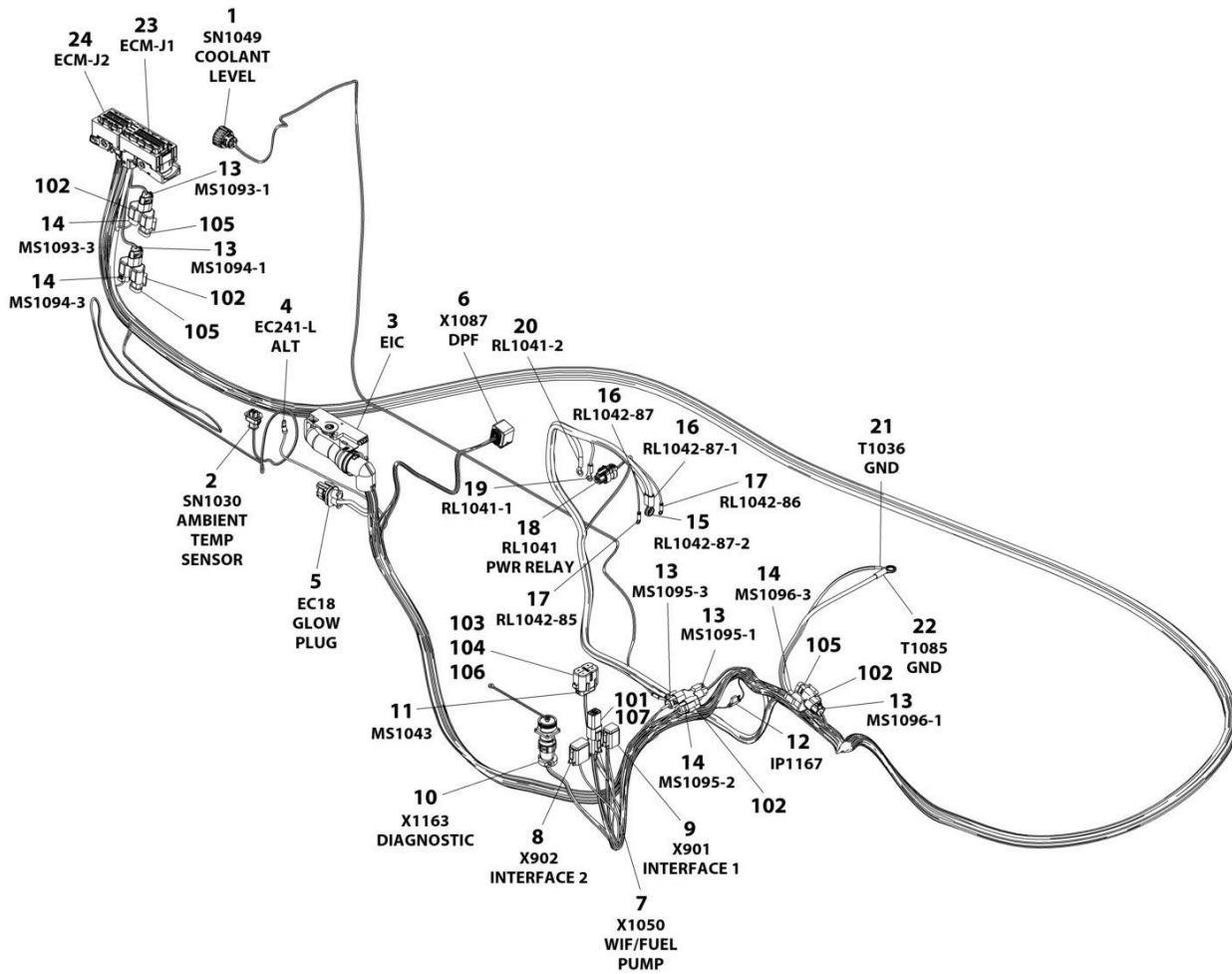
ITEM	PART NUMBER	QTY	DESCRIPTION	REV
	1001233895	Ref	ENGINE HARNESS	H
1	1001172064	1	Fuseholder with 30Amp Fuse	
1	1001172065	1	Fuse - 30A	
2	8220115	1	Terminal, Ring	
3	4460019	1	Terminal, Ring	
4	1001133956	1	Connector - 94 Position	
4	1001182361	6	Terminal	
4	1001230934	17	Terminal	
4	1001126351	2	Terminal	
4	1001256507	4	Terminal	
4	1001230936	2	Plug, Terminal	
4	1001230935	63	Plug, Terminal	
4	1001182365	6	Seal, Terminal	
5	1001133957	1	Connector - 60 Position	
5	1001126351	13	Terminal	
5	1001230934	11	Terminal	
5	1001252527	4	Terminal	
5	1001256507	2	Terminal	
5	1001230936	11	Plug, Terminal	
5	1001230935	19	Plug, Terminal	
6	4461095	3	Plug, Male - 3 Position	
6	4460944	6	Socket, Female	
6	4460466	3	Plug, Terminal	
6	4461070	3	Receptacle, Female - 3 Position	
7	4460043	1	Terminal, Ring	
8	1001117107	2	Terminal, Ring	
9	4460703	1	Terminal, Ring	
10	4460313	2	Terminal, Ring	
11	1001116952	1	Plug, Male - 2 Position	
11	4460465	2	Socket, Female	
12	4460894	1	Plug, Male - 6 Position	
12	4460465	3	Socket, Female	
12	4460944	2	Socket, Female	
12	4460466	1	Plug, Terminal	
13	4460930	1	Plug, Male - 8 Position	
13	4460465	1	Socket, Female	
13	4460466	7	Plug, Terminal	
14	1001220379	1	Plug, Male - 4 Position	
14	4460465	2	Socket, Female	
14	4460942	2	Socket, Female	
15	4460891	1	Plug, Male - 4 Position	
15	4460465	2	Socket, Female	
16	80484084	1	Plug, Male - 8 Position	
16	8229242	1	Fuse - 5Amp	
16	80983191	1	Fuse - 10Amp	
16	4460746	3	Socket, Female	
16	1001234800	1	Socket, Female	
16	4460748	4	Plug, Terminal	
16	4460458	4	Plug, Terminal	

SECTION 8 - ELECTRICAL

ITEM	PART NUMBER	QTY	DESCRIPTION	REV
16	1001147264	1	Cap	
17	2902443	1	Receptacle Kit	
17	4461073	1	Cap, Dust	
17	4461071	6	Terminal	
18	1001142938	1	Plug, Male - 2 Position	
18	1001142940	2	Terminal	
18	1001142941	2	Seal	
19	1001133714	1	Connector - 4 Position	
19	1001133715	3	Terminal	
19	1001135651	1	Plug, Terminal	
19	1001135650	3	Seal, Terminal	
20	4460042	1	Terminal, Ring	
21	1001126362	1	Connector - 62 Position	
21	1001126363	25	Terminal	
21	1001126392	10	Terminal	
21	1001126365	2	Terminal	
21	1001126391	21	Plug, Terminal	
21	4461008	4	Plug, Terminal	
21	1001223459	10	Seal	
21	4461054	2	Seal	
21	1001126364	23	Seal, Terminal	
21	1001256506	2	Seal, Terminal	
21	1001151856	1	Elbow	

SECTION 8 - ELECTRICAL

FIGURE 8-39. ENGINE HARNESS - DEUTZ TD2.9L4 (STAGE V) ENGINES



ART_1001238878

SECTION 8 - ELECTRICAL

FIGURE 8-39. ENGINE HARNESS - DEUTZ TD2.9L4 (STAGE V) ENGINES

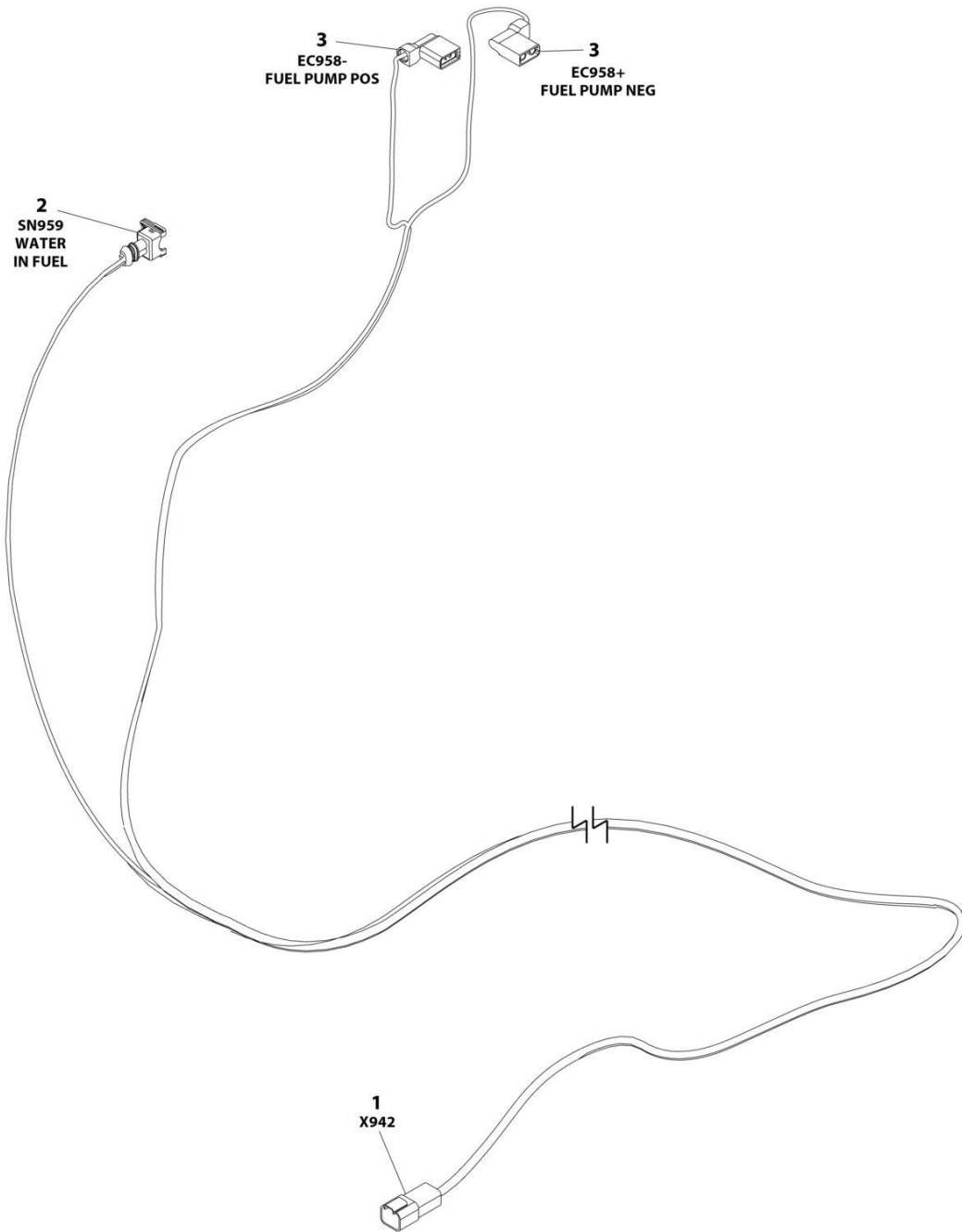
ITEM	PART NUMBER	QTY	DESCRIPTION	REV
	1001238878	Ref	Engine Harness - Deutz Engines	F
1	1001133714	1	Connector - 4 Position	
1	1001133715	3	Terminal	
1	1001135650	3	Seal, Terminal	
1	1001135651	1	Plug, Terminal	
2	1001126487	1	Connector - 2 Position	
2	1001167635	2	Terminal	
2	1001126485	2	Seal, Terminal	
3	1001126362	1	Connector - 62 Position	
3	1001126363	37	Terminal	
3	1001126392	12	Terminal	
3	1001126391	7	Plug, Terminal	
3	4461008	4	Plug, Terminal	
3	1001167632	2	Terminal	
3	1001126364	37	Seal, Terminal	
3	1001223459	12	Seal, Terminal	
3	4461054	2	Seal, Terminal	
4	4460042	1	Terminal, Ring	
5	1001142938	1	Plug, Male - 2 Position	
5	1001142940	2	Terminal	
5	1001142941	2	Seal	
6	1001239202	1	Connector - 8 Position	
6	1001126363	7	Terminal	
6	1001126391	1	Plug, Terminal	
6	1001126364	7	Seal, Terminal	
7	4460884	1	Connector - 4 Position	
7	4460465	2	Socket, Female	
7	4460942	2	Socket, Female	
8	4460930	1	Plug, Male - 8 Position	
8	4460465	1	Socket, Female	
8	4460466	7	Plug, Terminal	
9	4460894	1	Plug, Male - 6 Position	
9	4460465	2	Socket, Female	
9	4460944	2	Socket, Female	
9	4460466	2	Plug, Terminal	
10	2902443	1	Receptacle Kit	
10	4461073	1	Cap, Dust	
10	4461071	6	Terminal	
11	80484084	1	Plug, Male - 8 Position	
11	4460748	4	Seal, Terminal	
11	4460746	3	Terminal	
11	1001234800	1	Terminal	
11	4460458	4	Seal, Terminal	
12	1001170764	1	Fuse Holder, Includes Resistor	
12	1001197719	1	Resistor 0.5W	
13	1001116812	5	Plug, Male - 3 Position	
13	4460944	10	Socket, Female	
13	4460466	5	Plug, Terminal	
14	4460539	4	Connector - 3 Position	
14	4460944	8	Socket, Female	

SECTION 8 - ELECTRICAL

ITEM	PART NUMBER	QTY	DESCRIPTION	REV
14	4460466	4	Plug, Terminal	
15	4460703	1	Terminal, Ring	
16	1001117107	2	Terminal, Ring	
17	4460247	2	Terminal, Ring	
18	1001116952	1	Plug, Male - 2 Position	
18	4460465	2	Socket, Female	
19	4460043	1	Terminal, Ring	
20	1001117106	1	Terminal, Ring	
21	4460019	1	Terminal, Ring	
22	8220164	1	Terminal, Ring	
23	1001133956	1	Connector - 94 Position	
23	1001126351	3	Terminal	
23	1001182361	6	Terminal	
23	1001230934	25	Terminal	
23	1001230935	55	Plug, Terminal	
23	1001252527	4	Terminal	
23	1001230936	1	Plug, Terminal	
23	1001182365	6	Seal, Terminal	
24	1001133957	1	Connector - 60 Position	
24	1001126351	13	Terminal	
24	1001230935	10	Plug, Terminal	
24	1001230934	26	Terminal	
24	1001230936	11	Plug, Terminal	
101	4460932	1	Connector - Female	
102	4460945	4	Receptacle, 3 Way	
103	8229242	1	Fuse - 5Amp	
104	80983191	1	Fuse - 10Amp	
105	1001116815	3	Connector	
106	1001147264	1	Cap	
107	4460466	4	Seal, Terminal	

SECTION 8 - ELECTRICAL

FIGURE 8-40. FUEL PUMP HARNESS - DEUTZ TD2.9L4 ENGINE



ART_1001190444

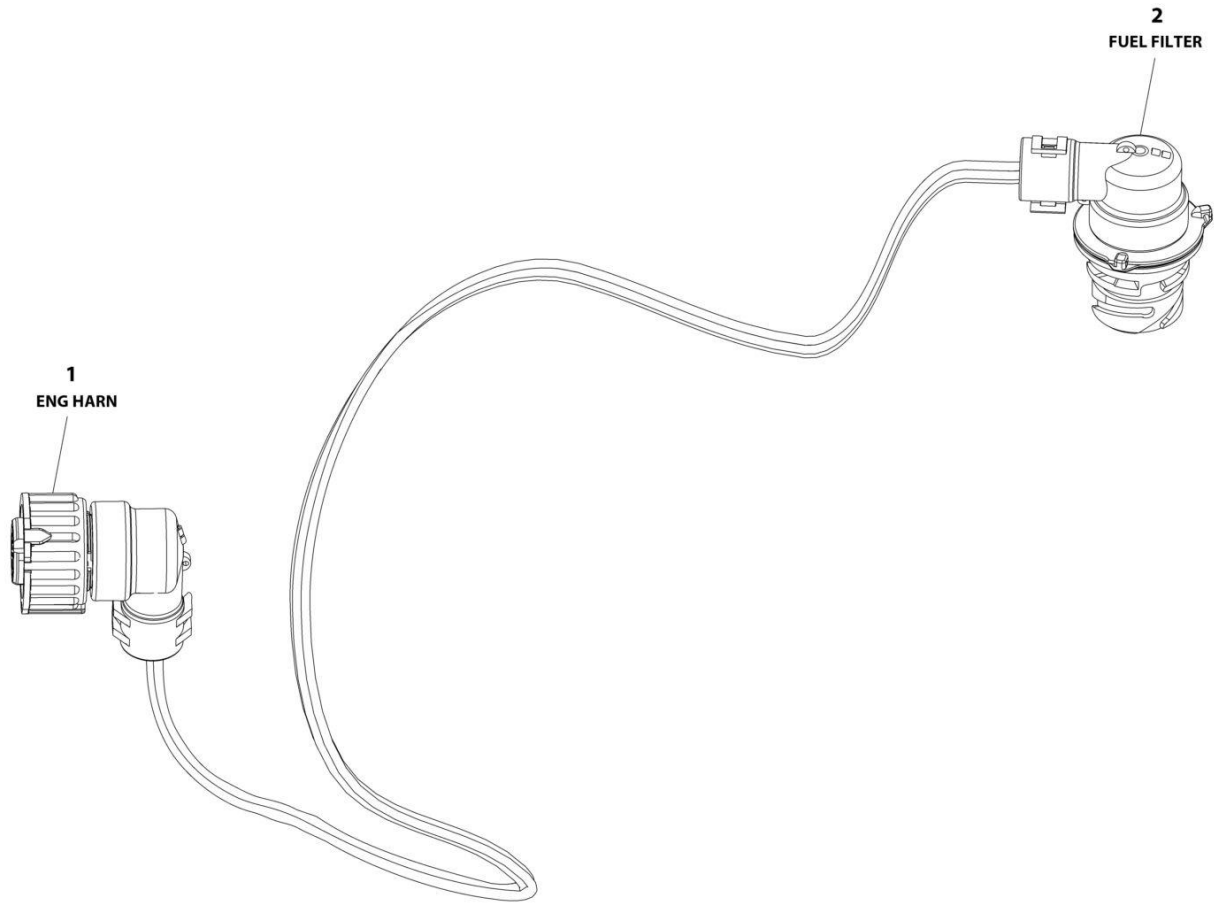
SECTION 8 - ELECTRICAL

FIGURE 8-40. FUEL PUMP HARNESS - DEUTZ TD2.9L4 ENGINE

ITEM	PART NUMBER	QTY	DESCRIPTION	REV
	1001190444	Ref	FUEL PUMP HARNESS	D
1	4460932	1	Receptacle, Female - 4 Position	
1	4460941	4	Pin, Male	
2	1001116983	1	Plug, Male - 2 Posiiton	
2	1001227507	2	Socket, Female	
2	4461054	2	Seal	
3	1001223045	2	Connector	

SECTION 8 - ELECTRICAL

FIGURE 8-41. FUEL HARNESS - DEUTZ TD2.2L4 (STAGE V) ENGINE



ART_1001245913

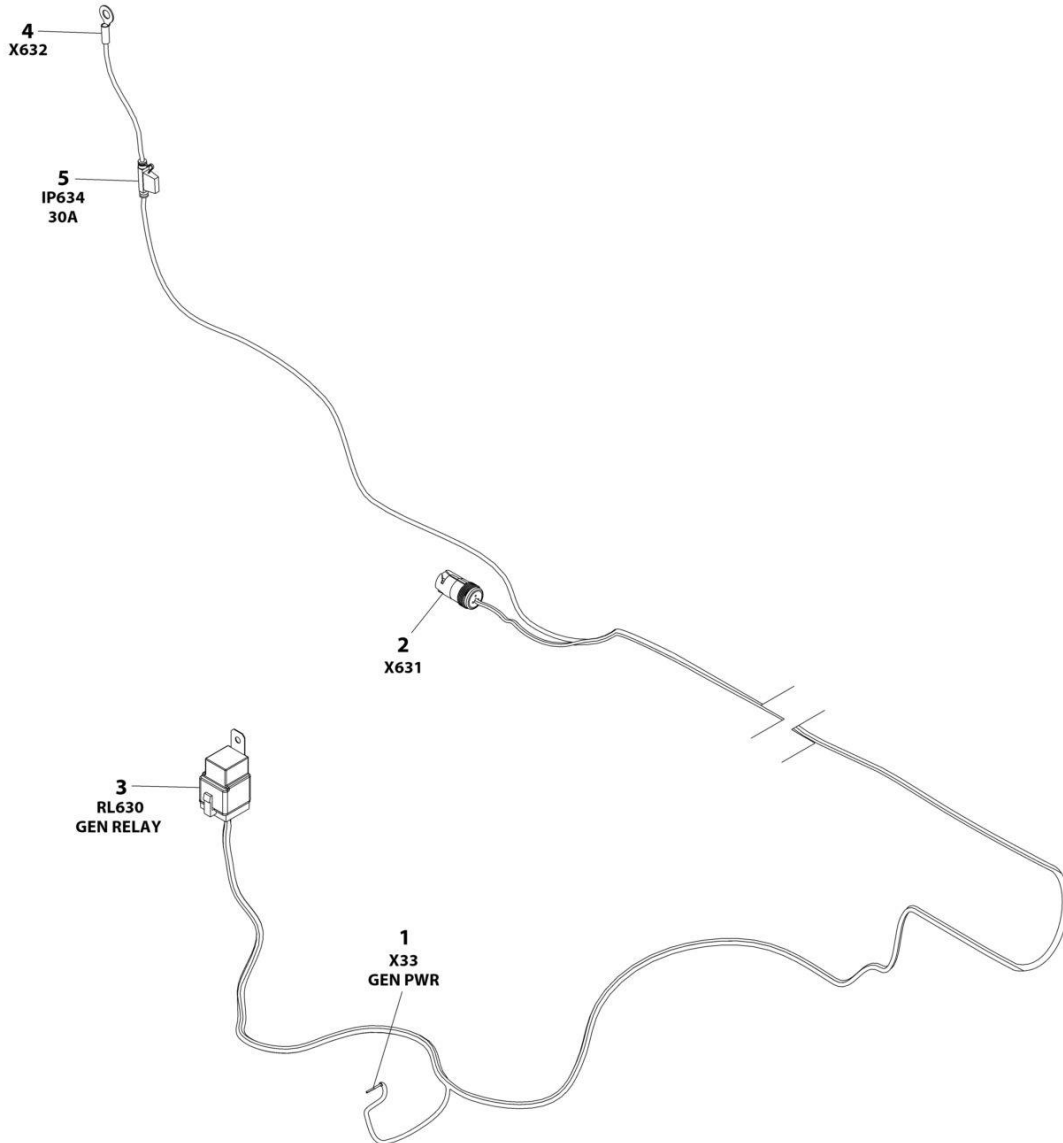
SECTION 8 - ELECTRICAL

FIGURE 8-41. FUEL HARNESS - DEUTZ TD2.2L4 (STAGE V) ENGINE

ITEM	PART NUMBER	QTY	DESCRIPTION	REV
	1001245913	Ref	FUEL HARNESS - DEUTZ (STAGE V) ENGINE	D
1	1001148842	1	Connector - 4 Position	
1	1001148841	4	Pin, Male	
1	1001135650	4	Seal	
2	1001133714	1	Plug, Male - 4 Position	
2	1001133715	4	Socket, Female	
2	1001135650	4	Seal	

SECTION 8 - ELECTRICAL

FIGURE 8-42. GENERATOR HARNESS - 2500W



ART_1001194114_B

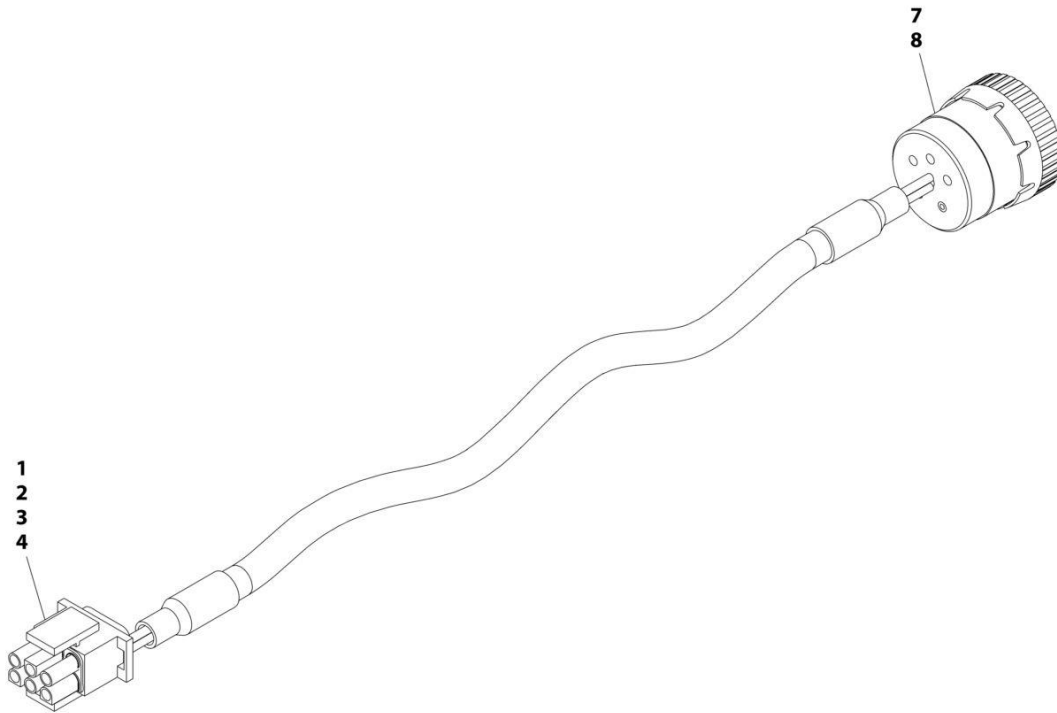
SECTION 8 - ELECTRICAL

FIGURE 8-42. GENERATOR HARNESS - 2500W

ITEM	PART NUMBER	QTY	DESCRIPTION	REV
	1001194114	Ref	GENERATOR HARNESS	B
1	4460906	1	Socket, Female	
2	1001154726	1	Receptacle, Female - 3 Position	
2	4460464	2	Pin, Male	
2	4460466	1	Plug, Terminal	
3	1001120851	1	Connector, Relay	
3	1001116734	2	Terminal	
3	1001116732	2	Terminal	
3	3740080	1	Relay	
4	8220045	1	Terminal, Ring	
5	2400060	1	Fuseholder - 30Amp (Includes Cover)	
5	8229245	1	Fuse - 30Amp	

SECTION 8 - ELECTRICAL

FIGURE 8-43. GENERATOR HARNESS - 4000W



ART_1001152532

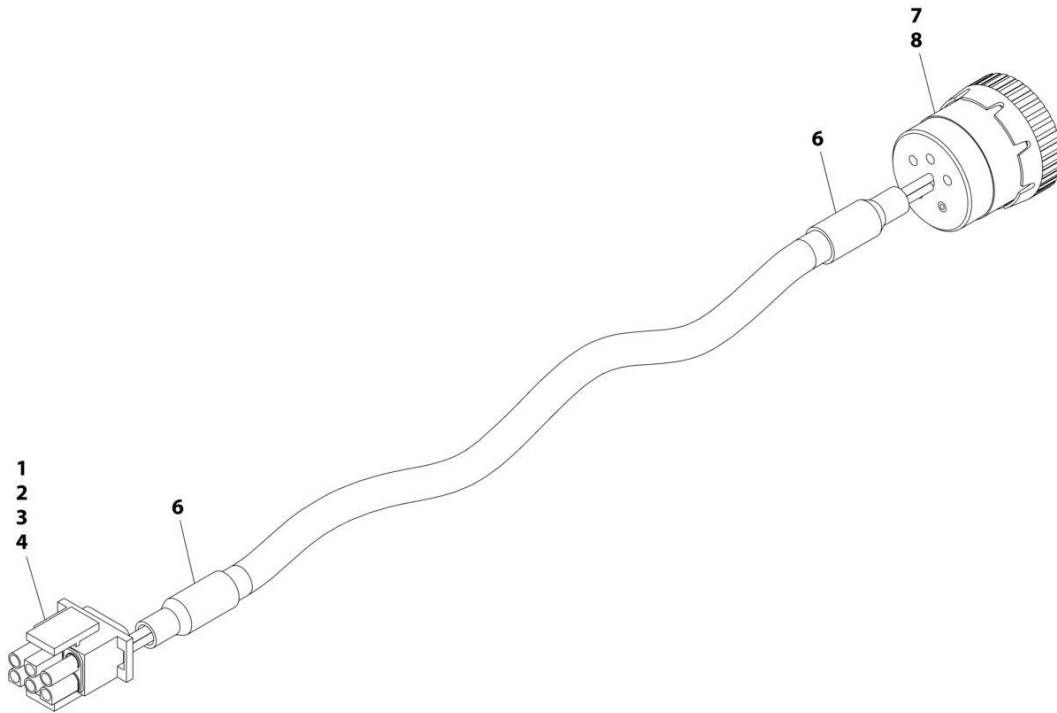
SECTION 8 - ELECTRICAL

FIGURE 8-43. GENERATOR HARNESS - 4000W

ITEM	PART NUMBER	QTY	DESCRIPTION	REV
	1001152532	Ref	GENERATOR HARNESS	A
1	4460225	1	Connector - 6 Position	
2	4460268	2	Socket, Female	
3	4460807	1	Seal	
4	4460808	1	Seal	
7	4460465	2	Socket, Female	
8	77363233	1	Connector - 6 Position	

SECTION 8 - ELECTRICAL

FIGURE 8-44. GENERATOR HARNESS - 7500W SKYPOWER



ART_4922925

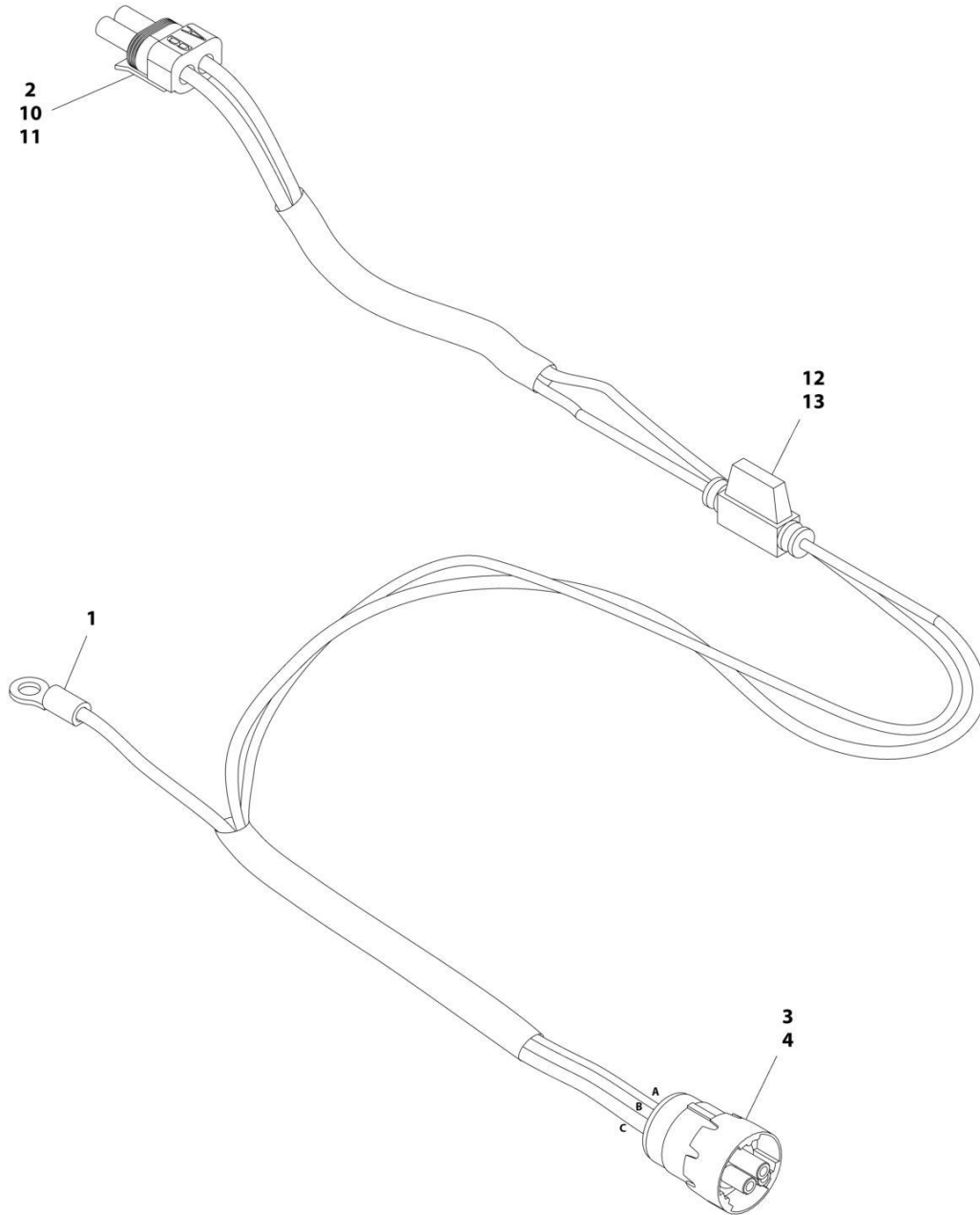
SECTION 8 - ELECTRICAL

FIGURE 8-44. GENERATOR HARNESS - 7500W SKYPOWER

ITEM	PART NUMBER	QTY	DESCRIPTION	REV
	4922925	Ref	GENERATOR TO CONTROL BOX HARNESS (7500W GENERATOR)	C
1	4460225	1	Plug, Male - 2 Position	
2	4460268	6	Socket, Female	
3	4460807	1	Seal	
4	4460808	1	Seal	
6	2820019	AR	Heat Shrink	
7	4460465	6	Socket, Female	
8	77363233	1	Connector - 6 Position	

SECTION 8 - ELECTRICAL

FIGURE 8-45. GENERATOR TO ENGINE HARNESS - 7500W SKYPOWER GENERATOR (DEUTZ D2011 ONLY)



ART_1001152429

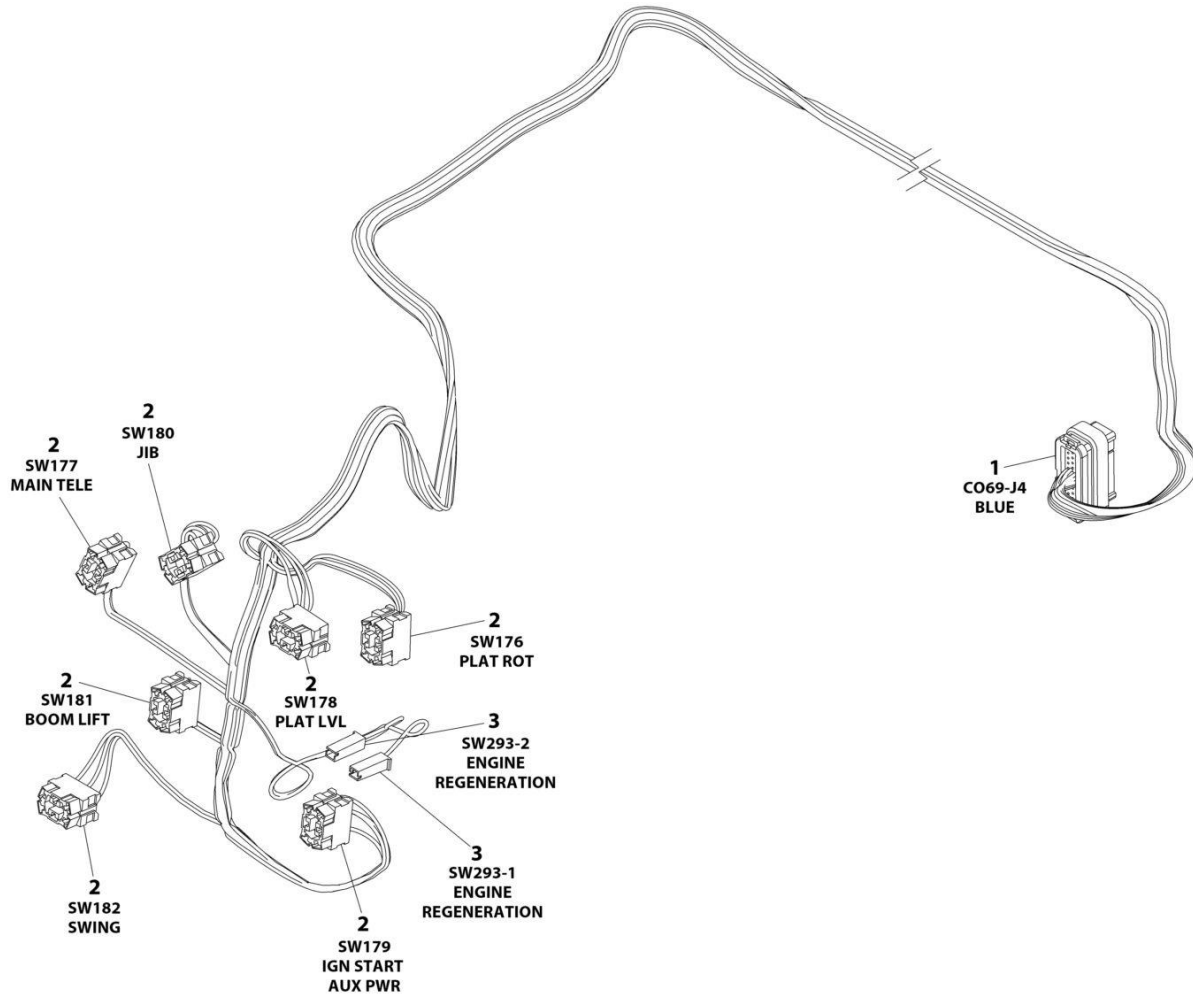
SECTION 8 - ELECTRICAL

FIGURE 8-45. GENERATOR TO ENGINE HARNESS - 7500W SKYPOWER GENERATOR (DEUTZ D2011 ONLY)

ITEM	PART NUMBER	QTY	DESCRIPTION	REV
	1001152429	Ref	GENERATOR TO ENGINE HARNESS	C
1	4460043	1	Terminal, Ring	
2	4460742	1	Plug, Male - 2 Position	
3	4460967	1	Connector - 3 Position	
4	4460465	3	Socket, Female	
10	4460743	2	Terminal, Female	
11	4460458	2	Seal	
12	2400060	1	Fuseholder (Includes Cover)	
13	2400064	1	Fuse - 5Amp	

SECTION 8 - ELECTRICAL

FIGURE 8-46. GROUND CONTROL HARNESS



ART_1001238408

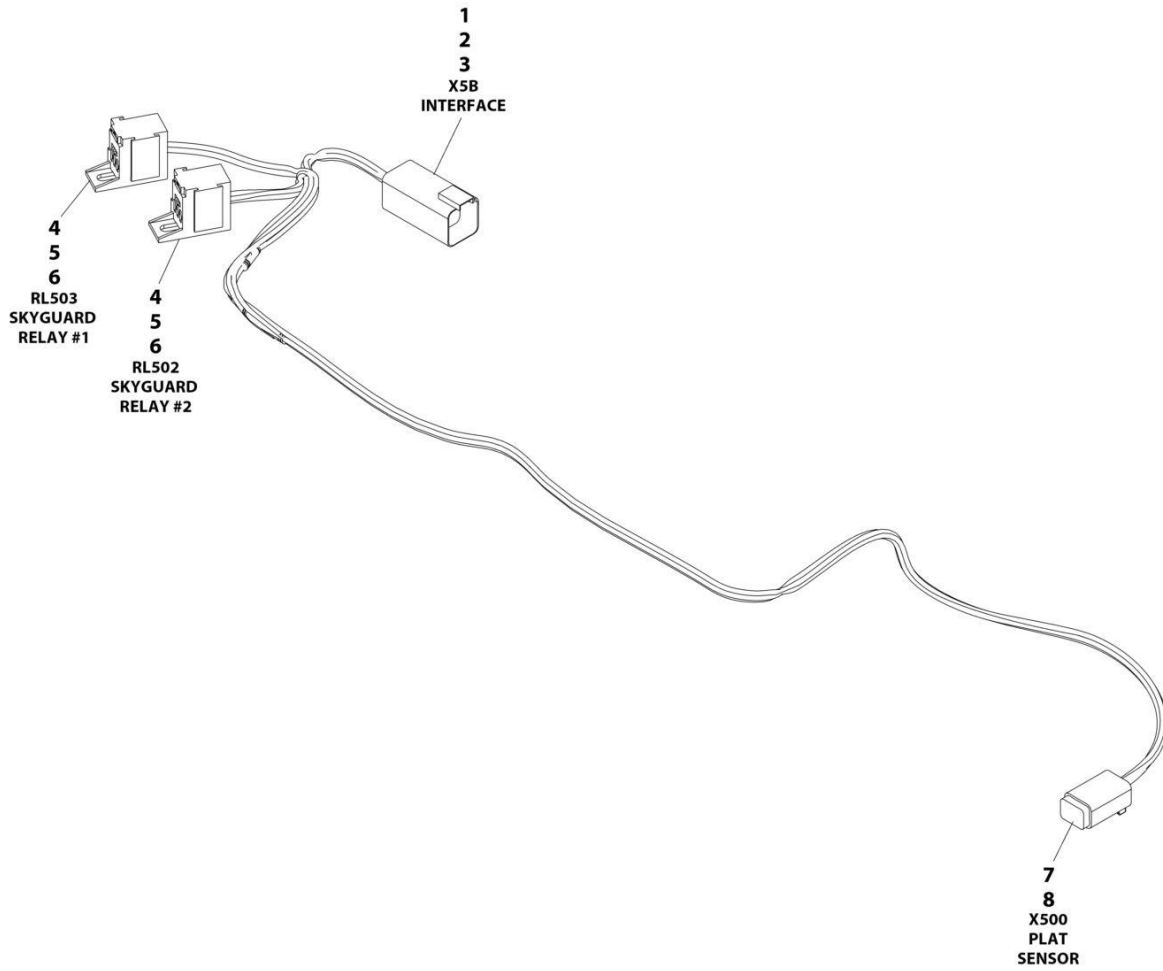
SECTION 8 - ELECTRICAL

FIGURE 8-46. GROUND CONTROL HARNESS

ITEM	PART NUMBER	QTY	DESCRIPTION	REV
	1001238408	Ref	GROUND CONTROL HARNESS	B
1	4460876	1	Connector - 35 Position	
1	4460871	16	Socket, Female	
1	4460905	19	Plug, Terminal	
2	4460418	7	Connector, Switch	
2	4460419	14	Terminal	
2	1001159186	14	Terminal	
3	4460260	2	Terminal	
3	4460259	2	Terminal	

SECTION 8 - ELECTRICAL

FIGURE 8-47. INTERFACE HARNESS - WITH 1 CELL LSS



ART_1001225580

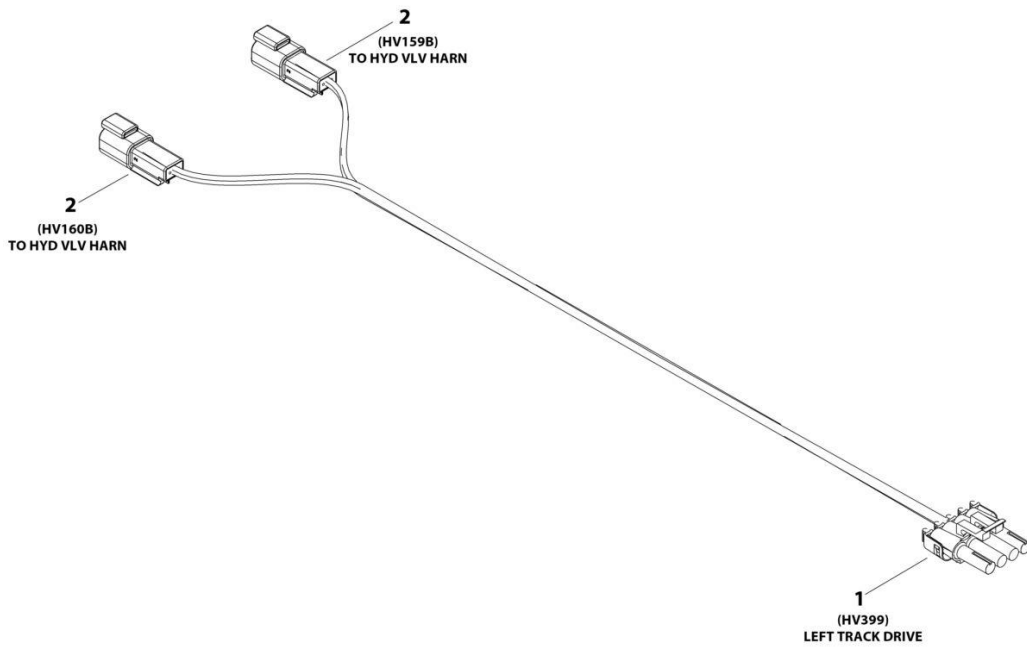
SECTION 8 - ELECTRICAL

FIGURE 8-47. INTERFACE HARNESS - WITH 1 CELL LSS

ITEM	PART NUMBER	QTY	DESCRIPTION	REV
	1001225580	Ref	INTERFACE HARNESS - WITH 1 CELL LSS	D
1	4460899	1	Connector	
2	4460464	4	Terminal	
3	4460466	2	Plug	
4	1001186432	2	Connector	
5	1001116720	4	Terminal	
6	1001118388	4	Terminal	
7	4460884	1	Connector	
8	4460465	4	Terminal	

SECTION 8 - ELECTRICAL

FIGURE 8-48. LEFT DRIVE HARNESS



ART_1001241304

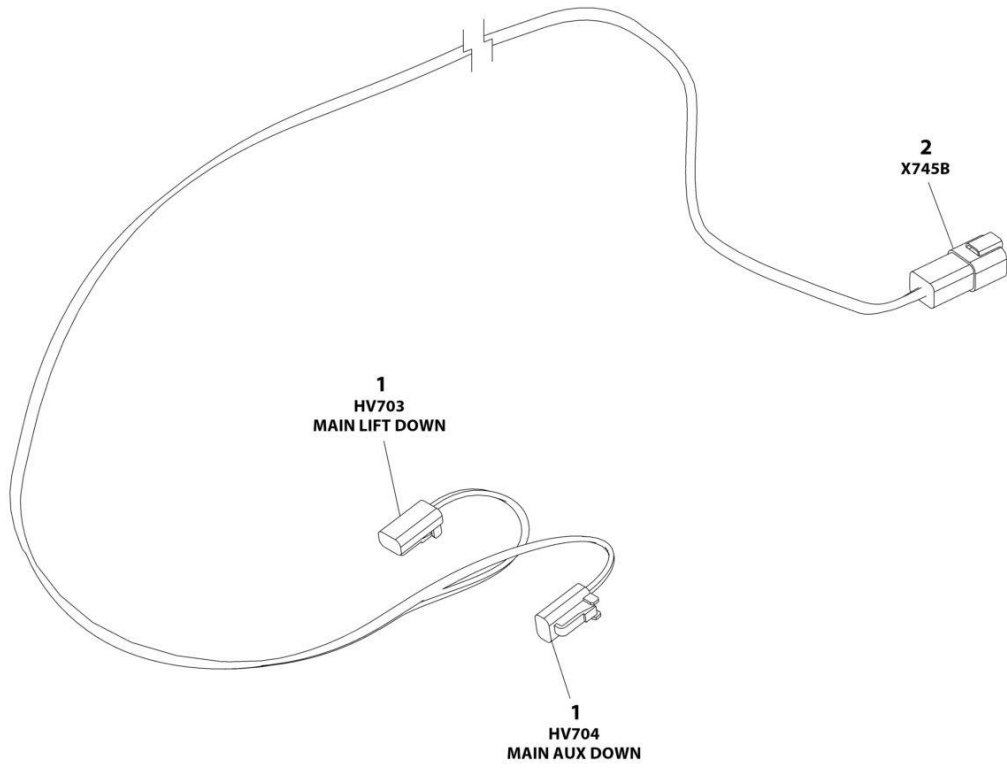
SECTION 8 - ELECTRICAL

FIGURE 8-48. LEFT DRIVE HARNESS

ITEM	PART NUMBER	QTY	DESCRIPTION	REV
	1001241304	Ref	LEFT DRIVE HARNESS	C
1	4460460	1	Receptacle, Female - 4 Position	
1	4460457	4	Terminal	
1	4460458	4	Seal	
2	4460897	2	Receptacle, Female - 2 Position	
2	4460464	4	Pin, Male	

SECTION 8 - ELECTRICAL

FIGURE 8-49. LIFT CYLINDER HARNESS



ART_1001205923

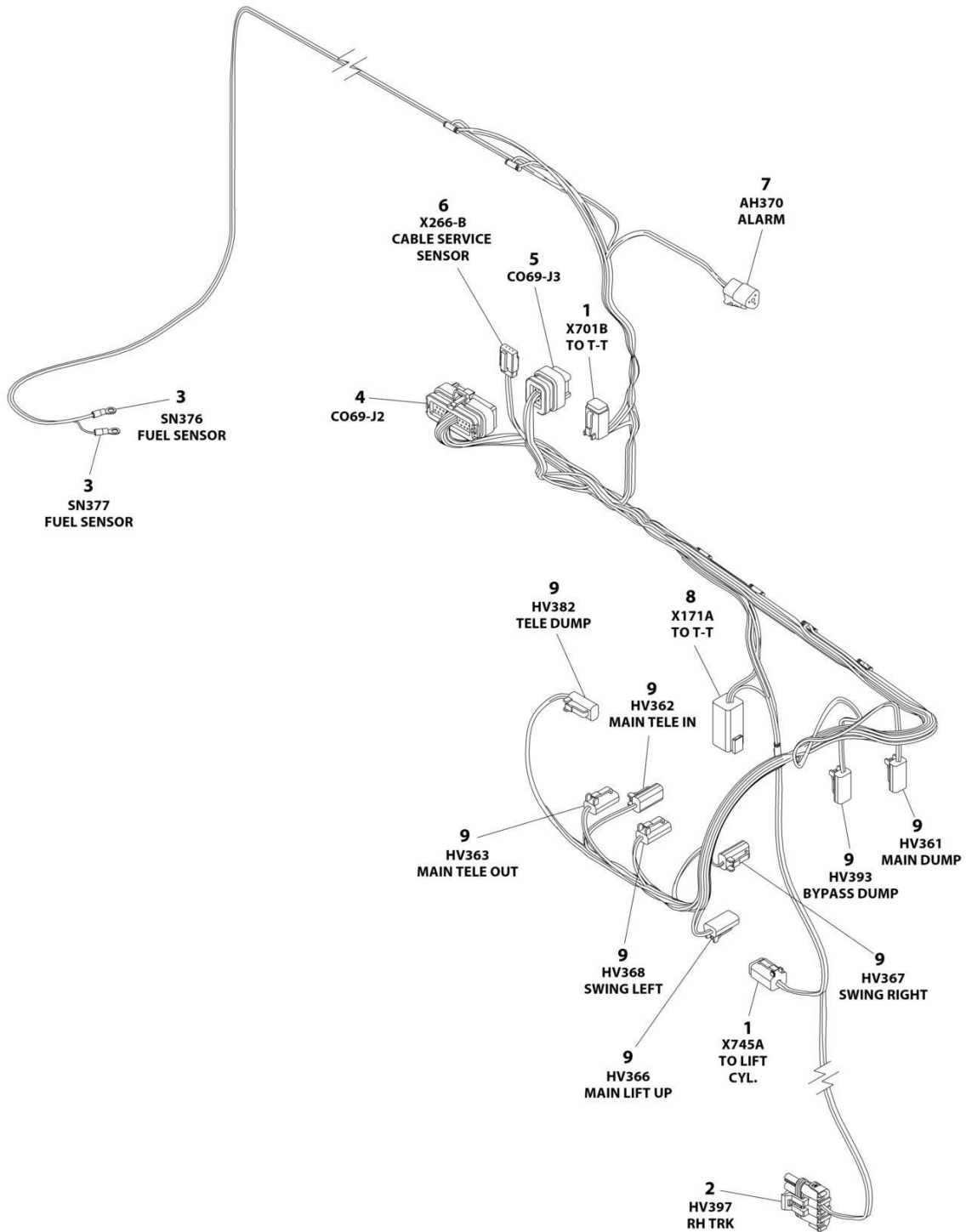
SECTION 8 - ELECTRICAL

FIGURE 8-49. LIFT CYLINDER HARNESS

ITEM	PART NUMBER	QTY	DESCRIPTION	REV
	1001205923	Ref	LIFT CYLINDER HARNESS	C
1	4460891	2	Plug, Male - 2 Position	
1	4460465	4	Socket, Female	
2	4460932	1	Receptacle, Female - 4 Position	
2	4460464	4	Pin, Male	

SECTION 8 - ELECTRICAL

FIGURE 8-50. MAIN VALVE HARNESS



ART_1001239613

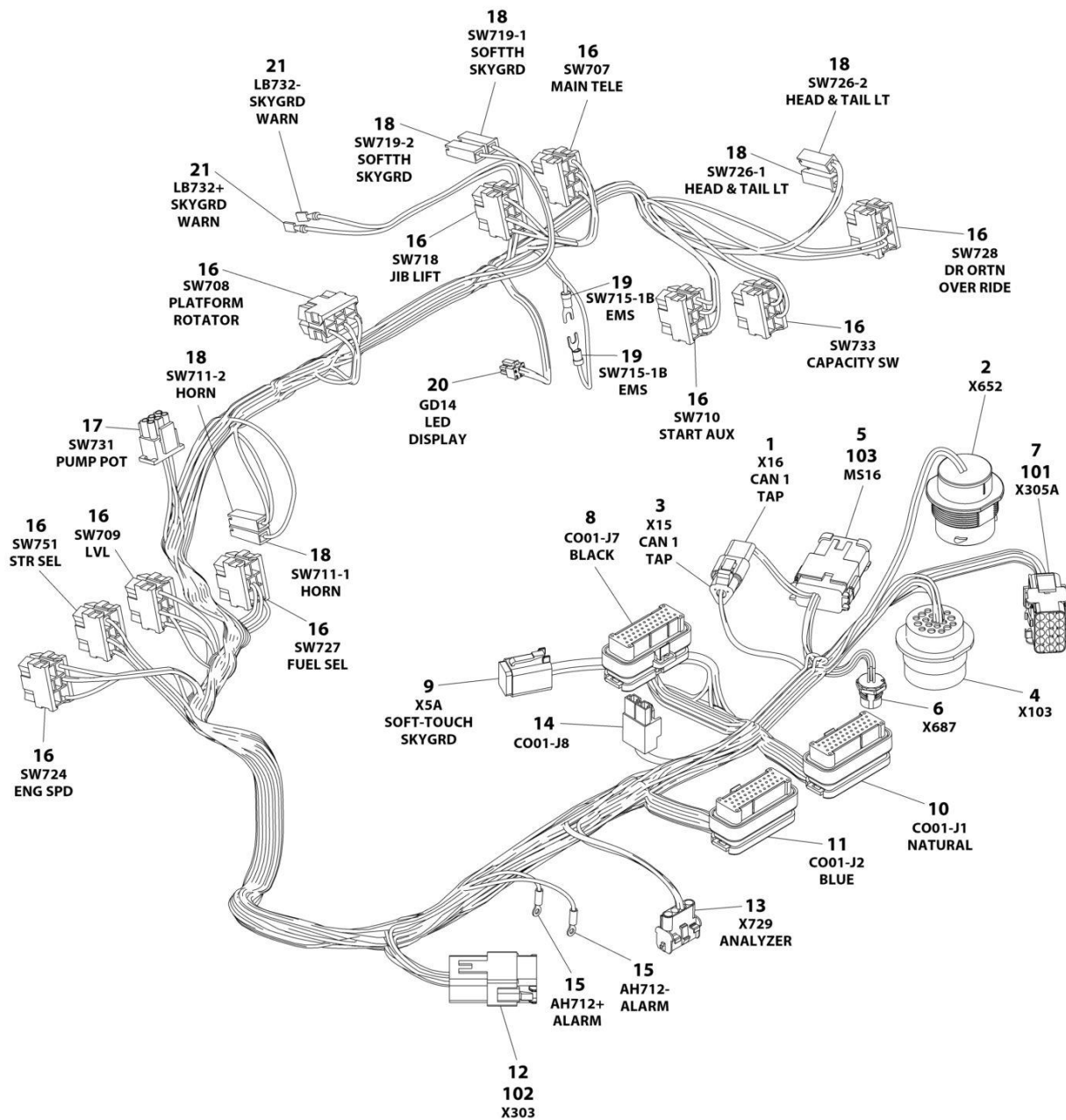
SECTION 8 - ELECTRICAL

FIGURE 8-50. MAIN VALVE HARNESS

ITEM	PART NUMBER	QTY	DESCRIPTION	REV
	1001239613	Ref	MAIN VALVE HARNESS	B
1	4460884	2	Plug, Male - 4 Position	
1	4460465	8	Socket, Female	
2	4460460	1	Receptacle, Female - 4 Position	
2	4460457	4	Terminal	
3	4460313	2	Terminal, Ring	
4	4460875	1	Connector - 35 Position	
4	4460871	23	Socket, Female	
4	4460905	12	Plug, Terminal	
5	4460872	1	Connector - 14 Position	
5	4460871	11	Socket, Female	
5	4460905	3	Plug, Terminal	
6	4460911	1	Plug, Male - 3 Position	
6	1001116694	3	Socket, Female	
7	4460539	1	Plug, Male - 3 Position	
7	4460465	3	Socket, Female	
8	4460899	1	Receptacle, Female - 6 Position	
8	4460464	6	Pin, Male	
9	4460891	8	Plug, Male - 2 Position	
9	4460465	16	Socket, Female	

SECTION 8 - ELECTRICAL

FIGURE 8-51. PLATFORM CONSOLE HARNESS



ART_1001238409

SECTION 8 - ELECTRICAL

FIGURE 8-51. PLATFORM CONSOLE HARNESS

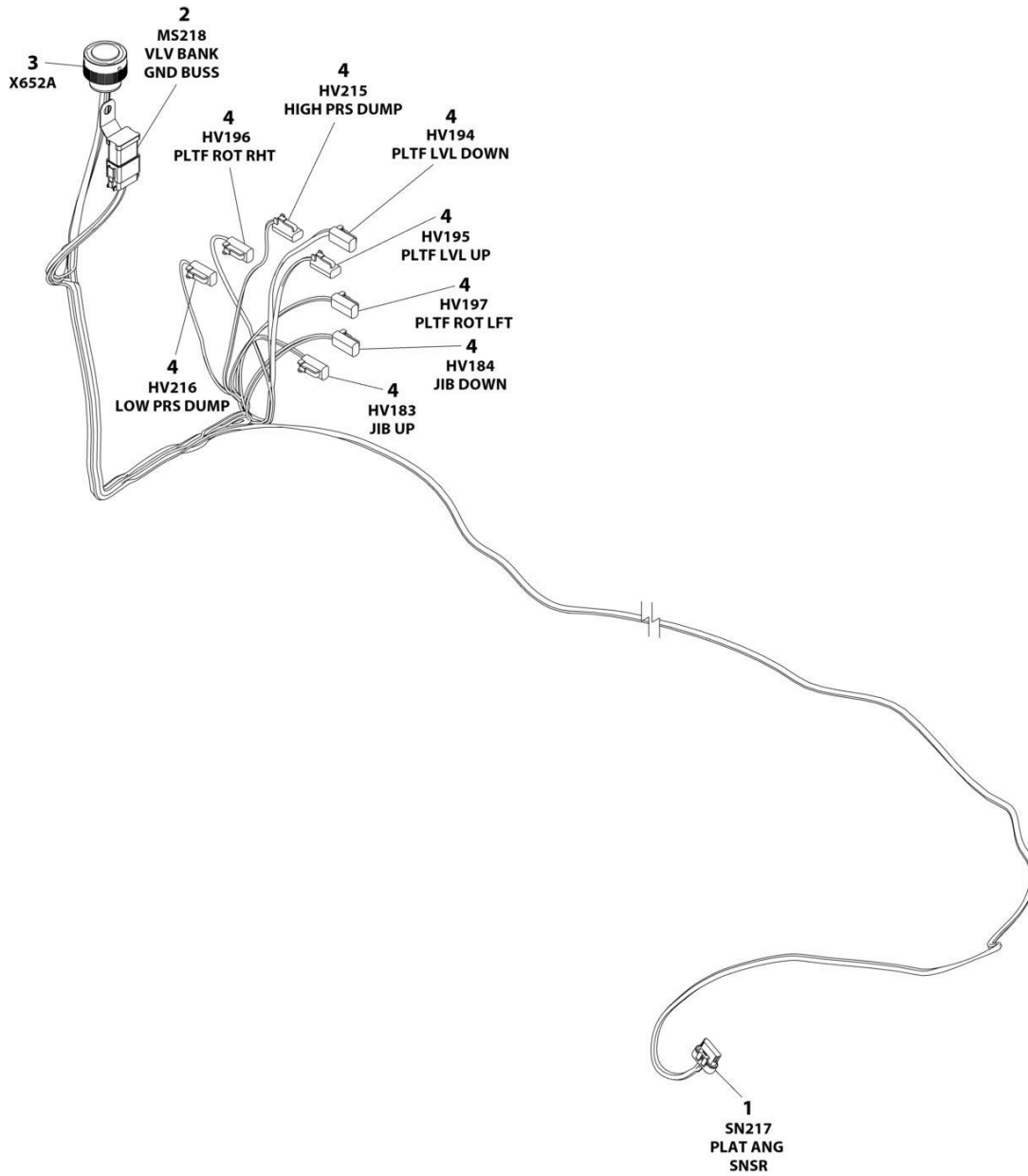
ITEM	PART NUMBER	QTY	DESCRIPTION	REV
	1001238409	Ref	PLATFORM CONSOLE HARNESS	F
1	4460536	1	Receptacle, Female - 3 Position	
1	4460943	2	Pin, Male	
1	4460466	1	Plug, Terminal	
2	4460925	1	Connector - 21 Position	
2	1001116695	15	Pin, Male	
2	4460466	6	Plug, Terminal	
3	4460539	1	Plug, Male - 3 Position	
3	4460944	2	Socket, Female	
3	4460466	1	Plug, Terminal	
4	4460866	1	Connector - 19 Position	
4	4460464	7	Pin, Male	
4	4460943	2	Pin, Male	
4	4460508	1	Pin, Male	
4	4460466	8	Plug, Terminal	
5	4460933	1	Plug, Male - 12 Position	
5	4460465	10	Socket, Female	
5	4460466	2	Plug, Terminal	
6	1001213447	1	Connector - 4 Position	
6	See Note	NSS	Terminal (Note: Purchase p/n 1001213447)	
7	4460434	1	Connector - 15 Position	
7	4460267	8	Pin, Male	
8	4460873	1	Connector - 35 Position	
8	4460871	24	Socket, Female	
8	4460905	11	Plug, Terminal	
9	4460894	1	Plug, Male - 6 Position	
9	4460465	6	Socket, Female	
10	4460874	1	Connector - 35 Position	
10	4460871	29	Socket, Female	
10	4460905	6	Plug, Terminal	
11	4460876	1	Connector - 35 Position	
11	4460871	12	Socket, Female	
11	4460905	23	Plug, Terminal	
12	4460970	1	Receptacle, Female - 12 Position	
12	1001116693	6	Pin, Male	
12	4460466	6	Plug, Terminal	
13	4460761	1	Receptacle, Female - 4 Position	
13	1001118378	4	Pin, Male	
14	4460879	1	Plug, Male - 2 Position	
14	4460887	2	Terminal	
15	1001098122	2	Terminal, Ring	
16	4460418	10	Connector - 6 Position	
16	4460419	20	Terminal	
16	1001159186	18	Terminal	
17	4460225	1	Plug, Male - 6 Position	
17	4460227	6	Pin, Male (Note: Used on Pump Potentiometer Connection Only)	
18	4460260	6	Housing, Terminal	
18	4460259	6	Terminal	
19	4460183	2	Terminal, Fork	
20	1001237667	1	Connector - 6 Position	

SECTION 8 - ELECTRICAL

ITEM	PART NUMBER	QTY	DESCRIPTION	REV
20	1001237668	4	Terminal	
21	4460016	2	Terminal	
101	4460708	1	Connector - 12 Position	
102	4460933	1	Plug, Male - 12 Position	
103	1001125677	1	Connector, Bussbar	

SECTION 8 - ELECTRICAL

FIGURE 8-52. PLATFORM VALVE HARNESS



ART_1001264338

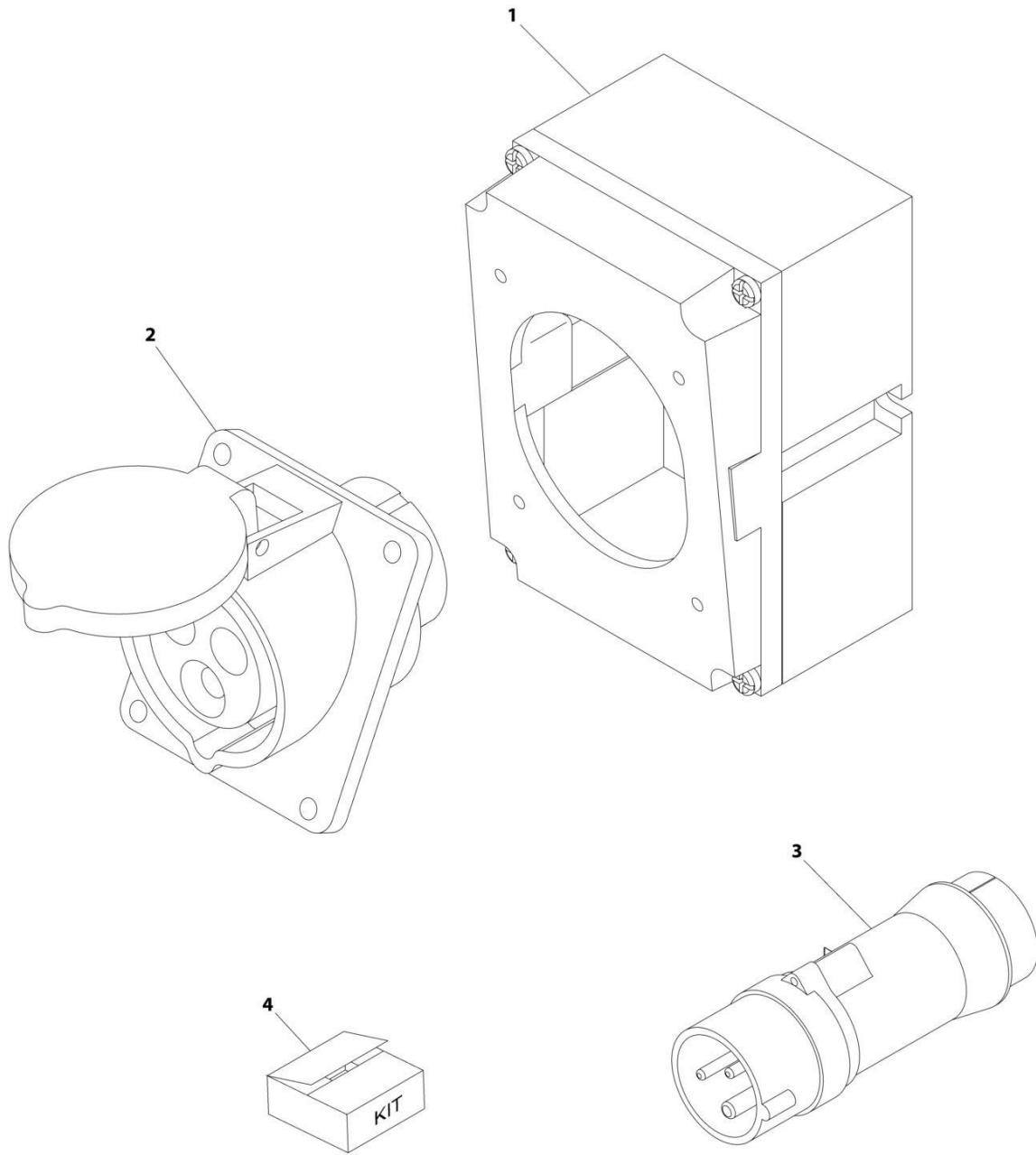
SECTION 8 - ELECTRICAL

FIGURE 8-52. PLATFORM VALVE HARNESS

ITEM	PART NUMBER	QTY	DESCRIPTION	REV
	1001264338	Ref	PLATFORM VALVE HARNESS	A
1	1001230931	1	Plug, Male - 6 Position	
1	1001116748	6	Terminal	
2	4460836	1	Plug, Male - 12 Position	
2	4460465	9	Socket, Female	
2	4460466	3	Plug, Terminal	
2	4460837	1	Connector, Bussbar	
2	1001120328	1	Clip, Mounting	
3	4460926	1	Connector - 21 Position	
3	4460928	15	Socket, Female	
3	4460518	6	Plug, Terminal	
4	4460891	8	Plug, Male - 2 Position	
4	4460465	16	Socket, Female	

SECTION 8 - ELECTRICAL

FIGURE 8-53. RECEPTACLE BOX KIT - 110V IEC YELLOW (CE & UK CA SPEC)



ART_0275216

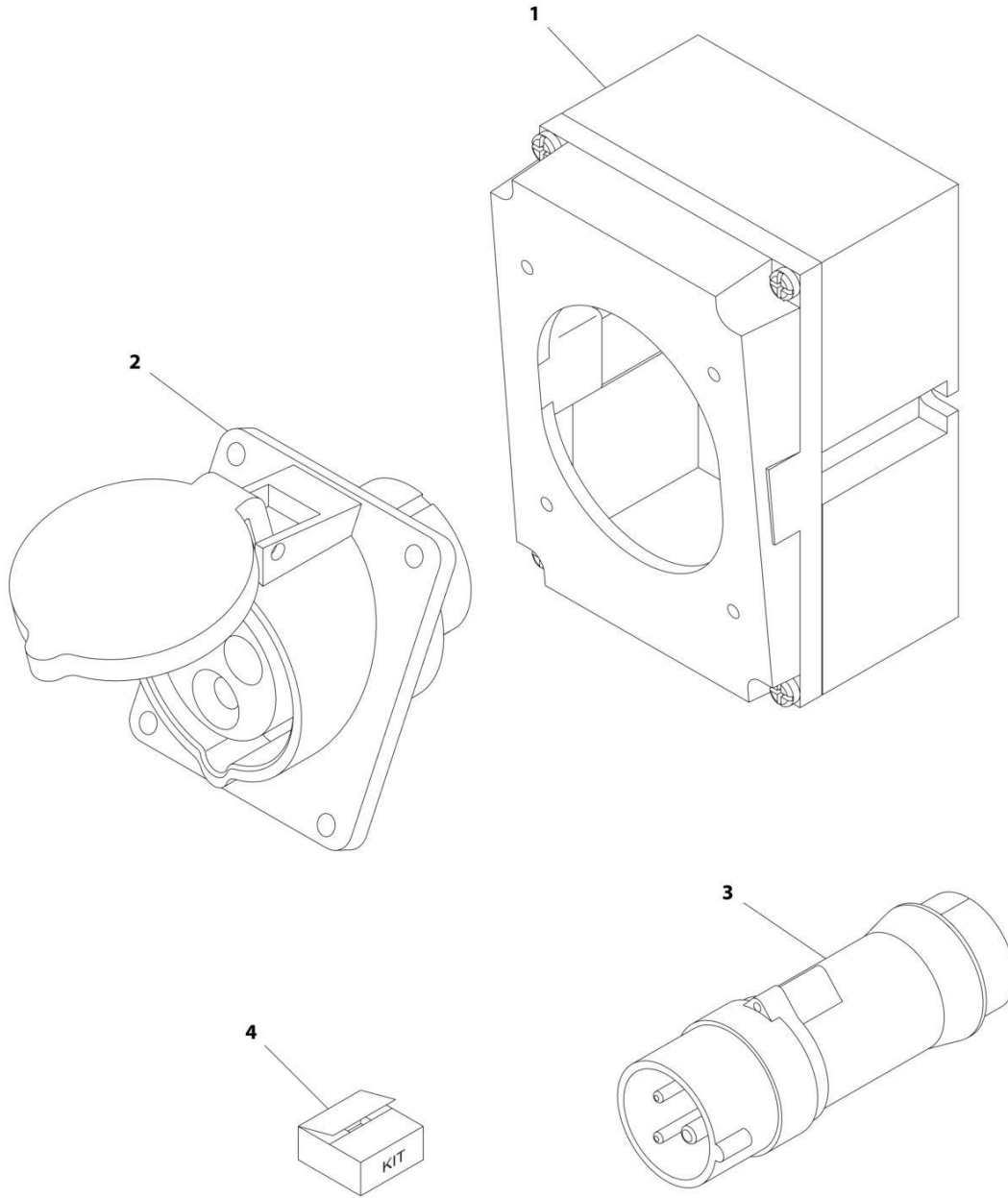
SECTION 8 - ELECTRICAL

FIGURE 8-53. RECEPTACLE BOX KIT - 110V IEC YELLOW (CE & UK CA SPEC)

ITEM	PART NUMBER	QTY	DESCRIPTION	REV
	0275216	Ref	RECEPTACLE BOX KIT - 110V IEC YELLOW	B
1	0861781	1	Box, Switch	
2	4461198	1	Receptacle	
3	4461196	1	Plug, Male	
4	1001100341	1	Plug and Socket Kit (Includes Items 1-3 and Female Plug p/n 4461197)	

SECTION 8 - ELECTRICAL

FIGURE 8-54. RECEPTACLE BOX KIT - 220V IEC BLUE (CE & UK CA SPEC)



ART_0275217

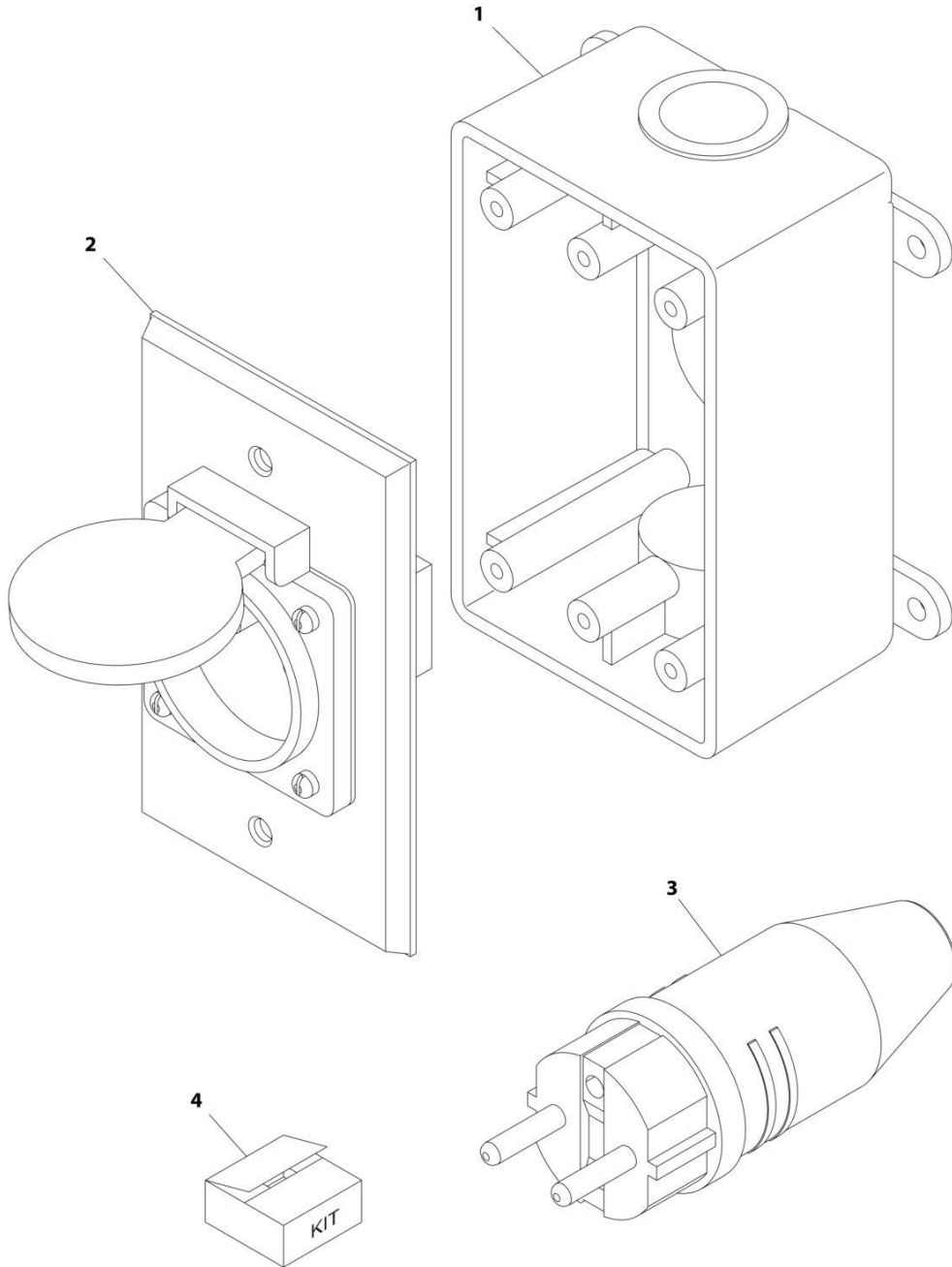
SECTION 8 - ELECTRICAL

FIGURE 8-54. RECEPTACLE BOX KIT - 220V IEC BLUE (CE & UK CA SPEC)

ITEM	PART NUMBER	QTY	DESCRIPTION	REV
	0275217	Ref	RECEPTACLE BOX KIT - 220V IEC BLUE	B
1	0861781	1	Box, Switch	
2	4461201	1	Receptacle	
3	4461199	1	Plug, Male	
4	1001100342	1	Plug and Socket Kit (Includes Items 1-3 and Female Plug p/n 4461200)	

SECTION 8 - ELECTRICAL

FIGURE 8-55. RECEPTACLE BOX KIT - 220V CEE7 POST GROUND 2X4 BOX (CE & UK CA SPEC)



ART_0275452-C

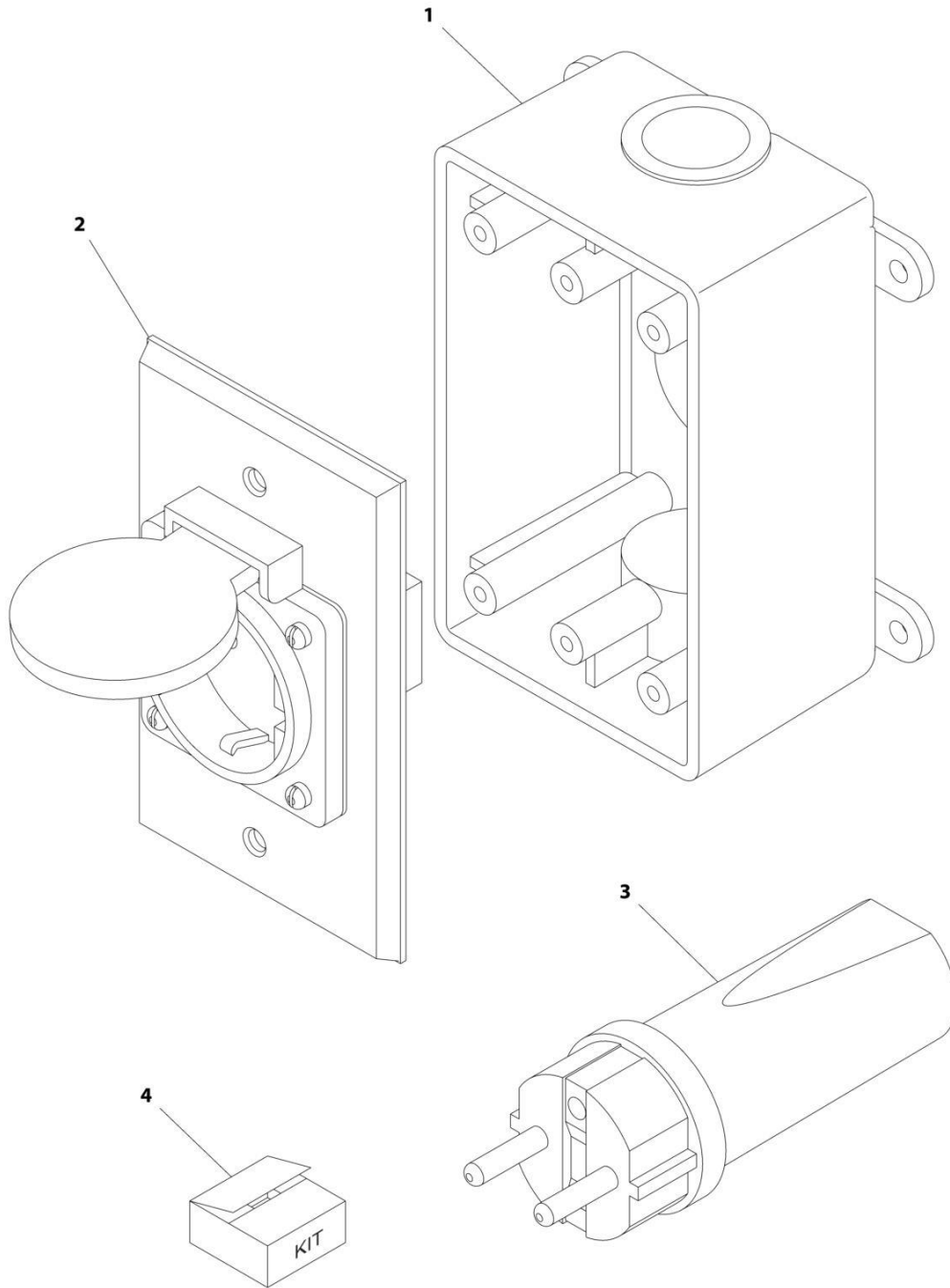
SECTION 8 - ELECTRICAL

FIGURE 8-55. RECEPTACLE BOX KIT - 220V CEE7 POST GROUND 2X4 BOX (CE & UK CA SPEC)

ITEM	PART NUMBER	QTY	DESCRIPTION	REV
	0275452	Ref	RECEPTACLE BOX KIT - 220V CEE7 POST GROUND 2IN X 4IN BOX	C
1	0861731	1	Box, Switch	
2	4461244	1	Receptacle	
3	4461205	1	Plug, Male	
4	1001100345	1	Plug and Socket Kit (Includes Items 1-3 and Female Plug p/n 4461203)	

SECTION 8 - ELECTRICAL

FIGURE 8-56. RECEPTACLE BOX KIT - 220V CEE7 SIDE GROUND (CE & UK CA SPEC)



ART_0275453

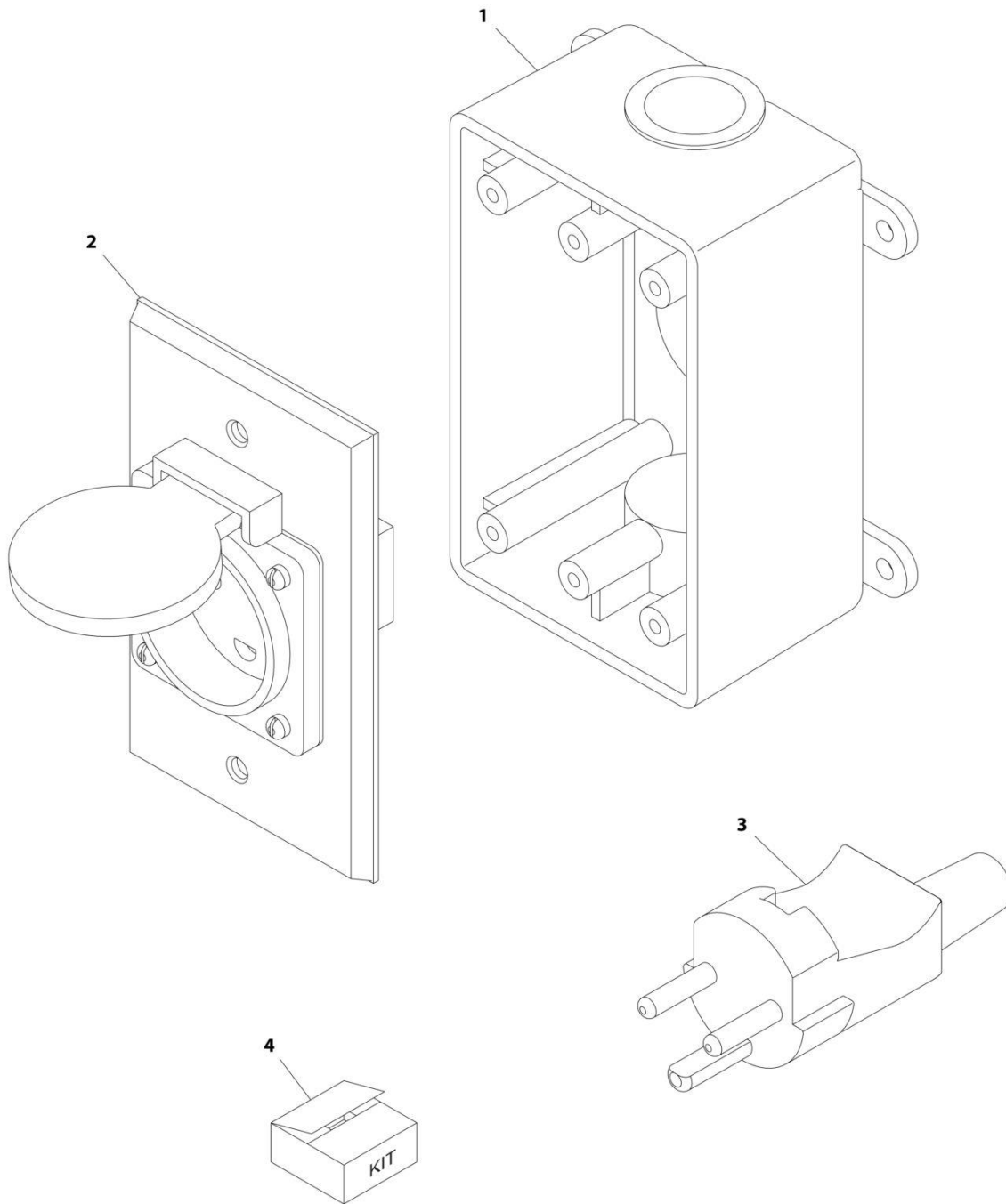
SECTION 8 - ELECTRICAL

FIGURE 8-56. RECEPTACLE BOX KIT - 220V CEE7 SIDE GROUND (CE & UK CA SPEC)

ITEM	PART NUMBER	QTY	DESCRIPTION	REV
	0275453	Ref	RECEPTACLE BOX KIT - 220V CEE7 SIDE GROUND	B
1	0861731	1	Box, Switch	
2	4461245	1	Receptacle	
3	4461205	1	Plug, Male	
4	1001100347	1	Plug and Socket Kit (Includes Items 1-3 and Female Plug p/n 4461206)	

SECTION 8 - ELECTRICAL

FIGURE 8-57. RECEPTACLE BOX KIT - 220V AFSINT107 (CE & UK CA SPEC)



ART_0275454

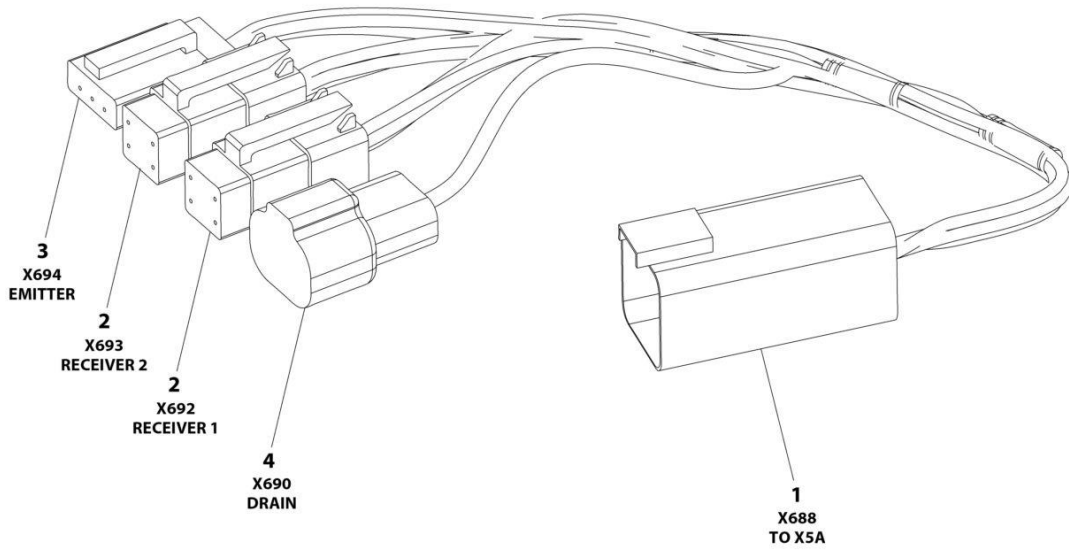
SECTION 8 - ELECTRICAL

FIGURE 8-57. RECEPTACLE BOX KIT - 220V AFSINT107 (CE & UK CA SPEC)

ITEM	PART NUMBER	QTY	DESCRIPTION	REV
	0275454	Ref	RECEPTACLE BOX KIT - 220V AFSINT 107	B
1	0861731	1	Box, Switch	
2	4461246	1	Receptacle	
3	4461249	1	Plug, Male	
4	1001100346	1	Plug and Socket Kit (Includes Items 1-3 and Female Plug p/n 4461250)	

SECTION 8 - ELECTRICAL

FIGURE 8-58. SKYEYE INTERMEDIATE HARNESS



ART_1001237865

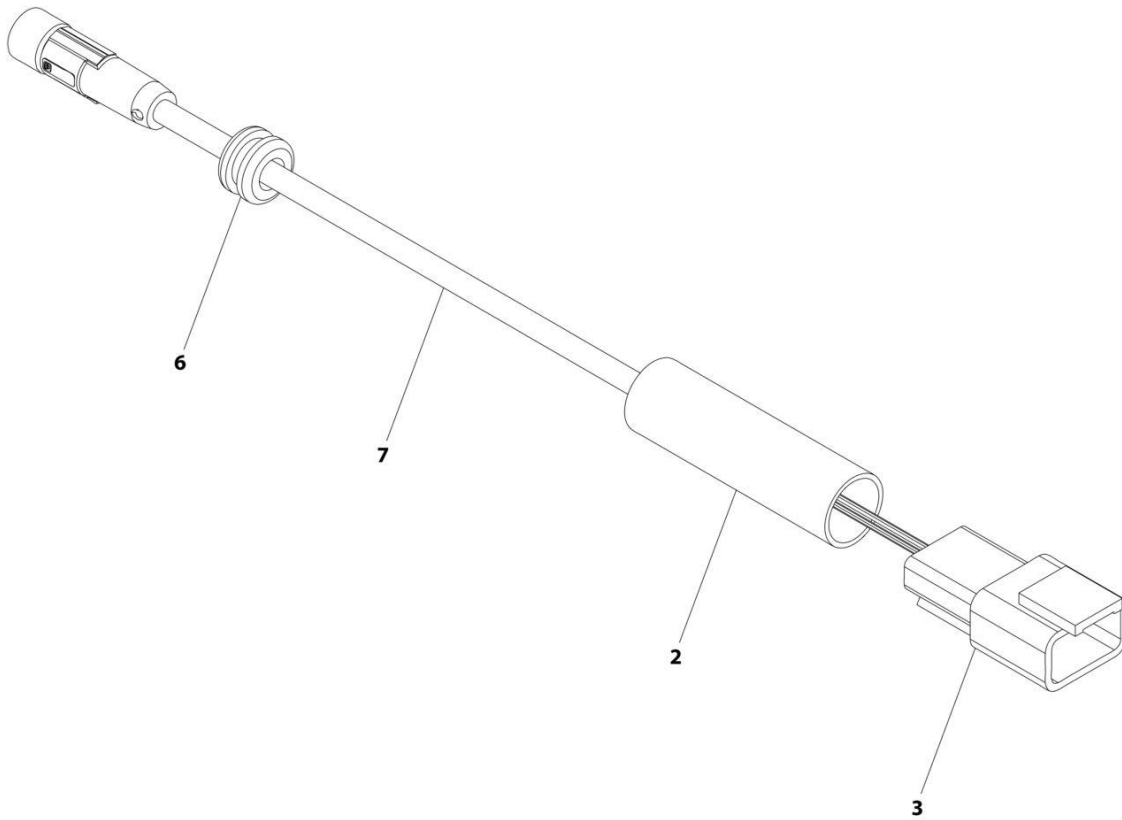
SECTION 8 - ELECTRICAL

FIGURE 8-58. SKYEYE INTERMEDIATE HARNESS

ITEM	PART NUMBER	QTY	DESCRIPTION	REV
	1001237865	Ref	SKYEYE INTERMEDIATE HARNESS	A
1	4460899	1	Connector - 6 Position	
1	4460943	4	Pin, Male	
1	4460466	2	Plug, Terminal	
2	4461077	2	Connector - 4 Position	
2	1001119619	8	Socket, Female	
3	4460911	1	Connector - 3 Position	
3	1001119619	3	Socket, Female	
4	1001187681	1	Connector - 2 Position	
4	4460941	1	Pin, Male	
4	4460466	1	Plug, Terminal	

SECTION 8 - ELECTRICAL

FIGURE 8-59. SKYEYE EMITTER HARNESS



ART_1001237864

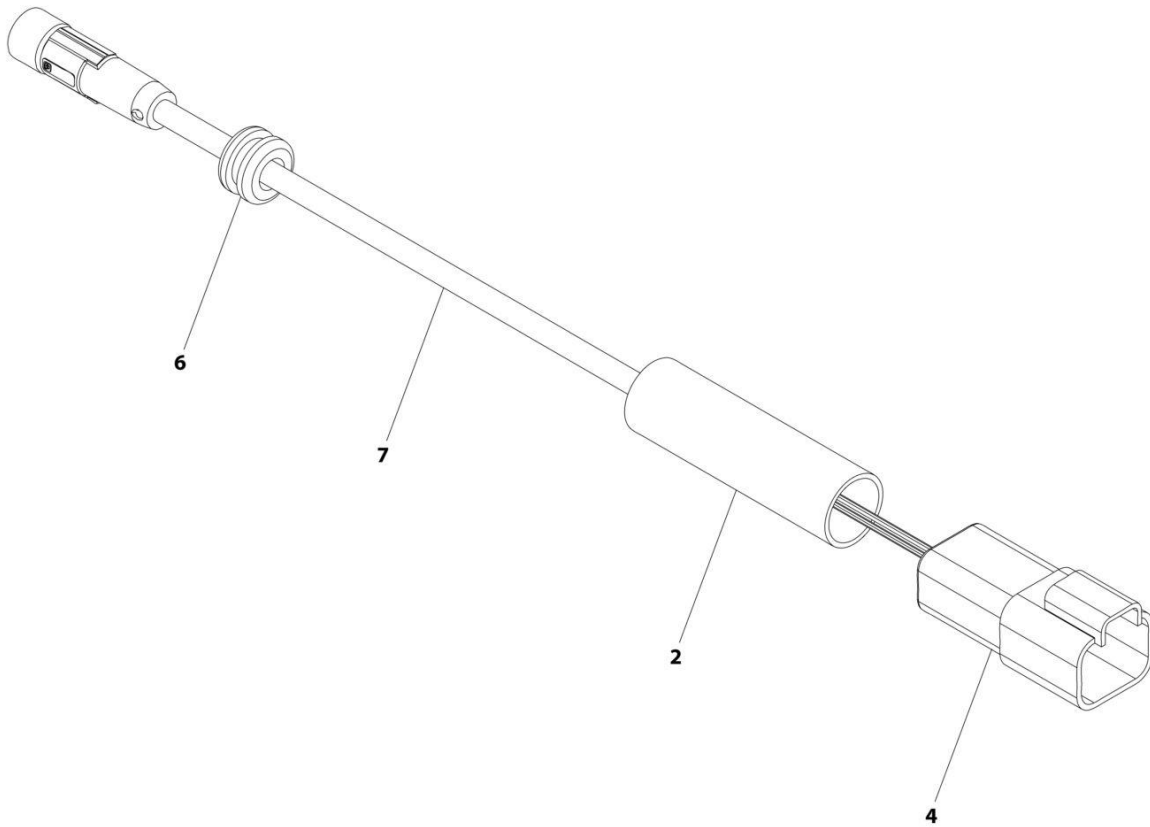
SECTION 8 - ELECTRICAL

FIGURE 8-59. SKYEYE EMITTER HARNESS

ITEM	PART NUMBER	QTY	DESCRIPTION	REV
	1001237864	Ref	SKYEYE EMITTER HARNESS	A
2	2820247	AR	Tubing, Heat Shrink	
3	4460910	1	Connector - 3 Position	
3	1001119620	3	Pin, Male	
6	1001227996	1	Grommet	
7	1001237862	1	Cable, M8 Female Cordset	

SECTION 8 - ELECTRICAL

FIGURE 8-60. 4. SKYEYE RECEIVER HARNESS



ART_1001237863

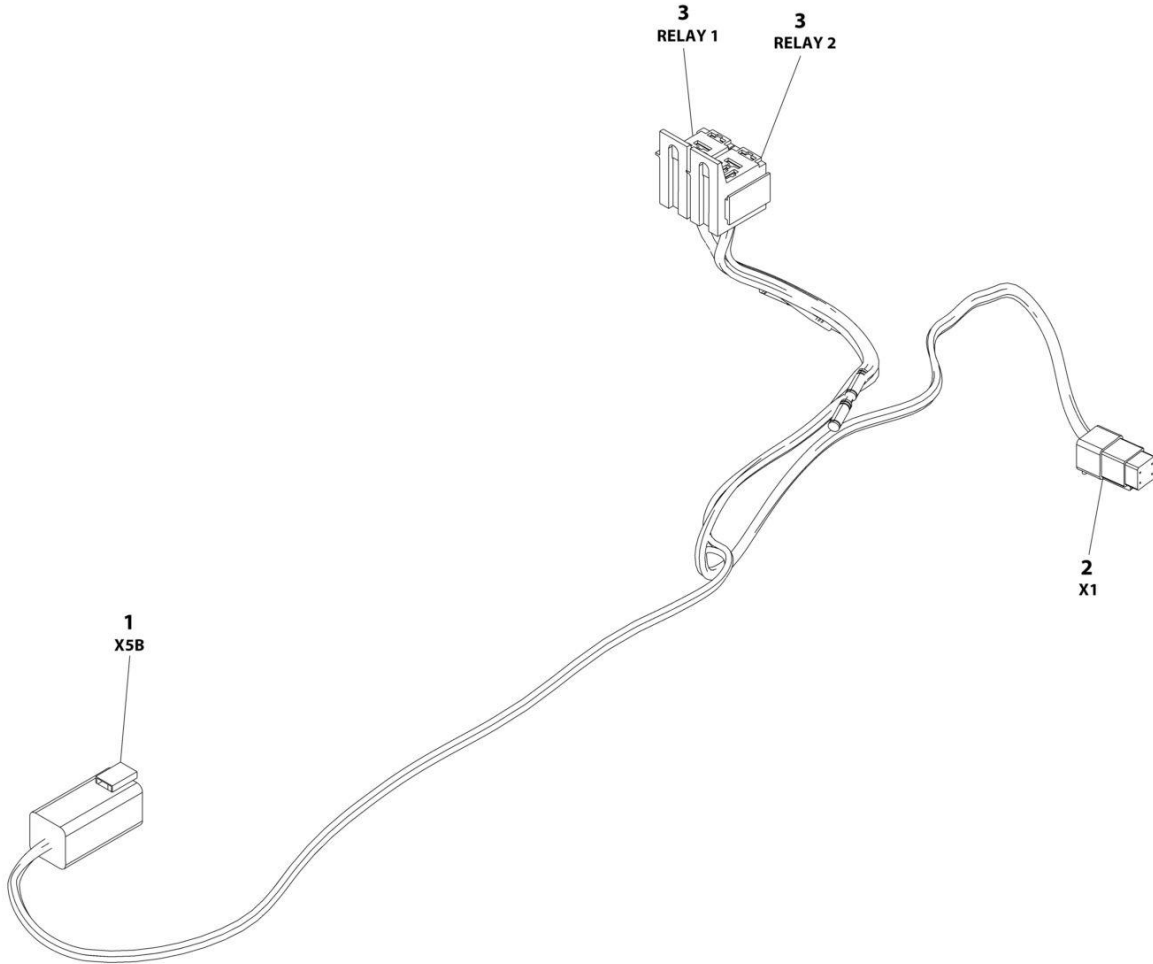
SECTION 8 - ELECTRICAL

FIGURE 8-60. 4. SKYEYE RECEIVER HARNESS

ITEM	PART NUMBER	QTY	DESCRIPTION	REV
	1001237863	Ref	SKYEYE RECEIVER HARNESS	A
2	2820247	AR	Tubing, Heat Shrink	
4	1001097051	1	Connector - 4 Position	
4	1001119620	4	Pin, Male	
6	1001227996	1	Grommet	
7	1001237862	1	Cable, M8 Female Cordset	

SECTION 8 - ELECTRICAL

FIGURE 8-61. SKYLINE HARNESS



ART_1001238418

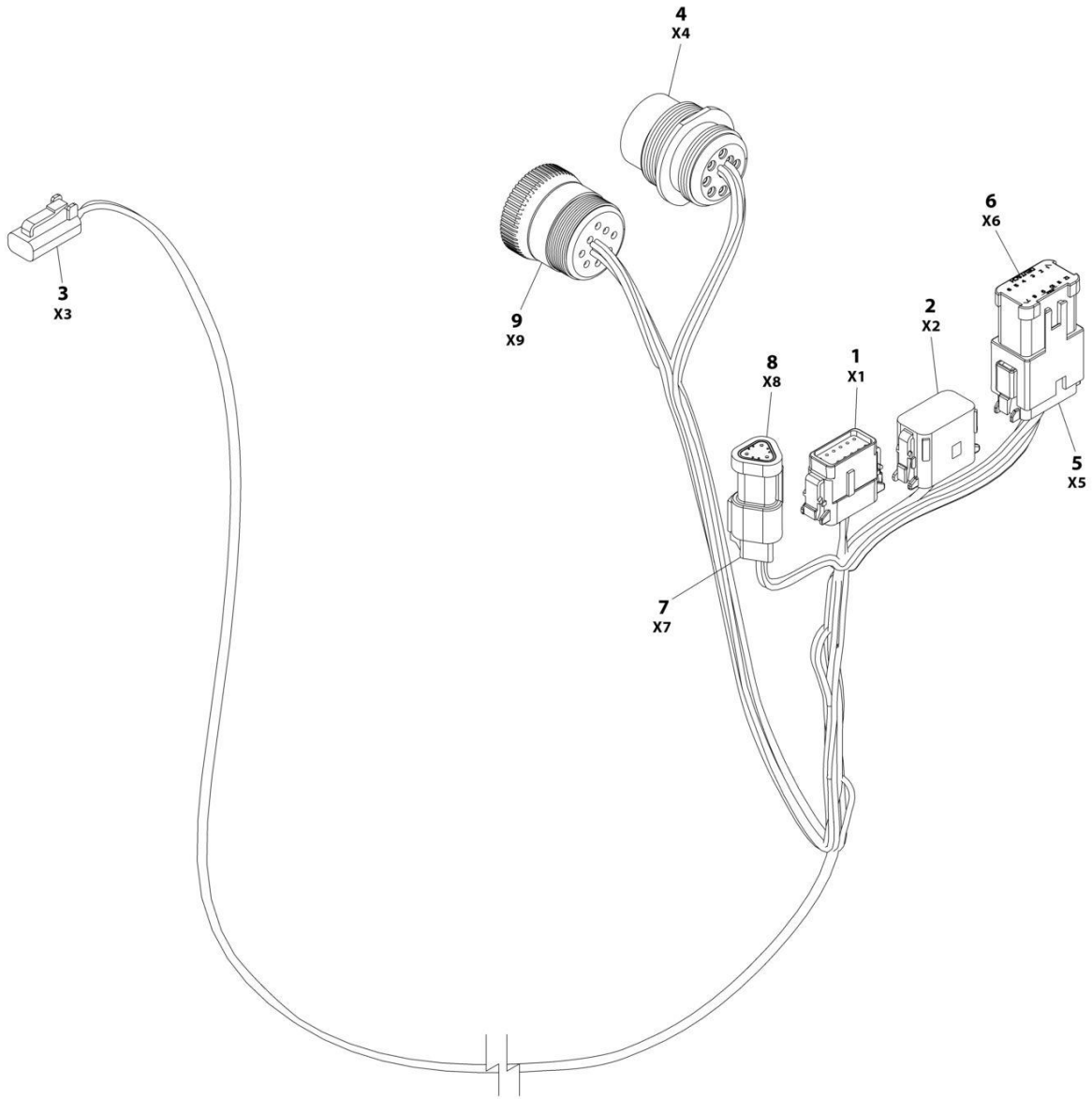
SECTION 8 - ELECTRICAL

FIGURE 8-61. SKYLINE HARNESS

ITEM	PART NUMBER	QTY	DESCRIPTION	REV
	1001238418	Ref	SKYLINE HARNESS	B
1	4460899	1	Connector - 6 Position	
1	4460464	4	Pin, Male	
1	4460466	2	Plug, Terminal	
2	4461077	1	Connector - 4 Position	
2	1001126009	4	Socket, Female	
3	1001186432	2	Plug, Relay	
3	1001118388	5	Terminal	
3	1001118384	3	Terminal	
3	3740086	2	Relay	

SECTION 8 - ELECTRICAL

FIGURE 8-62. STROBE LIGHT CONTROL HARNESS



ART_1001142736

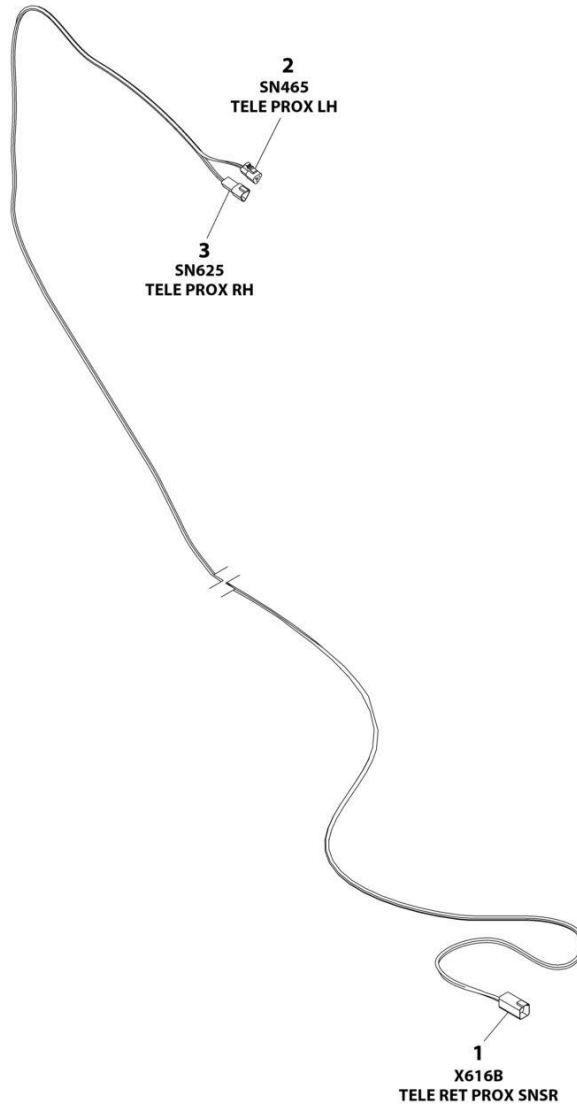
SECTION 8 - ELECTRICAL

FIGURE 8-62. STROBE LIGHT CONTROL HARNESS

ITEM	PART NUMBER	QTY	DESCRIPTION	REV
	1001142736	Ref	STROBE LIGHT HARNESS	F
1	1001116808	1	Plug, Male - 12 Position	
1	4460928	3	Socket, Female	
1	4460518	9	Plug, Terminal	
2	1001116774	1	Plug, Male - 12 Position	
2	4460928	3	Socket, Female	
2	4460518	9	Plug, Terminal	
3	4460891	1	Plug, Male - 2 Position	
3	4460465	2	Socket, Female	
4	1001112612	1	Connector - 9 Position	
4	4460464	6	Pin, Male	
4	4460466	3	Plug, Terminal	
5	4460933	1	Plug, Male - 12 Position	
5	4460465	12	Socket, Female	
6	1001119020	1	Bussbar - 12 Position	
7	4461095	1	Plug, Male - 3 Position	
7	4460465	3	Socket, Female	
8	4461070	1	Bussbar - 3 Position	
9	1001112796	1	Connector - 9 Position	
9	4460465	6	Socket, Female	
9	4460466	3	Plug, Terminal	

SECTION 8 - ELECTRICAL

FIGURE 8-63. TELE PROXIMITY HARNESS



ART_1001189003

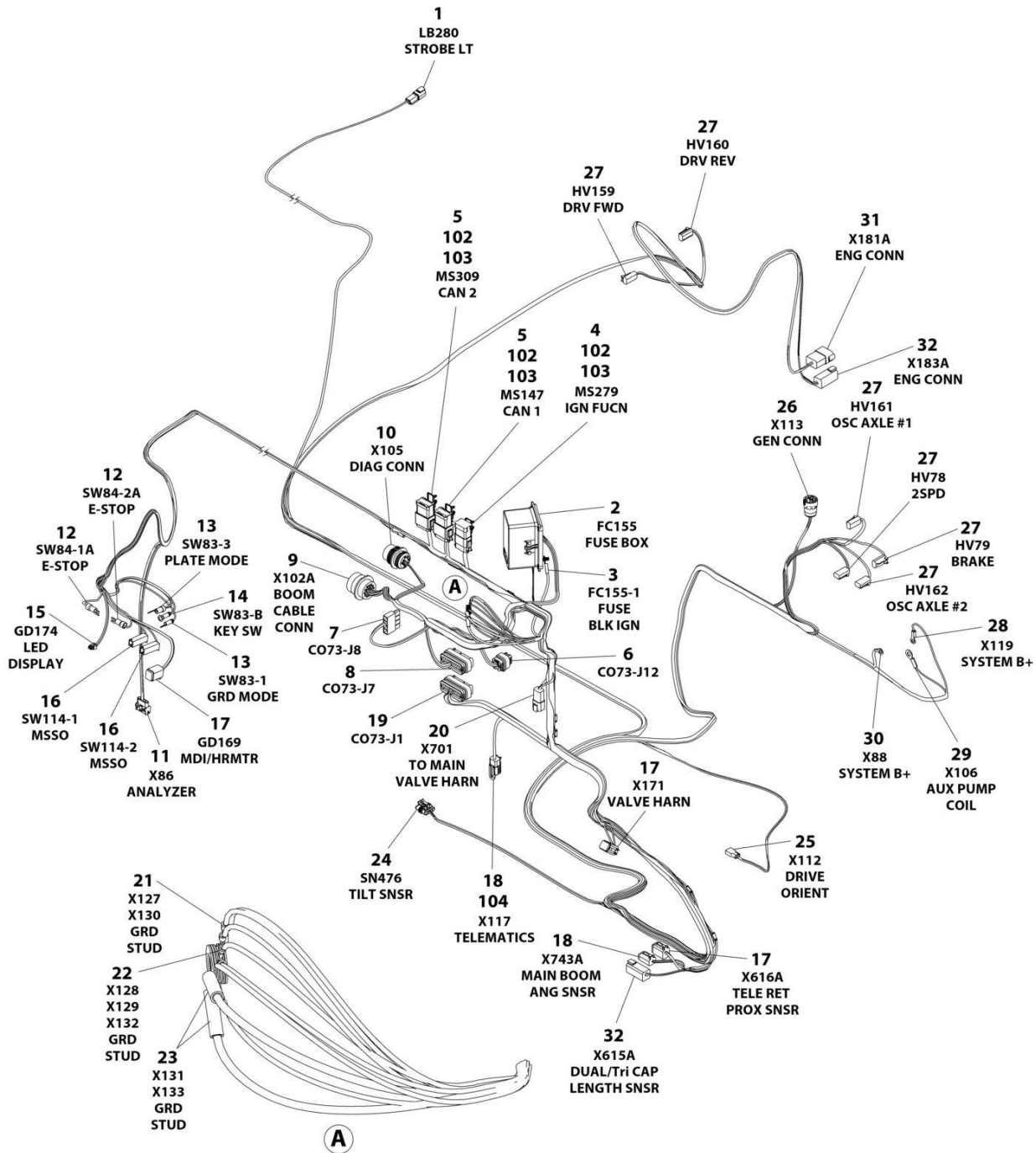
SECTION 8 - ELECTRICAL

FIGURE 8-63. TELE PROXIMITY HARNESS

ITEM	PART NUMBER	QTY	DESCRIPTION	REV
	1001189003	Ref	TELE PROXIMITY HARNESS	E
1	4460899	1	Receptacle, Female - 6 Position	
1	4460464	6	Pin, Male	
2	4460539	1	Plug, Male - 3 Position	
2	4460465	3	Socket, Female	
3	4460536	1	Receptacle, Female - 3 Position	
3	4460464	3	Pin, Male	

SECTION 8 - ELECTRICAL

FIGURE 8-64. TURNTABLE HARNESS



ART_1001238405

SECTION 8 - ELECTRICAL

FIGURE 8-64. TURNTABLE HARNESS

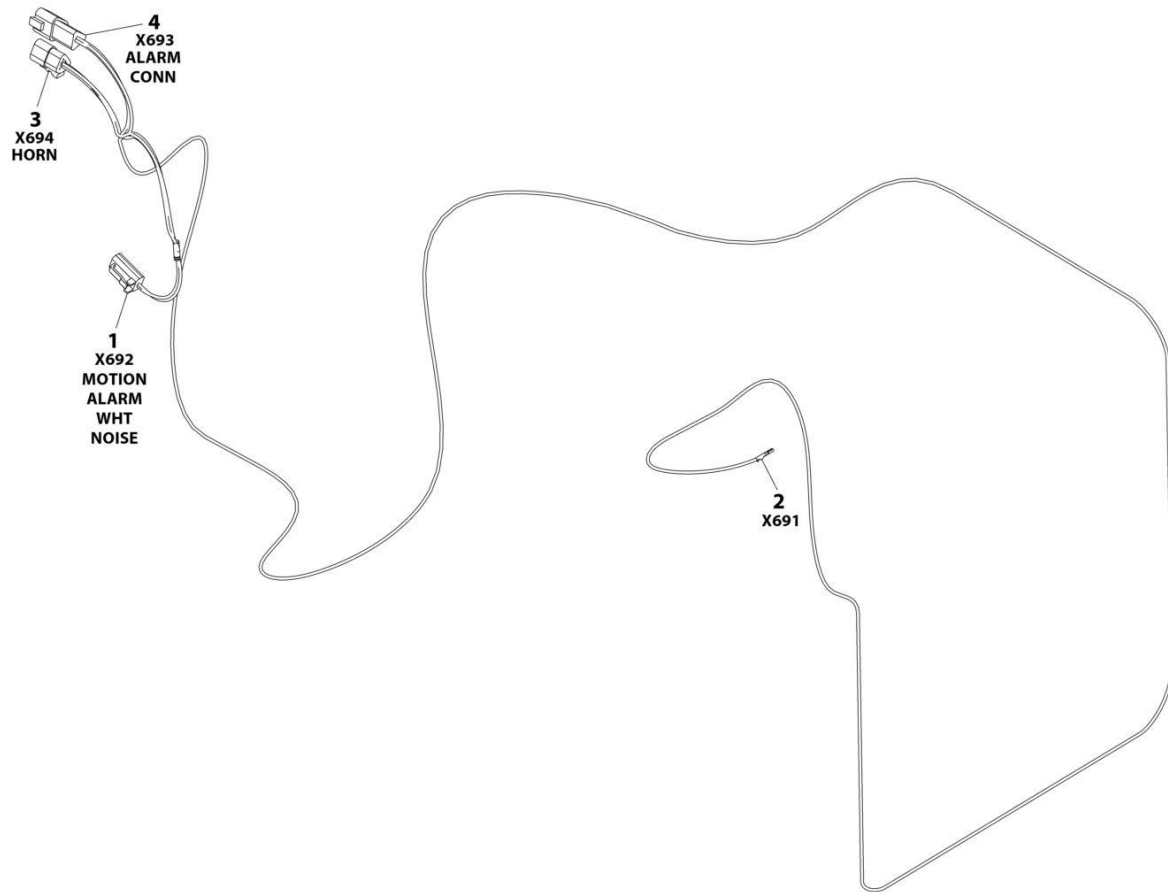
ITEM	PART NUMBER	QTY	DESCRIPTION	REV
	1001238405	Ref	TURNTABLE HARNESS	H
1	4460897	1	Receptacle, Female - 2 Position	
1	4460464	9	Pin, Male	
2	1001196602	1	Box, Fuse Less Fuses	
2	1001196604	1	Cover, Box	
2	1001190921	1	Spacer, Foam	
2	1001196634	2	Fuse 2 Amp	
2	8229242	7	Fuse 5 Amp	
2	8229244	2	Fuse 15Amp	
2	1001095704	2	Relay	
2	1001196636	2	Diode 1 Amp	
2	8220098	6	Terminal	
2	8220089	6	Seal, Terminal	
2	8220097	19	Terminal	
2	4460458	19	Seal, Terminal	
2	4460748	10	Plug, Terminal	
3	1001117106	1	Terminal, Ring	
4	4460933	1	Plug, Male - 12 Position	
4	4460465	8	Socket, Female	
4	4460466	4	Seal, Terminal	
5	4460933	2	Plug, Male - 12 Position	
5	4460465	16	Socket, Female	
5	4460466	8	Plug, Terminal	
6	1001113961	1	Connector - 8 Position	
6	4460871	5	Socket, Female	
6	4460905	3	Plug, Terminal	
7	4460878	1	Plug, Male - 4 Position	
7	4460887	2	Socket, Female	
8	4460873	1	Connector - 35 Position	
8	4460871	26	Socket, Female	
8	4460905	9	Plug, Terminal	
9	4460866	1	Connector - 19 Position	
9	4460464	10	Pin, Male	
9	4460508	2	Pin, Male	
9	4460466	7	Plug, Terminal	
10	1001112612	1	Connector - 9 Position	
10	4460464	5	Pin, Male	
10	4460466	4	Plug, Terminal	
11	1001119032	1	Receptacle, Female - 4 Position	
11	1001118378	4	Pin, Male	
12	4460183	2	Terminal, Ring	
13	4460042	2	Terminal, Ring	
14	4460247	1	Terminal, Ring	
15	1001237667	1	Plug, Male - 6 Position	
15	1001237668	5	Terminal	
16	4460260	2	Cover, Terminal	
16	4460259	2	Terminal	
17	4460894	3	Plug, Male - 6 Position	
17	4460465	13	Socket, Female	
17	4460466	5	Plug, Terminal	

SECTION 8 - ELECTRICAL

ITEM	PART NUMBER	QTY	DESCRIPTION	REV
18	4460884	2	Plug, Male - 4 Position	
18	4460465	8	Socket, Female	
19	4460874	1	Connector - 35 Position	
19	4460871	21	Socket, Female	
19	4460905	14	Plug, Terminal	
20	4460932	1	Receptacle, Female - 4 Position	
20	4460464	4	Pin, Male	
21	1001187078	2	Terminal, Ring	
22	1001187077	3	Terminal, Ring	
23	1001117110	2	Terminal, Ring	
24	1001103012	1	Plug, Male - 4 Position	
24	1001107854	4	Terminal	
25	4460424	1	Receptacle, Female - 2 Position	
25	4460226	2	Socket, Female	
26	4460967	1	Plug, Male - 3 Position	
26	4460465	3	Socket, Female	
27	4460891	6	Plug, Male - 2 Position	
27	4460465	12	Socket, Female	
28	4460703	1	Terminal, Ring	
29	4460702	1	Terminal, Ring	
30	8220045	1	Terminal, Ring	
31	4460931	1	Receptacle, Female - 8 Position	
31	4460464	5	Pin, Male	
31	4460466	3	Socket, Female	
32	4460899	2	Receptacle, Female - 6 Position	
32	4460464	11	Pin, Male	
32	4460466	1	Seal, Terminal	
102	1001125677	3	Connector, Bussbar	
103	1001121172	3	Mount, Connector	
104	1001192401	1	Cap, Dust	

SECTION 8 - ELECTRICAL

FIGURE 8-65. WHITE NOISE ALARM HARNESS



ART_1001243682

SECTION 8 - ELECTRICAL

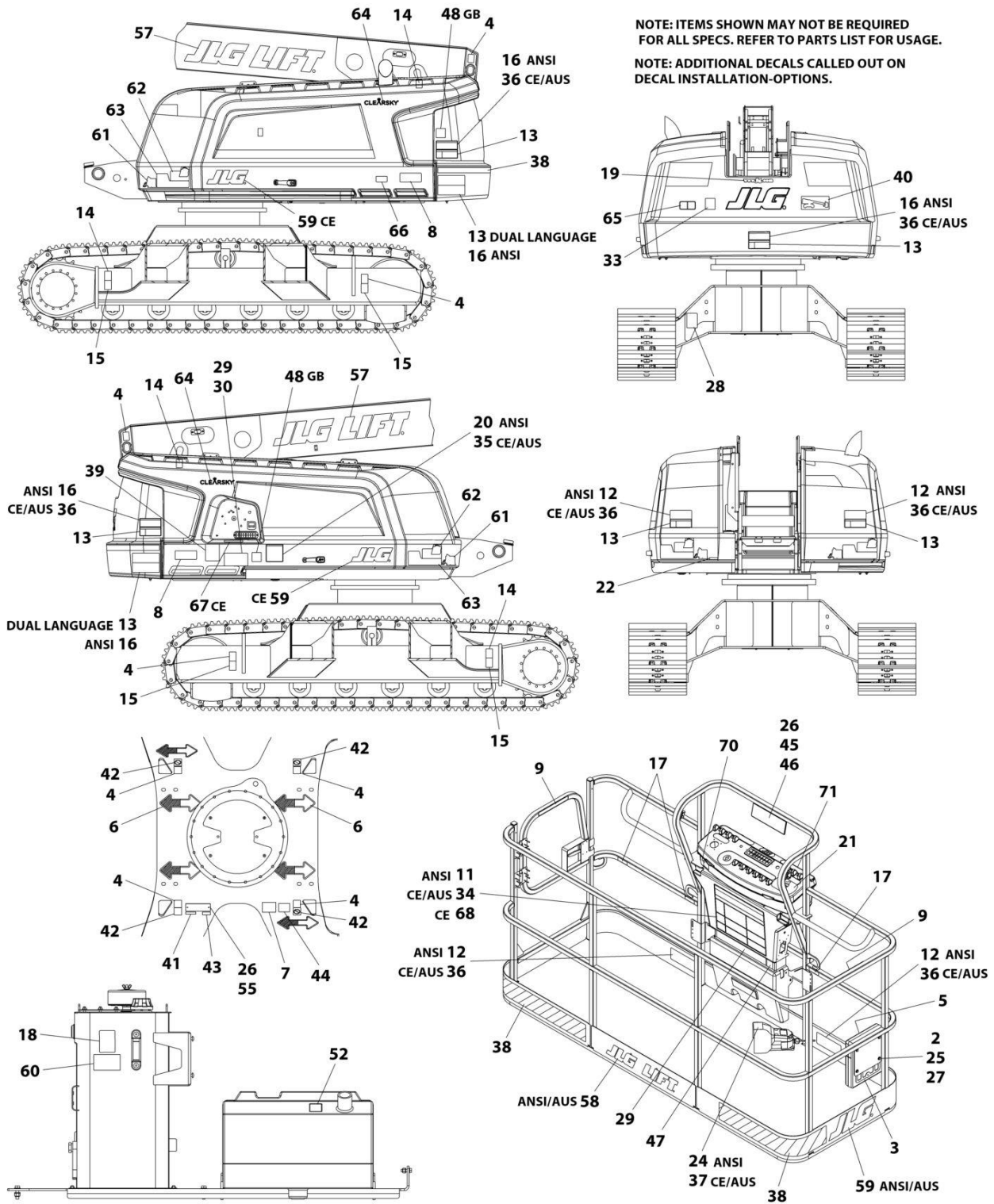
FIGURE 8-65. WHITE NOISE ALARM HARNESS

ITEM	PART NUMBER	QTY	DESCRIPTION	REV
	1001243682	Ref	WHITE NOISE ALARM HARNESS	A
1	4460891	1	Plug, Male - 2 Position	
1	4460465	2	Socket, Female	
2	4460871	1	Terminal	
3	4460539	1	Plug, Male- 3 Position	
3	4460465	3	Socket, Female	
4	4460536	1	Receptacle, Female- 3 Position	
4	4460464	3	Pin, Male	

SECTION 9 - DECALS

SECTION 9 - DECALS

FIGURE 9-1. DECAL INSTALLATION - 660SJC (ANSI SPECS - ENGLISH LANGUAGE)



ART_1001250792

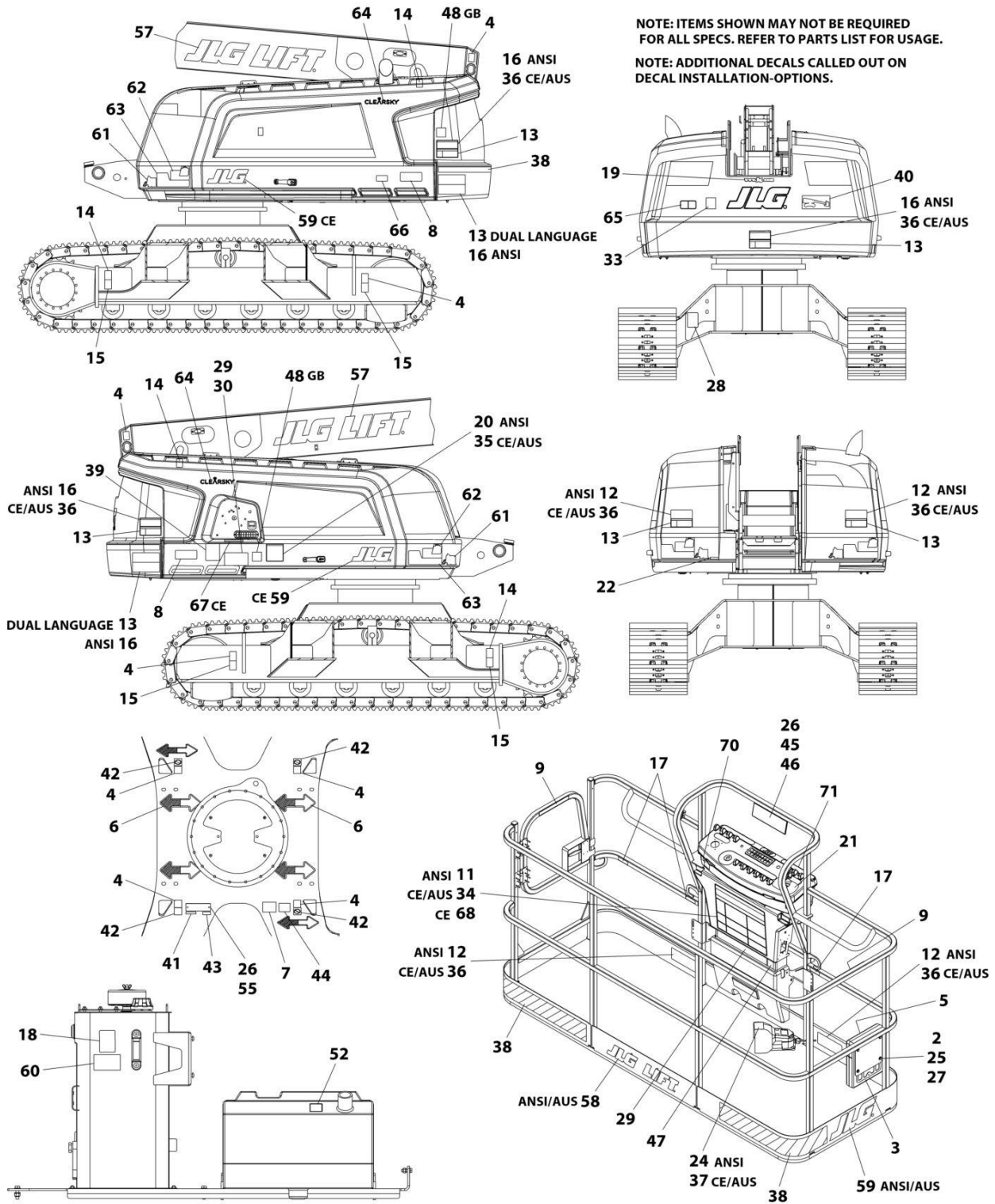
SECTION 9 - DECALS

FIGURE 9-1. DECAL INSTALLATION - 660SJC (ANSI SPECS - ENGLISH LANGUAGE)

ITEM	PART NUMBER	QTY	DESCRIPTION	REV
	1001250792	Ref	DECAL INSTALLATION	E
2	0700610	4	Bolt M6 x 20	
3	91403230	1	Box, Manual Storage	
4	1701499	4	Decal - No Lifting	
5	1701509	1	Decal - Manual	
6	1701529	6	Decal - Arrow	
7	See Note	NSS	Decal - Bar Code (Note: Not Available For Purchase)	
8	1001267317	2	Decal - 660SJC	
9	1702868	2	Decal - No Hand	
11	1703797	1	Decal - Warning/Danger	
12	1703804	4	Decal - Warning Crushing	
13	1703805	5	Decal - Electrocution	
14	1703811	4	Decal - Lifting Lug	
15	1703814	4	Decal - Tie Down	
16	1703953	3	Decal - Warning Crushing	
17	1704277	3	Decal - Lanyard Attach	
18	1704412	1	Decal - Hydraulic Oil Chart	
19	1704885	1	Decal - Website	
20	1705336	1	Decal - Warning Inspection	
21	1705351	1	Decal - Drive/Steer Instruction	
22	3251243	1	Decal - Nameplate	
24	3252347	1	Decal - Foot Switch	
25	3290605	4	Nut M6	
26	3820001	5	Rivet	
27	4811700	8	Washer M6	
28	1001131269	1	Decal - Boom Lift	
29	1001255220	1	Decal - Warning Dual Cap	
30	1001255221	1	Decal - Warning Dual Cap	
38	4420051	AR	Tape, Safety	
40	1001228613	1	Decal - Lift Diagram	
42	1704461	4	Decal - No Tie Down	
43	1001223453	1	Decal - ICES	
44	1001223055	1	Decal - Yearly Inspection	
45	3572044	1	Decal - Mounting	
46	1704468	1	Decal - Motion Hazard	
71	1001184618	1	Decal - Stop and Auxiliary Power	

SECTION 9 - DECALS

FIGURE 9-2. DECAL INSTALLATION - 660SJC (BRAZIL SPECS - PORTUGUESE/SPANISH LANGUAGES)



ART_1001250798

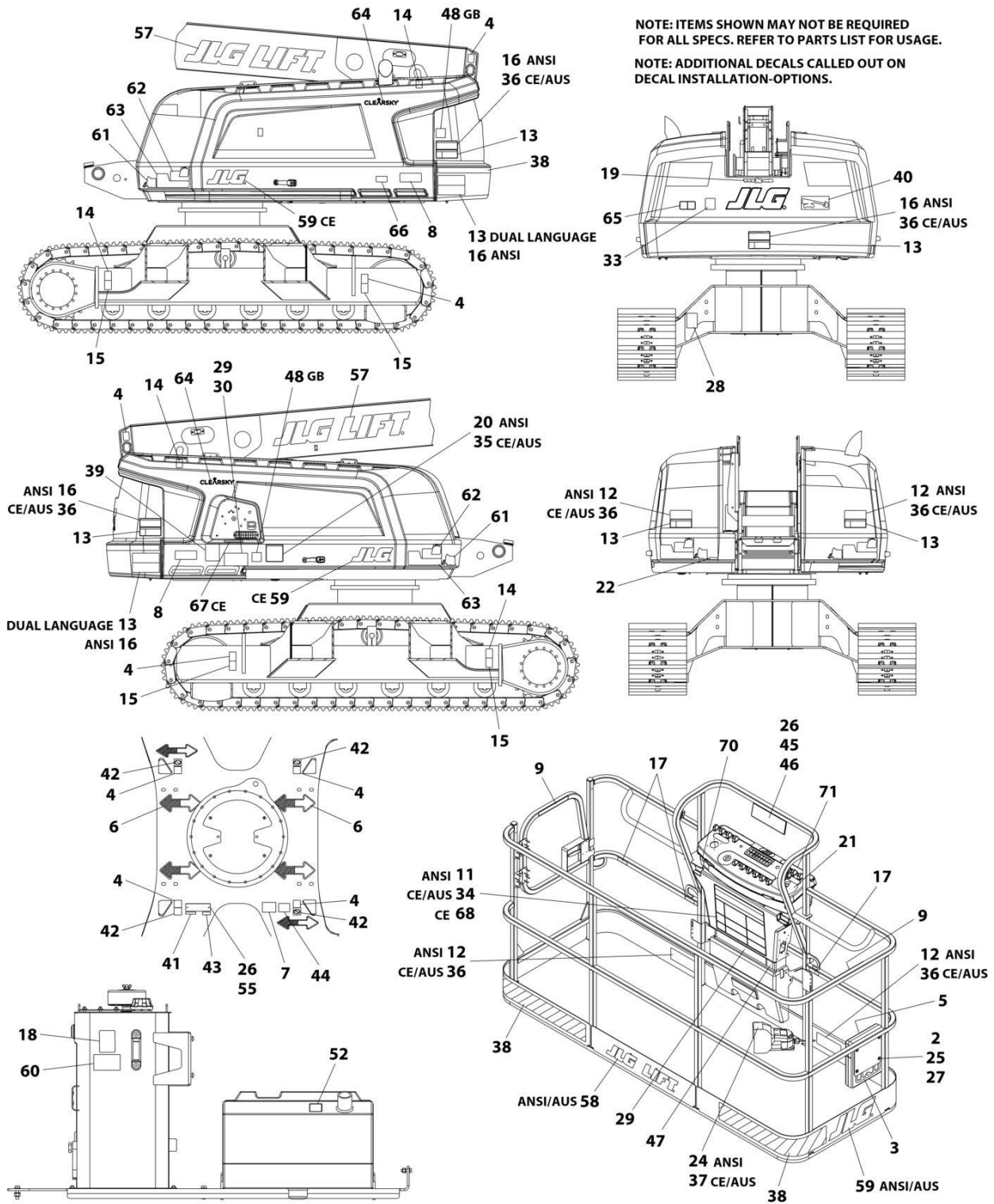
SECTION 9 - DECALS

FIGURE 9-2. DECAL INSTALLATION - 660SJC (BRAZIL SPECS - PORTUGUESE/SPANISH LANGUAGES)

ITEM	PART NUMBER	QTY	DESCRIPTION	REV
	1001250798	Ref	DECAL INSTALLATION	E
2	0700610	4	Bolt M6 x 20	
3	91403230	1	Box, Manual Storage	
4	1701499	4	Decal - No Lifting	
5	1701509	1	Decal - Manual	
6	1701529	6	Decal - Arrow	
7	See Note	NSS	Decal - Bar Code (Note: Not Available For Purchase)	
8	1001267317	2	Decal - 660SJC	
9	1704002	2	Decal - No Hand	
11	1703928	1	Decal - Warning/Danger	
12	1703952	4	Decal - Warning Crushing	
13	1703940	5	Decal - Electrocution	
14	1703811	4	Decal - Lifting Lug	
15	1703814	4	Decal - Tie Down	
16	1703946	3	Decal - Warning Crushing	
17	1704277	3	Decal - Lanyard Attach	
18	1704412	1	Decal - Hydraulic Oil Chart	
19	1704885	1	Decal - Website	
20	1705349	1	Decal - Warning Inspection	
21	1001113680	1	Decal - Drive/Steer Instruction	
22	3251243	1	Decal - Nameplate	
24	1703985	1	Decal - Foot Switch	
25	3290605	4	Nut M6	
26	3820001	5	Rivet	
27	4811700	8	Washer M6	
29	1001255230	1	Decal - Warning Dual Cap	
30	1001255231	1	Decal - Warning Dual Cap	
38	4420051	AR	Tape, Safety	
40	1001228613	1	Decal - Lift Diagram	
42	1704461	4	Decal - No Tie Down	
44	1001224052	1	Decal - Yearly Inspection	
45	1001093553	1	Decal - Mounting	
46	1001233313	1	Decal - Motion Hazard	
71	1001184618	1	Decal - Stop and Auxiliary Power	

SECTION 9 - DECALS

FIGURE 9-3. DECAL INSTALLATION - 660SJC (CE & UK CA SPECS - ENGLISH LANGUAGE)



ART_1001250796

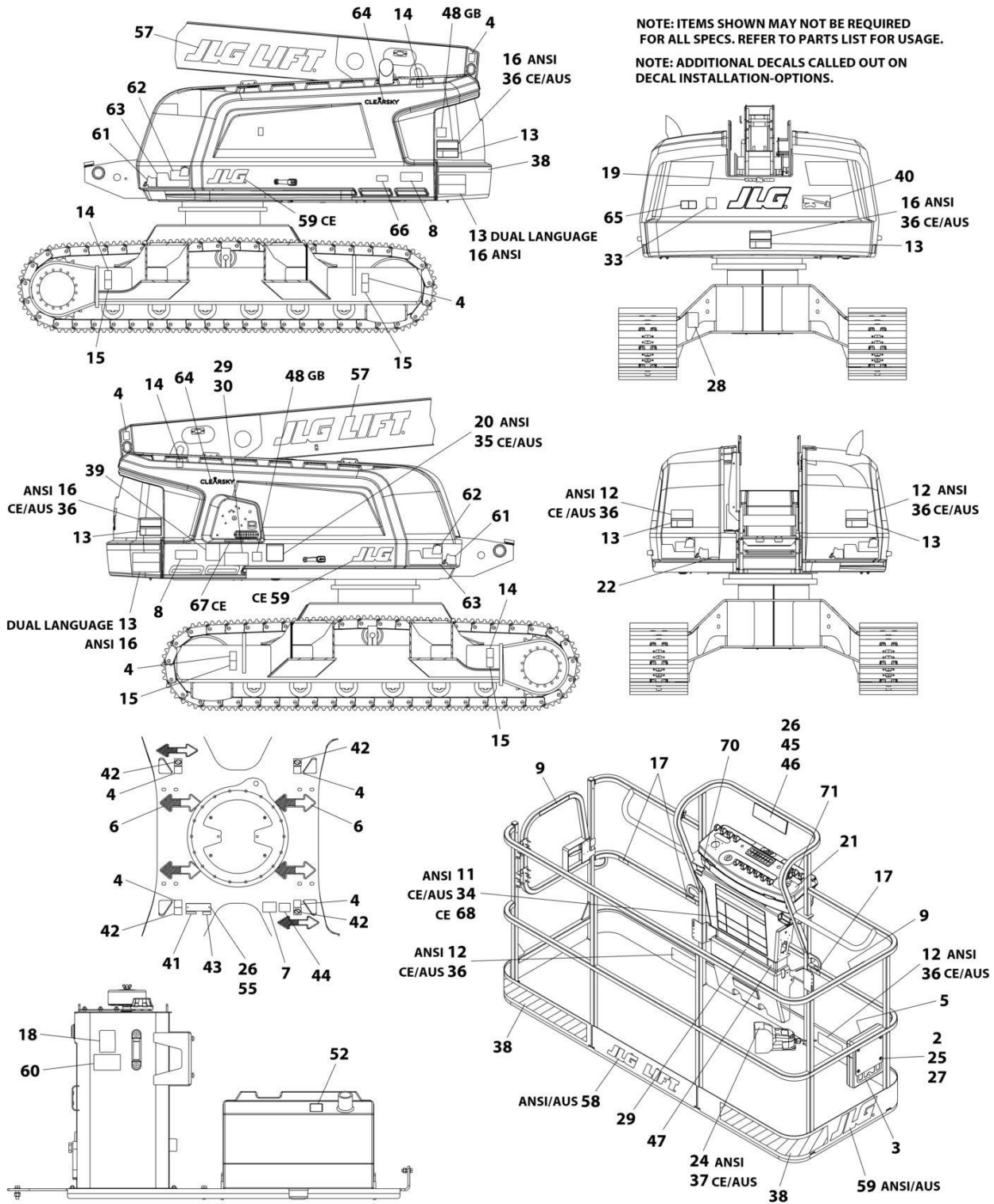
SECTION 9 - DECALS

FIGURE 9-3. DECAL INSTALLATION - 660SJC (CE & UK CA SPECS - ENGLISH LANGUAGE)

ITEM	PART NUMBER	QTY	DESCRIPTION	REV
	1001250796	Ref	DECAL INSTALLATION	E
2	0700610	4	Bolt M6 x 20	
3	91403230	1	Box, Manual Storage	
4	1701499	4	Decal - No Lifting	
5	1701509	1	Decal - Manual	
6	1701529	6	Decal - Arrow	
7	See Note	NSS	Decal - Bar Code (Note: Not Available For Purchase)	
8	1001267317	2	Decal - 660SJC	
13	1705961	5	Decal - Electrocution	
14	1703811	4	Decal - Lifting Lug	
15	1703814	4	Decal - Tie Down	
17	1704277	3	Decal - Lanyard Attach	
18	1704412	1	Decal - Hydraulic Oil Chart	
25	3290605	4	Nut M6	
26	3820001	5	Rivet	
27	4811700	8	Washer M6	
29	1001194236	2	Decal - Warning Max Cap	
34	1705921	1	Decal - Tipping/Electric	
35	1705822	1	Decal - Safety Manual	
36	1701518	7	Decal - Chrushing	
37	1705828	1	Decal - Footswitch	
38	4420051	AR	Tape, Safety	
40	1001228613	1	Decal - Lift Diagram	
42	1704461	4	Decal - No Tie Down	
45	3572044	1	Decal - Mounting	
46	1001202228	1	Decal - Motion Hazard	
57	1001159323	2	Decal - JLG	
59	1702773	3	Decal - JLG	
71	1001184618	1	Decal - Stop and Auxiliary Power	

SECTION 9 - DECALS

FIGURE 9-4. DECAL INSTALLATION - 660SJC (CHINESE SPECS - ENGLISH/SIMPLIFIED CHINESE LANGUAGES)



NOTE: ITEMS SHOWN MAY NOT BE REQUIRED FOR ALL SPECS. REFER TO PARTS LIST FOR USAGE.
 NOTE: ADDITIONAL DECALS CALLED OUT ON DECAL INSTALLATION-OPTIONS.

ART_1001250802

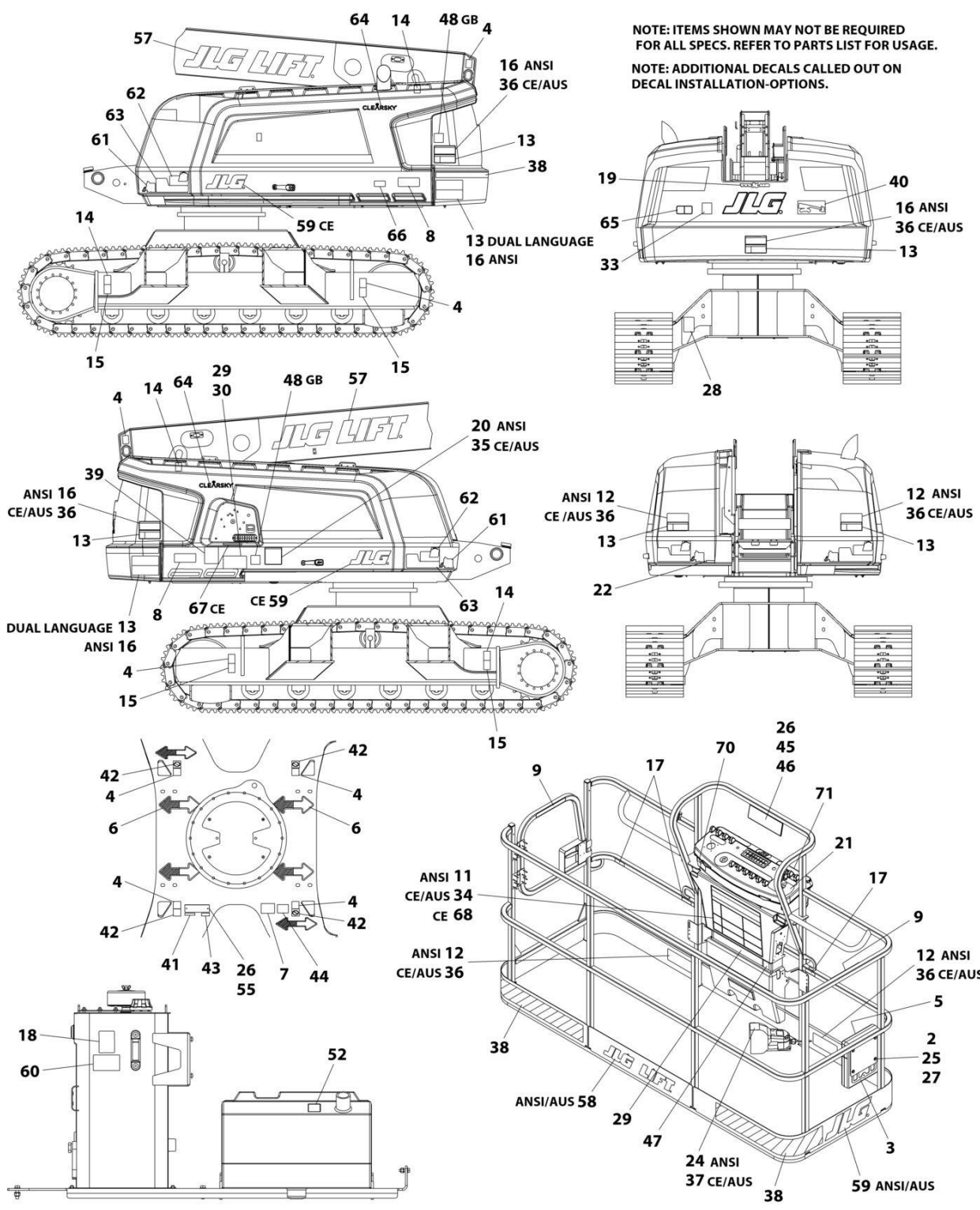
SECTION 9 - DECALS

FIGURE 9-4. DECAL INSTALLATION - 660SJC (CHINESE SPECS - ENGLISH/SIMPLIFIED CHINESE LANGUAGES)

ITEM	PART NUMBER	QTY	DESCRIPTION	REV
	1001250802	Ref	DECAL INSTALLATION	E
2	0700610	4	Bolt M6 x 20	
3	91403230	1	Box, Manual Storage	
4	1701499	4	Decal - No Lifting	
5	1701509	1	Decal - Manual	
6	1701529	6	Decal - Arrow	
7	See Note	NSS	Decal - Bar Code (Note: Not Available For Purchase)	
8	1001267317	2	Decal - 660SJC	
9	1705968	2	Decal - No Hand	
11	1001116847	1	Decal - Warning/Danger	
12	1001116850	4	Decal - Warning Crushing	
13	1703937	5	Decal - Electrocution	
14	1703811	4	Decal - Lifting Lug	
15	1703814	4	Decal - Tie Down	
16	1001116845	3	Decal - Warning Crushing	
17	1704277	3	Decal - Lanyard Attach	
18	1704412	1	Decal - Hydraulic Oil Chart	
19	1704885	1	Decal - Website	
20	1001116848	1	Decal - Warning Inspection	
21	1705430	1	Decal - Drive/Steer Instruction	
22	3251243	1	Decal - Nameplate	
24	1001116852	1	Decal - Foot Switch	
25	3290605	4	Nut M6	
26	3820001	5	Rivet	
27	4811700	8	Washer M6	
29	1001255228	1	Decal - Warning Dual Cap	
30	1001255229	1	Decal - Warning Dual Cap	
38	4420051	AR	Tape, Safety	
40	1001228613	1	Decal - Lift Diagram	
42	1704461	4	Decal - No Tie Down	
44	1001224051	1	Decal - Yearly Inspection	
45	1001093553	1	Decal - Mounting	
46	1001116963	1	Decal - Motion Hazard	
71	1001184618	1	Decal - Stop and Auxiliary Power	

SECTION 9 - DECALS

FIGURE 9-5. DECAL INSTALLATION - 660SJC (CHINESE SPECS - ENGLISH/TRADITIONAL CHINESE LANGUAGES)



ART_1001250800

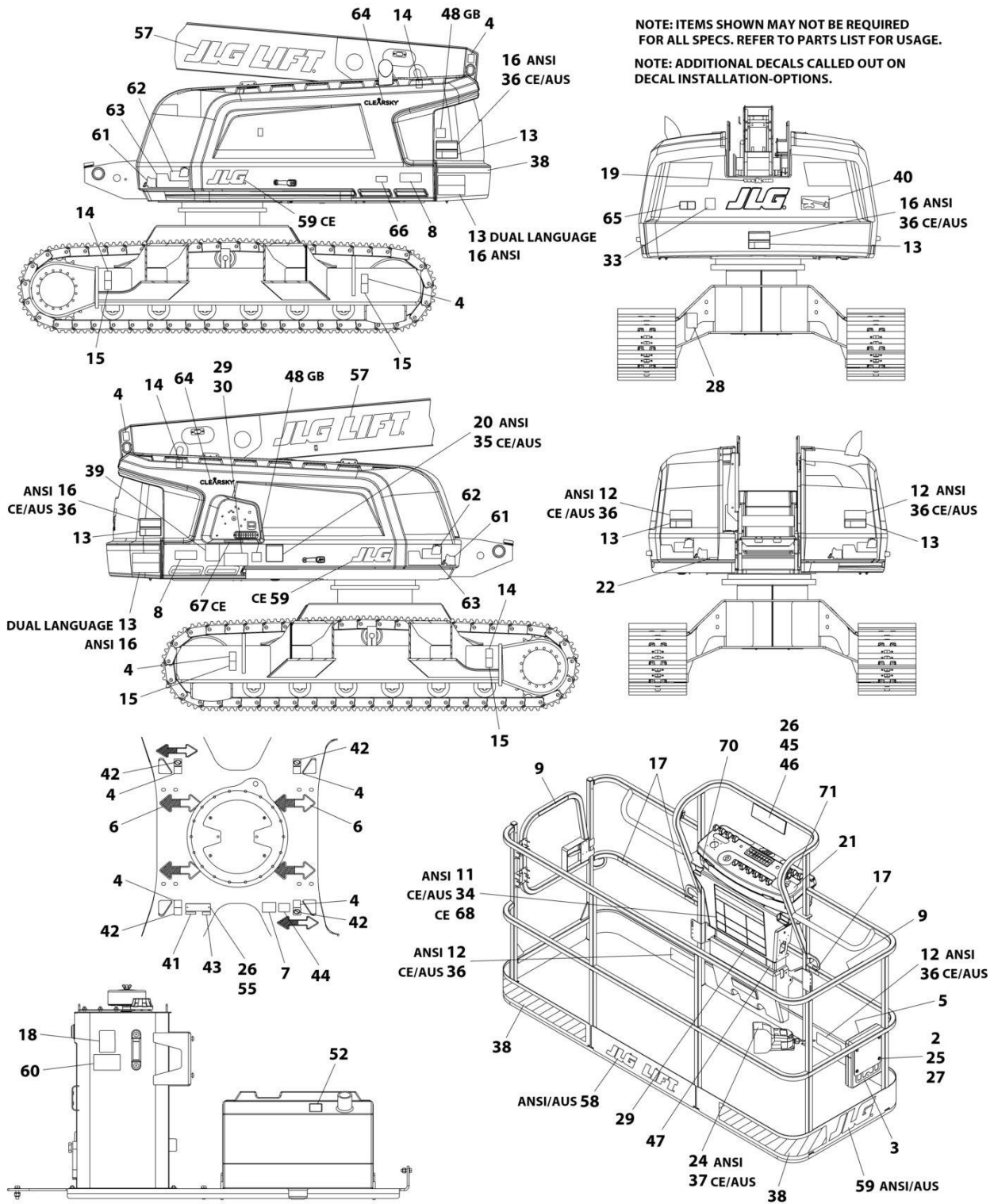
SECTION 9 - DECALS

FIGURE 9-5. DECAL INSTALLATION - 660SJC (CHINESE SPECS - ENGLISH/TRADITIONAL CHINESE LANGUAGES)

ITEM	PART NUMBER	QTY	DESCRIPTION	REV
	1001250800	Ref	DECAL INSTALLATION	E
2	0700610	4	Bolt M6 x 20	
3	91403230	1	Box, Manual Storage	
4	1701499	4	Decal - No Lifting	
5	1701509	1	Decal - Manual	
6	1701529	6	Decal - Arrow	
7	See Note	NSS	Decal - Bar Code (Note: Not Available For Purchase)	
8	1001267317	2	Decal - 660SJC	
9	1001116846	2	Decal - No Hand	
11	1703925	1	Decal - Warning/Danger	
12	1703949	4	Decal - Warning Crushing	
13	1001116851	5	Decal - Electrocution	
14	1703811	4	Decal - Lifting Lug	
15	1703814	4	Decal - Tie Down	
16	1703943	3	Decal - Warning Crushing	
17	1704277	3	Decal - Lanyard Attach	
18	1704412	1	Decal - Hydraulic Oil Chart	
19	1704885	1	Decal - Website	
20	1001116849	1	Decal - Warning Inspection	
21	1001116863	1	Decal - Drive/Steer Instruction	
22	3251243	1	Decal - Nameplate	
24	1703982	1	Decal - Foot Switch	
25	3290605	4	Nut M6	
26	3820001	5	Rivet	
27	4811700	8	Washer M6	
29	1001255226	1	Decal - Warning Dual Cap	
30	1001255227	1	Decal - Warning Dual Cap	
38	4420051	AR	Tape, Safety	
40	1001228613	1	Decal - Lift Diagram	
42	1704461	4	Decal - No Tie Down	
44	1001224050	1	Decal - Yearly Inspection	
45	1001093553	1	Decal - Mounting	
46	1001116964	1	Decal - Motion Hazard	
71	1001184618	1	Decal - Stop and Auxiliary Power	

SECTION 9 - DECALS

FIGURE 9-6. DECAL INSTALLATION - 660SJC (CSA SPECS - ENGLISH/FRENCH LANGUAGES)



ART_1001250794

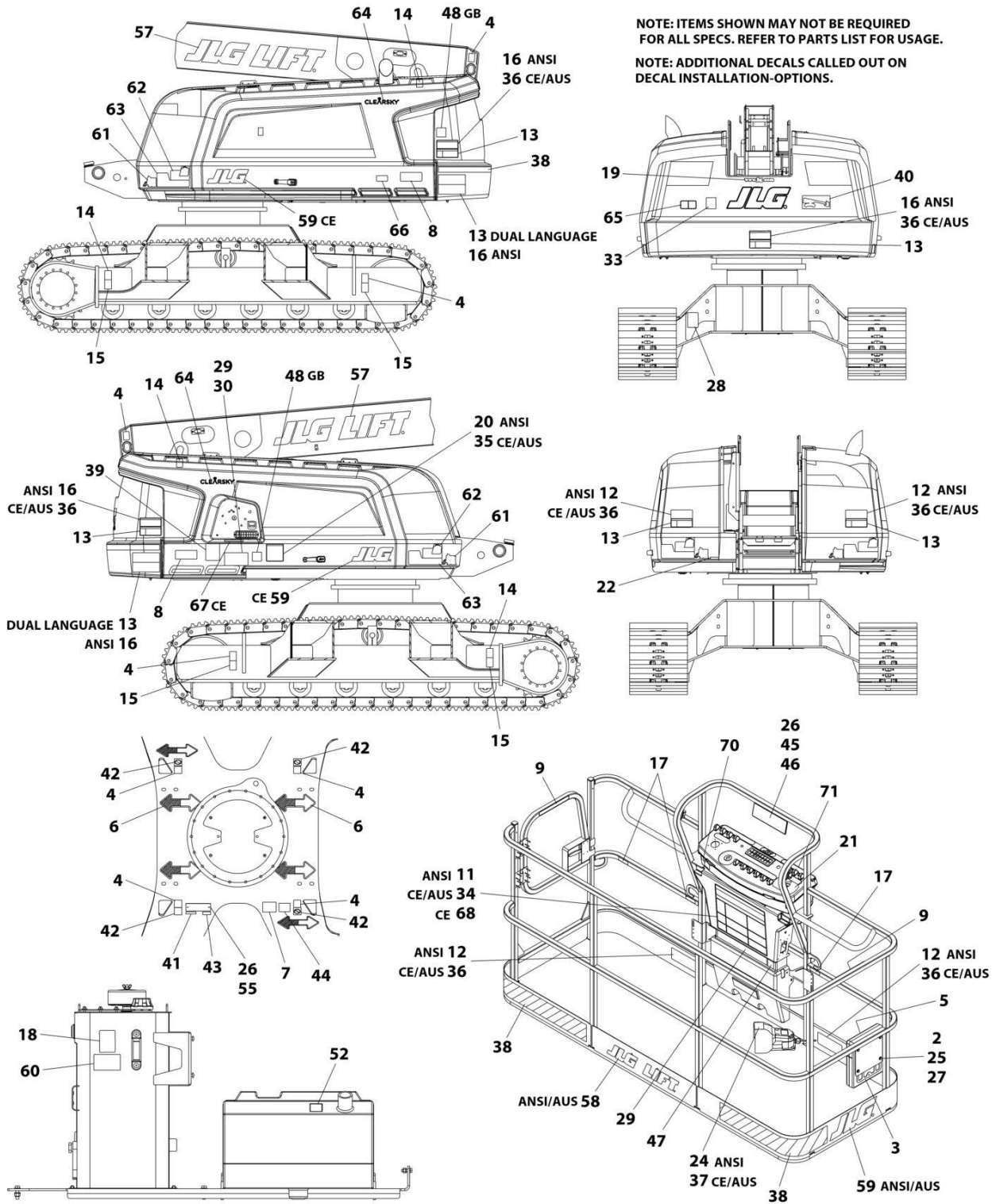
SECTION 9 - DECALS

FIGURE 9-6. DECAL INSTALLATION - 660SJC (CSA SPECS - ENGLISH/FRENCH LANGUAGES)

ITEM	PART NUMBER	QTY	DESCRIPTION	REV
	1001250794	Ref	DECAL INSTALLATION	E
2	0700610	4	Bolt M6 x 20	
3	91403230	1	Box, Manual Storage	
4	1701499	4	Decal - No Lifting	
5	1701509	1	Decal - Manual	
6	1701529	6	Decal - Arrow	
7	See Note	NSS	Decal - Bar Code (Note: Not Available For Purchase)	
8	1001267317	2	Decal - 660SJC	
9	1704000	2	Decal - No Hand	
11	1703924	1	Decal - Warning/Danger	
12	1703948	4	Decal - Warning Crushing	
13	1703936	5	Decal - Electrocution	
14	1703811	4	Decal - Lifting Lug	
15	1703814	4	Decal - Tie Down	
16	1703942	3	Decal - Warning Crushing	
17	1704277	3	Decal - Lanyard Attach	
18	1704412	1	Decal - Hydraulic Oil Chart	
19	1704885	1	Decal - Website	
20	1705347	1	Decal - Warning Inspection	
21	1705429	1	Decal - Drive/Steer Instruction	
22	3251243	1	Decal - Nameplate	
24	1703984	1	Decal - Foot Switch	
25	3290605	4	Nut M6	
26	3820001	5	Rivet	
27	4811700	8	Washer M6	
28	1001131269	1	Decal - Boom Lift	
29	1001255222	1	Decal - Warning Dual Cap	
30	1001255223	1	Decal - Warning Dual Cap	
38	4420051	AR	Tape, Safety	
40	1001228613	1	Decal - Lift Diagram	
42	1704461	4	Decal - No Tie Down	
43	1001223453	1	Decal - ICES	
44	1001223971	1	Decal - Yearly Inspection	
45	1001093553	1	Decal - Mounting	
46	1001093684	1	Decal - Motion Hazard	
71	1001184618	1	Decal - Stop and Auxiliary Power	

SECTION 9 - DECALS

FIGURE 9-7. DECAL INSTALLATION - 660SJC (JAPANESE SPECS - ENGLISH/JAPANESE LANGUAGES)



ART_1001250804

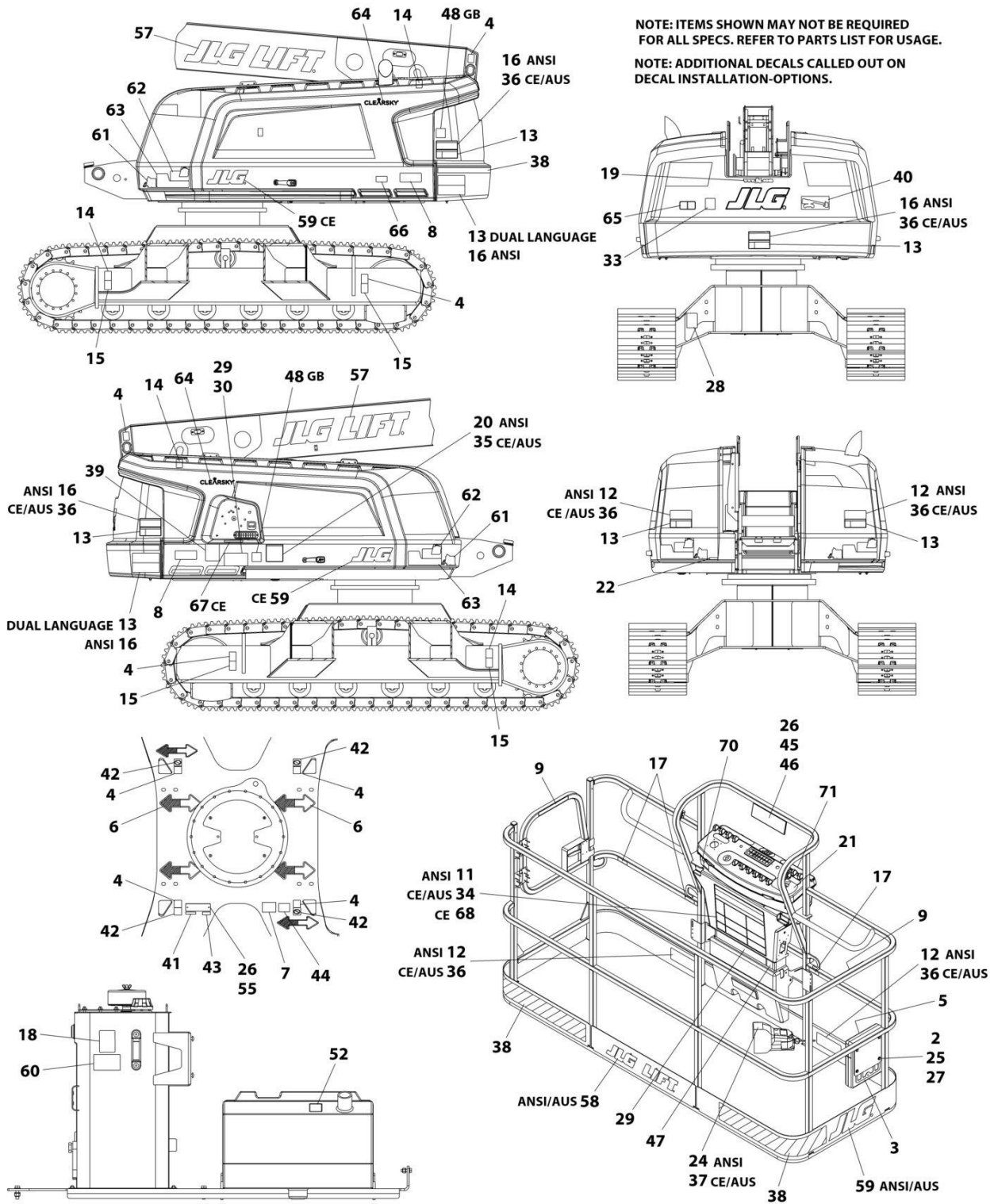
SECTION 9 - DECALS

FIGURE 9-7. DECAL INSTALLATION - 660SJC (JAPANESE SPECS - ENGLISH/JAPANESE LANGUAGES)

ITEM	PART NUMBER	QTY	DESCRIPTION	REV
	1001250804	Ref	DECAL INSTALLATION	E
2	0700610	4	Bolt M6 x 20	
3	91403230	1	Box, Manual Storage	
4	1701499	4	Decal - No Lifting	
5	1701509	1	Decal - Manual	
6	1701529	6	Decal - Arrow	
7	See Note	NSS	Decal - Bar Code (Note: Not Available For Purchase)	
8	1001267317	2	Decal - 660SJC	
11	1703926	1	Decal - Warning/Danger	
12	1703950	1	Decal - Warning Crushing	
13	1703938	1	Decal - Electrocution	
14	1703811	4	Decal - Lifting Lug	
15	1703814	4	Decal - Tie Down	
16	1703944	1	Decal - Warning Crushing	
17	1704277	3	Decal - Lanyard Attach	
18	1704412	1	Decal - Hydraulic Oil Chart	
19	1704885	1	Decal - Website	
20	1705344	1	Decal - Warning Inspection	
21	1705426	1	Decal - Drive/Steer Instruction	
22	3251243	1	Decal - Nameplate	
24	1703980	1	Decal - Foot Switch	
25	3290605	4	Nut M6	
26	3820001	5	Rivet	
27	4811700	8	Washer M6	
29	1001255234	1	Decal - Warning Dual Cap	
30	1001255235	1	Decal - Warning Dual Cap	
38	4420051	AR	Tape, Safety	
40	1001228613	1	Decal - Lift Diagram	
42	1704461	4	Decal - No Tie Down	
44	1001224053	1	Decal - Yearly Inspection	
45	1001093553	1	Decal - Mounting	
46	1001215285	1	Decal - Motion Hazard	
71	1001184618	1	Decal - Stop and Auxiliary Power	

SECTION 9 - DECALS

FIGURE 9-8. DECAL INSTALLATION - 660SJC (KOREAN SPECS - ENGLISH/KOREAN LANGUAGES)



ART_1001250806

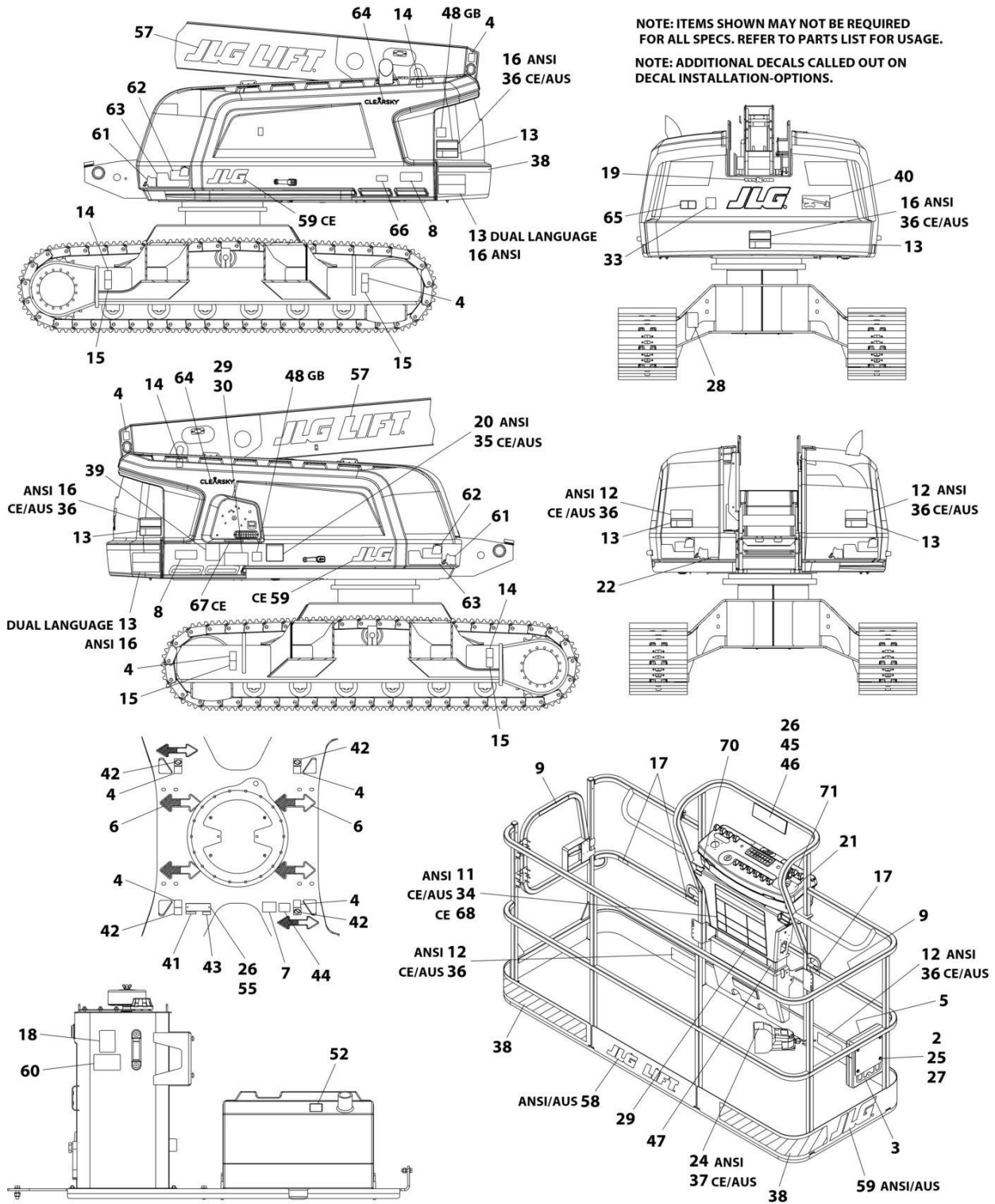
SECTION 9 - DECALS

FIGURE 9-8. DECAL INSTALLATION - 660SJC (KOREAN SPECS - ENGLISH/KOREAN LANGUAGES)

ITEM	PART NUMBER	QTY	DESCRIPTION	REV
	1001250806	Ref	DECAL INSTALLATION	F
2	0700610	4	Bolt M6 x 20	
3	91403230	1	Box, Manual Storage	
4	1701499	4	Decal - No Lifting	
5	1701509	1	Decal - Manual	
6	1701529	6	Decal - Arrow	
7	See Note	NSS	Decal - Bar Code (Note: Not Available For Purchase)	
8	1001267317	2	Decal - 660SJC	
9	1705969	2	Decal - Caution No Hand	
11	1703927	1	Decal - Warning/Danger	
12	1703951	4	Decal - Warning Crushing	
13	1703939	5	Decal - Electrocution	
14	1703811	4	Decal - Lifting Lug	
15	1703814	4	Decal - Tie Down	
16	1703945	3	Decal - Warning Crushing	
17	1704277	3	Decal - Lanyard Attach	
18	1704412	1	Decal - Hydraulic Oil Chart	
19	1704885	1	Decal - Website	
20	1705345	1	Decal - Warning Inspection	
21	1705427	1	Decal - Drive/Steer Instruction	
22	3251243	1	Decal - Nameplate	
24	1703981	1	Decal - Foot Switch	
25	3290605	4	Nut M6	
26	3820001	5	Rivet	
27	4811700	8	Washer M6	
29	1001255224	1	Decal - Warning Dual Cap	
30	1001255225	1	Decal - Warning Dual Cap	
38	4420051	AR	Tape, Safety	
40	1001228613	1	Decal - Lift Diagram	
42	1704461	4	Decal - Lift Diagram	
44	1001224048	1	Decal - Yearly Inspection	
45	1001093553	1	Decal - Mounting	
46	1001215286	1	Decal - Motion Hazard	
71	1001184618	1	Decal - Stop and Auxiliary Power	

SECTION 9 - DECALS

FIGURE 9-9. DECAL INSTALLATION - 660SJC (LATIN AMERICA SPECS - ENGLISH/SPANISH LANGUAGES)



ART_1001254993

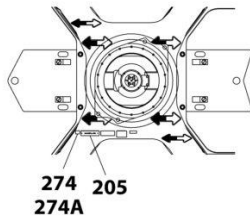
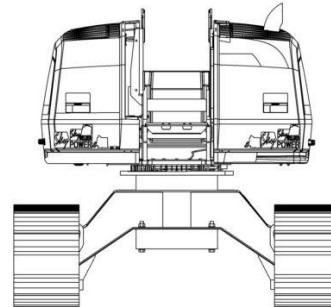
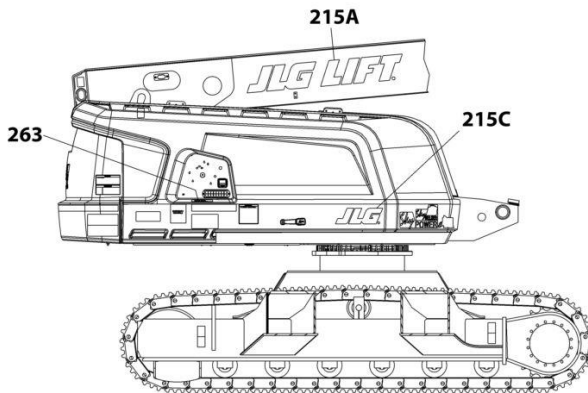
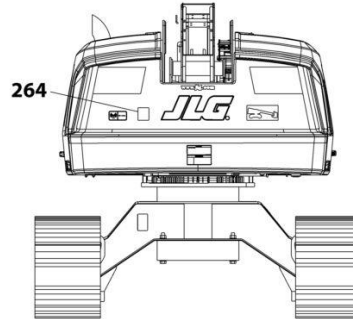
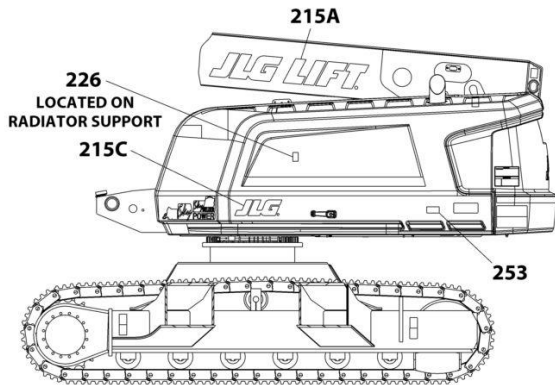
SECTION 9 - DECALS

FIGURE 9-9. DECAL INSTALLATION - 660SJC (LATIN AMERICA SPECS - ENGLISH/SPANISH LANGUAGES)

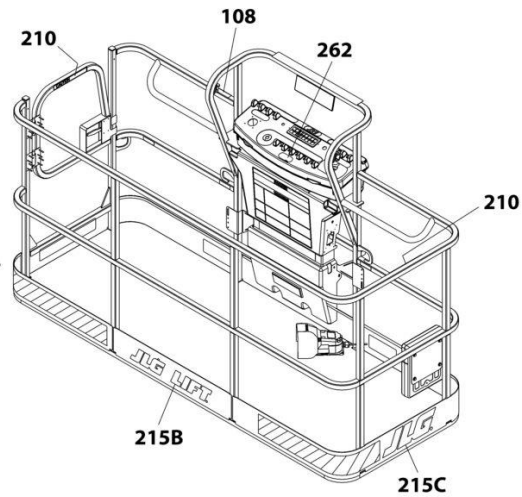
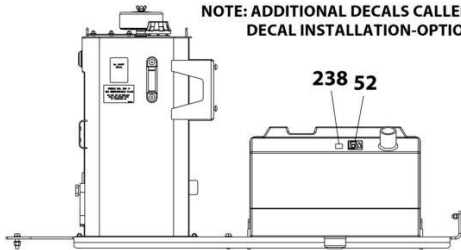
ITEM	PART NUMBER	QTY	DESCRIPTION	REV
	1001254993	Ref	DECAL INSTALLATION	E
2	0700610	4	Bolt M6 x 20	
3	91403230	1	Box, Manual Storage	
4	1701499	4	Decal - No Lifting	
5	1701509	1	Decal - Manual	
6	1701529	6	Decal - Arrow	
7	See Note	NSS	Decal - Bar Code (Note: Not Available For Purchase)	
8	1001267317	2	Decal - 660SJC	
9	1704001	2	Decal - Caution No Hand	
11	1703923	1	Decal - Warning/Danger	
12	1703947	4	Decal - Warning Crushing	
13	1703935	5	Decal - Electrocution	
14	1703811	4	Decal - Lifting Lug	
15	1703814	4	Decal - Tie Down	
16	1703941	3	Decal - Warning Crushing	
17	1704277	3	Decal - Lanyard Attach	
18	1704412	1	Decal - Hydraulic Oil Chart	
19	1704885	1	Decal - Website	
20	1705917	1	Decal - Warning Inspection	
21	1705910	1	Decal - Drive/Steer Instruction	
22	3251243	1	Decal - Nameplate	
24	1703983	1	Decal - Foot Switch	
25	3290605	4	Nut M6	
26	3820001	5	Rivet	
27	4811700	8	Washer M6	
29	1001255232	1	Decal - Warning Dual Cap	
30	1001255233	1	Decal - Warning Dual Cap	
38	4420051	AR	Tape, Safety	
40	1001228613	1	Decal - Lift Diagram	
44	1001224049	1	Decal - Yearly Inspection	
45	1001093553	1	Decal - Mounting	
46	1001233312	1	Decal - Motion Hazard	
71	1001184618	1	Decal - Stop and Auxiliary Power	

SECTION 9 - DECALS

FIGURE 9-10. DECAL INSTALLATION - OPTIONS



NOTE: ITEMS SHOWN MAY NOT BE REQUIRED FOR ALL SPECS. REFER TO PARTS LIST FOR USAGE.
NOTE: ADDITIONAL DECALS CALLED OUT ON DECAL INSTALLATION-OPTIONS.



ART_DECAL_OPTIONS

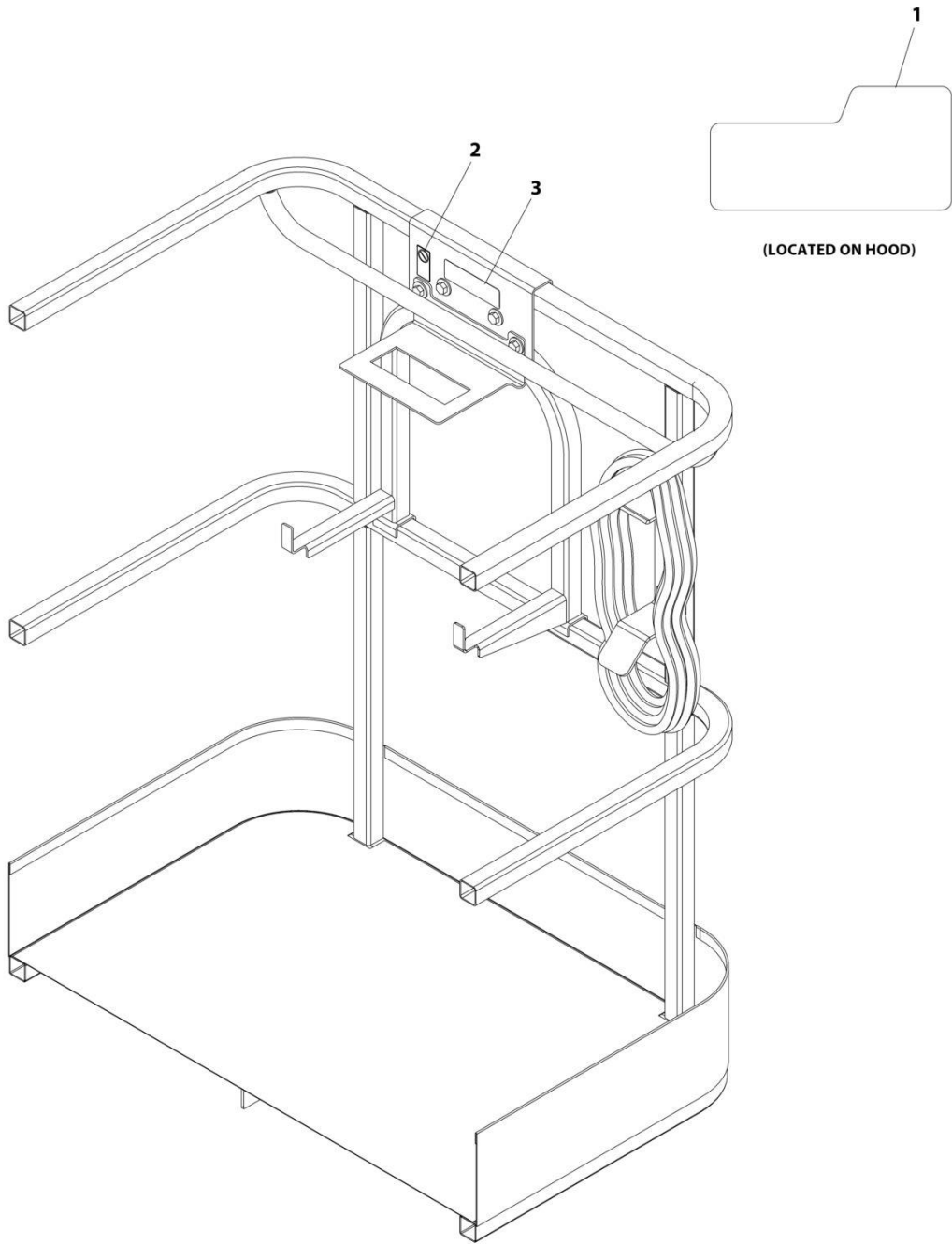
SECTION 9 - DECALS

FIGURE 9-10. DECAL INSTALLATION - OPTIONS

ITEM	PART NUMBER	QTY	DESCRIPTION	REV
	1001256735	1	DECAL INSTALLATION - REFERENCE CHART	D
	1001250516	1	DECAL INSTALLATION - OPTIONS	H
52	1701505	1	Decal - Diesel Fuel	
108	1001231801	1	Decal - Proposition 65 Warning (Diesel Engines)	
205	See Note	NSS	Nameplate - Manufacturers Serial Number (Note: Not Available for Purchase)	
210		Ref	Decal - No Hands Options (Machines with Platform Mesh/Soft-Touch Options):	
210	1702868	2	Decal - No Hands (ANSI, ANSI Export, Australian, CE & UK CA Specs) (English Language)	
210	1704002	2	Decal - No Hands (Brazil Specs) (Portuguese and Spanish Languages)	
210	1705968	2	Decal - No Hands (China Specs) (English and Simplified Chinese Languages)	
210	1001116846	2	Decal - No Hands (China Specs) (English and Traditional Chinese Languages)	
210	1704000	2	Decal - No Hands (CSA Specs) (English and French Languages)	
210	1705969	2	Decal - No Hands (Korean Specs) (English and Korean Languages)	
210	1704001	2	Decal - No Hands (Latin American Specs) (English and Spanish Languages)	
215	1001206816	1	Decal Installation - JLG Logo (Not Shown)	A
215A	1702861	2	Decal - JLG Lift	
215B	1702774	1	Decal - JLG Lift	
215C	1702773	AR	Decal - JLG	
226		Ref	Decal - Warning Explosion/Fire Options (Diesel Engine Machines Only):	
226	1704972	1	Decal - Warning Explosion/Fire (ANSI and ANSI Export Specs)	
226	1706098	1	Decal - Warning Explosion/Fire (Australian, CE & UK CA Specs)	
226	1706059	1	Decal - Warning Explosion/Fire (Brazil Spec - Dual Language English/Portuguese)	
226	1706060	1	Decal - Warning Explosion/Fire (Chinese Spec - Dual Language English/Chinese)	
226	1706064	1	Decal - Warning Explosion/Fire (CSA Spec - Dual Language English/French)	
226	1706062	1	Decal - Warning Explosion/Fire (Japanese Spec - Dual Language English/Japanese)	
226	1706061	1	Decal - Warning Explosion/Fire (Korean Spec - Dual Language English/Korean)	
226	1706063	1	Decal - Warning Explosion/Fire (Latin American - Dual Language English/Spanish)	
238	1001125387	1	Decal - Ultra Low Sulfur Fuel (ANSI and CSA Specs)	
238	1001139654	1	Decal - Ultra Low Sulfur Fuel (ANSI Export HRC, Japanese, CE & UK CA Specs)	
253	1001143852	1	Decal - Emission Compliance (Machines with Diesel Engines) (ANSI Export Specs) (Not Shown)	
262	1001141300	1	Decal - SkyGuard Override (Without Soft-Touch)	
263	1001197408	1	Decal - MSSO (CE & UK CA Specs)	
264	1705515	1	Decal - Sound Power (Deutz DT2.9L4 Engines) (Australian, CE & UK CA Specs)	
274	1001214030	1	Decal - EAC Installation (CIS and Russia Specs)	
274A	1001173703	1	Decal - EAC	

SECTION 9 - DECALS

FIGURE 9-11. SKYWELDER DECAL INSTALLATION - 50HZ (AUSTRALIAN, CE & UK CA SPECS)



ART_0272588

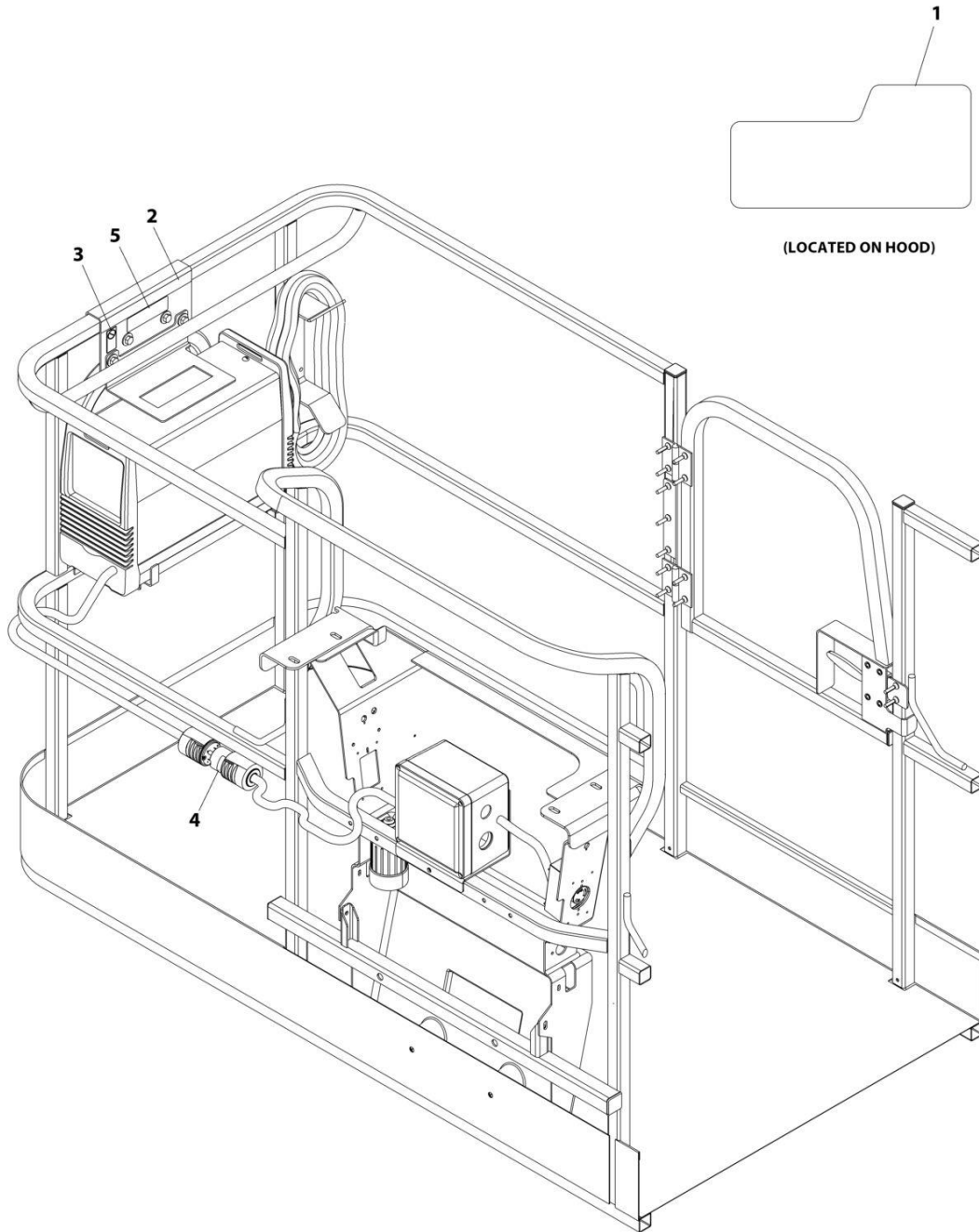
SECTION 9 - DECALS

FIGURE 9-11. SKYWELDER DECAL INSTALLATION - 50HZ (AUSTRALIAN, CE & UK CA SPECS)

ITEM	PART NUMBER	QTY	DESCRIPTION	REV
	0272588	Ref	SKYWELDER DECAL INSTALLATION - 50Hz	B
1	1705355	2	Decal - SkyWelder	
2	1705305	1	Decal - Weld Lead	
3	1001228988	1	Decal - Weight	

SECTION 9 - DECALS

FIGURE 9-12. SKYWELDER DECAL INSTALLATION - 60HZ (ALL SPECS EXCEPT AUSTRALIAN, CE & UK CA SPECS) (PVC 2001)



ART_0272448

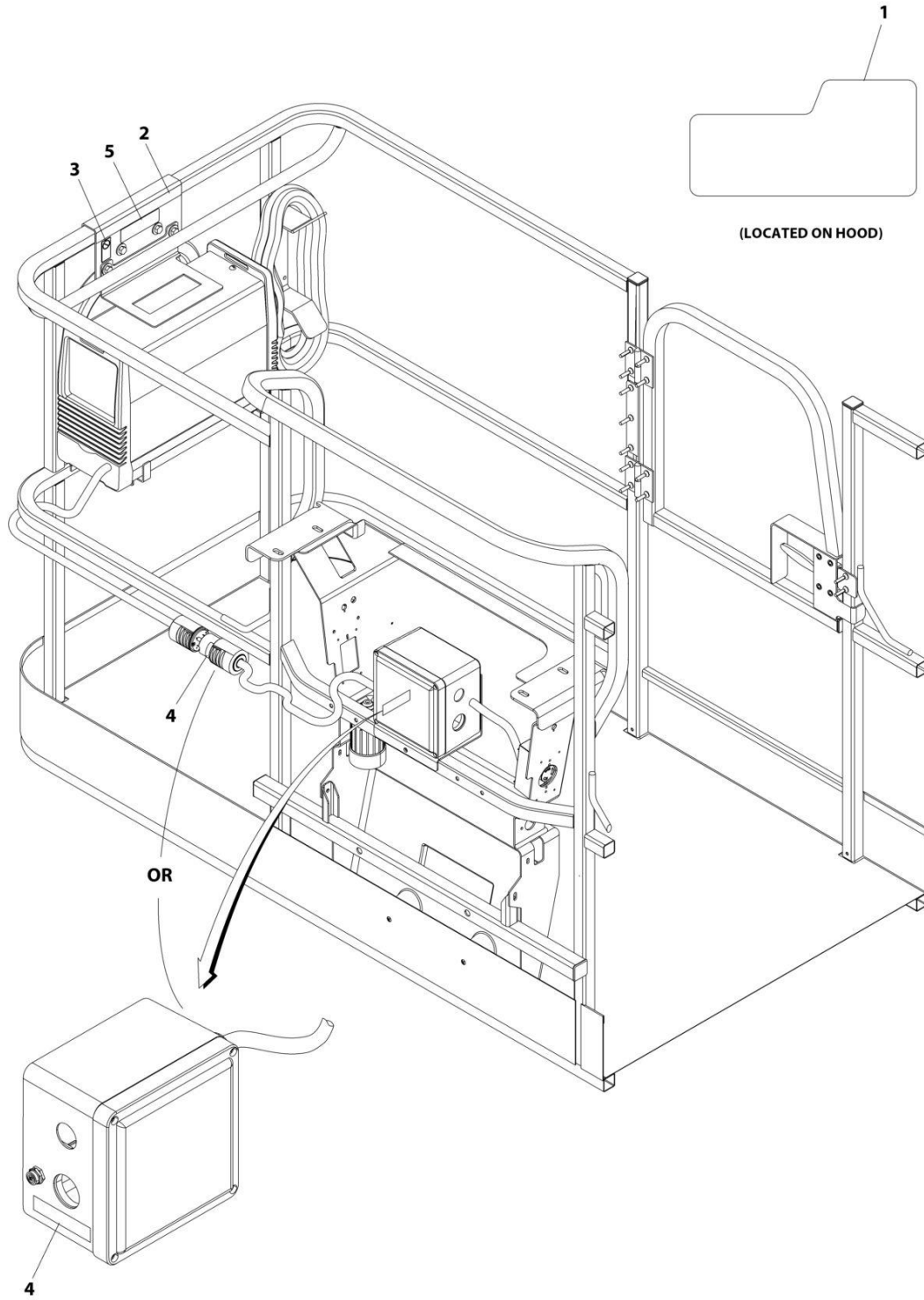
SECTION 9 - DECALS

FIGURE 9-12. SKYWELDER DECAL INSTALLATION - 60HZ (ALL SPECS EXCEPT AUSTRALIAN, CE & UK CA SPECS) (PVC 2001)

ITEM	PART NUMBER	QTY	DESCRIPTION	REV
	0272448	Ref	SKYWELDER DECAL INSTALLATION - 60Hz	B
1	1705355	2	Decal - SkyWelder	
2	1702868	1	Decal - No Hands	
3	1705305	1	Decal - Weld Lead	
4	1705375	1	Decal - 240V - 3 Phase - 60Hz	
5	1001228988	1	Decal - Weight	

SECTION 9 - DECALS

FIGURE 9-13. SKYWELDER DECAL INSTALLATION - 60HZ (ALL SPECS EXCEPT AUSTRALIAN, CE & UK CA SPECS) (PVC 2007)



ART_0272448_C

SECTION 9 - DECALS

FIGURE 9-13. SKYWELDER DECAL INSTALLATION - 60HZ (ALL SPECS EXCEPT AUSTRALIAN, CE & UK CA SPECS) (PVC 2007)

ITEM	PART NUMBER	QTY	DESCRIPTION	REV
	0272448	Ref	SKYWELDER DECAL INSTALLATION - 60Hz	C
1	1705355	2	Decal - SkyWelder	
2	1702868	1	Decal - No Hands	
3	1705305	1	Decal - Weld Lead	
4	1705375	1	Decal - 240V - 3 Phase - 60Hz	
5	1001228988	1	Decal - Weight	

SECTION 10 - RECOMMENDED SERVICE PARTS STOCK

SECTION 10 - RECOMMENDED SERVICE PARTS STOCK

SECTION 10 - RECOMMENDED SERVICE PARTS STOCK

FIGURE 10-1. RECOMMENDED SERVICE PARTS STOCK

ITEM	PART NUMBER	QTY	DESCRIPTION	REV
		Ref	Note: The following list will service one machine (built to current production per date on the front cover) with emergency repair parts which can be installed in the field. Parts from the list should be replaced when inventory is depleted to keep service parts stock supplied. For further information, contact your JLG dealer or the JLG Industries Parts Department.	
	70010383	1	Element, Filter (Includes O-Ring)	
	4360070	1	Breaker, Circuit 15Amp (Machines with 4000W or 7500W Generator)	
	1001181045	1	Breaker, Circuit 16A (CE & UK CA Specs Machines with Single Breaker Box)	
	1001152479	1	Breaker, Circuit 16A Double (CE & UK CA Specs Machines with 3 Breaker Box)	
	1001152482	1	Breaker, Circuit 30mA (CE & UK CA Specs Machines with 3 Breaker Box)	
	70004653	1	Coil	
	80434249	1	Coil	
	70004595	1	Coil	
	70006122	1	Coil	
	70006004	1	Coil	
	1600359	1	Controller, Drive and Steer	
	1001129555	1	Controller, Lift and Swing	
	4360407	1	Controller, Speed	
	70004066	12	Element, Filter	
	70005335	12	Element, High Pressure Filter	
		Ref	ENGINE COMPONENTS - DEUTZ D2011	
	70004020	12	Element, AC Filter (Deutz D2011 Engines)	
	7016328	12	Element, Fuel Filter (Deutz D2011 Engines)	
	7016331	12	Element, Oil Filter (Deutz D2011 Engine)	
	7027795	1	Module, Engine Control (ECU) (Deutz D2011 Engines)	
		Ref	ENGINE COMPONENTS - DEUTZ TD2.9L4	
	70005008	12	Element, AC Filter (Deutz TD2.9L4 Engines)	
	1001225430	12	Element, Fuel Filter (Primary) (Deutz TD2.9L4 Engines)	
	1001225431	12	Element, Fuel Filter (Secondary) (Deutz TD2.9L4 Engines)	
	7016331	12	Element, Oil Filter (Deutz TD2.9L4 Engines)	
	70025210	1	Module, Engine Control (ECM/ECU) (Deutz TD2.9L4 Engines)	
		Ref	ENGINE COMPONENTS - DEUTZ TD2.9L4 (China Specs)	
	70005008	12	Element, AC Filter (Deutz TD2.9L4 Engines - China Specs)	
	1001225430	12	Element, Fuel Filter (Primary) (Deutz TD2.9L4 Engines - China Specs)	
	1001225432	12	Element, Fuel Filter (Secondary) (Deutz TD2.9L4 Engines - China Specs)	
	7016331	12	Element, Oil Filter (Deutz TD2.9L4 Engines - China Specs)	
	70025210	1	Module, Engine Control (ECM/ECU) (Deutz TD2.9L4 Engines - China Specs)	
		Ref	ENGINE COMPONENTS - DEUTZ TD2.9L4 (STAGE V PRE-BUY)	
	70005008	12	Element, AC Filter (Deutz TD2.9L4 Engines - STAGE V PRE-BUY)	
	70025153	12	Element, Fuel Filter (Deutz TD2.9L4 Engines - STAGE V PRE-BUY)	
	70025161	12	Element, Fuel Filter (Deutz TD2.9L4 Engines - STAGE V PRE-BUY)	

SECTION 10 - RECOMMENDED SERVICE PARTS STOCK

ITEM	PART NUMBER	QTY	DESCRIPTION	REV
	7016331	12	Element, Oil Filter (Deutz TD2.9L4 Engines - STAGE V PRE-BUY)	
	70025210	1	Module, Engine Control (ECM/ECU) (Deutz TD2.9L4 Engines - STAGE V Pre-Buy)	
	1001117174	1	Footswitch Assembly	
	8229242	2	Fuse - 5Amp	
	2400064	2	Fuse - 5Amp (Deutz D2011 Engine Machines with 7500W SkyPower Generator)	
	80983191	2	Fuse - 10Amp (Deutz TD2.9L4 Engines)	
	8229244	2	Fuse - 15Amp	
	8229245	2	Fuse - 30Amp	
	70002814	12	Hydraulic Tank Service Kit	
	2860030	1 Set	Key, Replacement	
	2940074	1	Latch (Machines with Gate Entry Platform)	
	1001142683	1	Module (Used with Blue or Red Beacons)	
	1001187200	1	Module, Ground Control	
	1001185726	1	Module, Platform	
	1001095704	1	Relay	
	1001186431	1	Relay	
	3740067	1	Relay (Deutz D2011 Engines)	
	1001138228	1	Relay (Deutz TD2.9L4 Engines)	
	3740080	1	Relay (Machines with 2500W Generator)	
	70005683	1	Repair Section - Powertrack	
	1001219601	1	Sensor	
	1001211577	1	Sensor (Lower)	
	1001211579	1	Sensor (Upper) (660SJC)	
	1001170847	1	Sensor, Proximity	
	1001182570	1	Sensor, Proximity	
	4360469	1	Switch, Key	
	4360475	1	Switch, Mushroom	
	4360517	1	Switch, Proximity	
	1001214831	1	Switch, Proximity (Boom)	
	4360387	1	Switch, Push Button	
	1001137673	1	Switch, SkyGuard	
	1001155045	1	Switch, Toggle	
	1001159256	1	Switch, Toggle	
	1001161709	1	Switch, Toggle	
	4360336	1	Switch, Toggle (Generator Options)	

SECTION 11 - SPECIAL OPTIONS/ACCESSORIES/KITS

SECTION 11 - SPECIAL OPTIONS/ACCESSORIES/KITS

SECTION 11 - SPECIAL OPTIONS/ACCESSORIES/KITS

FIGURE 11-1. SPECIAL OPTIONS/ACCESSORIES/KITS

ITEM	PART NUMBER	QTY	DESCRIPTION	REV
	Note	Ref	Note: This list is to accommodate machines ordered with special equipment. Options may not be applicable to all models. For more specific parts information contact JLG Parts Department.	
		Ref	SPECIAL OPTIONS/ACCESSORIES/KITS	
		Ref	Airline to Platform Installation Options:	
	1001193215	Ref	Airline Installation (Without Arctic Package)	
	1001194045	Ref	Airline Installation (With Arctic Package)	
	1001235884	Ref	Air Intake Shutoff Valve (Deutz TD2.9L4 Engines)	
	1001205024	Ref	Arctic Package Installation Kit - With Deutz TD2.9L4 Engines and Without SkyPower	
	1001205023	Ref	Arctic Package Installation Kit - With Deutz TD2.9L4 Engines and With SkyPower	
	1001189170	Ref	Bellows Installation - Boom	
	1001236701	Ref	Boom Cable/Hose Protection Installation	
	1001272836	Ref	Boom Cable / Hose Protection - Platform and Jib Installation	
	1001195235	Ref	Boom Wipers Installation	
		Ref	ClearSky Telematics (Factory Installed)	
	1001227404	Ref	ClearSky Telematics Installation - Canbus Connection (Factory Installed) (ANSI & CSA Specs)	
	1001228947	Ref	ClearSky Telematics Installation - Canbus Connection (Factory Installed) (ANSI Export, CE & UK CA Specs)	
	1001229107	Ref	ClearSky Telematics Installation - 3 Wire Connection (Factory Installed) (ANSI & CSA Specs)	
	1001233237	Ref	ClearSky Telematics Installation - 3 Wire Connection (Factory Installed) (ANSI Export, CE & UK CA Specs)	
	1001234099	Ref	ClearSky Telematics Kit (Dealer Installed) (CE & UK CA Specs)	
		Ref	Cold Weather Package Installation Options:	
	1001192489	Ref	Cold Weather Package Installation (Deutz TD2011L04 Engine Machines)	
	1001192475	Ref	Cold Weather Package Installation (Deutz TD2.9L4 Engine Machines)	
	1001255807	1	Cold Weather Package Installation (Deutz Stage V Engine Machines)	
		Ref	Decal Installations Options:	
	1001120992	Ref	Decal - ClearSky (ANSI Spec) (ANSI, ANSI Export, Australian, Brazilian, CSA, CE & UK CA Specs Only)	
	0257195	Ref	Decal - Government Warranty	
	1001200131	Ref	Decal - Quick Reference (Danish) (Lomax Rentals)	
	1001200129	Ref	Decal - Quick Reference (Dutch) (Lomax Rentals)	
	1001181145	Ref	Decal - Quick Reference (English) (Lomax Rentals)	
	1001200128	Ref	Decal - Quick Reference (French) (Lomax Rentals)	
	1001200130	Ref	Decal - Quick Reference (German) (Lomax Rentals)	
	1001200134	Ref	Decal - Quick Reference (Norwegian) (Lomax Rentals)	
	1001200133	Ref	Decal - Quick Reference (Spanish) (Lomax Rentals)	
	1001200132	Ref	Decal - Quick Reference (Swedish) (Lomax Rentals)	
		Ref	Decal Kits	
	1001238909	Ref	Platform Decal Kit	
	1001238908	Ref	Platform Console Box Decal Kit	
		Ref	Electrical Connector Kits	
	1001148902	Ref	Amp/Tyco Electrical Connector Kit	
	1001148903	Ref	Deutsch DT Electrical Connector Kit	

SECTION 11 - SPECIAL OPTIONS/ACCESSORIES/KITS

ITEM	PART NUMBER	QTY	DESCRIPTION	REV
	1001148904	Ref	Deutsch HD Electrical Connector Kit	
	1001148905	Ref	Packard Electrical Connector Kit	
	1001148906	Ref	Various Electrical Connectors Kit	
	1001220390	Ref	Engine Block Heater Installation (Ford Engine Machines)	
	1001192610	Ref	Fan Grille Installation (Deutz D2011 Engines)	
	1001192482	Ref	Fan Grille Installation (Deutz DT2.9L4 Engines)	
		Ref	Filter Kits:	
		Ref	Combined Filter Kit (Hydraulic/Air and Fuel/Engine Oil)	
	1001238962	1	Deutz D2011 Engines	
	1001238961	1	Deutz TD2.9L4 Engines	
	1001117294	Ref	Footswitch Shield (Note: Move Decal to Shield)	
	1001202749	Ref	Fuel Cap Cover Installation (Black) (Note: Lock p/n 1001102157 must be Purchased Separately)	
	1001191395	Ref	Fuel Cap Cover Installation (Green) (Note: Lock p/n 1001102157 must be Purchased Separately)	
		Ref	Hood (Steel) Replacement Kit	
	1001126286	Ref	Deutz Engine Machines	
	1001265700	Ref	Hydraulic Tank Lock	
	1001148971	Ref	Lanyard (Bolt-On) Kit Installation	
	1001249437	Ref	Lift Cylinder Valve Kit	
		Ref	Light Options:	
	1001190717	Ref	Headlights & Taillights Installation	
	1001178951	Ref	Platform Mounted Strobe Light Installation	
	1001193521	Ref	Platform/Ground Dual Located Mounted Strobe Light Installation	
	1001120467	Ref	Platform Floodlights Installation	
	1001120466	Ref	Platform Worklights Installation	
	1001183407	Ref	Low Temperature Cutout Installation (Russian Specs)	
	1001233035	Ref	Pinion Shield Installation	
		Ref	Platform Console Cover Installations	
	1001195304	Ref	Platform Console Cover Installation (Clear Polycarbonate)	
	1001110974	Ref	Platform Console Cover Installation (Steel)	
	1001125230	Ref	Platform Console Cover Installation (Steel) (Chinese Specs)	
	1001125229	Ref	Platform Console Cover Installation (Steel) (Korean Specs)	
		Ref	Platform Entry Kit	
	1001142504	Ref	Kit, Replace Swing Gate with Drop Bar	
	1001142505	Ref	Kit, Replace Drop Bar with Swing Gate	
		Ref	Platform Extension (Top Rail)	
	0272733	Ref	36in x 72in Platforms	
	0272725	Ref	36in x 96in Platforms	
		Ref	Platform Mesh to Top Rail Add-on Kits:	
	1001214561	Ref	36in x 6ft (91.5cm x 1.83m) with Gate	
	1001214562	Ref	36in x 8ft (91.5cm x 2.44m) with Gate	
		Ref	Platform Mesh to Top Rail Installations	
	0273149	Ref	36in x 6ft (91.5cm x 1.83m)	
	0273145	Ref	36in x 8ft (91.5cm x 2.44m)	
	1580013	Ref	Platform Tray (Corner Mounted)	
	1001238906	Ref	Platform Valve Hose Kit - 660SJC	
	1001241547	Ref	SkyEye Housing Repair Kit – LH	
	1001241548	Ref	SkyEye Housing Repair Kit – RH	
	1001101422	Ref	SkyGlazier Kit (Platform not Included)	
	1001250035	Ref	SkyGuard Platform Sensor Kit	
	1001186431	2	Sensor Relay	

SECTION 11 - SPECIAL OPTIONS/ACCESSORIES/KITS

ITEM	PART NUMBER	QTY	DESCRIPTION	REV
	1001249052	Ref	SkyGuard Retrofit Kit	
	1001206311	Ref	SkyGuard Blue Beacon Installation Kit	
	1001217055	Ref	SkyPower Kit (Deutz TD2.9L4 Engine)	
	1001250595	Ref	SkyGuard 6-Pin Retrofit Installation Kit	
	1001253945	Ref	SkySense (EDS) Level 1 Booms Installation (Factory Installed) (PVC 2001)	
	1001253946	Ref	SkySense (EDS) Level 2 Booms Installation (Factory Installed) (PVC 2001)	
	1001250465	Ref	SkySense (EDS) Level 1 Booms Installation (Factory Installed) (PVC 2007)	
	1001250466	Ref	SkySense (EDS) Level 2 Booms Installation (Factory Installed) (PVC 2007)	
	1001231235	Ref	SkyWelder Locking Bracket	
	1001234061	Ref	Track Kit - Steel to Rubber	
	1001234251	Ref	Track Kit - Rubber to Steel	
		Ref	Tools for Service	
	1001249695	1	Analyzer and Cable Kit	
	1001249941	1	Analyzer and Cable Kit (Battery Powered)	
	7002840	1	Anti-Rotation Pin Removal Tool	
	8896941	1	Wire Stripper	
	7002821	1	Wire Crimper (To install wire ends to wires)	
	7002823	1	Pin/Socket Extractor - Universal (To Remove Pins/Sockets from Connectors)	
	4460467	1	Extractor - 16-18 Gauge (For Removal of Pin/Sockets from Deutsch Connectors)	
	4460510	1	Extractor - 12-14 Gauge (For Removal of Pin/Sockets from Deutsch Connectors)	
	7002822	1	Screwdriver, Potentiometer (To Adjust Drive Controllers)	
	7016654	1	Screwdriver, Magnetic	
	7004275	1	Seal Installation Tool - 1in	
	7004276	1	Seal Installation Tool - 1-1/2in	
	7002826	1	Seal Installation Tool - 2in	
	7016655	1	Wire Rope Sheave Gauge	
	7016652	1	Huck Bolt Faster (For Small Huck Bolts Only)	
	1001137005	1	Software Cable Kit	
	2915096	Ref	Turntable Bearing Kit	
	1001238904	Ref	Upper Power Track Hose Kit	
	1001238901	Ref	Wear Pad Kit	
	1001238907	Ref	Wire Rope Kit	

SECTION 11 - SPECIAL OPTIONS/ACCESSORIES/KITS

PART NUMBER INDEX

SECTION 11 - SPECIAL OPTIONS/ACCESSORIES/KITS

0100009..... 345	0630518 65, 353, 365, 367, 369	0700823..... 309	0760810 76, 84, 127, 131, 142, 146, 163, 167, 178, 182, 197, 212, 319
0100011.....23, 39, 41, 43, 47, 49, 51, 53, 76, 77, 79, 81, 84, 87, 89, 99, 101, 104, 107, 109, 112, 119, 121, 126, 130, 133, 137, 142, 146, 155, 157, 159, 162, 166, 169, 173, 175, 178, 182, 189, 191, 196, 205, 209, 212, 235, 237, 243, 245, 247, 249, 251, 253, 255, 257, 261, 265, 269, 273, 277, 281, 285, 289, 296, 300, 303, 307, 309, 311, 315, 317, 319, 323, 327, 329, 331, 333, 335, 339, 357, 363, 365, 367, 369, 441, 443, 445, 447, 449, 451	0630534 381	0701012...76, 84, 99, 107, 119, 133, 155, 169, 189, 205	0760812 79, 81, 441, 443, 445, 447, 449, 451, 453
0100019 29, 35, 257, 261, 265, 269, 273, 277, 281, 285, 289	0630568 345	0701013..... 300	0760814 126, 130, 142, 146, 162, 166, 178, 182, 196, 212, 253, 255, 257, 307, 309
0100020.....99, 104, 107, 112, 119, 126, 130, 134, 155, 170, 189, 196, 205, 229, 355, 413, 417, 421, 425, 429, 431	0630613 41, 43, 76, 84	0701015 41, 43, 119, 133, 155, 169, 189, 205	0760815104, 112
0100035.....345, 353, 441, 443, 445, 447, 449, 451	0641404345, 363	0701016..... 76, 84	0760816 104, 112, 127, 131, 143, 147, 163, 167, 179, 183, 197, 212
0100048.....257, 269, 273, 285, 289, 345	0641405 363	0701019..... 296	0760822 307
0100079.....265, 273, 281, 289, 409, 411, 415, 419, 423, 427	0641406 73, 205, 341	0701020..... 303	0760824 307
0100081307, 309, 361	064140879, 81	0701022.....99, 107, 119, 133, 155, 169, 189, 205, 235, 237	0761009 23, 93, 300, 307, 309, 311, 317, 441, 443, 445, 447, 449, 451
0140011 345	064140987, 89	0701025.....235, 237	0761010 300
0140043.....51, 53	0641414345, 357	0701028..... 300	0761011 300
0257195..... 580	0641416 413, 417, 421, 425, 429, 431	0701029..... 300	0761012 253, 255, 300, 303, 475
0272254..... 367	0641418 323, 327, 329, 331, 333, 335, 339	0701032.....307, 309	0761014 23, 43, 87, 89, 101, 109, 205, 301, 303, 319, 473
0272418 361	0641424 441, 443, 445, 447, 451	0701033.....76, 77, 84	0761015 76, 101, 104, 109, 112, 121, 126, 130, 137, 142, 146, 157, 159, 162, 166, 173, 175, 178, 182, 191, 196, 209, 212, 227, 245, 247, 249, 251, 307, 309, 343
0272435283, 291	0641504 76	0701216.....41, 43	0761016 69, 71, 126, 130, 142, 146, 162, 166, 178, 182, 196, 212, 227, 229, 301
0272448571, 573	0641507257	0701217..... 41, 43	0761017 127, 131, 143, 147, 163, 167, 179, 183, 197, 212, 301
0272521 365	0641508253, 255	0701220...76, 77, 84, 206, 441, 443, 445, 447, 449, 451	0761210 99, 107, 119, 127, 131, 134, 142, 146, 155, 163, 167, 170, 178, 182, 189, 197, 205, 212
0272588 569	0641606 365, 367, 369	0701221..... 41, 43	0761212 261, 265, 269, 273, 277, 281, 285, 289, 296
0272589.....278, 286	0641607 41, 43, 258	0701222..... 112	0761214214, 257
0272725 581	064160841, 43	0701226..... 39	0761216 319
0272733..... 581	0641616 269, 273, 285, 289	0711015..... 247	0762016 ... 76, 77, 84, 296
0273145 581	0641618 261, 265, 277, 281	0711018.....99, 107, 119, 133, 155, 169, 189, 205	0770814 251
0273149 581	0641808 101, 109, 121, 137, 157, 159, 173, 175, 191, 209	0711020..... 247	0771414 104, 112, 126, 130, 142, 146, 162, 166, 178, 182, 196, 212, 245, 249
0275216411, 519	0641814 101, 109, 121, 137, 157, 159, 173, 175, 191, 209	0711224.....104, 126, 130, 142, 146, 162, 166, 178, 182, 196, 212, 245, 247, 249, 251	0771415 247, 251, 261, 265, 277, 281
0275217415, 521	0642012 361	0711627.....104, 112, 121, 126, 130, 137, 142, 146, 162, 166, 178, 182, 191, 196, 212	0771416 104, 112, 126, 130, 142, 146, 162, 166, 178, 182, 196, 212
0275452419, 523	0642212 361	0711635..... 296	0771620 29
0275453423, 525	0681605212	0731005.....41, 43, 475	0772018 29, 99, 107, 119, 133, 155, 169, 189, 205
0275454427, 527	0681608 130, 142, 146, 162, 166, 178, 182, 196, 319	0741605..... 126	0860038 265, 273, 281, 289, 409
040007547, 49	0682023 35	0741607.....261, 265, 269, 273, 285, 289	
0440162.....99, 107, 119, 133, 155, 169, 189, 205	0682032 35	0760512.....119, 133, 155, 169, 189, 205	
0440233..... 35	0700408 411, 413, 415, 417, 419, 421, 423, 425, 427, 429, 431	0760606.....253, 255, 257, 261, 265, 269, 273, 277, 281, 285, 289	
0480124.....253, 255	0700610 47, 49, 253, 255, 343, 549, 551, 553, 555, 557, 559, 561, 563, 565	0760608.....51, 53, 73, 87, 261, 265, 269, 273, 277, 281, 285, 289, 473, 475	
0561508..... 300	0700612 343	0760610 79, 81, 104, 112, 126, 130, 142, 146, 162, 166, 178, 182, 196, 212, 261, 269, 296, 409, 437, 439	
	0700614 99, 107, 119, 133, 155, 169, 189, 205	0760612 51, 53, 101, 109, 121, 137, 157, 159, 173, 175, 191, 209, 473	
	0700615 89	0760614 69, 71, 239, 241, 300	
	0700616 87	0760619.....126, 130, 142, 146, 162, 166, 178, 182, 196	
	0700618 411, 415, 419, 423, 427	0760807..... 311	
	0700619 51, 53, 79, 81		
	0700626 441, 445, 447, 449, 451		
	0700818 441, 443, 445, 447, 449, 451		
	0700819 23, 265, 273, 277, 281, 285, 289, 451, 473		
	0700822 441, 443, 445, 447, 449, 451		

SECTION 11 - SPECIAL OPTIONS/ACCESSORIES/KITS

0861538 281, 289	1001110974 581	1001120328 357, 363, 517	1001136356 265, 281
0861572 277, 285	1001112612 537, 541	1001120466 581	1001136398 307
0861731 421, 425, 429, 431, 523, 525, 527	1001112796 537	1001120467 581	1001136400 307, 309
0861781 413, 417, 519, 521	1001113047 87	1001120471 371	1001136402 307, 309
0861880 455, 457	1001113680 551	1001120477 371	1001136461 307, 309
0902888 265, 273, 277, 281, 285, 289	1001113961 541	1001120484 371	1001136571 300
0940102 361	1001116290 87, 89	1001120851 495	1001136575 300
0961845 323, 327, 329, 331, 333, 335, 339	1001116693 513	1001120992 580	1001136583 300
0961893 381	1001116694 511	1001121172 542	1001136587 300
0961947 303, 305	1001116695 513	1001125229 581	1001136590 301
0961948 300, 377	1001116720 505	1001125230 581	1001136834 126, 130, 142, 146, 162, 166, 178, 182, 196, 213
0961951 104, 112, 126, 130, 142, 146, 162, 166, 178, 182, 196, 212, 300	1001116732 477, 495	1001125387 567	1001136975 99, 107, 119, 133, 155, 169, 189, 205
0962033 300	1001116734 477, 495	1001125492 29	1001137005 582
0962051 243	1001116748 461, 517	1001125677 514, 542	1001137125 315, 317
0962335 303	1001116774 537	1001126009 535	1001137276 126, 130, 142, 146, 162, 166, 178, 182, 196, 213
0962336 381	1001116792 441, 443, 445, 447, 449, 451	1001126286 581	1001137336 235, 237
0962423 296, 300	1001116808 537	1001126351 479, 483, 488	1001137673 357, 577
0962449 253	1001116812 487	1001126362 480, 484, 487	1001138173 104, 112
0962520 261, 265, 269, 273, 277, 281, 285, 289	1001116815 488	1001126363 480, 484, 487	1001138175 104, 112
1001026127 99, 107, 119, 133, 155, 169, 189, 205	1001116845 555	1001126364 480, 484, 487	1001138228 126, 130, 142, 146, 162, 166, 178, 182, 196, 213, 577
1001080707 43	1001116846 557, 567	1001126365 480, 484	1001138248 104, 112, 127, 131, 143, 147, 163, 167, 179, 183, 197, 213
1001091102 437, 439	1001116847 555	1001126391 480, 484, 487	1001138436 300
1001093553 551, 555, 557, 559, 561, 563, 565	1001116848 555	1001126392 480, 484, 487	1001138459 296
1001093684 559	1001116849 557	1001126485 487	1001138494 327, 329, 331, 333, 335, 339
1001095704 541, 577	1001116850 555	1001126487 487	1001138514 327, 331, 335, 339
1001096070 261, 269, 457	1001116851 557	1001128128 477	1001138565 261
1001097051 533	1001116852 555	1001128527 369	1001138566 261, 266, 269, 273
1001097150 455, 457, 459	1001116853 557	1001128556 369	1001138827 126, 130, 196, 213
1001097244 371	1001116952 479, 483, 488	1001129555 576	1001139078 307, 309
1001098122 355, 513	1001116953 555	1001129858 265	1001139357 261, 266
1001098764 127, 131, 143, 147, 163, 167, 179, 183, 197, 213	1001116963 555	1001130220 51, 53, 69, 71, 73, 99, 107, 119, 133, 155, 169, 189, 205, 261, 266, 269, 273, 278, 282, 285, 289, 296	1001139384 79, 81, 87, 89
1001098828 319	1001116964 557	1001131269 549, 559	1001139654 567
1001099366 361	1001116983 491	1001133245 383	1001139819 104, 112
1001099367 361	1001117025 477	1001133714 480, 484, 487, 493	1001140312 143, 147, 179, 183
1001099869 253	1001117106 488, 541	1001133715 480, 484, 487, 493	1001140346 273
1001100234 253	1001117107 479, 483, 488	1001133956 479, 483, 488	1001140347 269
1001100321 253	1001117110 542	1001134488 126, 130, 196, 213	1001140429 323, 327, 329, 331, 333, 335, 339
1001100341 519	1001117140 91	1001134543 29	1001140564 127, 131, 197, 213
1001100342 521	1001117172 355	1001135138 126, 130, 142, 146, 162, 166, 178, 182, 196, 213	1001141300 567
1001100345 523	1001117174 345, 355, 577	1001135488 300	1001141304 127, 131, 143, 147, 163, 167, 179, 183, 197, 213
1001100346 527	1001117294 581	1001135650 480, 484, 487, 493	1001141995 104, 112
1001100347 525	1001117307 84	1001135651 480, 484, 487	1001142501 119, 133, 155, 169, 189, 205
1001101422 581	1001117308 126, 130, 142, 146, 162, 166, 178, 182, 196, 213	1001135679 126, 130, 142, 146, 162, 166, 178, 182, 196	1001142504 581
1001102978 243	1001118378 513, 541		1001142505 581
1001103012 542	1001118384 535		
1001103837 39	1001118388 505, 535		
1001104029 265, 273, 278, 282, 285, 289	1001118972 .. 43, 99, 107, 119, 133, 155, 169, 189, 205		
1001106736 473, 475	1001119020 537		
1001107854 542	1001119032 541		
1001110872 433, 435	1001119051 99, 107, 119, 133, 155, 169, 189, 205		
1001110873 265, 273, 282, 289, 409	1001119280 253, 255, 257		
	1001119455 392		
	1001119619 529		
	1001119620 531, 533		
	1001119727 235, 237		
	1001120204 443		
	1001120205 443		

SECTION 11 - SPECIAL OPTIONS/ACCESSORIES/KITS

1001142643269, 274, 285, 290	1001154405.....119, 133, 155, 169, 189, 205, 229	100116904676, 87, 89	1001180001.....257
1001142646274, 290	1001154726.....495	1001169054127, 131, 143, 147, 163, 167, 179, 183, 197, 213	1001180620.....127, 131, 143, 147, 163, 167, 179, 183, 197, 213
1001142683 ...69, 71, 577	1001155043.....55, 57	1001169138127, 131, 143, 147, 163, 167, 179, 183, 197, 213	1001180885.....296
1001142736 ...69, 71, 537	1001155044..55, 57, 303, 345	1001169146213	1001181045.....455, 457, 576
1001142938480, 484, 487	1001155045..55, 57, 303, 345, 577	100116958237	1001181145.....580
1001142940480, 484, 487	1001155094 99, 107, 119, 133, 155, 169, 189, 205	1001169967127, 131, 143, 147, 163, 167, 179, 183, 197, 213	1001181243.....258
1001142941480, 484, 487	1001155441.....315, 317	1001170035127, 131, 143, 147, 163, 167, 179, 183, 197, 213	1001181895.....143, 147, 179, 183
1001143390104, 112	1001155823.....119, 133, 155, 169, 189, 205	1001170764487	1001181899.....127, 131, 143, 147, 163, 167, 179, 183, 197, 213
1001143645441, 443, 445, 447, 449, 451	1001157520.....282, 286, 290	1001170847315, 317, 577	1001181923.....441, 443, 445, 447, 449, 451
1001143852567	1001157521278, 282, 286, 290	1001171131433	1001181962.....303
1001144433357	1001157525.....278, 285, 286	100117148255, 57	1001182046.....303
1001144629325, 329, 333, 337	1001157528.....278, 282, 286, 290	1001172064479, 483	1001182361.....479, 483, 488
1001146588205, 441, 443, 445, 447, 449, 451	1001157592.....282, 290	1001172065479, 483	1001182365.....479, 483, 488
1001147264479, 484, 488	1001158007.....278, 282, 286, 290	100117261584	1001182570.....315, 317, 577
1001147812104, 112	1001158008.....266, 274, 278, 282, 286, 291	1001172760345	1001182806.....73
1001147813104, 112	1001158363.....266, 274	1001173703567	1001183407.....581
1001147823104, 112, 115	1001159118.....433, 435	1001174040319	1001183926.....296
1001148138258	1001159119.....433, 435	1001174231296	1001184327.....84, 91
100114860741	1001159120.....433, 435	1001174250296	1001184618.....549, 551, 553, 555, 557, 559, 561, 563, 565
1001148650300	1001159121.....435	1001174251296	1001184626.....343
1001148675433, 435	1001159186.....503, 513	1001174252296	1001184913.....301
1001148841493	1001159256.....345, 577	1001174253296	1001184915.....301
1001148842493	1001159323.....553	1001174254296	1001184917.....301
1001148902580	1001160505.....77, 85	1001174256296	1001184918.....301
1001148903580	1001161709.....345, 577	1001174486 99, 107, 227	1001184957.....296, 377
1001148904581	1001164196.....101, 109, 121, 137, 157, 159, 173, 175, 191, 209	1001174630307, 309	1001185281345
1001148905581	1001164726.....87, 89	1001174631307, 309	1001185726.....345, 577
1001148906581	1001165035 99, 107, 119, 133, 155, 169, 189, 205, 214	1001174632307, 309	1001185842.....29
1001148971581	1001166539.....345, 349	1001174633307, 309	1001186186.....76
1001149452227	1001166716.....127, 131, 143, 147, 163, 167, 179, 183, 197, 213	1001174663441, 445, 447, 449, 451	1001186346.....47
1001149469227	1001167042.....127, 131, 143, 147, 163, 167, 179, 183, 197, 213	1001175073243	1001186379.....327
1001150918107, 133, 169	1001167164.....239, 241	1001175568119, 133, 155, 169, 189, 229	1001186382.....339
1001151192307, 309	1001167565.....319	1001175998301	1001186383.....337
100115139359, 61, 63	1001167567.....319	1001175999301	1001186384.....325
1001151432237	1001167596.....319	1001176208301	1001186426.....127, 131, 143, 147, 163, 167, 179, 183, 197, 213
1001151856480, 484	1001167632.....487	1001176212301	1001186431.....357, 577, 581
1001152429278, 282, 501	1001167635.....487	1001176216301	1001186432.....505, 535
1001152456266, 274	1001168018.....104, 113, 127, 131, 143, 147, 163, 167, 179, 183, 197, 213, 245, 247, 249, 251	1001176217296, 300	1001186517.....357
1001152457266, 274	1001168166.....105, 113, 127, 131, 143, 147, 163, 167, 179, 183, 197, 213	100117646961, 63	1001186541.....301
1001152479459, 576	1001168402.....319	1001176636441, 445, 447, 449, 451	1001186812.....121, 126, 130
1001152482459, 576		1001176862433	1001186814.....137, 142, 146
1001152483459		1001177359127, 131, 143, 147, 162, 166, 179, 183, 197, 213	1001186980.....243
1001152486439, 459		1001177844127, 131, 143, 147, 163, 167, 179, 183, 197, 213	1001186981.....243
1001152489127, 131, 142, 146, 162, 166, 179, 183, 197, 213		100117805741, 43, 45	1001187022.....37
1001152520278		1001178951581	1001187077.....542
1001152525266, 274, 278, 282, 286, 290		1001179154266, 274, 282, 290	1001187078.....542
1001152530266, 274		1001179156101, 109, 121, 137, 157, 159, 173, 175, 191, 209	1001187082.....105, 113
1001152532262, 266, 270, 274, 497		1001179837257	1001187200...51, 53, 577
1001153197266			1001187606.....315, 317
1001153260266, 274			1001187674.....359
1001153398300			

SECTION 11 - SPECIAL OPTIONS/ACCESSORIES/KITS

1001187681529	100119033543	1001192610 581	1001196367.....441, 445,
1001187807 65, 353	100119033876	1001192641393	447
1001187808 47, 49	1001190441419	1001192651393	1001196368.....441, 445,
1001187855 29, 32	1001190442127, 131,	1001192654393	447
1001187950 76, 84	143, 147, 163, 167,	1001192655393	1001196382.....257, 262,
100118795176, 77, 84	179, 183, 197, 213	1001192673393	266, 270, 274, 278,
100118812535	1001190444119, 133,	1001192679393	282, 285, 290
1001188171 121, 137,	155, 170, 189, 205, 491	1001192693392	1001196563..... 119
157, 159, 173, 175,	1001190484423	1001192694392	1001196564.....133
191, 209	1001190485427	1001192695393	1001196565.....99
1001188187 77, 85	1001190493411	1001192696393	1001196566.....107
1001188194 77, 84	1001190495415	1001192698393	1001196568.....119, 121
1001188236 105, 113,	1001190580303, 305	1001192699393	1001196570.....133, 137
477	1001190717581	1001192841 76	1001196571.....101, 104
100118825741	1001190756 84	1001192842 84	1001196572.....99, 101
1001188302311	1001190773409	1001192843 84	1001196573.....109, 112
1001188534 465, 473,	1001190774437	1001193018411, 413,	1001196574.....107, 109
475	1001190921541	415, 417, 419, 421,	1001196595.....23, 25
1001188535 105, 113,	1001190942127, 131,	423, 425, 427, 429, 431	1001196602.....541
127, 131, 143, 147,	143, 147, 163, 167,	1001193049 127, 131,	1001196604.....541
163, 167, 179, 183,	179, 183, 197, 213	143, 147, 163, 167,	1001196634.....134, 170,
197, 213	1001190985319	179, 183, 197, 213	233, 541
1001188601 101, 109	1001191020315, 317	1001193167253, 255,	1001196636.....541
1001188622319	1001191025127, 131,	258	1001196803.....23
1001188664 47, 49	143, 147, 163, 167,	1001193168 79	1001197143.....23, 311
1001188666 47, 49	179, 183, 197, 213	1001193169 81	1001197149.....105, 113,
1001188667 99, 107	1001191048 301	1001193208443	121, 137, 163, 167,
1001188668 119, 133,	100119112655	1001193215 580	179, 183, 191, 213
155, 169, 189, 206	1001191202301	1001193521 581	1001197268.....239
1001188669 119, 133,	1001191205301	1001193760 76	1001197269.....241
155, 169, 189, 206	1001191273101, 109	1001193927392	1001197389.....239
1001188670 99, 107	1001191362392	1001193928392	1001197408.....567
1001188844319	1001191364392	1001193929392	1001197719.....487
1001188972 107, 133,	1001191365392	1001193930392	1001197725.....105, 113,
169	1001191384300	1001194045 580	127, 131, 143, 147,
1001189001319	1001191385300	1001194114253, 255,	163, 167, 179, 183,
1001189002319	1001191395581	258, 495	197, 213
1001189003 473, 475,	100119155767	1001194197 421	1001197881 99, 107, 119,
539	1001191599187, 201	1001194198425	133, 155, 169, 189, 205
1001189005 461, 473,	1001191610105, 113,	1001194200429	1001199035.....361
475	127, 131, 143, 147,	1001194203413	1001199883.....41, 43
1001189026 105, 113,	163, 167, 179, 183,	1001194204417	1001199933.....41, 43
127, 131, 143, 147,	197, 213, 245, 247,	1001194236553	1001200128.....580
163, 167, 179, 183,	249, 251	1001194365431	1001200129.....580
197, 213	1001191856247	1001194888 89	1001200130.....580
100118906776	1001192008251	1001194957449	1001200131.....580
100118911941	100119201247, 49	1001194962451	1001200132.....580
1001189161 105, 113	1001192027296	1001195226441, 445,	1001200133.....580
1001189170580	1001192052296	447	1001200134.....580
1001189227 245, 249	1001192278289	1001195228 443	1001200216.....101, 109,
100118952239	1001192279273	1001195235 580	121, 137, 157, 159,
100118952339	1001192280257	1001195304 581	173, 175, 191, 209
100118976443	1001192400127, 131,	100119545476, 79	1001200435.....105, 113
100118980043	143, 147, 163, 167,	100119545576, 81	1001200491.....319
1001189859301	179, 183, 197, 213	1001195504 101, 109,	1001200494.....319
1001189913 127, 131,	1001192401542	121, 137, 157, 159,	1001200731 99, 107, 119,
143, 147, 163, 167,	1001192442249	173, 175, 191, 209	133, 155, 169, 189, 205
179, 183, 197, 213	1001192443245	1001195505 101, 109	1001200745.....127, 131,
1001189979 127, 131,	1001192475580	1001195506 121, 137,	143, 147, 163, 167,
143, 147, 163, 167,	1001192482581	157, 159, 173, 175, 191	179, 183, 197, 213
179, 183, 197, 213	1001192483281	1001195509 101, 109,	1001200793.....105, 113
1001190143 101, 109,	1001192484265	121, 137, 157, 159,	1001200910.....69
121, 137, 157, 159,	1001192485255	173, 175, 191, 209	1001201090.....441, 443,
173, 175, 191, 209	1001192486277	1001195525 443	445, 447, 449, 451
1001190164 127, 131,	1001192487261	1001195535 84	1001201255.....393
143, 147, 197	1001192488253	1001195711 105, 113	1001201325.....41
1001190286 311, 313	1001192489580		

SECTION 11 - SPECIAL OPTIONS/ACCESSORIES/KITS

1001201342 441, 443, 445, 447, 449, 451	1001211287 393	1001221217 235, 237	1001229091 127, 131, 143, 147, 163, 167, 179, 183, 197, 213
1001201351 319	1001211288 393	1001221427 235, 237	1001229107 580
1001201511 311	1001211292 393	1001222522 393	1001229337 393
1001201843 105, 113, 245	1001211577 315, 577	1001222817 229, 231	1001229341 359
1001201844 105, 113	1001211579 315, 317, 577	1001223045 491	1001229572 43
1001202228 553	1001211580 315	1001223055 549	1001229637 441, 443, 445, 447, 449, 451
1001202333 87, 89	1001211581 315, 317	1001223453 549, 559	1001230217 393
1001202687 319	1001211582 315, 317	1001223459 480, 484, 487	1001230635 126, 130, 142, 146, 162, 166, 178, 182, 196, 213
1001202749 581	1001211584 315, 317	1001223591 163, 167, 179, 183, 185	1001230931 461, 517
1001202936 441, 443, 445, 447, 449, 451	1001211585 315	1001223971 559	1001230934 479, 483, 488
1001203424 393	1001211587 315, 317	1001224048 563	1001230935 479, 483, 488
1001203426 393	1001211588 315, 317	1001224049 565	1001230936 479, 483, 488
1001203430 393	1001211752 87	1001224050 557	1001230952 285
1001203432 393	1001211760 87	1001224051 555	1001230953 269
1001203719 301	1001211761 87	1001224052 551	1001231235 582
1001203885 105, 113, 127, 131, 143, 147, 163, 167, 179, 183, 197, 213	1001211762 84, 87	1001224053 561	1001231301 155
1001204251 81	1001211767 89	1001224473 229	1001231302 155, 157, 159
1001204303 79	1001211773 89	1001224967 227, 229	1001231303 169
1001204645 393	1001211774 84, 89	1001225054 227	1001231305 169, 173, 175
1001204690 441, 443, 445, 447, 449, 451	1001212223 285, 289	1001225054 227	1001231307 173, 175, 178, 182
1001204715 315, 317	1001212333 84	1001225346 453	1001231308 157, 159, 162, 166
1001204725 319	1001213251 41	1001225430 150, 185, 576	1001231310 76
1001204939 315, 317	1001213447 513	1001225431 150, 576	1001231649 163, 167, 179, 183, 235, 237
1001205023 580	1001213448 473	1001225432 186, 576	1001231690 157, 173
1001205024 580	1001213543 76	1001225580 357, 505	1001231711 73
1001205824 393	1001213673 393	1001226098 199	1001231801 567
1001205923 473, 475, 509	1001213744 76	1001226304 451	1001231805 127, 131, 143, 147, 163, 167, 179, 183, 197
1001205957 247	1001213794 76	1001226400 465	1001231884 15, 19
1001205958 421, 425, 429	1001213814 101, 109, 121, 137, 157, 159, 173, 175, 191, 209	1001226531 453	1001231963 381
1001206082 463, 473, 475	1001213882 345	1001226872 323	1001232164 359
1001206311 582	1001214030 567	1001227075 451	1001232368 17
1001206314 76, 84	1001214095 441, 445, 447	1001227367 79, 81	1001232598 213
1001206476 453	1001214096 441, 445, 447	1001227404 580	1001232642 363
1001206816 567	1001214149 393	1001227507 491	1001232650 363
1001207004 71	1001214408 393	1001227527 473, 475	1001232842 134, 170, 233
1001208874 23	1001214561 581	1001227633 359	1001232948 393
1001208994 319	1001214562 581	1001227634 359	1001233035 581
1001209016 251	1001214570 453	1001227792 315, 317	1001233073 393
1001209432 453	1001214571 453	1001227887 76	1001233176 35
1001209474 453	1001214683 270, 286	1001227888 84	1001233177 39
1001209664 357	1001214831 300, 577	1001227985 359	1001233218 19
1001209948 441, 443, 445, 447, 449, 451	1001215229 345	1001227987 359	1001233220 19
1001209949 441, 443, 445, 447, 449, 451	1001215285 561	1001227996 531, 533	1001233237 580
1001209951 441, 443, 445, 447, 449, 451	1001215286 563	1001228013 303, 381	1001233312 565
1001209953 441, 443, 445, 447, 449, 451	1001216015 258	1001228177 296	1001233313 551
1001209957 441, 443, 445, 447, 449, 451	1001216630 319	1001228187 449	1001233429 239
1001210636 371	1001217055 582	1001228188 449	1001233450 101, 109, 122, 137, 157, 159, 173, 175, 192, 209
1001211049 439	1001218539 43, 95	1001228215 323	
1001211281 393	1001218676 43, 95	1001228224 359	
1001211282 393	1001219128 95	1001228225 359	
1001211283 393	1001219138 84	1001228243 333	
1001211286 393	1001219601 51, 53, 577	1001228375 335	
	1001220266 206	1001228376 329	
	1001220379 479, 483	1001228377 331	
	1001220390 581	1001228406 41, 43, 227, 229	
	1001220638 95	1001228613 549, 551, 553, 555, 557, 559, 561, 563, 565	
	1001220903 393	1001228809 443	
	1001220912 393	1001228947 580	
	1001221016 393	1001228988 369, 569, 571, 573	
	1001221203 235, 237	1001229020 361	
	1001221207 235	1001229082 361	
	1001221212 235, 237		

SECTION 11 - SPECIAL OPTIONS/ACCESSORIES/KITS

1001233763 134, 170, 233	1001238319 359	1001247468 319	1001267317 549, 551, 553, 555, 557, 559, 561, 563, 565
1001233895 127, 131, 143, 147, 163, 167, 179, 183, 197, 479, 483	1001238405 .. 51, 53, 473, 475, 541	1001247544 209	1001269096 392
1001233948 93	1001238408 473, 475, 503	1001249052 582	1001269097 392
1001233949 93	1001238409 345, 513	1001249437 581	1001269914 393
1001233953 93	1001238418 363, 535	1001249695 582	1001269916 393
1001233954 93	1001238421 319	1001249941 582	1001269917 393
1001233955 93	1001238472 363	1001249943 127, 131, 143, 147, 149	1001271454 379
1001233959 65, 353	1001238477 363	1001250465 582	1001272076 296, 379
1001233966 93	1001238495 357	1001250466 582	1001272835 317
1001233967 93	1001238559 363	1001250516 567	1001272836 580
1001234061 582	1001238663 49	1001250595 582	1001273619 317
1001234071 393	1001238824 363	1001250629 59	1001274118 393
1001234080 93	1001238878 213, 487	1001250631 61	1001277991 317
1001234099 580	1001238901 582	1001250633 59	1001278387 317
1001234251 582	1001238904 582	1001250635 61	1001280340 51, 53
1001234269 93	1001238906 581	1001250792 549	1060343 282, 290
1001234270 93	1001238907 582	1001250794 559	1060626 107, 133, 169
1001234281 241	1001238908 580	1001250796 553	1060908 455, 457, 459
1001234283 241	1001238909 580	1001250798 551	1060918 355
1001234299 241	1001238954 41	1001250800 557	1062255 206
1001234370 239	1001238961 581	1001250802 555	10702077 .. 278, 282, 286, 290
1001234371 239	1001238962 581	1001250804 561	10702082 .. 278, 282, 286, 290
1001234396 105, 113	1001239202 487	1001250806 563	1120555 361
1001234795 392	1001239207 121, 137, 191	1001251079 300, 383	1260017 37
1001234800 479, 483, 487	1001239290 473	1001252527 479, 483, 488	1320041 409, 437, 439
1001235011 363	1001239512 473, 475	1001252945 441, 443, 445, 447, 449, 451	1320061 107, 119, 133, 155, 169, 189, 205, 262, 266, 269, 274, 278, 282, 285, 290
1001235013 363	1001239613 473, 475, 511	1001253940 77	1320202 127, 131, 143, 147, 163, 167, 179, 183, 197
1001235110 101, 109, 122, 138, 157, 159, 173, 175, 192, 209	1001239710 247	1001253945 582	1320302 365, 367, 369
1001235458 192, 199	1001239715 247	1001253946 582	1321384 79, 81
1001235472 189	1001239716 253, 255	1001253953 85	1380147 243
1001235473 189, 191	1001241304 .. 51, 53, 507	1001254993 565	1580012 341
1001235474 191, 196	1001241547 581	1001255133 319	1580013 581
1001235487 393	1001241548 581	1001255220 549	1600359 345, 347, 576
1001235532 119, 134, 155, 170, 189, 206	1001241588 51, 55	1001255221 549	1670603 431
1001235699 99, 107	1001241729 93	1001255222 559	1671092 282, 290, 449, 451
1001235884 580	1001241965 363	1001255223 559	1671093 367, 449, 451
1001236087 353	1001242200 343	1001255224 563	1701499 .. 15, 17, 19, 549, 551, 553, 555, 557, 559, 561, 563, 565
1001236091 65	1001242201 343, 345	1001255225 563	1701505 99, 107, 119, 133, 155, 169, 189, 205, 567
1001236121 243	1001242376 51, 473	1001255226 557	1701509 361, 549, 551, 553, 555, 557, 559, 561, 563, 565
1001236303 49	1001242907 471	1001255227 557	1701518 553
1001236304 453	1001242908 467, 473, 475	1001255228 555	1701529 549, 551, 553, 555, 557, 559, 561, 563, 565
1001236504 453	1001243171 76, 84	1001255229 555	1702566 345
1001236505 453	1001243414 76, 84	1001255230 551	1702567 345
1001236552 363	1001243414 76, 84	1001255231 551	1702773 553, 567
1001236701 580	1001243464 69	1001255232 565	1702774 567
1001237544 353	1001243465 71	1001255233 565	1702861 567
1001237546 65	1001243522 76, 84	1001255234 561	1702868 369, 549, 567, 571, 573
1001237550 93	1001243654 76	1001255235 561	1702941 107, 133, 169
1001237667 513, 541	1001243682 73, 545	1001255807 580	
1001237668 514, 541	1001243749 205	1001256506 484	
1001237822 473, 475	1001243750 205, 209	1001256507 483	
1001237862 531, 533	1001243751 209, 212	1001256735 567	
1001237863 359, 533	1001243895 233	1001256879 206	
1001237864 359, 531	1001244880 209	1001257156 159, 175	
1001237865 359, 529	1001245772 63	1001258800 213	
1001237894 91	1001245773 57	1001260432 212	
1001237895 91	1001245775 53, 57	1001261045 212	
1001237947 213	1001245781 53, 475	1001261085 212	
1001238191 469, 473, 475	1001245785 63	1001264338 473, 475, 517	
	1001245913 213, 493	1001265163 371	
	1001246010 51, 53	1001265342 371	
	1001246859 51, 53	1001265700 581	
	1001247386 73		

SECTION 11 - SPECIAL OPTIONS/ACCESSORIES/KITS

1702942.....107, 133, 169	1705345563	2220451.....101, 104, 109,	2753727392
1702943.....107, 133, 169	1705347559	112, 121, 137, 157,	2754472392
1703162.....104, 112, 126,	1705349551	159, 173, 175, 191,	2820019499
130, 142, 146, 162,	1705351549	209, 392	2820031 253, 255, 257,
166, 178, 182, 196, 212	1705355 569, 571, 573	2220466.....392	261, 265, 269, 273,
1703797.....549	1705358361	2220472.....392	277, 281, 285, 289
1703804.....549	1705374 265, 273, 433,	2220473.....392	2820035233
1703805.....549	435	2220498.....392	2820247531, 533
1703811.....549, 551, 553,	1705375 283, 291, 369,	2220502.....392	2840016243
555, 557, 559, 561,	571, 573	2220518.....101, 109, 121,	2860030 ... 59, 61, 63, 577
563, 565	1705387 265, 273, 283,	137, 157, 159, 173,	2900792377, 381
1703814...15, 17, 19, 549,	291	175, 191, 209	2901303381
551, 553, 555, 557,	1705426561	2220578.....101, 109, 121,	2902065 104, 112, 126,
559, 561, 563, 565	1705427563	137, 157, 159, 173,	130, 142, 146, 162,
1703923.....565	1705429559	175, 191, 209	166, 178, 182, 196,
1703924.....559	1705430555	2220603.....392	212, 217
1703925.....557	1705460 278, 283, 286,	2220618.....392	2902212361
1703926.....561	291	2220695.....101, 109, 121,	2902217365, 367
1703927.....563	1705461278, 286	137, 157, 159, 173,	2902443 477, 480, 484,
1703928.....551	1705489 261, 269, 278,	175, 191, 209	487
1703935.....565	286	2220726.....392	2902549437, 455
1703936.....559	1705515567	2220733.....392	2915096582
1703937.....555	1705822553	2220738.....101, 109, 121,	2920028345
1703938.....561	1705828553	137, 157, 159, 173,	2920029345
1703939.....563	1705910565	175, 191, 209, 392	292016167
1703940.....551	1705917565	2220775.....392	294004587
1703941.....565	1705921553	2220816.....229	2940074 325, 329, 333,
1703942.....559	1705961553	2220852.....392	337, 577
1703943.....557	1705968555, 567	2220865.....392	2940173 79, 81, 87, 89
1703944.....561	1705969563, 567	2220883.....377, 381, 383	3251102 253, 255, 257,
1703945.....563	1706059567	2220885.....381, 383	261, 265, 269, 273
1703946.....551	1706060567	2220906.....392	3251242 417, 421, 425,
1703947.....565	1706061567	2220940.....392	429, 431
1703948.....559	1706062567	2220946.....101, 109, 121,	3251243 255, 257, 265,
1703949.....557	1706063567	137, 157, 159, 173,	273, 283, 291, 549,
1703950.....561	1706064567	175, 191, 209	551, 555, 557, 559,
1703951.....563	1706098567	2220947.....101, 109, 121,	561, 563, 565
1703952.....551	2030010 365, 367, 369	137, 157, 159, 173,	3252347549
1703953.....549	2060025104, 112	175, 191, 209, 392	3252507 253, 415, 419,
1703980.....561	2080040 325, 329, 333,	2220998.....392	423, 427
1703981.....563	337	2220999.....392	3252764 277, 281, 285,
1703982.....557	2080044 441, 443, 445,	2221048.....392	289
1703983.....565	447, 451	2221086.....379, 392	3290301243
1703984.....559	2110806392	2221176.....99, 107	3290405 371, 411, 413,
1703985.....551	2111212392	2221345.....392	415, 417, 419, 421,
1704000.....559, 567	2131212 101, 109, 121,	2230027.....101, 109, 121,	423, 425, 427, 429,
1704001.....565, 567	137, 157, 159, 173,	137, 157, 159, 173,	431, 437, 439, 473
1704002.....551, 567	175, 191, 209	175, 191, 209	3290501 119, 133, 155,
1704260.....345	2170112392	2400060.....134, 170, 233,	169, 189, 205
1704277.....549, 551, 553,	2170406392	371, 495, 501	3290505 . 67, 69, 71, 119,
555, 557, 559, 561,	2170708392	2400064.....501, 577	133, 155, 169, 189,
563, 565	218034899, 107	2420203.....255, 257	205, 253, 265, 273,
1704412.....549, 551, 553,	2180832 119, 134, 155,	2460048.....277, 281	277, 281, 285, 289
555, 557, 559, 561,	170, 189, 205, 229	2460055.....255	3290601 79, 81, 87, 89
563, 565	220022139	2540020.....67, 69, 71	3290605 47, 49, 51, 53,
1704460.....345	222012435	2560136.....345	76, 87, 101, 104, 109,
1704461.....549, 551, 553,	222031399, 107, 119,	2560187.....79, 81, 87, 89	112, 121, 126, 130,
555, 557, 559, 561, 563	134, 155, 170, 189, 205	2580024.....107, 133, 169	137, 142, 146, 157,
1704468.....549	2220315104, 112	2580062.....112	159, 162, 166, 173,
1704885.....549, 551, 555,	2220366392	2600066.....477	175, 178, 182, 191,
557, 559, 561, 563, 565	2220371392	2600281.....325, 329, 333,	196, 209, 212, 239,
1704972.....567	2220372392	337	241, 261, 269, 343,
1705305.....369, 569, 571,	2220373392	2720015.....127, 131, 143,	409, 411, 415, 419,
573	2220374392	147, 163, 167, 179,	423, 427, 437, 439,
1705325.....411, 413	2220380392	183, 197	473, 475, 549, 551,
1705336.....549	2220408393	2720058.....99, 107, 227	553, 555, 557, 559,
1705344.....561	2220415392	2720398.....104, 112	561, 563, 565

SECTION 11 - SPECIAL OPTIONS/ACCESSORIES/KITS

3290606327, 331, 335, 339	3331611 104, 112, 121, 126, 130, 137, 142, 146, 162, 166, 178, 182, 191, 196, 212	3740080.....495, 577	4032015 261, 265, 278, 282
329080523, 47, 49, 79, 81, 87, 89, 104, 112, 126, 130, 142, 146, 162, 166, 178, 182, 196, 212, 253, 255, 257, 265, 273, 277, 281, 285, 289, 307, 309, 311, 315, 317, 441, 443, 445, 447, 449, 451, 453, 473	3340764309	3740086..... 535	4032020300
3290806319	3340787307, 309	3760170..... 37	4060802 253, 255, 257, 261, 265, 269, 273, 278, 282, 285, 289
329100141, 126, 130, 142, 146, 162, 166, 178, 182, 196, 212, 300, 319, 473	3340956361	3790012.....303, 345	4060805301
329100523, 41, 43, 69, 71, 76, 79, 81, 84, 89, 99, 101, 104, 107, 109, 112, 119, 121, 127, 131, 133, 137, 143, 147, 155, 157, 159, 163, 167, 169, 173, 175, 179, 183, 189, 191, 197, 205, 209, 212, 227, 229, 245, 247, 249, 251, 296, 303, 307, 309, 319, 343	3380434343	3790045.....101, 109, 121, 137, 157, 159, 173, 175, 191, 209	4061032 101, 109, 121, 137, 157, 159, 173, 175, 191, 209
3291007253, 255, 257	342156537	3790152.....101, 109, 121, 137, 157, 159, 173, 175, 191, 209	4070895 300
3291201257, 261, 265, 269, 273, 277, 282, 285, 289, 319	3422417300	3820001.....549, 551, 553, 555, 557, 559, 561, 563, 565	4070896300
329120541, 43, 76, 77, 84, 206, 243, 319, 441, 443, 445, 447, 449, 451	3422424300	3820020.....325, 329, 333, 337	4070897300
329120739	3422532 101, 109, 121, 137, 157, 159, 173, 175, 191, 209	3841143.....99, 107, 119, 133, 155, 169, 189, 205, 300, 303, 319	4070898300
3291601 29, 300	3422793296	3841203..... 296	4070939300
3291605 296, 301	3422860303	3841287..... 296	4070940300
3292001300	3422861303	3900267266, 274	4092009300
3292005301	3422867303	3900300.....266, 274	4160149300
3292201300	3430616345	3900349..... 345	4240018 433, 435, 441, 443, 445, 447, 449, 451
3292205301	3430820243	3900357..... 104, 112	4240033 315, 317, 357, 359, 363
3300151323, 327, 329, 331, 333, 335, 339, 365, 367, 369	3460334361	3900363.....87, 89	4240099 67, 99, 101, 107, 109, 119, 121, 127, 131, 133, 134, 137, 143, 147, 155, 157, 159, 163, 167, 169, 170, 173, 175, 179, 183, 189, 191, 197, 205, 209, 212, 233, 365, 367, 473, 475
3300353345	3470003345	3900364..... 76	4240149361
3300396266, 274, 278, 282, 286, 290	3520028257	3910606.....265, 273, 282, 289, 433, 435	428029541
330040865	3520034 441, 443, 445, 447, 449, 451	3910610..... 409	4360070 266, 274, 278, 282, 286, 290, 576
3300430357	3520054 104, 112, 126, 130, 142, 146, 162, 166, 178, 182, 196, 212, 345	3910804.....59, 61, 63	436027463
3311001255, 257, 266, 274, 278, 282, 286, 290	3520072 323, 325, 327, 329, 331, 333, 335, 337, 339	3931008..... 39	4360336 253, 255, 257, 261, 265, 269, 273, 278, 282, 285, 289, 577
331100539, 365, 367, 369	3520189278, 286	3931408..... 357	4360407345, 576
331140573, 205, 214, 363, 413, 417, 421, 425, 429, 431, 453	3520192278, 286	3931432..... 214	4360469 ... 59, 61, 63, 577
3311601 .76, 84, 345, 363	3520198 323, 325, 327, 329, 331, 333, 335, 337, 339	3931512.....126, 130, 142, 146, 162, 166, 178, 182, 196, 212	4360475 .55, 57, 345, 577
3311605365, 367, 369	3539622300	3931618.....101, 109, 121, 137, 157, 159, 173, 175, 191, 209	436051739, 577
3312005361	3572044549, 553	3931620..... 121	4360542255, 257
3312205361	3573400 365, 367, 369	3931628.....126, 130, 142, 146, 162, 166, 178, 182, 196	4420014361
332220139	3573642 365, 367, 369	3960389..... 93	4420037 365, 367, 369
3331211 104, 112, 126, 130, 142, 146, 162, 166, 178, 182, 196, 212, 245, 247, 249, 251	3577121 365, 367, 369	3960422.....265, 273, 282, 289, 409, 433, 435	4420051 549, 551, 553, 555, 557, 559, 561, 563, 565
	3580134253	3960464..... 93	4420060 253
	3580158253, 255	3960469.....101, 109, 121, 137, 157, 159, 173, 175, 191, 209	4420066361
	3580243300	3980007.....107, 133, 169	4460016514
	3580248300	4010303..... 315, 317	4460019 479, 483, 488
	3580249300	4010308..... 243	4460027255, 257
	3580276255, 257	4010405.....437, 439	4460042 477, 480, 484, 487, 541
	3580317 261, 265, 269, 273, 278, 282, 285, 289	4010510.....67, 69, 71	4460043 233, 479, 483, 488, 501
	3580318 265, 273, 282, 289	4010618.....327, 331, 335, 339	4460071 265, 273, 282, 289, 355, 409
	3580319 261, 269, 277, 285	4031505..... 359	4460142 477
	3580320 126, 130, 142, 146, 162, 166, 178, 182, 196, 261, 265, 278, 282	4031516..... 363	4460183513, 541
	3600359 101, 109, 121, 137, 157, 159, 173, 175, 191, 209, 223	4031608..... 253	4460190255, 257
	3600363 101, 109, 121, 137, 157, 159, 173, 175, 191, 209, 219	4031914.....126, 130, 142, 146, 162, 166, 178, 182, 196, 212	4460205409
	3740067 47, 49, 104, 112, 577	4032014.....126, 130, 142, 146, 162, 166, 178, 182, 196, 300	4460224269

SECTION 11 - SPECIAL OPTIONS/ACCESSORIES/KITS

4460226.....350, 355, 542	4460702542	4460960.....449, 451	4811400 243, 371, 411,
4460227..... 513	4460703 479, 483, 488,	4460962..... 367	413, 415, 417, 419,
4460234..... 345	542	4460963.....282, 290	421, 423, 425, 427,
4460247.....488, 541	4460708514	4460967.....266, 501, 542	429, 431, 473
4460259.....371, 503, 513,	4460722233	4460968.....253, 411, 413,	4811600 ..67, 69, 71, 119,
541	4460742501	415, 417	133, 155, 169, 189,
4460260.....371, 503, 513,	4460743501	4460970..... 513	205, 253
541	4460746 479, 483, 487	4461005..... 477	4811602 265, 273, 278,
4460265..... 350	4460748 479, 483, 487,	4461006..... 477	282, 285, 289
4460267..... 513	541	4461008.....477, 480, 484,	4811700 47, 49, 51, 53,
4460268.....497, 499	4460761513	487	69, 71, 73, 87, 89, 99,
4460294..... 269	4460806421, 425	4461052..... 477	101, 104, 107, 109,
4460312..... 477	4460807497, 499	4461053..... 477	112, 119, 121, 126,
4460313.....477, 479, 483,	4460808497, 499	4461054.....477, 480, 484,	130, 133, 137, 142,
511	4460836517	487, 491	146, 155, 157, 159,
4460315..... 409	4460837517	4461060..... 477	162, 166, 169, 173,
4460346.....265, 273, 282,	4460865463, 465	4461070.....477, 479, 483,	175, 178, 182, 189,
289, 409	4460866 463, 513, 541	537	191, 196, 205, 209,
4460384..... 431	4460871 347, 503, 511,	4461071.....480, 484, 487	212, 253, 255, 257,
4460418.....503, 513	513, 541, 542, 545	4461073.....477, 480, 484,	261, 265, 269, 273,
4460419.....503, 513	4460872511	487	278, 282, 285, 289,
4460424..... 542	4460873513, 541	4461077.....529, 535	296, 327, 331, 335,
4460425.....266, 274, 278,	4460874513, 542	4461095.....477, 479, 483,	339, 409, 411, 415,
282, 286, 290, 433, 435	4460875511	537	419, 423, 427, 437,
4460426.....266, 274, 278,	4460876503, 513	4461196..... 519	439, 441, 443, 445,
282, 286, 290	4460878541	4461198.....413, 519	447, 449, 451, 473,
4460428..... 345	4460879371, 513	4461199..... 521	475, 549, 551, 553,
4460434..... 513	446088051, 53	4461201.....417, 521	555, 557, 559, 561,
4460457.....507, 511	4460884 371, 487, 505,	4461205.....523, 525	563, 565
4460458.....479, 483, 487,	511, 542	4461244.....421, 523	4811702 79, 81, 101, 109,
501, 507, 541	4460887 371, 513, 541	4461245.....425, 525	121, 137, 157, 159,
4460460.....507, 511	4460891 67, 479, 483,	4461246.....429, 527	173, 175, 191, 209,
4460464 69, 71, 355, 371,	509, 511, 517, 537,	4461249..... 527	239, 241
461, 463, 469, 471,	542, 545	4530028.....365, 367, 373	4811900 ..23, 87, 89, 104,
495, 505, 507, 509,	4460892469	4640464.51, 53, 469, 471	112, 126, 130, 142,
511, 513, 535, 537,	4460894 467, 469, 477,	4640509..... 381	146, 162, 166, 178,
539, 541, 542, 545	479, 483, 487, 513, 541	4640751..... 214	182, 196, 212, 253,
4460465.....67, 266, 371,	4460897 51, 53, 69, 71,	4640932..... 377	255, 257, 265, 273,
463, 465, 467, 469,	507, 541	4640999..... 377	278, 282, 285, 289,
471, 477, 479, 483,	4460899 469, 471, 505,	4641317..... 23	307, 309, 311, 315,
487, 488, 497, 499,	511, 529, 535, 539, 542	4711000.....39, 266, 274,	317, 319, 441, 443,
501, 505, 509, 511,	4460905 503, 511, 513,	278, 282, 286, 290, 475	445, 447, 449, 451,
513, 517, 537, 539,	541, 542	4711400.....73, 214, 323,	453, 473
541, 542, 545	4460906495	327, 329, 331, 333,	4811902 47, 49, 79, 81,
4460466.....359, 371, 463,	4460910531	335, 339, 357, 363,	84, 127, 131, 143, 147,
465, 469, 477, 479,	4460911511, 529	413, 417, 421, 425,	163, 167, 179, 183,
483, 487, 488, 495,	4460925513	429, 431	197, 212, 253, 255
505, 513, 517, 529,	4460926517	4711500.....126, 130, 142,	4812000 23, 41, 43, 76,
535, 537, 541, 542	4460928517, 537	146, 162, 166, 178,	79, 81, 84, 87, 89, 93,
4460467 582	4460930 477, 479, 483,	182, 196, 212	99, 101, 104, 107, 109,
4460470.....345, 473, 475	487	4711600.41, 43, 258, 345	112, 119, 121, 126,
4460471.....345, 473, 475	4460931542	4712000..... 361	130, 133, 137, 142,
4460473.....463, 465	4460932 371, 461, 488,	4712200..... 361	146, 155, 157, 159,
4460496.....345, 473, 475	491, 509, 542	4740362..... 343	162, 166, 169, 173,
4460497.....345, 473, 475	4460933 513, 514, 537,	4740397.55, 57, 303, 345	175, 178, 182, 189,
4460508.....359, 463, 513,	541	4740439..... 303	191, 196, 205, 209,
541	4460941491, 529	4751000 41, 43, 255, 257,	212, 227, 229, 235,
4460509.....463, 465	4460942 359, 479, 483,	365, 367, 369	237, 245, 247, 249,
4460510..... 582	487	4751400.....79, 81, 87, 89,	251, 253, 255, 257,
4460518.....517, 537	4460943 477, 513, 529	341, 343, 345, 365,	296, 300, 311, 317,
4460536.....469, 471, 513,	4460944 477, 479, 483,	367, 369, 453	319, 343, 441, 443,
539, 545	487, 513	4751500..... 257	445, 447, 449, 451,
4460539.....469, 471, 487,	4460945488	4751600.....131, 143, 147,	473, 475
511, 513, 539, 545	4460956455, 457	163, 167, 179, 183,	4812002 41, 43, 76, 79,
4460612.....433, 435	4460957455, 457	197, 214, 365, 367, 369	81, 84, 99, 101, 107,
4460662.....419, 421, 423,	4460958435	4760600..... 409	109, 119, 121, 133,
425, 427, 429, 431	4460959449, 451	4761400..... 341	137, 155, 157, 159,

SECTION 11 - SPECIAL OPTIONS/ACCESSORIES/KITS

169, 173, 175, 189, 191, 205, 209, 214	269, 274, 278, 282, 285, 290	7000229..... 32	70004060 115
4812100 39, 41, 43, 76, 77, 84, 99, 107, 119, 134, 155, 170, 189, 205, 212, 243, 319, 441, 443, 445, 447, 449, 451	5251014 51, 53, 76, 84, 212	70002291 286, 290	70004064 227
4812300 104, 112, 126, 130, 142, 146, 162, 166, 178, 182, 196, 212	5251016 212, 319	70002297... 277, 281, 285, 290	70004065 227
4812500 77, 84	5260600 93, 475	7000230 32	70004066 227, 576
4844816 303	5260800 93, 235, 237	70002410 377	70004067 227
4844817 303	5261000 . 51, 53, 212, 475	70002415 116	70004068 227
4846627 365, 367, 369	5281918 441, 443, 445, 447, 449, 451	70002416 116	70004069 227
4871700 253, 255, 261, 265, 269, 273, 278, 282, 285, 289	70000044 115	70002417 116	70004070 227
4891600 319	70000123 253	7000246 32	70004092 .. 261, 265, 269, 273, 286, 290
4891800 209	70000342 305	70002460... 277, 281, 286, 290	70004094 286, 290
4892000 35	70000345 .. 116, 151, 187, 201	7000247 32	70004098 .. 266, 274, 286, 290
4892600001 319	70000619 .. 277, 281, 285, 289	7000248 32	70004099 .. 269, 273, 286, 290
4920385 235, 237	70000699 379	7000253 32	70004155 383
4922641 253, 255, 257, 262, 266, 270, 274, 278, 282, 285, 290	70000793 217	7000255 32	70004169 277, 281
4922925 278, 282, 285, 290, 499	70000800 116	7000257 32	70004171 .. 261, 265, 277, 281
5240800 251	70000863 .. 277, 281, 285, 289	7000263 32	70004186 381, 383
5241000 .. 76, 87, 89, 101, 105, 109, 113, 121, 127, 131, 137, 143, 147, 157, 159, 163, 167, 173, 175, 179, 183, 191, 197, 209, 212, 247, 261, 265, 269, 273, 278, 282, 285, 289, 300, 307, 309	70000912 115	70002718... 116, 149, 185, 199	70004199 45
5241200 104, 112, 126, 130, 142, 146, 162, 166, 178, 182, 196, 212, 245, 247, 249, 251, 257, 261, 265, 269, 273, 278, 282, 285, 289, 319	70000913 115	70002758 26	70004237 377
5241400 104, 112, 126, 130, 142, 146, 162, 166, 178, 182, 196, 212, 245, 247, 249, 251, 261, 265, 278, 282	70000914 115	70002759 26	70004272 115
5241600 29	70000915 115	70002814 45, 577	70004276 ... 151, 187, 201
5242000 29	70000916 115	70002838 45	70004277 ... 151, 187, 201
5250608 93, 475	70000917 115	70002839 45	70004280 .. 116, 149, 185, 199
5250808 93	70000918 115	70002902 355	70004282 ... 150, 187, 201
5250810 79, 81, 126, 130, 142, 146, 196, 311	70000919 115	70002903 355	70004287 115
5250812 76, 315, 317	70001002 115	70002904 355	70004289 116
5250813 235, 237	70001100 .. 277, 281, 285, 289	70002905 355	70004414 41
5250816 162, 166, 178, 182	70001181 116	70003019 25, 313	70004501 ... 150, 186, 200
5251008 315, 317, 319	70001384 .. 277, 281, 285, 289	70003027 25, 313	70004504 152, 201
5251009 23, 47, 49	70001435 115	70003136 115	70004505 ... 149, 185, 199
5251012 43, 99, 107, 119, 127, 131, 133, 143, 147, 155, 163, 167, 169, 179, 183, 189, 197, 205, 262, 266,	70001655 150, 152	70003454 39	70004506 ... 149, 185, 199
	70001696 277, 281	70003464 115	70004507 ... 149, 185, 199
	70001697 305	70003465 115	70004508 ... 149, 185, 199
	7000180 186	70003472 115	70004509 ... 149, 185, 199
	70001835 115	70003475 115	70004510 ... 149, 185, 199
	70001836 115	70003478 115	70004511 186
	70001837 115	70003631 ... 277, 281, 285, 290	70004513 ... 150, 186, 200
	70001841 115	70003708 .. 261, 265, 269, 273, 277, 281, 286, 290	70004514 25
	70001844 116	70003709... 261, 265, 269, 273, 277, 281, 286, 290	70004515 25
	70001850 115	70003926 383	70004516 25
	70001866 115	70003928 383	70004517 25
	70001868 115	70003929 383	70004518 25
	70001870 .. 115, 149, 185, 199	70003930 383	70004519 25
	70001871 115	70003982 383	70004602 25
	70001872 116	70003989 47, 49	70004607 25
	70001953 277, 281	70004020 ... 104, 112, 576	70004613 313
	70001966 .. 261, 265, 269, 273, 277, 281, 286, 290	70004037 32	70004617 26
	70001973 .. 277, 281, 286, 290	70004039 32	70004653 25, 26, 313, 576
	70001974 .. 277, 281, 286, 290	70004040 32	70004656 25
	70002066 32	70004041 32	70004657 25
	70002088 277, 281	70004042 32	70004661 25
	70002112 45	70004043 32	70004662 25
	7000217 32	70004044 32	70004668 25
	70002200 115	70004045 32	70004676 .. 261, 265, 269, 273
	70002234 115	70004047 33	70004677 261
	7000228 32	70004051 25, 26	70004678 .. 261, 266, 269, 274
		70004052 25, 26, 313	70004679 .. 261, 266, 269, 274
		70004053 313	70004680 .. 261, 266, 269, 274
		70004055 25	
		70004056 115	
		70004058 115	

SECTION 11 - SPECIAL OPTIONS/ACCESSORIES/KITS

70004681.....261, 269	70005683 ... 307, 309, 577	70006305..... 33	70007403.....15, 19
70004682...261, 266, 269, 274	70005684.....307, 309	70006306..... 33	70007404.....15, 19
70004683.....261, 269	70005698.....377	70006307..... 33	70007405.....15, 19
70004684.....266	70005699.....377	70006308..... 33	70007406..... 15, 17, 19
70004685.....266, 274	70005700.....377	70006309..... 33	70007407..... 15, 17, 19
70004686.....269	70005701.....377	70006310..... 33	70007408..... 15, 17, 19
70004687.....274	70005702.....377	70006313..... 33	70007409..... 15, 17, 19
70004752.....349	70005703.....377	70006314..... 43	70007410..... 15, 17, 19
70004753.....349	70005708.....45	70006356...101, 109, 121, 137, 157, 159, 173, 175, 191, 209	70007411..... 15, 17, 19
70004754.....349	70005839.....383		70007412..... 15, 17, 19
70004755.....349	70005916.....116	70006357.....26	70007413..... 15, 17, 19
70004756.....349	70005917.....116	70006403.....231	70007414.....15, 19
70004757.....349	70005920 ... 149, 185, 199	70006404.....231	70007415.....17
70004758.....349	70005921.....149	70006405.....231	70007416.....17
70004759.....349	70005922.....185, 199	70006406.....231	70007417.....17
70004760.....349	70005923.....186, 200	70006407.....231	70007838.....379
70004761.....349	70005924.....186, 200	70006408.....231	70010383.....23, 576
70004762.....349	70005925.....200	70006409.....231	7001268.....220, 224
70004763.....349	70005926 ... 150, 186, 200	70006410.....231	7001481.....221, 224
70004764.....349	70005927.....200	70006552...261, 266, 269, 273	7001485.....219, 223
70004765.....349	70005928 ... 150, 186, 200	70006553...261, 266, 269, 273	7001909.....32
70004766.....349	70005929 ... 150, 186, 200		7001911.....32
70004767.....349	70005930.....200	70006649.....381	7001912.....32
70004768.....349	70005931 ... 150, 186, 200	70006650.....381	7001931.....32
70004769.....349	70005932.....187, 201	70006652.....151, 187	7001985.....32
70004770.....349	70005933 ... 152, 187, 201	70006653.....151, 187	70022564.....377
70004771.....349	70005934 ... 152, 187, 201	70006731.....383	70023369.....377
70004772.....349	70005935.....152, 201	70006734.....381	70023859.....25
70004773.....349	70005936.....152	70006735.....381	70023860.....25, 313
70004774.....350	70005937.....201	70006736.....381	70023862.....313
70004775.....350	70005938 ... 149, 185, 199	70006941.....185, 199	70024457.....25
70004795.....45	70005941.....149	7000695.....116	70024484.....187, 201
70004867.....379	70005942 ... 149, 185, 199	70006978.....383	70024488.....185, 199
70005008...127, 131, 143, 147, 163, 167, 179, 183, 197, 213, 576	70005947.....25	70006979.....383	70024494 ... 149, 185, 199
70005171.....149	70005951.....313	70006980.....383	70024502 ... 150, 186, 200
70005172...149, 185, 199	70005952.....25, 313	70006981.....383	70024504.....200, 201
70005173...149, 185, 199	70006004.....379, 576	70006982.....383	70024507 ... 152, 187, 201
70005176.....150	70006093.....285, 290	70006983.....383	70024509 ... 151, 187, 201
70005177 ... 150, 186, 200	70006094.....286, 290	70007086.....151	70024513 ... 150, 185, 200
70005178.....150	70006095.....286, 290	70007087.....151	70024517 ... 149, 185, 199
70005179.....150, 152	70006096.....286, 290	70007088.....151	70024904 ... 149, 185, 199
70005181.....186, 200	70006109.....25	70007089.....151	70024905 ... 149, 185, 199
70005184...150, 186, 200	70006110.....25	70007323.....379	70024906 ... 149, 185, 199
70005188.....186, 201	70006111.....25	70007325.....150	70024910.....200
70005189.....186, 201	70006112.....25	70007326.....151	70024912.....151
70005191 ... 152, 187, 201	70006113.....25	70007327.....151	70024914.....201
70005200.....313	70006114.....25	70007331.....152	70024915 ... 151, 187, 201
70005203.....32	70006115.....25	70007334.....379	70024917 ... 152, 187, 201
70005244.....39	70006116.....25, 313	70007341.....379	70024918.....187, 201
70005283.....15, 17, 19	70006117.....25	70007342.....379	70024920 .. 150, 152, 186, 187, 200, 201
70005284.....15, 17, 19	70006118.....25	70007343.....379	70024922 ... 152, 187, 201
70005285.....15, 17, 19	70006119.....26	70007345.....379	70024924 ... 149, 185, 199
70005286.....15, 17, 19	70006120.....26	70007346.....379	70024925 ... 149, 185, 199
70005322.....39	70006121.....313	70007347.....379	70024961 ... 150, 185, 200
70005335.....311, 576	70006122.....313, 576	70007354.....151	70025076.....199
70005527...152, 187, 202	70006123.....313	70007355.....152	70025077.....187, 201
70005563.....379	70006124.....313	70007394.....15, 19	70025082 .. 115, 116, 185, 199
70005572.....379	70006125.....313	70007395.....15, 17, 19	70025084.....186, 200
70005575.....379	70006126.....313	70007396.....15, 17, 19	70025091.....199
70005595.....383	70006144.....150, 185	70007397.....15, 17, 19	70025095.....151
70005627.....313	70006260.....379	70007398.....15, 17, 19	70025098.....151, 152
70005647...151, 187, 201	70006264 ... 149, 185, 199	70007399.....15, 17, 19	70025099.....151
70005648...151, 187, 201	70006265 ... 149, 185, 199	70007400.....15, 17, 19	70025101 ... 150, 186, 200
70005682.....311	70006266 ... 149, 185, 199	70007401.....15, 17, 19	70025104.....149
	70006294.....151	70007402.....15, 17, 19	70025106.....151
	70006304.....32, 33		

SECTION 11 - SPECIAL OPTIONS/ACCESSORIES/KITS

70025107 186, 200	70025224 151	7007470.....219, 220, 223, 224	7021256 225
70025108 152	70025225 151		7021257 219, 223
70025109 ... 150, 186, 200	70025226 151	7007633..... 32	7021259 219, 223
70025111 ... 149, 185, 199	70025228 151	7010474..... 32	7021260 223
70025112 ... 150, 186, 200	70025229 151	7010492..... 32	7021265 220, 224
70025113 152	70025231 ... 151, 187, 201	7010543..... 23	7021267 219, 223
70025115 ... 150, 186, 200	70025233 ... 151, 187, 201	7011112..... 377	7021269 224
70025120 ... 152, 187, 201	70025235 ... 150, 186, 200	70124410..... 116	7021271 220, 224
70025121 150	70025239 ... 150, 186, 200	70124440..... 116	7021272 220, 224
70025122 150	70025240 ... 150, 186, 200	7012513.....253, 255, 257	7021273 220, 224
70025124 ... 150, 186, 200	70025242 152, 201	7012514.....253, 255, 257	7021274 220, 224
70025125 149	70025245 201	7012558.....255, 257	7021275 220, 224
70025126 152	70025246 201	7012941..... 23	7021276 220, 224
70025128 152	70025327 151	7012944..... 23	7021277 220, 224
70025129 150	70025477 187, 201	7016319..... 67	7021278 220, 224
70025130 ... 150, 187, 201	70025580 379	7016328..... 115, 576	7021279 220, 224
70025131 201	70025582 379	7016331.....115, 149, 185, 199, 576, 577	7021280 221, 225
70025132 187, 201	70025660 ... 149, 185, 199		7021281 220, 224
70025133 186, 200	70025676 151	7016372..... 67	7021283 220, 224
70025134 151	70025696 151	7016652..... 582	7021285 220
70025135 ... 149, 185, 199	70025733 ... 151, 187, 201	7016654..... 582	7021289 220, 224
70025137 149, 199	70025752 116	7016655..... 582	7021296 221, 225
70025139 ... 149, 185, 199	70025753 116	7017023..... 32	7021297 225
70025140 ... 149, 185, 199	70025768 200	7017070..... 32	7021298 225
70025142 150, 186	70025788 152	7017072..... 32	7021299 225
70025144 ... 150, 185, 199	70025877 201, 202	7017080..... 32	7022190 220, 224
70025145 ... 149, 185, 199	70026164 379	7017082..... 33	7022321 219, 223
70025146 ... 149, 185, 199	70026210 ... 152, 187, 201	7017085..... 32	7022330 219, 223
70025147 150	70026973 379	7017142..... 305	7022331 219, 223
70025148 ... 150, 186, 200	70026995 187, 201	7017159..... 305	7022332 219, 223
70025149 201	70027415 149	7017162..... 305	7022333 219, 223
70025151 ... 150, 186, 200	70027428 151	7017163..... 305	7022334 219, 223
70025152 ... 149, 185, 199	70027440 151	7017164..... 305	7022335 219, 223
70025153 200, 576	70027446 151	7017172..... 305	7022336 219, 223
70025154 ... 149, 185, 199	70028185 ... 149, 185, 199	7017192..... 305	7022337 219, 223
70025155 ... 151, 186, 201	70028186 150	7017195..... 305	7022338 219, 223
70025158 ... 150, 186, 200	7002821 582	7019680.....255, 257	7022340 219, 223
70025160 200	7002822 582	7020043..... 41	7022341 219, 223
70025161 200, 576	7002823 582	7020108.....253, 255, 257	7022342 219, 223
70025162 149	7002826 582	7020109.....253, 255, 257	7022343 219
70025164 ... 151, 187, 201	7002840 582	7020110.....253, 255, 257	7022344 219
70025165 151	70028538 .. 150, 152, 186, 187	7020111.....253, 255, 257	7022345 220, 224
70025166 152		7020175..... 55, 57	7022346 220, 224
70025174 200	70028540 152	7020176..... 55, 57	7022347 220, 224
70025175 186, 200	70028699 151	7020190.....253, 255, 257	7022348 220, 224
70025176 199	70028802 186	7020403..... 115	7022349 220
70025178 200	70029015 151	7020408..... 115	7022350 220
70025179 .. 151, 186, 187, 200, 201	70029250 152	7020465.....115, 149, 185, 199	7022351 220, 224
70025180 186, 200	70029393 150		7022352 221
70025181 ... 149, 185, 199	70029402 151	7020468..... 115	7022353 221
70025182 ... 150, 186, 200	70029403 151	7020471..... 116	7022354 223
70025183 ... 150, 186, 200	70029404 151	7020479..... 115	7022355 223
70025184 ... 150, 186, 200	70029415 152	7020492.....150, 186, 200	7022357 223
70025185 ... 150, 186, 200	70029433 152	7021229..... 221	7022358 225
70025192 ... 152, 187, 201	70029451 150	7021236.....219, 223	7022359 224
70025192 ... 152, 187, 201	70029517 152	7021237..... 219	7022524 313
70025200 ... 150, 186, 200	70029557 151	7021238..... 219, 223	7022527 25
70025203 186, 200	70029797 150	7021239..... 219, 223	7022832 347
70025205 149	7003974 347	7021240..... 219	7022833 347
70025210 .. 150, 186, 200, 576, 577	7004275 582	7021243..... 219, 223	7022834 347
70025212 ... 152, 187, 201	7004276 582	7021248.....219, 223	7022835 347
70025214 152	70050795 383	7021249.....219, 223	7022836 347
70025215 151	7005889 33	7021250.....219, 223	7022837 347
70025216 151	7005891 33	7021251..... 219, 223	7022838 347
70025217 151	7007289 221, 225	7021253.....219, 223	7022839 347
70025221 151	7007412 220, 224	7021255.....219, 220, 223, 224	7023821 26
	7007419 219, 223, 225		7023996 219, 223

SECTION 11 - SPECIAL OPTIONS/ACCESSORIES/KITS

7023997.....219, 223	702478433	7027799.....277, 281, 286, 290	8330417345
7023998.....219, 223	7024800220, 224	7027887.....253, 255, 257	8405006205
7023999.....219	7024801220, 224	7274000040262, 266, 270, 274, 278, 282, 286, 290	8405007 126, 130, 142, 146, 162, 166, 178, 182, 196, 212
7024100.....33	7024802225	7300435.....104, 112, 126, 130, 142, 146, 162, 166, 178, 182, 196, 212	8405009 126, 130, 142, 146, 162, 166, 178, 182, 196, 212
7024441.....45	7024803225	77133137...441, 443, 445, 447, 449, 451	8405104 126, 130, 142, 146, 162, 166, 178, 182, 196, 212
7024462.....373	7024804220, 224	77363233497, 499	8405203104, 112
7024463.....373	7024805219, 223	8043424925, 576	8405204104, 112
7024467.....373	7026188277, 281	80484084479, 483, 487	8406003315, 317
7024469.....373	7026199257	80633030392	8406109 104, 112, 126, 130, 142, 146, 162, 166, 178, 182, 196, 212
7024470.....373	7026597 277, 281, 286, 290	80983191 ...479, 483, 488, 577	8406110 ... 69, 71, 99, 107
7024471.....373	7026626 277, 281, 286, 290	8220045.....477, 495, 542	8410011 126, 130, 142, 146, 162, 166, 178, 182, 196, 212
7024472.....373	7027236115	8220089.....541	8410013214
7024473.....373	7027276115	8220097.....541	88411013453
7024474.....373	7027773373	8220098.....541	8896941582
7024475.....373	7027774373	8220115.....479, 483	91203039319
7024478.....373	7027775373	8220164.....477, 488	9140128147
7024485.....277, 281	7027776373	8229242....479, 483, 488, 541, 577	91403230 .. 549, 551, 553, 555, 557, 559, 561, 563, 565
7024488.....277, 281, 285, 289	7027777373	8229244.....541, 577	
7024489.....277, 281, 285, 289	7027778373	8229245.....495, 577	
7024502.....379	7027779373	8229249.....371	
7024503.....379	7027780373	8310129.....361	
7024579.....116, 149, 185, 199	7027790115		
7024598.....243	7027791115		
7024704.....32	7027792115		
7024743.....32	7027795116, 576		
7024763.....32	7027796116		



**Corporate Office
JLG Industries, Inc.
1 JLG Drive
McConnellsburg, PA 17233-9533 USA**
☎ **(717) 485-5161 (Corporate)**
☎ **(877) 554-5438 (Customer Support)**
📠 **(717) 485-6417**

**Visit our website for JLG Worldwide Locations.
www.jlg.com**



OSHKOSH™