



Illustrated Parts Manual

***Model
H800AJ***

**PVC
2107**

**P/N
31219072**

May 15, 2022 - Rev C

ANSI

CE



**UK
CA**

AS/NZS



An Oshkosh Corporation Company

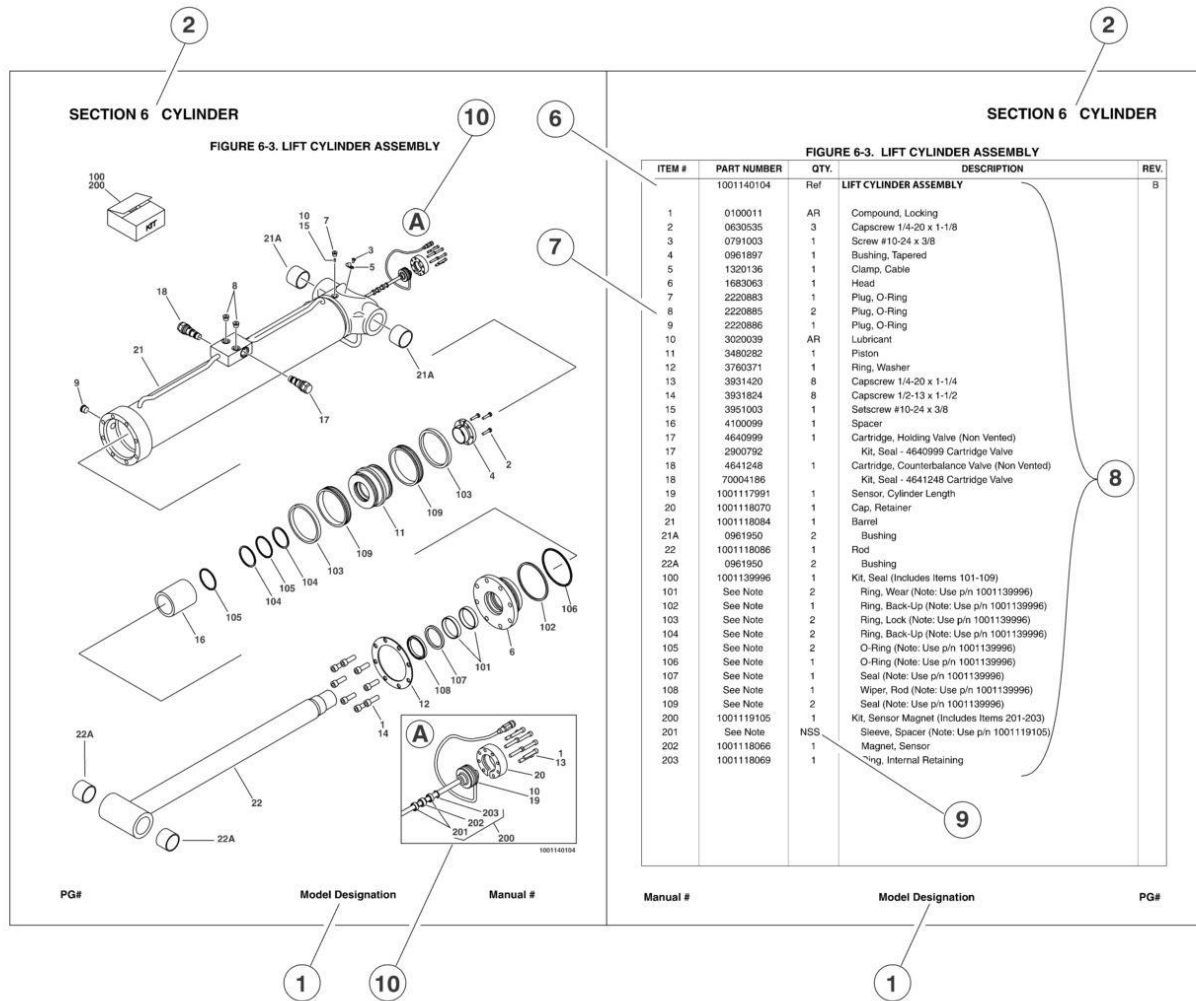
REVISION LOG

July 1, 2021 - A - Original Issue Of Manual (Edited to B/M 1001247762 Rev G)

November 15, 2021 - B - Revised Manual (Edited to B/M 1001247762 Revision G)

May 15, 2022 - C - Revised Manual (Edited to B/M 1001247762 Revision G)

GENERAL INFORMATION



1) MACHINE IDENTIFICATION

Machines are identified by model and in some cases a combination of models, serial number (SN) or regional standard (i.e. ANSI, CE, CSA). Components may also be identified by SN or manufacturer. Common components that may be identified by these characteristics are engines and hydraulic components.

2) PARTS MANUAL ORGANIZATION

Product information in this manual is organized under section titles. Frame, Cylinder, Hydraulic and Electrical are a few examples. Each section is organized by figure and page number. The information within the Figure is then organized by item number, part number, description and corresponding illustration(s).

3) TABLE OF CONTENTS

A table of contents is found toward the beginning of the manual. Figure number, description and page number are provided for quick reference to the page containing the related information.

4) RECOMMENDED SPARE PARTS

The Recommended Spare Parts, located near the end of the manual, reference most frequently used maintenance parts.

5) PART NUMBER INDEX

A numerical index listing all part numbers and the corresponding page number(s) appears at the back of the manual.

GENERAL INFORMATION

6) NON-SERVICED PARTS

In some instances, it is necessary to display non-serviced parts, assemblies or installations. In the case of assemblies and installations there will be a Ref in the Qty column. In case of parts that are not available for service within assemblies and components, there will be a NSS (Not Sold Separately) or NLA (No Longer Available) listed in the Qty. column of the manual.

7) PARTS LIST ITEM NUMBERS

Numbers shown in the item# column correspond to numbers used in the associated illustration (s). Item numbers which are missing from the sequence in the parts list are not used on that page

8) INDENTED PARTS DESCRIPTION

An indented part description is included in the item under which it is indented.

9) ABBREVIATION AND SYMBOLS

AC.....	.. Alternating Current	LCD.....	Liquid Crystal Display
ADE.....	Advanced Design Electronics	LED.....	Light Emitting Diodes
ANSI.....	..American National Standards Institute	LH.....	Left Hand
AR.....	..As Required	LSS.....	..Load Sensing System
ASSY.....	Assembly	M(m).....	Metric/Meter
AUX.....	Auxiliary	MM (mm).....	Milimeter
AWG.....	..American Wire Gauge	mA.....	Miliamps
B/M.....	..Bill of Material	NLA.....	No Longer Available
CE.....	..European Conformity	NPT.....	National Pipe Threads
CCW.....	..Counter Clockwise	NSS.....	Not Sold Separately
cm.....	Centimeter	OD.....	..Outside Diameter
CW.....	..Clockwise	ORB.....	O-Ring Boss
CSA.....	..Canadian Standard Association	ORFS.....	O-Ring Face Seal
CYL.....	Cylinder	OZ (oz).....	..Ounces
DIA.....	Diameter	PG.....	..Page
DC.....	Direct Current	P/N.....	..Part Number
EMS.....	Emergency Stop	qt.....	..Quarts
ENG.....	Engine	QTY.....	..Quantity
FT(ft).....	Feet	REF.....	..Reference
GA(Ga).....	Gauge	REV.....	..Revision Level
HYD.....	Hydraulic	RH.....	..Right Hand
Hz.....	Hertz	SAE.....	Society of Automotive Engineers
ID.....	Inside Diameter	SN.....	..Serial Number
in.....	inches	SPEC(S).....	..Specifications
ISO.....	International Organization for Standards	T/T.....	..Turntable
JIC.....	Joint Industry Council	UGM.....	..Universal Ground Module
KG.....	..Kilogram	V.....	..Volts
L.....	..Liter	W.....	..Watts
LB.....	..Pounds	#.....	..Number

10) ILLUSTRATION REFERENCE LETTERS

When necessary, illustrations may contain reference letters that are intended to track information (i. e. hoses, harness) from one point to another or to track visual enlargement of components to show details that may be located in another area on the illustration.

Note: Due to continuous product improvements, JLG Industries, Inc. reserves the right to make specification changes without prior notification. Contact JLG Industries, Inc. for updated information.

TABLE OF CONTENTS

SECTION 1 - FRAME.....	11
FIGURE 1-1. AXLE INSTALLATION - WITHOUT TOW PACKAGE.....	12
FIGURE 1-2. AXLE INSTALLATION - WITH TOW PACKAGE.....	14
FIGURE 1-3. STEER INSTALLATION - WITHOUT TOW PACKAGE.....	16
FIGURE 1-4. STEER INSTALLATION - WITH TOW PACKAGE.....	18
FIGURE 1-5. WHEEL DRIVE AND FRAME VALVES INSTALLATION.....	20
FIGURE 1-6. DRIVE HUB/BRAKE ASSEMBLY.....	22
FIGURE 1-7. DRIVE MOTOR ASSEMBLY.....	24
FIGURE 1-8. TIRE & WHEEL INSTALLATION - 15-625 NHS FOAM-FILLED.....	26
FIGURE 1-9. TIRE AND WHEEL INSTALLATION - 18-625 NHS FOAM-FILLED.....	28
FIGURE 1-10. TIRE AND WHEEL INSTALLATION - 18-625 NHS FOAM-FILLED NON-MARKING.....	30
FIGURE 1-11. FRAME SHIELDS INSTALLATION.....	32
FIGURE 1-12. TOW PACKAGE INSTALLATION (OPTIONAL) (ANSI, SPECS).....	34
FIGURE 1-13. TOW BAR ASSEMBLY.....	36
SECTION 2 - TURNTABLE.....	39
FIGURE 2-1. VALVES INSTALLATION.....	40
FIGURE 2-2. MAIN VALVE ASSEMBLY.....	42
FIGURE 2-3. BRAKE/2 SPEED VALVE ASSEMBLY.....	46
FIGURE 2-4. SWING DRIVE INSTALLATION.....	48
FIGURE 2-5. SWING MOTOR/HUB ASSEMBLY.....	50
FIGURE 2-6. TURNTABLE BEARING AND LUBE INSTALLATION.....	54
FIGURE 2-7. TURNTABLE LOCK INSTALLATION.....	56
FIGURE 2-8. ROTARY COUPLING INSTALLATION.....	58
FIGURE 2-9. TANKS INSTALLATION.....	60
FIGURE 2-10. HYDRAULIC TANK ASSEMBLY.....	62
FIGURE 2-11. FUEL TANK ASSEMBLY.....	64
FIGURE 2-12. OIL COOLER INSTALLATION.....	66
FIGURE 2-13. BATTERY BOXES INSTALLATION.....	68
FIGURE 2-14. BATTERY CHARGERS INSTALLATION (FACTORY SUPPLIED 220V PLUG).....	72
FIGURE 2-15. BATTERY CHARGERS INSTALLATION (CUSTOMER SUPPLIED PLUG).....	74
FIGURE 2-16. ELECTRICAL SYSTEM INSTALLATION.....	76
FIGURE 2-17. IMG CONTROL BOX ASSEMBLY.....	78
FIGURE 2-18. ELECTRICAL ASSEMBLY - 12V FUSE BOX.....	82
FIGURE 2-19. GROUND CONTROL BOX ASSEMBLY.....	84
FIGURE 2-20. LIGHT PANEL INSTALLATION - GROUND CONTROL.....	86
FIGURE 2-21. GROUND CONTROL PANEL DECAL INSTALLATION (WITHOUT MSSO & WITHOUT TOWER STOW).....	88
FIGURE 2-22. GROUND CONTROL PANEL DECAL INSTALLATION (WITHOUT MSSO & WITH TOWER STOW).....	90
FIGURE 2-23. GROUND CONTROL PANEL DECAL INSTALLATION (WITH MSSO & WITHOUT TOWER STOW).....	92
FIGURE 2-24. GROUND CONTROL PANEL DECAL INSTALLATION (WITH MSSO & WITH TOWER STOW).....	94
FIGURE 2-25. ALARM INSTALLATION.....	96
FIGURE 2-26. WHITE NOISE ALARM INSTALLATION - ADJUSTABLE AMBIENT.....	98
FIGURE 2-27. WHITE NOISE MOTION ALARM INSTALLATION - AMBIENT.....	100
FIGURE 2-28. STROBE LIGHT INSTALLATION - AMBER (OPTIONAL).....	102
FIGURE 2-29. STROBE LIGHT INSTALLATION - BLUE (OPTIONAL).....	104
FIGURE 2-30. STROBE LIGHT INSTALLATION - RED (OPTIONAL).....	106
FIGURE 2-31. HEAT SHIELD AND ACCESS PANELS INSTALLATION.....	108
FIGURE 2-32. HOODS INSTALLATION.....	110
FIGURE 2-33. HOOD ASSEMBLY - TANK SIDE.....	114
FIGURE 2-34. HOOD ASSEMBLY - ENGINE SIDE.....	116
SECTION 3 - ENGINE.....	119
FIGURE 3-1. ENGINE INSTALLATION.....	120
FIGURE 3-2. ENGINE AND PUMPS SUB-ASSEMBLY.....	124
FIGURE 3-3. ENGINE AND TRAY ASSEMBLY.....	126
FIGURE 3-4. ENGINE AND GENERATOR ASSEMBLY.....	130
FIGURE 3-5. ENGINE AND CLUTCH ASSEMBLY.....	132
FIGURE 3-6. ENGINE FAN MOUNTING ASSEMBLY.....	134
FIGURE 3-7. KUBOTA ENGINE COMPONENTS.....	136
FIGURE 3-8. GENERATOR ASSEMBLY.....	140
FIGURE 3-9. VARIABLE PUMP ASSEMBLY.....	142
FIGURE 3-10. HYDROSTATIC PUMP ASSEMBLY.....	146
FIGURE 3-11. FUEL/WATER SEPARATOR ASSEMBLY.....	148

TABLE OF CONTENTS

FIGURE 3-12. ENGINE HOOD BAFFLES INSTALLATION	150
FIGURE 3-13. TRAY JACK INSTALLATION.....	152
FIGURE 3-14. 4000W GENERATOR INSTALLATION - 220V/50HZ (OPTIONAL).....	154
FIGURE 3-15. 7500W SKYPOWER GENERATOR INSTALLATION - 220V/50HZ (OPTIONAL)	158
FIGURE 3-16. 7500W SKYPOWER GENERATOR INSTALLATION - 110V/60HZ (OPTIONAL)	162
SECTION 4 - BOOM.....	165
FIGURE 4-1. BOOM AND CYLINDER INSTALLATION	166
FIGURE 4-2. MAIN BOOM ASSEMBLY.....	168
FIGURE 4-3. MAIN BOOM ASSEMBLY.....	170
FIGURE 4-4. TOWER BOOM ASSEMBLY	172
FIGURE 4-5. JIB ASSEMBLY	174
FIGURE 4-6. ROTATOR ASSEMBLY	176
FIGURE 4-7. POWER TRACK INSTALLATION - MAIN BOOM	178
FIGURE 4-8. POWER TRACK INSTALLATION - TOWER BOOM (Prior to SN 0300285763).....	180
FIGURE 4-9. POWER TRACK INSTALLATION - TOWER BOOM (SN 0300285763 to Present).....	182
FIGURE 4-10. BOOM VALVES INSTALLATION	184
FIGURE 4-11. BOOM VALVE ASSEMBLY	186
FIGURE 4-12. BOOM VALVE AND LIMIT SWITCHES INSTALLATION (WITHOUT TOWER STOW)	188
FIGURE 4-13. BOOM VALVE AND LIMIT SWITCHES INSTALLATION (WITH TOWER STOW).....	190
FIGURE 4-14. TILT SENSOR INSTALLATION.....	192
FIGURE 4-15. TRANSPORT POSITION SWITCH INSTALLATION (CE & UK CA SPECS)	194
FIGURE 4-16. PLATFORM SUPPORT INSTALLATION.....	196
SECTION 5 - PLATFORM.....	199
FIGURE 5-1. PLATFORM ASSEMBLY - 30IN X 4FT (76CM X 1.22M) WITH SWING GATE	200
FIGURE 5-2. PLATFORM ASSEMBLY - 30IN X 4FT (76CM X 1.22M) WITH DROP BAR	202
FIGURE 5-3. PLATFORM ASSEMBLY - 30IN X 6FT (76CM X 1.83M) WITH SWING GATE	204
FIGURE 5-4. PLATFORM ASSEMBLY - 30IN X 6FT (76CM X 1.83M) WITH DROP BAR	206
FIGURE 5-5. PLATFORM ASSEMBLY - 36IN X 6FT (91.5CM X 1.83M) WITH SWING GATE	208
FIGURE 5-6. PLATFORM ASSEMBLY - 36IN X 6FT (91.5CM X 1.83M) WITH DROP BAR	210
FIGURE 5-7. PLATFORM ASSEMBLY - 36IN X 6FT (91.5CM X 1.83M) WITH FALL ARREST (ANSI, ANSI EXPORT, CHINA & CSA SPECS)	212
FIGURE 5-8. PLATFORM ASSEMBLY - 36IN X 8FT (91.5CM X 2.44M) WITH SWING GATE	214
FIGURE 5-9. PLATFORM ASSEMBLY - 36IN X 8FT (91.5CM X 2.44M) WITH DROP BAR	216
FIGURE 5-10. PLATFORM ASSEMBLY - 36IN X 8FT (91.5CM X 2.44M) WITH FALL ARREST	218
FIGURE 5-11. TRAY ASSEMBLY.....	220
FIGURE 5-12. PLATFORM CONSOLE AND FOOTSWITCH INSTALLATION (WITHOUT TOWER STOW)	222
FIGURE 5-13. PLATFORM CONSOLE AND FOOTSWITCH INSTALLATION (WITH TOWER STOW)	224
FIGURE 5-14. PLATFORM CONSOLE BOX ASSEMBLY (WITHOUT TOWER STOW).....	226
FIGURE 5-15. PLATFORM CONSOLE BOX ASSEMBLY (WITH TOWER STOW)	230
FIGURE 5-16. LIGHT PANEL INSTALLATION.....	234
FIGURE 5-17. JIB SWITCH INSTALLATION	236
FIGURE 5-18. CONTROLLER ASSEMBLY (DRIVE AND STEER)	238
FIGURE 5-19. CONTROLLER ASSEMBLY (LIFT AND SWING)	240
FIGURE 5-20. FOOTSWITCH ASSEMBLY	244
FIGURE 5-21. SOFT TOUCH INSTALLATION - 6FT (1.83M) PLATFORM (OPTIONAL)	246
FIGURE 5-22. SOFT TOUCH INSTALLATION - 6FT (1.83M) FALL ARREST PLATFORM (OPTIONAL)	248
FIGURE 5-23. SOFT TOUCH INSTALLATION - 8FT (2.4M) PLATFORM (OPTIONAL)	250
FIGURE 5-24. SOFT TOUCH INSTALLATION - 8FT (2.4M) FALL ARREST PLATFORM (OPTIONAL)	252
FIGURE 5-25. SKYEYE INSTALLATION	254
FIGURE 5-26. SKYGUARD BAR INSTALLATION	256
FIGURE 5-27. SKYLINE INSTALLATION	258
FIGURE 5-28. SKYGLAZIER INSTALLATION (ANSI, ANSI EXPORT, AUSTRALIAN & CSA SPECS)	260
FIGURE 5-29. SKYWELDER INSTALLATION (50HZ)	262
FIGURE 5-30. SKYWELDER INSTALLATION (60HZ)	264
FIGURE 5-31. SKYWELDER PREP PACKAGE (60HZ)	266
FIGURE 5-32. WELDER ASSEMBLY.....	268
FIGURE 5-33. PIPE RACK INSTALLATION (ANSI AND CSA SPECS ONLY)	270
FIGURE 5-34. FALL ARREST INSTALLATION (BOLT-ON) 30IN X 4FT (76CM X 1.22M) PLATFORM.....	272
FIGURE 5-35. FALL ARREST INSTALLATION (BOLT-ON) 36IN X 6FT (91.2CM X 1.82M) PLATFORM	274
FIGURE 5-36. FALL ARREST INSTALLATION (BOLT-ON) 30IN X 6FT (76CM X 1.83M) PLATFORM.....	276
FIGURE 5-37. FALL ARREST INSTALLATION (BOLT-ON) 36IN X 8FT (91.5CM X 2.4M) PLATFORM	278
SECTION 6 - CYLINDER	281

TABLE OF CONTENTS

FIGURE 6-1. AXLE LOCKOUT CYLINDER ASSEMBLY	282
FIGURE 6-2. LEVEL (SLAVE) CYLINDER ASSEMBLY - JIB	284
FIGURE 6-3. LEVEL (SLAVE) CYLINDER ASSEMBLY - UPRIGHT	286
FIGURE 6-4. LIFT CYLINDER ASSEMBLY - JIB	288
FIGURE 6-5. LIFT CYLINDER ASSEMBLY - MAIN BOOM	290
FIGURE 6-6. LIFT CYLINDER ASSEMBLY - TOWER BOOM	292
FIGURE 6-7. MASTER CYLINDER ASSEMBLY	294
FIGURE 6-8. STEER CYLINDER ASSEMBLY	296
FIGURE 6-9. TELESCOPE CYLINDER ASSEMBLY - MAIN BOOM	298
FIGURE 6-10. TELESCOPE CYLINDER ASSEMBLY - TOWER BOOM	300
SECTION 7 - HYDRAULIC	303
FIGURE 7-1. AXLE LOCKOUT HYDRAULIC DIAGRAM	304
FIGURE 7-2. DRIVE HYDRAULIC DIAGRAM	306
FIGURE 7-3. STANDARD HYDRAULIC DIAGRAM	312
FIGURE 7-4. TOW HYDRAULIC DIAGRAM	316
SECTION 8 - ELECTRICAL	319
FIGURE 8-1. AC BOX AT PLATFORM INSTALLATION - 110V GFI RECEPTACLE (ALL SPECS EXCEPT AUSTRALIAN, CE & UK CA SPECS)	320
FIGURE 8-2. AC BOX AT PLATFORM INSTALLATION - 110V IEC YELLOW (CE & UK CA SPECS) (MACHINES WITHOUT 4000W GENERATOR)	322
FIGURE 8-3. AC BOX AT PLATFORM INSTALLATION - 110V IEC YELLOW (CE & UK CA SPECS) (MACHINES WITH 4000W GENERATOR)	324
FIGURE 8-4. AC BOX AT PLATFORM INSTALLATION - 220V (ANSI, CSA & JAPANESE SPECS)	326
FIGURE 8-5. AC BOX AT PLATFORM INSTALLATION - 220V IEC BLUE (CE & UK CA SPECS) (MACHINES WITHOUT 4000W GENERATOR)	328
FIGURE 8-6. AC BOX AT PLATFORM INSTALLATION - 220V IEC BLUE (CE & UK CA SPECS) (MACHINES WITH 4000W GENERATOR)	330
FIGURE 8-7. AC BOX AT PLATFORM INSTALLATION - 220V CEE7 2X4 POST GROUND (CE & UK CA SPECS) (MACHINES WITHOUT 4000W GENERATOR)	332
FIGURE 8-8. AC BOX AT PLATFORM INSTALLATION - 220V CEE7 2X4 POST GROUND (CE & UK CA SPECS) (MACHINES WITH 4000W GENERATOR)	334
FIGURE 8-9. AC BOX AT PLATFORM INSTALLATION - 220V CEE7 2X4 SIDE GROUND (CE & UK CA SPECS) (MACHINES WITHOUT 4000W GENERATOR)	336
FIGURE 8-10. AC BOX AT PLATFORM INSTALLATION - 220V CEE7 2X4 SIDE GROUND (CE & UK CA SPECS) (MACHINES WITH 4000W GENERATOR)	338
FIGURE 8-11. AC BOX AT PLATFORM INSTALLATION - 220V AFSINT 107 (CE & UK CA SPECS) (MACHINES WITHOUT 4000W GENERATOR)	340
FIGURE 8-12. AC BOX AT PLATFORM INSTALLATION - 220V AFSINT 107 (CE & UK CA SPECS) (MACHINES WITH 4000W GENERATOR)	342
FIGURE 8-13. AC BOX AT PLATFORM INSTALLATION - BOX WITH COVER (ANSI EXPORT, AUSTRALIAN, CHINA & JAPANESE SPECS)	344
FIGURE 8-14. AC BOX AT PLATFORM INSTALLATION - 240V RECEPTACLE (WITH 4000W GENERATOR) (ALL SPECS EXCEPT ANSI & CSA SPECS)	346
FIGURE 8-15. AC BOX AT PLATFORM INSTALLATION - 240V RECEPTACLE (WITH 7500W SKYPOWER GENERATOR) (ANSI & CSA SPECS)	348
FIGURE 8-16. AC BOX AT PLATFORM MID-BOOM PLUG INSTALLATION (WITHOUT 7500W SKYPOWER GENERATOR) (ALL SPECS EXCEPT ANSI & CSA SPECS)	350
FIGURE 8-17. AC BOX AT PLATFORM MID-BOOM PLUG INSTALLATION (WITH 7500W SKYPOWER GENERATOR)	352
FIGURE 8-18. AC BREAKER BOX INSTALLATION - WITH 2 BREAKERS (CE & UK CA SPECS WITH 4000W GENERATOR)	354
FIGURE 8-19. AC BREAKER BOX INSTALLATION - WITH 2 BREAKERS (BRAZIL SPECS)	356
FIGURE 8-20. AC BREAKER BOX INSTALLATION - WITH 3 BREAKERS (CE & UK CA SPECS WITH 4000W GENERATOR)	358
FIGURE 8-21. BATTERY CABLES INSTALLATION	360
FIGURE 8-22. BATTERY STACK HARNESS (LH)	362
FIGURE 8-23. BATTERY STACK HARNESS (RH)	364
FIGURE 8-24. BOOM VALVE HARNESS	366
FIGURE 8-25. BOOM CABLES INSTALLATION (MACHINES WITHOUT GENERATOR)	368
FIGURE 8-26. BOOM CABLES INSTALLATION (AUSTRALIAN SPECS WITH 4000W GENERATOR)	370
FIGURE 8-27. BOOM CABLES INSTALLATION (CE & UK CA SPECS WITH 4000W GENERATOR)	372
FIGURE 8-28. BOOM CABLES INSTALLATION (ALL SPECS EXCEPT CE & UK CA SPECS WITH 7500W GENERATOR)	374
FIGURE 8-29. BOOM CABLE - MAIN BOOM	376
FIGURE 8-30. BOOM CABLE - TOWER BOOM	378

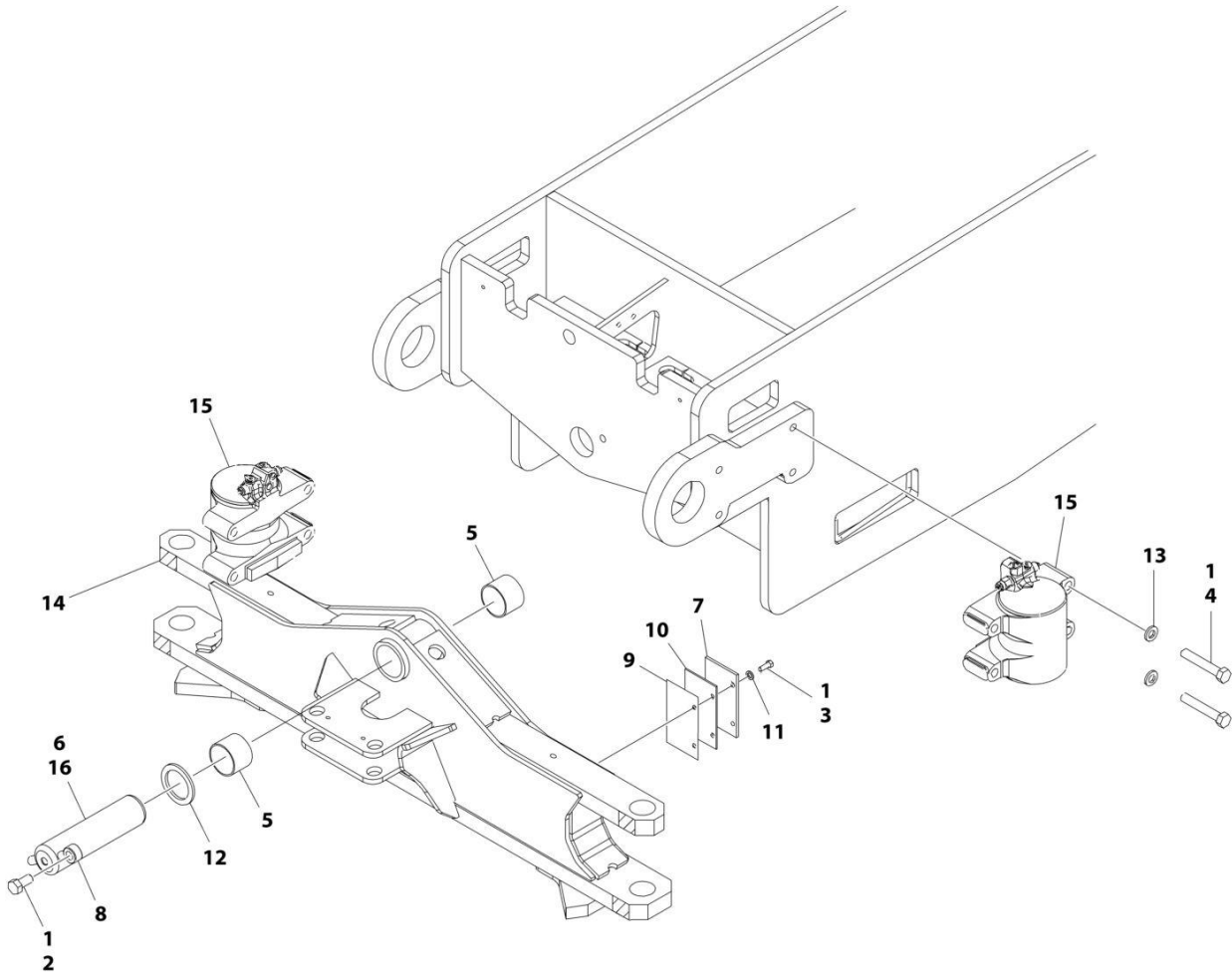
TABLE OF CONTENTS

FIGURE 8-31. BREAKER BOX KIT - WITH 2 BREAKERS (CE & UK CA SPECS WITHOUT 4000W GENERATOR & BRAZIL SPECS)	380
FIGURE 8-32. BREAKER BOX KIT - WITH 2 BREAKERS (CE & UK CA SPECS WITH 4000W GENERATOR)	382
FIGURE 8-33. BREAKER BOX KIT - WITH 3 BREAKERS (CE & UK CA SPECS WITH 4000W GENERATOR)	384
FIGURE 8-34. CHARGER HARNESS	386
FIGURE 8-35. CONTROL HARNESS	388
FIGURE 8-36. ELECTRICAL SYSTEM INSTALLATION	390
FIGURE 8-37. ENGINE HARNESS - KUBOTA.....	392
FIGURE 8-38. ENGINE TRAY HARNESS	394
FIGURE 8-39. GENERATOR HARNESS - 4000W	396
FIGURE 8-40. GENERATOR HARNESS - 7500W SKYPOWER	398
FIGURE 8-41. GENERATOR HARNESS - 4000W AND 7500W SKYPOWER	400
FIGURE 8-42. GROUND CONTROL BOX HARNESS	402
FIGURE 8-43. H-BRIDGE/CLUTCH HARNESS	404
FIGURE 8-44. HYBRID 84V HARNESS	406
FIGURE 8-45. MAIN VALVE HARNESS	408
FIGURE 8-46. PLATFORM CONSOLE BOX HARNESS	410
FIGURE 8-47. RECEPTACLE BOX KIT - 110V IEC YELLOW (CE & UK CA SPEC)	414
FIGURE 8-48. RECEPTACLE BOX KIT - 220V IEC BLUE (CE & UK CA SPEC)	416
FIGURE 8-49. RECEPTACLE BOX KIT - 220V CEE7 POST GROUND 2X4 BOX (CE & UK CA SPEC)	418
FIGURE 8-50. RECEPTACLE BOX KIT - 220V CEE7 SIDE GROUND (CE & UK CA SPEC)	420
FIGURE 8-51. RECEPTACLE BOX KIT - 220V AFSINT 107 (CE & UK CA SPEC)	422
FIGURE 8-52. RESOLVER/CONVERTER/INVERTER HARNESS	424
FIGURE 8-53. SKYEYE INTERMEDIATE HARNESS	426
FIGURE 8-54. SKYEYE RECEIVER HARNESS (PVC 2001)	428
FIGURE 8-55. SKYEYE RECEIVER HARNESS (PVC 2007)	430
FIGURE 8-56. SKYEYE EMITTER HARNESS (PVC 2001).....	432
FIGURE 8-57. SKYEYE EMITTER HARNESS (PVC 2007).....	434
FIGURE 8-58. SKYGUARD INTERFACE HARNESS	436
FIGURE 8-59. SKYLINE HARNESS	438
FIGURE 8-60. STROBE LIGHT CONTROL HARNESS (BLUE & RED LIGHTS)	440
FIGURE 8-61. TURNTABLE HARNESS	442
FIGURE 8-62. TURNTABLE/FUSE PANEL HARNESS	444
FIGURE 8-63. USB RECEPTACLE INSTALLATION	446
FIGURE 8-64. WHITE NOISE ALARM HARNESS	448
SECTION 9 - DECALS	451
FIGURE 9-1. DECAL INSTALLATION - ANSI SPECS (ENGLISH LANGUAGE)	452
FIGURE 9-2. DECAL INSTALLATION - AUSTRALIAN SPECS (ENGLISH LANGUAGE)	454
FIGURE 9-3. DECAL INSTALLATION - BRAZIL SPECS (ENGLISH/PORTUGUESE LANGUAGES)	456
FIGURE 9-4. DECAL INSTALLATION - CE & UK CA SPECS (ENGLISH LANGUAGE)	458
FIGURE 9-5. DECAL INSTALLATION - CHINA SPECS (ENGLISH/CHINESE LANGUAGES)	460
FIGURE 9-6. DECAL INSTALLATION - CSA SPECS (ENGLISH/FRENCH LANGUAGES)	462
FIGURE 9-7. DECAL INSTALLATION - JAPANESE SPECS (ENGLISH/JAPANESE LANGUAGES)	464
FIGURE 9-8. DECAL INSTALLATION - KOREAN SPECS (ENGLISH/KOREAN LANGUAGES).....	466
FIGURE 9-9. DECAL INSTALLATION - LATIN AMERICAN SPECS (ENGLISH/SPANISH LANGUAGES)	468
FIGURE 9-10. DECALS INSTALLATION - OPTIONS	470
FIGURE 9-11. SKYWELDER DECAL INSTALLATION - 50HZ	472
FIGURE 9-12. SKYWELDER DECAL INSTALLATION - 60HZ (PVC 2001)	474
FIGURE 9-13. DECAL INSTALLATION - SKYWELDER (60HZ) (PVC 2007)	476
SECTION 10 - RECOMMENDED SERVICE PARTS STOCK	479
FIGURE 10-1. RECOMMENDED SERVICE PARTS STOCK.....	480
SECTION 11 - SPECIAL OPTIONS/ACCESSORIES/KITS	483
FIGURE 11-1. SPECIAL OPTIONS/ACCESSORIES/KITS	484
PART NUMBER INDEX.....	487

SECTION 1 - FRAME

SECTION 1 - FRAME

FIGURE 1-1. AXLE INSTALLATION - WITHOUT TOW PACKAGE



ART_1001154584

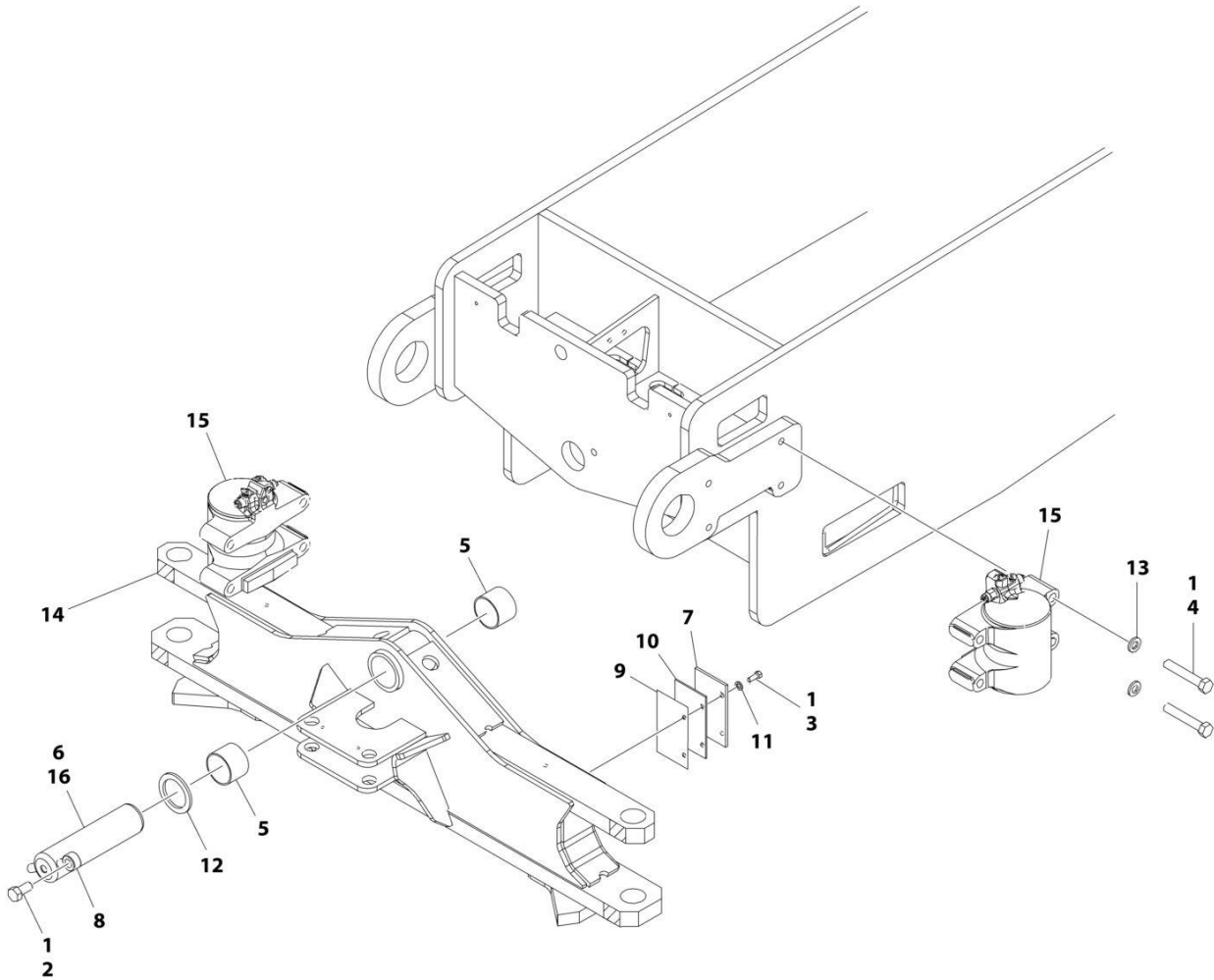
SECTION 1 - FRAME

FIGURE 1-1. AXLE INSTALLATION - WITHOUT TOW PACKAGE

ITEM	PART NUMBER	QTY	DESCRIPTION	REV
	1001154584	Ref	AXLE INSTALLATION	D
1	0100011	AR	Compound, Locking	
2	0642212	1	Bolt 3/4 x 1-1/2	
3	0681608	4	Bolt 3/8 x 1 Grade 8	
4	0682236	8	Bolt 3/4 x 4-1/2 Grade 8	
5	0962102	2	Bushing	
6	3020039	AR	Lubricant	
7	3538047	2	Shim .25	
8	3841287	1	Keeper, Pin	
9	4070878	AR	Shim 16 Gauge	
10	4070879	AR	Shim 11 Gauge	
11	4711600	4	Washer 3/8	
12	4740472	1	Washer	
13	4892200	8	Washer 3/4	
14	1001152719	1	Axle	
15	1001204560	2	Axle Lockout Cylinder Assembly (See Separate Breakdown in CYLINDER SECTION)	
16	1001156710	1	Pin	

SECTION 1 - FRAME

FIGURE 1-2. AXLE INSTALLATION - WITH TOW PACKAGE



ART_1001155194

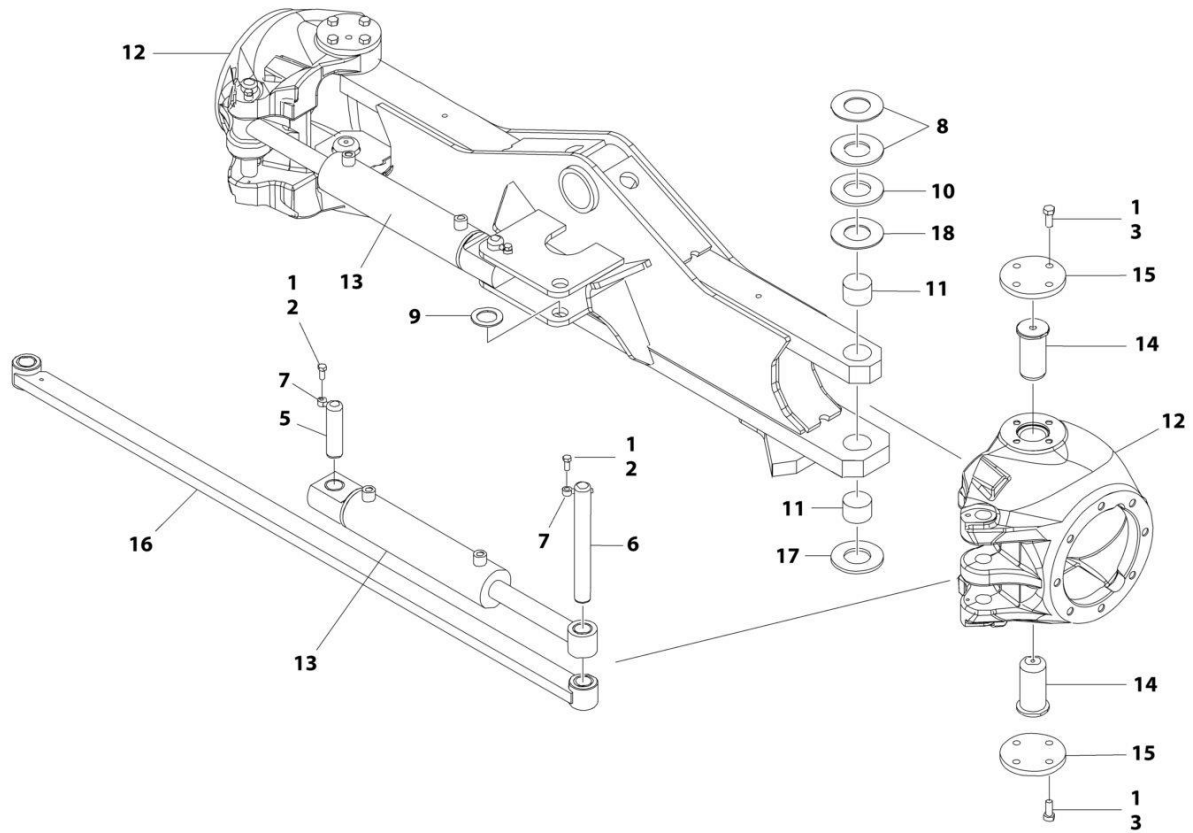
SECTION 1 - FRAME

FIGURE 1-2. AXLE INSTALLATION - WITH TOW PACKAGE

ITEM	PART NUMBER	QTY	DESCRIPTION	REV
	1001155194	Ref	AXLE INSTALLATION	D
1	0100011	AR	Compound, Locking	
2	0642212	1	Bolt 3/4 x 1-1/2	
3	0681608	4	Bolt 3/8 x 1 Grade 8	
4	0682236	8	Bolt 3/4 x 4-1/2 Grade 8	
5	0962102	2	Bushing	
6	3020039	AR	Lubricant	
7	3538047	2	Shim .25	
8	3841287	1	Keeper, Pin	
9	4070878	AR	Shim 16 Gauge	
10	4070879	AR	Shim 11 Gauge	
11	4711600	4	Washer 3/8	
12	4740472	1	Washer	
13	4892200	8	Washer 3/4	
14	1001154875	1	Axle	
15	1001204560	2	Axle Lockout Cylinder Assembly (See Separate Breakdown in CYLINDER SECTION)	
16	1001156710	1	Pin	

SECTION 1 - FRAME

FIGURE 1-3. STEER INSTALLATION - WITHOUT TOW PACKAGE



ART_1001151034

SECTION 1 - FRAME

FIGURE 1-3. STEER INSTALLATION - WITHOUT TOW PACKAGE

ITEM	PART NUMBER	QTY	DESCRIPTION	REV
	1001151034	Ref	STEER INSTALLATION	H
1	0100011	AR	Compound, Locking	
2	0641607	4	Bolt 3/8 x 7/8	
3	0641810	16	Bolt 1/2 x 1-1/4	
5	3422417	2	Pin	
6	3422790	2	Pin	
7	3841520	4	Keeper, Pin	
8	4740256	AR	Washer, Thrust	
9	4740473	2	Washer	
10	1001103810	AR	Washer, Thrust	
11	1001165657	4	Bearing	
12	1001150372	2	Spindle	
13	1001150539	2	Steer Cylinder Assembly (See Separate Breakdown in CYLINDER SECTION)	
14	1001161355	4	Kingpin	
15	1001150937	4	Plate	
16	1001151980	1	Tie-Rod	
17	1001161399	2	Washer, Thrust	
18	4740463	AR	Washer, Thrust	

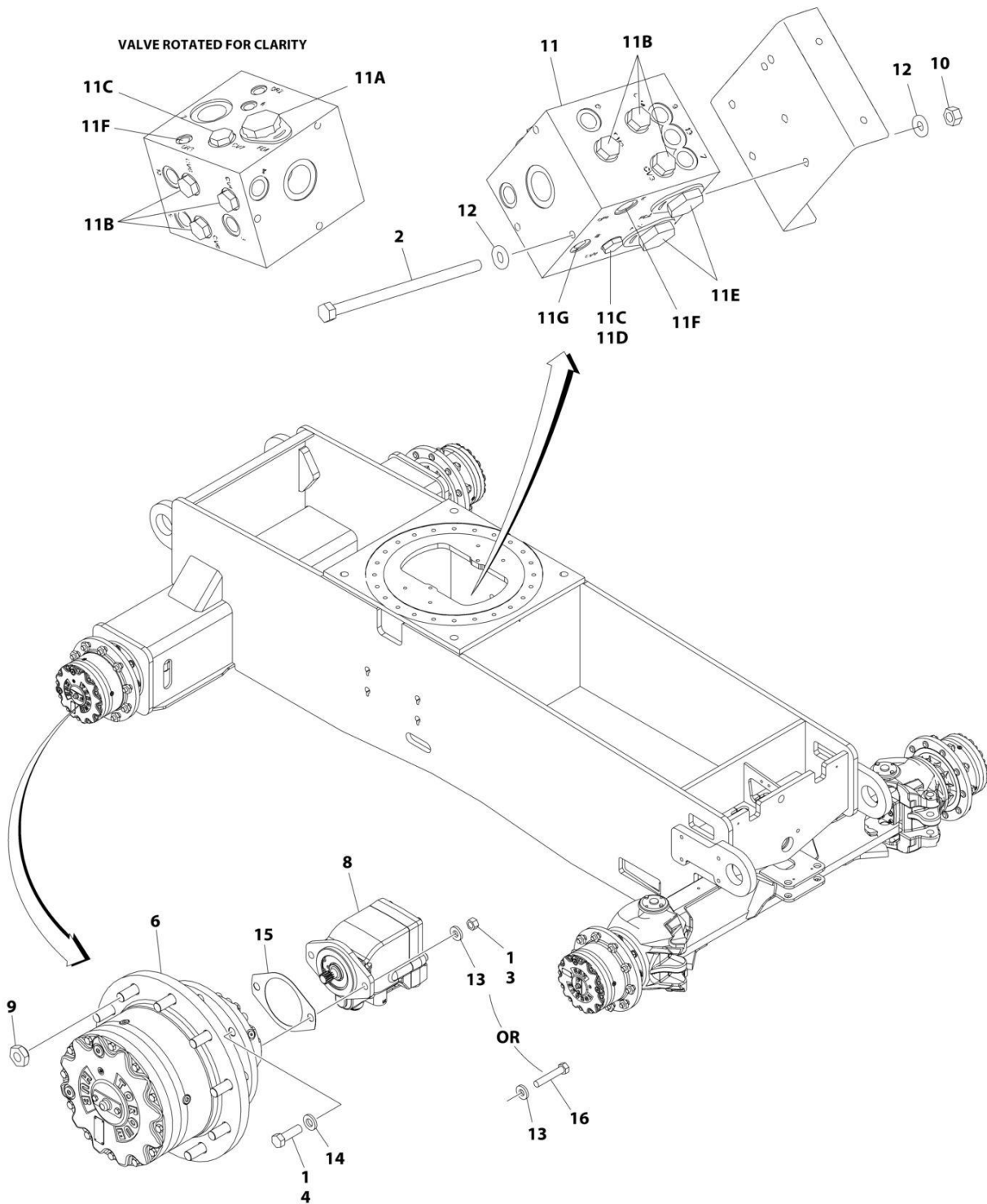
SECTION 1 - FRAME

FIGURE 1-4. STEER INSTALLATION - WITH TOW PACKAGE

ITEM	PART NUMBER	QTY	DESCRIPTION	REV
	1001155192	Ref	STEER INSTALLATION	G
1	0100011	AR	Compound, Locking	
2	0641607	6	Bolt 3/8 x 7/8	
3	0641810	16	Bolt 1/2 x 1-1/4	
5	3422417	2	Pin	
6	3422790	2	Pin	
7	3841520	6	Keeper, Pin	
8	4740256	AR	Washer, Thrust	
9	4740473	2	Washer	
10	1001103810	AR	Washer, Thrust	
11	1001165657	4	Bearing	
12	1001150372	2	Spindle	
13	1001150539	2	Steer Cylinder Assembly (See Separate Breakdown in CYLINDER SECTION)	
14	1001161355	4	Kingpin	
15	1001150937	4	Plate	
16	1001154931	2	Tie-Rod	
16A	0962181	1	Bushing	
16B	0962152	1	Bushing	
17	1001161399	2	Washer, Thrust	
18	0741609	4	Screw 3/8 x 1-1/8	
19	3340966	2	Pad, Stop	
20	3422848	2	Pin, Hitch	
21	4071059	AR	Shim 16 Gauge	
22	4740155	3	Washer, Thrust	
23	1001155035	1	Link	
23A	0962348	1	Bushing	
24	4740463	AR	Washer, Thrust	

SECTION 1 - FRAME

FIGURE 1-5. WHEEL DRIVE AND FRAME VALVES INSTALLATION



ART_1001157016

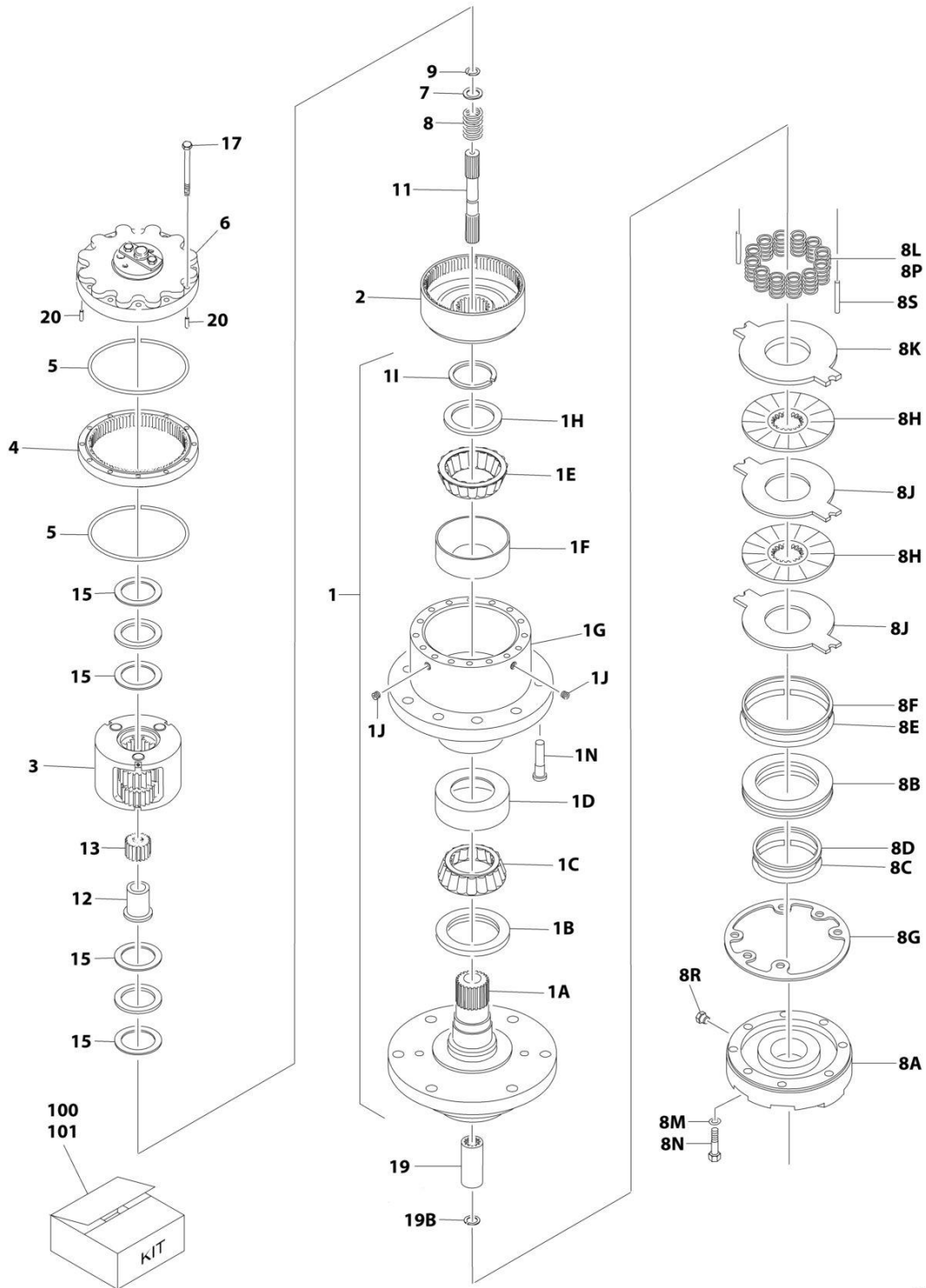
SECTION 1 - FRAME

FIGURE 1-5. WHEEL DRIVE AND FRAME VALVES INSTALLATION

ITEM	PART NUMBER	QTY	DESCRIPTION	REV
	1001157016	Ref	WHEEL DRIVE AND FRAME VALVES INSTALLATION	E
1	0100011	AR	Compound, Locking	
2	0641560	3	Bolt 5/16 x 7-1/2	
3	3311801	8	Nut 1/2	
4	0682016	32	Bolt 5/8 x 2 Grade 8	
5	2300016	AR	Fluid, Hydraulic (Not Shown)	
6	1001219219	4	Drive Hub Assembly (See Separate Breakdown in this Section)	
8	3160348	4	Drive Motor Assembly (See Separate Breakdown in this Section)	
9	3300007	40	Nut, Wheel	
10	3311505	3	Nut 5/16	
11	4641303	1	Flow Divider Valve Assembly	C
11A	7023933	1	Cartridge, Flow Divider	
11A	7021625	1	Seal Kit - 7023933 Cartridge	
11B	7022397	6	Cartridge, Check	
11B	7022399	6	Seal Kit - 7022397 Cartridge	
11C	7021639	2	Cartridge, Check Valves	
11C	2900756	2	Seal Kit - 7021639 Cartridge	
11D	7024881	1	Piston, Pilot	
11E	7023917	2	Cartridge, Flow Divider	
11E	7021625	2	Seal Kit - 7023917 Cartridge	
11F	70003935	2	Orifice	
11G	70003936	1	Orifice	
12	4711500	6	Washer 5/16	
13	4891800	8	Washer 1/2	
14	4892000	32	Washer 5/8	
15	3960526	2	Gasket	
16	0681822	4	Bolt 1/2 x 2-3/4	

SECTION 1 - FRAME

FIGURE 1-6. DRIVE HUB/BRAKE ASSEMBLY



ART_1001219219

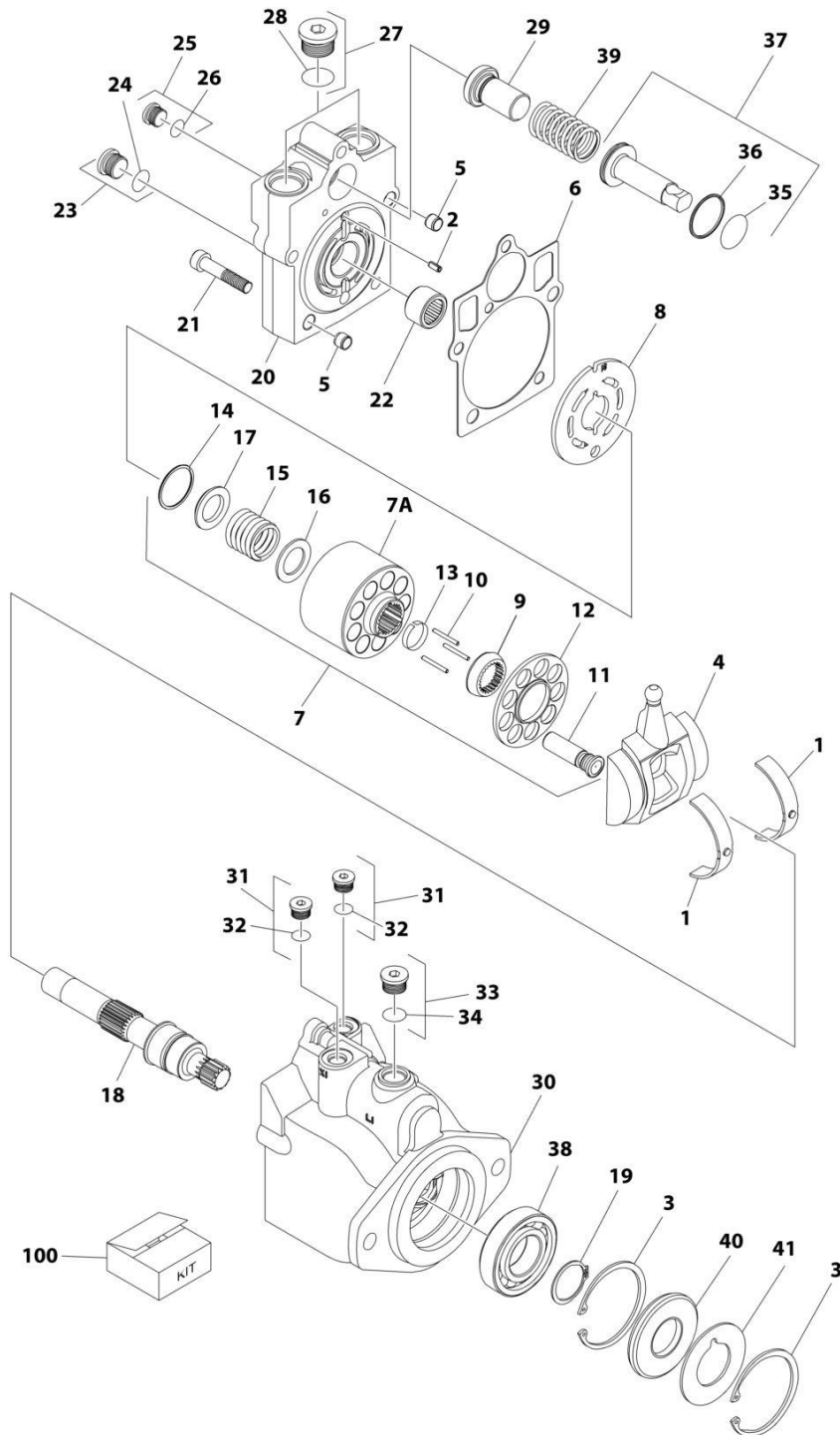
SECTION 1 - FRAME

FIGURE 1-6. DRIVE HUB/BRAKE ASSEMBLY

ITEM	PART NUMBER	QTY	DESCRIPTION	REV
	1001219219	Ref	DRIVE HUB/BRAKE ASSEMBLY	C
1	See Note	NSS	Spindle/Housing Assembly (Note: Not Available - Purchase Individual Components)	
1A	70006677	1	Spindle	
1B	70006678	1	Seal	
1C	1001091460	1	Cone, Bearing	
1D	1001091460	1	Cup, Bearing	
1E	1001091461	1	Cone, Bearing	
1F	1001091461	1	Cup, Bearing	
1G	See Note	NSS	Housing (Note: Not Available - Not Available for Purchase)	
1H	7000239	1	Thrustwasher	
1I	7000240	1	Ring, Retaining	
1J	7001928	1	Plug, Pipe	
1N	See Note	NSS	Stud, Wheel (Note: Not Available - Not Available for Purchase)	
2	7024782	1	Gear, Ring	
3	70006673	1	Carrier Assembly	
4	7024151	1	Gear, Internal	
5	7000224	2	O-Ring	
6	70006674	NSS	Cover Assembly (Note: Not Available - Not Available for Purchase)	
7	70006691	1	Thrustwasher	
8	7000283	1	Spring	
8A	7024191	1	Housing, Piston	
8B	70006684	1	Piston	
8C	See Note	NSS	O-Ring (Note: Use Item 101)	
8D	See Note	NSS	Ring, Back-up (Note: Use Item 101)	
8E	See Note	NSS	O-Ring (Note: Use Item 101)	
8F	See Note	NSS	Ring, Back-up (Note: Use Item 101)	
8G	See Note	NSS	Gasket (Note: Use Items 100 & 101)	
8H	See Note	NSS	Brake, Stator (Note: Use Item 100)	
8J	See Note	NSS	Brake, Rotor (Note: Use Item 100)	
8K	See Note	NSS	Plate, Pressure (Note: Use Item 100)	
8L	80344004	10	Spring	
8M	70006685	6	Capscrew	
8N	70006690	6	Lockwasher	
8P	70006680	2	Spring	
8R	7017082	2	Plug	
8S	7024190	2	Pin, Dowel	
9	7000284	1	Ring, Retaining	
11	70006675	1	Shaft, Input	
12	7024154	1	Spacer, Input	
13	7024149	1	Gear, Sun	
15	70006692	2	Thrustwasher	
17	7000289	12	Bolt 3/8 x 2-1/2in (Grade 8)	
19	70006676	1	Coupling	
19B	7017028	1	Ring, Retaining	
20	7017047	2	Pin, Dowel	
100	70006832	1	Friction Disc Kit (Includes Items 8G, 8H, 8J & 8K)	
101	70006833	1	Seal Kit (Includes Items - 8C-8G)	

SECTION 1 - FRAME

FIGURE 1-7. DRIVE MOTOR ASSEMBLY



ART_3160348

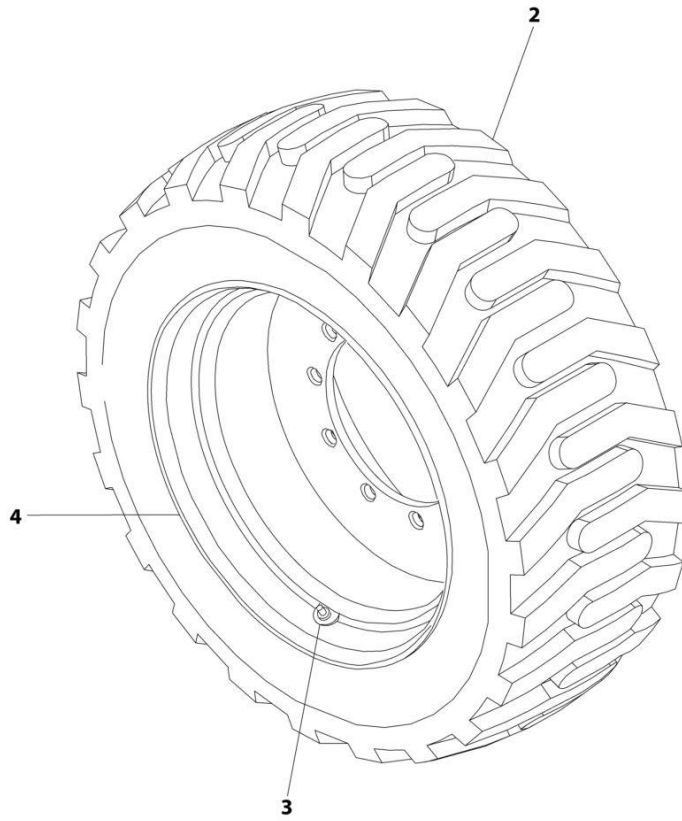
SECTION 1 - FRAME

FIGURE 1-7. DRIVE MOTOR ASSEMBLY

ITEM	PART NUMBER	QTY	DESCRIPTION	REV
	3160348	Ref	DRIVE MOTOR ASSEMBLY	D
1	7022302	2	Bearing, Journal	
2	7007446	1	Pin	
3	7007438	2	Ring, Retaining	
4	7022305	1	Swash Plate	
5	See Note	2	Pin (Note: Not Available for Purchase)	
6	See Note	NSS	Gasket (Note: Use Item 100)	
7	7023907	1	Cylinder Block Kit (Includes Items 7A & 9-17)	
7A	See Note	NSS	Block, Cylinder (Note: Use Item 7)	
8	7023908	1	Plate, Valve	
9	7021277	1	Guide, Slipper Retainer	
10	7021275	3	Pin, Slipper Hold Down	
11	See Note	NSS	Piston Assembly (Note: Use Item 7)	
12	7022310	1	Retainer, Slipper	
13	7021276	1	Retainer, Hold Down Pin	
14	7022311	1	Ring, Retaining	
15	7022312	1	Spring	
16	7024868	1	Washer	
17	7022314	1	Retainer, Spring	
18	7023910	1	Shaft	
19	7007439	1	Ring, Retaining	
20	70000797	1	Cap, End - Axial	
21	7022368	5	Screw	
22	7021249	1	Bearing, Needle	
23	2220886	1	Plug (Includes Item 24)	
24	See Note	1	O-Ring (Note: Use Item 23 or 100)	
25	2220883	1	Plug (Includes Item 26)	
26	See Note	NSS	O-Ring (Note: Use Item 25 or 100)	
27	2220888	2	Plug (Includes Item 28)	
28	See Note	NSS	O-Ring (Note: Use Item 27 or 100)	
29	7022372	1	Seat, Spring	
30	See Note	NSS	Housing (Note: Not Available - Purchase Complete Assembly)	
31	2220883	2	Plug (Includes Item 32)	
32	See Note	NSS	O-Ring (Note: Use Item 31 or 100)	
33	2220886	1	Plug (Includes Item 34)	
34	See Note	NSS	O-Ring (Note: Use Item 33 or 100)	
35	See Note	NSS	O-Ring (Note: Use Item 100)	
36	See Note	NSS	Ring, Seal (Note: Use Item 100)	
37	7024854	1	Piston, Servo (Includes Items 35 & 36)	
38	7007437	1	Bearing	
39	7022326	1	Spring	
40	See Note	1	Seal, Lip (Note: Use Item 100)	
41	7022371	1	Washer, Support	
		Ref	KIT OPTIONS:	
100	7022328	1	Seal Kit (Includes Items 6, 24, 26, 28, 32, 34, 35, 36 & 40)	

SECTION 1 - FRAME

FIGURE 1-8. TIRE & WHEEL INSTALLATION - 15-625 NHS FOAM-FILLED



ART_0270886

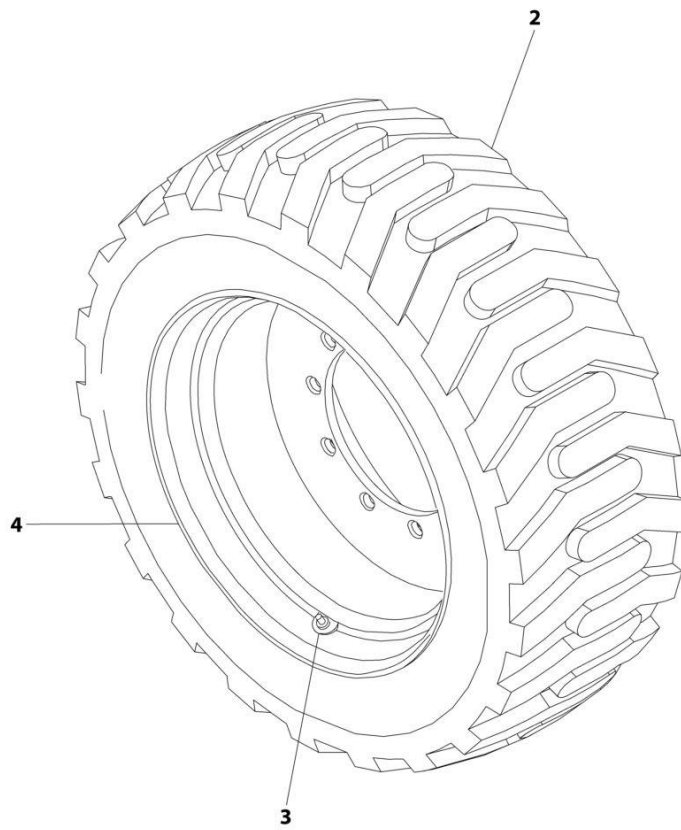
SECTION 1 - FRAME

FIGURE 1-8. TIRE & WHEEL INSTALLATION - 15-625 NHS FOAM-FILLED

ITEM	PART NUMBER	QTY	DESCRIPTION	REV
	0270886	Ref	TIRE AND WHEEL INSTALLATION	D
	0271085	2	Tire and Wheel Assembly - 15-625 NHS Foam-Filled LH Side	I
	0271086	2	Tire and Wheel Assembly - 15-625 NHS Foam-Filled RH Side	I
		Ref	Note: Assemblies may require ballast/foam filling to manufacturer's specifications prior to installing on a machine. Refer to Operation and Safety or Service and Maintenance Manuals.	
		Ref	Purchase individual tire and/or rim only if able to foam fill tire and wheel assembly, otherwise, purchase complete assembly.	
2	4520252	1	Tire 15-625	
3	4641122	1	Valve, Air	
4	4860224	1	Rim, Wheel - 13 x 24.5 Rim	

SECTION 1 - FRAME

FIGURE 1-9. TIRE AND WHEEL INSTALLATION - 18-625 NHS FOAM-FILLED



ART_0270888

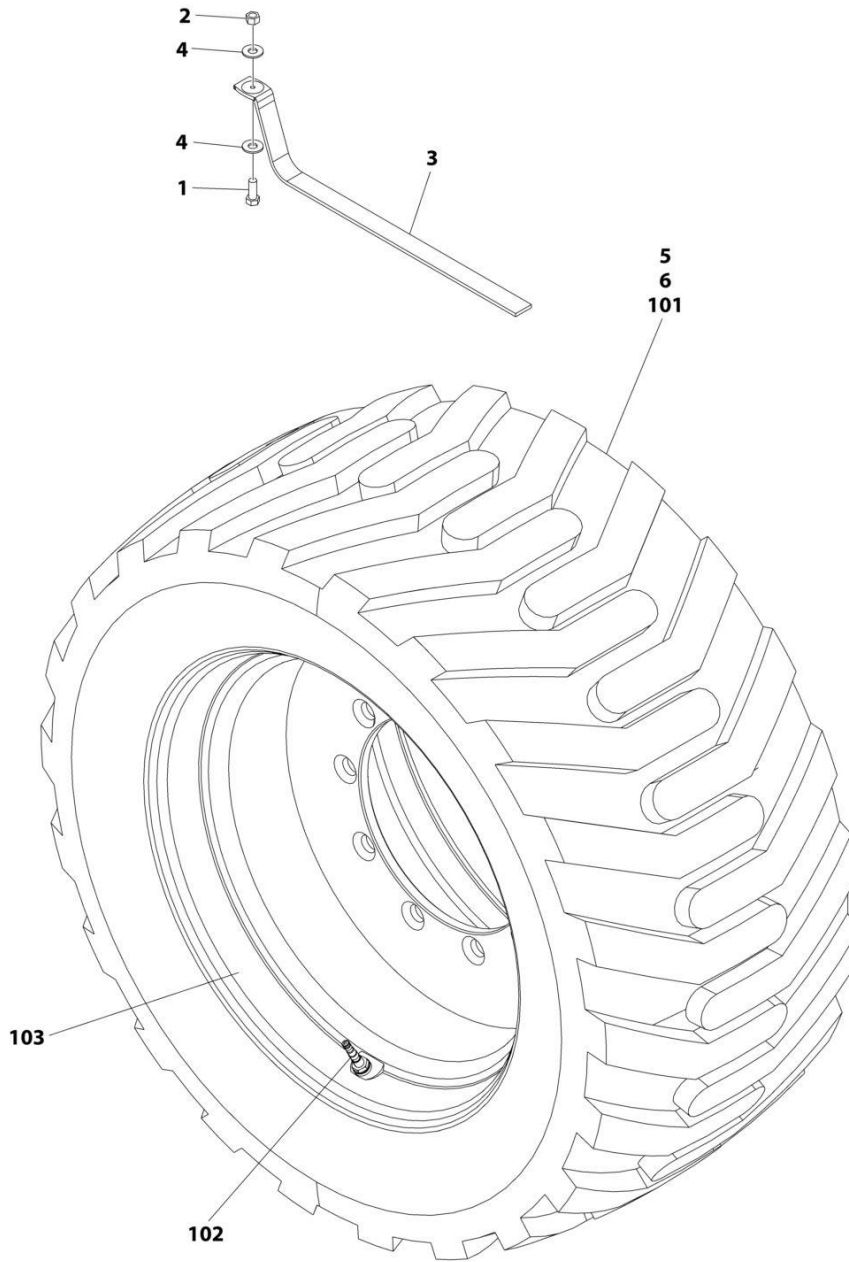
SECTION 1 - FRAME

FIGURE 1-9. TIRE AND WHEEL INSTALLATION - 18-625 NHS FOAM-FILLED

ITEM	PART NUMBER	QTY	DESCRIPTION	REV
	0270888	Ref	TIRE AND WHEEL INSTALLATION	C
	0271090	2	Tire and Wheel Assembly - 18-625 NHS Foam-Filled LH Side	G
	0271091	2	Tire and Wheel Assembly - 18-625 NHS Foam-Filled RH Side	G
		Ref	Note: Assemblies may require ballast/foam filling to manufacturer's specifications prior to installing on a machine. Refer to Operation and Safety or Service and Maintenance Manuals.	
		Ref	Purchase individual tire and/or rim only if able to foam fill tire and wheel assembly, otherwise, purchase complete assembly.	
2	4520253	1	Tire 18-625	
3	4641122	1	Valve, Air	
4	4860225	1	Rim, Wheel - 15 x 24.5 Rim	

SECTION 1 - FRAME

FIGURE 1-10. TIRE AND WHEEL INSTALLATION - 18-625 NHS FOAM-FILLED NON-MARKING



ART_1001236435

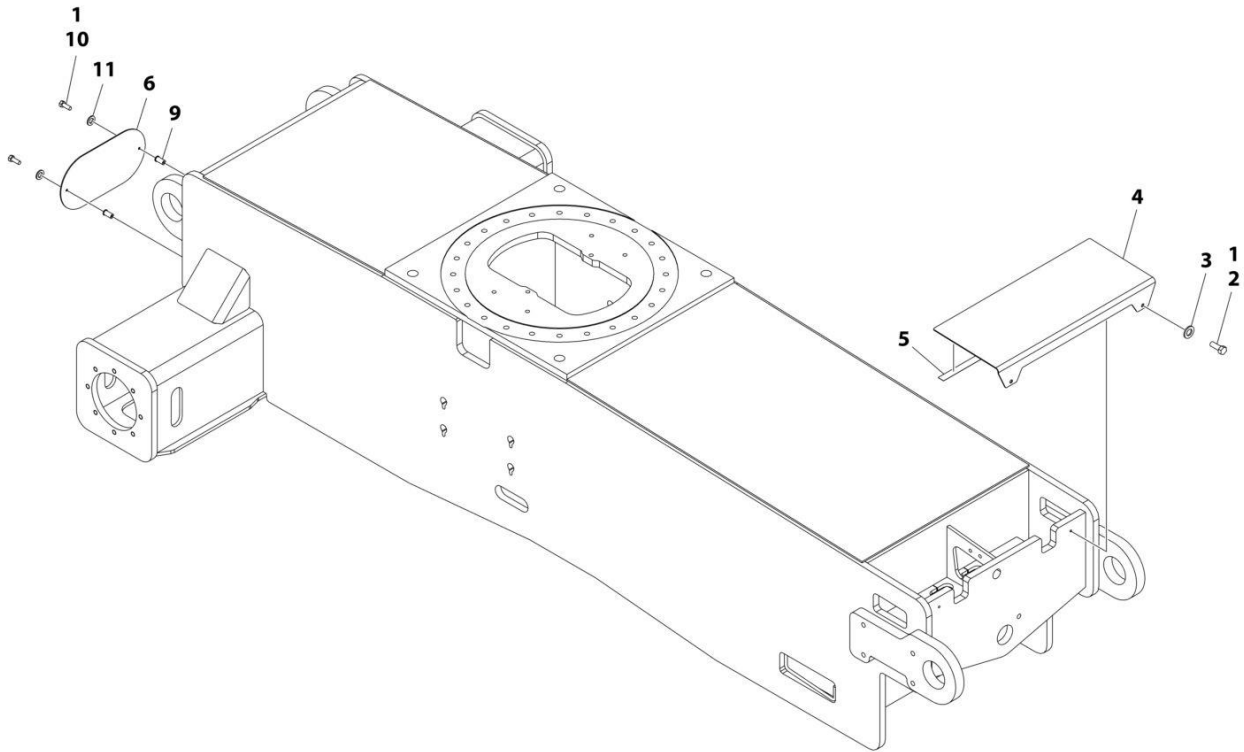
SECTION 1 - FRAME

FIGURE 1-10. TIRE AND WHEEL INSTALLATION - 18-625 NHS FOAM-FILLED NON-MARKING

ITEM	PART NUMBER	QTY	DESCRIPTION	REV
	1001236435	Ref	TIRE AND WHEEL INSTALLATION	A
1	0641608	1	Bolt 3/8 x 1	
2	3311605	1	Nut 3/8	
3	4240084	1	Strap, Anti-Static	
4	4751600	2	Washer 3/8	
5	1001169755	2	Tire and Wheel Assembly - 18-625 NHS Foam-Filled Non-Marking LH Side	D
6	1001169756	2	Tire and Wheel Assembly - 18-625 NHS Foam-Filled Non-Marking RH Side	D
		Ref	Note: Assemblies may require ballast/foam filling to manufacturer's specifications prior to installing on a machine. Refer to Operation and Safety or Service and Maintenance Manuals.	
		Ref	Purchase individual tire and/or rim only if able to foam fill tire and wheel assembly, otherwise, purchase complete assembly.	
101	1001169754	1	Tire 18-625 Non-Marking	
102	4641122	1	Valve, Air	
103	4860225	1	Rim, Wheel - 15 x 24.5 Rim	

SECTION 1 - FRAME

FIGURE 1-11. FRAME SHIELDS INSTALLATION



ART_1001158203

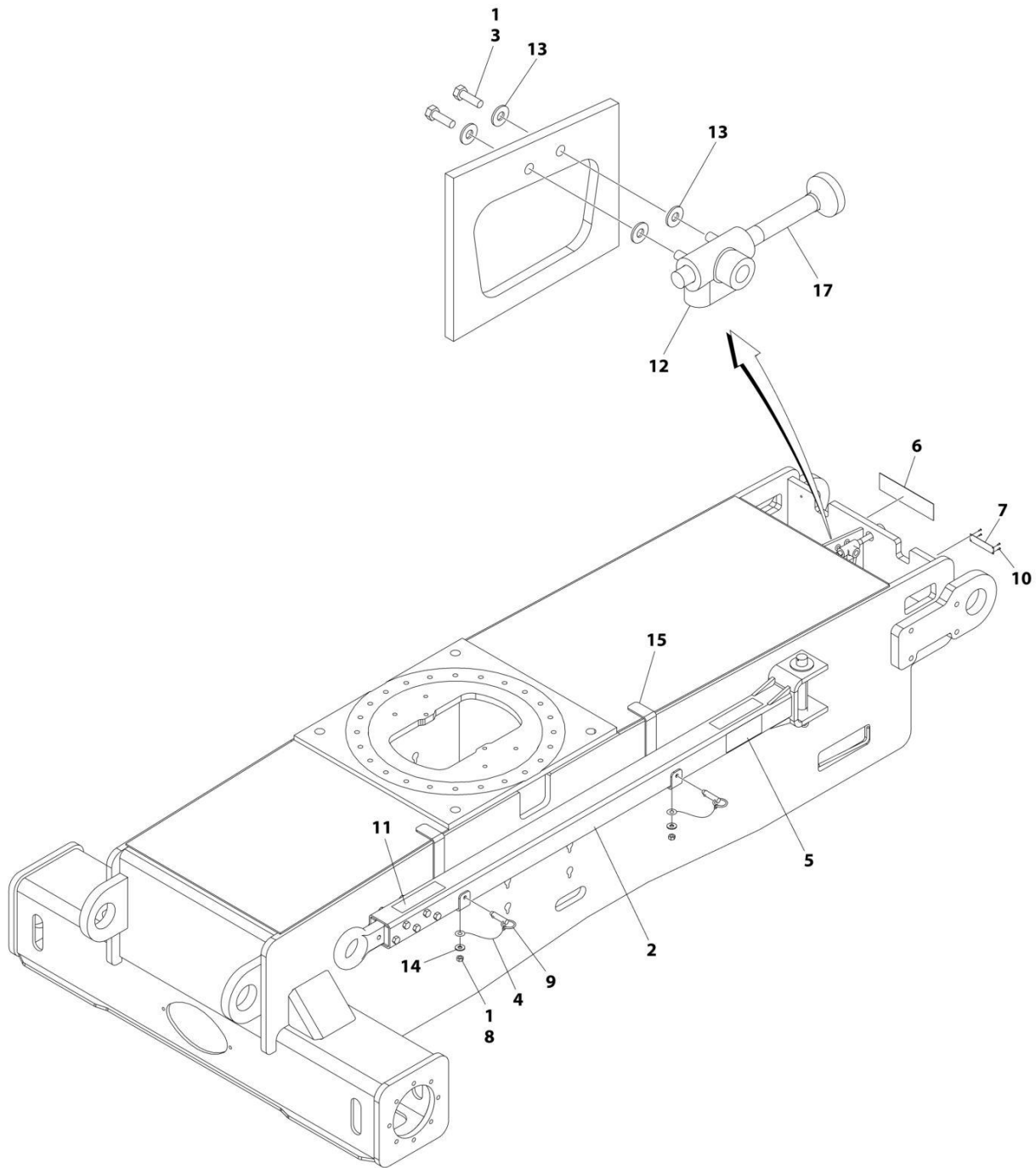
SECTION 1 - FRAME

FIGURE 1-11. FRAME SHIELDS INSTALLATION

ITEM	PART NUMBER	QTY	DESCRIPTION	REV
	1001158203	Ref	FRAME SHIELDS INSTALLATION	D
1	0100011	AR	Compound, Locking	
2	0641606	2	Bolt 3/8 x 3/4	
3	4751600	2	Washer 3/8	
4	1001158187	1	Cover	
5	4280296	27 in/ 68cm	Trim	
6	1001158188	1	Cover	
9	8580420	2	Nut, Well	
10	0641410	2	Bolt 1/4 x 1-1/4	
11	4751400	2	Washer 1/4	

SECTION 1 - FRAME

FIGURE 1-12. TOW PACKAGE INSTALLATION (OPTIONAL) (ANSI, SPECS)



ART_1001158258

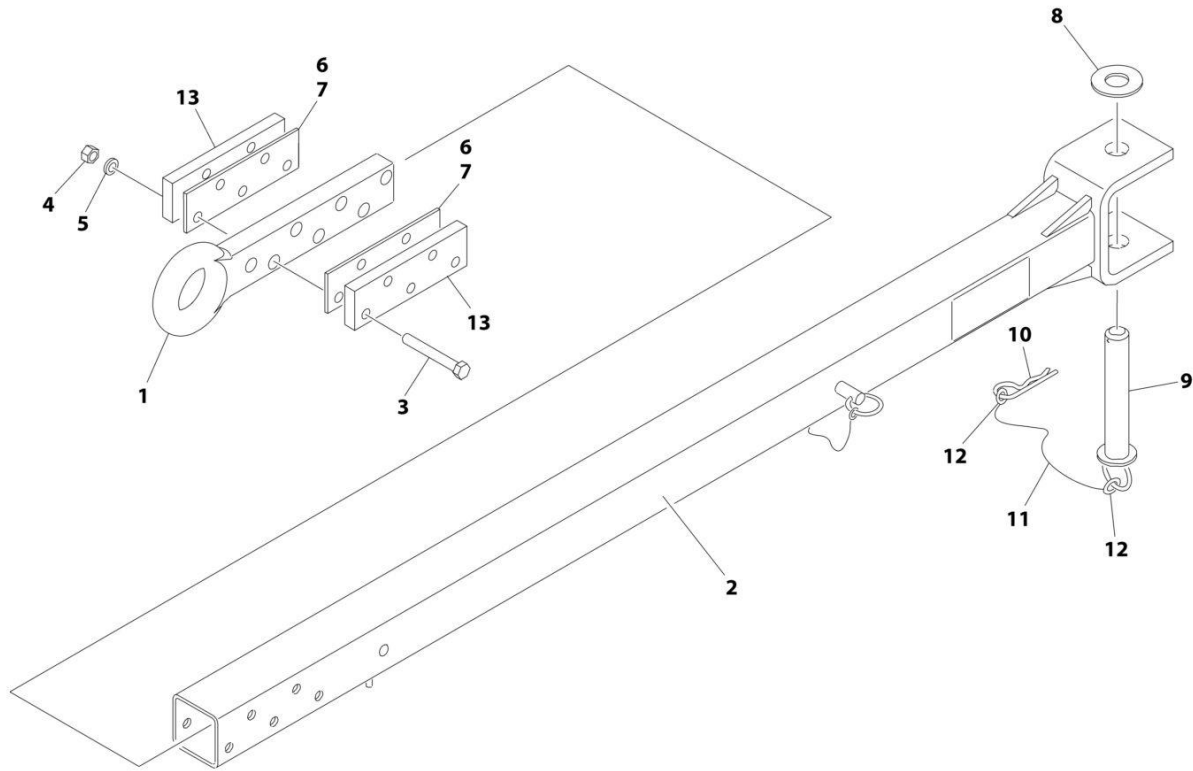
SECTION 1 - FRAME

FIGURE 1-12. TOW PACKAGE INSTALLATION (OPTIONAL) (ANSI, SPECS)

ITEM	PART NUMBER	QTY	DESCRIPTION	REV
	1001158258	Ref	TOW PACKAGE INSTALLATION	B
1	0100011	AR	Compound, Locking	
2	0232121	1	Tow Bar Assembly (See Separate Breakdown in this Section)	
3	0641508	2	Bolt 5/16 x 1	
4	1260017	2 ft/0.3m	Chain	
5	1704578	2	Decal - Crushing	
6	1705090	1	Decal - Towing Instructions	
7	3250872	1	Nameplate - Steer/Tow Valve	
8	3311401	2	Nut 1/4	
9	3420292	2	Pin	
10	3820001	4	Rivet, Pop	
11	4420051	2 ft/0.3m	Tape	
12	4640261	1	Valve, Float Position	
13	4751500	4	Washer 5/16	
14	4751400	2	Washer 1/4	
15	1001158522	2	Bracket	
17	1001160780	1	Rod, Extension	

SECTION 1 - FRAME

FIGURE 1-13. TOW BAR ASSEMBLY



ART_232121

SECTION 1 - FRAME

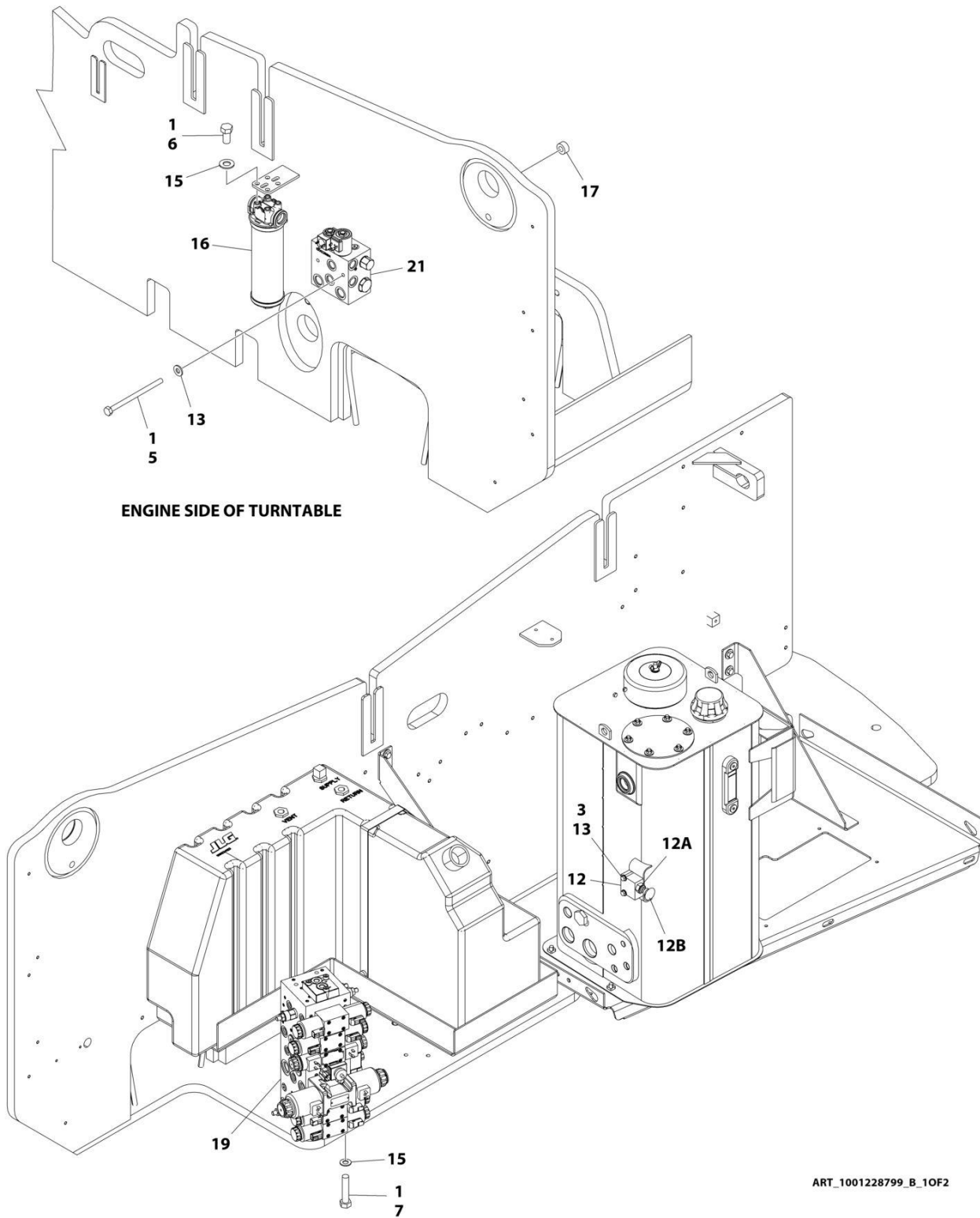
FIGURE 1-13. TOW BAR ASSEMBLY

ITEM	PART NUMBER	QTY	DESCRIPTION	REV
	0232121	Ref	TOW BAR ASSEMBLY	7-G
1	0360406	1	Bar, Draw	
2	4843777	1	Bar, Tow	
3	0642038	5	Bolt 5/8 x 4-3/4	
4	3312001	5	Nut 5/8	
5	4762000	5	Washer 5/8	
6	4070450	AR	Shim	
7	4070561	AR	Shim	
8	4740036	1	Washer 1-1/2	
9	3420447	1	Pin	
10	3420372	1	Pin	
11	1260135	1	Chain	
12	3760170	2	Ring	
13	4070560	2	Shim	

SECTION 2 - TURNTABLE

SECTION 2 - TURNTABLE

FIGURE 2-1. VALVES INSTALLATION



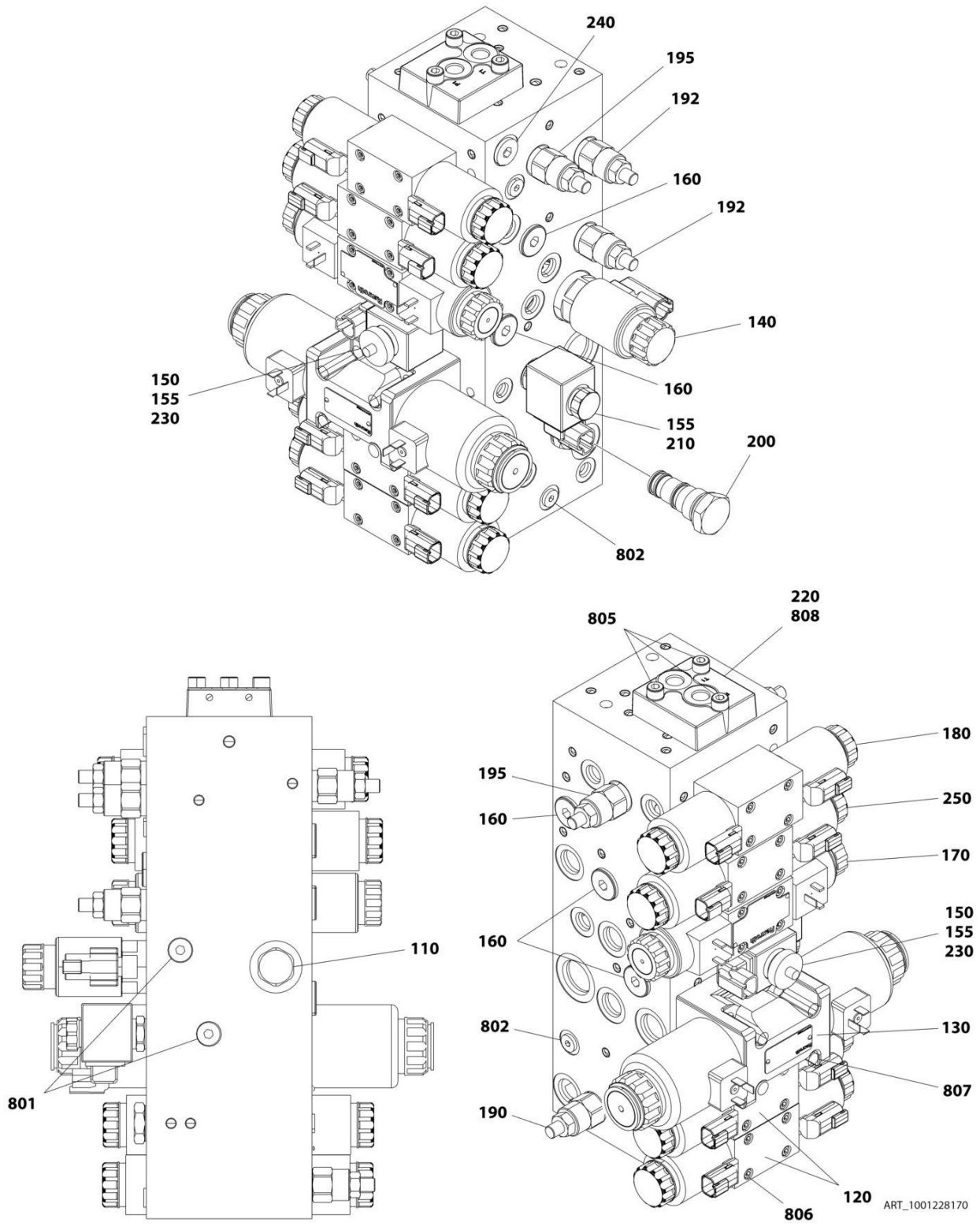
SECTION 2 - TURNTABLE

FIGURE 2-1. VALVES INSTALLATION

ITEM	PART NUMBER	QTY	DESCRIPTION	REV
	1001228799	Ref	VALVES INSTALLATION	B
1	0100011	AR	Compound, Locking	
3	0641414	2	Bolt 1/4 x 1-3/4	
5	0641432	2	Bolt 1/4 x 4	
6	0641606	4	Bolt 3/8 x 3/4	
7	0641614	3	Bolt 3/8 x 1-3/4	
12	4640866	1	Level Valve Assembly	
12A	7017466	1	Cartridge	
12A	2900708	1	Seal Kit	
12B	7012959	1	Knob	
13	4711400	8	Washer 1/4	
15	4711600	9	Washer 3/8	
16	1001108617	1	Pressure Filter Assembly	
16	70002231	1	Element, Filter	
17	1001110425	2	Spacer	
19	1001228170	1	Main Valve Assembly (See Separate Breakdown in this Section)	
21	1001226814	1	Brake/2 Speed Valve Assembly (See Separate Breakdown in this Section)	

SECTION 2 - TURNTABLE

FIGURE 2-2. MAIN VALVE ASSEMBLY



SECTION 2 - TURNTABLE

FIGURE 2-2. MAIN VALVE ASSEMBLY

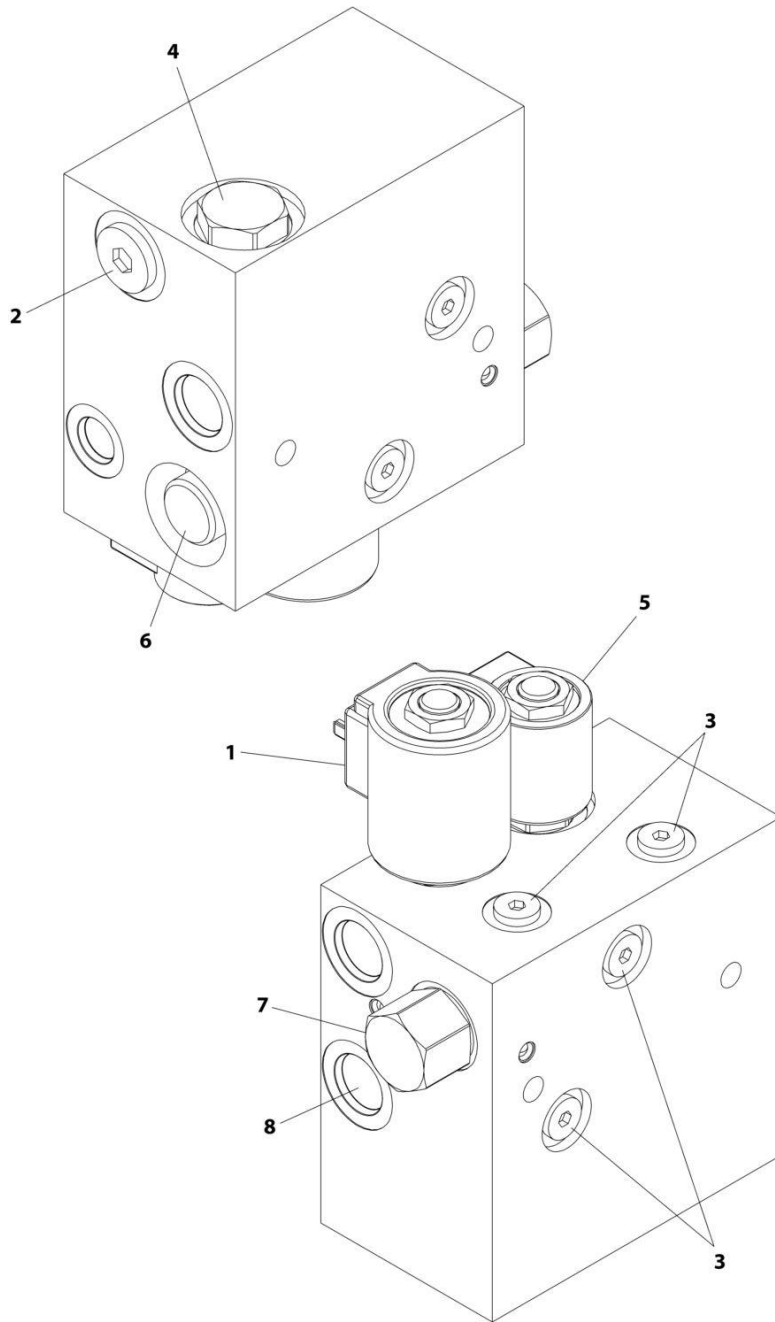
ITEM	PART NUMBER	QTY	DESCRIPTION	REV
	1001228170	Ref	MAIN VALVE ASSEMBLY	C
110	70005194	1	Valve, Check Cartridge	
110	70004584	1	Seal Kit - 70005194 Valve	
120	70004459	2	Valve Assembly (Tower Tele and Tower Lift)	
120	7012773	2	Seal Kit - 70004459 Valve	
120	70004460	4	Coil	
120	7021375	4	Nut, Coil	
120	70004461	4	O-Ring, Pole Tube	
130	70006955	1	Valve Assembly (Upper Tele)	
130	70006957	1	Seal Kit - 70006955 Valve	
130	70006956	2	Coil	
140	70004657	1	Valve, Cartridge (Flow Control)	
140	70004594	1	Seal Kit - 70004657 Valve	
140	70004595	1	Coil	
140	70004596	1	O-Ring, Pole Tube	
140	70004597	1	Nut, Coil	
150	70004598	1	Valve, Cartridge Less Coil (Steer Dump)	
150	70004055	1	Seal Kit - 70004598 Valve	
155	70004653	2	Coil	
155	70004051	2	Nut, Coil	
160	70023859	5	Valve, Shuffle Cartridge	
160	70023860	5	Seal Kit - 70023859 Valve	
170	7018992	1	Valve Assembly (Upper Lift)	
170	7024021	1	Seal Kit - 7018992 Valve	
170	7018991	2	Coil	
170	7021375	2	Nut, Coil	
170	70004461	2	O-Ring, Pole Tube	
180	70005195	1	Valve Assembly (Front Steer)	
180	7012773	1	Seal Kit - 70005195 Valve	
180	70004463	2	Coil	
180	7021375	2	Nut, Coil	
180	70004461	2	O-Ring, Pole Tube	
190	70003019	1	Valve, Relief Catridge (was PN 70006959)	
190	See Note	NSS	Seal Kit - Valve (Note: Not Available for Purchase)	
192	70003019	1	Valve, Relief Catridge (was PN 70006960)	
192	See Note	NSS	Seal Kit - Valve (Note: Not Available for Purchase)	
195	70003019	1	Valve, Relief Catridge (was PN 70006958)	
195	See Note	NSS	Seal Kit - Valve (Note: Not Available for Purchase)	
200	70004665	1	Valve, Check - Catridge	
200	70023862	1	Seal Kit - 70004665 Valve	
210	70004457	1	Valve, Cartridge Less Coil (Main Dump)	
210	70004050	1	Seal Kit - 70004665 Valve	
210	70004653	1	Coil	
220	70004667	1	Cover	
230	70005196	1	Orifice .118	
240	70005197	1	Plug (2WS)	
240	70004052	1	Seal Kit - 70005197 Plug	
250	70005198	1	Valve Assembly (Swing)	
250	70006961	1	Seal Kit - 70005198 Valve	
250	70004463	2	Coil	

SECTION 2 - TURNTABLE

ITEM	PART NUMBER	QTY	DESCRIPTION	REV
250	7021375	2	Nut, Coil	
250	70004461	2	O-Ring, Pole Tube	
801	70005199	2	Plug	
802	70005200	4	Plug	
805	70005201	3	Capscrew	
806	7018942	20	Capscrew	
807	7018951	4	Capscrew	
808	70005202	2	O-Ring	

SECTION 2 - TURNTABLE

FIGURE 2-3. BRAKE/2 SPEED VALVE ASSEMBLY



ART_1001226814

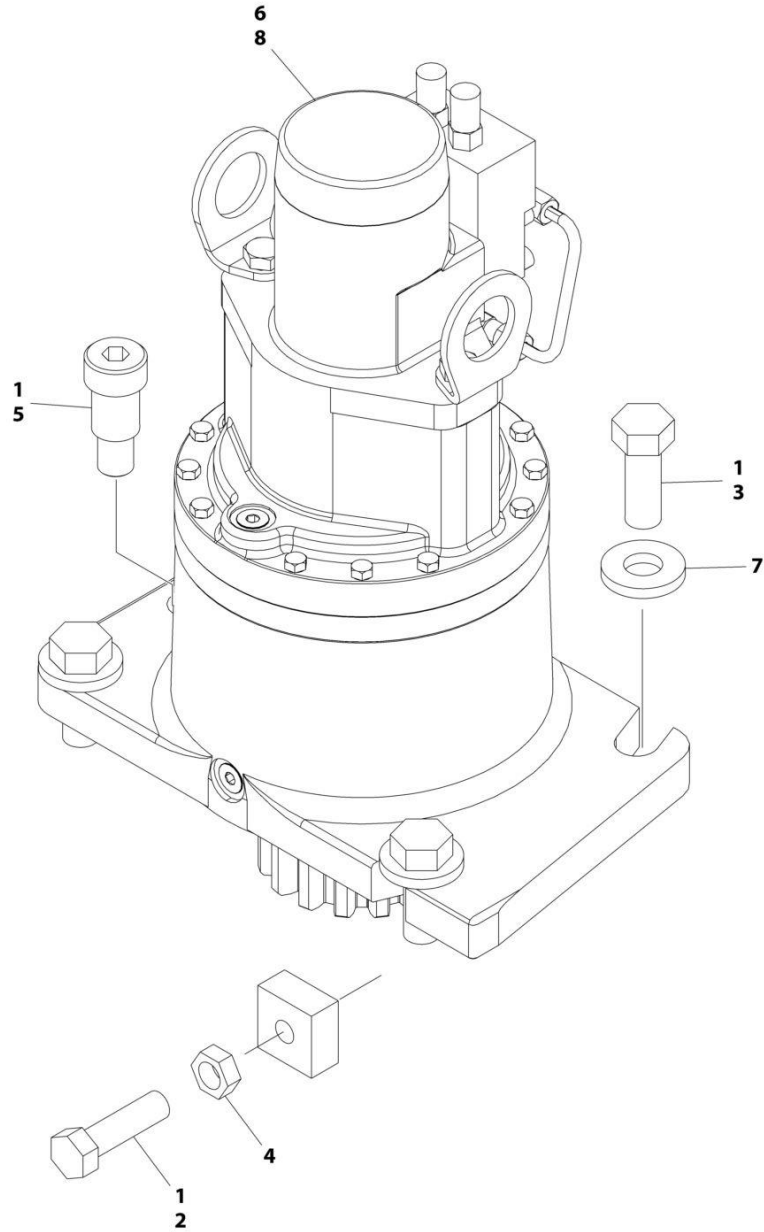
SECTION 2 - TURNTABLE

FIGURE 2-3. BRAKE/2 SPEED VALVE ASSEMBLY

ITEM	PART NUMBER	QTY	DESCRIPTION	REV
	1001226814	Ref	BRAKE/2 SPEED VALVE ASSEMBLY	E
1	7012995	1	Valve, Cartridge	
1	7012518	1	Seal Kit - 7012995 Valve	
1	7012943	1	Nut, Coil	
2	2220886	1	Plug, O-Ring	
3	2220883	1	Plug, O-Ring	
4	4641192	1	Valve, Cartridge	
4	7017496	1	Seal Kit - 4641192 Valve	
5	7012941	1	Valve, Cartridge	
5	7010543	1	Seal Kit - 7012941 Valve	
5	7012944	1	Nut, Coil	
6	7012989	1	Valve, Cartridge	
6	7012953	1	Seal Kit - 7012989 Valve	
7	7012928	1	Valve, Cartridge	
7	70003649	1	Seal Kit - 7012928 Valve	
8	70003975	1	Plug, Orifice	

SECTION 2 - TURNTABLE

FIGURE 2-4. SWING DRIVE INSTALLATION



ART_1001156136_B

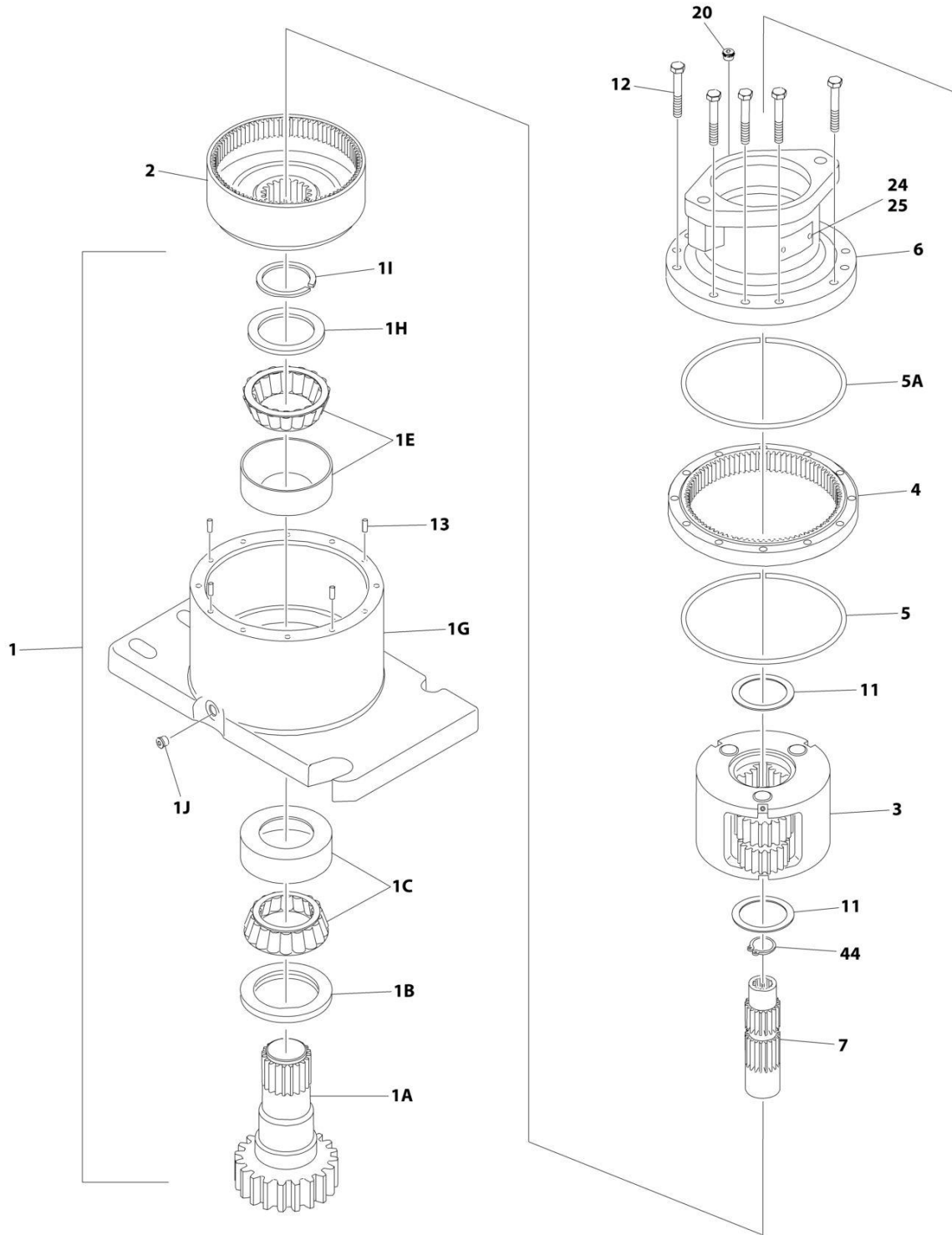
SECTION 2 - TURNTABLE

FIGURE 2-4. SWING DRIVE INSTALLATION

ITEM	PART NUMBER	QTY	DESCRIPTION	REV
	1001156136	Ref	SWING DRIVE INSTALLATION	B
1	0100019	AR	Compound, Locking	
2	3952020	1	Setscrew 5/8 x 2-1/2	
3	0682216	4	Bolt 3/4 x 2 Grade 8	
4	3312002	1	Nut 5/8	
5	3900293	1	Screw 1 x 1-1/4	
6	1001125492	1	Shim	
7	4740057	4	Washer	
8	1001229810	1	Swing Motor/Hub Assembly (See Separate Breakdown in this Section)	

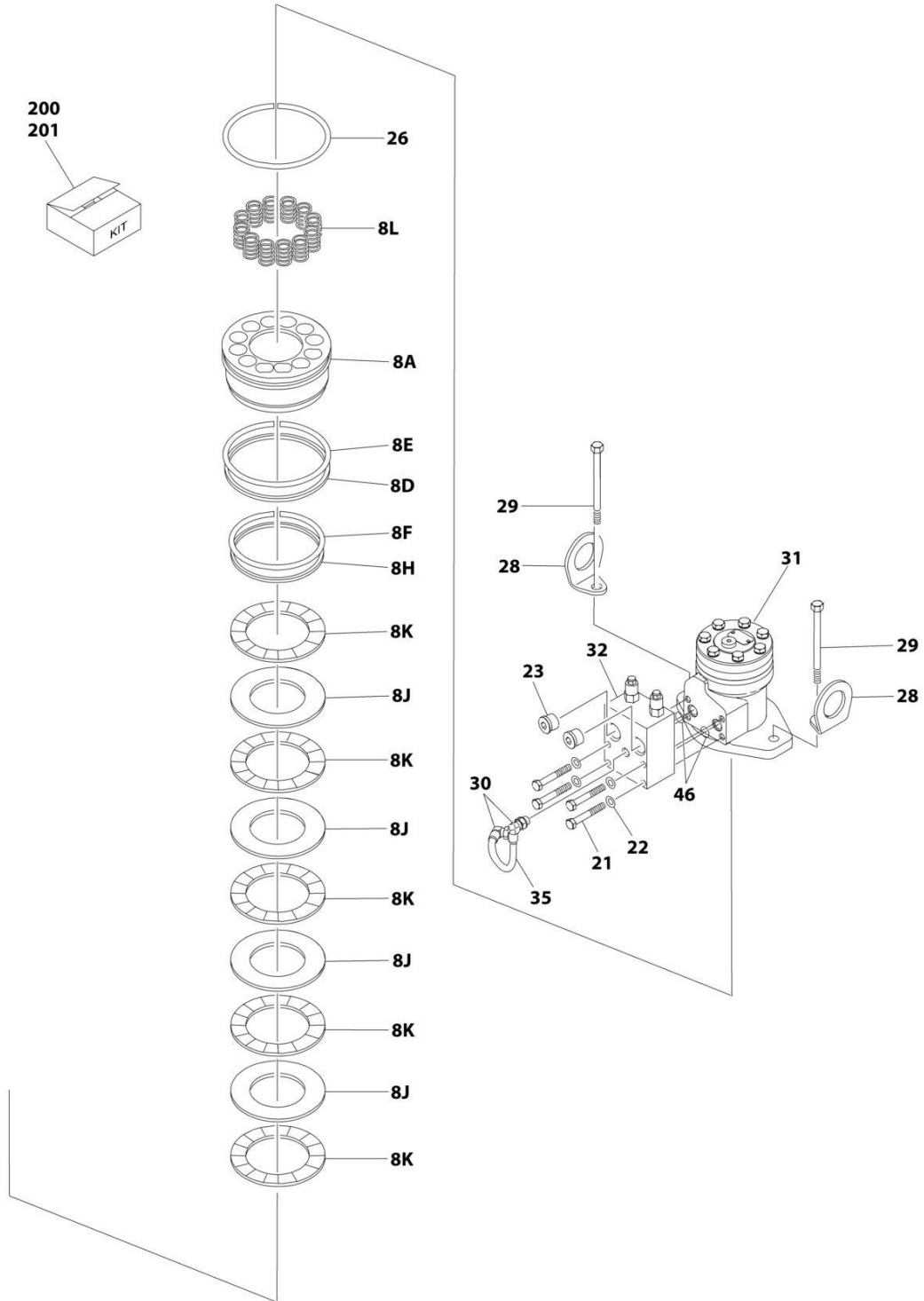
SECTION 2 - TURNTABLE

FIGURE 2-5. SWING MOTOR/HUB ASSEMBLY



ART_1001229810_10F2

SECTION 2 - TURNTABLE



ART_1001229810_20F2

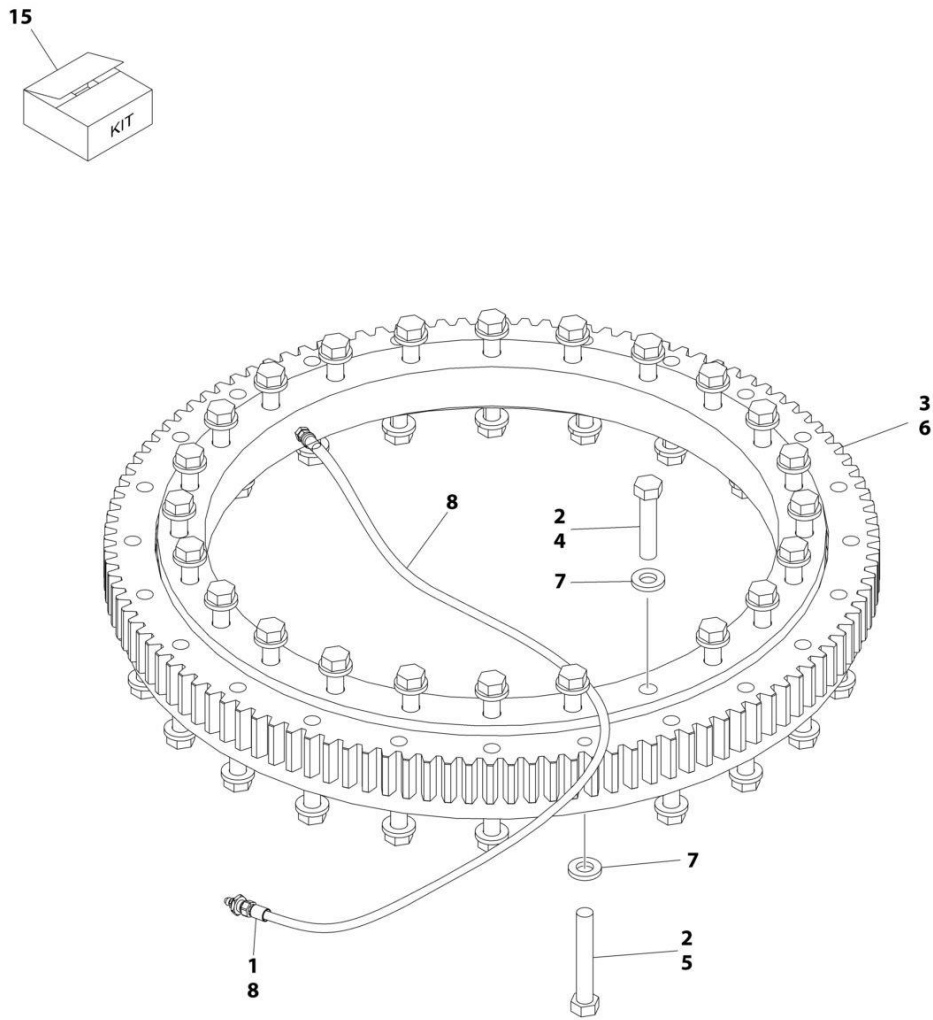
SECTION 2 - TURNTABLE

FIGURE 2-5. SWING MOTOR/HUB ASSEMBLY

ITEM	PART NUMBER	QTY	DESCRIPTION	REV
	1001229810	Ref	SWING MOTOR/HUB ASSEMBLY	C
1	See Note	1	Housing/Shaft Assembly (Note: Not Available - Purchase Individual Components)	
1A	7010492	1	Shaft, Output	
1B	7000228	1	Seal, Lip	
1C	7000255	1	Bearing Kit (Includes Cup and Cone)	
1E	7000257	1	Bearing Kit (Includes Cup and Cone)	
1G	7024762	1	Housing	
1H	7007633	1	Washer, Thrust	
1I	7000229	1	Ring, Retaining	
1J	7017072	1	Plug, Pipe	
2	7000246	1	Gear, Internal	
3	7000247	1	Carrier Assembly	
4	7000248	1	Gear, Ring	
5	7000230	1	O-Ring	
5A	7017070	1	O-Ring	
6	1001229810	NSS	Housing, Brake (Note: Not Available - Purchase Complete Assembly)	
7	70005203	1	Gear, Sun	
8A	70004037	1	Piston	
8D	70004041	1	O-Ring	
8E	70004044	1	Ring, Back-up	
8F	70004042	1	O-Ring	
8H	70004043	1	Ring, Back-up	
8J	70002085	4	Disc, Rotor	
8K	70002085	5	Disc, Stator	
8L	70002066	14	Spring	
11	7000253	2	Washer, Thrust	
12	7000217	12	Bolt 3/8 x 2-1/4 Grade 8	
13	7017080	4	Pin, Dowel	
20	7017072	1	Plug, Pipe	
21	7024704	4	Bolt 5/16 x 2 Grade 8	
22	70004045	4	Washer	
23	7017023	2	Plug, Pipe	
24	See Note	NSS	Plate, ID (Note: Not Available for Purchase)	
25	See Note	NSS	Rivet (Note: Not Available for Purchase)	
26	7024763	1	O-Ring	
28	See Note	NSS	Lug, Lifting (Note: Not Available for Purchase)	
29	70004040	2	Bolt 1/2 x 1 (Grade 8)	
30	7017085	2	Elbow	
31	70006304	1	Motor Assembly	
32	7024784	1	Valve Assembly - Complete (No Serviceable Parts)	
35	70004047	1	Tube	
44	7017028	1	Ring, Internal Retaining	
45	7000213	2	O-Ring	
		Ref	KIT OPTIONS:	
200	7024100	1	Seal Kit - Swing Hub (Includes Items 1B, 1I, 5, 5A & 11)	
201	70002085	1	Disc Kit - Swing Brake (Includes Items 8J & 8K)	

SECTION 2 - TURNTABLE

FIGURE 2-6. TURNTABLE BEARING AND LUBE INSTALLATION



ART_1001157049

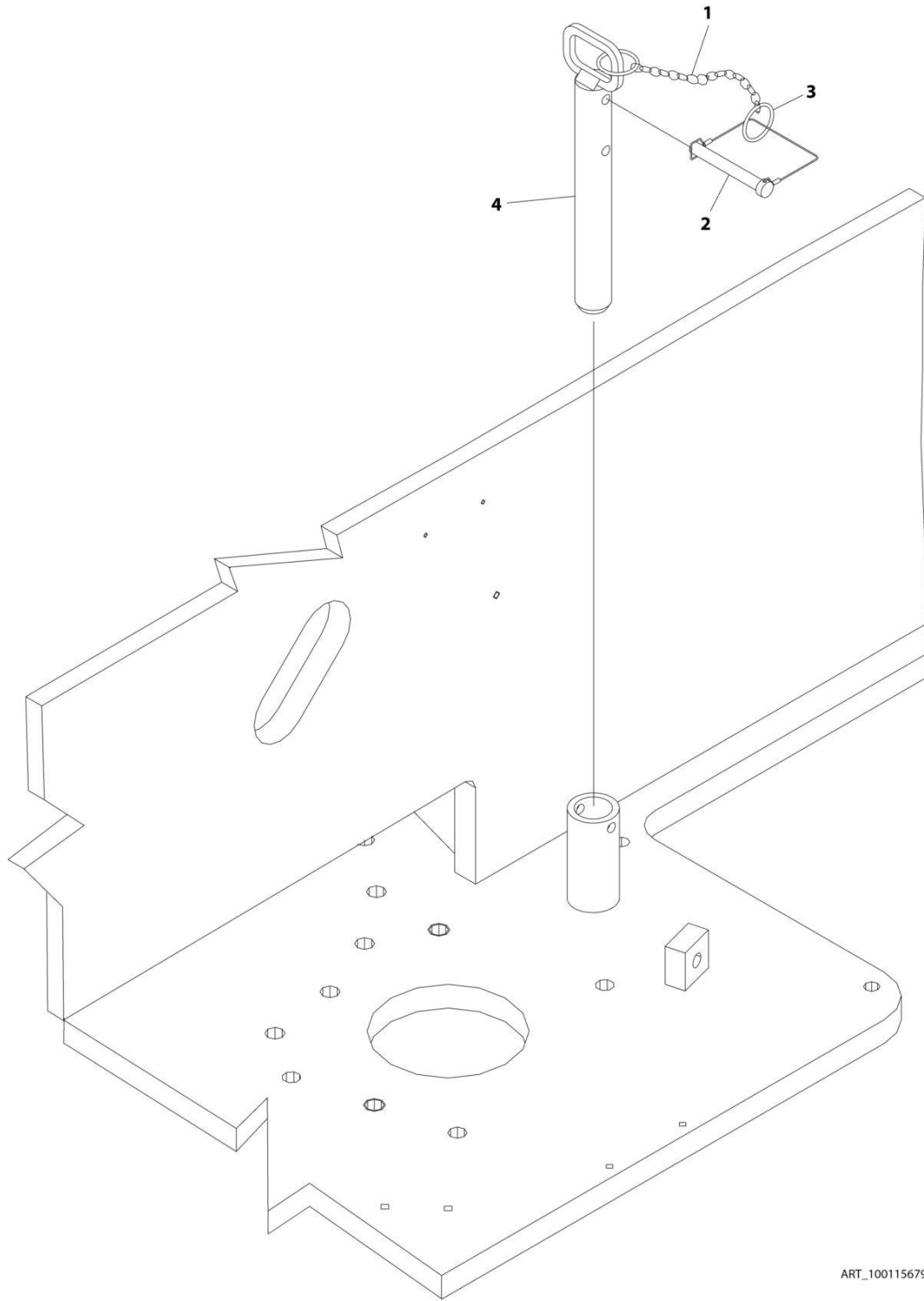
SECTION 2 - TURNTABLE

FIGURE 2-6. TURNTABLE BEARING AND LUBE INSTALLATION

ITEM	PART NUMBER	QTY	DESCRIPTION	REV
	1001157049	Ref	TURNTABLE BEARING AND LUBE INSTALLATION	B
1	0100011	AR	Compound, Locking	
2	0100019	AR	Compound, Locking	
3	0440244	1	Bearing, Turntable	
4	0682023	24	Bolt 5/8 x 2-7/8 Grade 8	
5	0682032	24	Bolt 5/8 x 4 Grade 8	
6	3020029	AR	Lubricant	
7	4892000	48	Washer 5/8	
8	1001157058	1	Hose	
15	2915094	1	Turntable Bearing Kit	

SECTION 2 - TURNTABLE

FIGURE 2-7. TURNTABLE LOCK INSTALLATION



ART_1001156798

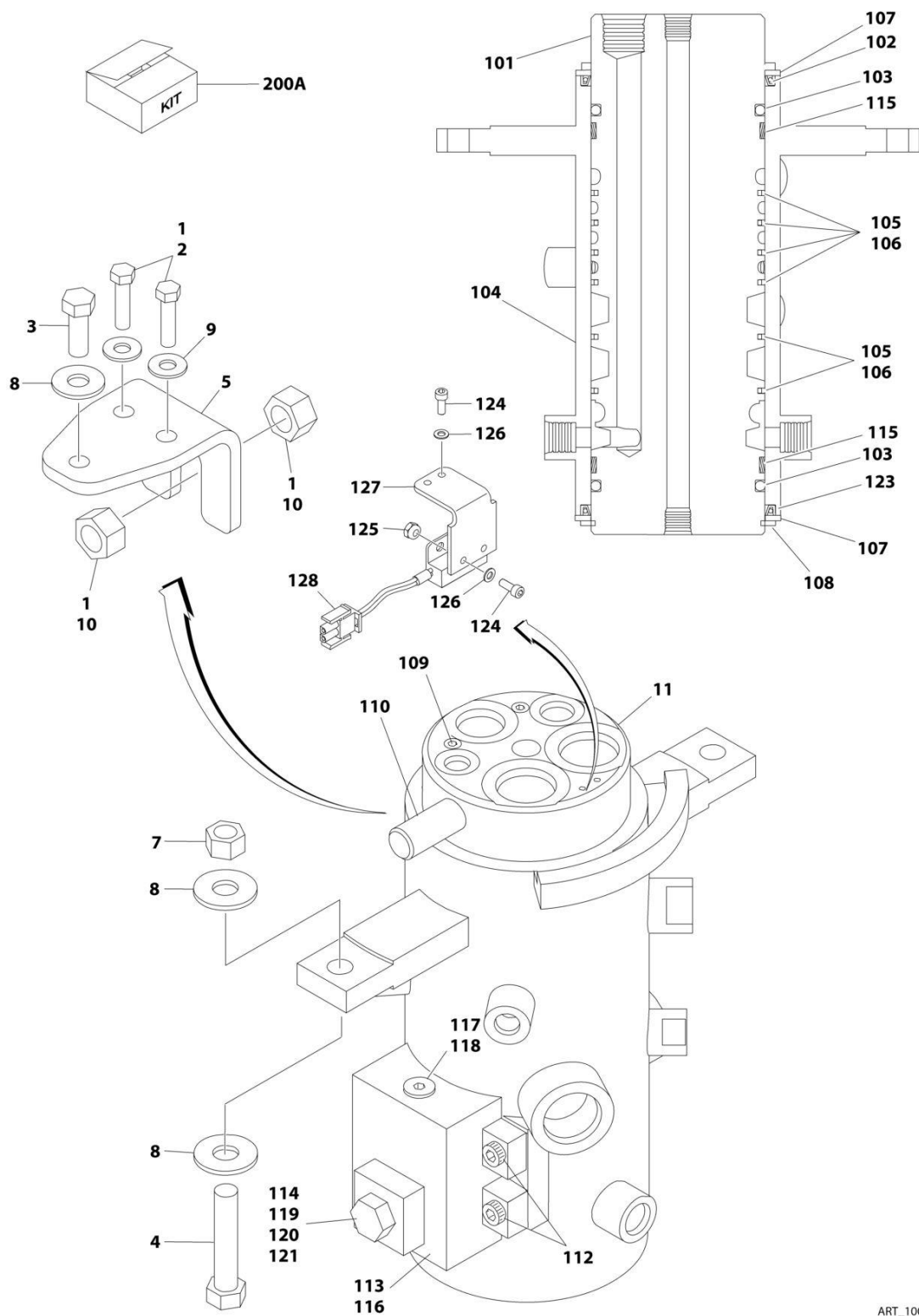
SECTION 2 - TURNTABLE

FIGURE 2-7. TURNTABLE LOCK INSTALLATION

ITEM	PART NUMBER	QTY	DESCRIPTION	REV
	1001156798	Ref	TURNTABLE LOCK INSTALLATION	A
1	1260017	9 in/23cm	Chain	
2	3421565	1	Pin, Snap	
3	3760170	2	Ring, Quick Release	
4	4844958	1	Pin	

SECTION 2 - TURNTABLE

FIGURE 2-8. ROTARY COUPLING INSTALLATION



ART_1001107529

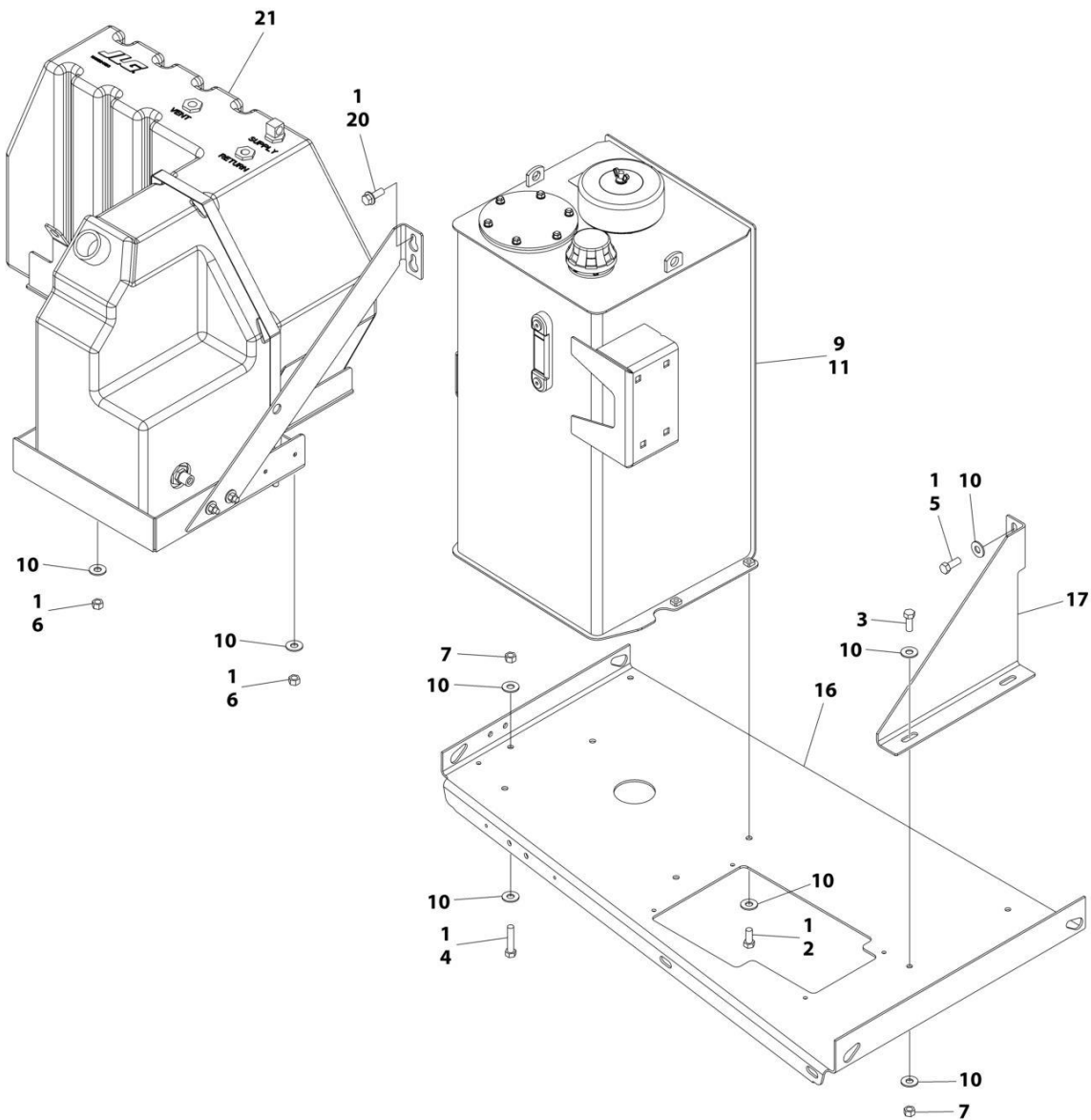
SECTION 2 - TURNTABLE

FIGURE 2-8. ROTARY COUPLING INSTALLATION

ITEM	PART NUMBER	QTY	DESCRIPTION	REV
	1001107529	Ref	ROTARY COUPLING INSTALLATION	B
1	0100011	AR	Compound, Locking	
2	0641611	2	Bolt 3/8 x 1-3/8	
3	0641812	1	Bolt 1/2 x 1-1/2	
4	0641820	2	Bolt 1/2 x 2-1/2	
5	0903242	1	Bracket	
7	3271805	2	Nut 1/2	
8	4751800	5	Washer 1/2	
9	4891600	2	Washer 3/8	
10	3322201	2	Nut 3/4	
11	1001106974	1	Coupling, Rotary Assembly (See Items 101-128 for Breakdown)	
	1001106974	Ref	ROTARY COUPLING ASSEMBLY	B
101	See Note	NSS	Body (Note: Not Available - Purchase Complete Assembly)	
102	See Note	NSS	Seal (Note: Use Item 200A)	
103	See Note	NSS	O-Ring (Note: Use Item 200A)	
104	See Note	NSS	Housing (Note: Not Available - Purchase Complete Assembly)	
105	See Note	NSS	Seal, Cap (Note: Use Item 200A)	
106	See Note	NSS	O-Ring (Note: Use Item 200A)	
107	7026503	2	Ring	
108	7026504	1	Ring, Retaining	
109	80934561	AR	Plug	
110	See Note	NSS	Lug, Torque (Note: Not Available for Purchase)	
112	7026197	4	Bolt 5/16 x 1-1/4	
113	See Note	NSS	O-Ring (Note: Use Item 200A)	
114	See Note	NSS	O-Ring (Note: Use Item 200A)	
115	See Note	NSS	Bearing (Note: Use Item 200A)	
116	7024404	1	Block Valve Assembly	
117	7026505	1	Plug	
118	7026506	1	Valve, Check	
119	7026507	1	Plug	
120	See Note	NSS	Plunger, Valve (Note: Use p/n 7024404)	
121	7026509	1	Spring, Compression	
123	See Note	NSS	Seal (Note: Use Item 200A)	
124	See Note	NSS	Capscrew #10 x 1/2 (Note: Not Available for Purchase)	
125	See Note	NSS	Nut #10 (Note: Not Available for Purchase)	
126	See Note	NSS	Flatwasher #10 (Note: Not Available for Purchase)	
127	70003454	1	Bracket, Switch Mounting	
128	4360517	1	Switch, Proximity	
200A	70001248	1	Seal Kit (Includes Items 102, 103, 105, 106, 113, 114, 115 & 123)	

SECTION 2 - TURNTABLE

FIGURE 2-9. TANKS INSTALLATION



ART_1001223977

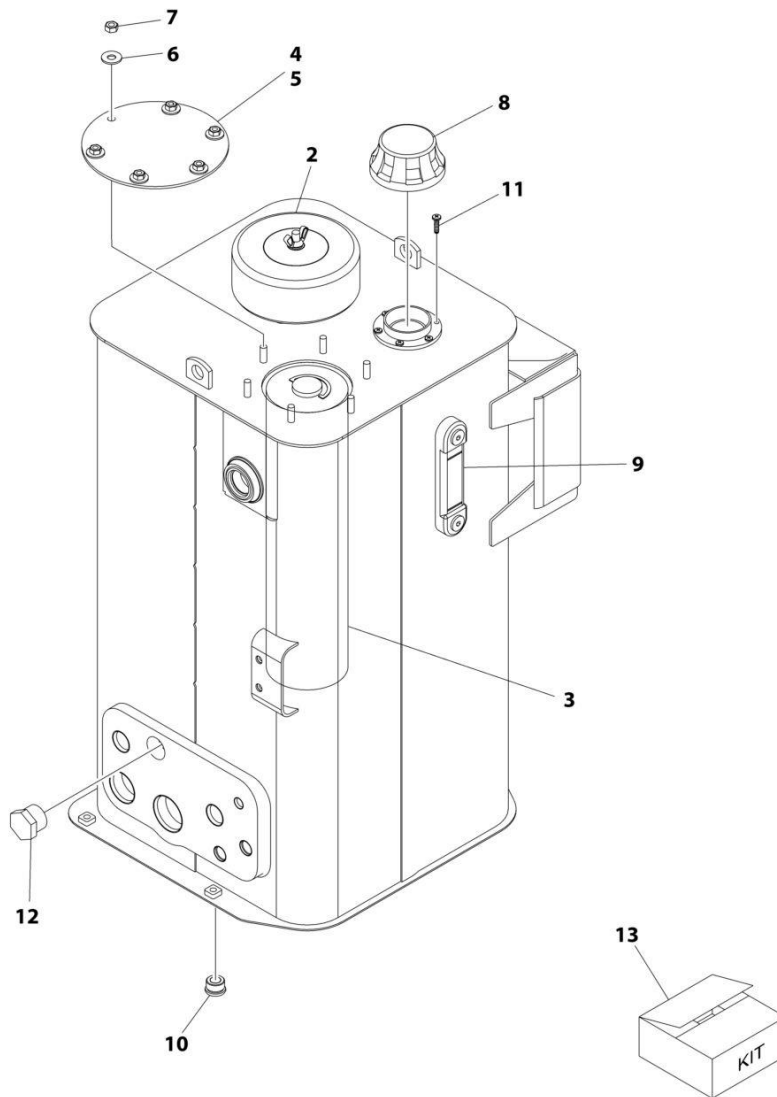
SECTION 2 - TURNTABLE

FIGURE 2-9. TANKS INSTALLATION

ITEM	PART NUMBER	QTY	DESCRIPTION	REV
	1001223977	Ref	TANKS INSTALLATION	C
1	0100011	AR	Compound, Locking	
2	0641607	4	Bolt 3/8 x 7/8	
3	0641608	2	Bolt 3/8 x 1	
4	0641614	2	Bolt 3/8 x 1-3/4	
5	0681608	2	Bolt 3/8 x 1	
6	3311601	2	Nut 3/8	
7	3311605	4	Nut 3/8	
9	4420038	26 in/ 0.66m	Tape	
10	4751600	16	Washer 3/8	
11	1001178057	1	Hydraulic Tank Assembly (See Separate Breakdown in this Section)	
16	1001227338	1	Tray	
17	1001227383	1	Bracket	
20	0811608	2	Screw 3/8 x 1	
21	1001233641	1	Fuel Tank Assembly (See Separate Breakdown in this Section)	

SECTION 2 - TURNTABLE

FIGURE 2-10. HYDRAULIC TANK ASSEMBLY



ART_1001178057

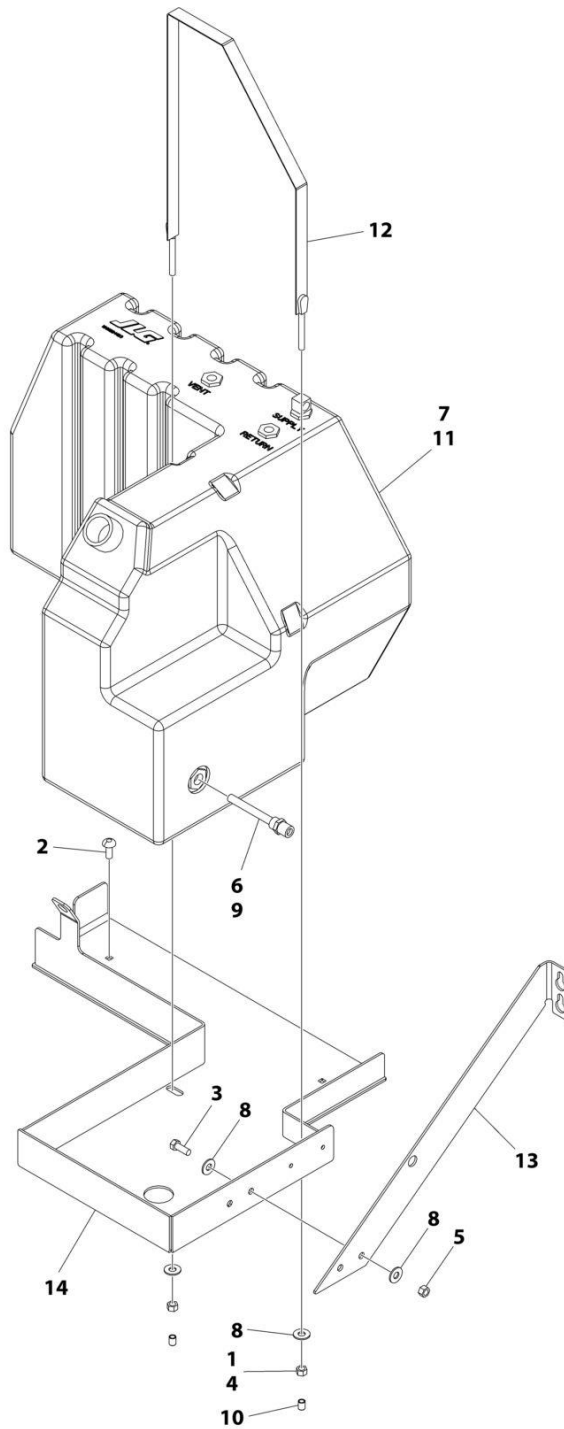
SECTION 2 - TURNTABLE

FIGURE 2-10. HYDRAULIC TANK ASSEMBLY

ITEM	PART NUMBER	QTY	DESCRIPTION	REV
	1001178057	Ref	HYDRAULIC TANK ASSEMBLY	D
2	70005708	1	Breather Assembly (Includes Breather, Element and Wingnut)	
2	See Note	NSS	Element, Breather (Note: Use p/n 70005708 or Item 13)	
3	See Note	NSS	Element, Hydraulic (Note: Use Item 13)	
4	70002839	1	Gasket	
5	See Note	NSS	Cover (Note: Not Available for Purchase)	
6	83304173	6	Washer 5/16	
7	70004199	6	Nut 5/16	
8	70002838	1	Cap, Fill	
9	7024441	1	Gauge, Level	
10	70002112	1	Plug	
11	70004795	6	Screw #10 x 3/4	
12	See Note	NSS	Plug (Note: Not Available - Purchase Locally)	
13	70002814	1	Hydraulic Tank Service Kit (Includes Items 2-4)	

SECTION 2 - TURNTABLE

FIGURE 2-11. FUEL TANK ASSEMBLY



ART_1001233641

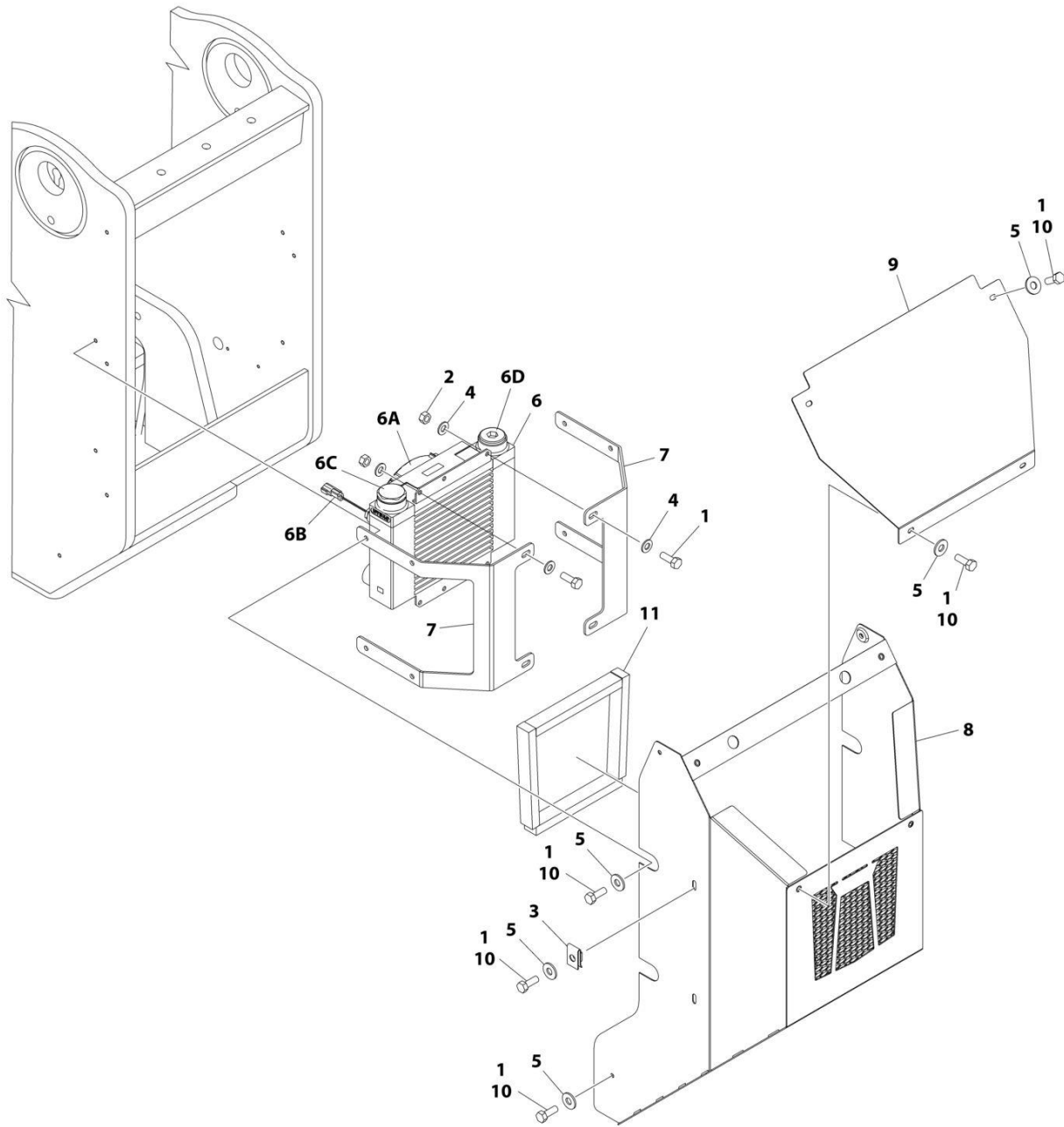
SECTION 2 - TURNTABLE

FIGURE 2-11. FUEL TANK ASSEMBLY

ITEM	PART NUMBER	QTY	DESCRIPTION	REV
	1001233641	Ref	FUEL TANK ASSEMBLY	A
1	0100011	AR	Compound, Locking	
2	0630446	2	Bolt 3/8 x 1	
3	0641608	2	Bolt 3/8 x 1	
4	3311601	2	Nut 3/8	
5	3311605	2	Nut 3/8	
6	4360436	1	Switch, Fuel Level	
7	4420038	37 in/ 0.94m	Tape	
8	4751600	6	Washer 3/8	
9	1001182997	AR	Adhesive	
10	1001218572	2	Cap	
11	1001224123	1	Tank, Fuel	
11	See Note	NSS	Cap (Note: Not Available at time of Printing)	
11	See Note	NSS	Tube, Pick-up (Note: Not Available at time of Printing)	
12	1001224384	1	Strap	
13	1001233635	1	Bracket	
14	1001233640	1	Tray	

SECTION 2 - TURNTABLE

FIGURE 2-12. OIL COOLER INSTALLATION



ART_1001223981

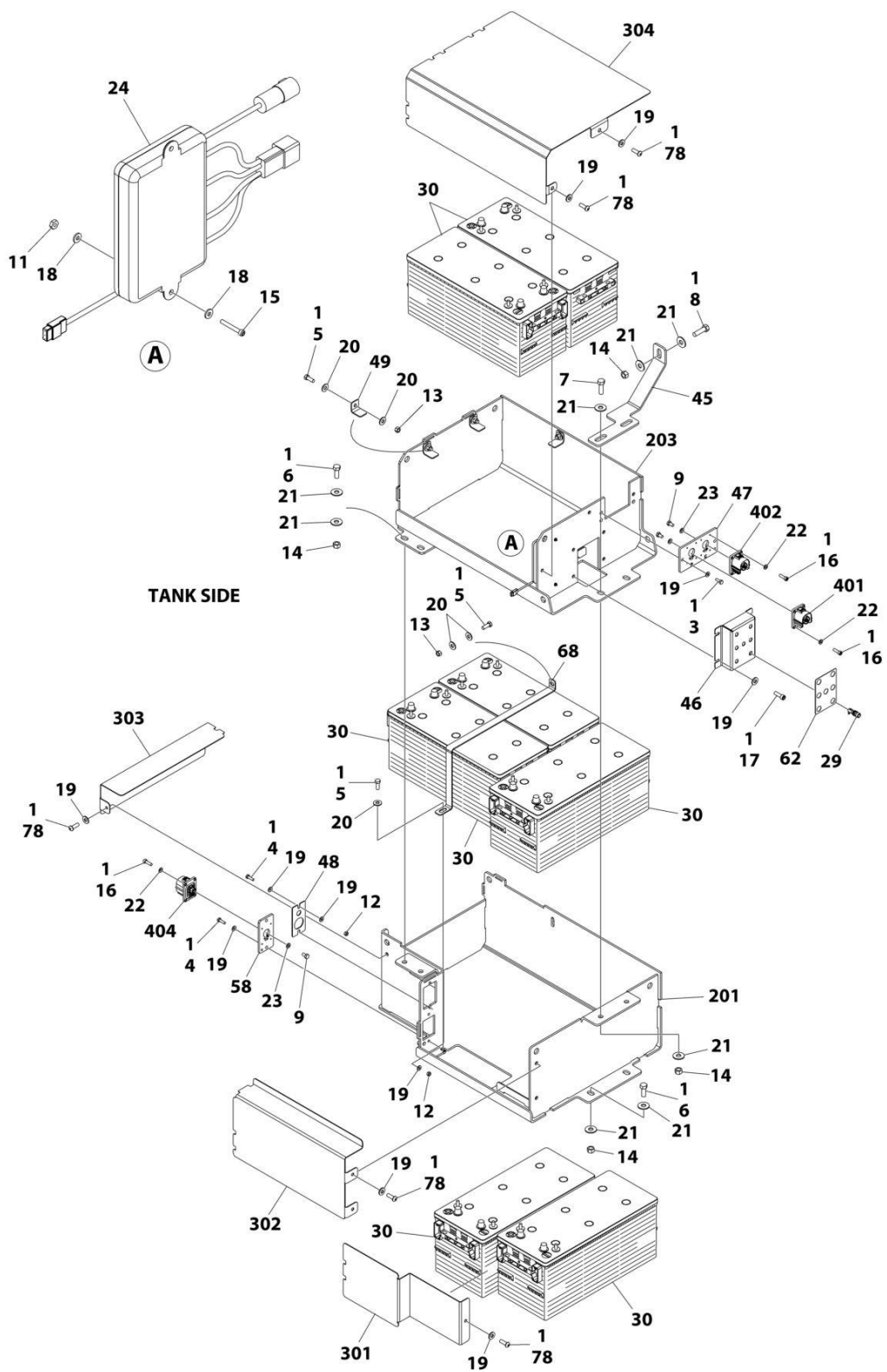
SECTION 2 - TURNTABLE

FIGURE 2-12. OIL COOLER INSTALLATION

ITEM	PART NUMBER	QTY	DESCRIPTION	REV
	1001223981	Ref	COOLER INSTALLATION	C
1	0641507	20	Bolt 5/16 x 7/8	
2	3271505	4	Nut 5/16	
3	3300364	1	Nut, Tinnerman 5/16	
4	4711500	8	Washer 5/16	
5	4751500	16	Washer 5/16	
6	1001225804	1	Cooler Assembly	
6A	70006577	1	Fan/Motor Assembly	
6A	4460994	1	Plug, Male - 2 Position (Fan/Motor)	
6A	4460993	2	Terminal (Fan/Motor)	
6B	70006576	1	Thermostat	
6B	4460891	1	Plug, Male - 2 Position (Thermostat)	
6B	4460465	2	Socket, Female (Thermostat)	
6C	70006578	1	Valve, By-Pass	
6D	70006579	1	Plug	
7	1001227198	2	Bracket	
8	1001227869	1	Cover, Vented	
9	1001227870	1	Cover	
10	0100011	AR	Compound, Locking	
11	1001233249	4	Seal	

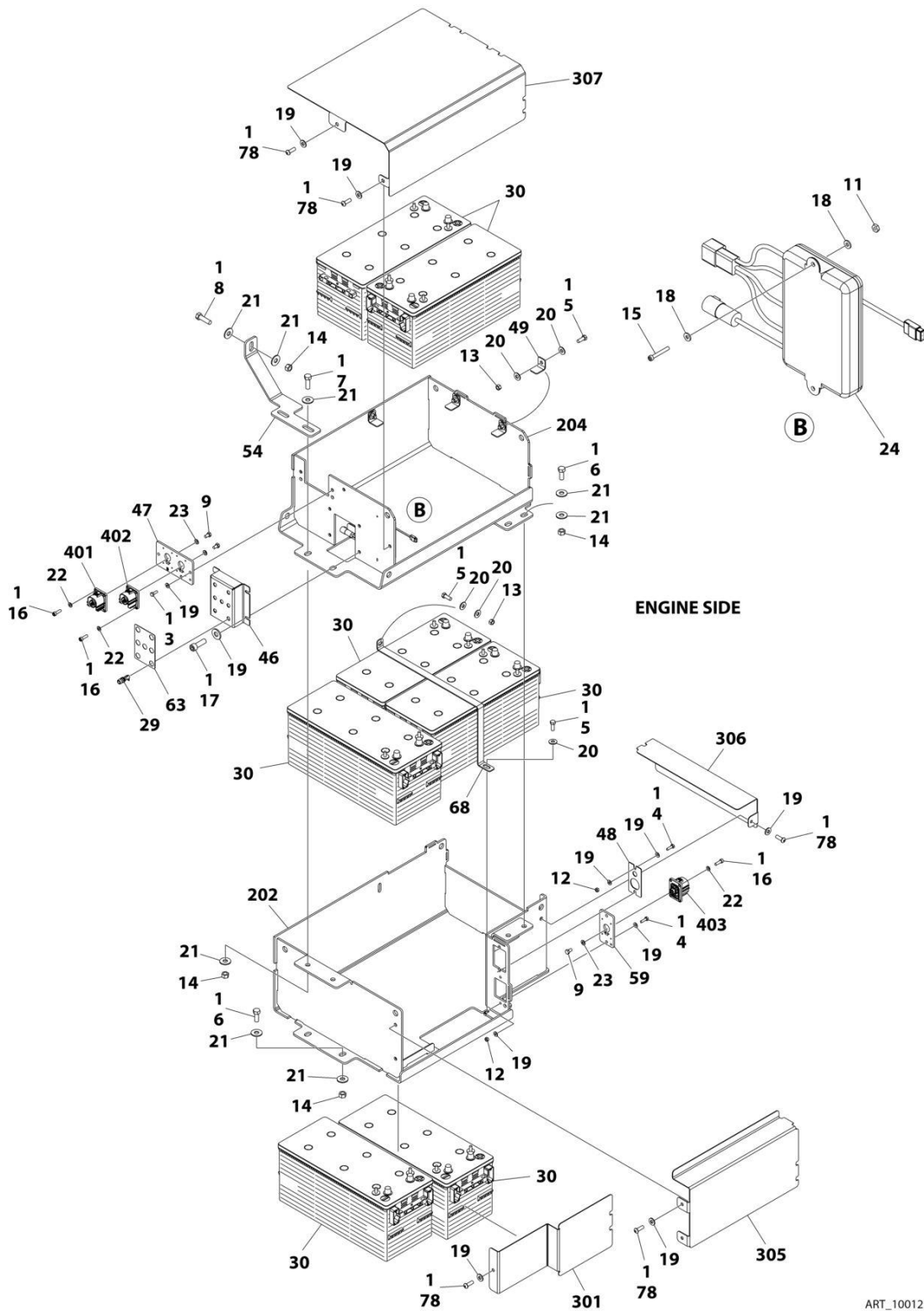
SECTION 2 - TURNTABLE

FIGURE 2-13. BATTERY BOXES INSTALLATION



ART_1001231700_1OF3

SECTION 2 - TURNTABLE



ART_1001231700_20F3

SECTION 2 - TURNTABLE

FIGURE 2-13. BATTERY BOXES INSTALLATION

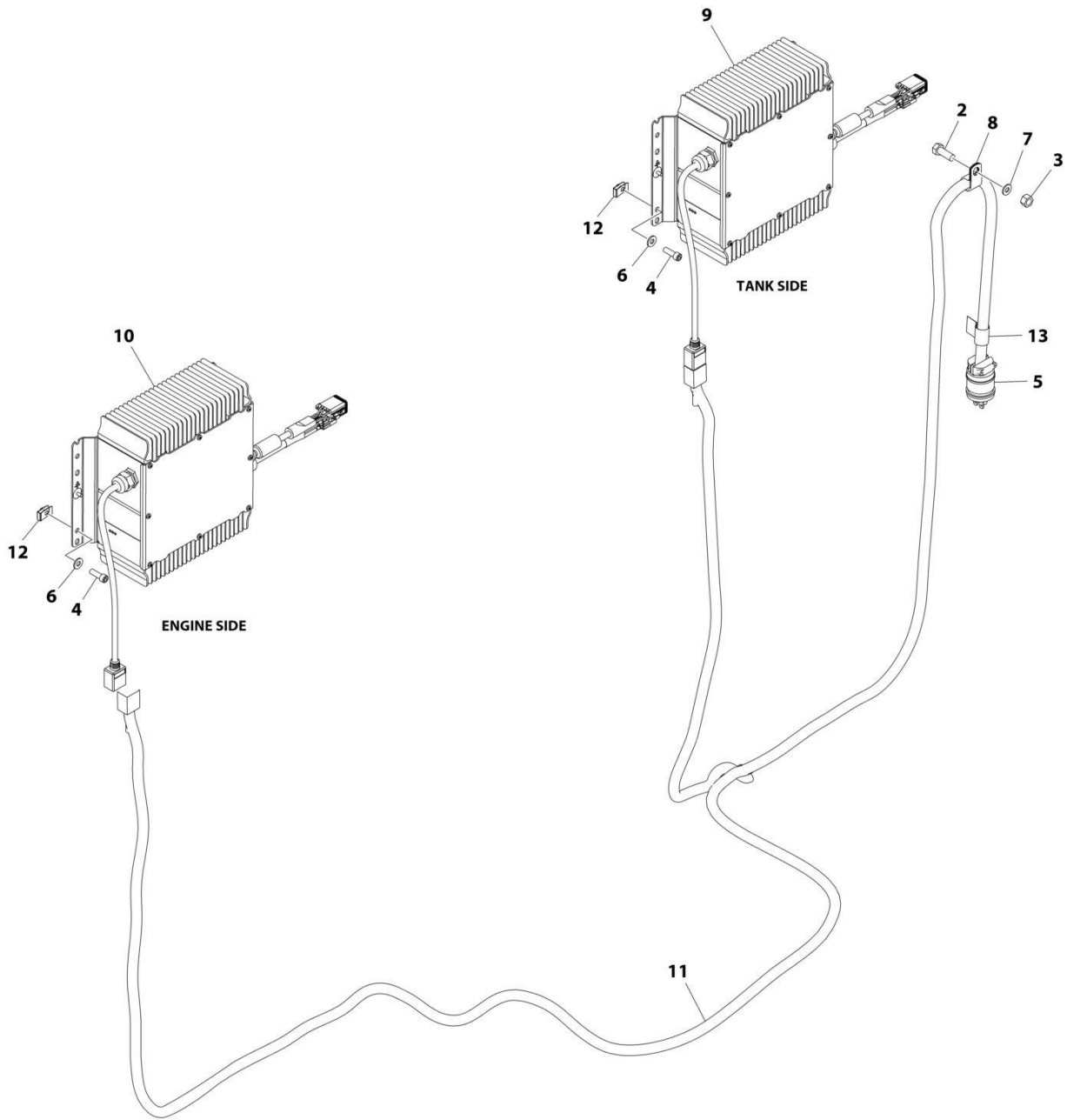
ITEM	PART NUMBER	QTY	DESCRIPTION	REV
	1001231700	Ref	BATTERY BOXES INSTALLATION	G
1	0100011	AR	Compound, Locking	
3	0641406	4	Bolt 1/4 x 3/4	
4	0641407	8	Bolt 1/4 x 7/8	
5	0641608	16	Bolt 3/8 x 1	
6	0641810	12	Bolt 1/2 x 1-1/4	
7	0641812	4	Bolt 1/2 x 1-1/2	
8	0641814	2	Bolt 1/2 x 1-3/4	
9	0760807	6	Bolt M8 x 14	
11	3310605	4	Nut #6	
12	3311401	8	Nut 1/4	
13	3311601	14	Nut 3/8	
14	3311801	18	Nut 1/2	
15	3930616	4	Capscrew #6 x 1	
16	3931010	24	Capscrew #10 x 5/8	
17	3931412	8	Capscrew 1/4 x 3/4	
18	4710600	8	Washer #6	
19	4711400	40	Washer 1/4	
20	4751600	30	Washer 3/8	
21	4751800	36	Washer 1/2	
22	4811600	24	Washer M5	
23	4811900	6	Washer M8	
24	1001222358	2	Regulator	
29	1001226935	14	Fuseholder	
30	1001231249	14	Battery	
45	1001231596	1	Plate	
46	1001231597	2	Mount	
47	1001231598	2	Mount	
48	1001231599	2	Cover	
49	1001231600	12	Plate	
54	1001231655	1	Plate	
58	1001231839	1	Mount	
59	1001231840	1	Mount	
62	1001230711	1	Decal - Tank Battery Stack Fuses	
63	1001230712	1	Decal - Engine Battery Stack Fuses	
68	1001233737	2	Plate	
73	4240099	2	Tie-Strap (Not Shown)	
78	0641405	12	Bolt 1/4 x 5/8	
200	1001233443	1	Battery Box Kit (Not Shown)	
201	1001231569	1	Box, Battery	
202	1001231570	1	Box, Battery	
203	1001231581	1	Box, Battery (Tank Side)	
204	1001231582	1	Box, Battery (Engine Side)	
300	1001233444	1	Battery Covers Kit (Not Shown)	
301	1001231601	2	Cover, Battery Box	
302	1001231606	1	Cover, Battery Box	
303	1001231607	1	Cover, Battery Box	
304	1001231608	1	Cover, Battery Box	
305	1001231656	1	Cover, Battery Box	
306	1001231657	1	Cover, Battery Box	

SECTION 2 - TURNTABLE

ITEM	PART NUMBER	QTY	DESCRIPTION	REV
307	1001231658	1	Cover, Battery Box	
400	1001233446	1	Connector Kit (Not Shown)	
401	1001223195	2	Connector	
402	1001223196	2	Connector	
403	1001223198	1	Connector	
404	1001223200	1	Connector	

SECTION 2 - TURNTABLE

FIGURE 2-14. BATTERY CHARGERS INSTALLATION (FACTORY SUPPLIED 220V PLUG)



ART_1001223124

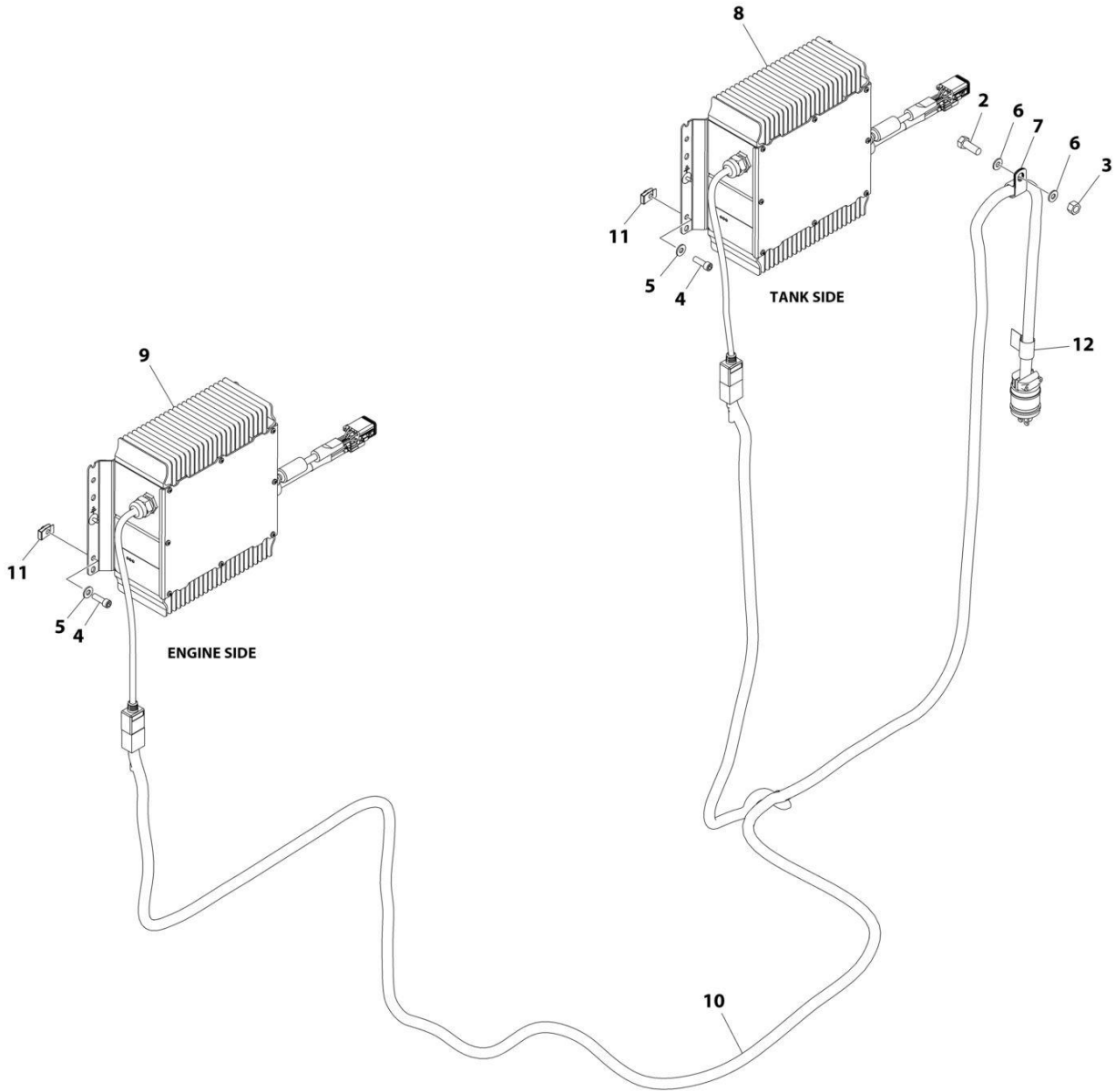
SECTION 2 - TURNTABLE

FIGURE 2-14. BATTERY CHARGERS INSTALLATION (FACTORY SUPPLIED 220V PLUG)

ITEM	PART NUMBER	QTY	DESCRIPTION	REV
	1001223124	Ref	BATTERY CHARGERS INSTALLATION	F
2	0641608	1	Bolt 3/8 x 1	
3	3311605	1	Nut 3/8	
4	3931412	8	Capscrew 1/4 x 3/4	
5	4460233	1	Plug	
6	4711400	8	Washer 1/4	
7	4711600	2	Washer 3/8	
8	1320061	1	Clamp	
9	1001222359	1	Charger, Battery (Primary)	
10	1001222360	1	Charger, Battery (Secondary)	
11	1001226031	1	Cable, AC	
12	3300454	8	Nut, Tinnerman 1/4	
13	1001238309	1	Decal - 240V Heater Cord	

SECTION 2 - TURNTABLE

FIGURE 2-15. BATTERY CHARGERS INSTALLATION (CUSTOMER SUPPLIED PLUG)



ART_1001227901_F

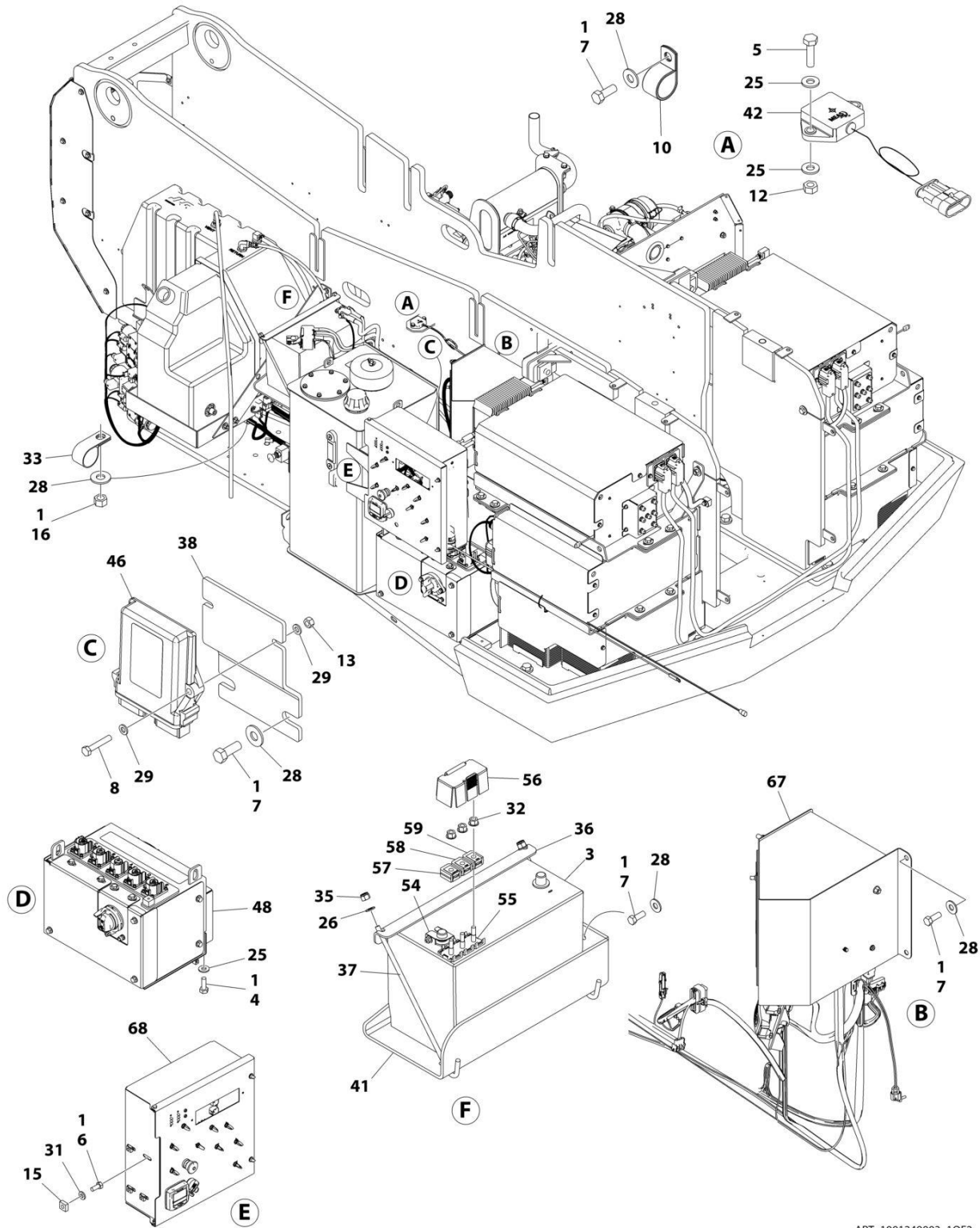
SECTION 2 - TURNTABLE

FIGURE 2-15. BATTERY CHARGERS INSTALLATION (CUSTOMER SUPPLIED PLUG)

ITEM	PART NUMBER	QTY	DESCRIPTION	REV
	1001227901	Ref	BATTERY CHARGERS INSTALLATION	F
2	0641608	1	Bolt 3/8 x 1	
3	3311605	1	Nut 3/8	
4	3931412	8	Capscrew 1/4 x 3/4	
5	4711400	8	Washer 1/4	
6	4711600	2	Washer 3/8	
7	1320061	1	Clamp	
8	1001222359	1	Charger, Battery (Primary)	
9	1001222360	1	Charger, Battery (Secondary)	
10	1001264430	1	Cable, AC	
11	3300454	8	Nut 1/4	
12	1001238309	1	Decal - 240V Heater Cord	

SECTION 2 - TURNTABLE

FIGURE 2-16. ELECTRICAL SYSTEM INSTALLATION



ART_1001249003_10F2

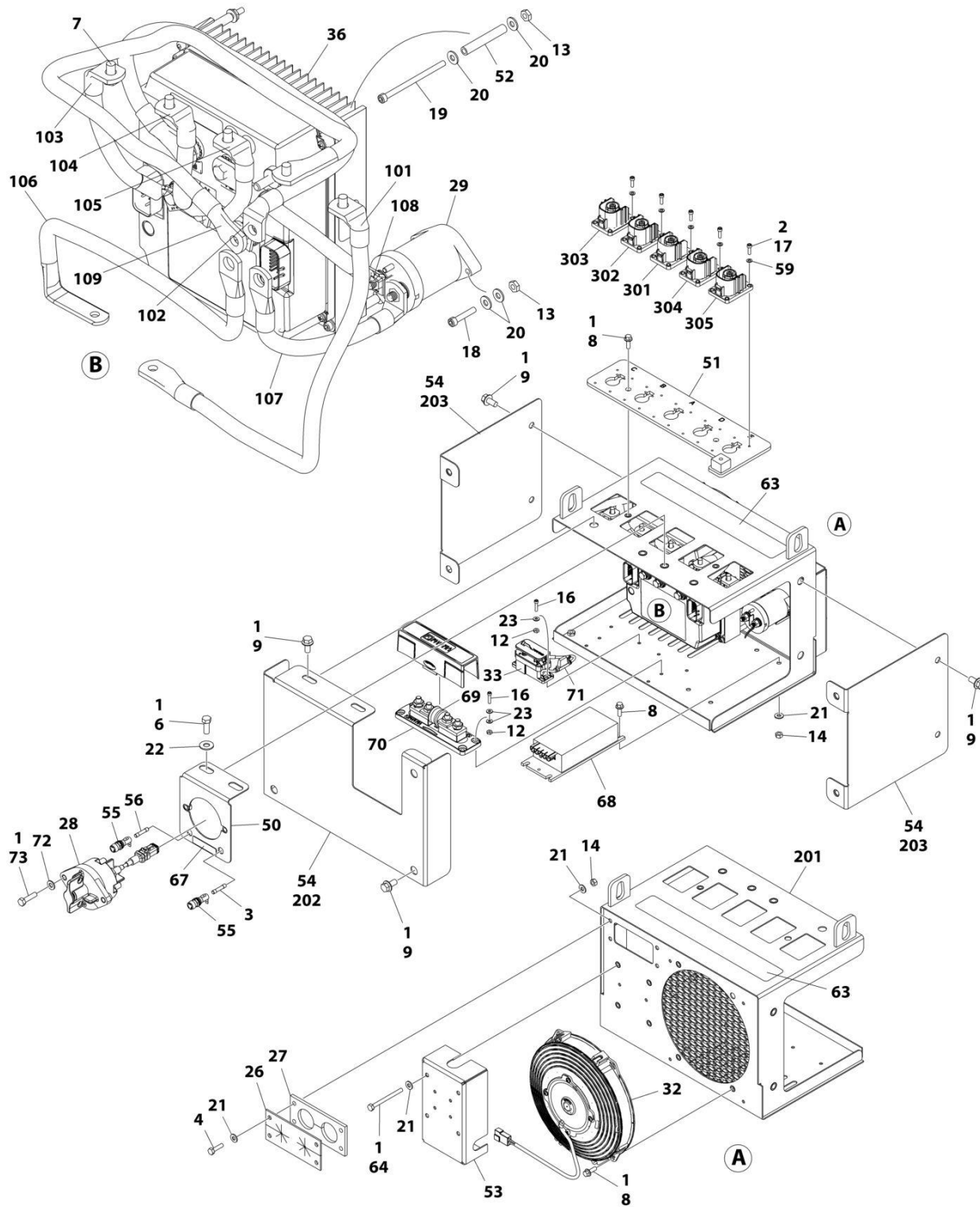
SECTION 2 - TURNTABLE

FIGURE 2-16. ELECTRICAL SYSTEM INSTALLATION

ITEM	PART NUMBER	QTY	DESCRIPTION	REV
	1001249003	Ref	ELECTRICAL SYSTEM INSTALLATION	B
1	0100011	AR	Compound, Locking	
3	0400075	1	Battery	
4	0641406	4	Bolt 1/4 x 3/4	
5	0641408	2	Bolt 1/4 x 1	
6	0641506	4	Bolt 5/16 x 3/4	
7	0681608	10	Bolt 3/8 x 1	
8	0700615	2	Bolt M6 x 35	
10	1320060	1	Clamp	
12	3271405	2	Nut 1/4	
13	3290607	2	Nut M6	
15	3300205	4	Nut, Retainer	
16	3311601	2	Nut 3/8	
17	4061032	1	Shield (Not Shown - Located over Hydraulic Pump)	
20	4240099	2	Tie-Strap (Not Shown)	
25	4711400	8	Washer 1/4	
26	4711500	2	Washer 5/16	
28	4751600	12	Washer 3/8	
29	4811700	4	Washer M6	
31	4891500	4	Washer 5/16	
32	5260818	3	Nut M8	
33	8406201	2	Clip	
35	88521205	2	Nut 5/16	
36	91401281	1	Bracket	
37	1001093382	2	J-Bolt	
38	1001142722	1	Bracket	
41	1001162497	1	Tray, Battery	
42	1001219601	1	Sensor, Tilt	
46	1001223583	1	Module, HEC Control (Note: Recalibration Required when Replaced)	
48	1001226120	1	IMG Control Box Assembly (See Separate Breakdown in this Section)	
54	1001226929	1	Terminal	
55	1001226930	1	Stud Assembly	
56	1001226931	1	Boot, Red	
57	1001226932	1	Fuse 40Amp	
58	1001226933	1	Fuse 80Amp	
59	1001226934	1	Shunt	
67	1001249004	1	Fuse Box Assembly (See Separate Breakdown in this Section)	
68	1001249005	1	Ground Control Box Assembly (See Separate Breakdown in this Section)	

SECTION 2 - TURNTABLE

FIGURE 2-17. IMG CONTROL BOX ASSEMBLY



ART_1001226120

SECTION 2 - TURNTABLE

FIGURE 2-17. IMG CONTROL BOX ASSEMBLY

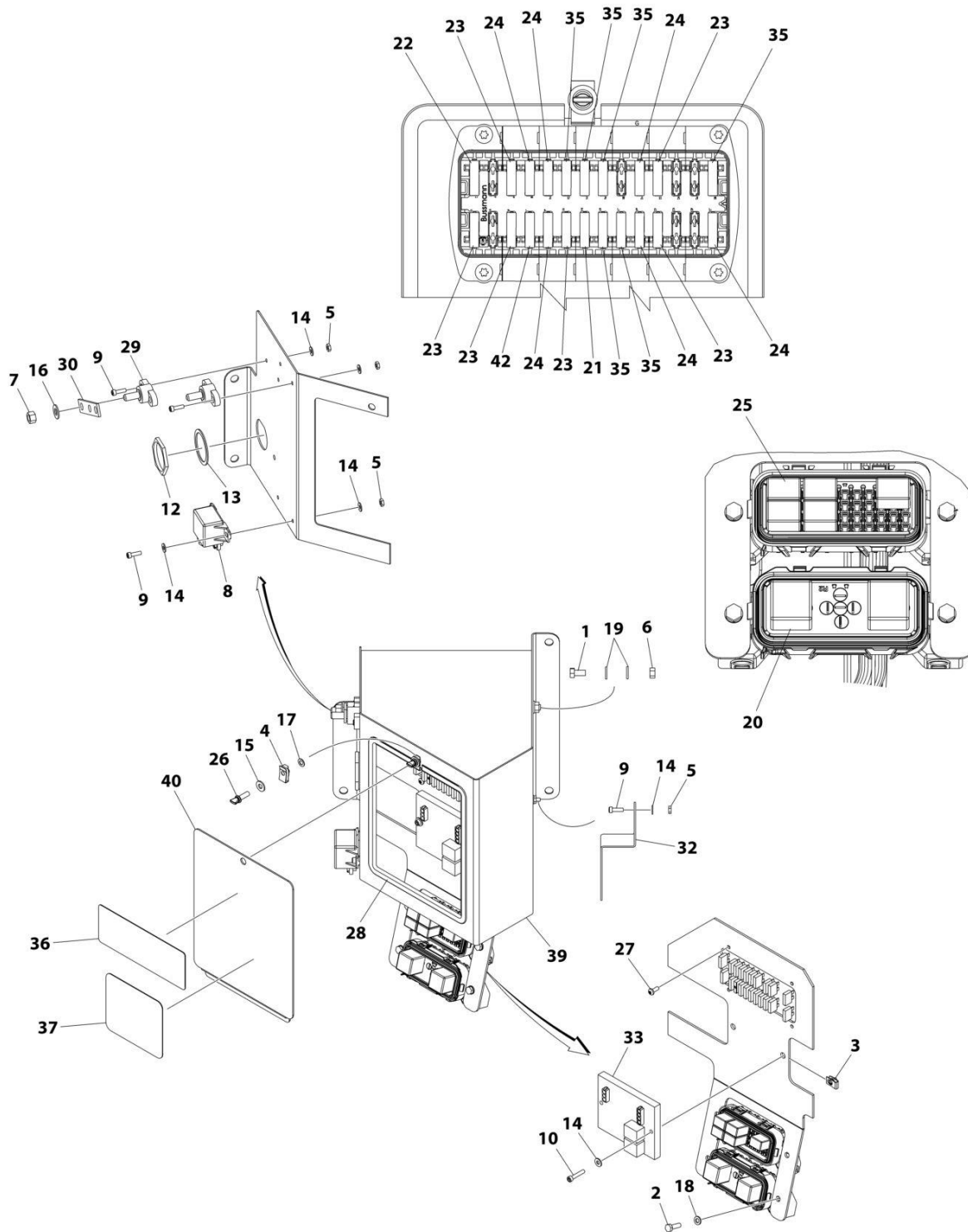
ITEM	PART NUMBER	QTY	DESCRIPTION	REV
	1001226120	Ref	IMG CONTROL BOX ASSEMBLY	J
1	0100011	AR	Compound, Locking	
2	0100035	AR	Compound, Locking	
3	1001234314	1	Fuse 10Amp	
4	0641408	4	Bolt 1/4 x 1	
6	0641608	2	Bolt 3/8 x 1	
7	0760807	5	Bolt M8 x 14	
8	0811406	10	Screw 1/4 x 3/4	
9	0811606	9	Screw 3/8 x 3/4	
12	3310805	8	Nut #8	
13	3311005	6	Nut #10	
14	3311405	8	Nut 1/4	
16	3930812	8	Capscrew #8 x 3/4	
17	3931010	20	Capscrew #10 x 5/8	
18	3931016	2	Capscrew #10 x 1	
19	3931048	4	Capscrew #10 x 3	
20	4711000	12	Washer #10	
21	4711400	16	Washer 1/4	
22	4751600	2	Washer 3/8	
23	4750800	12	Washer #8	
26	1001168243	1	Shield	
27	1001168244	1	Shield	
28	1001236759	1	Switch, STDP Interlock	
29	1001222340	1	Relay, Main Contactor	
32	1001222363	1	Fan, Cooling	
33	1001222365	2	Relay	
36	1001222879	1	Controller, IMG (Note: Recalibration Required when Replaced)	
50	1001236967	1	Plate, IMG Disconnect Switch	
51	1001226146	1	Mount, IMG Connector	
52	1001226190	4	Sleeve	
53	1001226492	1	Cover Assembly	
53	1001224943	1	Converter	
53	1001226489	1	Cover	
54	1001113047	95 in/ 2.4m	Seal	
55	1001226935	2	Holder, Fuse	
56	1001228440	1	Fuse 15Amp	
59	4811600	20	Washer M5	
63	1001227763	1	Decal - Header Label IMG Box	
64	0641424	4	Bolt 1/4 x 3	
67	1001230714	1	Decal - IMG Fuse	
68	1001233188	1	Converter	
69	1001233198	1	Fuse 200Amp - 400Amp	
70	1001233203	1	Holder, Fuse	
71	1001234488	2	Electrical Assembly - Flyback Diode	
72	4711500	2	Washer 5/16	
73	0641510	2	Bolt 5/16 x 1-1/4	
100	1001233442	1	IMG Box Cable Kit	B
101	1001222375	1	Cable - Battery to Fuse	
102	1001222378	1	Cable - Negative to IMG	

SECTION 2 - TURNTABLE

ITEM	PART NUMBER	QTY	DESCRIPTION	REV
103	1001223916	1	Cable - IMG (U) to Box	
104	1001223917	1	Cable - IMG (V) to Box	
105	1001223918	1	Cable - IMG (W) to Box	
106	1001223951	1	Cable - Fuse to Rotary Disc	
107	1001223952	1	Cable - Rotary Disc to Main Controller	
108	1001223953	1	Cable - Main Controller to IMG	
109	1001230507	1	Cable (Negative to Bulkhead)	
200	1001233445	1	IMG Box Plate Kit	B
201	1001226121	1	Box	
202	1001226124	1	Cover, Front	
203	1001230154	2	Panel	
300	1001233447	1	IMG Cable Connector Kit	A
301	1001222915	1	Connector	
302	1001223195	1	Connector	
303	1001223196	1	Connector	
304	1001223198	1	Connector	
305	1001223200	1	Connector	

SECTION 2 - TURNTABLE

FIGURE 2-18. ELECTRICAL ASSEMBLY - 12V FUSE BOX



ART_1001249004

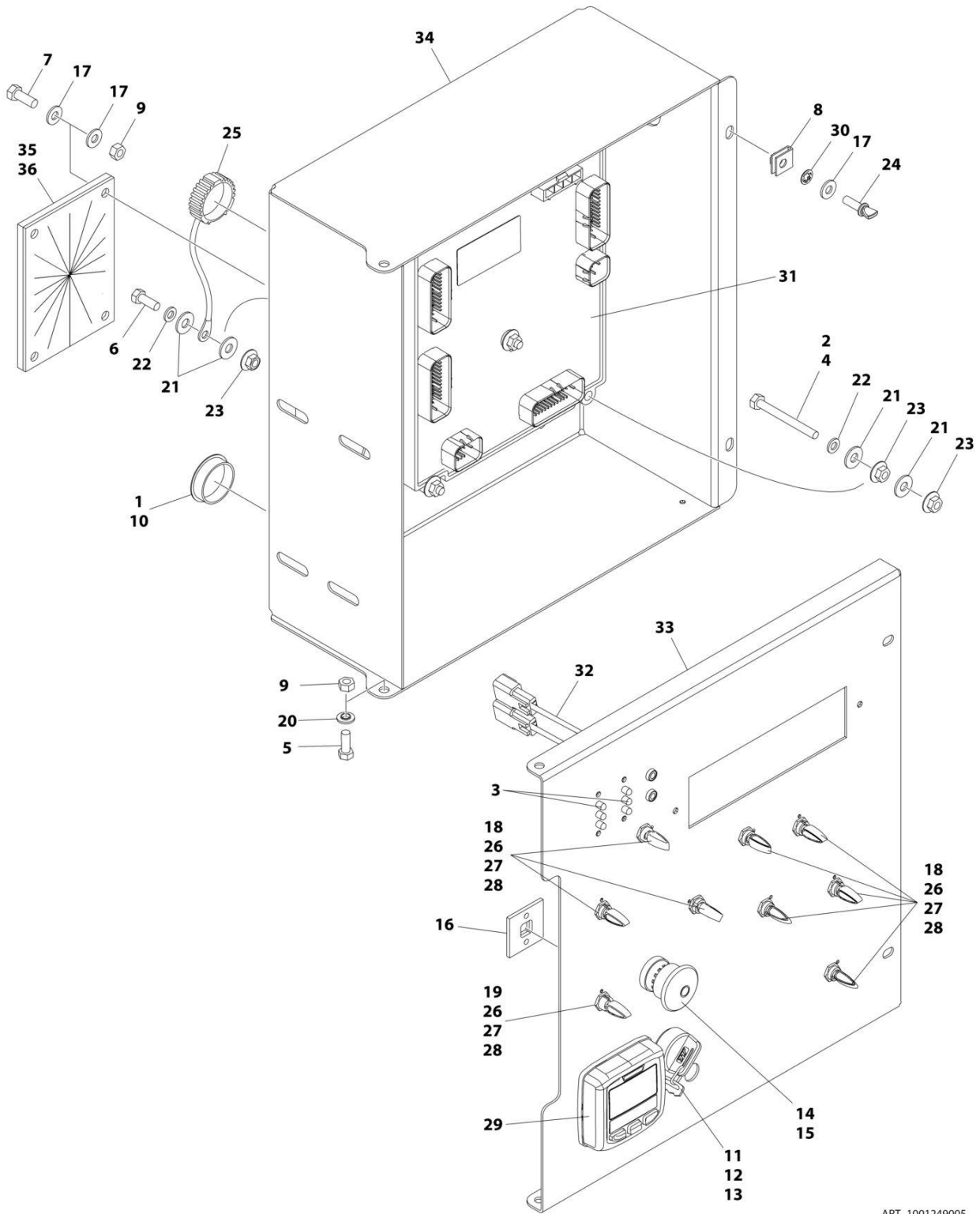
SECTION 2 - TURNTABLE

FIGURE 2-18. ELECTRICAL ASSEMBLY - 12V FUSE BOX

ITEM	PART NUMBER	QTY	DESCRIPTION	REV
	1001249004	Ref	ELECTRICAL ASSEMBLY - 12V FUSE BOX	B
1	0641505	1	Bolt 5/16 x 5/8	
2	0760610	4	Bolt M6 x 20	
3	3300365	2	Nut, Retainer	
4	3300454	1	Nut, Tinnerman 1/4	
5	3311005	7	Nut #10	
6	3311505	1	Nut 5/16	
7	3311605	1	Nut 3/8	
8	3740112	1	Relay	
9	3931010	7	Capscrew #10 x 5/8	
10	3931016	2	Capscrew #10 x 1	
11	4240099	1	Tie-Strap (Not Shown)	
12	4460470	1	Nut	
13	4460471	1	Washer	
14	4711000	11	Washer #10	
15	4711400	1	Washer 1/4	
16	4711600	1	Washer 3/8	
17	4771200	1	Washer #12	
18	4811700	4	Washer M6	
19	4891500	2	Washer 5/16	
20	8225117	2	Relay	
21	8229234	1	Fuse - 10 Amp	
22	8229236	1	Fuse - 30 Amp	
23	8229237	6	Fuse - 15 Amp	
24	8229261	6	Fuse - 5 Amp	
25	1001095704	5	Relay	
26	1001103308	1	Screw 1/4 x 3/4	
27	1001108134	4	Screw #10 x 1/2	
28	1001113047	2.7 ft/ 0.82m	Trim	
29	1001120750	2	Stud	
30	1001128241	1	Bussbar	
31	1001146588	2	Tie-Strap (Not Shown)	
32	1001159162	1	Bracket	
33	1001223581	1	Control, H-Bridge	
34	1001226404	1	Harness - H-Bridge/Clutch (Not Shown) (See Separate Breakdown in ELECTRICAL SECTION)	
35	1001227788	6	Fuse - 2 Amp	
36	1001229790	1	Decal - Fuse Box	
37	1001229791	1	Decal - Relays	
38	1001230522	1	Turntable-Fuse Panel Harness (Not Shown) (See Separate Breakdown in ELECTRICAL SECTION)	
39	1001232495	1	Box, Fuse	
40	1001232499	1	Cover	
41	1001245030	1	Engine Harness (Not Shown) (See Separate Breakdown in ELECTRICAL SECTION)	
42	1001247362	1	Fuse - 40 Amp	

SECTION 2 - TURNTABLE

FIGURE 2-19. GROUND CONTROL BOX ASSEMBLY



ART_1001249005

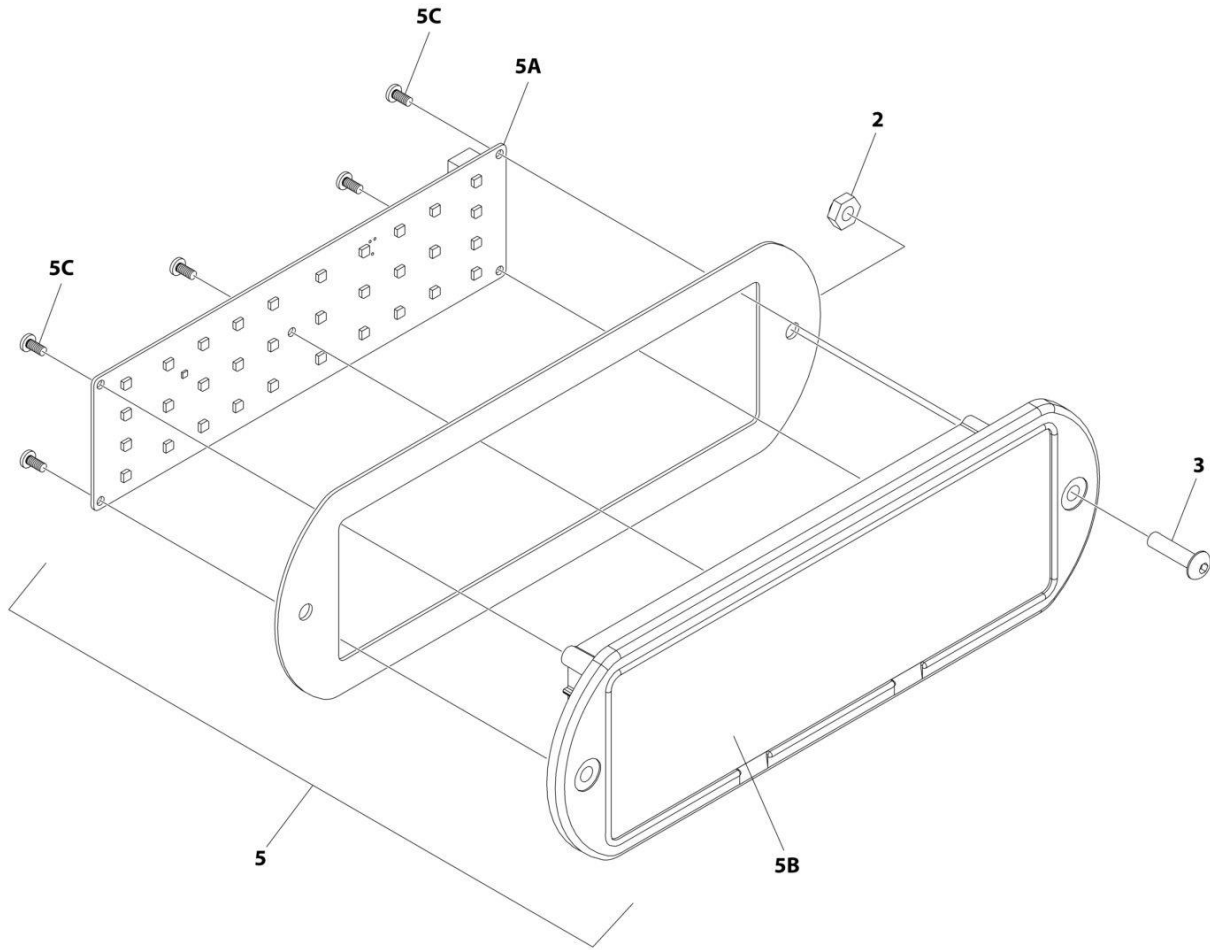
SECTION 2 - TURNTABLE

FIGURE 2-19. GROUND CONTROL BOX ASSEMBLY

ITEM	PART NUMBER	QTY	DESCRIPTION	REV
	1001249005	Ref	GROUND CONTROL BOX ASSEMBLY	B
1	0100009	AR	Sealant	
2	0100011	AR	Compound, Locking	
3	0610131	2	LED P/C Board	
4	0630548	5	Bolt 2-1/2	
5	0641405	2	Bolt 1/4 x 5/8	
6	0641407	1	Bolt 1/4 x 7/8	
7	0641408	4	Bolt 1/4 x 1	
8	3300353	2	Nut, Tinnerman	
9	3311405	6	Nut 1/4	
10	3520035	1	Plug	
11	3910804	6	Screw #8 x 1/4	
12	4070991	1	Shim .125	
13	4360469	1	Switch, Key	
13	2860030	1 Set	Key, Replacement	
14	4360475	1	Switch, Emergency Stop	
14	7020175	1	Cap, Mushroom	
14	7020176	1	Block, Contact	
15	4360476	1	Switch, Contact Block	
16	4460488	6	Mount, Tie-Strap	
17	4711400	10	Washer 1/4	
18	4740397	8	Washer	
19	4740444	1	Washer	
20	4740518	2	Washer	
21	4751400	12	Washer 1/4	
22	4761400	6	Washer 1/4	
23	77143013	11	Nut 1/4	
24	1001103308	2	Screw 1/4 x 3/4	
25	1001106736	1	Cap, Dust	
26	1001155043	9	Washer	
27	1001155044	9	Nut 15/32	
28	1001155045	9	Switch, Toggle	
29	1001171482	1	Gauge, Display	
30	1001188874	2	Nut	
31	1001222338	1	Module, Ground Control (Note: Recalibration Required when Replaced)	
32	1001225120	2	Lamp	
33	1001264703	1	Lid	
34	1001225969	1	Box	
35	1001229017	1	Shield, Cable	
36	1001229018	1	Trim, Shield	

SECTION 2 - TURNTABLE

FIGURE 2-20. LIGHT PANEL INSTALLATION - GROUND CONTROL



ART_1001245177_B_10F2

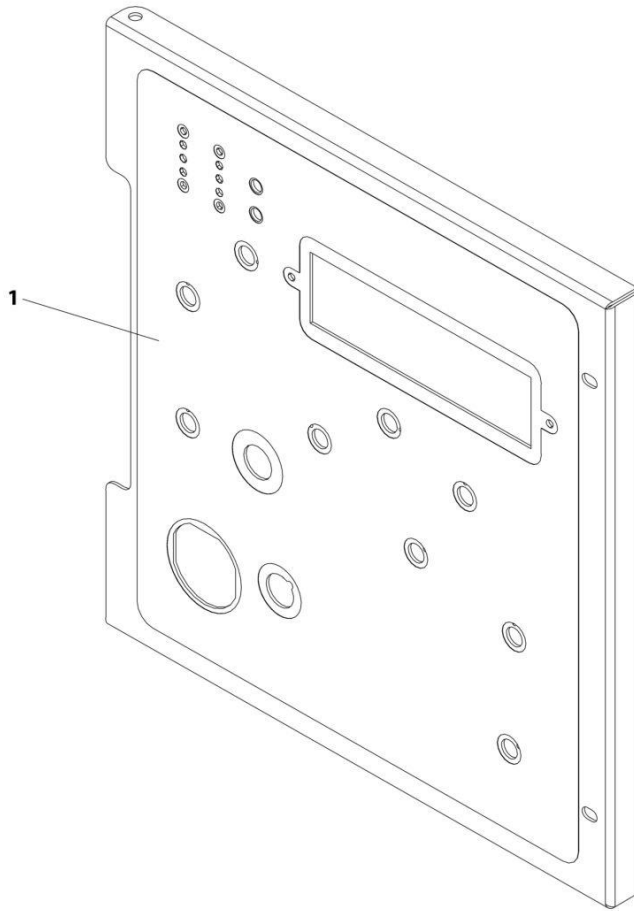
SECTION 2 - TURNTABLE

FIGURE 2-20. LIGHT PANEL INSTALLATION - GROUND CONTROL

ITEM	PART NUMBER	QTY	DESCRIPTION	REV
	1001245177	Ref	LIGHT PANEL INSTALLATION - GROUND CONTROL	B
2	3300408	2	Nut, Nylon Insert	
3	0630518	2	Screw #10 x 3/4	
5	1001245208	1	Light Panel Assembly	F
5A	1001238732	1	Panel, LED Light	
5B	1001245162	1	Lens, I-Con	
5C		Ref	Screw	

SECTION 2 - TURNTABLE

FIGURE 2-21. GROUND CONTROL PANEL DECAL INSTALLATION (WITHOUT MSSO & WITHOUT TOWER STOW)



ART_1001249014

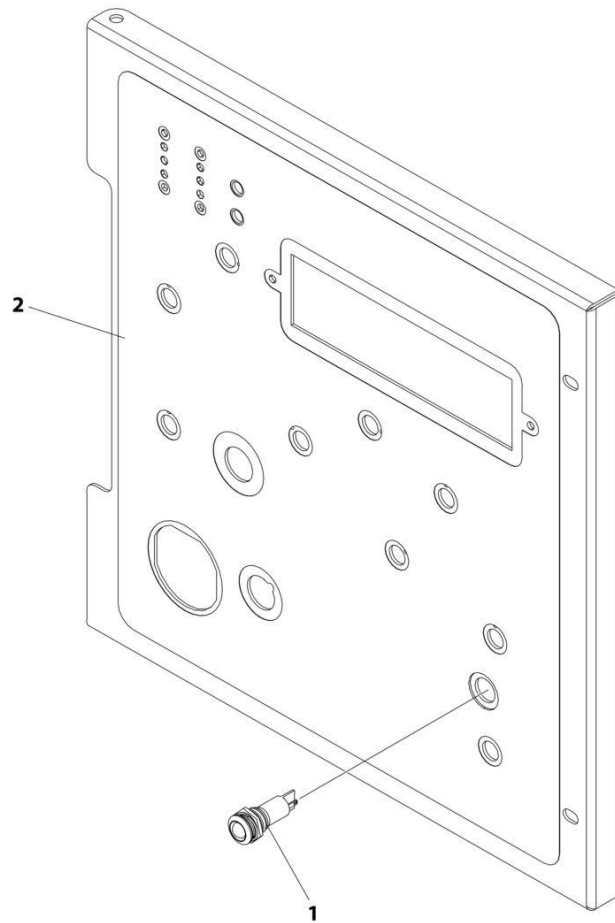
SECTION 2 - TURNTABLE

FIGURE 2-21. GROUND CONTROL PANEL DECAL INSTALLATION (WITHOUT MSSO & WITHOUT TOWER STOW)

ITEM	PART NUMBER	QTY	DESCRIPTION	REV
	1001249014	Ref	GROUND CONTROL PANEL DECAL INSTALLATION (WITHOUT MSSO)	A
1	1001249018	1	Decal - Ground Control Box	

SECTION 2 - TURNTABLE

FIGURE 2-22. GROUND CONTROL PANEL DECAL INSTALLATION (WITHOUT MSSO & WITH TOWER STOW)



ART_1001264701

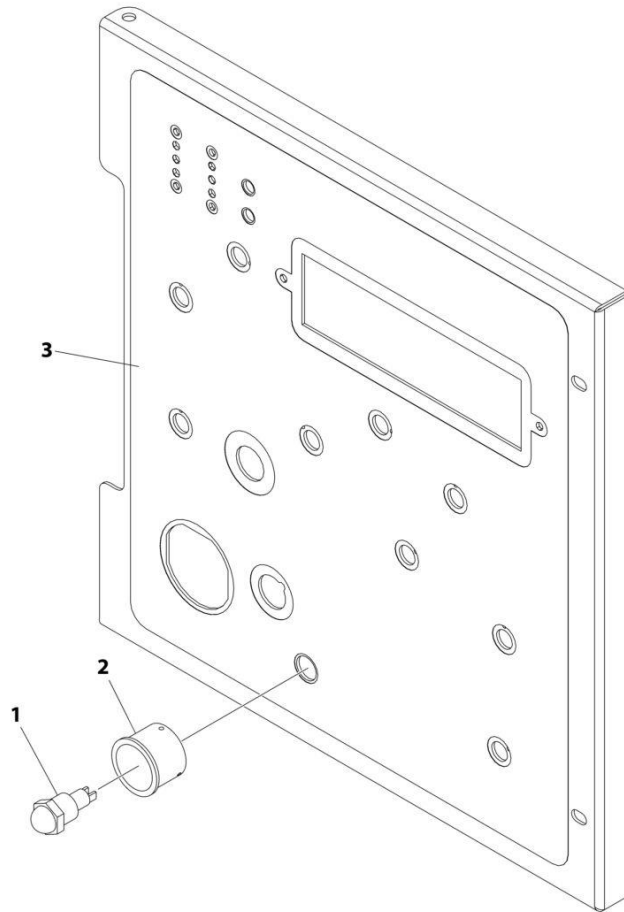
SECTION 2 - TURNTABLE

FIGURE 2-22. GROUND CONTROL PANEL DECAL INSTALLATION (WITHOUT MSSO & WITH TOWER STOW)

ITEM	PART NUMBER	QTY	DESCRIPTION	REV
	1001264701	Ref	GROUND CONTROL PANEL DECAL INSTALLATION (WITHOUT MSSO & WITH TOWER STOW)	A
1	1001137364	1	Lamp, LED Indicator Green	
2	1001264698	1	Decal - Ground Control Box	

SECTION 2 - TURNTABLE

FIGURE 2-23. GROUND CONTROL PANEL DECAL INSTALLATION (WITH MSSO & WITHOUT TOWER STOW)



ART_1001249015

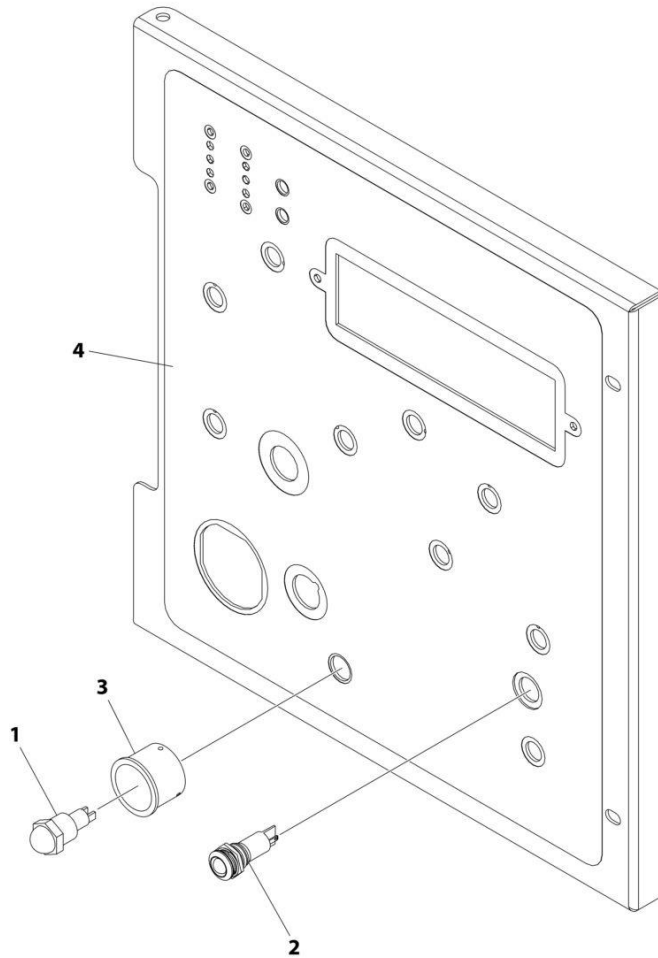
SECTION 2 - TURNTABLE

FIGURE 2-23. GROUND CONTROL PANEL DECAL INSTALLATION (WITH MSSO & WITHOUT TOWER STOW)

ITEM	PART NUMBER	QTY	DESCRIPTION	REV
	1001249015	Ref	GROUND CONTROL PANEL DECAL INSTALLATION (WITH MSSO)	A
1	4360387	1	Switch, Push Button	
2	1001176469	1	Shroud, Switch	
3	1001249019	1	Decal - Ground Control Box	

SECTION 2 - TURNTABLE

FIGURE 2-24. GROUND CONTROL PANEL DECAL INSTALLATION (WITH MSSO & WITH TOWER STOW)



ART_1001264807

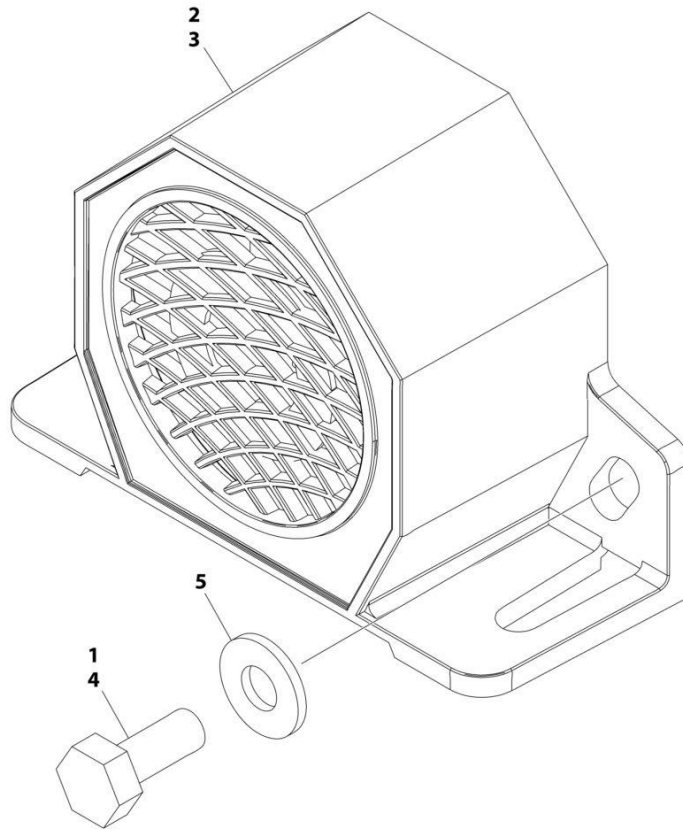
SECTION 2 - TURNTABLE

FIGURE 2-24. GROUND CONTROL PANEL DECAL INSTALLATION (WITH MSSO & WITH TOWER STOW)

ITEM	PART NUMBER	QTY	DESCRIPTION	REV
	1001264807	Ref	GROUND CONTROL PANEL DECAL INSTALLATION (WITH MSSO & WITH TOWER STOW)	A
1	4360387	1	Switch, Push Button	
2	1001137364	1	Lamp, LED Indicator Green	
3	1001176469	1	Shroud, Switch	
4	1001264804	1	Decal - Ground Control Box	

SECTION 2 - TURNTABLE

FIGURE 2-25. ALARM INSTALLATION



ART_1001158364

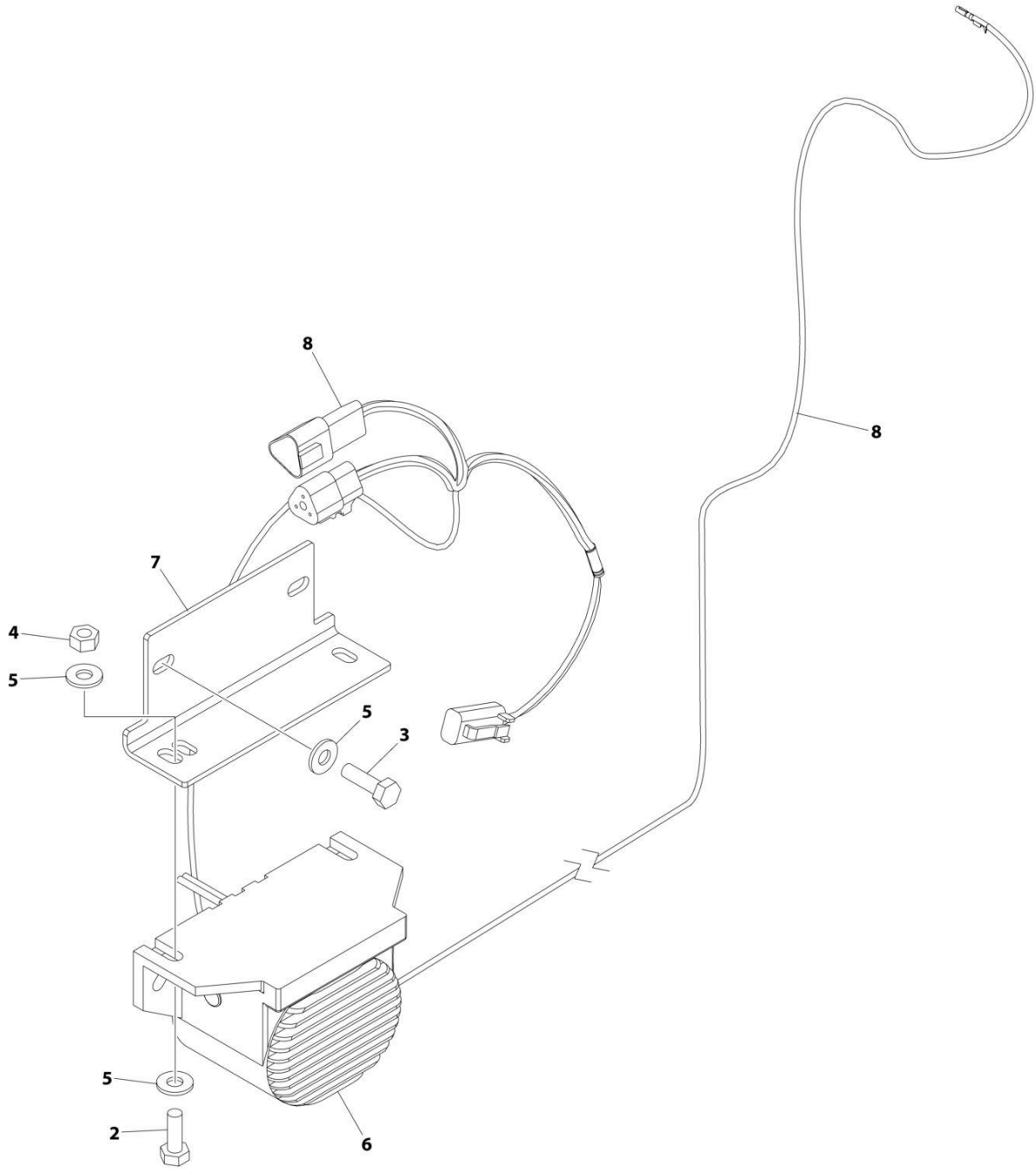
SECTION 2 - TURNTABLE

FIGURE 2-25. ALARM INSTALLATION

ITEM	PART NUMBER	QTY	DESCRIPTION	REV
	1001158364	Ref	ALARM INSTALLATION	A
1	0100011	AR	Compound, Locking	
2	0100048	AR	Grease, Dielectric	
3	0140044	1	Alarm	
4	0641405	2	Bolt 1/4 x 5/8	
5	4711400	2	Washer 1/4	

SECTION 2 - TURNTABLE

FIGURE 2-26. WHITE NOISE ALARM INSTALLATION - ADJUSTABLE AMBIENT



ART_1001241385

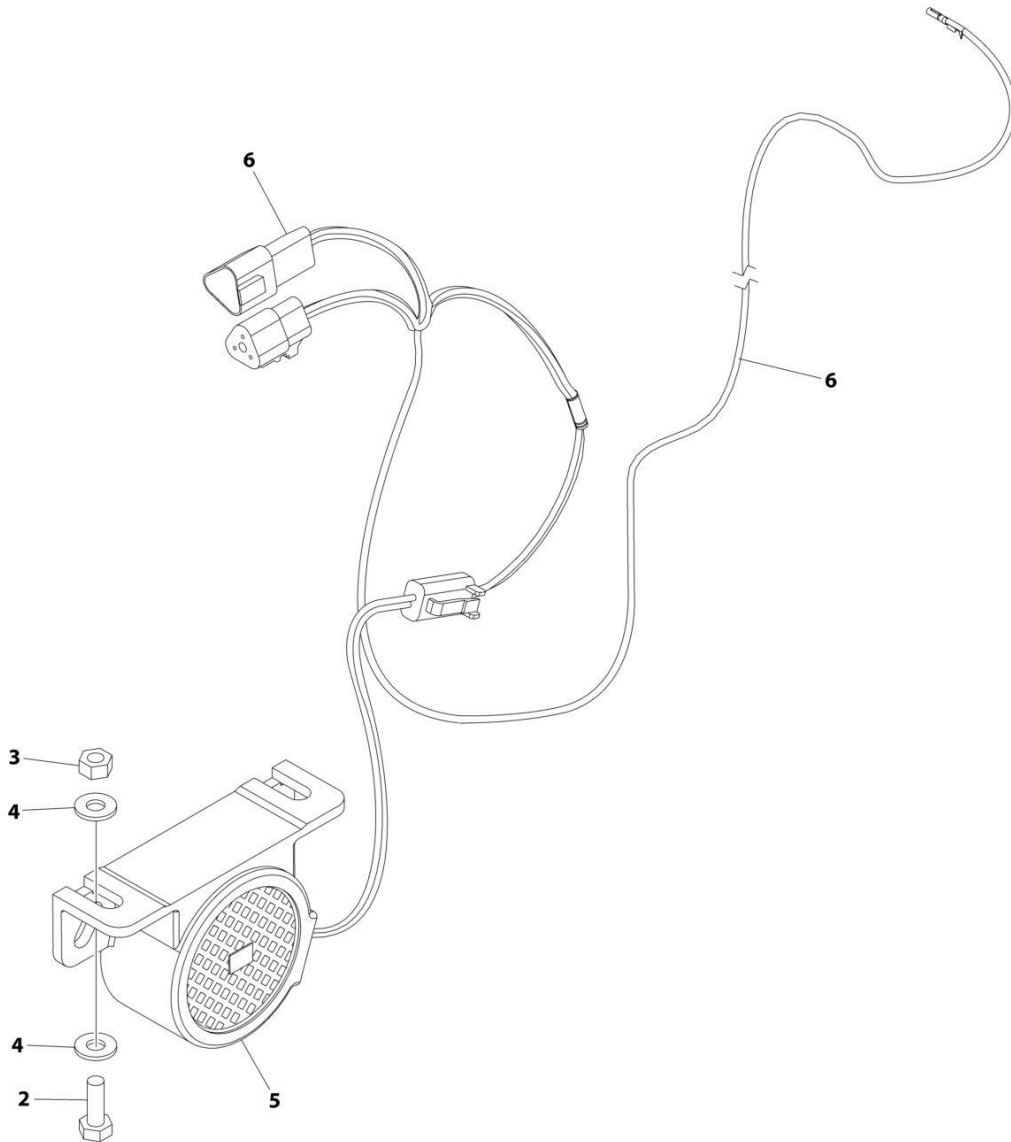
SECTION 2 - TURNTABLE

FIGURE 2-26. WHITE NOISE ALARM INSTALLATION - ADJUSTABLE AMBIENT

ITEM	PART NUMBER	QTY	DESCRIPTION	REV
	1001241385	Ref	WHITE NOISE ALARM INSTALLATION	A
1	0100048	AR	Compound, Silicone (Not Shown)	
2	0641406	2	Bolt 1/4 x 3/4	
3	0641407	2	Bolt 1/4 x 7/8	
4	3311405	2	Nut 1/4	
5	4711400	6	Washer 1/4	
6	1001182806	1	Alarm	
7	1001231886	1	Plate	
8	1001243682	1	White Noise Motion Alarm Harness (See Separate Breakdown in this Section)	

SECTION 2 - TURNTABLE

FIGURE 2-27. WHITE NOISE MOTION ALARM INSTALLATION - AMBIENT



ART_1001239347

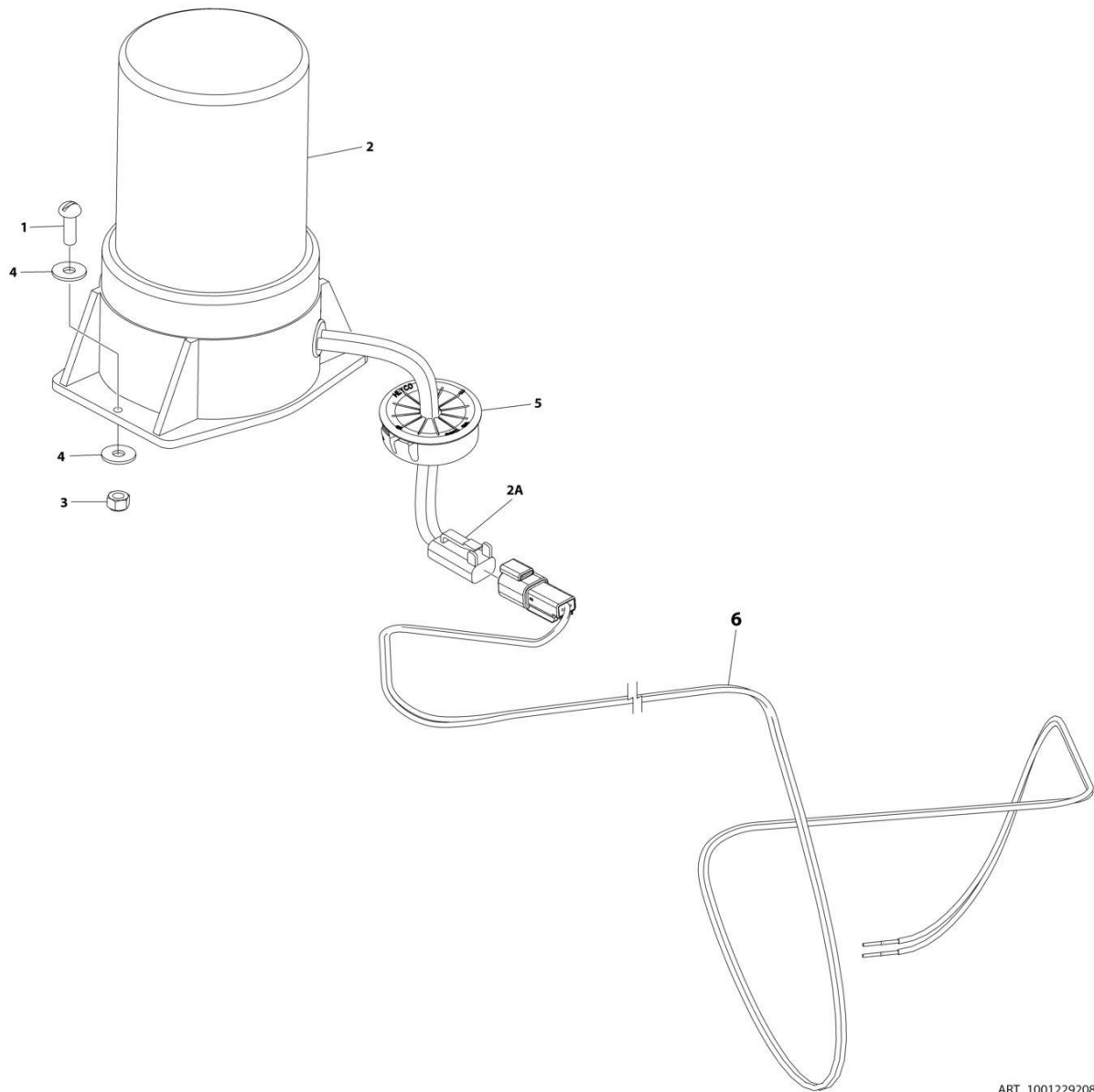
SECTION 2 - TURNTABLE

FIGURE 2-27. WHITE NOISE MOTION ALARM INSTALLATION - AMBIENT

ITEM	PART NUMBER	QTY	DESCRIPTION	REV
	1001239347	Ref	WHITE NOISE MOTION ALARM INSTALLATION	A
1	0100048	AR	Compound, Silicone (Not Shown)	
2	0641406	2	Bolt 1/4 x 3/4	
3	3311405	2	Nut 1/4	
4	4711400	4	Washer 1/4	
5	1001184682	1	Alarm	
6	1001243682	1	White Noise Motion Alarm Harness (See Separate Breakdown in this Section)	

SECTION 2 - TURNTABLE

FIGURE 2-28. STROBE LIGHT INSTALLATION - AMBER (OPTIONAL)



ART_1001229208

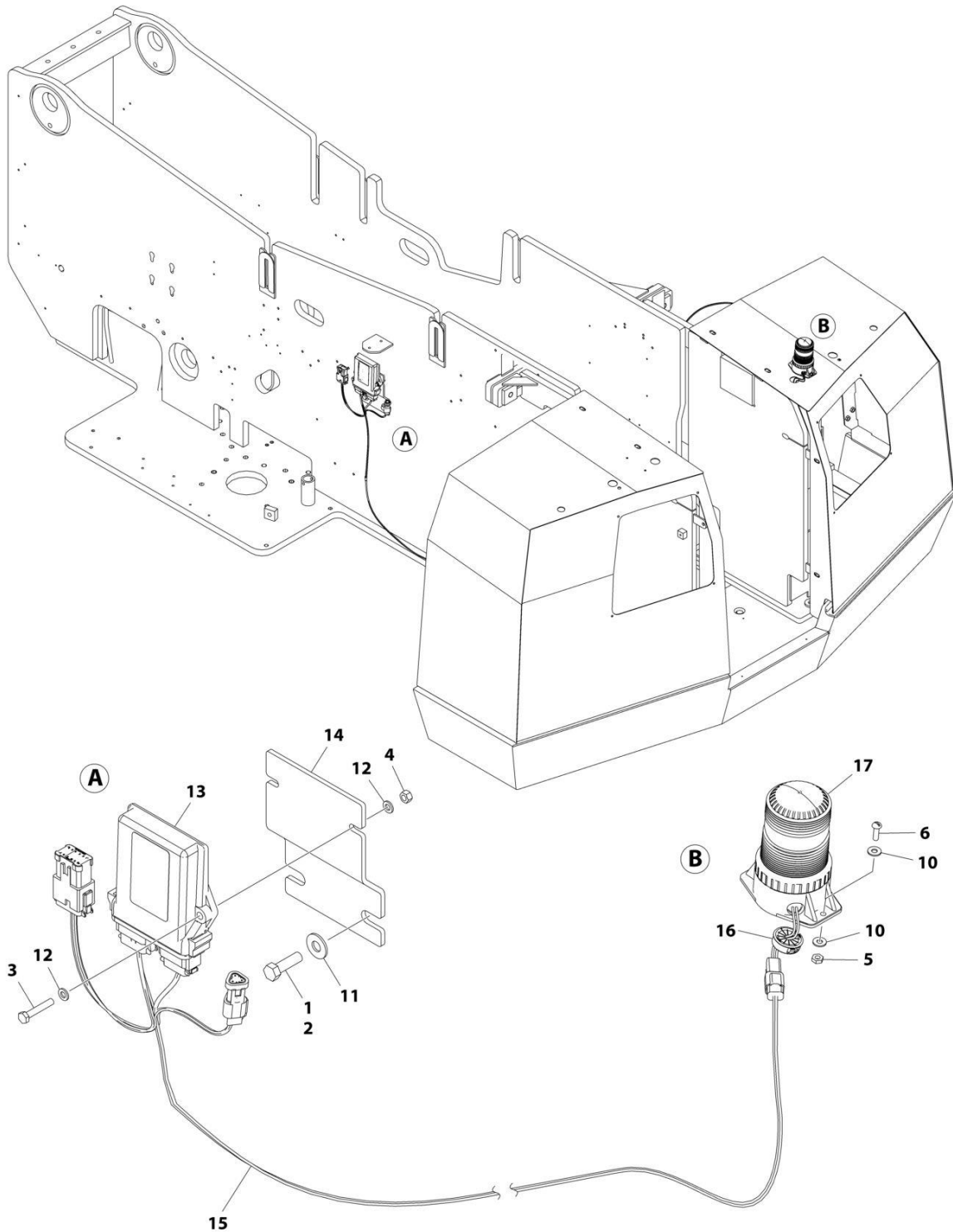
SECTION 2 - TURNTABLE

FIGURE 2-28. STROBE LIGHT INSTALLATION - AMBER (OPTIONAL)

ITEM	PART NUMBER	QTY	DESCRIPTION	REV
	1001229208	Ref	STROBE LIGHT INSTLLATION	D
1	3911010	2	Screw #10 x 5/8	
2	2920161	1	Lamp, Strobe Beacon	
2	7016319	1	Bulb	
2	7016372	1	Lens	
2A	4460891	1	Plug, Male - 2 Position	
2A	4460465	2	Socket, Female	
3	3311005	2	Nut #10	
4	4751000	4	Washer #10	
5	1001169085	1	Grommet	
6	1001231263	1	Cable, Strobe	
6	4460897	1	Receptacle, Female	
6	4460464	2	Pin, Male	
6	4460226	2	Socket, Female	

SECTION 2 - TURNTABLE

FIGURE 2-29. STROBE LIGHT INSTALLATION - BLUE (OPTIONAL)



ART_1001244474

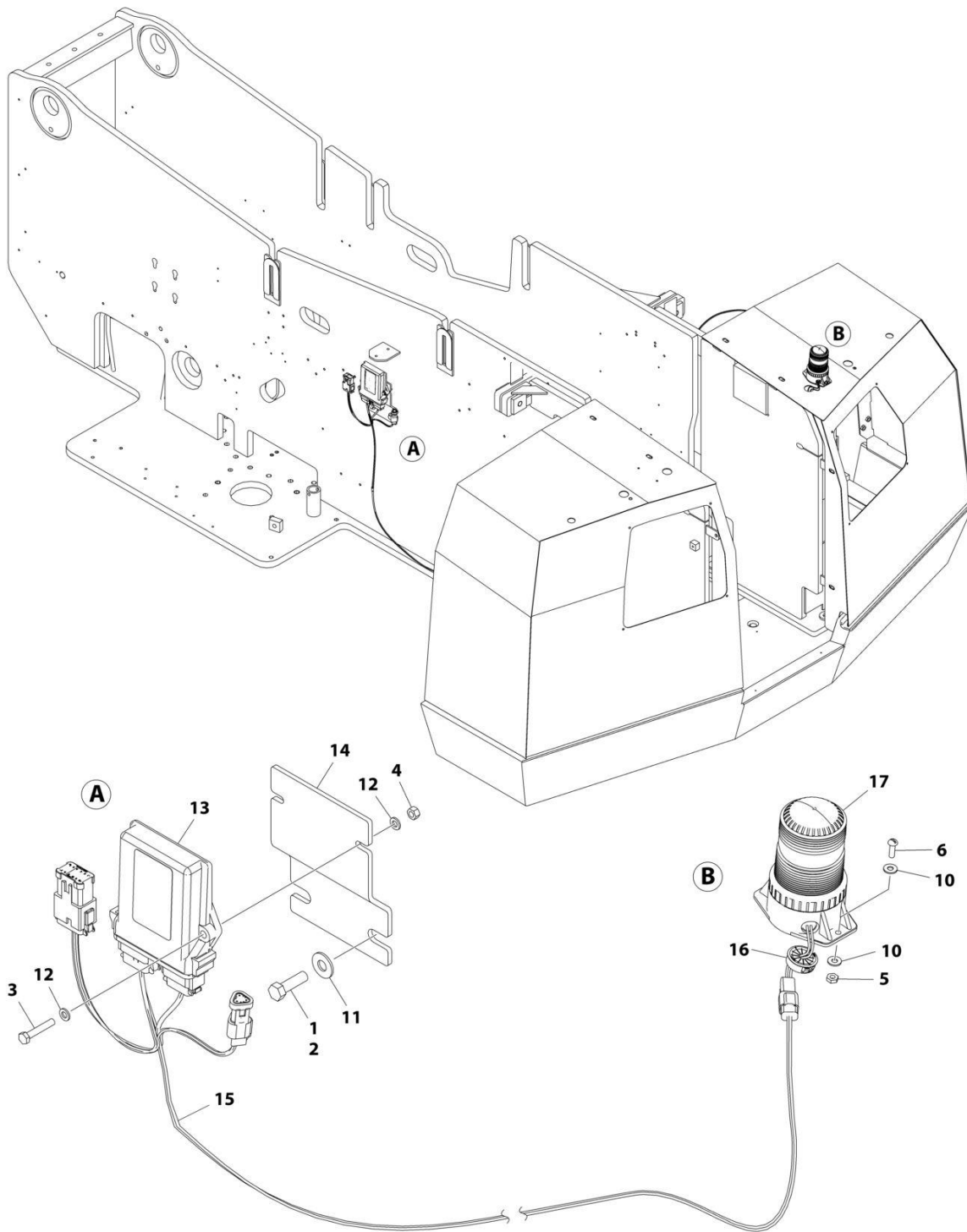
SECTION 2 - TURNTABLE

FIGURE 2-29. STROBE LIGHT INSTALLATION - BLUE (OPTIONAL)

ITEM	PART NUMBER	QTY	DESCRIPTION	REV
	1001244474	Ref	STROBE LIGHT INSTALLATION	A
1	0100011	AR	Compound, Locking	
2	0641610	2	Bolt 3/8 x 1-1/4	
3	0700615	2	Bolt M6 x 35	
4	3290607	2	Nut M6	
5	3311005	2	Nut #10	
6	3911010	2	Screw #10 x 5/8	
7	4240032	AR	Tie-Strap (Not Shown)	
8	4240033	AR	Tie-Strap (Not Shown)	
9	4460488	AR	Mount, Tie-Strap (Not Shown)	
10	4751000	4	Washer #10	
11	4751600	2	Washer 3/8	
12	4811700	4	Washer M6	
13	1001142683	1	Module, Beacon Light	
14	1001142722	1	Bracket	
15	1001142736	1	Beacon Control Harness (See Separate Breakdown in ELECTRICAL SECTION)	
16	1001169085	1	Grommet	
17	1001200910	1	Light, Strobe (Blue)	

SECTION 2 - TURNTABLE

FIGURE 2-30. STROBE LIGHT INSTALLATION - RED (OPTIONAL)



ART_1001244475

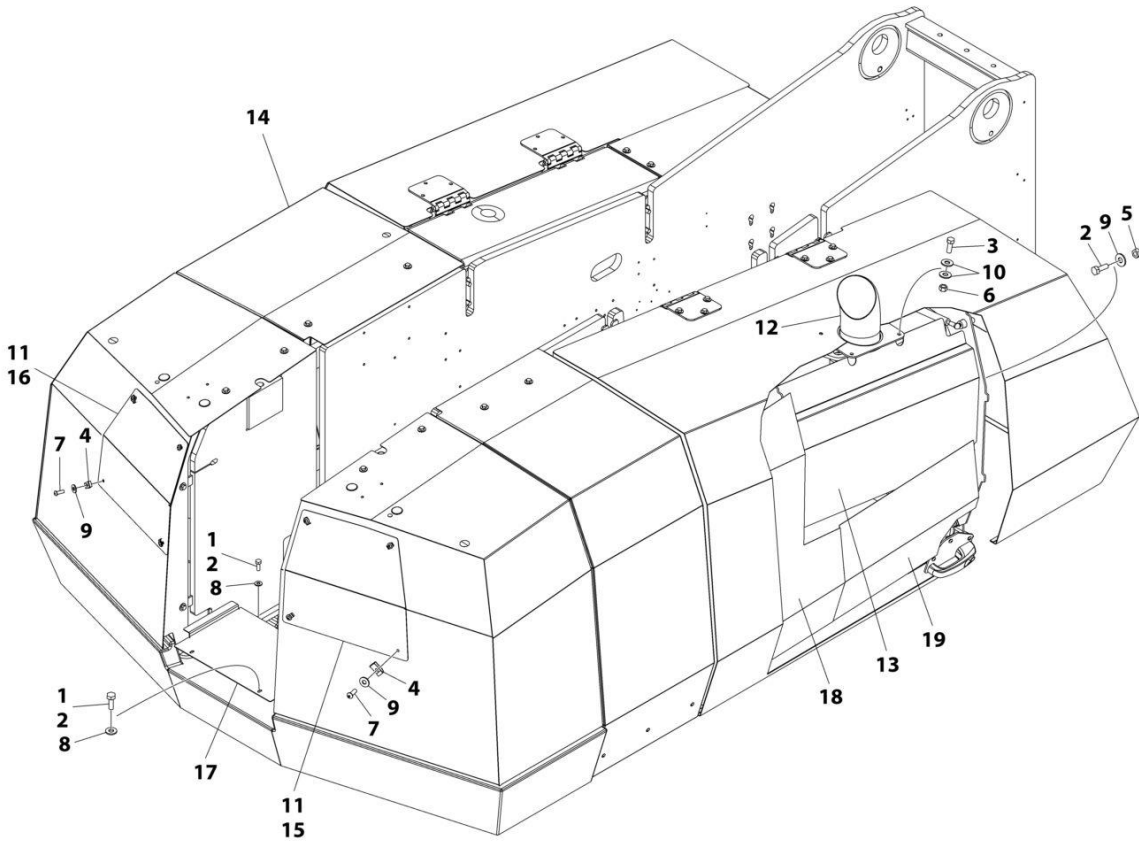
SECTION 2 - TURNTABLE

FIGURE 2-30. STROBE LIGHT INSTALLATION - RED (OPTIONAL)

ITEM	PART NUMBER	QTY	DESCRIPTION	REV
	1001244475	Ref	STROBE LIGHT INSTALLATION	A
1	0100011	AR	Compound, Locking	
2	0641610	2	Bolt 3/8 x 1-1/4	
3	0700615	2	Bolt M6 x 35	
4	3290607	2	Nut M6	
5	3311005	2	Nut #10	
6	3911010	2	Screw #10 x 5/8	
7	4240032	AR	Tie-Strap (Not Shown)	
8	4240033	AR	Tie-Strap (Not Shown)	
9	4460488	AR	Mount, Tie-Strap (Not Shown)	
10	4751000	4	Washer #10	
11	4751600	2	Washer 3/8	
12	4811700	4	Washer M6	
13	1001142683	1	Module, Beacon Light	
14	1001142722	1	Bracket	
15	1001142736	1	Beacon Control Harness (See Separate Breakdown in ELECTRICAL SECTION)	
16	1001169085	1	Grommet	
17	1001207004	1	Light, Strobe (Red)	

SECTION 2 - TURNTABLE

FIGURE 2-31. HEAT SHIELD AND ACCESS PANELS INSTALLATION



ART_1001227307

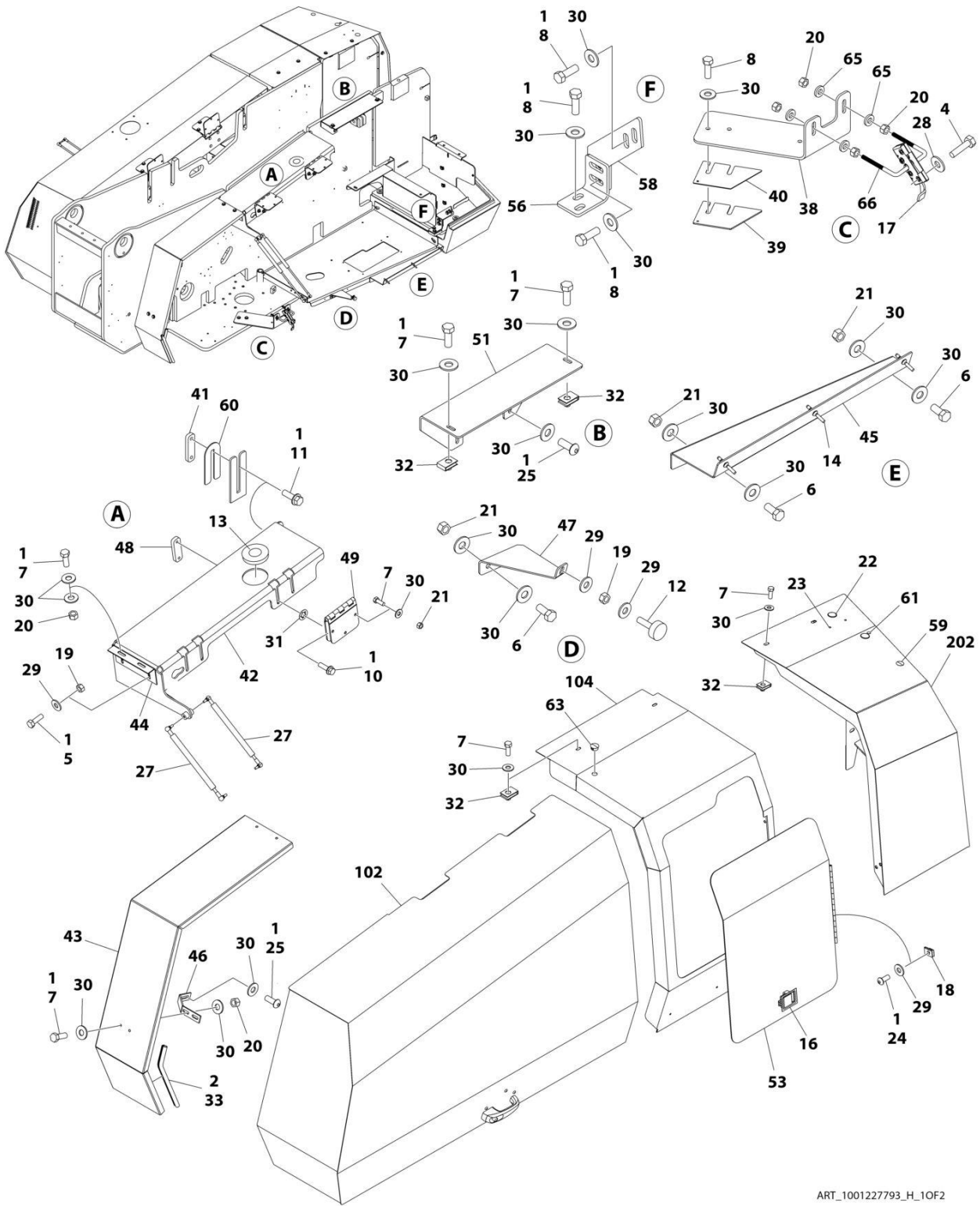
SECTION 2 - TURNTABLE

FIGURE 2-31. HEAT SHIELD AND ACCESS PANELS INSTALLATION

ITEM	PART NUMBER	QTY	DESCRIPTION	REV
	1001227307	Ref	HEAT SHIELD AND ACCESS PANELS INSTALLATION	E
1	0100011	AR	Compound, Locking	
2	0641406	7	Bolt 1/4 x 3/4	
3	0641608	4	Bolt 3/8 x 1	
4	3300454	8	Nut, Tinnerman 1/4	
5	3311405	3	Nut 1/4	
6	3311605	4	Nut 3/8	
7	3900258	8	Screw 1/4 x 3/4	
8	4711400	4	Washer 1/4	
9	4751400	11	Washer 1/4	
10	4751600	8	Washer 3/8	
11	1001113047	11 ft/ 3.3m	Seal	
12	1001144527	1	Pipe, Exhaust	
13	1001163101	1	Heat Shield	
14	1001227793	1	Hood Installation (See Separate Breakdown in this Section)	
15	1001228113	1	Panel, Access	
16	1001228475	1	Panel, Access	
17	1001229098	1	Cover	
18	1001235839	1	Insulate	
19	1001236370	1	Insulate	

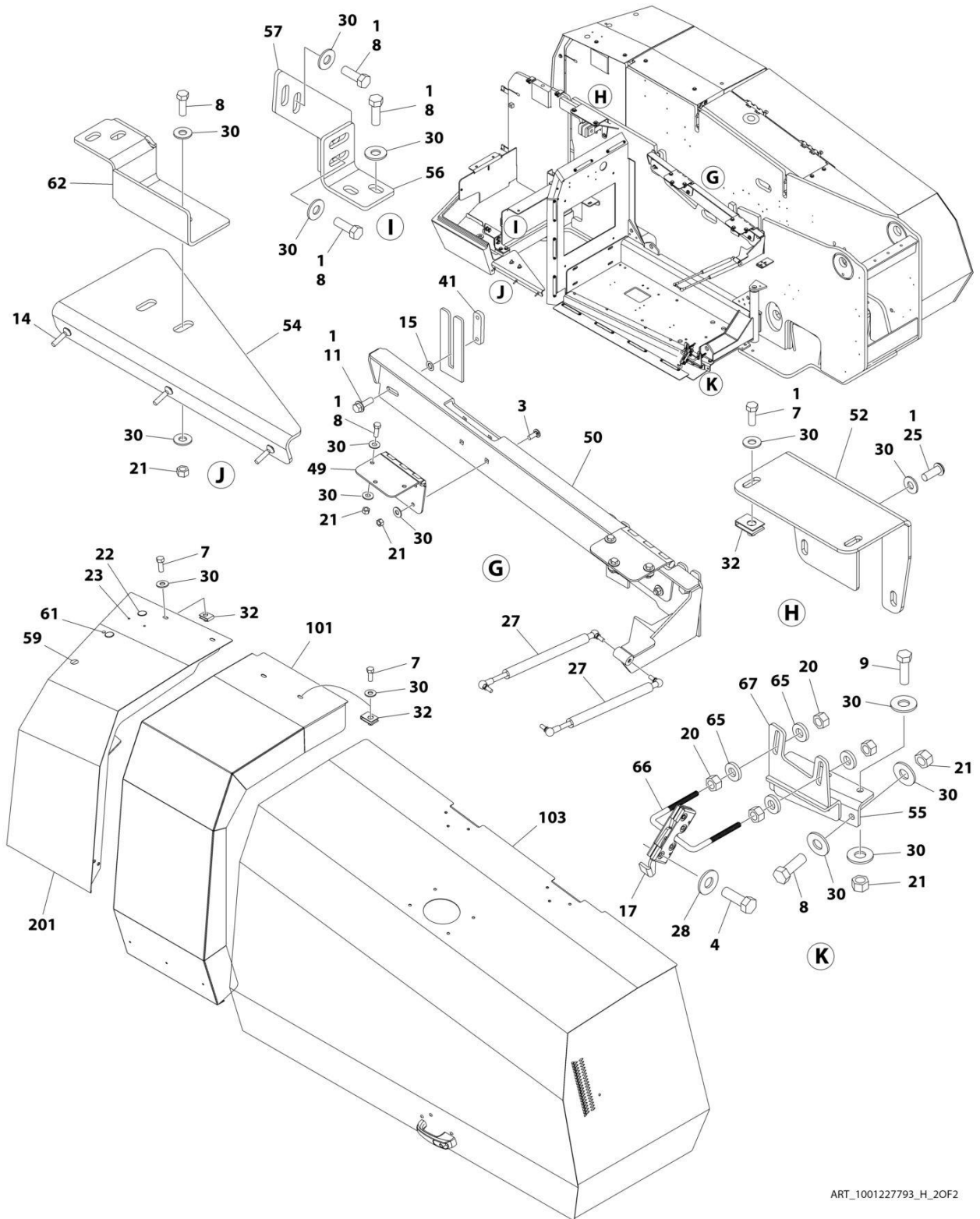
SECTION 2 - TURNTABLE

FIGURE 2-32. HOODS INSTALLATION



ART_1001227793_H_10F2

SECTION 2 - TURNTABLE



ART_1001227793_H_20F2

SECTION 2 - TURNTABLE

FIGURE 2-32. HOODS INSTALLATION

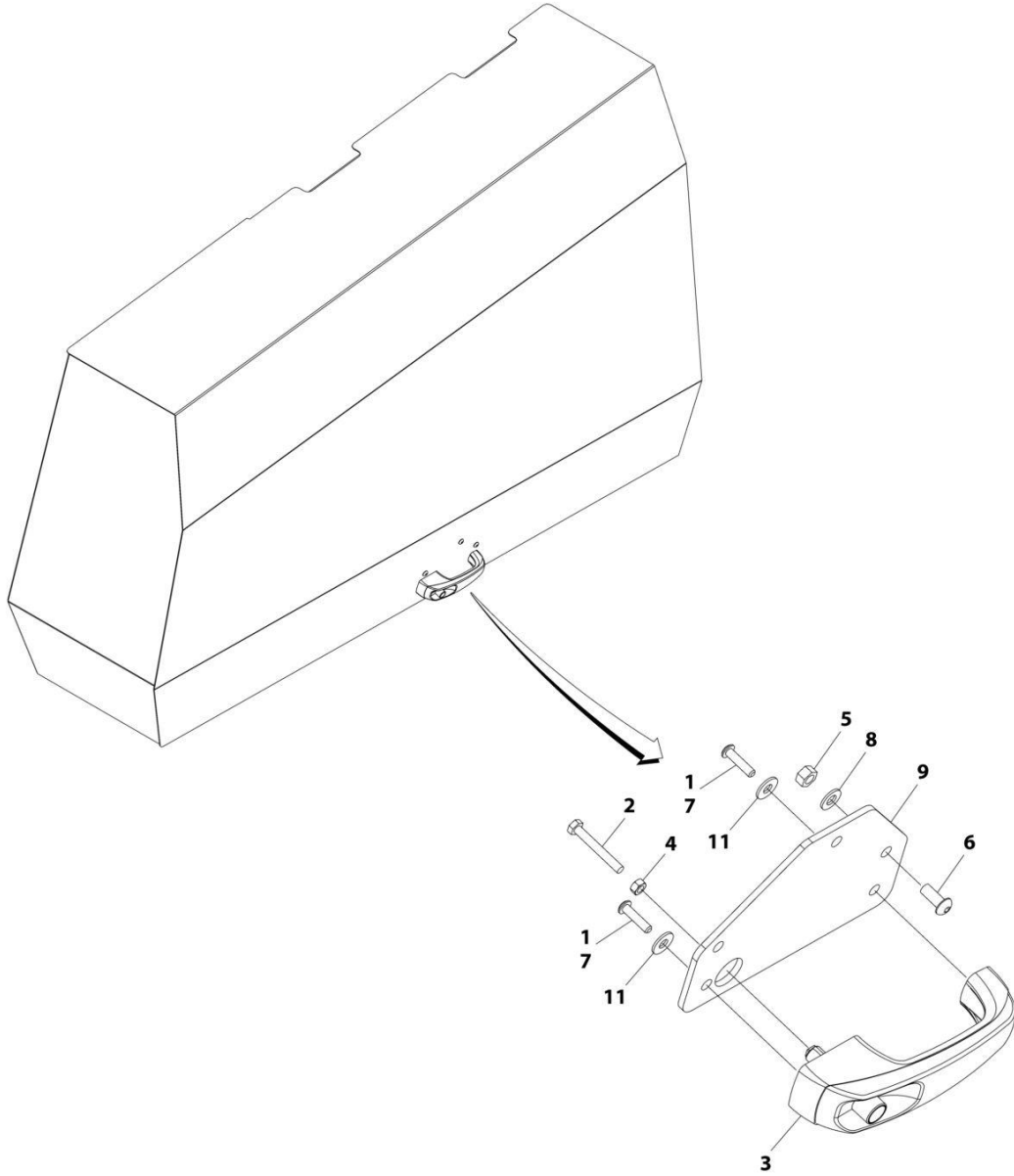
ITEM	PART NUMBER	QTY	DESCRIPTION	REV
	1001227793	Ref	HOODS INSTALLATION	H
1	0100011	AR	Compound, Locking	
2	0100081	AR	Adhesive	
3	0630485	8	Bolt	
4	0641408	8	Bolt 1/4 x 1	
5	0641508	2	Bolt 5/16 x 1	
6	0641607	4	Bolt 3/8 x 7/8	
7	0641608	22	Bolt 3/8 x 1	
8	0641609	26	Bolt 3/8 x 1-1/8	
9	0641610	2	Bolt 3/8 x 1-1/4	
10	0811610	8	Screw 3/8 x 1-1/4	
11	0811812	8	Screw 1/2 x 1-1/2	
12	0940049	1	Stopper	
13	1120601	1	Plug	
14	2080040	6	Fastener	
15	2080072	4	Fastener	
16	2940045	1	Latch	
17	2940173	2	Latch	
18	3300364	3	Nut, Tinnerman 5/16	
19	3311501	4	Nut 5/16	
20	3311601	8	Nut 3/8	
21	3311605	30	Nut 3/8	
22	3520032	4	Plug	
23	3520173	4	Plug	
24	3900210	3	Screw 5/16 x 3/4	
25	3900316	7	Screw 3/8 x 1	
27	4160194	4	Spring, Gas	
28	4751400	8	Washer 1/4	
29	4751500	7	Washer 5/16	
30	4751600	85	Washer 3/8	
31	8310070	8	Pushnut 3/8	
32	88662523	12	Nut, Tinnerman	
33	1001110166	4.9 ft/ 1.5m	Seal	
34	1001113047	6.4 ft/ 2m	Seal	
38	1001250293	1	Bracket	
39	1001121122	AR	Shim 3mm	
40	1001121123	AR	Shim 1.5mm	
41	1001150260	4	Plate	
42	1001155895	1	Mount	
43	1001155899	1	Spacer	
44	1001157612	1	Bracket	
45	1001230008	1	Bracket	
46	1001230014	1	Bracket	
47	1001161089	1	Bracket	
48	1001186251	1	Plate	
49	1001186254	1	Hinge	
50	1001196768	1	Mount	
51	1001226452	1	Bracket	
52	1001226453	1	Bracket	

SECTION 2 - TURNTABLE

ITEM	PART NUMBER	QTY	DESCRIPTION	REV
53	1001227731	1	Door	
54	1001227735	1	Bracket	
55	1001227798	1	Mount	
56	1001228359	2	Bracket	
57	1001228403	1	Bracket	
58	1001228517	1	Bracket	
59	1001131130	2	Plug	
60	1001230010	AR	Shim	
61	1001226421	2	Plug	
62	1001235518	1	Bracket	
63	3520030	1	Plug	
64	4060805	9 in/ 0.23m	Flex-Trim	
65	4891600	8	Washer 3/8	
66	1001243414	2	U-Bolt 3/8	
67	1001250292	1	Bracket	
100	1001227794	Ref	Hood Kit	
101	1001117219	1	Hood, Engine Side (Fixed)	
102	1001157209	1	Hood Assembly - Tank Side (See Separate Breakdown in this Section)	
103	1001232084	1	Hood Assembly - Engine Side (Note: Heat Shield must be Installed Before Being put back into Service) (See Separate Breakdown in this Section)	
104	1001227734	1	Hood, Tank Side (Fixed)	
200	1001229556	Ref	Battery Cover Kit	
201	1001228882	1	Cover, Engine Side (Rear)	
202	1001228945	1	Cover, Tank Side (Rear)	

SECTION 2 - TURNTABLE

FIGURE 2-33. HOOD ASSEMBLY - TANK SIDE



ART_1001157209

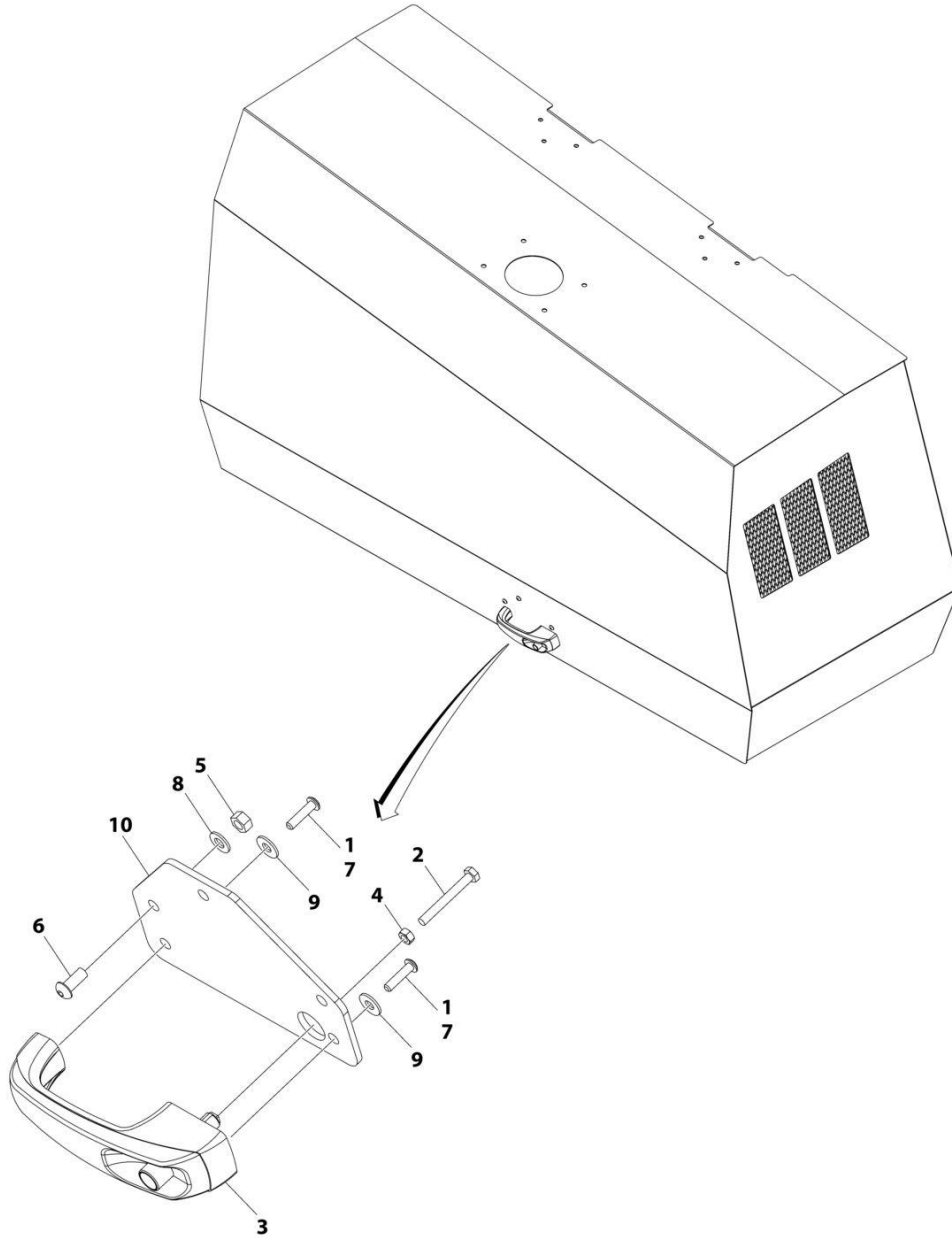
SECTION 2 - TURNTABLE

FIGURE 2-33. HOOD ASSEMBLY - TANK SIDE

ITEM	PART NUMBER	QTY	DESCRIPTION	REV
	1001157209	Ref	HOOD ASSEMBLY	B
1	0100011	AR	Compound, Locking	
2	0700617	1	Bolt M6 x 45	
3	2560187	1	Handle, Push Button	
4	3290601	1	Nut M6	
5	3311505	3	Nut 5/16	
6	3900210	3	Screw 5/16 x 3/4	
7	3900363	2	Screw M6 x 25	
8	4711500	3	Washer 5/16	
9	1001116290	1	Plate, Latch Mounting	
11	4751400	2	Washer 1/4	

SECTION 2 - TURNTABLE

FIGURE 2-34. HOOD ASSEMBLY - ENGINE SIDE



ART_1001232084

SECTION 2 - TURNTABLE

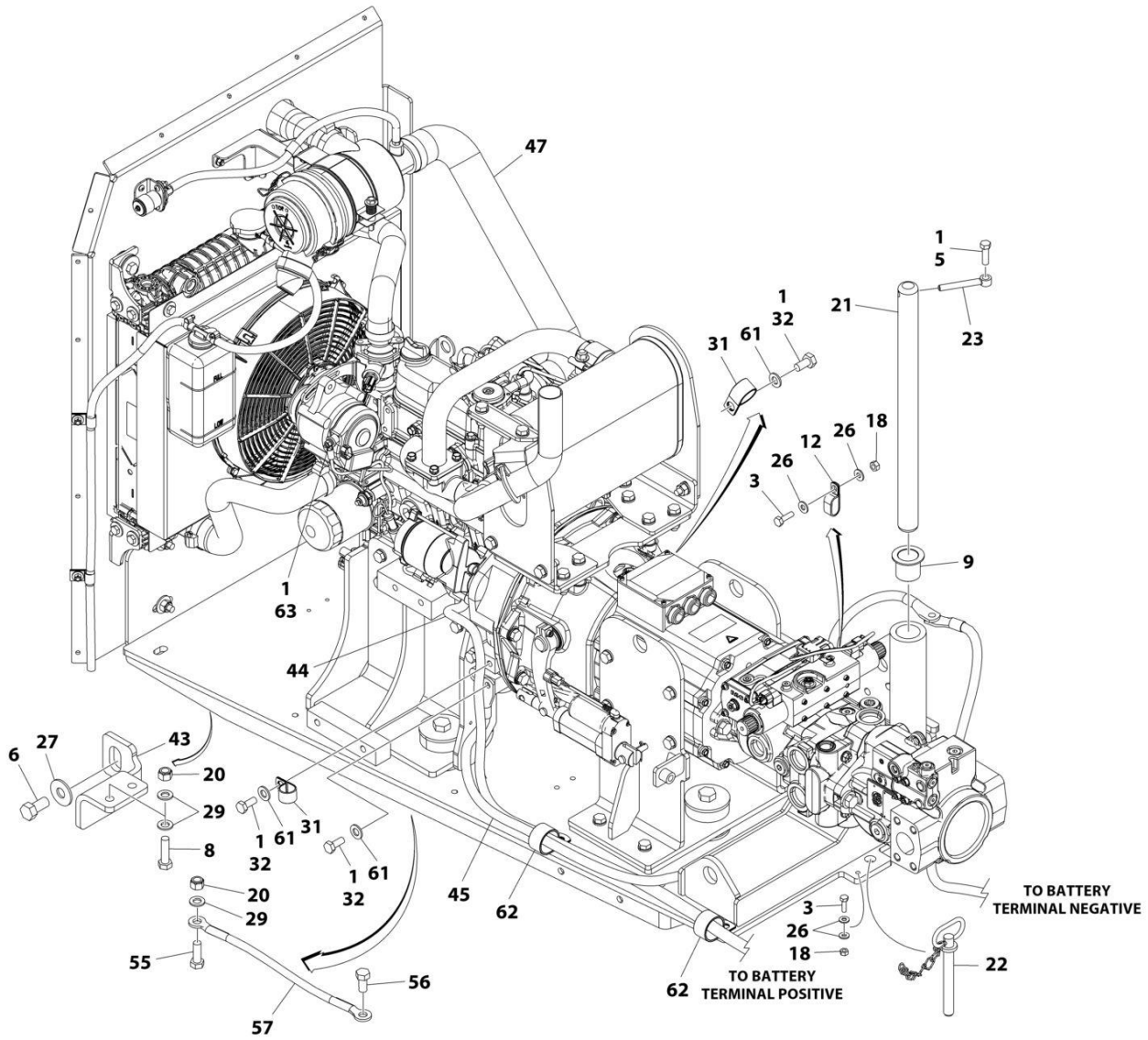
FIGURE 2-34. HOOD ASSEMBLY - ENGINE SIDE

ITEM	PART NUMBER	QTY	DESCRIPTION	REV
	1001232084	Ref	HOOD ASSEMBLY	B
1	0100011	AR	Compound, Locking	
2	0700618	1	Bolt M6 x 50	
3	2560187	1	Handle, Push Button	
4	3290601	1	Nut M6	
5	3311505	3	Nut 5/16	
6	3900210	3	Screw 5/16 x 3/4	
7	3900363	2	Screw M6 x 25	
8	4711500	3	Washer 5/16	
9	4751400	2	Washer 1/4	
10	1001116290	1	Plate, Latch Mounting	

SECTION 3 - ENGINE

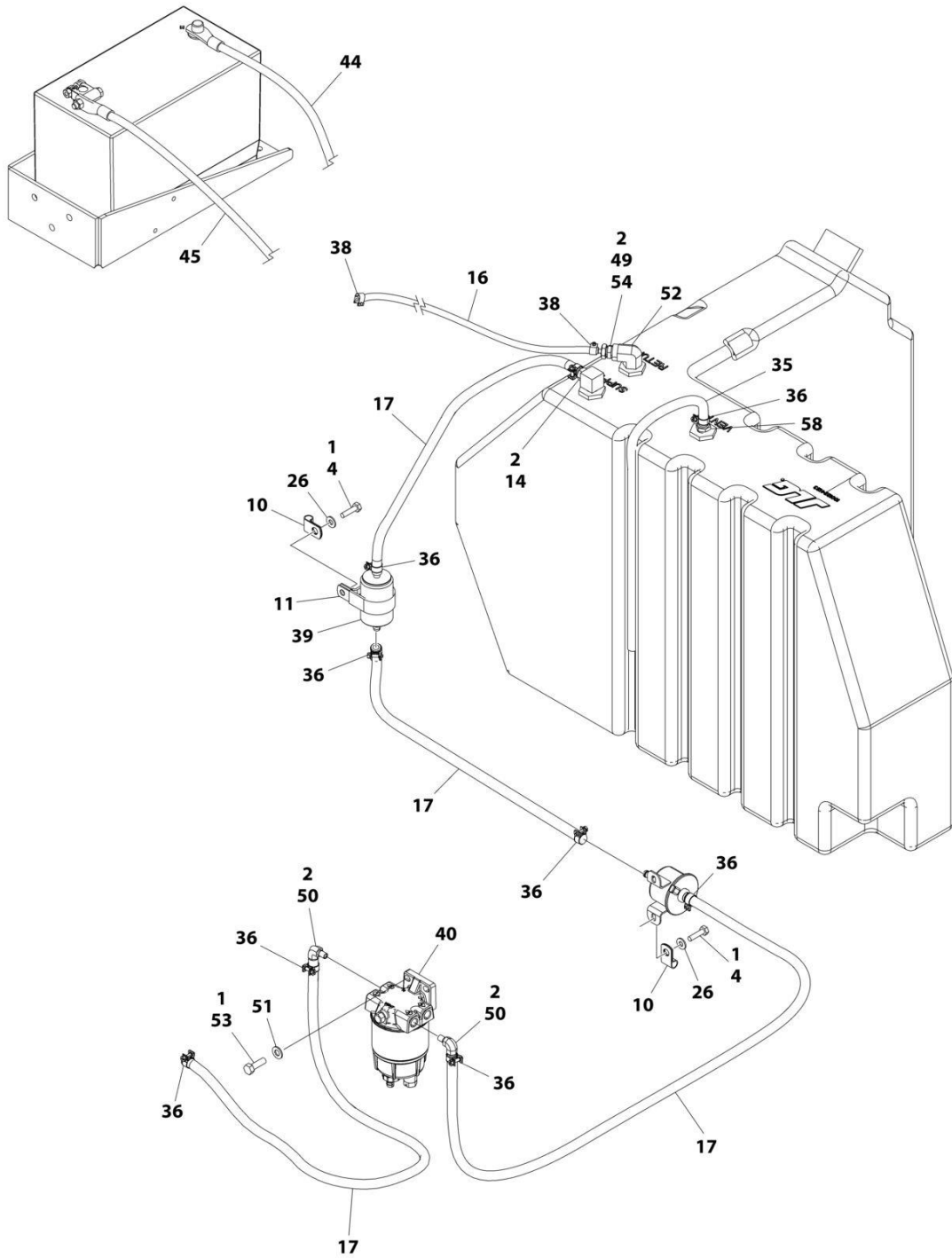
SECTION 3 - ENGINE

FIGURE 3-1. ENGINE INSTALLATION



ART_1001226669_1_10F2

SECTION 3 - ENGINE



ART_1001226669_I_2OF2

SECTION 3 - ENGINE

FIGURE 3-1. ENGINE INSTALLATION

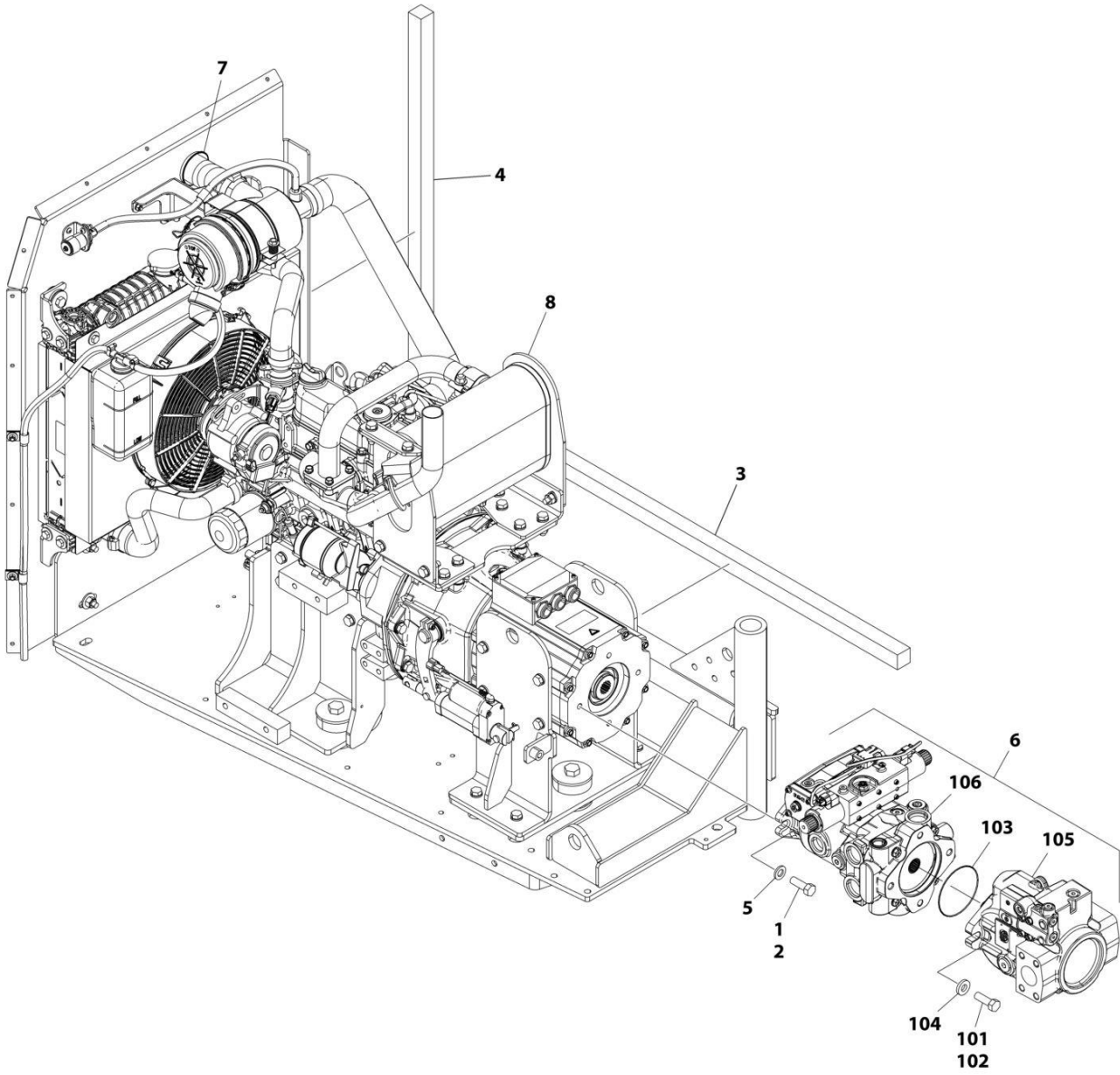
ITEM	PART NUMBER	QTY	DESCRIPTION	REV
	1001226669	Ref	ENGINE INSTALLATION	I
1	0100011	AR	Compound, Locking	
2	0100020	AR	Sealant	
3	0641407	2	Bolt 1/4 x 7/8	
4	0641408	3	Bolt 1/4 x 1	
5	0641610	1	Bolt 3/8 x 1-1/4	
6	0642016	1	Bolt 5/8 x 2	
8	0701217	2	Bolt M12 x 45	
9	0961986	2	Bearing	
10	1320263	2	Clamp	
11	1320265	1	Clamp	
12	1321385	1	Clamp	
14	2180348	1	Fitting, NPT/Barbed	
16	2720271	13 ft/ 3.97m	Hose	
17	2720058	12.5 ft/ 3.8m	Hose	
18	3271405	2	Nut 1/4	
20	3291205	3	Nut M12	
21	3422446	1	Pin	
22	3422533	1	Pin	
23	3841143	1	Keeper, Pin	
25	4240099	3	Tie-Strap (Not Shown)	
26	4711400	7	Washer 1/4	
27	4752000	1	Washer 5/8	
29	4812100	5	Washer M12	
31	80683013	2	Clamp	
32	1001118746	3	Bolt M10 x 25	
35	1001165035	50 in/ 127cm	Hose	
36	1001174486	9	Clamp	
38	1001185585	2	Clamp	
39	1001190545	1	Filter, Fuel	
40	1001190609	1	Fuel/Water Separator Assembly (See Separate Breakdown in this Section)	
42	1001230605	1	Engine Harness (Not Shown) (See Separate Breakdown in ELECTRICAL SECTION)	
43	1001236341	1	Plate	
44	1001225731	1	Cable, Battery (Positive)	
45	1001225733	1	Cable, Battery (Negative)	
46	1001225985	1	Cable, Alternator (Not Shown)	
47	1001237933	1	Engine and Pumps Sub-Assembly (See Separate Breakdown in this Section)	
49	2220250	1	Fitting NPT/NPT	
50	2221046	2	Fitting, 90	
51	4711500	2	Washer 5/16	
52	8540205	1	Fitting, 90 FNPTF/NPTF	
53	0641508	2	Bolt 5/16 x 1	
54	2180666	1	Fitting, NPT/Barbed	
55	0761215	1	Bolt M12 x 35	
56	0641808	1	Bolt 1/2 x 1	

SECTION 3 - ENGINE

ITEM	PART NUMBER	QTY	DESCRIPTION	REV
57	1060637	1	Lanyard	
58	2180876	1	Fitting, NPT/Barbed	
59	1001232528	1	Seal (Not Shown)	
61	4812000	3	Washer M10	
62	85841150	2	Clamp	
63	3290601	1	Nut M6	
100	1001237291	1	Battery Cable Kit (Includes Items 44 & 45) (Not Shown)	

SECTION 3 - ENGINE

FIGURE 3-2. ENGINE AND PUMPS SUB-ASSEMBLY



ART_1001237933

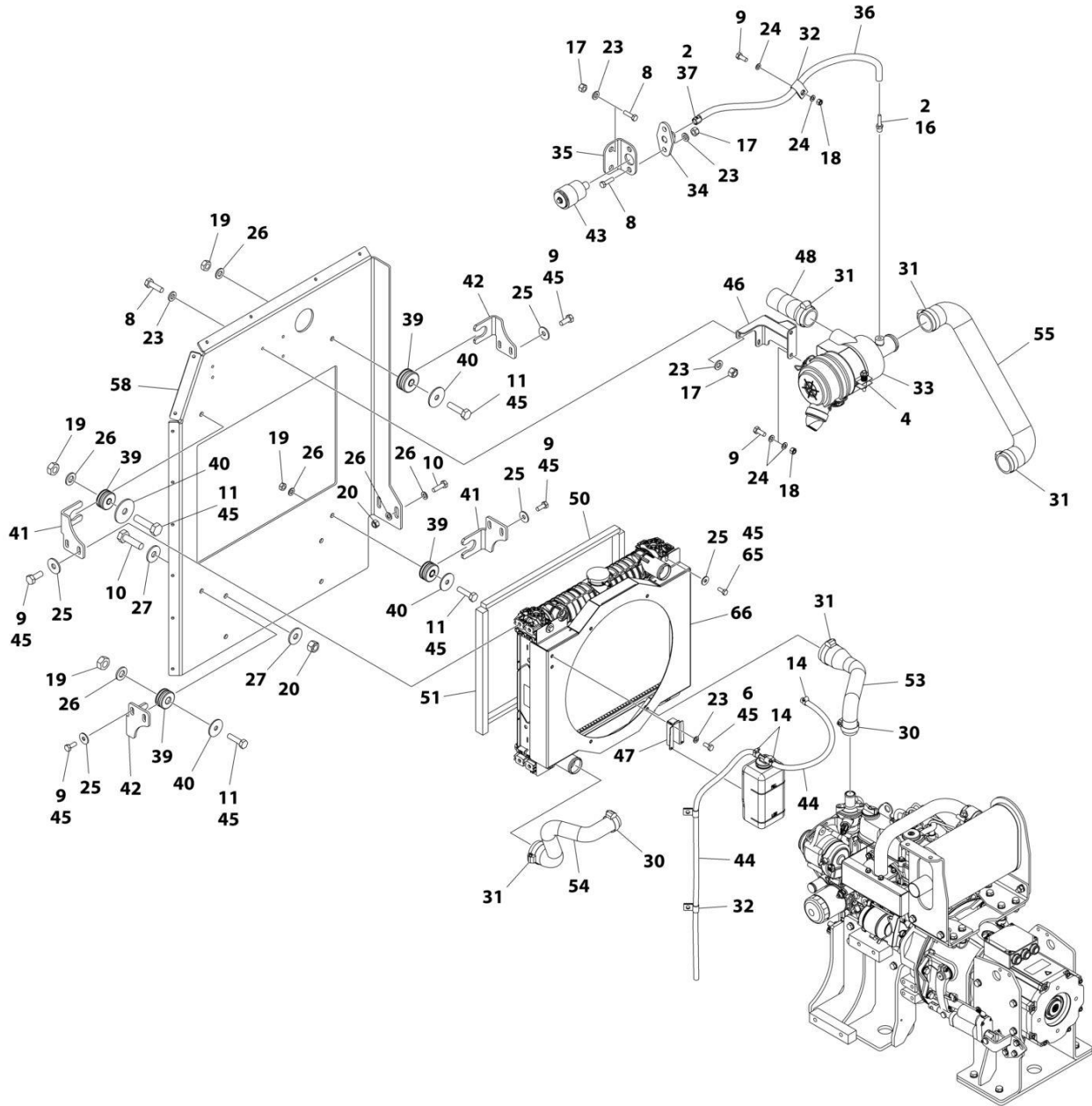
SECTION 3 - ENGINE

FIGURE 3-2. ENGINE AND PUMPS SUB-ASSEMBLY

ITEM	PART NUMBER	QTY	DESCRIPTION	REV
	1001237933	Ref	ENGINE AND PUMPS SUB-ASSEMBLY	A
1	0100011	AR	Compound, Locking	
2	0641812	2	Bolt 1/2 x 1-1/2	
3	3960468	1	Seal	
4	3960469	1	Seal	
5	5241200	2	Washer M12	
6	1001226551	1	Pump Sub-Assembly (Includes Items 101-106)	
7	1001232529	1	Seal	
8	1001237932	1	Engine Assembly (See Separate Breakdown in this Section)	
101	0100011	AR	Compound, Locking	
102	0641812	2	Bolt 1/2 x 1-1/2	
103	3790044	1	O-Ring	
104	4891800	2	Washer 1/2	
105	1001094595	1	Variable Pump Assembly (See Separate Breakdown in this Section)	
106	1001225745	1	Hydrostatic Pump Assembly (See Separate Breakdown in this Section)	

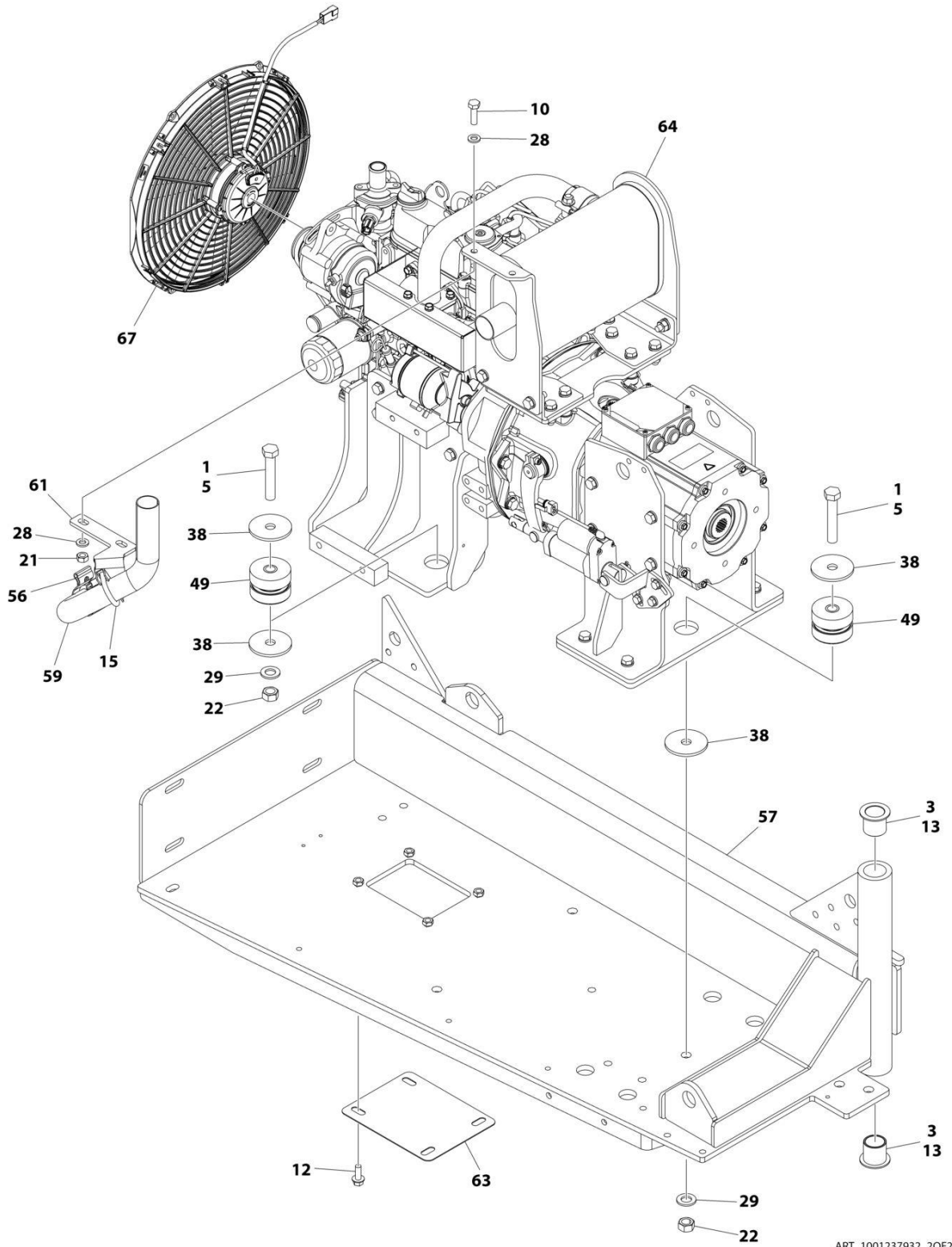
SECTION 3 - ENGINE

FIGURE 3-3. ENGINE AND TRAY ASSEMBLY



ART_1001237932_1OF2

SECTION 3 - ENGINE



ART_1001237932_2OF2

SECTION 3 - ENGINE

FIGURE 3-3. ENGINE AND TRAY ASSEMBLY

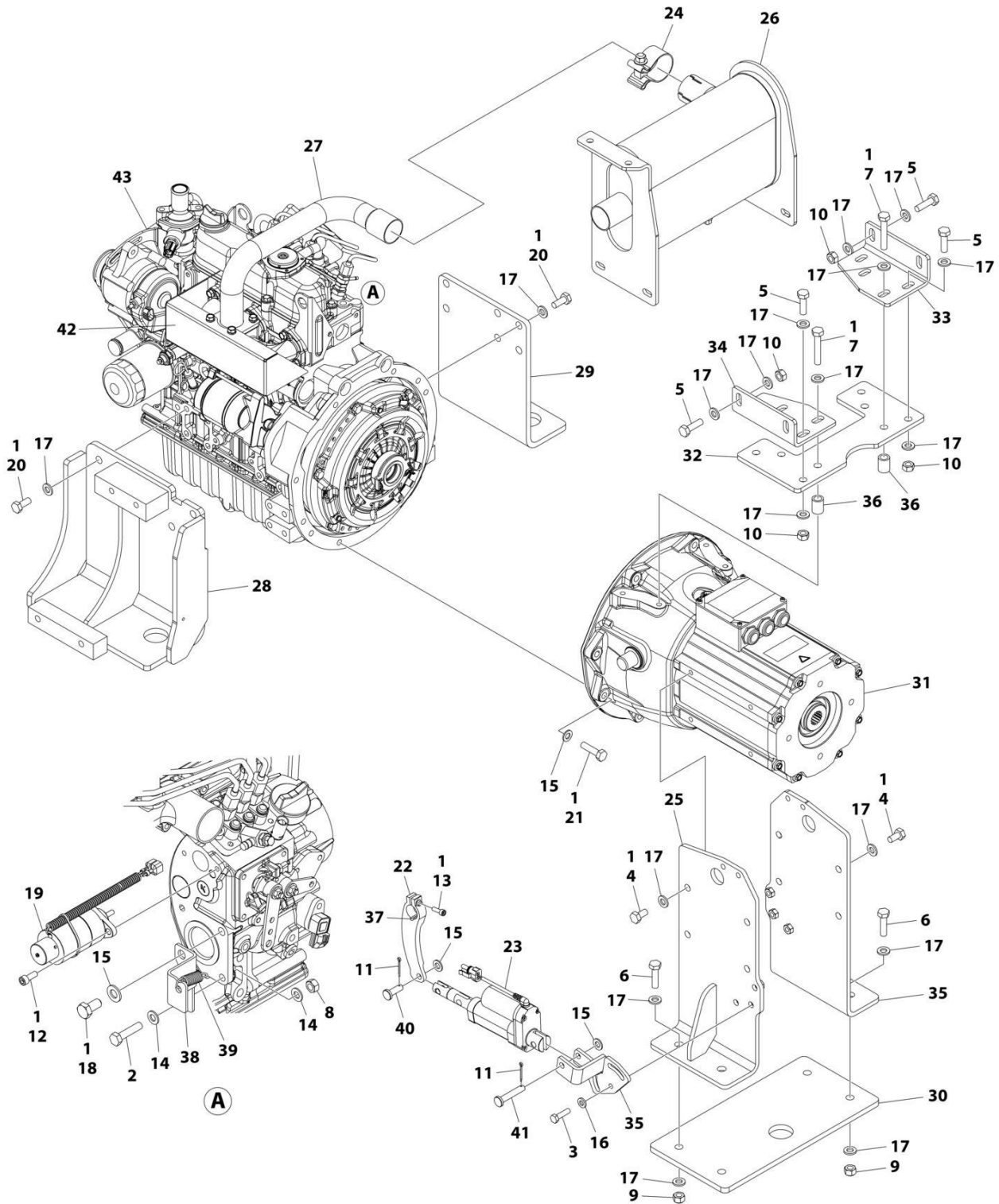
ITEM	PART NUMBER	QTY	DESCRIPTION	REV
	1001237932	Ref	ENGINE AND TRAY ASSEMBLY	B
1	0100011	AR	Compound, Locking	
2	0100020	AR	Sealant	
3	0100062	AR	Adhesive	
4	0340045	1	Band	
5	0711626	3	Bolt M16 x 90 Grade 10.9	
6	0760607	2	Bolt M6 x 14	
8	0760610	7	Bolt M6 x 20	
9	0760810	10	Bolt M8 x 20	
10	0761015	8	Bolt M10 x 35	
11	0761016	4	Bolt M10 x 40	
12	0811608	4	Screw 3/8 x 1	
13	0961986	2	Bearing	
14	1320022	3	Clamp	
15	1320274	1	Clamp	
16	2220315	1	Fitting, Straight Barbed	
17	3290605	7	Nut M6	
18	3290805	2	Nut M8	
19	3291001	4	Nut M10	
20	3291005	6	Nut M10	
21	3291007	2	Nut M10	
22	3331611	3	Nut M16	
23	4811700	12	Washer M6	
24	4811900	4	Washer M8	
25	4811902	12	Washer M8	
26	4812000	8	Washer M10	
27	4812002	8	Washer M10	
28	5241000	4	Washer M10	
29	5241600	3	Washer M16	
30	8405102	2	Clamp	
31	8405104	5	Clamp	
32	8406110	3	Clip	
33	1001118280	1	Air Filter Assembly	
33	7015004	1	Element, Air Filter	
34	1001138173	1	Support	
35	1001138175	1	Bracket	
36	1001138248	18 in/ 44cm	Tube	
37	1001141995	1	Fitting, NPT/Barbed	
38	1001146219	6	Washer	
39	1001169054	4	Isolator	
40	1001169138	4	Pad	
41	1001169967	2	Bracket	
42	1001170035	2	Bracket	
43	1001170981	1	Indicator, Air Intake Restriction	
44	1001172533	50 in/ 1.3m	Hose	
45	1001180620	AR	Adhesive	
46	1001182980	1	Bracket	
47	1001182982	1	Mount	

SECTION 3 - ENGINE

ITEM	PART NUMBER	QTY	DESCRIPTION	REV
48	1001182983	1	Tube	
49	1001190164	3	Mount, Motor	
50	1001217183	2	Seal	
51	1001217185	2	Seal	
53	1001222882	1	Tube, Coolant Inlet	
54	1001222883	1	Tube, Coolant Outlet	
55	1001222884	1	Tube	
56	1001223302	1	Clamp	
57	1001223405	1	Tray	
58	1001223787	1	Plate, Radiator	
59	1001223987	1	Pipe, Exhaust	
61	1001229561	1	Support	
63	1001232375	1	Panel	
64	1001237931	1	Engine and Generator Assembly (See Separate Breakdown in this Section)	
65	0760808	4	Bolt M8 x 16	
66	1001214690	1	Radiator	
67	1001247415	1	Fan Mounting Assembly (See Separate Breakdown in this Section)	

SECTION 3 - ENGINE

FIGURE 3-4. ENGINE AND GENERATOR ASSEMBLY



ART_1001237931

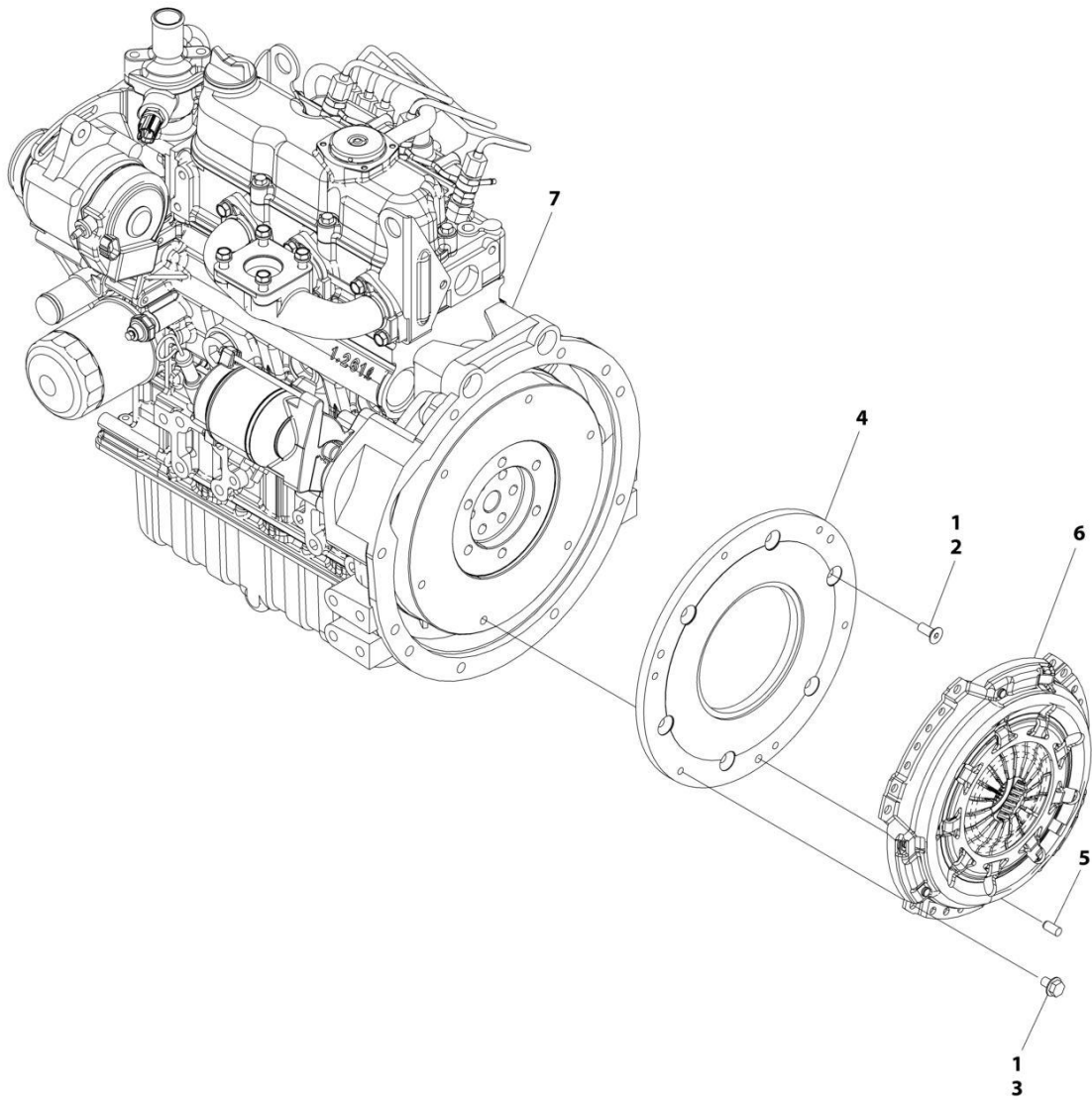
SECTION 3 - ENGINE

FIGURE 3-4. ENGINE AND GENERATOR ASSEMBLY

ITEM	PART NUMBER	QTY	DESCRIPTION	REV
	1001237931	Ref	ENGINE AND GENERATOR ASSEMBLY	A
1	0100011	AR	Compound, Locking	
2	0700815	1	Bolt M8 x 35	
3	0760814	3	Bolt M8 x 30	
4	0761010	8	Bolt M10 x 20	
5	0761015	8	Bolt M10 x 35	
6	0761016	4	Bolt M10 x 40	
7	0761020	4	Bolt M10 x 60	
8	3290807	1	Nut M8	
9	3291005	4	Nut M10 x 1.5	
10	3291007	8	Nut M10	
11	3450304	2	Pin, Cotter 3/32 x 1	
12	4031707	2	Bolt M6 x 16	
13	4031708	1	Capscrew M6 x 20	
14	4811900	2	Washer M8	
15	4812000	11	Washer M10	
16	5240800	3	Washer M8	
17	5241000	48	Washer M10	
18	8303511	1	Bolt M10 x 20	
19	1001118579	1	Actuator	
20	1001118746	12	Bolt M10 x 25	
21	1001186919	8	Bolt M10 x 40	
22	1001222784	1	Lever	
23	1001223088	1	Actuator	
24	1001223302	1	Clamp	
25	1001223721	2	Support	
26	1001223744	1	Muffler	
27	1001223842	1	Pipe, Exhaust	
28	1001223997	1	Mount, Engine	
29	1001224000	1	Mount, Engine	
30	1001224009	1	Plate	
31	1001224585	1	Generator Assembly (See Separate Breakdown in this Section)	
32	1001225093	1	Plate	
33	1001225094	1	Plate	
34	1001225095	1	Plate	
35	1001225104	1	Mount	
36	1001225429	4	Spacer	
37	1001228723	1	Key	
38	1001231323	1	Plate	
39	1001232181	1	Spring	
40	1001235452	1	Pin	
41	1001235453	1	Pin	
42	1001236206	1	Shield	
43	1001237919	1	Engine and Clutch Assembly (See Separate Breakdown in this Section)	

SECTION 3 - ENGINE

FIGURE 3-5. ENGINE AND CLUTCH ASSEMBLY



ART_1001237919

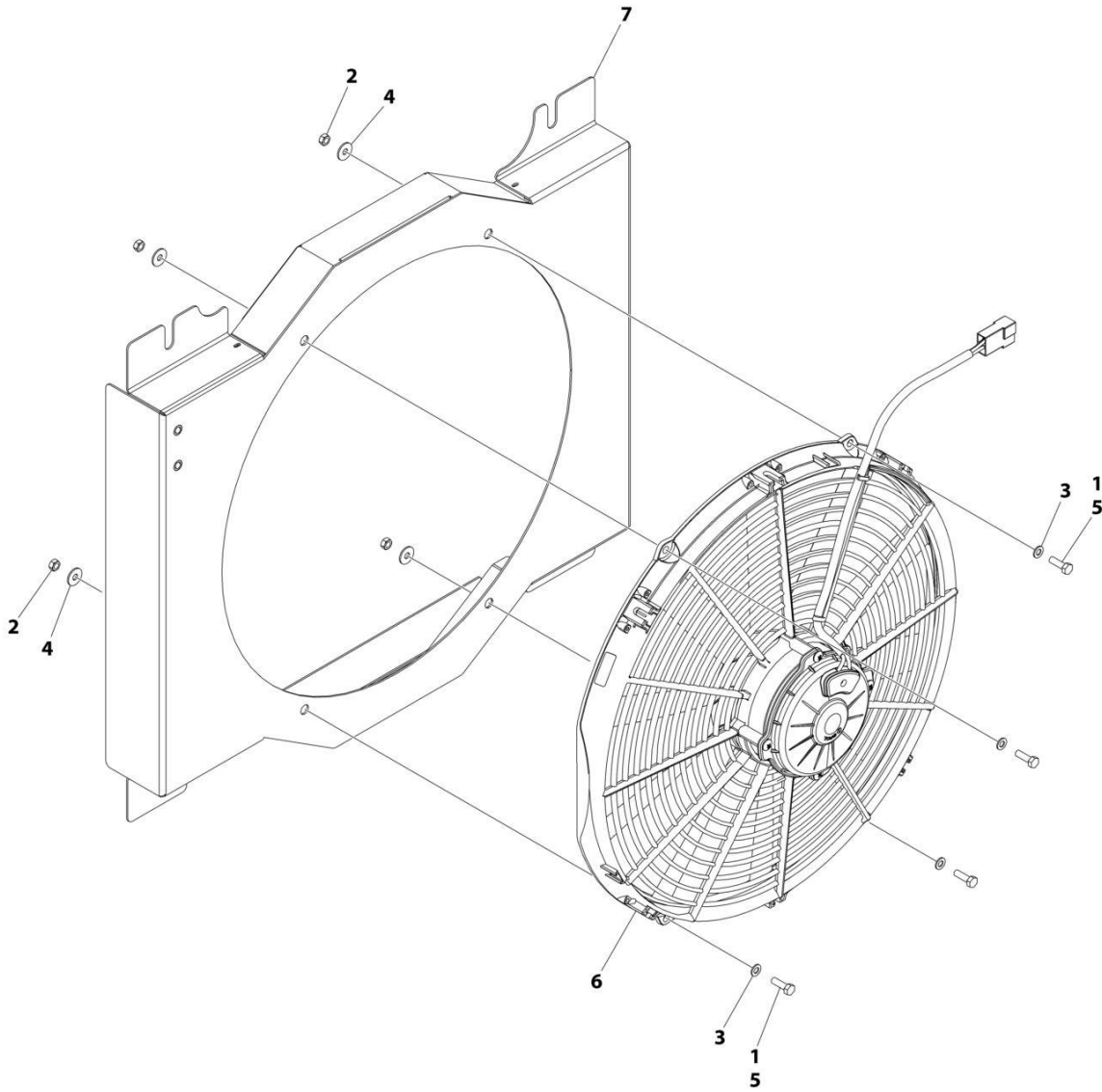
SECTION 3 - ENGINE

FIGURE 3-5. ENGINE AND CLUTCH ASSEMBLY

ITEM	PART NUMBER	QTY	DESCRIPTION	REV
	1001237919	Ref	ENGINE AND CLUTCH ASSEMBLY	A
1	0100011	AR	Compound, Locking	
2	3900382	6	Screw	
3	5250806	6	Bolt M8 x 12	
4	1001222783	1	Adapter	
5	1001223061	3	Pin	
6	1001223148	1	Clutch	
7	1001237918	1	Kubota Engine Components (See Separate Breakdown in this Section)	

SECTION 3 - ENGINE

FIGURE 3-6. ENGINE FAN MOUNTING ASSEMBLY



ART_1001247415

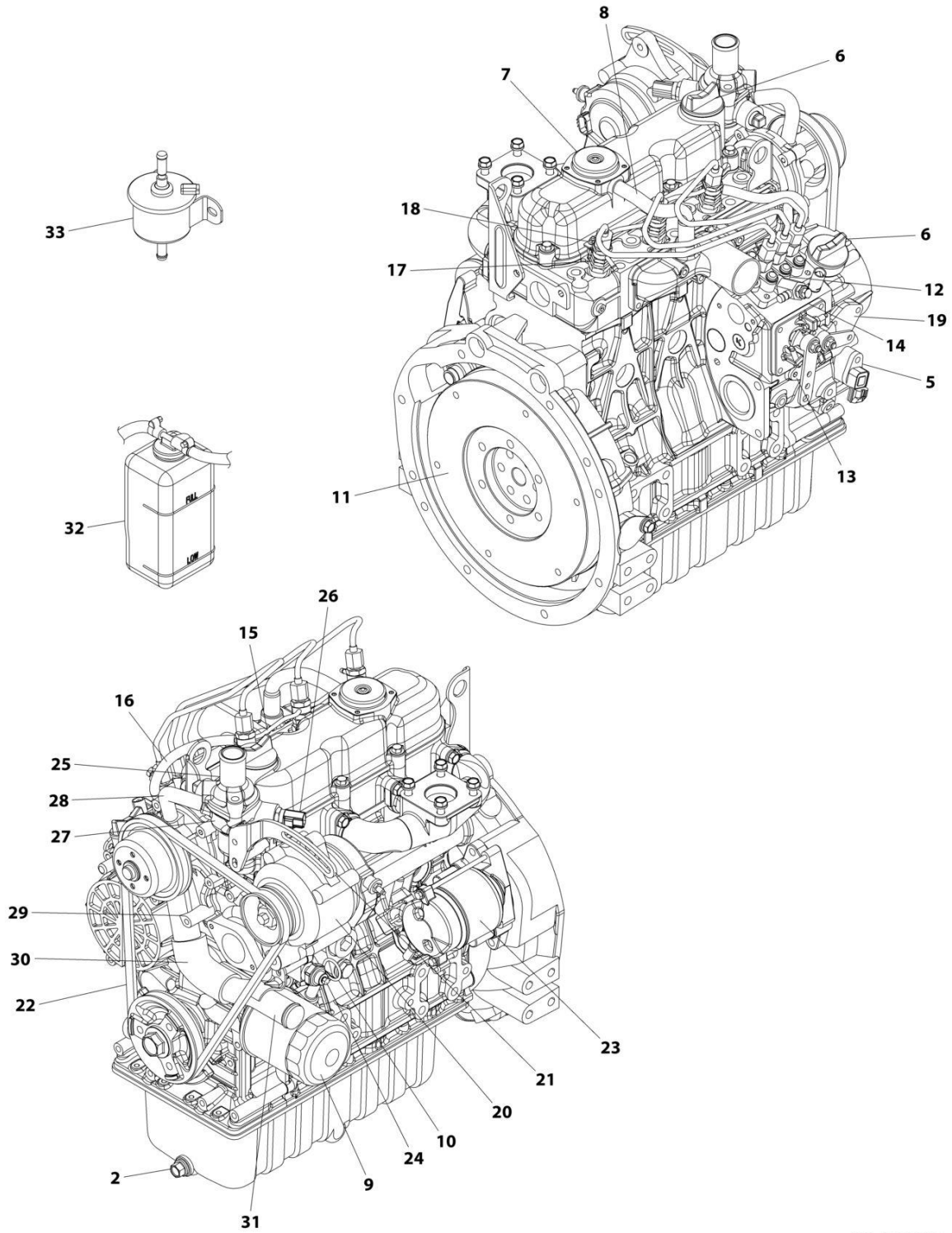
SECTION 3 - ENGINE

FIGURE 3-6. ENGINE FAN MOUNTING ASSEMBLY

ITEM	PART NUMBER	QTY	DESCRIPTION	REV
	1001247415	Ref	ENGINE FAN MOUNTING ASSEMBLY	A
1	0760508	4	Bolt M5 x 16	
2	3290501	4	Nut M5	
3	4811600	4	Washer M5	
4	4811602	4	Washer M5	
5	1001180620	AR	Compound, Locking	
6	1001222465	1	Fan	
7	1001225072	1	Shroud	

SECTION 3 - ENGINE

FIGURE 3-7. KUBOTA ENGINE COMPONENTS



ART_1001237918

SECTION 3 - ENGINE

FIGURE 3-7. KUBOTA ENGINE COMPONENTS

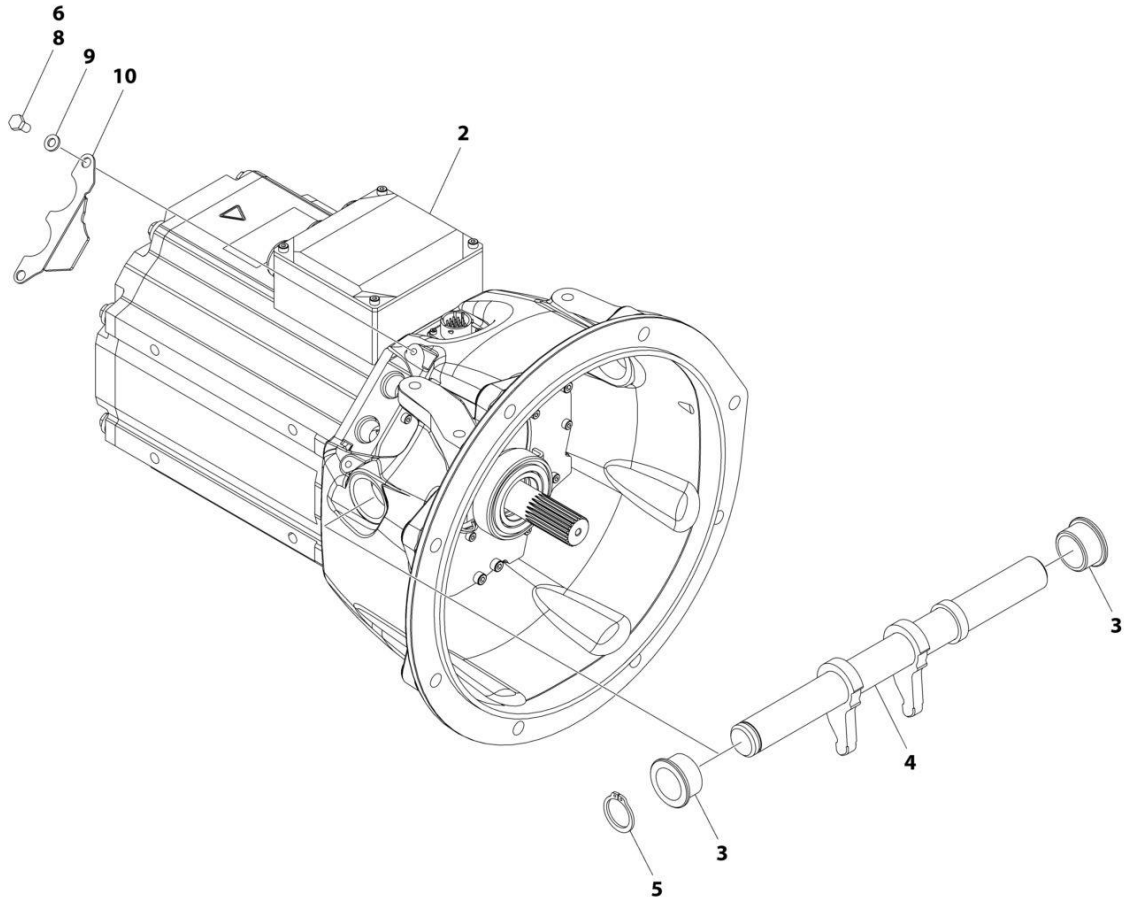
ITEM	PART NUMBER	QTY	DESCRIPTION	REV
	1001237918	Ref	KUBOTA ENGINE COMPONENTS	B
1	7023154	1	Plug, Drain (Not Shown - Located on bottom of Oil Pan)	
1	70002315	1	Seal	
2	70004525	1	Plug, Drain	
2	70004526	1	Seal	
3	70005220	1	Gasket, Head (Not Shown)	
3	70005221	1	Gasket, Valve Cover (Not Shown)	
3	7023149	1	Gasket, Intake Manifold (Not Shown)	
3	7023148	1	Gasket, Exhaust Manifold (Not Shown)	
3	7023124	1	Gasket, Muffler (Not Shown)	
3	70005226	1	Gasket, Upper Kit (Not Shown)	
3	70005227	1	Gasket, Lower Kit (Not Shown)	
4	7023157	1	Seal, Oil (Not Shown - Crankshaft Seal)	
5	70007505	1	Sensor	
6	70002318	2	Cap, Filler	
6	70004311	2	O-Ring	
7	70003060	1	Valve, Breather	
7	70003061	1	Cover, Beather	
7	7017934	4	Screw	
8	70002316	1	Pipe, Water Return	
8	70002317	1	Tube, Breather	
8	70004530	1	Clamp	
8	70004531	1	Clamp	
9	70004395	1	Filter, Oil	
9	7017913	1	Washer	
9	7017914	1	Pipe, Joint	
10	70006667	1	Dipstick	
11	70005224	1	Gear, Rim	
12	7023164	1	Pump, Injector	
12	70002319	1	Shim (0.175mm)	
12	70002320	1	Shim (0.200mm)	
12	70002321	1	Shim (0.250mm)	
12	70002322	1	Shim (0.300mm)	
12	70002323	1	Shim (0.350mm)	
12	70004842	2	Stud	
13	7023165	1	Gasket	
14	70004397	1	Gasket	
15	70004536	1	Over Flow Pipe Assembly (To injectors)	
16	70004539	1	Over Flow Pipe Assembly (To Injector Pump)	
16	70004537	1	Seal	
16	70004538	1	Seal	
17	70004399	3	Injector	
17	70004540	3	Nut	
17	7023167	3	Seal	
17	7023168	3	Seal, Heat	
18	70004398	3	Plug, Glow	
18	70004544	1	Cord, Glow Plug	
19	70004400	1	Gasket, Fuel Pump	
20	70006661	1	Alternator	
21	70006664	1	Adjustment Arm	

SECTION 3 - ENGINE

ITEM	PART NUMBER	QTY	DESCRIPTION	REV
22	70006665	1	Belt	
23	7023144	1	Starter	
24	7017901	1	Oil Pressure Switch	
25	7023170	1	Thermostat	
25	70002326	1	Gasket	
26	70003064	1	Sensor, Water Temperature	
26	70003063	1	Seal	
27	7023145	1	Gasket, Thermostat Housing	
28	7017958	1	Pipe, Water Return	
29	70002327	1	Pump, Water	
29	70002328	1	Gasket	
30	7017963	1	Pipe, Water	
31	70002330	1	Pipe, Water	
32	7023126	1	Tank, Reserve	
33	70005228	1	Pump, Fuel	

SECTION 3 - ENGINE

FIGURE 3-8. GENERATOR ASSEMBLY



ART_1001224585

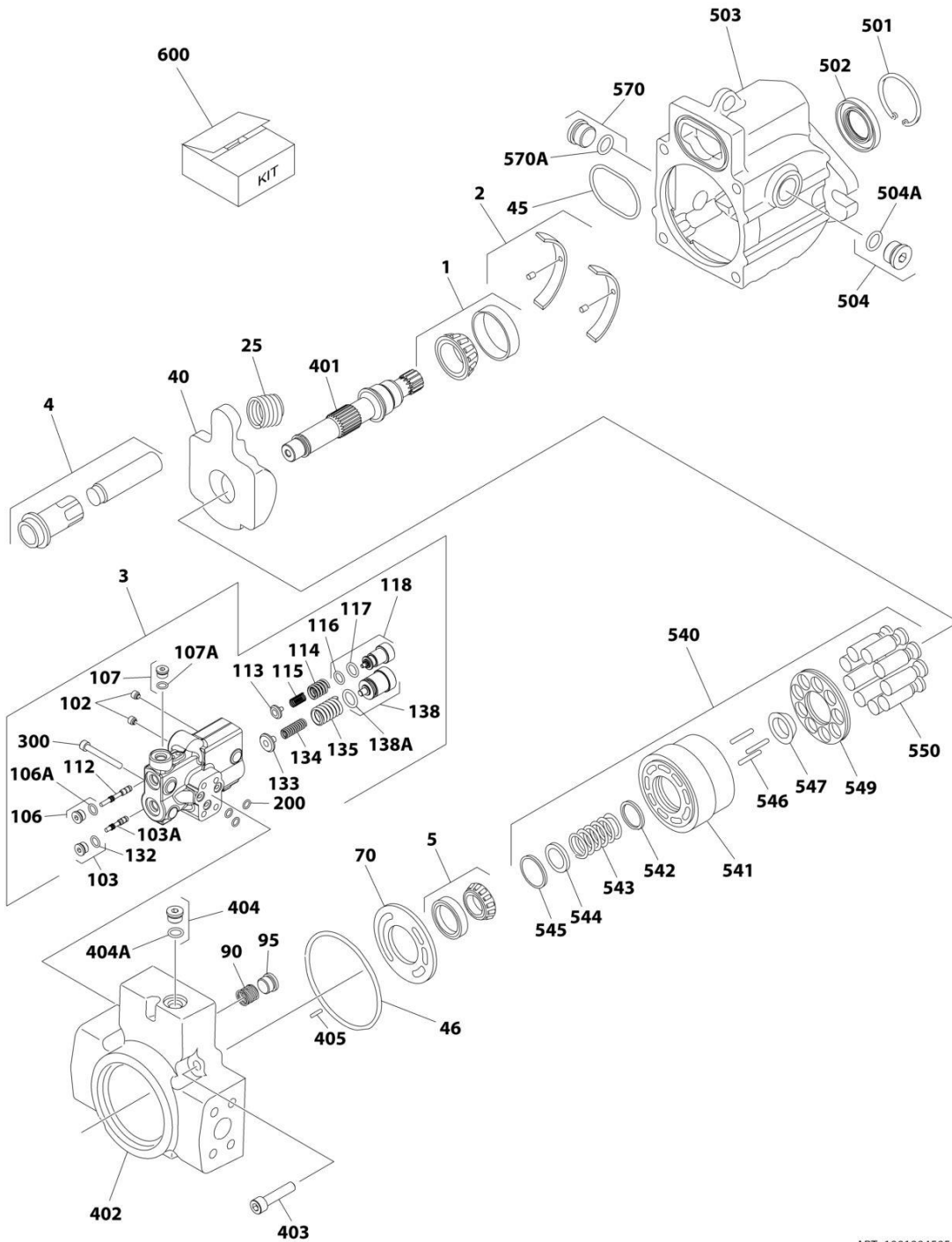
SECTION 3 - ENGINE

FIGURE 3-8. GENERATOR ASSEMBLY

ITEM	PART NUMBER	QTY	DESCRIPTION	REV
	1001224585	Ref	GENERATOR ASSEMBLY	C
2	1001221813	1	Generator Components (Note: No Serviceable Components)	
3	1001222731	2	Bearing	
4	1001222797	1	Release Shaft Assembly	
5	1001223059	1	Ring, Snap	
6	0100011	AR	Compound, Locking	
8	0760606	2	Bolt M6 x 12	
9	4811700	2	Washer M6	
10	1001227909	1	Cover	

SECTION 3 - ENGINE

FIGURE 3-9. VARIABLE PUMP ASSEMBLY



ART_1001094595

SECTION 3 - ENGINE

FIGURE 3-9. VARIABLE PUMP ASSEMBLY

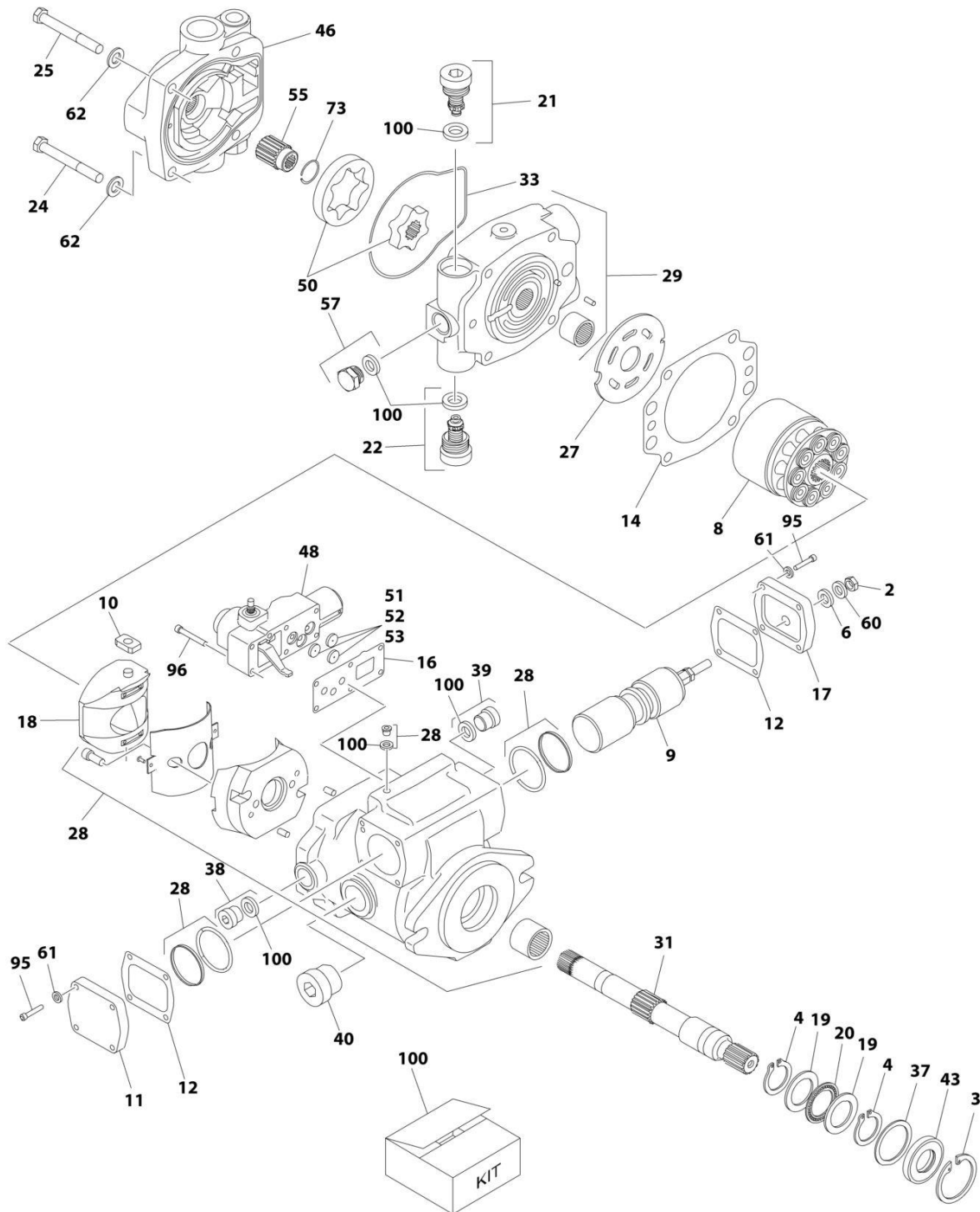
ITEM	PART NUMBER	QTY	DESCRIPTION	REV
	1001094595	Ref	VARIABLE PUMP ASSEMBLY	A
1	7023947	1	Bearing, Front (Includes Cup and Cone)	
2	7023948	1	Bearings, Swash Plate (Includes Both Sides and Pins)	
3	7023956	1	Control Valve Assembly (Includes Items 102-300)	
4	7023949	1	Servo Piston Assembly	
5	7023950	1	Bearing, Rear (Includes Cup and Cone)	
25	7023951	1	Spring	
40	7023952	1	Swash Plate	
45	See Note	NSS	O-Ring (Note: Use Item 600)	
46	See Note	NSS	O-Ring (Note: Use Item 600)	
70	70001954	1	Plate, Valve	
90	70001955	1	Spring, Check Valve	
95	70001956	1	Poppet, Check Valve	
102	See Note	NSS	Setscrew (Note: Use Item 3)	
103	See Note	NSS	Plug (Note: Use Item 3)	
103A	See Note	NSS	O-Ring (Note: Use Item 600)	
106	See Note	NSS	Plug (Note: Use Item 3)	
106A	See Note	NSS	O-Ring (Note: Use Item 600)	
107	See Note	NSS	Plug (Note: Use Item 3)	
107A	See Note	NSS	O-Ring (Note: Use Item 600)	
112	See Note	NSS	Spool, Control (Note: Use Item 3)	
113	See Note	NSS	Guide, Spring (Note: Use Item 3)	
114	See Note	NSS	Spring (Note: Use Item 3)	
115	See Note	NSS	Spring (Note: Use Item 3)	
116	See Note	NSS	O-Ring (Note: Use Item 600)	
117	See Note	NSS	Ring, Back-up (Note: Use Item 600)	
118	See Note	NSS	Plug, Adjusting (Note: Use Item 3)	
132	See Note	NSS	Spool, Control (Note: Use Item 3)	
133	See Note	NSS	Guide, Spring (Note: Use Item 3)	
134	See Note	NSS	Spring (Note: Use Item 3)	
135	See Note	NSS	Spring (Note: Use Item 3)	
138	See Note	NSS	Plug, PC Adjusting (Note: Use Item 3)	
138A	See Note	NSS	O-Ring (Note: Use Item 600)	
200	See Note	NSS	Ring, Seal (Note: Use Item 600)	
300	7023957	4	Screw	
401	7023958	1	Shaft	
402	70001957	1	Cap, End	
403	7023960	4	Screw	
404	7022318	1	Plug	
404A	See Note	NSS	O-Ring (Note: Use Item 600)	
405	7023961	1	Pin	
501	7023962	1	Ring, Retaining	
502	See Note	NSS	Seal, Lip (Note: Use Item 600)	
503	See Note	NSS	Housing (Note: Not Available - Purchase Assembly)	
504	7023964	1	Plug	
504A	7007415	1	O-Ring	
540	7023965	1	Cylinder Block Assembly	
541	See Note	NSS	Block, Cylinder (Note: Use Item 540)	
542	7024868	1	Washer	
543	7024867	1	Spring	

SECTION 3 - ENGINE

ITEM	PART NUMBER	QTY	DESCRIPTION	REV
544	7022314	1	Retainer, Spring	
545	7022311	1	Ring, Retaining	
546	7021275	3	Pin, Slipper	
547	7024864	1	Guide, Slipper	
549	7024866	1	Retainer, Slipper	
550	7023966	9	Piston Assembly	
570	7023964	1	Plug	
570A	7007415	1	O-Ring	
600	7023967	1	Seal Kit - Complete (Includes Items 45, 46, 103A, 106A, 107A, 118, 138A, 200, 444A & 502)	

SECTION 3 - ENGINE

FIGURE 3-10. HYDROSTATIC PUMP ASSEMBLY



ART_1001225745

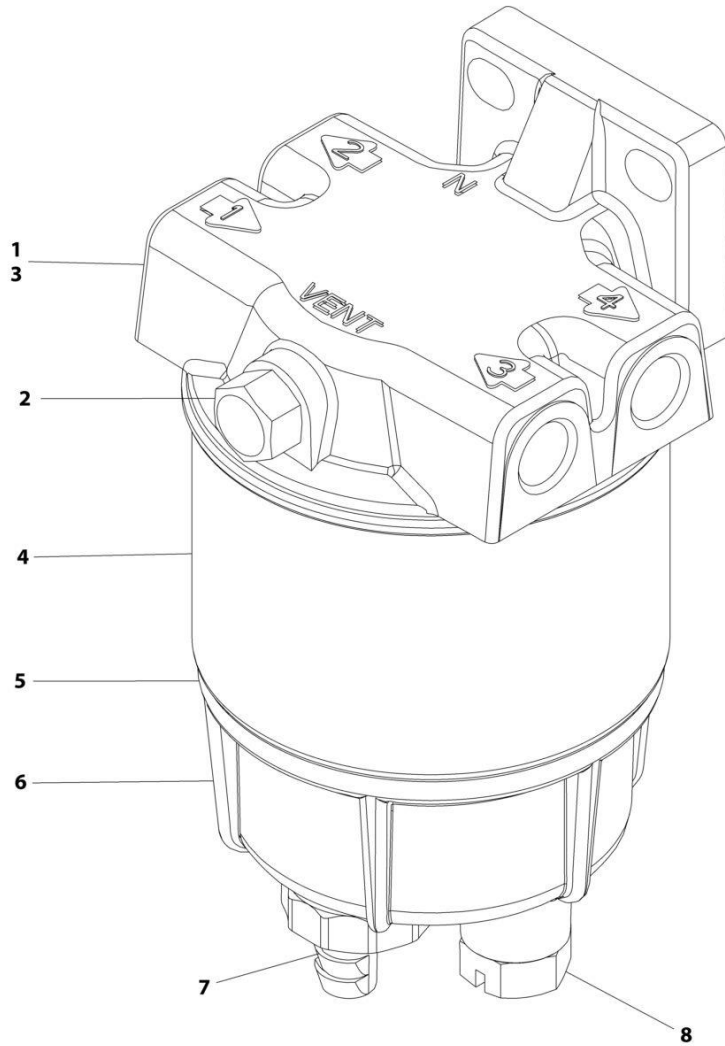
SECTION 3 - ENGINE

FIGURE 3-10. HYDROSTATIC PUMP ASSEMBLY

ITEM	PART NUMBER	QTY	DESCRIPTION	REV
	1001225745	Ref	HYDROSTATIC PUMP ASSEMBLY	A
2	70004329	1	Nut	
3	See Note	NSS	Ring, Retaining (Note: Use Item 100)	
4	See Note	NSS	Ring, Retaining (Note: Use Item 100)	
6	See Note	NSS	Washer, Seal (Note: Use Item 100)	
8	70004331	1	Cylinder Block Assembly	
9	70004332	1	Servo Piston Assembly	
10	70004333	1	Follower, Servo Piston	
11	70005458	1	Cover	
12	See Note	NSS	Gasket, Cover (Note: Use Item 100)	
14	See Note	NSS	Gasket, Housing (Note: Use Item 100)	
16	See Note	NSS	Gasket, Control Housing (Note: Use Item 100)	
17	70005459	1	Cover	
18	70004336	1	Camplate Assembly	
19	7004907	2	Race, Thrust	
20	7004908	1	Bearing, Thrust	
21	70004337	1	Relief Valve Assembly	
22	70004337	1	Relief Valve Assembly	
24	70004338	2	Capscrew	
25	70004338	2	Capscrew	
27	70004340	1	Plate, Valve	
28	See Note	NSS	Housing (Note: Not Available - Purchase Assembly)	
29	70005460	1	End Cover Assembly	
31	70004342	1	Shaft, Drive	
33	See Note	NSS	O-Ring (Note: Use Item 100)	
37	7004906	1	Washer	
38	70005461	1	Plug	
39	70005461	1	Plug	
40	70005462	1	Plug	
43	See Note	NSS	Seal, Shaft (Note: Use Item 100)	
46	70004343	1	Adapter, Charge Pump	
48	70004344	1	Servo Control Assembly	
50	70004345	1	Gerotor	
51	70004346	1	Orifice	
52	70004346	1	Orifice	
53	70004346	1	Orifice	
55	70004347	1	Coupler	
57	70005463	1	Plug	
60	70004348	1	Washer	
61	70004349	8	Washer	
62	70004350	4	Washer	
73	70004351	1	Ring, Retaining	
95	70005464	8	Capscrew	
96	70005465	6	Capscrew	
100	70004352	1	Seal Kit - Pump (Includes Items 3, 4, 6, 12, 14, 16, 33 & 43 and Valve and Plug O-Rings and Seals)	

SECTION 3 - ENGINE

FIGURE 3-11. FUEL/WATER SEPARATOR ASSEMBLY



ART_1001190609

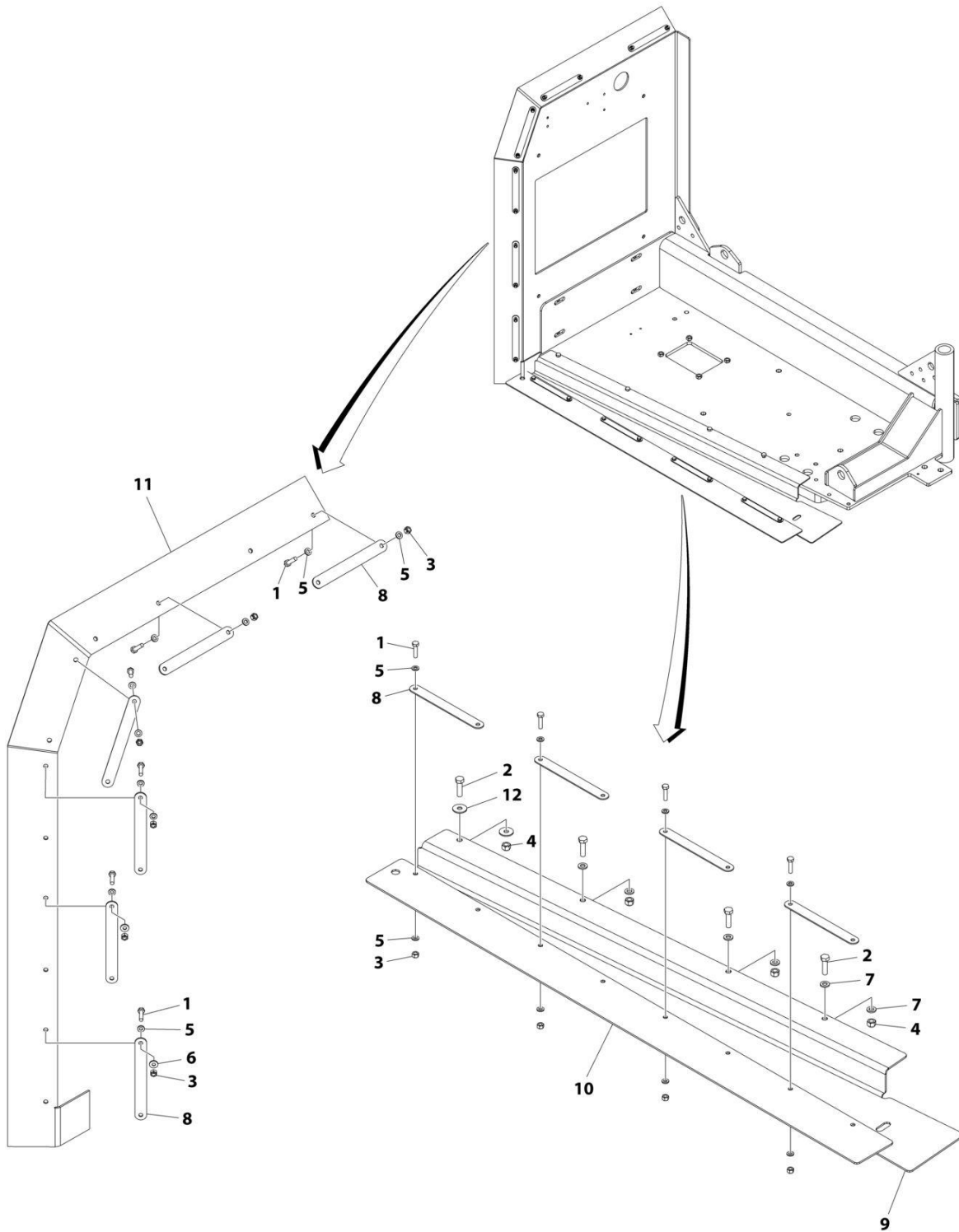
SECTION 3 - ENGINE

FIGURE 3-11. FUEL/WATER SEPARATOR ASSEMBLY

ITEM	PART NUMBER	QTY	DESCRIPTION	REV
	1001190609	Ref	FUEL/WATER SEPARATOR ASSEMBLY - DIESEL ENGINES	B
1	70005293	1	Head, Mounting	
2	70005294	1	Plug	
3	70005295	1	Gasket, Head	
4	70005296	1	Element	
5	70005297	1	O-Ring	
6	70002901	1	Bowl	
7	70004070	1	Drain, Self Venting	
8	70004069	1	Plug	

SECTION 3 - ENGINE

FIGURE 3-12. ENGINE HOOD Baffles INSTALLATION



ART_1001227743

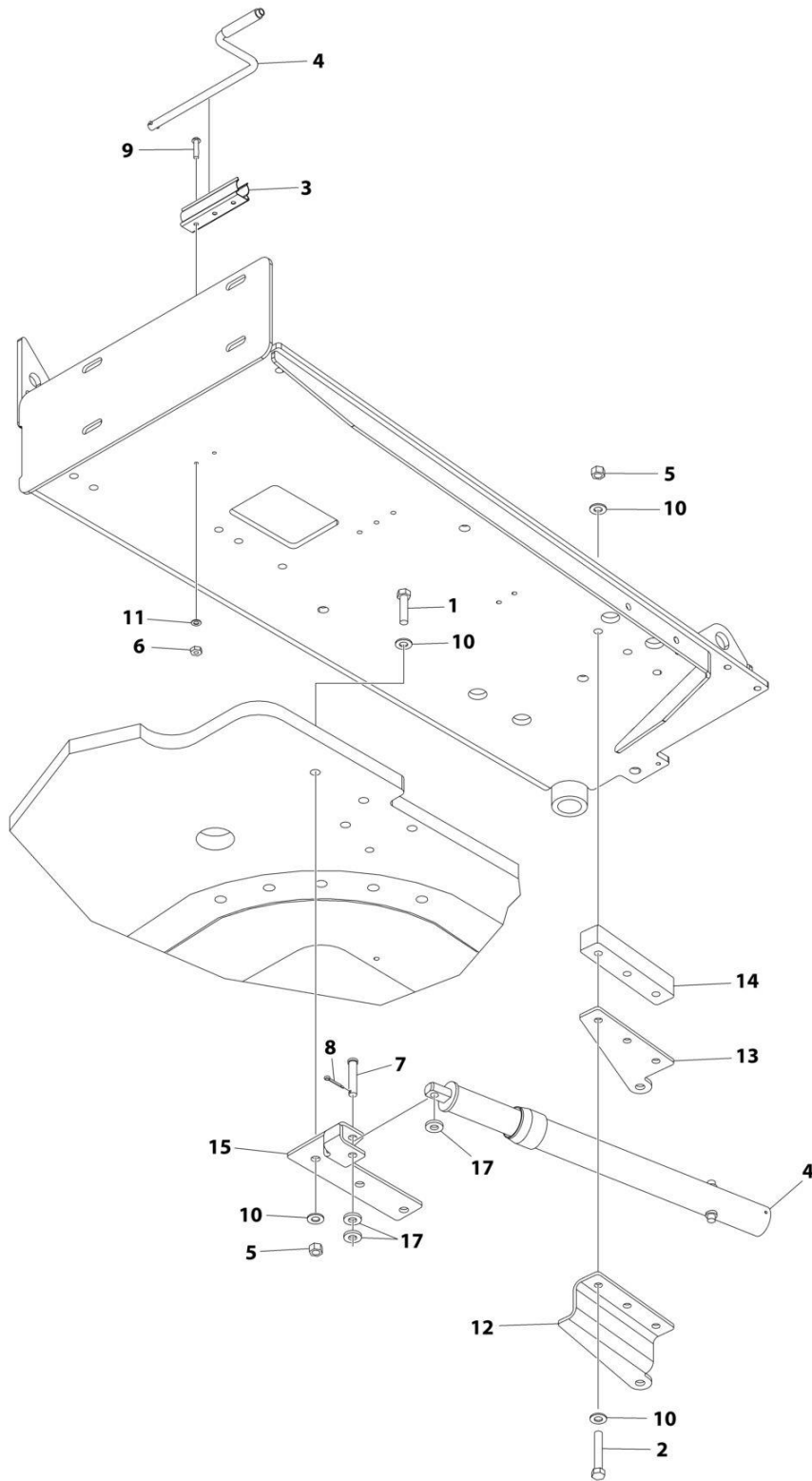
SECTION 3 - ENGINE

FIGURE 3-12. ENGINE HOOD BAFFLES INSTALLATION

ITEM	PART NUMBER	QTY	DESCRIPTION	REV
	1001227743	Ref	ENGINE HOOD BAFFLES INSTALLATION	C
1	0760612	20	Bolt M6 x 25	
2	0760814	4	Bolt M8 x 30	
3	3290605	20	Nut M6	
4	3290805	4	Nut M8	
5	4811700	38	Washer M6	
6	4811702	2	Washer M6	
7	4811900	6	Washer M8	
8	1001167164	10	Support	
9	1001227740	1	Plate	
10	1001227741	1	Seal	
11	1001227742	1	Seal	
12	4811902	2	Washer M8	

SECTION 3 - ENGINE

FIGURE 3-13. TRAY JACK INSTALLATION



ART_1001229066_D

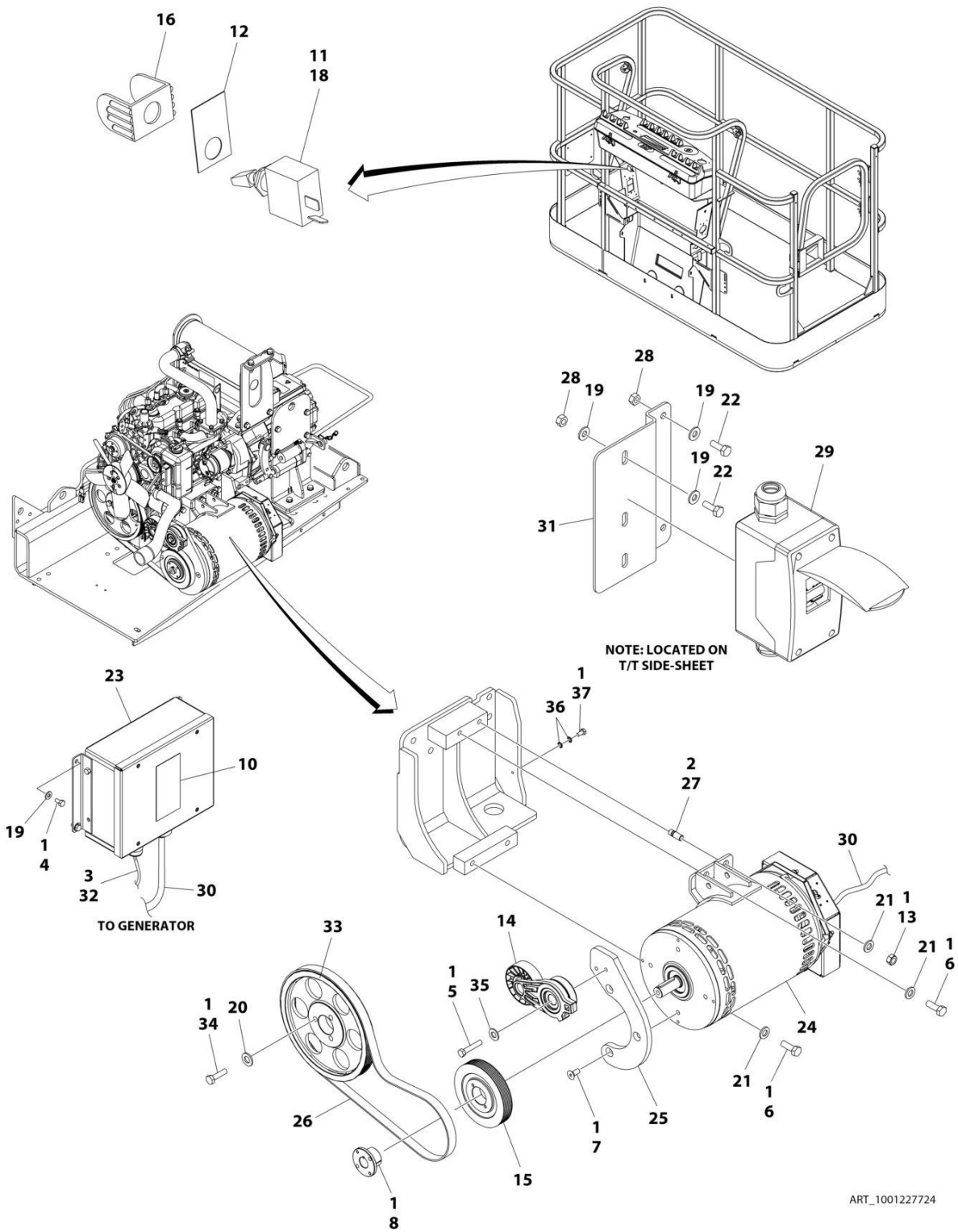
SECTION 3 - ENGINE

FIGURE 3-13. TRAY JACK INSTALLATION

ITEM	PART NUMBER	QTY	DESCRIPTION	REV
	1001229066	Ref	TRAY JACK INSTALLATION	D
1	0641816	3	Bolt 1/2 x 2	
2	0641824	3	Bolt 1/2 x 3	
3	1380147	1	Clip	
4	2840018	1	Jack and Handle Assembly	
4	7024599	1	Handle	
5	3271805	6	Nut 1/2 Grade 8	
6	3310601	2	Nut #6	
7	3430820	1	Pin	
8	3450404	1	Pin, Cotter 1/8 x 1	
9	3910610	2	Screw #6 x 5/8	
10	4711800	11	Washer 1/2	
11	4770600	2	Washer #6	
12	1001175073	1	Support	
13	1001175074	1	Support	
14	1001243869	1	Shim	
15	1001229067	1	Bracket	
17	4891800	3	Washer 1/2	

SECTION 3 - ENGINE

FIGURE 3-14. 4000W GENERATOR INSTALLATION - 220V/50HZ (OPTIONAL)



ART_1001227724

SECTION 3 - ENGINE

FIGURE 3-14. 4000W GENERATOR INSTALLATION - 220V/50HZ (OPTIONAL)

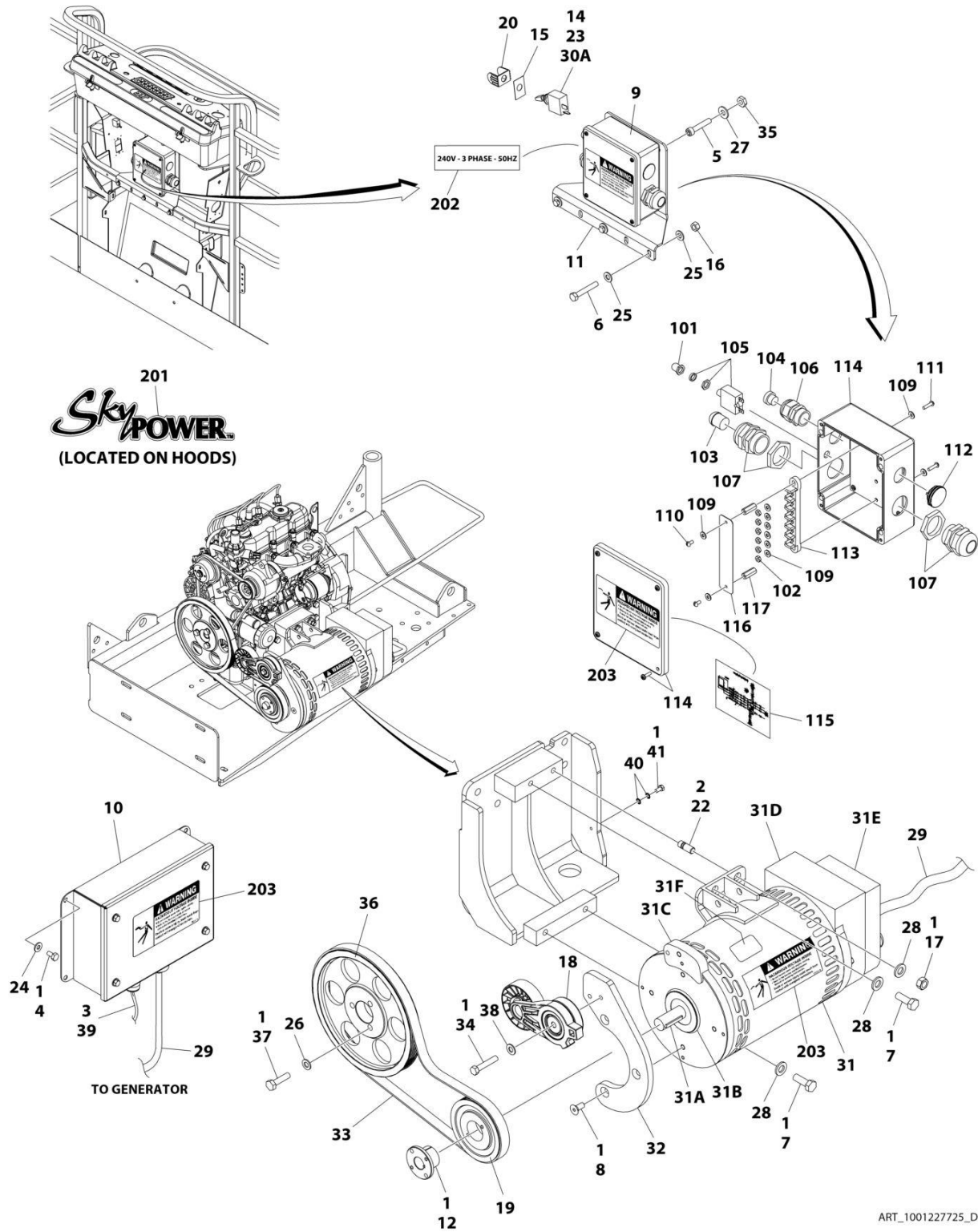
ITEM	PART NUMBER	QTY	DESCRIPTION	REV
	1001227724	Ref	4000W GENERATOR INSTALLATION	E
1	0100011	AR	Compound, Locking	
2	0100019	AR	Compound, Locking	
3	0100048	AR	Grease, Dielectric	
4	0641404	4	Bolt 1/4 x 1/2	
5	0641616	1	Bolt 3/8 x 2	
6	0761215	3	Bolt M12 x 35	
7	0741607	3	Screw 3/8 x 7/8	
8	0962520	1	Bushing, Split	
10	1705489	2	Decal - Hazardous Voltage	
11	2820031	AR	Heatshrink	
12	3251102	1	Nameplate - Generator	
13	3291201	1	Nut M12	
14	3580317	1	Tensioner, Belt	
15	1001244352	1	Pully	
16	4060802	1	Guard, Switch	
17	4240018	1	Tie-Strap (Not Shown)	
18	4360336	1	Switch, Toggle	
19	4711400	4	Washer 1/4	
20	4812000	3	Washer M10	
21	5241200	4	Washer M12	
22	0641406	4	Bolt 1/4 x 3/4	
23	1001138566	1	Box, Control	
24	1001206119	1	Generator Assembly	
24	70003709	1	Ring, Retaining (External)	
24	70003708	1	Ring, Retaining (Internal)	
24	70001966	1	Bearing	
24	70004092	1	Endbell (Shaft End)	
24	70004171	1	Key	
24	70004676	1	Rotor	
24	70005624	1	Stator	
24	70004678	1	Endbell (Rear)	
24	70004679	1	Cover, Endbell (Rear)	
24	70004680	1	Enclosure, Wiring	
24	70004681	1	Cover, Enclosure	
24	70004682	1	Switch, Reset (Located on Enclosure Cover)	
24	70004098	1	Connector, Strain Relief (Located on Enclosure Cover)	
24	70004683	1	Bushing, Connector (Use p/n 70004098)	
24	70001973	1	Decal - Warning Pinch Point	
25	1001244926	1	Plate, Tensioner	
26	1001248171	1	V-Belt	
27	1001196382	1	Stud	
28	3311405	4	Nut 1/4	
29	1001165368	1	Breaker Box Kit (See Separate Breakdown in ELECTRICAL SECTION)	
30	1001152532	1	Generator Harness (Generator Control Box to Generator) (See Separate Breakdown in ELECTRICAL SECTION)	
31	1001229080	1	Bracket	
32	1001231225	1	Harness, Generator Enable (Generator Control Box to Engine Harness) (See Separate Breakdown in ELECTRICAL SECTION)	

SECTION 3 - ENGINE

ITEM	PART NUMBER	QTY	DESCRIPTION	REV
32	4460967	1	Plug, Male - 2 Position	
32	4460465	1	Socket, Female	
33	1001183726	1	Pulley	
34	1001186919	3	Bolt M10 x 40	
35	4711600	1	Washer 3/8	
36	4871700	2	Washer M6	
37	0760606	1	Bolt M6 x 12	

SECTION 3 - ENGINE

FIGURE 3-15. 7500W SKYPOWER GENERATOR INSTALLATION - 220V/50HZ (OPTIONAL)



SECTION 3 - ENGINE

FIGURE 3-15. 7500W SKYPOWER GENERATOR INSTALLATION - 220V/50HZ (OPTIONAL)

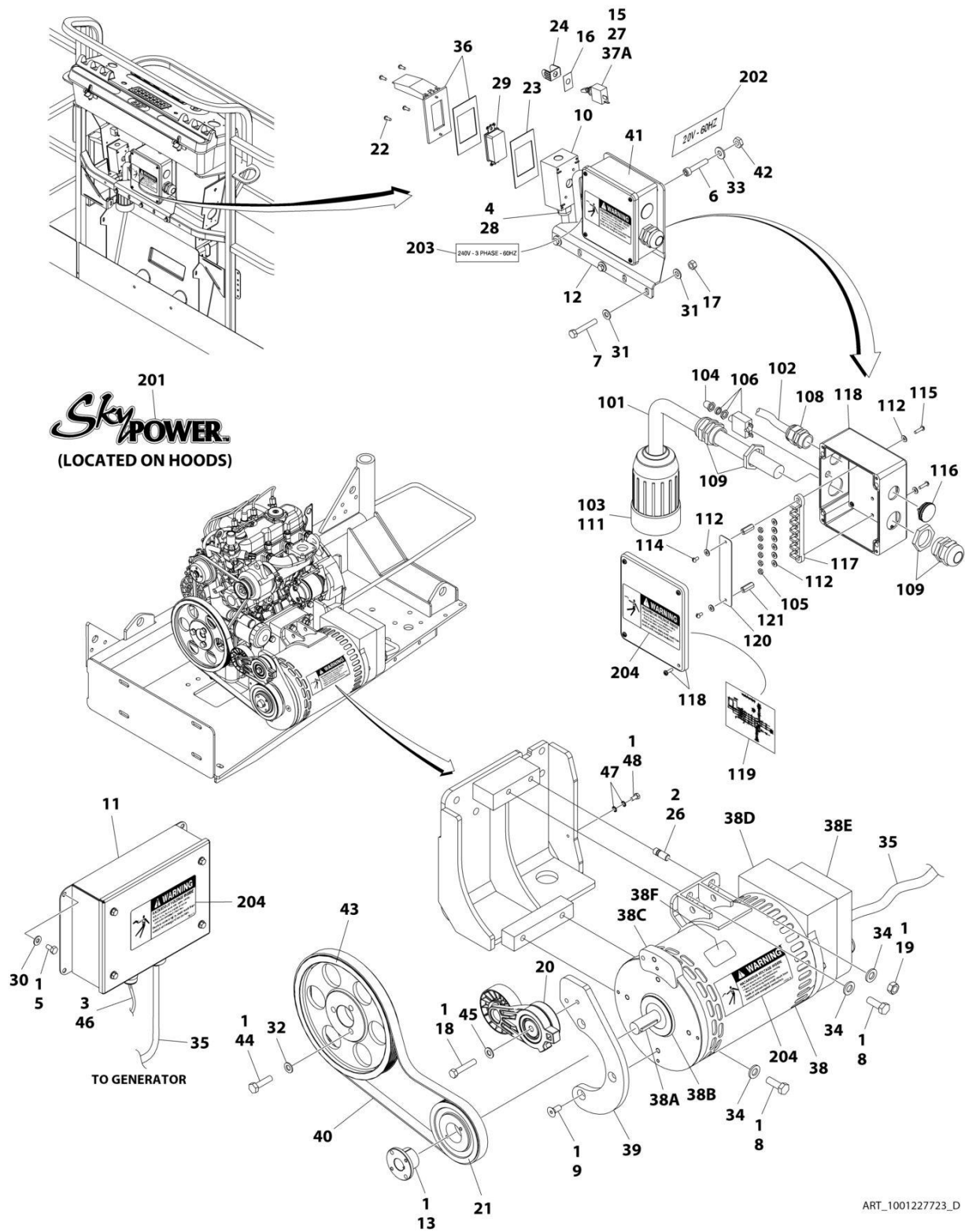
ITEM	PART NUMBER	QTY	DESCRIPTION	REV
	1001227725	Ref	7500W SKYPOWER GENERATOR INSTALLATION	D
1	0100011	AR	Compound, Locking	
2	0100019	AR	Compound, Locking	
3	0100048	AR	Grease, Dielectric	
4	0641404	4	Bolt 1/4 x 1/2	
5	3931016	4	Capscrew #10 x 1	
6	0641516	3	Bolt 5/16 x 2	
7	0761215	3	Bolt M12 x 35	
8	0741607	3	Screw 3/8 x 7/8	
9	1001157525	1	Junction Box Assembly (See Items 101-117 for Breakdown)	
10	0861572	1	Box, Control	
10	7024488	1	Card, Circuit - Generator Power (Not Shown)	
10	See Note	1	Fuse (Note: Not Available - Purchase Locally)	
10	7024489	1	Card, Circuit - Control (Not Shown)	
10		Ref	Note: When replacing card, rocker switch on card must be set for required application.	
10	70000619	1	Circuit Card Harness	
10	77363232	1	Connector - 6 Position	
10	See Note	NSS	Connector - 3 Position (Note: Not Available for Purchase)	
11	0902888	1	Bracket	
12	0962520	1	Bushing	
14	2820031	AR	Heatshrink	
15	3252764	1	Nameplate - AC & Weld	
16	3311505	3	Nut 5/16	
17	3291201	1	Nut M12	
18	3580317	1	Tensioner, Belt	
19	3580319	1	Pulley	
20	4060802	1	Guard, Switch	
21	4240018	1	Tie-Strap (Not Shown)	
22	1001196382	1	Stud	
23	4360336	1	Switch, Toggle	
24	4711400	4	Washer 1/4	
25	4711500	6	Washer 5/16	
26	4812000	3	Washer M10	
27	4751000	4	Washer #10	
28	5241200	4	Washer M12	
29	4922925	1	Generator Harness (See Separate Breakdown in ELECTRICAL Section)	
30	1001231260	1	Generator Wiring Diagram (Not Shown)	
30A	4922641	1	Switch Harness	
31	1001155348	1	Generator Assembly	
31	70001100	1	Rotor (Includes p/n 70001384 & 70000863) (Not Shown)	
31	70001384	1	Bearing, Shaft (Rear) (Not Shown)	
31	70000863	1	Fan, Generator (Not Shown)	
31	70004093	1	Stator (Not Shown)	
31	70002297	2	Stud 1/4 x 12-7/8 (Not Shown)	
31	70003631	1	Brushholder Assembly (Not Shown)	
31A	70004099	1	Key	
31B	70001966	1	Bearing, Ball Radial (Located in Belt Tensioner Endbell)	
31B	70003709	1	Ring, Retaining (Small)	

SECTION 3 - ENGINE

ITEM	PART NUMBER	QTY	DESCRIPTION	REV
31B	70003708	1	Ring, Retaining (Large)	
31C	70004092	1	Endbell, Belt Tensioner	
31D	70004094	1	Endbell, Brush Block	
31E	70004096	1	Shroud Assembly	
31E	7027799	1	Block, Connector - 6 Position (Not Shown)	
31E	70002460	6	Nut, Brass (Attaches p/n 7027799 to Cover) (Not Shown)	
31E	7024485	1	Breaker, Circuit 30Amp (Not Shown)	
31E	70001696	1	Boot, Breaker (Not Shown)	
31E	7026597	1	Connector with Leads (Not Shown)	
31E	7026626	1	Connector with Pins (Not Shown)	
31E	70004098	1	Clamp, Cable (Not Shown)	
31E	70004095	1	Plate, End Panel (Not Shown)	
31E	70004097	1	Insulator, End Panel (Not Shown)	
31E	70001974	1	Decal - Terminal Connections (Not Shown)	
31F	70001973	1	Decal - Warning Moving Parts	
32	1001227526	1	Plate, Tensioner	
33	1001235296	1	V-Belt	
34	0641616	1	Bolt 3/8 x 2	
35	3311005	4	Nut #10	
36	1001183726	1	Pulley	
37	1001186919	3	Bolt M10 x 40	
38	4711600	1	Washer 3/8	
39	1001231225	1	Harness, Generator Enable (See Separate Breakdown in ELECTRICAL Section)	
40	4871700	2	Washer M6	
41	0760606	1	Bolt M6 x 12	
	1001157525	Ref	JUNCTION BOX ASSEMBLY	B
101	3300396	1	Cover, Fuse	
102	3311001	6	Nut #10	
103	3520189	1	Plug (50Hz Spec Only)	
104	3520192	1	Plug	
105	4360070	1	Circuit Breaker - 15Amp	
106	4460425	1	Strain Relief, Terminal	
107	4460426	2	Connector, Strain Relief	
109	4711000	11	Washer #10	
110	10702077	2	Screw #10 x 3/8	
111	10702082	2	Screw #10 x 3/4	
112	1001152525	1	Plug	
113	1001157520	1	Block, Terminal	
114	1001157521	1	Box, Junction	
115	1001157528	1	Decal - Wiring Schematic	
116	1001158007	1	Cover, PVC	
117	1001158008	2	Stand-Off	
	0272589	Ref	DECAL INSTALLATION	A
201	1705460	2	Decal - SkyPower	
202	1705461	1	Decal - 240V - 3 Phase	
203	1705489	3	Decal - Hazardous Voltage	

SECTION 3 - ENGINE

FIGURE 3-16. 7500W SKYPOWER GENERATOR INSTALLATION - 110V/60HZ (OPTIONAL)



SECTION 3 - ENGINE

FIGURE 3-16. 7500W SKYPOWER GENERATOR INSTALLATION - 110V/60HZ (OPTIONAL)

ITEM	PART NUMBER	QTY	DESCRIPTION	REV
	1001227723	Ref	7500W SKYPOWER GENERATOR INSTALLATION	D
1	0100011	AR	Compound, Locking	
2	0100019	AR	Compound, Locking	
3	0100048	AR	Grease, Dielectric	
4	0100079	AR	Sealant	
5	0641404	4	Bolt 1/4 x 1/2	
6	3931016	4	Capscrew #10 x 1	
7	0641516	3	Bolt 5/16 x 2	
8	0761215	3	Bolt M12 x 35	
9	0741607	3	Screw 3/8 x 7/8	
10	0860038	1	Box, Switch	
11	0861538	1	Control Box Assembly	
11	7024488	1	Card, Circuit - Generator Power	
11	See Note	NSS	Fuse (Note: Not Available - Purchase Locally)	
11	7024489	1	Card, Circuit - Control	
11	70000619	1	Harness, Control Box (Internal)	
12	0902888	1	Bracket	
13	0962520	1	Bushing	
15	2820031	AR	Heatshrink	
16	3252764	1	Nameplate - AC & Weld	
17	3311505	3	Nut 5/16	
18	0641616	1	Bolt 3/8 x 2	
19	3291201	1	Nut M12	
20	3580317	1	Pulley	
21	3580318	1	Pulley	
22	3910606	4	Screw #6 x 3/8	
23	3960422	1	Gasket	
24	4060802	1	Guard, Switch	
25	4240018	1	Tie-Strap (Not Shown)	
26	1001196382	1	Stud	
27	4360336	1	Switch, Toggle	
28	4460071	1	Connector, Strain Relief	
29	4460346	1	Receptacle	
30	4711400	4	Washer 1/4	
31	4711500	6	Washer 5/16	
32	4812000	3	Washer M10	
33	4751000	4	Washer #10	
34	5241200	4	Washer M12	
35	4922925	1	Generator Harness (See Separate Breakdown in ELECTRICAL Section)	
36	1001110873	1	Cover	
37	1001231260	1	Generator Wiring Diagram (Not Shown)	
37A	4922641	1	Switch Harness	
38	1001155348	1	Generator Assembly	
38	70004093	1	Stator (Not Shown)	
38	70002297	2	Stud 1/4 x 12-7/8 (Not Shown)	
38	70003631	1	Brushholder Assembly (Not Shown)	
38A	70004099	1	Key	
38B	70001966	1	Bearing, Ball Radial (Located in Belt Tensioner Endbell)	
38B	70003709	1	Ring, Retaining (Small)	

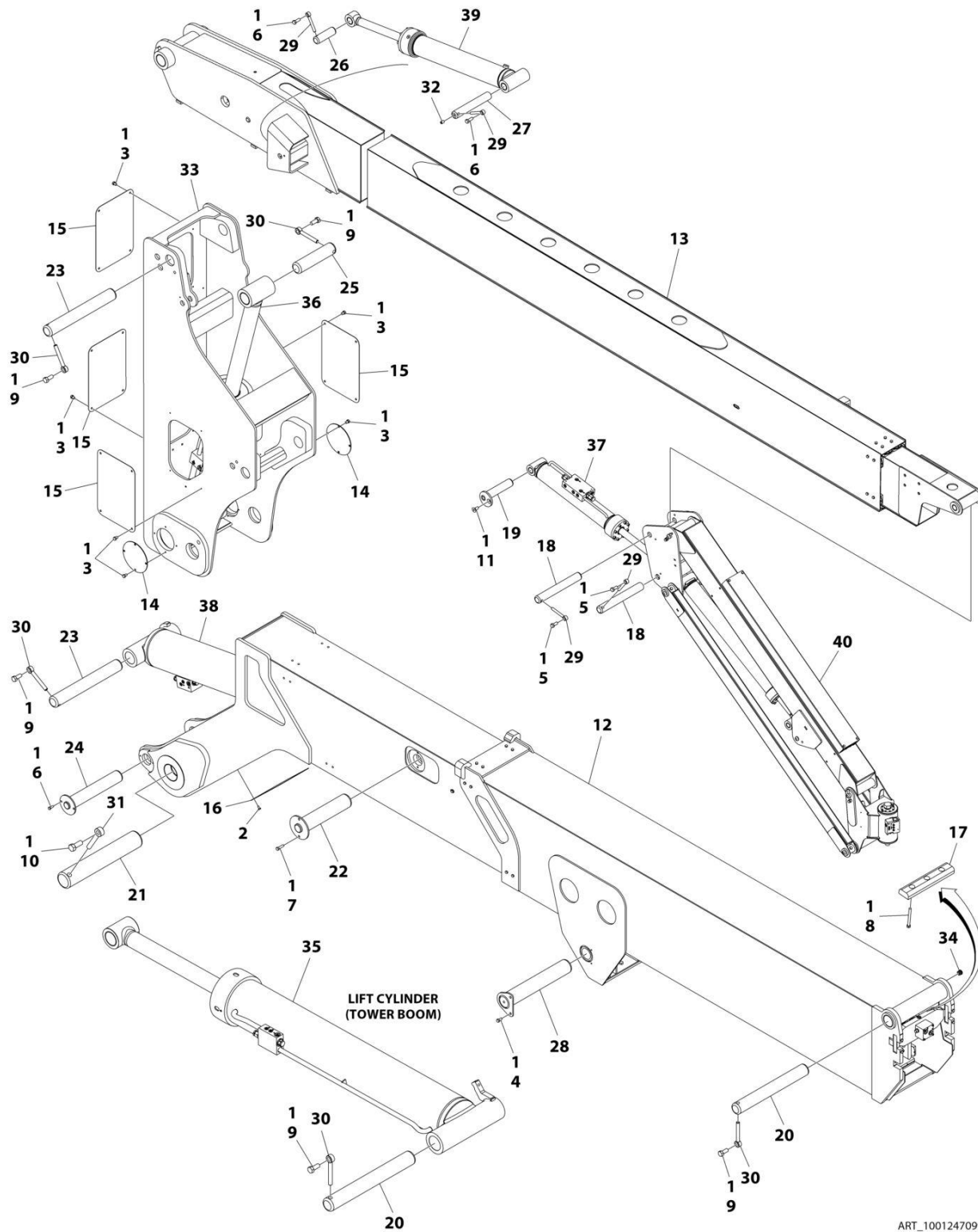
SECTION 3 - ENGINE

ITEM	PART NUMBER	QTY	DESCRIPTION	REV
38B	70003708	1	Ring, Retaining (Large)	
38C	70004092	1	Endbell, Belt Tensioner	
38D	70004094	1	Endbell, Brush Block	
38E	70004096	1	Shroud Assembly	
38E	7027799	1	Block, Connector - 6 Position (Not Shown)	
38E	70002460	6	Nut Brass (Attaches p/n 7027799 to Cover) (Not Shown)	
38E	7024485	1	Breaker, Circuit 30Amp (Not Shown)	
38E	70001696	1	Boot, Breaker (Not Shown)	
38E	7026597	1	Connector with Leads (Not Shown)	
38E	7026626	1	Connector with Pins (Not Shown)	
38E	70004098	1	Clamp, Cable (Not Shown)	
38E	70004095	1	Plate, End Panel (Not Shown)	
38E	70004097	1	Insulator, End Panel (Not Shown)	
38E	70001974	1	Decal - Terminal Connections (Not Shown)	
38F	70001973	1	Decal - Warning Moving Parts	
39	1001227526	1	Plate, Tensioner	
40	1001235519	1	V-Belt	
41	1001157592	1	Junction Box Assembly (See Items 101-121 for Breakdown)	
42	3311005	4	Nut #10	
43	1001183726	1	Pulley	
44	1001186919	3	Bolt M10 x 40	
45	4711600	1	Washer 3/8	
46	1001231225	1	Harness, Generator Enable (See Separate Breakdown in ELECTRICAL Section)	
47	4871700	2	Washer M6	
48	0760606	1	Bolt M6 x 12	
	1001157592	Ref	JUNCTION BOX ASSEMBLY	C
101	1060343	1.5 ft/ 0.5m	Cable, Electrical 10/4	
102	1001179154	2.5 ft/ 0.8m	Cable, Electrical 12/3	
103	1671092	1	Cover	
104	3300396	1	Cover, Fuse	
105	3311001	6	Nut #10	
106	4360070	1	Circuit Breaker - 15Amp	
108	4460425	1	Strain Relief, Terminal	
109	4460426	2	Connector, Strain Relief	
111	4460963	1	Connector	
112	4711000	10	Washer #10	
114	10702077	2	Screw #10 x 3/8	
115	10702082	2	Screw #10 x 3/4	
116	1001152525	1	Plug	
117	1001157520	1	Block, Terminal	
118	1001157521	1	Box, Junction	
119	1001157528	1	Decal - Wiring Schematic	
120	1001158007	1	Cover, PVC	
121	1001158008	2	Stand-Off	
	0272435	Ref	DECAL INSTALLATION	D
201	1705460	2	Decal - SkyPower	
202	3251243	1	Decal - 120V/60Hz	
203	1705375	1	Decal - 240V/3Phase	
204	1705387	3	Decal - Hazardous Voltage	

SECTION 4 - BOOM

SECTION 4 - BOOM

FIGURE 4-1. BOOM AND CYLINDER INSTALLATION



ART_1001247099

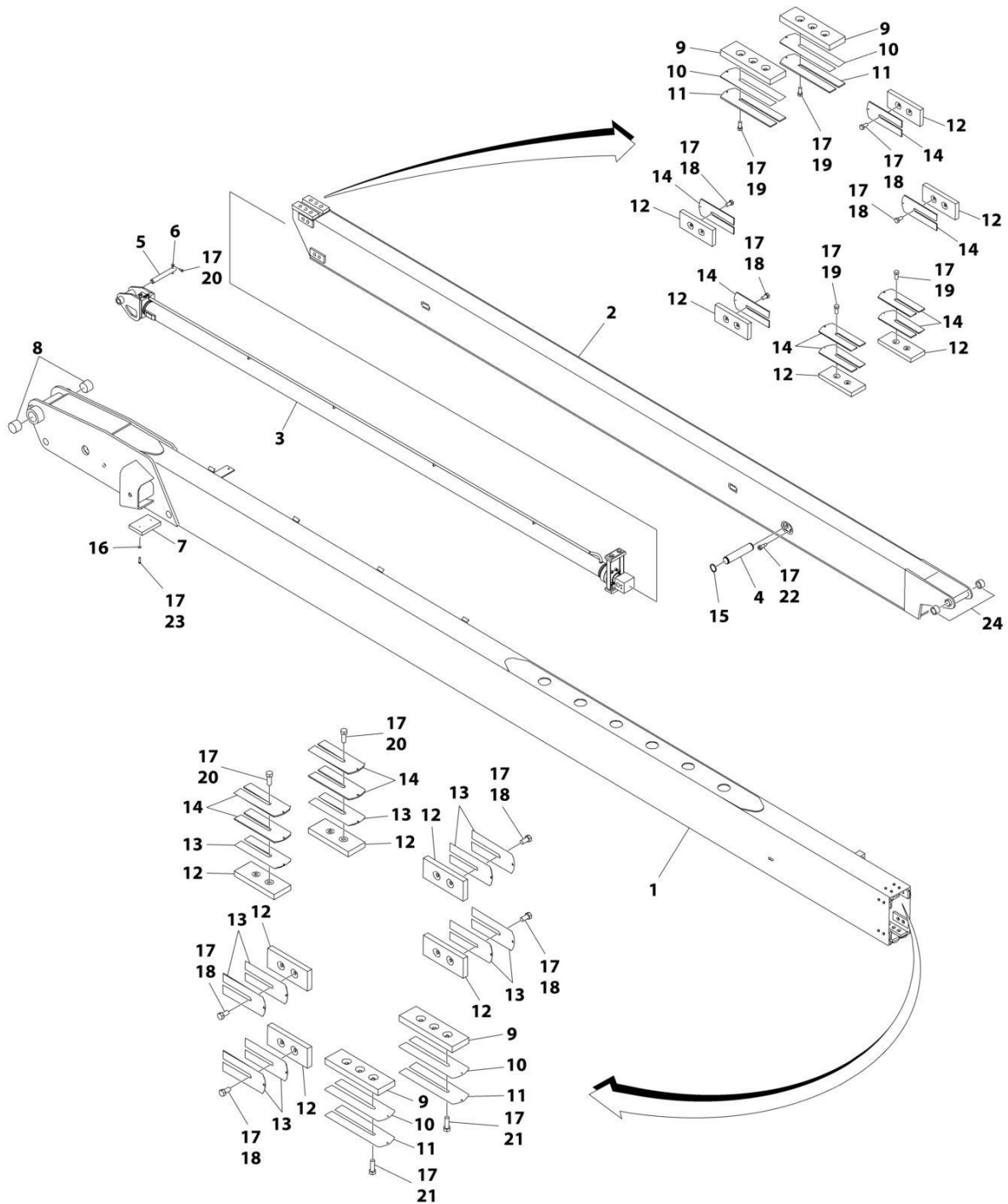
SECTION 4 - BOOM

FIGURE 4-1. BOOM AND CYLINDER INSTALLATION

ITEM	PART NUMBER	QTY	DESCRIPTION	REV
	1001247099	Ref	BOOM INSTALLATION	D
1	0100011	AR	Compound, Locking	
2	0641404	4	Bolt 1/4 x 1/2	
3	0641604	24	Bolt 3/8 x 1/2	
4	0641606	2	Bolt 3/8 x 3/4	
5	0641607	2	Bolt 3/8 x 7/8	
6	0641608	4	Bolt 3/8 x 1	
7	0641611	2	Bolt 3/8 x 1-3/8	
8	0641840	3	Bolt 1/2 x 5	
9	0642214	5	Bolt 3/4 x 1-3/4	
10	0642620	1	Bolt 1 x 2-1/2	
11	0741607	1	Screw 3/8 x 7/8	
12	0801132	1	Boom Assembly - Tower (See Separate Breakdown in this Section)	
13	0801136	1	Boom Assembly - Main (See Separate Breakdown in this Section)	
14	1120510	2	Cover, Upright	
15	1670844	4	Cover, Upright	
16	1670850	1	Cover, Tower Fly	
17	3340835	1	Pad Rest	
18	3422561	2	Pin	
19	3422583	1	Pin	
20	3422681	2	Pin	
21	3422683	1	Pin	
22	3422684	1	Pin	
23	3422685	2	Pin	
24	3422686	1	Pin	
25	3422687	1	Pin	
26	3422688	1	Pin	
27	3422689	1	Pin	
28	3422729	1	Pin	
29	3841143	4	Keeper, Pin	
30	3841287	5	Keeper, Pin	
31	3841356	1	Keeper, Pin	
32	3900239	1	Set Screw	
33	4845593	1	Upright	
34	1001213705	1	Cap	
35	1001251009	1	Lift Cylinder Assembly - Tower Boom (See Separate Breakdown in CYLINDER Section)	
36	1001251010	1	Lift Cylinder Assembly - Main Boom (See Separate Breakdown in CYLINDER Section)	
37	1001228030	1	Level Cylinder Assembly - Platform Slave (See Separate Breakdown in CYLINDER Section)	
38	1001251041	1	Level Cylinder Assembly - Upright (See Separate Breakdown in CYLINDER Section)	
39	1001228050	1	Master Cylinder Assembly (See Separate Breakdown in CYLINDER Section)	
40	1001247147	1	Jib Assembly (See Separate Breakdown in this Section)	

SECTION 4 - BOOM

FIGURE 4-2. MAIN BOOM ASSEMBLY



ART_1001149286_D

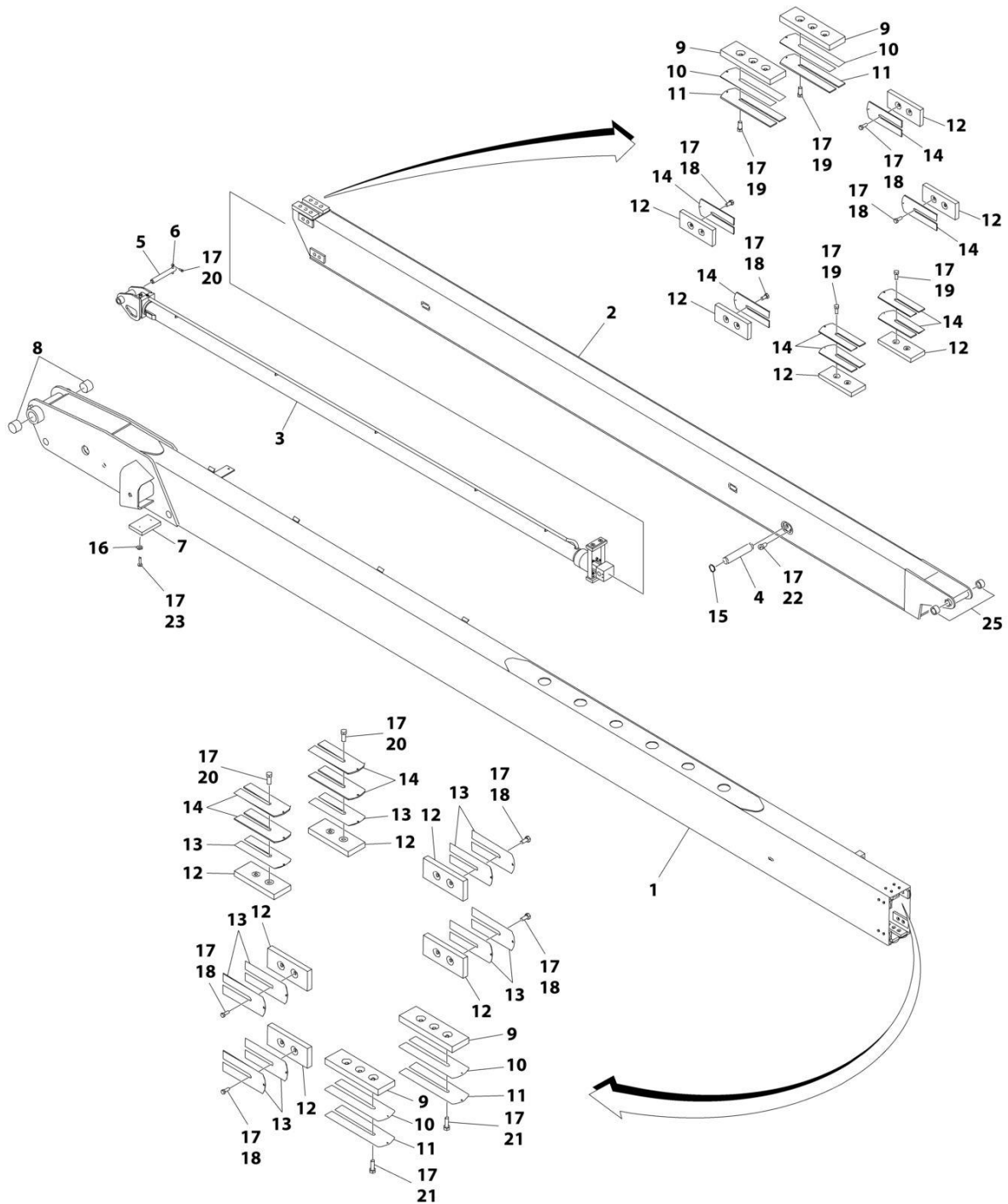
SECTION 4 - BOOM

FIGURE 4-2. MAIN BOOM ASSEMBLY

ITEM	PART NUMBER	QTY	DESCRIPTION	REV
	1001149286	Ref	MAIN BOOM ASSEMBLY	D
1	0801591	1	Base, Boom	
2	0801573	1	Fly, Boom	
3	1001251087	1	Telescope Cylinder Assembly (See Separate Breakdown in CYLINDER Section)	
4	3422457	1	Pin	
5	3422690	1	Pin	
6	3841143	1	Keeper, Pin	
7	0561295	1	Block, Boom Rest	
8	0962102	2	Bushing	
9	3340871	4	Pad, Wear	
10	4070863	4	Shim 1/8	
11	4070864	4	Shim .05	
12	1001148652	12	Pad, Wear	
13	4070897	10	Shim .05	
14	4070898	12	Shim 1/8	
15	3760133	2	Ring, Retaining	
16	4711600	2	Washer 3/8	
17	0100011	AR	Compound, Locking	
18	0641606	16	Bolt 3/8 x 3/4	
19	0641607	10	Bolt 3/8 x 7/8	
20	0641608	5	Bolt 3/8 x 1	
21	0641609	6	Bolt 3/8 x 1-1/8	
22	3900259	4	Bolt, Shoulder	
23	0641612	2	Bolt 3/8 x 1-1/2	
24	0961951	2	Bushing	

SECTION 4 - BOOM

FIGURE 4-3. MAIN BOOM ASSEMBLY



ART_0801136

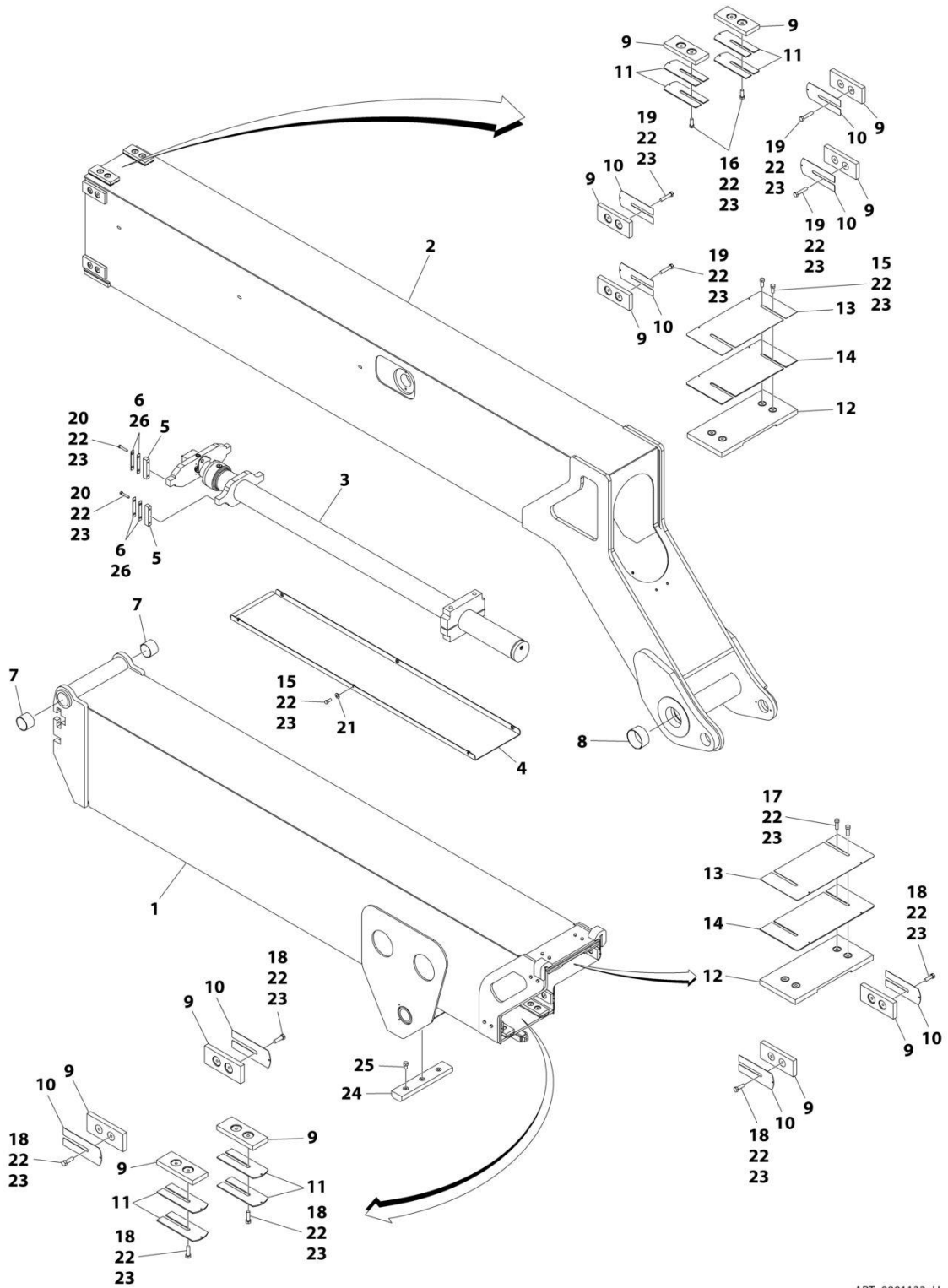
SECTION 4 - BOOM

FIGURE 4-3. MAIN BOOM ASSEMBLY

ITEM	PART NUMBER	QTY	DESCRIPTION	REV
	0801136	Ref	MAIN BOOM ASSEMBLY	N
1	0801591	1	Base, Boom	
2	0801573	1	Fly, Boom	
3	1001228087	1	Telescope Cylinder Assembly (See Separate Breakdown in CYLINDER SECTION)	
4	3422457	1	Pin	
5	3422690	1	Pin	
6	3841143	1	Keeper, Pin	
7	0561295	1	Block, Boom Rest	
8	0962102	2	Bushing	
9	3340871	4	Pad, Wear	
10	4070863	4	Shim 1/8	
11	4070864	4	Shim .05	
12	1001148652	12	Pad, Wear	
13	4070897	10	Shim .05	
14	4070898	12	Shim 1/8	
15	3760133	2	Ring, Retaining	
16	4711600	2	Washer 3/8	
17	0100011	AR	Compound, Locking	
18	0641606	16	Bolt 3/8 x 3/4	
19	0641607	10	Bolt 3/8 x 7/8	
20	0641608	5	Bolt 3/8 x 1	
21	0641609	6	Bolt 3/8 x 1-1/8	
22	3900259	4	Bolt, Shoulder	
23	0641612	2	Bolt 3/8 x 1-1/2	
25	0961951	2	Bushing	

SECTION 4 - BOOM

FIGURE 4-4. TOWER BOOM ASSEMBLY



ART_0801132_H

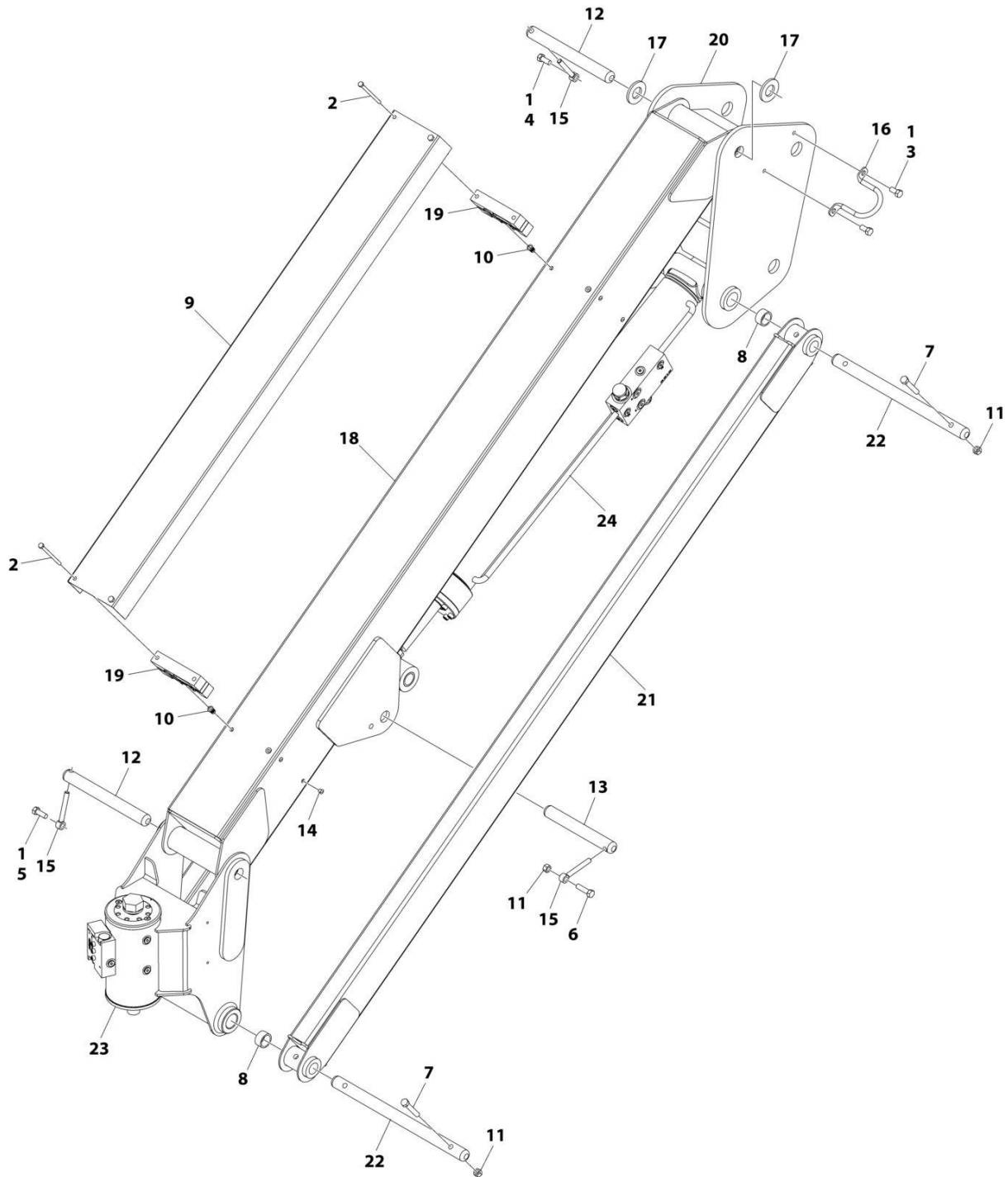
SECTION 4 - BOOM

FIGURE 4-4. TOWER BOOM ASSEMBLY

ITEM	PART NUMBER	QTY	DESCRIPTION	REV
	0801132	Ref	TOWER BOOM ASSEMBLY	H
1	0801594	1	Base, Boom	
2	0801496	1	Fly, Boom	
3	1001228086	1	Tower Telescope Cylinder Assembly (See Separate Breakdown in CYLINDER Section)	
4	4340706	1	Support	
5	0561185	4	Block, Attach	
6	4070929	4	Shim 1/16	
7	0962102	2	Bushing	
8	0962122	2	Bushing	
9	3340881	12	Pad, Wear	
10	4070897	8	Shim .05	
11	4070898	8	Shim .12	
12	3340828	2	Pad, Wear	
13	4070967	2	Shim .05	
14	4070968	2	Shim .12	
15	0641607	10	Bolt 3/8 x 7/8	
16	0641608	4	Bolt 3/8 x 1	
17	0641609	4	Bolt 3/8 x 1-1/8	
18	0641610	12	Bolt 3/8 x 1-1/4	
19	0641615	8	Bolt 3/8 x 1-7/8	
20	0641616	8	Bolt 3/8 x 2	
21	4711600	6	Washer 3/8	
22	0100011	AR	Compound, Locking	
23	0100038	AR	Primer, Locking	
24	3340835	1	Pad, Boom Rest	
25	0641806	3	Bolt 1/2 x 3/4	
26	4071007	4	Shim 20Ga	

SECTION 4 - BOOM

FIGURE 4-5. JIB ASSEMBLY



ART_1001247147_C

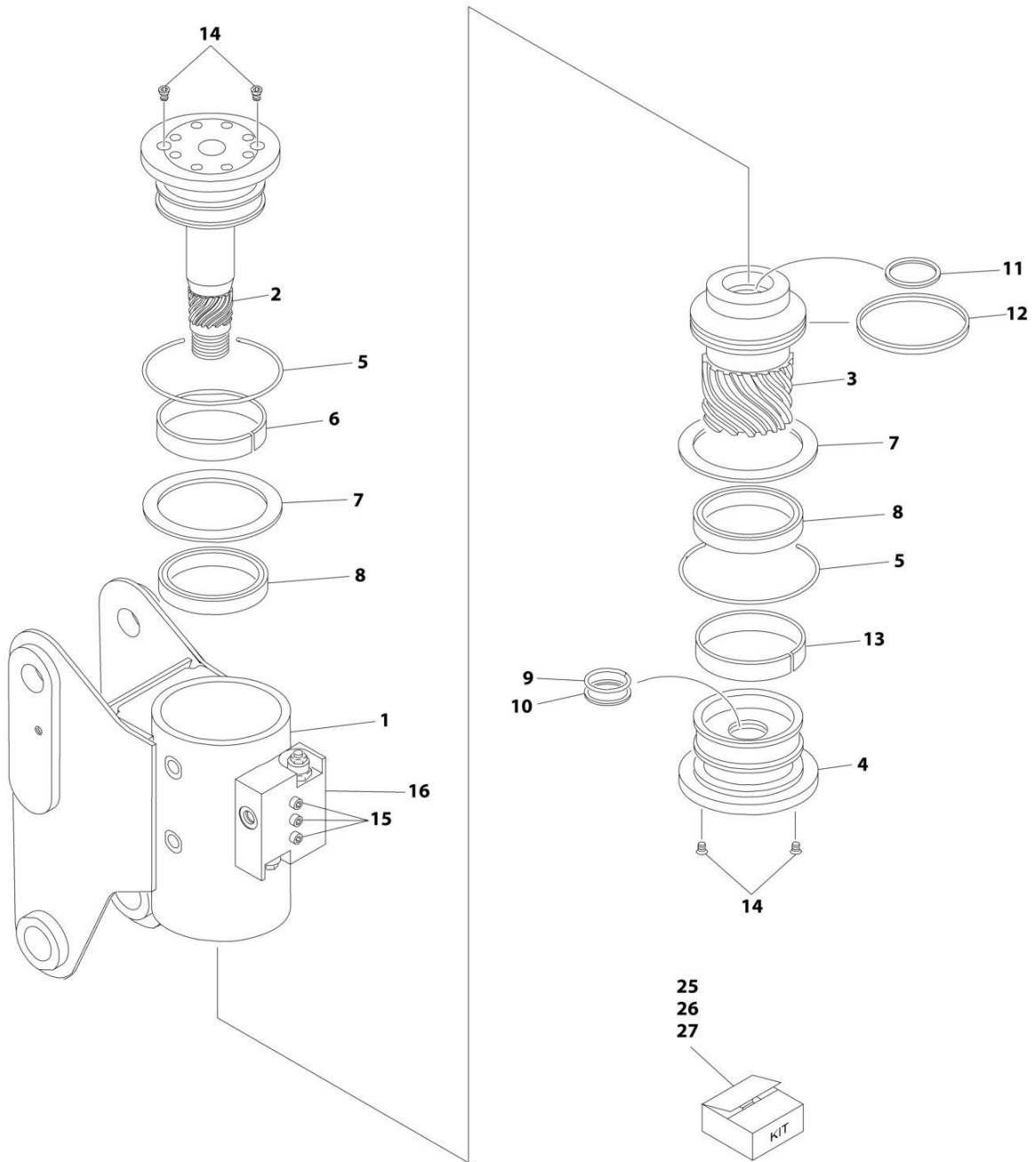
SECTION 4 - BOOM

FIGURE 4-5. JIB ASSEMBLY

ITEM	PART NUMBER	QTY	DESCRIPTION	REV
	1001247147	Ref	JIB ASSEMBLY	C
1	0100011	AR	Compound, Locking	
2	0700626	4	Bolt M6 x 90	
3	0641606	2	Bolt 3/8 x 3/4	
4	0641607	1	Bolt 3/8 x 7/8	
5	0641608	1	Bolt 3/8 x 1	
6	0641611	1	Bolt 3/8 x 1-3/8	
7	0641618	4	Bolt 3/8 x 2-1/4	
8	0961947	6	Bearing	
9	1671034	1	Cover	
10	1001176636	4	Fastner M6	
11	3311605	5	Nut 3/8	
12	3422860	2	Pin	
13	3422867	1	Pin	
14	3520034	8	Plug	
15	3841143	3	Keeper, Pin	
16	3841340	1	Loop, Hose	
17	4740439	2	Washer	
18	4844816	1	Tube (Top)	
19	1001165350	2	Block, Clamp	
20	1001170548	1	Pivot	
21	4844817	2	Link	
22	3422861	2	Pin	
23	1001217780	1	Rotator Assembly (See Separate Breakdown in this Section)	
24	1001248012	1	Lift Cylinder Assembly - Jib (See Separate Breakdown in CYLINDER Section)	

SECTION 4 - BOOM

FIGURE 4-6. ROTATOR ASSEMBLY



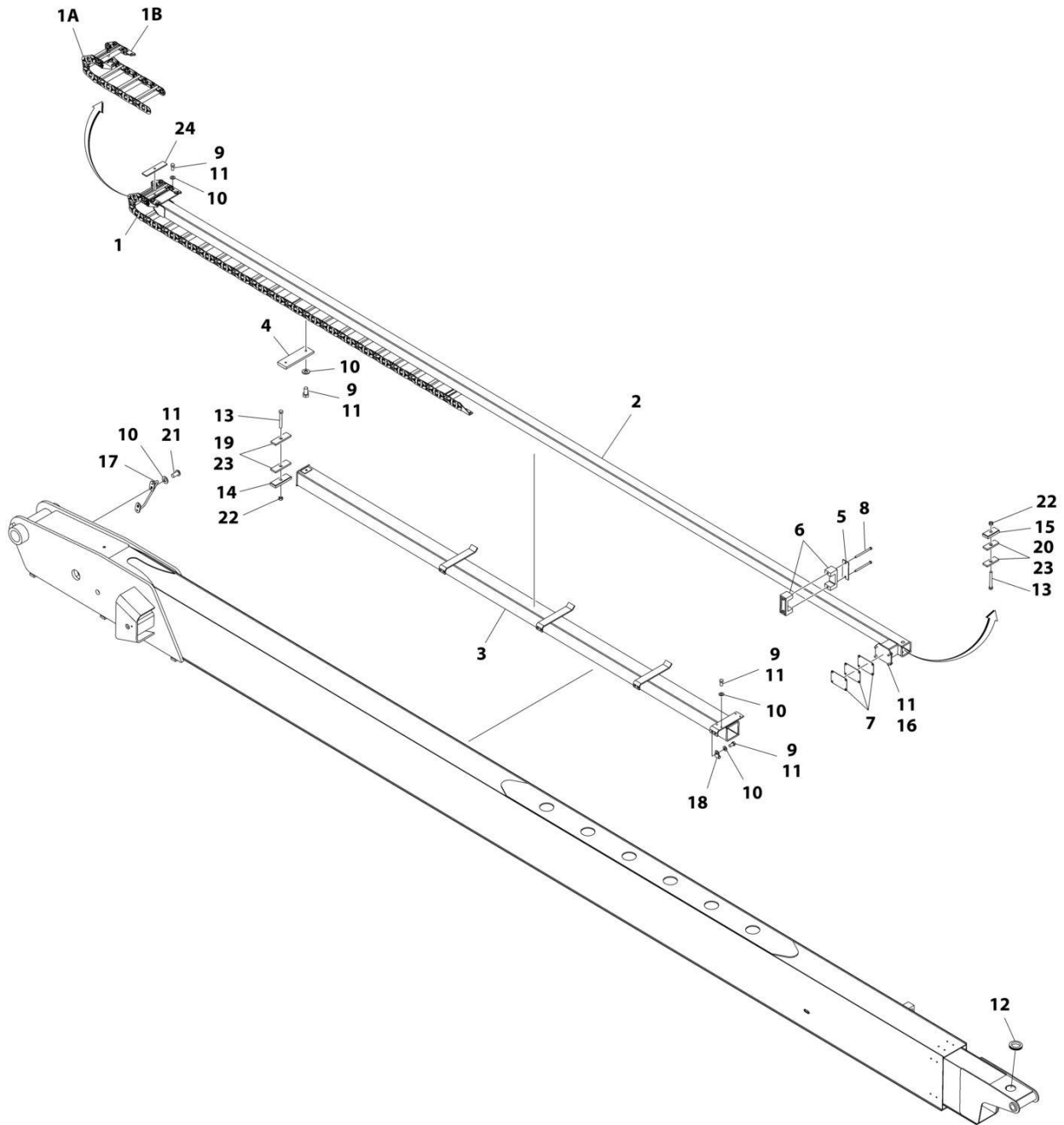
ART_1001217780

FIGURE 4-6. ROTATOR ASSEMBLY

ITEM	PART NUMBER	QTY	DESCRIPTION	REV
	1001217780	Ref	ROTATOR ASSEMBLY	A
1	See Note	NSS	Housing/Ring Gear Assembly (Note: Not Available - Purchase Complete Assembly)	
2	7017162	1	Shaft	
2	7017195	2	Bushing, Shaft	
3	7017163	1	Piston/Sleeve Assembly	
4	7017164	1	Cap, End	
5	See Note	NSS	O-Ring (Note: Use Item 25)	
6	See Note	NSS	Bearing, Shaft (Note: Use Item 26)	
7	See Note	NSS	Washer, Thrust (Note: Use Item 26)	
8	See Note	NSS	Packing, Bearing (Note: Use Item 25)	
9	See Note	NSS	Seal, Cap (Note: Use Item 25)	
10	See Note	NSS	Ring, Back-up Cap (Note: Use Item 25)	
11	See Note	NSS	Seal, Rod (Note: Use Item 25)	
12	See Note	NSS	Seal, Piston (Note: Use Item 25)	
13	See Note	NSS	Bearing, Cap (Note: Use Item 26)	
14	70001697	6	Capscrew 1/4 x 3/8 Grade 8	
15	See Note	3	Bolt 1/4 x 1-1/2 Grade 8 (Note: Not Available - Purchase Locally)	
16	7017172	1	Valve Assembly	
16	7017192	2	Cartridge, Valve	
16	See Note	NSS	Seal Kit - 7017192 Valve (Note: Not Available - Purchase Cartridge)	
16	See Note	NSS	Cartridge, Valve (Not Shown - Located on Side of Block) (Note: Not Available - Purchase Complete Valve)	
16	See Note	NSS	Seal Kit - Valve Located on Side of Block (Note: Not Available - Purchase Cartridge)	
25	70000342	1	Seal Kit (Includes Items 5, 8-12 & 27)	
26	7017159	1	Bearing Kit (Includes Items 6, 7 & 13)	
27	7017142	1	Hardware Kit (Includes Dowel Pins, Plugs and Item 14)	

SECTION 4 - BOOM

FIGURE 4-7. POWER TRACK INSTALLATION - MAIN BOOM



ART_0258077

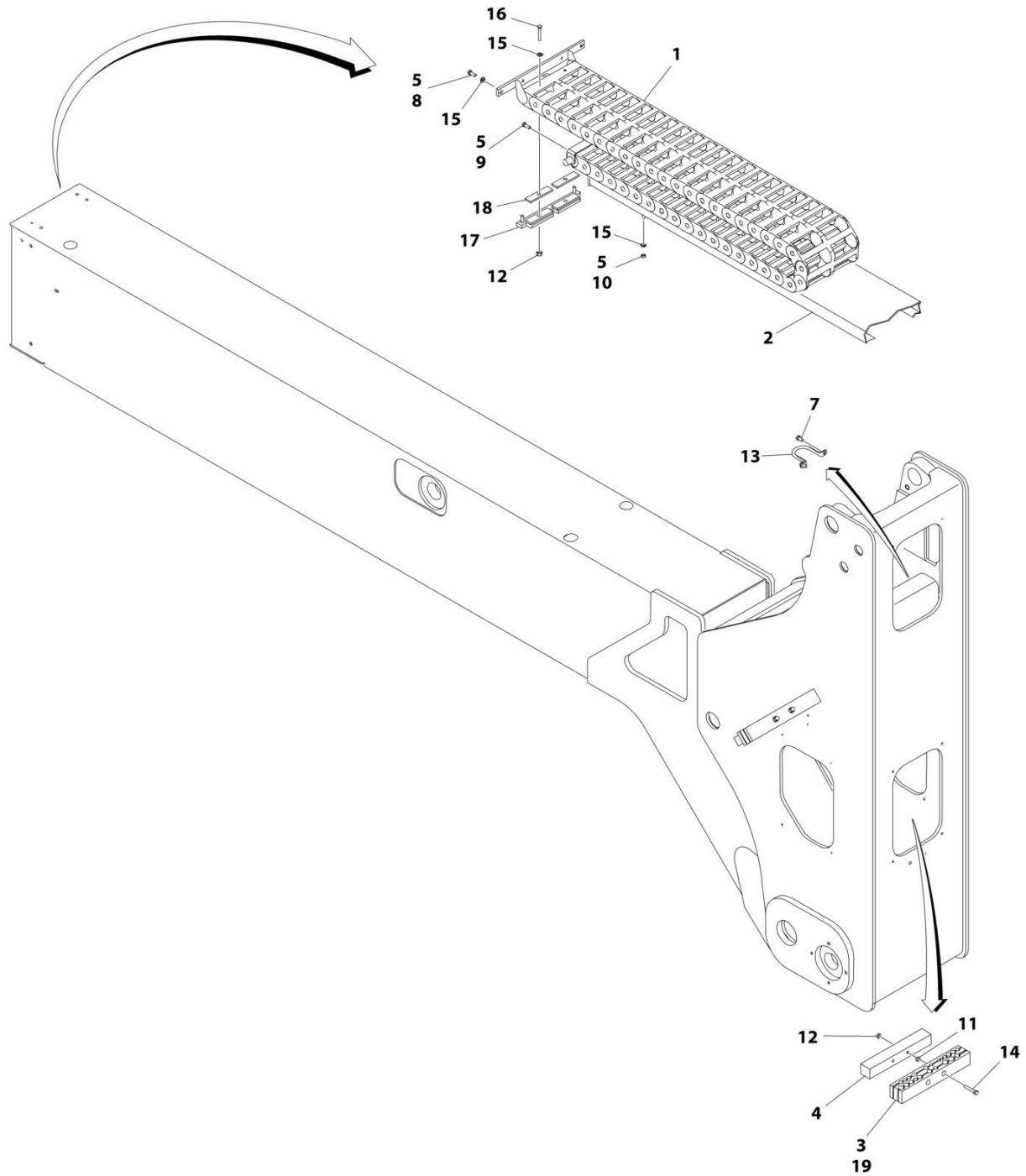
SECTION 4 - BOOM

FIGURE 4-7. POWER TRACK INSTALLATION - MAIN BOOM

ITEM	PART NUMBER	QTY	DESCRIPTION	REV
	0258077	Ref	POWER TRACK INSTALLATION	K
1	1001099837	1	Track, Power	
1A	70002013	AR	Carrier Repair Section (Includes 1 Pin Assembly for each end)	
1B	70002014	1	Mounting Foot Kit (Includes Both Pair of Feet)	
2	1001170527	1	Tube, Push	
3	4845730	1	Support	
4	3340840	1	Pad	
5	1001136400	1	Plate, Backing	
6	3340764	2	Pad	
7	4070969	3	Shim 16 Gauge	
8	0641640	2	Bolt 3/8 x 5	
9	0641606	18	Bolt 3/8 x 3/4	
10	4711600	20	Washer 3/8	
11	0100011	AR	Compound, Locking	
12	4060805	8 in/20cm	Flex-Trim	
13	0641624	2	Bolt 3/8 x 3	
14	1320289	1	Clamp	
15	1320288	1	Clamp	
16	0641607	4	Bolt 3/8 x 7/8	
17	3841406	1	Loop, Hose	
18	91203039	1	Pad	
19	3340943	2	Pad, Rubber	
20	3340941	2	Pad	
21	3900283	2	Screw 3/8 x 3/4	
22	3311605	2	Nut 3/8	
23	0100081	AR	Adhesive	
24	4071052	2	Shim 1/4	

SECTION 4 - BOOM

FIGURE 4-8. POWER TRACK INSTALLATION - TOWER BOOM (Prior to SN 0300285763)



ART_1001171203

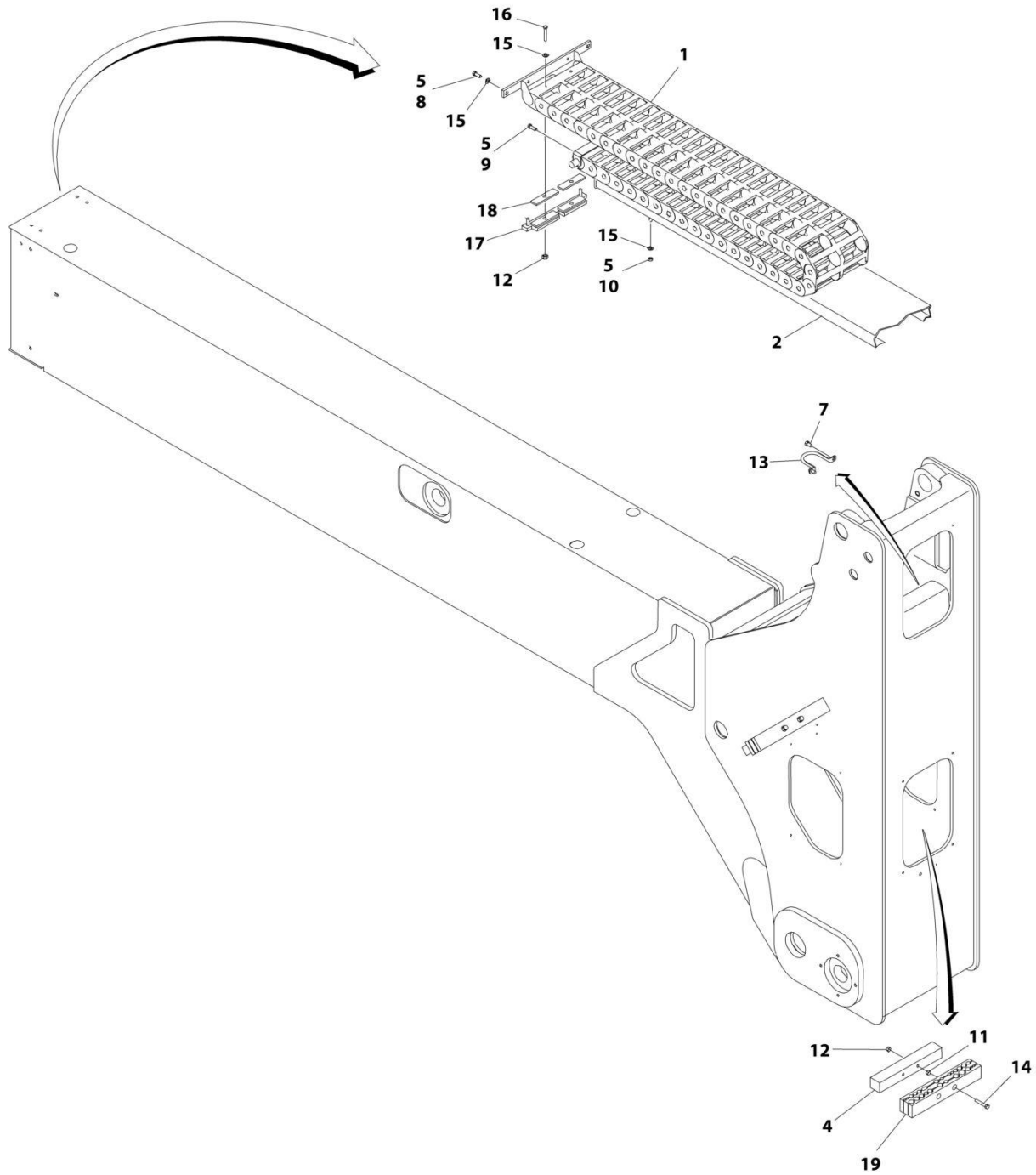
SECTION 4 - BOOM

FIGURE 4-8. POWER TRACK INSTALLATION - TOWER BOOM (Prior to SN 0300285763)

ITEM	PART NUMBER	QTY	DESCRIPTION	REV
	1001171203	Ref	POWER TRACK INSTALLATION	D
1	1180346	1	Track, Power	
1	7020064	1	Bracket, End (Moving)	
1	7020065	1	Bracket, End (Fixed)	
1	7020066	1	Section, Repair	
1	7020067	1	Link, Repair	
2	4845680	1	Tube, Hose	
3	0100038	AR	Primer, Locking	
4	1320250	2	Bar	
5	0100011	AR	Compound, Locking	
7	0641605	2	Bolt 3/8 x 5/8	
8	0641606	2	Bolt 3/8 x 3/4	
9	0641622	2	Bolt 3/8 x 2-3/4	
10	3311601	4	Nut 3/8	
11	3311602	4	Nut 3/8	
12	3311605	6	Nut 3/8	
13	3841340	1	Rod, Hose Loop	
14	3900262	4	Bolt 3/8 x 4-3/4	
15	4711600	8	Washer 3/8	
16	0641624	2	Bolt 3/8 x 3	
17	0259420	1	Clamp	
17	3340859	2	Pad	
18	3340859	2	Pad	
19	1001172179	2	Clamp, Block	

SECTION 4 - BOOM

FIGURE 4-9. POWER TRACK INSTALLATION - TOWER BOOM (SN 0300285763 to Present)



ART_1001261274

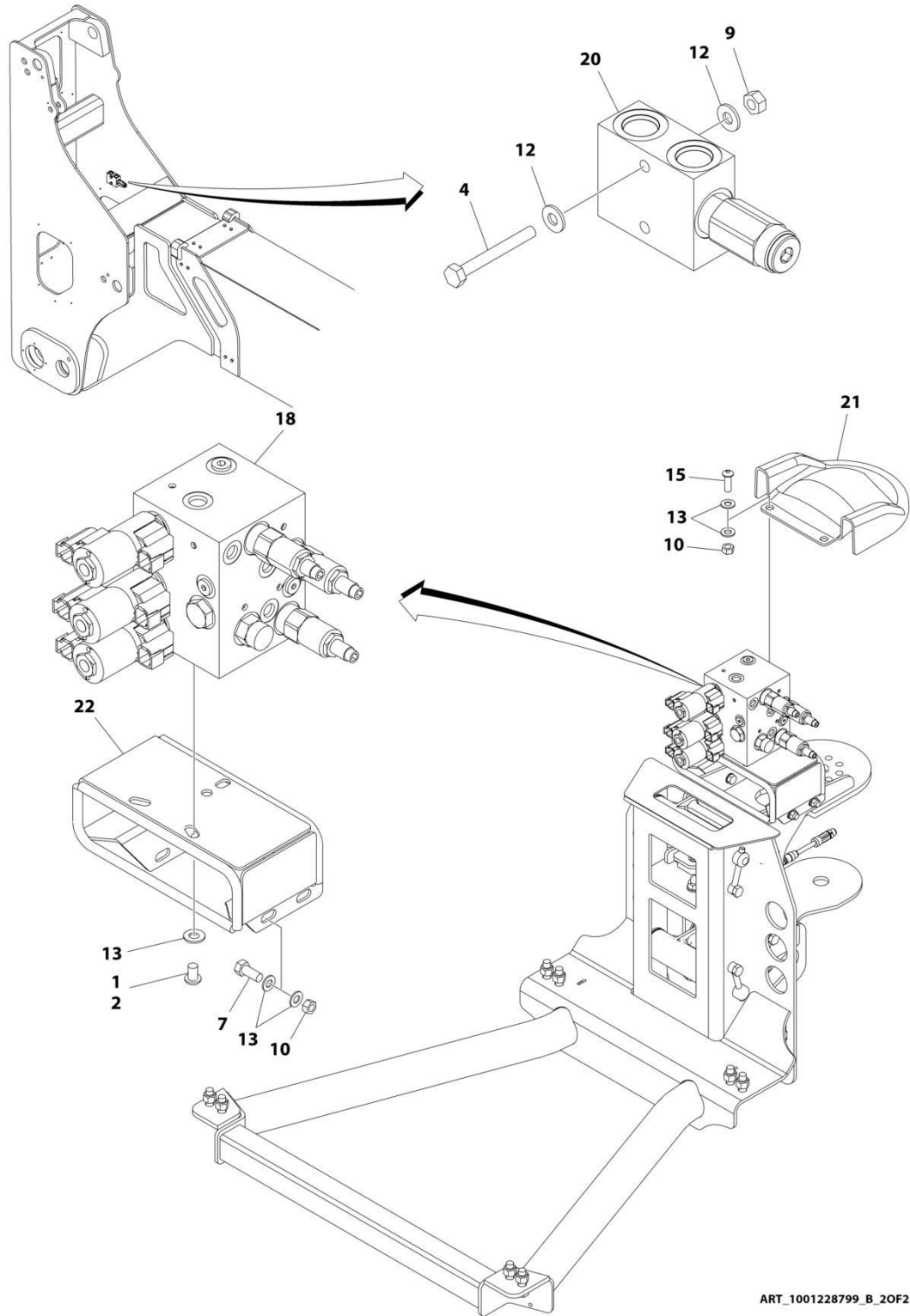
SECTION 4 - BOOM

FIGURE 4-9. POWER TRACK INSTALLATION - TOWER BOOM (SN 0300285763 to Present)

ITEM	PART NUMBER	QTY	DESCRIPTION	REV
	1001261274	Ref	POWER TRACK INSTALLATION	B
1	1180346	1	Track, Power	
1	7020064	1	Bracket, End (Moving)	
1	7020065	1	Bracket, End (Fixed)	
1	7020066	1	Section, Repair	
1	7020067	1	Link, Repair	
2	4845680	1	Tube, Hose	
4	1320250	2	Bar	
5	0100011	AR	Compound, Locking	
7	0641605	2	Bolt 3/8 x 5/8	
8	0641606	2	Bolt 3/8 x 3/4	
9	0641622	2	Bolt 3/8 x 2-3/4	
10	3311601	4	Nut 3/8	
11	3311602	4	Nut 3/8	
12	3311605	6	Nut 3/8	
13	3841340	1	Rod, Hose Loop	
14	3900262	4	Bolt 3/8 x 4-3/4	
15	4711600	8	Washer 3/8	
16	0641624	2	Bolt 3/8 x 3	
17	0259420	1	Clamp	
18	3340859	2	Pad	
19	1001261272	2	Clamp, Block	

SECTION 4 - BOOM

FIGURE 4-10. BOOM VALVES INSTALLATION



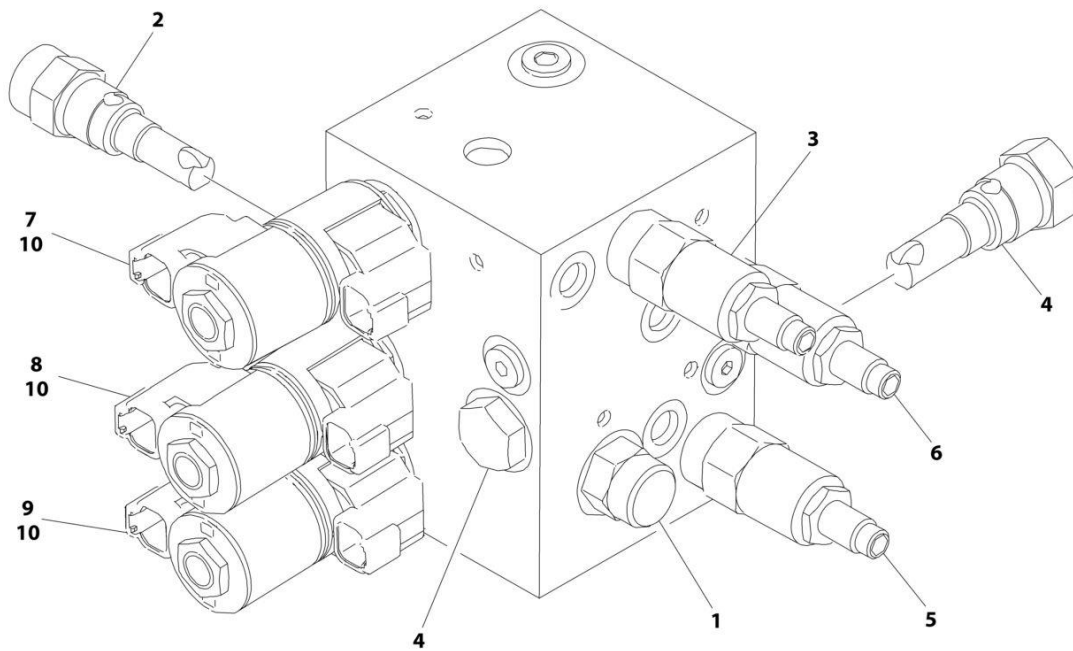
ART_1001228799_B_20F2

FIGURE 4-10. BOOM VALVES INSTALLATION

ITEM	PART NUMBER	QTY	DESCRIPTION	REV
	1001228799	Ref	BOOM VALVES INSTALLATION	B
1	0100011	AR	Compound, Locking	
2	0630467	3	Screw 5/16 x 1/2	
4	0641418	2	Bolt 1/4 x 2-1/4	
7	0641607	4	Bolt 3/8 x 7/8	
9	3311405	2	Nut 1/4	
10	3311505	6	Nut 5/16	
12	4711400	8	Washer 1/4	
13	4711500	15	Washer 5/16	
15	88261024	2	Capscrew 5/16 x 1	
18	1001152565	1	Boom Valve Assembly (See Separate Breakdown in this Section)	
20	1001200054	1	Valve Assembly (Relief)	
20	7012970	1	Cartridge, Valve	
20	7012953	1	Seal Kit - 7012970 Valve	
21	1001207969	1	Cover	
22	1001208994	1	Mount	

SECTION 4 - BOOM

FIGURE 4-11. BOOM VALVE ASSEMBLY



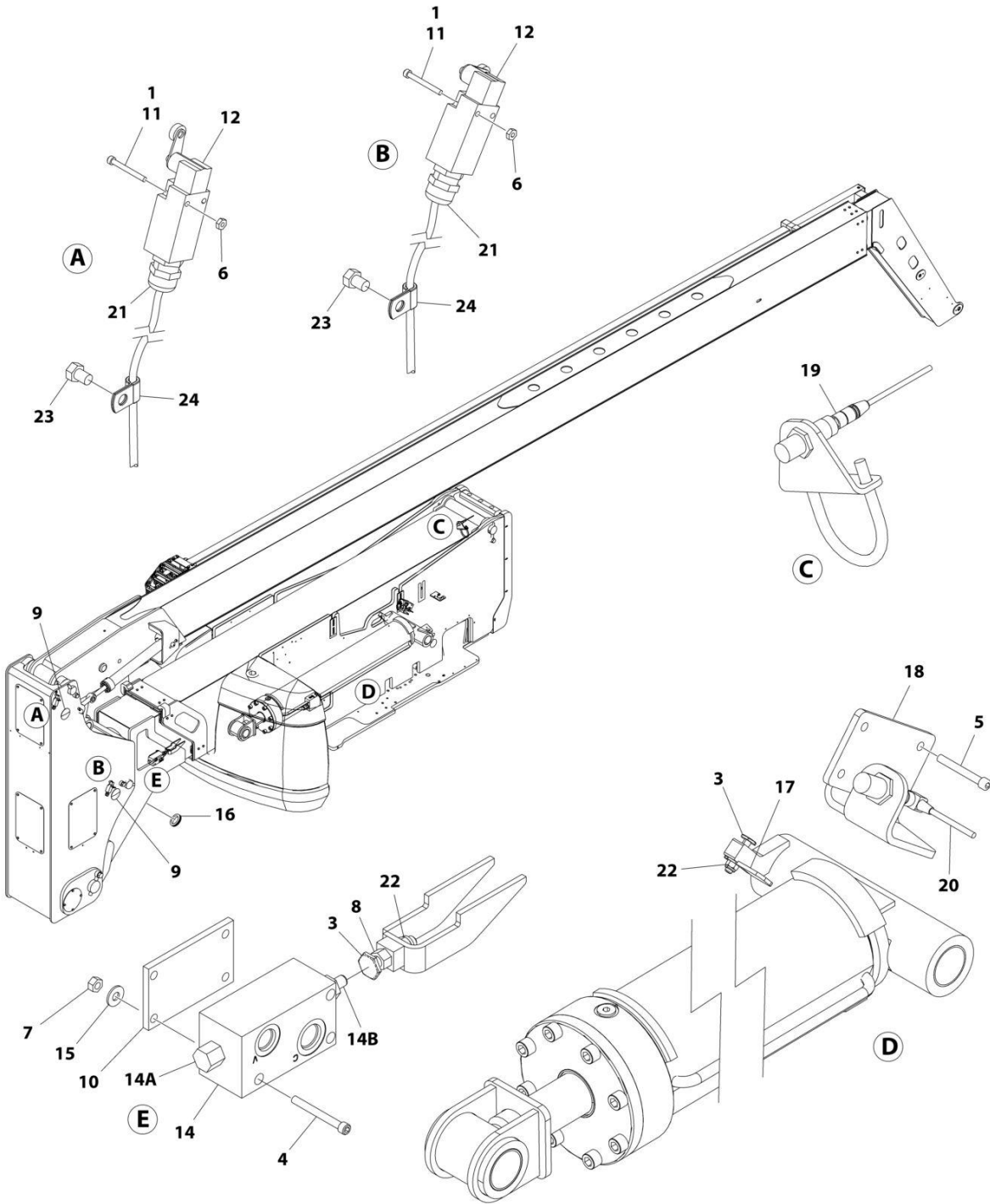
ART_1001152565

FIGURE 4-11. BOOM VALVE ASSEMBLY

ITEM	PART NUMBER	QTY	DESCRIPTION	REV
	1001152565	Ref	BOOM VALVE ASSEMBLY	C
1	7012989	1	Valve, Flow	
1	7012953	1	Seal Kit - 7012989 Valve	
2	7012965	1	Valve, Flow	
2	7012953	1	Seal Kit - 7012965 Valve	
3	70003790	1	Valve, Relief	
3	7021653	1	Seal Kit - 70003790 Valve	
4	7012914	2	Valve, Cartridge	
4	7012918	2	Seal Kit - 7012914 Valve	
5	7023911	1	Valve, Relief	
5	7012967	1	Seal Kit - 7023911 Valve	
6	7023912	1	Valve, Relief	
6	7012967	1	Seal Kit - 7023912 Valve	
7	7017452	1	Valve, Solenoid (Jib)	
7	7017402	2	Seal Kit - 7017452 Valve	
8	7017452	1	Valve, Solenoid (Platform Level)	
8	7017402	1	Seal Kit - 7017452 Valve	
9	7017452	1	Valve, Solenoid (Rotator)	
9	7017402	2	Seal Kit - 7017452 Valve	
10	70002386	6	Coil	
11	70002064	2	Plug, Orifice (Not Shown)	
12	7017406	2	Plug (Not Shown)	

SECTION 4 - BOOM

FIGURE 4-12. BOOM VALVE AND LIMIT SWITCHES INSTALLATION (WITHOUT TOWER STOW)



ART_0258217

SECTION 4 - BOOM

FIGURE 4-12. BOOM VALVE AND LIMIT SWITCHES INSTALLATION (WITHOUT TOWER STOW)

ITEM	PART NUMBER	QTY	DESCRIPTION	REV
	0258217	Ref	BOOM VALVE AND LIMIT SWITCHES INSTALLATION	S
1	0100011	AR	Compound, Locking	
3	0630427	2	Bolt	
4	3931436	3	Capscrew 1/4 x 2-1/4	
5	3931464	3	Capscrew 1/4 x 4	
5	3931432	3	Capscrew 1/4 x 2	
6	3310801	4	Nut #8	
7	3311405	AR	Nut 1/4	
8	3311801	1	Nut 1/2	
9	3520035	2	Plug	
10	3570928	2	Plate, Spacer	
11	3930824	2	Capscrew #8 x 1-1/2	
12	4360578	2	Switch, Limit	
14	4641435	2	Valve, Switch	
14A	7011342	2	Valve, Check (1 Per Assembly)	
14A	7011333	2	Seal Kit - Check Valve (1 Per Assembly)	
14B	See Note	NSS	Valve, Plunger (1 Per Assembly) (Note: Not Available - Purchase Complete Valve Assembly)	
14B	See Note	NSS	Seal Kit (1 Per Assembly) (Note: Not Available for Purchase)	
15	4751400	AR	Washer 1/4	
16	4060805	7 in/25cm	Trim	
17	3572606	1	Plate, Switch Target	
18	3572607	1	Plate, Switch Mount	
19	4360498	1	Switch, Proximity	
20	4360499	1	Switch, Proximity	
21	4460968	2	Connector, Strain Relief	
22	88521008	2	Nut 1/2	
23	0641604	2	Bolt 3/8 x 1/2	
24	91203039	2	Clamp	

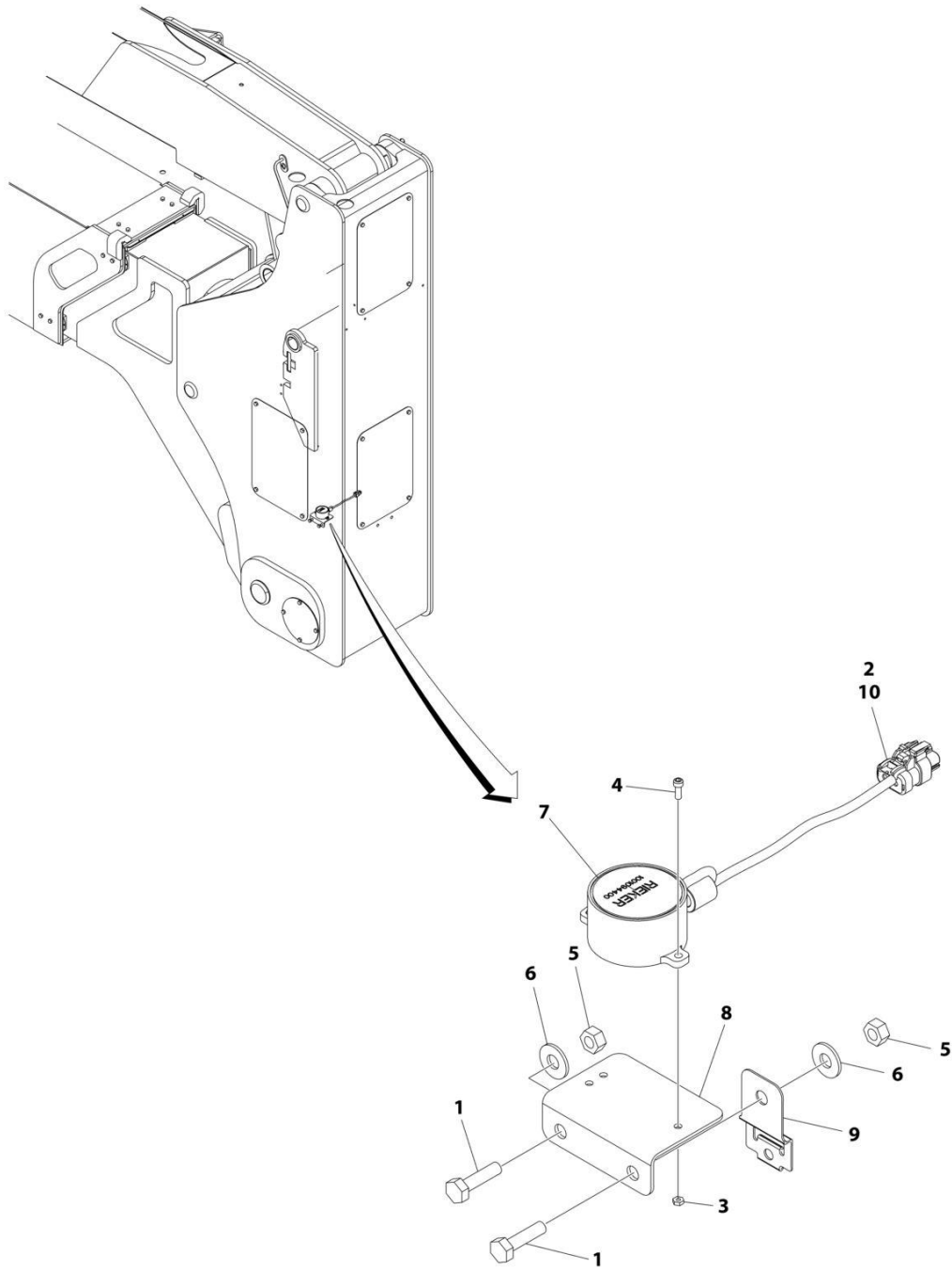
SECTION 4 - BOOM

FIGURE 4-13. BOOM VALVE AND LIMIT SWITCHES INSTALLATION (WITH TOWER STOW)

ITEM	PART NUMBER	QTY	DESCRIPTION	REV
	1001266164	Ref	BOOM VALVE AND LIMIT SWITCHES INSTALLATION	A
1	0100011	AR	Compound, Locking	
2	0630427	2	Bolt	
3	0641511	2	Bolt 5/16 x 1-3/8	
4	0641604	2	Bolt 3/8 x 1/2	
5	3310801	4	Nut #8	
6	3311405	3	Nut 1/4	
7	3311801	1	Nut 1/2	
8	3520035	2	Plug	
9	3570928	1	Plate, Spacer	
10	3572606	1	Plate, Switch Target	
11	3572607	1	Plate, Switch Mount	
12	3930820	2	Capscrew #8 x 1-1/4	
13	3930824	4	Capscrew #8 x 1-1/2	
14	3931432	3	Capscrew 1/4 x 2	
15	3931436	3	Capscrew 1/4 x 2-1/4	
16	4060805	6 in/1.9 m	Trim	
17	4360498	1	Switch, Proximity	
18	4360499	2	Switch, Proximity	
19	4360578	2	Switch, Limit	
20	4460968	2	Connector, Strain Relief	
21	4641435	2	Valve, Switch	
21A	7011342	2	Valve, Check (1 Per Assembly)	
21A	7011333	2	Seal Kit - Check Valve (1 Per Assembly)	
21B	See Note	NSS	Valve, Plunger (1 Per Assembly) (Note: Not Available - Purchase Complete Valve Assembly)	
21B	See Note	NSS	Seal Kit (1 Per Assembly) (Note: Not Available for Purchase)	
22	4711500	2	Washer 5/16	
23	4751400	3	Washer 1/4	
24	88521008	2	Nut 1/2	
25	91203039	2	Clamp	
26	1001172271	1	Switch, Roller Limit	
27	1001260475	1	Bracket, Limit Switch	
28	1001266829	1	Harness Tower Stow	
28	4460884	1	Plug, Male - 4 Position	
28	4460465	2	Socket, Female	
28	4460910	1	Connector	
28	1001116695	2	Terminal	

SECTION 4 - BOOM

FIGURE 4-14. TILT SENSOR INSTALLATION



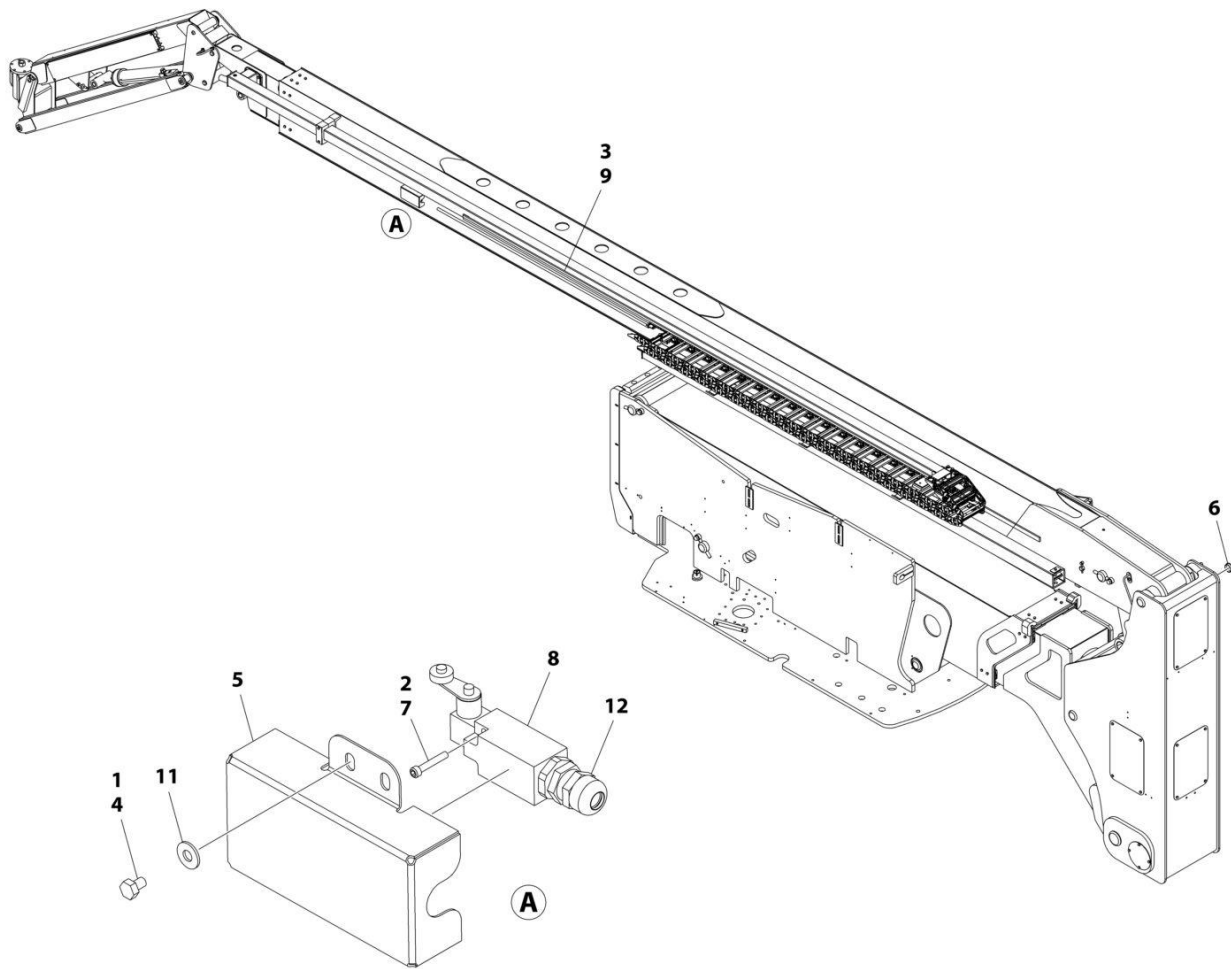
ART_0275733

FIGURE 4-14. TILT SENSOR INSTALLATION

ITEM	PART NUMBER	QTY	DESCRIPTION	REV
	0275733	Ref	TILT SENSOR INSTALLATION	B
1	0641408	2	Bolt 1/4 x 1	
2	0100048	AR	Grease, Dielectric	
3	3310605	3	Nut #6	
4	3930606	3	Screw #6 x 3/4	
5	3311405	2	Nut 1/4	
6	4751400	2	Washer 1/4	
7	1001094400	1	Sensor, Dual Axis	
8	1001096736	1	Bracket, Tilt Sensor	
9	1001153749	1	Clip	
10	1001200497	1	Connector - 3 Position	

SECTION 4 - BOOM

FIGURE 4-15. TRANSPORT POSITION SWITCH INSTALLATION (CE & UK CA SPECS)



ART_0258567

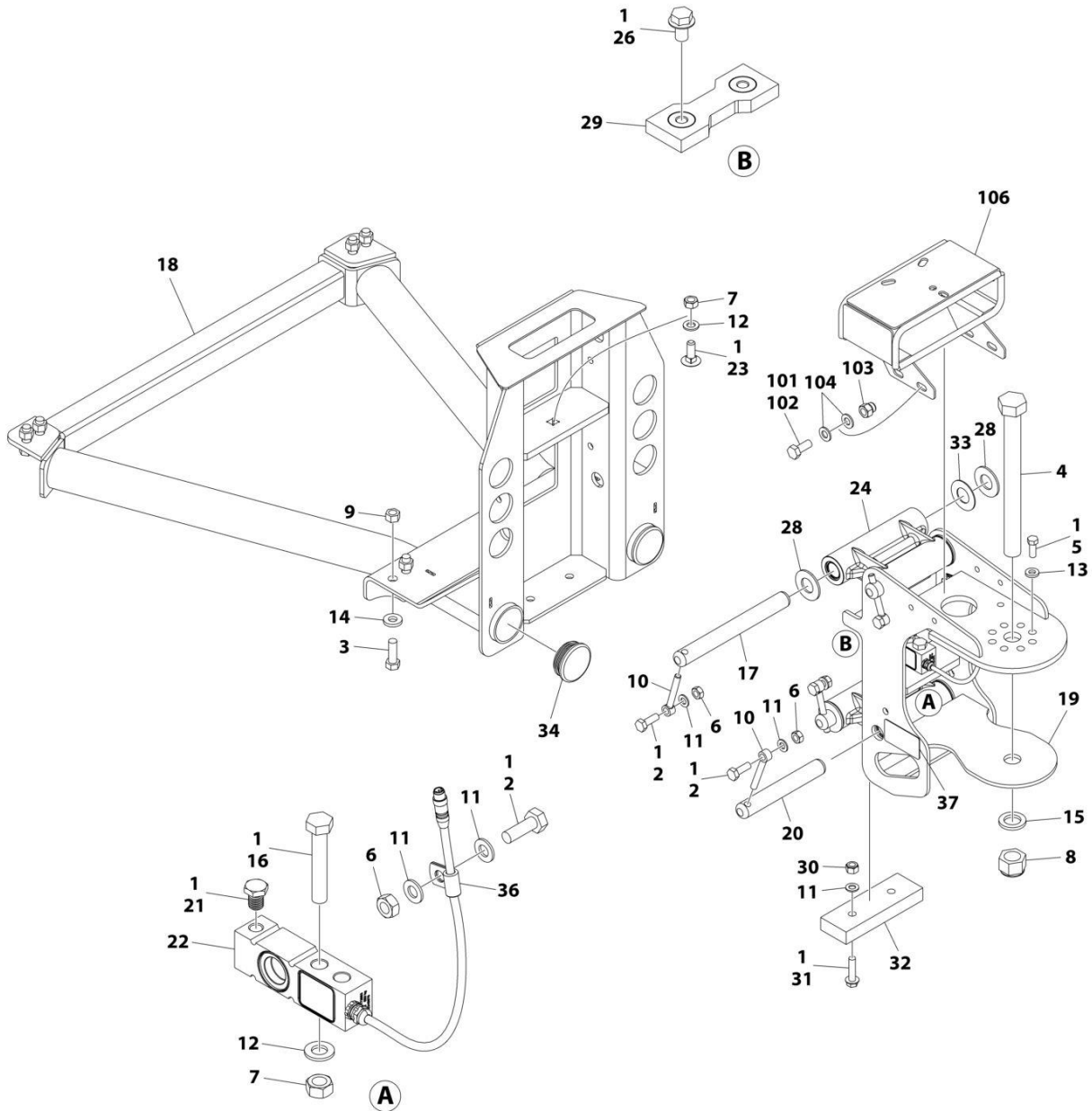
SECTION 4 - BOOM

FIGURE 4-15. TRANSPORT POSITION SWITCH INSTALLATION (CE & UK CA SPECS)

ITEM	PART NUMBER	QTY	DESCRIPTION	REV
	0258567	Ref	TRANSPORT POSITION SWITCH INSTALLATION	F
1	0100011	AR	Compound, Locking	
2	0100035	AR	Compound, Locking	
3	1001106481	1	Bar, Fiberglass	
4	0641403	4	Bolt 1/4 x 3/8	
5	3380535	1	Cover, Switch	
6	3520035	1	Plug, Cap	
7	3930816	2	Capscrew #8 x 1	
8	4360578	1	Switch, Limit	
9	4420060	AR	Tape	
11	4751400	4	Washer 1/4	
12	4460968	1	Connector, Strain Relief	

SECTION 4 - BOOM

FIGURE 4-16. PLATFORM SUPPORT INSTALLATION



ART_1001167596

SECTION 4 - BOOM

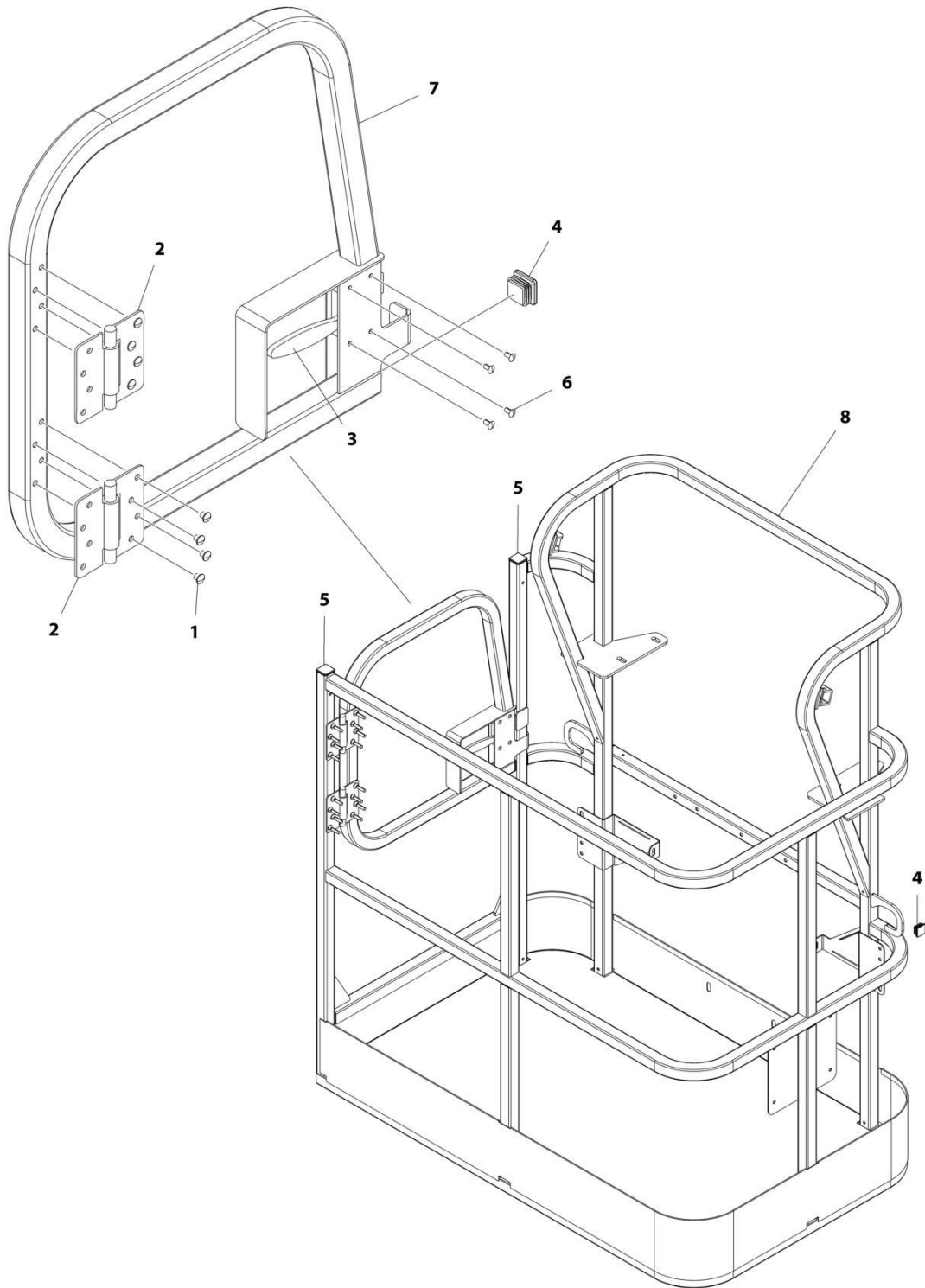
FIGURE 4-16. PLATFORM SUPPORT INSTALLATION

ITEM	PART NUMBER	QTY	DESCRIPTION	REV
	1001167596	Ref	PLATFORM SUPPORT INSTALLATION	N
1	0100011	AR	Compound, Locking	
2	0761014	5	Bolt M10 x 30	
3	0761216	8	Bolt M12 x 40	
4	1001255133	1	Bolt 1 x 11	
5	0681608	8	Bolt 3/8 x 1	
6	3291001	5	Nut M10	
7	3291201	3	Nut M12	
8	1001174040	1	Nut 1	
9	3291205	8	Nut M12	
10	3841143	4	Keeper, Pin	
11	4812000	8	Washer M10	
12	4812100	3	Washer M12	
13	4891600	8	Washer 3/8	
14	5241200	8	Washer M12	
15	4892600001	1	Washer 1	
16	1001098828	2	Bolt M12 x 70 Grade 10.9	
17	1001167565	2	Pin	
18	1001200494	1	Support, Platform	
19	1001167567	1	Support, Rotator	
20	1001168402	2	Pin	
21	1001188622	1	Screw	
22	1001247468	1	Gauge, Load Sensing	
23	1001188844	1	Bolt M12 x 35	
24	1001201351	2	Link	
26	5251008	2	Bolt M10 x 16	
28	1001189002	8	Bearing	
29	1001190985	1	Pad, Wear	
30	3291005	2	Nut M10	
31	5251016	2	Bolt M10 x 40	
32	1001200491	1	Pad, Wear	
33	1001189001	4	Bearing	
34	1001204725	2	Plug	
36	91203039	1	Clamp	
37	1001216630	2	Decal - Tie Down/No Lift	
38	1001238421	Ref	Kit, Platform Leveling (Not Shown)	
	1001202687	Ref	VALVE MOUNT INSTALLATION	B
101	0100011	AR	Compound, Locking	
102	0760810	4	Bolt M8 x 20	
103	3290806	4	Nut M8	
104	4811900	8	Washer M8	
106	1001208994	1	Mount, Valve	

SECTION 5 - PLATFORM

SECTION 5 - PLATFORM

FIGURE 5-1. PLATFORM ASSEMBLY - 30IN X 4FT (76CM X 1.22M) WITH SWING GATE



ART_1001186387

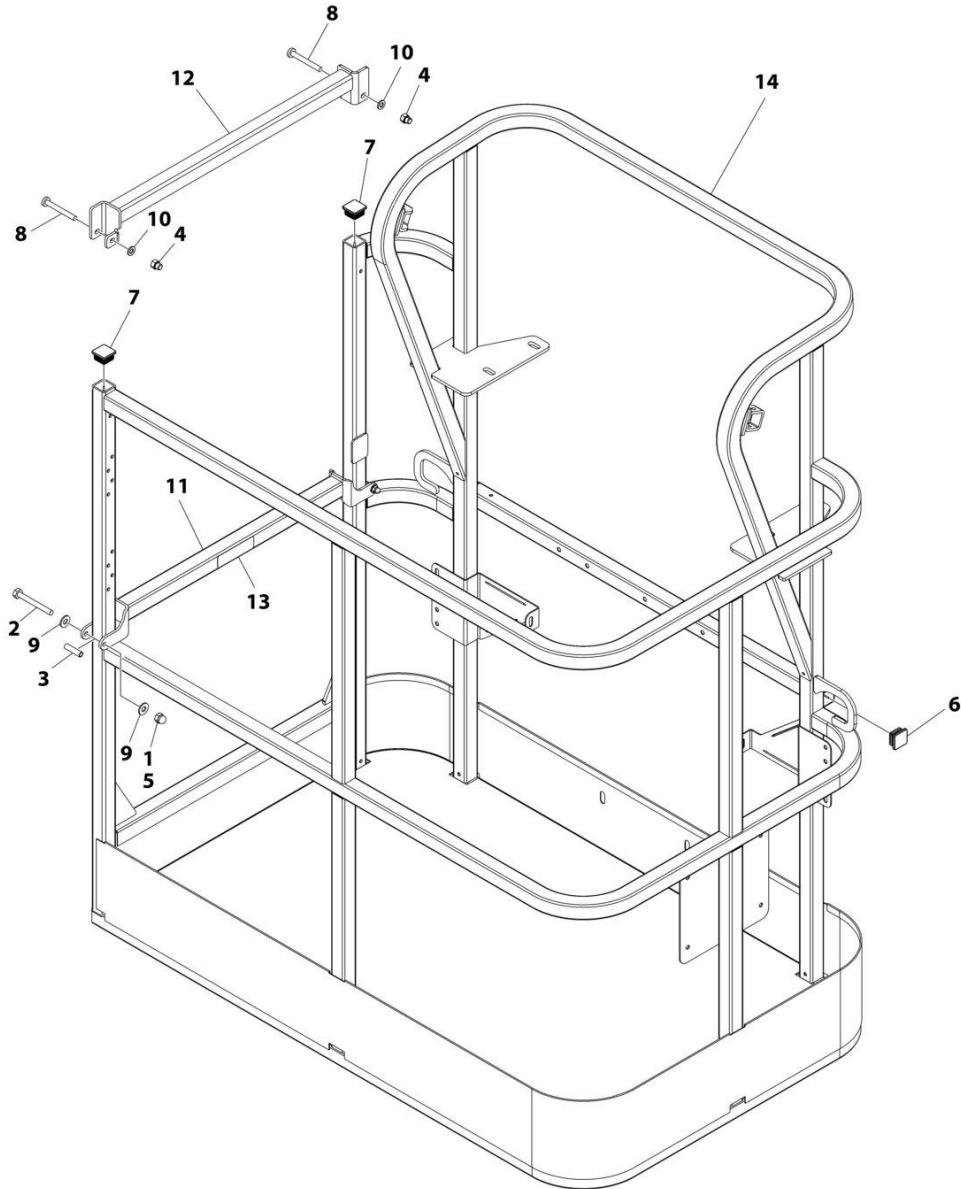
SECTION 5 - PLATFORM

FIGURE 5-1. PLATFORM ASSEMBLY - 30IN X 4FT (76CM X 1.22M) WITH SWING GATE

ITEM	PART NUMBER	QTY	DESCRIPTION	REV
	1001186387	Ref	PLATFORM ASSEMBLY	C
		Ref	Note: Platform and Mesh must be ordered separately for Platforms with Mesh. See SPECIAL OPTIONS SECTION for Mesh Installations.	
		Ref	Note: Replacement Decals Must be Ordered Separately - See DECALS SECTION.	
1	2080040	16	Fastener, Huck	
2	2600281	2	Hinge, Self-Closing	
3	2940074	1	Latch	
4	3520072	3	Plug	
5	3520198	2	Plug	
6	3820020	4	Rivet	
7	1001144629	1	Gate	
8	See Note	1	Platform (Note: Not Available - Purchase Platform Assembly)	

SECTION 5 - PLATFORM

FIGURE 5-2. PLATFORM ASSEMBLY - 30IN X 4FT (76CM X 1.22M) WITH DROP BAR



ART_1001186375

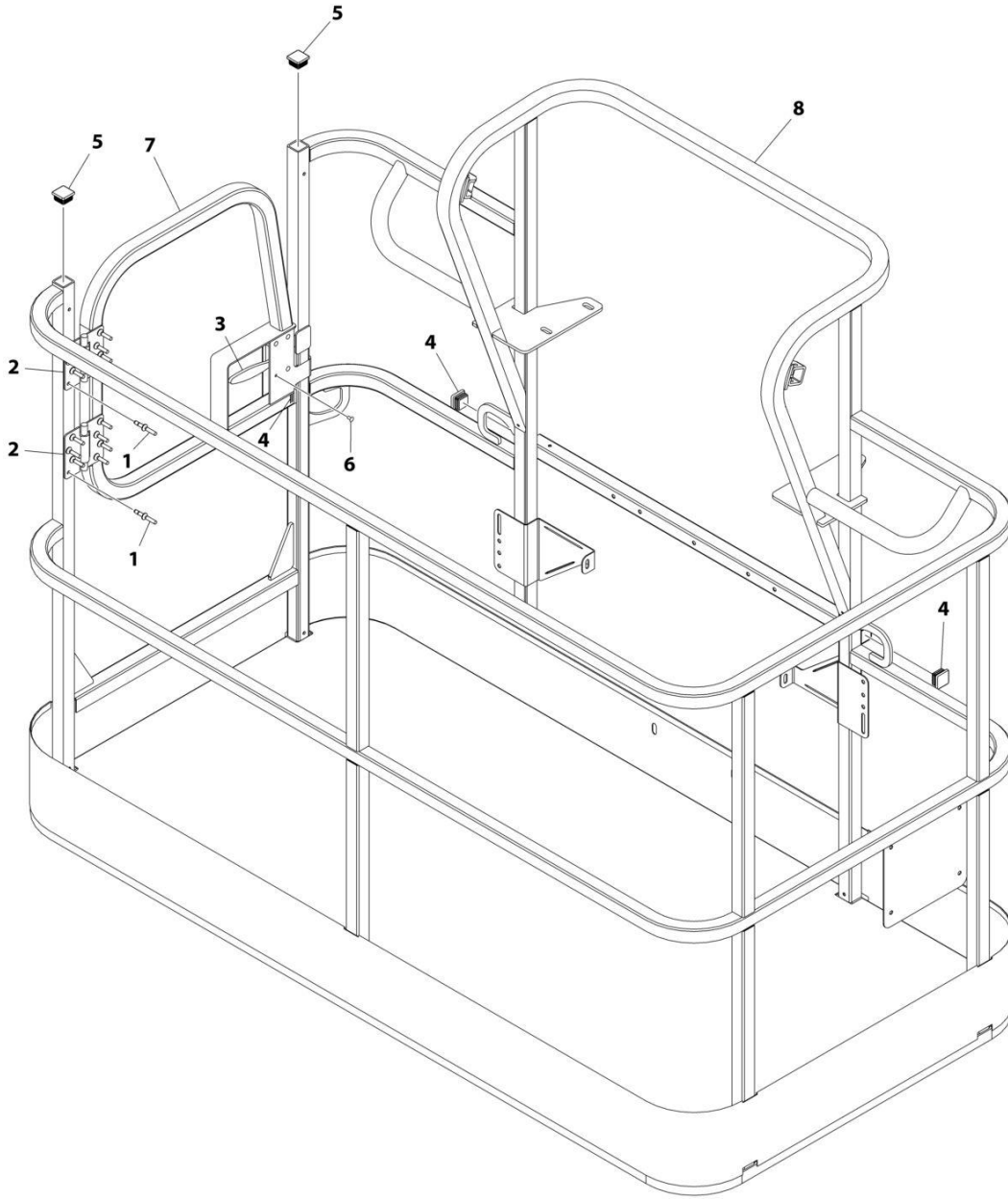
SECTION 5 - PLATFORM

FIGURE 5-2. PLATFORM ASSEMBLY - 30IN X 4FT (76CM X 1.22M) WITH DROP BAR

ITEM	PART NUMBER	QTY	DESCRIPTION	REV
	1001186375	Ref	PLATFORM ASSEMBLY	B
		Ref	Note: Platform and Mesh must be ordered separately for Platforms with Mesh. See SPECIAL OPTIONS SECTION for Mesh Installations.	
		Ref	Note: Replacement Decals Must be Ordered Separately - See DECALS SECTION.	
1	0100011	AR	Compound, Locking	
2	0641418	2	Bolt 1/4 x 2-1/4	
3	0961845	2	Bushing	
4	3290606	2	Nut M6	
5	3300151	2	Nut 1/4	
6	3520072	2	Plug	
7	3520198	2	Plug	
8	4010618	2	Screw M6 x 50	
9	4711400	4	Washer 1/4	
10	4811700	2	Washer M6	
11	1001138494	1	Bar, Drop	
12	1001138514	1	Rail - Top	
13	1001140429	1	Decal - Drop Bar	
14	See Note	1	Platform (Note: Not Available - Purchase Platform Assembly)	

SECTION 5 - PLATFORM

FIGURE 5-3. PLATFORM ASSEMBLY - 30IN X 6FT (76CM X 1.83M) WITH SWING GATE



ART_1001186385

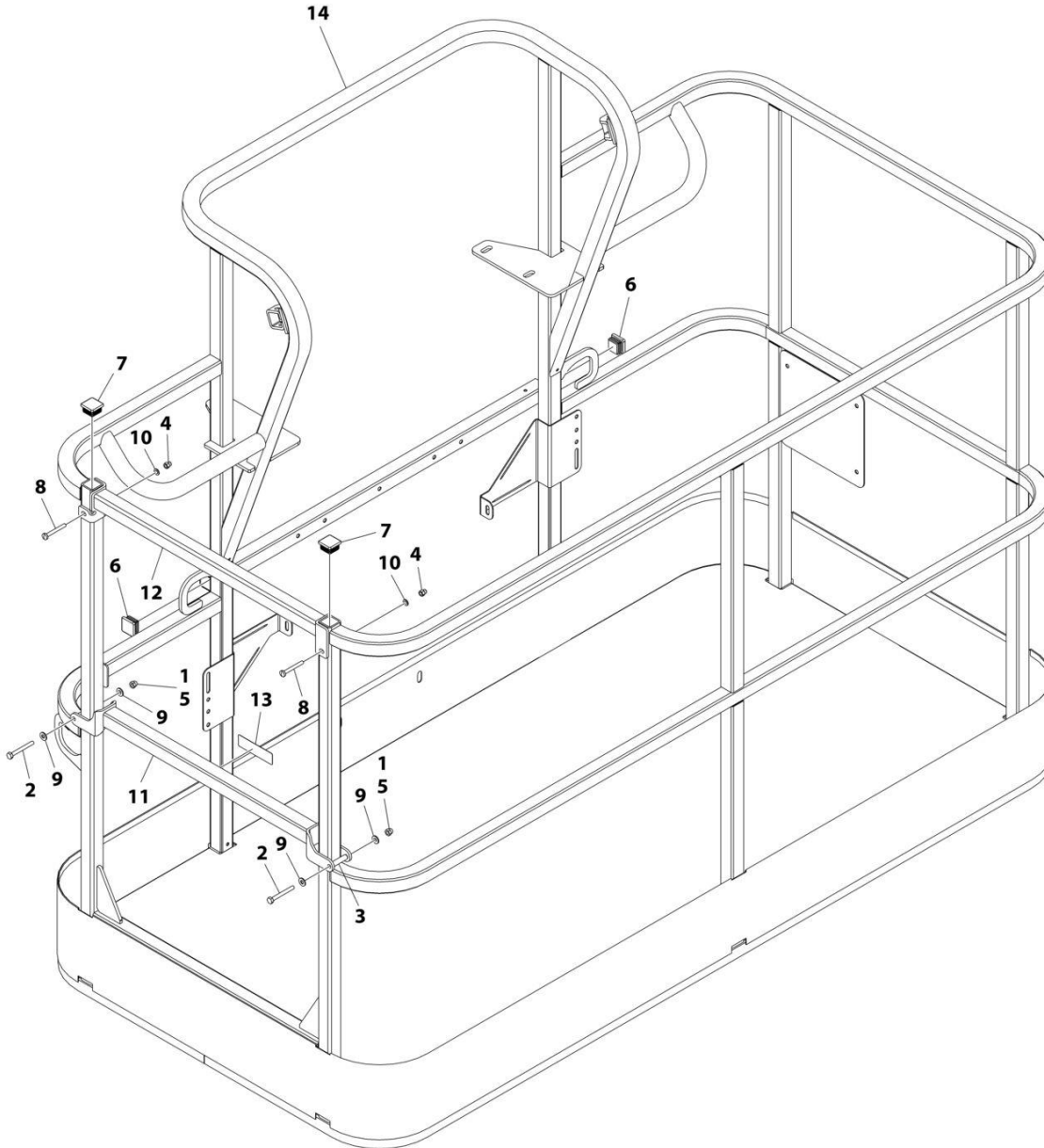
SECTION 5 - PLATFORM

FIGURE 5-3. PLATFORM ASSEMBLY - 30IN X 6FT (76CM X 1.83M) WITH SWING GATE

ITEM	PART NUMBER	QTY	DESCRIPTION	REV
	1001186385	Ref	PLATFORM ASSEMBLY	D
		Ref	Note: Platform and Mesh must be ordered separately for Platforms with Mesh. See SPECIAL OPTIONS SECTION for Mesh Installations.	
		Ref	Note: Replacement Decals Must be Ordered Separately - See DECALS SECTION.	
1	2080040	16	Fastener, Huck	
2	2600281	2	Hinge	
3	2940074	1	Latch	
4	3520072	3	Plug	
5	3520198	2	Plug	
6	3820020	4	Rivet	
7	1001144629	1	Gate	
8	See Note	NSS	Platform (Note: Not Available - Purchase Platform Assembly)	

SECTION 5 - PLATFORM

FIGURE 5-4. PLATFORM ASSEMBLY - 30IN X 6FT (76CM X 1.83M) WITH DROP BAR



ART_1001186378

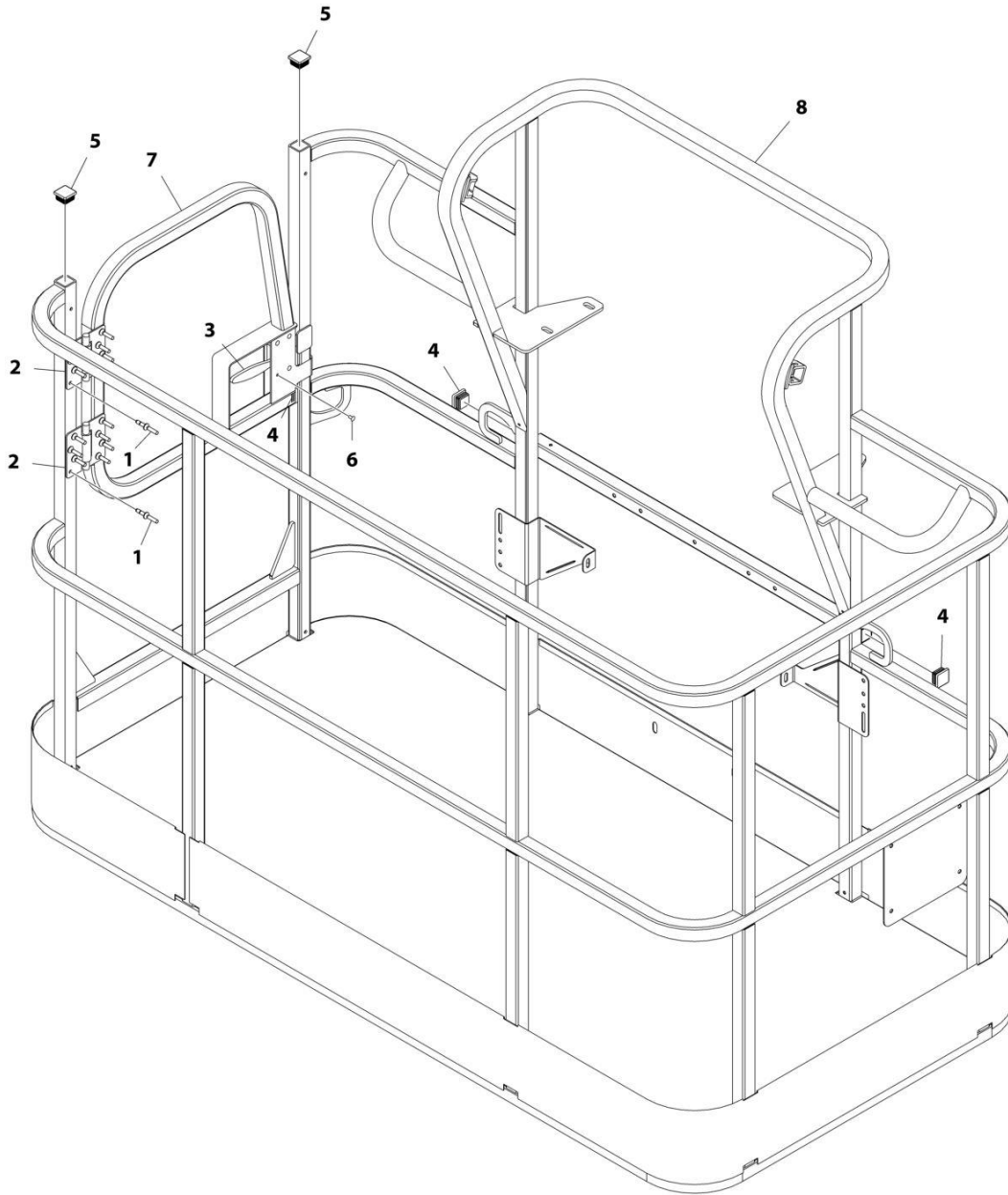
SECTION 5 - PLATFORM

FIGURE 5-4. PLATFORM ASSEMBLY - 30IN X 6FT (76CM X 1.83M) WITH DROP BAR

ITEM	PART NUMBER	QTY	DESCRIPTION	REV
	1001186378	Ref	PLATFORM ASSEMBLY	C
		Ref	Note: Platform and Mesh must be ordered separately for Platforms with Mesh. See SPECIAL OPTIONS SECTION for Mesh Installations.	
		Ref	Note: Replacement Decals Must be Ordered Separately - See DECALS SECTION.	
1	0100011	AR	Compound, Locking	
2	0641418	2	Bolt 1/4 x 2-1/4	
3	0961845	2	Bushing	
4	3290606	2	Nut M6	
5	3300151	2	Nut 1/4	
6	3520072	2	Plug	
7	3520198	2	Plug	
8	4010618	2	Screw M6 x 50	
9	4711400	4	Washer 1/4	
10	4811700	2	Washer M6	
11	1001138494	1	Bar, Drop	
12	1001138514	1	Rail (Top)	
13	1001140429	1	Decal - Drop Bar	
14	See Note	NSS	Platform (Note: Not Available - Purchase Platform Assembly)	

SECTION 5 - PLATFORM

FIGURE 5-5. PLATFORM ASSEMBLY - 36IN X 6FT (91.5CM X 1.83M) WITH SWING GATE



ART_1001186384

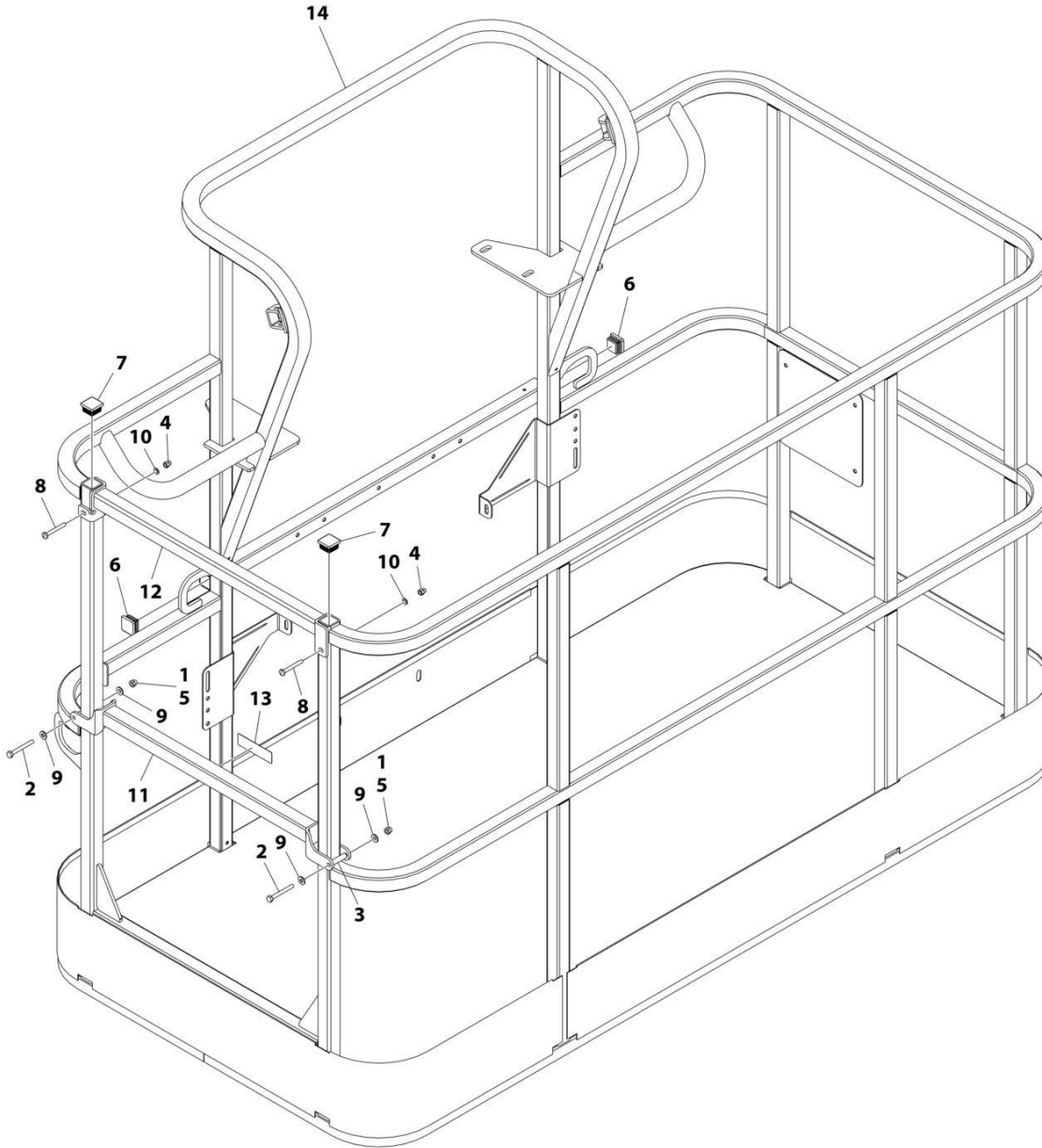
SECTION 5 - PLATFORM

FIGURE 5-5. PLATFORM ASSEMBLY - 36IN X 6FT (91.5CM X 1.83M) WITH SWING GATE

ITEM	PART NUMBER	QTY	DESCRIPTION	REV
	1001186384	Ref	PLATFORM ASSEMBLY - 36IN X 6FT (91.5CM X 1.83M) WITH SWING GATE	C
	See Note	Ref	Note: Platform and Mesh must be ordered separately for Platforms with Mesh. See SPECIAL OPTIONS SECTION for Mesh Installations.	
	See Note	Ref	Note: Replacement Decals Must be Ordered Separately - See DECALS SECTION.	
1	2080040	16	Fastener, Huck	
2	2600281	2	Hinge	
3	2940074	1	Latch	
4	3520072	3	Plug	
5	3520198	2	Plug	
6	3820020	4	Rivet	
7	1001144629	1	Gate	
8	See Note	NSS	Platform (Note: Not Available - Purchase Platform Assembly)	

SECTION 5 - PLATFORM

FIGURE 5-6. PLATFORM ASSEMBLY - 36IN X 6FT (91.5CM X 1.83M) WITH DROP BAR



ART_1001186379

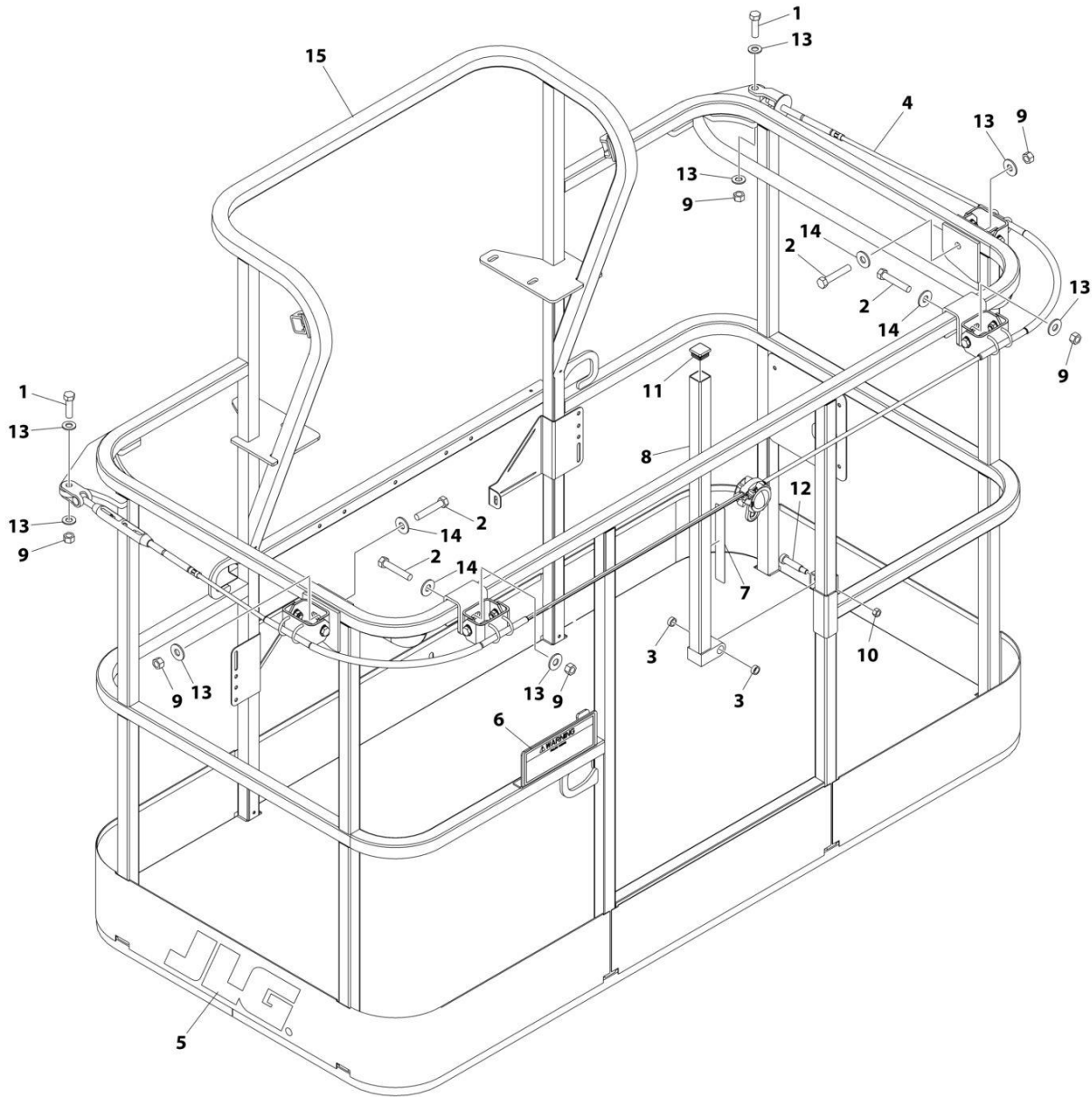
SECTION 5 - PLATFORM

FIGURE 5-6. PLATFORM ASSEMBLY - 36IN X 6FT (91.5CM X 1.83M) WITH DROP BAR

ITEM	PART NUMBER	QTY	DESCRIPTION	REV
	1001186379	Ref	PLATFORM ASSEMBLY - 36IN X 6FT (91.5CM X 1.83M) WITH DROP BAR	B
		Ref	Note: Platform and Mesh must be ordered separately for Platforms with Mesh. See SPECIAL OPTIONS SECTION for Mesh Installations.	
		Ref	Note: Replacement Decals Must be Ordered Separately - See DECALS SECTION.	
1	0100011	AR	Compound, Locking	
2	0641418	2	Bolt 1/4 x 2-1/4	
3	0961845	2	Bushing	
4	3290606	2	Nut M6	
5	3300151	2	Nut 1/4	
6	3520072	2	Plug	
7	3520198	2	Plug	
8	4010618	2	Screw M6 x 50	
9	4711400	4	Washer 1/4	
10	4811700	2	Washer M6	
11	1001138494	1	Bar, Drop	
12	1001138514	1	Rail (Top)	
13	1001140429	1	Decal - Drop Bar	
14	See Note	NSS	Platform (Note: Not Available - Purchase Platform Assembly)	

SECTION 5 - PLATFORM

FIGURE 5-7. PLATFORM ASSEMBLY - 36IN X 6FT (91.5CM X 1.83M) WITH FALL ARREST (ANSI, ANSI EXPORT, CHINA & CSA SPECS)



ART_1001186333

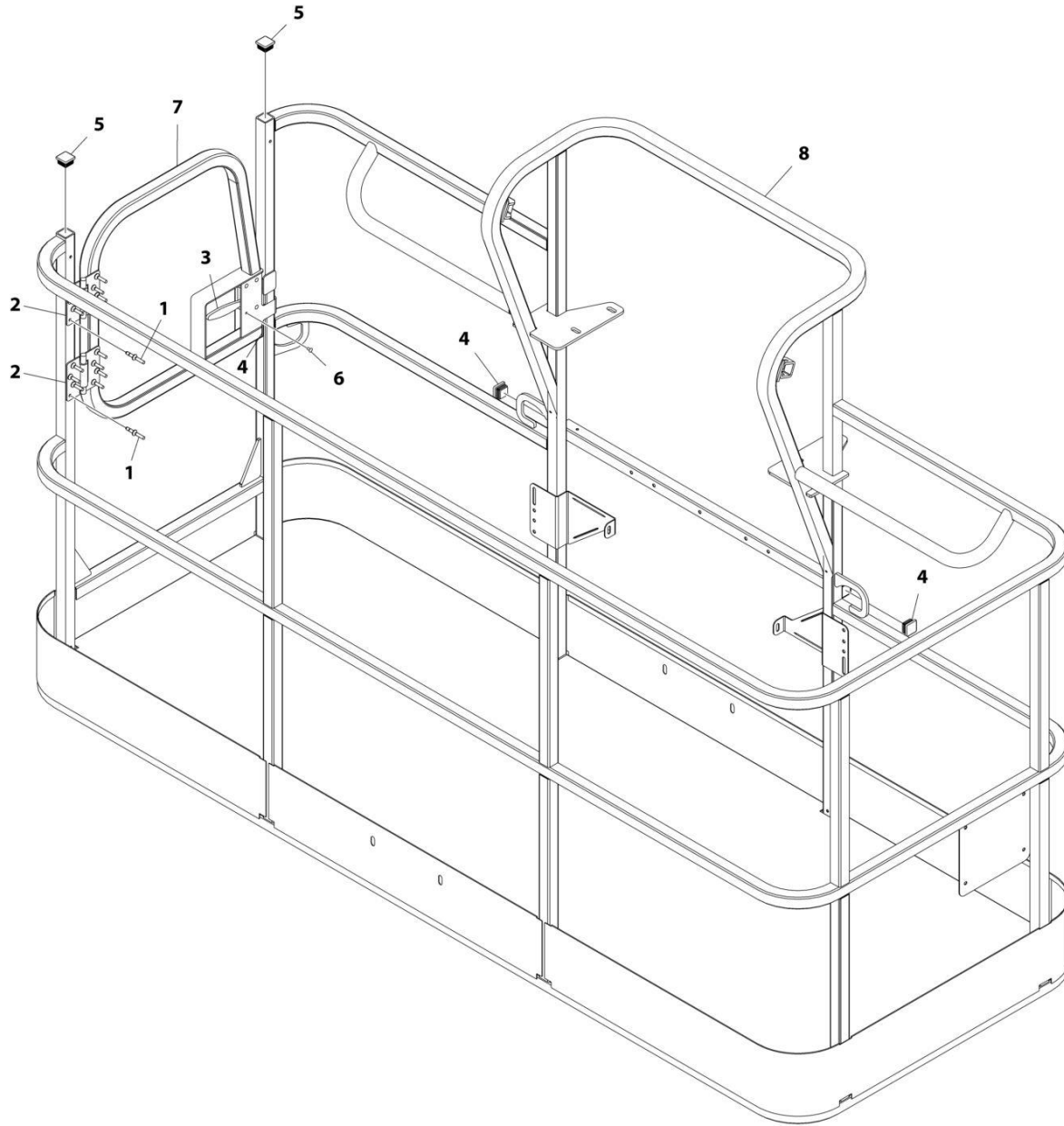
SECTION 5 - PLATFORM

FIGURE 5-7. PLATFORM ASSEMBLY - 36IN X 6FT (91.5CM X 1.83M) WITH FALL ARREST (ANSI, ANSI EXPORT, CHINA & CSA SPECS)

ITEM	PART NUMBER	QTY	DESCRIPTION	REV
	1001186333	Ref	PLATFORM ASSEMBLY	C
		Ref	Note: Replacement Decals Must be Ordered Separately - See DECALS SECTION.	
1	0681814	2	Bolt 1/2 x 1-3/4 Grade 8	
2	0681822	4	Bolt 1/2 x 2-3/4 Grade 8	
3	0962270	2	Bearing	
4	1001203655	1	Cable	
5	1702773	1	Decal - JLG	
6	1705014	1	Decal - Safety	
7	1706385	1	Decal - Drop Bar	
8	2410014	1	Bar, Drop	
9	3271805	6	Nut 1/2 Grade 8	
10	3311605	1	Nut 3/8	
11	3520072	1	Plug	
12	3900054	1	Bolt 1/2 x 1-3/4	
13	4711800	8	Washer 1/2	
14	4751800	4	Washer 1/2	
15	See Note	NSS	Platform (Note: Not Available - Purchase Platform Assembly)	

SECTION 5 - PLATFORM

FIGURE 5-8. PLATFORM ASSEMBLY - 36IN X 8FT (91.5CM X 2.44M) WITH SWING GATE



ART_1001186383

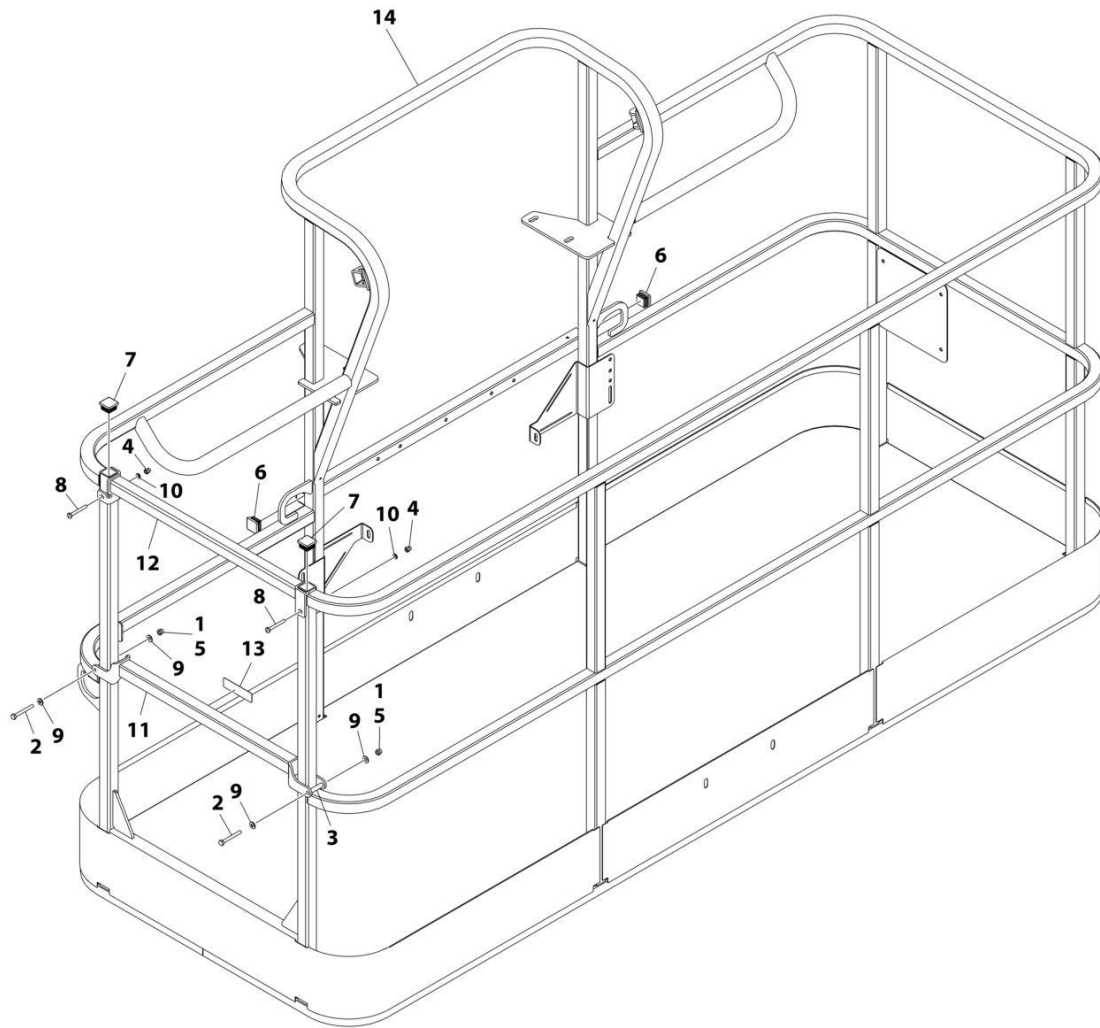
SECTION 5 - PLATFORM

FIGURE 5-8. PLATFORM ASSEMBLY - 36IN X 8FT (91.5CM X 2.44M) WITH SWING GATE

ITEM	PART NUMBER	QTY	DESCRIPTION	REV
	1001186383	Ref	PLATFORM ASSEMBLY - 36IN X 8FT (91.5CM X 2.44M) WITH SWING GATE	D
		Ref	Note: Platform and Mesh must be ordered separately for Platforms with Mesh. See SPECIAL OPTIONS SECTION for Mesh Installations.	
		Ref	Note: Replacement Decals Must be Ordered Separately - See DECALS SECTION.	
1	2080040	16	Fastener, Huck	
2	2600281	2	Hinge	
3	2940074	1	Latch	
4	3520072	3	Plug	
5	3520198	2	Plug	
6	3820020	4	Rivet	
7	1001144629	1	Gate	
8	See Note	NSS	Platform (Note: Not Available - Purchase Platform Assembly)	

SECTION 5 - PLATFORM

FIGURE 5-9. PLATFORM ASSEMBLY - 36IN X 8FT (91.5CM X 2.44M) WITH DROP BAR



ART_1001186382

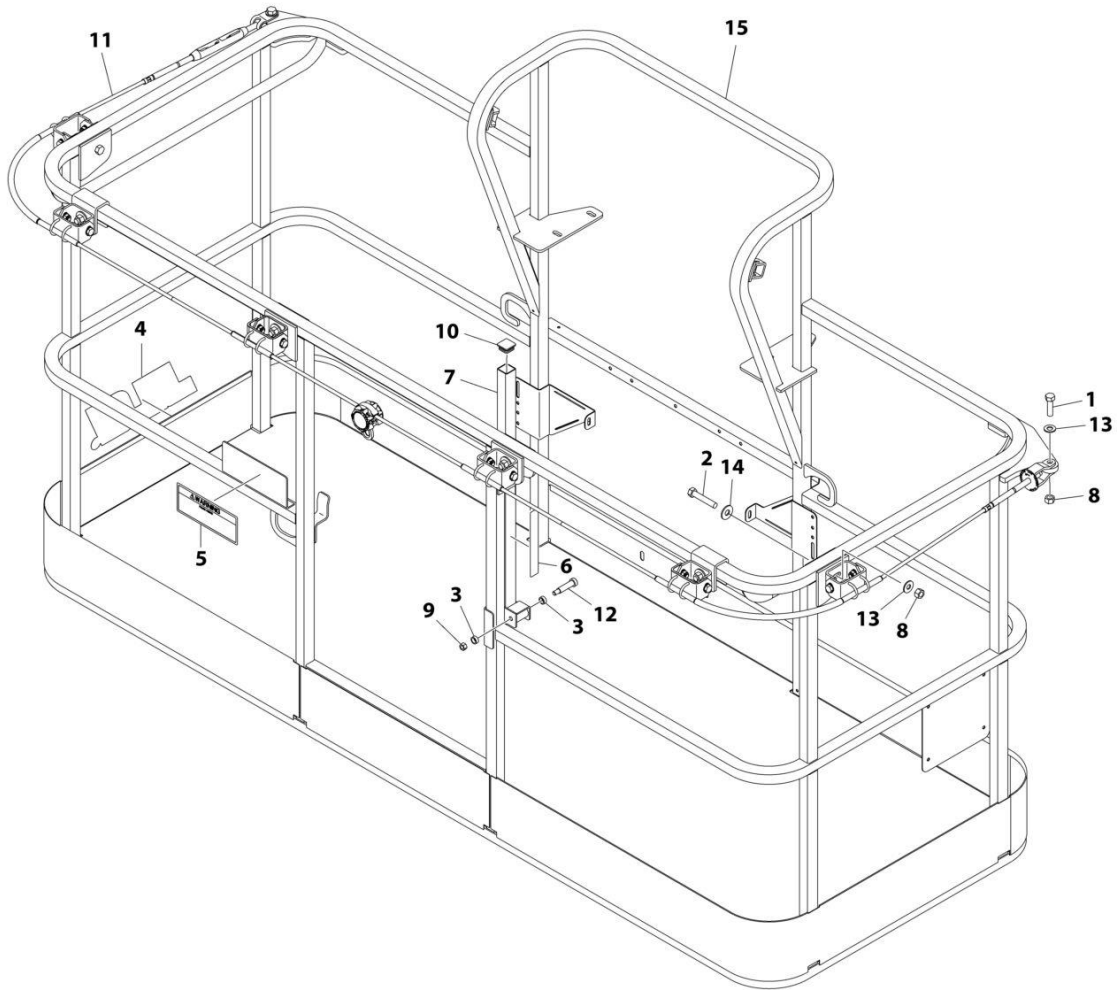
SECTION 5 - PLATFORM

FIGURE 5-9. PLATFORM ASSEMBLY - 36IN X 8FT (91.5CM X 2.44M) WITH DROP BAR

ITEM	PART NUMBER	QTY	DESCRIPTION	REV
	1001186382	Ref	PLATFORM ASSEMBLY - 36IN X 8FT (91.5CM X 2.44M) WITH DROP BAR	C
		Ref	Note: Platform and Mesh must be ordered separately for Platforms with Mesh. See SPECIAL OPTIONS SECTION for Mesh Installations.	
		Ref	Note: Replacement Decals Must be Ordered Separately - See DECALS SECTION.	
1	0100011	AR	Compound, Locking	
2	0641418	2	Bolt 1/4 x 2-1/4	
3	0961845	2	Bushing	
4	3290606	2	Nut M6	
5	3300151	2	Nut 1/4	
6	3520072	2	Plug	
7	3520198	2	Plug	
8	4010618	2	Screw M6 x 50	
9	4711400	4	Washer 1/4	
10	4811700	2	Washer M6	
11	1001138494	1	Bar, Drop	
12	1001138514	1	Rail (Top)	
13	1001140429	1	Decal - Drop Bar	
14	See Note	NSS	Platform (Note: Not Available - Purchase Platform Assembly)	

SECTION 5 - PLATFORM

FIGURE 5-10. PLATFORM ASSEMBLY - 36IN X 8FT (91.5CM X 2.44M) WITH FALL ARREST



ART_1001186334

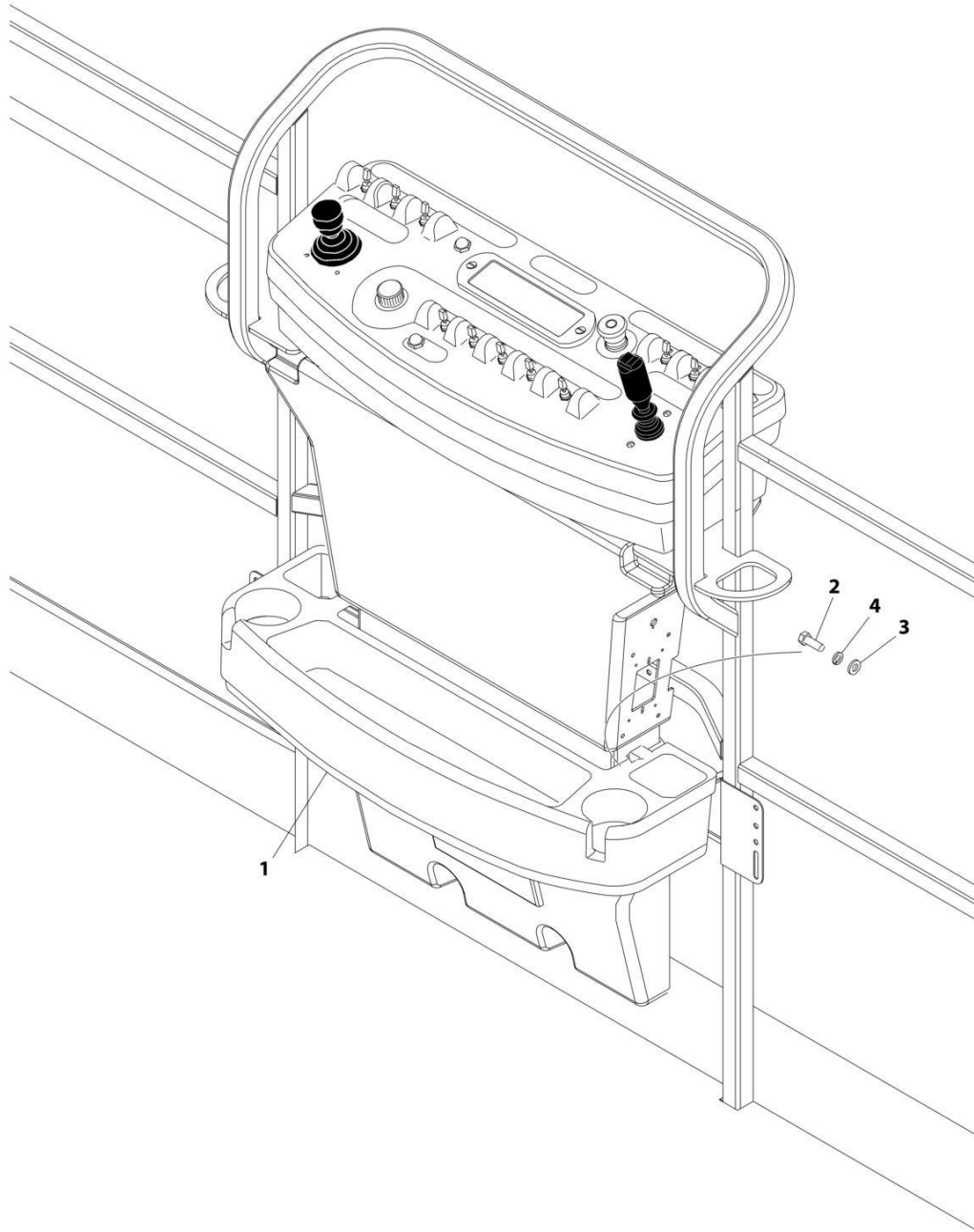
SECTION 5 - PLATFORM

FIGURE 5-10. PLATFORM ASSEMBLY - 36IN X 8FT (91.5CM X 2.44M) WITH FALL ARREST

ITEM	PART NUMBER	QTY	DESCRIPTION	REV
	1001186334	Ref	PLATFORM ASSEMBLY	D
		Ref	Note: Replacement Decals Must be Ordered Separately - See DECALS SECTION.	
1	0681814	2	Bolt 1/2 x 1-3/4 Grade 8	
2	0681822	6	Bolt 1/2 x 2-3/4 Grade 8	
3	0962270	2	Bearing	
4	1702773	1	Decal - JLG	
5	1705014	1	Decal - Safety	
6	1706385	1	Decal - Drop Bar	
7	2410014	1	Bar, Drop	
8	3271805	8	Nut 1/2 Grade 8	
9	3311605	1	Nut 3/8	
10	3520072	1	Plug	
11	1001203656	1	Cable	
12	3900054	1	Bolt 1/2 x 1-3/4	
13	4711800	2	Washer 1/2	
14	4751800	6	Washer 1/2	
15	See Note	NSS	Platform (Note: Purchase Platform Assembly)	

SECTION 5 - PLATFORM

FIGURE 5-11. TRAY ASSEMBLY



ART_1580012

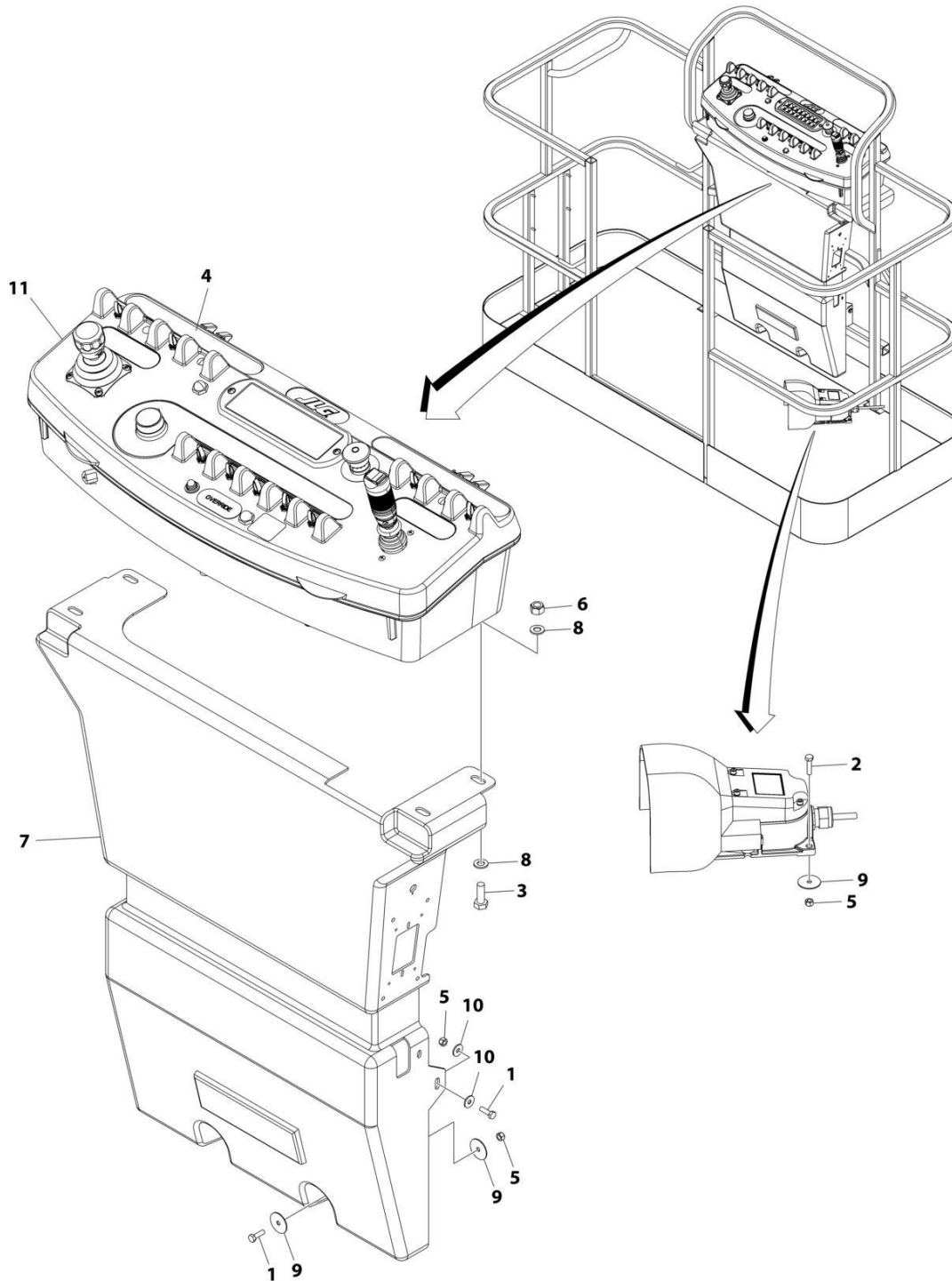
SECTION 5 - PLATFORM

FIGURE 5-11. TRAY ASSEMBLY

ITEM	PART NUMBER	QTY	DESCRIPTION	REV
	1580012	Ref	TRAY ASSEMBLY	C
1	See Note	NSS	Tray, Storage (Center) (Note: Purchase p/n 1580012)	
2	0641406	2	Bolt 1/4 x 3/4	
3	4751400	2	Washer 1/4	
4	4761400	2	Washer 1/4	

SECTION 5 - PLATFORM

FIGURE 5-12. PLATFORM CONSOLE AND FOOTSWITCH INSTALLATION (WITHOUT TOWER STOW)



ART_1001266074

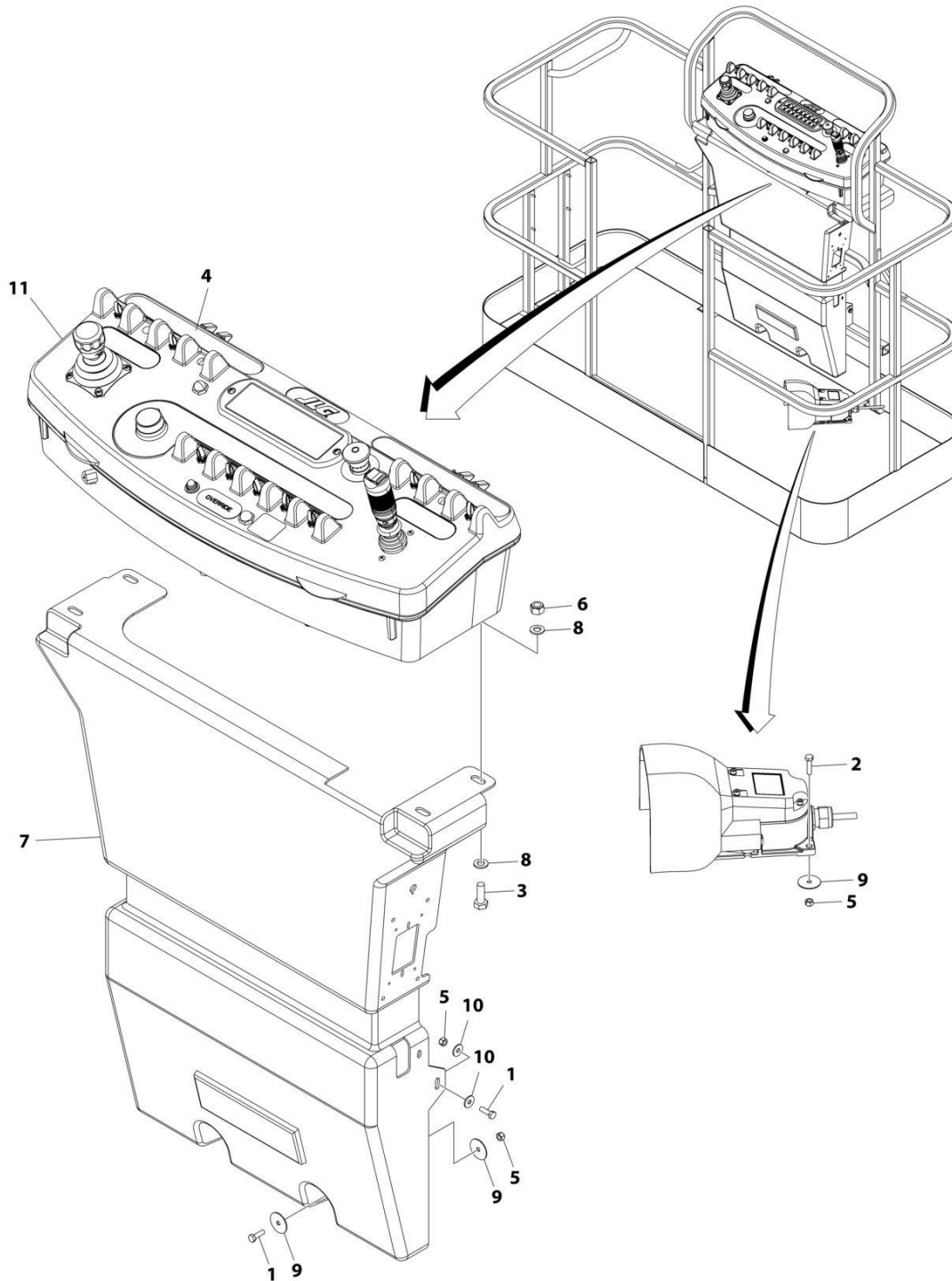
SECTION 5 - PLATFORM

FIGURE 5-12. PLATFORM CONSOLE AND FOOTSWITCH INSTALLATION (WITHOUT TOWER STOW)

ITEM	PART NUMBER	QTY	DESCRIPTION	REV
	1001266074	Ref	PLATFORM CONSOLE AND FOOTSWITCH INSTALLATION	A
1	0641406	4	Bolt 1/4 x 3/4	
2	0641408	3	Bolt 1/4 x 1	
3	0641610	4	Bolt 3/8 x 1-1/4	
4	1702676	1	Decal - Horn	
5	3311405	7	Nut 1/4	
6	3311605	4	Nut 3/8	
7	3380434	1	Panel	
8	4711600	8	Washer 3/8	
9	4740362	7	Washer	
10	4751400	4	Washer 1/4	
11	1001266070	1	Platform Console Assembly (See Separate Breakdown in this Section)	

SECTION 5 - PLATFORM

FIGURE 5-13. PLATFORM CONSOLE AND FOOTSWITCH INSTALLATION (WITH TOWER STOW)



ART_1001264706

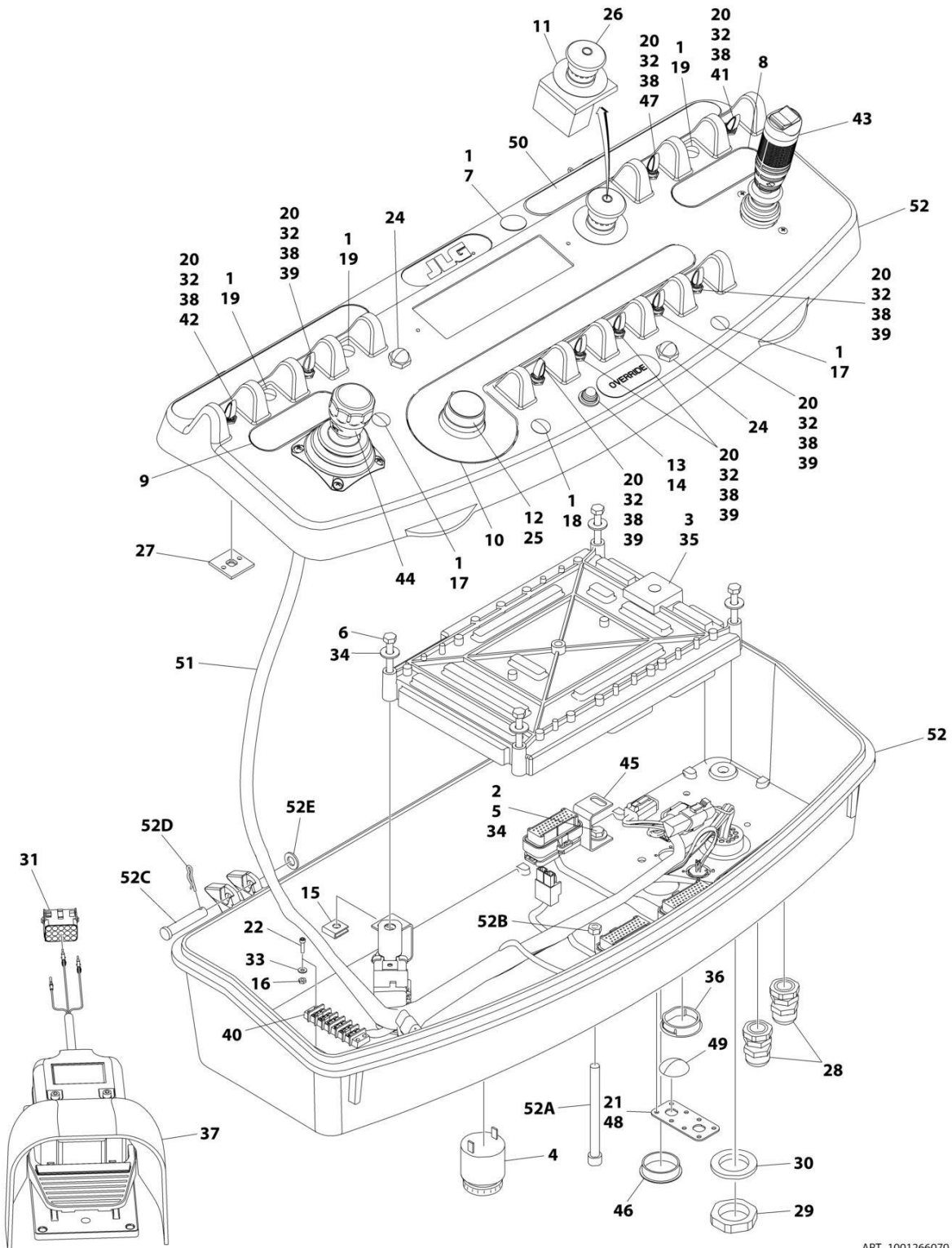
SECTION 5 - PLATFORM

FIGURE 5-13. PLATFORM CONSOLE AND FOOTSWITCH INSTALLATION (WITH TOWER STOW)

ITEM	PART NUMBER	QTY	DESCRIPTION	REV
	1001264706	Ref	PLATFORM CONSOLE AND FOOTSWITCH INSTALLATION	A
1	0641406	4	Bolt 1/4 x 3/4	
2	0641408	3	Bolt 1/4 x 1	
3	0641610	4	Bolt 3/8 x 1-1/4	
4	1702676	1	Decal - Horn	
5	3311405	7	Nut 1/4	
6	3311605	4	Nut 3/8	
7	3380434	1	Panel	
8	4711600	8	Washer 3/8	
9	4740362	7	Washer	
10	4751400	4	Washer 1/4	
11	1001264705	1	Platform Console Assembly (See Separate Breakdown in this Section)	

SECTION 5 - PLATFORM

FIGURE 5-14. PLATFORM CONSOLE BOX ASSEMBLY (WITHOUT TOWER STOW)



ART_1001266070

SECTION 5 - PLATFORM

FIGURE 5-14. PLATFORM CONSOLE BOX ASSEMBLY (WITHOUT TOWER STOW)

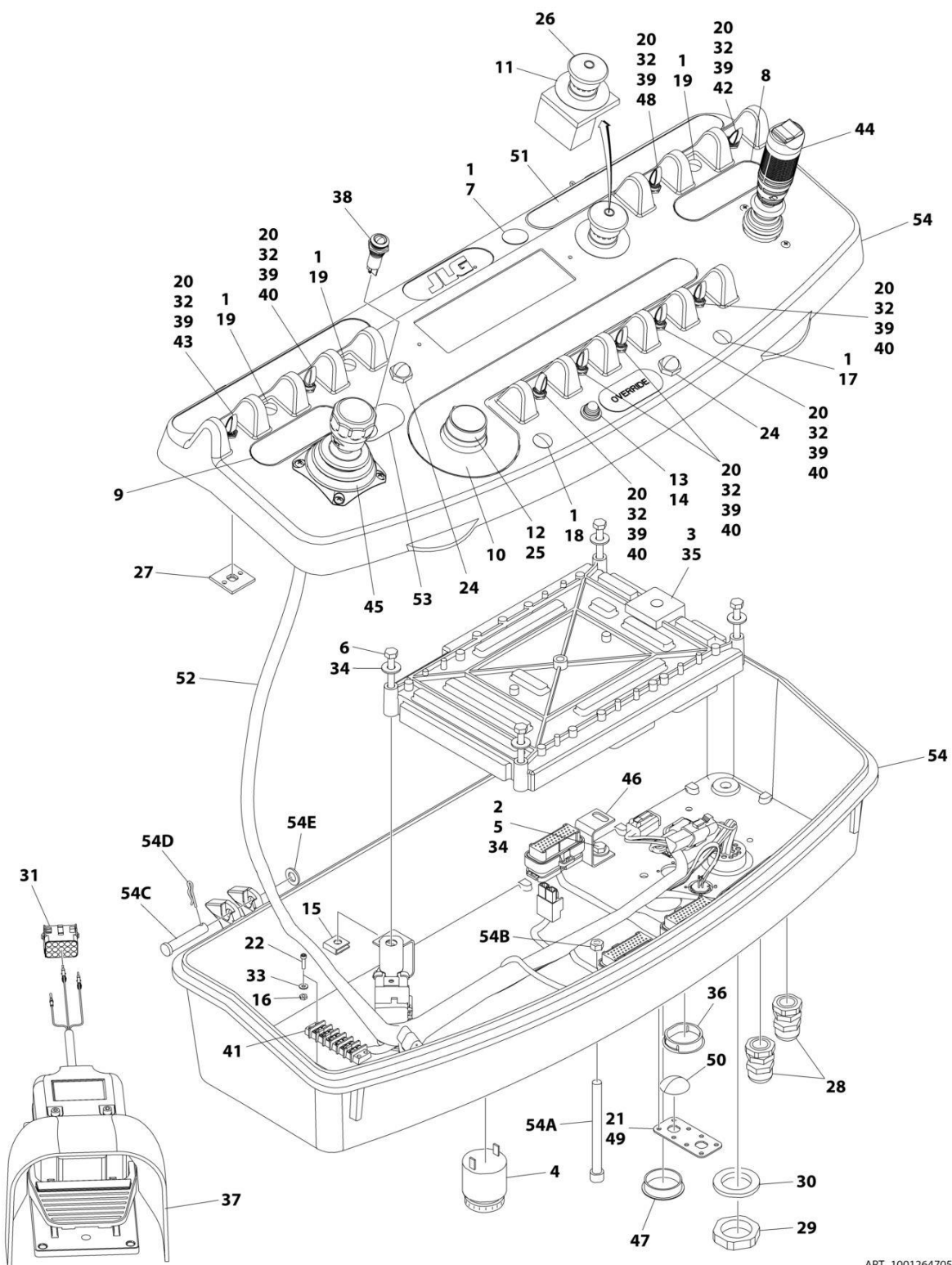
ITEM	PART NUMBER	QTY	DESCRIPTION	REV
	1001266070	Ref	CONSOLE BOX ASSEMBLY	A
1	0100009	AR	Sealant	
2	0100035	AR	Compound, Locking	
3	0100048	AR	Grease, Dielectric	
4	0140011	1	Alarm	
5	0641404	4	Bolt 1/4 x 1/2	
6	0641414	4	Bolt 1/4 x 1-3/4	
7	1671314	1	Cover Box	
8	1702565	1	Decal - Drive and Steer	
9	1702566	1	Decal - Lift and Swing	
10	1702567	1	Decal - Function Speed	
11	1704260	1	Decal - Emergency Stop	
12	2560136	1	Handle, Knob	
13	2920028	1	Light, Indicator	
14	2920029	1	Bulb, Light	
15	3300353	4	Nut, Tinnerman	
16	3311005	2	Nut #10	
17	3520026	2	Plug, Hole	
18	3520027	1	Plug, Hole	
19	3520054	3	Plug	
20	3790012	9	O-Ring	
21	3900349	8	Capscrew M2.5 x 8	
22	3931016	2	Capscrew #10 x 1	
23	4240032	AR	Tie Strap	
24	4360387	2	Switch, Push Button	
25	4360407	1	Controller, Speed	
25	4460224	1	Receptacle, Female - 6 Position	
25	4460226	1	Socket, Female	
25	See Note	NLA	Gasket "Top Hat" (Included with Switch) (Note: Not Available for Purchase)	
25	70003784	1	Seal	
26	4360475	1	Switch, Emergency Stop	
26	7020175	1	Cap, Red	
26	7020176	1	Block, Contact	
27	4460234	3	Mount, Tie-Strap	
28	4460428	2	Connector, Strain Relief	
29	4460470	1	Nut, Terminal	
30	4460471	1	Washer, Terminal	
31	4460708	1	Connector - 15 Position (Not Shown)	
32	4740397	9	Spacer	
33	4751000	2	Washer #10	
34	4751400	8	Washer 1/4	
35	1001106938	1	Module, Platform (Note: Re-calibration Required when Replaced)	
36	1001110434	1	Plug	
37	1001117174	1	Footswitch Assembly (See Separate Breakdown in this Section)	
38	1001155044	9	Nut 15/32	
39	1001155045	6	Switch, Toggle	
40	1001157292	1	Bussbar	
41	1001159256	1	Switch, Toggle	
42	1001161709	1	Switch, Toggle	

SECTION 5 - PLATFORM

ITEM	PART NUMBER	QTY	DESCRIPTION	REV
43	1001166538	1	Controller Assembly - Drive and Steer (Use p/n 1001212415) (See Separate Breakdown in this Section)	
44	1001166539	1	Controller Assembly - Lift and Swing (Use p/n 1001129555) (See Separate Breakdown in this Section)	
45	1001172760	4	Bracket	
46	1001185281	1	Plug	
47	1001211363	1	Switch, Toggle	
48	1001213882	1	Mount	
49	1001220486	1	Plug	
50	1001222709	1	Decal - Stop	
51	1001245026	1	Platform Console Harness (See Separate Breakdown in ELECTRICAL Section)	
52	1001263587	1	Console Box Assembly	
52A	0630568	1	Capscrew 3/8 x 4-1/2	
52B	3311601	1	Nut 3/8	
52C	3430616	2	Pin	
52D	3470003	2	Hairpin	
52E	4711600	2	Washer 3/8	

SECTION 5 - PLATFORM

FIGURE 5-15. PLATFORM CONSOLE BOX ASSEMBLY (WITH TOWER STOW)



ART_1001264705

SECTION 5 - PLATFORM

FIGURE 5-15. PLATFORM CONSOLE BOX ASSEMBLY (WITH TOWER STOW)

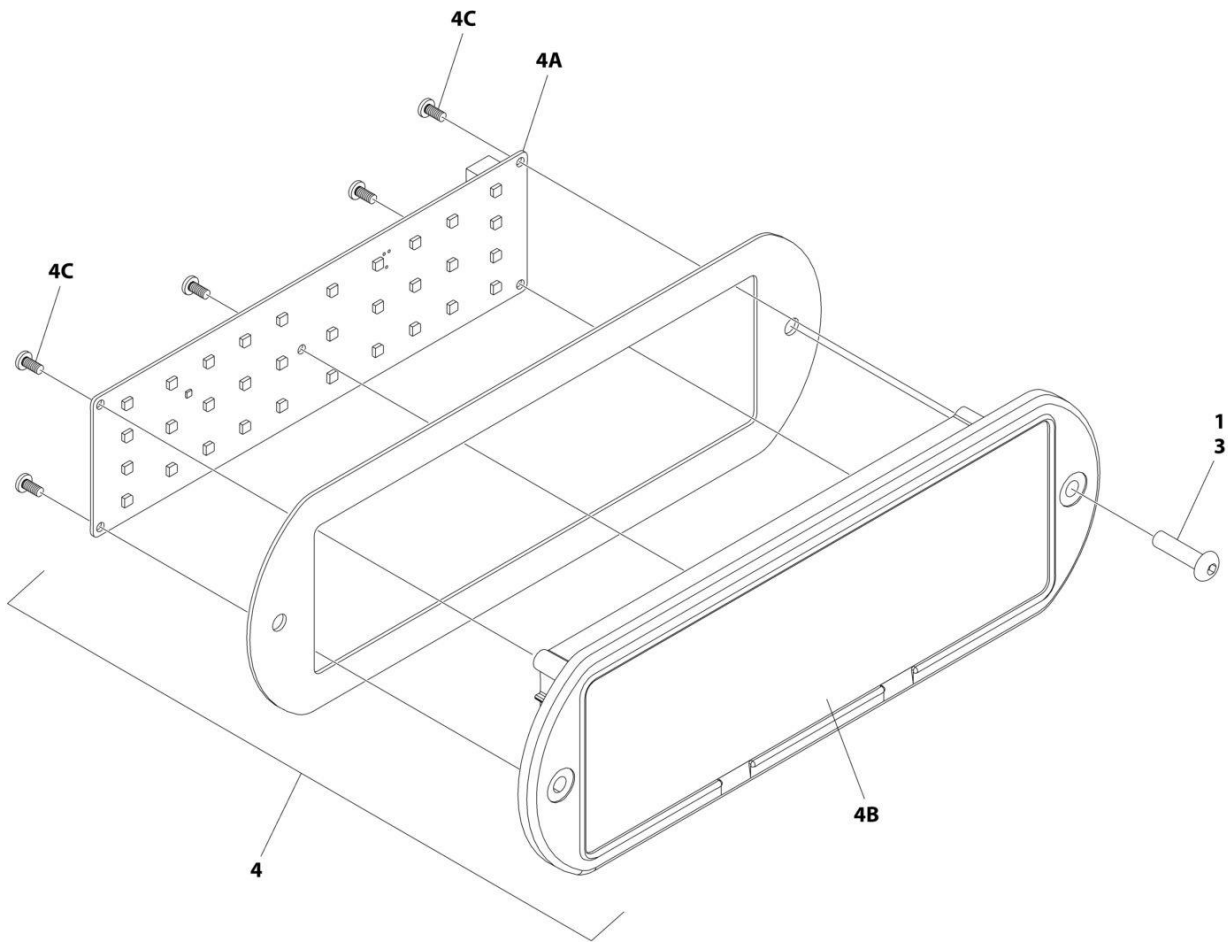
ITEM	PART NUMBER	QTY	DESCRIPTION	REV
	1001264705	Ref	CONSOLE BOX ASSEMBLY	A
1	0100009	AR	Sealant	
2	0100035	AR	Compound, Locking	
3	0100048	AR	Grease, Dielectric	
4	0140011	1	Alarm	
5	0641404	4	Bolt 1/4 x 1/2	
6	0641414	4	Bolt 1/4 x 1-3/4	
7	1671314	1	Cover, Box	
8	1702565	1	Decal - Drive and Steer	
9	1702566	1	Decal - Lift and Swing	
10	1702567	1	Decal - Function Speed	
11	1704260	1	Decal - Emergency Stop	
12	2560136	1	Handle, Knob	
13	2920028	1	Light, Indicator	
14	2920029	1	Bulb, Light	
15	3300353	4	Nut, Tinnerman	
16	3311005	2	Nut #10	
17	3520026	1	Plug, Hole	
18	3520027	1	Plug, Hole	
19	3520054	3	Plug	
20	3790012	9	O-Ring	
21	3900349	8	Capscrew M2.5 x 8	
22	3931016	2	Capscrew #10 x 1	
23	4240032	AR	Tie Strap	
24	4360387	2	Switch, Push Button	
25	4360407	1	Controller, Speed	
25	4460224	1	Receptacle, Female - 6 Position	
25	4460226	1	Socket, Female	
25	See Note	NLA	Gasket "Top Hat" (Included with Switch) (Note: Not Available for Purchase)	
25	70003784	1	Seal	
26	4360475	1	Switch, Emergency Stop	
26	7020175	1	Cap, Red	
26	7020176	1	Block, Contact	
27	4460234	3	Mount, Tie-Strap	
28	4460428	2	Connector, Strain Relief	
29	4460470	1	Nut, Terminal	
30	4460471	1	Washer, Terminal	
31	4460708	1	Connector - 15 Position (Not Shown)	
32	4740397	9	Spacer	
33	4751000	2	Washer #10	
34	4751400	8	Washer 1/4	
35	1001106938	1	Module, Platform (Note: Re-calibration Required when Replaced)	
36	1001110434	1	Plug	
37	1001117174	1	Footswitch Assembly (See Separate Breakdown in this Section)	
38	1001137364	1	Lamp, LED indicator Green	
39	1001155044	9	Nut 15/32	
40	1001155045	6	Switch, Toggle	
41	1001157292	1	Bussbar	
42	1001159256	1	Switch, Toggle	

SECTION 5 - PLATFORM

ITEM	PART NUMBER	QTY	DESCRIPTION	REV
43	1001161709	1	Switch, Toggle	
44	1001166538	1	Controller Assembly - Drive and Steer (Use p/n 1001212415) (See Separate Breakdown in this Section)	
45	1001166539	1	Controller Assembly - Lift and Swing (Use p/n 1001129555) (See Separate Breakdown in this Section)	
46	1001172760	4	Bracket	
47	1001185281	1	Plug	
48	1001211363	1	Switch, Toggle	
49	1001213882	1	Mount	
50	1001220486	1	Plug	
51	1001222709	1	Decal - Stop	
52	1001245026	1	Platform Console Harness (See Separate Breakdown in ELECTRICAL Section)	
53	1001260937	1	Decal - Tower Stow	
54	1001263587	1	Console Box Assembly	
54A	0630568	1	Capscrew 3/8 x 4-1/2	
54B	3311601	1	Nut 3/8	
54C	3430616	2	Pin	
54D	3470003	2	Hairpin	
54E	4711600	2	Washer 3/8	

SECTION 5 - PLATFORM

FIGURE 5-16. LIGHT PANEL INSTALLATION



ART_1001245177_B_2OF2

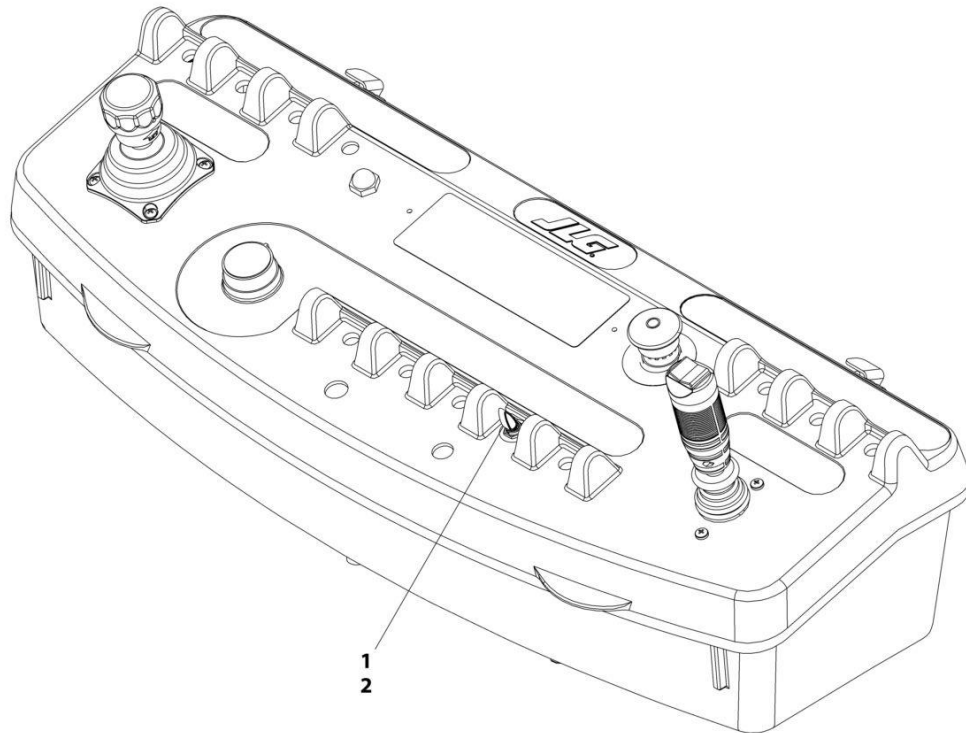
SECTION 5 - PLATFORM

FIGURE 5-16. LIGHT PANEL INSTALLATION

ITEM	PART NUMBER	QTY	DESCRIPTION	REV
	1001245177	Ref	LIGHT PANEL INSTALLATION - PLATFORM CONSOLE	B
1	0100035	AR	Compound, Locking	
3	0630518	2	Screw #10 x 3/4	
4	1001245918	1	Light Panel Assembly	F
4A	1001238732	1	Panel, LED Light	
4B	1001245678	1	Lens, I-Con	
4C		Ref	Screw	

SECTION 5 - PLATFORM

FIGURE 5-17. JIB SWITCH INSTALLATION



ART_0271340

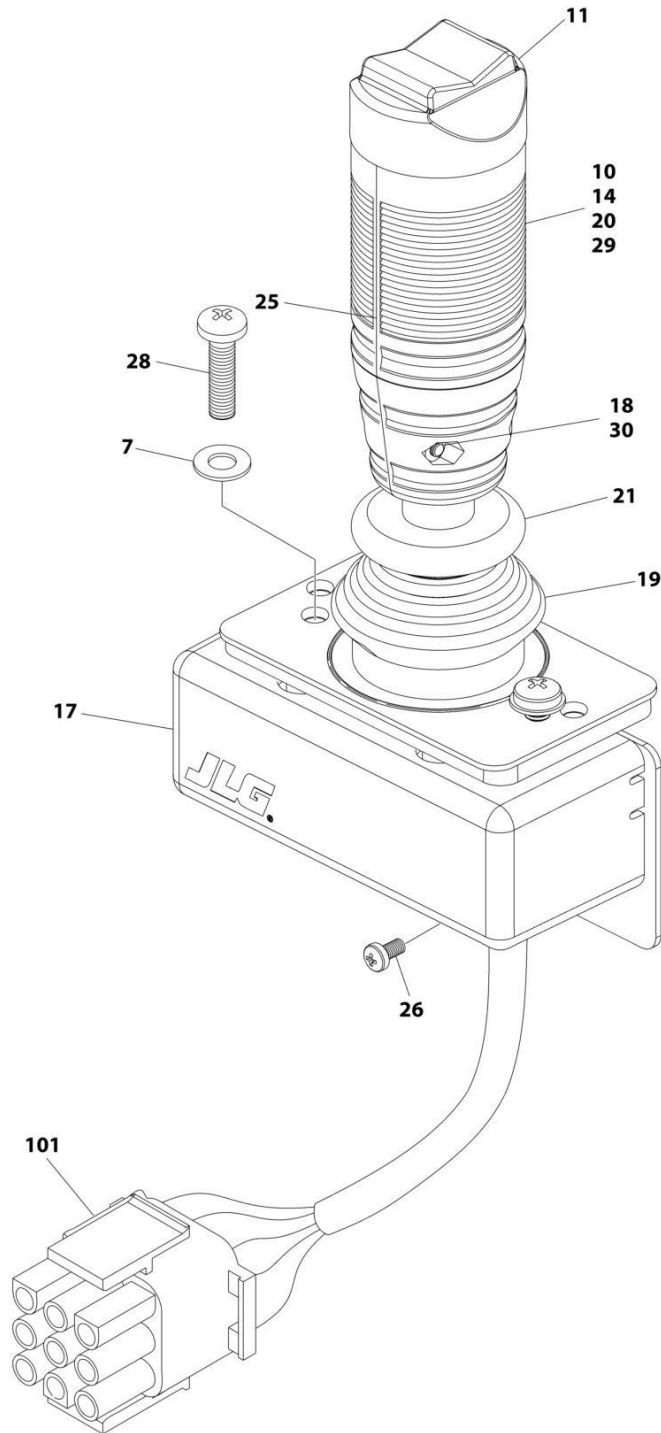
SECTION 5 - PLATFORM

FIGURE 5-17. JIB SWITCH INSTALLATION

ITEM	PART NUMBER	QTY	DESCRIPTION	REV
	0271340	Ref	JIB SWITCH INSTALLATION	1/A
1	4360328	1	Switch, Toggle	
2	3790012	1	O-Ring	

SECTION 5 - PLATFORM

FIGURE 5-18. CONTROLLER ASSEMBLY (DRIVE AND STEER)



ART_1001166538

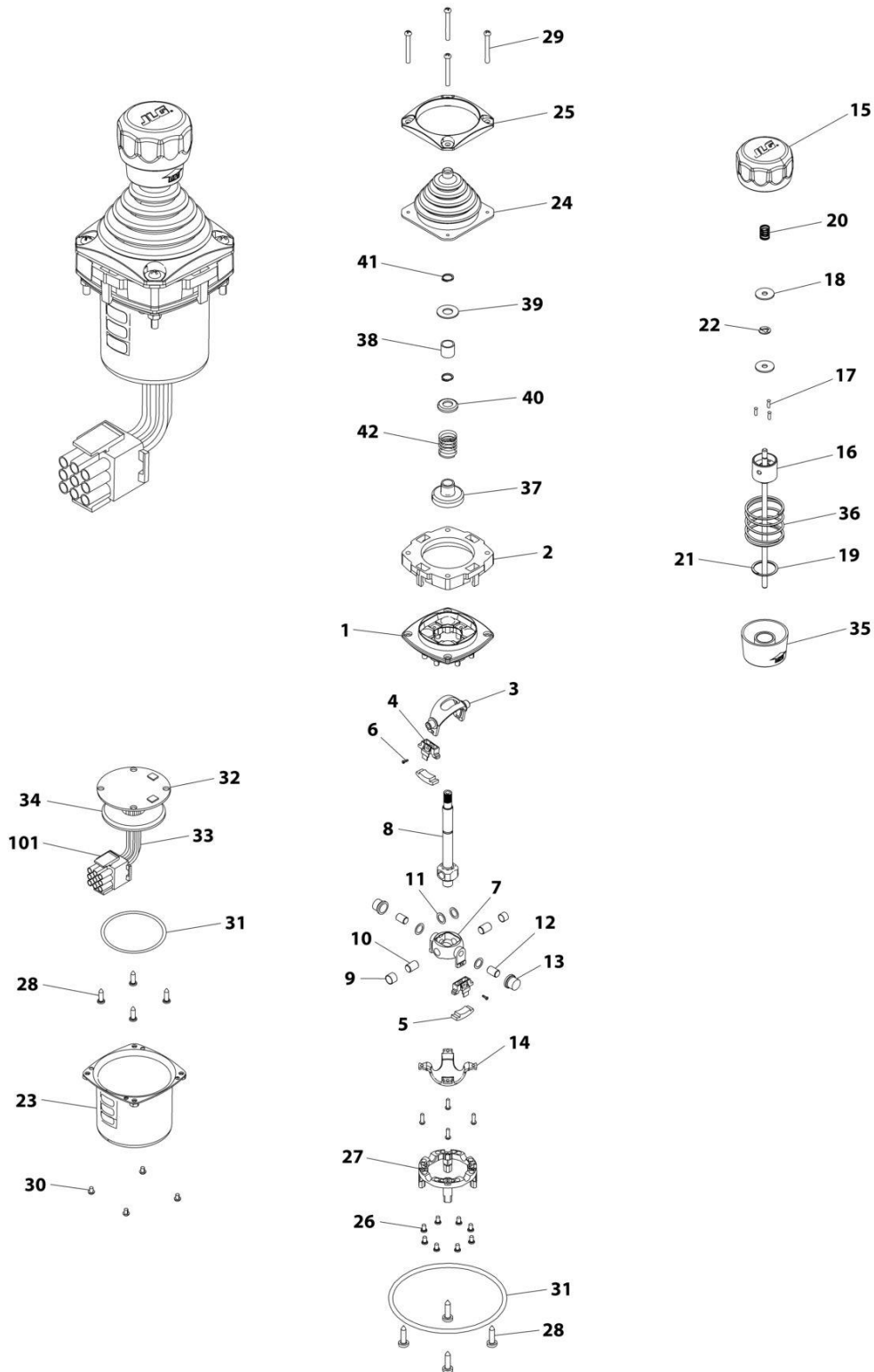
SECTION 5 - PLATFORM

FIGURE 5-18. CONTROLLER ASSEMBLY (DRIVE AND STEER)

ITEM	PART NUMBER	QTY	DESCRIPTION	REV
	1001166538	Ref	CONTROLLER ASSEMBLY - DRIVE AND STEER	G
		Ref	Note: For Replacement, Use p/n 1001212415.	
7	70004738	2	Washer	
10	70004739	1	Roller	
11	70004740	1	Boot, Switch	
14	70004741	2	Half, Handle	
17	70004742	1	Enclosure	
18	70004743	4	Nut	
19	70004744	NLA	Boot, Controller (Use p/n 70005230 Boot/Base Assembly)	
20	70004745	NLA	Tube, Locking (Use p/n 70005230 Boot/Base Assembly)	
21	70004746	NLA	Disc, Locking (Use p/n 70005230 Boot/Base Assembly)	
25	70004747	2	Seal, Rope	
26	70004748	1	Screw M3 x 6	
28	70004749	2	Screw M5 x 20	
29	70004750	1	Pin, Dowel	
30	70004751	4	Screw M3 x 16	
101	4460265	1	Connector - 9 Position	
101	4460226	7	Socket, Female	

SECTION 5 - PLATFORM

FIGURE 5-19. CONTROLLER ASSEMBLY (LIFT AND SWING)



ART_1001166539

SECTION 5 - PLATFORM

FIGURE 5-19. CONTROLLER ASSEMBLY (LIFT AND SWING)

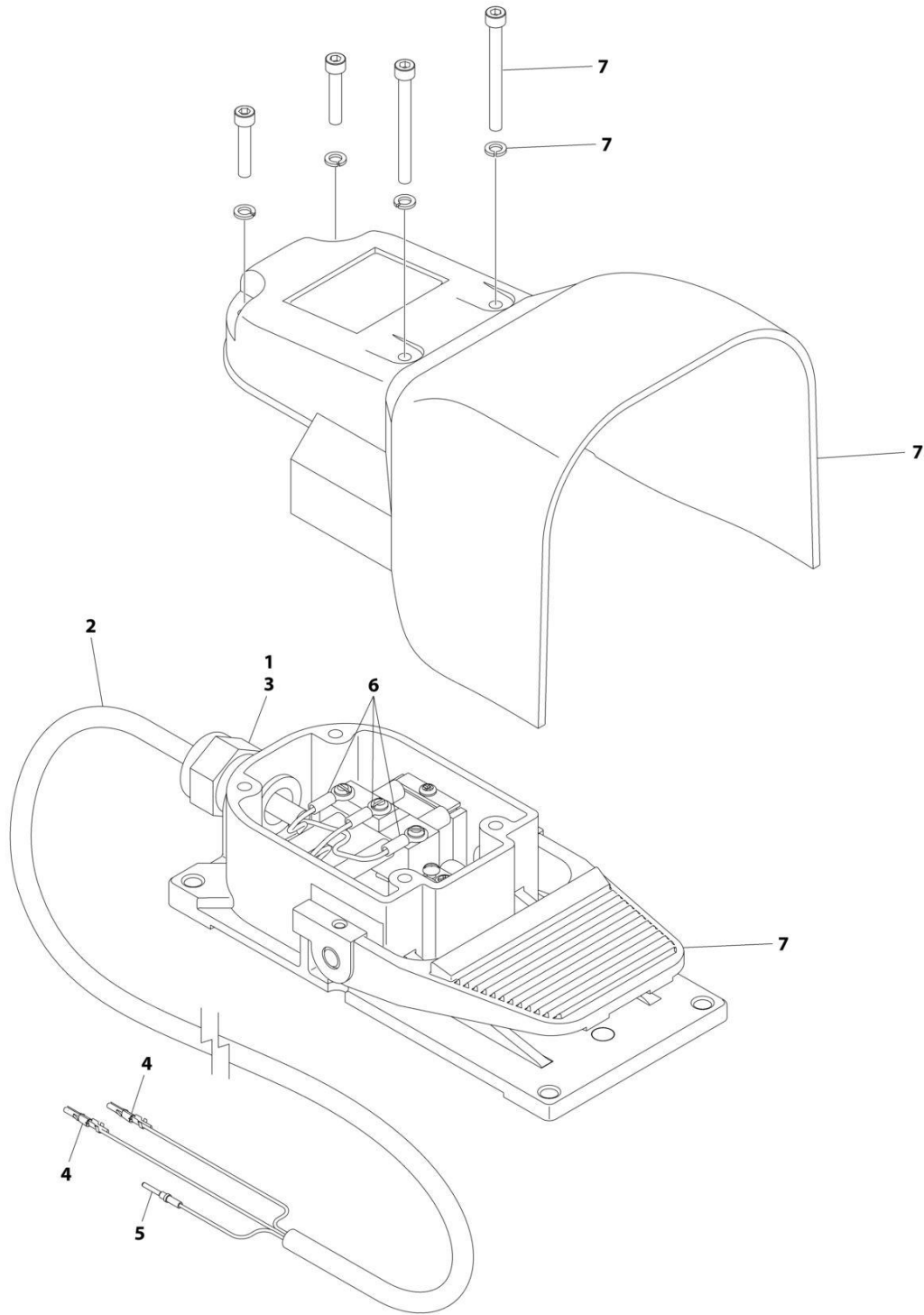
ITEM	PART NUMBER	QTY	DESCRIPTION	REV
	1001166539	Ref	CONTROLLER ASSEMBLY	E
		Ref	Note: Original Equipment Controller May Have Been Replaced with Service Replacement Controller. Visually Identify Controller Before Ordering Parts.	
		Ref	Note: For Replacement, Use p/n 1001129555	
1	See Note	NSS	Main Cast Body (Note: Not Available - Purchase Complete Assembly)	
2	70004752	1	Adapter	
3	See Note	NSS	Pivot Arm, Plastic (Note: Not Available - Purchase Complete Assembly)	
4	See Note	NSS	Holder, Magnet (Note: Not Available - Purchase Complete Assembly)	
5	See Note	NSS	Arc, Magnet (Note: Not Available - Purchase Complete Assembly)	
6	See Note	NSS	Screw (Note: Not Available for Purchase)	
7	See Note	NSS	Pivot Arm, Cast (Note: Not Available - Purchase Complete Assembly)	
8	See Note	NSS	Shaft, Main (Note: Not Available - Purchase Complete Assembly)	
9	See Note	NSS	Bearing (Note: Not Available - Purchase Complete Assembly)	
10	See Note	NSS	Pin (Note: Not Available - Purchase Complete Assembly)	
11	See Note	NSS	Shim (Note: Not Available - Purchase Complete Assembly)	
12	See Note	NSS	Pin (Note: Not Available - Purchase Complete Assembly)	
13	See Note	NSS	Bearing (Note: Not Available - Purchase Complete Assembly)	
14	See Note	NSS	Dome, Centering (Note: Not Available - Purchase Complete Assembly)	
15	70004753	1	Cap	
16	70004754	1	Insert, Cap	
17	70004755	3	Pin	
18	70004756	2	Washer	
19	70004757	1	Pin, Centering	
20	70004758	1	Spring	
21	70004759	1	Ring, Retaining	
22	70004760	1	E-Ring	
23	70004761	1	Can, Enclosure	
24	70004762	1	Boot	
25	70004763	1	Bezel	
26	See Note	NSS	Screw (Note: Not Available for Purchase)	
27	See Note	NSS	Base Mounting (Note: Not Available - Purchase Complete Assembly)	
28	See Note	NSS	Screw (Note: Not Available for Purchase)	
29	70004764	4	Screw	
30	70004765	4	Screw	
31	70004766	1	O-Ring	
32	See Note	NSS	Plate (Note: Not Available - Purchase Complete Assembly)	
33	See Note	NSS	Harness (Note: Not Available - Purchase Complete Assembly)	
34	70004767	1	Grommet, Rubber	
35	70004768	1	Housing	
36	70004769	1	Spring	
37	70004770	1	Stopper	
38	70004771	1	Spacer	
39	70004772	1	Washer	
40	70004773	1	Disc	

SECTION 5 - PLATFORM

ITEM	PART NUMBER	QTY	DESCRIPTION	REV
41	70004774	2	Ring, Retaining	
42	70004775	1	Spring	
101	4460265	1	Connector - 9 Position	
101	4460226	6	Socket, Female	

SECTION 5 - PLATFORM

FIGURE 5-20. FOOTSWITCH ASSEMBLY



ART_1001117174

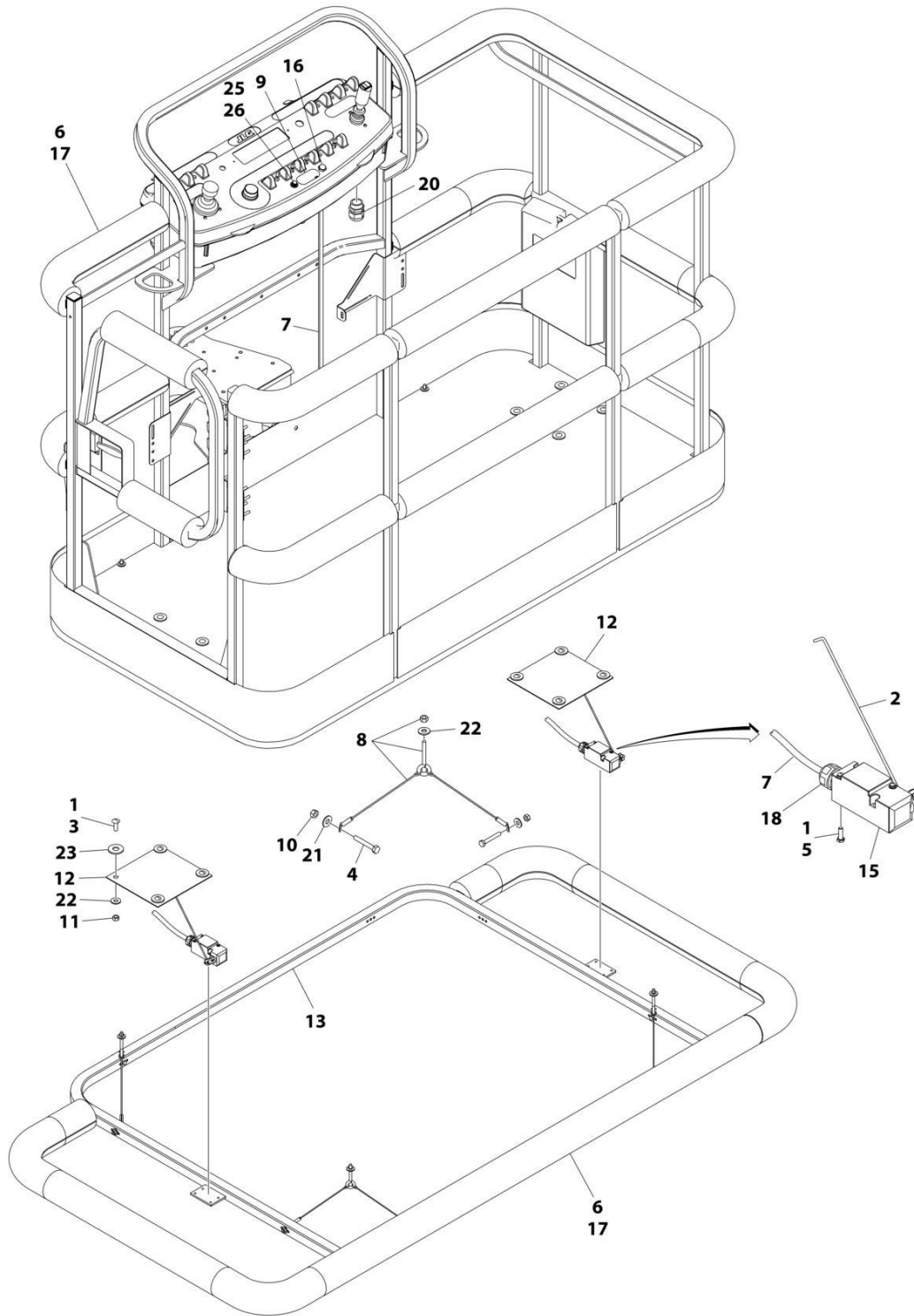
SECTION 5 - PLATFORM

FIGURE 5-20. FOOTSWITCH ASSEMBLY

ITEM	PART NUMBER	QTY	DESCRIPTION	REV
	1001117174	Ref	FOOTSWITCH ASSEMBLY	B
1	0100020	AR	Sealant	
2	1060918	7.5 ft/ 2.3m	Cable, Electrical - 18/3	
3	4460071	1	Connector, Strain Relief	
4	4460226	2	Socket, Female	
5	4460464	1	Pin, Male	
6	1001098122	3	Terminal	
7	1001117172	1	Footswitch	
7	70002902	1	Switch, 20Amp	
7	70002903	1	Gasket	
7	70002905	1	Cover	
7	70002904	1	Kit, Replacement Bolt	

SECTION 5 - PLATFORM

FIGURE 5-21. SOFT TOUCH INSTALLATION - 6FT (1.83M) PLATFORM (OPTIONAL)



ART_0273824

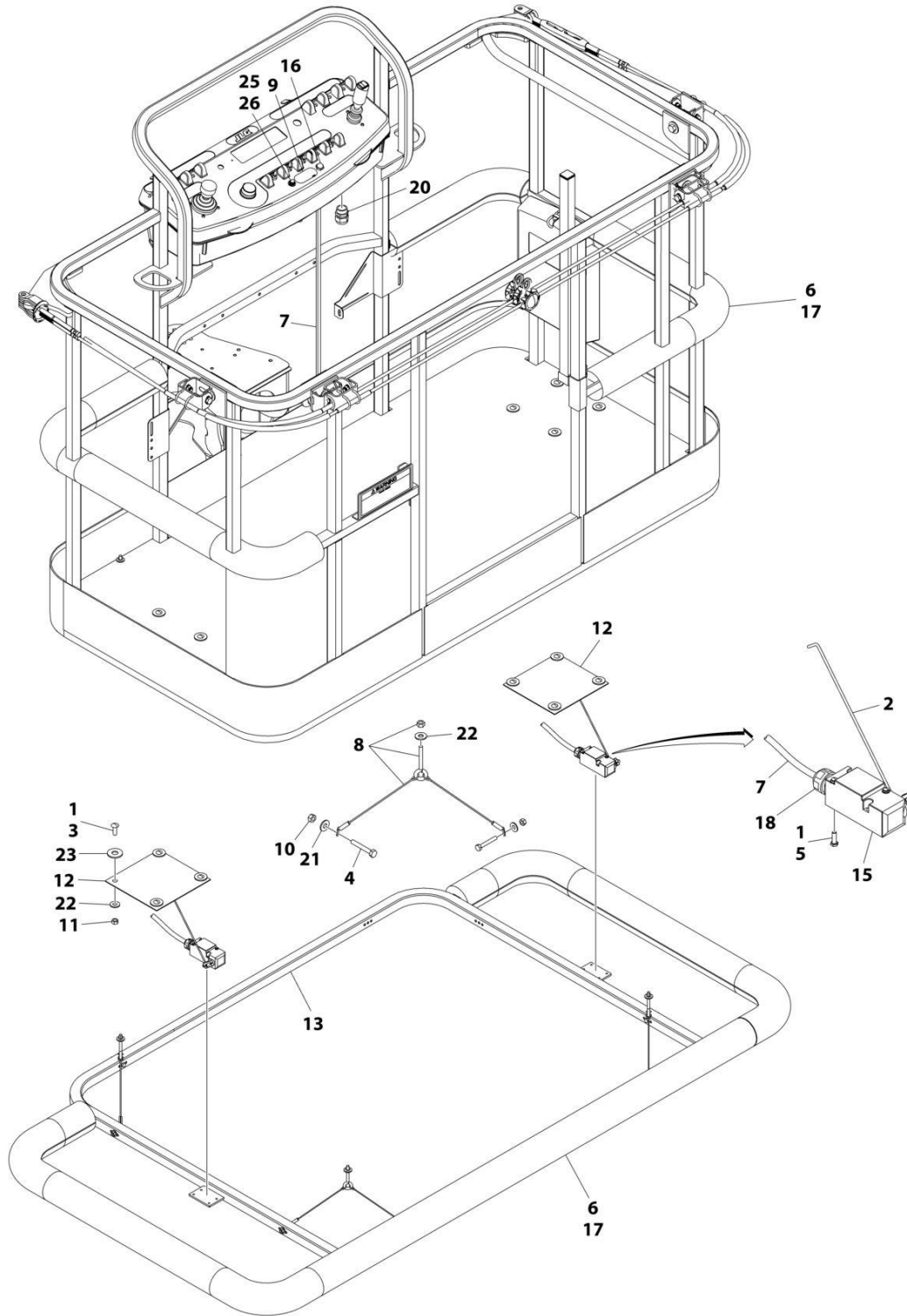
SECTION 5 - PLATFORM

FIGURE 5-21. SOFT TOUCH INSTALLATION - 6FT (1.83M) PLATFORM (OPTIONAL)

ITEM	PART NUMBER	QTY	DESCRIPTION	REV
	0273824	Ref	SOFT TOUCH SYSTEM INSTALLATION	D
1	0100011	AR	Compound, Locking	
2	0200048	2	Arm, Switch	
3	0630462	8	Bolt	
4	0641414	8	Bolt 1/4 x 1-3/4	
5	0731005	4	Bolt #10 x 5/8	
6	0940134	1	Bumper Kit (Includes Corners and Enough Straight Material for One Platform)	
6	0940092	AR	Bumper (Corner)	
6	0940094	AR	Bumper (12ft Length)	
7	1060341	23 ft/7m	Cable, Soft Touch - 16/2	
8	1060903	4	Wire Rope and Eyebolt Assembly	
9	1702938	1	Decal - Soft Touch Override	
10	3311401	8	Nut 1/4	
11	3311501	8	Nut 5/16	
12	3575359	2	Plate, Switch Strike	
13	3641569	1	Rail, Soft Touch	
14	4240099	7	Tie-Strap (Not Shown)	
15	4360057	2	Switch, Limit	
16	4360387	1	Switch, Push Button	
17	4420068	AR	Tape, Adhesive	
17	1001197017	AR	Tie-Strap	
18	4460049	2	Connector, Strain Relief	
19	4460234	7	Tie-Strap (Not Shown)	
20	4460425	1	Connector, Strain Relief	
21	4751400	8	Washer 1/4	
22	4751500	12	Washer 5/16	
23	4751800	8	Washer 1/2	
24	4933218	1	Wiring Diagram (Not Shown - Reference Only)	
25	2920028	1	Light, Indicator	
26	2920029	1	Bulb, Light	

SECTION 5 - PLATFORM

FIGURE 5-22. SOFT TOUCH INSTALLATION - 6FT (1.83M) FALL ARREST PLATFORM (OPTIONAL)



ART_1001108256

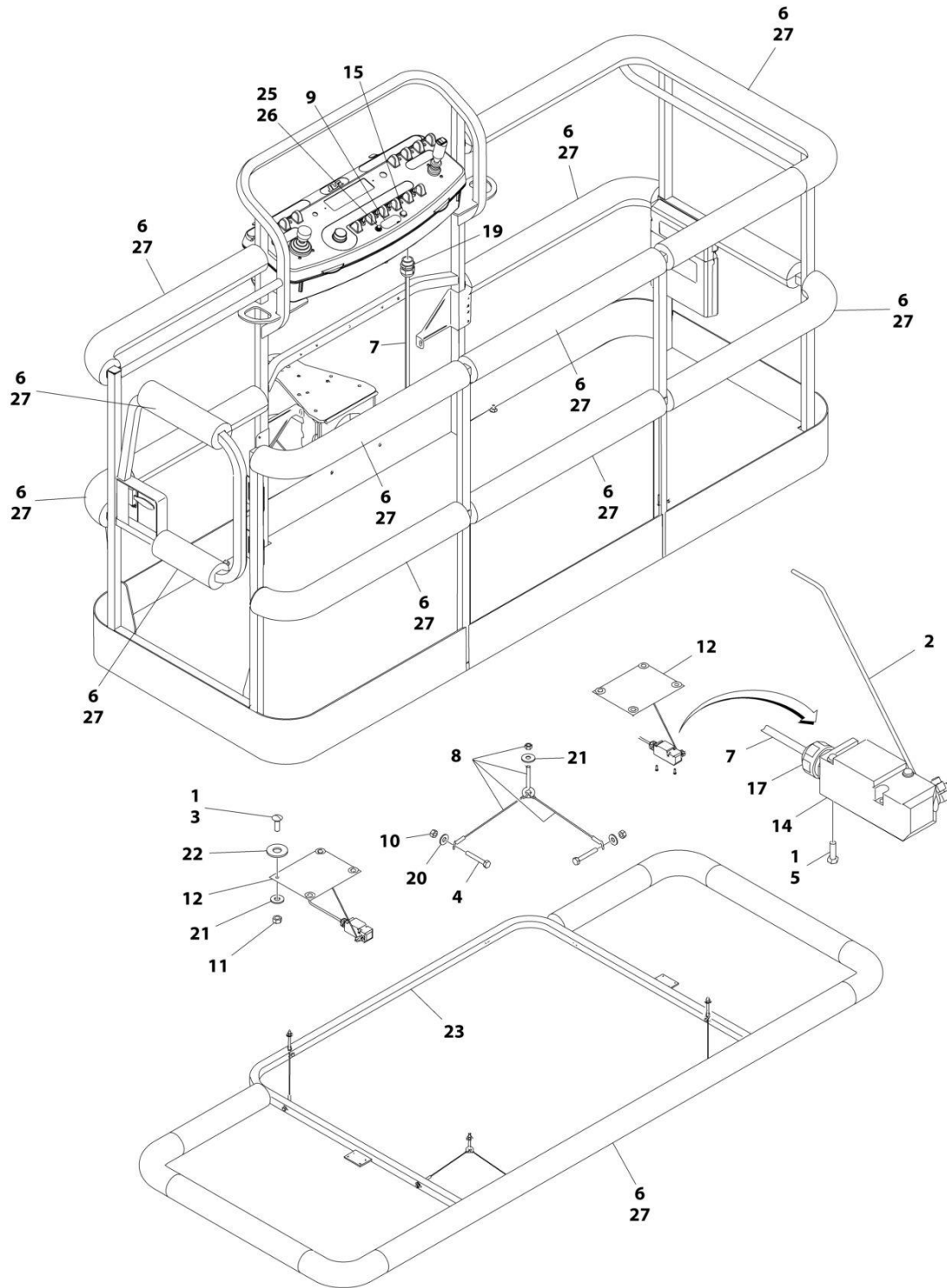
SECTION 5 - PLATFORM

FIGURE 5-22. SOFT TOUCH INSTALLATION - 6FT (1.83M) FALL ARREST PLATFORM (OPTIONAL)

ITEM	PART NUMBER	QTY	DESCRIPTION	REV
	1001108256	Ref	SOFT TOUCH INSTALLATION	C
1	0100011	AR	Compound, Locking	
2	0200048	2	Arm, Switch	
3	0630462	8	Bolt	
4	0641414	8	Bolt 1/4 x 1-3/4	
5	0731005	4	Bolt #10 x 5/8	
6	0940177	1	Bumper Kit (Includes Corners and Enough Straight Material for One Platform)	
6	0940092	8	Bumper (Corner)	
6	0940094	AR	Bumper (12ft Length)	
7	1060341	23 ft/7m	Cable, Soft Touch - 16/2	
8	1060903	4	Wire Rope and Eyebolt Assembly	
9	1702938	1	Decal - Soft Touch Override	
10	3311401	8	Nut 1/4	
11	3311501	8	Nut 5/16	
12	3575359	2	Plate, Switch Strike	
13	3641569	1	Rail, Soft Touch	
14	4240099	7	Tie-Strap (Not Shown)	
15	4360057	2	Switch, Limit	
16	4360387	1	Switch, Push Button	
17	4420068	AR	Tape, Adhesive	
17	1001197017	AR	Tie-Strap	
18	4460049	2	Connector, Strain Relief	
19	4460234	7	Tie-Strap (Not Shown)	
20	4460425	1	Connector, Strain Relief	
21	4751400	8	Washer 1/4	
22	4751500	9	Washer 5/16	
23	4751800	8	Washer 1/2	
25	2920028	1	Light, Indicator	
26	2920029	1	Bulb, Light	

SECTION 5 - PLATFORM

FIGURE 5-23. SOFT TOUCH INSTALLATION - 8FT (2.4M) PLATFORM (OPTIONAL)



ART_0272427_G

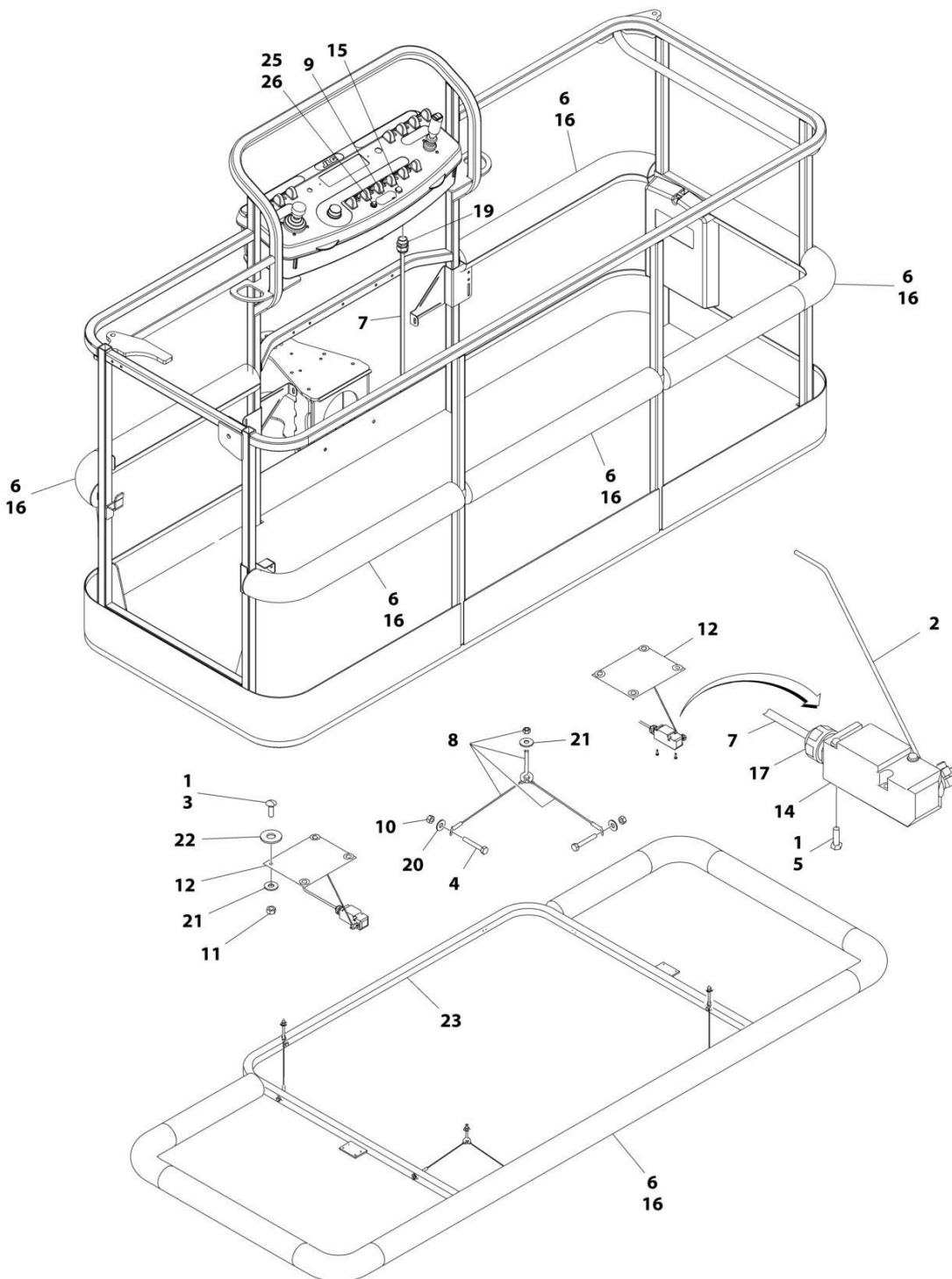
SECTION 5 - PLATFORM

FIGURE 5-23. SOFT TOUCH INSTALLATION - 8FT (2.4M) PLATFORM (OPTIONAL)

ITEM	PART NUMBER	QTY	DESCRIPTION	REV
	0272427	Ref	SOFT TOUCH INSTALLATION - 36IN X 8FT (91.5CM X 2.44M) PLATFORM (OPTIONAL)	G
1	0100011	AR	Compound, Locking	
2	0200048	2	Arm, Switch	
3	0630462	8	Bolt	
4	0641414	8	Bolt 1/4 x 1-3/4	
5	0721005	4	Bolt #10 x 5/8	
6	0940103	1	Bumper Kit (Includes Corners and Enough Straight Material for One Platform)	
6	0940092	12	Bumper (Corner)	
6	0940094	AR	Bumper (12ft Length)	
7	1060341	23 ft/7m	Cable, Soft Touch - 16/2	
8	1060903	4	Wire Rope and Eyebolt Assembly	
9	1702938	1	Decal - Soft Touch Override	
10	3311401	8	Nut 1/4	
11	3311501	8	Nut 5/16	
12	3574091	2	Plate, Switch Strike	
13	4240099	7	Tie-Strap (Not Shown)	
14	4360057	2	Switch, Limit	
15	4360387	1	Switch, Push Button	
16	4420068	AR	Tape, Adhesive	
16	1001197017	AR	Tie-Strap	
17	4460049	2	Connector, Strain Relief	
18	4460234	7	Tie-Strap (Not Shown)	
19	4460425	1	Connector, Strain Relief	
20	4751400	8	Washer 1/4	
21	4751500	12	Washer 5/16	
22	4751800	8	Washer 1/2	
23	4846673	1	Rail, Soft Touch	
24	4933218	1	Soft Touch Wiring Diagram (Not Shown - Reference Only)	
25	2920028	1	Light, Indicator	
26	2920029	1	Bulb, Light	

SECTION 5 - PLATFORM

FIGURE 5-24. SOFT TOUCH INSTALLATION - 8FT (2.4M) FALL ARREST PLATFORM (OPTIONAL)



ART_0273706

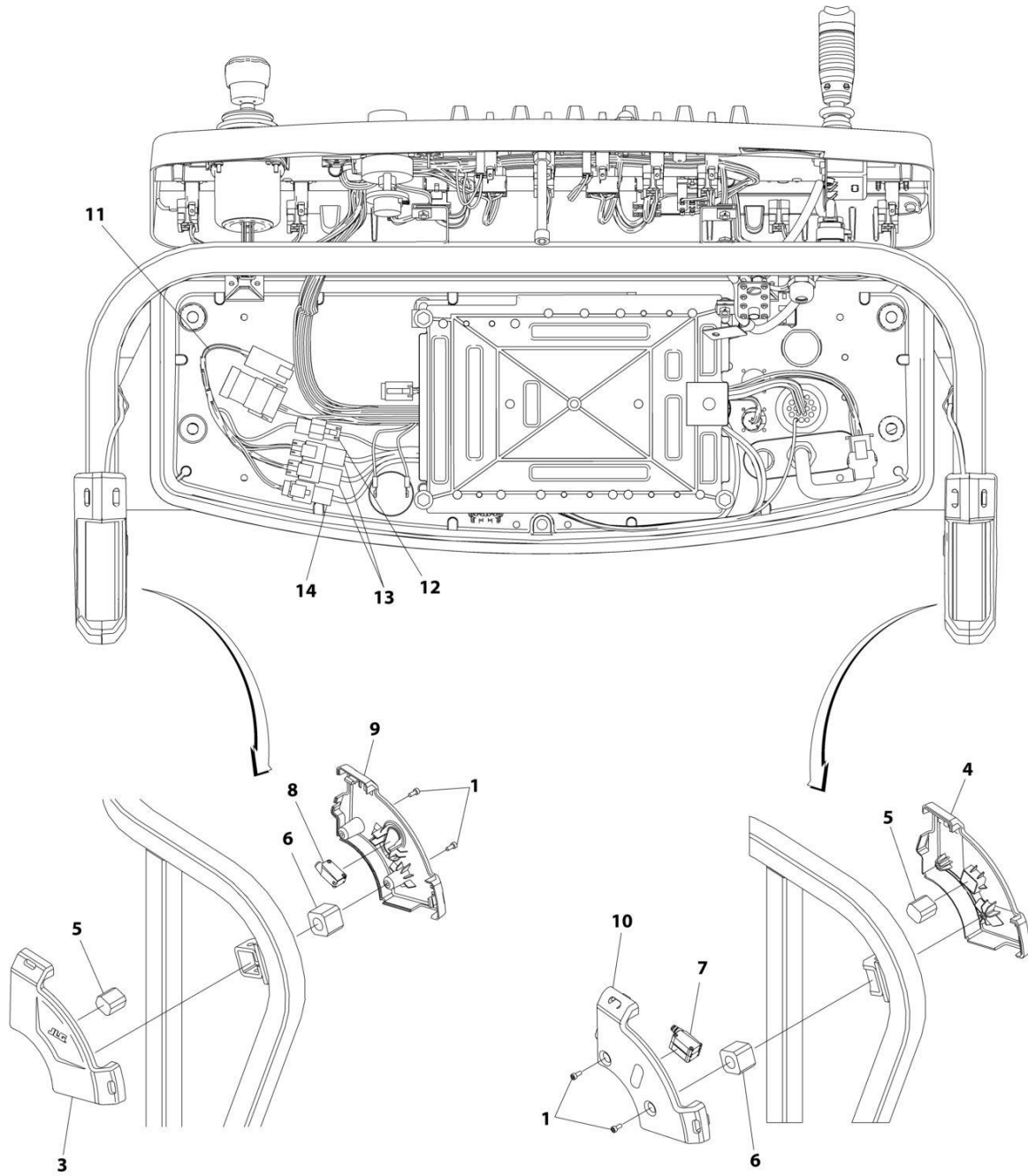
SECTION 5 - PLATFORM

FIGURE 5-24. SOFT TOUCH INSTALLATION - 8FT (2.4M) FALL ARREST PLATFORM (OPTIONAL)

ITEM	PART NUMBER	QTY	DESCRIPTION	REV
	0273706	Ref	SOFT TOUCH INSTALLATION	D
1	0100011	AR	Compound, Locking	
2	0200048	2	Arm, Switch	
3	0630462	8	Bolt	
4	0641414	8	Bolt 1/4 x 1-3/4	
5	0721005	4	Bolt #10 x 5/8	
6	0940133	1	Bumper Kit (Includes Corners and Enough Straight Material for One Platform)	
6	0940092	8	Bumper (Corner)	
6	0940094	AR	Bumper (12ft Length)	
7	1060341	23 ft/7m	Cable, Soft Touch - 16/2	
8	1060903	4	Wire Rope and Eyebolt Assembly	
9	1702938	1	Decal - Soft Touch Override	
10	3311401	8	Nut 1/4	
11	3311501	8	Nut 5/16	
12	3574091	2	Plate, Switch Strike	
13	4240099	7	Tie-Strap (Not Shown)	
14	4360057	2	Switch, Limit	
15	4360387	1	Switch, Push Button	
16	4420068	AR	Tape, Adhesive	
16	1001197017	AR	Tie-Strap	
17	4460049	2	Connector, Strain Relief	
18	4460234	7	Tie-Strap (Not Shown)	
19	4460425	1	Connector, Strain Relief	
20	4751400	8	Washer 1/4	
21	4751500	12	Washer 5/16	
22	4751800	8	Washer 1/2	
23	4846673	1	Rail, Soft Touch	
25	2920028	1	Light, Indicator	
26	2920029	1	Bulb, Light	

SECTION 5 - PLATFORM

FIGURE 5-25. SKYEYE INSTALLATION



ART_1001229341

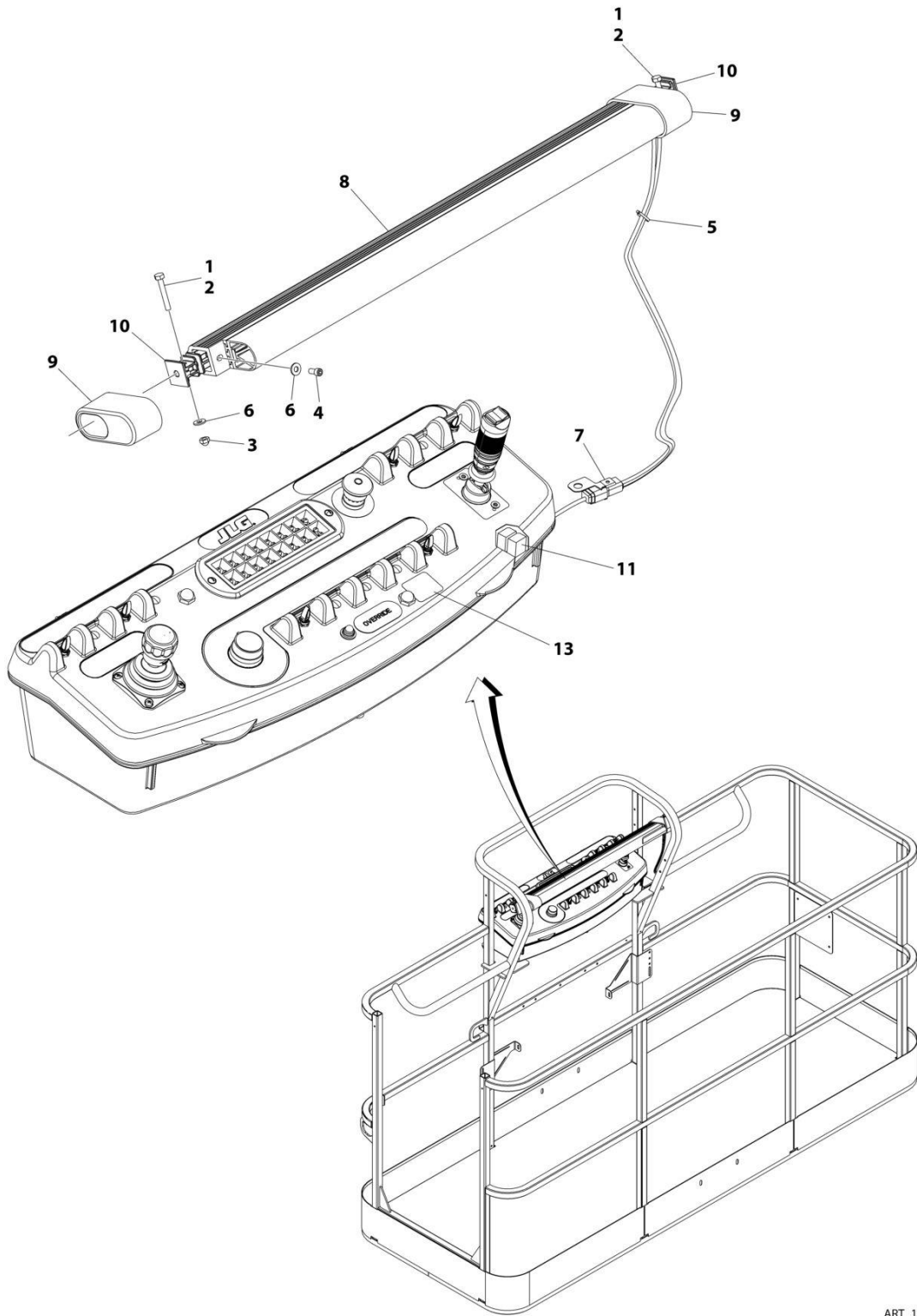
SECTION 5 - PLATFORM

FIGURE 5-25. SKYEYE INSTALLATION

ITEM	PART NUMBER	QTY	DESCRIPTION	REV
	1001229341	Ref	SKYEYE INSTALLATION	B
1	4031505	4	Bolt M4 x 10	
2	4240033	AR	Tie-Strap (Not Shown)	
3	1001227633	1	Housing, LH Outer	
4	1001227634	1	Housing, RH Outer	
5	1001227985	2	Shim	
6	1001227987	2	Shim	
7	1001228224	2	Sensor, Receiver	
8	1001228225	1	Sensor, Emitter	
9	1001232164	1	Housing, LH Inner	
10	1001232165	1	Housing, RH Inner	
11	1001237865	1	Harness, Skyeeye Intermediate (See Separate Breakdown in ELECTRICAL Section)	
12	1001238319	NLA	Harness, Skyeeye Drain Jumper	
12	1001187674	1	Plug, Male - 2 Position	
12	4460942	1	Terminal	
12	4460466	1	Plug, Terminal	
12	4460508	1	Pin, Male	
13	1001237863	2	Harness, Skyeeye Receiver (See Separate Breakdown in ELECTRICAL Section)	
14	1001237864	1	Harness, Skyeeye Emitter (See Separate Breakdown in ELECTRICAL Section)	

SECTION 5 - PLATFORM

FIGURE 5-26. SKYGUARD BAR INSTALLATION



ART_1001238495

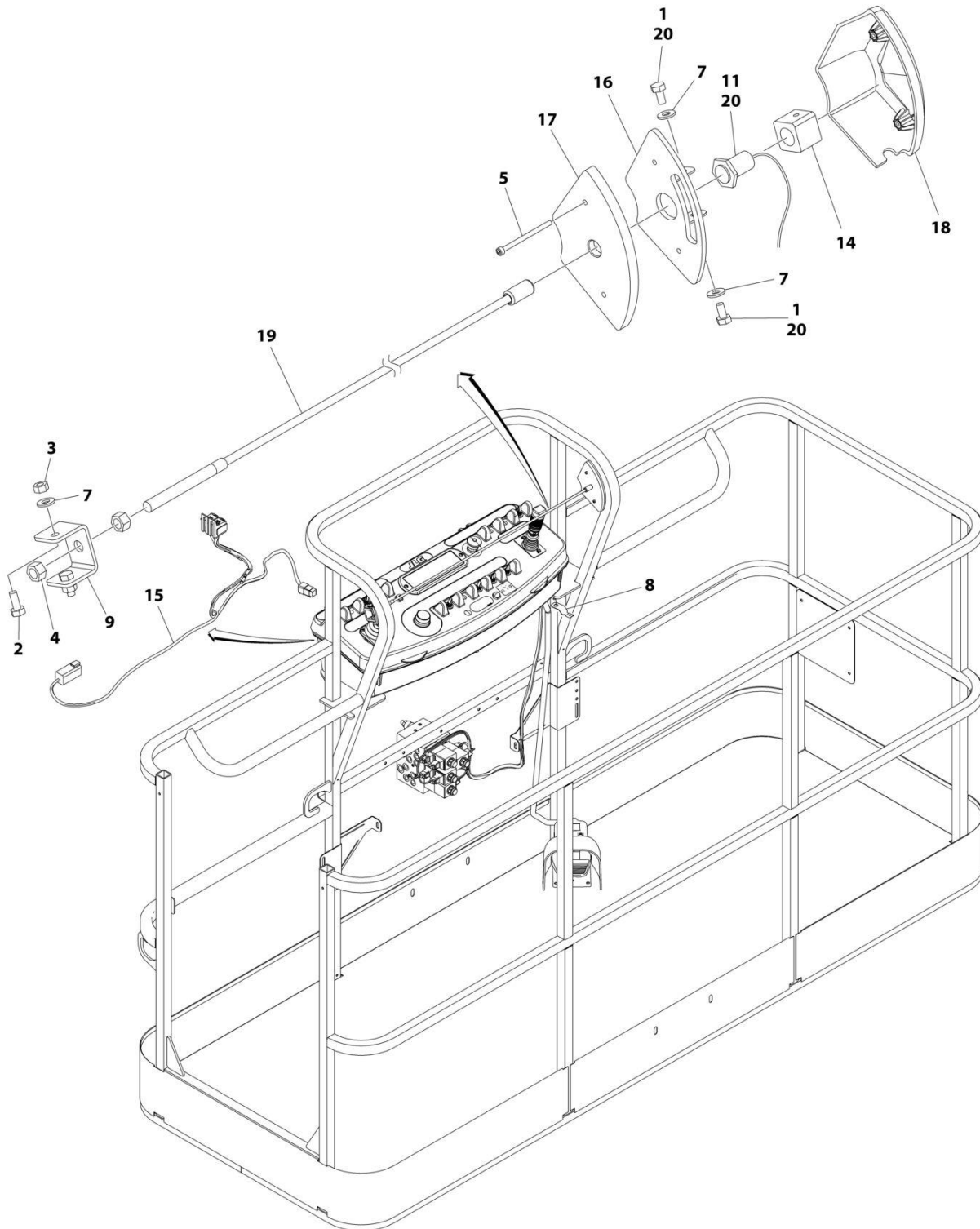
SECTION 5 - PLATFORM

FIGURE 5-26. SKYGUARD BAR INSTALLATION

ITEM	PART NUMBER	QTY	DESCRIPTION	REV
	1001238495	Ref	SKYGUARD BAR INSTALLATION	A
1	0100011	AR	Compound, Locking	
2	0641414	2	Bolt 1/4 x 1-3/4	
3	3300430	2	Nut 1/4	
4	3931408	2	Capscrew 1/4 x 1/2	
5	4240033	8	Tie-Strap	
6	4711400	6	Washer 1/4	
7	1001120328	1	Mount	
8	1001137673	1	SkyGuard Switch Assembly	
9	1001186517	2	Cover, Platform Sensor	
10	1001209664	2	Support, Block	
11	1001186431	2	Relay	
12	1001225580	1	Interface Harness Assembly (Not Shown - Located Inside Console Box) (See Separate Breakdown in ELECTRICAL Section)	
13	1001144433	1	Decal - No Weight SkyGuard	

SECTION 5 - PLATFORM

FIGURE 5-27. SKYLINE INSTALLATION



ART_1001238559_C

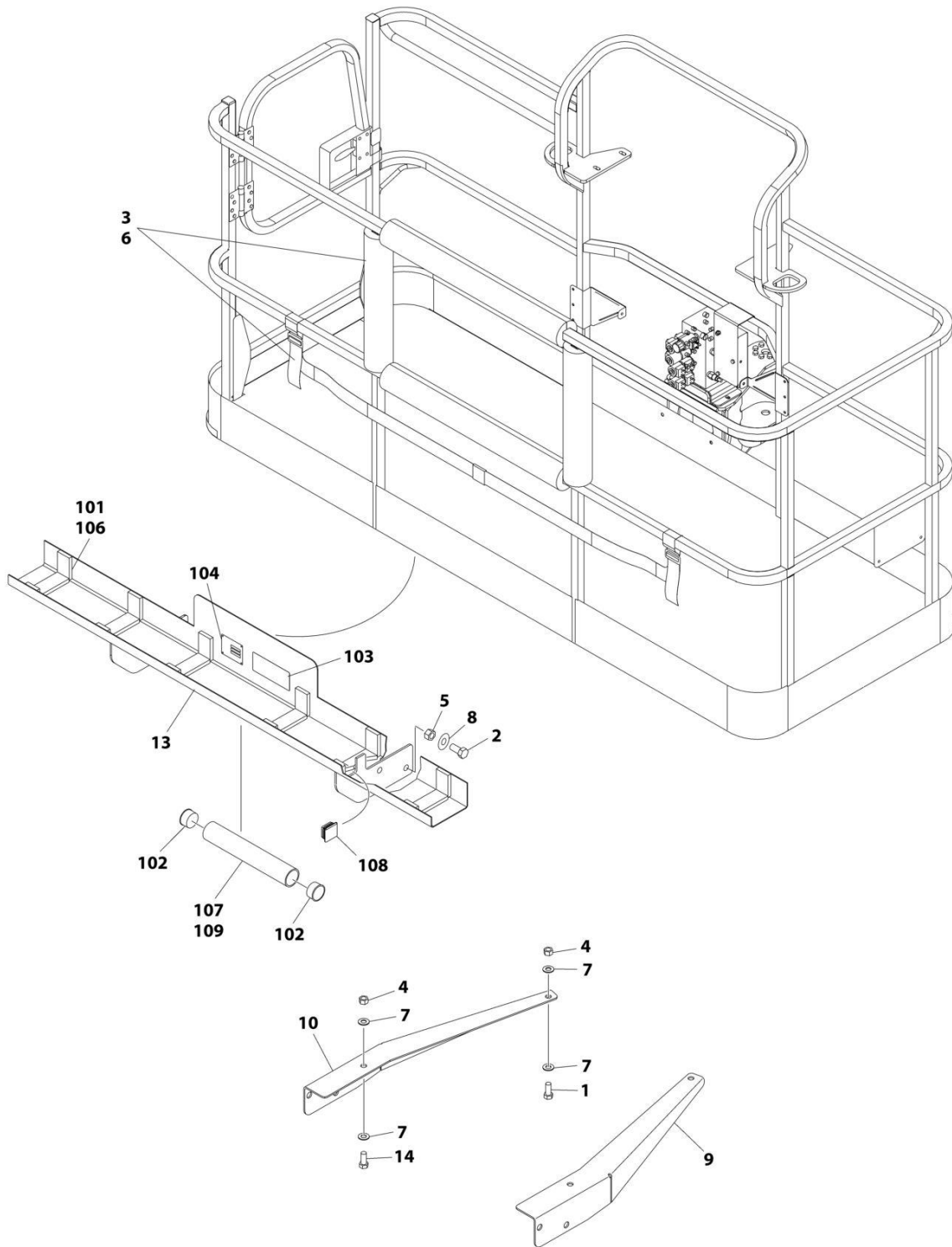
SECTION 5 - PLATFORM

FIGURE 5-27. SKYLINE INSTALLATION

ITEM	PART NUMBER	QTY	DESCRIPTION	REV
	1001238559	Ref	SKYLINE INSTALLATION	C
1	0641404	2	Bolt 1/4 x 1/2	
2	0641405	2	Bolt 1/4 x 5/8	
3	3311405	2	Nut 1/4	
4	3311601	2	Nut 3/8	
5	4031516	2	Capscrew M4 x 60	
6	4240033	AR	Tie-Strap (Not Shown)	
7	4711400	4	Washer 1/4	
8	1001120328	1	Mount	
9	1001232642	1	Bracket	
11	1001232667	1	Sensor, Proximity	
14	1001236552	1	Block	
15	1001238418	1	Harness, Skyline (See Separate Breakdown in ELECTRICAL Section)	
16	1001238472	1	Mount	
17	1001254473	1	Housing, LH	
18	1001241965	1	Housing, RH	
19	1001254472	1	Rod	
20	0100011	AR	Compound, Locking	

SECTION 5 - PLATFORM

FIGURE 5-28. SKYGLAZIER INSTALLATION (ANSI, ANSI EXPORT, AUSTRALIAN & CSA SPECS)



ART_1001172578

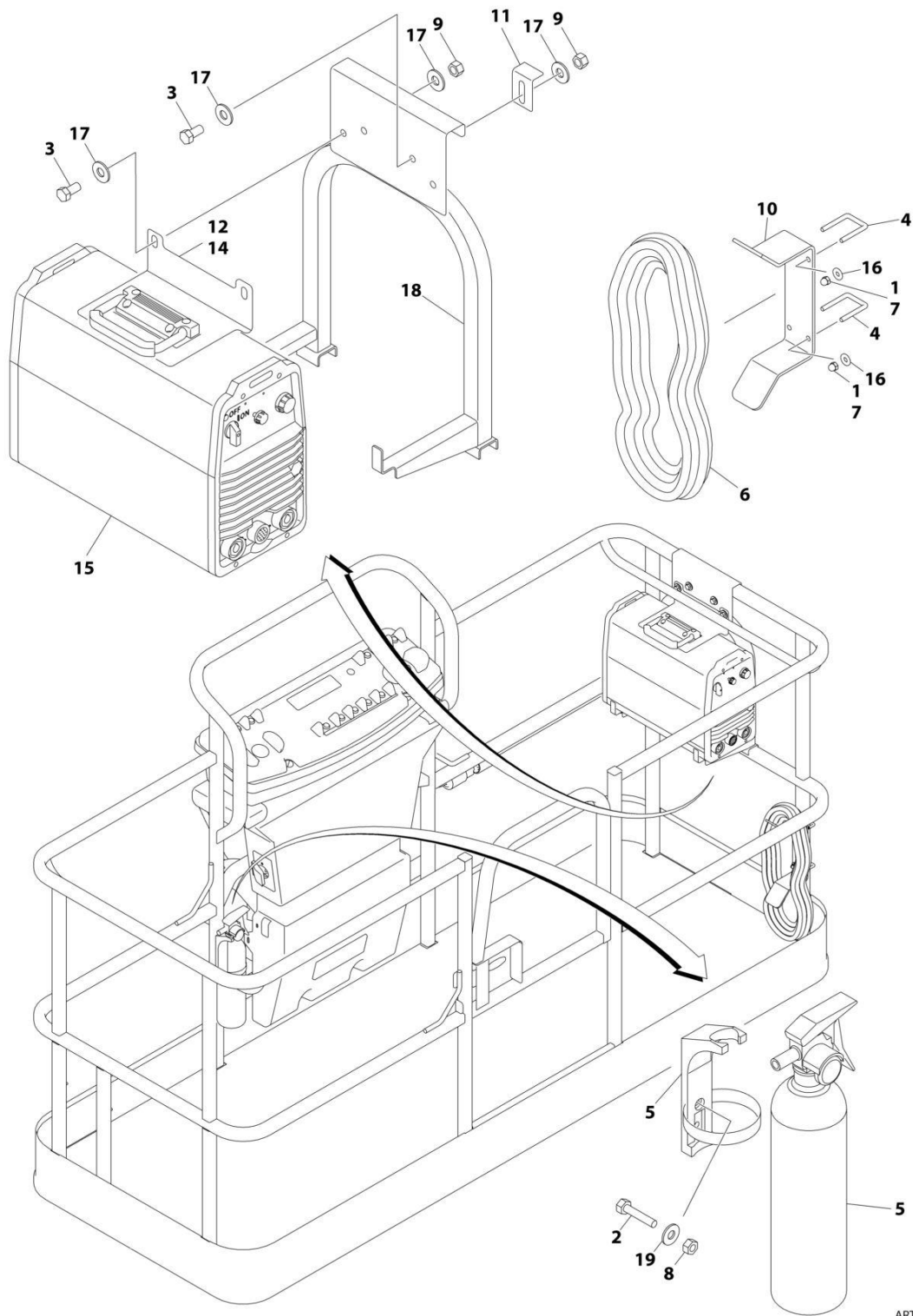
SECTION 5 - PLATFORM

FIGURE 5-28. SKYGLAZIER INSTALLATION (ANSI, ANSI EXPORT, AUSTRALIAN & CSA SPECS)

ITEM	PART NUMBER	QTY	DESCRIPTION	REV
	1001172578	Ref	SKYGLAZIER INSTALLATION	C
1	0642012	2	Bolt 5/8 x 1-1/2	
2	0642212	4	Bolt 3/4 x 1-1/2	
3	2902212	1	Bumpers and Strap Kit	
3	0940102	1	Bumper Only	
3	4240149	1	Strap Only	
4	3312005	1	Nut 5/8	
5	3312205	4	Nut 3/4	
6	4420014	AR	Tape	
7	4712000	6	Washer 5/8	
8	4712200	8	Washer 3/4	
9	1001099366	1	Support	
10	1001099367	1	Support	
13	1001172577	1	Tray Assembly (See Items 101-111 for Breakdown)	
14	8310129	2	Bolt 3/4 x 2-1/2	
	1001172577	Ref	TRAY ASSEMBLY	C
101	0100081	AR	Adhesive	
102	1120555	2	Cap, Tube	
103	1701509	1	Decal - Manual	
104	See Note	NSS	Nameplate - Serial Number (Note: Not Available for Purchase)	
106	3340956	1	Pad Kit	
107	3460334	1	Tube	
108	3520071	2	Plug	
109	4420066	AR	Tape, Double Sided	

SECTION 5 - PLATFORM

FIGURE 5-29. SKYWELDER INSTALLATION (50HZ)



ART_0272521_F

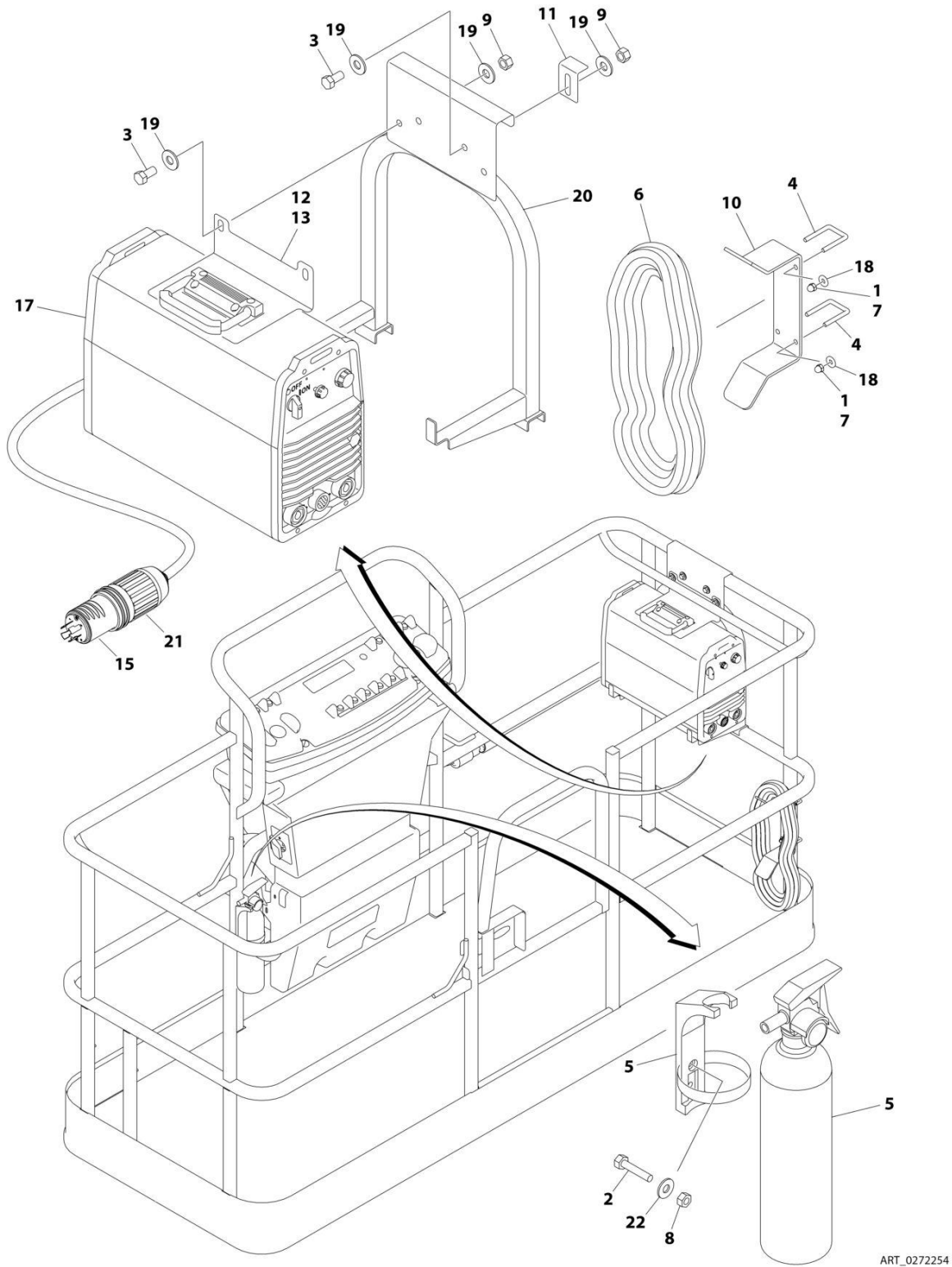
SECTION 5 - PLATFORM

FIGURE 5-29. SKYWELDER INSTALLATION (50HZ)

ITEM	PART NUMBER	QTY	DESCRIPTION	REV
	0272521	Ref	SKYWELDER INSTALLATION	F
1	0100011	AR	Compound, Locking	
2	0630518	2	Screw #10 x 3/4	
3	0641606	4	Bolt 3/8 x 3/4	
4	1320302	2	U-Clamp	
5	2030010	1	Extinguisher, Fire	
6	2902217	1	Weld Leads Kit	
7	3300151	4	Nut 1/4	
8	3311005	2	Nut #10	
9	3311605	4	Nut 3/8	
10	3573400	1	Bracket	
11	3577121	2	Angle	
12	3573642	1	Plate	
13	4240099	AR	Tie-Strap (Not Shown)	
14	4420037	AR	Tape	
15	4530028	1	Welder Assembly (See Separate Breakdown in this Section)	
16	4751400	4	Washer 1/4	
17	4751600	8	Washer 3/8	
18	4846627	1	Support	
19	4751000	2	Washer #10	

SECTION 5 - PLATFORM

FIGURE 5-30. SKYWELDER INSTALLATION (60HZ)



ART_0272254

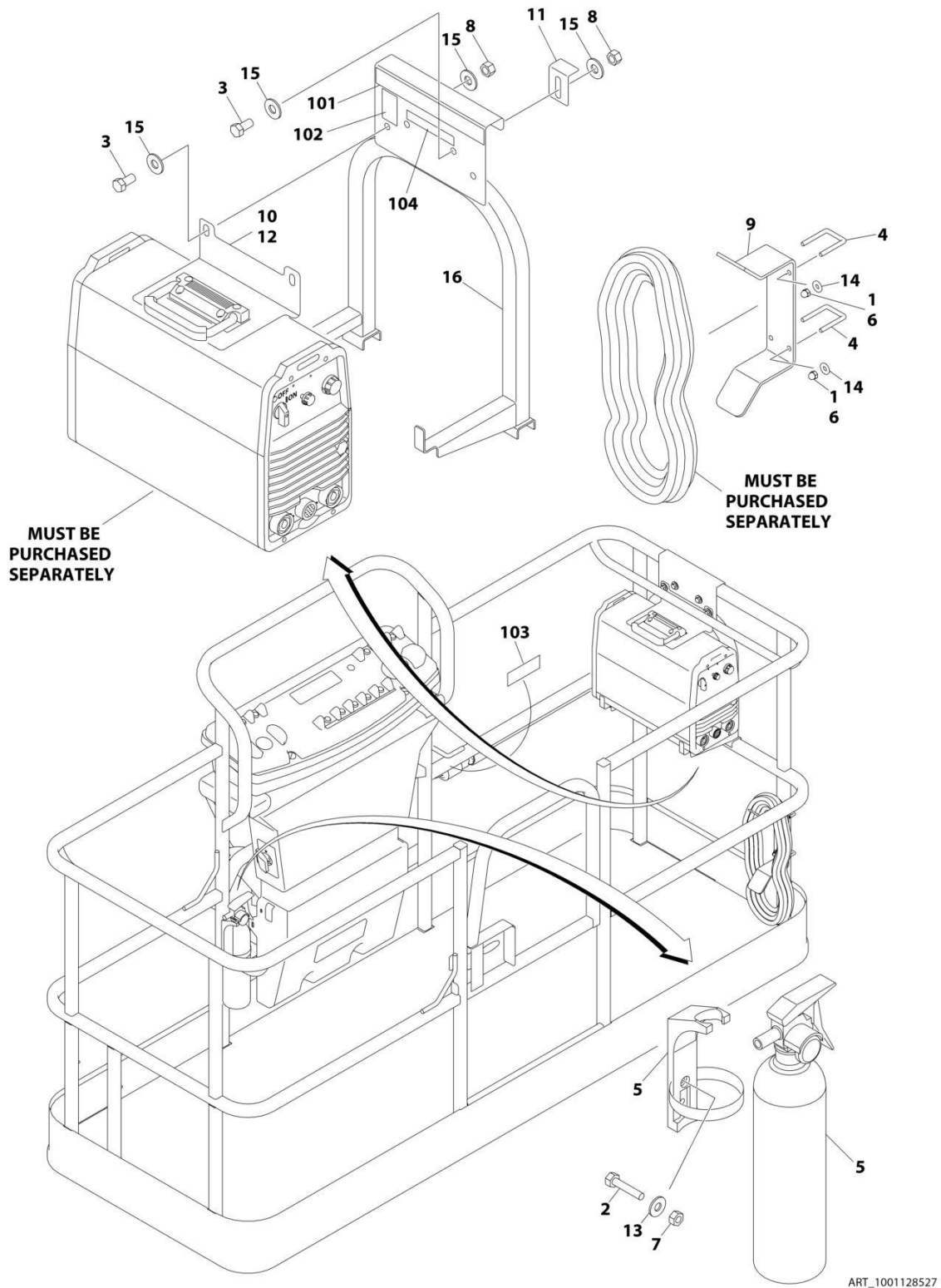
SECTION 5 - PLATFORM

FIGURE 5-30. SKYWELDER INSTALLATION (60HZ)

ITEM	PART NUMBER	QTY	DESCRIPTION	REV
	0272254	Ref	SKYWELDER INSTALLATION	I
1	0100011	AR	Compound, Locking	
2	0630518	2	Screw #10 x 3/4	
3	0641606	4	Bolt 3/8 x 3/4	
4	1320302	2	U-Clamp	
5	2030010	1	Extinguisher, Fire	
6	2902217	1	Weld Leads Kit	
7	3300151	4	Nut 1/4	
8	3311005	2	Nut #10	
9	3311605	4	Nut 3/8	
10	3573400	1	Bracket	
11	3577121	2	Angle	
12	3573642	1	Plate	
13	4420037	AR	Tape	
14	4240099	AR	Tie-Strap (Not Shown)	
15	4460962	1	Plug, Male Twistlock	
17	4530028	1	Welder Assembly (See Separate Breakdown in this Section)	
18	4751400	4	Washer 1/4	
19	4751600	8	Washer 3/8	
20	4846627	1	Support	
21	1671093	1	Cover, Plug	
22	4751000	2	Washer #10	

SECTION 5 - PLATFORM

FIGURE 5-31. SKYWELDER PREP PACKAGE (60HZ)



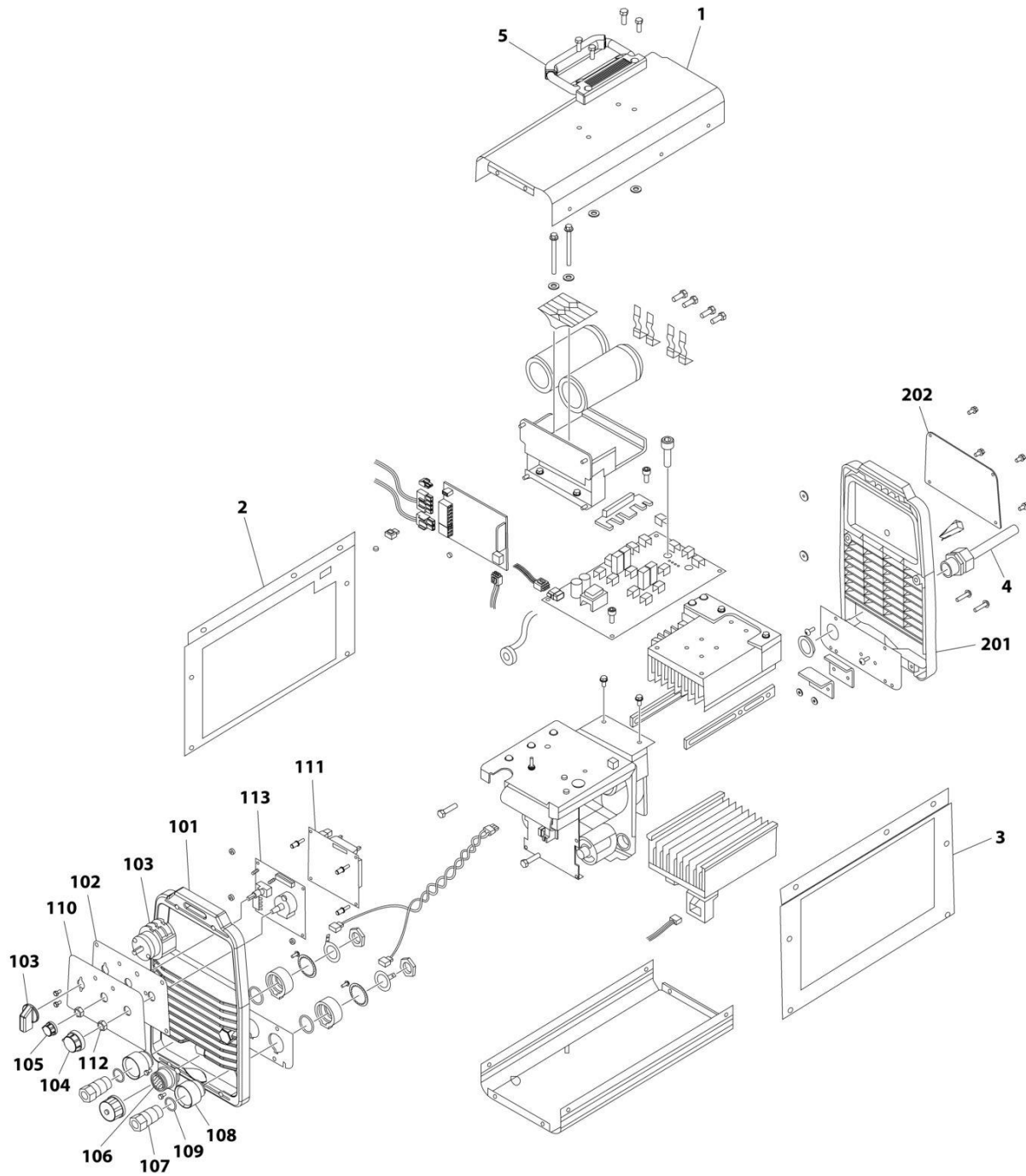
SECTION 5 - PLATFORM

FIGURE 5-31. SKYWELDER PREP PACKAGE (60HZ)

ITEM	PART NUMBER	QTY	DESCRIPTION	REV
	1001128527	Ref	SKYWELDER PREP PACKAGE (60HZ)	B
1	0100011	AR	Compound, Locking	
2	0630518	2	Screw #10 x 3/4	
3	0641606	4	Bolt 3/8 x 3/4	
4	1320302	2	U-Clamp	
5	2030010	1	Extinguisher, Fire	
6	3300151	4	Nut 1/4	
7	3311005	2	Nut #10	
8	3311605	4	Nut 3/8	
9	3573400	1	Bracket	
10	3573642	1	Plate	
11	3577121	2	Angle	
12	4420037	AR	Tape	
13	4751000	2	Washer #10	
14	4751400	4	Washer 1/4	
15	4751600	8	Washer 3/8	
16	4846627	1	Support	
	1001128556	Ref	SKYWELDER DECAL INSTALLATION	C
101	1702868	1	Decal - No Hands	
102	1705305	1	Decal - Weld Lead	
103	1705375	1	Decal - 240V - 3 Phase - 60Hz	
104	1001228988	1	Decal - Weight	

SECTION 5 - PLATFORM

FIGURE 5-32. WELDER ASSEMBLY



ART_4530028

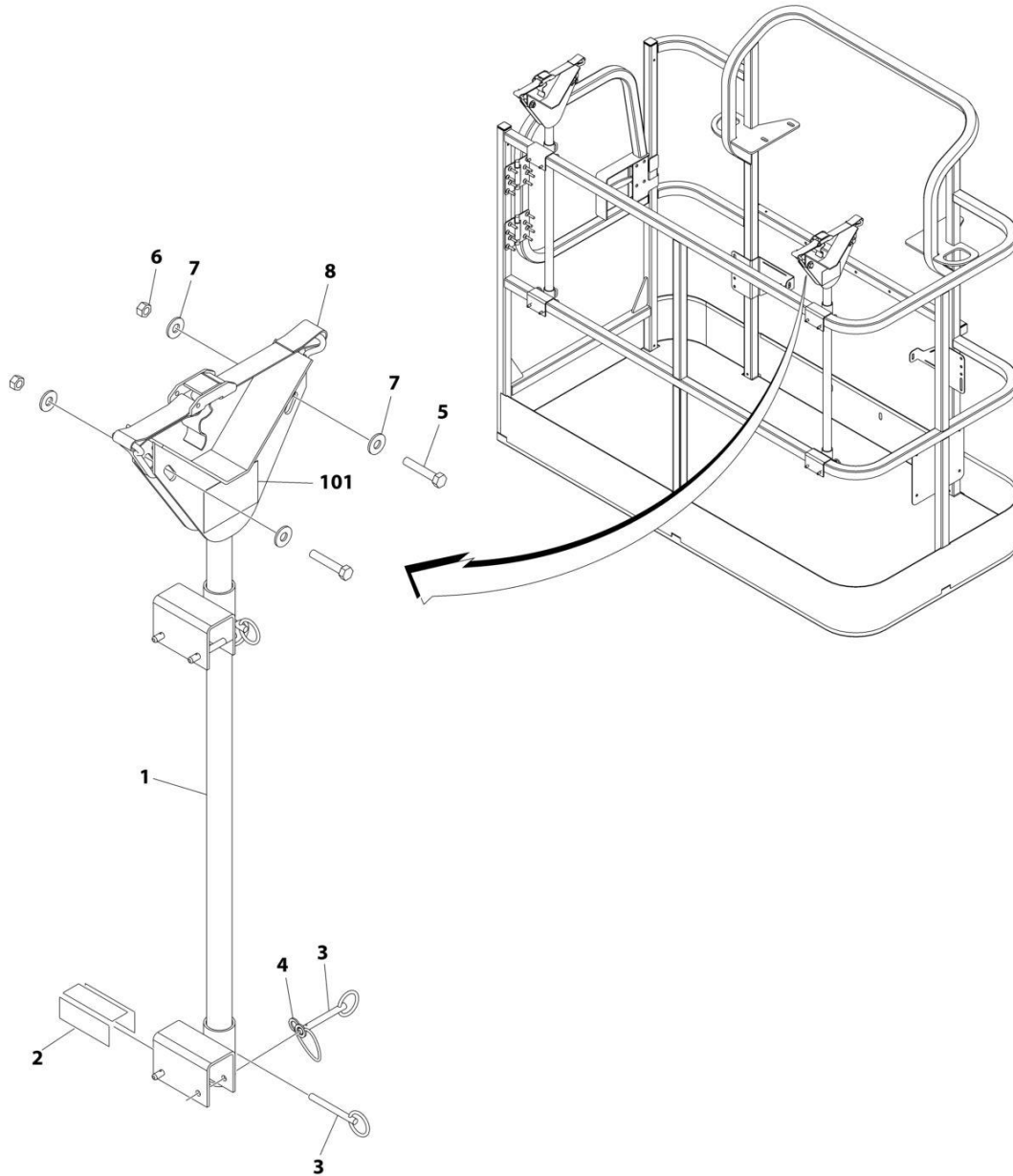
SECTION 5 - PLATFORM

FIGURE 5-32. WELDER ASSEMBLY

ITEM	PART NUMBER	QTY	DESCRIPTION	REV
	4530028	Ref	WELDER ASSEMBLY	B
		Ref	Note: For Other Components, contact your Miller Welder Dealer.	
1	7027773	1	Cover, Top	
1	7027774	1	Decal - Static Precautionary Warning	
2	See Note	NSS	Panel, LH Side (Note: Part of Item 1. Purchase Item 1)	
3	See Note	NSS	Panel, RH Side (Note: Part of Item 1. Purchase Item 1)	
4	7024467	1	Cable, Power	
4	7027775	1	Decal - Electrical Shock Warning (Not Shown)	
5	7027776	1	Handle, Carrying	
101	7024462	1	Panel, Front	
102	7024463	1	Panel, Console	
103	7024469	1	Switch with Lead	
104	7024470	1	Knob	
105	7024471	1	Knob	
106	7024472	1	Receptacle with Leads and Plugs	
107	7024473	2	Receptacle, Twistlock Female	
108	7024474	2	Insulator	
109	7024475	2	O-Ring	
110	7027777	1	Nameplate	
111	7027779	1	Circuit Card Assembly (Process Control)	
112	7024478	2	Nut	
113	7027778	1	Circuit Card Assembly (Operator Interface)	
201	7024462	1	Panel, Rear	
202	7027780	1	Panel, Cover	

SECTION 5 - PLATFORM

FIGURE 5-33. PIPE RACK INSTALLATION (ANSI AND CSA SPECS ONLY)



ART_1001213852

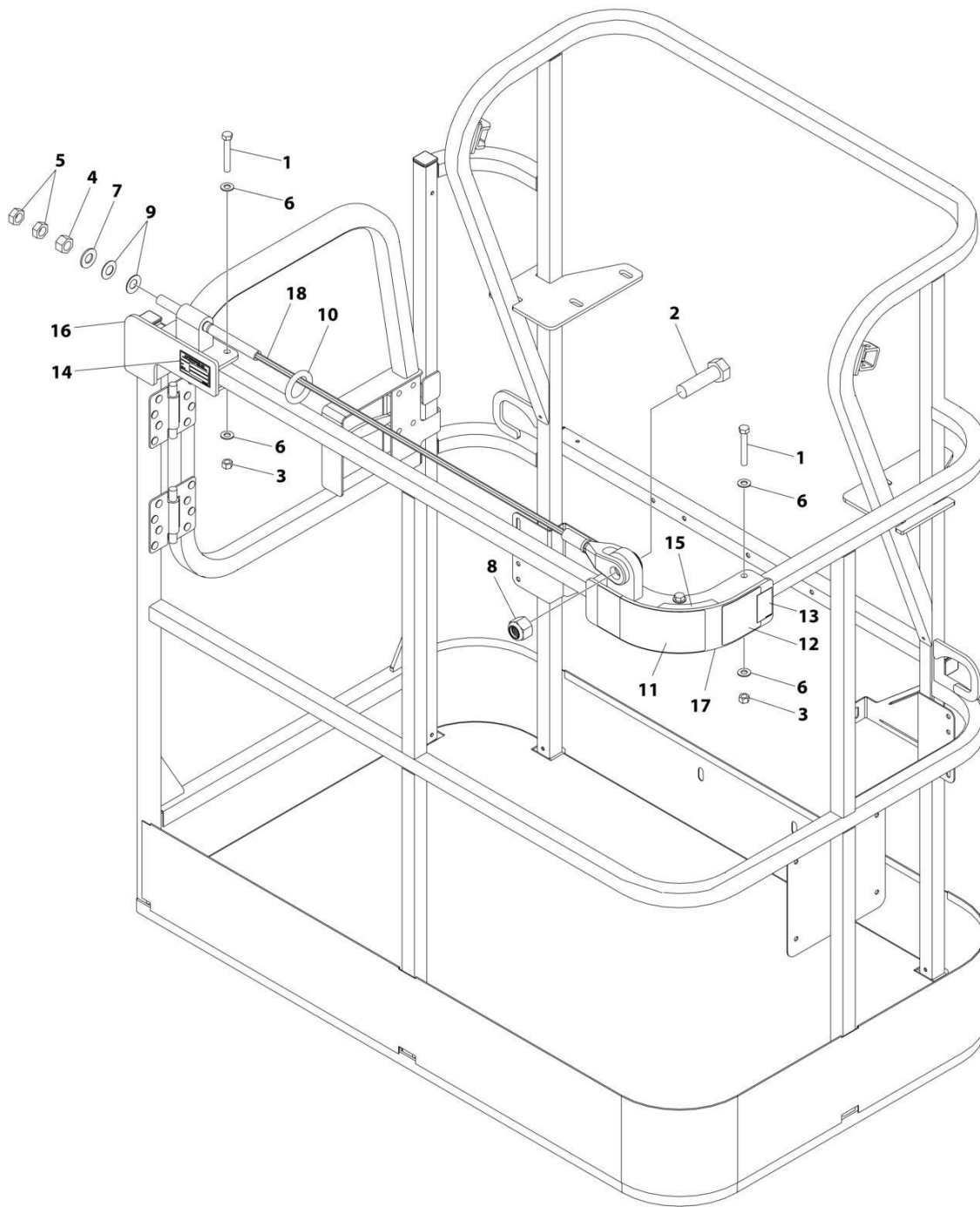
SECTION 5 - PLATFORM

FIGURE 5-33. PIPE RACK INSTALLATION (ANSI AND CSA SPECS ONLY)

ITEM	PART NUMBER	QTY	DESCRIPTION	REV
	1001213852	Ref	PIPE RACK INSTALLATION	A
1	4845582	2	Rack, Pipe	
2	4420062	AR	Tape	
3	3422661	10	Pin	
4	1060379	4	Lanyard	
5	0641514	4	Bolt 5/16 x 1-3/4	
6	3311505	4	Nut 5/16	
7	4751500	8	Washer 5/16	
8	0480100	2	Tie-Down	
		Ref	PIPE RACK DECAL INSTALLATION	
101	1703683	2	Decal - Pipe Rack (ANSI Specs)	
101	1001219415	2	Decal - Pipe Rack (Australian Specs)	
101	1001106450	2	Decal - Pipe Rack (Latin American Specs)	
101	1001107469	2	Panel, Mounting (Latin American Specs Only)	

SECTION 5 - PLATFORM

FIGURE 5-34. FALL ARREST INSTALLATION (BOLT-ON) 30IN X 4FT (76CM X 1.22M) PLATFORM



ART_1001261338

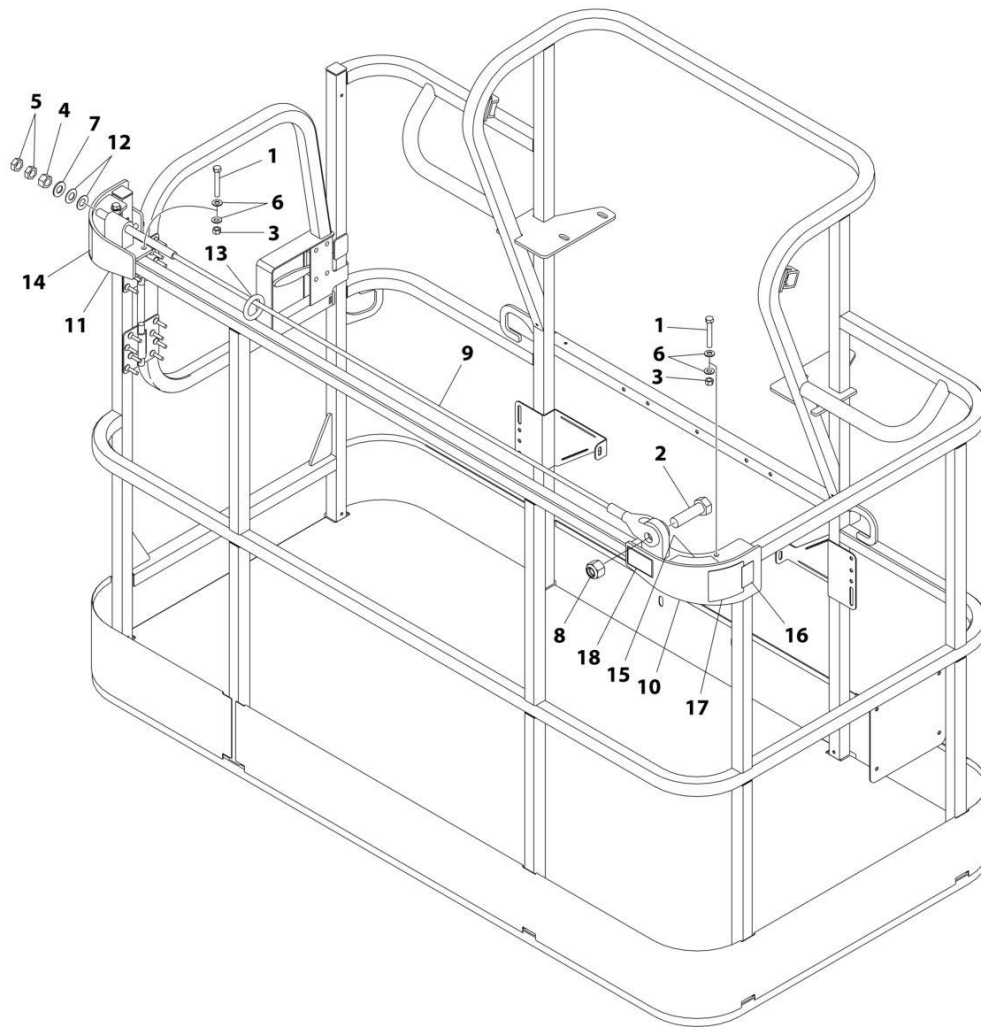
SECTION 5 - PLATFORM

FIGURE 5-34. FALL ARREST INSTALLATION (BOLT-ON) 30IN X 4FT (76CM X 1.22M) PLATFORM

ITEM	PART NUMBER	QTY	DESCRIPTION	REV
	1001261338	Ref	FALL ARREST INSTALLATION	A
1	0681620	6	Bolt 3/8 x 2-1/2	
2	0682424	1	Bolt 7/8 x 3	
3	3271605	6	Nut 3/8	
4	3272001	1	Nut 5/8	
5	3312002	2	Nut 5/8	
6	4711600	12	Washer 3/8	
7	4712000	1	Washer 5/8	
8	88521214	1	Nut 7/8	
9	1001236891	2	Washer	
10	1001236895	1	Ring	
11	1001238263	1	Decal - Warning Falling Hazard	
12	1001248140	1	Decal - Bolt Fall Arrest Re-Cert	
13	1001248141	1	Decal - Incription	
14	See Note	NSS	Nameplate - Manufacturers Serial Number (Note: Not Available for Purchase)	
15	1001252629	1	Decal - Weight	
16	1001257271	1	Bracket (RH)	
17	1001257274	1	Bracket (LH)	
18	1001261335	1	Rope	

SECTION 5 - PLATFORM

FIGURE 5-35. FALL ARREST INSTALLATION (BOLT-ON) 36IN X 6FT (91.2CM X 1.82M) PLATFORM



ART_1001236747

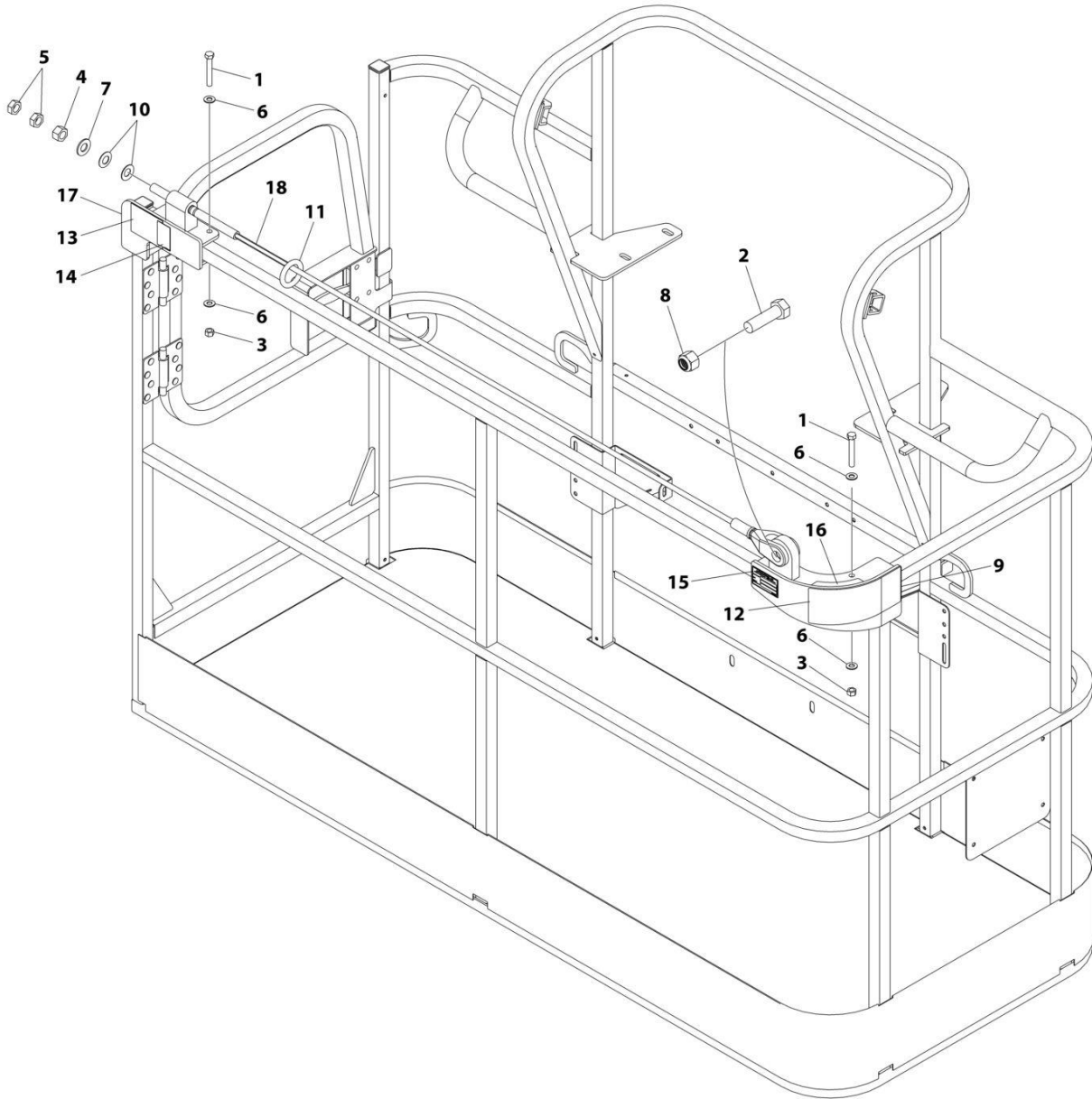
SECTION 5 - PLATFORM

FIGURE 5-35. FALL ARREST INSTALLATION (BOLT-ON) 36IN X 6FT (91.2CM X 1.82M) PLATFORM

ITEM	PART NUMBER	QTY	DESCRIPTION	REV
	1001236747	Ref	FALL ARREST INSTALLATION (BOLT - ON) 6FT/1.82M PLATFORM	C
1	0681620	6	Bolt 3/8 x 2-1/2	
2	0682424	1	Bolt 7/8 x 3	
3	3271605	6	Nut 3/8	
4	3272001	1	Nut 5/8	
5	3312002	2	Nut 5/8	
6	4711600	12	Washer 3/8	
7	4712000	1	Washer 5/8	
8	88521214	1	Nut 7/8	
9	1001231950	1	Rope	
10	1001232010	1	Bracket (RH)	
11	1001232011	1	Bracket (LH)	
12	1001236891	2	Washer	
13	1001236895	1	Ring	
14	1001238263	1	Decal - Warning Falling Hazard	
15	1001252629	1	Decal - Weight	
16	1001248140	1	Decal - Bolt Fall Arrest Re-Cert	
17	1001248141	1	Decal - Inscription	

SECTION 5 - PLATFORM

FIGURE 5-36. FALL ARREST INSTALLATION (BOLT-ON) 30IN X 6FT (76CM X 1.83M) PLATFORM



ART_1001261339

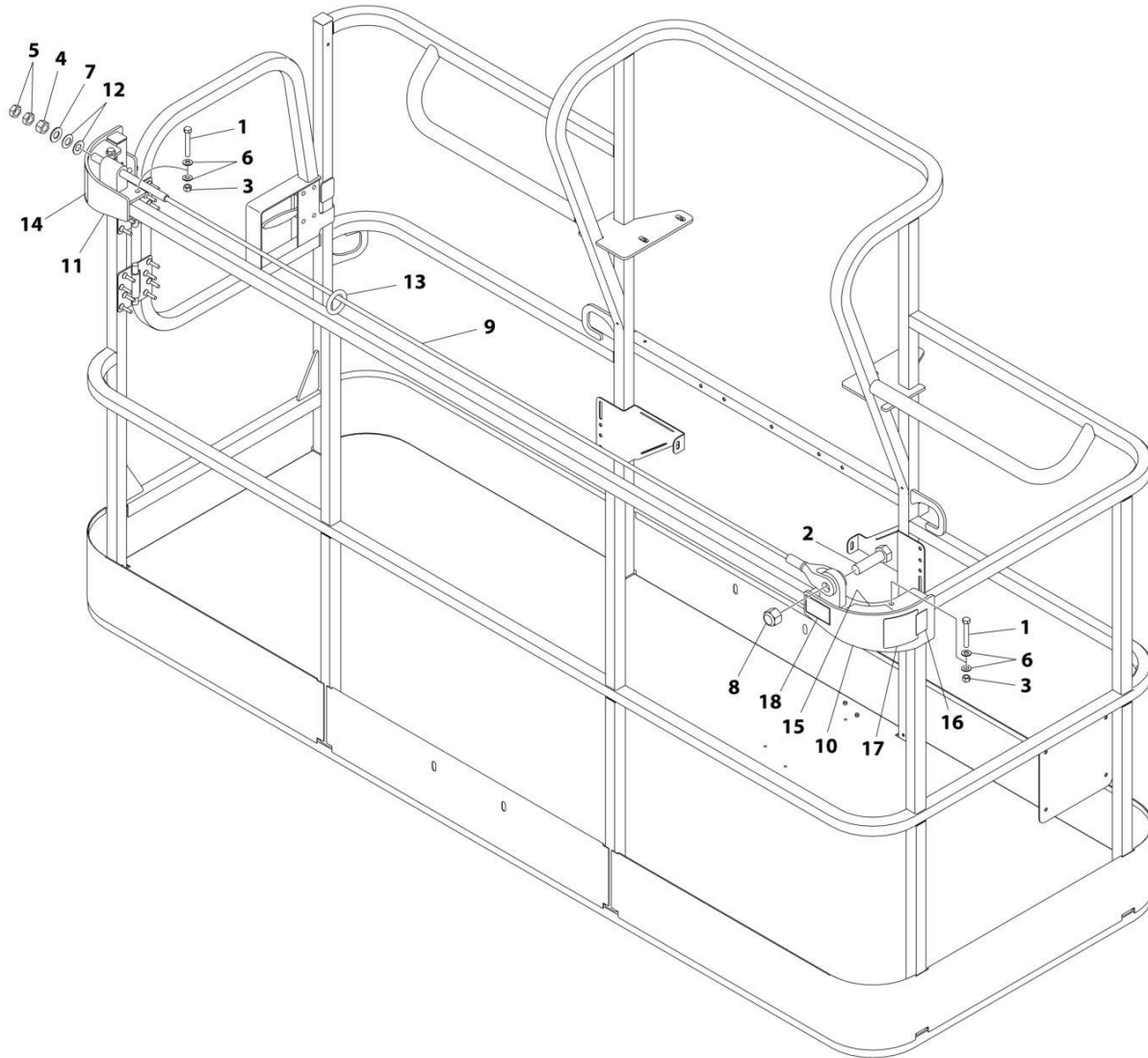
SECTION 5 - PLATFORM

FIGURE 5-36. FALL ARREST INSTALLATION (BOLT-ON) 30IN X 6FT (76CM X 1.83M) PLATFORM

ITEM	PART NUMBER	QTY	DESCRIPTION	REV
	1001261339	Ref	FALL ARREST INSTALLATION (BOLT-ON) 30IN X 6FT (76CM X 1.83M) PLATFORM	A
1	0681620	6	Bolt 3/8 x 2-1/2	
2	0682424	1	Bolt 7/8 x 3	
3	3271605	6	Nut 3/8	
4	3272001	1	Nut 5/8	
5	3312002	2	Nut 5/8	
6	4711600	12	Washer 3/8	
7	4712000	1	Washer 5/8	
8	88521214	1	Nut 7/8	
9	1001232010	1	Bracket	
10	1001236891	2	Washer	
11	1001236895	1	Ring	
12	1001238263	1	Decal - Warning Falling Hazard	
13	1001248140	1	Decal - Bolt Fall Arrest Re-Cert	
14	1001248141	1	Decal - Incription	
15	See Note	NSS	Nameplate - Manufacturers Serial Number (Note: Not Available for Purchase)	
16	1001252629	1	Decal - Weight	
17	1001257271	1	Bracket	
18	1001261336	1	Rope	

SECTION 5 - PLATFORM

FIGURE 5-37. FALL ARREST INSTALLATION (BOLT-ON) 36IN X 8FT (91.5CM X 2.4M) PLATFORM



ART_1001236746

SECTION 5 - PLATFORM

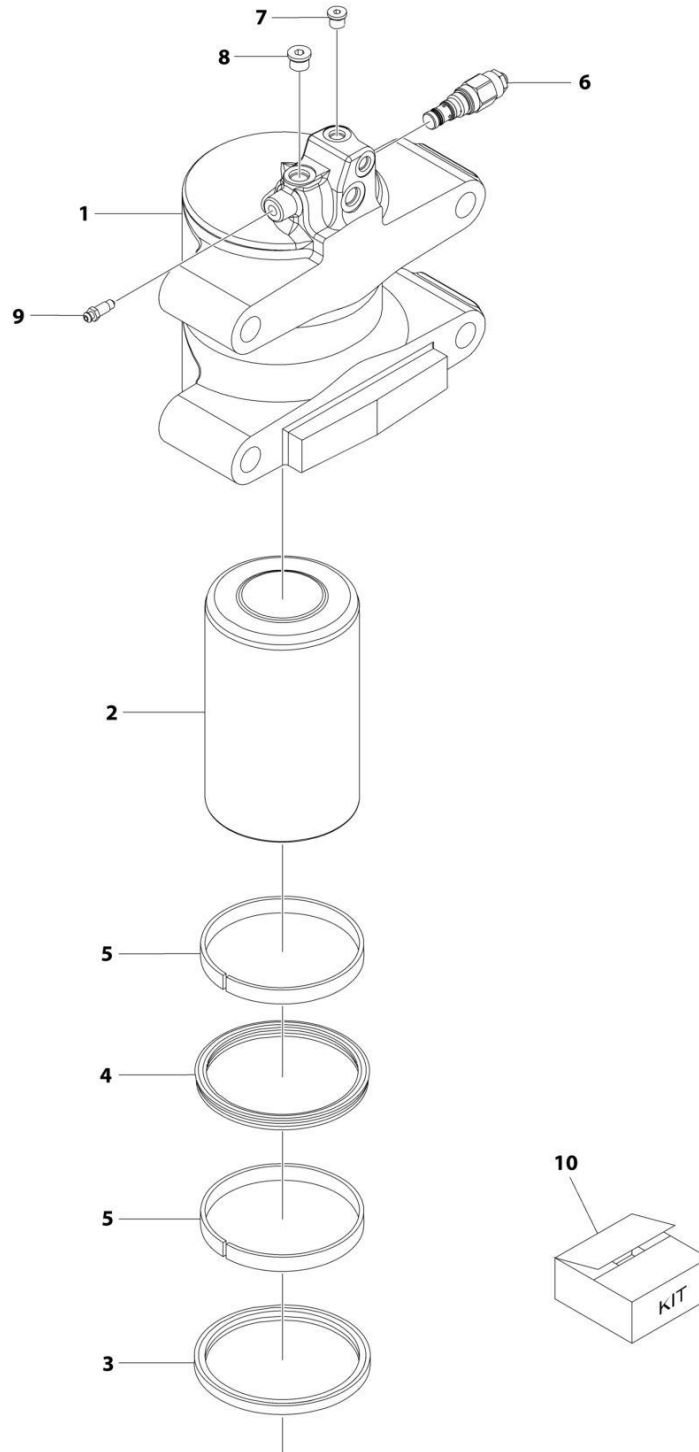
FIGURE 5-37. FALL ARREST INSTALLATION (BOLT-ON) 36IN X 8FT (91.5CM X 2.4M) PLATFORM

ITEM	PART NUMBER	QTY	DESCRIPTION	REV
	1001236746	Ref	FALL ARREST INSTALLATION (BOLT - ON) 8FT/2.4M PLATFORM	C
1	0681620	6	Bolt 3/8 x 2-1/2	
2	0682424	1	Bolt 7/8 x 3	
3	3271605	6	Nut 3/8	
4	3272001	1	Nut 5/8	
5	3312002	2	Nut 5/8	
6	4711600	12	Washer 3/8	
7	4712000	1	Washer 5/8	
8	88521214	1	Nut 7/8	
9	1001231949	1	Rope	
10	1001232010	1	Bracket (RH)	
11	1001232011	1	Bracket (LH)	
12	1001236891	2	Washer	
13	1001236895	1	Ring	
14	1001238263	1	Decal - Warning Falling Hazard	
15	1001252629	1	Decal - Weight 23LBS/10.4KG	
16	1001248140	1	Decal - Bolt Fall Arrest Re-Cert	
17	1001248141	1	Decal - Inscription	

SECTION 6 - CYLINDER

SECTION 6 - CYLINDER

FIGURE 6-1. AXLE LOCKOUT CYLINDER ASSEMBLY



ART_1001204560

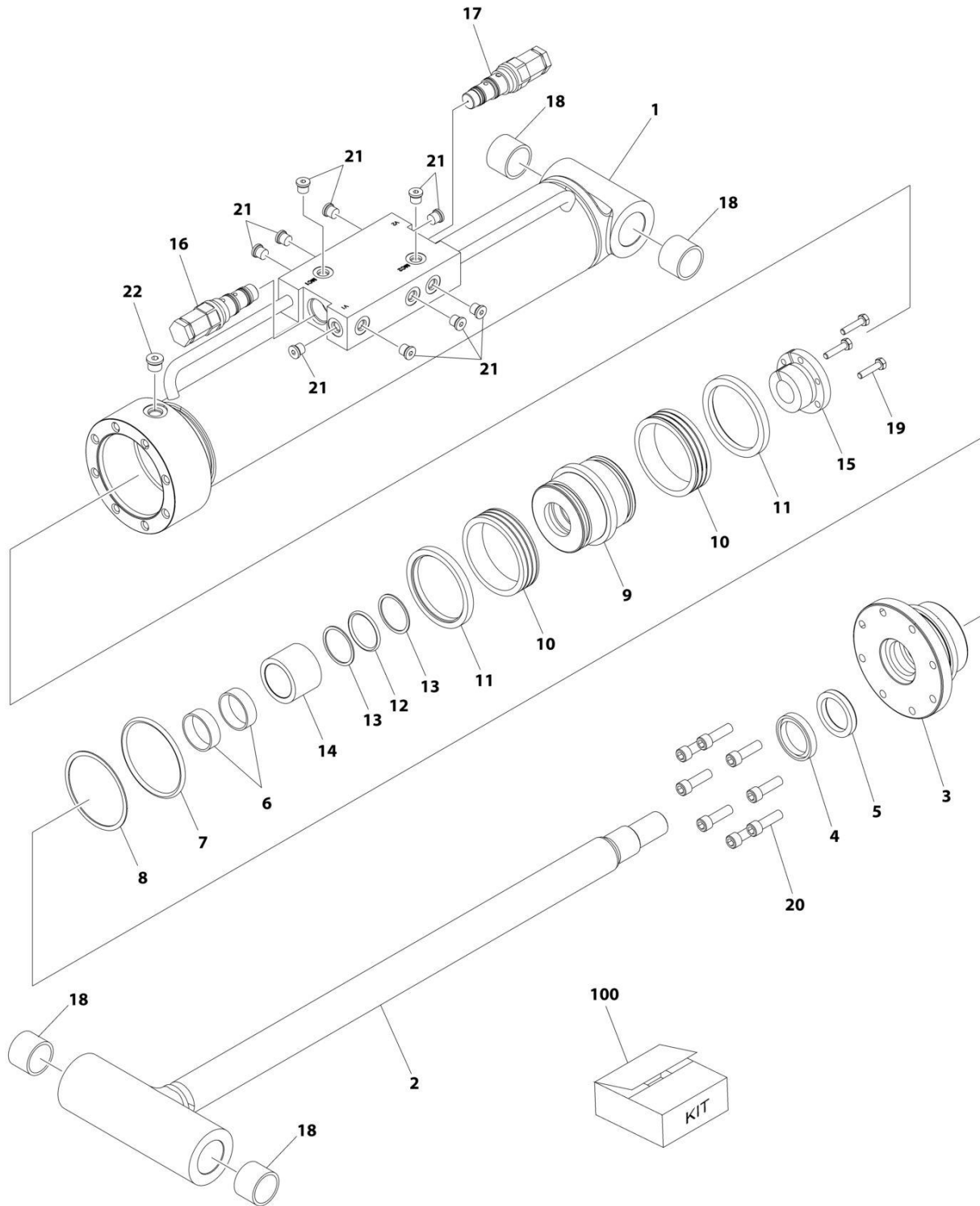
SECTION 6 - CYLINDER

FIGURE 6-1. AXLE LOCKOUT CYLINDER ASSMBLY

ITEM	PART NUMBER	QTY	DESCRIPTION	REV
	1001204560	Ref	AXLE LOCKOUT CYLINDER ASSEMBLY	D
1	1001154126	1	Barrel	
2	1001154687	1	Rod	
3	See Note	NSS	Wiper (Note: Use Item 10)	
4	See Note	NSS	Seal, Rod (Note: Use Item 10)	
5	See Note	NSS	Ring, Wear (Note: Use Item 10)	
6	1001117372	1	Cartridge, Valve (Counterbalance)	
6	70002842	1	Seal Kit - 1001117372 Valve (1 Per Assembly)	
7	2220883	1	Plug, O-Ring	
8	2220885	1	Plug, O-Ring	
9	4640858	1	Valve, Bleeder	
10	1001098167	1	Seal Kit (Includes Items 3-5)	

SECTION 6 - CYLINDER

FIGURE 6-2. LEVEL (SLAVE) CYLINDER ASSEMBLY - JIB



ART_1001228030

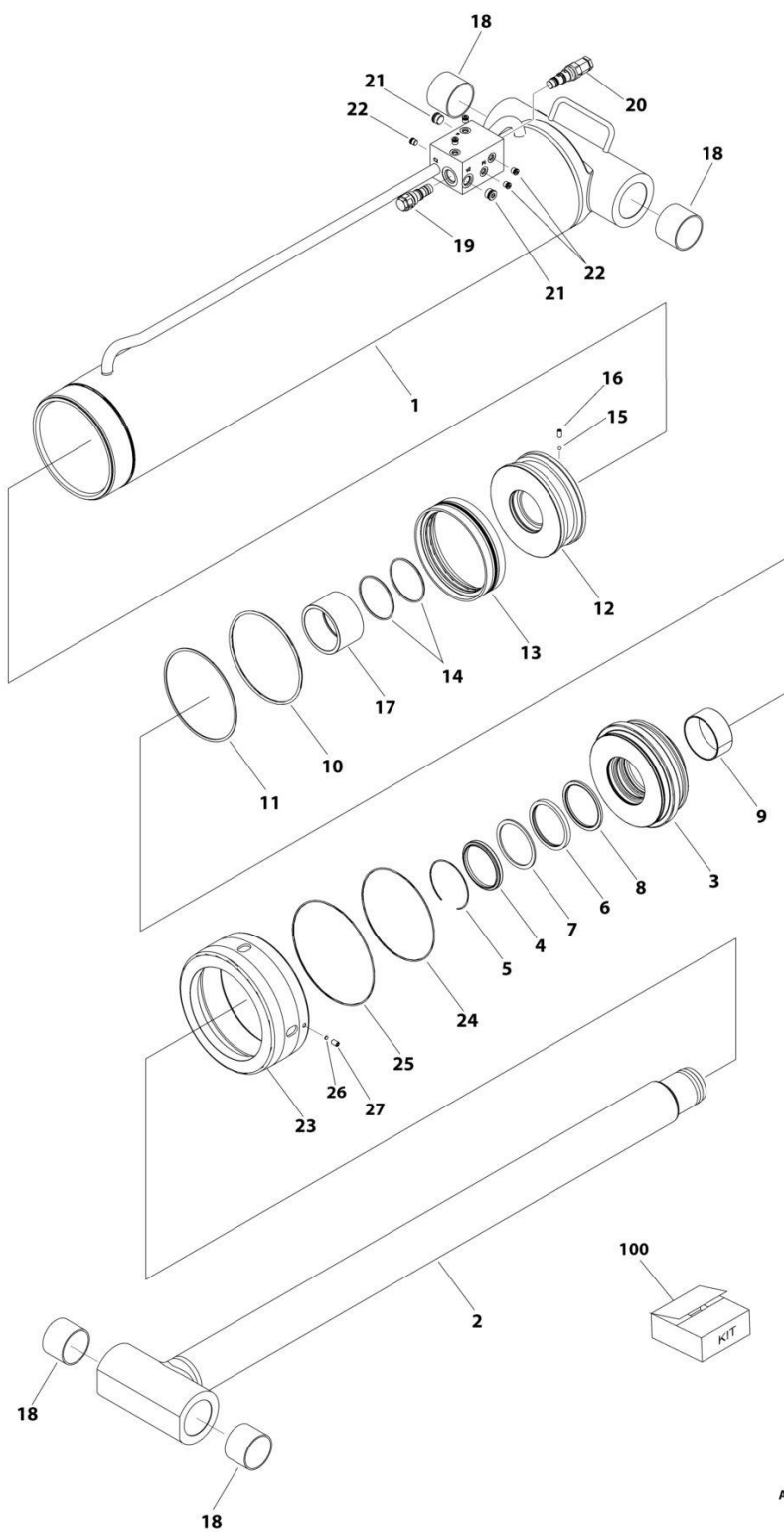
SECTION 6 - CYLINDER

FIGURE 6-2. LEVEL (SLAVE) CYLINDER ASSEMBLY - JIB

ITEM	PART NUMBER	QTY	DESCRIPTION	REV
	1001228030	Ref	LEVEL (SLAVE) CYLINDER ASSEMBLY	E
		Ref	Note: Original Cylinder may have been replaced with Service Replacement. Identify PN Stamped on Cylinder Before Ordering Parts.	
1	See Note	NSS	Barrel (Note: Not Available for Purchase)	
2	70006642	1	Rod	
3	70006643	1	Head	
4	See Note	NSS	Wiper (Note: Use Item 100)	
5	See Note	NSS	Seal (Note: Use Item 100)	
6	See Note	NSS	Ring, Wear (Note: Use Item 100)	
7	See Note	NSS	O-Ring (Note: Use Item 100)	
8	See Note	NSS	Ring, Back-up (Note: Use Item 100)	
9	70006644	1	Piston	
10	See Note	NSS	Seal (Note: Use Item 100)	
11	See Note	NSS	Ring, Lock (Note: Use Item 100)	
12	See Note	NSS	O-Ring (Note: Use Item 100)	
13	See Note	NSS	Ring, Back-up (Note: Use Item 100)	
14	70006645	1	Spacer, Tube	
15	0961894	1	Bushing, Tapered	
16	4640932	1	Valve, Cartridge	
16	7011112	1	Seal Kit - 4640932 Valve	
17	4640605	1	Valve, Cartridge	
17	2900792	1	Seal Kit - 4640605 Valve	
18	0961951	4	Bushing	
19	0630535	3	Bolt	
20	3931620	8	Capscrew 3/8-16 x 1-1/4	
21	2220883	10	Plug, O-Ring	
22	2220885	1	Plug, O-Ring	
100	1001138796	1	Seal Kit (Includes Items 4-8 & 10-13)	

SECTION 6 - CYLINDER

FIGURE 6-3. LEVEL (SLAVE) CYLINDER ASSEMBLY - UPRIGHT



ART_1001251041

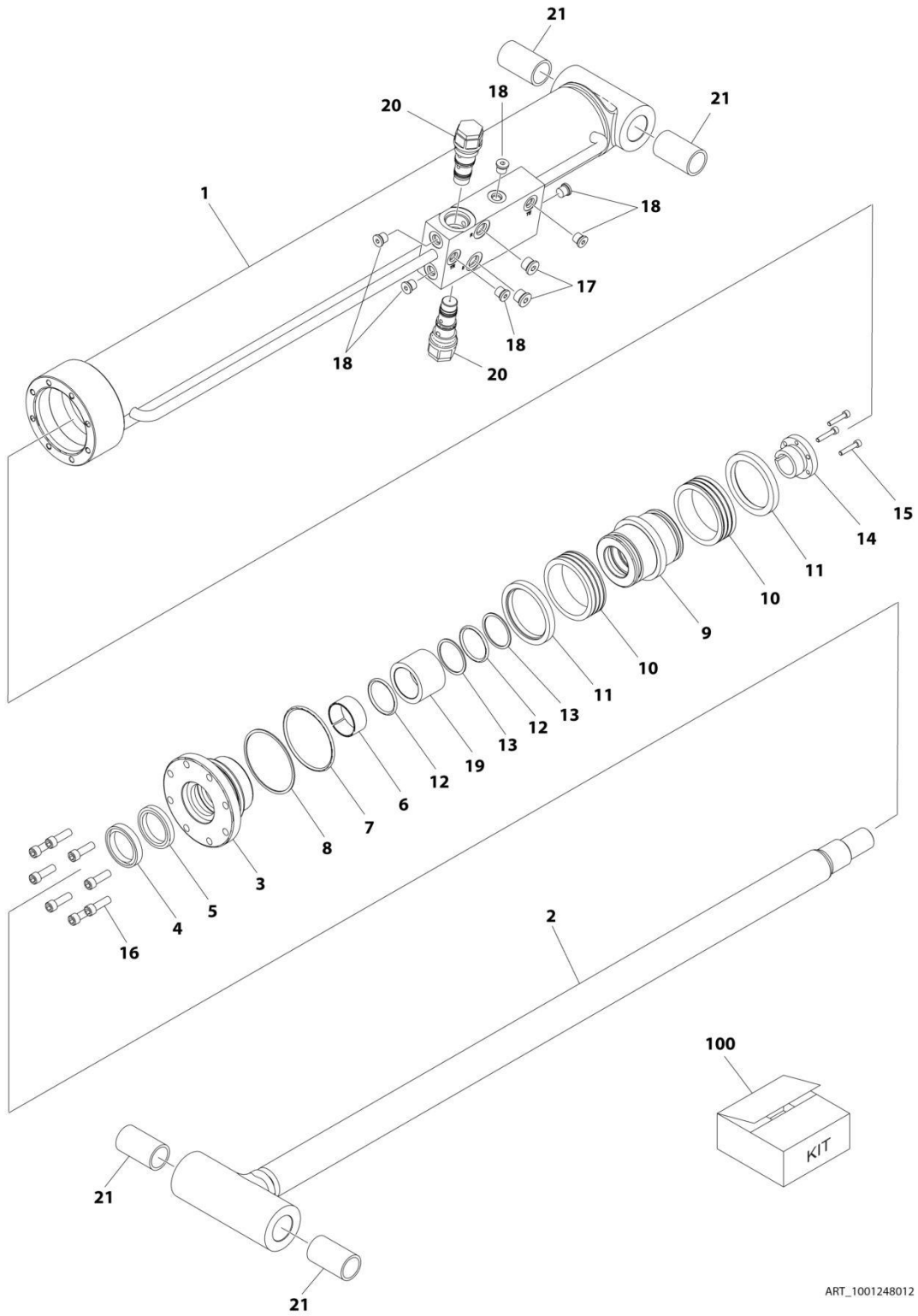
SECTION 6 - CYLINDER

FIGURE 6-3. LEVEL (SLAVE) CYLINDER ASSEMBLY - UPRIGHT

ITEM	PART NUMBER	QTY	DESCRIPTION	REV
	1001251041	Ref	LIFT CYLINDER ASSEMBLY	C
		Ref	Note: Original Cylinder may have been replaced with Service Replacement. Identify PN Stamped on Cylinder Before Ordering Parts.	
1	See Note	NSS	Barrel (Note: Not Available for Purchase)	
2	70007427	1	Rod	
3	70007422	1	Head	
4	See Note	NSS	Wiper (Note: Use Item 100)	
5	70023380	1	Ring, Retaining	
6	See Note	NSS	Seal (Note: Use Item 100)	
7	See Note	NSS	Ring, Back-up (Note: Use Item 100)	
8	See Note	NSS	Ring, Buffer (Note: Use Item 100)	
9	70007423	1	Ring, Wear	
10	See Note	NSS	O-Ring (Note: Use Item 100)	
11	See Note	NSS	Ring, Back-up (Note: Use Item 100)	
12	70007428	1	Piston	
13	See Note	NSS	Seal (Note: Use Item 100)	
14	See Note	NSS	O-Ring (Note: Use Item 100)	
15	70022564	1	Steel Ball	
16	70007246	1	Screw, Set	
17	70007429	1	Spacer	
18	0962102	4	Bushing	
19	4640509	1	Cartridge, Valve	
19	2900792	1	Seal Kit - 4640509 Valve	
20	4640605	1	Cartridge, Valve	
20	2900792	1	Seal Kit - 4640605 Valve	
21	2220886	2	Plug, O-Ring	
22	2220883	5	Plug, O-Ring	
23	70007278	1	Cap	
24	See Note	1	O-Ring (Note: Use Item 100)	
25	See Note	NSS	O-Ring (Note: Use Item 100)	
26	70007282	1	Insert, Locking	
27	70026287	1	Screw, Set	
100	70007430	1	Seal Kit (Includes Items 4, 6-8, 10, 11, 13, 14, 24 & 25)	

SECTION 6 - CYLINDER

FIGURE 6-4. LIFT CYLINDER ASSEMBLY - JIB



ART_1001248012

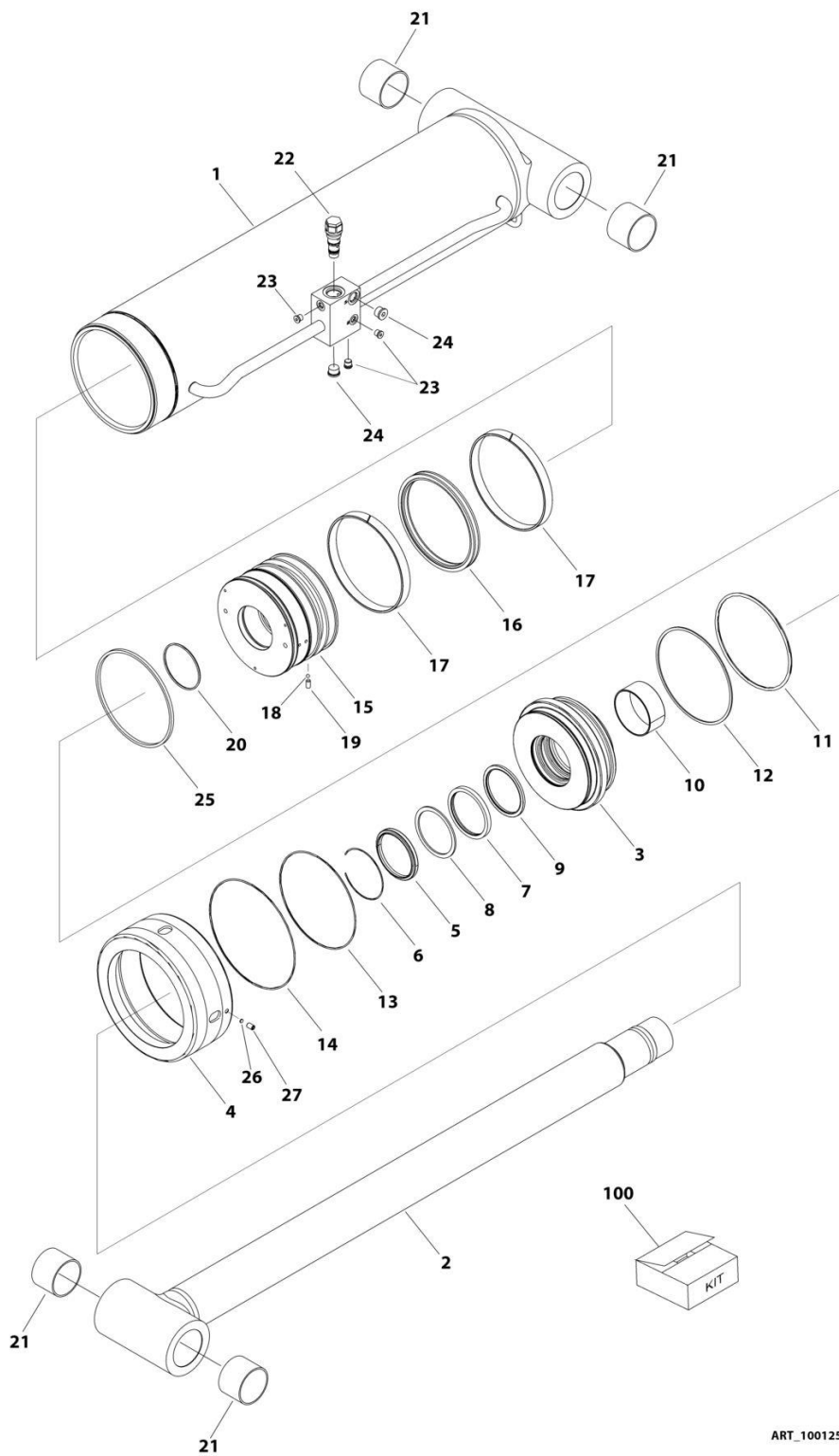
SECTION 6 - CYLINDER

FIGURE 6-4. LIFT CYLINDER ASSEMBLY - JIB

ITEM	PART NUMBER	QTY	DESCRIPTION	REV
	1001248012	Ref	LIFT CYLINDER ASSEMBLY - JIB	C
		Ref	Note: Original Cylinder May Have Been Replaced with Service Replacement. Identify PN Stamped on Cylinder Before Ordering Parts.	
1	See Note	NSS	Barrel (Note: Not Available for Purchase)	
2	70006734	1	Rod	
3	70006649	1	Head	
4	See Note	NSS	Wiper (Note: Use Item 100)	
5	See Note	NSS	Seal, Rod (Note: Use Item 100)	
6	See Note	NSS	Ring, Wear (Note: Use Item 100)	
7	See Note	NSS	O-Ring (Note: Use Item 100)	
8	See Note	NSS	Ring, Back-up (Note: Use Item 100)	
9	70006650	1	Piston	
10	See Note	NSS	Seal (Note: Use Item 100)	
11	See Note	NSS	Ring, Lock (Note: Use Item 100)	
12	See Note	NSS	O-Ring (Note: Use Item 100)	
13	See Note	NSS	Ring, Back-up (Note: Use Item 100)	
14	0961893	1	Bushing, Tapered	
15	0630534	3	Capscrew, Socket Head #10 x 1	
16	70006735	8	Capscrew 5/16	
17	2220885	2	Plug, O-Ring	
18	2220883	6	Plug, O-Ring	
19	70006736	1	Spacer	
20	4640509	2	Cartridge, Valve	
20	2900792	2	Seal Kit - 4640509 Valve	
21	0962336	4	Bushing	
100	1001138795	1	Seal Kit (Includes Items 4-8 & 10-13)	

SECTION 6 - CYLINDER

FIGURE 6-5. LIFT CYLINDER ASSEMBLY - MAIN BOOM



ART_1001251010

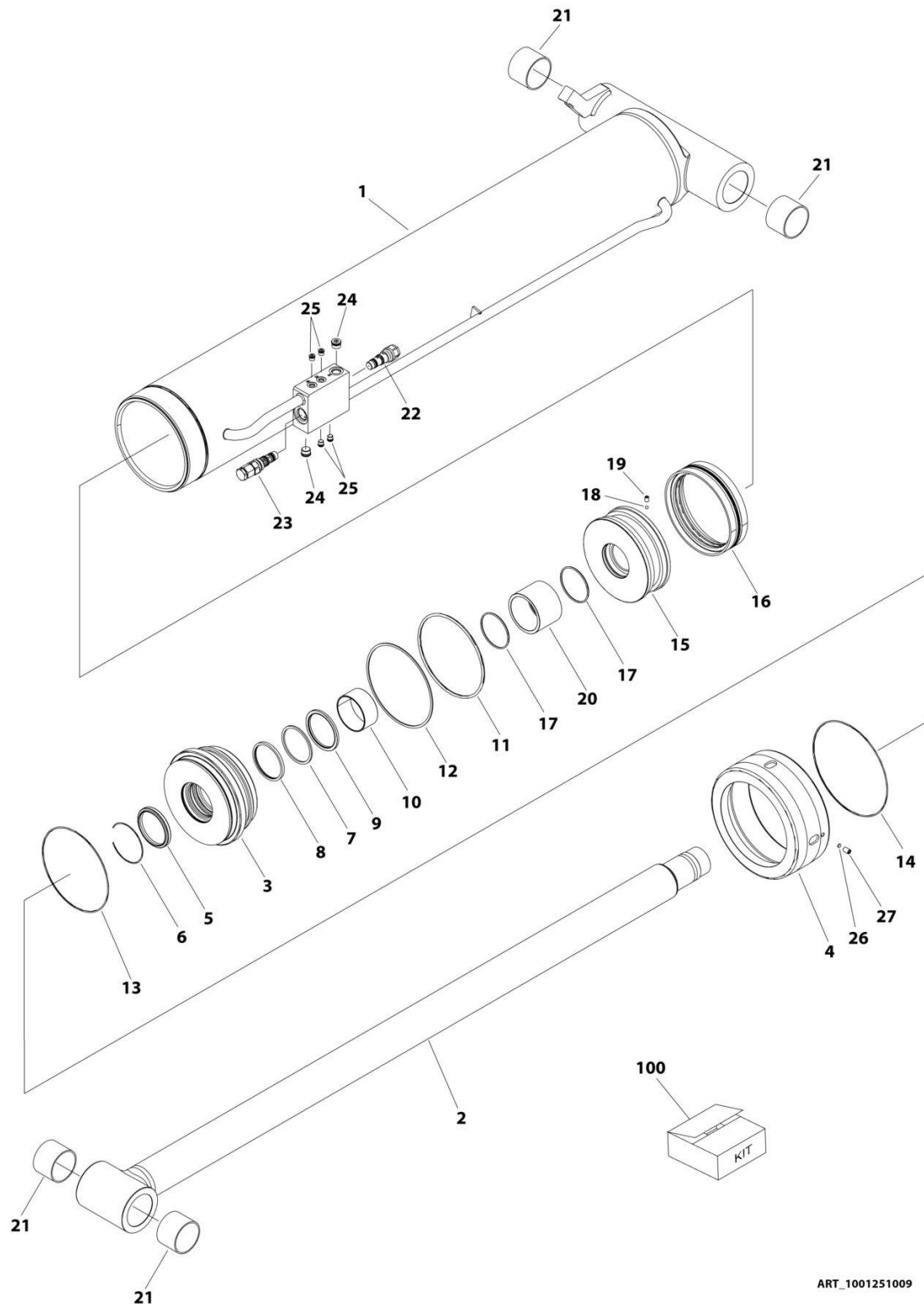
SECTION 6 - CYLINDER

FIGURE 6-5. LIFT CYLINDER ASSEMBLY - MAIN BOOM

ITEM	PART NUMBER	QTY	DESCRIPTION	REV
	1001251010	Ref	LIFT CYLINDER ASSEMBLY	C
		Ref	Note: Original Cylinder may have been replaced with Service Replacement. Identify PN Stamped on Cylinder Before Ordering Parts.	
1	See Note	NSS	Barrel (Note: Not Available for Purchase)	
2	70007421	1	Rod	
3	70007422	1	Head	
4	70007278	1	Cap	
5	See Note	NSS	Wiper (Note: Use Item 100)	
6	70023380	1	Ring, Retaining	
7	See Note	NSS	Seal (Note: Use Item 100)	
8	See Note	NSS	Ring, Back-up (Note: Use Item 100)	
9	See Note	NSS	Ring, Buffer (Note: Use Item 100)	
10	70007423	1	Ring, Wear	
11	See Note	NSS	O-Ring (Note: Use Item 100)	
12	See Note	NSS	Ring, Back-up (Note: Use Item 100)	
13	See Note	NSS	O-Ring (Note: Use Item 100)	
14	See Note	NSS	O-Ring (Note: Use Item 100)	
15	70007424	1	Piston	
16	See Note	NSS	Seal (Note: Use Item 100)	
17	See Note	NSS	Ring, Wear (Note: Use Item 100)	
18	70022564	1	Steel Ball	
19	70007246	1	Screw, Set	
20	See Note	1	O-Ring (Note: Use Item 100)	
21	0962102	4	Bushing	
22	4640509	1	Cartridge, Valve	
22	2900792	1	Seal Kit - 4640509 Valve	
23	2220883	3	Plug, O-Ring	
24	2220886	2	Plug, O-Ring	
25	70007425	1	Ring, Piston	
26	70007282	1	Insert, Locking	
27	70026287	1	Screw, Set	
100	70007426	1	Seal Kit (Includes Items 5, 7-9, 11-14, 16, 17 & 20)	

SECTION 6 - CYLINDER

FIGURE 6-6. LIFT CYLINDER ASSEMBLY - TOWER BOOM



ART_1001251009

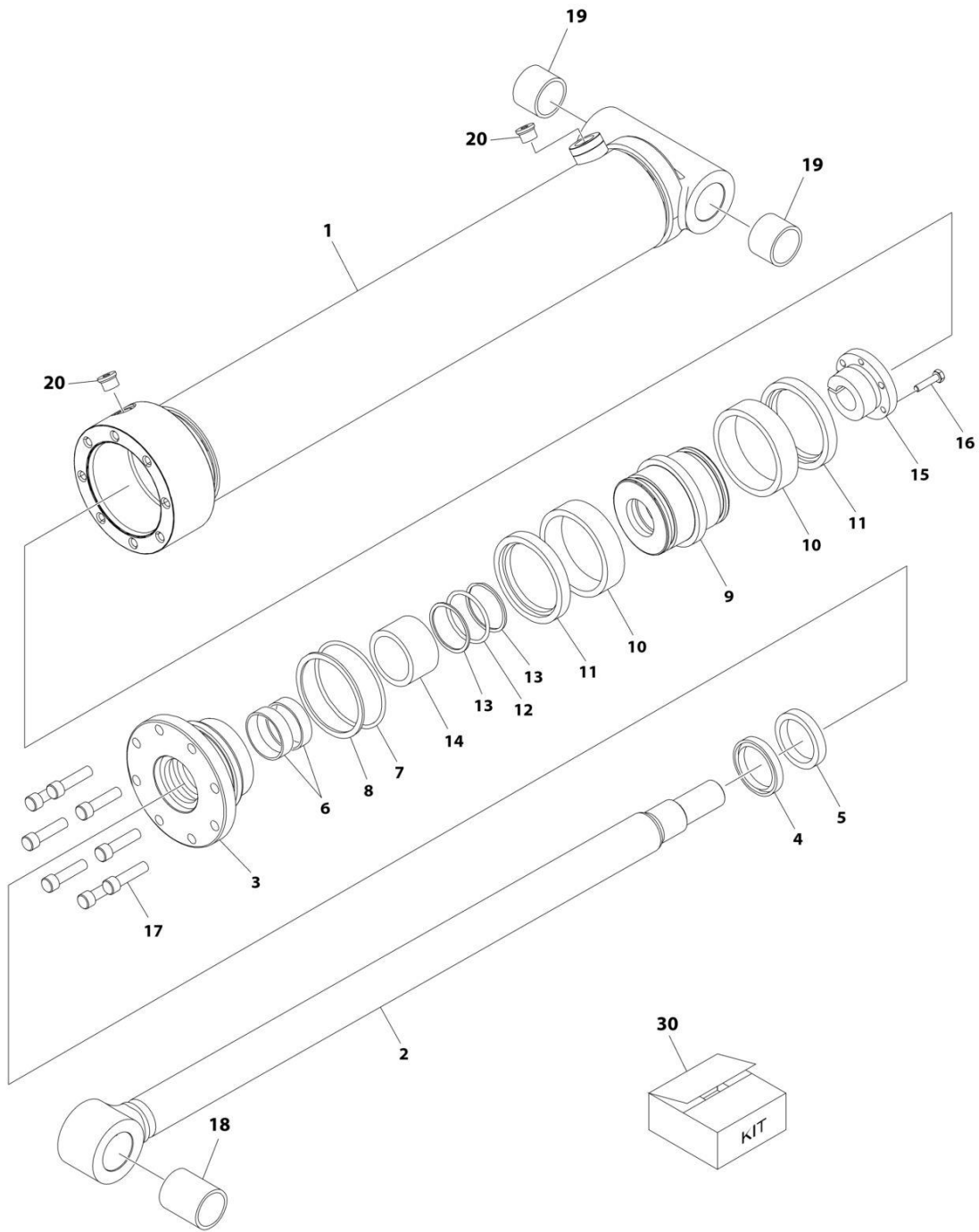
SECTION 6 - CYLINDER

FIGURE 6-6. LIFT CYLINDER ASSEMBLY - TOWER BOOM

ITEM	PART NUMBER	QTY	DESCRIPTION	REV
	1001251009	Ref	LIFT CYLINDER ASSEMBLY	C
		Ref	Note: Original Cylinder may have been replaced with Service Replacement. Identify PN Stamped on Cylinder Before Ordering Parts.	
1	See Note	NSS	Barrel (Note: Not Available for Purchase)	
2	70007419	1	Rod	
3	70007277	1	Head	
4	70007278	1	Cap	
5	See Note	NSS	Wiper (Note: Use Item 100)	
6	70027750	1	Ring, Retaining	
7	See Note	NSS	Seal (Note: Use Item 100)	
8	See Note	NSS	Ring, Back-up (Note: Use Item 100)	
9	See Note	NSS	Ring, Buffer (Note: Use Item 100)	
10	70007279	1	Ring, Wear	
11	See Note	NSS	O-Ring (Note: Use Item 100)	
12	See Note	NSS	Ring, Back-up (Note: Use Item 100)	
13	See Note	NSS	O-Ring (Note: Use Item 100)	
14	See Note	NSS	O-Ring (Note: Use Item 100)	
15	70007280	1	Piston	
16	See Note	NSS	Seal (Note: Use Item 100)	
17	See Note	NSS	O-Ring (Note: Use Item 100)	
18	70022564	1	Steel Ball	
19	70029468	1	Screw, Set	
20	70007420	1	Spacer	
21	0962102	4	Bushing	
22	4640509	1	Cartridge, Valve	
22	2900792	1	Seal Kit - 4640509 Valve	
23	4640605	1	Cartridge, Valve	
23	2900792	1	Seal Kit - 4640605 Valve	
24	2220886	1	Plug, O-Ring	
25	2220883	4	Plug, O-Ring	
26	70007282	1	Insert, Locking	
27	70026287	1	Screw, Set	
100	70007283	1	Seal Kit (Includes Items 5, 7-9, 11-14, 16 & 17)	

SECTION 6 - CYLINDER

FIGURE 6-7. MASTER CYLINDER ASSEMBLY



ART_1001228050

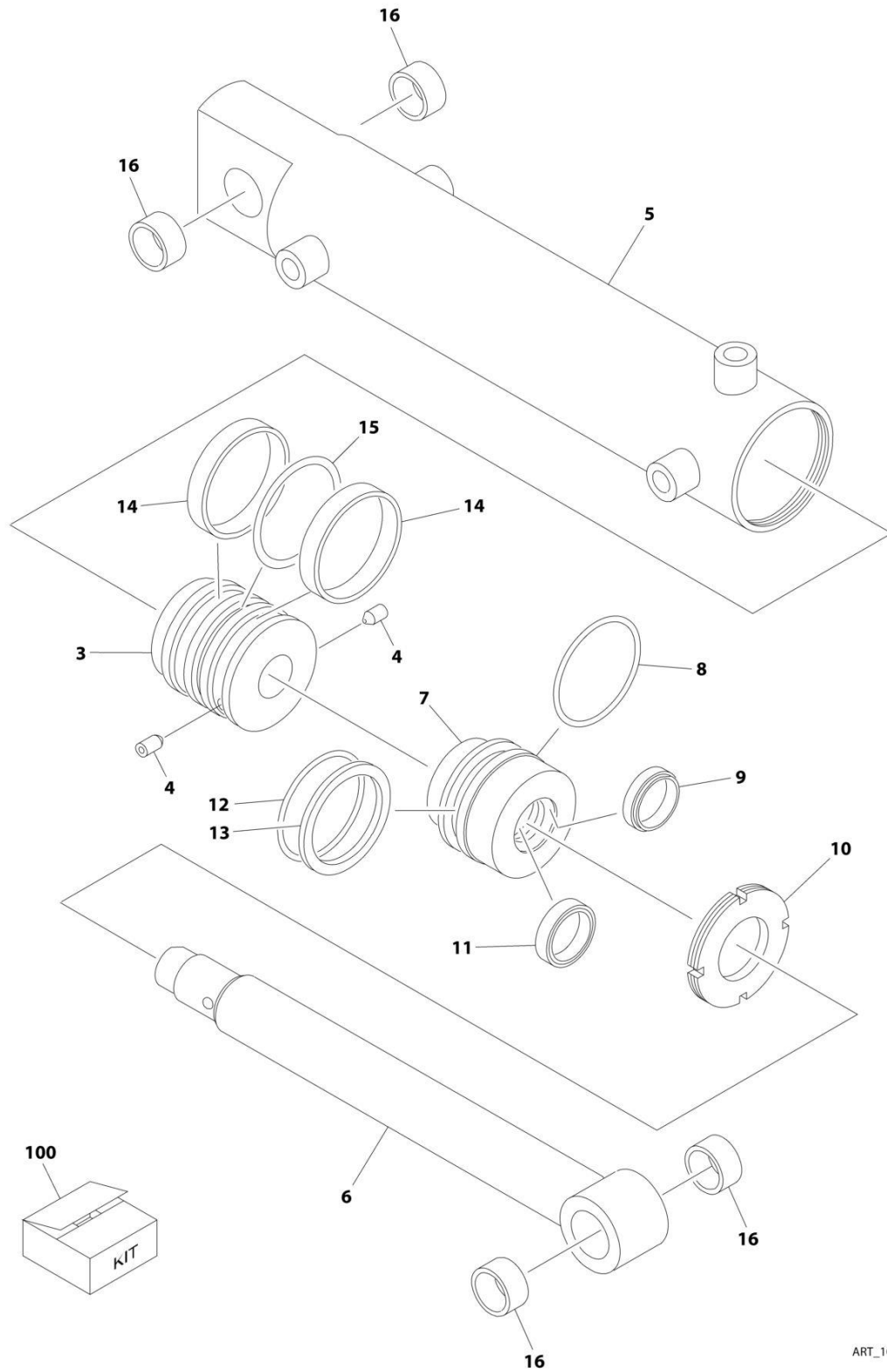
SECTION 6 - CYLINDER

FIGURE 6-7. MASTER CYLINDER ASSEMBLY

ITEM	PART NUMBER	QTY	DESCRIPTION	REV
	1001228050	Ref	MASTER CYLINDER ASSEMBLY	C
		Ref	Note: Original Cylinder may have been replaced with Service Replacement. Identify PN Stamped on Cylinder Before Ordering Parts.	
1	See Note	NSS	Barrel (Note: Not Available for Purchase)	
2	70006668	1	Rod	
3	70006643	1	Head	
4	See Note	NSS	Wiper (Note: Use Item 30)	
5	See Note	NSS	Seal, Rod (Note: Use Item 30)	
6	See Note	NSS	Ring, Wear (Note: Use Item 30)	
7	See Note	NSS	O-Ring (Note: Use Item 30)	
8	See Note	NSS	Ring, Back-up (Note: Use Item 30)	
9	70006644	1	Piston	
10	See Note	NSS	Ring, Wear (Note: Use Item 30)	
11	See Note	NSS	Ring, Lock (Note: Use Item 30)	
12	See Note	NSS	O-Ring (Note: Use Item 30)	
13	See Note	NSS	Ring, Back-up (Note: Use Item 30)	
14	70006651	1	Spacer, Tube	
15	0961894	1	Bushing, Tapered	
16	0630535	3	Capscrew 1/4 x 1-1/8	
17	3931620	8	Capscrew 3/8 x 1-1/4	
18	0962155	1	Bushing	
19	0961951	2	Bushing	
20	2220885	2	Plug, O-Ring	
30	1001138796	1	Seal Kit (Machines with Arctic Package) (Includes Items 4-8 & 10-13)	

SECTION 6 - CYLINDER

FIGURE 6-8. STEER CYLINDER ASSEMBLY



ART_1001150539

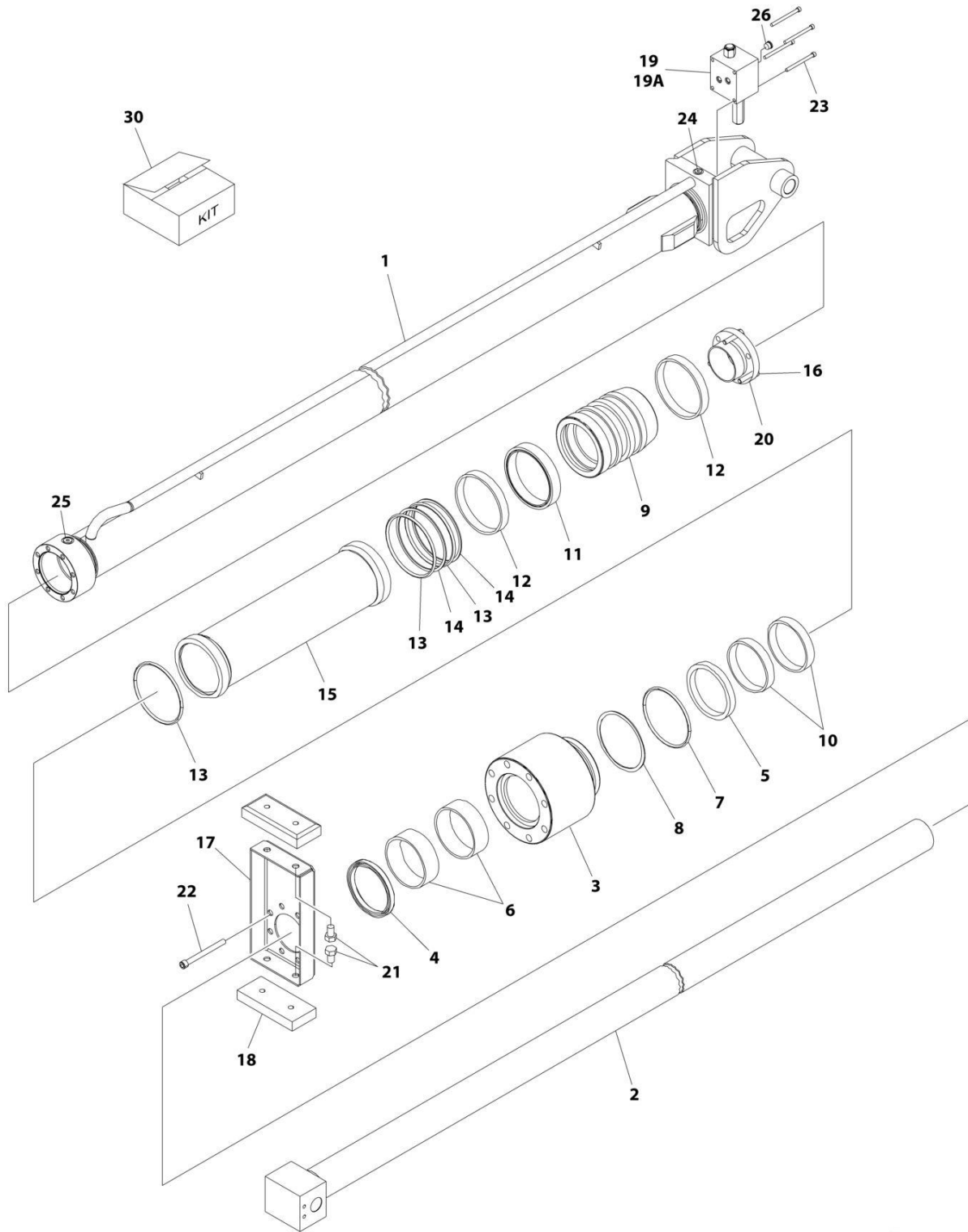
SECTION 6 - CYLINDER

FIGURE 6-8. STEER CYLINDER ASSEMBLY

ITEM	PART NUMBER	QTY	DESCRIPTION	REV
	1001150539	Ref	STEER CYLINDER ASSEMBLY	F
		Ref	Note: Original Cylinder may have been replaced with Service Replacement. Identify PN Stamped on Cylinder Before Ordering Parts.	
3	70002744	1	Piston	
4	70002745	2	Setscrew M6 x 10	
5	70004381	1	Barrel	
6	70004382	1	Rod	
7	70002748	1	Head	
8	See Note	NSS	Ring (Note: Use Item 100)	
9	See Note	NSS	Wiper (Note: Use Item 100)	
10	70002749	1	Nut, Spanner	
11	See Note	NSS	Seal (Note: Use Item 100)	
12	See Note	NSS	O-Ring (Note: Use Item 100)	
13	See Note	NSS	Ring, Back-up (Note: Use Item 100)	
14	See Note	NSS	Ring, Wear (Note: Use Item 100)	
15	See Note	NSS	Seal (Note: Use Item 100)	
16	0962152	4	Bushings	
100	70002751	1	Seal Kit (Includes Items 8, 9 & 11-15)	

SECTION 6 - CYLINDER

FIGURE 6-9. TELESCOPE CYLINDER ASSEMBLY - MAIN BOOM



ART_1001228087

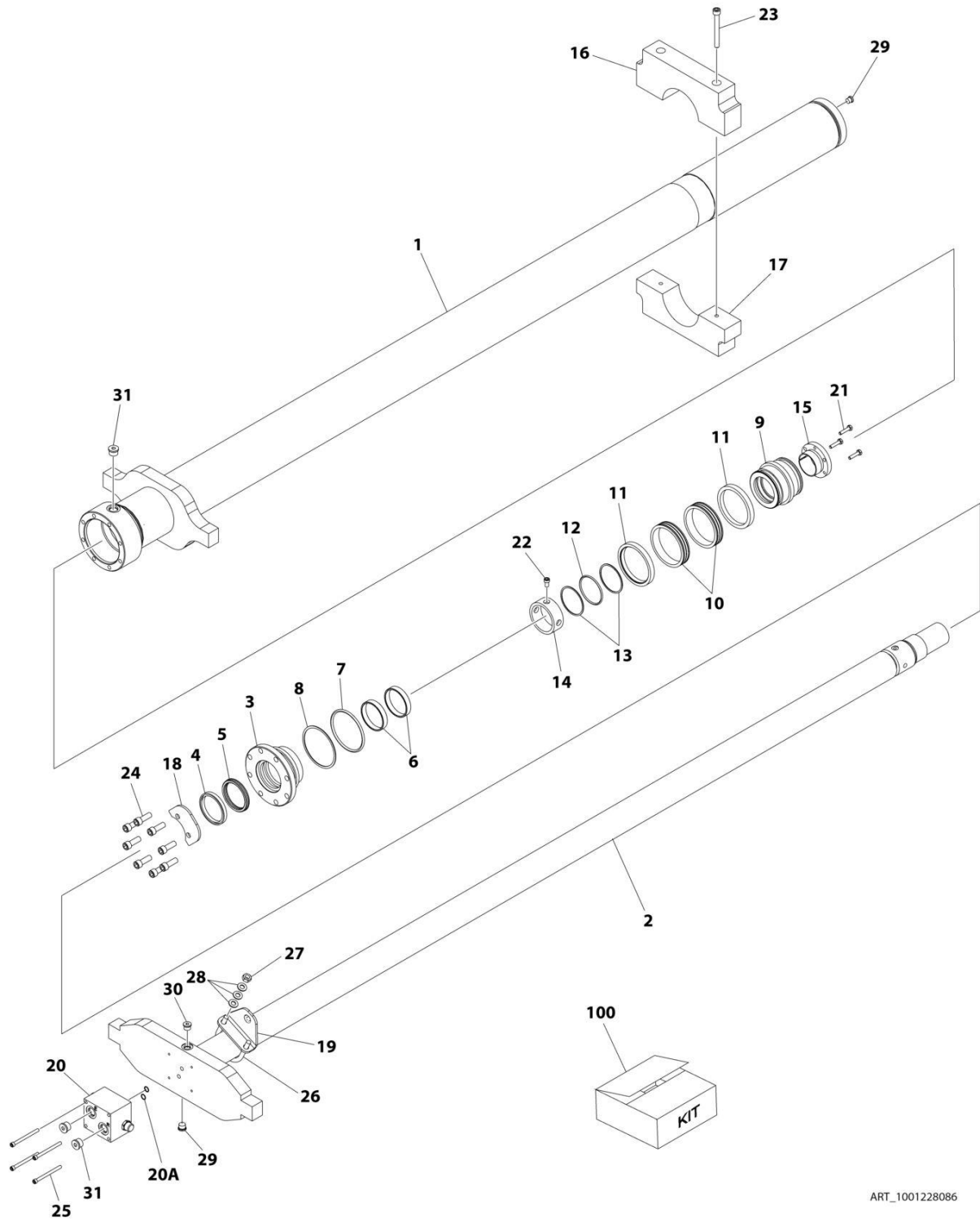
SECTION 6 - CYLINDER

FIGURE 6-9. TELESCOPE CYLINDER ASSEMBLY - MAIN BOOM

ITEM	PART NUMBER	QTY	DESCRIPTION	REV
	1001228087	Ref	TELESCOPE CYLINDER ASSEMBLY	F
		Ref	Note: Original Cylinder may have been replaced with Service Replacement. Identify PN Stamped on Cylinder Before Ordering Parts.	
1	See Note	NSS	Barrel (Note: Not Available for Purchase)	
2	70006669	1	Rod	
3	70006670	1	Head	
4	See Note	NSS	Wiper (Note: Use Item 30)	
5	See Note	NSS	Seal, Rod (Note: Use Item 30)	
6	See Note	NSS	Ring, Wear (Note: Use Item 30)	
7	See Note	NSS	O-Ring (Note: Use Item 30)	
8	See Note	NSS	Ring, Back-up (Note: Use Item 30)	
9	70006671	1	Piston	
10	See Note	NSS	Ring, Wear (Note: Use Item 30)	
11	See Note	NSS	Seal, Piston (Note: Use Item 30)	
12	See Note	NSS	Ring, Wear (Note: Use Item 30)	
13	See Note	NSS	O-Ring (Note: Use Item 30)	
14	See Note	NSS	Ring, Back-up (Note: Use Item 30)	
15	70006672	1	Spacer	
16	0961897	1	Bushing, Tapered	
17	3570775	1	Plate	
18	3340838	2	Pad, Wear	
19	4641033	1	Valve Assembly (No serviceable parts - sold as assembly only)	
19A	7024508	2	O-Ring (Between Valve and Cylinder Barrel)	
20	0630535	3	Bolt 1/4 x 1-1/8	
21	0641806	4	Bolt 1/2 x 3/4	
22	3931664	8	Capscrew 3/8 x 4	
23	3931448	4	Capscrew 1/4 x 3	
24	2220883	1	Plug, O-Ring	
25	2220885	AR	Plug, O-Ring	
26	2220886	1	Plug, O-Ring	
30	1001149391	1	Seal Kit (Includes Items 4-8 & 10-14)	

SECTION 6 - CYLINDER

FIGURE 6-10. TELESCOPE CYLINDER ASSEMBLY - TOWER BOOM



ART_1001228086

SECTION 6 - CYLINDER

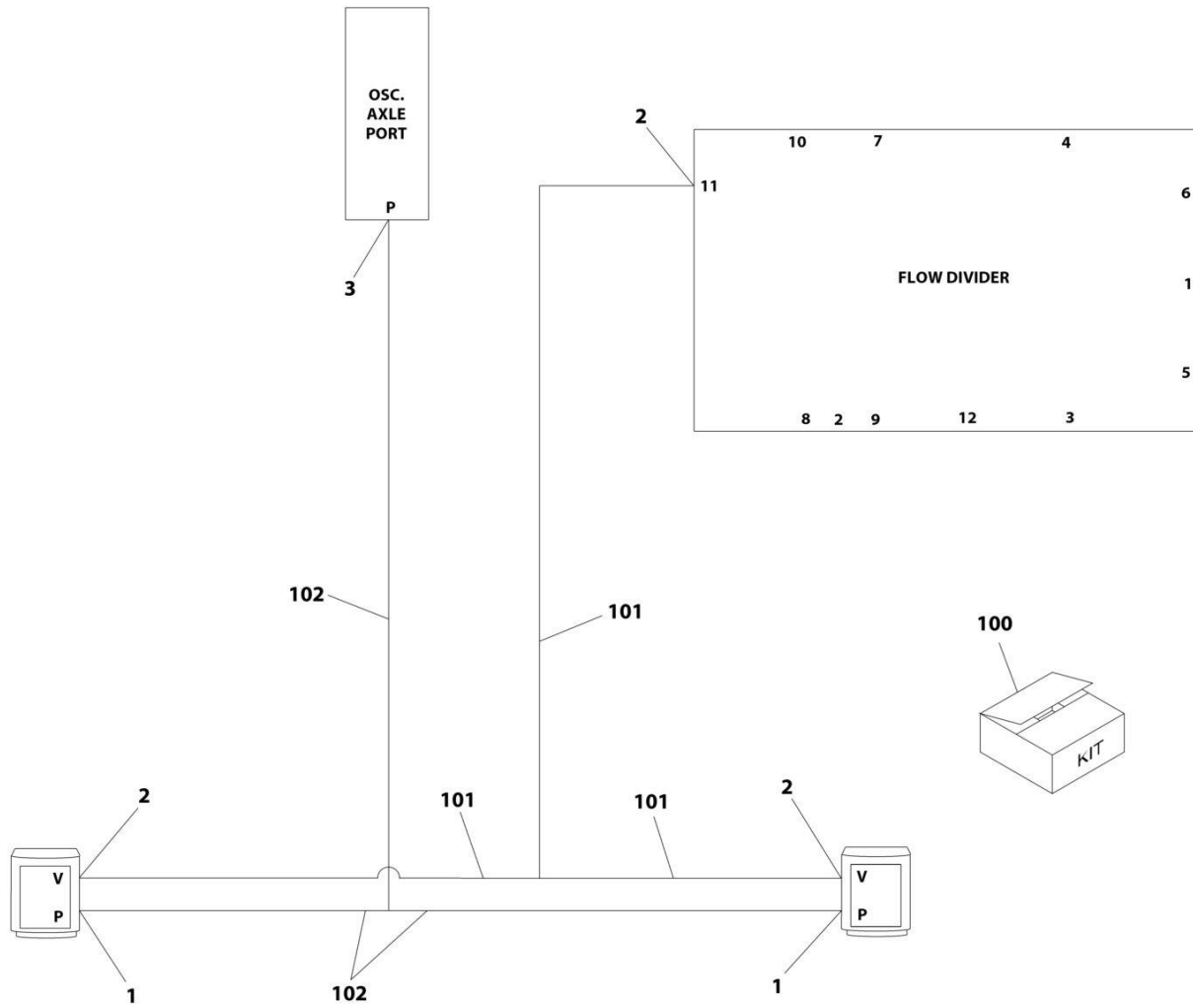
FIGURE 6-10. TELESCOPE CYLINDER ASSEMBLY - TOWER BOOM

ITEM	PART NUMBER	QTY	DESCRIPTION	REV
	1001228086	Ref	TELESCOPE CYLINDER ASSEMBLY	C
		Ref	Note: Original Cylinder may have been replaced with Service Replacement. Identify PN Stamped on Cylinder Before Ordering Parts.	
1	See Note	NSS	Barrel (Note: Not Available for Purchase)	
2	70006921	1	Rod	
3	70006480	1	Head	
4	See Note	NSS	Wiper (Note: Use Item 100)	
5	See Note	NSS	Seal, Rod (Note: Use Item 100)	
6	See Note	NSS	Ring, Wear (Note: Use Item 100)	
7	See Note	NSS	O-Ring (Note: Use Item 100)	
8	See Note	NSS	Ring, Back-up (Note: Use Item 100)	
9	70006479	1	Piston	
10	See Note	NSS	Seal, Piston (Note: Use Item 100)	
11	See Note	NSS	Ring, Lock (Note: use Item 100)	
12	See Note	NSS	O-Ring (Note: Use Item 100)	
13	See Note	NSS	Ring, Back-up (Note: Use Item 100)	
14	70006922	1	Spacer	
15	0961897	1	Bushing, Tapered	
16	70006923	1	Pad, Wear	
17	70006924	1	Pad, Wear	
18	70006925	1	Plate	
19	70006926	1	Plate	
20	4641032	1	Valve Assembly (No serviceable parts - sold as assembly only)	
20A	7024397	2	O-Ring (Between Valve and Cylinder Barrel)	
21	0630535	3	Bolt 1/4 x 1-1/8	
22	70006731	1	Bolt	
23	70006927	2	Bolt M10	
24	70006728	8	Bolt 7/16	
25	70006733	4	Bolt M8	
26	70006928	1	U-Bolt M10	
27	70005594	2	Nut M10	
28	70006344	6	Washer M10	
29	2220883	2	Plug, O-Ring	
30	2220885	1	Plug, O-Ring	
31	2220886	3	Plug, O-Ring	
100	1001188842	1	Seal Kit - 1001228086 Cylinder (Includes Items 4-8 & 10-13)	

SECTION 7 - HYDRAULIC

SECTION 7 - HYDRAULIC

FIGURE 7-1. AXLE LOCKOUT HYDRAULIC DIAGRAM



ART_1001157400

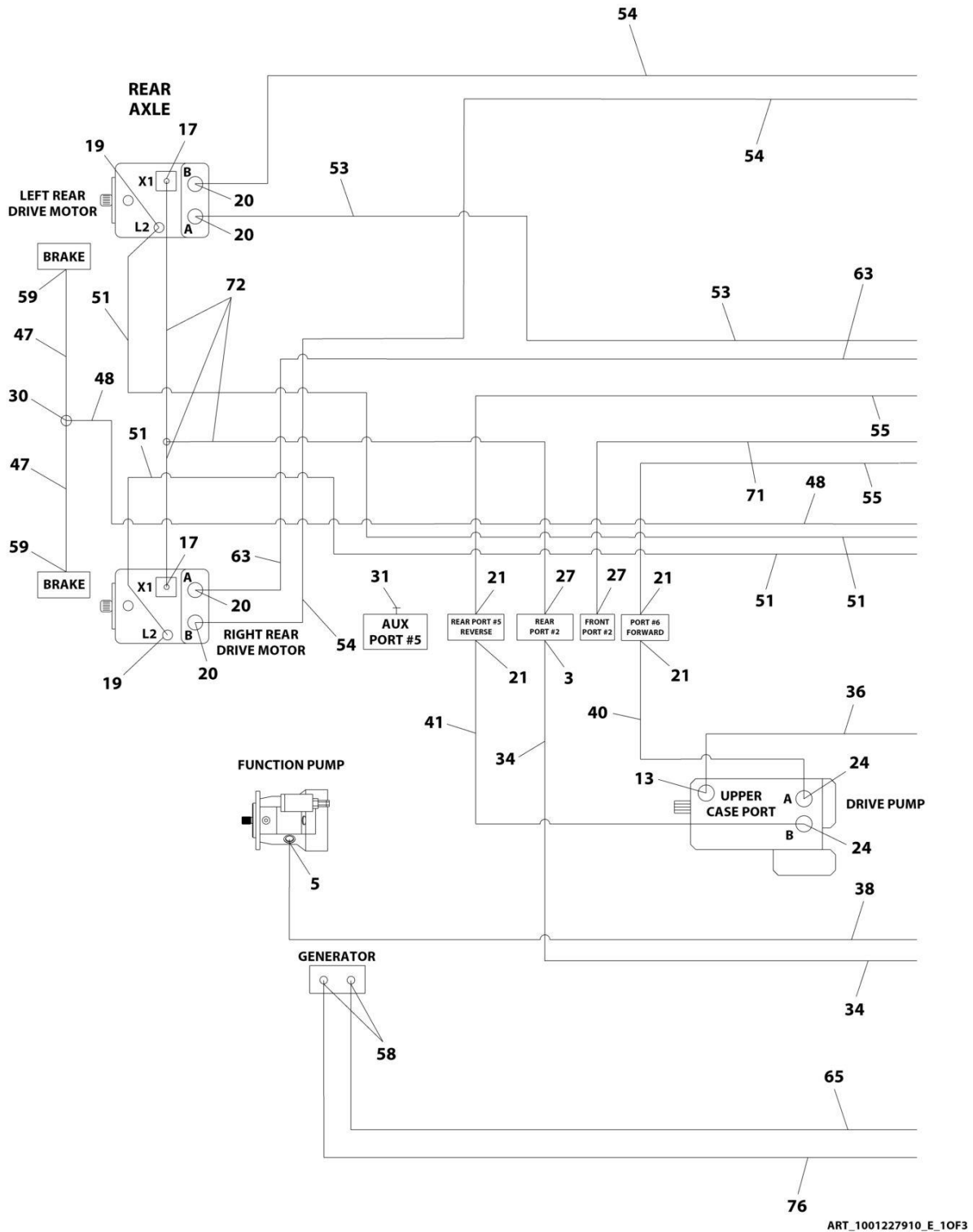
SECTION 7 - HYDRAULIC

FIGURE 7-1. AXLE LOCKOUT HYDRAULIC DIAGRAM

ITEM	PART NUMBER	QTY	DESCRIPTION	REV
	1001157400	Ref	AXLE LOCKOUT HYDRAULIC DIAGRAM	G
1	2110404	2	Fitting, Straight ORFS/ORB	
2	2110606	3	Fitting, Straight ORFS/ORB	
3	2110408	1	Fitting, Straight ORFS/ORB	
100	1001270068	1	Hose Lockout Kit	
101	1001198336	1	Hose with Crimped Tee	
102	1001198339	1	Hose with Crimped Tee	

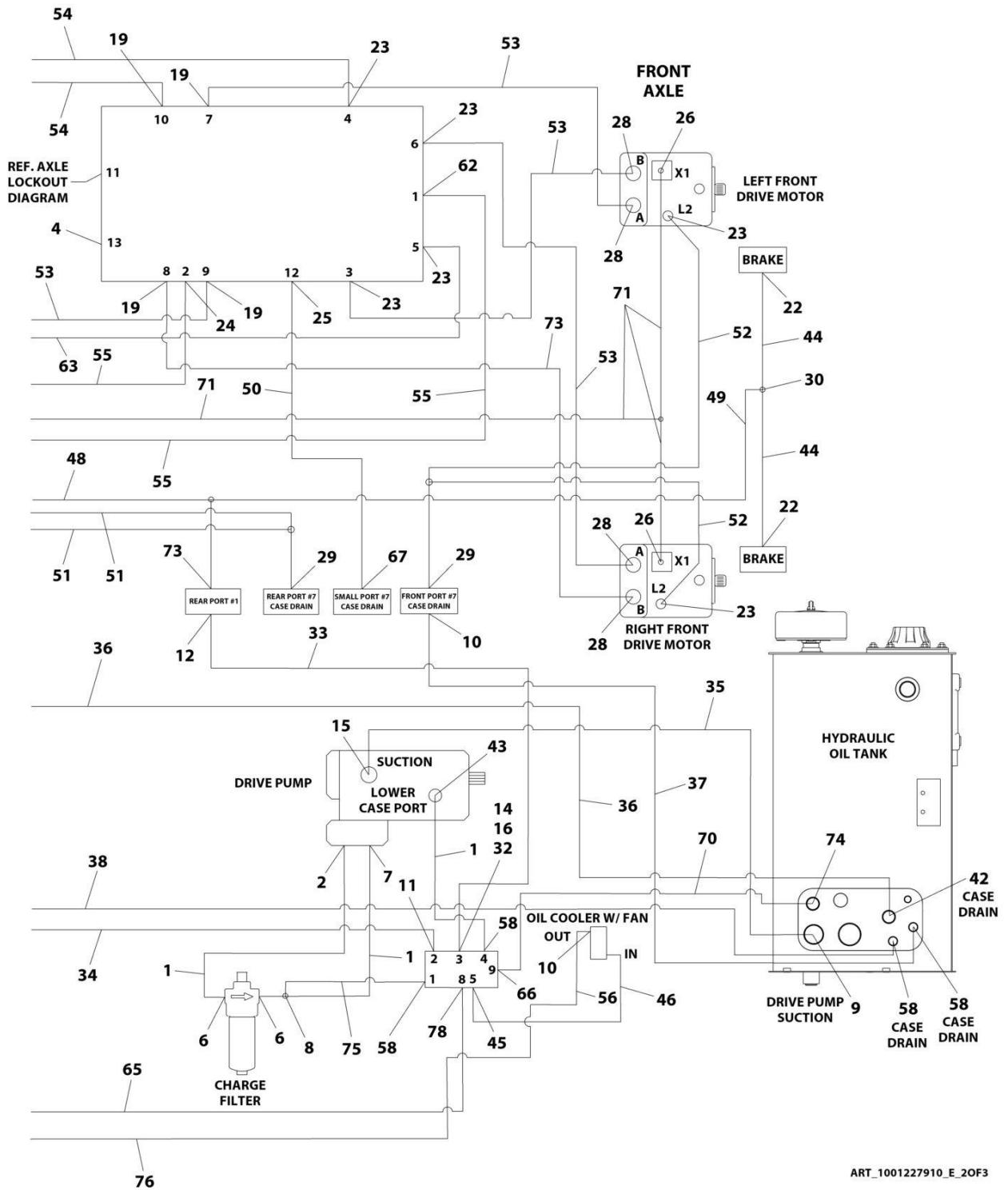
SECTION 7 - HYDRAULIC

FIGURE 7-2. DRIVE HYDRAULIC DIAGRAM

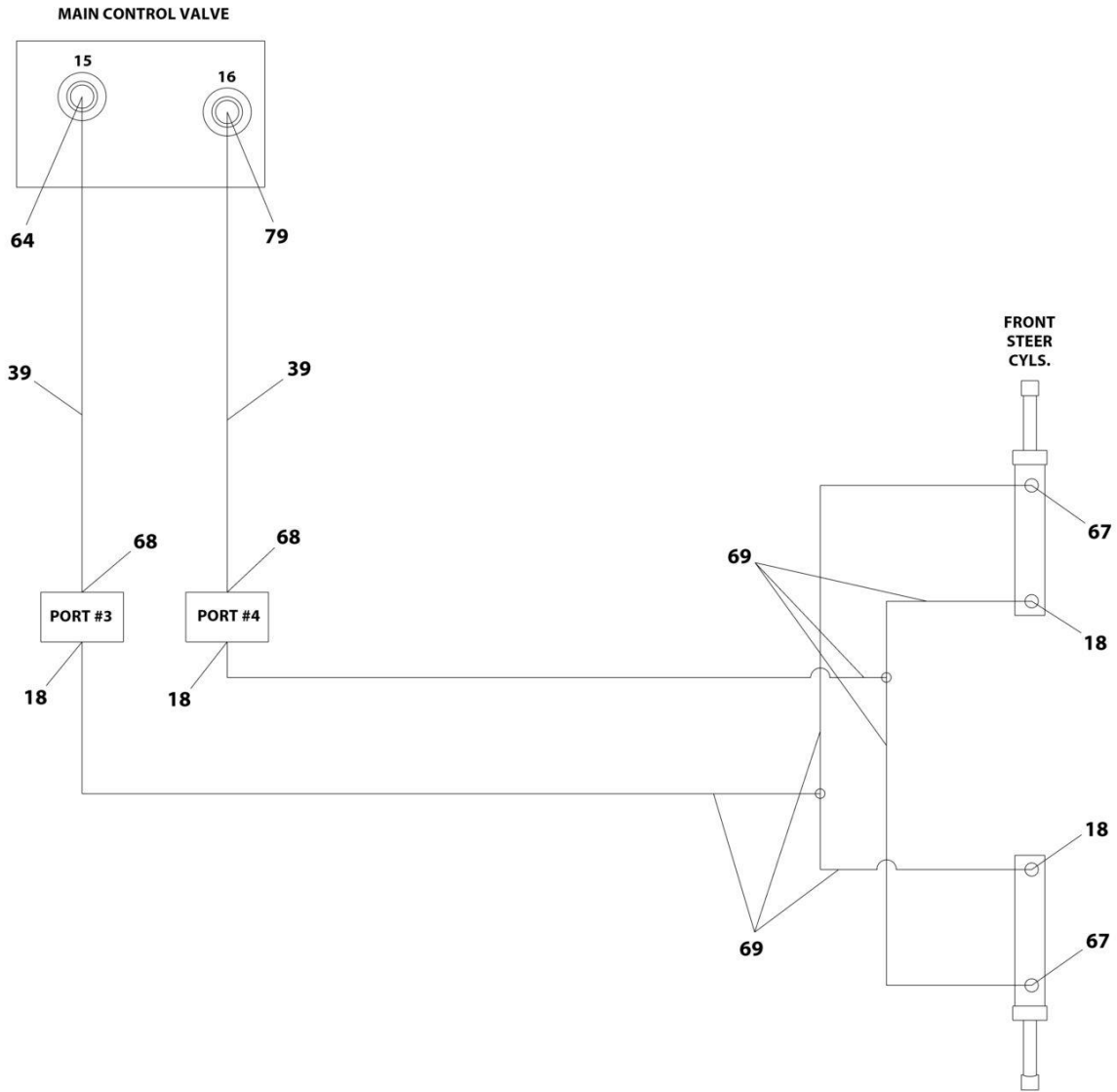


ART_1001227910_E_10F3

SECTION 7 - HYDRAULIC



SECTION 7 - HYDRAULIC



ART_1001227910_E_30F3

SECTION 7 - HYDRAULIC

FIGURE 7-2. DRIVE HYDRAULIC DIAGRAM

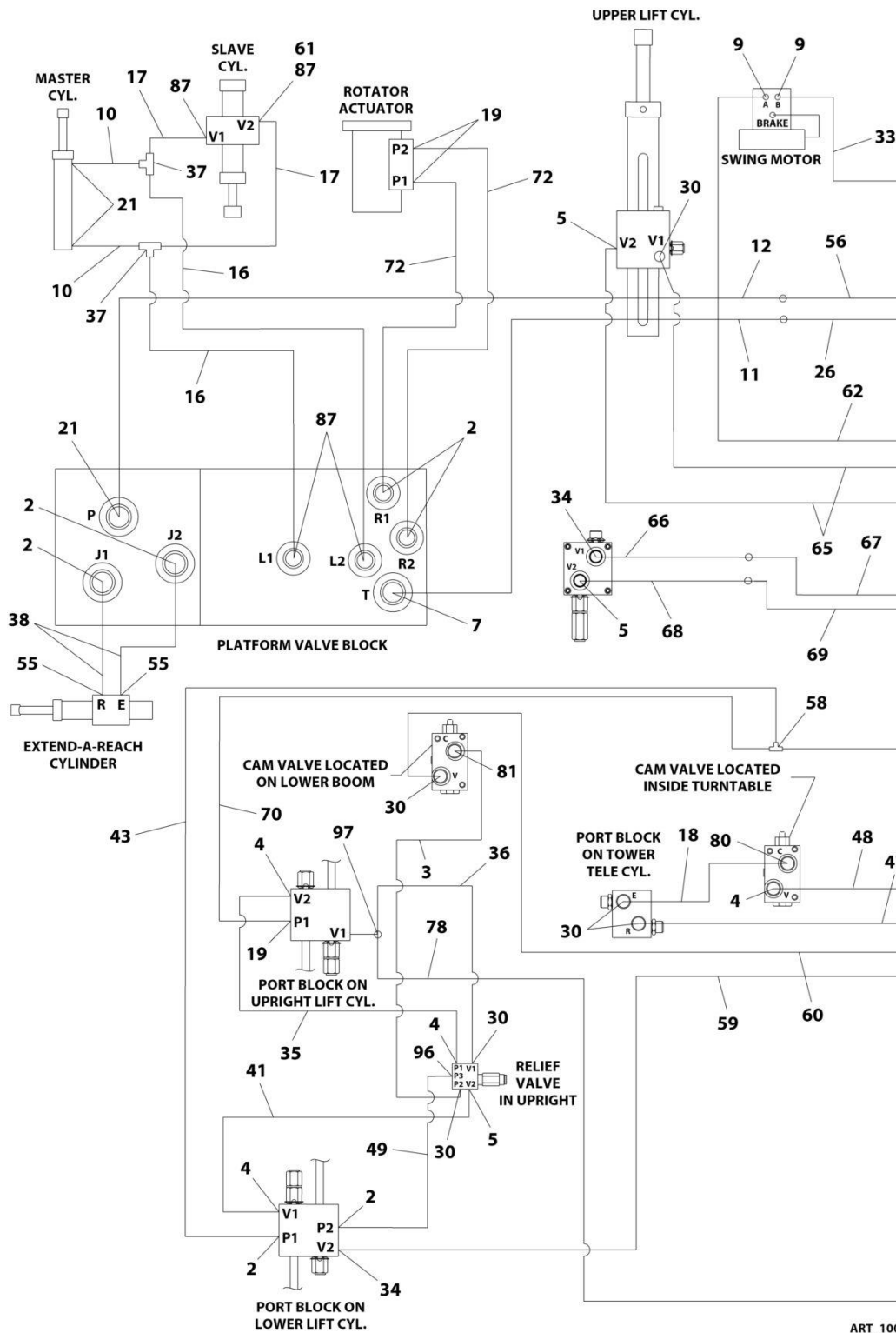
ITEM	PART NUMBER	QTY	DESCRIPTION	REV
	1001227910	Ref	DRIVE HYDRAULIC DIAGRAM	E
1	2752494	3	Hose	
2	2220800	1	Fitting, Straight ORB/FL	
3	2220582	1	Fitting, Straight ORB/FL	
4	2220238	1	Fitting, Plug ORB	
5	2220671	1	Fitting, 90 JIC/ORB	
6	2220366	2	Fitting, 90 ORB	
7	2220374	1	Fitting, Straight JIC/ORB	
8	2220385	1	Fitting, Tee JIC	
9	2220380	1	Fitting, Straight ORB/FL	
10	2220375	3	Fitting, Straight ORB/FL	
11	2221040	1	Fitting, 45 JIC/ORB	
12	2220468	1	Fitting, Straight ORB/FL	
13	2220578	1	Fitting, 90 JIC/ORB	
14	1001228696	1	Fitting, Straight FORB/ORB	
15	8770050	1	Fitting, 90 JIC/ORB	
16	4641284	1	Valve, Check	
17	2110406	2	Fitting, Straight ORFS/ORB	
18	2110606	4	Fitting, Straight ORFS/ORB	
19	2110808	6	Fitting, Straight ORFS/ORB	
20	2110812	4	Fitting, Straight ORFS/ORB	
21	2111616	4	Fitting, Straight ORFS/ORB	
22	2110404	2	Fitting, Straight ORFS/ORB	
23	2130808	6	Fitting, 90 ORFS/ORB	
24	2131616	3	Fitting, 90 ORFS/ORB	
25	2130604	1	Fitting, 90 ORFS/ORB	
26	2130406	2	Fitting, 90 ORFS/ORB	
27	2150406	2	Fitting, 45 ORFS/ORB	
28	2110812	4	Fitting, 45 ORFS/ORB	
29	2170408	2	Fitting, Tee ORFS/ORFS/ORB	
30	2170504	2	Fitting, Tee ORFS	
31	2220237	1	Fitting, Plug ORB	
32	2220654	1	Fitting, 90 JIC/FSJIC	
33	2752997	1	Hose	
34	2751399	1	Hose	
35	2752754	1	Hose	
36	1001188135	1	Hose	
37	2751500	1	Hose	
38	2752938	1	Hose	
39	2752489	2	Hose	
40	1001156332	1	Hose	
41	1001156333	1	Hose	
42	2220451	1	Fitting, Straight JIC/ORB	
43	2221077	1	Fitting, 45	
44	2754512	2	Hose	
45	2220500	1	Fitting, 45 JIC/ORB	
46	1001196297	1	Hose	
47	2754337	2	Hose	
48	2753622	1	Hose	
49	2753542	1	Hose	

SECTION 7 - HYDRAULIC

ITEM	PART NUMBER	QTY	DESCRIPTION	REV
50	2753626	1	Hose	
51	2753686	2	Hose	
52	2753628	2	Hose	
53	2753970	4	Hose	
54	2753971	2	Hose	
55	2753634	2	Hose	
56	1001228678	1	Hose	
58	2220373	6	Fitting, Straight JIC/ORB	
59	2110404	2	Fitting, Straight ORFS/ORB	
62	2151616	1	Fitting, 90 ORFS/ORB	
63	2754338	1	Hose	
64	2220371	1	Fitting, Straight JIC/ORB	
65	1001228679	1	Hose	
66	2221050	1	Fitting, 45 JIC/ORB	
67	2130606	3	Fitting, 90 ORFS/ORB	
68	2220473	2	Fitting, 90 ORB/FL	
69	1001198333	2	Hose with Crimped Tee	
70	2752765	1	HOSE ASSY,5/8 X 84" STR X 90S	
71	1001198341	1	Hose with Crimped Tee	
72	1001198340	1	Hose with Crimped Tee	
73	1001198338	1	Fitting, Tee ORFS/ORB	
74	2220865	1	Adapter, Straight/JIC	
75	2752493	1	Hose	
76	2220683	1	Fitting, 45 JIC/FSJIC	
77	1001233573	1	Hose	
78	2220499	1	Fitting, 45 JIC/ORB	
79	2220998	1	Adapter, Straight/JIC	

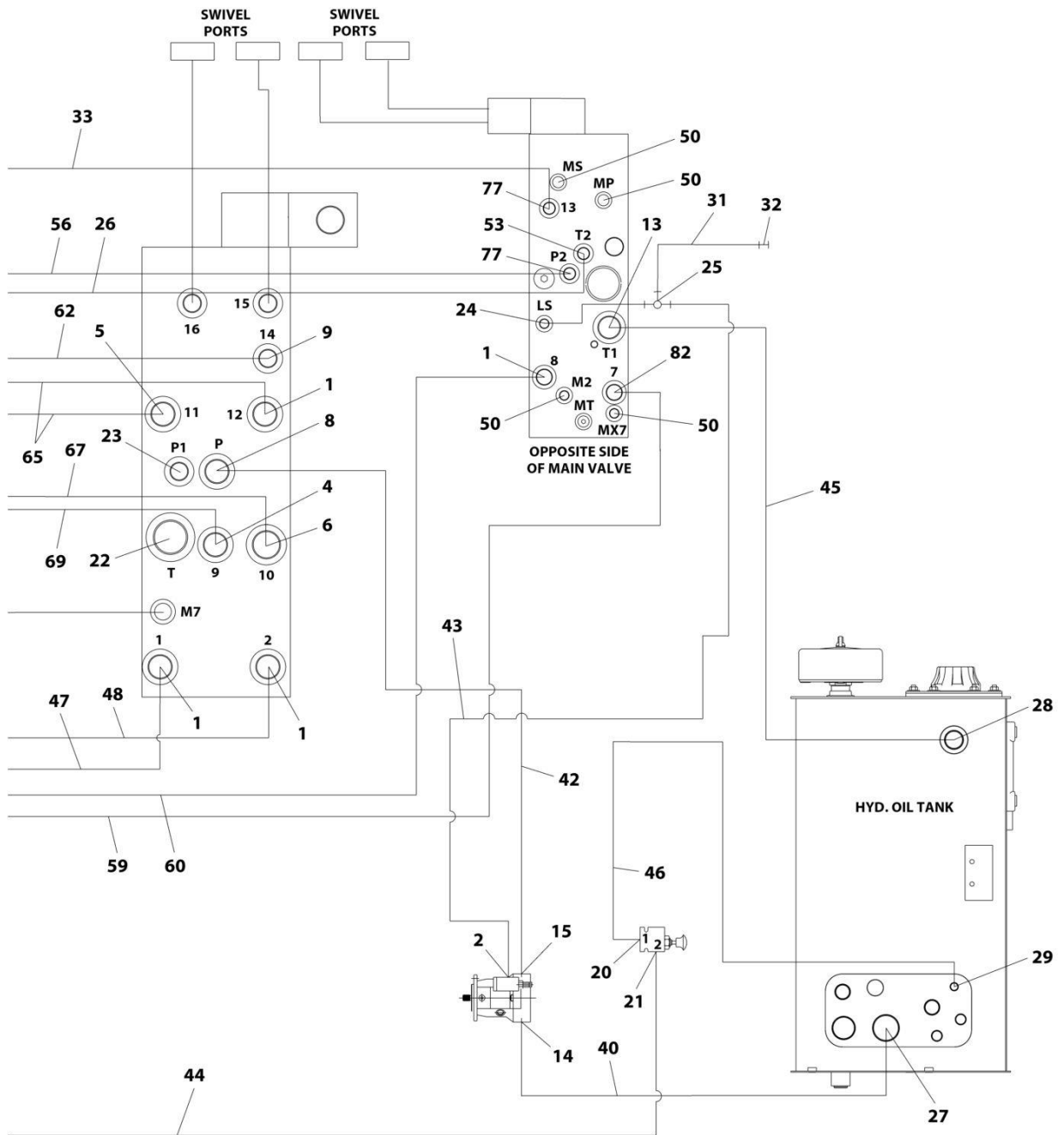
SECTION 7 - HYDRAULIC

FIGURE 7-3. STANDARD HYDRAULIC DIAGRAM



ART_1001227892_E_10F2

SECTION 7 - HYDRAULIC



ART_1001227892_E_20F2

SECTION 7 - HYDRAULIC

FIGURE 7-3. STANDARD HYDRAULIC DIAGRAM

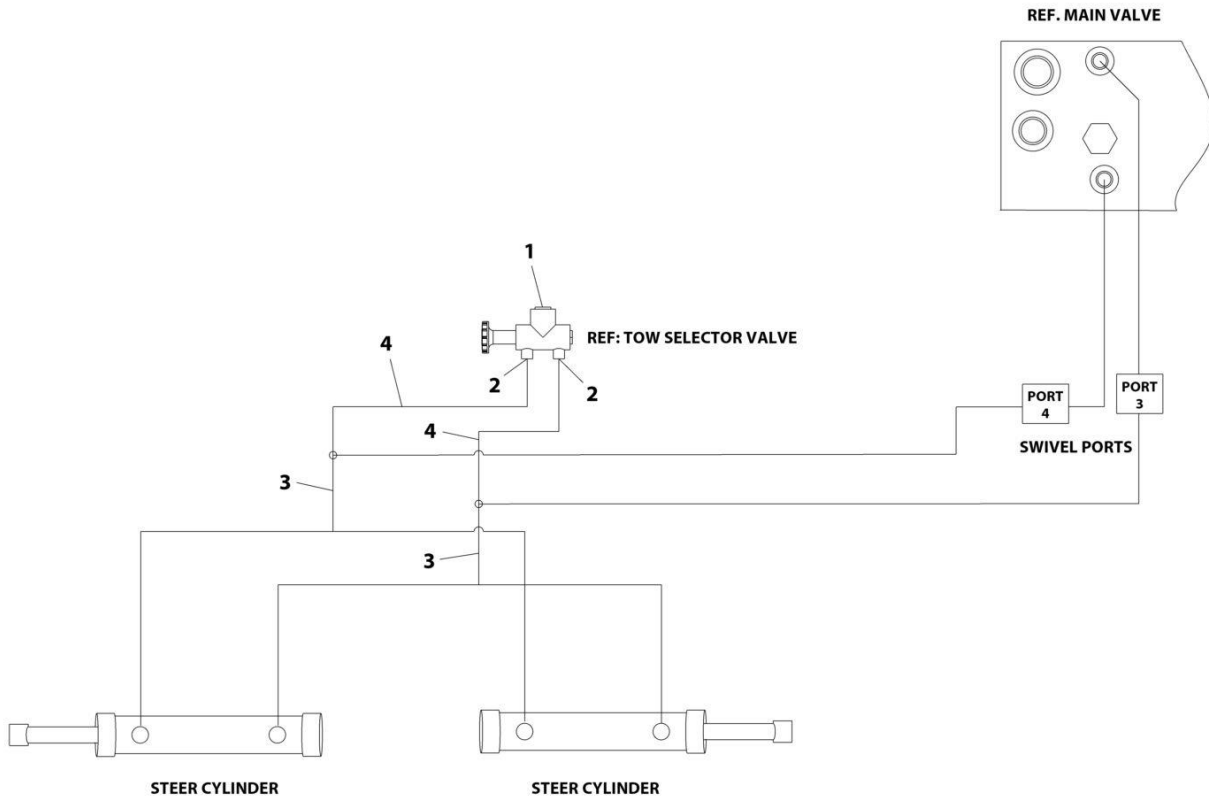
ITEM	PART NUMBER	QTY	DESCRIPTION	REV
	1001227892	Ref	STANDARD HYDRAULIC DIAGRAM	E
1	2220381	AR	Fitting, Straight ORB/JIC	
2	2220415	AR	Fitting, Straight ORB/JIC	
3	2753199	1	Hose	
4	2220373	AR	Fitting, Straight ORB/JIC	
5	2220500	3	Fitting, 45 ORB/JIC	
6	88662037	1	Adapter, Straight/JIC	
7	2220600	1	Adapter, Straight/JIC	
8	2220593	1	Fitting, Straight ORB/JIC	
9	2220371	3	Fitting, Straight ORB/JIC	
10	2753126	2	Hose	
11	1001179546	1	Hose	
12	1001179545	1	Hose	
13	1001179329	1	Hose	
14	2220737	1	Split Flange	
15	2220478	1	Split Flange	
16	1001155673	2	Hose	
17	1001119602	2	Hose	
18	2753200	1	Hose	
19	2220466	2	Fitting, 90 ORB/JIC	
20	2220582	1	Fitting, Straight ORB/JIC	
21	2220473	4	Fitting, 90 ORB/JIC	
22	2220240	1	Fitting, Plug ORB	
23	2220237	1	Fitting, Plug ORB	
24	2220923	1	Fitting, Straight ORB/JIC	
25	2220605	1	Fitting, Tee JIC/FSJIC/JIC	
26	1001182162	1	Hose	
27	2220765	1	Fitting, Straight ORB/FL	
28	2220377	1	Fitting, Straight JIC/ORB	
29	2220582	1	Fitting, Straight JIC/ORB	
30	2220596	6	Fitting, 90 ORB/FL	
31	2752995	1	Hose	
32	91143177	1	Fitting, Test	
33	2752461	1	Hose	
34	2220852	2	Fitting, Straight ORB/FL	
35	2753197	1	Hose	
36	2753196	1	Hose	
37	2220490	2	Fitting, Tee FL/FL	
38	2753442	2	Hose	
40	1001179079	1	Hose	
41	2753195	1	Hose	
42	2753231	1	Hose	
43	2753010	2	Hose	
44	2752468	1	Hose	
45	2752723	1	Hose	
46	2753274	1	Hose	
47	2753192	1	Hose	
48	2752494	1	Hose	
49	2753008	1	Hose	
50	2221086	4	Fitting, Test	

SECTION 7 - HYDRAULIC

ITEM	PART NUMBER	QTY	DESCRIPTION	REV
53	1001136881	1	Fitting, 45 ORB/FG	
55	2220472	2	Fitting, 90 ORB/FL	
56	2753123	1	Hose	
58	2221034	1	Fitting, Tee FL/FL/ORB	
59	2752768	1	Hose	
60	2752930	1	Hose	
61	4567139	1	Tube	
62	2752484	1	Hose	
65	2753189	2	Hose	
66	2752767	1	Hose	
67	2752766	1	Hose	
68	2753190	1	Hose	
69	2753191	1	Hose	
70	2752978	1	Hose	
72	1001159707	2	Hose	
77	2220501	2	Fitting, 45 ORB/FL	
78	4567757	1	Tube	
79	4100062	4	Protection, Hose (Not Shown - Located at Tower Boom Power Track)	
80	2220947	1	Fitting, O-Ring FL	
81	2221036	1	Fitting, 90 ORB/FL	
82	2220950	1	Fitting, 45 ORB/FL	
87	2220603	4	Fitting, Straight ORB/FL	
96	2220468	1	Fitting, Straight JIC/ORB	
97	1001215289	1	Fitting, Tee JIC/ORB/JIC	

SECTION 7 - HYDRAULIC

FIGURE 7-4. TOW HYDRAULIC DIAGRAM



ART_1001157401

SECTION 7 - HYDRAULIC

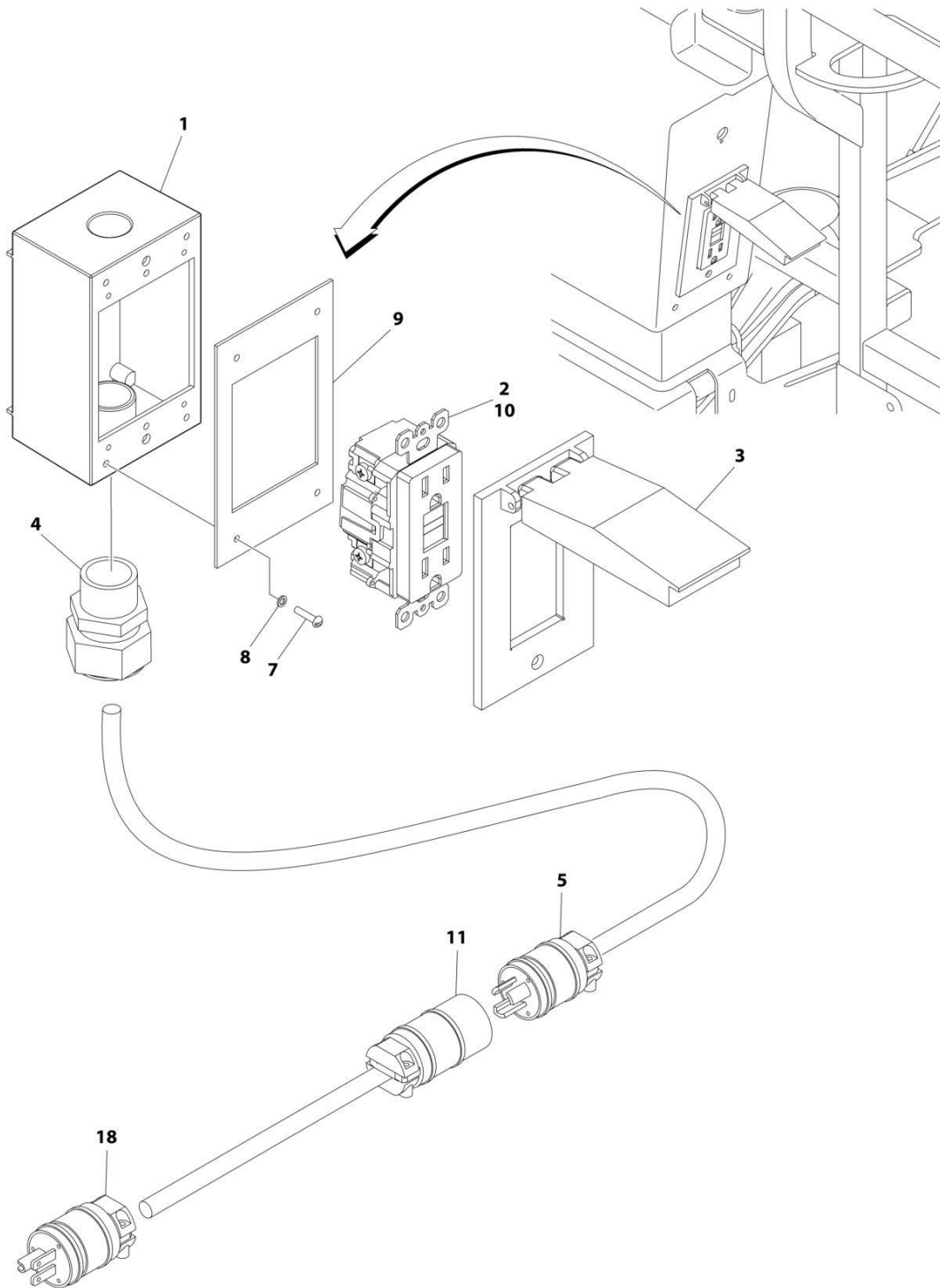
FIGURE 7-4. TOW HYDRAULIC DIAGRAM

ITEM	PART NUMBER	QTY	DESCRIPTION	REV
	1001157401	Ref	TOW HYDRAULIC DIAGRAM	B
1	2220238	1	Fitting, Plug ORB	
2	2110608	2	Fitting, Straight ORFS/ORB	
3	2170706	2	Fitting, Tee ORFS/ORFS/ORFS	
4	2753879	2	Hose	

SECTION 8 - ELECTRICAL

SECTION 8 - ELECTRICAL

FIGURE 8-1. AC BOX AT PLATFORM INSTALLATION - 110V GFI RECEPTACLE (ALL SPECS EXCEPT AUSTRALIAN, CE & UK CA SPECS)



ART_0272259

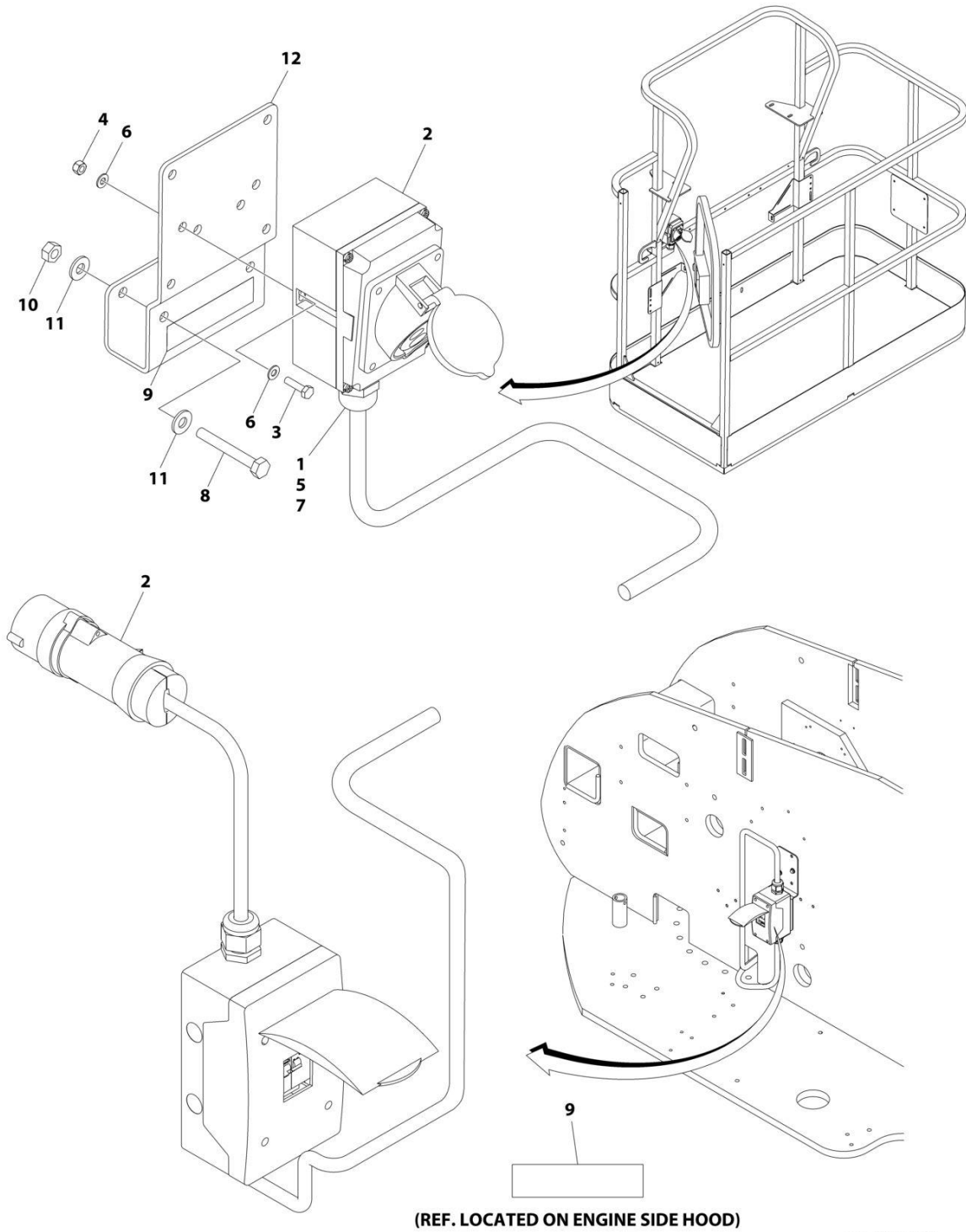
SECTION 8 - ELECTRICAL

FIGURE 8-1. AC BOX AT PLATFORM INSTALLATION - 110V GFI RECEPTACLE (ALL SPECS EXCEPT AUSTRALIAN, CE & UK CA SPECS)

ITEM	PART NUMBER	QTY	DESCRIPTION	REV
	0272259	Ref	AC BOX AT PLATFORM INSTALLATION - 110V GFI RECEPTACLE	C
1	0860038	1	Box, Switch	
2	4460346	1	Receptacle	
3	1001110873	1	Shield, Cover	
4	4460051	1	Connector, Strain Relief	
5	1001213584	1	Plug, Male	
7	3910610	4	Screw #6 x 5/8	
8	4760600	4	Washer #6	
9	3960422	1	Gasket	
10	4460315	3	Terminal, Spade	
11	1001213585	1	Receptacle, Female	
18	4460205	1	Plug, Male	

SECTION 8 - ELECTRICAL

**FIGURE 8-2. AC BOX AT PLATFORM INSTALLATION - 110V IEC YELLOW (CE & UK CA SPECS)
(MACHINES WITHOUT 4000W GENERATOR)**



ART_1001091969

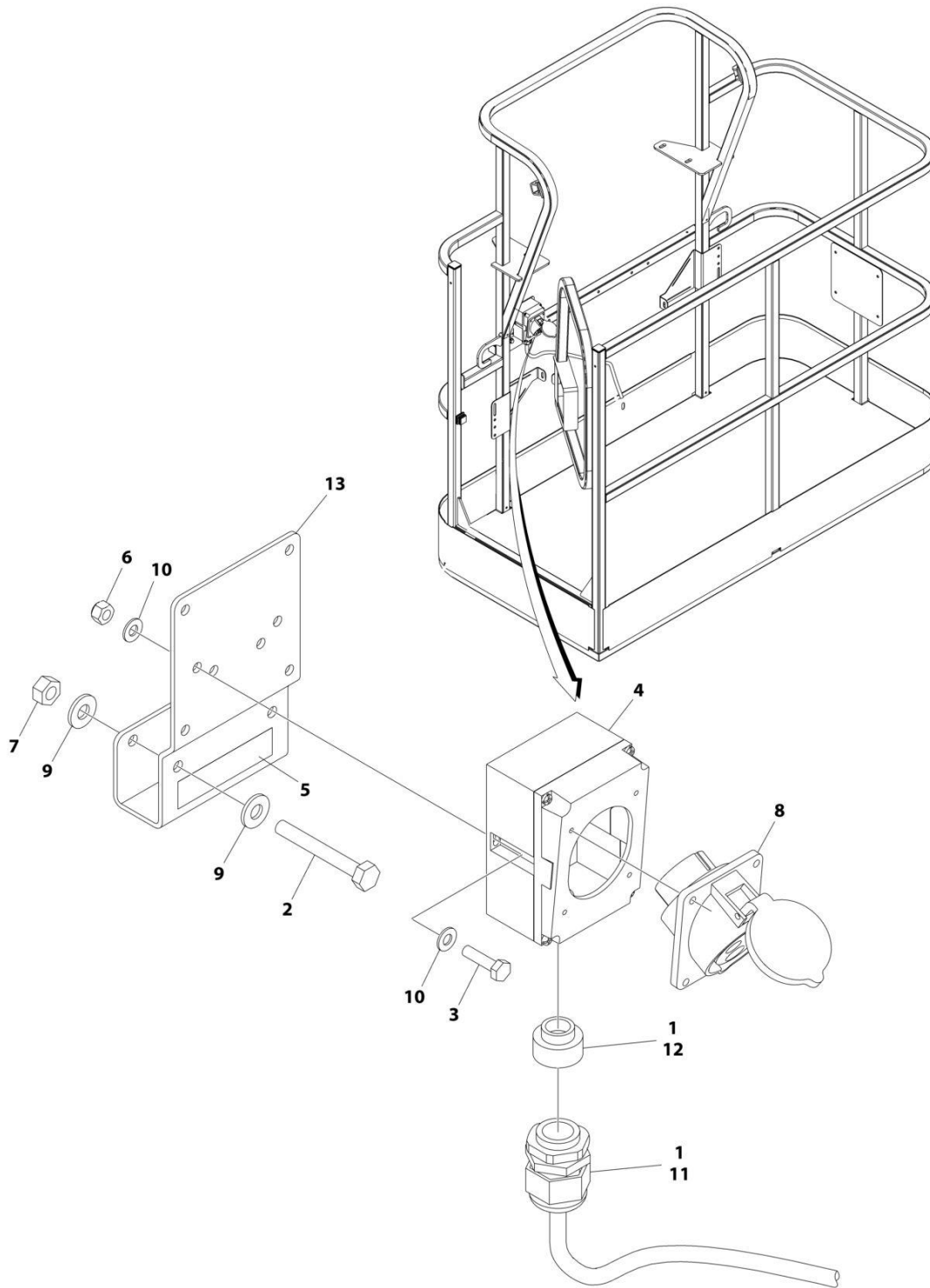
SECTION 8 - ELECTRICAL

**FIGURE 8-2. AC BOX AT PLATFORM INSTALLATION - 110V IEC YELLOW (CE & UK CA SPECS)
(MACHINES WITHOUT 4000W GENERATOR)**

ITEM	PART NUMBER	QTY	DESCRIPTION	REV
	1001091969	Ref	AC BOX AT PLATFORM INSTALLATION - 110V IEC YELLOW	D
1	0100020	AR	Sealant, Pipe	
2	0275216	1	Receptacle Box Kit (See Separate Breakdown in this Section)	
3	0700408	2	Bolt M4 x 16	
4	3290405	2	Nut M4	
5	1001101196	1	Adapter	
6	4811400	4	Washer M4	
7	1001101191	1	Connector, Strain Relief	
8	0641416	2	Bolt 1/4 x 2	
9	1705325	2	Decal - 110V	
10	3311405	2	Nut 1/4	
11	4711400	4	Washer 1/4	
12	1001193018	1	Bracket	

SECTION 8 - ELECTRICAL

**FIGURE 8-3. AC BOX AT PLATFORM INSTALLATION - 110V IEC YELLOW (CE & UK CA SPECS)
(MACHINES WITH 4000W GENERATOR)**



ART_1001206253

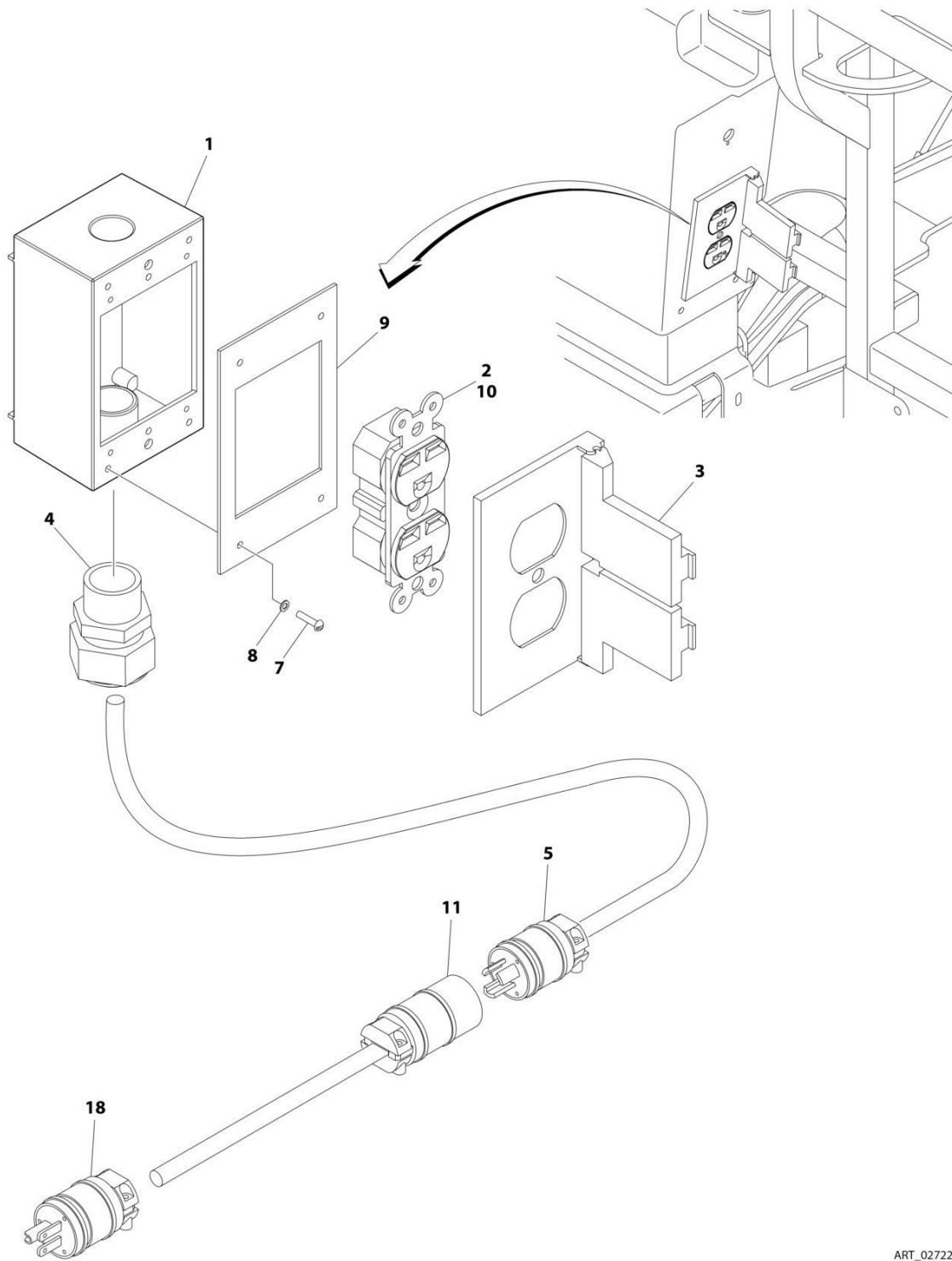
SECTION 8 - ELECTRICAL

**FIGURE 8-3. AC BOX AT PLATFORM INSTALLATION - 110V IEC YELLOW (CE & UK CA SPECS)
(MACHINES WITH 4000W GENERATOR)**

ITEM	PART NUMBER	QTY	DESCRIPTION	REV
	1001206253	Ref	AC BOX AT PLATFORM INSTALLATION - 110V IEC 60309 YELLOW WITHOUT 4000W GENERATOR	A
1	0100020	AR	Sealant, Pipe	
2	0641416	2	Bolt 1/4 x 2	
3	0700408	2	Bolt M4 x 16	
4	0861781	1	Box, Switch	
5	1705325	1	Decal - 110V	
6	3290405	2	Nut M4	
7	3311405	2	Nut 1/4	
8	4461198	1	Receptacle	
9	4711400	4	Washer 1/4	
10	4811400	4	Washer M4	
11	1001101191	1	Connector, Strain Relief	
12	1001101196	1	Adapter	
13	1001193018	1	Bracket, AC Receptacle	

SECTION 8 - ELECTRICAL

FIGURE 8-4. AC BOX AT PLATFORM INSTALLATION - 220V (ANSI, CSA & JAPANESE SPECS)



ART_0272260

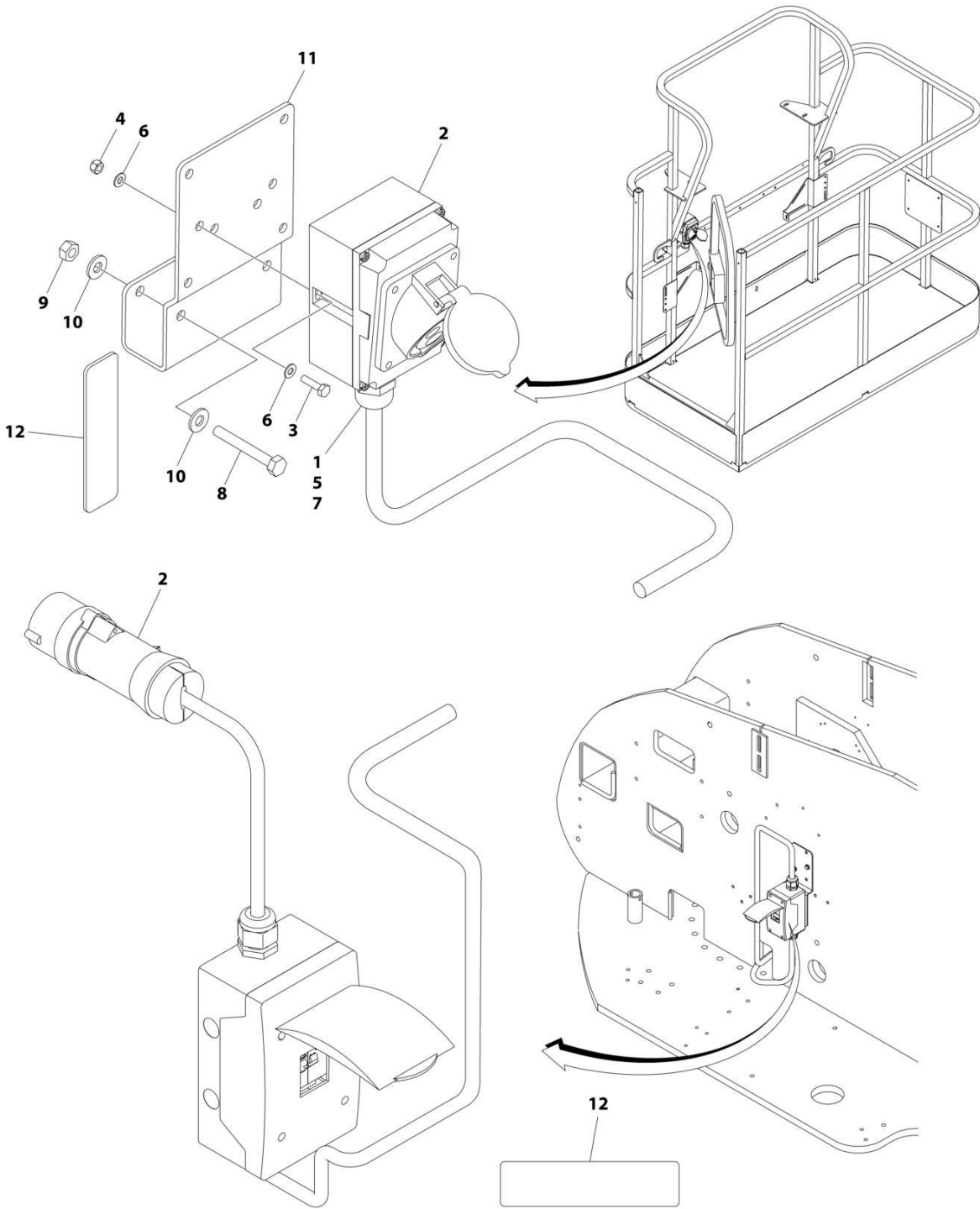
SECTION 8 - ELECTRICAL

FIGURE 8-4. AC BOX AT PLATFORM INSTALLATION - 220V (ANSI, CSA & JAPANESE SPECS)

ITEM	PART NUMBER	QTY	DESCRIPTION	REV
	0272260	Ref	AC BOX AT PLATFORM INSTALLATION - 220V	C
1	0860038	1	Box, Switch	
2	4460125	1	Receptacle	
3	4060092	1	Shield	
4	4460051	1	Connector, Strain Relief	
5	1001213584	2	Plug, Male	
7	3910610	4	Screw #6 x 5/8	
8	4760600	4	Washer #6	
9	3960422	1	Gasket	
10	4460315	1	Terminal, Spade	
11	1001213585	1	Receptacle, Female	
18	4460233	1	Plug, Male	

SECTION 8 - ELECTRICAL

FIGURE 8-5. AC BOX AT PLATFORM INSTALLATION - 220V IEC BLUE (CE & UK CA SPECS) (MACHINES WITHOUT 4000W GENERATOR)



(REF. LOCATED ON ENGINE SIDE HOOD)

ART_1001091970

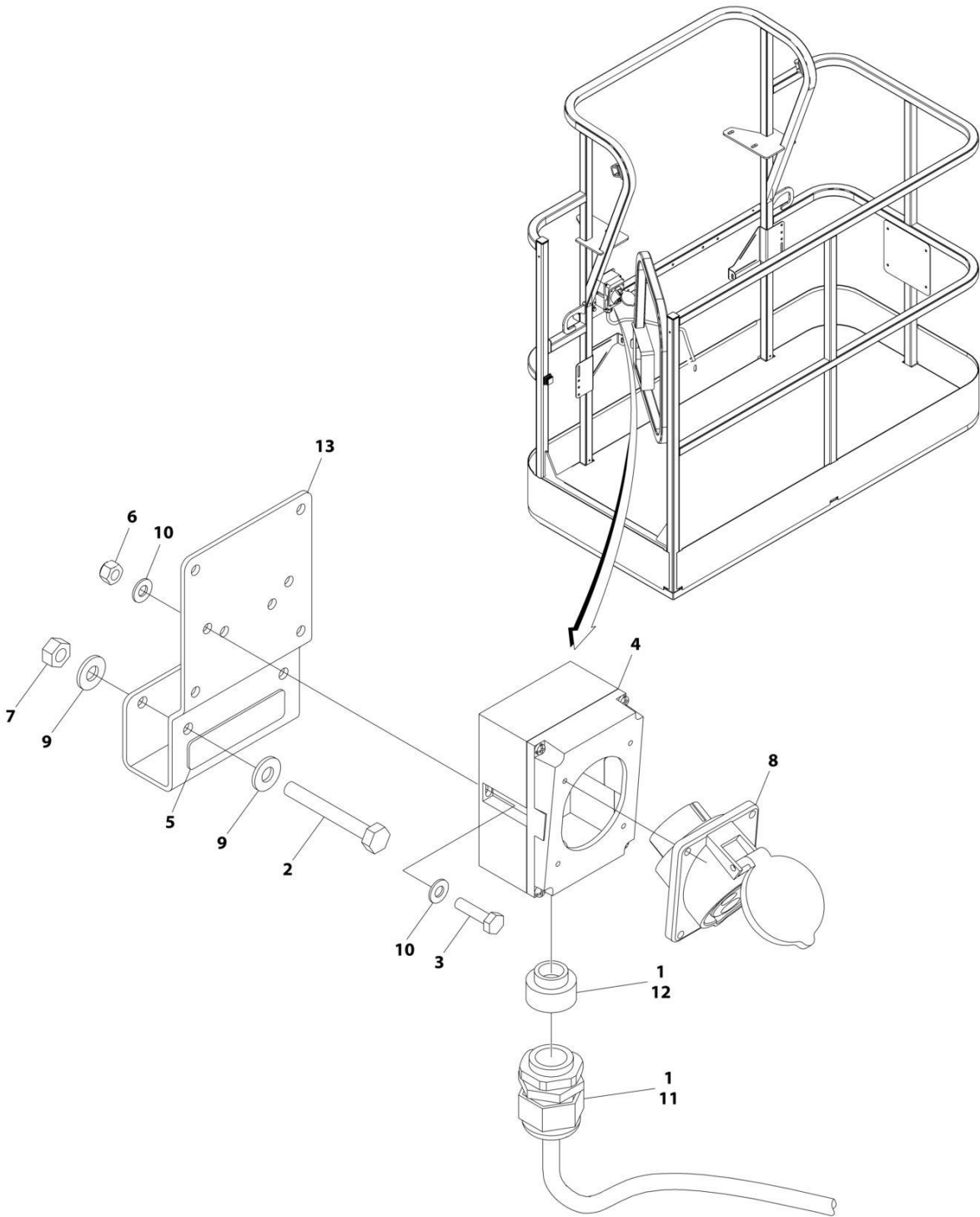
SECTION 8 - ELECTRICAL

**FIGURE 8-5. AC BOX AT PLATFORM INSTALLATION - 220V IEC BLUE (CE & UK CA SPECS)
(MACHINES WITHOUT 4000W GENERATOR)**

ITEM	PART NUMBER	QTY	DESCRIPTION	REV
	1001091970	Ref	AC BOX AT PLATFORM INSTALLATION - 220V IEC BLUE	D
1	0100020	AR	Sealant, Pipe	
2	0275217	1	Receptacle Box Kit (See Separate Breakdown in this Section)	
3	0700408	2	Bolt M4 x 16	
4	3290405	2	Nut M4	
5	1001101196	1	Adapter	
6	4811400	4	Washer M4	
7	1001101191	1	Connector, Strain Relief	
8	0641416	2	Bolt 1/4 x 2	
9	3311405	2	Nut 1/4	
10	4711400	4	Washer 1/4	
11	1001193018	1	Bracket	
12	3251242	2	Decal - 240V/50Hz	

SECTION 8 - ELECTRICAL

**FIGURE 8-6. AC BOX AT PLATFORM INSTALLATION - 220V IEC BLUE (CE & UK CA SPECS)
(MACHINES WITH 4000W GENERATOR)**



ART_1001206254

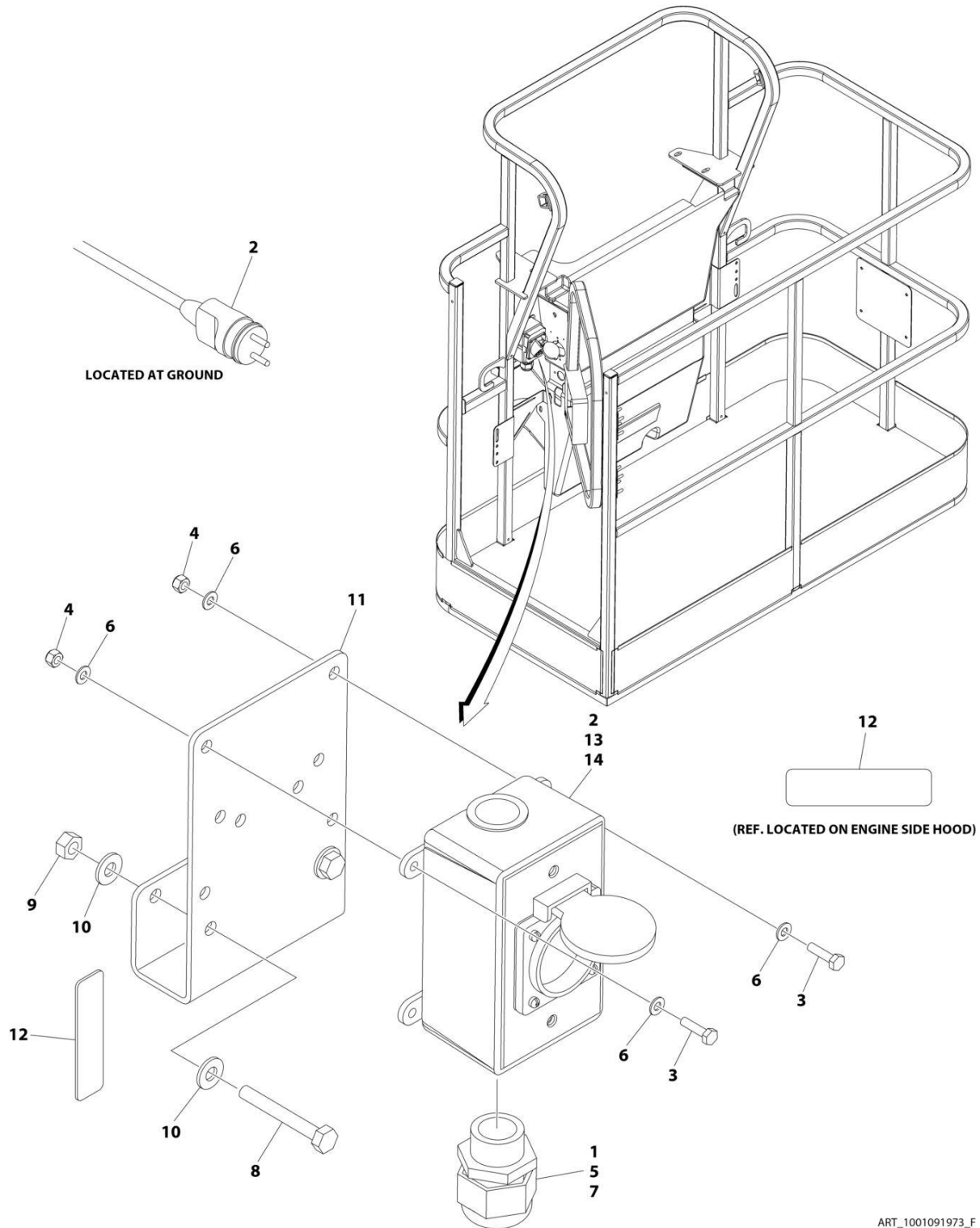
SECTION 8 - ELECTRICAL

**FIGURE 8-6. AC BOX AT PLATFORM INSTALLATION - 220V IEC BLUE (CE & UK CA SPECS)
(MACHINES WITH 4000W GENERATOR)**

ITEM	PART NUMBER	QTY	DESCRIPTION	REV
	1001206254	Ref	AC BOX AT PLATFORM INSTALLATION - 220V IEC BLUE	A
1	0100020	AR	Sealant, Pipe	
2	0641416	2	Bolt 1/4 x 2	
3	0700408	2	Bolt M4 x 16	
4	0861781	1	Box, Switch	
5	3251242	1	Decal - 240V/50Hz	
6	3290405	2	Nut M4	
7	3311405	2	Nut 1/4	
8	4461201	1	Receptacle	
9	4711400	4	Washer 1/4	
10	4811400	4	Washer M4	
11	1001101191	1	Connector, Strain Relief	
12	1001101196	1	Adapter	
13	1001193018	1	Bracket, AC Receptacle	

SECTION 8 - ELECTRICAL

FIGURE 8-7. AC BOX AT PLATFORM INSTALLATION - 220V CEE7 2X4 POST GROUND (CE & UK CA SPECS) (MACHINES WITHOUT 4000W GENERATOR)



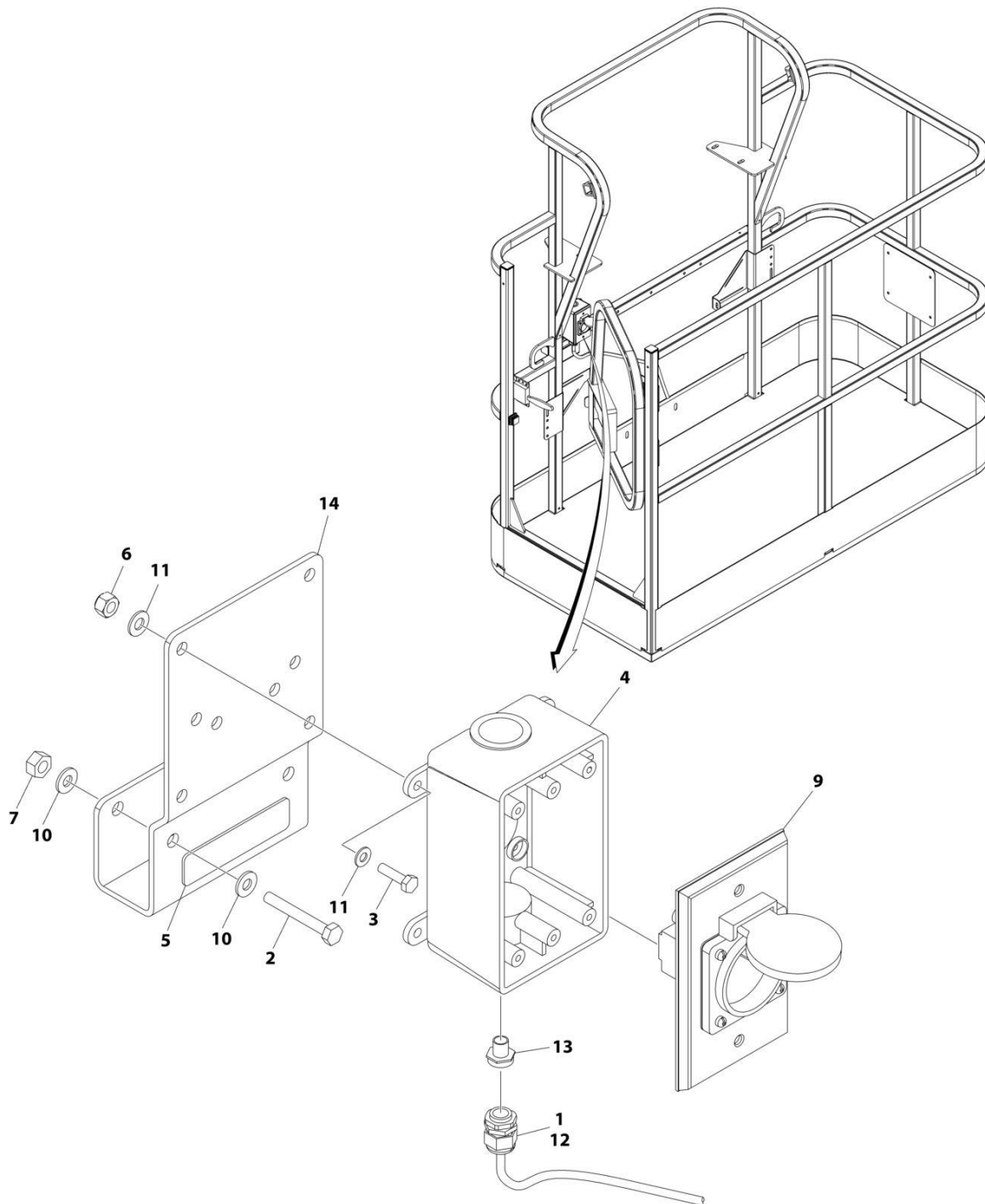
SECTION 8 - ELECTRICAL

FIGURE 8-7. AC BOX AT PLATFORM INSTALLATION - 220V CEE7 2X4 POST GROUND (CE & UK CA SPECS) (MACHINES WITHOUT 4000W GENERATOR)

ITEM	PART NUMBER	QTY	DESCRIPTION	REV
	1001091973	Ref	AC BOX AT PLATFORM INSTALLATION - 220V CEE7 2X4 BOX POST GROUND	F
1	0100020	AR	Sealant, Pipe	
2	0275452	1	Receptacle Box Kit (See Separate Breakdown in this Section)	
3	0700408	4	Bolt M4 x 16	
4	3290405	4	Nut M4	
5	1001101197	1	Adapter	
6	4811400	8	Washer M4	
7	1001101191	1	Connector, Strain Relief	
8	0641416	2	Bolt 1/4 x 2	
9	3311405	2	Nut 1/4	
10	4711400	4	Washer 1/4	
11	1001193018	1	Bracket	
12	3251242	2	Decal - 240V/50Hz	
13	4460806	2	Terminal, Fork (Not Shown)	
14	1001205958	1	Terminal (Not Shown)	

SECTION 8 - ELECTRICAL

FIGURE 8-8. AC BOX AT PLATFORM INSTALLATION - 220V CEE7 2X4 POST GROUND (CE & UK CA SPECS) (MACHINES WITH 4000W GENERATOR)



ART_1001206250

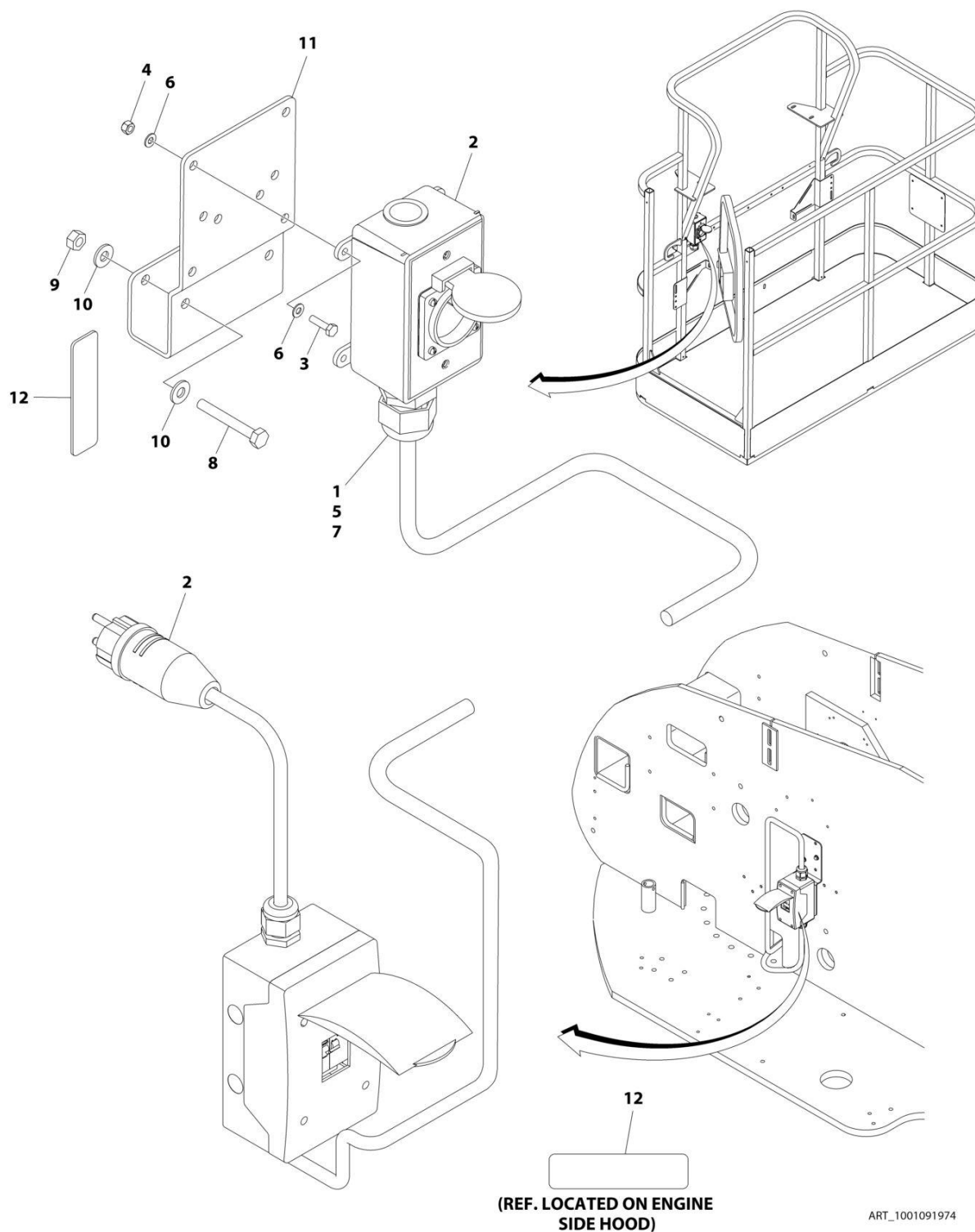
SECTION 8 - ELECTRICAL

FIGURE 8-8. AC BOX AT PLATFORM INSTALLATION - 220V CEE7 2X4 POST GROUND (CE & UK CA SPECS) (MACHINES WITH 4000W GENERATOR)

ITEM	PART NUMBER	QTY	DESCRIPTION	REV
	1001206250	Ref	AC BOX AT PLATFORM INSTALLATION - 220V CEE7 2X4 BOX POST GROUND	A
1	0100020	AR	Sealant, Pipe	
2	0641416	2	Bolt 1/4 x 2	
3	0700408	4	Bolt M4 x 16	
4	0861731	1	Box, Switch	
5	3251242	1	Decal - 240V/50Hz	
6	3290405	4	Nut M4	
7	3311405	2	Nut 1/4	
8	4460806	2	Terminal, Fork (Not Shown)	
9	4461244	1	Receptacle	
10	4711400	4	Washer 1/4	
11	4811400	8	Washer M4	
12	1001101191	1	Connector, Strain Relief	
13	1001101197	1	Adapter	
14	1001193018	1	Bracket, AC Receptacle	
15	1001205958	1	Terminal (Not Shown)	

SECTION 8 - ELECTRICAL

FIGURE 8-9. AC BOX AT PLATFORM INSTALLATION - 220V CEE7 2X4 SIDE GROUND (CE & UK CA SPECS) (MACHINES WITHOUT 4000W GENERATOR)



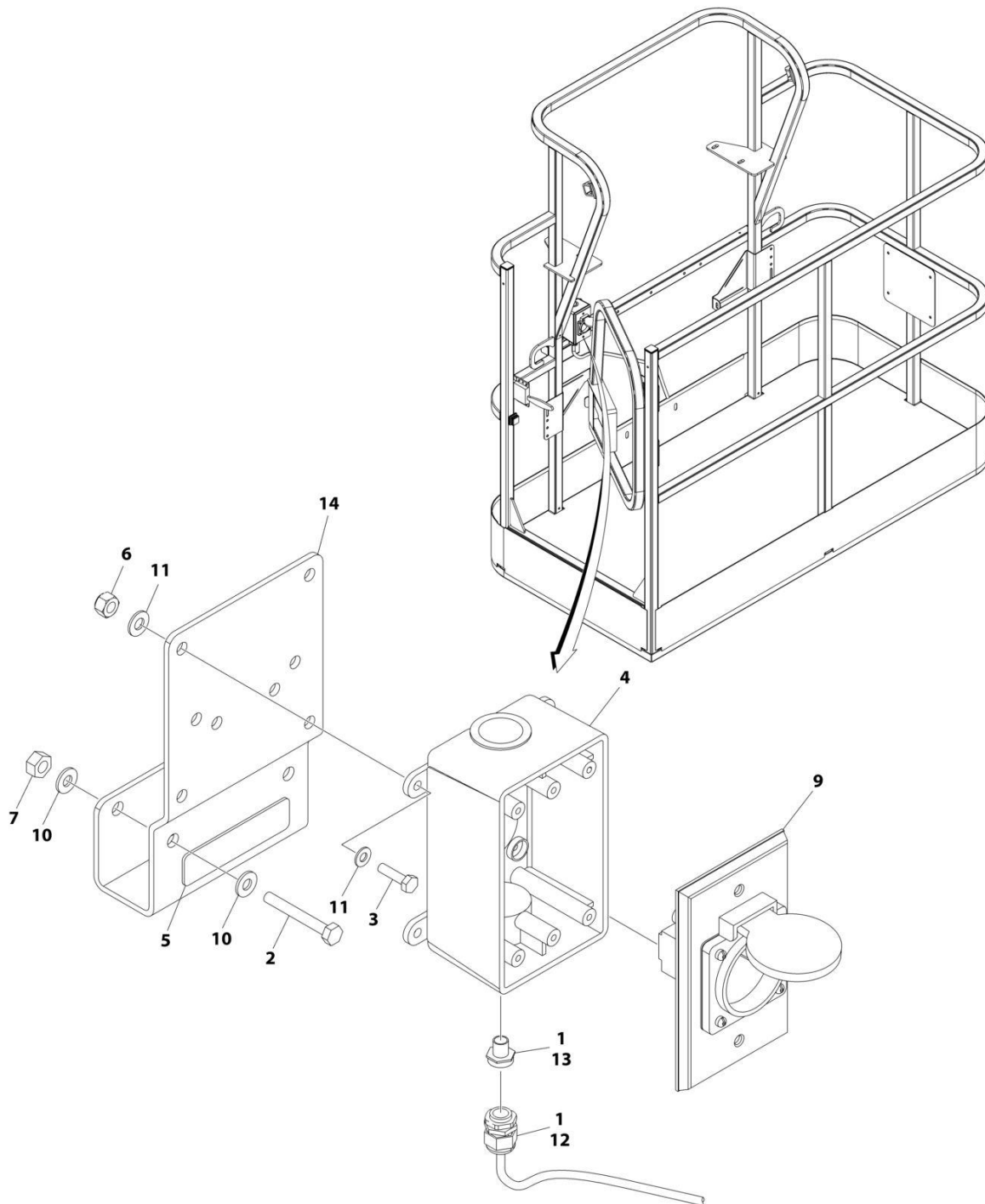
SECTION 8 - ELECTRICAL

FIGURE 8-9. AC BOX AT PLATFORM INSTALLATION - 220V CEE7 2X4 SIDE GROUND (CE & UK CA SPECS) (MACHINES WITHOUT 4000W GENERATOR)

ITEM	PART NUMBER	QTY	DESCRIPTION	REV
	1001091974	Ref	AC BOX AT PLATFORM INSTALLATION - 220V CEE7 2X4 BOX SIDE GROUND	F
1	0100020	AR	Sealant, Pipe	
2	0275453	1	Receptacle Box Kit (See Separate Breakdown in this Section)	
3	0700408	4	Bolt M4 x 16	
4	3290405	4	Nut M4	
5	1001101197	1	Adapter	
6	4811400	8	Washer M4	
7	1001101191	1	Connector, Strain Relief	
8	0641416	2	Bolt 1/4 x 2	
9	3311405	2	Nut 1/4	
10	4711400	4	Washer 1/4	
11	1001193018	1	Bracket	
12	3251242	2	Decal - 240V/50Hz	
13	4460806	2	Terminal, Fork (Not Shown)	
14	1001205958	1	Terminal (Not Shown)	

SECTION 8 - ELECTRICAL

FIGURE 8-10. AC BOX AT PLATFORM INSTALLATION - 220V CEE7 2X4 SIDE GROUND (CE & UK CA SPECS) (MACHINES WITH 4000W GENERATOR)



ART_1001206251

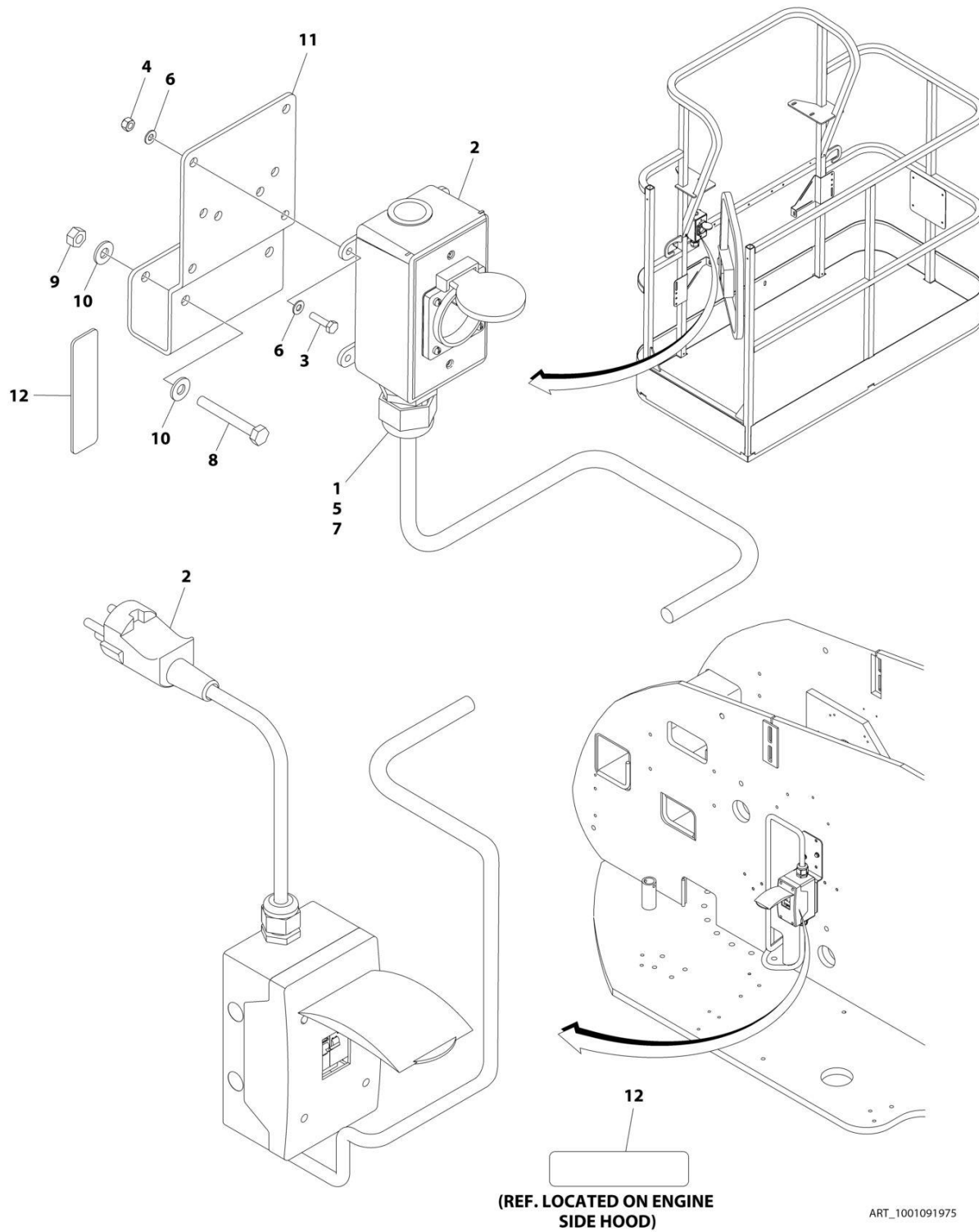
SECTION 8 - ELECTRICAL

FIGURE 8-10. AC BOX AT PLATFORM INSTALLATION - 220V CEE7 2X4 SIDE GROUND (CE & UK CA SPECS) (MACHINES WITH 4000W GENERATOR)

ITEM	PART NUMBER	QTY	DESCRIPTION	REV
	1001206251	Ref	AC BOX AT PLATFORM INSTALLATION - 220V CEE7 2X4 BOX SIDE GROUND	A
1	0100020	AR	Sealant, Pipe	
2	0641416	2	Bolt 1/4 x 2	
3	0700408	4	Bolt M4 x 16	
4	0861731	1	Box, Switch	
5	3251242	1	Decal - 240V/50Hz	
6	3290405	4	Nut M4	
7	3311405	2	Nut 1/4	
8	4460806	2	Terminal, Fork (Not Shown)	
9	4461245	1	Receptacle	
10	4711400	4	Washer 1/4	
11	4811400	8	Washer M4	
12	1001101191	1	Connector, Strain Relief	
13	1001101197	1	Adapter	
14	1001193018	1	Bracket, AC Receptacle	
15	1001205958	1	Terminal (Not Shown)	

SECTION 8 - ELECTRICAL

**FIGURE 8-11. AC BOX AT PLATFORM INSTALLATION - 220V AFSINT 107 (CE & UK CA SPECS)
(MACHINES WITHOUT 4000W GENERATOR)**



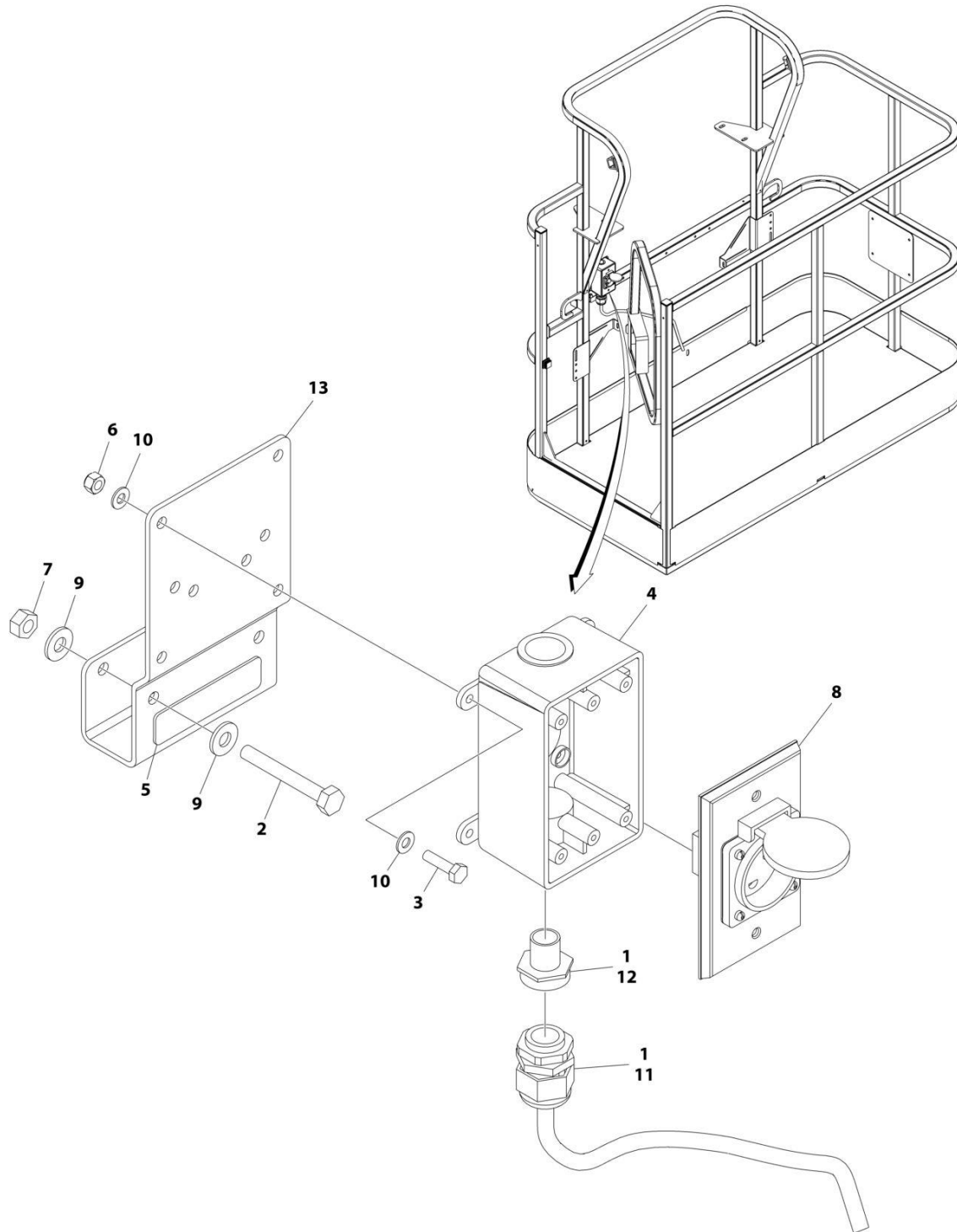
SECTION 8 - ELECTRICAL

**FIGURE 8-11. AC BOX AT PLATFORM INSTALLATION - 220V AFSINT 107 (CE & UK CA SPECS)
(MACHINES WITHOUT 4000W GENERATOR)**

ITEM	PART NUMBER	QTY	DESCRIPTION	REV
	1001091975	Ref	AC BOX AT PLATFORM INSTALLATION - 220V AFSINT 107 2X4 BOX KEYED GROUND	F
1	0100020	AR	Sealant, Pipe	
2	0275454	1	Receptacle Box Kit (See Separate Breakdown in this Section)	
3	0700408	4	Bolt M4 x 16	
4	3290405	4	Nut M4	
5	1001101197	1	Adapter	
6	4811400	8	Washer M4	
7	1001101191	1	Connector, Strain Relief	
8	0641416	2	Bolt 1/4 x 2	
9	3311405	2	Nut 1/4	
10	4711400	4	Washer 1/4	
11	1001193018	1	Bracket	
12	3251242	2	Decal - 240V/50Hz	
13	1001205958	3	Terminal (Not Shown)	

SECTION 8 - ELECTRICAL

FIGURE 8-12. AC BOX AT PLATFORM INSTALLATION - 220V AFSINT 107 (CE & UK CA SPECS)
(MACHINES WITH 4000W GENERATOR)



ART_1001206252

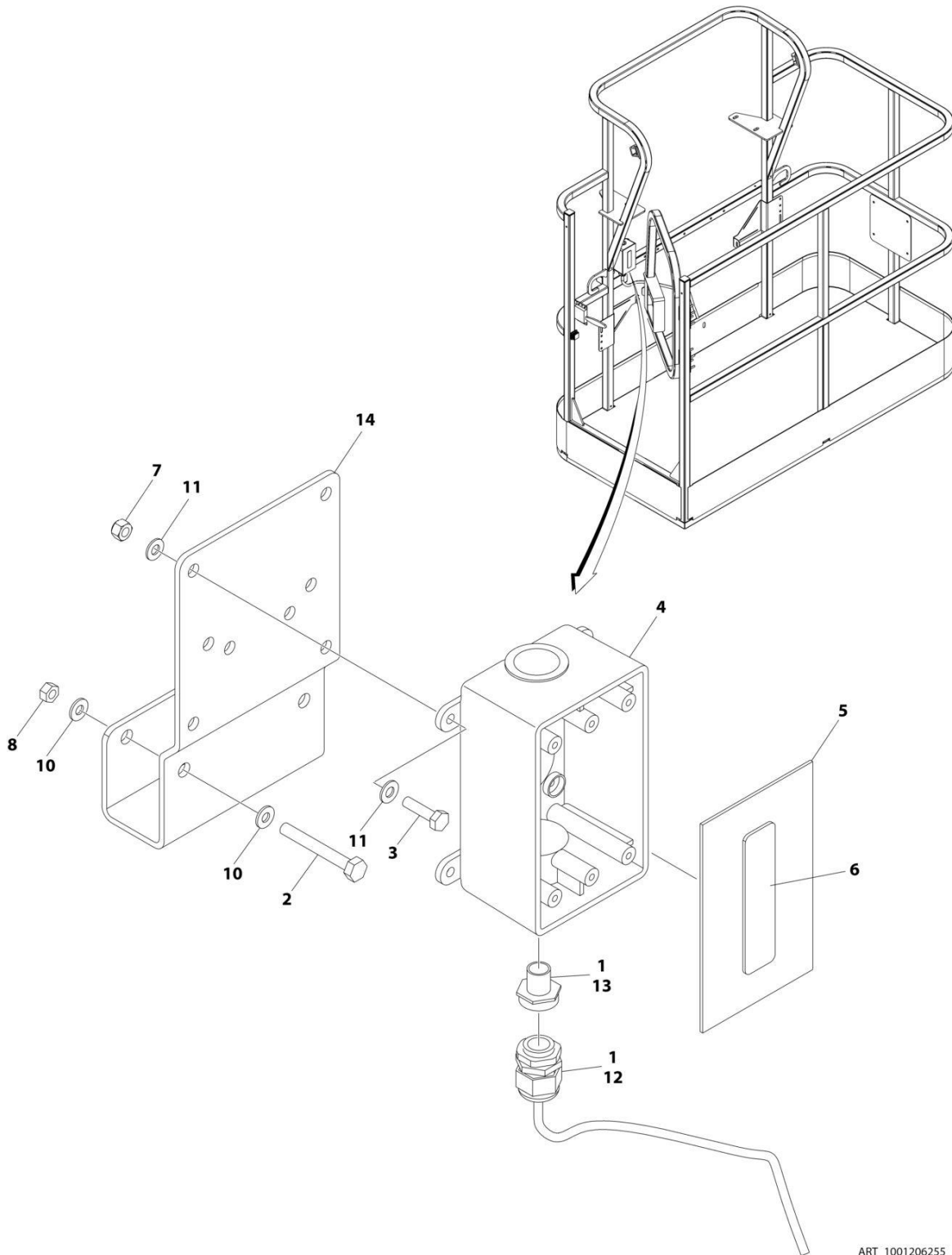
SECTION 8 - ELECTRICAL

**FIGURE 8-12. AC BOX AT PLATFORM INSTALLATION - 220V AFSINT 107 (CE & UK CA SPECS)
(MACHINES WITH 4000W GENERATOR)**

ITEM	PART NUMBER	QTY	DESCRIPTION	REV
	1001206252	Ref	AC BOX AT PLATFORM INSTALLATION - 220V AFSINT 107 2x4 BOX KEYED GROUND	A
1	0100020	AR	Sealant, Pipe	
2	0641416	2	Bolt 1/4 x 2	
3	0700408	4	Bolt M4 x 16	
4	0861731	1	Box, Switch	
5	3251242	1	Decal - 240V/50Hz	
6	3290405	4	Nut M4	
7	3311405	2	Nut 1/4	
8	4461246	1	Receptacle	
9	4711400	4	Washer 1/4	
10	4811400	8	Washer M4	
11	1001101191	1	Connector, Strain Relief	
12	1001101197	1	Adapter	
13	1001193018	1	Bracket, AC Receptacle	
14	1001205958	3	Terminal (Not Shown)	

SECTION 8 - ELECTRICAL

FIGURE 8-13. AC BOX AT PLATFORM INSTALLATION - BOX WITH COVER (ANSI EXPORT, AUSTRALIAN, CHINA & JAPANESE SPECS)



ART_1001206255

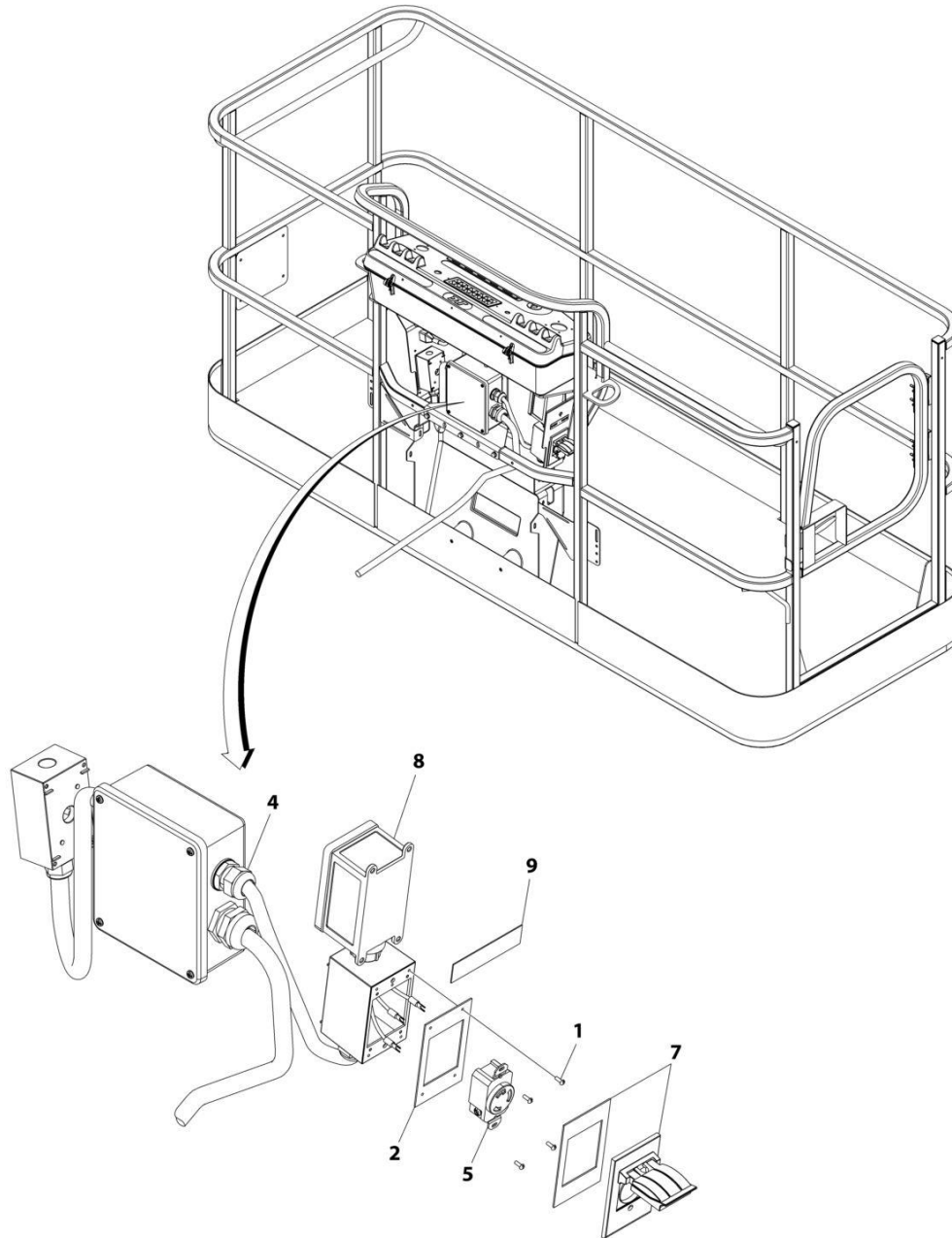
SECTION 8 - ELECTRICAL

FIGURE 8-13. AC BOX AT PLATFORM INSTALLATION - BOX WITH COVER (ANSI EXPORT, AUSTRALIAN, CHINA & JAPANESE SPECS)

ITEM	PART NUMBER	QTY	DESCRIPTION	REV
	1001206255	Ref	AC BOX AT PLATFORM INSTALLATION - BOX WITH COVER (2X4 BOX) WITH 4000W GENERATOR	A
1	0100020	AR	Sealant, Pipe	
2	0641416	2	Bolt 1/4 x 2	
3	0700408	4	Bolt M4 x 16	
4	0861731	1	Box, Switch	
5	1670603	1	Cover	
6	3251242	1	Decal - 240V-50Hz	
7	3290405	4	Nut M4	
8	3311405	2	Nut 1/4	
10	4711400	4	Washer 1/4	
11	4811400	8	Washer M4	
12	1001101191	1	Connector, Strain Relief	
13	1001101197	1	Adapter	
14	1001193018	1	Bracket, AC Receptacle	

SECTION 8 - ELECTRICAL

FIGURE 8-14. AC BOX AT PLATFORM INSTALLATION - 240V RECEPTACLE (WITH 4000W GENERATOR) (ALL SPECS EXCEPT ANSI & CSA SPECS)



ART_1001171131

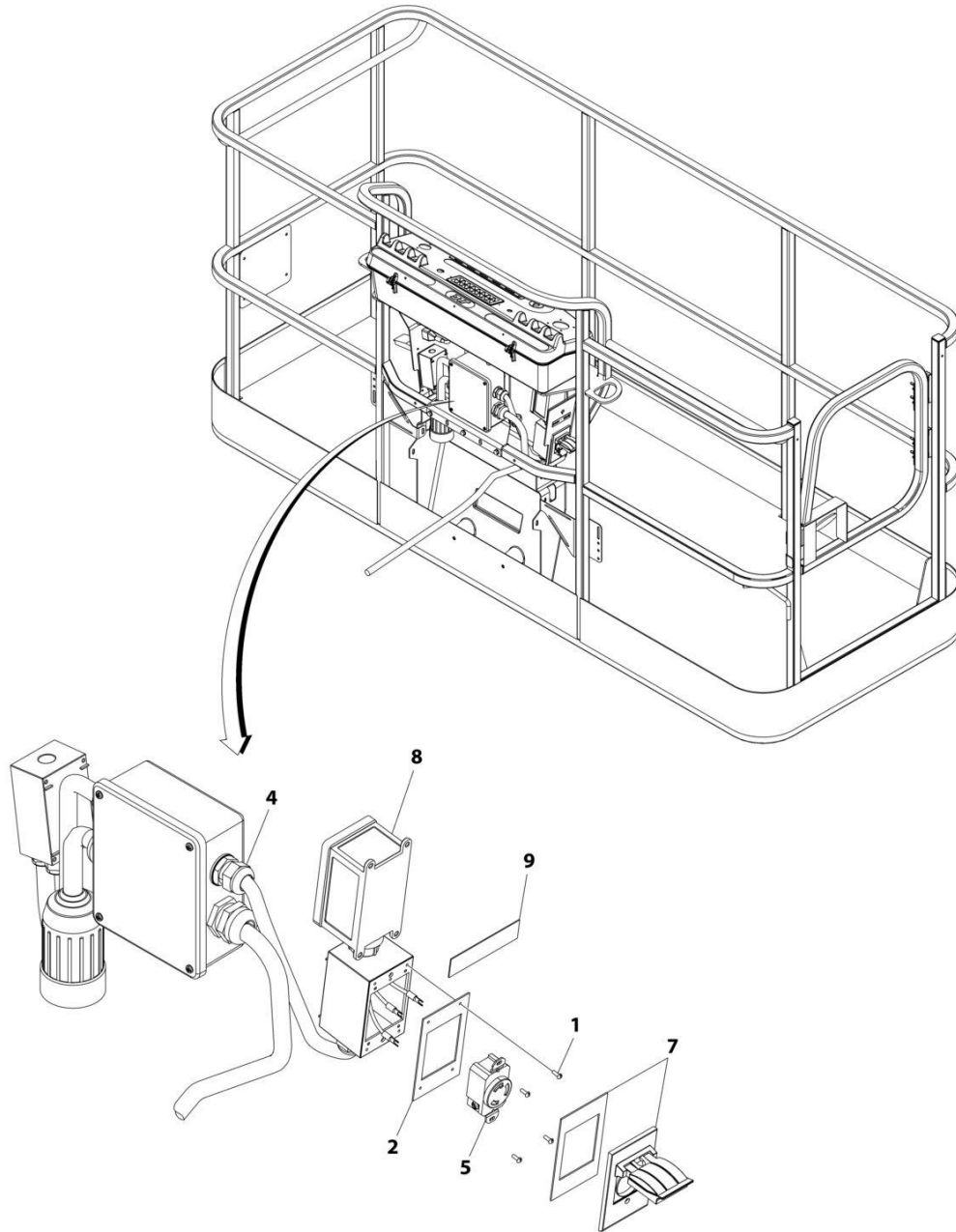
SECTION 8 - ELECTRICAL

FIGURE 8-14. AC BOX AT PLATFORM INSTALLATION - 240V RECEPTACLE (WITH 4000W GENERATOR) (ALL SPECS EXCEPT ANSI & CSA SPECS)

ITEM	PART NUMBER	QTY	DESCRIPTION	REV
	1001171131	Ref	AC BOX AT PLATFORM INSTALLATION - 240V RECEPTACLE	B
1	3910606	4	Screw 6 x 3/8	
2	3960422	1	Gasket	
3	4240018	AR	Tie-Strap (Not Shown)	
4	4460425	1	Connector, Strain Relief	
5	1001176862	1	Receptacle	
7	1001110872	1	Cover, Receptacle	
8	1001159120	1	Receptacle/Breaker Box Assembly	
8	1001148675	1	Box, Receptacle	
8	1001159118	1	Breaker GFCI 30Amp 240VAC	
8	4460612	1	Connector, Strain Relief	
8	1001159119	1	Connector (Between Boxes)	
9	1705374	1	Decal - 240V/60Hz	

SECTION 8 - ELECTRICAL

FIGURE 8-15. AC BOX AT PLATFORM INSTALLATION - 240V RECEPTACLE (WITH 7500W SKYPOWER GENERATOR) (ANSI & CSA SPECS)



ART_1001159121

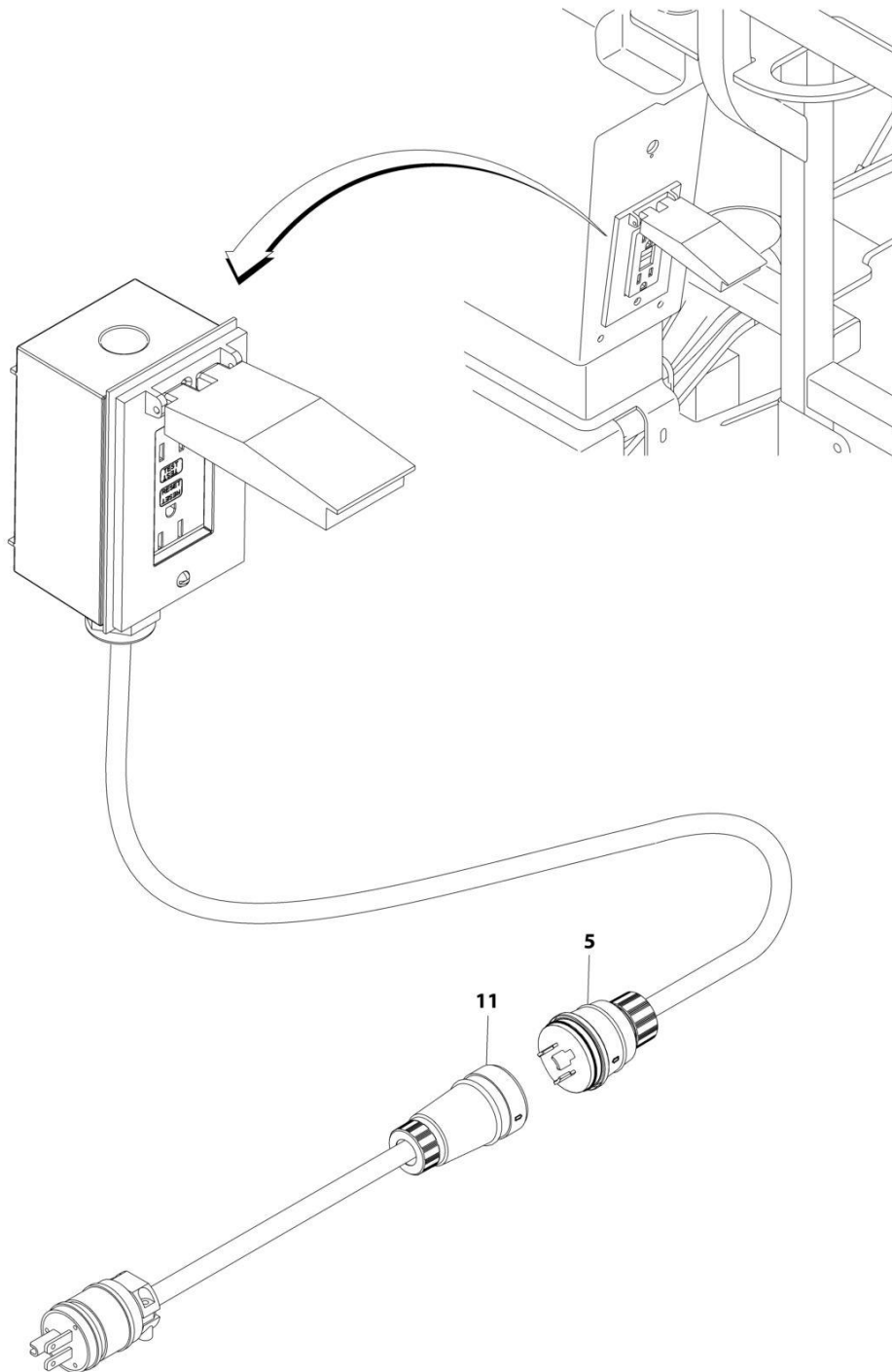
SECTION 8 - ELECTRICAL

FIGURE 8-15. AC BOX AT PLATFORM INSTALLATION - 240V RECEPTACLE (WITH 7500W SKYPOWER GENERATOR) (ANSI & CSA SPECS)

ITEM	PART NUMBER	QTY	DESCRIPTION	REV
	1001159121	Ref	AC BOX AT PLATFORM INSTALLATION - 240V RECEPTACLE	B
1	3910606	4	Screw 6 x 3/8	
2	3960422	1	Gasket	
3	4240018	AR	Tie-Strap (Not Shown)	
4	4460425	1	Connector, Strain Relief	
5	4460958	1	Receptacle	
7	1001110872	1	Cover, Receptacle	
8	1001159120	1	Receptacle/Breaker Box Assembly	
8	1001148675	1	Box, Receptacle	
8	1001159118	1	Breaker Box Assembly	
8	4460612	1	Connector, Strain Relief	
8	1001159119	1	Connector (Between Boxes)	
9	1705374	1	Decal - 240V/60Hz	

SECTION 8 - ELECTRICAL

FIGURE 8-16. AC BOX AT PLATFORM MID-BOOM PLUG INSTALLATION (WITHOUT 7500W SKYPOWER GENERATOR) (ALL SPECS EXCEPT ANSI & CSA SPECS)



ART_0256202

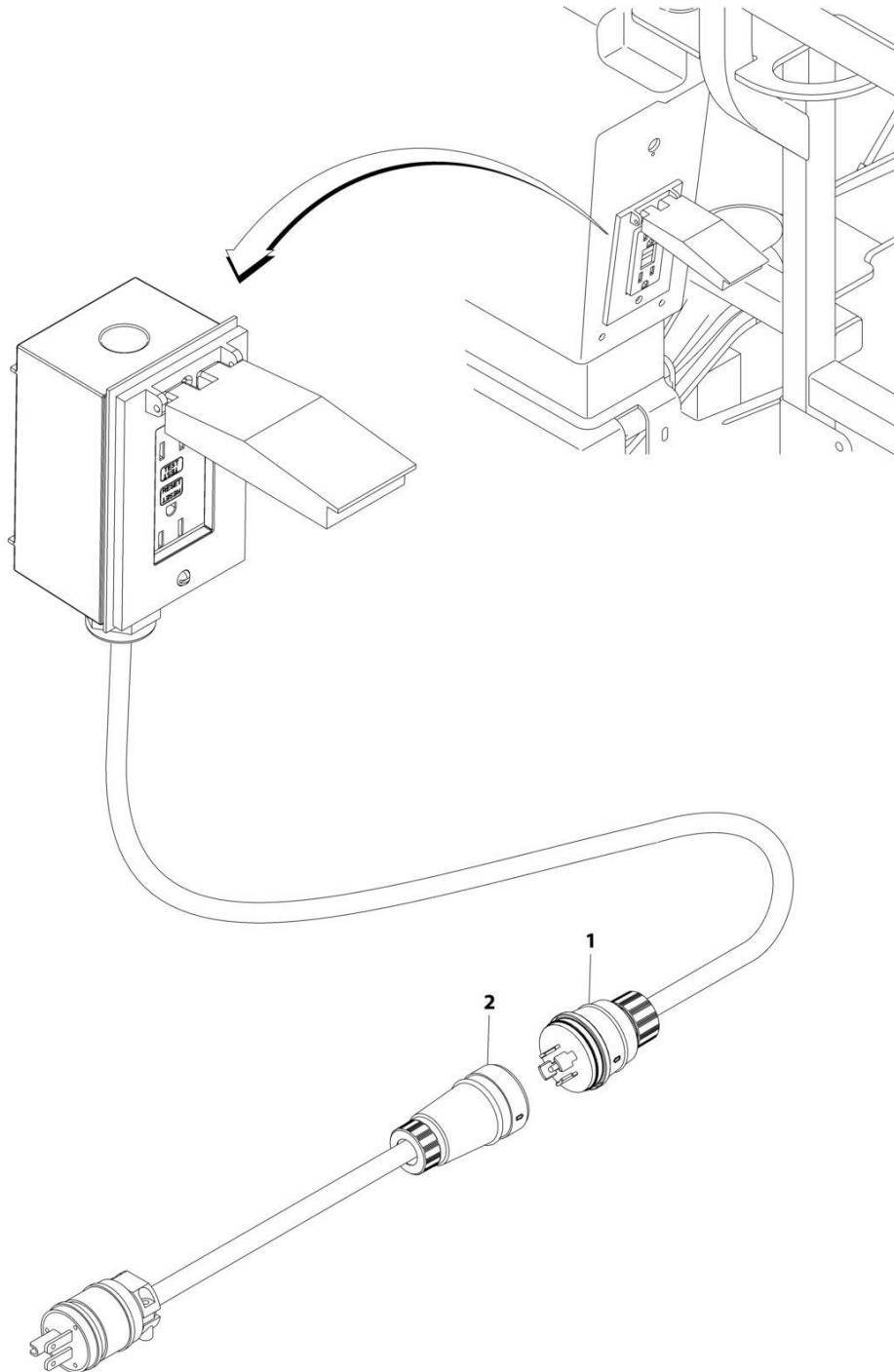
SECTION 8 - ELECTRICAL

FIGURE 8-16. AC BOX AT PLATFORM MID-BOOM PLUG INSTALLATION (WITHOUT 7500W SKYPOWER GENERATOR) (ALL SPECS EXCEPT ANSI & CSA SPECS)

ITEM	PART NUMBER	QTY	DESCRIPTION	REV
	0256202	Ref	AC BOX AT PLATFORM MID-BOOM PLUG INSTALLATION	D
5	1001213584	1	Plug	
11	1001213585	1	Receptacle	

SECTION 8 - ELECTRICAL

FIGURE 8-17. AC BOX AT PLATFORM MID-BOOM PLUG INSTALLATION (WITH 7500W SKYPOWER GENERATOR)



ART_0272433

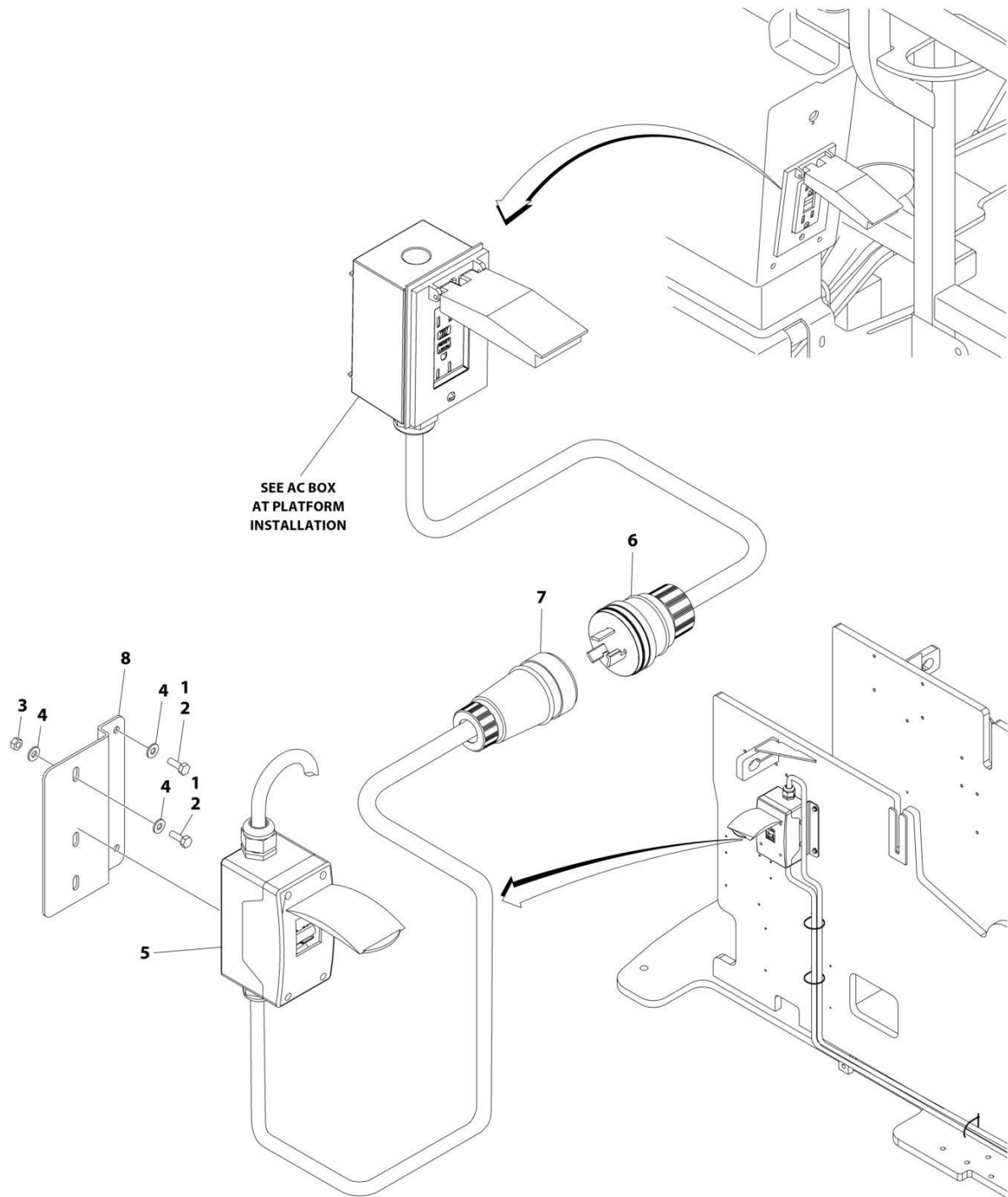
SECTION 8 - ELECTRICAL

FIGURE 8-17. AC BOX AT PLATFORM MID-BOOM PLUG INSTALLATION (WITH 7500W SKYPOWER GENERATOR)

ITEM	PART NUMBER	QTY	DESCRIPTION	REV
	0272433	Ref	AC CABLE INSTALLATION - 110V/220V	D
1	1001218622	1	Plug, Male	
2	1001218623	1	Plug, Female	

SECTION 8 - ELECTRICAL

FIGURE 8-18. AC BREAKER BOX INSTALLATION - WITH 2 BREAKERS (CE & UK CA SPECS WITH 4000W GENERATOR)



ART_1001236962

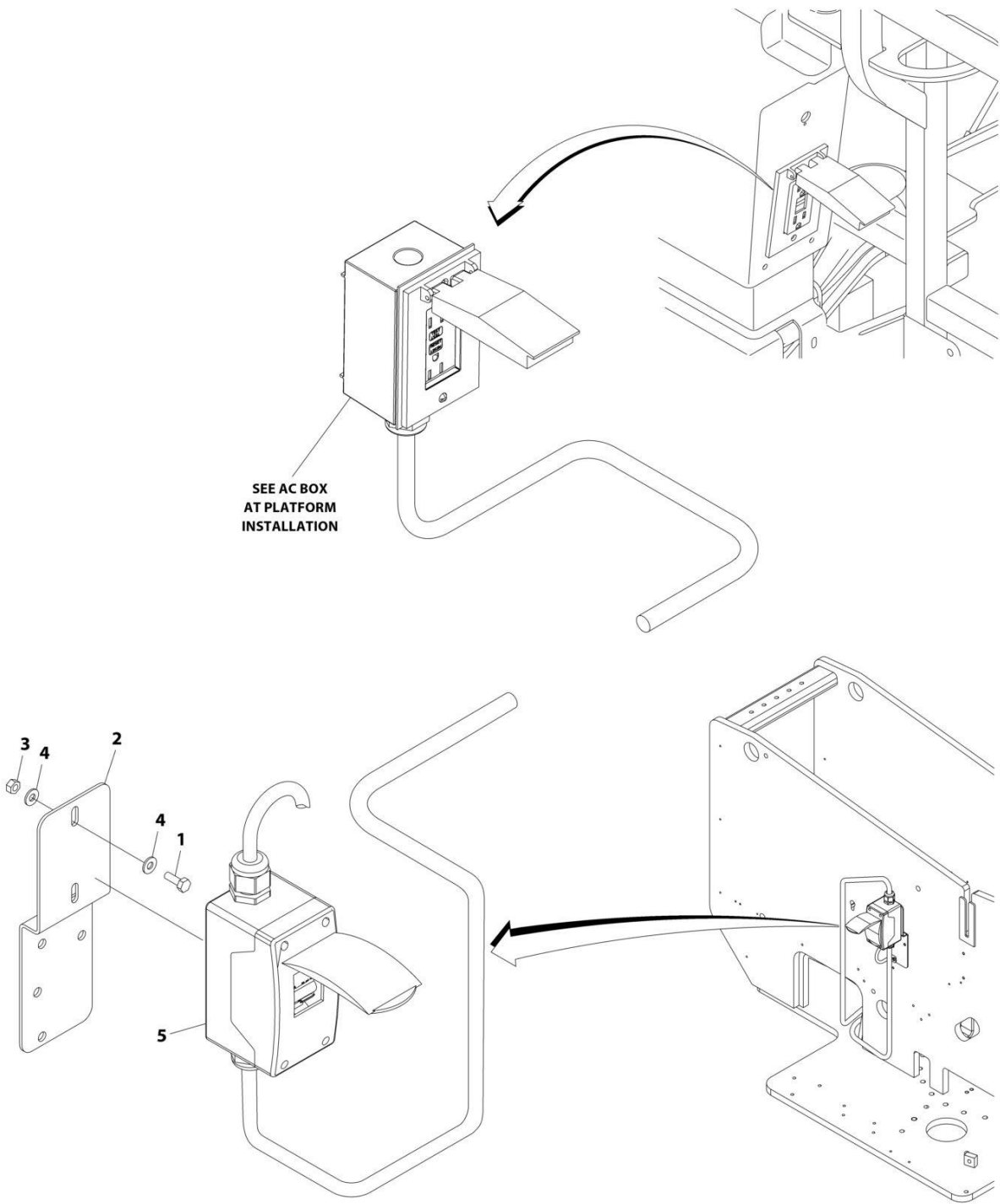
SECTION 8 - ELECTRICAL

FIGURE 8-18. AC BREAKER BOX INSTALLATION - WITH 2 BREAKERS (CE & UK CA SPECS WITH 4000W GENERATOR)

ITEM	PART NUMBER	QTY	DESCRIPTION	REV
	1001236962	Ref	AC BREAKER BOX INSTALLATION	A
1	0100011	AR	Compound, Locking	
2	0641406	4	Bolt 1/4 x 3/4	
3	3311405	2	Nut 1/4	
4	4711400	6	Washer 1/4	
5	1001165368	1	Breaker Box Kit - With 2 Breakers (See Separate Breakdown in this Section)	
6	1001213584	1	Plug, Male	
7	1001213585	1	Receptacle, Female	
8	1001229080	1	Bracket	
9	4240099	AR	Tie-Strap (Not Shown)	

SECTION 8 - ELECTRICAL

FIGURE 8-19. AC BREAKER BOX INSTALLATION - WITH 2 BREAKERS (BRAZIL SPECS)



ART_1001171016

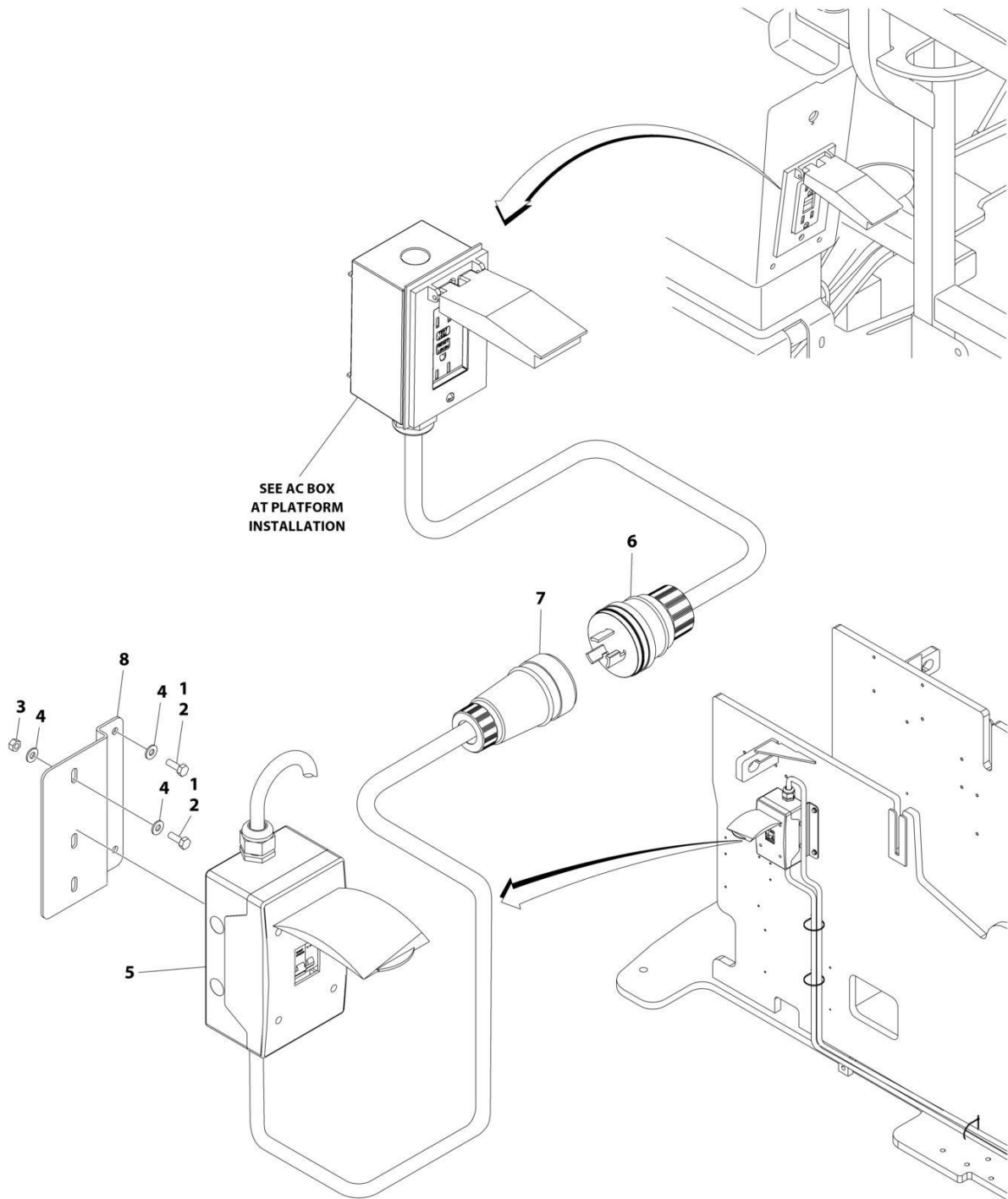
SECTION 8 - ELECTRICAL

FIGURE 8-19. AC BREAKER BOX INSTALLATION - WITH 2 BREAKERS (BRAZIL SPECS)

ITEM	PART NUMBER	QTY	DESCRIPTION	REV
	1001171016	Ref	AC BREAKER BOX INSTALLATION	A
1	0641406	2	Bolt 1/4 x 3/4	
2	0903697	1	Bracket	
3	3311405	2	Nut 1/4	
4	4711400	4	Washer 1/4	
5	1001109654	1	Breaker Box Kit - With 2 Breakers (See Separate Breakdown in this Section)	

SECTION 8 - ELECTRICAL

FIGURE 8-20. AC BREAKER BOX INSTALLATION - WITH 3 BREAKERS (CE & UK CA SPECS WITH 4000W GENERATOR)



ART_1001234588

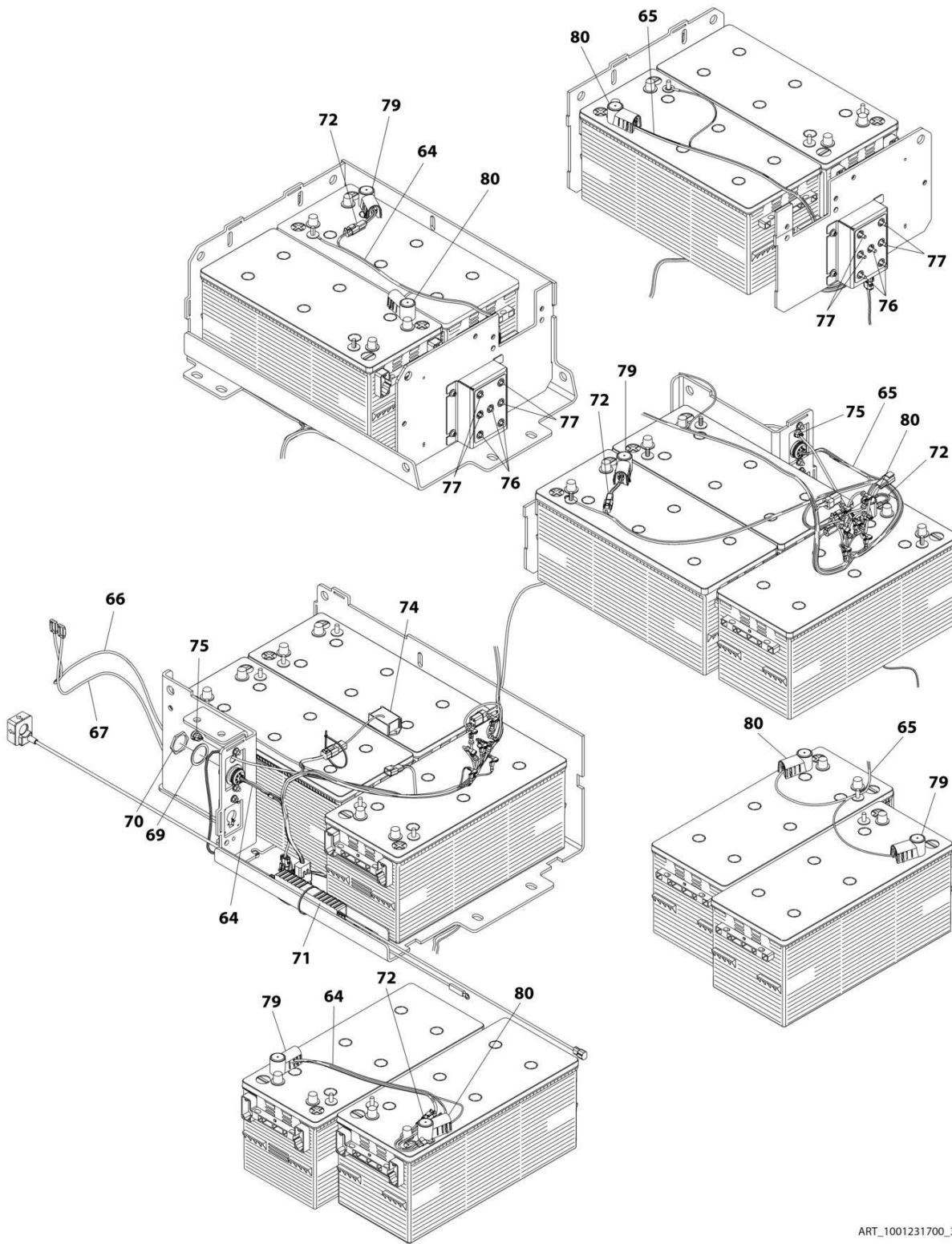
SECTION 8 - ELECTRICAL

FIGURE 8-20. AC BREAKER BOX INSTALLATION - WITH 3 BREAKERS (CE & UK CA SPECS WITH 4000W GENERATOR)

ITEM	PART NUMBER	QTY	DESCRIPTION	REV
	1001234588	Ref	AC BREAKER BOX INSTALLATION	A
1	0100011	AR	Compound, Locking	
2	0641406	4	Bolt 1/4 x 3/4	
3	3311405	2	Nut 1/4	
4	4711400	6	Washer 1/4	
5	1001205690	1	Breaker Box Kit - With 3 Breakers (See Separate Breakdown in this Section)	
6	1001213584	1	Plug, Male	
7	1001213585	1	Receptacle, Female	
8	1001229080	1	Bracket	
9	4240099	AR	Tie-Strap (Not Shown)	

SECTION 8 - ELECTRICAL

FIGURE 8-21. BATTERY CABLES INSTALLATION



ART_1001231700_30F3

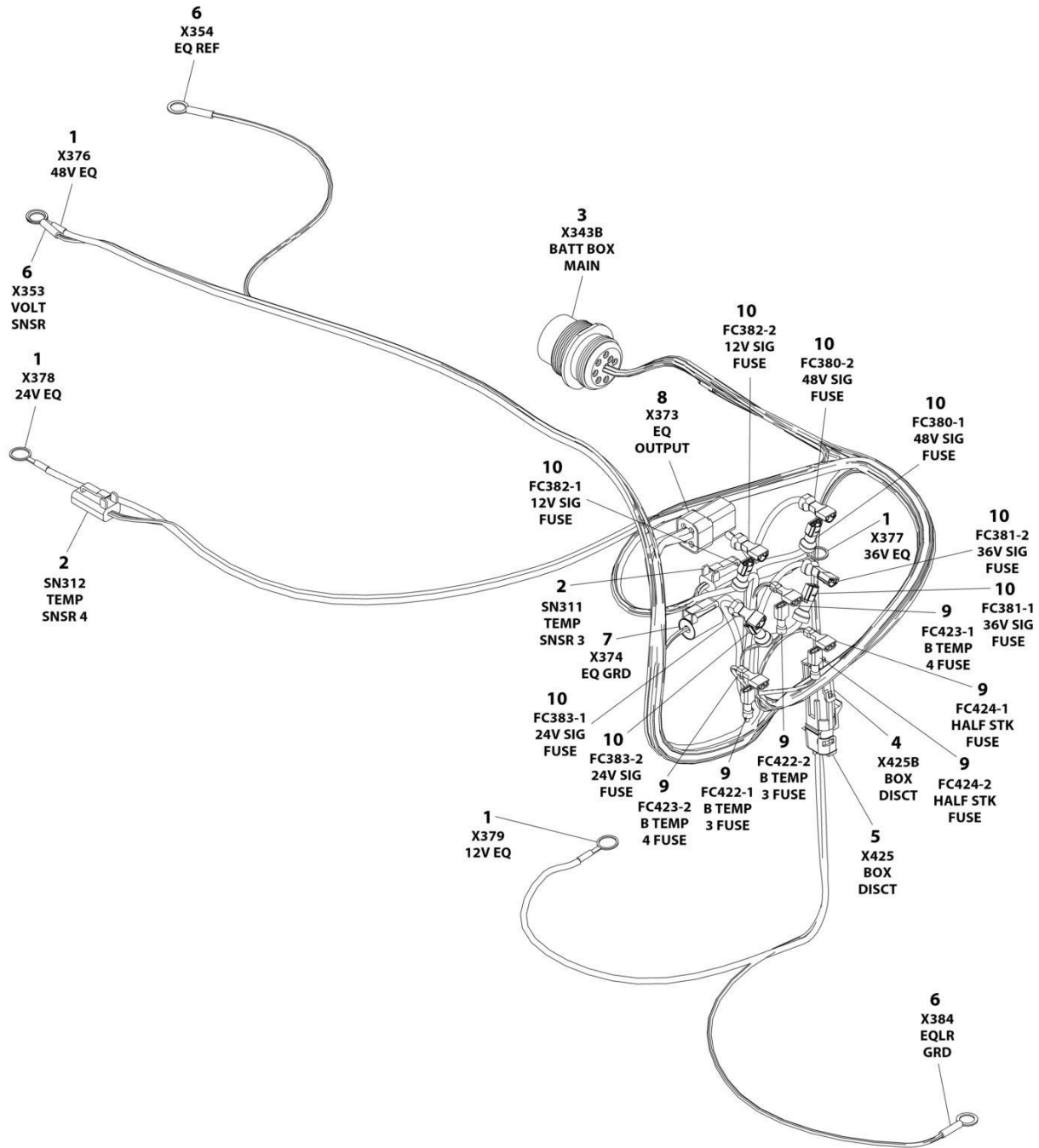
SECTION 8 - ELECTRICAL

FIGURE 8-21. BATTERY CABLES INSTALLATION

ITEM	PART NUMBER	QTY	DESCRIPTION	REV
	1001231700	Ref	BATTERY CABLES INSTALLATION	G
64	1001231685	1	Battery Stack Harness (RH) (See Separate Breakdown in this Section)	
65	1001231686	1	Battery Stack Harness (LH) (See Separate Breakdown in this Section)	
66	1001232840	1	Cable Equalizer LED (LH)	
66	4460910	1	Receptacle, Female - 3 Position	
66	1001126011	3	Terminal	
66	4460911	1	Plug, Male - 3 Position	
66	1001126008	3	Terminal	
67	1001232841	1	Cable Equalizer LED (RH)	
67	4460910	1	Receptacle, Female - 3 Position	
67	1001126011	3	Terminal	
67	4460911	1	Plug, Male - 3 Position	
67	1001126008	3	Terminal	
69	4460496	2	Washer	
70	4460497	2	Nut	
71	1001222336	1	Control, SOC Monitor	
72	1001225131	5	Temperature Sensor Harness	
74	1001227080	1	Terminator, Electrical	
75	1001233825	2	Connector, Strain Relief	
76	2400080	6	Fuse - 1 Amp	
77	1001234313	8	Fuse - 7.5 Amp	
79	1001225557	4	Boot (Black)	
80	1001225558	5	Boot (Red)	
81	4240032	AR	Tie-Strap (Not Shown)	
100	1001233440	1	Battery Connect Cable Kit (Not Shown)	
101	1001222379	1	Cable, Battery Jumper (+)	
102	1001222380	1	Cable, Battery Jumper (-)	
500	1001233448	2	Battery Box Cable Kit (Not Shown)	
501	1001231425	2	Cable, Battery Jumper (+) (1 Per Kit)	
502	1001231426	2	Cable, Battery Jumper (-) (1 Per Kit)	
503	1001231481	2	Cable, Battery Bulkhead (+) (1 Per Kit)	
504	1001231482	2	Cable, Battery Bulkhead (-) (1 Per Kit)	
505	1001231514	2	Cable, Battery Jumper (+) (1 Per Kit)	
506	1001231515	2	Cable, Battery Jumper (-) (1 Per Kit)	
507	1001231519	2	Cable, 84V Short (1 Per Kit)	
508	1001231520	2	Cable, 84V MID (1 Per Kit)	
509	1001231521	2	Cable, 84V Long (1 Per Kit)	
510	1001231522	2	Cable, 84V Bulkhead (1 Per Kit)	

SECTION 8 - ELECTRICAL

FIGURE 8-22. BATTERY STACK HARNESS (LH)



ART_1001231686

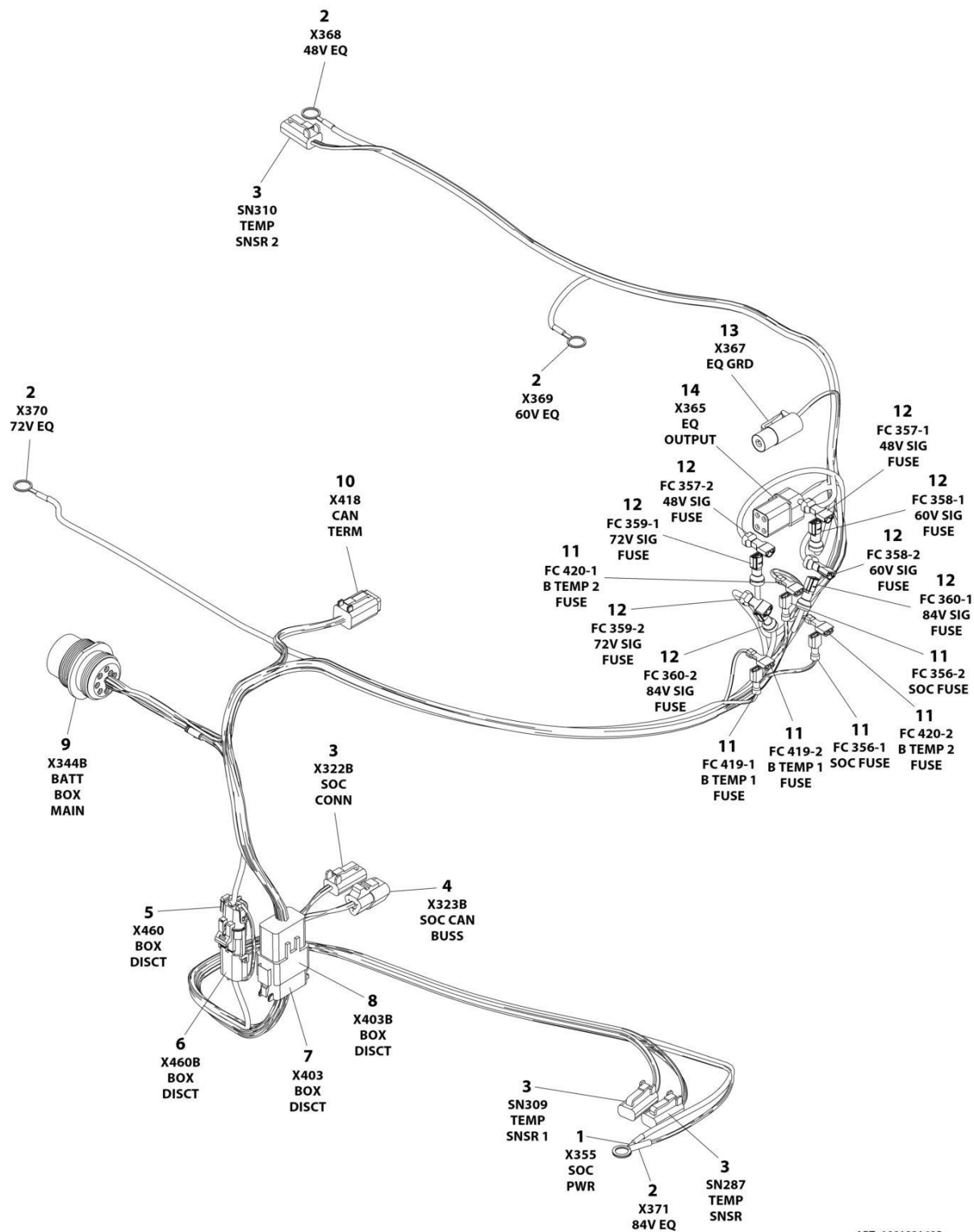
SECTION 8 - ELECTRICAL

FIGURE 8-22. BATTERY STACK HARNESS (LH)

ITEM	PART NUMBER	QTY	DESCRIPTION	REV
	1001231686	Ref	BATTERY STACK HARNESS	B
1	4460019	4	Terminal, Ring	
2	4460891	2	Plug, Male - 2 Position	
2	4460465	4	Socket, Female	
3	1001112612	1	Connector - 9 Position	
3	4460464	5	Pin, Male	
3	4460466	4	Plug, Terminal	
4	4461157	1	Receptacle, Female - 2 Position	
4	4460850	2	Terminal	
5	4460742	1	Plug, Male - 2 Position	
5	4460790	2	Terminal	
6	4460256	3	Terminal, Ring	
7	4461261	1	Plug, Male - 1 Position	
7	4460509	1	Socket, Female	
8	1001116810	1	Plug, Male - 4 Position	
8	4460509	8	Socket, Female	
9	8220051	6	Terminal	
10	8220043	8	Terminal	

SECTION 8 - ELECTRICAL

FIGURE 8-23. BATTERY STACK HARNESS (RH)



ART_1001231685

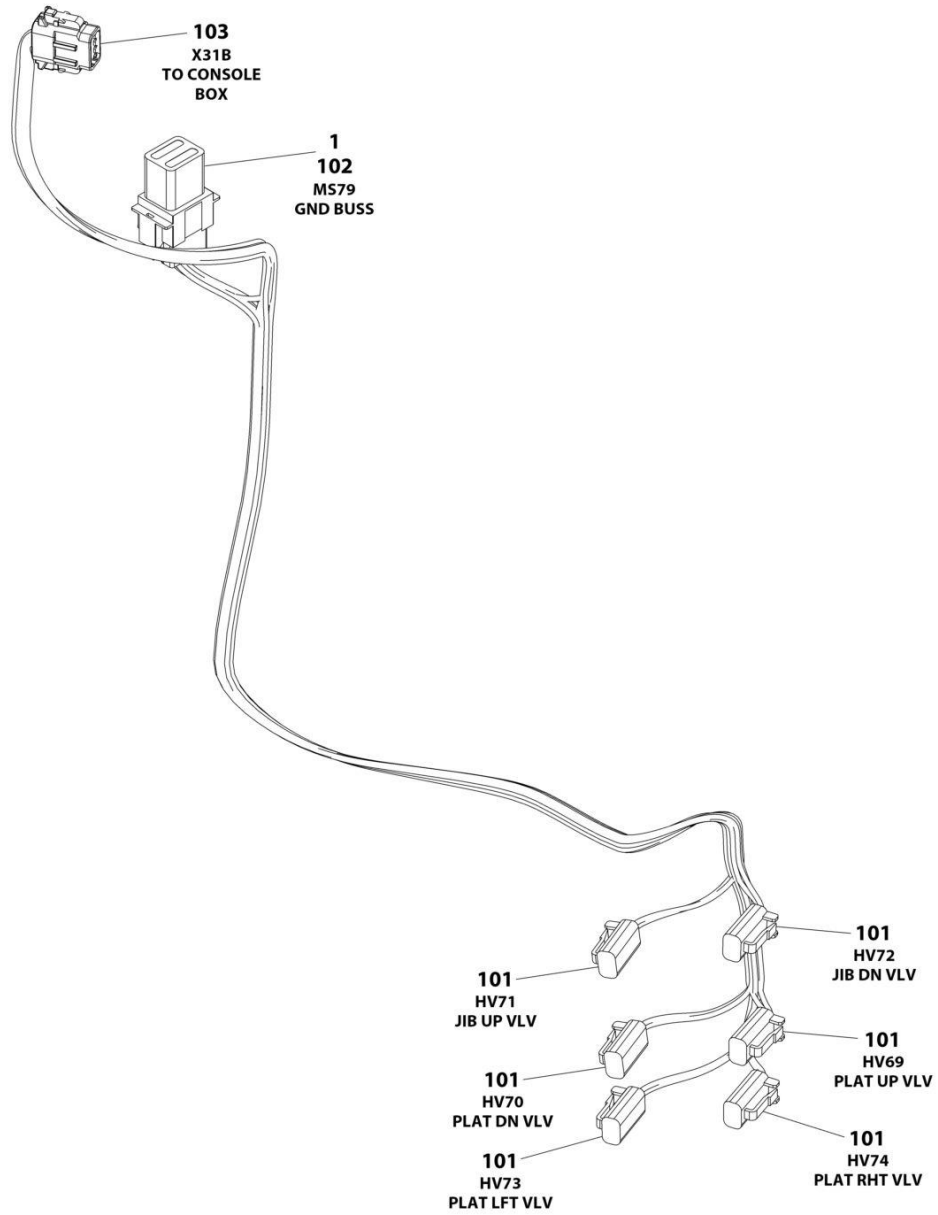
SECTION 8 - ELECTRICAL

FIGURE 8-23. BATTERY STACK HARNESS (RH)

ITEM	PART NUMBER	QTY	DESCRIPTION	REV
	1001231685	Ref	BATTERY STACK HARNESS	A
1	4460256	3	Terminal, Ring	
2	4460019	4	Terminal, Ring	
3	4460891	2	Plug, Male - 2 Position	
3	4460465	4	Socket, Female	
4	4460539	1	Plug, Male - 3 Position	
4	4460465	3	Socket, Female	
5	4461157	1	Receptacle, Female - 2 Position	
5	4460850	2	Terminal	
6	4460742	1	Plug, Male - 2 Position	
6	4460790	2	Terminal	
7	4460836	1	Plug, Male - 12 Position	
7	4460465	9	Socket, Female	
7	4460466	3	Plug, Terminal	
8	4460950	1	Receptacle, Female - 12 Position	
8	4460464	9	Pin, Male	
8	4460466	3	Plug, Terminal	
9	1001112612	1	Connector - 9 Position	
9	4460464	5	Pin, Male	
10	4460884	1	Plug, Male - 4 Position	
10	4460465	4	Socket, Female	
11	8220051	6	Terminal	
12	8220043	8	Terminal	
13	4461261	1	Plug, Male - 1 Position	
13	4460509	1	Socket, Female	
14	1001116810	1	Plug, Male - 4 Position	
14	4460509	8	Socket, Female	

SECTION 8 - ELECTRICAL

FIGURE 8-24. BOOM VALVE HARNESS



ART_1001222047

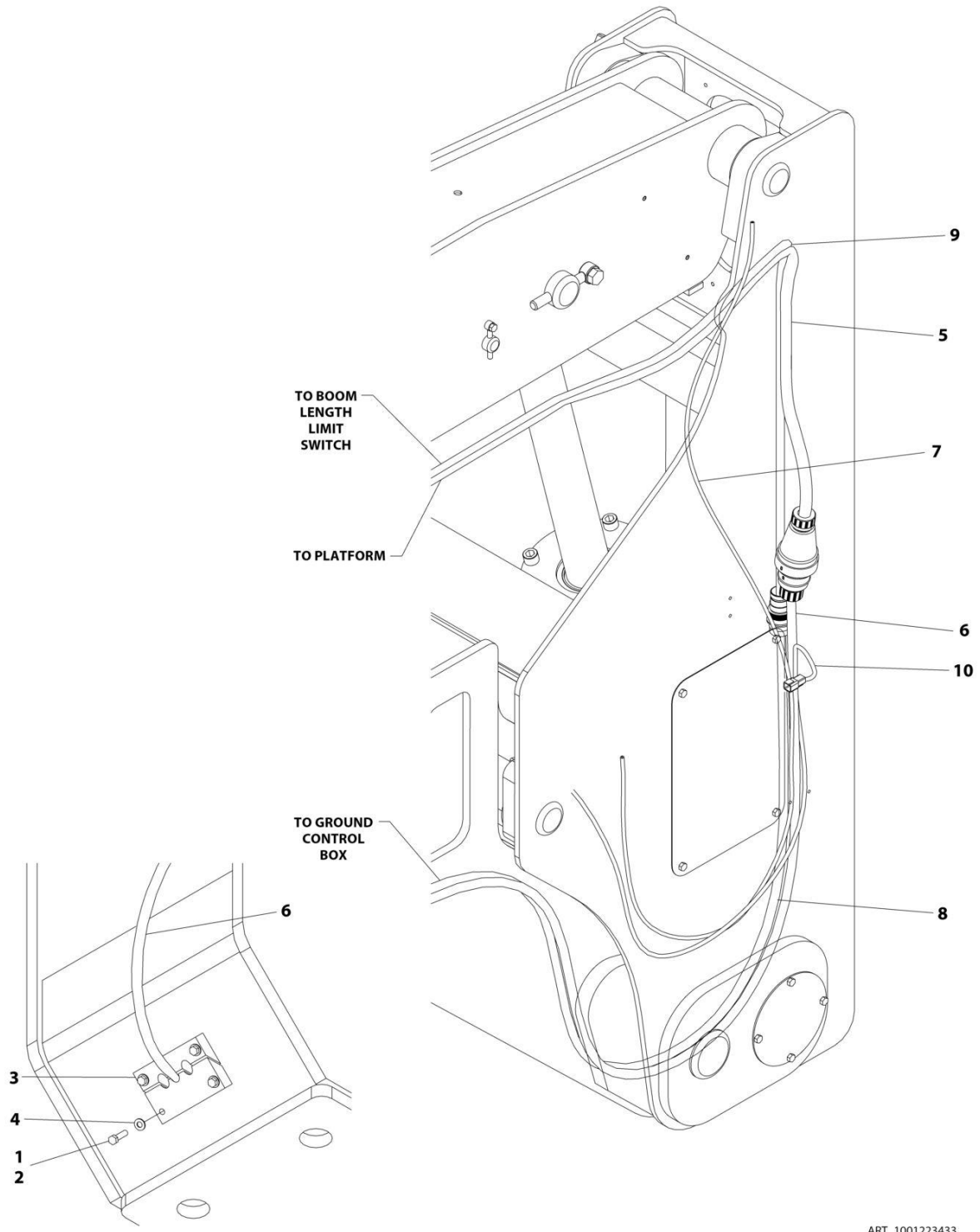
SECTION 8 - ELECTRICAL

FIGURE 8-24. BOOM VALVE HARNESS

ITEM	PART NUMBER	QTY	DESCRIPTION	REV
	1001222047	Ref	BOOM VALVE HARNESS	B
1	4460852	1	Connector, Buss - 8 Position	
101	4460891	6	Plug, Male - 2 Position	
101	4460465	12	Socket, Female	
102	4460851	1	Plug, Male - 8 Position	
102	4460465	8	Socket, Female	
103	1001190577	1	Plug, Male - 8 Position	
103	1001126008	7	Socket, Female	
103	4460518	1	Plug, Terminal	

SECTION 8 - ELECTRICAL

FIGURE 8-25. BOOM CABLES INSTALLATION (MACHINES WITHOUT GENERATOR)



ART_1001223433

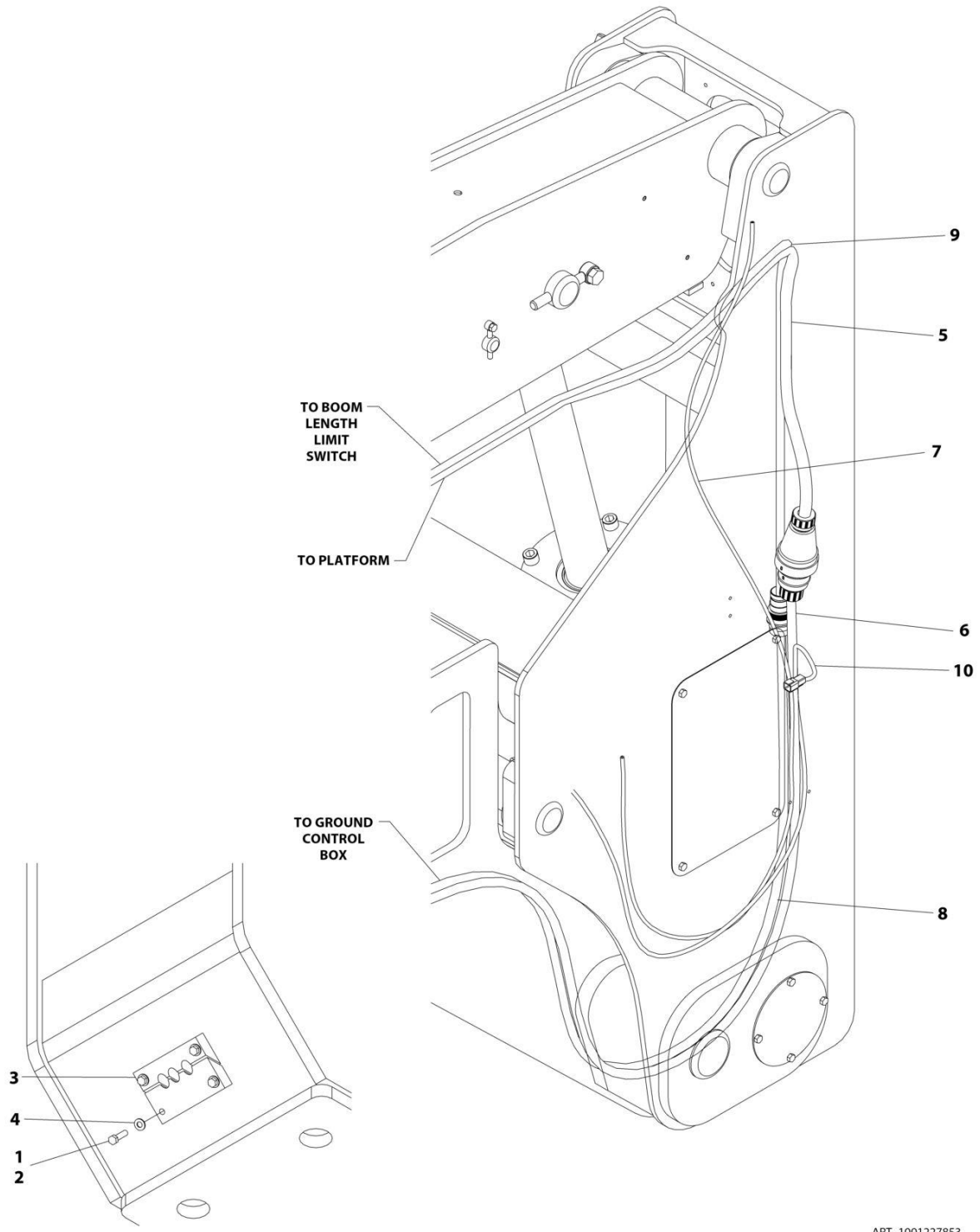
SECTION 8 - ELECTRICAL

FIGURE 8-25. BOOM CABLES INSTALLATION (MACHINES WITHOUT GENERATOR)

ITEM	PART NUMBER	QTY	DESCRIPTION	REV
	1001223433	Ref	BOOM CABLES INSTALLATION	D
1	0100011	AR	Compound, Locking	
2	0641612	4	Bolt 3/8 x 1-1/2	
3	1320256	1	Clamp, Block	
4	4711600	4	Washer 3/8	
5	4922216	1	AC Cable, 10/3 (Main Boom)	
6	4922217	1	AC Cable, 10/3 (Tower Boom)	
7	4922578	2	Cable, Main Boom Elevation Limit Switch	
8	1001222055	1	Boom Cable - Tower Boom (See Separate Breakdown in this Section)	
9	1001227356	1	Boom Cable - Main Boom (See Separate Breakdown in this Section)	
10	1001227359	1	Tilt Sensor Harness	
10	1001097051	1	Connector - 4 Position	
10	1001097082	3	Terminal	

SECTION 8 - ELECTRICAL

FIGURE 8-26. BOOM CABLES INSTALLATION (AUSTRALIAN SPECS WITH 4000W GENERATOR)



ART_1001227853

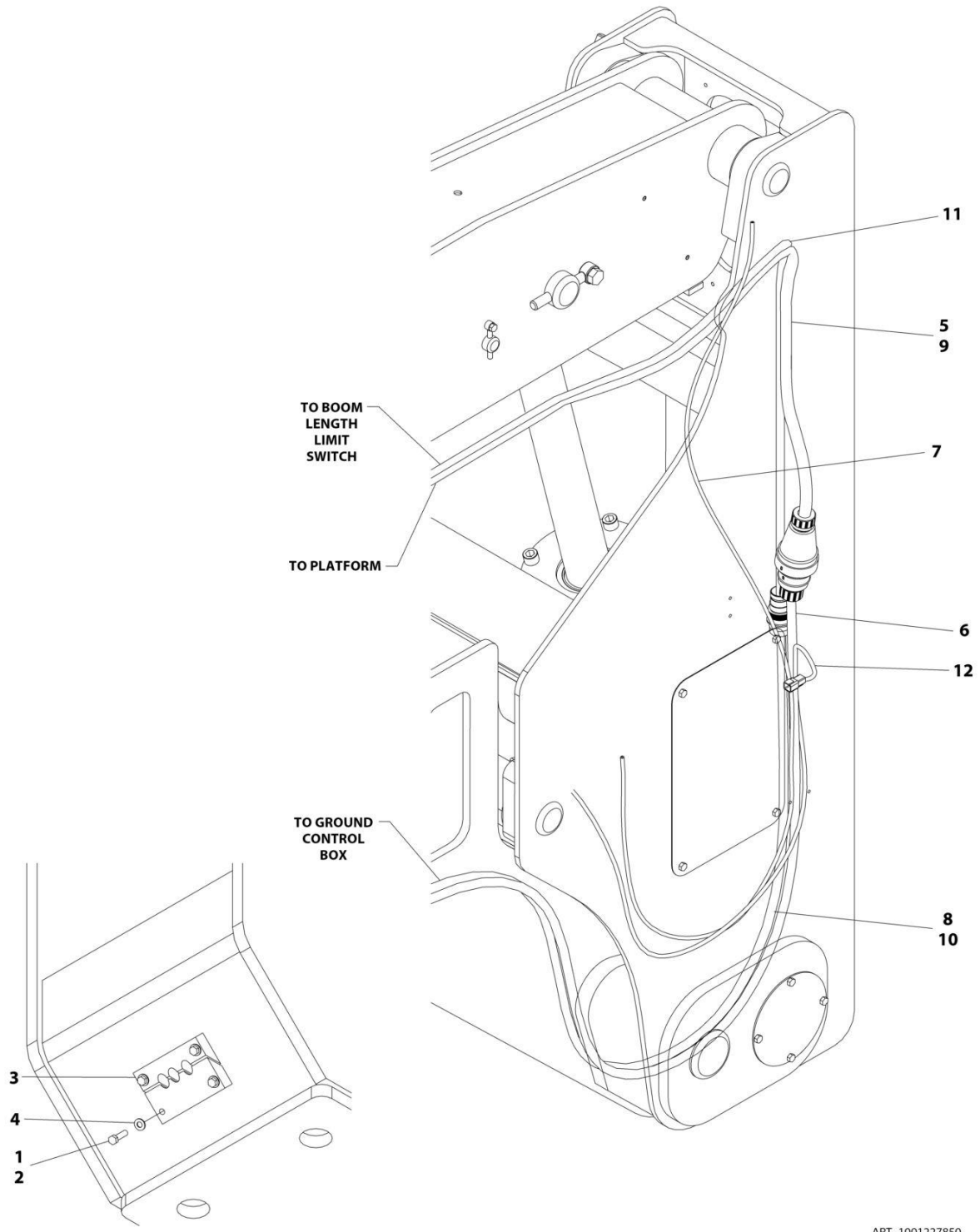
SECTION 8 - ELECTRICAL

FIGURE 8-26. BOOM CABLES INSTALLATION (AUSTRALIAN SPECS WITH 4000W GENERATOR)

ITEM	PART NUMBER	QTY	DESCRIPTION	REV
	1001227853	Ref	BOOM CABLES INSTALLATION	D
1	0100011	AR	Compound, Locking	
2	0641612	4	Bolt 3/8 x 1-1/2	
3	1320256	1	Clamp, Block	
4	4711600	4	Washer 3/8	
5	4922219	1	AC Cable - 10/3 (Main Boom)	
6	4922220	1	AC Cable - 10/3 (Tower Boom)	
7	4922578	2	Cable, Main Boom Elevation Limit Switch	
8	1001222055	1	Boom Cable - Tower Boom (See Separate Breakdown in this Section)	
9	1001227356	1	Boom Cable - Main Boom (See Separate Breakdown in this Section)	
10	1001227359	1	Tilt Sensor Harness	
10	1001097051	1	Connector - 4 Position	
10	1001097082	3	Terminal	
11	4240099	AR	Tie-Strap (Not Shown)	

SECTION 8 - ELECTRICAL

FIGURE 8-27. BOOM CABLES INSTALLATION (CE & UK CA SPECS WITH 4000W GENERATOR)



ART_1001227850

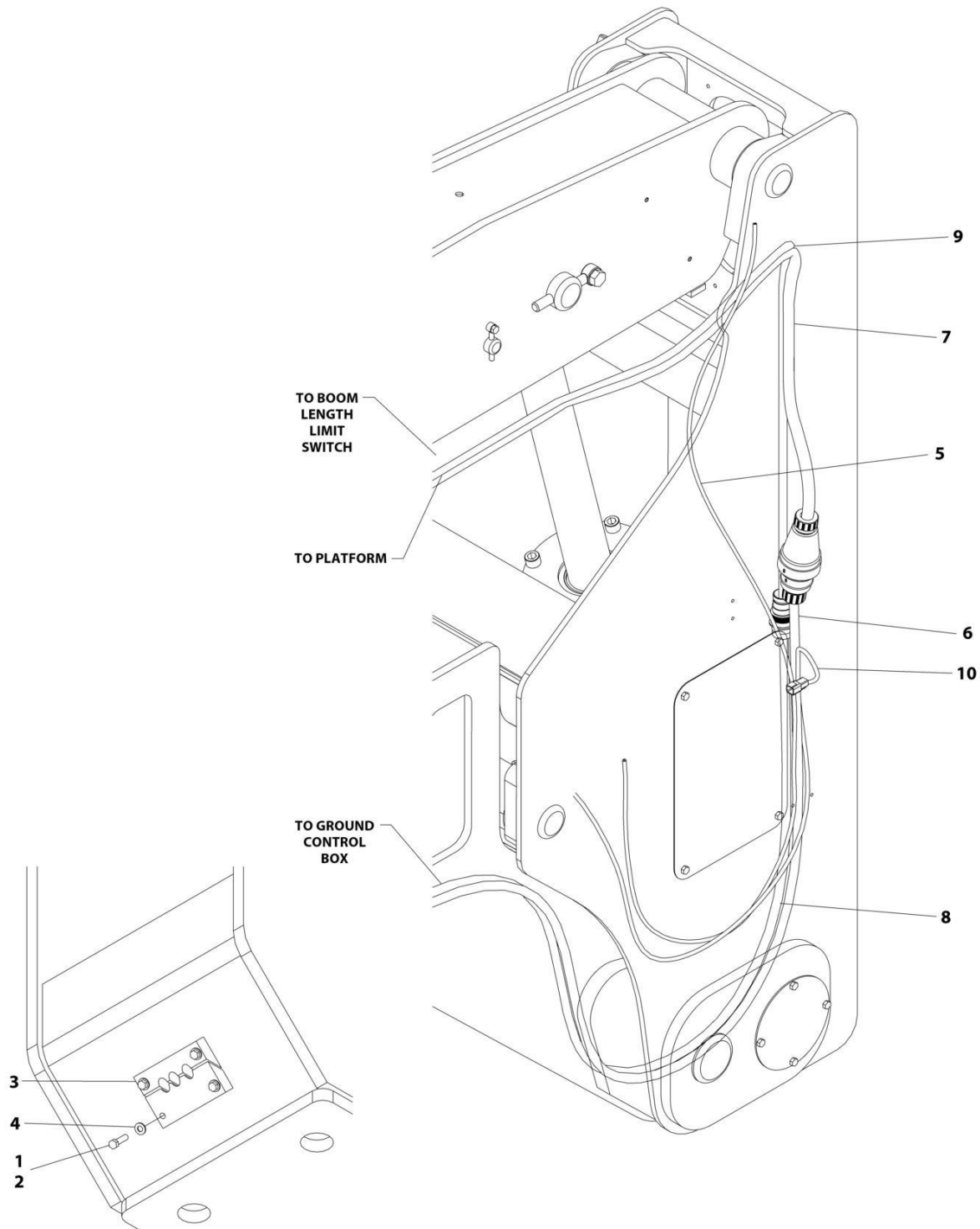
SECTION 8 - ELECTRICAL

FIGURE 8-27. BOOM CABLES INSTALLATION (CE & UK CA SPECS WITH 4000W GENERATOR)

ITEM	PART NUMBER	QTY	DESCRIPTION	REV
	1001227850	Ref	BOOM CABLES INSTALLATION	D
1	0100011	AR	Compound, Locking	
2	0641612	4	Bolt 3/8 x 1-1/2	
3	1320256	1	Clamp, Block	
4	4711600	4	Washer 3/8	
5	4922219	1	AC Cable - 10/3 (Main Boom)	
6	4922220	1	AC Cable - 10/3 (Tower Boom)	
7	4922578	2	Cable, Main Boom Elevation Limit Switch	
8	4922579	1	Boom Length Harness (Tower Boom)	
8	4460891	1	Plug, Male - 2 Position	
8	4460465	2	Socket, Female	
9	4922580	1	Boom Length Harness (Main Boom)	
9	4460897	1	Receptacle, Female	
9	4460464	2	Pin, Male	
10	1001222055	1	Boom Cable - Tower Boom (See Separate Breakdown in this Section)	
11	1001227356	1	Boom Cable - Main Boom (See Separate Breakdown in this Section)	
12	1001227359	1	Tilt Sensor Harness	
12	1001097051	1	Connector - 4 Position	
12	1001097082	3	Terminal	
13	4240099	AR	Tie-Strap (Not Shown)	

SECTION 8 - ELECTRICAL

FIGURE 8-28. BOOM CABLES INSTALLATION (ALL SPECS EXCEPT CE & UK CA SPECS WITH 7500W GENERATOR)



ART_1001227851

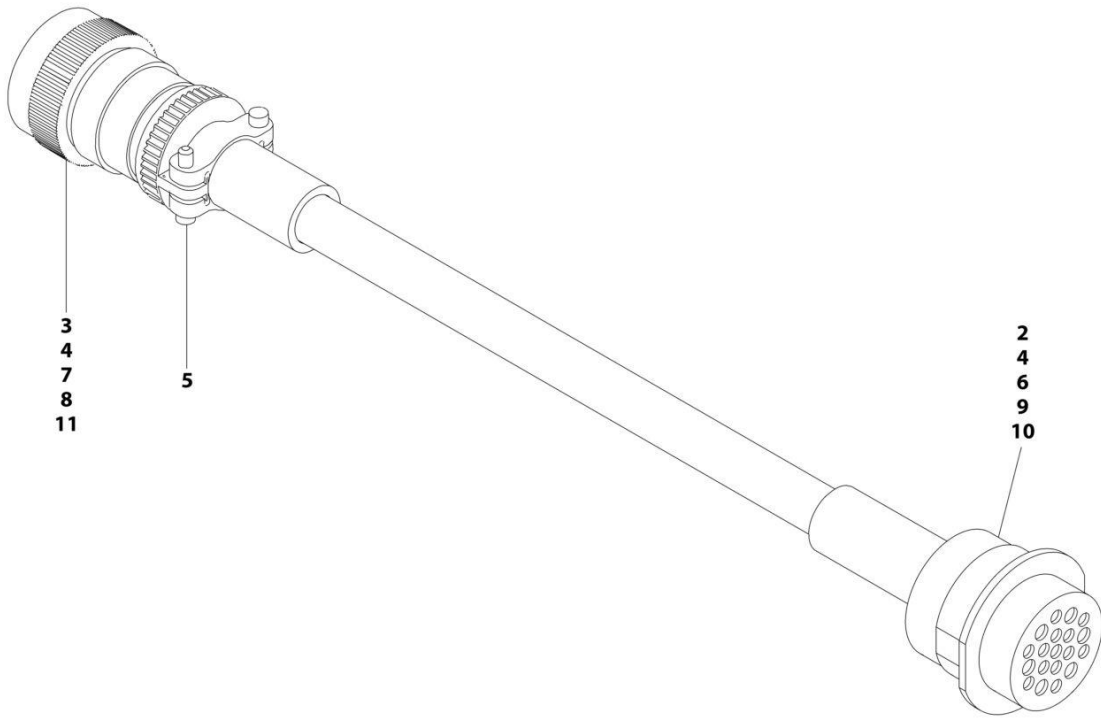
SECTION 8 - ELECTRICAL

FIGURE 8-28. BOOM CABLES INSTALLATION (ALL SPECS EXCEPT CE & UK CA SPECS WITH 7500W GENERATOR)

ITEM	PART NUMBER	QTY	DESCRIPTION	REV
	1001227851	Ref	BOOM CABLES INSTALLATION	D
1	0100011	AR	Compound, Locking	
2	0641612	4	Bolt 3/8 x 1-1/2	
3	1320256	1	Clamp, Block	
4	4711600	4	Washer 3/8	
5	4922578	2	Cable, Main Boom Elevation Limit Switch	
6	1001125125	1	AC Cable 8/5 (Tower Boom)	
7	1001125126	1	AC Cable 8/5 (Main Boom)	
8	1001222055	1	Boom Cable - Tower Boom (See Separate Breakdown in this Section)	
9	1001227356	1	Boom Cable - Main Boom (See Separate Breakdown in this Section)	
10	1001227359	1	Tilt Sensor Harness	
10	1001097051	1	Connector - 4 Position	
10	1001097082	3	Terminal	
13	4240099	AR	Tie-Strap (Not Shown)	

SECTION 8 - ELECTRICAL

FIGURE 8-29. BOOM CABLE - MAIN BOOM



AI

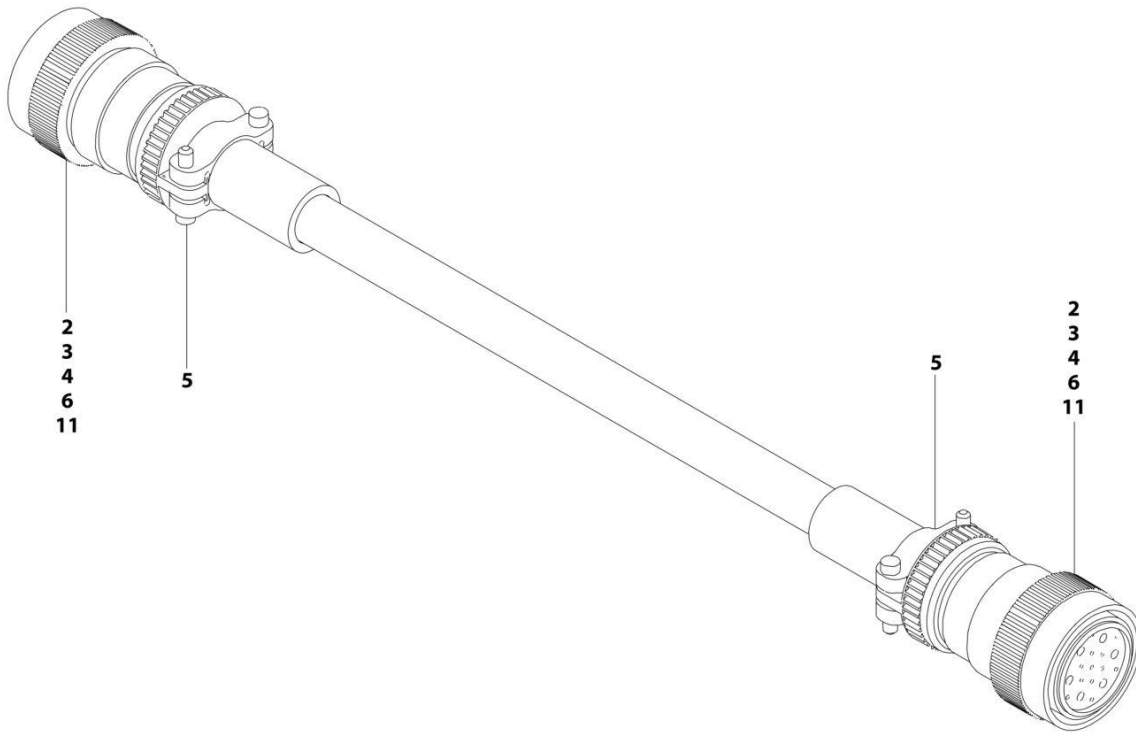
SECTION 8 - ELECTRICAL

FIGURE 8-29. BOOM CABLE - MAIN BOOM

ITEM	PART NUMBER	QTY	DESCRIPTION	REV
	1001227356	Ref	BOOM CABLE - MAIN BOOM	A
2	4460464	8	Pin, Male	
3	4460465	8	Socket, Female	
4	4460466	10	Plug, Terminal	
5	4460473	1	Clamp	
6	4460508	4	Pin, Male	
7	4460509	4	Socket, Female	
8	4460865	1	Connector - 19 Position	
9	4460866	1	Connector - 19 Position	
10	4460943	2	Pin, Male	
11	4460944	2	Socket, Female	

SECTION 8 - ELECTRICAL

FIGURE 8-30. BOOM CABLE - TOWER BOOM



ART_1001222055

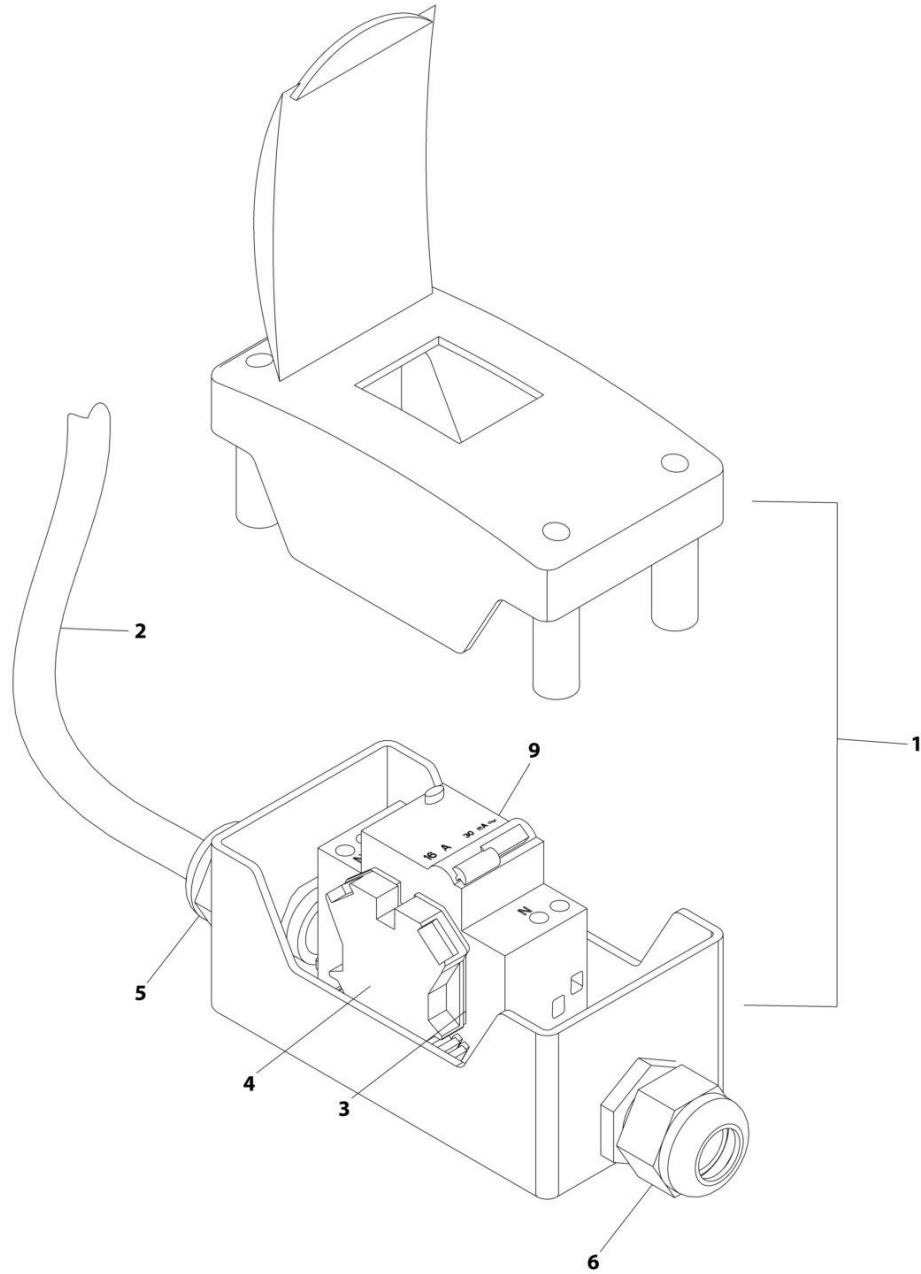
SECTION 8 - ELECTRICAL

FIGURE 8-30. BOOM CABLE - TOWER BOOM

ITEM	PART NUMBER	QTY	DESCRIPTION	REV
	1001222055	Ref	BOOM CABLE - TOWER BOOM	C
2	4460465	10	Socket, Female	
3	4460865	2	Connector - 19 Position	
4	4460509	8	Socket, Female	
5	4460473	2	Clamp	
6	4460466	10	Plug, Terminal	
11	4460944	10	Socket, Female	

SECTION 8 - ELECTRICAL

FIGURE 8-31. BREAKER BOX KIT - WITH 2 BREAKERS (CE & UK CA SPECS WITHOUT 4000W GENERATOR & BRAZIL SPECS)



ART_1001109654

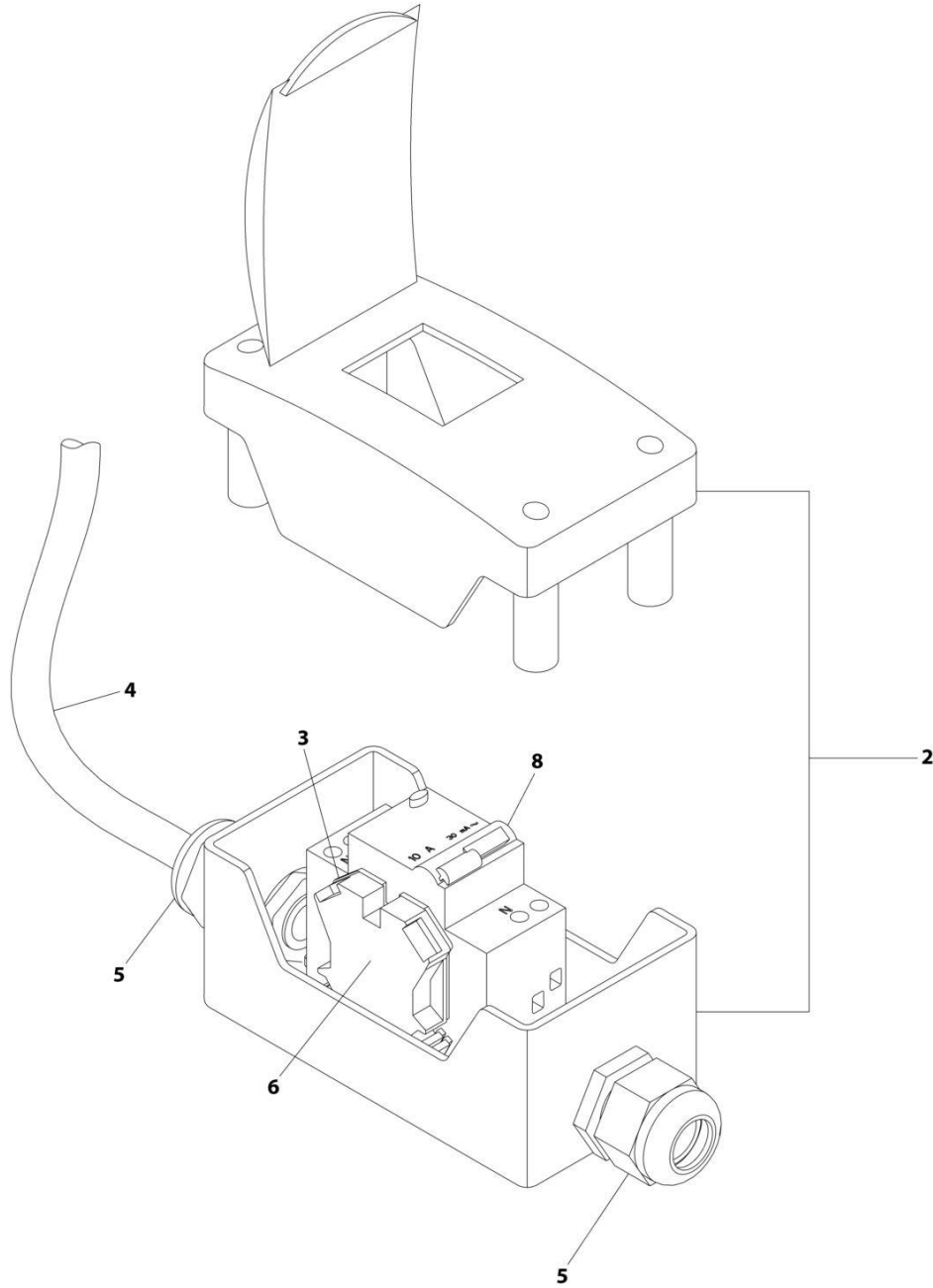
SECTION 8 - ELECTRICAL

FIGURE 8-31. BREAKER BOX KIT - WITH 2 BREAKERS (CE & UK CA SPECS WITHOUT 4000W GENERATOR & BRAZIL SPECS)

ITEM	PART NUMBER	QTY	DESCRIPTION	REV
	1001109654	Ref	BREAKER BOX KIT	B
1	0861880	1	Box, Breaker	
2	1060908	12 ft/ 3.6m	Cable 12/3	
3	4460956	1	Barrier, Terminal Block End	
4	4460957	1	Block, Terminal	
5	1001097150	1	Connector, Strain Relief	
6	1001101191	1	Connector, Strain Relief	
9	1001181045	1	Breaker - 30mA/16Amp	

SECTION 8 - ELECTRICAL

FIGURE 8-32. BREAKER BOX KIT - WITH 2 BREAKERS (CE & UK CA SPECS WITH 4000W GENERATOR)



ART_1001165368

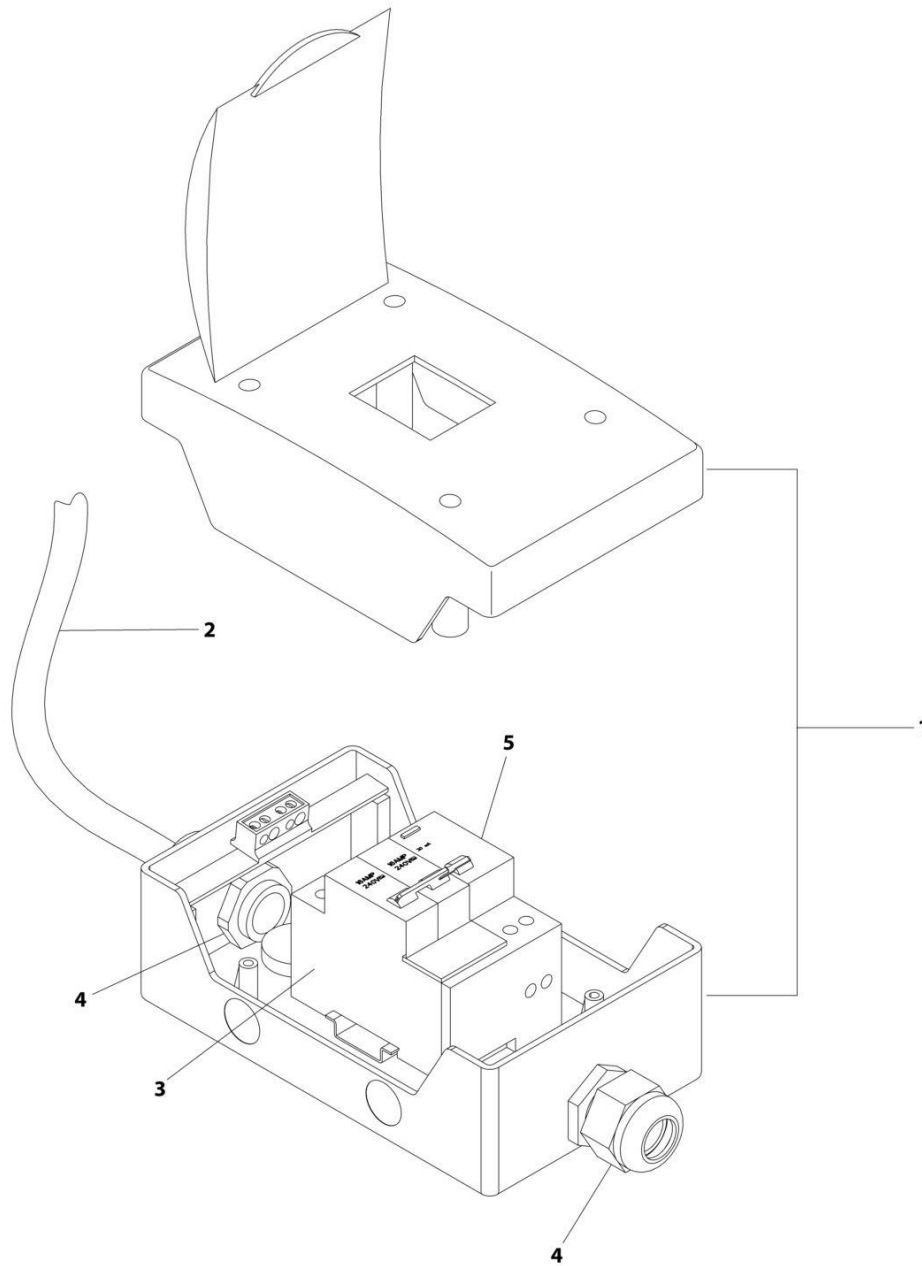
SECTION 8 - ELECTRICAL

FIGURE 8-32. BREAKER BOX KIT - WITH 2 BREAKERS (CE & UK CA SPECS WITH 4000W GENERATOR)

ITEM	PART NUMBER	QTY	DESCRIPTION	REV
	1001165368	Ref	BREAKER BOX KIT	B
2	0861880	1	Box, Circuit Breaker	
3	4460956	1	Barrier, Terminal Block End	
4	1060545	12 ft/ 3.6m	Cable, Electrical 10/3	
5	1001101191	2	Connector, Strain Relief	
6	4460957	1	Block, Terminal	
8	1001181045	1	Breaker 30mA/16Amp	

SECTION 8 - ELECTRICAL

FIGURE 8-33. BREAKER BOX KIT - WITH 3 BREAKERS (CE & UK CA SPECS WITH 4000W GENERATOR)



ART_1001205690

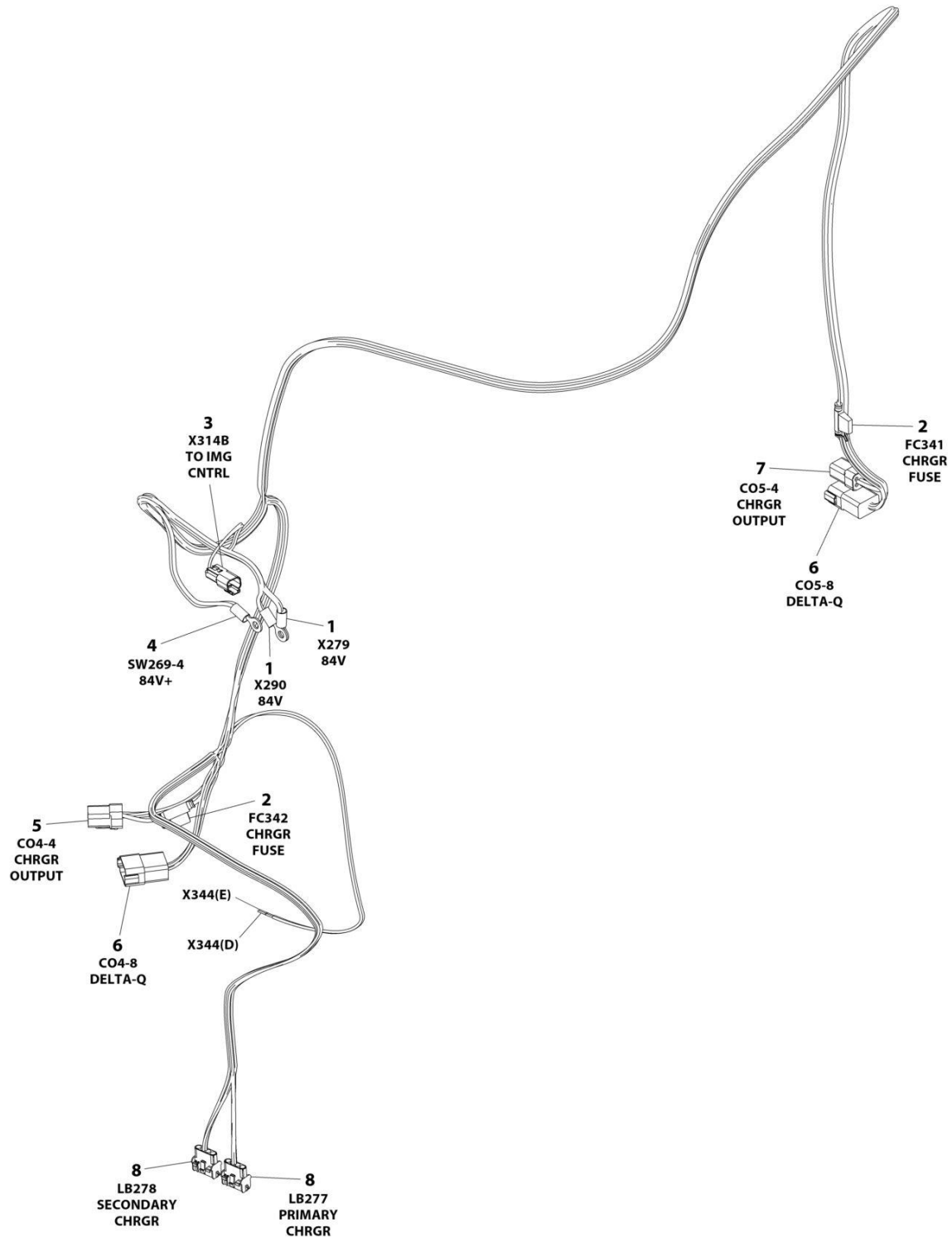
SECTION 8 - ELECTRICAL

FIGURE 8-33. BREAKER BOX KIT - WITH 3 BREAKERS (CE & UK CA SPECS WITH 4000W GENERATOR)

ITEM	PART NUMBER	QTY	DESCRIPTION	REV
	1001205690	Ref	BREAKER BOX KIT	A
1	1001152483	1	Box, Breaker	
2	1060545	12 ft / 3.6m	Cable, Electrical 10/3	
3	1001189172	1	Breaker 16Amp Double	
4	1001101191	2	Connector, Strain Relief	
5	1001189171	1	Breaker 30mA	

SECTION 8 - ELECTRICAL

FIGURE 8-34. CHARGER HARNESS



ART_1001222052

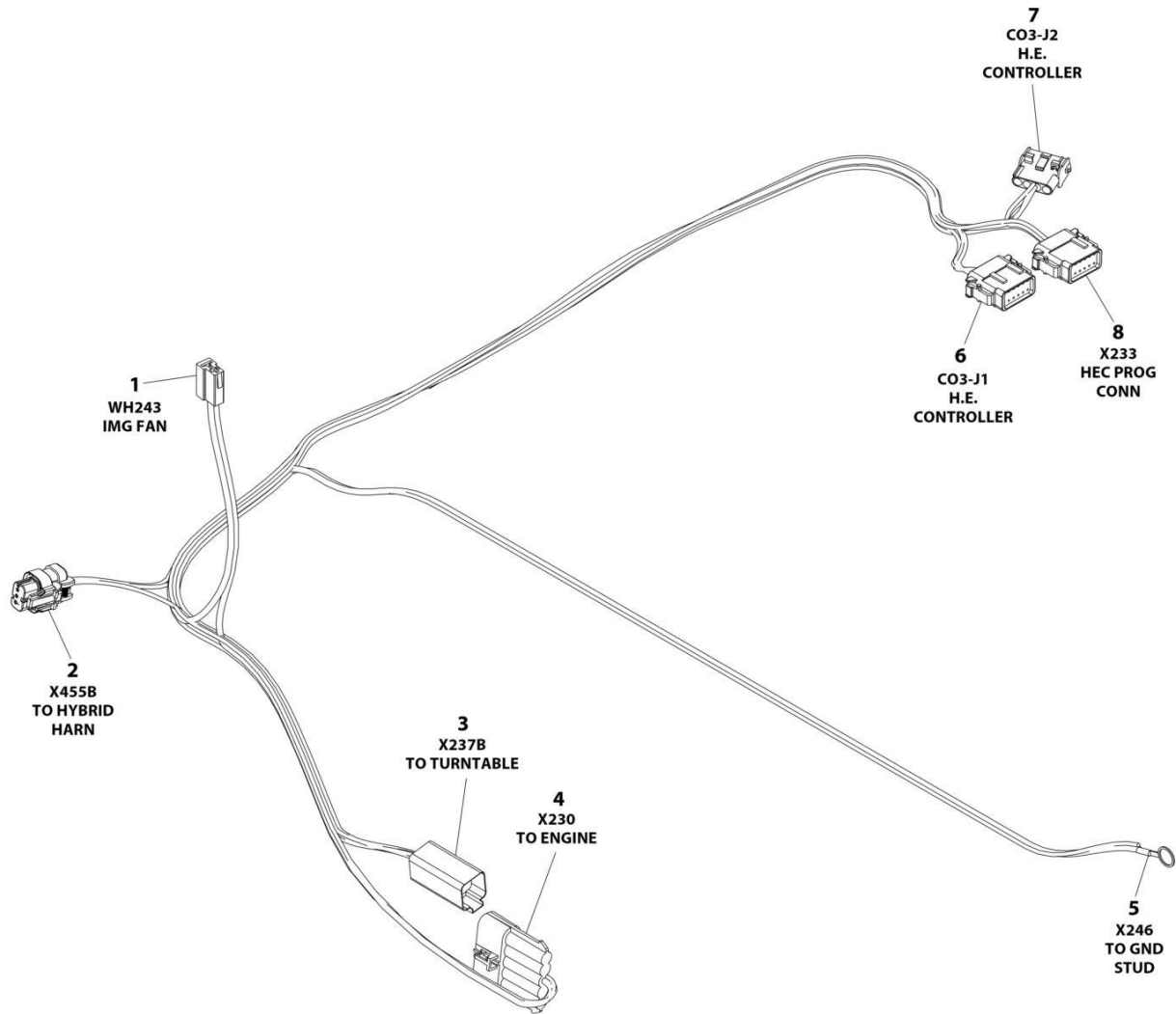
SECTION 8 - ELECTRICAL

FIGURE 8-34. CHARGER HARNESS

ITEM	PART NUMBER	QTY	DESCRIPTION	REV
	1001222052	Ref	CHARGER HARNESS	D
1	8220045	2	Terminal, Ring	
2	2400081	2	Fuseholder with Cover	
2	See Note	2	Fuse - 15 Amp (Note: Purchase Locally)	
3	4460897	1	Receptacle, Female - 2 Position	
3	4460464	2	Pin, Male	
4	1001130900	1	Terminal, Ring	
5	1001225476	1	Connector - 4 Position	
5	1001225591	4	Terminal	
6	4460931	2	Receptacle, Female - 8 Position	
6	4460464	17	Pin, Male	
6	4460466	2	Plug, Terminal	
7	1001225477	1	Connector - 4 Position	
7	1001225591	2	Terminal	
8	4460761	2	Receptacle, Female - 4 Position	
8	4460226	8	Socket, Female	

SECTION 8 - ELECTRICAL

FIGURE 8-35. CONTROL HARNESS



ART_1001228985

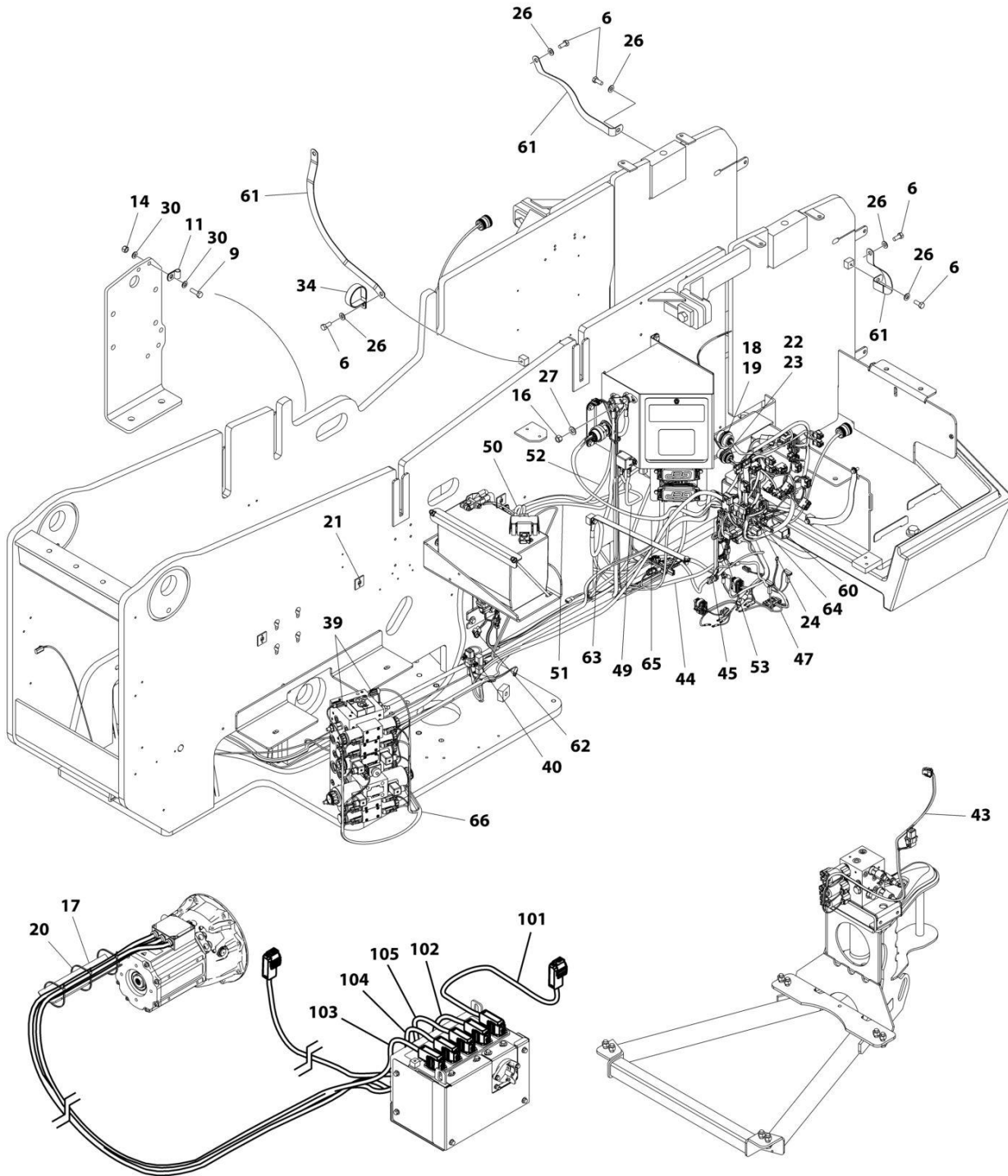
SECTION 8 - ELECTRICAL

FIGURE 8-35. CONTROL HARNESS

ITEM	PART NUMBER	QTY	DESCRIPTION	REV
	1001228985	Ref	CONTROL HARNESS	D
1	4460994	1	Housing, Terminal	
1	1001116723	2	Terminal	
2	1001200497	1	Plug, Male - 3 Position	
2	4460465	3	Socket, Female	
3	4460899	1	Receptacle, Female - 6 Position	
3	4460943	2	Pin, Male	
3	4460464	3	Pin, Male	
3	4460466	1	Plug, Terminal	
4	1001121727	1	Plug, Male - 5 Position	
4	1001116745	2	Socket, Female	
4	8220162	1	Socket, Female	
4	4460508	2	Seal	
4	80963067	1	Seal	
4	1001116727	2	Plug, Terminal	
5	8220019	1	Terminal, Ring	
6	1001116808	1	Plug, Male - 12 Position	
6	1001116694	5	Socket, Female	
6	4460518	7	Plug, Terminal	
7	1001116774	1	Plug, Male - 12 Position	
7	1001119619	2	Socket, Female	
7	1001116694	2	Socket, Female	
7	4460518	8	Plug, Terminal	
8	4460761	1	Receptacle, Female - 4 Position	
8	4460226	4	Socket, Female	

SECTION 8 - ELECTRICAL

FIGURE 8-36. ELECTRICAL SYSTEM INSTALLATION



ART_1001249003_2OF2

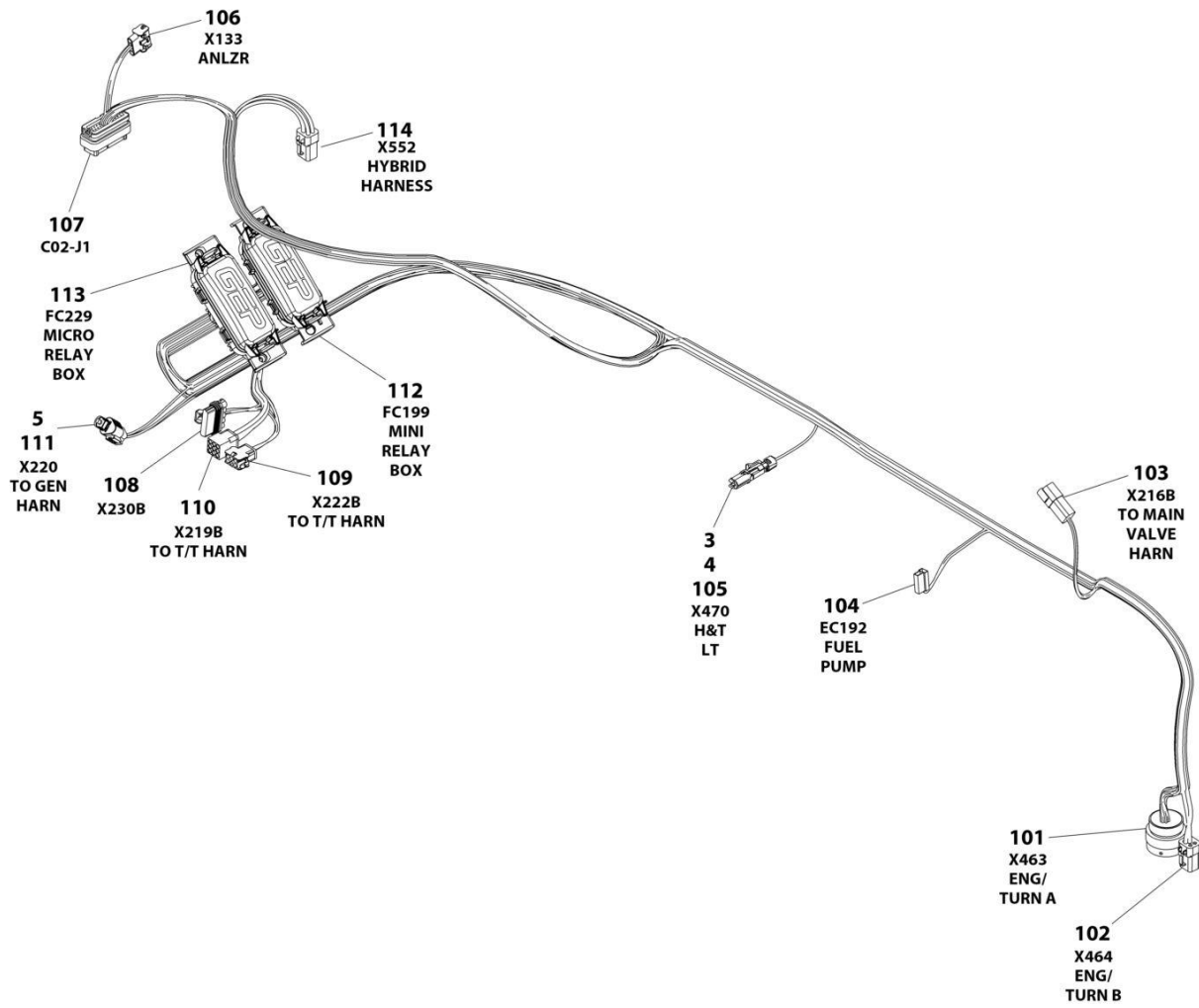
SECTION 8 - ELECTRICAL

FIGURE 8-36. ELECTRICAL SYSTEM INSTALLATION

ITEM	PART NUMBER	QTY	DESCRIPTION	REV
	1001249003	Ref	ELECTRICAL SYSTEM INSTALLATION	B
2	0100048	AR	Grease, Dielectric (Not Shown)	
6	0641506	10	Bolt 5/16 x 3/4	
9	0760812	1	Bolt M8 x 25	
11	1320263	1	Clamp	
14	3290805	1	Nut M8	
16	3311601	1	Nut 3/8	
18	4460470	1	Nut	
19	4460471	1	Washer	
20	4240099	4	Tie-Strap	
21	4460488	3	Terminal, Mount	
22	4460496	1	Washer	
23	4460497	1	Nut	
24	4460708	2	Connector - 15 Position	
26	4711500	10	Washer 5/16	
27	4711600	1	Washer	
30	4811900	2	Washer M8	
34	8410001	1	Clamp	
39	1001144295	2	Cap	
40	1001146588	2	Tie-Strap (Not Shown)	
43	1001222047	1	Boom Valve Harness (See Separate Breakdown in this Section)	
44	1001222052	1	Charger Harness (See Separate Breakdown in this Section)	
45	1001222369	1	Resolver/Converter/Inverter Harness (See Separate Breakdown in this Section)	
47	1001225994	1	Hybrid 84V Harness (See Separate Breakdown in this Section)	
49	1001226267	1	Cable, Ignition Relay to Fusebox	
50	1001226268	1	Cable, Battery to Ignition Relay	
51	1001226269	1	Cable, B+ to Fuse	
52	1001226270	1	Cable, Negative to Stud	
53	1001226522	1	Cable, Resolver/Converter to Ignition Control	
60	1001227080	1	Electrical Assembly, Terminator (Connect to Item 72)	
61	1001227925	5	Cable, Ground Strap	
62	1001228985	1	Controller Harness (See Separate Breakdown in this Section)	
63	1001233420	1	Cable, Chassis Ground	
64	1001245027	1	Ground Control Harness (See Separate Breakdown in this Section)	
65	1001245028	1	Turntable Harness (See Separate Breakdown in this Section)	
66	1001245029	1	Main Valve Harness (See Separate Breakdown in this Section)	
100	1001233441	1	Cable, Battery to Ignition Kit (Not Shown)	
101	1001222370	1	Cable, System B+	
102	1001222371	1	Cable, System B- Ignition	
103	1001222372	1	Cable, 3 Phase Motor (U)	
104	1001223949	1	Cable, 3 Phase Motor (V)	
105	1001223950	1	Cable, 3 Phase Motor (W)	

SECTION 8 - ELECTRICAL

FIGURE 8-37. ENGINE HARNESS - KUBOTA



ART_1001245030

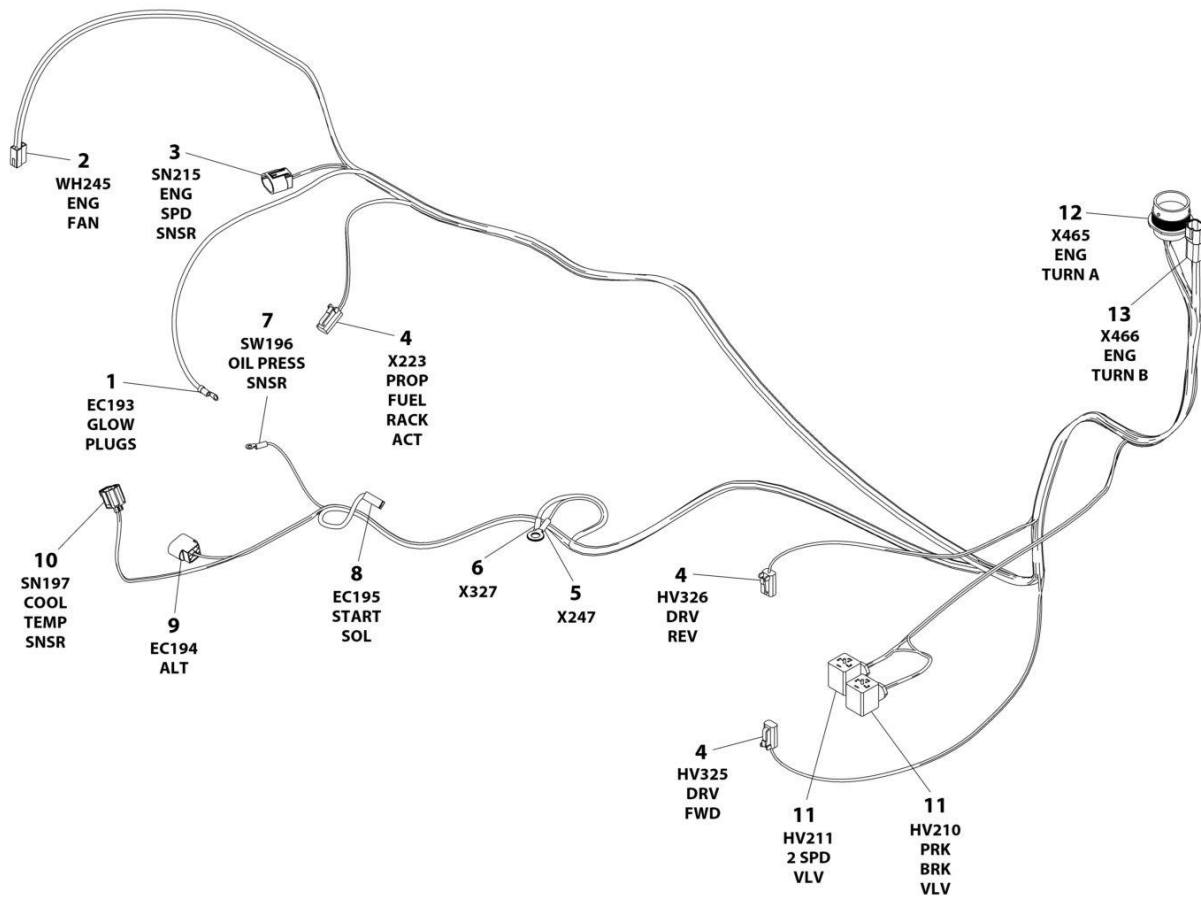
SECTION 8 - ELECTRICAL

FIGURE 8-37. ENGINE HARNESS - KUBOTA

ITEM	PART NUMBER	QTY	DESCRIPTION	REV
	1001245030	Ref	ENGINE HARNESS - KUBOTA	B
3	80963056	1	Connector - 1 Position	
4	1001116727	1	Plug	
5	1001144296	1	Cap	
101	1001147923	1	Connector - 24 Position	
101	4460465	17	Socket - Female	
101	4460466	7	Plug, Terminal	
102	1001200497	1	Plug, Male - 4 Position	
102	1001150611	3	Socket, Female	
102	4460466	1	Plug, Terminal	
103	4460932	1	Receptacle, Female - 4 Position	
103	4460464	4	Pin, Male	
104	1001118744	1	Housing, Terminal	
104	1001118745	2	Terminal	
105	80963055	1	Plug, Male - 1 Position	
105	4460457	1	Terminal	
105	4460458	1	Seal	
106	4460761	1	Receptacle, Female - 4 Position	
106	4460226	4	Socket - Female	
107	4460874	1	Connector - 35 Position	
107	4460871	25	Socket, Female	
107	4460905	10	Plug, Terminal	
108	1001121726	1	Receptacle, Female - 5 Position	
108	4460746	2	Terminal	
108	8220125	2	Terminal	
108	4460458	2	Seal	
108	80963067	2	Seal	
108	4460748	2	Plug, Terminal	
109	4460224	1	Receptacle, Female - 6 Position	
109	4460267	4	Pin, Male	
110	4460266	1	Receptacle, Female - 9 Position	
110	4460705	7	Pin, Male	
111	4460539	1	Plug, Male - 3 Position	
111	4460465	3	Socket, Female	
112	1001223460	1	Holder, Relay	
112	1001233761	5	Terminal	
112	8220099	3	Terminal	
112	1001234288	5	Seal	
112	1001234289	3	Seal	
112	1001234287	6	Plug, Terminal	
113	1001185964	1	Holder, Relay	
113	4460746	13	Terminal	
113	8220125	5	Terminal	
113	1001116747	1	Terminal	
113	4460458	13	Seal	
113	80963067	6	Seal	
113	4460789	1	Seal	
114	4460884	1	Plug, Male - 4 Position	
114	4460465	3	Socket, Female	
114	4460466	1	Plug, Terminal	

SECTION 8 - ELECTRICAL

FIGURE 8-38. ENGINE TRAY HARNESS



ART_1001230605

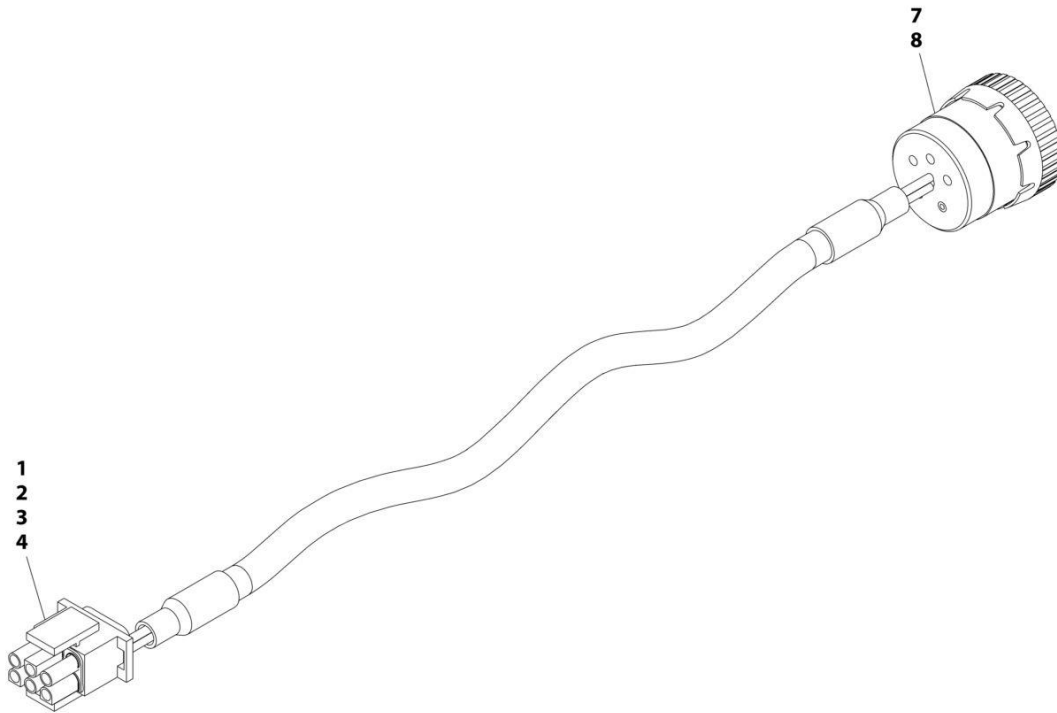
SECTION 8 - ELECTRICAL

FIGURE 8-38. ENGINE TRAY HARNESS

ITEM	PART NUMBER	QTY	DESCRIPTION	REV
	1001230605	Ref	ENGINE TRAY HARNESS	D
1	4460142	1	Terminal, Ring	
2	4460994	1	Housing, Terminal	
2	1001236489	2	Terminal	
3	1001223431	1	Connector - 3 Position	
3	1001223794	3	Socket, Female	
3	1001223797	3	Seal	
4	4460891	3	Plug, Male - 2 Position	
4	4460465	6	Socket, Female	
5	4460019	1	Terminal, Ring	
6	4460256	1	Terminal, Ring	
7	8220007	1	Terminal, Ring	
8	1001116995	1	Housing, Terminal	
8	1001236490	1	Terminal	
9	1001125748	1	Receptacle, Female - 3 Position	
9	1001129773	2	Pin, Male	
9	1001125773	1	Pin, Male	
9	1001129772	1	Seal	
10	1001118657	1	Plug, Male - 2 Position	
10	1001188387	2	Terminal	
10	1001118659	2	Seal	
11	4460880	2	Connector, DIN	
12	1001148106	1	Connector - 23 Position	
12	4460464	16	Pin, Male	
12	4460466	7	Plug, Terminal	
13	1001116811	1	Receptacle, Female - 4 Position	
13	1001150610	3	Pin, Male	
13	4460508	1	Pin, Male	

SECTION 8 - ELECTRICAL

FIGURE 8-39. GENERATOR HARNESS - 4000W



ART_1001152532

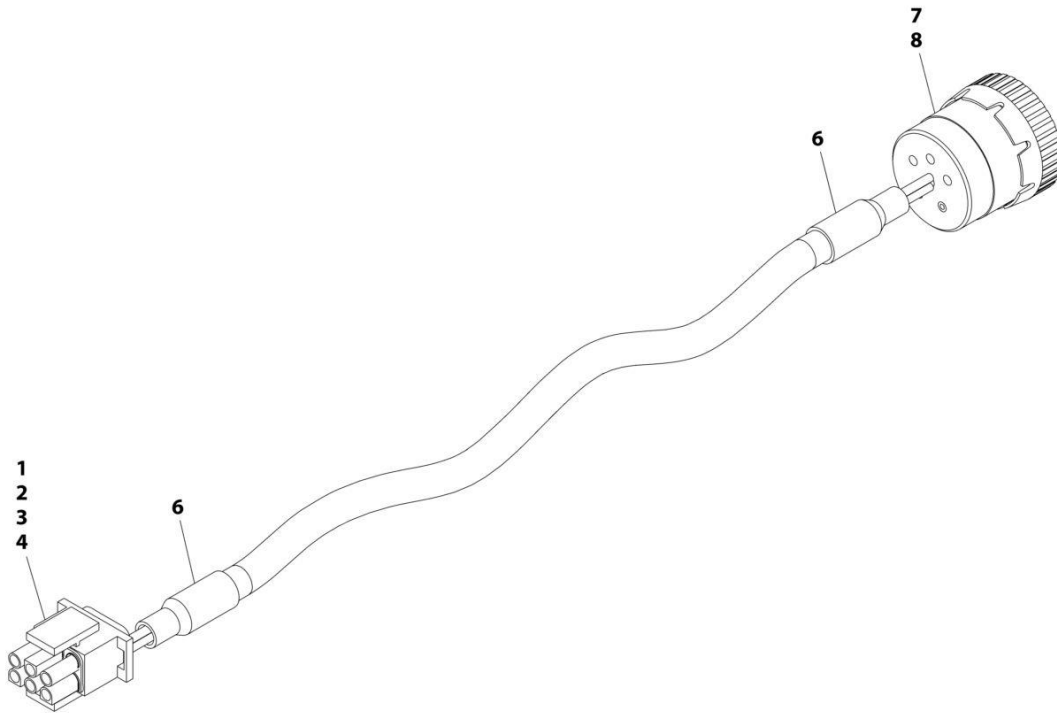
SECTION 8 - ELECTRICAL

FIGURE 8-39. GENERATOR HARNESS - 4000W

ITEM	PART NUMBER	QTY	DESCRIPTION	REV
	1001152532	Ref	GENERATOR HARNESS	A
1	4460225	1	Connector - 6 Position	
2	4460268	2	Socket, Female	
3	4460807	1	Seal	
4	4460808	1	Seal	
7	4460465	2	Socket, Female	
8	77363233	1	Connector - 6 Position	

SECTION 8 - ELECTRICAL

FIGURE 8-40. GENERATOR HARNESS - 7500W SKYPOWER



ART_4922925

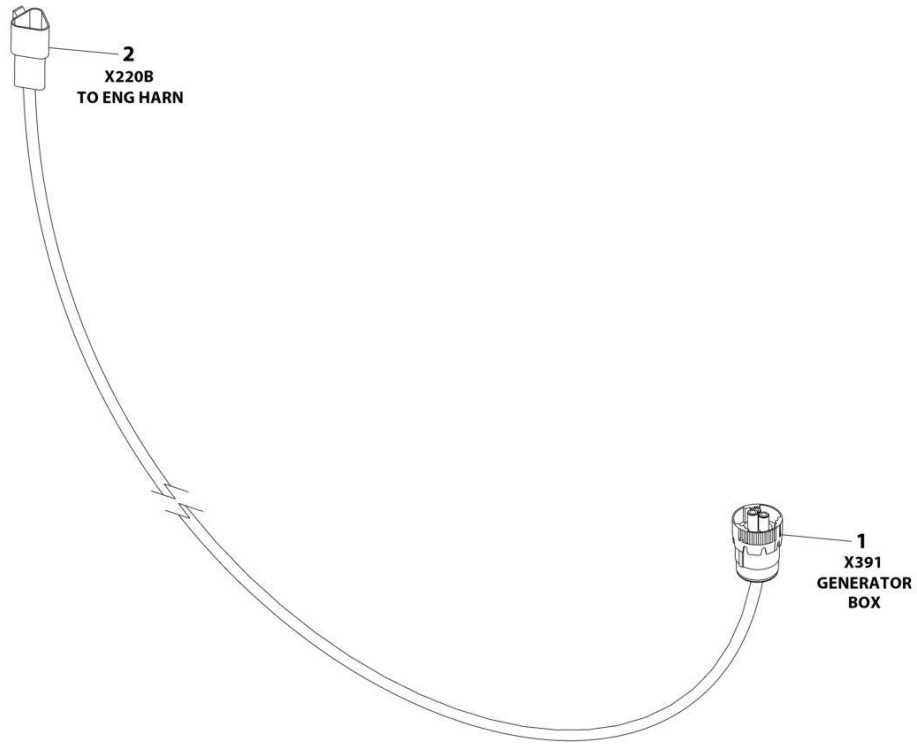
SECTION 8 - ELECTRICAL

FIGURE 8-40. GENERATOR HARNESS - 7500W SKYPOWER

ITEM	PART NUMBER	QTY	DESCRIPTION	REV
	4922925	Ref	GENERATOR TO CONTROL BOX HARNESS (7500W GENERATOR)	C
1	4460225	1	Plug, Male - 2 Position	
2	4460268	6	Socket, Female	
3	4460807	1	Seal	
4	4460808	1	Seal	
6	2820019	AR	Heat Shrink	
7	4460465	6	Socket, Female	
8	77363233	1	Connector - 6 Position	

SECTION 8 - ELECTRICAL

FIGURE 8-41. GENERATOR HARNESS - 4000W AND 7500W SKYPOWER



ART_1001231225

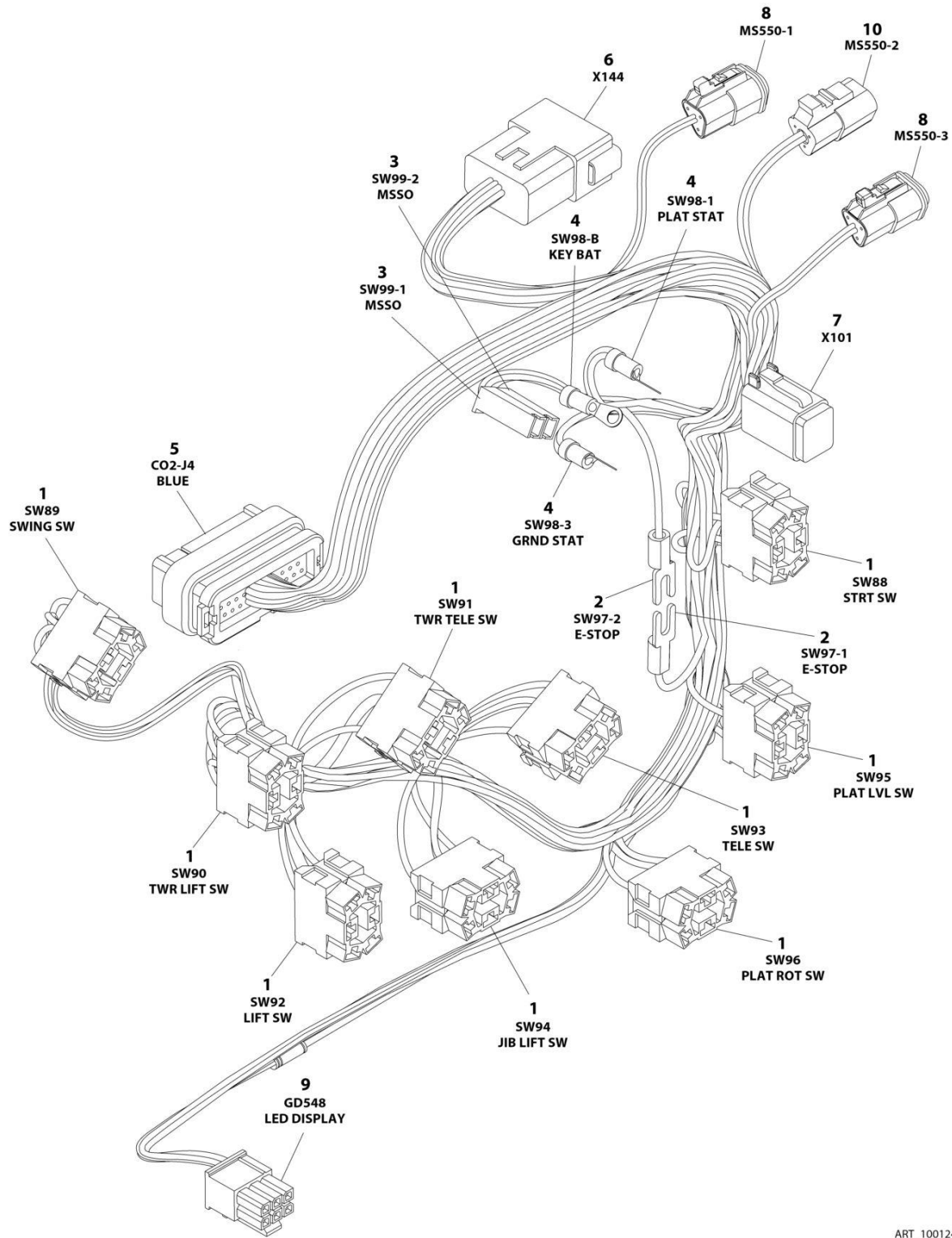
SECTION 8 - ELECTRICAL

FIGURE 8-41. GENERATOR HARNESS - 4000W AND 7500W SKYPOWER

ITEM	PART NUMBER	QTY	DESCRIPTION	REV
	1001231225	Ref	GENERATOR ENABLE HARNESS	A
1	4460967	1	Plug, Male - 3 Position	
1	4460465	3	Socket, Female	
2	4460536	1	Receptacle, Female - 3 Position	
2	4460464	3	Pin, Male	

SECTION 8 - ELECTRICAL

FIGURE 8-42. GROUND CONTROL BOX HARNESS



ART_1001245027

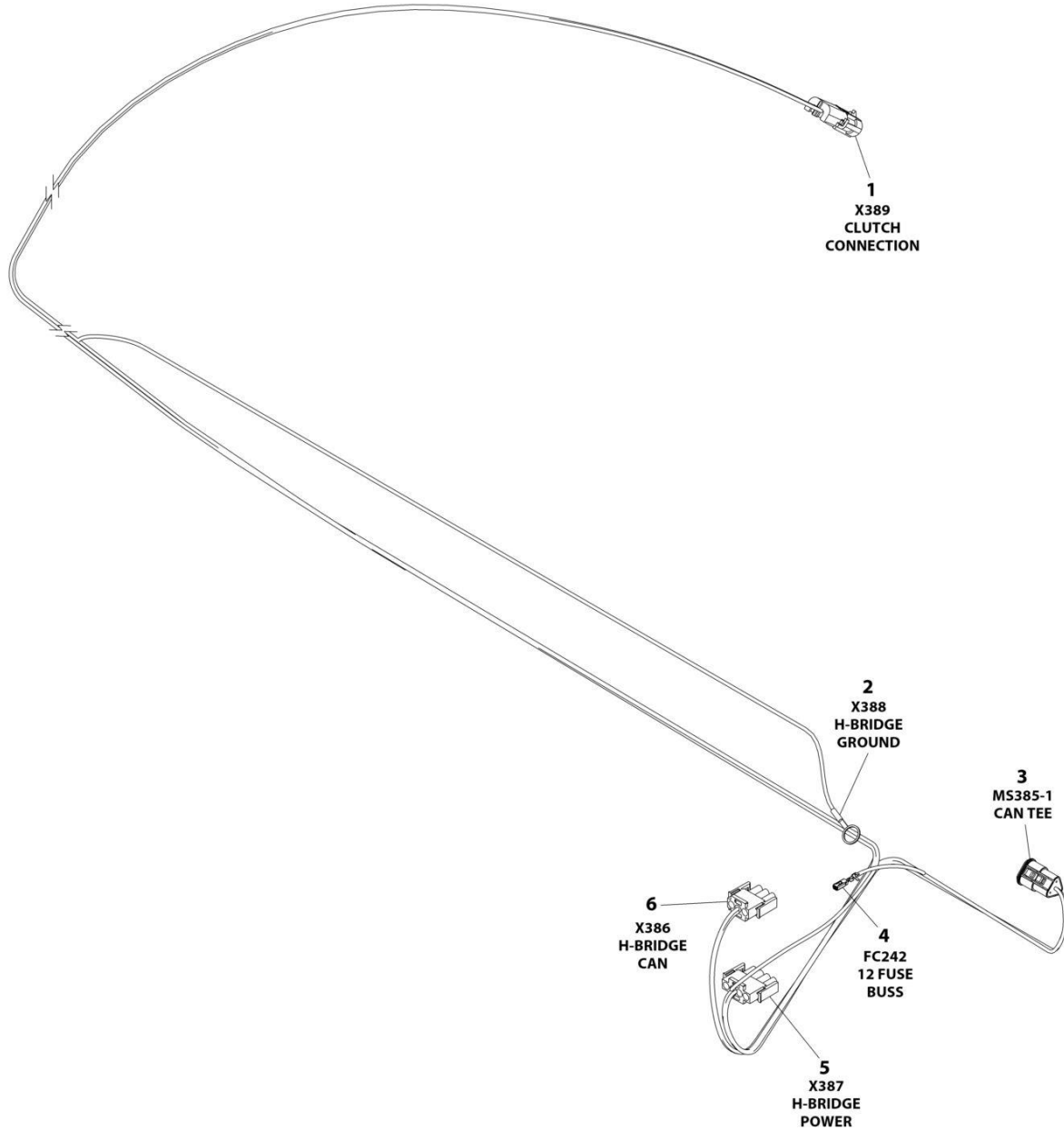
SECTION 8 - ELECTRICAL

FIGURE 8-42. GROUND CONTROL BOX HARNESS

ITEM	PART NUMBER	QTY	DESCRIPTION	REV
	1001245027	Ref	GROUND CONTROL HARNESS	B
1	4460418	9	Connector, Switch	
1	1001159186	19	Terminal	
1	4460419	16	Terminal	
2	4460144	2	Terminal, Ring	
3	4460260	2	Housing, Terminal	
3	4460259	2	Terminal	
4	4460042	3	Terminal, Ring	
5	4460876	1	Connector - 35 Position	
5	4460871	21	Socket, Female	
5	4460905	14	Plug, Terminal	
6	4460970	1	Receptacle, Female - 12 Position	
6	4460464	8	Pin, Male	
6	4460943	2	Pin, Male	
6	4460466	2	Plug, Terminal	
7	4460894	1	Plug, Male - 6 Position	
7	4460465	4	Socket, Female	
7	4460466	2	Plug, Terminal	
8	1001116812	2	Plug, Male - 3 Position	
8	4460944	4	Socket, Female	
8	4460466	2	Plug, Terminal	
9	1001237667	1	Connector - 6 Position	
9	1001237668	5	Terminal	
10	4460539	1	Plug, Male - 3 Position	
10	4460944	2	Socket Female	
10	4460466	1	Plug, Terminal	

SECTION 8 - ELECTRICAL

FIGURE 8-43. H-BRIDGE/CLUTCH HARNESS



ART_1001226404

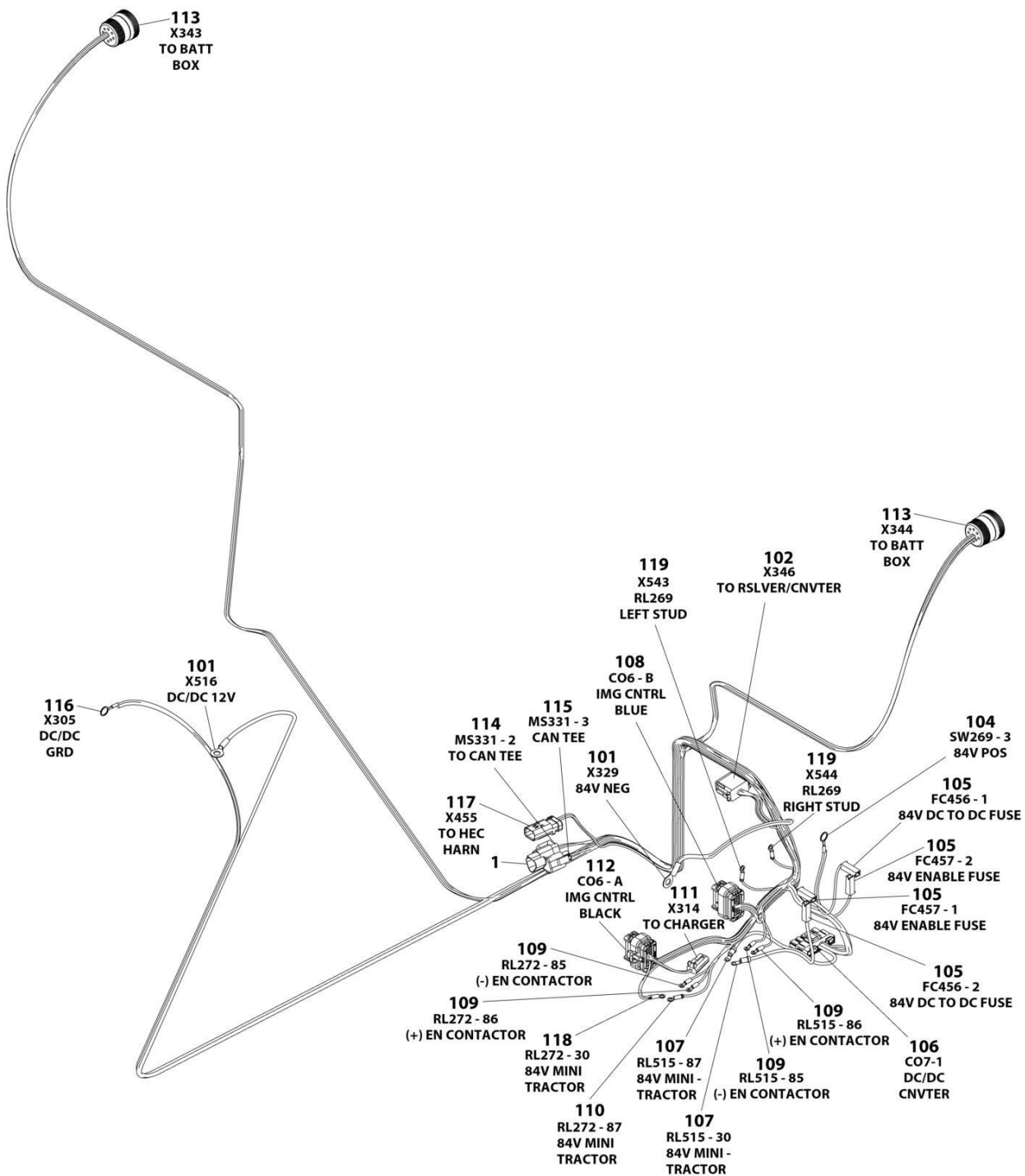
SECTION 8 - ELECTRICAL

FIGURE 8-43. H-BRIDGE/CLUTCH HARNESS

ITEM	PART NUMBER	QTY	DESCRIPTION	REV
	1001226404	Ref	H-BRIDGE/CLUTCH HARNESS	C
1	4461157	1	Receptacle, Female - 2 Position	
1	4460979	2	Socket, Female	
2	4460722	1	Terminal, Ring	
3	1001116812	1	Plug, Male - 3 Position	
3	4460944	2	Socket, Female	
3	4460466	1	Plug, Terminal	
4	1001189750	1	Terminal	
5	1001119031	1	Plug, Male - 4 Position	
5	4460268	4	Socket, Female	
6	4460326	1	Plug, Male - 3 Position	
6	4460268	3	Socket, Female	

SECTION 8 - ELECTRICAL

FIGURE 8-44. HYBRID 84V HARNESS



ART_1001225994_F

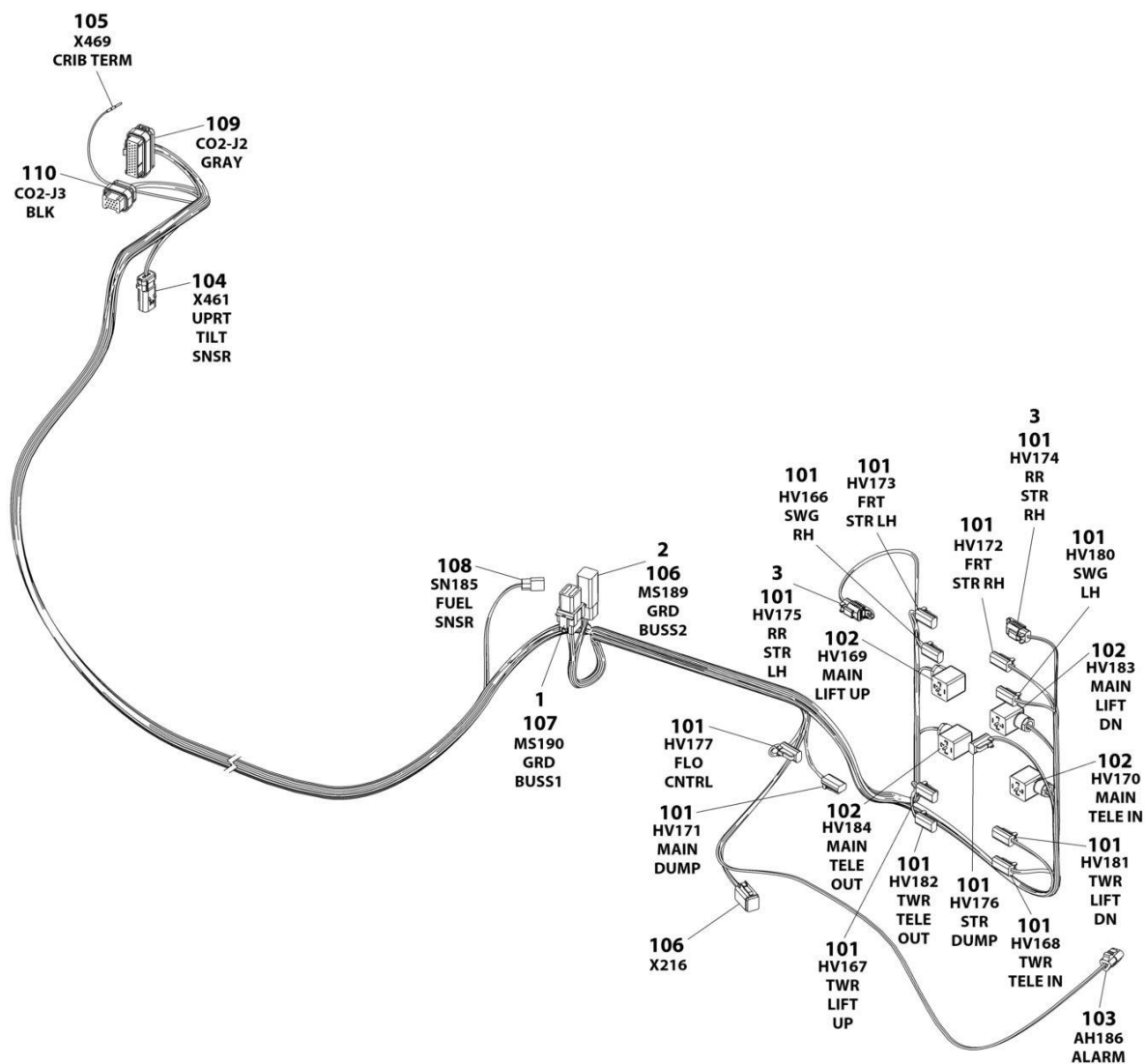
SECTION 8 - ELECTRICAL

FIGURE 8-44. HYBRID 84V HARNESS

ITEM	PART NUMBER	QTY	DESCRIPTION	REV
	1001225994	Ref	HYBRID 84V HARNESS	F
1	4460945	1	Receptacle, 3 Way	
101	8220045	2	Terminal, Ring	
102	4460836	1	Plug, Male - 12 Position	
102	4460465	9	Socket, Female	
102	4460466	3	Plug, Terminal	
104	8220029	1	Terminal, Ring	
105	4460260	4	Housing, Terminal	
105	4460259	4	Terminal	
106	1001117012	1	Receptacle, Female - 5 Position	
106	4460887	4	Terminal	
106	4461271	1	Plug, Terminal	
107	4460142	2	Terminal, Ring	
108	1001096138	1	Connector - 23 Position	
108	4460871	10	Socket, Female	
108	4460905	13	Plug, Terminal	
109	1001098122	4	Terminal, Ring	
110	4460247	1	Terminal, Ring	
111	4460891	1	Plug, Male - 2 Position	
111	4460465	2	Socket, Female	
112	1001116994	1	Connector - 23 Position	
112	4460871	12	Socket, Female	
112	4460905	11	Plug, Terminal	
113	1001112796	2	Connector - 9 Position	
113	4460465	13	Socket, Female	
113	4460466	4	Plug, Terminal	
114	4460539	1	Plug, Male - 3 Position	
114	4460944	2	Socket, Female	
114	4460466	1	Plug, Terminal	
115	1001116812	1	Plug, Male - 3 Position	
115	4460944	2	Socket, Female	
115	4460465	1	Socket, Female	
116	8220164	1	Terminal, Ring	
117	1001229530	1	Receptacle, Female - 3 Position	
117	4460464	2	Pin, Male	
117	4460466	1	Plug, Terminal	
118	4460042	1	Terminal, Ring	
119	4460427	2	Terminal, Ring	

SECTION 8 - ELECTRICAL

FIGURE 8-45. MAIN VALVE HARNESS



ART_1001245029

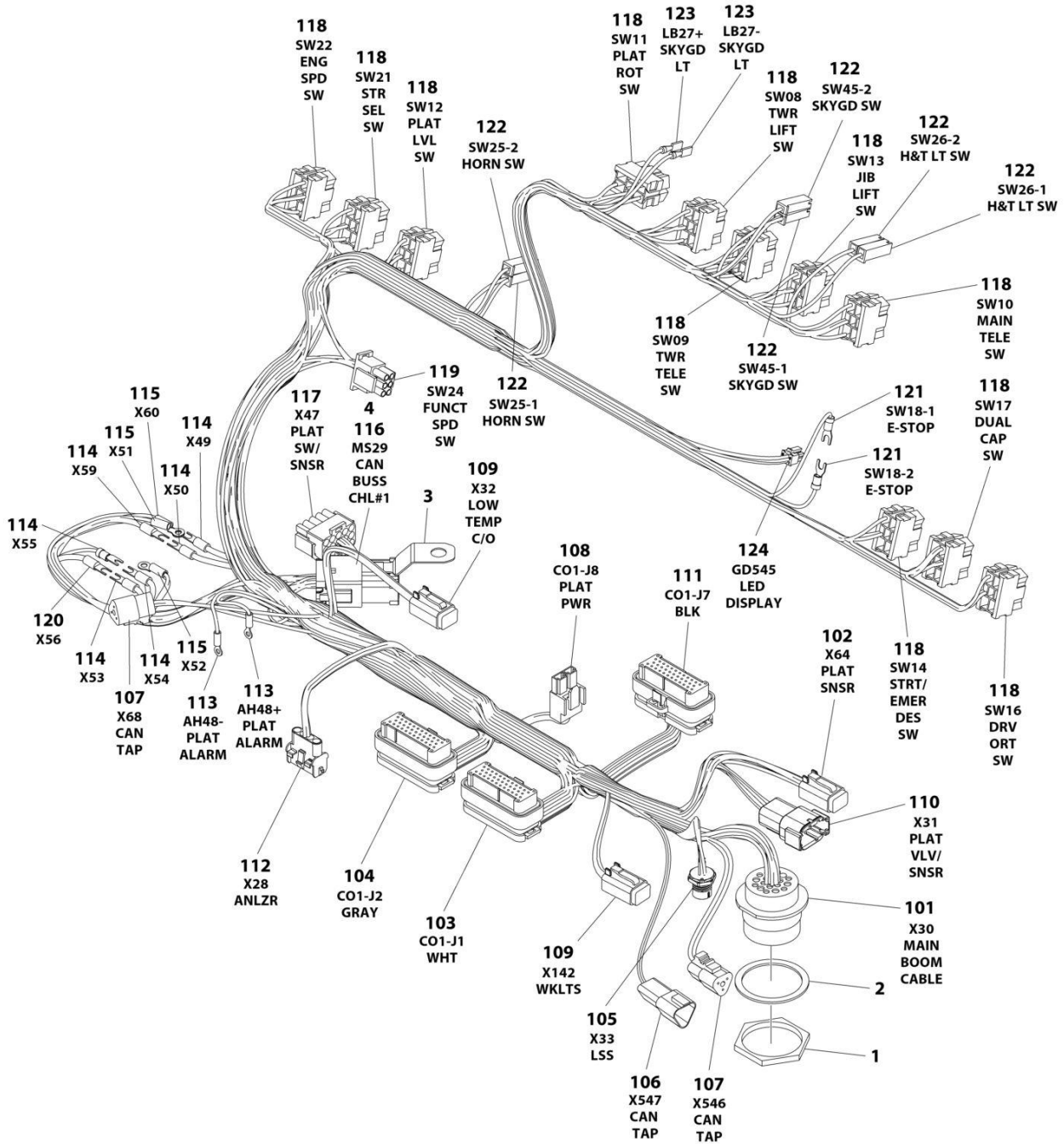
SECTION 8 - ELECTRICAL

FIGURE 8-45. MAIN VALVE HARNESS

ITEM	PART NUMBER	QTY	DESCRIPTION	REV
	1001245029	Ref	MAIN VALVE HARNESS	B
1	4460852	1	Connector - 8 Position	
2	4460892	1	Bussbar - 6 Position	
3	1001144295	1	Cap	
101	4460891	13	Plug, Male - 2 Position	
101	4460465	26	Socket, Female	
102	4460880	4	Connector, DIN	
103	4460539	1	Plug, Male - 3 Position	
103	4460465	2	Socket, Female	
103	4460466	1	Plug, Terminal	
104	1001229530	1	Receptacle, Female - 3 Position	
104	4460943	3	Pin, Male	
105	4460227	1	Pin, Male	
106	4460894	2	Plug, Male - 6 Position	
106	4460465	10	Socket, Female	
106	4460466	2	Plug, Terminal	
107	4460851	1	Plug, Male - 8 Position	
107	4460465	8	Socket, Female	
108	4460424	1	Plug, Male - 2 Position	
108	4460268	2	Socket, Female	
109	4460875	1	Connector - 35 Position	
109	4460871	24	Socket, Female	
109	4460905	11	Plug, Terminal	
110	4460872	1	Connector - 14 Position	
110	4460871	10	Socket, Female	
110	4460905	4	Plug, Terminal	

SECTION 8 - ELECTRICAL

FIGURE 8-46. PLATFORM CONSOLE BOX HARNESS



ART_1001245026

SECTION 8 - ELECTRICAL

FIGURE 8-46. PLATFORM CONSOLE BOX HARNESS

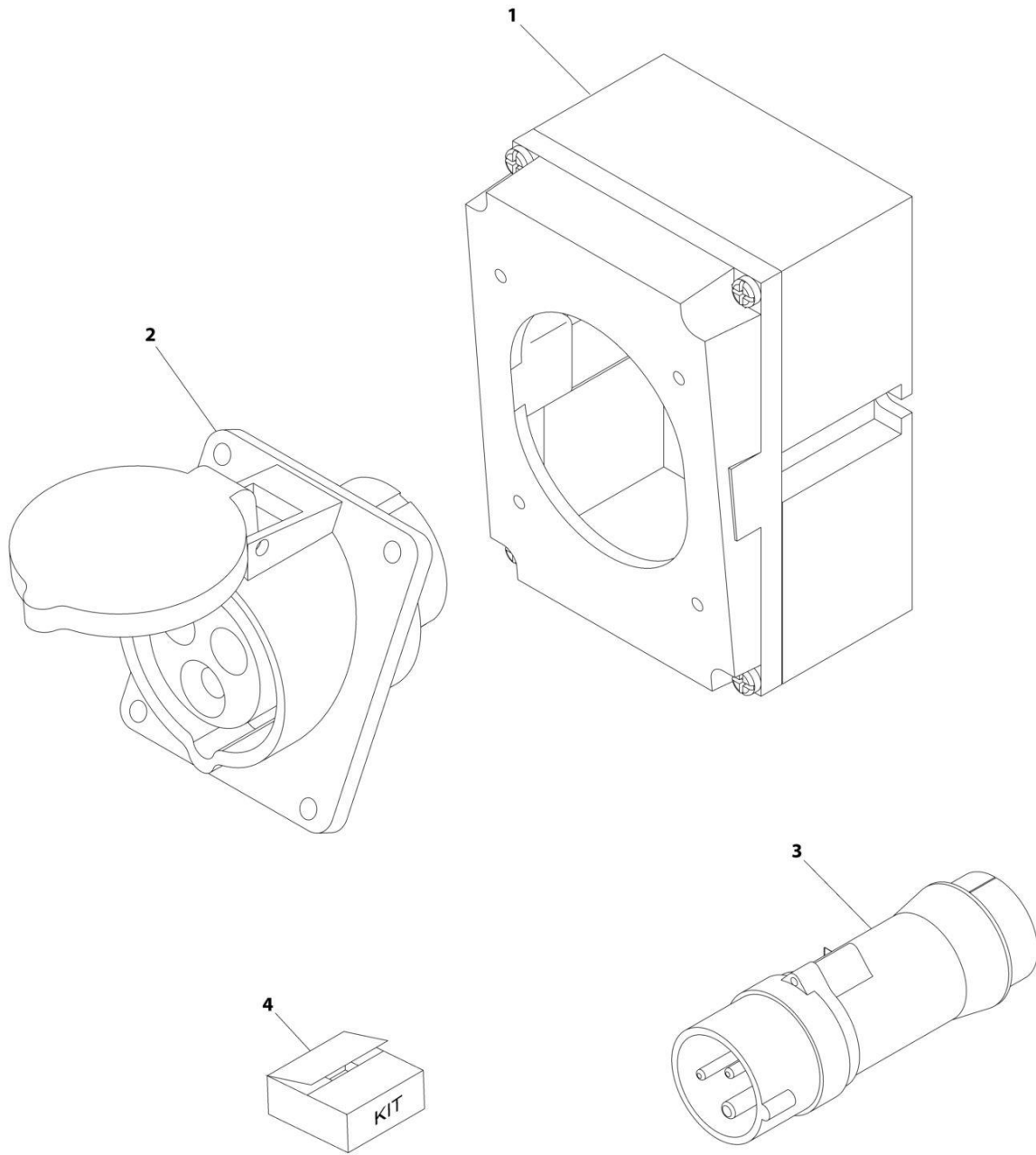
ITEM	PART NUMBER	QTY	DESCRIPTION	REV
	1001245026	Ref	PLATFORM CONSOLE BOX HARNESS	D
1	4460470	1	Nut	
2	4460471	1	Washer	
3	1001120328	1	Mount, Connector	
4	1001125677	1	Bussbar - 12 Position	
101	4460866	1	Connector - 19 Position	
101	4460943	2	Pin, Male	
101	4460464	3	Pin, Male	
101	4460508	4	Pin, Male	
101	4460466	10	Plug, Terminal	
102	4460894	1	Plug, Male - 6 Position	
102	4460465	4	Socket, Female	
102	4460466	2	Plug, Terminal	
103	4460874	1	Connector - 35 Position	
103	4460871	30	Socket, Female	
103	4460905	5	Plug, Terminal	
104	4460875	1	Connector - 35 Position	
104	4460871	9	Socket, Female	
104	4460905	26	Plug, Terminal	
105	1001213447	1	Receptacle, Female - 5 Position	
106	4460536	1	Receptacle, Female - 3 Position	
106	4460943	2	Pin, Male	
106	4460466	1	Plug, Terminal	
107	4460539	2	Plug, Male - 3 Position	
107	4460944	4	Socket, Female	
107	4460466	2	Plug, Terminal	
108	4460879	1	Receptacle, Female - 2 Position	
108	4460887	2	Terminal	
109	4460884	2	Plug, Male - 4 Position	
109	4460465	8	Socket, Female	
110	1001190578	1	Receptacle, Female - 8 Position	
110	1001126011	7	Terminal	
110	4460518	1	Plug, Terminal	
111	4460873	1	Connector - 35 Position	
111	4460871	22	Socket, Female	
111	4460905	13	Plug, Terminal	
112	4460761	1	Receptacle, Female - 4 Position	
112	4460227	4	Pin, Male	
113	1001098122	2	Terminal, Ring	
114	4460315	6	Terminal, Fork	
115	8220007	3	Terminal, Ring	
116	4460933	1	Plug, Male - 12 Position	
116	4460944	12	Socket, Female	
116	4460466	2	Plug, Terminal	
117	4460343	1	Plug, Male - 15 Position	
117	4460227	7	Pin, Male	
117	4460267	2	Pin, Male	
118	4460418	11	Connector, Switch	
118	4460419	22	Terminal	
118	1001159186	21	Terminal	

SECTION 8 - ELECTRICAL

ITEM	PART NUMBER	QTY	DESCRIPTION	REV
119	4460225	1	Plug, Male - 6 Position	
119	4460227	4	Pin, Male	
119	4460267	2	Pin, Male	
120	4460314	1	Terminal, Fork	
121	4460183	2	Terminal, Fork	
122	4460260	6	Housing, Terminal	
122	4460259	6	Terminal	
123	4460016	2	Terminal	
124	1001237667	1	Connector - 6 Position	
125	1001237668	4	Terminal	
126	1001201885	2	Terminal	

SECTION 8 - ELECTRICAL

FIGURE 8-47. RECEPTACLE BOX KIT - 110V IEC YELLOW (CE & UK CA SPEC)



ART_0275216

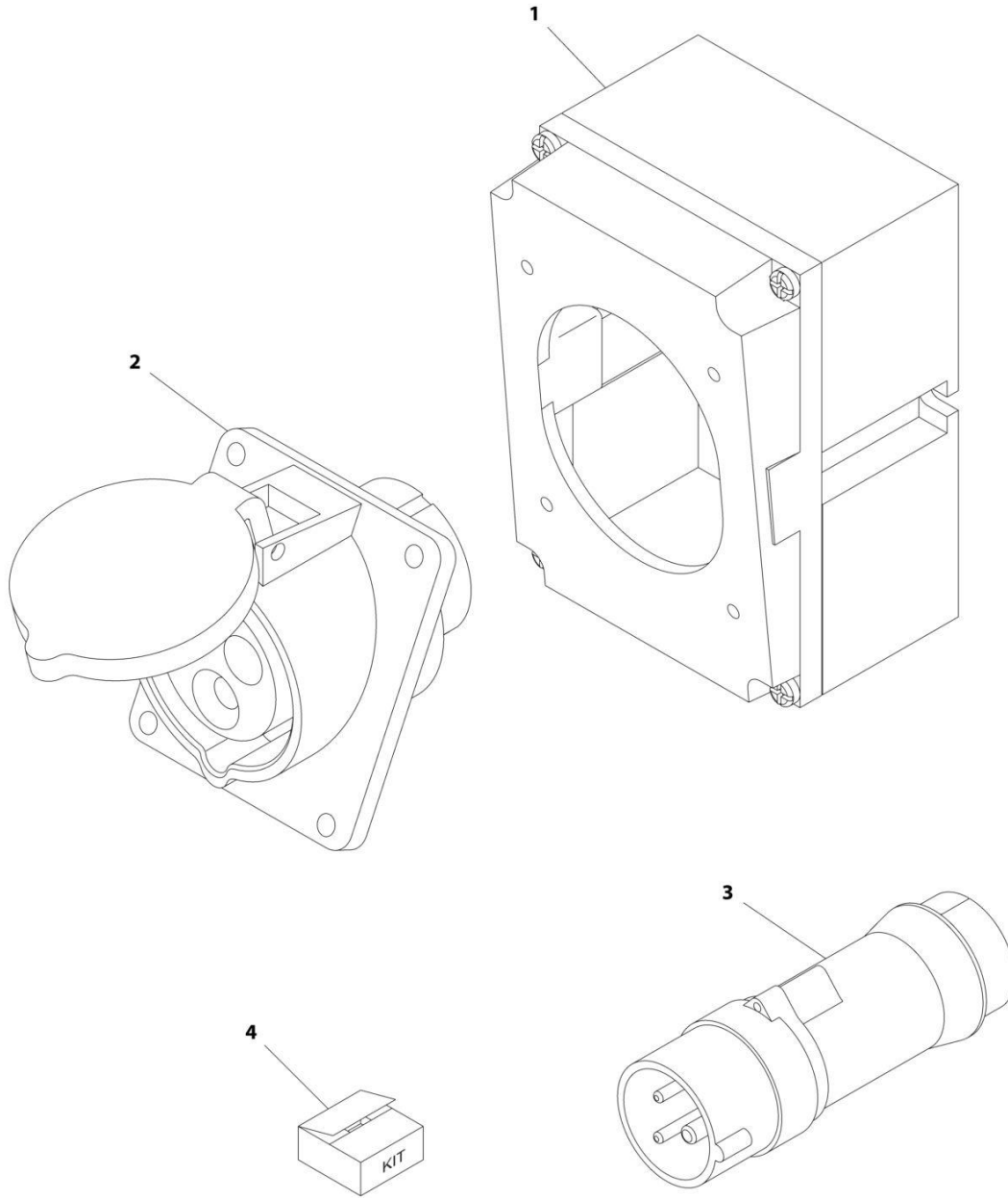
SECTION 8 - ELECTRICAL

FIGURE 8-47. RECEPTACLE BOX KIT - 110V IEC YELLOW (CE & UK CA SPEC)

ITEM	PART NUMBER	QTY	DESCRIPTION	REV
	0275216	Ref	RECEPTACLE BOX KIT - 110V IEC YELLOW	B
1	0861781	1	Box, Switch	
2	4461198	1	Receptacle	
3	4461196	1	Plug, Male	
4	1001100341	1	Plug and Socket Kit (Includes Items 1-3 and Female Plug p/n 4461197)	

SECTION 8 - ELECTRICAL

FIGURE 8-48. RECEPTACLE BOX KIT - 220V IEC BLUE (CE & UK CA SPEC)



ART_0275217

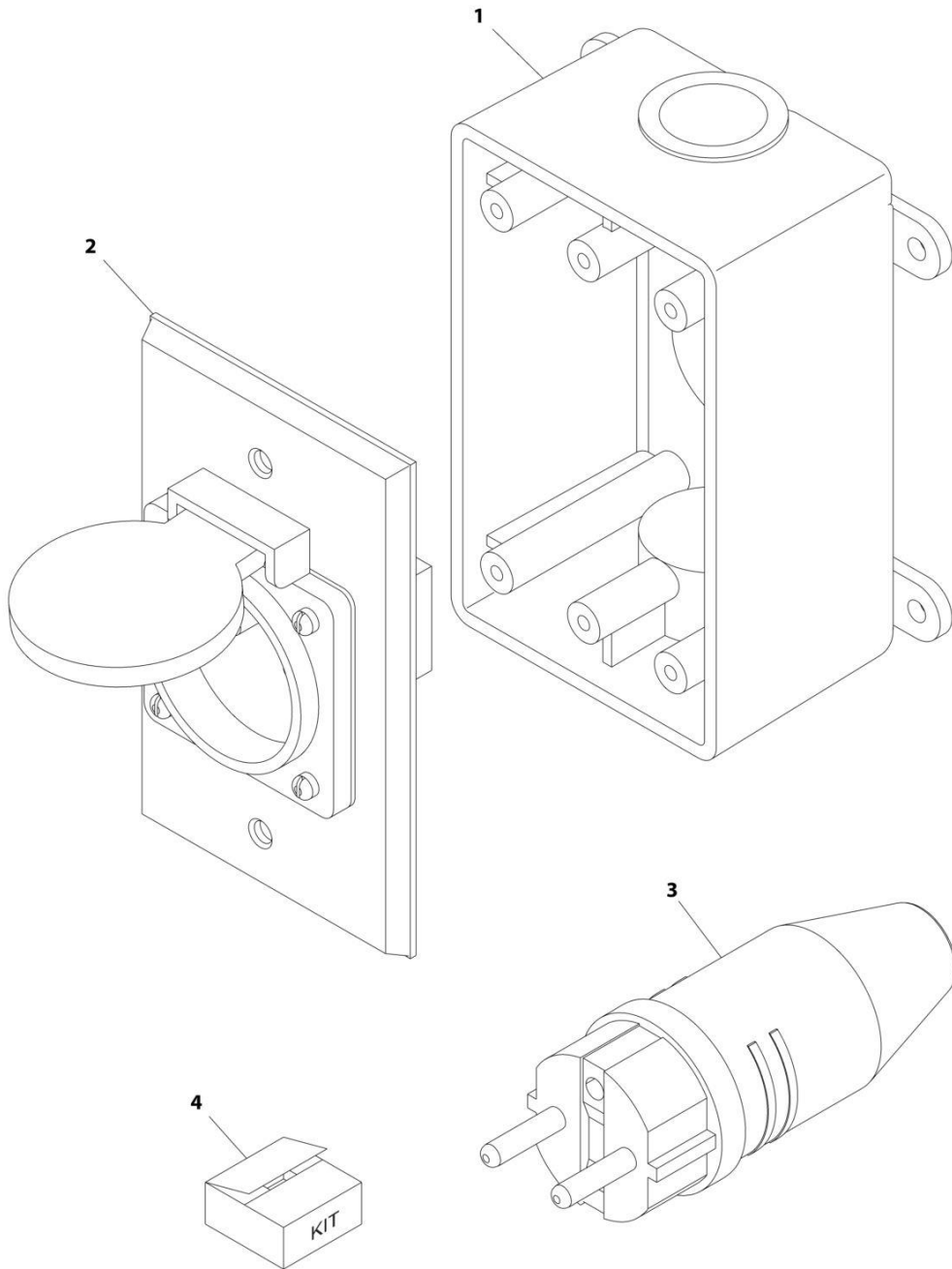
SECTION 8 - ELECTRICAL

FIGURE 8-48. RECEPTACLE BOX KIT - 220V IEC BLUE (CE & UK CA SPEC)

ITEM	PART NUMBER	QTY	DESCRIPTION	REV
	0275217	Ref	RECEPTACLE BOX KIT - 220V IEC BLUE	B
1	0861781	1	Box, Switch	
2	4461201	1	Receptacle	
3	4461199	1	Plug, Male	
4	1001100342	1	Plug and Socket Kit (Includes Items 1-3 and Female Plug p/n 4461200)	

SECTION 8 - ELECTRICAL

FIGURE 8-49. RECEPTACLE BOX KIT - 220V CEE7 POST GROUND 2X4 BOX (CE & UK CA SPEC)



ART_0275452-C

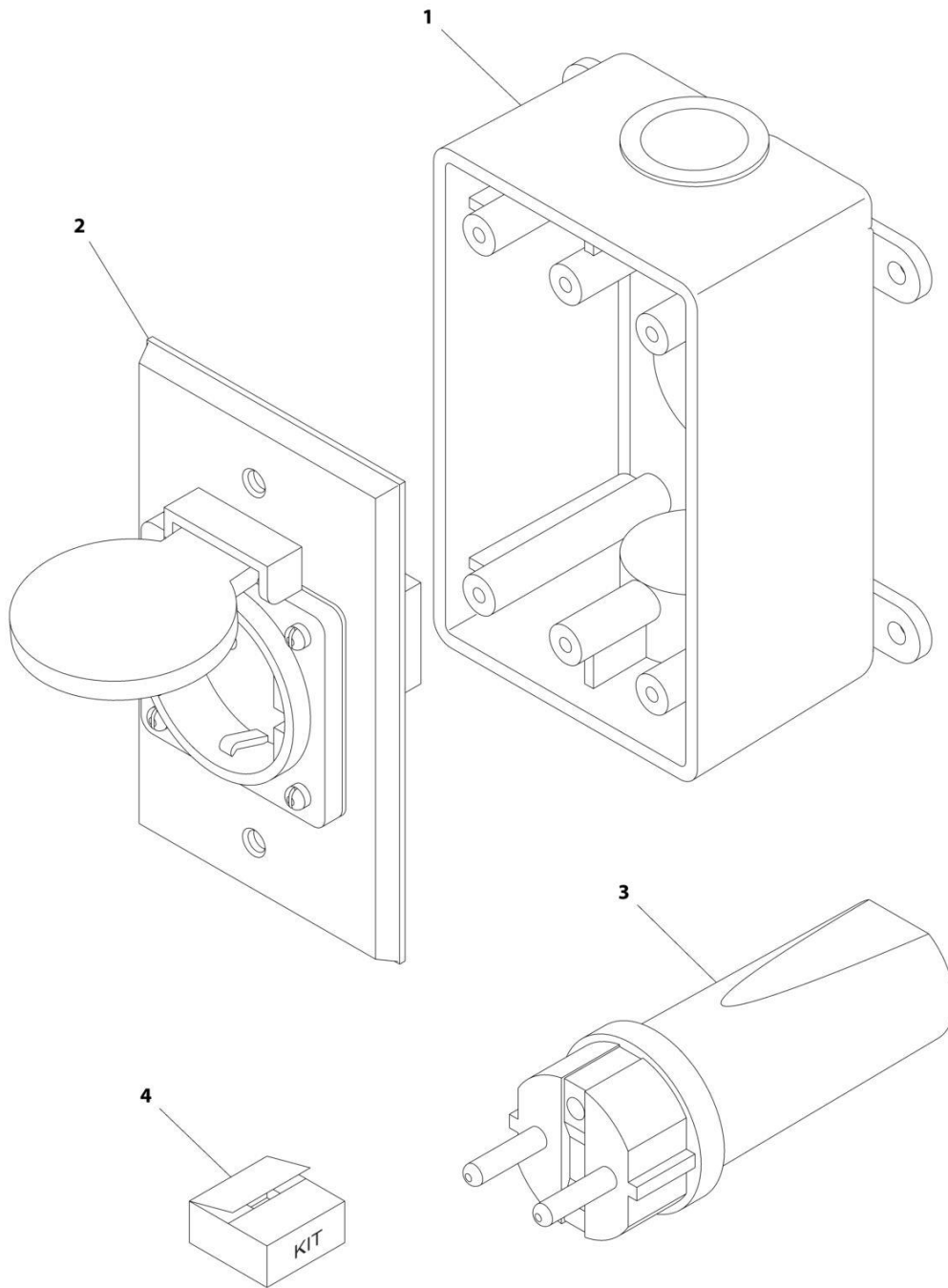
SECTION 8 - ELECTRICAL

FIGURE 8-49. RECEPTACLE BOX KIT - 220V CEE7 POST GROUND 2X4 BOX (CE & UK CA SPEC)

ITEM	PART NUMBER	QTY	DESCRIPTION	REV
	0275452	Ref	RECEPTACLE BOX KIT - 220V CEE7 POST GROUND 2IN X 4IN BOX	C
1	0861731	1	Box, Switch	
2	4461244	1	Receptacle	
3	4461205	1	Plug, Male	
4	1001100345	1	Plug and Socket Kit (Includes Items 1-3 and Female Plug p/n 4461203)	

SECTION 8 - ELECTRICAL

FIGURE 8-50. RECEPTACLE BOX KIT - 220V CEE7 SIDE GROUND (CE & UK CA SPEC)



ART_0275453

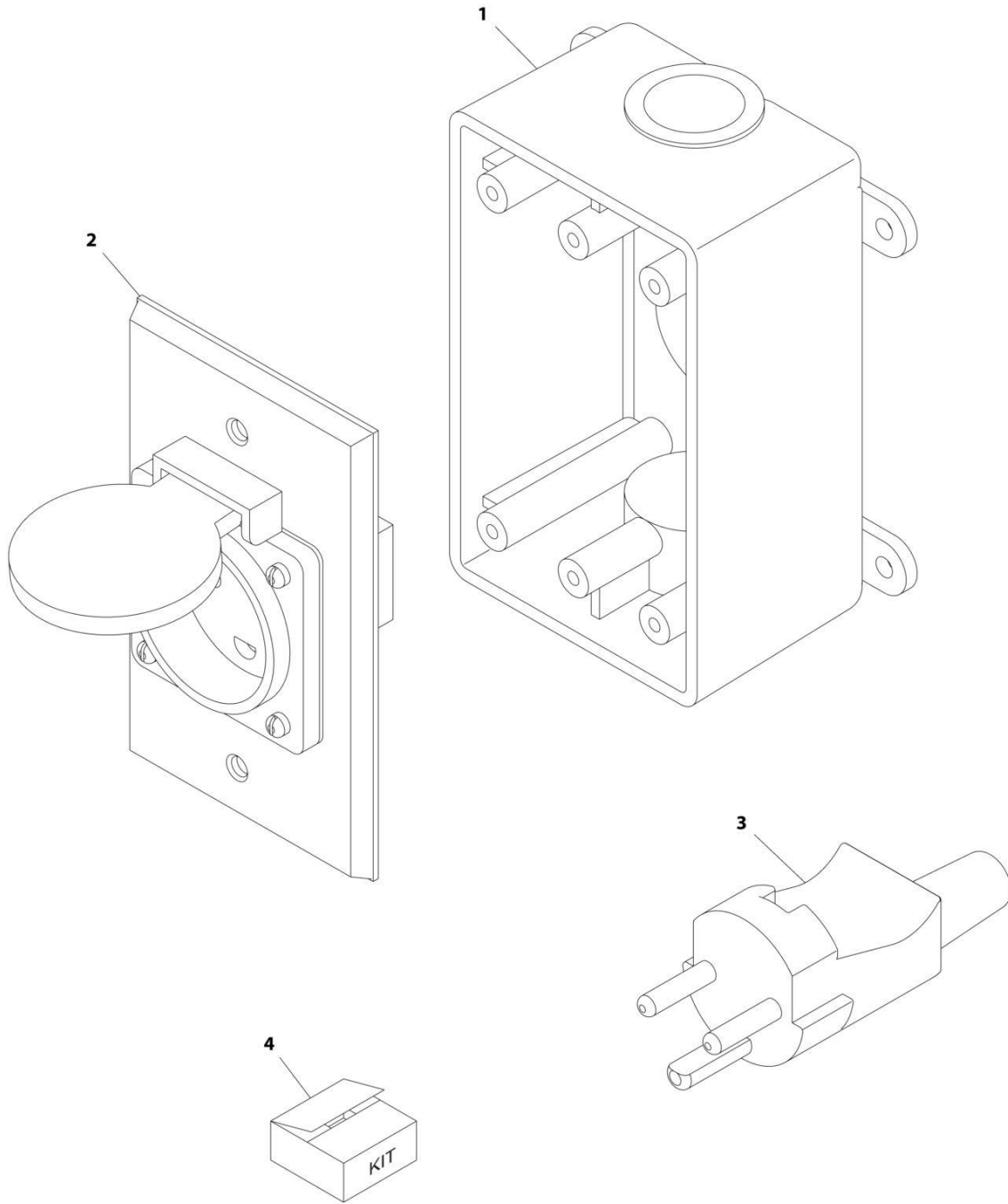
SECTION 8 - ELECTRICAL

FIGURE 8-50. RECEPTACLE BOX KIT - 220V CEE7 SIDE GROUND (CE & UK CA SPEC)

ITEM	PART NUMBER	QTY	DESCRIPTION	REV
	0275453	Ref	RECEPTACLE BOX KIT - 220V CEE7 SIDE GROUND	B
1	0861731	1	Box, Switch	
2	4461245	1	Receptacle	
3	4461205	1	Plug, Male	
4	1001100347	1	Plug and Socket Kit (Includes Items 1-3 and Female Plug p/n 4461206)	

SECTION 8 - ELECTRICAL

FIGURE 8-51. RECEPTACLE BOX KIT - 220V AFSINT 107 (CE & UK CA SPEC)



ART_0275454

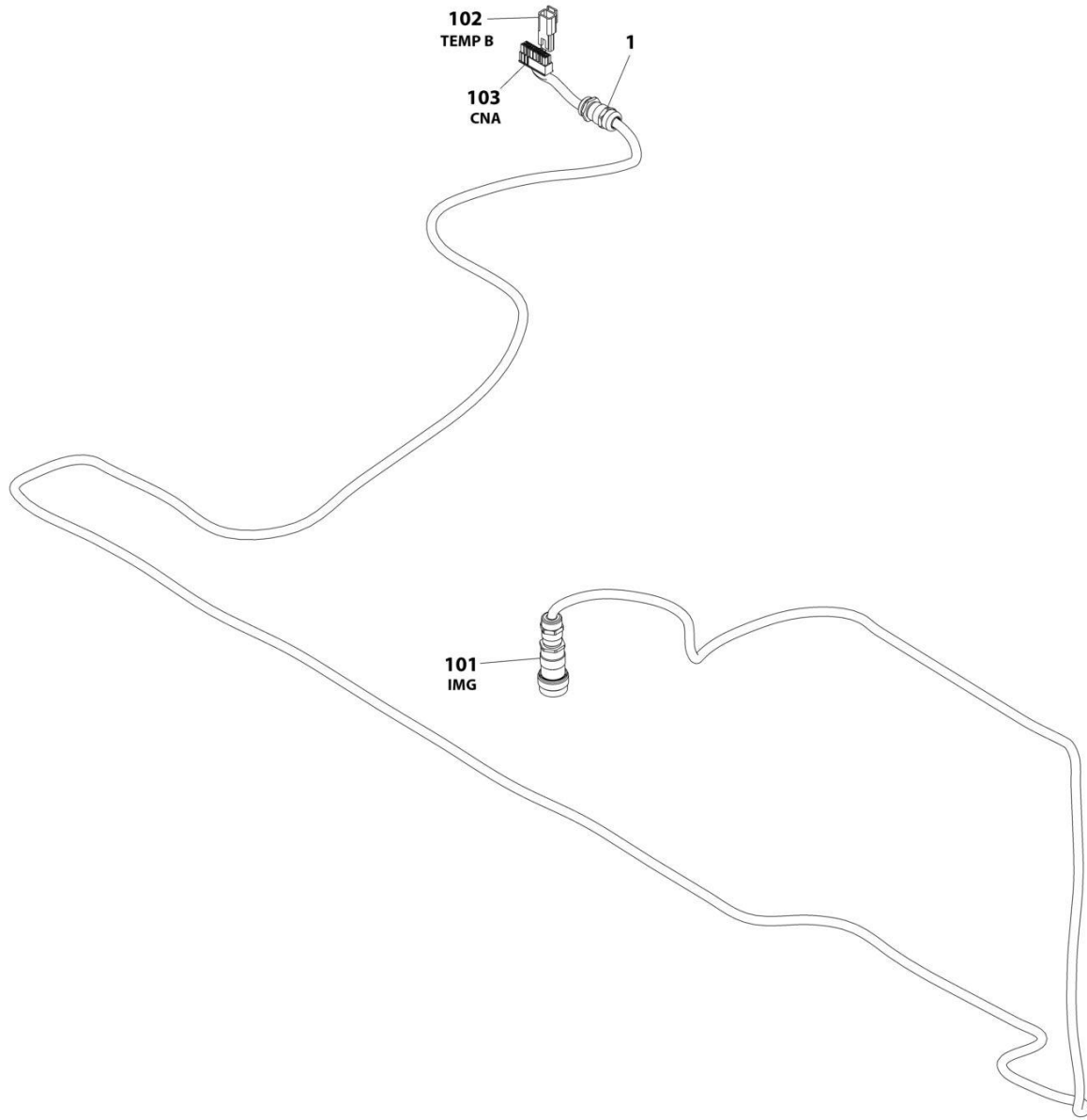
SECTION 8 - ELECTRICAL

FIGURE 8-51. RECEPTACLE BOX KIT - 220V AFSINT 107 (CE & UK CA SPEC)

ITEM	PART NUMBER	QTY	DESCRIPTION	REV
	0275454	Ref	RECEPTACLE BOX KIT - 220V AFSINT 107	B
1	0861731	1	Box, Switch	
2	4461246	1	Receptacle	
3	4461249	1	Plug, Male	
4	1001100346	1	Plug and Socket Kit (Includes Items 1-3 and Female Plug p/n 4461250)	

SECTION 8 - ELECTRICAL

FIGURE 8-52. RESOLVER/CONVERTER/INVERTER HARNESS



ART_1001222369

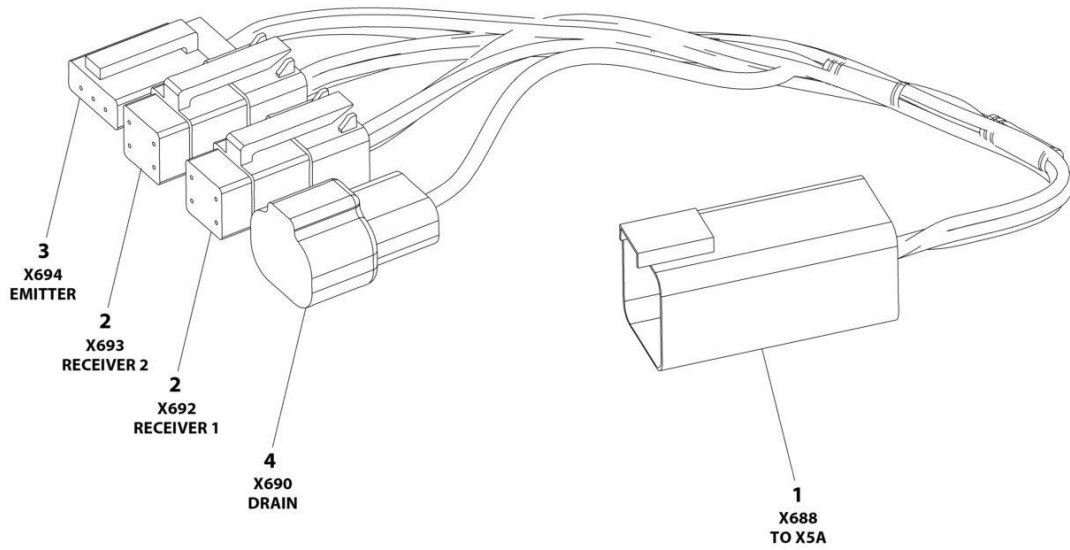
SECTION 8 - ELECTRICAL

FIGURE 8-52. RESOLVER/CONVERTER/INVERTER HARNESS

ITEM	PART NUMBER	QTY	DESCRIPTION	REV
	1001222369	Ref	RESOLVER/CONVERTER/INVERTER HARNESS	B
1	1001226468	1	Connector, Strain Relief	
101	1001226506	1	Connector - 19 Position	
102	1001153612	1	Receptacle, Female - 2 Position	
102	1001126010	2	Terminal	
103	1001225362	1	Connector - 16 Position	
103	4460877	6	Socket, Female	
103	1001228628	10	Plug, Terminal	
103	1001228629	1	Seal	

SECTION 8 - ELECTRICAL

FIGURE 8-53. SKYEYE INTERMEDIATE HARNESS



ART_1001237865

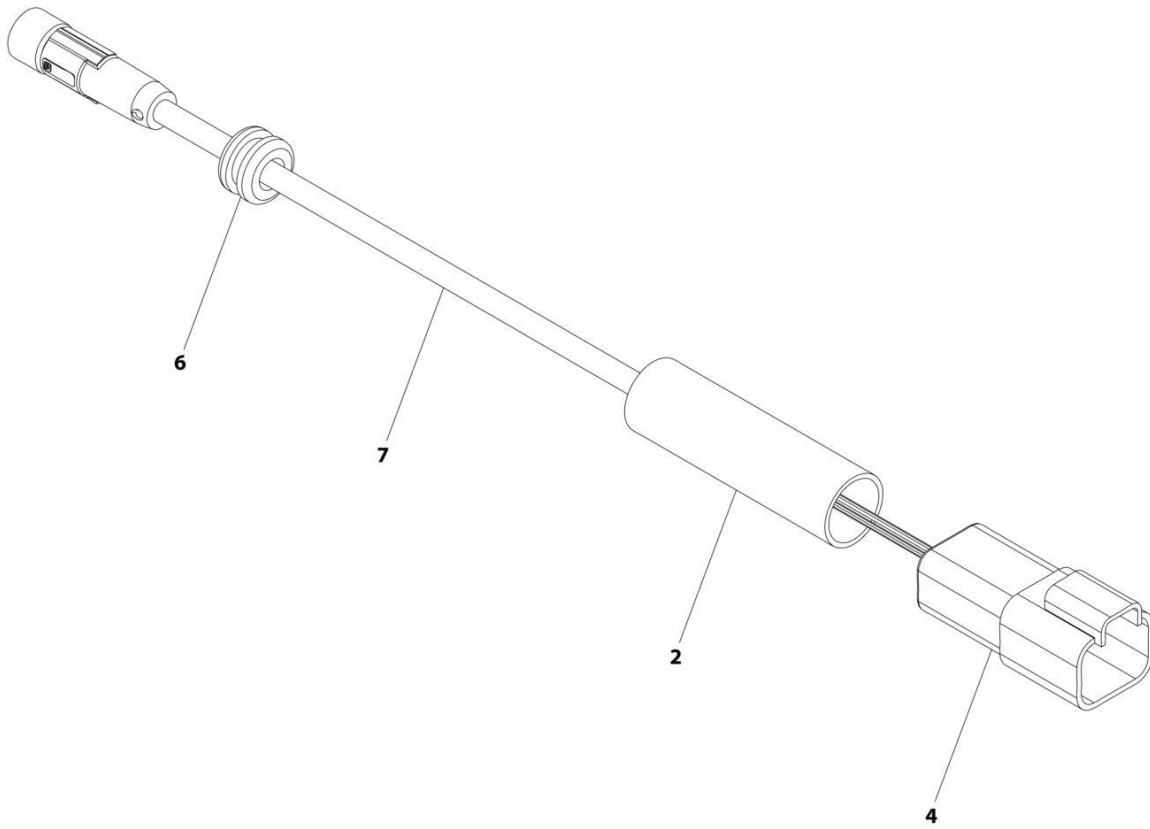
SECTION 8 - ELECTRICAL

FIGURE 8-53. SKYEYE INTERMEDIATE HARNESS

ITEM	PART NUMBER	QTY	DESCRIPTION	REV
	1001237865	Ref	SKYEYE INTERMEDIATE HARNESS	A
1	4460899	1	Connector - 6 Position	
1	4460943	4	Pin, Male	
1	4460466	2	Plug, Terminal	
2	4461077	2	Connector - 4 Position	
2	1001119619	8	Socket, Female	
3	4460911	1	Connector - 3 Position	
3	1001119619	3	Socket, Female	
4	1001187681	1	Connector - 2 Position	
4	4460941	1	Pin, Male	
4	4460466	1	Plug, Terminal	

SECTION 8 - ELECTRICAL

FIGURE 8-54. SKYEYE RECEIVER HARNESS (PVC 2001)



ART_1001237863

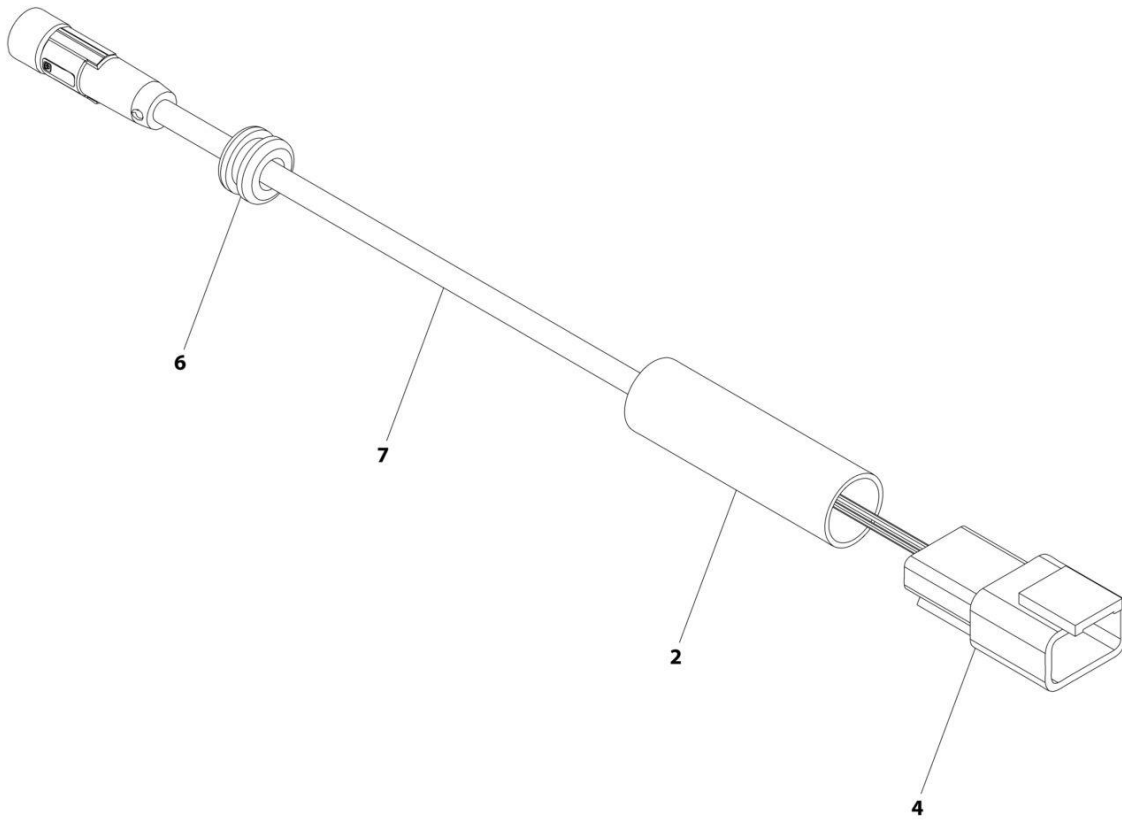
SECTION 8 - ELECTRICAL

FIGURE 8-54. SKYEYE RECEIVER HARNESS (PVC 2001)

ITEM	PART NUMBER	QTY	DESCRIPTION	REV
	1001237863	Ref	SKYEYE RECEIVER HARNESS	A
2	2820247	AR	Tubing, Heat Shrink	
4	1001097051	1	Connector - 4 Position	
4	1001119620	4	Pin, Male	
6	1001227996	1	Grommet	
7	1001237862	1	Cable, M8 Female Cordset	

SECTION 8 - ELECTRICAL

FIGURE 8-55. SKYEYE RECEIVER HARNESS (PVC 2007)



ART_1001237863_B

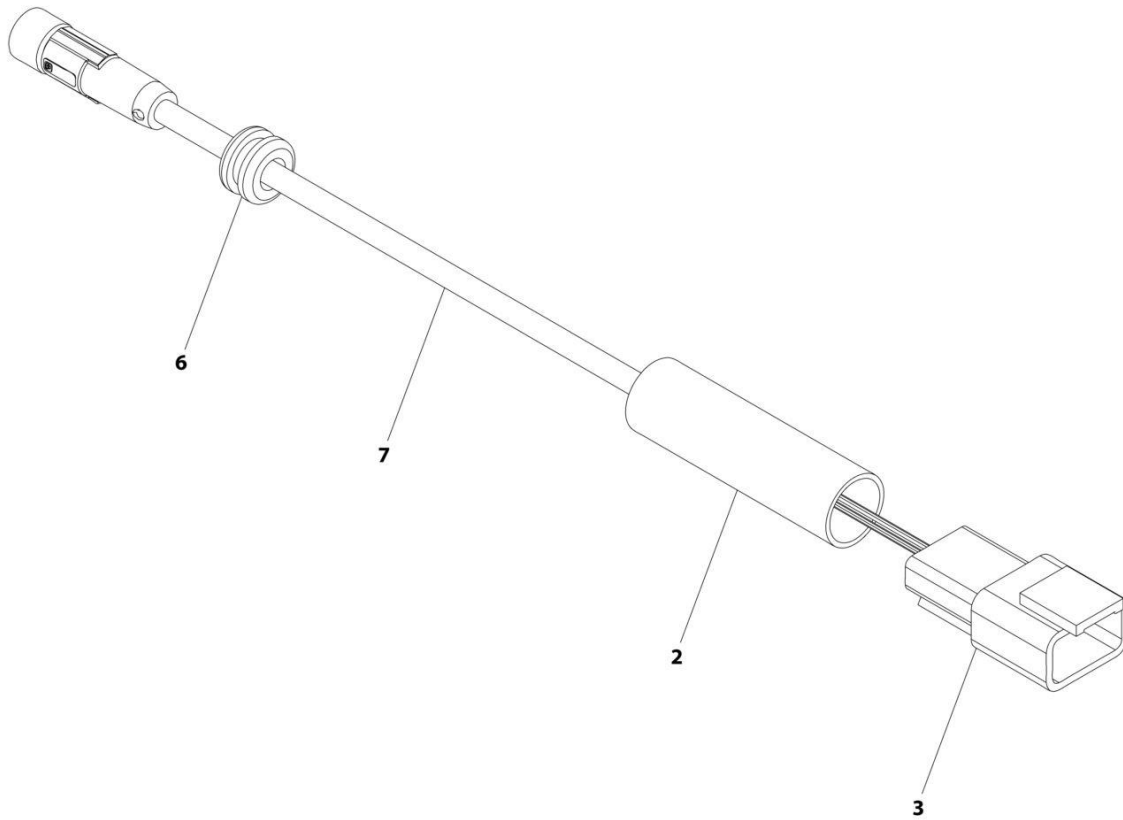
SECTION 8 - ELECTRICAL

FIGURE 8-55. SKYEYE RECEIVER HARNESS (PVC 2007)

ITEM	PART NUMBER	QTY	DESCRIPTION	REV
	1001237863	Ref	SKYEYE RECEIVER HARNESS	B
2	2820247	AR	Tubing, Heat Shrink	
4	1001097051	1	Connector - 4 Position	
4	1001119620	4	Pin, Male	
6	1001227996	1	Grommet	
7	1001258495	1	Cable, M8 Female Cordset	

SECTION 8 - ELECTRICAL

FIGURE 8-56. SKYEYE EMITTER HARNESS (PVC 2001)



ART_1001237864

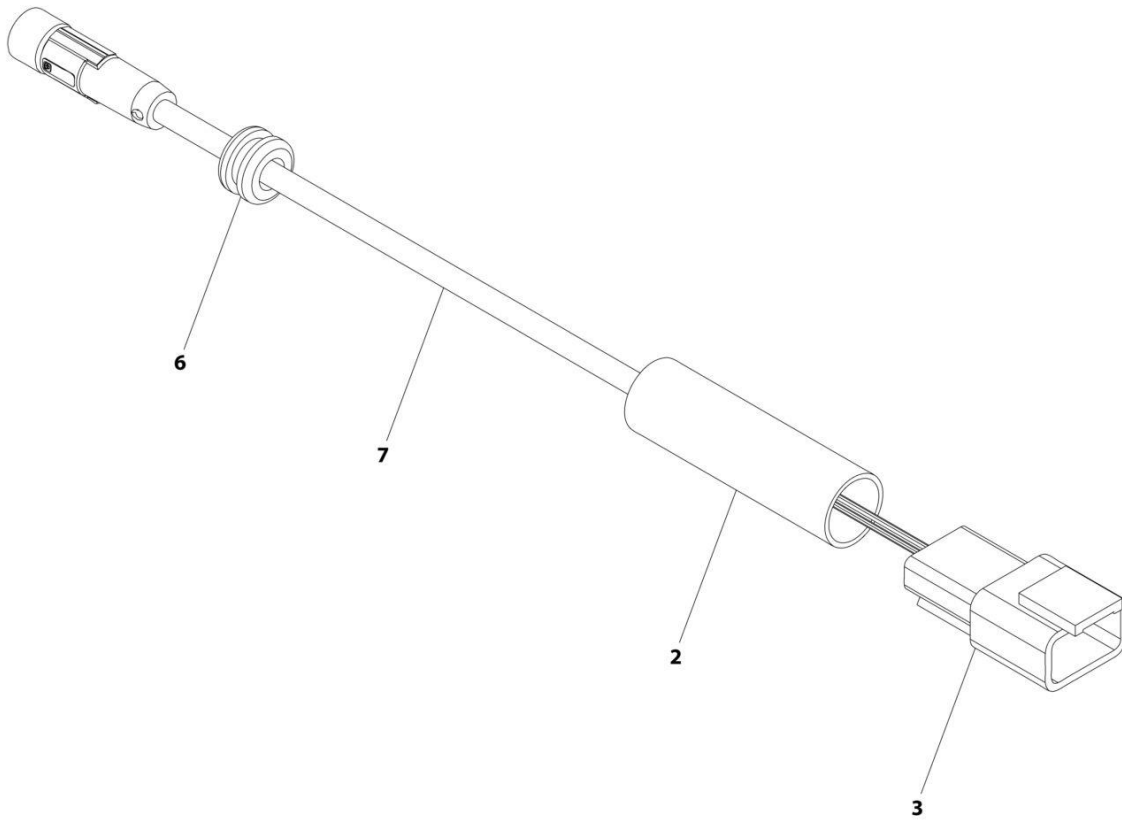
SECTION 8 - ELECTRICAL

FIGURE 8-56. SKYEYE EMITTER HARNESS (PVC 2001)

ITEM	PART NUMBER	QTY	DESCRIPTION	REV
	1001237864	Ref	SKYEYE EMITTER HARNESS	A
2	2820247	AR	Tubing, Heat Shrink	
3	4460910	1	Connector - 3 Position	
3	1001119620	3	Pin, Male	
6	1001227996	1	Grommet	
7	1001237862	1	Cable, M8 Female Cordset	

SECTION 8 - ELECTRICAL

FIGURE 8-57. SKYEYE EMITTER HARNESS (PVC 2007)



ART_1001237864_B

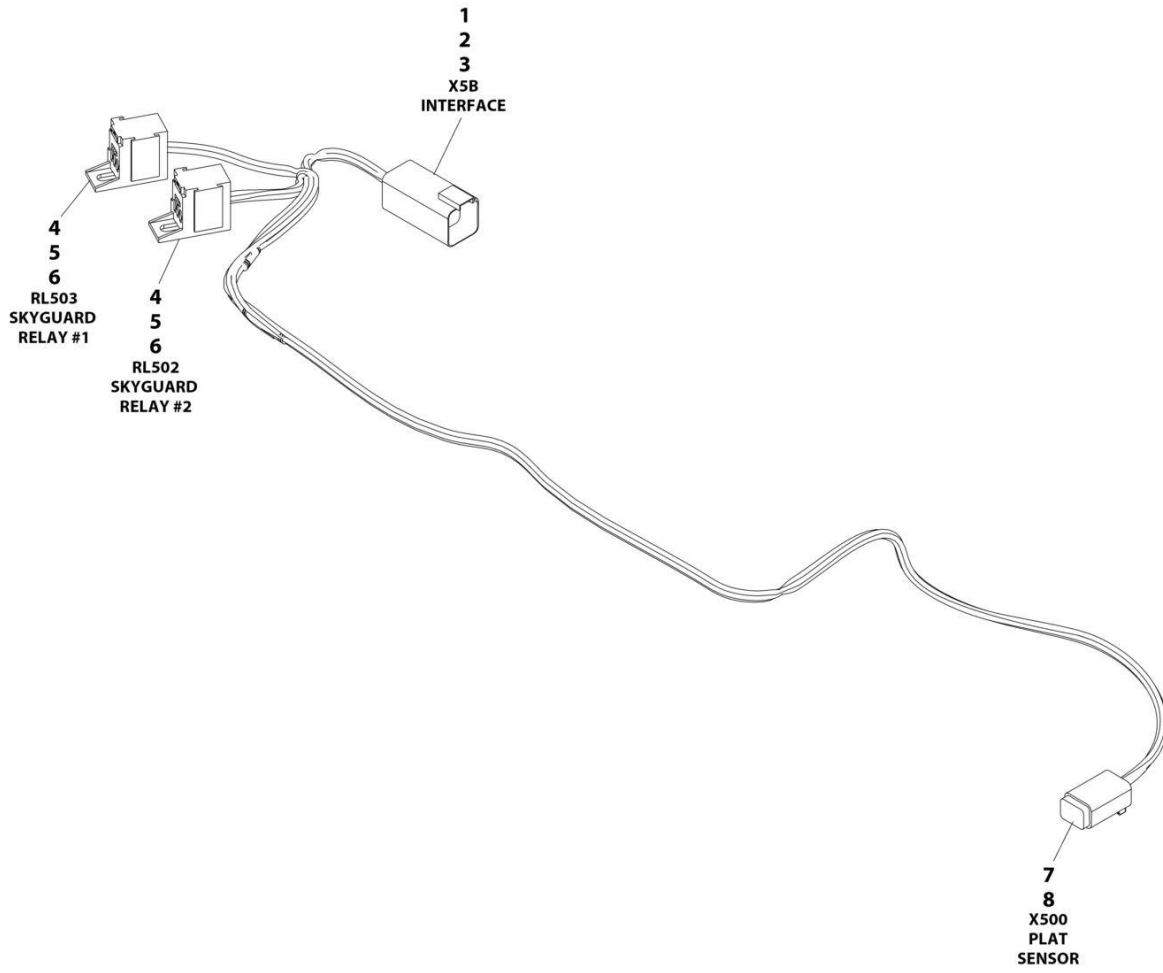
SECTION 8 - ELECTRICAL

FIGURE 8-57. SKYEYE EMITTER HARNESS (PVC 2007)

ITEM	PART NUMBER	QTY	DESCRIPTION	REV
	1001237864	Ref	SKYEYE EMITTER HARNESS	B
2	2820247	AR	Tubing, Heat Shrink	
3	4460910	1	Connector - 3 Position	
3	1001119620	3	Pin, Male	
6	1001227996	1	Grommet	
7	1001258495	1	Cable, M8 Female Cordset	

SECTION 8 - ELECTRICAL

FIGURE 8-58. SKYGUARD INTERFACE HARNESS



ART_1001225580

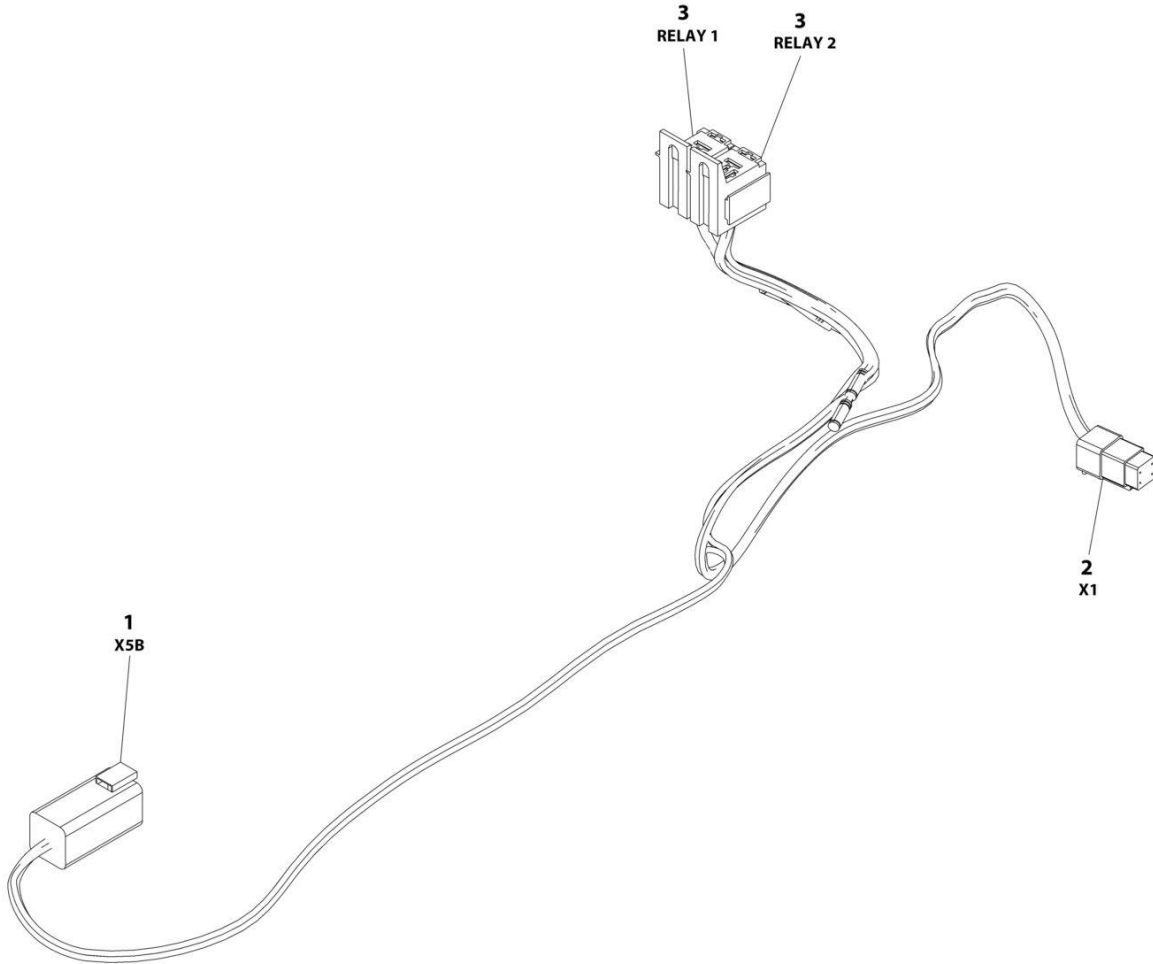
SECTION 8 - ELECTRICAL

FIGURE 8-58. SKYGUARD INTERFACE HARNESS

ITEM	PART NUMBER	QTY	DESCRIPTION	REV
	1001225580	Ref	INTERFACE HARNESS - WITH 1 CELL LSS	D
1	4460899	1	Connector	
2	4460464	4	Terminal	
3	4460466	2	Plug	
4	1001186432	2	Connector	
5	1001116720	4	Terminal	
6	1001118388	4	Terminal	
7	4460884	1	Connector	
8	4460465	4	Terminal	

SECTION 8 - ELECTRICAL

FIGURE 8-59. SKYLINE HARNESS



ART_1001238418

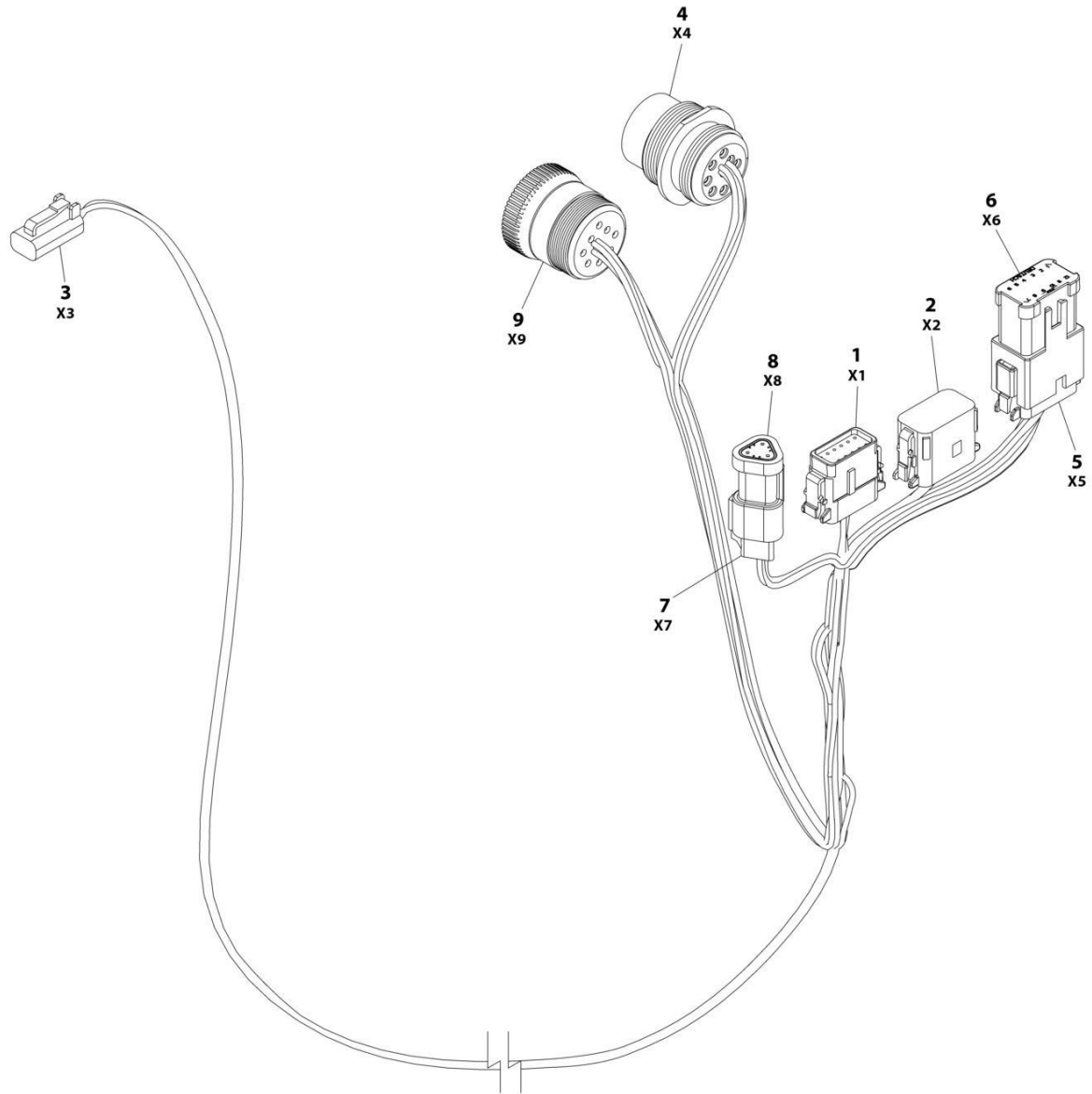
SECTION 8 - ELECTRICAL

FIGURE 8-59. SKYLINE HARNESS

ITEM	PART NUMBER	QTY	DESCRIPTION	REV
	1001238418	Ref	SKYLINE HARNESS	B
1	4460899	1	Connector - 6 Position	
1	4460464	4	Pin, Male	
1	4460466	2	Plug, Terminal	
2	4461077	1	Connector - 4 Position	
2	1001126009	4	Socket, Female	
3	1001186432	2	Plug, Relay	
3	1001118388	5	Terminal	
3	1001118384	3	Terminal	
3	3740086	2	Relay	

SECTION 8 - ELECTRICAL

FIGURE 8-60. STROBE LIGHT CONTROL HARNESS (BLUE & RED LIGHTS)



ART_1001142736

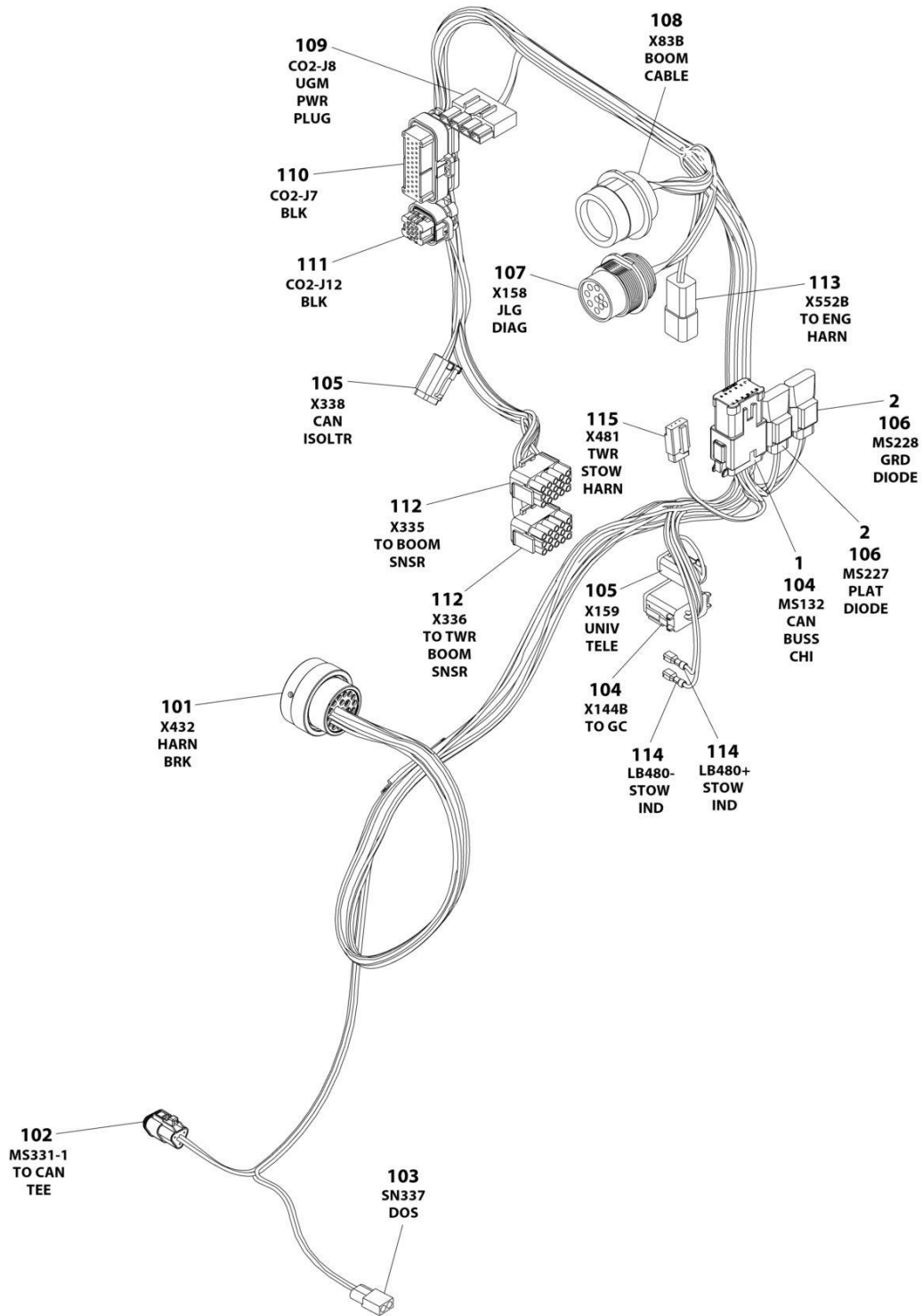
SECTION 8 - ELECTRICAL

FIGURE 8-60. STROBE LIGHT CONTROL HARNESS (BLUE & RED LIGHTS)

ITEM	PART NUMBER	QTY	DESCRIPTION	REV
	1001142736	Ref	STROBE LIGHT HARNESS	F
1	1001116808	1	Plug, Male - 12 Position	
1	4460928	3	Socket, Female	
1	4460518	9	Plug, Terminal	
2	1001116774	1	Plug, Male - 12 Position	
2	4460928	3	Socket, Female	
2	4460518	9	Plug, Terminal	
3	4460891	1	Plug, Male - 2 Position	
3	4460465	2	Socket, Female	
4	1001112612	1	Connector - 9 Position	
4	4460464	6	Pin, Male	
4	4460466	3	Plug, Terminal	
5	4460933	1	Plug, Male - 12 Position	
5	4460465	12	Socket, Female	
6	1001119020	1	Bussbar - 12 Position	
7	4461095	1	Plug, Male - 3 Position	
7	4460465	3	Socket, Female	
8	4461070	1	Bussbar - 3 Position	
9	1001112796	1	Connector - 9 Position	
9	4460465	6	Socket, Female	
9	4460466	3	Plug, Terminal	

SECTION 8 - ELECTRICAL

FIGURE 8-61. TURNTABLE HARNESS



ART_1001245028

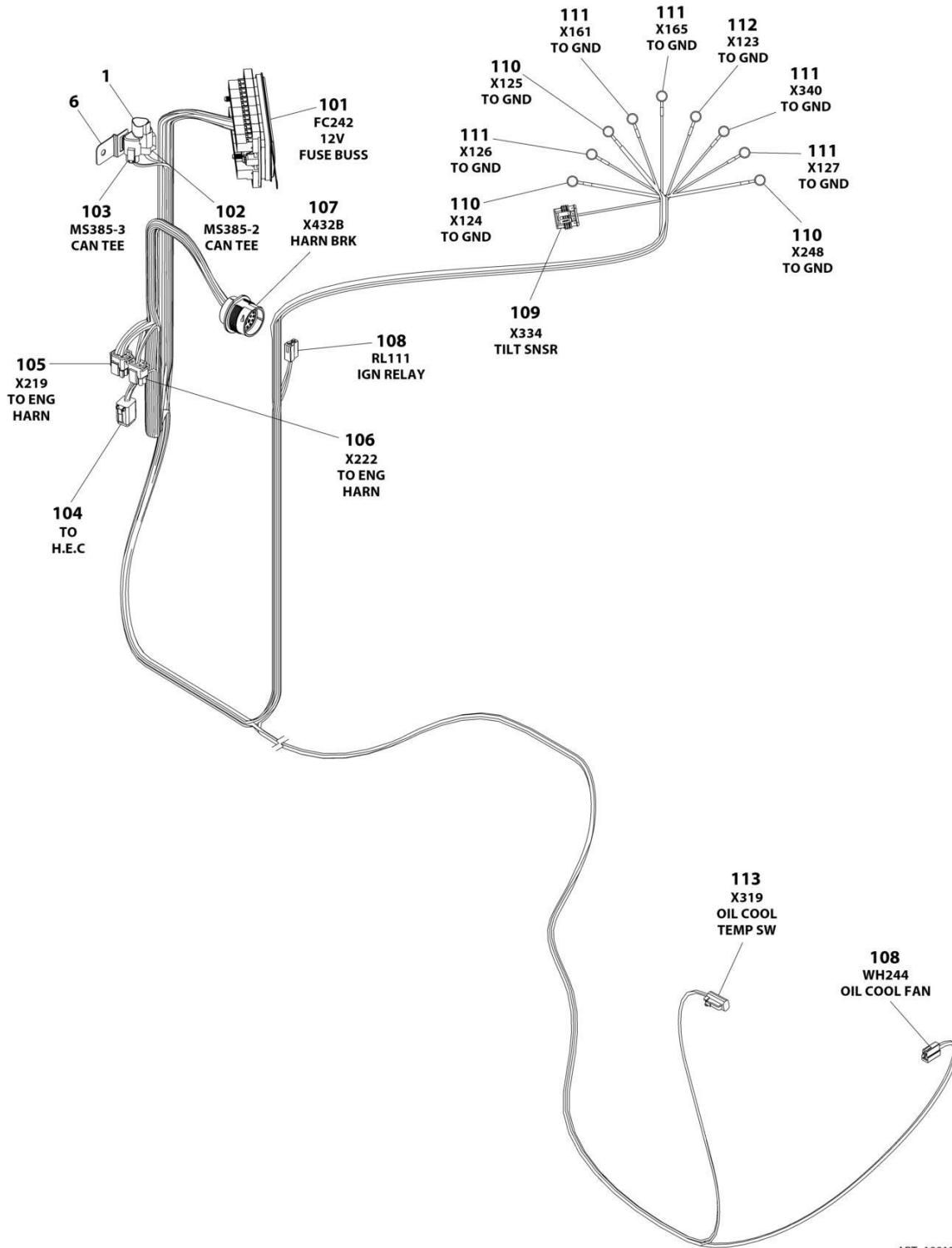
SECTION 8 - ELECTRICAL

FIGURE 8-61. TURNTABLE HARNESS

ITEM	PART NUMBER	QTY	DESCRIPTION	REV
	1001245028	Ref	TURNTABLE HARNESS	B
1	1001125677	1	Bussbar - 12 Position	
2	1001116816	2	Connector - 2 Position	
101	1001229233	1	Connector - 21 Position	
101	4460465	14	Socket, Female	
101	4460509	3	Socket, Female	
101	1001150611	1	Socket, Female	
101	4460466	3	Plug, Terminal	
102	1001116812	1	Plug, Male - 3 Position	
102	4460944	2	Socket, Female	
102	4460465	1	Socket, Female	
103	4460424	1	Plug, Male - 2 Position	
103	4460226	2	Socket, Female	
104	4460933	2	Plug, Male - 12 Position	
104	4460944	14	Socket, Female	
104	4460465	8	Socket, Female	
104	4460466	2	Plug, Terminal	
105	4460884	2	Plug, Male - 4 Position	
105	4460465	4	Socket, Female	
105	4460944	4	Socket, Female	
106	4460891	2	Plug, Male - 2 Position	
106	4460465	4	Socket, Female	
107	1001112612	1	Connector - 9 Position	
107	4460464	3	Pin, Male	
107	4460943	2	Pin, Male	
107	4460466	4	Plug, Terminal	
108	4460866	1	Connector - 19 Position	
108	4460464	5	Pin, Male	
108	4460943	2	Pin, Male	
108	4460508	4	Pin, Male	
108	4460466	8	Plug, Terminal	
109	4460878	1	Receptacle, Female - 4 Position	
109	4460887	2	Terminal	
110	4460873	1	Connector - 35 Position	
110	4460871	25	Socket, Female	
110	4460905	10	Plug, Terminal	
111	1001113961	1	Plug, Male - 8 Position	
111	4460871	4	Socket, Female	
111	4460905	4	Plug, Terminal	
112	4460434	2	Plug, Male - 15 Position	
112	4460227	24	Pin, Male	
112	4460267	2	Pin, Male	
113	4460932	1	Receptacle, Female - 4 Position	
113	4460464	3	Pin, Male	
113	4460466	1	Plug, Terminal	
114	1001201885	2	Terminal	
115	4460911	1	Plug, Male - 3 Position	
115	1001116694	2	Socket, Female	
115	4460518	1	Plug, Terminal	

SECTION 8 - ELECTRICAL

FIGURE 8-62. TURNTABLE/FUSE PANEL HARNESS



ART_1001230522

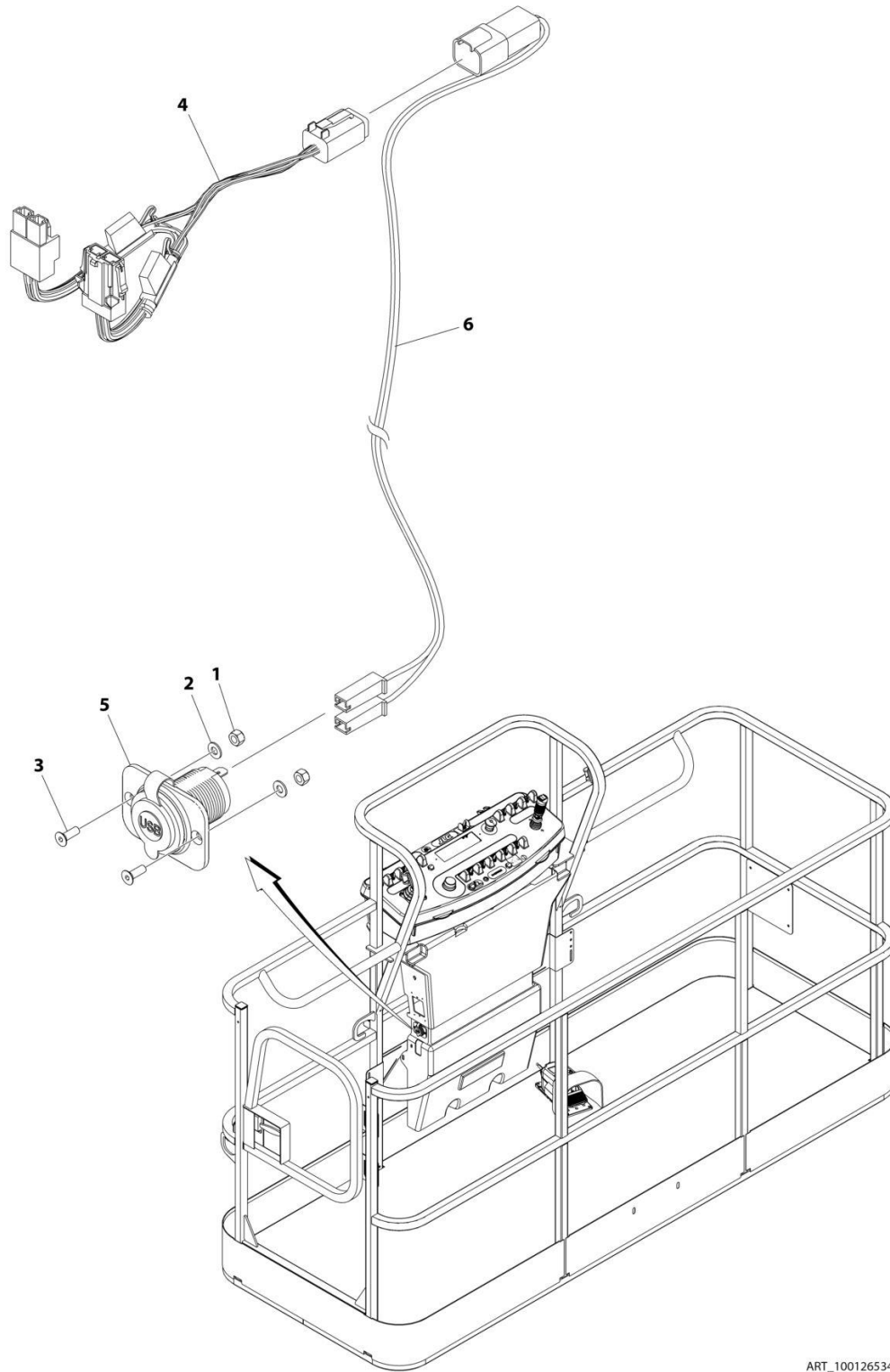
SECTION 8 - ELECTRICAL

FIGURE 8-62. TURNTABLE/FUSE PANEL HARNESS

ITEM	PART NUMBER	QTY	DESCRIPTION	REV
	1001230522	Ref	TURNTABLE/FUSE PANEL HARNESS	C
1	4460945	1	Receptacle, 3 Way	
6	1001153749	1	Mount, Connector	
101	1001225219	1	Connector - 28 Position	
101	1001189572	9	Terminal	
101	1001189571	3	Terminal	
101	1001189570	10	Terminal	
102	4460539	1	Plug, Male - 3 Position	
102	4460944	2	Socket, Female	
102	4460466	1	Plug, Terminal	
103	1001116812	1	Plug, Male - 3 Position	
103	4460944	2	Socket, Female	
103	4460466	1	Plug, Terminal	
104	4460894	1	Plug, Male - 6 Position	
104	4460465	5	Socket, Female	
104	4460466	1	Plug, Terminal	
105	4460265	1	Plug, Male - 9 Position	
105	4460906	8	Socket, Female	
106	4460225	1	Plug, Male - 6 Position	
106	4460268	4	Socket, Female	
107	1001229232	1	Connector - 21 Position	
107	4460464	14	Pin, Male	
107	4460508	4	Pin, Male	
107	4460466	3	Plug, Terminal	
108	4460994	2	Housing, Terminal	
108	1001116720	2	Terminal	
108	1001116716	2	Terminal	
109	1001103012	1	Plug, Male - 4 Position	
109	1001107854	4	Terminal	
109	1001104498	4	Seal	
110	4460019	3	Terminal, Ring	
111	4460722	5	Terminal, Ring	
112	1001225219	1	Terminal, Ring	
113	4460891	1	Plug, Male - 2 Position	
113	4460465	2	Socket, Female	

SECTION 8 - ELECTRICAL

FIGURE 8-63. USB RECEPTACLE INSTALLATION



ART_1001265342

SECTION 8 - ELECTRICAL

FIGURE 8-63. USB RECEPTACLE INSTALLATION

ITEM	PART NUMBER	QTY	DESCRIPTION	REV
	1001265342	Ref	USB CHARGER INSTALLATION	A
1	3290405	2	Nut M4	
2	4811400	2	Washer M4	
3	1001097244	2	Screw M4 x 12	
4	1001120484	1	Harness, Work Lights	
4	4460879	1	Plug, Male - 2 Position	
4	4460887	2	Terminal	
4	2400060	2	Fuseholder Includes Cover	
4	8229249	2	Fuse, 3 Amp	
4	4460884	1	Connector - 4 Position	
4	4460465	4	Socket, Female	
4	1001120471	1	Connector - 2 Position	
4	1001120477	2	Terminal	
5	1001210636	1	Receptacle, USB	
6	1001265163	1	Harness, USB	A
6	4460260	2	Cover, Terminal	
6	4460259	2	Terminal	
6	4460932	1	Receptacle, Bussbar - 4 Position	
6	4460464	2	Pin, Male	
6	4460466	2	Plug, Terminal	

SECTION 8 - ELECTRICAL

FIGURE 8-64. WHITE NOISE ALARM HARNESS



ART_1001243682

SECTION 8 - ELECTRICAL

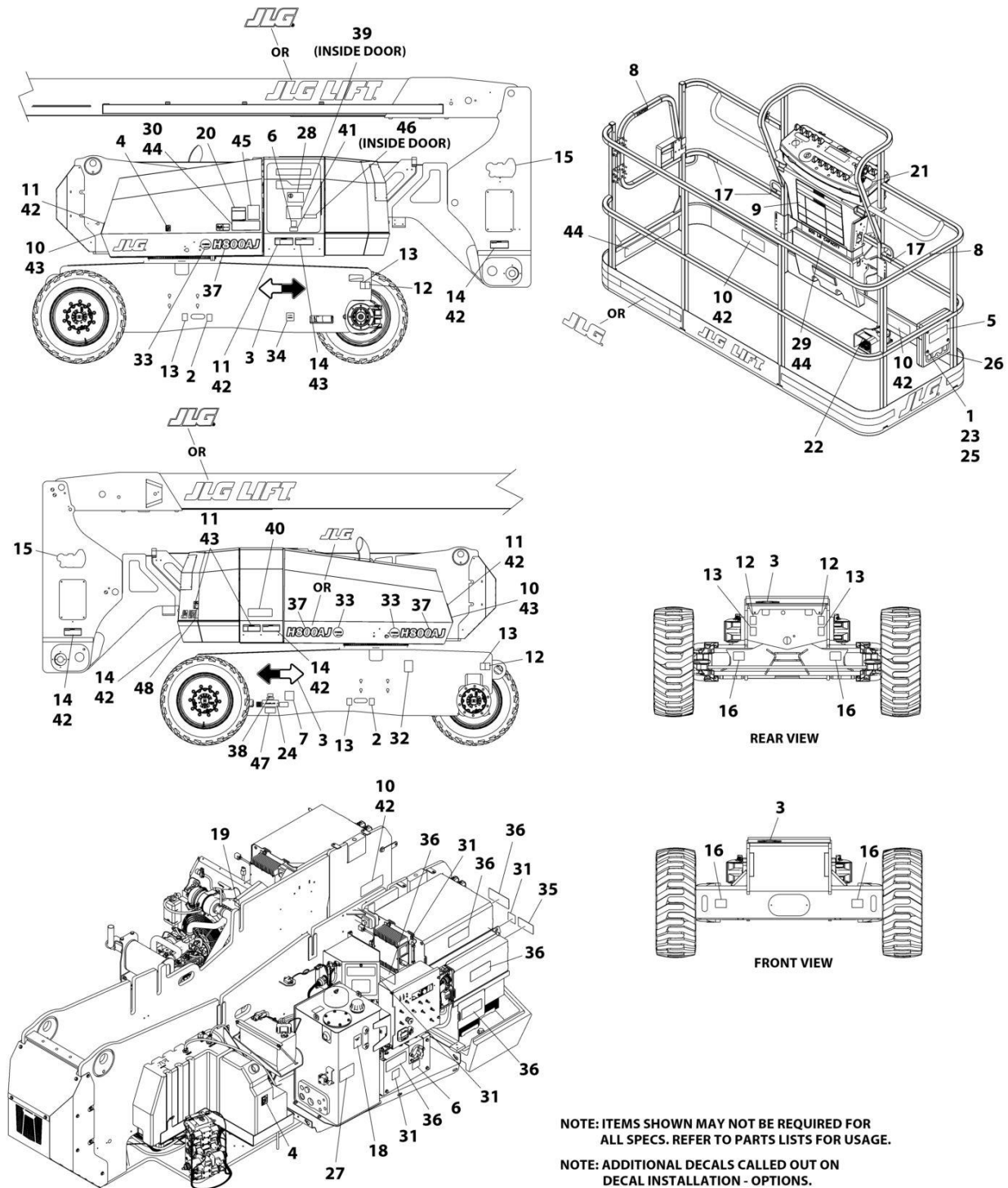
FIGURE 8-64. WHITE NOISE ALARM HARNESS

ITEM	PART NUMBER	QTY	DESCRIPTION	REV
	1001243682	Ref	WHITE NOISE ALARM HARNESS	A
1	4460891	1	Plug, Male - 2 Position	
1	4460465	2	Socket, Female	
2	4460871	1	Terminal	
3	4460539	1	Plug, Male- 3 Position	
3	4460465	3	Socket, Female	
4	4460536	1	Receptacle, Female- 3 Position	
4	4460464	3	Pin, Male	

SECTION 9 - DECALS

SECTION 9 - DECALS

FIGURE 9-1. DECAL INSTALLATION - ANSI SPECS (ENGLISH LANGUAGE)



NOTE: ITEMS SHOWN MAY NOT BE REQUIRED FOR ALL SPECS. REFER TO PARTS LISTS FOR USAGE.

NOTE: ADDITIONAL DECALS CALLED OUT ON DECAL INSTALLATION - OPTIONS.

ART_1001249006

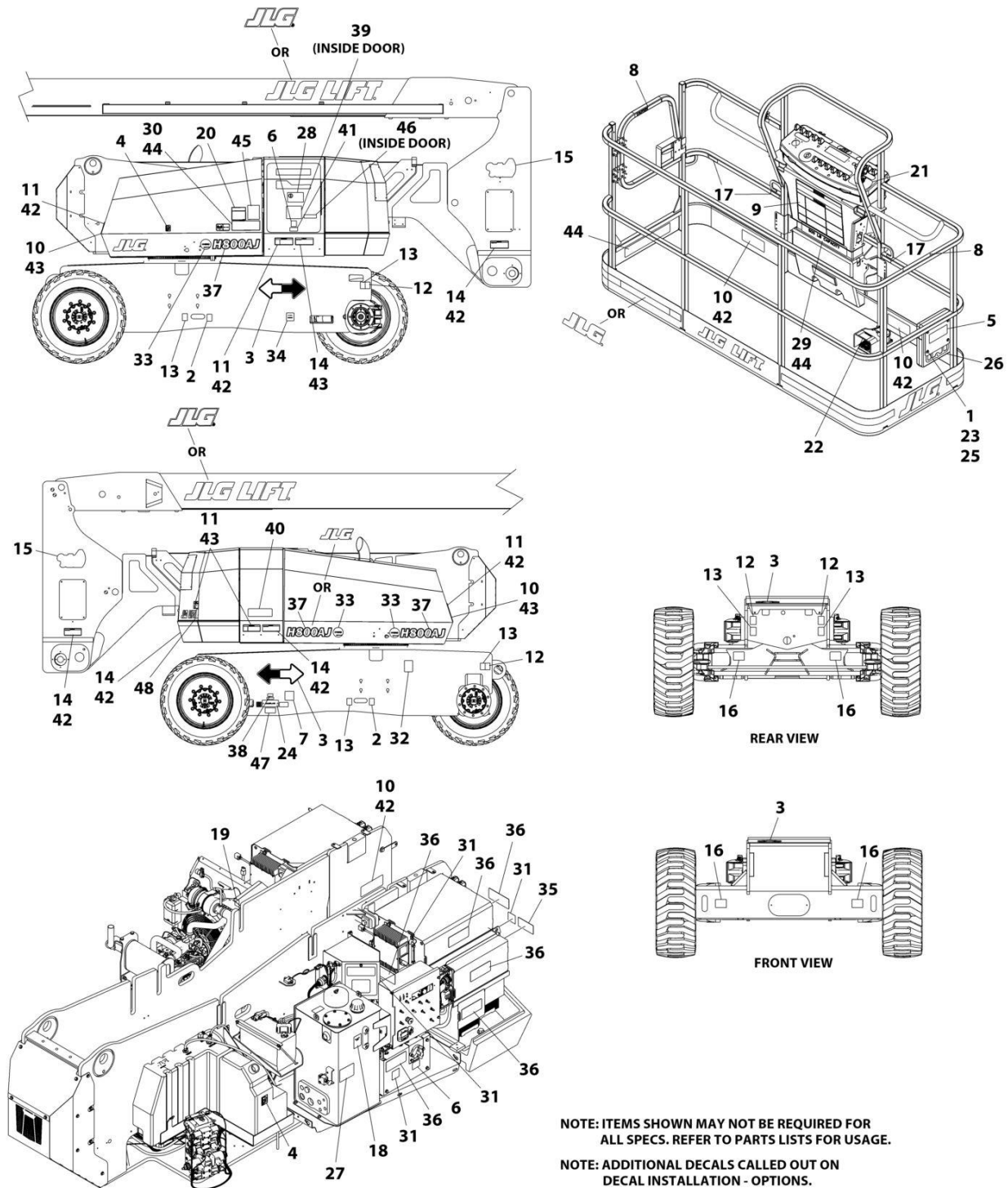
SECTION 9 - DECALS

FIGURE 9-1. DECAL INSTALLATION - ANSI SPECS (ENGLISH LANGUAGE)

ITEM	PART NUMBER	QTY	DESCRIPTION	REV
	1001249006	Ref	DECAL INSTALLATION - ANSI	B
	1001249013	Ref	DECAL INSTALLATION - REFERENCE CHART	C
1	0641406	4	Bolt 1/4 x 3/4	
2	1701499	2	Decal - No Tie Down/Lift	
3	1701501	4	Decal - Arrow	
4	1701505	2	Decal - Diesel Fuel	
5	1701509	1	Decal - Manual	
6	1702155	2	Decal - Battery Disconnect	
7	See Note	NSS	Decal - Bar Code (Note: Not Available for Purchase)	
8	1702868	2	Decal - No Hands	
9	1703797	1	Decal - Danger/Warning	
10	1703804	6	Decal - Warning/Crushing	
11	1703805	5	Decal - Electrocution	
12	1703811	4	Decal - Lifting Lug	
13	1703814	6	Decal - Tie Down	
14	1703953	5	Decal - Warning/Crushing	
15	1703959	2	Decal - Quik Stik	
16	1703960	4	Decal - Maximum Tire Load	
17	1704277	3	Decal - Lanyard Attach	
18	1704412	1	Decal - Hydraulic Oil	
19	1704972	1	Decal - Glow Plugs	
20	1705336	1	Decal - Danger/Warning	
21	1705351	1	Decal - Drive/Steer Instructions	
22	3252347	1	Nameplate - Footswitch	
23	3311405	4	Nut 1/4	
24	3820001	2	Rivet	
25	4751400	8	Washer 1/4	
26	91403230	1	Box, Manual Storage	
27	1001096141	1	Decal - Upright Level Override	
28	1001117307	1	Decal - Emergency Stop	
29	1001253920	1	Decal - Warning Single Cap	
30	1001253921	1	Decal - Warning Single Cap	
31	1001125483	6	Decal - Pressure Wash	
32	1001131269	1	Decal - Patent	
33	1001174449	2	Decal - Hybrid	
34	1001223055	1	Decal - Yearly Inspection	
35	1001223554	2	Decal - Warning Tip Over Hazard	
36	1001223556	9	Decal - Electric Shock Hazard	
37	1001267328	2	Decal - H800AJ	
38	1001228370	1	Decal - ICES	
39	1001228411	1	Decal - LED Indicator	
40	1001233452	1	Decal - Lifting Diagram	
41	1001233785	1	Decal - Charger Plug	

SECTION 9 - DECALS

FIGURE 9-2. DECAL INSTALLATION - AUSTRALIAN SPECS (ENGLISH LANGUAGE)



NOTE: ITEMS SHOWN MAY NOT BE REQUIRED FOR ALL SPECS. REFER TO PARTS LISTS FOR USAGE.
 NOTE: ADDITIONAL DECALS CALLED OUT ON DECAL INSTALLATION - OPTIONS.

ART_1001249548

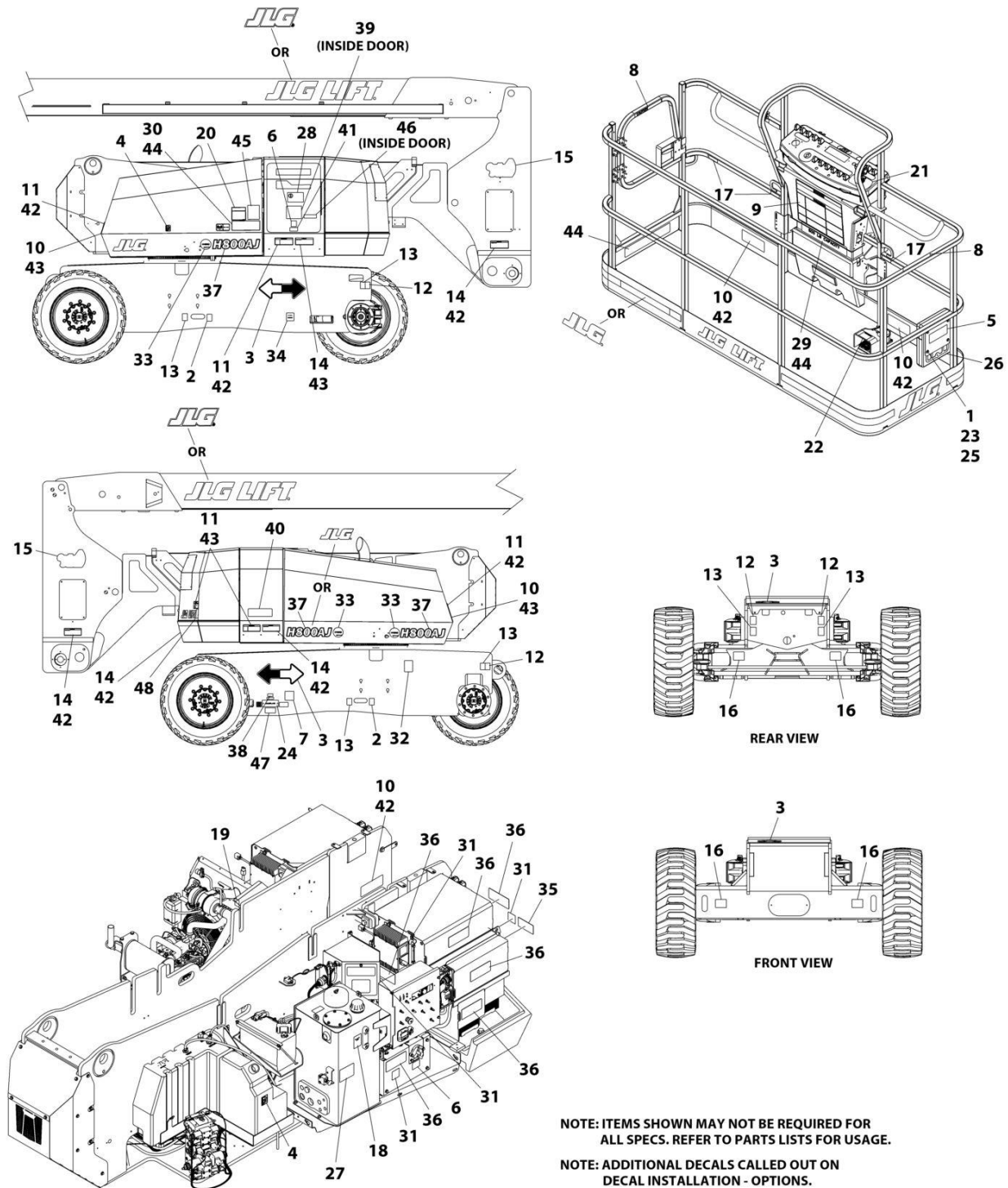
SECTION 9 - DECALS

FIGURE 9-2. DECAL INSTALLATION - AUSTRALIAN SPECS (ENGLISH LANGUAGE)

ITEM	PART NUMBER	QTY	DESCRIPTION	REV
	1001249548	Ref	DECAL INSTALLATION - AUSTRALIAN	A
	1001249013	Ref	DECAL INSTALLATION - REFERENCE CHART	C
1	0641406	4	Bolt 1/4 x 3/4	
2	1701499	2	Decal - No Tie Down/Lift	
3	1701501	4	Decal - Arrow	
4	1701505	2	Decal - Diesel Fuel	
5	1701509	1	Decal - Manual	
6	1702155	2	Decal - Battery Disconnect	
7	See Note	NSS	Decal - Bar Code (Note: Not Available for Purchase)	
9	1705921	1	Decal - Tipping/Electrocution	
12	1703811	4	Decal - Lifting Lug	
13	1703814	6	Decal - Tie Down	
15	1703959	2	Decal - Quik Stik	
16	1703960	4	Decal - Maximum Tire Load	
17	1704277	3	Decal - Lanyard Attach	
18	1704412	1	Decal - Hydraulic Oil	
19	1706098	1	Decal - Warning Ether Start	
20	1705822	1	Decal - Electrical/Safety Manual	
22	1705828	1	Nameplate - Footswitch	
23	3311405	4	Nut 1/4	
24	3820001	2	Rivet	
25	4751400	8	Washer 1/4	
26	91403230	1	Box, Manual Storage	
27	1705977	1	Decal - Upright Level Override	
28	1001117307	1	Decal - Emergency Stop	
31	1001125483	6	Decal - Pressure Wash	
33	1001174449	2	Decal - Hybrid	
35	1001223560	2	Decal - Tip Over Hazard	
36	1001223561	9	Decal - Shock Hazard	
37	1001267328	2	Decal - H800AJ	
39	1001228411	1	Decal - LED Indicator	
40	1001233452	1	Decal - Lifting Diagram	
41	1001233785	1	Decal - Charger Plug	
42	1701518	11	Decal - Crushing	
43	1705961	5	Decal - Electrocution	
44	1705978	3	Decal - 230KG Capacity	
45	1001112551	1	Decal - Emergency Controls	
47	1001232893	1	Decal - Wheel Assembly Mass	
48	1001237844	1	Decal - Sound Power Level	

SECTION 9 - DECALS

FIGURE 9-3. DECAL INSTALLATION - BRAZIL SPECS (ENGLISH/PORTUGUESE LANGUAGES)



NOTE: ITEMS SHOWN MAY NOT BE REQUIRED FOR ALL SPECS. REFER TO PARTS LISTS FOR USAGE.

NOTE: ADDITIONAL DECALS CALLED OUT ON DECAL INSTALLATION - OPTIONS.

ART_1001249012

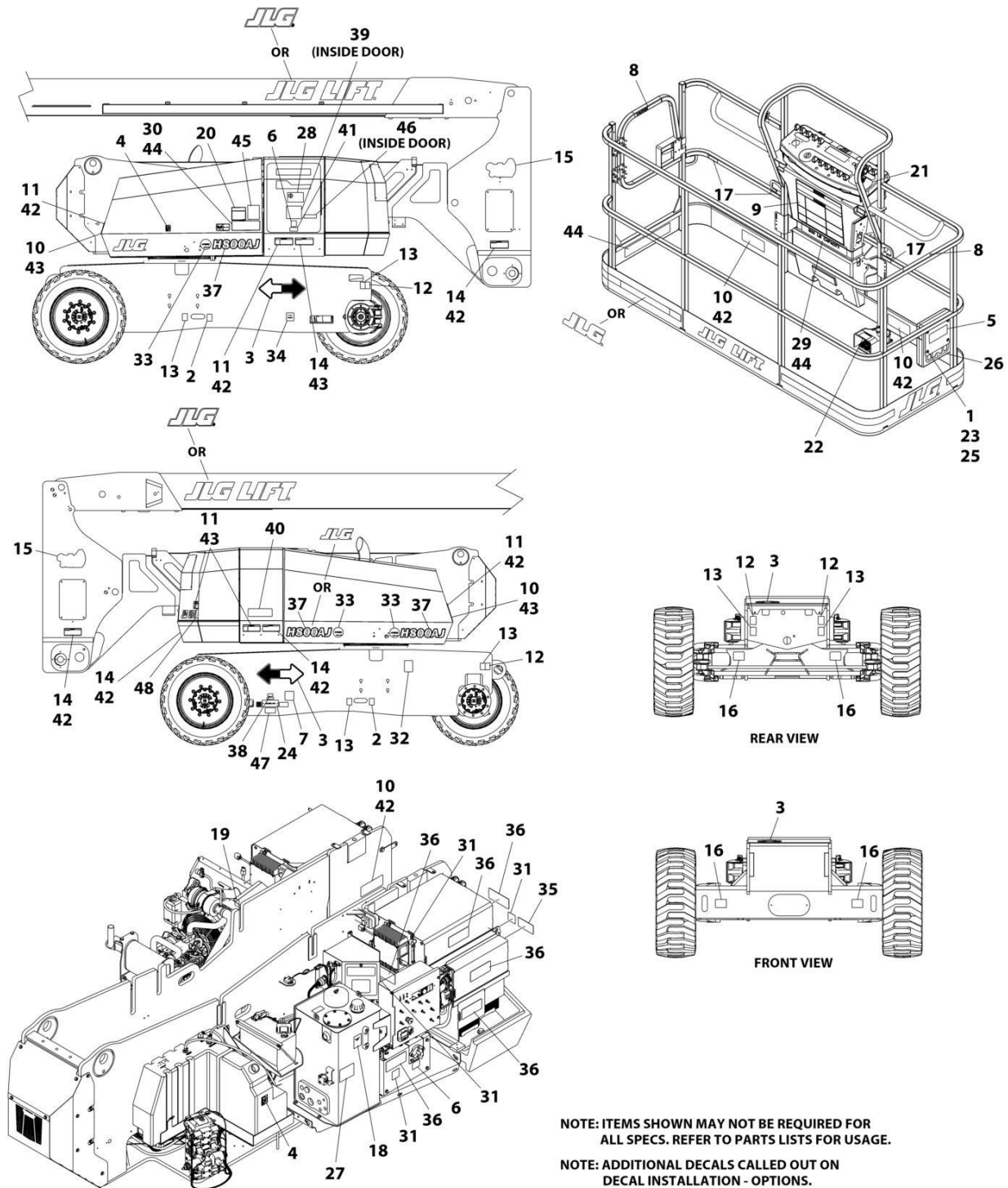
SECTION 9 - DECALS

FIGURE 9-3. DECAL INSTALLATION - BRAZIL SPECS (ENGLISH/PORTUGUESE LANGUAGES)

ITEM	PART NUMBER	QTY	DESCRIPTION	REV
	1001249012	Ref	DECAL INSTALLATION - BRAZIL	C
	1001249013	Ref	DECAL INSTALLATION - REFERENCE CHART	C
1	0641406	4	Bolt 1/4 X 3/4	
2	1701499	2	Decal - No Tie Down/Lift	
3	1701501	4	Decal - Arrow	
4	1701505	2	Decal - Diesel Fuel	
5	1701509	1	Decal - Manual	
6	1702155	2	Decal - Battery Disconnect	
7	See Note	NSS	Decal - Bar Code (Note: Not Available For Purchase)	
8	1705967	2	Decal - No Hands	
9	1705895	1	Decal - Danger/Warning	
10	1705898	6	Decal - Crushing	
11	1705897	5	Decal - Danger Electrocution	
12	1703811	4	Decal - Lifting Lug	
13	1703814	6	Decal - Tie Down	
14	1705903	5	Decal - Warning/Crushing	
15	1703959	2	Decal - Quik Stik	
16	1703960	4	Decal - Maximum Tire Load	
17	1704277	3	Decal - Lanyard Attach	
18	1704412	1	Decal - Hydraulic Oil	
19	1706059	1	Decal - Warning Explosion	
20	1705896	1	Decal - Warning Inspection	
21	1705905	1	Decal - Drive/Steer Instructions	
22	1705902	1	Decal - Footswitch	
23	3311405	4	Nut 1/4	
24	3820001	2	Rivet	
25	4751400	8	Washer 1/4	
26	91403230	1	Box, Manual Storage	
27	1705977	1	Decal - Upright Level Override	
28	1001117307	1	Decal - Emergency Stop	
29	1001253936	1	Decal - Warning Single Cap	
30	1001253937	1	Decal - Warning Single Cap	
31	1001125483	6	Decal - Pressure Wash	
33	1001174449	2	Decal - Hybrid	
34	1001224052	1	Decal - Yearly Inspection	
34	1001267885	1	Decal - Yearly Inspection	
35	1001233066	2	Decal - Tipping Hazard	
36	1001233011	9	Decal - Electrical Shock Hazard	
37	1001267328	2	Decal - H800AJ	
39	1001228411	1	Decal - LED Indicator	
40	1001233452	1	Decal - Lifting Diagram	
41	1001233785	1	Decal - Charger Plug	

SECTION 9 - DECALS

FIGURE 9-4. DECAL INSTALLATION - CE & UK CA SPECS (ENGLISH LANGUAGE)



ART_1001249549

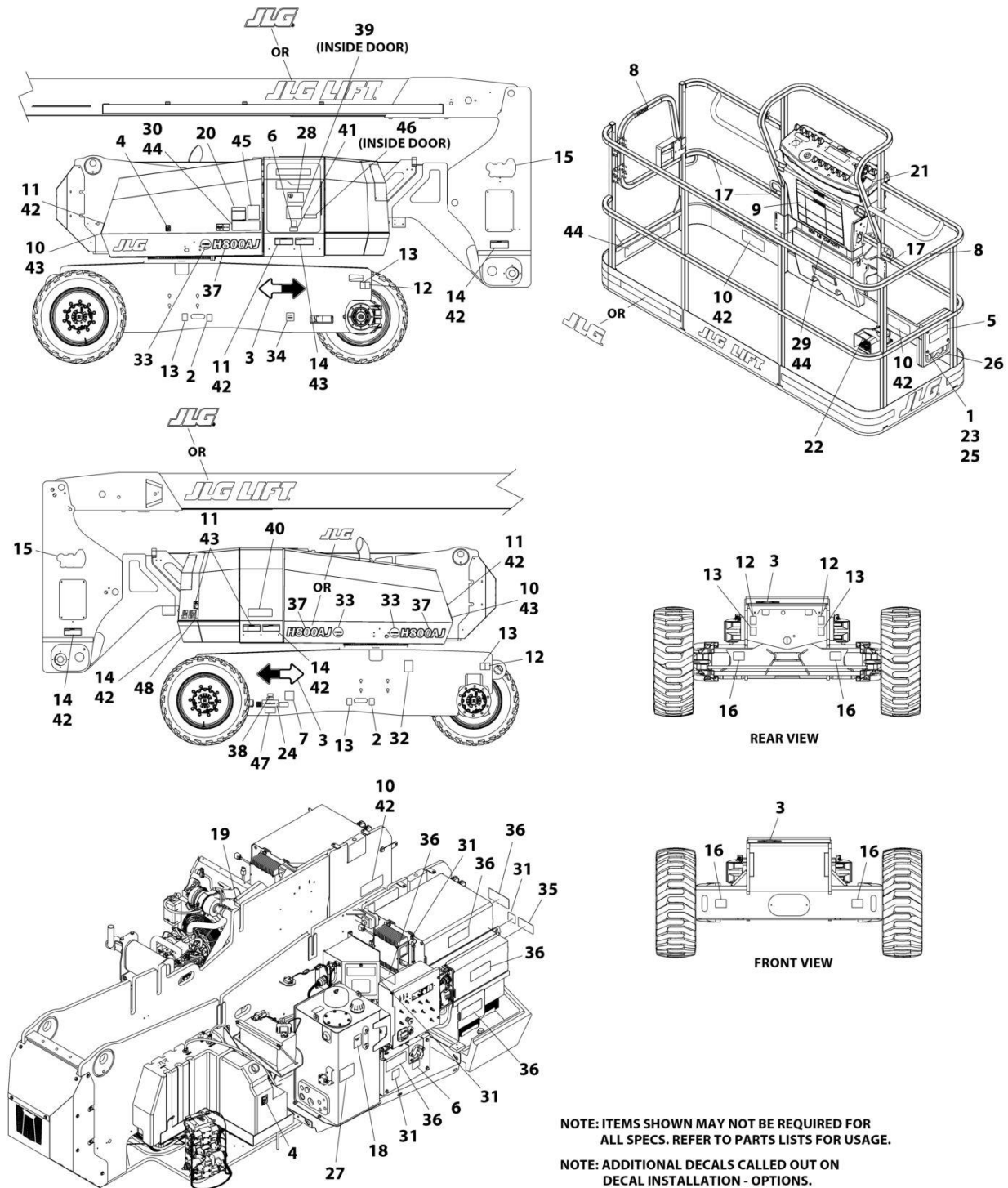
SECTION 9 - DECALS

FIGURE 9-4. DECAL INSTALLATION - CE & UK CA SPECS (ENGLISH LANGUAGE)

ITEM	PART NUMBER	QTY	DESCRIPTION	REV
	1001249549	Ref	DECAL INSTALLATION - CE & UK CA	A
	1001249013	Ref	DECAL INSTALLATION - REFERENCE CHART	C
1	0641406	4	Bolt 1/4 x 3/4	
2	1701499	2	Decal - No Tie Down/Lift	
3	1701501	4	Decal - Arrow	
4	1701505	2	Decal - Diesel Fuel	
5	1701509	1	Decal - Manual	
6	1702155	2	Decal - Battery Disconnect	
7	See Note	NSS	Decal - Bar Code (Note: Not Available for Purchase)	
9	1705921	1	Decal - Tipping/Electrocution	
12	1703811	4	Decal - Lifting Lug	
13	1703814	6	Decal - Tie Down	
15	1703959	2	Decal - Quik Stik	
16	1703960	4	Decal - Maximum Tire Load	
17	1704277	3	Decal - Lanyard Attach	
18	1704412	1	Decal - Hydraulic Oil	
19	1706098	1	Decal - Warning Ether Start	
20	1705822	1	Decal - Electrical/Safety Manual	
22	1705828	1	Nameplate - Footswitch	
23	3311405	4	Nut 1/4	
24	3820001	2	Rivet	
25	4751400	8	Washer 1/4	
26	91403230	1	Box, Manual Storage	
27	1705977	1	Decal - Upright Level Override	
28	1001117307	1	Decal - Emergency Stop	
31	1001125483	6	Decal - Pressure Wash	
33	1001174449	2	Decal - Hybrid	
35	1001223560	2	Decal - Tip Over Hazard	
36	1001223561	9	Decal - Shock Hazard	
37	1001267328	2	Decal - H800AJ	
39	1001228411	1	Decal - LED Indicator	
40	1001233452	1	Decal - Lifting Diagram	
41	1001233785	1	Decal - Charger Plug	
42	1701518	11	Decal - Crushing	
43	1705961	5	Decal - Electrocution	
44	1705978	2	Decal - 230KG Capacity	
46	1001189882	1	Decal - MSSO Operation	
48	1001237844	1	Decal - Sound Power Level	

SECTION 9 - DECALS

FIGURE 9-5. DECAL INSTALLATION - CHINA SPECS (ENGLISH/CHINESE LANGUAGES)



NOTE: ITEMS SHOWN MAY NOT BE REQUIRED FOR ALL SPECS. REFER TO PARTS LISTS FOR USAGE.

NOTE: ADDITIONAL DECALS CALLED OUT ON DECAL INSTALLATION - OPTIONS.

ART_1001249010

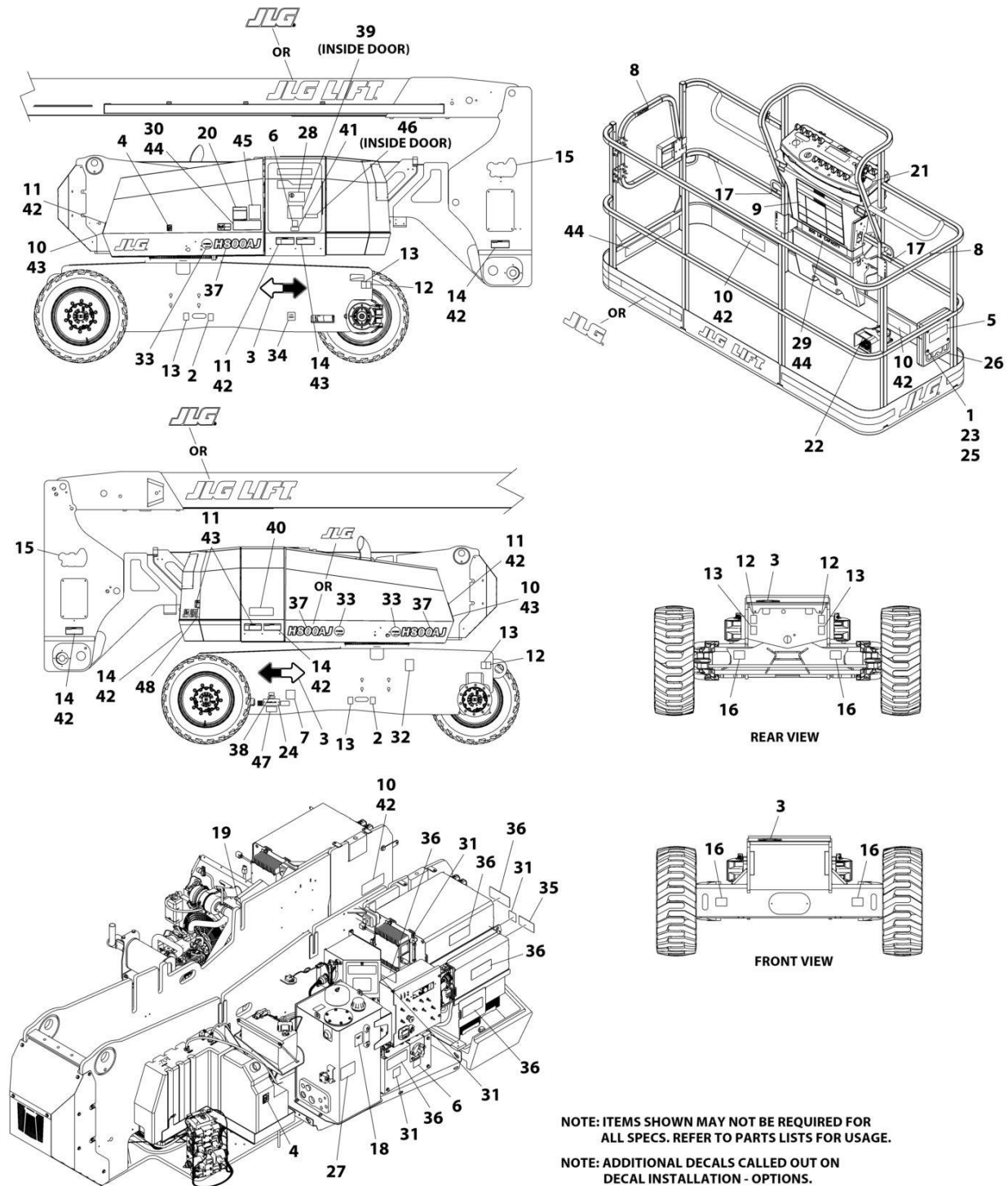
SECTION 9 - DECALS

FIGURE 9-5. DECAL INSTALLATION - CHINA SPECS (ENGLISH/CHINESE LANGUAGES)

ITEM	PART NUMBER	QTY	DESCRIPTION	REV
	1001249010	Ref	DECAL INSTALLATION - CHINA SPECS	B
	1001249013	Ref	DECAL INSTALLATION - REFERENCE CHART	C
1	0641406	4	Bolt 1/4 X 3/4	
2	1701499	2	Decal - No Tie Down/Lift	
3	1701501	4	Decal - Arrow	
4	1701505	2	Decal - Diesel Fuel	
5	1701509	1	Decal - Manual	
6	1702155	2	Decal - Battery Disconnect	
7	See Note	NSS	Decal - Bar Code (Note: Not Available for Purchase)	
8	1001116846	2	Decal - Caution No Hands	
9	1703925	1	Decal - Warning/Danger	
10	1703949	6	Decal - Crushing	
11	1001116851	5	Decal - Electrocution	
12	1703811	4	Decal - Lifting Lug	
13	1703814	6	Decal - Tie Down	
14	1703943	5	Decal - Warning/Crushing	
15	1703959	2	Decal - Quik Stik	
16	1703960	4	Decal - Maximum Tire Load	
17	1704277	3	Decal - Lanyard Attach	
18	1704412	1	Decal - Hydraulic Oil	
19	1706060	1	Decal - Warning Fire Hazard	
20	1001116849	1	Decal - Warning Inspection	
21	1705430	1	Decal - Drive Steer Instructions	
22	1703982	1	Decal - Footswitch	
23	3311405	4	Nut 1/4	
24	3820001	2	Rivet	
25	4751400	8	Washer 1/4	
26	91403230	1	Box, Manual Storage	
27	1705977	1	Decal - Upright Level Override	
28	1001117307	1	Decal - Emergency Stop	
29	1001253926	1	Decal - Warning Single Cap	
30	1001253927	1	Decal - Warning Single Cap	
31	1001125483	6	Decal - Pressure Wash	
33	1001174449	2	Decal - Hybrid	
34	1001224050	1	Decal - Yearly Inspection	
35	1001233065	2	Decal - Tipping Hazard	
36	1001233010	9	Decal - Electrical Shock Hazard	
37	1001267328	2	Decal - H800AJ	
39	1001228411	1	Decal - LED Indicator	
40	1001233452	1	Decal - Lifting Diagram	
41	1001233785	1	Decal - Charger Plug	

SECTION 9 - DECALS

FIGURE 9-6. DECAL INSTALLATION - CSA SPECS (ENGLISH/FRENCH LANGUAGES)



NOTE: ITEMS SHOWN MAY NOT BE REQUIRED FOR ALL SPECS. REFER TO PARTS LISTS FOR USAGE.

NOTE: ADDITIONAL DECALS CALLED OUT ON DECAL INSTALLATION - OPTIONS.

ART_1001249009

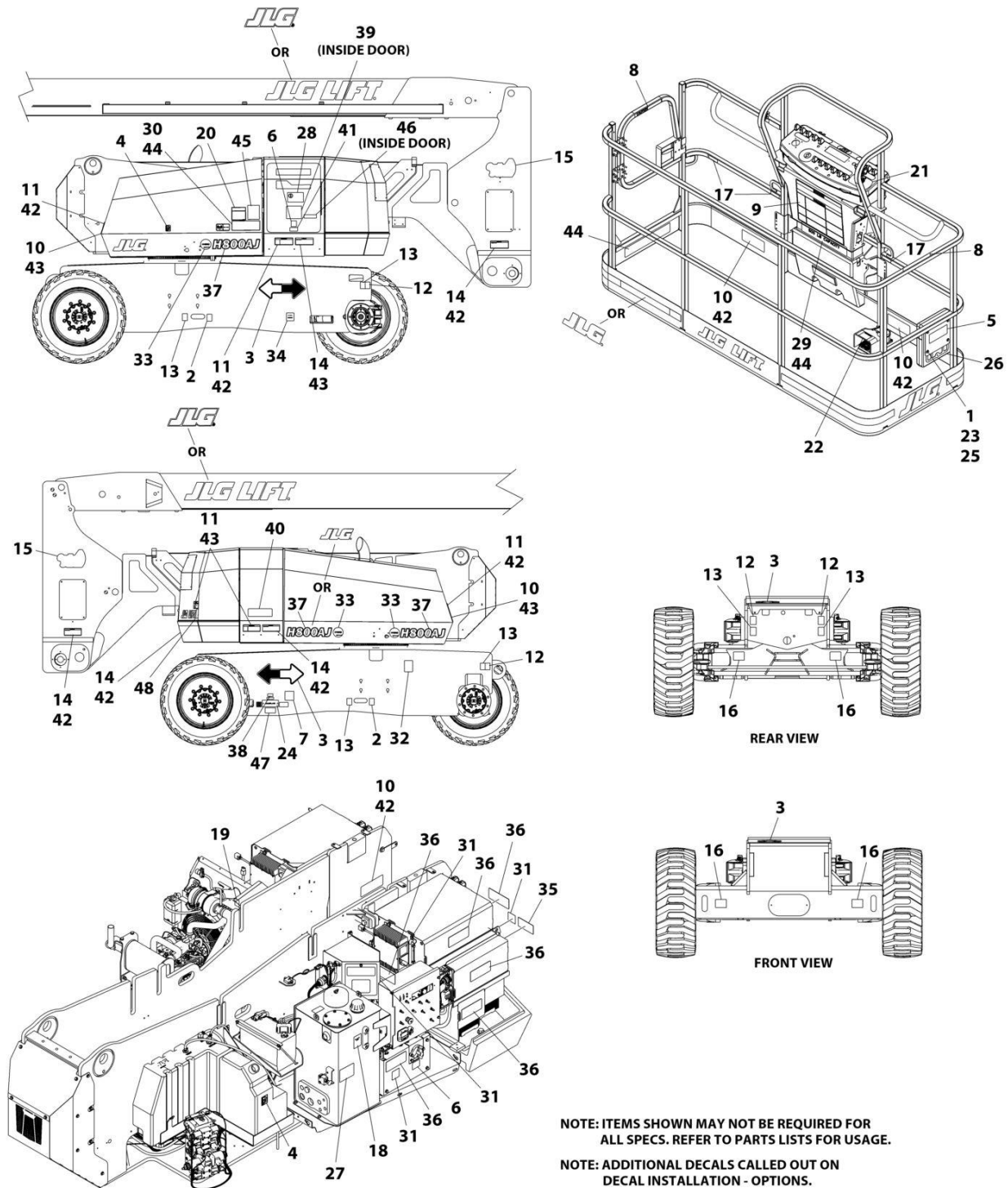
SECTION 9 - DECALS

FIGURE 9-6. DECAL INSTALLATION - CSA SPECS (ENGLISH/FRENCH LANGUAGES)

ITEM	PART NUMBER	QTY	DESCRIPTION	REV
	1001249009	Ref	DECAL INSTALLATION - CSA	B
	1001249013	Ref	DECAL INSTALLATION - REFERENCE CHART	C
1	0641406	4	Bolt, 1/4 x 3/4	
2	1701499	2	Decal - No Tie Down/Lift	
3	1701501	4	Decal - Arrow	
4	1701505	2	Decal - Diesel Fuel	
5	1701509	1	Decal - Manual	
6	1702155	2	Decal - Battery Disconnect	
7	See Note	NSS	Decal - Bar Code (Note: Not Available for Purchase)	
8	1704000	2	Decal - No Hands	
9	1703924	1	Decal - Warning/Danger	
10	1703948	6	Decal - Warning/Crushing	
11	1703936	5	Decal - Electrocution	
12	1703811	4	Decal - Lifting Lug	
13	1703814	6	Decal - Tie Down	
14	1703942	5	Decal - Crushing	
15	1703959	2	Decal - Quik Stik	
16	1703960	4	Decal - Maximum Tire Load	
17	1704277	3	Decal - Lanyard Attach	
18	1704412	1	Decal - Hydraulic Oil	
19	1706064	1	Decal - Warning Fire Hazard	
20	1705347	1	Decal - Warning Inspection	
21	1705429	1	Decal - Drive/Steer Instructions	
22	1703984	1	Decal - Footswitch	
23	3311405	4	Nut 1/4	
24	3820001	2	Rivet	
25	4751400	8	Washer 1/4	
26	91403230	1	Box, Manual Storage	
27	1705977	1	Decal - Upright Level Override	
28	1001117307	1	Decal - Emergency Stop	
29	1001253922	1	Decal - Warning Single Cap	
30	1001253923	1	Decal - Warning Single Cap	
31	1001125483	6	Decal - Pressure Wash	
32	1001131269	1	Decal - Patent	
33	1001174449	2	Decal - Hybrid	
34	1001223971	1	Decal - Yearly Inspection	
35	1001233063	2	Decal - Tipping Hazard	
36	1001233008	9	Decal - Electrical Shock Hazard	
37	1001267328	2	Decal - H800AJ	
38	1001228370	1	Decal - ICES	
39	1001228411	1	Decal - LED Indicator	
40	1001233452	1	Decal - Lifting Diagram	
41	1001233785	1	Decal - Charger Plug	

SECTION 9 - DECALS

FIGURE 9-7. DECAL INSTALLATION - JAPANESE SPECS (ENGLISH/JAPANESE LANGUAGES)



NOTE: ITEMS SHOWN MAY NOT BE REQUIRED FOR ALL SPECS. REFER TO PARTS LISTS FOR USAGE.

NOTE: ADDITIONAL DECALS CALLED OUT ON DECAL INSTALLATION - OPTIONS.

ART_1001249007

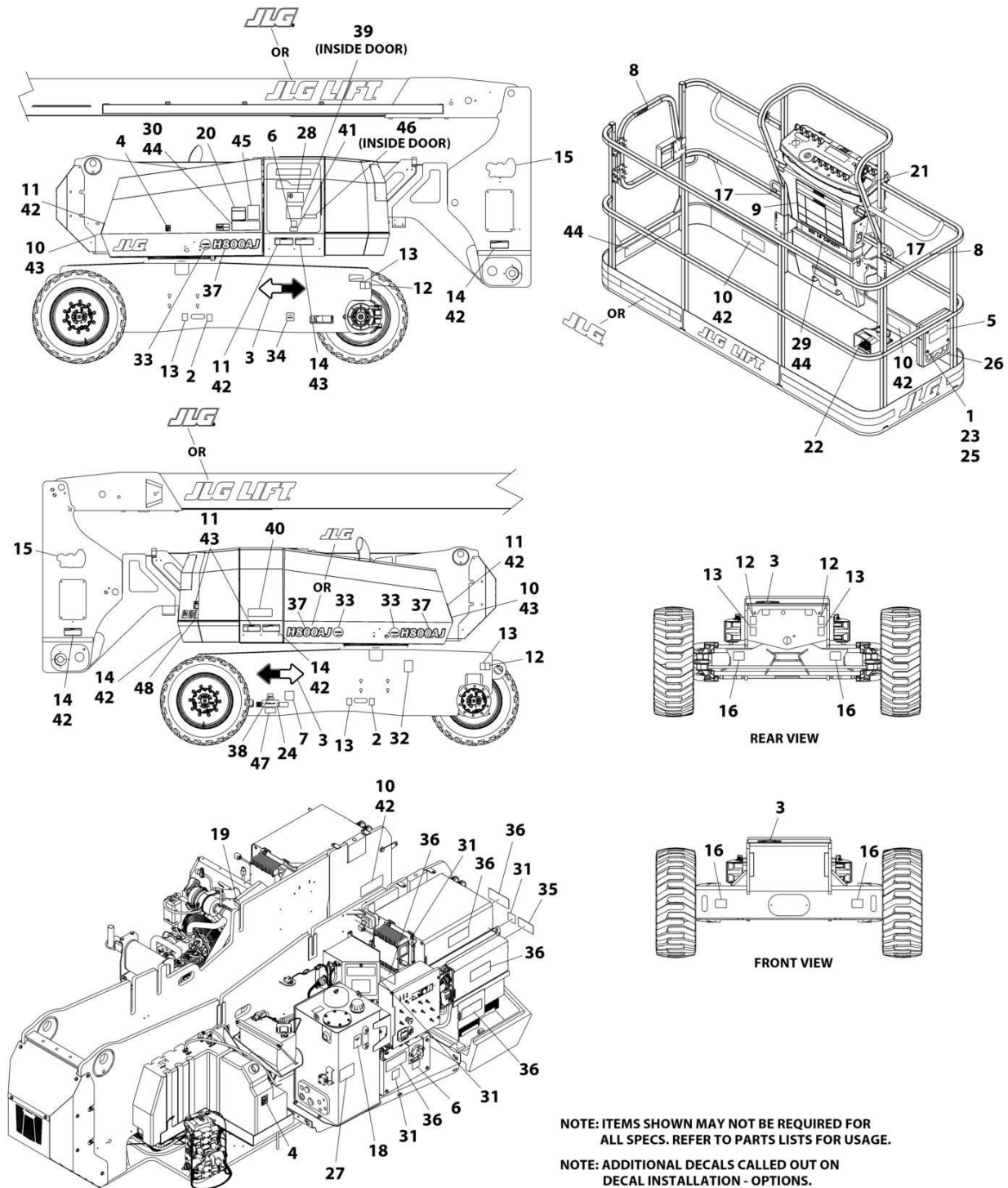
SECTION 9 - DECALS

FIGURE 9-7. DECAL INSTALLATION - JAPANESE SPECS (ENGLISH/JAPANESE LANGUAGES)

ITEM	PART NUMBER	QTY	DESCRIPTION	REV
	1001249007	Ref	DECAL INSTALLATION - JAPANESE	B
	1001249013	Ref	DECAL INSTALLATION - REFERENCE CHART	C
1	0641406	4	Bolt 1/4 x 3/4	
2	1701499	2	Decal - No Tie Down/Left	
3	1701501	4	Decal - Arrow	
4	1701505	2	Decal - Diesel Fuel	
5	1701509	1	Decal - Manual	
6	1702155	2	Decal - Battery Disconnect	
7	See Note	NSS	Decal - Bar Code (Note: Not Available for Purchase)	
9	1703926	1	Decal - Danger/Warning	
10	1703950	6	Decal - Crushing	
11	1703938	5	Decal - Electrocution	
12	1703811	4	Decal - Lifting Lug	
13	1703814	6	Decal - Tie Down	
14	1703944	5	Decal - Warning/Crushing	
15	1703959	2	Decal - Quik Stik	
16	1703960	4	Decal - Maximum Tire Load	
17	1704277	3	Decal - Lanyard Attach	
18	1704412	1	Decal - Hydraulic Oil	
19	1706062	1	Decal - Warning Explosion/Fire	
20	1705344	1	Decal - Warning Inspection	
21	1705426	1	Decal - Drive/Steer Instructions	
22	1703980	1	Decal - Footswitch	
23	3311405	4	Nut 1/4	
24	3820001	2	Rivet	
25	4751400	8	Washer 1/4	
26	91403230	1	Box, Manual Storage	
27	1705977	1	Decal - Upright Level Override	
28	1001117307	1	Decal - Emergency Stop	
29	1001253932	1	Decal - Warning Single Cap	
30	1001253933	1	Decal - Warning Single Cap	
31	1001125483	6	Decal - Pressure Wash	
33	1001174449	2	Decal - Hybrid	
34	1001224053	1	Decal - Yearly Inspection	
35	1001233068	2	Decal - Tipping Hazard	
36	1001233013	9	Decal - Electrical Shock Hazard	
37	1001267328	2	Decal - H800AJ	
39	1001228411	1	Decal - LED Indicator	
40	1001233452	1	Decal - Lifting Diagram	
41	1001233785	1	Decal - Charger Plug	

SECTION 9 - DECALS

FIGURE 9-8. DECAL INSTALLATION - KOREAN SPECS (ENGLISH/KOREAN LANGUAGES)



NOTE: ITEMS SHOWN MAY NOT BE REQUIRED FOR ALL SPECS. REFER TO PARTS LISTS FOR USAGE.

NOTE: ADDITIONAL DECALS CALLED OUT ON DECAL INSTALLATION - OPTIONS.

ART_1001249008

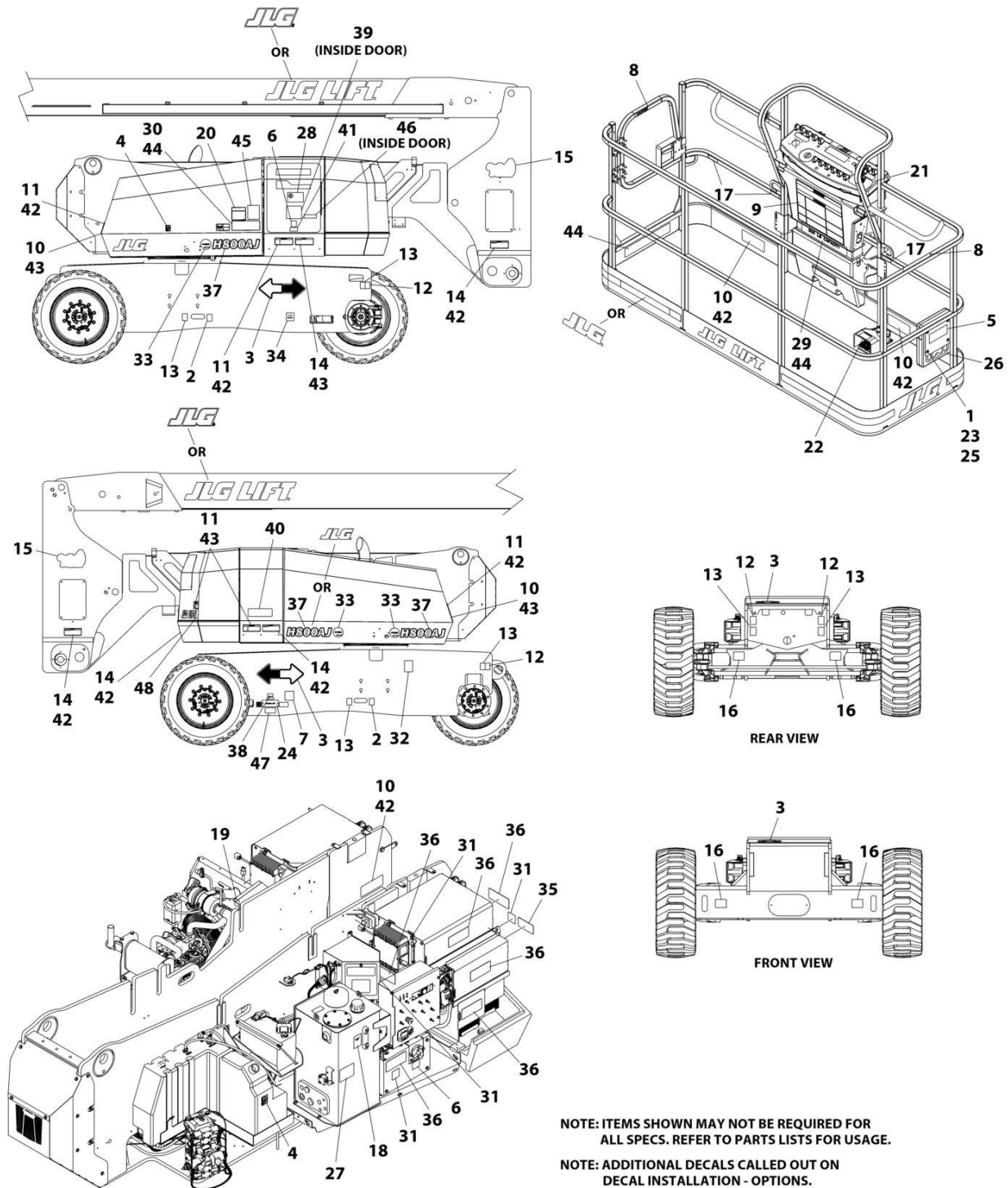
SECTION 9 - DECALS

FIGURE 9-8. DECAL INSTALLATION - KOREAN SPECS (ENGLISH/KOREAN LANGUAGES)

ITEM	PART NUMBER	QTY	DESCRIPTION	REV
	1001249008	Ref	DECAL INSTALLATION - KOREAN	B
	1001249013	Ref	DECAL INSTALLATION - REFERENCE CHART	C
1	0641406	4	Bolt 1/4 x 3/4	
2	1701499	2	Decal - No Tie Down/Lift	
3	1701501	4	Decal - Arrow	
4	1701505	2	Decal - Diesel Fuel	
5	1701509	1	Decal - Manual	
6	1702155	2	Decal - Battery Disconnect	
7	See Note	NSS	Decal - Bar Code (Note: Not Available for Purchase)	
8	1705969	2	Decal - No Hands	
9	1703797	1	Decal - Danger/Warning	
10	1703951	6	Decal - Warning/Crushing	
11	1703939	5	Decal - Electrocution	
12	1703811	4	Decal - Lifting Lug	
13	1703814	6	Decal - Tie Down	
14	1703945	5	Decal - Warning/Crushing	
15	1703959	2	Decal - Quik Stik	
16	1703960	4	Decal - Maximum Tire Load	
17	1704277	3	Decal - Lanyard Attach	
18	1704412	1	Decal - Hydraulic Oil	
19	1706061	1	Decal - Glow Plugs	
20	1705345	1	Decal - Danger/Warning	
21	1705427	1	Decal - Drive/Steer Instructions	
22	1703981	1	Nameplate - Footswitch	
23	3311405	4	Nut 1/4	
24	3820001	2	Rivet	
25	4751400	8	Washer 1/4	
26	91403230	1	Box, Manual Storage	
27	1705977	1	Decal - Upright Level Override	
28	1001117307	1	Decal - Emergency Stop	
29	1001253924	1	Decal - Warning Single Cap	
30	1001253925	1	Decal - Warning Single Cap	
31	1001125483	6	Decal - Pressure Wash	
33	1001174449	2	Decal - Hybrid	
34	1001224048	1	Decal - Yearly Inspection	
35	1001233064	2	Decal - Warning Tip Over Hazard	
36	1001233009	9	Decal - Electric Shock Hazard	
37	1001267328	2	Decal - H800AJ	
39	1001228411	1	Decal - LED Indicator	
40	1001233452	1	Decal - Lifting Diagram	
41	1001233785	1	Decal - Charger Plug	

SECTION 9 - DECALS

FIGURE 9-9. DECAL INSTALLATION - LATIN AMERICAN SPECS (ENGLISH/SPANISH LANGUAGES)



NOTE: ITEMS SHOWN MAY NOT BE REQUIRED FOR ALL SPECS. REFER TO PARTS LISTS FOR USAGE.
 NOTE: ADDITIONAL DECALS CALLED OUT ON DECAL INSTALLATION - OPTIONS.

ART_1001249011

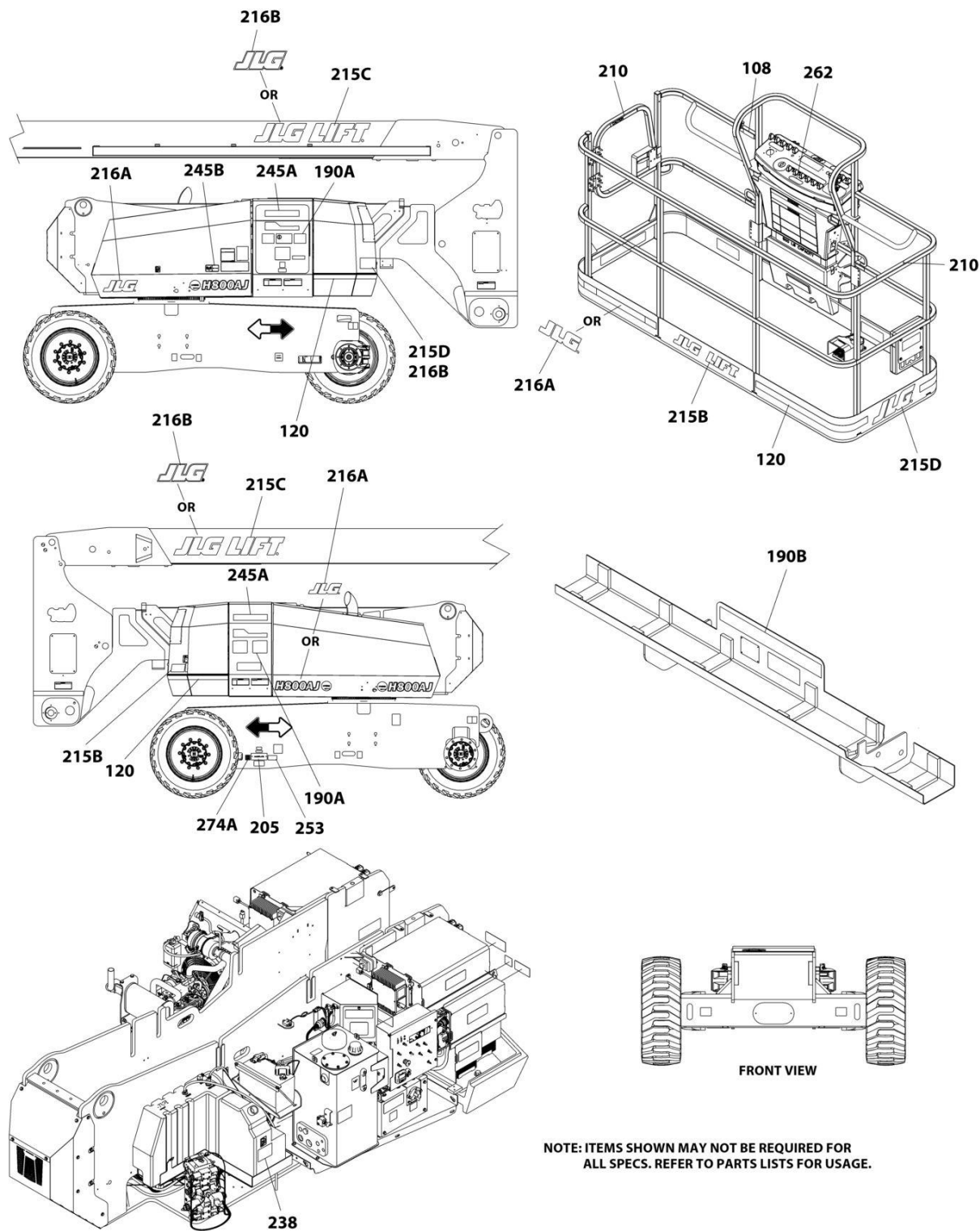
SECTION 9 - DECALS

FIGURE 9-9. DECAL INSTALLATION - LATIN AMERICAN SPECS (ENGLISH/SPANISH LANGUAGES)

ITEM	PART NUMBER	QTY	DESCRIPTION	REV
	1001249011	Ref	DECAL INSTALLATION - LATIN AMERICAN	B
	1001249013	Ref	DECAL INSTALLATION - REFERENCE CHART	C
1	0641406	4	Bolt 1/4 x 3/4	
2	1701499	2	Decal - No Tie Down/Lift	
3	1701501	4	Decal - Arrow	
4	1701505	2	Decal - Diesel Fuel	
5	1701509	1	Decal - Manual	
6	1702155	2	Decal - Battery Disconnect	
7	See Note	NSS	Decal - Bar Code (Note: Not Available for Purchase)	
8	1704001	2	Decal - No Hands	
9	1703923	1	Decal - Warning/Danger	
10	1703947	6	Decal - Warning/Crushing	
11	1703935	5	Decal - Electrocution	
12	1703811	4	Decal - Lifting Lug	
13	1703814	6	Decal - Tie Down	
14	1703941	5	Decal - Warning/Crushing	
15	1703959	2	Decal - Quik Stik	
16	1703960	4	Decal - Maximum Tire Load	
17	1704277	3	Decal - Lanyard Attach	
18	1704412	1	Decal - Hydraulic Oil	
19	1706063	1	Decal - Warning Fire Hazard	
20	1705917	1	Decal - Warning Inspection	
21	1705910	1	Decal - Drive/Steer Instructions	
22	1703983	1	Decal - Footswitch	
23	3311405	4	Nut 1/4	
24	3820001	2	Rivet	
25	4751400	8	Washer 1/4	
26	91403230	1	Box, Manual Storage	
27	1705977	1	Decal - Upright Level Override	
28	1001117307	1	Decal - Emergency Stop	
29	1001253930	1	Decal - Warning Single Cap	
30	1001253931	1	Decal - Warning Single Cap	
31	1001125483	6	Decal - Pressure Wash	
33	1001174449	2	Decal - Hybrid	
34	1001224049	1	Decal - Yearly Inspection	
35	1001233067	2	Decal - Tipping Hazard	
36	1001233012	9	Decal - Electrical Shock Hazard	
37	1001267328	2	Decal - H800AJ	
39	1001228411	1	Decal - LED Indicator	
40	1001233452	1	Decal - Lifting Diagram	
41	1001233785	1	Decal - Charger Plug	

SECTION 9 - DECALS

FIGURE 9-10. DECALS INSTALLATION - OPTIONS



ART_DECAL_OPTIONS

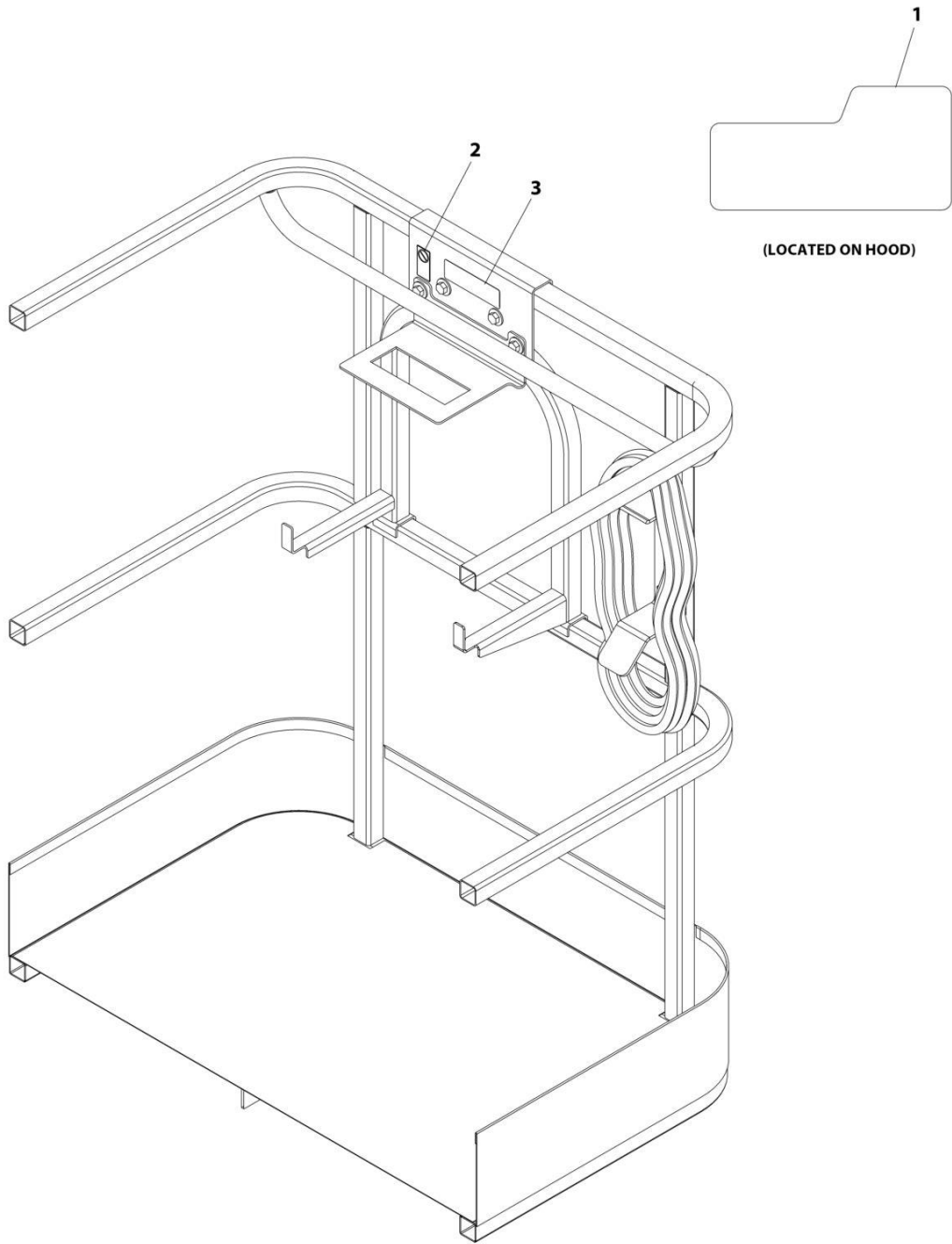
SECTION 9 - DECALS

FIGURE 9-10. DECALS INSTALLATION - OPTIONS

ITEM	PART NUMBER	QTY	DESCRIPTION	REV
	1001249013	Ref	DECAL INSTALLATION - REFERENCE CHART	A
	1001247762	Ref	DECAL INSTALLATION - OPTIONS	C
108	1001231801	1	Decal - Proposition 65 (ANSI Specs Only)	
120	4420051	23 ft /7m	Decal - Warning Stripes	
190	1001172570	Ref	Decal - Installation - SkyGlazier (English Language) (Not Shown)	C
190	1001172620	Ref	SkyGlazier Decal Installation (Australian Specs)	C
190	1001234945	Ref	SkyGlazier Decal Installation (Brazil Specs)	A
190	1001234944	Ref	SkyGlazier Decal Installation (Latin American Specs)	A
190A	1705358	2	Decal - SkyGalzier	
190B	1001199035	2	Decal - SkyGalzier Capacity (English Language)	
190B	1001199036	2	Decal - SkyGalzier Capacity (Australian Specs)	
190B	1001234947	2	Decal - SkyGalzier Capacity (Brazil Specs)	
190B	1001234946	2	Decal - SkyGalzier Capacity (Latin American Specs)	
205	See Note	NSS	Nameplate - Manufacturers Serial Number (Note: Not Available for Purchase)	
210		Ref	Decal - No Hands Options	
210	1702868	2	Decal - No Hands (ANSI/ANSI Export Specs) (English Language)	
210	1705967	2	Decal - No Hands (Brazil Specs) (Portuguese & Spanish Languages)	
210	1705968	2	Decal - No Hands (China Specs) (English & Chinese Languages)	
210	1704000	2	Decal - No Hands (CSA Specs) (English & French Languages)	
210	1705969	2	Decal - No Hands (Korean Specs) (English & Korean Languages)	
210	1704001	2	Decal - No Hands (Latin American Specs) (English & Spanish Languages)	
215	1001232986	Ref	Decal Installation - JLG Logo (All Specs Except CE & UK CA Specs) (Not Shown)	B
215A	1702773	1	Decal - JLG	
215B	1702774	2	Decal - JLG Lift	
215C	1702861	2	Decal - JLG Lift	
215D	1001159323	1	Decal - JLG	
216	1001235097	Ref	Decal Installation - JLG Logo (CE & UK CA Specs Only) (Not Shown)	A
216A	1702773	3	Decal - JLG	
216B	1001159323	3	Decal - JLG (CE & UK CA Specs Only)	
238	1001125387	1	Decal - Ultra Low Sulfur Fuel (ANSI & CSA Specs)	
238	1001139654	1	Decal - Ultra Low Sulfur Fuel (CE & UK CA Specs)	
245	1001127094	Ref	ClearSky Decals Installation	
245A	1001116208	2	Decal - ClearSky	
245B	1001120989	1	Decal - Radio Frequency	
253	1001143852	1	Decal - Emission Compliance (ANSI Export, Australian and China Specs)	
262	1001141300	1	Decal - SkyGuard Override (Without Soft-Touch)	
262	1001141302	1	Decal - SkyGuard Override (With Soft-Touch)	
274	1001214030	1	Decal - EAC Installation (CIS and Russia Specs)	
274A	1001173703	1	Decal - EAC	

SECTION 9 - DECALS

FIGURE 9-11. SKYWELDER DECAL INSTALLATION - 50HZ



ART_0272588

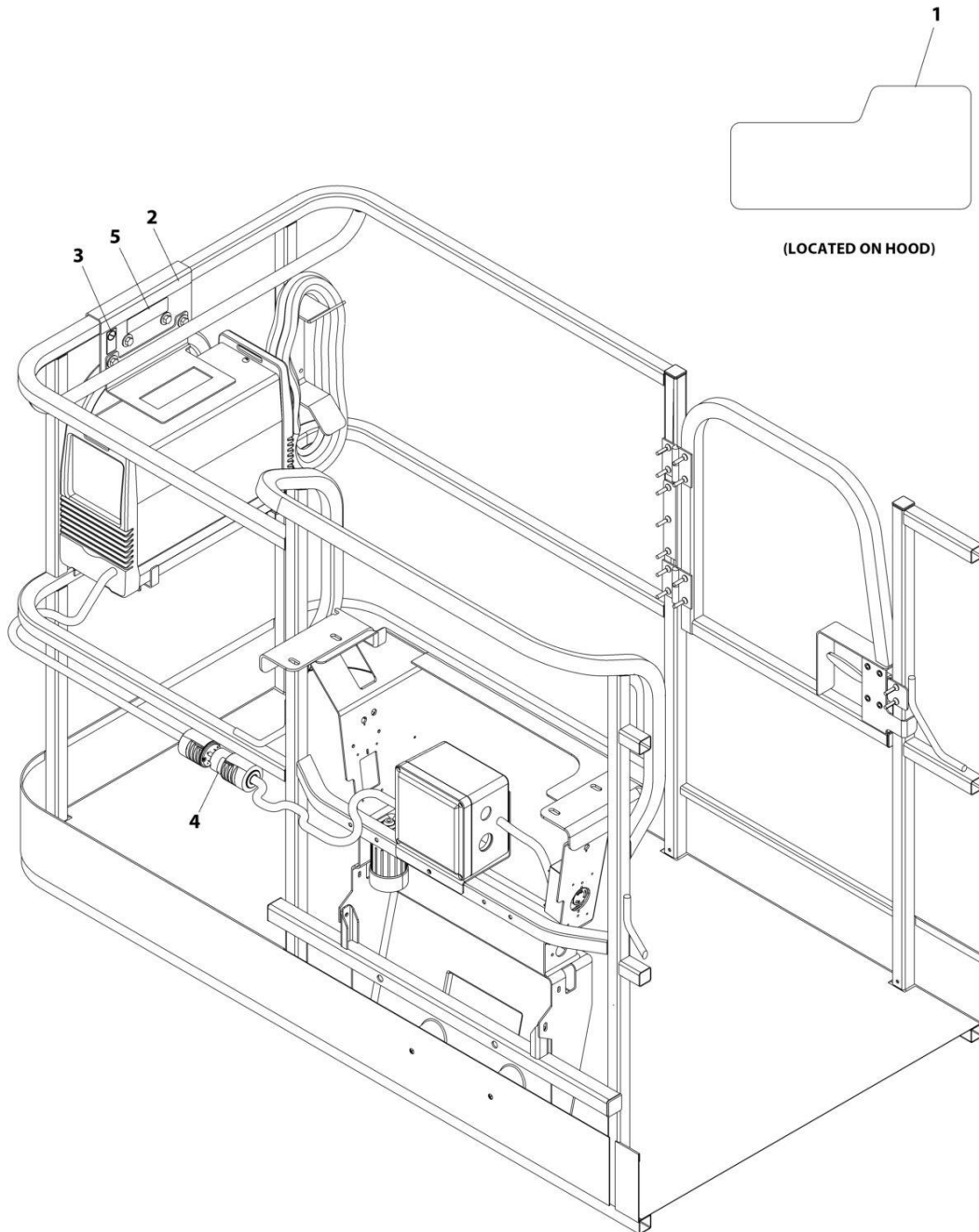
SECTION 9 - DECALS

FIGURE 9-11. SKYWELDER DECAL INSTALLATION - 50HZ

ITEM	PART NUMBER	QTY	DESCRIPTION	REV
	0272588	Ref	SKYWELDER DECAL INSTALLATION - 50Hz	B
1	1705355	2	Decal - SkyWelder	
2	1705305	1	Decal - Weld Lead	
3	1001228988	1	Decal - Weight	

SECTION 9 - DECALS

FIGURE 9-12. SKYWELDER DECAL INSTALLATION - 60HZ (PVC 2001)



ART_0272448

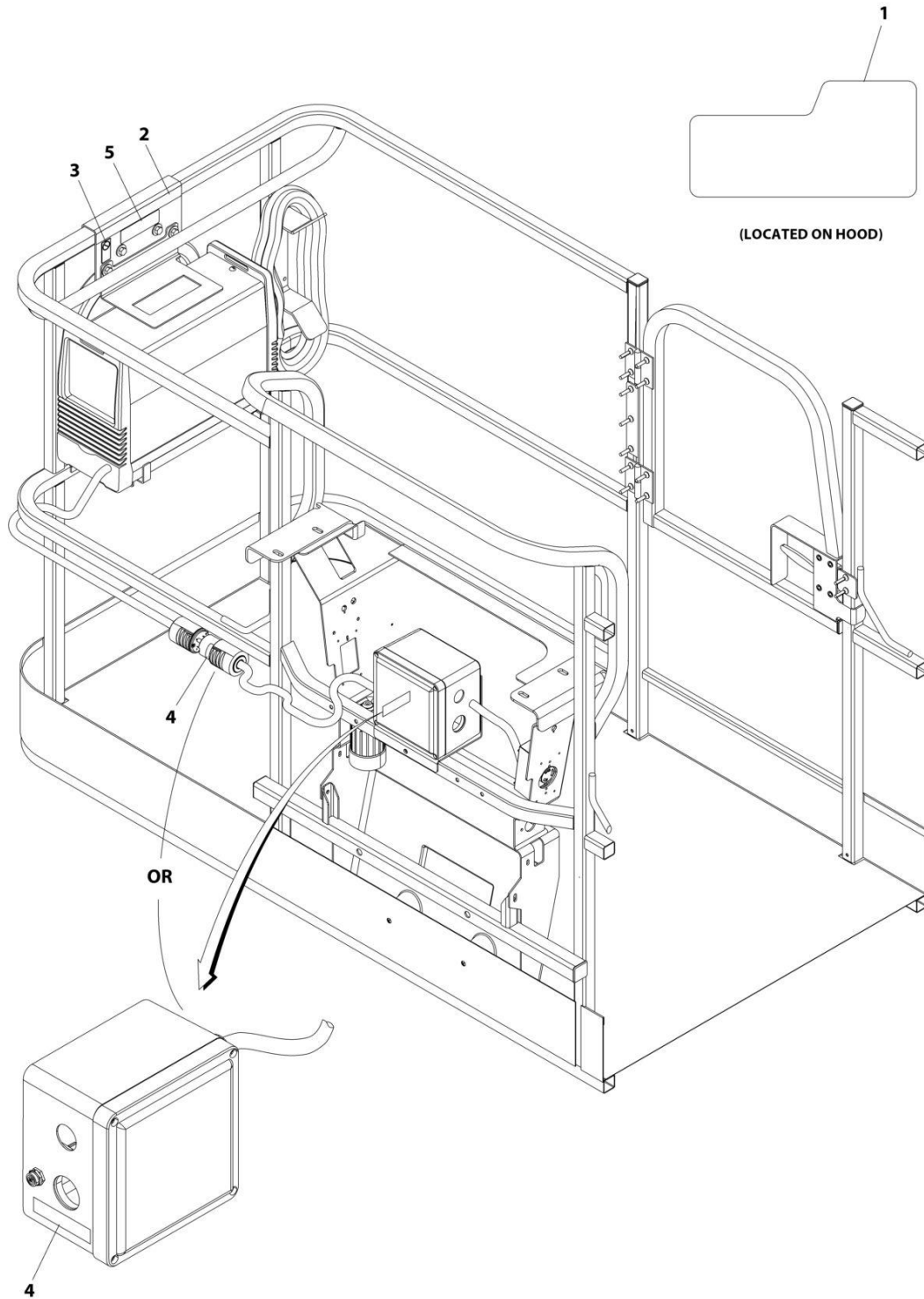
SECTION 9 - DECALS

FIGURE 9-12. SKYWELDER DECAL INSTALLATION - 60HZ (PVC 2001)

ITEM	PART NUMBER	QTY	DESCRIPTION	REV
	0272448	Ref	SKYWELDER DECAL INSTALLATION - 60Hz	B
1	1705355	2	Decal - SkyWelder	
2	1702868	1	Decal - No Hands	
3	1705305	1	Decal - Weld Lead	
4	1705375	1	Decal - 240V - 3 Phase - 60Hz	
5	1001228988	1	Decal - Weight	

SECTION 9 - DECALS

FIGURE 9-13. DECAL INSTALLATION - SKYWELDER (60HZ) (PVC 2007)



ART_0272448_C

SECTION 9 - DECALS

FIGURE 9-13. DECAL INSTALLATION - SKYWELDER (60HZ) (PVC 2007)

ITEM	PART NUMBER	QTY	DESCRIPTION	REV
	0272448	Ref	SKYWELDER DECAL INSTALLATION - 60Hz	C
1	1705355	2	Decal - SkyWelder	
2	1702868	1	Decal - No Hands	
3	1705305	1	Decal - Weld Lead	
4	1705375	1	Decal - 240V - 3 Phase - 60Hz	
5	1001228988	1	Decal - Weight	

SECTION 10 - RECOMMENDED SERVICE PARTS STOCK

SECTION 10 - RECOMMENDED SERVICE PARTS STOCK

SECTION 10 - RECOMMENDED SERVICE PARTS STOCK

FIGURE 10-1. RECOMMENDED SERVICE PARTS STOCK

ITEM	PART NUMBER	QTY	DESCRIPTION	REV
		Ref	Note: The following list will service one machine (built to current production per date on the front cover) with emergency repair parts which can be installed in the field. Parts from the list should be replaced when inventory is depleted to keep service parts stock supplied. For further information, contact your JLG dealer or the JLG Industries Parts Department.	
	4360070	1	Breaker, 15Amp (7500W Generator)	
	1001189172	1	Breaker, 16Amp Double (Breaker Box with 3 Breakers)	
	7024485	1	Breaker, 30Amp (7500W Generator)	
	1001181045	1	Breaker, 30mA/16Amp (Breaker Box with 2 Breakers)	
	1001189171	1	Breaker, 30mA (Breaker Box with 3 Breakers)	
	1001159118	1	Breaker, GFCI 30Amp (AC Box 240V)	
	70004460	1	Coil (Main Valve)	
	70006956	1	Coil (Main Valve)	
	70004595	1	Coil (Main Valve)	
	70004653	1	Coil (Main Valve)	
	7018991	1	Coil (Main Valve)	
	70004463	1	Coil (Main Valve)	
	70002386	1	Coil (Boom Valve)	
	1001223581	1	Control, H-Bridge (Electrical Assembly)	
	1001222879	1	Control, IMG	
	1001222336	1	Control, SOC Monitor	
	1001166538	1	Controller, Drive/Steer	
	1001166539	1	Controller, Lift/Swing	
	4360407	1	Controller, Potentiometer	
	1001234488	2	Diode, Flyback (IMG Control Box)	
	70005296	12	Element (Fuel/Water Separator)	
	7015004	12	Element, Air Filter	
	70002231	12	Element, Pressure Filter	
	1001190545	12	Filter, Fuel	
	70004395	1	Filter, Oil (Kubota)	
	2400080	2	Fuse, 1A (Battery Cables Installation)	
	1001227788	2	Fuse, 2A (Electrical Assembly 12v Fuse Box)	
	8229249	2	Fuse, 3A (USB Charger)	
	8229261	2	Fuse, 5A (Electrical Assembly 12v Fuse Box)	
	1001234313	2	Fuse, 7.5A (Battery Cables Installation)	
	1001234314	2	Fuse, 10A (IMG Control Box)	
	8229234	2	Fuse, 10A (Electrical Assembly 12v Fuse Box)	
	1001228440	2	Fuse, 15A (IMG Control Box)	
	8229237	2	Fuse, 15A (Electrical Assembly 12v Fuse Box)	
	8229236	2	Fuse, 30A (Electrical Assembly 12v Fuse Box)	
	1001247362	2	Fuse, 40A (Electrical Assembly 12v Fuse Box)	
	1001226932	2	Fuse, 40A (Electrical System Installation)	
	1001226933	2	Fuse, 80A (Electrical System Installation)	
	1001233198	2	Fuse, 200A/400A (IMG Control Box)	
	1001226934	2	Fuse, SHUNT (Electrical System Installation)	
	2860030	1	Key, Replacement	
	2940074	1	Latch (Machines with Gate)	
	1001247468	1	Loadcell (Platform Support)	

SECTION 10 - RECOMMENDED SERVICE PARTS STOCK

ITEM	PART NUMBER	QTY	DESCRIPTION	REV
	1001142683	1	Module, Beacon Light (Red & Blue Beacons)	
	1001223583	1	Module, HEC Control (Electrical Installation)	
	1001222338	1	Module, Ground Control	
	1001106938	1	Module, Platform Control	
	3740086	1	Relay, 20Amp (SkyLine Harness)	
	1001095704	1	Relay, 35Amp (Electrical Assembly)	
	1001186431	1	Relay, 35Amp (SkyGuard Bar Installation)	
	8225117	1	Relay, 40Amp (Electrical Assembly)	
	1001222365	1	Relay, 50Amp (IMG Control Box)	
	3740112	1	Relay, 75Amp (Electrical Assembly)	
	1001222340	1	Relay, 500Amp Main Contactor (IMG Control Box)	
	1001094400	1	Sensor, Dual Axis (Tilt Sensor Installation)	
	1001228225	1	Sensor, Emitter (SkyEye)	
	4360436	1	Sensor, Fuel Level (Fuel Tank)	
	4360578	1	Sensor, Limit (Boom Valve & Limit Switch Installation & Transport Switch Installation)	
	1001172271	1	Sensor, Limit (Boom Valve & Limit Switch Installation with Tower Stow)	
	4360057	1	Sensor, Limit (Soft Touch)	
	1001232667	1	Sensor, Proximity (SkyLine)	
	4360498	1	Sensor, Proximity (Boom Valve & Limit Switch Installation)	
	4360499	1	Sensor, Proximity (Boom Valve & Limit Switch Installation)	
	4360517	1	Sensor, Proximity (Rotary Coupling)	
	1001228224	1	Sensor, Receiver (SkyEye)	
	1001137673	1	Sensor, SkyGuard Bar	
	1001225131	1	Sensor, Temperature (Battery Cables Installation)	
	1001219601	1	Sensor, Tilt (Electrical System Installation)	
	4360475	1	Switch, Emergency Stop	
	1001117174	1	Switch, Foot	
	4360469	1	Switch, Key	
	4360387	1	Switch, Pushbutton Yellow (Ground Control, Console Box & Soft Touch)	
	1001236759	1	Switch, STDP Interlock (IMG Control Box)	
	1001155045	1	Switch, Toggle (Ground Control & Console Box)	
	4360336	1	Switch, Toggle (With Generator)	
	1001211363	1	Switch, Toggle (Console Box)	
	1001159256	1	Switch, Toggle (Console Box)	
	1001161709	1	Switch, Toggle (Console Box)	
	4360328	1	Switch, Toggle (Jib Switch)	

SECTION 11 - SPECIAL OPTIONS/ACCESSORIES/KITS

SECTION 11 - SPECIAL OPTIONS/ACCESSORIES/KITS

SECTION 11 - SPECIAL OPTIONS/ACCESSORIES/KITS

FIGURE 11-1. SPECIAL OPTIONS/ACCESSORIES/KITS

ITEM	PART NUMBER	QTY	DESCRIPTION	REV
		Ref	Note: This list is to accommodate machines ordered with special equipment. Options may not be applicable to all models. For more specific parts information contact JLG Parts Department.	
	0258805	Ref	Airline to Platform Installation - 1/2in	
	1001092092	Ref	Airline to Platform Installation - 1/2in (With Arctic Package)	
	1001152965	Ref	Beacon/Strobe Light (Amber) (Platform Mounted) Installation	
	1001228656	Ref	Beacon/Strobe Light (Amber) (Dual Ground & Platform Mounted) Installation	
	0258737	Ref	Bellows Installation - Boom	
	1001158259	Ref	Bellows Installation - Chassis	
	2910887	Ref	Boom Wear Pad Kit	
	0258654	Ref	Boom Wipers Installation	
	1001172045	Ref	Cable/Ladder Carrier Installation (800AJ Only)	
		Ref	ClearSky Telematics Add-on Kits (Dealer Installed)	
	1001230187	Ref	ClearSky Telematics Add-on Kits - Canbus Connection (Dealer Installed) (ANSI & CSA Specs)	
	1001234099	Ref	ClearSky Telematics Add-on Kits - Canbus Connection (Dealer Installed) (CE & UK CA Specs)	
	1001246142	Ref	ClearSky Telematics Add-on Kit (Dealer Installed) (Australian Specs)	
	1001230504	Ref	ClearSky Telematics Add-on Kits - 3 Wire Connection (Dealer Installed) (ANSI & CSA Specs)	
	1001234102	Ref	ClearSky Telematics Installation - 3 Wire Connection (Dealer Installed) (CE & UK CA Specs)	
	1001242192	Ref	ClearSky Access Control Add-on Kit	
	1001243183	Ref	ClearSky Telematics Access Control Add-on Kit - Canbus (ANSI & CSA Specs)	
	1001243184	Ref	ClearSky Telematics Access Control Add-on Kit - Canbus (ANSI Export, CE & UK CA Specs)	
		Ref	ClearSky Telematics Installation (Factory Installed)	
	1001227448	Ref	ClearSky Telematics Installation - Canbus Connection (Factory Installed) (ANSI & CSA Specs)	
	1001246473	Ref	ClearSky Telematics Installation - Canbus Connection (Factory Installed) (Australian Specs)	
	1001228949	Ref	ClearSky Telematics Installation - Canbus Connection (Factory Installed) (ANSI Export, CE & UK CA Specs)	
	1001246474	Ref	ClearSky Telematics Installation - Canbus Connection (Factory Installed) (China Specs)	
	1001229107	Ref	ClearSky Telematics Installation - 3 Wire Connection (Factory Installed) (ANSI & CSA Specs)	
	1001233237	Ref	ClearSky Telematics Installation - 3 Wire Connection (Factory Installed) (ANSI Export, CE & UK CA Specs)	
	1001238307	Ref	Charging Kit - 120V (Dual Plug)	
	1001235269	Ref	Clutch Actuator Installation Kit	
	1001227904	Ref	Cold Weather Package Installation - 120V (All Specs except Australian, China, CE & UK CA Specs)	
	1001232214	Ref	Cold Weather Package Installation - 240V (CE & UK CA Specs Only)	
	1001270482	Ref	Console Cover Kit	
	1001115918	Ref	Cribbing Installation	
		Ref	Decal Kit Options:	
	1001220864	Ref	Boom Transport Decal Kit	

SECTION 11 - SPECIAL OPTIONS/ACCESSORIES/KITS

ITEM	PART NUMBER	QTY	DESCRIPTION	REV
	1001108721	Ref	Platform Decal Kit (ANSI Specs)	
	2902396	Ref	Drive/Steer Cutout Kit	
		Ref	Electrical Connector Kits	
	1001148902	Ref	Electrical Connector Kit - Amp	
	1001148903	Ref	Electrical Connector Kit - Deutsch DT	
	1001148904	Ref	Electrical Connector Kit - Deutsch HD	
	1001148905	Ref	Electrical Connector Kit - Packard	
	1001148906	Ref	Electrical Connector Kit - Various	
	1001108962	Ref	Exhaust Rain Cap Installation (Australian Specs)	
	1001139099	Ref	Fire Extinguisher Installation (20lb)	
	1001117294	Ref	Footswitch Shield (Note: Move Decal to Shield)	
	1001202749	Ref	Fuel Cap Cover Installation (Black) (Note: Lock p/n 1001102157 must be Purchased Separately)	
	1001191395	Ref	Fuel Cap Cover Installation (Green) (Diesel Machines) (Note: Lock p/n 1001102157 must be Purchased Separately)	
	1001094475	Ref	Generator Hourmeter Installation	
	1001227816	Ref	Headlights and Taillights Installation	
	1001268736	Ref	Jib Link Kit	
	1001148971	Ref	Lanyard (Bolt-On) Kit Installation	
	1001195304	Ref	Platform Console Cover Installation (Factory Installed)	
	1001266290	Ref	Platform Console Cover Installation (Factory Installed)	
	1580013	Ref	Platform Corner Tray Installation	
	1001142504	Ref	Platform Entry Kit - Drop Bar (To Replace Swing Gate with Drop Bar)	
	1001142505	Ref	Platform Entry Kit - Swing Gate (To Replace Drop Bar with Swing Gate)	
	1001237883	Ref	Platform Fall Arrest Add-on Kit – 6Ft Platforms (Dealer Installed)	
	1001237882	Ref	Platform Fall Arrest Add-on Kit – 8Ft Platforms (Dealer Installed)	
	1001120467	Ref	Platform Floodlights Installation	
	1001272182	Ref	Platform Mesh (Steel) to Top Rail Installation - 2.5ft x 4ft Platforms (ANSI/ANSI Export, China and CSA Specs)	
	1001266807	Ref	Platform Mesh (Guardian Plastic) to Top Rail Installation - 2.5ft x 4ft Platforms (ANSI/ANSI Export, China and CSA Specs)	
	1001271642	Ref	Platform Mesh (Steel) to Top Rail Installation - 3ft x 6ft Platforms (ANSI/ANSI Export, China and CSA Specs)	
	1001266489	Ref	Platform Mesh (Guardian Plastic) to Top Rail Installation - 3ft x 6ft Platforms (ANSI/ANSI Export, China and CSA Specs)	
	1001269187	Ref	Platform Mesh (Steel) to Top Rail Installation - 3ft x 8ft Platforms (ANSI/ANSI Export, China and CSA Specs)	
	1001266056	Ref	Platform Mesh (Guardian Plastic) to Top Rail Installation - 3ft x 8ft Platforms (ANSI/ANSI Export, China and CSA Specs)	
		Ref	Platform Mesh to Mid Rail Add-On Kits: (ANSI Specs)	
	1001214478	Ref	30in x 4ft (76cm x 1.22m) with Gate	
	1001214524	Ref	30in x 6ft (76cm x 1.83m) with Gate	
	1001214540	Ref	36in x 6ft (91.5cm x 1.83m) with Gate	
	1001214548	Ref	36in x 8ft (91.5cm x 2.44m) with Gate	
	1001250035	Ref	Platform Sensor Retrofit Kit	
	0272733	Ref	Platform, Top Rail Extension Installation - 3ft x 6ft Platforms	
	0272725	Ref	Platform, Top Rail Extension Installation - 3ft x 8ft Platforms	
	1001120466	Ref	Platform Worklights Installation	
	1001209059	Ref	Platform Work Surface Installation	
	1001235160	Ref	Service Kits/Tools	I
	1001247073	Ref	SkyEye Retrofit Kit	
	1001241547	Ref	SkyEye Housing Repair Kit (LH)	

SECTION 11 - SPECIAL OPTIONS/ACCESSORIES/KITS

ITEM	PART NUMBER	QTY	DESCRIPTION	REV
	1001241548	Ref	SkyEye Housing Repair Kit (RH)	
	1001205492	Ref	SkyGlazier Tray Kit (ANSI Specs)	
	1001197016	Ref	SkyGuard Platform Sensor Kit	
	1001250595	Ref	SkyGuard 6-Pin Retrofit Installation Kit	
	1001249052	Ref	SkyGuard Retrofit Kit (Dealer Installed)	
	1001262016	Ref	SkyLine Add-on Kit (Dealer Installed)	
	1001157013	Ref	Soft-Touch Counterweight Installation	
		Ref	Tools for Service	
	1600244	Ref	Analyzer, Machine System	
	1001249695	Ref	Analyzer, Machine System with Cable	
	1001249941	Ref	Analyzer, Machine System with Cable (Battery Powered)	
	1001137005	Ref	Software Cable Kit	
	7002840	Ref	Antirotaion Pin Removal Tool	
	1001227898	Ref	Clutch Shaft Alignment Tool (Production)	
	1001234306	Ref	Clutch Shaft Alignment Tool (Service)	
	8896941	Ref	Wire Stripper	
	7002821	Ref	Wire Crimper (To install wire ends to wires)	
	7002823	Ref	Pin/Socket Extractor - Universal (To Remove Pins/Sockets from Connectors)	
	4460467	Ref	Extractor - 16-18 Gauge (For Removal of Pin/Sockets from Deutsch Connectors)	
	4460510	Ref	Extractor - 12-14 Gauge (For Removal of Pin/Sockets from Deutsch Connectors)	
	7002822	Ref	Screwdriver, Potentiometer (To Adjust Drive Controllers)	
	7016654	Ref	Screwdriver, Magnetic	
	7004275	Ref	Seal Installation Tool - 1in	
	7004276	Ref	Seal Installation Tool - 1-1/2in	
	7002826	Ref	Seal Installation Tool - 2in	
	7016652	Ref	Huck Bolt Fastener (For Small Huck Bolts Only)	
	70005663	Ref	Tool, Port Plate for Pump p/n 1001142522	
	1001263579	Ref	Tower Stow Indicator Add-on Kit (Dealer Installed)	
	2915094	Ref	Turntable Bearing Kit	
	1001262959	Ref	Voltage Regulator Relocation Add-on Kit (ClearSky) (Dealer Installed)	
	0258827	Ref	Weld Lead	
	0256196	Ref	Wheel Covers Installation	

SECTION 11 - SPECIAL OPTIONS/ACCESSORIES/KITS

PART NUMBER INDEX

SECTION 11 - SPECIAL OPTIONS/ACCESSORIES/KITS

0100009.....85, 227, 231	0273824247	0641607...17, 19, 61, 112,	0760606 141, 156, 160,
0100011.....13, 15, 17, 19,	0275216323, 415	167, 169, 171, 173,	164
21, 33, 35, 41, 55, 59,	0275217329, 417	175, 179, 185	0760607 128
61, 65, 67, 70, 77, 79,	0275452333, 419	0641608.....31, 61, 65, 70,	076061083, 128
85, 97, 105, 107, 109,	0275453337, 421	73, 75, 79, 109, 112,	0760612 151
112, 115, 117, 122,	0275454341, 423	167, 169, 171, 173, 175	076080770, 79
125, 128, 131, 133,	0275733 193	0641609.....112, 169, 171,	0760808 129
141, 155, 159, 163,	0340045 128	173	0760810 128, 197
167, 169, 171, 173,	0360406 37	0641610.....105, 107, 112,	0760812 391
175, 179, 181, 183,	0400075 77	122, 173, 223, 225	0760814 131, 151
185, 189, 191, 195,	0440244 55	064161159, 167, 175	0761010 131
197, 203, 207, 211,	0480100 271	0641612.....169, 171, 369,	0761014 197
217, 247, 249, 251,	0561185 173	371, 373, 375	0761015 128, 131
253, 257, 259, 263,	0561295 169, 171	0641614.....41, 61	0761016 128, 131
265, 267, 353, 359,	0610131 85	0641615..... 173	0761020 131
369, 371, 375, 375	0630427 189, 191	0641616.....155, 160, 163,	0761215 122, 155, 159,
0100019 49, 55, 155, 159,	0630446 65	173	163
163	0630462 247, 249, 251,	0641618..... 175	0761216 197
0100020.....122, 128, 245,	253	0641622..... 181, 183	0801132 167, 173
323, 325, 329, 331,	0630467 185	0641624.....179, 181, 183	0801136 167, 171
333, 335, 337, 339,	0630485 112	0641640..... 179	0801496 173
341, 343, 345	0630518 87, 235, 263,	0641806..... 173, 299	0801573 169, 171
0100035.....79, 195, 227,	265, 267	0641808..... 122	0801591 169, 171
231, 235	0630534 289	0641810..... 17, 19, 70	0801594 173
0100038..... 173, 181	0630535 285, 295, 299,	0641812.....59, 70, 125	0811406 79
0100048 97, 99, 101, 155,	301	0641814..... 70	0811606 79
159, 163, 193, 227,	0630548 85	0641816..... 153	0811608 61, 128
231, 391	0630568 228, 232	0641820..... 59	0811610 112
0100062..... 128	0641403 195	0641824..... 153	0811812 112
0100079..... 163	0641404 155, 159, 163,	0641840..... 167	0860038 163, 321, 327
0100081.....112, 179, 261	167, 227, 231, 259	0642012..... 261	0861538 163
0140011..... 227, 231	0641405 ... 70, 85, 97, 259	0642016..... 122	0861572 159
0140044..... 97	0641406 .. 70, 77, 99, 101,	0642038..... 37	0861731 335, 339, 343,
0200048.....247, 249, 251,	109, 155, 221, 223,	0642212..... 13, 15, 261	345, 419, 421, 423
253	225, 355, 357, 359,	0642214..... 167	0861781 325, 331, 415,
0232121 35, 37	453, 455, 457, 459,	0642620..... 167	417
0256196 486	461, 463, 465, 467, 469	0681608..... 13, 15, 61, 77,	0861880 381, 383
0256202 351	0641407 ... 70, 85, 99, 122	197	0902888 159, 163
0258077 179	0641408 .. 77, 79, 85, 112,	0681620.....273, 275, 277,	0903242 59
0258217 189	122, 193, 223, 225	279	0903697 357
0258567 195	0641410 33	0681814..... 213, 219	0940049 112
0258654 484	0641414 41, 227, 231,	0681822..... 21, 213, 219	0940092 247, 249, 251,
0258737 484	247, 249, 251, 253, 257	0682016..... 21	253
0258805 484	0641416 323, 325, 329,	0682023..... 55	0940094 247, 249, 251,
0258827 486	331, 333, 335, 337,	0682032..... 55	253
0259420..... 181, 183	339, 341, 343, 345	0682216..... 49	0940102 261
0270886 27	0641418 185, 203, 207,	0682236..... 13, 15	0940103 251
0270888 29	211, 217	0682424.....273, 275, 277,	0940133 253
0271085 27	0641424 79	279	0940134 247
0271086 27	0641432 41	0700408.....323, 325, 329,	0940177 249
0271090 29	0641505 83	331, 333, 335, 337,	0961845 203, 207, 211,
0271091 29	0641506 77, 391	339, 341, 343, 345	217
0271340 237	0641507 67	0700615.....77, 105, 107	0961893 289
0272254 265	0641508 35, 112, 122	0700617 115	0961894 285, 295
0272259 321	0641510 79	0700618 117	0961897 299, 301
0272260 327	0641511 191	0700626 175	0961947 175
0272427 251	0641514 271	0700815 131	0961951 169, 171, 285,
0272433 353	0641516 159, 163	0701217 122	295
0272435 164	0641560 21	0711626 128	0961986 122, 128
0272448 475, 477	0641604 167, 189, 191	0721005 251, 253	0962102 13, 15, 169, 171,
0272521 263	0641605 181, 183	0731005 247, 249	173, 287, 291, 293
0272588 473	0641606 33, 41, 167, 169,	0741607.....155, 159, 163,	0962122 173
0272589 160	171, 175, 179, 181,	167	0962152 19, 297
0272725 485	183, 263, 265, 267	0741609..... 19	0962155 295
0272733 485		0760508..... 135	0962181 19
0273706 253			0962270 213, 219

SECTION 11 - SPECIAL OPTIONS/ACCESSORIES/KITS

0962336289	100110872347, 349	1001121123 112	1001148675347, 349
096234819	1001110873163, 321	1001121726 393	1001148902485
0962520155, 159, 163	1001112551455	1001121727 389	1001148903485
100109146023	1001112612363, 365, 441, 443	1001125125 375	1001148904485
100109146123	1001112796407, 441	1001125126 375	1001148905485
1001091969323	1001113047 .. 79, 83, 109, 112	1001125387 471	1001148906485
1001091970329	1001113961443	1001125483453, 455, 457, 459, 461, 463, 465, 467, 469	1001148971485
1001091973333	1001115918484	1001125492 49	1001149286169
1001091974337	1001116208471	1001125677411, 443	1001149391299
1001091975341	1001116290115, 117	1001125748 395	1001150260112
1001092092484	1001116694389, 443	1001125773 395	100115037217, 19
100109338277	1001116695191	1001126008361, 367	1001150539... 17, 19, 297
1001094400193, 481	1001116716445	1001126009 439	1001150610395
1001094475485	1001116720437, 445	1001126010 425	1001150611393, 443
1001094595125, 143	1001116723389	1001126011361, 411	100115093717, 19
100109570483, 481	1001116727389, 393	1001127094471	100115103417
1001096138407	1001116745389	100112824183	100115198017
1001096141453	1001116747393	1001128527267	1001152483385
1001096736193	1001116774389, 441	1001128556267	1001152525160, 164
1001097051369, 371, 373, 375, 429, 431	1001116808389, 441	1001129772395	1001152532155, 397
1001097082369, 371, 373, 375	1001116810363, 365	1001129773395	1001152565185, 187
1001097150381	1001116811395	1001130900387	100115271913
1001097244447	1001116812403, 405, 407, 443, 445	1001131300113	1001152965484
1001098122245, 407, 411	1001116816443	1001131269453, 463	1001153612425
1001098167283	1001116846461	1001131299179	1001153749193, 445
1001098828197	1001116849461	1001136400179	1001154126283
1001099366261	1001116851461	1001136881315	100115458413
1001099367261	1001116854407	1001136881315	1001154687283
1001099837179	1001116994407	1001137005486	100115487515
1001100341415	1001116995395	1001137364 ...91, 95, 231	100115493119
1001100342417	1001117012407	1001137673257, 481	100115503519
1001100345419	1001117172245	1001138173128	100115504385
1001100346423	1001117174227, 231, 245, 481	1001138175128	1001155044 .85, 227, 231
1001100347421	1001117219113	1001138248128	1001155045 85, 227, 231, 481
1001101191323, 325, 329, 331, 333, 335, 337, 339, 341, 343, 345, 381, 383, 385	1001117294485	1001138494203, 207, 211, 217	100115519219
1001101196323, 325, 329, 331	1001117307453, 455, 457, 459, 461, 463, 465, 467, 469	1001138514203, 207, 211, 217	100115519415
1001101197333, 335, 337, 339, 341, 343, 345	1001117372283	1001138566155	1001155348159, 163
1001103012445	1001118280128	1001138795289	1001155673314
100110330883, 85	1001118384439	1001138796285, 295	1001155895112
100110381017, 19	1001118388437, 439	1001139099485	1001155899112
1001104498445	1001118579131	1001139654471	100115613649
1001106450271	1001118657395	1001140429203, 207, 211, 217	1001156332309
1001106481195	1001118659395	1001141300471	1001156333309
100110673685	1001118744393	1001141302471	100115671013, 15
1001106938227, 231, 481	1001118745393	1001141995128	100115679857
100110697459	1001118746122, 131	1001142504485	1001157013486
1001107469271	1001119020441	1001142505485	100115701621
100110752959	1001119031405	1001142683105, 107, 481	100115704955
1001107854445	1001119602314	1001142722 .77, 105, 107	100115705855
100110813483	1001119619389, 427	1001142736105, 107, 441	1001157209113, 115
1001108256249	1001119620429, 431, 433, 435	1001143852471	1001157292227, 231
100110861741	1001120328257, 259, 411	1001144295391, 409	1001157400305
1001108721485	1001120466485	1001144296393	1001157401317
1001108962485	1001120467485	1001144433257	1001157520160, 164
1001109654357, 381	1001120471447	1001144527109	1001157521160, 164
1001110166112	1001120477447	1001144629201, 205, 209, 215	1001157525159, 160
100111042541	1001120478447	1001146219128	1001157528160, 164
1001110434227, 231	1001120484447	100114658883, 391	1001157592164
	100112075083	1001147923393	1001157612112
	1001120989471	1001148106395	1001158007160, 164
	1001121122112	1001148652169, 171	1001158008160, 164
			100115818733
			100115818833
			100115820333
			100115825835
			1001158259484

SECTION 11 - SPECIAL OPTIONS/ACCESSORIES/KITS

1001158364 97	1001174486 122	1001191395 485	1001215289 315
1001158522 35	1001175073 153	1001193018 323, 325, 329, 331, 333, 335, 337, 339, 341, 343, 345	1001216630 197
1001159118 347, 349, 480	1001175074 153	1001195304 485	1001217183 129
1001159119 347, 349	1001176469 93, 95	1001196297 309	1001217185 129
1001159120 347, 349	1001176636 175	1001196382 155, 159, 163	1001217780 175, 177
1001159121 349	1001176862 347	1001196768 112	1001218572 65
1001159162 83	1001178057 61, 63	1001197016 486	1001218622 353
1001159186 403, 411	1001179079 314	1001197017 247, 249, 251, 253	1001218623 353
1001159256 227, 231, 481	1001179154 164	1001198333 310	1001219219 21, 23
1001159323 471	1001179329 314	1001198336 305	1001219415 271
1001159707 315	1001179545 314	1001198338 310	1001219601 77, 481
1001160780 35	1001179546 314	1001198339 305	1001220486 228, 232
1001161089 112	1001180620 128, 135	1001198340 310	1001220864 484
1001161355 17, 19	1001181045 381, 383, 480	1001198341 310	1001221813 141
1001161399 17, 19	1001182162 314	1001199035 471	1001222047 367, 391
1001161709 227, 232, 481	1001182806 99	1001199036 471	1001222052 387, 391
1001162497 77	1001182980 128	1001200054 185	1001222055 369, 371, 373, 375, 379
1001163101 109	1001182982 128	1001200491 197	1001222336 361, 480
1001165035 122	1001182983 129	1001200494 197	1001222338 85, 481
1001165350 175	1001182997 65	1001200497 193, 389, 393	1001222340 79, 481
1001165368 155, 355, 383	1001183726 156, 160, 164	1001200910 105	1001222358 70
1001165657 17, 19	1001184682 101	1001201351 197	1001222359 73, 75
1001166538 228, 232, 239, 480	1001185281 228, 232	1001201885 412, 443	1001222360 73, 75
1001166539 228, 232, 241, 480	1001185585 122	1001202687 197	1001222363 79
1001167164 151	1001185964 393	1001202749 485	1001222365 79, 481
1001167565 197	1001186251 112	1001203655 213	1001222369 391, 425
1001167567 197	1001186254 112	1001203656 219	1001222370 391
1001167596 197	1001186333 213	1001204560 13, 15, 283	1001222371 391
1001168243 79	1001186334 219	1001204725 197	1001222372 391
1001168244 79	1001186375 203	1001205492 486	1001222375 79
1001168402 197	1001186378 207	1001205690 359, 385	1001222378 79
1001169054 128	1001186379 211	1001205958 333, 335, 337, 339, 341, 343	1001222379 361
1001169085 103, 105, 107	1001186382 217	1001206119 155	1001222380 361
1001169138 128	1001186383 215	1001206250 335	1001222465 135
1001169754 31	1001186384 209	1001206251 339	1001222709 228, 232
1001169755 31	1001186385 205	1001206252 343	1001222731 141
1001169756 31	1001186387 201	1001206253 325	1001222783 133
1001169967 128	1001186431 257, 481	1001206254 331	1001222784 131
1001170035 128	1001186432 437, 439	1001206255 345	1001222797 141
1001170527 179	1001186517 257	1001207004 107	1001222879 79, 480
1001170548 175	1001186919 131, 156, 160, 164	1001207969 185	1001222882 129
1001170981 128	1001187674 255	1001208994 185, 197	1001222883 129
1001171016 357	1001187681 427	1001209059 485	1001222884 129
1001171131 347	1001188135 309	1001209664 257	1001222915 80
1001171203 181	1001188387 395	1001210636 447	1001223055 453
1001171482 85	1001188622 197	1001211363 228, 232, 481	1001223059 141
1001172045 484	1001188842 301	1001213447 411	1001223061 133
1001172179 181	1001188844 197	1001213584 321, 327, 351, 355, 359	1001223088 131
1001172271 191, 481	1001188874 85	1001213585 321, 327, 351, 355, 359	1001223124 73
1001172533 128	1001189001 197	1001213705 167	1001223148 133
1001172570 471	1001189002 197	1001213852 271	1001223195 71, 80
1001172577 261	1001189171 385, 480	1001213882 228, 232	1001223196 71, 80
1001172578 261	1001189172 385, 480	1001214030 471	1001223198 71, 80
1001172620 471	1001189570 445	1001214478 485	1001223200 71, 80
1001172760 228, 232	1001189571 445	1001214524 485	1001223302 129, 131
1001173703 471	1001189572 445	1001214540 485	1001223405 129
1001174040 197	1001189750 405	1001214548 485	1001223431 395
1001174449 453, 455, 457, 459, 461, 463, 465, 467, 469	1001189882 459	1001214690 129	1001223433 369
	1001190164 129		1001223460 393
	1001190545 122, 480		1001223554 453
	1001190577 367		1001223556 453
	1001190578 411		1001223560 455, 459
	1001190609 122, 149		1001223561 455, 459
	1001190985 197		1001223581 83, 480
			1001223583 77, 481
			1001223721 131

SECTION 11 - SPECIAL OPTIONS/ACCESSORIES/KITS

1001223744.....131	1001226489.....79	1001228359.....113	1001231521.....361
1001223787.....129	1001226492.....79	1001228370.....453, 463	1001231522.....361
1001223794.....395	1001226506.....425	1001228403.....113	1001231569.....70
1001223797.....395	1001226522.....391	1001228411.....453, 455, 457, 459, 461, 463, 465, 467, 469	1001231570.....70
1001223842.....131	1001226551.....125	1001228440.....79, 480	1001231581.....70
1001223916.....80	1001226669.....122	1001228475.....109	1001231582.....70
1001223917.....80	1001226814.....41, 47	1001228517.....113	1001231596.....70
1001223918.....80	1001226929.....77	1001228628.....425	1001231597.....70
1001223949.....391	1001226930.....77	1001228629.....425	1001231598.....70
1001223950.....391	1001226931.....77	1001228656.....484	1001231599.....70
1001223951.....80	1001226932.....77, 480	1001228678.....310	1001231600.....70
1001223952.....80	1001226933.....77, 480	1001228679.....310	1001231601.....70
1001223953.....80	1001226934.....77, 480	1001228696.....309	1001231606.....70
1001223971.....463	1001226935.....70, 79	1001228723.....131	1001231607.....70
1001223977.....61	1001227080.....361, 391	1001228799.....41, 185	1001231608.....70
1001223981.....67	1001227198.....67	1001228882.....113	1001231655.....70
1001223987.....129	1001227307.....109	1001228945.....113	1001231656.....70
1001223997.....131	1001227338.....61	1001228949.....484	1001231657.....70
1001224000.....131	1001227356.....369, 371, 373, 375, 377	1001228985.....389, 391	1001231658.....71
1001224009.....131	1001227359.....369, 371, 373, 375	1001228988.....267, 473, 475, 477	1001231685.....361, 365
1001224048.....467	1001227383.....61	1001229017.....85	1001231686.....361, 363
1001224049.....469	1001227448.....484	1001229018.....85	1001231700.....70, 361
1001224050.....461	1001227526.....160, 164	1001229066.....153	1001231801.....471
1001224052.....457	1001227633.....255	1001229067.....153	1001231839.....70
1001224053.....465	1001227634.....255	1001229080.....155, 355, 359	1001231840.....70
1001224123.....65	1001227723.....163	1001229098.....109	1001231886.....99
1001224384.....65	1001227724.....155	1001229107.....484	1001231949.....279
1001224585.....131, 141	1001227725.....159	1001229208.....103	1001231950.....275
1001224943.....79	1001227731.....113	1001229232.....445	1001232010.....275, 277, 279
1001225072.....135	1001227734.....113	1001229233.....443	1001232011.....275, 279
1001225093.....131	1001227735.....113	1001229341.....255	1001232084.....113, 117
1001225094.....131	1001227740.....151	1001229530.....407, 409	1001232164.....255
1001225095.....131	1001227741.....151	1001229556.....113	1001232165.....255
1001225104.....131	1001227742.....151	1001229561.....129	1001232181.....131
1001225120.....85	1001227743.....151	1001229790.....83	1001232214.....484
1001225131.....361, 481	1001227763.....79	1001229791.....83	1001232375.....129
1001225219.....445	1001227788.....83, 480	1001229810.....49, 52	1001232495.....83
1001225362.....425	1001227793.....109, 112	1001230008.....112	1001232499.....83
1001225429.....131	1001227794.....113	1001230010.....113	1001232528.....123
1001225476.....387	1001227798.....113	1001230014.....112	1001232529.....125
1001225477.....387	1001227816.....485	1001230154.....80	1001232642.....259
1001225557.....361	1001227850.....373	1001230187.....484	1001232667.....259, 481
1001225558.....361	1001227851.....375	1001230504.....484	1001232840.....361
1001225580.....257, 437	1001227853.....371	1001230507.....80	1001232841.....361
1001225591.....387	1001227869.....67	1001230522.....83, 445	1001232893.....455
1001225731.....122	1001227870.....67	1001230605.....122, 395	1001232986.....471
1001225733.....122	1001227892.....314	1001230711.....70	1001233008.....463
1001225745.....125, 147	1001227898.....486	1001230712.....70	1001233009.....467
1001225804.....67	1001227901.....75	1001230714.....79	1001233010.....461
1001225804.....67	1001227904.....484	1001231225.....155, 160, 164, 401	1001233011.....457
1001225969.....85	1001227909.....141	1001231249.....70	1001233012.....469
1001225985.....122	1001227910.....309	1001231425.....361	1001233013.....465
1001225994.....391, 407	1001227925.....391	1001231426.....361	1001233063.....463
1001226031.....73	1001227985.....255	1001231481.....361	1001233064.....467
1001226120.....77, 79	1001227987.....255	1001231482.....361	1001233065.....461
1001226121.....80	1001227996.....429, 431, 433, 435	1001231514.....361	1001233066.....457
1001226124.....80	1001228030.....167, 285	1001231515.....361	1001233067.....469
1001226146.....79	1001228050.....167, 295	1001231519.....361	1001233068.....465
1001226190.....79	1001228086.....173, 301	1001231520.....361	1001233188.....79
1001226267.....391	1001228087.....171, 299		1001233198.....79, 480
1001226268.....391	1001228113.....109		1001233203.....79
1001226269.....391	1001228170.....41, 43		1001233237.....484
1001226270.....391	1001228224.....255, 481		1001233249.....67
1001226404.....83, 405	1001228225.....255, 481		1001233420.....391
1001226421.....113			1001233440.....361
1001226452.....112			1001233441.....391
1001226453.....112			
1001226468.....425			

SECTION 11 - SPECIAL OPTIONS/ACCESSORIES/KITS

1001233442 79	1001237864255, 433, 435	1001249007 465	1001264807 95
1001233443 70	1001237865255, 427	1001249008 467	1001265163 447
1001233444 70	1001237882485	1001249009 463	1001265342447
1001233445 80	1001237883485	1001249010 461	1001266056485
1001233446 71	1001237918133, 137	1001249011 469	1001266070223, 227
1001233447 80	1001237919131, 133	1001249012 457	1001266074 223
1001233448 361	1001237931129, 131	1001249013 453, 455, 457, 459, 461, 463, 465, 467, 469, 471	1001266164 191
1001233452453, 455, 457, 459, 461, 463, 465, 467, 469	1001237932125, 128	1001249014 89	1001266290 485
1001233573 310	1001238263273, 275, 277, 279	1001249015 93	1001266489 485
1001233635 65	1001238307484	1001249018 89	1001266807485
1001233640 65	100123830973, 75	1001249019 93	1001266829 191
1001233641 61, 65	1001238319255	1001249052 486	1001267328453, 455, 457, 459, 461, 463, 465, 467, 469
1001233737 70	1001238418259, 439	1001249548 455	1001267885 457
1001233761 393	1001238421197	1001249549 459	1001268736 485
1001233785453, 455, 457, 459, 461, 463, 465, 467, 469	1001238472259	1001249695 486	1001269187 485
1001233825 361	1001238495257	1001249941 486	1001270068305
1001234099 484	1001238559259	1001250035 485	1001270482 484
1001234102 484	100123873287, 235	1001250292 113	1001271642 485
1001234287 393	100123873287, 235	1001250293 112	1001272182 485
1001234288 393	1001239347101	1001250595 486	1060341 247, 249, 251, 253
1001234289 393	100124138599	1001251009 167, 293	1060343 164
1001234306 486	1001241547485	1001251010 167, 291	1060379 271
1001234313361, 480	1001241548486	1001251041 167, 287	1060545383, 385
1001234314 79, 480	1001241965259	1001251087 169	1060637 123
1001234488 79, 480	1001242192484	1001252629273, 275, 277, 279	1060903 247, 249, 251, 253
1001234588 359	1001243183484	1001253920 453	1060908 381
1001234944 471	1001243184484	1001253921 453	1060918 245
1001234945 471	1001243414113	1001253922 463	10702077160, 164
1001234946 471	100124368299, 101, 449	1001253923 463	10702082160, 164
1001234947 471	1001243869153	1001253924 467	1120510 167
1001235097 471	1001244352155	1001253925 467	1120555 261
1001235160 485	1001244474105	1001253926 461	1120601 112
1001235269 484	1001244475107	1001253927 461	1180346181, 183
1001235296 160	1001244926155	1001253930 469	126001735, 57
1001235452 131	1001245026228, 232, 411	1001253931 469	1260135 37
1001235453 131	1001245027391, 403	1001253932 465	1320022 128
1001235518 113	1001245028391, 443	1001253933 465	1320060 77
1001235519 164	1001245029391, 409	1001253936 457	132006173, 75
1001235839 109	100124503083, 393	1001253937 457	1320250181, 183
1001236206 131	100124516287	1001254472 259	1320256 369, 371, 373, 375
1001236341 122	100124517787, 235	1001254473 259	1320263122, 391
1001236370 109	100124520887	1001255133 197	1320265 122
1001236435 31	1001245678235	1001257271273, 277	1320274 128
1001236489 395	1001245918235	1001257274 273	1320288 179
1001236490 395	1001246142484	1001258495 431, 435	1320289 179
1001236552 259	1001246473484	1001260475 191	1320302 263, 265, 267
1001236746 279	1001246474484	1001260937 232	1321385 122
1001236747 275	1001247073485	1001261272 183	1380147 153
1001236759 79, 481	1001247099167	1001261274 183	1580012 221
1001236891273, 275, 277, 279	1001247147167, 175	1001261335 273	1580013 485
1001236895273, 275, 277, 279	100124736283, 480	1001261336 277	1600244 486
1001236962 355	1001247415129, 135	1001261338 273	1670603 345
1001236967 79	1001247468197, 480	1001261339 277	1670844 167
1001237291 123	1001247762471	1001262016 486	1670850 167
1001237667403, 412	1001248012175, 289	1001262959 486	1671034 175
1001237668403, 412	1001248140273, 275, 277, 279	1001263579 486	1671092 164
1001237844455, 459	1001248141273, 275, 277, 279	1001263587228, 232	1671093 265
1001237862429, 433	1001248171155	1001264430 75	1671314227, 231
1001237863255, 429, 431	100124900377, 391	1001264698 91	1701499 453, 455, 457, 459, 461, 463, 465, 467, 469
	100124900477, 83	1001264701 91	
	100124900577, 85	1001264703 85	
	1001249006453	1001264705225, 231	
		1001264706 225	
		1001264804 95	

SECTION 11 - SPECIAL OPTIONS/ACCESSORIES/KITS

1701501 453, 455, 457, 459, 461, 463, 465, 467, 469	1704277 453, 455, 457, 459, 461, 463, 465, 467, 469	2110808..... 309	2220998 310
1701505 453, 455, 457, 459, 461, 463, 465, 467, 469	1704412 453, 455, 457, 459, 461, 463, 465, 467, 469	2110812..... 309	2221034 315
1701509 261, 453, 455, 457, 459, 461, 463, 465, 467, 469	1704578 35	2111616..... 309	2221036 315
1701518 455, 459	1704972 453	2130406..... 309	2221040 309
1702155 453, 455, 457, 459, 461, 463, 465, 467, 469	1705014 213, 219	2130604..... 309	2221046 122
1702565 227, 231	1705090 35	2130606..... 310	2221050 310
1702566 227, 231	1705305 267, 473, 475, 477	2130808..... 309	2221077 309
1702567 227, 231	1705325 323, 325	2131616..... 309	2221086 314
1702676 223, 225	1705336 453	2150406..... 309	2300016 21
1702773 213, 219, 471	1705344 465	2151616..... 310	2400060 447
1702774 471	1705345 467	2170408..... 309	2400080 361, 480
1702861 471	1705347 463	2170504..... 309	2400081 387
1702868 267, 453, 471, 475, 477	1705351 453	2170706..... 317	2410014 213, 219
1702938 247, 249, 251, 253	1705355 473, 475, 477	2180348..... 122	2560136 227, 231
1703683 271	1705358 471	2180666..... 122	2560187 115, 117
1703797 453, 467	1705374 347, 349	2180876..... 123	2600281 201, 205, 209, 215
1703804 453	1705375 164, 267, 475, 477	2220237 309, 314	2720058 122
1703805 453	1705387 164	2220238..... 309, 317	2720271 122
1703811 453, 455, 457, 459, 461, 463, 465, 467, 469	1705426 465	2220240..... 314	2751399 309
1703814 453, 455, 457, 459, 461, 463, 465, 467, 469	1705427 467	2220250..... 122	2751500 309
1703923 469	1705429 463	2220315..... 128	2752461 314
1703924 463	1705430 461	2220366..... 309	2752468 314
1703925 461	1705460 160, 164	2220371 310, 314	2752484 315
1703926 465	1705461 160	2220373 310, 314	2752489 309
1703935 469	1705489 155, 160	2220374 309	2752493 310
1703936 463	1705822 455, 459	2220375 309	2752494 309, 314
1703938 465	1705828 455, 459	2220377 314	2752723 314
1703939 467	1705895 457	2220380..... 309	2752725 309
1703941 469	1705896 457	2220381..... 314	2752765 310
1703942 463	1705897 457	2220385..... 309	2752766 315
1703943 461	1705898 457	2220415..... 314	2752767 315
1703944 465	1705902 457	2220466..... 314	2752768 315
1703945 467	1705903 457	2220468..... 309, 315	2752930 315
1703947 469	1705905 457	2220472..... 315	2752938 309
1703948 463	1705910 469	2220473..... 310, 314	2752978 315
1703949 461	1705917 469	2220478..... 314	2752995 314
1703950 465	1705921 455, 459	2220490..... 314	2752997 309
1703951 467	1705961 455, 459	2220499..... 310	2753008 314
1703953 453	1705967 457, 471	2220500..... 309, 314	2753010 314
1703959 453, 455, 457, 459, 461, 463, 465, 467, 469	1705968 471	2220501..... 315	2753123 315
1703960 453, 455, 457, 459, 461, 463, 465, 467, 469	1705969 467, 471	2220578..... 309	2753126 314
1703980 465	1705977 455, 457, 459, 461, 463, 465, 467, 469	2220582..... 309, 314	2753189 315
1703981 467	1705978 455, 459	2220593..... 314	2753190 315
1703982 461	1706059 457	2220596..... 314	2753191 315
1703983 469	1706060 461	2220600..... 314	2753192 314
1703984 463	1706061 467	2220603..... 315	2753195 314
1704000 463, 471	1706062 465	2220605..... 314	2753196 314
1704001 469, 471	1706063 469	2220654..... 309	2753197 314
1704260 227, 231	1706064 463	2220671..... 309	2753199 314
	1706098 455, 459	2220683..... 310	2753200 314
	1706385 213, 219	2220737 314	2753231 314
	2030010 263, 265, 267	2220765 314	2753274 314
	2080040 112, 201, 205, 209, 215	2220800..... 309	2753442 314
	2080072 112	2220852..... 314	2753542 309
	2110404 305, 309, 310	2220865..... 310	2753622 309
	2110406 309	2220883 25, 47, 283, 285, 287, 289, 291, 293, 299, 301	2753626 310
	2110408 305	2220885 283, 285, 289, 295, 299, 301	2753628 310
	2110606 305, 309	2220886 25, 47, 287, 291, 293, 299, 301	2753634 310
	2110608 317	2220888..... 25	2753686 310
		2220923..... 314	2753879 317
		2220947..... 315	2753970 310
		2220950..... 315	2753971 310
			2754337 309
			2754338 310
			2754512 309
			2820019 399

SECTION 11 - SPECIAL OPTIONS/ACCESSORIES/KITS

2820031.....155, 159, 163	3300396.....160, 164	3422583.....167	3841287.....13, 15, 167
2820247.....429, 431, 433, 435	3300408.....87	3422661.....271	3841340.....175, 181, 183
2840018.....153	3300430.....257	3422681.....167	3841356.....167
2860030.....85, 480	3300454...73, 75, 83, 109	3422683.....167	3841406.....179
2900708.....41	3310601.....153	3422684.....167	3841520.....17, 19
2900756.....21	3310605.....70, 193	3422685.....167	3900054.....213, 219
2900792.....285, 287, 289, 291, 293	3310801.....189, 191	3422686.....167	3900210.....112, 115, 117
2902212.....261	3310805.....79	3422687.....167	3900239.....167
2902217.....263, 265	3311001.....160, 164	3422688.....167	3900258.....109
2902396.....485	3311005 79, 83, 103, 105, 107, 160, 164, 227, 231, 263, 265, 267	3422689.....167	3900259.....169, 171
2910887.....484	3311401 35, 70, 247, 249, 251, 253	3422690.....169, 171	3900262.....181, 183
2915094.....55, 486	3311405..79, 85, 99, 101, 109, 155, 185, 189, 191, 193, 223, 225, 259, 323, 325, 329, 331, 333, 335, 337, 339, 341, 343, 345, 355, 357, 359, 453, 455, 457, 459, 461, 463, 465, 467, 469	3422729.....167	3900283.....179
2920028.....227, 231, 247, 249, 251, 253	3311501...112, 247, 249, 251, 253	3422790.....17, 19	3900293.....49
2920029.....227, 231, 247, 249, 251, 253	3311505 21, 83, 115, 117, 159, 163, 185, 271	3422848.....19	3900316.....112
2920161.....103	3311601...61, 65, 70, 77, 112, 181, 183, 228, 232, 259, 391	3422860.....175	3900349.....227, 231
2940045.....112	3311602.....181, 183	3422861.....175	3900363.....115, 117
2940074.....201, 205, 209, 215, 480	3311605...31, 61, 65, 73, 75, 83, 109, 112, 175, 179, 181, 183, 213, 219, 223, 225, 263, 265, 267	3422867.....175	3900382.....133
2940173.....112	3311801..21, 70, 189, 191	3430616.....228, 232	3910606.....163, 347, 349
3020029.....55	3312001.....37	3430820.....153	3910610.....153, 321, 327
3020039.....13, 15	3312002.....49, 273, 275, 277, 279	3450304.....131	3910804.....85
3160348.....21, 25	3312005.....261	3450404.....153	3911010.....103, 105, 107
3250872.....35	3312205.....261	3460334.....261	3930606.....193
3251102.....155	3322201.....59	3470003.....228, 232	3930616.....70
3251242.....329, 331, 333, 335, 337, 339, 341, 343, 345	3331611.....128	3520026.....227, 231	3930812.....79
3251243.....164	3340764.....179	3520027.....227, 231	3930816.....195
3252347.....453	3340828.....173	3520030.....113	3930820.....191
3252764.....159, 163	3340835.....167, 173	3520032.....112	3930824.....189, 191
3271405.....77, 122	3340838.....299	3520034.....175	3931010.....70, 79, 83
3271505.....67	3340840.....179	3520035.....85, 189, 191, 195	3931016 79, 83, 159, 163, 227, 231
3271605.....273, 275, 277, 279	3340859.....181, 183	3520054.....227, 231	3931048.....79
3271805.....59, 153, 213, 219	3340871.....169, 171	3520071.....261	3931408.....257
3272001.....273, 275, 277, 279	3340881.....173	3520072.....201, 203, 205, 207, 209, 211, 213, 215, 217, 219	3931412.....70, 73, 75
3290405.....323, 325, 329, 331, 333, 335, 337, 339, 341, 343, 345, 447	3340941.....179	3520173.....112	3931432.....189, 191
3290501.....135	3340943.....179	3520189.....160	3931436.....189, 191
3290601.....115, 117, 123	3340956.....261	3520192.....160	3931448.....299
3290605.....128, 151	3340966.....19	3520198.....201, 203, 205, 207, 209, 211, 215, 217	3931464.....189
3290606.....203, 207, 211, 217	3380434.....223, 225	3538047.....13, 15	3931620.....285, 295
3290607.....77, 105, 107	3380535.....195	3570775.....299	3931664.....299
3290805.....128, 151, 391	3420292.....35	3570928.....189, 191	3952020.....49
3290806.....197	3420372.....37	3572606.....189, 191	3960422...163, 321, 327, 347, 349
3290807.....131	3420447.....37	3572607.....189, 191	3960468.....125
3291001.....128, 197	3421565.....57	3573400.....263, 265, 267	3960469.....125
3291005.....128, 131, 197	3422417.....17, 19	3573642.....263, 265, 267	3960526.....21
3291007.....128, 131	3422446.....122	3574091.....251, 253	4010618...203, 207, 211, 217
3291201.....155, 159, 163, 197	3422457.....169, 171	3575359.....247, 249	4031505.....255
3291205.....122, 197	3422533.....122	3577121.....263, 265, 267	4031516.....259
3300007.....21	3422561.....167	3580317.....155, 159, 163	4031707.....131
3300151.....203, 207, 211, 217, 263, 265, 267		3580318.....163	4031708.....131
3300205.....77		3580319.....159	4060092.....327
3300353.....85, 227, 231		3641569.....247, 249	4060802...155, 159, 163
3300364.....67, 112		3740086.....439, 481	4060805...113, 179, 189, 191
3300365.....83		3740112.....83, 481	4061032.....77
		3760133.....169, 171	4070450.....37
		3760170.....37, 57	4070560.....37
		3790012.....227, 231, 237	4070561.....37
		3790044.....125	4070863.....169, 171
		3820001...35, 453, 455, 457, 459, 461, 463, 465, 467, 469	4070864.....169, 171
		3820020...201, 205, 209, 215	4070878.....13, 15
		3841143...122, 167, 169, 171, 175, 197	4070879.....13, 15
			4070897...169, 171, 173
			4070898...169, 171, 173
			4070929.....173
			4070967.....173

SECTION 11 - SPECIAL OPTIONS/ACCESSORIES/KITS

4070968173	4460226 103, 227, 231, 239, 242, 245, 387, 389, 393, 443	4460509.....363, 365, 377, 379, 443	4460943 377, 389, 403, 409, 411, 427, 443
4070969179	4460227 409, 411, 412, 443	4460510.....486	4460944 377, 379, 403, 405, 407, 411, 443, 445
407099185	446023373, 327	4460518.....367, 389, 411, 441, 443	4460945407, 445
4071007173	4460234 227, 231, 247, 249, 251, 253	4460536.....401, 411, 449	4460950365
4071052179	4460247407	4460539.....365, 393, 403, 407, 409, 411, 445, 449	4460956381, 383
407105919	4460256 363, 365, 395	4460612.....347, 349	4460957381, 383
4100062315	4460259 403, 407, 412, 447	4460705.....393	4460958349
4160194112	4460260 403, 407, 412, 447	4460708.....227, 231, 391	4460962265
4240018 155, 159, 163, 347, 349	4460265 239, 242, 445	4460722.....405, 445	4460963164
4240032 105, 107, 227, 231, 361	4460266393	4460742.....363, 365	4460967156, 401
4240033 105, 107, 255, 257, 259	4460267 393, 411, 412, 443	4460746.....393	4460968 189, 191, 195
424008431	4460268 397, 399, 405, 409, 445	4460748.....393	4460970403
4240099 ..70, 77, 83, 122, 247, 249, 251, 253, 263, 265, 355, 359, 371, 373, 375, 391	4460314412	4460761.....387, 389, 393, 411	4460979405
4240149261	4460315 321, 327, 411	4460789.....393	446099367
428029633	4460326405	4460790.....363, 365	4460994 67, 389, 395, 445
4340706173	4460343411	4460806.....333, 335, 337, 339	4461070441
4360057247, 249, 251, 253, 481	4460346163, 321	4460807.....397, 399	4461077427, 439
4360070 160, 164, 480	4460418403, 411	4460808.....397, 399	4461095441
4360328 237, 481	4460419403, 411	4460836.....365, 407	4461157 363, 365, 405
4360336 155, 159, 163, 481	4460424409, 443	4460850.....363, 365	4461196415
4360387 93, 95, 227, 231, 247, 249, 251, 253, 481	4460425 160, 164, 247, 249, 251, 253, 347, 349	4460851.....367, 409	4461198325, 415
4360407 227, 231, 480	4460426160, 164	4460852.....367, 409	4461199417
4360436 65, 481	4460427407	4460865.....377, 379	4461201331, 417
4360469 85, 481	4460428227, 231	4460866.....377, 411, 443	4461205419, 421
4360475 85, 227, 231, 481	4460434443	4460871.....393, 403, 407, 409, 411, 443, 449	4461244335, 419
436047685	4460457393	4460872.....409	4461245339, 421
4360498 189, 191, 481	4460458393	4460873.....411, 443	4461246343, 423
4360499 189, 191, 481	4460464 103, 245, 363, 365, 373, 377, 387, 389, 393, 395, 401, 403, 407, 411, 437, 439, 441, 443, 445, 447, 449	4460874.....393, 411	4461249423
4360517 59, 481	4460465 67, 103, 156, 191, 363, 365, 367, 373, 377, 379, 389, 393, 395, 397, 399, 401, 403, 407, 409, 411, 437, 441, 443, 445, 447, 449	4460875.....409, 411	4461261363, 365
4360578 189, 191, 195, 481	4460466 255, 363, 365, 377, 379, 387, 389, 393, 395, 403, 405, 407, 409, 411, 427, 437, 439, 441, 443, 445, 447	4460876.....403	4461271407
4420014261	4460467486	4460877.....425	452025227
4420037 263, 265, 267	4460470 83, 227, 231, 391, 411	4460878.....443	452025329
4420038 61, 65	4460471 83, 227, 231, 391, 411	4460879.....411, 447	4530028 263, 265, 269
4420051 35, 471	4460473377, 379	4460880.....395, 409	4567139315
4420060195	4460488 85, 105, 107, 391	4460884.....191, 365, 393, 411, 437, 443, 447	4567757315
4420062271	4460496361, 391	4460887....407, 411, 443, 447	464026135
4420066261	4460497361, 391	4460891.....67, 103, 363, 365, 367, 373, 395, 407, 409, 441, 443, 445, 449	4640509 287, 289, 291, 293
4420068247, 249, 251, 253	4460508 255, 377, 389, 395, 411, 443, 445	4460892.....409	4640605 285, 287, 293
4460016412		4460894....403, 409, 411, 445	4640858283
4460019363, 365, 395, 445		4460897.....103, 373, 387	464086641
4460042 403, 407		4460899.....389, 427, 437, 439	4640932285
4460049247, 249, 251, 253		4460905.....393, 403, 407, 409, 411, 443	4641032301
4460051 321, 327		4460906.....445	4641033299
4460071 163, 245		4460910.....191, 361, 433, 435	4641122 27, 29, 31
4460125327		4460911.....361, 427, 443	464119247
4460142 395, 407		4460928.....441	4641284309
4460144403		4460931.....387	464130321
4460183412		4460932.....393, 443, 447	4641435189, 191
4460205321		4460933.....411, 441, 443	471060070
4460224 227, 231, 393		4460941.....427	4711000 .79, 83, 160, 164
4460225397, 399, 412, 445		4460942.....255	4711400 41, 70, 73, 75, 77, 79, 83, 85, 97, 99, 101, 109, 122, 155, 159, 163, 185, 203, 207, 211, 217, 257, 259, 323, 325, 329, 331, 333, 335, 337, 339, 341, 343, 345, 355, 357, 359

SECTION 11 - SPECIAL OPTIONS/ACCESSORIES/KITS

4711600.....13, 15, 41, 73, 75, 83, 156, 160, 164, 169, 171, 173, 179, 181, 183, 223, 225, 228, 232, 273, 275, 277, 279, 369, 371, 373, 375, 391	484495857	70002316 137	70004070.....149
4711800.....153, 213, 219	4845582271	70002317 137	70004092... 155, 160, 164
4712000.....261, 273, 275, 277, 279	4845593 167	70002318 137	70004093159, 163
4712200..... 261	4845680181, 183	70002319 137	70004094160, 164
4740036..... 37	4845730 179	70002320 137	70004095160, 164
4740057..... 49	4846627 263, 265, 267	70002321 137	70004096160, 164
4740155..... 19	4846673251, 253	70002322 137	70004097160, 164
4740256..... 17, 19	4860224 27	70002323 137	70004098... 155, 160, 164
4740362.....223, 225	486022529, 31	70002326 138	70004099159, 163
4740397.....85, 227, 231	4871700 156, 160, 164	70002327 138	70004171155
4740439..... 175	489150077, 83	70002328 138	70004199 63
4740444..... 85	4891600 59, 113, 197	70002330 138	70004311 137
4740463..... 17, 19	4891800 21, 125, 153	70002386 187, 480	70004329 147
4740472..... 13, 15	489200021, 55	7000239..... 23	70004331 147
4740473..... 17, 19	4892200 13, 15	7000240 23	70004332 147
4740518..... 85	4892600001197	7000246 52	70004333 147
4750800..... 79	4922216 369	70002460 160, 164	70004336 147
4751000.....103, 105, 107, 159, 163, 227, 231, 263, 265, 267	4922217 369	7000247 52	70004337 147
4751400...33, 35, 85, 109, 112, 115, 117, 189, 191, 193, 195, 221, 223, 225, 227, 231, 247, 249, 251, 253, 263, 265, 267, 453, 455, 457, 459, 461, 463, 465, 467, 469	4922219371, 373	7000248 52	70004338 147
4751500 35, 67, 112, 247, 249, 251, 253, 271	4922220371, 373	7000253 52	70004340 147
4751600.....31, 33, 61, 65, 70, 77, 79, 105, 107, 109, 112, 263, 265, 267	4922578 369, 371, 373, 375	7000255 52	70004342 147
4751800 59, 70, 213, 219, 247, 249, 251, 253	4922579 373	7000257 52	70004343 147
4752000..... 122	4922580 373	70002744 297	70004344 147
4760600.....321, 327	4922641159, 163	70002745 297	70004345 147
4761400..... 85, 221	4922925 159, 163, 399	70002748 297	70004346 147
4762000..... 37	4933218247, 251	70002749 297	70004347 147
4770600..... 153	5240800 131	70002751 297	70004348 147
4771200..... 83	5241000128, 131	70002814 63	70004349 147
4811400.....323, 325, 329, 331, 333, 335, 337, 339, 341, 343, 345, 447	5241200 ... 125, 155, 159, 163, 197	7000283 23	70004350 147
4811600.....70, 79, 135	5241600 128	70002838 63	70004351 147
4811602 135	5250806 133	70002839 63	70004352 147
4811700 77, 83, 105, 107, 128, 141, 151, 203, 207, 211, 217	5251008 197	7000284 23	70004381297
4811702 151	5251016 197	70002842 283	70004382297
4811900.....70, 128, 131, 151, 197, 391	5260818 77	7000289 23	70004395137, 480
4811902 128, 151	70000342 177	70002901 149	70004397 137
4812000.....123, 128, 131, 155, 159, 163, 197	70000619159, 163	70002902 245	70004398 137
4812002 128	70000797 25	70002903 245	70004399 137
4812100 122, 197	70000863 159	70002904 245	70004400 137
4843777 37	70001100 159	70002905 245	70004457 43
4844816 175	70001248 59	70003019 43	70004459 43
4844817 175	70001384 159	70003060 137	70004460 43, 480
	70001696160, 164	70003061 137	7000446143, 44
	70001697 177	70003063 138	7000446343, 480
	70001954 143	70003064 138	70004525 137
	70001955 143	70003454 59	70004526 137
	70001956 143	70003631 159, 163	70004530 137
	70001957 143	70003649 47	70004531 137
	70001966 ... 155, 159, 163	70003708 ...155, 160, 164	70004536 137
	70001973 ... 155, 160, 164	70003709 ...155, 159, 163	70004537 137
	70001974160, 164	70003784227, 231	70004538 137
	70002013 179	70003790 187	70004539 137
	70002014 179	70003935 21	70004540 137
	70002064 187	70003936 21	70004544 137
	70002066 52	70003975 47	70004584 43
	70002085 52	70004037 52	70004594 43
	70002112 63	70004040 52	7000459543, 480
	7000213 52	70004041 52	70004596 43
	7000217 52	70004042 52	70004597 43
	7000223141, 480	70004043 52	70004598 43
	7000224 23	70004044 52	7000465343, 480
	7000228 52	70004045 52	70004657 43
	7000229 52	70004047 52	70004665 43
	70002297159, 163	70004050 43	70004667 43
	7000230 52	70004051 43	70004676 155
	70002315 137	70004052 43	70004678 155
		70004055 43	70004679 155
		70004069 149	70004680 155

SECTION 11 - SPECIAL OPTIONS/ACCESSORIES/KITS

70004681	155	70005461	147	70007278	287, 291, 293	7016654	486
70004682	155	70005462	147	70007279	293	7017023	52
70004683	155	70005463	147	70007280	293	7017028	23, 52
70004738	239	70005464	147	70007282	287, 291, 293	7017047	23
70004739	239	70005465	147	70007283	293	7017070	52
70004740	239	70005594	301	70007419	293	7017072	52
70004741	239	70005624	155	70007420	293	7017080	52
70004742	239	70005663	486	70007421	291	7017082	23
70004743	239	70005708	63	70007422	287, 291	7017085	52
70004744	239	70006304	52	70007423	287, 291	7017142	177
70004745	239	70006344	301	70007424	291	7017159	177
70004746	239	70006479	301	70007425	291	7017162	177
70004747	239	70006480	301	70007426	291	7017163	177
70004748	239	70006576	67	70007427	287	7017164	177
70004749	239	70006577	67	70007428	287	7017172	177
70004750	239	70006578	67	70007429	287	7017192	177
70004751	239	70006579	67	70007430	287	7017195	177
70004752	241	70006642	285	70007505	137	7017402	187
70004753	241	70006643	285, 295	7001928	23	7017406	187
70004754	241	70006644	285, 295	70022564	287, 291, 293	7017452	187
70004755	241	70006645	285	70023380	287, 291	7017466	41
70004756	241	70006649	289	70023859	43	7017496	47
70004757	241	70006650	289	70023860	43	7017901	138
70004758	241	70006651	295	70023862	43	7017913	137
70004759	241	70006661	137	70026287	287, 291, 293	7017914	137
70004760	241	70006664	137	70027750	293	7017934	137
70004761	241	70006665	138	7002821	486	7017958	138
70004762	241	70006667	137	7002822	486	7017963	138
70004763	241	70006668	295	7002823	486	7018942	44
70004764	241	70006669	299	7002826	486	7018951	44
70004765	241	70006670	299	7002840	486	7018991	43, 480
70004766	241	70006671	299	70029468	293	7018992	43
70004767	241	70006672	299	7004275	486	7020064	181, 183
70004768	241	70006673	23	7004276	486	7020065	181, 183
70004769	241	70006674	23	7004906	147	7020066	181, 183
70004770	241	70006675	23	7004907	147	7020067	181, 183
70004771	241	70006676	23	7004908	147	7020175	85, 227, 231
70004772	241	70006677	23	7007415	143, 144	7020176	85, 227, 231
70004773	241	70006678	23	7007437	25	7021249	25
70004774	242	70006680	23	7007438	25	7021275	25, 144
70004775	242	70006684	23	7007439	25	7021276	25
70004795	63	70006685	23	7007446	25	7021277	25
70004842	137	70006690	23	7007633	52	7021375	43, 44
70005194	43	70006691	23	7010492	52	7021625	21
70005195	43	70006692	23	7010543	47	7021639	21
70005196	43	70006728	301	7011112	285	7021653	187
70005197	43	70006731	301	7011333	189, 191	7022302	25
70005198	43	70006733	301	7011342	189, 191	7022305	25
70005199	44	70006734	289	7012518	47	7022310	25
70005200	44	70006735	289	7012773	43	7022311	25, 144
70005201	44	70006736	289	7012914	187	7022312	25
70005202	44	70006832	23	7012918	187	7022314	25, 144
70005203	52	70006833	23	7012928	47	7022318	143
70005220	137	70006921	301	7012941	47	7022326	25
70005221	137	70006922	301	7012943	47	7022328	25
70005224	137	70006923	301	7012944	47	7022368	25
70005226	137	70006924	301	7012953	47, 185, 187	7022371	25
70005227	137	70006925	301	7012959	41	7022372	25
70005228	138	70006926	301	7012959	41	7022397	21
70005293	149	70006927	301	7012965	187	7022399	21
70005294	149	70006928	301	7012967	187	7023124	137
70005295	149	70006928	301	7012970	185	7023126	138
70005295	149	70006955	43	7012989	47, 187	7023126	138
70005296	149, 480	70006956	43, 480	7012995	47	7023144	138
70005297	149	70006957	43	7015004	128, 480	7023145	138
70005458	147	70006961	43	7016319	103	7023148	137
70005459	147	70007246	287, 291	7016372	103	7023149	137
70005460	147	70007277	293	7016652	486	7023154	137

SECTION 11 - SPECIAL OPTIONS/ACCESSORIES/KITS

7023157.....	137	7024191.....	23	7026506.....	59	8229236.....	83, 480
7023164.....	137	7024397.....	301	7026507.....	59	8229237.....	83, 480
7023165.....	137	7024404.....	59	7026509.....	59	8229249.....	447, 480
7023167.....	137	7024441.....	63	7026597.....	160, 164	8229261.....	83, 480
7023168.....	137	7024462.....	269	7026626.....	160, 164	8303511.....	131
7023170.....	138	7024463.....	269	7027773.....	269	8310070.....	112
7023907.....	25	7024467.....	269	7027774.....	269	8310129.....	261
7023908.....	25	7024469.....	269	7027775.....	269	83304173.....	63
7023910.....	25	7024470.....	269	7027776.....	269	8405102.....	128
7023911.....	187	7024471.....	269	7027777.....	269	8405104.....	128
7023912.....	187	7024472.....	269	7027778.....	269	8406110.....	128
7023917.....	21	7024473.....	269	7027779.....	269	8406201.....	77
7023933.....	21	7024474.....	269	7027780.....	269	8410001.....	391
7023947.....	143	7024475.....	269	7027799.....	160, 164	8540205.....	122
7023948.....	143	7024478.....	269	77143013.....	85	8580420.....	33
7023949.....	143	7024485.....	160, 164, 480	77363232.....	159	85841150.....	123
7023950.....	143	7024488.....	159, 163	77363233.....	397, 399	8770050.....	309
7023951.....	143	7024489.....	159, 163	80344004.....	23	88261024.....	185
7023952.....	143	7024508.....	299	80683013.....	122	88521008.....	189, 191
7023956.....	143	7024599.....	153	80934561.....	59	88521205.....	77
7023957.....	143	7024704.....	52	80963055.....	393	88521214 ..	273, 275, 277, 279
7023958.....	143	7024762.....	52	80963056.....	393	88662037.....	314
7023960.....	143	7024763.....	52	80963067.....	389, 393	88662523.....	112
7023961.....	143	7024782.....	23	8220007.....	395, 411	8896941.....	486
7023962.....	143	7024784.....	52	8220019.....	389	91143177.....	314
7023964.....	143, 144	7024854.....	25	8220029.....	407	91203039 ..	179, 189, 191, 197
7023965.....	143	7024864.....	144	8220043.....	363, 365	91401281.....	77
7023966.....	144	7024866.....	144	8220045.....	387, 407	91403230 ..	453, 455, 457, 459, 461, 463, 465, 467, 469
7023967.....	144	7024867.....	143	8220051.....	363, 365		
7024021.....	43	7024868.....	25, 143	8220099.....	393		
7024100.....	52	7024881.....	21	8220125.....	393		
7024149.....	23	7026197.....	59	8220162.....	389		
7024151.....	23	7026503.....	59	8220164.....	407		
7024154.....	23	7026504.....	59	8225117.....	83, 481		
7024190.....	23	7026505.....	59	8229234.....	83, 480		



Corporate Office
JLG Industries, Inc.
1 JLG Drive
McConnellsburg, PA 17233-9533 USA
☎ **(717) 485-5161 (Corporate)**
☎ **(877) 554-5438 (Customer Support)**
📠 **(717) 485-6417**

Visit our website for JLG Worldwide Locations.
www.jlg.com



OSHKOSH™