



# Illustrated Parts Manual

## Model 660SJC

PVC  
2201

P/N  
31219937

January 9, 2023 - Rev C

**ANSI**

**CE**



**UK  
CA**

**AS/NZS**



An Oshkosh Corporation Company

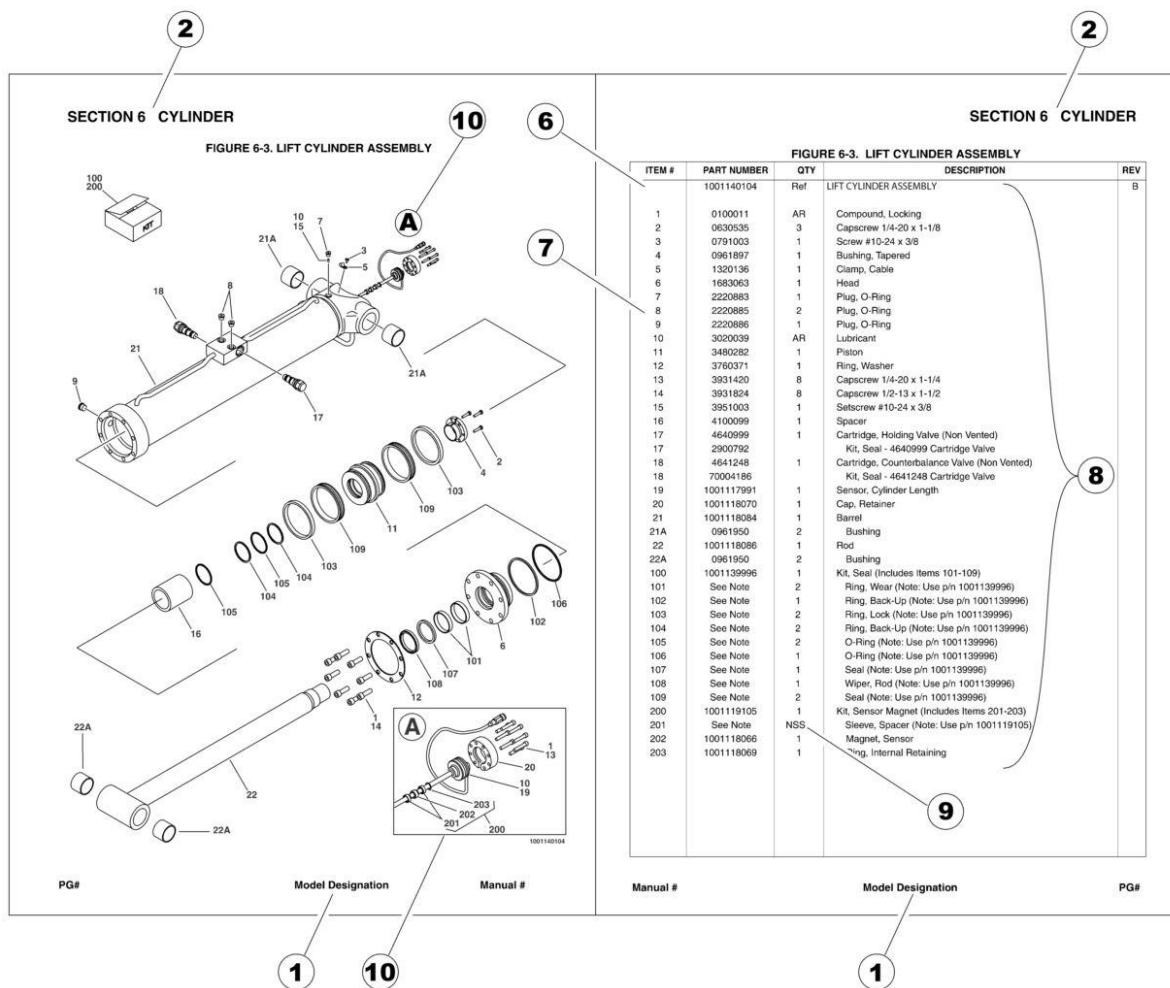




## **REVISION LOG**

January 10, 2022 - A - Original Issue of Manual (Edited to B/M 1001250516 Rev X)  
July 11, 2022 - B - Revised Manual (Edited to B/M 1001250516 Rev AB)  
January 9, 2023 - C - Revised Manual (Edited to B/M 1001250516 Rev AI)

# GENERAL INFORMATION



## 1) MACHINE IDENTIFICATION

Machines are identified by model and in some cases a combination of models, serial number (SN) or regional standard (i.e ANSI, CE, CSA). Components may also be identified by SN or manufacturer. Common components that may be identified by these characteristics are engines and hydraulic components.

## 2) PARTS MANUAL ORGANIZATION

Product information in this manual is organized under section titles. Frame, Cylinder, Hydraulic and Electrical are a few examples. Each section is organized by figure and page number. The information within the Figure is then organized by item number, part number, description and corresponding illustration (s).

## 3) TABLE OF CONTENTS (NOT SHOWN)

A table of contents is found toward the beginning of the manual. Figure number, description and page number are provided for quick reference to the page containing the related information.

## 4) RECOMMENDED SPARE PARTS (NOT SHOWN)

The Recommended Spare Parts List, located near the end of the manual, reference most frequently used maintenance parts.

## 5) PART NUMBER INDEX (NOT SHOWN)

A numerical index listing all part numbers and the corresponding page number(s) appears at the back of the manual.

## GENERAL INFORMATION

### 6) NON-SERVICED PARTS

In some instances, it is necessary to display non-serviced parts, assemblies or installations. In the case of assemblies and installations there will be a Ref in the Qty. column. In case of parts that are not available for service within assemblies or components, there will be a NSS (Not Sold Separately) or NLA (No Longer Available) listed in the Qty. column of the manual.

### 7) PARTS LIST ITEM NUMBERS

Numbers shown in the item# column correspond to numbers used in the associated illustration (s). Item numbers which are missing from the sequence in the parts list are not used on that page.

### 8) INDENTED PARTS DESCRIPTION

An indented part description is included in the item under which it is indented.

### 9) ABBREVIATION AND SYMBOLS

AC.....	Alternating Current	L.....	Liter
ADE.....	Advanced Design Electronics	LB(LBS).....	Pounds
AG.....	Agricultural	LCD.....	Liquid Crystal Display
ANSI.....	American National Standards Institute	LED.....	Light Emitting Diodes
AR.....	As Required	LH.....	Left Hand
ASSY.....	Assembly	LRC.....	Low Rated Countries
AUS.....	Australia	LSS.....	Load Sensing System
AUX.....	Auxiliary	M(m).....	Metric/Meter
AWG.....	American Wire Gauge	MM(mm).....	Milimeter
B/M.....	Bill of Material	mA.....	Miliamps
CAC.....	Charge Air Cooler	NLA.....	No Longer Available
CE.....	European Conformity	NPT.....	National Pipe Threads
CCW.....	Counter Clockwise	NSS.....	Not Sold Separately
CM.....	Centimeter	OD.....	Outside Diameter
CW.....	Clockwise	ORB.....	O-Ring Boss
CSA.....	Canadian Standards Association	ORFS.....	O-Ring Face Seal
CYL.....	Cylinder	OZ (oz).....	Ounces
DIA.....	Diameter	PG.....	Page
DC.....	Direct Current	PN.....	Part Number
DEF.....	Diesel Exhaust Fluid	QT(qt.).....	Quarts
EMS.....	Emergency Stop	QTY.....	Quantity
ENG.....	Engine	REF.....	Reference
FT(ft).....	Feet	REV.....	Revision Level
GA(Ga).....	Gauge	RH.....	Right Hand
HRC.....	High Rated Countries	SAE.....	Society of Automotive Engineers
HVAC.....	Heating, Ventilating, and Air Conditioning	SN.....	Serial Number
HYD.....	Hydraulic	SPEC(S).....	Specifications
Hz.....	Hertz	T/T.....	Turntable
ID.....	Inside Diameter	UGM.....	Universal Ground Module
IN.....	inches	V.....	Volts
ISO.....	International Organization for Standards	W.....	Watts
JIC.....	Joint Industry Council	#.....	Number
KG.....	Kilogram		

### 10) ILLUSTRATION REFERENCE LETTERS

When necessary, illustrations may contain reference letters that are intended to track information (i. e. hoses, harnesses) from one point to another or to track visual enlargement of components to show details that may be located in another area on the illustration.

*Note: Due to continuous product improvements, JLG Industries, Inc. reserves the right to make specification changes without prior notification. Contact JLG Industries, Inc. for updated information.*



# TABLE OF CONTENTS

SECTION 1 - FRAME.....	11
FIGURE 1-1. HINOWA FRAME ASSEMBLY (WITH STEEL TRACKS).....	12
FIGURE 1-2. HINOWA FRAME ASSEMBLY (WITH RUBBER TRACKS).....	14
FIGURE 1-3. HINOWA FRAME ASSEMBLY (WITH RUBBER PADS).....	16
SECTION 2 - TURNTABLE.....	19
FIGURE 2-1. VALVE INSTALLATION.....	20
FIGURE 2-2. MAIN VALVE ASSEMBLY.....	22
FIGURE 2-3. SWING DRIVE INSTALLATION.....	26
FIGURE 2-4. SWING MOTOR/HUB ASSEMBLY.....	28
FIGURE 2-5. TURNTABLE BEARING AND LUBE INSTALLATION.....	32
FIGURE 2-6. TURNTABLE LOCK INSTALLATION.....	34
FIGURE 2-7. ROTARY COUPLING INSTALLATION.....	36
FIGURE 2-8. TANKS INSTALLATION - DIESEL MACHINES (POLY FUEL TANK) (HELGESEN HYDRAULIC TANK).....	38
FIGURE 2-9. TANKS INSTALLATION - DIESEL MACHINES (POLY FUEL TANK) (JIANGYING HYDRAULIC TANK).....	40
FIGURE 2-10. TANKS INSTALLATION - DIESEL MACHINES (STEEL FUEL TANK) (HELGESEN HYDRAULIC TANK).....	42
FIGURE 2-11. TANKS INSTALLATION - DIESEL MACHINES (STEEL FUEL TANK) (JIANGYING HYDRAULIC TANK).....	44
FIGURE 2-12. HYDRAULIC TANK ASSEMBLY (HELGESEN HYDRAULIC TANK).....	46
FIGURE 2-13. HYDRAULIC TANK ASSEMBLY (JIANGYING HYDRAULIC TANK).....	48
FIGURE 2-14. BREAKER BOX KIT.....	50
FIGURE 2-15. BREAKER BOX KIT WITH THREE BREAKERS.....	52
FIGURE 2-16. BATTERY AND AUXILIARY PUMP INSTALLATION.....	54
FIGURE 2-17. BATTERY AND AUXILIARY PUMP W/DISCONNECT SWITCH INSTALLATION.....	56
FIGURE 2-18. ELECTRICAL COMPONENTS INSTALLATION.....	58
FIGURE 2-19. ELECTRICAL COMPONENTS INSTALLATION (DEUTZ TD2.9L4 (STAGE V) ENGINES).....	60
FIGURE 2-20. GROUND CONTROL PANEL ASSEMBLY.....	62
FIGURE 2-21. GROUND CONTROL PANEL ASSEMBLY - WITH DEUTZ TD2.9L4 (STAGE V) ENGINE.....	64
FIGURE 2-22. KEYSWITCH INSTALLATION (ALL SPECS EXCEPT CE & UK CA SPECS).....	66
FIGURE 2-23. KEYSWITCH INSTALLATION (CE & UK CA SPECS).....	68
FIGURE 2-24. LIGHT PANEL INSTALLTION.....	70
FIGURE 2-25. STROBE LIGHT INSTALLATION - AMBER (OPTIONAL).....	72
FIGURE 2-26. STROBE LIGHT INSTALLATION - BLUE (OPTIONAL).....	74
FIGURE 2-27. STROBE LIGHT INSTALLATION - RED (OPTIONAL).....	76
FIGURE 2-28. WHITE NOISE ALARM INSTALLATION.....	78
FIGURE 2-29. HOODS INSTALLATIONS - ABS.....	80
FIGURE 2-30. HOOD ASSEMBLY - TANK SIDE (ABS).....	84
FIGURE 2-31. HOOD ASSEMBLY - ENGINE SIDE (ABS).....	86
FIGURE 2-32. HOODS INSTALLATIONS - STEEL.....	88
FIGURE 2-33. HOOD ASSEMBLY - TANK SIDE (STEEL).....	92
FIGURE 2-34. HOOD ASSEMBLY - ENGINE SIDE (STEEL).....	94
FIGURE 2-35. HOOD INSULATION INSTALLATION (STEEL HOODS).....	96
FIGURE 2-36. NOISE REDUCTION PACKAGE.....	98
FIGURE 2-37. COVERS INSTALLATION.....	100
SECTION 3 - ENGINE.....	103
FIGURE 3-1. DEUTZ D2011 ENGINE INSTALLATION - WITHOUT ARCTIC PACKAGE.....	104
FIGURE 3-2. DEUTZ D2011 ENGINE AND PUMPS SUB-ASSEMBLY - WITHOUT ARCTIC PACKAGE.....	106
FIGURE 3-3. DEUTZ D2011 ENGINE ASSEMBLY - WITHOUT ARCTIC PACKAGE.....	108
FIGURE 3-4. DEUTZ D2011 ENGINE INSTALLATION - WITH ARCTIC PACKAGE.....	112
FIGURE 3-5. DEUTZ D2011 ENGINE AND PUMPS SUB-ASSEMBLY - WITH ARCTIC PACKAGE.....	114
FIGURE 3-6. DEUTZ D2011 ENGINE ASSEMBLY - WITH ARCTIC PACKAGE.....	116
FIGURE 3-7. DEUTZ D2011 ENGINE COMPONENTS.....	120
FIGURE 3-8. DEUTZ TD2.9L4 ENGINE INSTALLATION - WITHOUT ARCTIC PACKAGE.....	124
FIGURE 3-9. DEUTZ TD2.9L4 ENGINE AND PUMPS SUB-ASSEMBLY - WITHOUT ARCTIC PACKAGE.....	126
FIGURE 3-10. DEUTZ TD2.9L4 ENGINE ASSEMBLY - WITHOUT ARCTIC PACKAGE.....	130
FIGURE 3-11. DEUTZ TD2.9L4 ENGINE INSTALLATION - WITH ARCTIC PACKAGE.....	134
FIGURE 3-12. DEUTZ TD2.9L4 ENGINE AND PUMPS SUB-ASSEMBLY - WITH ARCTIC PACKAGE.....	138
FIGURE 3-13. DEUTZ TD2.9L4 ENGINE ASSEMBLY - WITH ARCTIC PACKAGE.....	142
FIGURE 3-14. DEUTZ TD2.9L4 ENGINE COMPONENTS.....	146
FIGURE 3-15. DEUTZ TD2.9L4 ENGINE INSTALLATION - WITHOUT ARCTIC PACKAGE (CHINA SPECS ONLY).....	152
FIGURE 3-16. DEUTZ TD2.9L4 ENGINE AND PUMPS SUB-ASSEMBLY - WITHOUT ARCTIC PACKAGE (CHINA SPECS ONLY).....	154
FIGURE 3-17. DEUTZ TD2.9L4 ENGINE ASSEMBLY - WITHOUT ARCTIC PACKAGE (CHINA SPECS ONLY).....	156

# TABLE OF CONTENTS

FIGURE 3-18. DEUTZ TD2.9L4 ENGINE INSTALLATION - WITH ARCTIC PACKAGE (CHINA SPECS ONLY).....	160
FIGURE 3-19. DEUTZ TD2.9L4 ENGINE AND PUMPS SUB-ASSEMBLY - WITH ARCTIC PACKAGE (CHINA SPECS ONLY).....	164
FIGURE 3-20. DEUTZ TD2.9L4 ENGINE ASSEMBLY - WITH ARCTIC PACKAGE (CHINA SPECS ONLY).....	166
FIGURE 3-21. DEUTZ TD2.9L4 ENGINE COMPONENTS (CHINA SPECS ONLY) .....	170
FIGURE 3-22. DEUTZ TD2.9L4 (STAGE V PRE-BUY) ENGINE INSTALLATION .....	174
FIGURE 3-23. DEUTZ TD2.9L4 (STAGE V PRE-BUY) ENGINE AND PUMP SUB-ASSEMBLY .....	176
FIGURE 3-24. DEUTZ TD2.9L4 (STAGE V PRE-BUY) ENGINE ASSEMBLY .....	180
FIGURE 3-25. DEUTZ TD2.9L4 (STAGE V PRE-BUY) ENGINE COMPONENTS.....	184
FIGURE 3-26. DEUTZ TD2.9L4 (STAGE V) ENGINE INSTALLATION .....	190
FIGURE 3-27. DEUTZ TD2.9L4 (STAGE V) ENGINE AND PUMP SUB-ASSEMBLY.....	194
FIGURE 3-28. DEUTZ TD2.9L4 (STAGE V) ENGINE ASSEMBLY .....	196
FIGURE 3-29. DEUTZ TD2.9L4 (STAGE V) ENGINE COMPONENTS .....	202
FIGURE 3-30. PUMP COUPLING KIT (DEUTZ ENGINES).....	206
FIGURE 3-31. PISTON PUMP ASSEMBLY- FRONT .....	208
FIGURE 3-32. PISTON PUMP ASSEMBLY- REAR.....	212
FIGURE 3-33. FUEL FILTER INSTALLATION (STEEL FUEL TANK) (DEUTZ D2011 ENGINES).....	216
FIGURE 3-34. FUEL FILTER INSTALLATION (DEUTZ TD2.9L4 ENGINES).....	218
FIGURE 3-35. FUEL FILTER ASSEMBLY (DEUTZ TD2.9L4 ENGINES).....	220
FIGURE 3-36. BREATHER HEATER INSTALLATION - DEUTZ D2.9L4 ENGINE WITH ARCTIC PACKAGE .....	222
FIGURE 3-37. DEUTZ 2.9L4 EXHAUST INSTALLATION (CHINA SPECS ONLY) .....	224
FIGURE 3-38. ENGINE HOOD Baffles INSTALLATION - ABS HOODS .....	226
FIGURE 3-39. ENGINE HOOD Baffles INSTALLATION - STEEL HOODS .....	228
FIGURE 3-40. TRAY JACK INSTALLATION .....	230
FIGURE 3-41. MOTOR MOUNT INSTALLATION - WITHOUT GENERATOR (DEUTZ D2011 ENGINES) .....	232
FIGURE 3-42. MOTOR MOUNT INSTALLATION - WITH GENERATOR (DEUTZ D2011 ENGINES).....	234
FIGURE 3-43. MOTOR MOUNT INSTALLATION - WITHOUT GENERATOR (DEUTZ TD2.9L4 ENGINES) .....	236
FIGURE 3-44. MOTOR MOUNT INSTALLATION - WITH GENERATOR (DEUTZ TD2.9L4 ENGINES).....	238
FIGURE 3-45. 2500W GENERATOR INSTALLATION - 220V/50HZ (DEUTZ D2011 ENGINES) (OPTIONAL).....	240
FIGURE 3-46. 2500W GENERATOR INSTALLATION - 110V/60HZ (DEUTZ D2011 ENGINES) (OPTIONAL).....	242
FIGURE 3-47. 2500W GENERATOR INSTALLATION - 110V/60HZ (DEUTZ TD2.9L4 ENGINES) (OPTIONAL) .....	244
FIGURE 3-48. 4000W GENERATOR INSTALLATION - 220V/50HZ (DEUTZ D2011 ENGINES) (OPTIONAL).....	248
FIGURE 3-49. 4000W GENERATOR INSTALLATION - 110V/60HZ (DEUTZ D2011 ENGINES) (OPTIONAL).....	252
FIGURE 3-50. 4000W GENERATOR INSTALLATION - 220V/50HZ (DEUTZ TD2.9L4 ENGINES) (OPTIONAL) .....	256
FIGURE 3-51. 4000W GENERATOR INSTALLATION - 110V/60HZ (DEUTZ TD2.9L4 ENGINES) (OPTIONAL) .....	260
FIGURE 3-52. 7500W SKYPOWER GENERATOR INSTALLATION - 220V/50HZ (DEUTZ D2011 ENGINES) (OPTIONAL) .....	264
FIGURE 3-53. 7500W SKYPOWER GENERATOR INSTALLATION - 110V/60HZ (DEUTZ D2011 ENGINES) (OPTIONAL) .....	268
FIGURE 3-54. 7500W GENERATOR INSTALLATION - 220V/50HZ (DEUTZ TD2.9L4 ENGINES) (OPTIONAL) .....	272
FIGURE 3-55. 7500W SKYPOWER GENERATOR INSTALLATION - 110V/60HZ (DEUTZ TD2.9L4 ENGINES) (OPTIONAL) .....	276
 SECTION 4 - BOOM.....	 281
FIGURE 4-1. BOOM INSTALLATION .....	282
FIGURE 4-2. BOOM ASSEMBLY .....	286
FIGURE 4-3. JIB ASSEMBLY .....	290
FIGURE 4-4. PLATFORM ROTATOR ASSEMBLY .....	292
FIGURE 4-5. POWER TRACK INSTALLATION.....	294
FIGURE 4-6. BOOM VALVES INSTALLATION .....	296
FIGURE 4-7. PLATFORM VALVE ASSEMBLY .....	298
FIGURE 4-8. BOOM SENSORS INSTALLATION.....	300
FIGURE 4-9. PLATFORM SUPPORT INSTALLATION - WITH LSS .....	302
 SECTION 5 - PLATFORM .....	 305
FIGURE 5-1. PLATFORM ASSEMBLY - 30IN X 3FT (76CM X .91M) - DROP BAR ENTRY .....	306
FIGURE 5-2. PLATFORM ASSEMBLY - 36IN X 6FT (91.5CM X 1.83M) WITH SWING GATE .....	308
FIGURE 5-3. PLATFORM ASSEMBLY - 36IN X 6FT (91.5CM X 1.83M) WITH DROP BAR .....	310
FIGURE 5-4. PLATFORM ASSEMBLY - 36IN X 6FT (91.5CM X 1.83M) TRI-ENTRY WITH SWING GATE .....	312
FIGURE 5-5. PLATFORM ASSEMBLY - 36IN X 6FT (91.5CM X 1.83M) TRI-ENTRY WITH DROPBAR .....	314
FIGURE 5-6. PLATFORM ASSEMBLY - 36IN X 8FT (91.5CM X 2.44M) TRI-ENTRY WITH DROPBAR .....	316
FIGURE 5-7. PLATFORM ASSEMBLY - 36IN X 8FT (91.5CM X 2.44M) TRI-ENTRY WITH DROPGATE .....	318
FIGURE 5-8. PLATFORM ASSEMBLY - 36IN X 8FT (91.5CM X 2.44M) WITH SWING GATE .....	320
FIGURE 5-9. PLATFORM ASSEMBLY - 36IN X 8FT (91.5CM X 2.44M) WITH DROP BAR .....	322
FIGURE 5-10. TRAY ASSEMBLY.....	324
FIGURE 5-11. PLATFORM CONSOLE AND FOOTSWITCH INSTALLATION.....	326
FIGURE 5-12. CONSOLE BOX ASSEMBLY .....	328
FIGURE 5-13. CONTROLLER ASSEMBLY (DRIVE AND STEER) .....	330

# TABLE OF CONTENTS

FIGURE 5-14. CONTROLLER ASSEMBLY (LIFT AND SWING) .....	332
FIGURE 5-15. LIGHT PANEL INSTALLATION .....	336
FIGURE 5-16. FOOTSWITCH ASSEMBLY .....	338
FIGURE 5-17. SKYGUARD BAR INSTALLATION .....	340
FIGURE 5-18. SKYEYE INSTALLATION .....	342
FIGURE 5-19. SKYGLAZIER INSTALLATION (ANSI, AUSTRALIAN AND CSA SPECS) .....	344
FIGURE 5-20. SKYLINE INSTALLATION .....	346
FIGURE 5-21. SKYWELDER INSTALLATION (50HZ) .....	348
FIGURE 5-22. SKYWELDER INSTALLATION (60HZ) .....	350
FIGURE 5-23. SKYWELDER PREP PACKAGE (60HZ) .....	352
FIGURE 5-24. USB CHARGER INSTALLATION .....	354
FIGURE 5-25. WELDER ASSEMBLY .....	356
SECTION 6 - CYLINDER .....	359
FIGURE 6-1. LEVEL CYLINDER ASSEMBLY - PLATFORM SLAVE .....	360
FIGURE 6-2. LIFT CYLINDER ASSEMBLY - BOOM .....	362
FIGURE 6-3. LIFT CYLINDER ASSEMBLY - JIB .....	364
FIGURE 6-4. TELESCOPE CYLINDER ASSEMBLY .....	366
SECTION 7 - HYDRAULIC .....	369
FIGURE 7-1. STANDARD HYDRAULIC DIAGRAM .....	370
SECTION 8 - ELECTRICAL .....	379
FIGURE 8-1. 660SJC ELECTRICAL LAYOUT .....	380
FIGURE 8-2. AC BOX AT PLATFORM INSTALLATION -110V (ALL SPECS EXCEPT AUSTRALIAN, CE & UK CA SPECS)...	392
FIGURE 8-3. AC BOX AT PLATFORM INSTALLATION - 110V IEC YELLOW (CE & UK CA SPECS WITHOUT 4000W/50HZ GENERATOR) .....	394
FIGURE 8-4. AC BOX AT PLATFORM INSTALLATION - 110V IEC YELLOW (CE & UK CA SPECS WITH 4000W/50HZ GENERATOR) .....	396
FIGURE 8-5. AC BOX AT PLATFORM INSTALLATION - 220V IEC BLUE (CE & UK CA SPECS WITHOUT 4000W/50HZ GENERATOR) .....	398
FIGURE 8-6. AC BOX AT PLATFORM INSTALLATION - 220V IEC BLUE (CE & UK CA SPECS WITH 4000W/50HZ GENERATOR) .....	400
FIGURE 8-7. AC BOX AT PLATFORM INSTALLATION - 220V CEE7 2IN X 4IN POST GROUND (CE & UK CA SPECS WITHOUT 4000W/50HZ GENERATOR) .....	402
FIGURE 8-8. AC BOX AT PLATFORM INSTALLATION - 220V CEE7 2IN X 4IN POST GROUND (CE & UK CA SPECS WITH 4000W/50HZ GENERATOR) .....	404
FIGURE 8-9. AC BOX AT PLATFORM INSTALLATION - 220V CEE7 2IN X 4IN SIDE GROUND (CE & UK CA SPECS WITHOUT 4000W/50HZ GENERATOR) .....	406
FIGURE 8-10. AC BOX AT PLATFORM INSTALLATION - 220V CEE7 2IN X 4IN SIDE GROUND (CE & UK CA SPECS WITH 4000W/50HZ GENERATOR) .....	408
FIGURE 8-11. AC BOX AT PLATFORM INSTALLATION - 220V AFSINT107 (CE & UK CA SPECS WITHOUT 4000W/50HZ GENERATOR) .....	410
FIGURE 8-12. AC BOX AT PLATFORM INSTALLATION - 220V AFSINT107 (CE & UK CA SPECS WITH 4000W/50HZ GENERATOR) .....	412
FIGURE 8-13. AC BOX AT PLATFORM INSTALLATION - 220V CUSTOMER SUPPLIED COMPONENTS (ANSI EXPORT, AUSTRALIAN, CHINA, CE & UK CA SPECS) .....	414
FIGURE 8-14. AC BOX AT PLATFORM INSTALLATION - 240V (WITH 4000W GENERATOR) (ALL SPECS EXCEPT AUSTRALIAN, CE & UK CA SPECS) .....	416
FIGURE 8-15. AC BOX AT PLATFORM INSTALLATION - 240V (WITH 7500WSKYPOWER GENERATOR) (ALL SPECS EXCEPT AUSTRALIAN, CE & UK CA SPECS) .....	418
FIGURE 8-16. AC BREAKER BOX INSTALLATION - SINGLE DOUBLE POLE BREAKER .....	420
FIGURE 8-17. AC BREAKER BOX INSTALLATION - 3 BREAKERS .....	422
FIGURE 8-18. AC CABLES AND CLAMPS INSTALLATION - WITHOUT GENERATOR (ALL SPECS EXCEPT ANSI & CSA SPECS) .....	424
FIGURE 8-19. AC CABLES AND CLAMPS INSTALLATION - WITHOUT GENERATOR (ANSI & CSA SPECS) .....	426
FIGURE 8-20. AC CABLES AND CLAMPS INSTALLATION - WITH 2500W GENERATOR .....	428
FIGURE 8-21. AC CABLES AND CLAMPS INSTALLATION - WITH 4000W-50HZ GENERATOR .....	430
FIGURE 8-22. AC CABLES AND CLAMPS INSTALLATION - WITH 4000W-60HZ GENERATOR .....	432
FIGURE 8-23. AC CABLES AND CLAMPS INSTALLATION - WITH 7500W SKYPOWER GENERATOR .....	434
FIGURE 8-24. BATTERY DISCONNECT SWITCH INSTALLATION .....	436
FIGURE 8-25. BREAKER BOX KIT - SINGLE DOUBLE POLE BREAKER (WITHOUT 4000W/50HZ GENERATOR) .....	438
FIGURE 8-26. BREAKER BOX KIT - SINGLE DOUBLE POLE BREAKER (WITH 4000W/50HZ GENERATOR) .....	440
FIGURE 8-27. BREAKER BOX KIT - 3 BREAKERS .....	442

# TABLE OF CONTENTS

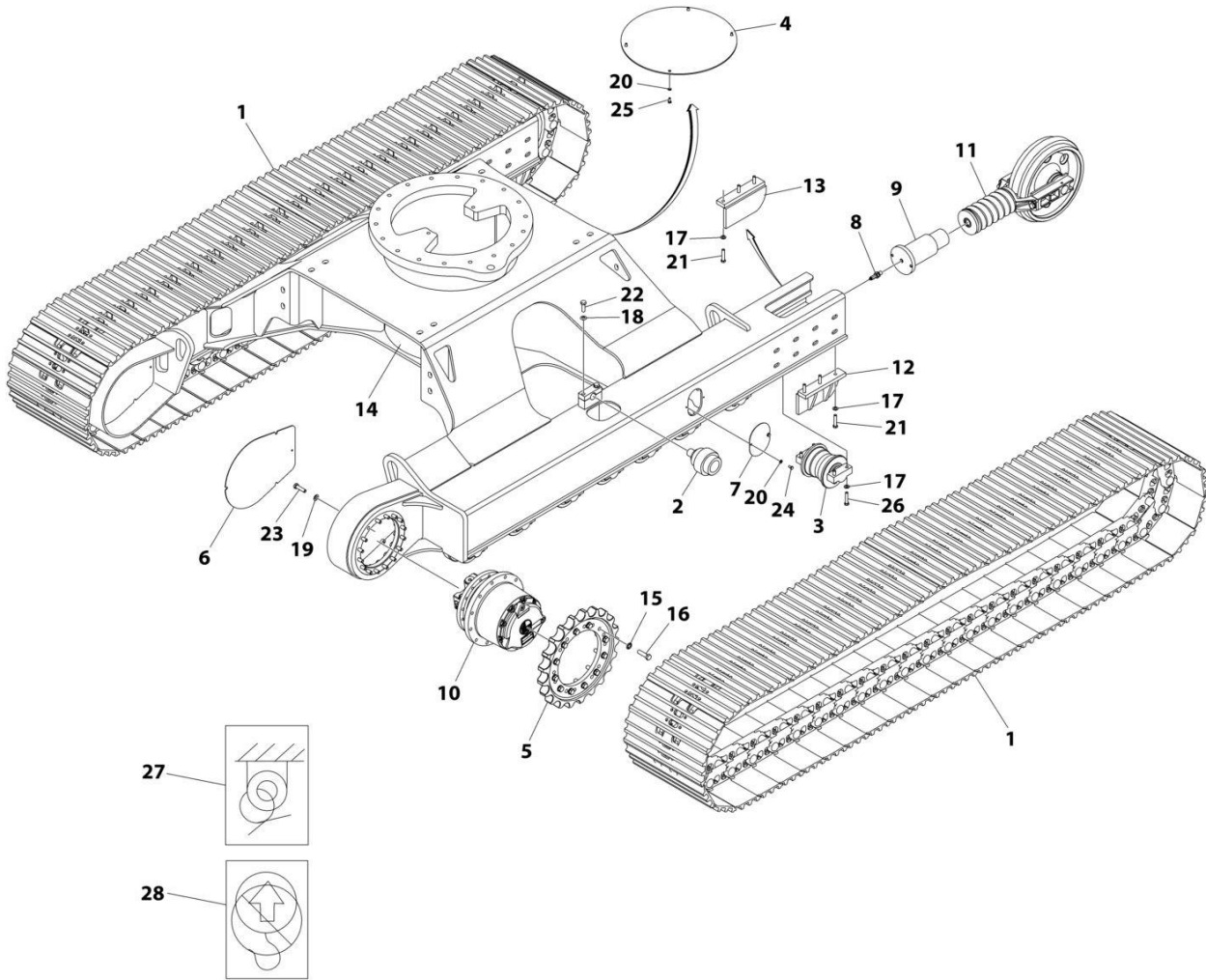
FIGURE 8-28. BOOM ANGLE SENSOR HARNESS .....	444
FIGURE 8-29. BOOM CABLE - LOWER.....	446
FIGURE 8-30. BOOM CABLE - UPPER .....	448
FIGURE 8-31. CAPACITY PROXIMITY HARNESS.....	450
FIGURE 8-32. CAPACITY PROXIMITY HARNESS.....	452
FIGURE 8-33. CAPACITY PROXIMITY HARNESS (DEUTZ TD2.9L4 (STAGE V) ENGINES) .....	454
FIGURE 8-34. ELECTRICAL COMPONENTS INSTALLATION.....	456
FIGURE 8-35. ELECTRICAL COMPONENTS INSTALLATION (DEUTZ TD2.9L4 (STAGE V) ENGINES).....	458
FIGURE 8-36. CLEARSKY (TELEMATICS) INSTALLATION – 3 WIRE .....	460
FIGURE 8-37. CLEARSKY (TELEMATICS) HARNESS .....	462
FIGURE 8-38. ENGINE HARNESS - DEUTZ D2011 ENGINES.....	464
FIGURE 8-39. ENGINE HARNESS - DEUTZ TD2.9L4 ENGINES AND DEUTZ TD2.9L4 (STAGE V PRE-BUY) ENGINES.....	466
FIGURE 8-40. ENGINE HARNESS - DEUTZ TD2.9L4 (STAGE V) ENGINES.....	470
FIGURE 8-41. FUEL PUMP HARNESS - DEUTZ TD2.9L4 ENGINE .....	474
FIGURE 8-42. FUEL HARNESS - DEUTZ TD2.2L4 (STAGE V) ENGINE.....	476
FIGURE 8-43. GENERATOR HARNESS - 2500W .....	478
FIGURE 8-44. GENERATOR HARNESS - 4000W .....	480
FIGURE 8-45. GENERATOR HARNESS - 7500W SKYPOWER.....	482
FIGURE 8-46. GENERATOR TO ENGINE HARNESS - 7500W SKYPOWER GENERATOR (DEUTZ D2011 ONLY).....	484
FIGURE 8-47. GROUND CONTROL HARNESS .....	486
FIGURE 8-48. INTERFACE HARNESS - WITH 1 CELL LSS .....	488
FIGURE 8-49. LEFT DRIVE HARNESS.....	490
FIGURE 8-50. LIFT CYLINDER HARNESS.....	492
FIGURE 8-51. MAIN VALVE HARNESS.....	494
FIGURE 8-52. PLATFORM CONSOLE HARNESS .....	496
FIGURE 8-53. PLATFORM VALVE HARNESS .....	500
FIGURE 8-54. RECEPTACLE BOX KIT - 110V IEC YELLOW (CE & UK CA SPEC).....	502
FIGURE 8-55. RECEPTACLE BOX KIT - 220V IEC BLUE (CE & UK CA SPEC).....	504
FIGURE 8-56. RECEPTACLE BOX KIT - 220V CEE7 POST GROUND 2X4 BOX (CE & UK CA SPEC).....	506
FIGURE 8-57. RECEPTACLE BOX KIT - 220V CEE7 SIDE GROUND (CE & UK CA SPEC) .....	508
FIGURE 8-58. RECEPTACLE BOX KIT - 220V AFSINT107 (CE & UK CA SPEC).....	510
FIGURE 8-59. SKYEYE INTERMEDIATE HARNESS .....	512
FIGURE 8-60. SKYEYE EMITTER HARNESS .....	514
FIGURE 8-61. 4. SKYEYE RECEIVER HARNESS.....	516
FIGURE 8-62. SKYLINE HARNESS .....	518
FIGURE 8-63. STROBE LIGHT CONTROL HARNESS.....	520
FIGURE 8-64. TELE PROXIMITY HARNESS.....	522
FIGURE 8-65. TURNTABLE HARNESS.....	524
FIGURE 8-66. WHITE NOISE ALARM HARNESS .....	528
SECTION 9 - DECALS .....	531
FIGURE 9-1. DECAL INSTALLATION - 660SJC (ANSI SPECS - ENGLISH LANGUAGE).....	532
FIGURE 9-2. DECAL INSTALLATION - 660SJC (BRAZIL SPECS - PORTUGUESE/SPANISH LANGUAGES) .....	534
FIGURE 9-3. DECAL INSTALLATION - 660SJC (CE & UK CA SPECS - ENGLISH LANGUAGE).....	536
FIGURE 9-4. DECAL INSTALLATION - 660SJC (CHINESE SPECS - ENGLISH/SIMPLIFIED CHINESE LANGUAGES) .....	538
FIGURE 9-5. DECAL INSTALLATION - 660SJC (CHINESE SPECS - ENGLISH/TRADITIONAL CHINESE LANGUAGES).....	540
FIGURE 9-6. DECAL INSTALLATION - 660SJC (CSA SPECS - ENGLISH/FRENCH LANGUAGES).....	542
FIGURE 9-7. DECAL INSTALLATION - 660SJC (JAPANESE SPECS - ENGLISH/JAPANESE LANGUAGES) .....	544
FIGURE 9-8. DECAL INSTALLATION - 660SJC (KOREAN SPECS - ENGLISH/KOREAN LANGUAGES).....	546
FIGURE 9-9. DECAL INSTALLATION - 660SJC (LATIN AMERICA SPECS - ENGLISH/SPANISH LANGUAGES).....	548
FIGURE 9-10. DECAL INSTALLATION - OPTIONS .....	550
FIGURE 9-11. SKYWELDER DECAL INSTALLATION - 50HZ (AUSTRALIAN, CE & UK CA SPECS).....	554
FIGURE 9-12. SKYWELDER DECAL INSTALLATION - 60HZ (ALL SPECS EXCEPT AUSTRALIAN, CE & UK CA SPECS).....	556
SECTION 10 - RECOMMENDED SERVICE PARTS STOCK .....	559
FIGURE 10-1. RECOMMENDED SERVICE PARTS STOCK.....	560
SECTION 11 - SPECIAL OPTIONS/ACCESSORIES/KITS.....	563
FIGURE 11-1. SPECIAL OPTIONS/ACCESSORIES/KITS.....	564
PART NUMBER INDEX.....	569



**SECTION 1 - FRAME**

# SECTION 1 - FRAME

## FIGURE 1-1. HINOWA FRAME ASSEMBLY (WITH STEEL TRACKS)



ART\_1001231884

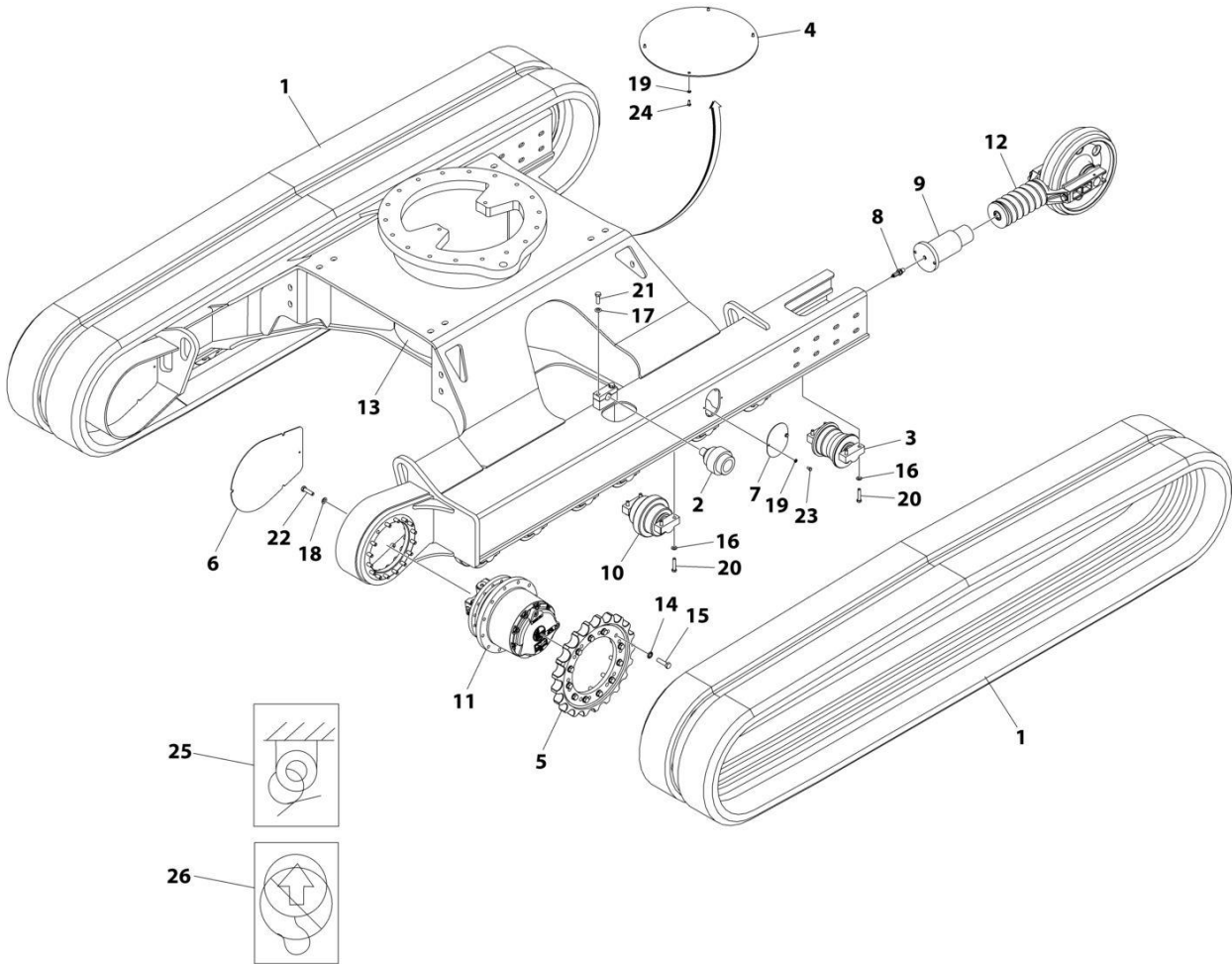
## SECTION 1 - FRAME

**FIGURE 1-1. HINOWA FRAME ASSEMBLY (WITH STEEL TRACKS)**

ITEM	PART NUMBER	QTY	DESCRIPTION	REV
	1001231884	Ref	FRAME ASSEMBLY	B
1	70007394	2	Track (Steel)	
2	70007395	2	Roller	
3	70007396	2	Roller	
4	70005283	1	Plate, Cover	
5	70007397	2	Sprocket	
6	70007398	2	Cover	
7	70007399	2	Cover	
8	70007400	2	Fitting, Grease	
9	70007401	2	Track Tension Cylinder	
10	70007402	2	Hub	
11	70007403	2	Wheel, Idler Tension	
12	70007404	2	Bracket (Right)	
13	70007405	2	Bracket (Left)	
14	See Note	NSS	Frame (Note: Use p/n 1001231884)	
15	70007406	36	Washer	
16	70007407	36	Screw	
17	70007408	14	Washer	
18	70007409	4	Washer	
19	70007410	AR	Washer	
20	70005284	6	Washer	
21	70007411	6	Screw M12 x 60	
22	70007412	4	Screw M14 x 45	
23	70007413	AR	Screw M14 x 55	
24	70005286	2	Bolt, M8 x 16	
25	70005285	4	Bolt, M8 x 20	
26	70007414	8	Screw M12 x 40	
27	1703814	4	Decal - Tie Down	
28	1701499	4	Decal - No Lift	

# SECTION 1 - FRAME

## FIGURE 1-2. HINOWA FRAME ASSEMBLY (WITH RUBBER TRACKS)



ART\_1001232368

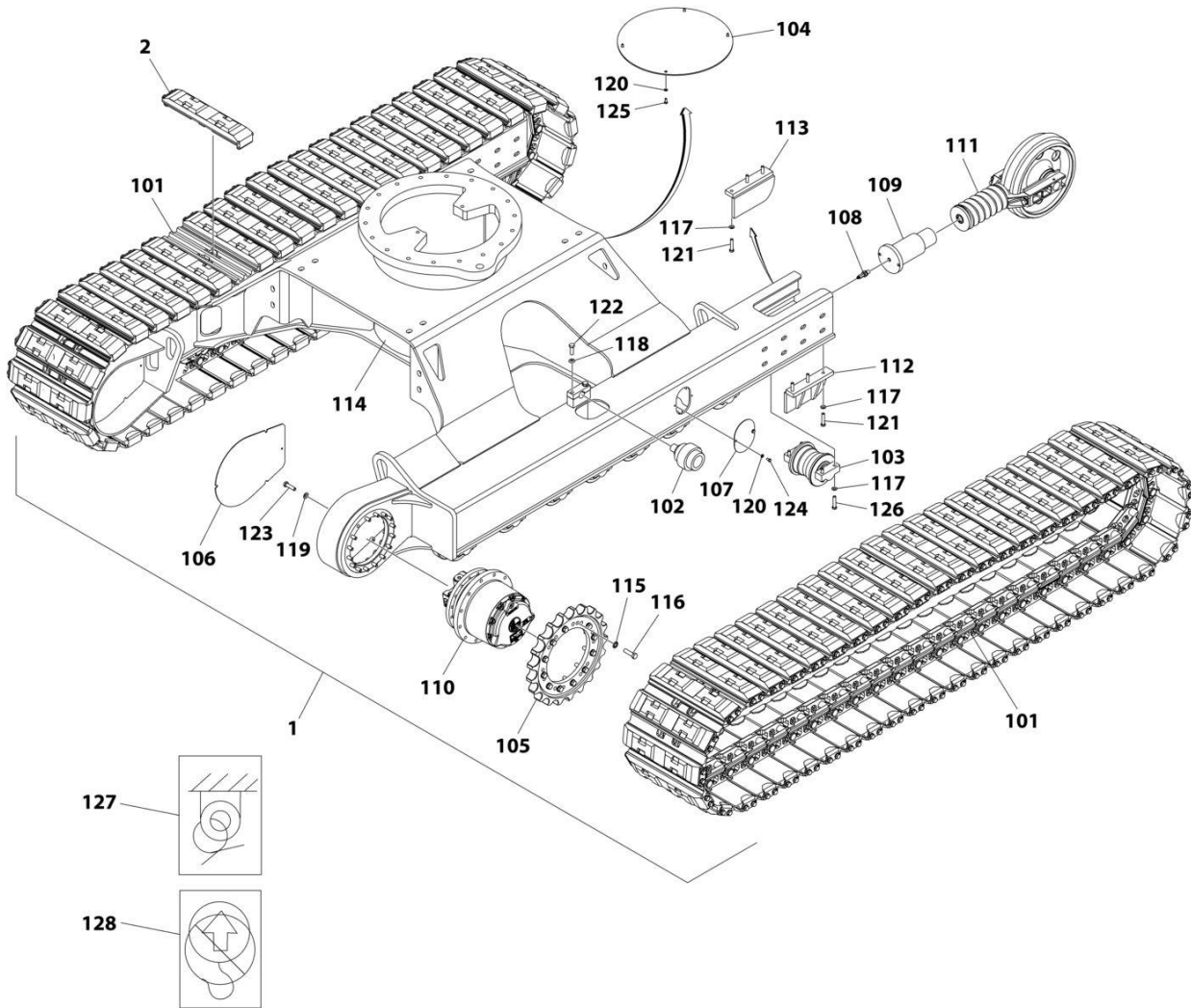
## SECTION 1 - FRAME

**FIGURE 1-2. HINOWA FRAME ASSEMBLY (WITH RUBBER TRACKS)**

ITEM	PART NUMBER	QTY	DESCRIPTION	REV
	1001232368	Ref	FRAME ASSEMBLY	B
1	70007417	2	Track (Rubber)	
2	70007395	2	Roller	
3	70007396	2	Roller	
4	70005283	1	Plate, Cover	
5	70007397	2	Sprocket	
6	70007398	2	Cover	
7	70007399	2	Cover	
8	70007400	2	Fitting, Grease	
9	70007401	2	Track Tension Cylinder	
10	70007415	1	Roller	
11	70007402	2	Hub	
12	70007416	1	Wheel, Idler Tension	
13	See Note	NSS	Frame (Note: Use p/n 1001232368)	
14	70007406	36	Washer	
15	70007407	36	Screw	
16	70007408	16	Washer	
17	70007409	4	Washer	
18	70007410	AR	Washer	
19	70005284	8	Washer	
20	70007411	16	Screw M12 x 60	
21	70007412	4	Screw M14 x 45	
22	70007413	AR	Screw M14 x 55	
23	70005286	4	Bolt, M8 x 16	
24	70005285	4	Bolt, M8 x 20	
25	1703814	4	Decal - Tie Down	
26	1701499	4	Decal - No Lift	

# SECTION 1 - FRAME

## FIGURE 1-3. HINOWA FRAME ASSEMBLY (WITH RUBBER PADS)



ART\_1001233220

## SECTION 1 - FRAME

**FIGURE 1-3. HINOWA FRAME ASSEMBLY (WITH RUBBER PADS)**

ITEM	PART NUMBER	QTY	DESCRIPTION	REV
	1001233220	Ref	FRAME ASSEMBLY WITH PADS	A
1	1001231884	1	Frame Assembly without Pads (See Items 101-128 for Breakdown)	
2	1001233218	1	Pad, Rubber Track	
	1001231884	Ref	FRAME ASSEMBLY WITHOUT PADS	B
101	70007394	2	Track (Steel)	
102	70007395	2	Roller	
103	70007396	2	Roller	
104	70005283	1	Plate, Cover	
105	70007397	2	Sprocket	
106	70007398	2	Cover	
107	70007399	2	Cover	
108	70007400	2	Fitting, Grease	
109	70007401	2	Track Tension Cylinder	
110	70007402	2	Hub	
111	70007403	2	Wheel, Idler Tension	
112	70007404	2	Bracket (Right)	
113	70007405	2	Bracket (Left)	
114	See Note	NSS	Frame (Note: Use p/n 1001231884)	
115	70007406	36	Washer	
116	70007407	36	Screw	
117	70007408	14	Washer	
118	70007409	4	Washer	
119	70007410	AR	Washer	
120	70005284	6	Washer	
121	70007411	6	Screw M12 x 60	
122	70007412	4	Screw M14 x 45	
123	70007413	AR	Screw M14 x 55	
124	70005286	2	Bolt, M8 x 16	
125	70005285	4	Bolt, M8 x 20	
126	70007414	8	Screw M12 x 40	
127	1703814	4	Decal - Tie Down	
128	1701499	4	Decal - No Lift	

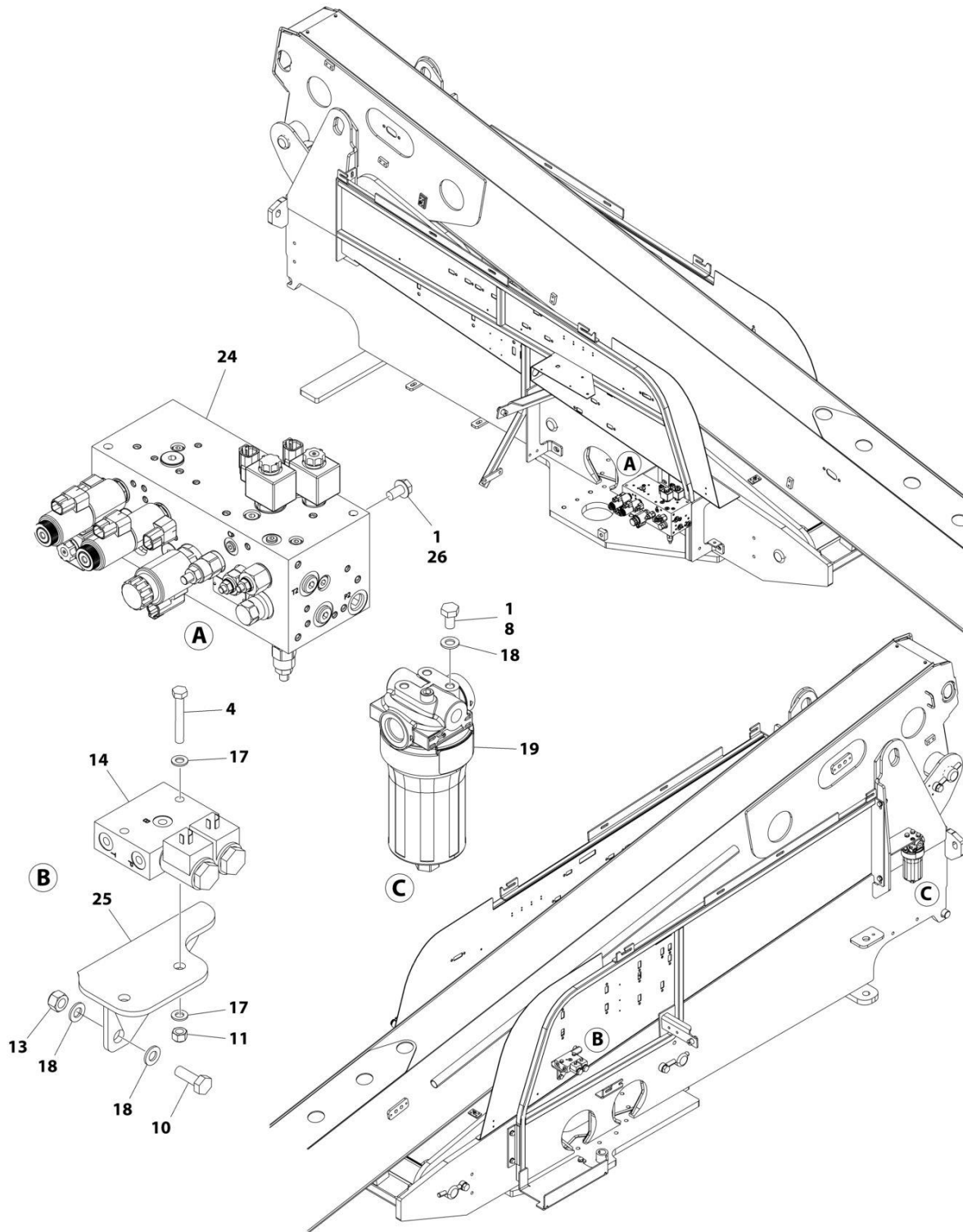




**SECTION 2 - TURNTABLE**

# SECTION 2 - TURNTABLE

## FIGURE 2-1. VALVE INSTALLATION



ART\_1001197143\_10F2

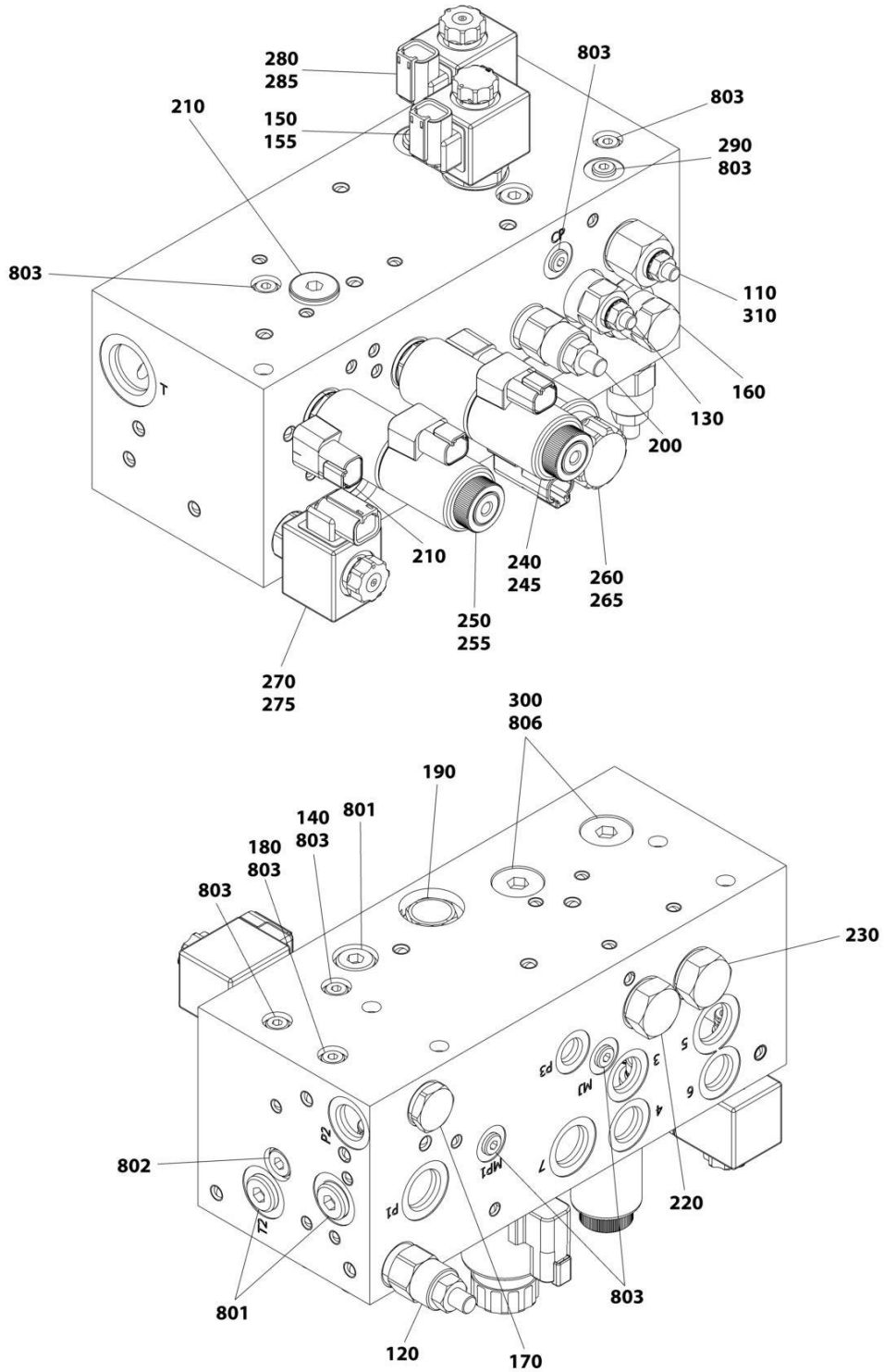
# SECTION 2 - TURNTABLE

## FIGURE 2-1. VALVE INSTALLATION

ITEM	PART NUMBER	QTY	DESCRIPTION	REV
	1001197143	Ref	VALVE INSTALLATION	E
1	0100011	AR	Compound, Locking	
4	0700819	2	Bolt M8 x 55	
8	0761009	6	Bolt M10 x 18	
10	0761014	2	Bolt M10 x 30	
11	3290805	4	Nut M8	
13	3291005	2	Nut M10	
14	4641317	1	Brake/Two Speed Valve Assembly	
14	7012941	2	Cartridge Less Coil	
14	7010543	2	Seal Kit - 7012941 Valve	
14	7012944	2	Coil	
17	4811900	9	Washer M8	
18	4812000	10	Washer M10	
19	1001208874	1	Filter, Hydraulic	
19	70010383	1	Element, Filter	
24	1001196595	1	Main Valve Assembly (See Separate Breakdown in this Section)	
25	1001196803	1	Bracket	
26	5251009	4	Bolt M10 x 18	

# SECTION 2 - TURNTABLE

## FIGURE 2-2. MAIN VALVE ASSEMBLY



ART\_1001196595

## SECTION 2 - TURNTABLE

### FIGURE 2-2. MAIN VALVE ASSEMBLY

ITEM	PART NUMBER	QTY	DESCRIPTION	REV
	1001196595	Ref	MAIN VALVE ASSEMBLY	C
110	70006109	1	Valve, Flow/Pressure Control	
110	70006110	1	Cap	
110	70004656	1	Seal Kit - 70006109 Valve	
120	70003019	1	Valve, Relief	
120	70004052	1	Seal Kit - 70003019 Valve	
130	70004607	1	Valve, Relief	
130	70004602	1	Seal Kit - 70004607 Valve	
140	70004668	1	Orifice	
150	70006111	1	Valve, Solenoid without Coil	
150	70004584	1	Seal Kit - 70006111 Valve	
150	70004051	1	Coil Nut & Pole Tube O-Ring Kit	
155	70004653	1	Coil	
160	70006112	1	Valve, Load Sense	
160	70006113	1	Seal Kit - 70006112 Valve	
170	70005952	1	Valve, Check	
170	70004052	1	Seal Kit - 70005952 Valve	
180	7022527	1	Orifice 2mm	
190	70003027	1	Valve, Flow/Pressure Control	
190	70004052	1	Seal Kit - 70003027 Valve	
200	70003019	1	Valve, Relief	
200	70004052	1	Seal Kit - 70003019 Valve	
210	70023859	4	Valve, Relief	
210	70023860	4	Seal Kit - 70023859 Valve	
220	70006114	1	Valve, Pressure Compensator	
220	70004656	1	Seal Kit - 70006114 Valve	
230	70006114	1	Valve, Pressure Compensator	
230	70004656	1	Seal Kit - 70006114 Valve	
240	70006115	1	Valve, Solenoid without Coil (Swing)	
240	70006116	1	Seal Kit - 70006115 Valve	
240	70004661	1	Nut, Coil	
240	70024457	1	O-Ring at Coil Nut	
240	70004662	1	O-Ring at Bottom of Pole Tube	
245	80434249	2	Coil	
250	70006117	1	Valve, Solenoid without Coil (Tele)	
250	70006116	1	Seal Kit - 70006117 Valve	
250	70004661	1	Nut, Coil	
250	70024457	1	O-Ring at Coil Nut	
250	70004662	1	O-Ring at Bottom of Pole Tube	
255	80434249	2	Coil	
260	70004657	1	Valve, Solenoid (Lift)	
260	70004594	1	Seal Kit - 70004657 Valve	
260	70004597	1	Nut, Coil	
260	70004596	1	O-Ring at Coil Nut	
265	70004595	1	Coil	
270	70004598	1	Valve, Solenoid (Lift)	
270	70004055	1	Seal Kit - 70004598 Valve	
270	70005947	1	Coil Nut & Pole Tube O-Ring Kit	
275	70004653	1	Coil	
280	70006118	1	Valve, Solenoid (Lift)	

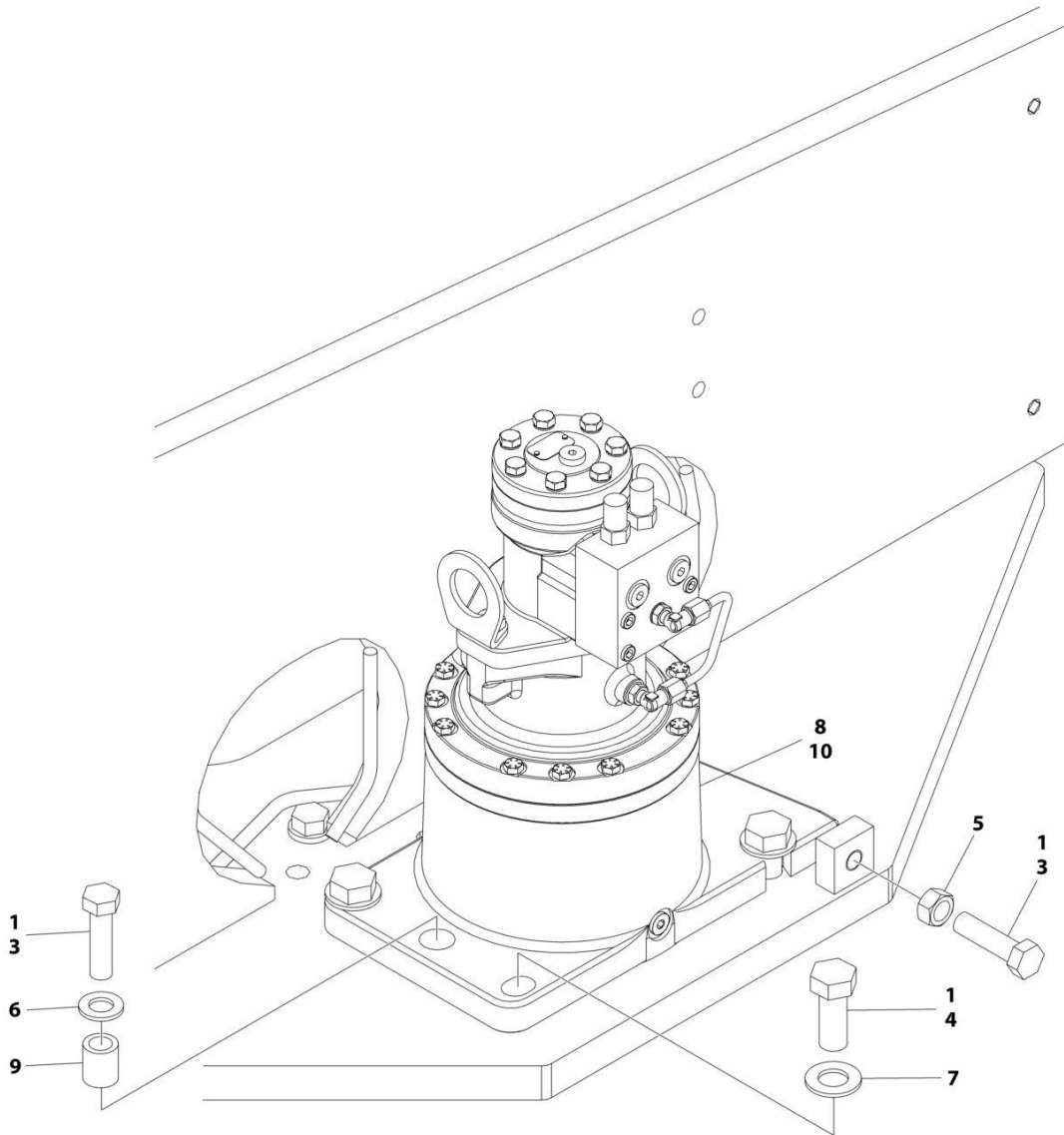
## SECTION 2 - TURNTABLE

ITEM	PART NUMBER	QTY	DESCRIPTION	REV
280	70004052	1	Seal Kit - 70006118 Valve	
280	70004051	1	Coil Nut & Pole Tube O-Ring Kit	
285	70004653	1	Coil	
290	7023821	1	Orifice .8mm	
300	70006119	1	Valve, Check	
310	70006357	1	Orifice 4mm	
801	70002759	4	Plug	
802	70004617	2	Plug	
803	70002758	9	Plug	
806	70006120	2	Plug	



# SECTION 2 - TURNTABLE

## FIGURE 2-3. SWING DRIVE INSTALLATION



ART\_1001185842



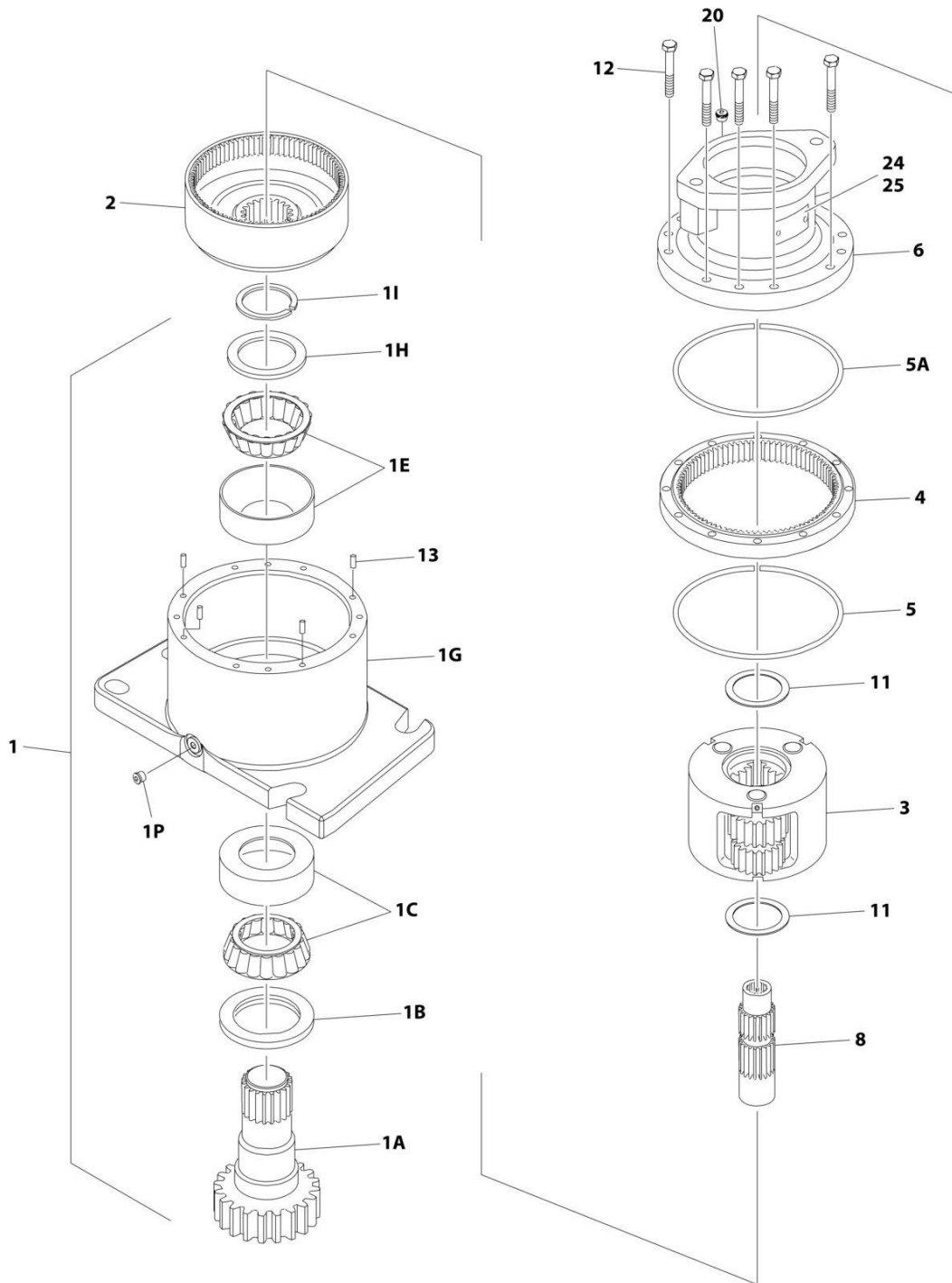
**SECTION 2 - TURNTABLE**

**FIGURE 2-3. SWING DRIVE INSTALLATION**

<b>ITEM</b>	<b>PART NUMBER</b>	<b>QTY</b>	<b>DESCRIPTION</b>	<b>REV</b>
	1001185842	Ref	SWING DRIVE INSTALLATION	B
1	0100019	AR	Compound, Locking	
3	0771620	2	Bolt M16 x 60	
4	0772018	4	Bolt M20 x 50	
5	3291601	1	Nut M16	
6	5241600	1	Washer M16	
7	5242000	4	Washer M20	
8	1001125492	1	Shim	
9	1001134543	1	Spacer	
10	1001187855	1	Swing Motor/Hub Assembly (See Separate Breakdown in this Section)	

# SECTION 2 - TURNTABLE

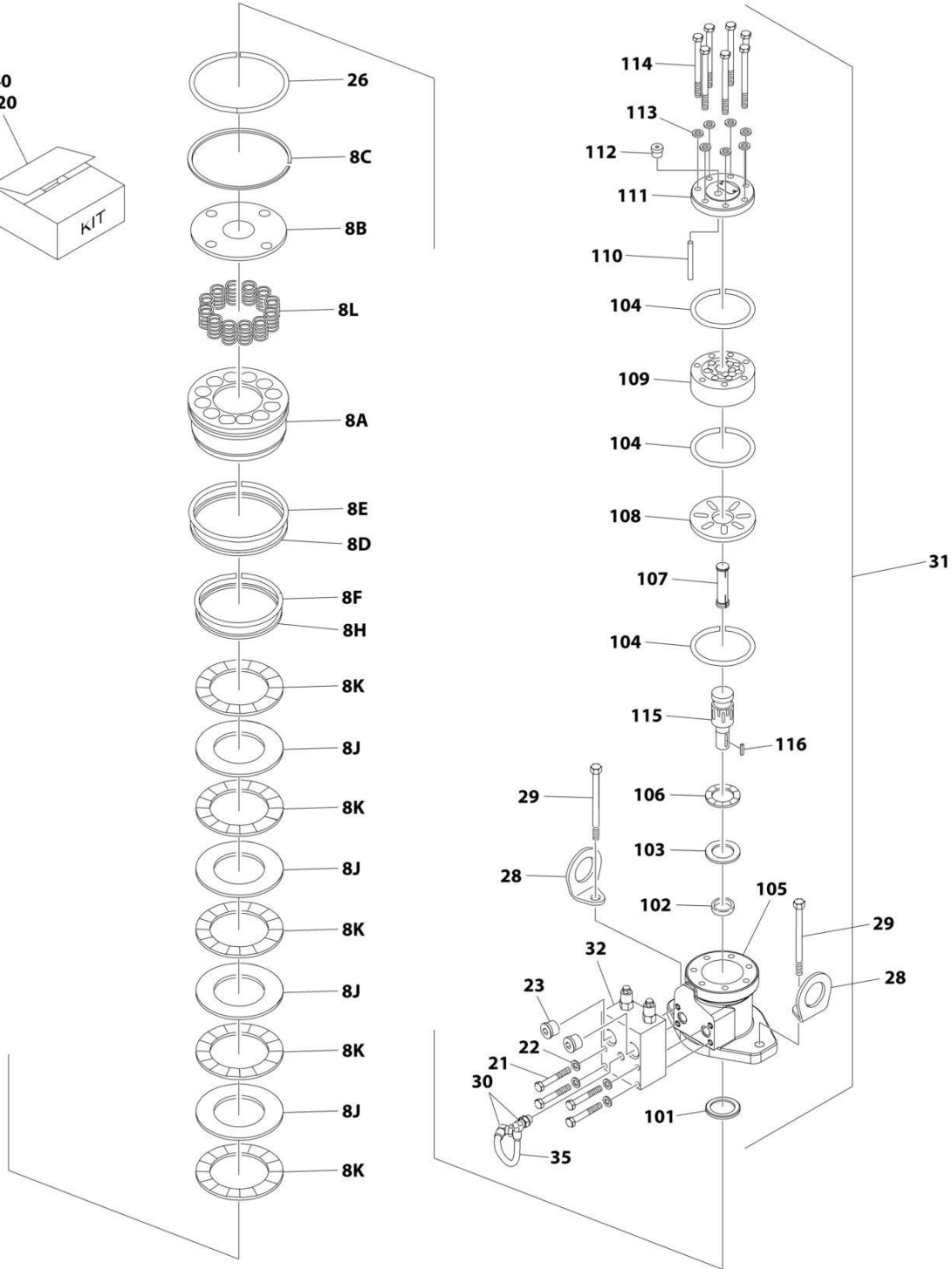
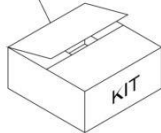
## FIGURE 2-4. SWING MOTOR/HUB ASSEMBLY



ART\_1001187855\_1OF2

# SECTION 2 - TURNTABLE

40  
120



ART\_1001187855\_2OF2

## SECTION 2 - TURNTABLE

**FIGURE 2-4. SWING MOTOR/HUB ASSEMBLY**

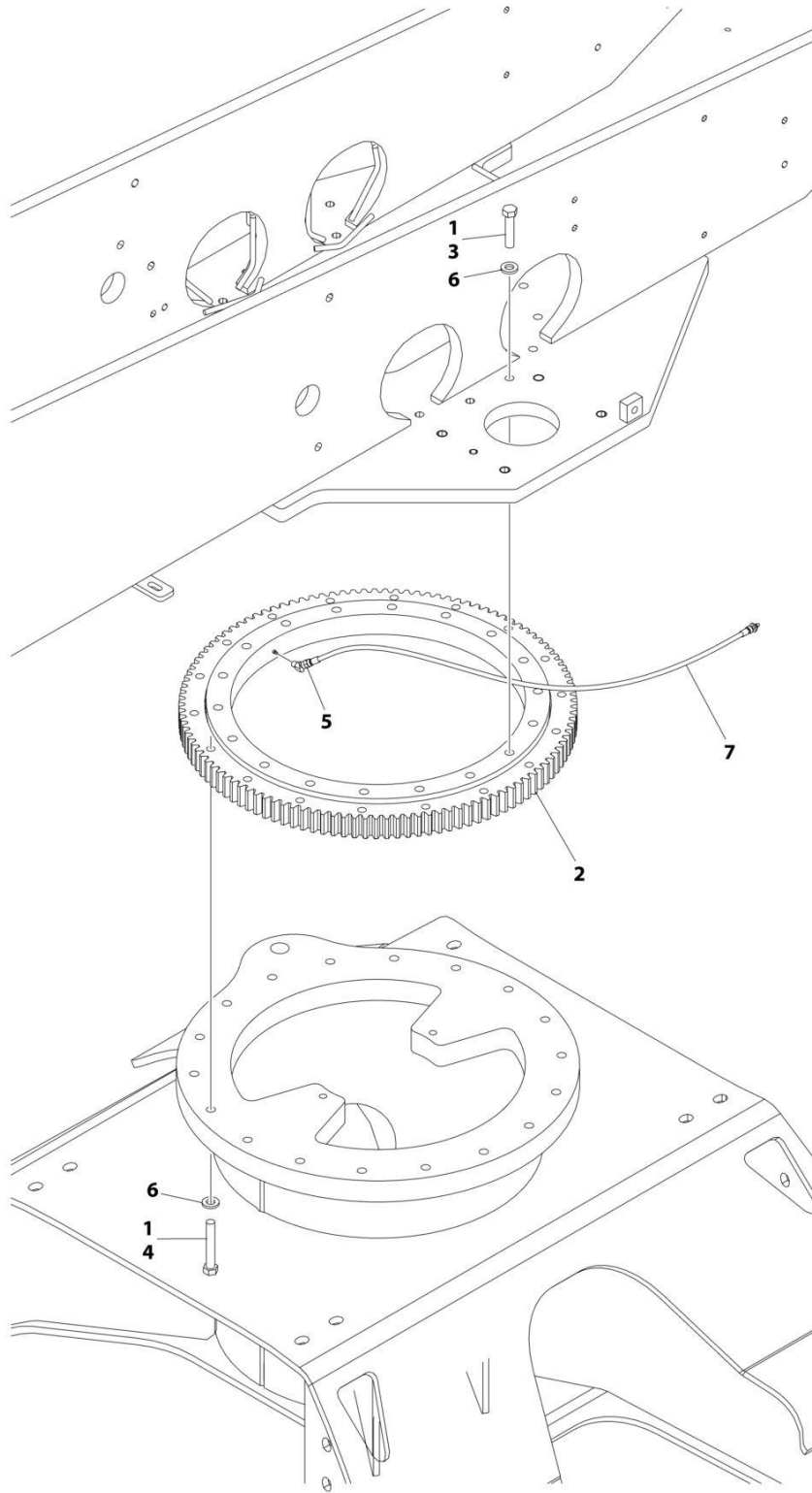
ITEM	PART NUMBER	QTY	DESCRIPTION	REV
	1001187855	Ref	SWING MOTOR/HUB ASSEMBLY	D
1	See Note	NSS	Housing/Shaft Assembly (Note: Not Available - Purchase Complete Swing Motor/Hub Assembly)	
1A	7010492	1	Shaft, Output	
1B	7000228	1	Seal, Lip	
1C	7000255	1	Bearing Kit (Includes Cup and Cone)	
1E	7000257	1	Bearing Kit (Includes Cup and Cone)	
1G	See Note	1	Housing (Note: Not Available for Purchase)	
1H	7007633	1	Thrustwasher	
1I	7000229	1	Ring, Retaining	
1P	7017072	1	Plug, Pipe	
2	7000246	1	Gear, Internal	
3	7000247	1	Carrier Assembly	
3A	7001931	1	Carrier	
3B	7001985	6	Washer, Tanged	
3C	7001909	96	Bearing, Needle	
3D	7000263	3	Thrustwasher	
3E	7001911	3	Shaft, Planet	
3F	7001912	3	Gear, Cluster	
3G	7010474	3	Roll Pin	
4	7000248	1	Gear, Ring	
5	7000230	1	O-Ring (Black)	
5A	7017070	1	O-Ring (White)	
6	See Note	NSS	Housing, Brake (Note: Not Available for Purchase)	
7	70005203	1	Gear, Sun	
8		Ref	Brake Components	
8A	70004037	1	Piston, Brake	
8B	7024743	1	Plate, Pressure	
8C	70004039	1	Ring, Retaining	
8D	70004041	1	O-Ring	
8E	70004044	1	Ring, Back-up	
8F	70004042	1	O-Ring	
8H	70004043	1	Ring, Back-up	
8J	See Note	NSS	Rotor, Brake (Note: Use p/n 70002085)	
8K	See Note	NSS	Stator, Brake (Note: Use p/n 70002085)	
8L	70002066	7	Spring, Brake	
11	7000253	2	Thrustwasher	
12	7000217	12	Bolt, 5/16 x 2-1/4 Grade 8	
13	7017080	4	Pin, Dowel	
20	7017072	1	Plug, Pipe	
21	7024704	4	Bolt 5/16 x 2 Grade 8	
22	70004045	4	Lockwasher	
23	7017023	2	Plug, Pipe	
24	See Note	NSS	Plate, ID (Note: Not Available for Purchase)	
25	See Note	NSS	Rivet	
26	7024763	1	O-Ring	
28	See Note	NSS	Lug, Lifting (Note: Not Available for Purchase)	
29	70004040	2	Bolt 1/2 x 1-1/2 Grade 8	
30	7017085	2	Elbow	
31	70006304	1	Motor Assembly (See Items 101-120 for Breakdown)	

## SECTION 2 - TURNTABLE

ITEM	PART NUMBER	QTY	DESCRIPTION	REV
32	7024784	1	Valve (No Serviceable Parts)	
33	7017082	1	Plug, Pipe (Not Shown)	
35	70004047	1	Tube	
40	7024100	1	Seal Kit - Hub (Includes Items 1B, 1I, 5, 5A & 11)	
	70006304	Ref	Motor Assembly	
101	See Note	NSS	Seal, Dust (Note: Use Item 120)	
102	See Note	NSS	Seal, Shaft (Note: Use Item 120)	
103	See Note	NSS	Thrustwasher (Note: Use Item 120)	
104	See Note	NSS	Seal, Ring (Note: Use Item 120)	
105	See Note	NSS	Housing (Note: Purchase Complete Assembly)	
106	70006306	1	Bearing, Thrust	
107	7005889	1	Link, Drive	
108	70006307	1	Plate, Wear	
109	70006310	1	Rotor Set	
110	7005891	1	Pin	
111	70006308	1	Cover, End	
112	See Note	NSS	Plug (Note: Purchase Complete Assembly)	
113	70006309	1	Washer Kit (Includes 7 Washers)	
114	70006313	1	Bolt Kit (Includes 7 Bolts)	
115	See Note	NSS	Shaft (Note: Purchase Complete Assembly)	
116	See Note	NSS	Key (Note: Purchase Complete Assembly)	
120	70006305	1	Seal Kit - Motor (Includes Items 101-104)	

# SECTION 2 - TURNTABLE

## FIGURE 2-5. TURNTABLE BEARING AND LUBE INSTALLATION



ART\_1001233176

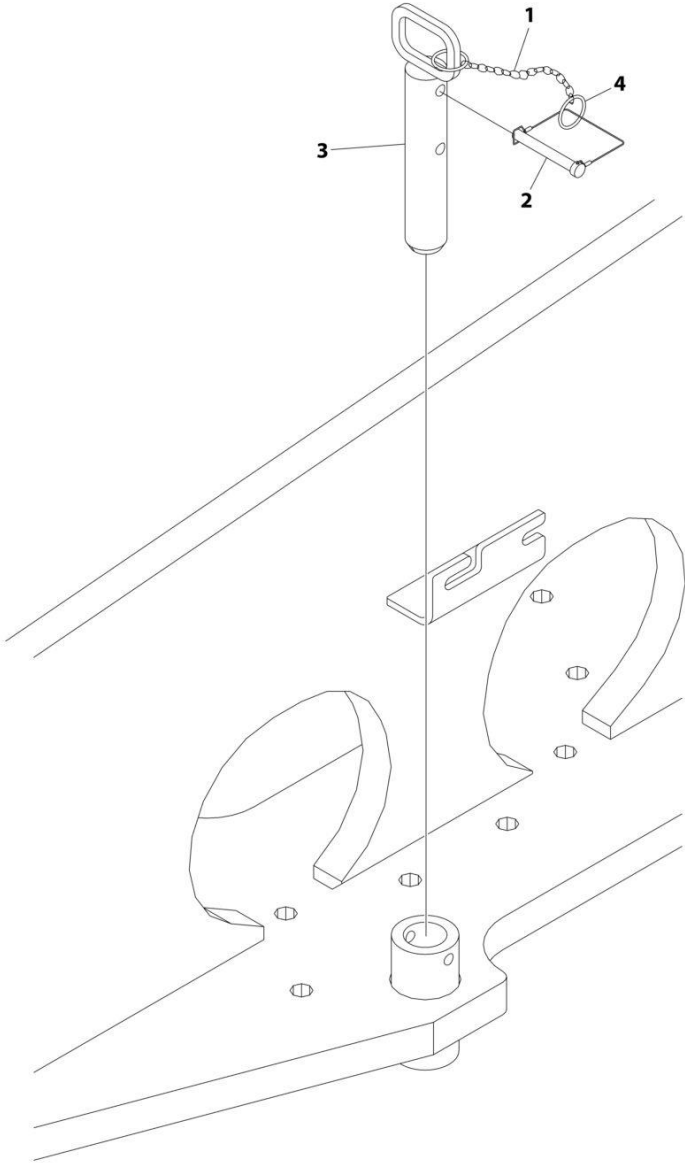
**SECTION 2 - TURNTABLE**

**FIGURE 2-5. TURNTABLE BEARING AND LUBE INSTALLATION**

<b>ITEM</b>	<b>PART NUMBER</b>	<b>QTY</b>	<b>DESCRIPTION</b>	<b>REV</b>
	1001233176	Ref	TURNTABLE BEARING AND LUBE INSTALLATION	A
1	0100019	AR	Compound, Locking	
2	0440233	1	Turntable Bearing	
3	0682023	18	Bolt 5/8 x 2-7/8, Grade 8	
4	0682032	18	Bolt 5/8 x 2-4, Grade 8	
5	2220124	1	Fitting	
6	4892000	36	Washer 5/8	
7	1001188125	1	Hose	

**SECTION 2 - TURNTABLE**

**FIGURE 2-6. TURNTABLE LOCK INSTALLATION**



ART\_1001187022\_B



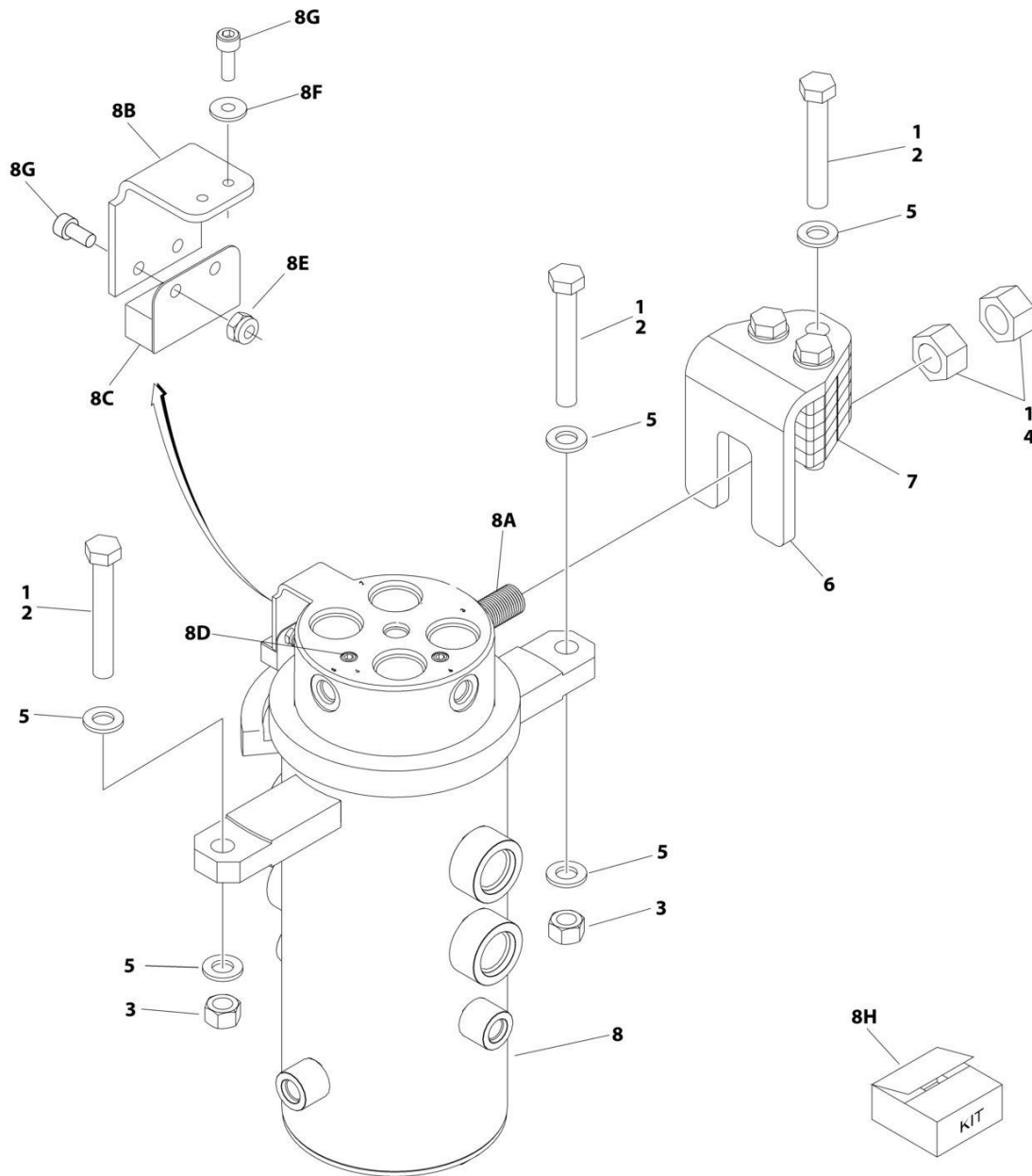
**SECTION 2 - TURNTABLE**

**FIGURE 2-6. TURNTABLE LOCK INSTALLATION**

<b>ITEM</b>	<b>PART NUMBER</b>	<b>QTY</b>	<b>DESCRIPTION</b>	<b>REV</b>
	1001187022	Ref	TURNTABLE LOCK INSTALLATION	B
1	1260017	9 in/23cm	Chain	
2	3421565	1	Snap-Pin	
3	1001169582	1	Pin, Lock	
4	3760170	2	Ring	

# SECTION 2 - TURNTABLE

## FIGURE 2-7. ROTARY COUPLING INSTALLATION



ART\_1001233177

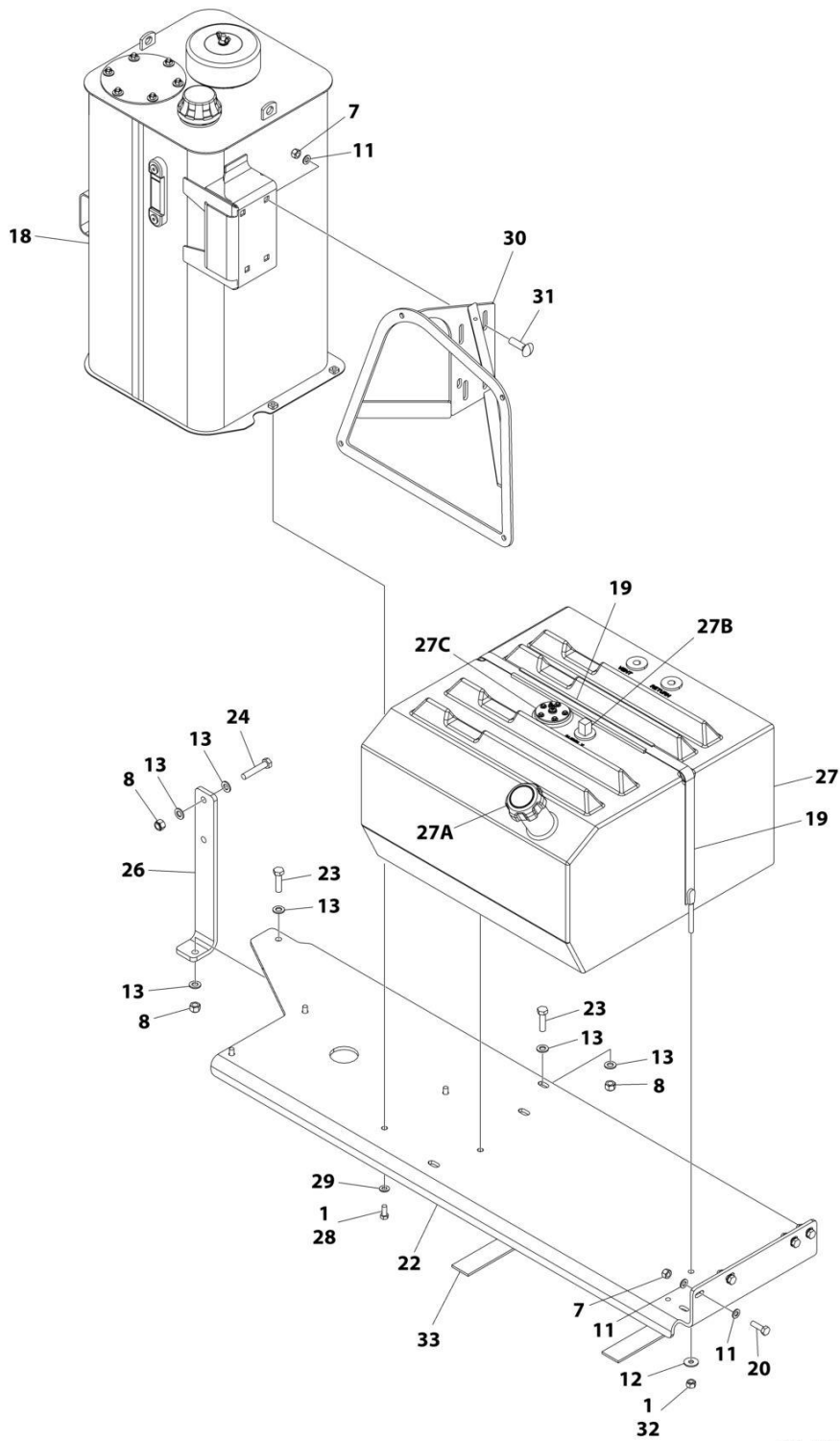
## SECTION 2 - TURNTABLE

### FIGURE 2-7. ROTARY COUPLING INSTALLATION

ITEM	PART NUMBER	QTY	DESCRIPTION	REV
	1001233177	Ref	ROTARY COUPLING INSTALLATION	A
1	0100011	AR	Compound, Locking	
2	0701226	5	Bolt M12 x 90	
3	3291207	2	Nut M12	
4	3322201	2	Nut 3/4	
5	4812100	7	Washer M12	
6	1001103837	1	Mount	
7	1001189522	5	Shim, Swivel Mount	
8	1001189523	1	Coupling, Swivel 7 Port	
8A	70005244	1	Lug	
8B	70003454	1	Bracket, Switch Mounting	
8C	4360517	1	Switch, Proximity	
8D	2200221	2	Plug	
8E	3311005	2	Nut, Lock #10	
8F	4711000	2	Washer #10	
8G	3931008	2	Screw #10 x 1/2	
8H	70005322	1	Seal Kit - 1001233177 Coupling	

# SECTION 2 - TURNTABLE

## FIGURE 2-8. TANKS INSTALLATION - DIESEL MACHINES (POLY FUEL TANK) (HELGESEN HYDRAULIC TANK)



ART\_1001188257\_L

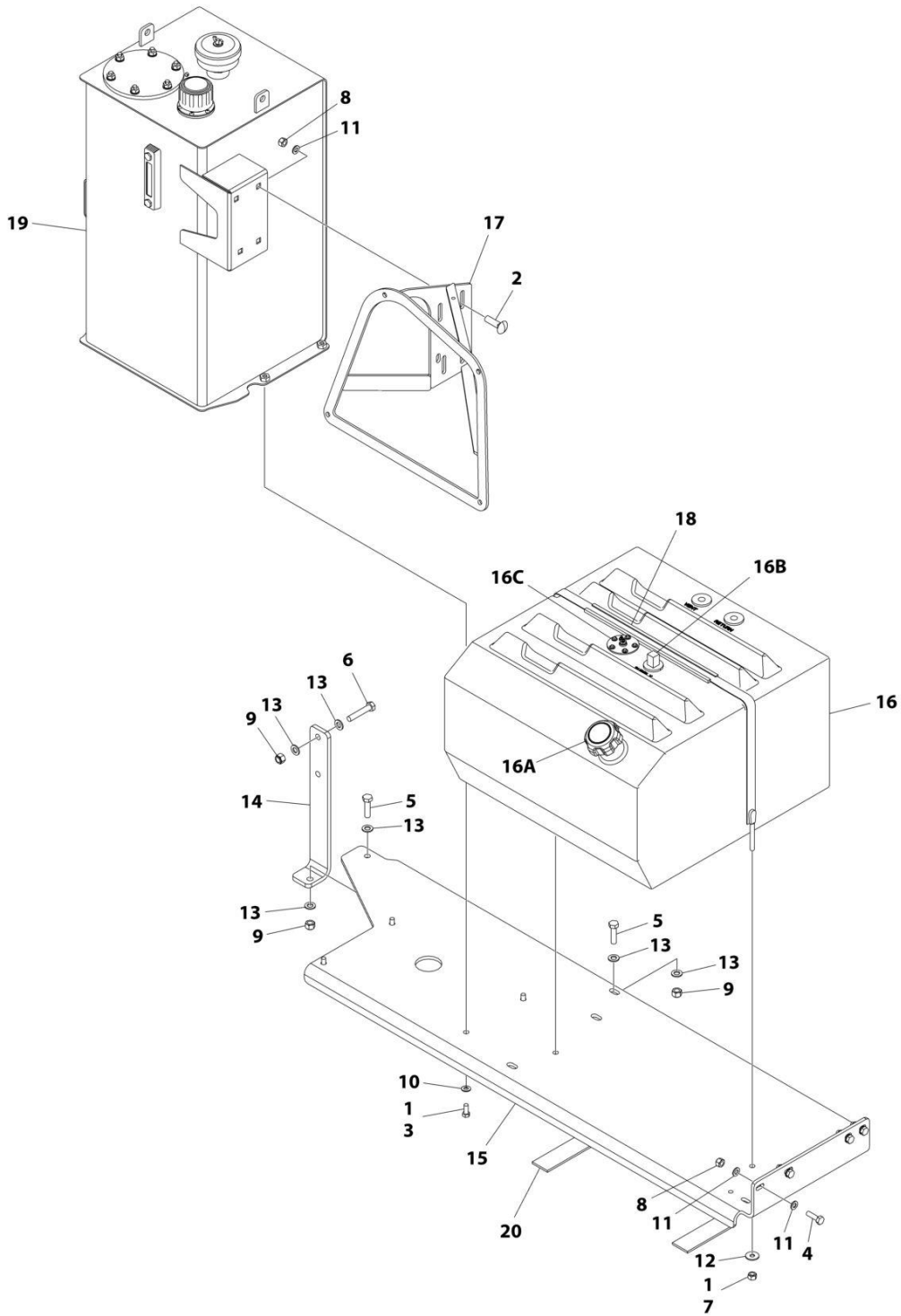
## SECTION 2 - TURNTABLE

**FIGURE 2-8. TANKS INSTALLATION - DIESEL MACHINES (POLY FUEL TANK) (HELGESEN HYDRAULIC TANK)**

ITEM	PART NUMBER	QTY	DESCRIPTION	REV
	1001188257	Ref	TANKS INSTALLATION	L
1	0100011	AR	Compound, Locking	
7	3291005	8	Nut M10	
8	3291205	4	Nut M12	
11	4812000	12	Washer M10	
12	4812002	2	Washer M10	
13	4812100	8	Washer M12	
18	1001178057	1	Hydraulic Tank Assembly (See Separate Breakdown in this Section)	
19	1001238954	1	Strap Assembly	
19	1001189119	1	Strap	
19	4280295	48 in/ 122cm	Strip, Protector	
20	0701015	4	Bolt M10 x 35	
22	1001199933	1	Tray	
23	0701217	2	Bolt M12 x 45	
24	0701221	2	Bolt M12 x 65	
26	1001199883	1	Support	
27	1001201325	1	Tank, Fuel	
27A	70004414	1	Cap, Fill	
27B	7020043	1	Tube, Pickup	
27C	1001148607	1	Sender, Fuel Level	
27C	0731005	5	Screw #10 x 5/8	
27C	4751000	5	Washer #10	
28	0641608	4	Bolt 3/8 x 1	
29	4711600	4	Washer 3/8	
30	1001213251	1	Support, Ground Control	
31	0630613	4	Bolt M10 x 30	
32	3291001	2	Nut M10	
33	4420038	AR	Tape	

# SECTION 2 - TURNTABLE

## FIGURE 2-9. TANKS INSTALLATION - DIESEL MACHINES (POLY FUEL TANK) (JIANGYING HYDRAULIC TANK)



ART\_1001267284

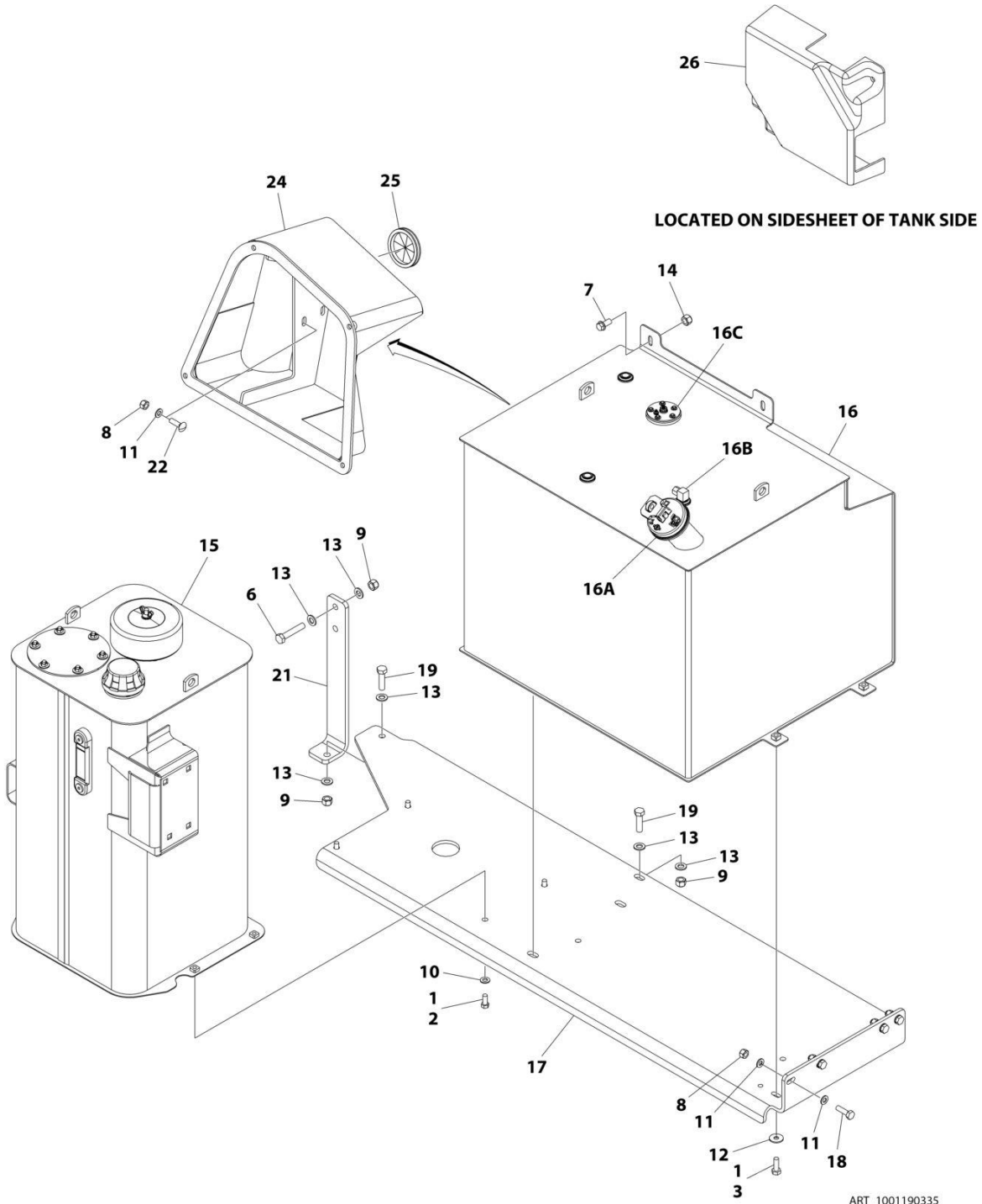
## SECTION 2 - TURNTABLE

**FIGURE 2-9. TANKS INSTALLATION - DIESEL MACHINES (POLY FUEL TANK) (JIANGYING HYDRAULIC TANK)**

ITEM	PART NUMBER	QTY	DESCRIPTION	REV
	1001267284	Ref	TANKS INSTALLATION – DIESEL MACHINES	A
1	0100011	AR	Compound, Locking	
2	0630613	4	Bolt M10 x 30	
3	0641608	4	Bolt 3/8 x 1	
4	0701015	4	Bolt M10 x 35	
5	0701217	2	Bolt M12 x 45	
6	0701221	2	Bolt M12 x 65	
7	3291001	2	Nut M10	
8	3291005	8	Nut M10	
9	3291205	4	Nut M12	
10	4711600	4	Washer 3/8	
11	4812000	12	Washer M10	
12	4812002	2	Washer M10	
13	4812100	8	Washer M12	
14	1001199883	1	Support	
15	1001199933	1	Tray	
16	1001201325	1	Tank, Fuel	
16A	70004414	1	Cap, Fill	
16B	7020043	1	Tube, Pickup	
16C	1001148607	1	Sender, Fuel Level	
16C	0731005	5	Screw #10 x 5/8	
16C	4751000	5	Washer #10	
17	1001213251	1	Support, Ground Control	
18	1001238954	1	Strap Assembly	
18	1001189119	1	Strap	
18	4280295	48 in/ 122 cm	Strip, Protector	
19	1001267678	1	Hydraulic Tank Assembly	
20	4420038	30 in/ 76.2 cm	Tape, Rubber	

# SECTION 2 - TURNTABLE

## FIGURE 2-10. TANKS INSTALLATION - DIESEL MACHINES (STEEL FUEL TANK) (HELGESEN HYDRAULIC TANK)





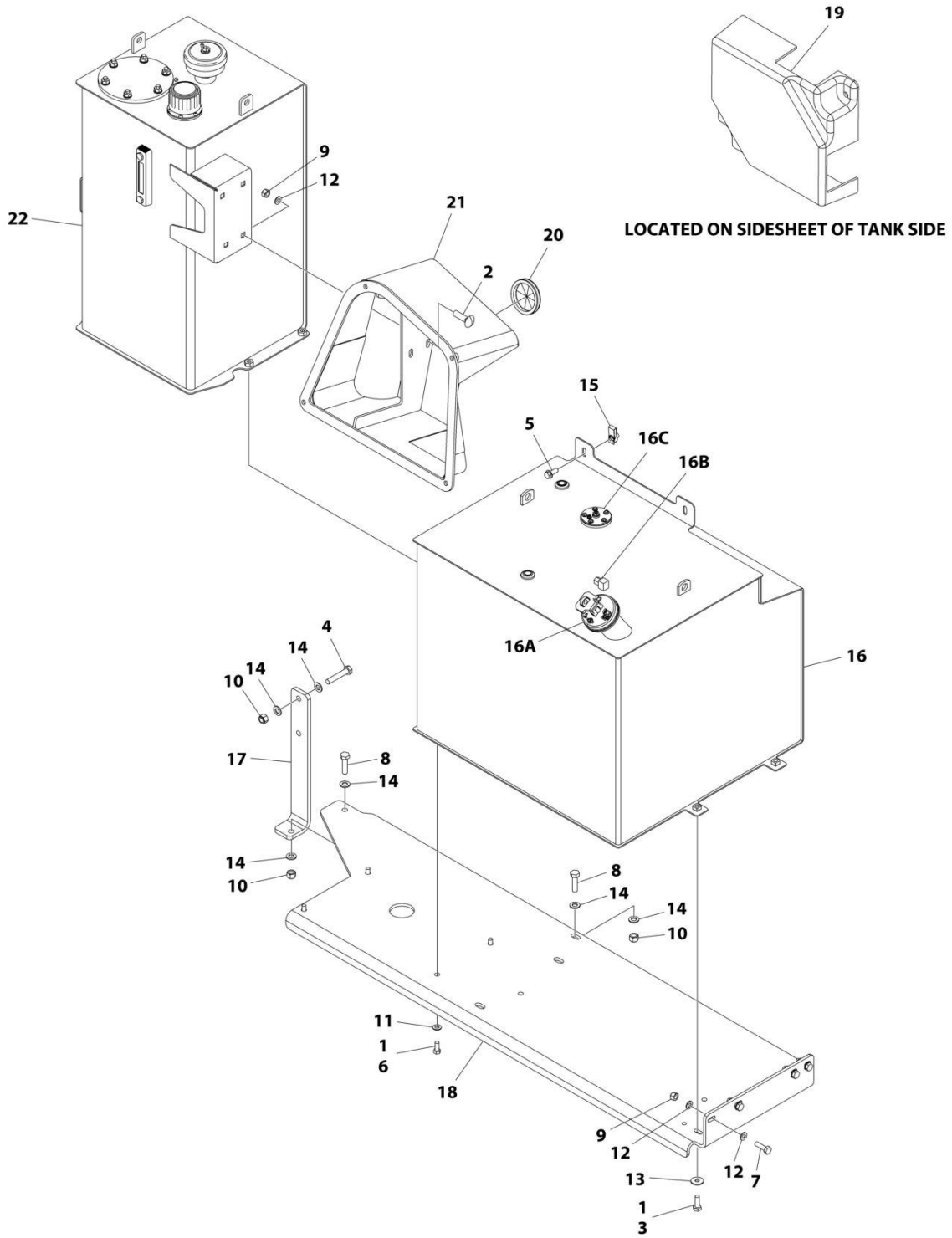
## SECTION 2 - TURNTABLE

**FIGURE 2-10. TANKS INSTALLATION - DIESEL MACHINES (STEEL FUEL TANK) (HELGESEN HYDRAULIC TANK)**

ITEM	PART NUMBER	QTY	DESCRIPTION	REV
	1001190335	Ref	TANKS INSTALLATION	I
1	0100011	AR	Compound, Locking	
2	0641607	4	Bolt 3/8 x 7/8	
2	0641608	4	Bolt 3/8 x 1	
3	0761014	4	Bolt M10 x 30	
6	0701221	2	Bolt M12 x 65	
7	5251012	2	Bolt M10 x 25	
8	3291005	8	Nut M10	
9	3291205	4	Nut M12	
10	4711600	4	Washer 3/8	
11	4812000	12	Washer M10	
12	4812002	4	Washer M10	
13	4812100	8	Washer M12	
14	1001118972	1	Nut, Tinnerman M10	
15	1001178057	1	Hydraulic Tank Assembly (See Separate Breakdown in this Section)	
16	1001189764	1	Tank, Fuel	
16A	1001080707	1	Cap, Fill	
16B	70006314	1	Tube, Pickup	
16C	1001189800	1	Sender, Fuel Level	
16C	0731005	5	Screw #10 x 5/8	
16C	4751000	5	Washer #10	
17	1001199933	1	Tray	
18	0701015	4	Bolt M10 x 35	
19	0701217	2	Bolt M12 x 45	
21	1001199883	1	Support	
22	1001228406	4	Bolt M10 x 35	
22	0630613	4	Bolt M10 x 30	
24	1001229572	1	Mount, Ground Control	
25	1001218676	1	Grommet	
26	1001218539	1	Cover	

# SECTION 2 - TURNTABLE

## FIGURE 2-11. TANKS INSTALLATION - DIESEL MACHINES (STEEL FUEL TANK) (JIANGYING HYDRAULIC TANK)



ART\_1001267285

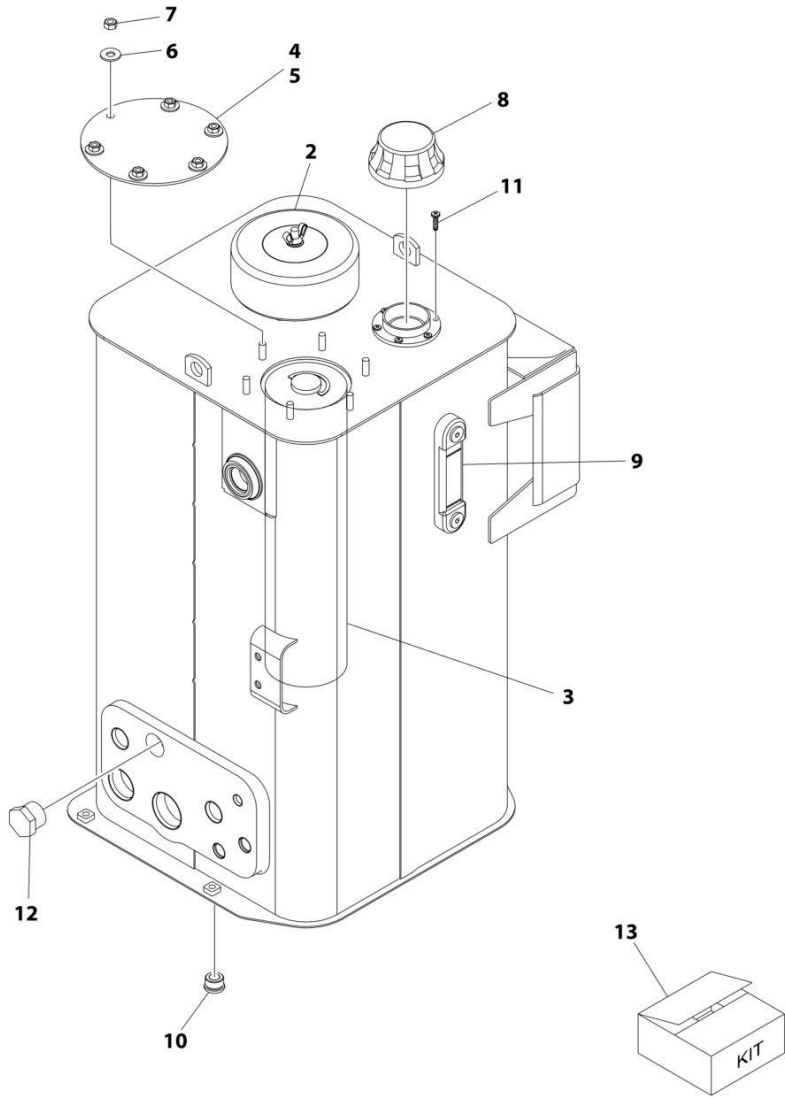
## SECTION 2 - TURNTABLE

**FIGURE 2-11. TANKS INSTALLATION - DIESEL MACHINES (STEEL FUEL TANK) (JIANGYING HYDRAULIC TANK)**

ITEM	PART NUMBER	QTY	DESCRIPTION	REV
	1001267285	Ref	TANKS INSTALLATION – DIESEL MACHINES	A
1	0100011	AR	Compound, Locking	
2	0630613	4	Bolt M10 x 30	
3	0761014	4	Bolt M10 x 30	
4	0701221	2	Bolt M12 x 65	
5	5251012	1	Bolt M10 x 25	
6	0641608	4	Bolt 3/8 x 1	
7	0701015	4	Bolt M10 x 35	
8	0701217	2	Bolt M12 x 45	
9	3291005	8	Nut M10	
10	3291205	4	Nut M12	
11	4711600	4	Washer 3/8	
12	4812000	12	Washer M10	
13	4812002	4	Washer M10	
14	4812100	8	Washer M12	
15	1001118972	1	Nut, Tinnerman M10	
16	1001189764	1	Tank, Fuel	
16A	1001080707	1	Cap, Fill	
16B	70006314	1	Tube, Pickup	
16C	1001189800	1	Sender, Fuel Level	
16C	0731005	5	Screw #10 x 5/8	
16C	4751000	5	Washer #10	
17	1001199883	1	Support	
18	1001199933	1	Tray	
19	1001218539	1	Cover	
20	1001218676	1	Grommet	
21	1001229572	1	Mount, Ground Control	
22	1001267678	1	Hydraulic Tank Assembly	

# SECTION 2 - TURNTABLE

## FIGURE 2-12. HYDRAULIC TANK ASSEMBLY (HELGESEN HYDRAULIC TANK)



ART\_1001178057

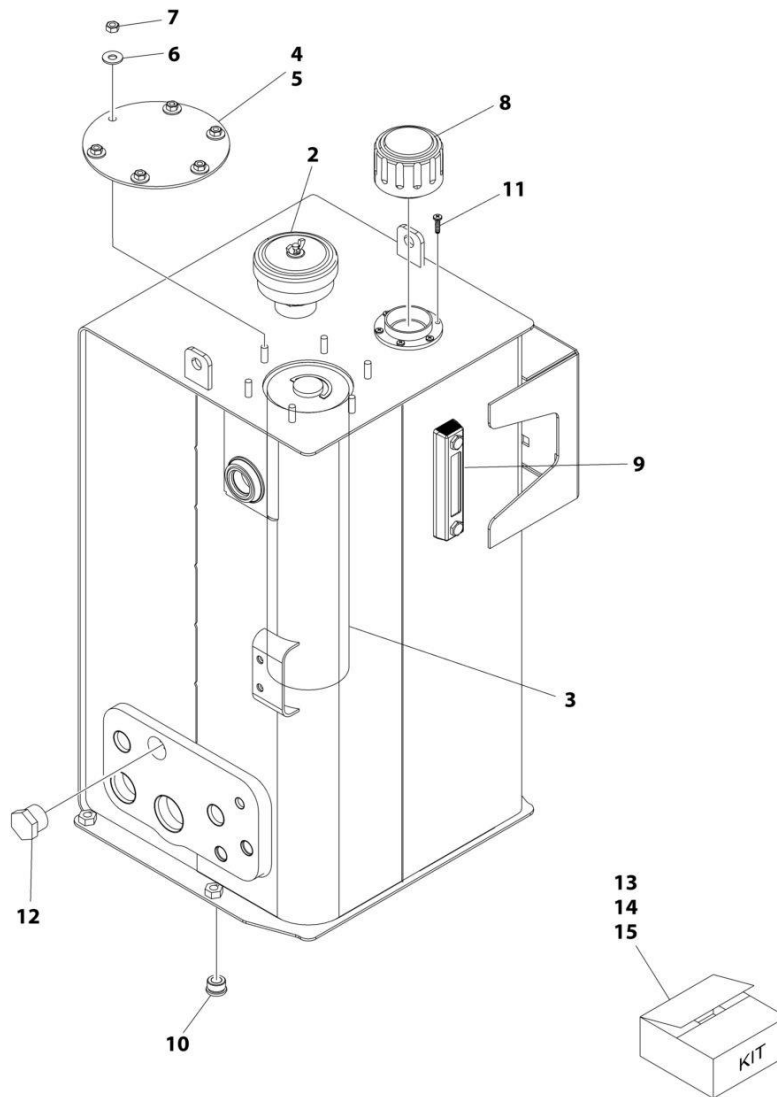
## SECTION 2 - TURNTABLE

**FIGURE 2-12. HYDRAULIC TANK ASSEMBLY (HELGESEN HYDRAULIC TANK)**

ITEM	PART NUMBER	QTY	DESCRIPTION	REV
	1001178057	Ref	HYDRAULIC TANK ASSEMBLY	D
2	70005708	1	Breather Assembly (Includes Breather, Element and Wingnut)	
2	See Note	NSS	Element, Breather (Note: Use p/n 70005708 or Item 13)	
3	See Note	NSS	Element, Hydraulic (Note: Use Item 13)	
4	70002839	1	Gasket	
5	See Note	NSS	Cover (Note: Not Available for Purchase)	
6	83304173	6	Washer 5/16	
7	70004199	6	Nut 5/16	
8	70002838	1	Cap, Fill	
9	7024441	1	Gauge, Level	
10	70002112	1	Plug	
11	70004795	6	Screw #10 x 3/4	
12	See Note	NSS	Plug (Note: Not Available - Purchase Locally)	
13	70002814	1	Hydraulic Tank Service Kit (Includes Items 2-4)	

# SECTION 2 - TURNTABLE

## FIGURE 2-13. HYDRAULIC TANK ASSEMBLY (JIANGYING HYDRAULIC TANK)



ART\_1001267678

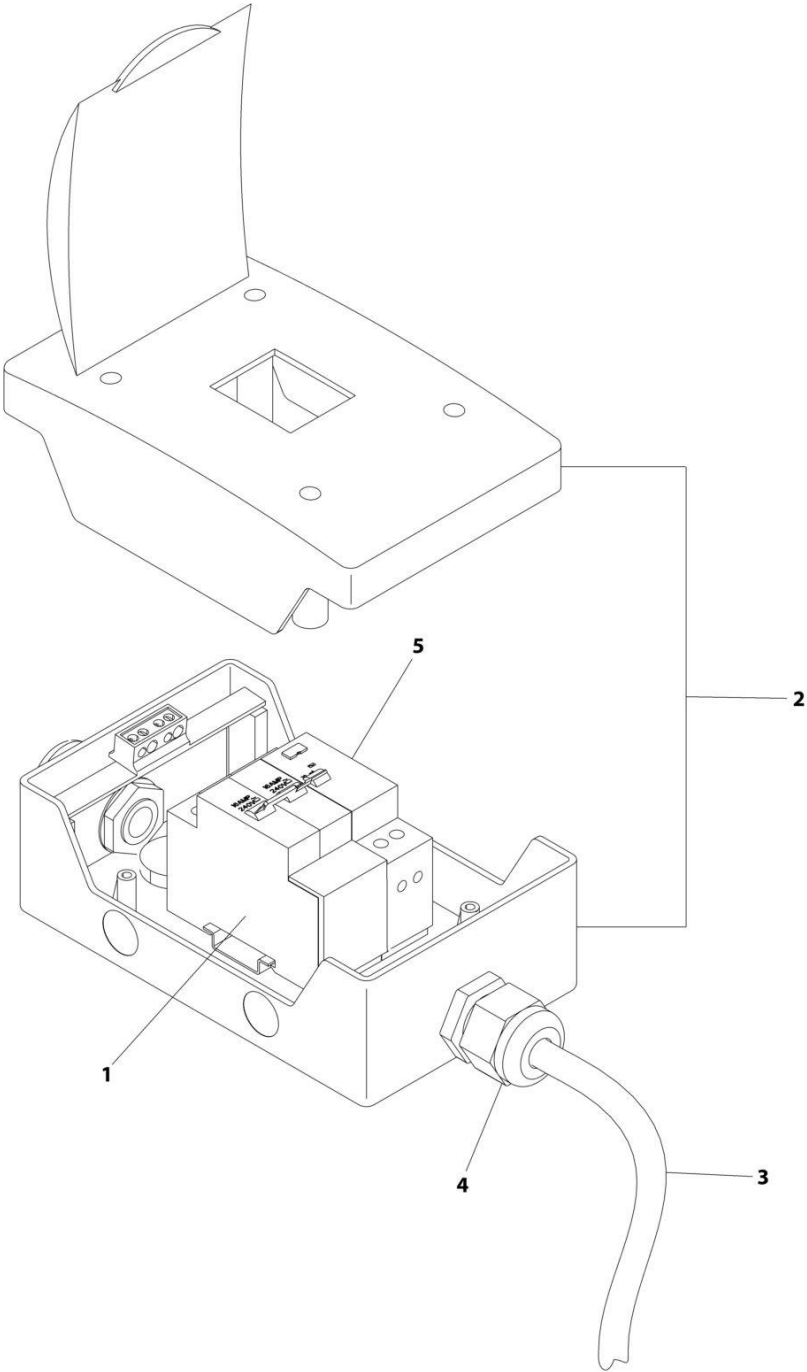
## SECTION 2 - TURNTABLE

**FIGURE 2-13. HYDRAULIC TANK ASSEMBLY (JIANGYING HYDRAULIC TANK)**

ITEM	PART NUMBER	QTY	DESCRIPTION	REV
	1001267678	REF	HYDRAULIC TANK ASSEMBLY	A
1	See Note	NSS	Hydraulic Tank Weldment (Not Shown) (Note: Not Available for Purchase)	
2	See Note	NSS	Breather Assembly (Note: Use Item 13)	
3	See Note	NSS	Element, Filter (Note: Use Item Use Item 14)	
4	70002839	1	Gasket	
5	See Note	NSS	Cover (Note: Not Available for Purchase)	
6	83304173	6	Washer 1/4	
7	70004199	6	Nut 5/16	
8	70002838	1	Cap, Fill	
9	70024441	1	Gauge, Level	
10	70002112	1	Plug	
11	70004795	6	Screw 10 x 3/4	
12	See Note	NSS	Plug (Note: Not Available for Purchase)	
13	70007726	1	Breather Kit (Note: Includes Item 2)	
14	70007727	1	Return Filter Kit (Note: Includes Item 3)	
15	70007725	1	Level Gauge Kit	

**SECTION 2 - TURNTABLE**

**FIGURE 2-14. BREAKER BOX KIT**



ART\_1001152486\_C



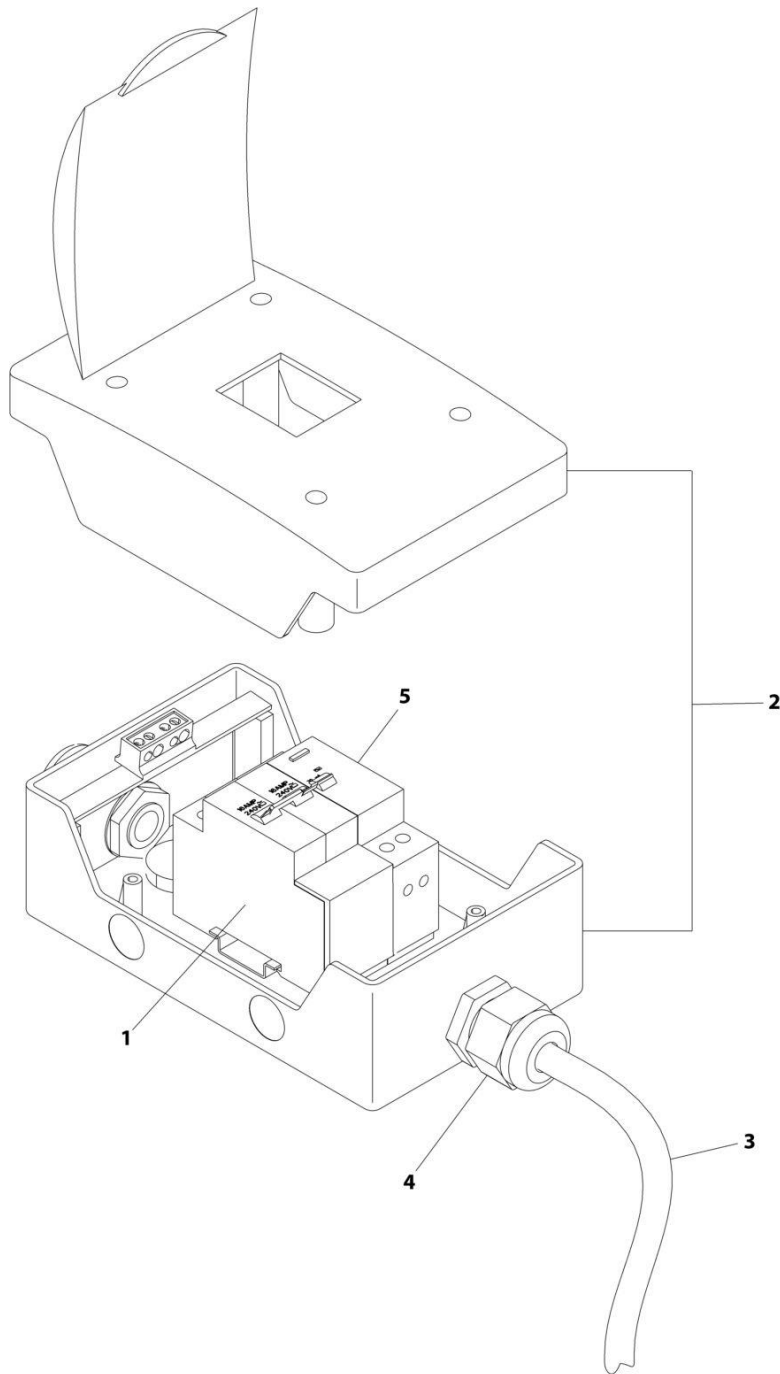
**SECTION 2 - TURNTABLE**

**FIGURE 2-14. BREAKER BOX KIT**

<b>ITEM</b>	<b>PART NUMBER</b>	<b>QTY</b>	<b>DESCRIPTION</b>	<b>REV</b>
	1001152486	Ref	BREAKER BOX KIT	C
1	1001189172	1	Breaker, 16 Amp (Double)	
2	1001152483	1	Box	
3	1060908	12 ft/ 3.66m	Cable, 12/3	
4	1001097150	1	Connector, Strain Relief	
5	1001189171	1	Breaker, 30mA	

## SECTION 2 - TURNTABLE

FIGURE 2-15. BREAKER BOX KIT WITH THREE BREAKERS



ART\_1001152485\_F

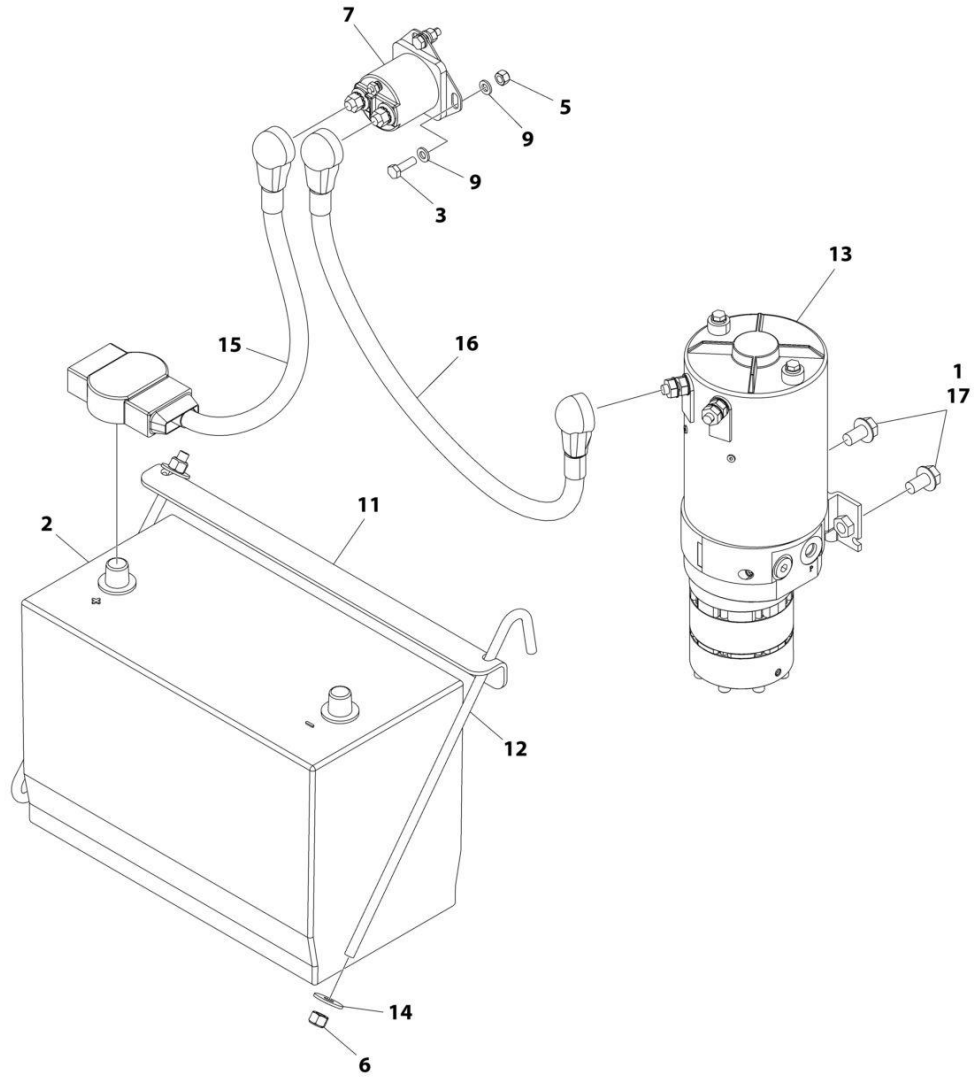
**SECTION 2 - TURNTABLE**

**FIGURE 2-15. BREAKER BOX KIT WITH THREE BREAKERS**

<b>ITEM</b>	<b>PART NUMBER</b>	<b>QTY</b>	<b>DESCRIPTION</b>	<b>REV</b>
	1001152485	Ref	BREAKER BOX KIT WITH TWO BREAKERS	F
1	1001189172	1	Breaker 16Amp Double	
2	1001152483	1	Box	
3	1060908	6 ft/1.8m	Cable, 12/3	
4	1001097150	2	Connector, Strain Relief	
5	1001189171	1	Breaker, 30mA	

# SECTION 2 - TURNTABLE

## FIGURE 2-16. BATTERY AND AUXILIARY PUMP INSTALLATION



ART\_1001186346

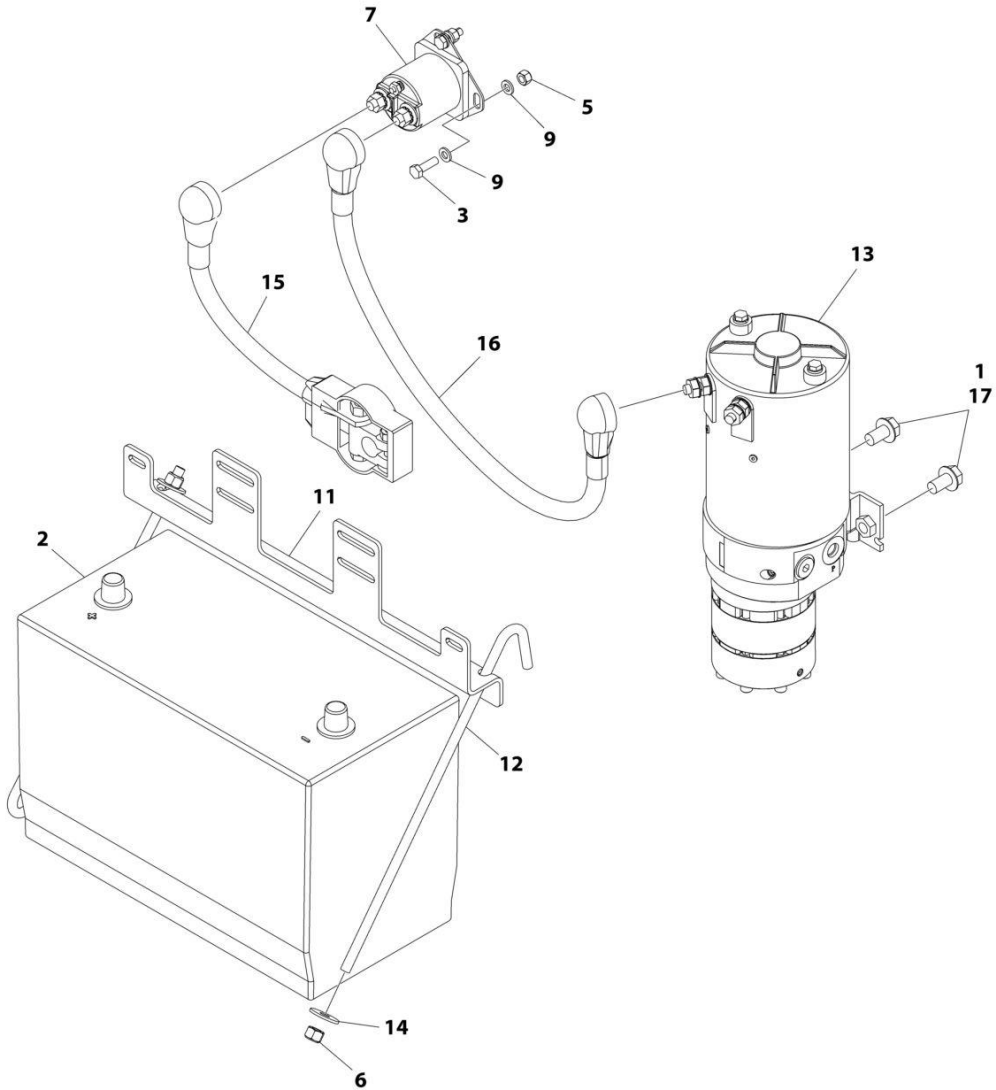
## SECTION 2 - TURNTABLE

**FIGURE 2-16. BATTERY AND AUXILIARY PUMP INSTALLATION**

ITEM	PART NUMBER	QTY	DESCRIPTION	REV
	1001186346	Ref	BATTERY AND AUXILIARY PUMP INSTALLATION	G
1	0100011	AR	Compound, Locking	
2	0400075	1	Battery	
3	0700610	2	Bolt M6 x 20	
5	3290605	2	Nut M6	
6	3290805	2	Nut M8	
7	3740067	1	Relay	
9	4811700	4	Washer M6	
11	91401281	1	Bracket, Hold Down	
12	1001192012	2	J-Bolt	
13	1001187808	1	Auxiliary Pump/Motor Assembly (Note: Replacement Motor is only Service Component Available. For Other Components, Replace Complete Assembly.)	
13	70003998	1	Motor, Replacement	
14	4811902	2	Washer M8	
15	1001188664	1	Cable, Battery (+)	
16	1001188666	1	Cable, Aux Relay to Aux Pump	
17	5251009	2	Bolt M10 x 18	

## SECTION 2 - TURNTABLE

FIGURE 2-17. BATTERY AND AUXILIARY PUMP W/DISCONNECT SWITCH INSTALLATION



ART\_1001238663

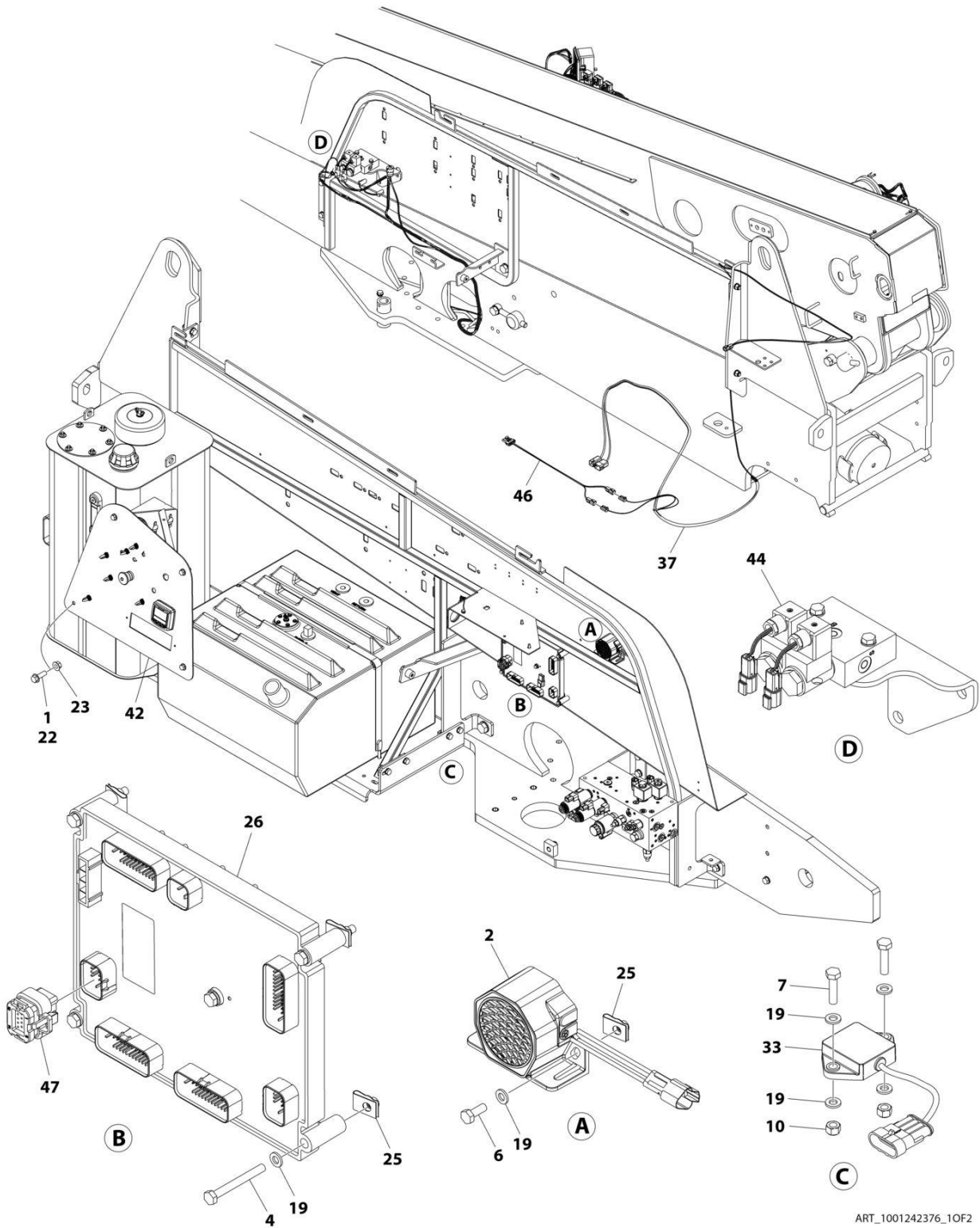
## SECTION 2 - TURNTABLE

**FIGURE 2-17. BATTERY AND AUXILIARY PUMP W/DISCONNECT SWITCH INSTALLATION**

ITEM	PART NUMBER	QTY	DESCRIPTION	REV
	1001238663	Ref	BATTERY AND AUXILIARY PUMP W/DISCONNECT SWITCH INSTALLATION	B
1	0100011	AR	Compound, Locking	
2	0400075	1	Battery	
3	0700610	2	Bolt M6 x 20	
5	3290605	2	Nut M6	
6	3290805	2	Nut M8	
7	3740067	1	Relay	
9	4811700	4	Washer M6	
11	1001236303	1	Bracket, Hold Down	
12	1001192012	2	J-Bolt	
13	1001187808	1	Auxiliary Pump/Motor Assembly (Note: Replacement Motor is only Service Component Available. For Other Components, Replace Complete Assembly.)	
13	70003998	1	Motor, Replacement	
14	4811902	2	Washer M8	
15	1001188664	1	Cable, Battery (+)	
16	1001188666	1	Cable, Aux Relay to Aux Pump	
17	5251009	2	Bolt M10 x 18	

# SECTION 2 - TURNTABLE

## FIGURE 2-18. ELECTRICAL COMPONENTS INSTALLATION



ART\_1001242376\_10F2



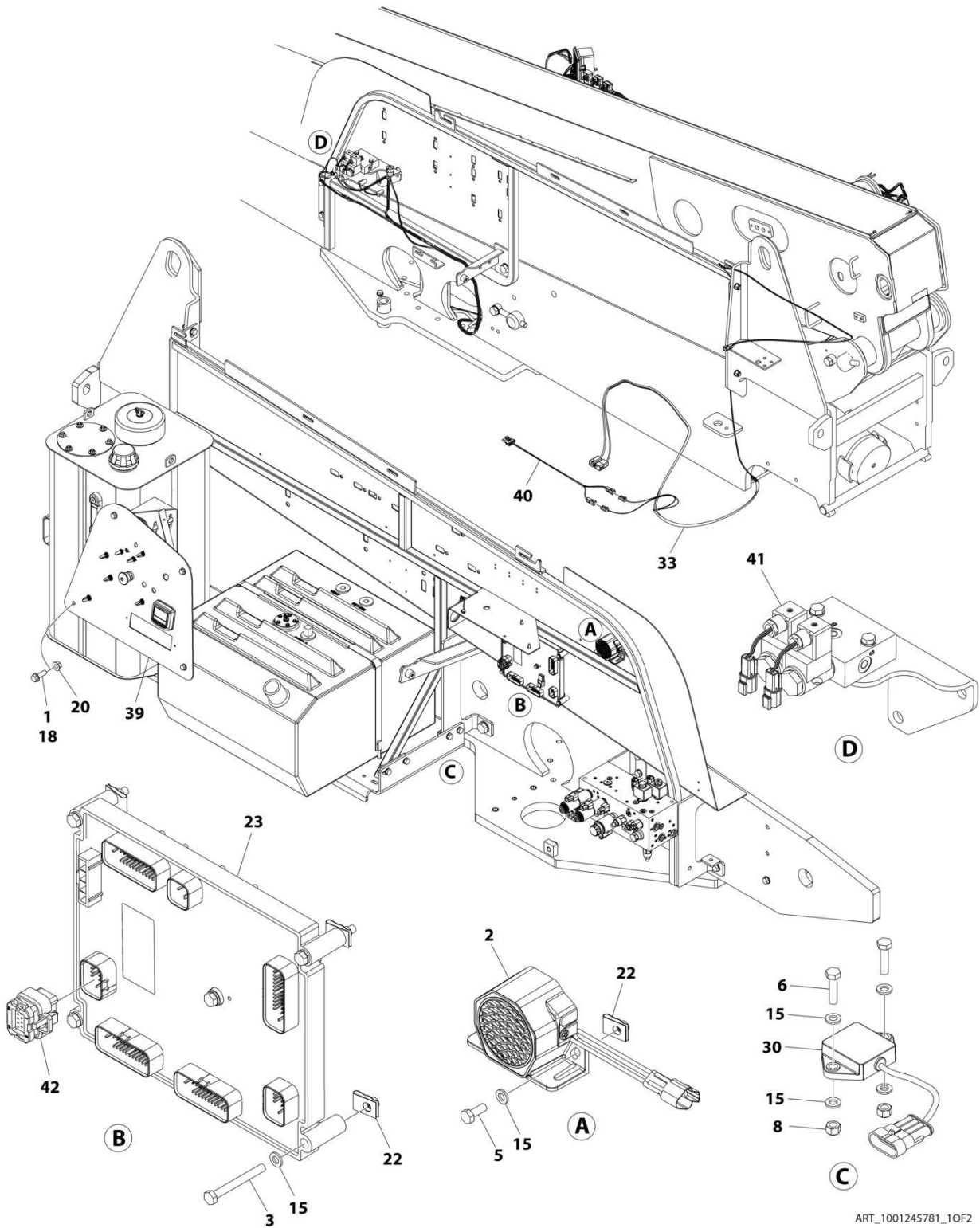
## SECTION 2 - TURNTABLE

### FIGURE 2-18. ELECTRICAL COMPONENTS INSTALLATION

ITEM	PART NUMBER	QTY	DESCRIPTION	REV
	1001242376	Ref	ELECTRICAL COMPONENTS INSTALLATION	F
1	0100011	AR	Compound, Locking	
2	0140043	1	Alarm	
4	0700619	5	Bolt M6 X 55	
6	0760608	5	Bolt M6 X 16	
7	0760612	2	Bolt M6 X 25	
10	3290605	5	Bolt M6 X 1	
19	4811700	17	Washer M6	
22	5251014	4	Bolt M10 x 30	
23	5261000	4	Nut M10	
25	1001130220	7	Nut M6	
26	1001187200	1	Module, Ground Control (Note: Re-calibration Required when Replaced)	
26	1001280340	1	Module, Ground Control (Note: Re-calibration Required when Replaced)	
33	1001219601	1	Tilt Sensor, Dual Axis	
37	1001238405	1	Turntable Harness Assembly (See Separate Breakdown ELECTRICAL Section)	
42	1001241588	1	Control Panel Installation (See Separate Breakdown in this Section)	
44	1001246010	2	Can Field Harness	
44	4460897	1	Receptacle, Female - 2 Position	
44	4640464	2	Pin, Male	
44	4460880	1	Connector, DIN	
46	1001241304	1	Left Drive Harness (See Separate Breakdown ELECTRICAL Section)	
47	1001246859	1	Connector, 14 Position Gray	

# SECTION 2 - TURNTABLE

## FIGURE 2-19. ELECTRICAL COMPONENTS INSTALLATION (DEUTZ TD2.9L4 (STAGE V) ENGINES)



ART\_1001245781\_10F2

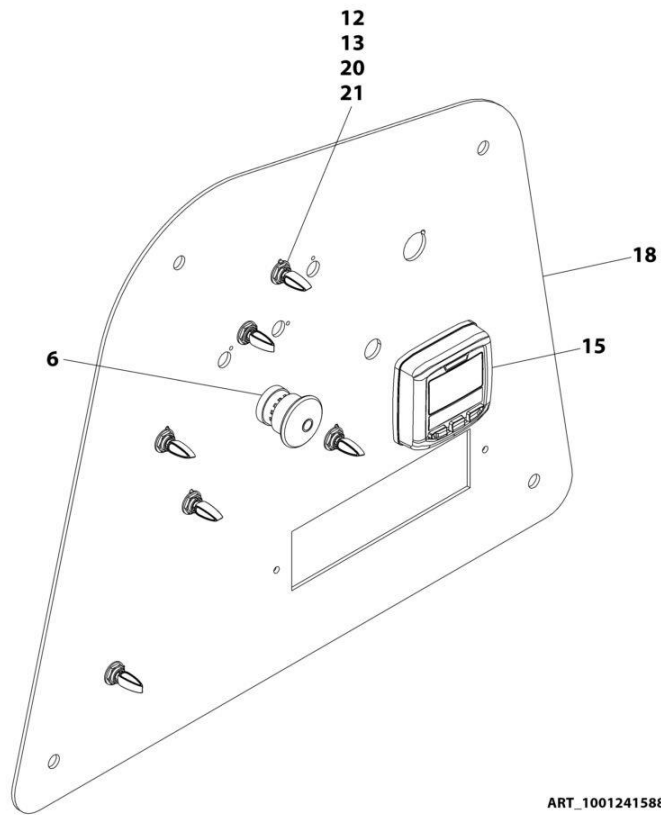
## SECTION 2 - TURNTABLE

**FIGURE 2-19. ELECTRICAL COMPONENTS INSTALLATION (DEUTZ TD2.9L4 (STAGE V) ENGINES)**

ITEM	PART NUMBER	QTY	DESCRIPTION	REV
	1001245781	Ref	ELECTRICAL COMPONENTS INSTALLATION	F
1	0100011	AR	Compound, Locking	
2	0140043	1	Alarm	
3	0700619	5	Bolt M6 X 55	
5	0760608	2	Bolt M6 X 16	
6	0760612	2	Bolt M6 X 25	
8	3290605	2	Nut M6	
15	4811700	11	Washer M6	
18	5251014	4	Bolt M10 x 30	
20	5261000	4	Nut M10	
22	1001130220	7	Nut M6	
23	1001187200	1	Module, Ground Control (Note: Re-calibration Required when Replaced)	
23	1001280340	1	Module, Ground Control (Note: Re-calibration Required when Replaced)	
30	1001219601	1	Tilt Sensor, Dual Axis	
33	1001238405	1	Turntable Harness Assembly (See Separate Breakdown ELECTRICAL Section)	
39	1001245775	1	Control Panel Installation (See Separate Breakdown in this Section)	
40	1001241304	1	Left Drive Harness (See Separate Breakdown ELECTRICAL Section)	
41	1001246010	2	Can Field Harness	
41	4460897	1	Receptacle, Female - 2 Position	
41	4640464	2	Pin, Male	
41	4460880	1	Connector, DIN	
42	1001246859	1	Connector, 14 Position Gray	

## SECTION 2 - TURNTABLE

FIGURE 2-20. GROUND CONTROL PANEL ASSEMBLY



ART\_1001241588

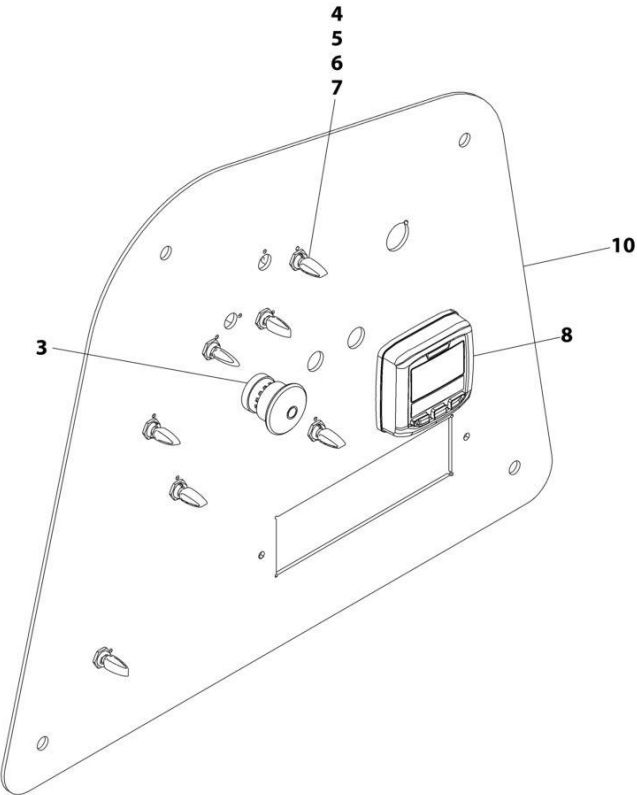
**SECTION 2 - TURNTABLE**

**FIGURE 2-20. GROUND CONTROL PANEL ASSEMBLY**

<b>ITEM</b>	<b>PART NUMBER</b>	<b>QTY</b>	<b>DESCRIPTION</b>	<b>REV</b>
	1001241588	Ref	GROUND CONTROL PANEL ASSEMBLY	B
6	4360475	1	Switch, Emergency Stop	
6	7020175	1	Cap	
6	7020176	1	Block, Contact	
12	1001155043	6	Washer	
13	1001155044	6	Nut 15/32	
15	1001171482	1	Gauge	
18	1001191126	1	Plate	
20	4740397	6	Washer	
21	1001155045	6	Switch, Toggle	

# SECTION 2 - TURNTABLE

FIGURE 2-21. GROUND CONTROL PANEL ASSEMBLY - WITH DEUTZ TD2.9L4 (STAGE V) ENGINE



ART\_1001245775

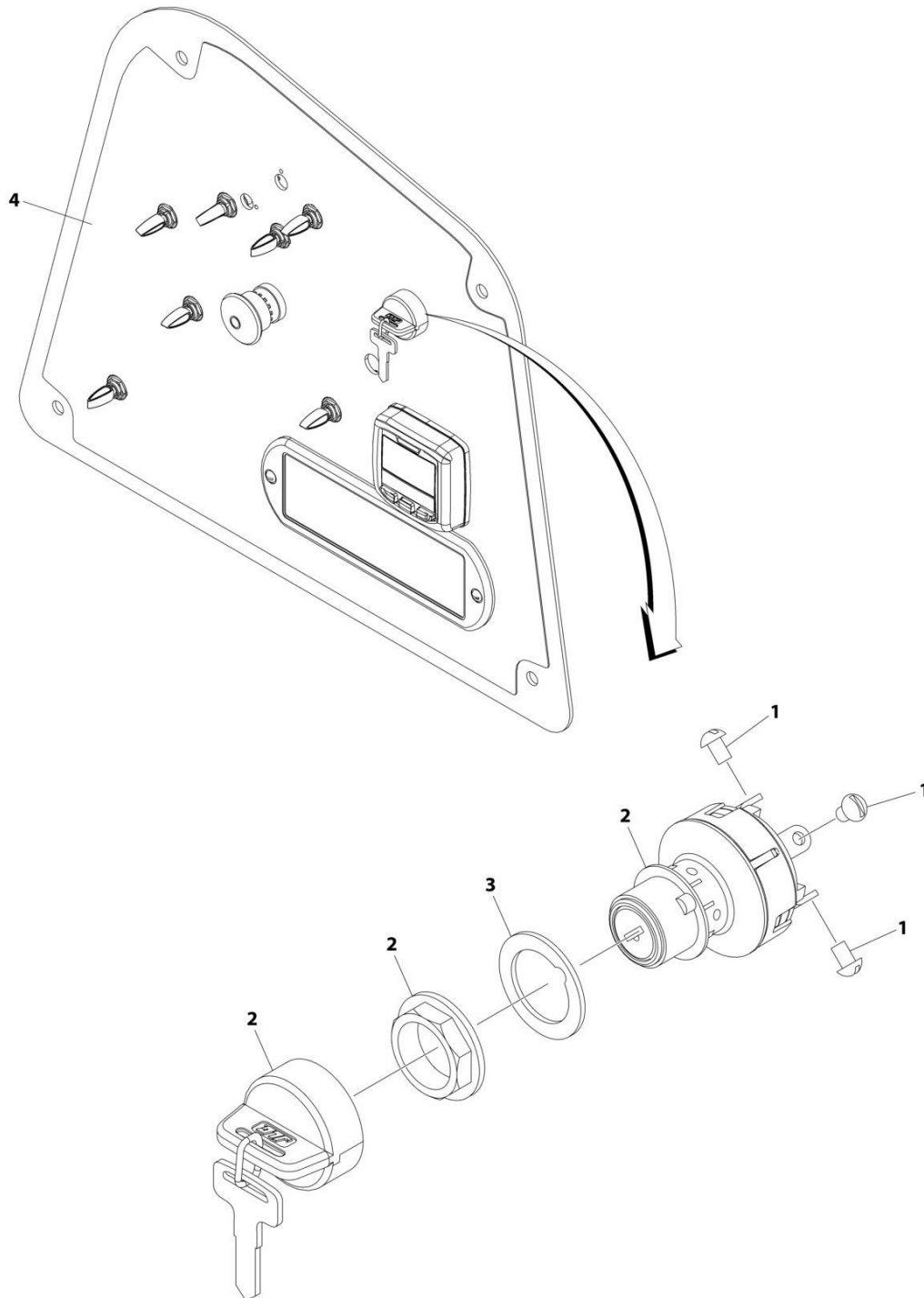
**SECTION 2 - TURNTABLE**

**FIGURE 2-21. GROUND CONTROL PANEL ASSEMBLY - WITH DEUTZ TD2.9L4 (STAGE V) ENGINE**

<b>ITEM</b>	<b>PART NUMBER</b>	<b>QTY</b>	<b>DESCRIPTION</b>	<b>REV</b>
	1001245775	Ref	GROUND CONTROL PANEL ASSEMBLY	B
3	4360475	1	Switch, Emergency Stop	
3	7020175	1	Cap	
3	7020176	1	Block, Contact	
4	4740397	7	Washer	
5	1001155043	7	Washer	
6	1001155044	7	Nut 15/32	
7	1001155045	7	Switch, Toggle	
8	1001171482	1	Gauge	
10	1001245773	1	Plate	

## SECTION 2 - TURNTABLE

FIGURE 2-22. KEYSWITCH INSTALLATION (ALL SPECS EXCEPT CE & UK CA SPECS)



ART\_1001250629



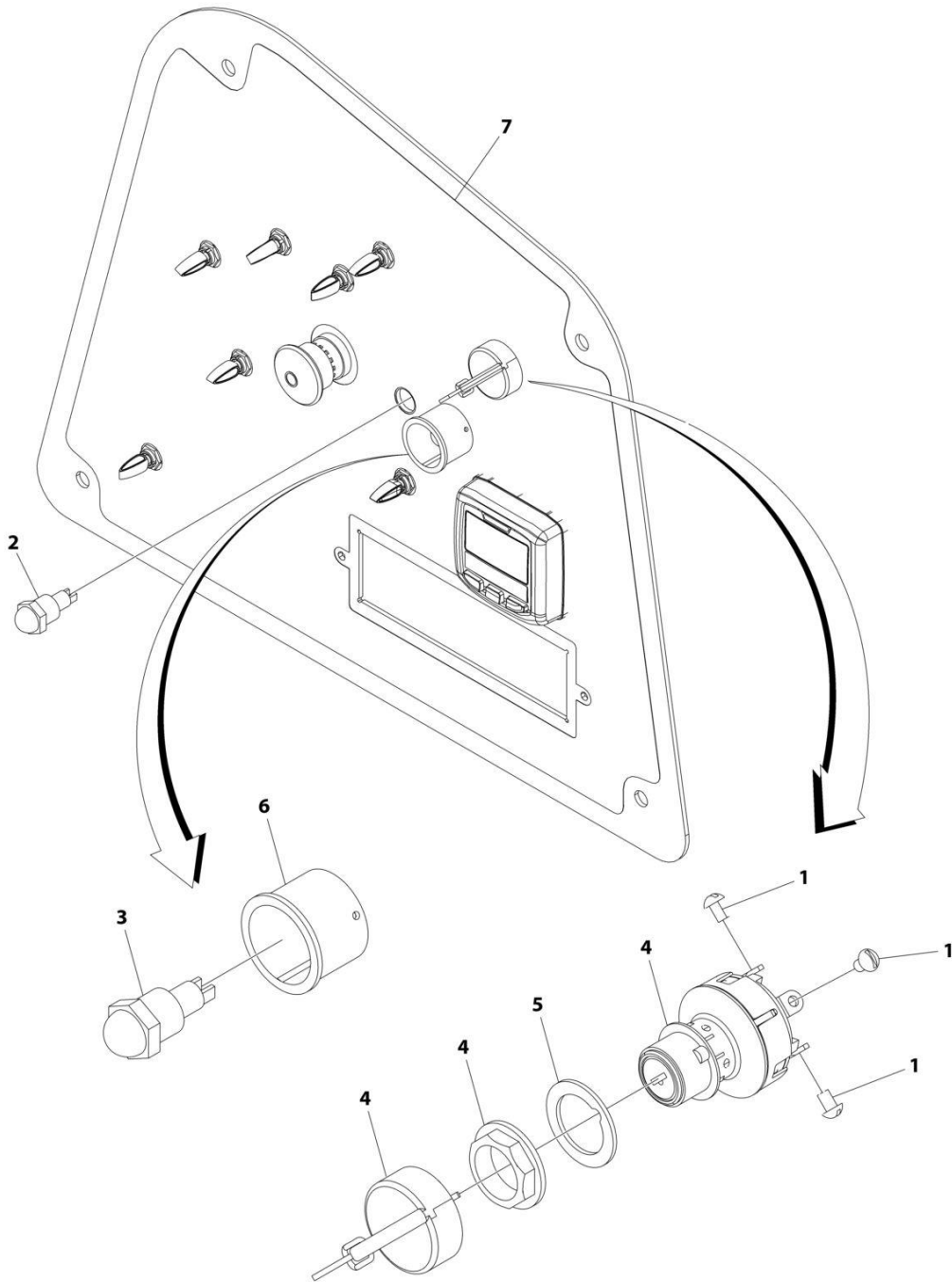
**SECTION 2 - TURNTABLE**

**FIGURE 2-22. KEYSWITCH INSTALLATION (ALL SPECS EXCEPT CE & UK CA SPECS)**

<b>ITEM</b>	<b>PART NUMBER</b>	<b>QTY</b>	<b>DESCRIPTION</b>	<b>REV</b>
	1001250629	Ref	KEYSWITCH INSTALLATION	A
1	3910804	6	Screw #8 x 1/4	
2	4360469	1	Switch, Key	
2A	2860030	1 Set	Key, Replacement	
3	1001151393	1	Shim	
4	1001250633	1	Decal - Ground Control Panel	

# SECTION 2 - TURNTABLE

FIGURE 2-23. KEYSWITCH INSTALLATION (CE & UK CA SPECS)



ART\_1001245785

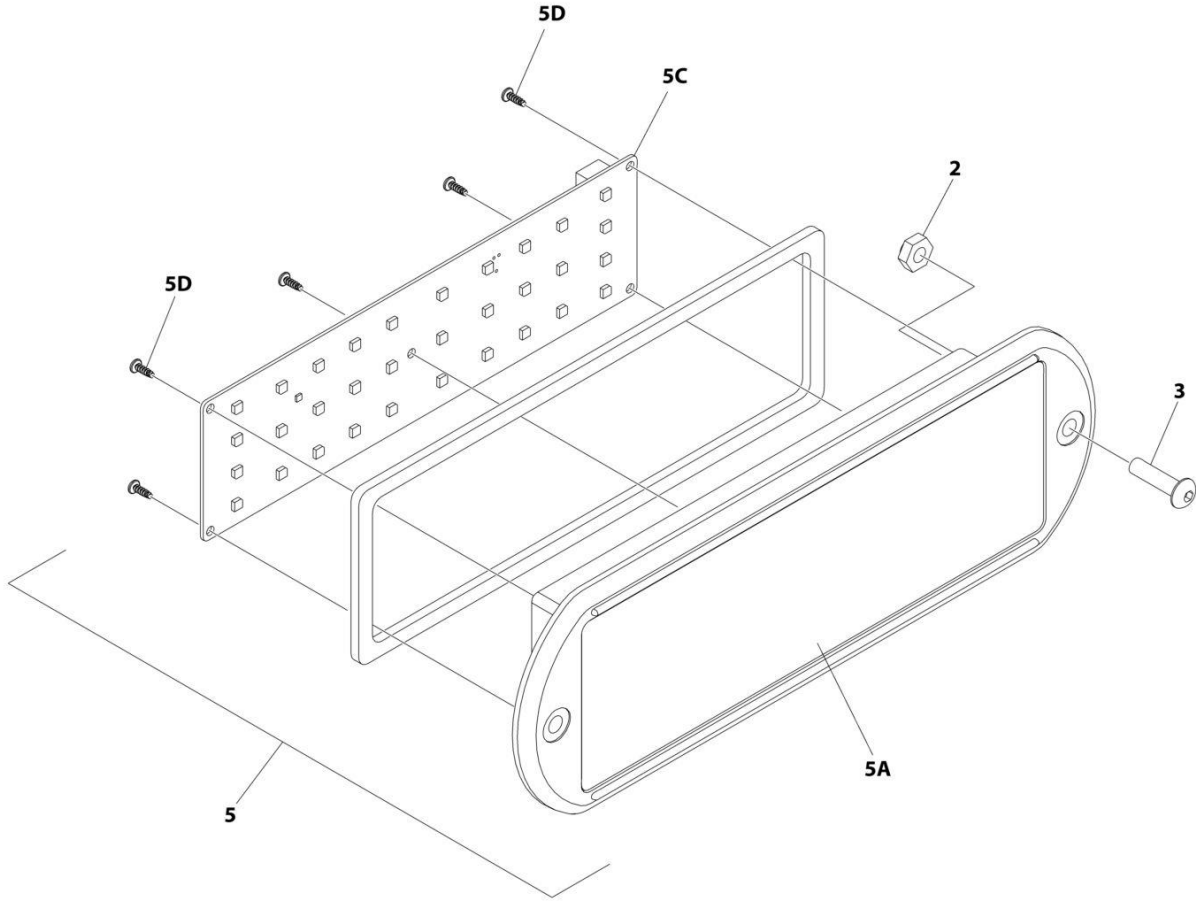
**SECTION 2 - TURNTABLE**

**FIGURE 2-23. KEYSWITCH INSTALLATION (CE & UK CA SPECS)**

ITEM	PART NUMBER	QTY	DESCRIPTION	REV
	1001245785	Ref	KEYSWITCH INSTALLATION	B
1	3910804	6	Screw #8 x 1/4	
2	4360274	1	Switch, Push Button	
3	4360387	1	Switch, Push Button	
4	4360469	1	Switch, Key	
4A	2860030	1 Set	Key, Replacement	
5	1001151393	1	Shim	
6	1001176469	1	Shroud, Switch	
7	1001245772	1	Decal - Ground Control Panel	

# SECTION 2 - TURNTABLE

## FIGURE 2-24. LIGHT PANEL INSTALLTION



ART\_1001233959\_C\_10F2

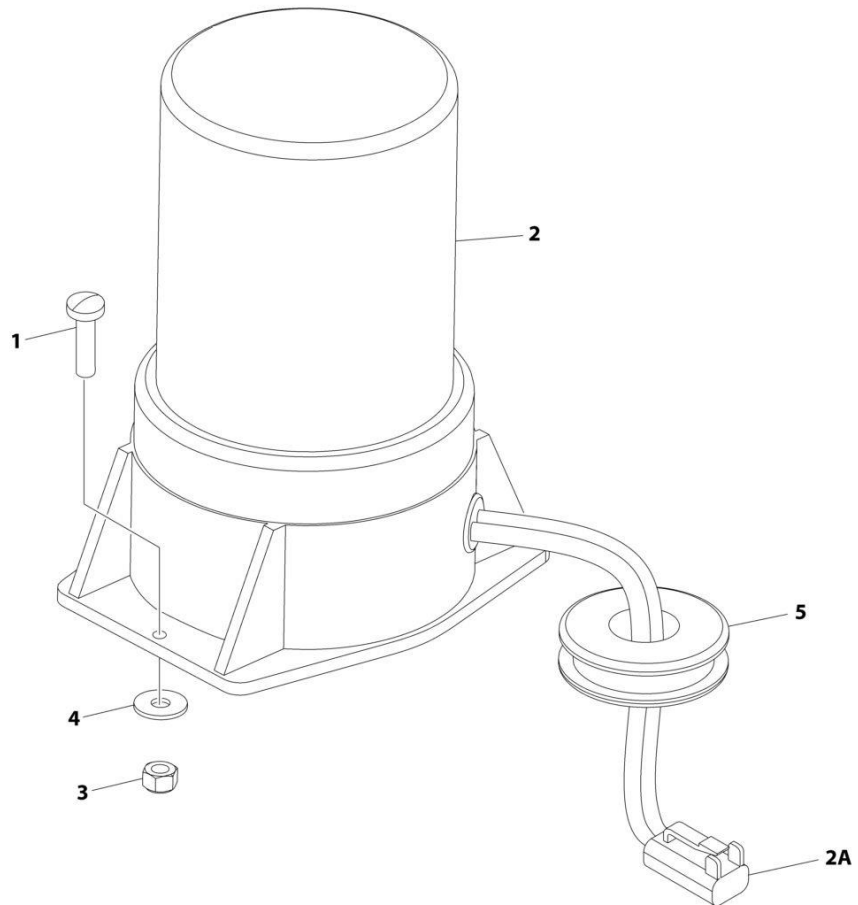
**SECTION 2 - TURNTABLE**

**FIGURE 2-24. LIGHT PANEL INSTALLTION**

<b>ITEM</b>	<b>PART NUMBER</b>	<b>QTY</b>	<b>DESCRIPTION</b>	<b>REV</b>
	1001233959	Ref	LIGHT PANEL INSTALLATION	C
2	3300408	2	Nut, Nylon Insert	
3	0630518	2	Screw #10 x 3/4	
5	1001237546	1	Light Panel Assembly	H
5A	1001236091	1	Lens, I-Con	
5C	1001187807	1	Panel, LED Light	
5D		Ref	Screw	

## SECTION 2 - TURNTABLE

FIGURE 2-25. STROBE LIGHT INSTALLATION - AMBER (OPTIONAL)



ART\_1001191557

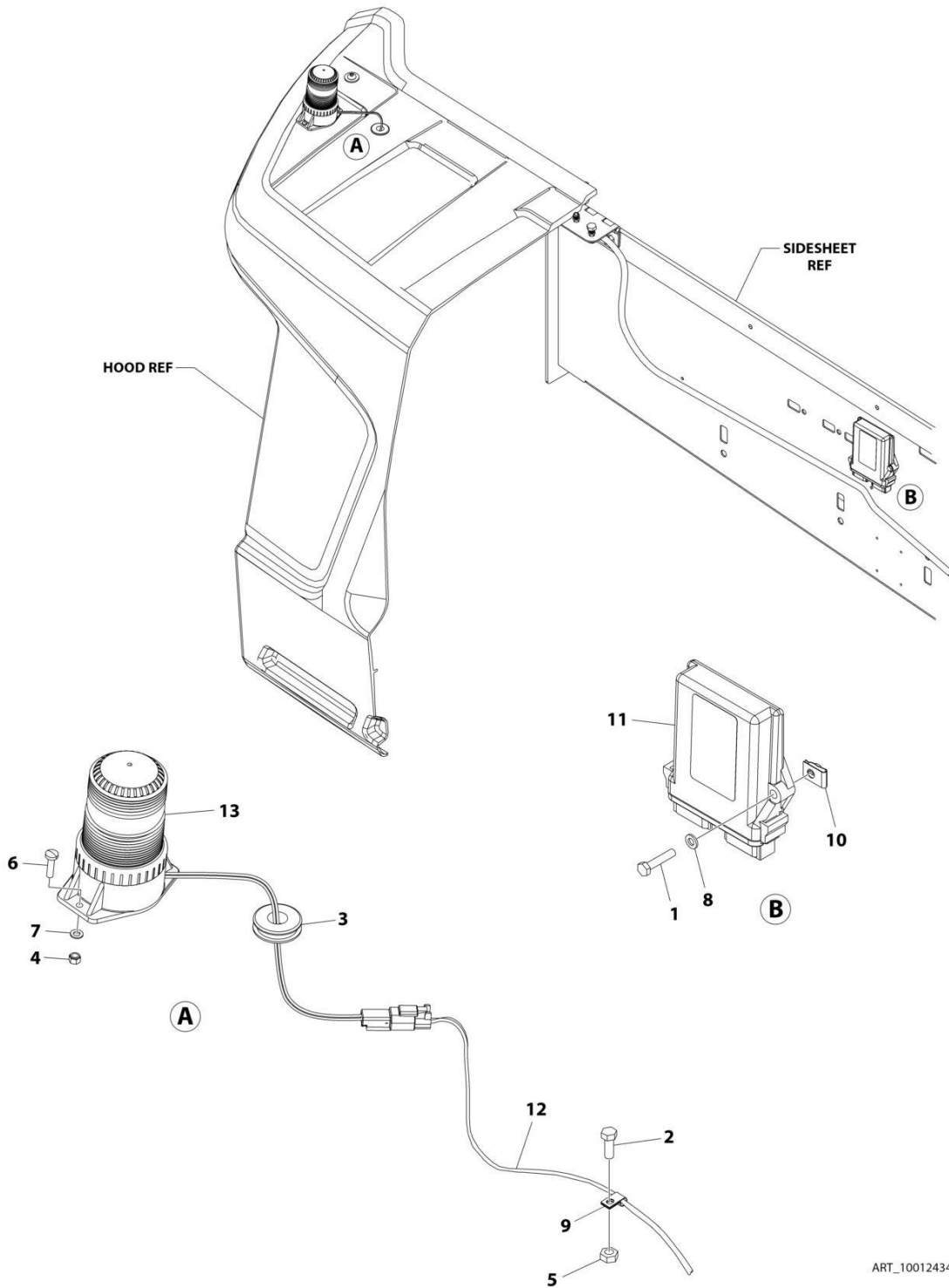
**SECTION 2 - TURNTABLE**

**FIGURE 2-25. STROBE LIGHT INSTALLATION - AMBER (OPTIONAL)**

<b>ITEM</b>	<b>PART NUMBER</b>	<b>QTY</b>	<b>DESCRIPTION</b>	<b>REV</b>
	1001191557	Ref	STROBE LIGHT INSTALLATION	D
1	4010510	2	Screw M5 x 20	
2	2920161	1	Light Strobe (Amber)	
2	7016319	1	Bulb	
2	7016372	1	Lens	
2A	4460891	1	Plug, Male - 2 Position	
2A	4460465	2	Socket, Female	
3	3290505	2	Nut M5	
4	4811600	2	Washer M5	
5	2540020	1	Grommet	
7	4240099	1	Tie-Strap (Not Shown)	

# SECTION 2 - TURNTABLE

## FIGURE 2-26. STROBE LIGHT INSTALLATION - BLUE (OPTIONAL)



ART\_1001243464



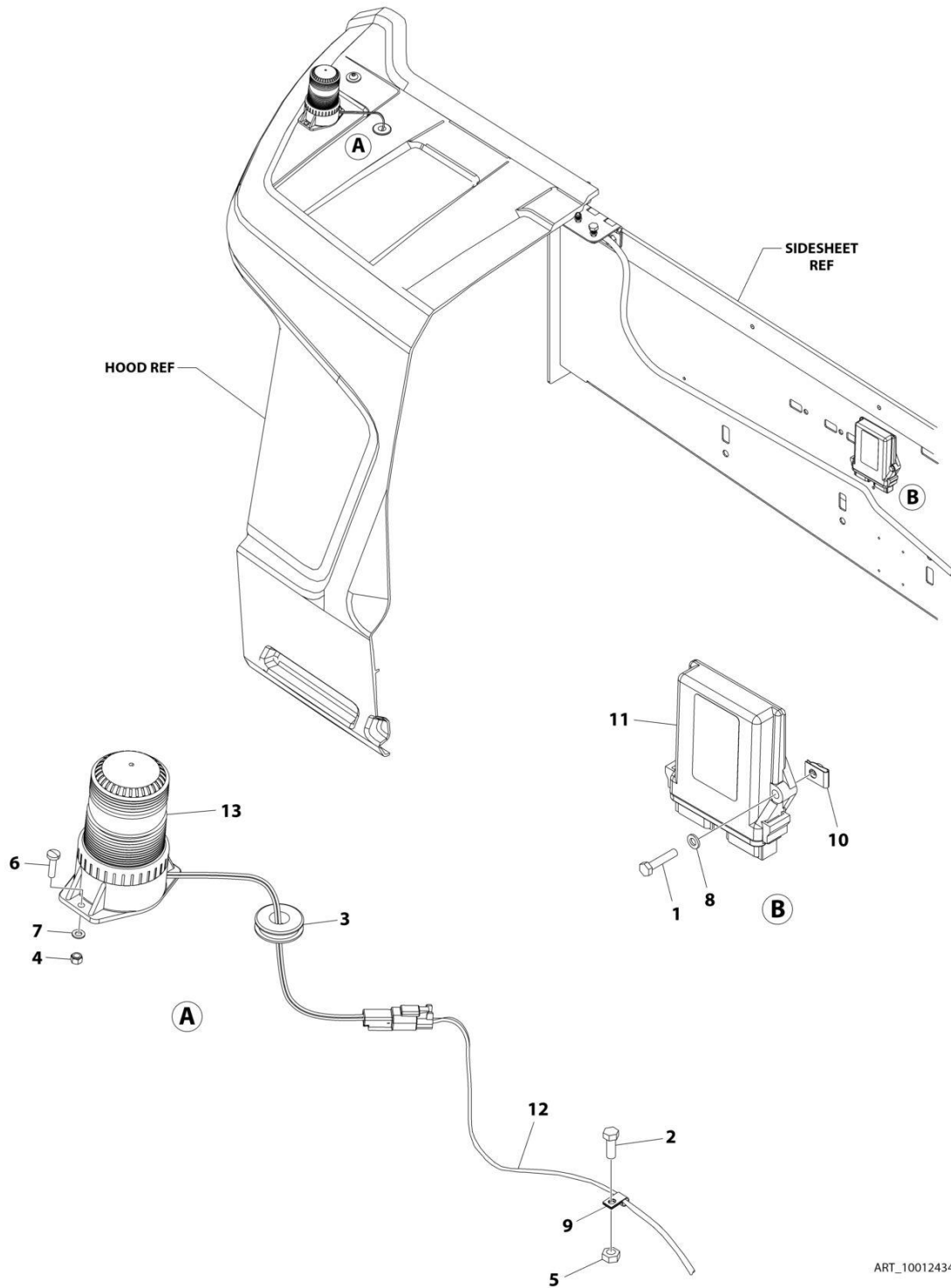
**SECTION 2 - TURNTABLE**

**FIGURE 2-26. STROBE LIGHT INSTALLATION - BLUE (OPTIONAL)**

ITEM	PART NUMBER	QTY	DESCRIPTION	REV
	1001243464	Ref	STROBE LIGHT INSTALLATION	A
1	0760614	2	Bolt M6 x 30	
2	0761016	1	Bolt M10 x 40	
3	2540020	1	Grommet	
4	3290505	2	Nut M5	
5	3291005	1	Nut M10	
6	4010510	2	Screw M5 x 20	
7	4811600	2	Washer M5	
8	4811700	2	Washer M6	
9	8406110	1	Clip	
10	1001130220	2	Nut, Tinnerman M6	
11	1001142683	1	Module, Beacon Control	
12	1001142736	1	Strobe Light Control Harness (See Separate Breakdown in ELECTRICAL SECTION)	
13	1001200910	1	Light, Strobe (Blue)	
13	4460897	2	Receptacle, Female - 2 Position	
13	4460464	4	Pin, Male	

# SECTION 2 - TURNTABLE

## FIGURE 2-27. STROBE LIGHT INSTALLATION - RED (OPTIONAL)



ART\_1001243465

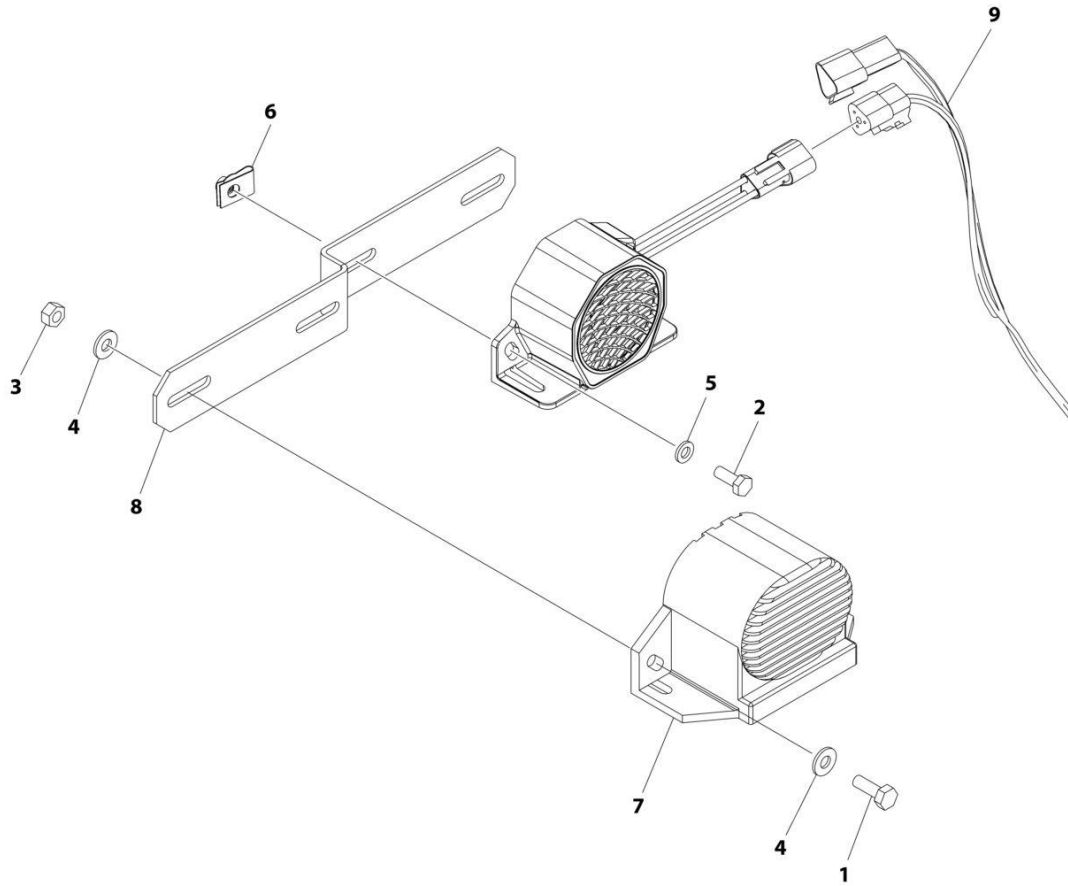
## SECTION 2 - TURNTABLE

**FIGURE 2-27. STROBE LIGHT INSTALLATION - RED (OPTIONAL)**

ITEM	PART NUMBER	QTY	DESCRIPTION	REV
	1001243465	Ref	STROBE LIGHT INSTALLATION	A
1	0760614	2	Bolt M6 x 30	
2	0761016	1	Bolt M10 x 40	
3	2540020	1	Grommet	
4	3290505	2	Nut M5	
5	3291005	1	Nut M10	
6	4010510	2	Screw M5 x 20	
7	4811600	2	Washer M5	
8	4811700	2	Washer M6	
9	8406110	1	Clip	
10	1001130220	2	Nut, Tinnerman M6	
11	1001142683	1	Module, Beacon Control	
12	1001142736	1	Strobe Light Control Harness (See Separate Breakdown in ELECTRICAL SECTION)	
13	1001207004	1	Light, Strobe (Red)	
13	4460897	2	Receptacle, Female - 2 Position	
13	4460464	4	Pin, Male	

## SECTION 2 - TURNTABLE

FIGURE 2-28. WHITE NOISE ALARM INSTALLATION



ART\_1001247386

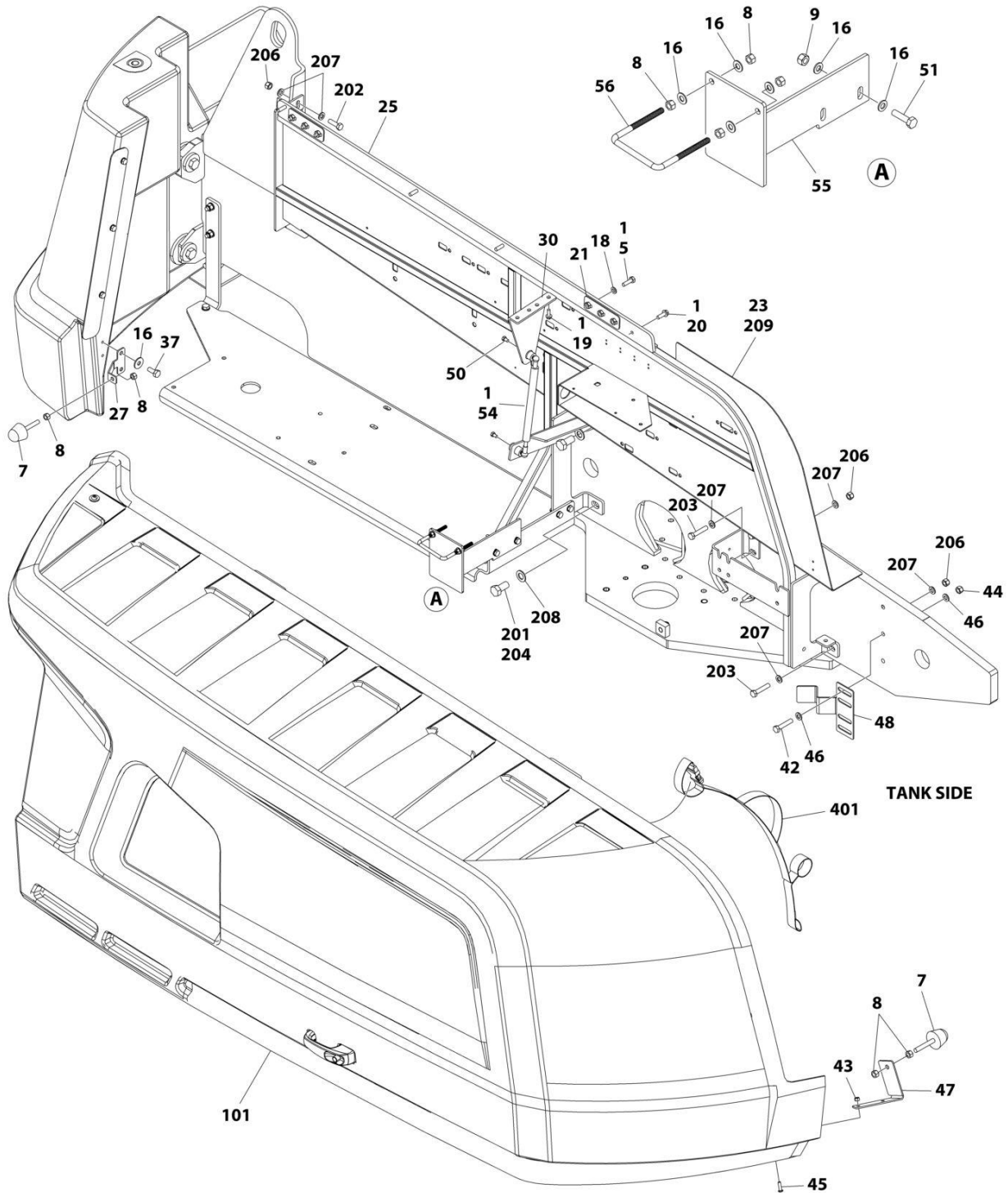
**SECTION 2 - TURNTABLE**

**FIGURE 2-28. WHITE NOISE ALARM INSTALLATION**

<b>ITEM</b>	<b>PART NUMBER</b>	<b>QTY</b>	<b>DESCRIPTION</b>	<b>REV</b>
	1001247386	Ref	WHITE NOISE ALARM INSTALLATION	A
1	0641406	2	Bolt 1/4 x 3/4	
2	0760608	2	Bolt M6 x 16	
3	3311405	2	Nut 1/4	
4	4711400	4	Washer 1/4	
5	4811700	2	Washer M6	
6	1001130220	2	Nut, Tinnerman M6	
7	1001182806	1	Alarm	
8	1001231711	1	Bracket	
9	1001243682	1	White Noise Alarm Harness (See Separate Breakdown in ELECTRICAL SECTION)	

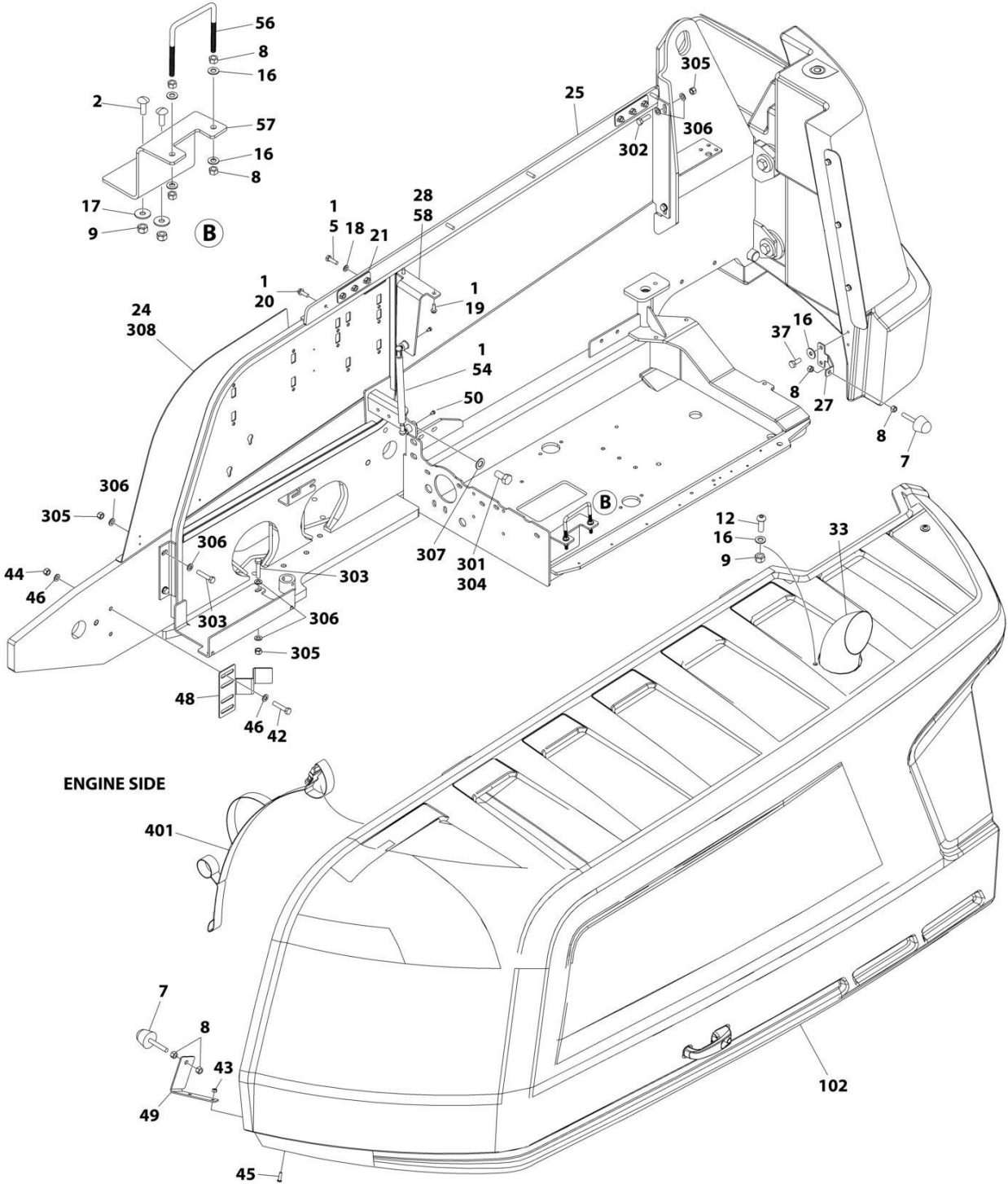
# SECTION 2 - TURNTABLE

## FIGURE 2-29. HOODS INSTALLATIONS - ABS



ART\_1001186186\_H\_10F2

# SECTION 2 - TURNTABLE



ART\_1001186186\_H\_20F2

## SECTION 2 - TURNTABLE

FIGURE 2-29. HOODS INSTALLATIONS - ABS

ITEM	PART NUMBER	QTY	DESCRIPTION	REV
	1001186186	Ref	HOODS INSTALLATIONS	H
1	0100011	AR	Compound, Locking	
2	0630613	2	Bolt M10 x 30	
4	0760810	8	Bolt M8 x 20	
5	0761015	12	Bolt M10 x 35	
7	1001206314	4	Bumper	
8	3311601	16	Nut 3/8	
9	3291005	6	Nut M10	
12	1001174673	2	Screw M10 x 30	
16	4812000	14	Washer M10	
17	4812002	4	Washer M10	
18	5241000	12	Washer M10	
19	5250812	4	Bolt M8 x 25	
20	5251014	8	Bolt M10 x 30	
21	1001169046	4	Nut, Hinge	
23	1001187950	1	Side-Sheet Assembly - Tank Side (See Items 201-209 for Breakdown)	
24	1001187951	1	Side-Sheet Assembly - Engine Side (See Items 301-308 for Breakdown)	
25	1001189067	2	Mount	
27	1001190338	2	Bracket	
30	1001192841	1	Bracket	
33	1001193760	1	Pipe, Exhaust	
37	0701012	2	Bolt M10 x 25	
42	0701220	2	Bolt M12 x 60	
43	3290605	4	Nut M6	
44	3291205	2	Nut M12	
45	3900364	4	Screw M6 x 20	
46	4812100	4	Washer M12	
47	1001213543	1	Bracket	
48	1001231310	2	Bracket	
49	1001213744	1	Bracket	
50	0641504	4	Bolt 5/16 x 1/2	
51	0701016	2	Bolt M10 x 40	
54	1001213794	2	Spring, Gas	
55	1001243171	1	Support	
56	1001243414	2	U-Bolt 3/8	
57	1001243522	1	Bracket	
58	1001243654	1	Bracket	
100	1001227887	1	Hood Kit (Not Shown)	
101	1001195454	1	Hood Assembly - Tank Side (See Separate Breakdown in this Section)	
102	1001195455	1	Hood Assembly - Engine Side (See Separate Breakdown in this Section)	
	1001187950	Ref	SIDE-SHEET ASSEMBLY - TANK SIDE	C
201	0100011	AR	Compound, Locking	
202	0701216	2	Bolt M12 x 40	
203	0701220	4	Bolt M12 x 60	
204	0762016	2	Bolt M20 x 40	
206	3291205	6	Nut M12	

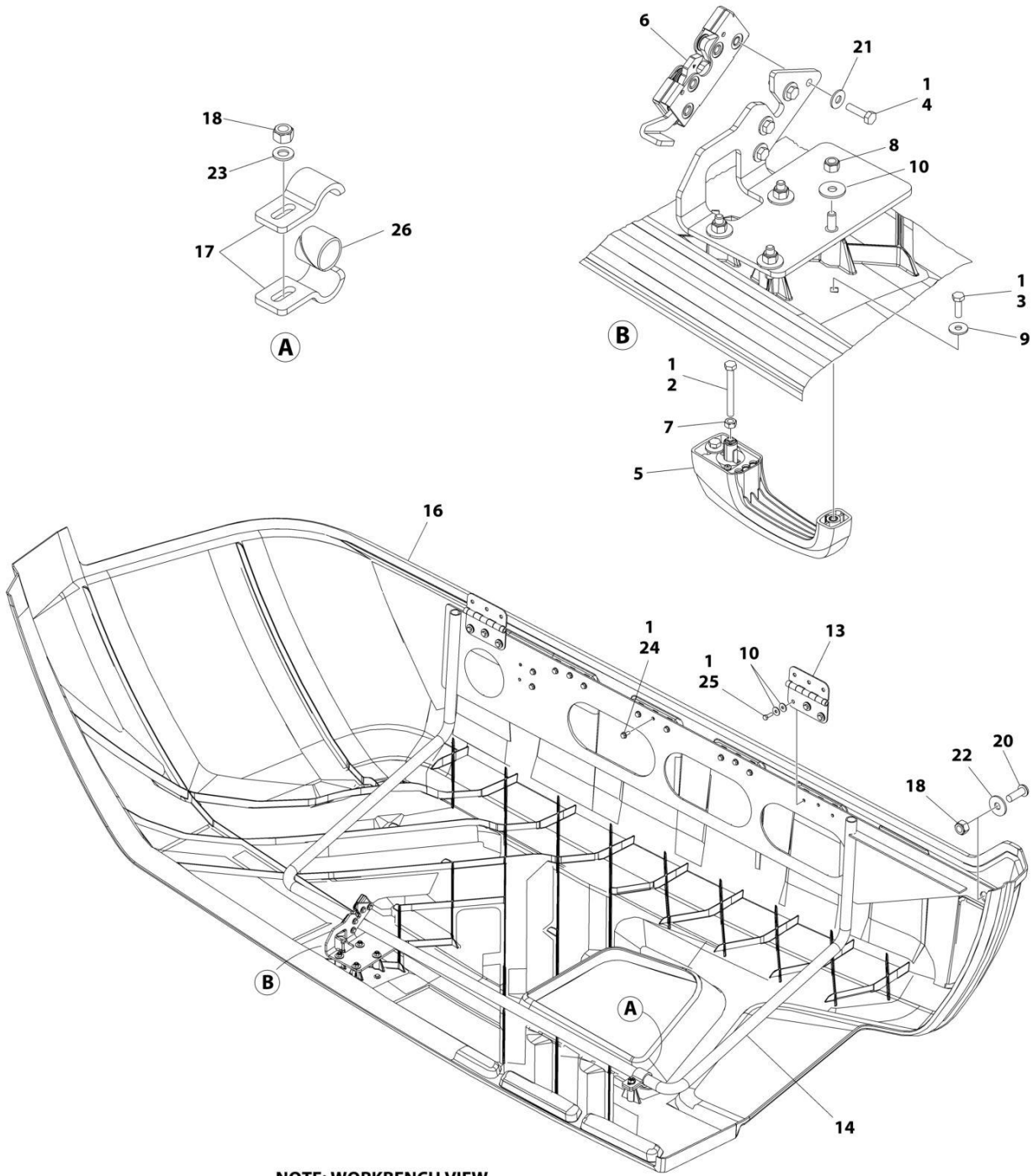


## SECTION 2 - TURNTABLE

ITEM	PART NUMBER	QTY	DESCRIPTION	REV
207	4812100	12	Washer M12	
208	4812500	2	Washer M20	
209	1001188194	1	Side-Sheet, Tank Side	
	1001187951	Ref	SIDE-SHEET ASSEMBLY - ENGINE SIDE	B
301	0100011	AR	Compound, Locking	
302	0701216	2	Bolt M12 x 40	
303	0701220	3	Bolt M12 x 60	
304	0762016	1	Bolt M20 x 40	
305	3291205	5	Nut M12	
306	4812100	10	Washer M12	
307	4812500	1	Washer M20	
308	1001188187	1	Side-Sheet, Engine Side	
	1001253940	Ref	STRAP INSTALLATION	A
401	1001160505	2	Strap, Hand	

# SECTION 2 - TURNTABLE

## FIGURE 2-30. HOOD ASSEMBLY - TANK SIDE (ABS)



ART\_1001195454

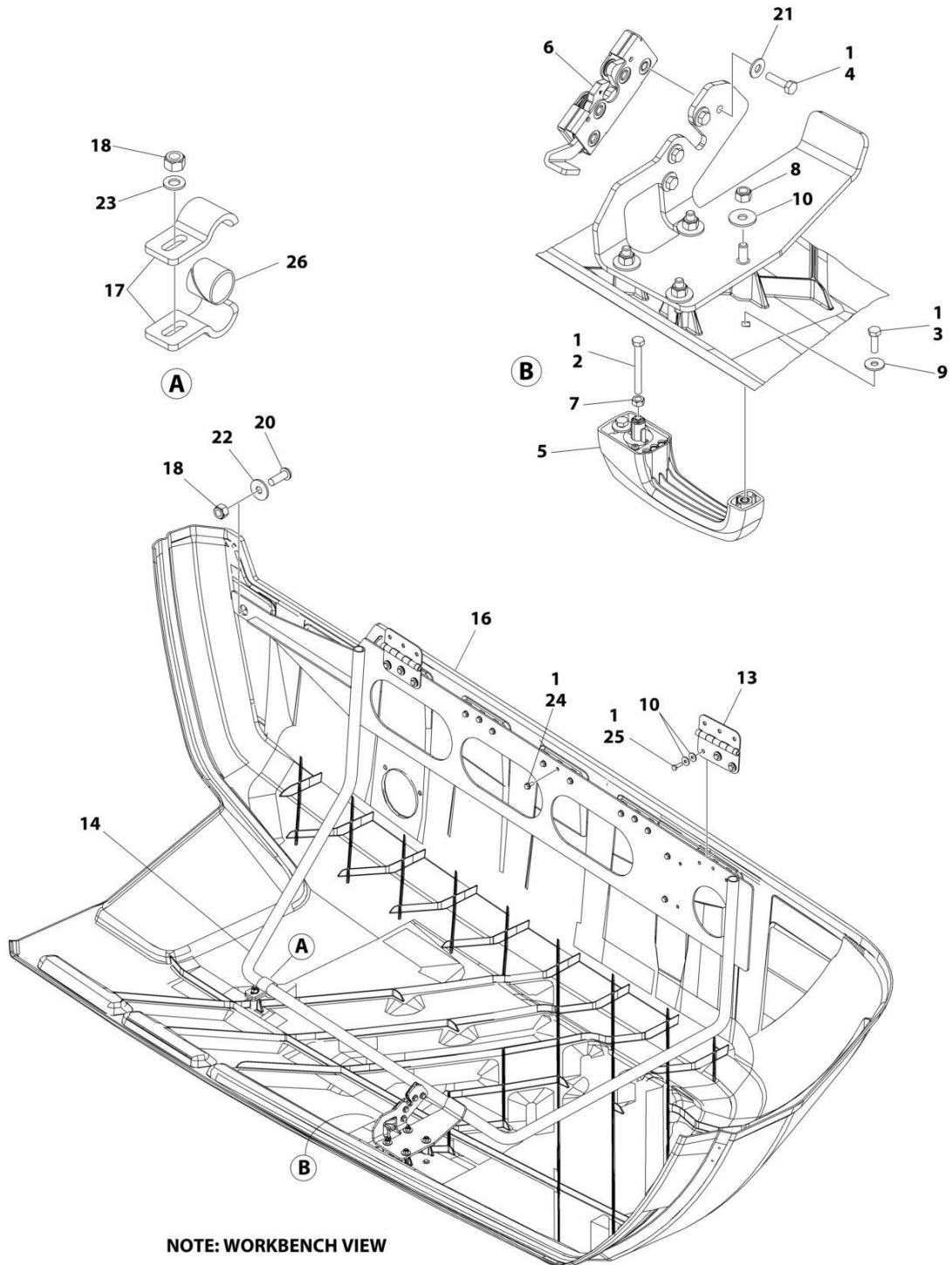
## SECTION 2 - TURNTABLE

### FIGURE 2-30. HOOD ASSEMBLY - TANK SIDE (ABS)

ITEM	PART NUMBER	QTY	DESCRIPTION	REV
	1001195454	Ref	HOOD ASSEMBLY	G
1	0100011	AR	Compound, Locking	
2	0700619	1	Bolt M6 x 55	
3	0760610	2	Bolt M6 x 20	
4	0641408	4	Bolt 1/4 x 1	
5	2560187	1	Handle, Push Button	
6	2940173	1	Latch, Rotary	
7	3290601	1	Nut M6	
8	3290805	4	Nut M8	
9	4811702	2	Washer M6	
10	4811902	16	Washer M8	
13	1001139384	2	Hinge	
14	1001204303	1	Support	
16	1001193168	1	Hood	
17	1321384	2	Clamp	
18	3291005	2	Nut M10	
20	1001174673	1	Screw M10 x 30	
21	4751400	4	Washer 1/4	
22	4812002	1	Washer M10	
23	4812000	1	Washer M10	
24	5250810	11	Bolt M8 x 20	
25	0760812	6	Bolt M8 x 25	
26	1001227367	1	Bearing	

# SECTION 2 - TURNTABLE

## FIGURE 2-31. HOOD ASSEMBLY - ENGINE SIDE (ABS)



ART\_1001195455

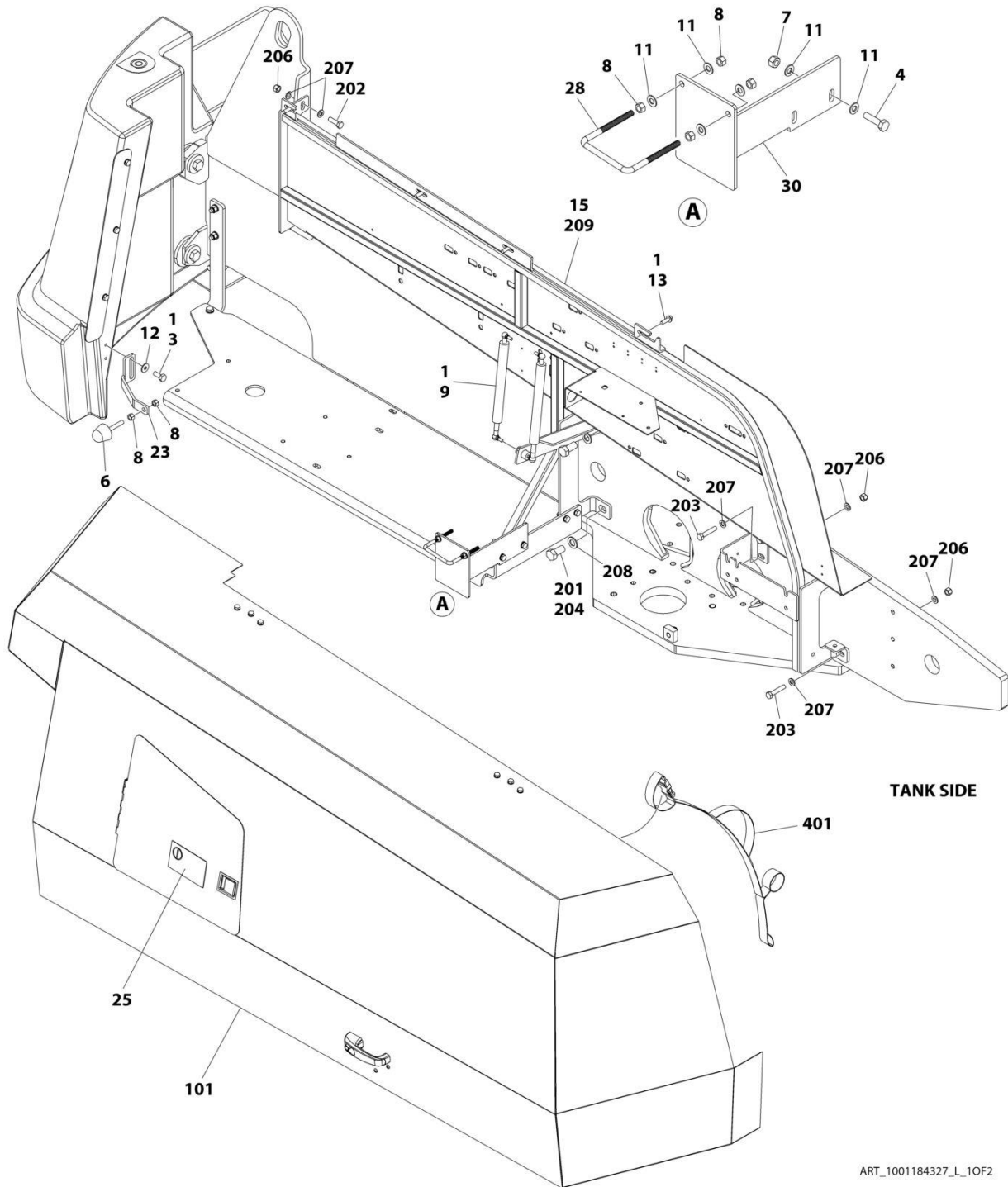
## SECTION 2 - TURNTABLE

### FIGURE 2-31. HOOD ASSEMBLY - ENGINE SIDE (ABS)

ITEM	PART NUMBER	QTY	DESCRIPTION	REV
	1001195455	Ref	HOOD ASSEMBLY	H
1	0100011	AR	Compound, Locking	
2	0700619	1	Bolt M6 x 55	
3	0760610	2	Bolt M6 x 20	
4	0641408	4	Bolt 1/4 x 1	
5	2560187	1	Handle, Push Button	
6	2940173	1	Latch, Rotary	
7	3290601	1	Nut M6	
8	3290805	4	Nut M8	
9	4811702	2	Washer M6	
10	4811902	16	Washer M8	
13	1001139384	2	Hinge	
14	1001204251	1	Support	
16	1001193169	1	Hood	
17	1321384	2	Clamp	
18	3291005	2	Nut M10	
20	1001174673	1	Screw M10 x 30	
21	4751400	4	Washer 1/4	
22	4812002	1	Washer M10	
23	4812000	1	Washer M10	
24	5250810	11	Bolt M8 x 20	
25	0760812	6	Bolt M8 x 25	
26	1001227367	1	Bearing	

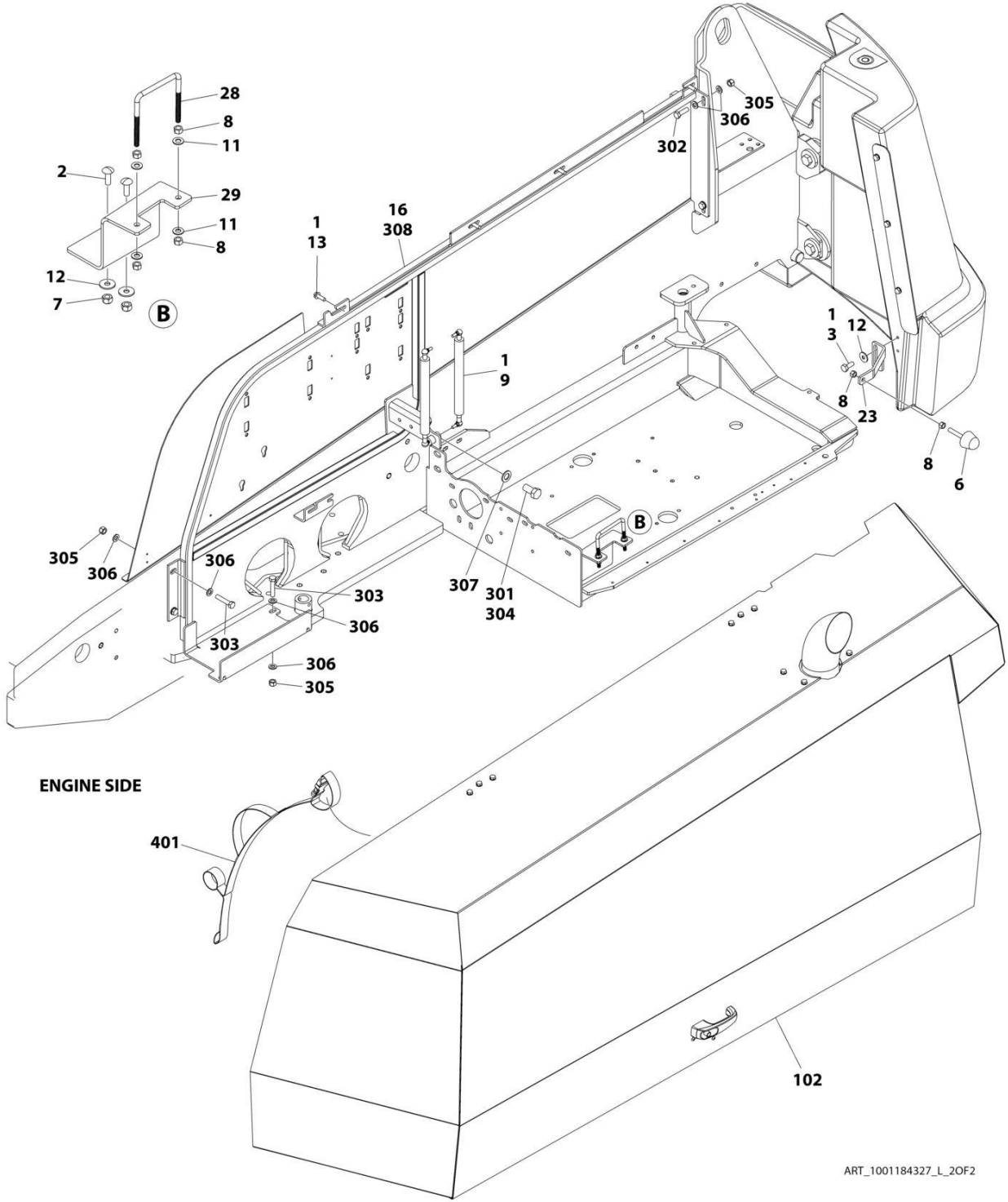
# SECTION 2 - TURNTABLE

## FIGURE 2-32. HOODS INSTALLATIONS - STEEL



ART\_1001184327\_L\_10F2

SECTION 2 - TURNTABLE



ART\_1001184327\_L\_2OF2

## SECTION 2 - TURNTABLE

FIGURE 2-32. HOODS INSTALLATIONS - STEEL

ITEM	PART NUMBER	QTY	DESCRIPTION	REV
	1001184327	Ref	HOODS INSTALLATIONS	L
1	0100011	AR	Compound, Locking	
2	0630613	AR	Bolt M10 x 30	
3	0701012	4	Bolt M10 x 25	
4	0701016	2	Bolt M10 x 40	
5	0760810	8	Bolt M8 x 20	
6	1001206314	2	Bumper	
7	3291005	AR	Nut M10	
8	3311601	12	Nut 3/8	
9	1001219138	4	Spring, Gas	
10	4811902	8	Washer M8	
11	4812000	12	Washer M10	
12	4812002	AR	Washer M10	
13	5251014	8	Bolt M10 x 30	
14	1001172615	1	Mount	
15	1001187950	1	Side-Sheet Assembly - Tank Side (See Items 201-209 for Breakdown)	
16	1001187951	1	Side-Sheet Assembly - Engine Side (See Items 301-308 for Breakdown)	
17	1001190756	1	Support	
18	1001192842	1	Mount	
19	1001192843	1	Support	
20	1001195535	1	Mount	
23	1001212333	2	Bracket	
25	1001117307	1	Decal - Emergency Stop	
28	1001243414	2	U-Bolt 3/8	
29	1001243522	1	Bracket	
30	1001243171	1	Support	
100	1001227888	1	Hood Kit (Not Shown)	
101	1001211762	1	Hood Assembly - Tank Side (See Separate Breakdown in this Section)	
102	1001211774	1	Hood Assembly - Engine Side (See Separate Breakdown in this Section)	
	1001187950	Ref	SIDE-SHEET ASSEMBLY - TANK SIDE	C
201	0100011	AR	Compound, Locking	
202	0701216	2	Bolt M12 x 40	
203	0701220	4	Bolt M12 x 60	
204	0762016	2	Bolt M20 x 40	
206	3291205	6	Nut M12	
207	4812100	12	Washer M12	
208	4812500	2	Washer M20	
209	1001188194	1	Side-Sheet, Tank Side	
	1001187951	Ref	SIDE-SHEET ASSEMBLY - ENGINE SIDE	B
301	0100011	AR	Compound, Locking	
302	0701216	2	Bolt M12 x 40	
303	0701220	3	Bolt M12 x 60	
304	0762016	1	Bolt M20 x 40	
305	3291205	5	Nut M12	
306	4812100	10	Washer M12	
307	4812500	1	Washer M20	

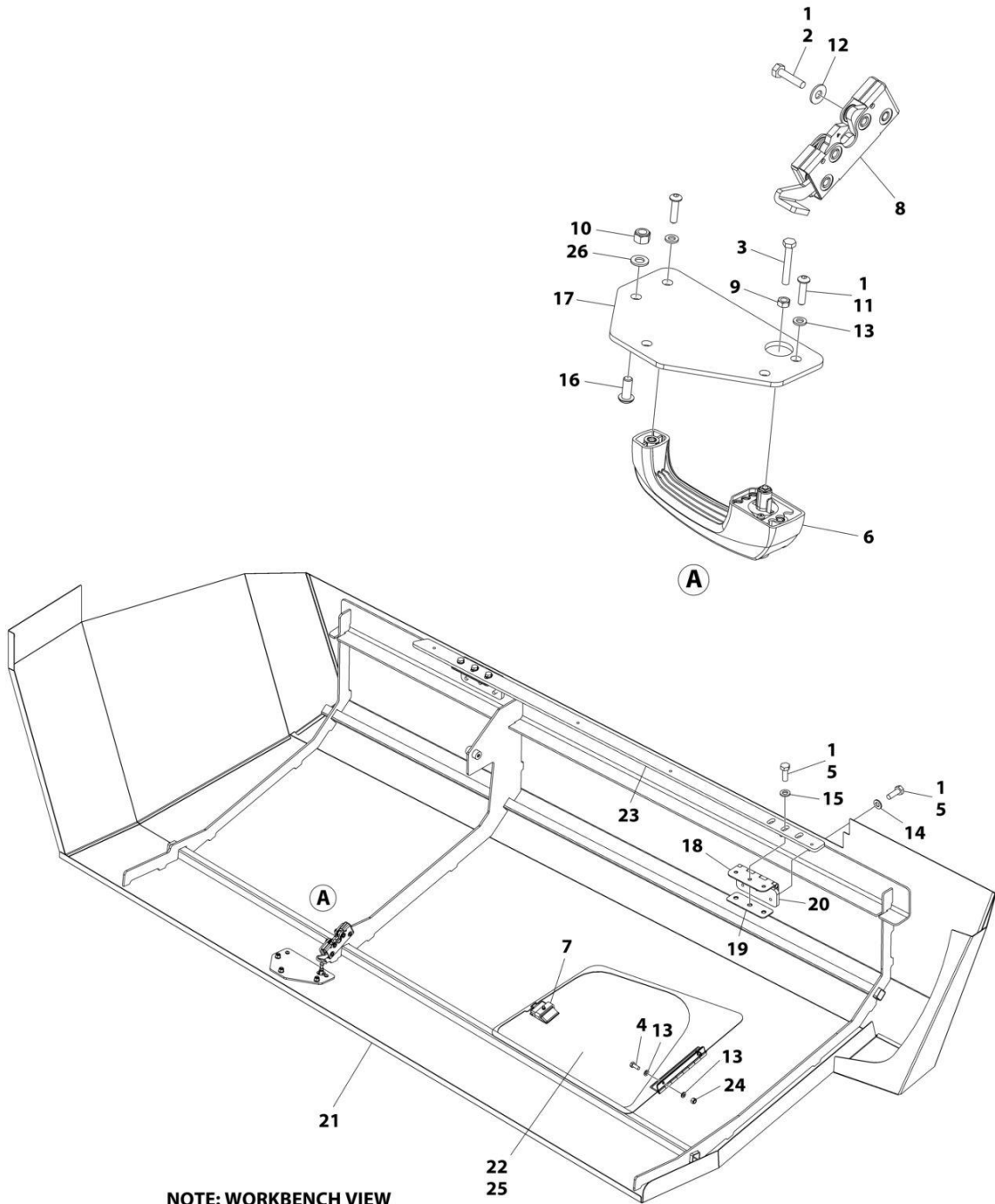


**SECTION 2 - TURNTABLE**

<b>ITEM</b>	<b>PART NUMBER</b>	<b>QTY</b>	<b>DESCRIPTION</b>	<b>REV</b>
308	1001188187	1	Side-Sheet, Engine Side	B
	1001253953	Ref	STRAP INSTALLATION	
401	1001160505	2	Strap, Hand	

# SECTION 2 - TURNTABLE

## FIGURE 2-33. HOOD ASSEMBLY - TANK SIDE (STEEL)



ART\_1001211762

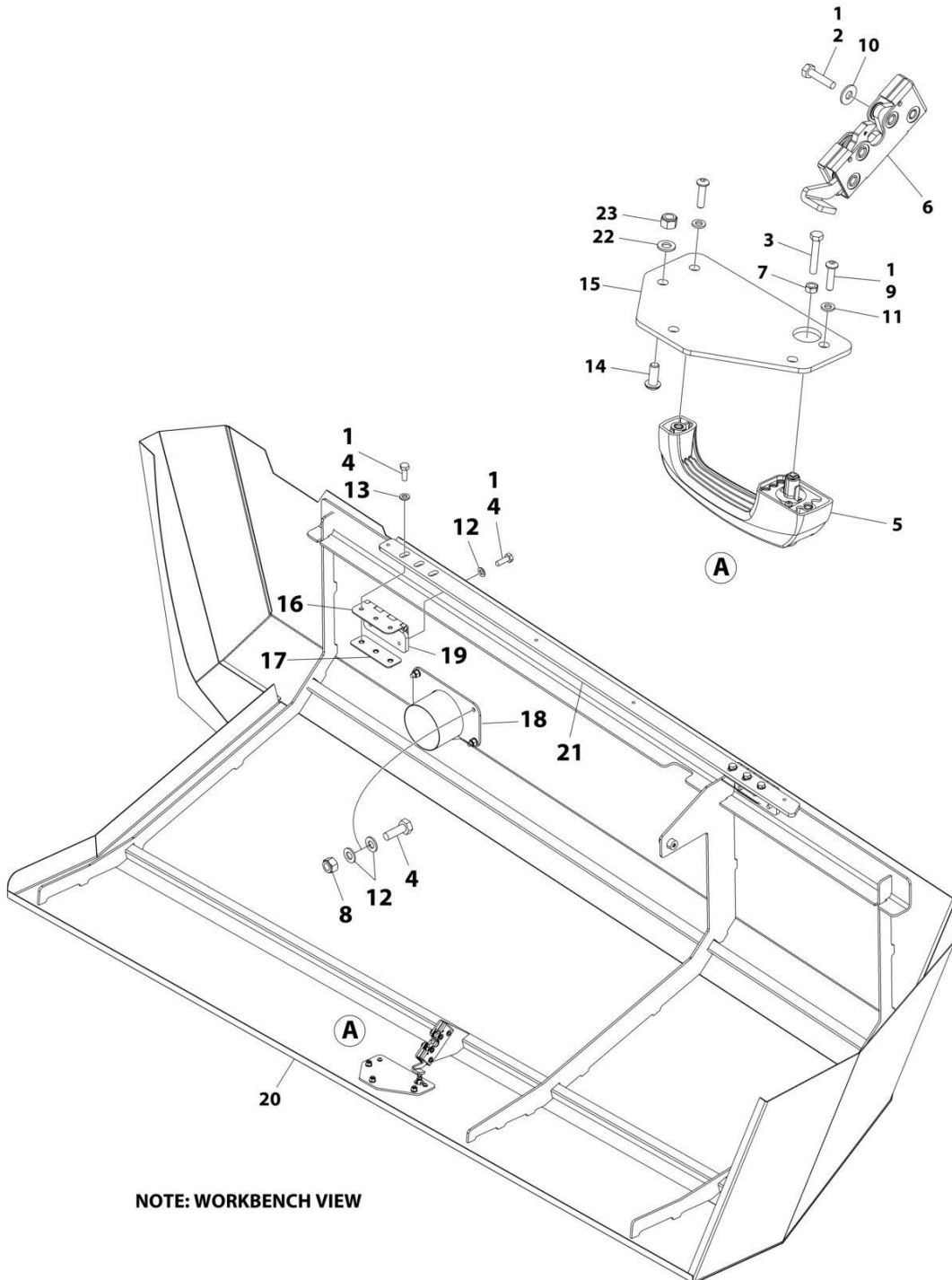
**SECTION 2 - TURNTABLE**

**FIGURE 2-33. HOOD ASSEMBLY - TANK SIDE (STEEL)**

ITEM	PART NUMBER	QTY	DESCRIPTION	REV
	1001211762	Ref	HOOD ASSEMBLY	J
1	0100011	AR	Compound, Locking	
2	0641409	4	Bolt 1/4 x 1-1/8	
3	0700616	1	Bolt M6 x 40	
4	0760608	2	Bolt M6 x 16	
5	0761014	12	Bolt M10 x 30	
6	2560187	1	Handle, Push Button	
7	2940045	1	Latch, Paddle	
8	2940173	1	Latch, Rotary	
9	3290601	1	Nut M6	
10	3290805	3	Nut M8	
11	3900363	2	Screw M6 x 25	
12	4751400	4	Washer 1/4	
13	4811700	6	Washer M6	
14	4812000	6	Washer M10	
15	5241000	6	Washer M10	
16	1001164726	3	Screw M8 x 20	
17	1001116290	1	Plate	
18	1001139384	2	Hinge	
19	1001169046	2	Nut, Hinge	
20	1001202333	2	Plate, Nut	
21	1001211752	1	Hood	
22	1001211760	1	Door	
23	1001211761	1	Plate	
24	3290605	2	Nut M6	
25	1001113047	78 in/ 2m	Seal	
26	4811900	3	Washer M8	

# SECTION 2 - TURNTABLE

## FIGURE 2-34. HOOD ASSEMBLY - ENGINE SIDE (STEEL)



ART\_1001211774

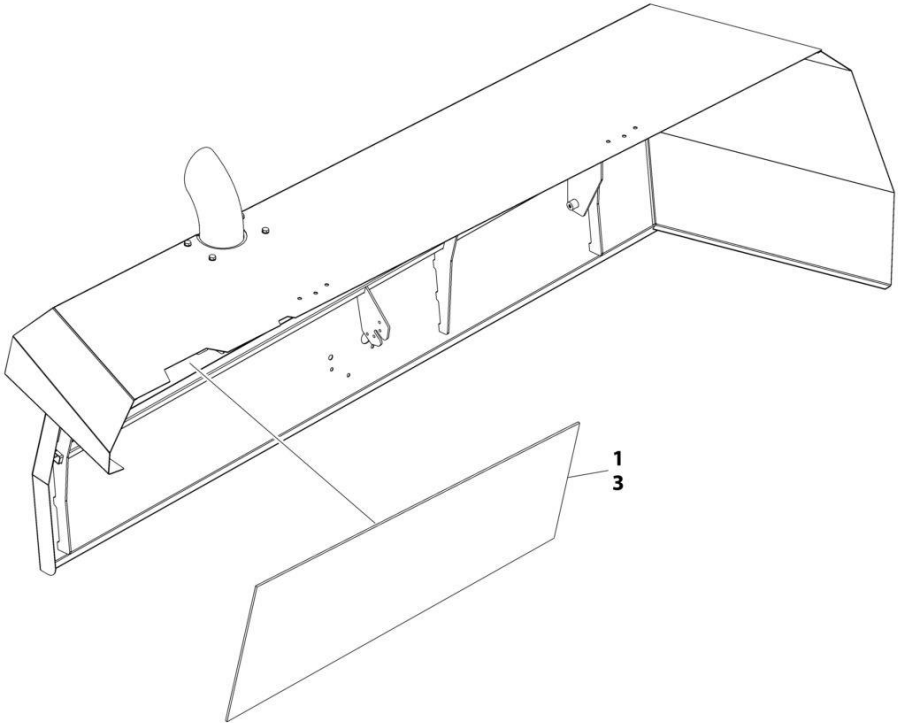
## SECTION 2 - TURNTABLE

**FIGURE 2-34. HOOD ASSEMBLY - ENGINE SIDE (STEEL)**

ITEM	PART NUMBER	QTY	DESCRIPTION	REV
	1001211774	Ref	HOOD ASSEMBLY	J
1	0100011	AR	Compound, Locking	
2	0641409	4	Bolt 1/4 x 1-1/8	
3	0700615	1	Bolt M6 x 35	
4	0761014	16	Bolt M10 x 30	
5	2560187	1	Handle , Push Button	
6	2940173	1	Latch, Rotary	
7	3290601	1	Nut M6	
8	3291005	4	Nut M10	
9	3900363	2	Screw M6 x 25	
10	4751400	4	Washer 1/4	
11	4811700	2	Washer M6	
12	4812000	14	Washer M10	
13	5241000	6	Washer M10	
14	1001164726	3	Screw M8 x 20	
15	1001116290	1	Plate	
16	1001139384	2	Hinge	
17	1001169046	2	Nut, Hinge	
18	1001194888	1	Pipe, Exhaust	
19	1001202333	2	Plate, Nut	
20	1001211767	1	Hood	
21	1001211773	1	Plate	
22	4811900	3	Washer M8	
23	3290805	3	Nut M8	

**SECTION 2 - TURNTABLE**

**FIGURE 2-35. HOOD INSULATION INSTALLATION (STEEL HOODS)**



ART\_1001237894

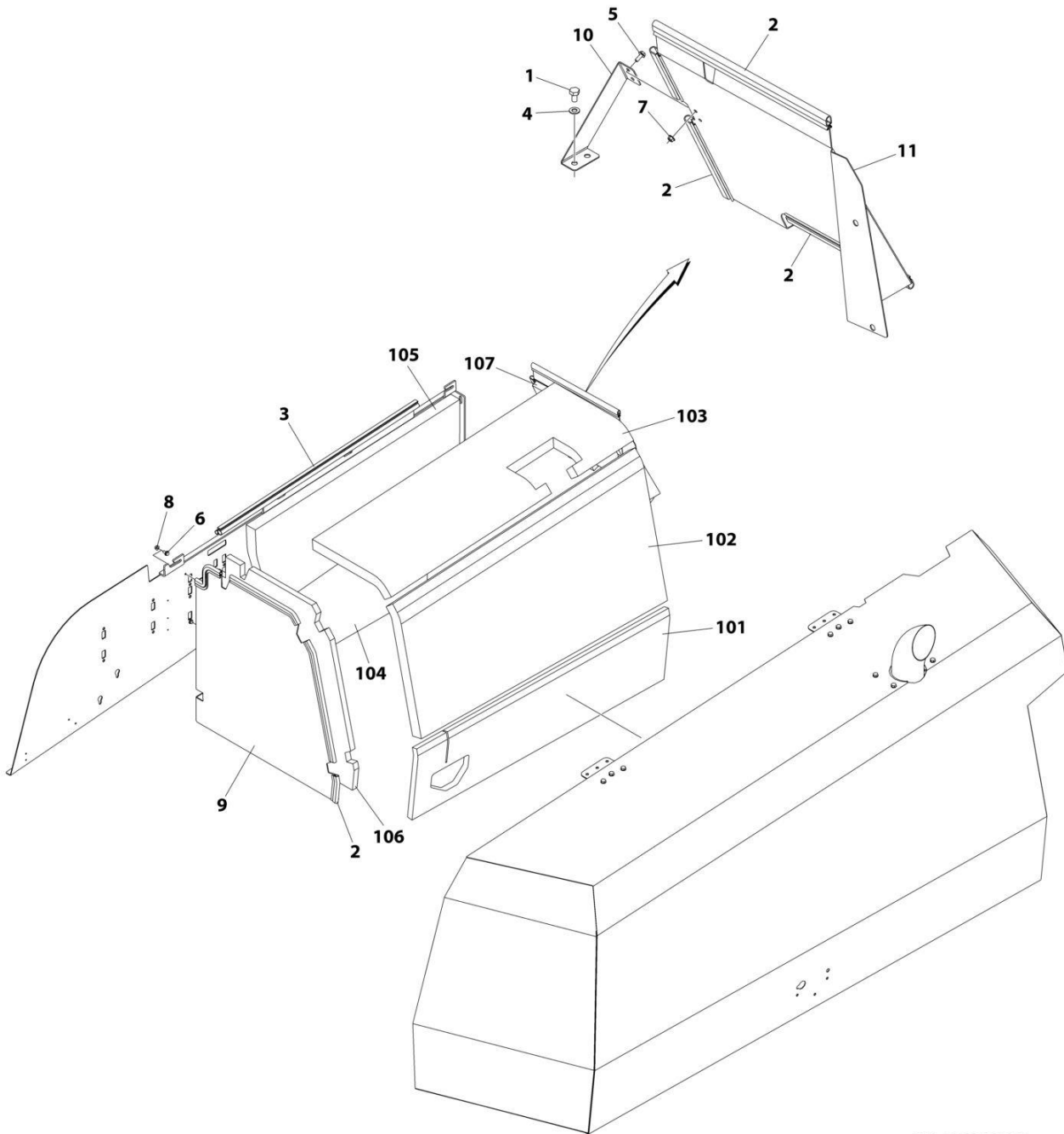
**SECTION 2 - TURNTABLE**

**FIGURE 2-35. HOOD INSULATION INSTALLATION (STEEL HOODS)**

<b>ITEM</b>	<b>PART NUMBER</b>	<b>QTY</b>	<b>DESCRIPTION</b>	<b>REV</b>
	1001237894	Ref	HOOD INSULATION INSTALLATION (STEEL HOODS)	A
1	1001117140	AR	Tape	
2	1001184327	1	Hood Installation (Not Shown - See Separate Breakdown in this Section)	
3	1001237895	1	Insulate, Heat Shield	

# SECTION 2 - TURNTABLE

## FIGURE 2-36. NOISE REDUCTION PACKAGE



ART\_1001234080\_B



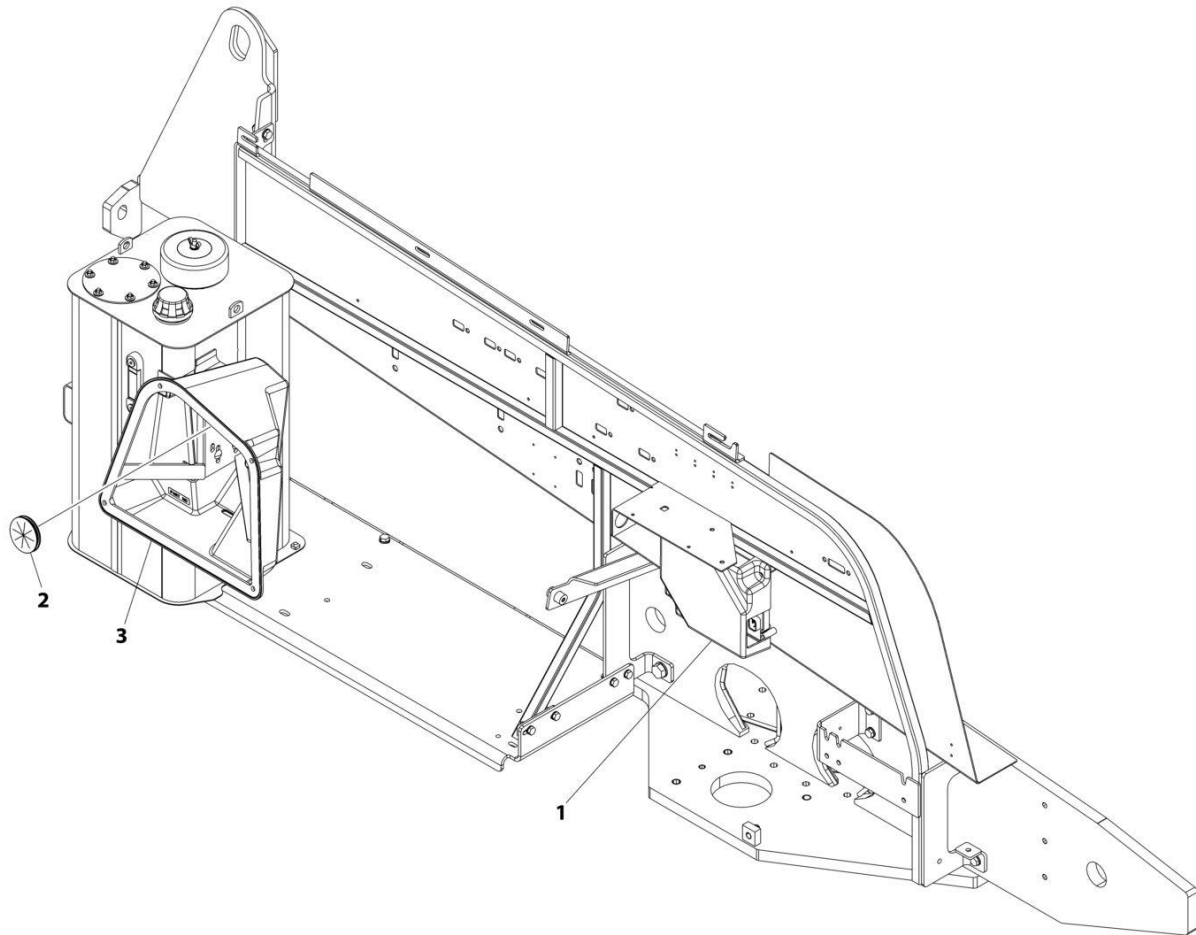
**SECTION 2 - TURNTABLE**

**FIGURE 2-36. NOISE REDUCTION PACKAGE**

ITEM	PART NUMBER	QTY	DESCRIPTION	REV
	1001234080	Ref	SOUND REDUCTION PACKAGE	B
1	0761009	2	Bolt M10 x 18	
2	3960389	8.2 ft/ 2.49m	Seal	
3	3960464	3.6 ft/ 1.10m	Seal	
4	4812000	2	Washer M10	
5	5250608	2	Bolt M6 x 16	
6	5250808	2	Bolt M8 x 16	
7	5260600	2	Nut M6	
8	5260800	2	Nut M8	
9	1001241729	1	Plate	
10	1001233948	1	Bracket	
11	1001233949	1	Plate	
100	1001237550	1	Sound Foam Insulate Kit (Includes Items 101-107)	B
101	1001233953	1	Insulate	
102	1001233954	1	Insulate	
103	1001233955	1	Insulate	
104	1001233966	1	Insulate	
105	1001233967	1	Insulate	
106	1001234269	1	Insulate	
107	1001234270	1	Insulate	

## SECTION 2 - TURNTABLE

FIGURE 2-37. COVERS INSTALLATION



ART\_1001219128

**SECTION 2 - TURNTABLE**

**FIGURE 2-37. COVERS INSTALLATION**

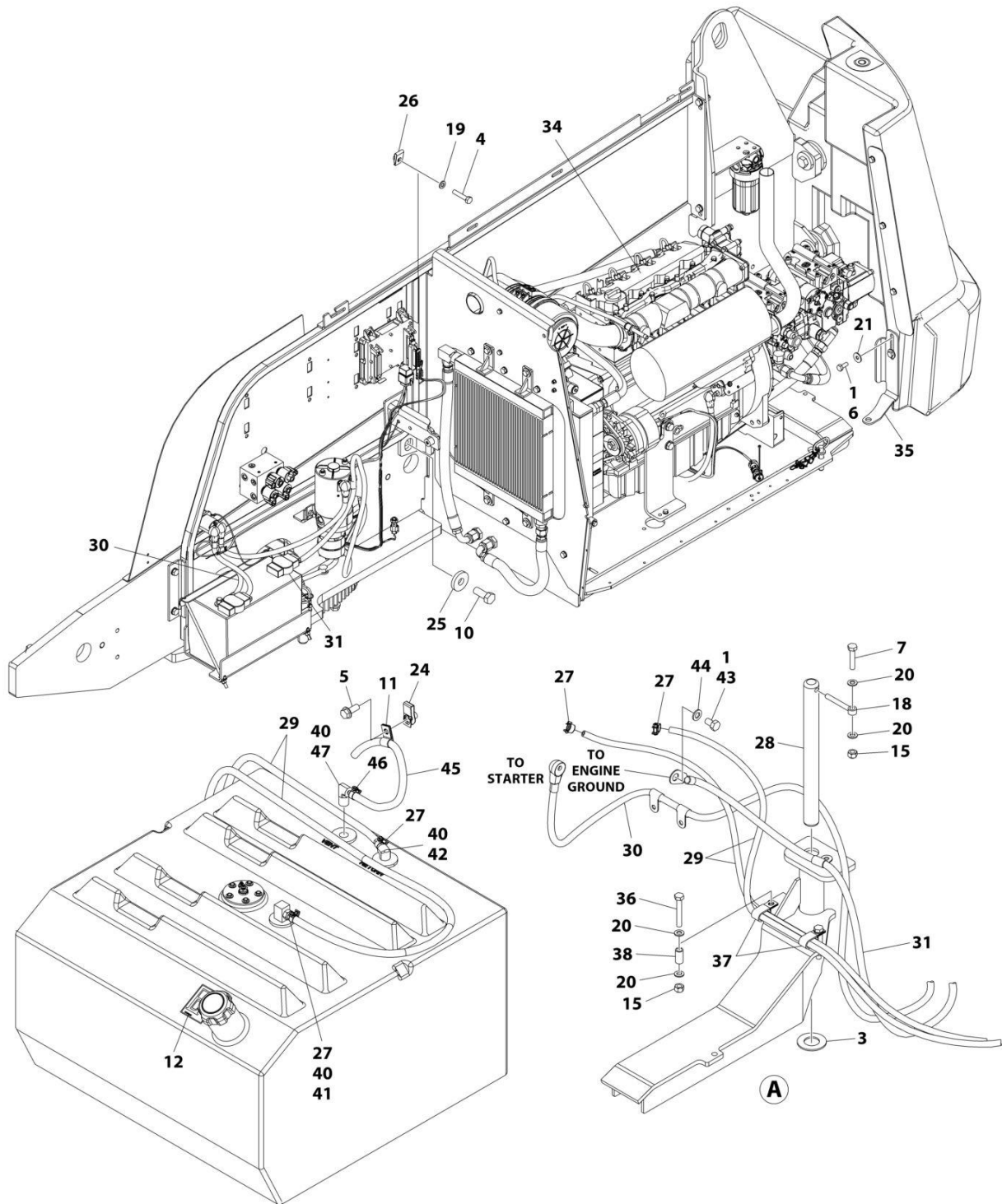
<b>ITEM</b>	<b>PART NUMBER</b>	<b>QTY</b>	<b>DESCRIPTION</b>	<b>REV</b>
	1001219128	Ref	COVERS INSTALLATION	A
1	1001218539	1	Cover, Controller	
2	1001218676	1	Grommet	
3	1001220638	1	Cover, Ground Control	



**SECTION 3 - ENGINE**

# SECTION 3 - ENGINE

## FIGURE 3-1. DEUTZ D2011 ENGINE INSTALLATION - WITHOUT ARCTIC PACKAGE



ART\_1001196565\_G

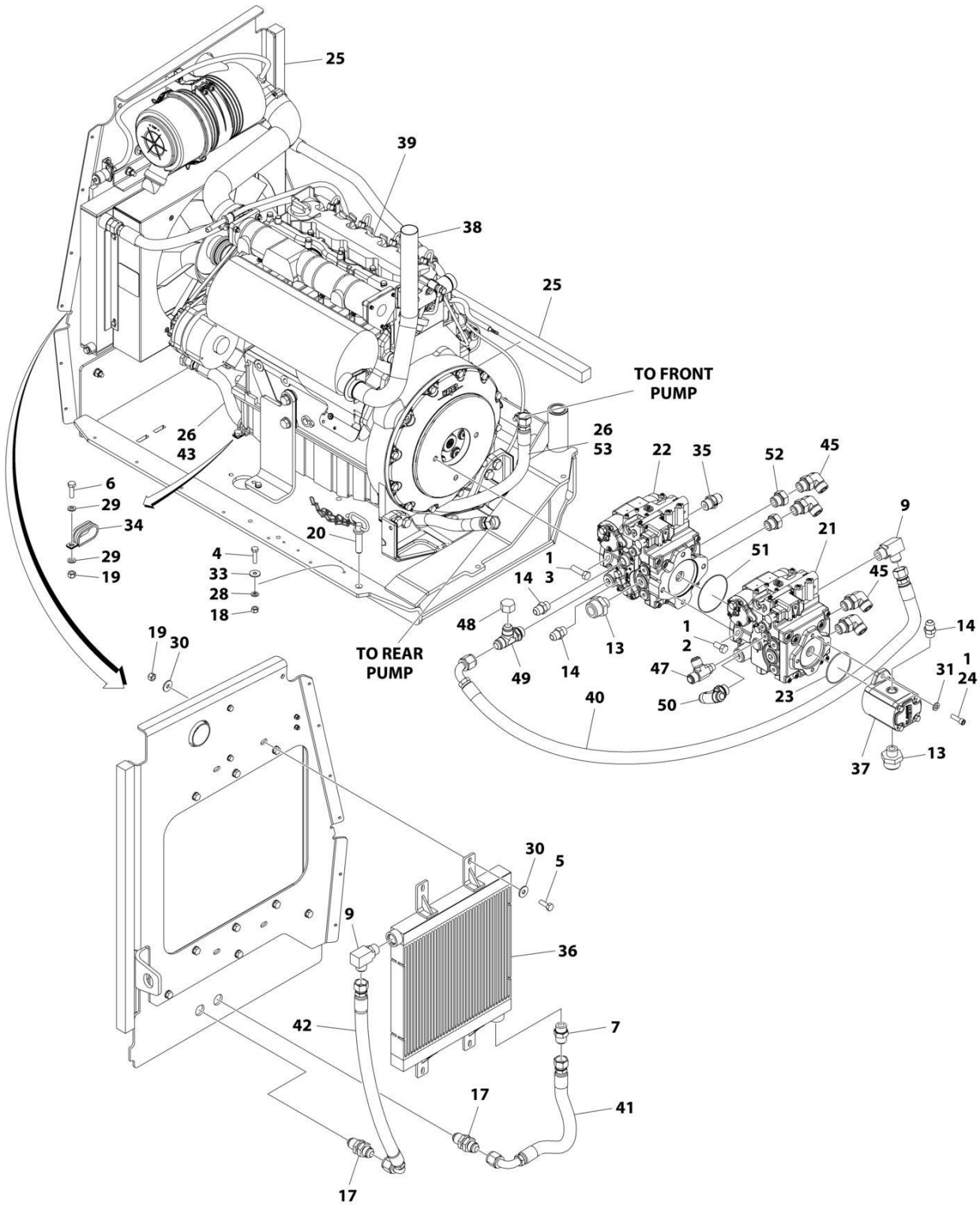
## SECTION 3 - ENGINE

**FIGURE 3-1. DEUTZ D2011 ENGINE INSTALLATION - WITHOUT ARCTIC PACKAGE**

ITEM	PART NUMBER	QTY	DESCRIPTION	REV
	1001196565	Ref	DEUTZ D2011 ENGINE INSTALLATION	G
1	0100011	AR	Compound, Locking	
3	0440162	1	Bearing	
4	0700614	4	Bolt M6 x 30	
5	5251012	1	Bolt M10 x 25	
6	0701012	2	Bolt M10 x 25	
7	0711018	1	Bolt M10 x 50	
10	0772018	1	Bolt M20 x 50	
11	8406110	1	Clip	
12	1701505	1	Decal - Diesel Fuel	
15	3291005	3	Nut M10	
18	3841143	1	Keeper, Pin	
19	4811700	4	Washer M6	
20	4812000	6	Washer M10	
21	4812002	2	Washer M10	
24	1001118972	1	Nut, Tinnerman M10	
25	1001119051	1	Washer	
26	1001130220	4	Nut, Tinnerman M6	
27	1001174486	4	Clamp	
28	1001155094	1	Pin	
29	2720058	288 in/ 7.3m	Hose, Fuel	
30	1001188667	1	Cable, Battery (+) to Aux Relay to Starter	
31	1001188670	1	Cable, Battery (-) to Aux Pump and Ground	
34	1001196572	1	Deutz D2011 Engine and Pumps Sub-Assembly (See Separate Breakdown in this Section)	
35	1001197881	1	Bracket	
36	0701022	2	Bolt M10 x 70	
37	1001026127	2	Clamp	
38	1001200731	2	Tube	
39	4240099	6	Tie-Strap (Not Shown)	
40	0100020	AR	Sealant	
41	2180348	1	Fitting, Straight NPT x Barb	
42	2221176	1	Fitting, 90 Barbed	
43	0761210	1	Bolt M12 x 20	
44	4812100	1	Washer M12	
45	1001165035	20 in/ 0.5m	Hose	
46	1001136975	1	Clamp	
47	2220313	1	Fitting, 90 NPTF/Barb	
100	1001235699	1	Battery Cable Kit (Includes Items 30 & 31) (Not Shown)	

# SECTION 3 - ENGINE

FIGURE 3-2. DEUTZ D2011 ENGINE AND PUMPS SUB-ASSEMBLY - WITHOUT ARCTIC PACKAGE



ART\_1001196572\_G



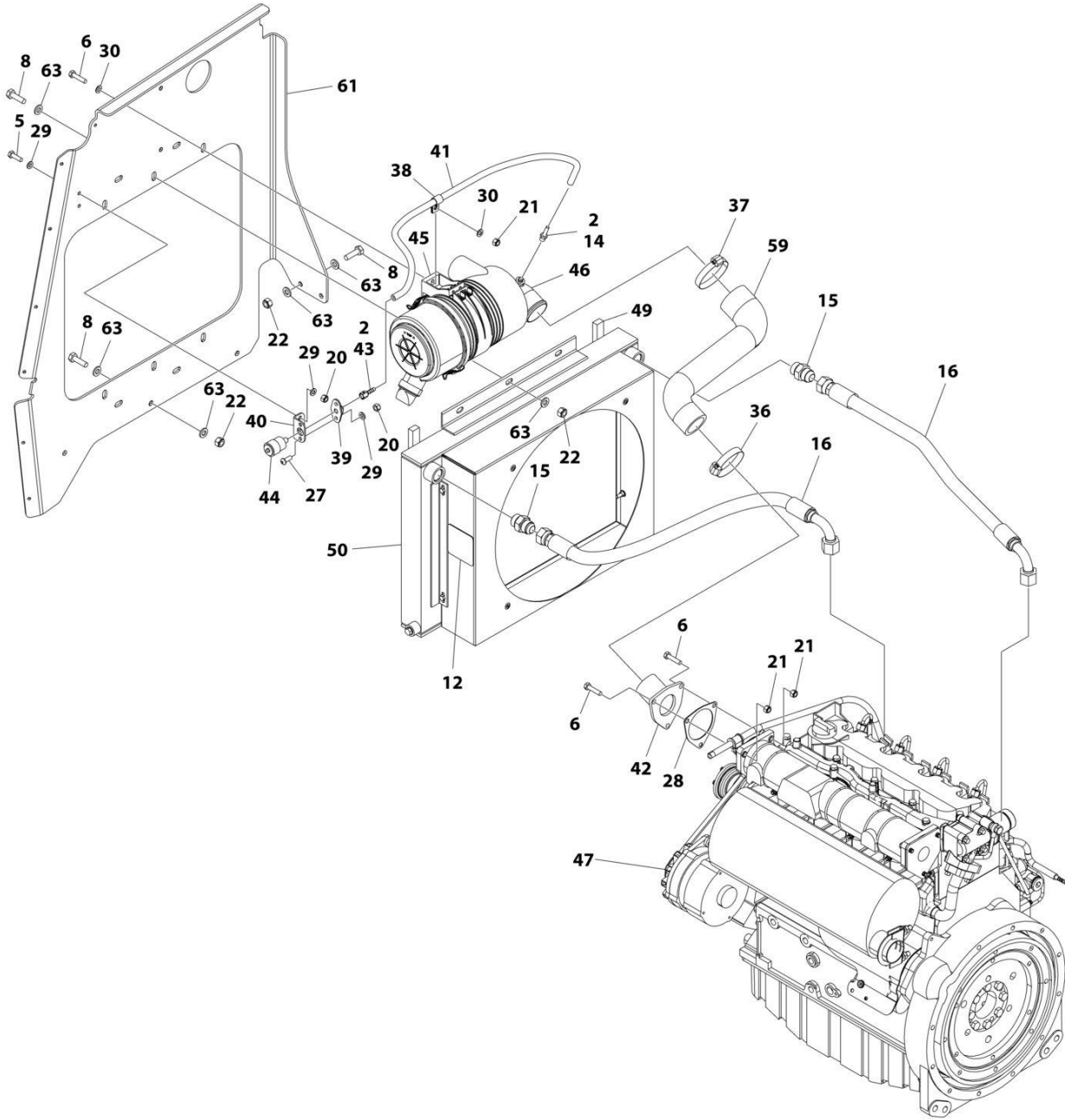
## SECTION 3 - ENGINE

**FIGURE 3-2. DEUTZ D2011 ENGINE AND PUMPS SUB-ASSEMBLY - WITHOUT ARCTIC PACKAGE**

ITEM	PART NUMBER	QTY	DESCRIPTION	REV
	1001196572	Ref	DEUTZ D2011 ENGINE AND PUMPS SUB-ASSEMBLY	G
1	0100011	AR	Compound, Locking	
2	0641808	2	Bolt 1/2 x 1	
3	0641814	2	Bolt 1/2 x 1-3/4	
4	0760612	1	Bolt M6 x 25	
5	0761014	4	Bolt M10 x 30	
6	0761015	2	Bolt M10 x 35	
7	2220451	1	Fitting, Straight JIC/ORB	
9	2220578	2	Fitting, 90 JIC/ORB	
13	2220946	2	Fitting, Straight JIC/ORB	
14	2220947	3	Fitting, Straight JIC/ORB	
17	2230027	2	Fitting, Straight	
18	3290605	1	Nut M6	
19	3291005	6	Nut M10	
20	3422532	1	Pin	
21	3600359	1	Piston Pump Assembly - Rear (See Separate Breakdown in this Section)	
22	3600363	1	Piston Pump Assembly - Front (See Separate Breakdown in this Section)	
23	3790152	1	O-Ring	
24	3931618	2	Capscrew 3/8 x 1-1/8	
25	3960469	2	Seal	
26	4061032	3	Shield	
27	4240099	AR	Tie-Strap (Not Shown)	
28	4811700	1	Washer M6	
29	4812000	4	Washer M10	
30	4812002	8	Washer M10	
31	5241000	2	Washer M10	
33	4811702	1	Washer M6	
34	1001164196	2	Clamp	
35	1001179156	1	Valve, Check	
36	1001188601	1	Radiator, Oil Cooler	
37	1001190143	1	Gear Pump Assembly	
37	70006356	1	Seal Kit - 1001190143 Pump	
38	1001191273	1	Pipe, Exhaust	
39	1001196571	1	Deutz D2011 Engine Assembly (See Separate Breakdown in this Section)	
40	1001200216	1	Hose	
41	1001195504	1	Hose	
42	1001195505	1	Hose	
43	1001195509	1	Hose	
45	2131212	4	Fitting, 90 ORFS/ORB	
47	1001213814	1	Fitting, Tee JIC/ORB/JIC	
48	2220518	1	Cap	
49	2220738	1	Fitting, Tee JIC/ORB/JIC	
50	2220695	1	Fitting, Tee JIC/ORB/JIC	
51	3790045	1	O-Ring	
52	1001233450	2	Fitting, Straight ORB/ORB	
53	1001235110	1	Hose	

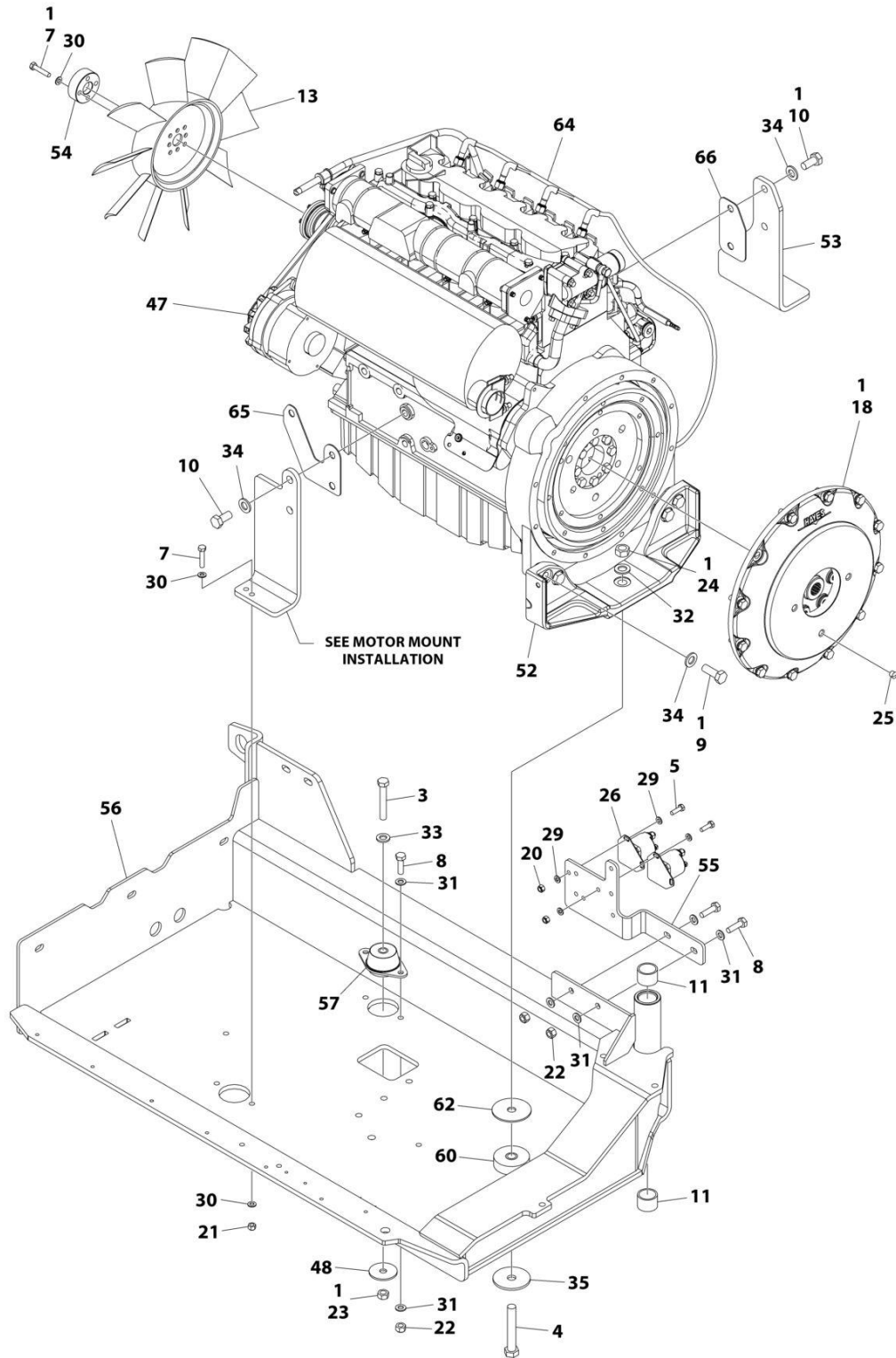
# SECTION 3 - ENGINE

## FIGURE 3-3. DEUTZ D2011 ENGINE ASSEMBLY - WITHOUT ARCTIC PACKAGE



ART\_1001196571\_Q\_10F2

# SECTION 3 - ENGINE



ART\_1001196571\_Q\_20F2

## SECTION 3 - ENGINE

FIGURE 3-3. DEUTZ D2011 ENGINE ASSEMBLY - WITHOUT ARCTIC PACKAGE

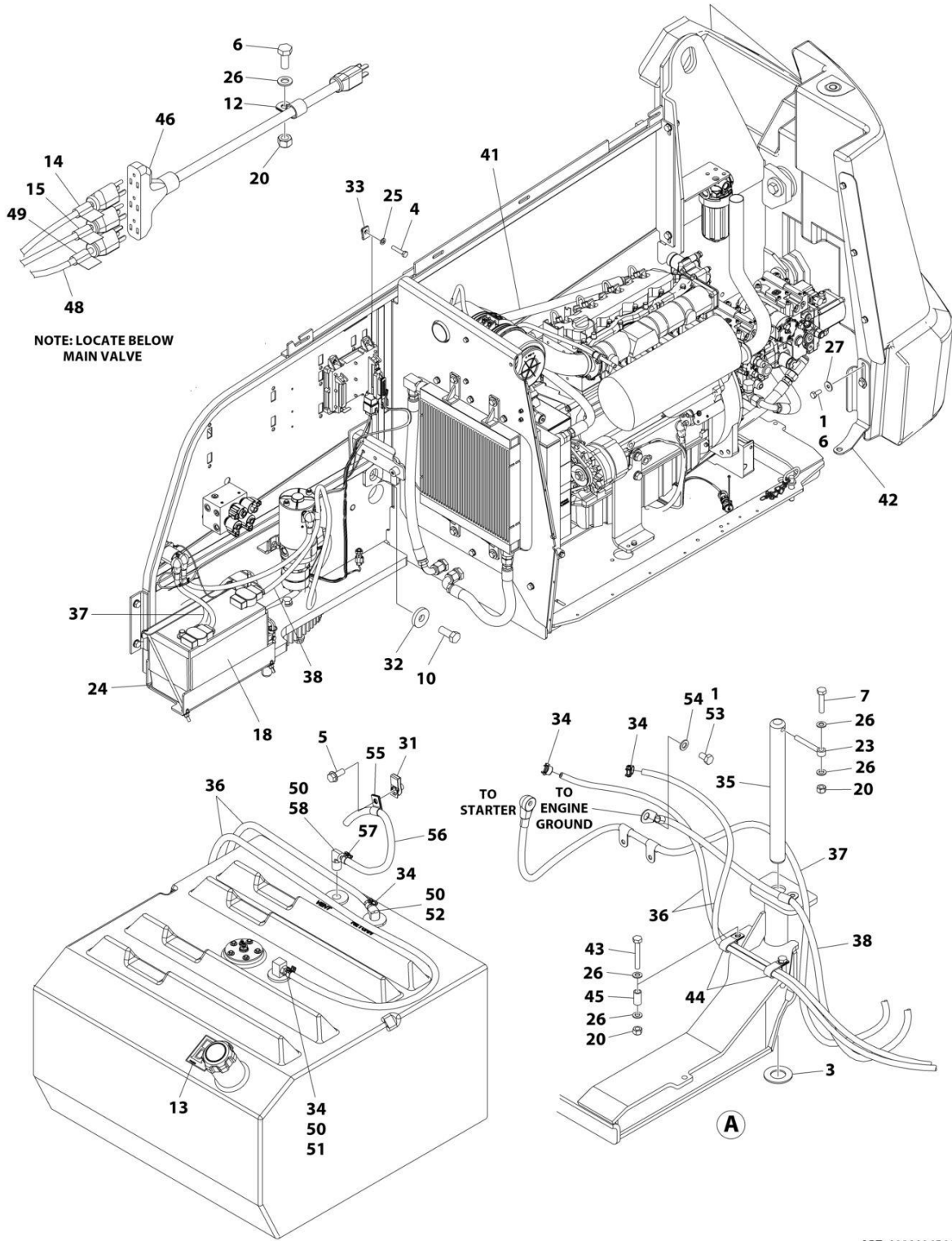
ITEM	PART NUMBER	QTY	DESCRIPTION	REV
	1001196571	Ref	DEUTZ D2011 ENGINE ASSEMBLY	Q
1	0100011	AR	Compound, Locking	
2	0100020	AR	Sealant	
3	0711224	1	Bolt M12 x 80	
4	0711627	1	Bolt M16 x 100	
5	0760610	6	Bolt M6 x 20	
6	0760815	5	Bolt M8 x 35	
7	0760816	5	Bolt M8 x 40	
8	0761015	15	Bolt M10 x 35	
9	0771416	4	Bolt M14 x 40	
10	0771414	4	Bolt M14 x 30	
11	0961951	2	Bushing	
12	1703162	2	Decal - Fan Blade	
13	2060025	1	Fan	
14	2220315	1	Fitting, Straight Barbed	
15	2220451	2	Fitting, Straight ORB/JIC	
16	2720398	2	Hose	
18	2902065	1	Pump Coupling Kit (See Separate Breakdown in this Section)	
20	3290605	8	Nut M6	
21	3290805	6	Nut M8	
22	3291005	15	Nut M10	
23	3331211	1	Nut M12	
24	3331611	1	Nut M16	
25	3520054	2	Plug	
26	3740067	2	Relay	
27	3900357	2	Screw M6 x 16	
28	3960407	1	Gasket, Air Intake Adapter	
29	4811700	14	Washer M6	
30	4811900	10	Washer M8	
31	4812000	8	Washer M10	
32	4812300	1	Washer M16	
33	5241200	1	Washer M12	
34	5241400	8	Washer M14	
35	7300435	1	Washer	
36	8405203	1	Clamp	
37	8405204	1	Clamp	
38	8406109	1	Clip	
39	1001138173	1	Support	
40	1001138175	1	Bracket	
41	1001138248	3 in/1 m	Tube	
42	1001139819	1	Adapter	
43	1001141995	1	Fitting, Straight NPT/Barbed	
44	1001143390	1	Indicator, Air Filter Service	
45	1001147812	1	Clamp	
46	1001147813	1	Filter, Air	
46	70004020	1	Element, Filter	
47	1001147823	1	Deutz D2011 Engine Components (See Separate Breakdown in this Section)	
48	1001168018	1	Washer	
49	1001168166	2	Seal	

## SECTION 3 - ENGINE

ITEM	PART NUMBER	QTY	DESCRIPTION	REV
50	1001187082	1	Radiator	
51	1001188236	1	Engine Harness - Deutz D2011 Engines (Not Shown) (See Separate Breakdown in ELECTRICAL Section)	
52	1001188535	1	Bracket, Engine - Rear	
53	1001189026	1	Bracket, Engine - Right	
54	1001189161	1	Adapter, Fan	
55	1001203885	1	Plate	
56	1001200435	1	Tray	
57	1001191610	1	Mount, Motor	
59	1001195711	1	Hose	
60	1001197149	1	Support	
61	1001200793	1	Support	
62	1001197725	1	Spacer	
63	5241000	22	Washer M10	
64	1001234396	1	Glow Plug Harness	
65	1001201843	1	Shim .079	
66	1001201844	1	Shim .079	

# SECTION 3 - ENGINE

## FIGURE 3-4. DEUTZ D2011 ENGINE INSTALLATION - WITH ARCTIC PACKAGE



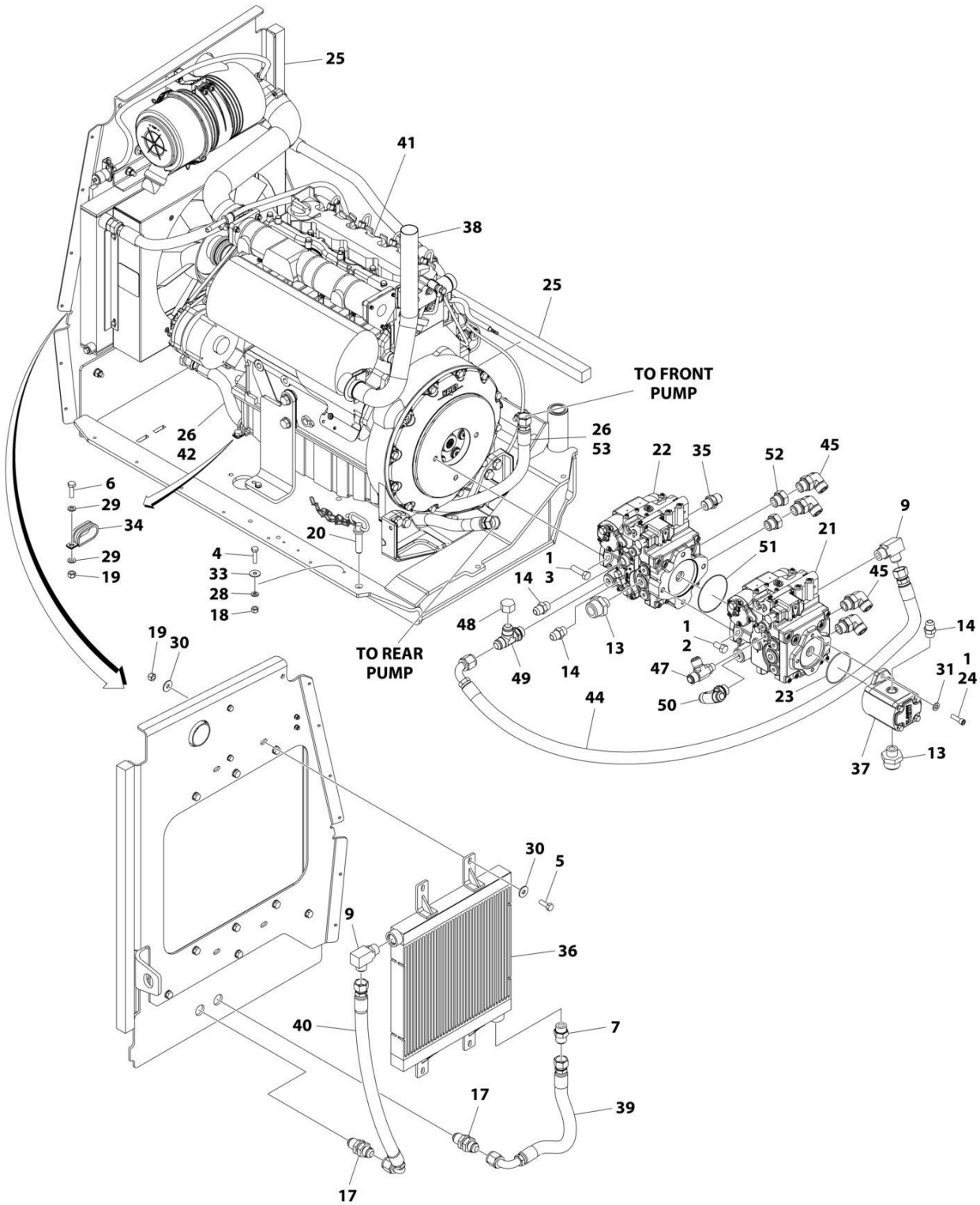
## SECTION 3 - ENGINE

**FIGURE 3-4. DEUTZ D2011 ENGINE INSTALLATION - WITH ARCTIC PACKAGE**

ITEM	PART NUMBER	QTY	DESCRIPTION	REV
	1001196566	Ref	DEUTZ D2011 ENGINE INSTALLATION	G
1	0100011	AR	Compound, Locking	
3	0440162	1	Bearing	
4	0700614	4	Bolt M6 x 30	
5	5251012	1	Bolt M10 x 25	
6	0701012	3	Bolt M10 x 25	
7	0711018	1	Bolt M10 x 50	
10	0772018	1	Bolt M20 x 50	
12	1320061	1	Clamp	
13	1701505	1	Decal - Diesel Fuel	
14	1702941	1	Decal - Battery Heater	
15	1702943	1	Decal - Hydraulic Tank Heater	
18	2580024	1	Heater, Battery	
19	1001188972	1	Heater, Immersion (Not Shown - Located on Hydraulic Tank)	
20	3291005	4	Nut M10	
23	3841143	1	Keeper, Pin	
24	3980007	1	Seal, Battery	
25	4811700	4	Washer M6	
26	4812000	7	Washer M10	
27	4812002	2	Washer M10	
31	1001118972	1	Nut, Tinnerman M10	
32	1001119051	1	Washer	
33	1001130220	4	Nut, Tinnerman M6	
34	1001174486	5	Clamp	
35	1001155094	1	Pin	
36	2720058	308 in/ 7.9m	Hose, Fuel	
37	1001188667	1	Cable, Battery (+) to Aux Relay to Starter	
38	1001188670	1	Cable, Battery (-) to Aux Pump and Ground	
41	1001196574	1	Deutz D2011 Engine and Pumps Sub-Assembly (See Separate Breakdown in this Section)	
42	1001197881	1	Bracket	
43	0701022	2	Bolt M10 x 70	
44	1001026127	2	Clamp	
45	1001200731	2	Tube	
46	1060626	1	Plug, 3 Way	
47	4240099	1	Tie-Strap (Not Shown)	
48	1001150918	1	Cable, Extension	
49	1702942	1	Decal - Engine Block Heater	
50	0100020	AR	Sealant	
51	2180348	1	Fitting, Straight NPT/Barbed	
52	2221176	1	Fitting, 90 Barbed	
53	0761210	1	Bolt M12 x 20	
54	4812100	1	Washer M12	
55	8406110	1	Clip	
56	1001165035	20 in/ 0.5m	Hose	
57	1001136975	1	Clamp	
58	2220313	1	Fitting, 90 NPTF/Barb	
100	1001235699	1	Battery Cable Kit (Includes Items 37 & 38) (Not Shown)	

# SECTION 3 - ENGINE

## FIGURE 3-5. DEUTZ D2011 ENGINE AND PUMPS SUB-ASSEMBLY - WITH ARCTIC PACKAGE



ART\_1001196574\_G



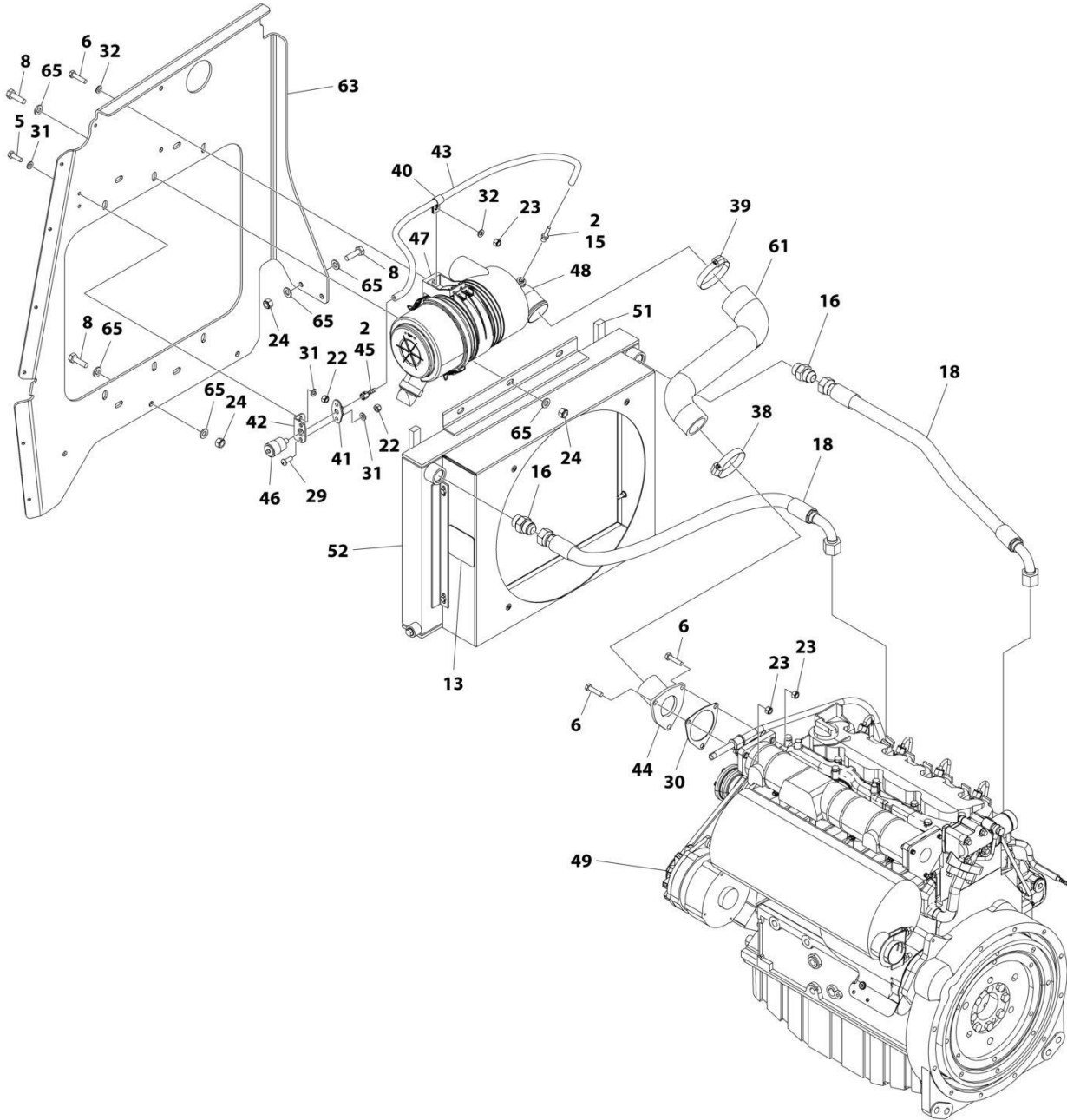
## SECTION 3 - ENGINE

**FIGURE 3-5. DEUTZ D2011 ENGINE AND PUMPS SUB-ASSEMBLY - WITH ARCTIC PACKAGE**

ITEM	PART NUMBER	QTY	DESCRIPTION	REV
	1001196574	Ref	DEUTZ D2011 ENGINE AND PUMPS SUB-ASSEMBLY	G
1	0100011	AR	Compound, Locking	
2	0641808	2	Bolt 1/2 x 1	
3	0641814	2	Bolt 1/2 x 1-3/4	
4	0760612	1	Bolt M6 x 25	
5	0761014	4	Bolt M10 x 30	
6	0761015	2	Bolt M10 x 35	
7	2220451	1	Fitting, Straight JIC/ORB	
9	2220578	1	Fitting, 90 JIC/ORB	
13	2220946	2	Fitting, Straight JIC/ORB	
14	2220947	3	Fitting, Straight JIC/ORB	
17	2230027	2	Fitting, Straight	
18	3290605	1	Nut M6	
19	3291005	6	Nut M10	
20	3422532	1	Pin	
21	3600359	1	Piston Pump Assembly - Rear (See Separate Breakdown in this Section)	
22	3600363	1	Piston Pump Assembly - Front (See Separate Breakdown in this Section)	
23	3790152	1	O-Ring	
24	3931618	2	Capscrew 3/8 x 1-1/8	
25	3960469	2	Seal	
26	4061032	3	Shield	
27	4240099	AR	Tie-Strap (Not Shown)	
28	4811700	1	Washer M6	
29	4812000	4	Washer M10	
30	4812002	8	Washer M10	
31	5241000	2	Washer M10	
33	4811702	1	Washer M6	
34	1001164196	2	Clamp	
35	1001179156	1	Valve, Check	
36	1001188601	1	Radiator, Oil Cooler	
37	1001190143	1	Gear Pump Assembly	
37	70006356	1	Seal Kit - 1001190143 Pump	
38	1001191273	1	Pipe	
39	1001195504	1	Hose	
40	1001195505	1	Hose	
41	1001196573	1	Deutz D2011 Engine Assembly (See Separate Breakdown in this Section)	
42	1001195509	1	Hose	
44	1001200216	1	Hose	
45	2131212	4	Fitting, 90 ORFS/ORB	
47	1001213814	1	Fitting, Tee JIC/ORB/JIC	
48	2220518	1	Cap	
49	2220738	1	Fitting, Tee JIC/ORB/JIC	
50	2220695	1	Fitting, Tee JIC/ORB/JIC	
51	3790045	1	O-Ring	
52	1001233450	2	Fitting, Straight ORB/ORB	
53	1001235110	1	Hose	

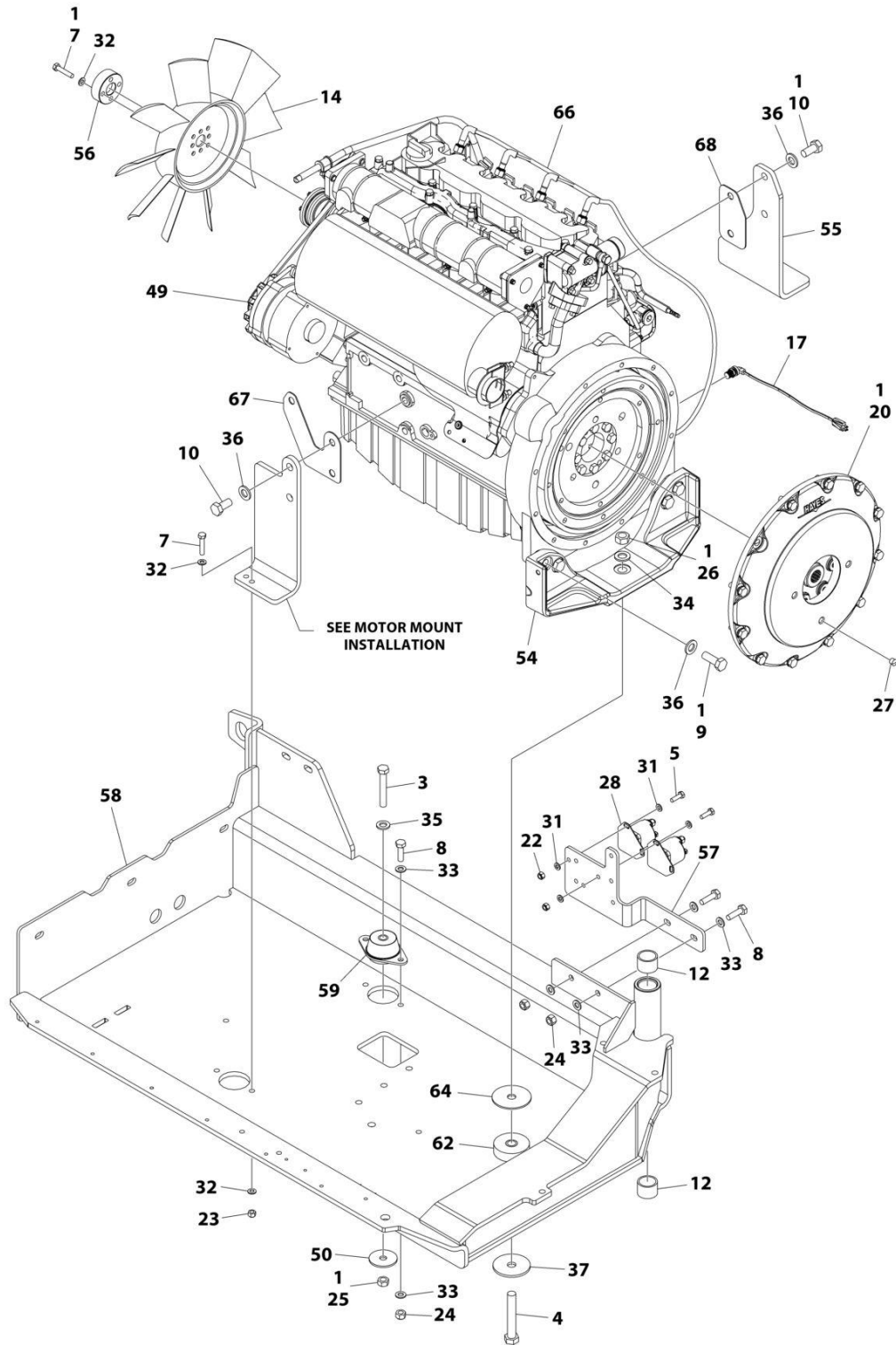
# SECTION 3 - ENGINE

## FIGURE 3-6. DEUTZ D2011 ENGINE ASSEMBLY - WITH ARCTIC PACKAGE



ART\_1001196573\_Q\_1OF2

# SECTION 3 - ENGINE



ART\_1001196573\_Q\_20F2

## SECTION 3 - ENGINE

FIGURE 3-6. DEUTZ D2011 ENGINE ASSEMBLY - WITH ARCTIC PACKAGE

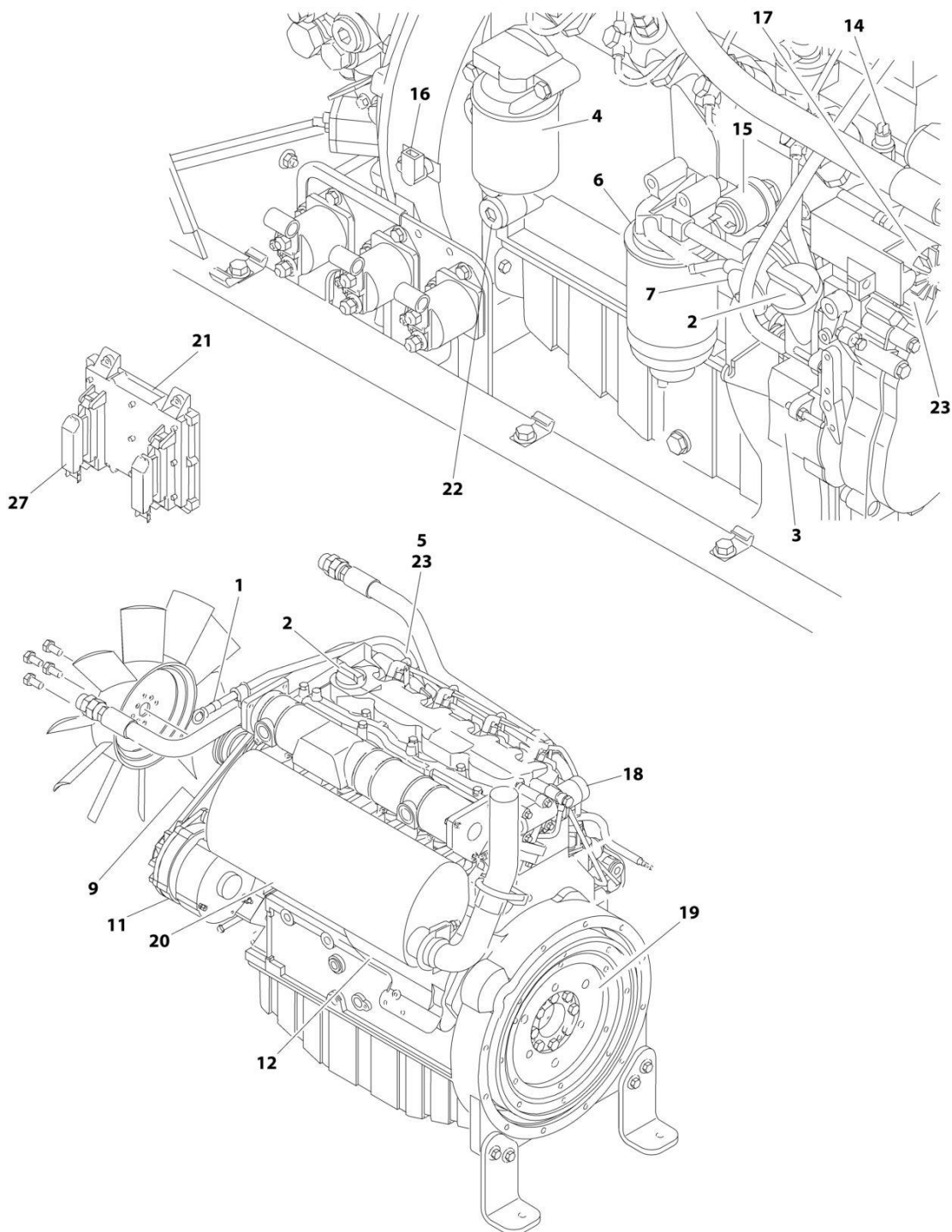
ITEM	PART NUMBER	QTY	DESCRIPTION	REV
	1001196573	Ref	DEUTZ D2011 ENGINE ASSEMBLY	Q
1	0100011	AR	Compound, Locking	
2	0100020	AR	Sealant	
3	0701224	1	Bolt M12 x 80	
4	0711627	1	Bolt M16 x 100	
5	0760610	6	Bolt M6 x 20	
6	0760815	5	Bolt M8 x 35	
7	0760816	5	Bolt M8 x 40	
8	0761015	15	Bolt M10 x 35	
9	0771416	4	Bolt M14 x 40	
10	0771414	4	Bolt M14 x 30	
12	0961951	2	Bushing	
13	1703162	2	Decal - Fan Blade	
14	2060025	1	Fan	
15	2220315	1	Fitting, Straight Barbed	
16	2220451	2	Fitting, Straight ORB/JIC	
17	2580062	1	Heater, Engine Block	
18	2720398	2	Hose	
20	2902065	1	Pump Coupling Kit (See Separate Breakdown in this Section)	
22	3290605	8	Nut M6	
23	3290805	6	Nut M8	
24	3291005	15	Nut M10	
25	3331211	1	Nut M12	
26	3331611	1	Nut M16	
27	3520054	2	Plug	
28	3740067	2	Relay	
29	3900357	2	Screw M6 x 16	
30	3960407	1	Gasket, Air Intake Adapter	
31	4811700	14	Washer M6	
32	4811900	10	Washer M8	
33	4812000	8	Washer M10	
34	4812300	1	Washer M16	
35	5241200	1	Washer M12	
36	5241400	8	Washer M14	
37	7300435	1	Washer	
38	8405203	1	Clamp	
39	8405204	1	Clamp	
40	8406109	1	Clip	
41	1001138173	1	Support	
42	1001138175	1	Bracket	
43	1001138248	3 ft/1 m	Tube	
44	1001139819	1	Adapter	
45	1001141995	1	Fitting, Straight NPT/Barbed	
46	1001143390	1	Indicator, Air Filter Service	
47	1001147812	1	Clamp	
48	1001147813	1	Filter, Air	
48	70004020	1	Element, Filter	
49	1001147823	1	Deutz D2011 Engine Components (See Separate Breakdown in this Section)	
50	1001168018	1	Washer	

## SECTION 3 - ENGINE

ITEM	PART NUMBER	QTY	DESCRIPTION	REV
51	1001168166	2	Seal	
52	1001187082	1	Radiator	
53	1001188236	1	Engine Harness - Deutz D2011 Engines (Not Shown) (See Separate Breakdown in ELECTRICAL Section)	
54	1001188535	1	Bracket, Engine - Rear	
55	1001189026	1	Bracket, Engine - Right	
56	1001189161	1	Adapter, Fan	
57	1001203885	1	Plate	
58	1001200435	1	Tray	
59	1001191610	1	Mount, Motor	
61	1001195711	1	Hose	
62	1001197149	1	Support	
63	1001200793	1	Support	
64	1001197725	1	Spacer	
65	5241000	22	Washer M10	
66	1001234396	1	Glow Plug Harness	
67	1001201843	1	Shim .079	
68	1001201844	1	Shim .079	

# SECTION 3 - ENGINE

## FIGURE 3-7. DEUTZ D2011 ENGINE COMPONENTS



ART\_1001147823

## SECTION 3 - ENGINE

### FIGURE 3-7. DEUTZ D2011 ENGINE COMPONENTS

ITEM	PART NUMBER	QTY	DESCRIPTION	REV
	1001147823	Ref	ENGINE COMPONENTS	C
1	70004287	1	Dipstick	
1	70000044	1	Seal, Dipstick	
1	70001002	1	Tube, Dipstick	
1	7020403	1	Seal, Dipstick Tube	
2	7020465	2	Cap, Filler	
3	70001850	1	Pump, Oil Lube	
3	7020468	1	Seal Between Oil Pump and Engine Block (Not Shown)	
4	7016331	1	Filter, Oil	
4	70003472	1	Bracket, Oil Filter	
4	7027236	1	Sender, Temperature	
4	70025082	1	Ring, Sealing	
5	70000912	4	Series A Injector	
5	70000913	4	Series B Injector	
5	70000914	4	Series C Injector	
5	70000915	4	Series D Injector	
5	70003464	4	Seal/Gasket, Pump (1 Per Injector)	
5	70003478	4	Injector, Fuel	
5	70003136	4	Seal/Gasket, Pump (1 Per Injector)	
6	7016328	1	Filter, Fuel	
6	70003465	1	Sensor	
6	70003466	1	Seal, Sensor	
7	70000916	1	Pump, Fuel Supply	
7	70001435	1	Repair Kit for Fuel Supply Pump	
7	70000919	1	Hand Pump for Fuel Supply Pump	
7	70000917	1	O - Seal Between Fuel Pump and Engine Block	
7	70000918	1	O - Seal Between Fuel Pump and Hand Pump	
8	70001871	4	Gasket, Intake Manifold	
9	7020408	1	V-Belt	
10		Ref	Exhaust Manifold Components (Not Shown)	
10	70001835	1	Gasket, Exhaust Adapter to Exhaust Rail	
10	70001841	1	Valve, Exhaust (Fits into Exhaust Adapter)	
10	70001836	1	Gasket, Exhaust Rail to Cylinder Head	
10	70001837	1	Gasket, Exhaust Manifold to Muffler	
10	70002200	4	Stud, Mounting	
10	See Note	AR	Nut, Exhaust Manifold	
11	70004056	1	Alternator	
11	70001868	1	Regulator, Voltage (Not Shown)	
11	70001866	1	Seal, Gasket for Voltage Regulator (Not Shown)	
11	70002234	1	Bar, Alternator Adjustment	
12	7020479	1	Starter	
12	70004058	1	Relay	
13	70004060	2	Plug-In Connector	
14	7027791	1	Transmitter, Temperature	
15	7027790	1	Sensor, Oil Pressure	
16	70004272	1	Sensor, Speed	
17	7027792	1	Throttle Actuator	
17	7027276	2	Spring	
18	70003475	1	Thermostat (Located at rear of engine block - Not Shown)	
19	70001870	1	Flywheel with Ring Gear	

## SECTION 3 - ENGINE

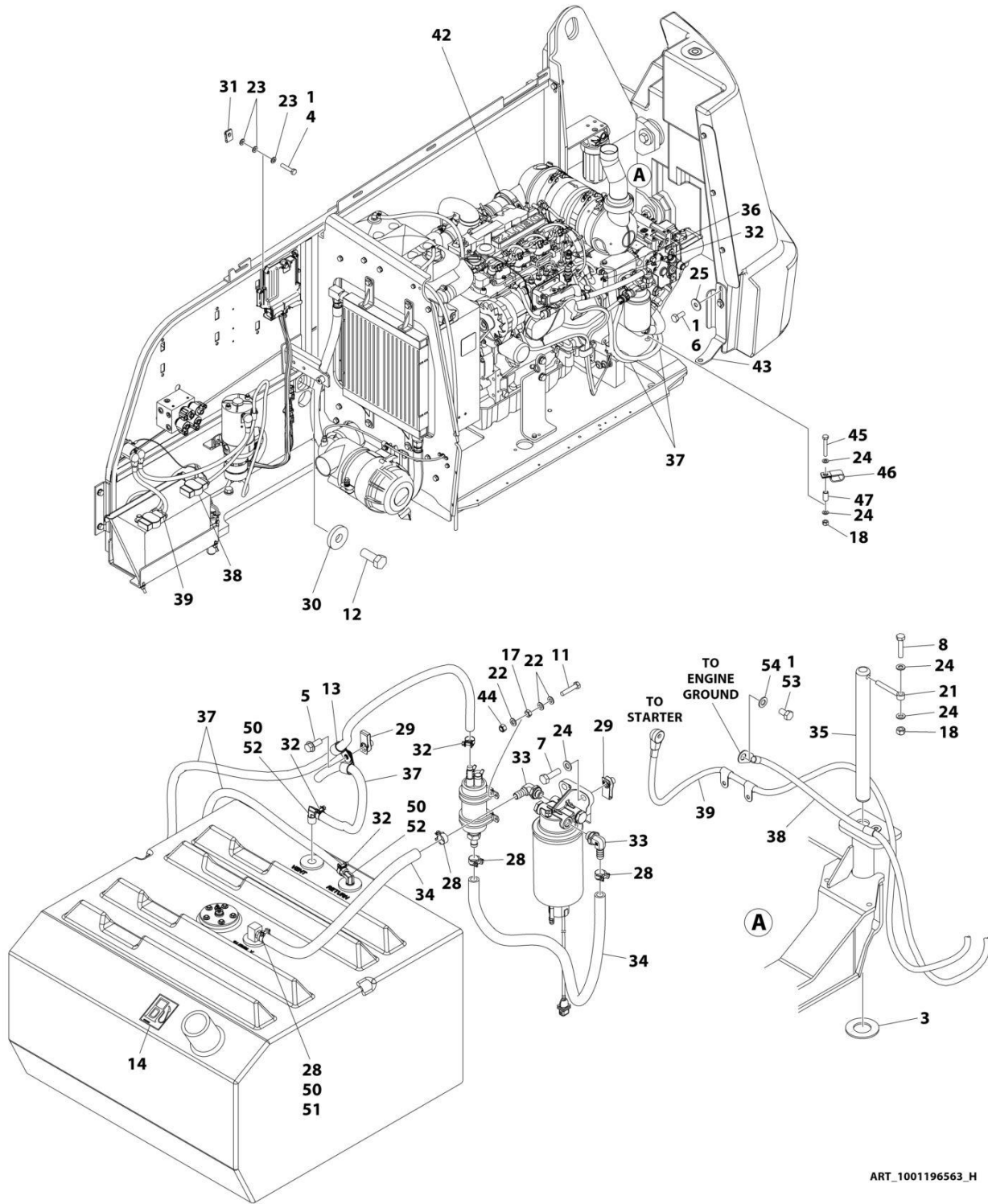
ITEM	PART NUMBER	QTY	DESCRIPTION	REV
19	7024579	1	Gear, Ring 110 Tooth	
20	7000695	1	Muffler	
20	70001844	1	U-Ciamp	
20	7020471	4	Gasket	
21	7027795	1	Module, Control	
22	70001181	1	Valve, Pressure Control	
22	70124410	1	Spring	
22	70025082	1	Seal	
22	70124440	1	Screw, Locking	
23	70000345	4	Plug, Glow	
24	70000800	1	Camshaft Pulley Repair Kit (Not Shown)	
26	70002415	1	Gasket, Head with 1 Notch (Not Shown)	
62	70002416	1	Gasket, Head with 2 Notch (Not Shown)	
26	70002417	1	Gasket, Head with 3 Notch (Not Shown)	
27	7027796	1	Harness, Engine (Connects to Item 421)	
27	70001872	1	Harness, Engine (Connects to p/n 7027796)	
28		Ref	Gaskets and Seals - Miscellaneous (Not Shown)	
28	70004289	1	Gasket Set	
28	70002718	1	Seal, Rear Main	
28	70004280	1	Seal, Front Main	
29	70025752	1	Valve, Pressure Relief (Not Shown - Located at Engine Front Left)	
29	70025753	1	Spring	
29	70005916	1	Seal	
29	70005917	1	Plug, Locking	





# SECTION 3 - ENGINE

## FIGURE 3-8. DEUTZ TD2.9L4 ENGINE INSTALLATION - WITHOUT ARCTIC PACKAGE



ART\_1001196563\_H

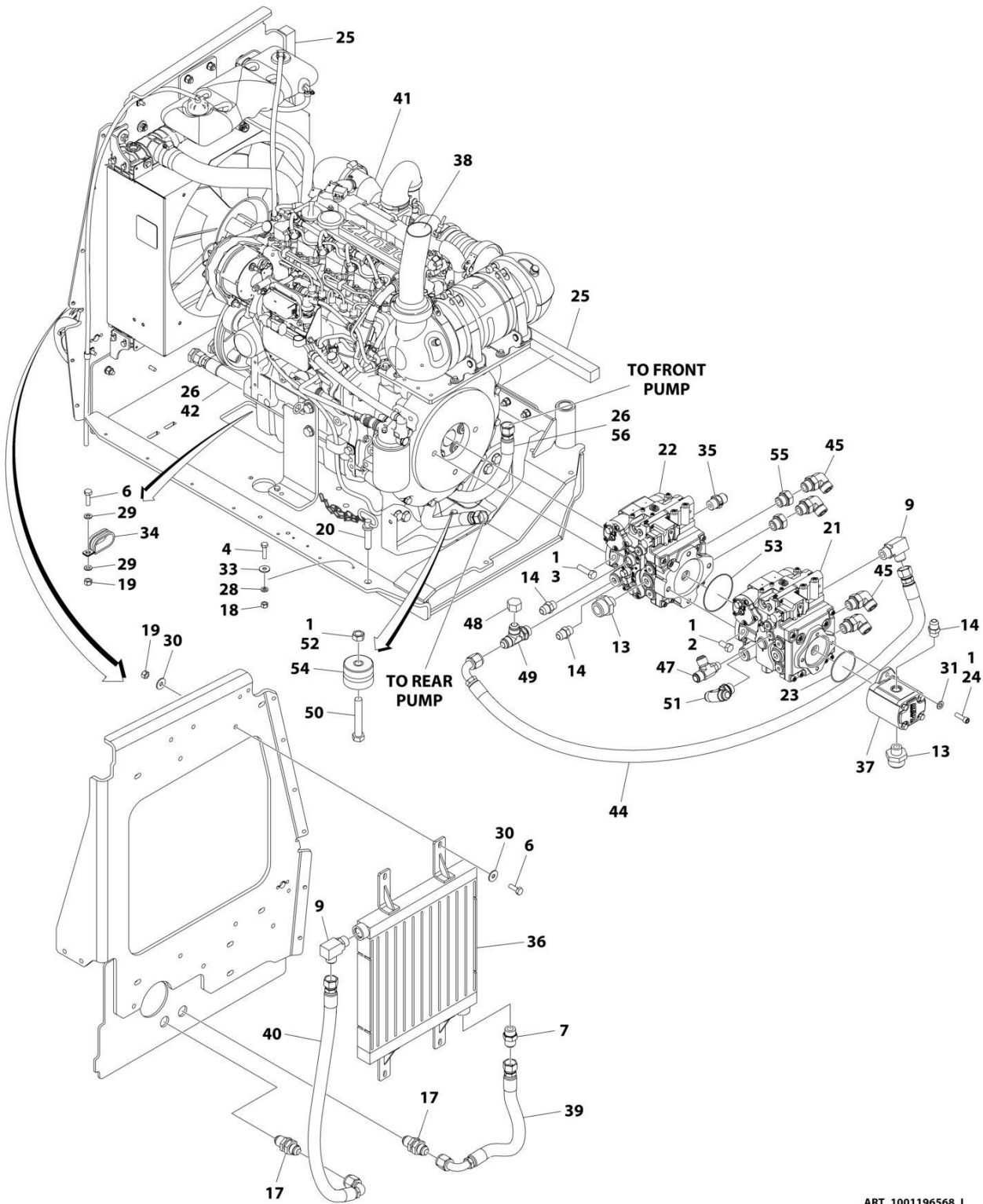
## SECTION 3 - ENGINE

**FIGURE 3-8. DEUTZ TD2.9L4 ENGINE INSTALLATION - WITHOUT ARCTIC PACKAGE**

ITEM	PART NUMBER	QTY	DESCRIPTION	REV
	1001196563	Ref	DEUTZ TD2.9L4 ENGINE INSTALLATION	H
1	0100011	AR	Compound, Locking	
3	0440162	1	Bearing	
4	0700614	4	Bolt M6 x 30	
5	5251012	1	Bolt M10 x 25	
6	0701012	2	Bolt M10 x 25	
7	0701015	2	Bolt M10 x 35	
8	0711018	1	Bolt M10 x 50	
11	0760512	4	Bolt M5 x 25	
12	0772018	1	Bolt M20 x 50	
13	1320061	2	Clamp	
14	1701505	1	Decal - Diesel Fuel	
17	3290501	4	Nut M5	
18	3291005	2	Nut M10	
21	3841143	1	Keeper, Pin	
22	4811600	12	Washer M5	
23	4811700	12	Washer M6	
24	4812000	6	Washer M10	
25	4812002	2	Washer M10	
28	1001175568	4	Clip	
29	1001118972	3	Nut, Tinnerman M10	
30	1001119051	1	Washer	
31	1001130220	4	Nut, Tinnerman M6	
32	1001136975	5	Clamp	
33	1001142501	2	Fitting, 90 Barbed	
34	1001154405	33 in/ 0.8m	Hose	
35	1001155094	1	Pin	
36	1001155823	1	Fitting, 90 Quick Connect	
37	1001165035	27 ft/ 8.2m	Hose	
38	1001188668	1	Cable, Battery (-) to Aux Pump and Ground	
39	1001188669	1	Cable, Battery (+) to Aux Relay to Starter	
42	1001196568	1	Deutz TD2.9L4 T4F Engine and Pump Sub-Assembly (See Separate Breakdown in this Section)	
43	1001197881	1	Bracket	
44	3290505	4	Nut M5	
45	0701022	1	Bolt M10 x 70	
46	1001026127	1	Clamp	
47	1001200731	1	Tube	
48	4240099	1	Tie-Strap (Not Shown)	
49	1001190444	1	Fuel Pump Harness - Deutz TD2.9L4 Engine (Not Shown) (See Separate Breakdown in ELECTRICAL SECTION)	
50	0100020	AR	Sealant	
51	2180832	1	Fitting, Straight Barbed	
52	2220313	2	Fitting, 90 NPTF/Barb	
53	0761210	1	Bolt M12 x 20	
54	4812100	1	Washer M12	
100	1001235532	1	Battery Cable Kit (Includes Items 38 & 39) (Not Shown)	

# SECTION 3 - ENGINE

## FIGURE 3-9. DEUTZ TD2.9L4 ENGINE AND PUMPS SUB-ASSEMBLY - WITHOUT ARCTIC PACKAGE



ART\_1001196568\_I

## SECTION 3 - ENGINE

**FIGURE 3-9. DEUTZ TD2.9L4 ENGINE AND PUMPS SUB-ASSEMBLY - WITHOUT ARCTIC PACKAGE**

ITEM	PART NUMBER	QTY	DESCRIPTION	REV
	1001196568	Ref	DEUTZ TD2.9L4 ENGINE AND PUMPS SUB-ASSEMBLY	I
1	0100011	AR	Compound, Locking	
2	0641808	2	Bolt 1/2 x 1	
3	0641814	2	Bolt 1/2 x 1-3/4	
4	0760612	1	Bolt M6 x 25	
6	0761015	6	Bolt M10 x 35	
7	2220451	1	Fitting, Straight JIC/ORB	
9	2220578	2	Fitting, 90 JIC/ORB	
13	2220946	2	Fitting, Straight JIC/ORB	
14	2220947	3	Fitting, Straight JIC/ORB	
17	2230027	2	Fitting, Straight	
18	3290605	1	Nut M6	
19	3291005	6	Nut M10	
20	3422532	1	Pin	
21	3600359	1	Piston Pump Assembly - Rear (See Separate Breakdown in this Section)	
22	3600363	1	Piston Pump Assembly - Front (See Separate Breakdown in this Section)	
23	3790152	1	O-Ring	
24	3931620	2	Capscrew 3/8 x 1-1/4	
24	3931618	2	Capscrew 3/8 x 1-1/8	
25	3960469	2	Seal	
26	4061032	AR	Shield	
27	4240099	AR	Tie-Strap (Not Shown)	
28	4811700	1	Washer M6	
29	4812000	4	Washer M10	
30	4812002	8	Washer M10	
31	5241000	2	Washer M10	
33	4811702	1	Washer M6	
34	1001164196	2	Clamp	
35	1001179156	1	Valve, Check	
36	1001188171	1	Radiator, Oil Cooler	
37	1001190143	1	Gear Pump Assembly	
37	70006356	1	Seal Kit - 1001190143 Pump	
38	1001239207	1	Pipe, Exhaust	
39	1001195504	1	Hose	
40	1001195506	1	Hose	
41	1001186812	1	Deutz TD2.9L4 Engine Assembly (See Separate Breakdown in this Section)	
42	1001195509	1	Hose	
44	1001200216	1	Hose	
45	2131212	4	Fitting, 90 ORFS/ORB	
47	1001213814	1	Fitting, Tee JIC/ORB/JIC	
48	2220518	1	Cap	
49	2220738	1	Fitting, Tee JIC/ORB/JIC	
50	0711627	1	Bolt M16 x 100	
51	2220695	1	Fitting, Tee JIC/ORB/JIC	
52	3331611	1	Nut M16	
53	3790045	1	O-Ring	
54	1001197149	1	Mount, Engine	

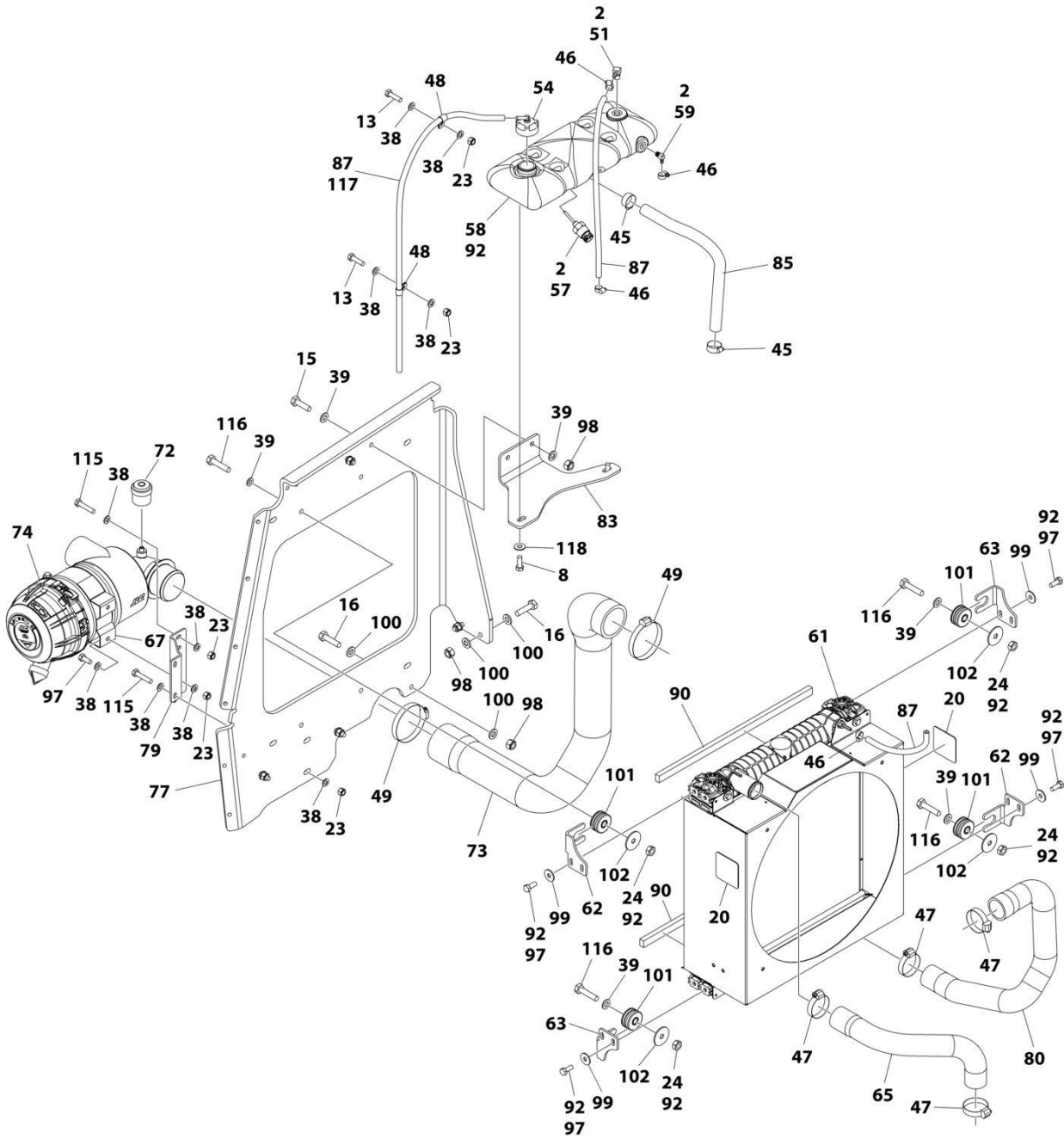
## SECTION 3 - ENGINE

ITEM	PART NUMBER	QTY	DESCRIPTION	REV
55	1001233450	2	Fitting, Straight ORB/ORB	
56	1001235110	1	Hose	



# SECTION 3 - ENGINE

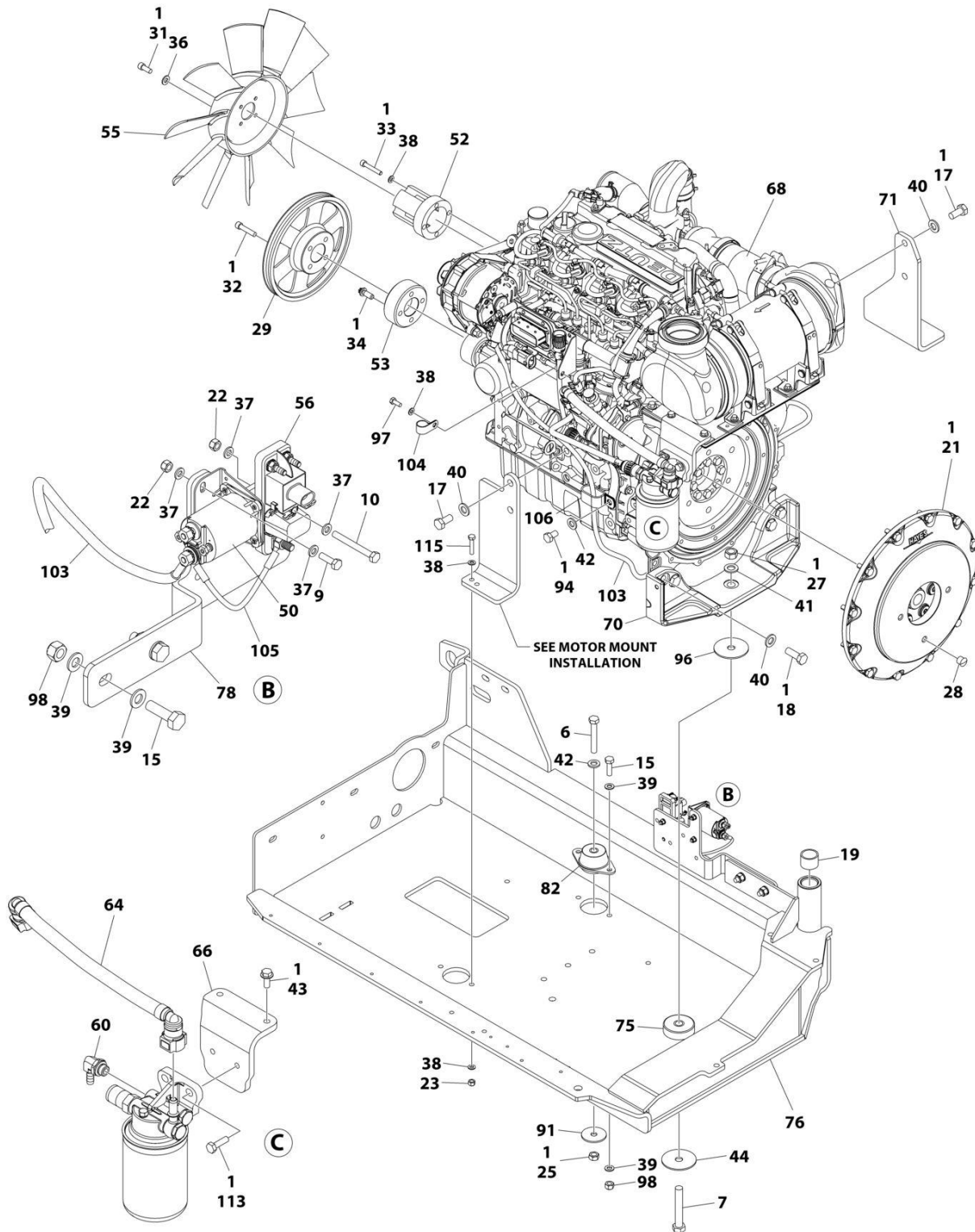
## FIGURE 3-10. DEUTZ TD2.9L4 ENGINE ASSEMBLY - WITHOUT ARCTIC PACKAGE



ART\_1001186812\_Y\_10F2



# SECTION 3 - ENGINE



ART\_1001186812\_Y\_20F2

## SECTION 3 - ENGINE

**FIGURE 3-10. DEUTZ TD2.9L4 ENGINE ASSEMBLY - WITHOUT ARCTIC PACKAGE**

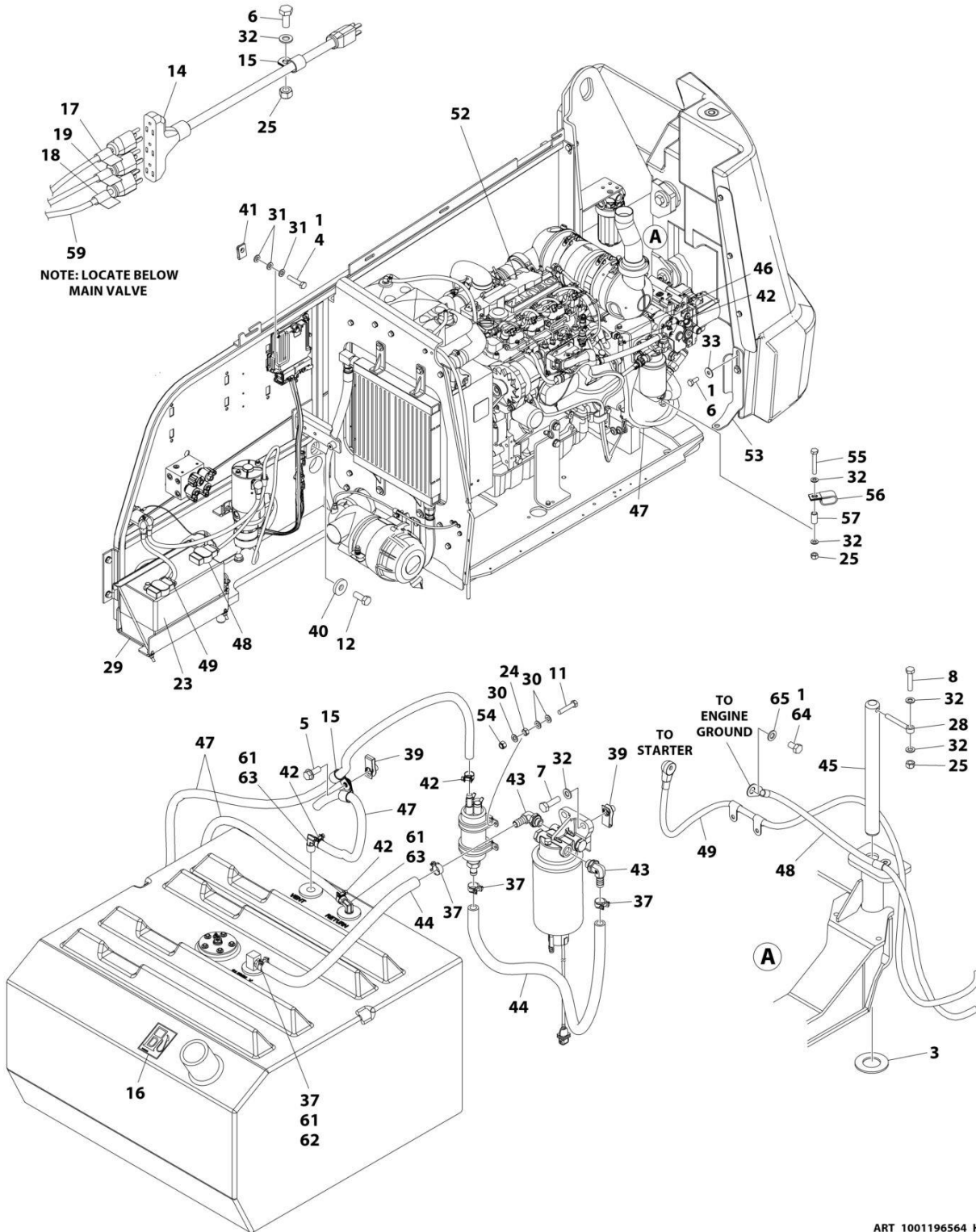
ITEM	PART NUMBER	QTY	DESCRIPTION	REV
	1001186812	Ref	DEUTZ TD2.9L4 - 67HP ENGINE ASSEMBLY	Y
1	0100011	AR	Compound, Locking	
2	0100020	AR	Sealant	
6	0711224	1	Bolt M12 x 80	
7	0711627	1	Bolt M16 x 100	
8	0681608	2	Bolt 3/8 x 1	
9	0760610	2	Bolt M6 x 20	
10	0760619	1	Bolt M6 x 55	
13	0760814	AR	Bolt M8 x 30	
15	0761015	6	Bolt M10 x 35	
16	0761016	5	Bolt M10 x 40	
17	0771414	4	Bolt M14 x 30	
18	0771416	4	Bolt M14 x 40	
19	0961951	2	Bushing	
20	1703162	2	Decal - Fan Blade	
21	2902065	1	Pump Coupling Kit (See Separate Breakdown in this Section)	
22	3290605	AR	Nut M6	
23	3290805	AR	Nut M8	
24	3291001	4	Nut M10	
25	3331211	1	Nut M12	
27	3331611	1	Nut M16	
28	3520054	1	Plug	
29	3580320	1	Pulley	
31	3931512	4	Capscrew 5/16 x 3/4	
32	3931628	4	Capscrew 3/8 x 1-3/4	
33	4031914	4	Capscrew M8 x 50	
34	4032014	4	Capscrew M10 x 50	
36	4711500	4	Washer 5/16	
37	4811700	AR	Washer M6	
38	4811900	AR	Washer M8	
39	4812000	20	Washer M10	
40	5241400	8	Washer M14	
41	4812300	1	Washer M16	
42	5241200	2	Washer M12	
43	5250810	2	Bolt M8 x 20	
44	7300435	1	Washer	
45	8405007	2	Clamp	
46	8405009	4	Clamp	
47	8405104	4	Clamp	
48	8406109	AR	Clip	
49	8410011	2	Clamp	
50	1001117308	1	Contactactor	
51	1001134488	1	Fitting, 90 Barbed (Part of Item 58)	
52	1001135138	1	Adapter, Fan	
53	1001135679	1	Adapter	
54	1001136834	1	Cap, Tank	
55	1001137276	1	Fan	
56	1001138228	1	Relay	
57	1001138827	1	Sensor, Coolant Level (Part of Item 58)	
58	1001230635	1	Tank, Surge (Include Items 51, 57 & 59)	

## SECTION 3 - ENGINE

ITEM	PART NUMBER	QTY	DESCRIPTION	REV
59	1001140564	1	Fitting, 90 Barbed (Part of Item 58)	
60	1001152489	1	Fitting, 90 Barbed	
61	1001167042	1	Radiator	
62	1001169967	2	Bracket	
63	1001170035	2	Bracket	
64	1001177359	1	Hose	
65	1001177844	1	Hose, Radiator (Top)	
66	1001231805	1	Mount	
67	1001186426	1	Clamp, Air Cleaner	
68	1001249943	1	Deutz TD2.9L4 - 67HP Engine (See Separate Breakdown in this Section)	
69	1001233895	1	Engine Harness - Deutz TD2.9L4 - 67HP Engines (Not Shown) (See Separate Breakdown in ELECTRICAL Section)	
70	1001188535	1	Bracket, Engine - Rear	
71	1001189026	1	Bracket, Engine - Right	
72	1001166716	1	Restriction, Indicator	
73	1001189913	1	Hose	
74	1001189979	1	Filter, Air	
74	70005008	1	Element, Filter	
75	1001190164	1	Mount, Motor	
76	1001200745	1	Tray	
77	1001229091	1	Support, Radiator	
78	1001203885	1	Plate	
79	1001190942	1	Support	
80	1001191025	1	Hose, Radiator (Bottom)	
82	1001191610	1	Mount, Motor	
83	1001192400	1	Bracket	
85	1001193049	1	Hose	
87	2720015	AR	Hose	
90	1001168166	2	Seal	
91	1001168018	1	Washer	
92	1001180620	AR	Adhesive	
94	0761210	1	Bolt M12 x 20	
96	1001197725	1	Spacer	
97	0760810	11	Bolt M8 x 20	
98	3291005	11	Nut M10	
99	4811902	8	Washer M8	
100	5241000	10	Washer M10	
101	1001169054	4	Isolator	
102	1001169138	4	Pad, Snubbing	
103	1001190442	1	Harness, Alternator Power	
103	1001098764	1	Boot - Red	
104	1320202	1	Clamp	
105	1001141304	1	Harness, Glow Fuse	
106	1001181899	1	Clamp	
108	4240099	1	Tie-Strap (Not Shown)	
113	5251012	2	Bolt M10 x 25	
115	0760816	3	Bolt M8 x 40	
116	0761017	4	Bolt M10 x 45	
117	1001138248	4 ft/1.25m	Tube	
118	4751600	2	Washer 3/8	

# SECTION 3 - ENGINE

## FIGURE 3-11. DEUTZ TD2.9L4 ENGINE INSTALLATION - WITH ARCTIC PACKAGE



ART\_1001196564\_H

## SECTION 3 - ENGINE

**FIGURE 3-11. DEUTZ TD2.9L4 ENGINE INSTALLATION - WITH ARCTIC PACKAGE**

ITEM	PART NUMBER	QTY	DESCRIPTION	REV
	1001196564	Ref	DEUTZ TD2.9L4 ENGINE INSTALLATION	H
1	0100011	AR	Compound, Locking	
3	0440162	1	Bearing	
4	0700614	4	Bolt M6 x 30	
5	5251012	1	Bolt M10 x 25	
6	0701012	3	Bolt M10 x 25	
7	0701015	2	Bolt M10 x 35	
8	0711018	1	Bolt M10 x 50	
11	0760512	4	Bolt M5 x 25	
12	0772018	1	Bolt M20 x 50	
14	1060626	1	Plug, 3 Way	
15	1320061	3	Clamp	
16	1701505	1	Decal - Diesel Fuel	
17	1702941	1	Decal - Battery Heater	
18	1702942	1	Decal - Engine Block Heater	
19	1702943	1	Decal - Hydraulic Tank Heater	
23	2580024	1	Heater, Battery	
24	3290501	4	Nut M5	
25	3291005	3	Nut M10	
28	3841143	1	Keeper, Pin	
29	3980007	1	Seat, Battery	
30	4811600	12	Washer M5	
31	4811700	12	Washer M6	
32	4812000	7	Washer M10	
33	4812002	2	Washer M10	
37	1001175568	4	Clip	
38	1001188972	1	Heater, Immersion (Not Shown - Located on Hydraulic Tank)	
39	1001118972	3	Nut, Tinnerman M10	
40	1001119051	1	Washer	
41	1001130220	4	Nut, Tinnerman M6	
42	1001136975	5	Clamp	
43	1001142501	2	Fitting, 90 Barbed	
44	1001154405	33 in/ 0.8m	Hose	
45	1001155094	1	Pin	
46	1001155823	1	Fitting, 90 Quick Connect	
47	1001165035	27 ft/ 8.2m	Hose	
48	1001188668	1	Cable, Battery (-) to Aux Pump and Ground	
49	1001188669	1	Cable, Battery (+) to Aux Relay to Starter	
52	1001196570	1	Deutz TH2.9L4 Engine and Pumps Sub-Assembly (See Separate Breakdown in this Section)	
53	1001197881	1	Bracket	
54	3290505	4	Nut M5	
55	0701022	1	Bolt M10 x 70	
56	1001026127	1	Clamp	
57	1001200731	1	Tube	
58	4240099	1	Tie-Strap (Not Shown)	
59	1001150918	1	Cable, Extension	
60	1001190444	1	Engine Harness - Deutz TD2.9L4 Engines (Not Shown) (See	

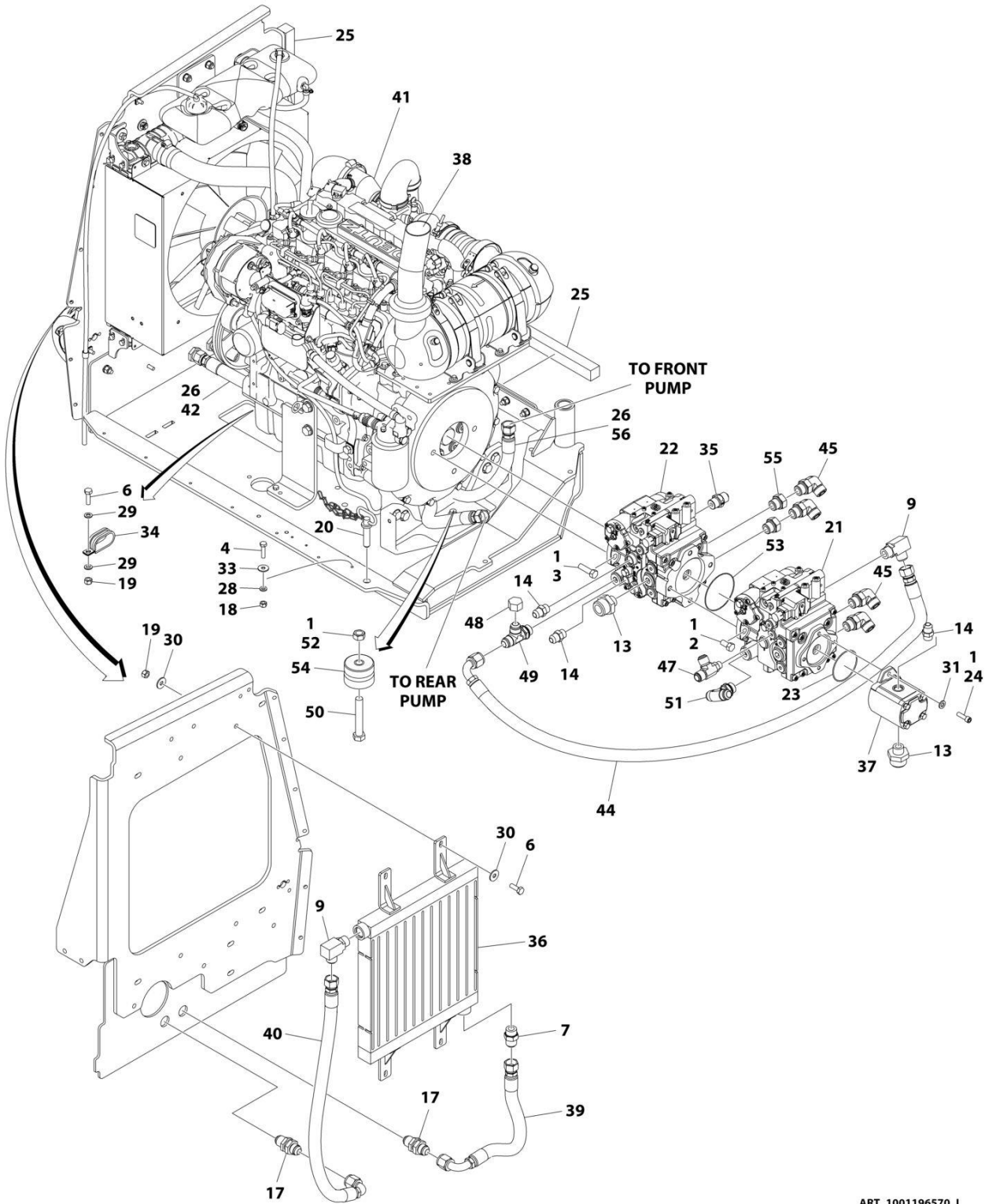
## SECTION 3 - ENGINE

ITEM	PART NUMBER	QTY	DESCRIPTION	REV
			Separate Breakdown in ELECTRICAL SECTION)	
61	0100020	AR	Sealant	
62	2180832	1	Fitting, Straight Barbed	
63	2220313	2	Fitting, 90 NPTF/Barb	
64	0761210	1	Bolt M12 x 20	
65	4812100	1	Washer M12	
66	1001233763	1	Deutz Breather Heater Installation (Not Shown - See Separate Breakdown in this Section)	
66	4240099	AR	Tie-Strap	
66	1001196634	1	Fuse 2amp	
66	1001232842	1	Heater, Deutz Breather Kit	
66	2400060	1	Fuse, Holder	
100	1001235532	1	Battery Cable Kit (Includes Items 48 & 49) (Not Shown)	



# SECTION 3 - ENGINE

## FIGURE 3-12. DEUTZ TD2.9L4 ENGINE AND PUMPS SUB-ASSEMBLY - WITH ARCTIC PACKAGE



ART\_1001196570\_1



## SECTION 3 - ENGINE

**FIGURE 3-12. DEUTZ TD2.9L4 ENGINE AND PUMPS SUB-ASSEMBLY - WITH ARCTIC PACKAGE**

ITEM	PART NUMBER	QTY	DESCRIPTION	REV
	1001196570	Ref	DEUTZ TD2.9L4 ENGINE AND PUMPS SUB-ASSEMBLY	I
1	0100011	AR	Compound, Locking	
2	0641808	2	Bolt 1/2 x 1	
3	0641814	2	Bolt 1/2 x 1-3/4	
4	0760612	1	Bolt M6 x 25	
6	0761015	6	Bolt M10 x 35	
7	2220451	1	Fitting, Straight JIC/ORB	
9	2220578	2	Fitting, 90 JIC/ORB	
13	2220946	2	Fitting, Straight JIC/ORB	
14	2220947	3	Fitting, Straight JIC/ORB	
17	2230027	2	Fitting, Straight	
18	3290605	1	Nut M6	
19	3291005	6	Nut M10	
20	3422532	1	Pin	
21	3600359	1	Piston Pump Assembly - Rear (See Separate Breakdown in this Section)	
22	3600363	1	Piston Pump Assembly - Front (See Separate Breakdown in this Section)	
23	3790152	1	O-Ring	
24	3931618	2	Capscrew 3/8 x 1-1/8	
25	3960469	2	Seal	
26	4061032	AR	Shield	
27	4240099	AR	Tie-Strap (Not Shown)	
28	4811700	1	Washer M6	
29	4812000	4	Washer M10	
30	4812002	8	Washer M10	
31	5241000	2	Washer M10	
33	4811702	1	Washer M6	
34	1001164196	2	Clamp	
35	1001179156	1	Valve, Check	
36	1001188171	1	Radiator, Oil Cooler	
37	1001190143	1	Gear Pump Assembly	
37	70006356	1	Seal Kit - 1001190143 Pump	
38	1001239207	1	Pipe, Exhaust	
39	1001195504	1	Hose	
40	1001195506	1	Hose	
41	1001186814	1	Deutz TD2.9L4 Engine Assembly (See Separate Breakdown in this Section)	
42	1001195509	1	Hose	
44	1001200216	1	Hose	
45	2131212	4	Fitting, 90 ORFS/ORB	
47	1001213814	1	Fitting, Tee JIC/ORB/JIC	
48	2220518	1	Cap	
49	2220738	1	Fitting, Tee JIC/ORB/JIC	
50	0711627	1	Bolt M16 x 100	
51	2220695	1	Fitting, Tee JIC/ORB/JIC	
52	3331611	1	Nut M16	
53	3790045	1	O-Ring	
54	1001197149	1	Mount	
55	1001233450	2	Fitting, Straight ORB/ORB	

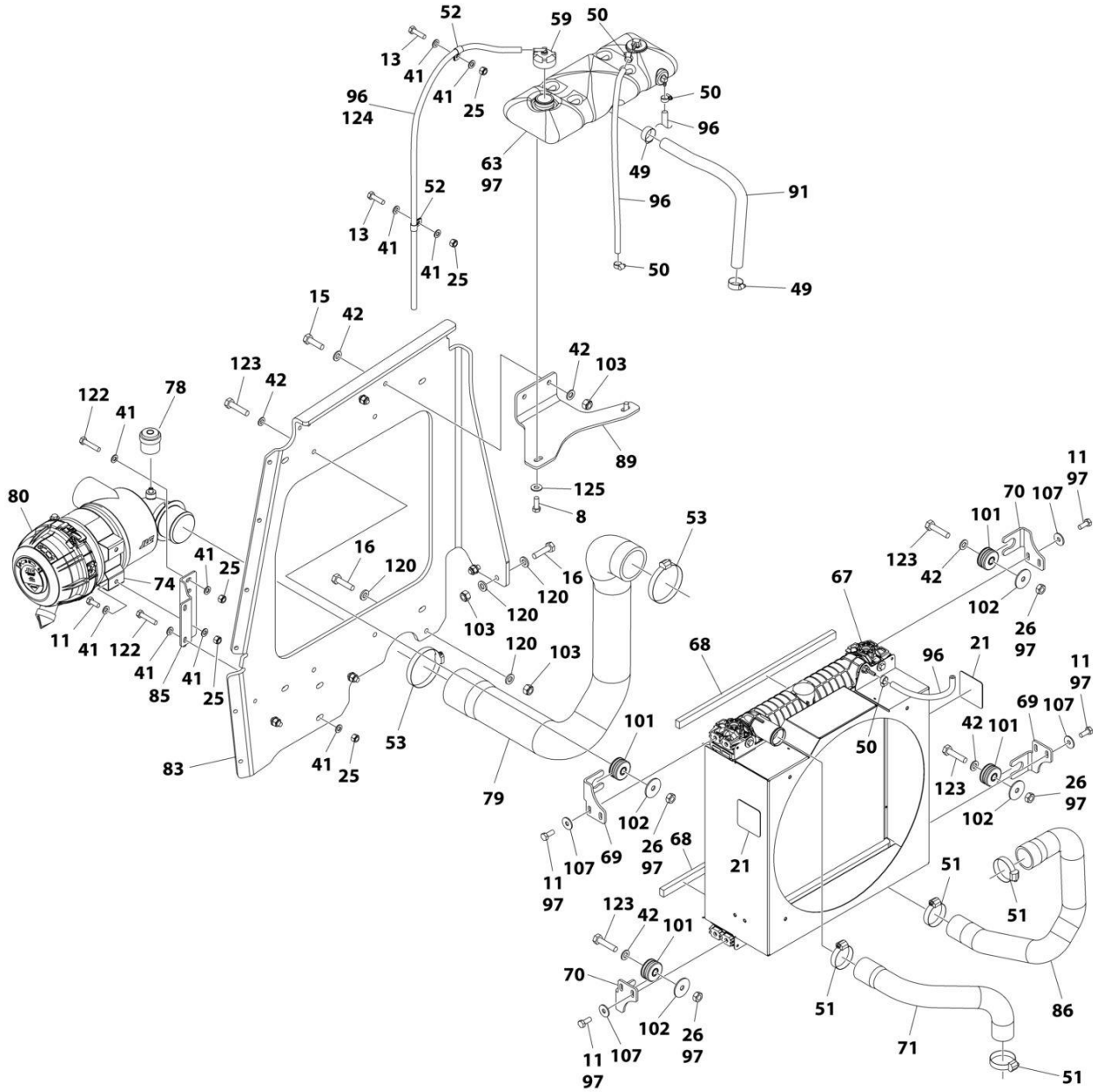
## SECTION 3 - ENGINE

ITEM	PART NUMBER	QTY	DESCRIPTION	REV
56	1001235110	1	Hose	



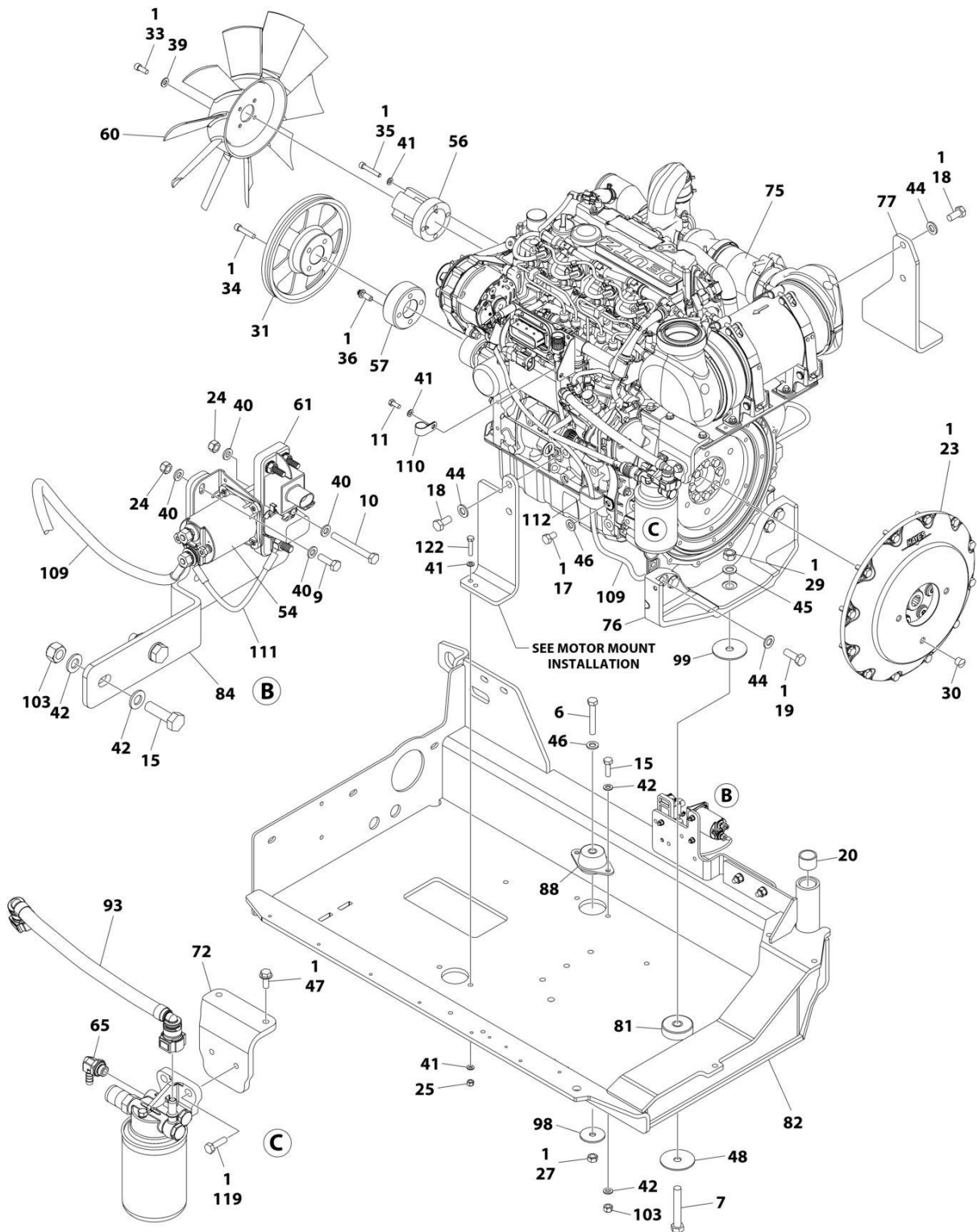
# SECTION 3 - ENGINE

## FIGURE 3-13. DEUTZ TD2.9L4 ENGINE ASSEMBLY - WITH ARCTIC PACKAGE



ART\_1001186814\_X\_10F2

# SECTION 3 - ENGINE



ART\_1001186814\_X\_20F2

## SECTION 3 - ENGINE

FIGURE 3-13. DEUTZ TD2.9L4 ENGINE ASSEMBLY - WITH ARCTIC PACKAGE

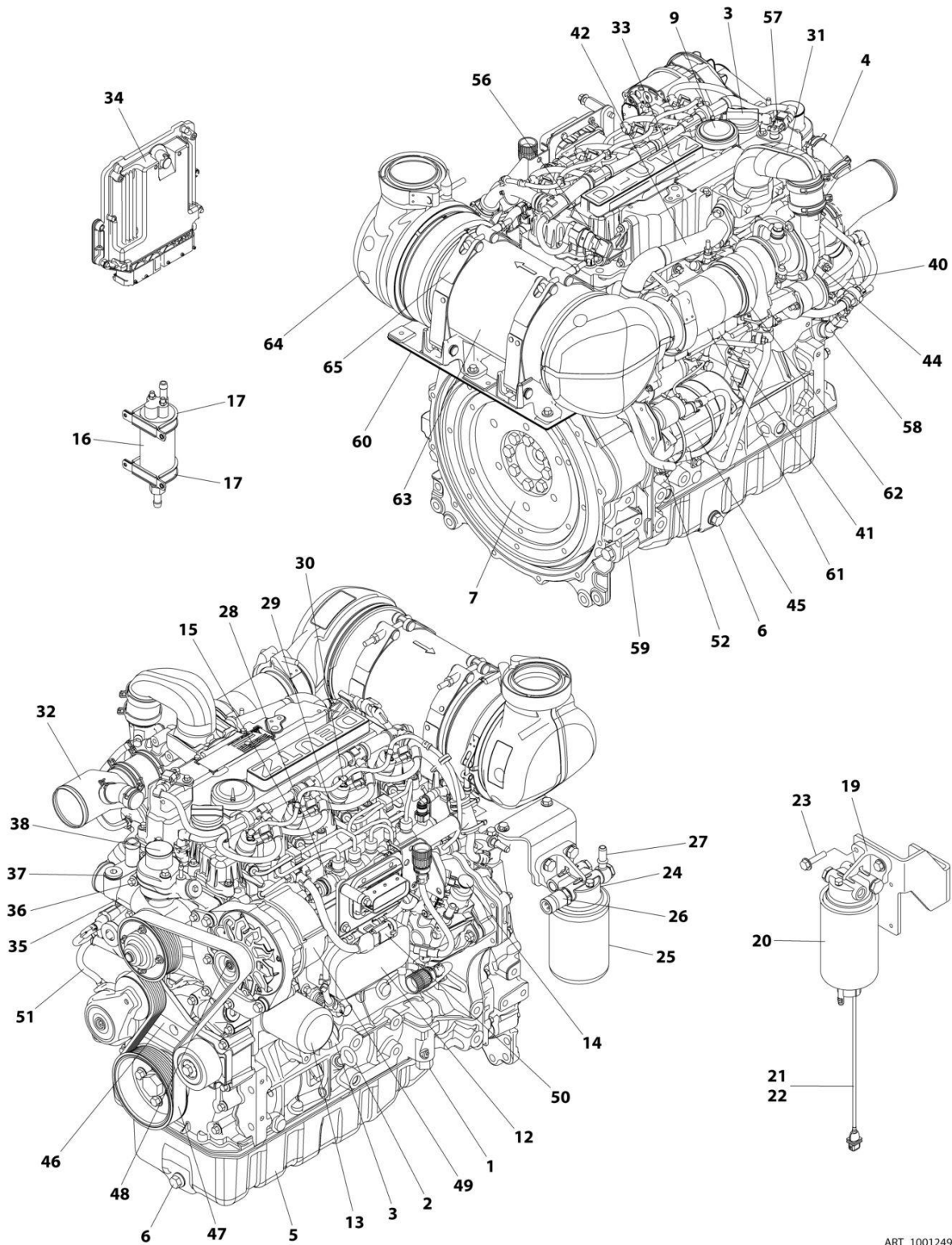
ITEM	PART NUMBER	QTY	DESCRIPTION	REV
	1001186814	Ref	DEUTZ TD2.9L4 - 67HP ENGINE ASSEMBLY	X
1	0100011	AR	Compound, Locking	
6	0711224	1	Bolt M12 x 80	
7	0711627	1	Bolt M16 x 100	
8	0681608	2	Bolt 3/8 x 1	
9	0760610	2	Bolt M6 x 20	
10	0760619	1	Bolt M6 x 55	
11	0760810	11	Bolt M8 x 20	
13	0760814	AR	Bolt M8 x 30	
15	0761015	6	Bolt M10 x 35	
16	0761016	5	Bolt M10 x 40	
17	0761210	1	Bolt M12 x 20	
18	0771414	4	Bolt M14 x 30	
19	0771416	4	Bolt M14 x 40	
20	0961951	2	Bushing	
21	1703162	2	Decal - Fan Blade	
23	2902065	1	Pump Coupling Kit (See Separate Breakdown in this Section)	
24	3290605	AR	Nut M6	
25	3290805	AR	Nut M8	
26	3291001	4	Nut M10	
27	3331211	1	Nut M12	
29	3331611	1	Nut M16	
30	3520054	1	Plug	
31	3580320	1	Pulley	
33	3931512	4	Capscrew 5/16 x 3/4	
34	3931628	4	Capscrew 3/8 x 1-3/4	
35	4031914	4	Capscrew M8 x 50	
36	4032014	4	Capscrew M10 x 50	
39	4711500	4	Washer 5/16	
40	4811700	AR	Washer M6	
41	4811900	AR	Washer M8	
42	4812000	20	Washer M10	
44	5241400	8	Washer M14	
45	4812300	1	Washer M16	
46	5241200	2	Washer M12	
47	5250810	2	Bolt M8 x 20	
48	7300435	1	Washer	
49	8405007	2	Clamp	
50	8405009	4	Clamp	
51	8405104	4	Clamp	
52	8406109	AR	Clip	
53	8410011	2	Clamp	
54	1001117308	1	Contactactor	
56	1001135138	1	Adapter	
57	1001135679	1	Adapter	
59	1001136834	1	Cap, Tank	
60	1001137276	1	Fan	
61	1001138228	1	Relay	
63	1001230635	1	Tank, Surge	
65	1001152489	1	Fitting, 90 Pipe/Barbed	

## SECTION 3 - ENGINE

ITEM	PART NUMBER	QTY	DESCRIPTION	REV
67	1001167042	1	Radiator	
68	1001168166	2	Seal	
69	1001169967	2	Bracket	
70	1001170035	2	Bracket	
71	1001177844	1	Hose, Radiator (Top)	
72	1001231805	1	Mount	
74	1001186426	1	Clamp, Air Cleaner	
75	1001249943	1	Deutz TD2.9L4 - 67HP Engine (See Separate Breakdown in this Section)	
76	1001188535	1	Bracket, Engine - Rear	
77	1001189026	1	Bracket, Engine - Right	
78	1001166716	1	Restriction, Indicator	
79	1001189913	1	Hose	
80	1001189979	1	Filter, Air	
80	70005008	1	Element, Filter	
81	1001190164	1	Mount, Motor	
82	1001200745	1	Tray	
83	1001229091	1	Support, Radiator	
84	1001203885	1	Plate	
85	1001190942	1	Support	
86	1001191025	1	Hose, Radiator (Bottom)	
88	1001191610	1	Mount, Motor	
89	1001192400	1	Bracket	
91	1001193049	1	Hose	
92	1001140312	1	Heater, Engine Block	
93	1001177359	1	Hose	
94	1001233895	1	Engine Harness - Deutz TD2.9L4 - 67HP Engines (Not Shown) (See Separate Breakdown in ELECTRICAL Section)	
96	2720015	AR	Hose	
97	1001180620	AR	Adhesive	
98	1001168018	1	Washer	
99	1001197725	1	Spacer	
101	1001169054	4	Isolator	
102	1001169138	4	Pad, Snubbing	
103	3291005	11	Nut M10	
107	4811902	8	Washer M8	
108	1001181895	AR	Adhesive	
109	1001190442	1	Harness, Alternator Power	
109	1001098764	1	Boot - Red	
110	1320202	1	Clamp	
111	1001141304	1	Harness, Glow Fuse	
112	1001181899	1	Clamp	
114	4240099	3	Tie-Strap (Not Shown)	
119	5251012	2	Bolt M10 x 25	
120	5241000	10	Washer M10	
122	0760816	3	Bolt M8 x 40	
123	0761017	4	Bolt M10 x 45	
124	1001138248	4 ft/1.25m	Tube	
125	4751600	2	Washer 3/8	

# SECTION 3 - ENGINE

## FIGURE 3-14. DEUTZ TD2.9L4 ENGINE COMPONENTS



ART\_1001249943



## SECTION 3 - ENGINE

**FIGURE 3-14. DEUTZ TD2.9L4 ENGINE COMPONENTS**

ITEM	PART NUMBER	QTY	DESCRIPTION	REV
	1001249943	Ref	ENGINE ASSEMBLY	A
1	70006265	1	Spring	
1	70006266	1	Seal	
1	70025660	1	Plug	
1	70006264	1	Valve, Plunger	
2	70024904	1	Dipstick	
2	70024905	2	Seal	
3	7020465	1	Cap, Fill	
4	70005920	1	Line, Breather	
4	70025111	2	Clamp	
5	70025162	1	Oil Pan	
6	70005942	1	Seal	
6	70005941	1	Plug	
7	70001870	1	Flywheel	
7	7024579	1	Ring Gear	
7	70025139	8	Bolt	
8	70024906	1	Gasket, Cylinder Head (Not Shown)	
9	70005921	1	Valve Cover	
9	70025205	1	Gasket	
10		Ref	Gasket & Seal Options (Not Shown)	
10	70005938	1	Gasket Kit	
10	70005171	1	Gasket	
10	70002718	1	Seal, Rear Main	
10	70028185	1	Gasket, Front Cover	
10	70004280	1	Seal, Front Main	
11	70005172	1	Pump, Lube (Not Shown - Located RH Rear)	
11	70025125	4	Bolt	
11	70025135	1	O-Seal	
11	70005173	1	Gasket	
12	70024494	1	Cooler, Oil	
12	70024925	1	Gasket, Oil Filter	
12	70025125	6	Bolt	
13	70025137	1	Bushing, Oil Filter	
13	7016331	1	Filter, Oil	
14	70024924	1	Pump, High Pressure	
14	70024517	1	Gasket (Spacer to Block)	
14	70025104	3	Nut	
14	70025152	1	Gasket (Spacer to Pump)	
14	70004505	1	Valve, Overflow	
14	70004506	1	Gasket, Overflow	
14	70004507	1	Gasket, Overflow	
14	70004508	1	Valve, Volume Control	
14	70004509	1	Seal, Ring	
14	70004510	1	Gasket	
14	70027415	2	Bolt	
15	70025181	4	Injector	
15	70025140	4	Washer, Sealing	
15	70025146	4	Clamp	
15	70025145	4	O-Seal	
15	70025154	4	Shoe/Pad, Clamping	

## SECTION 3 - ENGINE

ITEM	PART NUMBER	QTY	DESCRIPTION	REV
15	70025147	4	Bolt	
16	70006144	1	Pump, Fuel Supply	
17	70025144	2	Clip, Clamp	
18	70029393	2	Receptacle Plug (Not Shown)	
19	70024961	1	Fuel Filter Assembly	
20	1001225430	1	Element, Filter	
21	70024513	1	Cable, Sensor	
22	70025239	1	Seal, Ring	
23	70025121	4	Bolt	
24	70029451	1	Fuel Filter Assembly	
25	1001225431	1	Element, Filter	
26	70028538	1	Cable, Sensor	
26	70024920	1	O-Seal	
27	70004513	2	Seal (at Hollow Bolt)	
28	70025151	1	Rail, Fuel	
28	70028186	2	Bolt	
28	70025235	1	Repair Kit - Fuel Rail	
28	70025240	1	O-Ring	
29	70025182	1	Tube, Fuel - Cylinders 1 & 2	
29	70025183	1	Tube, Fuel - Cylinders 3 & 4	
29	70025184	1	Tube, Fuel	
30	70024502	1	Pipe, Fuel Leakage	
30	70025185	1	Hose, Fuel	
30	70025158	1	Manifold	
30	70025109	2	Clamp, Spring	
30	70025115	1	Clamp	
30	70001655	1	Bolt	
30	70025101	2	Clamp	
30	70025148	1	Connector, Plug-in	
31	70005928	1	Elbow, Air Charge	
31	70025122	2	Bolt	
32	70004501	1	Sleeve, Rubber	
32	70025112	2	Clamp	
32	70005926	1	Elbow	
33	70005176	1	O-Ring	
33	70005177	1	Gasket, Charger Air Manifold	
33	70005178	2	Bolt	
33	70005179	9	Bolt	
34	70025210	1	Module, ECU	
35	70029797	1	Pump, Coolant	
35	70025200	1	Ring, Sealing (Pump to Block)	
35	70007325	1	Gasket, Coolant Pump	
36	70025129	4	Bolt	
37	7020492	2	Ring, Sealing	
38	70005929	1	Thermostat	
38	70005184	1	O-Seal (Thermostat to Housing)	
38	70025142	1	Cover, Thermostat	
38	70025124	2	Bolt	
38	70005931	1	O-Seal (Thermostat to Pump)	
39	70004282	1	Manifold, Exhaust (Not Shown)	
39	70025130	8	Bolt, Manifold (Not Shown)	

## SECTION 3 - ENGINE

ITEM	PART NUMBER	QTY	DESCRIPTION	REV
39	70025164	1	Gasket, Manifold to Head (Not Shown)	
40	70025179	1	Gasket, Manifold to Elbow	
40	70007354	1	Gasket, Elbow End	
41	70007326	1	Gasket, EGR	
41	70007327	1	Valve, EGR Control	
41	70027428	4	Bolt	
41	70025106	4	Bolt, EGR Module	
41	70025155	2	Plug, EGR	
41	70025696	2	Bolt, EGR Valve Housing	
42	70029557	2	Gasket, Exhaust Pipe	
42	70025098	4	Bolt, Exhaust Pipe	
43	70024912	1	Gasket, Exhaust Manifold (Not Shown)	
43	70025676	4	Bolt, Exhaust Manifold (Not Shown)	
44	70004276	1	Turbocharger	
44	70024509	1	Gasket (Turbocharger to Oil Return Tube Housing)	
44	70025095	2	Bolt, Turbocharger	
44	70006294	1	O-Seal	
45	70024915	1	Starter	
45	70005647	1	Switch, Solenoid	
45	70005648	1	Relay	
45	70025099	2	Starter Bolt	
46	70028699	1	Belt Tensioner	
47	70004277	1	Belt	
48	70025733	1	Pulley, Alternator	
49	70006652	1	Generator	
49	70006653	1	Voltage, Regulator	
49	70029015	1	Fan	
49	70029402	1	Nut, Pulley	
49	70029403	1	Nut	
49	70029404	1	Washer	
50	70025231	1	Harness, Glow Plug	
50	70025233	1	Connector, Plug-in	
50	70000345	4	Glow Plug (Not Shown)	
51	70025226	1	Plug-In Connector	
51	70007086	4	Plug-In Connector	
51	70007087	5	Plug-In Connector	
51	70007088	1	Plug-In Connector	
51	70007089	1	Plug-In Connector	
51	70027440	1	Plug-In Connector	
51	70025221	2	Plug-In Connector	
51	70025327	1	Plug-In Connector	
51	70025216	1	Adapter	
51	70025215	1	Fixing, Bracket	
51	70025134	4	Screw	
51	70025165	1	Retaining Plate	
51	70025228	2	Bracket	
51	70025229	1	Wire Fastener	
51	70025217	4	Clamping Band	
51	70025224	3	Clamping Band	
51	70025225	2	Support, Cable	
51	70027446	1	Clamp, Support	

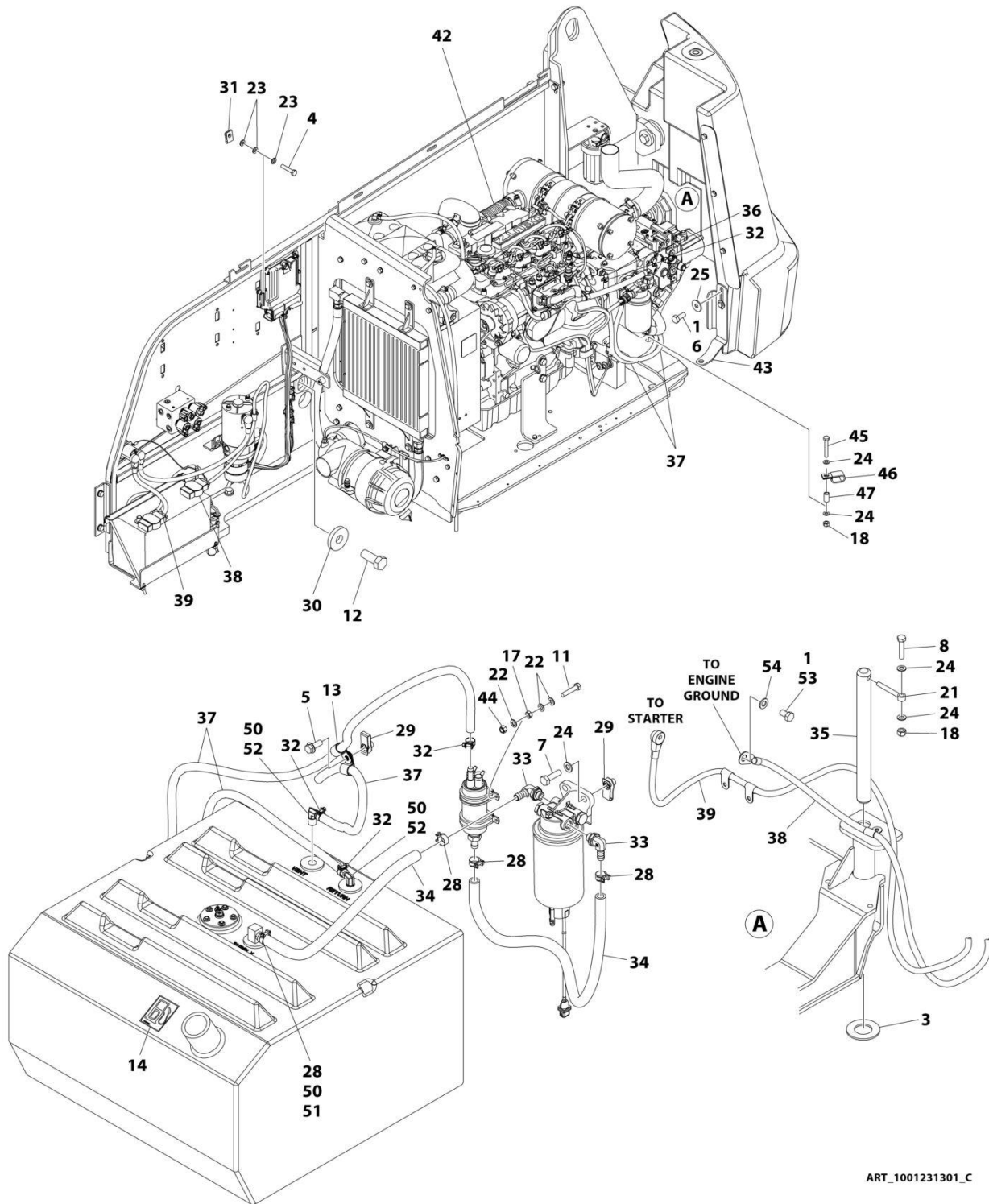
## SECTION 3 - ENGINE

ITEM	PART NUMBER	QTY	DESCRIPTION	REV
51	70025214	1	Cover, Cap	
52	70025166	1	Angle, Support	
52	70001655	1	Bolt	
52	70025126	6	Bolt	
53	70028540	1	Sender, Temperature (Not Shown)	
54	70028538	1	Sensor, Pressure (Not Shown)	
54	70024920	1	O-Seal	
55	70026210	1	Tacho-Generator (Not Shown)	
55	70005191	1	Ring, Seal	
56	70005179	2	Bolt	
56	70005933	1	Adapter	
56	70005934	1	O-Seal	
56	70024507	1	Sensor, Pressure	
56	70025120	1	O-Seal	
56	70001655	2	Bolt	
57	70024922	1	Sender, Temperature	
57	70025212	1	O-Seal	
58	70025128	1	Bolt	
58	70026210	1	Sensor, Speed	
58	70024917	1	O-Seal	
59	70025192	1	Housing	
59	70025113	2	Straight, Pin	
59	70025108	4	Bolt	
60	70005935	1	Bracket	
60	70005936	4	Bolt	
61	70004504	1	Compensator	
61	70025242	1	Gasket	
62	70005527	1	Clip	
62	70029433	1	Clip	
62	70025788	1	Nut, Clip	
63	70007355	1	Inlet, Muffler	
63	70029517	1	Clip	
63	70029250	1	Gasket, Inlet	
64	70007331	1	Outlet, Muffler	
64	70029517	1	Clip	
64	70029250	1	Gasket, Outlet	
65	70029415	2	Bracket, Muffler	
65	70025098	8	Bolt	



# SECTION 3 - ENGINE

## FIGURE 3-15. DEUTZ TD2.9L4 ENGINE INSTALLATION - WITHOUT ARCTIC PACKAGE (CHINA SPECS ONLY)



ART\_1001231301\_C

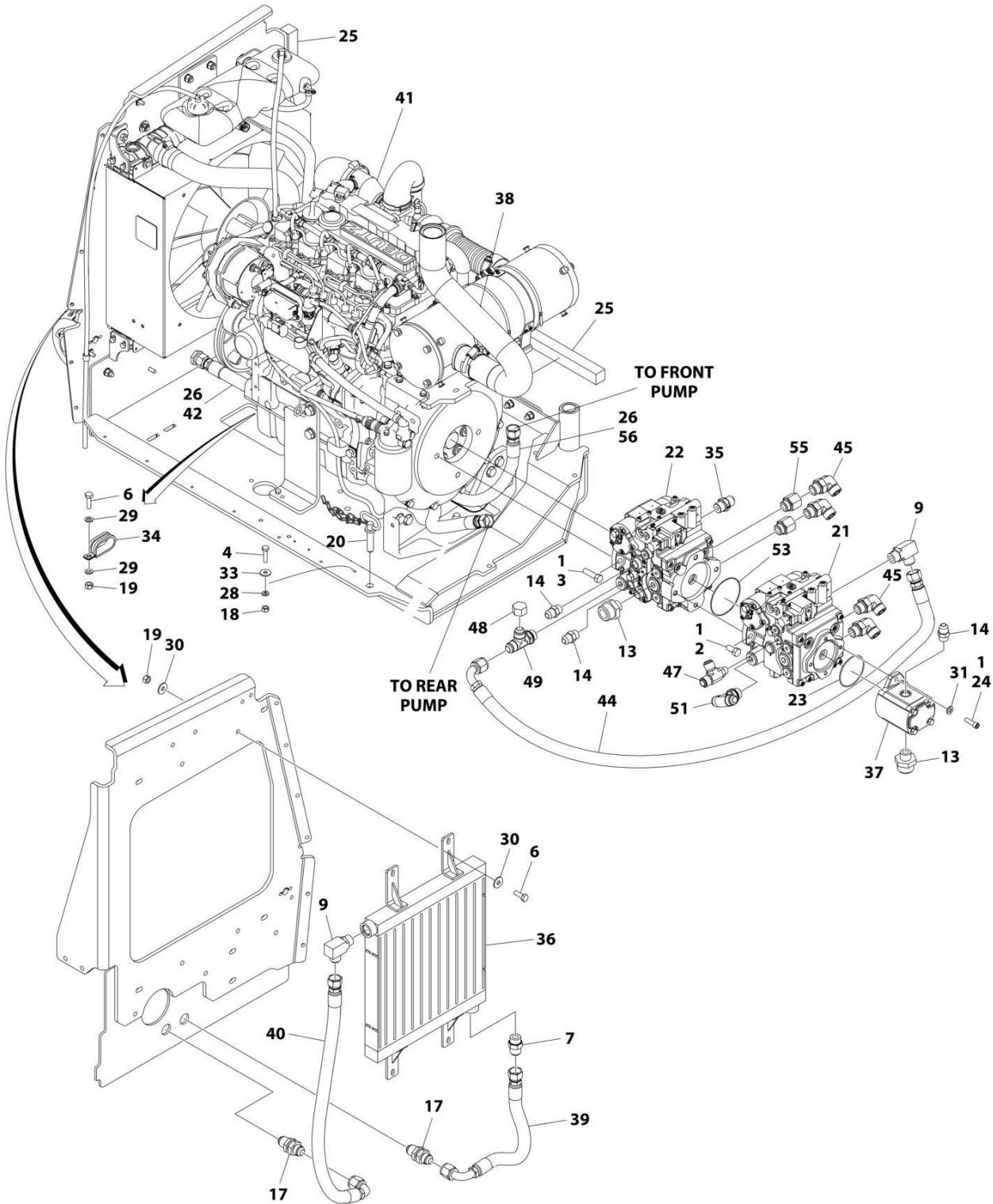
## SECTION 3 - ENGINE

**FIGURE 3-15. DEUTZ TD2.9L4 ENGINE INSTALLATION - WITHOUT ARCTIC PACKAGE (CHINA SPECS ONLY)**

ITEM	PART NUMBER	QTY	DESCRIPTION	REV
	1001231301	Ref	DEUTZ TD2.9L4 ENGINE INSTALLATION	C
1	0100011	AR	Compound, Locking	
3	0440162	1	Bearing	
4	0700614	4	Bolt M6 x 30	
5	5251012	1	Bolt M10 x 25	
6	0701012	2	Bolt M10 x 25	
7	0701015	2	Bolt M10 x 35	
8	0711018	1	Bolt M10 x 50	
11	0760512	4	Bolt M5 x 25	
12	0772018	1	Bolt M20 x 50	
13	1320061	2	Clamp	
14	1701505	1	Decal - Diesel Fuel	
17	3290501	4	Nut M5	
18	3291005	2	Nut M10	
21	3841143	1	Keeper, Pin	
22	4811600	12	Washer M5	
23	4811700	12	Washer M6	
24	4812000	6	Washer M10	
25	4812002	2	Washer M10	
28	1001175568	4	Clip	
29	1001118972	3	Nut, Tinnerman M10	
30	1001119051	1	Washer	
31	1001130220	4	Nut, Tinnerman M6	
32	1001136975	5	Clamp	
33	1001142501	2	Fitting, 90 Barbed	
34	1001154405	33 in/ 0.8m	Hose	
35	1001155094	1	Pin	
36	1001155823	1	Fitting, 90 Quick Connect	
37	1001165035	27 ft/ 8.2m	Hose	
38	1001188668	1	Cable, Battery (-) to Aux Pump and Ground	
39	1001188669	1	Cable, Battery (+) to Aux Relay to Starter	
42	1001231302	1	Deutz TD2.9L4 T4F Engine and Pump Sub-Assembly (See Separate Breakdown in this Section)	
43	1001197881	1	Bracket	
44	3290505	4	Nut M5	
45	0701022	1	Bolt M10 x 70	
46	1001026127	1	Clamp	
47	1001200731	1	Tube	
48	4240099	7	Tie-Strap (Not Shown)	
49	1001190444	1	Fuel Pump Harness - Deutz TD2.9L4 Engine (Not Shown) (See Separate Breakdown in ELECTRICAL SECTION)	
50	0100020	AR	Sealant	
51	2180832	1	Fitting, Straight Barbed	
52	2220313	2	Fitting, 90 NPTF/Barb	
53	0761210	1	Bolt M12 x 20	
54	4812100	1	Washer M12	
100	1001235532	1	Battery Cable Kit (Includes Items 38 & 39) (Not Shown)	

# SECTION 3 - ENGINE

FIGURE 3-16. DEUTZ TD2.9L4 ENGINE AND PUMPS SUB-ASSEMBLY - WITHOUT ARCTIC PACKAGE (CHINA SPECS ONLY)



ART\_1001231302\_D



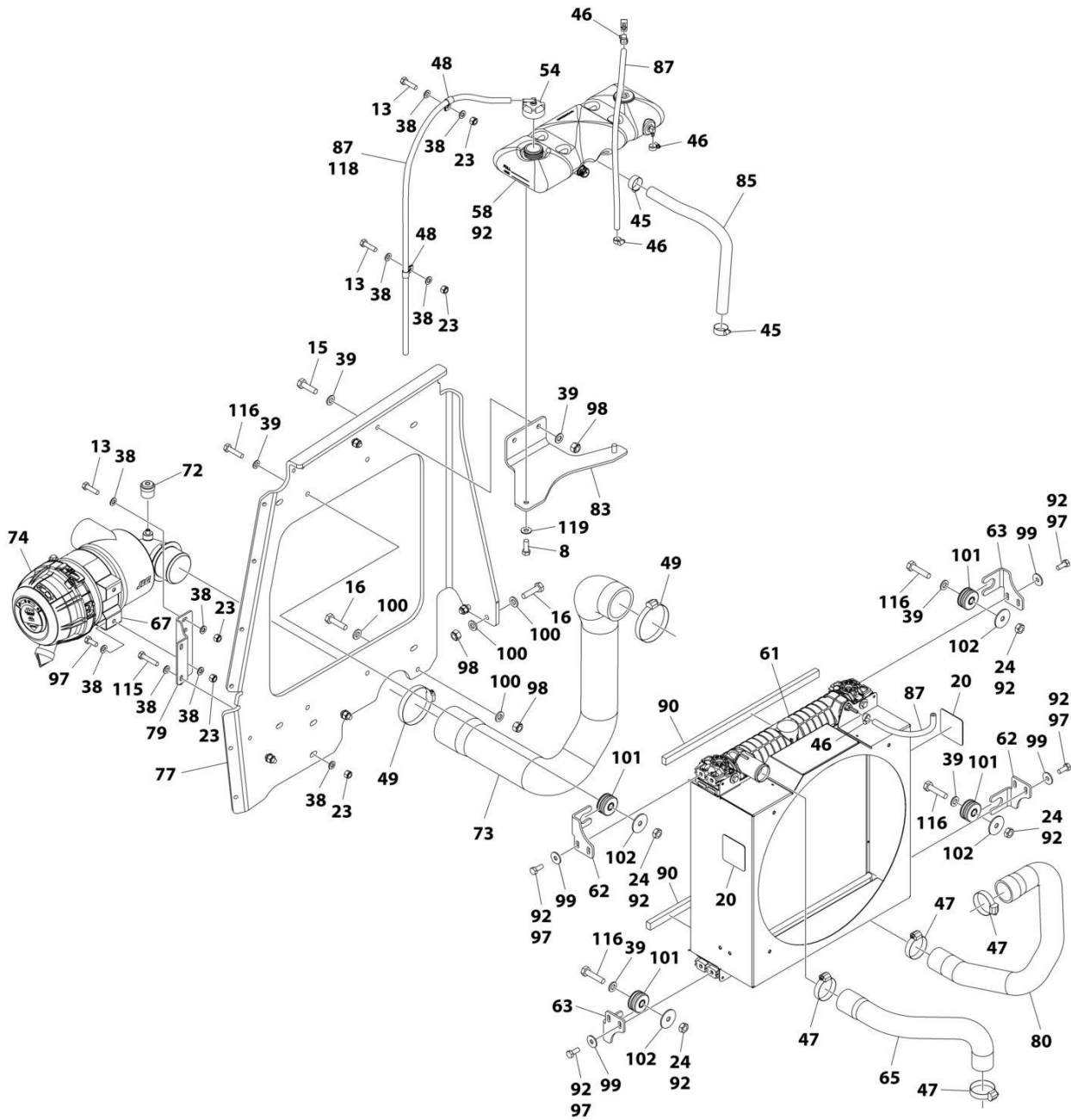
## SECTION 3 - ENGINE

**FIGURE 3-16. DEUTZ TD2.9L4 ENGINE AND PUMPS SUB-ASSEMBLY - WITHOUT ARCTIC PACKAGE  
(CHINA SPECS ONLY)**

ITEM	PART NUMBER	QTY	DESCRIPTION	REV
	1001231302	Ref	DEUTZ TD2.9L4 ENGINE AND PUMPS SUB-ASSEMBLY	D
1	0100011	AR	Compound, Locking	
2	0641808	2	Bolt 1/2 x 1	
3	0641814	2	Bolt 1/2 x 1-3/4	
4	0760612	1	Bolt M6 x 25	
6	0761015	6	Bolt M10 x 35	
7	2220451	1	Fitting, Straight JIC/ORB	
9	2220578	2	Fitting, 90 JIC/ORB	
13	2220946	2	Fitting, Straight JIC/ORB	
14	2220947	3	Fitting, Straight JIC/ORB	
17	2230027	2	Fitting, Straight	
18	3290605	1	Nut M6	
19	3291005	6	Nut M10	
20	3422532	1	Pin	
21	3600359	1	Piston Pump Assembly - Rear (See Separate Breakdown in this Section)	
22	3600363	1	Piston Pump Assembly - Front (See Separate Breakdown in this Section)	
23	3790152	1	O-Ring	
24	3931618	2	Capscrew 3/8 x 1-1/8	
25	3960469	2	Seal	
26	4061032	3	Shield	
27	4240099	AR	Tie-Strap (Not Shown)	
28	4811700	1	Washer M6	
29	4812000	4	Washer M10	
30	4812002	8	Washer M10	
31	5241000	2	Washer M10	
33	4811702	1	Washer M6	
34	1001164196	2	Clamp	
35	1001179156	1	Valve, Check	
36	1001188171	1	Radiator, Oil Cooler	
37	1001190143	1	Gear Pump Assembly	
37	70006356	1	Seal Kit - 1001190143 Pump	
38	1001257156	1	Pipe, Exhaust	
39	1001195504	1	Hose	
40	1001195506	1	Hose	
41	1001231308	1	Deutz TD2.9L4 Engine Assembly (See Separate Breakdown in this Section)	
42	1001195509	1	Hose	
44	1001200216	1	Hose	
45	2131212	4	Fitting, 90 ORFS/ORB	
47	1001213814	1	Fitting, Tee JIC/ORB/JIC	
48	2220518	1	Cap	
49	2220738	1	Fitting, Tee JIC/ORB/JIC	
51	2220695	1	Fitting, Tee JIC/ORB/JIC	
53	3790045	1	O-Ring	
55	1001233450	2	Fitting, Straight ORB/ORB	
56	1001235110	1	Hose	

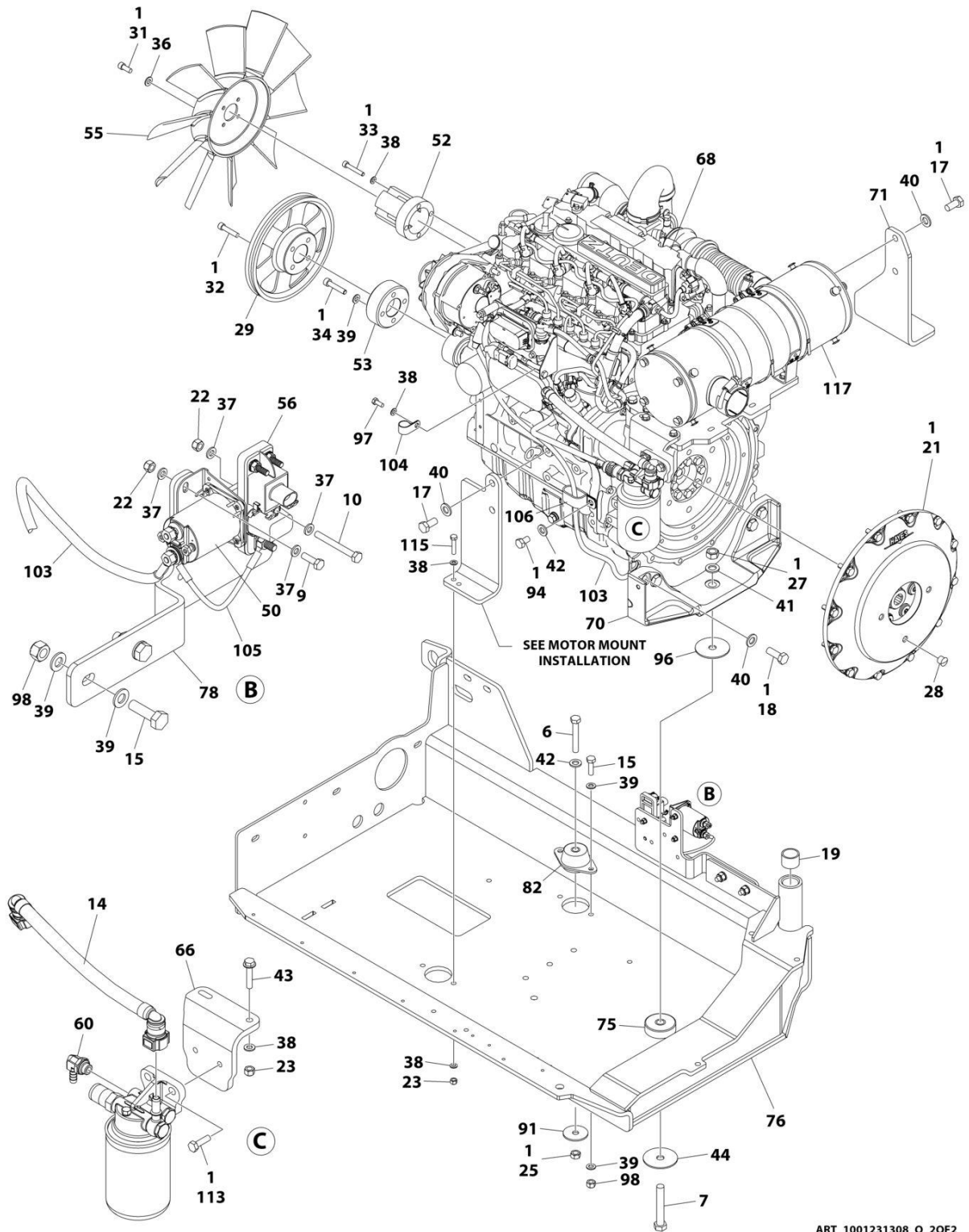
# SECTION 3 - ENGINE

## FIGURE 3-17. DEUTZ TD2.9L4 ENGINE ASSEMBLY - WITHOUT ARCTIC PACKAGE (CHINA SPECS ONLY)



ART\_1001231308\_O\_10F2

# SECTION 3 - ENGINE



ART\_1001231308\_O\_20F2

## SECTION 3 - ENGINE

**FIGURE 3-17. DEUTZ TD2.9L4 ENGINE ASSEMBLY - WITHOUT ARCTIC PACKAGE (CHINA SPECS ONLY)**

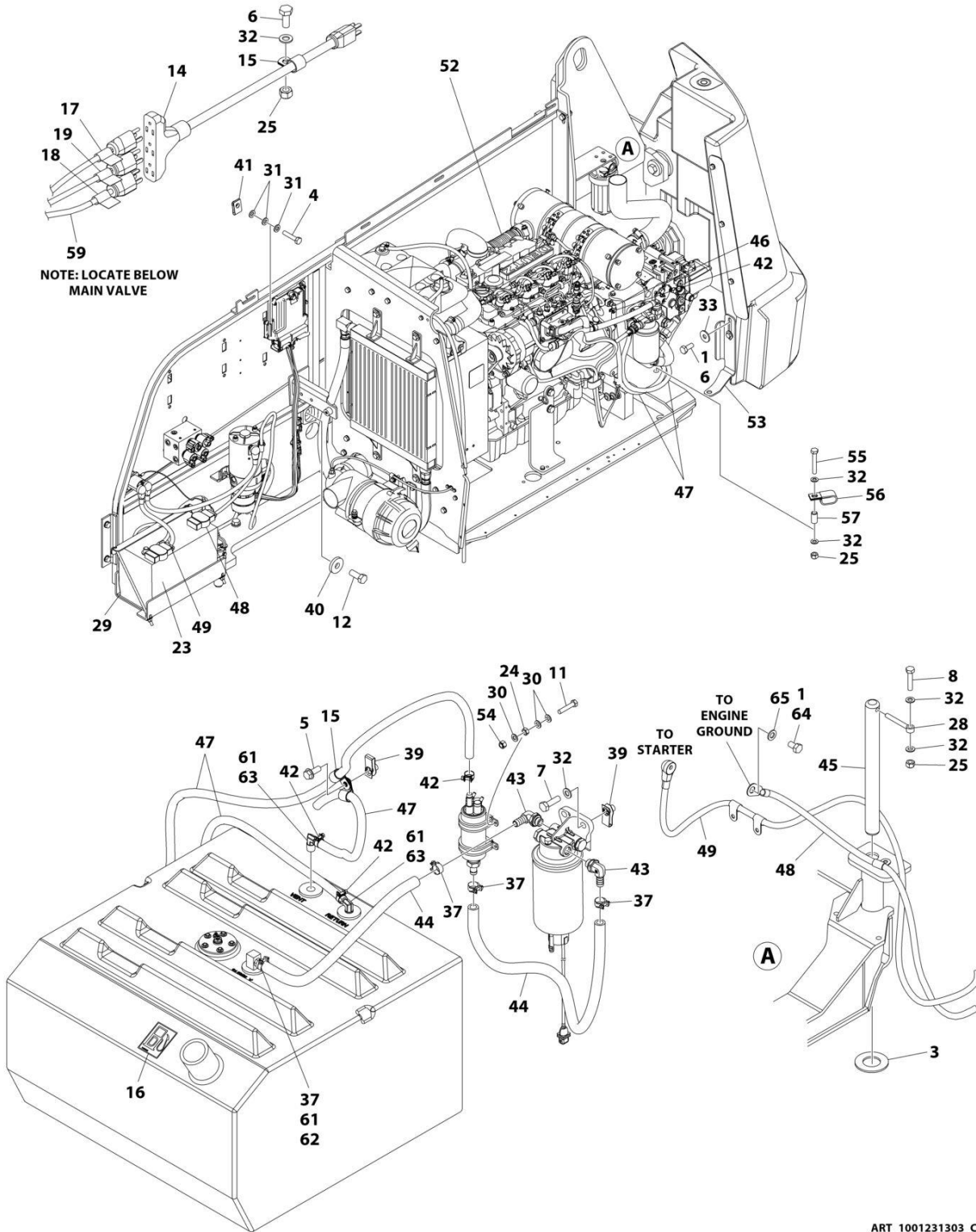
ITEM	PART NUMBER	QTY	DESCRIPTION	REV
	1001231308	Ref	DEUTZ TD2.9L4 ENGINE ASSEMBLY	O
1	0100011	AR	Compound, Locking	
6	0711224	1	Bolt M12 x 80	
7	0711627	1	Bolt M16 x 100	
8	0681608	2	Screw 3/8 x 1	
9	0760610	2	Bolt M6 x 20	
10	0760619	1	Bolt M6 x 55	
13	0760814	2	Bolt M8 x 30	
14	1001177359	1	Hose	
15	0761015	6	Bolt M10 x 35	
16	0761016	5	Bolt M10 x 40	
17	0771414	4	Bolt M14 x 30	
18	0771416	4	Bolt M14 x 40	
19	0961951	2	Bushing	
20	1703162	2	Decal - Fan Blade	
21	2902065	1	Pump Coupling Kit (See Separate Breakdown in this Section)	
22	3290605	3	Nut M6	
23	3290805	9	Nut M8	
24	3291001	4	Nut M10	
25	3331211	1	Nut M12	
27	3331611	1	Nut M16	
28	3520054	1	Plug	
29	3580320	1	Pulley	
31	3931512	4	Capscrew 5/16 x 3/4	
32	3931628	4	Capscrew 3/8 x 1-3/4	
33	4031914	4	Capscrew M8 x 50	
34	4032014	4	Capscrew M10 x 50	
36	4711500	4	Washer 5/16	
37	4811700	6	Washer M6	
38	4811900	21	Washer M8	
39	4812000	20	Washer M10	
40	5241400	8	Washer M14	
41	4812300	1	Washer M16	
42	5241200	2	Washer M12	
43	5250816	2	Bolt M8 x 40	
44	7300435	1	Washer	
45	8405007	2	Clamp	
46	8405009	4	Clamp	
47	8405104	4	Clamp	
48	8406109	2	Clip	
49	8410011	2	Clamp	
50	1001117308	1	Contactactor	
52	1001135138	1	Adapter, Fan	
53	1001135679	1	Adapter	
54	1001136834	1	Cap, Tank	
55	1001137276	1	Fan	
56	1001138228	1	Relay	
58	1001230635	1	Tank, Surge	
60	1001152489	1	Fitting, 90 Barbed	

## SECTION 3 - ENGINE

ITEM	PART NUMBER	QTY	DESCRIPTION	REV
61	1001167042	1	Radiator	
62	1001169967	2	Bracket	
63	1001170035	2	Bracket	
65	1001177844	1	Hose, Radiator (Top)	
66	1001231805	1	Bracket	
67	1001186426	1	Clamp, Air Cleaner	
68	1001223591	1	Deutz TD2.9L4 Engine (See Separate Breakdown in this Section)	
69	1001233895	1	Engine Harness - Deutz TD2.9L4 Engines (Not Shown) (See Separate Breakdown in ELECTRICAL Section)	
70	1001188535	1	Bracket, Engine - Rear	
71	1001189026	1	Bracket, Engine - Right	
72	1001166716	1	Restriction, Indicator	
73	1001189913	1	Hose	
74	1001189979	1	Filter, Air	
74	70005008	1	Element, Filter	
75	1001197149	1	Mount, Motor	
76	1001200745	1	Tray	
77	1001229091	1	Support, Radiator	
78	1001203885	1	Plate	
79	1001190942	1	Support	
80	1001191025	1	Hose, Radiator (Bottom)	
82	1001191610	1	Mount, Motor	
83	1001192400	1	Bracket	
85	1001193049	1	Hose	
87	2720015	AR	Hose	
90	1001168166	2	Seal	
91	1001168018	1	Washer	
92	1001180620	AR	Adhesive	
94	0761210	1	Bolt M12 x 20	
96	1001197725	1	Spacer	
97	0760810	11	Bolt M8 x 20	
98	3291005	11	Nut M10	
99	4811902	8	Washer M8	
100	5241000	10	Washer M10	
101	1001169054	4	Isolator	
102	1001169138	4	Pad, Snubbing	
103	1001190442	1	Harness, Alternator Power	
103	1001098764	1	Boot - Red	
104	1320202	1	Clamp	
105	1001141304	1	Harness, Glow Fuse	
106	1001181899	1	Clamp	
108	4240099	3	Tie-Strap (Not Shown)	
113	5251012	2	Bolt M10 x 25	
115	0760816	3	Bolt M8 x 40	
116	0761017	4	Bolt M10 x 45	
117	1001231649	1	Deutz TD2.9L4 Engine Exhaust Installation (See Separate Breakdown in this Section)	
118	1001138248	4 ft/1.25m	Tube	
119	4751600	2	Washer 3/8	

# SECTION 3 - ENGINE

FIGURE 3-18. DEUTZ TD2.9L4 ENGINE INSTALLATION - WITH ARCTIC PACKAGE (CHINA SPECS ONLY)



## SECTION 3 - ENGINE

**FIGURE 3-18. DEUTZ TD2.9L4 ENGINE INSTALLATION - WITH ARCTIC PACKAGE (CHINA SPECS ONLY)**

ITEM	PART NUMBER	QTY	DESCRIPTION	REV
	1001231303	Ref	DEUTZ TD2.9L4 ENGINE INSTALLATION	C
1	0100011	AR	Compound, Locking	
3	0440162	1	Bearing	
4	0700614	4	Bolt M6 x 30	
5	5251012	1	Bolt M10 x 25	
6	0701012	3	Bolt M10 x 25	
7	0701015	2	Bolt M10 x 35	
8	0711018	1	Bolt M10 x 50	
11	0760512	4	Bolt M5 x 25	
12	0772018	1	Bolt M20 x 50	
14	1060626	1	Plug, 3 Way	
15	1320061	3	Clamp	
16	1701505	1	Decal - Diesel Fuel	
17	1702941	1	Decal - Battery Heater	
18	1702942	1	Decal - Engine Block Heater	
19	1702943	1	Decal - Hydraulic Tank Heater	
23	2580024	1	Heater, Battery	
24	3290501	4	Nut M5	
25	3291005	3	Nut M10	
28	3841143	1	Keeper, Pin	
29	3980007	1	Seat, Battery	
30	4811600	12	Washer M5	
31	4811700	12	Washer M6	
32	4812000	7	Washer M10	
33	4812002	2	Washer M10	
37	1001175568	4	Clip	
38	1001188972	1	Heater, Immersion (Not Shown - Located on Hydraulic Tank)	
39	1001118972	3	Nut, Tinnerman M10	
40	1001119051	1	Washer	
41	1001130220	4	Nut, Tinnerman M6	
42	1001136975	5	Clamp	
43	1001142501	2	Fitting, 90 Barbed	
44	1001154405	42 in/ 1.1m	Hose	
45	1001155094	1	Pin	
46	1001155823	1	Fitting, 90 Quick Connect	
47	1001165035	25 ft/ 7.6m	Hose	
48	1001188668	1	Cable, Battery (-) to Aux Pump and Ground	
49	1001188669	1	Cable, Battery (+) to Aux Relay to Starter	
52	1001231305	1	Deutz TH2.9L4 Engine and Pumps Sub-Assembly (See Separate Breakdown in this Section)	
53	1001197881	1	Bracket	
54	3290505	4	Nut M5	
55	0701022	1	Bolt M10 x 70	
56	1001026127	1	Clamp	
57	1001200731	1	Tube	
58	4240099	1	Tie-Strap (Not Shown)	
59	1001150918	1	Cable, Extension	

## SECTION 3 - ENGINE

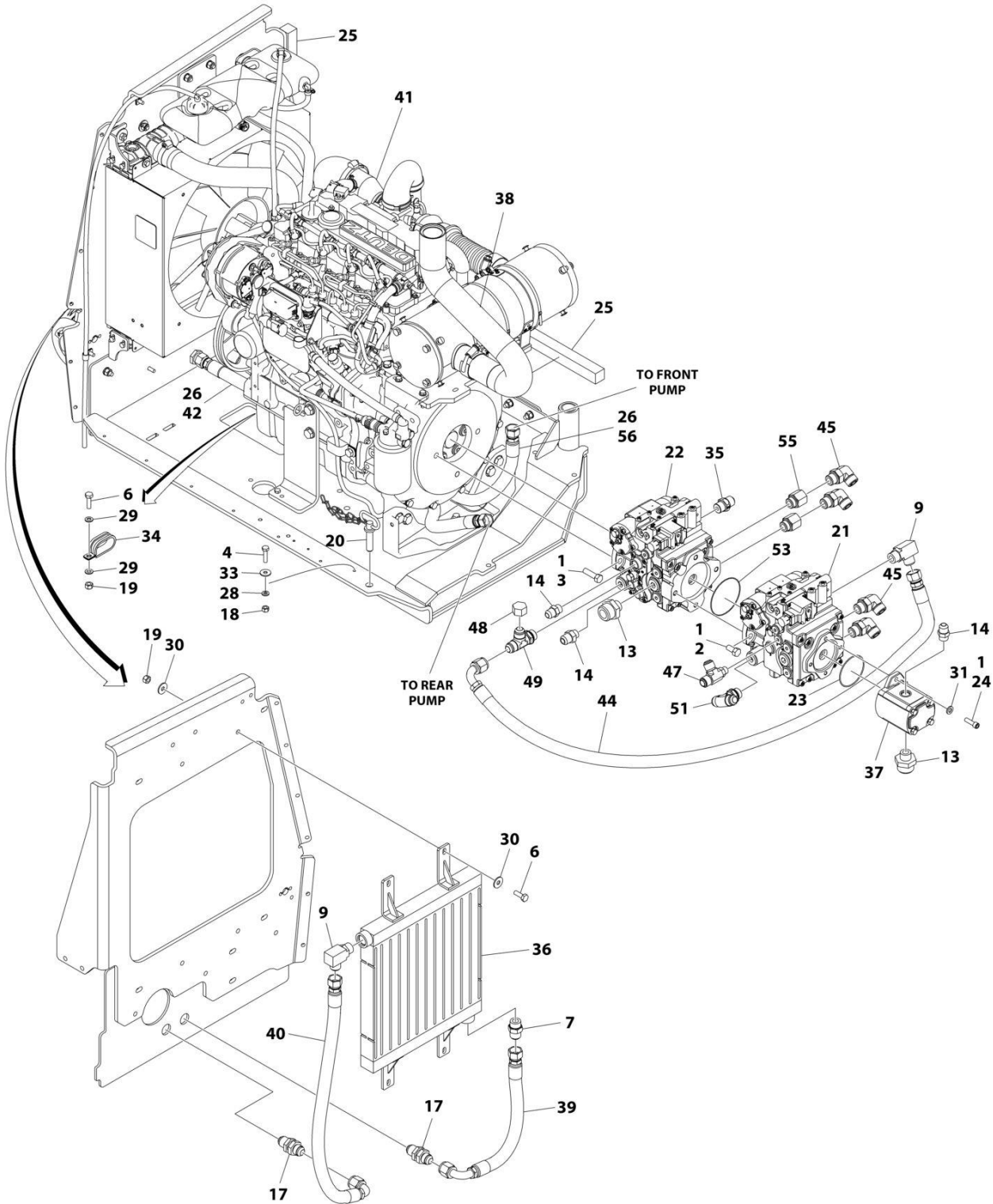
ITEM	PART NUMBER	QTY	DESCRIPTION	REV
60	1001190444	1	Engine Harness - Deutz TD2.9L4 Engines (Not Shown) (See Separate Breakdown in ELECTRICAL SECTION)	
61	0100020	AR	Sealant	
62	2180832	1	Fitting, Straight Barbed	
63	2220313	2	Fitting, 90 NPTF/Barb	
64	0761210	1	Bolt M12 x 20	
65	4812100	1	Washer M12	
66	1001233763	1	Deutz Breather Heater Installation (Not Shown - See Separate Breakdown in this Section)	
66	4240099	AR	Tie-Strap	
66	1001196634	1	Fuse 2amp	
66	1001232842	1	Heater, Deutz Breather Kit	
66	2400060	1	Fuse, Holder	
100	1001235532	1	Battery Cable Kit (Includes Items 48 & 49) (Not Shown)	





# SECTION 3 - ENGINE

## FIGURE 3-19. DEUTZ TD2.9L4 ENGINE AND PUMPS SUB-ASSEMBLY - WITH ARCTIC PACKAGE (CHINA SPECS ONLY)



ART\_1001231305\_D

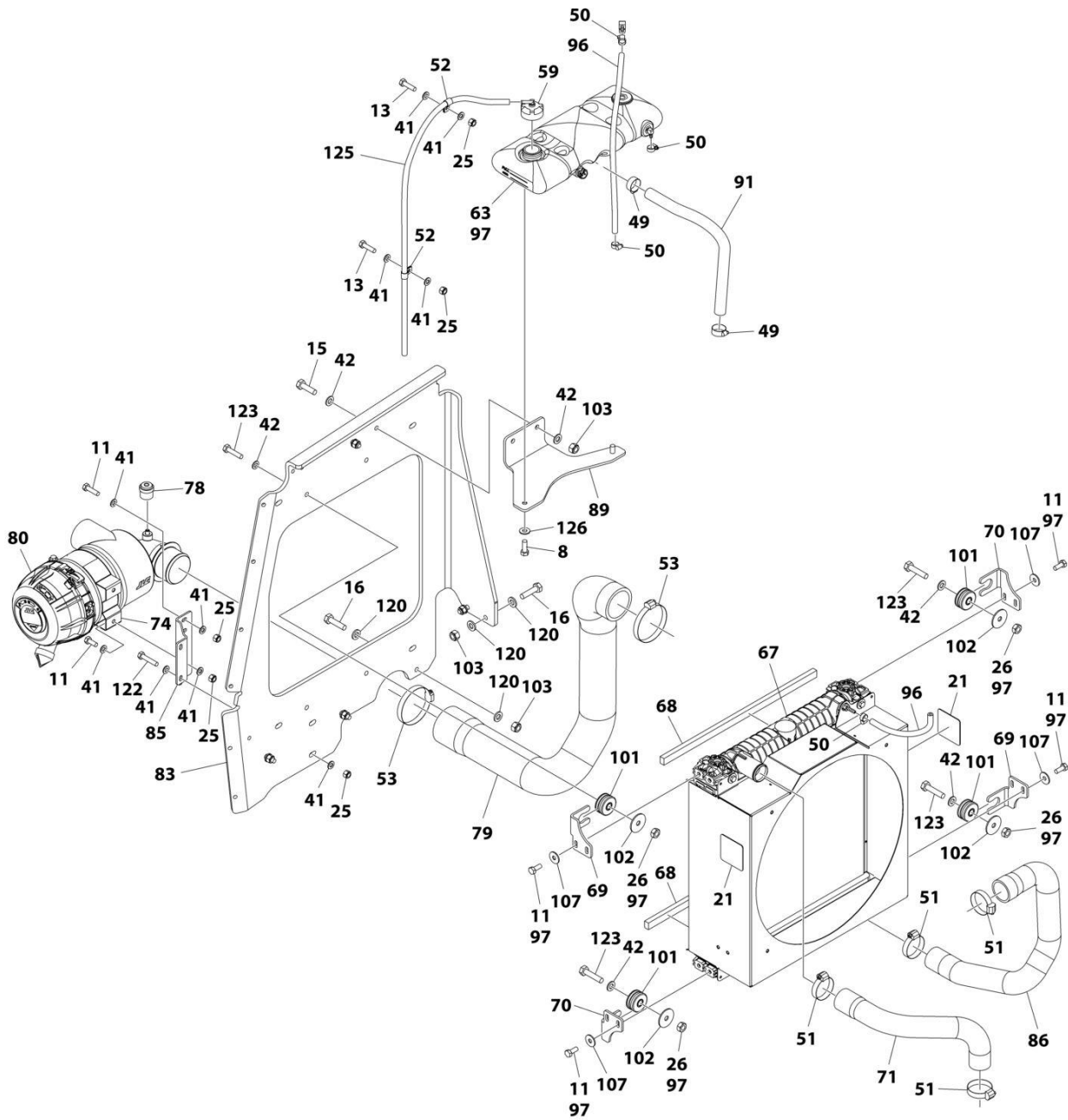
## SECTION 3 - ENGINE

**FIGURE 3-19. DEUTZ TD2.9L4 ENGINE AND PUMPS SUB-ASSEMBLY - WITH ARCTIC PACKAGE  
(CHINA SPECS ONLY)**

ITEM	PART NUMBER	QTY	DESCRIPTION	REV
	1001231305	Ref	DEUTZ TD2.9L4 ENGINE AND PUMPS SUB-ASSEMBLY	D
1	0100011	AR	Compound, Locking	
2	0641808	2	Bolt 1/2 x 1	
3	0641814	2	Bolt 1/2 x 1-3/4	
4	0760612	1	Bolt M6 x 25	
6	0761015	6	Bolt M10 x 35	
7	2220451	1	Fitting, Straight JIC/ORB	
9	2220578	2	Fitting, 90 JIC/ORB	
13	2220946	2	Fitting, Straight JIC/ORB	
14	2220947	3	Fitting, Straight JIC/ORB	
17	2230027	2	Fitting, Straight	
18	3290605	1	Nut M6	
19	3291005	6	Nut M10	
20	3422532	1	Pin	
21	3600359	1	Piston Pump Assembly - Rear (See Separate Breakdown in this Section)	
22	3600363	1	Piston Pump Assembly - Front (See Separate Breakdown in this Section)	
23	3790152	1	O-Ring	
24	3931618	2	Capscrew 3/8 x 1-1/8	
25	3960469	2	Seal	
26	4061032	3	Shield	
27	4240099	AR	Tie-Strap (Not Shown)	
28	4811700	1	Washer M6	
29	4812000	4	Washer M10	
30	4812002	8	Washer M10	
31	5241000	2	Washer M10	
33	4811702	1	Washer M6	
34	1001164196	2	Clamp	
35	1001179156	1	Valve, Check	
36	1001188171	1	Radiator, Oil Cooler	
37	1001190143	1	Gear Pump Assembly	
37	70006356	1	Seal Kit - 1001190143 Pump	
38	1001257156	1	Pipe, Exhaust	
39	1001195504	1	Hose	
40	1001195506	1	Hose	
41	1001231307	1	Deutz TD2.9L4 Engine Assembly (See Separate Breakdown in this Section)	
42	1001195509	1	Hose	
44	1001200216	1	Hose	
45	2131212	4	Fitting, 90 ORFS/ORB	
47	1001213814	1	Fitting, Tee JIC/ORB/JIC	
48	2220518	1	Cap	
49	2220738	1	Fitting, Tee JIC/ORB/JIC	
51	2220695	1	Fitting, Tee JIC/ORB/JIC	
53	3790045	1	O-Ring	
55	1001233450	2	Fitting, Straight ORB/ORB	
56	1001235110	1	Hose	

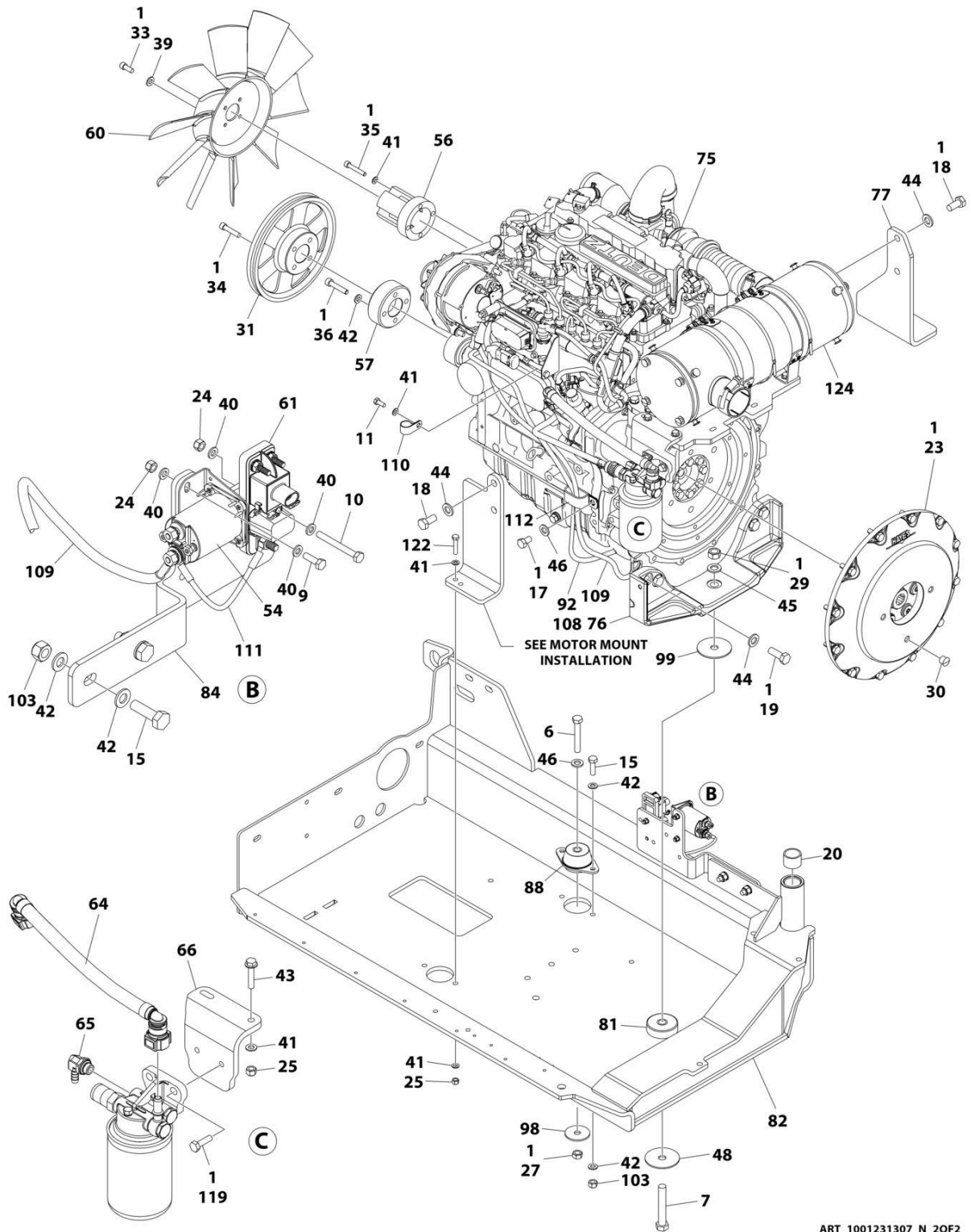
# SECTION 3 - ENGINE

## FIGURE 3-20. DEUTZ TD2.9L4 ENGINE ASSEMBLY - WITH ARCTIC PACKAGE (CHINA SPECS ONLY)



ART\_1001231307\_N\_10F2

# SECTION 3 - ENGINE



ART\_1001231307\_N\_20F2

## SECTION 3 - ENGINE

FIGURE 3-20. DEUTZ TD2.9L4 ENGINE ASSEMBLY - WITH ARCTIC PACKAGE (CHINA SPECS ONLY)

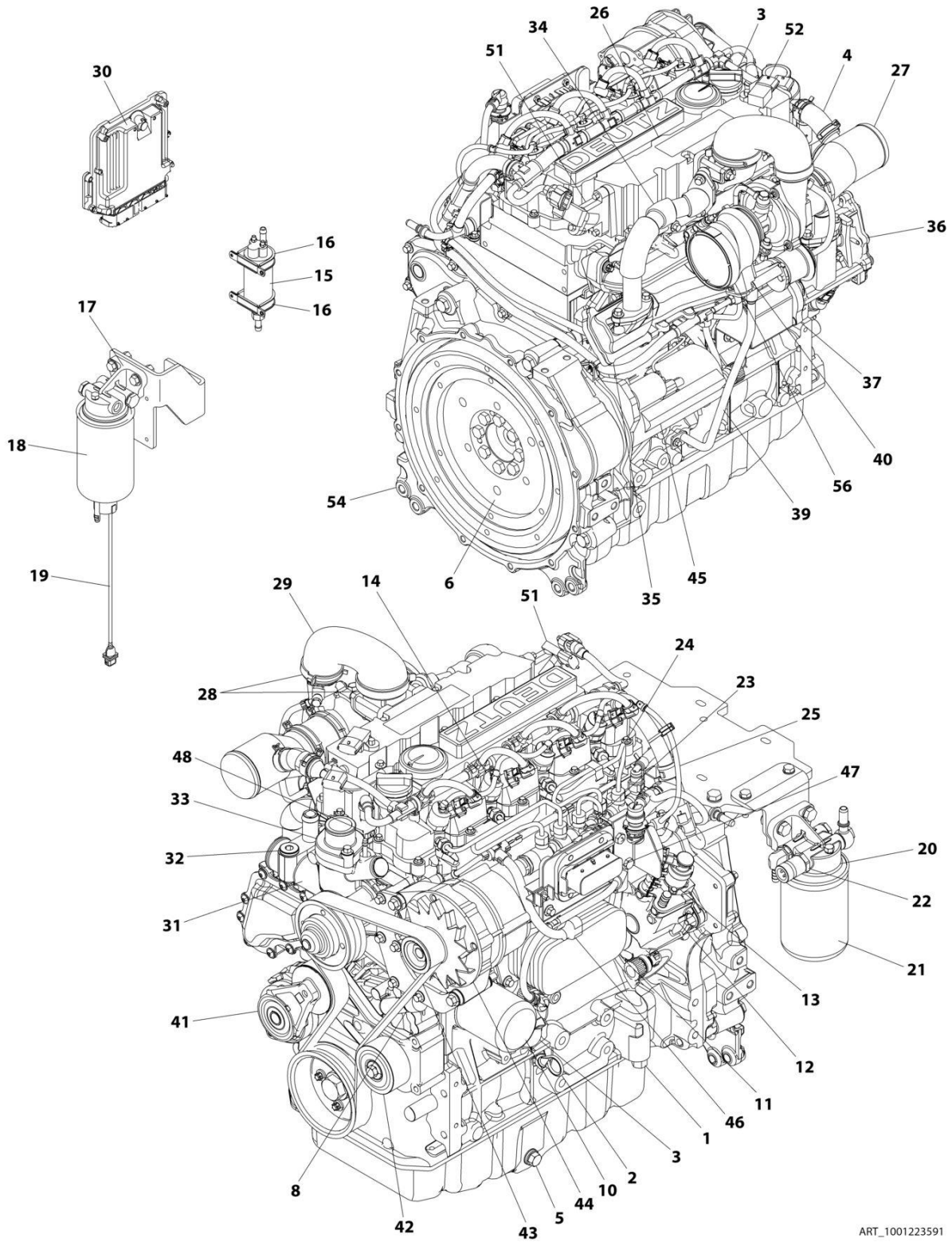
ITEM	PART NUMBER	QTY	DESCRIPTION	REV
	1001231307	Ref	DEUTZ TD2.9L4 ENGINE ASSEMBLY	N
1	0100011	AR	Compound, Locking	
6	0711224	1	Bolt M12 x 80	
7	0711627	1	Bolt M16 x 100	
8	0681608	2	Screw 3/8 x 1	
9	0760610	2	Bolt M6 x 20	
10	0760619	1	Bolt M6 x 55	
11	0760810	11	Bolt M8 x 20	
13	0760814	2	Bolt M8 x 30	
15	0761015	6	Bolt M10 x 35	
16	0761016	5	Bolt M10 x 40	
17	0761210	1	Bolt M12 x 20	
18	0771414	4	Bolt M14 x 30	
19	0771416	4	Bolt M14 x 40	
20	0961951	2	Bushing	
21	1703162	2	Decal - Fan Blade	
23	2902065	1	Pump Coupling Kit (See Separate Breakdown in this Section)	
24	3290605	3	Nut M6	
25	3290805	9	Nut M8	
26	3291001	4	Nut M10	
27	3331211	1	Nut M12	
29	3331611	1	Nut M16	
30	3520054	1	Plug	
31	3580320	1	Pulley	
33	3931512	4	Capscrew 5/16 x 3/4	
34	3931628	4	Capscrew 3/8 x 1-3/4	
35	4031914	4	Capscrew M8 x 50	
36	4032014	4	Capscrew M10 x 50	
39	4711500	4	Washer 5/16	
40	4811700	6	Washer M6	
41	4811900	21	Washer M8	
42	4812000	20	Washer M10	
43	5250816	2	Bolt M8 x 40	
44	5241400	8	Washer M14	
45	4812300	1	Washer M16	
46	5241200	2	Washer M12	
48	7300435	1	Washer	
49	8405007	2	Clamp	
50	8405009	4	Clamp	
51	8405104	4	Clamp	
52	8406109	2	Clip	
53	8410011	AR	Clamp	
54	1001117308	1	Contactactor	
56	1001135138	1	Adapter	
57	1001135679	1	Adapter	
59	1001136834	1	Cap, Tank	
60	1001137276	1	Fan	
61	1001138228	1	Relay	
63	1001230635	1	Tank, Surge	
64	1001177359	1	Hose	

## SECTION 3 - ENGINE

ITEM	PART NUMBER	QTY	DESCRIPTION	REV
65	1001152489	1	Fitting, 90 Pipe/Barbed	
66	1001231805	1	Bracket	
67	1001167042	1	Radiator	
68	1001168166	2	Seal	
69	1001169967	2	Bracket	
70	1001170035	2	Bracket	
71	1001177844	1	Hose, Radiator (Top)	
74	1001186426	1	Clamp, Air Cleaner	
75	1001223591	1	Deutz TD2.9L4 Engine (See Separate Breakdown in this Section)	
76	1001188535	1	Bracket, Engine - Rear	
77	1001189026	1	Bracket, Engine - Right	
78	1001166716	1	Restriction, Indicator	
79	1001189913	1	Hose	
80	1001189979	1	Filter, Air	
80	70005008	1	Element, Filter	
81	1001197149	1	Mount, Motor	
82	1001200745	1	Tray	
83	1001229091	1	Support, Radiator	
84	1001203885	1	Plate	
85	1001190942	1	Support	
86	1001191025	1	Hose, Radiator (Bottom)	
88	1001191610	1	Mount, Motor	
89	1001192400	1	Bracket	
91	1001193049	1	Hose	
92	1001140312	1	Heater, Engine Block	
94	1001233895	1	Engine Harness - Deutz TD2.9L4 Engines (Not Shown) (See Separate Breakdown in ELECTRICAL Section)	
96	2720015	AR	Hose	
97	1001180620	AR	Adhesive	
98	1001168018	1	Washer	
99	1001197725	1	Spacer	
101	1001169054	4	Isolator	
102	1001169138	4	Pad, Snubbing	
103	3291005	11	Nut M10	
107	4811902	8	Washer M8	
108	1001181895	AR	Adhesive	
109	1001190442	1	Harness, Alternator Power	
109	1001098764	1	Boot - Red	
110	1320202	1	Clamp	
111	1001141304	1	Harness, Glow Fuse	
112	1001181899	1	Clamp	
114	4240099	3	Tie-Strap (Not Shown)	
119	5251012	2	Bolt M10 x 25	
120	5241000	10	Washer M10	
122	0760816	3	Bolt M8 x 40	
123	0761017	4	Bolt M10 x 45	
124	1001231649	1	Deutz TD2.9L4 Engine Exhaust Installation (See Separate Breakdown in this Section)	
125	1001138248	4 ft/1.25m	Tube	
126	4751600	2	Washer 3/8	

# SECTION 3 - ENGINE

FIGURE 3-21. DEUTZ TD2.9L4 ENGINE COMPONENTS (CHINA SPECS ONLY)



ART\_1001223591



## SECTION 3 - ENGINE

**FIGURE 3-21. DEUTZ TD2.9L4 ENGINE COMPONENTS (CHINA SPECS ONLY)**

ITEM	PART NUMBER	QTY	DESCRIPTION	REV
	1001223591	Ref	DEUTZ TD2.9L4 ENGINE COMPONENTS	C
1	70025660	1	Plug	
1	70006264	1	Valve, Plunger	
1	70006265	1	Spring	
1	70006266	1	Seal	
2	70024904	1	Dipstick	
2	70024905	2	Seal	
3	7020465	2	Cap, Fill	
4	70005920	1	Line, Breather	
4	70025111	2	Clamp	
5	70006941	2	Plug	
5	70005942	2	Seal	
6	70001870	1	Flywheel	
6	7024579	1	Ring Gear	
6	70025139	8	Bolt	
7		Ref	Gasket & Seal Options (Not Shown):	
7	70005938	1	Gasket Kit	
7	70024906	1	Gasket, Head	
7	70005922	1	Gasket, Valve Cover	
7	70028185	1	Gasket, Front Cover	
7	70004280	1	Seal, Front Main	
7	70002718	1	Seal, Rear Main	
8	See Note	NSS	Valve, Slide (Note: Not Available for Purchase)	
8	70025082	1	Seal	
9	70005172	1	Pump, Lube (Not Shown - Located RH Rear)	
9	70025135	1	O-Seal	
9	70005173	1	Gasket	
10	7016331	1	Filter, Oil	
11	70024494	1	Cooler, Oil	
11	70024925	1	Gasket, Oil Filter	
12	70024924	1	Pump, High Pressure	
12	70025152	1	Gasket (Spacer to Pump)	
12	70024488	1	Spacer	
12	70024517	1	Gasket (Spacer to Block)	
12	70004505	1	Valve, Overflow	
12	70004506	1	Gasket, Overflow	
12	70004507	1	Gasket, Overflow	
13	70004508	1	Valve, Volume Control	
13	70004509	1	O-Ring	
13	70004510	1	Gasket	
14	70025181	4	Injector	
14	70025140	4	Washer, Sealing	
14	70025146	4	Clamp	
14	70025145	4	O-Seal	
14	70025154	4	Shoe/Pad, Clamping	
15	70006144	NLA	Pump, Fuel Supply (Use p/n 1001226098)	
16	70025144	2	Clip, Clamp	
17	70024961	1	Fuel Filter Assembly	
18	1001225430	1	Element, Filter	
19	70024513	1	Cable, Sensor	

## SECTION 3 - ENGINE

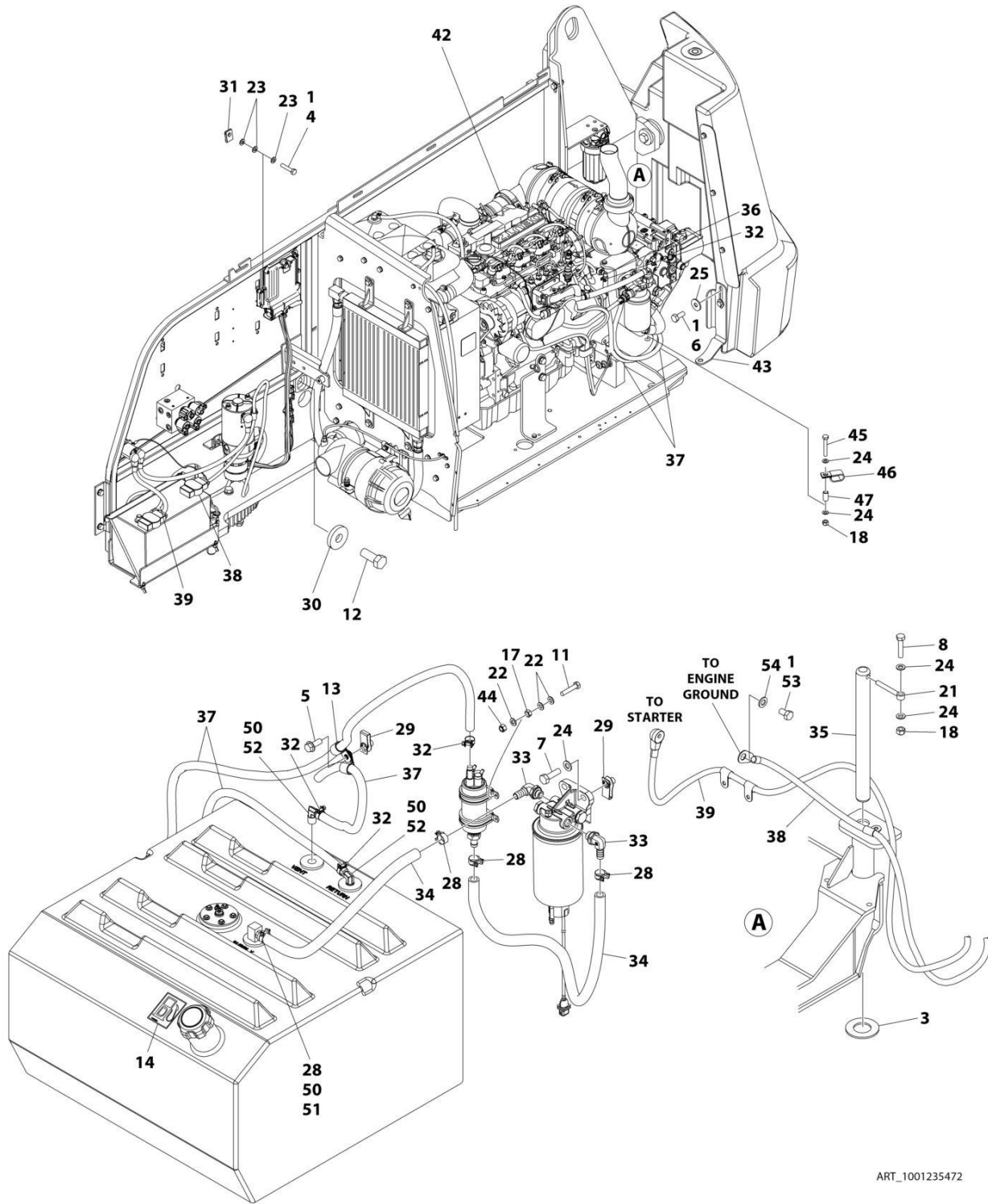
ITEM	PART NUMBER	QTY	DESCRIPTION	REV
19	70025239	1	Seal, Ring	
20	70004511	1	Fuel Filter Assembly	
20	70004513	2	Seal (at Hollow Bolt)	
21	1001225432	1	Element, Filter	
22	70028538	1	Sensor, Pressure	
22	70024920	1	O-Seal	
23	70025151	1	Rail, Fuel	
23	70025235	1	Repair Kit - Fuel Rail	
23	70025240	1	O-Ring	
24	70025182	1	Tube, Fuel - Cylinders 1 & 2	
24	70025183	1	Tube, Fuel - Cylinders 3 & 4	
24	70025184	1	Tube, Fuel	
25	70024502	1	Pipe, Fuel Leakage	
25	70025185	1	Hose, Fuel	
25	70025158	1	Manifold	
25	70025109	2	Clamp, Spring	
25	70025115	1	Clamp	
25	70025133	1	Hose	
25	70025101	2	Clamp	
25	70025148	1	Connector, Plug-in	
26	70005923	1	Manifold, Charger Air	
26	70005177	1	Gasket, Charger Air Manifold	
26	70005924	1	Seal (Manifold to Elbow)	
26	7000180	1	Line, Breather (Not Shown)	
26	70005181	1	O-Seal (Breather to Manifold)	
27	70005926	1	Elbow	
27	70025112	2	Clamp	
27	70004501	1	Sleeve, Rubber	
28	See Note	NSS	Sleeve (Note: Not Available for Purchase)	
28	70025107	2	Clamp	
29	70005928	1	Elbow, Air Charge	
30	70025210	1	Module, ECU	
31	70028802	1	Pump, Coolant	
31	70025200	1	Ring, Sealing (Pump to Block)	
32	70025084	2	Plug	
32	7020492	2	Ring, Sealing	
33	70005929	1	Thermostat	
33	70005184	1	O-Seal (Thermostat to Housing)	
33	70025142	1	Housing, Thermostat	
33	70005931	1	O-Seal (Thermostat to Pump)	
33	70025124	2	Bolt	
34	See Note	NSS	Tube (Note: Not Available for Purchase)	
34	70025179	2	Gasket (at Either End of Tube)	
35	See Note	NSS	Valve, Shuttle (Note: Not Available for Purchase)	
35	70025180	1	Gasket	
35	See Note	NSS	Housing, Shuttle Valve (Note: Not Available for Purchase)	
35	70025175	1	Cap, Shuttle Valve	
36	70025203	1	Module, EGR	
36	70025155	1	Plug (Not Shown)	
37	70005188	1	Valve, EGR Control	
37	70005189	1	Seal (Valve to Module)	

## SECTION 3 - ENGINE

ITEM	PART NUMBER	QTY	DESCRIPTION	REV
38	70004282	1	Manifold, Exhaust (Not Shown)	
38	70025164	1	Gasket, Manifold to Head (Not Shown)	
38	70025130	8	Bolt, Manifold (Not Shown)	
38	70026995	1	Elbow, Exhaust (Not Shown)	
38	70025179	2	Gasket, Manifold to Elbow (Not Shown)	
39	70005932	1	Tube, Oil Return	
39	70025132	1	O-Seal	
40	70004276	1	Turbocharger	
40	70024509	1	Gasket (Turbocharger to Oil Return Tube Housing)	
40	1001191599	1	Gasket (Turbocharger to Exhaust)	
41	70025477	1	Tensioner, Belt	
42	70024484	1	Roller, Idler	
43	70004277	1	Belt	
44	70025733	1	Pulley, Alternator	
44	70006652	1	Alternator	
44	70006653	1	Controller	
44	See Note	NSS	Fan (Note: Not Available for Purchase)	
45	70024915	1	Starter	
45	70005647	1	Switch, Solenoid	
45	70005648	1	Relay	
46	70000345	4	Glow Plug	
46	70025231	1	Harness, Glow Plug	
46	70025233	1	Connector, Plug-in	
47	70025077	1	Harness, Engine	
48	70024918	1	Sender, Temperature	
49	70028538	1	Sensor, Pressure (Not Shown - RH Front)	
49	70024920	1	O-Seal	
50	70026210	1	Sensor, Speed (Not Shown - Front)	
50	70005191	1	Ring, Seal	
51	70024507	1	Sensor, Pressure	
51	70025120	1	O-Seal	
51	70005933	1	Adapter	
51	70005934	1	O-Seal	
52	70024922	1	Sender, Temperature	
52	70025212	1	O-Seal	
53	70026210	1	Sensor, Speed (Not Shown - Front)	
53	70024917	1	O-Seal	
54	70025192	1	Housing	
56	70005527	1	Clip	

# SECTION 3 - ENGINE

## FIGURE 3-22. DEUTZ TD2.9L4 (STAGE V PRE-BUY) ENGINE INSTALLATION



ART\_1001235472

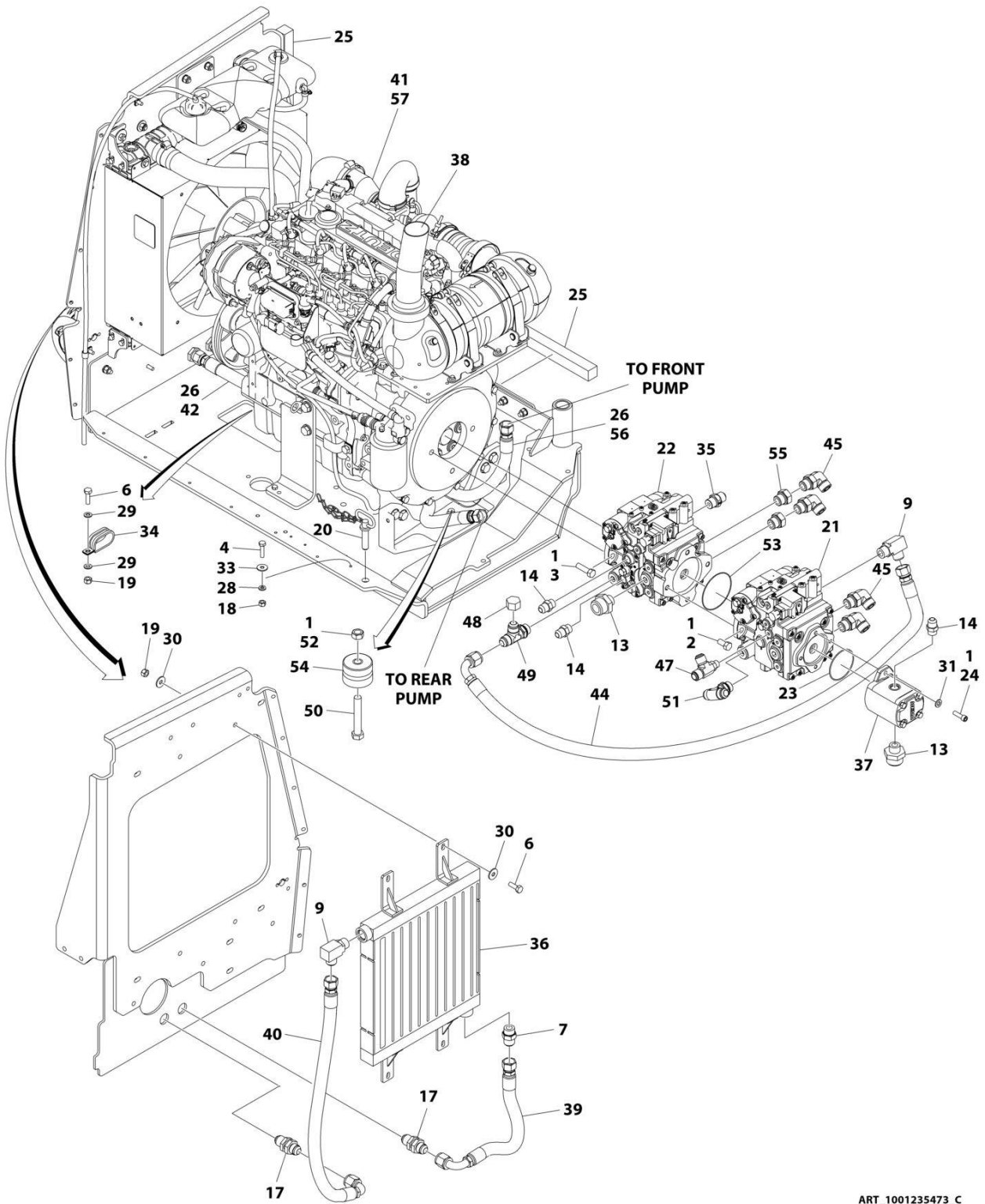
## SECTION 3 - ENGINE

**FIGURE 3-22. DEUTZ TD2.9L4 (STAGE V PRE-BUY) ENGINE INSTALLATION**

ITEM	PART NUMBER	QTY	DESCRIPTION	REV
	1001235472	Ref	DEUTZ TD2.9L4 (STAGE V) ENGINE INSTALLATION	C
1	0100011	AR	Compound, Locking	
3	0440162	1	Bearing	
4	0700614	4	Bolt M6 x 30	
5	5251012	1	Bolt M10 x 25	
6	0701012	2	Bolt M10 x 25	
7	0701015	2	Bolt M10 x 35	
8	0711018	1	Bolt M10 x 50	
11	0760512	4	Bolt M5 x 25	
12	0772018	1	Bolt M20 x 50	
13	1320061	2	Clamp	
14	1701505	1	Decal - Diesel Fuel	
17	3290501	4	Nut M5	
18	3291005	2	Nut M10	
21	3841143	1	Keeper, Pin	
22	4811600	12	Washer M5	
23	4811700	12	Washer M6	
24	4812000	6	Washer M10	
25	4812002	2	Washer M10	
28	1001175568	4	Clip	
29	1001118972	3	Nut, Tinnerman M10	
30	1001119051	1	Washer	
31	1001130220	4	Nut, Tinnerman M6	
32	1001136975	5	Clamp	
33	1001142501	2	Fitting, 90 Barbed	
34	1001154405	33 in/ 0.8m	Hose	
35	1001155094	1	Pin	
36	1001155823	1	Fitting, 90 Quick Connect	
37	1001165035	27 ft/ 8.2m	Hose	
38	1001188668	1	Cable, Battery (-) to Aux Pump and Ground	
39	1001188669	1	Cable, Battery (+) to Aux Relay to Starter	
42	1001235473	1	Deutz TD2.9L4 (Stage V) Engine and Pump Sub-Assembly (See Separate Breakdown in this Section)	
43	1001197881	1	Bracket	
44	3290505	4	Nut M5	
45	0701022	1	Bolt M10 x 70	
46	1001026127	1	Clamp	
47	1001200731	1	Tube	
48	4240099	1	Tie-Strap (Not Shown)	
49	1001190444	1	Fuel Pump Harness - Deutz TD2.9L4 Engine (Not Shown) (See Separate Breakdown in ELECTRICAL Section)	
50	0100020	AR	Sealant	
51	2180832	1	Fitting, Straight Barbed	
52	2220313	2	Fitting, 90 NPTF/Barb	
53	0761210	1	Bolt M12 x 20	
54	4812100	1	Washer M12	
100	1001235532	1	Battery Cable Kit (Includes Items 38 & 39) (Not Shown)	

# SECTION 3 - ENGINE

## FIGURE 3-23. DEUTZ TD2.9L4 (STAGE V PRE-BUY) ENGINE AND PUMP SUB-ASSEMBLY



ART\_1001235473\_C

## SECTION 3 - ENGINE

**FIGURE 3-23. DEUTZ TD2.9L4 (STAGE V PRE-BUY) ENGINE AND PUMP SUB-ASSEMBLY**

ITEM	PART NUMBER	QTY	DESCRIPTION	REV
	1001235473	Ref	DEUTZ TD2.9L4 (STAGE V) ENGINE AND PUMP SUB-ASSEMBLY	C
1	0100011	AR	Compound, Locking	
2	0641808	2	Bolt 1/2 x 1	
3	0641814	2	Bolt 1/2 x 1-3/4	
4	0760612	1	Bolt M6 x 25	
6	0761015	6	Bolt M10 x 35	
7	2220451	1	Fitting, Straight JIC/ORB	
9	2220578	2	Fitting, 90 JIC/ORB	
13	2220946	2	Fitting, Straight JIC/ORB	
14	2220947	3	Fitting, Straight JIC/ORB	
17	2230027	2	Fitting, Straight	
18	3290605	1	Nut M6	
19	3291005	6	Nut M10	
20	3422532	1	Pin	
21	3600359	1	Piston Pump Assembly - Rear (See Separate Breakdown in this Section)	
22	3600363	1	Piston Pump Assembly - Front (See Separate Breakdown in this Section)	
23	3790152	1	O-Ring	
24	3931618	2	Capscrew 3/8 x 1-1/8	
25	3960469	2	Seal	
26	4061032	3	Shield	
27	4240099	AR	Tie-Strap (Not Shown)	
28	4811700	1	Washer M6	
29	4812000	4	Washer M10	
30	4812002	8	Washer M10	
31	5241000	2	Washer M10	
33	4811702	1	Washer M6	
34	1001164196	2	Clamp	
35	1001179156	1	Valve, Check	
36	1001188171	1	Radiator, Oil Cooler	
37	1001190143	1	Gear Pump Assembly	
37	70006356	1	Seal Kit - 1001190143 Pump	
38	1001239207	1	Pipe, Exhaust	
39	1001195504	1	Hose	
40	1001195506	1	Hose	
41	1001235474	1	Deutz TD2.9L4 (Stage V) Engine Assembly (See Separate Breakdown in this Section)	
42	1001195509	1	Hose	
44	1001200216	1	Hose	
45	2131212	4	Fitting, 90 ORFS/ORB	
47	1001213814	1	Fitting, Tee JIC/ORB/JIC	
48	2220518	1	Cap	
49	2220738	1	Fitting, Tee JIC/ORB/JIC	
50	0711627	1	Bolt M16 x 100	
51	2220695	1	Fitting, Tee JIC/ORB/JIC	
52	3331611	1	Nut M16	
53	3790045	1	O-Ring	
54	1001197149	1	Mount, Engine	

## SECTION 3 - ENGINE

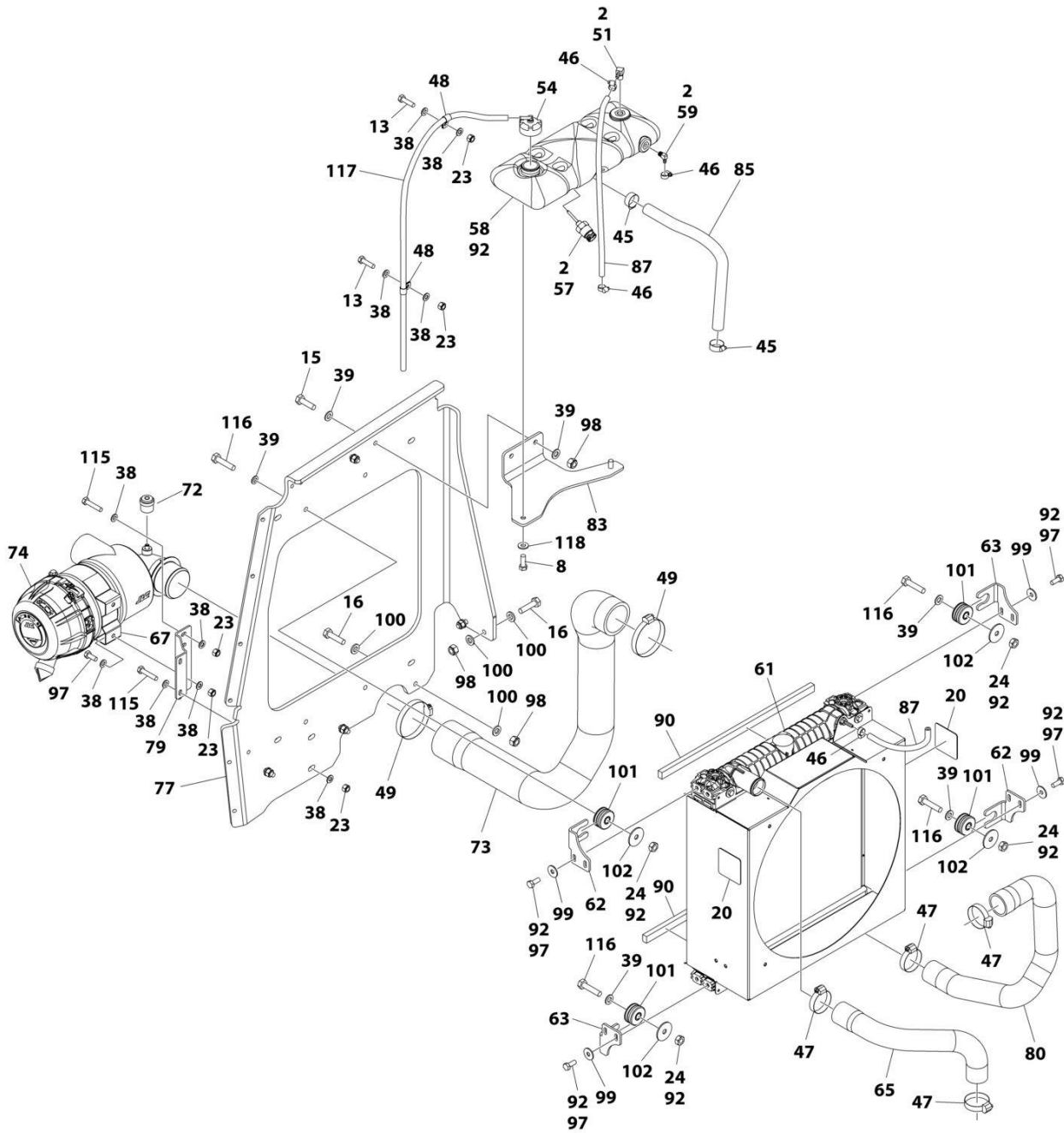
ITEM	PART NUMBER	QTY	DESCRIPTION	REV
55	1001233450	2	Fitting, Straight ORB/ORB	
56	1001235110	1	Hose	
57	1001235458	1	Deutz TD2.9L4 (Stage V) Engine (See Separate Breakdown in this Section)	





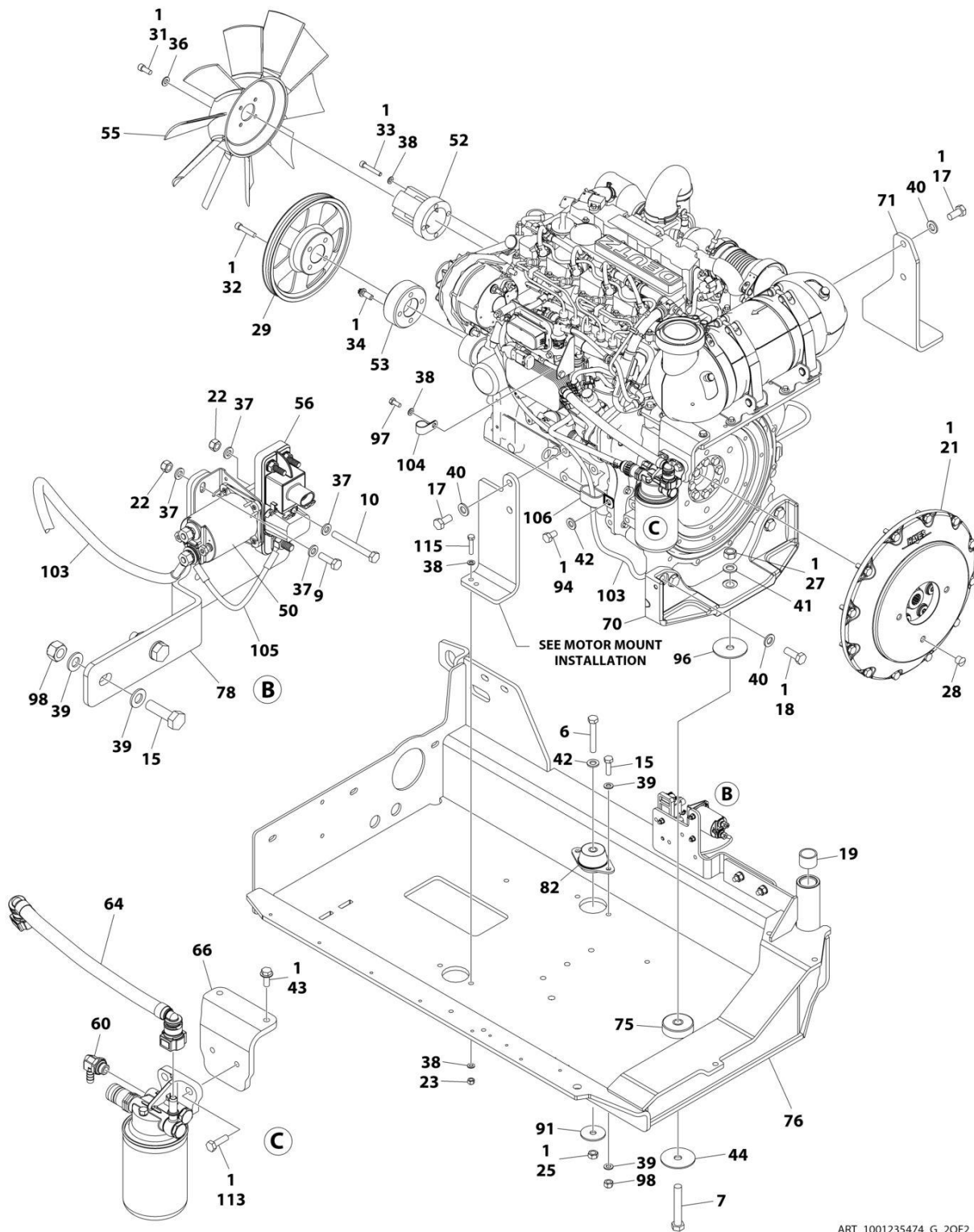
# SECTION 3 - ENGINE

## FIGURE 3-24. DEUTZ TD2.9L4 (STAGE V PRE-BUY) ENGINE ASSEMBLY



ART\_1001235474\_G\_10F2

# SECTION 3 - ENGINE



ART\_1001235474\_G\_20F2

## SECTION 3 - ENGINE

**FIGURE 3-24. DEUTZ TD2.9L4 (STAGE VPRE-BUY) ENGINE ASSEMBLY**

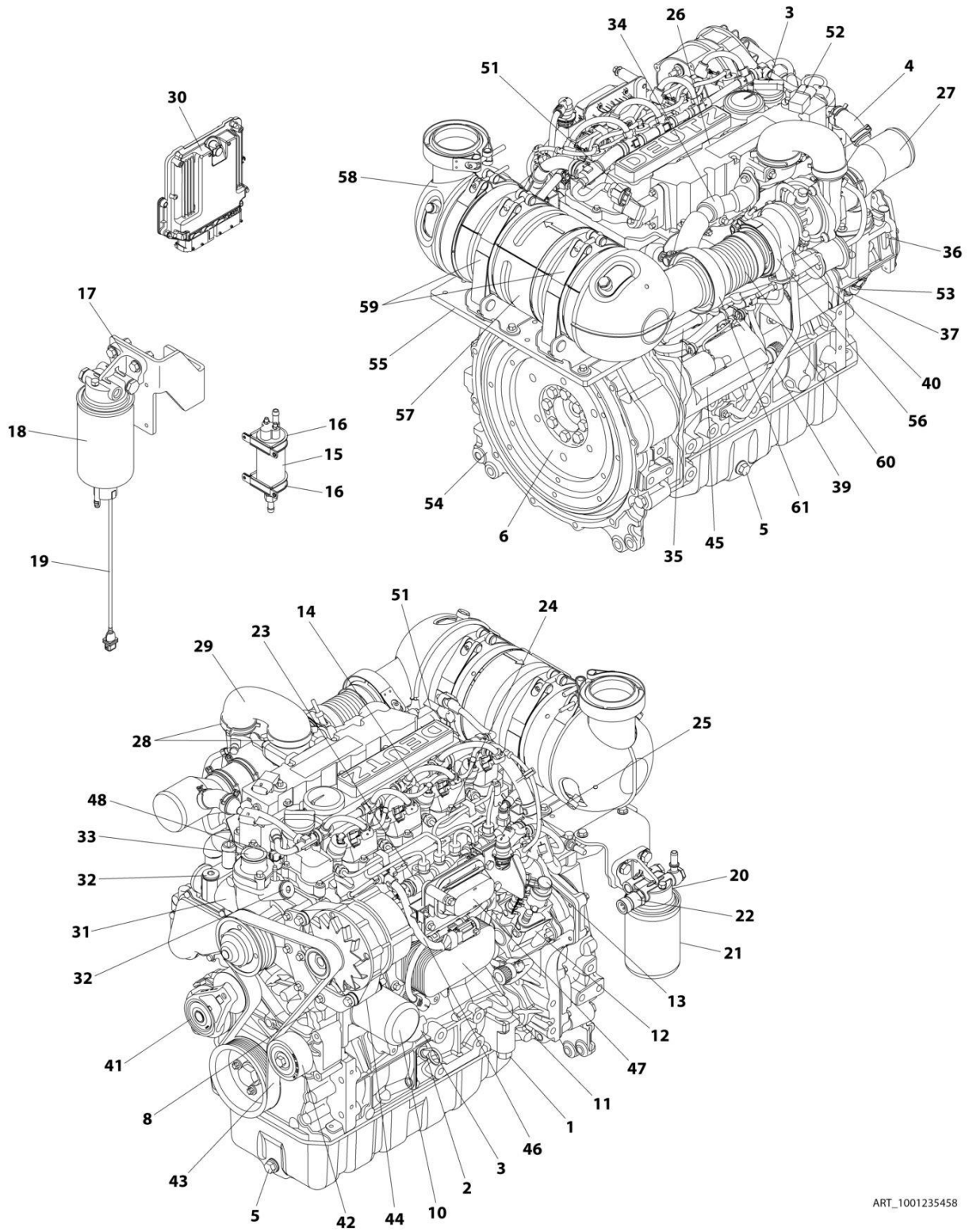
ITEM	PART NUMBER	QTY	DESCRIPTION	REV
	1001235474	Ref	DEUTZ TD2.9L4 (STAGE V) ENGINE ASSEMBLY	G
1	0100011	AR	Compound, Locking	
2	0100020	AR	Sealant (Part of Item 58)	
6	0711224	1	Bolt M12 x 80	
7	0711627	1	Bolt M16 x 100	
8	0681608	2	Screw 3/8 x 1	
9	0760610	2	Bolt M6 x 20	
10	0760619	1	Bolt M6 x 55	
13	0760814	2	Bolt M8 x 30	
15	0761015	6	Bolt M10 x 35	
16	0761016	5	Bolt M10 x 40	
17	0771414	4	Bolt M14 x 30	
18	0771416	4	Bolt M14 x 40	
19	0961951	2	Bushing	
20	1703162	2	Decal - Fan Blade	
21	2902065	1	Pump Coupling Kit (See Separate Breakdown in this Section)	
22	3290605	3	Nut M6	
23	3290805	7	Nut M8	
24	3291001	4	Nut M10	
25	3331211	1	Nut M12	
27	3331611	1	Nut M16	
28	3520054	1	Plug	
29	3580320	1	Pulley	
31	3931512	4	Capscrew 5/16 x 3/4	
32	3931628	4	Capscrew 3/8 x 1-3/4	
33	4031914	4	Capscrew M8 x 50	
34	4032014	4	Capscrew M10 x 50	
36	4711500	4	Washer 5/16	
37	4811700	6	Washer M6	
38	4811900	19	Washer M8	
39	4812000	20	Washer M10	
40	5241400	8	Washer M14	
41	4812300	1	Washer M16	
42	5241200	2	Washer M12	
43	5250810	2	Bolt M8 x 20	
44	7300435	1	Washer	
45	8405007	2	Clamp	
46	8405009	4	Clamp	
47	8405104	4	Clamp	
48	8406109	2	Clip	
49	8410011	2	Clamp	
50	1001117308	1	Contactactor	
51	1001134488	1	Fitting, 90 Barbed (Part of Item 58)	
52	1001135138	1	Adapter, Fan	
53	1001135679	1	Adapter	
54	1001136834	1	Cap, Tank	
55	1001137276	1	Fan	
56	1001138228	1	Relay	
57	1001138827	1	Sensor, Coolant Level (Part of Item 58)	
58	1001230635	1	Tank, Surge (Include Items 2, 51, 57 & 59)	

## SECTION 3 - ENGINE

ITEM	PART NUMBER	QTY	DESCRIPTION	REV
59	1001140564	1	Fitting, 90 Barbed (Part of Item 58)	
60	1001152489	1	Fitting, 90 Barbed	
61	1001167042	1	Radiator	
62	1001169967	2	Bracket	
63	1001170035	2	Bracket	
64	1001177359	1	Hose	
65	1001177844	1	Hose, Radiator (Top)	
66	1001231805	1	Mount	
67	1001186426	1	Clamp, Air Cleaner	
69	1001233895	1	Engine Harness - Deutz Engines (Not Shown) (See Separate Breakdown in ELECTRICAL Section)	
70	1001188535	1	Bracket, Engine - Rear	
71	1001189026	1	Bracket, Engine - Right	
72	1001166716	1	Restriction, Indicator	
73	1001189913	1	Hose	
74	1001189979	1	Filter, Air	
74	70005008	1	Element, Filter	
75	1001190164	1	Mount, Motor	
76	1001200745	1	Tray	
77	1001229091	1	Support, Radiator	
78	1001203885	1	Plate	
79	1001190942	1	Support	
80	1001191025	1	Hose, Radiator (Bottom)	
82	1001191610	1	Mount, Motor	
83	1001192400	1	Bracket	
85	1001193049	1	Hose	
87	2720015	AR	Hose	
90	1001168166	2	Seal	
91	1001168018	1	Washer	
92	1001180620	AR	Adhesive	
94	0761210	1	Bolt M12 x 20	
96	1001197725	1	Spacer	
97	0760810	11	Bolt M8 x 20	
98	3291005	11	Nut M10	
99	4811902	8	Washer M8	
100	5241000	10	Washer M10	
101	1001169054	4	Isolator	
102	1001169138	4	Pad, Snubbing	
103	1001190442	1	Harness, Alternator Power	
103	1001098764	1	Boot - Red	
104	1320202	1	Clamp	
105	1001141304	1	Harness, Glow Fuse	
106	1001181899	1	Clamp	
108	4240099	1	Tie-Strap (Not Shown)	
113	5251012	2	Bolt M10 x 25	
115	0760816	3	Bolt M8 x 40	
116	0761017	4	Bolt M10 x 45	
117	1001138248	4 ft/1.25m	Tube	
118	4751600	2	Washer 3/8	

# SECTION 3 - ENGINE

## FIGURE 3-25. DEUTZ TD2.9L4 (STAGE V PRE-BUY) ENGINE COMPONENTS



ART\_1001235458

## SECTION 3 - ENGINE

**FIGURE 3-25. DEUTZ TD2.9L4 (STAGE V PRE-BUY) ENGINE COMPONENTS**

ITEM	PART NUMBER	QTY	DESCRIPTION	REV
	1001235458	Ref	DEUTZ TD2.9L4 (STAGE V) ENGINE COMPONENTS	B
1	70025660	1	Plug	
1	70006264	1	Valve, Plunger	
1	70006265	1	Spring	
1	70006266	1	Seal	
2	70024904	1	Dipstick	
2	70024905	2	Seal	
3	7020465	2	Cap, Fill	
4	70005920	1	Line, Breather	
4	70025111	2	Clamp	
5	70006941	2	Plug	
5	70005942	2	Seal	
6	70001870	1	Flywheel	
6	7024579	1	Ring Gear	
6	70025139	8	Bolt	
7		Ref	Gasket & Seal Options (Not Shown):	
7	70005938	1	Gasket Kit	
7	70024906	1	Gasket, Head	
7	70005922	1	Gasket, Valve Cover	
7	70028185	1	Gasket, Front Cover	
7	70004280	1	Seal, Front Main	
7	70002718	1	Seal, Rear Main	
8	70025091	1	Plug	
8	70025076	1	Valve, Plunger	
8	70025176	1	Spring	
8	70025082	1	Seal	
9	70005172	1	Pump, Lube (Not Shown - Located RH Rear)	
9	70025135	1	O-Seal	
9	70005173	1	Gasket	
10	7016331	1	Filter, Oil	
10	70025137	1	Bushing, Oil Filter	
11	70024494	1	Cooler, Oil	
11	70024925	1	Gasket, Oil Filter	
12	70024924	1	Pump, High Pressure	
12	70025152	1	Gasket (Spacer to Pump)	
12	70024488	1	Spacer	
12	70024517	1	Gasket (Spacer to Block)	
12	70004505	1	Valve, Overflow	
12	70004506	1	Gasket, Overflow	
12	70004507	1	Gasket, Overflow	
13	70004508	1	Valve, Volume Control	
13	70004509	1	O-Ring	
13	70004510	1	Gasket	
14	70025181	4	Injector	
14	70025140	4	Washer, Sealing	
14	70025146	4	Clamp	
14	70025145	4	O-Seal	
14	70025154	4	Shoe/Pad, Clamping	
15	1001226098	1	Pump, Fuel Supply (was p/n 70005174 & 70006144)	
16	70025144	2	Clip, Clamp	

## SECTION 3 - ENGINE

ITEM	PART NUMBER	QTY	DESCRIPTION	REV
17	70024961	1	Fuel Filter Assembly	
18	70025153	1	Element, Filter	
19	70024513	1	Cable, Sensor	
19	70025239	1	Seal, Ring	
20	70025160	1	Fuel Filter Assembly	
20	70004513	2	Seal (at Hollow Bolt)	
21	70025161	1	Element, Filter	
22	70024504	1	Sensor, Pressure	
22	70024920	1	O-Seal	
23	70025151	1	Rail, Fuel	
23	70025235	1	Repair Kit - Fuel Rail	
23	70025240	1	O-Ring	
24	70025182	1	Tube, Fuel - Cylinders 1 & 2	
24	70025183	1	Tube, Fuel - Cylinders 3 & 4	
24	70025184	1	Tube, Fuel	
25	70024502	1	Pipe, Fuel Leakage	
25	70025185	1	Hose, Fuel	
25	70025158	1	Manifold	
25	70025109	2	Clamp, Spring	
25	70025115	1	Clamp	
25	70025133	1	Hose	
25	70025101	2	Clamp	
25	70025148	1	Connector, Plug-in	
26	70005923	1	Manifold, Charger Air	
26	70005177	1	Gasket, Charger Air Manifold	
26	70005924	1	Seal (Manifold to Elbow)	
26	70005925	1	Line, Breather (Not Shown)	
26	70005181	1	O-Seal (Breather to Manifold)	
27	70005926	1	Elbow	
27	70025112	2	Clamp	
27	70004501	1	Sleeve, Rubber	
28	70005927	1	Sleeve	
28	70025107	2	Clamp	
29	70005928	1	Elbow, Air Charge	
30	70025210	1	Module, ECU	
31	70024910	1	Pump, Coolant	
31	70025200	1	Ring, Sealing (Pump to Block)	
32	70025084	2	Plug	
32	7020492	2	Ring, Sealing	
33	70005929	1	Thermostat	
33	70005184	1	O-Seal (Thermostat to Housing)	
33	70005930	1	Housing, Thermostat	
33	70005931	1	O-Seal (Thermostat to Pump)	
33	70025124	2	Bolt	
34	70025178	1	Tube	
34	70025179	2	Gasket (at Either End of Tube)	
35	70025768	1	Valve, Shuttle	
35	70025180	1	Gasket	
35	70025174	1	Housing, Shuttle Valve	
35	70025175	1	Cap, Shuttle Valve	
36	70025203	1	Module, EGR	



## SECTION 3 - ENGINE

ITEM	PART NUMBER	QTY	DESCRIPTION	REV
36	70025155	1	Plug (Not Shown)	
37	70005188	1	Valve, EGR Control	
37	70005189	1	Seal (Valve to Module)	
38	70004282	1	Manifold, Exhaust (Not Shown)	
38	70025164	1	Gasket, Manifold to Head (Not Shown)	
38	70025130	8	Bolt, Manifold (Not Shown)	
38	70026995	1	Elbow, Exhaust (Not Shown)	
38	70025179	2	Gasket, Manifold to Elbow (Not Shown)	
39	70005932	1	Tube, Oil Return	
39	70025132	1	O-Seal	
40	70004276	1	Turbocharger	
40	70024509	1	Gasket (Turbocharger to Oil Return Tube Housing)	
40	1001191599	1	Gasket (Turbocharger to Exhaust)	
41	70025477	1	Tensioner, Belt	
42	70024484	1	Roller, Idler	
43	70004277	1	Belt	
44	70025733	1	Pulley, Alternator	
44	70024914	1	Alternator	
44	70025149	1	Controller	
44	70025131	1	Fan	
45	70024915	1	Starter	
45	70005647	1	Switch, Solenoid	
45	70005648	1	Relay	
46	70000345	4	Glow Plug	
46	70025231	1	Harness, Glow Plug	
46	70025233	1	Connector, Plug-in	
47	70025077	1	Harness, Engine	
48	70024918	1	Sender, Temperature	
49	70024504	1	Sensor, Pressure (Not Shown - RH Front)	
49	70024920	1	O-Seal	
50	70026210	1	Sensor, Speed (Not Shown - Front)	
50	70005191	1	Ring, Seal	
51	70024507	1	Sensor, Pressure	
51	70025120	1	O-Seal	
51	70005933	1	Adapter	
51	70005934	1	O-Seal	
52	70024922	1	Sender, Temperature	
52	70025212	1	O-Seal	
53	70026210	1	Sensor, Speed (Not Shown - Front)	
53	70024917	1	O-Seal	
54	70025192	1	Housing	
55	70005935	1	Bracket	
56	70025877	1	Clip	
56	70025242	1	Gasket	
56	70025877	1	Clip	
56	70025242	1	Gasket	
57	70005937	1	Muffler, DOC	
58	70025246	1	Outlet, Muffler	
59	70025245	2	Clamp	
60	70004504	1	Compensator	
60	70025242	1	Gasket	

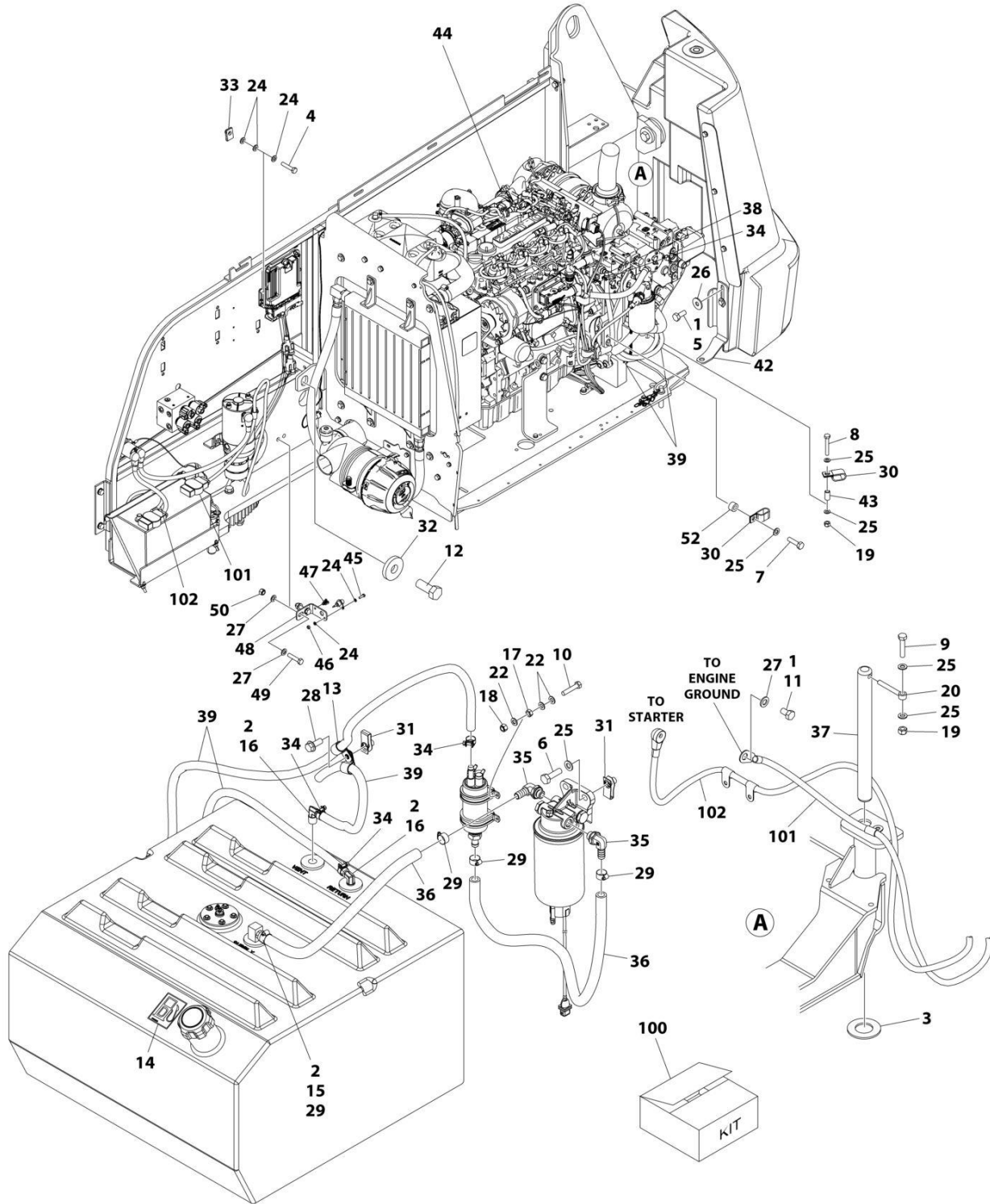
## SECTION 3 - ENGINE

ITEM	PART NUMBER	QTY	DESCRIPTION	REV
60	70005527	1	Clip	
61	70025877	1	Clip	



# SECTION 3 - ENGINE

## FIGURE 3-26. DEUTZ TD2.9L4 (STAGE V) ENGINE INSTALLATION



ART\_1001243749\_G

## SECTION 3 - ENGINE

**FIGURE 3-26. DEUTZ TD2.9L4 (STAGE V) ENGINE INSTALLATION**

ITEM	PART NUMBER	QTY	DESCRIPTION	REV
	1001243749	Ref	DEUTZ TD2.9L4 (STAGE V) ENGINE INSTALLATION	G
1	0100011	AR	Compound, Locking	
2	0100020	AR	Sealant	
3	0440162	1	Bearing	
4	0700614	4	Bolt M6 x 30	
5	0701012	2	Bolt M10 x 25	
6	0701015	2	Bolt M10 x 35	
7	0761014	1	Bolt M10 x 30	
8	0701022	1	Bolt M10 x 70	
9	0711018	1	Bolt M10 x 50	
10	0760512	4	Bolt M5 x 25	
11	0761210	1	Bolt M12 x 20	
12	0772018	1	Bolt M20 x 50	
13	1320061	2	Clamp	
14	1701505	1	Decal - Diesel Fuel	
15	2180832	1	Fitting, Straight Barbed	
16	2220313	2	Fitting, 90 NPTF/Barb	
17	3290501	4	Nut M5	
18	3290505	4	Nut M5	
19	3291005	2	Nut M10	
20	3841143	1	Keeper, Pin	
21	4240099	AR	Tie-Strap (Not Shown)	
22	4811600	12	Washer M5	
24	4811700	14	Washer M6	
25	4812000	7	Washer M10	
26	4812002	2	Washer M10	
27	4812100	5	Washer M12	
28	5251012	1	Bolt M10 x 25	
29	8405006	4	Clamp	
30	1001026127	2	Clamp	
31	1001118972	3	Nut, Tinnerman M10	
32	1001119051	1	Washer	
33	1001130220	4	Nut, Tinnerman M6	
34	1001136975	5	Clamp	
35	1001142501	2	Fitting, 90 Barbed	
36	1001154405	33 in/ 0.8m	Hose	
37	1001155094	1	Pin	
38	1001155823	1	Fitting, 90 Quick Connect	
39	1001165035	27 ft/ 8.2m	Hose	
40	1001190444	1	Fuel Pump Harness - Deutz TD2.9L4 Engine (Not Shown) (See Separate Breakdown in ELECTRICAL Section)	
42	1001197881	1	Bracket	
43	1001200731	1	Tube	
44	1001243750	1	Deutz TD2.9L4 (Stage V) Engine and Pump Sub-Assembly (See Separate Breakdown in this Section)	
45	0641406	1	Bolt 1/4 x 3/4	
46	3311405	1	Nut 1/4	
47	1001146588	1	Tie-Strap (Not Shown)	

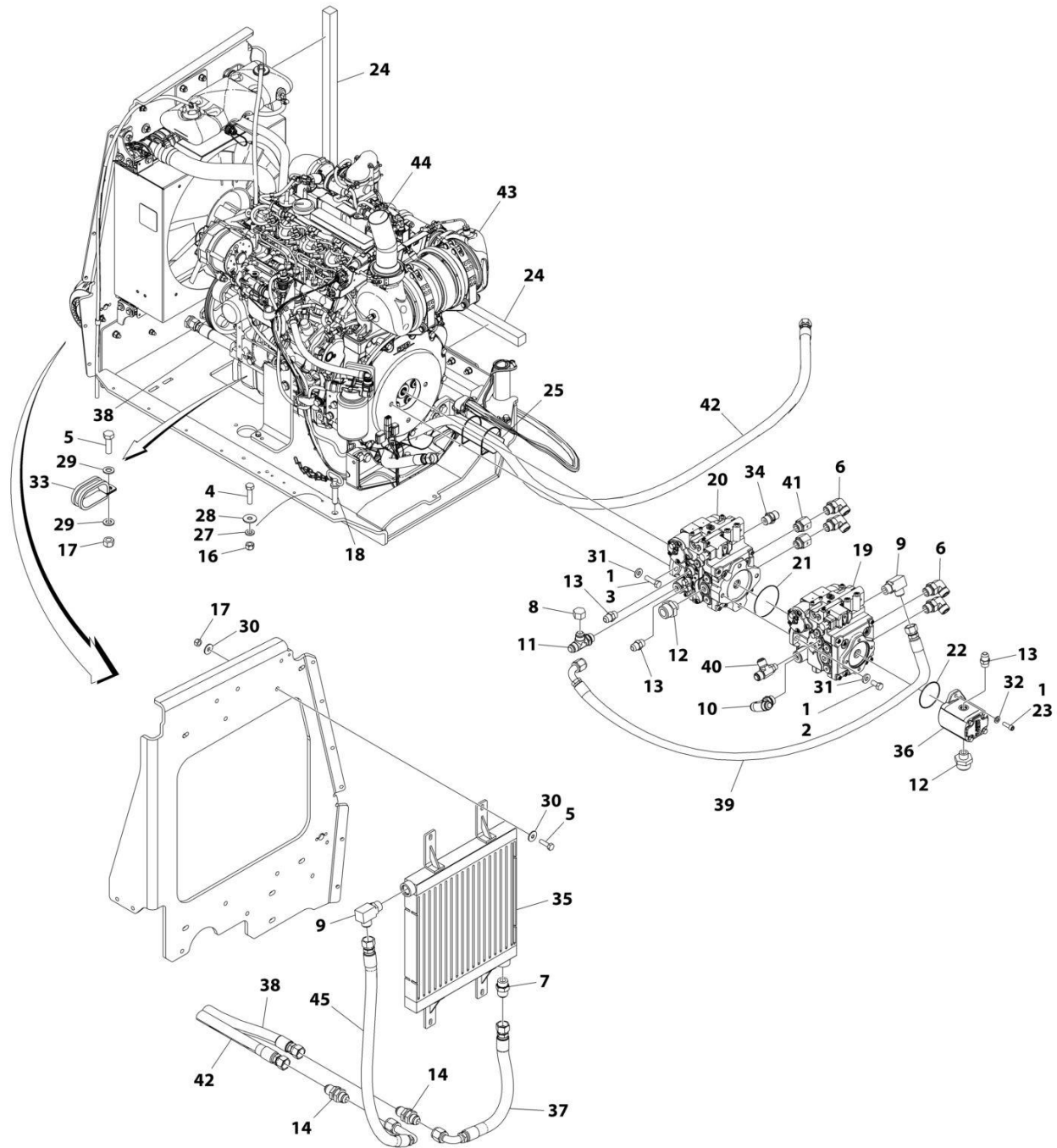
## SECTION 3 - ENGINE

ITEM	PART NUMBER	QTY	DESCRIPTION	REV
48	1001256879	1	Bracket	
49	0701220	2	Bolt M12 x 60	
50	3291205	2	Nut M12	
51	1062255	1	Tie Strap (Not Shown)	
52	1001220266	1	Spacer M12	
100	1001235532	1	Battery Cable Kit (Includes Items 38 & 39) (Not Shown)	
101	1001188668	1	Cable, Battery (-) to Aux Pump and Ground	
102	1001188669	1	Cable, Battery (+) to Aux Relay to Starter	



# SECTION 3 - ENGINE

## FIGURE 3-27. DEUTZ TD2.9L4 (STAGE V) ENGINE AND PUMP SUB-ASSEMBLY



ART\_1001243750



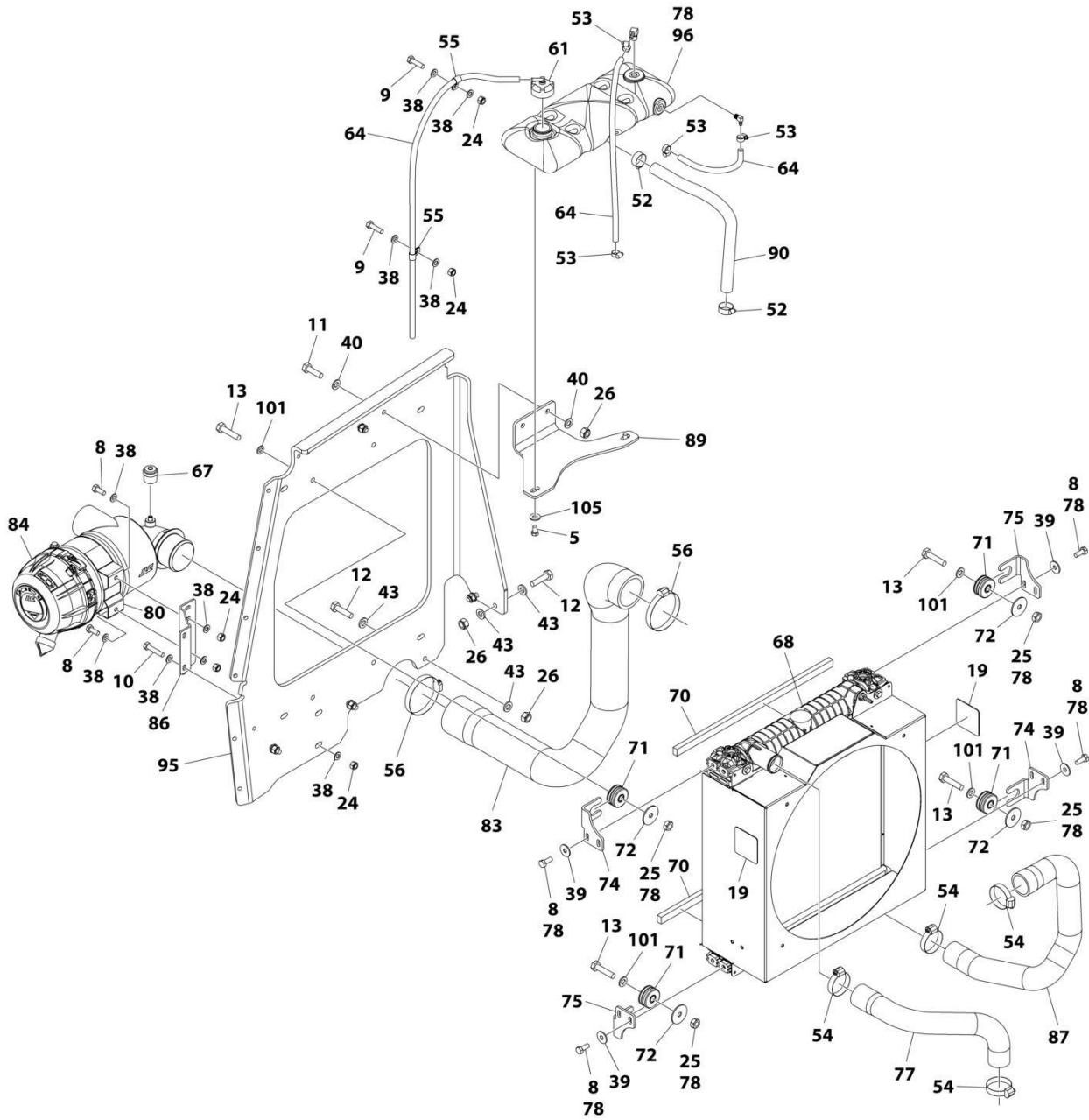
## SECTION 3 - ENGINE

**FIGURE 3-27. DEUTZ TD2.9L4 (STAGE V) ENGINE AND PUMP SUB-ASSEMBLY**

ITEM	PART NUMBER	QTY	DESCRIPTION	REV
	1001243750	Ref	DEUTZ TD2.9L4 (STAGE V) ENGINE AND PUMP SUB-ASSEMBLY	C
1	0100011	AR	Compound, Locking	
2	0641808	2	Bolt 1/2 x 1	
3	0641814	2	Bolt 1/2 x 1-3/4	
4	0760612	1	Bolt M6 x 25	
5	0761015	6	Bolt M10 x 35	
6	2131212	4	Fitting, 90 ORFS/ORB	
7	2220451	1	Fitting, Straight JIC/ORB	
8	2220518	1	Cap	
9	2220578	2	Fitting, 90 JIC/ORB	
10	2220695	1	Fitting, Tee JIC/ORB/JIC	
11	2220738	1	Fitting, Tee JIC/ORB/JIC	
12	2220946	2	Fitting, Straight JIC/ORB	
13	2220947	3	Fitting, Straight JIC/ORB	
14	2230027	2	Fitting, Straight	
16	3290605	1	Nut M6	
17	3291005	6	Nut M10	
18	3422532	1	Pin	
19	3600359	1	Piston Pump Assembly - Rear (See Separate Breakdown in this Section)	
20	3600363	1	Piston Pump Assembly - Front (See Separate Breakdown in this Section)	
21	3790045	1	O-Ring	
22	3790152	1	O-Ring	
23	3931618	2	Capscrew 3/8 x 1-1/8	
24	3960469	2	Seal	
25	4061032	3	Shield	
26	4240099	AR	Tie-Strap (Not Shown)	
27	4811700	1	Washer M6	
28	4811702	1	Washer M6	
29	4812000	4	Washer M10	
30	4812002	8	Washer M10	
31	4891800	4	Washer 1/2	
32	5241000	2	Washer M10	
33	1001164196	2	Clamp	
34	1001179156	1	Valve, Check	
35	1001188171	1	Radiator, Oil Cooler	
36	1001190143	1	Gear Pump Assembly	
36	70006356	1	Seal Kit - 1001190143 Pump	
37	1001195504	1	Hose	
38	1001195509	1	Hose	
39	1001200216	1	Hose	
40	1001213814	1	Fitting, Tee JIC/ORB/JIC	
41	1001233450	2	Fitting, Straight ORB/ORB	
42	1001235110	1	Hose	
43	1001243751	1	Deutz TD2.9L4 (Stage V) Engine Assembly (See Separate Breakdown in this Section)	
44	1001244880	1	Pipe, Exhaust	
45	1001247544	1	Hose	

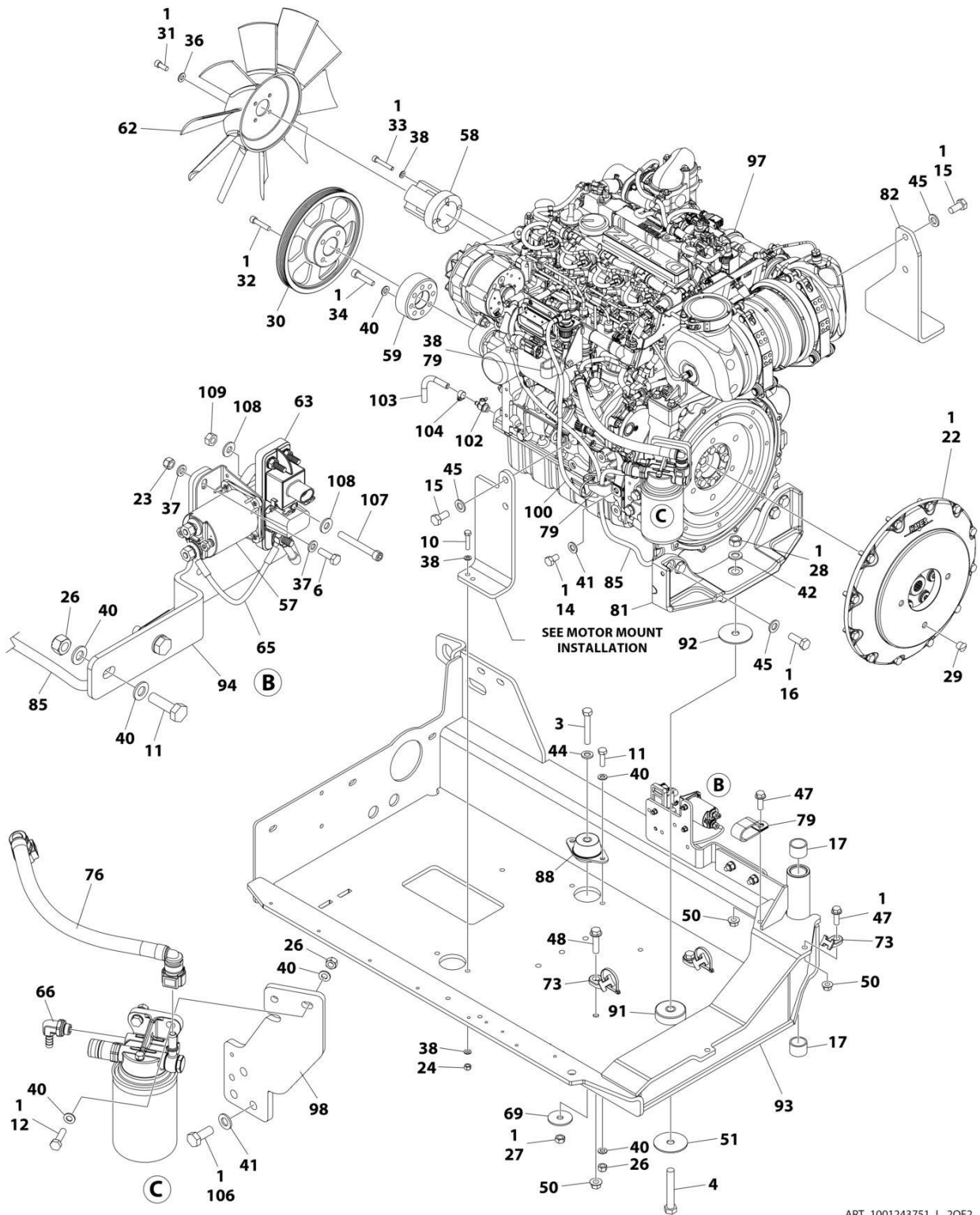
# SECTION 3 - ENGINE

## FIGURE 3-28. DEUTZ TD2.9L4 (STAGE V) ENGINE ASSEMBLY



ART\_1001243751\_L\_10F2

# SECTION 3 - ENGINE



ART\_1001243751\_L\_20F2

## SECTION 3 - ENGINE

**FIGURE 3-28. DEUTZ TD2.9L4 (STAGE V) ENGINE ASSEMBLY**

ITEM	PART NUMBER	QTY	DESCRIPTION	REV
	1001243751	Ref	DEUTZ TD2.9L4 (STAGE V) ENGINE ASSEMBLY	L
1	0100011	AR	Compound, Locking	
3	0711224	1	Bolt M12 x 80	
4	0711627	1	Bolt M16 x 100	
5	0681605	2	Bolt 3/8 x 5/8	
6	0760610	2	Bolt M6 x 20	
8	0760810	10	Bolt M8 x 20	
9	0760814	2	Bolt M8 x 30	
10	0760816	3	Bolt M8 x 40	
11	0761015	6	Bolt M10 x 35	
12	0761016	7	Bolt M10 x 40	
13	0761017	4	Bolt M10 x 45	
14	0761210	1	Bolt M12 x 20	
15	0771414	4	Bolt M14 x 30	
16	0771416	4	Bolt M14 x 40	
17	0961951	2	Bushing	
19	1703162	2	Decal - Fan Blade	
22	2902065	1	Pump Coupling Kit (See Separate Breakdown in this Section)	
23	3290605	2	Nut M6	
24	3290805	7	Nut M8	
25	3291001	4	Nut M10	
26	3291005	13	Nut M10	
27	3331211	1	Nut M12	
28	3331611	1	Nut M16	
29	3520054	1	Plug	
30	1001260432	1	Pulley	
31	3931512	4	Capscrew 5/16 x 3/4	
32	1001261085	4	Capscrew M10 x 85	
33	4031914	4	Capscrew M8 x 50	
34	1001261045	4	Capscrew M10 x 45	
35	4240099	AR	Tie-Strap (Not Shown)	
36	4711500	4	Washer 5/16	
37	4811700	4	Washer M6	
38	4811900	19	Washer M8	
39	4811902	8	Washer M8	
40	4812000	20	Washer M10	
41	4812100	4	Washer M12	
42	4812300	1	Washer M16	
43	5241000	10	Washer M10	
44	5241200	1	Washer M12	
45	5241400	8	Washer M14	
47	5251014	2	Bolt M10 x 30	
48	5251016	2	Bolt M10 x 40	
50	5261000	4	Nut M10	
51	7300435	1	Washer	
52	8405007	2	Clamp	
53	8405009	4	Clamp	
54	8405104	4	Clamp	
55	8406109	2	Clip	
56	8410011	2	Clamp	

## SECTION 3 - ENGINE

ITEM	PART NUMBER	QTY	DESCRIPTION	REV
57	1001117308	1	Contactors	
58	1001135138	1	Adapter, Fan	
59	1001258800	1	Adapter	
61	1001136834	1	Cap, Tank	
62	1001137276	1	Fan	
63	1001138228	1	Relay	
64	1001138248	6.6 ft/ 2.02m	Tube	
65	1001141304	1	Harness, Glow Fuse	
66	1001152489	1	Fitting, 90 Barbed	
67	1001166716	1	Restriction, Indicator	
68	1001167042	1	Radiator	
69	1001168018	1	Washer	
70	1001168166	2	Seal	
71	1001169054	4	Isolator	
72	1001169138	4	Pad, Snubbing	
73	1001169146	3	Mount	
74	1001169967	2	Bracket	
75	1001170035	2	Bracket	
76	1001177359	1	Hose	
77	1001177844	1	Hose, Radiator (Top)	
78	1001180620	AR	Adhesive	
79	1001181899	3	Clamp	
80	1001186426	1	Clamp, Air Cleaner	
81	1001188535	1	Bracket, Engine - Rear	
82	1001189026	1	Bracket, Engine - Right	
83	1001189913	1	Hose	
84	1001189979	1	Filter, Air	
84	70005008	1	Element, Filter	
85	1001190442	1	Harness, Alternator Power	
85	1001098764	1	Boot - Red	
86	1001190942	1	Support	
87	1001191025	1	Hose, Radiator (Bottom)	
88	1001191610	1	Mount, Motor	
89	1001192400	1	Bracket	
90	1001193049	1	Hose	
91	1001197149	1	Mount, Engine	
92	1001197725	1	Spacer	
93	1001200745	1	Tray	
94	1001203885	1	Plate	
95	1001229091	1	Support, Radiator	
96	1001230635	1	Tank, Surge	
96	1001134488	1	Fitting, 90 Barbed	
96	1001138827	1	Sensor, Coolant Level	
96	1001140564	1	Fitting, 90 Barbed	
97	1001232598	1	Deutz TD2.9L4 (Stage V) Engine (See Separate Breakdown in this Section)	
98	1001237947	1	Mount	
99	1001238878	1	Engine Harness - Deutz Engines (Not Shown) (See Separate Breakdown in ELECTRICAL Section)	
100	1001245913	1	Harness, Fuel Filter (Deutz TD2.2L4 (Stage V) Engine) (See Separate Breakdown in ELECTRICAL Section)	

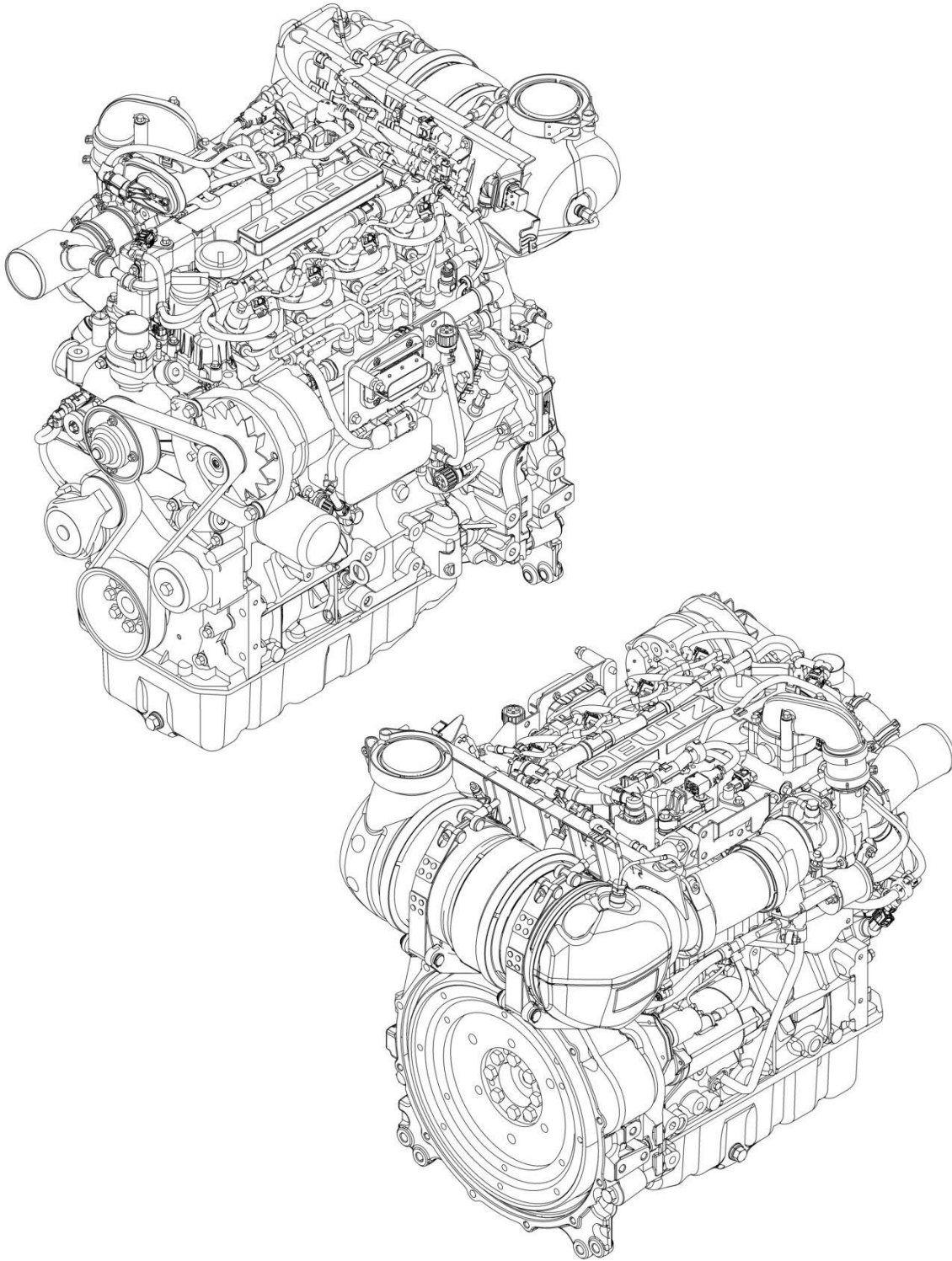
## SECTION 3 - ENGINE

ITEM	PART NUMBER	QTY	DESCRIPTION	REV
101	4812002	4	Washer M10	
102	4640751	1	Valve, Oil Drain	
103	1001165035	0.59 ft/ 0.18m	Hose	
104	8410013	1	Clamp	
105	4751600	2	Washer 3/8	
106	0761214	3	Bolt M12 x 30	
107	3931432	1	Screw 1/4 x 2	
108	4711400	2	Washer 1/4	
109	3311405	1	Nut 1/4	



## SECTION 3 - ENGINE

FIGURE 3-29. DEUTZ TD2.9L4 (STAGE V) ENGINE COMPONENTS



ART\_1001232598



## SECTION 3 - ENGINE

**FIGURE 3-29. DEUTZ TD2.9L4 (STAGE V) ENGINE COMPONENTS**

ITEM	PART NUMBER	QTY	DESCRIPTION	REV
	1001232598	Ref	DEUTZ ENGINE COMPONENTS	F
		Ref	Note: For complete list of parts, contact JLG Parts Department	
		Ref	Air Intake System Components	
	70004276	1	Turbocharger	
		Ref	Cooling System Components	
	70029797	1	Pump, Coolant (Includes Gasket & Seals)	
	70007603	1	Thermostat	
	70005184	1	O-Ring	
	70005931	1	Gasket	
	70025142	1	Cover	
		Ref	Electrical System Components	
	70029512	1	Module, ECU/ECM	
	70006652	1	Generator (Includes Controller, Fan & Hardware)	
	70024915	1	Starter (Includes Solenoid & Relay)	
	70005647	1	Solenoid, Starter	
	70005648	1	Relay, Starter	
	70026210	1	Sender, Tacho-Generator (Speed) (On Rear of Block) (Includes Seal)	
	70024916	1	Sender, Tacho-Generator (Speed) (On Cover) (Includes Seal)	
	70024922	1	Sender, Temperature (Includes Seal) (On Air Intake Manifold)	
	70024507	1	Sensor, Pressure (Includes Seal) (On Air Intake Manifold)	
	70024504	1	Sensor, Pressure (Includes Seal) (On Fuel Filter & Side of Block)	
		Ref	Sensor, Pressure (Includes Seal) (On Exhaust Manifold)	
		Ref	Sensor, Temperature (Includes Seal) (On Exhaust Manifold)	
	70000345	4	Plug, Glow	
		Ref	Exhaust System Components	
		Ref	Valve, EGR	
	70025130	8	Bolt, Exhaust Manifold	
	70025164	1	Gasket, Exhaust Manifold	
		Ref	Outlet, Muffler	
		Ref	Muffler	
		Ref	Bracket, Muffler Mounting	
	70004504	1	Compensator, Exhaust	
		Ref	Fuel System Components	
		Ref	Pump, High Pressure	
	70025181	1	Injector (Includes Sealing washer, Clamp & O-Ring)	
	70006144	1	Pump, Fuel Supply (Includes Clamps)	
	70024961	1	Filter, Fuel (Pre-Filter Assembly) (Includes Head, Spin on filter, Sensor Cable & Seal)	
	70025153	1	Filter, Fuel Spin On	
	70024513	1	Sensor Cable (Includes Seal)	
	70025160	1	Filter, Fuel (Assembly) (Includes Head & Spin on Filter)	
	70025161	1	Filter, Fuel Spin On	
	70004508	1	Vol. Control Valve (Includes O-Ring & Gasket)	
		Ref	Lubricating System Components	
	7020465	2	Cap, Oil Fill	
	70005941	2	Plug, Oil Drain	
	70005942	2	Seal, Oil Drain Plug	
	70005172	1	Pump, Oil (Includes Seal & Gasket)	
	7016331	1	Filter, Oil	

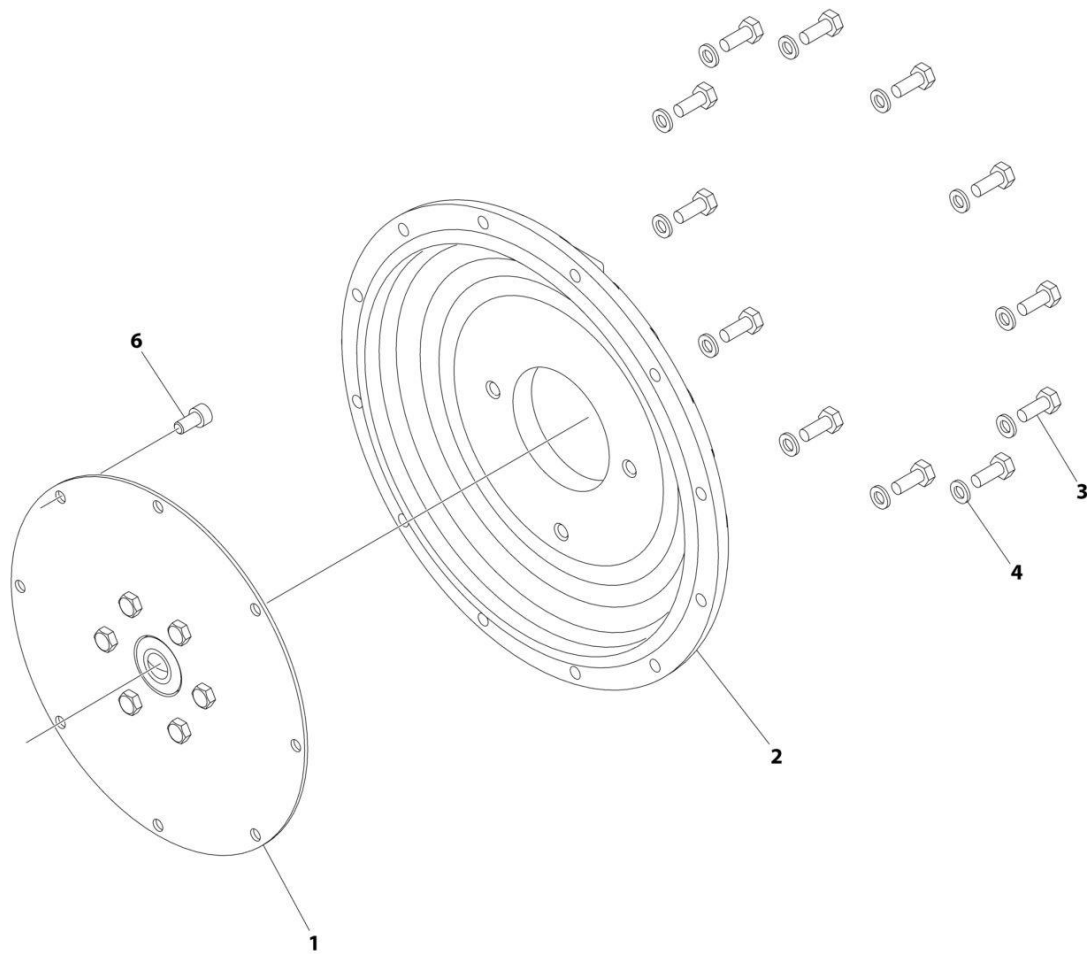
## SECTION 3 - ENGINE

ITEM	PART NUMBER	QTY	DESCRIPTION	REV
	70024494	1	Cooler, Oil	
	70024925	1	Gasket, Oil Cooler	
	70024904	1	Dipstick (Includes Seal)	
		Ref	Mechanical Components	
	70001870	1	Flywheel (includes Gear)	
	70004277	1	V-Belt	
	70030359	1	Belt Tensioner	
	70005938	1	Gasket Set - Complete	



# SECTION 3 - ENGINE

## FIGURE 3-30. PUMP COUPLING KIT (DEUTZ ENGINES)



ART\_2902065

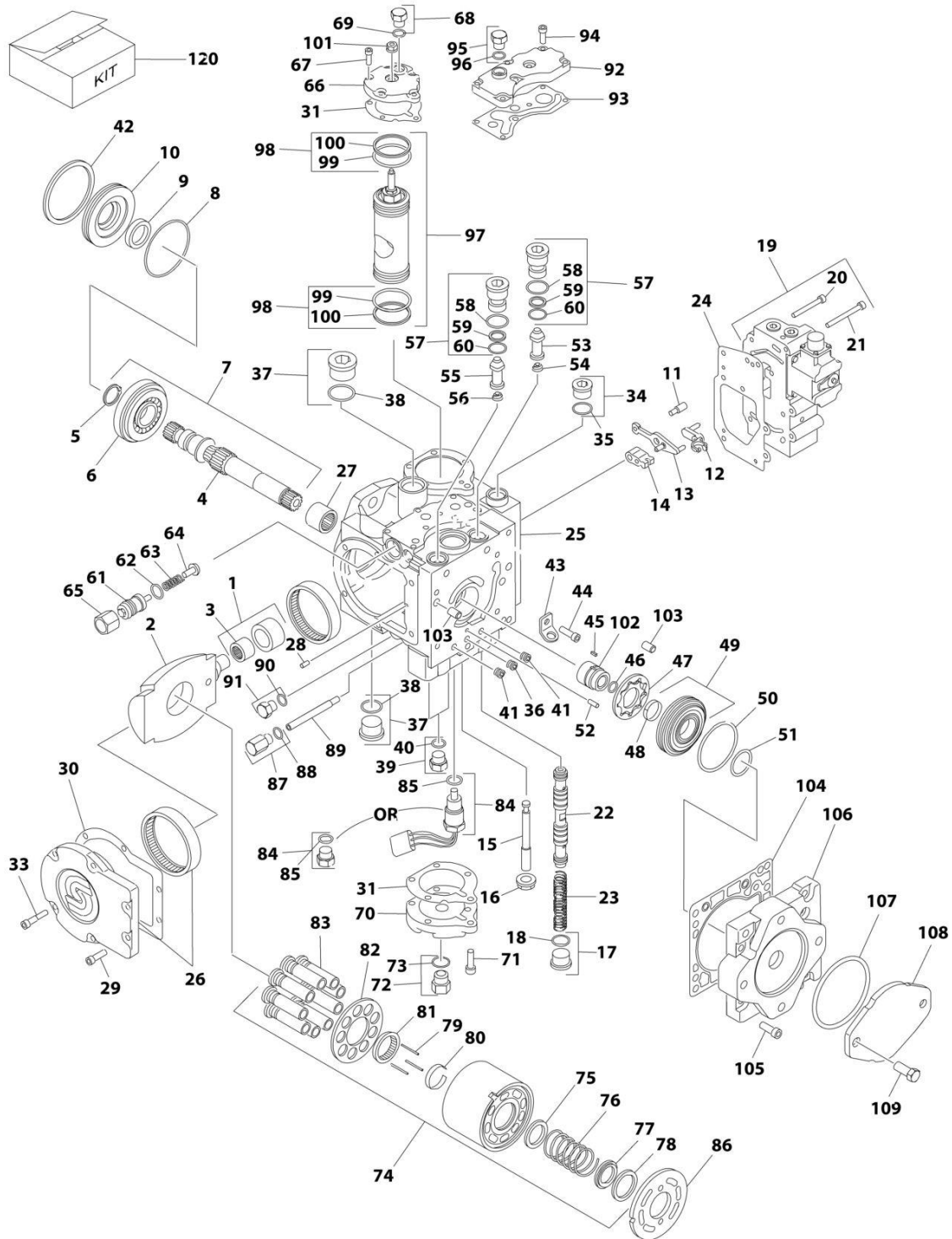
## SECTION 3 - ENGINE

### FIGURE 3-30. PUMP COUPLING KIT (DEUTZ ENGINES)

ITEM	PART NUMBER	QTY	DESCRIPTION	REV
	2902065	Ref	PUMP COUPLING KIT	L
1	70000793	1	Coupling, Hayes	
2	See Note	NSS	Plate, Pump Adapter (Note: Use p/n 2902065)	
3	See Note	NSS	Bolt M10 x 30 Grade 10.9 (Note: Use p/n 2902065)	
4	See Note	NSS	Washer M10 (Note: Use p/n 2902065)	
6	See Note	NSS	Bolt M10 x 20 Grade 10.9 (Note: Use p/n 2902065)	

# SECTION 3 - ENGINE

## FIGURE 3-31. PISTON PUMP ASSEMBLY- FRONT



ART\_3600363

## SECTION 3 - ENGINE

### FIGURE 3-31. PISTON PUMP ASSEMBLY- FRONT

ITEM	PART NUMBER	QTY	DESCRIPTION	REV
	3600363	Ref	PISTON PUMP ASSEMBLY	B
1	7024805	1	Cam Follower Bearing Assembly (Includes Item 3)	
2	7022330	1	Swashplate	
3	7021236	1	Bearing, Needle	
4	7021237	1	Shaft	
5	7021238	1	Ring, Retaining	
6	7021239	1	Bearing, Roller	
7	7021240	1	Shaft (Includes Items 4-6)	
8	See Note	NSS	O-Ring (Note: Use Item 120)	
9	See Note	NSS	Seal, Lip (Note: Use Item 120)	
10	7021243	1	Carrier, Shaft Seal	
11	7023996	1	Screw	
12	7022331	1	Link, Control Summing	
13	7022332	1	Link, Control Feedback	
14	7022333	1	Link, Neutral Adjust	
15	7022334	1	Screw, Neutral Adjust	
16	7023997	1	Nut, Seal	
17	7022321	1	Plug (Includes Item 18)	
18	See Note	NSS	O-Ring (Note: Use Item 17 or 120)	
19	7022335	1	Control Kit (Includes Items 20 & 21)	
20	7023998	4	Screw	
21	7021267	3	Screw	
22	7022336	1	Spool Assembly	
23	7022337	1	Spring	
24	7022338	1	Gasket, Control	
25	7023999	1	Hosuing Assembly (Includes Items 27, 32, 36 & 41)	
26	7021248	1	Side Cover Assembly	
27	7021249	1	Bearing, Needle	
28	7021250	1	Pin	
29	7021251	2	Screw	
30	See Note	NSS	Gasket, Side Cover (Note: Use Item 120)	
31	7021253	2	Gasket, Servo Cover	
33	7021255	4	Screw	
34	7022321	1	Plug (Includes Item 35)	
35	See Note	NSS	O-Ring (Note: Use Item 34 or 120)	
36	7001485	1	Plug	
37	7007419	2	Plug (Includes Item 38)	
38	See Note	NSS	O-Ring (Note: Use Item 37 or 120)	
39	7007470	2	Plug (Includes Item 40)	
40	See Note	NSS	O-Ring (Note: Use Item 39 or 120)	
41	7001485	2	Plug, Pipe	
42	7021257	1	Ring, Retaining	
43	7022340	1	Bracket, Lifting	
44	7021251	1	Screw	
45	7022342	1	Key	
46	7022341	1	Ring, Retaining	
47	7022343	1	Gerotor Assembly	
48	7021259	1	Bearing, Journal	
49	7022344	1	Cover Assembly (Gerotor) (Includes Item 48):	
50	See Note	1	O-Ring (Note: No longer required per supplier. Pressure is the	

## SECTION 3 - ENGINE

ITEM	PART NUMBER	QTY	DESCRIPTION	REV
			same on either side of o-ring)	
51	See Note	NSS	O-Ring (Note: Use Item 120)	
52	See Note	1	Pin (Note: Not Available for Purchase)	
53	7022345	1	Valve, SCR	
54	7024800	1	Spring	
55	7022345	1	Valve, SCR	
56	7024800	1	Spring	
57	7021265	2	Bypass Valve Assembly (Includes Items 58, 59 & 60)	
58	See Note	NSS	O-Ring (Note: Use Item 57 or 120)	
59	See Note	NSS	Ring, Back-up (Note: Use Item 57 or 120)	
60	See Note	NSS	O-Ring (Note: Use Item 57 or 120)	
61	7022346	1	Adjuster	
62	7021289	1	O-Ring	
63	7022347	1	Spring	
64	7024804	1	Poppet	
65	7022190	1	Nut	
66	7022348	1	Cover, Servo	
67	7021255	5	Screw, Torx	
68	7007470	1	Plug (Includes Item 69)	
69	See Note	NSS	O-Ring (Note: Use Item 68 or 120)	
70	7001268	1	Cover, Servo	
71	7021255	5	Screw, Torx	
72	7007470	1	Plug (Includes Item 73)	
73	See Note	NSS	O-Ring (Note: Use Item 72 or 120)	
74	7022349	1	Cylinder Block Kit Options (Includes Items 75 to 83)	
75	7021271	1	Washer, Special	
76	7021272	1	Spring, Cylinder Block	
77	7021273	1	Washer, Special	
78	7021274	1	Ring, Retaining	
79	7021275	3	Pin, Slipper Hold Down	
80	7021276	1	Retainer, Pin	
81	7021277	1	Guide, Retainer	
82	7021278	1	Retainer, Slipper	
83	7021279	9	Piston Assembly	
84	7022350	1	Sensor, Speed (Includes Item 85)	
85	See Note	NSS	O-Ring (Note: Use Item 84 or 120)	
86	7021281	1	Plate, Valve (Right Side)	
87	7007470	1	Plug (Includes Item 88)	
88	See Note	NSS	O-Ring (Note: Use Item 87 or 120)	
89	7024801	1	Spool, Loop Flushing	
90	7021283	1	Plug (Includes Item 91)	
91	See Note	NSS	O-Ring (Note: Use Item 90 or 120)	
92	7021285	1	Adapter, Remote Filter	
93	See Note	NSS	Gasket, Filter Adapter	
94	7021255	7	Screw (Front Pump Only)	
95	7007470	1	Plug (Includes Item 96)	
96	See Note	NSS	O-Ring (Note: Use Item 95 or 120)	
97	7022351	1	Servo Piston Kit (Includes Qty 2 of Item 98)	
98	7007412	2	Servo Piston Ring Kit (Includes Items 99 & 100)	
99	See Note	NSS	O-Ring (Note: Use Item 97, 98 or 120)	
100	See Note	NSS	Ring, Piston (Note: Use Item 97, 98 or 120)	

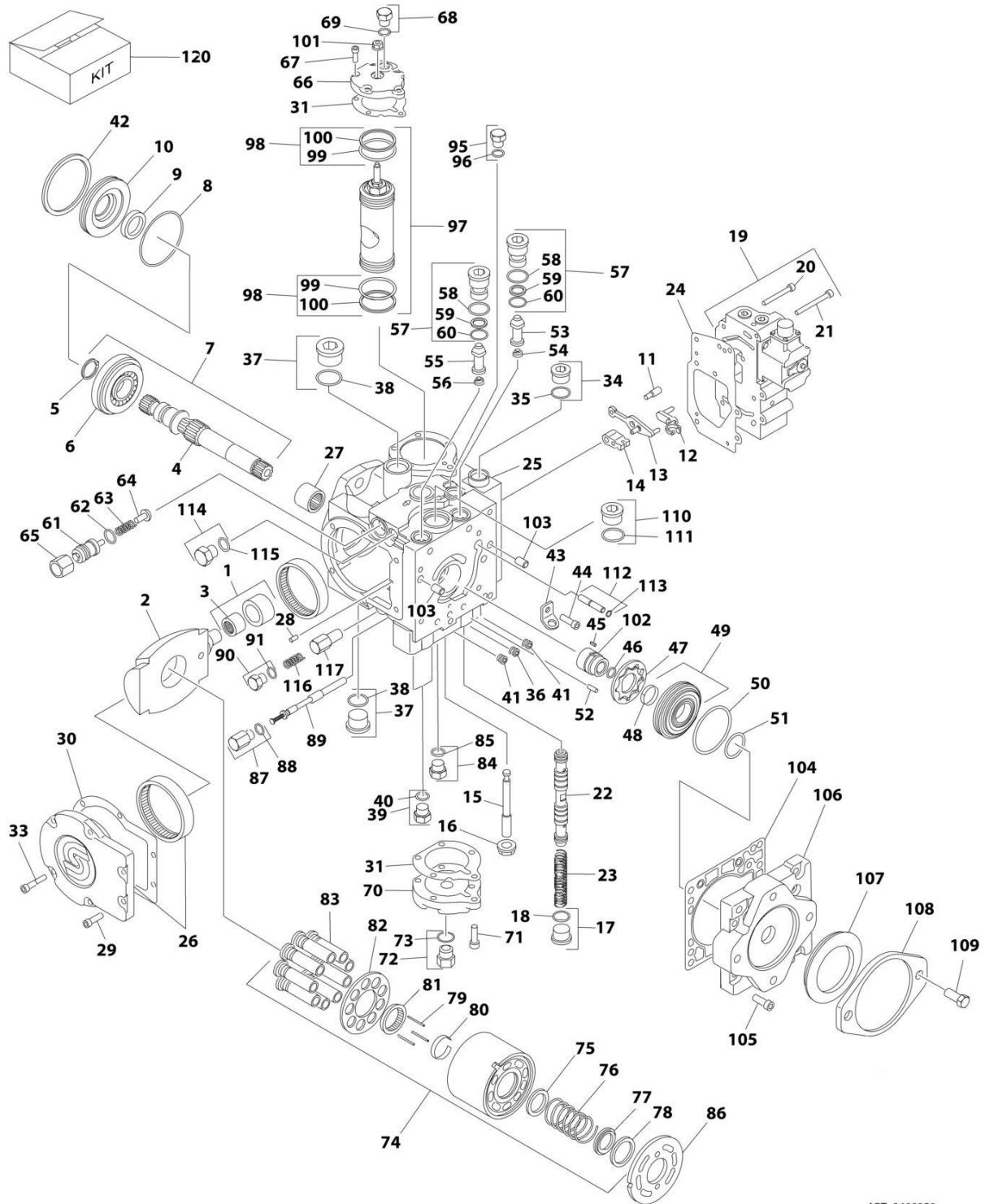


## SECTION 3 - ENGINE

ITEM	PART NUMBER	QTY	DESCRIPTION	REV
101	See Note	NSS	Nut, Seal (Note: Use Item 120)	
102	7022352	1	Coupling	
103	7001481	2	Pin	
104	See Note	NSS	Gasket, Charge Pump (Note: Use Item 120)	
105	7021296	6	Screw, Torx	
106	7022353	1	Cover, Charge Pump	
107	See Note	NSS	O-Ring (Note: Use Item 120)	
108	7021229	1	Cover, Flange	
109	7007289	2	Screw	
120	7021280	1	Seal Kit - Complete (Includes Items 8, 9, 16, 18, 30, 31, 35, 38, 40, 51, 58, 59, 60, 69, 73, 85, 88, 91, 93, 96, 99, 100, 101, 104, 107, 111, 113 & 115)	

# SECTION 3 - ENGINE

## FIGURE 3-32. PISTON PUMP ASSEMBLY- REAR



ART\_3600359

## SECTION 3 - ENGINE

**FIGURE 3-32. PISTON PUMP ASSEMBLY - REAR**

ITEM	PART NUMBER	QTY	DESCRIPTION	REV
	3600359	Ref	PISTON PUMP ASSEMBLY	A
1	7024805	1	Cam Follower Bearing Assembly (Includes Item 3)	
2	7022330	1	Swashplate	
3	7021236	1	Bearing, Needle	
4	7022354	1	Shaft	
5	7021238	1	Ring, Retaining	
6	7021239	1	Bearing, Roller	
7	7022355	1	Shaft (Includes Items 4, 5 & 6)	
8	See Note	NSS	O-Ring (Note: Use Item 120)	
9	See Note	NSS	Seal, Lip (Note: Use Item 120)	
10	7021243	1	Carrier, Shaft Seal	
11	7023996	1	Screw	
12	7022331	1	Link, Control Summing	
13	7022332	1	Link, Control Feedback	
14	7022333	1	Link, Neutral Adjust	
15	7022334	1	Screw, Neutral Adjust	
16	7023997	1	Nut, Seal	
17	7022321	1	Plug (Includes Item 18)	
18	See Note	NSS	O-Ring (Note: Use Item 17 or 120)	
19	7022335	1	Control Kit (Includes Items 20 & 21)	
20	7023998	4	Screw	
21	7021267	3	Screw	
22	7022336	1	Spool Assembly	
23	7022337	1	Spring	
24	7022338	1	Gasket, Control	
25	See Note	NLA	Housing Assembly (Note: Not Available - Purchase Complete Rear Pump)	
26	7021248	1	Side Cover Assembly	
27	7021249	1	Bearing, Needle	
28	7021250	1	Pin	
29	7021251	2	Screw	
30	See Note	NSS	Gasket, Side Cover (Note: Use Item 120)	
31	7021253	2	Gasket, Servo Cover	
33	7021255	4	Screw	
34	7022321	1	Plug (Includes Item 35)	
35	See Note	NSS	O-Ring (Note: Use Item 34 or 120)	
36	7001485	1	Plug	
37	7007419	2	Plug (Includes Item 38)	
38	See Note	NSS	O-Ring (Note: Use Item 37 or 120)	
39	7007470	2	Plug (Includes Item 40)	
40	See Note	NSS	O-Ring (Note: Use Item 39 or 120)	
41	7001485	2	Plug, Pipe	
42	7021257	1	Ring, Retaining	
43	7022340	1	Bracket, Lifting	
44	7021251	1	Screw	
45	7022342	1	Key	
46	7022341	1	Ring, Retaining	
47	7022357	1	Spacer	
48	7021259	1	Bearing, Journal	
49	7021260	1	Cover Assembly (Includes Item 48)	

## SECTION 3 - ENGINE

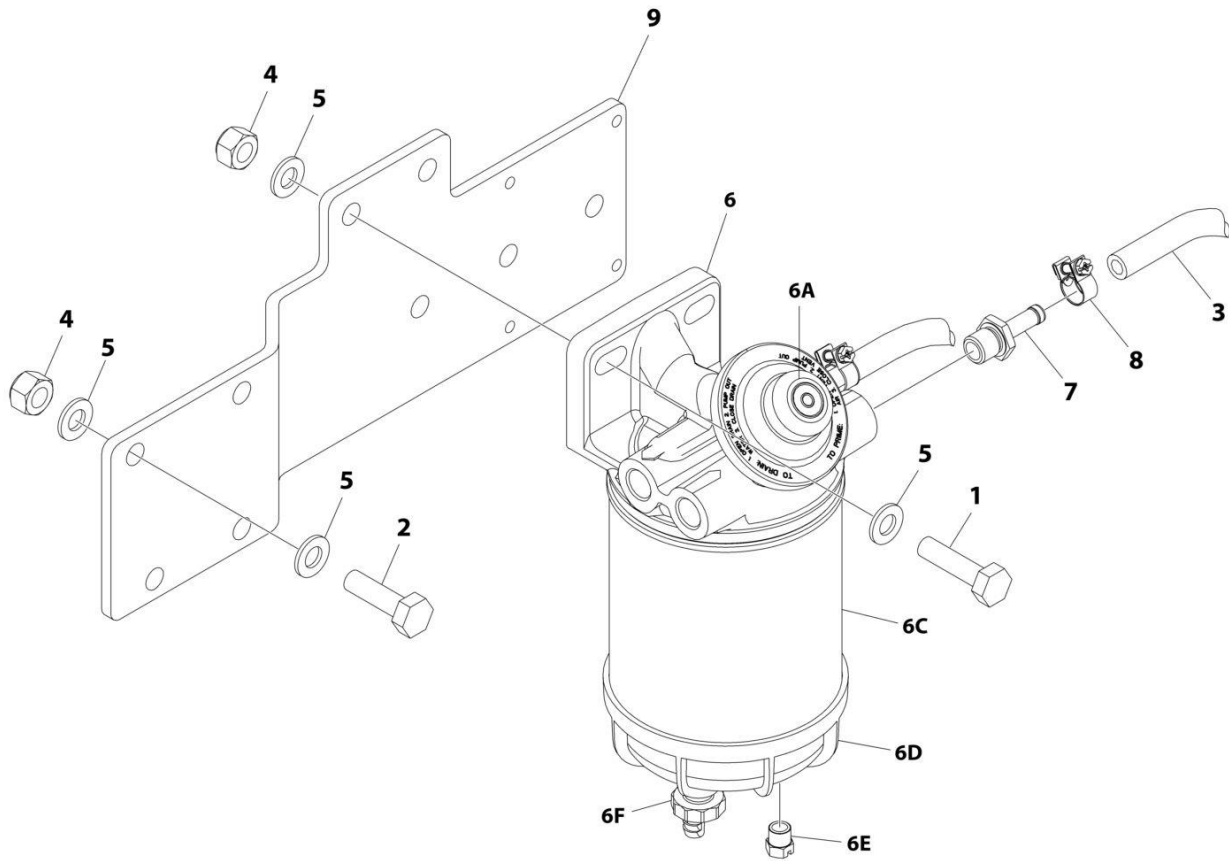
ITEM	PART NUMBER	QTY	DESCRIPTION	REV
50	See Note	1	O-Ring (Note: No longer required per supplier. Pressure is the same on either side of o-ring)	
51	See Note	NSS	O-Ring (Note: Use Item 120)	
52	See Note	1	Pin (Note: Not Available for Purchase)	
53	7022345	1	Valve, SCR	
54	7024800	1	Spring	
55	7022345	1	Valve, SCR	
56	7024800	1	Spring	
57	7021265	2	Bypass Valve Assembly (Includes Items 58, 59 & 60)	
58	See Note	NSS	O-Ring (Note: Use Item 57 or 120)	
59	See Note	NSS	Ring, Back-up (Note: Use Item 57 or 120)	
60	See Note	NSS	O-Ring (Note: Use Item 57 or 120)	
61	7022346	1	Adjuster	
62	7021289	1	O-Ring	
63	7022347	1	Spring	
64	7024804	1	Poppet	
65	7022190	1	Nut	
66	7022348	1	Cover, Servo	
67	7021255	5	Screw, Torx	
68	7007470	1	Plug (Includes Item 69)	
69	See Note	NSS	O-Ring (Note: Use Item 68 or 120)	
70	7001268	1	Cover, Servo	
71	7021255	5	Screw, Torx	
72	7007470	1	Plug (Includes Item 73)	
73	See Note	NSS	O-Ring (Note: Use Item 72 or 120)	
74	7021269	1	Cylinder Block Kit (Includes Items 75 to 83)	
75	7021271	1	Washer, Special	
76	7021272	1	Spring, Cylinder Block	
77	7021273	1	Washer, Special	
78	7021274	1	Ring, Retaining	
79	7021275	3	Pin, Slipper Hold Down	
80	7021276	1	Retainer, Pin	
81	7021277	1	Guide, Retainer	
82	7021278	1	Retainer, Slipper	
83	7021279	9	Piston Assembly	
84	7007470	1	Plug (Includes Item 85)	
85	See Note	NSS	O-Ring (Note: Use Item 84 or 120)	
86	7021281	1	Plate, Valve (Right Side)	
87	7007470	1	Plug (Includes Item 88)	
88	See Note	NSS	O-Ring (Note: Use Item 87 or 120)	
89	7024801	1	Spool, Loop Flushing	
90	7021283	1	Plug (Includes Item 91)	
91	See Note	NSS	O-Ring (Note: Use Item 90 or 120)	
95	7007470	1	Plug (Includes Item 96)	
96	See Note	NSS	O-Ring (Note: Use Item 95 or 120)	
97	7022351	1	Servo Piston Kit (Includes Qty 2 of Item 98)	
98	7007412	2	Servo Piston Ring Kit (Includes Items 99 & 100)	
99	See Note	NSS	O-Ring (Note: Use Item 97, 98 or 120)	
100	See Note	NSS	Ring, Piston (Note: Use Item 97, 98 or 120)	
101	See Note	NSS	Nut, Seal (Note: Use Item 120)	
102	7022359	1	Coupling	
103	7001481	2	Pin	

## SECTION 3 - ENGINE

ITEM	PART NUMBER	QTY	DESCRIPTION	REV
104	See Note	NSS	Gasket, Charge Pump (Note: Use Item 120)	
105	7021296	6	Screw, Torx	
106	7021297	1	Cover, Charge Pump	
107	7021298	1	Seal	
108	7021299	1	Cover, Flange	
109	7007289	2	Screw	
110	7007419	1	Plug (Rear Pump Only)	
111	See Note	NSS	O-Ring (Rear Pump Only) (Note: Use Item 110 or 120)	
112	7022358	1	Plug (Include Item 113)	
113	See Note	NSS	O-Ring (Note: Use Item 112 or 120)	
114	7021256	1	Plug (Include Item 115) (Rear Pump Only)	
115	See Note	NSS	O-Ring (Rear Pump Only) (Note: Use Item 114 or 120)	
116	7024802	1	Spring	
117	7024803	1	Poppet	
120	7021280	1	Seal Kit - Complete (Includes Items 8, 9, 16, 18, 30, 31, 35, 38, 40, 51, 58, 59, 60, 69, 73, 85, 88, 91, 93, 96, 99, 100, 101, 104, 107, 111, 113 & 115)	

# SECTION 3 - ENGINE

## FIGURE 3-33. FUEL FILTER INSTALLATION (STEEL FUEL TANK) (DEUTZ D2011 ENGINES)



ART\_1001225054

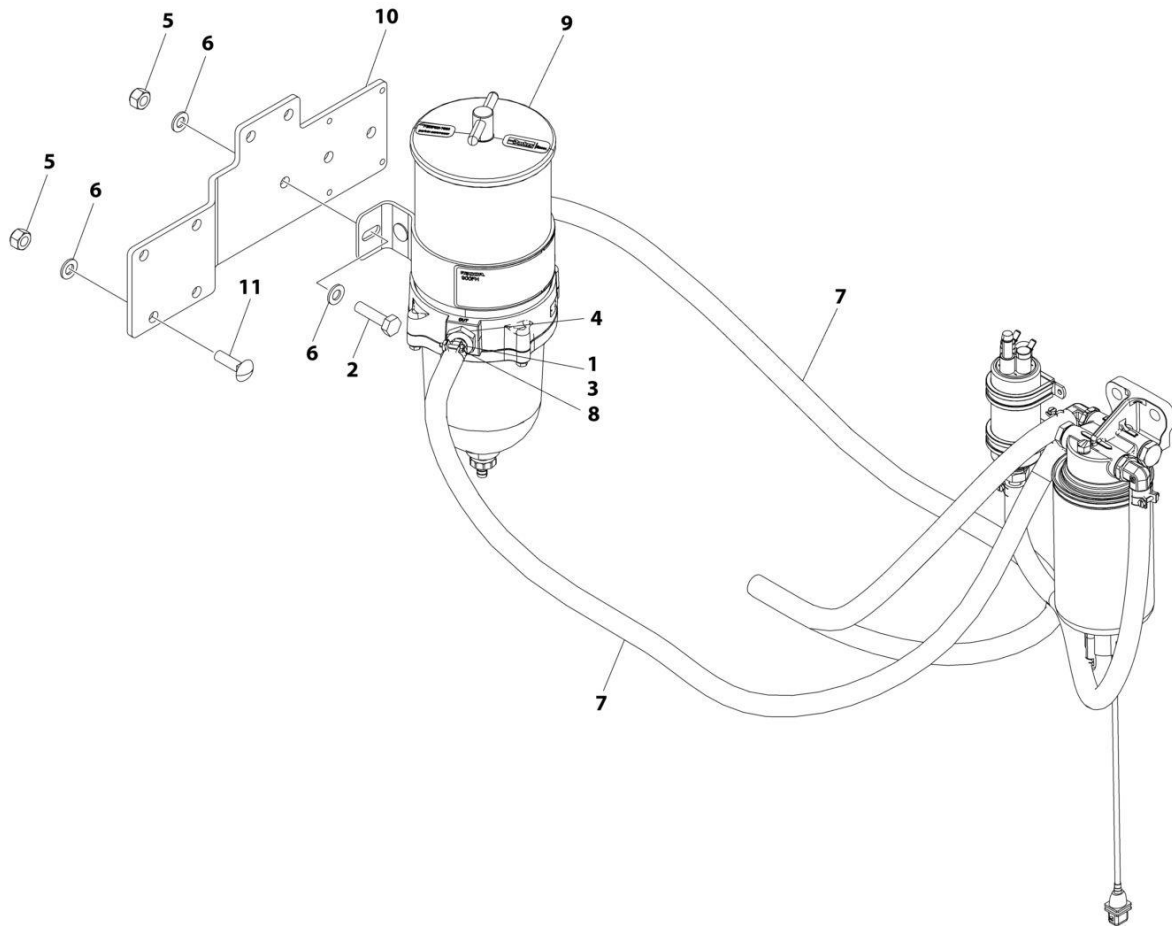
## SECTION 3 - ENGINE

**FIGURE 3-33. FUEL FILTER INSTALLATION (STEEL FUEL TANK) (DEUTZ D2011 ENGINES)**

ITEM	PART NUMBER	QTY	DESCRIPTION	REV
	1001225054	Ref	FUEL FILTER INSTALLATION	B
1	0761016	2	Bolt M10 x 40	
2	0761015	2	Bolt M10 x 35	
2	1001228406	2	Bolt M10 x 35	
3	2720058	32 in/ 80cm	Hose, Fuel Line	
4	3291005	4	Nut M10	
5	4812000	AR	Washer M10	
6	1001149452	1	Fuel Filter/Water Separator Assembly	
6A	See Note	NSS	Indicator, Restriction (Note: Use p/n 1001149452)	
6B	70004064	1	Bypass Valve Kit (Not Shown)	
6C	70004065	1	Gasket, Head to Element	
6C	70004066	1	Element, Filter	
6D	70004067	1	Gasket, Element to Bowl	
6D	70004068	1	Bowl Kit (Includes Bowl, Element and Plug)	
6E	70004069	1	Plug	
6F	70004070	1	Drain	
7	1001149469	2	Fitting, Straight Barbed	
8	1001174486	2	Clamp	
9	1001224967	1	Bracket	

# SECTION 3 - ENGINE

## FIGURE 3-34. FUEL FILTER INSTALLATION (DEUTZ TD2.9L4 ENGINES)



ART\_1001224474



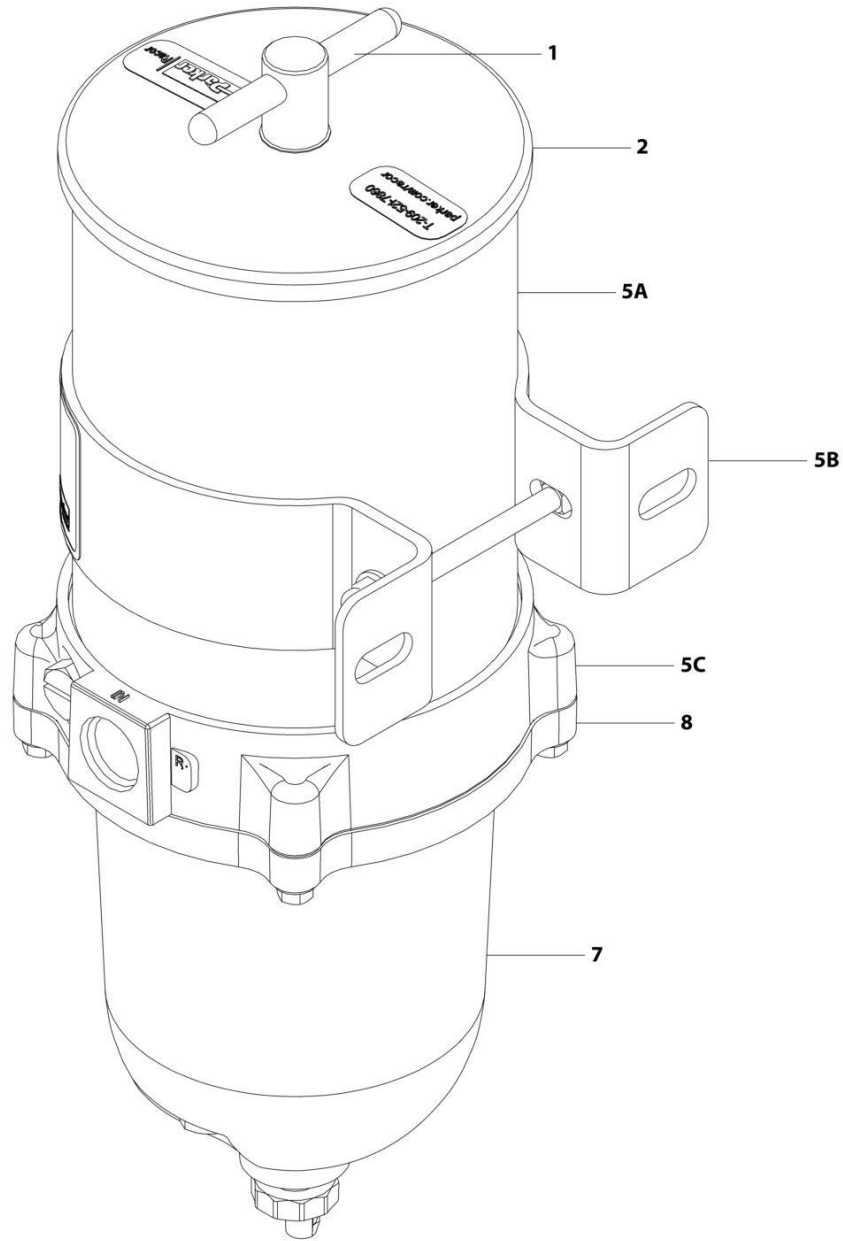
## SECTION 3 - ENGINE

**FIGURE 3-34. FUEL FILTER INSTALLATION (DEUTZ TD2.9L4 ENGINES)**

ITEM	PART NUMBER	QTY	DESCRIPTION	REV
	1001224473	Ref	FUEL FILTER INSTALLATION	B
1	0100020	AR	Sealant	
2	0761016	2	Bolt M10 x 40	
3	2180832	2	Fitting, Straight Barbed	
4	2220816	2	Fitting, Straight NPT	
5	3291005	4	Nut M10	
6	4812000	6	Washer M10	
7	1001154405	42 in/ 1.1m	Hose	
8	1001175568	2	Clip	
9	1001222817	1	Fuel Filter Assembly (See Separate Breakdown in this Section)	
10	1001224967	1	Bracket	
11	1001228406	2	Bolt M10 x 35, GRADE 8.8	

# SECTION 3 - ENGINE

## FIGURE 3-35. FUEL FILTER ASSEMBLY (DEUTZ TD2.9L4 ENGINES)



ART\_1001222817

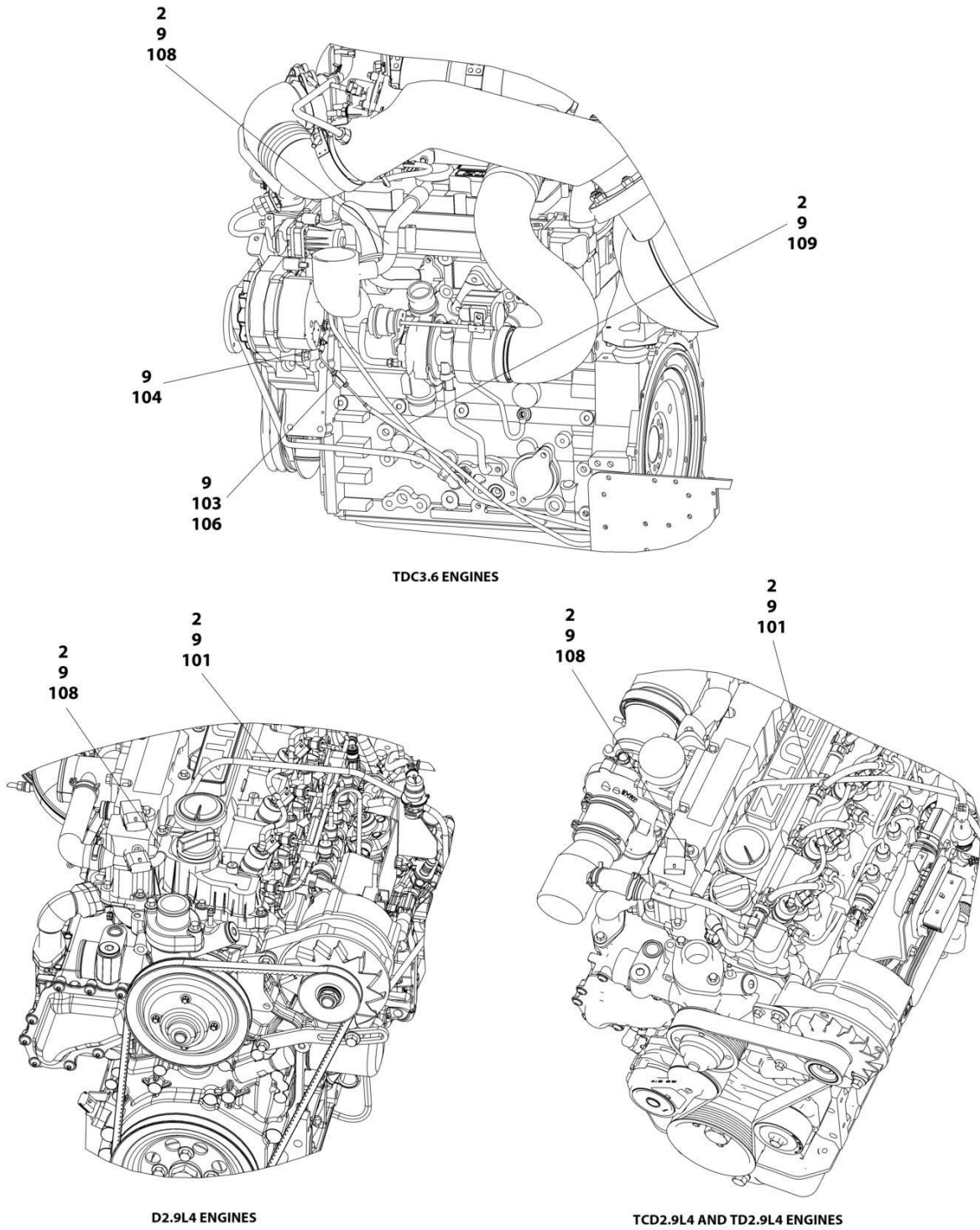
## SECTION 3 - ENGINE

**FIGURE 3-35. FUEL FILTER ASSEMBLY (DEUTZ TD2.9L4 ENGINES)**

ITEM	PART NUMBER	QTY	DESCRIPTION	REV
	1001222817	Ref	FUEL FILTER ASSEMBLY	A
1	70006403	1	Handle Kit (Includes Handle, Handle O-Ring & Lid Gasket)	
2	70006404	1	Lid Kit (Includes Lid, Handle O-Ring & Lid Gasket)	
3	70006405	1	Element, Filter (Not Shown)	
5A	See Note	NSS	Housing (Note: Use p/n 1001222817)	
5B	See Note	NSS	Bracket (Note: Use p/n 1001222817)	
5C	See Note	NSS	Tube, Return (Note: Use p/n 1001222817)	
6	70006407	1	Certrfuge & Baffle Kit (Not Shown - Located at Bottom of 5C) (Also Includes p/n 70006406 & Bowl Gasket)	
6	70006406	1	Checkball & Gasket Kit (Not Shown - Located at Bottom of 5C)	
7	70006409	1	Bowl Kit (Includes Bowl Gasket, Plug with O-Ring & Drain)	
7	70006408	1	Gasket, Bowl	
8	70006410	1	Bowl Ring Kit (Includes Bowl Gasket & Bolts)	

# SECTION 3 - ENGINE

## FIGURE 3-36. BREATHER HEATER INSTALLATION - DEUTZ D2.9L4 ENGINE WITH ARCTIC PACKAGE



TDC3.6 ENGINES

D2.9L4 ENGINES

TCD2.9L4 AND TD2.9L4 ENGINES

ART\_1001233763

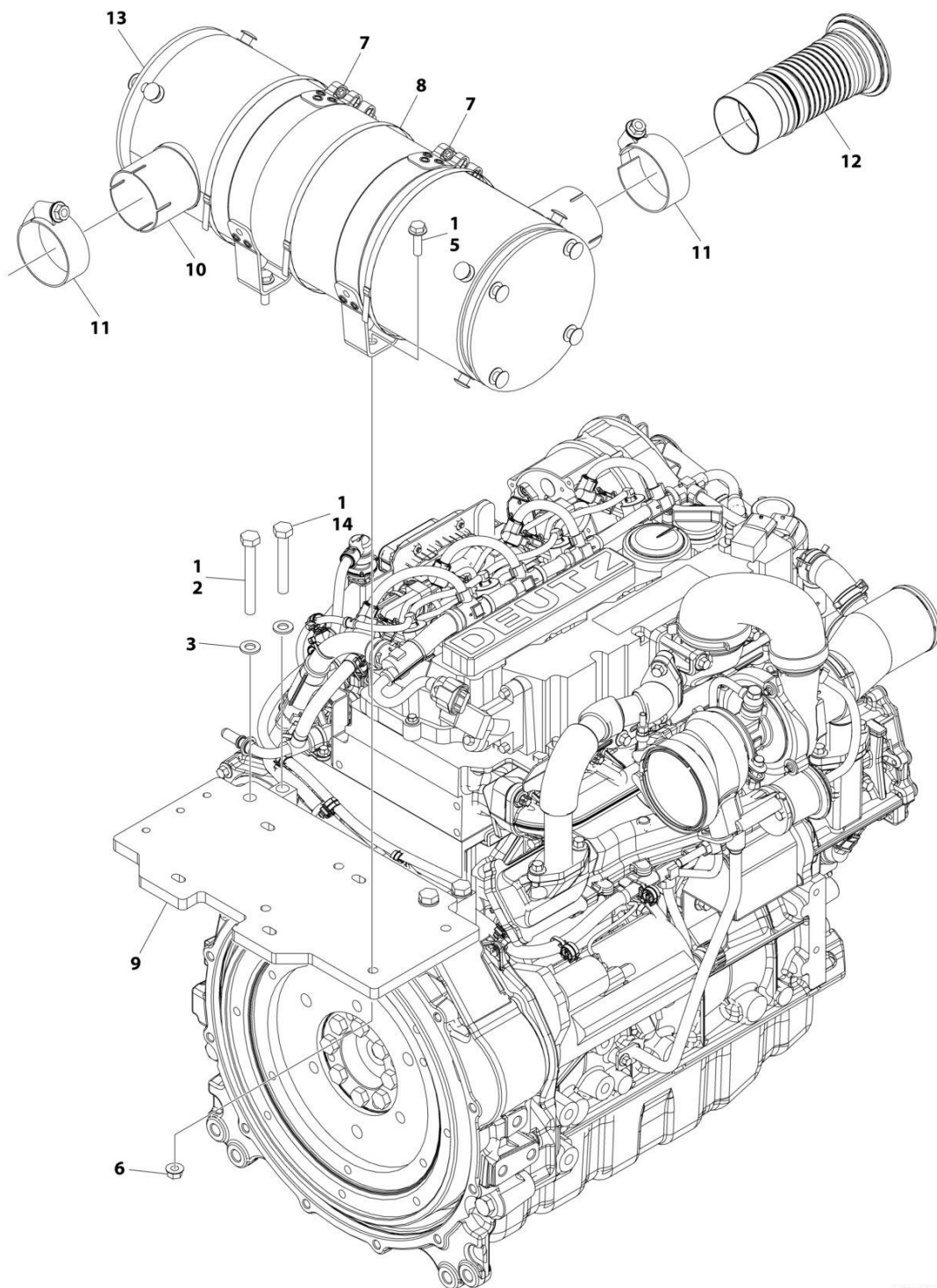
## SECTION 3 - ENGINE

**FIGURE 3-36. BREATHER HEATER INSTALLATION - DEUTZ D2.9L4 ENGINE WITH ARCTIC PACKAGE**

ITEM	PART NUMBER	QTY	DESCRIPTION	REV
	1001233763	Ref	BREATHER HEATER INSTALLATION - DEUTZ ENGINES	D
2	4240099	AR	Tie-Strap	
9	1001243895	1	Breather Heater Harness	C
101	2820035	AR	Insulation	
103	2400060	1	Fuseholder with Cover	
104	4460043	1	Terminal, Ring	
105	4460722	1	Terminal, Ring (Not Shown)	
106	1001196634	1	Fuse - 2 Amp	
108	1001232842	1	Breather Heater Kit	

# SECTION 3 - ENGINE

## FIGURE 3-37. DEUTZ 2.9L4 EXHAUST INSTALLATION (CHINA SPECS ONLY)



ART\_1001231649\_E

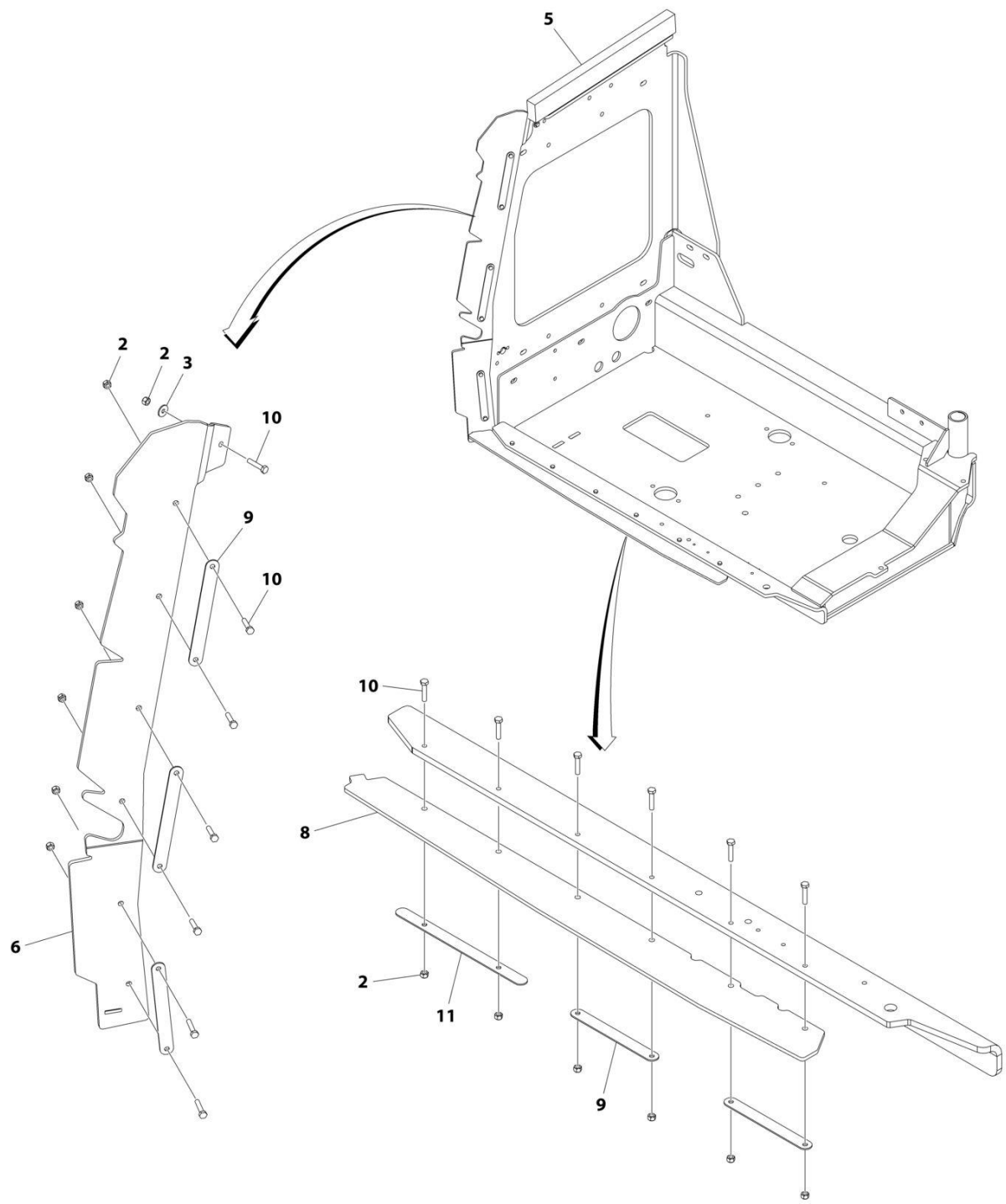
## SECTION 3 - ENGINE

**FIGURE 3-37. DEUTZ 2.9L4 EXHAUST INSTALLATION (CHINA SPECS ONLY)**

ITEM	PART NUMBER	QTY	DESCRIPTION	REV
	1001231649	Ref	DEUTZ 2.9L4 EXHAUST INSTALLATION	E
1	0100011	AR	Compound, Locking	
2	0701025	2	Bolt M10 x 85	
3	4812000	4	Washer M10	
4	4920385	AR	Wire, Safety (Not Shown)	
5	5250813	4	Bolt M8 x 28	
6	5260800	4	Nut M8 Grade 10.9	
7	1001119727	2	Clamp	
8	1001137336	3	Strap	
9	1001221203	1	Bracket	
10	1001151432	1	Muffler	
11	1001221212	2	Clamp	
12	1001221217	1	Pipe	
13	1001221427	1	Wrap, Muffler	
14	0701022	2	Bolt M10 x 70	

# SECTION 3 - ENGINE

## FIGURE 3-38. ENGINE HOOD Baffles INSTALLATION - ABS HOODS



ART\_1001197268\_G



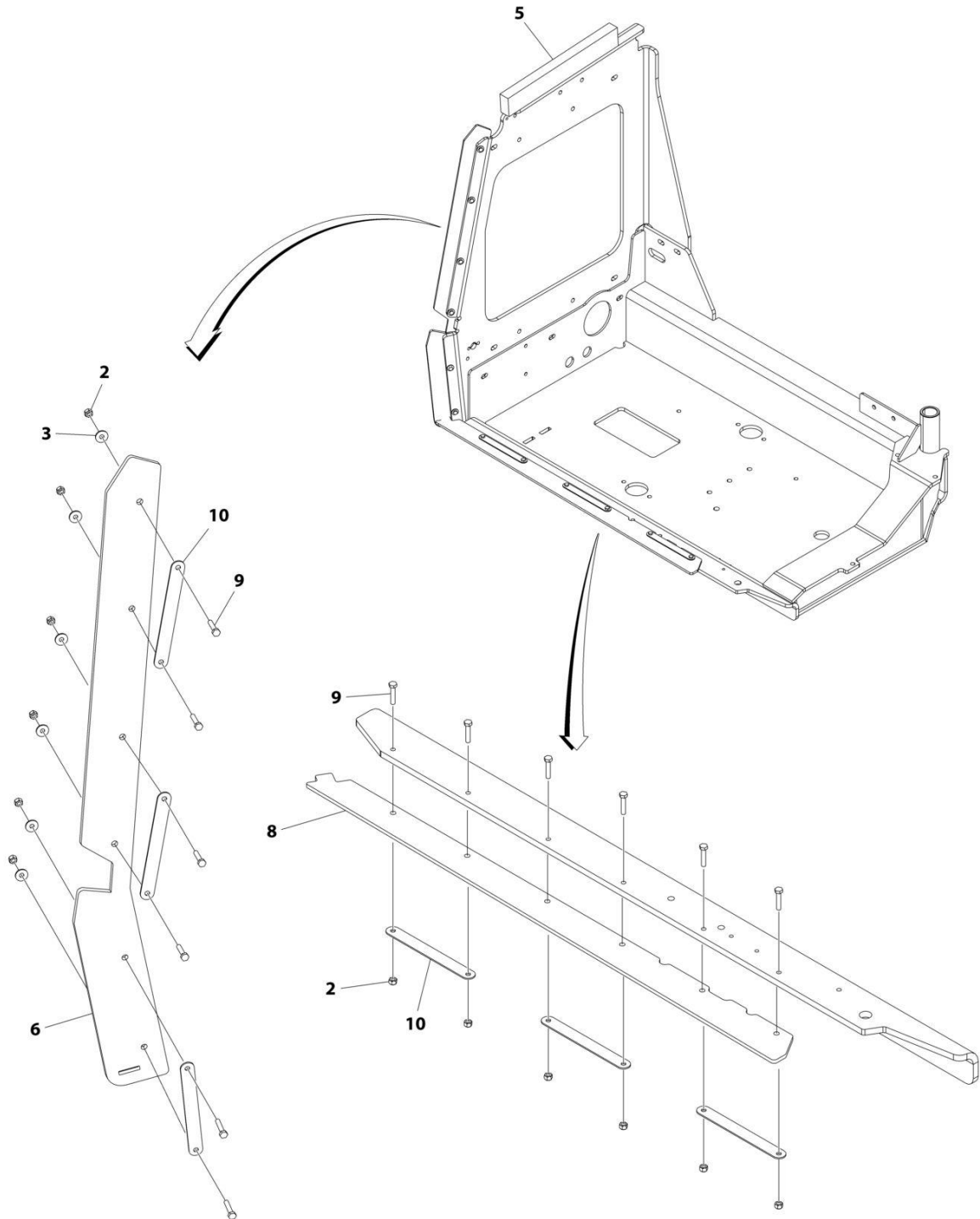
## SECTION 3 - ENGINE

### FIGURE 3-38. ENGINE HOOD BAFFLES INSTALLATION - ABS HOODS

ITEM	PART NUMBER	QTY	DESCRIPTION	REV
	1001197268	Ref	ENGINE HOOD BAFFLES INSTALLATION	G
2	3290605	13	Nut M6	
3	4811702	8	Washer M6	
5	1001197389	1	Seal	
6	1001234370	1	Seal	
8	1001234371	1	Seal	
9	1001167164	5	Support	
10	0760614	13	Bolt M6 x 30	
11	1001233429	1	Support	

# SECTION 3 - ENGINE

## FIGURE 3-39. ENGINE HOOD Baffles INSTALLATION - STEEL HOODS



ART\_1001197269\_F

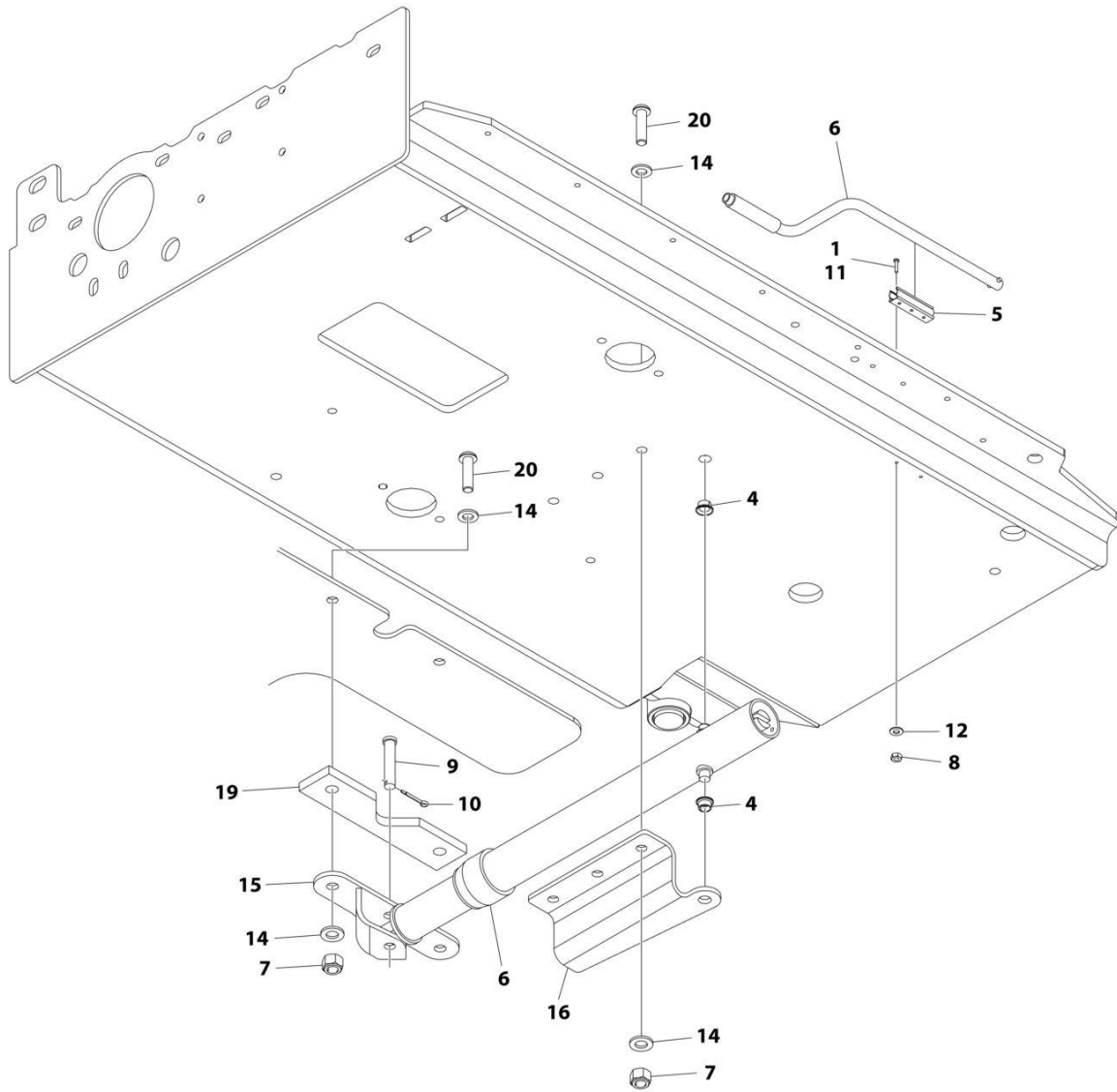
## SECTION 3 - ENGINE

### FIGURE 3-39. ENGINE HOOD BAFFLES INSTALLATION - STEEL HOODS

ITEM	PART NUMBER	QTY	DESCRIPTION	REV
	1001197269	Ref	ENGINE HOOD BAFFLES INSTALLATION	F
2	3290605	AR	Nut M6	
3	4811702	AR	Washer M6	
5	1001234281	1	Seal	
6	1001234299	1	Seal	
8	1001234283	1	Seal	
9	0760614	AR	Bolt M6 x 30	
10	1001167164	6	Support	

# SECTION 3 - ENGINE

## FIGURE 3-40. TRAY JACK INSTALLATION



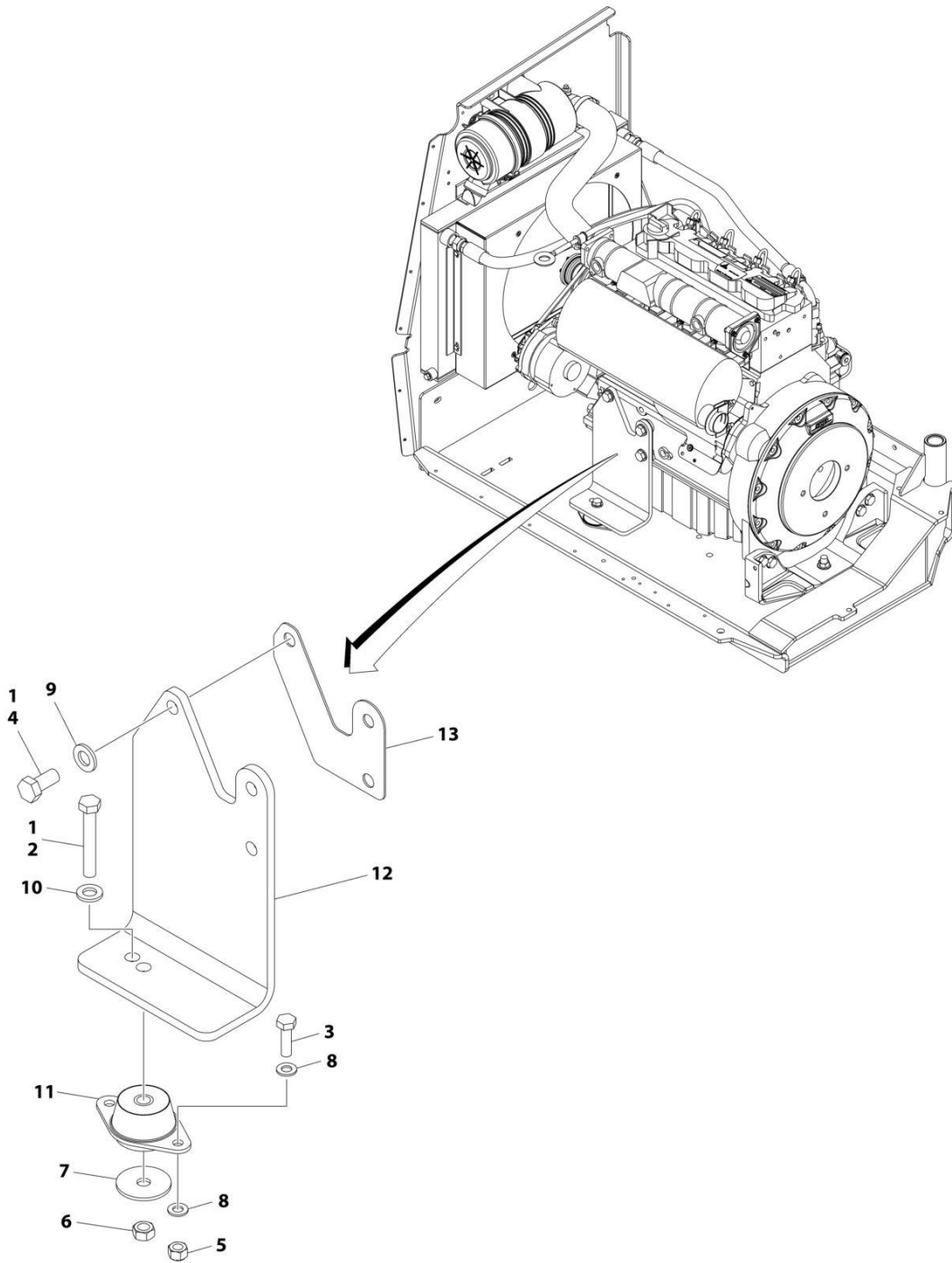
ART\_1001186980\_E

FIGURE 3-40. TRAY JACK INSTALLATION

ITEM	PART NUMBER	QTY	DESCRIPTION	REV
	1001186980	Ref	TRAY JACK INSTALLATION	E
1	0100011	AR	Compound, Locking	
4	0962051	2	Bearing	
5	1380147	1	Clip	
6	2840016	1	Jack and Handle Assembly	
6	7024598	1	Handle	
7	3291205	5	Nut M12	
8	3290301	2	Nut M3	
9	3430820	1	Pin	
10	1001236121	1	Pin	
11	4010308	2	Screw M3 x 16	
12	4811400	2	Washer M4	
14	4812100	10	Washer M12	
15	1001166894	1	Support	
16	1001175073	1	Support	
19	1001186981	1	Plate	
20	1001102978	5	Screw M12 x 45 Grade 10.9	

# SECTION 3 - ENGINE

FIGURE 3-41. MOTOR MOUNT INSTALLATION - WITHOUT GENERATOR (DEUTZ D2011 ENGINES)



ART\_1001192443

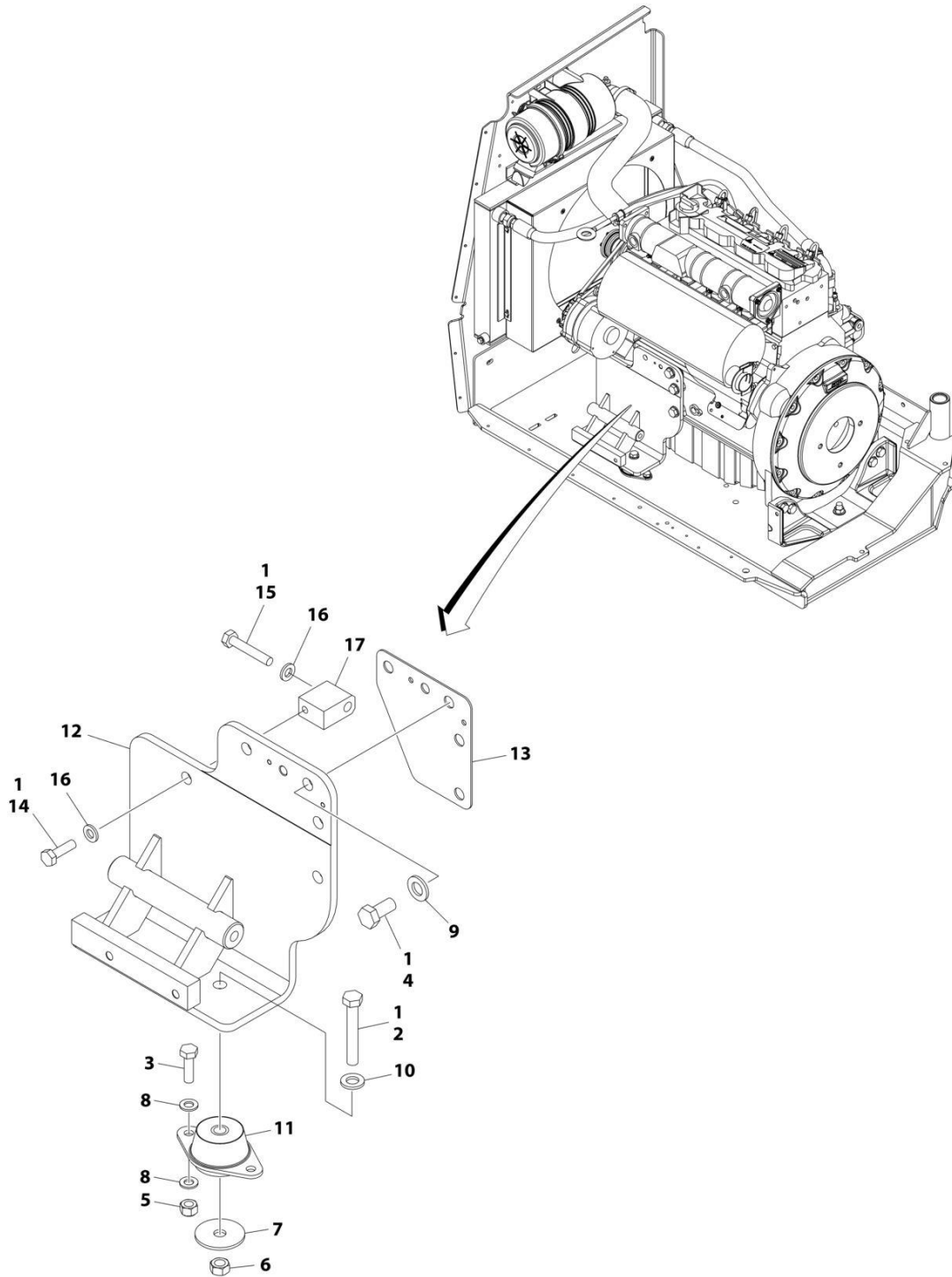
## SECTION 3 - ENGINE

**FIGURE 3-41. MOTOR MOUNT INSTALLATION - WITHOUT GENERATOR (DEUTZ D2011 ENGINES)**

ITEM	PART NUMBER	QTY	DESCRIPTION	REV
	1001192443	Ref	MOTOR MOUNT INSTALLATION	D
1	0100011	AR	Compound, Locking	
2	0711224	1	Bolt M12 x 80	
3	0761015	2	Bolt M10 x 35	
4	0771414	3	Bolt M14 x 30	
5	3291005	2	Nut M10	
6	3331211	1	Nut M12	
7	1001168018	1	Washer	
8	4812000	4	Washer M10	
9	5241400	3	Washer M14	
10	5241200	1	Washer M12	
11	1001191610	1	Mount, Motor	
12	1001189227	1	Mount	
13	1001201843	1	Shim	

# SECTION 3 - ENGINE

## FIGURE 3-42. MOTOR MOUNT INSTALLATION - WITH GENERATOR (DEUTZ D2011 ENGINES)



ART\_1001191856



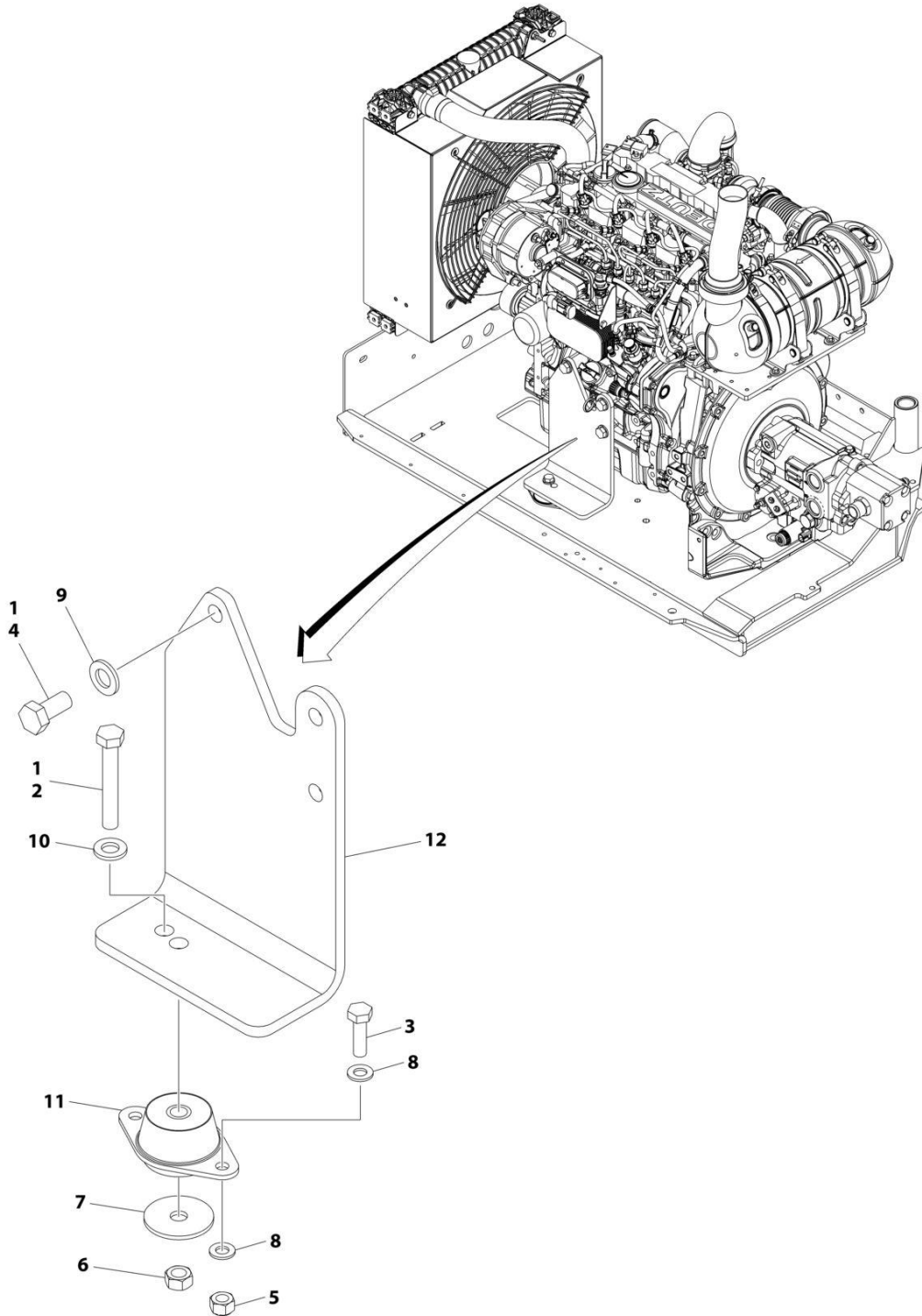
## SECTION 3 - ENGINE

**FIGURE 3-42. MOTOR MOUNT INSTALLATION - WITH GENERATOR (DEUTZ D2011 ENGINES)**

ITEM	PART NUMBER	QTY	DESCRIPTION	REV
	1001191856	Ref	MOTOR MOUNT INSTALLATION	F
1	0100011	AR	Compound, Locking	
2	0711224	1	Bolt M12 x 80	
3	0761015	2	Bolt M10 x 35	
4	0771415	3	Bolt M14 x 35	
5	3291005	2	Nut M10	
6	3331211	1	Nut M12	
7	1001168018	1	Washer	
8	4812000	4	Washer M10	
9	5241400	3	Washer M14	
10	5241200	1	Washer M12	
11	1001191610	1	Mount, Engine	
12	1001239710	1	Bracket	
13	1001205957	1	Shim	
14	0711015	1	Bolt M10 x 35	
15	0711020	1	Bolt M10 x 60	
16	5241000	2	Washer M10	
17	1001239715	1	Block	

# SECTION 3 - ENGINE

## FIGURE 3-43. MOTOR MOUNT INSTALLATION - WITHOUT GENERATOR (DEUTZ TD2.9L4 ENGINES)



ART\_1001192442

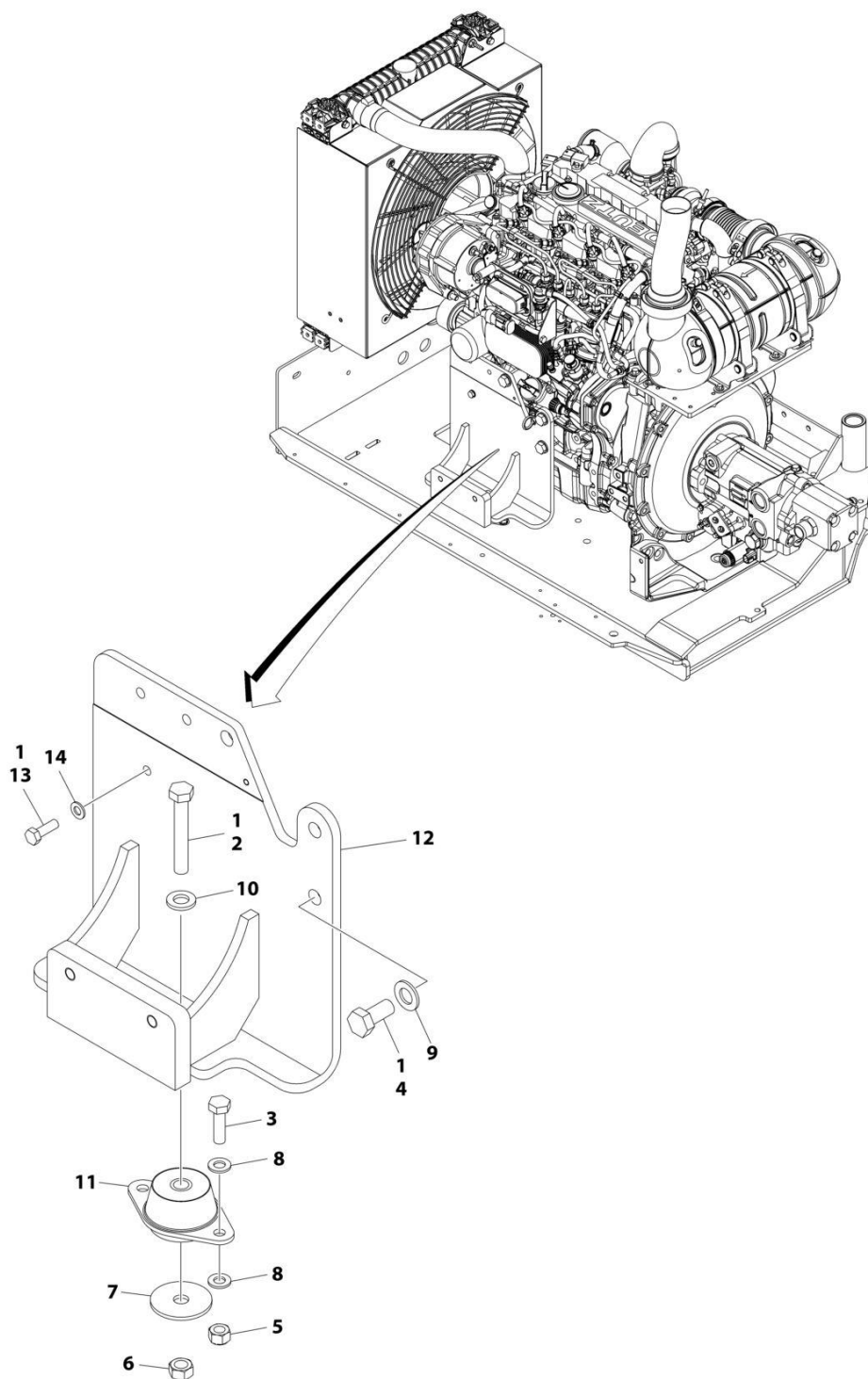
## SECTION 3 - ENGINE

**FIGURE 3-43. MOTOR MOUNT INSTALLATION - WITHOUT GENERATOR (DEUTZ TD2.9L4 ENGINES)**

ITEM	PART NUMBER	QTY	DESCRIPTION	REV
	1001192442	Ref	MOTOR MOUNT INSTALLATION	D
1	0100011	AR	Compound, Locking	
2	0711224	1	Bolt M12 x 80	
3	0761015	2	Bolt M10 x 35	
4	0771414	3	Bolt M14 x 30	
5	3291005	2	Nut M10	
6	3331211	1	Nut M12	
7	1001168018	1	Washer	
8	4812000	4	Washer M10	
9	5241400	3	Washer M14	
10	5241200	1	Washer M12	
11	1001191610	1	Mount, Motor	
12	1001189227	1	Mount	

# SECTION 3 - ENGINE

## FIGURE 3-44. MOTOR MOUNT INSTALLATION - WITH GENERATOR (DEUTZ TD2.9L4 ENGINES)



ART\_1001192008

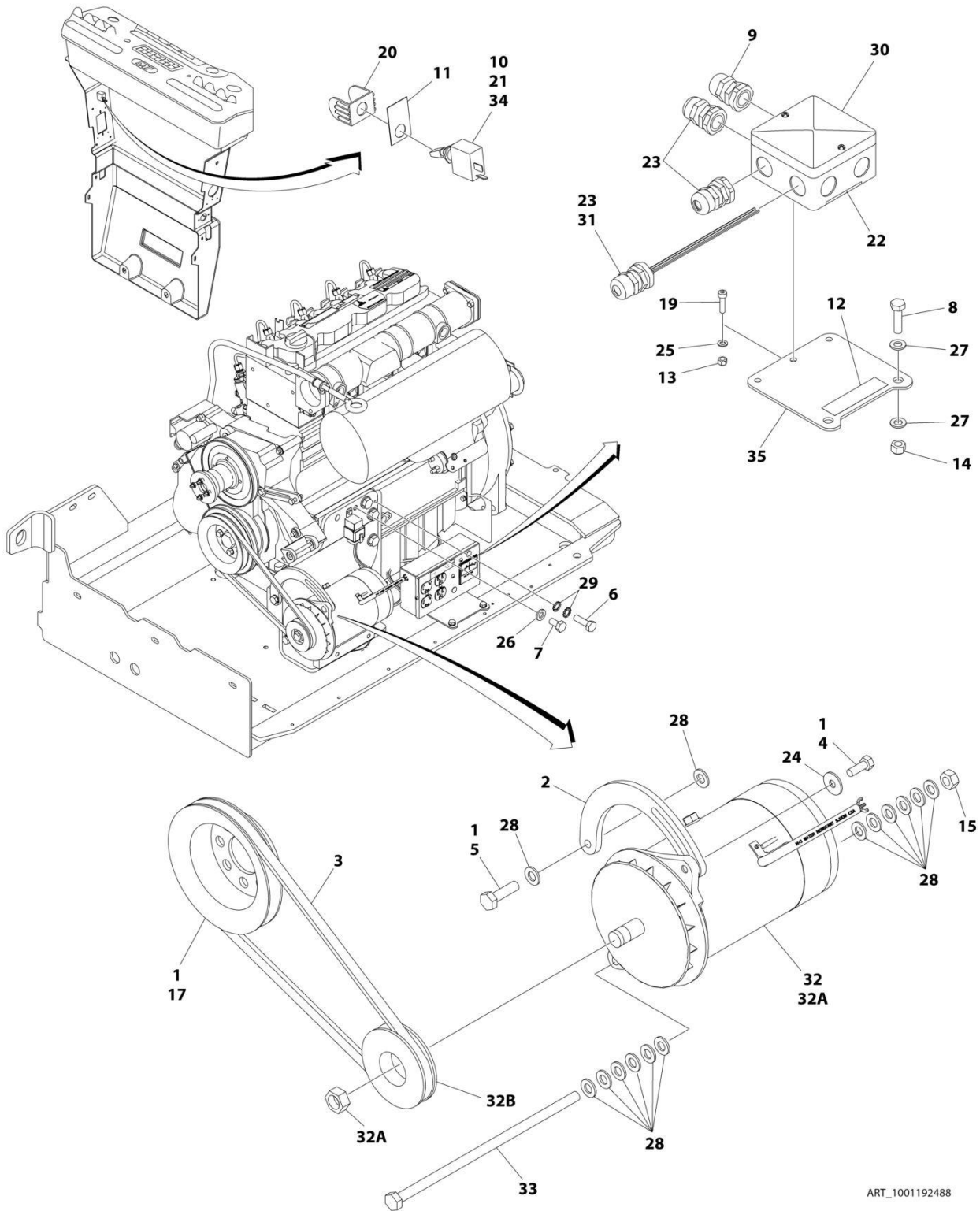
## SECTION 3 - ENGINE

**FIGURE 3-44. MOTOR MOUNT INSTALLATION - WITH GENERATOR (DEUTZ TD2.9L4 ENGINES)**

ITEM	PART NUMBER	QTY	DESCRIPTION	REV
	1001192008	Ref	MOTOR MOUNT INSTALLATION	F
1	0100011	AR	Compound, Locking	
2	0711224	1	Bolt M12 x 80	
3	0761015	2	Bolt M10 x 35	
4	0771415	3	Bolt M14 x 35	
5	3291005	2	Nut M10	
6	3331211	1	Nut M12	
7	1001168018	1	Washer	
8	4812000	4	Washer M10	
9	5241400	3	Washer M14	
10	5241200	1	Washer M12	
11	1001191610	1	Mount, Motor	
12	1001209016	1	Mount	
13	0770814	1	Bolt M8 x 30	
14	5240800	1	Washer M8	

# SECTION 3 - ENGINE

## FIGURE 3-45. 2500W GENERATOR INSTALLATION - 220V/50HZ (DEUTZ D2011 ENGINES) (OPTIONAL)



ART\_1001192488

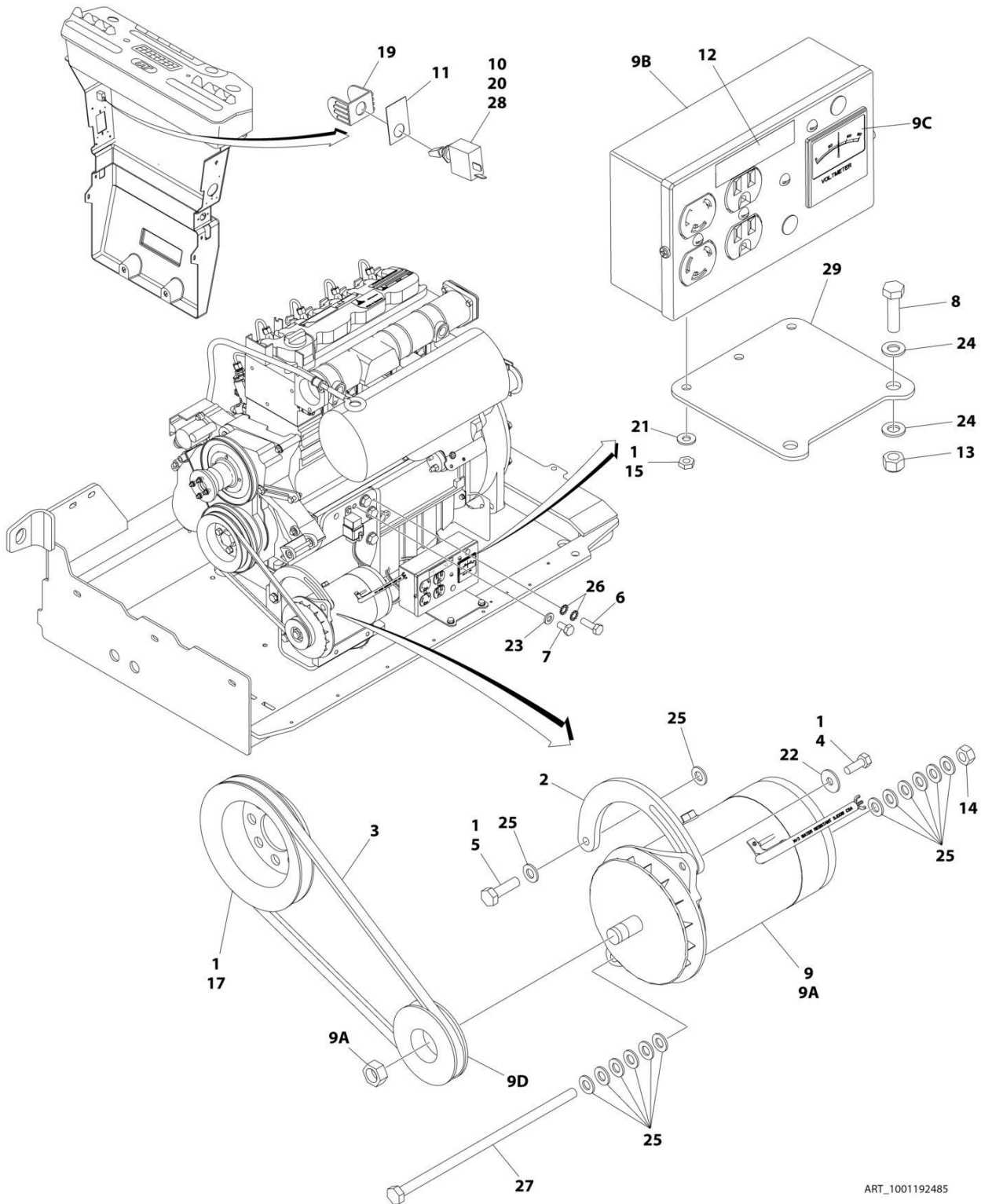
## SECTION 3 - ENGINE

**FIGURE 3-45. 2500W GENERATOR INSTALLATION - 220V/50HZ (DEUTZ D2011 ENGINES)  
(OPTIONAL)**

ITEM	PART NUMBER	QTY	DESCRIPTION	REV
	1001192488	Ref	2500W GENERATOR INSTALLATION	F
1	0100011	AR	Compound, Locking	
2	1001239716	1	Arm, Adjusting	
3	0480124	1	Belt, Generator	
4	0641508	1	Bolt 5/16 x 1	
5	0761012	1	Bolt M10 x 25	
6	0700610	1	Bolt M6 x 20	
7	0760606	1	Bolt M6 x 12	
8	0760814	2	Bolt M8 x 30	
9	0962449	1	Bushing	
10	2820031	AR	Heat Shrink	
11	3251102	1	Nameplate - Generator On/Off	
12	3252507	1	Decal - 220 Volt	
13	3290505	1	Nut M5	
14	3290805	2	Nut M8	
15	3291007	1	Nut M10	
17	3580158	1	Pulley	
19	4031608	1	Capscrew M5 x 20	
20	4060802	1	Guard, Switch	
21	4360336	1	Switch, Toggle	
22	4420060	1	Tape	
23	4460968	3	Connector, Strain Relief	
24	4811902	1	Washer M8	
25	4811600	1	Washer M5	
26	4811700	1	Washer M6	
27	4811900	4	Washer M8	
28	4812000	14	Washer M10	
29	4871700	2	Washer M6	
30	1001099869	1	Box, Junction	
31	1001100234	1	Lamp, Red	
32	1001100321	1	Generator Assembly	
32A		Ref	Note: Replacement Generators come standard with p/n 3580134 pulley. This pulley may not be correct for all applications. Refer to pulley options below.	
32A	70000123	1	Armature with Slip Rings	
32A	7012513	4	Cap, Brush Holder	
32A	7020108	4	Brush	
32A	7020109	4	Holder, Brush	
32A	7012514	1	Fan	
32A	7020110	1	Bell, Front	
32A	7020111	1	Bell, Rear	
32A	7020190	2	Bearing	
32B	3580134	1	Pulley	
32B	7027887	1	Key, Woodruff	
33	1001119280	1	Bolt M10 x 260	
34	4922641	1	Generator Switch Harness	
35	1001193167	1	Plate	
36	1001194114	1	Generator Harness - 2500W (Not Shown) (See Separate Breakdown in ELECTRICAL SECTION)	

# SECTION 3 - ENGINE

## FIGURE 3-46. 2500W GENERATOR INSTALLATION - 110V/60HZ (DEUTZ D2011 ENGINES) (OPTIONAL)



ART\_1001192485



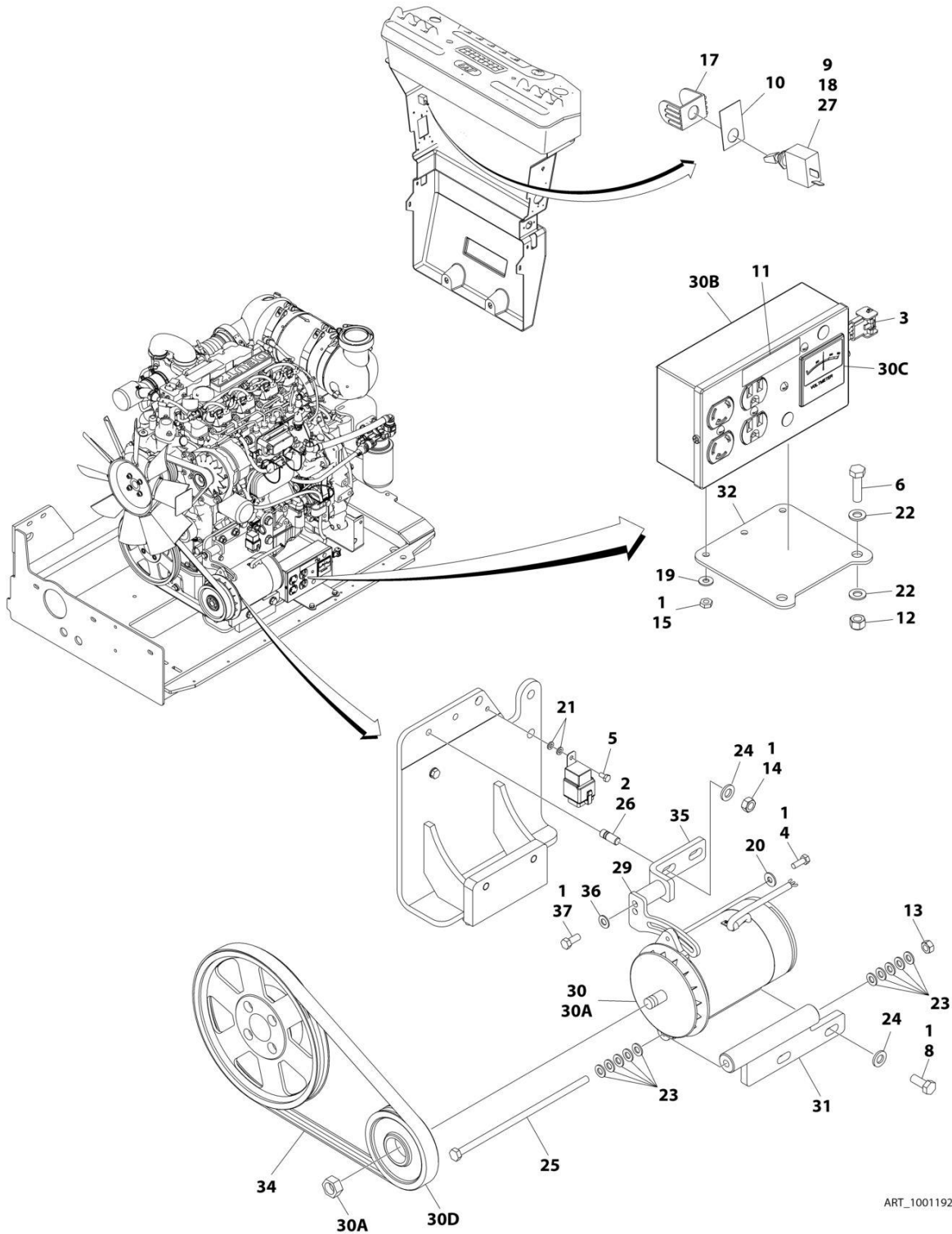
## SECTION 3 - ENGINE

**FIGURE 3-46. 2500W GENERATOR INSTALLATION - 110V/60HZ (DEUTZ D2011 ENGINES)  
(OPTIONAL)**

ITEM	PART NUMBER	QTY	DESCRIPTION	REV
	1001192485	Ref	2500W GENERATOR INSTALLATION	F
1	0100011	AR	Compound, Locking	
2	1001239716	1	Arm, Adjusting	
3	0480124	1	Belt	
4	0641508	1	Bolt 5/16 x 1	
5	0761012	1	Bolt M10 x 25	
6	0700610	1	Bolt M6 x 20	
7	0760606	1	Bolt M6 x 12	
8	0760814	2	Bolt M8 x 30	
9	2460055	1	Generator and Control Box Assembly	
9A	7012558	1	Generator, Replacement	
9A		Ref	Note: Replacement Generators come standard with p/n 3580134 pulley. This pulley may not be correct for all applications. Refer to pulley options below.	
9A	7012513	4	Cap, Brush Holder	
9A	7020108	4	Brush	
9A	7020109	4	Holder, Brush	
9A	7012514	1	Fan	
9A	7020190	2	Bearing	
9A	7020110	1	Bell, Front	
9A	7020111	1	Bell, Rear	
9B	7019680	1	Box, Control	
9B	4360542	1	Breaker, Circuit	
9B	4460190	AR	Receptacle, Standard	
9B	4460027	AR	Receptacle, Twistlock	
9C	2420203	1	Voltmeter	
9D	3580276	1	Pulley	
9D	7027887	1	Key, Woodruff	
10	2820031	AR	Heat Shrink	
11	3251102	1	Nameplate - Generator On/Off	
12	3251243	1	Decal - 120V-60Hz	
13	3290805	2	Nut M8	
14	3291007	1	Nut M10	
15	3311001	2	Nut #10	
17	3580158	1	Pulley	
19	4060802	1	Guard, Switch	
20	4360336	1	Switch, Toggle	
21	4751000	1	Washer #10	
22	4811902	1	Washer M8	
23	4811700	1	Washer M6	
24	4811900	4	Washer M8	
25	4812000	14	Washer M10	
26	4871700	2	Washer M6	
27	1001119280	1	Bolt M10 x 260	
28	4922641	1	Generator Switch Harness	
29	1001193167	1	Plate, Mounting	
30	1001194114	1	Generator Harness - 2500W (Not Shown) (See Separate Breakdown in ELECTRICAL SECTION)	

# SECTION 3 - ENGINE

## FIGURE 3-47. 2500W GENERATOR INSTALLATION - 110V/60HZ (DEUTZ TD2.9L4 ENGINES) (OPTIONAL)



ART\_1001192280

## SECTION 3 - ENGINE

**FIGURE 3-47. 2500W GENERATOR INSTALLATION - 110V/60HZ (DEUTZ TD2.9L4 ENGINES)  
(OPTIONAL)**

ITEM	PART NUMBER	QTY	DESCRIPTION	REV
	1001192280	Ref	2500W GENERATOR INSTALLATION	F
1	0100011	AR	Compound, Locking	
2	0100019	AR	Compound, Locking	
3	0100048	AR	Silicone	
4	0641507	1	Bolt 5/16 x 7/8	
5	0760606	1	Bolt M6 x 12	
6	0760814	2	Bolt M8 x 30	
8	0761214	2	Bolt M12 x 30	
9	2820031	AR	Heat Shrink	
10	3251102	1	Nameplate - Generator On/Off	
11	3251243	1	Decal - 120V-60Hz	
12	3290805	2	Nut M8	
13	3291007	1	Nut M10	
14	3291201	2	Nut M12	
15	3311001	2	Nut #10	
17	4060802	1	Guard, Switch	
18	4360336	1	Switch, Toggle	
19	4751000	2	Washer #10	
20	4751500	1	Washer 5/16	
21	4811700	2	Washer M6	
22	4811900	4	Washer M8	
23	4812000	10	Washer M10	
24	5241200	4	Washer M12	
25	1001119280	1	Bolt M10 x 260	
26	1001196382	2	Stud	
27	4922641	1	Generator Switch Harness	
29	1001179837	1	Arm, Adjusting	
30	1001180001	1	Generator and Control Box Assembly	
30A	7012558	1	Generator, Replacement	
30A		Ref	Note: Replacement Generators come standard with p/n 3580134 pulley. This Pulley may not be correct for all applications. Refer to Pulley options below.	
30A	7026199	1	Armature with Slip Rings	
30A	7012513	4	Cap, Brush Holder	
30A	7020108	4	Brush	
30A	7020109	4	Holder, Brush	
30A	7012514	1	Fan	
30A	7020110	1	Bell, Front	
30A	7020111	1	Bell, Rear	
30A	7020190	2	Bearing	
30B	7019680	1	Box, Control	
30B		Ref	Receptacle Options:	
30B	4460190	1	Receptacle, Standard	
30B	4460027	1	Receptacle, Twistlock	
30B	4360542	1	Breaker, Circuit	
30B	3520028	1	Plug, Hole	
30C	2420203	1	Voltmeter	
30D	3580276	1	Pulley	
30D	7027887	1	Key, Woodruff	

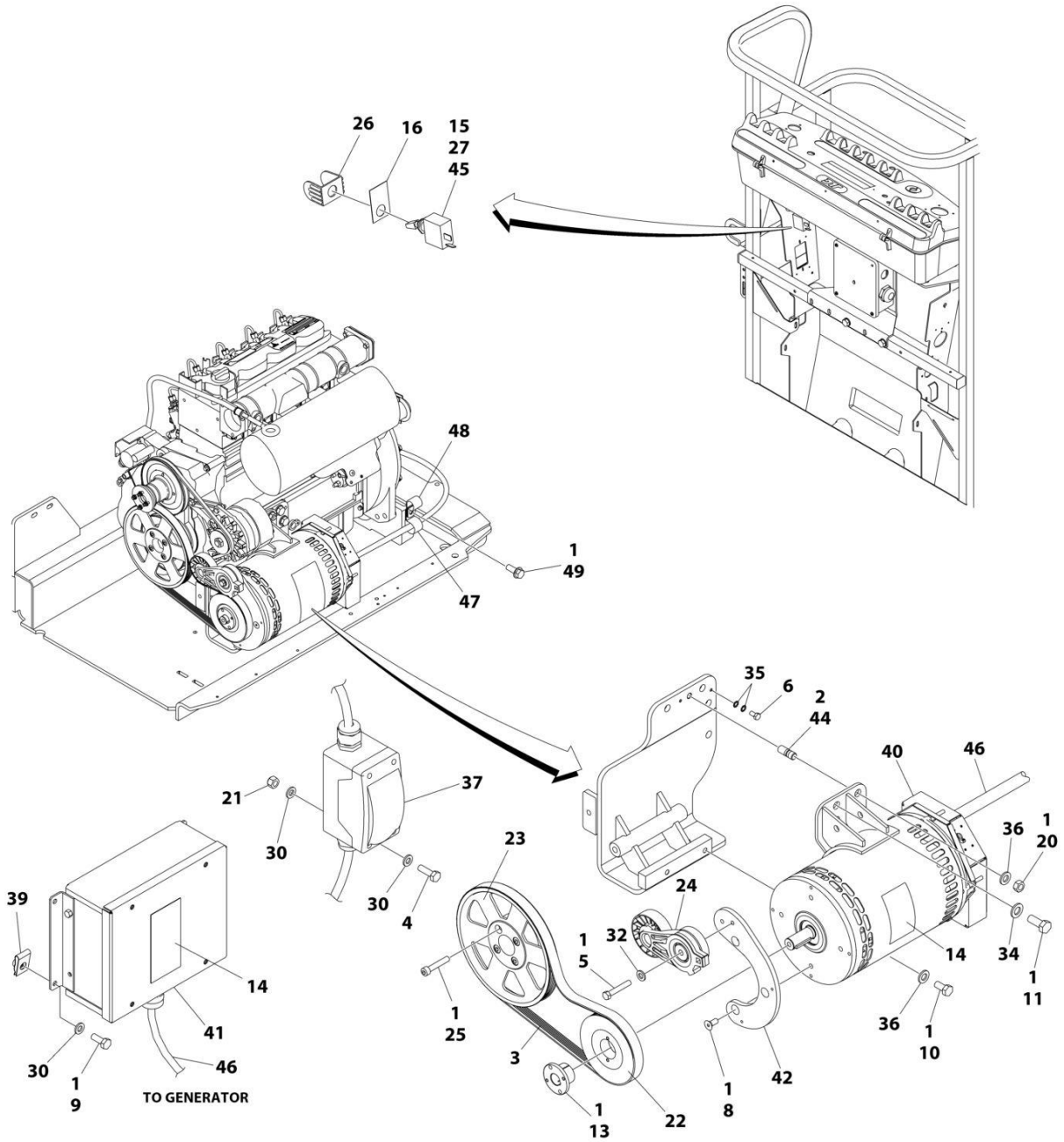
## SECTION 3 - ENGINE

ITEM	PART NUMBER	QTY	DESCRIPTION	REV
31	1001181243	1	Mount (Lower)	
32	1001193167	1	Plate	
33	1001194114	1	Generator Harness - 2500W (Not Shown) (See Separate Breakdown in ELECTRICAL SECTION)	
34	1001148138	1	Belt	
35	1001216015	1	Mount (Upper)	
36	4711600	1	Washer 3/8	
37	0641607	1	Bolt 3/8 x 7/8	



# SECTION 3 - ENGINE

## FIGURE 3-48. 4000W GENERATOR INSTALLATION - 220V/50HZ (DEUTZ D2011 ENGINES) (OPTIONAL)



ART\_1001192487

## SECTION 3 - ENGINE

**FIGURE 3-48. 4000W GENERATOR INSTALLATION - 220V/50HZ (DEUTZ D2011 ENGINES)  
(OPTIONAL)**

ITEM	PART NUMBER	QTY	DESCRIPTION	REV
	1001192487	Ref	4000W GENERATOR INSTALLATION	H
1	0100011	AR	Compound, Locking	
2	0100019	AR	Compound, Locking	
3	1001141814	1	Belt	
4	0760610	2	Bolt M6 x 20	
5	0641618	1	Bolt 3/8 x 2-1/4	
6	0760606	1	Bolt M6 x 12	
8	0741607	3	Screw 3/8 x 7/8	
9	0760608	4	Bolt M6 x 16	
10	0761212	2	Bolt M12 x 25	
11	0771415	1	Bolt 14 x 35	
13	0962520	1	Bushing, Split	
14	1705489	2	Decal - Hazardous Voltage	
15	2820031	AR	Heat Shrink	
16	3251102	1	Nameplate - Generator On/Off	
20	3291201	1	Nut M12	
21	3290605	2	Nut M6	
22	3580319	1	Pulley	
23	3580320	1	Pulley	
24	3580317	1	Tensioner, Belt	
25	4032015	4	Capscrew M10 x 55	
26	4060802	1	Guard, Switch	
27	4360336	1	Switch, Toggle	
30	4811700	8	Washer M6	
32	5241000	1	Washer M10	
34	5241400	1	Washer M14	
35	4871700	2	Washer M6	
36	5241200	3	Washer M12	
37	1001096070	1	Breaker Box Kit (See Separate Breakdown in ELECTRICAL SECTION)	
39	1001130220	4	Nut, Tinnerman M6	
40	1001138565	1	Generator Assembly (50Hz)	
40	70003709	1	Ring, Retaining (External)	
40	70003708	1	Ring, Retaining (Internal)	
40	70001966	1	Bearing	
40	70004092	1	Endbell (Shaft End)	
40	70004171	1	Key	
40	70004676	1	Rotor	
40	70004677	1	Stator	
40	70004678	1	Endbell (Rear)	
40	70004679	1	Cover, Endbell (Rear)	
40	70004680	1	Enclosure, Wiring	
40	70004681	1	Cover, Enclosure	
40	70004682	1	Switch, Reset (Located on Enclosure Cover)	
40	70004683	1	Connector, Strain Relief (Located on Enclosure Cover)	
41	1001138566	1	Box, Control	
41	70006552	1	Capacitor	
41	70006553	1	Relay	
42	1001139357	1	Mount	

## SECTION 3 - ENGINE

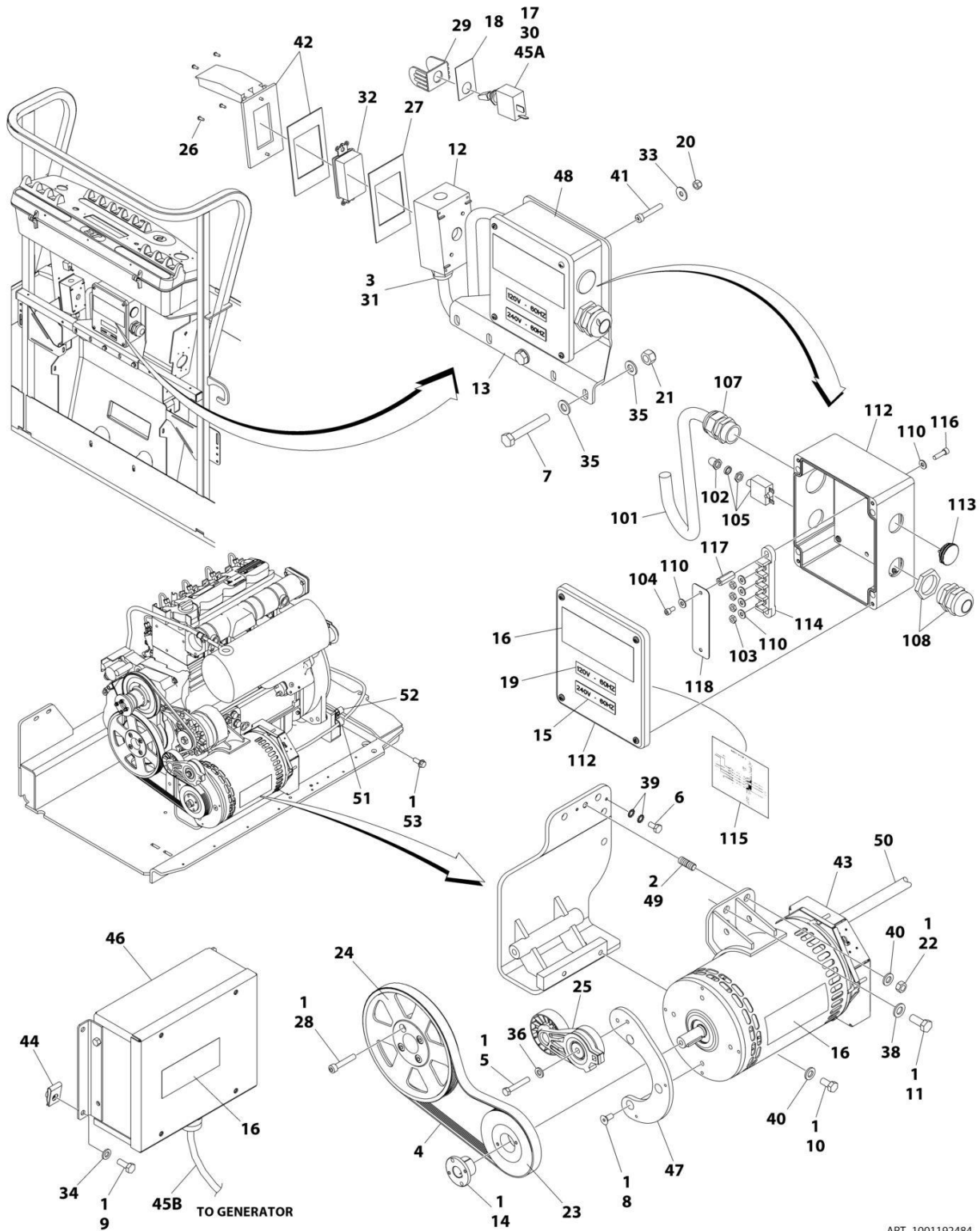
ITEM	PART NUMBER	QTY	DESCRIPTION	REV
44	1001196382	1	Stud	
45	4922641	1	Generator Switch Harness	
46	1001152532	1	Generator Harness (See Separate Breakdown in ELECTRICAL SECTION)	
47	7274000040	1	Clamp	
48	1320061	1	Clamp	
49	5251012	1	Bolt M10 x 25	





# SECTION 3 - ENGINE

## FIGURE 3-49. 4000W GENERATOR INSTALLATION - 110V/60HZ (DEUTZ D2011 ENGINES) (OPTIONAL)



## SECTION 3 - ENGINE

**FIGURE 3-49. 4000W GENERATOR INSTALLATION - 110V/60HZ (DEUTZ D2011 ENGINES)  
(OPTIONAL)**

ITEM	PART NUMBER	QTY	DESCRIPTION	REV
	1001192484	Ref	4000W GENERATOR INSTALLATION	H
1	0100011	AR	Compound, Locking	
2	0100019	AR	Compound, Locking	
3	0100079	AR	Sealant	
4	1001136356	1	Belt	
5	0641618	1	Bolt 3/8 x 2-1/4	
6	0760606	1	Bolt M6 x 12	
7	0700819	1	Bolt M8 x 55	
8	0741607	3	Screw 3/8 x 7/8	
9	0760608	4	Bolt M6 x 16	
10	0761212	2	Bolt M12 x 25	
11	0771415	1	Bolt M14 x 35	
12	0860038	1	Box, Receptacle	
13	0902888	1	Bracket	
14	0962520	1	Bushing, Split	
15	1705374	1	Decal - 240V-60Hz	
16	1705387	3	Decal - Hazardous Voltage	
17	2820031	AR	Heat Shrink	
18	3251102	1	Nameplate - Generator On/Off	
19	3251243	1	Decal - 120V-60Hz	
20	3290505	4	Nut M5	
21	3290805	2	Nut M8	
22	3291201	1	Nut M12	
23	3580318	1	Pulley	
24	3580320	1	Pulley	
25	3580317	1	Tensioner, Belt	
26	3910606	4	Screw #6 x 3/8	
27	3960422	1	Gasket	
28	4032015	4	Capscrew M10 x 55	
29	4060802	1	Guard, Switch	
30	4360336	1	Switch, Toggle	
31	4460071	1	Connector, Strain Relief	
32	4460346	1	Receptacle	
33	4811602	4	Washer M5	
34	4811700	4	Washer M6	
35	4811900	4	Washer M8	
36	5241000	1	Washer M10	
38	5241400	1	Washer M14	
39	4871700	2	Washer M6	
40	5241200	3	Washer M12	
41	1001104029	4	Capscrew M5 x 30 Grade 12.9	
42	1001110873	1	Cover, Receptacle	
43	1001129858	1	Generator Assembly (60Hz)	
43	70003709	1	Ring, Retaining (External)	
43	70003708	1	Ring, Retaining (Internal)	
43	70001966	1	Bearing	
43	70004092	1	Endbell (Shaft End)	
43	70004171	1	Key	
43	70004676	1	Rotor	

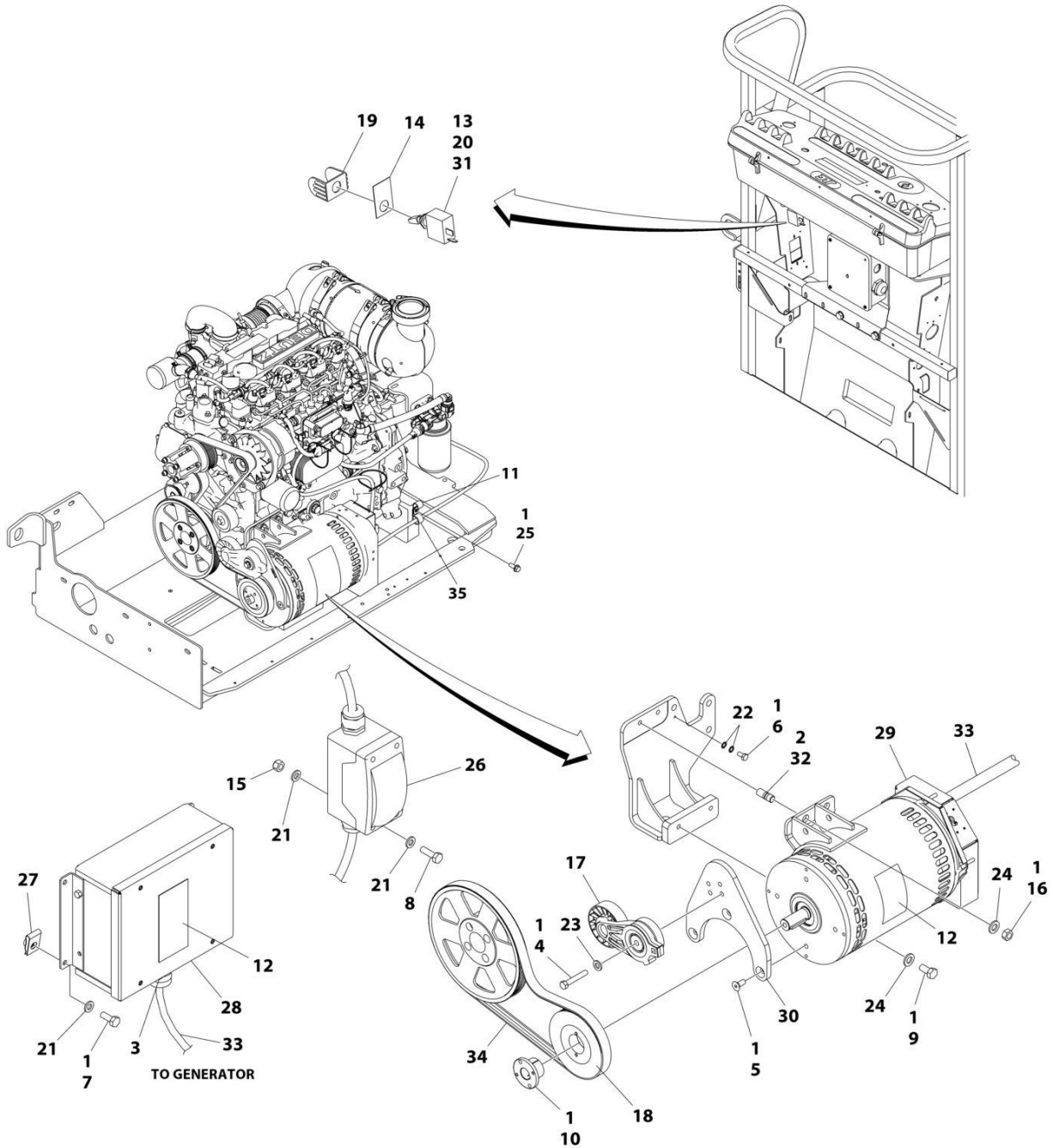
## SECTION 3 - ENGINE

ITEM	PART NUMBER	QTY	DESCRIPTION	REV
43	70004684	1	Stator	
43	70004678	1	Endbell (Rear)	
43	70004679	1	Cover, Endbell (Rear)	
43	70004680	1	Enclosure, Wiring	
43	70004685	1	Cover, Enclosure	
43	70004682	1	Switch, Reset (Located on Enclosure Cover)	
43	70004098	1	Connector, Strain Relief (Located on Enclosure Cover)	
44	1001130220	4	Nut, Tinnerman M6	
45A	4922641	1	Generator Switch Harness	
45B	1001153197	1	Generator to Engine Harness	
45B	4460967	1	Connector - 3 Position	
45B	4460465	2	Socket, Female	
46	1001138566	1	Box, Control	
46	70006552	1	Capacitor	
46	70006553	1	Relay	
47	1001139357	1	Mount	
48	1001152457	1	Junction Box Assembly (See Items 101-118 for Breakdown)	
49	1001196382	1	Stud	
50	1001152532	1	Generator Harness (See Separate Breakdown in ELECTRICAL SECTION)	
51	7274000040	1	Clamp	
52	1320061	1	Clamp	
53	5251012	1	Bolt M10 x 25	
	1001152457	Ref	JUNCTION BOX ASSEMBLY	
101	1001179154	2.5 ft/ 0.8m	Cable, Electrical - 12/3	
102	3300396	1	Cover, Breaker	
103	3311001	4	Nut #10	
104	3900300	2	Screw	
105	4360070	1	Breaker, Circuit - 15Amp	
107	4460425	1	Connector, Strain Relief (LH Side)	
108	4460426	1	Connector, Strain Relief (RH Side)	
110	4711000	8	Washer #10	
112	1001152456	1	Box, Junction	
113	1001152525	1	Plug	
114	1001152530	1	Terminal, Block	
115	1001153260	1	Decal - Wiring Diagram	
116	3900267	2	Screw	
117	1001158008	2	Stand-Off	
118	1001158363	1	Cover, Terminal Block	



# SECTION 3 - ENGINE

## FIGURE 3-50. 4000W GENERATOR INSTALLATION - 220V/50HZ (DEUTZ TD2.9L4 ENGINES) (OPTIONAL)



ART\_1001230953

## SECTION 3 - ENGINE

**FIGURE 3-50. 4000W GENERATOR INSTALLATION - 220V/50HZ (DEUTZ TD2.9L4 ENGINES)  
(OPTIONAL)**

ITEM	PART NUMBER	QTY	DESCRIPTION	REV
	1001230953	Ref	4000W GENERATOR INSTALLATION	A
1	0100011	AR	Compound, Locking	
2	0100019	AR	Compound, Locking	
3	0100048	AR	Grease, Terminal	
4	0641616	1	Bolt 3/8 x 2	
5	0741607	3	Screw 3/8 x 7/8	
6	0760606	1	Bolt M6 x 12	
7	0760608	4	Bolt M6 x 16	
8	0760610	2	Bolt M6 x 20	
9	0761212	2	Bolt M12 x 25	
10	0962520	1	Bushing, Split	
11	1320061	1	Clamp	
12	1705489	2	Decal - Hazardous Voltage	
13	2820031	AR	Heatshrink	
14	3251102	1	Nameplate - Generator	
15	3290605	2	Nut M6	
16	3291201	2	Nut M12	
17	3580317	1	Tensioner, Belt	
18	3580319	1	Pulley	
19	4060802	1	Guard, Switch	
20	4360336	1	Switch, Toggle	
21	4811700	8	Washer M6	
22	4871700	2	Washer M6	
23	5241000	1	Washer M10	
24	5241200	4	Washer M12	
25	5251012	1	Bolt M10 x 25	
26	1001096070	1	Box & Breaker Kit (See Separate Breakdown in ELECTRICAL SECTION)	
27	1001130220	4	Nut, Tinnerman M6	
28	1001138566	1	Box, Control	
28	70006552	1	Capacitor	
28	70006553	1	Relay	
29	1001140347	1	Generator Assembly - 50Hz	
29	70003709	1	Ring, Retaining (External)	
29	70003708	1	Ring, Retaining (Internal)	
29	70001966	1	Bearing	
29	70004092	1	Endbell (Shaft End)	
29	70004099	1	Key	
29	70004676	1	Rotor	
29	70004686	1	Stator	
29	70004678	1	Endbell (Rear)	
29	70004679	1	Cover, Endbell (Rear)	
29	70004680	1	Enclosure, Wiring	
29	70004681	1	Cover, Enclosure	
29	70004682	1	Switch, Reset (Located on Enclosure Cover)	
29	70004683	1	Connector, Strain Relief (Located on Enclosure Cover)	
29	4460224	1	Connector - 6 Position (Located on Enclosure Cover)	
29	4460294	1	Pin, Male (Located on Enclosure Cover)	
30	1001142643	1	Support	

## SECTION 3 - ENGINE

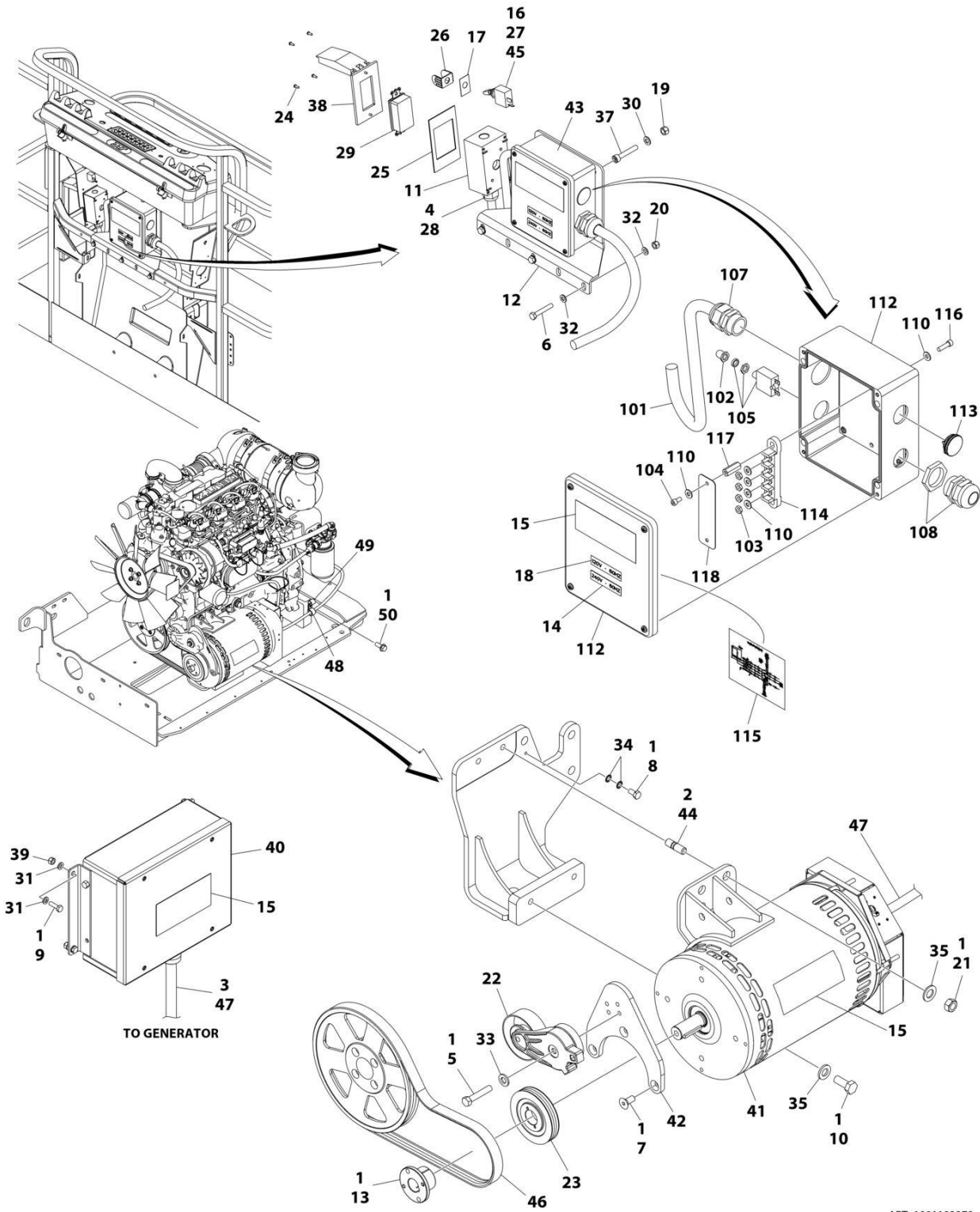
ITEM	PART NUMBER	QTY	DESCRIPTION	REV
31	4922641	1	Switch Harness	
32	1001196382	2	Stud	
33	1001152532	1	Generator Harness (See Separate Breakdown in ELECTRICAL SECTION)	
34	1001214683	1	V-Belt	
35	7274000040	1	Clamp	





# SECTION 3 - ENGINE

## FIGURE 3-51. 4000W GENERATOR INSTALLATION - 110V/60HZ (DEUTZ TD2.9L4 ENGINES) (OPTIONAL)



ART\_1001192279

## SECTION 3 - ENGINE

**FIGURE 3-51. 4000W GENERATOR INSTALLATION - 110V/60HZ (DEUTZ TD2.9L4 ENGINES)  
(OPTIONAL)**

ITEM	PART NUMBER	QTY	DESCRIPTION	REV
	1001192279	Ref	4000W GENERATOR INSTALLATION	F
1	0100011	AR	Compound, Locking	
2	0100019	AR	Compound, Locking	
3	0100048	AR	Compound, Locking	
4	0100079	AR	Sealant	
5	0641616	1	Bolt 3/8 x 2	
6	0700819	2	Bolt M8 x 55	
7	0741607	3	Screw 3/8 x 7/8	
8	0760606	1	Bolt M6 x 12	
9	0760608	4	Bolt M6 x 16	
10	0761212	2	Bolt M12 x 25	
11	0860038	1	Box, Receptacle	
12	0902888	1	Bracket	
13	0962520	1	Bushing, Split	
14	1705374	1	Decal - 240V-60Hz	
15	1705387	3	Decal - Hazardous Voltage	
16	2820031	AR	Heat Shrink	
17	3251102	1	Nameplate - Generator On/Off	
18	3251243	1	Decal - 120V-60Hz	
19	3290505	4	Nut M5	
20	3290805	2	Nut M8	
21	3291201	2	Nut M12	
22	3580317	1	Tensioner, Belt	
23	3580318	1	Pulley	
24	3910606	4	Screw #6 x 3/8	
25	3960422	1	Gasket	
26	4060802	1	Guard, Switch	
27	4360336	1	Switch, Toggle	
28	4460071	1	Connector, Strain Relief	
29	4460346	1	Receptacle	
30	4811602	4	Washer M5	
31	4811700	4	Washer M6	
32	4811900	4	Washer M8	
33	5241000	1	Washer M10	
34	4871700	2	Washer M6	
35	5241200	4	Washer M12	
37	1001104029	4	Capscrew M5 x 30 Grade 12.9	
38	1001110873	1	Cover	
39	1001130220	4	Nut, Tinnerman M6	
40	1001138566	1	Box, Control	
40	70006552	1	Capacitor	
40	70006553	1	Relay	
41	1001140346	1	Generator Assembly (60Hz)	
41	70003709	1	Ring, Retaining (External)	
41	70003708	1	Ring, Retaining (Internal)	
41	70001966	1	Bearing	
41	70004092	1	Endbell (Shaft End)	
41	70004099	1	Key	
41	70004676	1	Rotor	

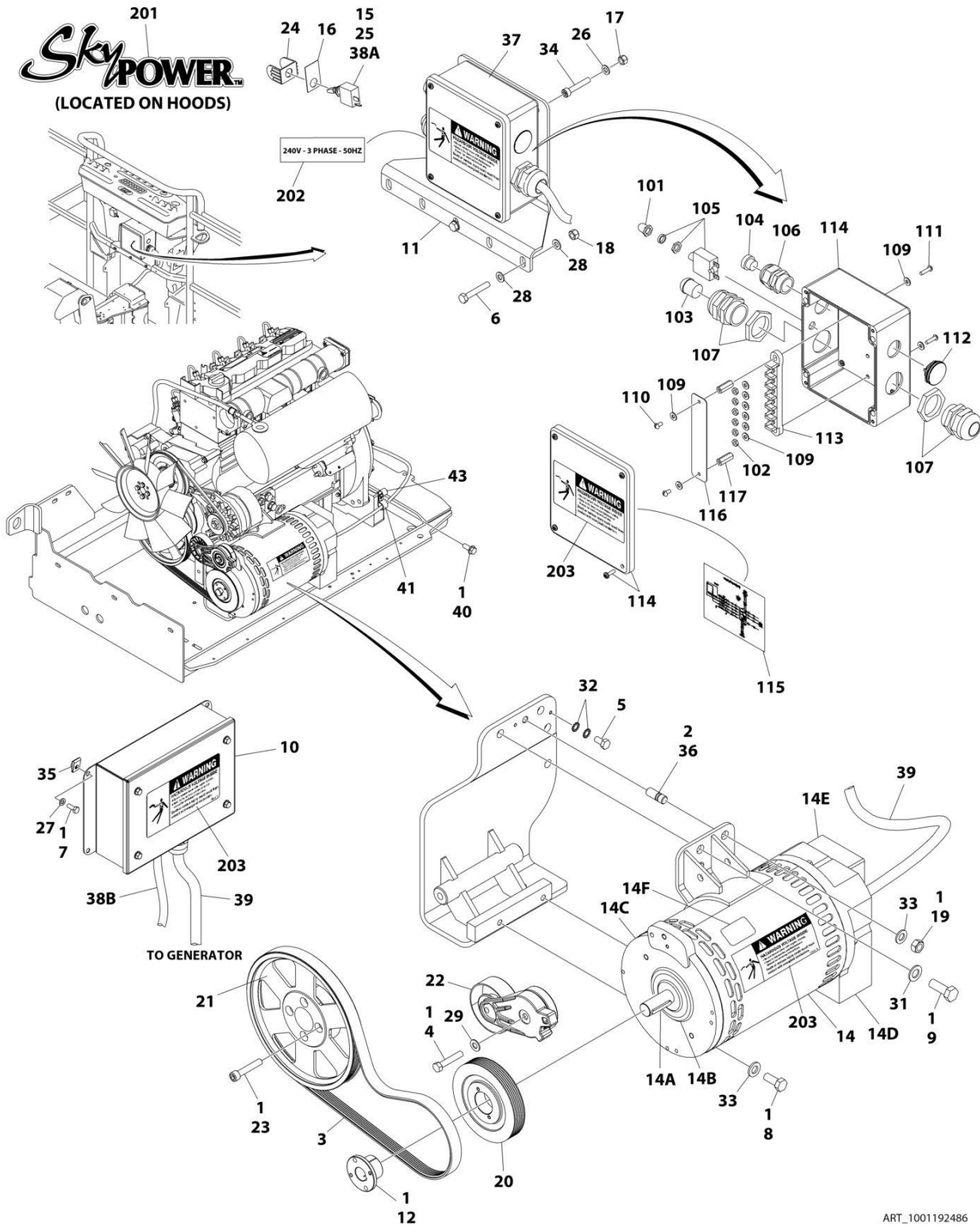
## SECTION 3 - ENGINE

ITEM	PART NUMBER	QTY	DESCRIPTION	REV
41	70004687	1	Stator	
41	70004678	1	Endbell (Rear)	
41	70004679	1	Cover, Endbell (Rear)	
41	70004680	1	Enclosure, Wiring	
41	70004685	1	Cover, Enclosure	
41	70004682	1	Switch, Reset (Located on Enclosure Cover)	
41	70004098	1	Connector, Strain Relief (Located on Enclosure Cover)	
42	1001142643	1	Support	
43	1001152457	1	Junction Box Assembly (See Items 101-118 for Breakdown)	
44	1001196382	2	Stud	
45	4922641	1	Generator Switch Harness	
46	1001142646	1	Belt	
47	1001152532	1	Generator Harness (See Separate Breakdown in ELECTRICAL SECTION)	
48	7274000040	1	Clamp	
49	1320061	1	Clamp	
50	5251012	1	Bolt M10 x 25	
	1001152457	Ref	JUNCTION BOX ASSEMBLY	
101	1001179154	2.5 ft/ 0.8m	Cable, Electrical - 12/3	
102	3300396	1	Cover, Breaker	
103	3311001	4	Nut #10	
104	3900300	2	Screw	
105	4360070	1	Breaker, Circuit - 15Amp	
107	4460425	1	Connector, Strain Relief (LH Side)	
108	4460426	1	Connector, Strain Relief (RH Side)	
110	4711000	8	Washer #10	
112	1001152456	1	Box, Junction	
113	1001152525	1	Plug	
114	1001152530	1	Terminal, Block	
115	1001153260	1	Decal - Wiring Diagram	
116	3900267	2	Screw	
117	1001158008	2	Stand-Off	
118	1001158363	1	Cover, Terminal Block	



# SECTION 3 - ENGINE

## FIGURE 3-52. 7500W SKYPOWER GENERATOR INSTALLATION - 220V/50HZ (DEUTZ D2011 ENGINES) (OPTIONAL)



## SECTION 3 - ENGINE

**FIGURE 3-52. 7500W SKYPOWER GENERATOR INSTALLATION - 220V/50HZ (DEUTZ D2011 ENGINES) (OPTIONAL)**

ITEM	PART NUMBER	QTY	DESCRIPTION	REV
	1001192486	Ref	7500W SKYPOWER GENERATOR INSTALLATION	I
1	0100011	AR	Compound, Locking	
2	0100019	AR	Compound, Locking	
3	1001141814	1	Belt	
4	0641618	1	Bolt 3/8 x 2-1/4	
5	0760606	1	Bolt M6 x 12	
6	0700819	2	Bolt M8 x 55	
7	0760608	4	Bolt M6 x 16	
8	0761212	2	Bolt M12 x 25	
9	0771415	1	Bolt M14 x 35	
10	0861572	1	Control Box Assembly	
10	7024488	1	Card, Circuit - Generator Power	
10	See Note	NSS	Fuse (Note: Not Available - Purchase Locally)	
10	7024489	1	Card, Circuit - Control	
10	70000619	1	Harness, Control Box (Internal)	
11	0902888	1	Bracket	
12	0962520	1	Bushing, Split	
14	2460048	1	Generator Assembly	
14	70001100	1	Rotor (Includes p/n 70001384 & 70000863) (Not Shown)	
14	70001384	1	Bearing, Ball Radial (Not Shown)	
14	70000863	1	Fan (Not Shown)	
14	70002088	1	Stator (Not Shown)	
14	70002297	1	Stud	
14	70003631	1	Brushholder Assembly (Not Shown)	
14A	70004171	1	Key	
14B	70001966	1	Bearing, Ball Radial (Located in Belt Tensioner Endbell)	
14B	70003708	1	Ring, Internal Retaining (Located in Belt Tensioner Endbell)	
14B	70003709	1	Ring, External Retaining (Located in Belt Tensioner Endbell)	
14C	70001953	1	Endbell, Belt Tensioner	
14D	70004169	1	Endbell, Brush Block	
14E	70004169	1	Shroud	
14E	See Note	NSS	Insulator, Endbell (Note: Not Available for Purchase)	
14E	7027799	1	Block, Connector 6 Position (Not Shown)	
14E	70002460	1	Nut, Brass (Attaches p/n 7027799 to Cover) (Not Shown)	
14E	7024485	1	Breaker, Circuit 30Amp (Not Shown)	
14E	70001696	1	Boot, Breaker (Not Shown)	
14E	7026626	1	Connector, 6 Position (Includes Seal) (Not Shown - Plugs into Item 39)	
14E	7026597	1	Connector, with Leads (Not Shown)	
14E	7026188	1	Clamp, Cable Options (Not Shown)	
14E	70004169	1	Plate, End Panel	
14E	70001974	1	Decal - Terminal Connections	
14F	70001973	1	Decal - Warning Moving Parts	
15	2820031	AR	Heat Shrink	
16	3252764	1	Nameplate - AC & Weld	
17	3290505	4	Nut M5	
18	3290805	2	Nut M8	
19	3291201	1	Nut M12	
20	3580319	1	Pulley	

## SECTION 3 - ENGINE

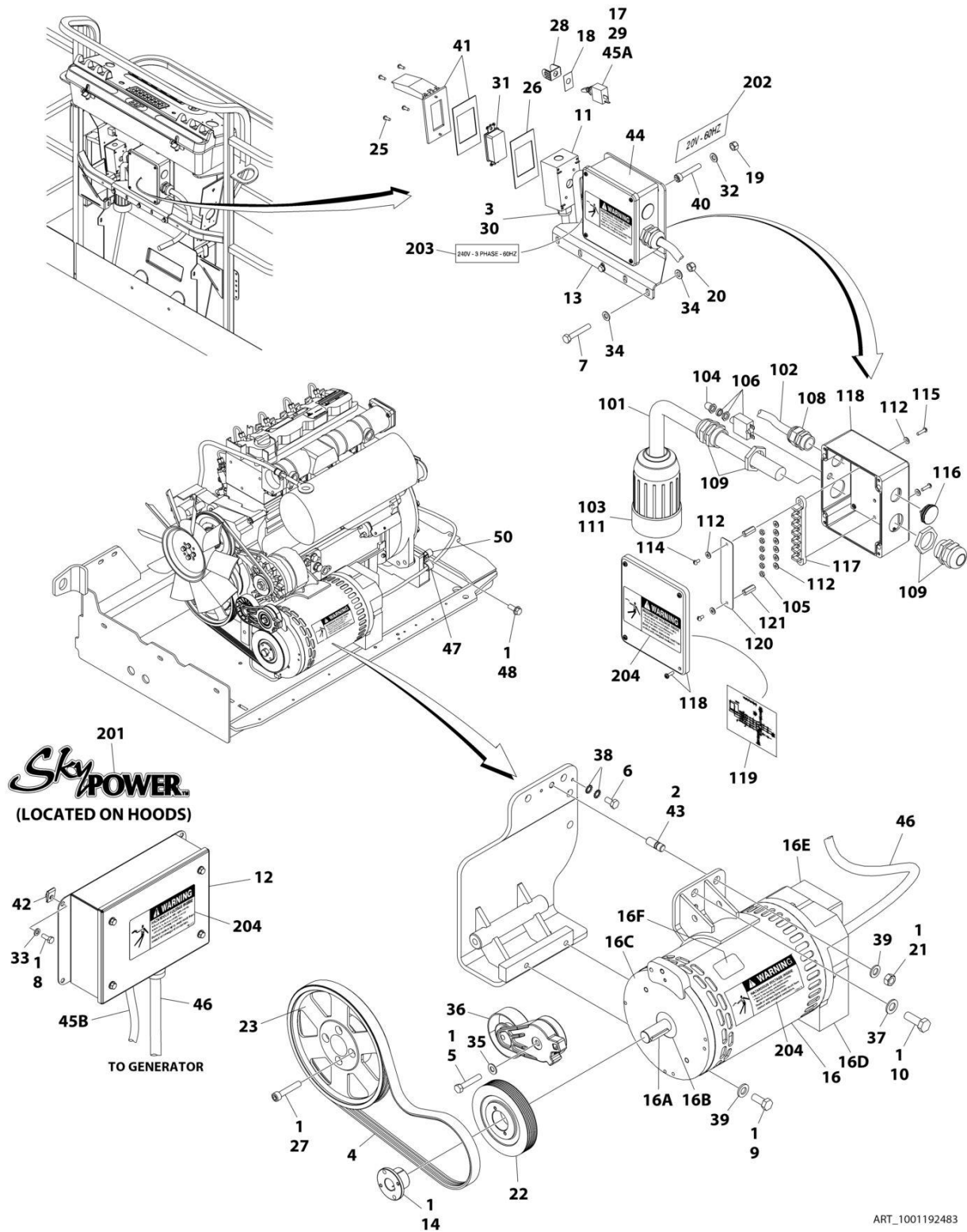
ITEM	PART NUMBER	QTY	DESCRIPTION	REV
21	3580320	1	Pulley	
22	3580317	1	Tensioner, Belt	
23	4032015	4	Capscrew M10 x 55	
24	4060802	1	Guard, Switch	
25	4360336	1	Switch, Toggle	
26	4811602	4	Washer M5	
27	4811700	4	Washer M6	
28	4811900	4	Washer M8	
29	5241000	1	Washer M10	
31	5241400	1	Washer M14	
32	4871700	2	Washer M6	
33	5241200	3	Washer M12	
34	1001104029	4	Capscrew M5 x 30 Grade 12.9	
35	1001130220	4	Nut, Tinnerman M6	
36	1001196382	1	Stud	
37	1001157525	1	Junction Box Assembly (See Items 101-117 for Breakdown)	
38A	4922641	1	Generator Switch Harness	
38B	1001152429	1	Generator to Engine Harness (See Separate Breakdown in ELECTRICAL SECTION)	
39	4922925	1	Generator Harness (See Separate Breakdown in ELECTRICAL SECTION)	
40	5251012	1	Bolt M10 x 25	
41	7274000040	1	Clamp	
43	1320061	1	Clamp	
	1001157525	Ref	JUNCTION BOX ASSEMBLY	B
101	3300396	1	Cover, Fuse	
102	3311001	6	Nut #10	
103	3520189	1	Plug	
104	3520192	1	Plug	
105	4360070	1	Circuit Breaker - 15Amp	
106	4460425	1	Connector, Strain Relief	
107	4460426	2	Connector, Strain Relief	
109	4711000	10	Washer #10	
110	10702077	2	Screw #10 x 3/8	
111	10702082	2	Screw #10 x 3/4	
112	1001152525	1	Plug	
113	1001152520	1	Block, Terminal	
114	1001157521	1	Box, Junction	
115	1001157528	1	Decal - Wiring Schematic	
116	1001158007	1	Cover, PVC	
117	1001158008	2	Stand-Off	
	0272589	Ref	DECAL INSTALLATION	A
201	1705460	2	Decal - SkyPower	
202	1705461	1	Decal - 240V - 3 Phase - 50Hz	
203	1705489	3	Decal - Hazardous Voltage	





# SECTION 3 - ENGINE

**FIGURE 3-53. 7500W SKYPOWER GENERATOR INSTALLATION - 110V/60HZ (DEUTZ D2011 ENGINES) (OPTIONAL)**



## SECTION 3 - ENGINE

**FIGURE 3-53. 7500W SKYPOWER GENERATOR INSTALLATION - 110V/60HZ (DEUTZ D2011 ENGINES) (OPTIONAL)**

ITEM	PART NUMBER	QTY	DESCRIPTION	REV
	1001192483	Ref	7500W SKYPOWER GENERATOR INSTALLATION	I
1	0100011	AR	Compound, Locking	
2	0100019	AR	Compound, Locking	
3	0100079	AR	Sealant	
4	1001136356	1	Belt	
5	0641618	1	Bolt 3/8 x 2-1/4	
6	0760606	1	Bolt M6 x 12	
7	0700819	2	Bolt M8 x 55	
8	0760608	4	Bolt M6 x 16	
9	0761212	2	Bolt M12 x 25	
10	0771415	1	Bolt M14 x 35	
11	0860038	1	Box, Receptacle	
12	0861538	1	Control Box Assembly	
12	7024488	1	Card, Circuit - Generator Power	
12	See Note	NSS	Fuse (Note: Not Available - Purchase Locally)	
12	7024489	1	Card, Circuit - Control	
12	70000619	1	Harness, Control Box (Internal)	
13	0902888	1	Bracket	
14	0962520	1	Bushing, Split	
16	2460048	1	Generator Assembly	
16	70001100	1	Rotor (Includes p/n 70001384 & 70000863) (Not Shown)	
16	70001384	1	Bearing, Ball Radial (Not Shown)	
16	70000863	1	Fan (Not Shown)	
16	70002088	1	Stator (Not Shown)	
16	70002297	1	Stud	
16	70003631	1	Brushholder Assembly (Not Shown)	
16A	70004171	1	Key	
16B	70001966	1	Bearing, Ball Radial (Located in Belt Tensioner Endbell)	
16B	70003708	1	Ring, Internal Retaining (Located in Belt Tensioner Endbell)	
16B	70003709	1	Ring, External Retaining (Located in Belt Tensioner Endbell)	
16C	70001953	1	Endbell, Belt Tensioner	
16D	70004169	1	Endbell, Brush Block	
16E	70004169	1	Shroud	
16E	See Note	NSS	Insulator, Endbell (Note: Not Available for Purchase)	
16E	7027799	1	Block, Connector - 6 Position (Not Shown)	
16E	70002460	1	Nut, Brass (Attaches p/n 7027799 to Cover) (Not Shown)	
16E	7024485	1	Breaker, Circuit 30Amp (Not Shown)	
16E	70001696	1	Boot, Breaker (Not Shown)	
16E	7026626	1	Connector, 6 Position (Includes Seal) (Not Shown - Plugs into Item 39)	
16E	7026597	1	Connector, with Leads (Not Shown)	
16E	7026188	1	Clamp, Cable Options (Not Shown)	
16E	70004169	1	Plate, End Panel	
16E	70001974	1	Decal - Terminal Connections	
16F	70001973	1	Decal - Warning Moving Parts	
17	2820031	AR	Heat Shrink	
18	3252764	1	Nameplate - AC & Weld	
19	3290505	4	Nut M5	
20	3290805	2	Nut M8	

## SECTION 3 - ENGINE

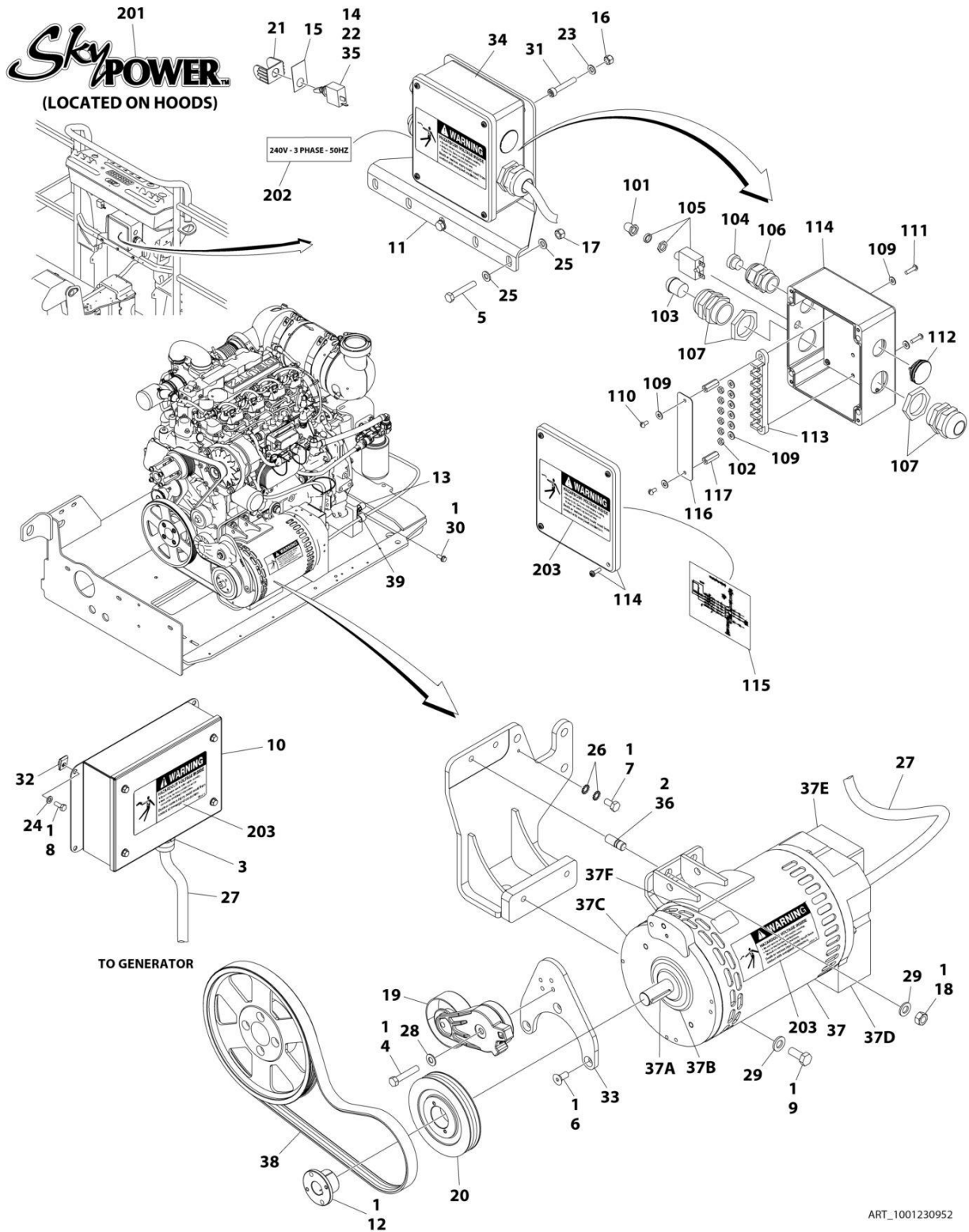
ITEM	PART NUMBER	QTY	DESCRIPTION	REV
21	3291201	1	Nut M12	
22	3580318	1	Pulley	
23	3580320	1	Pulley	
25	3910606	4	Screw #6 x 3/8	
26	3960422	1	Gasket	
27	4032015	4	Capscrew M10 x 55	
28	4060802	1	Guard, Switch	
29	4360336	1	Switch, Toggle	
30	4460071	1	Connector, Strain Relief	
31	4460346	1	Receptacle	
32	4811602	4	Washer M5	
33	4811700	4	Washer M6	
34	4811900	4	Washer M8	
35	5241000	1	Washer M10	
36	3580317	1	Tensioner, Belt	
37	5241400	1	Washer M14	
38	4871700	2	Washer M6	
39	5241200	3	Washer M12	
40	1001104029	4	Capscrew M5 x 30 Grade 12.9	
41	1001110873	1	Cover	
42	1001130220	4	Nut, Tinnerman M6	
43	1001196382	1	Stud	
44	1001157592	1	Junction Box Assembly (See Items 101-121 for Breakdown)	
45A	4922641	1	Generator Switch Harness	
45B	1001152429	1	Generator to Engine Harness (See Separate Breakdown in ELECTRICAL SECTION)	
46	4922925	1	Generator Harness (See Separate Breakdown in ELECTRICAL SECTION)	
47	7274000040	1	Clamp	
48	5251012	1	Bolt M10 x 25	
50	1320061	1	Clamp	
	1001157592	Ref	JUNCTION BOX ASSEMBLY	C
101	1060343	1.5 ft/ 0.5m	Cable, Electrical 10/4	
102	1001179154	2.5 ft/ 0.8m	Cable, Electrical 12/3	
103	1671092	1	Cover	
104	3300396	1	Cover, Fuse	
105	3311001	6	Nut #10	
106	4360070	1	Circuit Breaker - 15Amp	
108	4460425	1	Connector, Strain Relief	
109	4460426	2	Connector, Strain Relief	
111	4460963	1	Connector	
112	4711000	10	Washer #10	
114	10702077	2	Screw #10 x 3/8	
115	10702082	2	Screw #10 x 3/4	
116	1001152525	1	Plug	
117	1001157520	1	Block, Terminal	
118	1001157521	1	Box, Junction	
119	1001157528	1	Decal - Wiring Schematic	
120	1001158007	1	Cover, PVC	
121	1001158008	2	Stand-Off	

## SECTION 3 - ENGINE

ITEM	PART NUMBER	QTY	DESCRIPTION	REV
	0272435	Ref	DECAL INSTALLATION	D
201	1705460	2	Decal - SkyPower	
202	3251243	1	Decal - 120V-60Hz	
203	1705375	1	Decal - 240V - 3 Phase - 60Hz	
204	1705387	3	Decal - Hazardous Voltage	

# SECTION 3 - ENGINE

## FIGURE 3-54. 7500W GENERATOR INSTALLATION - 220V/50HZ (DEUTZ TD2.9L4 ENGINES) (OPTIONAL)



## SECTION 3 - ENGINE

**FIGURE 3-54. 7500W GENERATOR INSTALLATION - 220V/50HZ (DEUTZ TD2.9L4 ENGINES)  
(OPTIONAL)**

ITEM	PART NUMBER	QTY	DESCRIPTION	REV
	1001230952	Ref	7500W GENERATOR INSTALLATION	A
1	0100011	AR	Compound, Locking	
2	0100019	AR	Compound, Locking	
3	0100048	AR	Grease, Terminal	
4	0641616	1	Bolt 3/8 x 2	
5	0700819	2	Bolt M8 x 55	
6	0741607	3	Screw 3/8 x 7/8	
7	0760606	1	Bolt M6 x 12	
8	0760608	4	Bolt M6 x 16	
9	0761212	2	Bolt M12 x 25	
10	0861572	1	Control Box Assembly	
10	7024488	1	Card, Circuit - Generator Power	
10	See Note	NSS	Fuse (Note: Not Available - Purchase Locally)	
10	7024489	1	Card, Circuit - Control	
10	70000619	1	Harness, Control Box (Internal)	
11	0902888	1	Bracket	
12	0962520	1	Bushing, Split	
13	1320061	1	Clamp	
14	2820031	AR	Heatshrink	
15	3252764	1	Nameplate - AC & Weld	
16	3290505	4	Nut M5	
17	3290805	2	Nut M8	
18	3291201	2	Nut M12	
19	3580317	1	Tensioner, Belt	
20	3580319	1	Pulley	
21	4060802	1	Guard, Switch	
22	4360336	1	Switch, Toggle	
23	4811602	4	Washer M5	
24	4811700	4	Washer M6	
25	4811900	4	Washer M8	
26	4871700	2	Washer M6	
27	4922925	1	Generator Harness (See Separate Breakdown in ELECTRICAL SECTION)	
28	5241000	1	Washer M10	
29	5241200	4	Washer M12	
30	5251012	1	Bolt M10 x 25	
31	1001104029	4	Capscrew M5 x 30, Grade 12.9	
32	1001130220	4	Nut, Tinnerman M6	
33	1001142643	1	Support	
34	1001157525	1	Junction Box Assembly (See Items 101-117 for Breakdown)	
35	4922641	1	Switch Harness	
36	1001196382	2	Stud	
37	1001212223	1	Generator Assembly - 50Hz	
37	70001100	1	Rotor (Includes p/n 70001384 & 70000863) (Not Shown)	
37	70001384	1	Bearing, Ball Radial (Not Shown)	
37	70000863	1	Fan (Not Shown)	
37	70006093	1	Stator (Not Shown)	
37	70002297	1	Stud	
37	70003631	1	Brushholder Assembly (Not Shown) (was p/n 7024484)	

## SECTION 3 - ENGINE

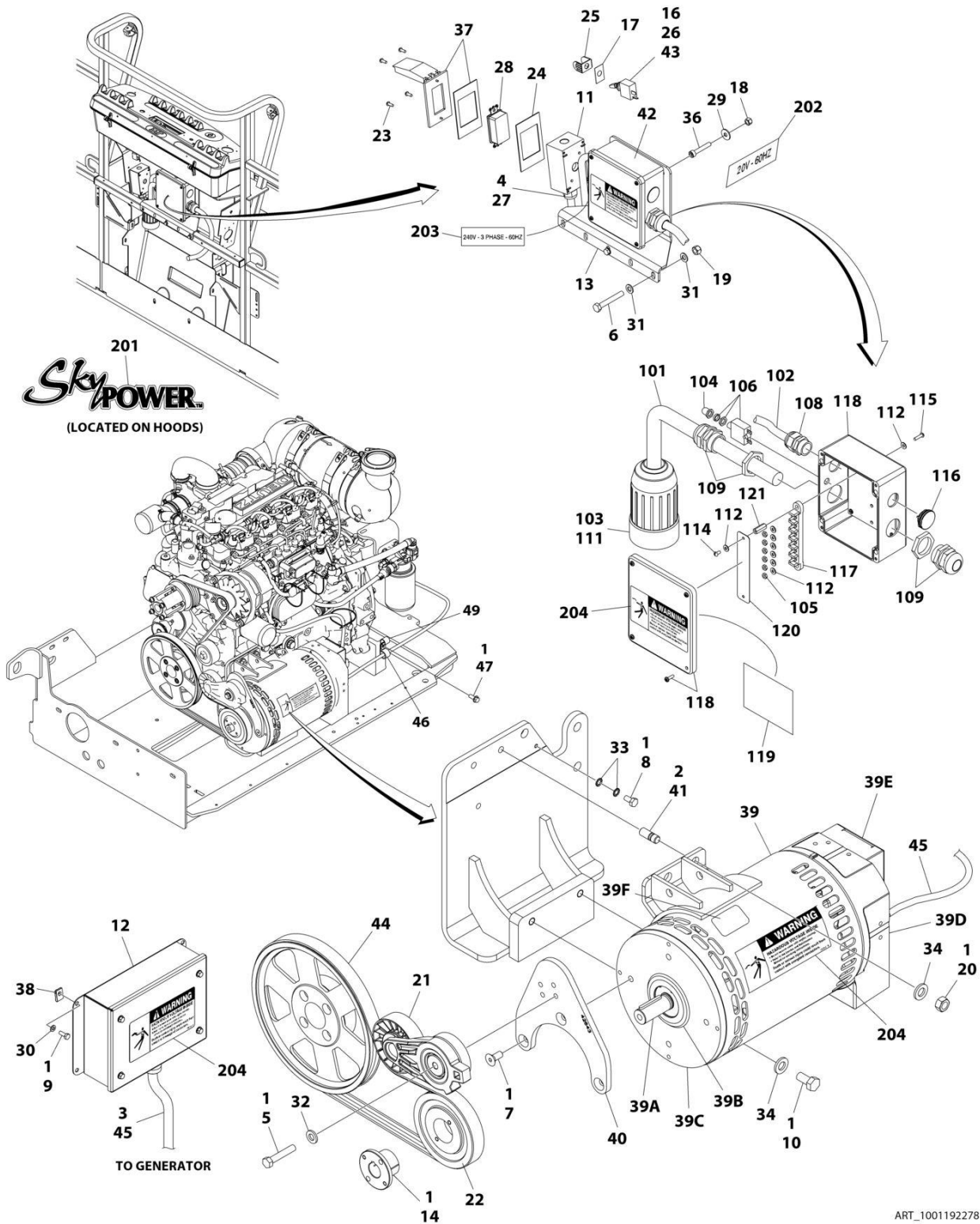
ITEM	PART NUMBER	QTY	DESCRIPTION	REV
37A	70004099	1	Key	
37B	70001966	1	Bearing, Ball Radial (Located in Belt Tensioner Endbell)	
37B	70003708	1	Ring, Internal Retaining (Located in Belt Tensioner Endbell)	
37B	70003709	1	Ring, External Retaining (Located in Belt Tensioner Endbell)	
37C	70004092	1	Endbell, Belt Tensioner	
37D	70004094	1	Endbell, Brush Block	
37E	70006094	1	Shroud	
37E	70002291	1	Insulator, Endbell	
37E	7027799	1	Block, Connector - 6 Position (Not Shown)	
37E	70002460	1	Nut, Brass (Attaches p/n 7027799 to Cover) (Not Shown)	
37E	70006095	1	Breaker, Circuit 30Amp (Not Shown)	
37E	70006096	1	Boot, Breaker (Not Shown)	
37E	7026626	1	Connector - 6 Position (Includes Seal) (Not Shown - Plugs into Item 36)	
37E	7026597	1	Connector with Leads (Not Shown)	
37E	70004098	1	Clamp, Cable (Not Shown)	
37E	70006097	1	Plate, End Panel	
37E	70001974	1	Decal - Terminal Connections	
37F	70001973	1	Decal - Warning Moving Parts	
38	1001214683	1	Belt	
39	7274000040	1	Clamp	
	1001157525	1	JUNCTION BOX ASSEMBLY	B
101	3300396	1	Cover, Fuse	
102	3311001	6	Nut #10	
103	3520189	1	Plug	
104	3520192	1	Plug	
105	4360070	1	Circuit Breaker - 15Amp	
106	4460425	1	Connector, Strain Relief	
107	4460426	2	Connector, Strain Relief	
109	4711000	10	Washer #10	
110	10702077	2	Screw #10 x 3/8	
111	10702082	2	Screw #10 x 3/4	
112	1001152525	1	Plug	
113	1001157520	1	Block, Terminal	
114	1001157521	1	Box, Junction	
115	1001157528	1	Decal - Wiring Schematic	
116	1001158007	1	Cover, PVC	
117	1001158008	2	Stand-Off	
	0272589	Ref	DECAL INSTALLATION	A
201	1705460	2	Decal - SkyPower	
202	1705461	1	Decal - 240V - 3 Phase - 50Hz	
203	1705489	3	Decal - Hazardous Voltage	





# SECTION 3 - ENGINE

## FIGURE 3-55. 7500W SKYPOWER GENERATOR INSTALLATION - 110V/60HZ (DEUTZ TD2.9L4 ENGINES) (OPTIONAL)



## SECTION 3 - ENGINE

**FIGURE 3-55. 7500W SKYPOWER GENERATOR INSTALLATION - 110V/60HZ (DEUTZ TD2.9L4 ENGINES) (OPTIONAL)**

ITEM	PART NUMBER	QTY	DESCRIPTION	REV
	1001192278	Ref	7500W SKYPOWER GENERATOR INSTALLATION	G
1	0100011	AR	Compound, Locking	
2	0100019	AR	Compound, Locking	
3	0100048	AR	Compound Terminal	
4	0100079	AR	Sealant	
5	0641616	1	Bolt 3/8 x 2	
6	0700819	2	Bolt M8 x 55	
7	0741607	3	Screw 3/8 x 7/8	
8	0760606	1	Bolt M6 x 12	
9	0760608	4	Bolt M6 x 16	
10	0761212	2	Bolt M12 x 25	
11	0860038	1	Box, Receptacle	
12	0861538	1	Control Box Assembly	
12	7024488	1	Card, Circuit - Generator Power	
12	See Note	NSS	Fuse (Note: Not Available - Purchase Locally)	
12	7024489	1	Card, Circuit - Control	
12	70000619	1	Harness, Control Box (Internal)	
		Ref	Note: Same Circuit Card (P/N 7024489) is used for both 60Hz and 50Hz. When replacing card, rocker switch on card must be set for required application.	
13	0902888	1	Bracket	
14	0962520	1	Bushing, Split	
16	2820031	AR	Heat Shrink	
17	3252764	1	Nameplate - AC & Weld	
18	3290505	4	Nut M5	
19	3290805	2	Nut M8	
20	3291201	2	Nut M12	
21	3580317	1	Tensioner, Belt	
22	3580318	1	Pulley	
23	3910606	4	Screw #6 x 3/8	
24	3960422	1	Gasket	
25	4060802	1	Guard, Switch	
26	4360336	1	Switch, Toggle	
27	4460071	1	Connector, Strain Relief	
28	4460346	1	Receptacle	
29	4811602	4	Washer M5	
30	4811700	4	Washer M6	
31	4811900	4	Washer M8	
32	5241000	1	Washer M10	
33	4871700	2	Washer M6	
34	5241200	4	Washer M12	
36	1001104029	1	Capscrew M5 x 30 Grade 12.9	
37	1001110873	1	Cover	
38	1001130220	4	Nut, Tinnerman M6	
39	1001212223	1	Generator Assembly	
39	70001100	1	Rotor (Includes p/n 70001384 & 70000863) (Not Shown)	
39	70001384	1	Bearing, Ball Radial (Not Shown)	
39	70000863	1	Fan (Not Shown)	

## SECTION 3 - ENGINE

ITEM	PART NUMBER	QTY	DESCRIPTION	REV
39	70006093	1	Stator (Not Shown)	
39	70002297	1	Stud	
39	70003631	1	Brushholder Assembly (Not Shown) (was p/n 7024484)	
39A	70004099	1	Key	
39B	70001966	1	Bearing, Ball Radial (Located in Belt Tensioner Endbell)	
39B	70003708	1	Ring, Internal Retaining (Located in Belt Tensioner Endbell)	
39B	70003709	1	Ring, External Retaining (Located in Belt Tensioner Endbell)	
39C	70004092	1	Endbell, Belt Tensioner	
39D	70004094	1	Endbell, Brush Block	
39E	70006094	1	Shroud	
39E	70002291	1	Insulator, Endbell	
39E	7027799	1	Block, Connector - 6 Position (Not Shown)	
39E	70002460	1	Nut, Brass (Attaches p/n 7027799 to Cover) (Not Shown)	
39E	70006095	1	Breaker, Circuit 30Amp (Not Shown)	
39E	70006096	1	Boot, Breaker (Not Shown)	
39E	7026626	1	Connector, 6 Position (Includes Seal) (Not Shown - Plugs into Item 45)	
39E	7026597	1	Connector with Leads (Not Shown)	
39E	70004098	1	Clamp, Cable (Not Shown)	
39E	70006097	1	Plate, End Panel	
39E	70001974	1	Decal - Terminal Connections	
39F	70001973	1	Decal - Warning Moving Parts	
40	1001142643	1	Support	
41	1001196382	2	Stud	
42	1001157592	1	Junction Box Assembly (See Items 101-121 for Breakdown)	
43	4922641	1	Generator Switch Harness	
44	1001142646	1	Belt	
45	4922925	1	Generator Harness (See Separate Breakdown in ELECTRICAL SECTION)	
46	7274000040	1	Clamp	
47	5251012	1	Bolt M10 x 25	
49	1320061	1	Clamp	
	1001157592	Ref	JUNCTION BOX ASSEMBLY	C
101	1060343	1.5 ft/ 0.5m	Cable, Electrical 10/4	
102	1001179154	2.5 ft/ 76cm	Cable, Electrical 12/3	
103	1671092	1	Cover, Connector	
104	3300396	1	Cover, Fuse	
105	3311001	6	Nut #10	
106	4360070	1	Circuit Breaker - 15Amp	
108	4460425	1	Connector, Strain Relief	
109	4460426	2	Connector, Strain Relief	
111	4460963	1	Connector	
112	4711000	4	Washer #10	
114	10702077	2	Screw #10 x 3/8	
115	10702082	2	Screw #10 x 3/4	
116	1001152525	1	Plug	
117	1001157520	1	Block, Terminal	
118	1001157521	1	Box, Junction	
119	1001157528	1	Decal - Wiring Schematic	
120	1001158007	1	Cover, PVC	

## SECTION 3 - ENGINE

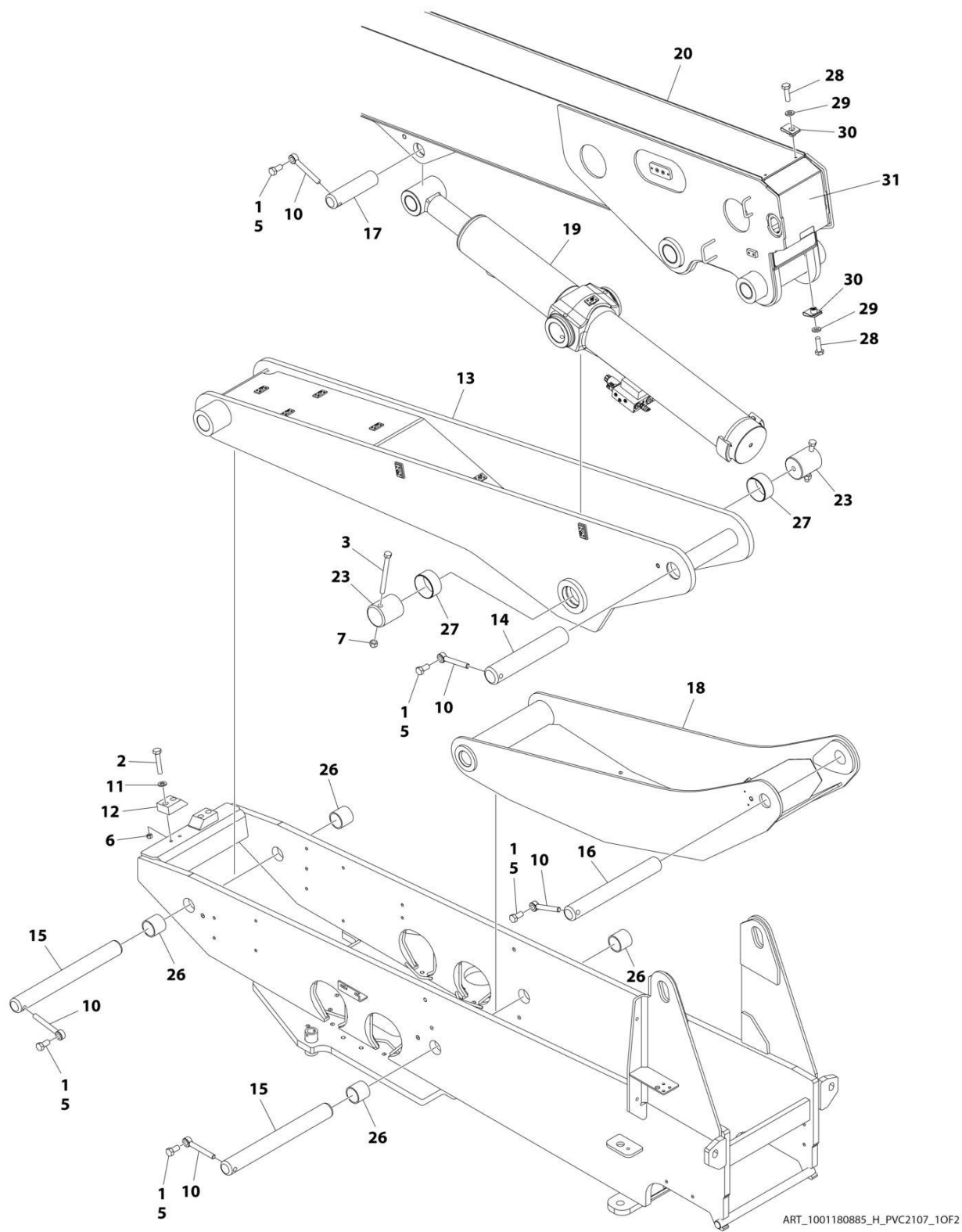
ITEM	PART NUMBER	QTY	DESCRIPTION	REV
121	1001158008	1	Stand-Off	D
	0272435	Ref	DECAL INSTALLATION	
201	1705460	2	Decal - SkyPower	
202	3251243	1	Decal - 120V-60Hz	
203	1705375	1	Decal - 240V - 3 Phase - 60Hz	
204	1705387	3	Decal - Hazardous Voltage	



**SECTION 4 - BOOM**

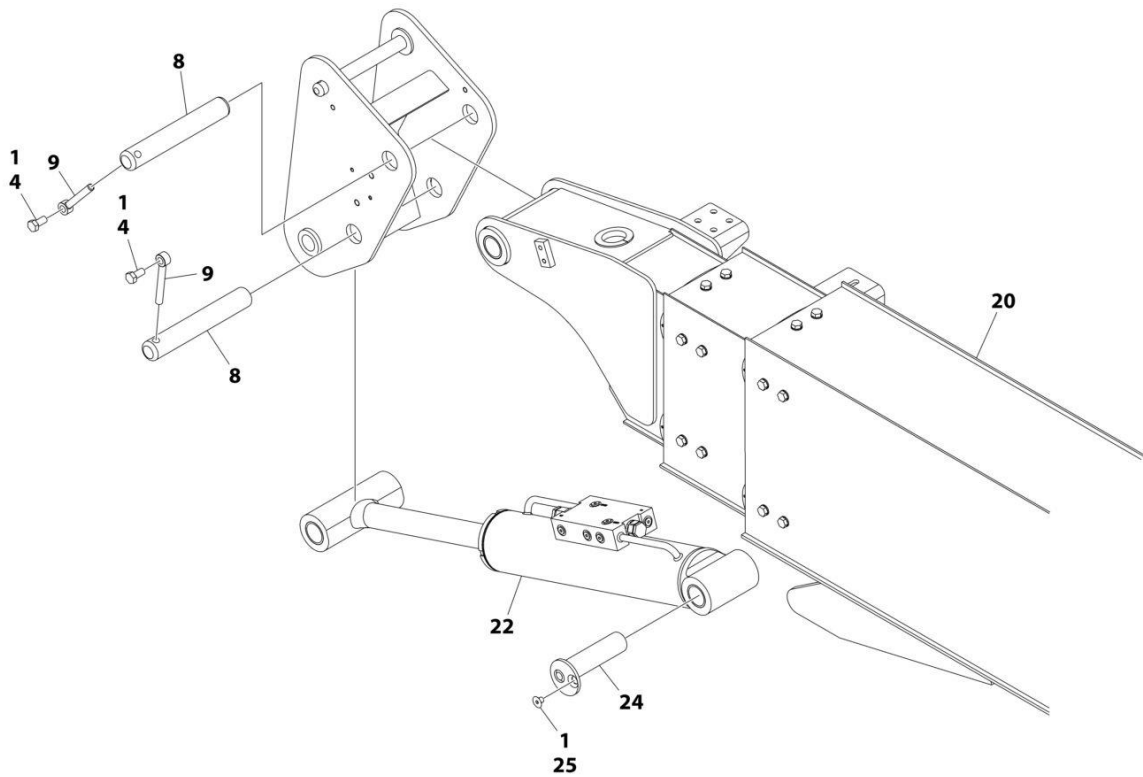
# SECTION 4 - BOOM

## FIGURE 4-1. BOOM INSTALLATION





# SECTION 4 - BOOM



ART\_1001180885\_H\_PVC2107\_20F2

## SECTION 4 - BOOM

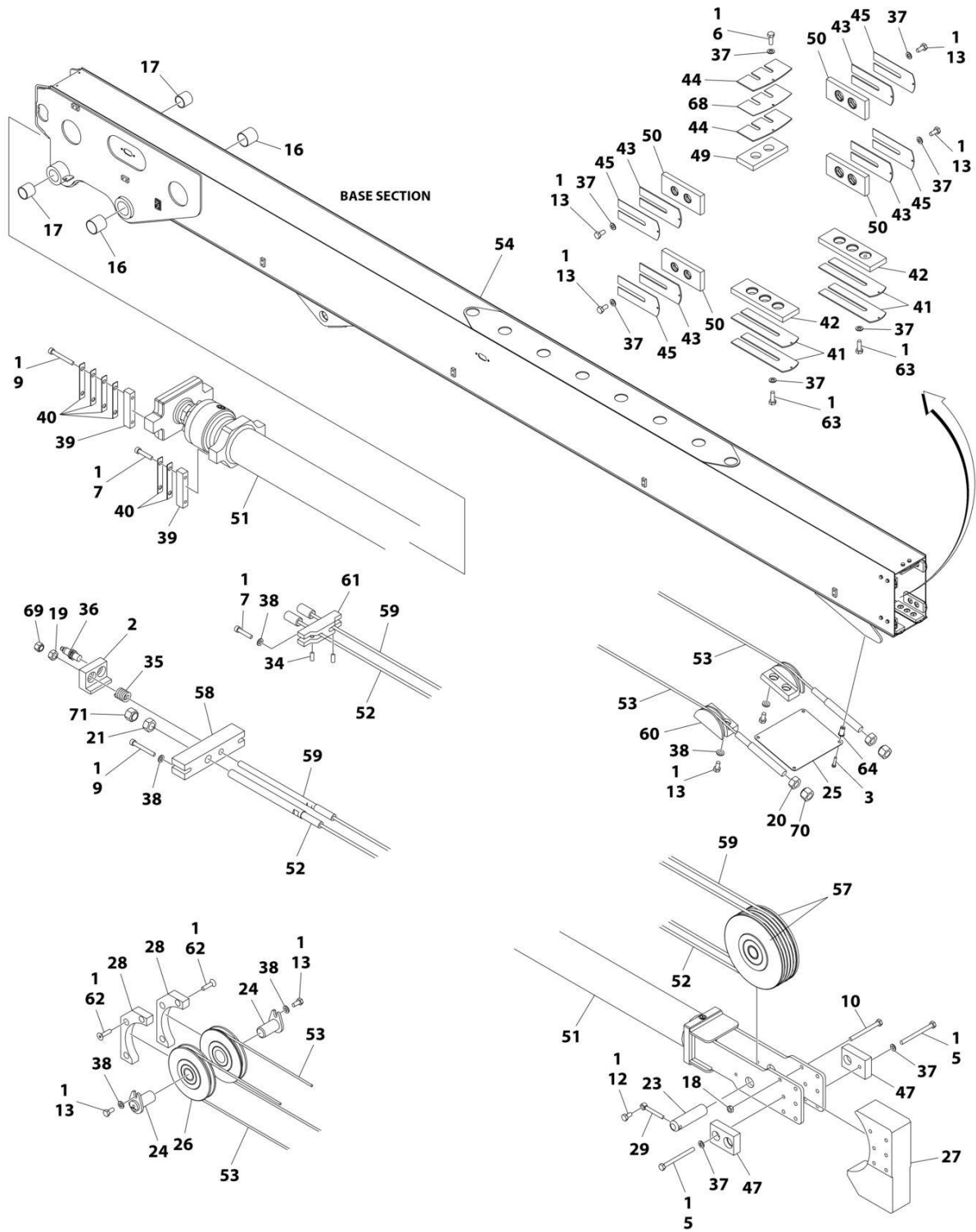
**FIGURE 4-1. BOOM INSTALLATION**

ITEM	PART NUMBER	QTY	DESCRIPTION	REV
	1001180885	Ref	BOOM INSTALLATION	H
1	0100011	AR	Compound, Locking	
2	0701019	4	Bolt M10 x 55	
3	0711635	2	Bolt M16 x 180	
4	0761212	2	Bolt M12 x 25	
5	0762016	5	Bolt M20 x 40	
6	3291005	4	Nut M10	
7	3291605	2	Nut M16	
8	3422793	2	Pin	
9	3841203	2	Keeper, Pin	
10	3841287	5	Keeper, Pin	
11	4812000	4	Washer M10	
12	1001138459	2	Pad	
13	1001174231	1	Link	
14	1001174250	1	Pin	
15	1001174252	2	Pin	
16	1001174253	1	Pin	
17	1001174254	1	Pin	
18	1001174256	1	Link	
19	1001272076	1	Lift Cylinder Assembly (See Separate Breakdown in CYLINDER Section)	
20	1001176217	1	Boom Assembly (See Separate Breakdown in this Section)	
22	1001184957	1	Level Cylinder Assembly - Platform Slave (See Separate Breakdown in CYLINDER Section)	
23	1001183926	2	Pin	
24	1001192052	1	Pin	
25	1001192027	1	Screw M10 x 12	
26	0962423	4	Bearing	
27	1001174251	2	Bearing	
28	0760610	4	Bolt M6 x 20	
29	4811700	4	Washer M6	
30	1001130220	4	Nut - Tinnerman M6	
31	1001228177	1	Cover	



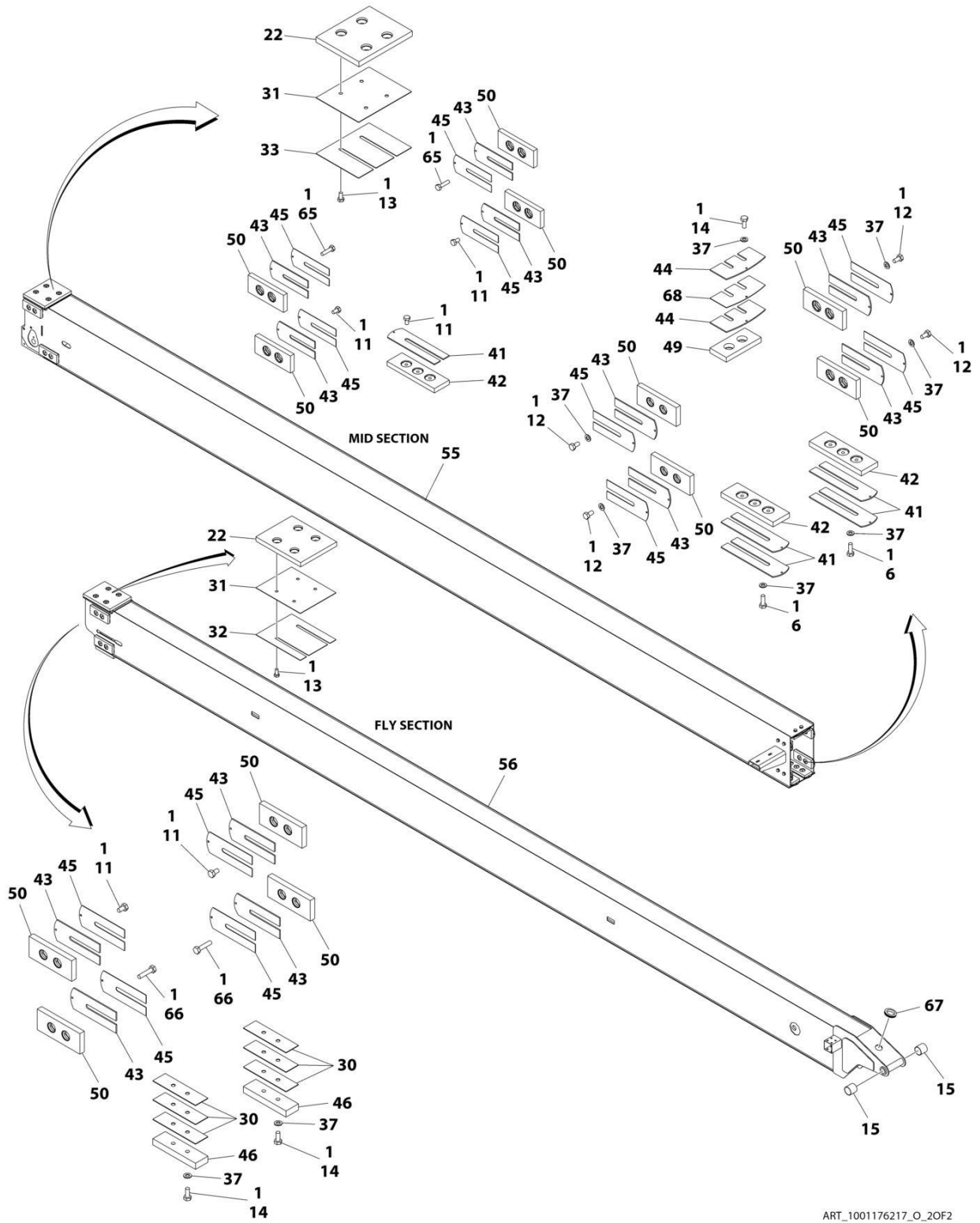
# SECTION 4 - BOOM

## FIGURE 4-2. BOOM ASSEMBLY



ART\_1001176217\_O\_10F2

# SECTION 4 - BOOM



ART\_1001176217\_O\_20F2

# SECTION 4 - BOOM

## FIGURE 4-2. BOOM ASSEMBLY

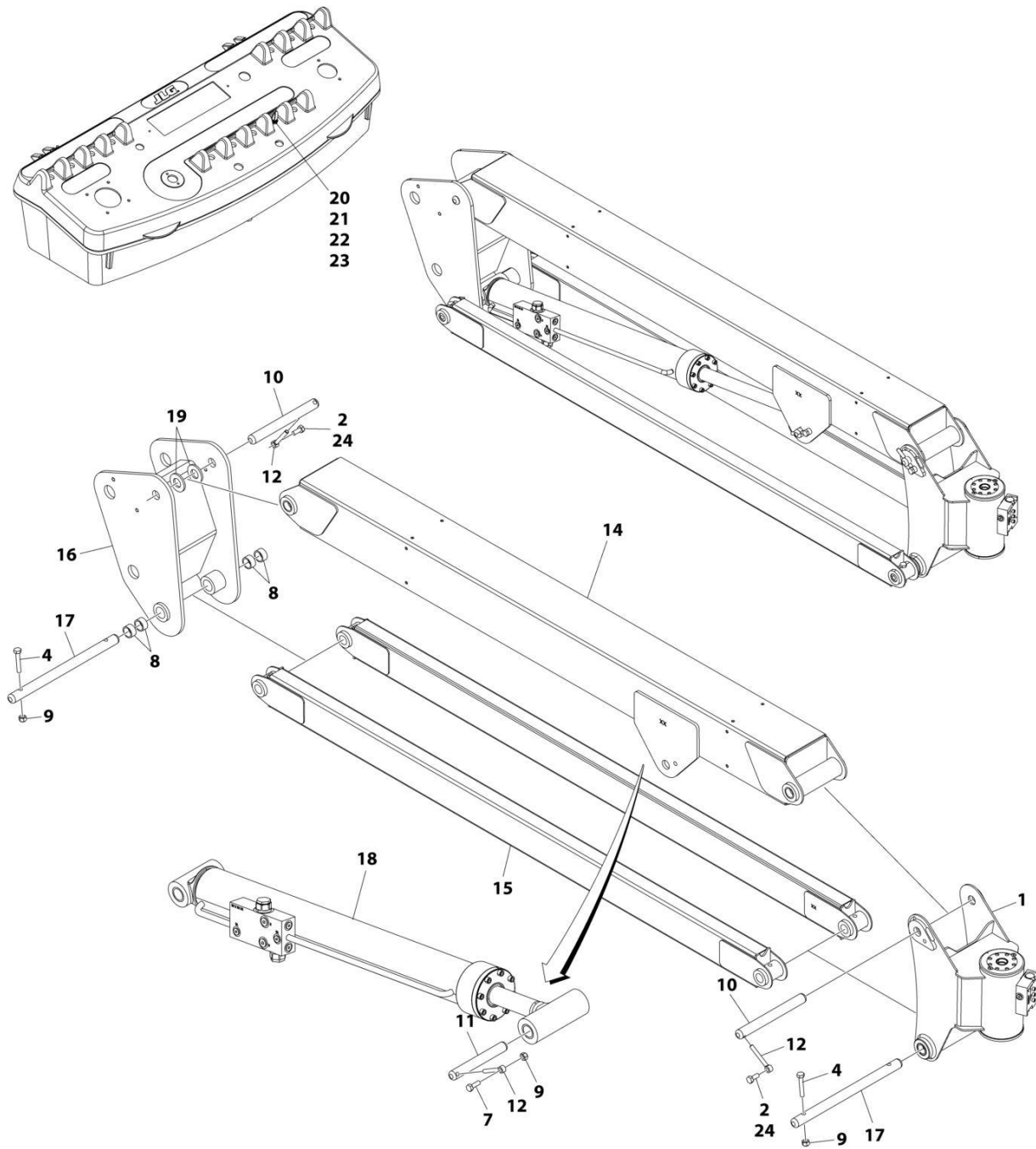
ITEM	PART NUMBER	QTY	DESCRIPTION	REV
	1001176217	Ref	BOOM ASSEMBLY	O
1	0100011	AR	Compound, Locking	
2	0561508	1	Block	
3	0760614	4	Bolt M6 x 30	
5	0701029	2	Bolt M10 x 120	
6	0701013	8	Bolt M10 x 28	
7	4032014	6	Capscrew M10 x 50	
9	4032020	6	Capscrew M10 x 80	
10	0701028	4	Bolt M10 x 110	
11	0761009	10	Bolt M10 x 18	
12	0761010	9	Bolt M10 x 20	
13	0761011	22	Bolt M10 x 22	
14	0761012	6	Bolt M10 x 25	
15	0961948	2	Bearing	
16	0962033	2	Bushing	
17	0962423	2	Bearing	
18	3291001	4	Nut M10	
19	3291601	1	Nut M16	
20	3292001	2	Nut M20	
21	3292201	1	Nut M22	
22	1001191385	2	Pad, Wear	
23	3422417	1	Pin	
24	3422424	2	Pin	
25	3539622	1	Cover	
26	3580243	2	Sheave, Retract	
26	0961951	2	Bushing (1 Per Sheave)	
27	3580248	1	Guard, Sheave (Extend)	
28	3580249	2	Guard, Sheave (Retract)	
29	3841143	1	Keeper, Pin	
30	4070895	6	Shim 16Ga	
31	4070896	2	Shim .06	
32	4070939	1	Shim 16Ga	
33	4070940	1	Shim 16Ga	
34	4092009	2	Setscrew M10 x 25	
35	4160149	1	Spring	
36	1001214831	1	Switch, Proximity	
37	4812000	38	Washer M10	
38	5241000	10	Washer M10	
39	1001135488	4	Block	
40	1001136571	12	Shim 16Ga	
41	1001136575	9	Shim 11Ga	
42	1001136583	5	Pad, Wear	
43	4070898	16	Shim, Wear Pad	
44	1001138436	4	Shim 11Ga	
45	4070897	16	Shim, Wear Pad	
46	1001148650	2	Pad, Wear	
47	1001191384	2	Pad, Wear	
49	1001136587	2	Pad, Wear	
50	1001153398	16	Pad, Wear	
51	1001251079	1	Telescope Cylinder Assembly (See Separate Breakdown in	

## SECTION 4 - BOOM

ITEM	PART NUMBER	QTY	DESCRIPTION	REV
			CYLINDER SECTION)	
52	1001175998	1	Rope, Wire (Extend)	
53	1001175999	2	Rope, Wire (Retract)	
54	1001176208	1	Base, Boom	
55	1001176212	1	Mid, Boom	
56	1001176216	1	Fly, Boom	
57	1001184913	2	Sheave, Extend	
57	1001184918	2	Bushing (1 per Sheave)	
57	1001184917	2	Sleeve, Bronze (1 per Sheave)	
57	1001184915	2	Ring, Retaining (1 per Sheave)	
58	1001186541	1	Block	
59	1001189859	1	Rope, Wire (Extend)	
60	1001191048	2	Sheave, Block	
61	1001191202	1	Block	
62	1001191205	6	Screw M10 x 40	
63	0761014	6	Bolt M10 x 30	
64	1001203719	4	Wellnut M6	
65	0761016	4	Bolt M10 x 40	
66	0761017	4	Bolt M10 x45	
67	4060805	6 in/ 16cm	Flex - Trim	
68	1001136590	2	Shim	
69	3291605	1	Nut M16	
70	3292005	2	Nut M20	
71	3292205	1	Nut M22	

# SECTION 4 - BOOM

## FIGURE 4-3. JIB ASSEMBLY



ART\_1001182046\_H



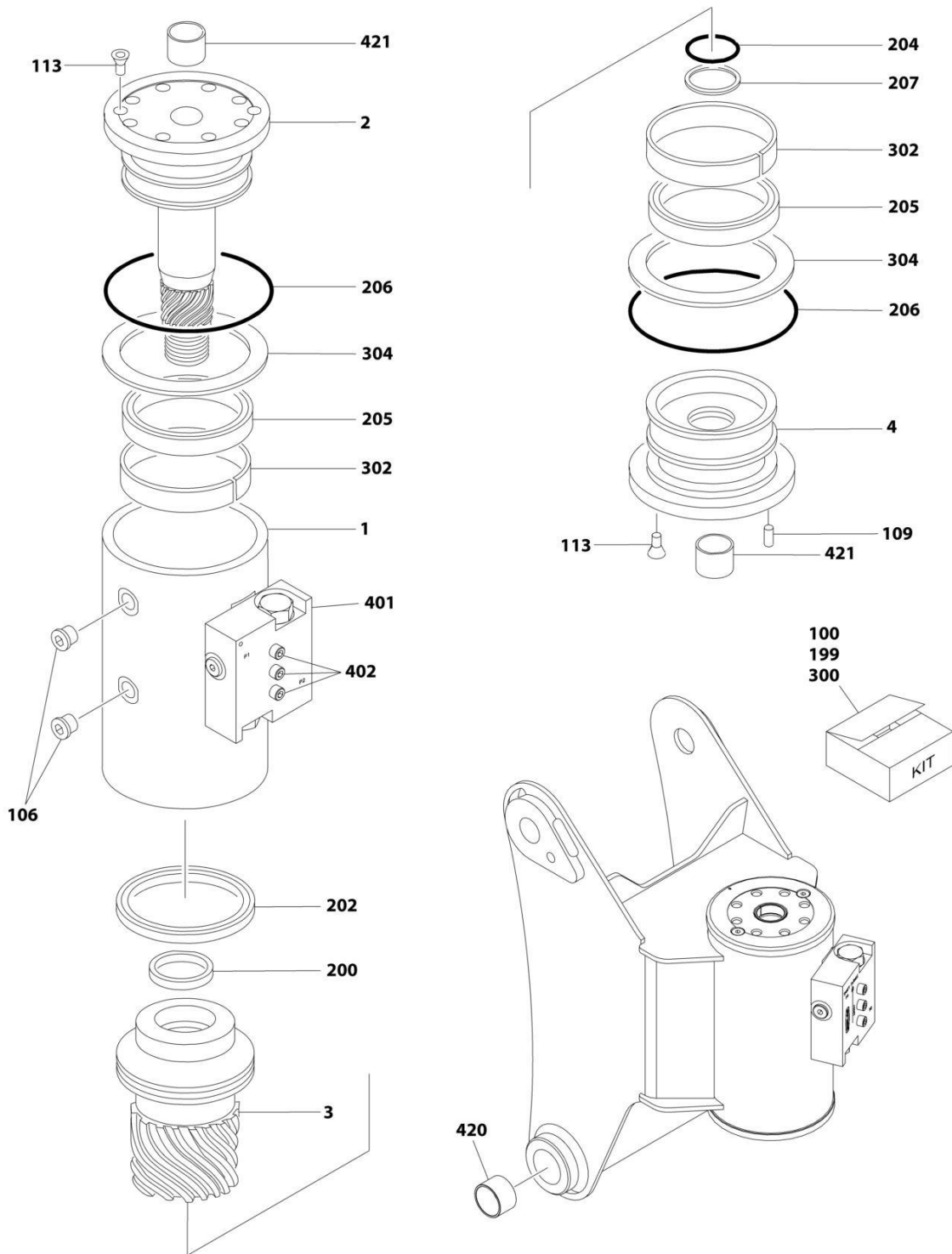
## SECTION 4 - BOOM

**FIGURE 4-3. JIB ASSEMBLY**

ITEM	PART NUMBER	QTY	DESCRIPTION	REV
	1001182046	Ref	JIB ASSEMBLY	H
1	1001190580	1	Platform Rotator Assembly (See Separate Breakdown in this Section)	
2	0100011	AR	Compound, Locking	
4	0701020	4	Bolt M10 x 60	
7	0761014	1	Bolt M10 x 30	
8	0961947	4	Bearing	
9	3291005	1	Nut M10	
10	3422860	2	Pin	
11	3422867	1	Pin	
12	3841143	3	Keeper, Pin	
14	4844816	1	Tube, JIB	
14	0962335	4	Bushing	
15	4844817	2	Link	
16	1001181962	1	Pivot	
17	3422861	2	Pin	
18	1001228013	1	Lift Cylinder Assembly - JIB (See Separate Breakdown in CYLINDER Section)	
19	4740439	2	Washer	
20	3790012	1	O-Ring	
21	4740397	1	Spacer	
22	1001155044	1	Nut 15/32	
23	1001155045	1	Switch, Toggle	
24	0761012	2	Bolt M10 x 25	

# SECTION 4 - BOOM

## FIGURE 4-4. PLATFORM ROTATOR ASSEMBLY



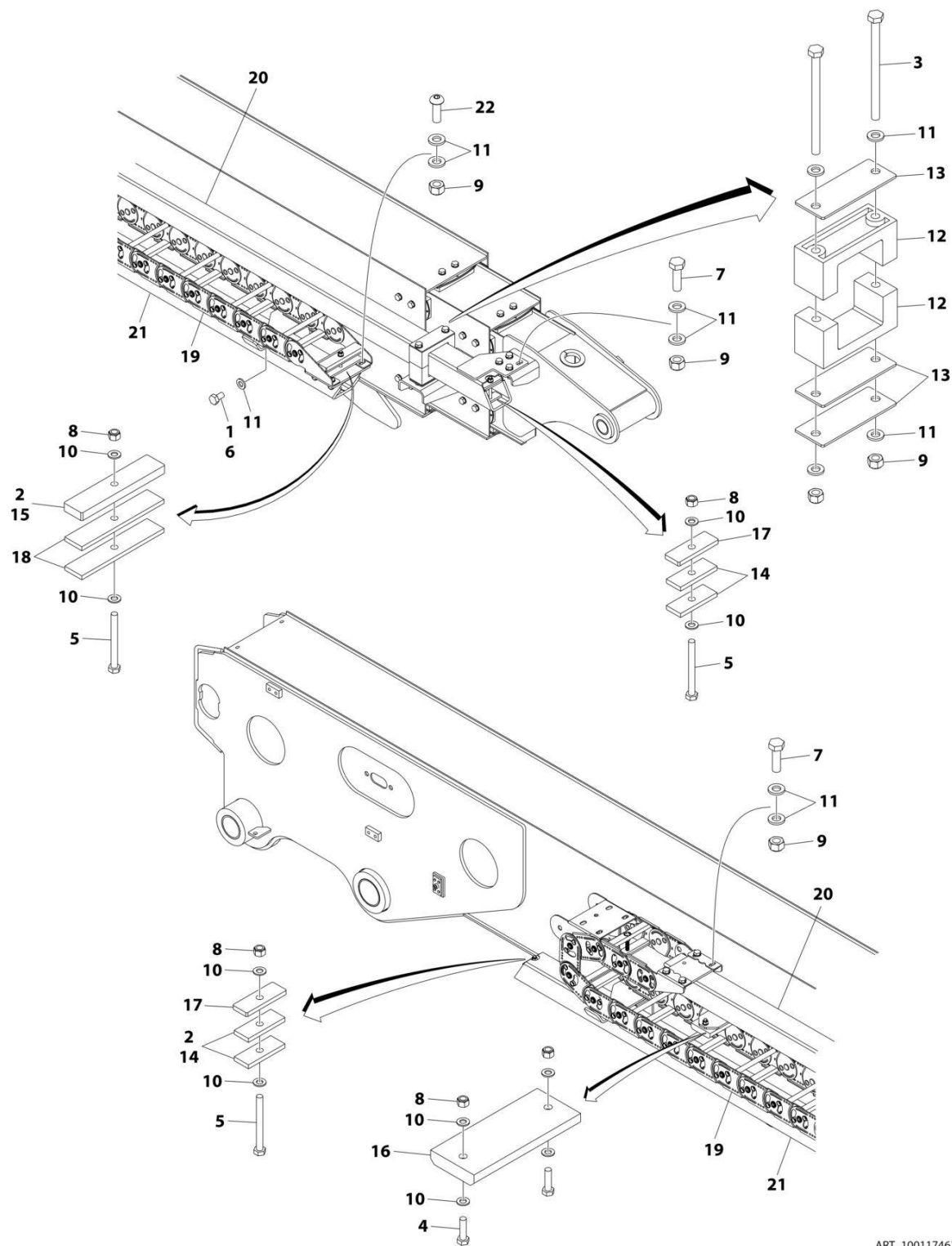
ART\_1001190580

FIGURE 4-4. PLATFORM ROTATOR ASSEMBLY

ITEM	PART NUMBER	QTY	DESCRIPTION	REV
	1001190580	Ref	PLATFORM ROTATOR ASSEMBLY	F
1	See Note	NSS	Housing/Ring Gear (Note: Purchase Complete Assembly)	
2	7017162	1	Shaft	
3	7017163	1	Piston	
4	7017164	1	Cap	
100	7017142	1	Hardware Kit (Includes Items 106-109)	
106	See Note	NSS	Plug (Note: Use Item 100)	
109	See Note	NSS	Pin, Dowel (Note: Use Item 100)	
113	70001697	6	Screw 1/4 x 3/8	
199	70000342	1	Seal Kit - Low Temperature (Includes Items 200-207)	
200	See Note	NSS	T-Seal (Note: Use Item 199)	
202	See Note	NSS	T-Seal (Note: Use Item 199)	
204	See Note	NSS	O-Ring (Note: Use Item 199)	
205	See Note	NSS	Seal (Note: Use Item 199)	
206	See Note	NSS	Ring, Back-up (Note: Use Item 199)	
207	See Note	NSS	Ring, Back-up (Note: Use Item 199)	
300	7017159	1	Bearing Kit (Includes Items 302-304)	
302	See Note	NSS	Bearing (Note: Use Item 300)	
304	See Note	NSS	Washer, Thrust (Note: Use Item 300)	
401	7017172	1	Valve, Control (Note: Sold as Assembly Only)	
401	7017192	2	Cartridge, Valve - Counterbalance (Seal Kit Not Available)	
401	See Note	1	Cartridge, Valve - Check (Seal Kit Not Available) (Note: Use p/n 7017172)	
402	See Note	NSS	Bolt 1/4 x 1-1/2 Grade 8 (Note: Purchase Locally)	
420	0961947	2	Bushing	
421	7017195	1	Bushing	

# SECTION 4 - BOOM

## FIGURE 4-5. POWER TRACK INSTALLATION



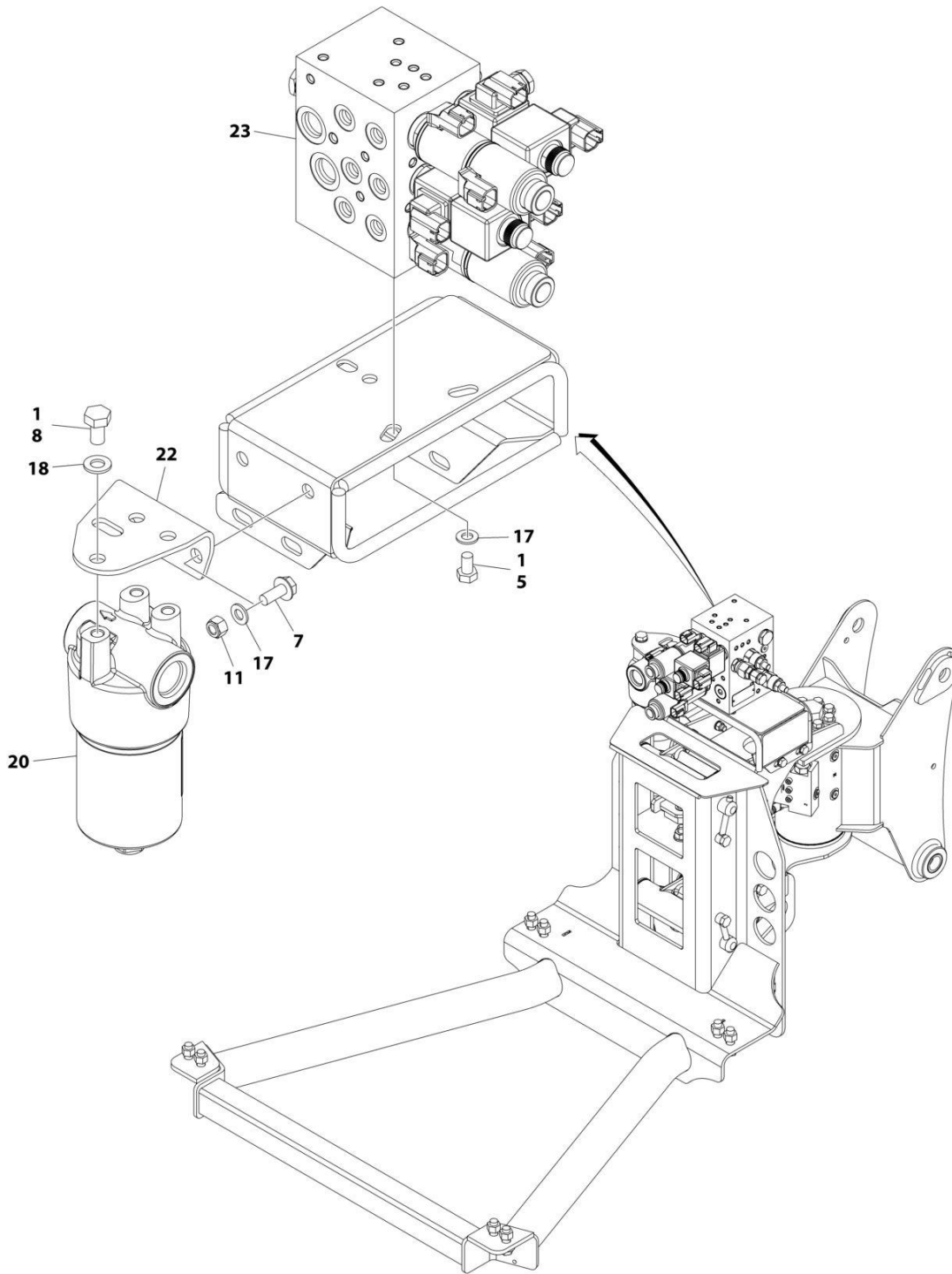
ART\_1001174630\_H

FIGURE 4-5. POWER TRACK INSTALLATION

ITEM	PART NUMBER	QTY	DESCRIPTION	REV
	1001174630	Ref	POWER TRACK INSTALLATION	H
1	0100011	AR	Compound, Locking	
2	0100081	AR	Adhesive	
3	0701032	2	Bolt M10 x 150	
4	0760814	2	Bolt M8 x 30	
5	0700823	3	Bolt M8 x 75	
6	0761009	8	Bolt M10 x 18	
7	0761015	8	Bolt M10 x 35	
8	3290805	5	Nut M8	
9	3291005	14	Nut M10	
10	4811900	10	Washer M8	
11	5241000	36	Washer M10	
12	3340764	2	Pad	
13	1001136400	AR	Plate	
14	1001136402	4	Pad	
15	1001136461	1	Plate	
16	3340787	1	Pad, Wear	
17	1001139078	2	Plate	
18	1001151192	2	Pad	
19	1001174631	1	Powertrack Assembly	
19	70005683	AR	Repair Section - Power Track	
19	70005684	1	Mounting Kit - Power Track (Includes Mounting Feet and Hardware)	
20	1001174632	1	Tube, Push	
21	1001174636	1	Support	
22	1001174673	4	Screw M10 x 30	

# SECTION 4 - BOOM

## FIGURE 4-6. BOOM VALVES INSTALLATION



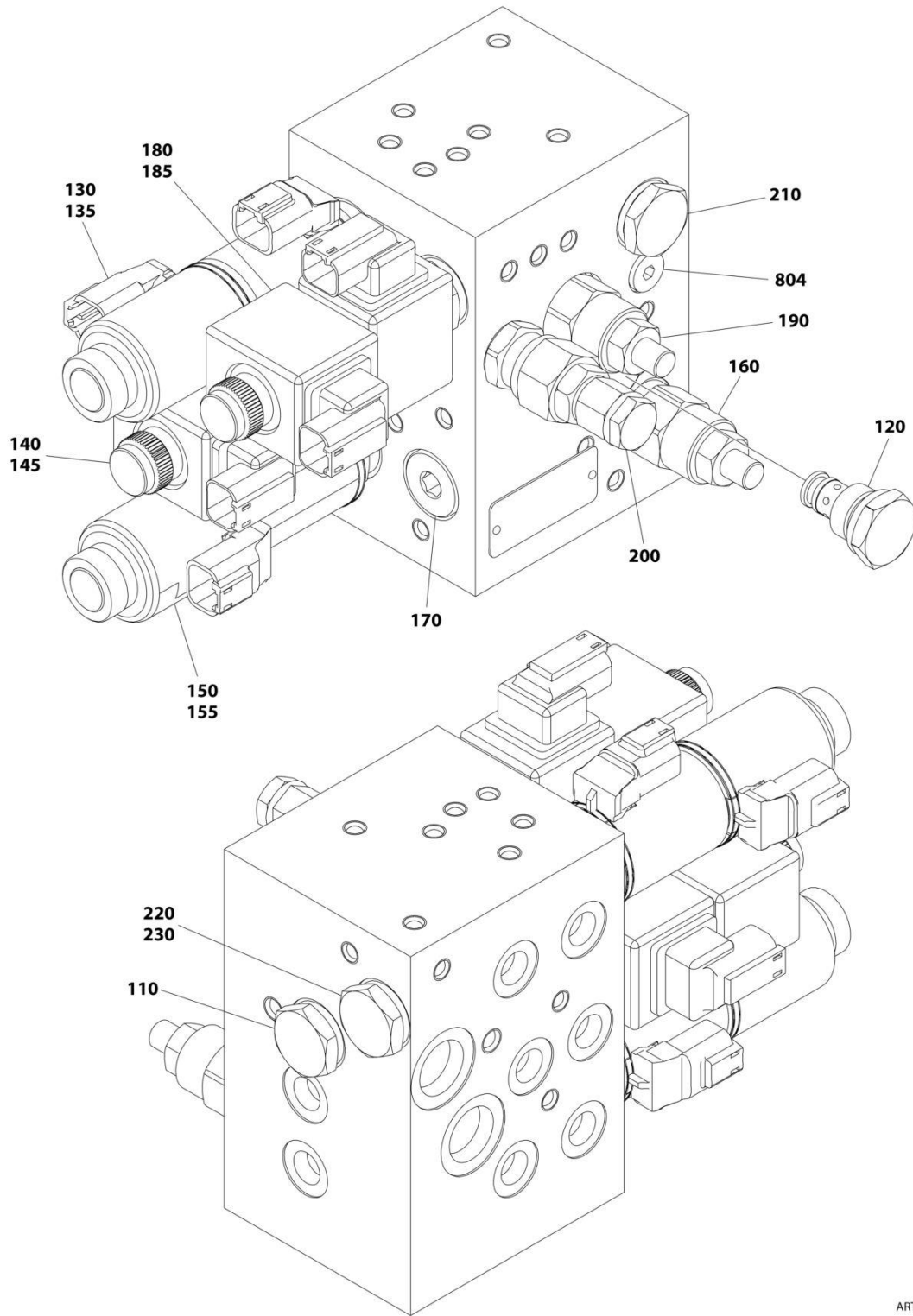
ART\_1001197143\_2OF2

FIGURE 4-6. BOOM VALVES INSTALLATION

ITEM	PART NUMBER	QTY	DESCRIPTION	REV
	1001197143	Ref	BOOM VALVES INSTALLATION	E
1	0100011	AR	Compound, Locking	
5	0760807	3	Bolt M8 x 14	
7	5250810	2	Bolt M8 x 20	
8	0761009	3	Bolt M10 x 18	
11	3290805	2	Nut M8	
17	4811900	5	Washer M8	
18	4812000	3	Washer M10	
20	1001201511	1	Filter, High Pressure	
20	70005335	1	Element, Filter	
20	70005682	1	Repair Kit (Includes Element O-Ring, Bowl O-Ring & Back-up Ring)	
22	1001188302	1	Plate	
23	1001190286	1	Platform Valve Assembly - 660SJC (See Separate Breakdown in this Section)	

# SECTION 4 - BOOM

## FIGURE 4-7. PLATFORM VALVE ASSEMBLY



ART\_1001190286

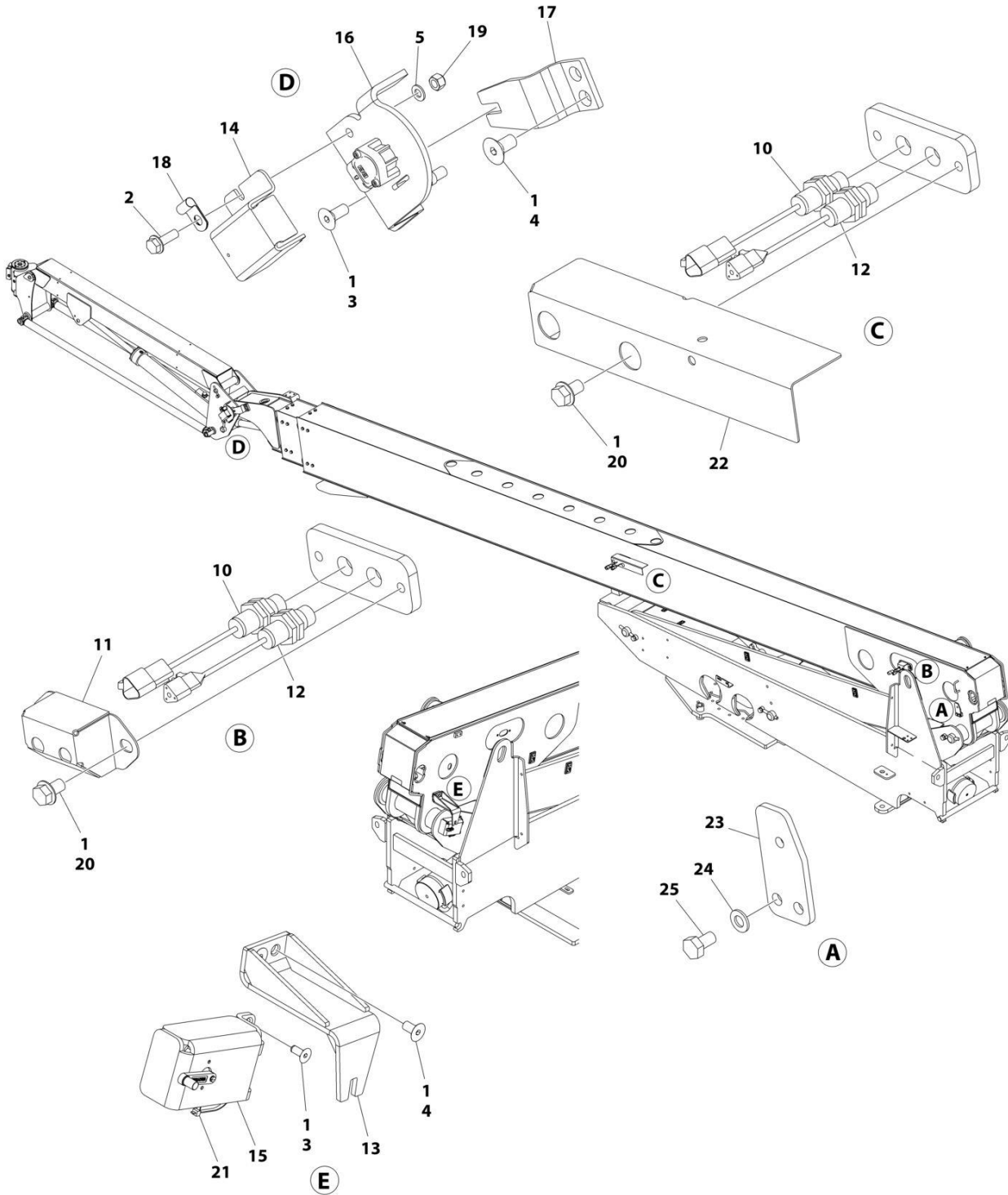


FIGURE 4-7. PLATFORM VALVE ASSEMBLY

ITEM	PART NUMBER	QTY	DESCRIPTION	REV
	1001190286	Ref	PLATFORM VALVE ASSEMBLY	D
110	70005951	1	Valve, Check	
110	70004052	1	Seal Kit - 70005951 Valve	
120	70003027	1	Valve, Flow/Pressure Control	
120	70004052	1	Seal Kit - 70003027 Valve	
130	70006121	1	Valve, Solenoid (Platform Level)	
130	70006116	1	Seal Kit - 70006121 Valve	
135	70006122	2	Coil	
140	70005627	1	Valve, Solenoid (Platform Swing)	
140	70004053	1	Seal Kit - 70005627 Valve	
140	70006123	1	Coil Nut & Pole Tube O-Ring Kit	
145	70004653	2	Coil	
150	70006121	1	Valve, Solenoid (JIB Up/Down)	
150	70006116	1	Seal Kit - 70006121 Valve	
155	70006122	2	Coil	
160	70003019	1	Valve, Relief	
160	70004052	1	Seal Kit - 70003019 Valve	
170	70004613	1	Valve, Relief	
170	70023860	1	Seal Kit - 70004613 Valve	
180	70006124	1	Valve, Solenoid	
180	70023862	1	Seal Kit - 70006124 Valve	
180	70006123	1	Coil Nut & Pole Tube O-Ring Kit	
185	70004653	2	Coil	
190	70003019	1	Valve, Relief	
190	70004052	1	Seal Kit - 70003019 Valve	
200	70006125	1	Valve, Relief	
200	70006126	1	Seal Kit - 70006125 Valve	
210	70005952	1	Valve, Check	
210	70004052	1	Seal Kit - 70003019 Valve	
220	7022524	1	Orifice 0.5mm	
230	70005952	1	Valve, Check	
230	70004052	1	Seal Kit - 70005952 Valve	
804	70005200	1	Plug	

# SECTION 4 - BOOM

## FIGURE 4-8. BOOM SENSORS INSTALLATION



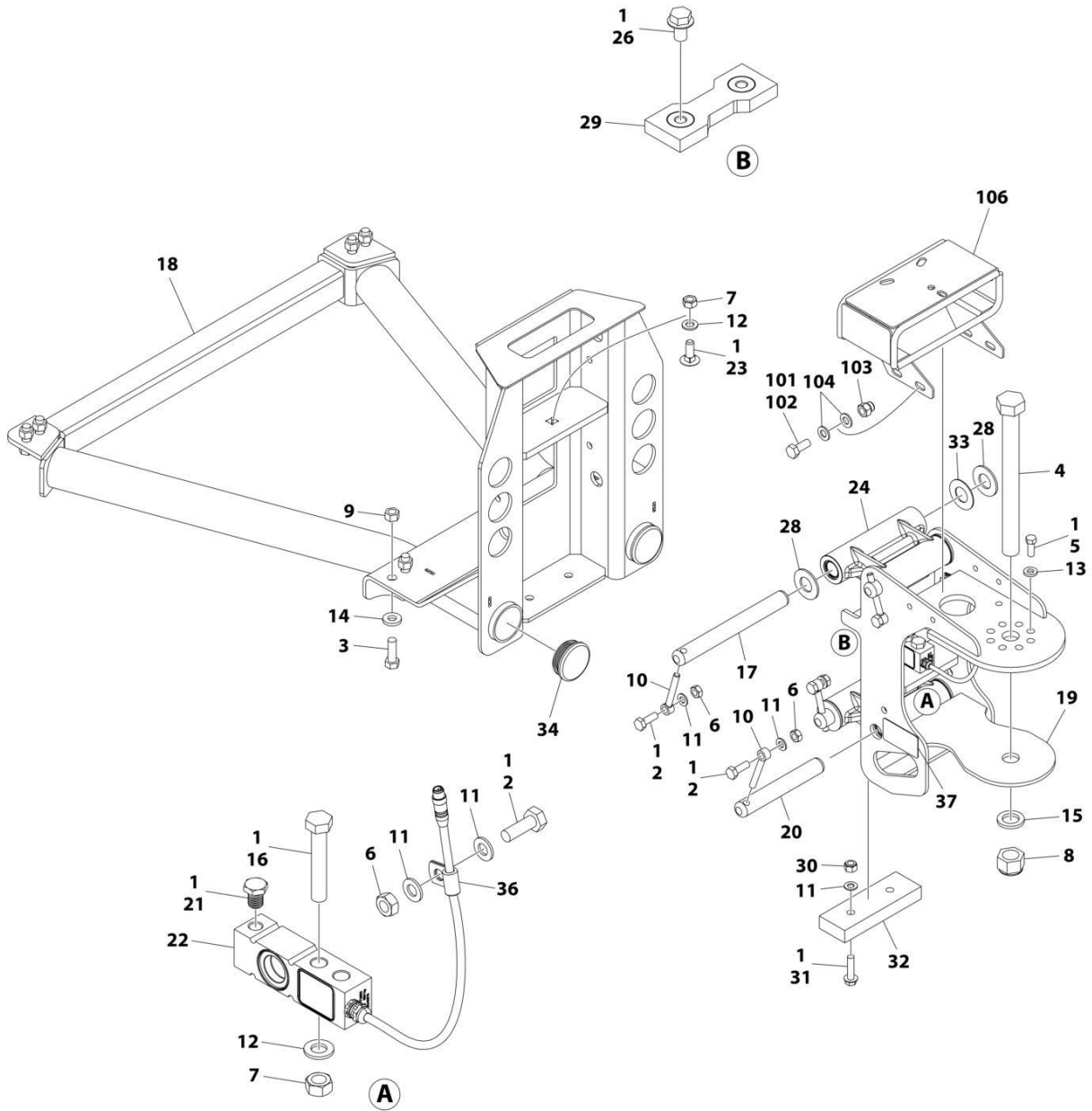
ART\_1001187606\_F

FIGURE 4-8. BOOM SENSORS INSTALLATION

ITEM	PART NUMBER	QTY	DESCRIPTION	REV
	1001187606	Ref	BOOM SENSORS INSTALLATION	F
1	0100011	AR	Compound, Locking	
2	5250812	1	Bolt M8 x 25	
3	1001137125	4	Screw M8 x 20	
4	1001155441	4	Screw M10 x 20 Grade 10.9	
5	4811900	1	Washer M8	
10	1001170847	2	Sensor, Proximity	
11	1001204715	1	Bracket	
12	1001182570	2	Sensor, Proximity	
13	1001272835	1	Plate	
14	1001211588	1	Shield	
15	1001277991	1	Sensor (Lower)	
15	4010303	1	Screw Posi-drive M3 x 6	
15	1001204939	1	Sensor, Angle	
15	1001273619	1	Bracket	
15	1001211582	1	Link, Angle Sensor Arm	
16	1001211579	1	Sensor (Upper)	
16	4010303	1	Screw Posi-drive M3 x 6	
16	1001191020	1	Sensor, Angle	
16	1001211581	1	Bracket	
16	1001211584	1	Link, Angle Sensor Arm	
17	1001211587	1	Plate	
18	8406003	1	Clip	
19	3290805	1	Nut M8	
20	5251008	4	Bolt M10 x 16	
21	4240033	2	Tie-Strap (Not Shown)	
22	1001227792	1	Plate	
23	1001278387	1	Plate	
24	4812000	2	Washer M10	
25	0761009	2	Bolt M10 x 18	

# SECTION 4 - BOOM

## FIGURE 4-9. PLATFORM SUPPORT INSTALLATION - WITH LSS



ART\_1001167596

## SECTION 4 - BOOM

### FIGURE 4-9. PLATFORM SUPPORT INSTALLATION - WITH LSS

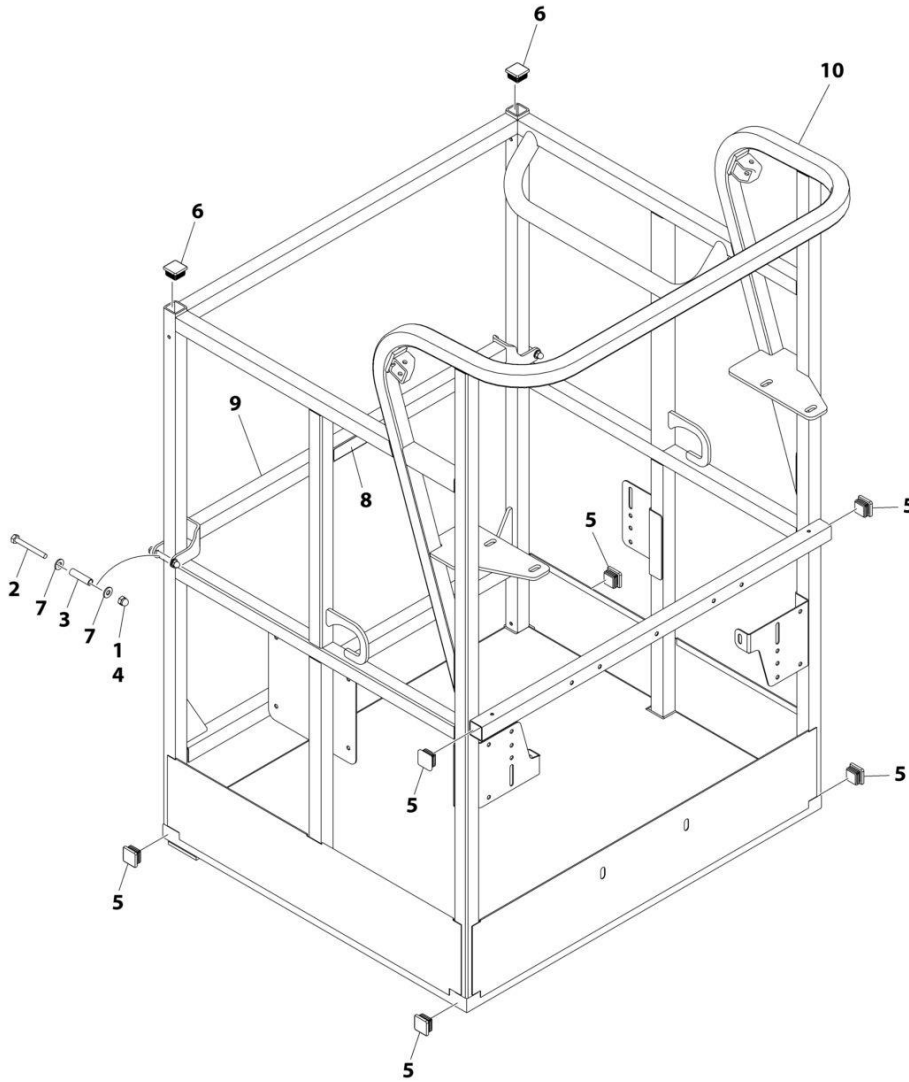
ITEM	PART NUMBER	QTY	DESCRIPTION	REV
	1001167596	Ref	PLATFORM SUPPORT INSTALLATION	N
1	0100011	AR	Compound, Locking	
2	0761014	5	Bolt M10 x 30	
3	0761216	8	Bolt M12 x 40	
4	1001255133	1	Bolt 1 x 11	
5	0681608	8	Bolt 3/8 x 1	
6	3291001	5	Nut M10	
7	3291201	3	Nut M12	
8	1001174040	1	Nut 1	
9	3291205	8	Nut M12	
10	3841143	4	Keeper, Pin	
11	4812000	8	Washer M10	
12	4812100	3	Washer M12	
13	4891600	8	Washer 3/8	
14	5241200	8	Washer M12	
15	4892600001	1	Washer 1	
16	1001098828	2	Bolt M12 x 70 Grade 10.9	
17	1001167565	2	Pin	
18	1001200494	1	Support, Platform	
19	1001167567	1	Support, Rotator	
20	1001168402	2	Pin	
21	1001188622	1	Screw	
22	1001247468	1	Gauge, Load Sensing	
23	1001188844	1	Bolt M12 x 35	
24	1001201351	2	Link	
26	5251008	2	Bolt M10 x 16	
28	1001189002	8	Bearing	
29	1001190985	1	Pad, Wear	
30	3291005	2	Nut M10	
31	5251016	2	Bolt M10 x 40	
32	1001200491	1	Pad, Wear	
33	1001189001	4	Bearing	
34	1001204725	2	Plug	
36	91203039	1	Clamp	
37	1001216630	2	Decal - Tie Down/No Lift	
38	1001238421	Ref	Kit, Platform Leveling (Not Shown)	
	1001202687	Ref	VALVE MOUNT INSTALLATION	B
101	0100011	AR	Compound, Locking	
102	0760810	4	Bolt M8 x 20	
103	3290806	4	Nut M8	
104	4811900	8	Washer M8	
106	1001208994	1	Mount, Valve	



**SECTION 5 - PLATFORM**

# SECTION 5 - PLATFORM

FIGURE 5-1. PLATFORM ASSEMBLY - 30IN X 3FT (76CM X .91M) - DROP BAR ENTRY



ART\_1001228215



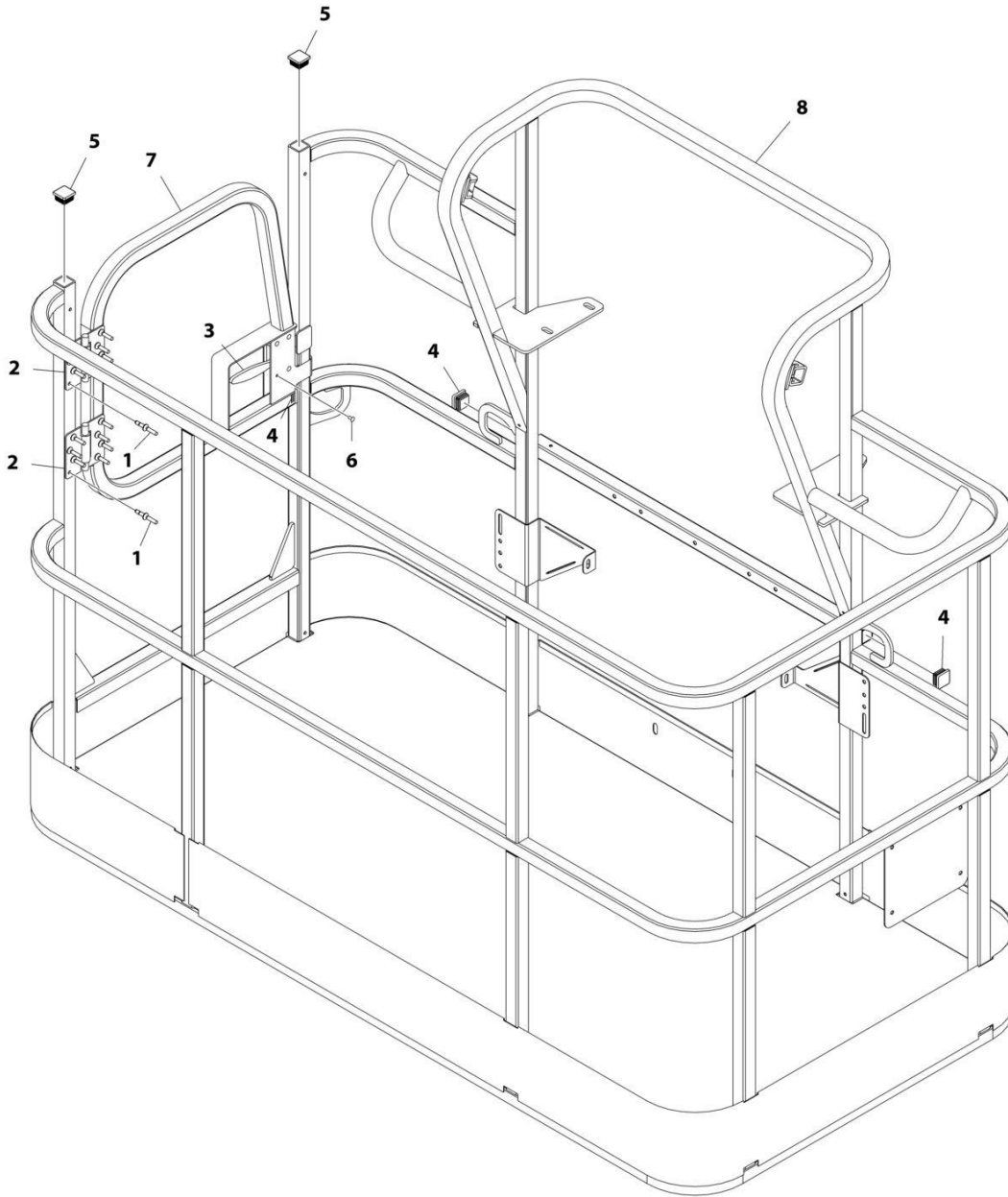
## SECTION 5 - PLATFORM

**FIGURE 5-1. PLATFORM ASSEMBLY - 30IN X 3FT (76CM X .91M) - DROP BAR ENTRY**

ITEM	PART NUMBER	QTY	DESCRIPTION	REV
	1001228215	Ref	PLATFORM ASSEMBLY	A
	See Note	Ref	Note: Platform and Mesh must be ordered separately for Platforms with Mesh. See SPECIAL OPTIONS SECTION for Mesh Installations.	
	See Note	Ref	Note: Replacement Decals Must be Ordered Separately - See DECAL SECTION.	
1	0100011	AR	Compound, Locking	
2	0641418	2	Bolt 1/4 x 2-1/4	
3	0961845	2	Bushing	
4	3300151	2	Nut 1/4	
5	3520072	6	Cap, Plug	
6	3520198	2	Cap, Plug	
7	4711400	4	Washer 1/4	
8	1001140429	1	Decal - Drop Bar	
9	1001226872	1	Bar, Drop	
10	See Note	NSS	Platform (Note: Not Available - Purchase Platform Assembly)	

# SECTION 5 - PLATFORM

FIGURE 5-2. PLATFORM ASSEMBLY - 36IN X 6FT (91.5CM X 1.83M) WITH SWING GATE



ART\_1001186384

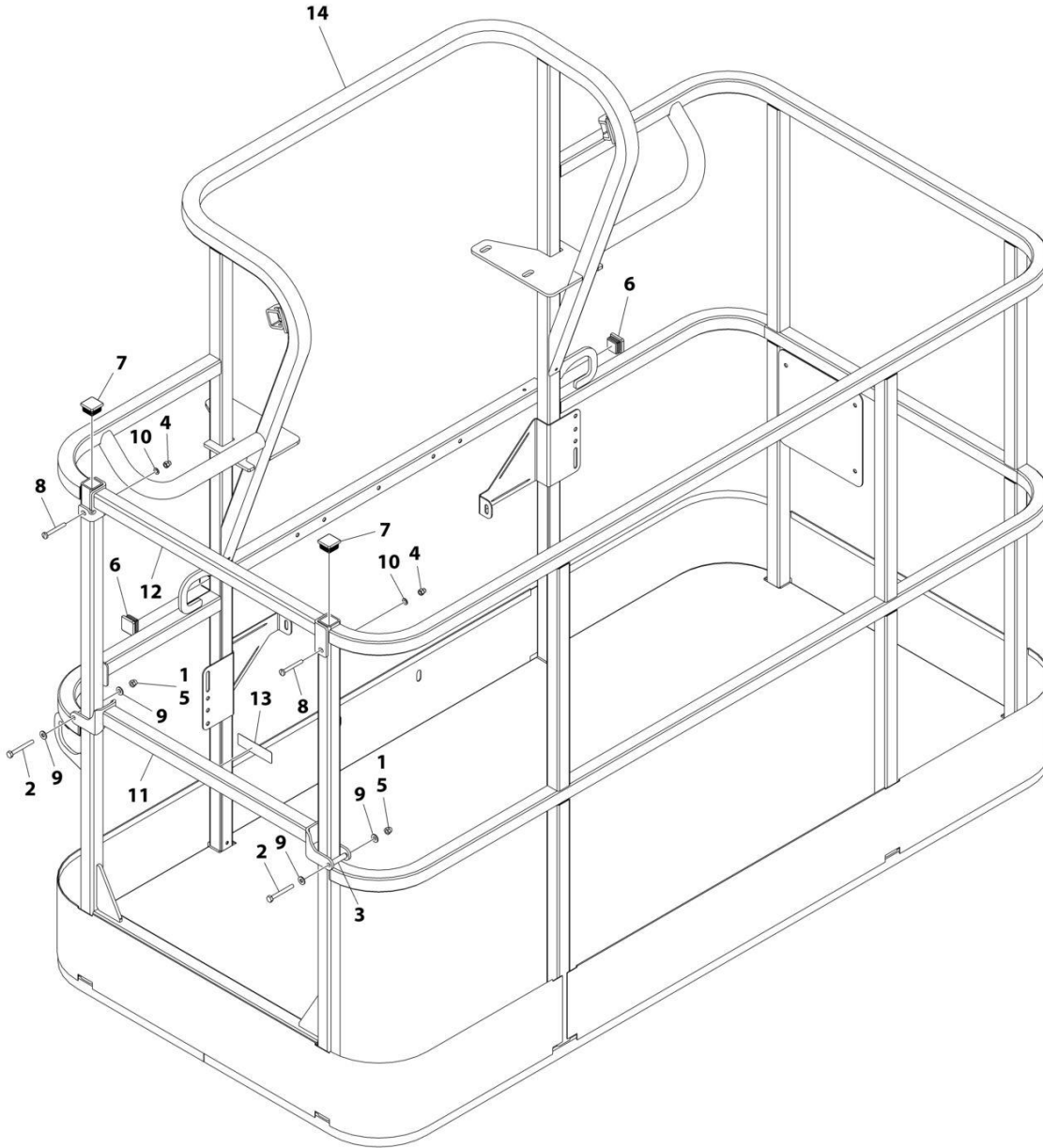
## SECTION 5 - PLATFORM

**FIGURE 5-2. PLATFORM ASSEMBLY - 36IN X 6FT (91.5CM X 1.83M) WITH SWING GATE**

ITEM	PART NUMBER	QTY	DESCRIPTION	REV
	1001186384	Ref	PLATFORM ASSEMBLY - 36IN X 6FT (91.5CM X 1.83M) WITH SWING GATE	C
	See Note	Ref	Note: Platform and Mesh must be ordered separately for Platforms with Mesh. See SPECIAL OPTIONS SECTION for Mesh Installations.	
	See Note	Ref	Note: Replacement Decals Must be Ordered Separately - See DECALS SECTION.	
1	2080040	16	Fastener, Huck	
2	2600281	2	Hinge	
3	2940074	1	Latch	
4	3520072	3	Plug	
5	3520198	2	Plug	
6	3820020	4	Rivet	
7	1001144629	1	Gate	
8	See Note	NSS	Platform (Note: Not Available - Purchase Platform Assembly)	

# SECTION 5 - PLATFORM

FIGURE 5-3. PLATFORM ASSEMBLY - 36IN X 6FT (91.5CM X 1.83M) WITH DROP BAR



ART\_1001186379

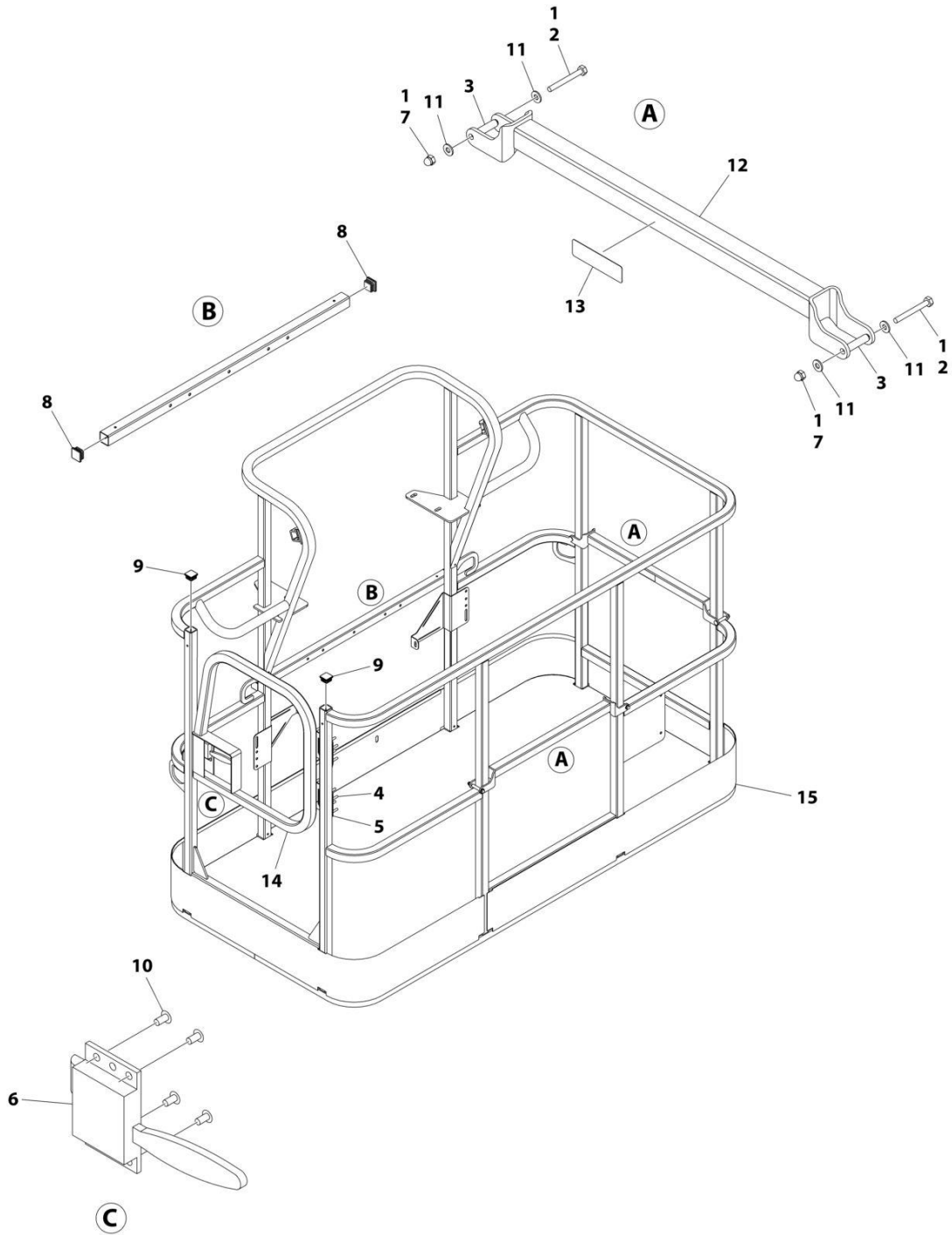
## SECTION 5 - PLATFORM

**FIGURE 5-3. PLATFORM ASSEMBLY - 36IN X 6FT (91.5CM X 1.83M) WITH DROP BAR**

ITEM	PART NUMBER	QTY	DESCRIPTION	REV
	1001186379	Ref	PLATFORM ASSEMBLY - 36IN X 6FT (91.5CM X 1.83M) WITH DROP BAR	B
		Ref	Note: Platform and Mesh must be ordered separately for Platforms with Mesh. See SPECIAL OPTIONS SECTION for Mesh Installations.	
		Ref	Note: Replacement Decals Must be Ordered Separately - See DECALS SECTION.	
1	0100011	AR	Compound, Locking	
2	0641418	2	Bolt 1/4 x 2-1/4	
3	0961845	2	Bushing	
4	3290606	2	Nut M6	
5	3300151	2	Nut 1/4	
6	3520072	2	Plug	
7	3520198	2	Plug	
8	4010618	2	Screw M6 x 50	
9	4711400	4	Washer 1/4	
10	4811700	2	Washer M6	
11	1001138494	1	Bar, Drop	
12	1001138514	1	Rail (Top)	
13	1001140429	1	Decal - Drop Bar	
14	See Note	NSS	Platform (Note: Not Available - Purchase Platform Assembly)	

# SECTION 5 - PLATFORM

FIGURE 5-4. PLATFORM ASSEMBLY - 36IN X 6FT (91.5CM X 1.83M) TRI-ENTRY WITH SWING GATE



ART\_1001228376

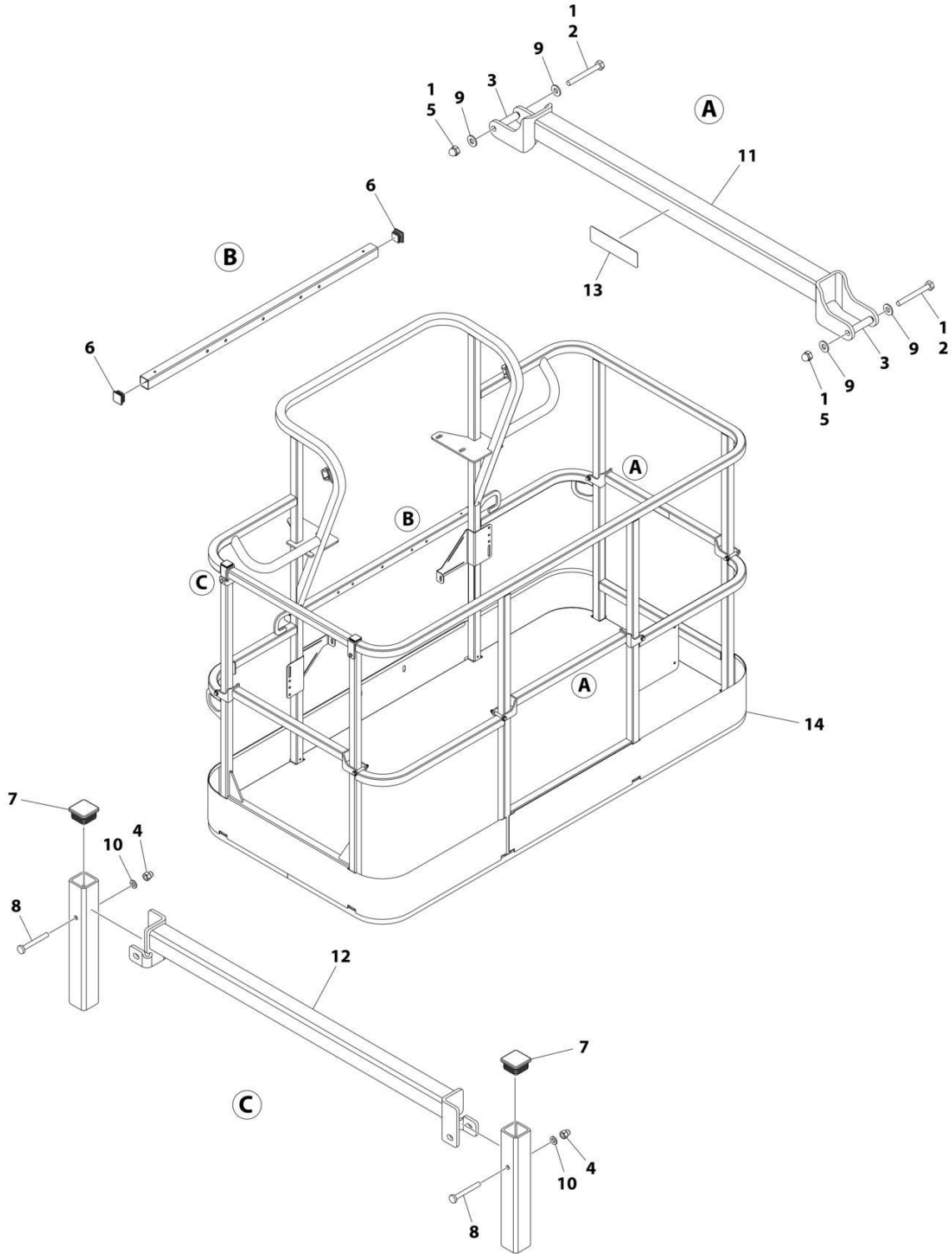
## SECTION 5 - PLATFORM

**FIGURE 5-4. PLATFORM ASSEMBLY - 36IN X 6FT (91.5CM X 1.83M) TRI-ENTRY WITH SWING GATE**

ITEM	PART NUMBER	QTY	DESCRIPTION	REV
	1001228376	Ref	PLATFORM ASSEMBLY - 36IN x 6FT (91.5CM x 1.83M)	B
		Ref	Note: Platform and Mesh must be ordered separately for Platforms with Mesh. See SPECIAL OPTIONS SECTION for Mesh Installations.	
		Ref	Note: Replacement Decals Must be Ordered Separately - See DECAL SECTION.	
1	0100011	AR	Compound, Locking	
2	0641418	4	Bolt 1/4 x 2-1/4	
3	0961845	4	Bushing	
4	2080040	16	Fastener	
5	2600281	2	Hinge	
6	2940074	1	Latch	
7	3300151	4	Nut 1/4	
8	3520072	3	Plug	
9	3520198	2	Plug	
10	3820020	4	Rivet	
11	4711400	8	Washer 1/4	
12	1001138494	2	Bar, Drop	
13	1001140429	2	Decal - Drop Bar	
14	1001144629	1	Gate	
15	See Note	NSS	Platform (Note: Not Available - Purchase Platform Assembly)	

# SECTION 5 - PLATFORM

FIGURE 5-5. PLATFORM ASSEMBLY - 36IN X 6FT (91.5CM X 1.83M) TRI-ENTRY WITH DROPBAR



ART\_1001228377



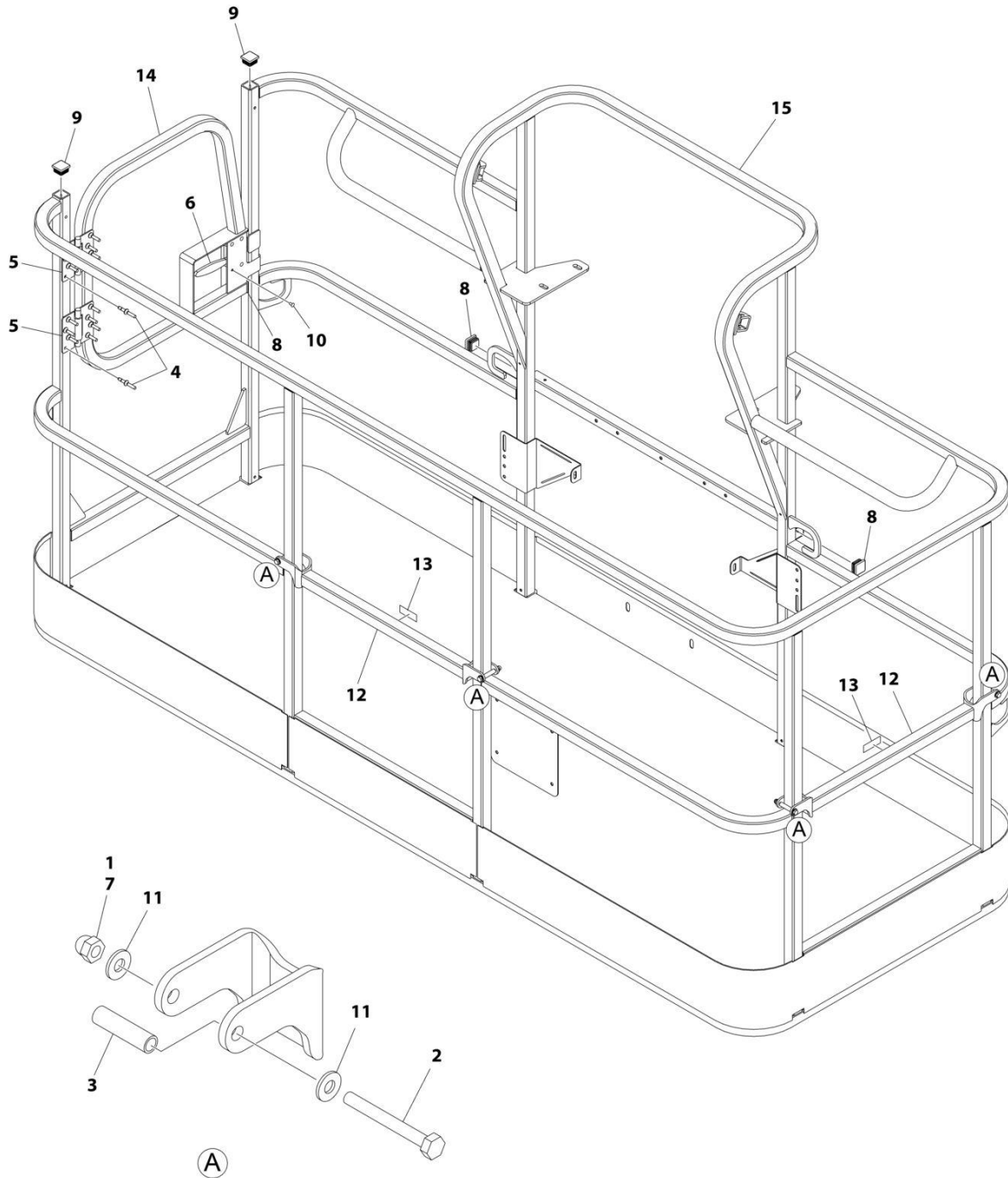
## SECTION 5 - PLATFORM

**FIGURE 5-5. PLATFORM ASSEMBLY - 36IN X 6FT (91.5CM X 1.83M) TRI-ENTRY WITH DROPBAR**

ITEM	PART NUMBER	QTY	DESCRIPTION	REV
	1001228377	Ref	PLATFORM ASSEMBLY - 36IN x 6FT (91.5CM x 1.83M)	B
		Ref	Note: Platform and Mesh must be ordered separately for Platforms with Mesh. See SPECIAL OPTIONS SECTION for Mesh Installations.	
		Ref	Note: Replacement Decals Must be Ordered Separately - See DECAL SECTION.	
1	0100011	1	Compound, Locking	
2	0641418	6	Bolt 1/4 x 2-1/4	
3	0961845	6	Bushing	
4	3290606	2	Nut M6	
5	3300151	6	Nut 1/4	
6	3520072	2	Plug	
7	3520198	2	Plug	
8	4010618	2	Screw M6 x 50	
9	4711400	12	Washer 1/4	
10	4811700	2	Washer M6	
11	1001138494	3	Bar, Drop	
12	1001138514	1	Rail (Top)	
13	1001140429	3	Decal - Drop Bar	
14	See Note	NSS	Platform, Weldment (Note: Not Available - Purchase Platform Assembly)	

# SECTION 5 - PLATFORM

FIGURE 5-6. PLATFORM ASSEMBLY - 36IN X 8FT (91.5CM X 2.44M) TRI-ENTRY WITH DROPBAR



ART\_1001228243

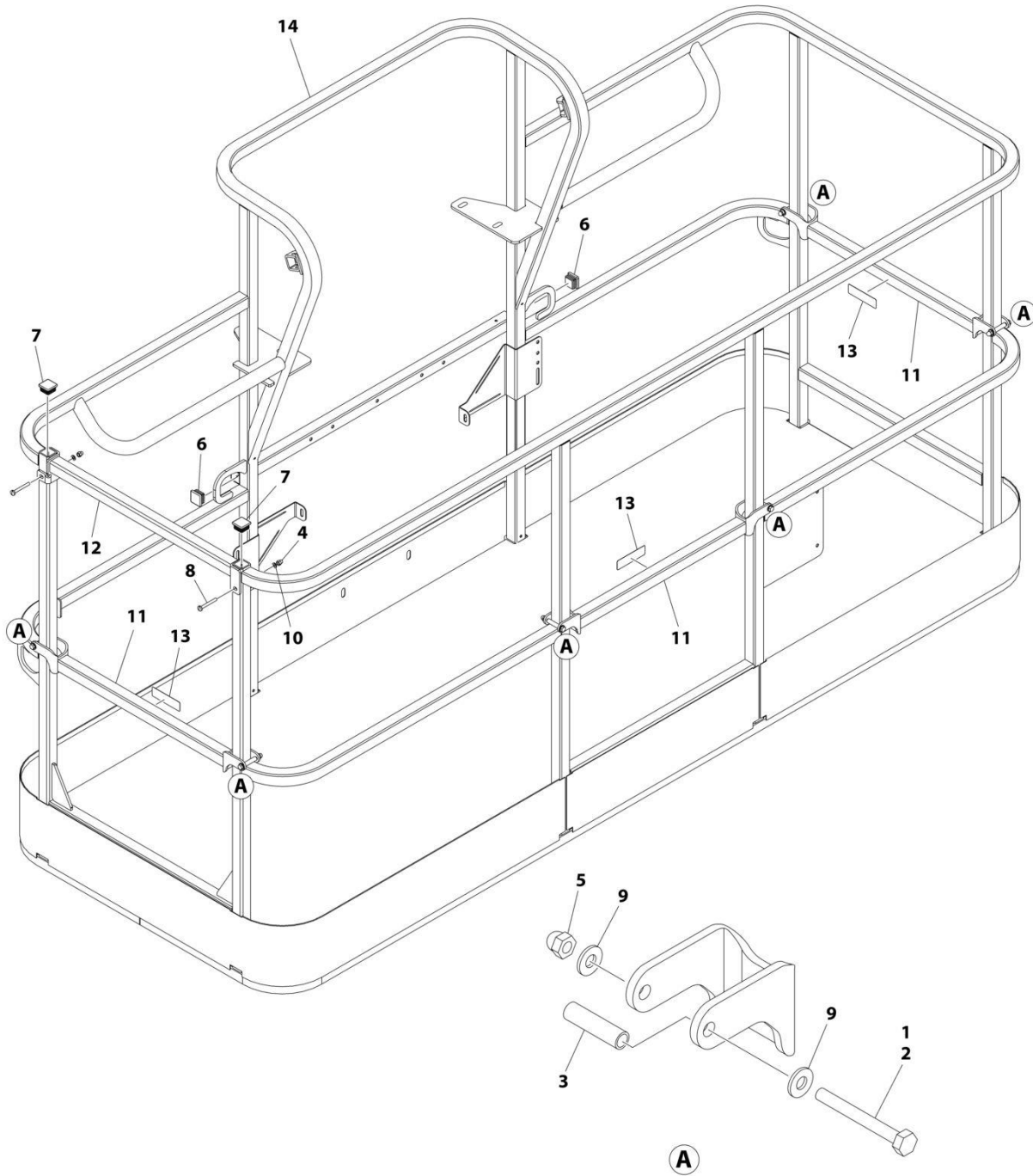
## SECTION 5 - PLATFORM

**FIGURE 5-6. PLATFORM ASSEMBLY - 36IN X 8FT (91.5CM X 2.44M) TRI-ENTRY WITH DROPBAR**

ITEM	PART NUMBER	QTY	DESCRIPTION	REV
	1001228243	Ref	PLATFORM ASSEMBLY - 36IN X 8FT (91.5CM X 2.44M) WITH TRI-ENTRY	A
		Ref	Note: Platform and Mesh must be ordered separately for Platforms with Mesh. See SPECIAL OPTIONS SECTION for Mesh Installations.	
1	0100011	AR	Compound, Locking	
2	0641418	4	Bolt 1/4 x 2-1/4	
3	0961845	4	Bushing	
4	2080040	16	Fastener, Huck	
5	2600281	2	Hinge, Self-Closing	
6	2940074	1	Latch	
7	3300151	4	Nut 1/4	
8	3520072	3	Cap, Plug	
9	3520198	2	Cap, Plug	
10	3820020	4	Rivet	
11	4711400	8	Washer 1/4	
12	1001138494	2	Bar, Drop	
13	1001140429	2	Decal - Drop Bar	
14	1001144629	1	Gate, Weldment	
15	See Note	1	Platform (Note: Not Available - Purchase Platform Assembly)	

# SECTION 5 - PLATFORM

FIGURE 5-7. PLATFORM ASSEMBLY - 36IN X 8FT (91.5CM X 2.44M) TRI-ENTRY WITH DROPGATE



ART\_1001228375

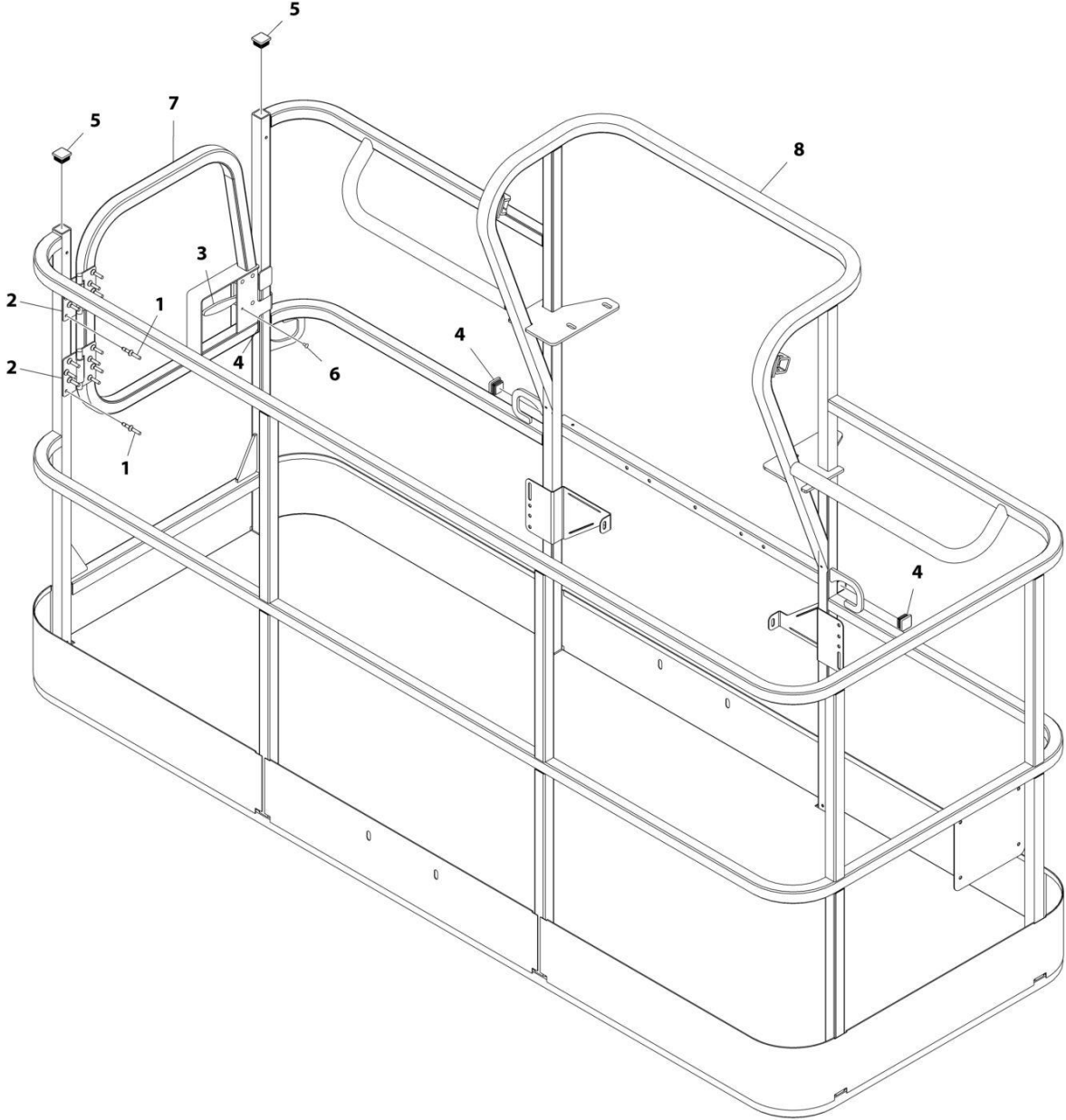
## SECTION 5 - PLATFORM

**FIGURE 5-7. PLATFORM ASSEMBLY - 36IN X 8FT (91.5CM X 2.44M) TRI-ENTRY WITH DROPGATE**

ITEM	PART NUMBER	QTY	DESCRIPTION	REV
	1001228375	Ref	PLATFORM ASSEMBLY - 36IN X 8FT (91.5CM X 2.44M) WITH TRI-ENTRY	A
		Ref	Note: Platform and Mesh must be ordered separately for Platforms with Mesh. See SPECIAL OPTIONS SECTION for Mesh Installations.	
		Ref	Note: Replacement Decals Must be Ordered Separately - See DECAL SECTION.	
1	0100011	AR	Compound, Locking	
2	0641418	6	Bolt 1/4 x 2-1/4	
3	0961845	6	Bushing	
4	3290606	2	Nut M6 x 1	
5	3300151	6	Nut 1/4	
6	3520072	2	Cap, Plug	
7	3520198	2	Cap, Plug	
8	4010618	2	Screw M6 x 50	
9	4711400	12	Washer 1/4	
10	4811700	2	Washer M6	
11	1001138494	3	Bar, Drop	
12	1001138514	1	Rail (Top)	
13	1001140429	3	Decal - Drop Bar	
14	See Note	1	Platform (Note: Not Available - Purchase Platform Assembly)	

# SECTION 5 - PLATFORM

FIGURE 5-8. PLATFORM ASSEMBLY - 36IN X 8FT (91.5CM X 2.44M) WITH SWING GATE



ART\_1001186383

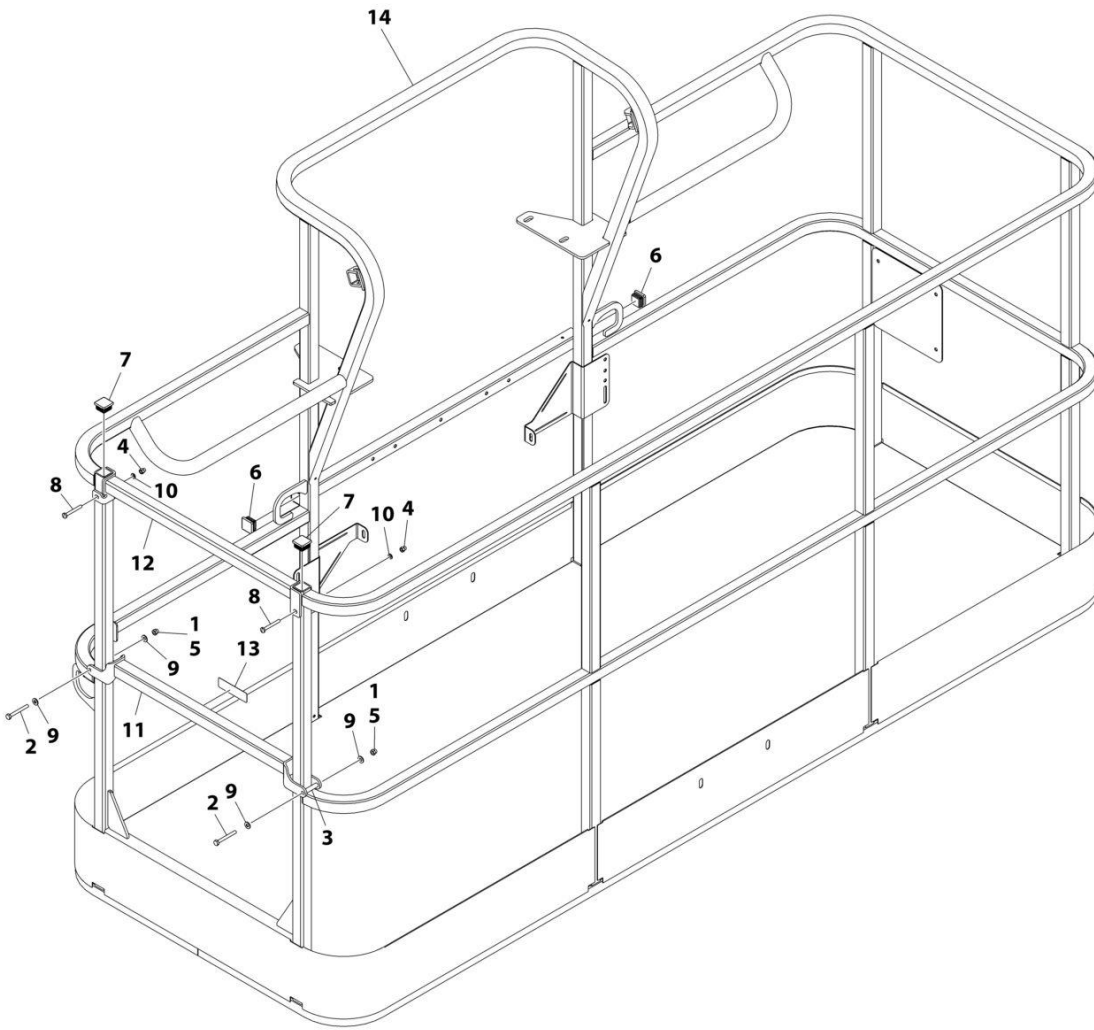
## SECTION 5 - PLATFORM

**FIGURE 5-8. PLATFORM ASSEMBLY - 36IN X 8FT (91.5CM X 2.44M) WITH SWING GATE**

ITEM	PART NUMBER	QTY	DESCRIPTION	REV
	1001186383	Ref	PLATFORM ASSEMBLY - 36IN X 8FT (91.5CM X 2.44M) WITH SWING GATE	D
		Ref	Note: Platform and Mesh must be ordered separately for Platforms with Mesh. See SPECIAL OPTIONS SECTION for Mesh Installations.	
		Ref	Note: Replacement Decals Must be Ordered Separately - See DECALS SECTION.	
1	2080040	16	Fastener, Huck	
2	2600281	2	Hinge	
3	2940074	1	Latch	
4	3520072	3	Plug	
5	3520198	2	Plug	
6	3820020	4	Rivet	
7	1001144629	1	Gate	
8	See Note	NSS	Platform (Note: Not Available - Purchase Platform Assembly)	

# SECTION 5 - PLATFORM

FIGURE 5-9. PLATFORM ASSEMBLY - 36IN X 8FT (91.5CM X 2.44M) WITH DROP BAR



ART\_1001186382



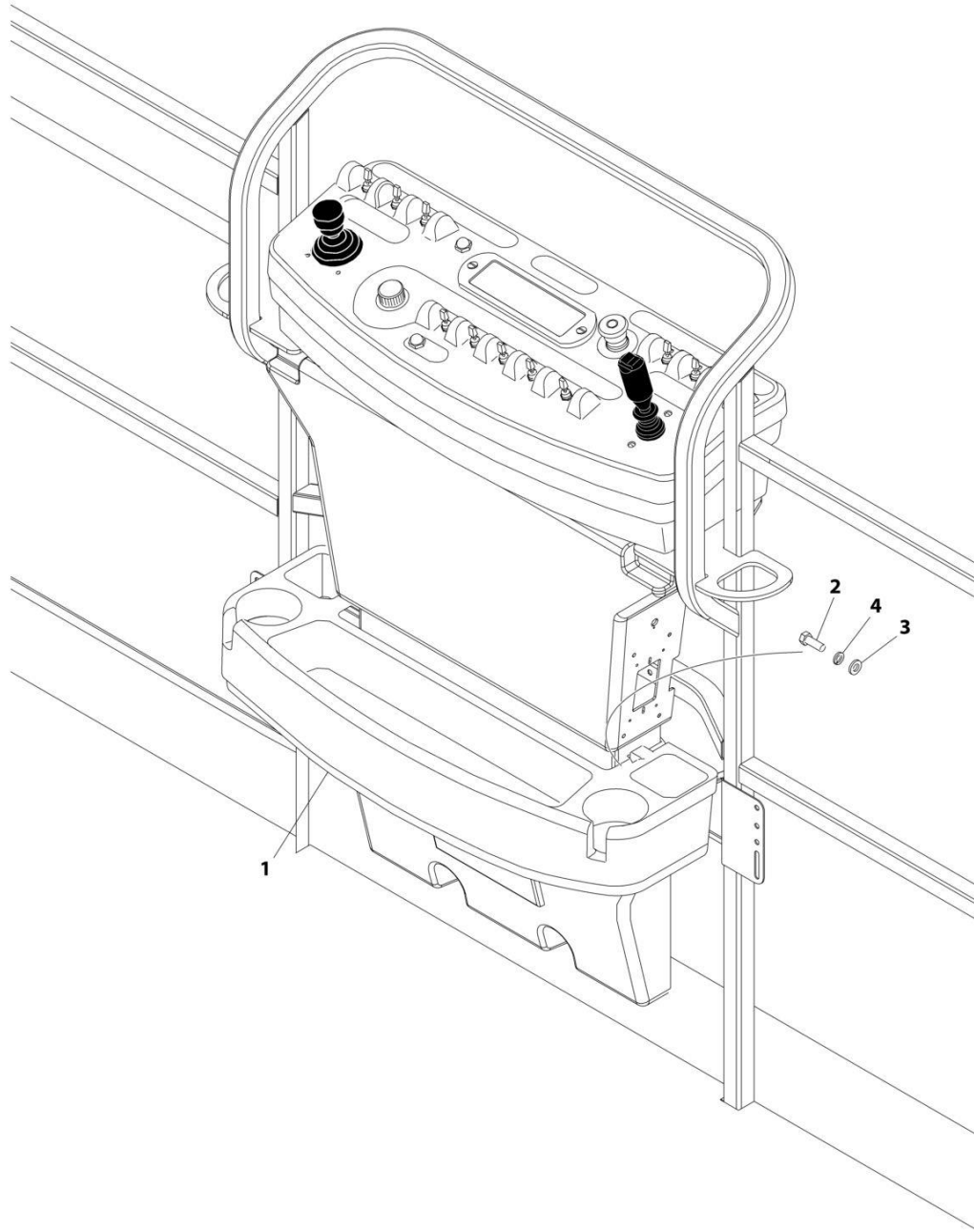
## SECTION 5 - PLATFORM

**FIGURE 5-9. PLATFORM ASSEMBLY - 36IN X 8FT (91.5CM X 2.44M) WITH DROP BAR**

ITEM	PART NUMBER	QTY	DESCRIPTION	REV
	1001186382	Ref	PLATFORM ASSEMBLY - 36IN X 8FT (91.5CM X 2.44M) WITH DROP BAR	C
		Ref	Note: Platform and Mesh must be ordered separately for Platforms with Mesh. See SPECIAL OPTIONS SECTION for Mesh Installations.	
		Ref	Note: Replacement Decals Must be Ordered Separately - See DECALS SECTION.	
1	0100011	AR	Compound, Locking	
2	0641418	2	Bolt 1/4 x 2-1/4	
3	0961845	2	Bushing	
4	3290606	2	Nut M6	
5	3300151	2	Nut 1/4	
6	3520072	2	Plug	
7	3520198	2	Plug	
8	4010618	2	Screw M6 x 50	
9	4711400	4	Washer 1/4	
10	4811700	2	Washer M6	
11	1001138494	1	Bar, Drop	
12	1001138514	1	Rail (Top)	
13	1001140429	1	Decal - Drop Bar	
14	See Note	NSS	Platform (Note: Not Available - Purchase Platform Assembly)	

# SECTION 5 - PLATFORM

## FIGURE 5-10. TRAY ASSEMBLY



ART\_1580012

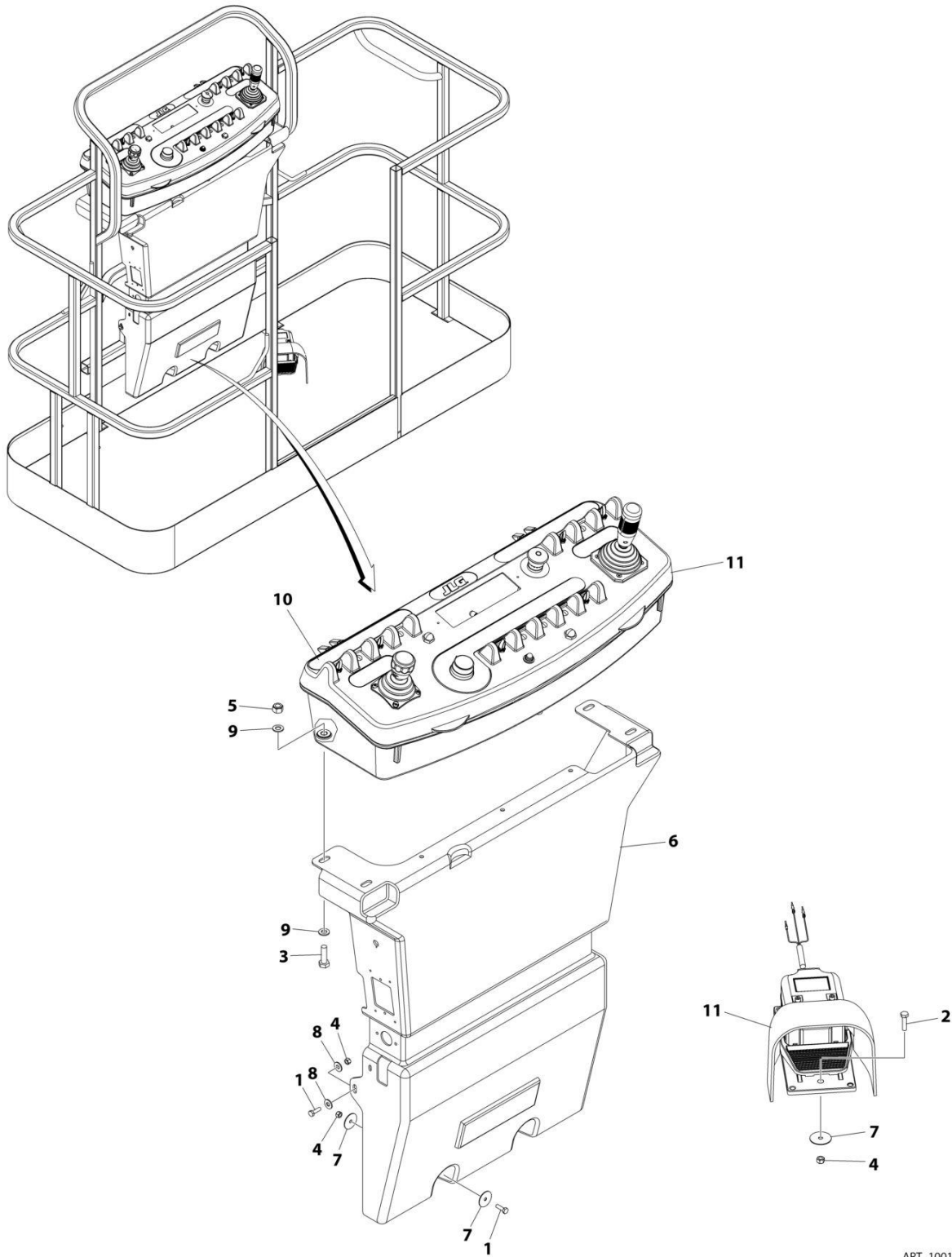
## SECTION 5 - PLATFORM

### FIGURE 5-10. TRAY ASSEMBLY

ITEM	PART NUMBER	QTY	DESCRIPTION	REV
	1580012	Ref	TRAY ASSEMBLY	C
1	See Note	NSS	Tray, Storage (Center) (Note: Purchase p/n 1580012)	
2	0641406	2	Bolt 1/4 x 3/4	
3	4751400	2	Washer 1/4	
4	4761400	2	Washer 1/4	

# SECTION 5 - PLATFORM

## FIGURE 5-11. PLATFORM CONSOLE AND FOOTSWITCH INSTALLATION



ART\_1001242200

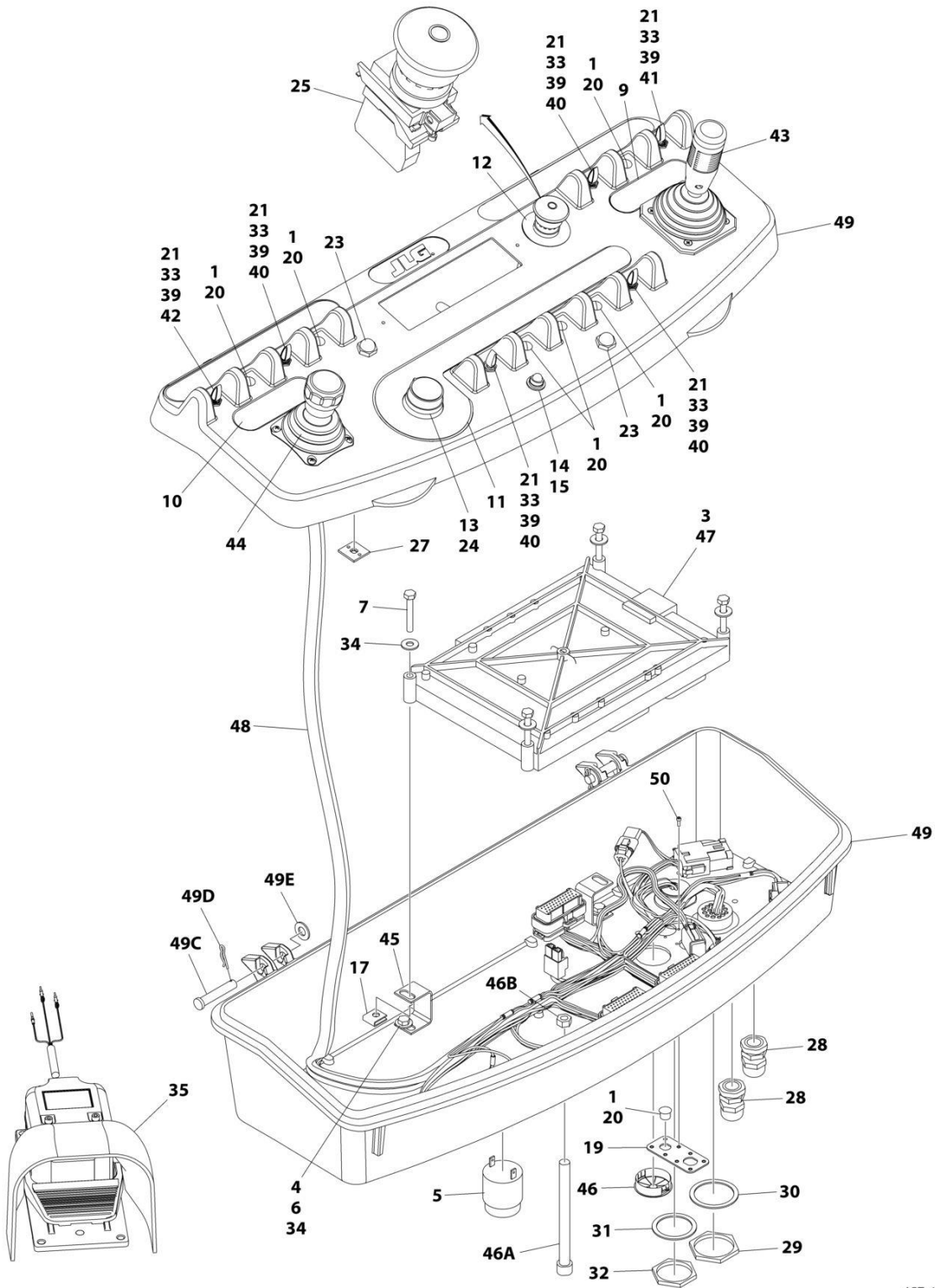
## SECTION 5 - PLATFORM

**FIGURE 5-11. PLATFORM CONSOLE AND FOOTSWITCH INSTALLATION**

ITEM	PART NUMBER	QTY	DESCRIPTION	REV
	1001242200	Ref	PLATFORM CONSOLE AND FOOTSWITCH INSTALLATION	B
1	0700610	4	Bolt M6 x 20	
2	0700612	3	Bolt M6 x 25	
3	0761015	4	Bolt M10 x 35	
4	3290605	7	Nut M6	
5	3291005	4	Nut M10	
6	3380434	1	Panel	
7	4740362	7	Washer 1/4	
8	4751400	4	Washer 1/4	
9	4812000	8	Washer M10	
10	1001184626	1	Decal - Horn	
11	1001242201	1	Platform Console Assembly (See Separate Breakdown in this Section)	

# SECTION 5 - PLATFORM

## FIGURE 5-12. CONSOLE BOX ASSEMBLY



ART\_1001242201

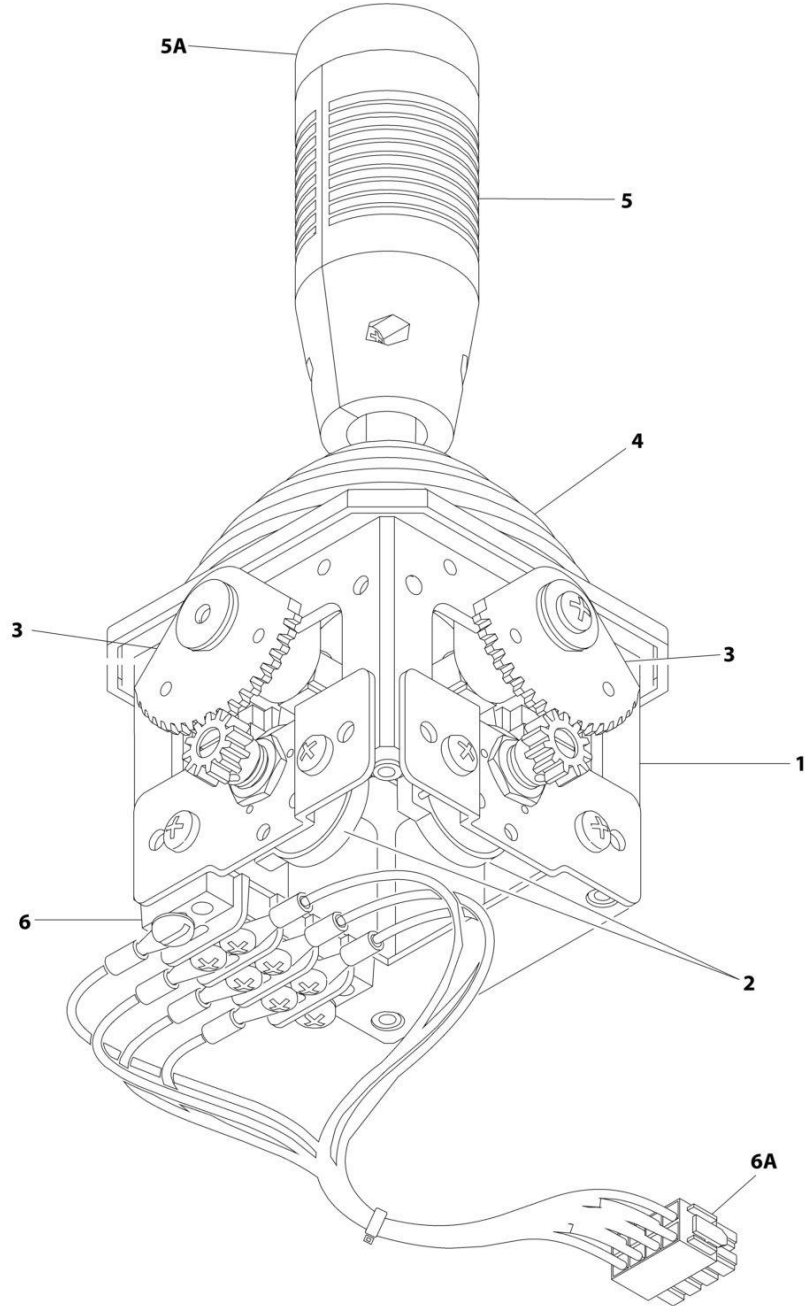
## SECTION 5 - PLATFORM

### FIGURE 5-12. CONSOLE BOX ASSEMBLY

ITEM	PART NUMBER	QTY	DESCRIPTION	REV
	1001242201	Ref	CONSOLE BOX ASSEMBLY	A
1	0100009	AR	Sealant	
2	0100048	AR	Grease, Dielectric	
3	0100035	AR	Compound, Locking	
5	0140011	1	Alarm	
6	0641404	4	Bolt 1/4 x 1/2	
7	0641414	4	Bolt 1/4 x 1-3/4	
9	1704460	1	Decal - Drive and Steer	
10	1702566	1	Decal - Lift and Swing	
11	1702567	1	Decal - Function Speed	
12	1704260	1	Decal - Emergency Stop	
14	2560136	1	Handle, Knob	
14	2920028	1	Light, Indicator	
15	2920029	1	Bulb, Light	
17	3300353	4	Nut, Tinnerman	
19	1001213882	1	Mount, Connector	
20	3520054	7	Plug	
21	3790012	6	O-Ring	
23	4360387	2	Switch, Push Button	
24	4360407	1	Controller, Speed	
25	4360475	1	Switch, Emergency Stop	
27	4460234	3	Mount, Tie-Strap	
28	4460428	2	Connector, Strain Relief	
29	4460470	1	Nut, Terminal	
30	4460471	1	Washer, Terminal	
31	4460496	1	Washer, Terminal	
32	4460497	1	Nut, Terminal	
33	4740397	6	Washer	
34	4751400	8	Washer 1/4	
35	1001117174	1	Footswitch Assembly (See Separate Breakdown in this Section)	
39	1001155044	6	Nut 15/32	
40	1001155045	4	Switch, Toggle	
41	1001159256	1	Switch, Toggle	
42	1001161709	1	Switch, Toggle	
43	1600359	1	Controller Assembly (Drive and Steer) (See Separate Breakdown in this Section)	
44	1001166539	NLA	Controller Assembly (Lift and Swing) (Use p/n 1001129555) (See Separate Breakdown in this Section)	
45	1001172760	4	Bracket	
46	1001185281	1	Plug	
47	1001185726	1	Module, Platform (Note: Re-calibration Required when Replaced)	
48	1001238409	1	Platform Console Harness (See Separate Breakdown in ELECTRICAL SECTION)	
49	1001215229	1	Console Box Assembly	
49A	0630568	1	Capscrew 3/8 x 4-1/2	
49B	3311601	1	Nut 3/8	
49C	3430616	2	Pin	
49D	3470003	2	Hairpin	
49E	4711600	2	Washer 3/8	
50	3900349	8	Capscrew M2.5 x 8	

# SECTION 5 - PLATFORM

## FIGURE 5-13. CONTROLLER ASSEMBLY (DRIVE AND STEER)



ART\_1600359



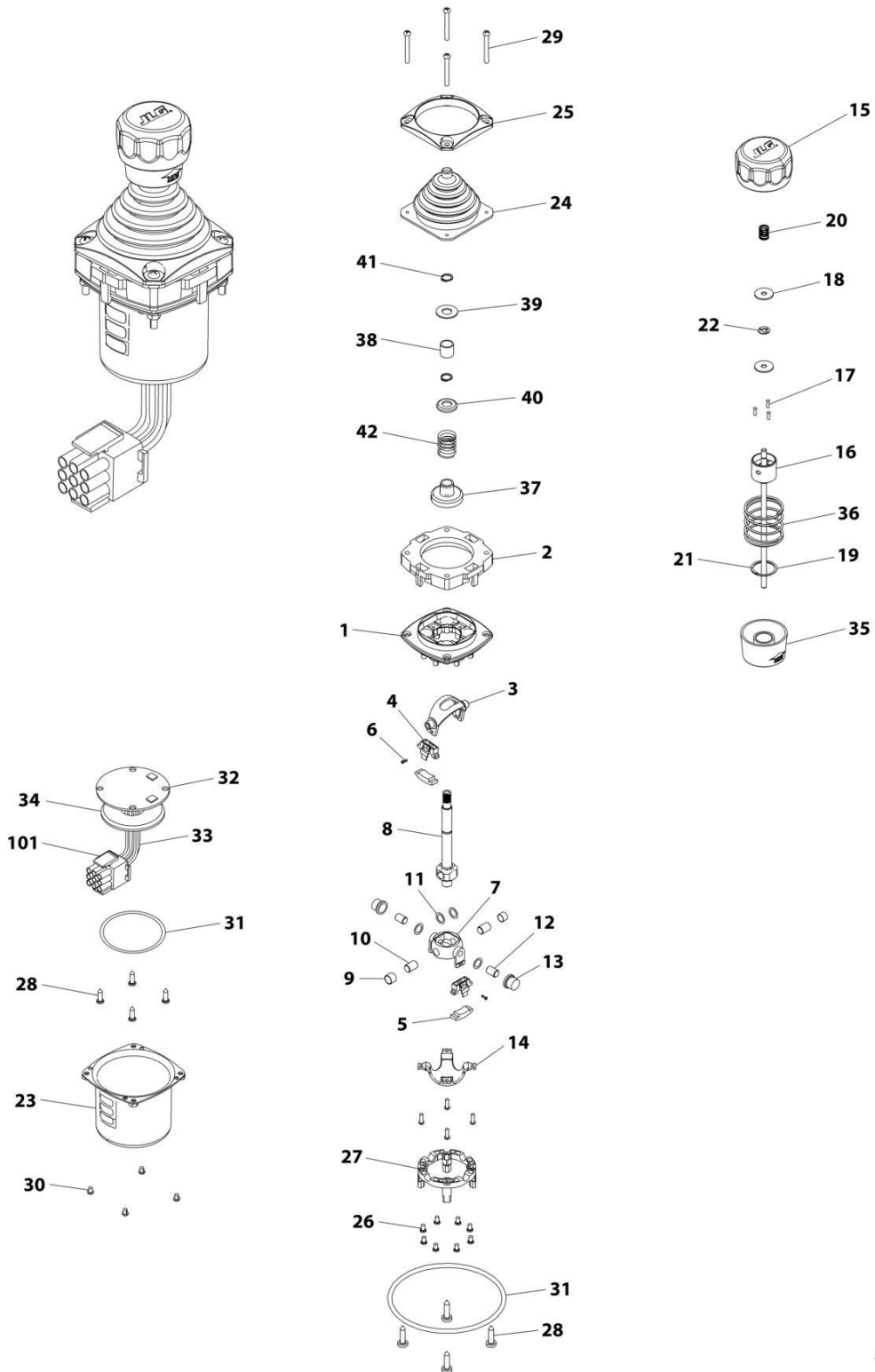
## SECTION 5 - PLATFORM

**FIGURE 5-13. CONTROLLER ASSEMBLY (DRIVE AND STEER)**

ITEM	PART NUMBER	QTY	DESCRIPTION	REV
	1600359	Ref	CONTROLLER ASSEMBLY	A
1	7022832	1	Housing Assembly (Includes Casting, Gimbles, etc)	
2	7022833	2	Potentiometer Plate	
2	7003974	2	Potentiometer	
3	7022834	2	Drive Gear Assembly	
4	7022835	1	Boot Assembly	
5	7022836	1	Handle Assembly	
5A	7022839	1	Cap, Rubber	
5A	7022838	1	Switch, Push Button	
6	7022837	1	Terminal Block/PC Board Assembly	
6A	See Note	NSS	Plug, Male 8 Position (Note: Not Available for Purchase)	
6A	4460871	6	Socket, Female	

# SECTION 5 - PLATFORM

## FIGURE 5-14. CONTROLLER ASSEMBLY (LIFT AND SWING)



ART\_1001166539

## SECTION 5 - PLATFORM

**FIGURE 5-14. CONTROLLER ASSEMBLY (LIFT AND SWING)**

ITEM	PART NUMBER	QTY	DESCRIPTION	REV
	1001166539	Ref	CONTROLLER ASSEMBLY	E
		Ref	Note: Original Equipment Controller May Have Been Replaced with Service Replacement Controller. Visually Identify Controller Before Ordering Parts.	
		Ref	Note: For Replacement, Use p/n 1001129555	
1	See Note	NSS	Main Cast Body (Note: Not Available - Purchase Complete Assembly)	
2	70004752	1	Adapter	
3	See Note	NSS	Pivot Arm, Plastic (Note: Not Available - Purchase Complete Assembly)	
4	See Note	NSS	Holder, Magnet (Note: Not Available - Purchase Complete Assembly)	
5	See Note	NSS	Arc, Magnet (Note: Not Available - Purchase Complete Assembly)	
6	See Note	NSS	Screw (Note: Not Available for Purchase)	
7	See Note	NSS	Pivot Arm, Cast (Note: Not Available - Purchase Complete Assembly)	
8	See Note	NSS	Shaft, Main (Note: Not Available - Purchase Complete Assembly)	
9	See Note	NSS	Bearing (Note: Not Available - Purchase Complete Assembly)	
10	See Note	NSS	Pin (Note: Not Available - Purchase Complete Assembly)	
11	See Note	NSS	Shim (Note: Not Available - Purchase Complete Assembly)	
12	See Note	NSS	Pin (Note: Not Available - Purchase Complete Assembly)	
13	See Note	NSS	Bearing (Note: Not Available - Purchase Complete Assembly)	
14	See Note	NSS	Dome, Centering (Note: Not Available - Purchase Complete Assembly)	
15	70004753	1	Cap	
16	70004754	1	Insert, Cap	
17	70004755	3	Pin	
18	70004756	2	Washer	
19	70004757	1	Pin, Centering	
20	70004758	1	Spring	
21	70004759	1	Ring, Retaining	
22	70004760	1	E-Ring	
23	70004761	1	Can, Enclosure	
24	70004762	1	Boot	
25	70004763	1	Bezel	
26	See Note	NSS	Screw (Note: Not Available for Purchase)	
27	See Note	NSS	Base Mounting (Note: Not Available - Purchase Complete Assembly)	
28	See Note	NSS	Screw (Note: Not Available for Purchase)	
29	70004764	4	Screw	
30	70004765	4	Screw	
31	70004766	1	O-Ring	
32	See Note	NSS	Plate (Note: Not Available - Purchase Complete Assembly)	
33	See Note	NSS	Harness (Note: Not Available - Purchase Complete Assembly)	
34	70004767	1	Grommet, Rubber	
35	70004768	1	Housing	
36	70004769	1	Spring	
37	70004770	1	Stopper	
38	70004771	1	Spacer	
39	70004772	1	Washer	
40	70004773	1	Disc	

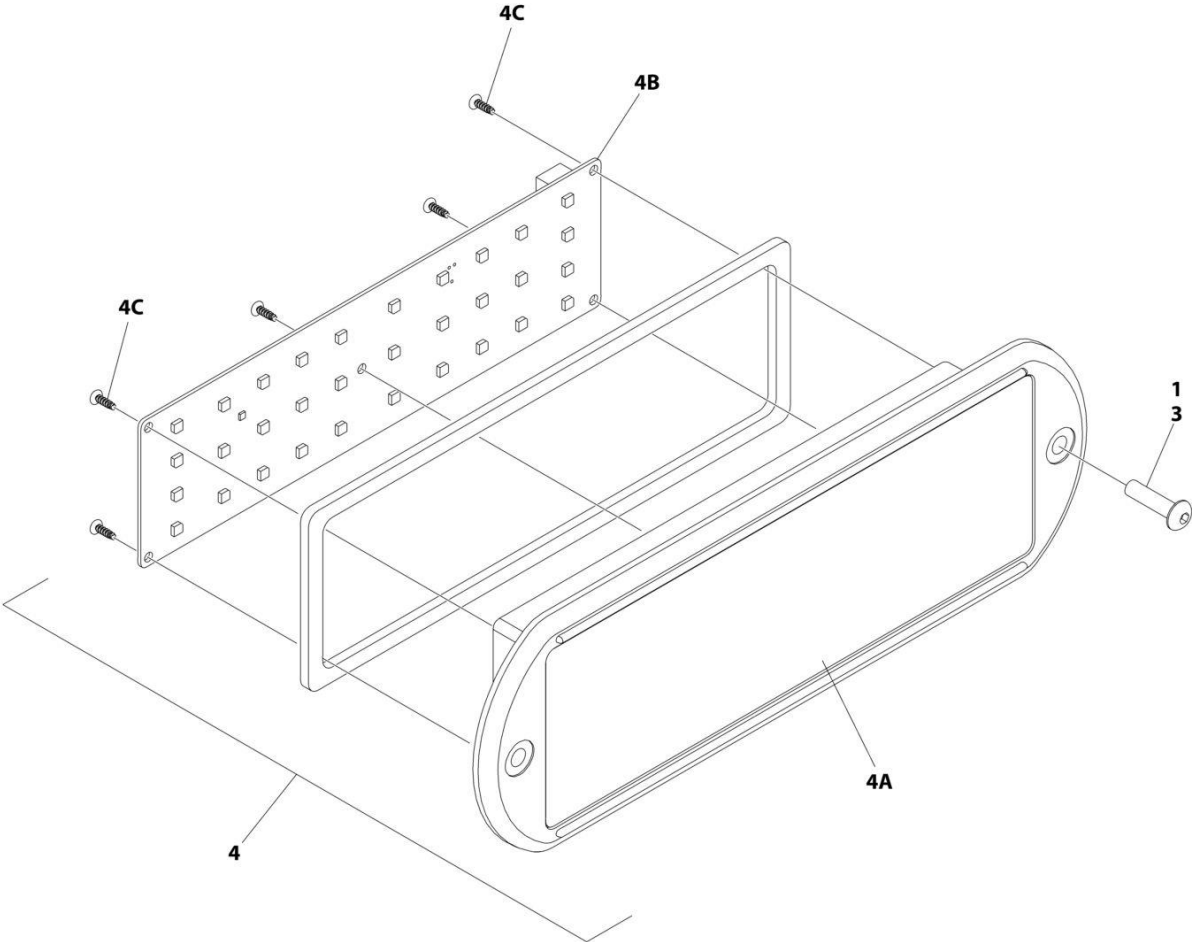
## SECTION 5 - PLATFORM

ITEM	PART NUMBER	QTY	DESCRIPTION	REV
41	70004774	2	Ring, Retaining	
42	70004775	1	Spring	
101	4460265	1	Connector - 9 Position	
101	4460226	6	Socket, Female	



**SECTION 5 - PLATFORM**

**FIGURE 5-15. LIGHT PANEL INSTALLATION**



ART\_1001233959\_C\_20F2

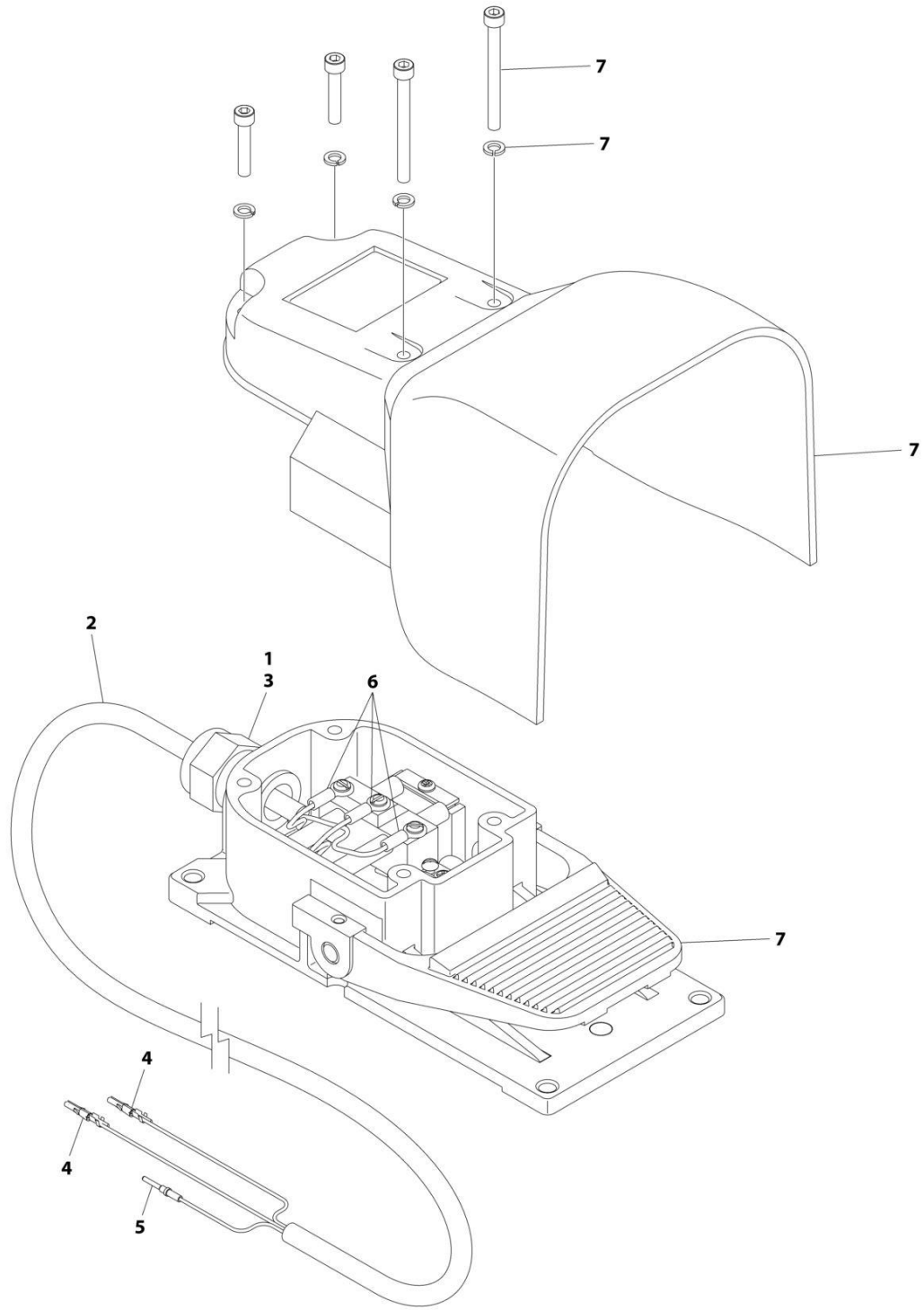
## SECTION 5 - PLATFORM

### FIGURE 5-15. LIGHT PANEL INSTALLATION

ITEM	PART NUMBER	QTY	DESCRIPTION	REV
	1001233959	Ref	LIGHT PANEL INSTALLATION - PLATFORM CONSOLE	C
1	0100035	AR	Compound, Locking	
3	0630518	2	Screw #10 x 3/4	
4	1001237544	1	Light Panel Assembly	H
4A	1001236087	1	Lens, I-Con	
4B	1001187807	1	Panel, LED Light	
4C		Ref	Screw	

# SECTION 5 - PLATFORM

## FIGURE 5-16. FOOTSWITCH ASSEMBLY



ART\_1001117174



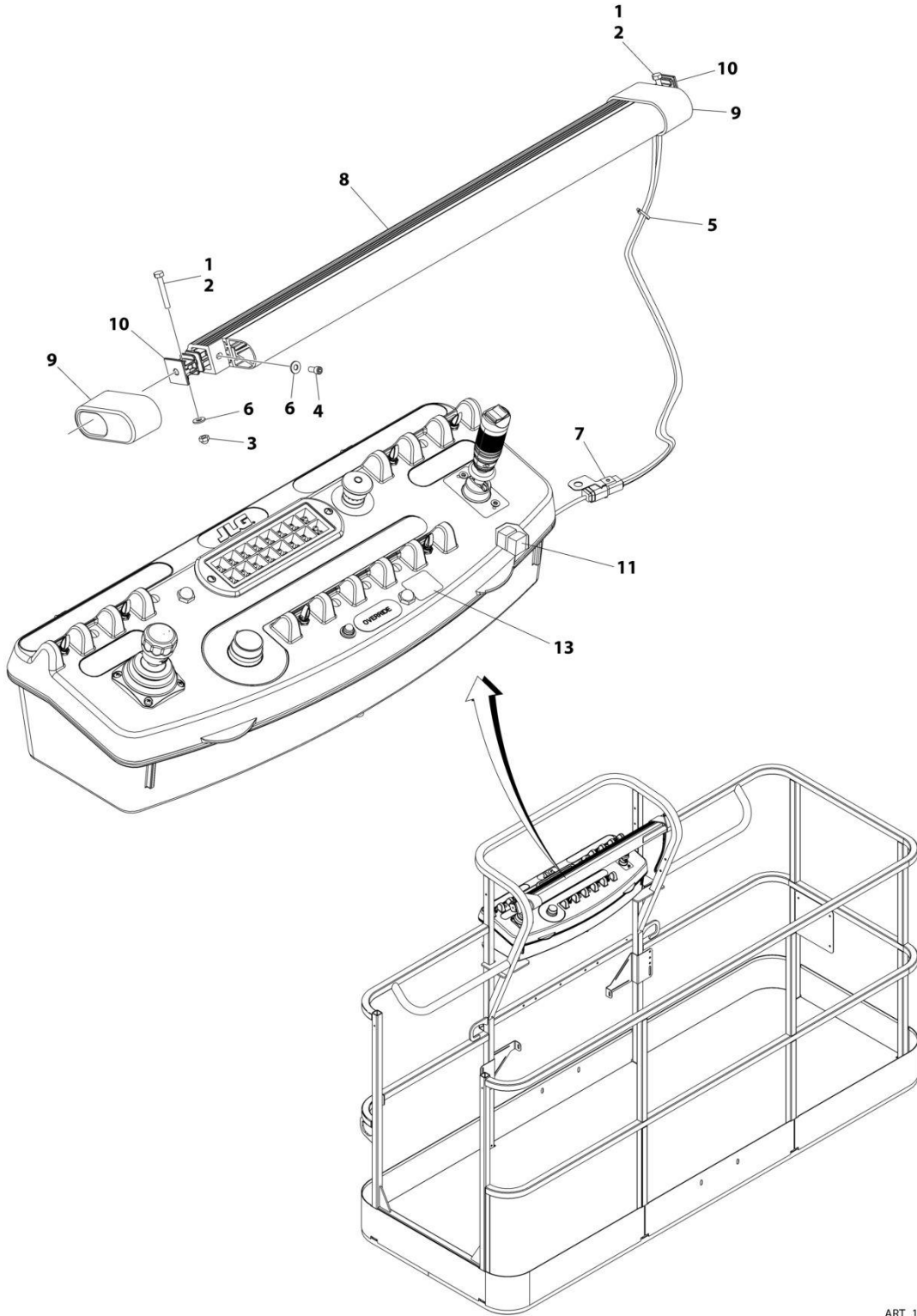
## SECTION 5 - PLATFORM

### FIGURE 5-16. FOOTSWITCH ASSEMBLY

ITEM	PART NUMBER	QTY	DESCRIPTION	REV
	1001117174	Ref	FOOTSWITCH ASSEMBLY	B
1	0100020	AR	Sealant	
2	1060918	7.5 ft/ 2.3m	Cable, Electrical - 18/3	
3	4460071	1	Connector, Strain Relief	
4	4460226	2	Socket, Female	
5	4460464	1	Pin, Male	
6	1001098122	3	Terminal	
7	1001117172	1	Footswitch	
7	70002902	1	Switch, 20Amp	
7	70002903	1	Gasket	
7	70002905	1	Cover	
7	70002904	1	Kit, Replacement Bolt	

# SECTION 5 - PLATFORM

## FIGURE 5-17. SKYGUARD BAR INSTALLATION



ART\_1001238495

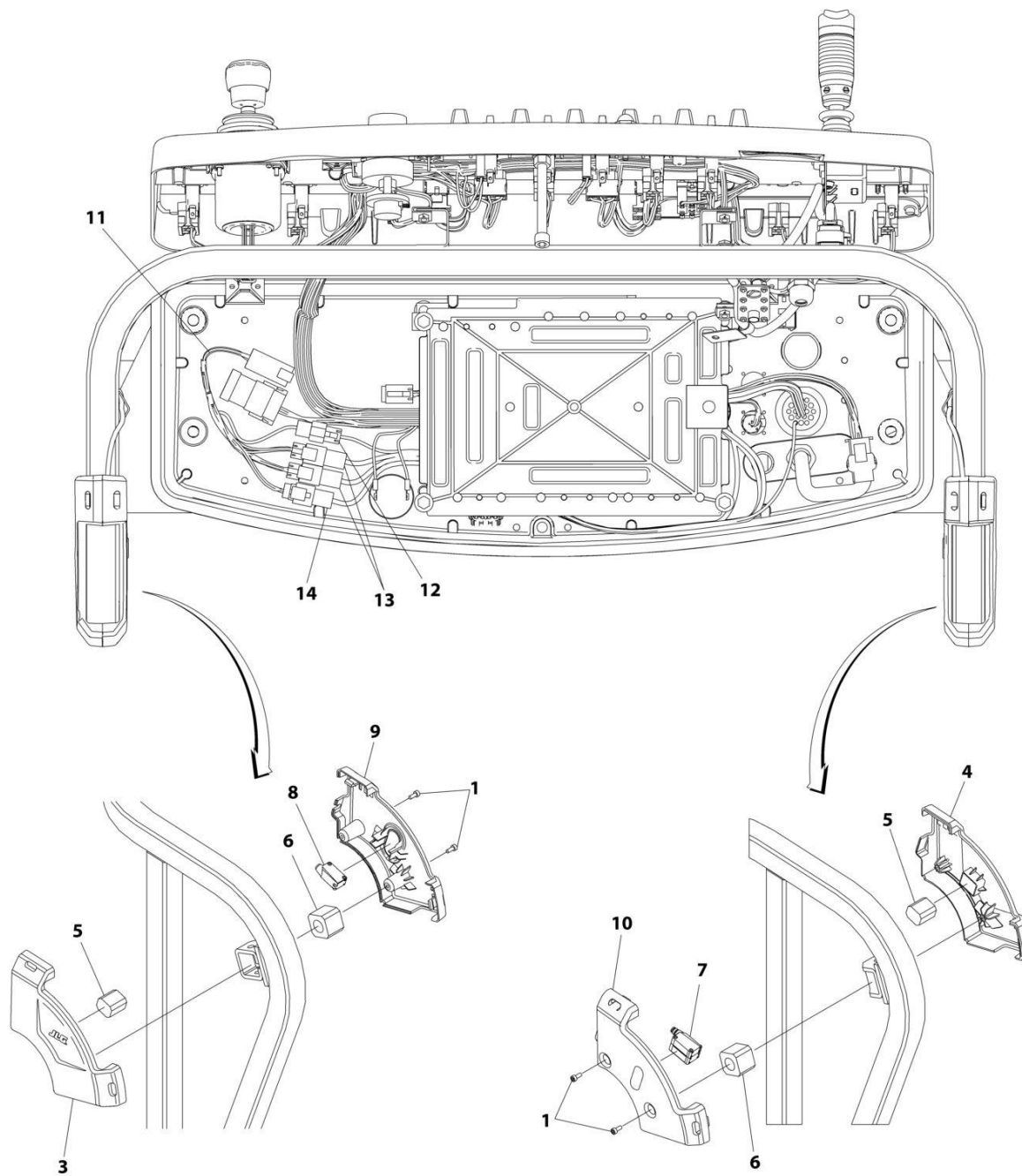
## SECTION 5 - PLATFORM

**FIGURE 5-17. SKYGUARD BAR INSTALLATION**

ITEM	PART NUMBER	QTY	DESCRIPTION	REV
	1001238495	Ref	SKYGUARD BAR INSTALLATION	A
1	0100011	AR	Compound, Locking	
2	0641414	2	Bolt 1/4 x 1-3/4	
3	3300430	2	Nut 1/4	
4	3931408	2	Capscrew 1/4 x 1/2	
5	4240033	8	Tie-Strap	
6	4711400	6	Washer 1/4	
7	1001120328	1	Mount	
8	1001137673	1	SkyGuard Switch Assembly	
9	1001186517	2	Cover, Platform Sensor	
10	1001209664	2	Support, Block	
11	1001186431	2	Relay	
12	1001225580	1	Interface Harness Assembly (Not Shown - Located Inside Console Box) (See Separate Breakdown in ELECTRICAL Section)	
13	1001144433	1	Decal - No Weight SkyGuard	

# SECTION 5 - PLATFORM

## FIGURE 5-18. SKYEYE INSTALLATION



ART\_1001229341

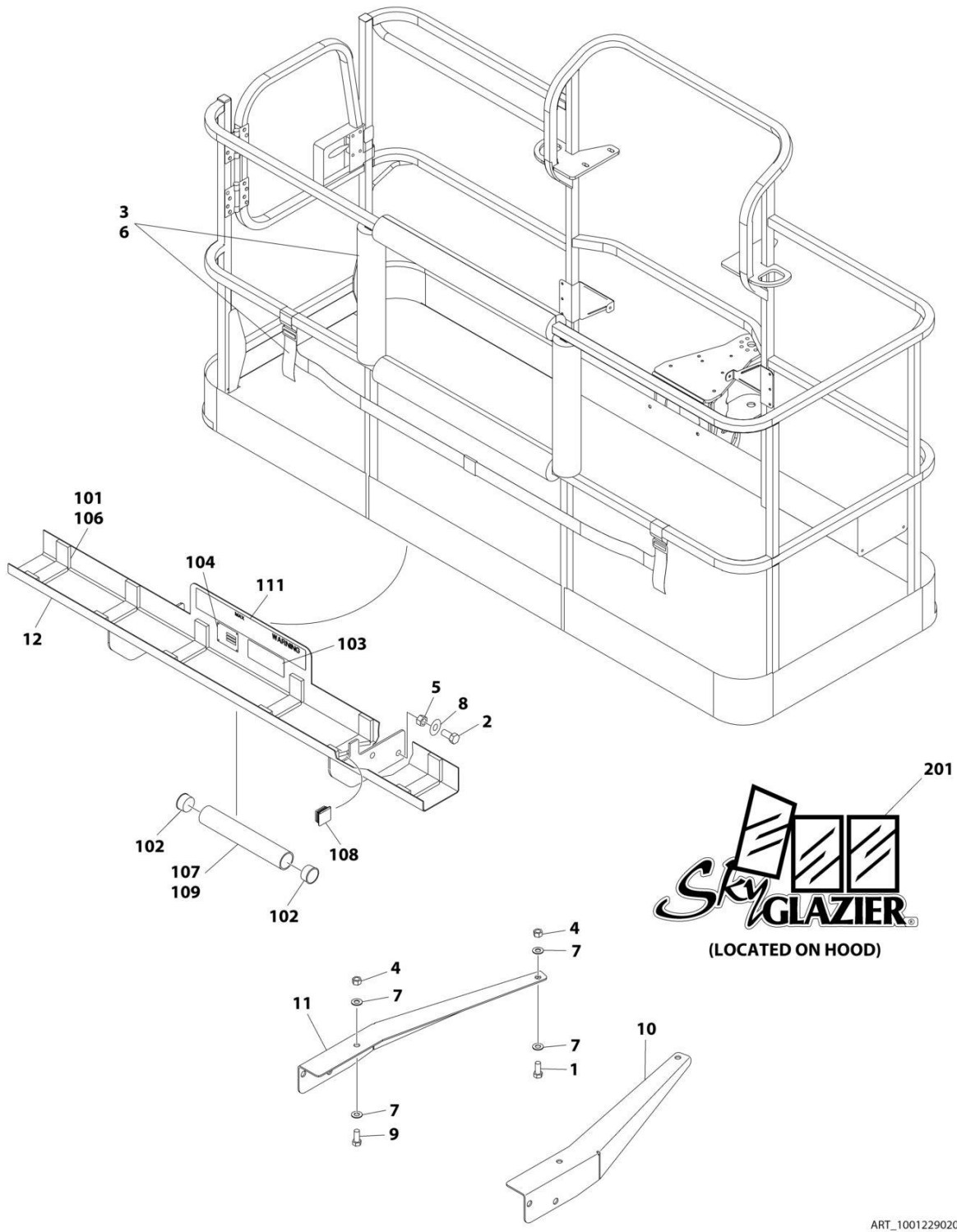
## SECTION 5 - PLATFORM

### FIGURE 5-18. SKYEYE INSTALLATION

ITEM	PART NUMBER	QTY	DESCRIPTION	REV
	1001229341	Ref	SKYEYE INSTALLATION	B
1	4031505	4	Bolt M4 x 10	
2	4240033	AR	Tie-Strap (Not Shown)	
3	1001227633	1	Housing, LH Outer	
4	1001227634	1	Housing, RH Outer	
5	1001227985	2	Shim	
6	1001227987	2	Shim	
7	1001228224	2	Sensor, Receiver	
8	1001228225	1	Sensor, Emitter	
9	1001232164	1	Housing, LH Inner	
10	1001232165	1	Housing, RH Inner	
11	1001237865	1	Harness, Skyeye Intermediate (See Separate Breakdown in ELECTRICAL Section)	
12	1001238319	NLA	Harness, Skyeye Drain Jumper	
12	1001187674	1	Plug, Male - 2 Position	
12	4460942	1	Terminal	
12	4460466	1	Plug, Terminal	
12	4460508	1	Pin, Male	
13	1001237863	2	Harness, Skyeye Receiver (See Separate Breakdown in ELECTRICAL Section)	
14	1001237864	1	Harness, Skyeye Emitter (See Separate Breakdown in ELECTRICAL Section)	

# SECTION 5 - PLATFORM

## FIGURE 5-19. SKYGLAZIER INSTALLATION (ANSI, AUSTRALIAN AND CSA SPECS)



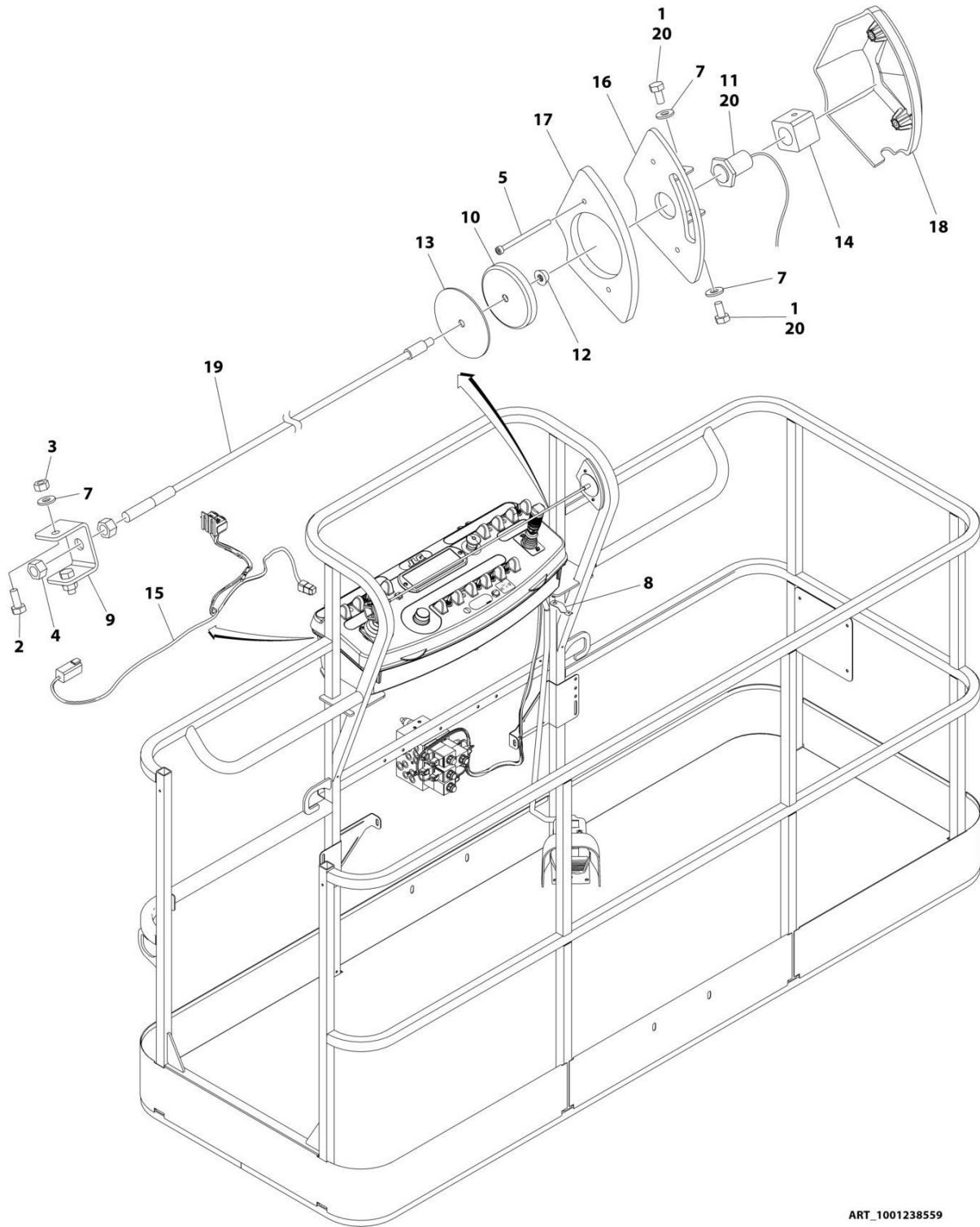
## SECTION 5 - PLATFORM

**FIGURE 5-19. SKYGLAZIER INSTALLATION (ANSI, AUSTRALIAN AND CSA SPECS)**

ITEM	PART NUMBER	QTY	DESCRIPTION	REV
	1001229020	Ref	SKYGLAZIER INSTALLATION	A
1	0642012	2	Bolt 5/8 x 1-1/2	
2	0642212	4	Bolt 3/4 x 1-1/2	
3	2902212	1	Bumpers and Strap Kit	
3	0940102	1	Bumper Only	
3	4240149	1	Strap Only	
4	3312005	4	Nut 5/8	
5	3312205	4	Nut 3/4	
6	4420014	AR	Tape	
7	4712000	6	Washer 5/8	
8	4712200	8	Washer 3/4	
9	8310129	2	Bolt 3/4 x 2-1/2	
10	1001099366	1	Support	
11	1001099367	1	Support	
12	1001229082	1	Tray Assembly (See Items 101-111 for Breakdown)	
	1001229082	Ref	TRAY ASSEMBLY	B
101	0100081	AR	Adhesive	
102	1120555	2	Cap, Tube	
103	1701509	1	Decal - Manual	
104	See Note	NSS	Nameplate - Serial Number (Note: Not Available for Purchase)	
106	3340956	1	Pad Kit	
107	3460334	1	Tube	
108	3520071	2	Plug	
109	4420066	AR	Tape, Double Sided	
111	1001199035	2	Decal - Glazier Capacity	
	0272418	Ref	SKYGLAZIER DECAL INSTALLATION	4
201	1705358	2	Decal - SkyGlazier	

# SECTION 5 - PLATFORM

## FIGURE 5-20. SKYLINE INSTALLATION



ART\_1001238559



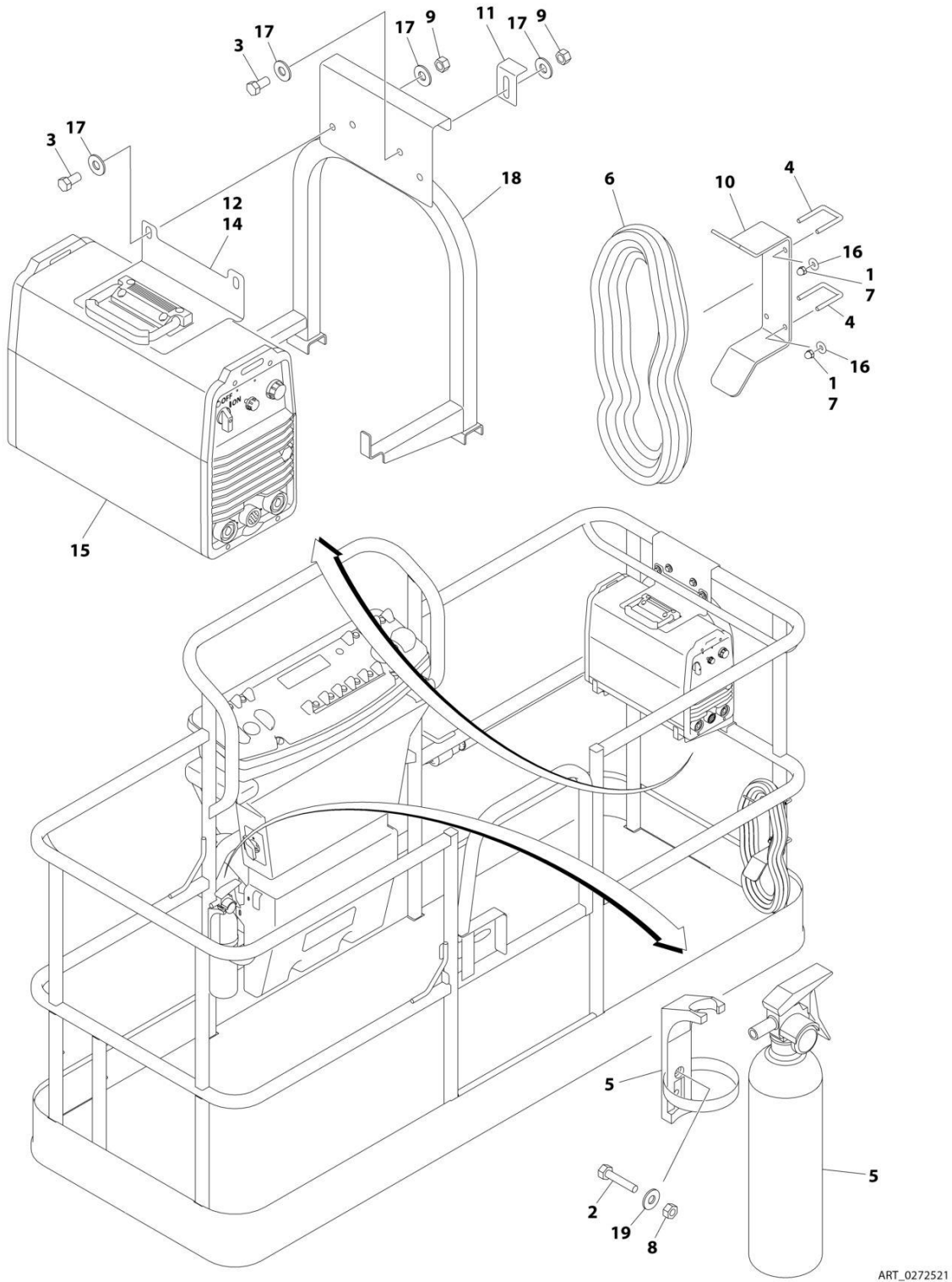
## SECTION 5 - PLATFORM

### FIGURE 5-20. SKYLINE INSTALLATION

ITEM	PART NUMBER	QTY	DESCRIPTION	REV
	1001238559	Ref	SKYLINE INSTALLATION	B
1	0641404	2	Bolt 1/4 x 1/2	
2	0641405	2	Bolt 1/4 x 5/8	
3	3311405	2	Nut 1/4	
4	3311601	2	Nut 3/8	
5	4031516	2	Capscrew M4 x 60	
6	4240033	AR	Tie-Strap (Not Shown)	
7	4711400	4	Washer 1/4	
8	1001120328	1	Mount	
9	1001232642	1	Bracket	
10	1001232650	1	Magnet	
11	1001232667	1	Sensor, Proximity	
12	1001235011	1	Nut	
13	1001235013	1	Washer	
14	1001236552	1	Block	
15	1001238418	1	Harness, Skyline (See Separate Breakdown in ELECTRICAL Section)	
16	1001238472	1	Mount	
17	1001238477	1	Housing, LH	
18	1001241965	1	Housing, RH	
19	1001238824	1	Rope	
20	0100011	AR	Compound, Locking	

# SECTION 5 - PLATFORM

## FIGURE 5-21. SKYWELDER INSTALLATION (50HZ)



ART\_0272521

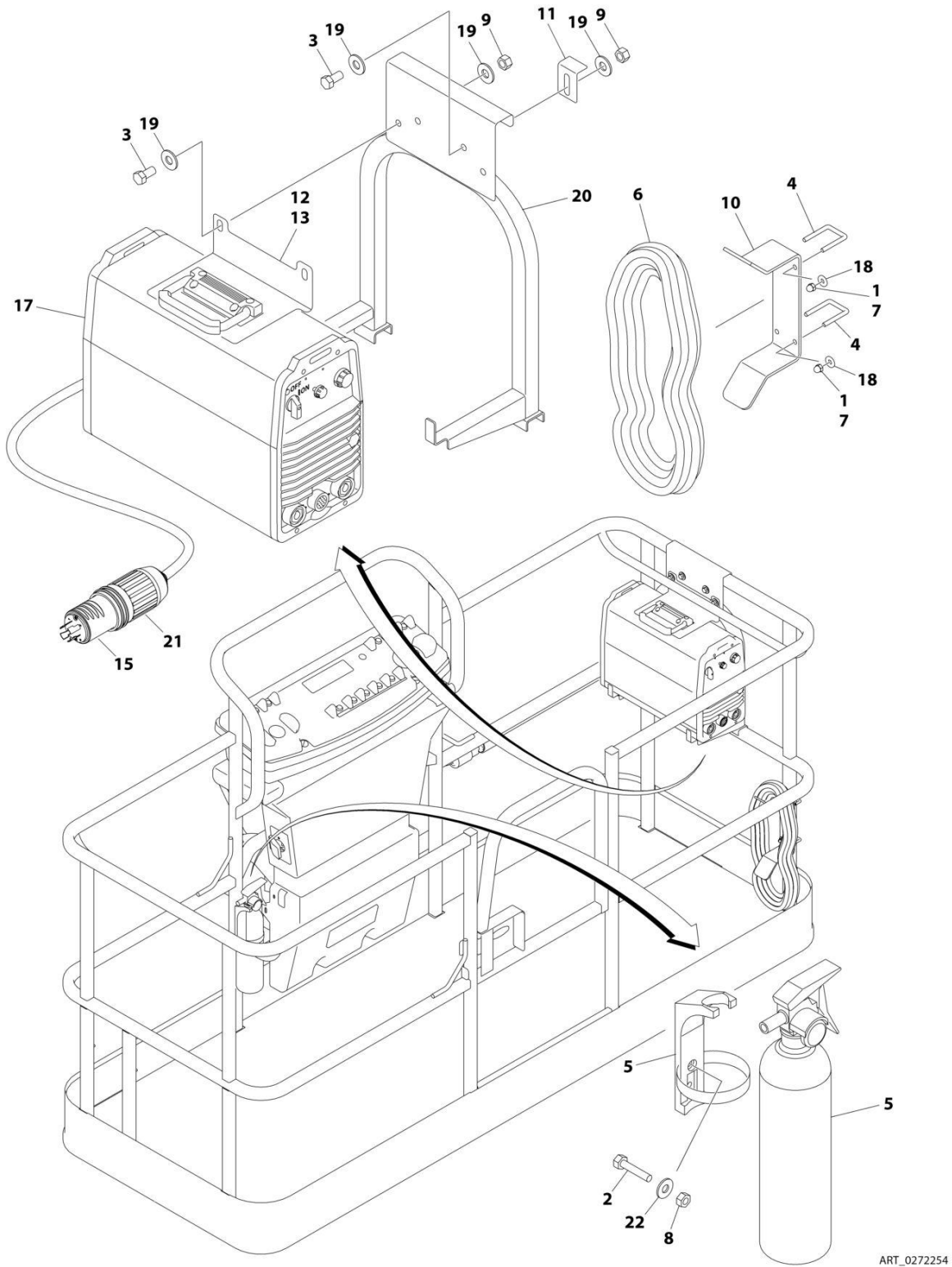
## SECTION 5 - PLATFORM

**FIGURE 5-21. SKYWELDER INSTALLATION (50HZ)**

ITEM	PART NUMBER	QTY	DESCRIPTION	REV
	0272521	Ref	SKYWELDER INSTALLATION	F
1	0100011	AR	Compound, Locking	
2	0630518	2	Screw #10 x 3/4	
3	0641606	4	Bolt 3/8 x 3/4	
4	1320302	2	U-Clamp	
5	2030010	1	Extinguisher, Fire	
6	2902217	1	Weld Leads Kit	
7	3300151	4	Nut 1/4	
8	3311005	2	Nut #10	
9	3311605	4	Nut 3/8	
10	3573400	1	Bracket	
11	3577121	2	Angle	
12	3573642	1	Plate	
13	4240099	AR	Tie-Strap (Not Shown)	
14	4420037	AR	Tape	
15	4530028	1	Welder Assembly (See Separate Breakdown in this Section)	
16	4751400	4	Washer 1/4	
17	4751600	8	Washer 3/8	
18	4846627	1	Support	
19	4751000	2	Washer #10	

# SECTION 5 - PLATFORM

## FIGURE 5-22. SKYWELDER INSTALLATION (60HZ)



ART\_0272254

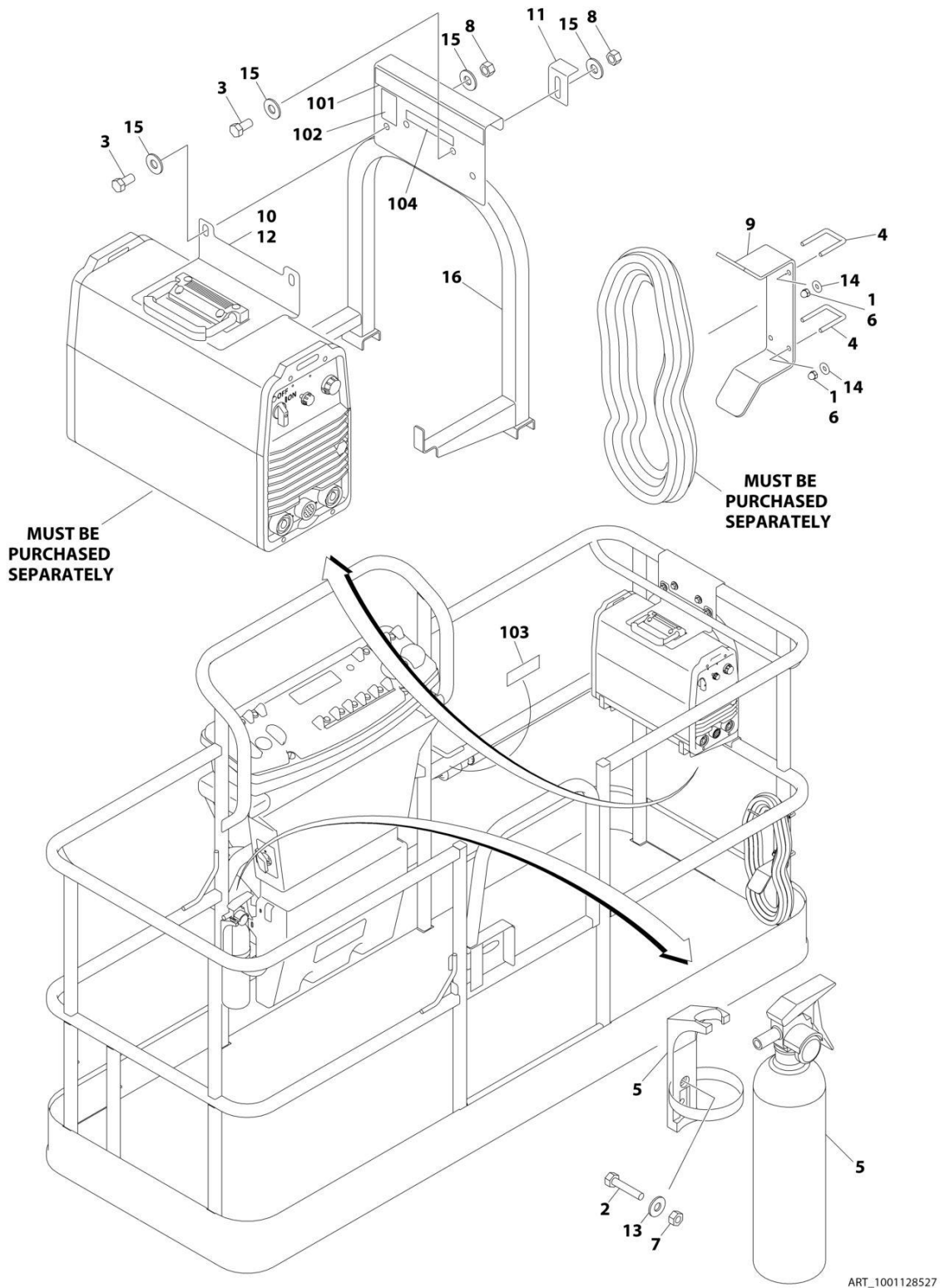
## SECTION 5 - PLATFORM

**FIGURE 5-22. SKYWELDER INSTALLATION (60HZ)**

ITEM	PART NUMBER	QTY	DESCRIPTION	REV
	0272254	Ref	SKYWELDER INSTALLATION	I
1	0100011	AR	Compound, Locking	
2	0630518	2	Screw #10 x 3/4	
3	0641606	4	Bolt 3/8 x 3/4	
4	1320302	2	U-Clamp	
5	2030010	1	Extinguisher, Fire	
6	2902217	1	Weld Leads Kit	
7	3300151	4	Nut 1/4	
8	3311005	2	Nut #10	
9	3311605	4	Nut 3/8	
10	3573400	1	Bracket	
11	3577121	2	Angle	
12	3573642	1	Plate	
13	4420037	AR	Tape	
14	4240099	AR	Tie-Strap (Not Shown)	
15	4460962	1	Plug, Male Twistlock	
17	4530028	1	Welder Assembly (See Separate Breakdown in this Section)	
18	4751400	4	Washer 1/4	
19	4751600	8	Washer 3/8	
20	4846627	1	Support	
21	1671093	1	Cover, Plug	
22	4751000	2	Washer #10	

# SECTION 5 - PLATFORM

## FIGURE 5-23. SKYWELDER PREP PACKAGE (60HZ)



ART\_1001128527

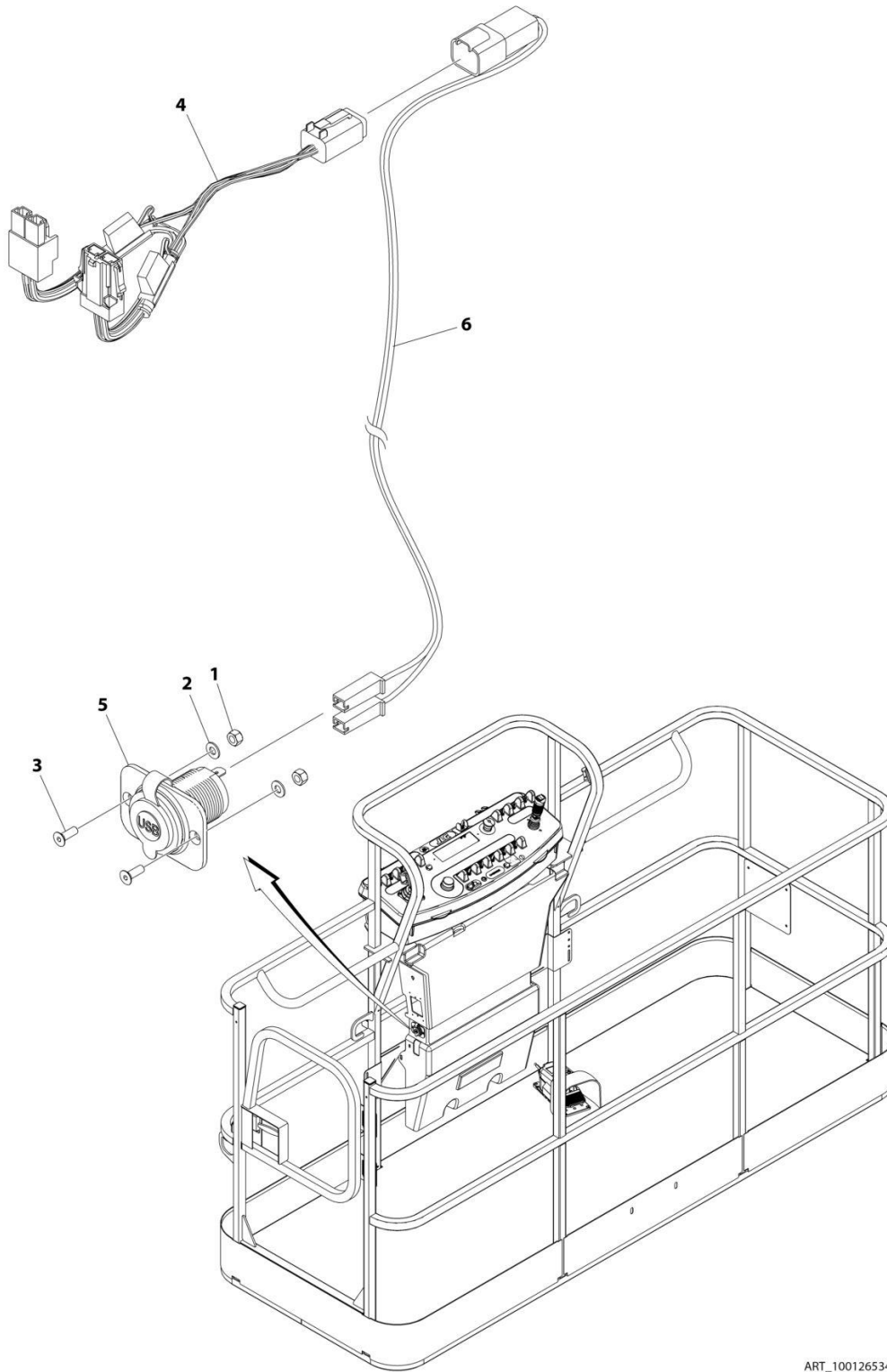
## SECTION 5 - PLATFORM

**FIGURE 5-23. SKYWELDER PREP PACKAGE (60HZ)**

ITEM	PART NUMBER	QTY	DESCRIPTION	REV
	1001128527	Ref	SKYWELDER PREP PACKAGE (60HZ)	B
1	0100011	AR	Compound, Locking	
2	0630518	2	Screw #10 x 3/4	
3	0641606	4	Bolt 3/8 x 3/4	
4	1320302	2	U-Clamp	
5	2030010	1	Extinguisher, Fire	
6	3300151	4	Nut 1/4	
7	3311005	2	Nut #10	
8	3311605	4	Nut 3/8	
9	3573400	1	Bracket	
10	3573642	1	Plate	
11	3577121	2	Angle	
12	4420037	AR	Tape	
13	4751000	2	Washer #10	
14	4751400	4	Washer 1/4	
15	4751600	8	Washer 3/8	
16	4846627	1	Support	
	1001128556	Ref	SKYWELDER DECAL INSTALLATION	C
101	1702868	1	Decal - No Hands	
102	1705305	1	Decal - Weld Lead	
103	1705375	1	Decal - 240V - 3 Phase - 60Hz	
104	1001228988	1	Decal - Weight	

# SECTION 5 - PLATFORM

## FIGURE 5-24. USB CHARGER INSTALLATION



ART\_1001265342



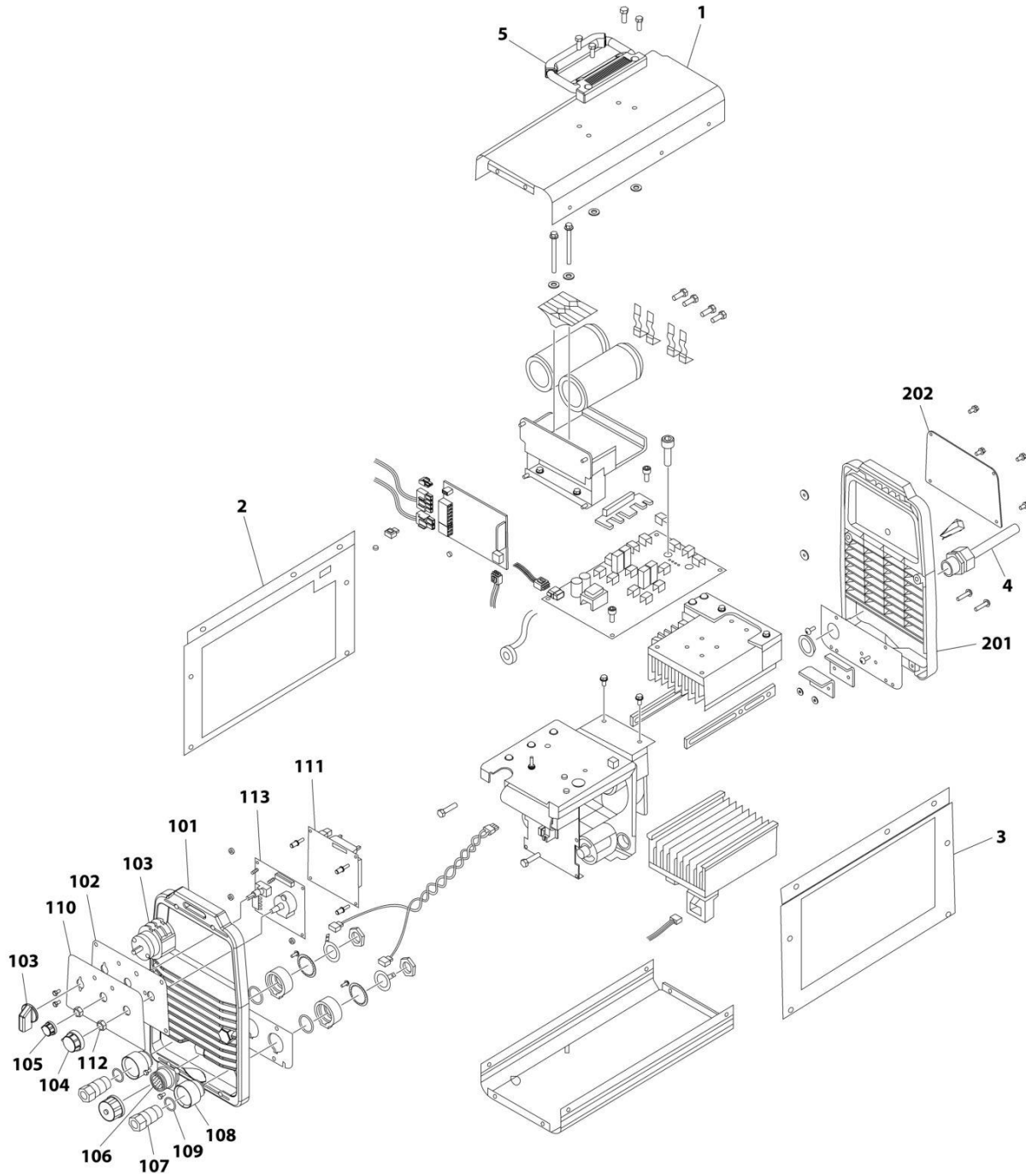
## SECTION 5 - PLATFORM

**FIGURE 5-24. USB CHARGER INSTALLATION**

ITEM	PART NUMBER	QTY	DESCRIPTION	REV
	1001265342	Ref	USB CHARGER INSTALLATION	A
1	3290405	2	Nut M4	
2	4811400	2	Washer M4	
3	1001097244	2	Screw M4 x 12	
4	1001120484	1	Harness, Work Lights	
4	4460879	1	Plug, Male - 2 Position	
4	4460887	2	Terminal	
4	2400060	2	Fuseholder Includes Cover	
4	8229249	2	Fuse, 3 Amp	
4	4460884	1	Connector - 4 Position	
4	4460465	4	Socket, Female	
4	1001120471	1	Connector - 2 Position	
4	1001120477	2	Terminal	
5	1001210636	1	Receptacle, USB	
6	1001265163	1	Harness, USB	A
6	4460260	2	Cover, Terminal	
6	4460259	2	Terminal	
6	4460932	1	Receptacle, Bussbar - 4 Position	
6	4460464	2	Pin, Male	
6	4460466	2	Plug, Terminal	

# SECTION 5 - PLATFORM

## FIGURE 5-25. WELDER ASSEMBLY



ART\_4530028

## SECTION 5 - PLATFORM

### FIGURE 5-25. WELDER ASSEMBLY

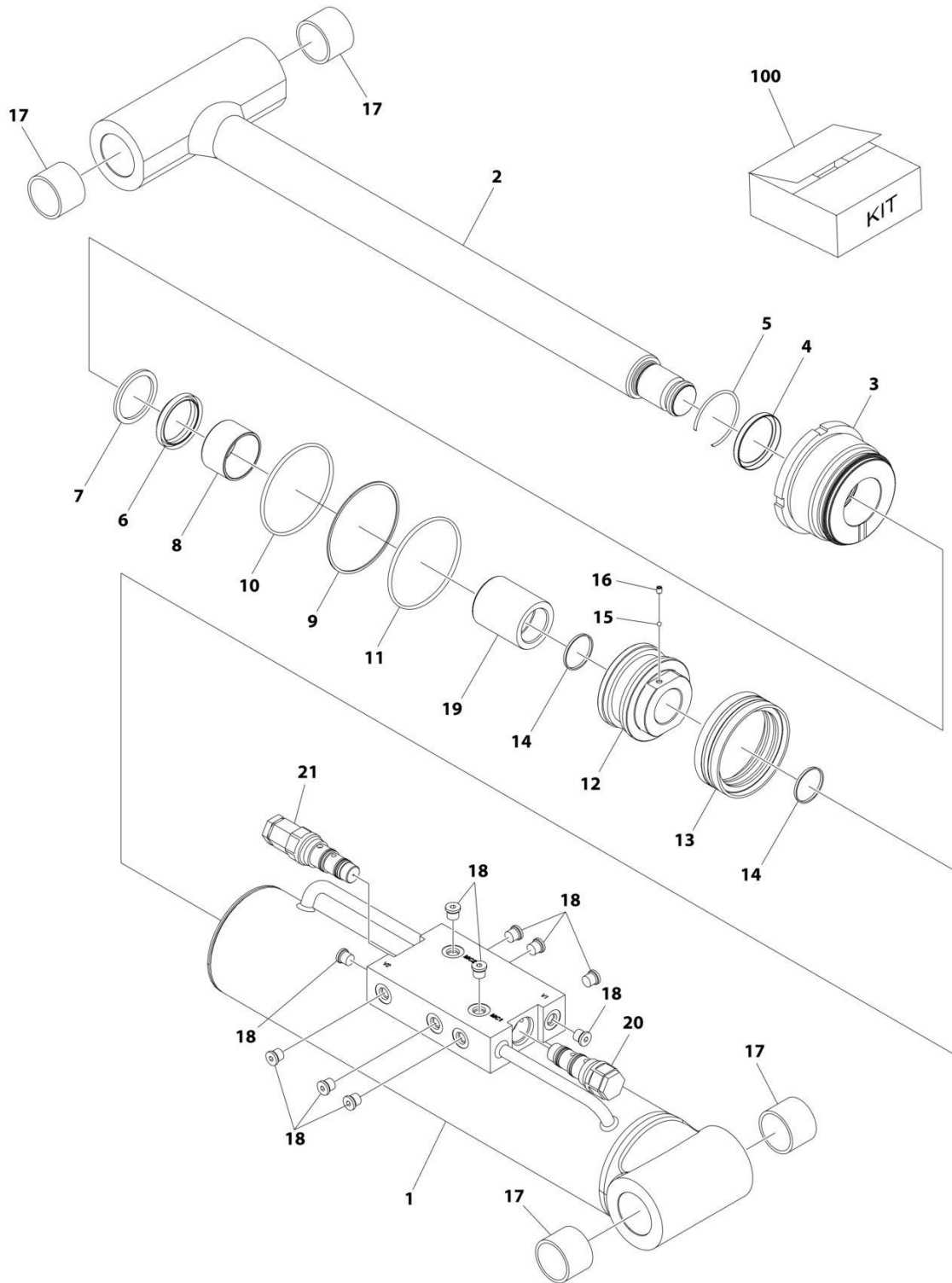
ITEM	PART NUMBER	QTY	DESCRIPTION	REV
	4530028	Ref	WELDER ASSEMBLY	B
		Ref	Note: For Other Components, contact your Miller Welder Dealer.	
1	7027773	1	Cover, Top	
1	7027774	1	Decal - Static Precautionary Warning	
2	See Note	NSS	Panel, LH Side (Note: Part of Item 1. Purchase Item 1)	
3	See Note	NSS	Panel, RH Side (Note: Part of Item 1. Purchase Item 1)	
4	7024467	1	Cable, Power	
4	7027775	1	Decal - Electrical Shock Warning (Not Shown)	
5	7027776	1	Handle, Carrying	
101	7024462	1	Panel, Front	
102	7024463	1	Panel, Console	
103	7024469	1	Switch with Lead	
104	7024470	1	Knob	
105	7024471	1	Knob	
106	7024472	1	Receptacle with Leads and Plugs	
107	7024473	2	Receptacle, Twistlock Female	
108	7024474	2	Insulator	
109	7024475	2	O-Ring	
110	7027777	1	Nameplate	
111	7027779	1	Circuit Card Assembly (Process Control)	
112	7024478	2	Nut	
113	7027778	1	Circuit Card Assembly (Operator Interface)	
201	7024462	1	Panel, Rear	
202	7027780	1	Panel, Cover	



**SECTION 6 - CYLINDER**

# SECTION 6 - CYLINDER

## FIGURE 6-1. LEVEL CYLINDER ASSEMBLY - PLATFORM SLAVE



ART\_1001184957

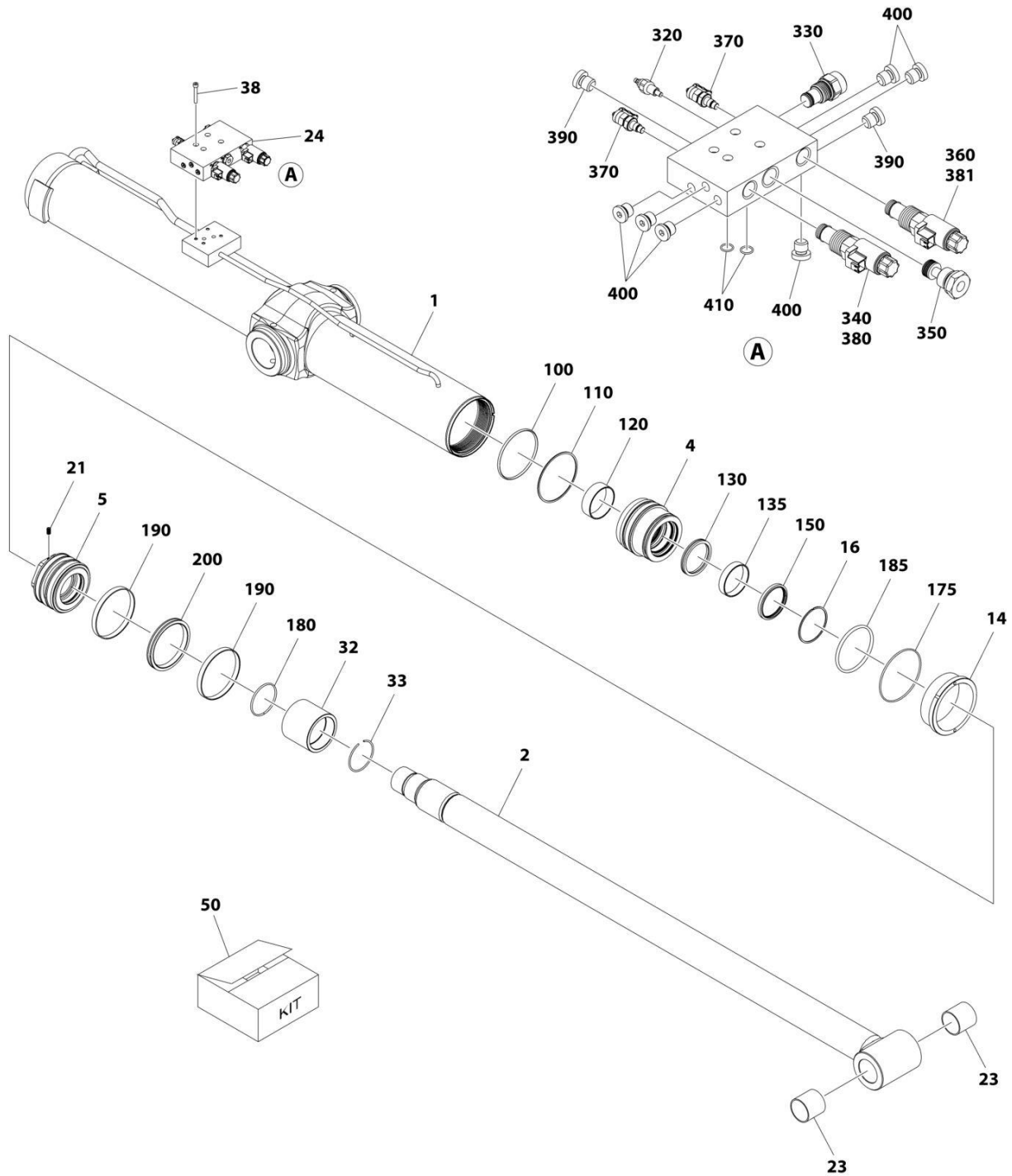
## SECTION 6 - CYLINDER

**FIGURE 6-1. LEVEL CYLINDER ASSEMBLY - PLATFORM SLAVE**

ITEM	PART NUMBER	QTY	DESCRIPTION	REV
	1001184957	Ref	LEVEL CYLINDER ASSEMBLY	D
		Ref	Note: Original Cylinder may have been replaced with Service Replacement. Identify PN Stamped on Cylinder Before Ordering Parts.	
1	70005698	1	Barrel	
2	70005699	1	Rod	
3	70005700	1	Head	
4	See Note	NSS	Wiper (Note: Use Item 100)	
5	70002410	1	Ring, Retaining	
6	See Note	NSS	Seal, Rod (Note: Use Item 100)	
7	See Note	NSS	Ring, Back-up (Note: Use Item 100)	
8	70004237	1	Bearing	
9	See Note	NSS	O-Ring (Note: Use Item 100)	
10	See Note	NSS	Ring, Back-up (Note: Use Item 100)	
11	See Note	NSS	O-Ring (Note: Use Item 100)	
12	70005701	1	Piston	
13	See Note	NSS	Seal, Piston (Note: Use Item 100)	
14	See Note	NSS	O-Ring (Note: Use Item 100)	
15	70022564	1	Ball	
16	70023369	1	Setscrew	
17	0961948	4	Bearing	
18	2220883	10	Plug	
19	70005702	1	Spacer	
20	4640999	1	Valve, Counterbalance	
20	2900792	1	Seal Kit - 4640999 Valve	
21	4640932	1	Valve, Counterbalance	
21	7011112	1	Seal Kit - 4640932 Valve	
100	70005703	1	Seal Kit - 1001184957 Cylinder (Include Items 4, 6, 7, 9, 10, 11, 13 & 14)	

# SECTION 6 - CYLINDER

## FIGURE 6-2. LIFT CYLINDER ASSEMBLY - BOOM



ART\_1001272076



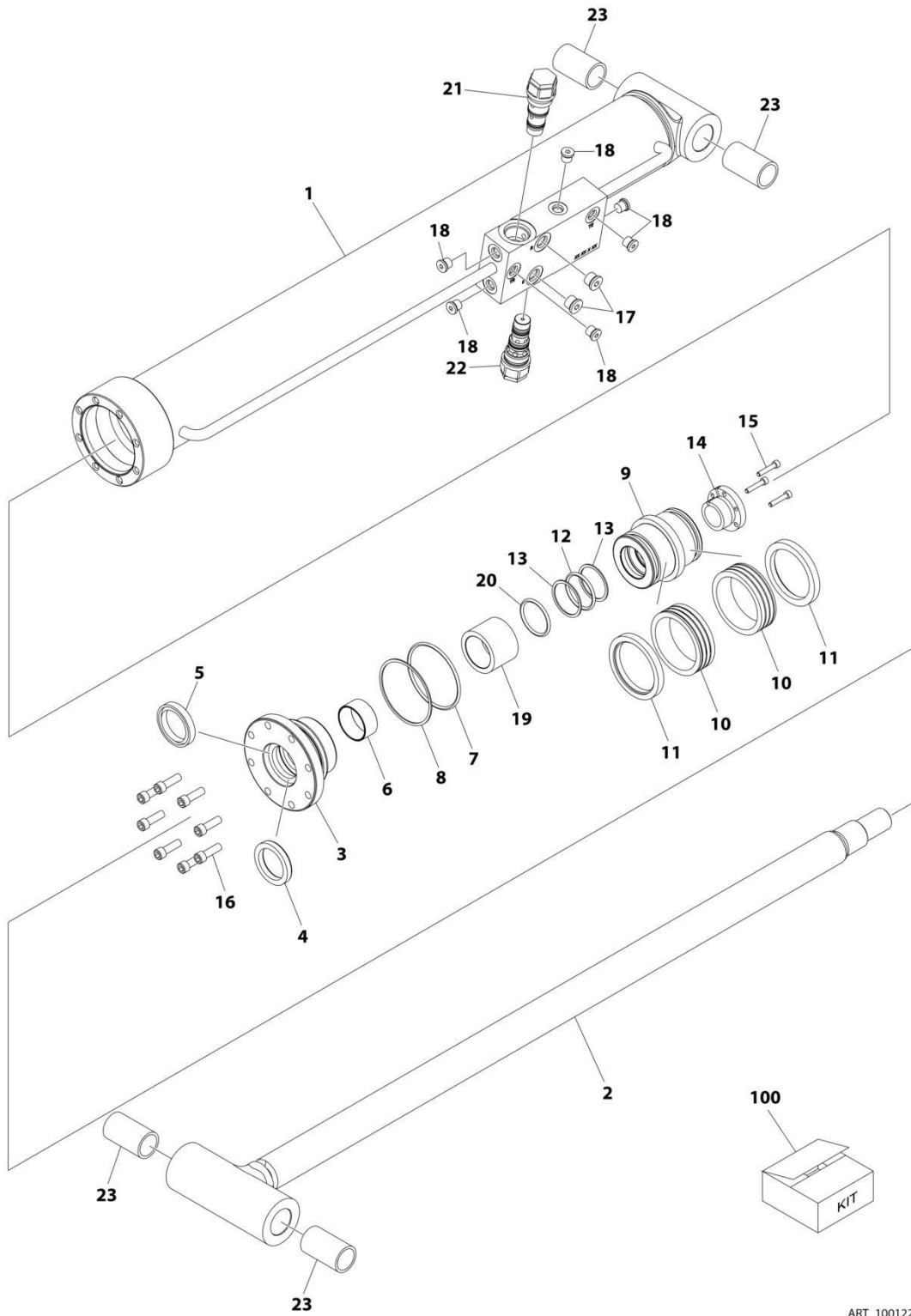
## SECTION 6 - CYLINDER

### FIGURE 6-2. LIFT CYLINDER ASSEMBLY - BOOM

ITEM	PART NUMBER	QTY	DESCRIPTION	REV
	1001272076	Ref	LIFT CYLINDER ASSEMBLY	A
		Ref	Note: Original Cylinder May Have Been Replaced with Service Replacement. Identify PN Stamped on Cylinder Before Ordering Parts.	
1	See Note	NSS	Barrel (Note: Use PN 1001272076)	
2	See Note	NSS	Rod (Note: Use PN 1001272076)	
4	70005572	1	Head	
5	70025580	1	Piston	
14	70026164	1	Lock	
16	70000699	1	Ring, Retaining	
21	70025582	1	Set Screw M10 x 20	
23	70007838	2	Bushing	
24	See Note	NSS	Valve Assembly (Note: Complete Assembly Not Available - Purchase Individual Components) (See Items 320-410)	
32	70006260	1	Spacer	
33	70005575	1	Ring, Retaining	
38	70007334	4	Capscrew M8 x 55	
50	70005563	1	Seal Kit - 1001272076 Cylinder (Includes Items 100-200)	
100	See Note	NSS	O-Ring (Note: Use Item 50)	
110	See Note	NSS	Ring, Back-Up (Note: Use Item 50)	
120	See Note	NSS	Ring, Wear (Note: Use Item 50)	
130	See Note	NSS	Seal (Note: Use Item 50)	
135	See Note	NSS	Ring, Wear (Note: Use Item 50)	
150	See Note	NSS	Wiper (Note: Use Item 50)	
175	See Note	NSS	O-Ring (Note: Use Item 50)	
180	See Note	NSS	O-Ring (Note: Use Item 50)	
185	See Note	NSS	O-Ring (Note: Use Item 50)	
190	See Note	NSS	Ring (Note: Use Item 50)	
200	See Note	NSS	Seal (Note: Use Item 50)	
320	70007341	1	Cartridge	
320	70004867	1	Seal Kit - 70007341 Valve	
330	70007342	1	Cartridge, Relief	
330	7024502	1	Seal Kit - 70007342 Valve	
340	70007343	1	Cartridge, Solenoid	
350	1001271454	1	Plug	
360	70007345	1	Cartridge, Solenoid	
360	7024503	1	Seal Kit - 70007345 Valve	
370	2221086	2	Fitting, Test	
380	70007323	1	Coil	
381	70006004	1	Coil	
390	70007346	2	Orifice	
400	70026973	6	Plug 1/8	
410	70007347	2	O-Ring	

# SECTION 6 - CYLINDER

## FIGURE 6-3. LIFT CYLINDER ASSEMBLY - JIB



ART\_1001228013

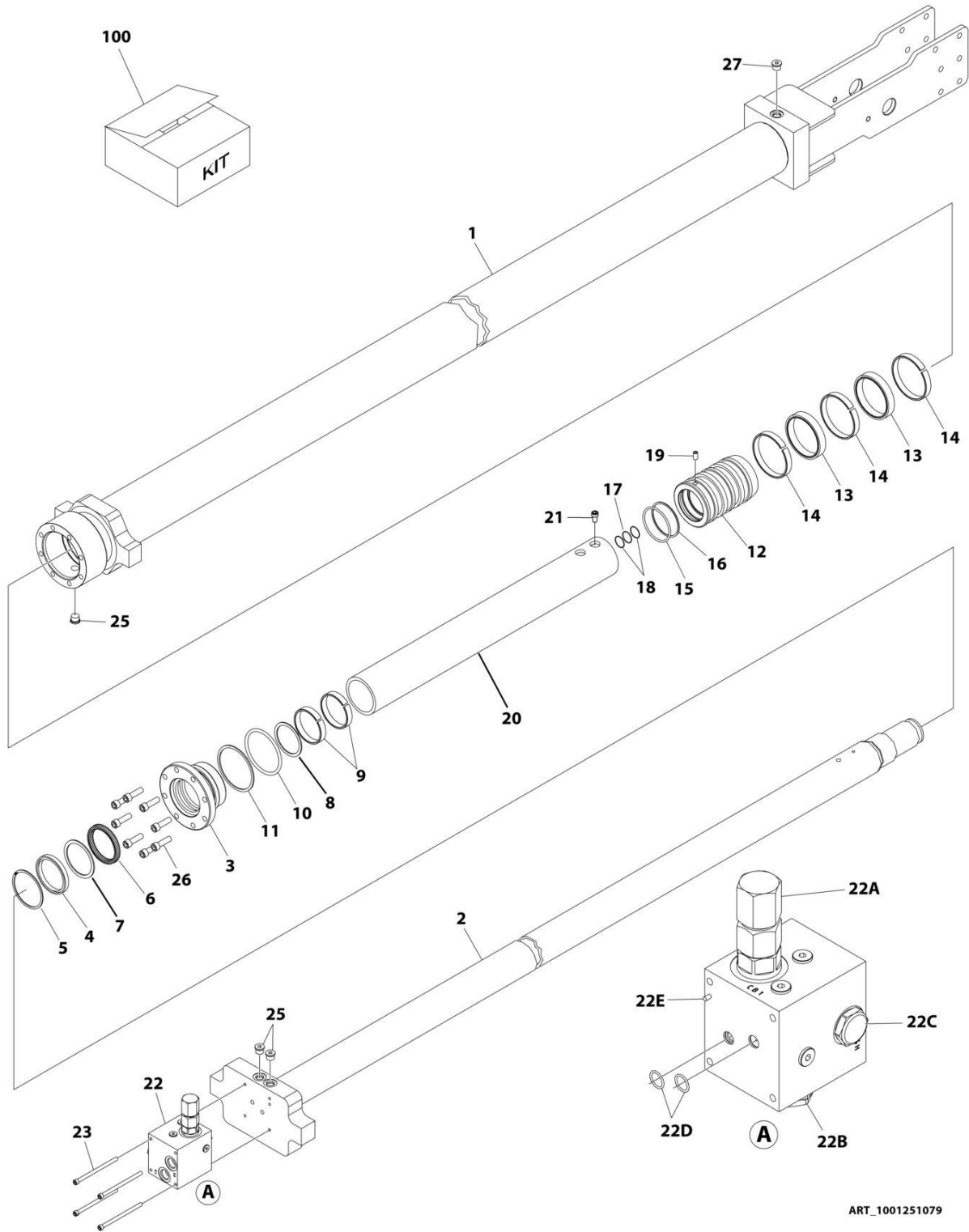
## SECTION 6 - CYLINDER

### FIGURE 6-3. LIFT CYLINDER ASSEMBLY - JIB

ITEM	PART NUMBER	QTY	DESCRIPTION	REV
	1001228013	Ref	LIFT CYLINDER ASSEMBLY	D
		Ref	Note: Original Cylinder May Have Been Replaced with Service Replacement. Identify PN Stamped on Cylinder Before Ordering Parts.	
1	See Note	NSS	Barrel (Note: Not Available for Purchase)	
2	70006734	1	Rod	
3	70006649	1	Head	
4	See Note	NSS	Wiper (Note: Use Item 100)	
5	See Note	NSS	Seal, Rod (Note: Use Item 100)	
6	See Note	NSS	Ring, Wear (Note: Use Item 100)	
7	See Note	NSS	O-Ring (Note: Use Item 100)	
8	See Note	NSS	Ring, Back-up (Note: Use Item 100)	
9	70006650	1	Piston	
10	See Note	NSS	Seal (Note: Use Item 100)	
11	See Note	NSS	Ring, Lock (Note: Use Item 100)	
12	See Note	NSS	O-Ring (Note: Use Item 100)	
13	See Note	NSS	Ring, Back-up (Note: Use Item 100)	
14	0961893	1	Bushing, Tapered	
15	0630534	3	Bolt #10-24NC x 1in	
16	70006735	8	Capscrew 5/16 x 1	
17	2220885	2	Plug, O-Ring #6	
18	2220883	6	Plug, O-Ring #4	
19	70006736	1	Spacer, Tube	
20	See Note	NSS	O-Ring (Note: Use Item 100)	
21	4640509	1	Cartridge, Valve	
21	2900792	1	Seal Kit - 4640509 Valve	
22	1001231963	1	Cartridge, Valve	
22	70004186	1	Seal Kit - 1001231963 Valve	
23	0962336	4	Bushing	
100	2901303	1	Seal Kit (Includes Items 4-8, 10-13 & 20)	

# SECTION 6 - CYLINDER

## FIGURE 6-4. TELESCOPE CYLINDER ASSEMBLY



ART\_1001251079

## SECTION 6 - CYLINDER

### FIGURE 6-4. TELESCOPE CYLINDER ASSEMBLY

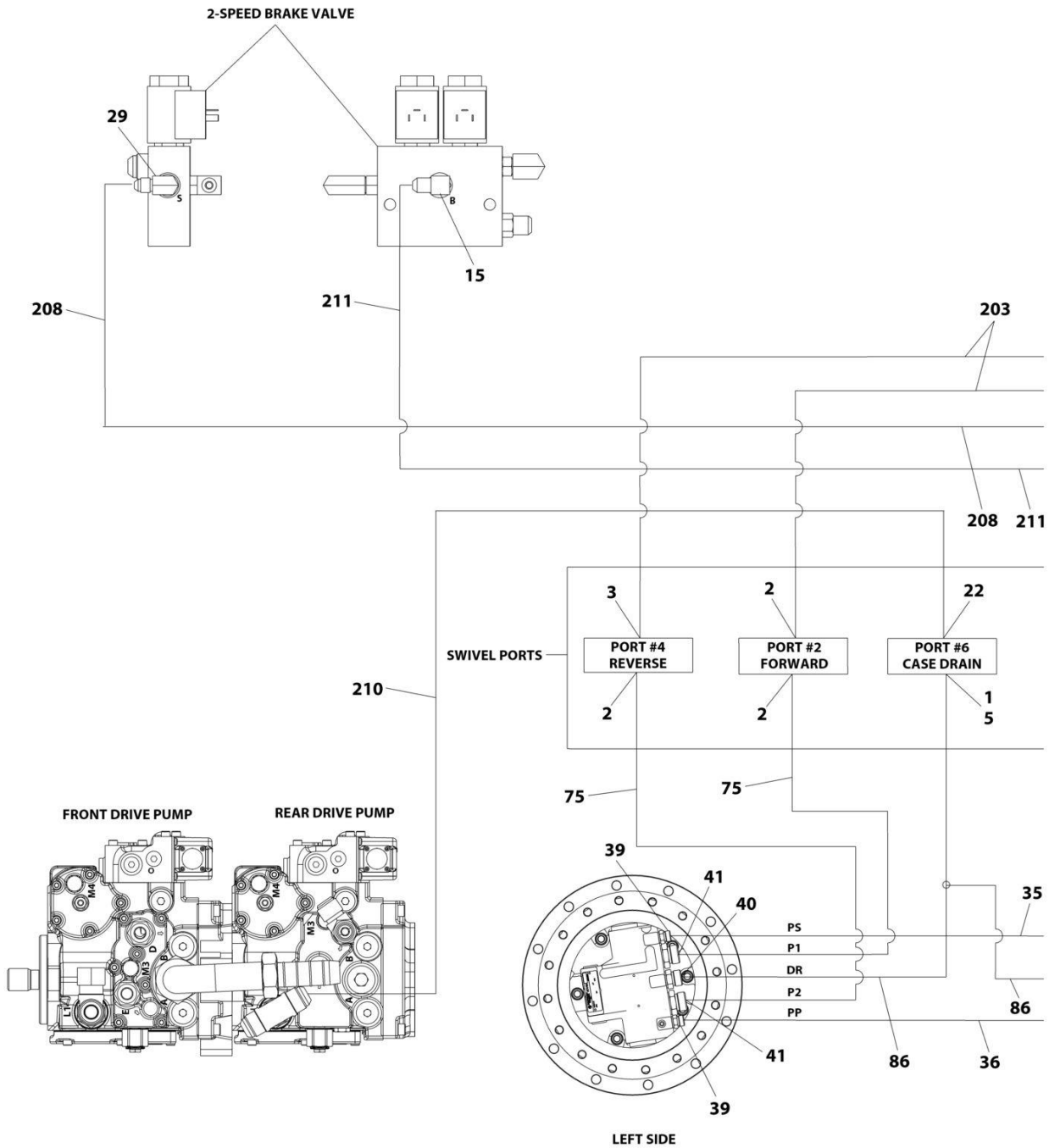
ITEM	PART NUMBER	QTY	DESCRIPTION	REV
	1001251079	Ref	TELESCOPE CYLINDER ASSEMBLY	B
	See Note	Ref	Note: Original Cylinder may have been replaced with Service Replacement. Identify PN Stamped on Cylinder Before Ordering Parts.	
1	See Note	NSS	Barrel (Note: Use PN 1001251079)	
2	70006978	1	Rod	
3	70006979	1	Head	
4	See Note	NSS	Wiper (Note: Use Item 100)	
5	70050795	1	Ring, Retaining	
6	See Note	NSS	Seal, Rod (Note: Use Item 100)	
7	See Note	NSS	Ring, Back-up (Note: Use Item 100)	
8	See Note	NSS	Ring, Buffer (Note: Use Item 100)	
9	See Note	NSS	Ring, Wear (Note: Use Item 100)	
10	See Note	NSS	O-Ring (Note: Use Item 100)	
11	See Note	NSS	Ring, Back-up (Note: Use Item 100)	
12	70006980	1	Piston	
13	See Note	NSS	Seal, Piston (Note: Use Item 100)	
14	See Note	NSS	Ring, Wear (Note: Use Item 100)	
15	See Note	NSS	O-Ring (Note: Use Item 100)	
16	See Note	NSS	Ring, Back-up (Note: Use Item 100)	
17	See Note	NSS	O-Ring (Note: Use Item 100)	
18	See Note	NSS	Ring, Back-up (Note: Use Item 100)	
19	70005839	1	Setscrew M8 x 12	
20	70006981	1	Spacer	
21	70006731	1	Bolt M8 x 12	
22	1001133245	1	Valve Assembly	
22A	70003926	1	Cartridge, Valve	
22A	70004186	1	Seal Kit - 70003926 Valve	
22B	70004155	1	Cartridge, Valve	
22B	70004186	1	Seal Kit - 70004155 Valve	
22C	70003928	1	Cartridge, Valve	
22C	70003929	1	Seal Kit - 70003928 Valve	
22D	70003982	2	Seal	
22E	70003930	1	Roll Pin	
23	70005595	4	Bolt M6 x 100	
25	2220885	3	Plug 9/16	
26	70006982	8	Bolt M10 x 45	
27	2220883	1	Plug 7/16	
100	70006983	1	Seal Kit - 1001251079 Cylinder (Includes Items 4, 6-11 & 13-18)	



**SECTION 7 - HYDRAULIC**

# SECTION 7 - HYDRAULIC

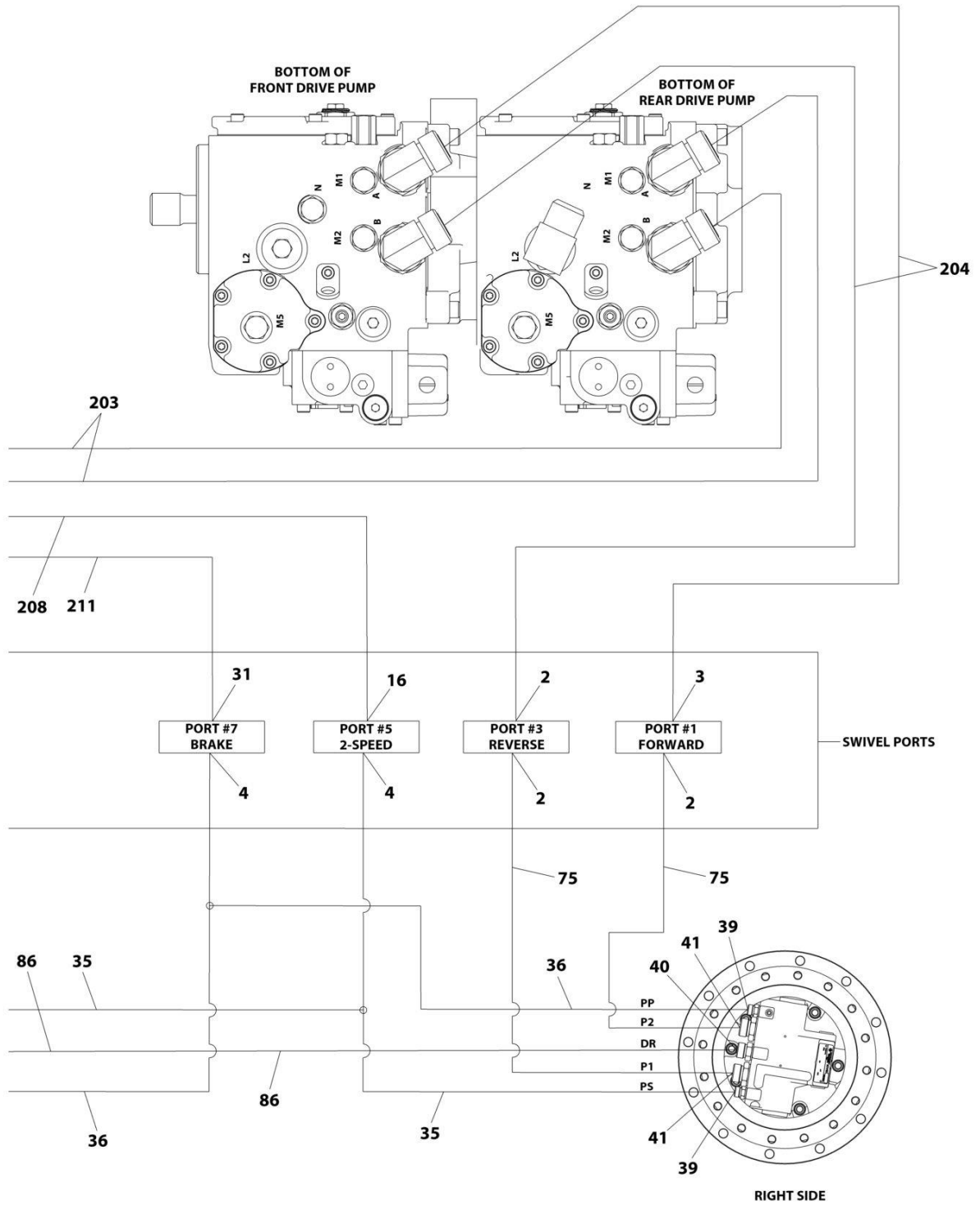
## FIGURE 7-1. STANDARD HYDRAULIC DIAGRAM



ART\_1001234795\_10F6

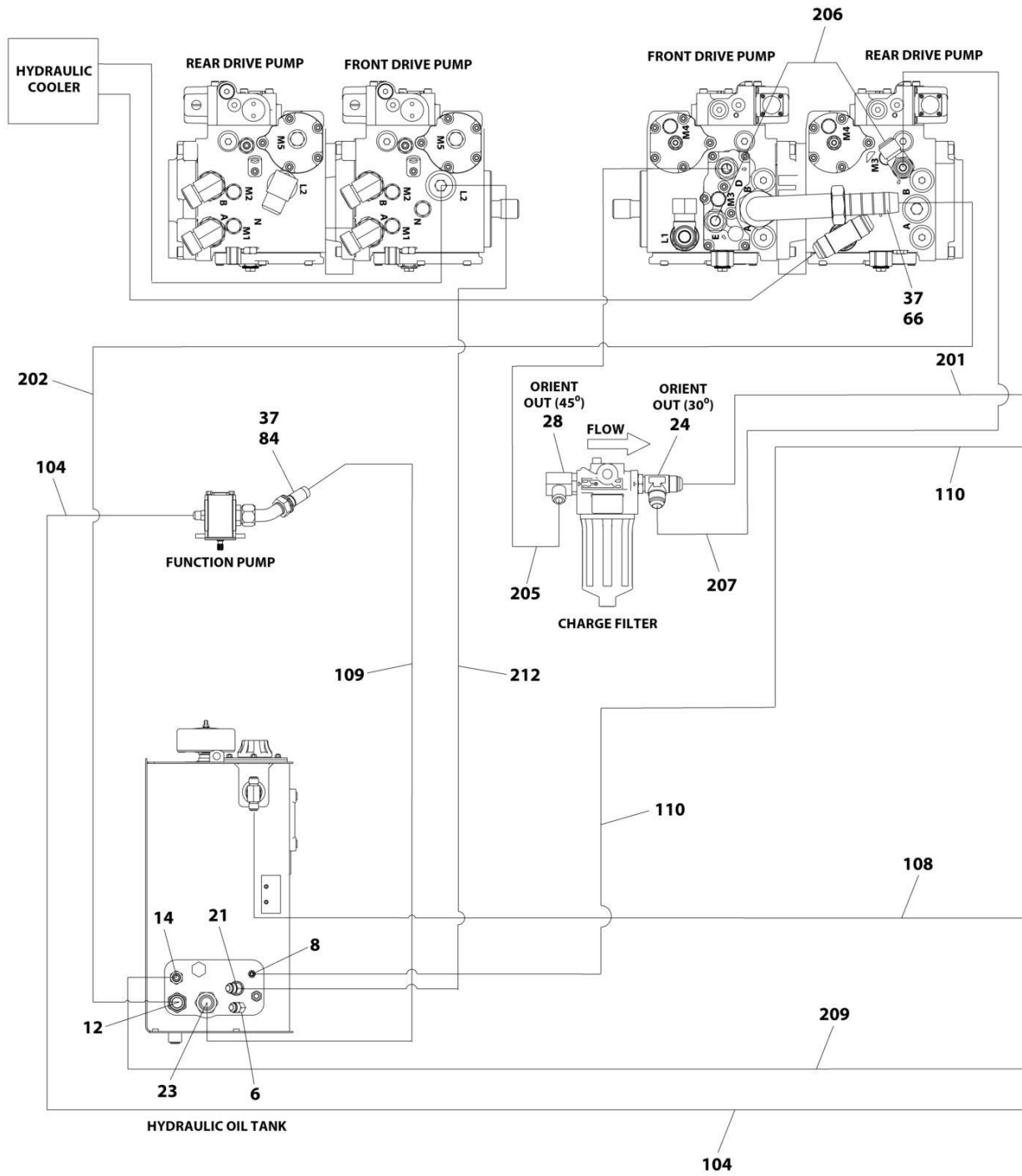


# SECTION 7 - HYDRAULIC



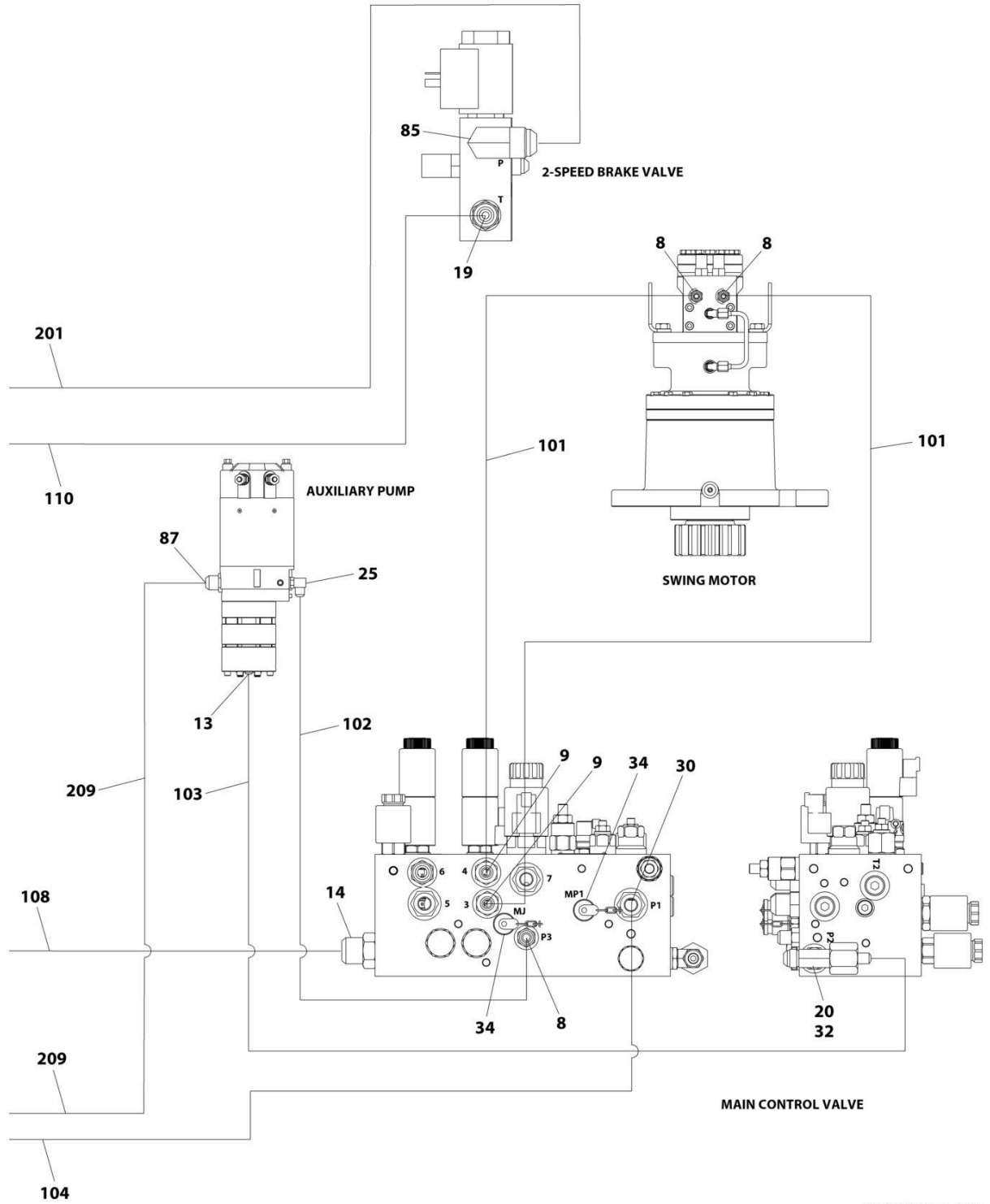
ART\_1001234795\_20F6

# SECTION 7 - HYDRAULIC



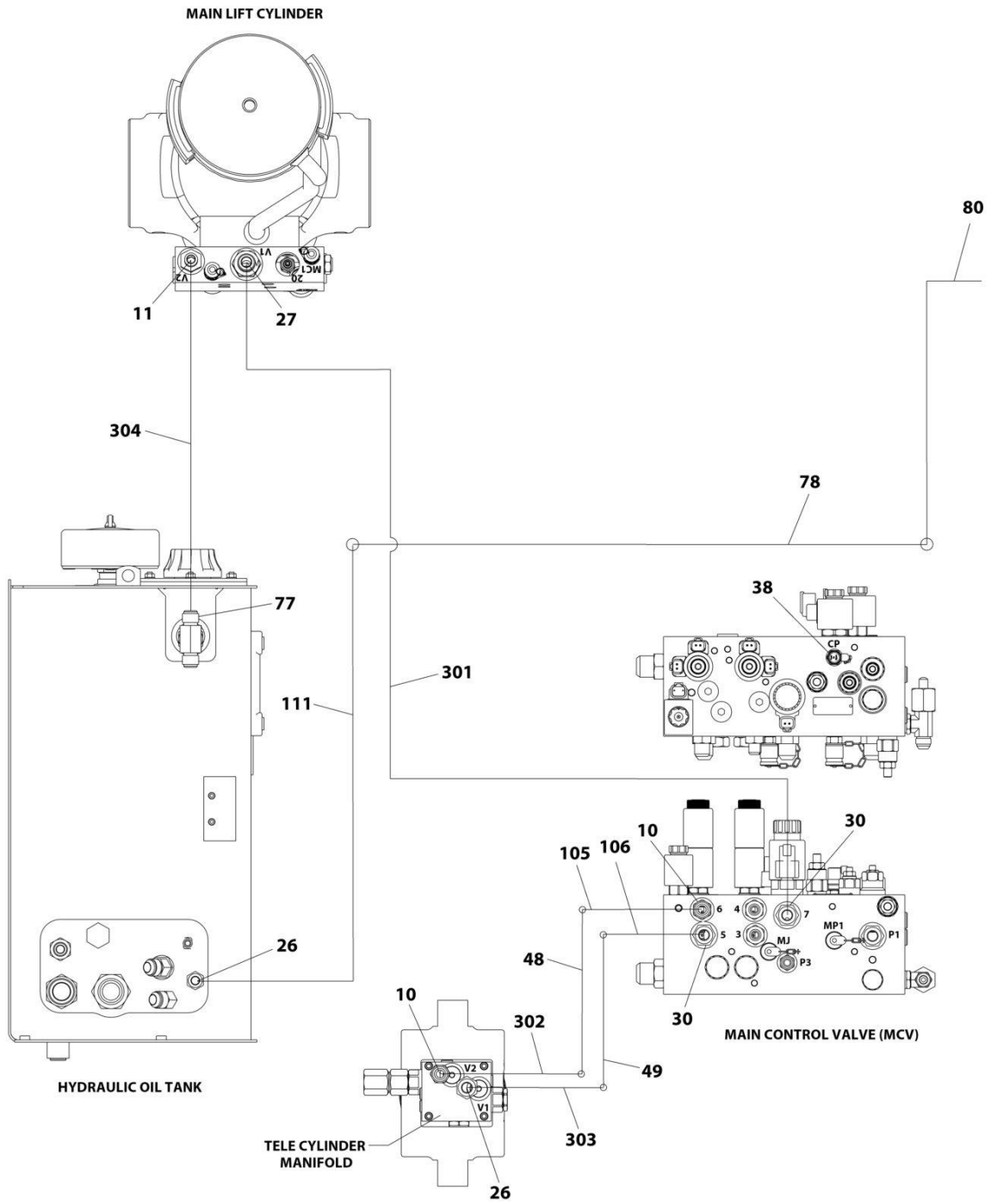
ART\_1001234795\_3OF6

# SECTION 7 - HYDRAULIC



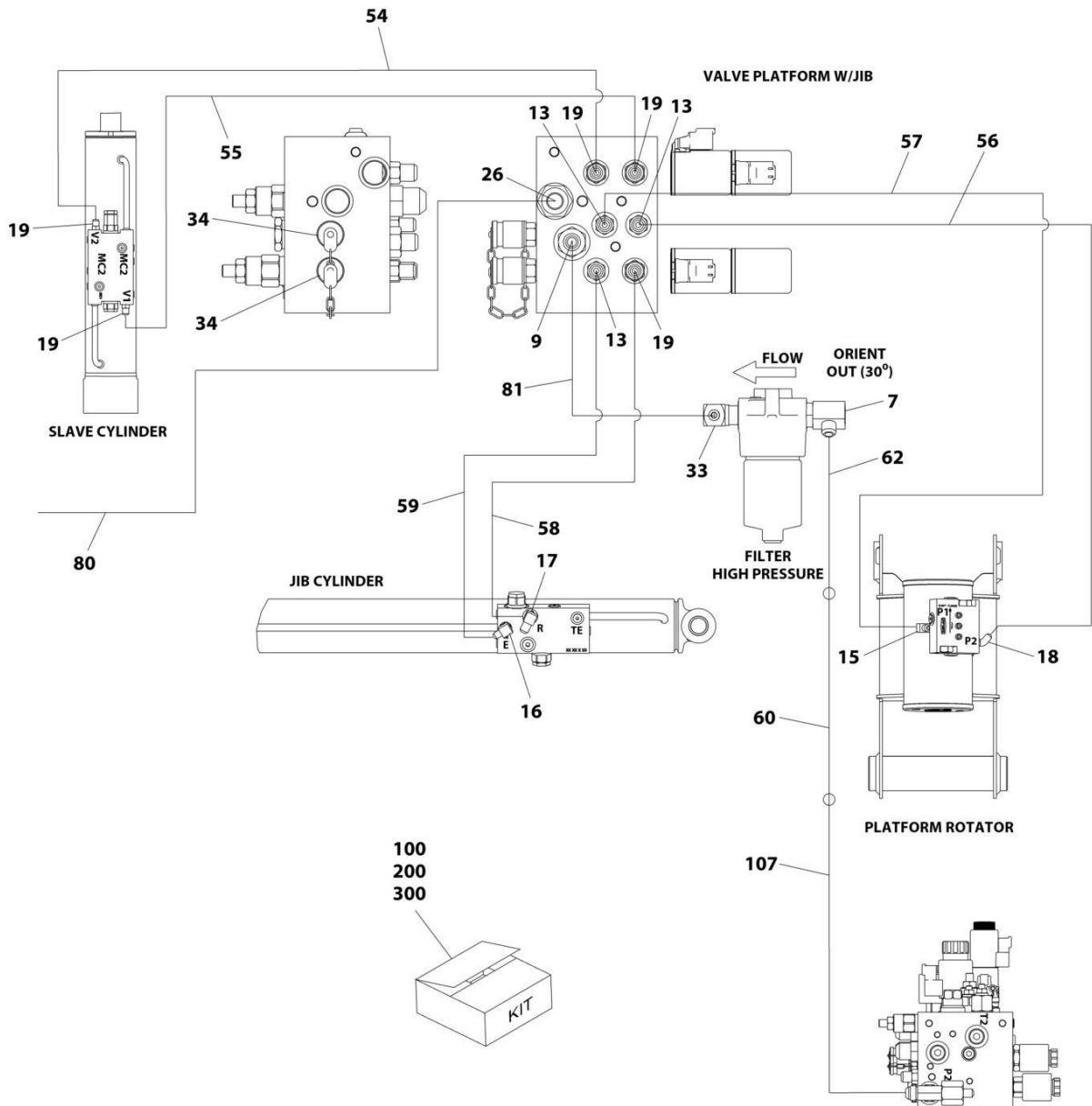
ART\_1001234795\_40F6

# SECTION 7 - HYDRAULIC



ART\_1001234795\_SOF6

# SECTION 7 - HYDRAULIC



ART\_1001234795\_6OF6

# SECTION 7 - HYDRAULIC

## FIGURE 7-1. STANDARD HYDRAULIC DIAGRAM

ITEM	PART NUMBER	QTY	DESCRIPTION	REV
	1001234795	Ref	HYDRAULIC DIAGRAM	F
1	2110806	1	Fitting, Straight	
2	2111212	6	Fitting, Straight	
3	2170112	2	Fitting, Straight	
4	2170406	2	Fitting	
5	2170708	1	Fitting	
6	2221345	1	Fitting, 45	
7	2220366	1	Fitting, 90	
8	2220371	4	Fitting, Straight	
9	2220372	3	Fitting, Straight	
10	2220373	2	Fitting, Straight	
11	2220374	1	Fitting, Straight	
12	2220380	1	Fitting, Straight	
13	2220415	4	Fitting, Straight	
14	2220451	2	Fitting, Straight	
15	2220466	2	Fitting, 90	
16	2220472	2	Fitting, 90	
17	2220473	1	Fitting, 90	
18	2220502	1	Fitting, 45	
19	2220603	6	Fitting, Straight	
20	2220618	1	Fitting, Straight	
21	2220498	1	Fitting, 45	
22	2220726	1	Fitting, 90	
23	2220733	1	Fitting, Straight	
24	2220738	1	Fitting	
25	2220775	1	Fitting, 90	
26	2220852	3	Fitting, Straight	
27	2220865	1	Fitting, Straight	
28	2220906	1	Fitting, 90	
29	2220940	1	Fitting, Elbow	
30	2220947	3	Fitting, Straight	
31	2220998	1	Fitting, Straight	
32	2220999	1	Fitting	
33	2221048	1	Fitting, 90	
34	2221086	4	Fitting	
35	2753727	2	Hose	
36	2754472	2	Hose	
37	80633030	2	Clamp	
38	1001119455	1	Valve, Oil Sampling	
39	1001191362	4	Fitting, Straight	
40	1001191364	2	Fitting, Straight	
41	1001191365	4	Fitting, Straight	
48	1001192693	1	Pipe	
49	1001192694	1	Pipe	
54	1001193927	1	Hose	
55	1001193928	1	Hose	
56	1001193929	1	Hose	
57	1001193930	1	Hose	
58	1001269096	1	Hose	
59	1001269097	1	Hose	

## SECTION 7 - HYDRAULIC

ITEM	PART NUMBER	QTY	DESCRIPTION	REV
60	1001201255	1	Pipe	
62	1001203426	1	Hose	
66	1001205824	1	Fitting, 90	
75	1001213673	4	Hose	
77	1001214408	1	Fitting, Tee	
78	1001220903	1	Pipe	
80	1001221016	1	Hose	
81	1001222522	1	Hose	
84	1001230217	1	Fitting, 45	
85	1001232948	1	Fitting, 90	
86	1001233073	2	Hose	
87	2220408	1	Fitting, Straight	
100	1001269916	1	Hose Kit - Turntable (Tank Side)	
101	1001192651	2	Hose	
102	1001192654	1	Hose	
103	1001192655	1	Hose	
104	1001192679	1	Hose	
105	1001192695	1	Hose	
106	1001192698	1	Hose	
107	1001203424	1	Hose	
108	1001203430	1	Hose	
109	1001211283	1	Hose	
110	1001214149	1	Hose	
111	1001220912	1	Hose	
200	1001269917	1	Hose Kit - Turntable (Engine Side)	
201	1001192673	1	Hose	
202	1001203432	1	Hose	
203	1001211281	2	Hose	
204	1001211282	2	Hose	
205	1001211286	1	Hose	
206	1001211287	1	Hose	
207	1001211288	1	Hose	
208	1001211292	1	Hose	
209	1001274118	1	Hose	
210	1001229337	1	Hose	
211	1001234071	1	Hose	
212	1001235487	1	Hose	
300	1001269914	1	Hose Kit - Boom	
301	1001192641	1	Hose	
302	1001192696	1	Hose	
303	1001192699	1	Hose	
304	1001204645	1	Hose	

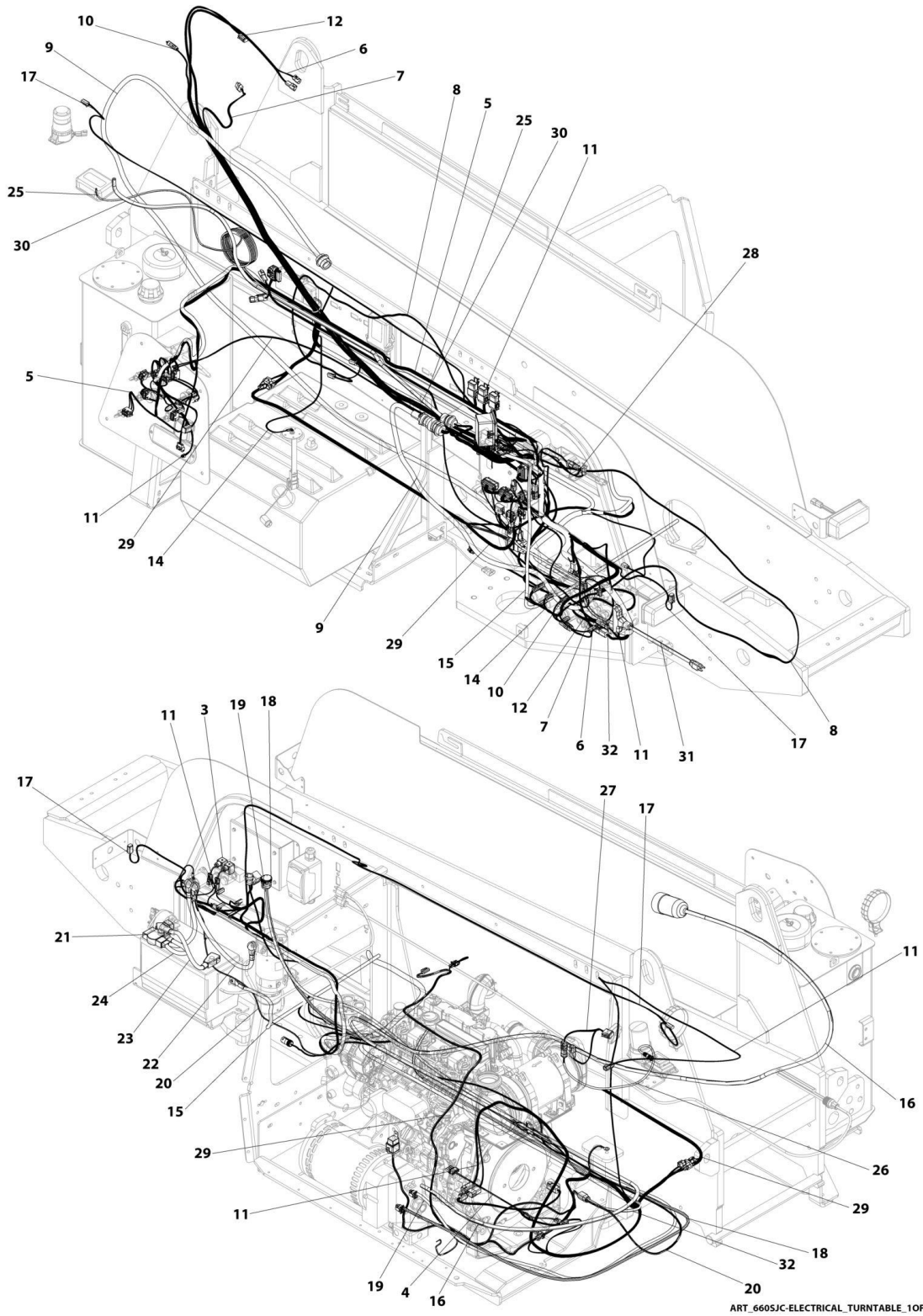




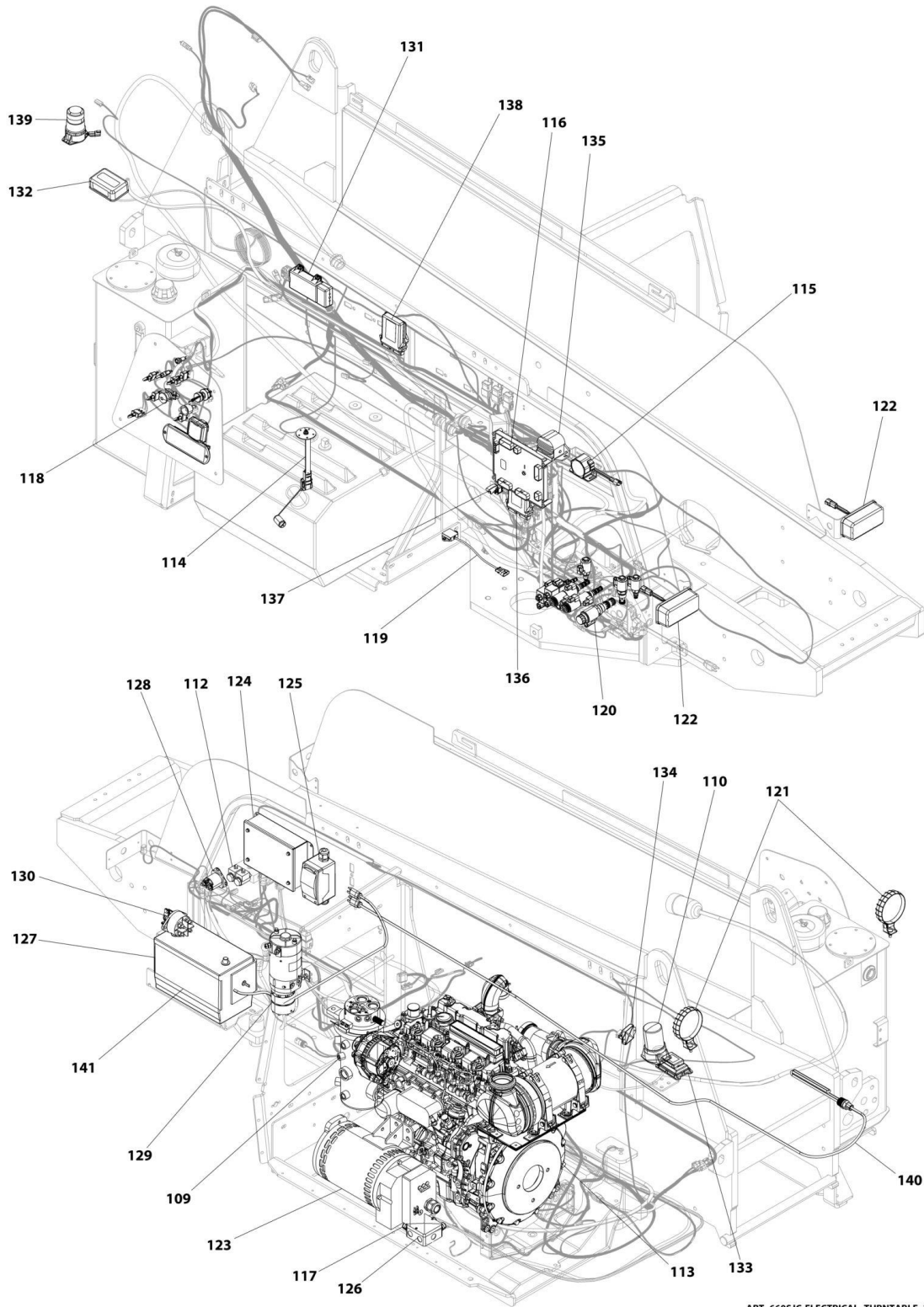
**SECTION 8 - ELECTRICAL**

# SECTION 8 - ELECTRICAL

## FIGURE 8-1. 660SJC ELECTRICAL LAYOUT

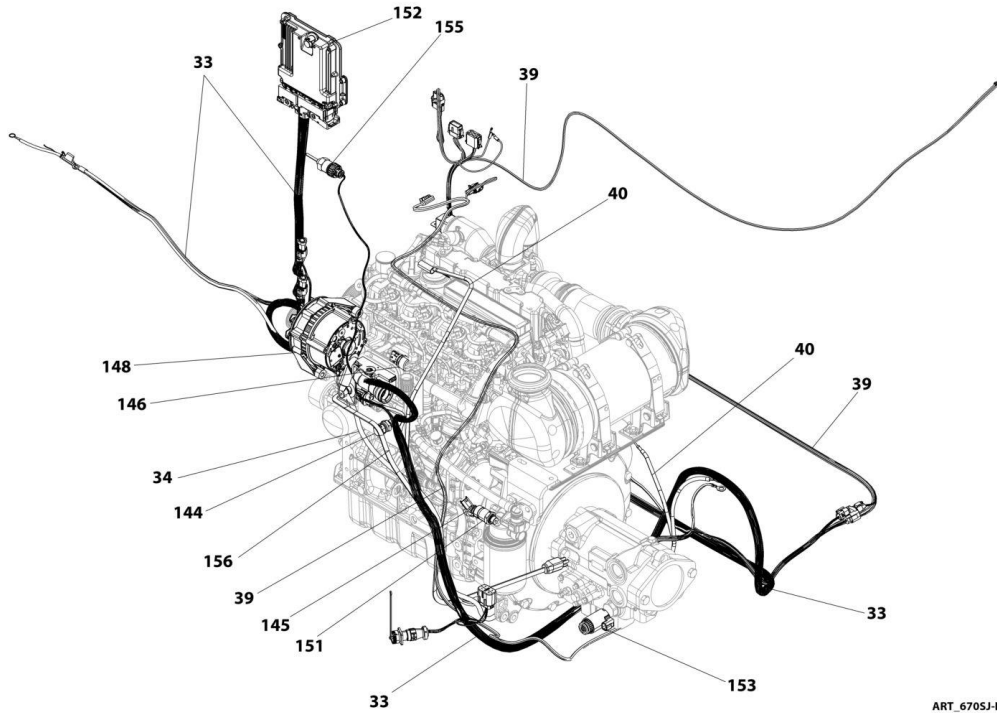
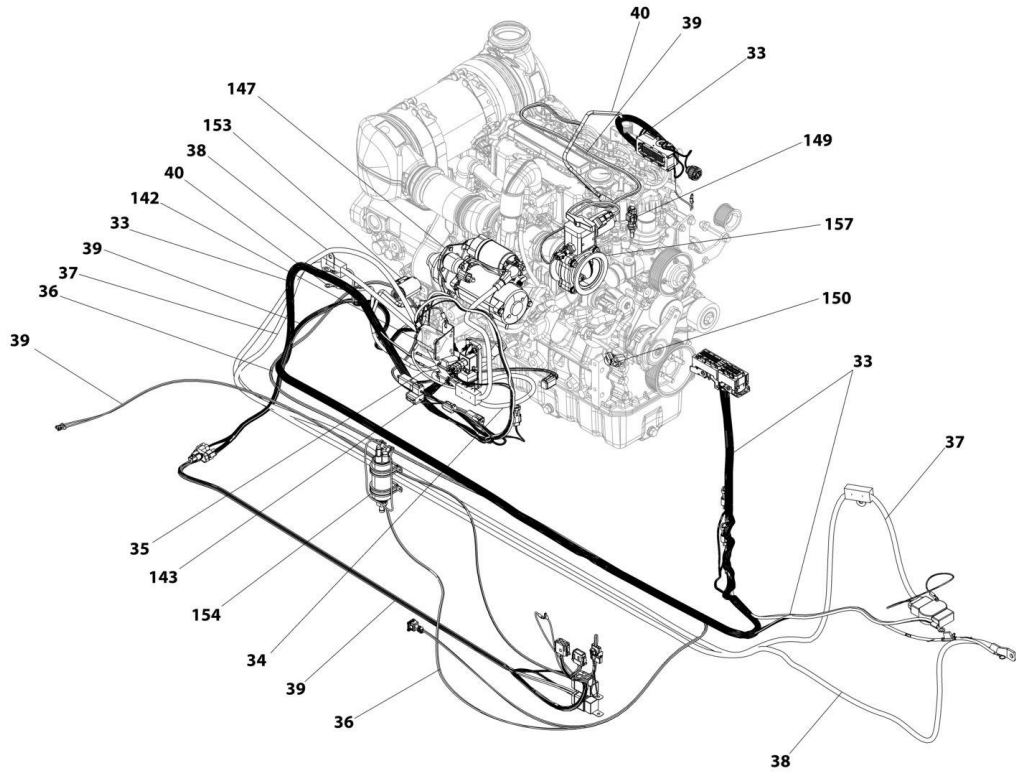


# SECTION 8 - ELECTRICAL



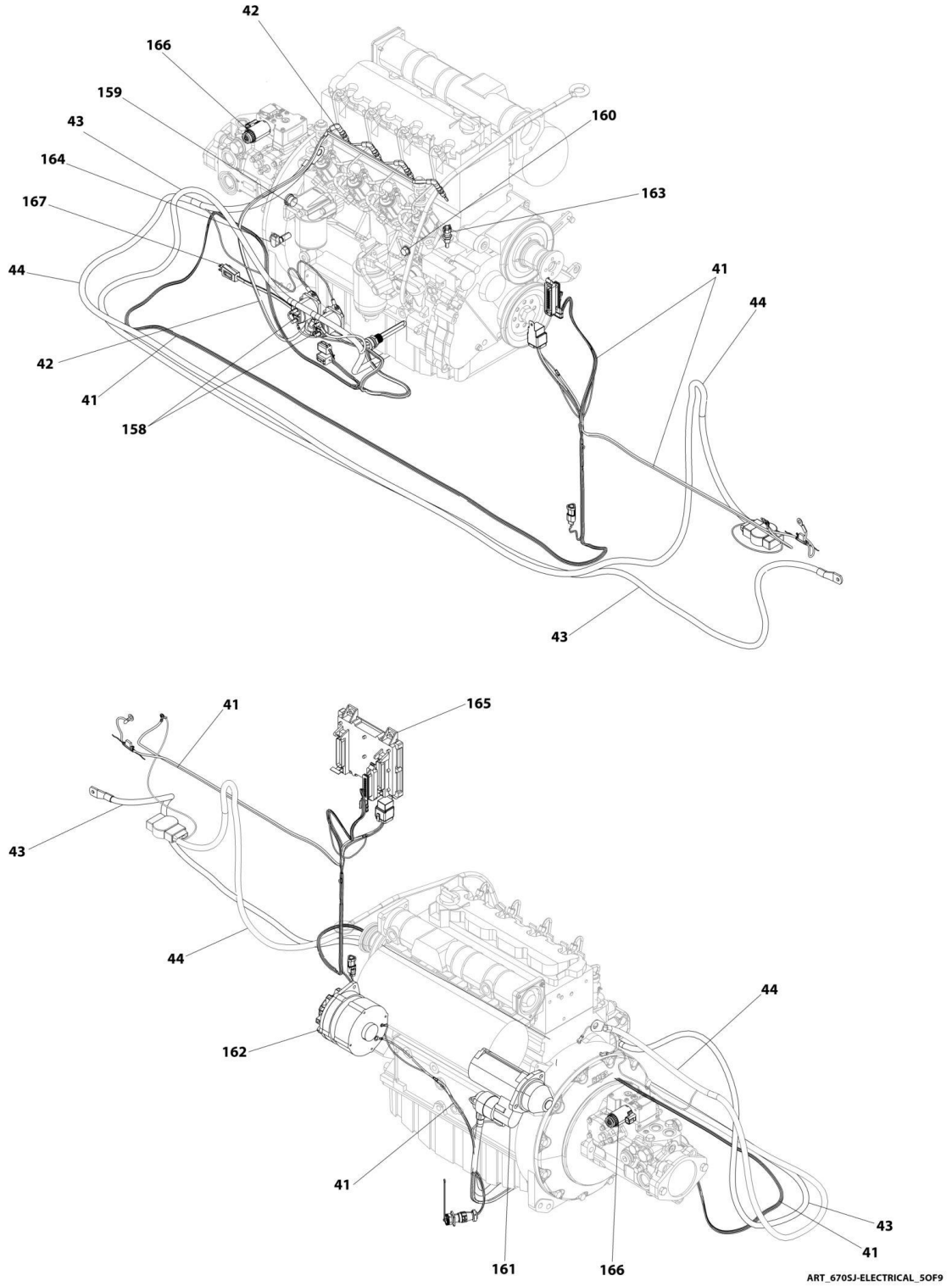
ART\_660SJC-ELECTRICAL\_TURNTABLE\_20F2

# SECTION 8 - ELECTRICAL

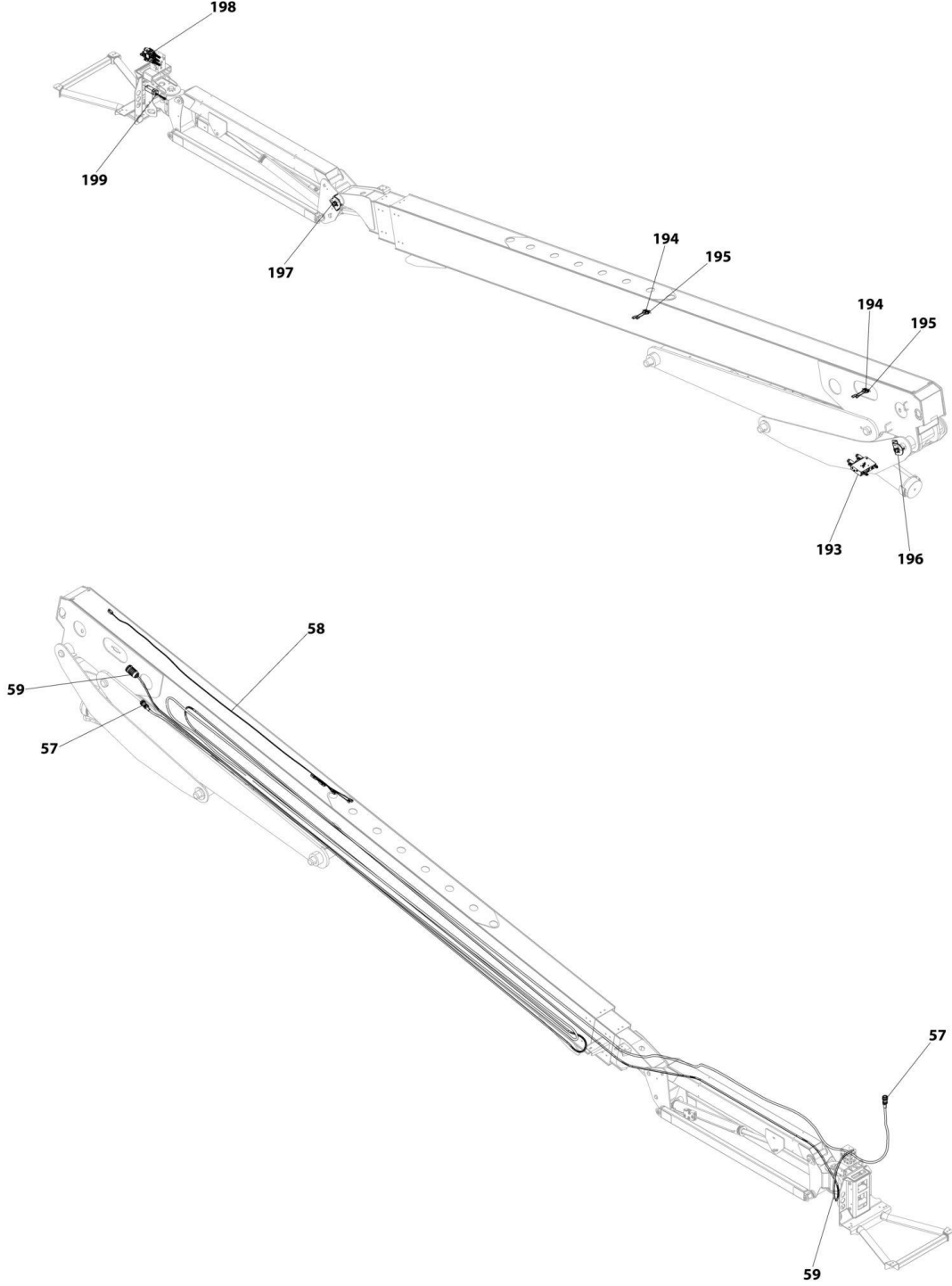


ART\_6705J-ELECTRICAL\_40F9

# SECTION 8 - ELECTRICAL

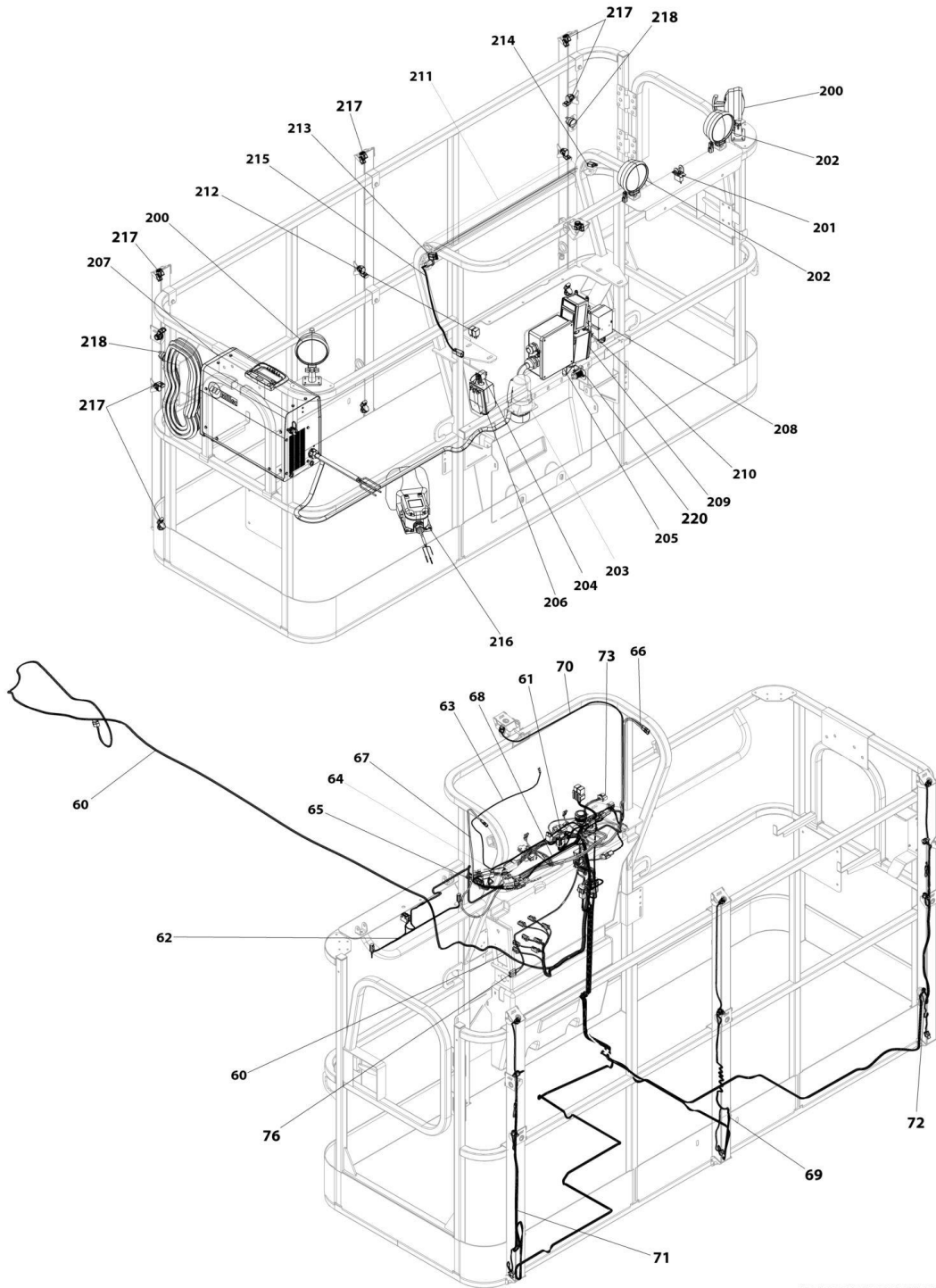


**SECTION 8 - ELECTRICAL**



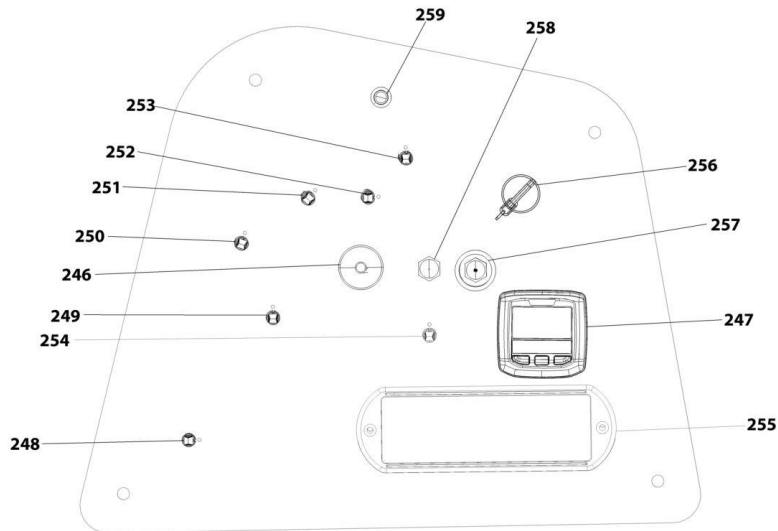
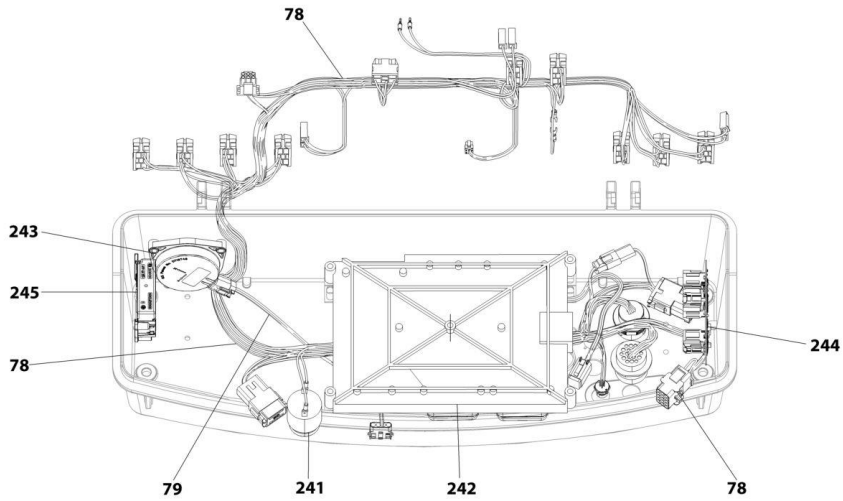
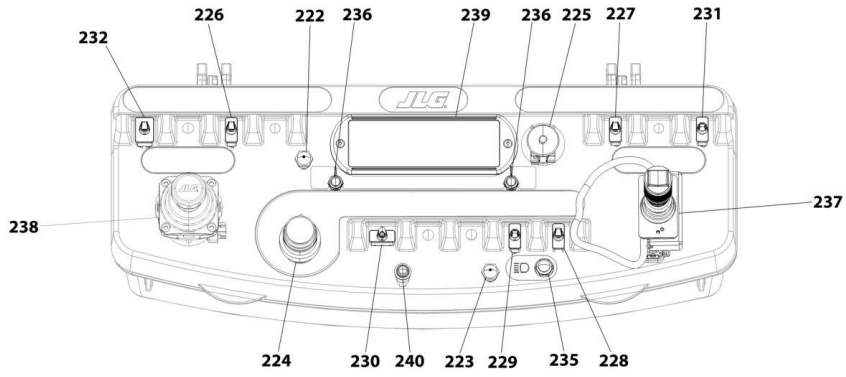
ART\_660SJ-ELECTRICAL\_BOOM

# SECTION 8 - ELECTRICAL



ART\_660SJC-ELECTRICAL\_PLATFORM

# SECTION 8 - ELECTRICAL



ART\_660SJC-ELECTRICAL\_CONTROLS



## SECTION 8 - ELECTRICAL

**FIGURE 8-1. 660SJC ELECTRICAL LAYOUT**

ITEM	PART NUMBER	QTY	DESCRIPTION	REV
		Ref	HARNESS LIST	
		Ref	Note: This figure is for part identification only.	
3		Ref	Harness, Can Field	
4		Ref	Harness, Left Drive	
5		Ref	Harness, Ground Control	
6		Ref	Harness, Tele Retract	
7		Ref	Harness, Boom Angle Sensor	
8		Ref	Harness, Lift Cylinder	
9		Ref	Cable, Boom (Lower)	
10		Ref	Harness, Boom Cable Service	
11		Ref	Harness, Turntable	
12		Ref	Harness, Capacity (Lower)	
14		Ref	Harness, Main Valve	
15		Ref	Harness, Ground Module	
16		Ref	Cable, AC Ground to Platform	
17		Ref	Harness, Head and Tail Light	
18		Ref	Harness, 7500W Generator	
19		Ref	Harness, 4000W Generator	
20		Ref	Harness, 2500W Generator	
21		Ref	Cable, Battery (+) to Aux Relay	
22		Ref	Cable, Aux Relay to Aux Pump	
23		Ref	Cable, Battery (+) to Disconnect	
24		Ref	Cable, Battery (-) to Disconnect	
25		Ref	Harness, Clearsky	
26		Ref	Harness, Telematics	
27		Ref	Harness, Xirgo Jumper	
28		Ref	Harness, White Noise Alarm	
29		Ref	Harness, ASOV	
30		Ref	Harness, Strobe Light Control	
31		Ref	3-Way Plug	
32		Ref	Cable, Extension	
33		Ref	Harness, Engine	
34		Ref	Harness, Alternator Power	
35		Ref	Harness, Glow Plug Fuse	
36		Ref	Harness, Fuel Pump	
37		Ref	Cable, Battery (-) to Aux Pump to Ground	
38		Ref	Cable, Battery (+) to Relay to Starter	
39		Ref	Harness, ASOV	
40		Ref	Breather Tube Heater	
41		Ref	Harness, Engine	
42		Ref	Harness, Glow Plug Fuse	
43		Ref	Cable, Battery (+) to Relay to Starter	
44		Ref	Cable, Battery (-) to Aux Pump to Ground	
57		Ref	Cable, Boom (Upper)	
58		Ref	Harness, Capacity (Upper)	
59		Ref	Cable, AC Ground to Platform	
60		Ref	Harness, Platform Valve	
61		Ref	Harness, Platform Work Light	
62		Ref	Harness, Platform Flood Light	
63		Ref	Harness, Platform Strobe Light	

## SECTION 8 - ELECTRICAL

ITEM	PART NUMBER	QTY	DESCRIPTION	REV
64		Ref	Harness, SkyGuard	
65		Ref	Harness, SkyEye Intermediate	
66		Ref	Harness, SkyEye Receiver	
67		Ref	Harness, SkyEye Emitter	
68		Ref	Harness, SkyLine	
69		Ref	Harness, SkySense Mid Tube	
70		Ref	Harness SkySense Overhead Sensor	
71		Ref	Harness, SkySense Left Tube	
72		Ref	Harness, SkySense Right Tube	
73		Ref	Harness, SkySense Main	
76		Ref	Harness, USB	
78		Ref	Harness, Platform Console	
79		Ref	Harness, Tilt Sensor	
		Ref	COMPONENT LIST	
109		Ref	Rotary Coupling	
110		Ref	Light, Strobe (Amber)	
112		Ref	Solenoids, Axle Valve	
113		Ref	Engine	
114		Ref	Sensor, Fuel Level	
115		Ref	Alarm	
116		Ref	Module, Ground Control	
117		Ref	Light, Generator	
118		Ref	Ground Control Panel	
119		Ref	Sensor, Tilt	
120		Ref	Solenoids, Main Control Valve	
121		Ref	Headlight	
122		Ref	Taillight	
123		Ref	Generator	
124		Ref	Box, Generator Control	
125		Ref	AC Breaker Box	
126		Ref	Generator Junction Box	
127		Ref	Battery	
128		Ref	Relay	
129		Ref	Auxiliary Pump/Motor	
130		Ref	Switch, Battery Disconnect	
131		Ref	Module, ClearSky Telematics CANBUS	
132		Ref	Antenna, ClearSky Telematics	
133		Ref	Module, ClearSky Telematics 3-Wire	
134		Ref	Voltage Regulator, ClearSky Telematics	
135		Ref	Alarm, White Noise	
136		Ref	Module, ASOV Control	
137		Ref	Switch, ASOV	
138		Ref	Module, Strobe Control	
139		Ref	Light, Strobe	
140		Ref	Heater, Immersion	
141		Ref	Heater, Battery	
142		Ref	Contactator	
143		Ref	Relay	
144		Ref	Sensor, Oil Pressure	
145		Ref	Sensor, Speed	
146		Ref	Sensor, Fuel Rail Pressure	

## SECTION 8 - ELECTRICAL

ITEM	PART NUMBER	QTY	DESCRIPTION	REV
147		Ref	Starter	
148		Ref	Alternator	
149		Ref	Engine Coolant Temperature Sensor	
150		Ref	Sensor, Speed	
151		Ref	Sensor, Fuel Pressure	
152		Ref	Module, Engine Control	
153		Ref	Solenoids, Piston Pump	
154		Ref	Fuel Pump	
155		Ref	Sensor, Coolant Level	
156		Ref	Heater, Engine Block	
157		Ref	Air Shut Off Valve (ASOV)	
158		Ref	Relay	
159		Ref	Sensor, Temperature	
160		Ref	Sensor, Oil Pressure	
161		Ref	Starter	
162		Ref	Alternator	
163		Ref	Engine Coolant Temperature Sensor	
164		Ref	Sensor, Speed	
165		Ref	Module, Engine Control	
166		Ref	Solenoids, Gear Pump	
167		Ref	Heater, Engine Block	
193		Ref	Solenoid, Lift Cylinder	
194		Ref	Sensor, Proximity	
195		Ref	Sensor, Proximity	
196		Ref	Sensor, Lower Angle	
197		Ref	Sensor, Upper Angle	
198		Ref	Solenoids, Platform Valve	
199		Ref	Cell, Load Sensing	
200		Ref	Platform Work Light	
201		Ref	Switch, Platform Flood Light	
202		Ref	Platform Flood Light	
203		Ref	Light, Platform Strobe	
204		Ref	Switch, Generator	
205		Ref	Junction Box	
206		Ref	AC Receptacle	
207		Ref	Welding Machine	
208		Ref	AC Receptacle	
209		Ref	AC Receptacle	
210		Ref	AC Receptacle/Breaker Box	
211		Ref	Switch, SkyGuard	
212		Ref	Relay	
213		Ref	Sensor, SkyEye Receiver	
214		Ref	Sensor, SkyEye Emitter	
215		Ref	Sensor, SkyLine Proximity	
216		Ref	Footswitch	
217		Ref	Sensor, SkySense	
218		Ref	Alarm	
220		Ref	USB Receptacle	
222		Ref	Switch, Horn	
223		Ref	Switch, Soft Touch/SkyGuard/SkySense Override	
224		Ref	Switch, Function Speed Control	

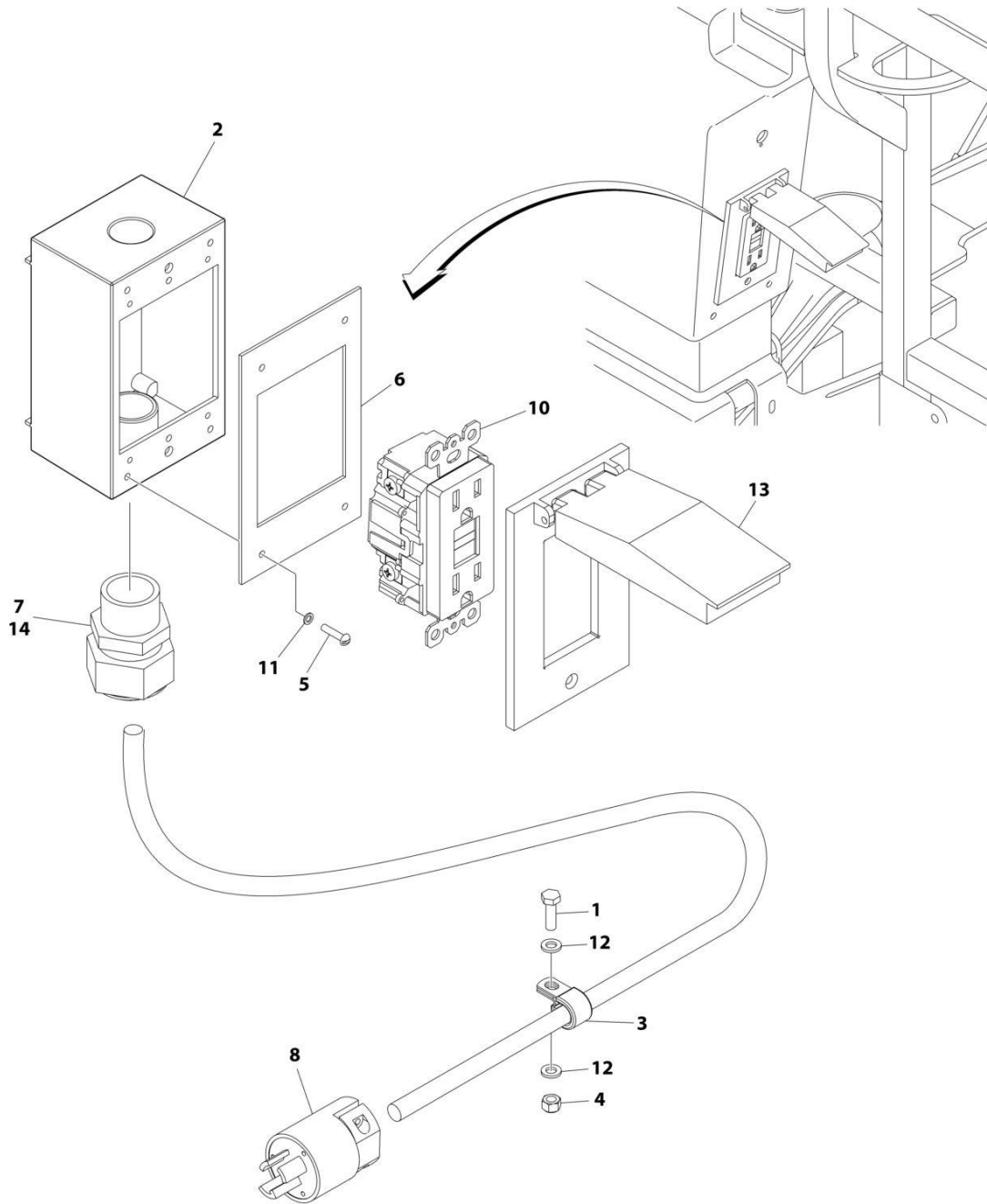
## SECTION 8 - ELECTRICAL

ITEM	PART NUMBER	QTY	DESCRIPTION	REV
225		Ref	Switch, Power/Emergency Stop	
226		Ref	Switch, Platform Leveling Override	
227		Ref	Switch, Start/Auxilliary Power	
228		Ref	Switch, Boom Telescope	
229		Ref	Switch, Jib Up/Down	
230		Ref	Switch, Platform Rotate	
231		Ref	Switch, Drive Orientation Override	
232		Ref	Switch, Drive Speed/ Torque Select	
235		Ref	Switch, Lights	
236		Ref	Light, SkySense Indicator	
237		Ref	Controller, Drive/Steer	
238		Ref	Controller, Main Lift/Swing	
239		Ref	Display, Platform	
240		Ref	Light, Soft Touch/SkyGuard/SkySense Indicator	
241		Ref	Alarm	
242		Ref	Module, Platform	
243		Ref	Sensor, Tilt	
244		Ref	Module, SkySense Control	
245		Ref	Module, SkySense Sensor	
246		Ref	Switch, Emergency Stop	
247		Ref	Display, Ground	
248		Ref	Switch, Turntable Swing	
249		Ref	Switch, Boom Lift	
250		Ref	Switch, Boom Telescope	
251		Ref	Switch, Jib Up/Down	
252		Ref	Switch, Platform Rotate	
253		Ref	Switch, Platform Leveling Override	
254		Ref	Switch, Engine Start/ Auxiliary Power	
255		Ref	Indicator Panel	
256		Ref	Switch, Key	
257		Ref	Switch, Machine Safety System Override (MSSO)	
258		Ref	Switch, Diesel Particulate Filter (DPF)	
259		Ref	Light, ASOV	



# SECTION 8 - ELECTRICAL

FIGURE 8-2. AC BOX AT PLATFORM INSTALLATION -110V (ALL SPECS EXCEPT AUSTRALIAN, CE & UK CA SPECS)



ART\_1001190773

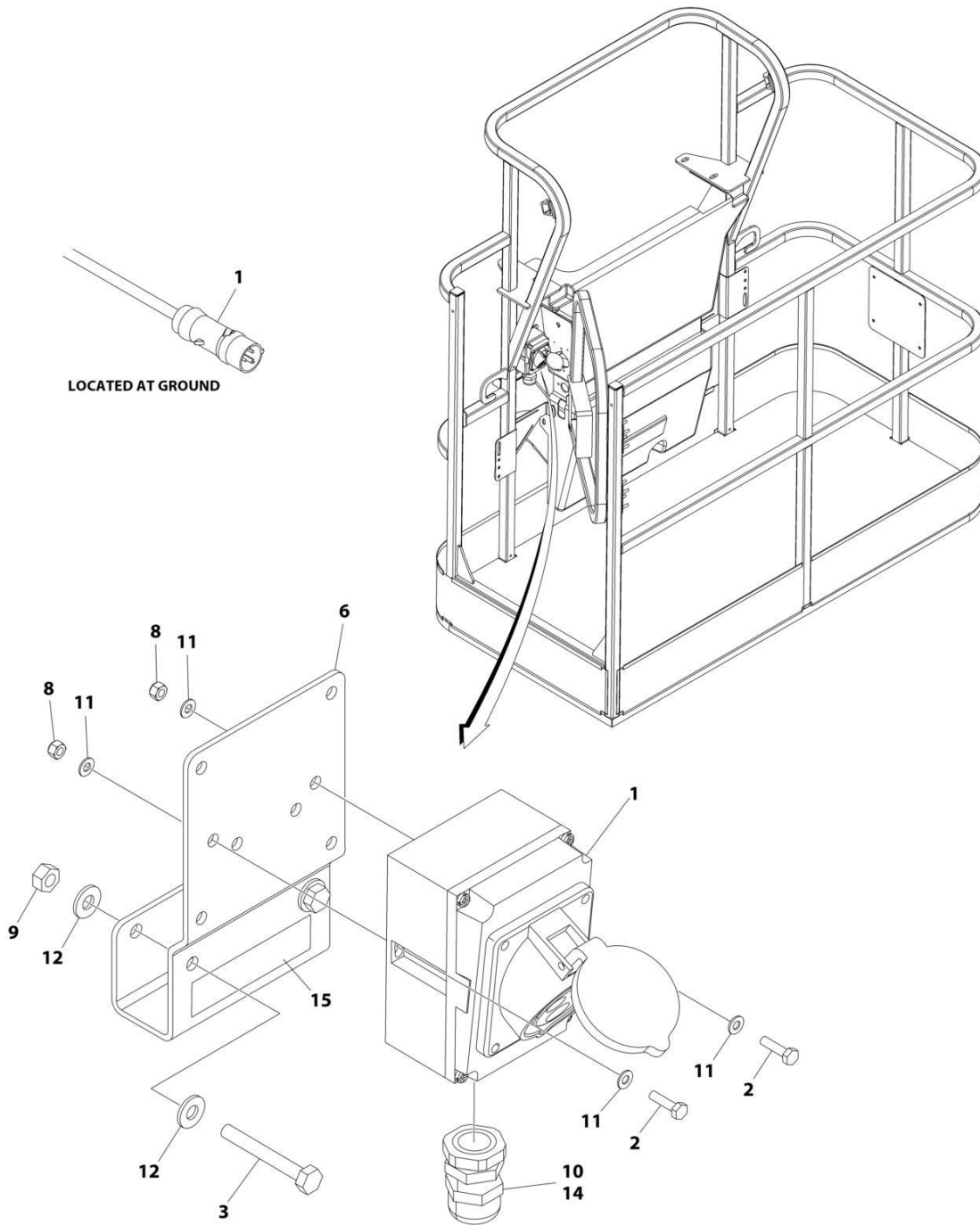
## SECTION 8 - ELECTRICAL

**FIGURE 8-2. AC BOX AT PLATFORM INSTALLATION -110V (ALL SPECS EXCEPT AUSTRALIAN, CE & UK CA SPECS)**

ITEM	PART NUMBER	QTY	DESCRIPTION	REV
	1001190773	Ref	AC BOX AT PLATFORM INSTALLATION	C
1	0760610	1	Bolt M6 x 20	
2	0860038	1	Box, Switch	
3	1320041	1	Clamp	
4	3290605	1	Nut M6	
5	3910610	4	Screw #6 x 5/8	
6	3960422	1	Gasket	
7	4460071	1	Connector, Strain Relief	
8	4460205	1	Plug, Male	
9	4460315	1	Terminal, Spade (Not Shown)	
10	4460346	1	Receptacle	
11	4760600	4	Washer #6	
12	4811700	2	Washer M6	
13	1001110873	1	Shield, Cover	
14	0100079	AR	Sealant	

# SECTION 8 - ELECTRICAL

## FIGURE 8-3. AC BOX AT PLATFORM INSTALLATION - 110V IEC YELLOW (CE & UK CA SPECS WITHOUT 4000W/50HZ GENERATOR)



ART\_1001190493



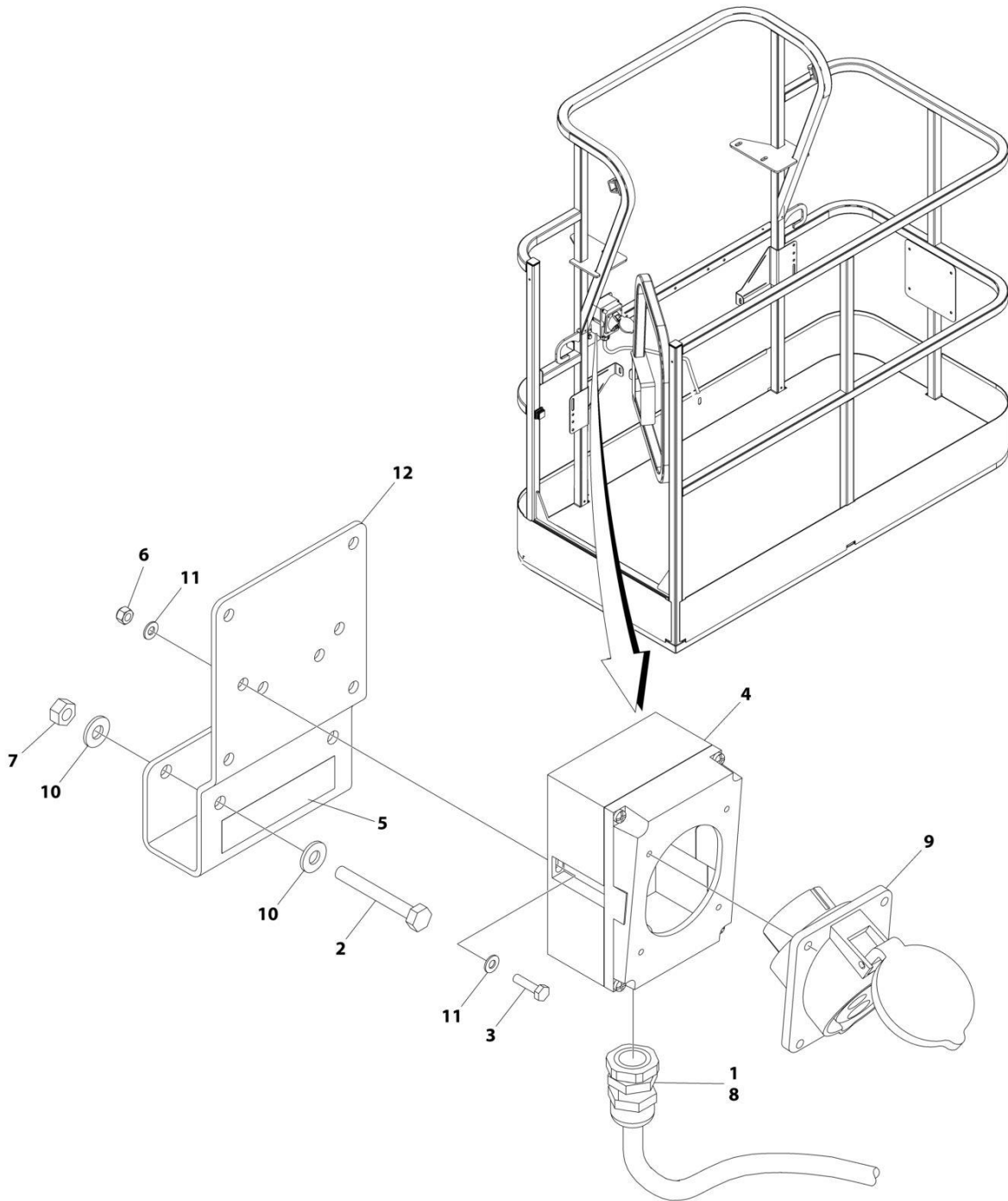
## SECTION 8 - ELECTRICAL

**FIGURE 8-3. AC BOX AT PLATFORM INSTALLATION - 110V IEC YELLOW (CE & UK CA SPECS WITHOUT 4000W/50HZ GENERATOR)**

ITEM	PART NUMBER	QTY	DESCRIPTION	REV
	1001190493	Ref	AC BOX AT PLATFORM INSTALLATION	C
1	0275216	1	Receptacle Box Kit - 110V IEC Yellow (See Separate Breakdown in this Section)	
2	0700408	2	Bolt M4 x 16	
3	0700618	2	Bolt M6 x 50	
6	1001193018	1	Bracket	
8	3290405	2	Nut M4	
9	3290605	2	Nut M6	
10	4460968	1	Connector, Strain Relief	
11	4811400	4	Washer M4	
12	4811700	4	Washer M6	
14	0100079	AR	Sealant	
15	1705325	1	Decal - 110V	

# SECTION 8 - ELECTRICAL

FIGURE 8-4. AC BOX AT PLATFORM INSTALLATION - 110V IEC YELLOW (CE & UK CA SPECS WITH 4000W/50HZ GENERATOR)



ART\_1001194203

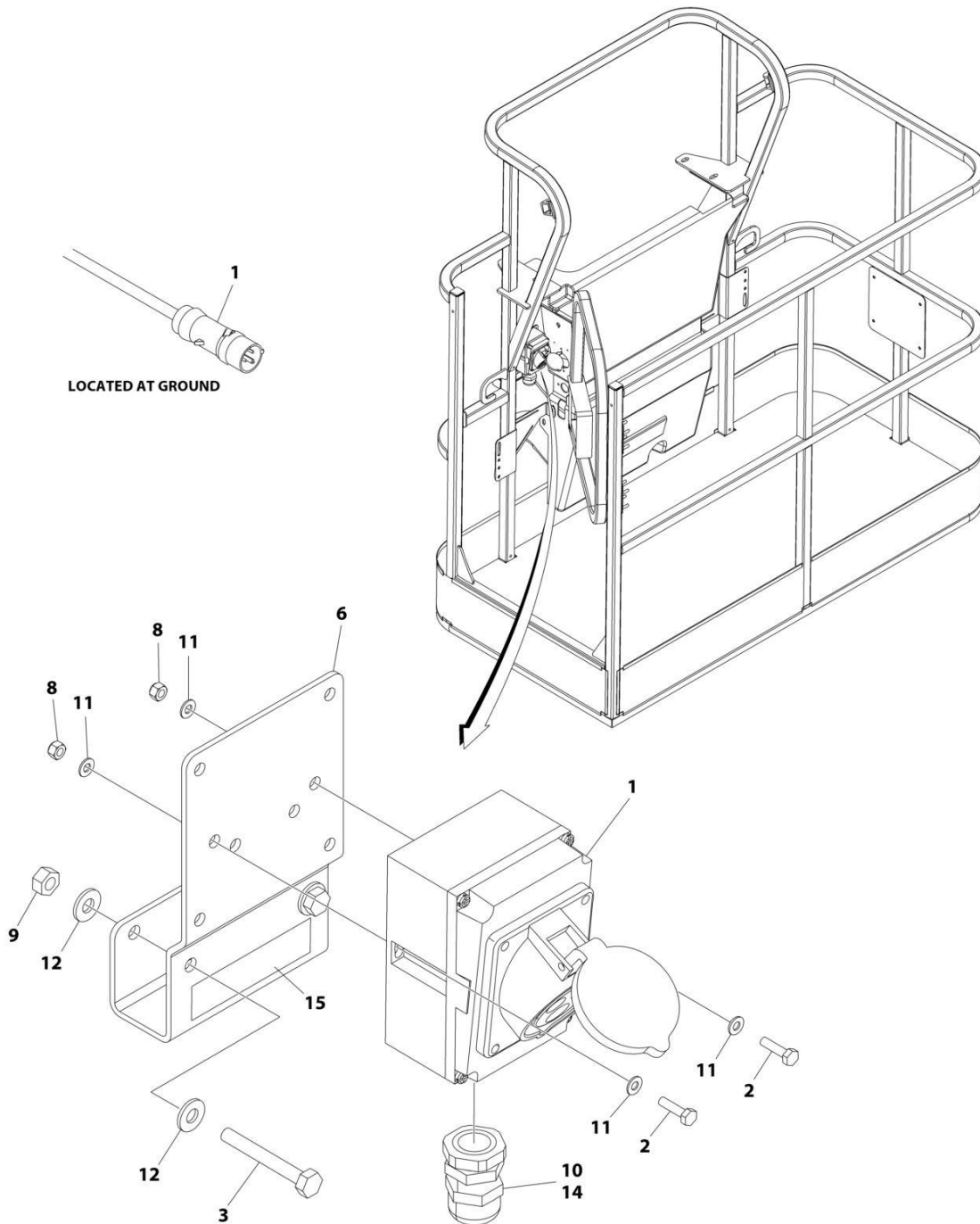
## SECTION 8 - ELECTRICAL

**FIGURE 8-4. AC BOX AT PLATFORM INSTALLATION - 110V IEC YELLOW (CE & UK CA SPECS WITH 4000W/50HZ GENERATOR)**

ITEM	PART NUMBER	QTY	DESCRIPTION	REV
	1001194203	Ref	AC BOX AT PLATFORM INSTALLATION	B
1	0100020	AR	Sealant, Pipe	
2	0641416	2	Bolt 1/4 x 2	
3	0700408	2	Bolt M4 x 16	
4	0861781	1	Box, Switch	
5	1705325	1	Decal - 110V	
6	3290405	2	Nut M4	
7	3311405	2	Nut 1/4	
8	4460968	1	Connector, Strain Relief	
9	4461198	1	Receptacle	
10	4711400	4	Washer 1/4	
11	4811400	4	Washer M4	
12	1001193018	1	Bracket, AC Receptacle	

# SECTION 8 - ELECTRICAL

## FIGURE 8-5. AC BOX AT PLATFORM INSTALLATION - 220V IEC BLUE (CE & UK CA SPECS WITHOUT 4000W/50HZ GENERATOR)



ART\_1001190495

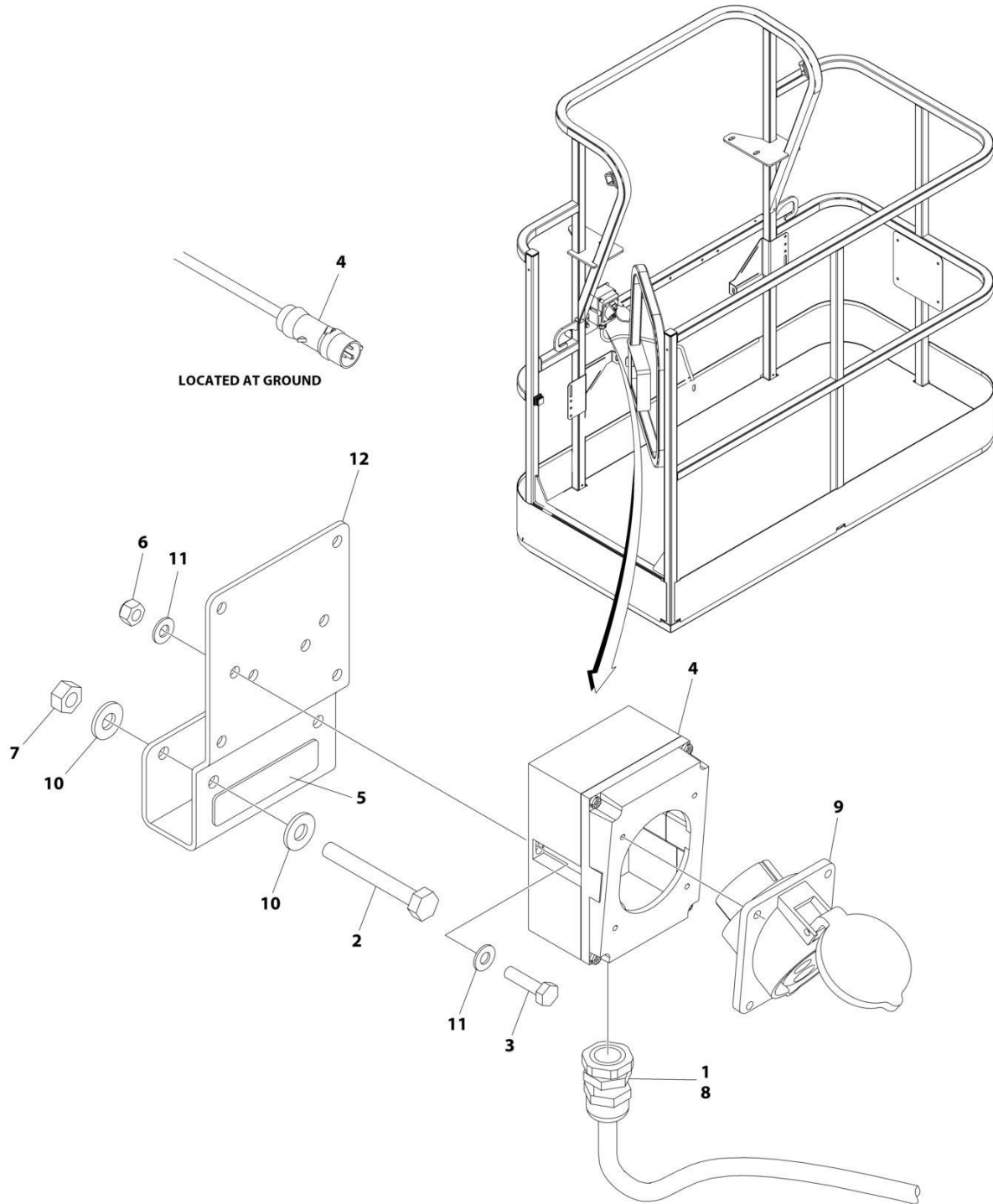
## SECTION 8 - ELECTRICAL

**FIGURE 8-5. AC BOX AT PLATFORM INSTALLATION - 220V IEC BLUE (CE & UK CA SPECS WITHOUT 4000W/50HZ GENERATOR)**

ITEM	PART NUMBER	QTY	DESCRIPTION	REV
	1001190495	Ref	AC BOX AT PLATFORM INSTALLATION	C
1	0275217	1	Receptacle Box Kit - 220V IEC Blue (See Separate Breakdown in this Section)	
2	0700408	2	Bolt M4 x 16	
3	0700618	2	Bolt M6 x 50	
6	1001193018	1	Bracket	
8	3290405	2	Nut M4	
9	3290605	2	Nut M6	
10	4460968	1	Connector, Strain Relief	
11	4811400	4	Washer M4	
12	4811700	4	Washer M6	
14	0100079	AR	Sealant	
15	3252507	1	Decal - 220 Volt	

# SECTION 8 - ELECTRICAL

FIGURE 8-6. AC BOX AT PLATFORM INSTALLATION - 220V IEC BLUE (CE & UK CA SPECS WITH 4000W/50HZ GENERATOR)



ART\_1001194204

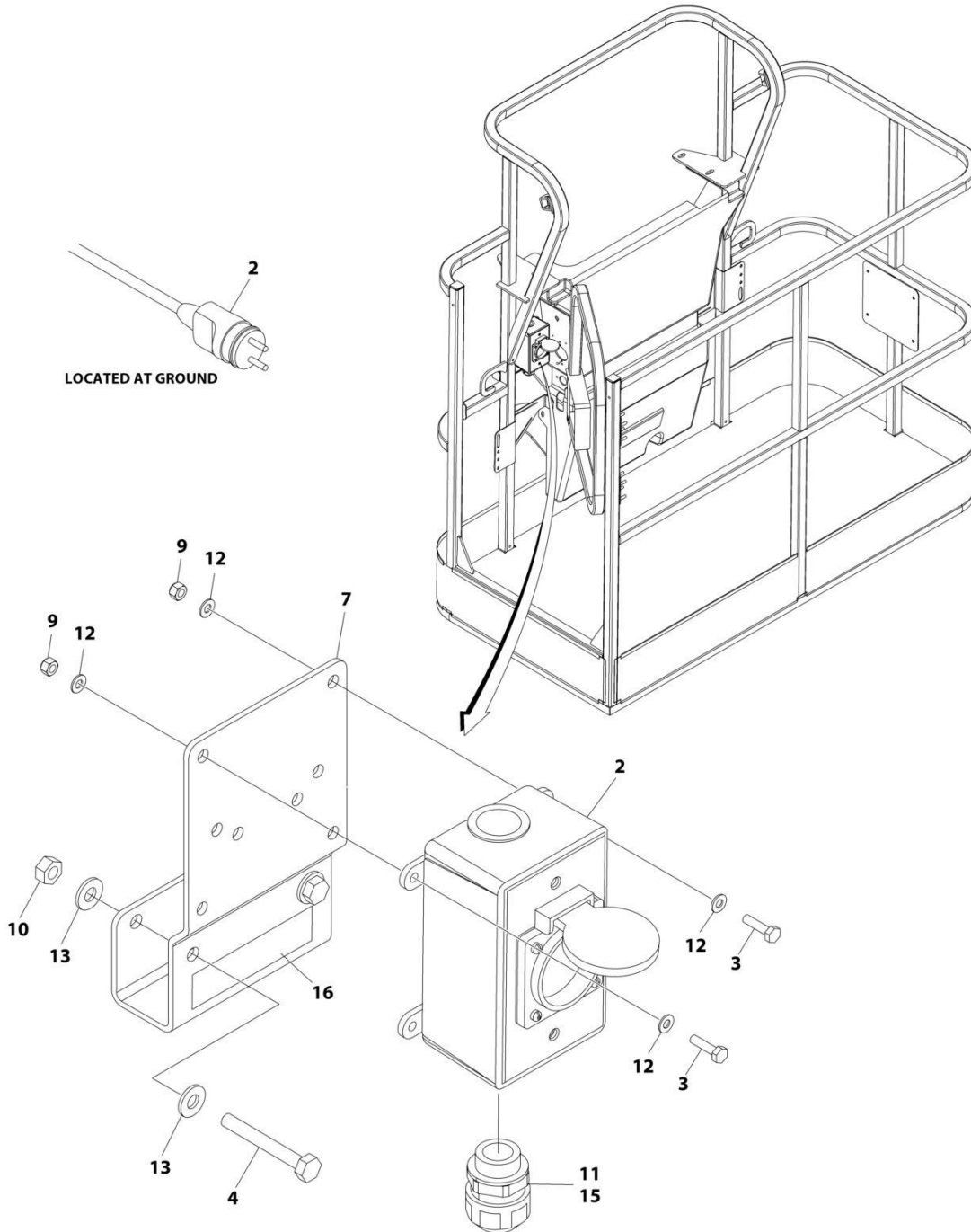
## SECTION 8 - ELECTRICAL

**FIGURE 8-6. AC BOX AT PLATFORM INSTALLATION - 220V IEC BLUE (CE & UK CA SPECS WITH 4000W/50HZ GENERATOR)**

ITEM	PART NUMBER	QTY	DESCRIPTION	REV
	1001194204	Ref	AC BOX AT PLATFORM INSTALLATION	B
1	0100020	AR	Sealant, Pipe	
2	0641416	2	Bolt 1/4 x 2	
3	0700408	2	Bolt M4 x 16	
4	0861781	1	Box, Switch	
5	3251242	1	Decal - 240V/50Hz	
6	3290405	2	Nut M4	
7	3311405	2	Nut 1/4	
8	4460968	1	Connector, Strain Relief	
9	4461201	1	Receptacle	
10	4711400	4	Washer 1/4	
11	4811400	4	Washer M4	
12	1001193018	1	Bracket, AC Receptacle	

# SECTION 8 - ELECTRICAL

FIGURE 8-7. AC BOX AT PLATFORM INSTALLATION - 220V CEE7 2IN X 4IN POST GROUND (CE & UK CA SPECS WITHOUT 4000W/50HZ GENERATOR)



ART\_1001190441



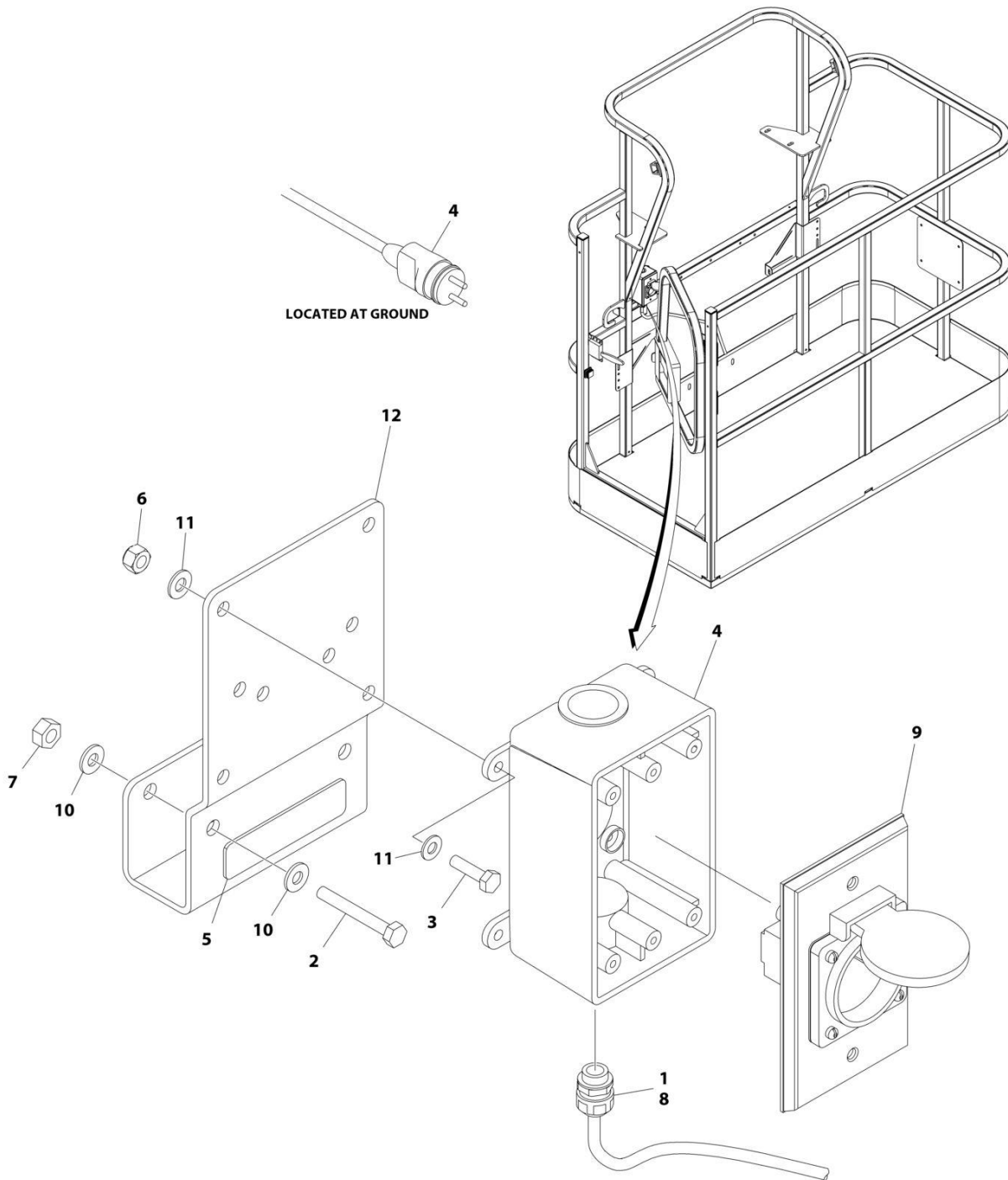
## SECTION 8 - ELECTRICAL

**FIGURE 8-7. AC BOX AT PLATFORM INSTALLATION - 220V CEE7 2IN X 4IN POST GROUND (CE & UK CA SPECS WITHOUT 4000W/50HZ GENERATOR)**

ITEM	PART NUMBER	QTY	DESCRIPTION	REV
	1001190441	Ref	AC BOX AT PLATFORM INSTALLATION	D
2	0275452	1	Receptacle Box Kit - 220V CEE7 Post Ground 2in x 4in (See Separate Breakdown in this Section)	
3	0700408	4	Bolt M4 x 16	
4	0700618	2	Bolt M6 x 50	
7	1001193018	1	Bracket	
9	3290405	4	Nut M4	
10	3290605	2	Nut M6	
11	4460662	1	Connector, Strain Relief	
12	4811400	8	Washer M4	
13	4811700	4	Washer M6	
15	0100079	AR	Sealant	
16	3252507	1	Decal - 220 Volt	

# SECTION 8 - ELECTRICAL

FIGURE 8-8. AC BOX AT PLATFORM INSTALLATION - 220V CEE7 2IN X 4IN POST GROUND (CE & UK CA SPECS WITH 4000W/50HZ GENERATOR)



ART\_1001194197

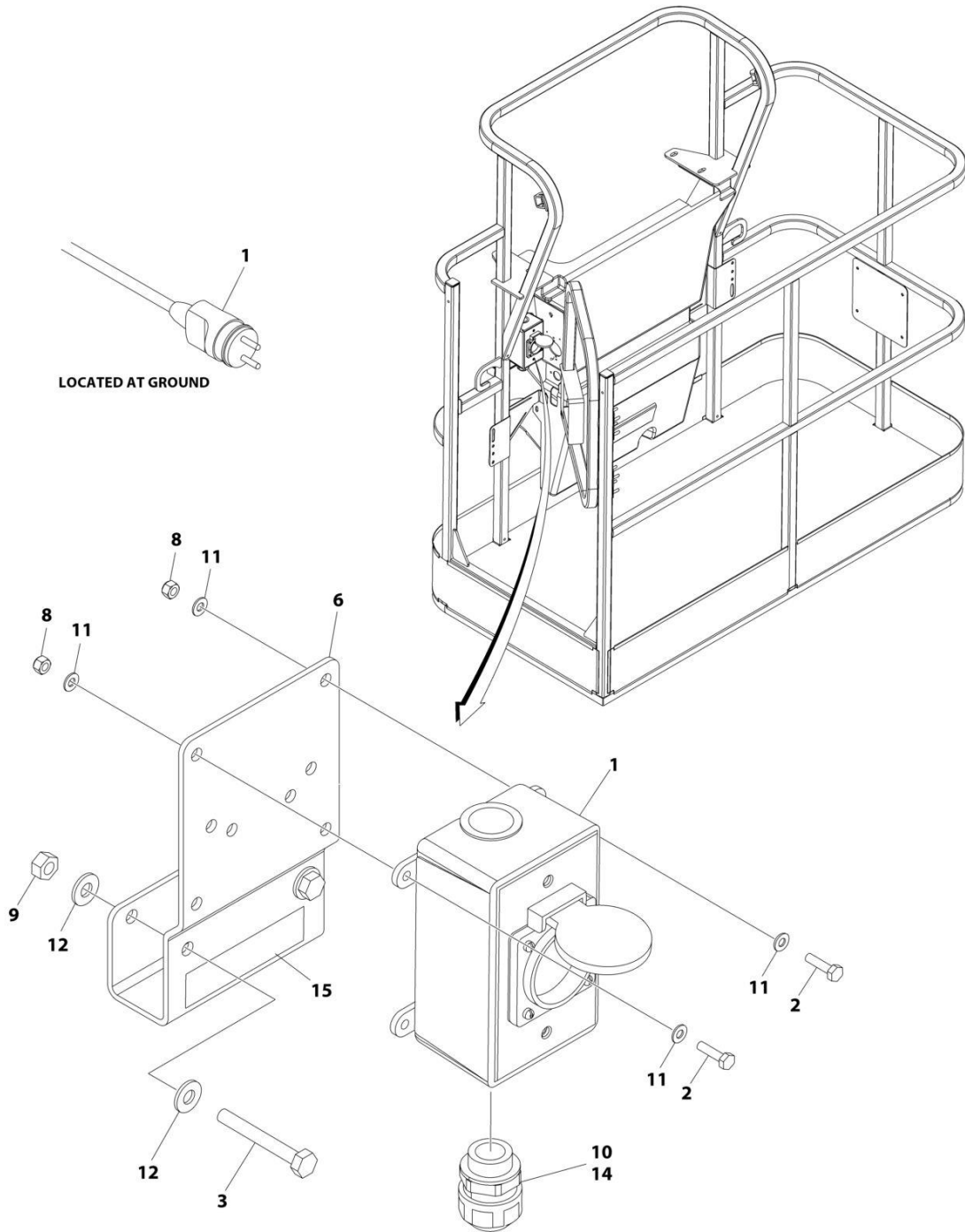
## SECTION 8 - ELECTRICAL

**FIGURE 8-8. AC BOX AT PLATFORM INSTALLATION - 220V CEE7 2IN X 4IN POST GROUND (CE & UK CA SPECS WITH 4000W/50HZ GENERATOR)**

ITEM	PART NUMBER	QTY	DESCRIPTION	REV
	1001194197	Ref	AC BOX AT PLATFORM INSTALLATION	B
1	0100020	AR	Sealant, Pipe	
2	0641416	2	Bolt 1/4 x 2	
3	0700408	4	Bolt M4 x 16	
4	0861731	1	Box, Switch	
5	3251242	1	Decal - 240V/50Hz	
6	3290405	4	Nut M4	
7	3311405	2	Nut 1/4	
8	4460662	1	Connector, Strain Relief	
9	4461244	1	Receptacle	
10	4711400	4	Washer 1/4	
11	4811400	8	Washer M4	
12	1001193018	1	Bracket, AC Receptacle	
13	4460806	2	Terminal, Fork (Not Shown)	
14	1001205958	1	Terminal (Not Shown)	

# SECTION 8 - ELECTRICAL

FIGURE 8-9. AC BOX AT PLATFORM INSTALLATION - 220V CEE7 2IN X 4IN SIDE GROUND (CE & UK CA SPECS WITHOUT 4000W/50HZ GENERATOR)



ART\_1001190484

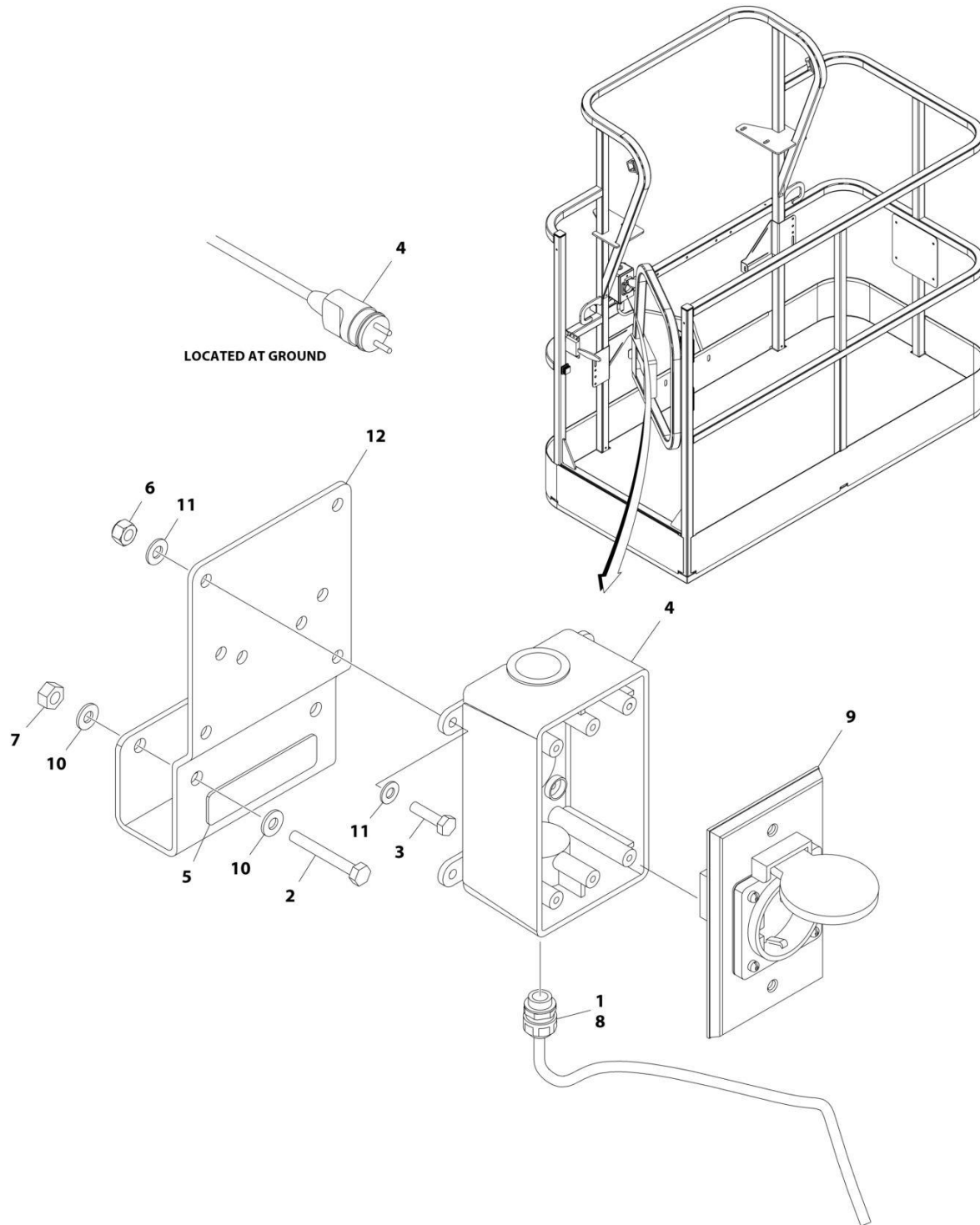
## SECTION 8 - ELECTRICAL

**FIGURE 8-9. AC BOX AT PLATFORM INSTALLATION - 220V CEE7 2IN X 4IN SIDE GROUND (CE & UK CA SPECS WITHOUT 4000W/50HZ GENERATOR)**

ITEM	PART NUMBER	QTY	DESCRIPTION	REV
	1001190484	Ref	AC BOX AT PLATFORM INSTALLATION	D
1	0275453	1	Receptacle Box Kit - 220V CEE7 Side Ground 2in x 4in (See Separate Breakdown in this Section)	
2	0700408	4	Bolt M4 x 16	
3	0700618	2	Bolt M6 x 50	
6	1001193018	1	Bracket	
8	3290405	4	Nut M4	
9	3290605	2	Nut M6	
10	4460662	1	Connector, Strain Relief	
11	4811400	8	Washer M4	
12	4811700	4	Washer M6	
14	0100079	AR	Sealant	
15	3252507	1	Decal - 220 Volt	

# SECTION 8 - ELECTRICAL

FIGURE 8-10. AC BOX AT PLATFORM INSTALLATION - 220V CEE7 2IN X 4IN SIDE GROUND (CE & UK CA SPECS WITH 4000W/50HZ GENERATOR)



ART\_1001194198

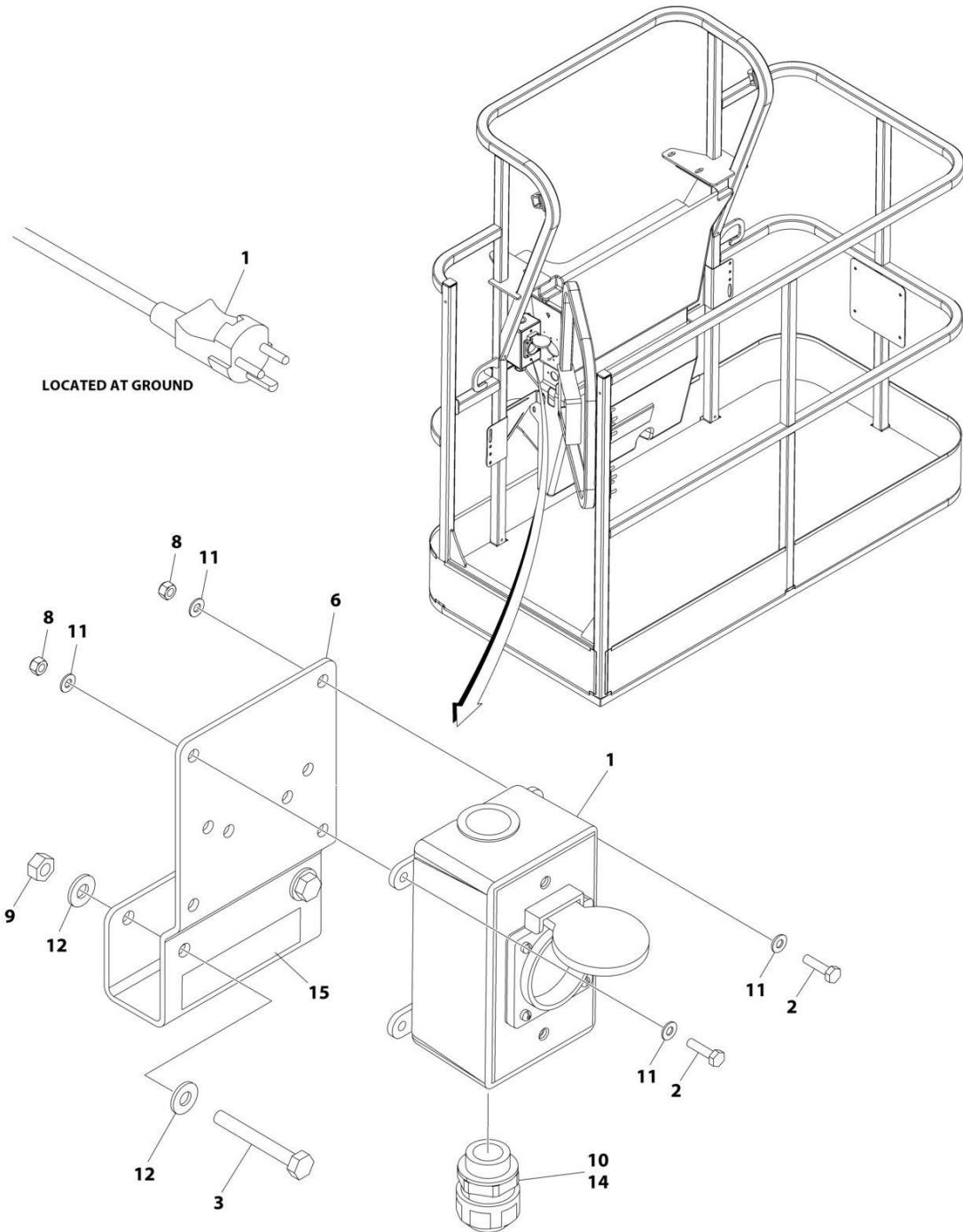
## SECTION 8 - ELECTRICAL

**FIGURE 8-10. AC BOX AT PLATFORM INSTALLATION - 220V CEE7 2IN X 4IN SIDE GROUND (CE & UK CA SPECS WITH 4000W/50HZ GENERATOR)**

ITEM	PART NUMBER	QTY	DESCRIPTION	REV
	1001194198	Ref	AC BOX AT PLATFORM INSTALLATION	B
1	0100020	AR	Sealant, Pipe	
2	0641416	2	Bolt 1/4 x 2	
3	0700408	4	Bolt M4 x 16	
4	0861731	1	Box, Switch	
5	3251242	1	Decal - 240V/50Hz	
6	3290405	4	Nut M4	
7	3311405	2	Nut 1/4	
8	4460662	1	Connector, Strain Relief	
9	4461245	1	Receptacle	
10	4711400	4	Washer 1/4	
11	4811400	8	Washer M4	
12	1001193018	1	Bracket, AC Receptacle	
13	4460806	2	Terminal, Fork (Not Shown)	
14	1001205958	1	Terminal (Not Shown)	

# SECTION 8 - ELECTRICAL

## FIGURE 8-11. AC BOX AT PLATFORM INSTALLATION - 220V AFSINT107 (CE & UK CA SPECS WITHOUT 4000W/50HZ GENERATOR)



ART\_1001190485



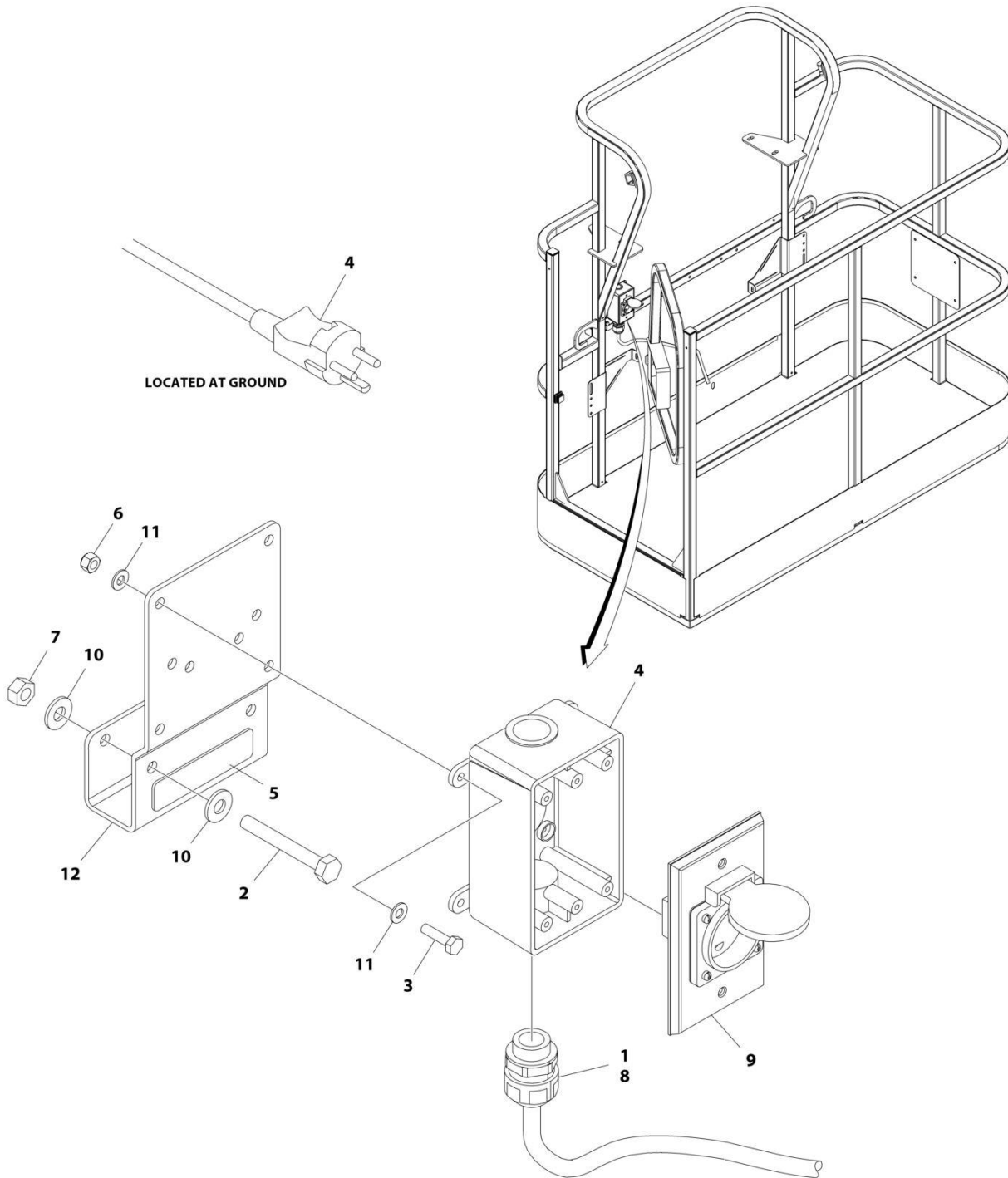
## SECTION 8 - ELECTRICAL

**FIGURE 8-11. AC BOX AT PLATFORM INSTALLATION - 220V AFSINT107 (CE & UK CA SPECS WITHOUT 4000W/50HZ GENERATOR)**

ITEM	PART NUMBER	QTY	DESCRIPTION	REV
	1001190485	Ref	AC BOX AT PLATFORM INSTALLATION	C
1	0275454	1	Receptacle Box Kit - 220V AFSINT107 (See Separate Breakdown in this Section)	
2	0700408	4	Bolt M4 x 16	
3	0700618	2	Bolt M6 x 50	
6	1001193018	1	Bracket	
8	3290405	4	Nut M4	
9	3290605	2	Nut M6	
10	4460662	1	Connector, Strain Relief	
11	4811400	8	Washer M4	
12	4811700	4	Washer M6	
14	0100079	AR	Sealant	
15	3252507	1	Decal - 220 Volt	

# SECTION 8 - ELECTRICAL

FIGURE 8-12. AC BOX AT PLATFORM INSTALLATION - 220V AFSINT107 (CE & UK CA SPECS WITH 4000W/50HZ GENERATOR)



ART\_1001194200

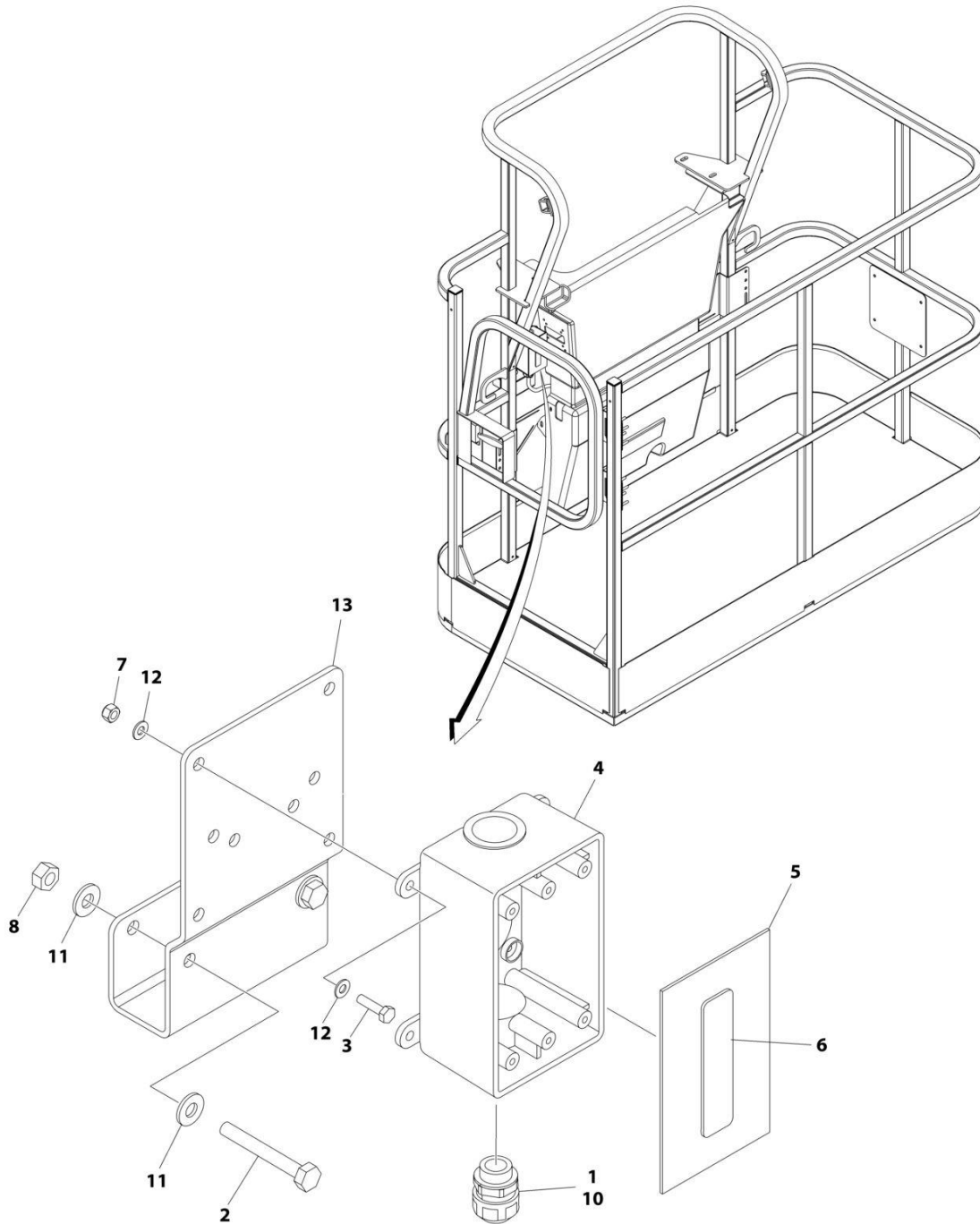
## SECTION 8 - ELECTRICAL

**FIGURE 8-12. AC BOX AT PLATFORM INSTALLATION - 220V AFSINT107 (CE & UK CA SPECS WITH 4000W/50HZ GENERATOR)**

ITEM	PART NUMBER	QTY	DESCRIPTION	REV
	1001194200	Ref	AC BOX AT PLATFORM INSTALLATION	B
1	0100020	AR	Sealant, Pipe	
2	0641416	2	Bolt 1/4 x 2	
3	0700408	4	Bolt M4 x 16	
4	0861731	1	Box, Switch	
5	3251242	1	Decal - 240V/50Hz	
6	3290405	4	Nut M4	
7	3311405	2	Nut 1/4	
8	4460662	1	Connector, Strain Relief	
9	4461246	1	Receptacle	
10	4711400	4	Washer 1/4	
11	4811400	8	Washer M4	
12	1001193018	1	Bracket, AC Receptacle	
13	1001205958	1	Terminal (Not Shown)	

# SECTION 8 - ELECTRICAL

FIGURE 8-13. AC BOX AT PLATFORM INSTALLATION - 220V CUSTOMER SUPPLIED COMPONENTS  
(ANSI EXPORT, AUSTRALIAN, CHINA, CE & UK CA SPECS)



ART\_1001194365

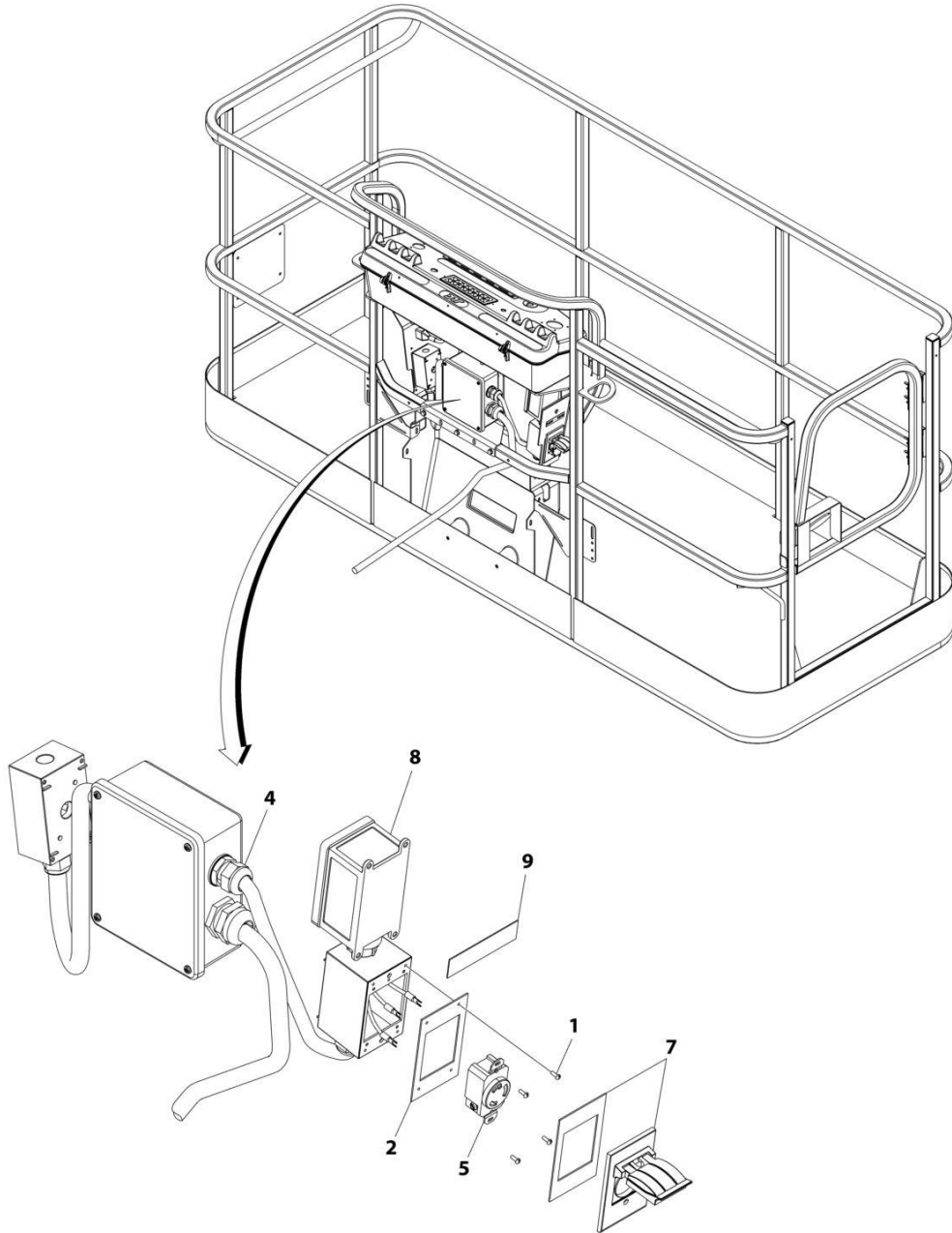
## SECTION 8 - ELECTRICAL

**FIGURE 8-13. AC BOX AT PLATFORM INSTALLATION - 220V CUSTOMER SUPPLIED COMPONENTS  
(ANSI EXPORT, AUSTRALIAN, CHINA, CE & UK CA SPECS)**

ITEM	PART NUMBER	QTY	DESCRIPTION	REV
	1001194365	Ref	AC BOX AT PLATFORM INSTALLATION - BOX WITH COVER (2X4 BOX)	A
1	0100020	AR	Sealant	
2	0641416	2	Bolt 1/4 x 2	
3	0700408	4	Bolt M4 x 16	
4	0861731	1	Box, Switch	
5	1670603	1	Cover	
6	3251242	1	Decal - 240V/50Hz	
7	3290405	4	Nut M4	
8	3311405	2	Nut 1/4	
9	4460384	3	Terminal (Not Shown)	
10	4460662	1	Connector, Strain Relief	
11	4711400	4	Washer 1/4	
12	4811400	8	Washer M4	
13	1001193018	1	Bracket, AC Receptacle	

## SECTION 8 - ELECTRICAL

FIGURE 8-14. AC BOX AT PLATFORM INSTALLATION - 240V (WITH 4000W GENERATOR) (ALL SPECS EXCEPT AUSTRALIAN, CE & UK CA SPECS)



ART\_1001171131

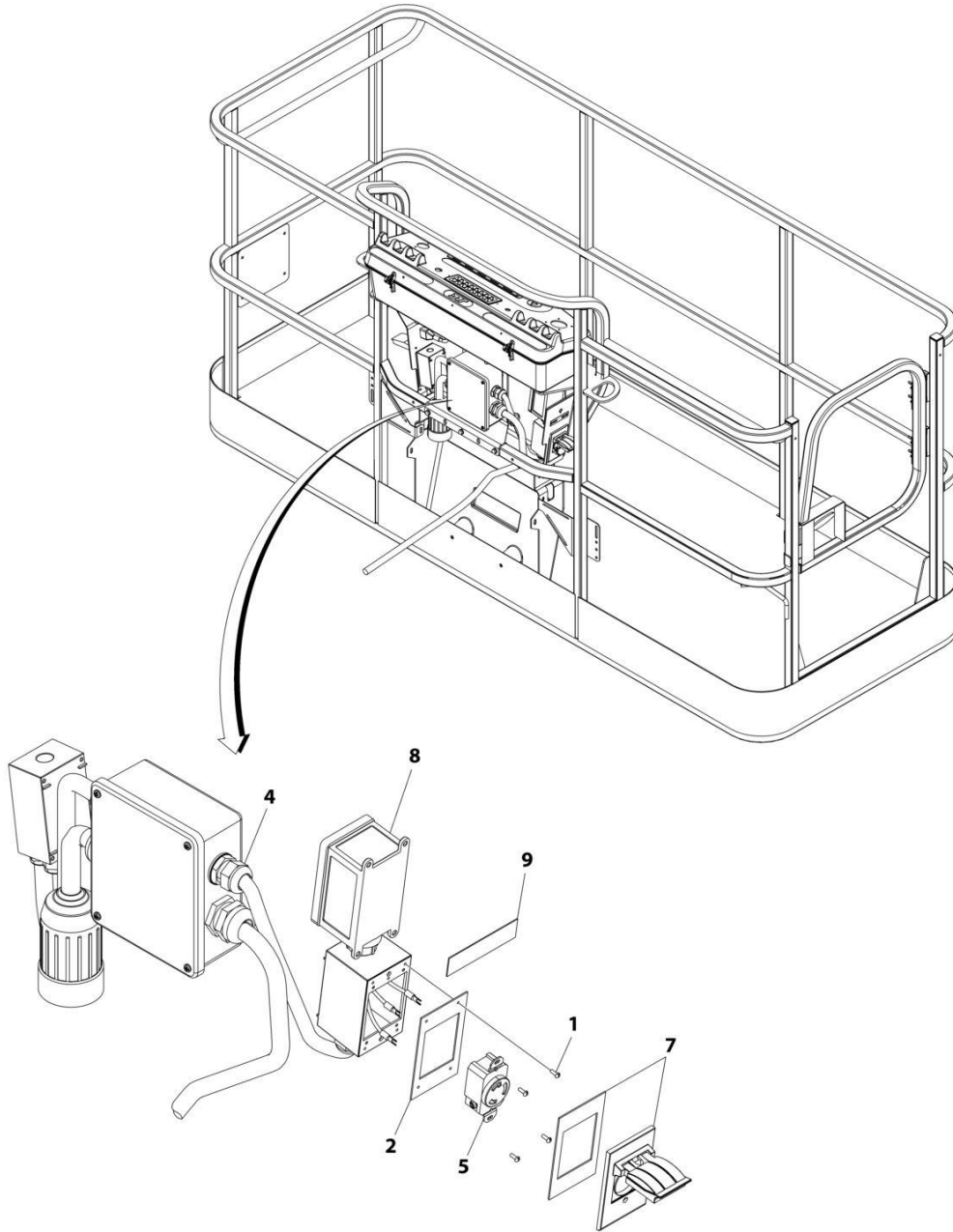
## SECTION 8 - ELECTRICAL

**FIGURE 8-14. AC BOX AT PLATFORM INSTALLATION - 240V (WITH 4000W GENERATOR) (ALL SPECS EXCEPT AUSTRALIAN, CE & UK CA SPECS)**

ITEM	PART NUMBER	QTY	DESCRIPTION	REV
	1001171131	Ref	AC BOX AT PLATFORM INSTALLATION - 240V RECEPTACLE	B
1	3910606	4	Screw 6 x 3/8	
2	3960422	1	Gasket	
3	4240018	AR	Tie-Strap (Not Shown)	
4	4460425	1	Connector, Strain Relief	
5	1001176862	1	Receptacle	
7	1001110872	1	Cover, Receptacle	
8	1001159120	1	Receptacle/Breaker Box Assembly	
8	1001148675	1	Box, Receptacle	
8	1001159118	1	Breaker GFCI 30Amp 240VAC	
8	4460612	1	Connector, Strain Relief	
8	1001159119	1	Connector (Between Boxes)	
9	1705374	1	Decal - 240V/60Hz	

# SECTION 8 - ELECTRICAL

**FIGURE 8-15. AC BOX AT PLATFORM INSTALLATION - 240V (WITH 7500WSKYPOWER GENERATOR) (ALL SPECS EXCEPT AUSTRALIAN, CE & UK CA SPECS)**



ART\_1001159121



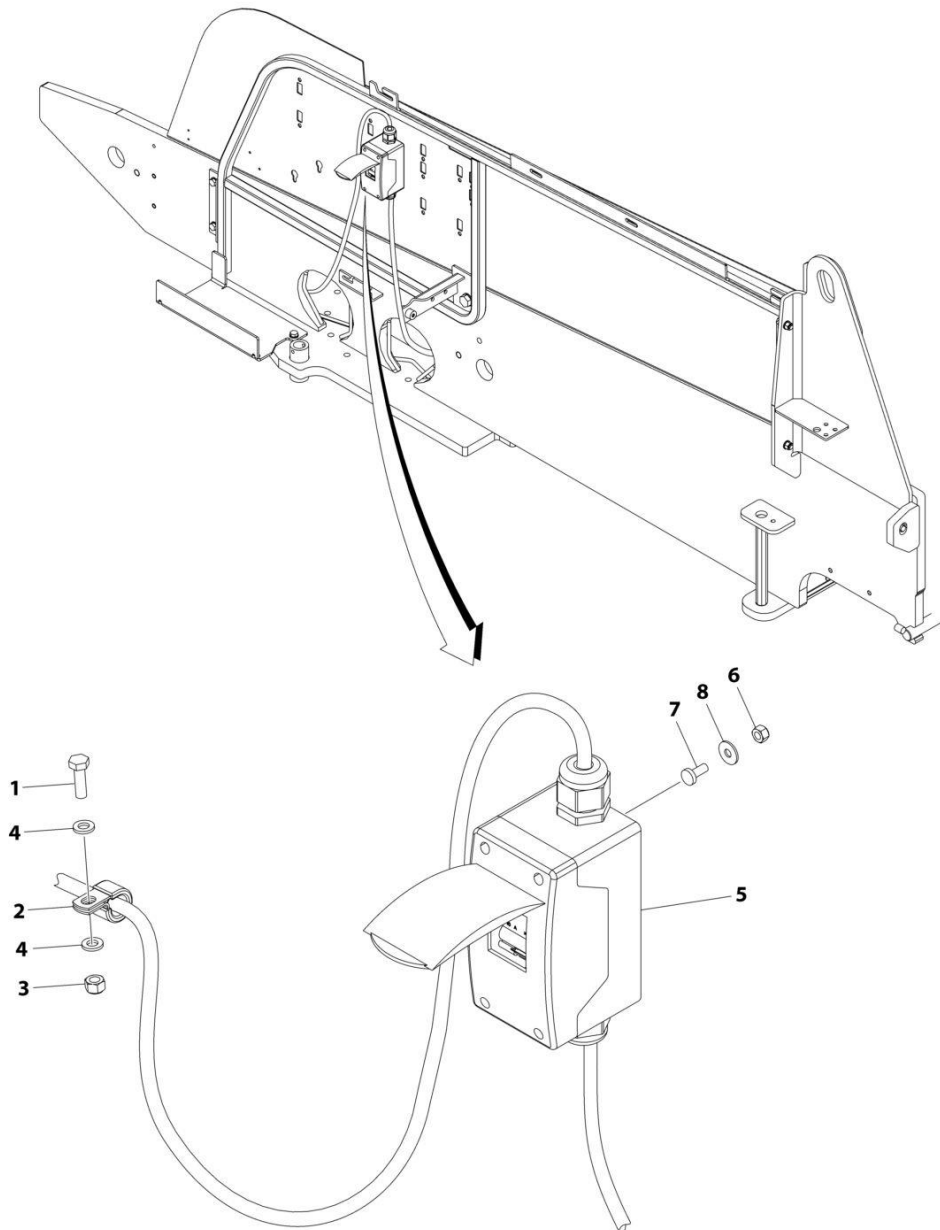
## SECTION 8 - ELECTRICAL

**FIGURE 8-15. AC BOX AT PLATFORM INSTALLATION - 240V (WITH 7500WSKYPower GENERATOR) (ALL SPECS EXCEPT AUSTRALIAN, CE & UK CA SPECS)**

ITEM	PART NUMBER	QTY	DESCRIPTION	REV
	1001159121	Ref	AC BOX AT PLATFORM INSTALLATION - 240V RECEPTACLE	B
1	3910606	4	Screw 6 x 3/8	
2	3960422	1	Gasket	
3	4240018	AR	Tie-Strap (Not Shown)	
4	4460425	1	Connector, Strain Relief	
5	4460958	1	Receptacle	
7	1001110872	1	Cover, Receptacle	
8	1001159120	1	Receptacle/Breaker Box Assembly	
8	1001148675	1	Box, Receptacle	
8	1001159118	1	Breaker Box Assembly	
8	4460612	1	Connector, Strain Relief	
8	1001159119	1	Connector (Between Boxes)	
9	1705374	1	Decal - 240V/60Hz	

# SECTION 8 - ELECTRICAL

## FIGURE 8-16. AC BREAKER BOX INSTALLATION - SINGLE DOUBLE POLE BREAKER



ART\_1001190774

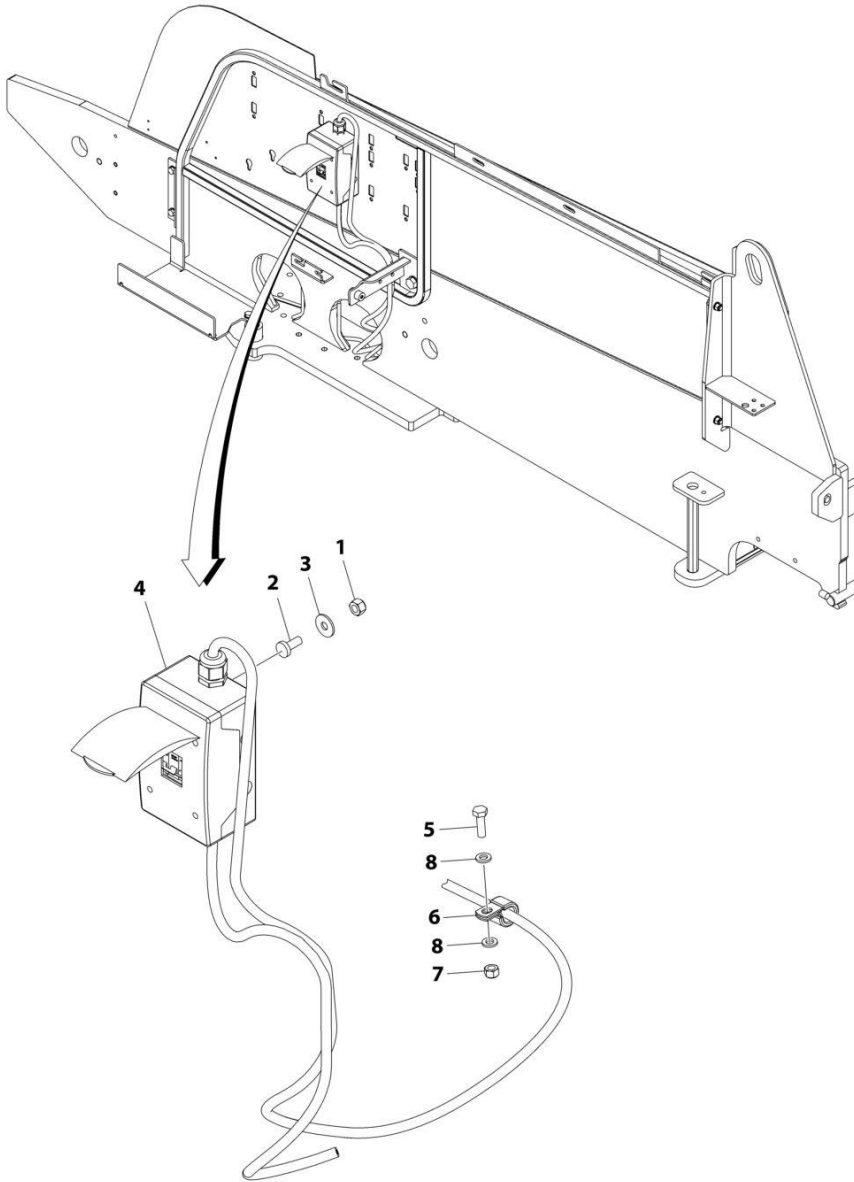
## SECTION 8 - ELECTRICAL

### FIGURE 8-16. AC BREAKER BOX INSTALLATION - SINGLE DOUBLE POLE BREAKER

ITEM	PART NUMBER	QTY	DESCRIPTION	REV
	1001190774	Ref	AC BREAKER BOX INSTALLATION	C
1	0760610	1	Bolt M6 x 20	
2	1320041	1	Clamp	
3	3290605	1	Nut M6	
4	4811700	2	Washer M6	
5	2902549	1	Breaker Box Kit - Single Double Pole Breaker (See Separate Breakdown in this Section)	
6	3290405	2	Nut M4	
7	4010405	2	Screw M4 x 10	
8	1001091102	2	Washer M4	

# SECTION 8 - ELECTRICAL

## FIGURE 8-17. AC BREAKER BOX INSTALLATION - 3 BREAKERS



ART\_1001211049\_C

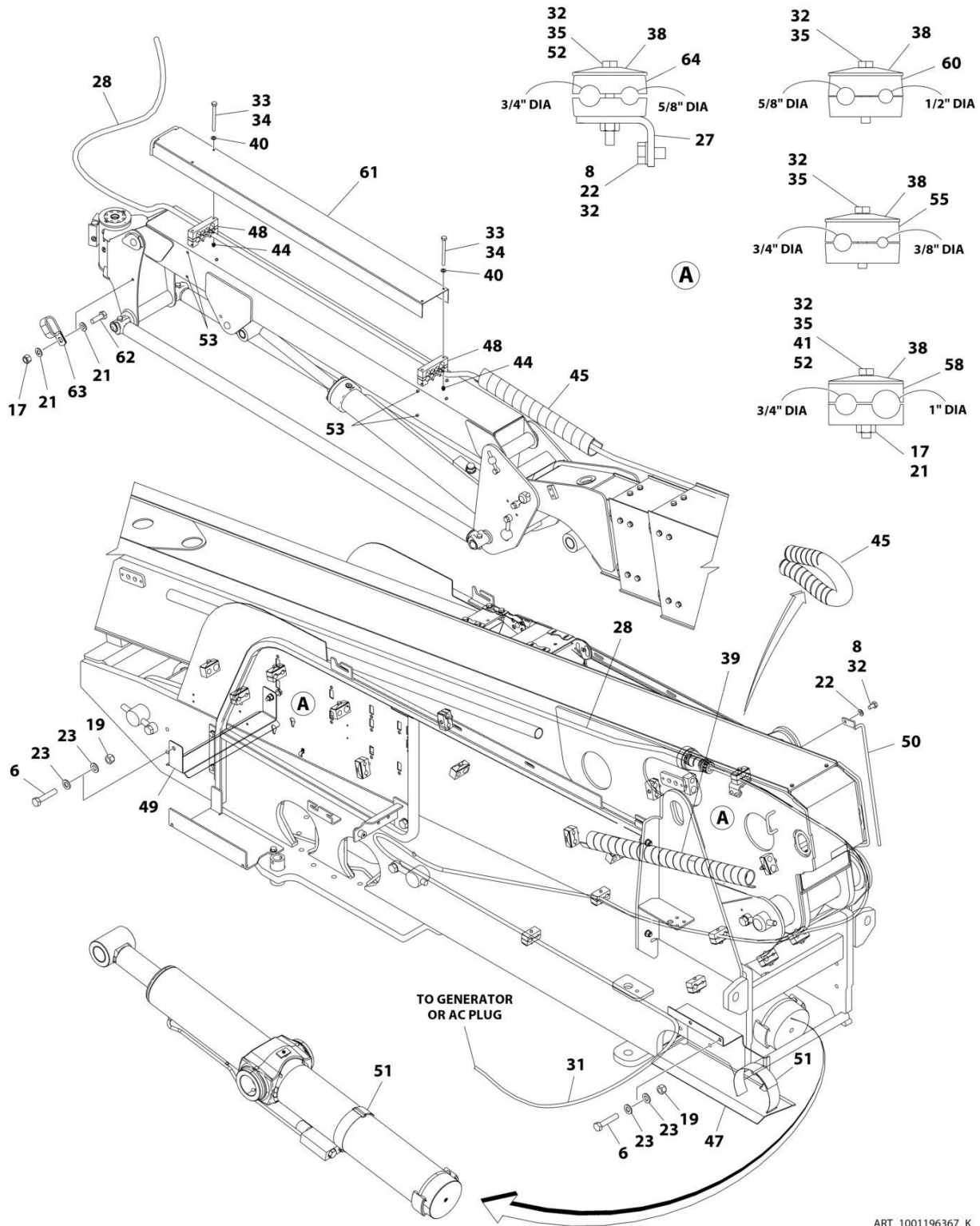
## SECTION 8 - ELECTRICAL

### FIGURE 8-17. AC BREAKER BOX INSTALLATION - 3 BREAKERS

ITEM	PART NUMBER	QTY	DESCRIPTION	REV
	1001211049	Ref	AC BREAKER BOX INSTALLATION	C
1	3290405	2	Nut M4	
2	4010405	2	Screw M4 x 10	
3	1001091102	2	Washer M4	
4	1001152486	1	Breaker Box Kit - 3 Breakers (See Separate Breakdown in this Section)	
5	0760610	1	Bolt M6 x 20	
6	1320041	1	Clamp	
7	3290605	1	Nut M6	
8	4811700	2	Washer M6	

# SECTION 8 - ELECTRICAL

## FIGURE 8-18. AC CABLES AND CLAMPS INSTALLATION - WITHOUT GENERATOR (ALL SPECS EXCEPT ANSI & CSA SPECS)



ART\_1001196367\_K

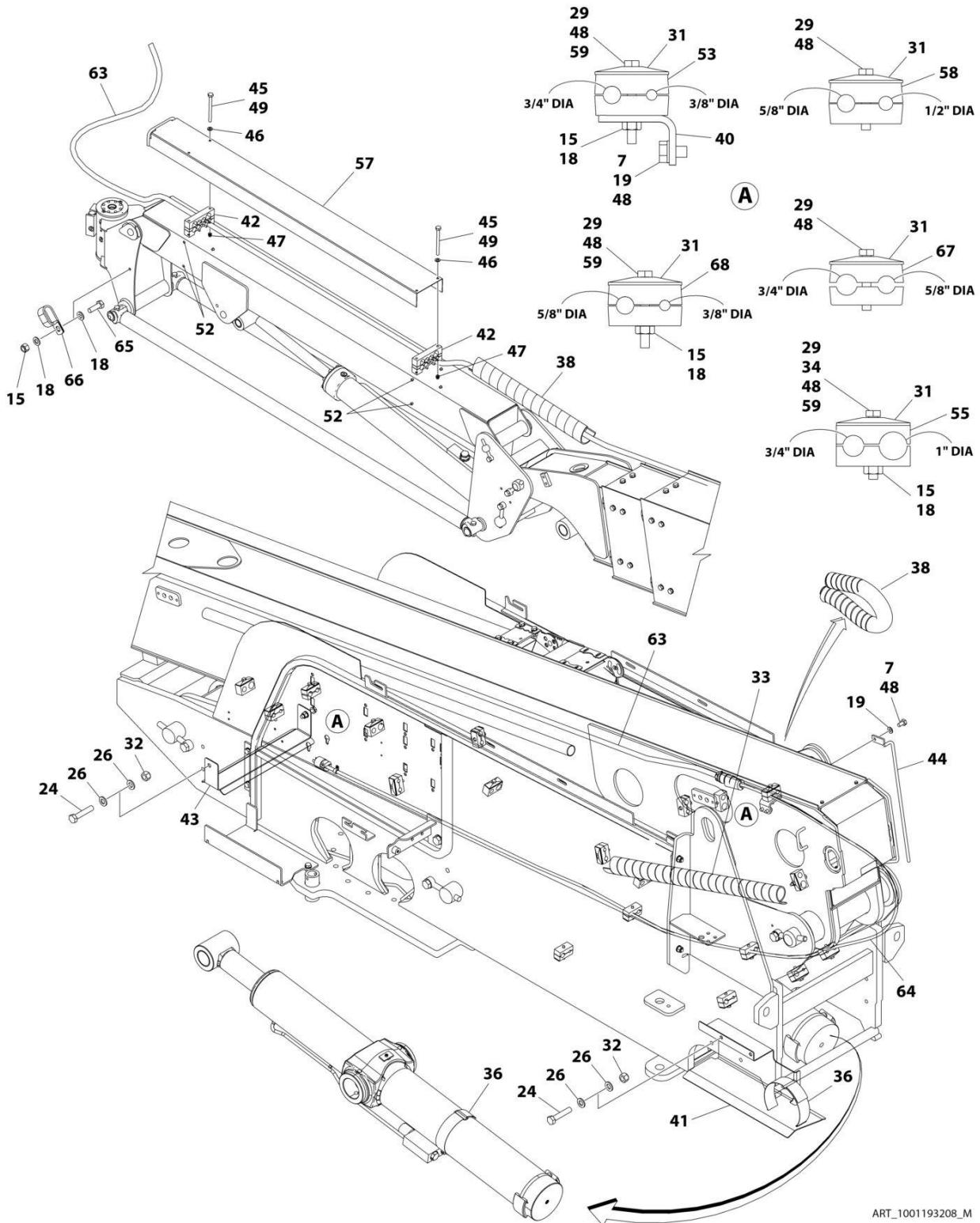
## SECTION 8 - ELECTRICAL

**FIGURE 8-18. AC CABLES AND CLAMPS INSTALLATION - WITHOUT GENERATOR (ALL SPECS EXCEPT ANSI & CSA SPECS)**

ITEM	PART NUMBER	QTY	DESCRIPTION	REV
	1001196367	Ref	AC CABLES AND CLAMPS INSTALLATION	K
6	0701220	4	Bolt M12 x 60	
8	0761009	3	Bolt M10 x 18	
17	3290805	4	Nut M8	
19	3291205	4	Nut M12	
21	4811900	5	Washer M8	
22	4812000	3	Washer M10	
23	4812100	8	Washer M12	
24	1001146588	4	Tie-Strap (Not Shown)	
27	1001229637	1	Bracket	
28	1001195226	1	AC Ground to Platform Cable (Upper)	
28	1001214095	1	Plug, Male	
31	1001196368	1	AC Ground to Platform Cable (Lower)	
31	1001214096	1	Receptacle, Female	
32	0100011	AR	Compound, Locking	
33	0100035	AR	Compound, Locking	
34	0700626	AR	Bolt M6 x 90	
34	0641424	AR	Bolt 1/4 x 3	
35	0700818	16	Bolt M8 x 50	
38	77133137	AR	Cover, Clamp	
39	1001204690	1	Shield, Tube	
40	4811700	4	Washer M6	
41	5281918	1	Capscrew M8 x 70	
44	1001176636	AR	Rivet - Nut M6	
44	2080044	AR	Rivet - Nut 1/4	
45	1001181923	AR	Shield, Tube	
47	1001252945	1	Support	
48	1001201090	2	Block, Clamp	
49	1001201342	1	Support	
50	1001202936	1	Guide	
51	1001143645	2	Strap, Cinch	
52	0700822	2	Bolt M8 x 70	
53	3520034	8	Plug	
54	4240018	4	Tie-Strap (Not Shown)	
55	1001209948	3	Clamp	
58	1001209951	6	Clamp	
60	1001209953	7	Clamp	
61	1001209957	1	Cover	
62	0760812	1	Bolt M8 x 25	
63	1001116792	1	Clamp	
64	1001209949	3	Clamp	

# SECTION 8 - ELECTRICAL

## FIGURE 8-19. AC CABLES AND CLAMPS INSTALLATION - WITHOUT GENERATOR (ANSI & CSA SPECS)



ART\_1001193208\_M



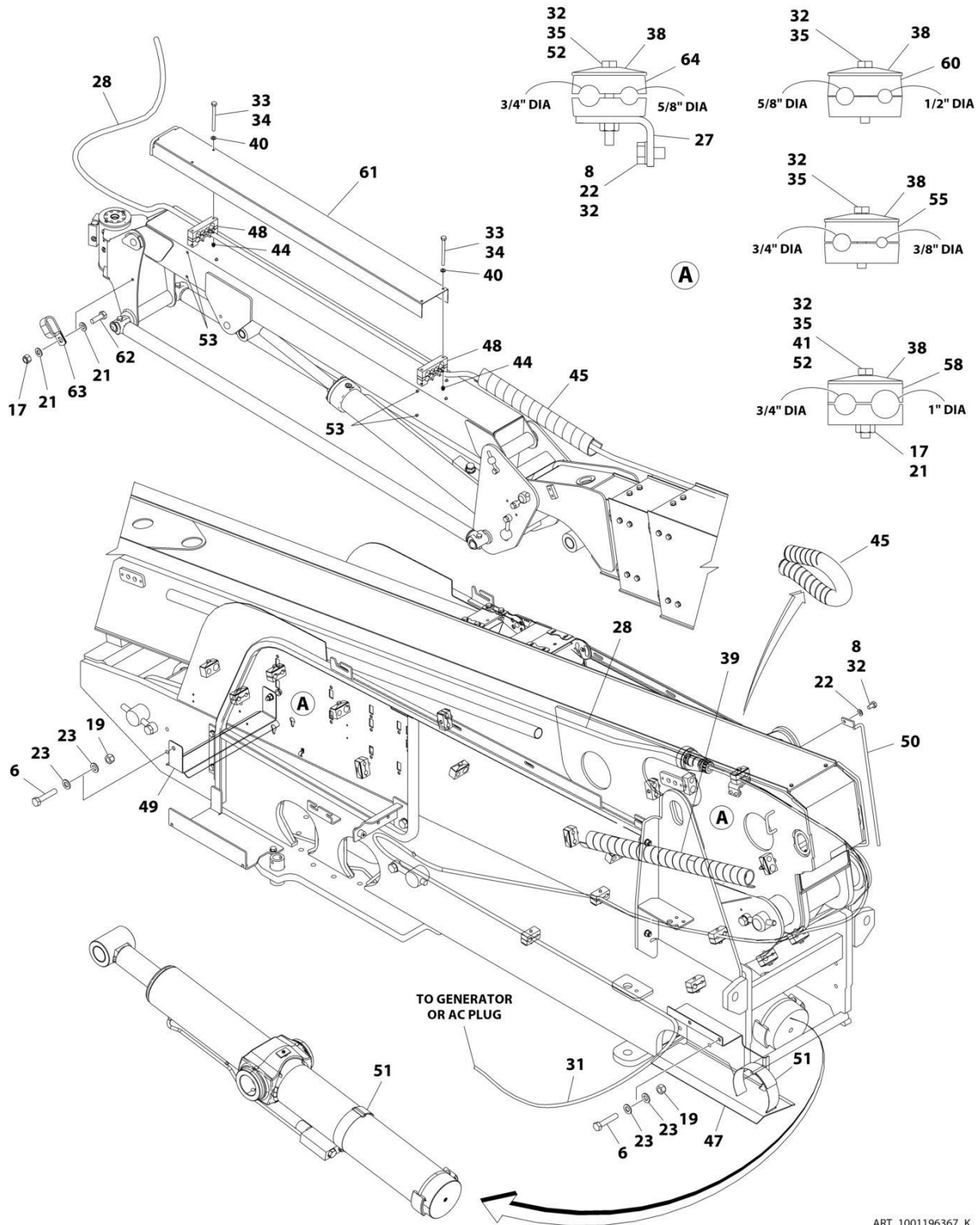
## SECTION 8 - ELECTRICAL

**FIGURE 8-19. AC CABLES AND CLAMPS INSTALLATION - WITHOUT GENERATOR (ANSI & CSA SPECS)**

ITEM	PART NUMBER	QTY	DESCRIPTION	REV
	1001193208	Ref	AC CABLES AND CLAMPS INSTALLATION	M
7	0761009	3	Bolt M10 x 18	
15	3290805	3	Nut M8	
18	4811900	3	Washer M8	
19	4812000	3	Washer M10	
20	1001146588	4	Tie-Strap (Not Shown)	
24	0701220	4	Bolt M12 x 60	
26	4812100	8	Washer M12	
29	0700818	16	Bolt M8 x 50	
31	77133137	19	Cover, Clamp	
32	3291205	4	Nut M12	
33	1001204690	1	Shield, Tube	
34	5281918	1	Capscrew M8 x 70	
36	1001143645	2	Strap, Cinch	
38	1001181923	AR	Shield, Tube	
40	1001229637	1	Bracket	
41	1001252945	1	Support	
42	1001201090	2	Block, Clamp	
43	1001201342	1	Support	
44	1001202936	1	Guide	
45	0641424	4	Bolt 1/4 x 3	
46	4811700	4	Washer M6	
47	2080044	4	Rivet - Nut 1/4	
48	0100011	AR	Compound, Locking	
49	0100035	AR	Compound, Locking	
51	4240018	4	Tie-Strap (Not Shown)	
52	3520034	8	Plug	
53	1001209948	3	Clamp	
55	1001209951	6	Clamp	
57	1001209957	1	Cover	
58	1001209953	3	Clamp	
59	0700822	2	Bolt M8 x 70	
63	1001195228	1	AC Ground to Platform Cable (Upper)	
63	1001120204	1	Plug, Male	
64	1001195525	1	AC Ground to Platform Cable (Lower)	
64	1001120205	1	Receptacle, Female	
65	0760812	1	Bolt M8 x 25	
66	1001116792	1	Clamp	
67	1001209949	3	Clamp	
68	1001228809	4	Clamp	

# SECTION 8 - ELECTRICAL

## FIGURE 8-20. AC CABLES AND CLAMPS INSTALLATION - WITH 2500W GENERATOR



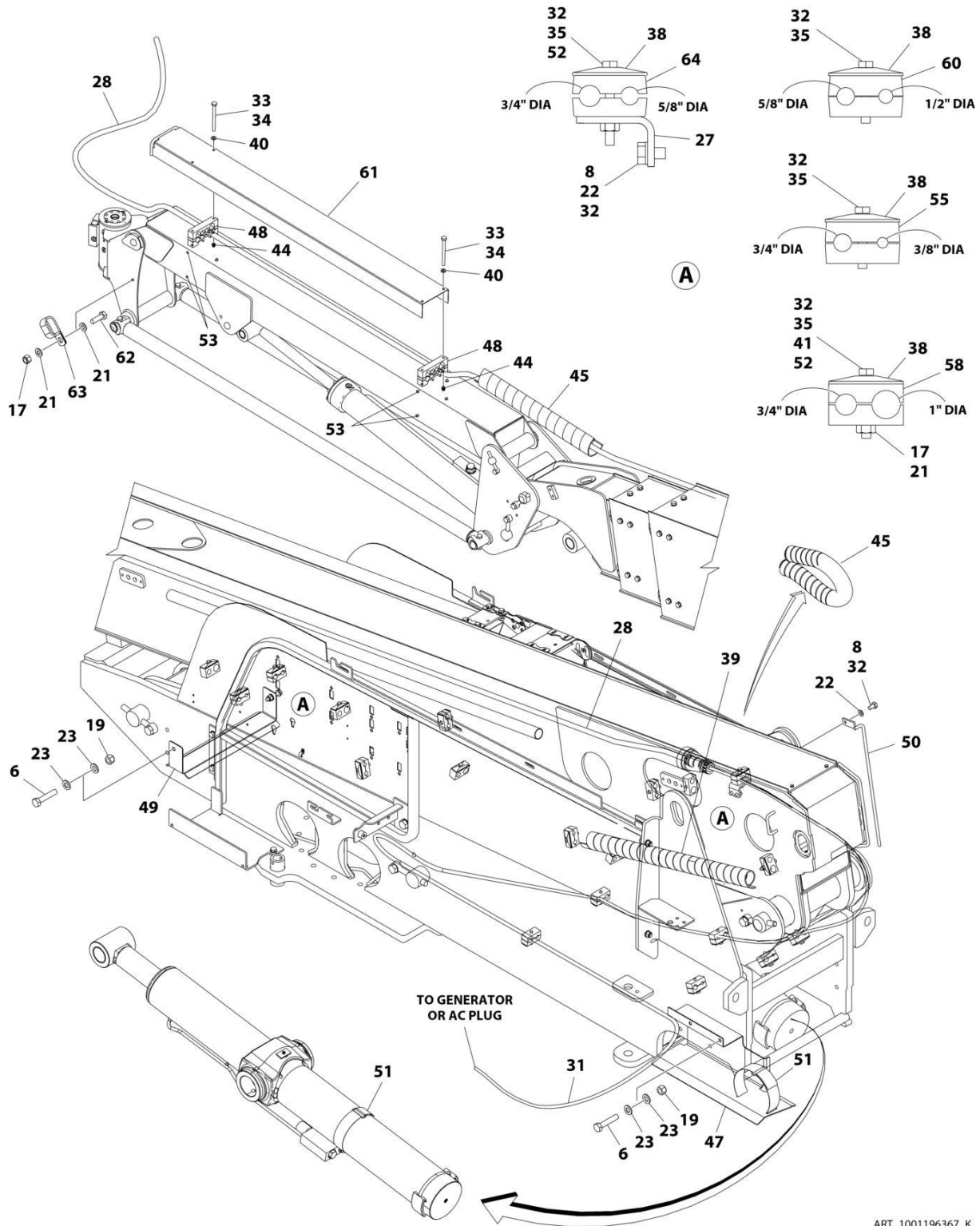
## SECTION 8 - ELECTRICAL

**FIGURE 8-20. AC CABLES AND CLAMPS INSTALLATION - WITH 2500W GENERATOR**

ITEM	PART NUMBER	QTY	DESCRIPTION	REV
	1001196367	Ref	AC CABLES AND CLAMPS INSTALLATION	K
6	0701220	4	Bolt M12 x 60	
8	0761009	3	Bolt M10 x 18	
17	3290805	4	Nut M8	
19	3291205	4	Nut M12	
21	4811900	5	Washer M8	
22	4812000	3	Washer M10	
23	4812100	8	Washer M12	
24	1001146588	4	Tie-Strap (Not Shown)	
27	1001229637	1	Bracket	
28	1001195226	1	AC Ground to Platform Cable (Upper)	
28	1001214095	1	Plug, Male	
31	1001196368	1	AC Ground to Platform Cable (Lower)	
31	1001214096	1	Receptacle, Female	
32	0100011	AR	Compound, Locking	
33	0100035	AR	Compound, Locking	
34	0700626	AR	Bolt M6 x 90	
34	0641424	AR	Bolt 1/4 x 3	
35	0700818	16	Bolt M8 x 50	
38	77133137	AR	Cover, Clamp	
39	1001204690	1	Shield, Tube	
40	4811700	4	Washer M6	
41	5281918	1	Capscrew M8 x 70	
44	1001176636	AR	Rivet - Nut M6	
44	2080044	AR	Rivet - Nut 1/4	
45	1001181923	AR	Shield, Tube	
47	1001252945	1	Support	
48	1001201090	2	Block, Clamp	
49	1001201342	1	Support	
50	1001202936	1	Guide	
51	1001143645	2	Strap, Cinch	
52	0700822	2	Bolt M8 x 70	
53	3520034	8	Plug	
54	4240018	4	Tie-Strap (Not Shown)	
55	1001209948	3	Clamp	
58	1001209951	6	Clamp	
60	1001209953	7	Clamp	
61	1001209957	1	Cover	
62	0760812	1	Bolt M8 x 25	
63	1001116792	1	Clamp	
64	1001209949	3	Clamp	

# SECTION 8 - ELECTRICAL

## FIGURE 8-21. AC CABLES AND CLAMPS INSTALLATION - WITH 4000W-50HZ GENERATOR



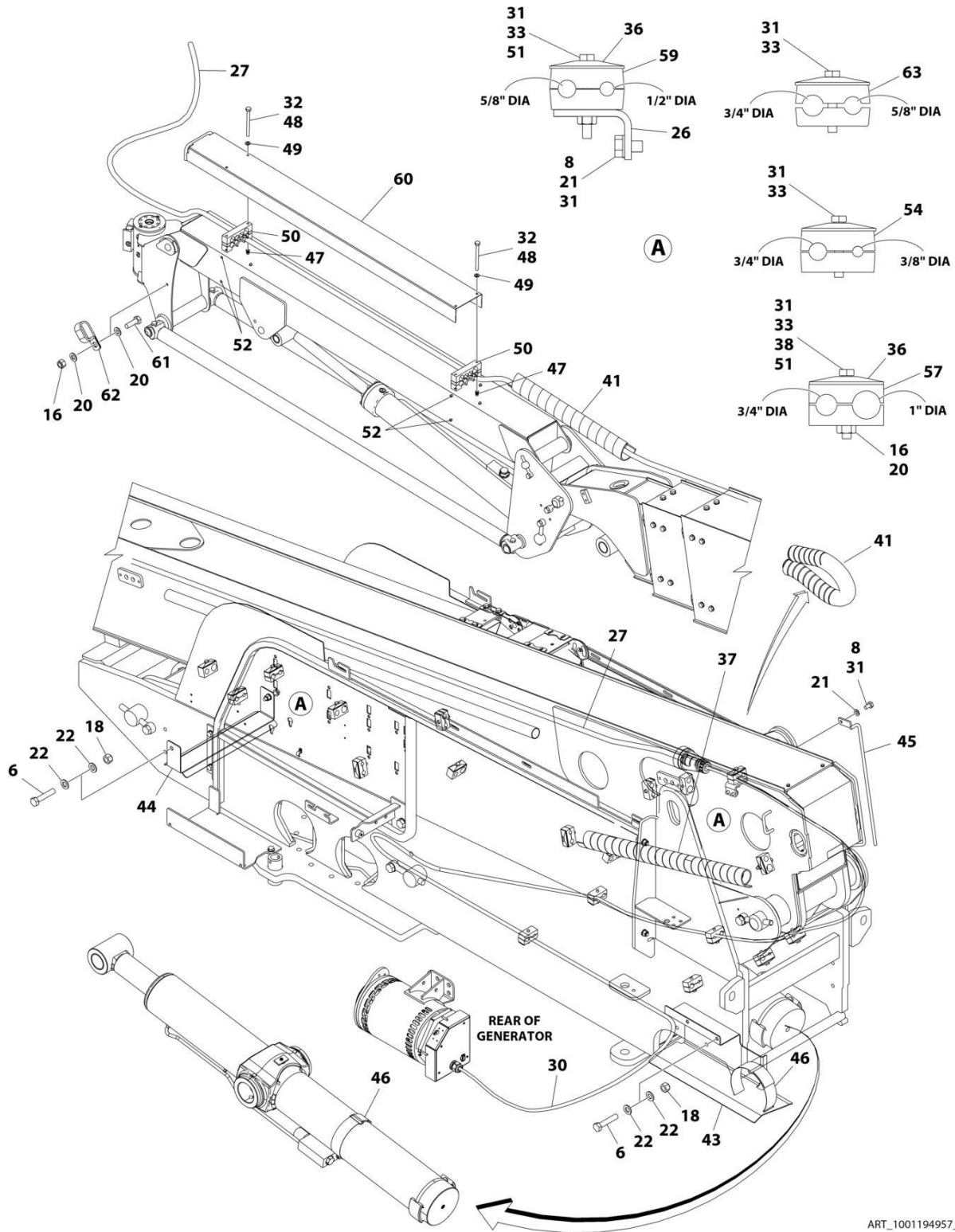
## SECTION 8 - ELECTRICAL

**FIGURE 8-21. AC CABLES AND CLAMPS INSTALLATION - WITH 4000W-50HZ GENERATOR**

ITEM	PART NUMBER	QTY	DESCRIPTION	REV
	1001196367	Ref	AC CABLES AND CLAMPS INSTALLATION	K
6	0701220	4	Bolt M12 x 60	
8	0761009	3	Bolt M10 x 18	
17	3290805	4	Nut M8	
19	3291205	4	Nut M12	
21	4811900	5	Washer M8	
22	4812000	3	Washer M10	
23	4812100	8	Washer M12	
24	1001146588	4	Tie-Strap (Not Shown)	
27	1001229637	1	Bracket	
28	1001195226	1	AC Ground to Platform Cable (Upper)	
28	1001214095	1	Plug, Male	
31	1001196368	1	AC Ground to Platform Cable (Lower)	
31	1001214096	1	Receptacle, Female	
32	0100011	AR	Compound, Locking	
33	0100035	AR	Compound, Locking	
34	0700626	AR	Bolt M6 x 90	
34	0641424	AR	Bolt 1/4 x 3	
35	0700818	16	Bolt M8 x 50	
38	77133137	AR	Cover, Clamp	
39	1001204690	1	Shield, Tube	
40	4811700	4	Washer M6	
41	5281918	1	Capscrew M8 x 70	
44	1001176636	AR	Rivet - Nut M6	
44	2080044	AR	Rivet - Nut 1/4	
45	1001181923	AR	Shield, Tube	
47	1001252945	1	Support	
48	1001201090	2	Block, Clamp	
49	1001201342	1	Support	
50	1001202936	1	Guide	
51	1001143645	2	Strap, Cinch	
52	0700822	2	Bolt M8 x 70	
53	3520034	8	Plug	
54	4240018	4	Tie-Strap (Not Shown)	
55	1001209948	3	Clamp	
58	1001209951	6	Clamp	
60	1001209953	7	Clamp	
61	1001209957	1	Cover	
62	0760812	1	Bolt M8 x 25	
63	1001116792	1	Clamp	
64	1001209949	3	Clamp	

# SECTION 8 - ELECTRICAL

## FIGURE 8-22. AC CABLES AND CLAMPS INSTALLATION - WITH 4000W-60HZ GENERATOR



ART\_1001194957\_L

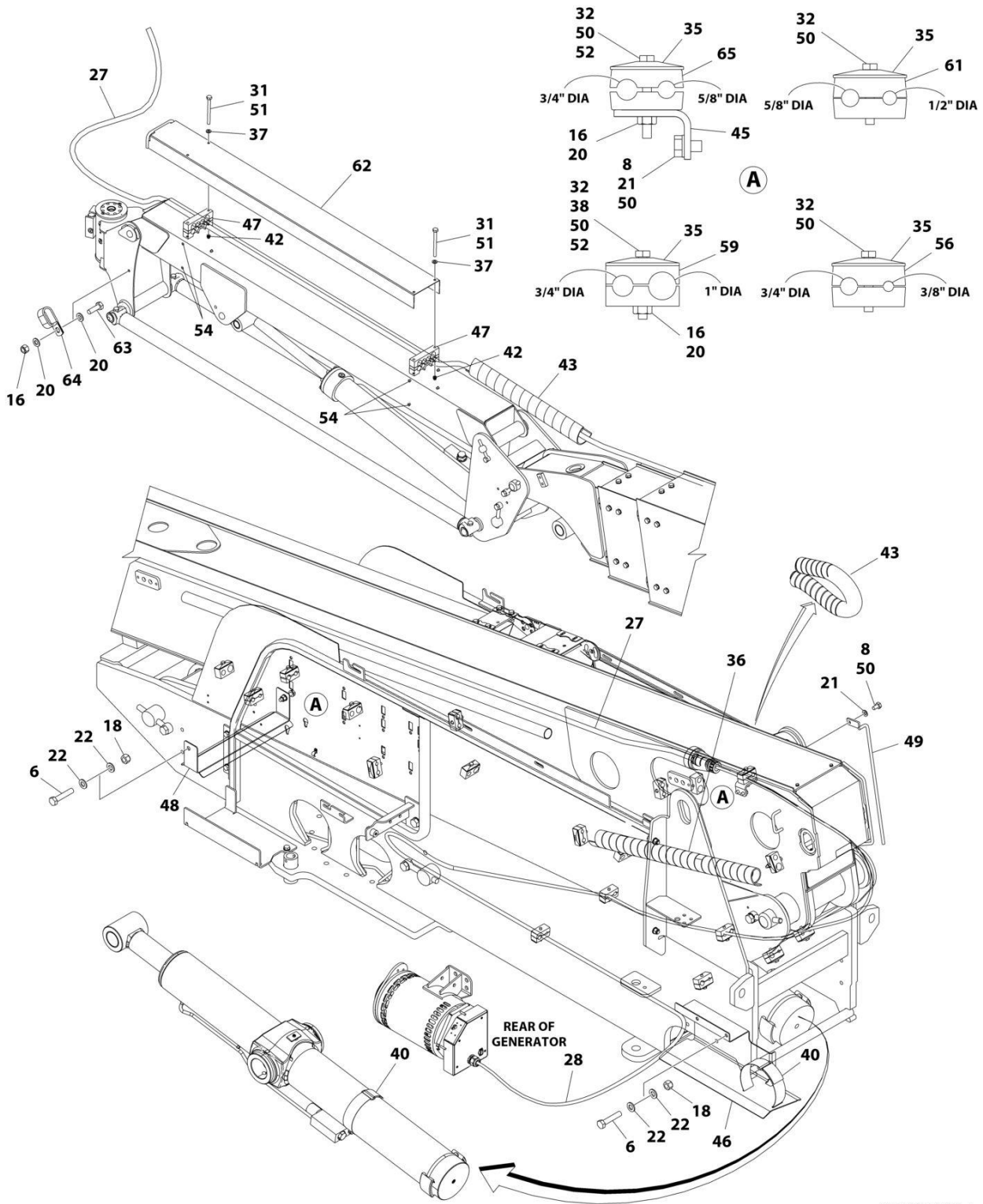
## SECTION 8 - ELECTRICAL

**FIGURE 8-22. AC CABLES AND CLAMPS INSTALLATION - WITH 4000W-60HZ GENERATOR**

ITEM	PART NUMBER	QTY	DESCRIPTION	REV
	1001194957	Ref	AC CABLES AND CLAMPS INSTALLATION	L
6	0701220	4	Bolt M12 x 60	
8	0761009	3	Bolt M10 x 18	
16	3290805	4	Nut M8	
18	3291205	4	Nut M12	
20	4811900	5	Washer M8	
21	4812000	3	Washer M10	
22	4812100	8	Washer M12	
23	1001146588	4	Tie-Strap (Not Shown)	
26	1001229637	1	Bracket	
27	1001228187	1	AC Ground to Platform Cable (Upper)	
27	4460959	1	Plug, Male	
27	1671093	1	Cover, Plug	
30	1001228188	1	AC Ground to Platform Cable (Lower)	
30	4460960	1	Receptacle, Female	
30	1671092	1	Cover, Receptacle	
31	0100011	AR	Compound, Locking	
32	0100035	AR	Compound, Locking	
33	0700818	16	Bolt M8 x 50	
36	77133137	13	Cover, Clamp	
37	1001204690	1	Shield, Tube	
38	5281918	1	Capscrew M8 x 70	
41	1001181923	AR	Shield, Tube	
43	1001252945	1	Support	
44	1001201342	1	Support	
45	1001202936	1	Guide	
46	1001143645	2	Strap, Cinch	
47	1001176636	4	Rivet - Nut M6	
48	0700626	4	Bolt M6 x 90	
49	4811700	4	Washer M6	
50	1001201090	2	Block, Clamp	
51	0700822	2	Bolt M8 x 70	
52	3520034	8	Plug	
53	4240018	4	Tie-Strap (Not Shown)	
54	1001209948	3	Clamp	
57	1001209951	6	Clamp	
59	1001209953	7	Clamp	
60	1001209957	1	Cover	
61	0760812	1	Bolt M8 x 25	
62	1001116792	1	Clamp	
63	1001209949	3	Clamp	

# SECTION 8 - ELECTRICAL

FIGURE 8-23. AC CABLES AND CLAMPS INSTALLATION - WITH 7500W SKYPOWER GENERATOR



ART\_1001194962\_L



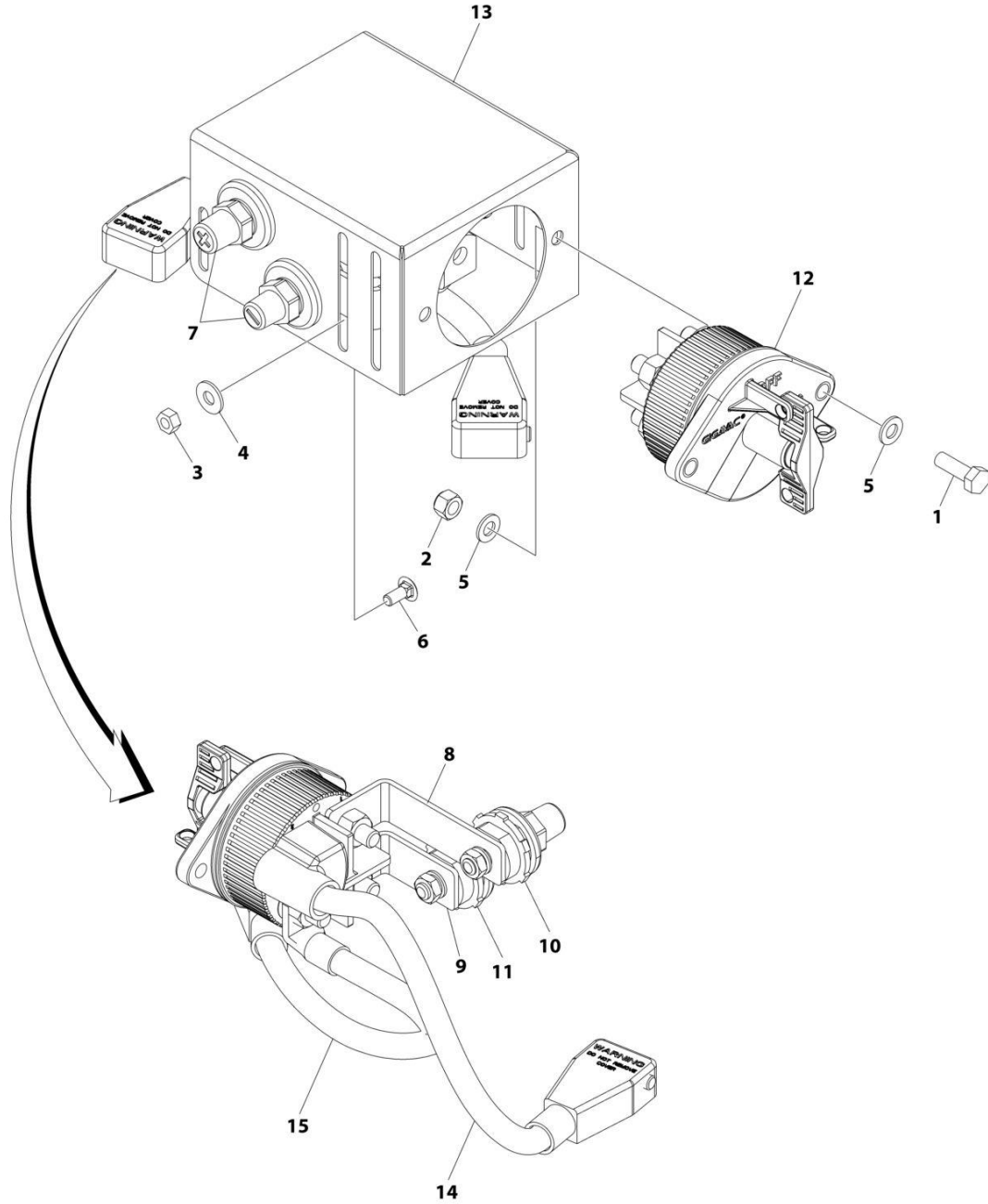
## SECTION 8 - ELECTRICAL

**FIGURE 8-23. AC CABLES AND CLAMPS INSTALLATION - WITH 7500W SKYPOWER GENERATOR**

ITEM	PART NUMBER	QTY	DESCRIPTION	REV
	1001194962	Ref	AC CABLES AND CLAMPS INSTALLATION	L
6	0701220	4	Bolt M12 x 60	
8	0761009	3	Bolt M10 x 18	
16	3290805	4	Nut M8	
18	3291205	4	Nut M12	
20	4811900	5	Washer M8	
21	4812000	3	Washer M10	
22	4812100	8	Washer M12	
23	1001146588	4	Tie-Strap (Not Shown)	
27	1001227075	1	AC Ground to Platform Cable (Upper)	
27	4460959	1	Plug, Male	
27	1671093	1	Cover, Plug	
28	1001226304	1	AC Ground to Platform Cable (Lower)	
28	4460960	1	Receptacle, Female	
28	1671092	1	Cover, Receptacle	
31	0700626	AR	Bolt M6 x 90	
31	0641424	AR	Bolt 1/4 x 3	
32	0700818	16	Bolt M8 x 50	
35	77133137	AR	Cover, Clamp	
36	1001204690	1	Shield, Tube	
37	4811700	4	Washer M6	
38	5281918	1	Capscrew M8 x 70	
40	1001143645	2	Strap, Cinch	
42	1001176636	AR	Rivet - Nut M6	
42	2080044	AR	Rivet - Nut 1/4	
43	1001181923	AR	Shield, Tube	
45	1001229637	1	Bracket	
46	1001252945	1	Support	
47	1001201090	2	Block, Clamp	
48	1001201342	1	Support	
49	1001202936	1	Guide	
50	0100011	AR	Compound, Locking	
51	0100035	AR	Compound, Locking	
52	0700822	2	Bolt M8 x 70	
54	3520034	8	Plug	
55	4240018	4	Tie-Strap (Not Shown)	
56	1001209948	3	Clamp	
59	1001209951	6	Clamp	
61	1001209953	3	Clamp	
62	1001209957	1	Cover	
63	0760812	1	Bolt M8 x 25	
64	1001116792	1	Clamp	
65	1001209949	7	Clamp	
66	0700819	1	Bolt M8 x 55 (Not Shown)	

# SECTION 8 - ELECTRICAL

## FIGURE 8-24. BATTERY DISCONNECT SWITCH INSTALLATION



ART\_1001236304

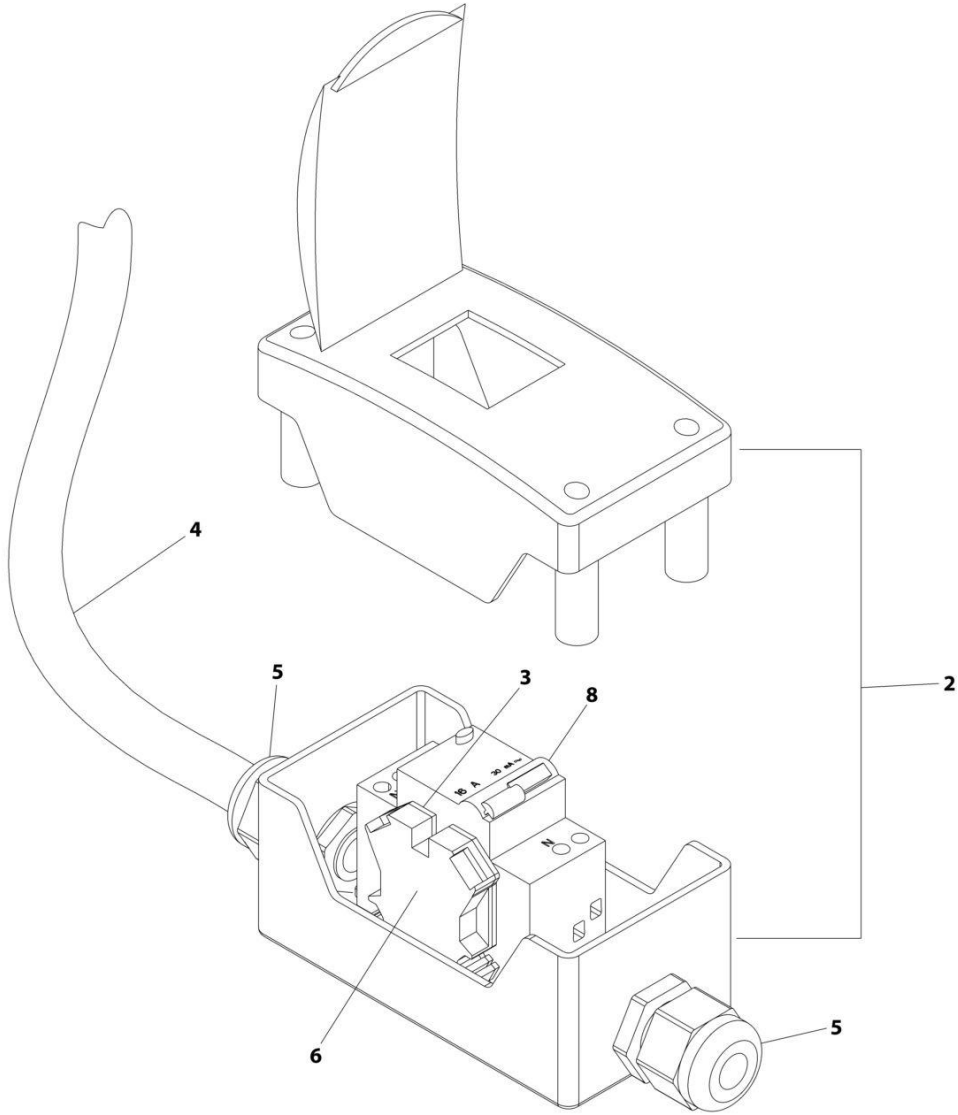
## SECTION 8 - ELECTRICAL

**FIGURE 8-24. BATTERY DISCONNECT SWITCH INSTALLATION**

ITEM	PART NUMBER	QTY	DESCRIPTION	REV
	1001236304	Ref	BATTERY DISCONNECT SWITCH INSTALLATION	A
1	0760812	2	Bolt M8 x 25	
2	3290805	2	Nut M8	
3	3311405	3	Nut 1/4	
4	4751400	3	Washer 1/4	
5	4811900	4	Washer M8	
6	88411013	3	Bolt 1/4 x 3/4	
7	1001206476	1	Connectors, Post	
8	1001209432	1	Bussbar	
9	1001209474	1	Bussbar	
10	1001214570	1	Connector (Red)	
11	1001214571	1	Connector (Black)	
12	1001225346	1	Switch, Battery	
13	1001226531	1	Mount	
14	1001236504	1	Cable, Battery (+)	
15	1001236505	1	Cable, Battery (-)	

**SECTION 8 - ELECTRICAL**

**FIGURE 8-25. BREAKER BOX KIT - SINGLE DOUBLE POLE BREAKER (WITHOUT 4000W/50HZ GENERATOR)**



ART\_2902549

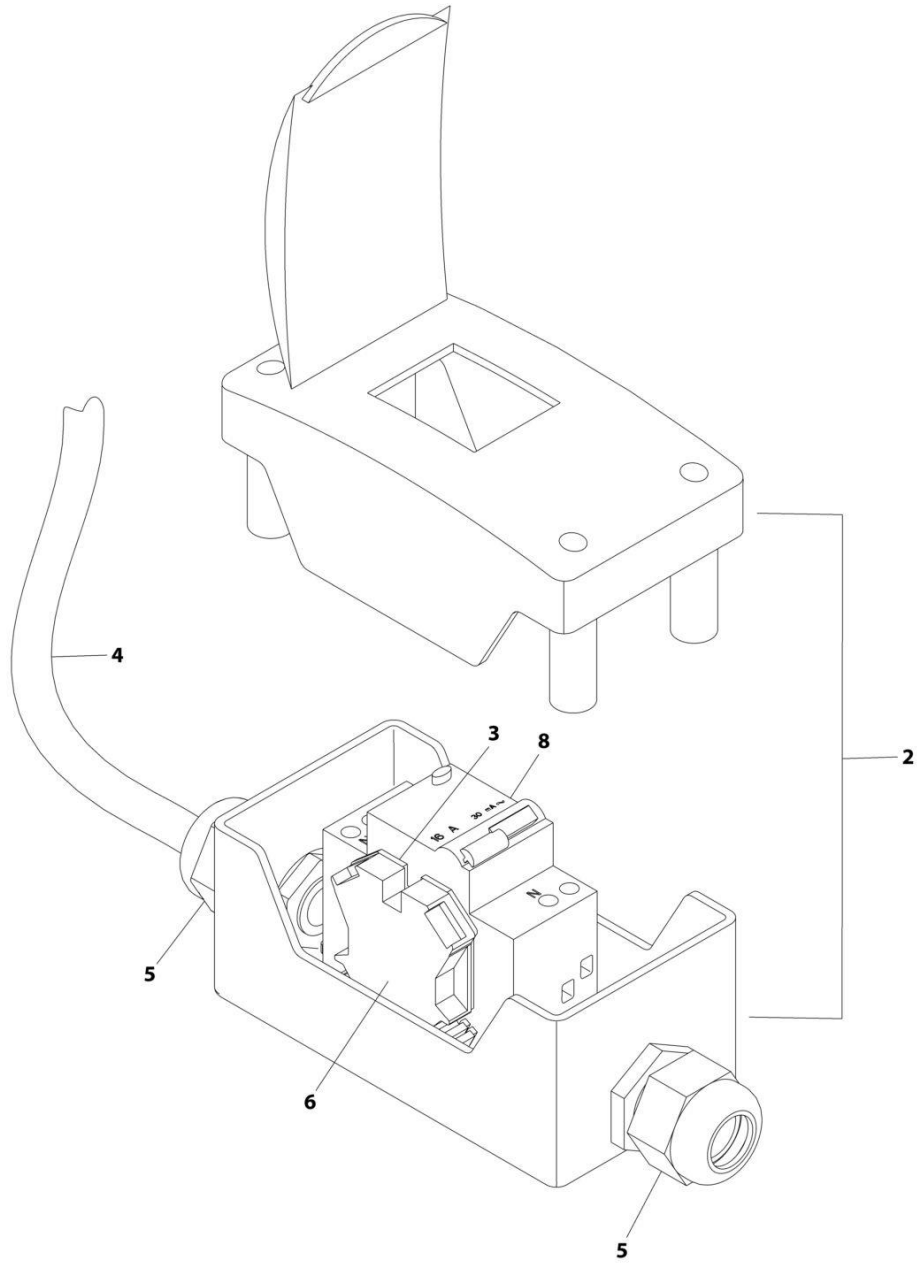
## SECTION 8 - ELECTRICAL

**FIGURE 8-25. BREAKER BOX KIT - SINGLE DOUBLE POLE BREAKER (WITHOUT 4000W/50HZ GENERATOR)**

ITEM	PART NUMBER	QTY	DESCRIPTION	REV
	2902549	Ref	BREAKER BOX KIT - 110/220V 16AMP BREAKER	F
2	0861880	1	Box	
3	4460956	1	Barrier, Terminal	
4	1060908	6 ft/1.8m	Cable, 12/3	
5	1001097150	2	Connector, Strain Relief	
6	4460957	1	Block, Terminal	
8	1001181045	1	Breaker, Combination 16Amp/30mAmp	

# SECTION 8 - ELECTRICAL

## FIGURE 8-26. BREAKER BOX KIT - SINGLE DOUBLE POLE BREAKER (WITH 4000W/50HZ GENERATOR)



ART\_1001096070

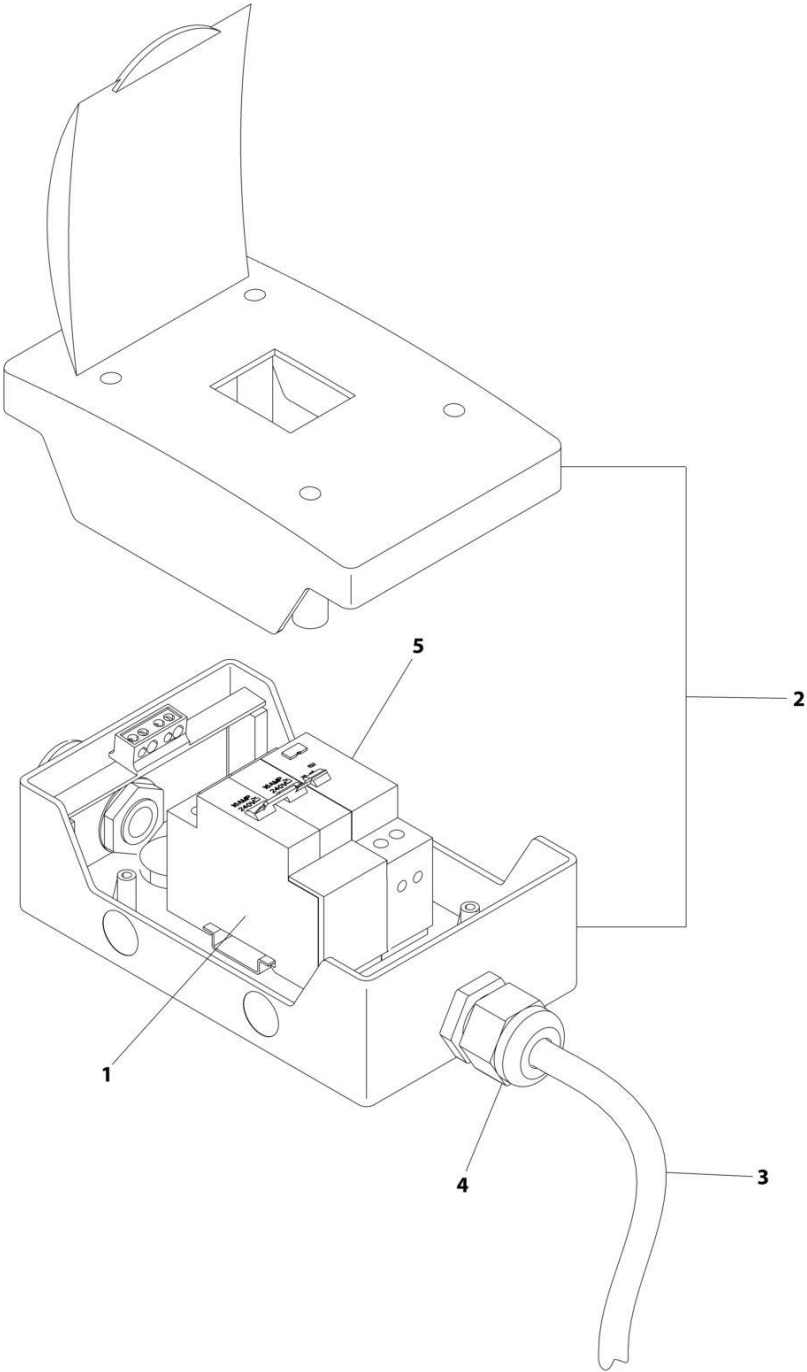
## SECTION 8 - ELECTRICAL

**FIGURE 8-26. BREAKER BOX KIT - SINGLE DOUBLE POLE BREAKER (WITH 4000W/50HZ GENERATOR)**

ITEM	PART NUMBER	QTY	DESCRIPTION	REV
	1001096070	Ref	BREAKER BOX KIT	E
2	0861880	1	Box	
3	4460956	1	Barrier, Terminal Block End	
4	1060908	12 ft/ 3.6m	Cable, 12/3	
5	1001097150	2	Connector, Strain Relief	
6	4460957	1	Block, Terminal	
8	1001181045	1	Breaker, 16Amp	

**SECTION 8 - ELECTRICAL**

**FIGURE 8-27. BREAKER BOX KIT - 3 BREAKERS**



ART\_1001152486



## SECTION 8 - ELECTRICAL

### FIGURE 8-27. BREAKER BOX KIT - 3 BREAKERS

ITEM	PART NUMBER	QTY	DESCRIPTION	REV
	1001152486	Ref	BREAKER BOX KIT	A
1	1001152479	1	Breaker, 16 Amp (Double)	
2	1001152483	1	Box	
3	1060908	12 ft/ 3.66m	Cable, 12/3	
4	1001097150	1	Connector, Strain Relief	
5	1001152482	1	Breaker, 30mA	

# SECTION 8 - ELECTRICAL

## FIGURE 8-28. BOOM ANGLE SENSOR HARNESS



ART\_1001189005

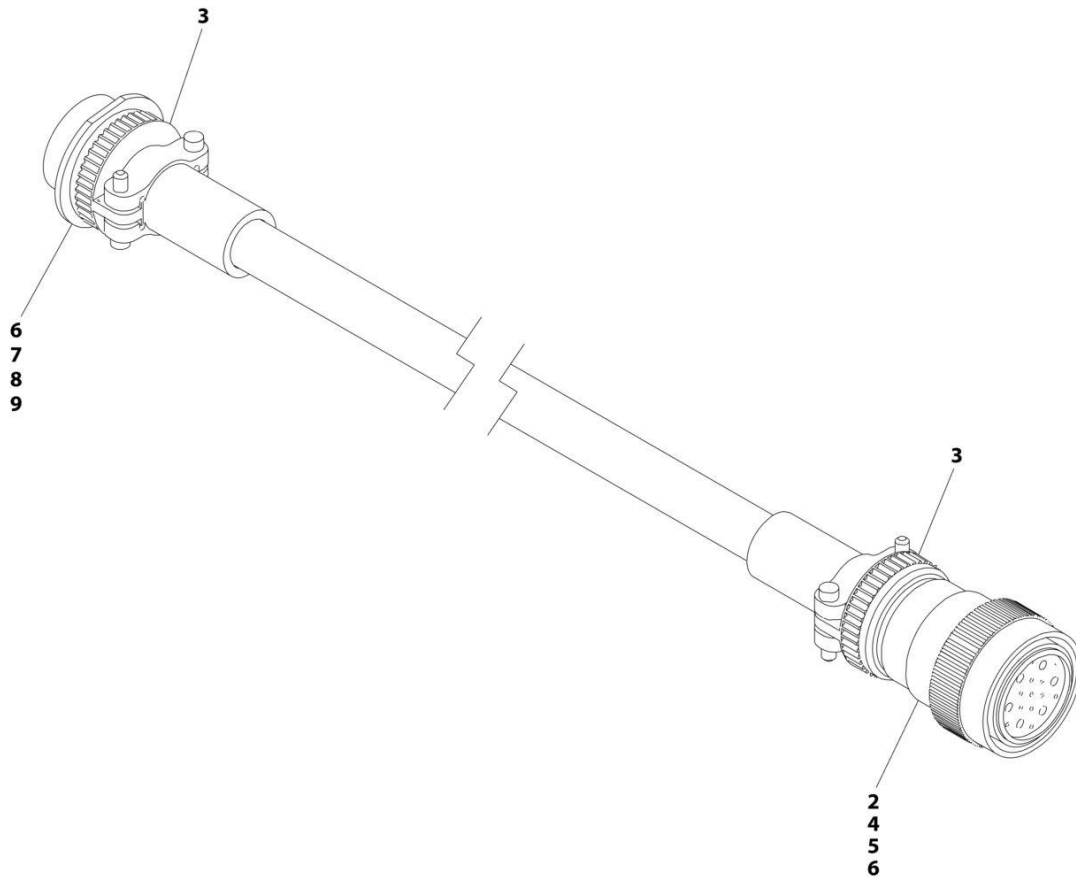
## SECTION 8 - ELECTRICAL

### FIGURE 8-28. BOOM ANGLE SENSOR HARNESS

ITEM	PART NUMBER	QTY	DESCRIPTION	REV
	1001189005	Ref	BOOM ANGLE SENSOR HARNESS	D
1	1001230931	1	Plug, Male - 6 Position	
1	1001116748	6	Terminal	
2	4460932	1	Receptacle, Female - 4 Position	
2	4460464	4	Pin, Male	

# SECTION 8 - ELECTRICAL

## FIGURE 8-29. BOOM CABLE - LOWER



ART\_1001206082

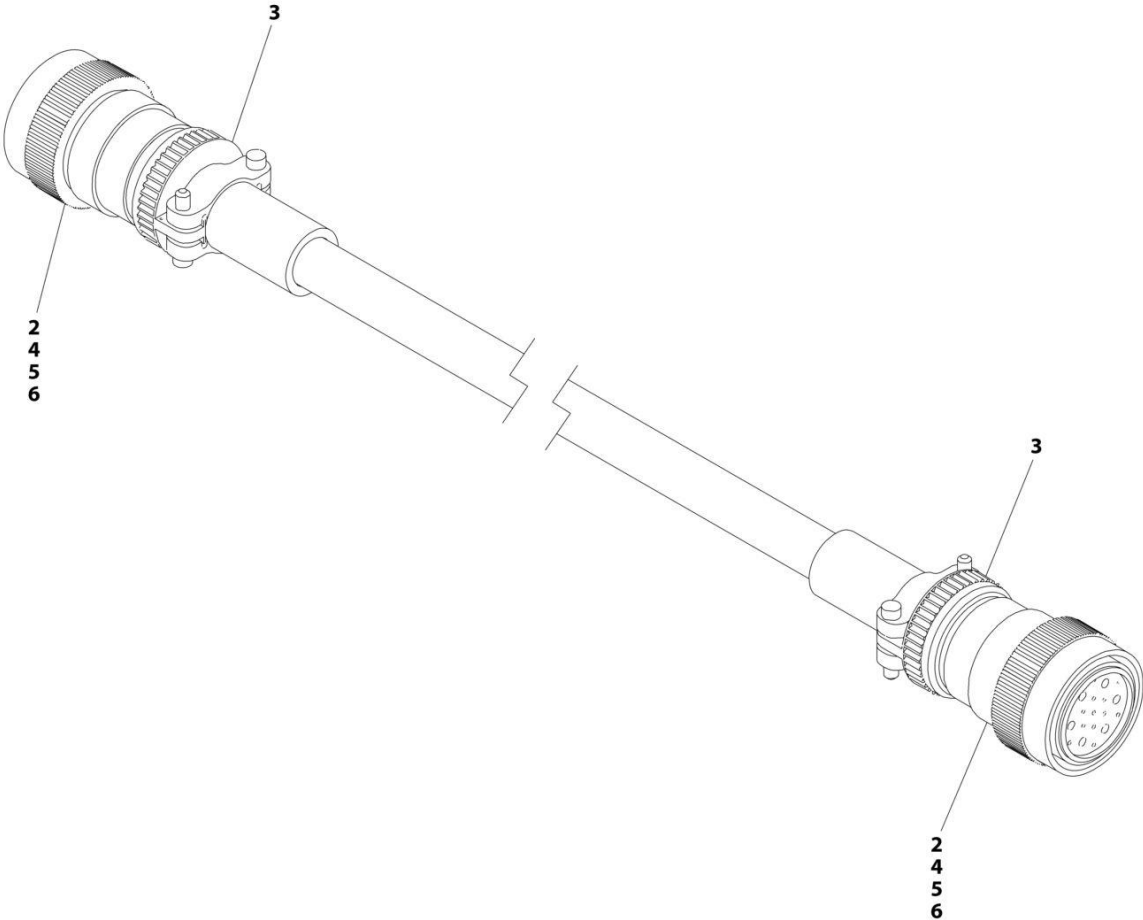
## SECTION 8 - ELECTRICAL

### FIGURE 8-29. BOOM CABLE - LOWER

ITEM	PART NUMBER	QTY	DESCRIPTION	REV
	1001206082	Ref	BOOM CABLE	C
2	4460865	1	Connector - 19 Position	
3	4460473	2	Clamp	
4	4460465	10	Socket, Female	
5	4460509	4	Socket, Female	
6	4460466	10	Plug, Socket	
7	4460866	1	Connector - 19 Position	
8	4460508	4	Pin, Male	
9	4460464	10	Pin, Male	

**SECTION 8 - ELECTRICAL**

**FIGURE 8-30. BOOM CABLE - UPPER**



ART\_1001188534

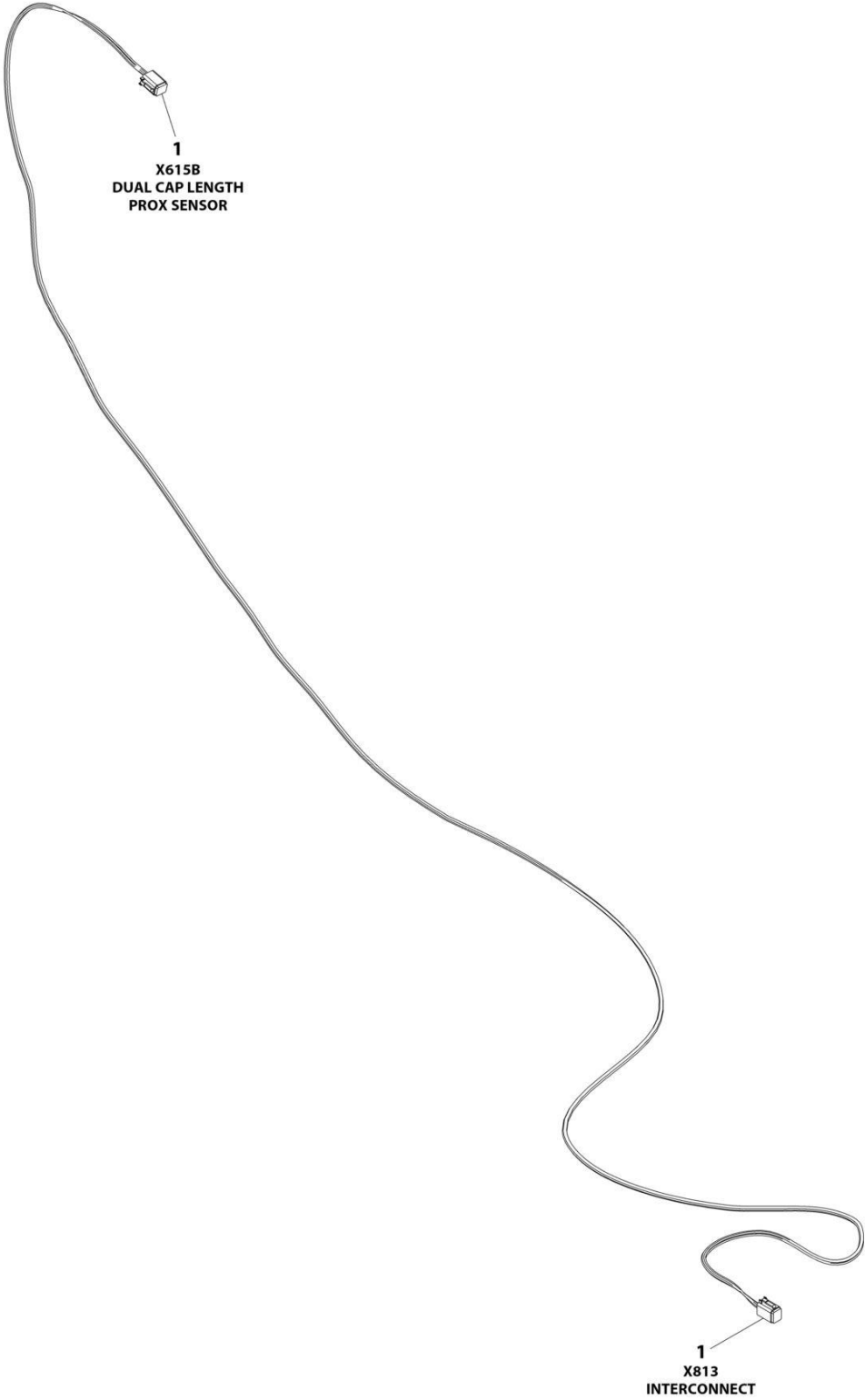
## SECTION 8 - ELECTRICAL

### FIGURE 8-30. BOOM CABLE - UPPER

ITEM	PART NUMBER	QTY	DESCRIPTION	REV
	1001188534	Ref	BOOM CABLE	C
2	4460865	2	Connector - 19 Position	
3	4460473	2	Clamp	
4	4460465	20	Socket, Female	
5	4460509	8	Socket, Female	
6	4460466	10	Plug, Socket	
7	1001226400	2	Heat Shirnk (Not Shown)	

**SECTION 8 - ELECTRICAL**

**FIGURE 8-31. CAPACITY PROXIMITY HARNESS**



ART\_1001242908



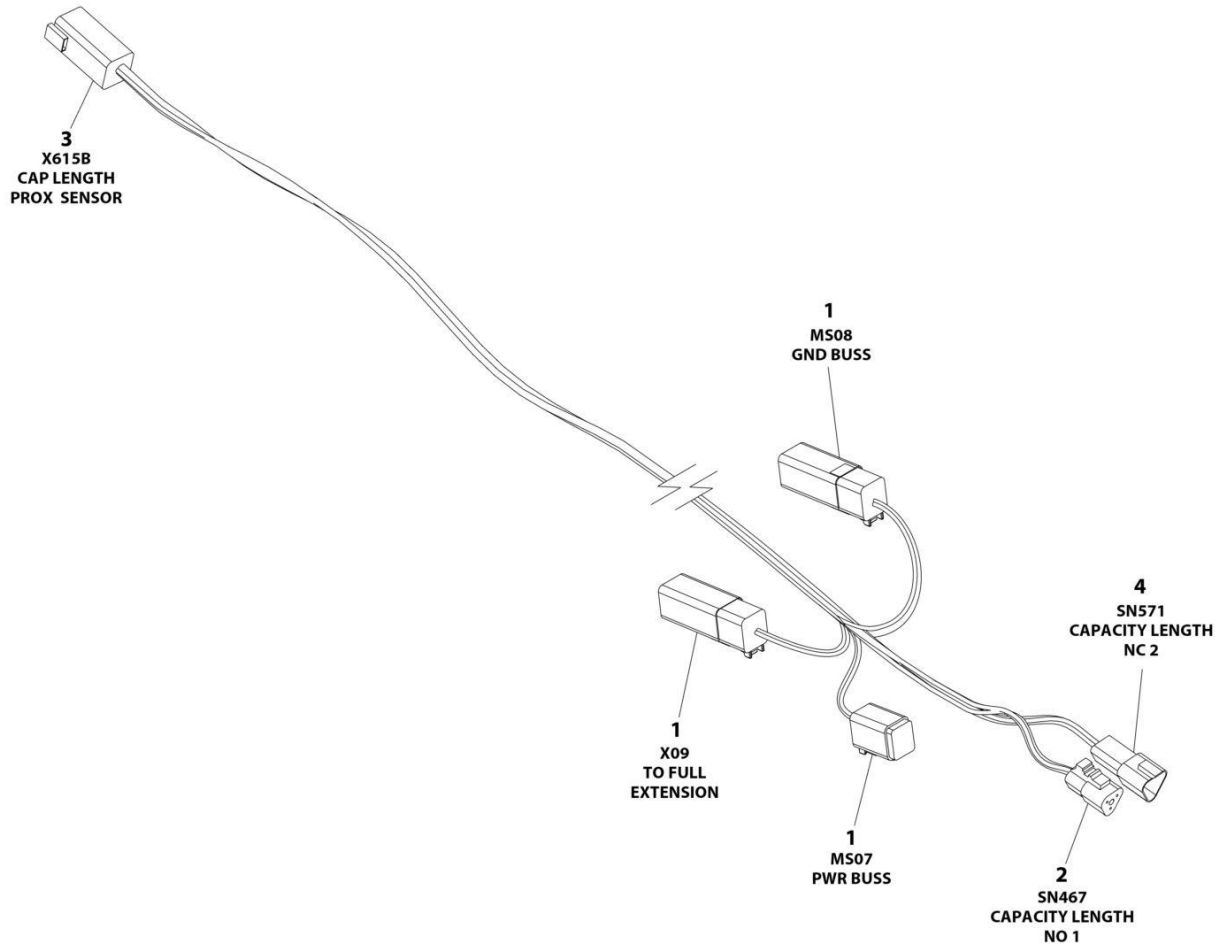
## SECTION 8 - ELECTRICAL

### FIGURE 8-31. CAPACITY PROXIMITY HARNESS

ITEM	PART NUMBER	QTY	DESCRIPTION	REV
	1001242908	Ref	CAPACITY PROXIMITY HARNESS	B
1	4460894	2	Plug, Male - 6 Position	
1	4460465	12	Socket, Female	

# SECTION 8 - ELECTRICAL

## FIGURE 8-32. CAPACITY PROXIMITY HARNESS



ART\_1001238191

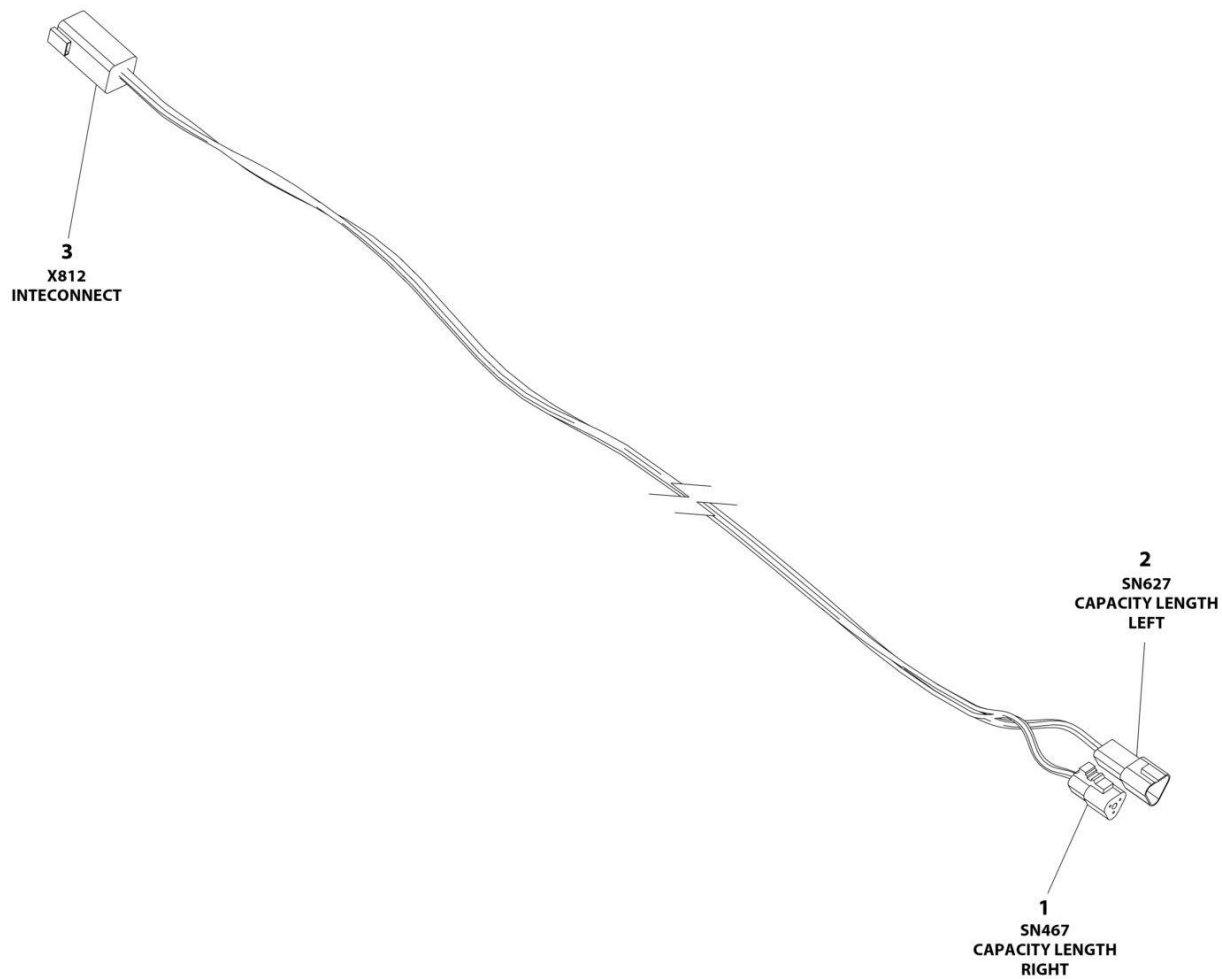
## SECTION 8 - ELECTRICAL

### FIGURE 8-32. CAPACITY PROXIMITY HARNESS

ITEM	PART NUMBER	QTY	DESCRIPTION	REV
	1001238191	Ref	CAPACITY PROXIMITY HARNESS	D
1	4460894	3	Plug, Male - 6 Position	
1	4460465	16	Socket, Female	
1	4460466	2	Plug, Terminal	
1	4460892	2	Bussbar - 6 Position	
2	4460539	1	Plug, Male - 3 Position	
2	4460465	3	Socket, Female	
3	4460899	1	Receptacle, Female - 6 Position	
3	4460464	6	Pin, Male	
4	4460536	1	Receptacle, Female - 3 Position	
4	4640464	3	Pin, Male	

# SECTION 8 - ELECTRICAL

## FIGURE 8-33. CAPACITY PROXIMITY HARNESS (DEUTZ TD2.9L4 (STAGE V) ENGINES)



ART\_1001242907

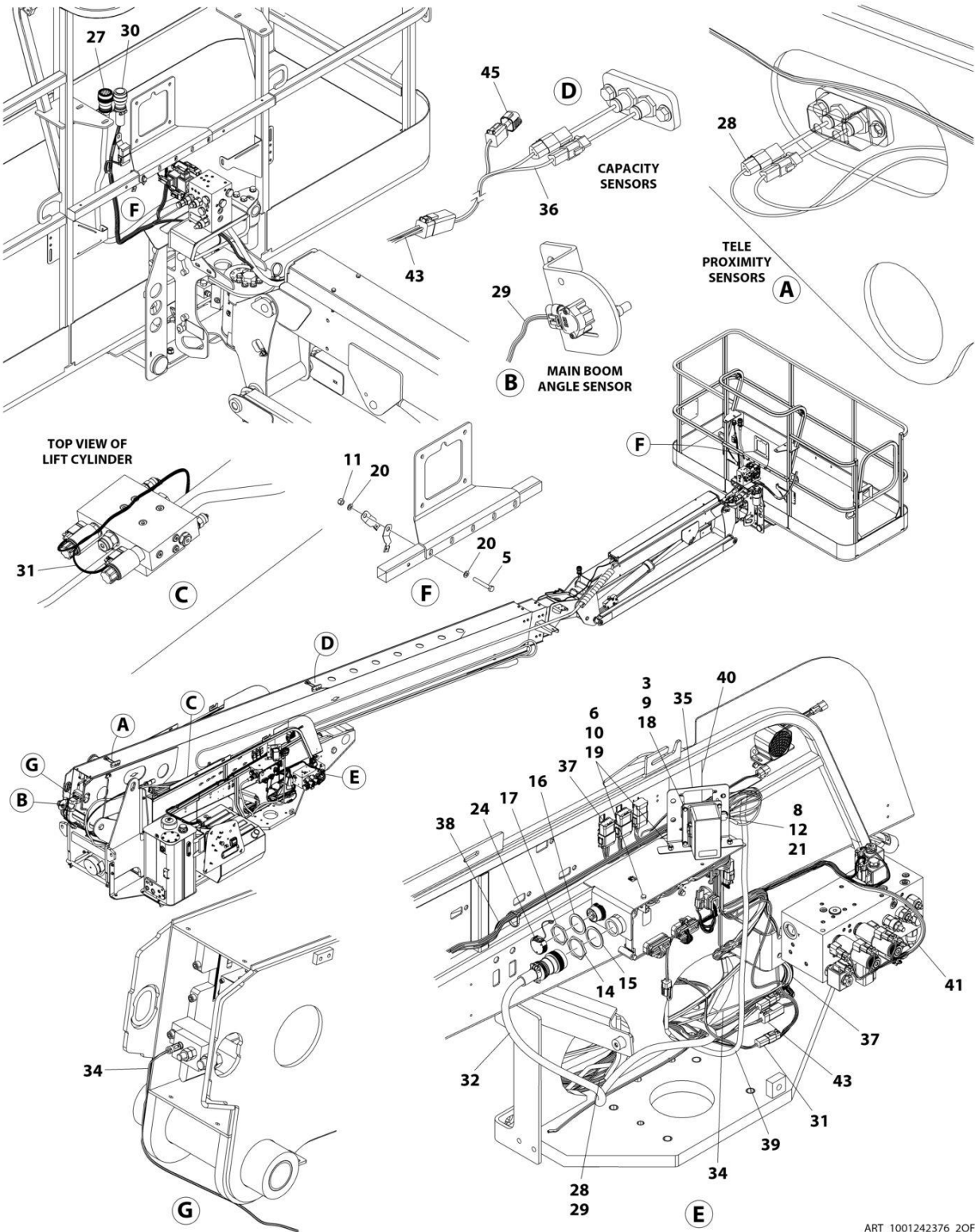
## SECTION 8 - ELECTRICAL

**FIGURE 8-33. CAPACITY PROXIMITY HARNESS (DEUTZ TD2.9L4 (STAGE V) ENGINES)**

ITEM	PART NUMBER	QTY	DESCRIPTION	REV
	1001242907	Ref	CAPACITY PROXIMITY HARNESS	B
1	4460539	1	Plug, Male - 3 Position	
1	4460465	3	Socket, Female	
2	4460536	1	Receptacle, Female - 3 Position	
2	4640464	3	Pin, Male	
3	4460899	1	Receptacle, Female - 6 Position	
3	4460464	6	Pin, Male	

# SECTION 8 - ELECTRICAL

## FIGURE 8-34. ELECTRICAL COMPONENTS INSTALLATION



ART\_1001242376\_20F2

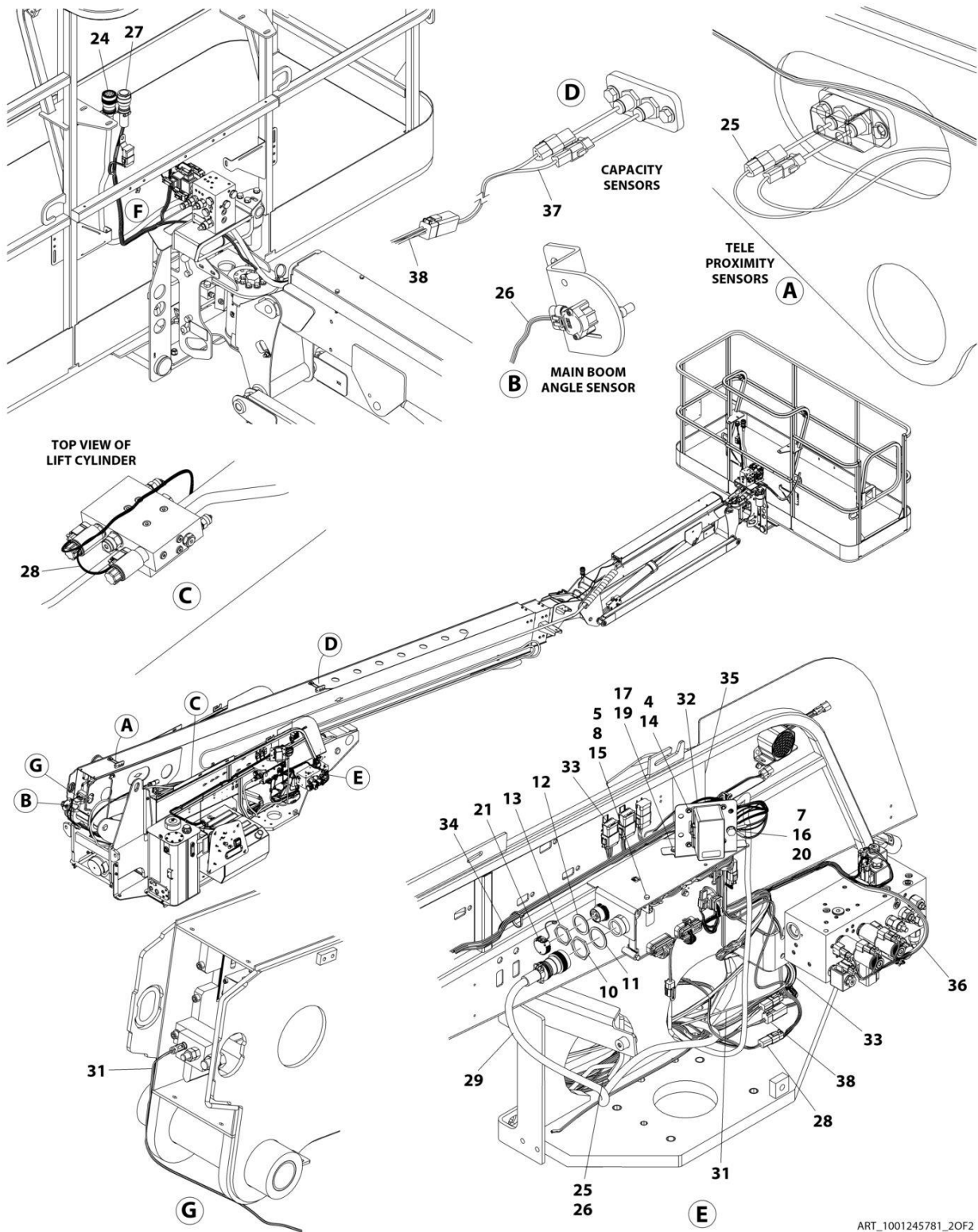
## SECTION 8 - ELECTRICAL

**FIGURE 8-34. ELECTRICAL COMPONENTS INSTALLATION**

ITEM	PART NUMBER	QTY	DESCRIPTION	REV
	1001242376	Ref	ELECTRICAL COMPONENTS INSTALLATION	F
3	0700412	4	Bolt M4 x 25	
5	0700819	1	Bolt M8 x 55	
6	0760608	5	Bolt M6 x 16	
7	0760612	2	Bolt M6 x 25	
8	0761014	1	Bolt M10 x 30	
9	3290405	4	Nut M4 x 0.7	
10	3290605	5	Nut M6	
11	3290805	1	Nut M8	
12	3291001	1	Nut M10 x 1.5	
13	4240099	AR	Tie-Strap (Not Shown)	
14	4460470	1	Nut, Terminal	
15	4460471	1	Washer, Terminal	
16	4460496	1	Washer, Terminal	
17	4460497	1	Nut, Terminal	
18	4811400	8	Washer M4	
19	4811700	17	Washer M6	
20	4811900	2	Washer M8	
21	4812000	2	Washer M10	
24	1001106736	1	Cap, Dust	
27	1001188534	1	Boom Cable - Upper (See Separate Breakdown in this Section)	
28	1001189003	1	Tele Proximity Harness (See Separate Breakdown in this Section)	
29	1001189005	1	Boom Angle Sensor Harness (See Separate Breakdown in this Section)	
30	1001264338	1	Valve Harness - Platform Valve (See Separate Breakdown in this Section)	
31	1001205923	1	Lift Cylinder Harness (See Separate Breakdown in this Section)	
32	1001206082	1	Boom Cable - Lower (See Separate Breakdown in this Section)	
34	1001227527	1	Cable Service	
35	1001237822	1	Plate, Fuse Box	
36	1001238191	1	Capacity Proximity Harness (See Separate Breakdown in this Section)	
37	1001238405	1	Turntable Harness (See Separate Breakdown in this Section)	
38	1001238408	1	Ground Control Harness (See Separate Breakdown in this Section)	
39	1001239290	1	UGM Ground Cable	
40	1001239512	1	Decal - Fuse Box	
41	1001239613	1	Valve Harness - Main Valve (See Separate Breakdown in this Section)	
43	1001242908	1	Capacity Proximity Harness (See Separate Breakdown in this Section)	
45	1001213448	1	Connector, Dust Cap	

# SECTION 8 - ELECTRICAL

FIGURE 8-35. ELECTRICAL COMPONENTS INSTALLATION (DEUTZ TD2.9L4 (STAGE V) ENGINES)



ART\_1001245781\_2OF2



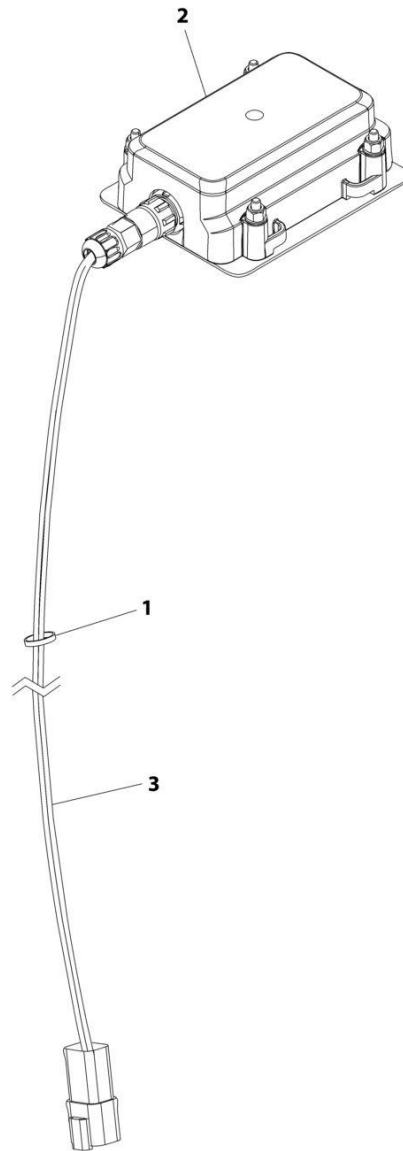
## SECTION 8 - ELECTRICAL

**FIGURE 8-35. ELECTRICAL COMPONENTS INSTALLATION (DEUTZ TD2.9L4 (STAGE V) ENGINES)**

ITEM	PART NUMBER	QTY	DESCRIPTION	REV
	1001245781	Ref	ELECTRICAL COMPONENTS INSTALLATION	F
4	0731005	4	Screw #10 x 5/8	
5	0760608	1	Bolt M6 x 16	
7	0761012	1	Bolt M10 x 25	
8	3290605	1	Nut M6	
9	4240099	AR	Tie-Strap (Not Shown)	
10	4460470	1	Nut, Terminal	
11	4460471	1	Washer, Terminal	
12	4460496	1	Washer, Terminal	
13	4460497	1	Nut, Terminal	
14	4711000	4	Washer #10	
15	4811700	2	Washer M6	
16	4812000	2	Washer M10	
17	5250608	2	Bolt M6 x 16	
19	5260600	1	Nut M6 (Not Shown – Located on back of Fuse Box)	
20	5261000	1	Nut M10	
21	1001106736	1	Cap, Dust	
24	1001188534	1	Boom Cable - Upper (See Separate Breakdown in this Section)	
25	1001189003	1	Tele Proximity Harness (See Separate Breakdown in this Section)	
26	1001189005	1	Boom Angle Sensor Harness (See Separate Breakdown in this Section)	
27	1001264338	1	Valve Harness - Platform Valve (See Separate Breakdown in this Section)	
28	1001205923	1	Lift Cylinder Harness (See Separate Breakdown in this Section)	
29	1001206082	1	Boom Cable - Lower (See Separate Breakdown in this Section)	
31	1001227527	1	Cable Service	
32	1001237822	1	Plate, Fuse Box	
33	1001238405	1	Turntable Harness (See Separate Breakdown in this Section)	
34	1001238408	1	Ground Control Harness (See Separate Breakdown in this Section)	
35	1001239512	1	Decal - Fuse Box	
36	1001239613	1	Valve Harness - Main Valve (See Separate Breakdown in this Section)	
37	1001238191	1	Capacity Proximity Harness (See Separate Breakdown in this Section)	
38	1001242908	1	Capacity Proximity Harness (See Separate Breakdown in this Section)	

## SECTION 8 - ELECTRICAL

FIGURE 8-36. CLEARSKY (TELEMATICS) INSTALLATION – 3 WIRE



ART\_1001276610

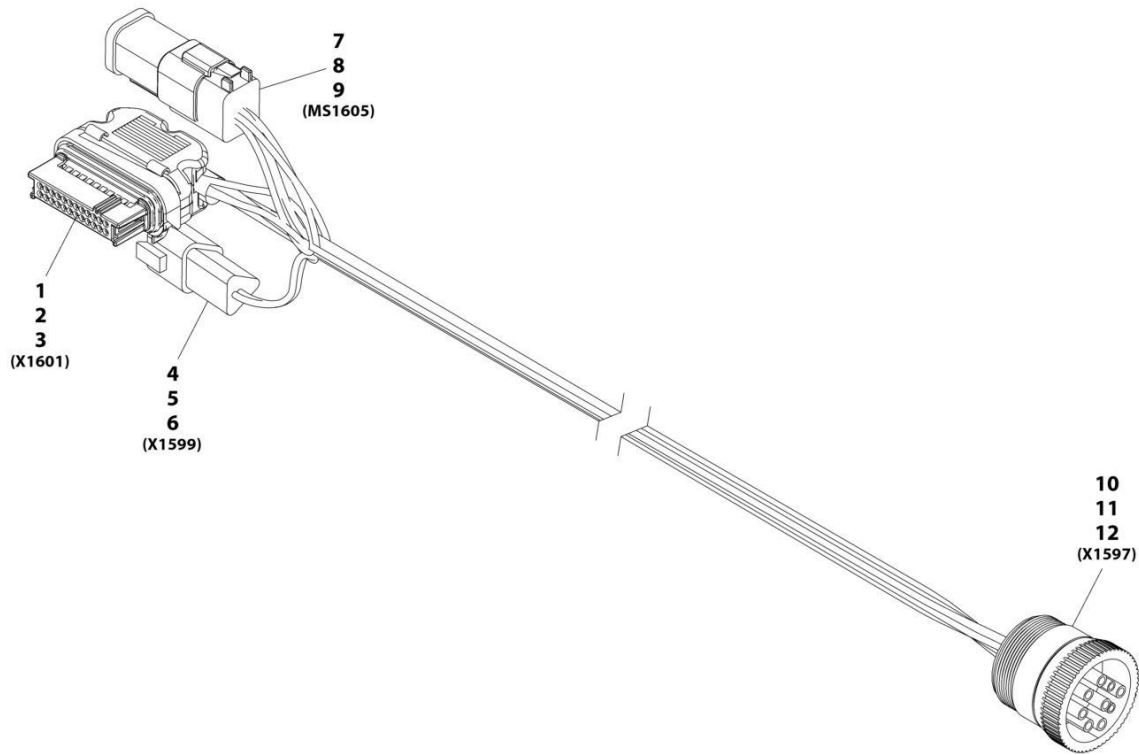
## SECTION 8 - ELECTRICAL

### FIGURE 8-36. CLEARSKY (TELEMATICS) INSTALLATION – 3 WIRE

ITEM	PART NUMBER	QTY	DESCRIPTION	REV
1	1001276610	Ref	CLEARSKY INSTALLATION 3-WIRE CONNECTION	A
	4240032	AR	Tie-Strap	
2	1001272659	1	Telematics Control Module Assembly (Note: Re-calibration Required when Replaced)	
3	1001273012	1	ClearSky Harness (See Separate Breakdown in this Section)	

# SECTION 8 - ELECTRICAL

## FIGURE 8-37. CLEARSKY (TELEMATICS) HARNESS



ART\_1001226739-A

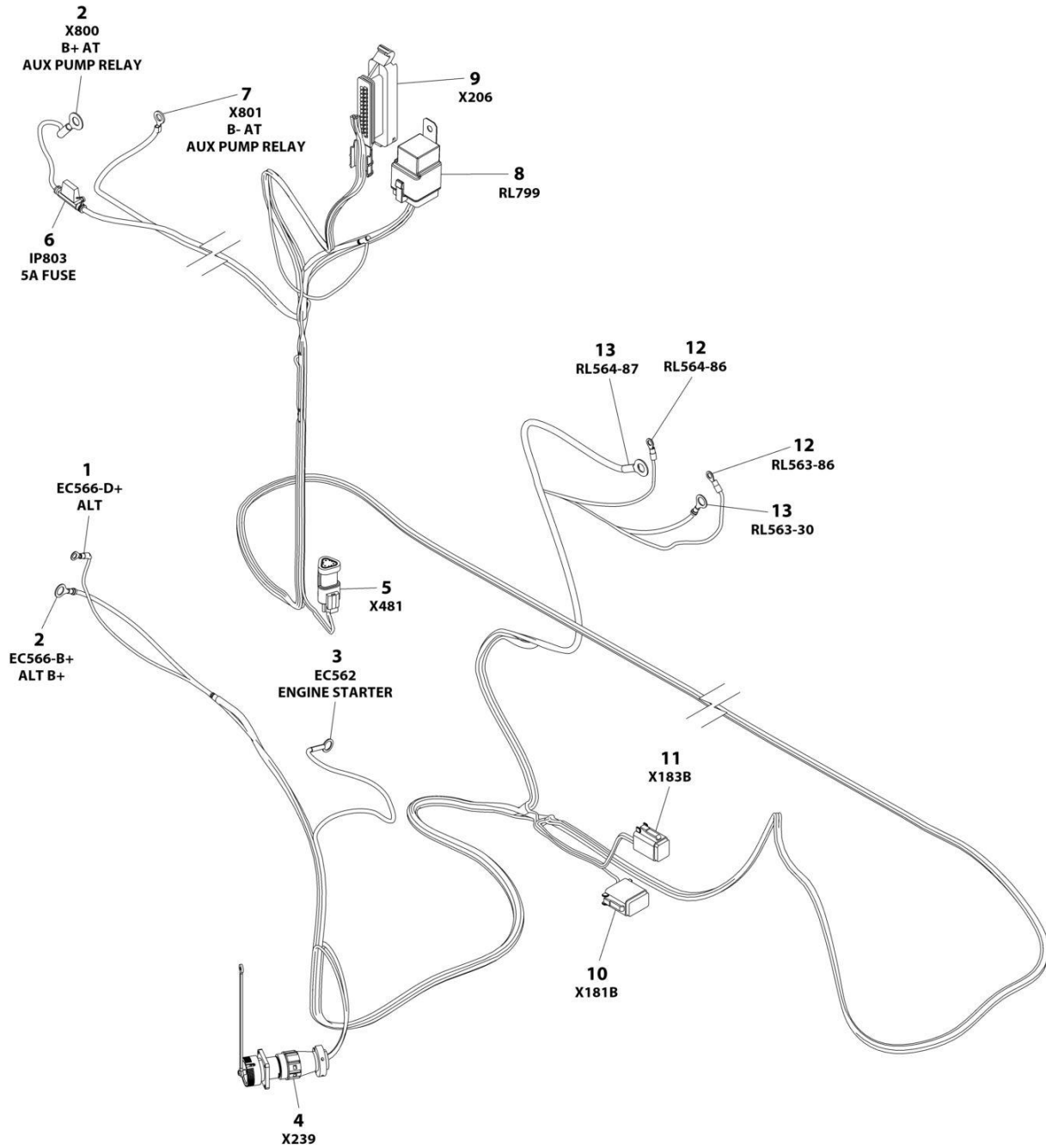
## SECTION 8 - ELECTRICAL

### FIGURE 8-37. CLEARSKY (TELEMATICS) HARNESS

ITEM	PART NUMBER	QTY	DESCRIPTION	REV
	1001226739	Ref	Clearsky Harness	A
1	1001226636	1	Connector	
2	1001116731	16	Plug, Terminal	
3	1001226637	8	Terminal	
4	1001144147	1	Connector	
5	4460464	2	Terminal	
6	4460466	1	Plug, Terminal	
7	4460894	1	Connector	
8	4460465	6	Terminal	
9	1001226541	1	Connector- 6 Pin Bussbar	
10	1001112796	1	Connector	
11	4460465	8	Terminal	
12	4460466	1	Plug, Terminal	

# SECTION 8 - ELECTRICAL

## FIGURE 8-38. ENGINE HARNESS - DEUTZ D2011 ENGINES



ART\_1001188236\_F

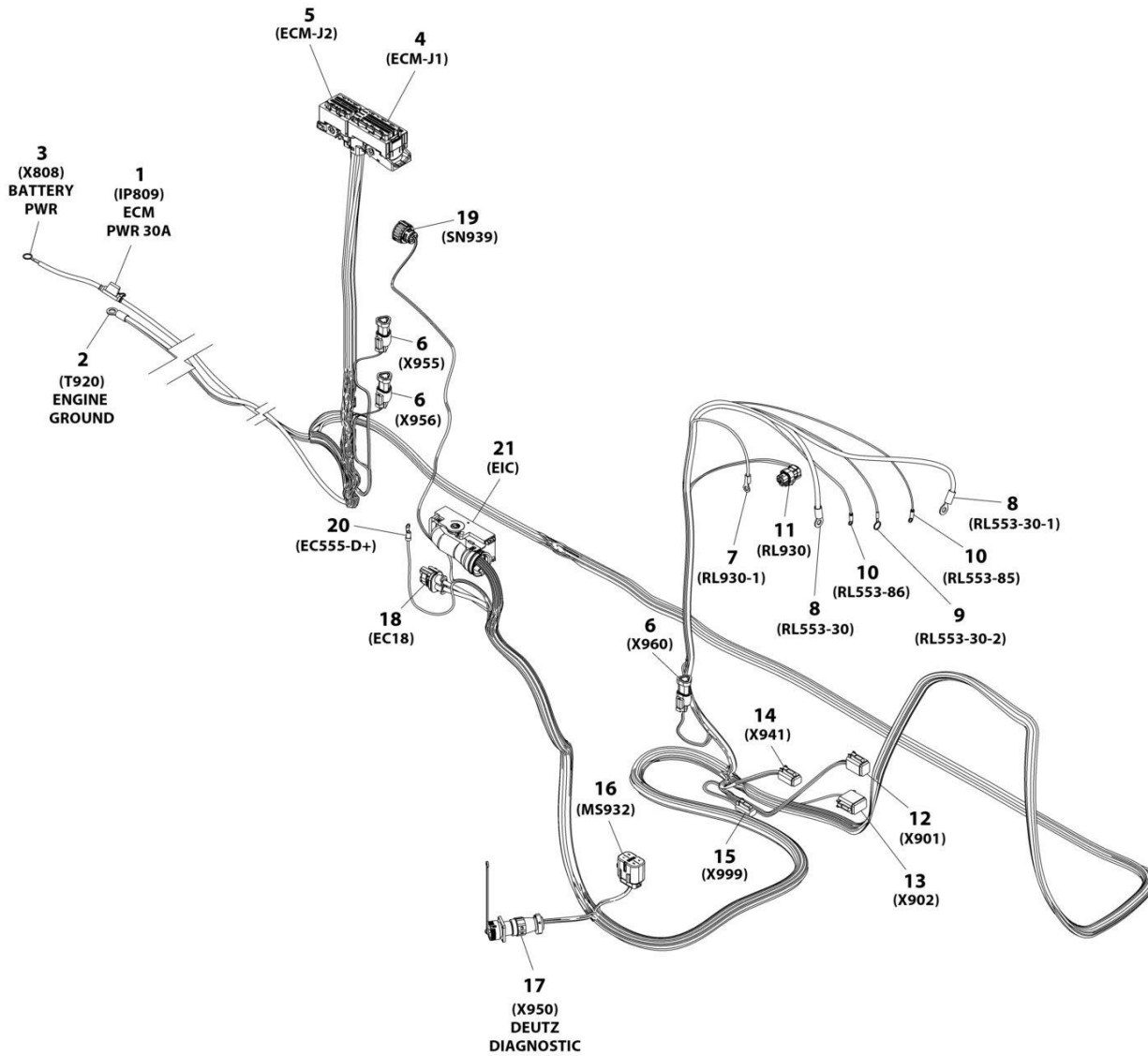
## SECTION 8 - ELECTRICAL

### FIGURE 8-38. ENGINE HARNESS - DEUTZ D2011 ENGINES

ITEM	PART NUMBER	QTY	DESCRIPTION	REV
	1001188236	Ref	ENGINE HARNESS	F
1	4460042	1	Terminal, Ring	
2	8220045	2	Terminal, Ring	
3	4460142	1	Terminal, Ring	
4	2902443	1	Receptacle Kit	
4	4461073	1	Cap, Dust	
5	4461095	1	Plug, Male - 3 Position	
5	4460944	2	Socket, Female	
5	4460466	1	Plug, Terminal	
5	4461070	1	Receptacle, Female - 3 Position	
5	4460943	3	Pin, Male	
6	2600066	2	Fuseholder with 5Amp Fuse	
6	See Note	NSS	Fuse - 5Amp (Note: Purchase Locally)	
7	4460312	1	Terminal, Ring	
8	1001117025	1	Plug, Relay	
8	1001116734	1	Terminal	
8	1001116732	3	Terminal	
8	1001128128	1	Plug, Terminal	
9	4461052	1	Connector - 25 Position	
9	4461060	1	Terminal	
9	4461005	6	Terminal	
9	4461008	18	Plug, Terminal	
9	4461054	1	Seal	
9	4461006	6	Seal	
9	4461053	1	Cover	
10	4460930	1	Plug, Male - 8 Position	
10	4460465	8	Socket, Female	
10	4460466	7	Plug, Terminal	
11	4460894	1	Plug, Male - 6 Position	
11	4460465	3	Socket, Female	
11	4460944	2	Socket, Female	
11	4460466	1	Plug, Terminal	
12	4460313	2	Terminal, Ring	
13	8220164	2	Terminal, Ring	

# SECTION 8 - ELECTRICAL

## FIGURE 8-39. ENGINE HARNESS - DEUTZ TD2.9L4 ENGINES AND DEUTZ TD2.9L4 (STAGE V PRE-BUY) ENGINES



ART\_1001233895\_H



## SECTION 8 - ELECTRICAL

**FIGURE 8-39. ENGINE HARNESS - DEUTZ TD2.9L4 ENGINES AND DEUTZ TD2.9L4 (STAGE V PRE-BUY) ENGINES**

ITEM	PART NUMBER	QTY	DESCRIPTION	REV
	1001233895	Ref	ENGINE HARNESS	H
1	1001172064	1	Fuseholder with 30Amp Fuse	
1	1001172065	1	Fuse - 30A	
2	8220115	1	Terminal, Ring	
3	4460019	1	Terminal, Ring	
4	1001133956	1	Connector - 94 Position	
4	1001182361	6	Terminal	
4	1001230934	17	Terminal	
4	1001126351	2	Terminal	
4	1001256507	4	Terminal	
4	1001230936	2	Plug, Terminal	
4	1001230935	63	Plug, Terminal	
4	1001182365	6	Seal, Terminal	
5	1001133957	1	Connector - 60 Position	
5	1001126351	13	Terminal	
5	1001230934	11	Terminal	
5	1001252527	4	Terminal	
5	1001256507	2	Terminal	
5	1001230936	11	Plug, Terminal	
5	1001230935	19	Plug, Terminal	
6	4461095	3	Plug, Male - 3 Position	
6	4460944	6	Socket, Female	
6	4460466	3	Plug, Terminal	
6	4461070	3	Receptacle, Female - 3 Position	
7	4460043	1	Terminal, Ring	
8	1001117107	2	Terminal, Ring	
9	4460703	1	Terminal, Ring	
10	4460313	2	Terminal, Ring	
11	1001116952	1	Plug, Male - 2 Position	
11	4460465	2	Socket, Female	
12	4460894	1	Plug, Male - 6 Position	
12	4460465	3	Socket, Female	
12	4460944	2	Socket, Female	
12	4460466	1	Plug, Terminal	
13	4460930	1	Plug, Male - 8 Position	
13	4460465	1	Socket, Female	
13	4460466	7	Plug, Terminal	
14	1001220379	1	Plug, Male - 4 Position	
14	4460465	2	Socket, Female	
14	4460942	2	Socket, Female	
15	4460891	1	Plug, Male - 4 Position	
15	4460465	2	Socket, Female	
16	80484084	1	Plug, Male - 8 Position	
16	8229242	1	Fuse - 5Amp	
16	80983191	1	Fuse - 10Amp	
16	4460746	3	Socket, Female	
16	1001234800	1	Socket, Female	
16	4460748	4	Plug, Terminal	
16	4460458	4	Plug, Terminal	

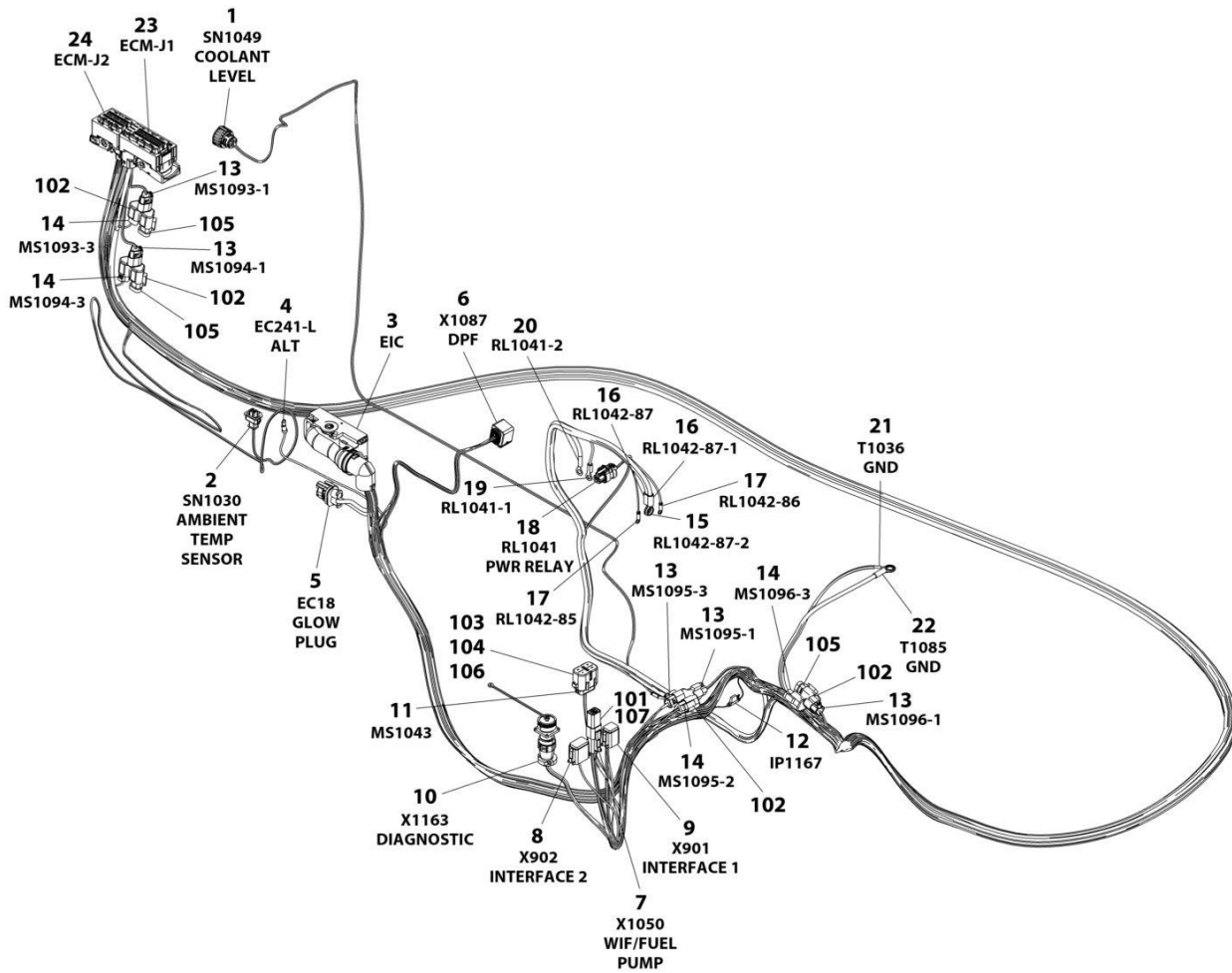
## SECTION 8 - ELECTRICAL

ITEM	PART NUMBER	QTY	DESCRIPTION	REV
16	1001147264	1	Cap	
17	2902443	1	Receptacle Kit	
17	4461073	1	Cap, Dust	
17	4461071	6	Terminal	
18	1001142938	1	Plug, Male - 2 Position	
18	1001142940	2	Terminal	
18	1001142941	2	Seal	
19	1001133714	1	Connector - 4 Position	
19	1001133715	3	Terminal	
19	1001135651	1	Plug, Terminal	
19	1001135650	3	Seal, Terminal	
20	4460042	1	Terminal, Ring	
21	1001126362	1	Connector - 62 Position	
21	1001126363	25	Terminal	
21	1001126392	10	Terminal	
21	1001126365	2	Terminal	
21	1001126391	21	Plug, Terminal	
21	4461008	4	Plug, Terminal	
21	1001223459	10	Seal	
21	4461054	2	Seal	
21	1001126364	23	Seal, Terminal	
21	1001256506	2	Seal, Terminal	
21	1001151856	1	Elbow	



# SECTION 8 - ELECTRICAL

## FIGURE 8-40. ENGINE HARNESS - DEUTZ TD2.9L4 (STAGE V) ENGINES



ART\_1001238878

## SECTION 8 - ELECTRICAL

**FIGURE 8-40. ENGINE HARNESS - DEUTZ TD2.9L4 (STAGE V) ENGINES**

ITEM	PART NUMBER	QTY	DESCRIPTION	REV
	1001238878	Ref	Engine Harness - Deutz Engines	F
1	1001133714	1	Connector - 4 Position	
1	1001133715	3	Terminal	
1	1001135650	3	Seal, Terminal	
1	1001135651	1	Plug, Terminal	
2	1001126487	1	Connector - 2 Position	
2	1001167635	2	Terminal	
2	1001126485	2	Seal, Terminal	
3	1001126362	1	Connector - 62 Position	
3	1001126363	37	Terminal	
3	1001126392	12	Terminal	
3	1001126391	7	Plug, Terminal	
3	4461008	4	Plug, Terminal	
3	1001167632	2	Terminal	
3	1001126364	37	Seal, Terminal	
3	1001223459	12	Seal, Terminal	
3	4461054	2	Seal, Terminal	
4	4460042	1	Terminal, Ring	
5	1001142938	1	Plug, Male - 2 Position	
5	1001142940	2	Terminal	
5	1001142941	2	Seal	
6	1001239202	1	Connector - 8 Position	
6	1001126363	7	Terminal	
6	1001126391	1	Plug, Terminal	
6	1001126364	7	Seal, Terminal	
7	4460884	1	Connector - 4 Position	
7	4460465	2	Socket, Female	
7	4460942	2	Socket, Female	
8	4460930	1	Plug, Male - 8 Position	
8	4460465	1	Socket, Female	
8	4460466	7	Plug, Terminal	
9	4460894	1	Plug, Male - 6 Position	
9	4460465	2	Socket, Female	
9	4460944	2	Socket, Female	
9	4460466	2	Plug, Terminal	
10	2902443	1	Receptacle Kit	
10	4461073	1	Cap, Dust	
10	4461071	6	Terminal	
11	80484084	1	Plug, Male - 8 Position	
11	4460748	4	Seal, Terminal	
11	4460746	3	Terminal	
11	1001234800	1	Terminal	
11	4460458	4	Seal, Terminal	
12	1001170764	1	Fuse Holder, Includes Resistor	
12	1001197719	1	Resistor 0.5W	
13	1001116812	5	Plug, Male - 3 Position	
13	4460944	10	Socket, Female	
13	4460466	5	Plug, Terminal	
14	4460539	4	Connector - 3 Position	
14	4460944	8	Socket, Female	

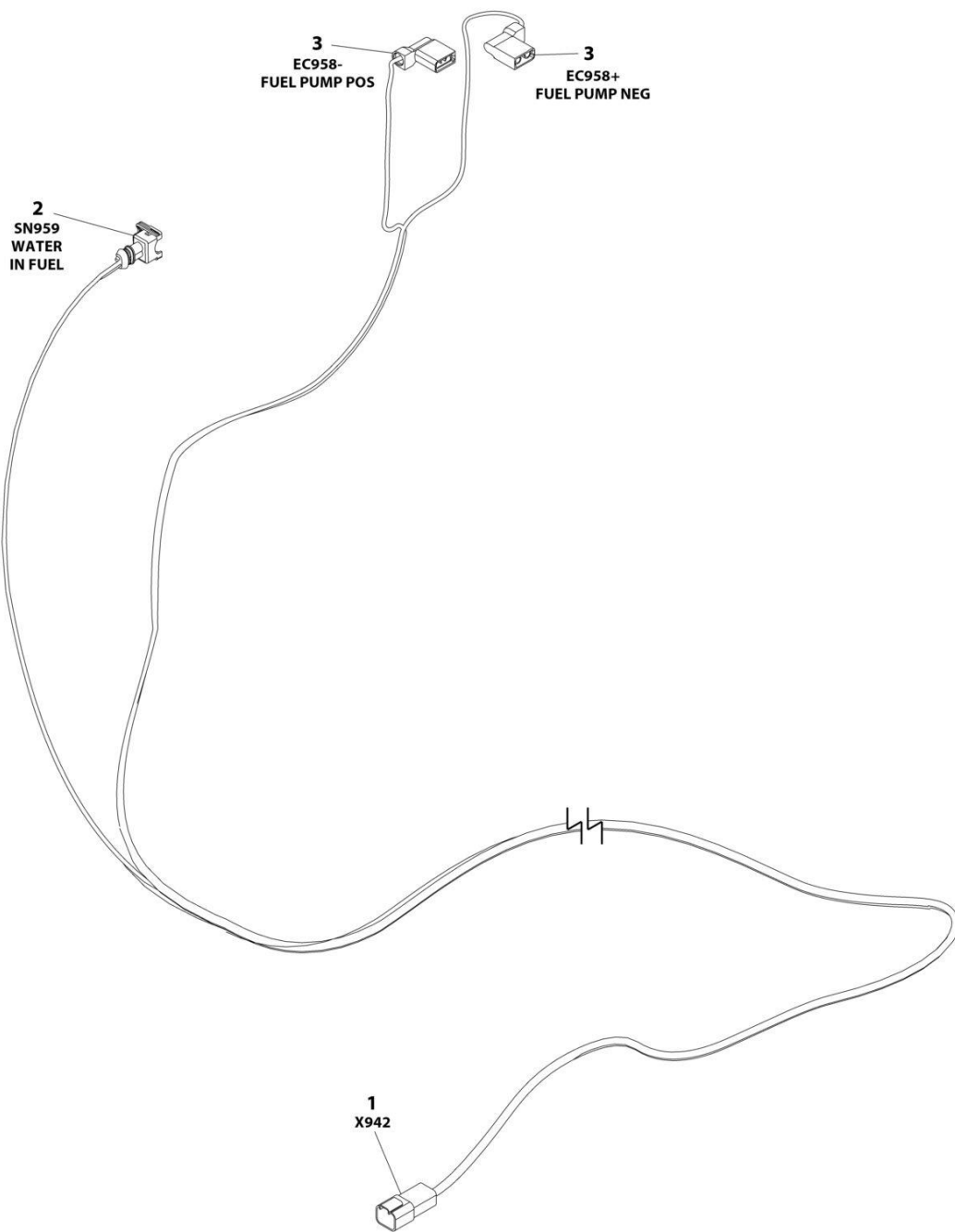
## SECTION 8 - ELECTRICAL

ITEM	PART NUMBER	QTY	DESCRIPTION	REV
14	4460466	4	Plug, Terminal	
15	4460703	1	Terminal, Ring	
16	1001117107	2	Terminal, Ring	
17	4460247	2	Terminal, Ring	
18	1001116952	1	Plug, Male - 2 Position	
18	4460465	2	Socket, Female	
19	4460043	1	Terminal, Ring	
20	1001117106	1	Terminal, Ring	
21	4460019	1	Terminal, Ring	
22	8220164	1	Terminal, Ring	
23	1001133956	1	Connector - 94 Position	
23	1001126351	3	Terminal	
23	1001182361	6	Terminal	
23	1001230934	25	Terminal	
23	1001230935	55	Plug, Terminal	
23	1001252527	4	Terminal	
23	1001230936	1	Plug, Terminal	
23	1001182365	6	Seal, Terminal	
24	1001133957	1	Connector - 60 Position	
24	1001126351	13	Terminal	
24	1001230935	10	Plug, Terminal	
24	1001230934	26	Terminal	
24	1001230936	11	Plug, Terminal	
101	4460932	1	Connector - Female	
102	4460945	4	Receptacle, 3 Way	
103	8229242	1	Fuse - 5Amp	
104	80983191	1	Fuse - 10Amp	
105	1001116815	3	Connector	
106	1001147264	1	Cap	
107	4460466	4	Seal, Terminal	



# SECTION 8 - ELECTRICAL

## FIGURE 8-41. FUEL PUMP HARNESS - DEUTZ TD2.9L4 ENGINE



ART\_1001190444



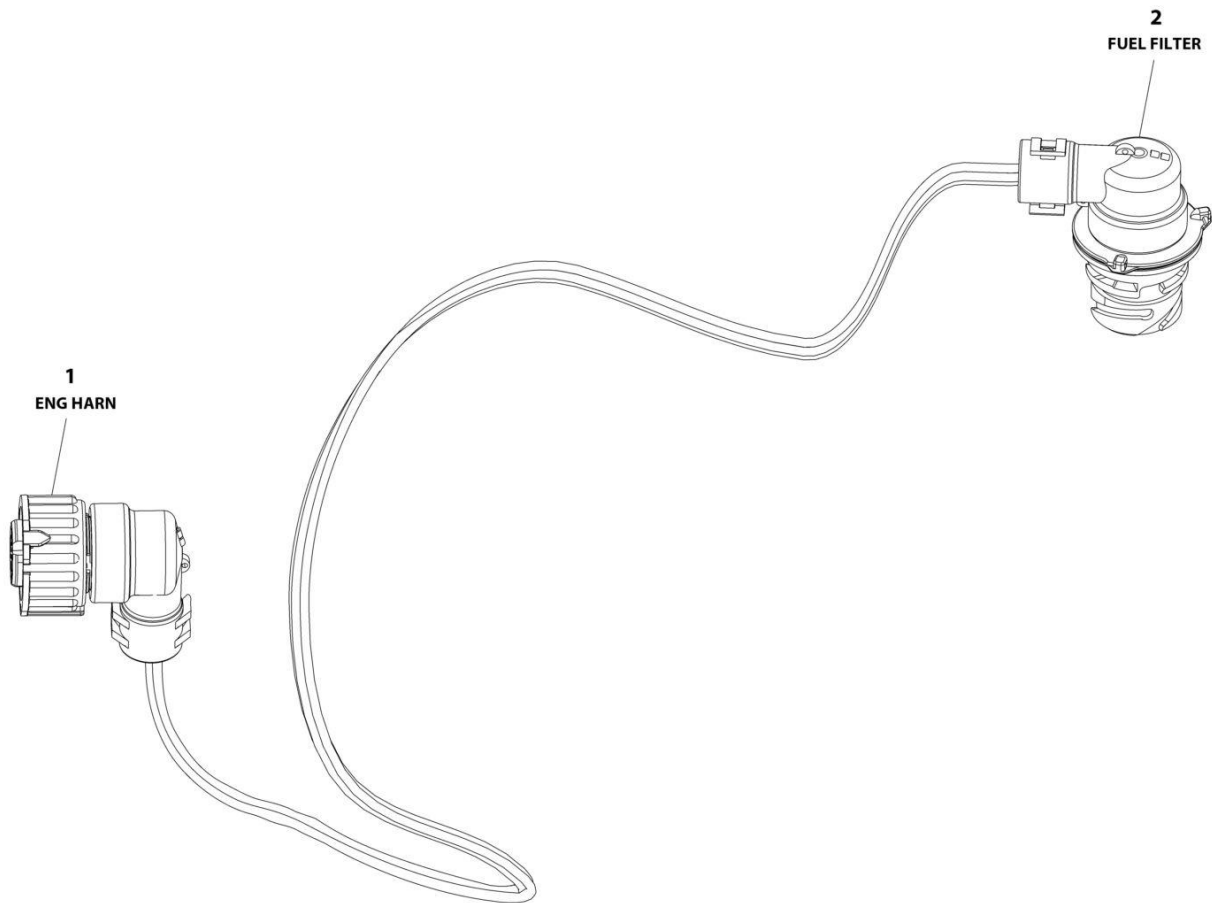
## SECTION 8 - ELECTRICAL

### FIGURE 8-41. FUEL PUMP HARNESS - DEUTZ TD2.9L4 ENGINE

ITEM	PART NUMBER	QTY	DESCRIPTION	REV
	1001190444	Ref	FUEL PUMP HARNESS	D
1	4460932	1	Receptacle, Female - 4 Position	
1	4460941	4	Pin, Male	
2	1001116983	1	Plug, Male - 2 Posiiton	
2	1001227507	2	Socket, Female	
2	4461054	2	Seal	
3	1001223045	2	Connector	

## SECTION 8 - ELECTRICAL

FIGURE 8-42. FUEL HARNESS - DEUTZ TD2.2L4 (STAGE V) ENGINE



ART\_1001245913

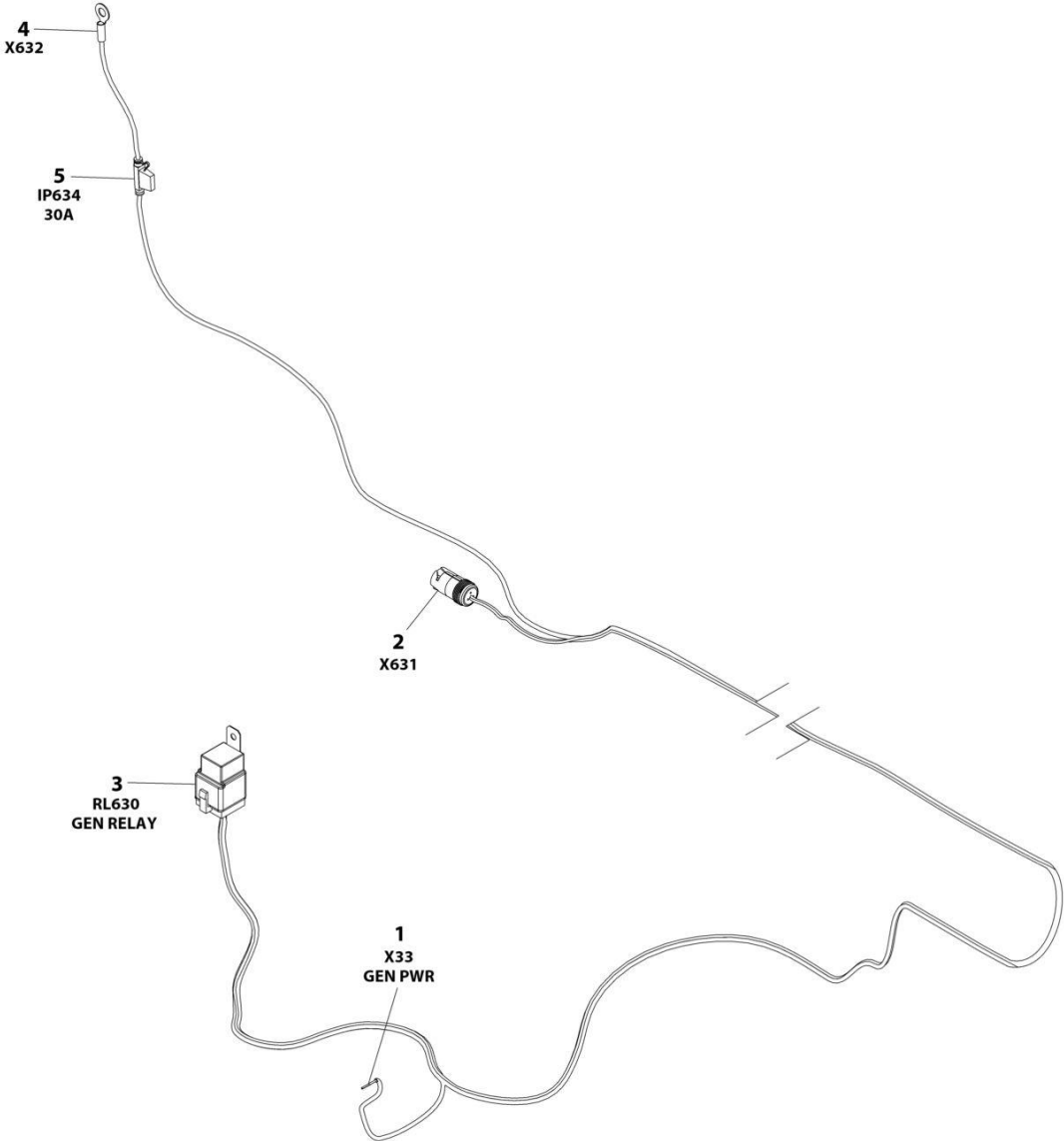
## SECTION 8 - ELECTRICAL

### FIGURE 8-42. FUEL HARNESS - DEUTZ TD2.2L4 (STAGE V) ENGINE

ITEM	PART NUMBER	QTY	DESCRIPTION	REV
	1001245913	Ref	FUEL HARNESS - DEUTZ (STAGE V) ENGINE	D
1	1001148842	1	Connector - 4 Position	
1	1001148841	4	Pin, Male	
1	1001135650	4	Seal	
2	1001133714	1	Plug, Male - 4 Position	
2	1001133715	4	Socket, Female	
2	1001135650	4	Seal	

**SECTION 8 - ELECTRICAL**

**FIGURE 8-43. GENERATOR HARNESS - 2500W**



ART\_1001194114\_B

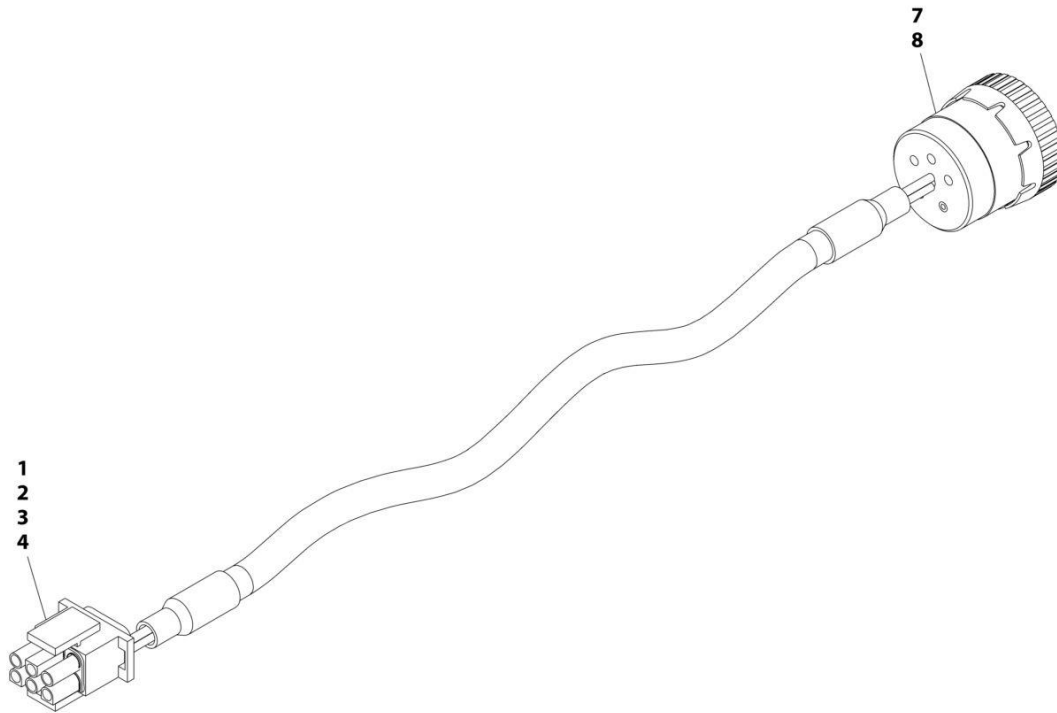
## SECTION 8 - ELECTRICAL

### FIGURE 8-43. GENERATOR HARNESS - 2500W

ITEM	PART NUMBER	QTY	DESCRIPTION	REV
	1001194114	Ref	GENERATOR HARNESS	B
1	4460906	1	Socket, Female	
2	1001154726	1	Receptacle, Female - 3 Position	
2	4460464	2	Pin, Male	
2	4460466	1	Plug, Terminal	
3	1001120851	1	Connector, Relay	
3	1001116734	2	Terminal	
3	1001116732	2	Terminal	
3	3740080	1	Relay	
4	8220045	1	Terminal, Ring	
5	2400060	1	Fuseholder - 30Amp (Includes Cover)	
5	8229245	1	Fuse - 30Amp	

# SECTION 8 - ELECTRICAL

## FIGURE 8-44. GENERATOR HARNESS - 4000W



ART\_1001152532

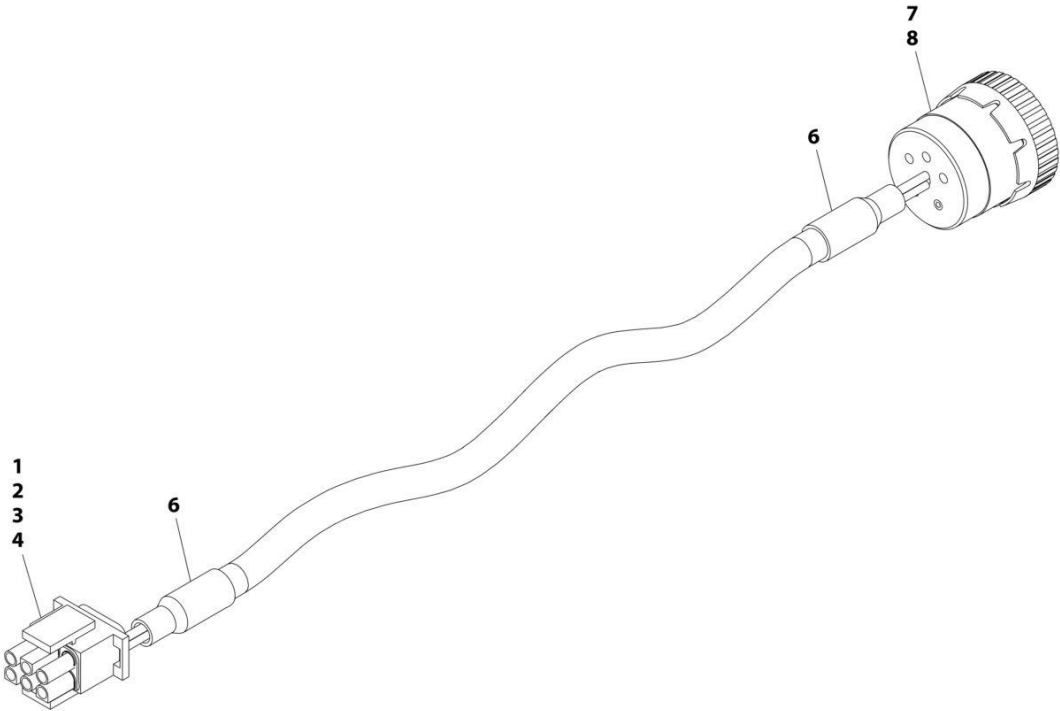
## SECTION 8 - ELECTRICAL

### FIGURE 8-44. GENERATOR HARNESS - 4000W

ITEM	PART NUMBER	QTY	DESCRIPTION	REV
	1001152532	Ref	GENERATOR HARNESS	A
1	4460225	1	Connector - 6 Position	
2	4460268	2	Socket, Female	
3	4460807	1	Seal	
4	4460808	1	Seal	
7	4460465	2	Socket, Female	
8	77363233	1	Connector - 6 Position	

**SECTION 8 - ELECTRICAL**

**FIGURE 8-45. GENERATOR HARNESS - 7500W SKYPOWER**



ART\_4922925



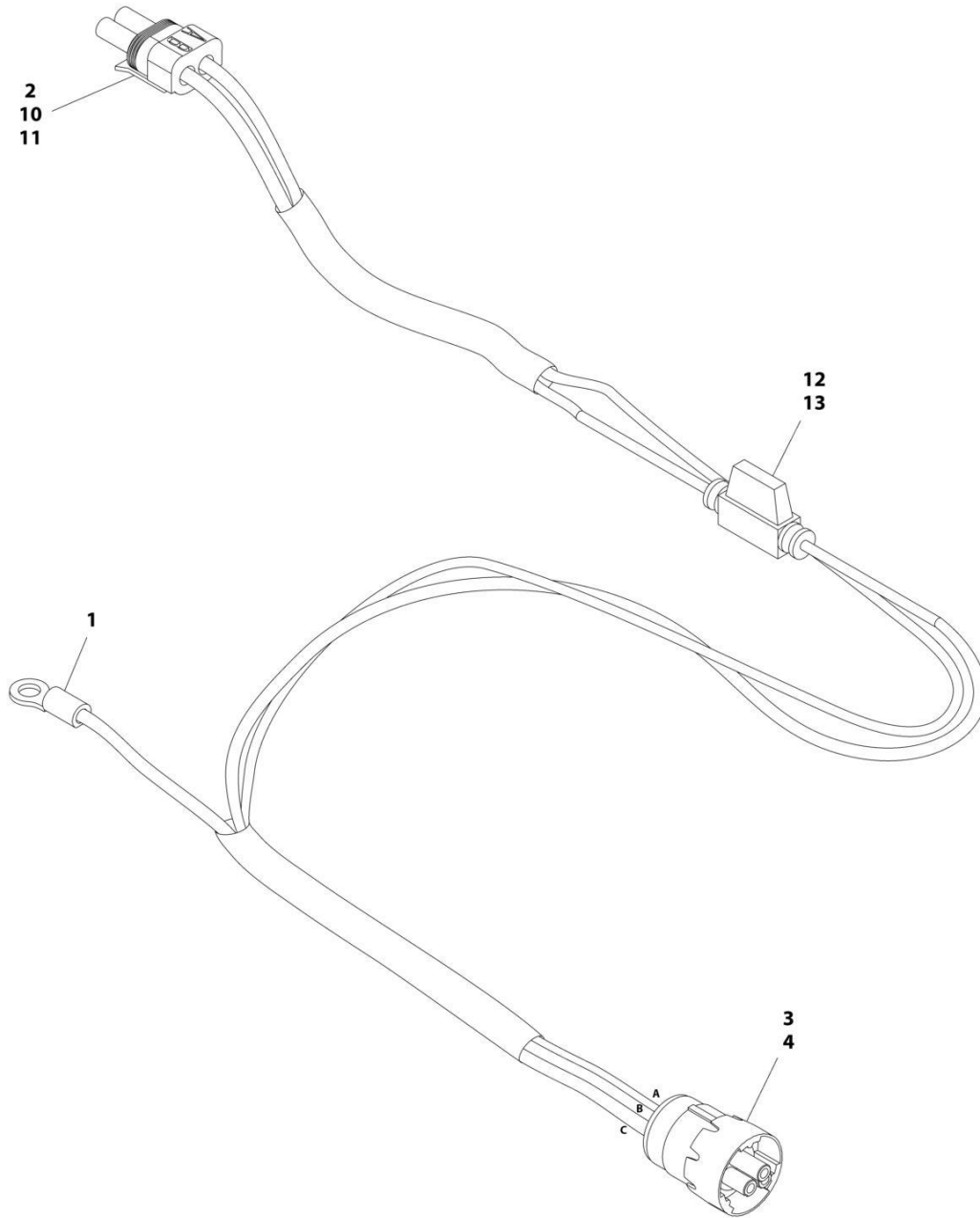
## SECTION 8 - ELECTRICAL

**FIGURE 8-45. GENERATOR HARNESS - 7500W SKYPOWER**

ITEM	PART NUMBER	QTY	DESCRIPTION	REV
	4922925	Ref	GENERATOR TO CONTROL BOX HARNESS (7500W GENERATOR)	C
1	4460225	1	Plug, Male - 2 Position	
2	4460268	6	Socket, Female	
3	4460807	1	Seal	
4	4460808	1	Seal	
6	2820019	AR	Heat Shrink	
7	4460465	6	Socket, Female	
8	77363233	1	Connector - 6 Position	

# SECTION 8 - ELECTRICAL

FIGURE 8-46. GENERATOR TO ENGINE HARNESS - 7500W SKYPOWER GENERATOR (DEUTZ D2011 ONLY)



ART\_1001152429

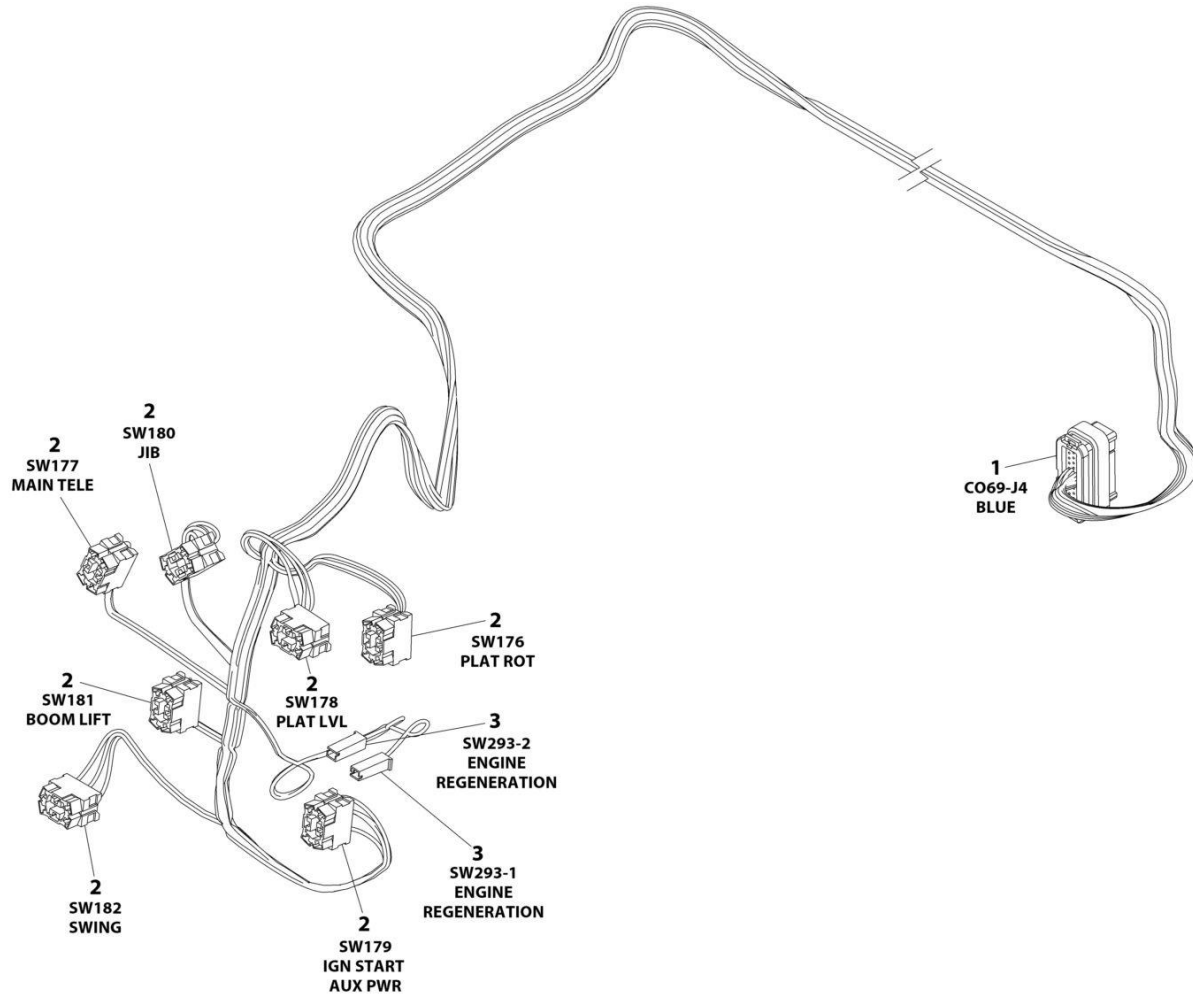
## SECTION 8 - ELECTRICAL

**FIGURE 8-46. GENERATOR TO ENGINE HARNESS - 7500W SKYPOWER GENERATOR (DEUTZ D2011 ONLY)**

ITEM	PART NUMBER	QTY	DESCRIPTION	REV
	1001152429	Ref	GENERATOR TO ENGINE HARNESS	C
1	4460043	1	Terminal, Ring	
2	4460742	1	Plug, Male - 2 Position	
3	4460967	1	Connector - 3 Position	
4	4460465	3	Socket, Female	
10	4460743	2	Terminal, Female	
11	4460458	2	Seal	
12	2400060	1	Fuseholder (Includes Cover)	
13	2400064	1	Fuse - 5Amp	

# SECTION 8 - ELECTRICAL

## FIGURE 8-47. GROUND CONTROL HARNESS



ART\_1001238408

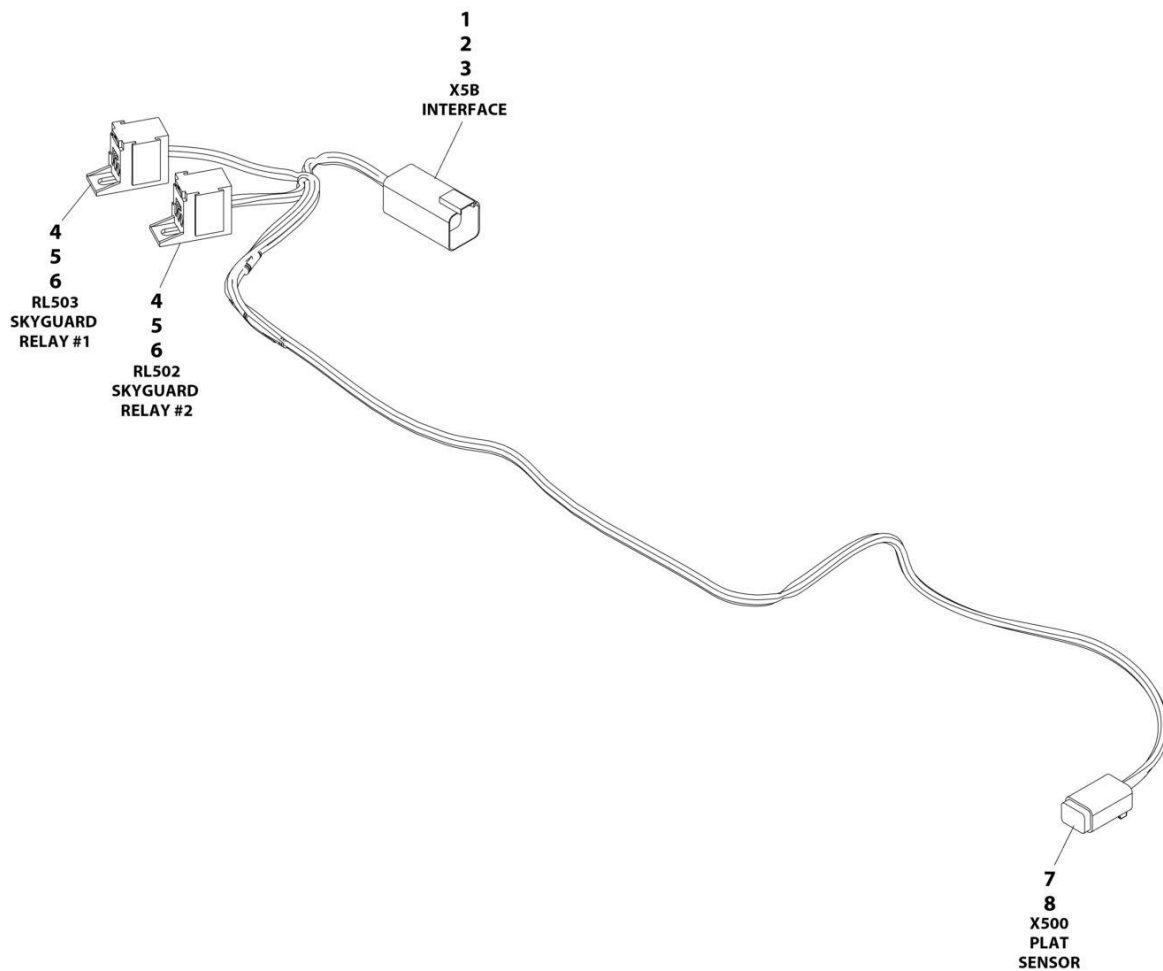
## SECTION 8 - ELECTRICAL

### FIGURE 8-47. GROUND CONTROL HARNESS

ITEM	PART NUMBER	QTY	DESCRIPTION	REV
	1001238408	Ref	GROUND CONTROL HARNESS	B
1	4460876	1	Connector - 35 Position	
1	4460871	16	Socket, Female	
1	4460905	19	Plug, Terminal	
2	4460418	7	Connector, Switch	
2	4460419	14	Terminal	
2	1001159186	14	Terminal	
3	4460260	2	Terminal	
3	4460259	2	Terminal	

# SECTION 8 - ELECTRICAL

## FIGURE 8-48. INTERFACE HARNESS - WITH 1 CELL LSS



ART\_1001225580

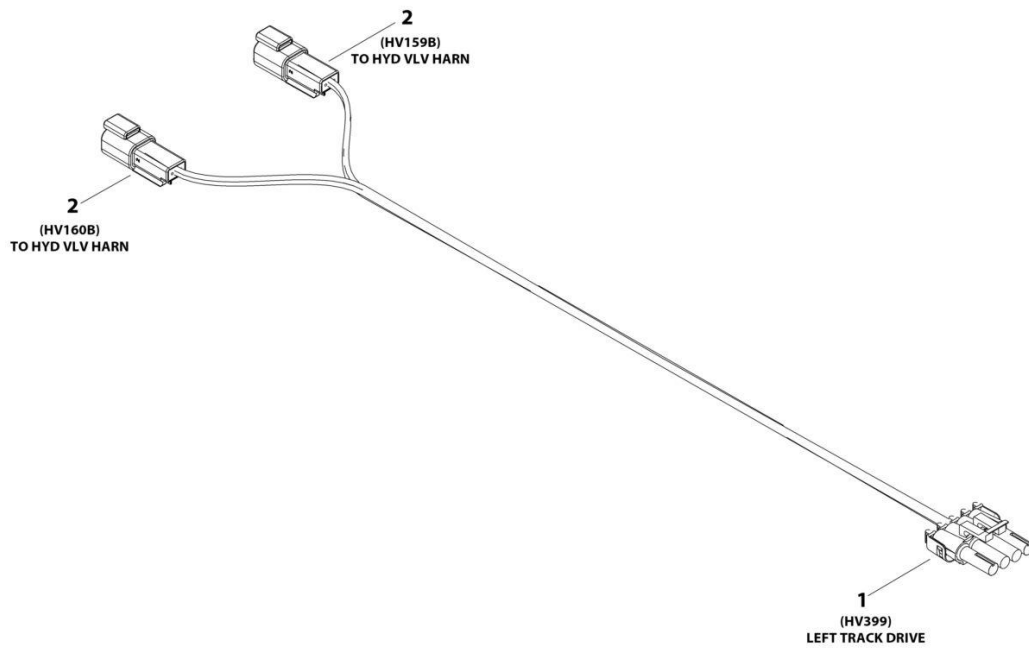
## SECTION 8 - ELECTRICAL

### FIGURE 8-48. INTERFACE HARNESS - WITH 1 CELL LSS

ITEM	PART NUMBER	QTY	DESCRIPTION	REV
	1001225580	Ref	INTERFACE HARNESS - WITH 1 CELL LSS	D
1	4460899	1	Connector	
2	4460464	4	Terminal	
3	4460466	2	Plug	
4	1001186432	2	Connector	
5	1001116720	4	Terminal	
6	1001118388	4	Terminal	
7	4460884	1	Connector	
8	4460465	4	Terminal	

# SECTION 8 - ELECTRICAL

## FIGURE 8-49. LEFT DRIVE HARNESS



ART\_1001241304



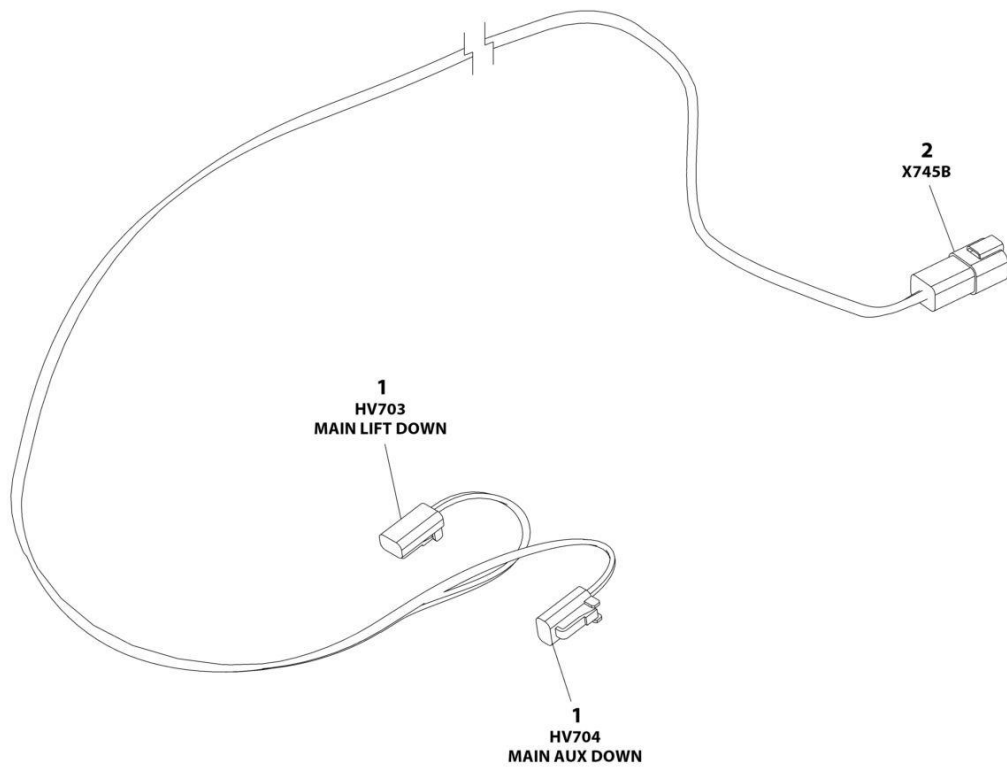
## SECTION 8 - ELECTRICAL

### FIGURE 8-49. LEFT DRIVE HARNESS

ITEM	PART NUMBER	QTY	DESCRIPTION	REV
	1001241304	Ref	LEFT DRIVE HARNESS	C
1	4460460	1	Receptacle, Female - 4 Position	
1	4460457	4	Terminal	
1	4460458	4	Seal	
2	4460897	2	Receptacle, Female - 2 Position	
2	4460464	4	Pin, Male	

# SECTION 8 - ELECTRICAL

## FIGURE 8-50. LIFT CYLINDER HARNESS



ART\_1001205923

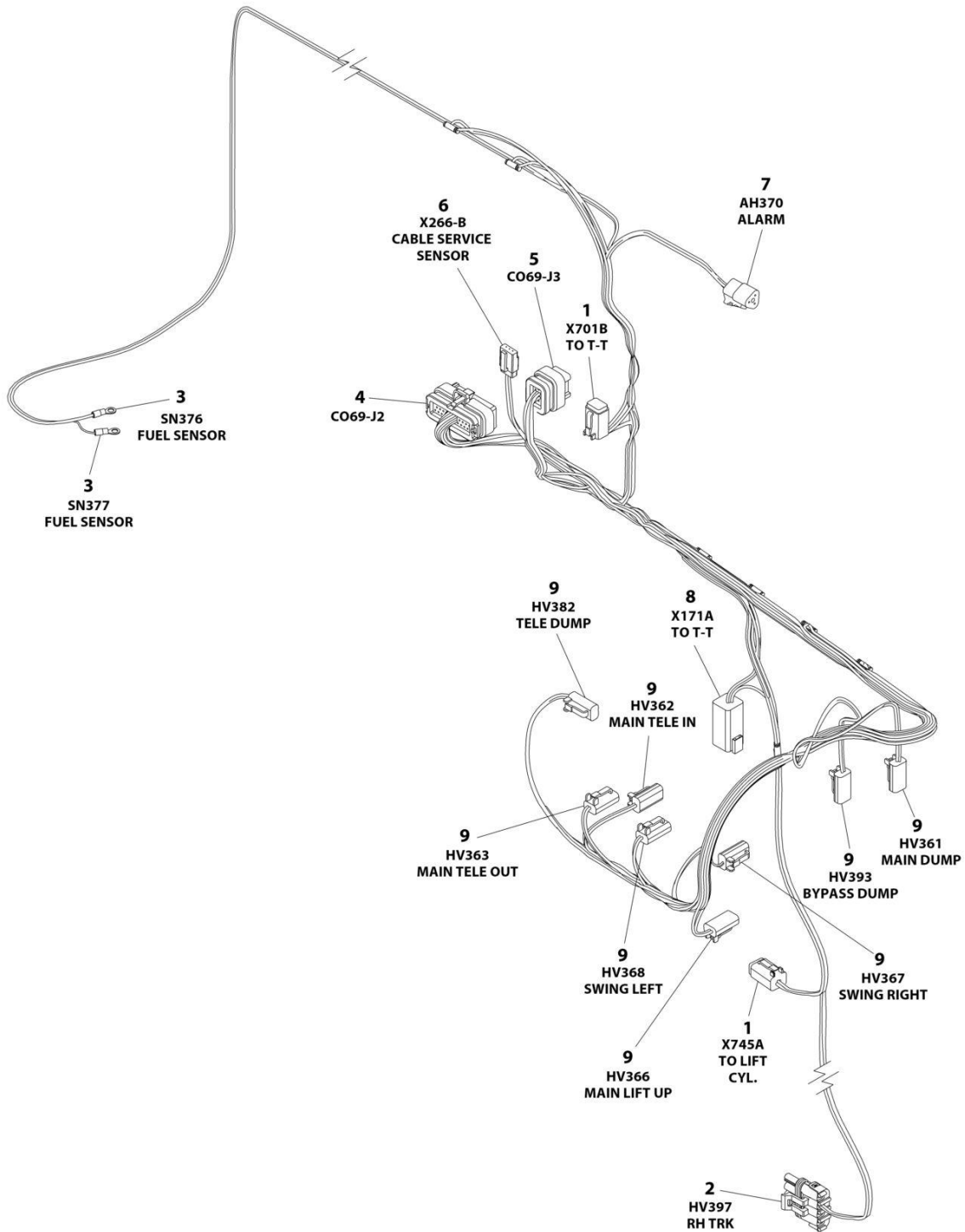
## SECTION 8 - ELECTRICAL

### FIGURE 8-50. LIFT CYLINDER HARNESS

ITEM	PART NUMBER	QTY	DESCRIPTION	REV
	1001205923	Ref	LIFT CYLINDER HARNESS	C
1	4460891	2	Plug, Male - 2 Position	
1	4460465	4	Socket, Female	
2	4460932	1	Receptacle, Female - 4 Position	
2	4460464	4	Pin, Male	

# SECTION 8 - ELECTRICAL

## FIGURE 8-51. MAIN VALVE HARNESS



ART\_1001239613

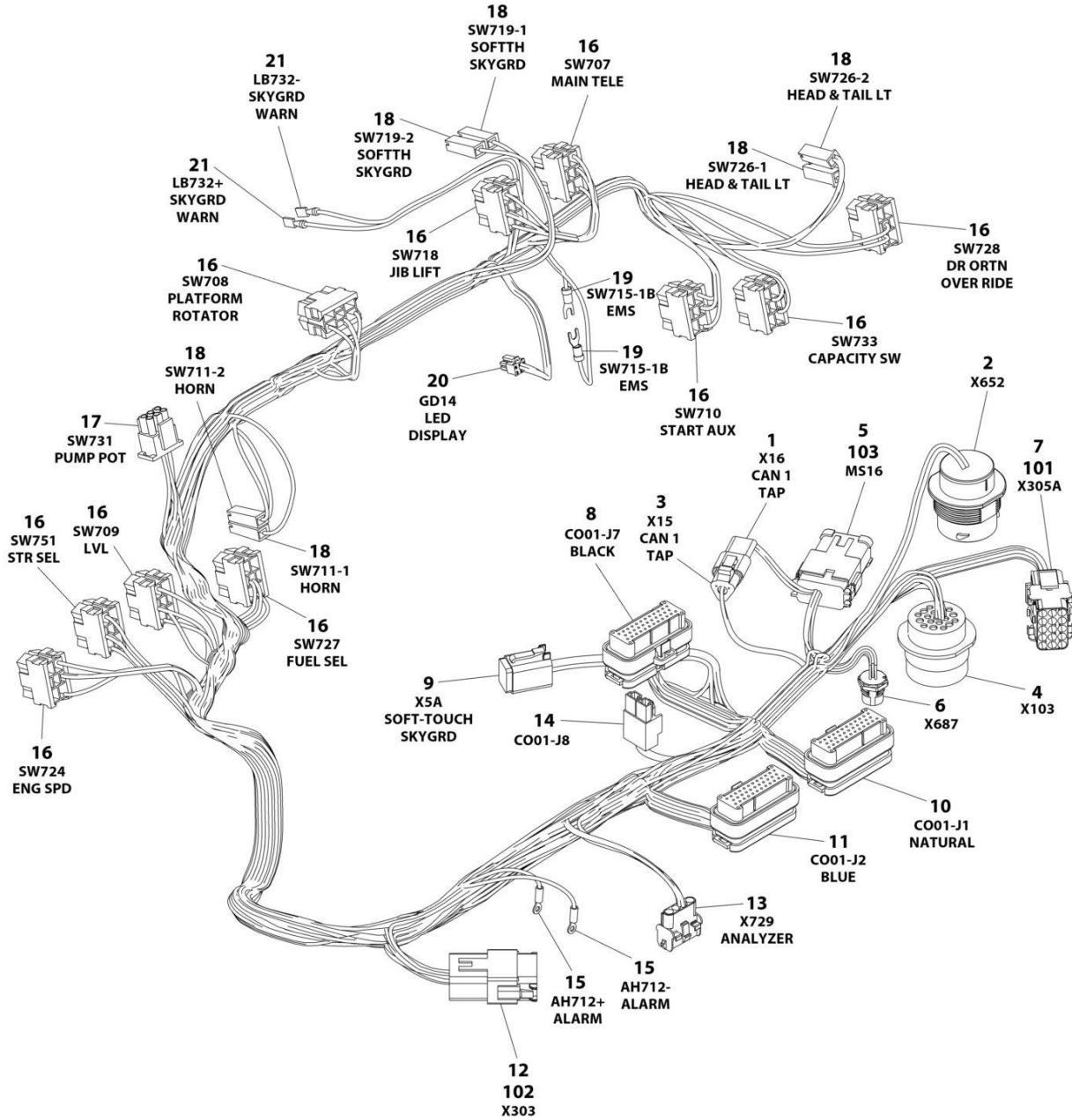
## SECTION 8 - ELECTRICAL

### FIGURE 8-51. MAIN VALVE HARNESS

ITEM	PART NUMBER	QTY	DESCRIPTION	REV
	1001239613	Ref	MAIN VALVE HARNESS	B
1	4460884	2	Plug, Male - 4 Position	
1	4460465	8	Socket, Female	
2	4460460	1	Receptacle, Female - 4 Position	
2	4460457	4	Terminal	
3	4460313	2	Terminal, Ring	
4	4460875	1	Connector - 35 Position	
4	4460871	23	Socket, Female	
4	4460905	12	Plug, Terminal	
5	4460872	1	Connector - 14 Position	
5	4460871	11	Socket, Female	
5	4460905	3	Plug, Terminal	
6	4460911	1	Plug, Male - 3 Position	
6	1001116694	3	Socket, Female	
7	4460539	1	Plug, Male - 3 Position	
7	4460465	3	Socket, Female	
8	4460899	1	Receptacle, Female - 6 Position	
8	4460464	6	Pin, Male	
9	4460891	8	Plug, Male - 2 Position	
9	4460465	16	Socket, Female	

# SECTION 8 - ELECTRICAL

## FIGURE 8-52. PLATFORM CONSOLE HARNESS



ART\_1001238409

## SECTION 8 - ELECTRICAL

### FIGURE 8-52. PLATFORM CONSOLE HARNESS

ITEM	PART NUMBER	QTY	DESCRIPTION	REV
	1001238409	Ref	PLATFORM CONSOLE HARNESS	J
1	4460536	1	Receptacle, Female - 3 Position	
1	4460943	2	Pin, Male	
1	4460466	1	Plug, Terminal	
2	4460925	1	Connector - 21 Position	
2	1001116695	15	Pin, Male	
2	4460518	6	Plug, Terminal	
3	4460539	1	Plug, Male - 3 Position	
3	4460944	2	Socket, Female	
3	4460466	1	Plug, Terminal	
4	4460866	1	Connector - 19 Position	
4	4460464	7	Pin, Male	
4	4460943	2	Pin, Male	
4	4460508	1	Pin, Male	
4	4460466	8	Plug, Terminal	
5	4460933	1	Plug, Male - 12 Position	
5	4460465	10	Socket, Female	
5	4460466	2	Plug, Terminal	
6	1001213447	1	Connector - 4 Position	
6	See Note	NSS	Terminal (Note: Purchase p/n 1001213447)	
7	4460434	1	Connector - 15 Position	
7	4460267	8	Pin, Male	
8	4460873	1	Connector - 35 Position	
8	4460871	24	Socket, Female	
8	4460905	11	Plug, Terminal	
9	4460894	1	Plug, Male - 6 Position	
9	4460465	6	Socket, Female	
10	4460874	1	Connector - 35 Position	
10	4460871	29	Socket, Female	
10	4460905	6	Plug, Terminal	
11	4460876	1	Connector - 35 Position	
11	4460871	12	Socket, Female	
11	4460905	23	Plug, Terminal	
12	4460970	1	Receptacle, Female - 12 Position	
12	1001116693	6	Pin, Male	
12	4460466	6	Plug, Terminal	
13	4460761	1	Receptacle, Female - 4 Position	
13	1001118378	4	Pin, Male	
14	4460879	1	Plug, Male - 2 Position	
14	4460887	2	Terminal	
15	1001098122	2	Terminal, Ring	
16	4460418	10	Connector - 6 Position	
16	4460419	20	Terminal	
16	1001159186	18	Terminal	
17	4460225	1	Plug, Male - 6 Position	
17	4460227	6	Pin, Male (Note: Used on Pump Potentiometer Connection Only)	
17	4460267	2	Terminal	
18	4460260	6	Housing, Terminal	
18	4460259	6	Terminal	
19	4460183	2	Terminal, Fork	

## SECTION 8 - ELECTRICAL

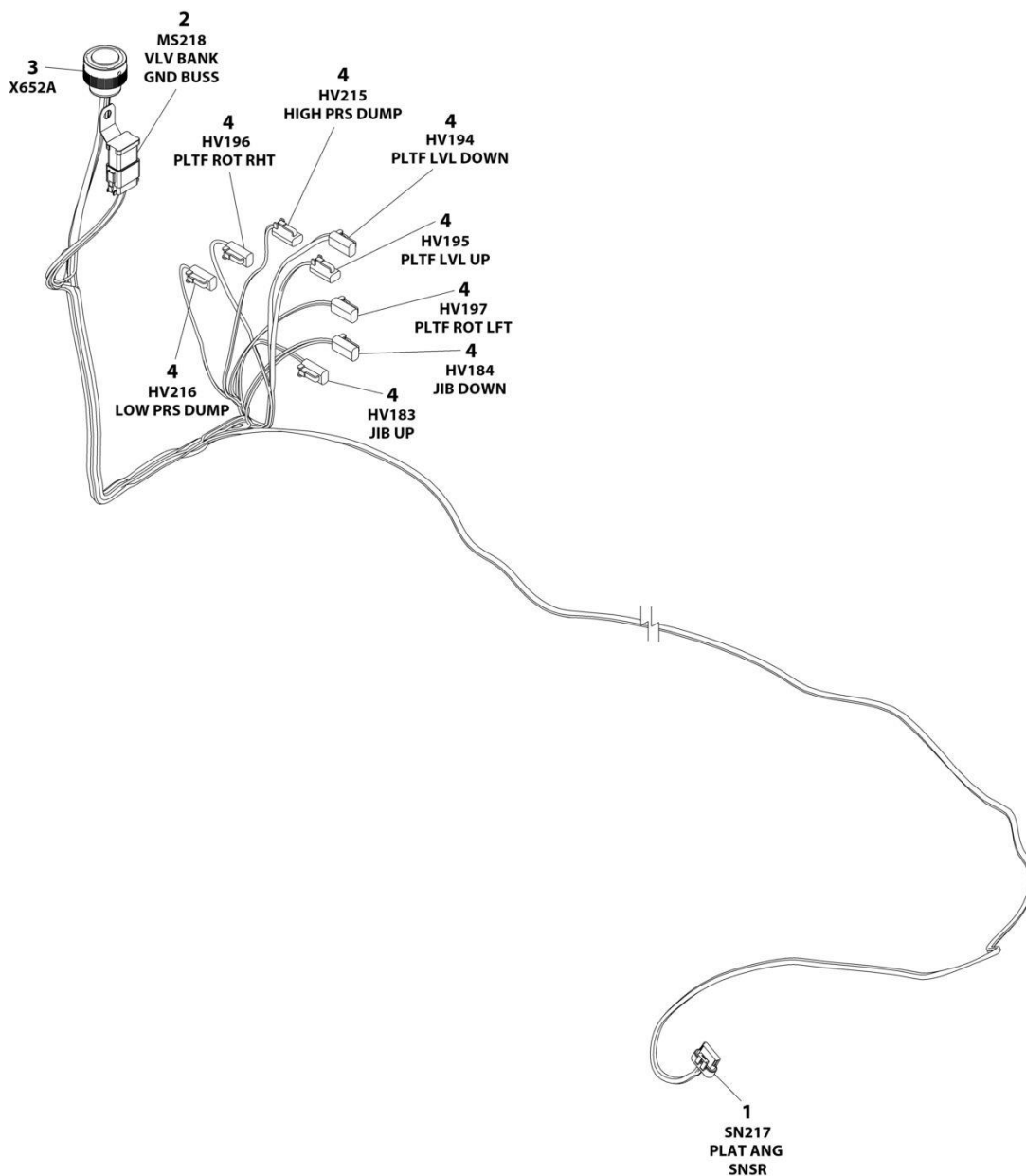
ITEM	PART NUMBER	QTY	DESCRIPTION	REV
20	1001237667	1	Connector - 6 Position	
20	1001237668	4	Terminal	
21	1001271497	1	Terminal	
101	4460708	1	Connector - 12 Position	
102	4460933	1	Plug, Male - 12 Position	
103	1001125677	1	Connector, Bussbar	





# SECTION 8 - ELECTRICAL

## FIGURE 8-53. PLATFORM VALVE HARNESS



ART\_1001264338

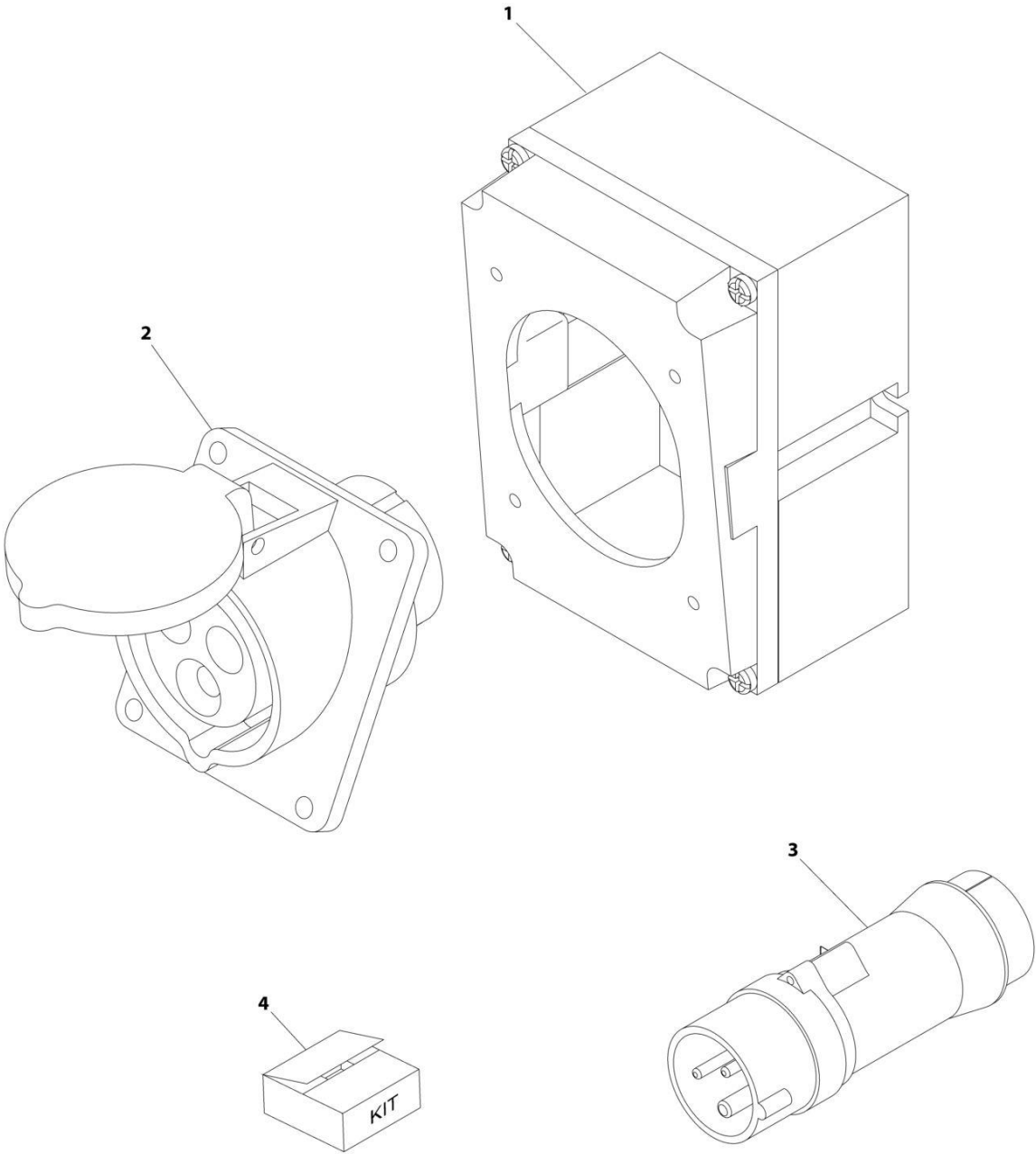
## SECTION 8 - ELECTRICAL

### FIGURE 8-53. PLATFORM VALVE HARNESS

ITEM	PART NUMBER	QTY	DESCRIPTION	REV
	1001264338	Ref	PLATFORM VALVE HARNESS	A
1	1001230931	1	Plug, Male - 6 Position	
1	1001116748	6	Terminal	
2	4460836	1	Plug, Male - 12 Position	
2	4460465	9	Socket, Female	
2	4460466	3	Plug, Terminal	
2	4460837	1	Connector, Bussbar	
2	1001120328	1	Clip, Mounting	
3	4460926	1	Connector - 21 Position	
3	4460928	15	Socket, Female	
3	4460518	6	Plug, Terminal	
4	4460891	8	Plug, Male - 2 Position	
4	4460465	16	Socket, Female	

**SECTION 8 - ELECTRICAL**

**FIGURE 8-54. RECEPTACLE BOX KIT - 110V IEC YELLOW (CE & UK CA SPEC)**



ART\_0275216

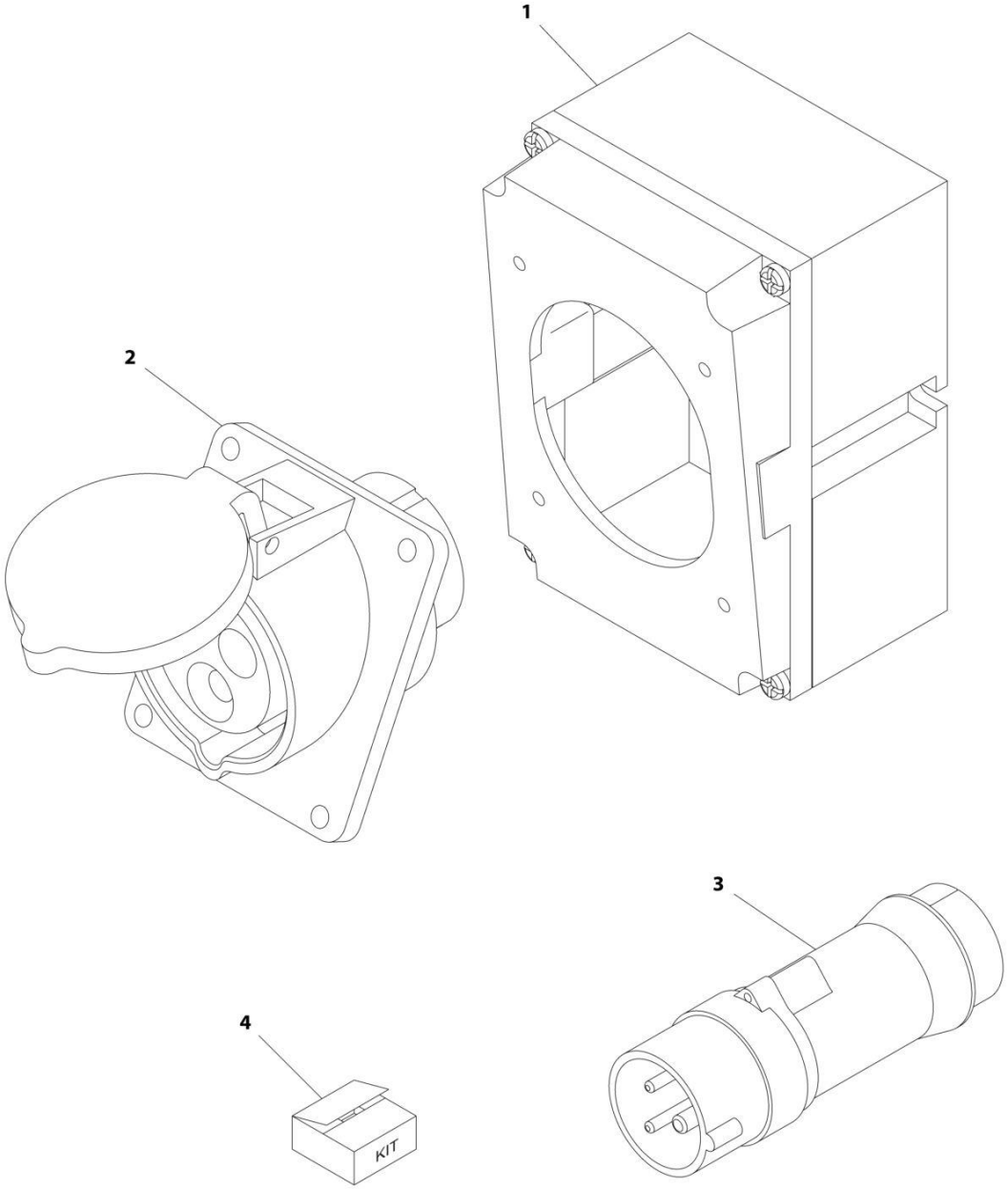
## SECTION 8 - ELECTRICAL

**FIGURE 8-54. RECEPTACLE BOX KIT - 110V IEC YELLOW (CE & UK CA SPEC)**

ITEM	PART NUMBER	QTY	DESCRIPTION	REV
	0275216	Ref	RECEPTACLE BOX KIT - 110V IEC YELLOW	B
1	0861781	1	Box, Switch	
2	4461198	1	Receptacle	
3	4461196	1	Plug, Male	
4	1001100341	1	Plug and Socket Kit (Includes Items 1-3 and Female Plug p/n 4461197)	

**SECTION 8 - ELECTRICAL**

**FIGURE 8-55. RECEPTACLE BOX KIT - 220V IEC BLUE (CE & UK CA SPEC)**



ART\_0275217

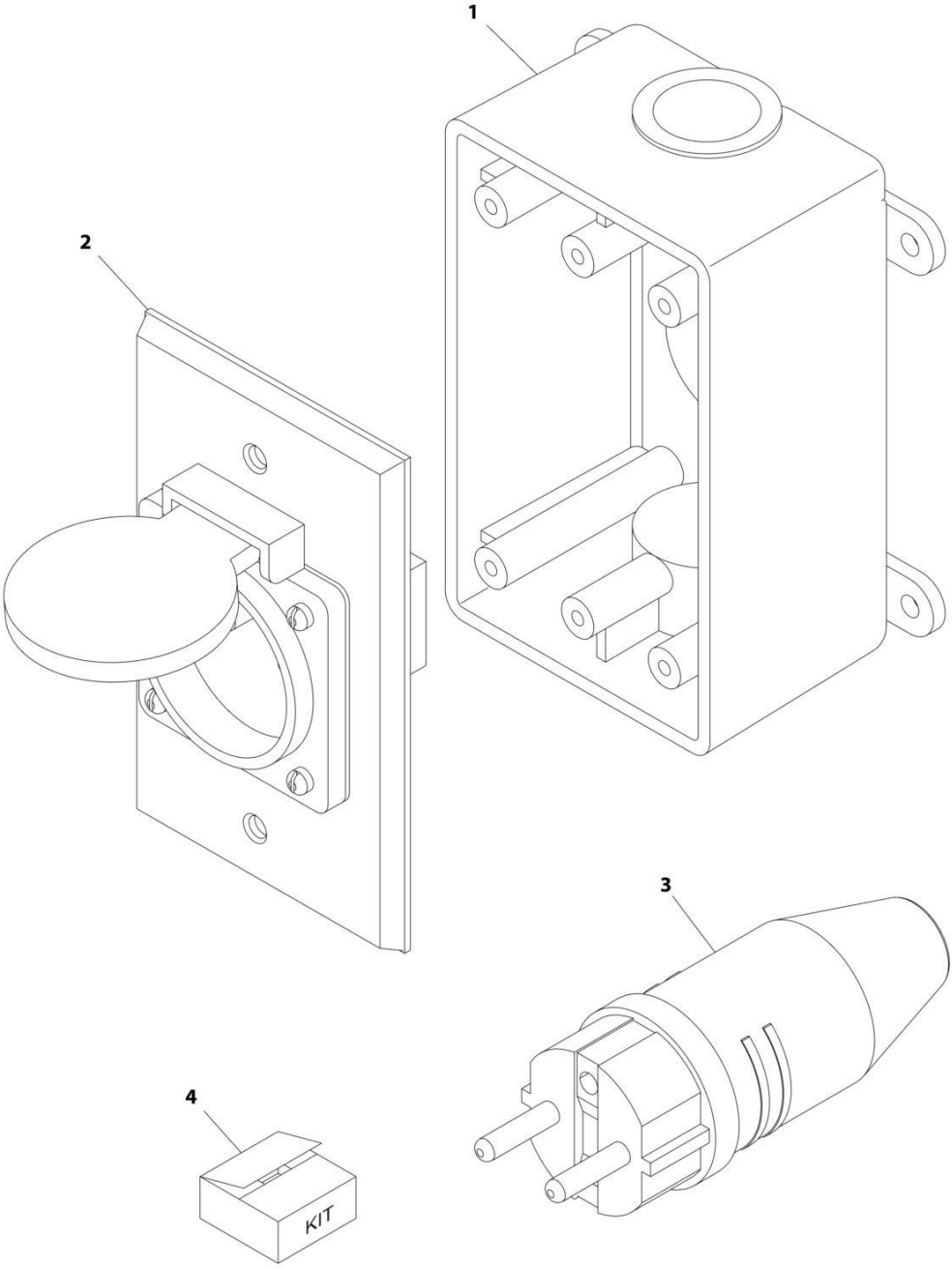
## SECTION 8 - ELECTRICAL

**FIGURE 8-55. RECEPTACLE BOX KIT - 220V IEC BLUE (CE & UK CA SPEC)**

ITEM	PART NUMBER	QTY	DESCRIPTION	REV
	0275217	Ref	RECEPTACLE BOX KIT - 220V IEC BLUE	B
1	0861781	1	Box, Switch	
2	4461201	1	Receptacle	
3	4461199	1	Plug, Male	
4	1001100342	1	Plug and Socket Kit (Includes Items 1-3 and Female Plug p/n 4461200)	

**SECTION 8 - ELECTRICAL**

**FIGURE 8-56. RECEPTACLE BOX KIT - 220V CEE7 POST GROUND 2X4 BOX (CE & UK CA SPEC)**



ART\_0275452-C



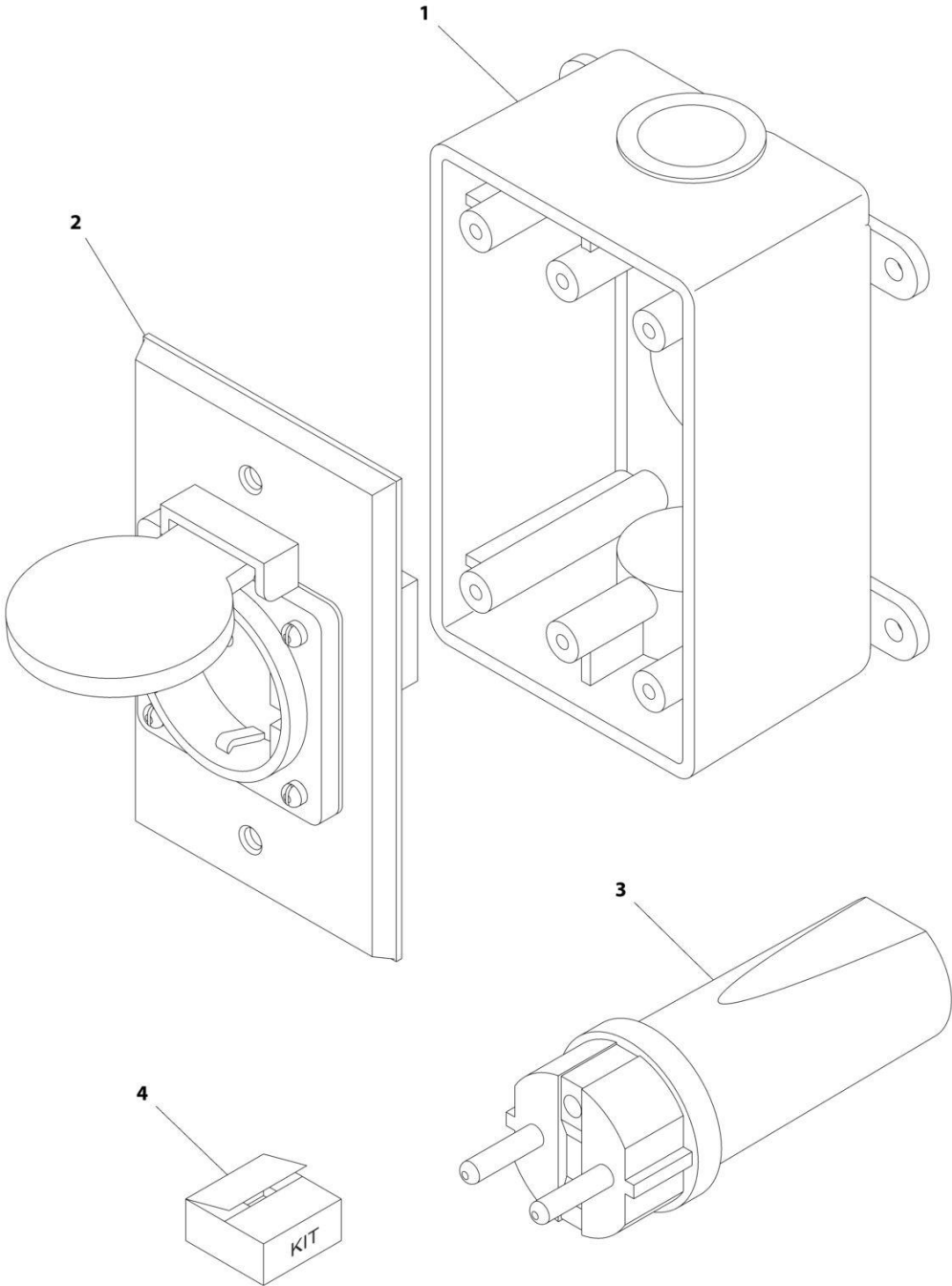
## SECTION 8 - ELECTRICAL

**FIGURE 8-56. RECEPTACLE BOX KIT - 220V CEE7 POST GROUND 2X4 BOX (CE & UK CA SPEC)**

ITEM	PART NUMBER	QTY	DESCRIPTION	REV
	0275452	Ref	RECEPTACLE BOX KIT - 220V CEE7 POST GROUND 2IN X 4IN BOX	C
1	0861731	1	Box, Switch	
2	4461244	1	Receptacle	
3	4461205	1	Plug, Male	
4	1001100345	1	Plug and Socket Kit (Includes Items 1-3 and Female Plug p/n 4461203)	

**SECTION 8 - ELECTRICAL**

**FIGURE 8-57. RECEPTACLE BOX KIT - 220V CEE7 SIDE GROUND (CE & UK CA SPEC)**



ART\_0275453

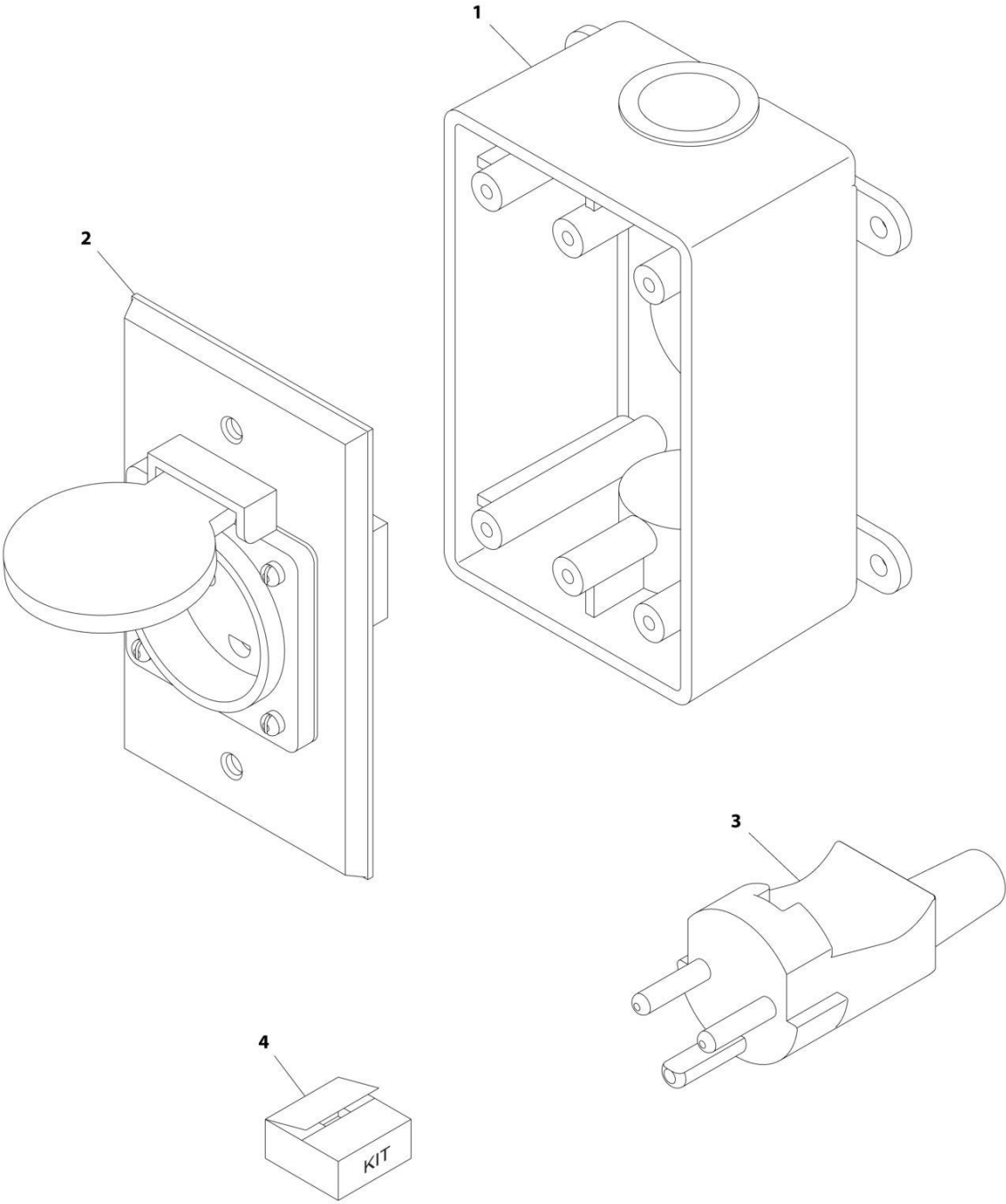
## SECTION 8 - ELECTRICAL

**FIGURE 8-57. RECEPTACLE BOX KIT - 220V CEE7 SIDE GROUND (CE & UK CA SPEC)**

ITEM	PART NUMBER	QTY	DESCRIPTION	REV
	0275453	Ref	RECEPTACLE BOX KIT - 220V CEE7 SIDE GROUND	B
1	0861731	1	Box, Switch	
2	4461245	1	Receptacle	
3	4461205	1	Plug, Male	
4	1001100347	1	Plug and Socket Kit (Includes Items 1-3 and Female Plug p/n 4461206)	

**SECTION 8 - ELECTRICAL**

**FIGURE 8-58. RECEPTACLE BOX KIT - 220V AFSINT107 (CE & UK CA SPEC)**



ART\_0275454

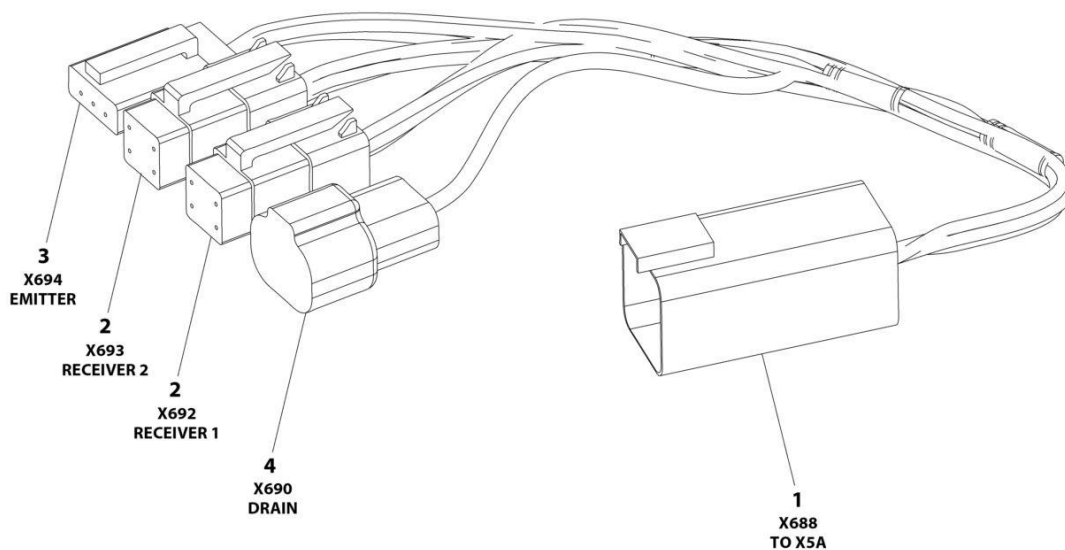
## SECTION 8 - ELECTRICAL

**FIGURE 8-58. RECEPTACLE BOX KIT - 220V AFSINT107 (CE & UK CA SPEC)**

ITEM	PART NUMBER	QTY	DESCRIPTION	REV
	0275454	Ref	RECEPTACLE BOX KIT - 220V AFSINT 107	B
1	0861731	1	Box, Switch	
2	4461246	1	Receptacle	
3	4461249	1	Plug, Male	
4	1001100346	1	Plug and Socket Kit (Includes Items 1-3 and Female Plug p/n 4461250)	

# SECTION 8 - ELECTRICAL

## FIGURE 8-59. SKYEYE INTERMEDIATE HARNESS



ART\_1001237865

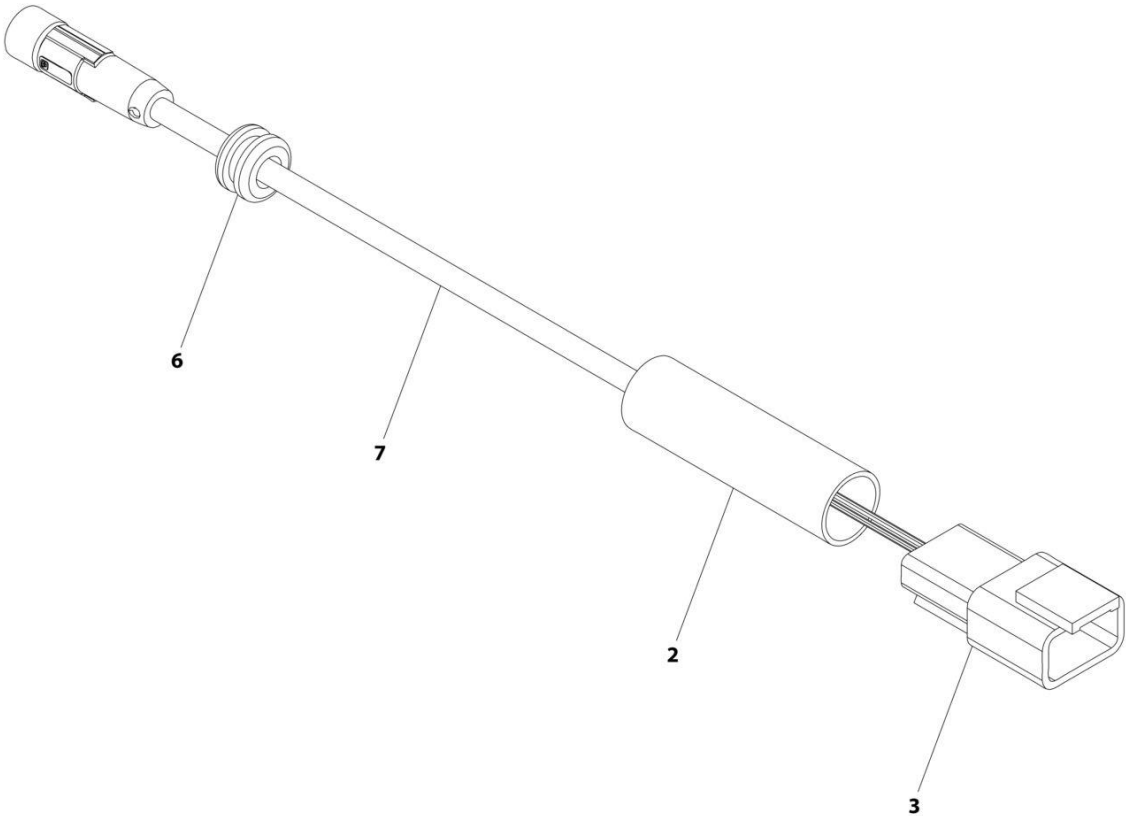
## SECTION 8 - ELECTRICAL

### FIGURE 8-59. SKYEYE INTERMEDIATE HARNESS

ITEM	PART NUMBER	QTY	DESCRIPTION	REV
	1001237865	Ref	SKYEYE INTERMEDIATE HARNESS	A
1	4460899	1	Connector - 6 Position	
1	4460943	4	Pin, Male	
1	4460466	2	Plug, Terminal	
2	4461077	2	Connector - 4 Position	
2	1001119619	8	Socket, Female	
3	4460911	1	Connector - 3 Position	
3	1001119619	3	Socket, Female	
4	1001187681	1	Connector - 2 Position	
4	4460941	1	Pin, Male	
4	4460466	1	Plug, Terminal	

**SECTION 8 - ELECTRICAL**

**FIGURE 8-60. SKYEYE EMITTER HARNESS**



ART\_1001237864



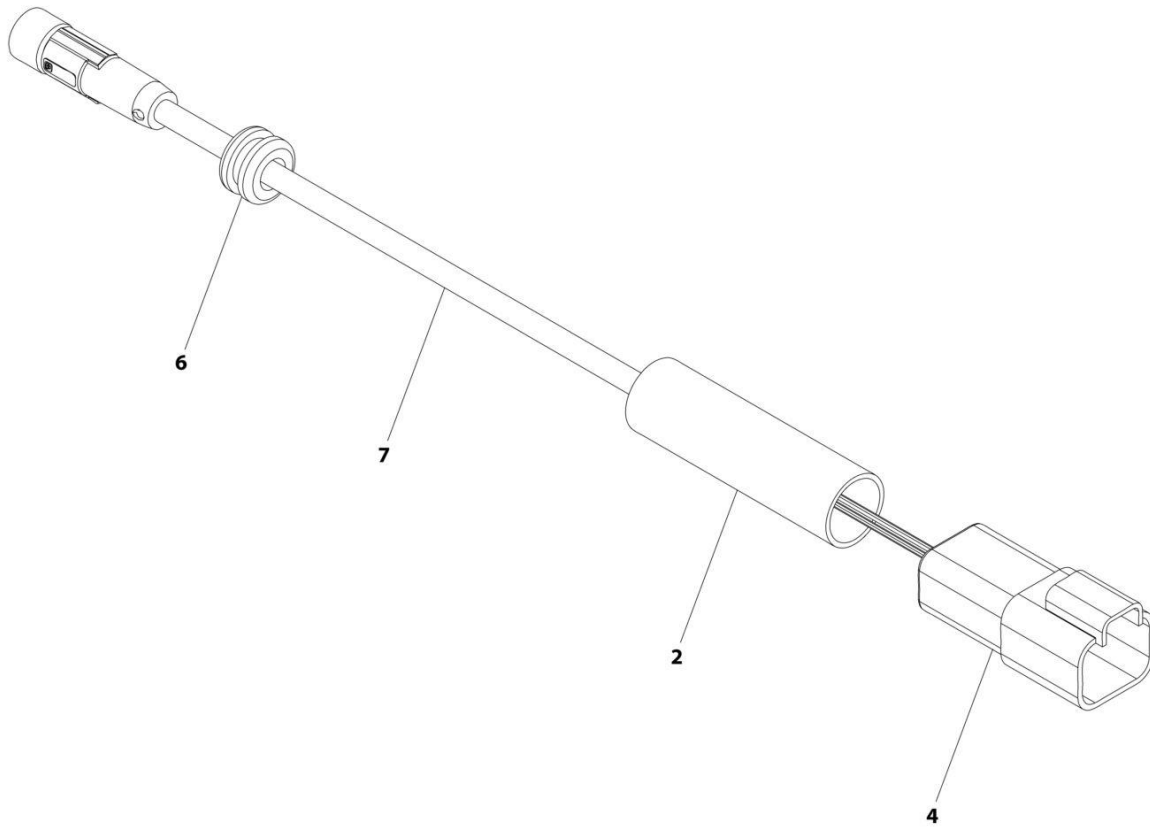
## SECTION 8 - ELECTRICAL

### FIGURE 8-60. SKYEYE EMITTER HARNESS

ITEM	PART NUMBER	QTY	DESCRIPTION	REV
	1001237864	Ref	SKYEYE EMITTER HARNESS	A
2	2820247	AR	Tubing, Heat Shrink	
3	4460910	1	Connector - 3 Position	
3	1001119620	3	Pin, Male	
6	1001227996	1	Grommet	
7	1001237862	1	Cable, M8 Female Cordset	

# SECTION 8 - ELECTRICAL

## FIGURE 8-61. 4. SKYEYE RECEIVER HARNESS



ART\_1001237863

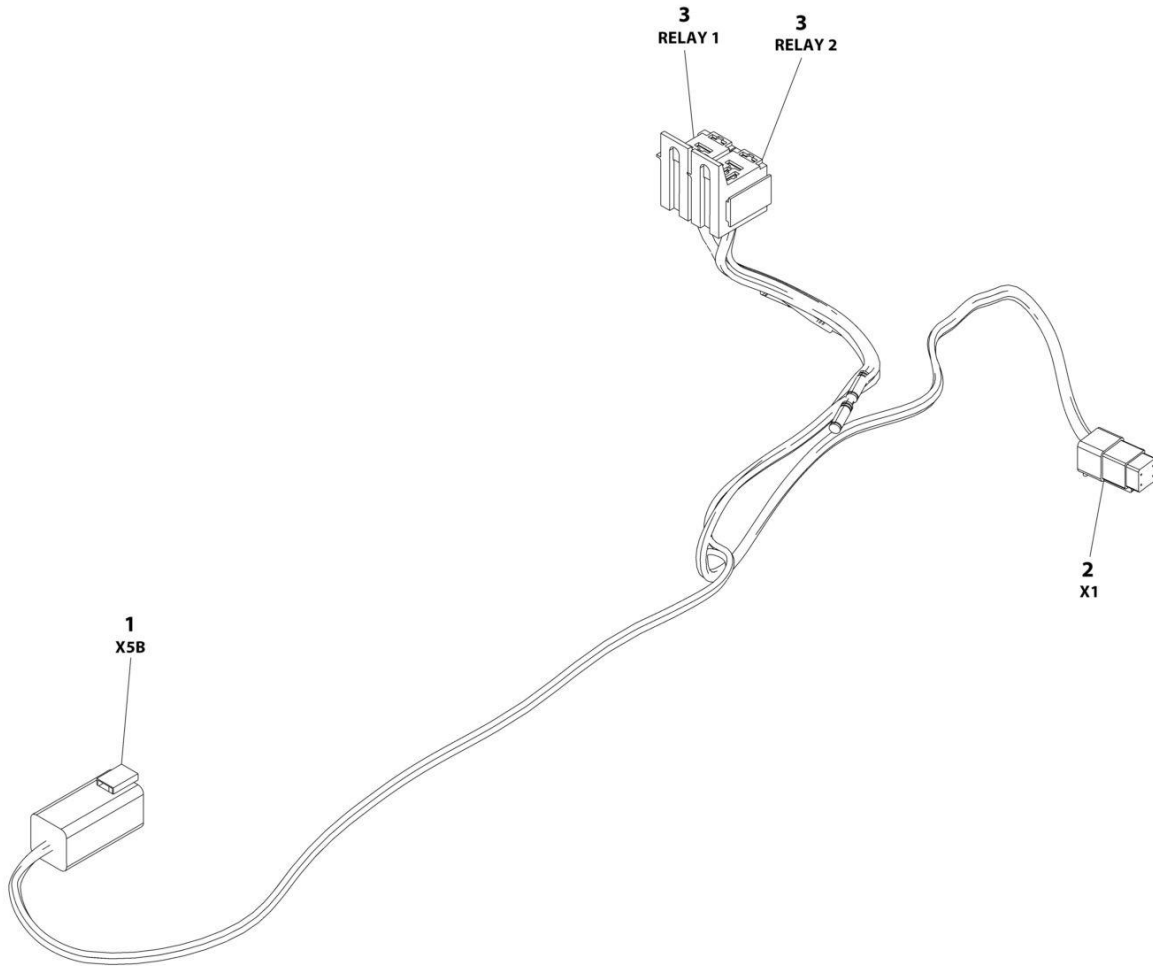
## SECTION 8 - ELECTRICAL

### FIGURE 8-61. 4. SKYEYE RECEIVER HARNESS

ITEM	PART NUMBER	QTY	DESCRIPTION	REV
	1001237863	Ref	SKYEYE RECEIVER HARNESS	A
2	2820247	AR	Tubing, Heat Shrink	
4	1001097051	1	Connector - 4 Position	
4	1001119620	4	Pin, Male	
6	1001227996	1	Grommet	
7	1001237862	1	Cable, M8 Female Cordset	

# SECTION 8 - ELECTRICAL

## FIGURE 8-62. SKYLINE HARNESS



ART\_1001238418

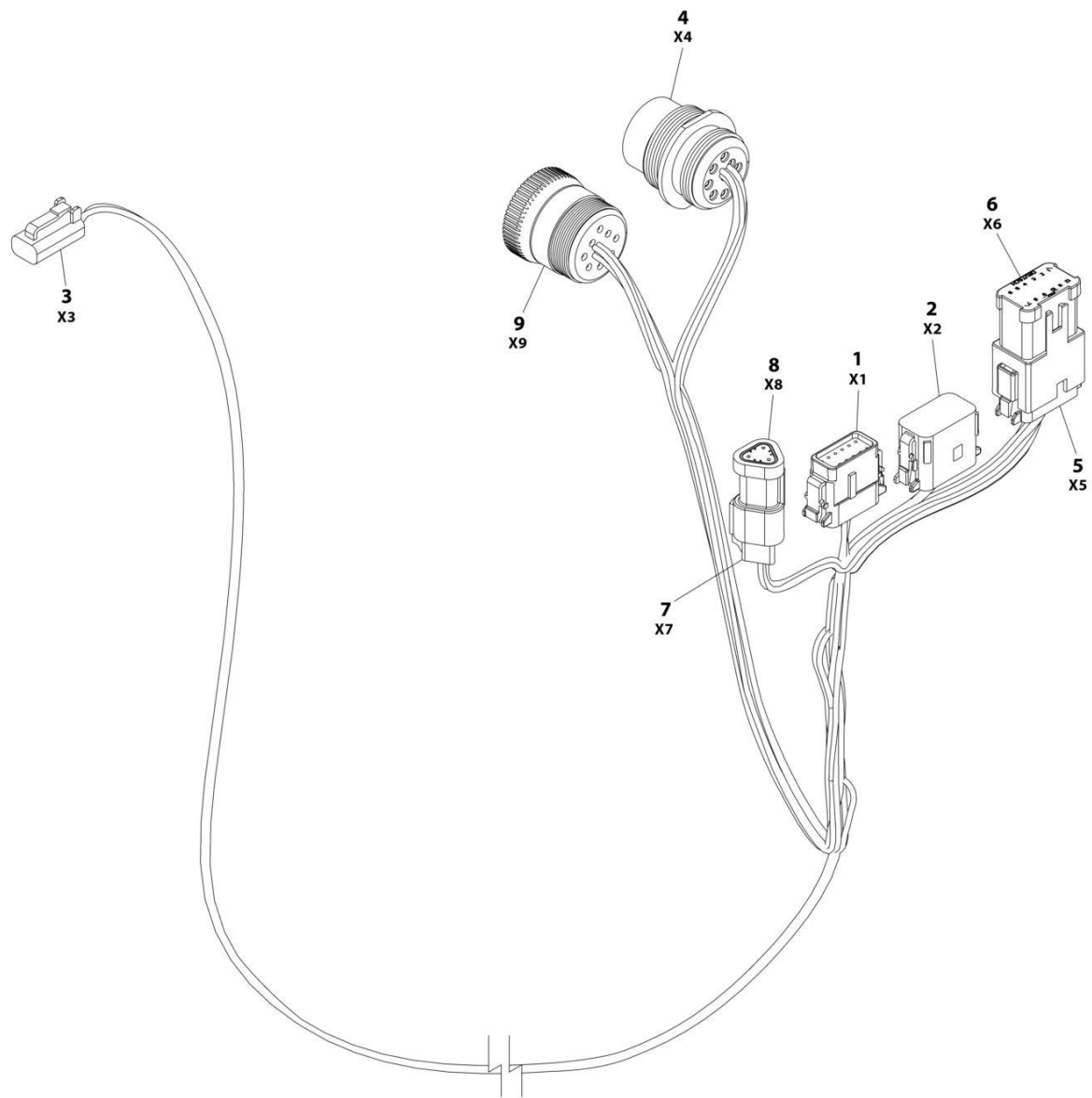
## SECTION 8 - ELECTRICAL

### FIGURE 8-62. SKYLINE HARNESS

ITEM	PART NUMBER	QTY	DESCRIPTION	REV
	1001238418	Ref	SKYLINE HARNESS	B
1	4460899	1	Connector - 6 Position	
1	4460464	4	Pin, Male	
1	4460466	2	Plug, Terminal	
2	4461077	1	Connector - 4 Position	
2	1001126009	4	Socket, Female	
3	1001186432	2	Plug, Relay	
3	1001118388	5	Terminal	
3	1001118384	3	Terminal	
3	3740086	2	Relay	

# SECTION 8 - ELECTRICAL

## FIGURE 8-63. STROBE LIGHT CONTROL HARNESS



ART\_1001142736

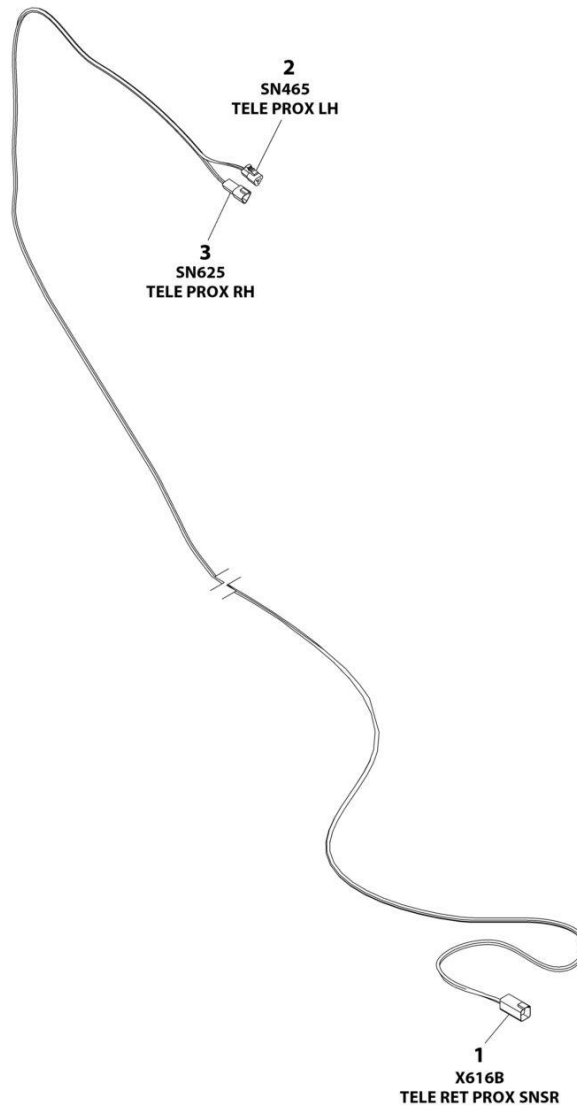
## SECTION 8 - ELECTRICAL

**FIGURE 8-63. STROBE LIGHT CONTROL HARNESS**

ITEM	PART NUMBER	QTY	DESCRIPTION	REV
	1001142736	Ref	STROBE LIGHT HARNESS	F
1	1001116808	1	Plug, Male - 12 Position	
1	4460928	3	Socket, Female	
1	4460518	9	Plug, Terminal	
2	1001116774	1	Plug, Male - 12 Position	
2	4460928	3	Socket, Female	
2	4460518	9	Plug, Terminal	
3	4460891	1	Plug, Male - 2 Position	
3	4460465	2	Socket, Female	
4	1001112612	1	Connector - 9 Position	
4	4460464	6	Pin, Male	
4	4460466	3	Plug, Terminal	
5	4460933	1	Plug, Male - 12 Position	
5	4460465	12	Socket, Female	
6	1001119020	1	Bussbar - 12 Position	
7	4461095	1	Plug, Male - 3 Position	
7	4460465	3	Socket, Female	
8	4461070	1	Bussbar - 3 Position	
9	1001112796	1	Connector - 9 Position	
9	4460465	6	Socket, Female	
9	4460466	3	Plug, Terminal	

# SECTION 8 - ELECTRICAL

## FIGURE 8-64. TELE PROXIMITY HARNESS



ART\_1001189003



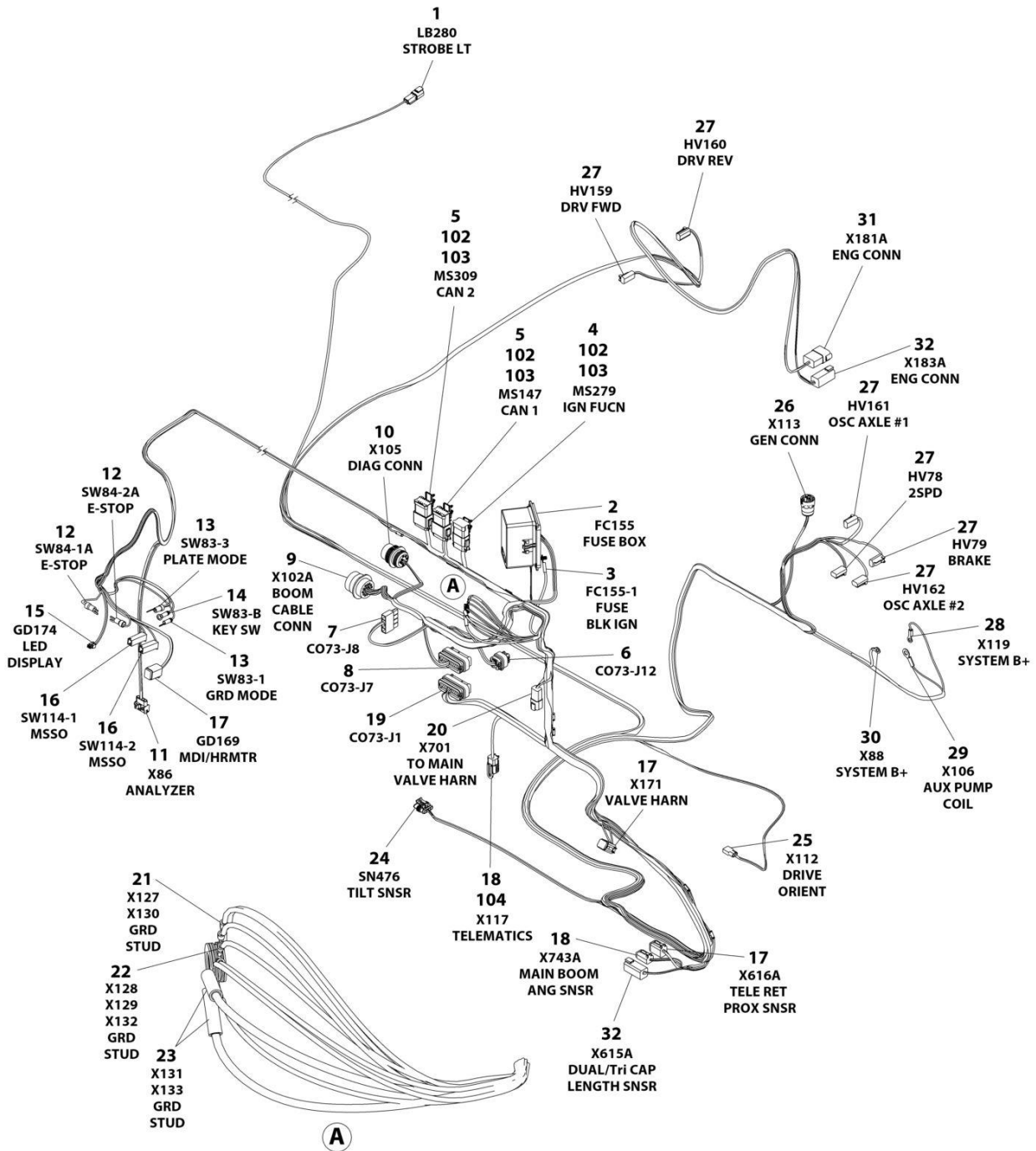
## SECTION 8 - ELECTRICAL

### FIGURE 8-64. TELE PROXIMITY HARNESS

ITEM	PART NUMBER	QTY	DESCRIPTION	REV
	1001189003	Ref	TELE PROXIMITY HARNESS	E
1	4460899	1	Receptacle, Female - 6 Position	
1	4460464	6	Pin, Male	
2	4460539	1	Plug, Male - 3 Position	
2	4460465	3	Socket, Female	
3	4460536	1	Receptacle, Female - 3 Position	
3	4460464	3	Pin, Male	

# SECTION 8 - ELECTRICAL

## FIGURE 8-65. TURNTABLE HARNESS



ART\_1001238405

## SECTION 8 - ELECTRICAL

### FIGURE 8-65. TURNTABLE HARNESS

ITEM	PART NUMBER	QTY	DESCRIPTION	REV
	1001238405	Ref	TURNTABLE HARNESS	H
1	4460897	1	Receptacle, Female - 2 Position	
1	4460464	9	Pin, Male	
2	1001196602	1	Box, Fuse Less Fuses	
2	1001196604	1	Cover, Box	
2	1001190921	1	Spacer, Foam	
2	1001196634	2	Fuse 2 Amp	
2	8229242	7	Fuse 5 Amp	
2	8229244	2	Fuse 15Amp	
2	1001095704	2	Relay	
2	1001196636	2	Diode 1 Amp	
2	8220098	6	Terminal	
2	8220089	6	Seal, Terminal	
2	8220097	19	Terminal	
2	4460458	19	Seal, Terminal	
2	4460748	10	Plug, Terminal	
3	1001117106	1	Terminal, Ring	
4	4460933	1	Plug, Male - 12 Position	
4	4460465	8	Socket, Female	
4	4460466	4	Seal, Terminal	
5	4460933	2	Plug, Male - 12 Position	
5	4460465	16	Socket, Female	
5	4460466	8	Plug, Terminal	
6	1001113961	1	Connector - 8 Position	
6	4460871	5	Socket, Female	
6	4460905	3	Plug, Terminal	
7	4460878	1	Plug, Male - 4 Position	
7	4460887	2	Socket, Female	
8	4460873	1	Connector - 35 Position	
8	4460871	26	Socket, Female	
8	4460905	9	Plug, Terminal	
9	4460866	1	Connector - 19 Position	
9	4460464	10	Pin, Male	
9	4460508	2	Pin, Male	
9	4460466	7	Plug, Terminal	
10	1001112612	1	Connector - 9 Position	
10	4460464	5	Pin, Male	
10	4460466	4	Plug, Terminal	
11	1001119032	1	Receptacle, Female - 4 Position	
11	1001118378	4	Pin, Male	
12	4460183	2	Terminal, Ring	
13	4460042	2	Terminal, Ring	
14	4460247	1	Terminal, Ring	
15	1001237667	1	Plug, Male - 6 Position	
15	1001237668	5	Terminal	
16	4460260	2	Cover, Terminal	
16	4460259	2	Terminal	
17	4460894	3	Plug, Male - 6 Position	
17	4460465	13	Socket, Female	
17	4460466	5	Plug, Terminal	

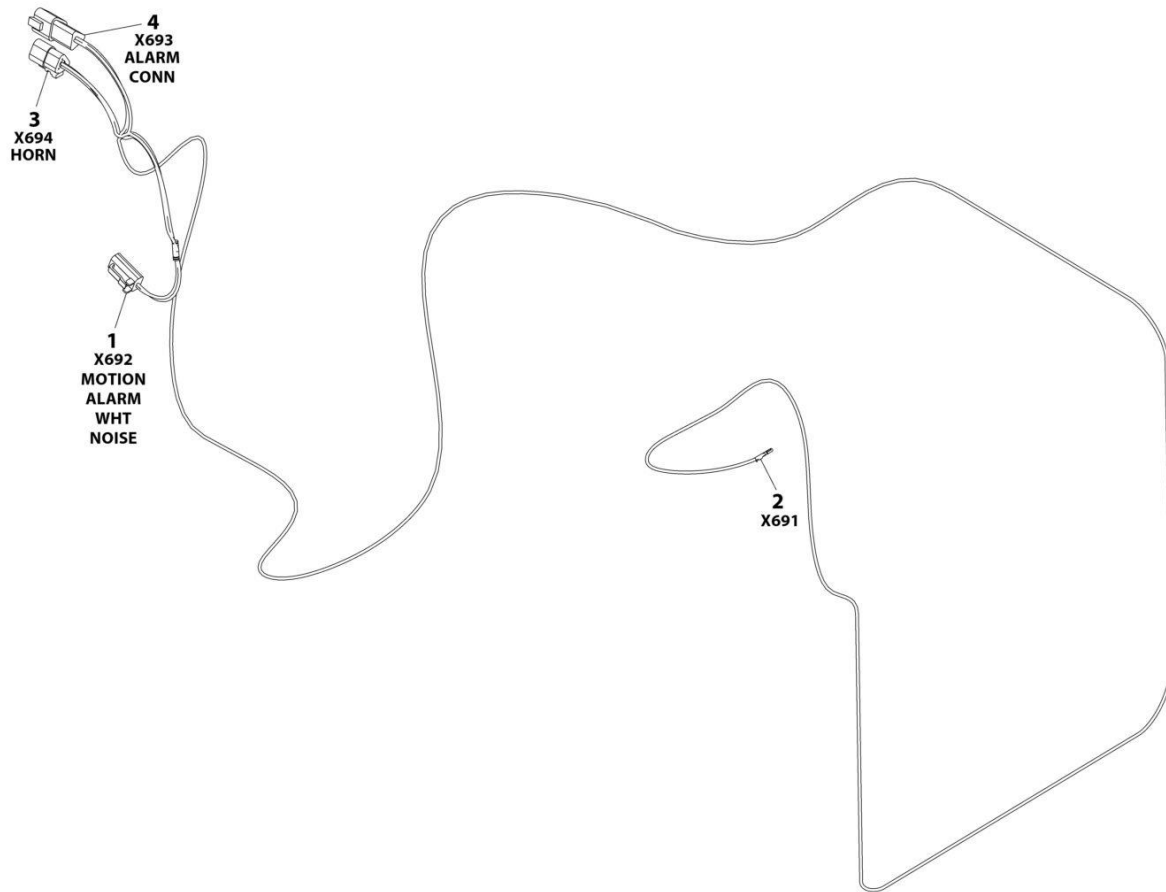
## SECTION 8 - ELECTRICAL

ITEM	PART NUMBER	QTY	DESCRIPTION	REV
18	4460884	2	Plug, Male - 4 Position	
18	4460465	8	Socket, Female	
19	4460874	1	Connector - 35 Position	
19	4460871	21	Socket, Female	
19	4460905	14	Plug, Terminal	
20	4460932	1	Receptacle, Female - 4 Position	
20	4460464	4	Pin, Male	
21	1001187078	2	Terminal, Ring	
22	1001187077	3	Terminal, Ring	
23	1001117110	2	Terminal, Ring	
24	1001103012	1	Plug, Male - 4 Position	
24	1001107854	4	Terminal	
25	4460424	1	Receptacle, Female - 2 Position	
25	4460226	2	Socket, Female	
26	4460967	1	Plug, Male - 3 Position	
26	4460465	3	Socket, Female	
27	4460891	6	Plug, Male - 2 Position	
27	4460465	12	Socket, Female	
28	4460703	1	Terminal, Ring	
29	4460702	1	Terminal, Ring	
30	8220045	1	Terminal, Ring	
31	4460931	1	Receptacle, Female - 8 Position	
31	4460464	5	Pin, Male	
31	4460466	3	Socket, Female	
32	4460899	2	Receptacle, Female - 6 Position	
32	4460464	11	Pin, Male	
32	4460466	1	Seal, Terminal	
102	1001125677	3	Connector, Bussbar	
103	1001121172	3	Mount, Connector	
104	1001192401	1	Cap, Dust	



# SECTION 8 - ELECTRICAL

## FIGURE 8-66. WHITE NOISE ALARM HARNESS



ART\_1001243682

## SECTION 8 - ELECTRICAL

### FIGURE 8-66. WHITE NOISE ALARM HARNESS

ITEM	PART NUMBER	QTY	DESCRIPTION	REV
	1001243682	Ref	WHITE NOISE ALARM HARNESS	A
1	4460891	1	Plug, Male - 2 Position	
1	4460465	2	Socket, Female	
2	4460871	1	Terminal	
3	4460539	1	Plug, Male- 3 Position	
3	4460465	3	Socket, Female	
4	4460536	1	Receptacle, Female- 3 Position	
4	4460464	3	Pin, Male	

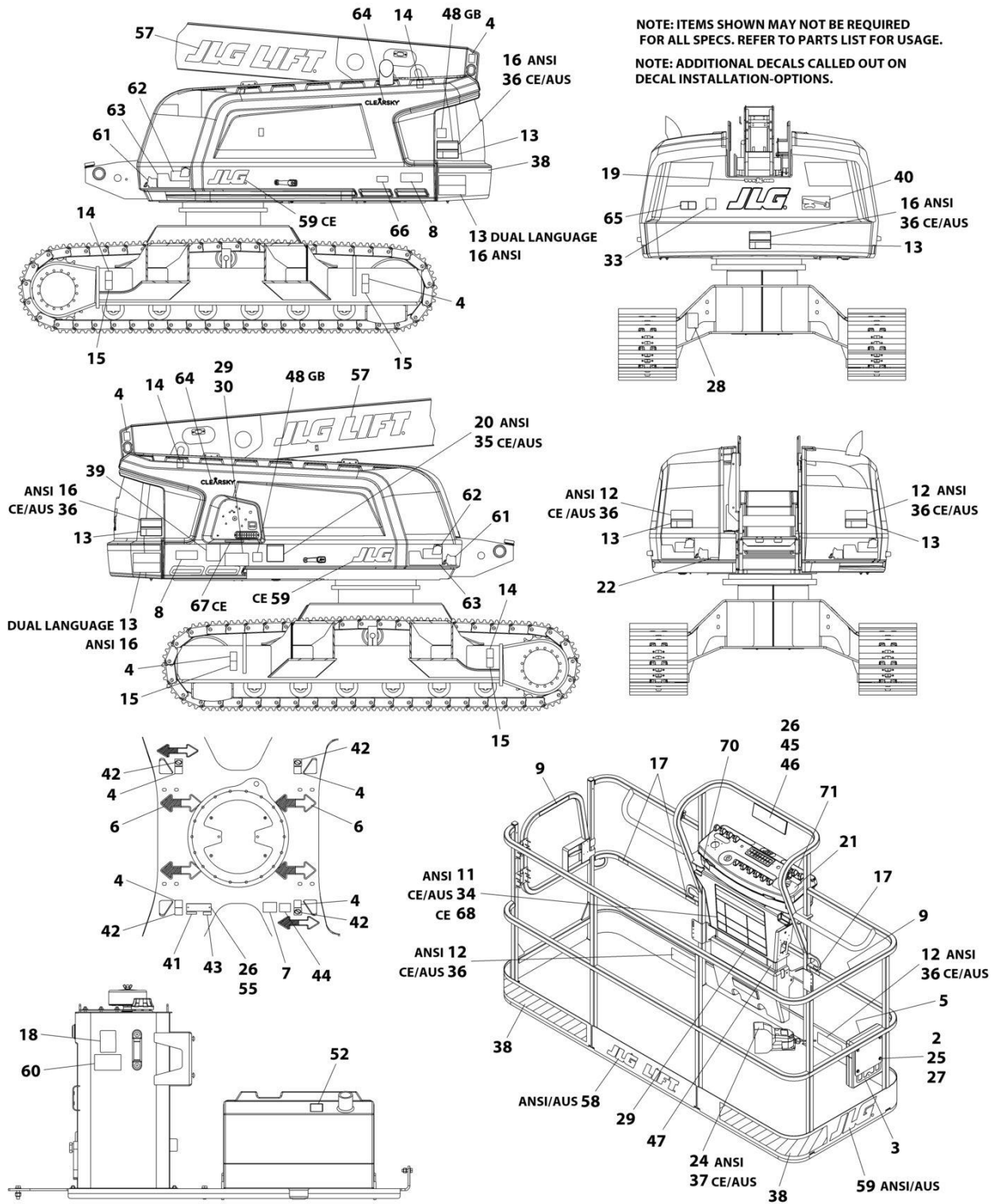




**SECTION 9 - DECALS**

# SECTION 9 - DECALS

## FIGURE 9-1. DECAL INSTALLATION - 660SJC (ANSI SPECS - ENGLISH LANGUAGE)



ART\_1001250792

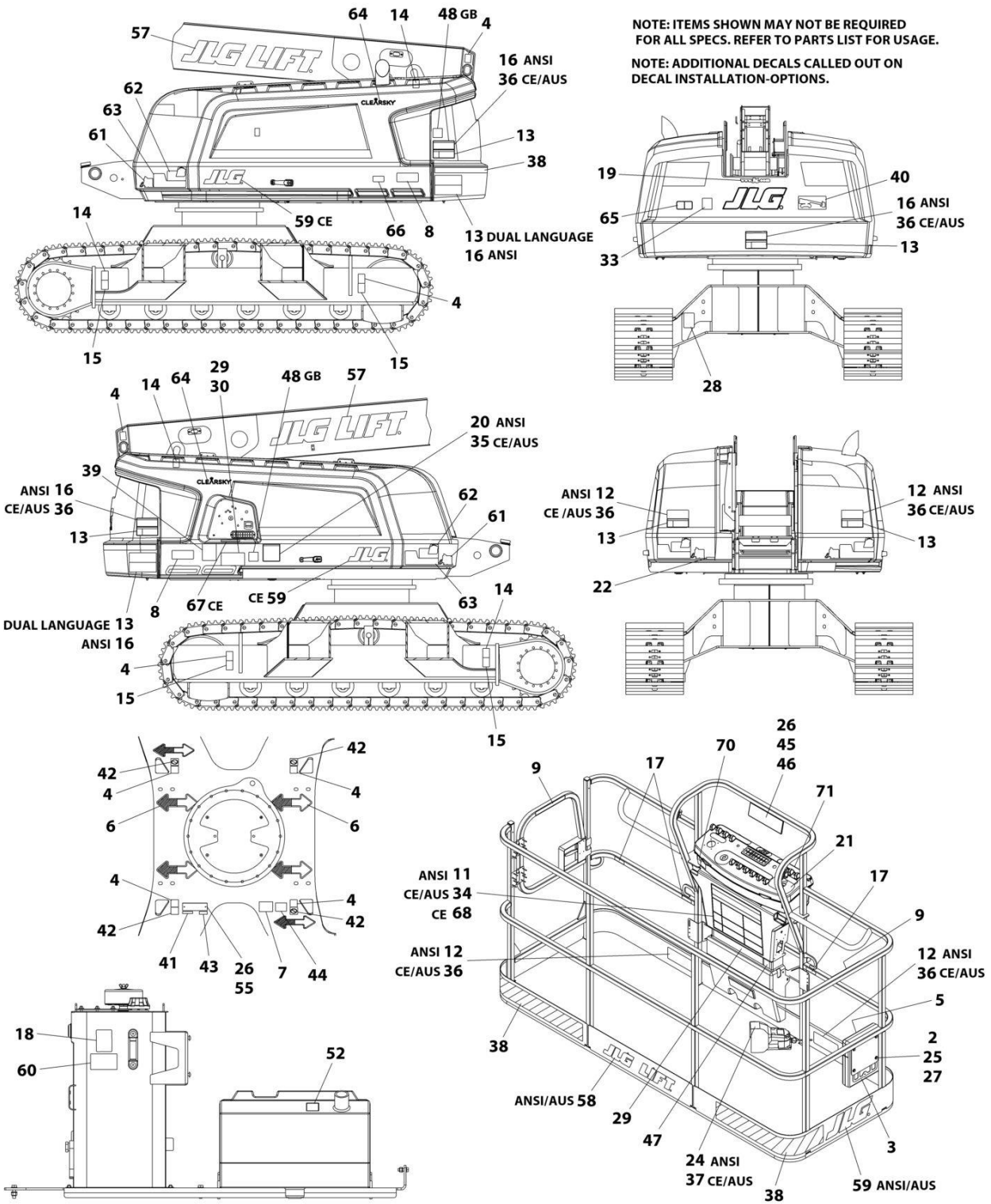
## SECTION 9 - DECALS

**FIGURE 9-1. DECAL INSTALLATION - 660SJC (ANSI SPECS - ENGLISH LANGUAGE)**

ITEM	PART NUMBER	QTY	DESCRIPTION	REV
	1001250792	Ref	DECAL INSTALLATION	E
2	0700610	4	Bolt M6 x 20	
3	91403230	1	Box, Manual Storage	
4	1701499	4	Decal - No Lifting	
5	1701509	1	Decal - Manual	
6	1701529	6	Decal - Arrow	
7	See Note	NSS	Decal - Bar Code (Note: Not Available For Purchase)	
8	1001267317	2	Decal - 660SJC	
9	1702868	2	Decal - No Hand	
11	1703797	1	Decal - Warning/Danger	
12	1703804	4	Decal - Warning Crushing	
13	1703805	5	Decal - Electrocution	
14	1703811	4	Decal - Lifting Lug	
15	1703814	4	Decal - Tie Down	
16	1703953	3	Decal - Warning Crushing	
17	1704277	3	Decal - Lanyard Attach	
18	1704412	1	Decal - Hydraulic Oil Chart	
19	1704885	1	Decal - Website	
20	1705336	1	Decal - Warning Inspection	
21	1705351	1	Decal - Drive/Steer Instruction	
22	3251243	1	Decal - Nameplate	
24	3252347	1	Decal - Foot Switch	
25	3290605	4	Nut M6	
26	3820001	5	Rivet	
27	4811700	8	Washer M6	
28	1001131269	1	Decal - Boom Lift	
29	1001255220	1	Decal - Warning Dual Cap	
30	1001255221	1	Decal - Warning Dual Cap	
38	4420051	AR	Tape, Safety	
40	1001228613	1	Decal - Lift Diagram	
42	1704461	4	Decal - No Tie Down	
43	1001223453	1	Decal - ICES	
44	1001223055	1	Decal - Yearly Inspection	
45	3572044	1	Decal - Mounting	
46	1704468	1	Decal - Motion Hazard	
71	1001184618	1	Decal - Stop and Auxiliary Power	

# SECTION 9 - DECALS

## FIGURE 9-2. DECAL INSTALLATION - 660SJC (BRAZIL SPECS - PORTUGUESE/SPANISH LANGUAGES)



ART\_1001250798

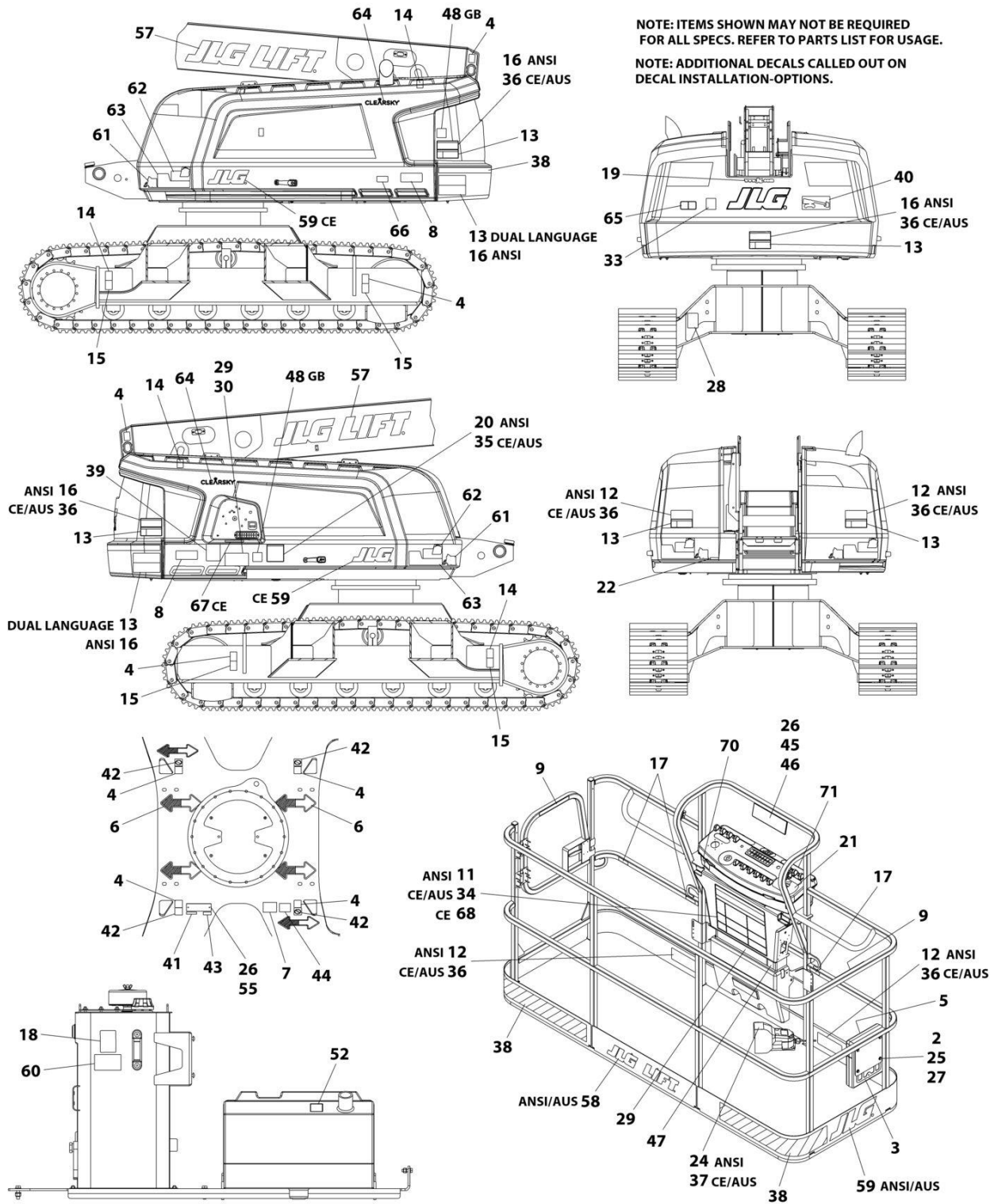
## SECTION 9 - DECALS

**FIGURE 9-2. DECAL INSTALLATION - 660SJC (BRAZIL SPECS - PORTUGUESE/SPANISH LANGUAGES)**

ITEM	PART NUMBER	QTY	DESCRIPTION	REV
	1001250798	Ref	DECAL INSTALLATION	E
2	0700610	4	Bolt M6 x 20	
3	91403230	1	Box, Manual Storage	
4	1701499	4	Decal - No Lifting	
5	1701509	1	Decal - Manual	
6	1701529	6	Decal - Arrow	
7	See Note	NSS	Decal - Bar Code (Note: Not Available For Purchase)	
8	1001267317	2	Decal - 660SJC	
9	1704002	2	Decal - No Hand	
11	1703928	1	Decal - Warning/Danger	
12	1703952	4	Decal - Warning Crushing	
13	1703940	5	Decal - Electrocution	
14	1703811	4	Decal - Lifting Lug	
15	1703814	4	Decal - Tie Down	
16	1703946	3	Decal - Warning Crushing	
17	1704277	3	Decal - Lanyard Attach	
18	1704412	1	Decal - Hydraulic Oil Chart	
19	1704885	1	Decal - Website	
20	1705349	1	Decal - Warning Inspection	
21	1001113680	1	Decal - Drive/Steer Instruction	
22	3251243	1	Decal - Nameplate	
24	1703985	1	Decal - Foot Switch	
25	3290605	4	Nut M6	
26	3820001	5	Rivet	
27	4811700	8	Washer M6	
29	1001255230	1	Decal - Warning Dual Cap	
30	1001255231	1	Decal - Warning Dual Cap	
38	4420051	AR	Tape, Safety	
40	1001228613	1	Decal - Lift Diagram	
42	1704461	4	Decal - No Tie Down	
44	1001224052	1	Decal - Yearly Inspection	
45	1001093553	1	Decal - Mounting	
46	1001233313	1	Decal - Motion Hazard	
71	1001184618	1	Decal - Stop and Auxiliary Power	

# SECTION 9 - DECALS

## FIGURE 9-3. DECAL INSTALLATION - 660SJC (CE & UK CA SPECS - ENGLISH LANGUAGE)



ART\_1001250796

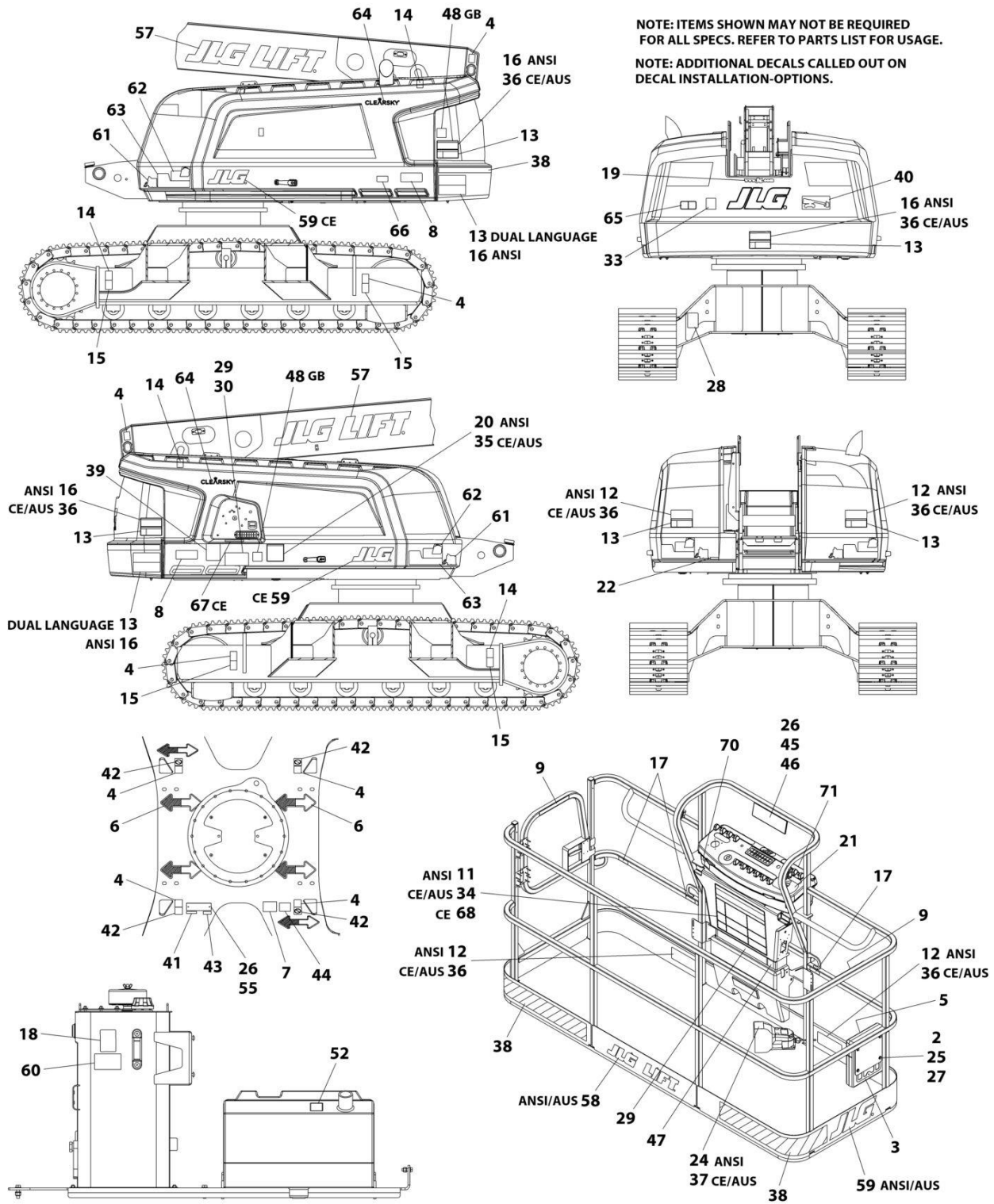
## SECTION 9 - DECALS

**FIGURE 9-3. DECAL INSTALLATION - 660SJC (CE & UK CA SPECS - ENGLISH LANGUAGE)**

ITEM	PART NUMBER	QTY	DESCRIPTION	REV
	1001250796	Ref	DECAL INSTALLATION	E
2	0700610	4	Bolt M6 x 20	
3	91403230	1	Box, Manual Storage	
4	1701499	4	Decal - No Lifting	
5	1701509	1	Decal - Manual	
6	1701529	6	Decal - Arrow	
7	See Note	NSS	Decal - Bar Code (Note: Not Available For Purchase)	
8	1001267317	2	Decal - 660SJC	
13	1705961	5	Decal - Electrocution	
14	1703811	4	Decal - Lifting Lug	
15	1703814	4	Decal - Tie Down	
17	1704277	3	Decal - Lanyard Attach	
18	1704412	1	Decal - Hydraulic Oil Chart	
25	3290605	4	Nut M6	
26	3820001	5	Rivet	
27	4811700	8	Washer M6	
29	1001194236	2	Decal - Warning Max Cap	
34	1705921	1	Decal - Tipping/Electric	
35	1705822	1	Decal - Safety Manual	
36	1701518	7	Decal - Chrushing	
37	1705828	1	Decal - Footswitch	
38	4420051	AR	Tape, Safety	
40	1001228613	1	Decal - Lift Diagram	
42	1704461	4	Decal - No Tie Down	
45	3572044	1	Decal - Mounting	
46	1001202228	1	Decal - Motion Hazard	
57	1001159323	2	Decal - JLG	
59	1702773	3	Decal - JLG	
71	1001184618	1	Decal - Stop and Auxiliary Power	

# SECTION 9 - DECALS

## FIGURE 9-4. DECAL INSTALLATION - 660SJC (CHINESE SPECS - ENGLISH/SIMPLIFIED CHINESE LANGUAGES)



ART\_1001250802



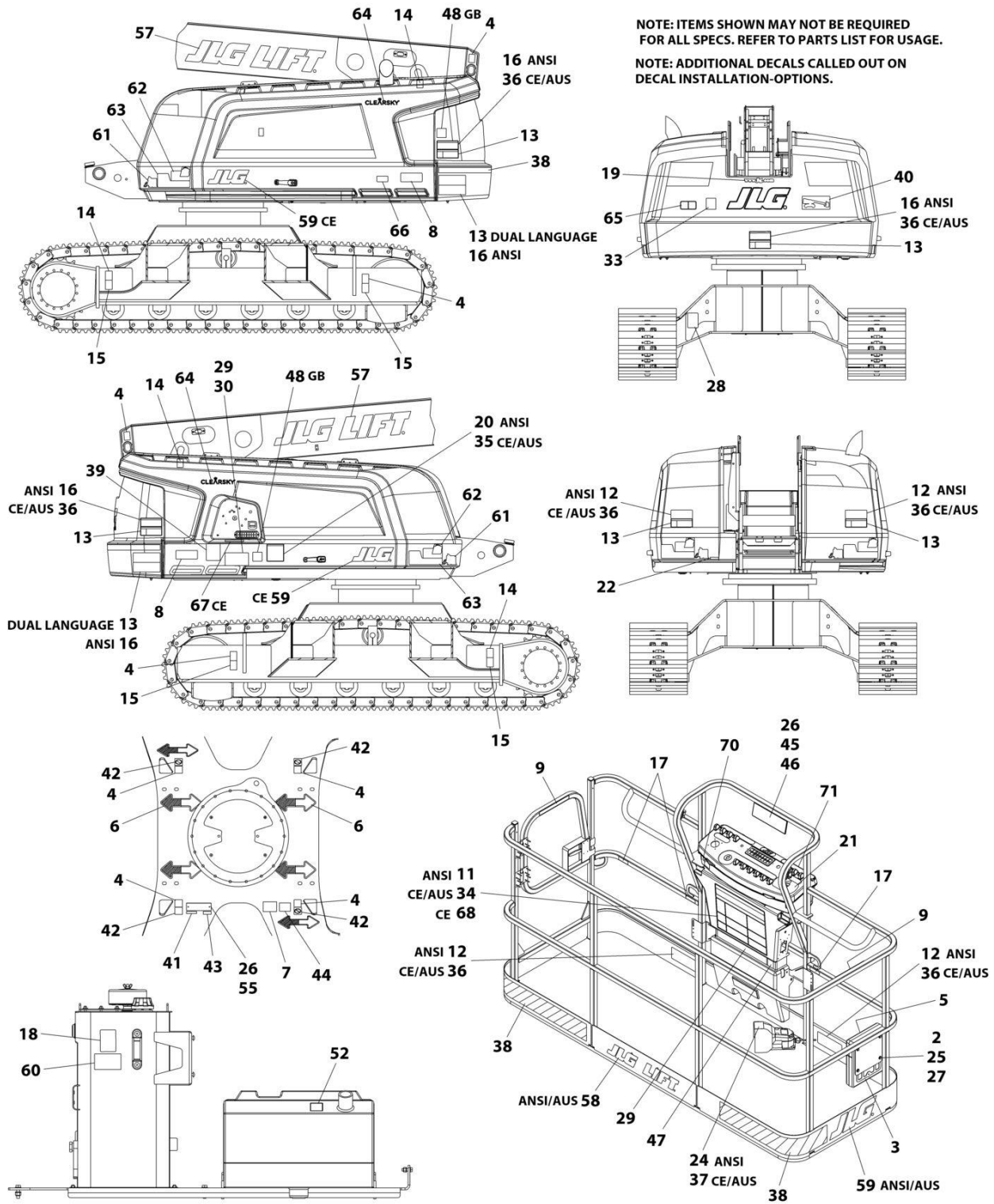
## SECTION 9 - DECALS

**FIGURE 9-4. DECAL INSTALLATION - 660SJC (CHINESE SPECS - ENGLISH/SIMPLIFIED CHINESE LANGUAGES)**

ITEM	PART NUMBER	QTY	DESCRIPTION	REV
	1001250802	Ref	DECAL INSTALLATION	E
2	0700610	4	Bolt M6 x 20	
3	91403230	1	Box, Manual Storage	
4	1701499	4	Decal - No Lifting	
5	1701509	1	Decal - Manual	
6	1701529	6	Decal - Arrow	
7	See Note	NSS	Decal - Bar Code (Note: Not Available For Purchase)	
8	1001267317	2	Decal - 660SJC	
9	1705968	2	Decal - No Hand	
11	1001116847	1	Decal - Warning/Danger	
12	1001116850	4	Decal - Warning Crushing	
13	1703937	5	Decal - Electrocution	
14	1703811	4	Decal - Lifting Lug	
15	1703814	4	Decal - Tie Down	
16	1001116845	3	Decal - Warning Crushing	
17	1704277	3	Decal - Lanyard Attach	
18	1704412	1	Decal - Hydraulic Oil Chart	
19	1704885	1	Decal - Website	
20	1001116848	1	Decal - Warning Inspection	
21	1705430	1	Decal - Drive/Steer Instruction	
22	3251243	1	Decal - Nameplate	
24	1001116852	1	Decal - Foot Switch	
25	3290605	4	Nut M6	
26	3820001	5	Rivet	
27	4811700	8	Washer M6	
29	1001255228	1	Decal - Warning Dual Cap	
30	1001255229	1	Decal - Warning Dual Cap	
38	4420051	AR	Tape, Safety	
40	1001228613	1	Decal - Lift Diagram	
42	1704461	4	Decal - No Tie Down	
44	1001224051	1	Decal - Yearly Inspection	
45	1001093553	1	Decal - Mounting	
46	1001116963	1	Decal - Motion Hazard	
71	1001184618	1	Decal - Stop and Auxiliary Power	

# SECTION 9 - DECALS

## FIGURE 9-5. DECAL INSTALLATION - 660SJC (CHINESE SPECS - ENGLISH/TRADITIONAL CHINESE LANGUAGES)



ART\_1001250800

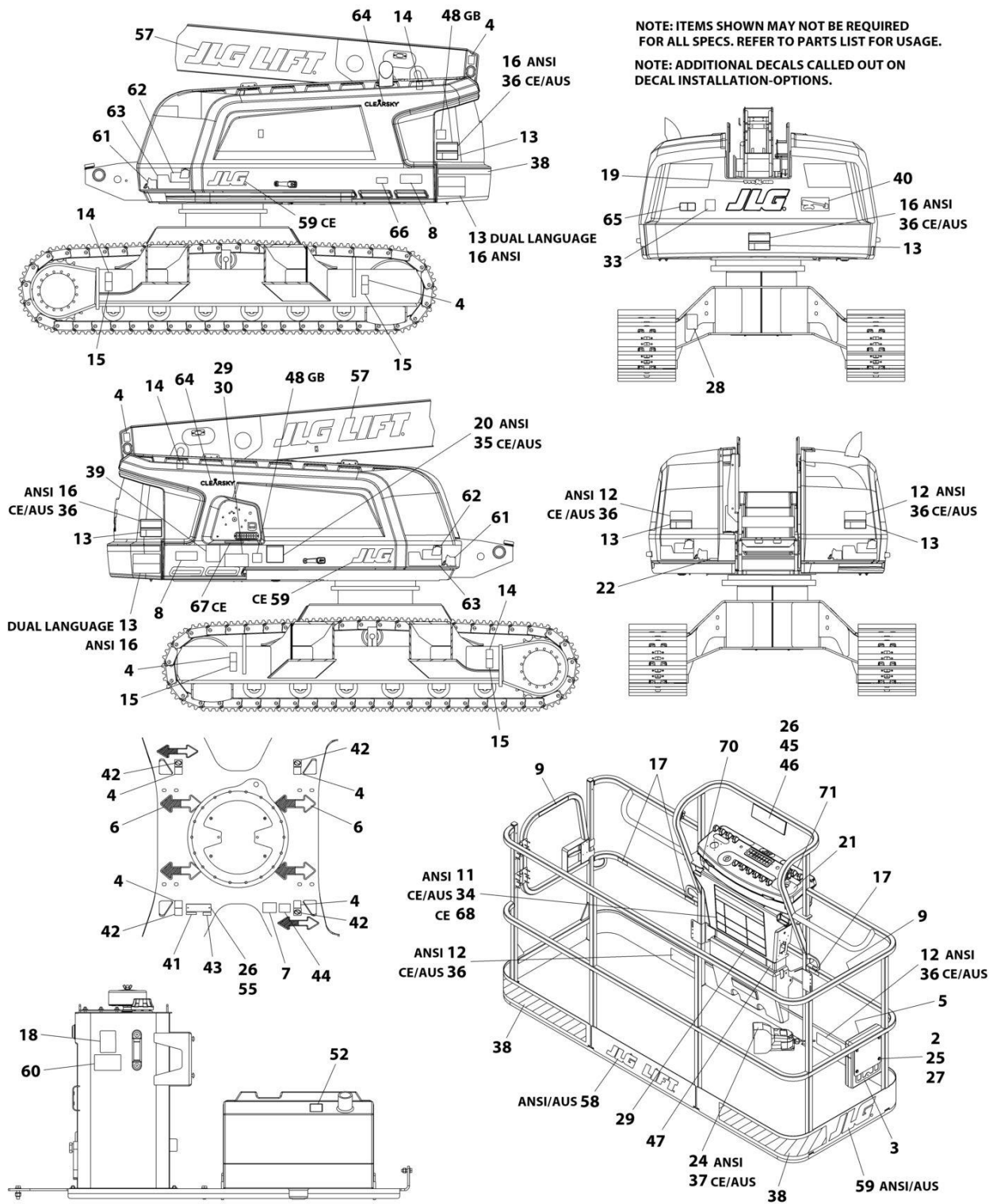
## SECTION 9 - DECALS

**FIGURE 9-5. DECAL INSTALLATION - 660SJC (CHINESE SPECS - ENGLISH/TRADITIONAL CHINESE LANGUAGES)**

ITEM	PART NUMBER	QTY	DESCRIPTION	REV
	1001250800	Ref	DECAL INSTALLATION	E
2	0700610	4	Bolt M6 x 20	
3	91403230	1	Box, Manual Storage	
4	1701499	4	Decal - No Lifting	
5	1701509	1	Decal - Manual	
6	1701529	6	Decal - Arrow	
7	See Note	NSS	Decal - Bar Code (Note: Not Available For Purchase)	
8	1001267317	2	Decal - 660SJC	
9	1001116846	2	Decal - No Hand	
11	1703925	1	Decal - Warning/Danger	
12	1703949	4	Decal - Warning Crushing	
13	1001116851	5	Decal - Electrocution	
14	1703811	4	Decal - Lifting Lug	
15	1703814	4	Decal - Tie Down	
16	1703943	3	Decal - Warning Crushing	
17	1704277	3	Decal - Lanyard Attach	
18	1704412	1	Decal - Hydraulic Oil Chart	
19	1704885	1	Decal - Website	
20	1001116849	1	Decal - Warning Inspection	
21	1001116863	1	Decal - Drive/Steer Instruction	
22	3251243	1	Decal - Nameplate	
24	1703982	1	Decal - Foot Switch	
25	3290605	4	Nut M6	
26	3820001	5	Rivet	
27	4811700	8	Washer M6	
29	1001255226	1	Decal - Warning Dual Cap	
30	1001255227	1	Decal - Warning Dual Cap	
38	4420051	AR	Tape, Safety	
40	1001228613	1	Decal - Lift Diagram	
42	1704461	4	Decal - No Tie Down	
44	1001224050	1	Decal - Yearly Inspection	
45	1001093553	1	Decal - Mounting	
46	1001116964	1	Decal - Motion Hazard	
71	1001184618	1	Decal - Stop and Auxiliary Power	

# SECTION 9 - DECALS

## FIGURE 9-6. DECAL INSTALLATION - 660SJC (CSA SPECS - ENGLISH/FRENCH LANGUAGES)



ART\_1001250794

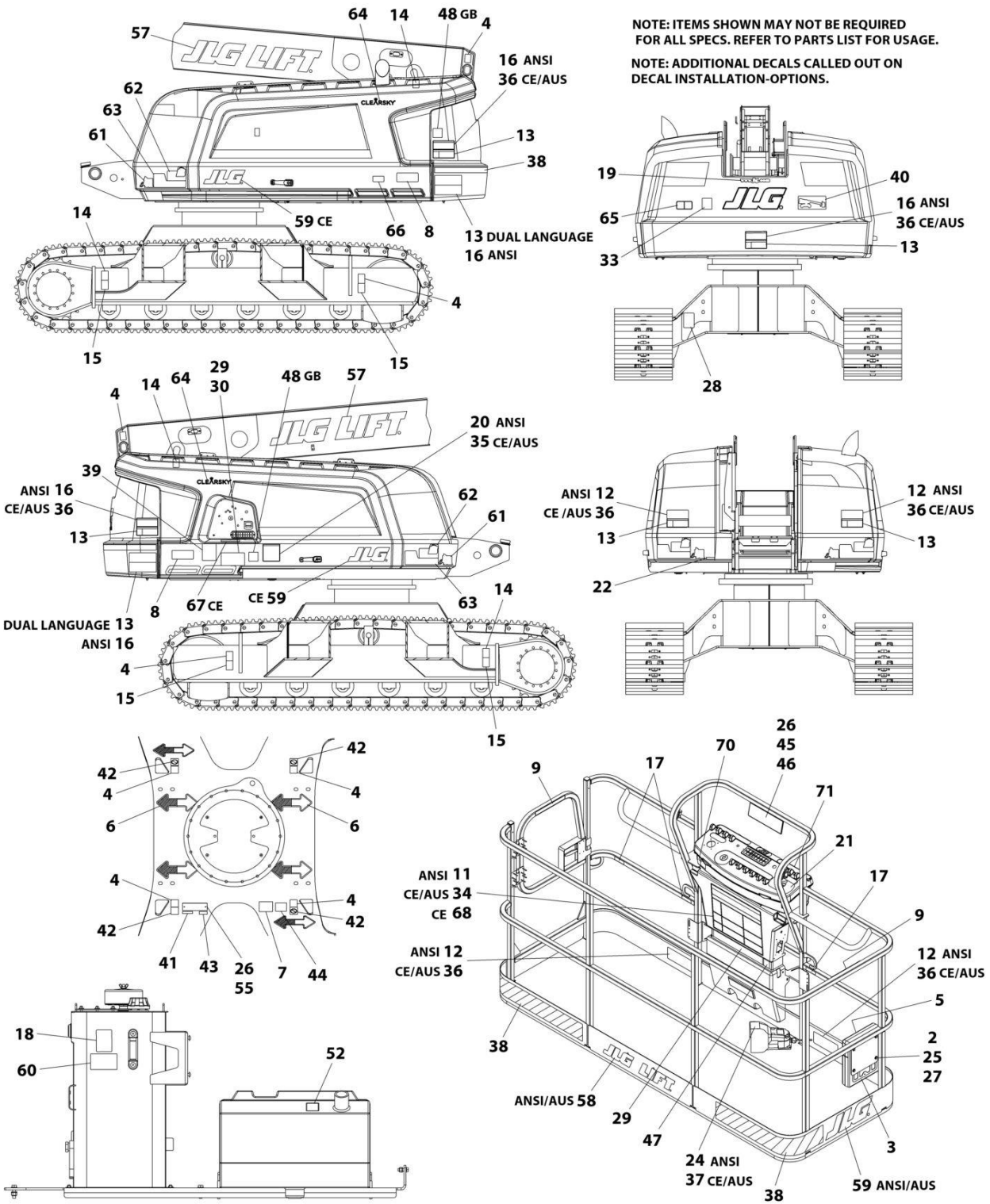
## SECTION 9 - DECALS

**FIGURE 9-6. DECAL INSTALLATION - 660SJC (CSA SPECS - ENGLISH/FRENCH LANGUAGES)**

ITEM	PART NUMBER	QTY	DESCRIPTION	REV
	1001250794	Ref	DECAL INSTALLATION	E
2	0700610	4	Bolt M6 x 20	
3	91403230	1	Box, Manual Storage	
4	1701499	4	Decal - No Lifting	
5	1701509	1	Decal - Manual	
6	1701529	6	Decal - Arrow	
7	See Note	NSS	Decal - Bar Code (Note: Not Available For Purchase)	
8	1001267317	2	Decal - 660SJC	
9	1704000	2	Decal - No Hand	
11	1703924	1	Decal - Warning/Danger	
12	1703948	4	Decal - Warning Crushing	
13	1703936	5	Decal - Electrocution	
14	1703811	4	Decal - Lifting Lug	
15	1703814	4	Decal - Tie Down	
16	1703942	3	Decal - Warning Crushing	
17	1704277	3	Decal - Lanyard Attach	
18	1704412	1	Decal - Hydraulic Oil Chart	
19	1704885	1	Decal - Website	
20	1705347	1	Decal - Warning Inspection	
21	1705429	1	Decal - Drive/Steer Instruction	
22	3251243	1	Decal - Nameplate	
24	1703984	1	Decal - Foot Switch	
25	3290605	4	Nut M6	
26	3820001	5	Rivet	
27	4811700	8	Washer M6	
28	1001131269	1	Decal - Boom Lift	
29	1001255222	1	Decal - Warning Dual Cap	
30	1001255223	1	Decal - Warning Dual Cap	
38	4420051	AR	Tape, Safety	
40	1001228613	1	Decal - Lift Diagram	
42	1704461	4	Decal - No Tie Down	
43	1001223453	1	Decal - ICES	
44	1001223971	1	Decal - Yearly Inspection	
45	1001093553	1	Decal - Mounting	
46	1001093684	1	Decal - Motion Hazard	
71	1001184618	1	Decal - Stop and Auxiliary Power	

# SECTION 9 - DECALS

## FIGURE 9-7. DECAL INSTALLATION - 660SJC (JAPANESE SPECS - ENGLISH/JAPANESE LANGUAGES)



ART\_1001250804

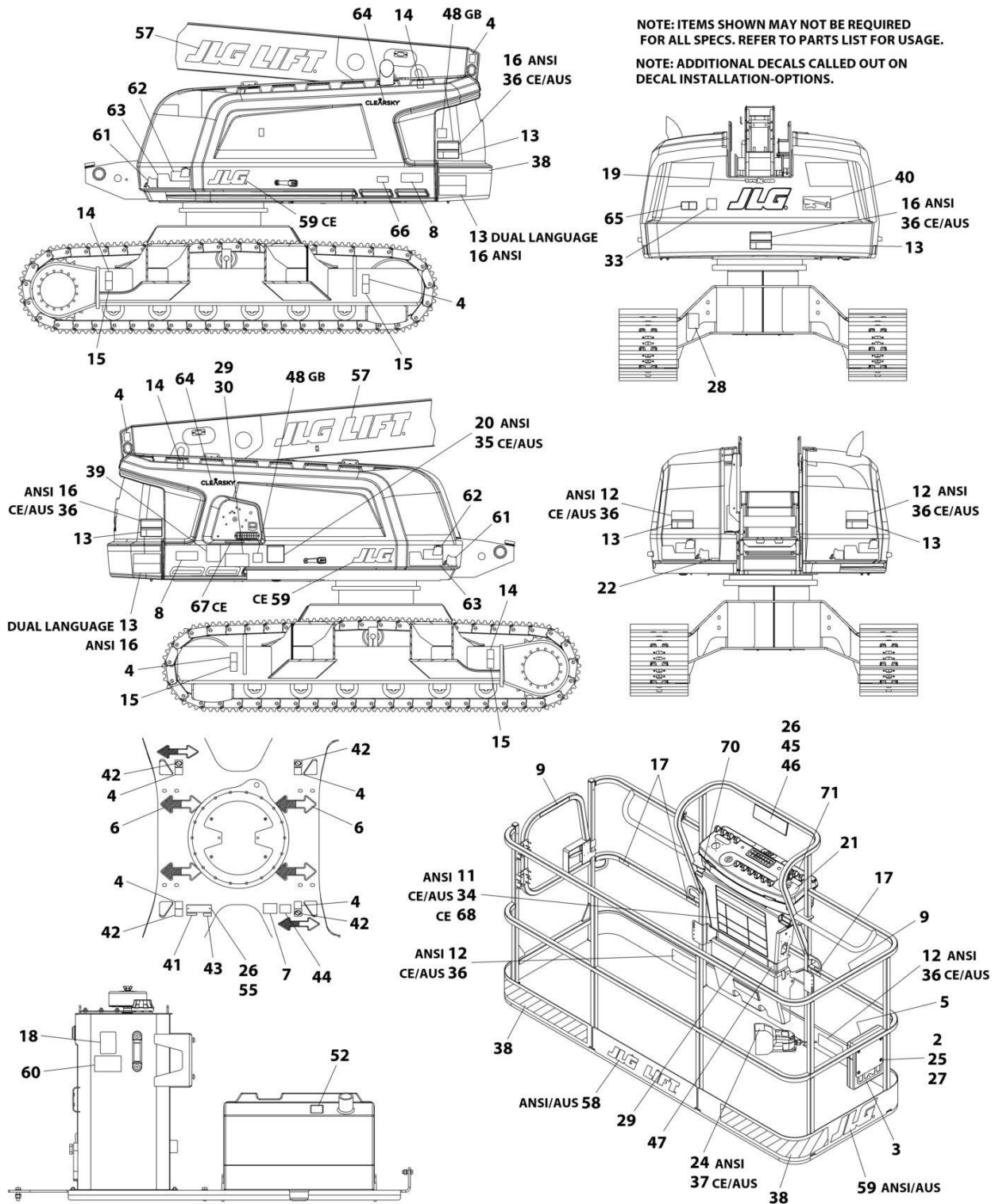
## SECTION 9 - DECALS

**FIGURE 9-7. DECAL INSTALLATION - 660SJC (JAPANESE SPECS - ENGLISH/JAPANESE LANGUAGES)**

ITEM	PART NUMBER	QTY	DESCRIPTION	REV
	1001250804	Ref	DECAL INSTALLATION	E
2	0700610	4	Bolt M6 x 20	
3	91403230	1	Box, Manual Storage	
4	1701499	4	Decal - No Lifting	
5	1701509	1	Decal - Manual	
6	1701529	6	Decal - Arrow	
7	See Note	NSS	Decal - Bar Code (Note: Not Available For Purchase)	
8	1001267317	2	Decal - 660SJC	
11	1703926	1	Decal - Warning/Danger	
12	1703950	1	Decal - Warning Crushing	
13	1703938	1	Decal - Electrocution	
14	1703811	4	Decal - Lifting Lug	
15	1703814	4	Decal - Tie Down	
16	1703944	1	Decal - Warning Crushing	
17	1704277	3	Decal - Lanyard Attach	
18	1704412	1	Decal - Hydraulic Oil Chart	
19	1704885	1	Decal - Website	
20	1705344	1	Decal - Warning Inspection	
21	1705426	1	Decal - Drive/Steer Instruction	
22	3251243	1	Decal - Nameplate	
24	1703980	1	Decal - Foot Switch	
25	3290605	4	Nut M6	
26	3820001	5	Rivet	
27	4811700	8	Washer M6	
29	1001255234	1	Decal - Warning Dual Cap	
30	1001255235	1	Decal - Warning Dual Cap	
38	4420051	AR	Tape, Safety	
40	1001228613	1	Decal - Lift Diagram	
42	1704461	4	Decal - No Tie Down	
44	1001224053	1	Decal - Yearly Inspection	
45	1001093553	1	Decal - Mounting	
46	1001215285	1	Decal - Motion Hazard	
71	1001184618	1	Decal - Stop and Auxiliary Power	

# SECTION 9 - DECALS

FIGURE 9-8. DECAL INSTALLATION - 660SJC (KOREAN SPECS - ENGLISH/KOREAN LANGUAGES)



NOTE: ITEMS SHOWN MAY NOT BE REQUIRED FOR ALL SPECS. REFER TO PARTS LIST FOR USAGE.

NOTE: ADDITIONAL DECALS CALLED OUT ON DECAL INSTALLATION-OPTIONS.

ART\_1001250806



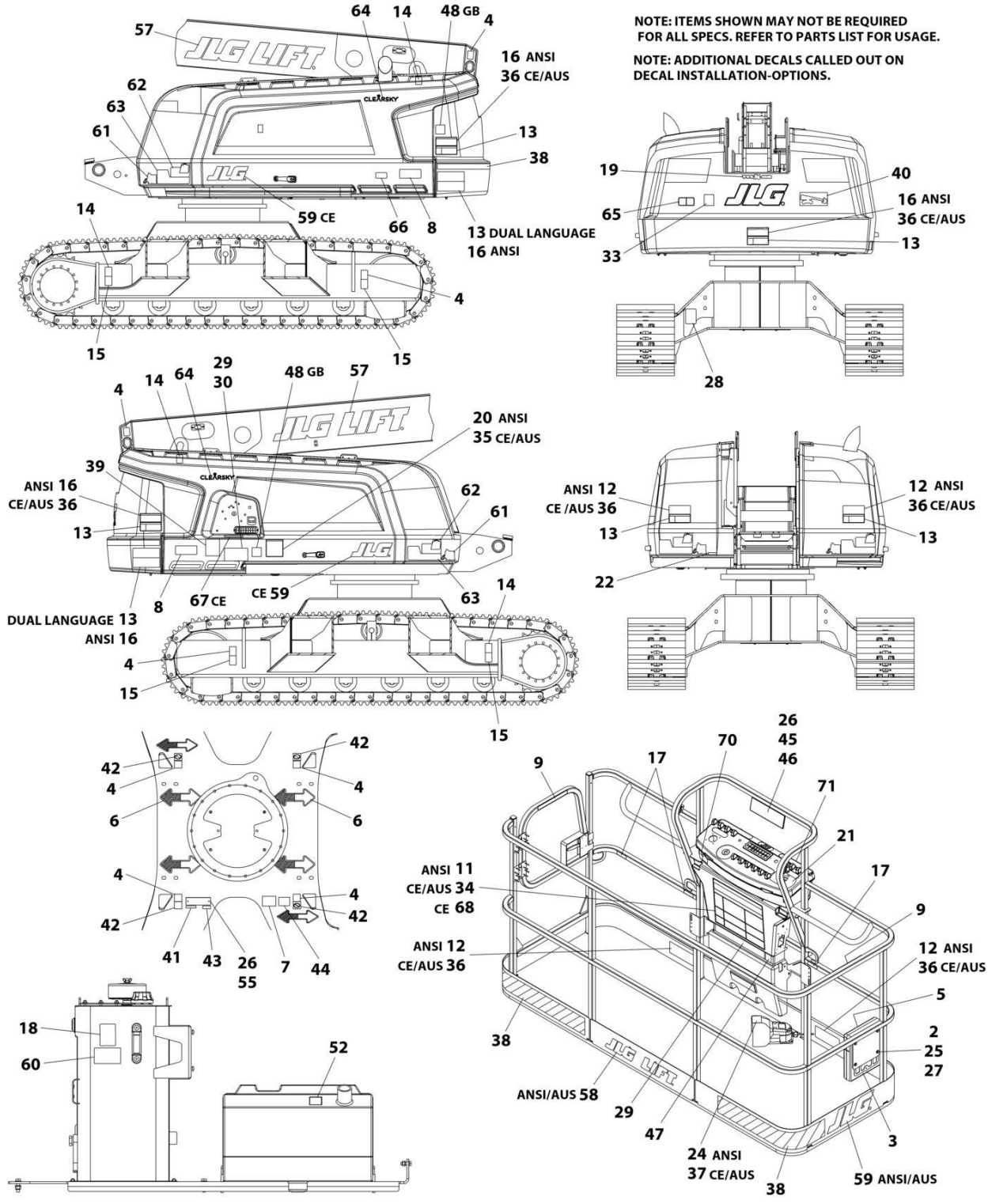
## SECTION 9 - DECALS

**FIGURE 9-8. DECAL INSTALLATION - 660SJC (KOREAN SPECS - ENGLISH/KOREAN LANGUAGES)**

ITEM	PART NUMBER	QTY	DESCRIPTION	REV
	1001250806	Ref	DECAL INSTALLATION	F
2	0700610	4	Bolt M6 x 20	
3	91403230	1	Box, Manual Storage	
4	1701499	4	Decal - No Lifting	
5	1701509	1	Decal - Manual	
6	1701529	6	Decal - Arrow	
7	See Note	NSS	Decal - Bar Code (Note: Not Available For Purchase)	
8	1001267317	2	Decal - 660SJC	
9	1705969	2	Decal - Caution No Hand	
11	1703927	1	Decal - Warning/Danger	
12	1703951	4	Decal - Warning Crushing	
13	1703939	5	Decal - Electrocution	
14	1703811	4	Decal - Lifting Lug	
15	1703814	4	Decal - Tie Down	
16	1703945	3	Decal - Warning Crushing	
17	1704277	3	Decal - Lanyard Attach	
18	1704412	1	Decal - Hydraulic Oil Chart	
19	1704885	1	Decal - Website	
20	1705345	1	Decal - Warning Inspection	
21	1705427	1	Decal - Drive/Steer Instruction	
22	3251243	1	Decal - Nameplate	
24	1703981	1	Decal - Foot Switch	
25	3290605	4	Nut M6	
26	3820001	5	Rivet	
27	4811700	8	Washer M6	
29	1001255224	1	Decal - Warning Dual Cap	
30	1001255225	1	Decal - Warning Dual Cap	
38	4420051	AR	Tape, Safety	
40	1001228613	1	Decal - Lift Diagram	
42	1704461	4	Decal - Lift Diagram	
44	1001224048	1	Decal - Yearly Inspection	
45	1001093553	1	Decal - Mounting	
46	1001215286	1	Decal - Motion Hazard	
71	1001184618	1	Decal - Stop and Auxiliary Power	

# SECTION 9 - DECALS

## FIGURE 9-9. DECAL INSTALLATION - 660SJC (LATIN AMERICA SPECS - ENGLISH/SPANISH LANGUAGES)



NOTE: ITEMS SHOWN MAY NOT BE REQUIRED FOR ALL SPECS. REFER TO PARTS LIST FOR USAGE.  
 NOTE: ADDITIONAL DECALS CALLED OUT ON DECAL INSTALLATION-OPTIONS.

ART\_1001254993

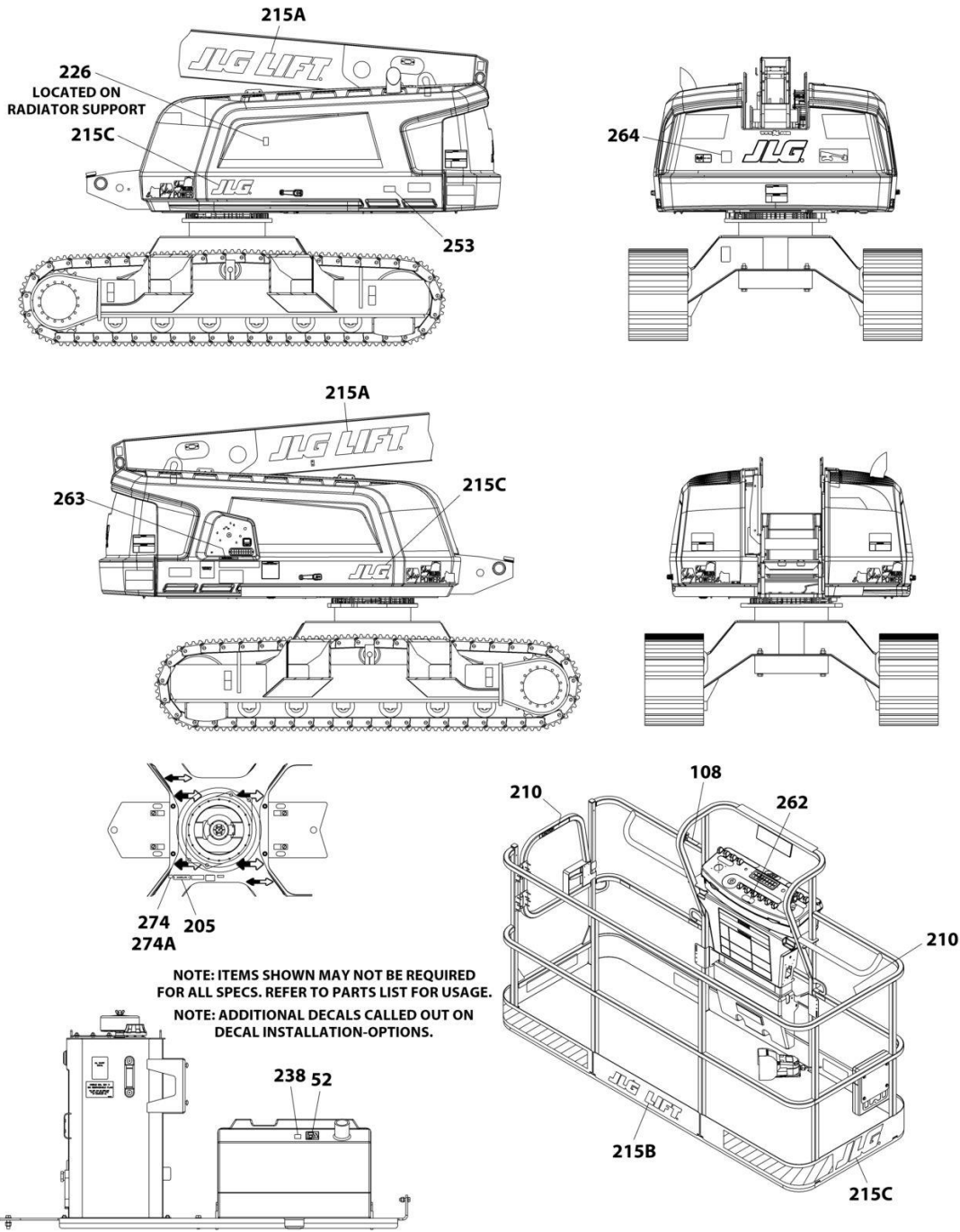
## SECTION 9 - DECALS

**FIGURE 9-9. DECAL INSTALLATION - 660SJC (LATIN AMERICA SPECS - ENGLISH/SPANISH LANGUAGES)**

ITEM	PART NUMBER	QTY	DESCRIPTION	REV
	1001254993	Ref	DECAL INSTALLATION	E
2	0700610	4	Bolt M6 x 20	
3	91403230	1	Box, Manual Storage	
4	1701499	4	Decal - No Lifting	
5	1701509	1	Decal - Manual	
6	1701529	6	Decal - Arrow	
7	See Note	NSS	Decal - Bar Code (Note: Not Available For Purchase)	
8	1001267317	2	Decal - 660SJC	
9	1704001	2	Decal - Caution No Hand	
11	1703923	1	Decal - Warning/Danger	
12	1703947	4	Decal - Warning Crushing	
13	1703935	5	Decal - Electrocution	
14	1703811	4	Decal - Lifting Lug	
15	1703814	4	Decal - Tie Down	
16	1703941	3	Decal - Warning Crushing	
17	1704277	3	Decal - Lanyard Attach	
18	1704412	1	Decal - Hydraulic Oil Chart	
19	1704885	1	Decal - Website	
20	1705917	1	Decal - Warning Inspection	
21	1705910	1	Decal - Drive/Steer Instruction	
22	3251243	1	Decal - Nameplate	
24	1703983	1	Decal - Foot Switch	
25	3290605	4	Nut M6	
26	3820001	5	Rivet	
27	4811700	8	Washer M6	
29	1001255232	1	Decal - Warning Dual Cap	
30	1001255233	1	Decal - Warning Dual Cap	
38	4420051	AR	Tape, Safety	
40	1001228613	1	Decal - Lift Diagram	
44	1001224049	1	Decal - Yearly Inspection	
45	1001093553	1	Decal - Mounting	
46	1001233312	1	Decal - Motion Hazard	
71	1001184618	1	Decal - Stop and Auxiliary Power	

# SECTION 9 - DECALS

## FIGURE 9-10. DECAL INSTALLATION - OPTIONS



ART\_DECAL\_OPTIONS

## SECTION 9 - DECALS

### FIGURE 9-10. DECAL INSTALLATION - OPTIONS

ITEM	PART NUMBER	QTY	DESCRIPTION	REV
	1001256735	1	DECAL INSTALLATION - REFERENCE CHART	E
	1001250516	1	DECAL INSTALLATION - OPTIONS	H
52	1701505	1	Decal - Diesel Fuel	
108	1001231801	1	Decal - Proposition 65 Warning (Diesel Engines)	
205	See Note	NSS	Nameplate - Manufacturers Serial Number (Note: Not Available for Purchase)	
210		Ref	Decal - No Hands Options (Machines with Platform Mesh/Soft-Touch Options):	
210	1702868	2	Decal - No Hands (ANSI, ANSI Export, Australian, CE & UK CA Specs) (English Language)	
210	1704002	2	Decal - No Hands (Brazil Specs) (Portuguese and Spanish Languages)	
210	1705968	2	Decal - No Hands (China Specs) (English and Simplified Chinese Languages)	
210	1001116846	2	Decal - No Hands (China Specs) (English and Traditional Chinese Languages)	
210	1704000	2	Decal - No Hands (CSA Specs) (English and French Languages)	
210	1705969	2	Decal - No Hands (Korean Specs) (English and Korean Languages)	
210	1704001	2	Decal - No Hands (Latin American Specs) (English and Spanish Languages)	
215	1001206816	1	Decal Installation - JLG Logo (Not Shown)	A
215A	1702861	2	Decal - JLG Lift	
215B	1702774	1	Decal - JLG Lift	
215C	1702773	AR	Decal - JLG	
226		Ref	Decal - Warning Explosion/Fire Options (Diesel Engine Machines Only):	
226	1704972	1	Decal - Warning Explosion/Fire (ANSI and ANSI Export Specs)	
226	1706098	1	Decal - Warning Explosion/Fire (Australian, CE & UK CA Specs)	
226	1706059	1	Decal - Warning Explosion/Fire (Brazil Spec - Dual Language English/Portuguese)	
226	1706060	1	Decal - Warning Explosion/Fire (Chinese Spec - Dual Language English/Chinese)	
226	1706064	1	Decal - Warning Explosion/Fire (CSA Spec - Dual Language English/French)	
226	1706062	1	Decal - Warning Explosion/Fire (Japanese Spec - Dual Language English/Japanese)	
226	1706061	1	Decal - Warning Explosion/Fire (Korean Spec - Dual Language English/Korean)	
226	1706063	1	Decal - Warning Explosion/Fire (Latin American - Dual Language English/Spanish)	
238	1001125387	1	Decal - Ultra Low Sulfur Fuel (ANSI and CSA Specs)	
238	1001139654	1	Decal - Ultra Low Sulfur Fuel (ANSI Export HRC, Japanese, CE & UK CA Specs)	
253	1001143852	1	Decal - Emission Compliance (Machines with Diesel Engines) (ANSI Export Specs) (Not Shown)	
262	1001141300	1	Decal - SkyGuard Override (Without Soft-Touch)	
263	1001197408	1	Decal - MSSO (CE & UK CA Specs)	
264	1705084	1	Decal - Sound Power - 104Db (Deutz D2011L04 Engines) (CIS, Russia, CE & UK CA Specs)	
264	1001191525	1	Decal - Sound Power - 108Db (Deutz DT2.9L4 Stage V Engine) (CE & UK CA Specs)	

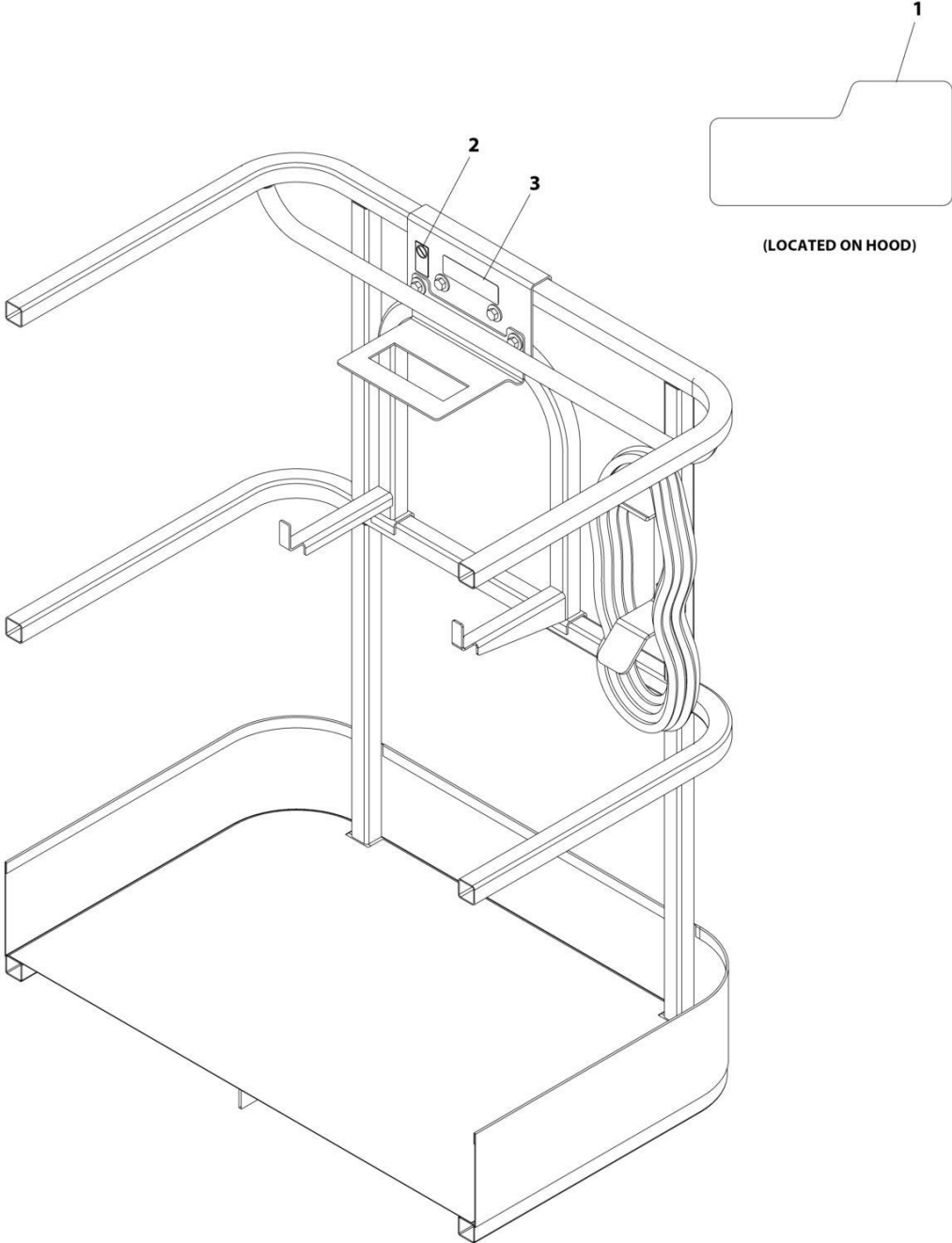
## SECTION 9 - DECALS

ITEM	PART NUMBER	QTY	DESCRIPTION	REV
264	1705515	1	Decal - Sound Power - 109Db (Deutz DT2.9L4 Engines) (ANSI, ANSI Export, CSA and Japanese Specs)	
274	1001214030	1	Decal - EAC Installation (CIS and Russia Specs)	
274A	1001173703	1	Decal - EAC	



**SECTION 9 - DECALS**

**FIGURE 9-11. SKYWELDER DECAL INSTALLATION - 50HZ (AUSTRALIAN, CE & UK CA SPECS)**



(LOCATED ON HOOD)

ART\_0272588



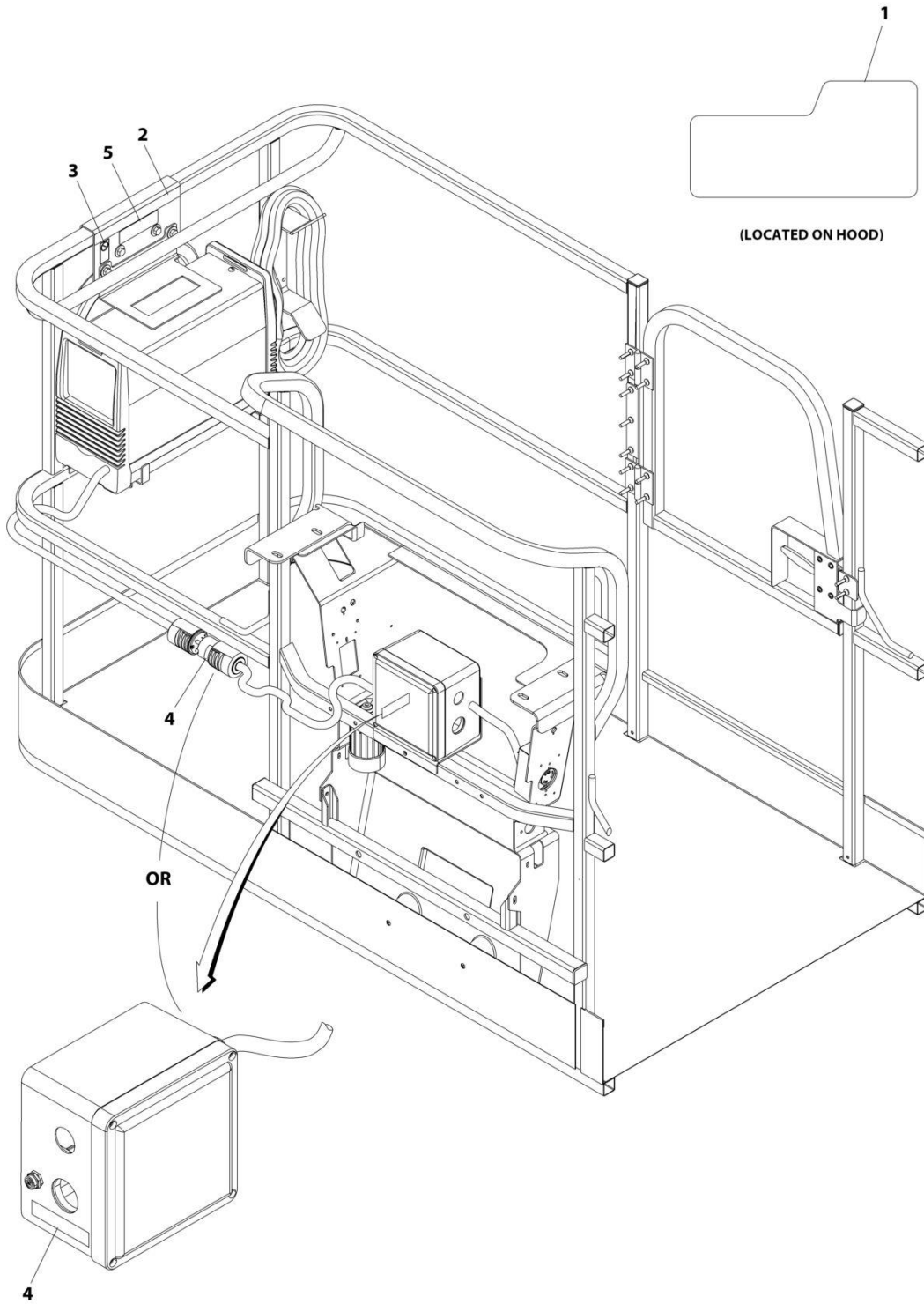
## SECTION 9 - DECALS

**FIGURE 9-11. SKYWELDER DECAL INSTALLATION - 50HZ (AUSTRALIAN, CE & UK CA SPECS)**

ITEM	PART NUMBER	QTY	DESCRIPTION	REV
	0272588	Ref	SKYWELDER DECAL INSTALLATION - 50Hz	B
1	1705355	2	Decal - SkyWelder	
2	1705305	1	Decal - Weld Lead	
3	1001228988	1	Decal - Weight	

# SECTION 9 - DECALS

FIGURE 9-12. SKYWELDER DECAL INSTALLATION - 60HZ (ALL SPECS EXCEPT AUSTRALIAN, CE & UK CA SPECS)



ART\_0272448\_C

## SECTION 9 - DECALS

**FIGURE 9-12. SKYWELDER DECAL INSTALLATION - 60HZ (ALL SPECS EXCEPT AUSTRALIAN, CE & UK CA SPECS)**

ITEM	PART NUMBER	QTY	DESCRIPTION	REV
	0272448	Ref	SKYWELDER DECAL INSTALLATION - 60Hz	C
1	1705355	2	Decal - SkyWelder	
2	1702868	1	Decal - No Hands	
3	1705305	1	Decal - Weld Lead	
4	1705375	1	Decal - 240V - 3 Phase - 60Hz	
5	1001228988	1	Decal - Weight	



**SECTION 10 - RECOMMENDED SERVICE PARTS STOCK**

**SECTION 10 - RECOMMENDED SERVICE PARTS STOCK**

# SECTION 10 - RECOMMENDED SERVICE PARTS STOCK

## FIGURE 10-1. RECOMMENDED SERVICE PARTS STOCK

ITEM	PART NUMBER	QTY	DESCRIPTION	REV
		Ref	Note: The following list will service one machine (built to current production per date on the front cover) with emergency repair parts which can be installed in the field. Parts from the list should be replaced when inventory is depleted to keep service parts stock supplied. For further information, contact your JLG dealer or the JLG Industries Parts Department.	
	70010383	1	Element, Filter (Includes O-Ring)	
	4360070	1	Breaker, Circuit 15Amp (Machines with 4000W or 7500W Generator)	
	1001181045	1	Breaker, Circuit 16A (CE & UK CA Specs Machines with Single Breaker Box)	
	1001152479	1	Breaker, Circuit 16A Double (CE & UK CA Specs Machines with 3 Breaker Box)	
	1001152482	1	Breaker, Circuit 30mA (CE & UK CA Specs Machines with 3 Breaker Box)	
	70004653	1	Coil	
	80434249	1	Coil	
	70004595	1	Coil	
	70006122	1	Coil	
	70006004	1	Coil	
	1600359	1	Controller, Drive and Steer	
	1001129555	1	Controller, Lift and Swing	
	4360407	1	Controller, Speed	
	70004066	12	Element, Filter	
	70005335	12	Element, High Pressure Filter	
		Ref	ENGINE COMPONENTS - DEUTZ D2011	
	70004020	12	Element, AC Filter (Deutz D2011 Engines)	
	7016328	12	Element, Fuel Filter (Deutz D2011 Engines)	
	7016331	12	Element, Oil Filter (Deutz D2011 Engine)	
	7027795	1	Module, Engine Control (ECU) (Deutz D2011 Engines)	
		Ref	ENGINE COMPONENTS - DEUTZ TD2.9L4	
	70005008	12	Element, AC Filter (Deutz TD2.9L4 Engines)	
	1001225430	12	Element, Fuel Filter (Primary) (Deutz TD2.9L4 Engines)	
	1001225431	12	Element, Fuel Filter (Secondary) (Deutz TD2.9L4 Engines)	
	7016331	12	Element, Oil Filter (Deutz TD2.9L4 Engines)	
	70025210	1	Module, Engine Control (ECM/ECU) (Deutz TD2.9L4 Engines)	
		Ref	ENGINE COMPONENTS - DEUTZ TD2.9L4 (China Specs)	
	70005008	12	Element, AC Filter (Deutz TD2.9L4 Engines - China Specs)	
	1001225430	12	Element, Fuel Filter (Primary) (Deutz TD2.9L4 Engines - China Specs)	
	1001225432	12	Element, Fuel Filter (Secondary) (Deutz TD2.9L4 Engines - China Specs)	
	7016331	12	Element, Oil Filter (Deutz TD2.9L4 Engines - China Specs)	
	70025210	1	Module, Engine Control (ECM/ECU) (Deutz TD2.9L4 Engines - China Specs)	
		Ref	ENGINE COMPONENTS - DEUTZ TD2.9L4 (STAGE V PRE-BUY)	
	70005008	12	Element, AC Filter (Deutz TD2.9L4 Engines - STAGE V PRE-BUY)	
	70025153	12	Element, Fuel Filter (Deutz TD2.9L4 Engines - STAGE V PRE-BUY)	
	70025161	12	Element, Fuel Filter (Deutz TD2.9L4 Engines - STAGE V PRE-BUY)	

## SECTION 10 - RECOMMENDED SERVICE PARTS STOCK

ITEM	PART NUMBER	QTY	DESCRIPTION	REV
	7016331	12	Element, Oil Filter (Deutz TD2.9L4 Engines - STAGE V PRE-BUY)	
	70025210	1	Module, Engine Control (ECM/ECU) (Deutz TD2.9L4 Engines - STAGE V Pre-Buy)	
	1001117174	1	Footswitch Assembly	
	8229242	2	Fuse - 5Amp	
	2400064	2	Fuse - 5Amp (Deutz D2011 Engine Machines with 7500W SkyPower Generator)	
	80983191	2	Fuse - 10Amp (Deutz TD2.9L4 Engines)	
	8229244	2	Fuse - 15Amp	
	8229245	2	Fuse - 30Amp	
	70002814	12	Hydraulic Tank Service Kit	
	2860030	1 Set	Key, Replacement	
	2940074	1	Latch (Machines with Gate Entry Platform)	
	1001142683	1	Module (Used with Blue or Red Beacons)	
	1001187200	1	Module, Ground Control	
	1001185726	1	Module, Platform	
	1001095704	1	Relay	
	1001186431	1	Relay	
	3740067	1	Relay (Deutz D2011 Engines)	
	1001138228	1	Relay (Deutz TD2.9L4 Engines)	
	3740080	1	Relay (Machines with 2500W Generator)	
	70005683	1	Repair Section - Powertrack	
	1001219601	1	Sensor	
	1001211577	1	Sensor (Lower)	
	1001211579	1	Sensor (Upper) (660SJC)	
	1001170847	1	Sensor, Proximity	
	1001182570	1	Sensor, Proximity	
	4360469	1	Switch, Key	
	4360475	1	Switch, Mushroom	
	4360517	1	Switch, Proximity	
	1001214831	1	Switch, Proximity (Boom)	
	4360387	1	Switch, Push Button	
	1001137673	1	Switch, SkyGuard	
	1001155045	1	Switch, Toggle	
	1001159256	1	Switch, Toggle	
	1001161709	1	Switch, Toggle	
	4360336	1	Switch, Toggle (Generator Options)	





**SECTION 11 - SPECIAL OPTIONS/ACCESSORIES/KITS**

**SECTION 11 - SPECIAL OPTIONS/ACCESSORIES/KITS**

# SECTION 11 - SPECIAL OPTIONS/ACCESSORIES/KITS

FIGURE 11-1. SPECIAL OPTIONS/ACCESSORIES/KITS

ITEM	PART NUMBER	QTY	DESCRIPTION	REV
	Note	Ref	Note: This list is to accommodate machines ordered with special equipment. Options may not be applicable to all models. For more specific parts information contact JLG Parts Department.	
		Ref	SPECIAL OPTIONS/ACCESSORIES/KITS	
		Ref	Airline to Platform Installation Options:	
	1001193215	Ref	Airline Installation (Without Arctic Package)	
	1001194045	Ref	Airline Installation (With Arctic Package)	
	1001235884	Ref	Air Intake Shutoff Valve (Deutz TD2.9L4 Engines)	
	1001205024	Ref	Arctic Package Installation Kit - With Deutz TD2.9L4 Engines and Without SkyPower	
	1001205023	Ref	Arctic Package Installation Kit - With Deutz TD2.9L4 Engines and With SkyPower	
	1001189170	Ref	Bellows Installation - Boom	
	1001236701	Ref	Boom Cable/Hose Protection Installation	
	1001272836	Ref	Boom Cable / Hose Protection - Platform and Jib Installation	
	1001195235	Ref	Boom Wipers Installation	
		Ref	ClearSky Telematics (Dealer Installed)	
	1001242639	Ref	ClearSky Access Control Installation Kit (ANSI, ANSI Export, CE, CSA & UK CA Specs)	
	1001234099	Ref	ClearSky Telematics Kit (CE & UK CA Specs)	
	1001265378	Ref	ClearSky Telematics Kit (ANSI, ANSI Export and CSA Specs)	
	1001243184	Ref	ClearSky Telematics Kit (CE & UK CA Specs)	
	1001276923	Ref	ClearSky Telematics Kit (Contact JLG for Approved Countries)	
		Ref	Cold Weather Package Installation Options:	
	1001192489	Ref	Cold Weather Package Installation (Deutz TD2011L04 Engine Machines)	
	1001192475	Ref	Cold Weather Package Installation (Deutz TD2.9L4 Engine Machines)	
	1001255807	1	Cold Weather Package Installation (Deutz Stage V Engine Machines)	
		Ref	Decal Installations Options:	
	1001120992	Ref	Decal - ClearSky (ANSI Spec) (ANSI, ANSI Export, Australian, Brazilian, CSA, CE & UK CA Specs Only)	
	0257195	Ref	Decal - Government Warranty	
	1001200131	Ref	Decal - Quick Reference (Danish) (Lomax Rentals)	
	1001200129	Ref	Decal - Quick Reference (Dutch) (Lomax Rentals)	
	1001181145	Ref	Decal - Quick Reference (English) (Lomax Rentals)	
	1001200128	Ref	Decal - Quick Reference (French) (Lomax Rentals)	
	1001200130	Ref	Decal - Quick Reference (German) (Lomax Rentals)	
	1001200134	Ref	Decal - Quick Reference (Norwegian) (Lomax Rentals)	
	1001200133	Ref	Decal - Quick Reference (Spanish) (Lomax Rentals)	
	1001200132	Ref	Decal - Quick Reference (Swedish) (Lomax Rentals)	
		Ref	Decal Kits	
	1001272087	Ref	Platform Console Box Decal Kit	
		Ref	Electrical Connector Kits	
	1001148902	Ref	Amp/Tyco Electrical Connector Kit	
	1001148903	Ref	Deutsch DT Electrical Connector Kit	
	1001148904	Ref	Deutsch HD Electrical Connector Kit	
	1001148905	Ref	Packard Electrical Connector Kit	
	1001148906	Ref	Various Electrical Connectors Kit	

## SECTION 11 - SPECIAL OPTIONS/ACCESSORIES/KITS

ITEM	PART NUMBER	QTY	DESCRIPTION	REV
	1001220390	Ref	Engine Block Heater Installation (Ford Engine Machines)	
	1001192610	Ref	Fan Grille Installation (Deutz D2011 Engines)	
	1001192482	Ref	Fan Grille Installation (Deutz DT2.9L4 Engines)	
		Ref	Filter Kits:	
		Ref	Combined Filter Kit (Hydraulic/Air and Fuel/Engine Oil)	
	1001238962	1	Deutz D2011 Engines	
	1001238961	1	Deutz TD2.9L4 Engines	
	1001274833	Ref	Floor Mat Add-on Kit (30x48 Platform) (Dealer Installed)	
	1001274832	Ref	Floor Mat Add-on Kit (30x60 Platform) (Dealer Installed)	
	1001274830	Ref	Floor Mat Add-on Kit (36x72 Platform) (Dealer Installed)	
	1001274829	Ref	Floor Mat Add-on Kit (36x96 Platform) (Dealer Installed)	
	1001117294	Ref	Footswitch Shield (Note: Move Decal to Shield)	
	1001202749	Ref	Fuel Cap Cover Installation (Black) (Note: Lock p/n 1001102157 must be Purchased Separately)	
	1001191395	Ref	Fuel Cap Cover Installation (Green) (Note: Lock p/n 1001102157 must be Purchased Separately)	
		Ref	Hood (Steel) Replacement Kit	
	1001126286	Ref	Deutz Engine Machines	
	1001265700	Ref	Hydraulic Tank Lock	
	1001268737	Ref	Jib Link Service Kit	
	1001148971	Ref	Lanyard (Bolt-On) Kit Installation	
	1001271456	Ref	Lift Cylinder Enhancement Kit	
	1001249437	Ref	Lift Cylinder Valve Kit	
		Ref	Light Options:	
	1001190717	Ref	Headlights & Taillights Installation	
	1001178951	Ref	Platform Mounted Strobe Light Installation	
	1001193521	Ref	Platform/Ground Dual Located Mounted Strobe Light Installation	
	1001120467	Ref	Platform Floodlights Installation	
	1001120466	Ref	Platform Worklights Installation	
	1001183407	Ref	Low Temperature Cutout Installation (Russian Specs)	
	1001253618	Ref	Module Box Assembly Kit (Service Kit for P/N 1001246867)	
	1001253619	Ref	Module Box Assembly Kit (Service Kit for P/N 1001246860)	
	1001233035	Ref	Pinion Shield Installation	
	1001272166	Ref	Pipe Rack Kit	
		Ref	Platform Console Cover Installations	
	1001195304	Ref	Platform Console Cover Installation (Clear Polycarbonate)	
	1001110974	Ref	Platform Console Cover Installation (Steel)	
	1001125230	Ref	Platform Console Cover Installation (Steel) (Chinese Specs)	
	1001125229	Ref	Platform Console Cover Installation (Steel) (Korean Specs)	
	1001270482	Ref	Platform Console Cover Service Kit	
		Ref	Platform Entry Kit	
	1001142504	Ref	Kit, Replace Swing Gate with Drop Bar	
	1001142505	Ref	Kit, Replace Drop Bar with Swing Gate	
		Ref	Platform Extension (Top Rail)	
	0272733	Ref	36in x 72in Platforms	
	0272725	Ref	36in x 96in Platforms	
		Ref	Platform Mesh to Top Rail Add-on Kits:	
	1001214561	Ref	36in x 6ft (91.5cm x 1.83m) with Gate	
	1001214562	Ref	36in x 8ft (91.5cm x 2.44m) with Gate	
		Ref	Platform Mesh to Top Rail Installations	
	0273149	Ref	36in x 6ft (91.5cm x 1.83m)	
	0273145	Ref	36in x 8ft (91.5cm x 2.44m)	

## SECTION 11 - SPECIAL OPTIONS/ACCESSORIES/KITS

ITEM	PART NUMBER	QTY	DESCRIPTION	REV
	1580013	Ref	Platform Tray (Corner Mounted)	
	1001238906	Ref	Platform Valve Hose Kit - 660SJC	
	1001211366	Ref	Service Tools & Kits	U
	1001241547	Ref	SkyEye Housing Repair Kit – LH	
	1001241548	Ref	SkyEye Housing Repair Kit – RH	
	1001247073	Ref	SkyEye Retrofit Kit	
	1001101422	Ref	SkyGlazier Kit (Platform not Included)	
	1001250035	Ref	SkyGuard Platform Sensor Kit	
	1001186431	Ref	Sensor Relay	
	1001137672	Ref	SkyGuard Kit (Dealer Installed) (Old Style Platform)	
	1001197016	Ref	SkyGuard Kit (Dealer Installed) (New Style Platform)	
	1001249052	Ref	SkyGuard Retrofit Kit	
	1001206311	Ref	SkyGuard Blue Beacon Installation Kit	
	1001262016	Ref	SkyLine Kit (Dealer Installed)	
	1001217055	Ref	SkyPower Kit (Deutz TD2.9L4 Engine)	
	1001250595	Ref	SkyGuard 6-Pin Retrofit Installation Kit	
	1001250465	Ref	SkySense (EDS) Level 1 Booms Installation (Factory Installed)	
	1001250466	Ref	SkySense (EDS) Level 2 Booms Installation (Factory Installed)	
	1001252033	Ref	SkySense Enhanced Detection System (EDS) Level 1 (2-Bar) Add-on Kit (Dealer Installed)	
	1001252034	Ref	SkySense Enhanced Detection System (EDS) Level 2 (3-Bar) Add-on Kit (Dealer Installed)	
	1001231235	Ref	SkyWelder Locking Bracket	
	1001234061	Ref	Track Kit - Steel to Rubber	
	1001234251	Ref	Track Kit - Rubber to Steel	
		Ref	Tools for Service	
	1001249695	1	Analyzer and Cable Kit	
	1001249941	1	Analyzer and Cable Kit (Battery Powered)	
	7002840	1	Anti-Rotation Pin Removal Tool	
	8896941	1	Wire Stripper	
	7002821	1	Wire Crimper (To install wire ends to wires)	
	7002823	1	Pin/Socket Extractor - Universal (To Remove Pins/Sockets from Connectors)	
	4460467	1	Extractor - 16-18 Gauge (For Removal of Pin/Sockets from Deutsch Connectors)	
	4460510	1	Extractor - 12-14 Gauge (For Removal of Pin/Sockets from Deutsch Connectors)	
	7002822	1	Screwdriver, Potentiometer (To Adjust Drive Controllers)	
	7016654	1	Screwdriver, Magnetic	
	7004275	1	Seal Installation Tool - 1in	
	7004276	1	Seal Installation Tool - 1-1/2in	
	7002826	1	Seal Installation Tool - 2in	
	7016655	1	Wire Rope Sheave Gauge	
	7016652	1	Huck Bolt FASTER (For Small Huck Bolts Only)	
	1001137005	1	Software Cable Kit	
	2915096	Ref	Turntable Bearing Kit	
	1001149676	Ref	UGM Retrofit Kit	
	1001274249	Ref	USB Charger Add-on Kit (Dealer Installed)	
	1001238904	Ref	Upper Power Track Hose Kit	
	1001262959	Ref	Voltage Regulator Relocation Kit	
	1001238901	Ref	Wear Pad Kit	
	1001238907	Ref	Wire Rope Kit	

## SECTION 11 - SPECIAL OPTIONS/ACCESSORIES/KITS

ITEM	PART NUMBER	QTY	DESCRIPTION	REV
	1001270717	Ref	White Noise Alarm Add-on Kit (Dealer Installed)	
	1001270718	Ref	White Noise Alarm (Ambient) Add-on Kit (Dealer Installed)	



# SECTION 11 - SPECIAL OPTIONS/ACCESSORIES/KITS

## PART NUMBER INDEX

## SECTION 11 - SPECIAL OPTIONS/ACCESSORIES/KITS

0100009.....329	0630613 ... 39, 41, 43, 45, 82, 90	0701015 ... 39, 41, 43, 45, 125, 135, 153, 161, 175, 191	0760816....110, 118, 133, 145, 159, 169, 183, 198
0100011....21, 37, 39, 41, 43, 45, 55, 57, 59, 61, 82, 83, 85, 87, 90, 93, 95, 105, 107, 110, 113, 115, 118, 125, 127, 132, 135, 139, 144, 153, 155, 158, 161, 165, 168, 175, 177, 182, 191, 195, 198, 225, 231, 233, 235, 237, 239, 241, 243, 245, 249, 253, 257, 261, 265, 269, 273, 277, 284, 288, 291, 295, 297, 301, 303, 307, 311, 313, 315, 317, 319, 323, 341, 347, 349, 351, 353, 425, 427, 429, 431, 433, 435	0641404.....329, 347 0641405 ..... 347 0641406.....79, 191, 325 0641408 .....85, 87 0641409 .....93, 95 0641414 .....329, 341 0641416... 397, 401, 405, 409, 413, 415 0641418 ... 307, 311, 313, 315, 317, 319, 323 0641424 ... 425, 427, 429, 431, 435 0641504 ..... 82 0641507 ..... 245 0641508 .....241, 243 0641606 ....349, 351, 353 0641607 .....43, 246 0641608 ....39, 41, 43, 45 0641616... 257, 261, 273, 277 0641618 ... 249, 253, 265, 269 0641808 ... 107, 115, 127, 139, 155, 165, 177, 195 0641814 ... 107, 115, 127, 139, 155, 165, 177, 195 0642012 ..... 345 0642212 ..... 345 0681605 ..... 198 0681608 ... 132, 144, 158, 168, 182, 303 0682023 ..... 33 0682032 ..... 33 0700408 ... 395, 397, 399, 401, 403, 405, 407, 409, 411, 413, 415 0700412 ..... 457 070061055, 57, 241, 243, 327, 533, 535, 537, 539, 541, 543, 545, 547, 549 0700612 ..... 327 0700614 ... 105, 113, 125, 135, 153, 161, 175, 191 0700615 ..... 95 0700616 ..... 93 0700618 ... 395, 399, 403, 407, 411 0700619 .....59, 61, 85, 87 0700626 ... 425, 429, 431, 433, 435 0700818 ... 425, 427, 429, 431, 433, 435 0700819 ..... 21, 253, 261, 265, 269, 273, 277, 435, 457 0700822 ... 425, 427, 429, 431, 433, 435 0700823 ..... 295 070101282, 90, 105, 113, 125, 135, 153, 161, 175, 191 0701013 ..... 288	0701016 ..... 82, 90 0701019 ..... 284 0701020 ..... 291 0701022 ... 105, 113, 125, 135, 153, 161, 175, 191, 225 0701025 ..... 225 0701028 ..... 288 0701029 ..... 288 0701032 ..... 295 0701216 ..... 82, 83, 90 0701217 ... 39, 41, 43, 45 0701220 .82, 83, 90, 192, 425, 427, 429, 431, 433, 435 0701221 .... 39, 41, 43, 45 0701224 ..... 118 0701226 ..... 37 0711015 ..... 235 0711018 ... 105, 113, 125, 135, 153, 161, 175, 191 0711020 ..... 235 0711224 ... 110, 132, 144, 158, 168, 182, 198, 233, 235, 237, 239 0711627 ... 110, 118, 127, 132, 139, 144, 158, 168, 177, 182, 198 0711635 ..... 284 0731005 ... 39, 41, 43, 45, 459 0741607 ... 249, 253, 257, 261, 273, 277 0760512 ... 125, 135, 153, 161, 175, 191 0760606 ... 241, 243, 245, 249, 253, 257, 261, 265, 269, 273, 277 0760608 ... 59, 61, 79, 93, 249, 253, 257, 261, 265, 269, 273, 277, 457, 459 076061085, 87, 110, 118, 132, 144, 158, 168, 182, 198, 249, 257, 284, 393, 421, 423 076061259, 61, 107, 115, 127, 139, 155, 165, 177, 195, 457 076061475, 77, 227, 229, 288 0760619 ... 132, 144, 158, 168, 182 0760807 ..... 297 076081082, 90, 133, 144, 159, 168, 183, 198, 303 076081285, 87, 425, 427, 429, 431, 433, 435, 437 0760814 ... 132, 144, 158, 168, 182, 198, 241, 243, 245, 295 0760815 ..... 110, 118	076100921, 99, 288, 295, 297, 301, 425, 427, 429, 431, 433, 435 0761010.....288 0761011.....288 0761012....241, 243, 288, 291, 459 0761014....21, 43, 45, 93, 95, 107, 115, 191, 289, 291, 303, 457 0761015.....82, 107, 110, 115, 118, 127, 132, 139, 144, 155, 158, 165, 168, 177, 182, 195, 198, 217, 233, 235, 237, 239, 295, 327 076101675, 77, 132, 144, 158, 168, 182, 198, 217, 219, 289 0761017....133, 145, 159, 169, 183, 198, 289 0761210....105, 113, 125, 133, 136, 144, 153, 159, 162, 168, 175, 183, 191, 198 0761212....249, 253, 257, 261, 265, 269, 273, 277, 284 0761214.....200, 245 0761216.....303 0762016...82, 83, 90, 284 0770814.....239 0771414....110, 118, 132, 144, 158, 168, 182, 198, 233, 237 0771415....235, 239, 249, 253, 265, 269 0771416....110, 118, 132, 144, 158, 168, 182, 198 0771620.....27 0772018.....27, 105, 113, 125, 135, 153, 161, 175, 191 0860038....253, 261, 269, 277, 393 0861538.....269, 277 0861572.....265, 273 0861731....405, 409, 413, 415, 507, 509, 511 0861781....397, 401, 503, 505 0861880.....439, 441 0902888....253, 261, 265, 269, 273, 277 0940102.....345 0961845....307, 311, 313, 315, 317, 319, 323 0961893.....365 0961947.....291, 293 0961948.....288, 361 0961951....110, 118, 132, 144, 158, 168, 182, 198, 288 0962033.....288



## SECTION 11 - SPECIAL OPTIONS/ACCESSORIES/KITS

0962051..... 231	1001116815..... 472	1001126391..... 468, 471	1001138514..... 311, 315, 319, 323
0962335..... 291	1001116845..... 539	1001126392..... 468, 471	1001138565..... 249
0962336..... 365	1001116846..... 541, 551	1001126485..... 471	1001138566..... 249, 254, 257, 261
0962423..... 284, 288	1001116847..... 539	1001126487..... 471	1001138827..... 132, 182, 199
0962449..... 241	1001116848..... 539	1001128128..... 465	1001139078..... 295
0962520... 249, 253, 257, 261, 265, 269, 273, 277	1001116849..... 541	1001128527..... 353	1001139357..... 249, 254
1001026127..... 105, 113, 125, 135, 153, 161, 175, 191	1001116850..... 539	1001128556..... 353	1001139384... 85, 87, 93, 95
1001080707..... 43, 45	1001116851..... 541	1001129555..... 560	1001139654..... 551
1001091102..... 421, 423	1001116852..... 539	1001129858..... 253	1001139819..... 110, 118
1001093553..... 535, 539, 541, 543, 545, 547, 549	1001116863..... 541	1001130220... 59, 61, 75, 77, 79, 105, 113, 125, 135, 153, 161, 175, 191, 249, 254, 257, 261, 266, 270, 273, 277, 284	1001140312..... 145, 169
1001093684..... 543	1001116952..... 467, 472	1001131269..... 533, 543	1001140346..... 261
1001095704..... 525, 561	1001116963..... 539	1001133245..... 367	1001140347..... 257
1001096070..... 249, 257, 441	1001116964..... 541	1001133714..... 468, 471, 477	1001140429..... 307, 311, 313, 315, 317, 319, 323
1001097051..... 517	1001116983..... 475	1001133715..... 468, 471, 477	1001140564..... 133, 183, 199
1001097150... 51, 53, 439, 441, 443	1001117025..... 465	1001133956..... 467, 472	1001141300..... 551
1001097244..... 355	1001117106..... 472, 525	1001133957..... 467, 472	1001141304..... 133, 145, 159, 169, 183, 199
1001098122..... 339, 497	1001117107..... 467, 472	1001134488..... 132, 182, 199	1001141814..... 249, 265
1001098764..... 133, 145, 159, 169, 183, 199	1001117110..... 526	1001134543..... 27	1001141995..... 110, 118
1001098828..... 303	1001117140..... 97	1001135138..... 132, 144, 158, 168, 182, 199	1001142501..... 125, 135, 153, 161, 175, 191
1001099366..... 345	1001117172..... 339	1001135488..... 288	1001142504..... 565
1001099367..... 345	1001117174..... 329, 339, 561	1001135650..... 468, 471, 477	1001142505..... 565
1001099869..... 241	1001117294..... 565	1001135651..... 468, 471	1001142643..... 257, 262, 273, 278
1001100234..... 241	1001117307..... 90	1001135679..... 132, 144, 158, 168, 182	1001142646..... 262, 278
1001100321..... 241	1001117308..... 132, 144, 158, 168, 182, 199	1001136356..... 253, 269	1001142683... 75, 77, 561
1001100341..... 503	1001118378..... 497, 525	1001136400..... 295	1001142736... 75, 77, 521
1001100342..... 505	1001118384..... 519	1001136402..... 295	1001142938..... 468, 471
1001100345..... 507	1001118388..... 489, 519	1001136461..... 295	1001142940..... 468, 471
1001100346..... 511	1001118972.. 43, 45, 105, 113, 125, 135, 153, 161, 175, 191	1001136571..... 288	1001142941..... 468, 471
1001100347..... 509	1001119020..... 521	1001136575..... 288	1001142942..... 468, 471
1001101422..... 566	1001119032..... 525	1001136583..... 288	1001142943..... 110, 118
1001102978..... 231	1001119051..... 105, 113, 125, 135, 153, 161, 175, 191	1001136587..... 288	1001143390..... 110, 118
1001103012..... 526	1001119280..... 241, 243, 245	1001136590..... 289	1001143645..... 425, 427, 429, 431, 433, 435
1001103837..... 37	1001119455..... 376	1001136834..... 132, 144, 158, 168, 182, 199	1001143852..... 551
1001104029..... 253, 261, 266, 270, 273, 277	1001119619..... 513	1001136975..... 105, 113, 125, 135, 153, 161, 175, 191	1001144147..... 463
1001106736..... 457, 459	1001119620..... 515, 517	1001137005..... 566	1001144433..... 341
1001107854..... 526	1001119727..... 225	1001137125..... 301	1001144629..... 309, 313, 317, 321
1001110872..... 417, 419	1001120204..... 427	1001137276..... 132, 144, 158, 168, 182, 199	1001146588..... 191, 425, 427, 429, 431, 433, 435
1001110873..... 253, 261, 270, 277, 393	1001120205..... 427	1001137336..... 225	1001147264..... 468, 472
1001110974..... 565	1001120328..... 341, 347, 501	1001137672..... 566	1001147812..... 110, 118
1001112612..... 521, 525	1001120466..... 565	1001137673..... 341, 561	1001147813..... 110, 118
1001112796..... 463, 521	1001120467..... 565	1001138173..... 110, 118	1001147823..... 110, 118, 121
1001113047..... 93	1001120471..... 355	1001138175..... 110, 118	1001148138..... 246
1001113680..... 535	1001120477..... 355	1001138228..... 132, 144, 158, 168, 182, 199, 561	1001148607..... 39, 41
1001113681..... 535	1001120484..... 355	1001138248..... 110, 118, 133, 145, 159, 169, 183, 199	1001148650..... 288
1001113961..... 525	1001120851..... 479	1001138436..... 288	1001148675..... 417, 419
1001116290..... 93, 95	1001120992..... 564	1001138459..... 284	1001148841..... 477
1001116693..... 497	1001121172..... 526	1001138494..... 311, 313, 315, 317, 319, 323	1001148842..... 477
1001116694..... 495	1001125229..... 565		1001148902..... 564
1001116695..... 497	1001125230..... 565		1001148903..... 564
1001116720..... 489	1001125387..... 551		1001148904..... 564
1001116731..... 463	1001125492..... 27		1001148905..... 564
1001116732..... 465, 479	1001125677..... 498, 526		1001148906..... 564
1001116734..... 465, 479	1001126009..... 519		1001148971..... 565
1001116748..... 445, 501	1001126286..... 565		1001149452..... 217
1001116774..... 521	1001126351..... 467, 472		1001149469..... 217
1001116792..... 425, 427, 429, 431, 433, 435	1001126362..... 468, 471		1001149676..... 566
1001116808..... 521	1001126363..... 468, 471		
1001116812..... 471	1001126364..... 468, 471		
	1001126365..... 468		

## SECTION 11 - SPECIAL OPTIONS/ACCESSORIES/KITS

1001150918.....113, 135, 161	1001165035..... 105, 113, 125, 135, 153, 161, 175, 191, 200	1001176217 ..... 284, 288	1001186981.....231
1001151192.....295	1001166539.....329, 333	1001176469 ..... 69	1001187022.....35
1001151393.....67, 69	1001166716..... 133, 145, 159, 169, 183, 199	1001176636 ..... 425, 429, 431, 433, 435	1001187077.....526
1001151432.....225	1001166894 ..... 231	1001176862 ..... 417	1001187078.....526
1001151856.....468	1001167042..... 133, 145, 159, 169, 183, 199	1001177359 ..... 133, 145, 158, 168, 183, 199	1001187082..... 111, 119
1001152429.....266, 270, 485	1001167164 .....227, 229	1001177844 ..... 133, 145, 159, 169, 183, 199	1001187200...59, 61, 561
1001152456.....254, 262	1001167565 ..... 303	1001178057 .... 39, 43, 47	1001187606.....301
1001152457.....254, 262	1001167567 ..... 303	1001178951 ..... 565	1001187674.....343
1001152479.....443, 560	1001167596 ..... 303	1001179154 ..... 254, 262, 270, 278	1001187681.....513
1001152482.....443, 560	1001167632 ..... 471	1001179156 ..... 107, 115, 127, 139, 155, 165, 177, 195	1001187807..... 71, 337
1001152483...51, 53, 443	1001167635 ..... 471	1001179837 ..... 245	1001187808..... 55, 57
1001152485.....53	1001168018..... 110, 118, 133, 145, 159, 169, 183, 199, 233, 235, 237, 239	1001180001 ..... 245	1001187855..... 27, 30
1001152486.51, 423, 443	1001168166..... 110, 119, 133, 145, 159, 169, 183, 199	1001180620 ..... 133, 145, 159, 169, 183, 199	1001187950..... 82, 90
1001152489.....133, 144, 158, 169, 183, 199	1001168402 ..... 303	1001180885 ..... 284	1001187951..... 82, 83, 90
1001152520.....266	1001169046 .....82, 93, 95	1001181045 ..... 439, 441, 560	1001188125.....33
1001152525.....254, 262, 266, 270, 274, 278	1001169054..... 133, 145, 159, 169, 183, 199	1001181145 ..... 564	1001188171..... 127, 139, 155, 165, 177, 195
1001152530.....254, 262	1001169138..... 133, 145, 159, 169, 183, 199	1001181243 ..... 246	1001188187..... 83, 91
1001152532.....250, 254, 258, 262, 481	1001169146 ..... 199	1001181895 ..... 145, 169	1001188194..... 83, 90
1001153197.....254	1001169582 ..... 35	1001181899 ..... 133, 145, 159, 169, 183, 199	1001188236..... 111, 119, 465
1001153260.....254, 262	1001169967 ..... 133, 145, 159, 169, 183, 199	1001181923 ..... 425, 427, 429, 431, 433, 435	1001188257..... 39
1001153398.....288	1001170035..... 133, 145, 159, 169, 183, 199	1001181962 ..... 291	1001188302.....297
1001154405.....125, 135, 153, 161, 175, 191, 219	1001170764 ..... 471	1001182046 ..... 291	1001188534..... 449, 457, 459
1001154726.....479	1001170847 .....301, 561	1001182361 ..... 467, 472	1001188535..... 111, 119, 133, 145, 159, 169, 183, 199
1001155043.....63, 65	1001171131 ..... 417	1001182365 ..... 467, 472	1001188601..... 107, 115
1001155044..63, 65, 291, 329	1001171482 .....63, 65	1001182570 ..... 301, 561	1001188622.....303
1001155045..63, 65, 291, 329, 561	1001172064 ..... 467	1001182806 ..... 79	1001188664..... 55, 57
1001155094.....105, 113, 125, 135, 153, 161, 175, 191	1001172065 ..... 467	1001183407 ..... 565	1001188666..... 55, 57
1001155441.....301	1001172615 ..... 90	1001183926 ..... 284	1001188667..... 105, 113
1001155823.....125, 135, 153, 161, 175, 191	1001172760 ..... 329	1001184327 ..... 90, 97	1001188668..... 125, 135, 153, 161, 175, 192
1001157520.....270, 274, 278	1001173703 ..... 552	1001184618 ..... 533, 535, 537, 539, 541, 543, 545, 547, 549	1001188669..... 125, 135, 153, 161, 175, 192
1001157521.....266, 270, 274, 278	1001174040 ..... 303	1001184626 ..... 327	1001188670..... 105, 113
1001157525.....266, 273, 274	1001174231 ..... 284	1001184913 ..... 289	1001188844.....303
1001157528.....266, 270, 274, 278	1001174250 ..... 284	1001184915 ..... 289	1001188972..... 113, 135, 161
1001157592.....270, 278	1001174251 ..... 284	1001184917 ..... 289	1001189001.....303
1001158007.....266, 270, 274, 278	1001174252 ..... 284	1001184918 ..... 289	1001189002.....303
1001158008.....254, 262, 266, 270, 274, 279	1001174253 ..... 284	1001184957 ..... 284, 361	1001189003..... 457, 459, 523
1001158363.....254, 262	1001174254 ..... 284	1001185281 ..... 329	1001189005..... 445, 457, 459
1001159118.....417, 419	1001174256 ..... 284	1001185726 ..... 329, 561	1001189026..... 111, 119, 133, 145, 159, 169, 183, 199
1001159119.....417, 419	1001174486 ..... 105, 113, 217	1001185842 ..... 27	1001189067..... 82
1001159120.....417, 419	1001174630 ..... 295	1001186186 ..... 82	1001189119..... 39, 41
1001159121.....419	1001174631 ..... 295	1001186346 ..... 55	1001189161..... 111, 119
1001159186.....487, 497	1001174632 ..... 295	1001186379 ..... 311	1001189170.....564
1001159256.....329, 561	1001174636 ..... 295	1001186382 ..... 323	1001189171..... 51, 53
1001159323.....537	1001174673... 82, 85, 87, 295	1001186383 ..... 321	1001189172..... 51, 53
1001160505.....83, 91	1001175073 ..... 231	1001186384 ..... 309	1001189227..... 233, 237
1001161709.....329, 561	1001175568 ..... 125, 135, 153, 161, 175, 219	1001186426 ..... 133, 145, 159, 169, 183, 199	1001189522..... 37
1001164196.....107, 115, 127, 139, 155, 165, 177, 195	1001175998 ..... 289	1001186431 ..... 341, 561, 566	1001189523.....37
1001164726.....93, 95	1001175999 ..... 289	1001186432 ..... 489, 519	1001189764..... 43, 45
	1001176208 ..... 289	1001186517 ..... 341	1001189800..... 43, 45
	1001176212 ..... 289	1001186541 ..... 289	1001189859.....289
	1001176216 ..... 289	1001186812 ..... 127, 132	1001189913..... 133, 145, 159, 169, 183, 199
		1001186814 ..... 139, 144	1001189979..... 133, 145, 159, 169, 183, 199
		1001186980 ..... 231	

## SECTION 11 - SPECIAL OPTIONS/ACCESSORIES/KITS

1001190143..... 107, 115, 127, 139, 155, 165, 177, 195	1001192488.....241	1001196367.....425, 429, 431	1001201255..... 377
1001190164..... 133, 145, 183	1001192489.....564	1001196368.....425, 429, 431	1001201325.....39, 41
1001190286..... 297, 299	1001192610.....565	1001196382.....245, 250, 254, 258, 262, 266, 270, 273, 278	1001201342..... 425, 427, 429, 431, 433, 435
1001190335..... 43	1001192641.....377	1001196563.....125	1001201351..... 303
1001190338..... 82	1001192651.....377	1001196564.....135	1001201511..... 297
1001190441..... 403	1001192654.....377	1001196565.....105	1001201843..... 111, 119, 233
1001190442..... 133, 145, 159, 169, 183, 199	1001192655.....377	1001196566.....113	1001201844.....111, 119
1001190444..... 125, 135, 153, 162, 175, 191, 475	1001192673.....377	1001196568.....125, 127	1001202228..... 537
1001190484..... 407	1001192679.....377	1001196570.....135, 139	1001202333.....93, 95
1001190485..... 411	1001192693.....376	1001196571.....107, 110	1001202687..... 303
1001190493..... 395	1001192694.....376	1001196572.....105, 107	1001202749..... 565
1001190495..... 399	1001192695.....377	1001196573.....115, 118	1001202936..... 425, 427, 429, 431, 433, 435
1001190580..... 291, 293	1001192696.....377	1001196574.....113, 115	1001203424..... 377
1001190717..... 565	1001192698.....377	1001196595.....21, 23	1001203426..... 377
1001190756..... 90	1001192699.....377	1001196602.....525	1001203430..... 377
1001190773..... 393	1001192841.....82	1001196604.....525	1001203432..... 377
1001190774..... 421	1001192842.....90	1001196634.....136, 162, 223, 525	1001203719..... 289
1001190921..... 525	1001192843.....90	1001196636.....525	1001203885..... 111, 119, 133, 145, 159, 169, 183, 199
1001190942..... 133, 145, 159, 169, 183, 199	1001193018.....395, 397, 399, 401, 403, 405, 407, 409, 411, 413, 415	1001196803.....21	1001204251..... 87
1001190985..... 303	1001193049.....133, 145, 159, 169, 183, 199	1001197016.....566	1001204303..... 85
1001191020..... 301	1001193167.....241, 243, 246	1001197143.....21, 297	1001204645..... 377
1001191025..... 133, 145, 159, 169, 183, 199	1001193168..... 85	1001197149.....111, 119, 127, 139, 159, 169, 177, 199	1001204690..... 425, 427, 429, 431, 433, 435
1001191048..... 289	1001193169..... 87	1001197268.....227	1001204715..... 301
1001191126..... 63	1001193208.....427	1001197269.....229	1001204725..... 303
1001191202..... 289	1001193215.....564	1001197389.....227	1001204939..... 301
1001191205..... 289	1001193521.....565	1001197408.....551	1001205023..... 564
1001191273..... 107, 115	1001193760..... 82	1001197719.....471	1001205024..... 564
1001191362..... 376	1001193927.....376	1001197725.....111, 119, 133, 145, 159, 169, 183, 199	1001205824..... 377
1001191364..... 376	1001193928.....376	1001197881.....105, 113, 125, 135, 153, 161, 175, 191	1001205923..... 457, 459, 493
1001191365..... 376	1001193929.....376	1001199035.....345	1001205957..... 235
1001191384..... 288	1001193930.....376	1001199883.....39, 41, 43, 45	1001205958..... 405, 409, 413
1001191385..... 288	1001194045.....564	1001199933.....39, 41, 43, 45	1001206082..... 447, 457, 459
1001191395..... 565	1001194114.....241, 243, 246, 479	1001200128.....564	1001206311..... 566
1001191525..... 551	1001194197.....405	1001200129.....564	1001206314.....82, 90
1001191557..... 73	1001194198.....409	1001200130.....564	1001206476..... 437
1001191599..... 173, 187	1001194200.....413	1001200131.....564	1001206816..... 551
1001191610..... 111, 119, 133, 145, 159, 169, 183, 199, 233, 235, 237, 239	1001194203.....397	1001200132.....564	1001207004..... 77
1001191856..... 235	1001194204.....401	1001200133.....564	1001208874..... 21
1001192008..... 239	1001194236.....537	1001200134.....564	1001208994..... 303
1001192012..... 55, 57	1001194365.....415	1001200216.....107, 115, 127, 139, 155, 165, 177, 195	1001209016..... 239
1001192027..... 284	1001194888..... 95	1001200435.....111, 119	1001209432..... 437
1001192052..... 284	1001194957.....433	1001200491.....303	1001209474..... 437
1001192278..... 277	1001194962.....435	1001200494.....303	1001209664..... 341
1001192279..... 261	1001195226.....425, 429, 431	1001200731.....105, 113, 125, 135, 153, 161, 175, 191	1001209948..... 425, 427, 429, 431, 433, 435
1001192280..... 245	1001195228.....427	1001200745.....133, 145, 159, 169, 183, 199	1001209949..... 425, 427, 429, 431, 433, 435
1001192400..... 133, 145, 159, 169, 183, 199	1001195235.....564	1001200793.....111, 119	1001209951..... 425, 427, 429, 431, 433, 435
1001192401..... 526	1001195304.....565	1001200910.....75	1001209953..... 425, 427, 429, 431, 433, 435
1001192442..... 237	1001195454.....82, 85	1001201090.....425, 427, 429, 431, 433, 435	1001209957..... 425, 427, 429, 431, 433, 435
1001192443..... 233	1001195455.....82, 87		
1001192475..... 564	1001195504.....107, 115, 127, 139, 155, 165, 177, 195		
1001192482..... 565	1001195505.....107, 115		
1001192483..... 269	1001195506.....127, 139, 155, 165, 177		
1001192484..... 253	1001195509.....107, 115, 127, 139, 155, 165, 177, 195		
1001192485..... 243	1001195525.....427		
1001192486..... 265	1001195535..... 90		
1001192487..... 249	1001195711.....111, 119		

## SECTION 11 - SPECIAL OPTIONS/ACCESSORIES/KITS

1001211286.....377	1001222522.....377	1001229337.....377	1001234099.....564
1001211287.....377	1001222817.....219, 221	1001229341.....343	1001234251.....566
1001211288.....377	1001223045.....475	1001229572.....43, 45	1001234269.....99
1001211292.....377	1001223055.....533	1001229637.....425, 427, 429, 431, 433, 435	1001234270.....99
1001211366.....566	1001223453.....533, 543	1001230217.....377	1001234281.....229
1001211577.....561	1001223459.....468, 471	1001230635.....132, 144, 158, 168, 182, 199	1001234283.....229
1001211579.....301, 561	1001223591.....159, 169, 171	1001230931.....445, 501	1001234299.....229
1001211581.....301	1001223971.....543	1001230934.....467, 472	1001234370.....227
1001211582.....301	1001224048.....547	1001230935.....467, 472	1001234371.....227
1001211584.....301	1001224049.....549	1001230936.....467, 472	1001234396.....111, 119
1001211587.....301	1001224050.....541	1001230952.....273	1001234795.....376
1001211588.....301	1001224051.....539	1001230953.....257	1001234800.....467, 471
1001211752.....93	1001224052.....535	1001231235.....566	1001235011.....347
1001211760.....93	1001224053.....545	1001231301.....153	1001235013.....347
1001211761.....93	1001224473.....219	1001231302.....153, 155	1001235110.....107, 115, 128, 140, 155, 165, 178, 195
1001211762.....90, 93	1001224967.....217, 219	1001231303.....161	1001235458.....178, 185
1001211767.....95	1001225054.....217	1001231305.....161, 165	1001235472.....175
1001211773.....95	1001225346.....437	1001231307.....165, 168	1001235473.....175, 177
1001211774.....90, 95	1001225430.....148, 171, 560	1001231308.....155, 158	1001235474.....177, 182
1001212223.....273, 277	1001225431.....148, 560	1001231310.....82	1001235487.....377
1001212333.....90	1001225432.....172, 560	1001231649.....159, 169, 225	1001235532.....125, 136, 153, 162, 175, 192
1001213251.....39, 41	1001225580.....341, 489	1001231711.....79	1001235699.....105, 113
1001213447.....497	1001226098.....185	1001231801.....551	1001235884.....564
1001213448.....457	1001226304.....435	1001231805.....133, 145, 159, 169, 183	1001236087.....337
1001213543.....82	1001226400.....449	1001231884.....13, 17	1001236091.....71
1001213673.....377	1001226531.....437	1001231963.....365	1001236121.....231
1001213744.....82	1001226541.....463	1001232164.....343	1001236303.....57
1001213794.....82	1001226636.....463	1001232165.....343	1001236304.....437
1001213814.....107, 115, 127, 139, 155, 165, 177, 195	1001226739.....463	1001232368.....15	1001236504.....437
1001213882.....329	1001226872.....307	1001232598.....199, 203	1001236505.....437
1001214030.....552	1001227075.....435	1001232642.....347	1001236552.....347
1001214095.....425, 429, 431	1001227367.....85, 87	1001232650.....347	1001236701.....564
1001214096.....425, 429, 431	1001227507.....475	1001232667.....347	1001237544.....337
1001214149.....377	1001227527.....457, 459	1001232842.....136, 162, 223	1001237546.....71
1001214408.....377	1001227633.....343	1001232948.....377	1001237550.....99
1001214561.....565	1001227634.....343	1001233035.....565	1001237667.....498, 525
1001214562.....565	1001227792.....301	1001233073.....377	1001237668.....498, 525
1001214570.....437	1001227887.....82	1001233176.....33	1001237822.....457, 459
1001214571.....437	1001227888.....90	1001233218.....17	1001237862.....515, 517
1001214683.....258, 274	1001227985.....343	1001233312.....549	1001237863.....343, 517
1001214831.....288, 561	1001227987.....343	1001233313.....535	1001237864.....343, 515
1001215229.....329	1001227996.....515, 517	1001233429.....227	1001237865.....343, 513
1001215285.....545	1001228013.....291, 365	1001233450.....107, 115, 128, 139, 155, 165, 178, 195	1001237894.....97
1001215286.....547	1001228177.....284	1001233763.....136, 162, 223	1001237895.....97
1001216015.....246	1001228187.....433	1001233895.....133, 145, 159, 169, 183, 467	1001237947.....199
1001216630.....303	1001228188.....433	1001233948.....99	1001238191.....453, 457, 459
1001217055.....566	1001228215.....307	1001233949.....99	1001238319.....343
1001218539.....43, 45, 101	1001228224.....343	1001233953.....99	1001238405.....59, 61, 457, 459, 525
1001218676.....43, 45, 101	1001228225.....343	1001233954.....99	1001238408.....457, 459, 487
1001219128.....101	1001228243.....317	1001233955.....99	1001238409.....329, 497
1001219138.....90	1001228375.....319	1001233959.....71, 337	1001238418.....347, 519
1001219601.....59, 61, 561	1001228376.....313	1001233966.....99	1001238421.....303
1001220266.....192	1001228377.....315	1001233967.....99	1001238472.....347
1001220379.....467	1001228406.....43, 217, 219	1001234061.....566	1001238477.....347
1001220390.....565	1001228613.....533, 535, 537, 539, 541, 543, 545, 547, 549	1001234071.....377	1001238495.....341
1001220638.....101	1001228809.....427	1001234080.....99	1001238559.....347
1001220903.....377	1001228988.....353, 555, 557		1001238663.....57
1001220912.....377	1001229020.....345		1001238824.....347
1001221016.....377	1001229082.....345		1001238878.....199, 471
1001221203.....225	1001229091.....133, 145, 159, 169, 183, 199		1001238901.....566
1001221212.....225			1001238904.....566
1001221217.....225			
1001221427.....225			

## SECTION 11 - SPECIAL OPTIONS/ACCESSORIES/KITS

1001238906..... 566	1001250794..... 543	1001270718..... 567	1702773..... 537, 551
1001238907..... 566	1001250796..... 537	1001271454..... 363	1702774..... 551
1001238954..... 39, 41	1001250798..... 535	1001271456..... 565	1702861..... 551
1001238961..... 565	1001250800..... 541	1001271497..... 498	1702868... 353, 533, 551, 557
1001238962..... 565	1001250802..... 539	1001272076..... 284, 363	1702941..... 113, 135, 161
1001239202..... 471	1001250804..... 545	1001272087..... 564	1702942..... 113, 135, 161
1001239207..... 127, 139, 177	1001250806..... 547	1001272166..... 565	1702943..... 113, 135, 161
1001239290..... 457	1001251079..... 288, 367	1001272659..... 461	1703162... 110, 118, 132, 144, 158, 168, 182, 198
1001239512..... 457, 459	1001252033..... 566	1001272835..... 301	1703797..... 533
1001239613..... 457, 459, 495	1001252034..... 566	1001272836..... 564	1703804..... 533
1001239710..... 235	1001252527..... 467, 472	1001273012..... 461	1703805..... 533
1001239715..... 235	1001252945..... 425, 427, 429, 431, 433, 435	1001273619..... 301	1703811... 533, 535, 537, 539, 541, 543, 545, 547, 549
1001239716..... 241, 243	1001253618..... 565	1001274118..... 377	1703814. 13, 15, 17, 533, 535, 537, 539, 541, 543, 545, 547, 549
1001241304... 59, 61, 491	1001253619..... 565	1001274249..... 566	1703923..... 549
1001241547..... 566	1001253940..... 83	1001274829..... 565	1703924..... 543
1001241548..... 566	1001253953..... 91	1001274830..... 565	1703925..... 541
1001241588..... 59, 63	1001254993..... 549	1001274832..... 565	1703926..... 545
1001241729..... 99	1001255133..... 303	1001274833..... 565	1703927..... 547
1001241965..... 347	1001255220..... 533	1001276610..... 461	1703928..... 535
1001242200..... 327	1001255221..... 533	1001276923..... 564	1703935..... 549
1001242201..... 327, 329	1001255222..... 543	1001277991..... 301	1703936..... 543
1001242376..... 59, 457	1001255223..... 543	1001278387..... 301	1703937..... 539
1001242639..... 564	1001255224..... 547	1001280340..... 59, 61	1703938..... 545
1001242907..... 455	1001255225..... 547	1060343..... 270, 278	1703939..... 547
1001242908..... 451, 457, 459	1001255226..... 541	1060626..... 113, 135, 161	1703942..... 543
1001243171..... 82, 90	1001255227..... 541	106090851, 53, 439, 441, 443	1703943..... 541
1001243184..... 564	1001255228..... 539	1060918..... 339	1703944..... 545
1001243414..... 82, 90	1001255229..... 539	1062255..... 192	1703945..... 547
1001243464..... 75	1001255230..... 535	10702077... 266, 270, 274, 278	1703946..... 535
1001243465..... 77	1001255231..... 535	10702082.. 266, 270, 274, 278	1703947..... 541
1001243522..... 82, 90	1001255232..... 549	1120555..... 345	1703948..... 543
1001243654..... 82	1001255233..... 549	1260017..... 35	1703949..... 541
1001243682..... 79, 529	1001255234..... 545	1320041..... 393, 421, 423	1703950..... 545
1001243749..... 191	1001255235..... 545	1320061.... 113, 125, 135, 153, 161, 175, 191, 250, 254, 257, 262, 266, 270, 273, 278	1703951..... 547
1001243750..... 191, 195	1001255807..... 564	1320202.... 133, 145, 159, 169, 183	1703952..... 535
1001243751..... 195, 198	1001256506..... 468	1320302.... 349, 351, 353	1703953..... 533
1001243895..... 223	1001256507..... 467	1321384..... 85, 87	1703954..... 545
1001244880..... 195	1001256735..... 551	1380147..... 231	1703955..... 547
1001245772..... 69	1001256879..... 192	1580012..... 325	1703956..... 541
1001245773..... 65	1001257156..... 155, 165	1580013..... 566	1703957..... 549
1001245775..... 61, 65	1001258800..... 199	1600359..... 329, 331, 560	1703958..... 543
1001245781..... 61, 459	1001260432..... 198	1670603..... 415	1703959..... 535
1001245785..... 69	1001261045..... 198	1671092.... 270, 278, 433, 435	1704000..... 543, 551
1001245913..... 199, 477	1001261085..... 198	1671093.... 351, 433, 435	1704001..... 549, 551
1001246010..... 59, 61	1001262016..... 566	1701499.. 13, 15, 17, 533, 535, 537, 539, 541, 543, 545, 547, 549	1704002..... 535, 551
1001246859..... 59, 61	1001262959..... 566	1701505.... 105, 113, 125, 135, 153, 161, 175, 191, 551	1704260..... 329
1001247073..... 566	1001264338..... 457, 459, 501	1702566..... 329	1704277... 533, 535, 537, 539, 541, 543, 545, 547, 549
1001247386..... 79	1001265163..... 355	1702567..... 329	1704412... 533, 535, 537, 539, 541, 543, 545, 547, 549
1001247468..... 303	1001265342..... 355		1704460..... 329
1001247544..... 195	1001265378..... 564		1704461... 533, 535, 537, 539, 541, 543, 545, 547
1001249052..... 566	1001265700..... 565		1704468..... 533
1001249437..... 565	1001267284..... 41		1704885... 533, 535, 539, 541, 543, 545, 547, 549
1001249695..... 566	1001267285..... 45		1704972..... 551
1001249941..... 566	1001267317..... 533, 535, 537, 539, 541, 543, 545, 547, 549		
1001249943..... 133, 145, 147	1001267678..... 41, 45, 49		
1001250035..... 566	1001268737..... 565		
1001250465..... 566	1001269096..... 376		
1001250466..... 566	1001269097..... 376		
1001250516..... 551	1001269914..... 377		
1001250595..... 566	1001269916..... 377		
1001250629..... 67	1001269917..... 377		
1001250633..... 67	1001270482..... 565		
1001250792..... 533	1001270717..... 567		

## SECTION 11 - SPECIAL OPTIONS/ACCESSORIES/KITS

1705084.....551	2220374 ..... 376	2820031 ... 241, 243, 245,	269, 273, 277, 295,
1705305.....353, 555, 557	2220380 ..... 376	249, 253, 257, 261,	297, 301, 425, 427,
1705325.....395, 397	2220408 ..... 377	265, 269, 273, 277	429, 431, 433, 435,
1705336.....533	2220415 ..... 376	2820035 ..... 223	437, 457
1705344.....545	2220451 ... 107, 110, 115,	2820247 ..... 515, 517	3290806.....303
1705345.....547	118, 127, 139, 155,	2840016 ..... 231	329100139, 41, 132, 144,
1705347.....543	165, 177, 195, 376	2860030 ..... 67, 69, 561	158, 168, 182, 198,
1705349.....535	2220466 ..... 376	2900792 ..... 361, 365	288, 303, 457
1705351.....533	2220472 ..... 376	2901303 ..... 365	3291005....21, 39, 41, 43,
1705355.....555, 557	2220473 ..... 376	2902065 ... 110, 118, 132,	45, 75, 77, 82, 85, 87,
1705358.....345	2220498 ..... 376	144, 158, 168, 182,	90, 95, 105, 107, 110,
1705374....253, 261, 417,	2220502 ..... 376	198, 207	113, 115, 118, 125,
419	2220518... 107, 115, 127,	2902212 ..... 345	127, 133, 135, 139,
1705375....271, 279, 353,	139, 155, 165, 177, 195	2902217 ..... 349, 351	145, 153, 155, 159,
557	2220578... 107, 115, 127,	2902443 .... 465, 468, 471	161, 165, 169, 175,
1705387....253, 261, 271,	139, 155, 165, 177, 195	2902549 ..... 421, 439	177, 183, 191, 195,
279	2220603 ..... 376	2915096 ..... 566	198, 217, 219, 233,
1705426.....545	2220618 ..... 376	2920028 ..... 329	235, 237, 239, 284,
1705427.....547	2220695 ... 107, 115, 127,	2920029 ..... 329	291, 295, 303, 327
1705429.....543	139, 155, 165, 177, 195	2920161 ..... 73	3291007....241, 243, 245
1705430.....539	2220726 ..... 376	2940045 ..... 93	3291201....245, 249, 253,
1705460....266, 271, 274,	2220733 ..... 376	2940074 ... 309, 313, 317,	257, 261, 265, 270,
279	2220738... 107, 115, 127,	321, 561	273, 277, 303
1705461.....266, 274	139, 155, 165, 177,	2940173 ... 85, 87, 93, 95	3291205....39, 41, 43, 45,
1705489....249, 257, 266,	195, 376	3251102 ... 241, 243, 245,	82, 83, 90, 192, 231,
274	2220775 ..... 376	249, 253, 257, 261	303, 425, 427, 429,
1705515.....552	2220816 ..... 219	3251242 ... 401, 405, 409,	431, 433, 435
1705822.....537	2220852 ..... 376	413, 415	3291207.....37
1705828.....537	2220865 ..... 376	3251243 ... 243, 245, 253,	3291601.....27, 288
1705910.....549	2220883 ....361, 365, 367	261, 271, 279, 533,	3291605.....284, 289
1705917.....549	2220885 .....365, 367	535, 539, 541, 543,	3292001.....288
1705921.....537	2220906 ..... 376	545, 547, 549	3292005.....289
1705961.....537	2220940 ..... 376	3252347 ..... 533	3292201.....288
1705968.....539, 551	2220946 ... 107, 115, 127,	3252507 ... 241, 399, 403,	3292205.....289
1705969.....547, 551	139, 155, 165, 177, 195	407, 411	3300151....307, 311, 313,
1706059.....551	2220947 ... 107, 115, 127,	3252764 ... 265, 269, 273,	315, 317, 319, 323,
1706060.....551	139, 155, 165, 177,	277	349, 351, 353
1706061.....551	195, 376	3290301 ..... 231	3300353.....329
1706062.....551	2220998 ..... 376	3290405 ... 355, 395, 397,	3300396....254, 262, 266,
1706063.....551	2220999 ..... 376	399, 401, 403, 405,	270, 274, 278
1706064.....551	2221048 ..... 376	407, 409, 411, 413,	3300408.....71
1706098.....551	2221086 .....363, 376	415, 421, 423, 457	3300430.....341
2030010....349, 351, 353	2221176 .....105, 113	3290501 ... 125, 135, 153,	3311001....243, 245, 254,
2060025..... 110, 118	2221345 ..... 376	161, 175, 191	262, 266, 270, 274, 278
2080040....309, 313, 317,	2230027 ... 107, 115, 127,	3290505 .73, 75, 77, 125,	3311005.....37, 349, 351,
321	139, 155, 165, 177, 195	135, 153, 161, 175,	353
2080044....425, 427, 429,	2400060... 136, 162, 223,	191, 241, 253, 261,	3311405.....79, 191, 200,
431, 435	355, 479, 485	265, 269, 273, 277	347, 397, 401, 405,
2110806.....376	2400064 .....485, 561	3290601 .... 85, 87, 93, 95	409, 413, 415, 437
2111212.....376	2420203 .....243, 245	3290605 ... 55, 57, 59, 61,	3311601.82, 90, 329, 347
2131212....107, 115, 127,	2460048 .....265, 269	82, 93, 107, 110, 115,	3311605....349, 351, 353
139, 155, 165, 177, 195	2460055 ..... 243	118, 127, 132, 139,	3312005.....345
2170112.....376	2540020 .....73, 75, 77	144, 155, 158, 165,	3322201.....37
2170406.....376	2560136 ..... 329	168, 177, 182, 195,	3331211....110, 118, 132,
2170708.....376	2560187 ....85, 87, 93, 95	198, 227, 229, 249,	144, 158, 168, 182,
2180348..... 105, 113	2580024 ....113, 135, 161	257, 327, 393, 395,	198, 233, 235, 237, 239
2180832....125, 136, 153,	2580062 ..... 118	399, 403, 407, 411,	3331611....110, 118, 127,
162, 175, 191, 219	2600066 ..... 465	421, 423, 457, 459,	132, 139, 144, 158,
2200221.....37	2600281 ... 309, 313, 317,	533, 535, 537, 539,	168, 177, 182, 198
2220124.....33	321	541, 543, 545, 547, 549	3340764.....295
2220313....105, 113, 125,	2720015 ... 133, 145, 159,	3290606 ... 311, 315, 319,	3340787.....295
136, 153, 162, 175, 191	169, 183	323	3340956.....345
2220315..... 110, 118	2720058 ....105, 113, 217	3290805 ... 21, 55, 57, 85,	3380434.....327
2220366.....376	2720398 .....110, 118	87, 93, 95, 110, 118,	3421565.....35
2220371.....376	2753727 ..... 376	132, 144, 158, 168,	3422417.....288
2220372.....376	2754472 ..... 376	182, 198, 241, 243,	3422424.....288
2220373.....376	2820019 ..... 483	245, 253, 261, 265,	

## SECTION 11 - SPECIAL OPTIONS/ACCESSORIES/KITS

3422532 ... 107, 115, 127, 139, 155, 165, 177, 195	3841143.... 105, 113, 125, 135, 153, 161, 175, 191, 288, 291, 303	4240033....301, 341, 343, 347	4460425 ... 254, 262, 266, 270, 274, 278, 417, 419
3422793 ..... 284	3841203..... 284	4240099.....73, 105, 107, 113, 115, 125, 127, 133, 135, 136, 139, 145, 153, 155, 159, 161, 162, 165, 169, 175, 177, 183, 191, 195, 198, 223, 349, 351, 457, 459	4460426 ... 254, 262, 266, 270, 274, 278
3422860 ..... 291	3841287..... 284	4240149..... 345	4460428 ..... 329
3422861 ..... 291	3900267..... 254, 262	4280295..... 39, 41	4460434 ..... 497
3422867 ..... 291	3900300..... 254, 262	4360070....254, 262, 266, 270, 274, 278, 560	4460457 ..... 491, 495
3430616 ..... 329	3900349..... 329	4360274..... 69	4460458 ... 467, 471, 485, 491, 525
3430820 ..... 231	3900357..... 110, 118	4360336....241, 243, 245, 249, 253, 257, 261, 266, 270, 273, 277, 561	4460460 ..... 491, 495
3460334 ..... 345	3900363..... 93, 95	4360387..... 69, 329, 561	446046475, 77, 339, 355, 445, 447, 453, 455, 463, 479, 489, 491, 493, 495, 497, 519, 521, 523, 525, 526, 529
3470003 ..... 329	3900364..... 82	4360407..... 329, 560	4460465 ..... 73, 254, 355, 447, 449, 451, 453, 455, 463, 465, 467, 471, 472, 481, 483, 485, 489, 493, 495, 497, 501, 521, 523, 525, 526, 529
3520028 ..... 245	3910606.... 253, 261, 270, 277, 417, 419	4360469..... 67, 69, 561	4460466 ... 343, 355, 447, 449, 453, 463, 465, 467, 471, 472, 479, 489, 497, 501, 513, 519, 521, 525, 526
3520034 ... 425, 427, 429, 431, 433, 435	3910610..... 393	4360475.63, 65, 329, 561	4460467 ..... 566
3520054... 110, 118, 132, 144, 158, 168, 182, 198, 329	3910804..... 67, 69	4360517..... 37, 561	4460470 ..... 329, 457, 459
3520071 ..... 345	3931008..... 37	4360542..... 243, 245	4460471 ..... 329, 457, 459
3520072 ... 307, 309, 311, 313, 315, 317, 319, 321, 323	3931408..... 341	4420014..... 345	4460473 ..... 447, 449
3520189 ..... 266, 274	3931432..... 200	4420037.... 349, 351, 353	4460496 ..... 329, 457, 459
3520192 ..... 266, 274	3931512.... 132, 144, 158, 168, 182, 198	4420038..... 39, 41	4460497 ..... 329, 457, 459
3520198 ... 307, 309, 311, 313, 315, 317, 319, 321, 323	3931618... 107, 115, 127, 139, 155, 165, 177, 195	4420051.... 533, 535, 537, 539, 541, 543, 545, 547, 549	4460508 ... 343, 447, 497, 525
3539622 ..... 288	3931620..... 127	4420060..... 241	4460509 ..... 447, 449
3572044 ..... 533, 537	3931628... 132, 144, 158, 168, 182	4420066..... 345	4460510 ..... 566
3573400 ... 349, 351, 353	3960389..... 99	4460019..... 467, 472	4460518 ..... 497, 501, 521
3573642 ... 349, 351, 353	3960407..... 110, 118	4460027..... 243, 245	4460536 ... 453, 455, 497, 523, 529
3577121 ... 349, 351, 353	3960422.... 253, 261, 270, 277, 393, 417, 419	4460042.... 465, 468, 471, 525	4460539 ... 453, 455, 471, 495, 497, 523, 529
3580134 ..... 241	3960464..... 99	4460043.... 223, 467, 472, 485	4460612 ..... 417, 419
3580158 ..... 241, 243	3960469... 107, 115, 127, 139, 155, 165, 177, 195	4460071 ... 253, 261, 270, 277, 339, 393	4460662 ... 403, 405, 407, 409, 411, 413, 415
3580243 ..... 288	3980007.... 113, 135, 161	4460142..... 465	4460702 ..... 526
3580248 ..... 288	4010303..... 301	4460183..... 497, 525	4460703 ..... 467, 472, 526
3580249 ..... 288	4010308..... 231	4460190..... 243, 245	4460708 ..... 498
3580276 ..... 243, 245	4010405..... 421, 423	4460205..... 393	4460722 ..... 223
3580317 ... 249, 253, 257, 261, 266, 270, 273, 277	4010510..... 73, 75, 77	4460224..... 257	4460742 ..... 485
3580318 ... 253, 261, 270, 277	4010618... 311, 315, 319, 323	4460225..... 481, 483, 497	4460743 ..... 485
3580319 ... 249, 257, 265, 273	4031505..... 343	4460226..... 334, 339, 526	4460746 ..... 467, 471
3580320 ... 132, 144, 158, 168, 182, 249, 253, 266, 270	4031516..... 347	4460227..... 497	4460748 ..... 467, 471, 525
3600359 ... 107, 115, 127, 139, 155, 165, 177, 195, 213	4031608..... 241	4460234..... 329	4460761 ..... 497
3600363 ... 107, 115, 127, 139, 155, 165, 177, 195, 209	4031914... 132, 144, 158, 168, 182, 198	4460247..... 472, 525	4460806 ..... 405, 409
374006755, 57, 110, 118, 561	4032014.... 132, 144, 158, 168, 182, 288	4460259.... 355, 487, 497, 525	4460807 ..... 481, 483
3740080 ..... 479, 561	4032015.... 249, 253, 266, 270	4460260.... 355, 487, 497, 525	4460808 ..... 481, 483
3740086 ..... 519	4032020..... 288	4460265..... 334	4460836 ..... 501
3760170 ..... 35	4060802... 241, 243, 245, 249, 253, 257, 261, 266, 270, 273, 277	4460267..... 497	4460837 ..... 501
3790012 ..... 291, 329	4060805..... 289	4460268..... 481, 483	4460865 ..... 447, 449
3790045 ... 107, 115, 127, 139, 155, 165, 177, 195	4061032... 107, 115, 127, 139, 155, 165, 177, 195	4460294..... 257	4460866 ..... 447, 497, 525
3790152 ... 107, 115, 127, 139, 155, 165, 177, 195	4070895..... 288	4460312..... 465	4460871 ... 331, 487, 495, 497, 525, 526, 529
3820001 ... 533, 535, 537, 539, 541, 543, 545, 547, 549	4070896..... 288	4460313.... 465, 467, 495	4460872 ..... 495
3820020 ... 309, 313, 317, 321	4070897..... 288	4460315..... 393	4460873 ..... 497, 525
	4070898..... 288	4460346.... 253, 261, 270, 277, 393	4460874 ..... 497, 526
	4070939..... 288	4460384..... 415	4460875 ..... 495
	4070940..... 288	4460418..... 487, 497	
	4092009..... 288	4460419..... 487, 497	
	4160149..... 288	4460424..... 526	
	4240018... 417, 419, 425, 427, 429, 431, 433, 435		
	4240032..... 461		

## SECTION 11 - SPECIAL OPTIONS/ACCESSORIES/KITS

4460876.....487, 497	4461246 .....413, 511	4811900 .21, 93, 95, 110,	198, 233, 235, 237,
4460878.....525	4461249 ..... 511	118, 132, 144, 158,	239, 245, 249, 253,
4460879.....355, 497	4530028 .....349, 351, 357	168, 182, 198, 241,	257, 261, 266, 270,
4460880.....59, 61	4640464 .59, 61, 453, 455	243, 245, 253, 261,	273, 277, 303
4460884....355, 471, 489,	4640509 ..... 365	266, 270, 273, 277,	5241400....110, 118, 132,
495, 526	4640751 ..... 200	295, 297, 301, 303,	144, 158, 168, 182,
4460887.....355, 497, 525	4640932 ..... 361	425, 427, 429, 431,	198, 233, 235, 237,
4460891.....73, 467, 493,	4640999 ..... 361	433, 435, 437, 457	239, 249, 253, 266, 270
495, 501, 521, 526, 529	4641317 ..... 21	4811902 ... 55, 57, 85, 87,	5241600.....27
4460892.....453	4711000 ..... 37, 254, 262,	90, 133, 145, 159, 169,	5242000.....27
4460894....451, 453, 463,	266, 270, 274, 278, 459	183, 198, 241, 243	5250608..... 99, 459
465, 467, 471, 497, 525	4711400 ..... 79, 200, 307,	4812000 ... 21, 39, 41, 43,	5250808..... 99
4460897....59, 61, 75, 77,	311, 313, 315, 317,	45, 82, 85, 87, 90, 93,	525081085, 87, 132, 144,
491, 525	319, 323, 341, 347,	95, 99, 105, 107, 110,	182, 297
4460899....453, 455, 489,	397, 401, 405, 409,	113, 115, 118, 125,	5250812..... 82, 301
495, 513, 519, 523, 526	413, 415	127, 132, 135, 139,	5250813.....225
4460905....487, 495, 497,	4711500 ... 132, 144, 158,	144, 153, 155, 158,	5250816..... 158, 168
525, 526	168, 182, 198	161, 165, 168, 175,	5251008..... 301, 303
4460906.....479	4711600 ... 39, 41, 43, 45,	177, 182, 191, 195,	5251009.....21, 55, 57
4460910.....515	246, 329	198, 217, 219, 225,	525101243, 45, 105, 113,
4460911.....495, 513	4712000 ..... 345	233, 235, 237, 239,	125, 133, 135, 145,
4460925.....497	4712200 ..... 345	241, 243, 245, 284,	153, 159, 161, 169,
4460926.....501	4740362 ..... 327	288, 297, 301, 303,	175, 183, 191, 250,
4460928.....501, 521	4740397 .63, 65, 291, 329	327, 425, 427, 429,	254, 257, 262, 266,
4460930.....465, 467, 471	4740439 ..... 291	431, 433, 435, 457, 459	270, 273, 278
4460931.....526	4751000 ... 39, 41, 43, 45,	4812002 ... 39, 41, 43, 45,	5251014....59, 61, 82, 90,
4460932....355, 445, 472,	243, 245, 349, 351, 353	82, 85, 87, 90, 105,	198
475, 493, 526	4751400 ... 85, 87, 93, 95,	107, 113, 115, 125,	5251016..... 198, 303
4460933....497, 498, 521,	325, 327, 329, 349,	127, 135, 139, 153,	5260600..... 99, 459
525	351, 353, 437	155, 161, 165, 175,	5260800..... 99, 225
4460941.....475, 513	4751500 ..... 245	177, 191, 195, 200	5261000.59, 61, 198, 459
4460942.....343, 467, 471	4751600 ... 133, 145, 159,	4812100 ... 37, 39, 41, 43,	5281918....425, 427, 429,
4460943.....465, 497, 513	169, 183, 200, 349,	45, 82, 83, 90, 105,	431, 433, 435
4460944....465, 467, 471,	351, 353	113, 125, 136, 153,	70000044..... 121
497	4760600 ..... 393	162, 175, 191, 198,	70000123.....241
4460945.....472	4761400 ..... 325	231, 303, 425, 427,	70000342.....293
4460956..... 439, 441	4811400 ... 231, 355, 395,	429, 431, 433, 435	70000345..122, 149, 173,
4460957.....439, 441	397, 399, 401, 403,	4812300 ... 110, 118, 132,	187, 203
4460958.....419	405, 407, 409, 411,	144, 158, 168, 182, 198	70000619..265, 269, 273,
4460959.....433, 435	413, 415, 457	4812500 ..... 83, 90	277
4460960.....433, 435	4811600 .73, 75, 77, 125,	4844816 ..... 291	70000699..... 363
4460962.....351	135, 153, 161, 175,	4844817 ..... 291	70000793.....207
4460963.....270, 278	191, 241	4846627 .... 349, 351, 353	70000800..... 122
4460967.....254, 485, 526	4811602 ... 253, 261, 266,	4871700 ... 241, 243, 249,	70000863..265, 269, 273,
4460968....241, 395, 397,	270, 273, 277	253, 257, 261, 266,	277
399, 401	4811700 ... 55, 57, 59, 61,	270, 273, 277	70000912.....121
4460970.....497	75, 77, 79, 93, 95, 105,	4891600 ..... 303	70000913..... 121
4461005.....465	107, 110, 113, 115,	4891800 ..... 195	70000914..... 121
4461006.....465	118, 125, 127, 132,	4892000 ..... 33	70000915..... 121
4461008....465, 468, 471	135, 139, 144, 153,	4892600001 ..... 303	70000916..... 121
4461052.....465	155, 158, 161, 165,	4920385 ..... 225	70000917..... 121
4461053.....465	168, 175, 177, 182,	4922641 ... 241, 243, 245,	70000918..... 121
4461054....465, 468, 471,	191, 195, 198, 241,	250, 254, 258, 262,	70000919..... 121
475	243, 245, 249, 253,	266, 270, 273, 278	70001002..... 121
4461060.....465	257, 261, 266, 270,	4922925 ... 266, 270, 273,	70001100..265, 269, 273,
4461070....465, 467, 521	273, 277, 284, 311,	278, 483	277
4461071.....468, 471	315, 319, 323, 393,	5240800 ..... 239	70001181..... 122
4461073....465, 468, 471	395, 399, 403,407, 411,	5241000 .82, 93, 95, 107,	70001384..265, 269, 273,
4461077.....513, 519	421, 423, 425, 427,	111, 115, 119, 127,	277
4461095....465, 467, 521	429, 431, 433, 435,	133, 139, 145, 155,	70001435..... 121
4461196.....503	457, 459, 533, 535,	159, 165, 169, 177,	70001655..... 148, 150
4461198.....397, 503	537, 539, 541, 543,	183, 195, 198, 235,	70001696..... 265, 269
4461199.....505	545, 547, 549	249, 253, 257, 261,	70001697.....293
4461201.....401, 505	481170285, 87, 107, 115,	266, 270, 273, 277,	7000180.....172
4461205.....507, 509	127, 139, 155, 165,	288, 295	70001835..... 121
4461244.....405, 507	177, 195, 227, 229	5241200 ... 110, 118, 132,	70001836..... 121
4461245.....409, 509		144, 158, 168, 182,	70001837..... 121



## SECTION 11 - SPECIAL OPTIONS/ACCESSORIES/KITS

70001841 ..... 121	70003709..249, 253, 257, 261, 265, 269, 274, 278	70004513...148, 172, 186	70005176..... 148
70001844 ..... 122	70003926.....367	70004584.....23	70005177...148, 172, 186
70001850 ..... 121	70003928.....367	70004594.....23	70005178..... 148
70001866 ..... 121	70003929.....367	70004595.....23, 560	70005179.....148, 150
70001868 ..... 121	70003930.....367	70004596.....23	70005181.....172, 186
70001870 . 121, 147, 171, 185, 204	70003982.....367	70004597.....23	70005184. 148, 172, 186, 203
70001871 ..... 121	70003998..... 55, 57	70004598.....23	70005188.....172, 187
70001872 ..... 122	70004020... 110, 118, 560	70004602.....23	70005189.....172, 187
70001953 ..... 265, 269	70004037.....30	70004607.....23	70005191...150, 173, 187
70001966 . 249, 253, 257, 261, 265, 269, 274, 278	70004039.....30	70004613.....299	70005200 ..... 299
70001973 . 265, 269, 274, 278	70004040.....30	70004617.....24	70005203..... 30
70001974 . 265, 269, 274, 278	70004041.....30	70004653.....23, 24, 299, 560	70005244 ..... 37
70002066 ..... 30	70004042.....30	70004656.....23	70005283.....13, 15, 17
70002088 ..... 265, 269	70004043.....30	70004657.....23	70005284.....13, 15, 17
70002112 ..... 47, 49	70004044.....30	70004661.....23	70005285.....13, 15, 17
7000217 ..... 30	70004045.....30	70004662.....23	70005286.....13, 15, 17
70002200 ..... 121	70004047.....31	70004668.....23	70005322 ..... 37
70002234 ..... 121	70004051.....23, 24	70004676..249, 253, 257, 261	70005335.....297, 560
7000228 ..... 30	70004052.....23, 24, 299	70004677.....249	70005527...150, 173, 188
70002229 ..... 30	70004053.....299	70004678..249, 254, 257, 262	70005563 ..... 363
70002291 ..... 274, 278	70004055.....23	70004679..249, 254, 257, 262	70005572 ..... 363
70002297 . 265, 269, 273, 278	70004056.....121	70004680..249, 254, 257, 262	70005595 ..... 367
7000230 ..... 30	70004058.....121	70004681.....249, 257	70005627 ..... 299
70002410 ..... 361	70004060.....121	70004682..249, 254, 257, 262	70005647 . 149, 173, 187, 203
70002415 ..... 122	70004064.....217	70004683.....249, 257	70005648 . 149, 173, 187, 203
70002416 ..... 122	70004065.....217	70004684.....254	70005682 ..... 297
70002417 ..... 122	70004066.....217, 560	70004685.....254, 262	70005683 .....295, 561
7000246 ..... 30	70004067.....217	70004686.....257	70005684 ..... 295
70002460 . 265, 269, 274, 278	70004068.....217	70004687.....262	70005698 ..... 361
7000247 ..... 30	70004069.....217	70004752.....333	70005699 ..... 361
7000248 ..... 30	70004070.....217	70004753.....333	70005700 ..... 361
7000253 ..... 30	70004092..249, 253, 257, 261, 274, 278	70004754.....333	70005701 ..... 361
7000255 ..... 30	70004094.....274, 278	70004755.....333	70005702 ..... 361
7000257 ..... 30	70004098..254, 262, 274, 278	70004756.....333	70005708 ..... 47
7000263 ..... 30	70004099..257, 261, 274, 278	70004757.....333	70005839 ..... 367
70002718 . 122, 147, 171, 185	70004155.....367	70004758.....333	70005916 ..... 122
70002758 ..... 24	70004169.....265, 269	70004759.....333	70005917 ..... 122
70002759 ..... 24	70004171..249, 253, 265, 269	70004760.....333	70005920...147, 171, 185
70002814 ..... 47, 561	70004186.....365, 367	70004761.....333	70005921 ..... 147
70002838 ..... 47, 49	70004199.....47, 49	70004762.....333	70005922 .....171, 185
70002839 ..... 47, 49	70004237.....361	70004763.....333	70005923 .....172, 186
70002902 ..... 339	70004272.....121	70004764.....333	70005924.....172, 186
70002903 ..... 339	70004276..149, 173, 187, 203	70004765.....333	70005925 ..... 186
70002904 ..... 339	70004277..149, 173, 187, 204	70004766.....333	70005926...148, 172, 186
70002905 ..... 339	70004280..122, 147, 171, 185	70004767.....333	70005927 ..... 186
70003019 ..... 23, 299	70004282... 148, 173, 187	70004768.....333	70005928...148, 172, 186
70003027 ..... 23, 299	70004287.....121	70004769.....333	70005929...148, 172, 186
70003136 ..... 121	70004289.....122	70004770.....333	70005930 ..... 186
70003454 ..... 37	70004414.....39, 41	70004771.....333	70005931 . 148, 172, 186, 203
70003464 ..... 121	70004501... 148, 172, 186	70004772.....333	70005932 .....173, 187
70003465 ..... 121	70004504... 150, 187, 203	70004773.....333	70005933...150, 173, 187
70003466 ..... 121	70004505... 147, 171, 185	70004774.....334	70005934...150, 173, 187
70003472 ..... 121	70004506... 147, 171, 185	70004775.....334	70005935 .....150, 187
70003475 ..... 121	70004507... 147, 171, 185	70004795.....47, 49	70005936 ..... 150
70003478 ..... 121	70004508..147, 171, 185, 203	70004867.....363	70005937 ..... 187
70003631 . 265, 269, 273, 278	70004509... 147, 171, 185	70005008..133, 145, 159, 169, 183, 199, 560	70005938. 147, 171, 185, 204
70003708 . 249, 253, 257, 261, 265, 269, 274, 278	70004510... 147, 171, 185	70005171.....147	70005941 .....147, 203
	70004511.....172	70005172..147, 171, 185, 203	70005942. 147, 171, 185, 203
		70005173... 147, 171, 185	70005947 ..... 23

## SECTION 11 - SPECIAL OPTIONS/ACCESSORIES/KITS

70005951.....299	70006979.....367	70024457.....23	70025135... 147, 171, 185
70005952.....23, 299	70006980.....367	70024484.....173, 187	70025137.....147, 185
70006004.....363, 560	70006981.....367	70024488.....171, 185	70025139... 147, 171, 185
70006093.....273, 278	70006982.....367	70024494..147, 171, 185,	70025140... 147, 171, 185
70006094.....274, 278	70006983.....367	204	70025142... 148, 172, 203
70006095.....274, 278	70007086.....149	70024502..148, 172, 186	70025144... 148, 171, 185
70006096.....274, 278	70007087.....149	70024504..186, 187, 203	70025145... 147, 171, 185
70006097.....274, 278	70007088.....149	70024507..150, 173, 187,	70025146... 147, 171, 185
70006109.....23	70007089.....149	203	70025147.....148
70006110.....23	70007323.....363	70024509..149, 173, 187	70025148... 148, 172, 186
70006111.....23	70007325.....148	70024513..148, 171, 186,	70025149.....187
70006112.....23	70007326.....149	203	70025151... 148, 172, 186
70006113.....23	70007327.....149	70024517..147, 171, 185	70025152... 147, 171, 185
70006114.....23	70007331.....150	70024904..147, 171, 185,	70025153... 186, 203, 560
70006115.....23	70007334.....363	204	70025154... 147, 171, 185
70006116.....23, 299	70007341.....363	70024905..147, 171, 185	70025155... 149, 172, 187
70006117.....23	70007342.....363	70024906..147, 171, 185	70025158... 148, 172, 186
70006118.....23	70007343.....363	70024910.....186	70025160.....186, 203
70006119.....24	70007345.....363	70024912.....149	70025161... 186, 203, 560
70006120.....24	70007346.....363	70024914.....187	70025162.....147
70006121.....299	70007347.....363	70024915..149, 173, 187,	70025164..149, 173, 187,
70006122.....299, 560	70007354.....149	203	203
70006123.....299	70007355.....150	70024916.....203	70025165.....149
70006124.....299	70007394.....13, 17	70024917..150, 173, 187	70025166.....150
70006125.....299	70007395.....13, 15, 17	70024918.....173, 187	70025174.....186
70006126.....299	70007396.....13, 15, 17	70024920..148, 150, 172,	70025175.....172, 186
70006144... 148, 171, 203	70007397.....13, 15, 17	173, 186, 187	70025176.....185
70006260.....363	70007398.....13, 15, 17	70024922..150, 173, 187,	70025178.....186
70006264... 147, 171, 185	70007399.....13, 15, 17	203	70025179..149, 172, 173,
70006265... 147, 171, 185	70007400.....13, 15, 17	70024924..147, 171, 185	186, 187
70006266... 147, 171, 185	70007401.....13, 15, 17	70024925..147, 171, 185,	70025180.....172, 186
70006294.....149	70007402.....13, 15, 17	204	70025181..147, 171, 185,
70006304.....30, 31	70007403.....13, 17	70024961..148, 171, 186,	203
70006305.....31	70007404.....13, 17	203	70025182... 148, 172, 186
70006306.....31	70007405.....13, 17	70025076.....185	70025183... 148, 172, 186
70006307.....31	70007406.....13, 15, 17	70025077.....173, 187	70025184... 148, 172, 186
70006308.....31	70007407.....13, 15, 17	70025082..121, 122, 171,	70025185... 148, 172, 186
70006309.....31	70007408.....13, 15, 17	185	70025192... 150, 173, 187
70006310.....31	70007409.....13, 15, 17	70025084.....172, 186	70025200... 148, 172, 186
70006313.....31	70007410.....13, 15, 17	70025091.....185	70025203.....172, 186
70006314.....43, 45	70007411.....13, 15, 17	70025095.....149	70025205.....147
70006356..107, 115, 127,	70007412.....13, 15, 17	70025098.....149, 150	70025210..148, 172, 186,
139, 155, 165, 177, 195	70007413.....13, 15, 17	70025099.....149	560, 561
70006357.....24	70007414.....13, 17	70025101..148, 172, 186	70025212... 150, 173, 187
70006403.....221	70007415.....15	70025104.....147	70025214.....150
70006404.....221	70007416.....15	70025106.....149	70025215.....149
70006405.....221	70007417.....15	70025107.....172, 186	70025216.....149
70006406.....221	70007603.....203	70025108.....150	70025217.....149
70006407.....221	70007725.....49	70025109..148, 172, 186	70025221.....149
70006408.....221	70007726.....49	70025111..147, 171, 185	70025224.....149
70006409.....221	70007727.....49	70025112..148, 172, 186	70025225.....149
70006410.....221	70007838.....363	70025113.....150	70025226.....149
70006552..249, 254, 257,	70010383.....21, 560	70025115..148, 172, 186	70025228.....149
261	7001268.....210, 214	70025120..150, 173, 187	70025229.....149
70006553..249, 254, 257,	7001481.....211, 214	70025121.....148	70025231... 149, 173, 187
261	7001485.....209, 213	70025122.....148	70025233... 149, 173, 187
70006649.....365	7001909.....30	70025124..148, 172, 186	70025235... 148, 172, 186
70006650.....365	7001911.....30	70025125.....147	70025239... 148, 172, 186
70006652... 149, 173, 203	7001912.....30	70025126.....150	70025240... 148, 172, 186
70006653.....149, 173	7001931.....30	70025128.....150	70025242.....150, 187
70006731.....367	7001985.....30	70025129.....148	70025245.....187
70006734.....365	70022564.....361	70025130..148, 173, 187,	70025246.....187
70006735.....365	70023369.....361	203	70025327.....149
70006736.....365	70023859.....23	70025131.....187	70025477.....173, 187
70006941.....171, 185	70023860.....23, 299	70025132.....173, 187	70025580.....363
7000695.....122	70023862.....299	70025133.....172, 186	70025582.....363
70006978.....367	70024441.....49	70025134.....149	70025660... 147, 171, 185

## SECTION 11 - SPECIAL OPTIONS/ACCESSORIES/KITS

70025676 .....	149	7016328.....	121, 560	7021279.....	210, 214	7024478 .....	357
70025696 .....	149	7016331....	121, 147, 171, 185, 203, 560, 561	7021280.....	211, 215	7024485 .....	265, 269
70025733 ..	149, 173, 187	7016372.....	73	7021281.....	210, 214	7024488 ...	265, 269, 273, 277
70025752 .....	122	7016652.....	566	7021283.....	210, 214	7024489 ...	265, 269, 273, 277
70025753 .....	122	7016654.....	566	7021285.....	210	7024502 .....	363
70025768 .....	186	7016655.....	566	7021289.....	210, 214	7024503 .....	363
70025788 .....	150	7017023.....	30	7021296.....	211, 215	7024579 ...	122, 147, 171, 185
70025877 .....	187, 188	7017070.....	30	7021297.....	215	7024598 .....	231
70026164 .....	363	7017072.....	30	7021298.....	215	7024704 .....	30
70026210 ..	150, 173, 187, 203	7017080.....	30	7021299.....	215	7024743 .....	30
70026973 .....	363	7017082.....	31	7022190.....	210, 214	7024763 .....	30
70026995 .....	173, 187	7017085.....	30	7022321 .....	209, 213	7024784 .....	31
70027415 .....	147	7017142.....	293	7022330.....	209, 213	7024800 .....	210, 214
70027428 .....	149	7017159.....	293	7022331.....	209, 213	7024801 .....	210, 214
70027440 .....	149	7017162.....	293	7022332.....	209, 213	7024802 .....	215
70027446 .....	149	7017163.....	293	7022333.....	209, 213	7024803 .....	215
70028185 ..	147, 171, 185	7017164.....	293	7022334.....	209, 213	7024804 .....	210, 214
70028186 .....	148	7017172.....	293	7022335.....	209, 213	7024805 .....	209, 213
7002821 .....	566	7017172.....	293	7022336.....	209, 213	7026188 .....	265, 269
7002822 .....	566	7017192.....	293	7022337.....	209, 213	7026199 .....	245
7002823 .....	566	7017195.....	293	7022338.....	209, 213	7026597 ...	265, 269, 274, 278
7002826 .....	566	7019680.....	243, 245	7022340.....	209, 213	7026626 ...	265, 269, 274, 278
7002840 .....	566	7020043.....	39, 41	7022341.....	209, 213	7027236 .....	121
70028538 ..	148, 150, 172, 173	7020108....	241, 243, 245	7022342.....	209, 213	7027276 .....	121
70028540 .....	150	7020109....	241, 243, 245	7022343.....	209	7027773 .....	357
70028699 .....	149	7020110....	241, 243, 245	7022344.....	209	7027774 .....	357
70028802 .....	172	7020111....	241, 243, 245	7022345.....	210, 214	7027775 .....	357
70029015 .....	149	7020115.....	63, 65	7022346.....	210, 214	7027776 .....	357
70029250 .....	150	7020176.....	63, 65	7022347.....	210, 214	7027777 .....	357
70029393 .....	148	7020190....	241, 243, 245	7022348.....	210, 214	7027778 .....	357
70029402 .....	149	7020403.....	121	7022349.....	210	7027779 .....	357
70029403 .....	149	7020408.....	121	7022350.....	210	7027780 .....	357
70029404 .....	149	7020465....	121, 147, 171, 185, 203	7022351.....	210, 214	7027790 .....	121
70029415 .....	150	7020468.....	121	7022352.....	211	7027791 .....	121
70029433 .....	150	7020471.....	122	7022353.....	211	7027792 .....	121
70029435 .....	148	7020479.....	121	7022354.....	213	7027795 .....	122, 560
70029512 .....	203	7020492....	148, 172, 186	7022355.....	213	7027796 .....	122
70029517 .....	150	7021229.....	211	7022357.....	213	7027799 ...	265, 269, 274, 278
70029557 .....	149	7021236.....	209, 213	7022358.....	215	7027887 ....	241, 243, 245
70029797 .....	148, 203	7021237.....	209	7022359.....	214	7274000040 .....	250, 254, 258, 262, 266, 270, 274, 278
70030359 .....	204	7021237.....	209	7022524.....	299	7300435 ...	110, 118, 132, 144, 158, 168, 182, 198
7003974 .....	331	7021238.....	209, 213	7022527.....	23	77133137 ..	425, 427, 429, 431, 433, 435
7004275 .....	566	7021239.....	209, 213	7022832.....	331	77363233 .....	481, 483
7004276 .....	566	7021240.....	209	7022833.....	331	80434249 .....	23, 560
70050795 .....	367	7021243.....	209, 213	7022834.....	331	80484084 .....	467, 471
7005889 .....	31	7021248.....	209, 213	7022835.....	331	80633030 .....	376
7005891 .....	31	7021249.....	209, 213	7022836.....	331	80983191 ...	467, 472, 561
7007289 .....	211, 215	7021250.....	209, 213	7022837.....	331	8220045 ....	465, 479, 526
7007412 .....	210, 214	7021251.....	209, 213	7022838.....	331	8220089 .....	525
7007419 ....	209, 213, 215	7021253.....	209, 213	7022839.....	331	8220097 .....	525
7007470 ...	209, 210, 213, 214	7021255....	209, 210, 213, 214	7023821.....	24	8220098 .....	525
7007633 .....	30	7021256.....	215	7023996.....	209, 213	8220115 .....	467
7010474 .....	30	7021257.....	209, 213	7023997.....	209, 213	8220164 .....	465, 472
7010492 .....	30	7021257.....	209, 213	7023998.....	209, 213	8229242 ...	467, 472, 525, 561
7010543 .....	21	7021259.....	209, 213	7023999.....	209	8229244 .....	525, 561
7011112 .....	361	7021260.....	213	7024100.....	31	8229245 .....	479, 561
70124410 .....	122	7021265.....	210, 214	7024441.....	47		
70124440 .....	122	7021267.....	209, 213	7024462.....	357		
7012513 ....	241, 243, 245	7021269.....	214	7024463.....	357		
7012514 ....	241, 243, 245	7021271.....	210, 214	7024467.....	357		
7012558 .....	243, 245	7021272.....	210, 214	7024469.....	357		
7012941 .....	21	7021273.....	210, 214	7024470.....	357		
7012944 .....	21	7021274.....	210, 214	7024471.....	357		
7016319 .....	73	7021275.....	210, 214	7024472.....	357		
		7021276.....	210, 214	7024473.....	357		
		7021277.....	210, 214	7024474.....	357		
		7021278.....	210, 214	7024475.....	357		

## SECTION 11 - SPECIAL OPTIONS/ACCESSORIES/KITS

8229249.....	355	8405009 ...	132, 144, 158, 168, 182, 198	8406109 ...	110, 118, 132, 144, 158, 168, 182, 198	8896941.....	566
8310129.....	345	8405104 ...	132, 144, 158, 168, 182, 198	8406110	75, 77, 105, 113	91203039.....	303
83304173.....	47, 49	8405203 .....	110, 118	8410011 ...	132, 144, 158, 168, 182, 198	91401281.....	55
8405006.....	191	8405204 .....	110, 118	8410013 .....	200	91403230..	533, 535, 537, 539, 541, 543, 545, 547, 549
8405007....	132, 144, 158, 168, 182, 198	8406003 .....	301	88411013 .....	437		





**Corporate Office  
JLG Industries, Inc.  
1 JLG Drive  
McConnellsburg, PA 17233-9533 USA  
☎ (717) 485-5161 (Corporate)  
☎ (877) 554-5438 (Customer Support)  
📠 (717) 485-6417**

**Visit our website for JLG Worldwide Locations.  
[www.jlg.com](http://www.jlg.com)**



**OSHKOSH™**